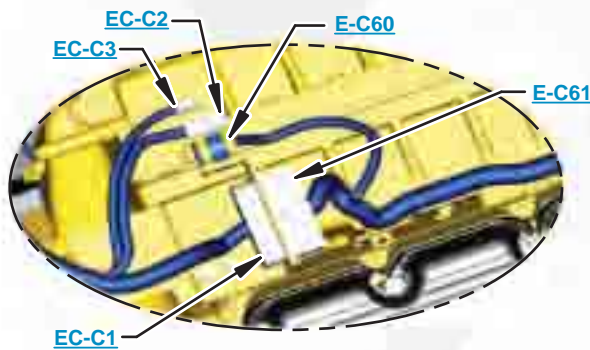


This document is best viewed at a screen resolution of 1024 X 768.

To set your screen resolution do the following:
RIGHT CLICK on the **DESKTOP**.
 Select **PROPERTIES**.
CLICK the **SETTINGS TAB**.
MOVE THE SLIDER under **SCREEN RESOLUTION** until it shows **1024 X 768**.
CLICK OK to apply the resolution.

The Bookmarks panel will allow you to quickly navigate to points of interest.



Click on any text that is BLUE and underlined. These are hyperlinks that can be used to navigate the schematic and machine views.

VIEW ALL CALLOUTS

When only one callout is showing on a machine view this button will make all of the callouts visible. This button is located in the top right corner of every machine view page.

HOTKEYS (Keyboard Shortcuts)		
	FUNCTION	KEYS
	Zoom In	"CTRL" / "+"
	Zoom Out	"CTRL" / "-"
	Fit to Page	"CTRL" / "0" (zero)
	Hand Tool	"SPACEBAR" (hold down)
	Find	"CTRL" / "F"



www.manuals-free.com

Schematic

330D, 336D, and 336D₂ Excavator Hydraulic System - Attachment

330D:

GBC1-UP
GGE1-UP
THJ1-UP
LRM1-UP
ERN1-UP
RAS1-UP
T2Y1-UP

336D:

J2F1-UP
JBF1-UP
PRF1-UP
LMG1-UP
MYG1-UP
KDJ1-UP
W3K1-UP
WRK1-UP
PPN1-UP
MYP1-UP
JWR1-UP
DTS1-UP
KKT1-UP
WET1-UP
PGW1-UP

336D₂:

XBH1-UP
FAR1-UP
TLY1-UP

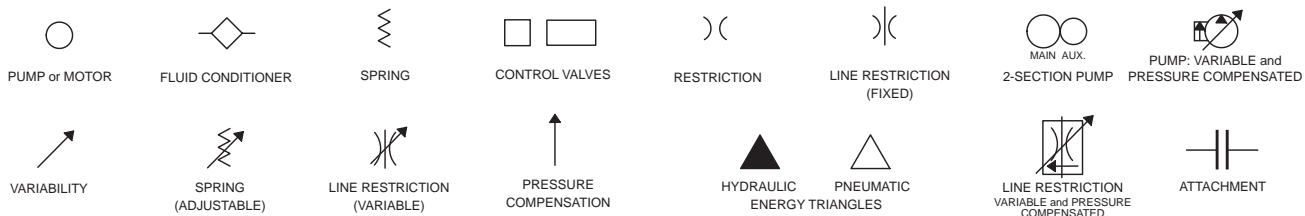
Stick Lowering Control Valve

Description	Part Number	Machine Location	Schematic Location
Attachment			
Block	201-9379	1	D-5
Valve Gp - Load Control (Stick Lowering, Drift Reduction, Relief)	263-1962	2	E-6
Standard 330D with Heavy Lift and Fine Swing			
Accumulator Gp - Hydraulic (Charged)	164-6981	3	B-4
Block	201-9379	4	D-2
Cylinder Gp - Boom	NOTE A	5	F-2
Cylinder Gp - Bucket	NOTE A	6	F-7
Cylinder Gp - Stick	NOTE A	7	F-7
Filter & Valve Gp - Pilot (Hydraulic Oil)	158-8987	8	A-4
Filter Gp - Oil (Hydraulic Return)	188-4140	9	A-6
Filter Gp - Oil (Hydraulic, Case Drain)	126-2075	10	A-4
Manifold Gp - Control (Pilot Oil)	215-8987	11	B-6
Motor Gp - Piston (Fan)	234-4638	12	A-7
Motor Gp - Swing	200-3373	13	F-5
Motor Gp - Travel	Left Right 271-6376	14 15	F-5 F-3
Pump Gp - Piston (Hydraulic Fan)	259-0815	16	B-3
Pump Gp - Piston (with Pilot Gear Pump)	283-6116	17	B-2
Swivel Gp	234-4440	18	E-4
Valve Gp - Check (Oil Cooler Bypass) (Control Valve)	190-7745	19	A-7
Valve Gp - Main Control	285-1536	20	C-1
Valve Gp - Pilot (Joystick, LH)	270-5951	21	C-7
Valve Gp - Pilot (Joystick, RH)	270-5947	22	C-6
Valve Gp - Pilot (Travel)	270-5947	23	D-7
Valve Gp - Pressure Reducing (Boom, Swing Priority)	234-4102	24	B-4
Valve Gp - Shuttle	185-0462 259-7732	25 26	B-6 B-4
Valve Gp - Solenoid (Heavy Lift)	121-6303	27	A-4
Valve Gp - Swing Cushion (Fine Swing)	158-9085	28	E-5
Valve Gp - Travel Counterbalance	Left Right 204-2819	29 30	E-5 E-3
Boom Lowering Control Valve			
Valve Gp - Load Control (Boom Lowering, Drift Reduction, Relief)	Left Right 255-5683	40 41	E-3 E-1
Valve Gp - Manual (Boom Lower)	270-5692	42	E-2

Note A: Refer to Parts Manual for your specific machine.

Tap Number	Description	Schematic Location
<u>AA</u>	Pilot Filter Pressure Test Port	<u>A-4</u>
<u>BB</u>	Drive Pump Pressure Test Port	<u>B-2</u>
<u>CC</u>	Power Shift Pressure Test Port	<u>A-2</u>
<u>DD</u>	Idler Pump Pressure Test Port	<u>A-2</u>
<u>SOS</u>	Hydraulic Oil Sampling Port	<u>A-4</u>

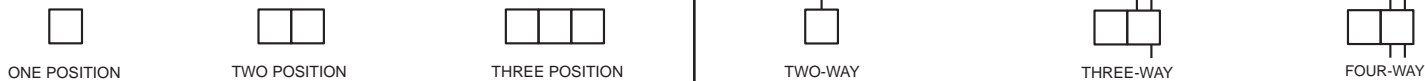
BASIC COMPONENT SYMBOLS



VALVE ENVELOPES

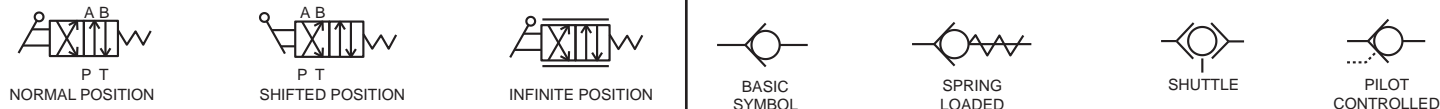
VALVES

VALVE PORTS



CONTROL VALVES

CHECK VALVES



FLUID STORAGE RESERVOIRS



MEASUREMENT

ROTATING SHAFTS



COMBINATION CONTROLS



MANUAL CONTROL SYMBOLS



RELEASED PRESSURE

PILOT CONTROL SYMBOLS

REMOTE SUPPLY PRESSURE



ACCUMULATORS

CROSSING AND JOINING LINES

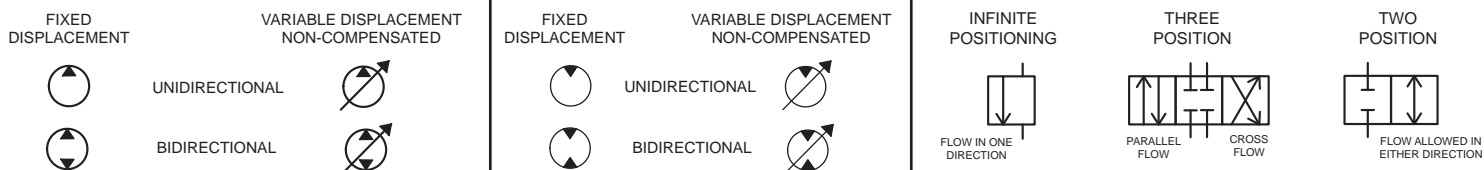
HYDRAULIC AND PNEUMATIC CYLINDERS



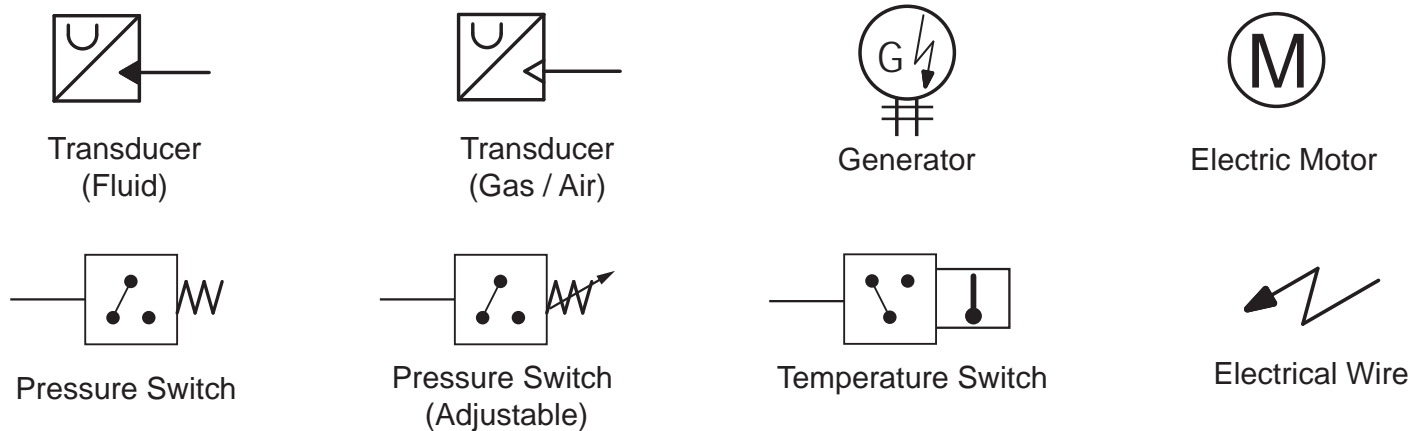
HYDRAULIC PUMPS

HYDRAULIC MOTORS

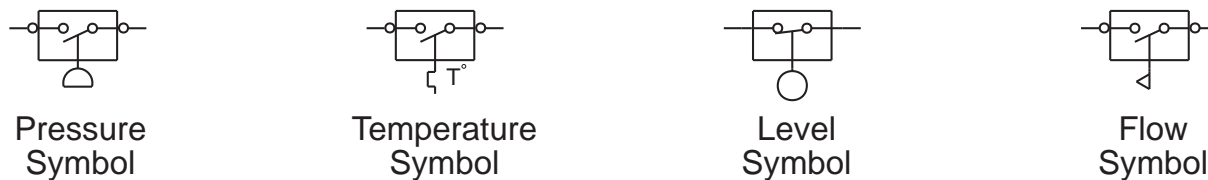
INTERNAL PASSAGEWAYS



Hydraulic Symbols (Electrical)

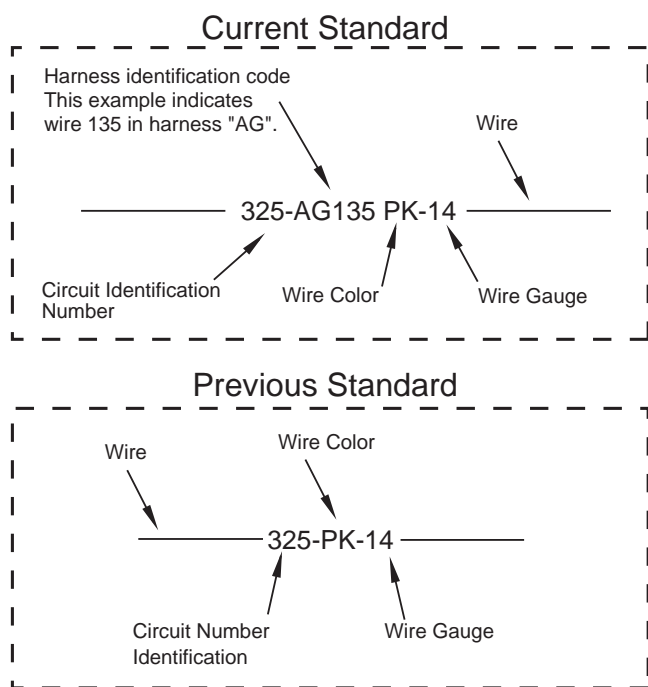


Electrical Symbols (Electrical)

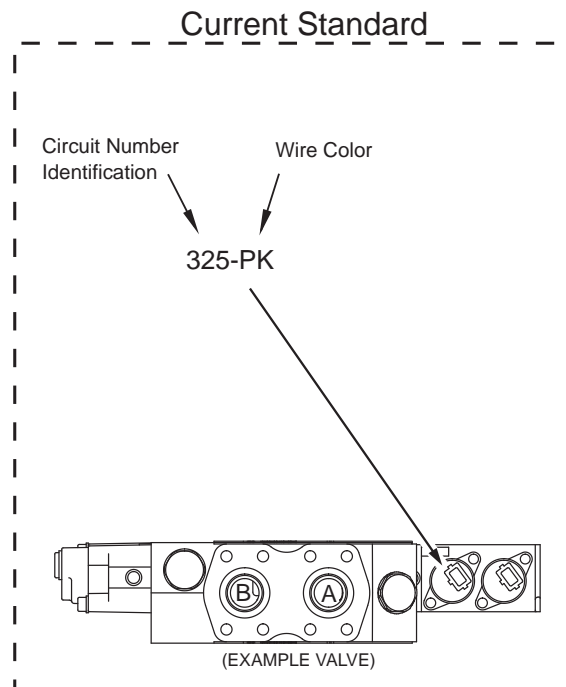


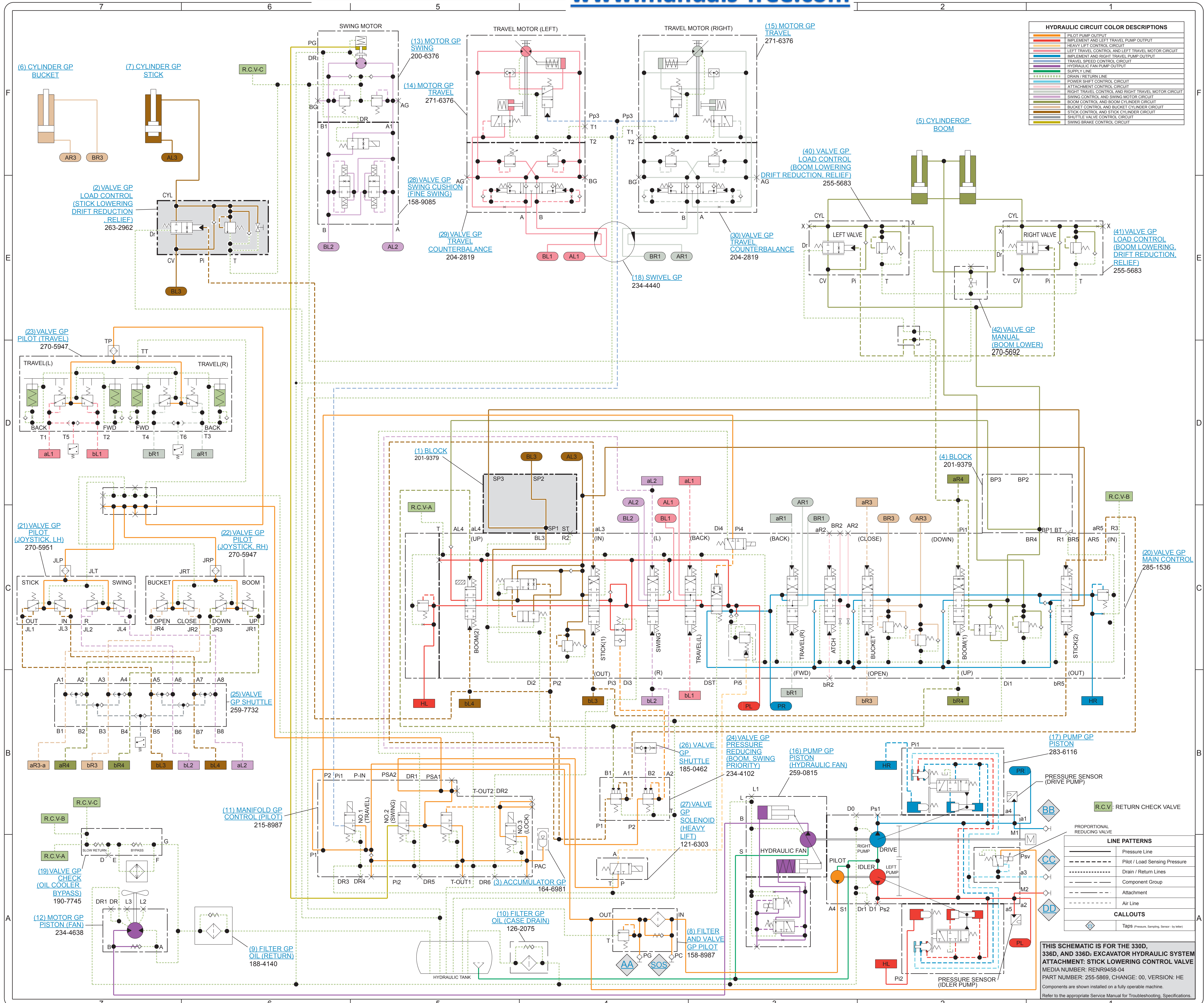
Wire Number Identification Codes

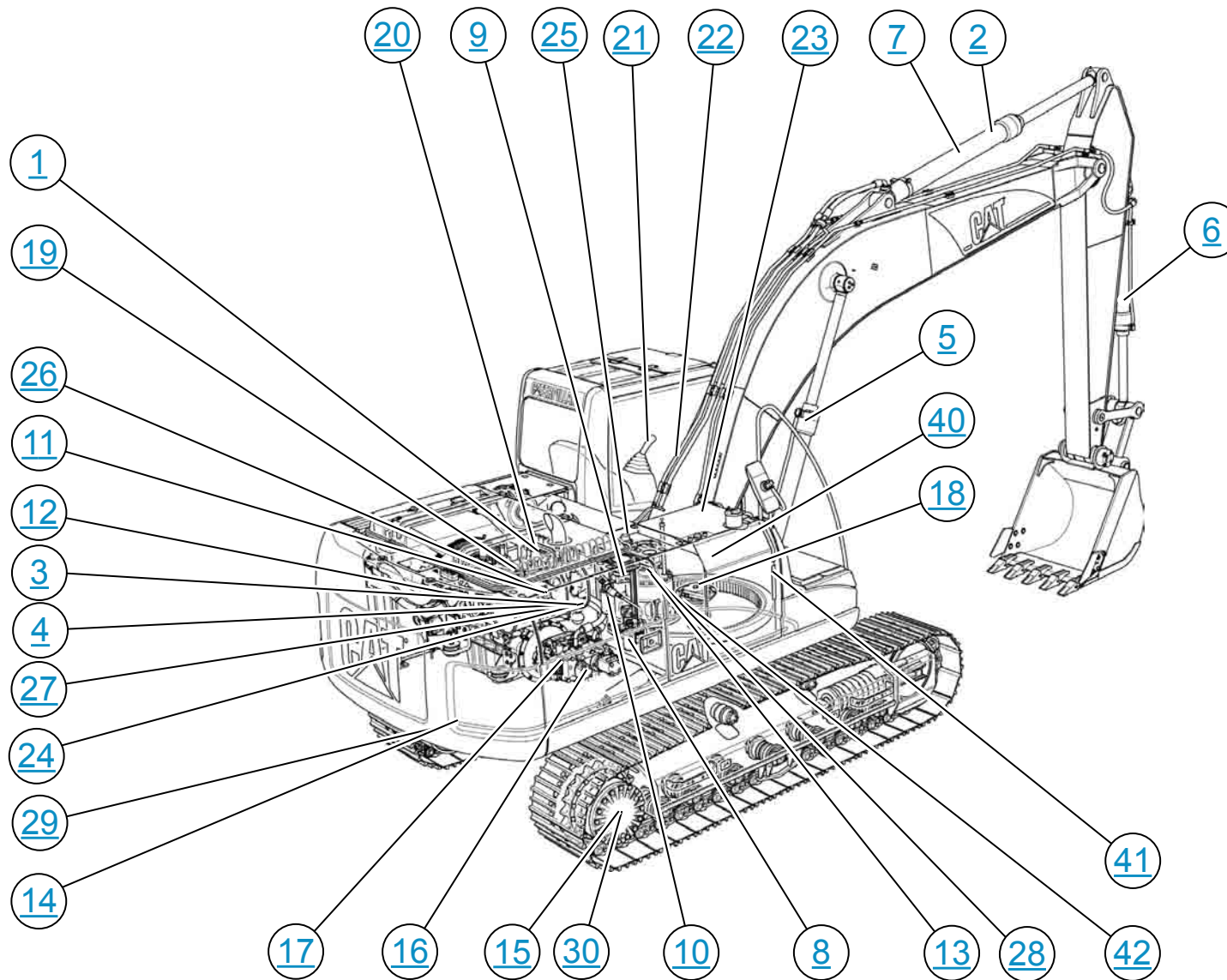
Electrical Schematic Example

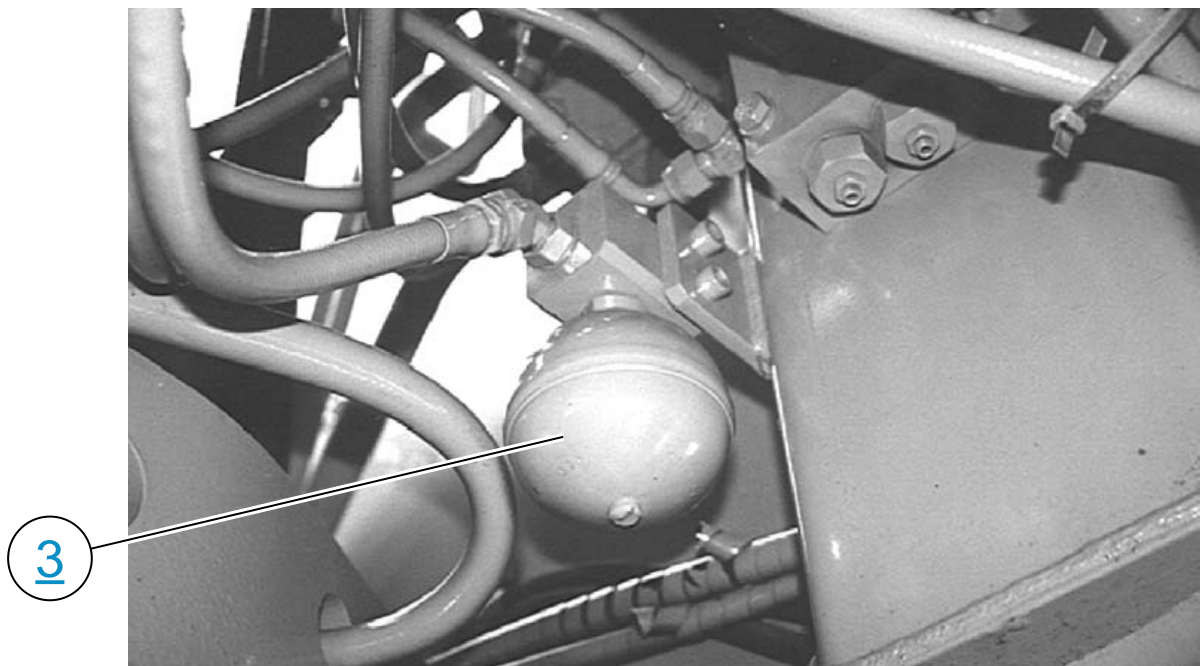


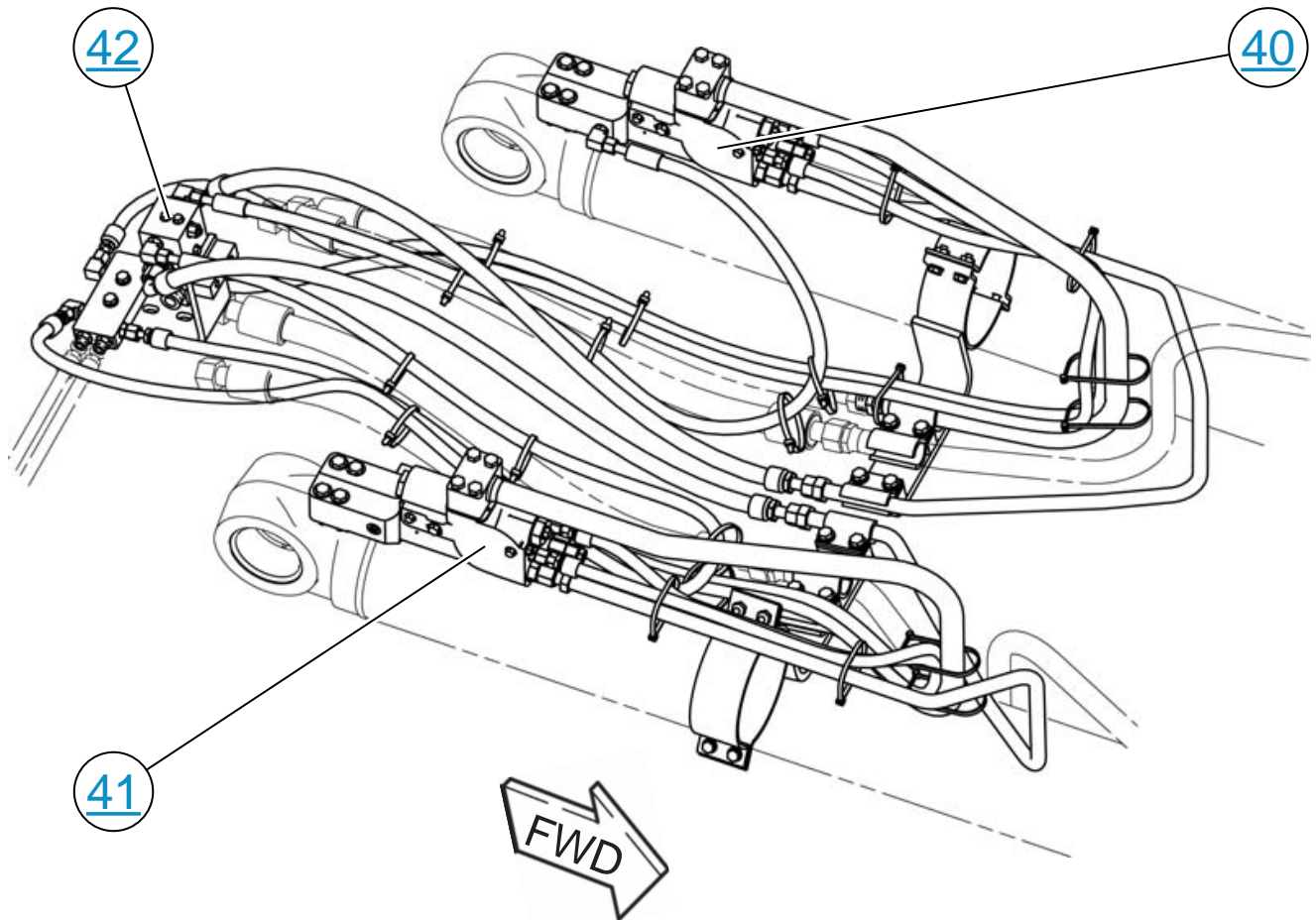
Hydraulic Schematic Example

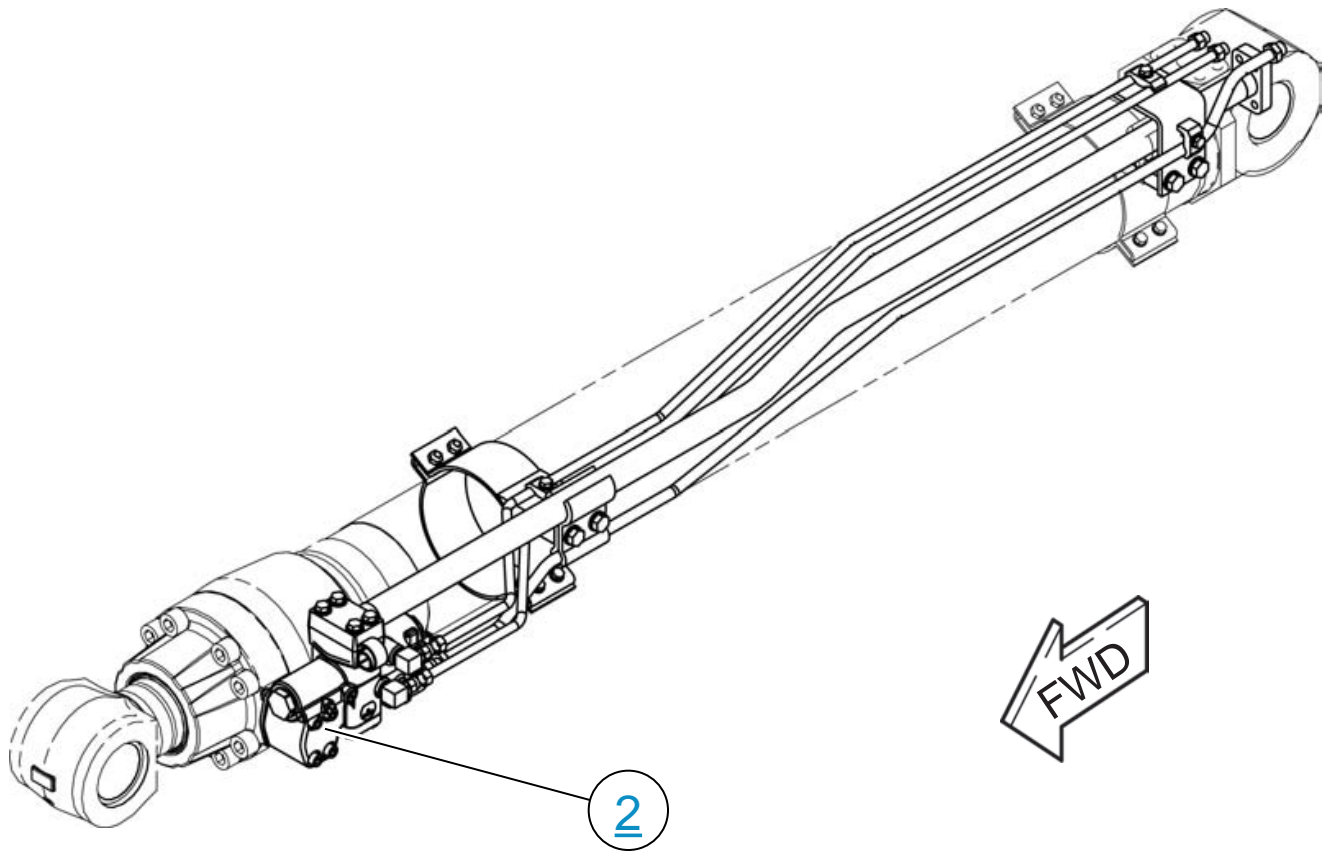




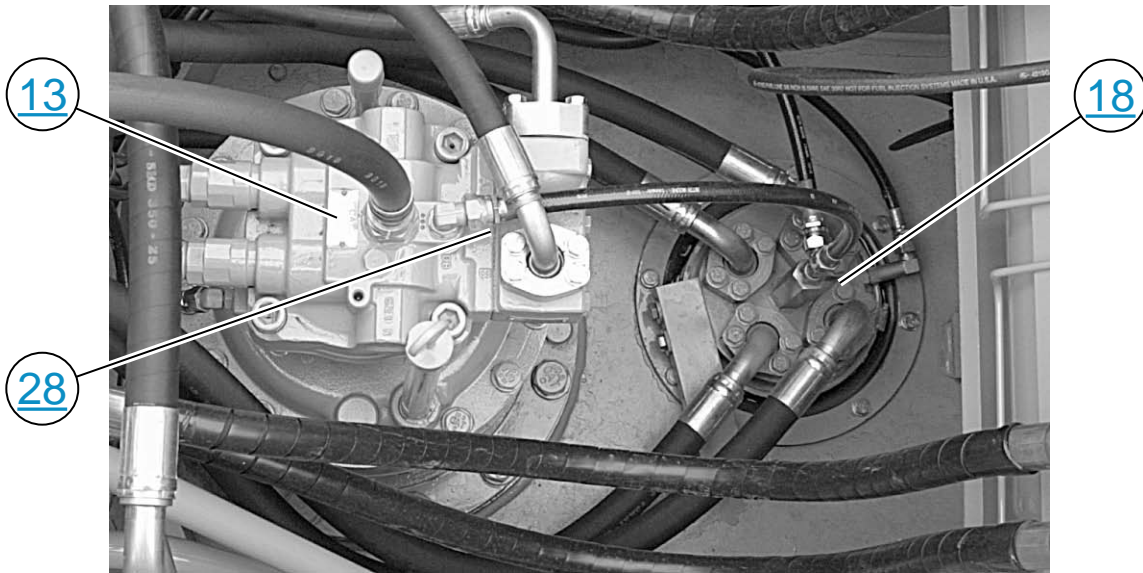








SLCV: Stick Lowering Control Valve



PUMP GP - PISTON (MAIN)

