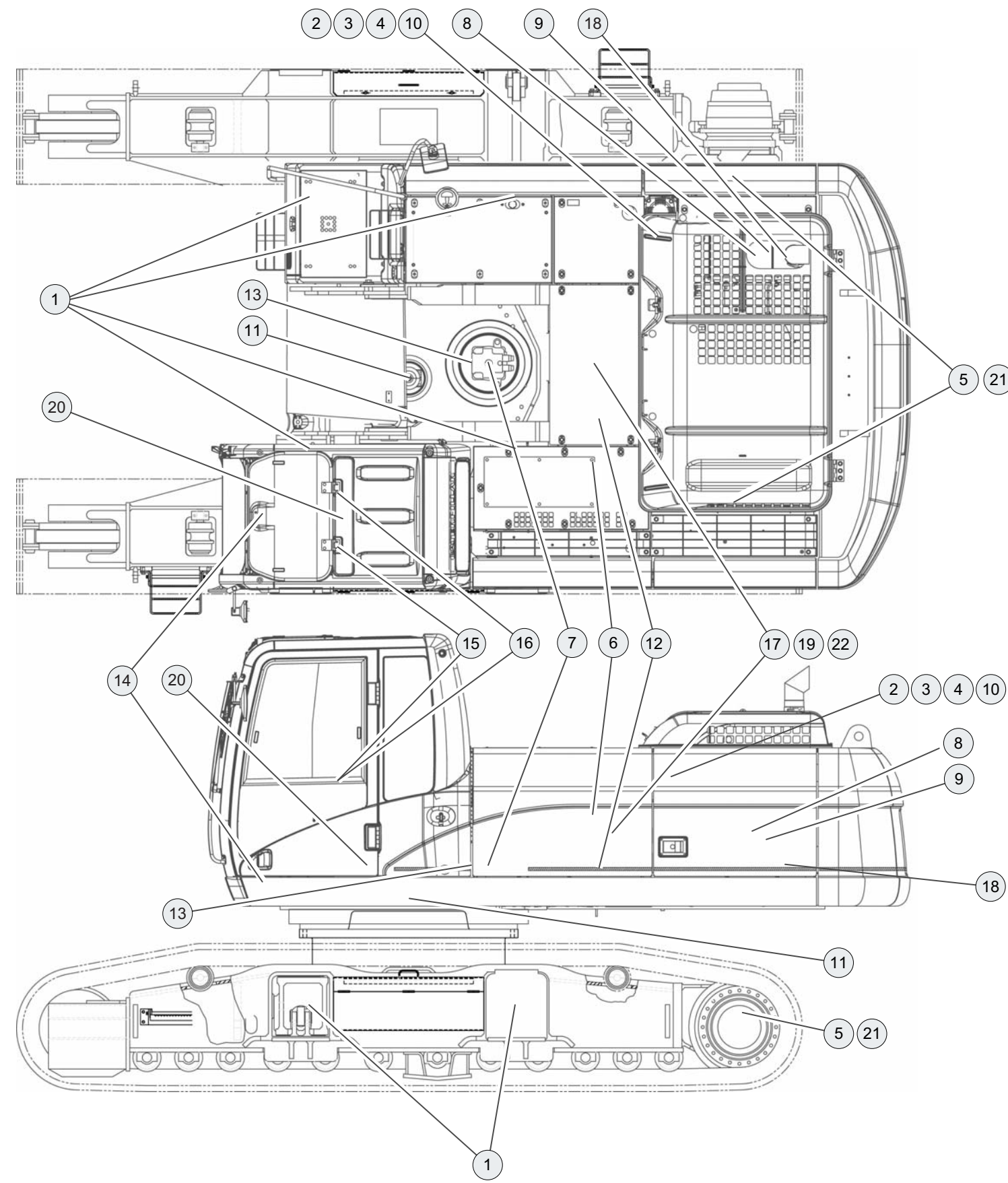


COMPONENT LOCATIONS			
Description	Part Number	Machine Location	Schematic Location
CYLINDER GP - VAR GAUGE UNDERCARRIAGE	233-8502	1	F-1, F-2, G-1, G-2
FILTER GP - CASE DRAIN	126-2075	2	A-5
FILTER GP - HYD (PILOT)	158-8987	3	A-5
FILTER GP - RETURN	188-4140	4	A-7
MOTOR GP - PISTON	9Q-5697	5	G-5, G-6
MOTOR GP - PISTON (FAN)	191-5611	6	A-9
MOTOR GP - PISTON (SWING)	200-3373	7	G-8
PUMP GP - DOUBLE PISTON (LINK)	250-2564	8	B-3
PUMP GP - GEAR (FAN)	194-8384	9	B-3
SCREEN GP	188-4067	10	A-5
SWIVEL GP	166-3088	11	F-6
VALVE GP - CHECK	190-7745	12	A-9
VALVE GP - CUSHION CROSSOVER RELIEF	158-9085	13	F-8
VALVE GP - PILOT	158-8250	14	E-10
VALVE GP - PILOT (LEFT UNIT)	216-6750	15	C-10
VALVE GP - PILOT (RIGHT UNIT)	216-6751	16	C-9
VALVE GP - PRESSURE REDUCING	232-4102	17	B-5
VALVE GP - FAN DRIVE PUMP RELIEF	200-3312	18	B-4
VALVE GP - SEL	215-5037	19	B-8
VALVE GP - SHUTTLE	185-0462	20	C-10
VALVE GP - TRACTION CONTROL	244-6346	21	F-5, F-6
VALVE GP - MAIN CONTROL	258-0290	22	D-3



Schematic

330C Excavator Hydraulic System

MSD00100-UP

Tap Locations Pressure, Sampling, and Sensor		
Tap Number	Description	Schematic Location
M1L	LEFT TRAVEL MOTOR (M1) PRESSURE GAUGE	F-6
M1R	RIGHT TRAVEL MOTOR (M1) PRESSURE GAUGE	F-6
M4	FAN RELIEF VALVE PRESSURE TAP	B-4
ML	LEFT TRAVEL MOTOR (M) PRESSURE GAUGE	F-7
MR	RIGHT TRAVEL MOTOR (M) PRESSURE GAUGE	F-5
PC	PILOT FILTER SAMPLING TAP	A-5
PG	PILOT FILTER PRESSURE TAP	A-5

Machine Component Locations

(10) Straight travel solenoid valve
(11) Right travel control valve
(12) Attachment control valve
(13) Bucket control valve (variable gauge undercarriage)
(14) Boom I control valve
(15) Boom II control valve
(16) Stick I control valve
(17) Straight travel control valve
(18) Boom II control valve
(19) Stick I control valve
(20) Swing control valve
(21) Left travel control valve
(22) Line relief valve (boom cylinder rod end)
(23) Line relief valve (stick cylinder head end)
(24) Main relief valve
(25) Left travel control valve
(26) Line relief valve (boom cylinder rod end)
(27) Line relief valve (stick cylinder head end)
(28) Main relief valve
(29) Right travel control valve
(30) Line relief valve (boom cylinder rod end)
(31) Line relief valve (stick cylinder head end)
(32) Main relief valve
(33) Right body
(34) Left body
(35) Left body

MAIN CONTROL VALVE

(31) Swing parking brake (solenoid valve)
(35) Pilot oil manifold

SEL VALVE

(1) Return Filter
(2) Pilot Filter
(3) Case Drain Filter

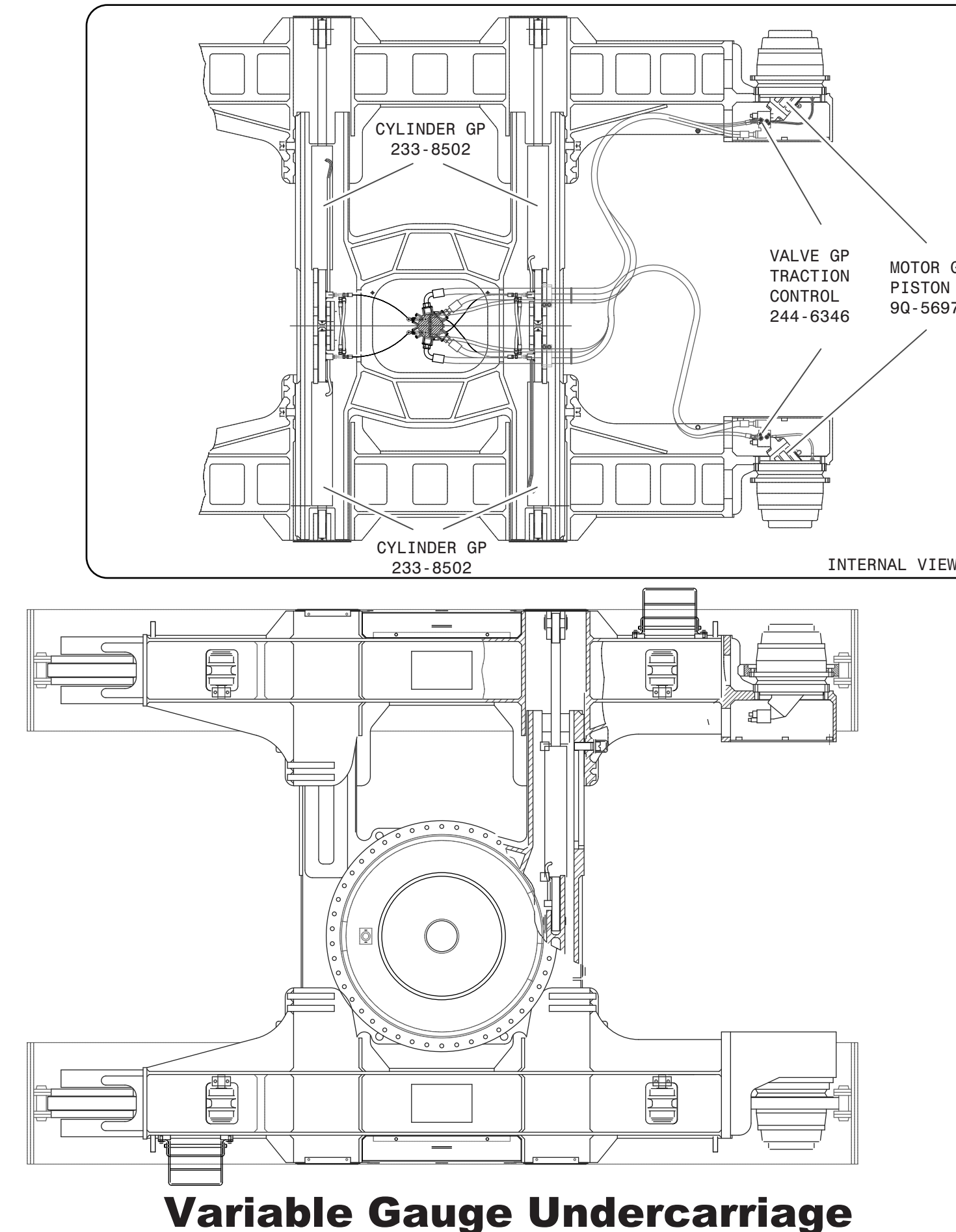
FILTERS

(2) Makeup port
(3) Relief valve
(6) Swing motor
(8) Relief valve
(10) Makeup line

SWING MOTOR

(33) Fan Pump
(34) Pressure tap
(35) Relief valve (fan pump)

FAN PUMP

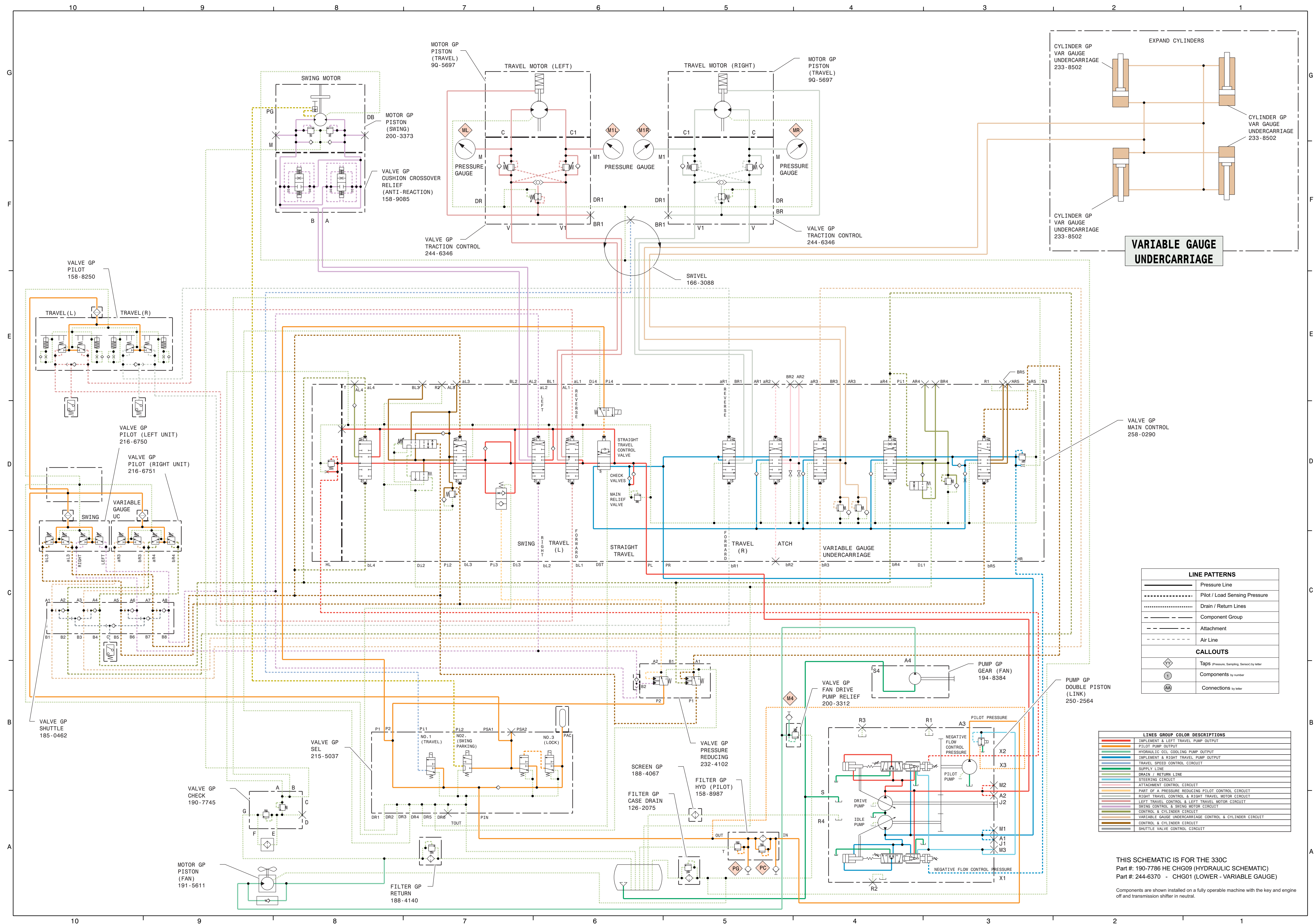


FLUID POWER SYMBOLS			
BASIC COMPONENT SYMBOLS			
PUMP/MOTOR	FLUID CONDITIONER	SPRING	CONTROL VALVES
RESTRICTION	LINE RESTRICTION	HYDRAULIC ENERGY TRANSFER	PNEUMATIC ENERGY TRANSFER
LINE RESTRICTION (PISTON)	LINE RESTRICTION (WING)	LINE RESTRICTION (WING)	ATTACHMENT
LINE RESTRICTION (WING)	LINE RESTRICTION (WING)	LINE RESTRICTION (WING)	LINE RESTRICTION (WING)
VALVES			
VALVE ENVELOPES	VALVES	VALVE PORTS	
ONE POSITION	TWO POSITION	THREE POSITION	TWO-WAY
THREE-WAY	FOUR-WAY		
CONTROL VALVES			
NORMAL POSITION	SHIFTED POSITION	INFINITE POSITION	CHECK VALVES
BASIC SYMBOL	SPRING LOADED	SHUTTLE	PILOT CONTROLLED
MEASUREMENT			
PRESSURE	TEMPERATURE	FLOW	ROTATING SHAFTS
UNIDIRECTIONAL			BIDIRECTIONAL
FLUID STORAGE RESERVOIRS			
VENTED	PRESSURIZED	RETURN ABOVE FLUID LEVEL	RETURN BELOW FLUID LEVEL
COMBINATION CONTROLS			
SOLENOID	SOLENOID or PILOT	SOLENOID and PILOT or MANUAL	SERVO
THERMAL	DETENT		
MANUAL CONTROL SYMBOLS			
PUSH-PULL LEVER	MANUAL SHUTOFF	GENERAL MANUAL	PUSH BUTTON
PEDAL	SPRING		
PILOT CONTROL SYMBOLS			
RELEASED PRESSURE	INTERNAL RETURN	EXTERNAL RETURN	REMOTE SUPPLY PRESSURE
SIMPLIFIED	COMPLETE	INTERNAL SUPPLY PRESSURE	
ACCUMULATORS			
SPRING LOADED	GAS CHARGED		
CROSSING AND JOINING LINES			
LINES CROSSING	LINES JOINING		
HYDRAULIC AND PNEUMATIC CYLINDERS			
SINGLE ACTING	DOUBLE ACTING		
HYDRAULIC PUMPS			
FIXED DISPLACEMENT	VARIABLE DISPLACEMENT NON-COMPENSATED		
UNIDIRECTIONAL	BIDIRECTIONAL		
HYDRAULIC MOTORS			
FIXED DISPLACEMENT	VARIABLE DISPLACEMENT NON-COMPENSATED		
UNIDIRECTIONAL	BIDIRECTIONAL		
INTERNAL PASSAGEWAYS			
INFINITE POSITIONING	THREE POSITION	TWO POSITION	
FLOW IN LINE DIRECTION	MANUAL FLOW	DOUBLE FLOW	FLOW ALLOWED IN EITHER DIRECTION

© 2005 Caterpillar
All

Printed in U.S.A.

Electrical Symbols Table			
Hydraulic Symbols (Electrical)			
Transducer (Fluid)	Transducer (Gas / Air)	Generator	Electric Motor
Pressure Switch	Pressure Switch (Adjustable)	Temperature Switch	Electrical Wire
Electrical Symbols (Electrical)			
Pressure Symbol	Temperature Symbol	Level Symbol	Flow Symbol
Wire Number Identification Codes			
Electrical Schematic Example		Hydraulic Schematic Example	
<p>Current Standard</p> <p>Harness identification code This example indicates wire 135 in harness "AG".</p> <p>325-AG135-PK-14</p> <p>Circuit Identification Number Wire Color Wire Gauge</p>		<p>Current Standard</p> <p>Circuit Number Identification Wire Color</p> <p>325-PK</p>	
<p>Previous Standard</p> <p>325-PK-14</p> <p>Circuit Number Identification Wire Gauge</p>		<p>(EXAMPLE VALVE)</p>	



THIS SCHEMATIC IS FOR THE 330C
Part #: 190-7786 HE CHG09 (HYDRAULIC SCHEMATIC)
Part #: 244-6370 - CHG01 (LOWER - VARIABLE GAUGE)

Components are shown installed on a fully operable machine with the key and engine off and transmission shifter in neutral.