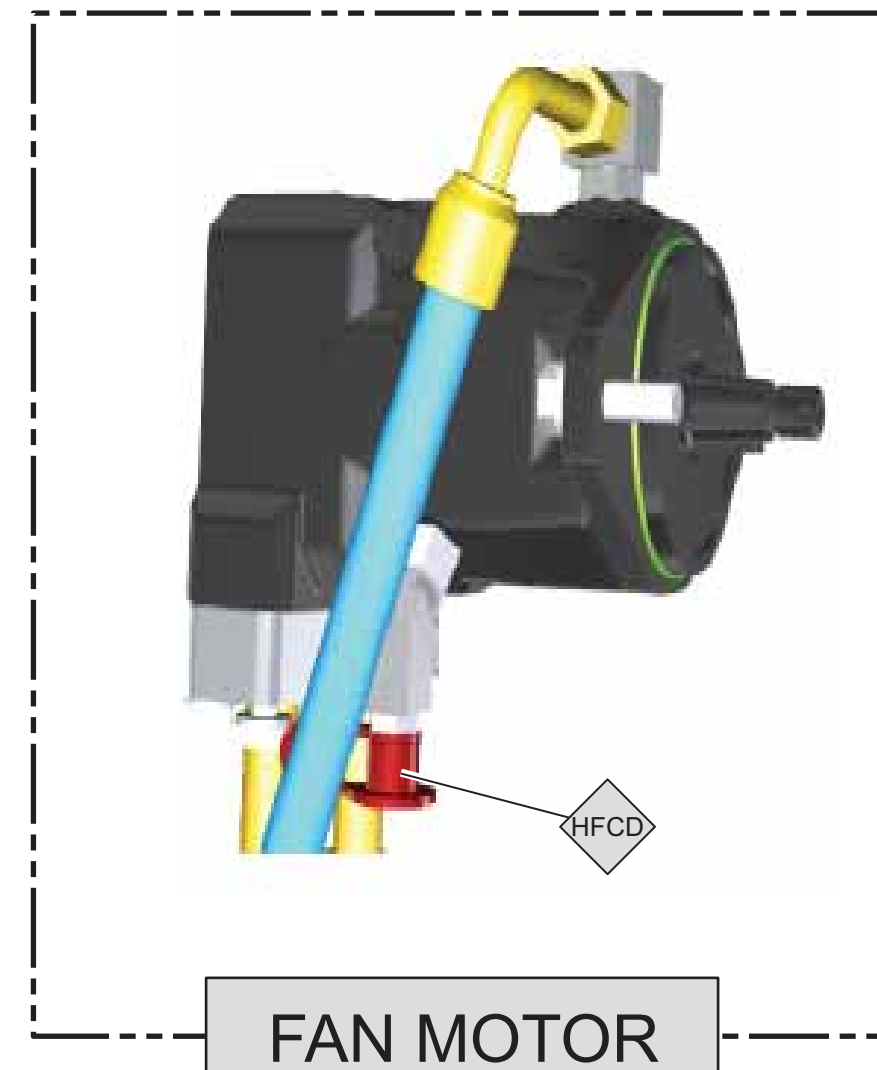


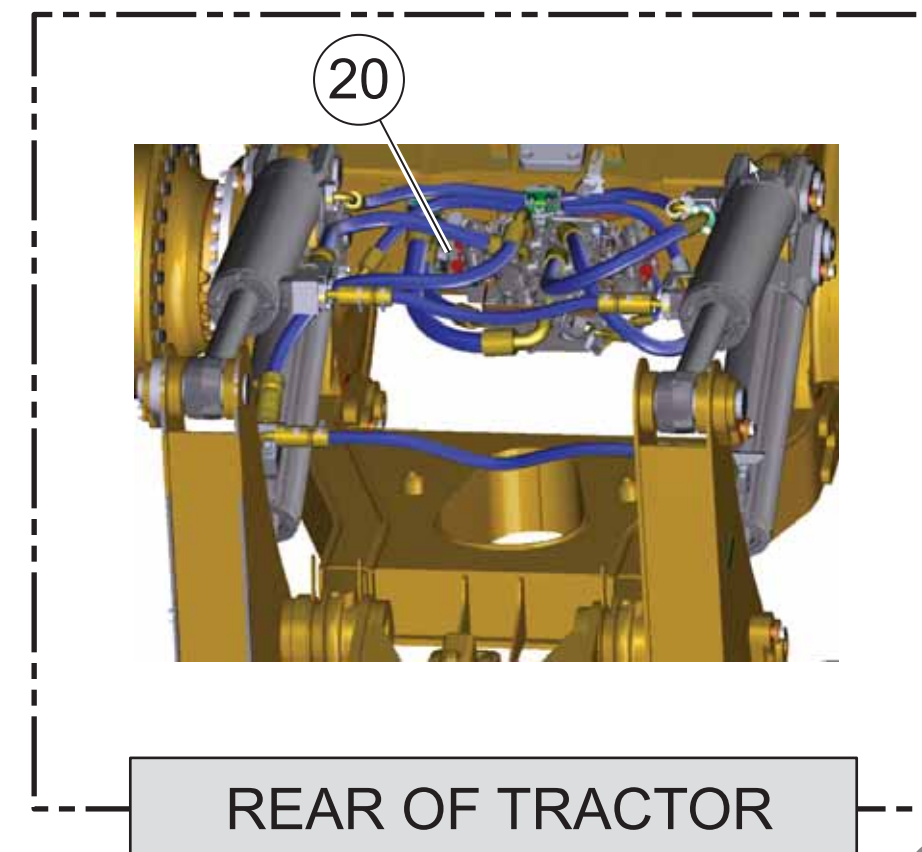
STEERING PUMP

Component Locations			
Description	Part Number	Machine Location	Schematic Location
Accumulator Gp	315-8494	1	C-4
Accumulator Gp	315-8494	2	C-3
Core As - Oil Cooler	308-3455	3	A-3
Cover - Brake Valve End Cover	275-7528	4	B-5
Cylinder Gp - L/R (LGP)	275-2755	5	F-6
Cylinder Gp - Tilt (XL - LGP)	320-5473	6	F-8
Element As - Tank	18-0772	7	A-4
Filter Gp	103-2628	8	C-3
Manifold Gp - Dozer	284-0816	9	D-7
Manifold Gp - Impl/Bw Pilot Gp	285-7416	10	C-3
Motor Gp - Fan	340-2123	11	B-3
Motor Gp - Steering	284-5071	12	F-4,F-5
Pump Gp - Charge	289-4027	13	B-6
Pump Gp - Fan	355-2459	14	B-9
Pump Gp - Implement	355-2397	15	B-7
Pump Gp - Steering	340-2156	16	F-3,F-4
Pump Gp - Triple Pump	355-2407	17	B-6,B-7
Reservoir	228-9264	18	B-7
Tank Gp	262-7295	19	A-4,A-5
Tab As	311-1414	20	C-5
Valve As - Oil Temperature	124-8335	21	A-3
Valve As - Brake Relief	116-2810	22	B-4
Valve Gp - L/R	382-3318	23	D-4,E-4
Valve Gp - L/R Tilt	281-7655	24	E-4,E-5
Valve Gp - Tilt	382-3318	25	D-6,E-6
Electrical Components			
Sensor - Temperature Hydr. Oil	256-9653	26	B-4
Sensor Gp - Pressure, ChrgPnk	284-7228	27	F-4
Sensor Gp - Pressure, Impl Pump	256-9270	28	C-7
Sensor Gp - Speed, Steering Motor	319-6491	29	F-5
Switch Gp - Pressure, Filter Bypass	233-2873	30	C-3
Brakes			
Valve Gp - Brake	308-3012	31	D-3,E-3

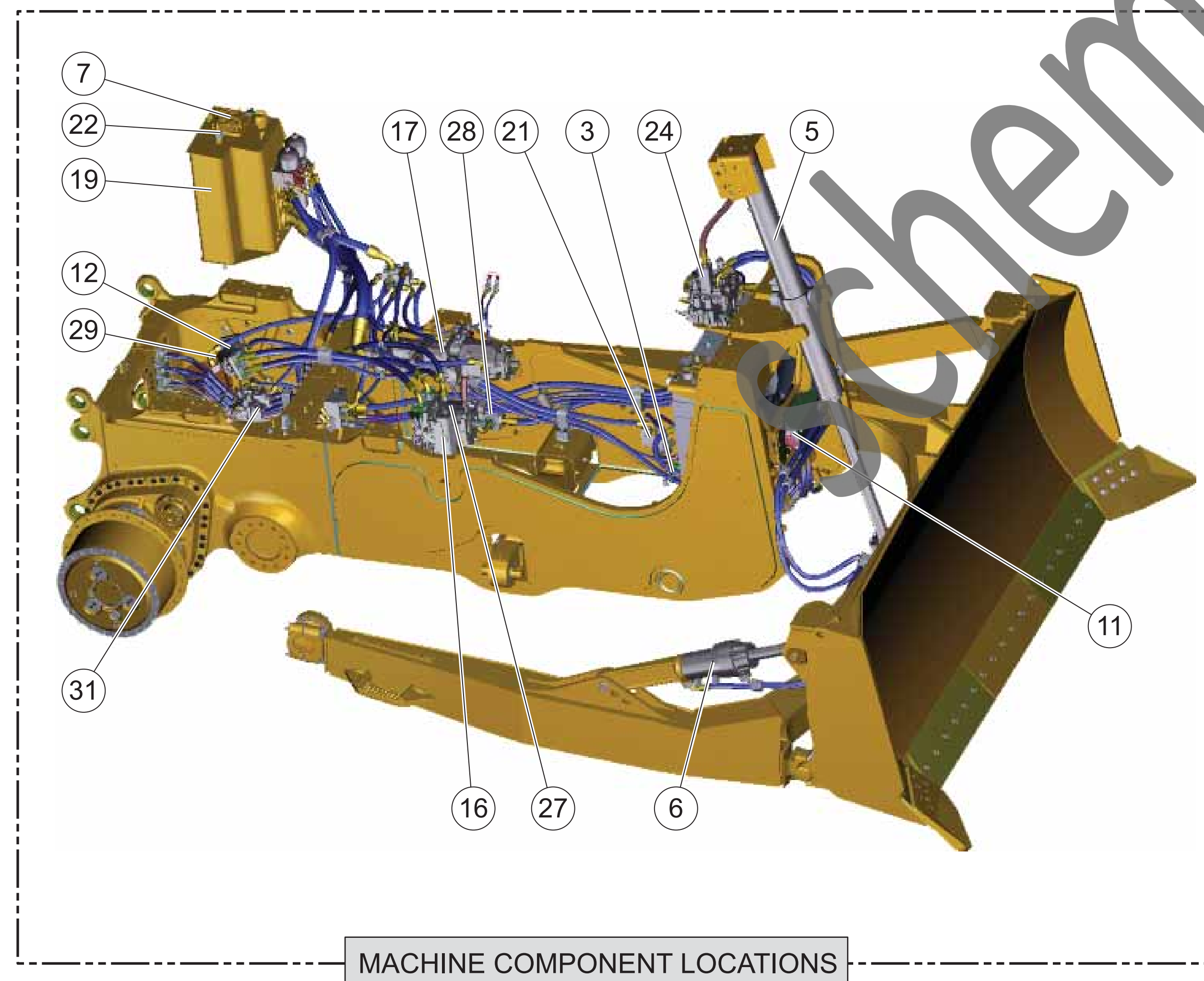


FAN MOTOR

Tap Locations Pressure and Sampling		
Tap Number	Description	Schematic Location
AP	Accumulator Pressure	C-3
HA	Implement Pump Discharge	B-7
HB	Implement Pump Pilot	B-7
HC	Left Steer Loop Pressure	E-4
HD	Right Steer Loop Pressure	F-4
S	Charge Pump Press	C-3
HFPD	Fan Pump Discharge	B-6
HFCD	Fan Motor Case Drain	B-3
HPS	Pilot Supply	C-4
HPDL	Hydr. Pilot Dozer Lower	E-6
HPDR	Hydr. Pilot Dozer Raise	D-6
HPTA	Hydr. Pilot Tilt Right	D-6
HPTB	Hydr. Pilot Tilt Left	E-6



REAR OF TRACTOR



MACHINE COMPONENT LOCATIONS

Schematic

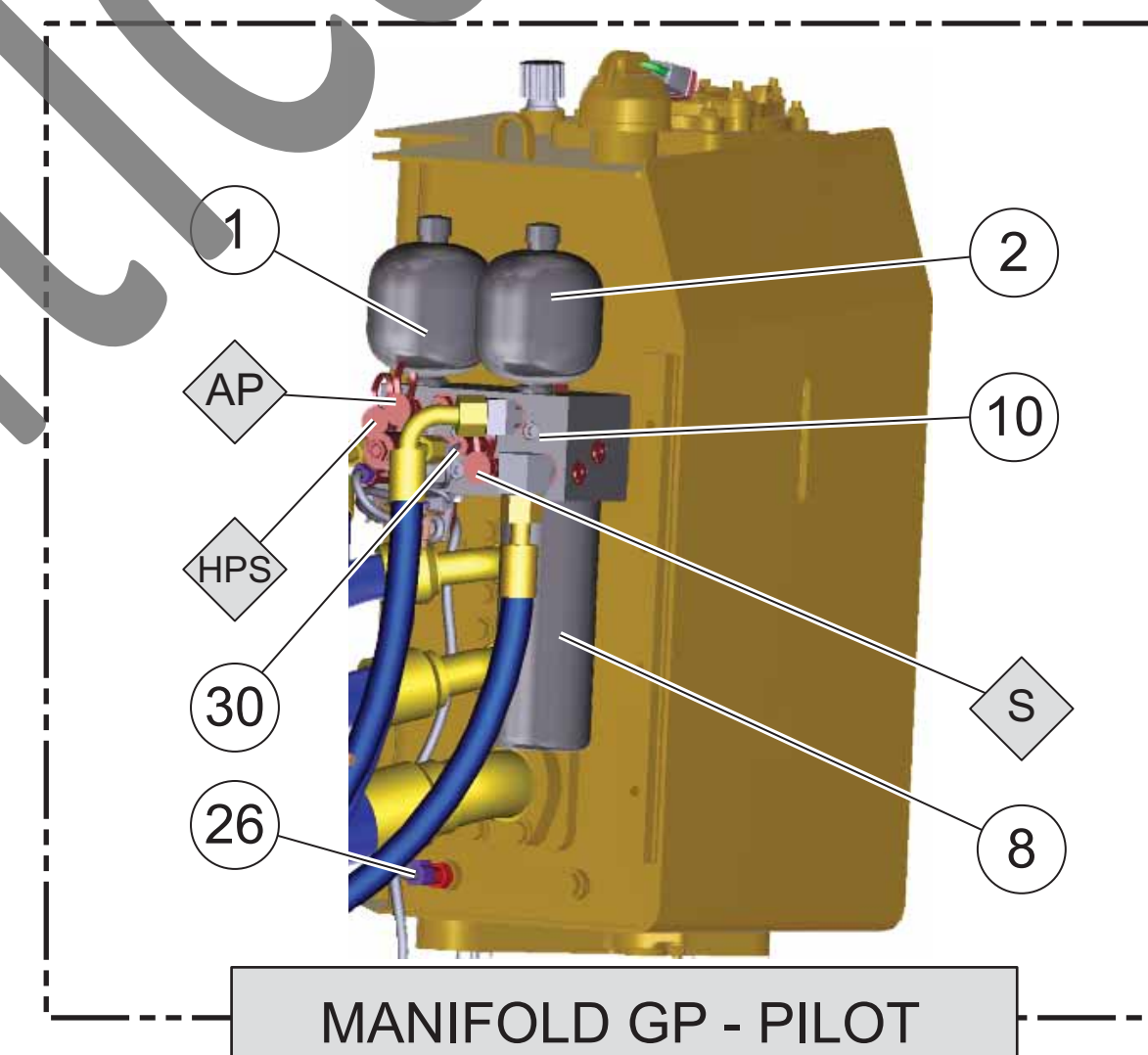
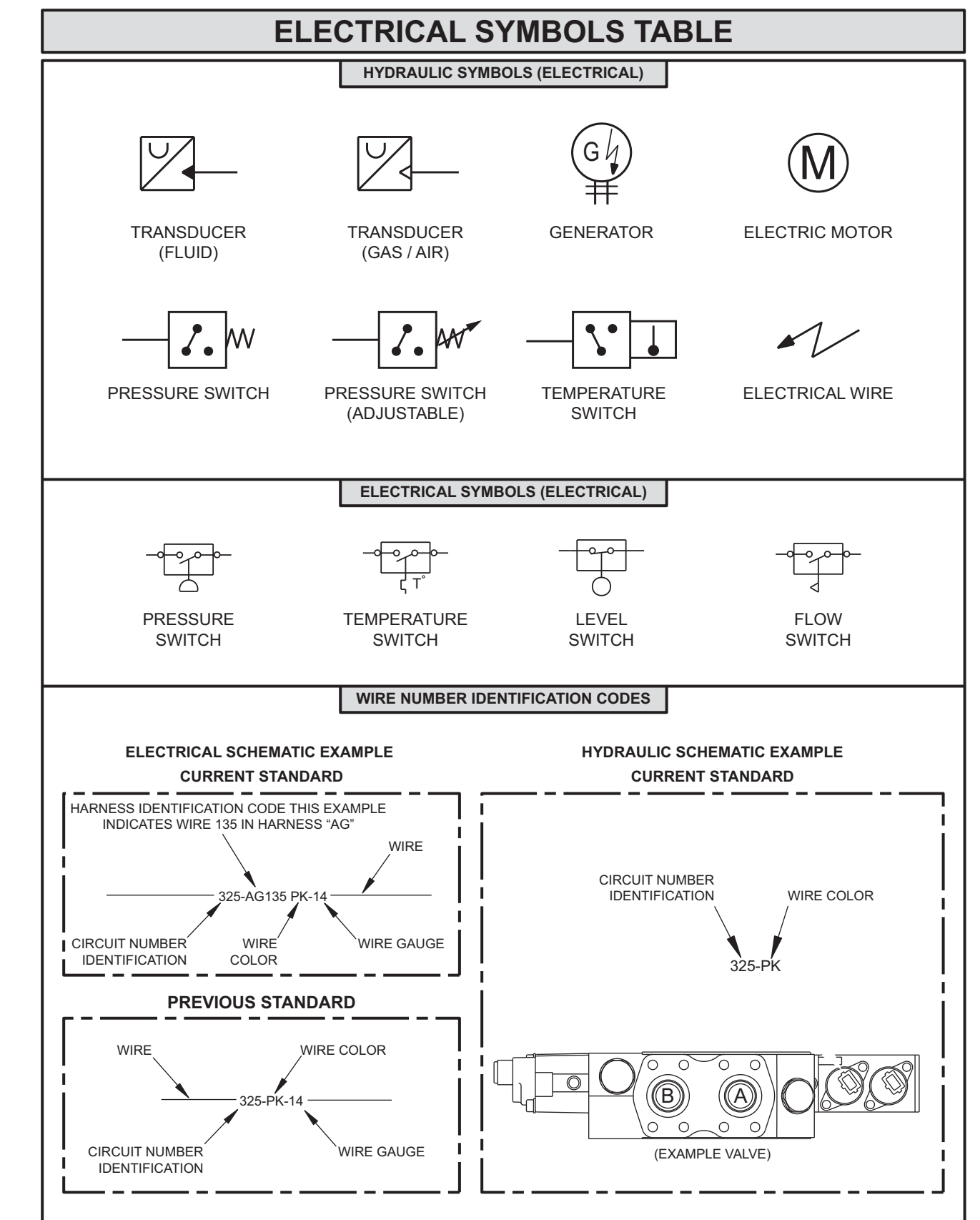
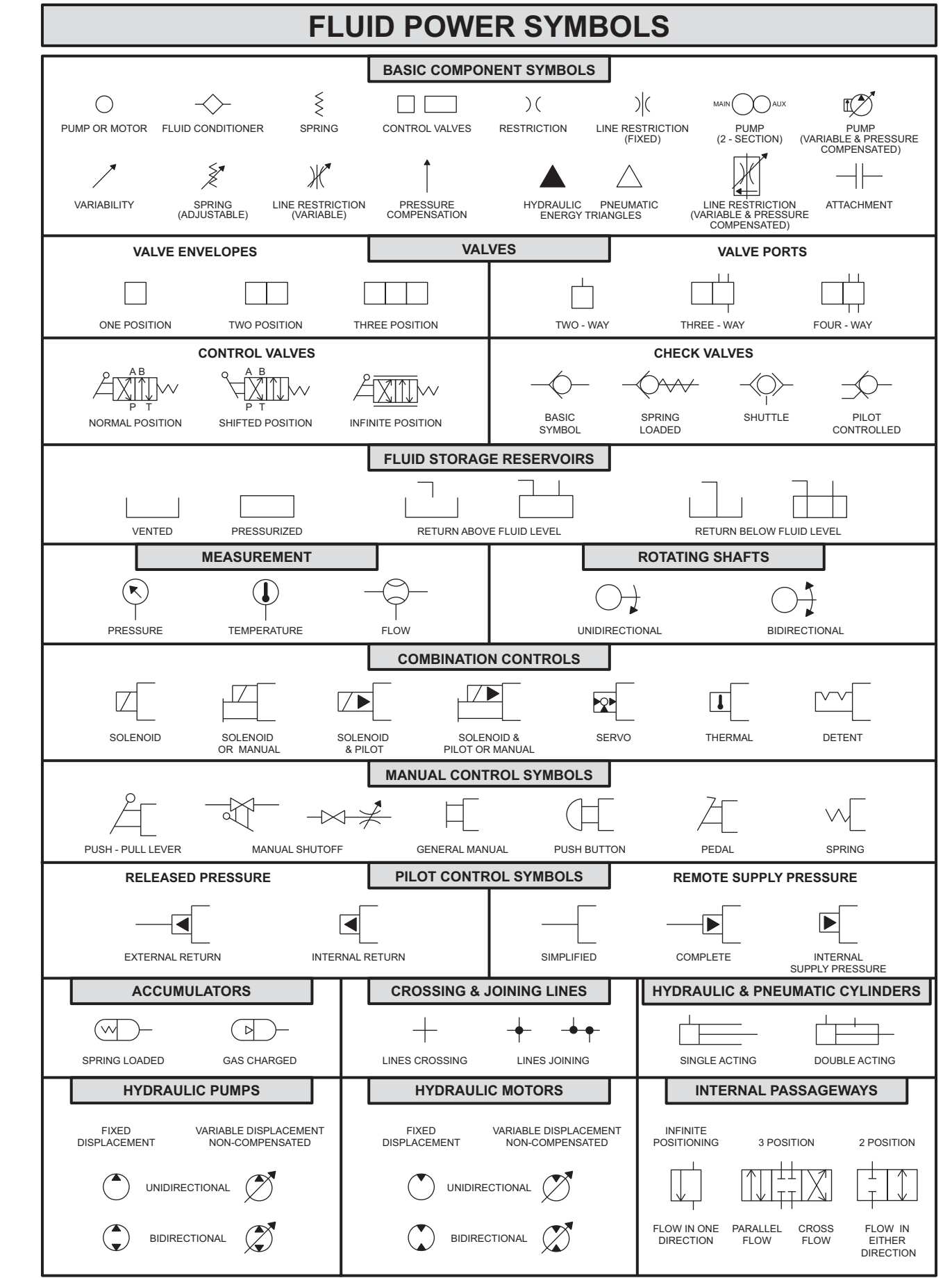
D7E2 Track-Type Tractor Hydraulic System

TJA1-UP
TAN1-UP

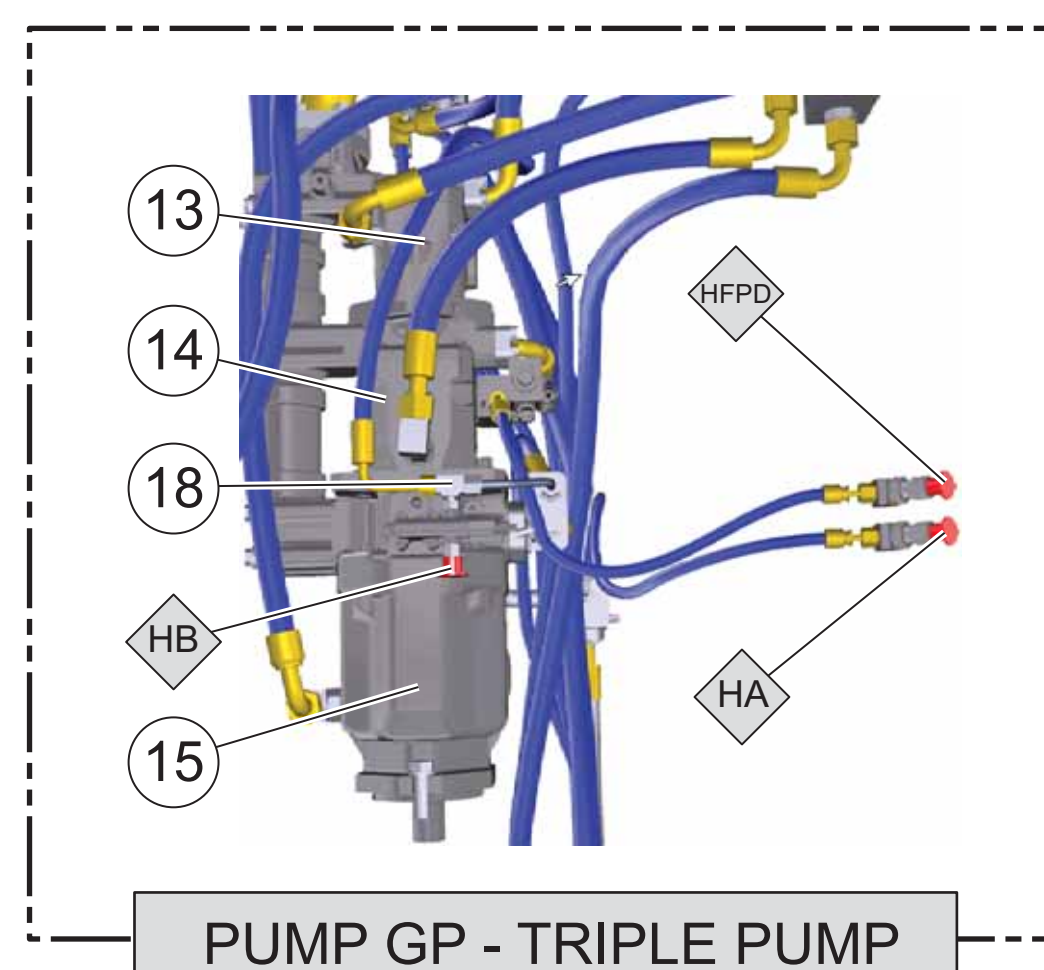
Volume 1 of 2: D7E2 Track-Type Tractor

© 2013 Caterpillar, All Rights Reserved

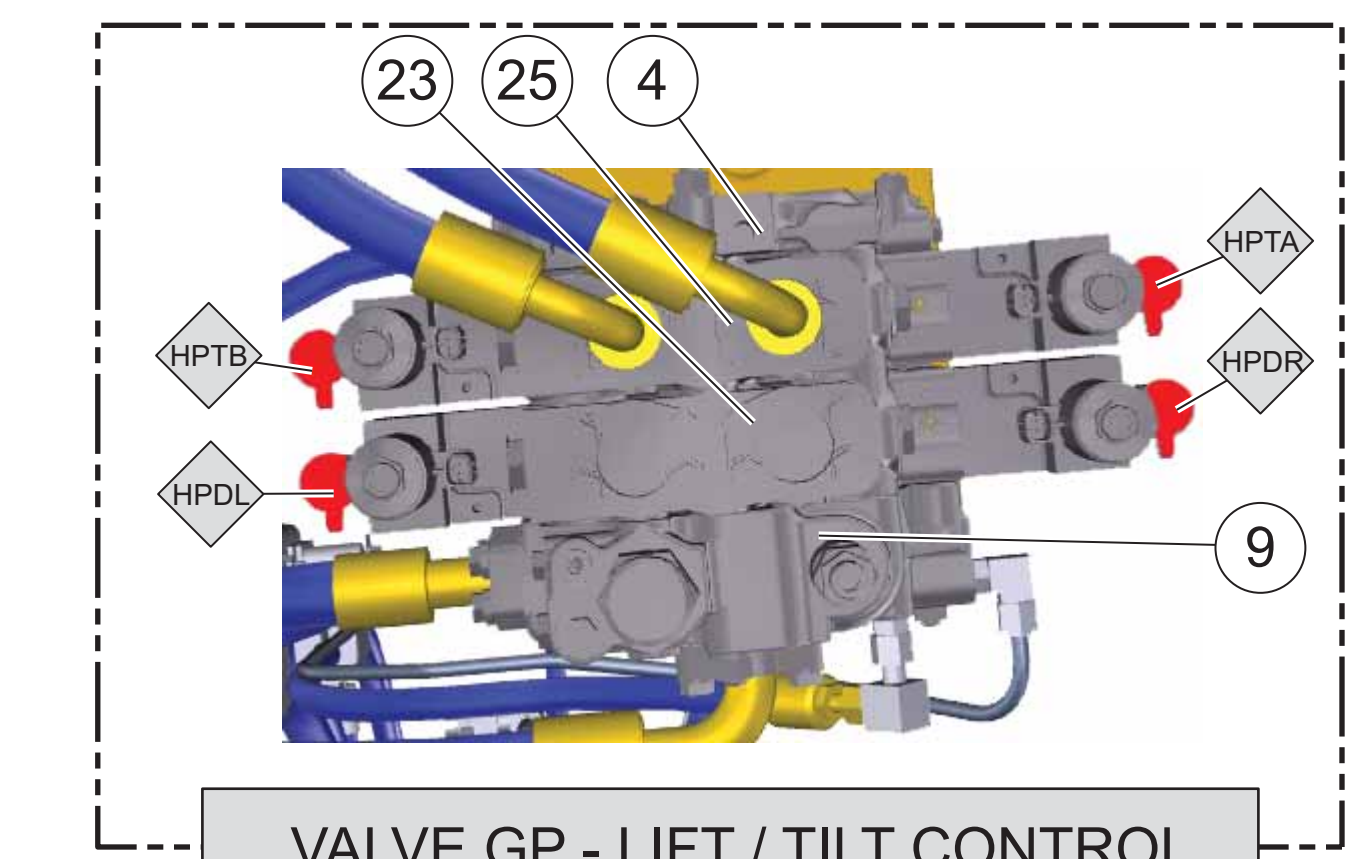
Printed in U.S.A.



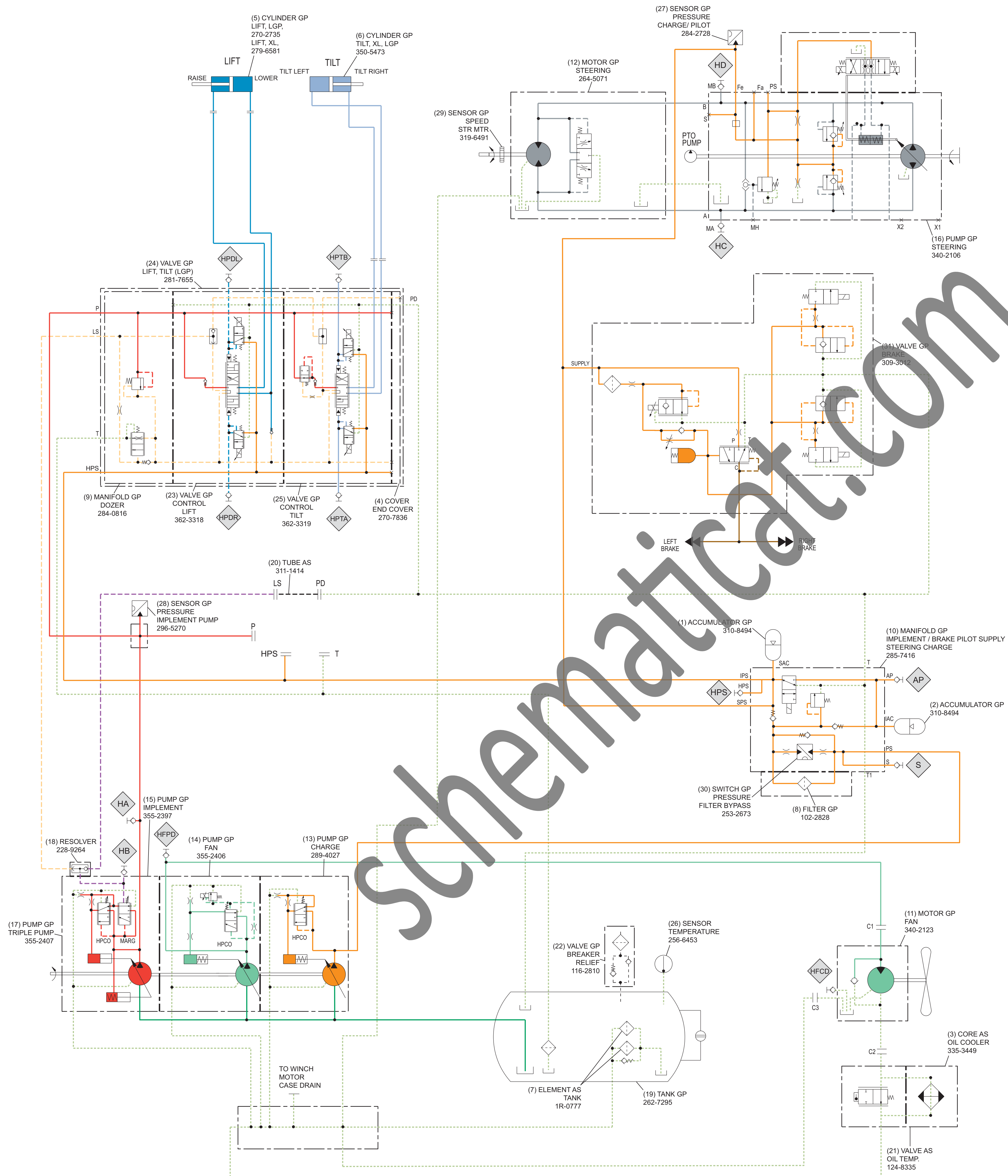
MANIFOLD GP - PILOT



PUMP GP - TRIPLE PUMP



VALVE GP - LIFT / TILT CONTROL

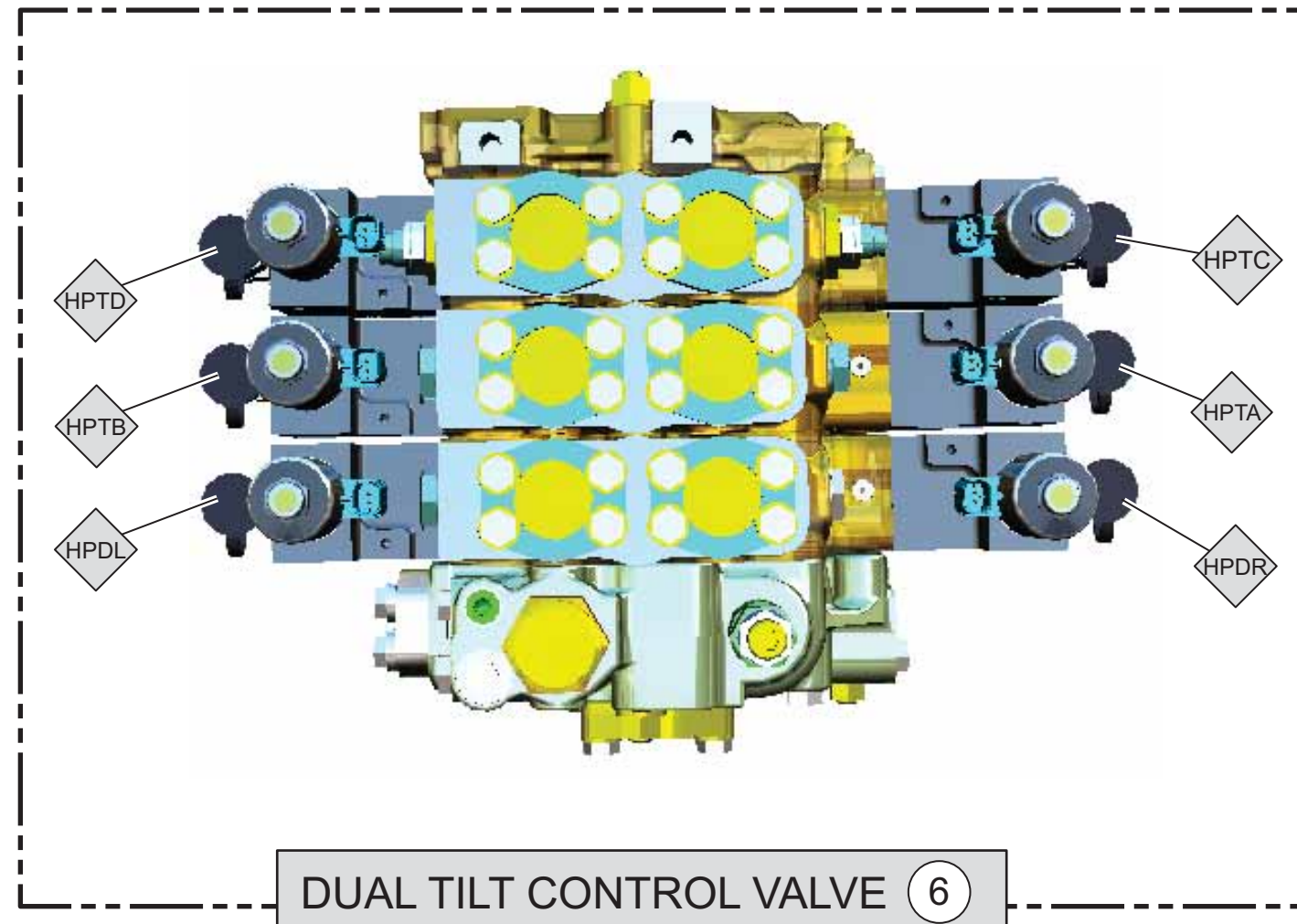


HYDRAULIC CIRCUIT COLOR DESCRIPTIONS	
[Red Line]	PILOT CHARGE, STEERING PUMP OUTPUT
[Orange Line]	IMPLEMENT PUMP OUTPUT
[Yellow Line]	BLADE LOAD SENSE
[Green Line]	LOAD SENSE CIRCUIT
[Light Green Line]	FAN PUMP AND CONTROL CIRCUIT
[Dark Green Line]	SUPPLY LINE
[Blue Line]	STEERING PUMP AND CONTROL CIRCUIT
[Light Blue Line]	BRAKE CIRCUIT
[Dark Blue Line]	BRANK / RETURN LINE
[Light Blue Dotted Line]	BLADE LIFT CYLINDER AND CONTROL CIRCUIT
[Dark Blue Dotted Line]	BLADE TILT CYLINDER AND CONTROL CIRCUIT

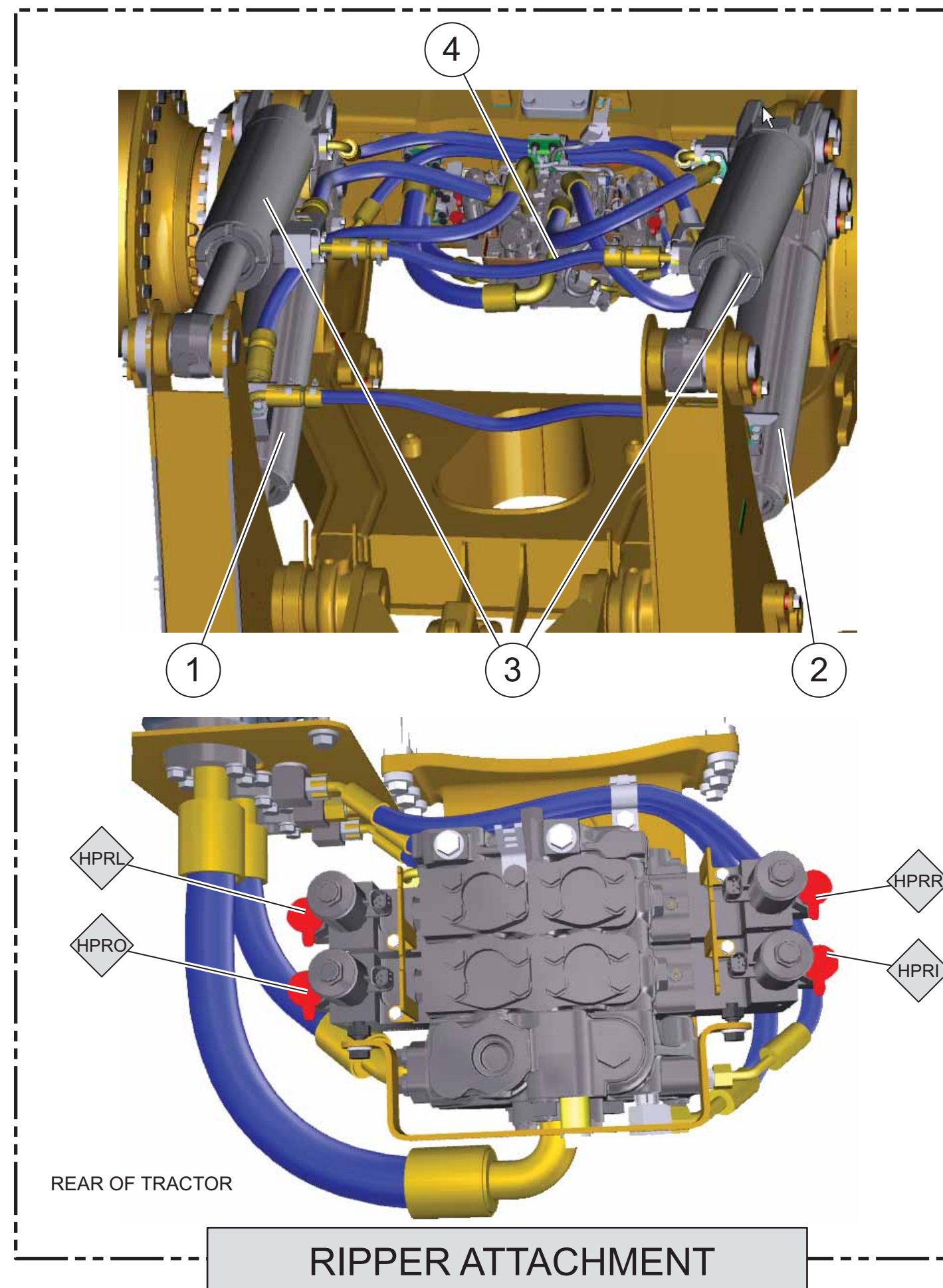
LINE PATTERNS	
[Solid Line]	Pressure Line
[Dashed Line]	Pilot / Load Sensing Pressure
[Dotted Line]	Drain / Return Lines
[Dashed Line]	Component Group
[Dotted Line]	Attachment
[Dashed Line]	Air Line

CALLOUTS	
[Diamond Symbol]	Taps Pressure, Sampling, Sensor - (by letter)

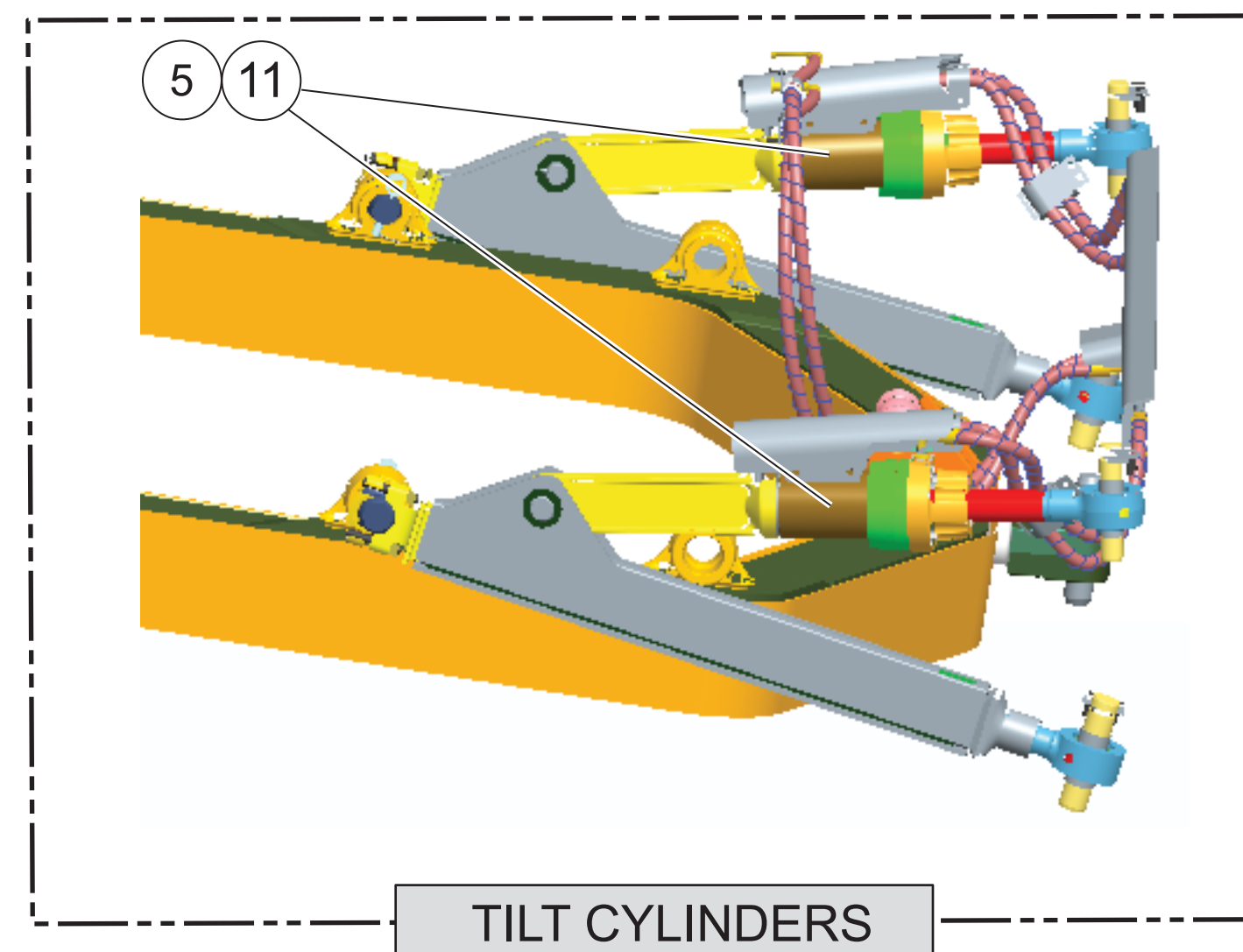
THIS SCHEMATIC IS FOR THE D7E2 TRACK-TYPE TRACTOR HYDRAULIC SYSTEM
VOLUME 1 of 2: D7E2 TRACK-TYPE TRACTOR
 MEDIA NUMBER: KENR5608-03
 SCHEMATIC PART NUMBER: 348-1133, CHANGE: 01, VERSION: -
 Components are shown installed on a fully operable machine with the key and engine off, transmission shifter in neutral and with parking brake set.
 Refer to the appropriate Service Manual for Troubleshooting, Specifications and Systems Operations.



DUAL TILT CONTROL VALVE 6



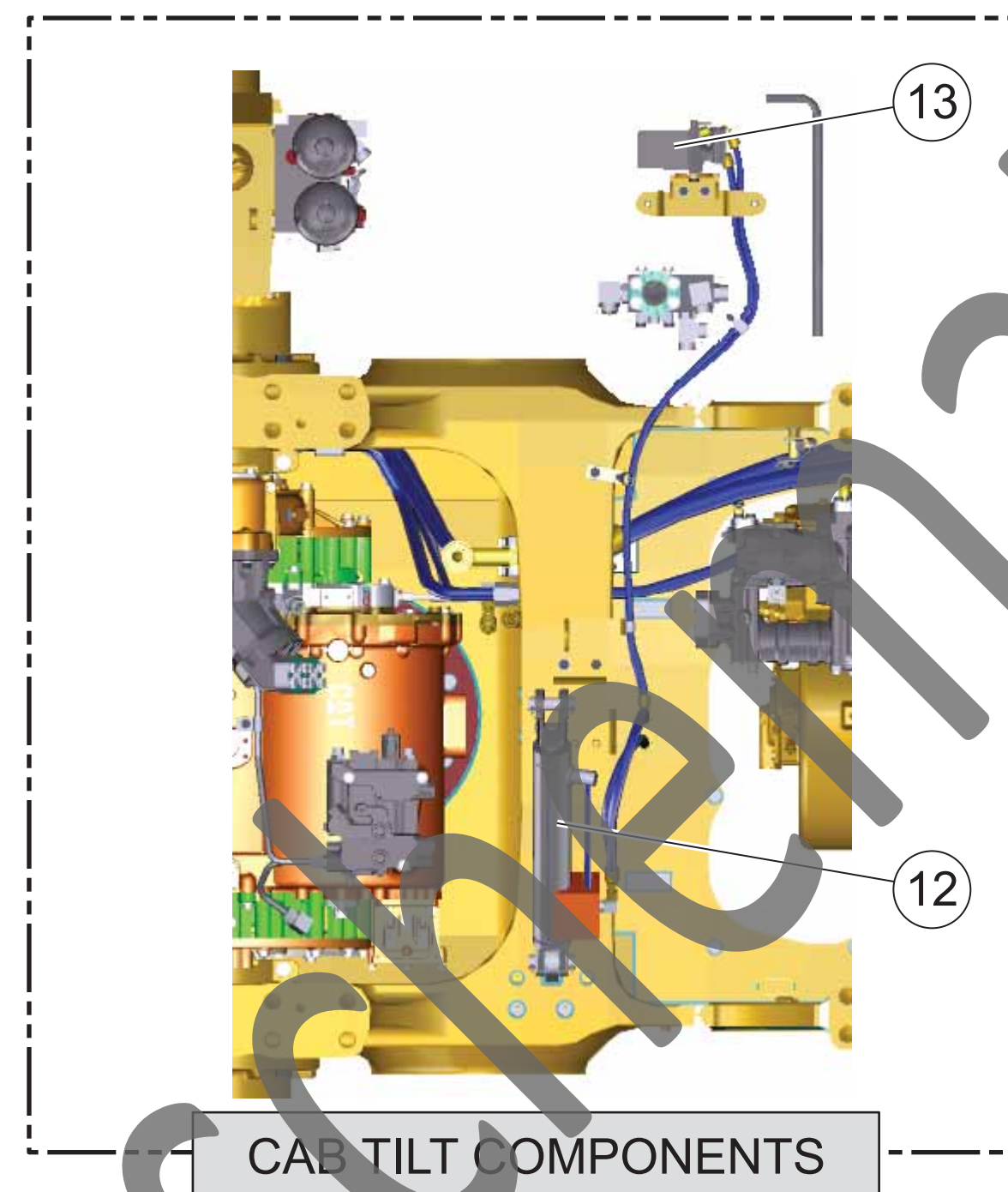
RIPPER ATTACHMENT



TILT CYLINDERS

Component Locations			
Description	Part Number	Machine Location	Schematic Location
Ripper Attachment			
Cylinder Gp - Ripper Lift, Lt Hnd	265-5083	1	F-6
Cylinder Gp - Ripper Lift, Rt Hnd	265-5093	2	F-6
Cylinder Gp - Ripper Tip	265-5084	3	F-6,F-7
Valve Gp - Control, Ripper	265-3425	4	E-6,E-7
Dual Tilt Attachment			
Cylinder Gp - Dual Tilt	350-5474	5	C-4,C-5
Valve Gp - Lift, RH Tilt, LH Tilt	350-9962	6	B-4 to B-7
3 Function Rear Auxiliary Valve Attachment			
Valve Gp - 3 Funct. Rear Aux. Valve	310-3446	7	E-1 to E-3
Winch			
Winch Gp - Winch and Valves	271-6435	8	E-4 to F-5
Reversing Fan Attachment			
Motor Gp - Reversing Fan Option	340-2124	9	C-2
Valve Gp - Fan Reversing Option	162-2191	10	C-3
Angle Blade Tilt			
Cylinder Gp - Tilt, A-Blade	312-8518	11	B-3
Cab Tilt			
Cylinder Gp - Cab Tilt	335-1985	12	C-1
Pump Gp-Cab Tilt	183-3514	13	B-1

Tap Locations Pressure and Sampling		
Tap Number	Description	Schematic Location
HFCD	Fan Motor Case Drain	C-3
HPDL	Hydr. Pilot Dozer Lower	C-6
HPRR	Hydr. Pilot Dozer Raise	A-6
HPTA	Hydr. Pilot Tilt Right Retract	A-5
HPTB	Hydr. Pilot Tilt Right Extend	C-5
HPTC	Hydr. Pilot Tilt Left Retract	A-4
HPTD	Hydr. Pilot Tilt Left Extend	C-4
HPRRL	Hydr. Pilot Ripper Raise	D-6
HPRL	Hydr. Pilot Ripper Lower	E-6
HPRR	Hydr. Pilot Ripper In	D-7
HPRC	Hydr. Pilot Ripper Out	E-7
HPAA	Hydr. Pilot Rear Auxiliary A Port	E-3
HPAB	Hydr. Pilot Rear Auxiliary B Port	F-3
HPAC	Hydr. Pilot Rear Auxiliary C Port	E-2
HPAD	Hydr. Pilot Rear Auxiliary D Port	F-2
HPAE	Hydr. Pilot Rear Auxiliary E Port	E-1
HPAF	Hydr. Pilot Rear Auxiliary F Port	F-1



CAB TILT COMPONENTS

Schematic

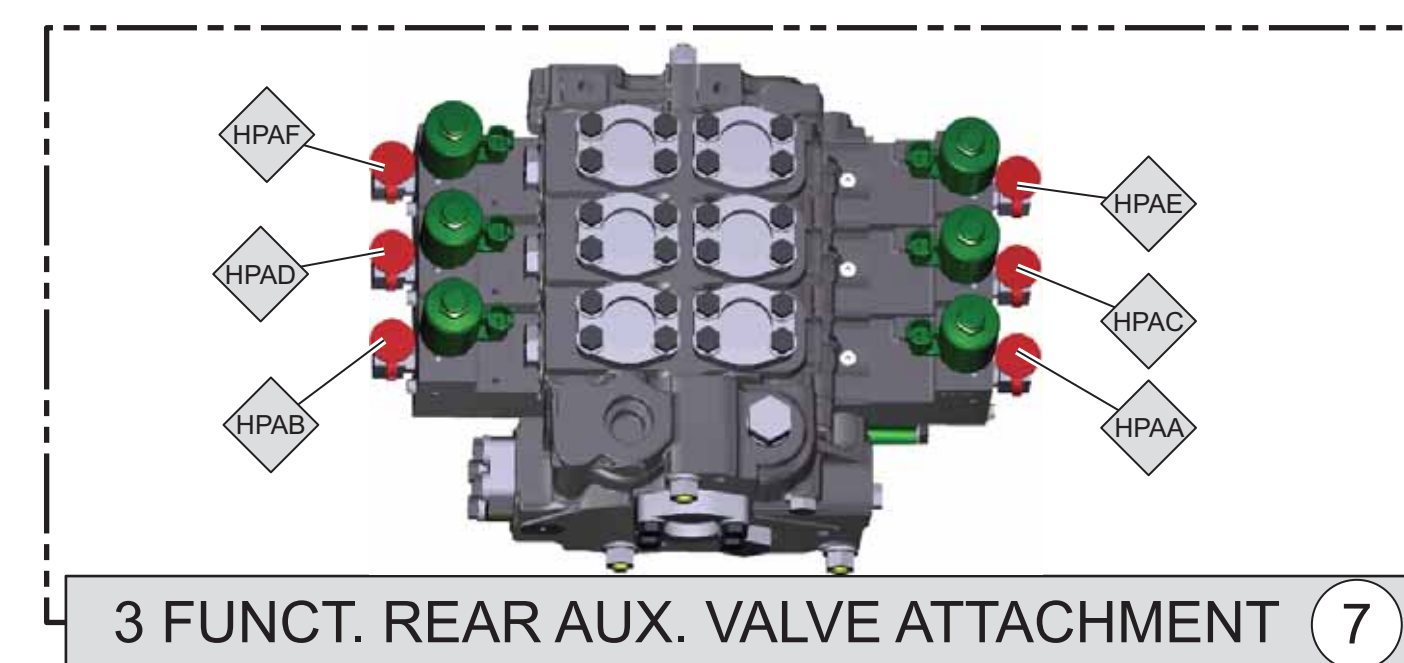
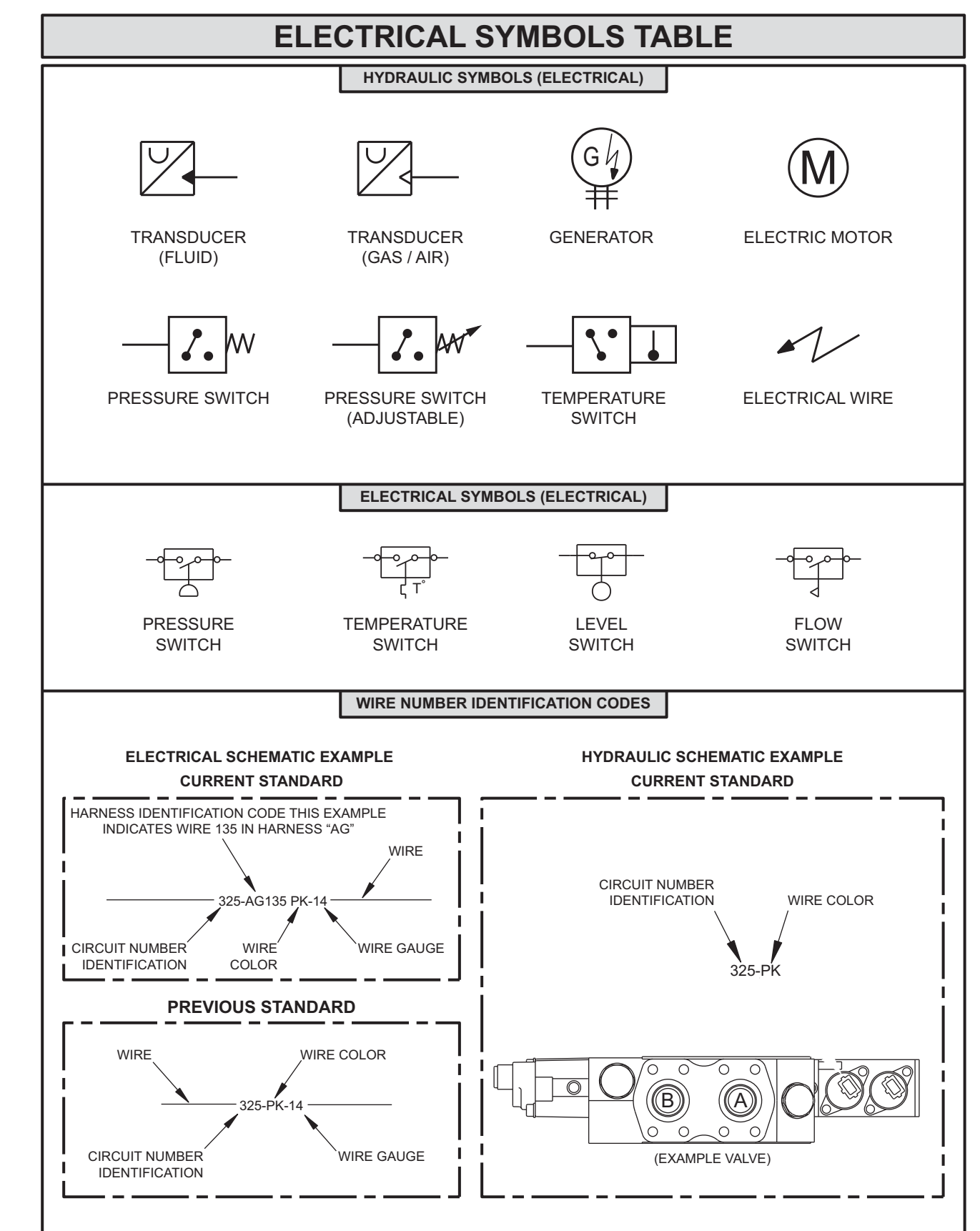
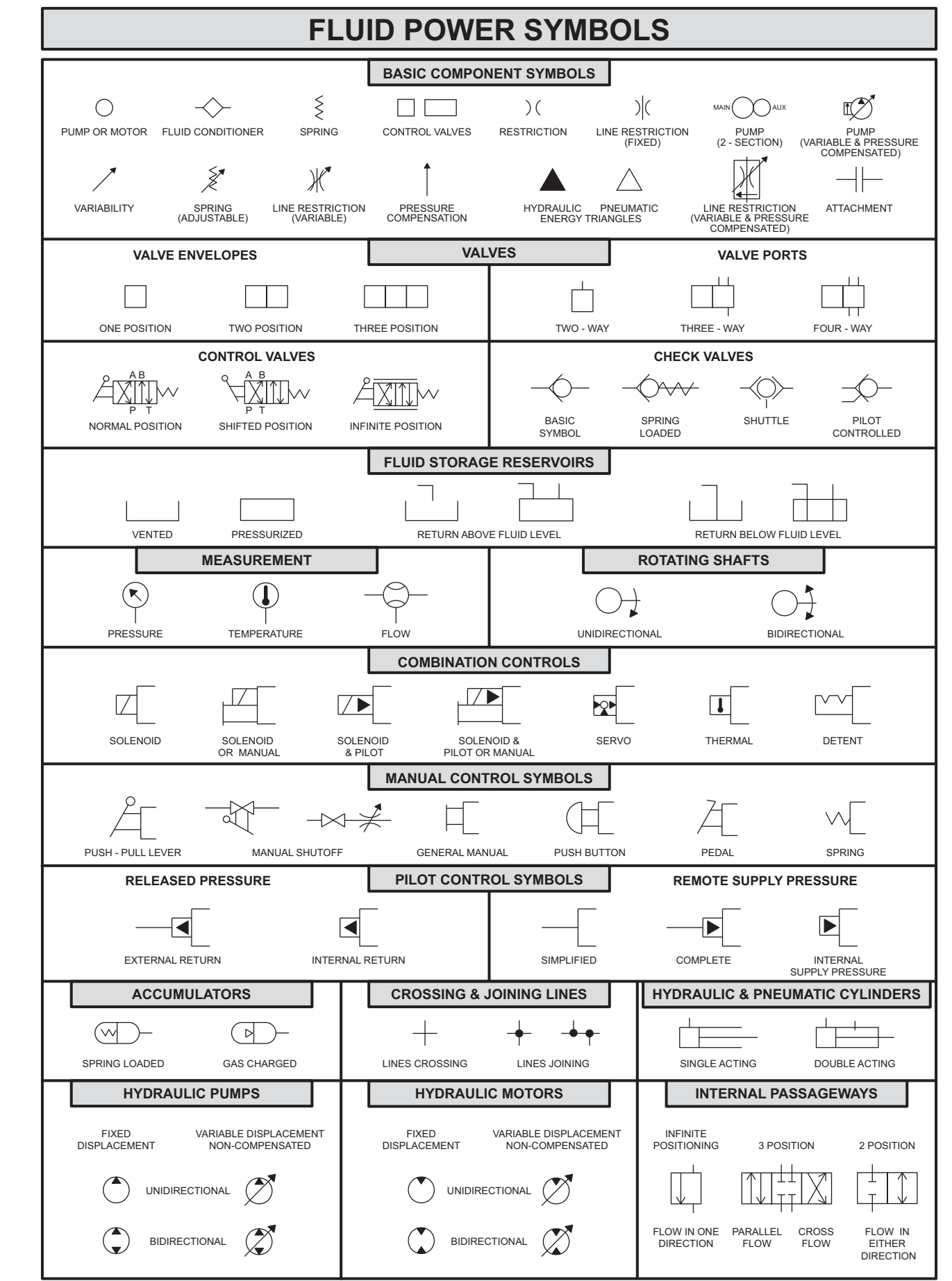
D7E2 Track-Type Tractor Hydraulic System

TJA1-UP
TAN1-UP

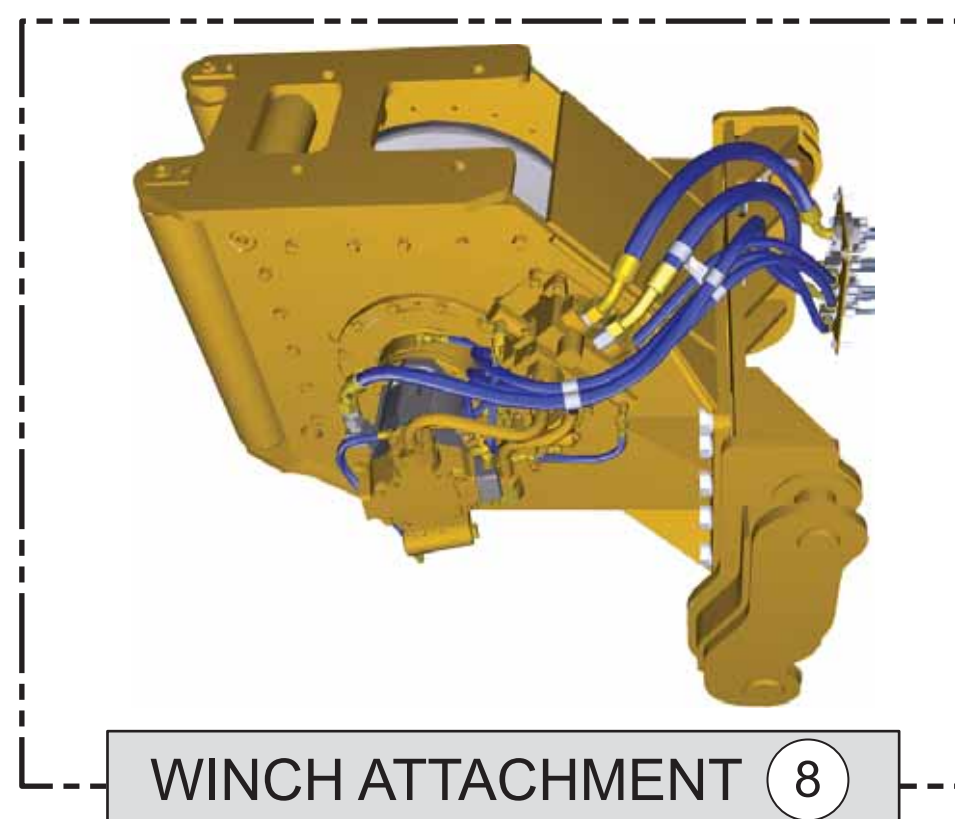
Volume 2 of 2: Attachment: Blade, Dual Tilt, 3 Function Rear Auxiliary Valve, Ripper, and Winch

© 2013 Caterpillar, All Rights Reserved

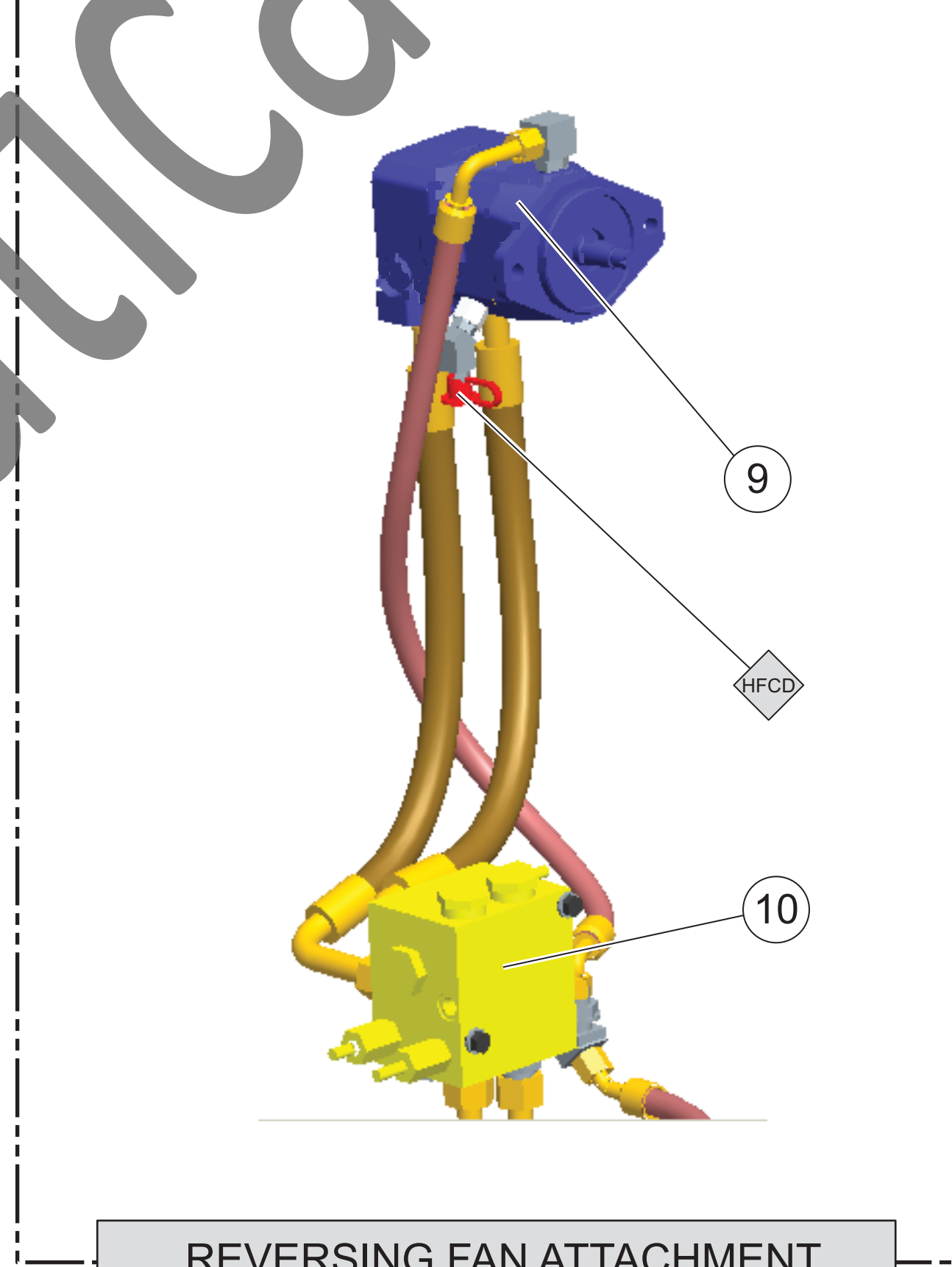
Printed in U.S.A.



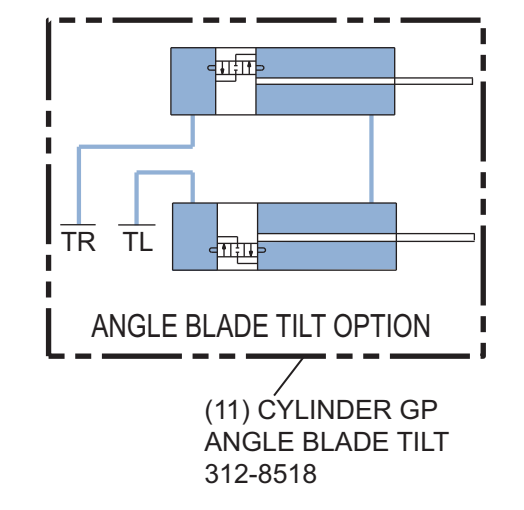
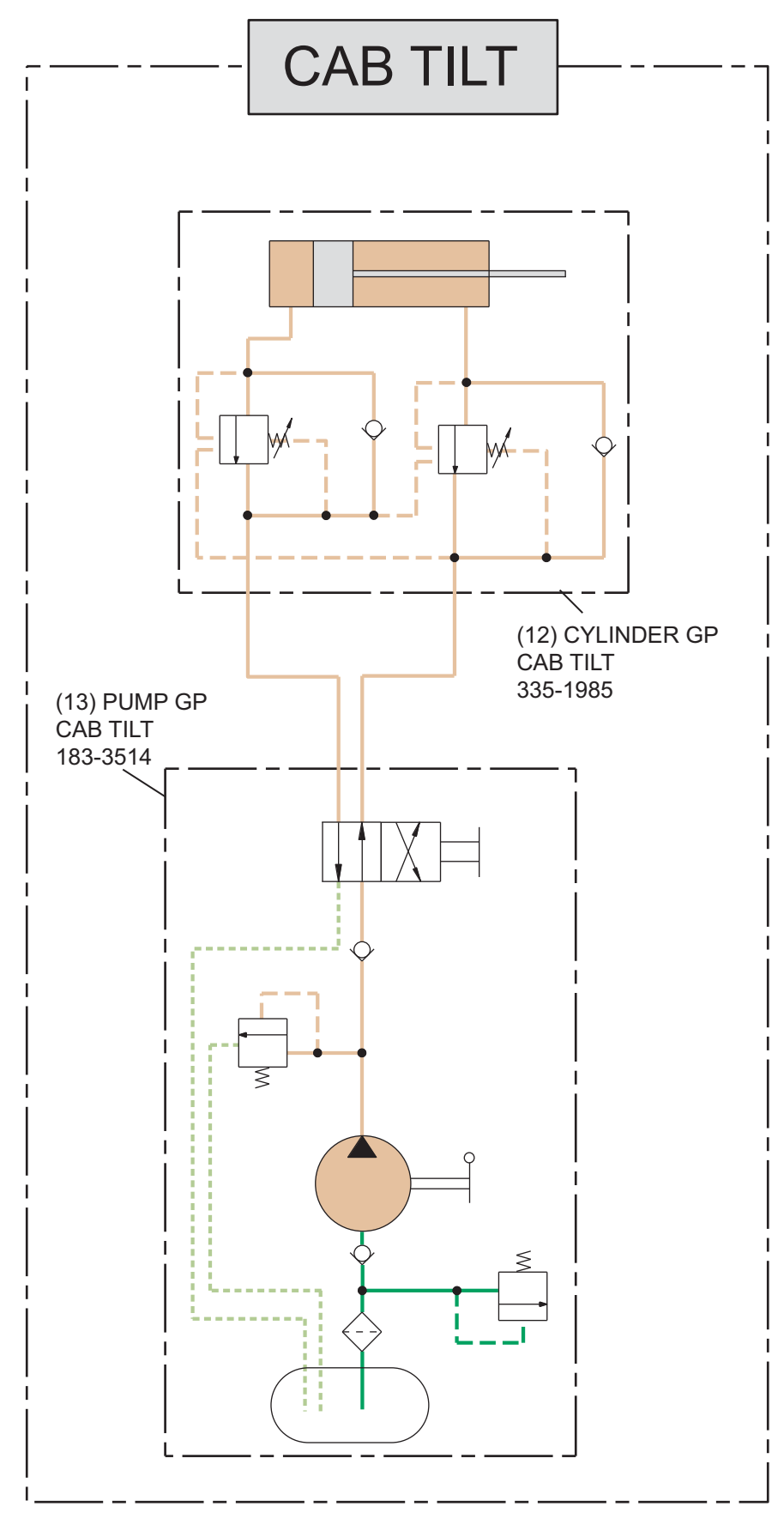
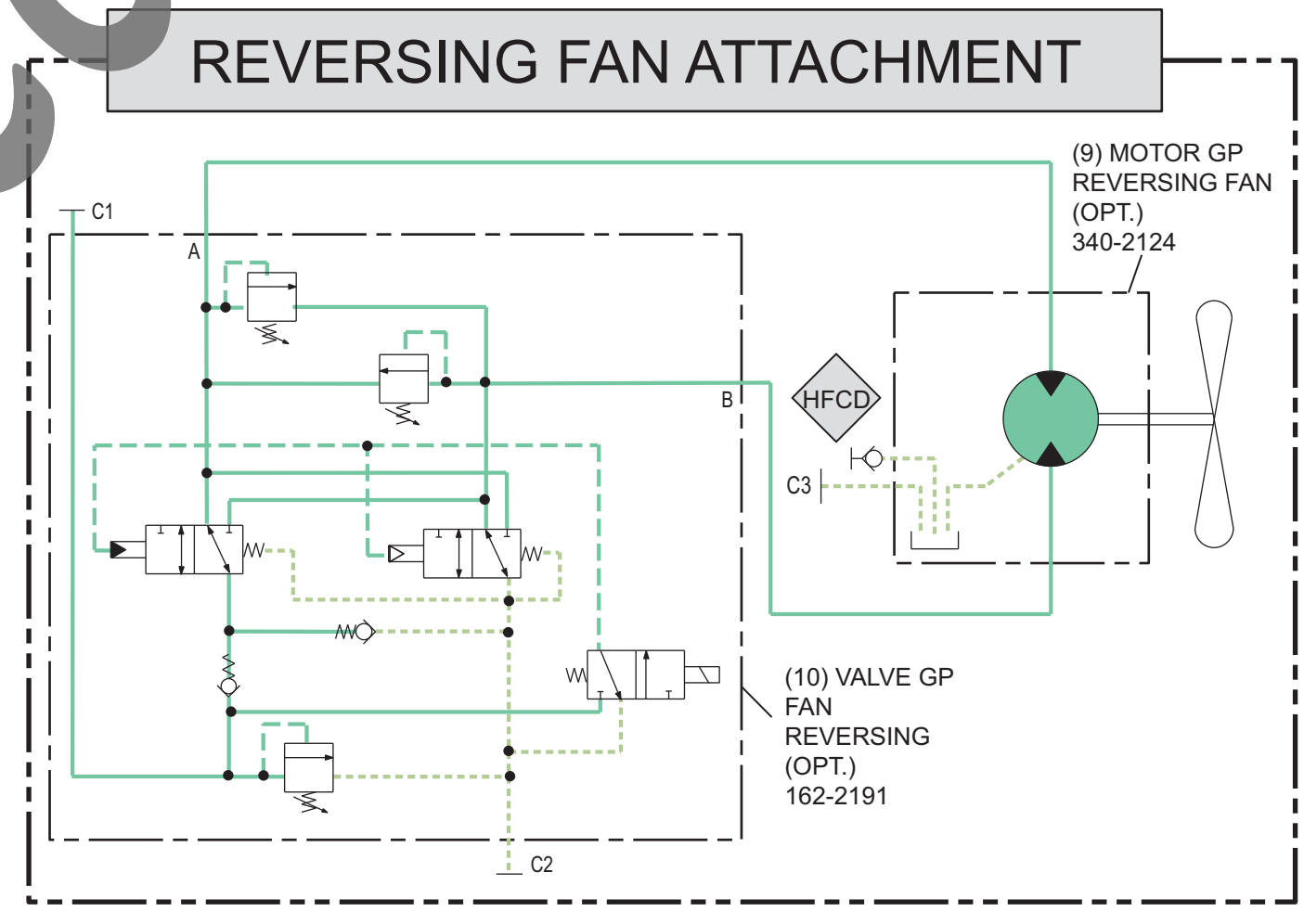
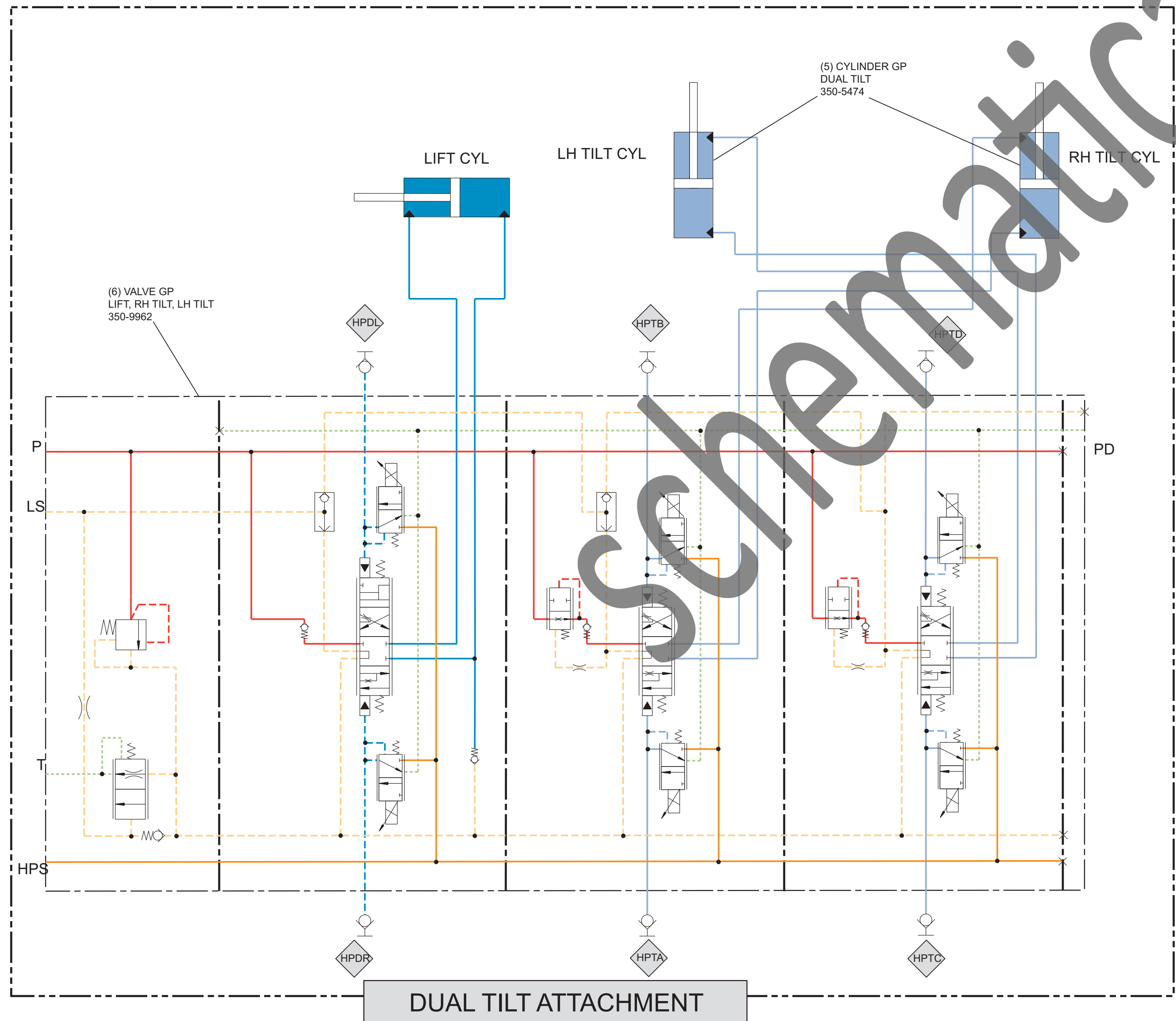
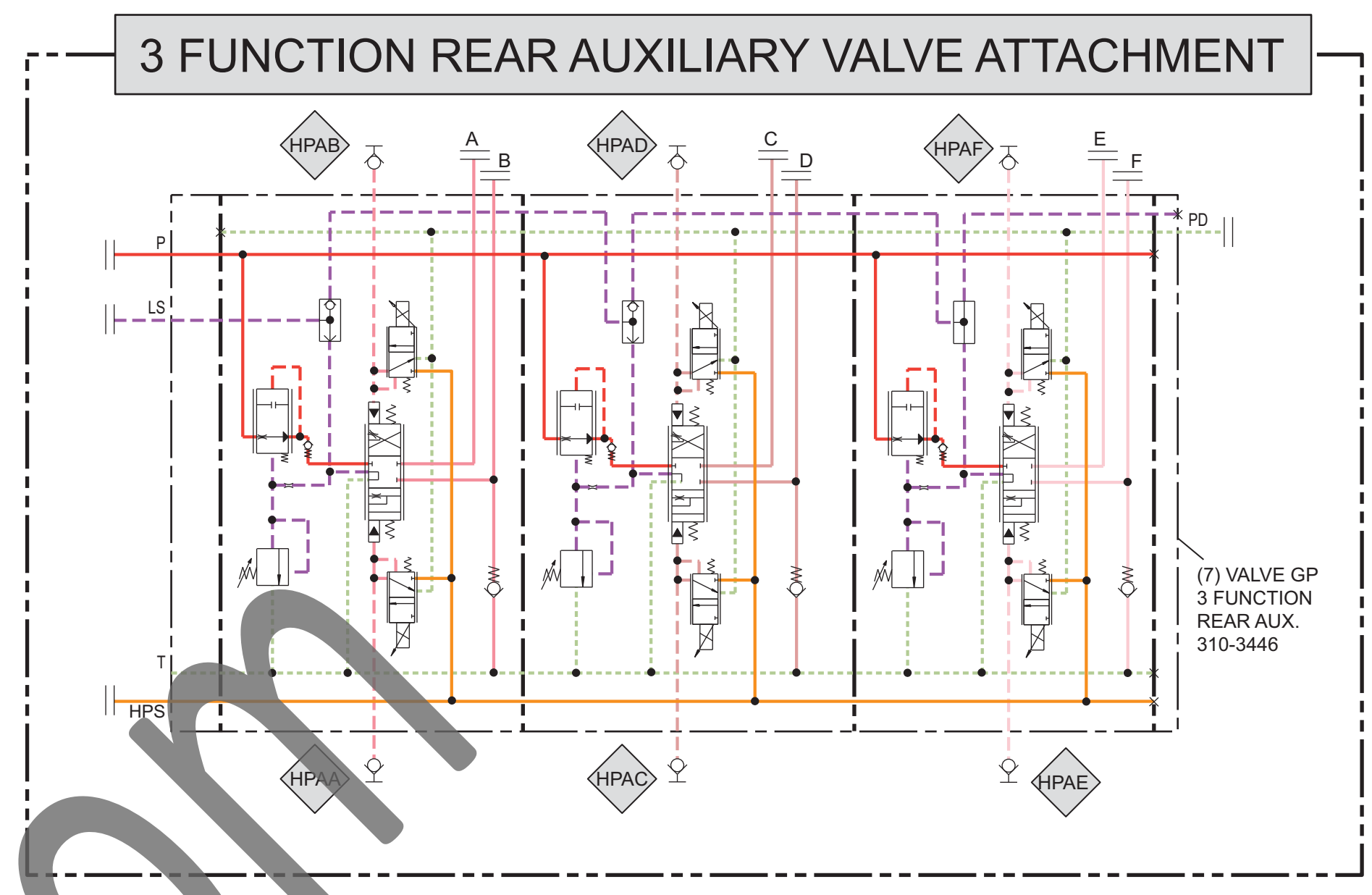
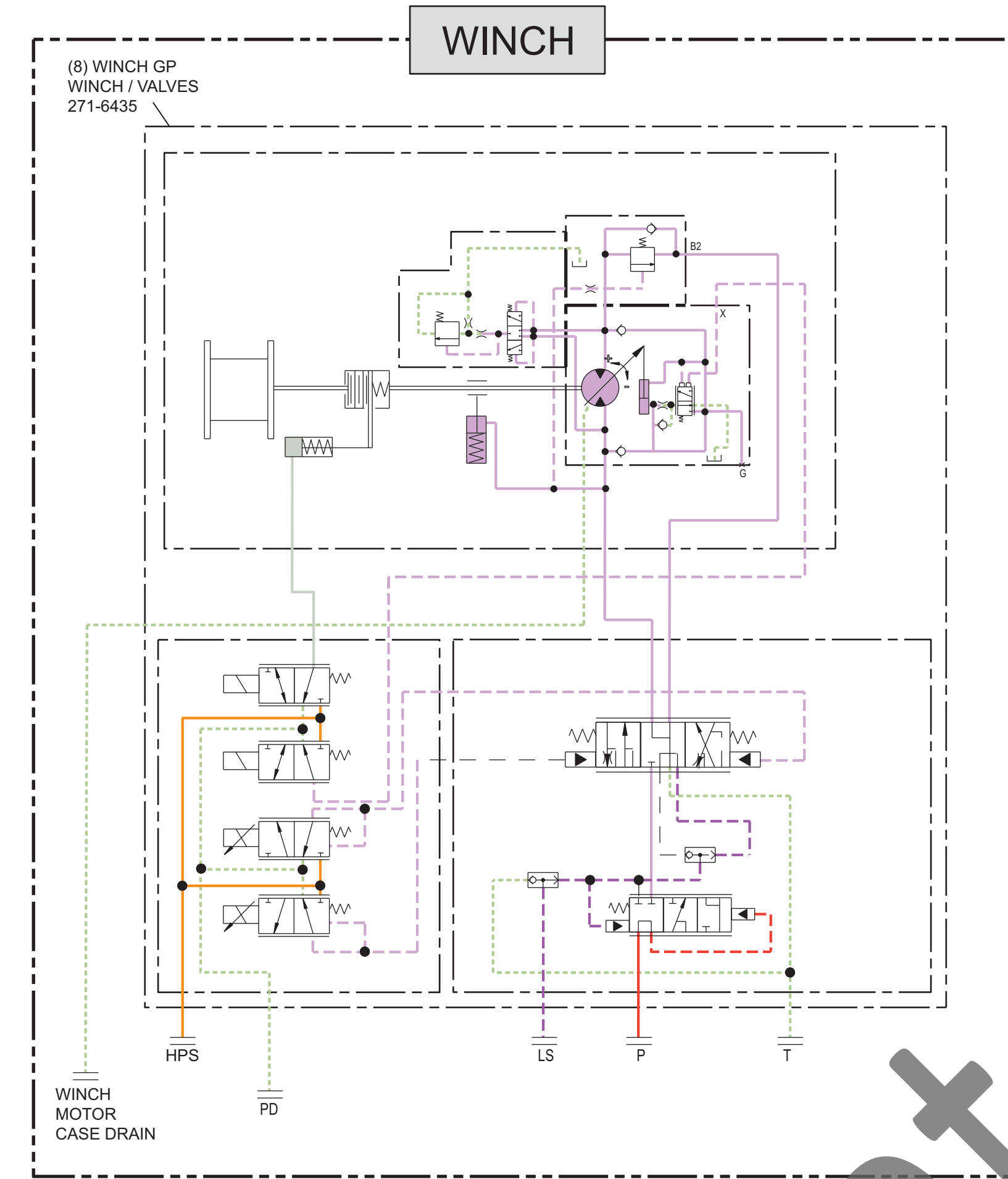
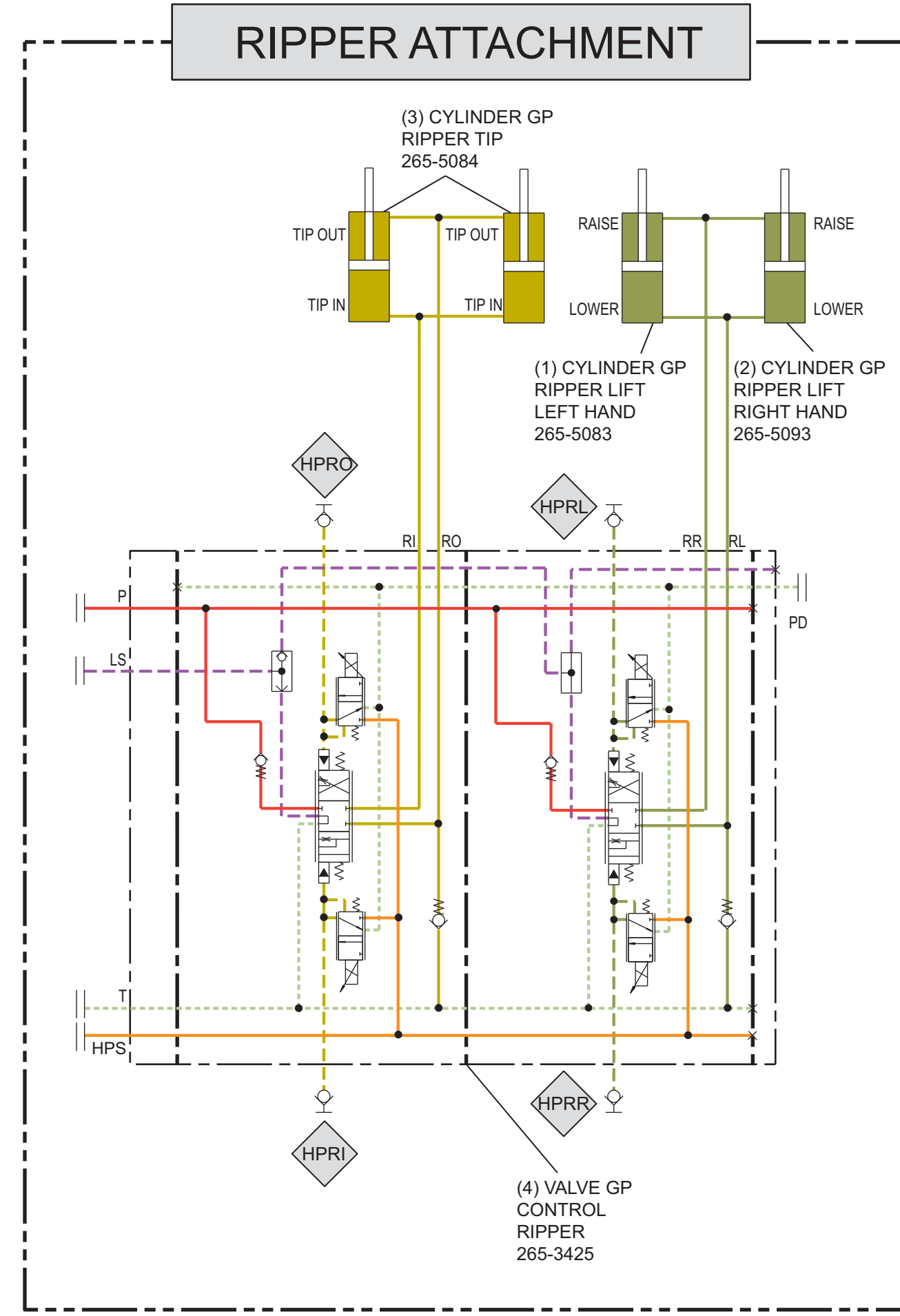
3 FUNCT. REAR AUX. VALVE ATTACHMENT 7



WINCH ATTACHMENT 8



REVERSING FAN ATTACHMENT



HYDRAULIC CIRCUIT COLOR DESCRIPTIONS

Orange	PILOT, CHARGE, STEERING PUMP OUTPUT
Red	IMPLEMENT PUMP OUTPUT
Yellow	BLADE LOAD SENSE
Green	3 FUNCTION REAR AUXILIARY AIR CIRCUIT
Blue	LOAD SENSE CIRCUIT
Purple	FAN PUMP AND CONTROL CIRCUIT
Light Blue	SUPPLY LINE
Dark Blue	3 FUNCTION REAR AUXILIARY GID CIRCUIT
Light Green	3 FUNCTION REAR AUXILIARY E/F CIRCUIT
Light Purple	WINCH MOTOR AND CONTROL CIRCUIT
Light Orange	DRAIN / RETURN LINE
Light Yellow	RIPPER TIP CYLINDERS AND CONTROL CIRCUIT
Light Blue	BLADE LIFT CYLINDER AND CONTROL CIRCUIT
Light Green	BLADE TILT CYLINDER AND CONTROL CIRCUIT
Light Purple	CAB TILT CIRCUIT
Light Orange	WINCH CLUTCH
Light Yellow	RIPPER LIFT CYLINDERS AND CONTROL CIRCUIT

LINE PATTERNS

—	Pressure Line
- - -	Pilot / Load Sensing Pressure
· · · · ·	Drain / Return Lines
—	Component Group
- - -	Attachment
—	Air Line

CALLOUTS

◇	Taps (Pressure, Sampling, Sensor - by letter)
---	---

THIS SCHEMATIC IS FOR THE D7E2 TRACK-TYPE TRACTOR HYDRAULIC SYSTEM
VOLUME 2 of 2: ATTACHMENT: BLADE, DUAL TILT, 3 FUNCTION REAR AUXILIARY VALVE, RIPPER, AND WINCH
 MEDIA NUMBER: KENR5608-03
 SCHEMATIC PART NUMBER: 348-1133, CHANGE: 01, VERSION: -
 Components are shown installed on a fully operable machine with the key and engine off, transmission shifter in neutral and with parking brake set.
 Refer to the appropriate Service Manual for Troubleshooting, Specifications and Systems Operations.