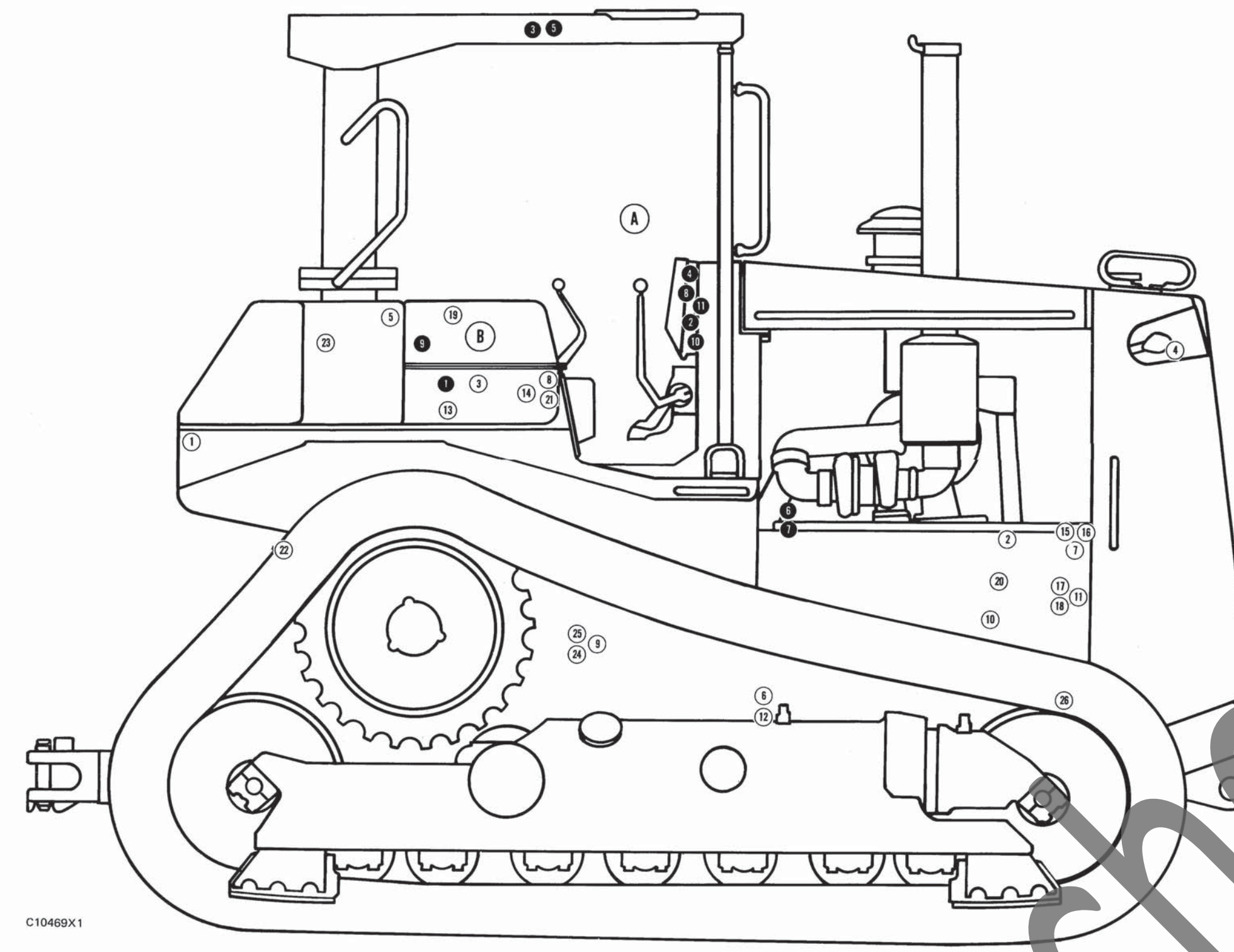


C10470X1



A - COMPONENTS INSIDE CAB

C10469X1

B - COMPONENTS ON RELAY PANEL

HARNESS CONNECTOR AND COMPONENT LOCATIONS

Table with columns: IDENT., SCHEMATIC COMPONENTS, LOCATION, IDENT., SCHEMATIC COMPONENTS, LOCATION. Lists components like Alarm-Backup, Alternator, Batteries, Breaker-Alternator, etc.

Table with columns: CONNECTORS, IDENT., HARNESS AND/OR COMPONENTS, SCHEMATIC LOCATION, IDENT., HARNESS AND/OR COMPONENTS, SCHEMATIC LOCATION. Lists connector types like 20 CONTACTS, 10 CONTACTS, etc.

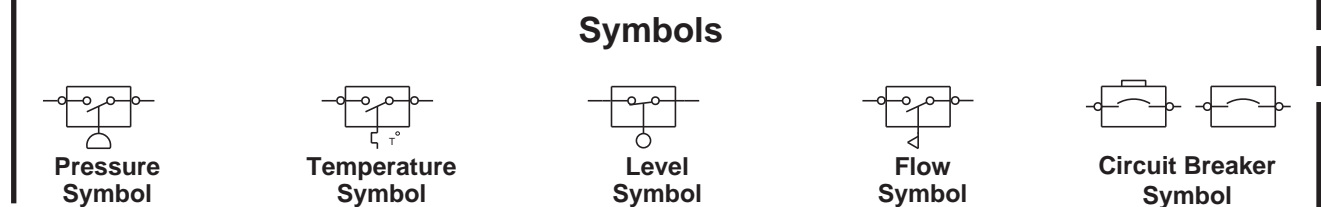
Table with columns: PART NO., FUNCTION, ACTUATE, DEACTUATE, NORMAL CONDITION. Lists hydraulic oil temperature, power train oil temperature, engine coolant temperature, etc.

N.O. = NORMALLY OPEN N.C. = NORMALLY CLOSED

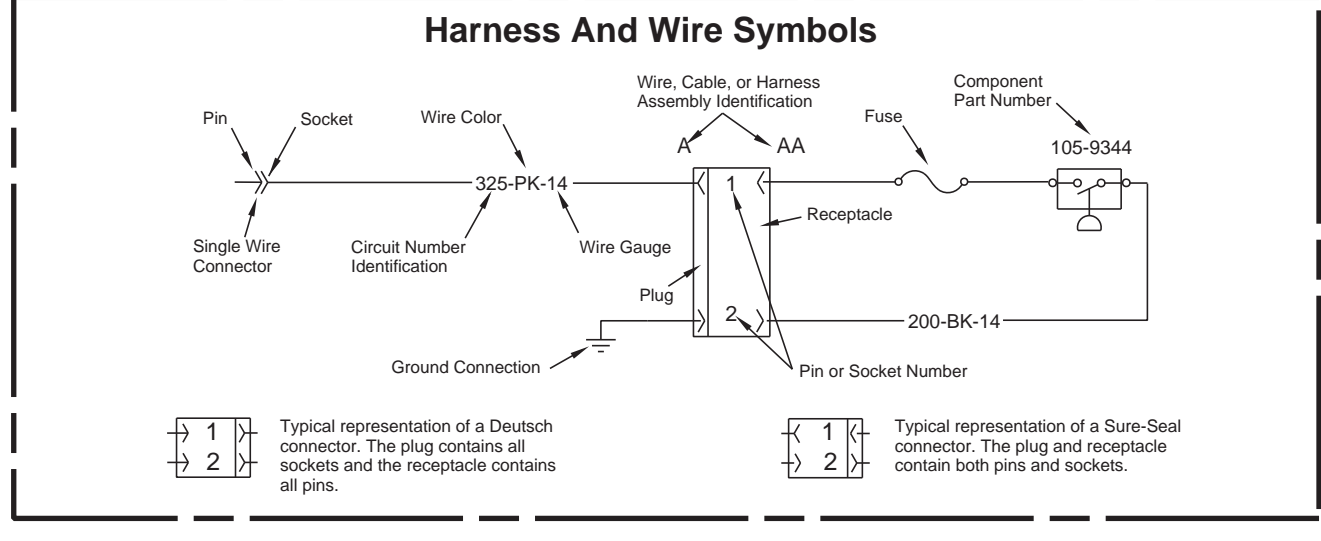
Schematic D7H Track-Type Tractor Electrical System

- 2SB1-3999 4FG1-3999
4AB1-3999 77Z1-3999
5WB1-3999 79Z1-3999
5BF1-3999 80Z1-3999
2RG1-3999 82Z1-3999
3XG1-3999

Electrical Schematic Symbols And Definitions



Symbols And Definitions
Fuse - A component in an electrical circuit that will open the circuit if too much current flows through it.
Switch (Normally Open): A switch that will close at a specified point (temp. press, etc.).
Switch (Normally Closed): A switch that will open at a specified point (temp. press, etc.).
Ground (Wired): This indicates that the component is connected to a grounded wire.
Ground (Case): This indicates that the component does not have a wire connected to ground.
Reed Switch: A switch whose contacts are controlled by a magnet.
Sender: A component that is used with a temperature or pressure gauge.
Relay (Magnetic Switch): A relay is an electrical component that is activated by electricity.
Solenoid: A solenoid is an electrical component that is activated by electricity.
MAGNETIC LATCH SOLENOID - A magnetic latch solenoid is an electrical component that is activated by electricity and held latched by a permanent magnet.



©1985Caterpillar All Rights Reserved Printed in U.S.A.

Main circuit diagram table with columns: CIRCUIT NUMBER, COLOR, POWER DISTRIBUTION CIRCUITS, MACHINE BASIC CIRCUITS (Cont.), MONITORING CIRCUITS, ACCESSORY CIRCUITS, CONTROL CIRCUITS (Cont.). Lists various electrical components and their circuit numbers.

