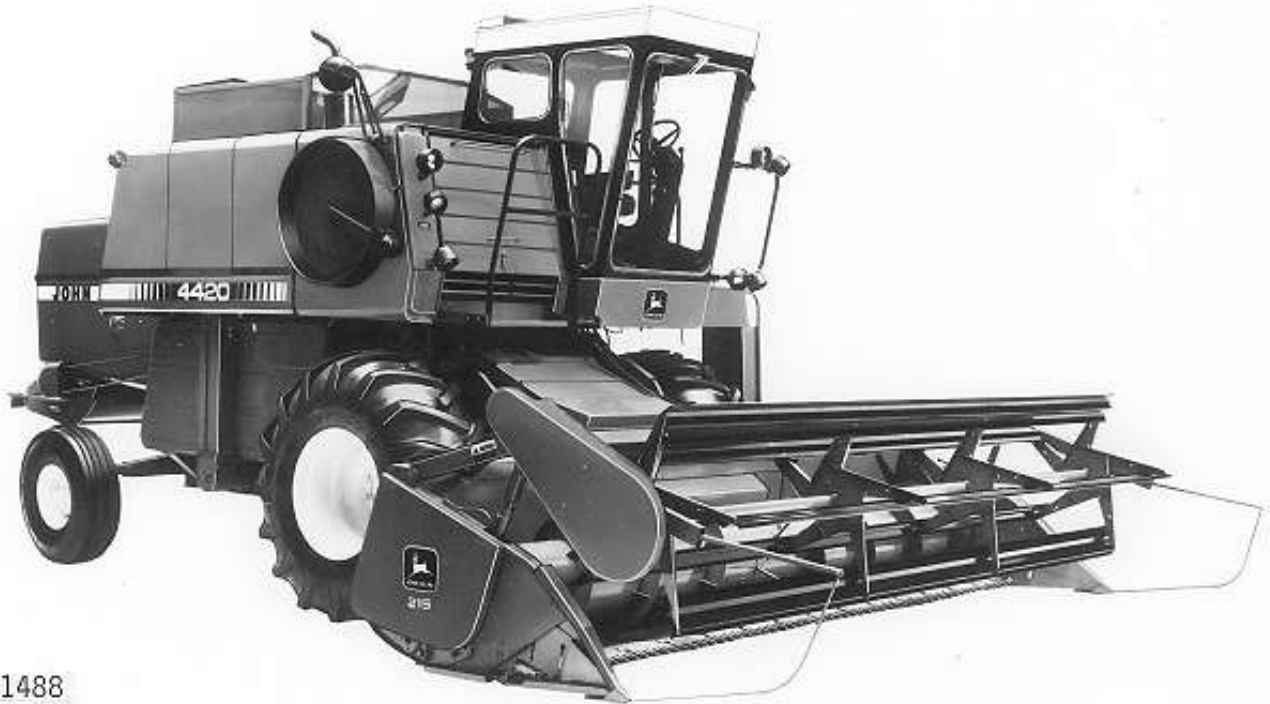


HP1488 -UN-01JAN94



HP1488

*JOHN DEERE 4420 COMBINE WITH 215 PLATFORM*

*(SPECIFICATIONS AND DESIGN SUBJECT TO CHANGE WITHOUT NOTICE)*

## NOTE

FOR 200 SERIES PLATFORM PARTS INFORMATION, REFER TO JOHN DEERE 200 SERIES PLATFORM PARTS CATALOG - PC-1558.

FOR 40 SERIES CORN HEAD PARTS INFORMATION, REFER TO JOHN DEERE 40 SERIES CORN HEAD PARTS CATALOG - PC-1223.

FOR 50 SERIES ROW-CROP HEAD PARTS INFORMATION, REFER TO JOHN DEERE 50 SERIES ROW-CROP HEAD PARTS CATALOG - PC-1549.

FOR 50A SERIES ROW-CROP HEAD PARTS INFORMATION, REFER TO JOHN DEERE 50A SERIES ROW-CROP HEAD PARTS CATALOG - PC-1747.

FOR THREE-ROLLER BELT PICKUP PARTS INFORMATION, REFER TO JOHN DEERE THREE-ROLLER BELT PICKUP PARTS CATALOG - PC-1189.

## IMPORTANT

THIS PARTS CATALOG CONTAINS PARTS INFORMATION FOR THE 4420 COMBINE. MACHINE VINTAGE IS DETERMINED BY THE COMBINE SERIAL NUMBER OR THE PRODUCT IDENTIFICATION NUMBER (PIN). IT IS IMPORTANT THAT THE CORRECT NUMBERS BE USED WHEN ORDERING PARTS.

## SERIAL NUMBER AND PRODUCT IDENTIFICATION NUMBER (PIN) PLATES

USE ALL NUMBERS, LETTERS AND SPACES SHOWN ON THE SERIAL NUMBER PLATE OR THE PRODUCT IDENTIFICATION NUMBER PLATE IN WARRANTY CORRESPONDENCE.

COMBINES ( -550000)

ON THESE COMBINES, THE SERIAL NUMBER PLATE IS LOCATED ON THE REAR LEFT-HAND UPRIGHT.

AN EXAMPLE OF THE SERIAL NUMBER ON THIS PLATE IS:

E4420550000H

E - EQUIPMENT  
4420 - COMBINE MODEL  
550000 - COMBINE SEPARATOR SERIAL NUMBER  
H - MANUFACTURING UNIT (HARVESTER WORKS)

COMBINES (550001- )

ON THESE COMBINES, THE PRODUCT IDENTIFICATION PLATE (PIN) IS LOCATED NEAR THE RIGHT-HAND SIDE OF THE TOOL BOX. AN EXAMPLE OF THE TWO-LINES ON THIS PIN PLATE IS:

H04420X550001  
COMBINE

(FIRST LINE)

H0 - MANUFACTURING UNIT (HARVESTER WORKS)  
4420 - MODEL IDENTIFIER  
X - CONFIGURATION CODE/MODEL IDENTIFIER SUFFIX  
550001 - SEQUENTIAL NUMBER USED IN SERIAL NO. COLUMN

(SECOND LINE)

COMBINE - TYPE OF PRODUCT

**ENGINE SERIAL NUMBER**

THE ENGINE SERIAL NUMBER PLATE IS LOCATED ON THE RIGHT-HAND SIDE OF THE ENGINE BLOCK.

ENGINES ( -XXXXXX)

AN EXAMPLE OF THE ONE-LINE, FIFTEEN-DIGIT NUMBER ON THIS SERIAL NUMBER PLATE IS:

6329DH03XXXXXT

6 - NUMBER OF CYLINDERS  
 329 - CUBIC INCH DISPLACEMENT  
 D - FUEL TYPE  
 H - MANUFACTURING UNIT OF MACHINE (HARVESTER WORKS)  
 03 - ENGINE VERSION  
 XXXXXX - ENGINE SERIAL NUMBER  
 T - MANUFACTURING UNIT OF ENGINE (JOHN DEERE DUBUQUE WORKS)

ENGINES (XXXXXX- )

AN EXAMPLE OF THE TWO-LINE NUMBER ON THIS SERIAL NUMBER PLATE IS:

T06329DXXXXXX  
 6329DH03

(FIRST LINE)

T0 - MANUFACTURING UNIT (JOHN DEERE DUBUQUE WORKS)  
 6 - NUMBER OF CYLINDERS  
 329 - CUBIC INCH DISPLACEMENT  
 D - CONFIGURATION CODE/MODEL IDENTIFIER SUFFIX  
 XXXXXX - SEQUENTIAL NUMBER USED IN SERIAL NO. COLUMN

(SECOND LINE)

6 - NUMBER OF CYLINDERS  
 329 - CUBIC INCH DISPLACEMENT  
 D - FUEL TYPE (NON-TURBOCHARGED DIESEL)  
 H - MANUFACTURING UNIT OF MACHINE (HARVESTER WORKS)  
 03 - ENGINE VERSION

**PARTS LISTING INFORMATION**

SERIAL NUMBER OR PRODUCT IDENTIFICATION NUMBER (PIN) INFORMATION SHOWS ON WHICH MACHINES A PART MAY BE USED. FOR EXAMPLE:

- THE PART CAN BE USED ON ALL MACHINES.

-000000 THE PART CAN BE USED ON ALL MACHINES UP TO AND INCLUDING THE SERIAL NUMBER LISTED.

000000- THE PART CAN BE USED ON ALL MACHINES BEGINNING WITH THE SERIAL NUMBER LISTED.

000000-000000 THE PART CAN BE USED ON ALL MACHINES BETWEEN AND INCLUDING THE SERIAL NUMBERS LISTED.

WHEN XXXXXX'S ARE LISTED IN PLACE OF A SERIAL NUMBER, A SERIAL NUMBER WAS MADE, BUT THE EXACT SERIAL NUMBER WAS NOT AVAILABLE WHEN THE CATALOG WAS PRINTED.

## **DIRECTION ARROW**

ARROWS ARE USED WITH ILLUSTRATIONS TO INDICATE THE FRONT OF THE UNIT. "RIGHT-HAND" AND "LEFT-HAND" SIDES ARE DETERMINED BY FACING IN THE DIRECTION OF MACHINE FORWARD TRAVEL.

## **BOX-ENCLOSED ILLUSTRATIONS**

A KEY NUMBER, SHOWN IN THE PARTS LIST, IS ASSIGNED TO A BOX ENCLOSING ALL PARTS SOLD AS A SERVICE ASSEMBLY. A BOX NOT KEYED INCLUDES NON-CURRENT PARTS.

## **KITS**

KIT INFORMATION WILL BE FOUND IMMEDIATELY FOLLOWING THE STORY IN WHICH IT IS USED. THE ILLUSTRATION IS REPEATED WITH ONLY THE KIT PARTS CALLED OUT AND WITH ALL OTHER PARTS SHOWN IN PHANTOM FOR RELATIONSHIP.

## **JDM REMANUFACTURED COMPONENTS**

THE SERVICE PARTS LISTED IN THIS CATALOG ARE INTENDED FOR THE REPAIR OF ORIGINAL EQUIPMENT COMPONENTS. ALTHOUGH MOST SERVICE PARTS MAY BE USED TO REPAIR REMANUFACTURED COMPONENTS, THE REMANUFACTURED DESIGN MAY CHANGE PARTS SUFFICIENTLY SO THAT SERVICE PARTS ARE INADEQUATE OR NOT USABLE.

## **BOLT AND CAP SCREW STRENGTH IDENTIFICATION**

BOLTS AND CAP SCREWS REQUIRED TO HAVE HIGH-STRENGTH QUALITIES EQUIVALENT TO SAE GRADE 8 ARE IDENTIFIED THROUGHOUT THIS CATALOG BY THE DESCRIPTION HS SAE 8. ALL STANDARD BOLTS AND CAP SCREWS ARE SAE GRADE 5 OR LOWER.

## **COMPLETE GOODS LISTINGS**

COMPLETE GOODS ARE LISTED IN BOLD FACE TYPE. ORDER SEPARATELY. DO NOT INCLUDE ON REPLACEMENT PARTS ORDER.

## **SI UNITS OF MEASURE**

METRIC DIMENSIONS ARE GIVEN, WHERE APPLICABLE, THROUGHOUT THIS PARTS CATALOG.

## **TRADEMARKS**

THROUGHOUT THIS PARTS CATALOG, YOU WILL FIND THE FOLLOWING DEERE & COMPANY TRADEMARKS:

DIAL-A-MATIC™  
HARVESTRAK™

TORQ-GARD SUPREME®  
QUIK-TATCH™

## **CHANGE INDICATOR LINE**

CHANGES AFFECTING THE ORDERING OF PARTS ARE IDENTIFIED BY VERTICAL LINES MARKED IN THE LEFT-HAND MARGIN OF REVISED PARTS LISTING IMAGES. A LINE IS ALSO AT THE LEFT-HAND EDGE OF THE SAME PART NUMBER IN THE NUMERICAL INDEX TO SHOW THE LOCATION OF REVISED INFORMATION.

## SECTIONAL INDEX

	SECTION
GENERAL INFORMATION . . . . .	10
BASIC ENGINE . . . . .	20
FUEL AND AIR . . . . .	30
ELECTRICAL . . . . .	40
POWER TRAIN . . . . .	50
STEERING AND BRAKES . . . . .	60
HYDRAULICS . . . . .	70
SEPARATOR SHELL . . . . .	80
OPERATOR'S STATION . . . . .	90
HEADERS - REFER TO INDIVIDUAL HEADER PARTS CATALOGS . . . . .	100
FEEDER HOUSE . . . . .	110
SEPARATOR . . . . .	120
GRAIN TANK AND UNLOADING AUGER . . . . .	130
MAJOR DRIVES . . . . .	140
HEADER HEIGHT CONTROL . . . . .	160
DECALS, BELTS AND CHAINS . . . . .	170
NUMERICAL INDEX . . . . .	180

## ALPHABETICAL INDEX

GRID	A	PAGE	GRID	PAGE	
1F3	ACCUMULATOR PRESSURE GAUGE .....	40 - 10	1H18	AXLE, FINAL DRIVE (HEAVY-DUTY) .....	50 - 16
2C11	ACCUMULATOR, NAMEPLATE .....	70 - 45	1I24	AXLE, REAR .....	60 - 18
2C11	ACCUMULATOR,PRESS.CTL.VALVE AND MTG.BKT. ....	70 - 45	1I25	AXLE, REAR .....	60 - 19
2K12	ACTUATOR SWITCH AND MOUNTING .....	160 - 8	1H6	AXLE, SPACERS .....	50 - 4
1I25	ADJUSTABLE REAR AXLE .....	60 - 19	1H5	AXLE, WHEEL, DRIVE .....	50 - 3
1D5	AID, COLD WEATHER STARTING .....	30 - 9	<b>B</b>		
1E15	AIR CLEANER .....	30 - 44	1H25	BALL JOINT,RELATIVE GRD. SPD. INDICATOR .....	50 - 23
2E11	AIR COND. COMPR. MOUNTING AND SUPPORTS.....	90 - 30	2H4	BAR, CYLINDER SHEAR.....	120 - 25
2E12	AIR COND. COMPRESSOR MTG. & SUPTS. ....	90 - 31	2I6	BAR, FINGER, CHAFFER FRAME .....	120 - 54
2E13	AIR COND. CONDENSER AND RECEIVER-DRIER .....	90 - 33	1F8	BATTERY BOOT .....	40 - 15
2E13	AIR CONDITIONER .....	90 - 33	1F8	BATTERY, BRACKETS AND CABLES .....	40 - 15
2E14	AIR CONDITIONER LINES .....	90 - 34	1F7	BATTERY, BRACKETS, CABLES, AND SHIELDS.....	40 - 14
2E14	AIR CONDITIONER, LO PRESSURE SWITCH .....	90 - 34	1H17	BEARING CAP AND FINAL DRIVE HOUSING .....	50 - 15
1F12	AIR CONDITIONING WIRING ON ENGINE .....	40 - 20	1B12	BEARING, MAIN.....	20 - 19
1F13	AIR CONDITIONING WIRING ON ENGINE .....	40 - 21	1B13	BEARING, MAIN.....	20 - 20
2E16	AIR CONDITIONING, O-RING KIT .....	90 - 36	1H18	BEARINGS, FINAL DRIVE (HEAVY-DUTY) .....	50 - 16
2I11	AIR DUCTS, CLEANING FAN .....	120 - 59	2G23	BEATER AND TACHOMETER DRIVE .....	120 - 20
2E4	AIR INTAKE AT REAR OF OPERATOR'S CAB.....	90 - 23	2H1	BEATER AND TACHOMETER DRIVE .....	120 - 22
1B25	AIR INTAKE MANIFOLD .....	20 - 32	3B3	BEATER DRIVE SHEAVES AND BELTS .....	170 - 12
1E16	AIR INTAKE TUBE .....	30 - 45	3A25	BELT AND SHEAVES, SECONDARY COUNTERSHAFT ..	170 - 9
2J6	AIR INTAKE TUBE COVER.....	130 - 4	1C17	BELT TIGHTENER, RADIATOR FAN DRIVE .....	20 - 49
1E14	AIR INTAKE TUBES.....	30 - 43	1G5	BELT, ALTERNATOR.....	40 - 38
1D20	AIRTEX FUEL TRANSFER PUMP ASSEMBLY .....	30 - 24	3A21	BELT, ENGINE R.H. SIDE .....	170 - 3
1G5	ALTERNATOR SHEAVE AND BELT .....	40 - 38	1C16	BELT, RADIATOR FAN .....	20 - 48
1G7	ALTERNATOR SUPPORTS, FRONT AND REAR .....	40 - 41	3A22	BELT, ROTARY SCREEN .....	170 - 5
1G6	ALTERNATOR, COMPLETE, 90 AMP .....	40 - 39	3B4	BELT, SHOE GRAIN SUPPLY AUGERS DRIVE .....	170 - 13
1G1	ALTERNATOR, 72 AMP.....	40 - 34	3B2	BELTS AND CHAINS, FEEDER HOUSE DRIVE .....	170 - 11
1G3	ALTERNATOR, 90 AMP.....	40 - 36	3B3	BELTS AND SHEAVES, BEATER DRIVE .....	170 - 12
2K15	AMPLIFIER AND CIRCUIT BOX .....	160 - 11	3B10	BELTS AND SHEAVES, LOADING AUGER DRIVE.....	170 - 21
1F23	ANTENNA, RADIO .....	40 - 32	2G23	BELTS, BEATER AND TACHOMETER DRIVE .....	120 - 20
1G8	ARMATURE ASSEMBLY, STARTER MOTOR .....	40 - 42	2H1	BELTS, BEATER AND TACHOMETER DRIVE .....	120 - 22
1G11	ARMATURE, STARTING MOTOR.....	40 - 45	3B10	BELTS, CLEAN GRAIN ELEVATOR .....	170 - 21
2D21	ARMRESTS .....	90 - 15	3A24	BELTS, PRIMARY .....	170 - 7
2J12	AUGER COUNTERSHAFT, UNLOADING .....	130 - 10	2H17	BLADE, STRAW CHOPPER .....	120 - 38
2J16	AUGER DR.TIGHTENER,AUXILIARY UNLOADING.....	130 - 14	2H22	BLADE, STRAW SPREADER .....	120 - 43
2J10	AUGER DRIVE CONTROL, UNLOADING.....	130 - 8	1F21	BLADE, WINDSHIELD WIPER .....	40 - 30
3B9	AUGER DRIVE SHEAVES AND SPROCKETS .....	170 - 19	2K10	BLOCK, CHECK (AUTO HEIGHT).....	160 - 6
2I25	AUGER DRIVE TIGHTENER, UPPER TAILINGS.....	120 - 74	1A22	BLOCK, CYLINDER .....	20 - 4
3B12	AUGER DRIVES, UNLOADING .....	170 - 23	1A24	BLOCK, CYLINDER .....	20 - 6
2J17	AUGER HINGE AND SWING, UNLOADING.....	130 - 15	2K6	BLOCK, VALVE, MAIN (AUTO HEIGHT) .....	160 - 2
2J18	AUGER HOUSING, OUTER UNLOADING .....	130 - 16	2F2	BOTTOM, FEEDER HOUSE FALSE .....	110 - 9
2H24	AUGER HOUSING, SHOE GRAIN SUPPLY.....	120 - 45	2C20	BOX, TOOL.....	80 - 7
2K9	AUGER SWING .....	160 - 5	2C19	BRACE, CROSS, SEPARATOR .....	80 - 6
2B7	AUGER SWING CONTROL VALVE, UNLOADING .....	70 - 12	1F9	BRACKET AND CIRCUIT BREAKERS .....	40 - 17
2B6	AUGER SWING CONTROL, HYDRAULIC .....	70 - 11	1F21	BRACKET AND WINDSHIELD WIPER .....	40 - 30
2B11	AUGER SWING HOSES AND LINE, UNLOADING .....	70 - 17	2C11	BRACKET,MTG.,ACCUMULATOR,AND PRES.CTL. VALVE .....	70 - 45
2B9	AUGER SWING HYDRAULIC CYLINDER,UNLOADING ....	70 - 15	1H25	BRACKET,RELATIVE GROUND SPEED INDICATOR.....	50 - 23
2B12	AUGER SWING LINE, UNLOADING.....	70 - 18	2D16	BRACKETS, OPERATOR'S CAB MOUNTING .....	90 - 10
2I12	AUGER, CLEAN GRAIN .....	120 - 60	2C8	BRACKETS, PLATFORM LIFT .....	70 - 42
2J15	AUGER, INNER UNLOADING .....	130 - 13	1I10	BRAKE LINES .....	60 - 3
2I20	AUGER, LOWER TAILINGS .....	120 - 69	1I12	BRAKE MASTER CYLINDER .....	60 - 5
2J17	AUGER, OUTER UNLOADING .....	130 - 15	1I9	BRAKE PEDALS AND LINKAGE.....	60 - 2
2I24	AUGER, UPPER TAILINGS.....	120 - 73	1I13	BRAKE SLAVE CYLINDER .....	60 - 6
2J20	AUGERS, GRAIN TANK AUXILIARY UNLOADING .....	130 - 18	1I14	BRAKE SLAVE CYLINDER .....	60 - 7
2H25	AUGERS, SHOE GRAIN SUPPLY .....	120 - 47	1I15	BRAKE SLAVE CYLINDER KIT.....	60 - 9
1E2	AUTOMATIC ADVANCE .....	30 - 31	1I8	BRAKE, PARKING .....	60 - 1
2K9	AUTOMATIC HEADER HEIGHT LINES .....	160 - 5	1I11	BRAKES AND HOUSING.....	60 - 4
2B13	AUX. UNLDG. AUG. HYD. DR. SELECTOR VALVE .....	70 - 19	2I22	BUCKET, TAILINGS ELEVATOR .....	120 - 71
2B13	AUX. UNLDG. AUG. HYD. DR. VALVE SUPPORT .....	70 - 19	1F3	BULB, ACCUMULATOR PRESSURE GAUGE .....	40 - 10
2B14	AUX. UNLDG. AUGER HYD. DRIVE OIL LINES .....	70 - 20	2D16	BUSHINGS, OPERATOR'S CAB MOUNTING .....	90 - 10
2J11	AUXILIARY UNLDG. AUGER HYD. DR. CONTROL .....	130 - 9			
2J16	AUXILIARY UNLOADING AUG. DRIVE TIGHTENER .....	130 - 14			
2J16	AUXILIARY UNLOADING AUGER DR.MOTOR SUPT. ....	130 - 14			
2B15	AUXILIARY UNLOADING AUGER HYD. DR. MOTOR .....	70 - 21			
2J21	AUXILIARY UNLOADING AUGERS DRIVE SHAFT.....	130 - 19			

## ALPHABETICAL INDEX - CONTINUED

GRID		PAGE	GRID		PAGE
	<b>C</b>				
2D23	CAB BODY, OPERATOR'S .....	90-17	2E9	COMPRESSOR, HI PRESSURE SWITCH .....	90-28
2E2	CAB ROOF .....	90-21	2G17	CONCAVE ADJUSTING CONTROLS .....	120-13
2E2	CAB ROOF RECIRCULATING FILTERS .....	90-21	2G16	CONCAVE ADJUSTING SHAFT .....	120-12
1F12	CAB, OPERATOR'S .....	40-20	2G11	CONCAVE, OPEN-BAR .....	120-7
1F13	CAB, OPERATOR'S .....	40-21	2G16	CONCAVE, SECTOR .....	120-12
2F13	CABLE, FLOAT SPRING INDICATOR .....	110-20	2G14	CONCAVE, SPIKE-TOOTH .....	120-10
1I8	CABLE, PARKING BRAKE .....	60-1	2E13	CONDENSER AND RECEIVER-DRIER, AIR COND.....	90-33
1H25	CABLE, RELATIVE GROUND SPEED INDICATOR.....	50-23	1A21	CONDITIONER, COOLANT AND STOP LEAK.....	20-3
1G15	CABLE, WIRING.....	40-50	1F3	CONNECTOR, ACCUMULATOR PRESSURE GAUGE .....	40-10
1F8	CABLES, BATTERY AND BRACKETS .....	40-15	1G17	CONNECTOR, ELECTRICAL, SERVICE KIT .....	40-52
1B17	CAMSHAFT.....	20-24	1G21	CONNECTORS, SUPPLEMENTARY TERMINALS.....	40-56
1B12	CAP, MAIN BEARING .....	20-19	2D22	CONSOLE AND INSTRUMENT PANEL .....	90-16
1F23	CAPACITOR, RADIO .....	40-32	2A23	CONTROL VALVE, HYDRAULIC.....	70-4
1B13	CAPS, MAIN BEARING .....	20-20	2B1	CONTROL VALVE, HYDRAULIC.....	70-6
2I4	CHAFFER AND SIEVE.....	120-51	2B7	CONTROL VALVE, UNLOADING AUGER SWING .....	70-12
2I6	CHAFFER FRAME, UPPER SHOE.....	120-54	2B8	CONTROL VALVE, UNLOADING AUGER SWING .....	70-13
2F10	CHAIN GUIDES, DRIVE, FEEDER CONVEYOR .....	110-17	2K14	CONTROL, DIAL-A-MATIC HEADER HEIGHT .....	160-10
2I14	CHAIN, CLEAN GRAIN ELEVATOR CONVEYOR .....	120-62	2K15	CONTROL, DIAL-A-MATIC HEADER HEIGHT .....	160-11
2F8	CHAIN, CONVEYOR, FEEDER .....	110-15	2B6	CONTROL, HYDRAULIC AUGER SWING .....	70-11
3A24	CHAIN, PRIMARY.....	170-7	2F24	CONTROL, PLATFORM VARIABLE BELT DRIVE .....	110-31
3B2	CHAINS AND BELTS, FEEDER HOUSE DRIVE .....	170-11	2J10	CONTROL, UNLOADING AUGER DRIVE.....	130-8
2K10	CHECK BLOCK (AUTO HEIGHT) .....	160-6	2C11	CONTROL,PRES.VALVE,ACCUMULATOR AND MTG. BKT. ....	70-45
2H15	CHOPPER CURTAIN AND SHIELDS, STRAW .....	120-36	2B4	CONTROL,VARIABLE SPEED CYLINDER-SEP.SIDE .....	70-9
2H9	CHOPPER HOUSING, STRAW .....	120-30	2J11	CONTROLS, AUXILIARY UNLDG. AUG. HYD. DR.....	130-9
2H11	CHOPPER, STRAW .....	120-32	1I8	CONTROLS, BRAKE, PARKING .....	60-1
2H13	CHOPPER, STRAW, PLATES AND FINS.....	120-34	2G17	CONTROLS, CONCAVE .....	120-13
2K15	CIRCUIT BOX AND AMPLIFIER .....	160-11	1H3	CONTROLS, GEARSHIFT .....	50-1
1F9	CIRCUIT BREAKERS AND BRACKET .....	40-17	1H24	CONTROLS, GROUND SPEED.....	50-22
1H25	CLAMP, RELATIVE GROUND SPEED INDICATOR .....	50-23	1H24	CONTROLS, GROUND SPEED INDICATOR .....	50-22
2I12	CLEAN GRAIN AUGER AND HOUSING .....	120-60	1I8	CONTROLS, HYDROSTATIC DRIVE REEL.....	60-1
3B10	CLEAN GRAIN ELEVATOR.....	170-21	2D9	CONTROLS, PIVOTING LADDER.....	90-3
3B10	CLEAN GRAIN ELEVATOR BELTS .....	170-21	2B16	CONTROLS, REEL LIFT .....	70-22
2I14	CLEAN GRAIN ELEVATOR CONVEYOR CHAIN.....	120-62	2J1	CONTROLS, SEPARATOR DRIVE .....	120-75
2I14	CLEAN GRAIN ELEVATOR CONVEYOR SHAFT .....	120-62	1I1	CONTROLS, SPEED, SELECTIVE GROUND .....	50-24
2I14	CLEAN GRAIN ELEVATOR CONVEYOR SHEAVE.....	120-62	1D4	CONTROLS, THROTTLE.....	30-8
2I14	CLEAN GRAIN ELEVATOR CONVEYOR SPROCKETS ....	120-62	2K1	CONTROLS, VARIABLE SPEED CLEANING FAN .....	140-4
2I17	CLEAN GRAIN ELEVATOR DRIVE IDLER.....	120-65	2B5	CONTROLS, VARIABLE SPEED CYLINDER .....	70-10
2I16	CLEAN GRAIN ELEVATOR DRIVE TIGHTENER.....	120-64	1C9	COOLANT HEATER, ENGINE.....	20-41
2I13	CLEAN GRAIN ELEVATOR HOUSING.....	120-61	1B22	COOLER, OIL, ENGINE.....	20-29
3B10	CLEAN GRAIN ELEVATOR SHEAVES.....	170-21	1B23	COOLER, OIL, ENGINE.....	20-30
2I12	CLEAN GRAIN LOWER AUGER AND HOUSING .....	120-60	1I4	COUNTERSHAFT SHEAVE, PROPULSION DRIVE.....	50-27
1E15	CLEANER, AIR .....	30-44	2I15	COUNTERSHAFT, CLEAN GRAIN ELEVATOR DRIVE.....	120-63
2I9	CLEANING FAN .....	120-57	2F21	COUNTERSHAFT, PLAT. LOWER VAR. DR. BELT .....	110-28
3B5	CLEANING FAN .....	170-15	2F22	COUNTERSHAFT, PLATFORM UPPER CHAIN DRIVE ....	110-29
2I11	CLEANING FAN AIR DUCTS .....	120-59	2J24	COUNTERSHAFT, PRIMARY .....	140-2
2K1	CLEANING FAN DRIVE ADJUSTMENT .....	140-4	3A24	COUNTERSHAFT, PRIMARY .....	170-7
2I10	CLEANING FAN HOUSING AND SHIELD .....	120-58	1I5	COUNTERSHAFT, PROPULSION DRIVE.....	50-28
3B5	CLEANING SHOE AND STRAW WALKER DRIVES .....	170-15	2K1	COUNTERSHAFT, SEPARATOR, SECONDARY .....	140-4
2D14	CLOSURE, ENGINE POWERSHAFT .....	90-8	1H12	COUNTERSHAFT, TRANSMISSION .....	50-10
1H22	CLUTCH AND HOUSING, DRIVE WHEEL.....	50-20	2J12	COUNTERSHAFT, UNLOADING AUGER.....	130-10
1H23	CLUTCH INPUT SHAFT AND HOUSING .....	50-21	2E21	COUPLER AND SHIELDS, QUIK-TATCH.....	110-1
1H21	CLUTCH PEDAL AND LINKAGE.....	50-19	2B23	COUPLERS AND HOSES .....	70-32
2E9	CLUTCH, COMPRESSOR .....	90-28	1F3	COVER, ACCUMULATOR PRESSURE GAUGE .....	40-10
1F2	CLUTCH, PLATFORM ELECTROMAGNETIC.....	40-9	2J6	COVER, AIR INTAKE TUBE .....	130-4
2E8	CLUTCH, PULLEY, AND COMPRESSOR COIL .....	90-27	2J8	COVER, EXTENSION SHEETS, GRAIN TANK .....	130-6
1G10	COIL ASSEMBLY, STARTING MOTOR .....	40-44	1E6	COVER, FUEL INJECTION PUMP .....	30-35
2E8	COIL, CLUTCH, PULLEY, AND COMPRESSOR .....	90-27	2J13	COVER, INNER UNLOADING AUGER .....	130-11
2K11	COIL, SOLENOID CONTROL VALVE (AUTO HGT.).....	160-7	1B10	COVER, ROCKER ARM .....	20-17
1D5	COLD WEATHER STARTING AID .....	30-9	1B11	COVER, ROCKER ARM .....	20-18
2E9	COMPRESSOR CHARGE LABEL .....	90-28	2J7	COVER, SIDE SHEETS, GRAIN TANK .....	130-5
2E9	COMPRESSOR CLUTCH.....	90-28	1B4	COVER, TIMING GEAR.....	20-11
2E8	COMPRESSOR COIL, CLUTCH, AND PULLEY .....	90-27	2J9	COVER, TOP SHEETS, GRAIN TANK .....	130-7
2E10	COMPRESSOR HARDWARE SET .....	90-29	2J20	COVERS, GRAIN TANK AUXILIARY UNLOADING .....	130-18
2E11	COMPRESSOR, AIR COND., MTG. & SUPTS. ....	90-30	2G17	CRANK, CONCAVE CONTROL.....	120-13
2E12	COMPRESSOR, AIR COND., MTG. & SUPTS. ....	90-31	2I8	CRANK, SHOE PITMAN .....	120-56
			1B14	CRANKSHAFT AND IDLER GEARS .....	20-21



## ALPHABETICAL INDEX - CONTINUED

<i>GRID</i>		<i>PAGE</i>	<i>GRID</i>		<i>PAGE</i>
1B15	CRANKSHAFT AND IDLER GEARS .....	20-22	2J10	DRIVE CONTROL, UNLOADING AUGER.....	130-8
1B16	CRANKSHAFT KIT, UNDERSIZE .....	20-23	2H18	DRIVE IDLER, STRAW CHOPPER.....	120-39
2H6	CRANKSHAFT, STRAW WALKER .....	120-27	2J21	DRIVE SHAFT, AUXILIARY UNLOADING AUGERS .....	130-19
2H7	CRANKSHAFT, STRAW WALKER .....	120-28	2I16	DRIVE TIGHTENER, CLEAN GRAIN ELEVATOR .....	120-64
2H15	CURTAIN AND SHIELDS, STRAW CHOPPER .....	120-36	2G19	DRIVE TIGHTENER, CYLINDER.....	120-15
2H4	CURTAINS, SEPARATOR .....	120-25	2H18	DRIVE TIGHTENER, STRAW CHOPPER.....	120-39
2D20	CUSHIONS, SEAT .....	90-14	2I25	DRIVE TIGHTENER, UPPER TAILINGS AUGER.....	120-74
1A22	CYLINDER BLOCK.....	20-4	2J16	DRIVE TIGHTENER,AUXILIARY UNLOADING AUG.....	130-14
1A24	CYLINDER BLOCK.....	20-6	1H4	DRIVE WHEEL AND SPACERS .....	50-2
2B4	CYLINDER CONTROL,VARIABLE SPEED-SEP.SIDE .....	70-9	1H5	DRIVE WHEEL AXLE.....	50-3
2G19	CYLINDER DRIVE TIGHTENER .....	120-15	1H22	DRIVE WHEEL CLUTCH AND HOUSING .....	50-20
1B7	CYLINDER HEAD.....	20-14	1H7	DRIVE WHEELS, FENDERS .....	50-5
1B8	CYLINDER HEAD.....	20-15	1E4	DRIVE, FUEL INJECTION PUMP .....	30-33
1B9	CYLINDER HEAD OVERHEAT WARNING SENSOR .....	20-16	1G9	DRIVE, STARTING MOTOR .....	40-43
1B20	CYLINDER LINER KIT.....	20-27	3B7	DRIVES, STRAW CHOPPER .....	170-17
1A21	CYLINDER LINER PACKING LUBRICANT.....	20-3	3B7	DRIVES, STRAW SPREADER .....	170-17
2G21	CYLINDER SHAFT SHEAR HUB AND SHEAVE .....	120-17	3B5	DRIVES, STRAW WALKER .....	170-15
2G15	CYLINDER TACHOMETER, VARIABLE SPEED .....	120-11	3B12	DRIVES, UNLOADING AUGER .....	170-23
1114	CYLINDER, BRAKE .....	60-7	2K7	DROP RATE VALVE (AUTO HEIGHT) .....	160-3
1114	CYLINDER, BRAKE ROD .....	60-7	2F7	DRUM, FEEDER.....	110-14
1113	CYLINDER, BRAKE SLAVE.....	60-6	2I11	DUCTS, CLEANING FAN AIR .....	120-59
112	CYLINDER, HYD., SELECTIVE GROUND SPEED .....	50-25			
1112	CYLINDER, HYDRAULIC, BRAKE-MASTER .....	60-5		<b>E</b>	
2C6	CYLINDER, HYDRAULIC, FDR. HSE. VAR. DR.....	70-40	1F21	ELECTRIC MOTOR, WINDSHIELD WIPER .....	40-30
1123	CYLINDER, HYDRAULIC, POWER STEERING .....	60-17	1D11	ELECTRIC SHUT-OFF KIT, FUEL INJECTION PUMP .....	30-15
2C8	CYLINDER, PLATFORM LIFT .....	70-42	1G17	ELECTRICAL CONNECTOR SERVICE KIT .....	40-52
2G9	CYLINDER, RASP-BAR .....	120-5	1F2	ELECTROMAGNETIC CLUTCH, PLATFORM.....	40-9
2G18	CYLINDER, SEP., DR. INTERMEDIATE SHAFT .....	120-14	2I16	ELEVATOR DRIVE TIGHTENER, CLEAN GRAIN .....	120-64
2H4	CYLINDER, SEPARATOR, SHEAR BAR .....	120-25	2I13	ELEVATOR, CLEAN GRAIN .....	120-61
2G13	CYLINDER, SPIKE-TOOTH .....	120-9	3B10	ELEVATOR, CLEAN GRAIN .....	170-21
2B9	CYLINDER,UNLOADING AUGER SWING HYDRAULIC ....	70-15	2I21	ELEVATOR, TAILINGS.....	120-70
			3B9	ELEVATOR, TAILINGS.....	170-19
	<b>D</b>		2C22	ENGINE COMPARTMENT REAR SHEET .....	80-9
3B17	DECALS .....	170-28	2D2	ENGINE COMPARTMENT WALKWAY .....	80-14
3B16	DECALS, FRONT AND REAR.....	170-27	1C9	ENGINE COOLANT HEATER .....	20-41
3B14	DECALS, R.H. AND L.H. ....	170-25	1A25	ENGINE FRONT PLATE .....	20-7
1F16	DIAL-A-MATIC HDR. HEIGHT CONTROL SWITCH.....	40-25	1B1	ENGINE FRONT PLATE .....	20-8
2K14	DIAL-A-MATIC HEADER HEIGHT CONTROL .....	160-10	1B22	ENGINE OIL COOLER.....	20-29
2K15	DIAL-A-MATIC HEADER HEIGHT CONTROL .....	160-11	1B23	ENGINE OIL COOLER.....	20-30
1D3	DIESEL FUEL FILTER, EXPORT .....	30-7	1A25	ENGINE OIL FILTER AND DIPSTICK.....	20-7
1C23	DIESEL FUEL LINES AND FILTER .....	30-2	1B1	ENGINE OIL FILTER AND DIPSTICK.....	20-8
1D2	DIESEL FUEL LINES, EXPORT .....	30-6	1B24	ENGINE OIL PUMP .....	20-31
1H15	DIFF. GEARS, SHAFTS, AND BEARINGS.....	50-13	1A20	ENGINE OIL, TORQ-GARD SUPREME .....	20-1
1H11	DIFFERENTIAL AND TRANSMISSION .....	50-9	1C1	ENGINE OVERHAUL GASKET SET .....	20-33
1H15	DIFFERENTIAL GEARS AND BEARINGS .....	50-13	1C3	ENGINE OVERHAUL GASKET SET .....	20-35
1H15	DIFFERENTIAL GEARS AND SHAFTS .....	50-13	2J23	ENGINE POWERSHAFT .....	140-1
1H14	DIFFERENTIAL PINION SHAFT AND GEARS.....	50-12	2D14	ENGINE POWERSHAFT CLOSURE .....	90-8
1G1	DIODE RING, ALTERNATOR, 72 AMP.....	40-34	3A21	ENGINE R.H. SIDE SHEAVES .....	170-3
1G3	DIODE TRIO ASSEMBLY, ALTERNATOR, 90 AMP .....	40-36	3A21	ENGINE R.H. SIDE TIGHTENERS .....	170-3
1A25	DIPSTICK, ENGINE OIL .....	20-7	3A21	ENGINE R.H. SIDE-BELT .....	170-3
1B1	DIPSTICK, ENGINE OIL .....	20-8	1B10	ENGINE ROCKER ARM COVER .....	20-17
3A22	DISK, ROTARY SCREEN .....	170-5	1B11	ENGINE ROCKER ARM COVER .....	20-18
1C13	DISPLACER, ROTARY SCREEN DRIVE BELT .....	20-45	1C8	ENGINE SUPPORTS .....	20-40
2D4	DOOR SEALS, ROTARY SCREEN.....	80-16	1F18	ENGINE TACH-HOUR METER .....	40-27
2I13	DOOR, CLEAN GRAIN ELEVATOR .....	120-61	1C4	ENGINE TUNE-UP GASKET SET.....	20-36
2G7	DOOR, CYLINDER.....	120-3	1C5	ENGINE TUNE-UP GASKET SET.....	20-37
2C24	DOOR, ENGINE COMPARTMENT, MIDDLE .....	80-11	1A20	ENGINE VALVE STEM LUBRICANT.....	20-1
2C23	DOOR, ENGINE COMPARTMENT, UPPER.....	80-10	1B10	ENGINE VENTILATOR TUBE .....	20-17
2D5	DOOR, OIL RESERVOIR.....	80-17	1B11	ENGINE VENTILATOR TUBE .....	20-18
2C18	DOOR, REAR HOOD.....	80-5	1F6	ENGINE WIRING HARNESS.....	40-13
2G7	DOOR, REMOTE DUMP STONE TRAP.....	120-3	2C24	ENGINE, MIDDLE DOOR FRAME.....	80-11
2D3	DOOR, ROTARY SCREEN .....	80-15	2D1	ENGINE, SEALS AND RUBBER CUSHIONS.....	80-13
2G11	DOOR, STONE TRAP .....	120-7	2C23	ENGINE, UPPER DOOR FRAME AND HINGES .....	80-10
2I21	DOOR, TAILINGS ELEVATOR .....	120-70	1B25	EXHAUST MANIFOLD .....	20-32
2D25	DOORS FOR OPERATOR'S CAB.....	90-19			

## ALPHABETICAL INDEX - CONTINUED

GRID		PAGE	GRID		PAGE
1E17	EXHAUST PIPES AND MUFFLER .....	30-46	1H20	FINAL DRIVE PINION, HEAVY-DUTY .....	50-18
2J9	EXTENSION, TOP SHEETS, GRAIN TANK COVER .....	130-7	1H20	FINAL DRIVE SHAFT, HEAVY-DUTY .....	50-18
2J5	EXTENSIONS, GRAIN TANK .....	130-3	2I4	FINGER, BAR, CHAFFER FRAME .....	120-51
			2I6	FINGER, BAR, CHAFFER FRAME .....	120-54
	<b>F</b>		2H11	FINS, STRAW CHOPPER .....	120-32
2I11	FAN AIR DUCTS, CLEANING .....	120-59	2H13	FINS, STRAW CHOPPER .....	120-34
1C17	FAN DRIVE BELT TIGHTENER, RADIATOR .....	20-49	1I24	FIXED REAR AXLE .....	60-18
1G1	FAN, ALTERNATOR, 72 AMP .....	40-34	1C10	FLAT ROTARY SCREEN .....	20-42
1G3	FAN, ALTERNATOR, 90 AMP .....	40-36	2F13	FLOAT SPRING, INDICATOR .....	110-20
2I9	FAN, CLEANING .....	120-57	2F12	FLOAT SPRINGS .....	110-19
3B5	FAN, CLEANING .....	170-15	2D12	FLOOR MATS, OPERATOR'S PLATFORM .....	90-6
1C16	FAN, SHEAVE, AND SUPPORT .....	20-48	2D12	FLOORBOARD AND SHLDS, OPERATOR'S PLATFORM ..	90-6
2K1	FAN, SPEED CONTROLS, CLEANING .....	140-4	2K8	FLOW CONTROL PLUG (AUTO HEIGHT) .....	160-4
2F16	FDR.HSE.VAR.DR.MIDDLE BELT TIGHTENER .....	110-23	2B16	FLOW CONTROL VALVE KNOB .....	70-22
2F19	FDR.HSE.VARIABLE BELT DRIVE LOWER SHAFT .....	110-26	2B25	FLOW CONTROL VALVE, HYDROSTATIC DR.REEL .....	70-34
2G1	FDR.HSE.VARIABLE DR.LOWER BELT TIGHTENER .....	110-33	1B2	FLYWHEEL HOUSING ASSEMBLY .....	20-9
2G7	FEED PLATE .....	120-3	1B3	FLYWHEEL HOUSING ASSEMBLY .....	20-10
2F8	FEEDER CONVEYOR CHAIN .....	110-15	1H11	FORK, TRANSMISSION .....	50-9
2F9	FEEDER CONVEYOR CHAIN DRIVE TIGHTENER .....	110-16	2C15	FRAME AND SHEETS, SEPARATOR R.H. SIDE .....	80-2
2F10	FEEDER CONVEYOR DRIVE CHAIN GUIDES .....	110-17	2F3	FRAME, FEEDER HOUSE .....	110-10
2G2	FEEDER CONVEYOR DRIVE TIGHTENER, L.H. ....	110-34	2F5	FRAME, FEEDER HOUSE .....	110-12
2F11	FEEDER CONVEYOR, DRIVE CHAIN GUIDES .....	110-18	2I5	FRAME, LOWER SHOE, SIEVE .....	120-53
2F7	FEEDER CONVEYOR, IDLER SHAFT .....	110-14	2C16	FRAME, SEPARATOR .....	80-3
2G2	FEEDER HOUSE CHAIN DRIVE TIGHTENER, L.H. ....	110-34	2C16	FRAME, SEPARATOR L.H. ....	80-3
3B2	FEEDER HOUSE DRIVE BELTS AND CHAINS .....	170-11	2I6	FRAME, UPPER SHOE, CHAFFER .....	120-54
2F20	FEEDER HOUSE DRIVE CHAIN LOWER SHAFT .....	110-27	1G7	FRONT AND REAR ALTERNATOR SUPPORTS .....	40-41
3B2	FEEDER HOUSE DRIVE SHEAVES .....	170-11	2C25	FRONT ENGINE COMPARTMENT PANEL .....	80-12
3B2	FEEDER HOUSE DRIVE SPROCKETS .....	170-11	1E20	FRONT WIRING HARNESS .....	40-2
2F2	FEEDER HOUSE FALSE BOTTOM .....	110-9	1C25	FUEL FILTER .....	30-4
2C3	FEEDER HOUSE OIL LINES, VARIABLE DRIVE .....	70-37	1D1	FUEL FILTER .....	30-5
2F17	FEEDER HOUSE SPROCKETS AND SLIP CLUTCH .....	110-24	1D8	FUEL INJECTION LINES .....	30-12
2E24	FEEDER HOUSE TOP SHEETS .....	110-5	1D22	FUEL INJECTION NOZZLE .....	30-27
2F25	FEEDER HOUSE UPPER DRIVE TIGHTENER .....	110-32	1E11	FUEL INJECTION NOZZLE .....	30-40
2F17	FEEDER HOUSE UPPER SHAFT .....	110-24	1D21	FUEL INJECTION NOZZLE ASSEMBLY .....	30-25
2F19	FEEDER HOUSE VARIABLE BELT DRIVE SHEAVE .....	110-26	1D8	FUEL INJECTION PUMP .....	30-12
2C6	FEEDER HOUSE VARIABLE DRIVE HYD. CYL. ....	70-40	1D24	FUEL INJECTION PUMP .....	30-29
2F7	FEEDER HOUSE, DRUM .....	110-14	1D12	FUEL INJECTION PUMP AUTOMATIC ADVANCE GROUP .....	30-16
2F3	FEEDER HOUSE, FRAME .....	110-10	1E6	FUEL INJECTION PUMP COVER .....	30-35
2F5	FEEDER HOUSE, FRAME .....	110-12	1E4	FUEL INJECTION PUMP DRIVE .....	30-33
2F14	FEEDER HOUSE, R.H. SHIELD .....	110-21	1D14	FUEL INJECTION PUMP DRIVE GROUP .....	30-18
2E23	FEEDER HOUSE, SHEETS, FRONT .....	110-4	1D10	FUEL INJECTION PUMP ELEC. SHUT-OFF GROUP .....	30-14
2F3	FEEDER HOUSE, SHEETS, SIDE .....	110-10	1D11	FUEL INJECTION PUMP ELECTRIC SHUT-OFF KIT .....	30-15
2F5	FEEDER HOUSE, SHEETS, SIDE .....	110-12	1D19	FUEL INJECTION PUMP GASKET KIT .....	30-23
2F14	FEEDER HOUSE, SHIELDS, LEFT-HAND .....	110-21	1E10	FUEL INJECTION PUMP GASKET KIT .....	30-39
1H7	FENDER, DRIVE WHEEL .....	50-5	1D15	FUEL INJECTION PUMP GOVERNOR GROUP .....	30-19
1F20	FIELD LIGHTS .....	40-29	1D16	FUEL INJECTION PUMP HEAD .....	30-20
1D3	FILTER, DIESEL FUEL, EXPORT .....	30-7	1E4	FUEL INJECTION PUMP HEAD .....	30-33
1C23	FILTER, DIESEL LINES .....	30-2	1D13	FUEL INJECTION PUMP HOUSING .....	30-17
1A25	FILTER, ENGINE OIL .....	20-7	1E2	FUEL INJECTION PUMP HOUSING .....	30-31
1B1	FILTER, ENGINE OIL .....	20-8	1D17	FUEL INJECTION PUMP LINKAGE GROUP .....	30-21
1C25	FILTER, FUEL .....	30-4	1D16	FUEL INJECTION PUMP ROTOR .....	30-20
1D1	FILTER, FUEL .....	30-5	1E4	FUEL INJECTION PUMP ROTOR .....	30-33
1D3	FILTER, FUEL .....	30-7	1D18	FUEL INJECTION PUMP TRANSFER GROUP .....	30-22
2A20	FILTER, OIL RESERVOIR .....	70-1	1D6	FUEL INJECTION SYSTEM .....	30-10
2E2	FILTERS, RECIRCULATING, CAB ROOF .....	90-21	1D8	FUEL INJECTION SYSTEM .....	30-12
1H16	FINAL DRIVE .....	50-14	1D24	FUEL INJECTION SYSTEM .....	30-29
1H18	FINAL DRIVE AXLE (HEAVY-DUTY) .....	50-16	1C23	FUEL LINES .....	30-2
1H19	FINAL DRIVE AXLE, GEAR, AND BEARINGS .....	50-17	1D2	FUEL LINES, DIESEL, EXPORT .....	30-6
1H19	FINAL DRIVE AXLE, HEAVY-DUTY .....	50-17	1C22	FUEL TANK AND SUPPORTS .....	30-1
1H18	FINAL DRIVE BEARINGS (HEAVY-DUTY) .....	50-16	1E12	FUEL TRANSFER PUMP .....	30-41
1H19	FINAL DRIVE BEARINGS, HEAVY-DUTY .....	50-17	1E13	FUEL TRANSFER PUMP .....	30-42
1H20	FINAL DRIVE BEARINGS, HEAVY-DUTY .....	50-18	1E12	FUEL TRANSFER PUMP KIT .....	30-41
1H18	FINAL DRIVE GEAR (HEAVY-DUTY) .....	50-16	1E22	FUEL, GAUGE SENDING UNIT .....	40-4
1H19	FINAL DRIVE GEAR, HEAVY-DUTY .....	50-17	1E22	FUEL, PUMP .....	40-4
1H17	FINAL DRIVE HOUSING AND BEARING CAP .....	50-15			

## ALPHABETICAL INDEX - CONTINUED

GRID		PAGE	GRID		PAGE			
<b>G</b>								
1E10	GASKET KIT.....	30-39	2B20	HOSES, REEL DRIVE OIL .....	70-28			
1D19	GASKET KIT, FUEL INJECTION PUMP.....	30-23	2C4	HOSES, VARIABLE DRIVE FEEDER HOUSE .....	70-38			
1C1	GASKET SET, ENGINE OVERHAUL .....	20-33	1I11	HOUSING AND BRAKES.....	60-4			
1C3	GASKET SET, ENGINE OVERHAUL .....	20-35	1H23	HOUSING AND CLUTCH INPUT SHAFT .....	50-21			
1C4	GASKET SET, ENGINE TUNE-UP .....	20-36	1H22	HOUSING AND CLUTCH, DRIVE WHEEL.....	50-20			
1C5	GASKET SET, ENGINE TUNE-UP .....	20-37	2I18	HOUSING AND LOADING AUGER.....	120-67			
1C19	GAUGE TUBE, OIL PRESSURE.....	20-51	1G1	HOUSING, ALTERNATOR, 72 AMP .....	40-34			
1F3	GAUGE, ACCUMULATOR PRESSURE .....	40-10	1G3	HOUSING, ALTERNATOR, 90 AMP .....	40-36			
1F17	GAUGES AND SWITCHES ON INSTRUMENT PANEL.....	40-26	2H24	HOUSING, AUGER, SHOE GRAIN SUPPLY .....	120-45			
2I19	GEAR CASE LOADING AUGER .....	120-68	2I2	HOUSING, CLEAN GRAIN AUGER .....	120-60			
1H18	GEAR, FINAL DRIVE (HEAVY-DUTY) .....	50-16	2I3	HOUSING, CLEAN GRAIN ELEVATOR .....	120-61			
1H14	GEARS AND DIFFERENTIAL PINION SHAFT.....	50-12	2I10	HOUSING, CLEANING FAN .....	120-58			
1H12	GEARS AND TRANSMISSION COUNTERSHAFT.....	50-10	1H17	HOUSING, FINAL DRIVE.....	50-15			
1B14	GEARS, IDLER AND CRANKSHAFT .....	20-21	1B2	HOUSING, FLYWHEEL .....	20-9			
1B15	GEARS, IDLER AND CRANKSHAFT .....	20-22	1B3	HOUSING, FLYWHEEL .....	20-10			
1H3	GEARSHIFT CONTROLS.....	50-1	1D13	HOUSING, FUEL INJECTION PUMP .....	30-17			
2D24	GLASS, OPERATOR'S CAB .....	90-18	1E2	HOUSING, FUEL INJECTION PUMP .....	30-31			
1D15	GOVERNOR ASSEMBLY.....	30-19	2I20	HOUSING, LOWER TAILINGS .....	120-69			
2H25	GRAIN SUPPLY AUGERS, SHOE .....	120-47	2J18	HOUSING, OUTER UNLOADING AUGER .....	130-16			
2J3	GRAIN TANK .....	130-1	1G10	HOUSING, STARTING MOTOR .....	40-44			
2J20	GRAIN TANK AUXILIARY UNLOADING AUGERS .....	130-18	2H9	HOUSING, STRAW CHOPPER .....	120-30			
2J20	GRAIN TANK AUXILIARY UNLOADING COVERS .....	130-18	2H10	HOUSING, STRAW CHOPPER .....	120-31			
2J8	GRAIN TANK COVER EXTENSION SHEETS .....	130-6	2H22	HOUSING, STRAW SPREADER.....	120-43			
2J7	GRAIN TANK COVER SIDE SHEETS .....	130-5	2I13	HOUSING, STRAW SPREADER.....	120-61			
2J9	GRAIN TANK COVER TOP SHEETS .....	130-7	2I21	HOUSING, TAILINGS ELEVATOR .....	120-70			
2J5	GRAIN TANK EXTENSIONS .....	130-3	2I24	HOUSING, UPPER TAILINGS AUGER.....	120-73			
2J13	GRAIN TANK INNER UNLOADING AUG. COVER .....	130-11	1H25	HOUSING,RELATIVE GROUND SPEED INDICATOR.....	50-23			
2J4	GRAIN TANK SKIRTS .....	130-2	2G21	HUB, SHEAR, CYLINDER SHAFT, AND SHEAVE .....	120-17			
2J7	GRAIN TANK, SIDE SHEETS, COVER .....	130-5	2B6	HYDRAULIC AUGER SWING CONTROL.....	70-11			
2J14	GRASS SEED UNLOADING ATTACHMENT .....	130-12	2A23	HYDRAULIC CONTROL VALVE .....	70-4			
2F13	GROUND SPEED, CONTROL LEVER .....	110-20	2B1	HYDRAULIC CONTROL VALVE .....	70-6			
1H24	GROUND SPEED, INDICATOR.....	50-22	2B23	HYDRAULIC HOSE .....	70-32			
2H20	GUARD AND MOUNTING, STRAW SPREADER.....	120-41	2A21	HYDRAULIC PUMP .....	70-2			
1H8	GUARD, TRANSMISSION SHEAVE .....	50-6	2B3	HYDRAULIC PUMP LINES, MAIN.....	70-8			
2F11	GUIDE, FEEDER CONVEYOR DRIVE CHAIN.....	110-18	2A22	HYDRAULIC PUMP TORQUE ARM AND SUPPORT .....	70-3			
2K3	GUIDES, SEPARATOR AUGER DRIVE BELT .....	140-6	2B18	HYDRAULIC PUMP, HYDROSTATIC DRIVE REEL.....	70-25			
2K3	GUIDES, UNLOADING AUGER DRIVE BELT .....	140-6	2B25	HYDROSTATIC DR. REEL FLOW CONTROL VALVE.....	70-34			
<b>H</b>								
2D12	HANDRAILS, OPERATOR'S PLATFORM.....	90-6	2B18	HYDROSTATIC DRIVE REEL HYDRAULIC PUMP .....	70-25			
1F6	HARNESS, ENGINE WIRING .....	40-13	2B19	HYDROSTATIC DRIVE REEL PUMP MOUNTING.....	70-27			
1E20	HARNESS, FRONT WIRING .....	40-2	1I8	HYDROSTATIC DRIVE REEL, CONTROL KNOB .....	60-1			
1F21	HARNESS, WIPER.....	40-30	<b>I</b>					
2K13	HARNESS, WIRING .....	160-9	2H18	IDLER, STRAW CHOPPER DRIVE.....	120-39			
2K14	HARNESS, WIRING .....	160-10	2F13	INDICATOR, FLOAT SPRING .....	110-20			
1E21	HARNESS, WIRING, MIDDLE .....	40-3	1F5	INDICATOR, LOW SHAFT SPEED .....	40-12			
1E22	HARNESS, WIRING, REAR.....	40-4	1H25	INDICATOR, RELATIVE GROUND SPEED .....	50-23			
1E22	HARNESS, WIRING, TAIL LAMP .....	40-4	1E11	INJECTION NOZZLE, FUEL .....	30-40			
1B7	HEAD, CYLINDER .....	20-14	1E10	INJECTION PUMP GASKET KIT.....	30-39			
1B8	HEAD, CYLINDER .....	20-15	1D6	INJECTION SYSTEM, FUEL .....	30-10			
1D16	HEAD, FUEL INJECTION PUMP.....	30-20	2J15	INNER UNLOADING AUGER .....	130-13			
1E4	HEAD, FUEL INJECTION PUMP.....	30-33	1H13	INPUT SHAFT, TRANSMISSION.....	50-11			
1F24	HEADPHONE, RADIO .....	40-33	2D22	INSTRUMENT PANEL AND CONSOLE .....	90-16			
2E17	HEATER AND HOSES.....	90-37	2C22	INSTRUMENT WALL, ENGINE COMPARTMENT .....	80-9			
1C9	HEATER, COOLANT, ENGINE .....	20-41	1B25	INTAKE MANIFOLD, AIR .....	20-32			
2E9	HI PRESSURE SWITCH, COMPRESSOR .....	90-28	2E4	INTAKE, AIR, REAR OF OPERATOR'S CAB.....	90-23			
2J17	HINGE AND SWING, UNLOADING AUGER.....	130-15	2G22	INTERMEDIATE SHAFT, CYL. DR., SLOW SPEED .....	120-19			
2D25	HINGES FOR OPERATOR'S CAB .....	90-19	2G18	INTERMEDIATE SHAFT, CYLINDER DRIVE .....	120-14			
2C18	HOOD, REAR .....	80-5	<b>K</b>					
1F14	HORNS, SIGNAL .....	40-23	1A21	KIT FOR OFF SEASON STORAGE .....	20-3			
1F3	HOSE, ACCUMULATOR PRESSURE GAUGE.....	40-10	2C2	KIT, ADJUSTING SCREW .....	70-36			
2B23	HOSES AND COUPLERS .....	70-32	1I15	KIT, BRAKE SLAVE CYLINDER .....	60-9			
2E17	HOSES AND HEATER.....	90-37	2E10	KIT, COMPRESSOR HARDWARE .....	90-29			

## ALPHABETICAL INDEX - CONTINUED

GRID		PAGE
1B20	KIT, CYLINDER LINER .....	20-27
1G17	KIT, ELECTRICAL CONNECTOR SERVICE.....	40-52
1D11	KIT, FUEL INJECTION PUMP ELECTRIC SHUT- OFF .....	30-15
1D19	KIT, FUEL INJECTION PUMP GASKET .....	30-23
1E10	KIT, FUEL INJECTION PUMP GASKET .....	30-39
1E12	KIT, FUEL TRANSFER.....	30-41
2C1	KIT, HYDRO. DR. REEL FLOW CONTROL VALVE .....	70-35
1G15	KIT, TERMINAL AND WIRING .....	40-50
2E16	KIT,O-RING, AIR CONDITIONING.....	90-36
2B10	KIT,UNLOADING AUGER SWING HYD.CYLINDER.....	70-16
2H16	KNIFE AND SUPPORT, STRAW CHOPPER .....	120-37
2B16	KNOB, FLOW CONTROL VALVE .....	70-22
2D18	KNOB, OPERATOR'S PLATFORM SEAT.....	90-12

### L

2E9	LABEL, COMPRESSOR CHARGE .....	90-28
2D8	LADDER AND LANDING, OPERATOR'S PLATFORM.....	90-1
2D9	LADDER, PIVOTING CONTROLS.....	90-3
2C19	LADDER, SEPARATOR .....	80-6
2D25	LATCHES FOR OPERATOR'S CAB .....	90-19
1I8	LEVER, PARKING BRAKE .....	60-1
2D9	LEVER, PIVOTING LADDER .....	90-3
1D4	LEVER, THROTTLE .....	30-8
2B5	LEVER, VAR. SPEED CYL. ON OPER. PLATFORM .....	70-10
2C8	LIFT BRACKETS, PLATFORM .....	70-42
2C8	LIFT CYLINDER, PLATFORM .....	70-42
2B16	LIFT, PLATFORM.....	70-22
1F20	LIGHTS, FIELD.....	40-29
1E23	LIGHTS, WARNING .....	40-5
2B11	LINE AND HOSES, UNLOADING AUGER SWING .....	70-17
2B12	LINE, UNLOADING AUGER SWING.....	70-18
1B20	LINER, PISTON .....	20-27
1B21	LINER, PISTON .....	20-28
2E14	LINES, AIR CONDITIONER.....	90-34
2K9	LINES, AUTOMATIC HEADER HEIGHT .....	160-5
1I10	LINES, BRAKE .....	60-3
1C23	LINES, FUEL .....	30-2
1D8	LINES, FUEL INJECTION .....	30-12
2B14	LINES, OIL, AUX. UNLDG. AUGER HYD. DR. ....	70-20
2C7	LINES, OIL, PLATFORM LIFT.....	70-41
2B3	LINES, PUMP, MAIN HYDRAULIC .....	70-8
2C9	LINES, REEL LIFT OIL .....	70-43
1I3	LINES, SELECTIVE GROUND SPEED OIL .....	50-26
1I20	LINES, STEERING LOWER OIL-FRONT .....	60-14
1I22	LINES, STEERING LOWER OIL-REAR .....	60-16
2C3	LINES,OIL,VARIABLE DRIVE FEEDER HOUSE .....	70-37
1I9	LINKAGE AND BRAKE PEDALS.....	60-2
1H21	LINKAGE AND CLUTCH PEDAL.....	50-19
2E14	LO PRESSURE SWITCH, AIR CONDITIONER .....	90-34
2I18	LOADING AUGER AND HOUSING.....	120-67
3B10	LOADING AUGER DRIVE SHEAVES AND BELTS .....	170-21
2E3	LOUVERS AND PANELS, OPERATOR'S CAB .....	90-22
1F5	LOW SHAFT SPEED INDICATOR .....	40-12
2I20	LOWER TAILINGS AUGER .....	120-69
2I23	LOWER TAILINGS AUGER DRIVE TIGHTENER.....	120-72
2I20	LOWER TAILINGS HOUSING .....	120-69
1A21	LUBRICANT, PACKING, CYLINDER LINER.....	20-3
1A20	LUBRICANT, STEM, ENGINE VALVE .....	20-1

### M

1B12	MAIN BEARING CAPS AND BEARINGS .....	20-19
1B13	MAIN BEARING CAPS AND BEARINGS .....	20-20

GRID		PAGE
2B3	MAIN HYDRAULIC PUMP LINES .....	70-8
2K6	MAIN VALVE BLOCK (AUTO HEIGHT) .....	160-2
1B25	MANIFOLD, EXHAUST.....	20-32
1C7	MANIFOLD, WATER.....	20-39
1F18	METER, TACH-HOUR, ENGINE .....	40-27
1F4	MICRO SWITCH, STRAW WALKER SENSING UNIT .....	40-11
1E21	MIDDLE WIRING HARNESS .....	40-3
2D24	MIRROR, OPERATOR'S CAB .....	90-18
2E5	MIRROR, RIGHT-HAND.....	90-24
2B15	MOTOR, HYD. DR. AUXILIARY UNLDG. AUGER .....	70-21
2B17	MOTOR, REEL .....	70-23
1G7	MOTOR, STARTING.....	40-41
1G9	MOTOR, STARTING.....	40-43
1G11	MOTOR, STARTING.....	40-45
1F21	MOTOR, WINDSHIELD WIPER.....	40-30
2K12	MOUNTING AND ACTUATOR SWITCH.....	160-8
2H20	MOUNTING AND GUARD, STRAW SPREADER.....	120-41
2E11	MOUNTING., COMPRESSOR, AIR COND. ....	90-30
2E12	MOUNTING., COMPRESSOR, AIR COND. ....	90-31
1I24	MOUNTING, REAR AXLE .....	60-18
2B9	MOUNTING,UNLOADING AUGER SWING HYDRAULIC....	70-15
1H9	MUD SHIELD, TRANSMISSION DRIVE .....	50-7
1E17	MUFFLER AND EXHAUST PIPES .....	30-46

### N

2C11	NAMEPLATE, ACCUMULATOR.....	70-45
1D21	NOZZLE, FUEL INJECTION .....	30-25
1D22	NOZZLE, FUEL INJECTION .....	30-27
1E11	NOZZLE, FUEL INJECTION .....	30-40

### O

2E16	O-RING KIT, AIR CONDITIONING .....	90-36
1B22	OIL COOLER, ENGINE .....	20-29
1B23	OIL COOLER, ENGINE .....	20-30
2B20	OIL HOSES, REEL DRIVE .....	70-28
2B14	OIL LINES, AUX UNLDG. AUGER HYD. DRIVE .....	70-20
2C7	OIL LINES, PLATFORM LIFT .....	70-41
2B22	OIL LINES, REEL LIFT .....	70-31
2C9	OIL LINES, REEL LIFT .....	70-43
1I3	OIL LINES, SELECTIVE GROUND SPEED .....	50-26
1I19	OIL LINES, STEERING .....	60-13
1I21	OIL LINES, STEERING .....	60-15
1I20	OIL LINES, STEERING LOWER-FRONT .....	60-14
1I22	OIL LINES, STEERING LOWER-REAR .....	60-16
2C3	OIL LINES,VARIABLE DRIVE FEEDER HOUSE .....	70-37
1B5	OIL PAN, ENGINE .....	20-12
1B6	OIL PAN, ENGINE .....	20-13
1C19	OIL PRESSURE GAUGE TUBE .....	20-51
1B24	OIL PUMP, LUBRICATING, ENGINE .....	20-31
2A20	OIL RESERVOIR .....	70-1
2D5	OIL RESERVOIR DOOR .....	80-17
1A20	OIL, ENGINE, TORQ-GARD SUPREME.....	20-1
2G11	OPEN-BAR CONCAVE.....	120-7
1F12	OPERATOR'S CAB .....	40-20
1F13	OPERATOR'S CAB .....	40-21
2D23	OPERATOR'S CAB BODY.....	90-17
2E7	OPERATOR'S CAB COMPRESSOR AND VALVE.....	90-26
2D25	OPERATOR'S CAB DOORS .....	90-19
1F11	OPERATOR'S CAB ELECTRICAL SWITCHES .....	40-19
1F11	OPERATOR'S CAB ELECTRICAL WIRING .....	40-19
2D25	OPERATOR'S CAB HINGES .....	90-19
2D25	OPERATOR'S CAB LATCHES .....	90-19
2D16	OPERATOR'S CAB MOUNTING BRACKETS .....	90-10

## ALPHABETICAL INDEX - CONTINUED

<i>GRID</i>		<i>PAGE</i>	<i>GRID</i>		<i>PAGE</i>
2D16	OPERATOR'S CAB MOUNTING BUSHINGS .....	90 - 10	1E6	PUMP COVER, FUEL INJECTION .....	30 - 35
2D16	OPERATOR'S CAB MOUNTING SEALS .....	90 - 10	1E22	PUMP, FUEL .....	40 - 4
2E3	OPERATOR'S CAB PANELS AND LOUVERS .....	90 - 22	1D8	PUMP, FUEL INJECTION .....	30 - 12
2E6	OPERATOR'S CAB PRESSURIZER .....	90 - 25	1D24	PUMP, FUEL INJECTION .....	30 - 29
2E1	OPERATOR'S CAB SOUND INSULATION AND SEAL .....	90 - 20	1D20	PUMP, FUEL TRANSFER .....	30 - 24
2D25	OPERATOR'S CAB TOOL POCKET .....	90 - 19	1E12	PUMP, FUEL TRANSFER .....	30 - 41
2E4	OPERATOR'S CAB, AIR INTAKE, REAR .....	90 - 23	1E13	PUMP, FUEL TRANSFER .....	30 - 42
2D24	OPERATOR'S CAB, GLASS .....	90 - 18	2A21	PUMP, HYDRAULIC .....	70 - 2
2D24	OPERATOR'S CAB, MIRROR .....	90 - 18	2B18	PUMP, HYDROSTATIC DRIVE REEL .....	70 - 25
2D12	OPERATOR'S PLATFORM FLOOR MATS .....	90 - 6	1I17	PUMP, STEERING .....	60 - 11
2D12	OPERATOR'S PLATFORM HANDRAILS .....	90 - 6	1E8	PUMP, TRANSFER .....	30 - 37
2D8	OPERATOR'S PLATFORM LADDER AND LANDING .....	90 - 1			
2D17	OPERATOR'S PLATFORM SEAT SUPPORTS .....	90 - 11		<b>Q</b>	
2D18	OPERATOR'S PLATFORM SEAT SUPPORTS .....	90 - 12			
2D12	OPERATOR'S PLATFORM SHLDS AND FLOORBOARD ..	90 - 6	2E21	QUIK-TATCH COUPLER AND SHIELDS .....	110 - 1
2J18	OUTER UNLOADING AUGER HOUSING .....	130 - 16			
	<b>P</b>			<b>R</b>	
2I22	PADDLE, TAILINGS ELEVATOR .....	120 - 71	1C14	RADIATOR .....	20 - 46
1B5	PAN, OIL, ENGINE .....	20 - 12	1C15	RADIATOR .....	20 - 47
1B6	PAN, OIL, ENGINE .....	20 - 13	1C17	RADIATOR FAN DRIVE BELT TIGHTENER .....	20 - 49
2C25	PANEL, COMPARTMENT, FRONT ENGINE .....	80 - 12	1F22	RADIO .....	40 - 31
2E3	PANELS AND LOUVERS, OPERATOR'S CAB .....	90 - 22	1F23	RADIO .....	40 - 32
1H25	PIN, RELATIVE GROUND SPEED INDICATOR .....	50 - 23	1F24	RADIO, HEADPHONES .....	40 - 33
1B20	PISTON LINER .....	20 - 27	2D18	RAIL, OPERATOR'S PLATFORM SEAT .....	90 - 12
1B21	PISTON LINER .....	20 - 28	1H11	RAIL, SHIFTER, TRANSMISSION .....	50 - 9
1B20	PISTONS AND CONNECTING RODS .....	20 - 27	2D2	RAILING, SAFETY .....	80 - 14
1B21	PISTONS AND CONNECTING RODS .....	20 - 28	2G9	RASP-BAR CYLINDER .....	120 - 5
2I8	PITMAN, SHOE .....	120 - 56	1I24	REAR AXLE MOUNTING .....	60 - 18
2D9	PIVOTING LADDER CONTROLS .....	90 - 3	1J1	REAR AXLE SPINDLES .....	60 - 20
2G7	PLATE, FEED .....	120 - 3	1I25	REAR AXLE, ADJUSTABLE .....	60 - 19
2H11	PLATE, STRAW CHOPPER .....	120 - 32	1I24	REAR AXLE, FIXED .....	60 - 18
2H13	PLATE, STRAW CHOPPER .....	120 - 34	1J2	REAR AXLE, TIE ROD, STEERING .....	60 - 21
2F16	PLATF.VAR.DR.MIDDLE BELT TIGHTENER .....	110 - 23	2C18	REAR HOOD .....	80 - 5
2G1	PLATF.VARIABLE DR.LOWER BELT TIGHTENER .....	110 - 33	1J3	REAR WHEELS .....	60 - 22
2G2	PLATFORM CHAIN DRIVE TIGHTENER, L.H. ....	110 - 34	2B20	REEL DRIVE OIL HOSES .....	70 - 28
1F2	PLATFORM ELECTROMAGNETIC CLUTCH .....	40 - 9	2B25	REEL FLOW CONTROL VALVE, HYDROSTATIC DR. ....	70 - 34
2D8	PLATFORM LADDER AND LANDING, OPERATOR'S ..	90 - 1	2B16	REEL LIFT CONTROLS .....	70 - 22
2B16	PLATFORM LIFT AND REEL LIFT CONTROLS .....	70 - 22	2B22	REEL LIFT OIL LINES .....	70 - 31
2C8	PLATFORM LIFT BRACKETS .....	70 - 42	2C9	REEL LIFT OIL LINES .....	70 - 43
2C8	PLATFORM LIFT CYLINDER .....	70 - 42	2B17	REEL MOTOR .....	70 - 23
2C7	PLATFORM LIFT OIL LINES .....	70 - 41	1E23	REFLECTORS .....	40 - 5
2C8	PLATFORM LIFT SAFETY STOP .....	70 - 42	2G7	REINFORCEMENT, CYLINDER DOOR .....	120 - 3
2D12	PLATFORM SHLDS AND FLOORBOARD, OPERATOR'S ..	90 - 6	1H25	RELATIVE GROUND SPEED INDICATOR .....	50 - 23
2F25	PLATFORM UPPER DRIVE TIGHTENER .....	110 - 32	2G7	REMOTE DUMP STONE TRAP .....	120 - 3
2K8	PLUG, FLOW CONTROL (AUTO HEIGHT) .....	160 - 4	2A20	RESERVOIR, OIL .....	70 - 1
1I23	POWER STEERING CYLINDER .....	60 - 17	1B19	ROCKER ARM AND VALVES .....	20 - 26
1I18	POWER STEERING, CONTROL VALVE .....	60 - 12	1B18	ROCKER ARMS AND VALVES .....	20 - 25
1I21	POWER STEERING, OIL LINES .....	60 - 15	2D3	ROD, SAFETY .....	80 - 15
2D14	POWERSHAFT CLOSURE, ENGINE .....	90 - 8	1B20	RODS, CONNECTING AND PISTON .....	20 - 27
2J23	POWERSHAFT, ENGINE .....	140 - 1	1B21	RODS, CONNECTING AND PISTON .....	20 - 28
1E14	PRECLEANER .....	30 - 43	2E2	ROOF, CAB .....	90 - 21
2C11	PRESS.CTL.VALVE AND MTG.BKT, ACCUMULATOR ..	70 - 45	2H3	ROTARY DEFLECTOR DRIVE TIGHTENER .....	120 - 24
1F3	PRESSURE GAUGE, ACCUMULATOR .....	40 - 10	3A22	ROTARY SCREEN DISK, BELT, AND TIGHTENERS .....	170 - 5
2E6	PRESSURIZER, OPERATOR'S CAB .....	90 - 25	2D3	ROTARY SCREEN DOOR AND SAFETY ROD .....	80 - 15
3A24	PRIMARY BELTS .....	170 - 7	2D4	ROTARY SCREEN DOOR SEALS .....	80 - 16
3A24	PRIMARY CHAIN .....	170 - 7	1C13	ROTARY SCREEN DRIVE BELT DISPLACER .....	20 - 45
2J24	PRIMARY COUNTERSHAFT .....	140 - 2	1C13	ROTARY SCREEN DRIVE BELT TIGHTENERS .....	20 - 45
3A24	PRIMARY COUNTERSHAFT .....	170 - 7	1C18	ROTARY SCREEN DRIVE BELT TIGHTENERS .....	20 - 50
2J25	PRIMARY CTR'SHAFT. CYL. DRIVE SHEAVE .....	140 - 3	1C12	ROTARY SCREEN DRIVE SHAFT .....	20 - 44
3A24	PRIMARY SHEAVES .....	170 - 7	1C10	ROTARY SCREEN, FLAT .....	20 - 42
3A24	PRIMARY SPROCKETS .....	170 - 7	1G1	ROTOR, ALTERNATOR, 72 AMP .....	40 - 34
3A24	PRIMARY TIGHTENERS .....	170 - 7	1G3	ROTOR, ALTERNATOR, 90 AMP .....	40 - 36
1I4	PROPULSION DRIVE COUNTERSHAFT SHEAVE .....	50 - 27	1D16	ROTOR, FUEL INJECTION PUMP .....	30 - 20
1C6	PUMP ASSEMBLY, WATER .....	20 - 38	1E4	ROTOR, FUEL INJECTION PUMP .....	30 - 33

## ALPHABETICAL INDEX - CONTINUED

GRID		PAGE	GRID		PAGE
2H17	ROTOR, STRAW CHOPPER.....	120-38	3B2	SHEAVES, FEEDER HOUSE DRIVE .....	170-11
	S		3A24	SHEAVES, PRIMARY.....	170-7
2D2	SAFETY RAILING.....	80-14	2J25	SHEAVES,DRIVE,PRIMARY CTR'SHAFT CYL.....	140-3
2D3	SAFETY ROD AND ROTARY SCREEN DOOR.....	80-15	3B4	SHEAVES,SHOE GRAIN SUPPLY AUGERS DRIVE.....	170-13
2C8	SAFETY STOP, PLATFORM LIFT .....	70-42	2J8	SHEET, EXTENSION, GRAIN TANK COVER .....	130-6
1E22	SAFETY SWITCH, NEUTRAL .....	40-4	2E23	SHEET, FEEDER HOUSE, FRONT .....	110-4
1C10	SCREEN ROTARY, FLAT .....	20-42	2F3	SHEET, FEEDER HOUSE, SIDE .....	110-10
2G7	SEAL, CYLINDER DOOR.....	120-3	2F5	SHEET, FEEDER HOUSE, SIDE .....	110-12
2D1	SEALS, ENGINE COMPARTMENT.....	80-13	2C16	SHEET, SEPARATOR, SIDE.....	80-3
2E1	SEALS, OPERATOR'S CAB .....	90-20	2C14	SHEET, SEPARATOR, TOP .....	80-1
2D16	SEALS, OPERATOR'S CAB MOUNTING .....	90-10	2J9	SHEET, TOP, GRAIN TANK COVER .....	130-7
2D4	SEALS, ROTARY SCREEN DOOR.....	80-16	2C15	SHEETS AND FRAME, SEPARATOR R.H. SIDE .....	80-2
2D19	SEAT BACKREST SUPPORTS.....	90-13	2G7	SHEETS, SEPARATOR FRONT .....	120-3
2D20	SEAT CUSHIONS.....	90-14	2E24	SHEETS, TOP, FEEDER HOUSE .....	110-5
2D17	SEAT SUPPORTS, OPERATOR'S PLATFORM.....	90-11	2I10	SHIELD AND CLEANING FAN HOUSING .....	120-58
2K1	SECONDARY COUNTERSHAFT.....	140-4	2F15	SHIELD, DRIVE, VARIABLE BELT .....	110-22
2K2	SECONDARY COUNTERSHAFT DR.TIGHTENER .....	140-5	2E23	SHIELD, FEEDER DRUM .....	110-4
3A25	SECONDARY COUNTERSHAFT SHEAVES AND BELT....	170-9	2F14	SHIELD, FEEDER HOUSE LEFT-HAND.....	110-21
2G16	SECTOR, CONCAVE .....	120-12	2E22	SHIELD, LOWER, L.H., SPECIAL .....	110-3
1I1	SELECTIVE GROUND SPEED CONTROLS .....	50-24	1H9	SHIELD, MUD, TRANSMISSION DRIVE.....	50-7
1I2	SELECTIVE GROUND SPEED CYLINDER .....	50-25	2E23	SHIELD, PLATFORM AUGER .....	110-4
1I3	SELECTIVE GROUND SPEED OIL LINES.....	50-26	2F14	SHIELD, R.H., FEEDER HOUSE.....	110-21
2B13	SELECTOR VALVE, AUX. UNLOADING AUGER .....	70-19	2C20	SHIELD, R.H., SEPARATOR .....	80-7
1F4	SENSING UNIT, STRAW WALKER, PLUGGING .....	40-11	2H19	SHIELD, SHEAVE, STRAW CHOPPER .....	120-40
1B9	SENSOR CYLINDER HEAD OVERHEAT WARNING .....	20-16	2H7	SHIELD, STRAW SPREADER.....	120-28
2K3	SEPARATOR AUGER DRIVE BELT GUIDES .....	140-6	2E21	SHIELDS AND COUPLER, QUIK-TATCH.....	110-1
2C19	SEPARATOR CROSS BRACE .....	80-6	2H15	SHIELDS AND CURTAIN, STRAW CHOPPER .....	120-36
2H4	SEPARATOR CURTAINS.....	120-25	1F7	SHIELDS, CABLES, BRACKETS, AND BATTERY.....	40-14
2J1	SEPARATOR DRIVE CONTROLS.....	120-75	2H23	SHIELDS, STRAW SPREADER .....	120-44
2G7	SEPARATOR FRONT SHEETS.....	120-3	2D12	SHLDS AND FLOORBOARD,OPERATOR'S PLATFORM ..	90-6
2C16	SEPARATOR L.H. FRAME .....	80-3	2H8	SHOE AND STRAW WALKER DRIVE TIGHTENER .....	120-29
2C16	SEPARATOR L.H. SIDE SHEETS.....	80-3	2I3	SHOE GR.SUPPLY AUGERS DR.TIGHTENER .....	120-50
2C19	SEPARATOR LADDER .....	80-6	2H24	SHOE GRAIN SUPPLY AUGER HOUSING .....	120-45
2C20	SEPARATOR R.H. SHIELD .....	80-7	2H25	SHOE GRAIN SUPPLY AUGERS .....	120-47
2C15	SEPARATOR R.H. SIDE SHEETS AND FRAME .....	80-2	2I3	SHOE GRAIN SUPPLY AUGERS DR. SHIELD .....	120-50
2C14	SEPARATOR TOP SHEET .....	80-1	3B4	SHOE GRAIN SUPPLY AUGERS DRIVE BELT .....	170-13
2K1	SEPARATOR, SECONDARY COUNTERSHAFT .....	140-4	2I1	SHOE GRAIN SUPPLY AUGERS DRIVE SHAFT .....	120-48
1G17	SERVICE KIT, ELECTRICAL CONNECTOR.....	40-52	2I1	SHOE GRAIN SUPPLY AUGERS DRIVE SHEAVE.....	120-48
2F19	SHAFT AND SHEAVE, FDR.HSE.VAR.BELT DRIVE.....	110-26	3B4	SHOE GRAIN SUPPLY AUGERS DRIVE SHEAVES .....	170-13
2I8	SHAFT AND SHOE PITMAN.....	120-56	2I8	SHOE PITMAN AND SHAFT .....	120-56
2J21	SHAFT, AUXILIARY UNLOADING AUGERS DRIVE .....	130-19	2I4	SHOE, CHAFFER AND SIEVE .....	120-51
2I14	SHAFT, CLEAN GRAIN ELEVATOR CONVEYOR.....	120-62	2I6	SHOE, CHAFFER FRAME, UPPER .....	120-54
1H23	SHAFT, CLUTCH INPUT .....	50-21	3B5	SHOE, CLEANING .....	170-15
2G16	SHAFT, CONCAVE ADJUSTING.....	120-12	2I4	SHOE, SIEVE AND CHAFFER .....	120-51
1C12	SHAFT, DRIVE, ROTARY SCREEN .....	20-44	2I5	SHOE, SIEVE FRAME, LOWER .....	120-53
2F17	SHAFT, UPPER, FEEDER HOUSE.....	110-24	2I4	SIEVE AND CHAFFER.....	120-51
2I1	SHAFT,DRIVE,SHOE GRAIN SUPPLY AUGERS.....	120-48	2I5	SIEVE FRAME, LOWER SHOE.....	120-53
2F20	SHAFT,LOWER,FEEDER HOUSE DRIVE CHAIN .....	110-27	1F14	SIGNAL HORNS.....	40-23
1H15	SHAFTS AND BEARINGS .....	50-13	1E24	SIGNAL, TURN.....	40-7
1H15	SHAFTS, BRGS., AND DIFFERENTIAL GEARS .....	50-13	2J4	SKIRTS, GRAIN TANK.....	130-2
2G21	SHEAVE AND CYLINDER SHAFT SHEAR HUB .....	120-17	1I13	SLAVE CYLINDER, BRAKE.....	60-6
1G5	SHEAVE, ALTERNATOR .....	40-38	2F17	SLIP CLUTCH AND SPROCKETS, FEEDER HOUSE.....	110-24
2I14	SHEAVE, CLEAN GRAIN ELEVATOR CONVEYOR .....	120-62	2G22	SLOW SPD.CYL.DRIVE INTERMEDIATE SHAFT .....	120-19
1I4	SHEAVE, PROPULSION DRIVE COUNTERSHAFT.....	50-27	2K5	SOLENOID CONTROL VALVE (AUTO HEIGHT).....	160-1
2H19	SHEAVE, ROTOR, STRAW CHOPPER .....	120-40	1G12	SOLENOID SWITCH STARTER MOTOR .....	40-46
2I1	SHEAVE,DRIVE,SHOE GRAIN SUPPLY AUGERS .....	120-48	1H6	SPACER, AXLE .....	50-4
3A25	SHEAVES AND BELT, SECONDARY COUNTERSHAFT ..	170-9	1H4	SPACERS AND DRIVE WHEEL .....	50-2
3B3	SHEAVES AND BELTS, BEATER DRIVE .....	170-12	2G14	SPIKE-TOOTH CONCAVE .....	120-10
3B10	SHEAVES AND BELTS, LOADING AUGER DRIVE.....	170-21	2G13	SPIKE-TOOTH CYLINDER .....	120-9
3B9	SHEAVES AND SPROCKETS, AUGER DRIVE .....	170-19	1J1	SPINDLES, REAR AXLE .....	60-20
2G23	SHEAVES, BEATER AND TACHOMETER DRIVE.....	120-20	1F15	SPOTLIGHT .....	40-24
2H1	SHEAVES, BEATER AND TACHOMETER DRIVE.....	120-22	2H23	SPREADER SHIELDS, STRAW .....	120-44
3B10	SHEAVES, CLEAN GRAIN ELEVATOR .....	170-21	2H20	SPREADER, STRAW, MOUNTING AND GUARD .....	120-41
3A21	SHEAVES, ENGINE R.H. SIDE.....	170-3	2D18	SPRING, OPERATOR'S PLATFORM SEAT .....	90-12
			2F12	SPRINGS, FLOAT .....	110-19
			3B9	SPROCKETS AND SHEAVES, AUGER DRIVE .....	170-19
			2F17	SPROCKETS AND SLIP CLUTCH, FEEDER HOUSE.....	110-24

## ALPHABETICAL INDEX - CONTINUED

GRID		PAGE	GRID		PAGE
3B2	SPROCKETS, FEEDER HOUSE DRIVE.....	170-11	2B11	SWING HOSES AND LINE, UNLOADING AUGER .....	70-17
3A24	SPROCKETS, PRIMARY .....	170-7	2B12	SWING LINE, UNLOADING AUGER .....	70-18
2114	SPROCKETS,CLEAN GRAIN ELEVATOR CONVEYOR ....	120-62	2K9	SWING, AUGER .....	160-5
1G8	STARTER MOTOR ARMATURE ASSEMBLY .....	40-42	1F4	SWITCH, MICRO, STRAW WALKER SENSING UNIT.....	40-11
1G8	STARTER MOTOR DRIVE MOTOR .....	40-42	1E22	SWITCH, NEUTRAL SAFETY .....	40-4
1G12	STARTER MOTOR SOLENOID SWITCH .....	40-46	1G14	SWITCH, SOLENOID, STARTER .....	40-49
1G14	STARTER SOLENOID SWITCH .....	40-49	1G13	SWITCH, SOLENOID, STARTING MOTOR .....	40-47
1G7	STARTING MOTOR .....	40-41	1F16	SWITCH,DIAL-A-MATIC HDR.HEIGHT CONTROL.....	40-25
1G9	STARTING MOTOR .....	40-43	1F17	SWITCHES AND GAUGES ON INSTRUMENT PANEL.....	40-26
1G11	STARTING MOTOR .....	40-45	1F11	SWITCHES, OPERATOR'S CAB ELECTRICAL .....	40-19
1G11	STARTING MOTOR ARMATURE .....	40-45	1D24	SYSTEM, FUEL INJECTION .....	30-29
1G9	STARTING MOTOR DRIVE.....	40-43			
1G10	STARTING MOTOR HOUSING AND COIL ASSEMBLY ....	40-44		T	
1G13	STARTING MOTOR SOLENOID SWITCH .....	40-47			
1G1	STATOR, ALTERNATOR, 72 AMP .....	40-34	1F18	TACH-HOUR METER, ENGINE.....	40-27
1G3	STATOR, ALTERNATOR, 90 AMP .....	40-36	2H1	TACHOMETER AND BEATER DRIVE .....	120-22
1116	STEERING COLUMN AND WHEEL .....	60-10	2G23	TACHOMETER DRIVE AND BEATER .....	120-20
1118	STEERING CONTROL VALVE .....	60-12	2G15	TACHOMETER, VARIABLE SPEED CYLINDER .....	120-11
1121	STEERING LOWER OIL LINES (MIDDLE).....	60-15	2I20	TAILINGS AUGER, LOWER .....	120-69
1120	STEERING LOWER OIL LINES-FRONT.....	60-14	3B9	TAILINGS ELEVATOR .....	170-19
1122	STEERING LOWER OIL LINES-REAR .....	60-16	2I22	TAILINGS ELEVATOR BUCKET .....	120-71
1117	STEERING PUMP .....	60-11	2I22	TAILINGS ELEVATOR CONVEYOR CHAIN.....	120-71
1J2	STEERING TIE RODS.....	60-21	2I21	TAILINGS ELEVATOR HOUSING .....	120-70
1119	STEERING UPPER OIL LINES .....	60-13	2I22	TAILINGS ELEVATOR, PADDLE.....	120-71
1123	STEERING, CYLINDER .....	60-17	2I20	TAILINGS HOUSING, LOWER .....	120-69
1119	STEERING, OIL LINES .....	60-13	2I24	TAILINGS, AUGER, UPPER .....	120-73
2G11	STONE TRAP AND DOOR .....	120-7	1E23	TAILLIGHTS .....	40-5
2G7	STONE TRAP, REMOTE DUMP .....	120-3	2J3	TANK, GRAIN.....	130-1
1A21	STOP LEAK AND COOLANT CONDITIONER .....	20-3	1G15	TERMINAL AND WIRING KIT .....	40-50
1H25	STOP, RELATIVE GROUND SPEED INDICATOR.....	50-23	1G21	TERMINALS, SUPPLEMENTARY, AND CONNECTORS....	40-56
2C8	STOP, SAFETY, PLATFORM LIFT .....	70-42	1C7	THERMOSTAT AND WATER MANIFOLD .....	20-39
1A21	STORAGE KIT .....	20-3	1D4	THROTTLE CONTROL.....	30-8
3B7	STRAW CHOPPER AND STRAW SPREADER DRIVES....	170-17	1J2	TIE RODS, STEERING .....	60-21
2H15	STRAW CHOPPER CURTAIN AND SHIELDS.....	120-36	1C17	TIGHTENER, BELT, RADIATOR FAN DRIVE .....	20-49
2H18	STRAW CHOPPER DRIVE IDLER .....	120-39	2I16	TIGHTENER, CLEAN GRAIN ELEVATOR DRIVE .....	120-64
2H18	STRAW CHOPPER DRIVE TIGHTENER .....	120-39	2F16	TIGHTENER, DR., F.H. VAR. DR. MIDDLE .....	110-23
2H9	STRAW CHOPPER HOUSING .....	120-30	2F25	TIGHTENER, DR., FDR.HSE. AND PLAT.UPPER.....	110-32
2H10	STRAW CHOPPER HOUSING .....	120-31	2F16	TIGHTENER, DR., PLAT. VAR. DR. MIDDLE .....	110-23
2H16	STRAW CHOPPER KNIFE AND SUPPORT.....	120-37	2K2	TIGHTENER, DR., SECONDARY COUNTERSHAFT.....	140-5
2H11	STRAW CHOPPER PLATES AND FINS .....	120-32	2I3	TIGHTENER, DR., SHOE GRAIN SUPPLY AUGER .....	120-50
2H13	STRAW CHOPPER PLATES AND FINS .....	120-34	2I23	TIGHTENER, DRIVE, LOWER TAILINGS AUGER.....	120-72
2H17	STRAW CHOPPER ROTOR AND BLADES .....	120-38	1C18	TIGHTENER, DRIVE, RADIATOR FAN.....	20-50
2H19	STRAW CHOPPER ROTOR SHEAVE .....	120-40	2G2	TIGHTENER, FEEDER CONVEYOR DRIVE, L.H. ....	110-34
2H19	STRAW CHOPPER SHIELD .....	120-40	2F9	TIGHTENER, FEEDER CONVEYOR DRIVE, R.H.....	110-16
2H22	STRAW SPREADER .....	120-43	2G2	TIGHTENER, PLATFORM CHAIN DRIVE, L.H. ....	110-34
3B7	STRAW SPREADER AND STRAW CHOPPER DRIVES....	170-17	1C18	TIGHTENER, RADIATOR FAN DRIVE BELT .....	20-50
2H22	STRAW SPREADER BLADE .....	120-43	2H18	TIGHTENER, STRAW CHOPPER DRIVE.....	120-39
2H22	STRAW SPREADER HOUSING .....	120-43	2I25	TIGHTENER, UPPER TAILINGS AUGER DRIVE.....	120-74
2H20	STRAW SPREADER MOUNTING AND GUARD .....	120-41	2J16	TIGHTENER,AUXILIARY UNLOADING AUG.DRIVE .....	130-14
2H23	STRAW SPREADER SHIELDS .....	120-44	2G1	TIGHTENER,FDR.HSE.VARIABLE DR.LOWER BELT.....	110-33
3B5	STRAW WALKER DRIVES AND CLEANING SHOE .....	170-15	2G1	TIGHTENER,PLATF.VARIABLE DR.LOWER BELT .....	110-33
2H6	STRAW WALKER FRONT CRANKSHAFT .....	120-27	2G19	TIGHTENERS, DRIVE, CYLINDER .....	120-15
2H7	STRAW WALKER REAR CRANKSHAFT .....	120-28	2G20	TIGHTENERS, DRIVE, INTERMEDIATE SHAFT .....	120-16
1F4	STRAW WALKER, PLUGGING SENSING UNIT .....	40-11	2H3	TIGHTENERS, DRIVE, ROTARY DEFLECTOR .....	120-24
2H5	STRAW WALKERS .....	120-26	1C18	TIGHTENERS, DRIVE, ROTARY SCREEN .....	20-50
1H25	STRIP, RELATIVE GROUND SPEED INDICATOR .....	50-23	2H8	TIGHTENERS, DRIVE, SHOE AND STRAW WALKER .....	120-29
1G21	SUPPLEMENTARY TERMINALS AND CONNECTORS.....	40-56	3A21	TIGHTENERS, ENGINE R.H. SIDE.....	170-3
2A22	SUPPORT AND HYDRAULIC PUMP TORQUE ARM .....	70-3	3A24	TIGHTENERS, PRIMARY.....	170-7
2J16	SUPPORT,AUXILIARY UNLDG.AUGER DR.MOTOR.....	130-14	3A22	TIGHTENERS, ROTARY SCREEN .....	170-5
1C22	SUPPORTS AND FUEL TANK .....	30-1	1C13	TIGHTENERS, ROTARY SCREEN DRIVE BELT.....	20-45
2E11	SUPPORTS., COMPRESSOR, AIR COND. ....	90-30	1B4	TIMING GEAR COVER .....	20-11
2E12	SUPPORTS., COMPRESSOR, AIR COND. ....	90-31	2C20	TOOL BOX .....	80-7
2D19	SUPPORTS, BACKREST, SEAT .....	90-13	2D25	TOOL POCKET FOR OPERATOR'S CAB .....	90-19
1C8	SUPPORTS, ENGINE .....	20-40	1A20	TORQ-GARD SUPREME ENGINE OIL.....	20-1
2D18	SUPPORTS, OPERATOR'S PLATFORM SEAT.....	90-12	1E8	TRANSFER PUMP .....	30-37
2D17	SUPPORTS, SEAT, OPERATOR'S PLATFORM .....	90-11	1E12	TRANSFER PUMP, FUEL .....	30-41
2J17	SWING AND HINGE, UNLOADING AUGER.....	130-15			

## ALPHABETICAL INDEX - CONTINUED

<i>GRID</i>		<i>PAGE</i>	<i>GRID</i>		<i>PAGE</i>
1E13	TRANSFER PUMP, FUEL .....	30 - 42	1B11	VENTILATOR TUBE, ENGINE.....	20 - 18
1H10	TRANSMISSION .....	50 - 8	1G3	VOLTAGE REGULATOR, ALTERNATOR, 90 AMP .....	40 - 36
1H11	TRANSMISSION AND DIFFERENTIAL .....	50 - 9	1G1	VOLTAGE REGULATOR,ALTERNATOR,72 AMP .....	40 - 34
1H12	TRANSMISSION COUNTERSHAFT AND GEARS .....	50 - 10			
1H9	TRANSMISSION DRIVE MUD SHIELD.....	50 - 7		W	
1H13	TRANSMISSION INPUT SHAFT .....	50 - 11			
2G7	TRAP, REMOTE DUMP STONE .....	120 - 3	2H5	WALKERS, STRAW .....	120 - 26
1E16	TUBE, AIR INTAKE .....	30 - 45	2D2	WALKWAY, ENGINE COMPARTMENT .....	80 - 14
1C19	TUBE, GAUGE, OIL PRESSURE .....	20 - 51	1E23	WARNING LIGHTS.....	40 - 5
1E14	TUBES, AIR INTAKE .....	30 - 43	1B9	WARNING SENSOR, CYLINDER HEAD OVERHEAT .....	20 - 16
1E24	TURN SIGNALS .....	40 - 7	1C7	WATER MANIFOLD AND THERMOSTAT .....	20 - 39
	U		1C6	WATER PUMP ASSEMBLY.....	20 - 38
1B16	UNDERSIZE CRANKSHAFT KIT.....	20 - 23	1J3	WEIGHT, REAR WHEEL .....	60 - 22
2J14	UNLOADING ATTACHMENT, GRASS SEED.....	130 - 12	1I16	WHEEL AND STEERING COLUMN .....	60 - 10
2J16	UNLOADING AUG.DRIVE TIGHTENER,AUXILIARY .....	130 - 14	1H4	WHEEL, DRIVE .....	50 - 2
2J12	UNLOADING AUGER COUNTERSHAFT .....	130 - 10	1H22	WHEEL, DRIVE, CLUTCH AND HOUSING .....	50 - 20
2J16	UNLOADING AUGER DR.MOTOR SUPT.,AUXILIARY .....	130 - 14	1H7	WHEEL, FENDER.....	50 - 5
2K3	UNLOADING AUGER DRIVE BELT GUIDES.....	140 - 6	1J3	WHEEL, REAR .....	60 - 22
2J10	UNLOADING AUGER DRIVE CONTROL .....	130 - 8	1J3	WHEEL, WEIGHTS .....	60 - 22
3B12	UNLOADING AUGER DRIVES .....	170 - 23	1F21	WINDSHIELD WIPER AND BRACKET .....	40 - 30
2J17	UNLOADING AUGER HINGE AND SWING .....	130 - 15	1F21	WIPER HARNESS .....	40 - 30
2J18	UNLOADING AUGER HOUSING, OUTER .....	130 - 16	1G15	WIRING AND TERMINAL KIT .....	40 - 50
2B7	UNLOADING AUGER SWING CONTROL VALVE .....	70 - 12	1G15	WIRING CRIMPING TOOL .....	40 - 50
2B8	UNLOADING AUGER SWING CONTROL VALVE .....	70 - 13	2K13	WIRING HARNESS .....	160 - 9
2B11	UNLOADING AUGER SWING HOSES AND LINE.....	70 - 17	2K14	WIRING HARNESS .....	160 - 10
2B10	UNLOADING AUGER SWING HYD.CYLINDER KIT .....	70 - 16	1F6	WIRING HARNESS, ENGINE .....	40 - 13
2B9	UNLOADING AUGER SWING HYDRAULIC CYLINDER ....	70 - 15	1E20	WIRING HARNESS, FRONT .....	40 - 2
2B9	UNLOADING AUGER SWING HYDRAULIC MOUNTING ..	70 - 15	1E21	WIRING HARNESS, MIDDLE .....	40 - 3
2B12	UNLOADING AUGER SWING LINE .....	70 - 18	1E22	WIRING HARNESS, REAR .....	40 - 4
2J11	UNLOADING AUGER, AUXILIARY, DR. CONTROL .....	130 - 9	1E22	WIRING HARNESS, TAIL LAMP.....	40 - 4
2J15	UNLOADING AUGER, INNER .....	130 - 13	1F12	WIRING ON ENGINE, AIR CONDITIONING.....	40 - 20
2J13	UNLOADING AUGER, INNER COVER .....	130 - 11	1F13	WIRING ON ENGINE, AIR CONDITIONING.....	40 - 21
2J17	UNLOADING AUGER, OUTER .....	130 - 15	1G15	WIRING STRIPPING TOOL .....	40 - 50
2J21	UNLOADING AUGERS DRIVE SHAFT, AUXILIARY .....	130 - 19	1F11	WIRING, OPERATOR'S CAB ELECTRICAL.....	40 - 19
2I25	UPPER AUGER DRIVE TIGHTENER, TAILINGS.....	120 - 74	1G21	WIRING, SUPPLEMENTARY TERMINALS AND CONNECTORS .....	40 - 56
2F17	UPPER SHAFT, FEEDER HOUSE .....	110 - 24			
2I24	UPPER TAILINGS AUGER AND HOUSING.....	120 - 73			
2I25	UPPER TAILINGS AUGER DRIVE TIGHTENER .....	120 - 74			
	V				
2E7	VALVE AND COMPRESSOR, OPERATOR'S CAB .....	90 - 26			
2B13	VALVE SUPPORT .....	70 - 19			
2B13	VALVE, AUX. UNLDG. AUGER SELECTOR .....	70 - 19			
2K5	VALVE, CONTROL, SOLENOID (AUTO HEIGHT).....	160 - 1			
2K7	VALVE, DROP RATE (AUTO HEIGHT) .....	160 - 3			
2E13	VALVE, EXPANSION, AIR CONDITIONER .....	90 - 33			
2A23	VALVE, HYDRAULIC CONTROL.....	70 - 4			
2B1	VALVE, HYDRAULIC CONTROL.....	70 - 6			
2B25	VALVE, HYDROSTATIC DR.REEL FLOW CONTROL.....	70 - 34			
1I18	VALVE, STEERING CONTROL .....	60 - 12			
2B7	VALVE, UNLOADING AUGER SWING CONTROL .....	70 - 12			
2B8	VALVE, UNLOADING AUGER SWING CONTROL .....	70 - 13			
2C11	VALVE,PRES.CTL.AND MTG.BKT,ACCUMULATOR .....	70 - 45			
1B18	VALVES AND ROCKER ARMS.....	20 - 25			
1B19	VALVES AND ROCKER ARMS.....	20 - 26			
2E9	VALVES, SERICE, COMPRESSOR CLUTCH .....	90 - 28			
2F15	VARIABLE BELT DRIVE SHIELD .....	110 - 22			
2C4	VARIABLE DRIVE FEEDER HOUSE HYD. HOSES .....	70 - 38			
2C3	VARIABLE DRIVE FEEDER HOUSE OIL LINES .....	70 - 37			
2B4	VARIABLE SPEED CYLINDER CONTROL-SEP.SIDE.....	70 - 9			
2G15	VARIABLE SPEED CYLINDER TACHOMETER .....	120 - 11			
1B10	VENTILATOR TUBE, ENGINE.....	20 - 17			



# 1A20

ENGINE

X3377 -UN-07NOV94

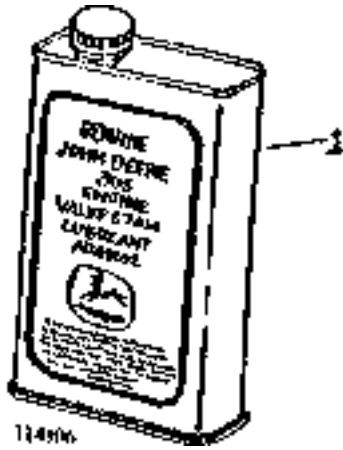
## TORQ-GARD SUPREME ENGINE OIL



KEY	PART NO.	PART NAME	QTY	SERIAL NO.	REMARKS
..	AR63980	OIL	1	(237 ML) (SAE 5W/20)	
..	AR63979	OIL	1	(237 ML) (SAE 30)	
..	AR63228	OIL	1	(946 ML) (SAE 5W/20)	
..	AR63223	OIL	1	(946 ML) (SAE 10W/20)	
..	AR63218	OIL	1	(946 ML) (SAE 30)	
..	AR63229	OIL	1	(18.9 L) (SAE 5W/20)	
..	AR63224	OIL	1	(18.9 L) (SAE 10W/20)	
..	AR63219	OIL	1	(18.9 L) (SAE 30)	
..	AR63230	OIL	1	(208.5 L) (SAE 5W/20)	
..	AR63227	OIL	1	(208.5 L) (SAE 10W/20)	
..	AR63222	OIL	1	(208.5 L) (SAE 30)	

## ENGINE VALVE STEM LUBRICANT

T14906 -UN-01JAN94



KEY	PART NO.	PART NAME	QTY	SERIAL NO.	REMARKS
1	AR44402	OIL	1	(0.9 L) CAN	

---

MEMORANDA

# 1A21

ENGINE

**CYLINDER LINER PACKING LUBRICANT  
(NOT ILLUSTRATED)**

KEY	PART NO.	PART NAME	QTY	SERIAL NO.	REMARKS
..	AR54749	LUBRICANT	1		(0.9 L) CAN

**KIT FOR OFF-SEASON STORAGE  
(NOT ILLUSTRATED)**

KEY	PART NO.	PART NAME	QTY	SERIAL NO.	REMARKS
..	AR41785	KIT	1		KIT, OFF-SEASON STORAGE, FOR ENGINE POWERED EQUIPMENT, THIS KIT CONTAINS QUART (0.9L) CAN OF INTERNAL CORROSION INHIBITOR, 1 ROLL OF TAPE AND 6 PLASTIC BAGS, (SUB FOR AR41870)

**STOP LEAK AND COOLANT CONDITIONER  
(NOT ILLUSTRATED)**

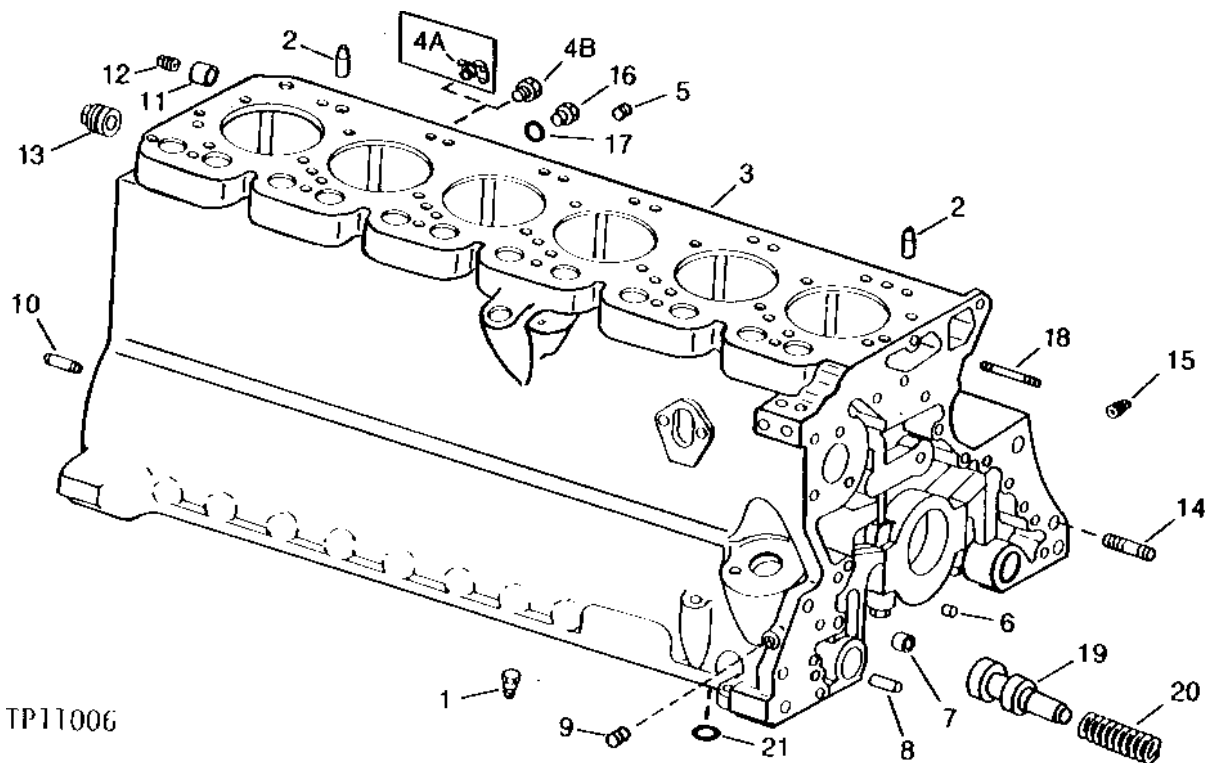
KEY	PART NO.	PART NAME	QTY	SERIAL NO.	REMARKS
..	RE12842	COOLANT	1		.91 KG (32 OZ.) (SUB FOR T19566)
..	T11847	SEALANT	1		(NO LONGER AVAILABLE)

# 1A22

ENGINE

## CYLINDER BLOCK (6329DH)

TP11006 -UN-01JAN94



KEY	PART NO.	PART NAME	QTY	ENGINE SERIAL NO.	REMARKS
1	R54802	ORIFICE	6		
2	R48685	DOWEL PIN	2		
3	AR64406	CYLINDER BLOCK	1	-566498	(SUB FOR R26241, THIS APPLICATION) WITH MAIN BEARING CAPS, NIPPLE, SLEEVE, BUSHING, DOWEL PINS, PIPE PLUGS, STUDS, PISTON COOLING ORIFICES, CAP SCREWS AND WASHERS, (MARKED R55012, R55037 OR R72968)
	RE19872	CYLINDER BLOCK	1	566499-	(SUB RE19872, R46625, R73139 AND R73140) WITH MAIN BEARING CAPS, NIPPLE, SLEEVE, BUSHING, DOWEL PINS, PIPE PLUGS, STUDS, PISTON COOLING ORIFICES, CAP SCREWS AND WASHERS, (MARKED R80405) (SUB FOR AR97027, MARKED R72968)
4A	AT13740	DRAIN VALVE	1		
4B	R55233	PIPE PLUG	1		
5	15H275	PIPE PLUG	1	1/4"	
6	T18891	CAP	2		
7	R26493	BUSHING	1		
8	R26650	DOWEL PIN	2		
9	15H563	PIPE PLUG	1	3/8"	
10	R48685	DOWEL PIN	2	(SUB FOR A120R)	
11	15H515	PIPE BUSHING	1		
12	15H584	PIPE PLUG	1	1/2"	
13	15H665	PIPE PLUG	AR	3/4"	
	15H562	PIPE PLUG	AR	1"	
14	R32042	STUD	1		

# 1A23

ENGINE

## CYLINDER BLOCK - CONTINUED (6329DH)

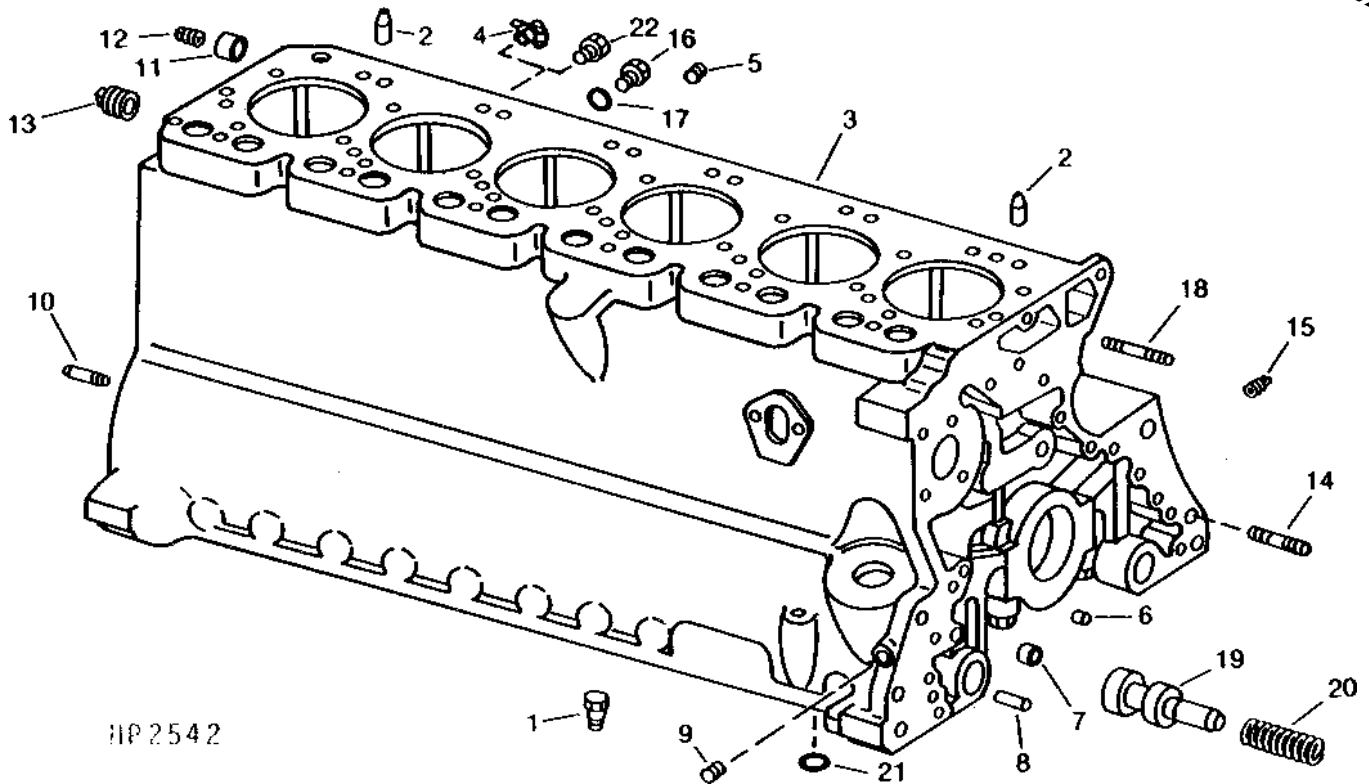
KEY	PART NO.	PART NAME	QTY	SERIAL NO.	REMARKS
15	15H558	PIPE PLUG	7		1/8", (SUB FOR RE12310)
16	R39741	DRAIN PLUG	1		
17	U13639	O-RING	1		
18	T33279	STUD	1		
19	R73139	VALVE	1	566499-	
20	R46625	SPRING	1	566499-	
21	R75892	O-RING	AR		(OIL PUMP TUBE)
..	AR64413	SHORT BLOCK ASSEMBLY	1	-566498	WITH CYLINDER BLOCK ASSEMBLY, CRANKSHAFT, CAMSHAFT, PISTONS, CONNECTING RODS, BEARINGS, CYLINDER LINERS, FRONT PLATE, IDLER COVERS, TAPPETS AND OVERHAUL GASKET SET, (SUB RE19873) (ALSO ORDER R81514)
..	RE19873	SHORT BLOCK ASSEMBLY	1		WITH CYLINDER BLOCK ASSEMBLY, CRANKSHAFT, CAMSHAFT, PISTONS, CONNECTING RODS, BEARINGS, CYLINDER LINERS, FRONT PLATE, IDLER GEARS, TAPPETS, BYPASS VALVE, BYPASS SPRING AND OVERHAUL GASKET SET, (SUB FOR AR97040) (ALSO ORDER R81514)

# 1A24

ENGINE

HP2542 -UN-01JAN94

## CYLINDER BLOCK (6359DH)



HP 2542

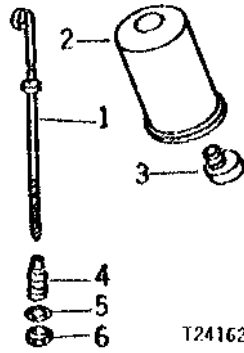
KEY	PART NO.	PART NAME	QTY	SERIAL NO.	REMARKS
1	R54802	ORIFICE	6		
2	R26241	DOWEL PIN	2		
3	RE19371	CYLINDER BLOCK	1		WITH MAIN BEARING CAPS, NIPPLE, SLEEVE, BUSHING, DOWEL PINS, PIPE PLUGS, STUDS, PISTON COOLING ORIFICES, CAP SCREWS AND WASHERS
4	AT13740	DRAIN VALVE	AR		
5	15H275	PIPE PLUG	1	1/4"	
6	T18891	CAP	2		
7	R26493	BUSHING	1		
8	R26650	DOWEL PIN	2		
9	15H255	PIPE PLUG	1	3/8"	
10	R48685	DOWEL PIN	2		
11	15H515	PIPE BUSHING	1		
12	15H584	PIPE PLUG	1	1/2"	
13	15H665	PIPE PLUG	1	3/4"	
14	R32042	STUD	1		
15	15H558	PIPE PLUG	7	1/8"	
16	R39741	DRAIN PLUG	1		
17	U13639	O-RING	1		
18	T33279	STUD	1		
19	R73139	VALVE	1		
20	R46625	SPRING	1		
21	R75892	O-RING	1		(OIL PUMP TUBE)
22	R55233	PIPE PLUG	1		
..	RE19372	SHORT BLOCK ASSEMBLY	1		WITH CYLINDER BLOCK ASSEMBLY, CRANKSHAFT, CAMSHAFT, PISTONS, CONNECTING RODS, BEARINGS, CYLINDER LINERS, FRONT PLATE, IDLER GEARS, TAPPETS, BYPASS VALVE, BYPASS SPRING AND OVERHAUL GASKET SET

# 1A25

ENGINE

## ENGINE OIL FILTER AND DIPSTICK (6329DH)

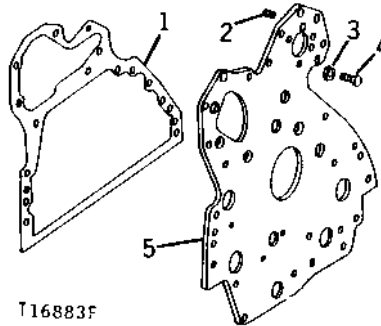
T24162 -UN-01JAN94



KEY	PART NO.	PART NAME	QTY	SERIAL NO.	REMARKS
1	AT23141	DIPSTICK	1		
2	T19044	OIL FILTER	1		
3	T23435	THREADED NIPPLE	1		
4	R49824	DIPSTICK TUBE	1		
5	14H826	NUT	1	1/2"	
6	R27976	O-RING	1		

## ENGINE FRONT PLATE (6329DH)

T16883 -UN-01JAN94



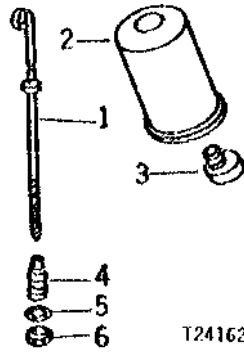
KEY	PART NO.	PART NAME	QTY	SERIAL NO.	REMARKS
1	T24965	GASKET	1	-566498	(SUB R73140)
	R73140	GASKET	1		
2	AT21191	SET SCREW	5		
	AT22919	SET SCREW	2		
3	12H324	WASHER	5	3/8"	
4	T20166	SCREW	5		
5	R56736	PLATE	1		(ALSO ORDER FIVE AT21191 SET SCREWS AND TWO AT22919 SET SCREWS)

# 1B1

ENGINE

T24162 -UN-01JAN94

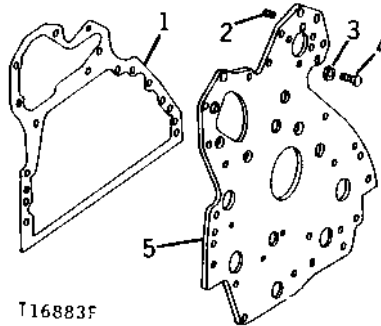
## ENGINE OIL FILTER AND DIPSTICK (6359DH)



KEY	PART NO.	PART NAME	QTY	SERIAL NO.	REMARKS
1	AT23141	DIPSTICK	1		
2	T19044	OIL FILTER	1		
3	T23435	THREADED NIPPLE	1		
4	R49824	DIPSTICK TUBE	1		
5	R10093	O-RING	1		
6	14H826	NUT	1	1/2"	

## ENGINE FRONT PLATE (6359DH)

T16883 -UN-01JAN94



KEY	PART NO.	PART NAME	QTY	SERIAL NO.	REMARKS
1	R73140	GASKET	1		
2	AT21191	SET SCREW	8		
	AT22919	SET SCREW	2		
3	12H324	WASHER	5	3/8"	
4	T20166	SCREW	5		
5	R75470	PLATE	1		(ALSO ORDER (8) AT21191 SET SCREWS AND (2) AT22919 SET SCREWS)

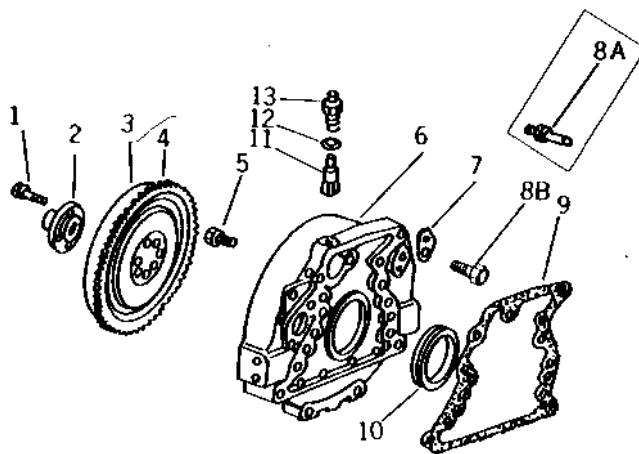


# 1B2

ENGINE

## FLYWHEEL HOUSING (6329DH)

TP11557 -UN-01JAN94



TP11557

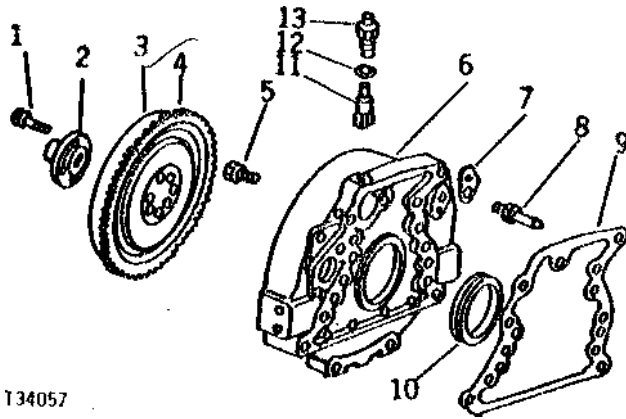
KEY	PART NO.	PART NAME	QTY	SERIAL NO.	REMARKS
1	19H2735	CAP SCREW	4	1/2" X 2"	
2	T32230	HUB	1		
3	AR52725	FLYWHEEL	1		
4	T20088	GEAR	1	(142 TEETH)	
5	19H2545	CAP SCREW	8	3/8" X 1-3/8"	
6	T25115	HOUSING	1		
7	T20089	COVER	1		
8A	T20090	SCREW	1	(SUB 19H2351)	
8B	19H2351	CAP SCREW	1	1/2" X 1/2"	
9	R70483	GASKET	1	(SUB FOR R49516, THIS APPLICATION)	
10	RE17831	SEAL	1	(SUB FOR AT22965 AND AR92893)	
11	T22536	GEAR	1		
12	H1058R	WASHER	1		
13	T22537	FITTING	1		

# 1B3

ENGINE

T34057 -UN-01JAN94

## FLYWHEEL HOUSING (6359DH)



T34057

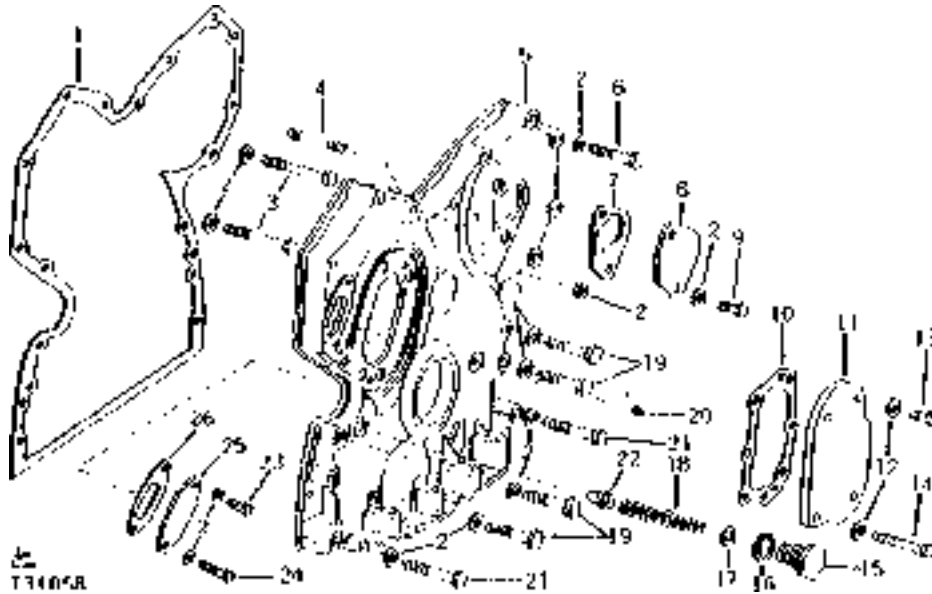
KEY	PART NO.	PART NAME	QTY	SERIAL NO.	REMARKS
1	19H2735	CAP SCREW	4		1/2" X 2"
2	T32230	HUB	1		
3	AR52725	FLYWHEEL	1		
4	T20088	GEAR	1		(142 TEETH)
5	19H2545	CAP SCREW	8		3/8" X 1-3/8"
6	T25115	HOUSING	1		
7	T20089	COVER	1		
8	T20090	SCREW	1		
9	R70483	GASKET	1		
10	AR92893	SEAL	1		
11	T22536	GEAR	1		
12	H1058R	WASHER	1		
13	T22537	FITTING	1		

# 1B4

ENGINE

T34058 -UN-01JAN94

## TIMING GEAR COVER



KEY	PART NO.	PART NAME	QTY	SERIAL NO.	REMARKS
1	T20155	GASKET	1		
2	24H1304	WASHER	18	13/32" X 23/32" X 0.120"	
3	19H1765	CAP SCREW	2	3/8" X 1-3/4"	
4	T33279	STUD	2		
5	AR67821	COVER	1		(ALSO ORDER T20272 COVER, T20273 GASKET, (3) 19H2284 CAP SCREWS, 19H1726 CAP SCREW, (4) 24H1304 WASHERS AND 15H275 PIPE PLUG)
6	19H1801	CAP SCREW	6	3/8" X 2"	
7	R78366	GASKET	1		(SUB FOR R69260)
8	T20362	COVER	1		
9	19H2284	CAP SCREW	2	3/8" X 7/8"	
10	T20273	GASKET	1		
11	T20272	COVER	1		
12	24H1304	WASHER	4	13/32" X 23/32" X 0.120"	
13	19H2284	CAP SCREW	3	3/8" X 7/8"	
14	19H246	CAP SCREW	1	3/8" X 1-3/4"	
15	T27657	FITTING PLUG	1		
16	A4827R	WASHER	1		
17	24H1290	WASHER	1	21/64" X 3/4" X 0.035"	
18	T27658	SPRING	1		
19	19H2023	CAP SCREW	1	3/8" X 3-1/4"	
20	15H275	PIPE PLUG	1	1/4"	
21	19H268	CAP SCREW	2	3/8" X 2-1/2"	
22	R83169	VALVE	1		(SUB FOR R51516)
23	19H1801	CAP SCREW	1	3/8" X 2"	
24	19H1134	CAP SCREW	1	3/8" X 3/4"	
25	T23260	COVER	1		
26	T20336	GASKET	1		
27	14H812	NUT	2	3/8"	

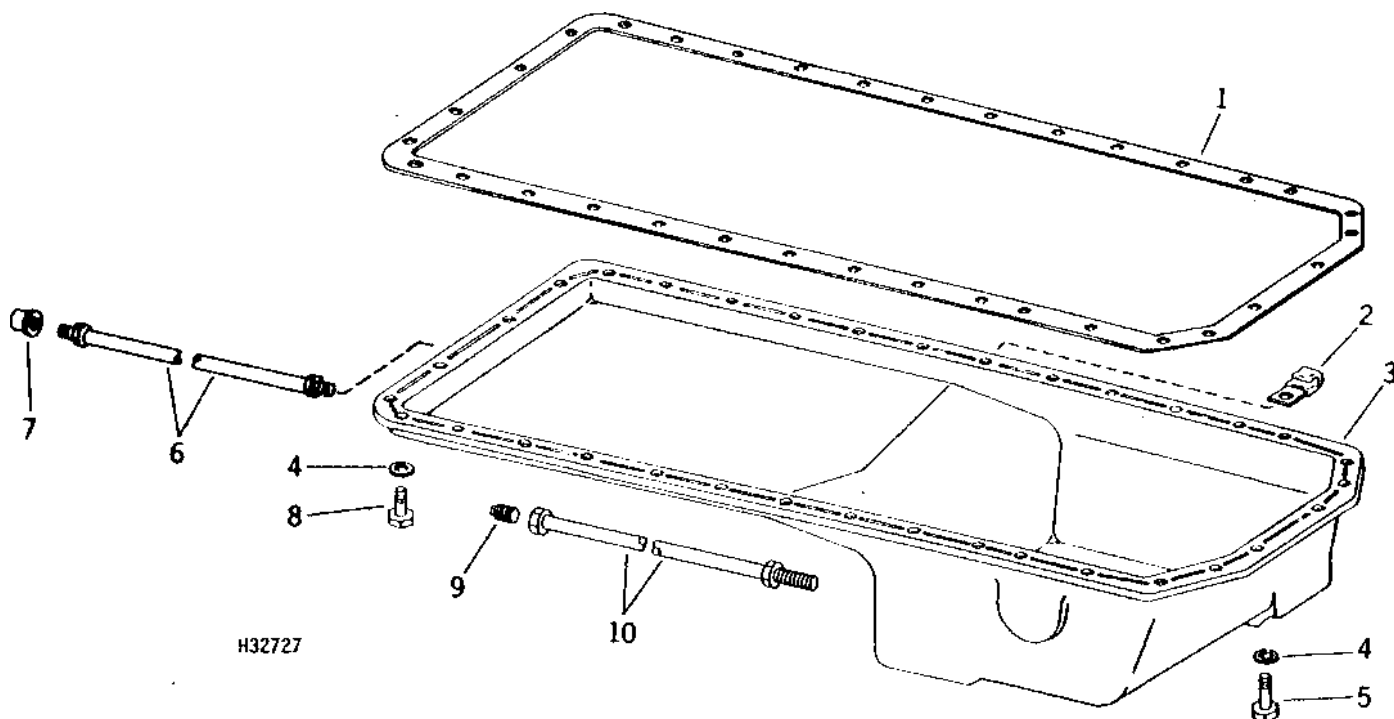
# 1B5

ENGINE

## OIL PAN (6329DH)

H32727

-UN-01JAN94



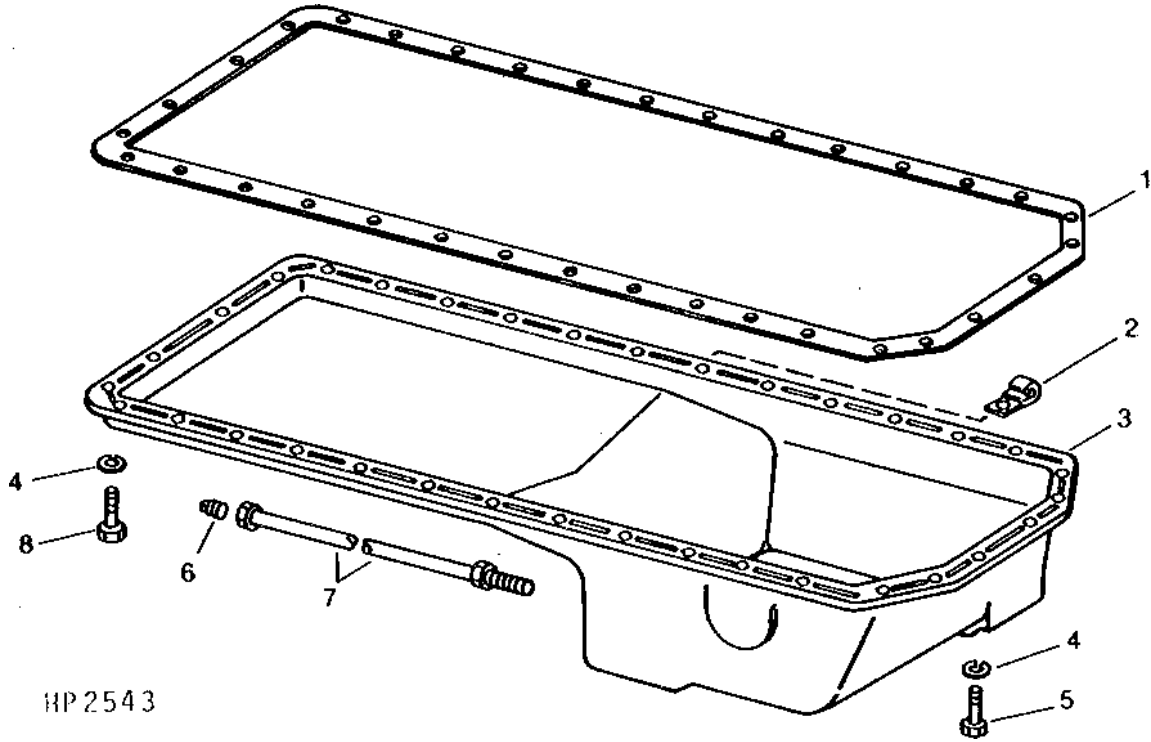
KEY	PART NO.	PART NAME	QTY	SERIAL NO.	REMARKS
1	T20205	GASKET	1		
2	T19935	CLAMP	1		FUEL LINE
3	T31219	OIL PAN	1		
4	12H304	LOCK WASHER	36		3/8"
5	19H1800	CAP SCREW	6		3/8" X 1-1/2"
6	AU11672	HOSE	1	-421411	(SUB AR80532 AND 15H584)
7	15H3	FITTING	1		1/2"
8	19H2552	CAP SCREW	29		3/8" X 1-1/8"
	19H1800	CAP SCREW	29		3/8" X 1-1/2"
9	15H584	PIPE PLUG	1		1/2"
10	AR80532	HYDRAULIC HOSE	1		1/2" X 1 168 MM (46") X 1/2"

# 1B6

ENGINE

HP2543 -UN-01JAN94

OIL PAN  
(6359DH)



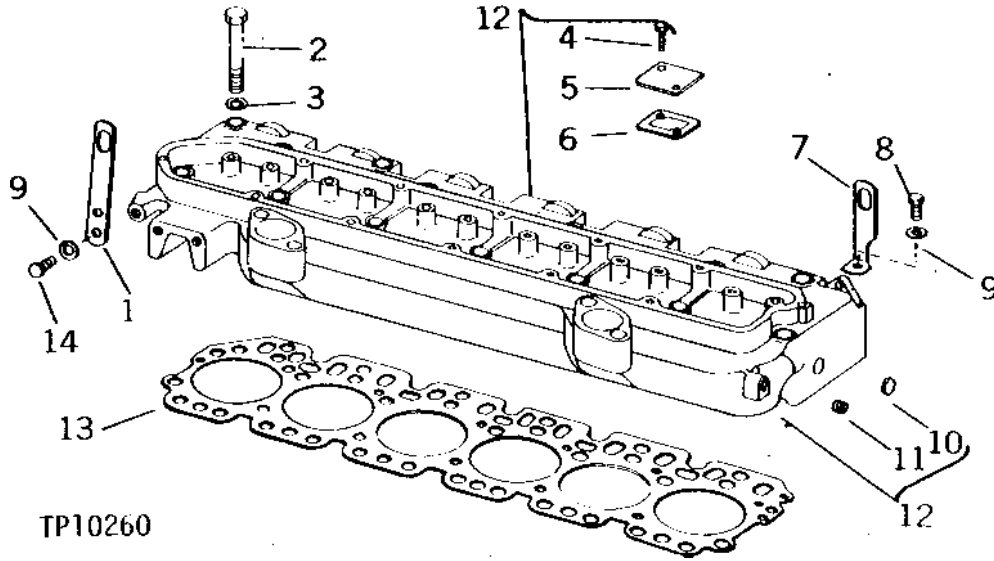
KEY	PART NO.	PART NAME	QTY	SERIAL NO.	REMARKS
1	T20205	GASKET	1		
2	T19935	CLAMP	1		FUEL LINE
3	T31219	OIL PAN	1		
4	12H304	LOCK WASHER	36		3/8"
5	19H1800	CAP SCREW	6		3/8" X 1-1/2"
6	15H584	PIPE PLUG	1		1/2"
7	AR80532	HYDRAULIC HOSE	1		
8	19H2552	CAP SCREW	29		3/8" X 1-1/8"
	19H1800	CAP SCREW	29		3/8" X 1-1/2"

# 1B7

ENGINE

## CYLINDER HEAD (6329DH)

TP10260 -UN-01JAN94



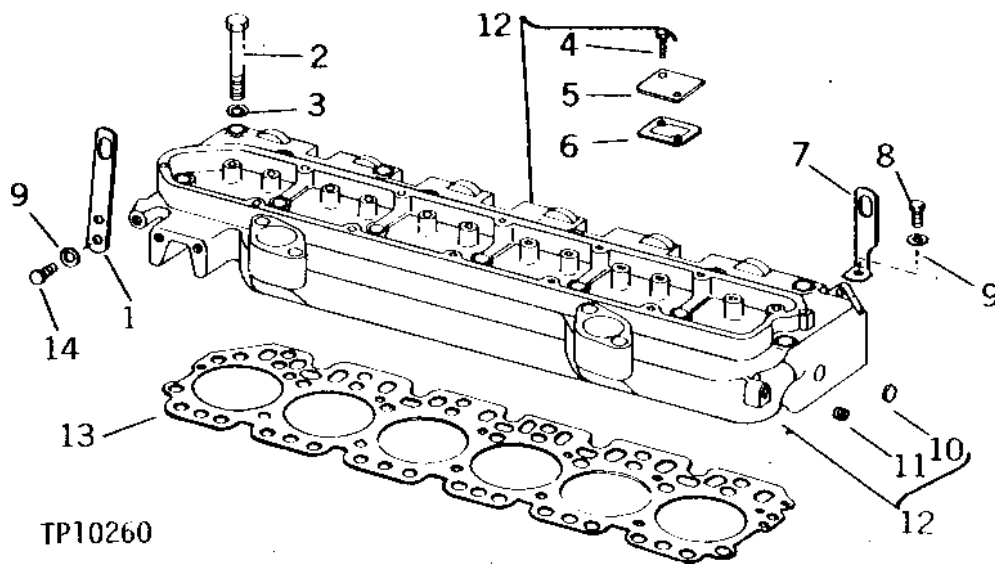
KEY	PART NO.	PART NAME	QTY	SERIAL NO.	REMARKS
1	T26509	STRAP	1		
2	R53223	CAP SCREW	23	1/2" X 4-1/4"	
	R53219	CAP SCREW	3	1/2" X 5", (USED WITH BLOCK MARKED R53260)	
3	T20168	WASHER	23		
4	19H1134	CAP SCREW	2	3/8" X 3/4"	
5	R56725	COVER	1		
6	R54641	GASKET	1		
7	T26508	STRAP	1		
8	19H1815	CAP SCREW	1	1/2" X 1-1/4"	
9	12H301	LOCK WASHER	2	1/2"	
10	A3910R	CAP	2		
11	15H559	PIPE PLUG	1	1/4"	
12	AR65596	CYLINDER HEAD	1	(MARKED R55950) (ALSO ORDER AR87693 SWITCH BELOW COMBINE SERIAL NO. 600000)	
13	R80243	ENGINE CYLINDER HEAD GASKET	1	(SUB FOR R59449)	
14	19H1895	CAP SCREW	1	1/2" X 3/4"	

# 1B8

ENGINE

## CYLINDER HEAD (6359DH)

TP10260 -UN-01JAN94



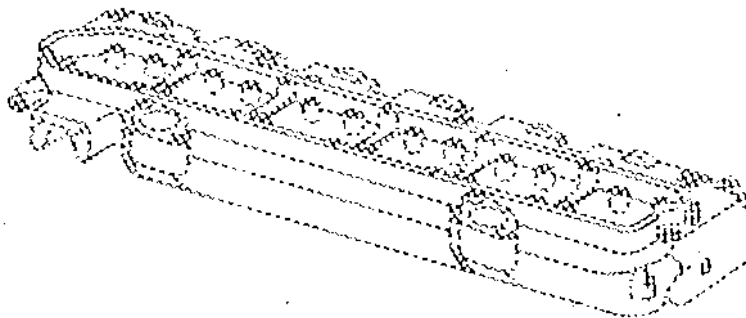
KEY	PART NO.	PART NAME	QTY	SERIAL NO.	REMARKS
1	T26509	STRAP	1		
2	T20182	CAP SCREW	23	1/2" X 4-1/4"	
	R53219	CAP SCREW	3	1/2" X 5", (USED WITH WATER MANIFOLD)	
3	T20168	WASHER	23		
4	19H1134	CAP SCREW	2	3/8" X 3/4"	
5	R56725	COVER	1		
6	R54641	GASKET	1		
7	T26508	STRAP	1		
8	19H1815	CAP SCREW	1	1/2" X 1-1/4"	
9	12H301	LOCK WASHER	2	1/2"	
10	A3910R	CAP	2		
11	15H559	PIPE PLUG	1	1/4"	
12	RE18931	CYLINDER HEAD	1	(MARKED R81067)	
13	R59449	GASKET	1		
14	19H444	CAP SCREW	1	1/2" X 1"	

# 1B9

ENGINE

HP2239 -UN-01JAN94

## CYLINDER HEAD OVERHEAT WARNING SENSOR



HP2239

KEY	PART NO.	PART NAME	QTY	SERIAL NO.	REMARKS
1	AR87693	SWITCH	1	TEMPERATURE	



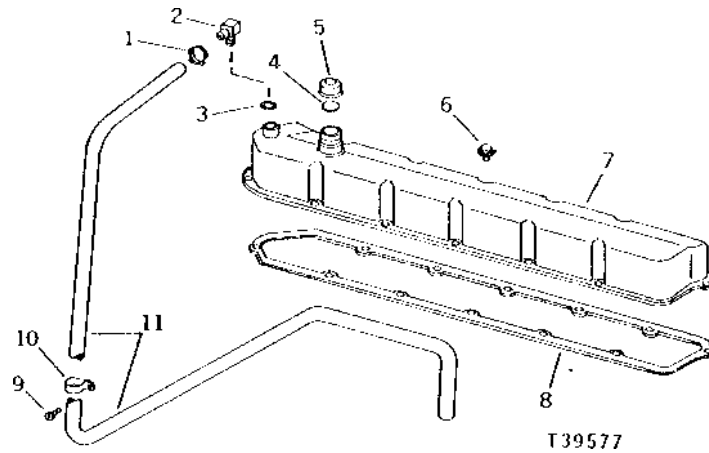
# 1B10

ENGINE

## ENGINE VENTILATOR TUBE AND ROCKER ARM COVER (6329DH)

T39577

-UN-01JAN94



KEY	PART NO.	PART NAME	QTY	SERIAL NO.	REMARKS
1	M19356	HOSE CLAMP	1		
2	AT25192	FITTING	1		
3	R56463	O-RING	1		(SUB FOR R495R, THIS APPLICATION)
4	T20328	GASKET	1		
5	T20294	CAP	1		
6	AR100124	SCREW, WITH WASHER	11		(SUB FOR AR45530, THIS APPLICATION)
	12H302	LOCK WASHER	11		1/4"
	12H302	LOCK WASHER	11		1/4"
7	AT18188	VALVE COVER	1		(SUB FOR AT30694)
8	AR102260	KIT	1		(SUB FOR T20467)
9	37H14	SCREW	1		NO. 10 X 1/2"
10	AM2985T	CLIP	1		
11	H94255	TUBE	1		

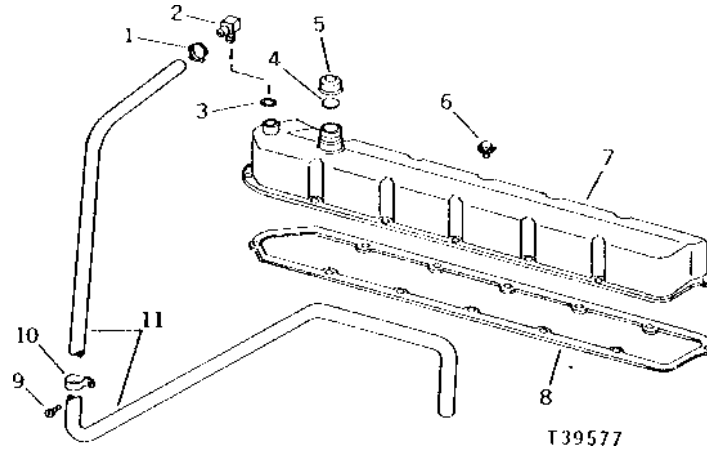
# 1B11

ENGINE

## ENGINE VENTILATOR TUBE AND ROCKER ARM COVER (6359DH)

T39577

-UN-01JAN94



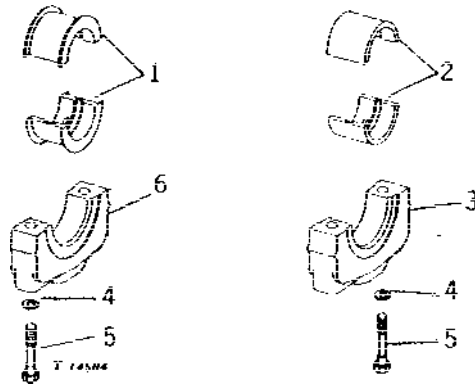
KEY	PART NO.	PART NAME	QTY	SERIAL NO.	REMARKS
1	M19356	HOSE CLAMP	1		
2	AT25192	FITTING	1		
3	R56463	O-RING	1		(SUB FOR R495R, THIS APPLICATION)
4	T20328	GASKET	1		
5	T20294	CAP	1		
6	AR100124	SCREW, WITH WASHER	12		
7	AT18188	VALVE COVER	1		
8	AR102260	KIT	1		
9	37H14	SCREW	1		NO. 10 X 1/2"
10	AM2985T	CLIP	1		
11	H94255	TUBE	1		

# 1B12

ENGINE

## MAIN BEARING CAPS AND BEARINGS (6329DH)

T14504 -UN-01JAN94



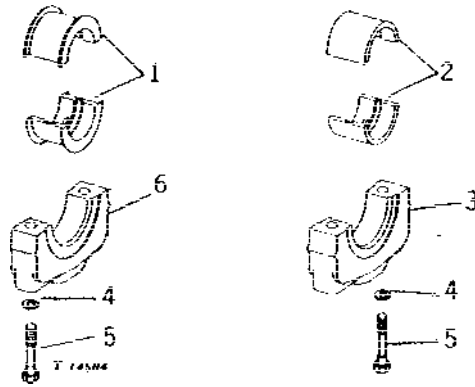
KEY	PART NO.	PART NAME	QTY	SERIAL NO.	REMARKS
1	AT21139	BEARING	1		STANDARD REAR (SET OF (2) T23215)
	AT21130	BEARING	1		0.05 MM (.002") UNDERSIZE, REAR (SET OF (2) T23574)
	AT21132	BEARING	1		0.25 MM (.010") UNDERSIZE, REAR (SET OF (2) T23576)
	AT21134	BEARING	1		0.51 MM (.020") UNDERSIZE, REAR (SET OF (2) T23578)
	AT21136	BEARING	1		0.76 MM (.030") UNDERSIZE, REAR (SET OF (2) T23580)
2	AT21140	BEARING	6		STANDARD, PLAIN (SET OF (2) T23214)
	AT21108	BEARING	6		0.05 MM (.002") UNDERSIZE, PLAIN (SET OF (2) T23552)
	AT21110	BEARING	6		0.25 MM (.010") UNDERSIZE, PLAIN (SET OF (2) T23554)
	AT21112	BEARING	6		0.51 MM (.020") UNDERSIZE, PLAIN (SET OF (2) T23556)
	AT21114	BEARING	6		0.76 MM (.030") UNDERSIZE, PLAIN (SET OF (2) T23558)
3	AT21226	CAP	6	-402787	FRONT AND CENTER, WITH SHIMS AND SET GAUGE, (SUB R65215)
	R65215	BEARING CAP	6		FRONT AND CENTER, (SUB FOR AR82294)
4	T20168	WASHER	14		
5	T23474	CAP SCREW	14		
6	AT21227	CAP	1	-402787	REAR, WITH SHIMS AND SET GAUGE, (SUB R79089)
	R79089	CAP	1		REAR, (SUB FOR AR82295)

# 1B13

ENGINE

T14504 -UN-01JAN94

## MAIN BEARING CAPS AND BEARINGS (6359DH)



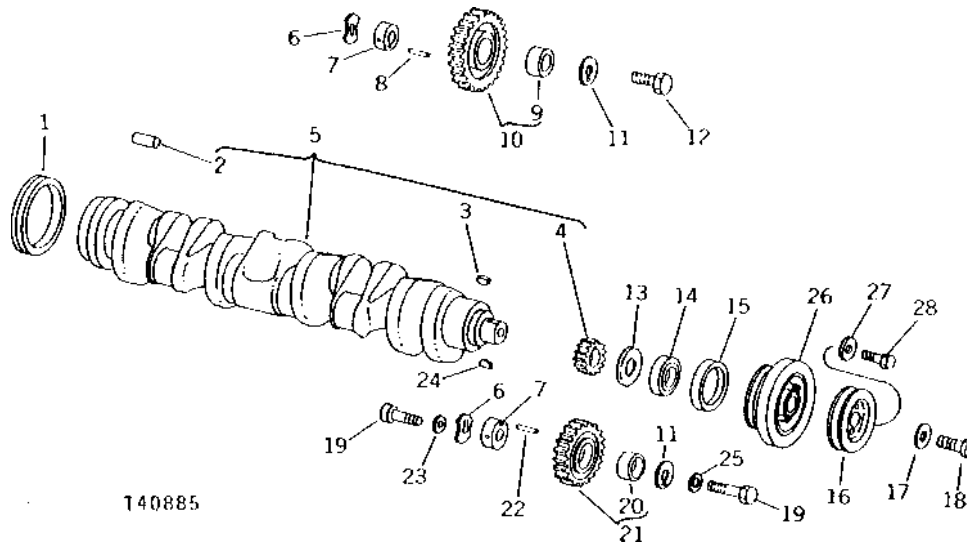
KEY	PART NO.	PART NAME	QTY	SERIAL NO.	REMARKS
1	AT21139	BEARING	1	(SET OF TWO T23215)	
	AT21130	BEARING	1	(0.05 MM) UNDERSIZE, REAR (SET OF TWO T23574)	
	AT21132	BEARING	1	(0.25 MM) UNDERSIZE, REAR (SET OF TWO T23576)	
	AT21134	BEARING	1	(0.51 MM) UNDERSIZE, REAR (SET OF TWO T23578)	
	AT21136	BEARING	1	(0.76 MM) UNDERSIZE, REAR (SET OF TWO T23580)	
2	AT21140	BEARING	6	(SET OF TWO T23214)	
	AT21108	BEARING	6	(0.05 MM) UNDERSIZE, PLAIN (SET OF TWO T23552)	
	AT21110	BEARING	6	(0.25 MM) UNDERSIZE, PLAIN (SET OF TWO T23554)	
	AT21112	BEARING	6	(0.51 MM) UNDERSIZE, PLAIN (SET OF TWO T23556)	
	AT21114	BEARING	6	(0.76 MM) UNDERSIZE, PLAIN (SET OF TWO T23558)	
3	R65215	BEARING CAP	6		
4	T20168	WASHER	14		
5	T23474	CAP SCREW	14		
6	R79089	CAP	1	(REAR)	

# 1B14

ENGINE

## CRANKSHAFT AND IDLER GEARS (6329DH)

T40885 -UN-01JAN94



T40885

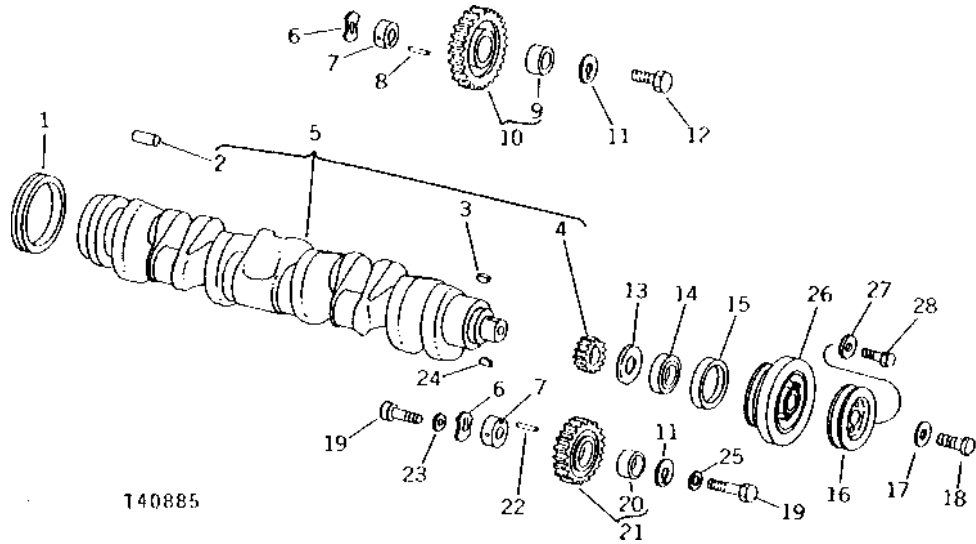
KEY	PART NO.	PART NAME	QTY	SERIAL NO.	REMARKS
1	RE17831	SEAL	1		(SUB FOR AT22965 AND AR92893)
2	T26565	DOWEL PIN	1		
3	26H72	SHAFT KEY	1		1/8" X 5/8"
4	T20094	GEAR	1		(24 TEETH)
5	AT22562	CRANKSHAFT	1		(MARKED T23266 OR T23267)
6	T26324	THRUST WASHER	2		
7	T26323	SHAFT	2		
8	34H283	SPRING PIN	1		3/16" X 1-1/8"
9	T20034	BUSHING	1		
10	AR91660	GEAR	1		(MARKED R70182) (55 TEETH) (SUB FOR AT18009, THIS APPLICATION) (MARKED T20029)
11	T26326	THRUST WASHER	2		
12	T26327	SCREW	1		
13	T20046	OIL SLINGER	1		
14	AR67942	SEAL	1		
15	T23270	BUSHING	1		
16	R56788	SHEAVE	1		
17	T20217	WASHER	1		
18	19H1721	CAP SCREW	1		1/2" X 1-1/2"
19	T26325	SCREW	2		
20	T26321	BUSHING	1		
21	AT24252	GEAR	1		(MARKED T26322) (45 TEETH)
22	34H286	SPRING PIN	1		3/16" X 1-1/2"
23	R42364	WASHER	1		
24	26H27	SHAFT KEY	1		5/16" X 1-1/8"
25	R42364	WASHER	1		
26	RE12823	PULLEY, WITH DAMPENER	1		(SUB FOR AR67820)
27	T20168	WASHER	2		
28	19H456	CAP SCREW	2		1/2" X 1-3/8"

# 1B15

ENGINE

## CRANKSHAFT AND IDLER GEARS (6359DH)

T40885 -UN-01JAN94



T40885

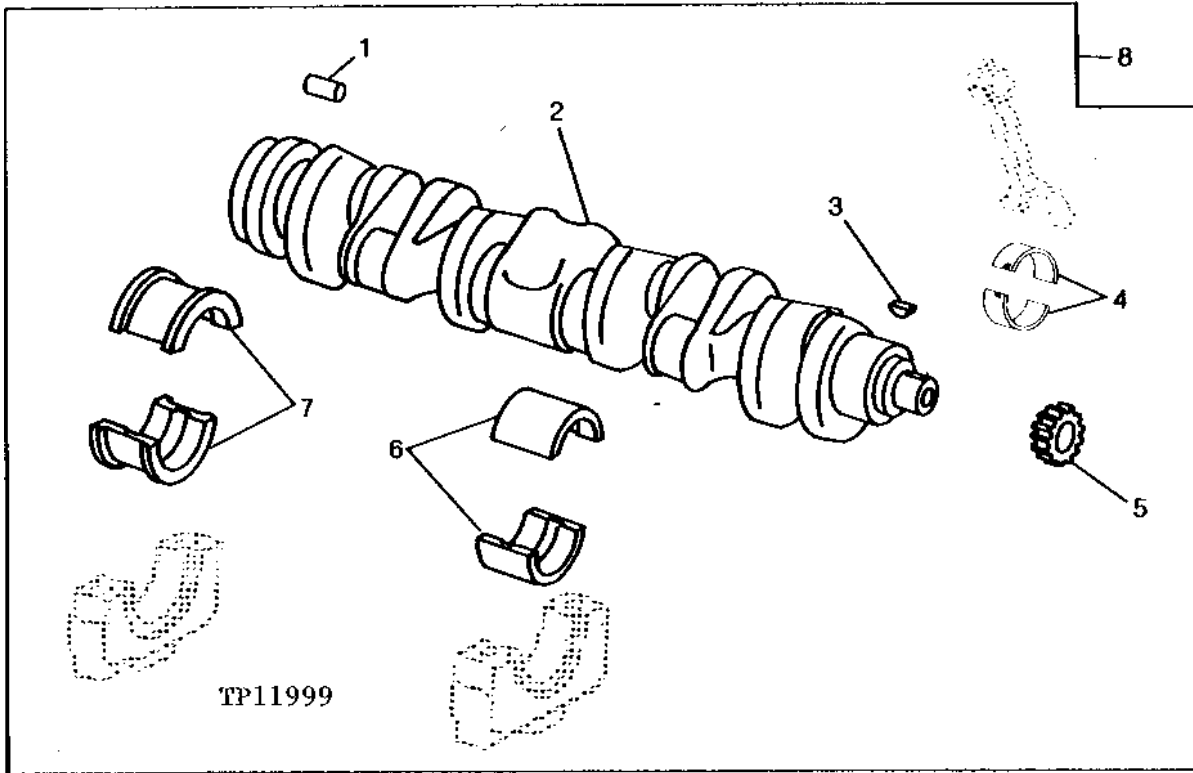
KEY	PART NO.	PART NAME	QTY	SERIAL NO.	REMARKS
1	AR92893	SEAL	1		
2	T26565	DOWEL PIN	1		
3	26H72	SHAFT KEY	1		1/8" X 5/8"
4	T20094	GEAR	1		(24 TEETH)
5	AT22562	CRANKSHAFT	1		(MARKED T23266 OR T23267)
6	T26324	THRUST WASHER	2		
7	T26323	SHAFT	2		
8	34H283	SPRING PIN	1		3/16" X 1-1/8"
9	T20034	BUSHING	1		
10	AR91660	GEAR	1		(55 TEETH) (MARKED R70182)
11	T26326	THRUST WASHER	2		
12	T26327	SCREW	1		
13	T20046	OIL SLINGER	1		
14	AR67942	SEAL	1		
15	T23270	BUSHING	1		
16	R56788	SHEAVE	1		
17	T20217	WASHER	1		
18	19H1721	CAP SCREW	1		1/2" X 1-1/2"
19	T26325	SCREW	2		
20	T26321	BUSHING	1		
21	AT24252	GEAR	1		(MARKED T26322) (45 TEETH)
22	34H286	SPRING PIN	1		3/16" X 1-1/2"
23	R42364	WASHER	1		
24	26H27	SHAFT KEY	1		5/16" X 1-1/8"
25	R42364	WASHER	1		
26	RE12823	PULLEY, WITH DAMPENER	1		(SUB FOR AR67820)
27	T20168	WASHER	2		
28	19H456	CAP SCREW	2		1/2" X 1-3/8"

# 1B16

ENGINE

## UNDERSIZE CRANKSHAFT AND BEARING KIT (6329DH)

TP11999 -UN-01JAN94



KEY	PART NO.	PART NAME	QTY	SERIAL NO.	REMARKS
1	T26565	DOWEL PIN	1		
2	.....	CRANKSHAFT	1		0.25 MM (.010") UNDERSIZE, (MARKED T23266) (SUB DD13896)
3	26H72	SHAFT KEY	1		1/8" X 5/8"
4	AR76129	BEARING	6		0.25 MM (.010") UNDERSIZE (SET OF (2) R62073)
5	T20094	GEAR	1		(24 TEETH)
6	AT21110	BEARING	6		(0.25 MM (.010") UNDERSIZE (SET OF (2) T23554)
7	AT21132	BEARING	1		0.25 MM (.010") UNDERSIZE (SET OF (2) T23576)
8	DD13896	KIT	1		(A)

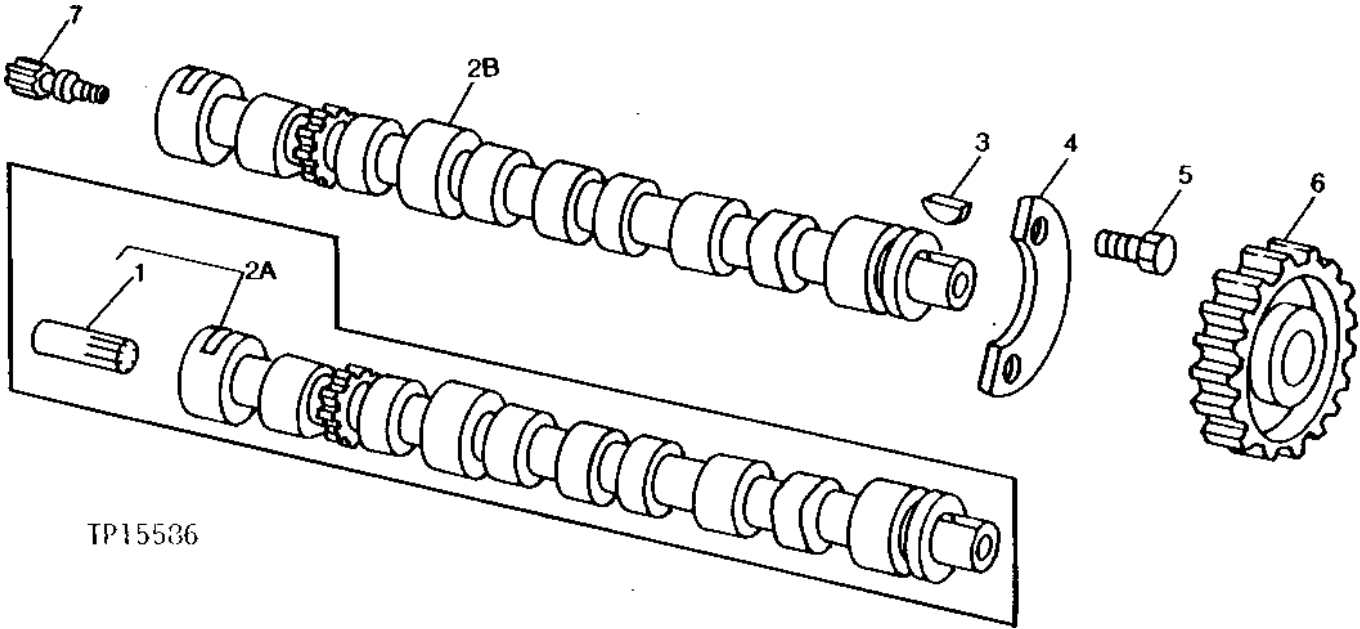
(A) UNDERSIZE CRANKSHAFT AND RELATED PARTS SUBJECT TO AVAILABILITY.

# 1B17

ENGINE

## CAMSHAFT

TP15586 -UN-01JAN94



KEY	PART NO.	PART NAME	QTY	SERIAL NO.	REMARKS
1	T22535	SHAFT	1		(12 TEETH) (USE WITH AT25185)
2A	AT25185	CAMSHAFT	1		(MARKED T20464) (SUB R82821 AND R81514)
2B	R82821	CAMSHAFT	1		
3	T28041	SHAFT KEY	1		
4	T20072	PLATE	1		
5	19H218	CAP SCREW	2		3/8" X 1"
6	T20070	GEAR	1		(48 TEETH)
7	R81514	GEAR	1		(12 TEETH) (USE WITH R82821)

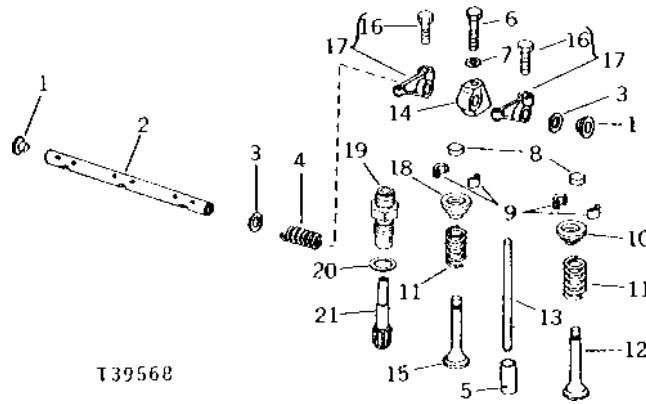


# 1B18

ENGINE

## ROCKER ARMS AND VALVES (6329DH)

T39568 -UN-01JAN94



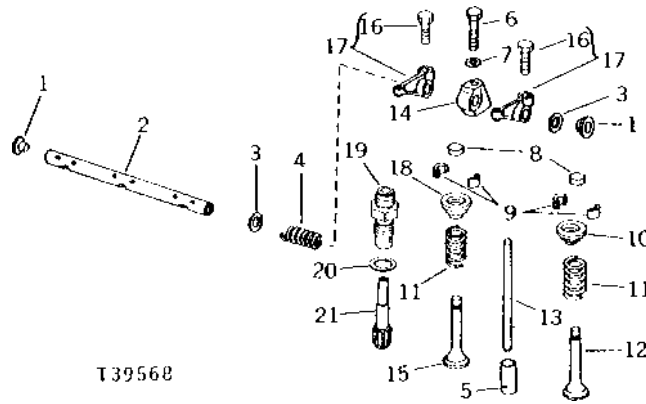
KEY	PART NO.	PART NAME	QTY	SERIAL NO.	REMARKS
1	R54565	PLUG	2		
2	R54986	SHAFT	1		
3	T20316	WASHER	2		
4	T20314	SPRING	5		
5	T20073	TAPPET	12		
6	19H268	CAP SCREW	6		3/8" X 2-1/2"
7	R42729	WASHER	6		
8	T20129	CAP	12		
9	T20077	RETAINER	24		
10	T20176	RETAINER	6		
11	R26125	SPRING	12		
12	R52252	EXHAUST VALVE	6		
	R57333	EXHAUST VALVE	6		(0.08 MM) OVERSIZE STEM
	R57335	EXHAUST VALVE	6		(0.38 MM) OVERSIZE STEM
	R57337	EXHAUST VALVE	6		(0.76 MM) OVERSIZE STEM
13	T20310	PIN	12		
14	T20315	SUPPORT	6		
15	R52251	INTAKE VALVE	6		
	R57332	INTAKE VALVE	6		(0.08 MM) OVERSIZE STEM
	R57334	INTAKE VALVE	6		(0.38 MM) OVERSIZE STEM
	R57336	INTAKE VALVE	6		(0.76 MM) OVERSIZE STEM
16	T32213	SCREW	1		(SUB RE19031)
17	RE19031	ROCKER ARM	12		(SUB FOR AT31250 AND AR103769)
18	T20176	RETAINER	6		
19	T22537	FITTING	1		
20	H1058R	WASHER	1		
21	T22536	GEAR	1		

# 1B19

ENGINE

T39568 -UN-01JAN94

## ROCKER ARMS AND VALVES (6359DH)



T39568

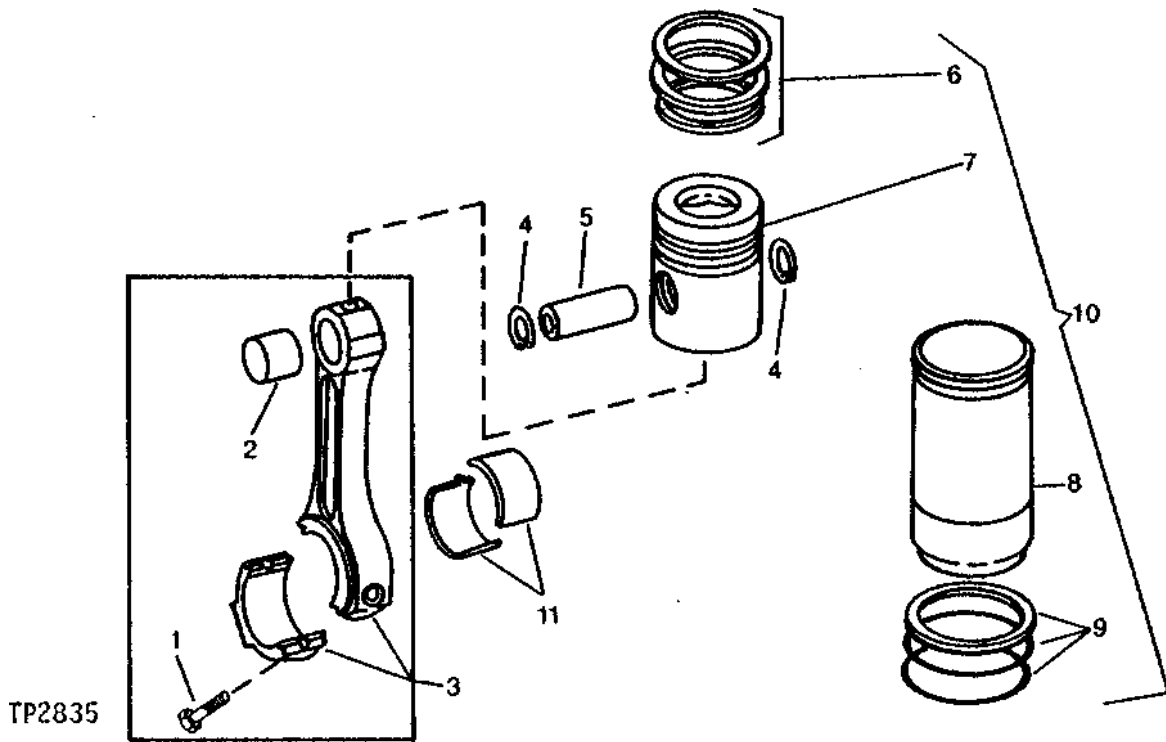
KEY	PART NO.	PART NAME	QTY	SERIAL NO.	REMARKS
1	R54565	PLUG	2		
2	R54986	SHAFT	1		
3	T20316	WASHER	2		
4	T20314	SPRING	5		
5	T20073	TAPPET	12		
6	19H268	CAP SCREW	6		3/8" X 2-1/2"
7	R42729	WASHER	6		
8	T20129	CAP	12		
9	T20077	RETAINER	24		
10	T20176	RETAINER	6		
11	R26125	SPRING	12		
12	R52252	EXHAUST VALVE	6		
	R57333	EXHAUST VALVE	6		(0.08 MM) OVERSIZE STEM
	R57337	EXHAUST VALVE	6		(0.76 MM) OVERSIZE STEM
13	T20310	PIN	12		
14	T20315	SUPPORT	6		
15	R52251	INTAKE VALVE	6		
	R57332	INTAKE VALVE	6		(0.08 MM) OVERSIZE STEM
	R57336	INTAKE VALVE	6		(0.76 MM) OVERSIZE STEM
16	T32213	SCREW	1		SUB. AT31250
17	AT31250	ROCKER ARM	12		
18	T20176	RETAINER	6		
19	T22537	FITTING	1		
20	H1058R	WASHER	1		
21	T22536	GEAR	1		

# 1B20

ENGINE

## PISTONS, CYLINDERS, LINERS AND CONNECTING RODS (6329DH)

TP2835 -UN-01JAN94



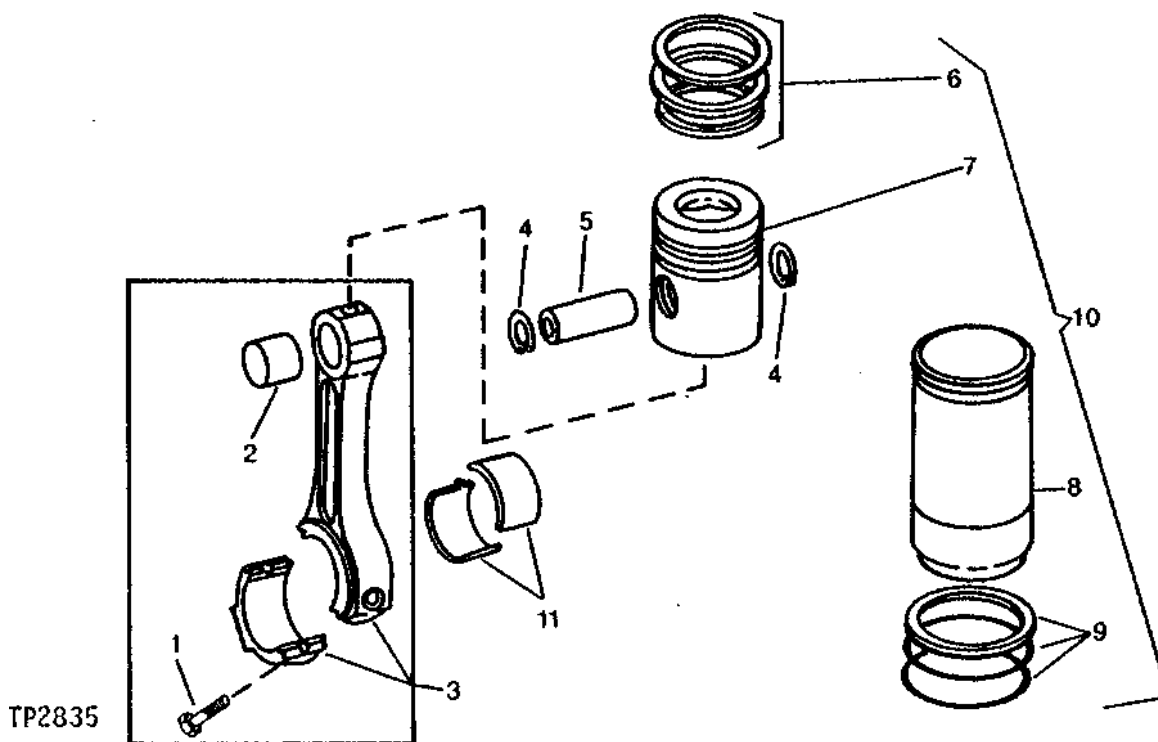
KEY	PART NO.	PART NAME	QTY	SERIAL NO.	REMARKS
1	T20009	CAP SCREW	12	-530518	(SUB R74194)
	R74194	SCREW	12		(USE WITH AR55978)
	R80033	SCREW	12		(USE WITH RE16495 AND RE21076)
2	R55647	BUSHING	6		
3	RE21076	CONNECTING ROD	6		(SUB FOR AR55978 AND RE16495)
4	M41029	SNAP RING	12		
5	R51731	PISTON PIN	6		
6	AR55759	PISTON RING KIT	1		(A) (SET OF 3 RINGS) (6 SETS USED)
7	AR77762	PISTON	6		(A)
8	T32343	CYLINDER LINER	6		
9	AR71618	KIT	6		
10	AR78041	PISTON-LINER KIT	6		
11	AT21138	BEARING	6		(SET OF (2) T20011)
	AT21122	BEARING	6		(0.05 MM) UNDERSIZE (SET OF (2) T23566)
	AT21124	BEARING	6		(0.25 MM) UNDERSIZE (SET OF (2) T23568)
	AT21126	BEARING	6		(0.51 MM) UNDERSIZE (SET OF (2) T23570)
	AT21128	BEARING	6		(0.76 MM) UNDERSIZE (SET OF (2) T23572)
..	AR54749	LUBRICANT	1		(USED FOR CYLINDER LINER PACKING INSTALLATION)

# 1B21

ENGINE

## PISTONS, CYLINDERS AND CONNECTING RODS (6359DH)

TP2835 -UN-01JAN94



KEY	PART NO.	PART NAME	QTY	SERIAL NO.	REMARKS
1	R80033	CAP SCREW	12		
2	R55647	BUSHING	6		
3	RE16495	CONNECTING ROD	6		
4	M41029	SNAP RING	12		
5	R51731	PISTON PIN	6		
6	RE15674	PISTON RING KIT	6		(SUB FOR DD11831) (SET OF 3 RINGS)
7	.....	PISTON	AR		(A) (ORDER RE18694)
	.....	PISTON	AR		(B) (ORDER RE18697)
8	R51726	CYLINDER LINER	6		
9	AR65507	O-RING KIT	6		
10	RE18694	KIT	AR		(A) (SUB FOR RE11509)
	RE18697	KIT	AR		(B) (SUB FOR RE11510)
11	AT21138	BEARING	6		(SET OF TWO T20011)
	AT21122	BEARING	6		(0.05 MM) UNDERSIZE (SET OF TWO T23566)
	AT21124	BEARING	6		(0.25 MM) UNDERSIZE (SET OF TWO T23568)
	AT21126	BEARING	6		(0.51 MM) UNDERSIZE (SET OF TWO T23570)
	AT21128	BEARING	6		(0.76 MM) UNDERSIZE (SET OF TWO T23572)
..	AR54749	LUBRICANT	1		(USED FOR CYLINDER LINER PACKING INSTALLATION)

(A) PISTON MARKED "B"

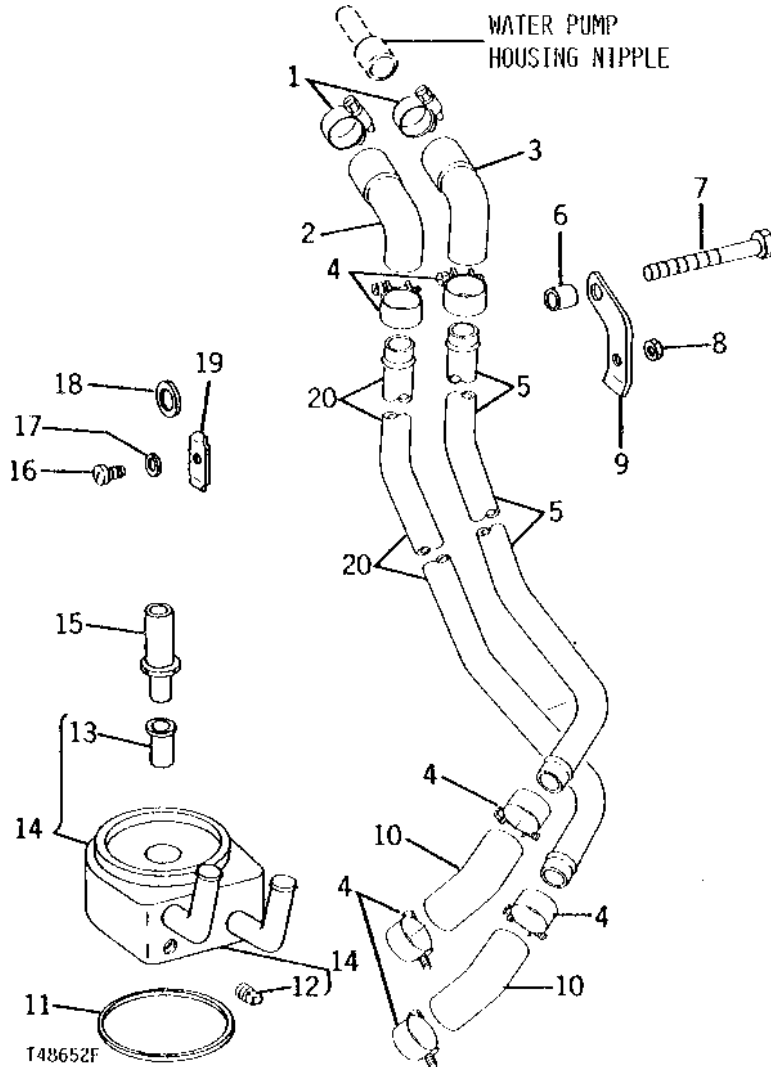
(B) PISTON MARKED "H"

# 1B22

ENGINE

## ENGINE OIL COOLER (6329DH)

T48652 -UN-01JAN94



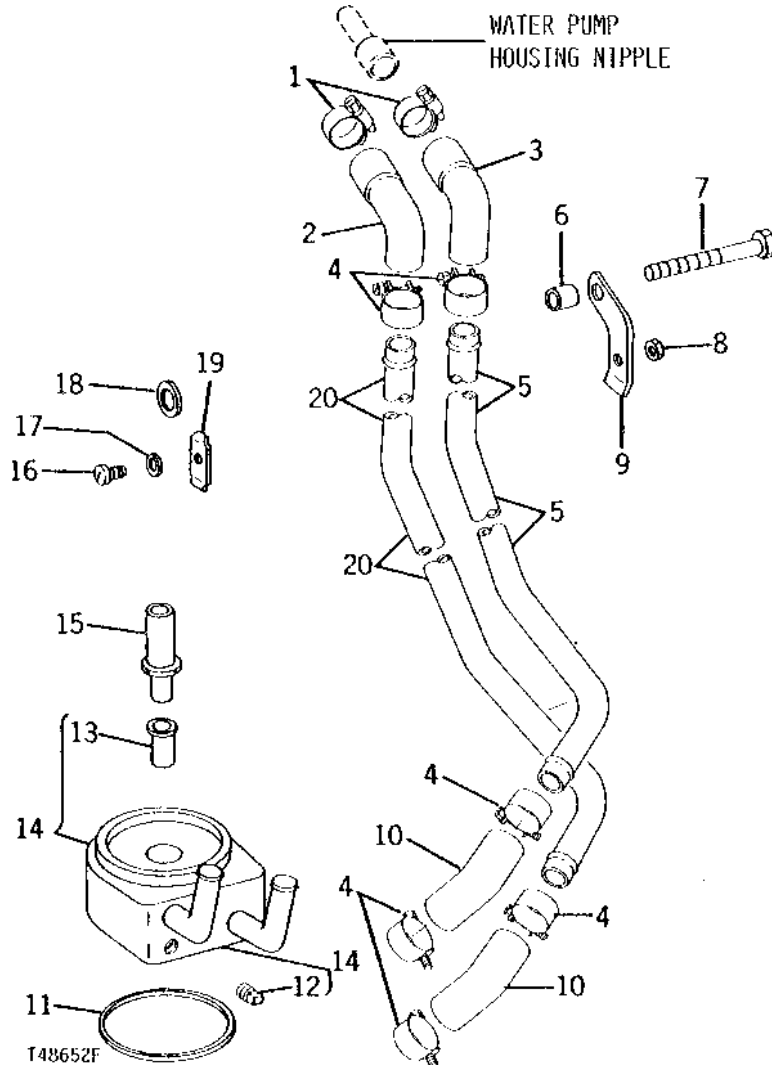
KEY	PART NO.	PART NAME	QTY	SERIAL NO.	REMARKS
1	AR21837	CLAMP	2		(SUB FOR AR21839, THIS APPLICATION)
2	R57700	HOSE	1		
3	R57699	HOSE	1		
4	AR21837	CLAMP	6		
5	R57698	TUBE	1		
6	28H2547	SPACER	1		3/8" X 1"
7	19H2023	CAP SCREW	1		3/8" X 3-1/4"
8	14H785	NUT	1		5/16"
9	R55128	FLANGE	1		
10	R55127	HOSE	2		
11	R55434	WASHER	1		
12	R56947	DRAIN PLUG	1		
13	AT31093	VALVE	1		(USE WITH AR64415)
	R77332	RELIEF VALVE	1		(USE WITH RE10869)
14	RE10869	OIL COOLER	1		(SUB FOR AR64415)
15	T31306	THREADED NIPPLE	1		
16	21H1312	SCREW	1		0.190" X 1"
17	12H295	LOCK WASHER	2		0.190"
18	24H1304	WASHER	1		13/32" X 23/32" X 0.120"
19	R55129	HALF CLAMP	1		
20	R57697	TUBE	1		

# 1B23

ENGINE

T48652 -UN-01JAN94

## ENGINE OIL COOLER (6359DH)



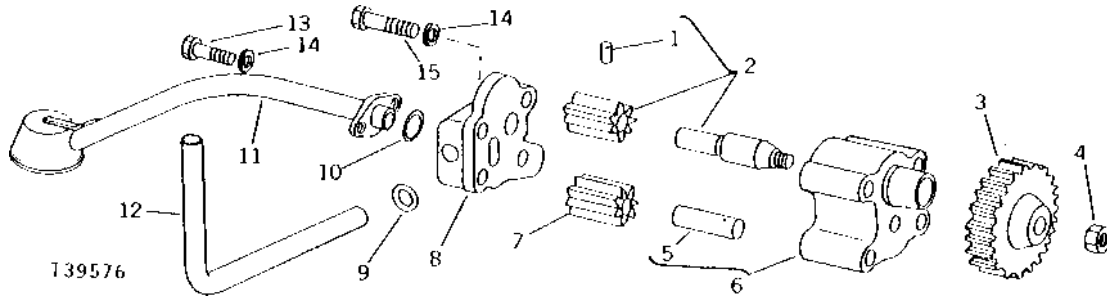
KEY	PART NO.	PART NAME	QTY	SERIAL NO.	REMARKS
1	AR21837	CLAMP	2		
2	R57700	HOSE	1		
3	R57699	HOSE	1		
4	AR21837	CLAMP	6		
5	R57698	TUBE	1		
6	28H2547	SPACER	1		3/8" X 1"
7	19H2023	CAP SCREW	1		3/8" X 3-1/4"
8	14H785	NUT	1		5/16"
9	R55128	FLANGE	1		
10	R55127	HOSE	2		
11	R70956	WASHER	1		
12	R56947	DRAIN PLUG	1		
13	R77332	RELIEF VALVE	1		
14	RE10869	OIL COOLER	1		
15	T31306	THREADED NIPPLE	1		
16	21H1312	SCREW	1		0.190" X 1"
17	12H295	LOCK WASHER	2		0.190"
18	24H1304	WASHER	1		13/32" X 23/32" X 0.120"
19	R55129	HALF CLAMP	1		
20	R57697	TUBE	1		

# 1B24

ENGINE

T39576 -UN-01JAN94

## LUBRICATING OIL PUMP



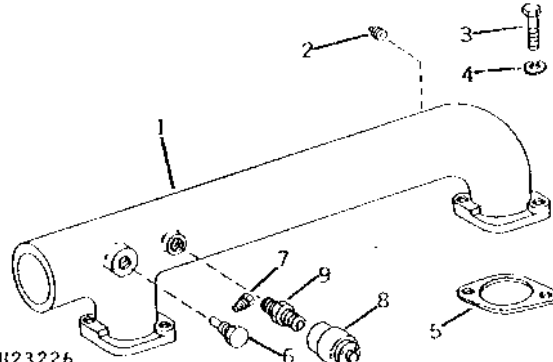
KEY	PART NO.	PART NAME	QTY	SERIAL NO.	REMARKS
1	M3853T	GROOVE PIN	1		
2	AR62978	PINION	1	(B)	
3	T20298	GEAR	1	(33 TEETH)	
4	14H826	NUT	1	1/2"	
5	T20091	DOWEL PIN	1		
6	AR62979	HOUSING	1	(B) (MARKED R54615)	
7	R54614	GEAR	1	(B) (7 TEETH)	
8	R53382	COVER	1	(C) (B)	
9	R74354	O-RING	1	(C) (B) (SUB FOR R27166, THIS APPLICATION)	
10	R61871	O-RING	1	(C) (B) (SUB FOR A4730R, THIS APPLICATION)	
11	AR59621	OIL PUMP INTAKE	1	(C) (B) INTAKE	
12	T20050	OIL TUBE	1		
13	R59409	CAP SCREW	2	(D) (A)	
14	12H304	LOCK WASHER	4	(B) 3/8"	
15	R57059	CAP SCREW	2	(B)	
(C) ASSEMBLY LISTED BELOW CONTAINS ALL PARTS IDENTIFIED BY (C):					
..	AR67673	KIT	1		KIT, OIL PUMP PICKUP
(A) ASSEMBLY LISTED BELOW CONTAINS ALL PARTS IDENTIFIED BY (A):					
..	AR67077	OIL PUMP	1		

# 1B25

ENGINE

H23226 -UN-01JAN94

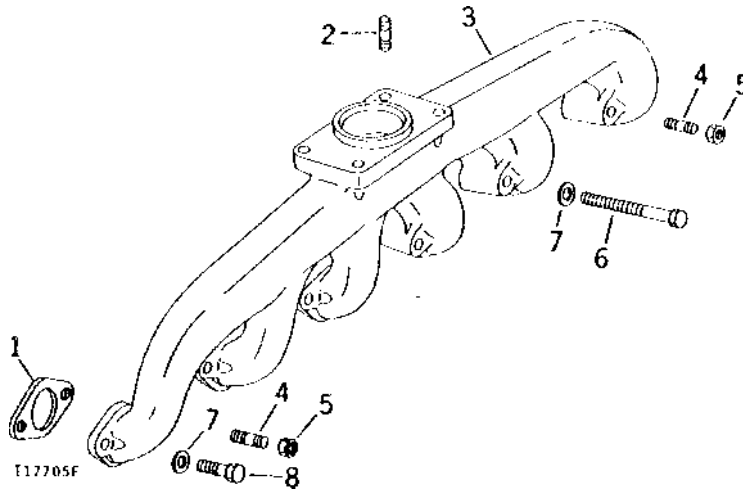
## AIR INTAKE MANIFOLD



KEY	PART NO.	PART NAME	H23226	QTY	SERIAL NO.	REMARKS
1	AR52217	INTAKE MANIFOLD		1		(INCLUDES (2) 15H638 AND 15H255)
2	15H638	PIPE PLUG		2		1/8", (AIR CLEANER INDICATOR HOLE)
3	19H1732	CAP SCREW		4		3/8" X 1-1/4"
4	12H304	LOCK WASHER		4		3/8"
5	R81275	GASKET		2		(SUB FOR T20159, THIS APPLICATION)
6	R47160	NOZZLE HOLDER		1		
	15H255	PIPE PLUG		1		3/8", (WITHOUT STARTING AID)
7	R28583	NOZZLE		1		
8	AT25983	AIR RESTRICTION INDICATOR		1		
9	AR44361	FITTING		1		(WITH RESTRICTION INDICATOR)

## EXHAUST MANIFOLD

T17705 -UN-01JAN94



KEY	PART NO.	PART NAME	T17705	QTY	SERIAL NO.	REMARKS
1	T20006	GASKET		6		
2	T25701	STUD		4		
3	T29809	EXHAUST MANIFOLD		1		
4	M1112T	STUD		2		
5	14H812	NUT		2		3/8"
6	19H1912	CAP SCREW		3		3/8" X 3-1/2"
7	24H1304	WASHER		12		13/32" X 23/32" X 0.120"
8	19H988	CAP SCREW		8		3/8" X 1-1/4"



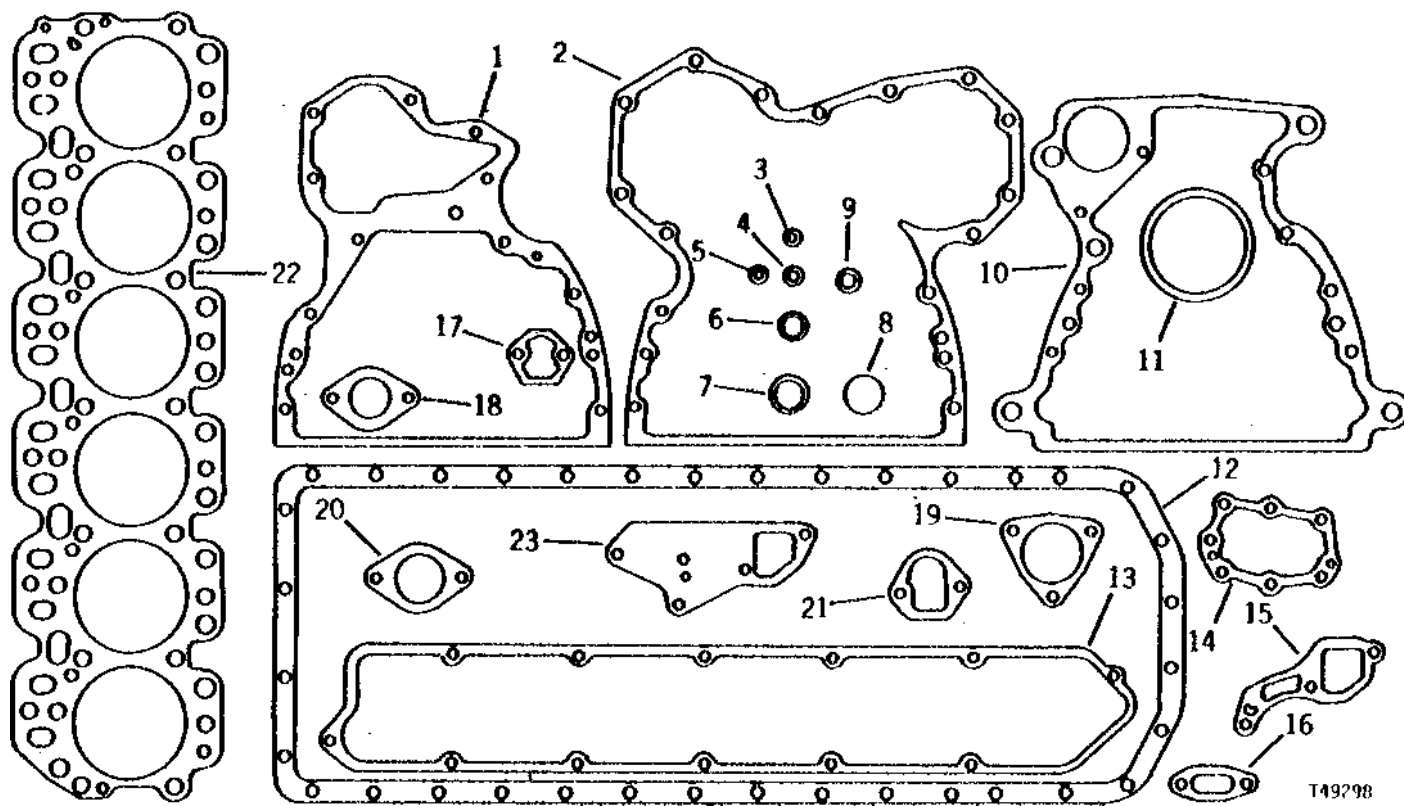
# 1C1

ENGINE

## ENGINE OVERHAUL GASKET SET (6329DH)

T49298

-UN-01JAN94



KEY	PART NO.	PART NAME	QTY	SERIAL NO.	REMARKS
1	T24965	GASKET	1	(SUB R73140)	
	R73140	GASKET	1		
2	T20155	GASKET	1		
3	R34764	WASHER	6		
4	R74354	O-RING	1	(SUB FOR R27166, THIS APPLICATION)	
5	R48000	WASHER	6		
6	R56463	O-RING	1	(SUB FOR R495R, THIS APPLICATION)	
7	T23002	GASKET	3		
8	T20328	GASKET	1		
9	R26919	WASHER	2		
10	R70483	GASKET	1	(SUB FOR R49516, THIS APPLICATION)	
11	R48768	WASHER	6		
12	T20205	GASKET	1		
13	T20467	GASKET	1		
14	T20273	GASKET	1		
15	T23132	GASKET	1		
16	T20336	GASKET	1		
17	R27285	GASKET	1		
18	R81275	GASKET	2	(SUB FOR T20159, THIS APPLICATION)	
19	T24932	GASKET	1		
20	T20006	GASKET	6		
21	R78366	GASKET	1	(SUB FOR R69260)	
22	R80243	ENGINE CYLINDER HEAD GASKET	1	(SUB FOR R59449)	
23	T20243	GASKET	1		
..	AR79927	GASKET KIT	1	(C) (INCLUDES ALL GASKETS SHOWN ABOVE EXCEPT CYLINDER HEAD GASKET AND R48768 CYLINDER LINER PACKING) (ALSO ORDER R80243 HEAD GASKET) (SUB AR97194)	
..	AR97194	GASKET KIT	1	(C) (INCLUDES ALL GASKETS SHOWN ABOVE EXCEPT CYLINDER HEAD GASKET AND R48768 CYLINDER LINER PACKING) (ALSO ORDER R80243 HEAD GASKET)	

(C) NOTE: WHEN AR79927 OR AR97194 ARE ORDERED, ALSO ORDER SIX AR71618 CYLINDER LINER PACKINGS KITS

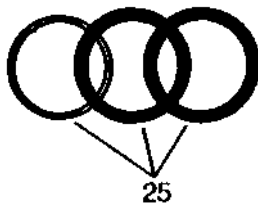
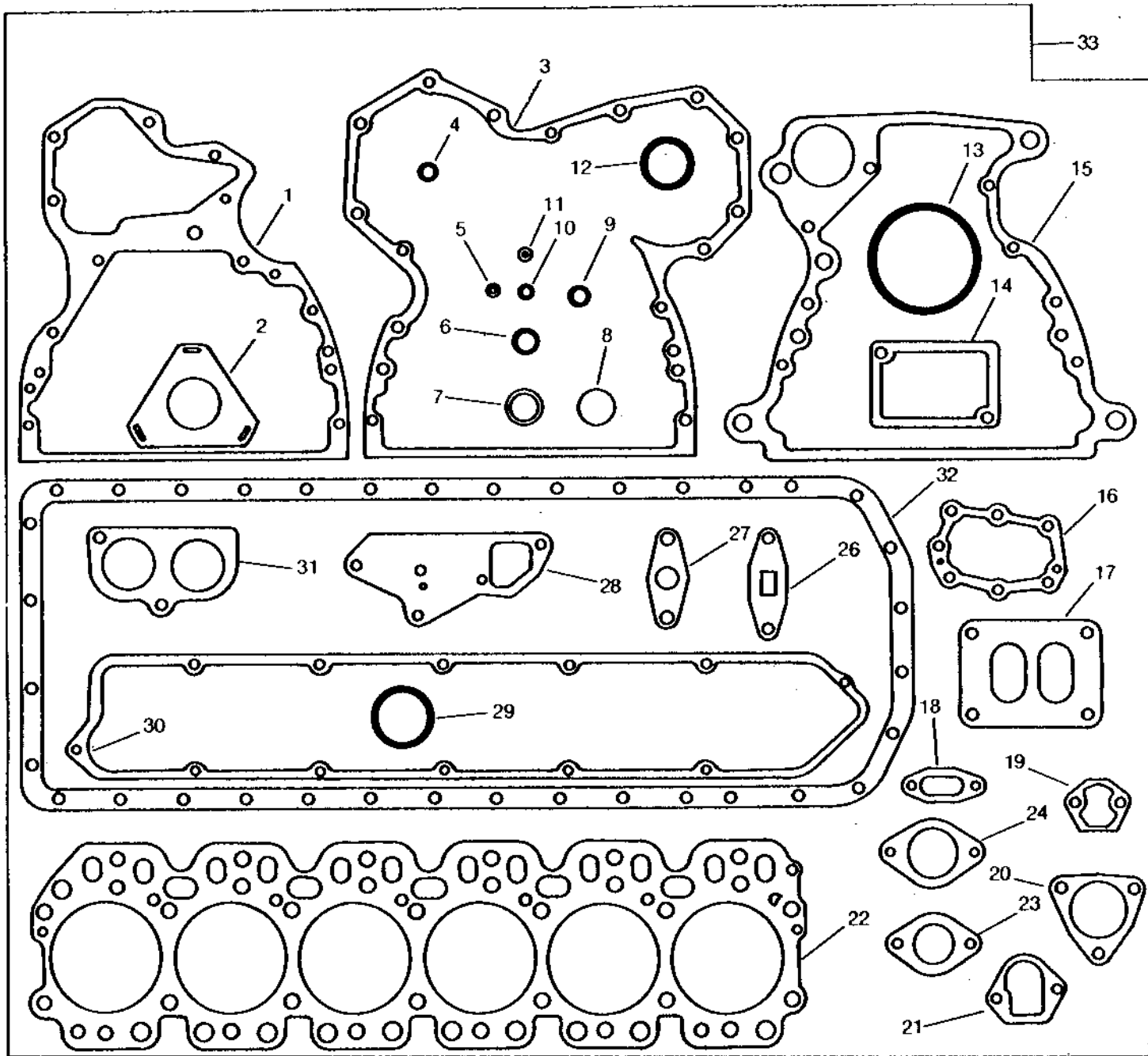
# 1C2

ENGINE

## ENGINE OVERHAUL GASKET SET (6359DH)

TP9762

-UN-01JAN94



TP9762

**ENGINE OVERHAUL GASKET SET-CONTINUED**  
(6359DH)

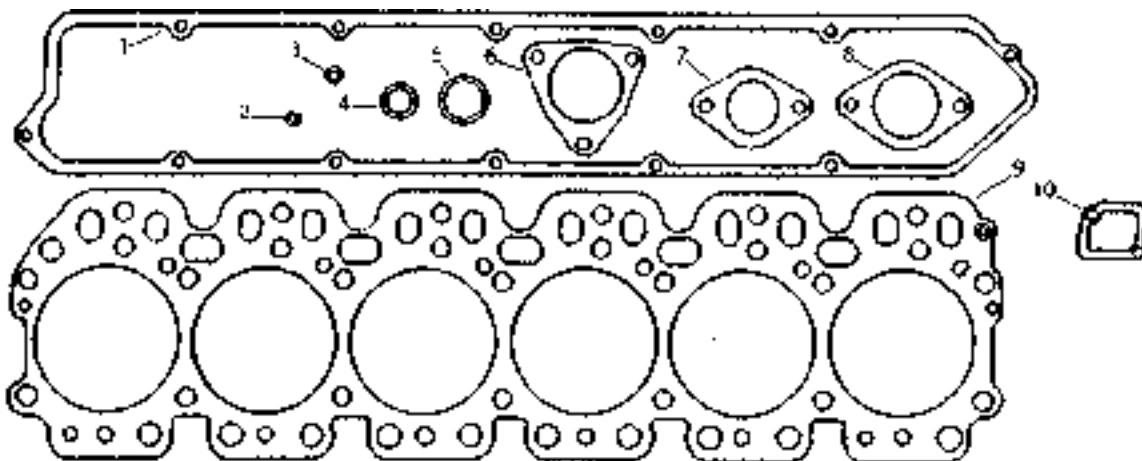
KEY	PART NO.	PART NAME	QTY	SERIAL NO.	REMARKS
1	R73140	GASKET	1		CYLINDER BLOCK PLATE
2	T24460	GASKET	1		(ROTO-DIESEL) INJECTION PUMP
	R77126	GASKET	1		
3	T20155	GASKET	1		TIMING GEAR COVER
4	R56461	O-RING	1		BYPASS THERMOSTAT (SUB FOR R47144)
5	R48000	WASHER	6		NOZZLE, LOWER
6	R56463	O-RING	1		VENT TUBE
7	T23002	GASKET	3		WATER OUTLET MANIFOLD
8	T20328	GASKET	1		OIL FILLER CUP
9	R26919	WASHER	2		OIL COOLER TO PAN
10	R74354	O-RING	1		OIL PUMP OUTLET
11	R60746	WASHER	6		NOZZLE, UPPER
12	R53543	O-RING	1		OIL COOLER
13	R70956	WASHER	1		
14	R54641	GASKET	1		WATER OUTLET
15	R70483	GASKET	1		FLYWHEEL HOUSING
16	T20273	GASKET	1		TIMING GEAR COVER
17	R55509	GASKET	1		TURBOCHARGER EXHAUST
18	T20336	GASKET	1		OIL FILLER INLET
19	R27285	GASKET	1		FUEL PUMP OPENING
20	T24932	GASKET	1		THERMOSTAT COVER
21	R69260	GASKET	1		INJECTION PUMP COVER
22	R59449	GASKET	1		CYLINDER HEAD
23	T20006	GASKET	6		EXHAUST MANIFOLD
24	T20159	GASKET	2		AIR INLET
25	AR65507	O-RING KIT	6		KIT, O-RING CYLINDER LINER
26	R43416	GASKET	1		TURBOCHARGER, OIL OUTLET
27	R43413	GASKET	1		TURBOCHARGER, OIL INLET
28	T20243	GASKET	1		WATER PUMP
29	R54229	SEAL	1		(ROOSA-MASTER) INJECTION PUMP
30	AR102260	KIT	1		ROCKER ARM COVER
31	R54638	GASKET	1		THERMOSTAT COVER
32	T20205	GASKET	1		OIL PAN
	R56933	GASKET	1		(WITH CAST OIL PAN)
33	AR102286	GASKET KIT	1		(ALSO ORDER (6) AR65507 CYLINDER LINER PACKING KITS)

# 1C4

ENGINE

## ENGINE TUNE-UP GASKET SET (6329DH)

T40831 -UN-01JAN94



T40831

KEY	PART NO.	PART NAME	QTY	SERIAL NO.	REMARKS
1	AR102260	KIT	1		ROCKER ARM COVER, (SUB FOR T20467) (ALSO ORDER (12) AR100124)
2	R48000	WASHER	6		NOZZLE, LOWER
3	R34764	WASHER	6		NOZZLE, UPPER
4	R56463	O-RING	1		VENT TUBE, (SUB FOR R495R, THIS APPLICATION)
5	T23002	GASKET	3		WATER OUTLET MANIFOLD
6	T24932	GASKET	1		THERMOSTAT COVER
7	T20006	GASKET	6		EXHAUST MANIFOLD
8	R81275	GASKET	2		AIR INLET, (SUB FOR T20159, THIS APPLICATION)
9	R80243	ENGINE CYLINDER HEAD GASKET	1		CYLINDER HEAD, (SUB FOR R59449)
10	R54641	GASKET	1		THERMOSTAT HOUSING
..	RE16924	GASKET KIT	1		(INCLUDES ALL GASKETS SHOWN ABOVE EXCEPT CYLINDER HEAD GASKET) (SUB FOR AR102267)

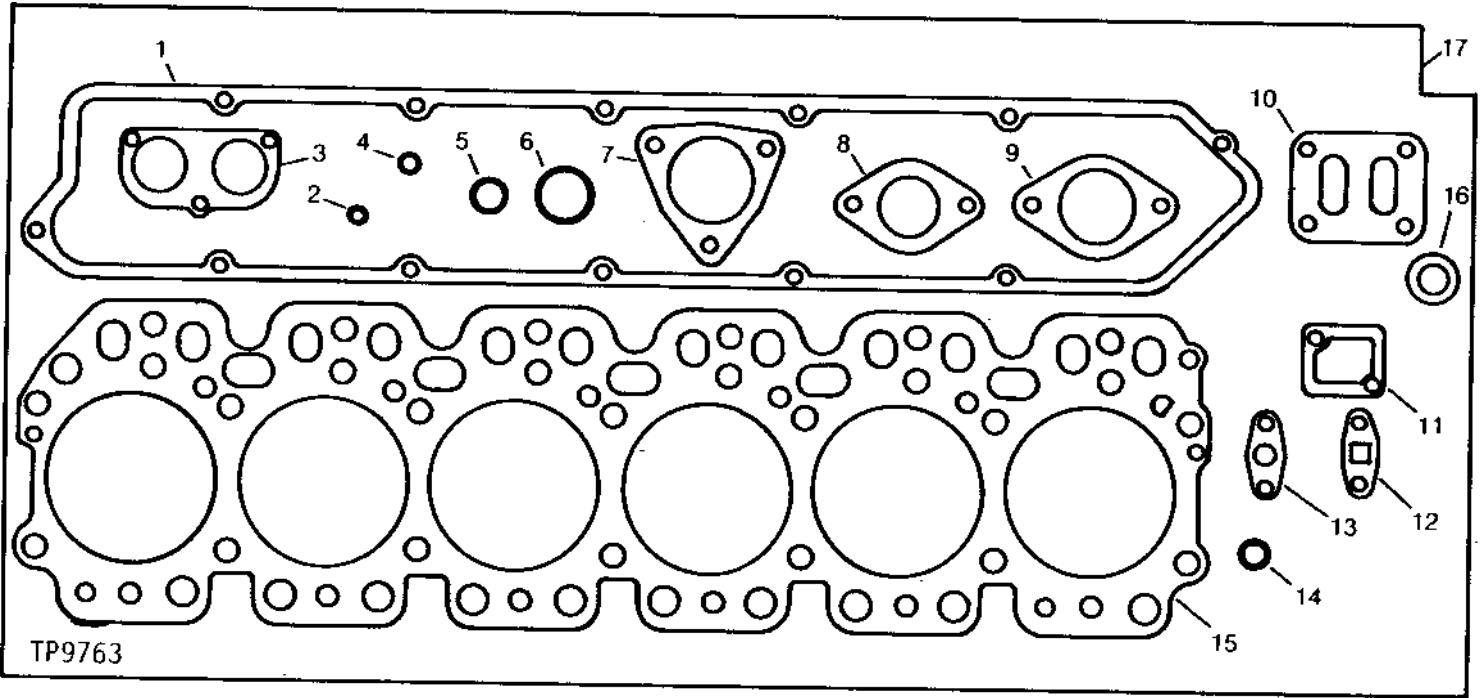
# 1C5

ENGINE

## ENGINE TUNE-UP GASKET SET (6359DH)

TP9763

-UN-01JAN94



KEY	PART NO.	PART NAME	QTY	SERIAL NO.	REMARKS
1	AR102260	KIT	1		ROCKER ARM COVER
2	R48000	WASHER	6		NOZZLE LOWER
3	R54638	GASKET	1		THERMOSTAT COVER
4	R60746	WASHER	6		NOZZLE, UPPER
5	R56463	O-RING	1		VENT TUBE
6	T23002	GASKET	3		WATER OUTLET MANIFOLD
7	T24932	GASKET	1		THERMOSTAT COVER
8	T20006	GASKET	6		EXHAUST MANIFOLD
9	T20159	GASKET	2		AIR INLET
10	R55509	GASKET	1		TURBOCHARGER EXHAUST
11	R54641	GASKET	1		WATER OUTLET
12	R43416	GASKET	1		TURBOCHARGER, OIL OUTLET
13	R43413	GASKET	1		TURBOCHARGER, OIL INLET
14	R47144	O-RING	1		BYPASS, THERMOSTAT
15	R59449	GASKET	1		CYLINDER HEAD
16	R34764	WASHER	6		UPPER
17	AR102267	GASKET KIT	1		

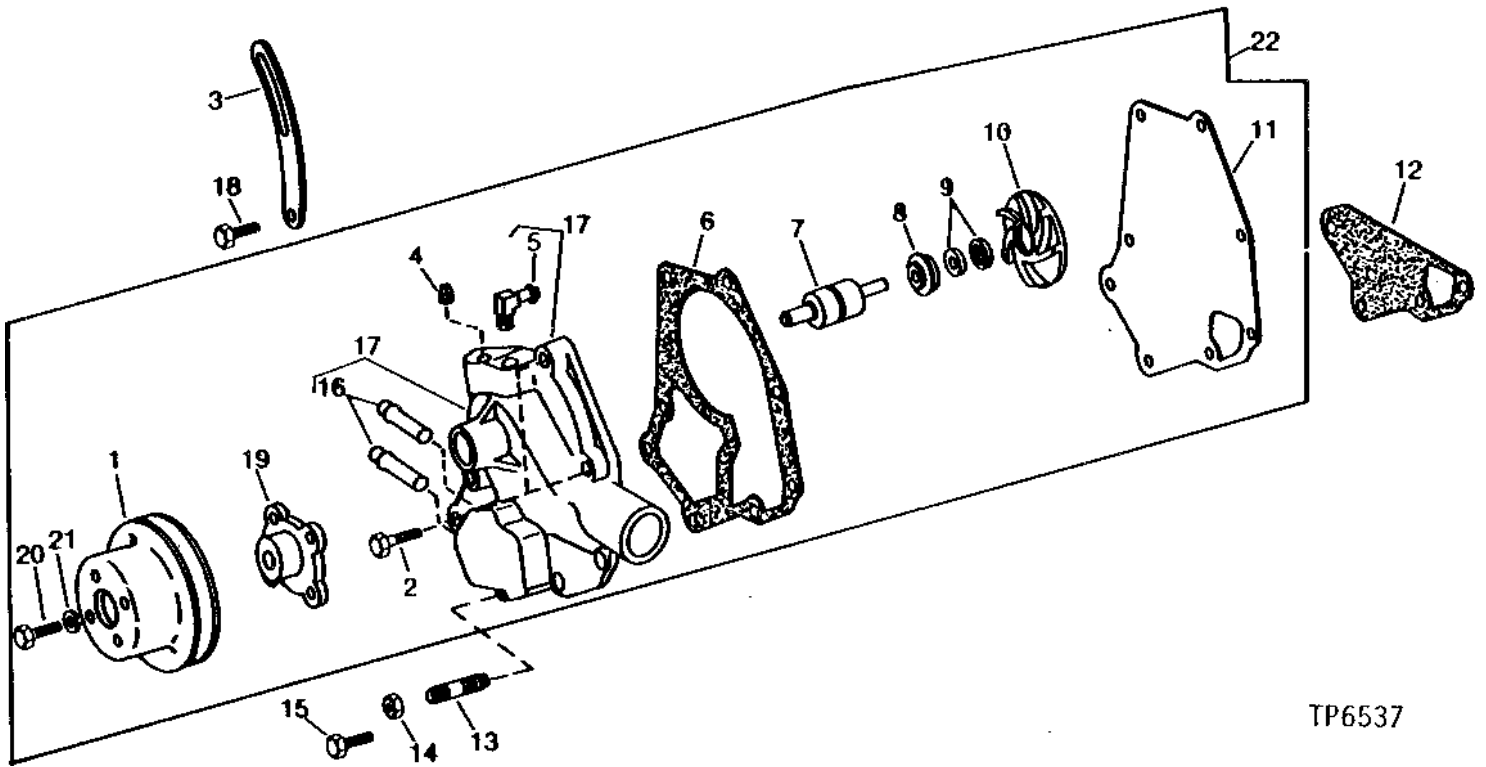
# 1C6

ENGINE

## WATER PUMP

TP6537

-UN-01JAN94



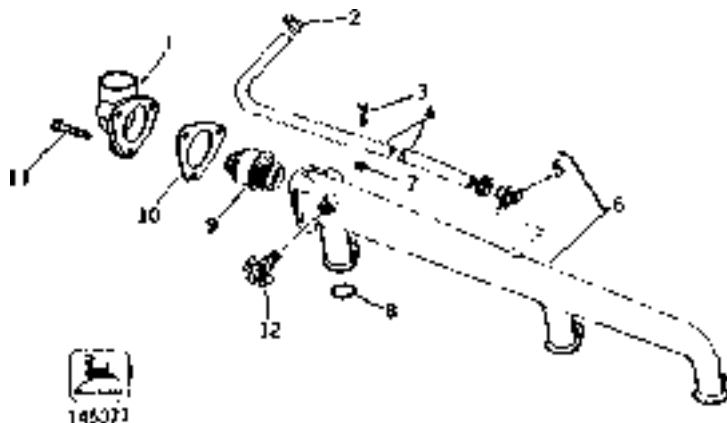
TP6537

KEY	PART NO.	PART NAME	QTY	SERIAL NO.	REMARKS
1	AR40148	PULLEY	1		
2	19H2545	CAP SCREW	3	3/8" X 1-3/8"	
3	T32853	STRAP	1		
4	15H584	PIPE PLUG	1	1/2"	
5	AR26732	ELBOW FITTING	1		
6	T25485	GASKET	1		
7	JD9257	BALL BEARING	1		
8	T27261	SEAL	1		
9	AR41691	INSERT	1		
10	R40979	IMPELLER	1		
11	T25484	COVER	1		
12	T20243	GASKET	1		
13	T25701	STUD	1		
14	14H812	NUT	1	3/8"	
15	19H1912	CAP SCREW	2	3/8" X 3-1/2"	
16	R34985	LINE	2		
17	AR80113	HOUSING	1	(MARKED R62902)	
18	19H1801	CAP SCREW	3	3/8" X 2"	
19	R62371	HUB	1	(THIS APPLICATION ONLY)	
20	19H2284	CAP SCREW	4	3/8" X 7/8", (USE WITH R62371)	
21	24H1682	WASHER	4	13/32" X 7/8" X 0.120", (USE WITH R62371)	
22	AR77682	WATER PUMP	1		

# 1C7

T45371 -UN-01JAN94

## WATER MANIFOLD AND THERMOSTAT



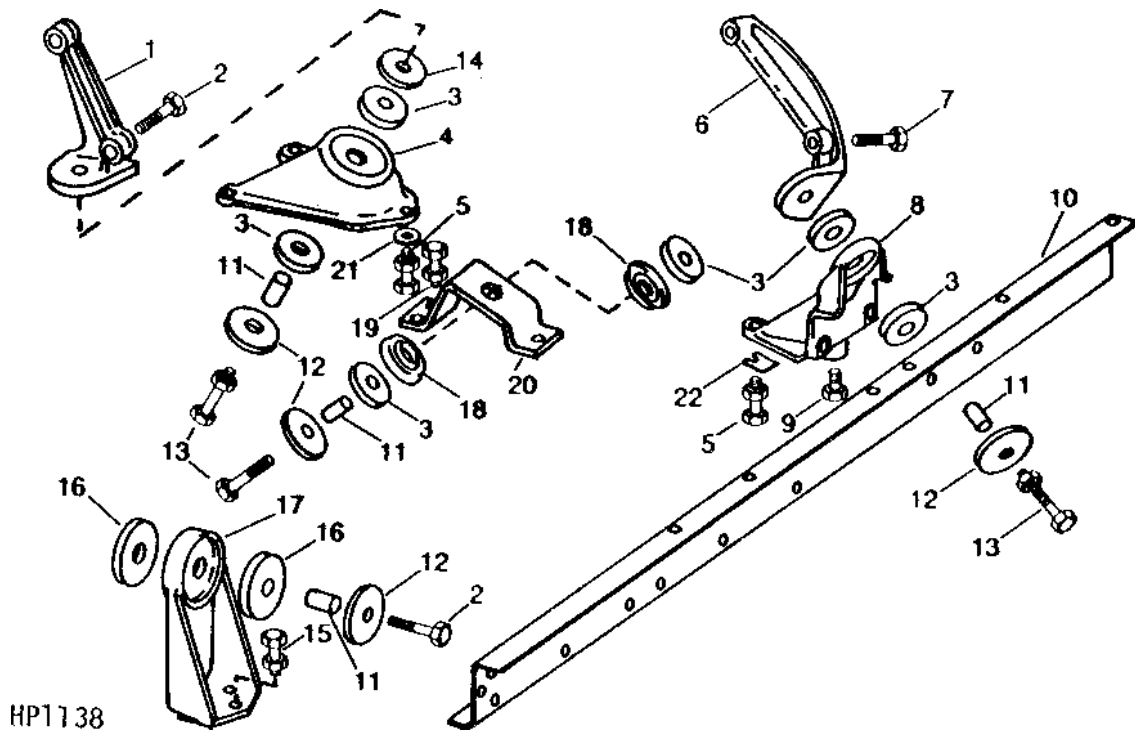
KEY	PART NO.	PART NAME	QTY	SERIAL NO.	REMARKS
1	T24934	COVER	1		
2	AR21839	CLAMP	2		
3	R53219	CAP SCREW	3		
4	T25479	HOSE	1		
5	AR26732	ELBOW FITTING	1		
6	AR74154	MANIFOLD	1		(MARKED R61178)
7	T20168	WASHER	3		
8	T23002	GASKET	3		
9	AR77411	THERMOSTAT	1		(91° C)
10	T24932	GASKET	1		
11	19H2549	CAP SCREW	3		3/8" X 1-7/8"
12	AT13740	DRAIN VALVE	1	-450000	(SUB AH109183, THIS APPLICATION)
	AH109183	VALVE	1		

# 1C8

ENGINE

HP1138 -UN-01JAN94

## ENGINE SUPPORTS



KEY	PART NO.	PART NAME	QTY	SERIAL NO.	REMARKS
1	H75748	SUPPORT	1		
2	19H1847	CAP SCREW	3	5/8" X 2-1/2"	
	12H294	LOCK WASHER	3	5/8"	
3	H80197	BUSHING	6		
4	H80989	SUPPORT	1		
5	19H1936	CAP SCREW	6	3/8" X 3/4"	
	14H812	NUT	3	3/8"	
6	H75747	SUPPORT	1		
7	19H1824	CAP SCREW	2	5/8" X 2-1/4"	
	12H294	LOCK WASHER	2	5/8"	
8	H80988	SUPPORT	1		
9	19H1815	CAP SCREW	1	1/2" X 1-1/4"	
	12H301	LOCK WASHER	1	1/2"	
10	H91710	RAIL	1	-401580	(SUB H103269)
	H103269	RAIL	1		
11	H85481	BUSHING	4		
12	P50456	WASHER	4		
13	19H1863	CAP SCREW	3	5/8" X 3"	
	12H294	LOCK WASHER	3	5/8"	
	14H760	NUT	3	5/8"	
14	P50456	WASHER	1		
15	19H1732	CAP SCREW	3	3/8" X 1-1/4"	
	14H812	NUT	3	3/8"	
16	H80198	ISOLATOR	2		
17	H78855	BRACKET	1		
18	H78856	RETAINER	2		
19	19H1731	CAP SCREW	3	3/8" X 1"	
	14H812	NUT	3	3/8"	
20	H78857	BRACKET	1		
21	24H1305	WASHER	AR	13/32" X 13/16" X 0.065"	
22	H83347	STRAP	1		

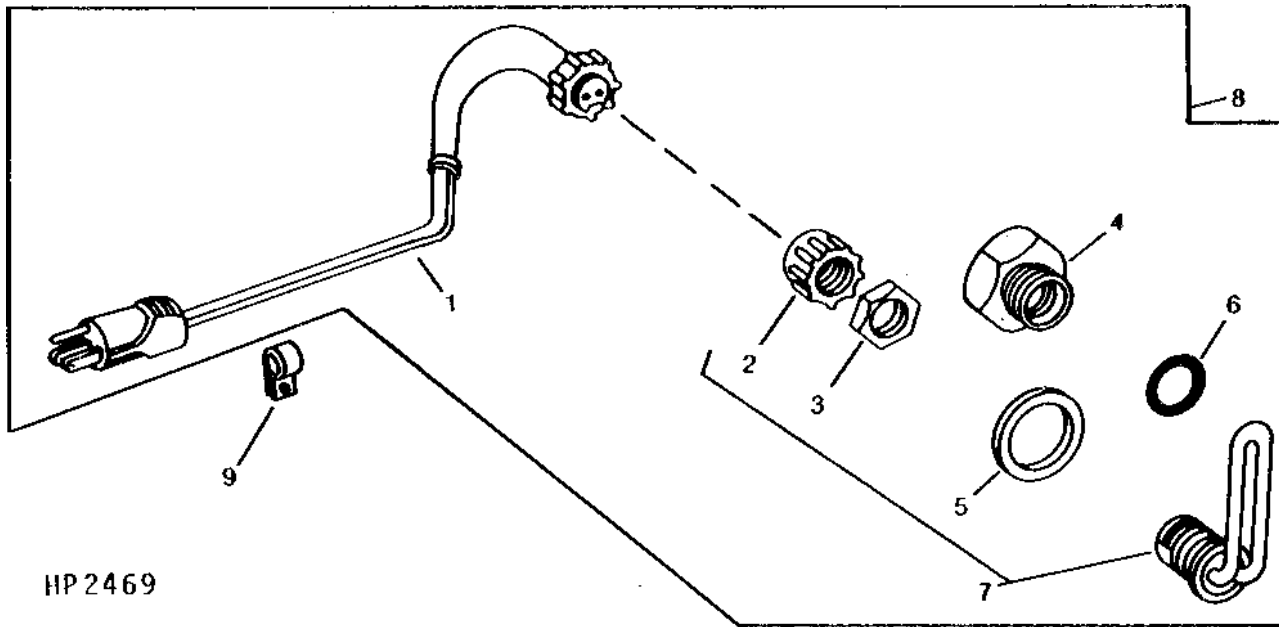


# 1C9

ENGINE

HP2469 -UN-01JAN94

## ENGINE COOLANT HEATER



HP 2469

KEY	PART NO.	PART NAME	QTY	SERIAL NO.	REMARKS
1	AR50411	WIRING LEAD	1		
2	R54510	CAP	1		
3	R54511	NUT	1		
4	R54123	ADAPTER	1		
5	R47693	GASKET	1		
6	U13639	O-RING	1		
7	AR62399	COOLANT HEATER	1		
8	AR62492	COOLANT HEATER	1		
9	AH77279	CLIP	1		

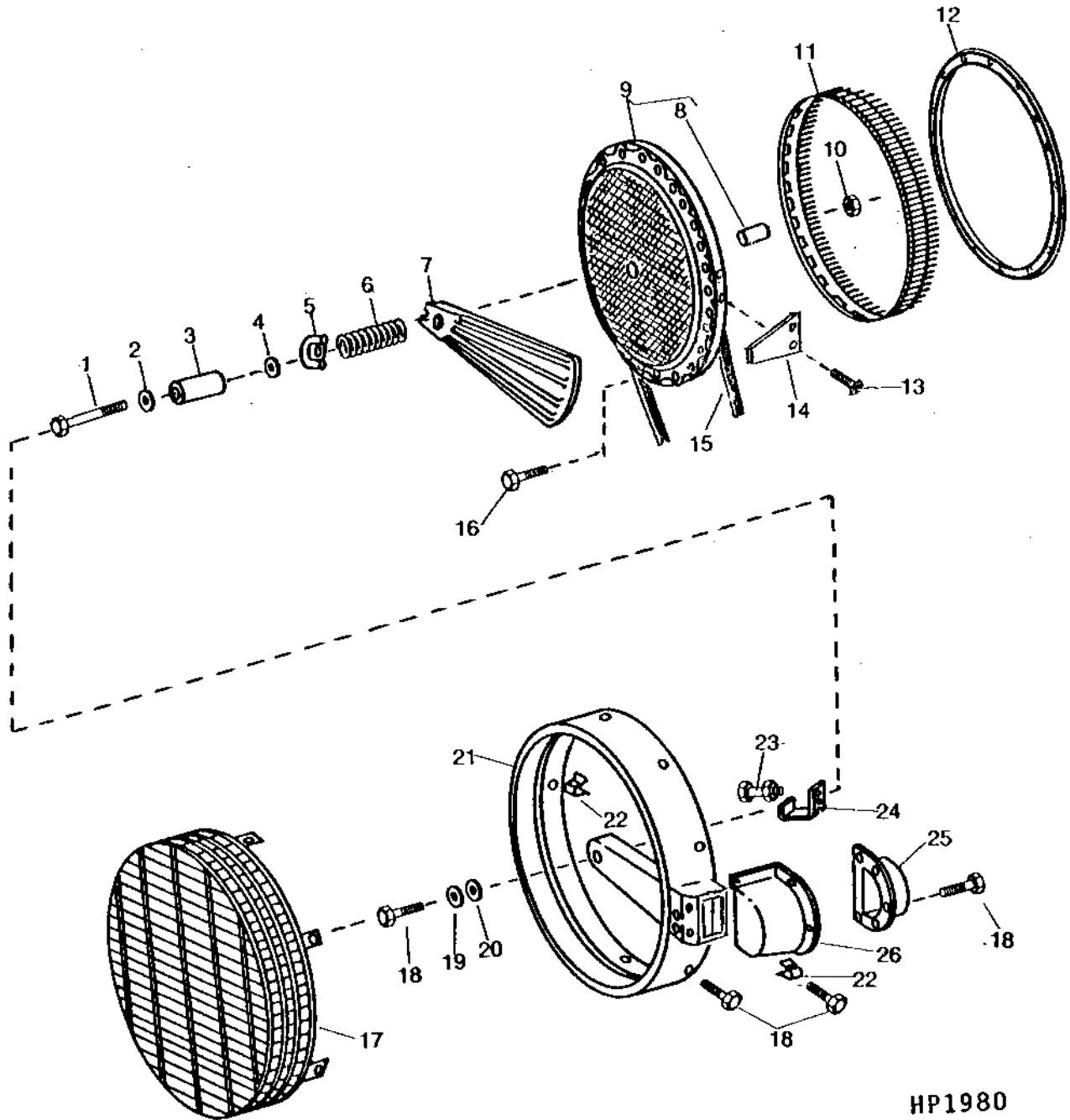
# 1C10

ENGINE

HP1980

-UN-01JAN94

## FLAT ROTARY SCREEN



HP1980

# 1C11

ENGINE

## FLAT ROTARY SCREEN - CONTINUED

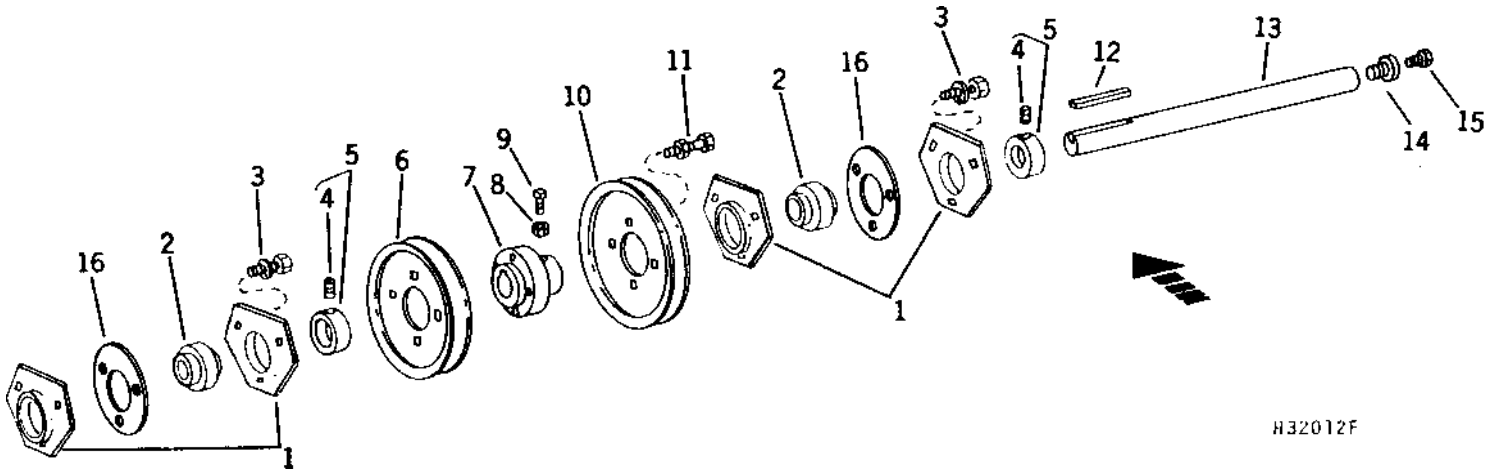
KEY	PART NO.	PART NAME	QTY	SERIAL NO.	REMARKS
1	H96344	BOLT	1		
2	24H1136	WASHER	1		11/32" X 11/16" X 0.065"
3	E46219	SPACER	1		
4	H100596	WASHER	1		
5	H97355	THRUST WASHER	1		
6	H574B	SPRING	1		
7	AH96050	ISOLATOR	1		
8	AH81161	BALL BEARING	1	-600000	(SUB AH115444)
	AH115444	BALL BEARING	1		
9	AH95373	SCREEN	1		
10	E54809	LOCK NUT	1		
11	AH92662	SEAL	1		
12	H118698	RETAINER	1		(USE WITH EXISTING SCREWS)
13	H86918	SCREW	2		
14	H95507	BLADE	1		
15	H86259	BELT	1		
16	37H149	SCREW	11		1/4" X 3/8"
17	AH108368	SHIELD	1		
18	37H148	SCREW	11		1/4" X 5/8"
	R54057	SCREW	1		(USE WITH 24H1436)
19	24H1917	WASHER	1		21/64" X 1-15/32" X 7/64"
20	24H1436	WASHER	AR		15/16" X 1-3/4" X 0.134"
21	H97175	SHROUD	1		
22	R53677	LOCK NUT	9		
23	37H148	SCREW	2		1/4" X 5/8"
	N10217	LOCK NUT	2		
24	H95324	BLADE	1		
25	H92012	AIR DUCT	1		
26	H97103	COVER	1		

# 1C12

ENGINE

H32012F -UN-01JAN94

## ROTARY SCREEN DRIVE SHAFT



H32012F

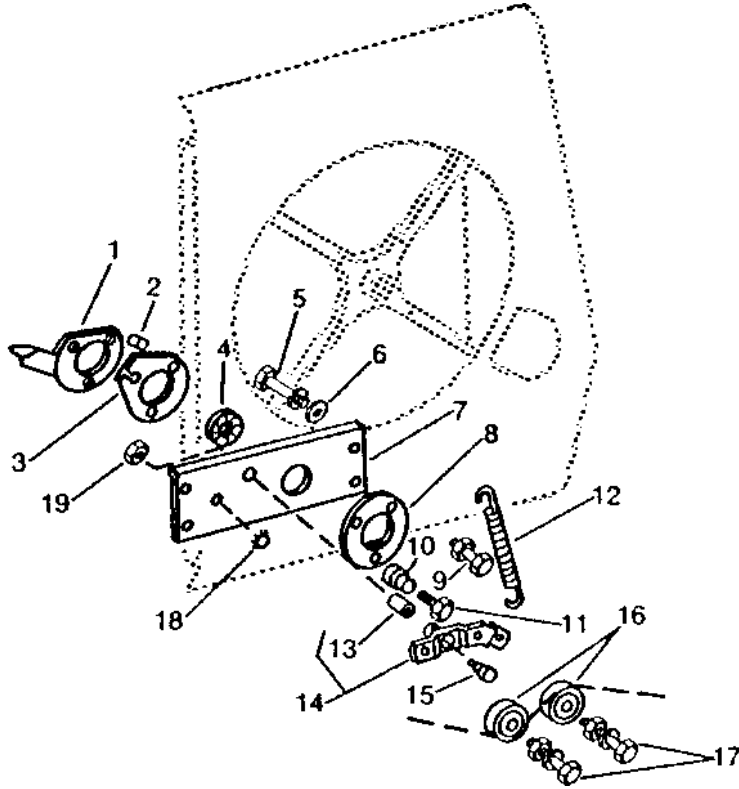
KEY	PART NO.	PART NAME	QTY	SERIAL NO.	REMARKS
1	E10018	PRESSED FLANGED HOUSING	4		
2	JD9246	BALL BEARING	2		
3	19H1936	CAP SCREW	6	3/8" X 3/4"	
	12H304	LOCK WASHER	6	3/8"	
4	22H897	SET SCREW	2	1/4" X 1/4"	
5	JD8551	ECCENTRIC LOCKING COLLAR	2		
6	H86262	SHEAVE	1	181 MM (7-1/8") DIA.	
7	H86263	HUB	1		
8	14H732	NUT	2	3/8"	
9	22H817	SET SCREW	2	3/8" X 3/4"	
10	H86260	SHEAVE	1	168 MM (6-5/8") DIA. (CAB WITHOUT AIR CONDITIONER AND LESS CAB)	
	H86262	SHEAVE	1	181 MM (7-1/8") DIA. (CAB WITH AIR CONDITIONER)	
11	19H1906	CAP SCREW	4	5/16" X 1-1/2"	
	N10213	LOCK NUT	4		
12	.....	KEY	1	(6 MM X 38 MM) (CUT FROM H64374 IN AH64587 KEY STOCK KIT)	
13	H94705	COUNTERSHAFT	1	-400000	(USE WITH H96509 AND 19H3427) (SUB H103319)
	H103319	SHAFT	1		
14	H96509	SHEAVE	1	POLY-V	
15	19H3427	SCREW	1	5/16" X 2"	
16	H87784	SHIM	2		

# 1C13

ENGINE

HP597 -UN-01JAN94

## ROTARY SCREEN DRIVE BELT TIGHTENERS AND DISPLACER



HP597

KEY	PART NO.	PART NAME	QTY	SERIAL NO.	REMARKS
1	AH89678	HANDLE	1	(A)	
2	28H1914	BUSHING	3	1/4" X 7/8"	
3	H88458	PLATE	1	(A)	
4	AH92661	SEAL	1	(A)	
5	19H1936	CAP SCREW	4	3/8" X 3/4"	
	12H304	LOCK WASHER	4	3/8"	
6	24H1312	WASHER	4	13/32" X 1-3/8" X 0.105"	
7	.....	PLATE	1	(A) (SUB AH93325)	
8	H88457	WASHER	1	(A)	
9	19H1875	CAP SCREW	2	5/16" X 1-3/4"	
	M40699	NUT	2	(A)	
10	H100197	PIN	1	(A)	
11	19H1949	CAP SCREW	1	5/16" X 2-1/2"	
12	H86280	SPRING	1		
13	H91788	BUSHING	1	(USE WITH AH95281)	
14	AH95281	ARM	1		
15	H94562	BOLT	1		
16	AH87929	SHEAVE	2	78 MM (3-1/16") DIA.	
17	19H1732	CAP SCREW	2	3/8" X 1-1/4"	
18	R28473	PLUG	1	(A)	
19	N10215	LOCK NUT	1	(A)	
..	AH93325	DEVICE	1	KIT, DISPLACER ASSEMBLY	

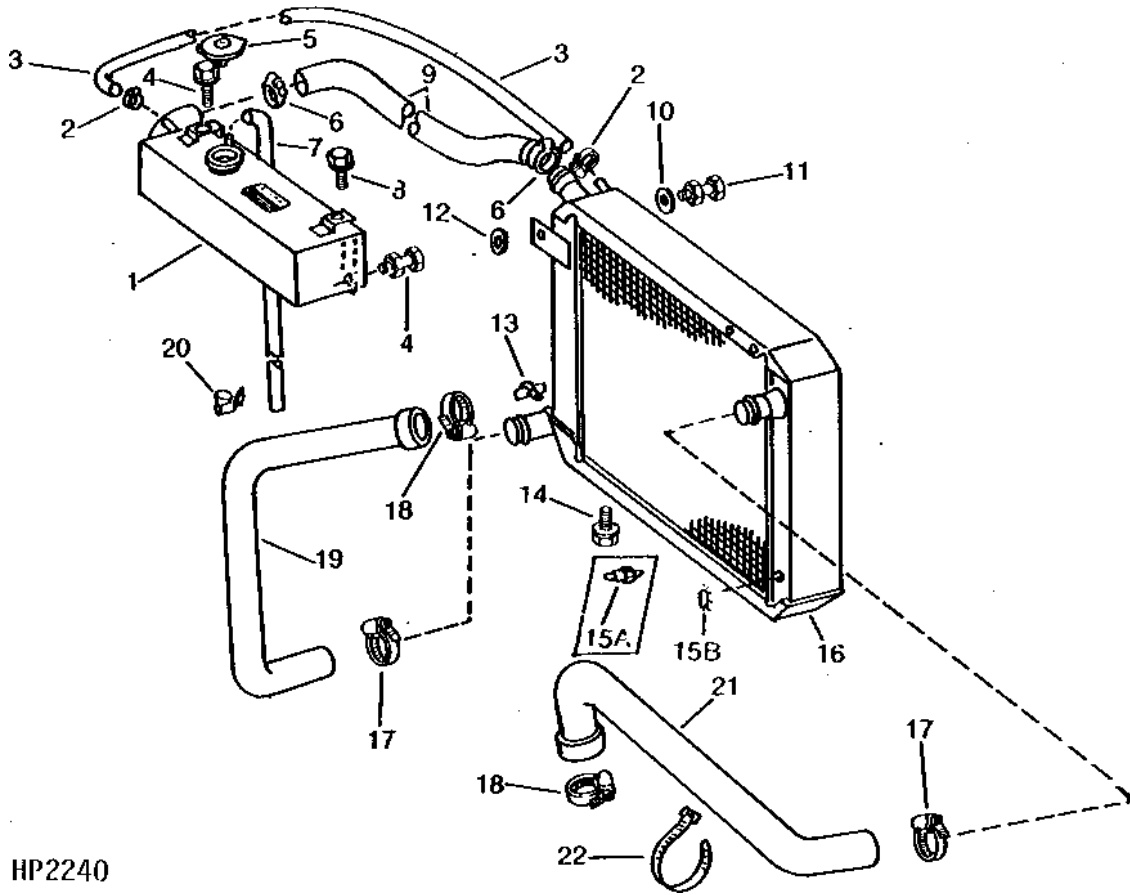
KIT LISTED BELOW CONSISTS OF ALL PARTS IDENTIFIED BY AN (A):

# 1C14

ENGINE

HP2240 -UN-01JAN94

## RADIATOR (USE WITH AIR CONDITIONER)



HP2240

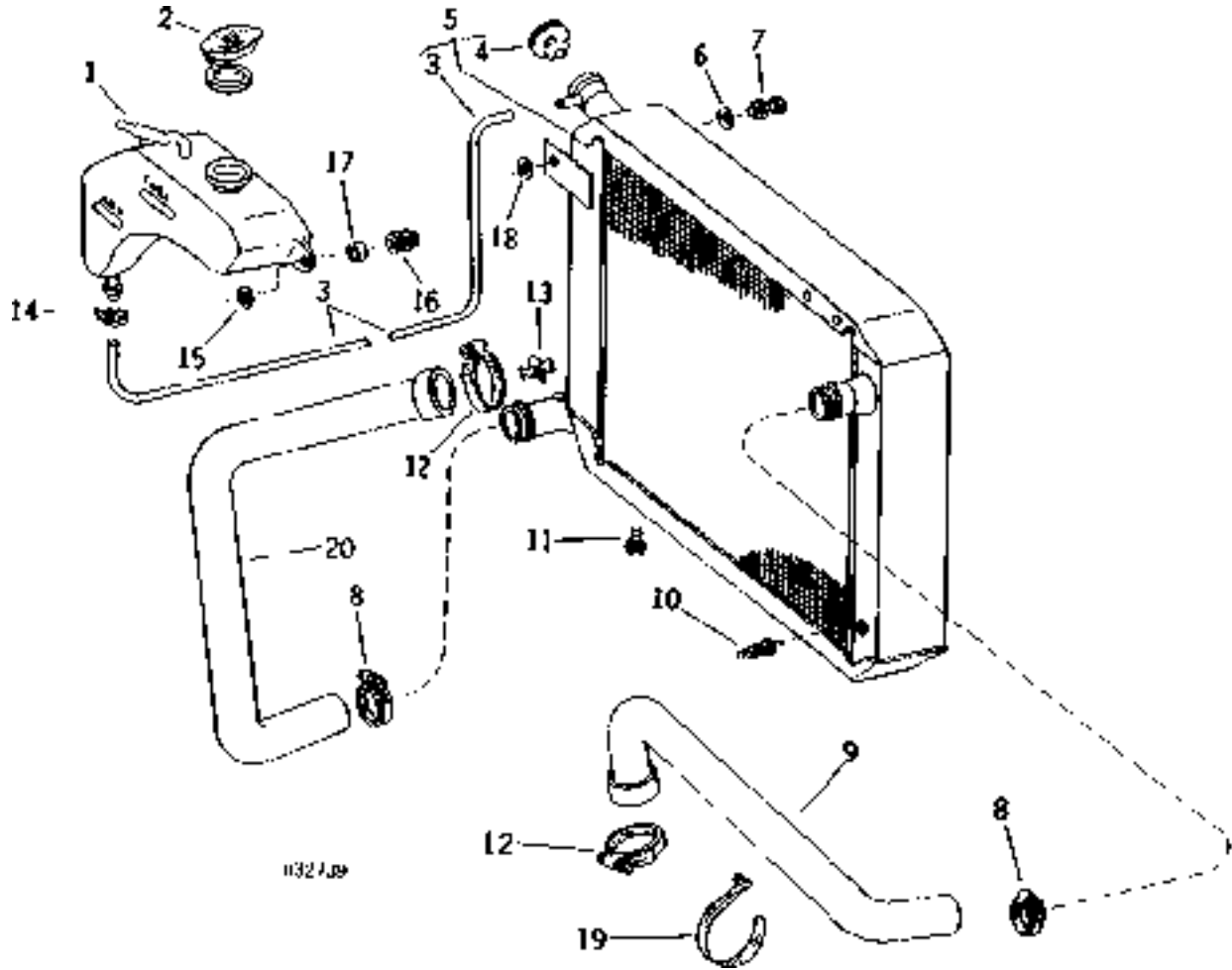
KEY	PART NO.	PART NAME	QTY	SERIAL NO.	REMARKS
1	H92599	TANK	1		(WITH DECAL)
2	AR48236	CLAMP	2		
3	H92726	HOSE	1		
4	N71292	SELF-LOCKING SCREW	3		
	N10213	LOCK NUT	2		
5	AN110020	CAP	1		
6	AR21839	CLAMP	2		
7	H86772	HOSE	1		
8	N10212	SELF-LOCKING SCREW	1		
9	H92849	RADIATOR HOSE	1		
10	24H1224	WASHER	1		11/32" X 1" X 1/16"
11	19H1900	CAP SCREW	1		5/16" X 3/4"
	N10213	LOCK NUT	1		
12	24H1311	WASHER	1		13/32" X 1-1/4" X 0.220"
13	AT13740	DRAIN VALVE	1		
14	N71292	SELF-LOCKING SCREW	3		
15A	AH87737	SWITCH	1	-600000	
15B	H87663	PLUG	1	600001-	
16	AH92498	RADIATOR	1		
17	AR21840	CLAMP	2		
	AR21999	HOSE CLAMP	2		
19	H120438	RADIATOR HOSE	1		LOWER
20	H76064	CLIP	2		
21	H87279	HOSE	1		UPPER
22	R45440	TIE BAND	1		

# 1C15

ENGINE

H32739 -UN-01JAN94

## RADIATOR (USE WITHOUT AIR CONDITIONER)



KEY	PART NO.	PART NAME	QTY	SERIAL NO.	REMARKS
1	AH87560	TANK	1		
2	H86401	CAP	1		
3	H86772	HOSE	1		
4	AH87561	CAP	1		
5	AH88817	RADIATOR	1		
6	24H1224	WASHER	1		11/32" X 1" X 1/16"
7	19H1900	CAP SCREW	1		5/16" X 3/4"
	N10213	LOCK NUT	1		
8	AR21840	CLAMP	2		
9	H87279	HOSE	1		UPPER
10	AH87737	SWITCH	1	-600000	
	15H624	PIPE PLUG	1	600001-	1/2"
11	N71292	SELF-LOCKING SCREW	3		
12	AR21999	HOSE CLAMP	2		
13	AT13740	DRAIN VALVE	1		
14	AR21836	CLAMP	1		
15	24H1136	WASHER	2		11/32" X 11/16" X 0.065"
16	N10219	SELF-LOCKING SCREW	2		
	N10213	LOCK NUT	2		
17	H79784	BUSHING	2		
18	24H1311	WASHER	1		13/32" X 1-1/4" X 0.220"
19	R45440	TIE BAND	1		
20	H93310	HOSE	1		LOWER

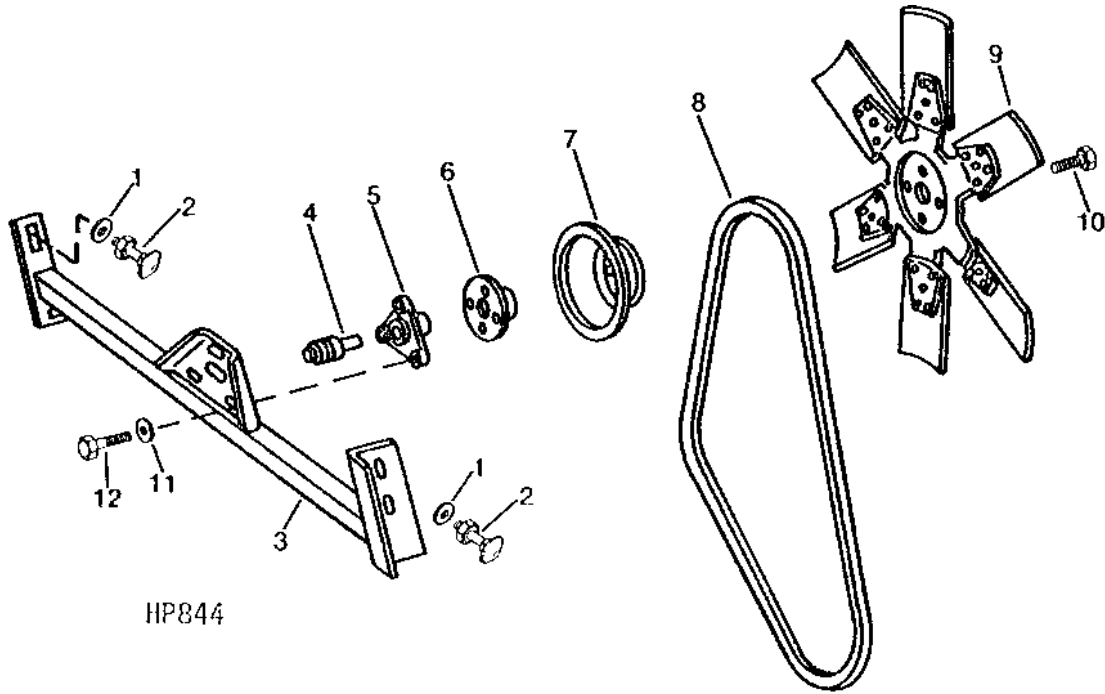
# 1C16

ENGINE

HP844

-UN-01JAN94

## FAN, SHEAVE, AND SUPPORT



HP844

KEY	PART NO.	PART NAME	QTY	SERIAL NO.	REMARKS
1	24H1224	WASHER	4		11/32" X 1" X 1/16"
2	03H1709	BOLT	4		5/16" X 1"
	N10213	LOCK NUT	4		
3	AH90839	SUPPORT	1		
4	JD9294	BALL BEARING	1		
5	H92056	HOUSING	1		
6	H84556	HUB	1		
7	AH85041	SHEAVE	1		196 MM (7-23/32") DIA.
8	H86271	BELT	1		(CAB WITHOUT AIR CONDITIONER AND LESS CAB)
	H94373	BELT	1		(CAB WITH AIR CONDITIONER)
9	AH87533	FAN	1		
10	19H1731	CAP SCREW	4		3/8" X 1"
11	24H1305	WASHER	3		13/32" X 13/16" X 0.065"
12	N14822	SELF-LOCKING SCREW	3		

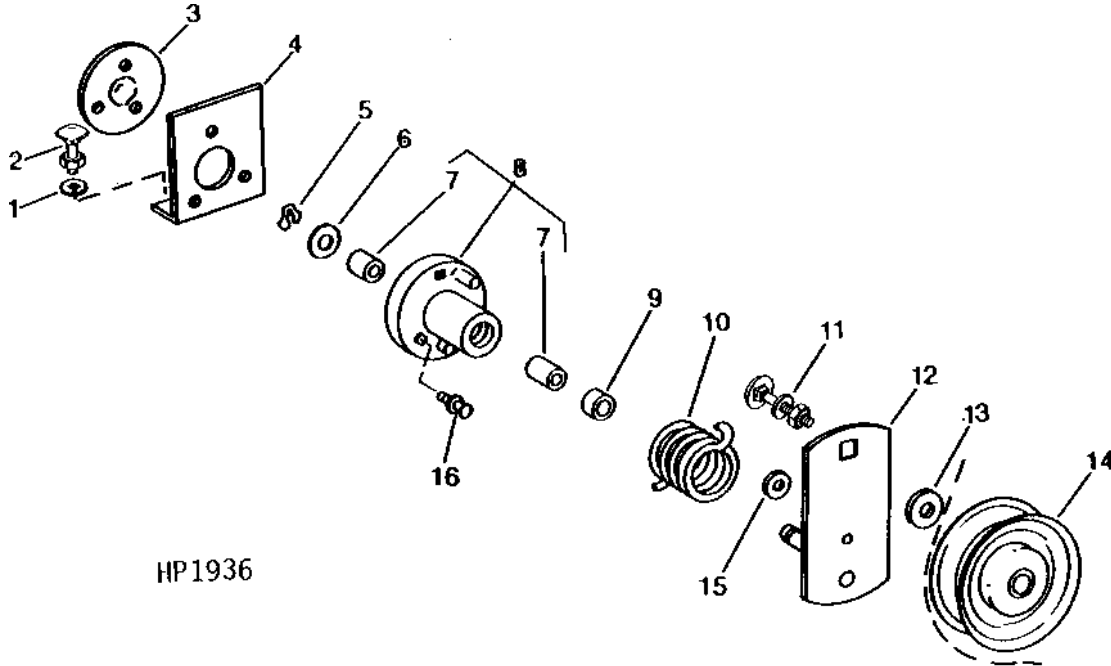


# 1C17

ENGINE

HP1936 -UN-01JAN94

## RADIATOR FAN DRIVE BELT TIGHTENER



HP1936

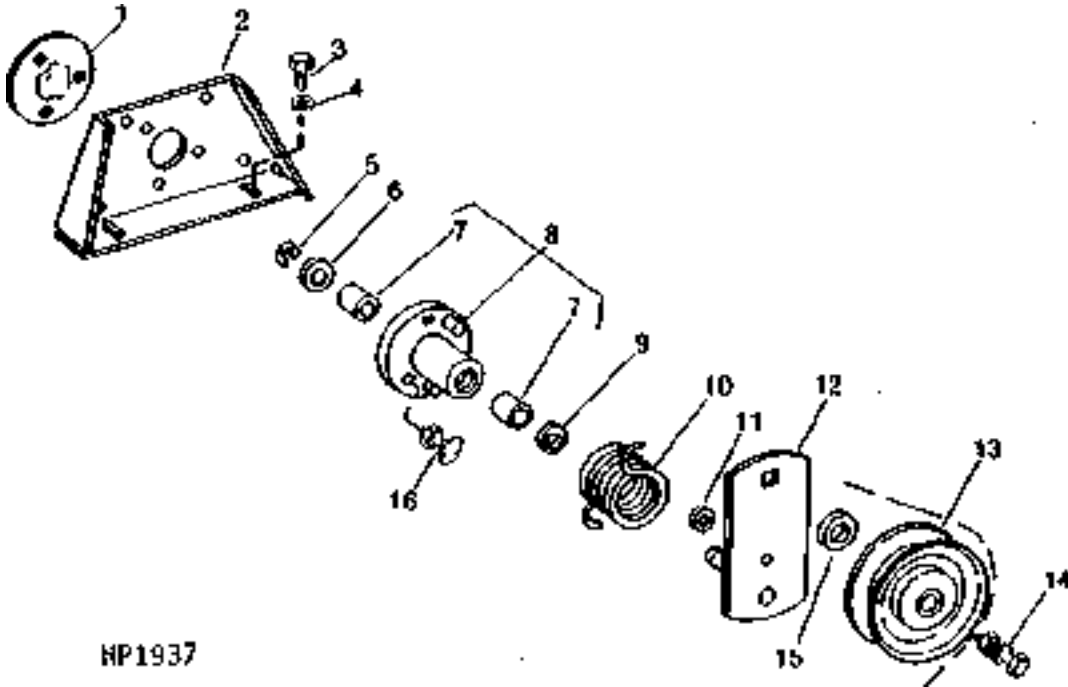
KEY	PART NO.	PART NAME	QTY	SERIAL NO.	REMARKS
1	24H1653	WASHER	2		13/32" X 1-1/4" X 0.120"
2	03H1557	BOLT	2		3/8" X 1-1/4"
	12H304	LOCK WASHER	2		3/8"
	14H812	NUT	2		3/8"
3	H96424	CAP	1		
4	AH90288	BRACKET	1	-450000	(SUB H109215)
	H109215	BRACKET	1		
5	H86839	SNAP RING	1		
6	24H1362	WASHER	1		41/64" X 1" X 0.075"
7	H91788	BUSHING	2		
8	AH95011	HUB	1		
9	H96251	WASHER	1		
10	H86264	TORSION SPRING	1		L.H. TORSION
11	03H1764	BOLT	1		1/2" X 1-3/4"
	12H301	LOCK WASHER	1		1/2"
	14H1040	NUT	1		1/2"
12	AH96492	ARM	1		
13	B31498	WASHER	1	-600000	(SUB H88355)
	H88355	WASHER	1		
14	AH77172	IDLER	1		102 MM (4") DIA.
15	H86886	NUT	1		
16	03H1937	BOLT	3		5/16" X 1-1/4"
	N10213	LOCK NUT	3		

# 1C18

ENGINE

HP1937 -UN-01JAN94

## RADIATOR FAN AND ROTARY SCREEN SHAFT DRIVE BELT TIGHTENER



HP1937

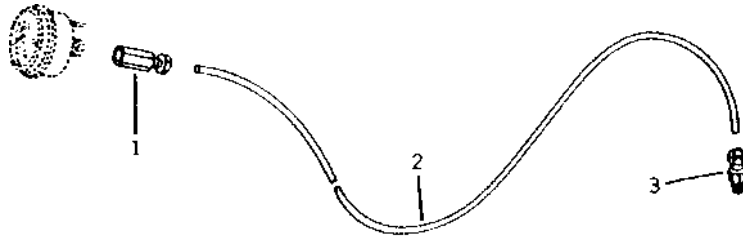
KEY	PART NO.	PART NAME	QTY	SERIAL NO.	REMARKS
1	H96424	CAP	1		
2	H86776	BRACKET	1		
3	19H1936	CAP SCREW	2		3/8" X 3/4"
	12H304	LOCK WASHER	2		3/8"
4	24H1305	WASHER	2		13/32" X 13/16" X 0.065"
5	H86839	SNAP RING	1		
6	24H1362	WASHER	1		41/64" X 1" X 0.075"
7	H91788	BUSHING	2		
8	AH95011	HUB	1		
9	H96251	WASHER	1		
10	H86265	TORSION SPRING	1		R.H. TORSION
11	H86886	NUT	1		
12	AH96492	ARM	1		
13	AH77172	IDLER	1		102 MM (4") DIA.
14	H86514	BOLT	1		
	12H301	LOCK WASHER	1		1/2"
	14H1040	NUT	1		1/2"
15	B31498	WASHER	1	-600000	(SUB H88355)
	H88355	WASHER	1		
16	03H1524	BOLT	3		5/16" X 1"
	N10213	LOCK NUT	3		

# 1C19

ENGINE

H16861 -UN-01JAN94

## OIL PRESSURE GAUGE TUBE



KEY	PART NO.	PART NAME	QTY	SERIAL NO.	REMARKS
1	AT25265	FITTING	1		
2	.....	TUBE	1		(1067 MM) (42") LONG (CUT FROM H86108)
3	AT25264	FITTING	1		

---

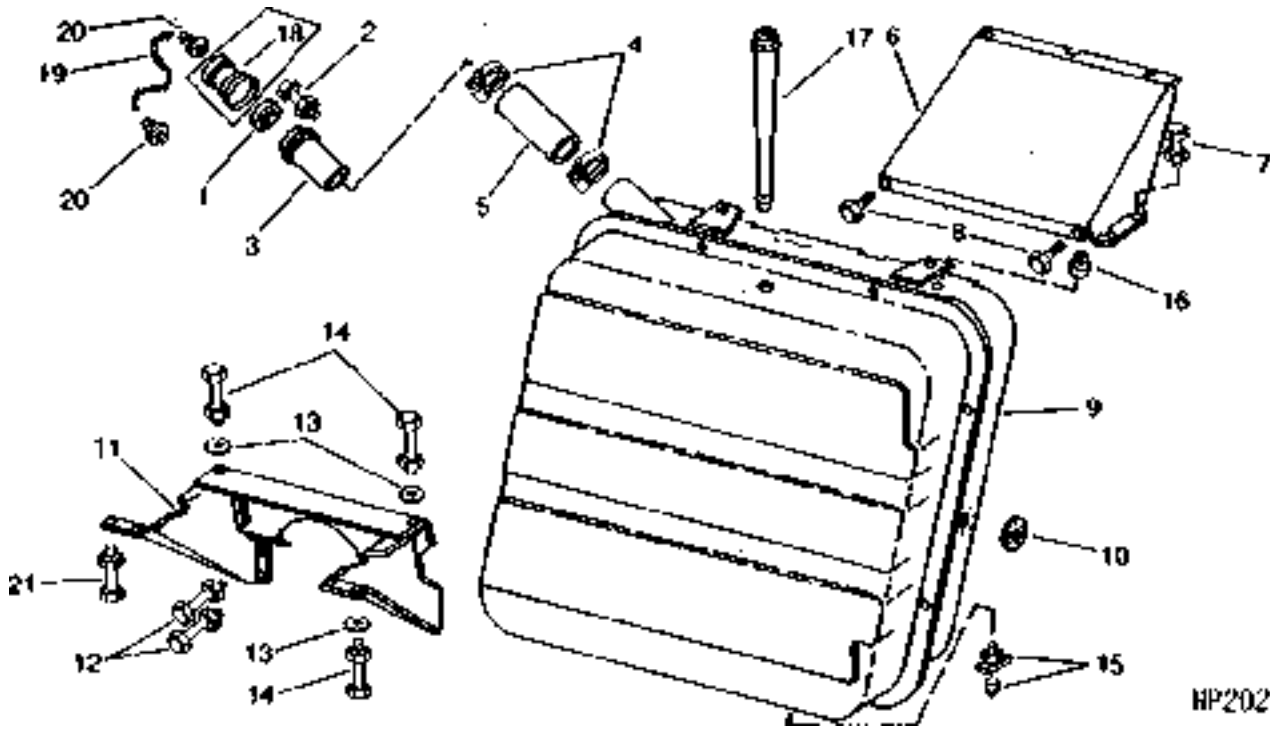
MEMORANDA

# 1C22

FUEL AND AIR

HP2026 -UN-01JAN94

## FUEL TANK AND SUPPORTS



HP2026

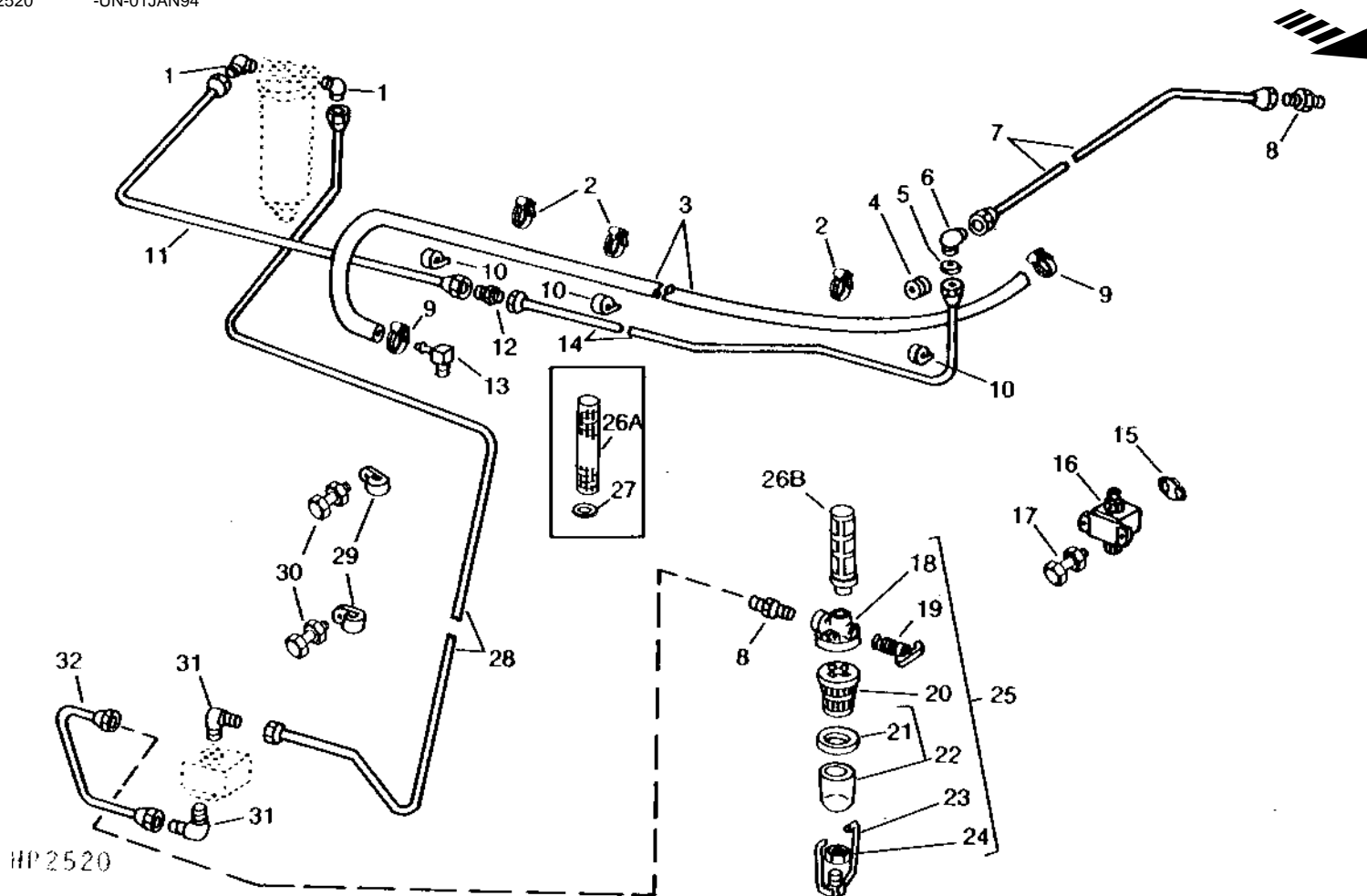
KEY	PART NO.	PART NAME	QTY	SERIAL NO.	REMARKS
1	AH97868	CAP	1	-451640	NON-VENTED, (SUB AH110230)
	AH110230	CAP	1		VENTED
2	21H1310	SCREW	2		1/4" X 1/2"
	14H786	NUT	2		1/4"
3	AH83337	FILLER NECK	1		
4	AR21999	HOSE CLAMP	2		
5	H76165	HOSE	1		
6	H76162	BRACKET	1		UPPER
7	19H1813	CAP SCREW	2	-450000	5/16" X 5/8"
	14H785	NUT	2	-450000	5/16"
	N10212	SELF-LOCKING SCREW	2	450001-	
	N10213	LOCK NUT	2	450001-	
8	H76139	SCREW	2		SELF-TAPPING
9	AH93230	FUEL TANK	1		
10	H105967	GASKET	1		
11	AH75543	SUPPORT	1		LOWER
	19H1907	CAP SCREW	2		5/16" X 2-3/4"
12	14H812	NUT	2		3/8"
	24H1136	WASHER	4	-450000	11/32" X 11/16" X 0.065"
13	19H2127	CAP SCREW	4		5/16" X 7/8"
	14H785	NUT	4		5/16"
14	19H2127	CAP SCREW	4		5/16" X 7/8"
15	AH20936	VALVE	1		
	15H638	PIPE PLUG	1		1/8"
16	AH96547	BREATHER	1		
17	H99234	COVER	1	-600000	
18	AH97869	LINK CHAIN	1		
19	H99897	RETAINER	2		
21	19H2127	CAP SCREW	2	-450000	5/16" X 7/8"
	14H785	NUT	2	-450000	5/16"
	N10212	SELF-LOCKING SCREW	2	450001-	
	N10213	LOCK NUT	2	450001-	

# 1C23

FUEL AND AIR

HP2520 -UN-01JAN94

## FUEL LINES AND PUMP



KEY	PART NO.	PART NAME	QTY	SERIAL NO.	REMARKS
1	U45538	ELBOW FITTING	2		90°, (SUB FOR H81734)
2	M66044	TIE BAND	3		
3	.....	HOSE	1		6 MM X 2591 MM (1/4" X 112") LONG (CUT FROM H83966)
4	H79481	GROMMET	1		
5	R27296	NUT	1		
6	AR35981	ELBOW FITTING	1		
7	AH83462	FUEL LINE	1		UPPER
8	R27346	FITTING	2		
9	T13254	CLAMP	2		
10	AH77279	CLIP	3		
11	AH80244	FUEL LINE	1		MIDDLE (WITH AUXILIARY FUEL FILTER)
12	R50201	FITTING	1		
13	H83287	HOSE FITTING	1		90°
14	AH77277	FUEL LINE	1		MIDDLE
15	H101158	TRANSISTOR	1		
16	AH107362	PUMP	1		(SUB FOR H80665)
17	19H1227	CAP SCREW	2	-450000	1/4" X 1/2"
	14H786	NUT	2	-450000	1/4"
	N14820	SELF-LOCKING SCREW	2	450001-	
	N10217	LOCK NUT	2	450001-	
18	.....	HOUSING	1		
19	AH98799	VALVE	1		("T" HANDLE)
	AA4298R	SHUT-OFF VALVE	1		("L" HANDLE)
20	AH96221	SCREEN	1		

# 1C24

FUEL AND AIR

## FUEL LINES AND PUMP - CONTINUED

KEY	PART NO.	PART NAME	QTY	SERIAL NO.	REMARKS
21	C1778R	GASKET	1		
22	AA4507R	SEDIMENT BOWL	1		
23	AA517R	BAIL	1		
24	R21752	NUT	1		
25	AH97859	FUEL FILTER	1	-450000	("T" HANDLE) (SUB AH106484 AND AH106982)
	AH106484	FUEL FILTER	1		("T" HANDLE) (USE WITH AH106982)
26A	AH105136	SCREEN	1	400001-450000	
26B	AH106982	SCREEN	1	450001-	
27	R10093	O-RING	1	400001-450000	
28	AH80242	FUEL LINE	1		(WITH AUXILIARY FUEL FILTER)
	AH77926	FUEL LINE	1		
29	T32231	CLAMP	2		
30	19H1900	CAP SCREW	2		5/16" X 3/4"
	14H785	NUT	2		5/16"
31	AR26674	ELBOW FITTING	2		
32	AH75547	FUEL LINE	1		

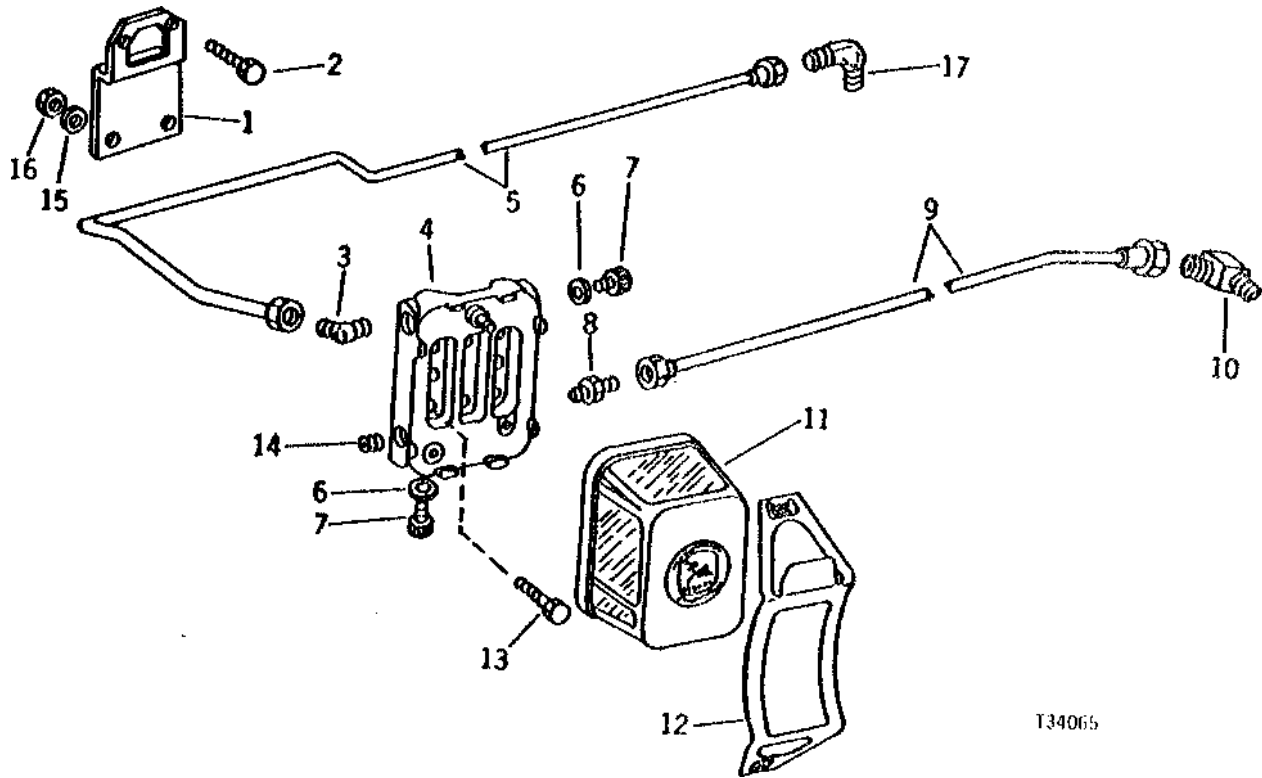
# 1C25

FUEL AND AIR

## FUEL FILTER (6329DH)

T34065

-UN-01JAN94



T34065

KEY	PART NO.	PART NAME	QTY	SERIAL NO.	REMARKS
1	R56832	BRACKET	1		
2	19H1134	CAP SCREW	2	3/8" X 3/4"	
3	T24945	ELBOW FITTING	1		
4	AR50040	HOUSING	1		
5	AR67858	FUEL LINE	1		(FUEL FILTER TO INJECTION PUMP)
6	R34447	WASHER	2		
7	R48071	DRAIN PLUG	2		
8	R27346	FITTING	1		
9	AR67860	FUEL LINE	1		(FUEL FILTER TO FUEL TRANSFER PUMP)
10	T30738	ELBOW FITTING	1		
11	AR86745	FILTER ELEMENT	1		(SUB FOR AR50041)
12	R66821	CLAMP	1		(SUB FOR R57258)
13	19H2284	CAP SCREW	2	3/8" X 7/8"	
14	15H558	PIPE PLUG	1	1/8"	
15	12H304	LOCK WASHER	2	3/8"	
16	14H812	NUT	2	3/8"	
17	R48008	ELBOW FITTING	1		

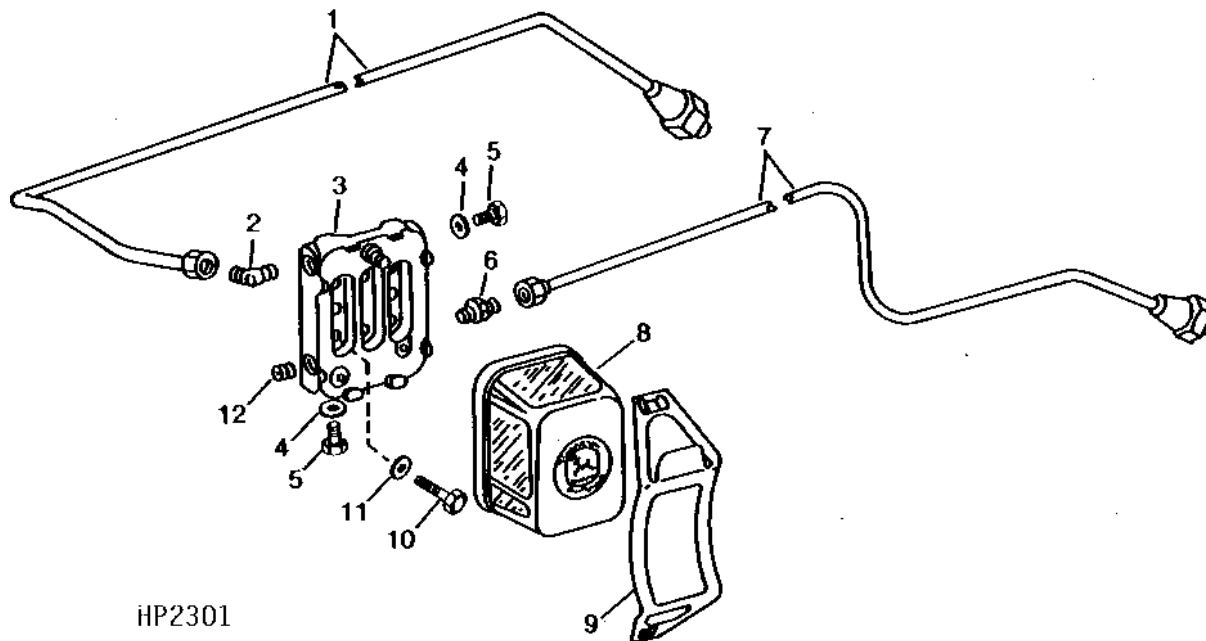


# 1D1

FUEL AND AIR

HP2301 -UN-01JAN94

## FUEL FILTER AND LINES (6359DH)



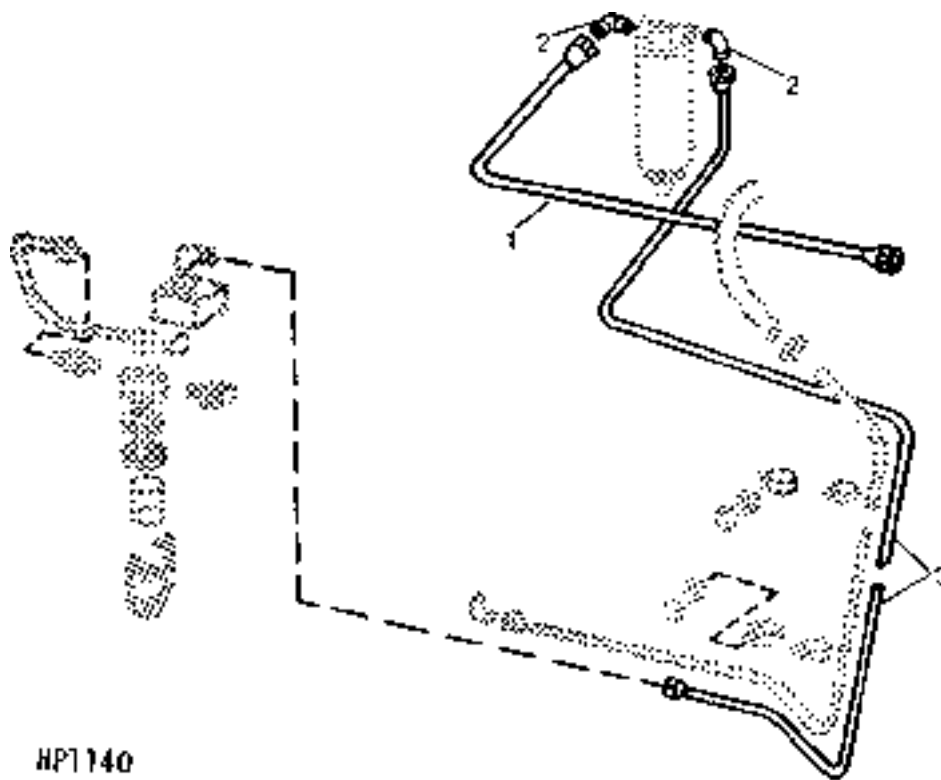
KEY	PART NO.	PART NAME	QTY	SERIAL NO.	REMARKS
1	AR63954	FUEL LINE	1		(FUEL FILTER TO INJECTION PUMP)
2	T30738	ELBOW FITTING	1		
3	AR50040	HOUSING	1		
4	R26287	O-RING	2		
5	R48071	DRAIN PLUG	2		
6	R27346	FITTING	1		
7	AR84732	FUEL LINE	1		(FUEL FILTER TO FUEL TRANSFER PUMP)
8	AR86745	FILTER ELEMENT	1		(SUB FOR AR50041)
9	R66821	CLAMP	1		
10	19H1731	CAP SCREW	2	3/8" X 1"	
11	24H1303	WASHER	2	13/32" X 11/16" X 0.065"	
12	15H558	PIPE PLUG	1	1/8"	

# 1D2

FUEL AND AIR

HP1140 -UN-01JAN94

## FUEL LINES (FOR EXPORT USE ONLY)



**HP1140**

KEY	PART NO.	PART NAME	QTY	SERIAL NO.	REMARKS
1	AH80244	FUEL LINE	1		
2	H81734	ELBOW FITTING	2	90°	
3	AH80242	FUEL LINE	1		

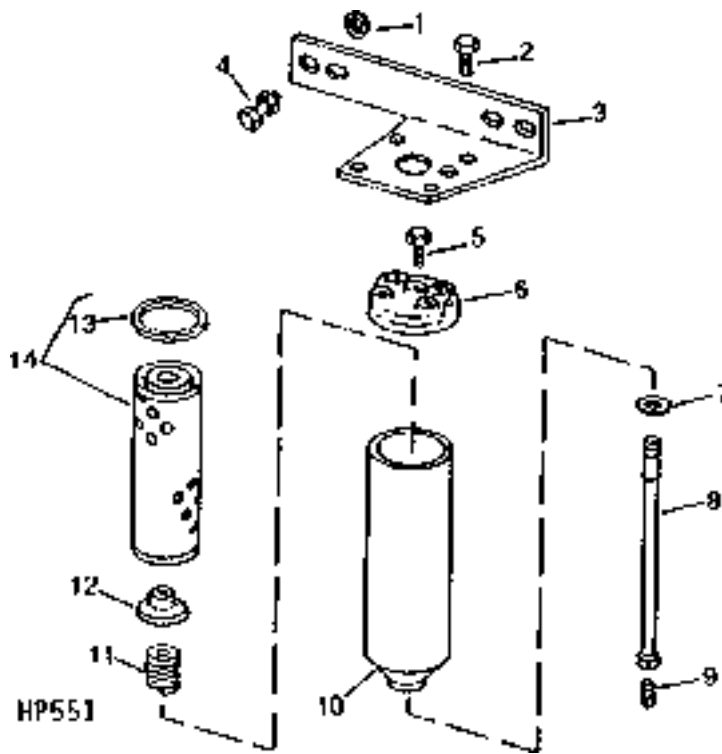
# 1D3

FUEL AND AIR

HP551

-UN-01JAN94

## FUEL FILTER (FOR EXPORT USE ONLY)



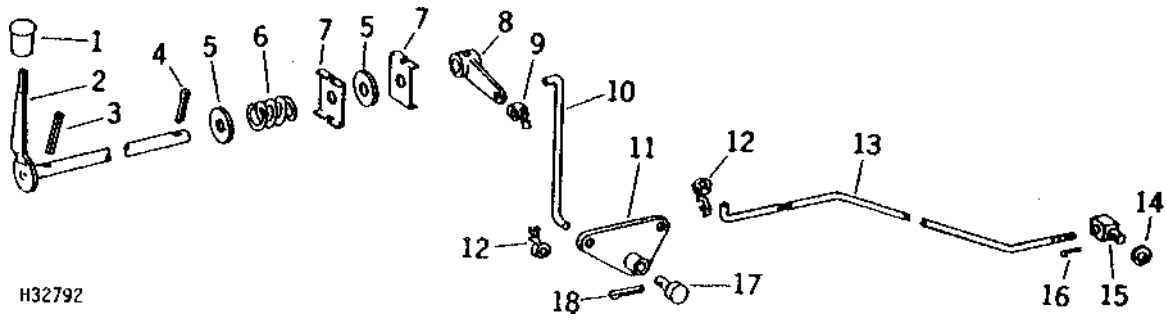
KEY	PART NO.	PART NAME	QTY	SERIAL NO.	REMARKS
1	19H1936	CAP SCREW	4	3/8" X 3/4"	
2	24H1136	WASHER	2	11/32" X 11/16" X 0.065"	
3	H88949	BRACKET	1		
4	H81528	SCREW	2	-317200	(SUB N10212, THIS APPLICATION)
	N10212	SELF-LOCKING SCREW	2		
	H77210	NUT	2		
5	P53007	BLEED SCREW	2		
6	P53005	COVER	1		
7	P53022	WASHER	1		
8	P54602	SCREW	1		(USE WITH 14H253)
9	14H253	NUT	1	5/16"	
10	AP27684	BOWL	1		
11	AP27685	EXTENSION SPRING	1		
12	AP27686	ADAPTER	1		
13	P53006	GASKET	1		
14	AP27010	FILTER ELEMENT	1	-400987	(SUB AP27688)
	AP27688	FILTER ELEMENT	1		

# 1D4

FUEL AND AIR

H32792 -UN-01JAN94

## THROTTLE CONTROLS



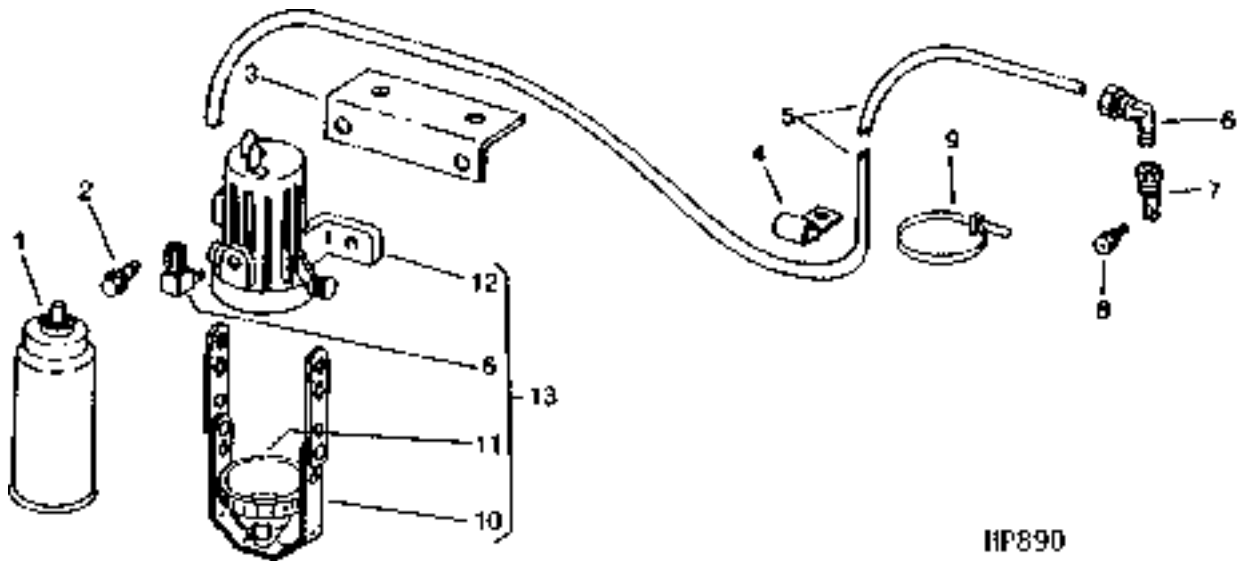
H32792

KEY	PART NO.	PART NAME	QTY	SERIAL NO.	REMARKS
1	H87467	KNOB	1		
2	AH97872	LEVER	1		
3	34H290	SPRING PIN	1		3/16" X 2"
4	11H218	COTTER PIN	1		3/16" X 1-1/2"
5	H78110	WASHER	2		
6	H574B	SPRING	1		
7	H78111	RETAINER	2		
8	H77243	ARM	1		
9	R26524	CLIP	1		CLEVIS, R.H.
10	H77240	PIN	1		THROTTLE, UPPER
11	AH76121	BRACKET	1		
12	R26501	CLIP	2		CLEVIS, L.H.
13	H83348	ROD	1	-450000	(SUB H110199)
	H110199	ROD	1	-600000	INJECTION PUMP (DOUBLE BEND)
	H121847	HOOK BOLT	1	600001-	
14	24H1287	WASHER	1		9/32" X 5/8" X 0.065"
15	H28108	SWIVEL	1		
16	11H206	COTTER PIN	1		3/32" X 3/4"
17	H77244	PIN	1		
18	11H206	COTTER PIN	1		3/32" X 3/4"

# 1D5

HP890 -UN-01JAN94

## COLD WEATHER STARTING AID



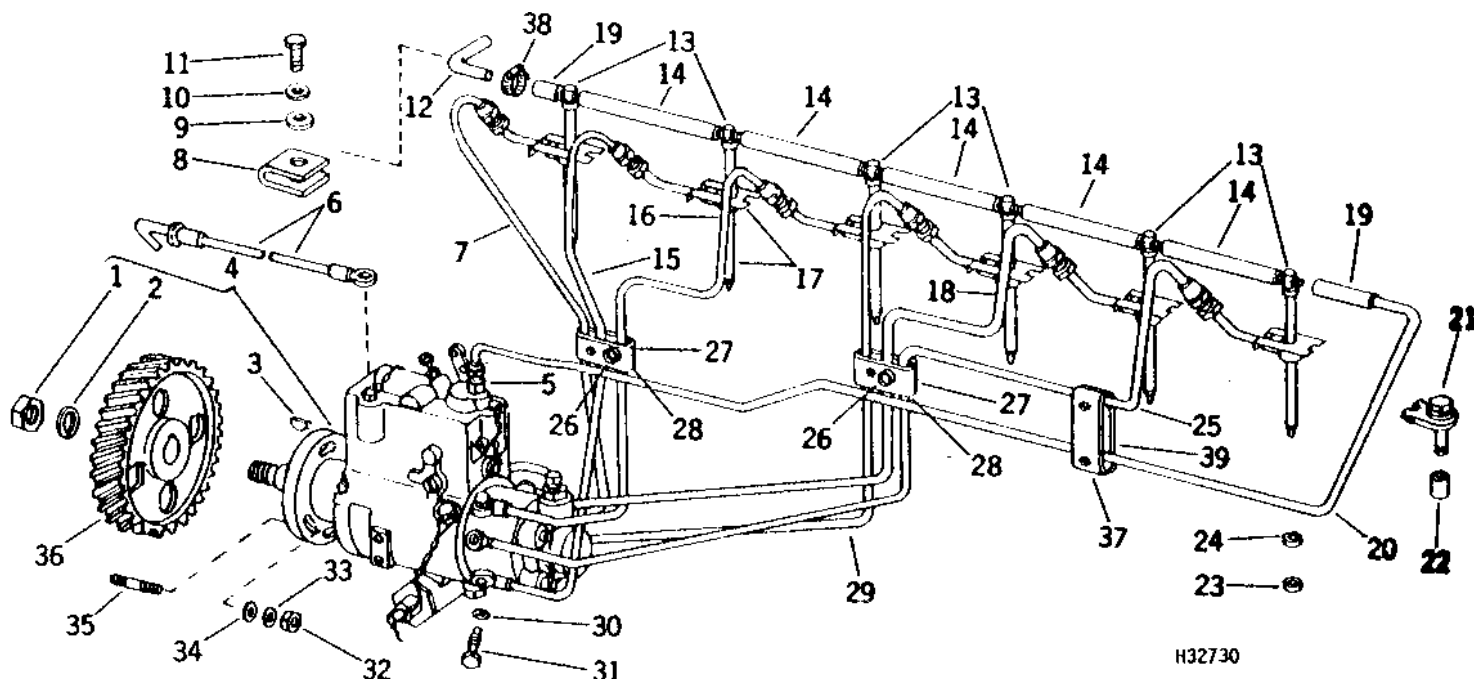
KEY	PART NO.	PART NAME	QTY	SERIAL NO.	REMARKS
1	AR27814	STARTING FLUID	1		
2	H76139	SCREW	2		
3	H89659	BRACKET	1	-401580	(SUB H103273)
4	H103273	BRACKET	1		
5	T32231	CLAMP	1		INSULATED
6	H86108	LINE	1		STARTING FLUID
7	AT25266	ELBOW FITTING	2		
8	15H638	PIPE PLUG	2		1/8"
9	R47160	NOZZLE HOLDER	1		
10	R28583	NOZZLE	1		
11	M66044	TIE BAND	3		
12	AT57288	BAIL	1		
13	T46726	GASKET	1		
	.....	SOLENOID	1		(SUB AT39623)
	AT39623	SOLENOID	1		

# 1D6

FUEL AND AIR

FUEL INJECTION SYSTEM  
(6329DH)  
(ROOSA-MASTER NO. JDB635MD3055)  
(ENGINE SERIAL NO. -505383)

H32730 -UN-01JAN94



H32730

KEY	PART NO.	PART NAME	QTY	SERIAL NO.	REMARKS
1	R48599	NUT	1		
2	R48600	LOCK WASHER	1		
3	26H10	SHAFT KEY	1	5/32" X 5/8"	
4	AR79462	FUEL INJECTION PUMP	1	(ROOSA-MASTER NO. JDB635MD3055)	
5	T13201	ELBOW FITTING	1		
6	AR49907	WIRING LEAD	1	(INJECTION PUMP SHUT-OFF TERMINAL)	
7	AR68962	FUEL LINE	1	(FUEL INJECTION NO. 1)	
8	T13913	CLIP	1		
9	R64764	WASHER	1	(SUB FOR L186T)	
10	12H302	LOCK WASHER	1	1/4"	
11	19H2036	CAP SCREW	1	1/4" X 7/8"	
12	R56830	TUBE	1		
13	AT27622	CAP	6		
14	.....	HOSE	5	(CUT FROM AT32064)	
15	AR68963	FUEL LINE	1	(FUEL INJECTION NO. 2)	
16	AR68964	FUEL LINE	1	(FUEL INJECTION NO. 3)	
17	AR88239	INJECTION NOZZLE	6	(ROOSA-MASTER NO. 22042)	
18	AR68966	FUEL LINE	1	(FUEL INJECTION NO. 5)	
19	.....	HOSE	2	35.6 MM (1.40") (CUT FROM AT32064)	
20	AR49915	FUEL LINE	1	(FUEL INJECTION PUMP LEAK-OFF)	
21	R34760	CLAMP	6		
22	R34761	SPACER	6	(SUB (6) RE13887, THIS APPLICATION)	
	R60745	SPACER	6	(K)	
23	R48000	WASHER	6		
24	R60746	WASHER	6	(K) (USE WITH AR88239) (USE AFTER RE13887 HAS BEEN INSTALLED)	
25	AR68967	FUEL LINE	1	(FUEL INJECTION NO. 6)	
26	AR76704	SCREW	6		
27	R59297	HALF CLAMP	2		
	R59298	STRAP	2		
	R61145	STRAP	2		
28	R59297	HALF CLAMP	2		
29	AR68965	FUEL LINE	1	(FUEL INJECTION NO. 4)	
30	T20055	WASHER	12		
31	R26726	FITTING	6		
32	14H812	NUT	2	3/8"	
33	12H304	LOCK WASHER	2	3/8"	

(K) KIT RE13887

# 1D7

FUEL AND AIR

FUEL INJECTION SYSTEM - CONTINUED  
(6329DH)  
(ROOSA-MASTER NO. JDB635MD3055)  
(ENGINE SERIAL NO. -505383)

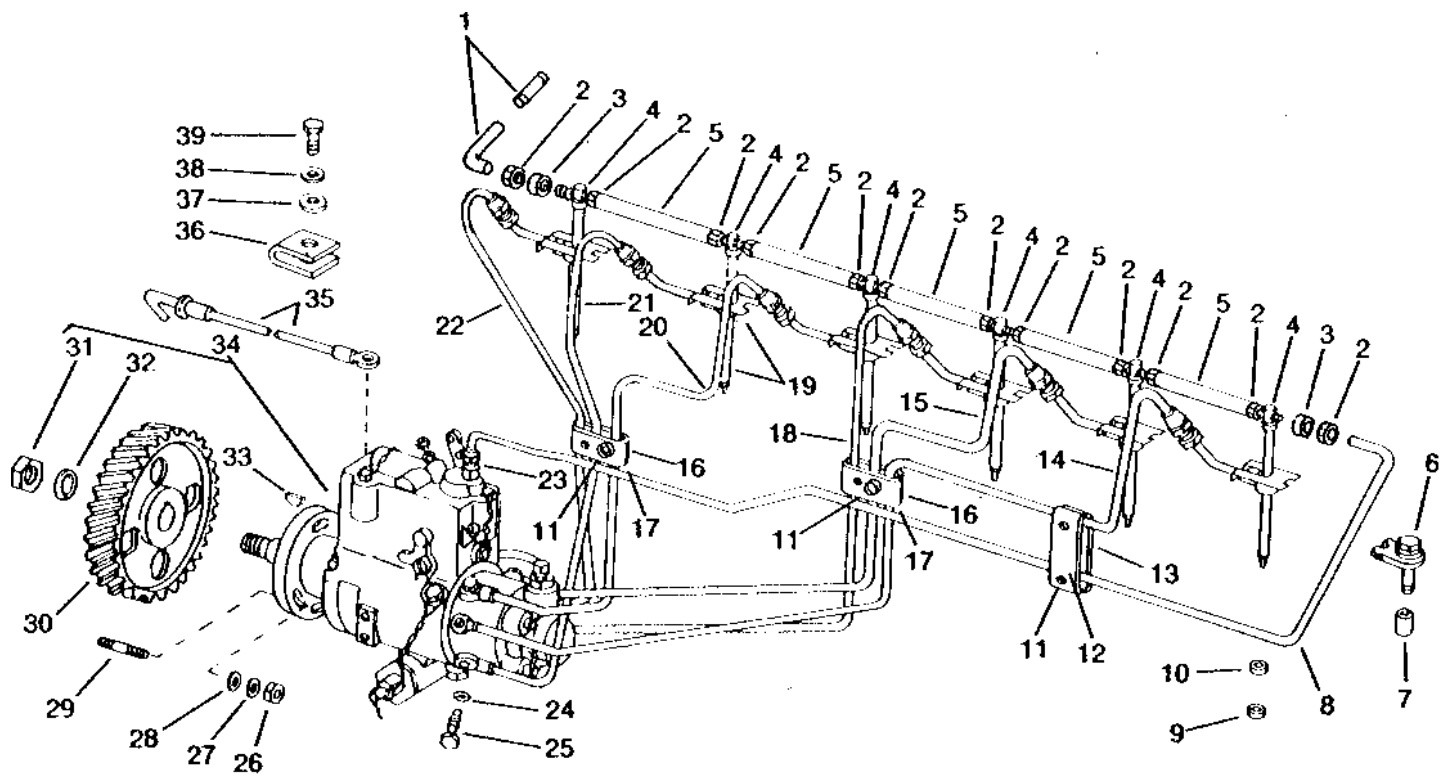
KEY	PART NO.	PART NAME	QTY	SERIAL NO.	REMARKS
34	24H1303	WASHER	2		
35	T20052	STUD	2		
36	T20165	GEAR	1		
37	R64810	CLAMP	1		
	R59298	STRAP	1		
	R61145	STRAP	1		
38	AR48236	CLAMP	1		
39	R64810	CLAMP	1		

# 1D8

FUEL AND AIR

FUEL INJECTION SYSTEM  
(6329DH)  
(ROOSA-MASTER NO. JDB635MD3055)  
(ENGINE SERIAL NO. 505384- )

TP241 -UN-01JAN94



TP241



# 1D9

FUEL AND AIR

FUEL INJECTION SYSTEM - CONTINUED  
 (6329DH)  
 (ROOSA-MASTER NO. JDB635MD3055)  
 (ENGINE SERIAL NO. 505384- )

KEY	PART NO.	PART NAME	QTY	SERIAL NO.	REMARKS
1	R71742	TUBE	1		(SUB FOR R56830, THIS APPLICATION)
2	R51937	TUBE NUT	13		
3	R51936	PACKING	12		
4	AR85618	CAP	6		(SUB (6) R79604, (6) R79605 AND (6) R79606)
5	R66090	TUBE	5		
6	R34760	CLAMP	6		
7	R34761	SPACER	6	-608907	(SUB (6) RE13887, THIS APPLICATION)
	R60745	SPACER	6	608908-	(K)
8	AR89960	FUEL LINE	1		
9	R48000	WASHER	6		
10	R60746	WASHER	6		(K) (USE WITH AR88239) (USE AFTER RE13887 HAS BEEN INSTALLED)
	R34764	WASHER	6	-608907	(USE WITH AR89564) (SUB (6) RE13887, THIS APPLICATION)
11	AR76704	SCREW	6		
12	R64810	CLAMP	1		
	R59298	STRAP	1		
13	R64810	CLAMP	1		
	R61145	STRAP	1		
14	AR68967	FUEL LINE	1		(NO. 6)
15	AR68966	FUEL LINE	1		(NO. 5)
16	R59297	HALF CLAMP	2		
	R61145	STRAP	2		
17	R59297	HALF CLAMP	2		
	R59298	STRAP	2		
18	AR68965	FUEL LINE	1		(NO. 4)
19	AR88239	INJECTION NOZZLE	6	-575164	(SUB AR89564)
	AR89564	INJECTION NOZZLE	6		
20	AR68964	FUEL LINE	1		(NO. 3)
21	AR68963	FUEL LINE	1		(NO. 2)
22	AR68962	FUEL LINE	1		(NO. 1)
23	T13201	ELBOW FITTING	1		
24	T20055	WASHER	12		
25	R26726	FITTING	6		
26	14H812	NUT	2		3/8"
27	12H304	LOCK WASHER	2		3/8"
28	24H1303	WASHER	2		13/32" X 11/16" X 0.065"
29	T20052	STUD	2		
30	T20165	GEAR	1		
31	R48599	NUT	1		
32	R48600	LOCK WASHER	1		
33	26H10	SHAFT KEY	1		5/32" X 5/8"
34	AR79462	FUEL INJECTION PUMP	1		(ROOSA-MASTER NO. JDB635M03055)
35	AR49907	WIRING LEAD	1		
36	T13913	CLIP	1		
37	L186T	WASHER	1		
38	12H302	LOCK WASHER	1		1/4"
39	19H2036	CAP SCREW	1		1/4" X 7/8"

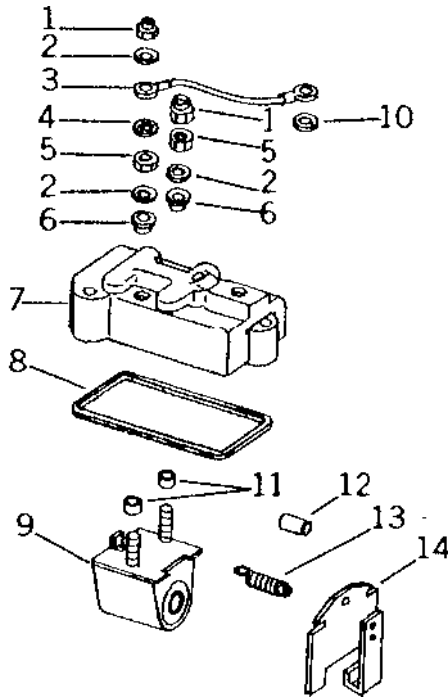
(K) KIT RE13887

# 1D10

FUEL AND AIR

## FUEL INJECTION PUMP ELECTRIC SHUT-OFF (6329DH) (ROOSA- MASTER)

T20527 -UN-01JAN94



T 20527

KEY	PART NO.	PART NAME	QTY	SERIAL NO.	REMARKS
1	T19977	LOCK NUT	2	(B) (C)	
2	R47049	WASHER	3	(B) (C) (SUB AR90601)	
3	R66593	STRAP	1	(GROUNDING) (SUB FOR AR49542) (SUB AR50874)	
4	R47077	LOCK WASHER	1		
5	T11938	NUT	2	(SUB AR90601)	
6	T11936	WASHER	2	(B) (C) (SUB AR90601)	
7	R37139	COVER	1	(B)	
8	T11918	GASKET	1	(A) (B)	
9	AR48219	SOLENOID	1	(B) (C) (SUB AR90340, THIS APPLICATION)	
10	12H295	LOCK WASHER	1	0.190"	
11	T11937	INSULATOR	2	(B) (C)	
12	R48795	SLEEVE	1		
13	T11935	SPRING	1	(B) (C)	
14	AT11524	ARM	1	(B) (C) (SUB AR90340, THIS APPLICATION)	
..	AR79462	FUEL INJECTION PUMP	1	(ROOSA-MASTER NO. JDB635MD3055)	
..	AR34612	GASKET KIT	1	OVERHAUL GASKET	
..	AR49543	COVER	1	(SUB AR90340, THIS APPLICATION)	
..	AR87068	KIT	1	(SUB FOR AR51796) (SUB AR90340, THIS APPLICATION)	

KIT LISTED BELOW CONSISTS OF ALL PARTS IDENTIFIED BY AN (A) ON THIS PAGE AND PAGES 30-4, 30-7, 30-10, 30-14, 30-20, AND 30-21.

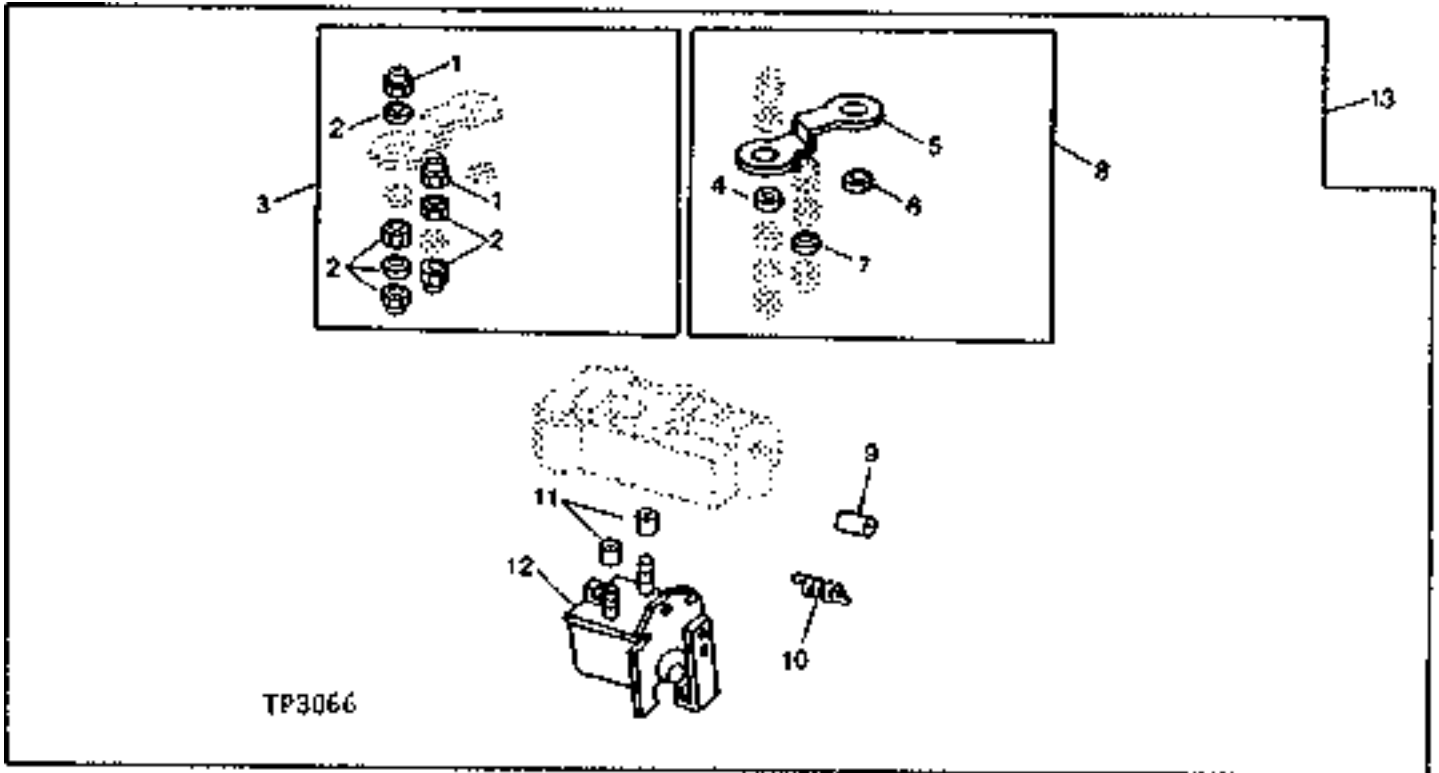
ASSEMBLY LISTED BELOW CONSISTS OF ALL PARTS IDENTIFIED BY A (B).

ASSEMBLY LISTED BELOW CONSISTS OF ALL PARTS IDENTIFIED BY A (C).

# 1D11

## FUEL INJECTION PUMP ELECTRIC SHUT-OFF KIT (6329DH) (ROOSA-MASTER)

TP3066 -UN-01JAN94

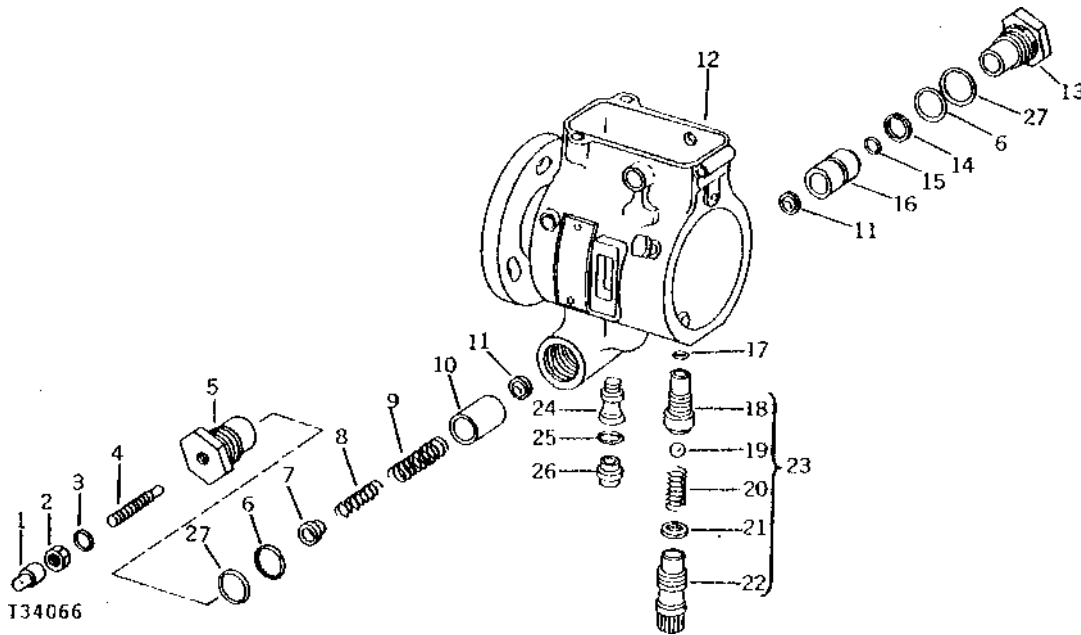


KEY	PART NO.	PART NAME	QTY	SERIAL NO.	REMARKS
1	T19977	LOCK NUT	2		
2	.....	WASHER	1		(SUB AR90601)
3	AR90601	KIT	1		NUT AND WASHER
4	R47077	LOCK WASHER	1		
5	.....	STRAP	1		(SUB AR50874)
6	12H295	LOCK WASHER	1		0.190"
7	.....	WASHER	1		(SUB AR50874)
8	AR50874	KIT	1		GROUND STRAP
9	R48795	SLEEVE	1		
10	T11935	SPRING	1		
11	T11937	INSULATOR	2		
12	.....	SOLENOID	1		
13	AR90340	KIT	1		
..	AR79462	FUEL INJECTION PUMP	1		(ROOSA-MASTER NO. JDB635MD3055)

# 1D12

## FUEL INJECTION PUMP AUTOMATIC ADVANCE (6329DH) (ROOSA-MASTER)

T34066 -UN-01JAN94



KEY	PART NO.	PART NAME	QTY	SERIAL NO.	REMARKS
1	T17117	CAP	1		
2	T17122	NUT	1		
3	R76578	O-RING	1		(K) (SUB FOR T11915)
4	T17123	SET SCREW	1		
5	T17126	PLUG	1		
6	T15710	O-RING	2		(K)
7	T17125	GUIDE	1		
8	T24415	SPRING	1		(COLORED RED)
9	R49238	SPRING	1		(COLORED BLACK AND BROWN)
10	R74325	PISTON	1		(SUB FOR T17120, THIS APPLICATION)
11	T15705	WASHER	2		
12	AR67675	HOUSING	1		
13	R74310	PLUG	1		(SUB FOR R49212, THIS APPLICATION)
14	R49211	WASHER	1		
15	R34635	WASHER	1		(K)
16	T19863	PISTON	1		
17	T11899	O-RING	2		(K)
18	R48604	PLUG	1		(SUB AR51712)
19	T17137	BALL	1		(SUB AR51712)
20	R48601	SPRING	1		(SUB AR51712)
21	R48603	WASHER	1		(SUB AR51712)
22	R48602	SCREW	1		(SUB AR51712)
23	AR51712	SCREW	1		
24	R36646	SCREW	1		
25	T15712	O-RING	1		(K)
26	R40707	PLUG	1		(SUB FOR T15711, THIS APPLICATION)
27	R56396	O-RING	2		
..	AR79462	FUEL INJECTION PUMP	1		(ROOSA-MASTER NO. JDB635MD3055)

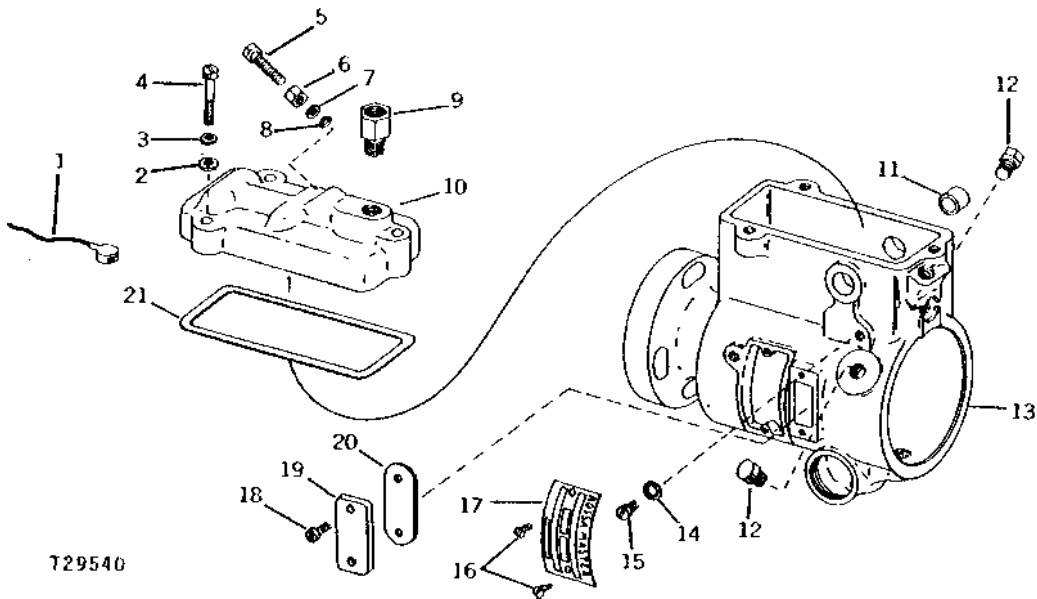
(K) KIT AR34612

# 1D13

FUEL AND AIR

## FUEL INJECTION PUMP HOUSING (6329DH) (ROOSA-MASTER)

T29540 -UN-01JAN94



KEY	PART NO.	PART NAME	QTY	SERIAL NO.	REMARKS
1	T11877	WIRE	4		
2	T15715	WASHER	3		
3	12H295	LOCK WASHER	3	0.190"	
4	T15721	SCREW	3		
	R71851	SCREW	2		
5	T17953	CAP SCREW	1		
6	T11921	NUT	1		
7	T17947	WASHER	1		
8	R34812	O-RING	1		(A) (SUB FOR T17951 AND T11906)
9	R36535	CHECK VALVE	1		
10	R37139	COVER	1		
11	R48493	BUSHING	2		
12	R30714	BOLT	2		
13	AR67675	HOUSING	1		
14	T11878	WASHER	1	(A)	
15	T11930	SCREW	1		
16	T11876	SCREW	2		
17	T11875	IDENTIFICATION PLATE	1		
18	T11884	SCREW	4		
19	T11882	COVER	2		
20	T11883	GASKET	2	(A)	
21	T11918	GASKET	1	(A)	
..	AR79462	FUEL INJECTION PUMP	1	(ROOSA-MASTER NO. JDB635MD3055)	

KIT LISTED BELOW CONSISTS OF ALL PARTS IDENTIFIED BY AN (A) ON THIS PAGE AND PAGES 30-4, 30-7, 30-10, 30-14, 30-15, AND 30-21.

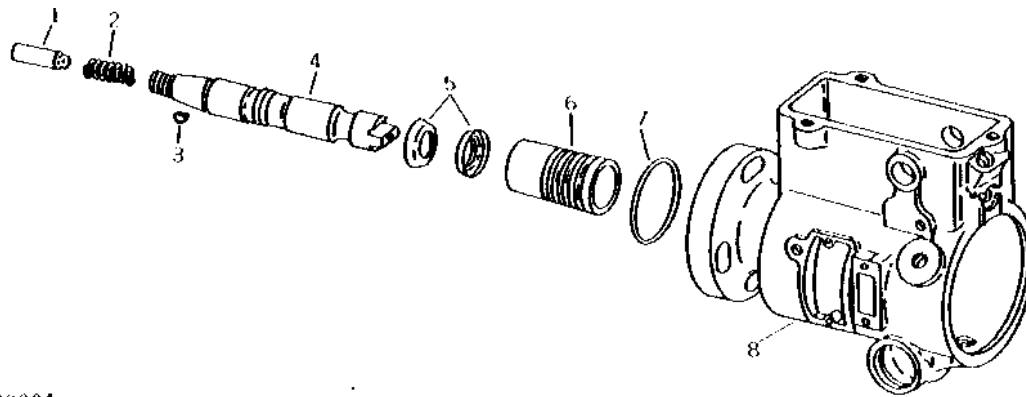
..	AR34612	GASKET KIT	1	OVERHAUL GASKET	
----	---------	------------	---	-----------------	--

# 1D14

FUEL AND AIR

## FUEL INJECTION PUMP DRIVE (6329DH) (ROOSA-MASTER)

T29294 -UN-01JAN94



129294

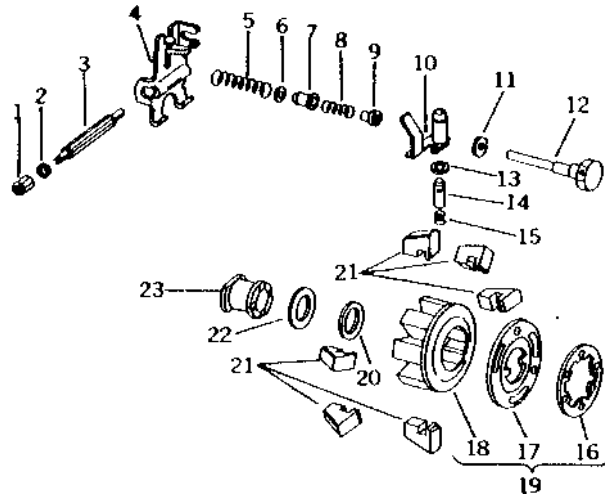
KEY	PART NO.	PART NAME	QTY	SERIAL NO.	REMARKS
1	T19855	PIN	1		
2	R36540	SPRING	1		
3	26H10	SHAFT KEY	1	5/32" X 5/8"	
4	R36538	DRIVE SHAFT	1		
5	T11290	SEAL	2	(A)	
6	T19865	BUSHING	1		
7	T19854	O-RING	1	(A)	
8	AR67675	HOUSING	1		
..	AR79462	FUEL INJECTION PUMP	1	(ROOSA-MASTER NO. JDB635MD3055)	
KIT LISTED BELOW CONSISTS OF ALL PARTS IDENTIFIED BY AN (A) ON THIS PAGE AND PAGES 30-4, 30-7, 30-10, 30-14, 30-15, AND 30-20.					
..	AR34612	GASKET KIT	1	OVERHAUL GASKET	

# 1D15

FUEL AND AIR

## FUEL INJECTION PUMP GOVERNOR (6329DH) (ROOSA-MASTER)

T20274 -UN-01JAN94



KEY	PART NO.	PART NAME	QTY	SERIAL NO.	REMARKS
1	T11932	NUT	2		
2	R34812	O-RING	2	(A)	
3	T11925	SHAFT	1		
4	T16602	ARM	1		
5	T11953	SPRING	1	(COLORED RED AND GREEN)	
6	T17952	WASHER	1		
7	T11924	RETAINER	1		
8	T11913	SPRING	1		
9	T11914	GUIDE	1		
10	R74312	ARM	1	(SUB FOR AR30736, THIS APPLICATION)	
11	T11943	WASHER	1	(A)	
12	T11923	STUD	1		
13	R30732	SHIM	1		
14	R48500	VALVE	1		
15	R58422	SPRING	1		
16	R42483	RING	1	(A)	
17	AR63213	HUB	1		
18	AR63212	RETAINER	1		
19	AR51959	RETAINER	1		
20	T11931	RING	1		
21	T11910	WEIGHT	6		
22	T11909	WASHER	1		
23	R74472	SLEEVE	1	(SUB FOR T16601)	
..	AR79462	FUEL INJECTION PUMP	1	(ROOSA-MASTER NO. JDB635MD3055)	
KIT LISTED BELOW CONSISTS OF ALL PARTS IDENTIFIED BY AN (A) ON THIS PAGE AND PAGES 30-4, 30-7, 30-10, 30-14, 30-15, 30-20, AND 30-21.					
..	AR34612	GASKET KIT	1	OVERHAUL GASKET	

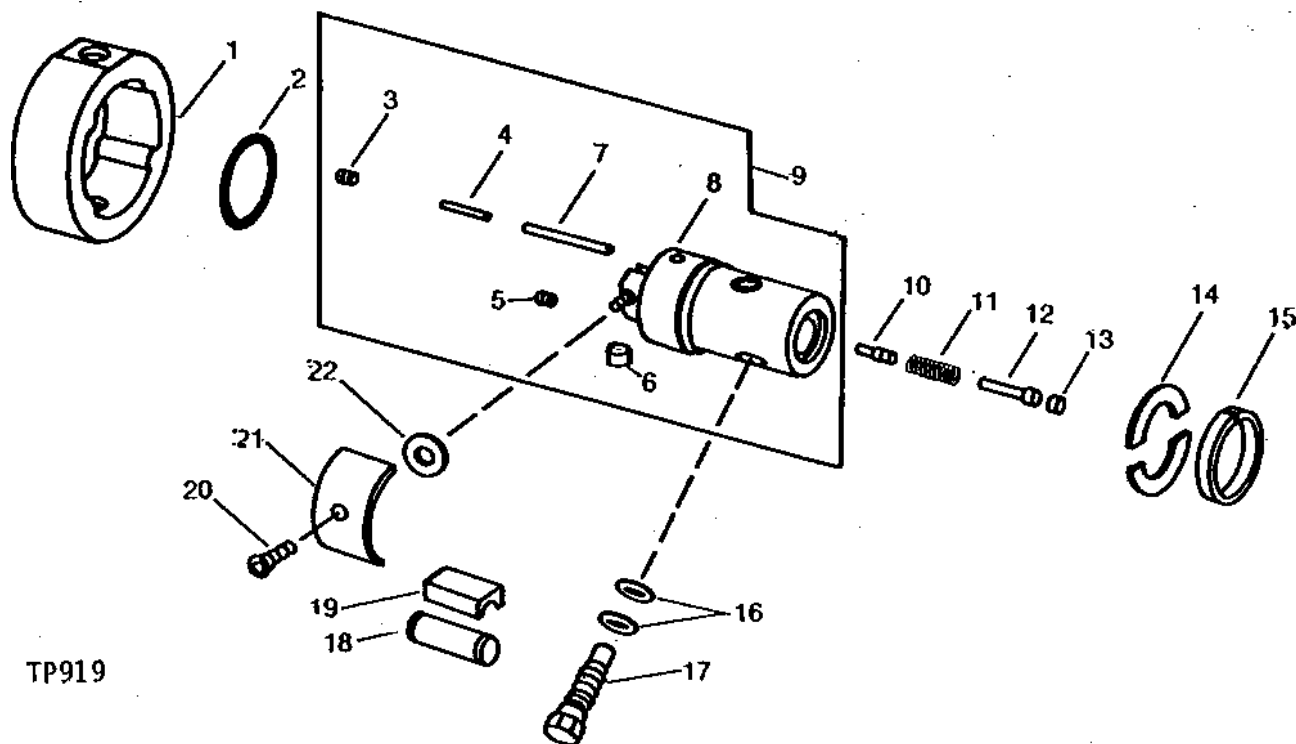
# 1D16

FUEL AND AIR

## FUEL INJECTION PUMP HEAD AND ROTOR GROUP (6329DH)

TP919

-UN-01JAN94



TP919

KEY	PART NO.	PART NAME	QTY	SERIAL NO.	REMARKS
1	R48494	RING	1		
2	T11891	O-RING	1		(A)
3	R30725	SCREW	2		HYDRAULIC HEAD PLUG
4	R48495	WIRE	1		(DH-01, DN-03)
	R49346	DOWEL PIN	1		(DH-02)
5	T11926	SET SCREW	1		
6	T32238	PLUNGER	2		(ROTOR A)
	T32239	PLUNGER	2		(ROTOR B)
	T32240	PLUNGER	2		(ROTOR C)
	T32241	PLUNGER	2		(ROTOR D)
7	R30727	RETAINER	1		
8	.....	ROTOR	1		(SUB AR52269)
9	AR52269	HYDRAULIC HEAD, AND ROTOR	1		HEAD AND ROTOR ASSEMBLY
10	T31129	VALVE	1		(DH-01, DH-02, DN-03) (SUB FOR R30762, THIS APPLICATION)
	R31125	VALVE	1		(OVERSIZE) (DH-01, DN-03)
11	R30735	SPRING	1		DELIVERY VALVE
12	T26223	STOP	1		
13	R30737	SCREW	1		
14	T11890	RETAINER	2		
15	T11889	SNAP RING	1		
16	T20055	WASHER	12		(A)
17	R26726	FITTING	6		
18	T11886	NEEDLE ROLLER	2		
19	R56483	SHOE	1		
20	T11887	SCREW	1		
21	R30724	LEAF SPRING	1		
22	T31124	SHIM	AR		0.13 MM (0.005")
	T31125	SHIM	AR		0.16 MM (0.006")
	T31126	SHIM	AR		0.18 MM (0.007")
	T31127	SHIM	AR		0.20 MM (0.008")
	T31128	SHIM	AR		0.23 MM (0.009")
..	AR79462	FUEL INJECTION PUMP	1		(ROOSA-MASTER NO. JDB635MD3055)

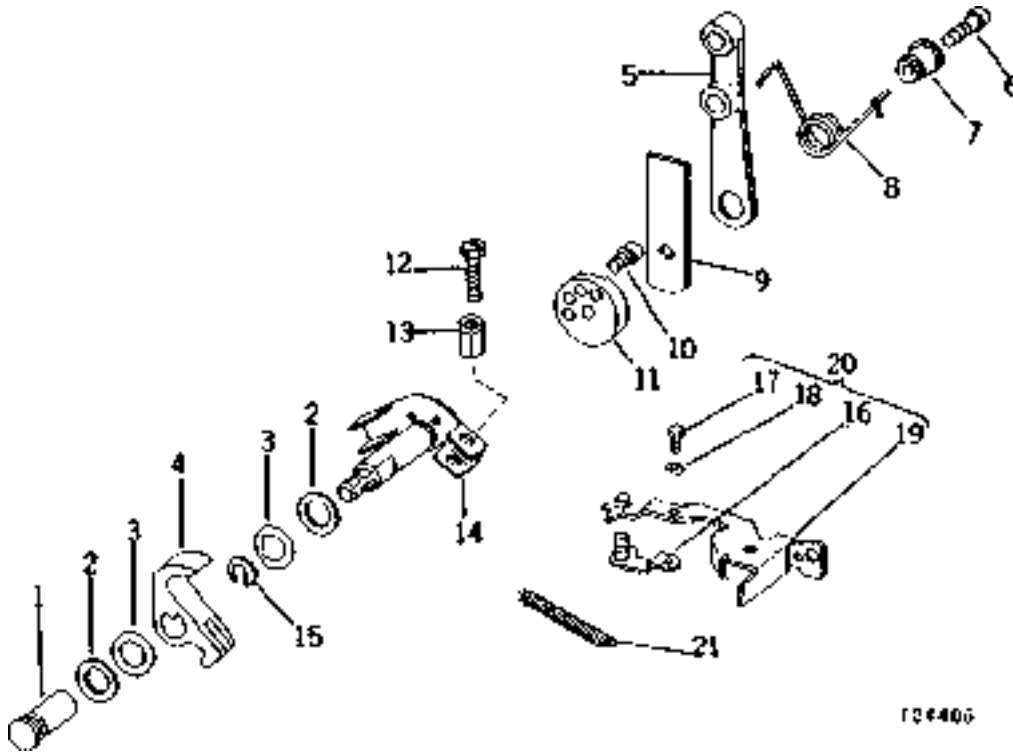


# 1D17

FUEL AND AIR

## FUEL INJECTION PUMP LINKAGE (6329DH)

T24406 -UN-01JAN94

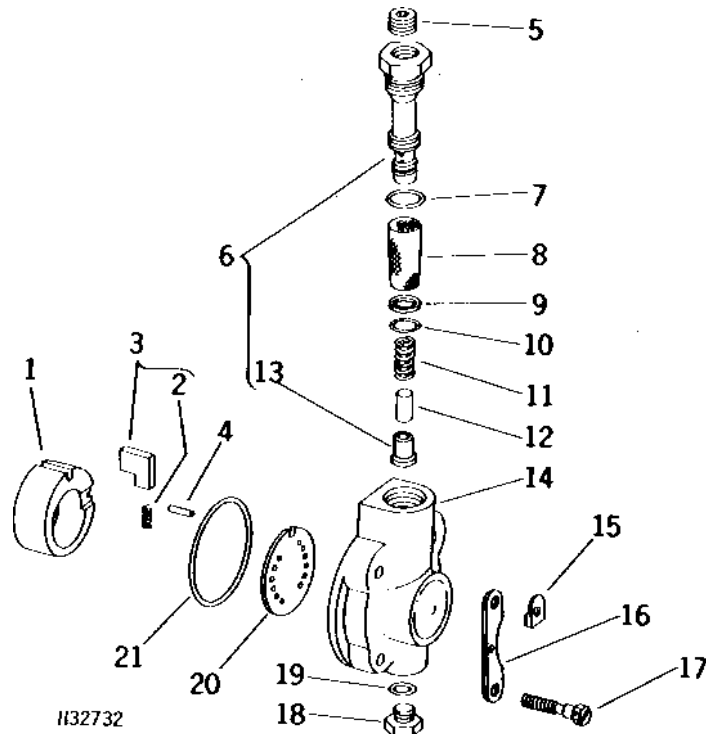


KEY	PART NO.	PART NAME	QTY	SERIAL NO.	REMARKS
1	R59079	SHAFT	1		
2	T15720	WASHER	2	(A)	
3	R76578	O-RING	2	(A) (SUB FOR T11915)	
4	T11927	LEVER	1		
5	T19858	LEVER	1		
6	R70513	SCREW	1	(SUB FOR T19859, THIS APPLICATION)	
7	T17950	RETAINER	1		
8	T17949	SPRING	1		
9	T19860	STRAP	1		
10	T11917	SCREW	1		
11	T19861	SPACER	1		
12	T11920	SCREW	1		
13	T19862	NUT	1		
14	R36542	SHAFT	1		
15	T11929	CLIP	1		
16	AR28602	LINK	1		
17	R30718	SCREW	1		
18	R30719	LOCK WASHER	1		
19	T15699	HOOK	1		
20	AT11520	HOOK	1		
21	T11911	SPRING	1		
..	AR79462	FUEL INJECTION PUMP	1	(ROOSA-MASTER NO. JDB635MD3055)	
KIT LISTED BELOW CONSISTS OF ALL PARTS IDENTIFIED BY AN (A) ON THIS PAGE AND PAGES 30-4, 30-7, 30-14, 30-15, 30-20, AND 30-21.					
..	AR34612	GASKET KIT	1	OVERHAUL GASKET	

# 1D18

## FUEL INJECTION PUMP TRANSFER GROUP (6329DH) (ROOSA-MASTER)

H32732 -UN-01JAN94



H32732

KEY	PART NO.	PART NAME	QTY	SERIAL NO.	REMARKS
1	T26238	SLEEVE	1		
2	R34630	SPRING	2		
3	AR73828	KIT	1		TRANSFER PUMP BLADE, WITH SPRINGS (STANDARD SIZE)
	AR73829	KIT	1		TRANSFER PUMP BLADE, WITH SPRINGS (OVERSIZE)
4	34H240	SPRING PIN	1		1/8" X 1/4"
5	R34623	PLUG	1		
6	R34622	SLEEVE	1		
7	R33259	O-RING	1		(A)
8	R34625	STRAINER	1		
9	R34632	WASHER	1		(A)
10	T11899	O-RING	1		(A)
11	R49209	SPRING	1		(COLORED BLACK BOTH ENDS)
12	T11900	DOWEL PIN	1		
13	T25142	SEAL	1		(A)
14	R34624	PLATE	1		
15	R48496	CLIP	4		
16	R48497	STRAP	2		
17	R48498	BOLT	4		
18	T30607	DRAIN PLUG	1		(SUB FOR R34629, THIS APPLICATION)
19	T26256	O-RING	1		(A)
20	R34631	PLATE	1		
21	T11894	O-RING	1		(A)
..	AR79462	FUEL INJECTION PUMP	1		(ROOSA-MASTER NO. JDB635MD3055)
KIT LISTED BELOW CONSISTS OF ALL PARTS IDENTIFIED BY AN (A)					
..	AR34612	GASKET KIT	1		OVERHAUL GASKET

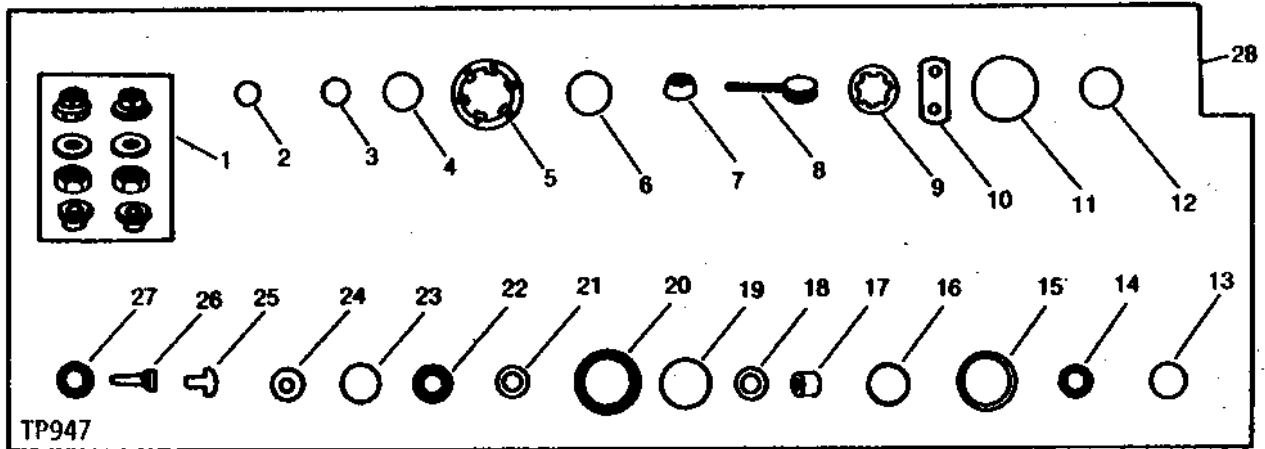
# 1D19

FUEL AND AIR

## FUEL INJECTION PUMP OVERHAUL GASKET KIT (6329DH) (ROOSA-MASTER)

TP947

-UN-01JAN94



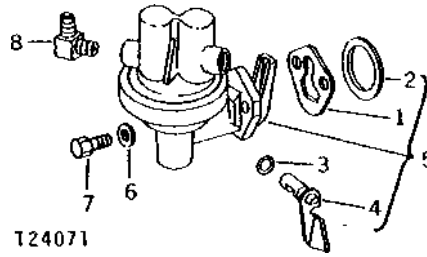
KEY	PART NO.	PART NAME	QTY	SERIAL NO.	REMARKS
1	AR90601	KIT	1		
2	R34632	WASHER	1		
3	R34635	WASHER	1		
4	R34812	O-RING	1		
5	R42483	RING	2		
6	R56396	O-RING	1		
7	T11290	SEAL	2		
8	T11877	WIRE	4		
9	T11878	WASHER	1		
10	T11883	GASKET	1		
11	T11891	O-RING	1		
12	T11894	O-RING	1		
13	T11899	O-RING	3		
14	R76578	O-RING	3		(SUB FOR T11915)
15	T11918	GASKET	1		
16	R33259	O-RING	1		
17	T11937	INSULATOR	2		
18	T11943	WASHER	1		
19	T15710	O-RING	2		
20	T15712	O-RING	1		
21	T15720	WASHER	2		
22	T11906	O-RING	1		(SUB FOR T17951)
23	T19854	O-RING	1		
24	T20055	WASHER	8		
25	T25142	SEAL	1		
26	T26223	STOP	1		
27	T26256	O-RING	1		
28	AR34612	GASKET KIT	1		

# 1D20

FUEL AND AIR

## AIRTEX FUEL TRANSFER PUMP (6329DH)

T24071 -UN-01JAN94



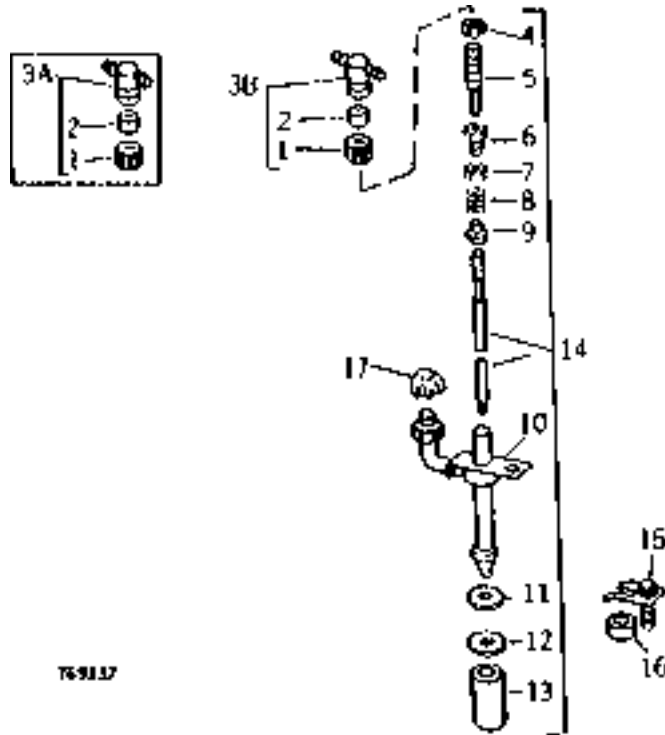
KEY	PART NO.	PART NAME	QTY	SERIAL NO.	REMARKS
1	R27285	GASKET	1		
2	R48399	WASHER	1		
3	A4365R	O-RING	1		
4	AR52556	LEVER	1		
5	AR52159	FUEL PUMP	1		
6	T27860	WASHER	2		(SUB FOR R20498, THIS APPLICATION)
7	19H1849	CAP SCREW	2		5/16" X 1-1/4"
8	R27346	FITTING	1		

# 1D21

FUEL AND AIR

FUEL INJECTION NOZZLE  
(6329DH)  
(ENGINE SERIAL NO. -575164)

T69197 -UN-01JAN94



KEY	PART NO.	PART NAME	QTY	SERIAL NO.	REMARKS
1	T29540	FITTING	1		(SUB R79604)
2	T29539	WASHER	1		(SUB R79605)
3A	AT27622	CAP	1	-505383	
3B	AR85618	CAP	1	505384-	(SUB R79604, R79605 AND R79606)
4	R47733	LOCK NUT	1		
5	R47732	SCREW	1		
6	R47734	SCREW	1		
7	R46675	NUT	1		
8	R47731	SPRING	1		
9	R39886	GUIDE	1		
10	R67779	CLAMP	1		
11	R60746	WASHER	1		
12	R48000	WASHER	1		(SUB FOR R34767)
13	T24472	PLUG	1		
14	AR88239	INJECTION NOZZLE	1		(ROOSA-MASTER NO. 22042) (SUB AR89564)
15	R34760	CLAMP	1		
16	R34761	SPACER	1		(SUB RE13887, THIS APPLICATION)
	R60745	SPACER	1		(K) (USE AFTER RE13887 HAS BEEN INSTALLED)
17	T31174	PLUG	1		(USE FOR SERVICING FUEL INJECTION NOZZLE)

(K) KIT RE13887

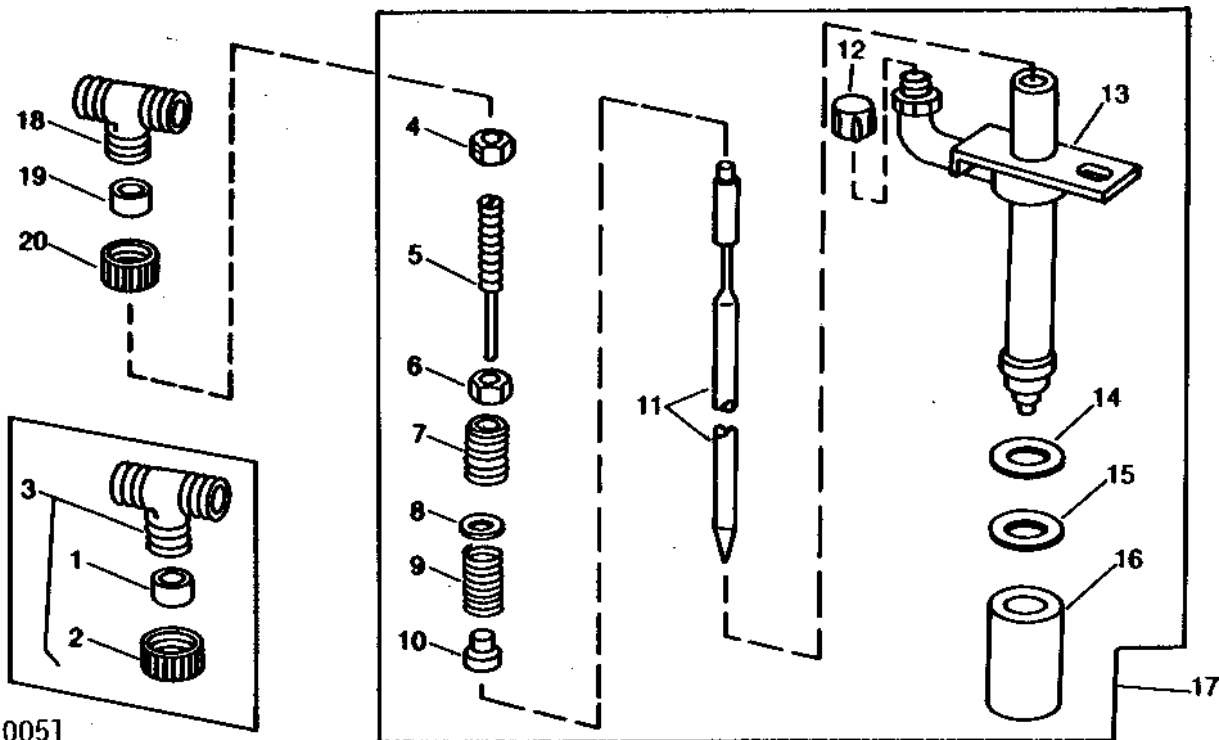
---

MEMORANDA

# 1D22

FUEL INJECTION NOZZLE  
(6329DH)  
(ENGINE SERIAL NO. 575165- )

TP10051 -UN-01JAN94



KEY	PART NO.	PART NAME	QTY	SERIAL NO.	REMARKS
1	T29539	WASHER	1		(SUB R79605)
2	T29540	FITTING	1		(SUB R79604)
3	AT27622	CAP	1	-505383	
	AR85618	CAP	1	505384-	(SUB R79604, R79605 AND R79606)
4	R47733	LOCK NUT	1		
5	R69443	SCREW	1		
6	R46675	NUT	1		
7	R62984	SCREW	1		
8	R62981	WASHER	1		
9	R69442	SPRING	1		
10	R62982	GUIDE	1		
11	.....	VALVE	1		(SUB AR89564)
12	T31174	PLUG	1		(USE FOR SERVICING NOZZLE)
13	R67779	CLAMP	1		
14	R34764	WASHER	1	-608907	(SUB RE13887, THIS APPLICATION)
	R60746	WASHER	1	608908-	(K)
15	R48000	WASHER	1		
16	T24472	CAP	1		
17	AR89564	INJECTION NOZZLE	1		(ROOSA-MASTER NO. 22202)
18	R79606	TEE FITTING	1		
19	R79605	WASHER	1		
20	R79604	TUBE NUT	1		

(K) KIT RE13887

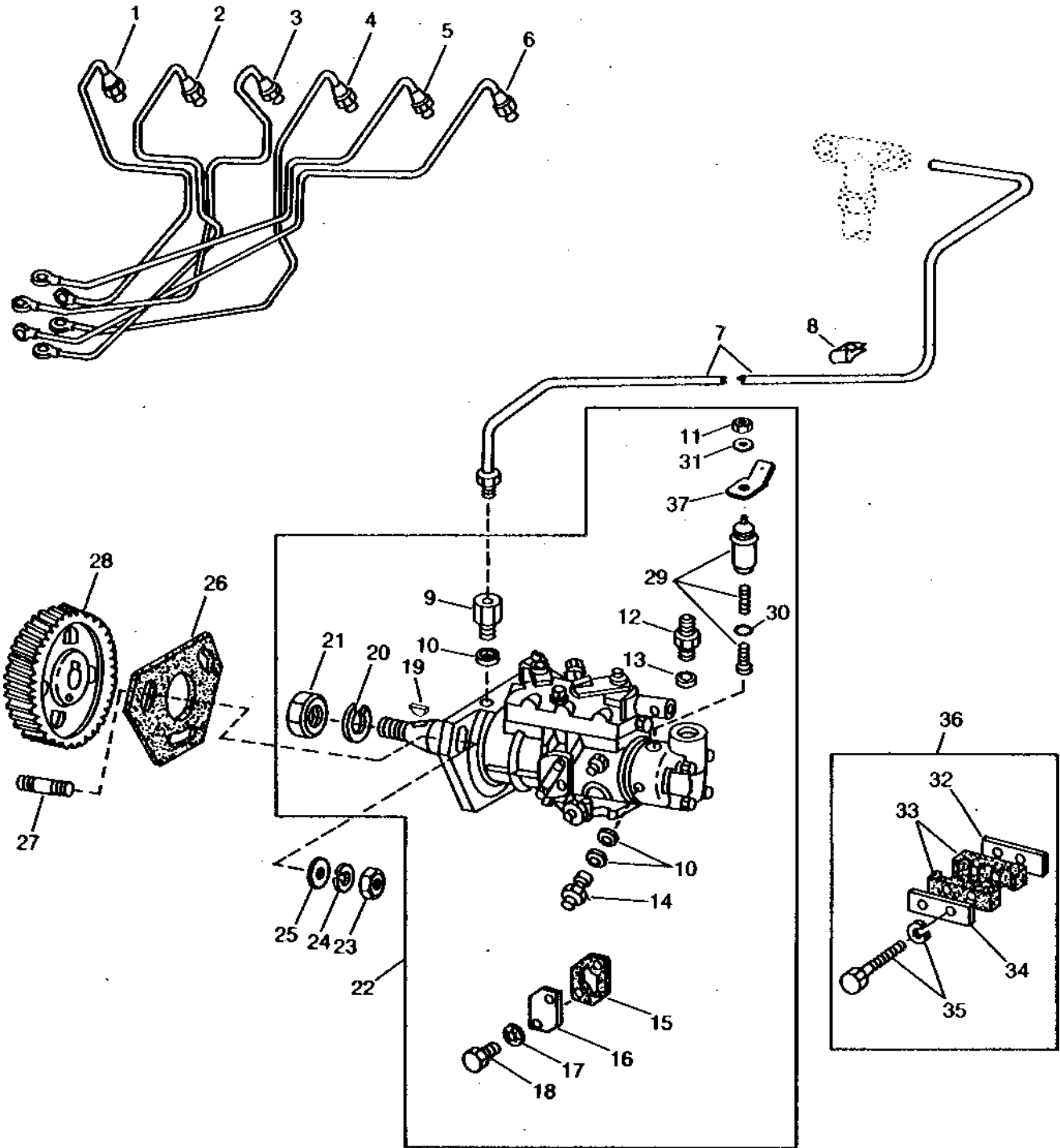
# 1D23

FUEL AND AIR

HP2302

-UN-01JAN94

## FUEL INJECTION PUMP AND LINES (ROTO-DIESEL) (6359DH)



HP2302



FUEL INJECTION PUMP AND LINES - CONTINUED  
(ROTO-DIESEL) (6359DH)

KEY	PART NO.	PART NAME	QTY	SERIAL NO.	REMARKS
1	AR67737	FUEL LINE	1	NO. 1	
2	AR67738	FUEL LINE	1	NO. 2	
3	AR67739	FUEL LINE	1	NO. 3	
4	AR67740	FUEL LINE	1	NO. 4	
5	AR67741	FUEL LINE	1	NO. 5	
6	AR67742	FUEL LINE	1	NO. 6	
7	AR89959	LINE	1	LEAK-OFF	
8	T29969	CLAMP	1		
9	RE11602	BALL CHECK	1		
10	T20055	WASHER	13		
11	R67150	NUT	1		
12	R79015	FITTING	1		
13	T24619	WASHER	1		
14	T29464	PEDAL	6		
15	T24543	GASKET	1		
16	T24542	COVER	1		
17	12H295	LOCK WASHER	2	0.190"	
18	T24544	SCREW	2		
19	R56131	SHAFT KEY	1		
20	12H317	LOCK WASHER	1	9/16"	
21	R78743	NUT	1		
22	RE18933	FUEL INJECTION PUMP	1	(ROTO-DIESEL NO. R3462F960)	
23	14H785	NUT	3	5/16"	
24	12H303	LOCK WASHER	3	5/16"	
25	24H1243	WASHER	3	11/32" X 5/8" X 1/16"	
26	R77126	GASKET	1		
27	T22242	SWIVEL	1		
28	R76964	PINION	1	(48 TEETH)	
29	RE14225	SOLENOID	1		
30	R67149	COVER	1		
31	12H295	LOCK WASHER	1	0.190"	
32	R61145	STRAP	1	(ALSO ORDER (2) AR76704)	
33	R59297	HALF CLAMP	2		
34	R59298	STRAP	1		
35	AR76704	SCREW	1	(ALSO ORDER R61145)	
36	DD13912	FLANGE	1		
37	CD13870	BLADE	AR	(MALE)	

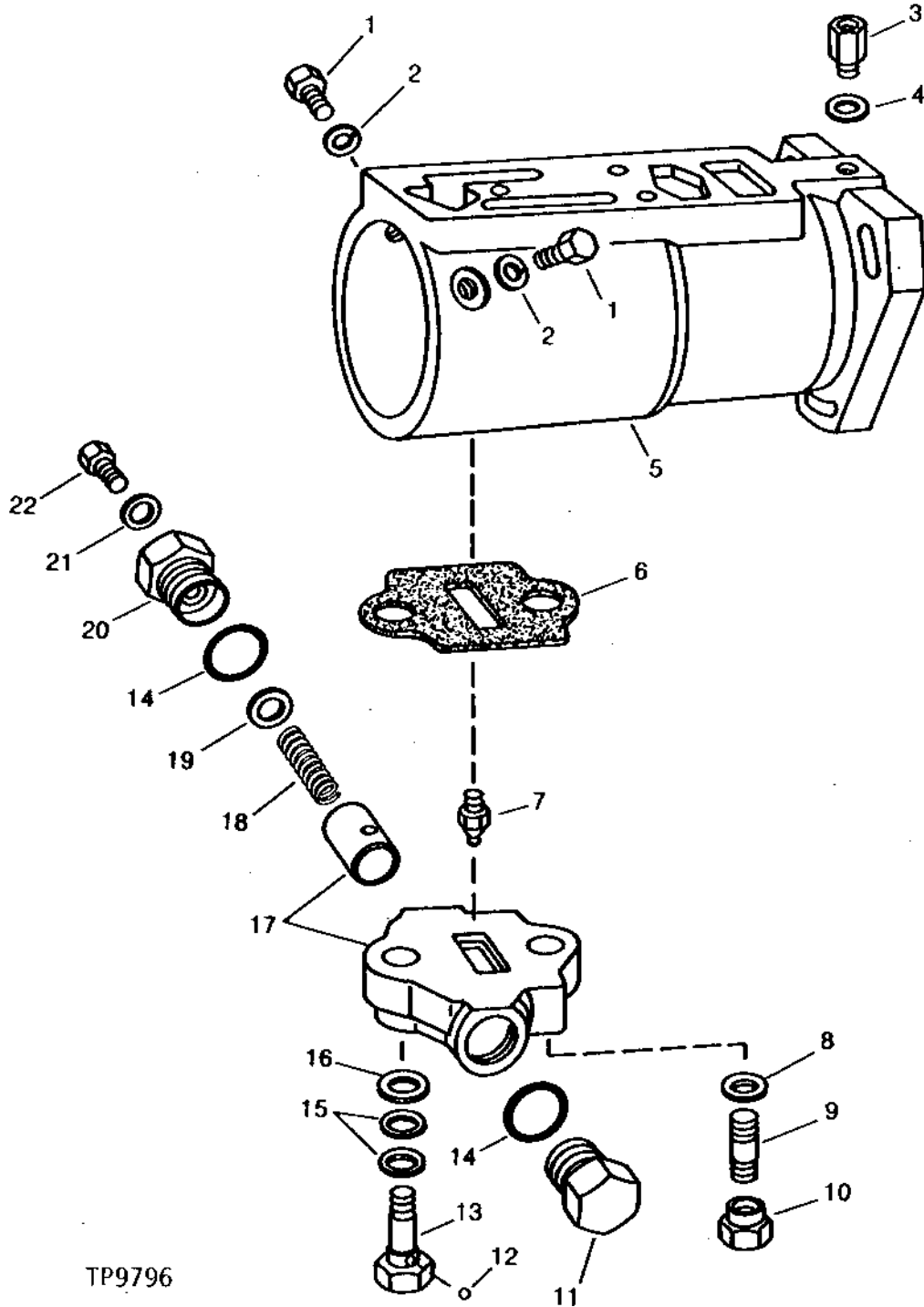
(A) EITHER PART ACCEPTABLE. CHECK LOCAL AVAILABILITY.

# 1E1

## FUEL INJECTION PUMP HOUSING AND AUTOMATIC ADVANCE (ROTO-DIESEL) (6359DH)

TP9796

-UN-01JAN94



TP9796

FUEL INJECTION PUMP HOUSING AND AUTOMATIC ADVANCE - CONTINUED  
(ROTO-DIESEL) (6359DH)

KEY	PART NO.	PART NAME	QTY	ENGINE SERIAL NO.	REMARKS
1	T24550	SCREW	1		
2	T24553	WASHER	2		
3	RE11602	BALL CHECK	1		
4	T20055	WASHER	1		
5	RE13783	HOUSING	1		
6	T24637	GASKET	1		
7	T24623	SCREW	1		
8	T24634	WASHER	1		
9	T24632	STUD	1		
10	T24633	FITTING	1		
11	T24625	PLUG	1		
12	T24652	BALL	1		
13	T24636	FITTING	1		
14	T24650	O-RING	1		
15	T24651	O-RING	1		
16	T24635	WASHER	1		
17	RE11598	HOUSING	1		
18	R63035	SPRING	1		
19	R73027	SHIM	AR	0.1 MM (.004")	
	T24628	SHIM	AR	0.2 MM (.008")	
	T24629	SHIM	AR	0.5 MM (.020")	
	T24630	WASHER	AR	1 MM (.040")	
	T24631	WASHER	AR	2 MM (.080")	
20	T24626	CAP	1		
21	T24627	WASHER	1		
22	T24649	SCREW	1		

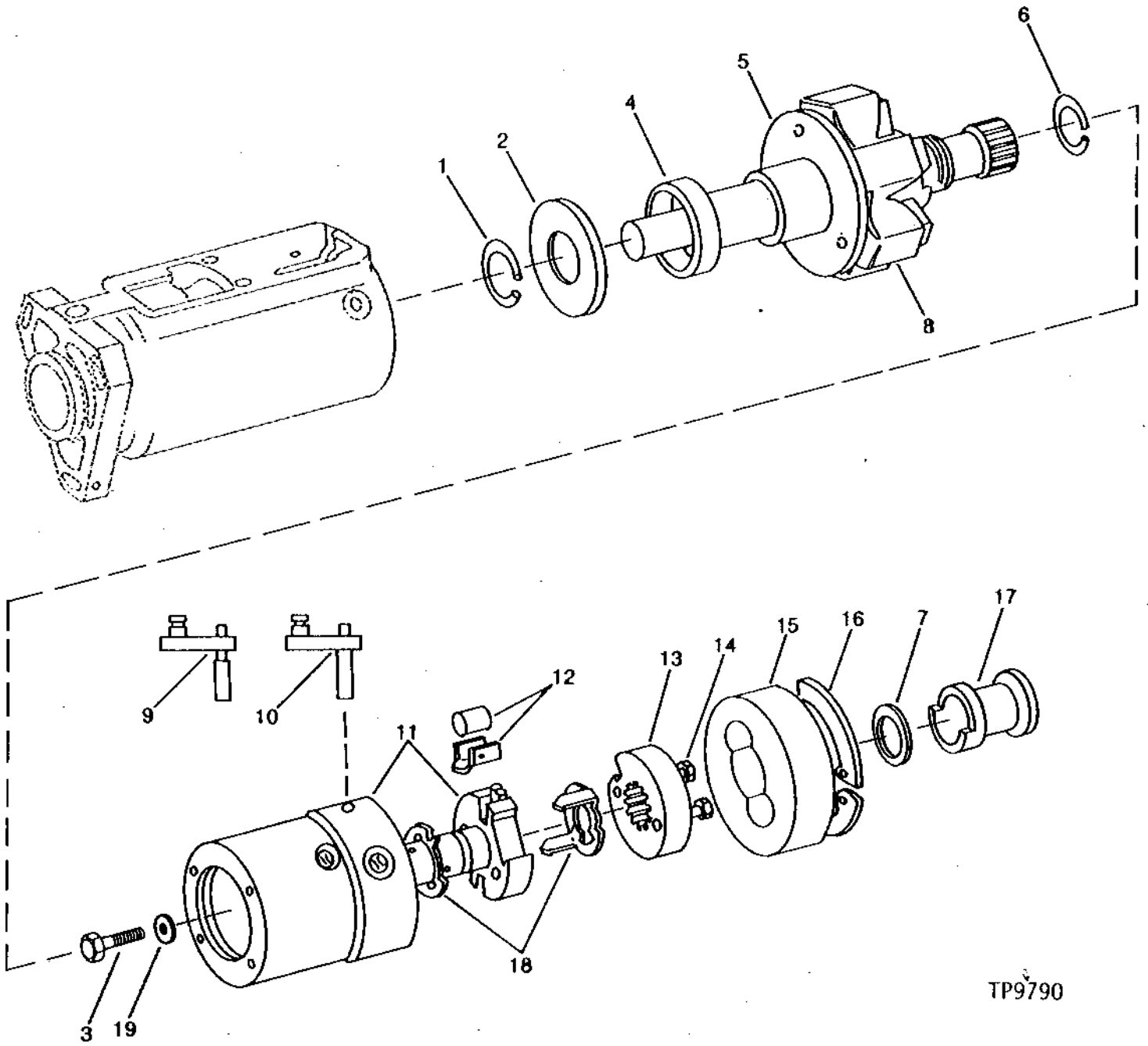
# 1E3

FUEL AND AIR

TP9790

-UN-01JAN94

## FUEL INJECTION PUMP HEAD, ROTOR AND DRIVE (ROTO-DIESEL) (6359DH)



TP9790

FUEL INJECTION PUMP HEAD, ROTOR AND DRIVE - CONTINUED  
(ROTO-DIESEL) (6359DH)

KEY	PART NO.	PART NAME	QTY	SERIAL NO.	REMARKS
1	R56135	SNAP RING	1		
2	R56136	WASHER	AR		
	R77683	WASHER	AR		TK = 2.18 MM (.086")
	R77684	WASHER	AR		TK = 2.31 MM (.097")
3	T24546	SCREW	1		
4	AT21738	GASKET	1		
5	RE13782	DRIVE SHAFT	1		
6	R56132	SNAP RING	1		
7	T24564	WASHER	2		
8	T24562	WEIGHT	4		
9	RE14226	VALVE	AR		STANDARD
10	RE14227	VALVE	AR		OVERSIZE
11	AR87378	HYDRAULIC HEAD, AND ROTOR	1		
12	RE14224	KIT	1		
13	T24558	PLATE	1		
14	T24559	SCREW	2		
15	R63102	RING	1		
16	R51799	SNAP RING	1		
17	R60373	SLEEVE	1		
18	AR93638	PLATE	1		(ADJUSTMENT)
19	T27761	WASHER	1		

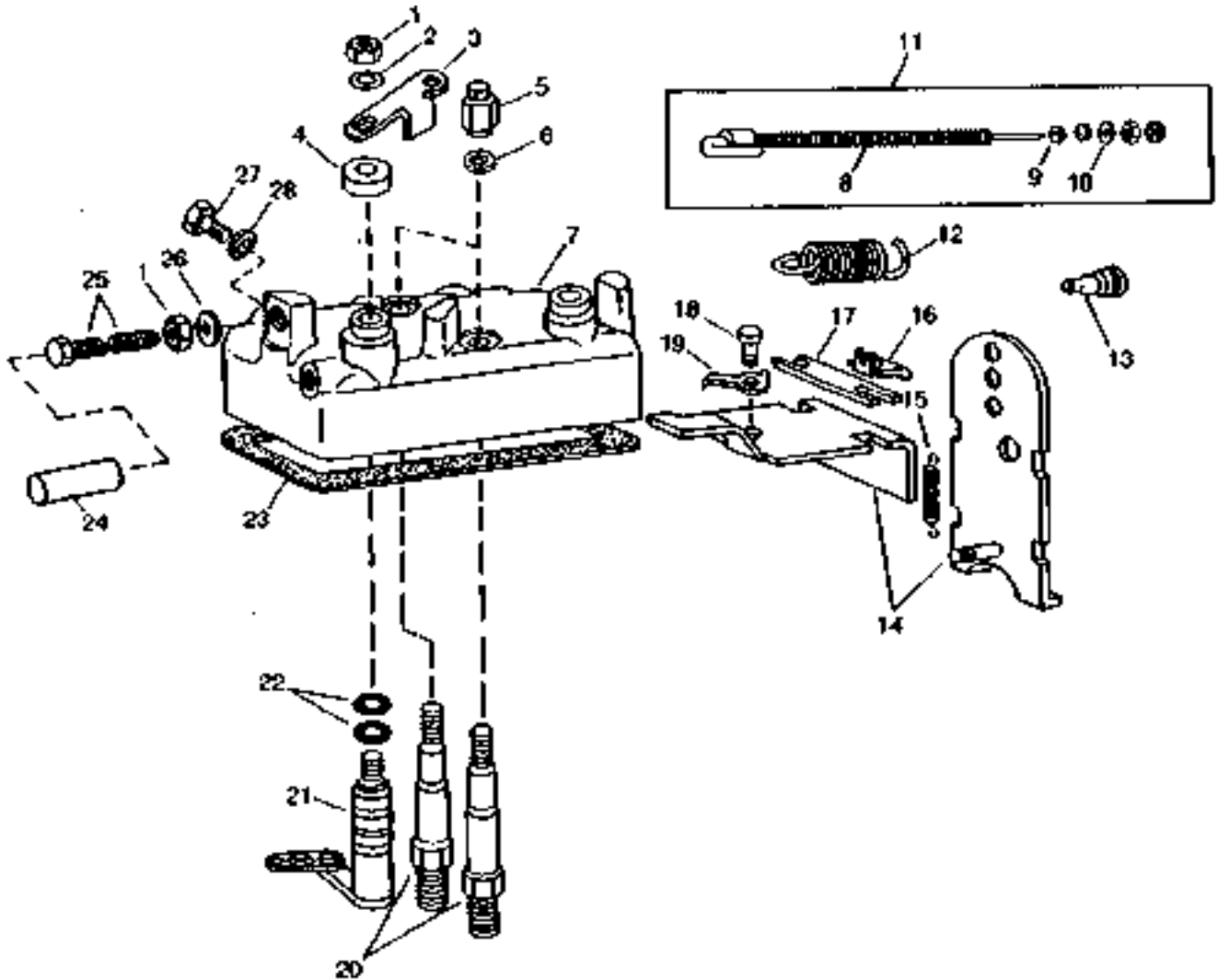
# 1E5

FUEL AND AIR

HP2303

-UN-01JAN94

## FUEL INJECTION PUMP LINKAGE AND COVER (ROTO-DIESEL) (6359DH)



HP2303

# 1E6

FUEL AND AIR

## FUEL INJECTION PUMP LINKAGE AND COVER - CONTINUED (ROTO-DIESEL) (6359DH)

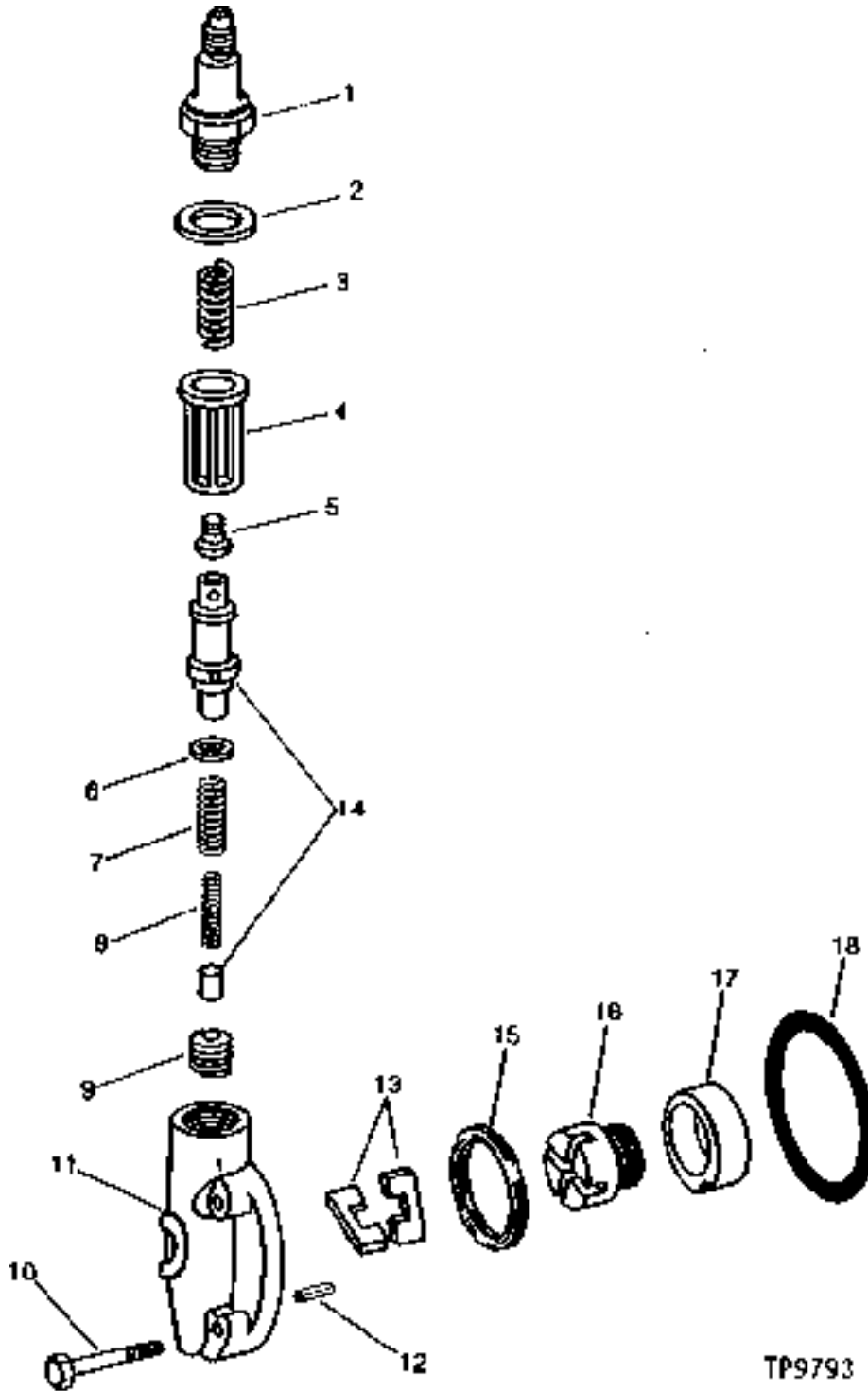
KEY	PART NO.	PART NAME	QTY	ENGINE SERIAL NO.	REMARKS
1	T24589	NUT	2		
2	12H295	LOCK WASHER	1	0.190"	
3	T24588	LEVER	1		
4	T24590	CAP	1		
5	T24598	NUT	2		
6	T24599	WASHER	2		
7	R67149	COVER	1		
8	T24577	BOLT	1	(SUB AT29461)	
9	T24581	WASHER	1	(SUB AT29461)	
10	T24583	WASHER	1	(SUB AT29461)	
11	AT29461	LINKAGE	1		
12	R50933	SPRING	1		
13	T24586	GUIDE	1		
14	RE16904	KIT	1		THROTTLE LEVER, BRACKET AND SPRING
15	T24576	SPRING	1		
16	T24596	WASHER	2		
17	T24595	PLATE	1		
18	R62077	CAP SCREW	1		
19	R62078	WASHER	1		
20	T24597	STUD	2		
21	AT21742	SHAFT	1		
22	T24647	O-RING	4		
23	R79541	GASKET	1		
24	R79016	COVER	1		
25	R80027	SCREW	1		
26	T24604	WASHER	2		
27	R80312	CAP SCREW	1		
28	R80313	WASHER	1		

# 1E7

TP9793

-UN-01JAN94

## FUEL INJECTION PUMP TRANSFER (ROTO-DIESEL) (6359DH)





# 1E8

FUEL AND AIR

## FUEL INJECTION PUMP TRANSFER - CONTINUED (ROTO-DIESEL) (6359DH)

KEY	PART NO.	PART NAME	QTY	ENGINE SERIAL NO.	REMARKS
1	R79015	FITTING	1		
2	T24619	WASHER	1		
3	T24617	SPRING	1		
4	T24618	FUEL FILTER	1		
5	R59821	PLUG	1		
6	T24622	SHIM	1		
7	R77680	SPRING	1		
8	R77681	SPRING	1		
9	T24658	SPRING	1		
10	R77682	CAP SCREW	4		
11	AR78632	PLATE	1		
12	34H240	SPRING PIN	1		1/8" X 1/4"
13	R62054	BLADE	2		
14	RE11601	KIT	1		
15	R24549	WASHER	1		
16	T24610	ROTOR	1		
17	R62052	CAM	1		
18	T24548	O-RING	1		

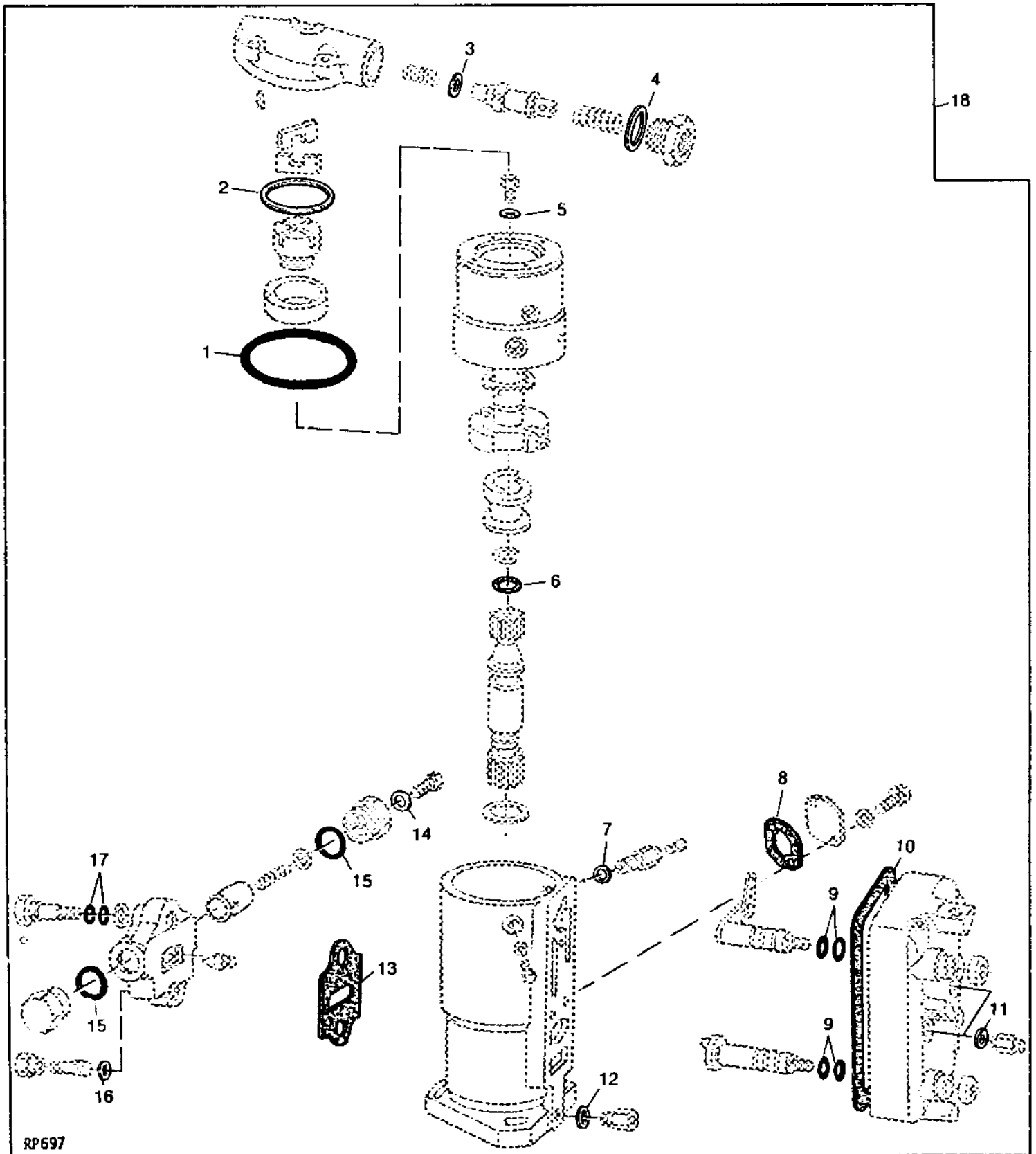
# 1E9

FUEL AND AIR

## FUEL INJECTION PUMP GASKET KIT (ROTO-DIESEL) (6359DH)

RP697

-UN-01JAN94



RP697

FUEL INJECTION PUMP GASKET KIT - CONTINUED  
(ROTO-DIESEL) (6359DH)

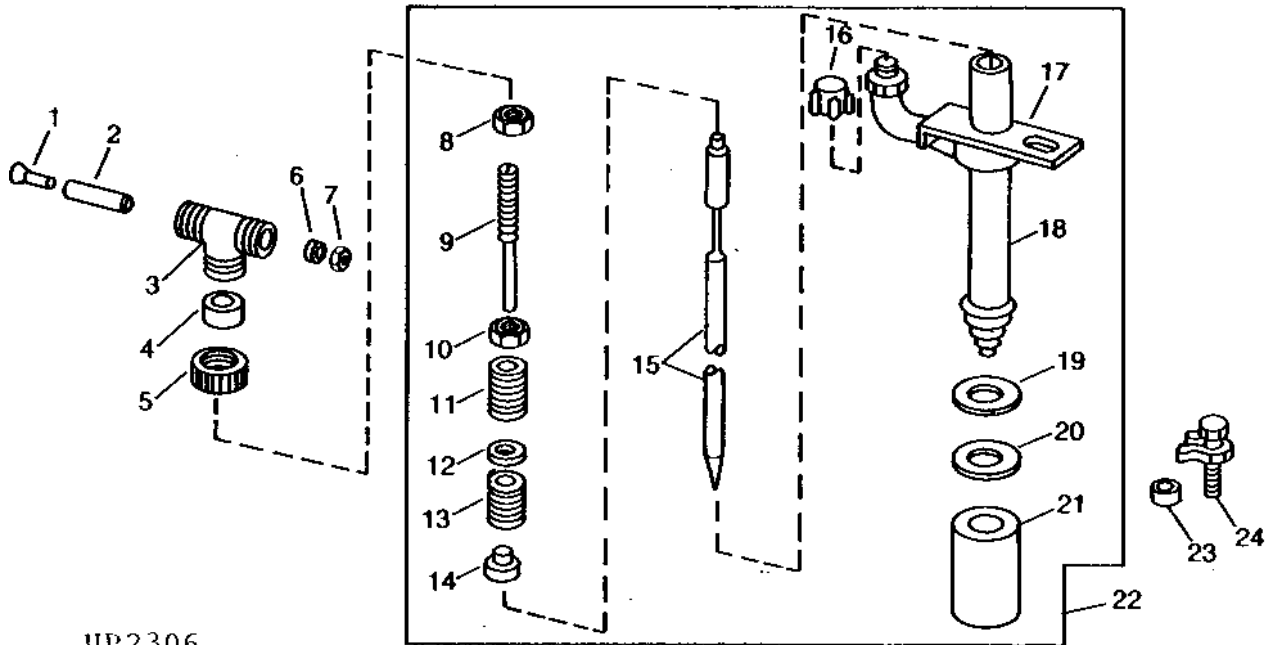
KEY	PART NO.	PART NAME	QTY	ENGINE SERIAL NO.	REMARKS
1	T24548	O-RING	1		
2	T24549	WASHER	1		
3	T24622	SHIM	1		
4	T24619	WASHER	1		
5	T27761	WASHER	1		
6	T30653	O-RING	1		
7	T24553	WASHER	2		
8	T24543	GASKET	1		
9	T24647	O-RING	4		
10	R79541	GASKET	1		(SUB FOR T24600)
11	T24599	WASHER	2		
12	T20055	WASHER	6		
13	T24637	GASKET	1		
14	T24627	WASHER	1		
15	T24650	O-RING	1		
16	T24634	WASHER	1		
17	T24651	O-RING	2		
18	AR69852	GASKET KIT	1		KIT

# 1E11

FUEL AND AIR

HP2306 -UN-01JAN94

## FUEL INJECTION NOZZLE (ROTO-DIESEL) (6359DH)



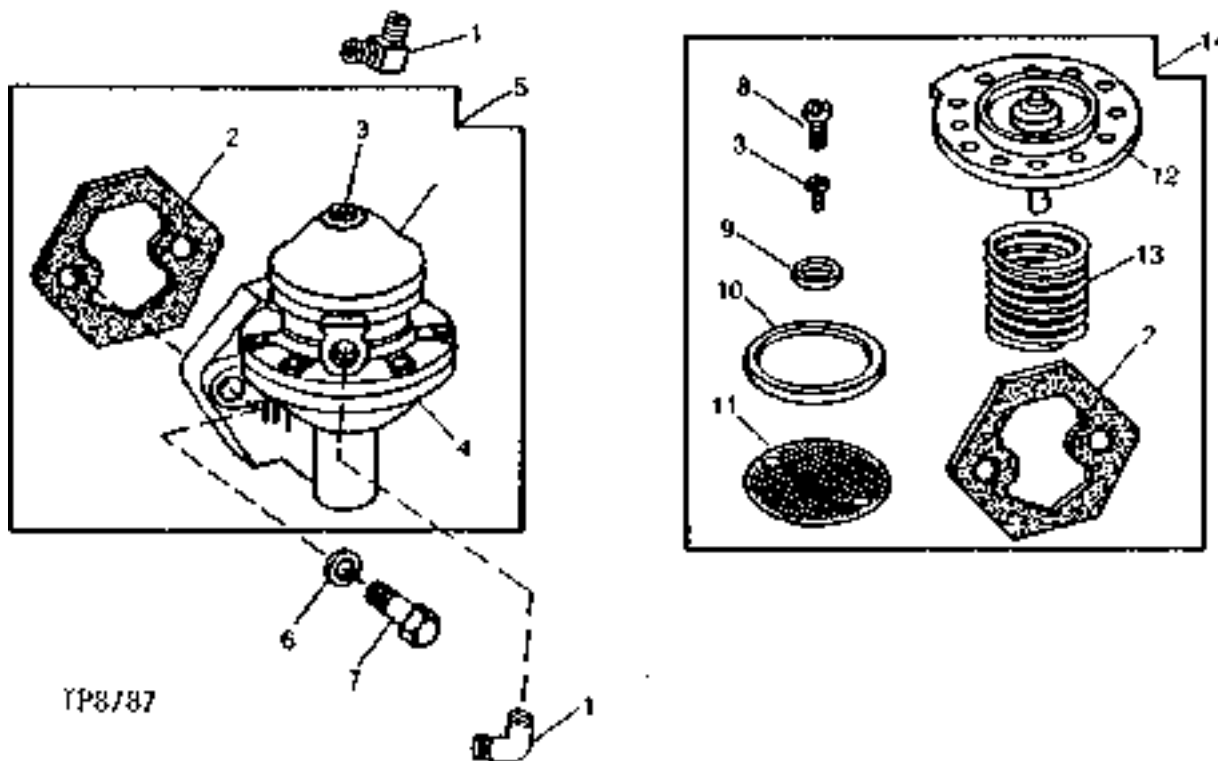
HP2306

KEY	PART NO.	PART NAME	QTY	SERIAL NO.	REMARKS
1	16M2605	RIVET	1	6 X 20 MM	
2	R66090	TUBE	2		
3	R79606	TEE FITTING	1		
4	R79605	WASHER	1		
5	R79604	TUBE NUT	1		
6	R51936	PACKING	6		
7	R51937	TUBE NUT	6		
8	R47733	LOCK NUT	1		
9	R69443	SCREW	1		
10	R46675	NUT	1		
11	R62984	SCREW	1		
12	R62981	WASHER	1		
13	R69442	SPRING	1		
14	R62982	GUIDE	1		
15	.....	VALVE	1	(SUB AR89564)	
16	T31174	PLUG	1	(USE FOR SERVICING NOZZLE)	
17	R67779	CLAMP	1		
18	.....	TUBE	1	(SUB AR89564)	
19	R60746	WASHER	1	(K) (SUB RE13887) (SUB FOR R34764)	
20	R48000	WASHER	1		
21	T24472	PLUG	1	(USE FOR SERVICING NOZZLE)	
22	AR89564	INJECTION NOZZLE	1	(ROOSA-MASTER NO. 22202)	
23	R60745	SPACER	1	(K)	
24	R34760	CLAMP	1	WITH SCREW AND WASHER	

(K) KIT RE13887

FUEL TRANSFER PUMP  
(AC AND SOFABEX)  
(6359DH)

TP8787 -UN-01JAN94



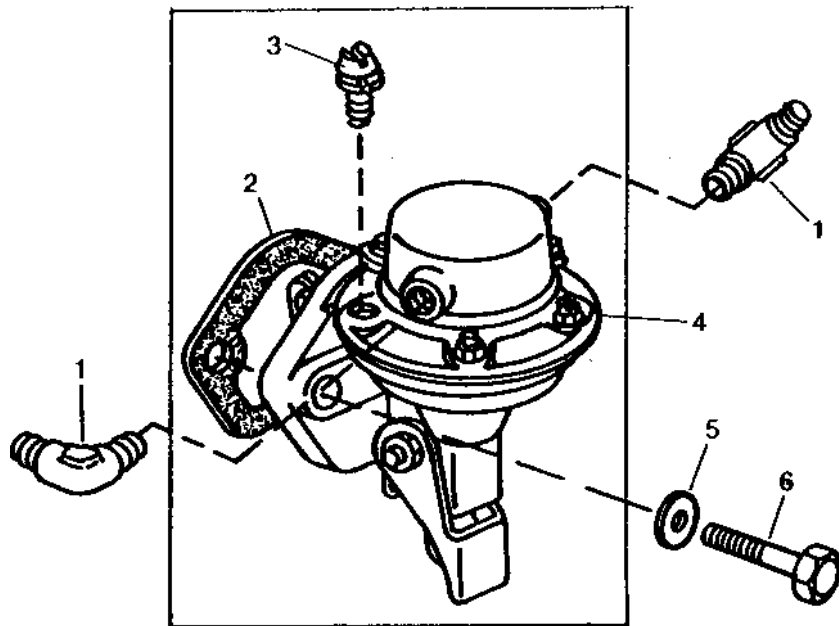
TP8787

KEY	PART NO.	PART NAME	QTY	SERIAL NO.	REMARKS
1	T30738	ELBOW FITTING	2		
2	R27285	GASKET	1		
3	21M7036	SCREW	1	M5 X 16	
4	.....	FUEL PUMP	1	(SUB DD14292)	
5	DD14292	FUEL PUMP	1		
6	R20498	WASHER	2		
7	19H1849	CAP SCREW	2	5/16" X 1-1/4"	
8	R49266	BOLT	2		
9	.....	GASKET	1	(SUB RE13517)	
10	.....	GASKET	1	(SUB RE13517)	
11	.....	SCREEN	1	(SUB RE13517)	
12	.....	DIAPHRAGM	1	(SUB RE13517)	
13	.....	SPRING	1	(SUB RE13517)	
14	RE13517	KIT	1		

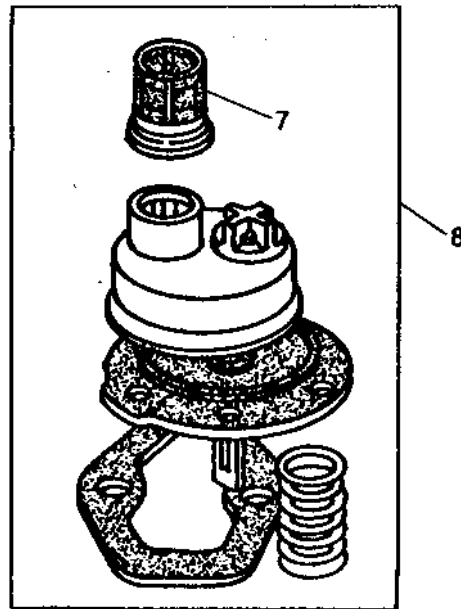
# 1E13

FUEL TRANSFER PUMP  
(CORONA)  
(6359DH)

TP5316 -UN-01JAN94



TP5316



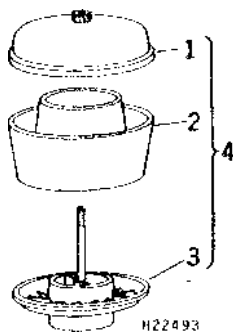
KEY	PART NO.	PART NAME	QTY	SERIAL NO.	REMARKS
1	T30738	ELBOW FITTING	2	90°	
2	R27285	GASKET	1		
3	AR102676	SCREW, WITH WASHER	6		
4	DD14195	FUEL PUMP	1		
5	24H1136	WASHER	2		WITH GASKET
6	19H1849	CAP SCREW	2		11/32" X 11/16" X 0.065"
7	R75931	STRAINER	1		5/16" X 1-1/4"
8	DD14194	FUEL PUMP	1		

# 1E14

FUEL AND AIR

H22493 -UN-01JAN94

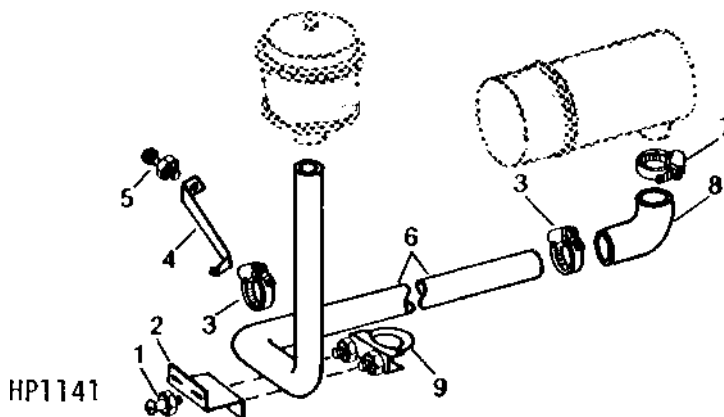
## PRECLEANER



KEY	PART NO.	PART NAME	QTY	SERIAL NO.	REMARKS
1	AR1729R	COVER	1		
2	R28795	DUST BOWL	1		
3	AR28040	BASE	1		
4	AR26417	PRESCREENER	1		

## AIR INTAKE TUBES (PRECLEANER TO AIR CLEANER)

HP1141 -UN-01JAN94

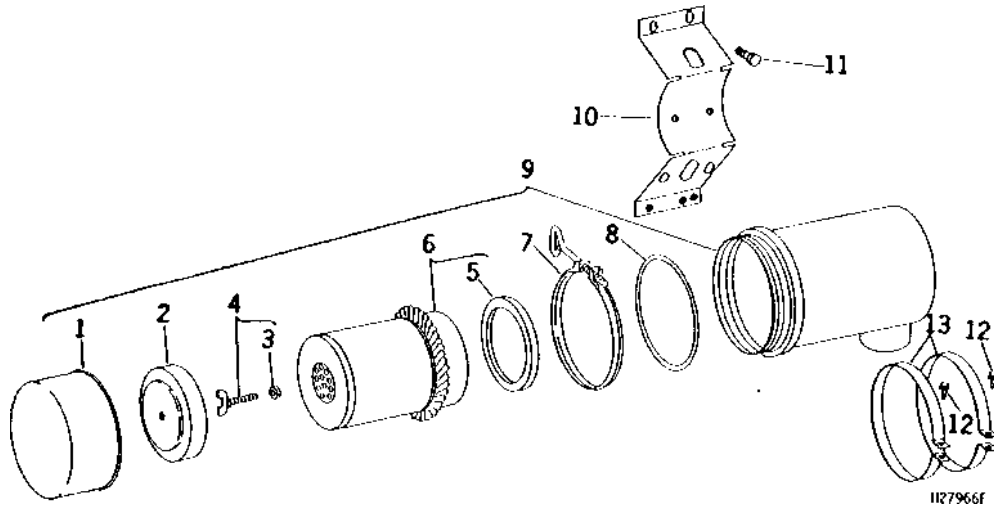


KEY	PART NO.	PART NAME	QTY	SERIAL NO.	REMARKS
1	03H1540	BOLT	2	5/16" X 3/4"	
	N10213	LOCK NUT	2		
2	H84692	BRACKET	1		
3	AR21841	CLAMP	2		
4	H102146	BRACE	1		
5	03H1540	BOLT	1	5/16" X 3/4"	
	N10213	LOCK NUT	1		
6	H98972	TUBE	1		
7	C16054	CLAMP	1		
8	H76357	HOSE	1		
9	AH83985	CLAMP	1		

# 1E15

H27966F -UN-01JAN94

## AIR CLEANER



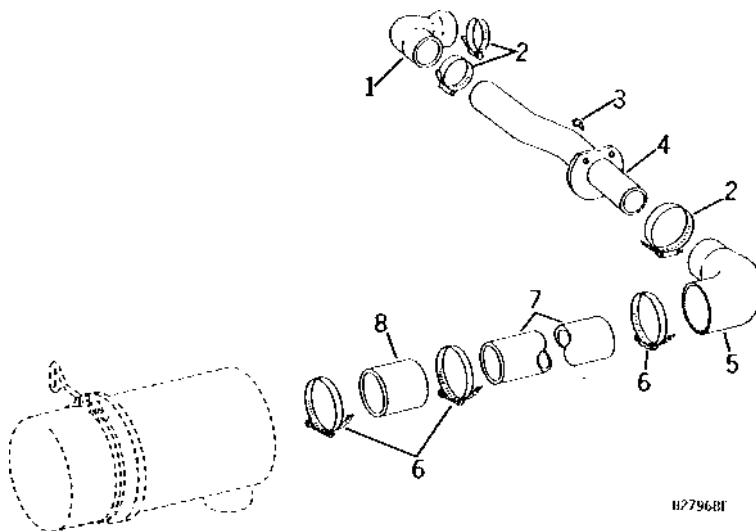
KEY	PART NO.	PART NAME	QTY	SERIAL NO.	REMARKS
1	AH21420	CAP	1		
2	R36698	COVER	1		
3	R36699	WASHER	1		
4	R36701	WING SCREW	1		
5	R36700	GASKET	1		
6	AR36044	AIR CLEANER	1		
7	AH21419	CLAMP	1		
8	H36036	O-RING	1		
9	AH21283	AIR CLEANER	1		
10	H84693	SUPPORT	1		
11	N10212	SELF-LOCKING SCREW	2		
12	21H1331	SCREW	2		5/16" X 1"
	14H785	NUT	2		5/16"
13	H76365	STRAP	2		



# 1E16

H27968F -UN-01JAN94

## AIR INTAKE TUBES (AIR CLEANER TO MANIFOLD)



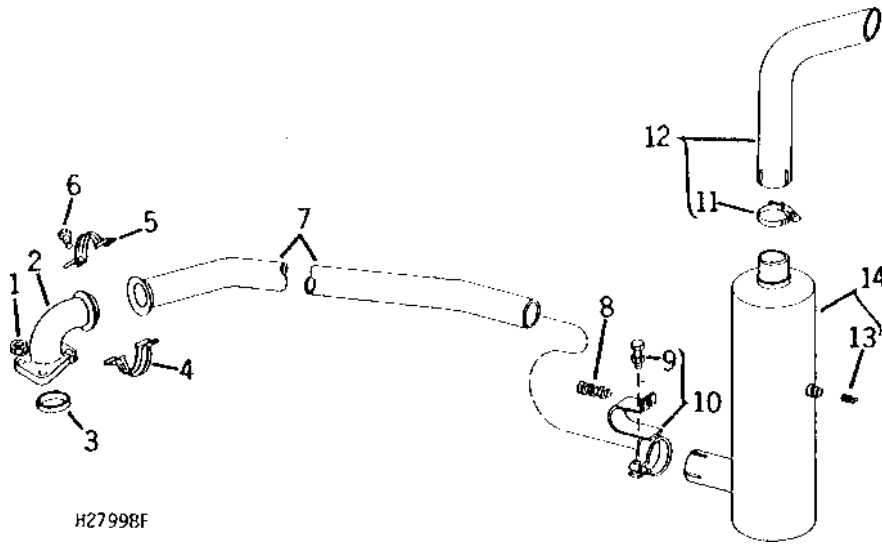
KEY	PART NO.	PART NAME	QTY	SERIAL NO.	REMARKS
1	H76467	HOSE	1		
2	AR21999	HOSE CLAMP	3		(SUB AR85328, THIS APPLICATION)
	AR85328	CLAMP	3		
3	H76139	SCREW	3		
4	AH83848	TUBE	1		
5	H81748	HOSE	1		
6	C16054	CLAMP	3	-400784	
	AH103182	HOSE CLAMP	3	400785-	
7	H87322	TUBE	1		
8	R45000	HOSE	1		

# 1E17

FUEL AND AIR

H27998F -UN-01JAN94

## MUFFLER AND EXHAUST PIPE



KEY	PART NO.	PART NAME	QTY	SERIAL NO.	REMARKS
1	14H812	NUT	4	3/8"	
2	H76451	EXHAUST PIPE	1		
3	T29811	GASKET	1		
4	AR46323	CLAMP	1		
5	R32235	CLAMP	1		
6	19H1906	CAP SCREW	2	5/16" X 1-1/2"	
	12H303	LOCK WASHER	2	5/16"	
7	H86244	TUBE	1		
8	19H1900	CAP SCREW	1	5/16" X 3/4"	
	12H303	LOCK WASHER	1	5/16"	
	14H785	NUT	1	5/16"	
9	19H1800	CAP SCREW	1	3/8" X 1-1/2"	
	14H812	NUT	1	3/8"	
10	AH87697	BRACKET	1		
11	AP26468	CLAMP	1		
12	AH93599	EXHAUST PIPE	1		
13	15H585	PIPE PLUG	1	3/4"	
14	AH87289	MUFFLER	1		

---

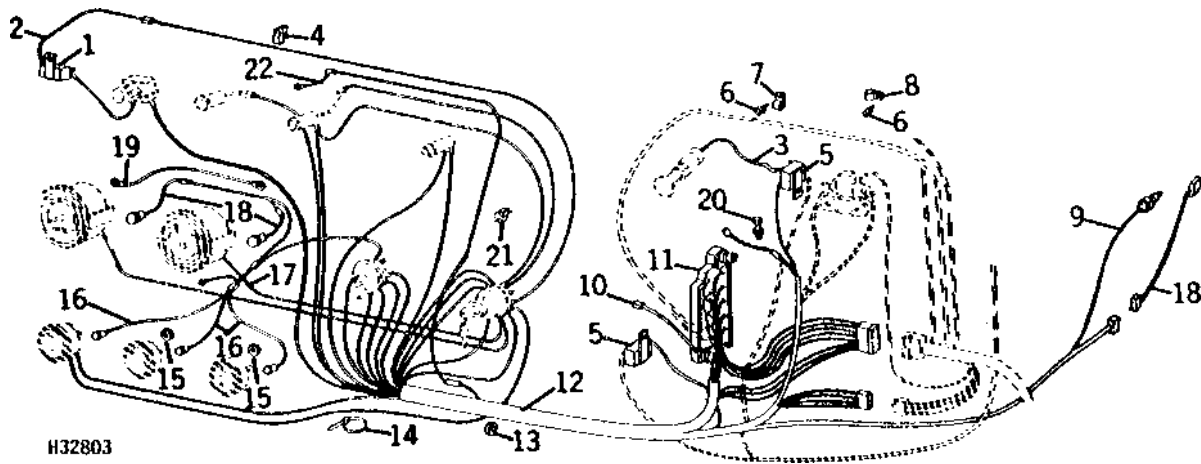
MEMORANDA

# 1E20

ELECTRICAL

H32803 -UN-01JAN94

## FRONT WIRING HARNESS



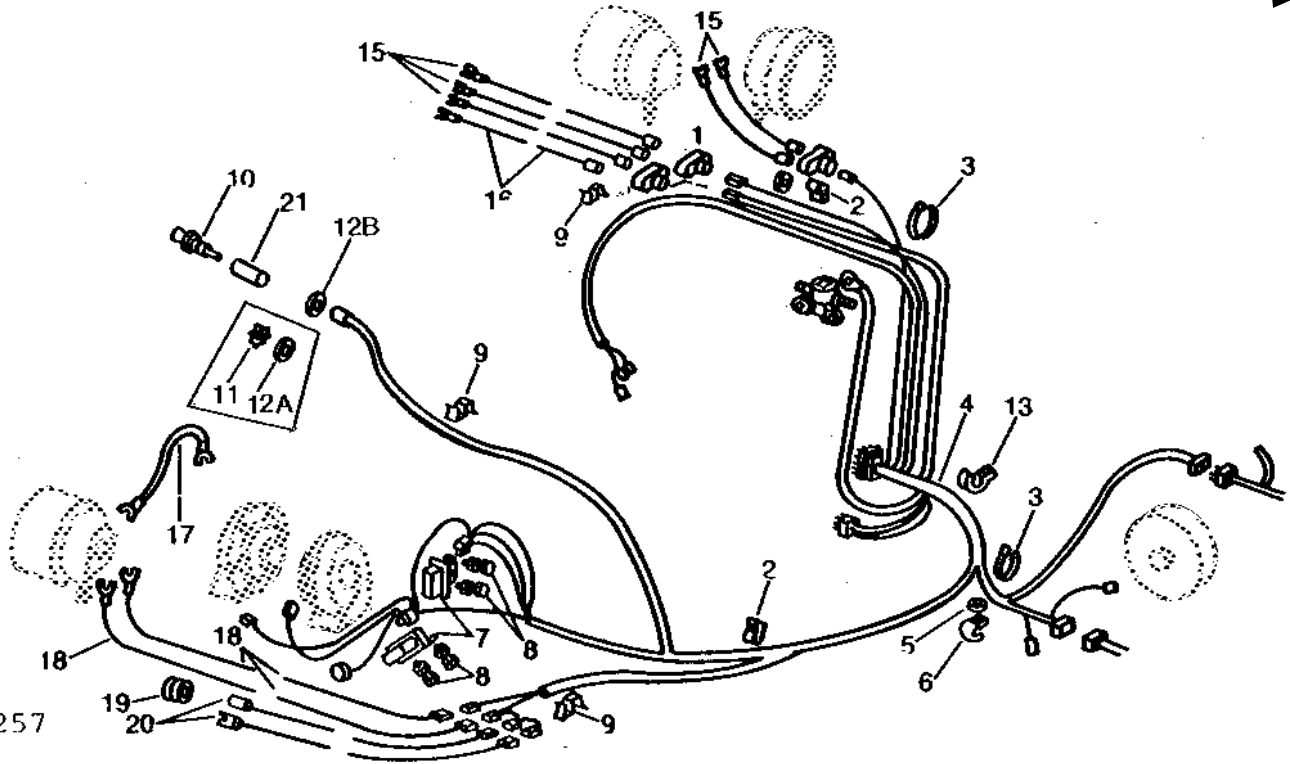
KEY	PART NO.	PART NAME	QTY	SERIAL NO.	REMARKS
1	AR55649	CIRCUIT BREAKER	1		
	14H631	NUT	2	0.190"	
2	AH85266	WIRING LEAD	1		
3	AH76637	WIRING LEAD	1		
4	H64612	CLIP	4		
5	AR49352	CIRCUIT BREAKER	1		
	14H631	NUT	4	0.190"	
6	H76478	SCREW	4		
7	T24959	CLAMP	2		
	AH11015	CLIP	1		
8	AH11015	CLIP	8		
9	AH87737	SWITCH	1	-600000	
	15H624	PIPE PLUG	1	600001-	1/2"
10	AH76692	WIRE	1		(RADIO) (WITHOUT OPERATOR'S CAB)
11	H88921	CLIP	1		(10 PER BAG)
12	AH90662	WIRING HARNESS	1	-600000	
	AH115007	WIRING HARNESS	1	600001-	
13	H80627	GROMMET	1		
14	M66044	TIE BAND	10		
15	H80304	GROMMET	2		
16	AH76108	WIRE	3		
	AH77204	LENS	1		
17	AH77199	LAMP	1		
	AH77204	LENS	1		
	AR56675	BULB	1		
18	AH77200	SOCKET	2		
	AH75662	BULB	1	-450350	
	AM31284	BULB	1	450351-	
19	.....	WIRE	1		203 MM (8") LONG (MAKE FROM R66319 AND (2) R32018 IN AR84006 WIRE REPAIR KIT)
20	19H1900	CAP SCREW	1	5/16" X 3/4"	
	14H785	NUT	1	5/16"	
21	H76064	CLIP	5		
22	AH87219	WIRING HARNESS	1		

# 1E21

ELECTRICAL

HP2257 -UN-01JAN94

## MIDDLE WIRING HARNESS

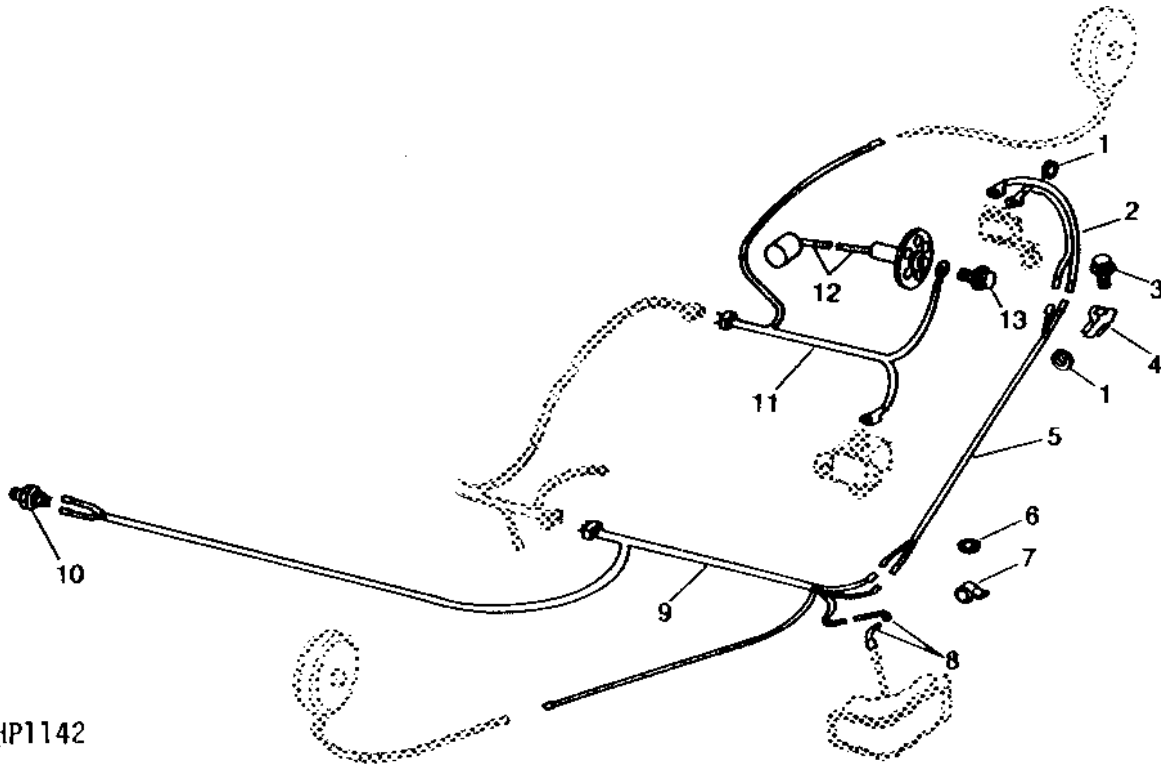


HP2257

KEY	PART NO.	PART NAME	QTY	SERIAL NO.	REMARKS
1	P45476	GROMMET	1		
2	AH89557	CLIP	5		CUSHIONED
3	M66044	TIE BAND	9		
4	AH103389	WIRING HARNESS	1	-500000	(SUB AH109779)
	AH109779	WIRING HARNESS	1		
5	24H1338	WASHER	2		33/64" X 7/8" X 0.048"
6	T32231	CLAMP	2		
7	AH62341	RELAY	2		
8	19H1227	CAP SCREW	4		1/4" X 1/2"
	14H786	NUT	4		1/4"
	H64612	CLIP	6		
10	AT25437	SWITCH	1		PARKING BRAKE
11	12H334	LOCK WASHER	1	-600000	5/16"
12A	14H611	NUT	1	-600000	5/16"
12B	P47210	NUT	1	600001-	
13	AH90990	CLIP	2		CUSHIONED
14	AM531T	CONNECTOR	3		
15	.....	WIRING LEAD	5		305 MM (12") LONG (MAKE FROM R66319, R32016, AND R32006 IN AR84006 WIRING KIT)
16	.....	WIRING LEAD	1		1016 MM (40") LONG (MAKE FROM R66319 AND (2) R32016 IN AR84006 WIRING KIT)
17	.....	WIRING LEAD	1		305 MM (12") LONG (MAKE FROM R66319 AND (2) R32016 IN AR84006 WIRING KIT)
18	.....	WIRING LEAD	2		1778 MM (70") LONG (MAKE FROM R66319, R32016, AND R32026 IN AR84006 WIRING KIT)
19	H79481	GROMMET	1		
20	.....	WIRING LEAD	2		610 MM (24") LONG (MAKE FROM R66319 AND R32016 IN AR84006 WIRING KIT; T28583 AND U46662)
21	H88915	BOOT	1		SWITCH, PARKING BRAKE

HP1142 -UN-01JAN94

## REAR WIRING HARNESS AND FUEL GAUGE SENDING UNIT



HP1142

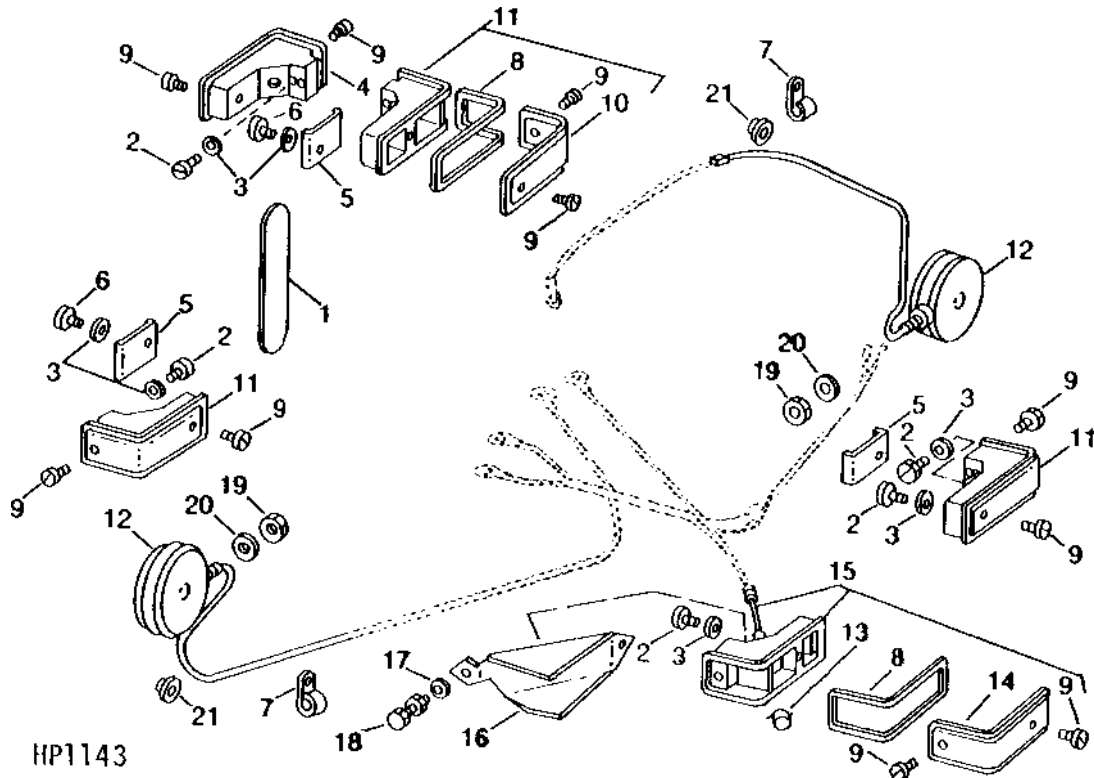
KEY	PART NO.	PART NAME	QTY	SERIAL NO.	REMARKS
1	P45476	GROMMET	2		
2	.....	WIRING HARNESS	1		1295 MM (51") LONG, (MAKE FROM (2) R32018, (2) R32026 AND (2) R66319)
3	H24710	SCREW	1		SELF-TAPPING
4	H79897	PLATE	1		
5	AH78087	WIRING HARNESS	1	-600000	
	AH118014	WIRING HARNESS	1	600001-	(MAKE FROM (2) UNITS OF R77502, 40 MM (1-37/64") LONG, CUT FROM RE11154 KIT)
6	24H1289	WASHER	1		21/64" X 5/8" X 0.049"
7	AH77279	CLIP	1		CUSHIONED
8	AH81733	WIRING LEAD	1	-600000	
	.....	WIRING LEAD	1	600001-	(MAKE FROM 2035 MM (8") OF R77500, (1) R77475, (1) T34067, AND (1) R32026 FROM RE11154 KIT AND (1) AL2976T)
9	AH100314	WIRING HARNESS	1		
10	AT18988	SWITCH	1		NEUTRAL SAFETY
11	AH79151	WIRING HARNESS	1		R.H.
12	AH85268	LEVEL GAUGE	1	-600000	(SUB AH115345)
	AH115345	SENSOR	1		
	14H631	NUT	1		0.190"
13	H85092	SCREW	5		SELF-TAPPING

# 1E23

ELECTRICAL

HP1143 -UN-01JAN94

## WARNING LIGHTS, REFLECTORS, AND TAILLIGHTS



KEY	PART NO.	PART NAME	QTY	SERIAL NO.	REMARKS
1	JD134	REFLECTOR	1		L.H.
2	19H2036	CAP SCREW	10		1/4" X 7/8"
3	24H1287	WASHER	10		9/32" X 5/8" X 0.065"
4	H81068	LENS	2		
5	H83789	CHANNEL	2		
6	19H1914	CAP SCREW	2		1/4" X 1"
7	AH11015	CLIP	2		
8	H81071	GASKET	6		
9	H81070	SCREW	8		
10	H81067	LENS	3		
11	AH80595	REFLECTOR	3		
12	AT23467	LAMP	2		
	AD2062R	BULB	2		
13	AB2599R	BULB	1		
14	H81069	LENS	1		
15	AH80597	TAIL LAMP	1		
16	H83387	SHIELD	1		
17	24H1289	WASHER	1		21/64" X 5/8" X 0.049"
18	H76139	SCREW	1		
	N10213	LOCK NUT	1		
19	14H865	NUT	2		1/2"
20	24H1162	WASHER	2		17/32" X 1-1/4" X 0.060"
21	H86056	BUSHING	2		

---

MEMORANDA

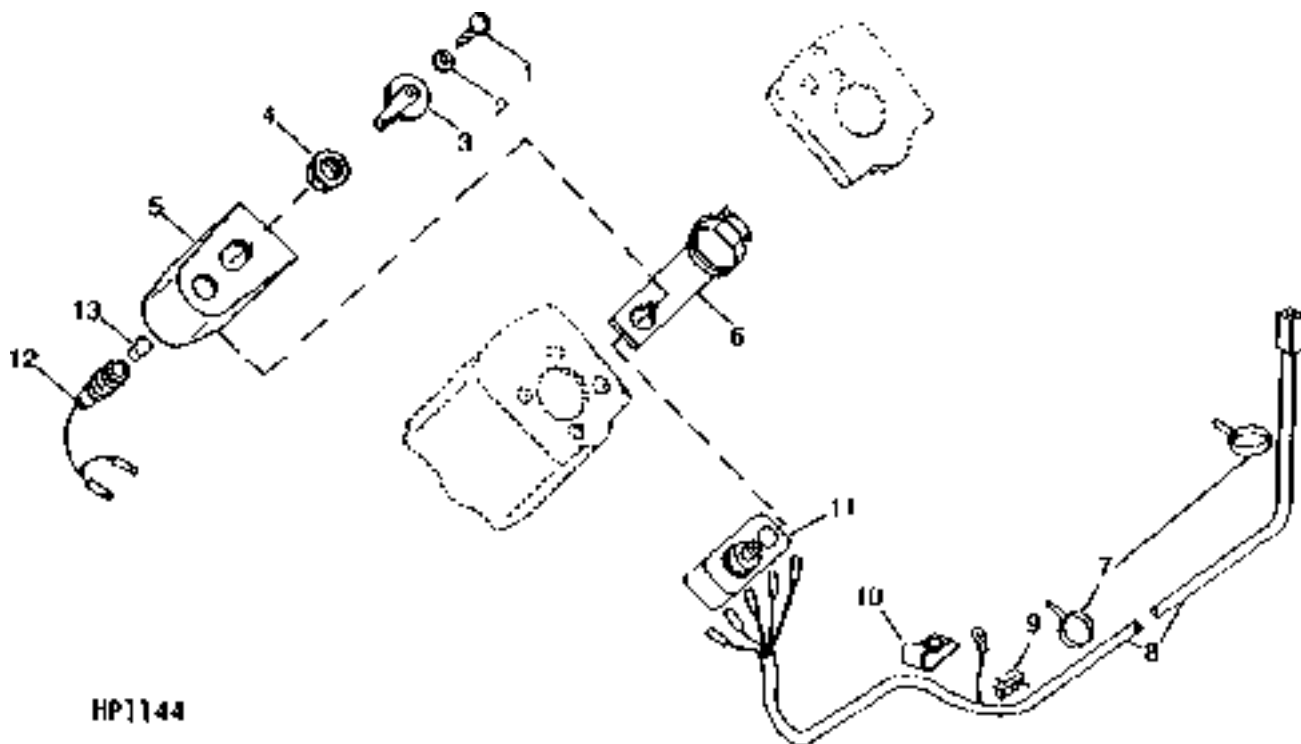


# 1E24

ELECTRICAL

HP1144 -UN-01JAN94

## TURN SIGNALS



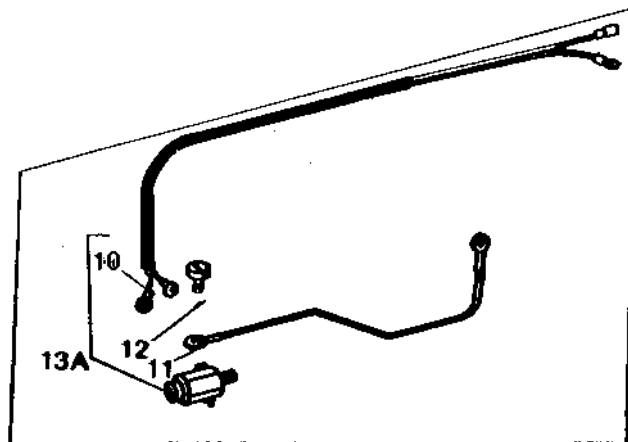
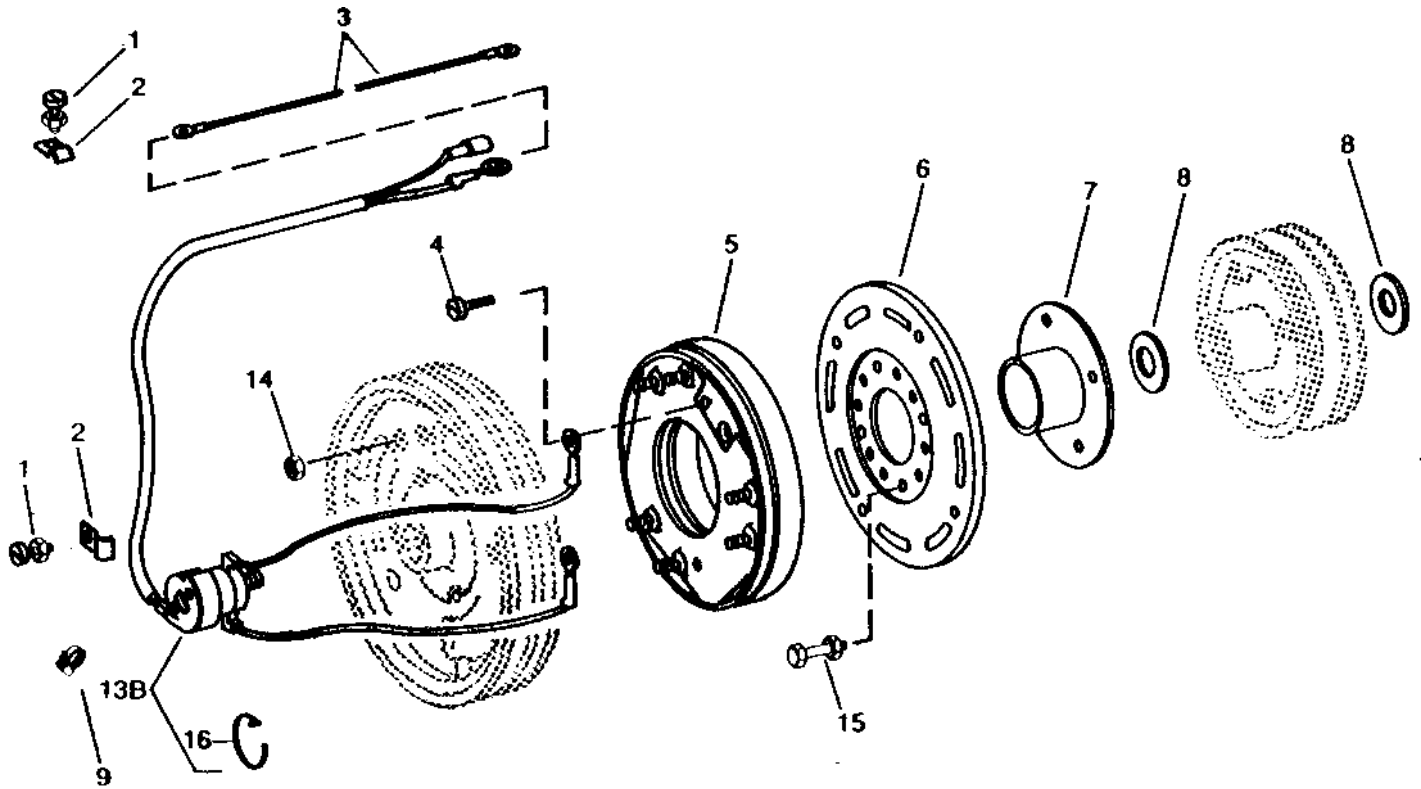
KEY	PART NO.	PART NAME	QTY	SERIAL NO.	REMARKS
1	21H1372	SCREW	1	1/8" X 3/8"	
2	12H338	LOCK WASHER	1	1/8"	
3	R56026	KNOB	1		
4	R56410	NUT	1	SPECIAL	
5	H86138	HOUSING	1		
6	AH87258	STRAP	1		
7	M66044	TIE BAND	9		
8	AH93842	WIRING HARNESS	1		
9	H64612	CLIP	1		
10	H86139	CLIP	2		
11	AR64422	TURN SIGNAL CONTROLLER	1		
	AR67398	FLASHER	1	(CALIFORNIA)	
12	AH87260	LAMP	1		
13	R56409	BULB	1		

# 1F1

ELECTRICAL

HP1399 -UN-01JAN94

## PLATFORM ELECTROMAGNETIC CLUTCH



HP1399

# 1F2

ELECTRICAL

## PLATFORM ELECTROMAGNETIC CLUTCH - CONTINUED

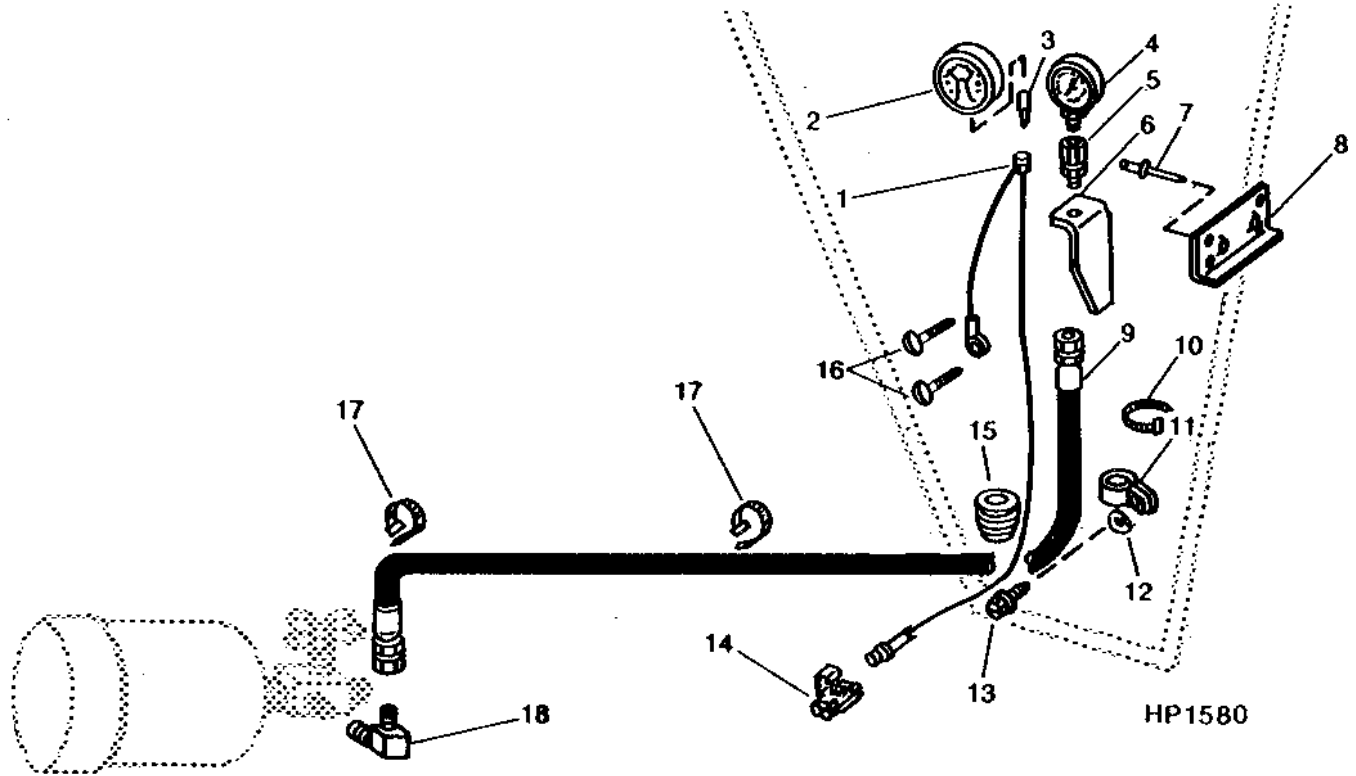
KEY	PART NO.	PART NAME	QTY	SERIAL NO.	REMARKS
1	21H1027	SCREW	2		1/4" X 3/4"
	14H786	NUT	2		1/4"
2	AH78237	CLAMP	2		INSULATED
3	AH76348	WIRING LEAD	1		
4	21H1335	SCREW	1		0.190" X 5/16"
5	AH90781	FIELD WINDING COIL	1		
6	AH96244	ARMATURE	1		
7	AH76195	SHIELD	1		
8	H95481	WASHER	1	-400280	(SUB 24H1577)
	24H1577	WASHER	1		1-25/32" X 2-7/8" X 0.036", (PLASTIC)
9	AR21837	CLAMP	1		HOSE
10	AH87927	CABLE	1	-500000	MODULE
11	.....	WIRE	1	-500000	318 MM (12-1/2") LONG (MAKE FROM R66319 AND (2) R32018 IN AR84006 WIRING KIT)
12	.....	SCREW	1	-500000	
	12H321	WASHER	1	-500000	0.138"
13A	AH87926	CARBON BRUSH HOLDER	1	-500000	(SUB AH109495)
13B	AH109495	CARBON BRUSH HOLDER	1		
14	14H812	NUT	6		3/8"
	12H304	LOCK WASHER	6		3/8"
15	19H1930	CAP SCREW	4		1/2" X 2-1/2"
	14H826	NUT	4		1/2"
16	H77698	TIE BAND	1		

# 1F3

ELECTRICAL

HP1580 -UN-01JAN94

## ACCUMULATOR PRESSURE GAUGE



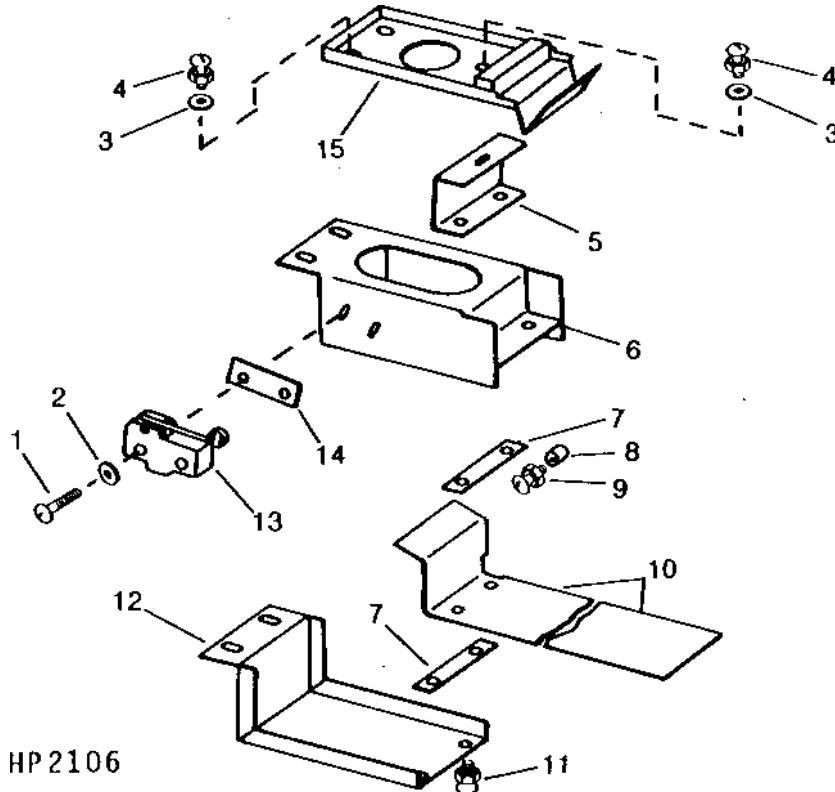
KEY	PART NO.	PART NAME	QTY	SERIAL NO.	REMARKS
1	AH109610	SOCKET	1		
2	H111378	COVER	1		
3	AH108380	BULB	1		
4	AH108080	PRESSURE GAUGE	1		
5	AB18206	ADAPTER	1		(WITH JAM NUT)
6	H109332	BRACKET	1		
7	.....	RIVET	4		5/32" X 13/32"
8	H109334	PLATE	1		
9	AH108024	HOSE	1		
10	M60871	TIE BAND	1	-600000	(BLACK) (SUB R44302)
	R44302	TIE BAND	1		
11	H77358	CLIP	1		
12	24H1287	WASHER	1		9/32" X 5/8" X 0.065"
13	19H2205	CAP SCREW	1	-500000	
	H99282	CAP SCREW	1	500001-	
14	AR67855	CONNECTOR	1		
15	N119177	GROMMET	1		
16	H78354	SCREW	2	-500000	
	H89266	SCREW	2	500001-	
17	H77698	TIE BAND	6		
18	AR26635	ELBOW FITTING	1		

# 1F4

ELECTRICAL

HP2106 -UN-01JAN94

## STRAW WALKER PLUGGING SENSING UNIT



HP2106

KEY	PART NO.	PART NAME	QTY	SERIAL NO.	REMARKS
1	21H1184	SCREW	2		0.138" X 1-1/8"
	14H1026	NUT	2	-600000	0.138"
2	24H1281	WASHER	2		5/32" X 3/8" X 0.049"
3	24H1287	WASHER	3		9/32" X 5/8" X 0.065"
4	21H1024	SCREW	3	-600000	1/4" X 5/8"
	21H1044	SCREW	3	600001-	1/4" X 1-1/4"
	14H786	NUT	3		1/4"
5	H62447	BRACKET	1		
6	H94856	BRACKET	1		
7	H62443	STRAP	2		
8	28H1611	WASHER	1		0.269" X 0.405" X 5/16"
9	21H1302	SCREW	1		1/4" X 5/8"
	14H786	NUT	1		1/4"
10	H62444	LEVER	1		
11	21H1197	SCREW	2	-600000	0.190" X 1-1/4"
	14H778	NUT	4	-600000	0.190"
	19H3358	CAP SCREW	2	600001-	0.190" X 1"
	U45916	LOCK NUT	2	600001-	
12	H62445	COVER	1		
13	AH62345	SWITCH	1		
14	E71183	STRAP	1	600001-	SPECIAL
15	AH112548	SHIELD	1	600001-	

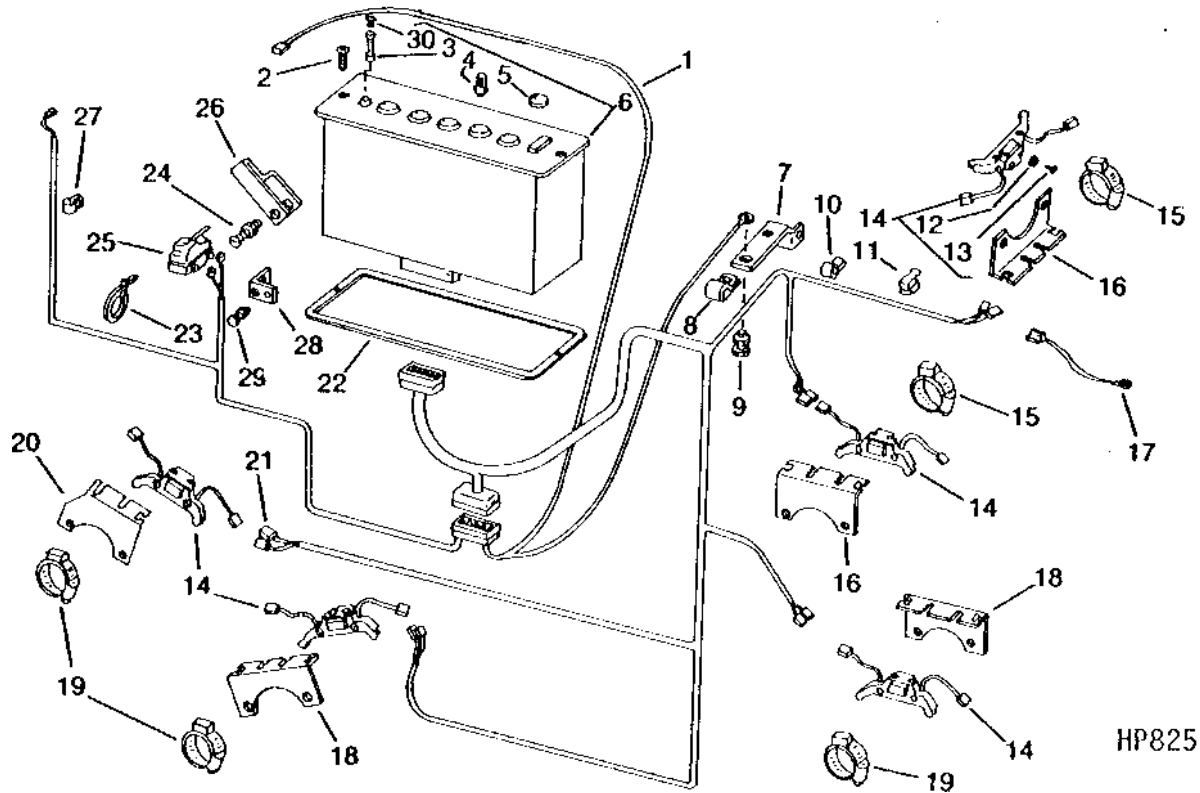
# 1F5

ELECTRICAL

HP825

-UN-01JAN94

## LOW SHAFT SPEED INDICATOR



HP825

KEY	PART NO.	PART NAME	QTY	SERIAL NO.	REMARKS
1	AH96224	WIRING HARNESS	1		(WARNING SYSTEM) (USE WITH AH94189)
2	H65108	SCREW	2		SELF-TAPPING
3	B32206	FUSE	1		(USE WITH AH94189) (5 PER BOX)
4	B32205	BULB	5		
5	B32207	BEZEL	5		
6	AH94189	GAUGE	1		(REMANUFACTURED)
7	H80185	BRACKET	1		(PULSE PICKUP WIRING HARNESS)
8	H26065	CLIP	1		
9	19H1948	CAP SCREW	3		1/4" X 3/4"
	14H786	NUT	3		1/4"
10	T32231	CLAMP	9		INSULATED (STRAW CHOPPER WIRING HARNESS)
11	H64612	CLIP	2		
12	12H290	WASHER	AR		0.164", (8 USED, REGULAR; 10 USED, STRAW CHOPPER)
13	21H1299	SCREW	AR		0.164" X 3/8", (8 USED, REGULAR; 10 USED, STRAW CHOPPER)
14	AH83759	REED SWITCH	AR		(4 USED, REGULAR; 5 USED, STRAW CHOPPER)

# 1F6

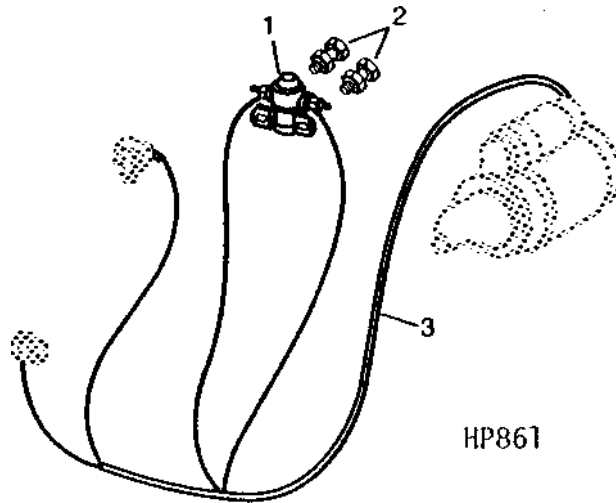
ELECTRICAL

## LOW SHAFT SPEED INDICATOR - CONTINUED

KEY	PART NO.	PART NAME	QTY	SERIAL NO.	REMARKS
15	AH91336	CLAMP	1		
	AH91817	CLAMP	AR		(1 USED, REGULAR; 2 USED, STRAW CHOPPER)
16	H100541	BRACKET	1		(STRAW WALKER)
	H100540	BRACKET	1		(STRAW CHOPPER) (MACHINES EQUIPPED WITH NEW STRAW CHOPPER USE H100539)
	H100539	BRACKET	1		(NEW STRAW CHOPPER)
17	AH83763	WIRING HARNESS	1		
18	H100541	BRACKET	2		(CLEAN GRAIN ELEVATOR AND CONVEYOR AUGER)
19	AH91336	CLAMP	3		
20	H83617	BRACKET	1	-500022	(SUB H113058)
	H113058	BRACKET	1		
21	AH80881	WIRING HARNESS	1		(WARNING SYSTEM)
22	H80181	SEAL	1		(CONTROL BOX COVER)
23	M66044	TIE BAND	4		
24	21H1014	SCREW	1		1/4" X 1"
	14H786	NUT	1		1/4"
25	AH78158	SWITCH	1		(SEPARATOR LEVER)
26	H80180	ACTUATOR	1		(SEPARATOR LEVER)
27	AH11015	CLIP	3		
28	H80179	BRACKET	1		
29	19H1948	CAP SCREW	1		1/4" X 3/4"
	14H786	NUT	1		1/4"
30	AM3208T	FUSE HOLDER	1		

### ENGINE WIRING HARNESS

HP861 -UN-01JAN94



KEY	PART NO.	PART NAME	QTY	SERIAL NO.	REMARKS
1	AM53945	SOLENOID	1		
	14H785	NUT	2	5/16"	
	12H303	LOCK WASHER	2	5/16"	
	14H631	NUT	1	0.190"	
	12H246	LOCK WASHER	1	0.190"	
2	19H1227	CAP SCREW	2	1/4" X 1/2"	
	12H302	LOCK WASHER	2	1/4"	
	14H786	NUT	2	1/4"	
3	AH79157	WIRING HARNESS	1		

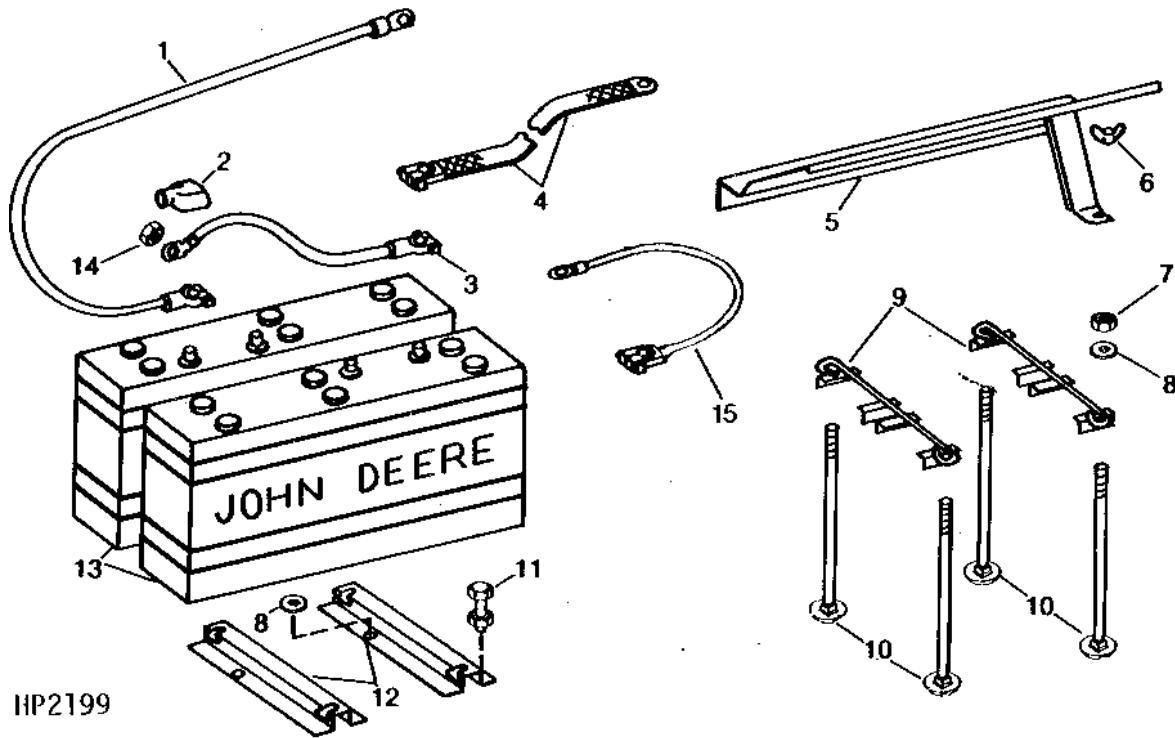
# 1F7

ELECTRICAL

## BATTERY, BRACKETS, CABLES, AND SHIELDS (SERIAL NO. -600000)

HP2199

-UN-01JAN94



HP2199

KEY	PART NO.	PART NAME	QTY	SERIAL NO.	REMARKS
1	AH76184	CABLE	1		
2	H82711	BOOT	2		
3	T22107	CABLE	1		(L.H. TO R.H. BATTERY)
4	AH78649	GROUND CABLE	1		
5	AH78105	SHIELD	1		
6	14H819	WING NUT	4	5/16"	
7	14H611	NUT	4	5/16"	
8	24H1136	WASHER	6	11/32" X 11/16" X 0.065"	
9	AH78100	BRACKET	2		
10	03H2249	BOLT	4	5/16" X 10"	
11	19H1900	CAP SCREW	4	5/16" X 3/4"	
	12H303	LOCK WASHER	4	5/16"	
	14H785	NUT	4	5/16"	
12	H83330	SUPPORT	2		
13	AR46115	BATTERY	2		
14	14H785	NUT	1	5/16"	
15	AH100117	CABLE	1		



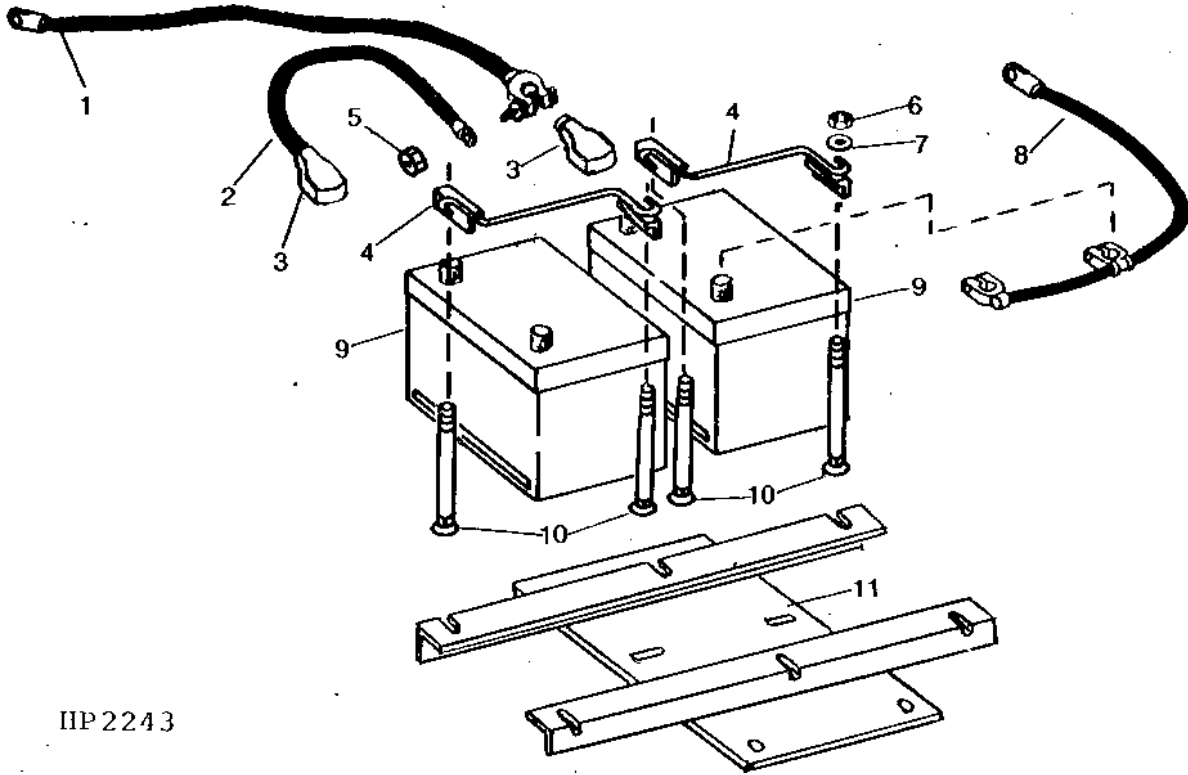
# 1F8

ELECTRICAL

## BATTERY, BRACKETS AND CABLES (SERIAL NO. 600001- )

HP2243

-UN-01JAN94



HP 2243

KEY	PART NO.	PART NAME	QTY	SERIAL NO.	REMARKS
1	AH76184	CABLE	1		
2	T22107	CABLE	1		
3	H82711	BOOT	2		
4	AH105519	BRACKET	2		
5	14H785	NUT	1	5/16"	
6	14H611	NUT	4	5/16"	
7	24H1136	WASHER	4	11/32" X 11/16" X 0.065"	
8	AH112385	CABLE	1		
9	AH114771	BATTERY	2		
10	03H2298	BOLT	4	5/16" X 9-1/2"	
11	AH115404	SUPPORT	1		

---

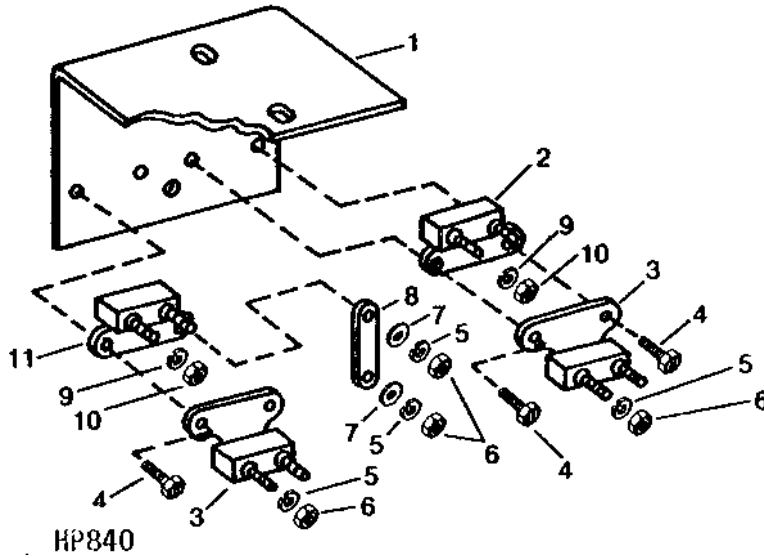
MEMORANDA

# 1F9

ELECTRICAL

HP840 -UN-01JAN94

## CIRCUIT BREAKERS AND BRACKET



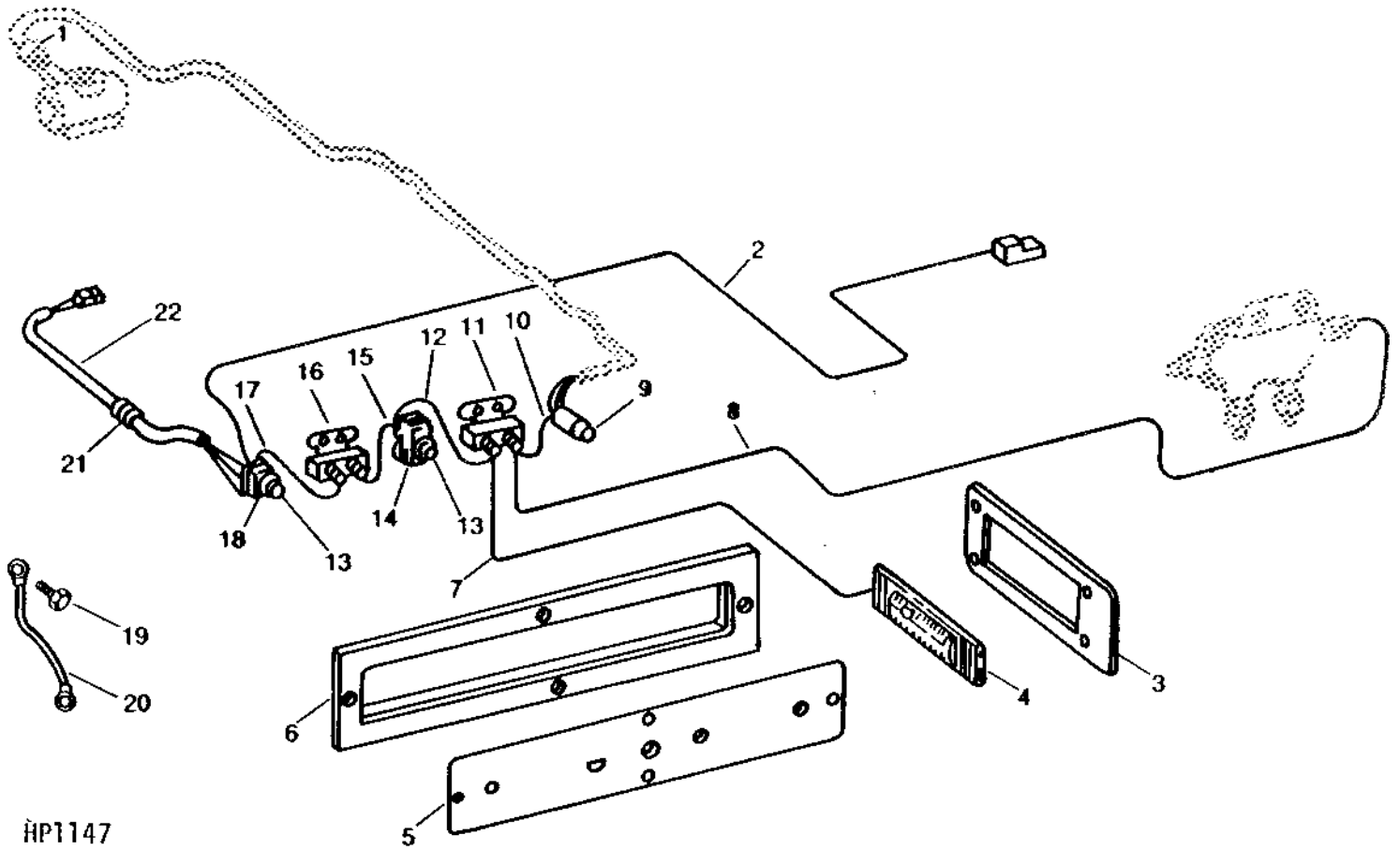
KEY	PART NO.	PART NAME	QTY	SERIAL NO.	REMARKS
1	H89713	BRACKET	1	(A)	
2	AR55649	CIRCUIT BREAKER	1	(A) 10 AMP	
3	AR49352	CIRCUIT BREAKER	2	30 AMP	
4	37H49	SCREW	3	(A) NO. 10 X 1/2" (SELF-TAPPING)	
5	12H246	LOCK WASHER	4	0.190"	
6	14H631	NUT	4	0.190"	
7	24H1283	WASHER	2	(A) 7/32" X 1/2" X 0.049"	
8	H89712	STRAP	1	(A)	
9	12H246	LOCK WASHER	4	(A) 0.190"	
10	14H631	NUT	4	(A) 0.190"	
11	AR28403	CIRCUIT BREAKER	1	(A) 20 AMP	
..	AH90875	KIT	1		CIRCUIT BREAKER, MAIN WIRING HARNESS

# 1F10

ELECTRICAL

HP1147 -UN-01JAN94

## OPERATOR'S CAB ELECTRICAL WIRING AND SWITCHES



HP1147

# 1F11

ELECTRICAL

## OPERATOR'S CAB ELECTRICAL WIRING AND SWITCHES - CONTINUED

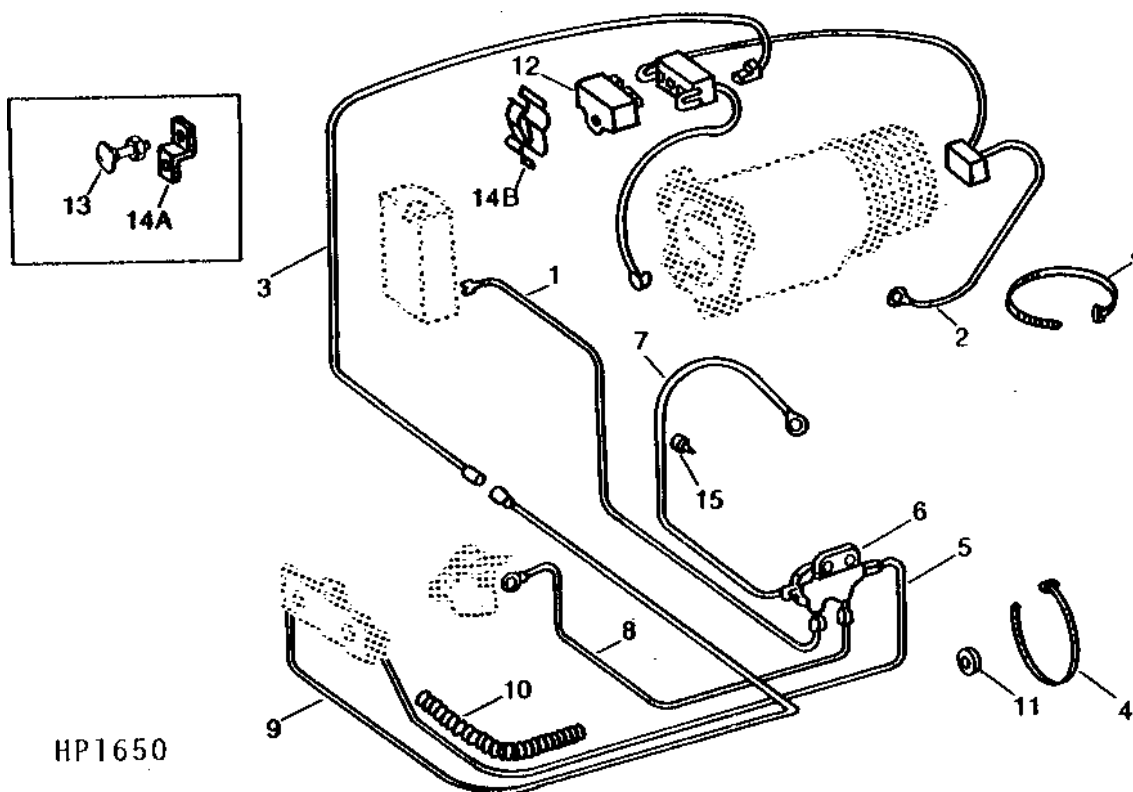
KEY	PART NO.	PART NAME	QTY	SERIAL NO.	REMARKS
1	L1863N	GROMMET	1		(WIPER)
2	.....	WIRING LEAD	1	-610100	2845 MM (112") LONG (MAKE FROM R66319, (2) U46662, AND T28583 IN AR84006 WIRE REPAIR KIT) (AIR CONDITIONER AND HEATER)
3	AH117228 H84109	WIRING HARNESS GASKET	1 1	610101-	
4	AH80210	LAMP	1		DOME
5	H97813	PANEL	1		SWITCH
6	H85835	HOUSING	1		PLATE, SWITCH
7	.....	WIRING LEAD	1		711 MM (28") LONG (MAKE FROM R66319, R32018, AND T28585 IN AR84006 WIRE REPAIR KIT) (AIR CONDITIONER, PRESSURIZER, AND HEATER)
8	.....	WIRING LEAD	1		2591 MM (102") LONG (MAKE FROM R66319, AND (2) R32019 IN AR84006 WIRE REPAIR KIT) (AIR CONDITIONER, PRESSURIZER, AND HEATER)
9	AT38296	SWITCH	1		WIPER, WITH KNOB
	T44545	KNOB	1		WIPER SWITCH
10	.....	WIRING LEAD	1		127 MM (5") LONG (MAKE FROM R66319, R32018, AND U46662 IN AR84006 WIRE REPAIR KIT) (AIR CONDITIONER AND HEATER)
11	AR49352	CIRCUIT BREAKER	1		30 AMP
12	.....	WIRING LEAD	1		229 MM (9") LONG (MAKE FROM R66319, R32018, AND U46662 IN AR84006 WIRE REPAIR KIT) (AIR CONDITIONER, PRESSURIZER, AND HEATER)
13	AH80168	KNOB	1		(PRESSURIZER AND AIR CONDITIONER)
14	AH84588	SWITCH	1		PRESSURIZER
	R44165	LOCK NUT	1		
15	.....	WIRING LEAD	1		127 MM (5") LONG (MAKE FROM R66319, R32018, AND U46662 IN AR84006 WIRE REPAIR KIT) (AIR CONDITIONER AND HEATER)
16	AH96309	CIRCUIT BREAKER	1		6 AMP
17	.....	WIRING LEAD	1		229 MM (9") LONG (MAKE FROM R66319, R32018, AND U46662 IN AR84006 WIRE REPAIR KIT) (AIR CONDITIONER AND HEATER)
18	AH80197	SWITCH	1		THERMOSTAT (AIR CONDITIONER)
	R44165	LOCK NUT	1		(AIR CONDITIONER)
19	21H1299	SCREW	1		0.164" X 3/8"
20	.....	WIRE	1		203 MM (8") LONG (MAKE FROM R66321, R32019, AND R32022 IN AR84006 WIRE REPAIR KIT) (USED TO GROUND OPERATOR'S CAB)
21	H81679	GROMMET	1		
22	AH80182	WIRING HARNESS	1		

# 1F12

ELECTRICAL

## OPERATOR'S CAB AND AIR CONDITIONING WIRING ON ENGINE (SERIAL NO. -610100)

HP1650 -UN-01JAN94



HP1650

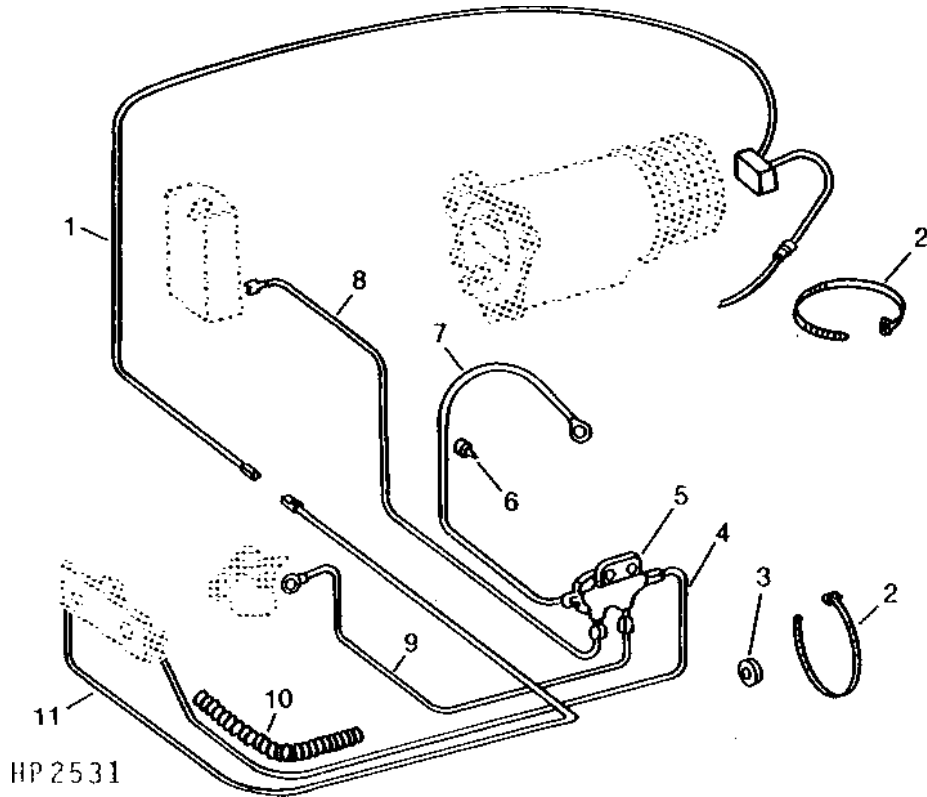
KEY	PART NO.	PART NAME	QTY	SERIAL NO.	REMARKS
1	AH79303	WIRING LEAD	1		
2	AR77345	WIRING HARNESS	1		
3	AH92362	WIRING LEAD	1		(AIR CONDITIONER)
4	M66044	TIE BAND	6		(AIR CONDITIONER)
5	AH80340	WIRE	1		
6	AH98337	RELAY	1		
7	AH79302	WIRING LEAD	1		
8	AH79304	WIRING LEAD	1		
9	AH88883	WIRING LEAD	1		(AIR CONDITIONER)
10	.....	CONDUIT	1		305 MM (12") LONG (AIR CONDITIONER) (CUT FROM H88857)
11	H83060	GROMMET	1		
12	AR77344	FUSE	1		
13	21H1295	SCREW	1	-550000	0.190" X 5/8"
	R32176	NUT	1	-550000	
14A	H93362	BRACKET	1	-550000	(SUB R77405)
14B	R77405	CLIP	1		
15	H76478	SCREW	2		

# 1F13

ELECTRICAL

OPERATOR'S CAB AND AIR CONDITIONING WIRING ON ENGINE  
(SERIAL NO. 610101- )

HP2531 -UN-01JAN94



KEY	PART NO.	PART NAME	QTY	SERIAL NO.	REMARKS
1	AH117229	WIRING HARNESS	1		(AIR CONDITIONER)
2	M66044	TIE BAND	6		
3	H83060	GROMMET	1		
4	AH80340	WIRE	1		
5	AH98337	RELAY	1		
6	H76478	SCREW	2		
7	AH79302	WIRING LEAD	1		
8	AH79303	WIRING LEAD	1		
9	AH79304	WIRING LEAD	1		
10	.....	CONDUIT	1		305 MM (12") LONG (AIR CONDITIONER) (CUT FROM H88857)
11	AH88883	WIRING LEAD	1		

---

MEMORANDA



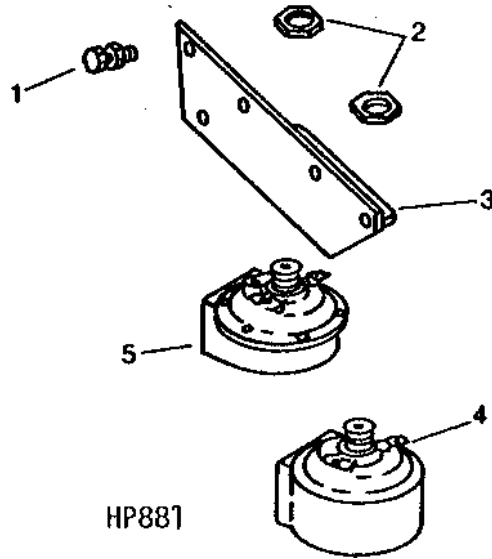
# 1F14

ELECTRICAL

HP881

-UN-01JAN94

## SIGNAL HORNS



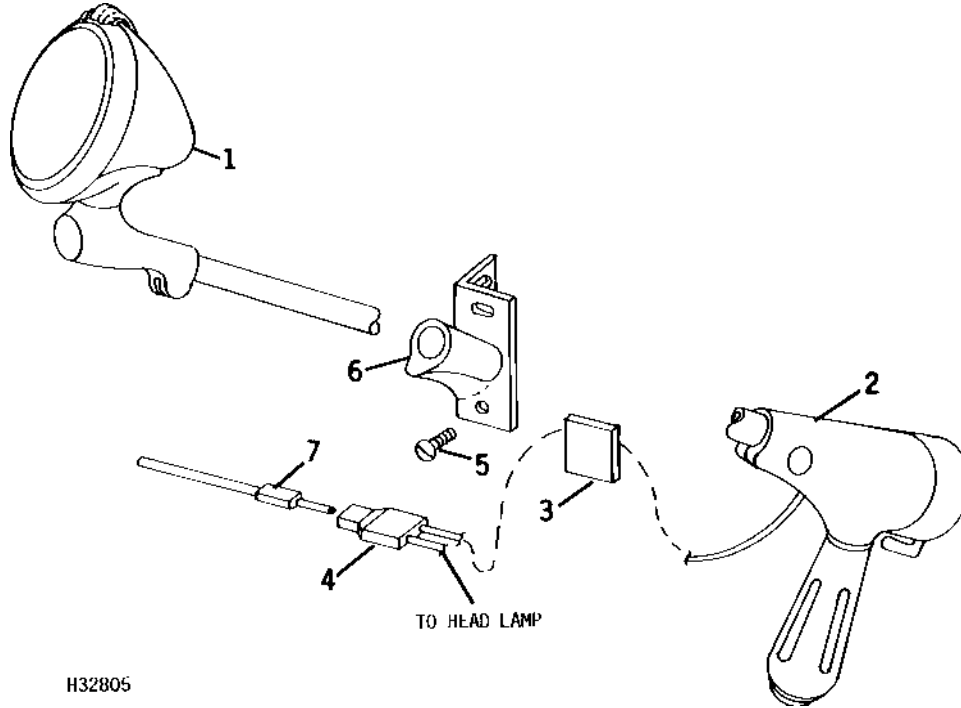
KEY	PART NO.	PART NAME	QTY	SERIAL NO.	REMARKS
1	19H1732	CAP SCREW	1		
	14H812	NUT	1		3/8" X 1-1/4"
2	R11278	NUT	2		3/8"
3	H81921	BRACKET	1		
4	AT39043	HIGH NOTE HORN	1		(LOW NOTE)
5	R64700	HIGH NOTE HORN	1		(HIGH NOTE)

# 1F15

ELECTRICAL

H32805 -UN-01JAN94

## SPOTLIGHT



H32805

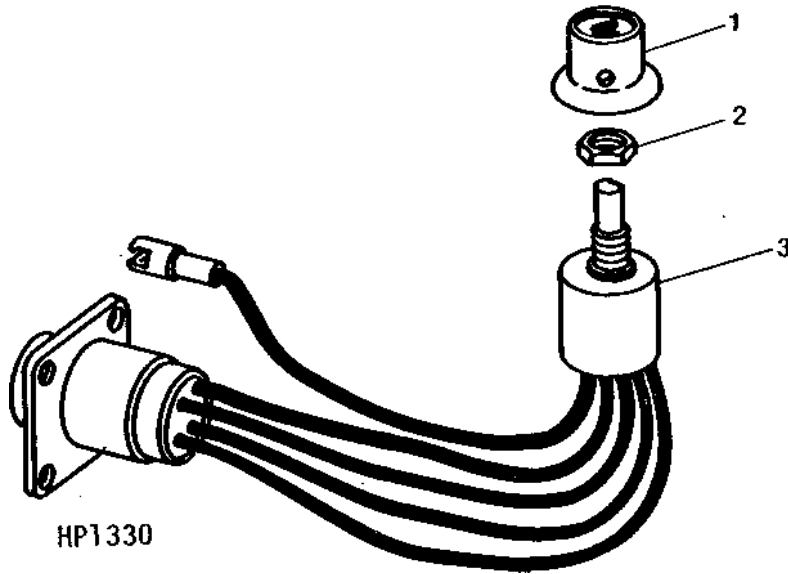
KEY	PART NO.	PART NAME	QTY	SERIAL NO.	REMARKS
1	AH91124	LAMP	1		
	H91273	CLIP	1		
2	AH91125	HANDLE	1		
3	R47474	CLIP	1		
4	AM531T	CONNECTOR	1		
5	H91272	SCREW	4		(A) SPECIAL, NO. 10 X 5/8"
6	AH91123	BRACKET	1		(A)
7	.....	WIRING LEAD	1		76 MM (3") LONG (CONSISTS OF R66319 AND R32026 IN AR84006 WIRE KIT)
KIT LISTED BELOW CONSISTS OF ALL PARTS IDENTIFIED BY AN (A):					
..	AH94512	KIT	1		SPOTLIGHT

# 1F16

ELECTRICAL

## DIAL-A-MATIC HEADER HEIGHT CONTROL SWITCH (SERIAL NO. 500001- )

HP1330 -UN-01JAN94



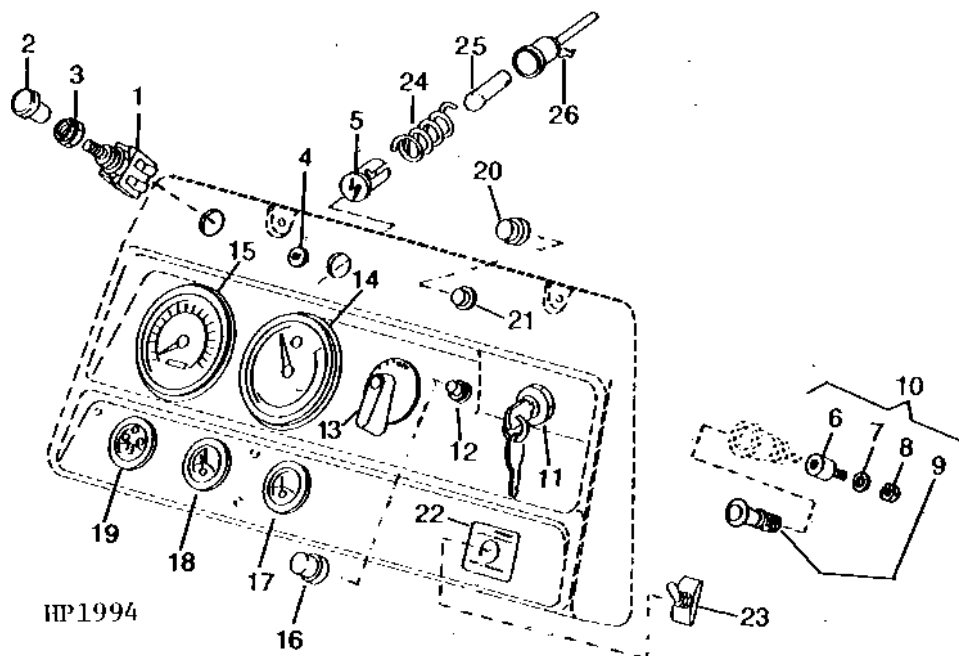
KEY	PART NO.	PART NAME	QTY	SERIAL NO.	REMARKS
1	AH104380	KNOB	1		
2	H106246	LOCK NUT	2		
3	AH108480	SWITCH	1		

# 1F17

ELECTRICAL

HP1994 -UN-01JAN94

## SWITCHES AND GAUGES ON INSTRUMENT PANEL



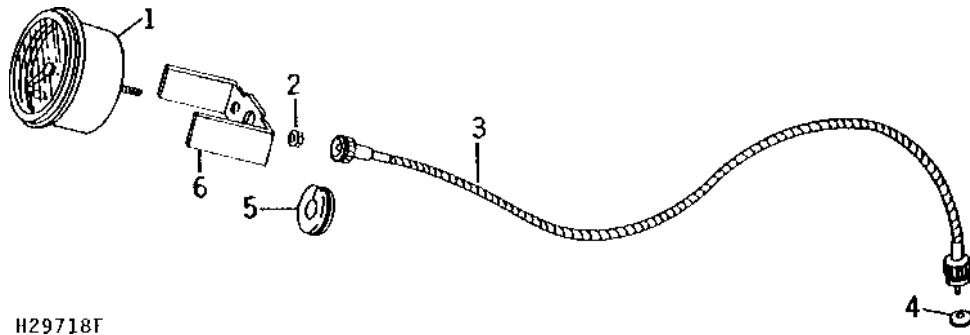
KEY	PART NO.	PART NAME	QTY	SERIAL NO.	REMARKS
1	AH85260	SWITCH	1		ELECTROMAGNETIC CLUTCH (PLATFORM DRIVE)
2	AH85259	KNOB	1		ELECTROMAGNETIC CLUTCH
3	M42561	NUT	1		
4	AH78215	LAMP	1		PARKING BRAKE INDICATOR
	AH61036	LAMP	1		RED FLASHER, 12-VOLT
5	AR45438	LENS	1	-400987	(SUB AT48673)
	AT48673	LENS	1		INDICATOR LAMP
6	AR30394	CIRCUIT BREAKER	1		
7	12H290	WASHER	1		0.164"
8	14H605	NUT	1		0.164"
9	AR60937	LIGHTER	1		(SUB FOR AA5787R)
10	AR30053	LIGHTER	1	-450000	(SUB AU41461)
	AU41461	LIGHTER	1		
11	AH83679	SWITCH	1		IGNITION AND STARTER, WITH KEYS
	AR51481	KEY	1		(SET OF 2)
	R44342	NUT	1		
12	AR21823	SWITCH	1		HORN
13	AH76134	SWITCH	1		LIGHT
	12H292	LOCK WASHER	1		1/2"
	A4655R	NUT	1		
	AR54445	KNOB	1		LIGHT SWITCH
	12H315	LOCK WASHER	1		0.164"
	21H996	SCREW	1		0.164" X 3/8"
14	.....	HOUR METER	1		
15	.....	TACHOMETER	1		
16	T55501	CAP	1		
17	AR48640	TEMPERATURE GAUGE	1		COOLANT TEMPERATURE
18	AH76107	PRESSURE GAUGE	1	-550000	(SUB AH113715)
	AH113715	GAUGE	1		OIL PRESSURE
19	14H631	NUT	1		0.190"
	AR45436	GAUGE	1		FUEL
20	T55585	CAP	1		
21	AR21823	SWITCH	1		ETHER STARTING AID
22	H88317	PLATE	1	-500000	(AUTOMATIC HEADER HEIGHT CONTROL)
23	AH87806	SWITCH	1	-500000	(AUTOMATIC HEADER HEIGHT CONTROL)
	H91792	PLUG	1	500001-	(DIAL-A-MATIC HEADER HEIGHT CONTROL)
24	R30378	SPRING	1		
25	AR55694	BULB	1		
26	AT44165	WIRING LEAD	1		

# 1F18

ELECTRICAL

H29718F -UN-01JAN94

## ENGINE TACH-HOUR METER



H29718F

KEY	PART NO.	PART NAME	QTY	SERIAL NO.	REMARKS
1	AH91001	HOUR METER	1		
2	14H631	NUT	4	0.190"	
3	AR26721	CABLE	1		
4	B3285R	WASHER	1		
5	H80306	GROMMET	1		
6	H97303	BRACKET	1		

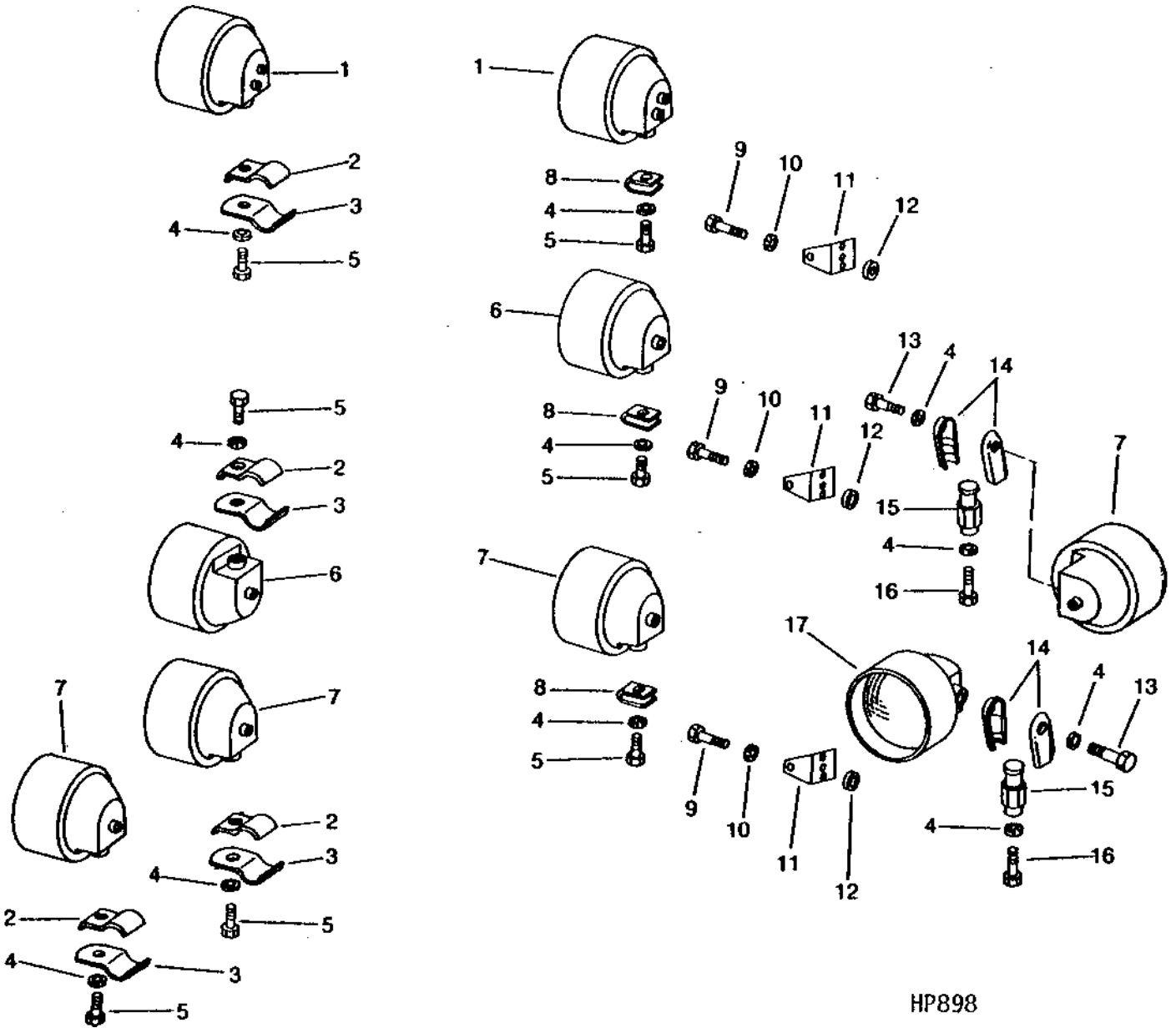
# 1F19

ELECTRICAL

HP898

-UN-01JAN94

FIELD LIGHTS



HP898

# 1F20

ELECTRICAL

## FIELD LIGHTS - CONTINUED

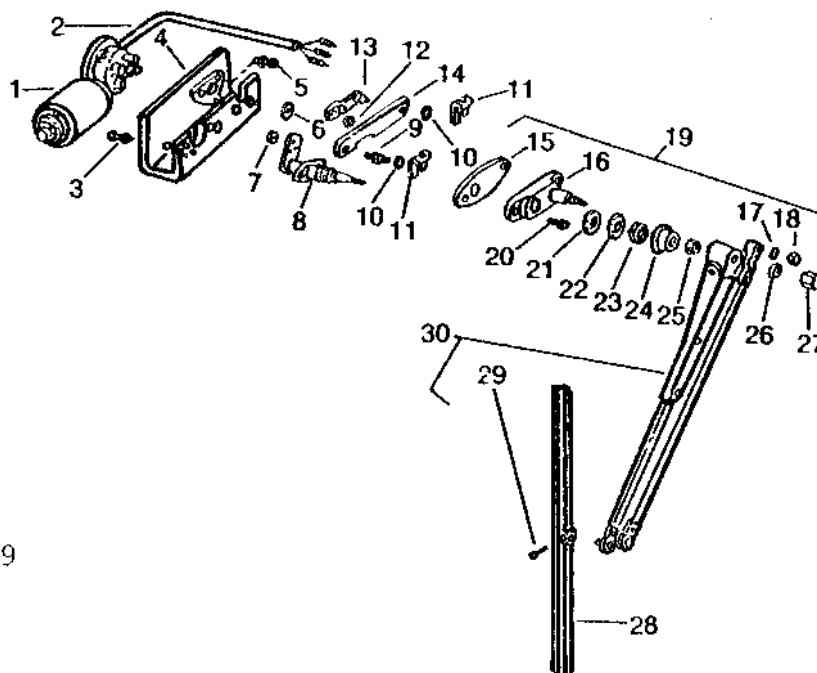
KEY	PART NO.	PART NAME	QTY	SERIAL NO.	REMARKS
1	AH90899	LAMP	2		LEAD WIRE (CONSISTS OF R32026, R32016, AND 2007 MM (79") OF R66319, AVAILABLE IN AR84006 WIRING KIT)
	AR48723	LAMP	1		(12-VOLT)
	R42689	BEZEL	1		(FOR HOBBS LAMP)
	R48293	BEZEL	1		(FOR GUIDE LAMP)
2	H83790	CLAMP	AR		
3	H83791	CLAMP	AR		
4	12H301	LOCK WASHER	AR		1/2"
5	19H1831	CAP SCREW	AR		1/2" X 2"
6	AH90897	HEADLIGHT	2		
	AE31263	LAMP	1		(12-VOLT)
	R42689	BEZEL	1		(FOR HOBBS LAMP)
	R48293	BEZEL	1		(FOR GUIDE LAMP)
7	AH90898	HEADLIGHT	4		
	AM31282	LAMP	1		(12-VOLT)
	R42689	BEZEL	1		(FOR HOBBS LAMP)
	R48293	BEZEL	1		(FOR GUIDE LAMP)
8	H86611	CLEVIS	3		
9	19H2020	CAP SCREW	AR		5/16" X 1/2"
10	12H303	LOCK WASHER	AR		5/16"
11	AH87704	BRACKET	3		
12	H89842	GROMMET	3		
13	19H1930	CAP SCREW	2		1/2" X 2-1/2"
14	R27460	CLAMP	4		
15	R54778	NUT	2		
16	19H1895	CAP SCREW	2		1/2" X 3/4"
17	AR42119	FLOODLAMP	1		
	AR42591	HEADLIGHT	1		(12-VOLT)
	R42689	BEZEL	1		(FOR HOBBS LAMP)
	R48293	BEZEL	1		(FOR GUIDE LAMP)
..	19H1721	CAP SCREW	1		1/2" X 1-1/2", (USE WITH AH90897, R.H. LAMP)
..	14H1040	NUT	1		1/2", (USE WITH AH90897, R.H. LAMP)
..	H89720	SUPPORT	1		(USE WITH AH90897, R.H. LAMP)
..	12H301	LOCK WASHER	1		1/2", (USE WITH AH90897, R.H. LAMP)
..	19H1721	CAP SCREW	1		1/2" X 1-1/2", (USE WITH AH90897, R.H. LAMP)

# 1F21

ELECTRICAL

HP1059 -UN-01JAN94

## WINDSHIELD WIPER AND BRACKET



HP1059

KEY	PART NO.	PART NAME	QTY	SERIAL NO.	REMARKS
1	AR59444	MOTOR	1	-450350	(SUB AH108712 AND AH108739)
	AH108739	MOTOR	1		
2	AH108712	WIRING HARNESS	1		
3	AU43855	SCREW, WITH WASHER	2	-450000	(A) (SUB 21H1298 AND 12H295)
	21H1298	SCREW	2		0.190" X 3/8"
	12H295	LOCK WASHER	2		0.190"
4	U46515	BRACKET	1	(A)	
5	AU43854	SCREW, WITH WASHER	3	(A)	
6	U46508	WASHER	1	(A)	(SUB AH112301)
7	14H649	NUT	1	(A)	1/4"
8	AU43852	SHAFT	1	(A)	
9	U46507	PIN	1	(A)	
10	AT29862	WASHER	2	(A)	
11	U46506	CLIP	2	(A)	
12	AU43857	LOCK NUT	1	(A)	
13	AR43856	ARM	1	(A)	
14	AU43853	LINK	1	(A)	
15	U46517	GASKET	1		
16	AR78596	KIT	1		
17	.....	WASHER	1		
18	.....	NUT	1		
19	AU42023	PLATE	1		ADAPTER
20	19H3138	CAP SCREW	2		1/4" X 5/8"
21	U46509	WASHER	1	(A)	
22	U46510	WASHER	1	(A)	
23	U46511	NUT	1	(A)	
24	U46512	CAP	1	(A)	
25	U46513	NUT	1	(A)	
26	12H291	LOCK WASHER	1	(A)	5/16"
27	R63671	NUT	1	(A)	
28	AH96223	BLADE	1		
29	.....	SCREW	1		
30	AU42025	WIPER ARM	1		
..	AT58208	MOTOR	1	-450350	
..	AT67339	MOTOR	1	450351-	
..	KIT LISTED BELOW CONSISTS OF ALL PARTS IDENTIFIED BY AN (A):				
..	AT38297	MOTOR	1		KIT, MOTOR

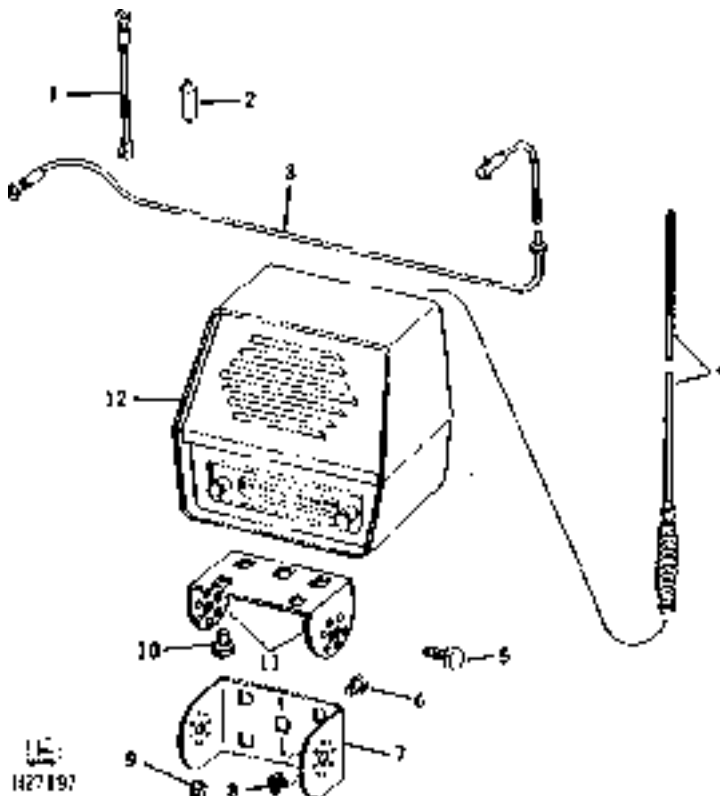


# 1F22

ELECTRICAL

H27197 -UN-01JAN94

## RADIO (NOT USED WITH OPERATOR'S CAB) (MOTOROLA)



KEY	PART NO.	PART NAME	QTY	SERIAL NO.	REMARKS
1	AR41758	CAPACITOR	1		
2	R42799	RESISTOR	1	(A)	
3	AR41756	WIRING LEAD	1	(A)	
4	AR46986	ANTENNA	1	(B)	
5	19H1936	CAP SCREW	2	(A) 3/8" X 3/4"	
6	19H1813	CAP SCREW	4	(A) 5/16" X 5/8"	
7	R41880	BRACKET	1		
8	AR41950	NUT	2	(A)	
9	AR41951	NUT	4	(A)	
10	19H1227	CAP SCREW	4	1/4" X 1/2"	
11	R41880	BRACKET	1	(A)	
12	AR68361	RADIO	1	-500000	(B) (SUB AR101245)
	AR101245	RADIO	1	-550000	(SUB TY15155, THIS APPLICATION)

KIT LISTED BELOW CONSISTS OF ALL PARTS IDENTIFIED BY AN (A):

..	AR41754	KIT	1	-550000	
----	---------	-----	---	---------	--

ASSEMBLY LISTED BELOW CONSISTS OF ALL PARTS IDENTIFIED BY A (B):

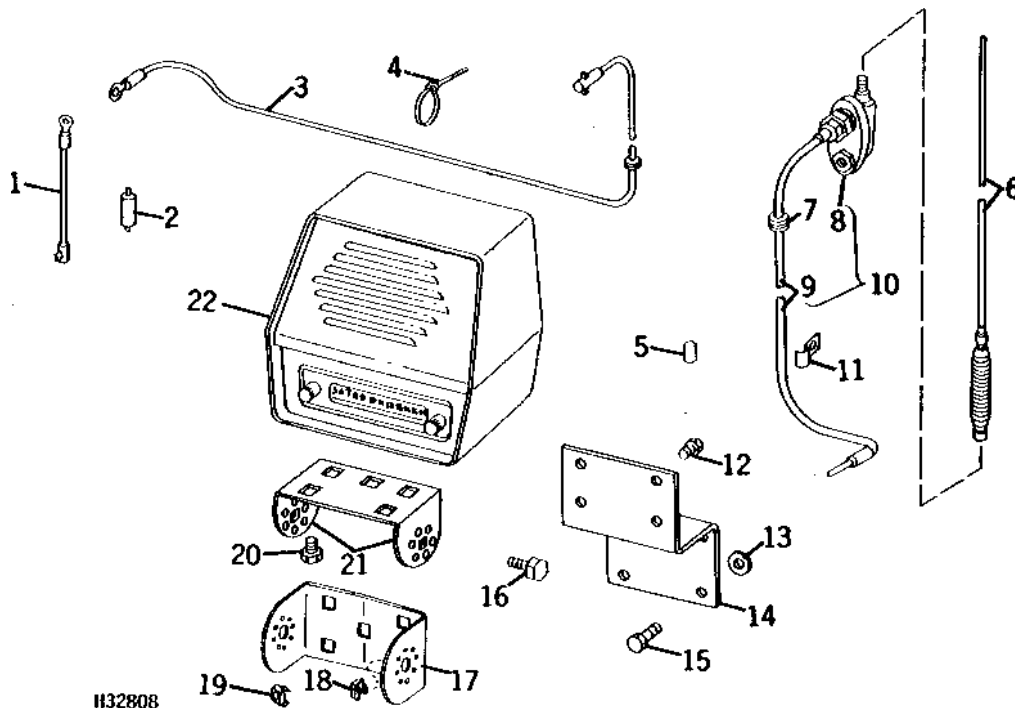
..	AR71981	RADIO	1	-550000	
----	---------	-------	---	---------	--

# 1F23

ELECTRICAL

H32808 -UN-01JAN94

RADIO (USED WITH OPERATOR'S CAB) (MOTOROLA)



KEY	PART NO.	PART NAME	QTY	SERIAL NO.	REMARKS
1	AR41758	CAPACITOR	1		
2	R42799	RESISTOR	1	(C)	
3	AR41756	WIRING LEAD	1	(C)	
4	M66044	TIE BAND	1	(B)	
5	R45136	PLUG	1		
6	AR46986	ANTENNA	1	(D)	
7	R27583	GROMMET	1	(A)	
8	AR46984	BASE	1	(A)	
9	AR46985	WIRING LEAD	1	(A)	
10	AR45014	COUPLING	1	(A) (SUB AR46984)	
11	T19935	CLAMP	1	(B)	
12	19H1813	CAP SCREW	4	(C) 5/16" X 5/8"	
13	24H1294	WASHER	2	11/32" X 1-1/8" X 1/16"	
14	H86029	BRACKET	1		
15	H76139	SCREW	4	SELF-TAPPING	
16	19H1936	CAP SCREW	2	(C) 3/8" X 3/4"	
17	R41880	BRACKET	1	(C)	
18	AR41950	NUT	2	(C)	
19	AR41951	NUT	4	(C)	
20	19H1227	CAP SCREW	4	1/4" X 1/2"	
21	R41880	BRACKET	1		
22	AR68361	RADIO	1	-500000	(D) (SUB AR101245)
	AR101245	RADIO	1	-550000	(SUB TY15155, THIS APPLICATION)
	TY15155	RADIO	1		

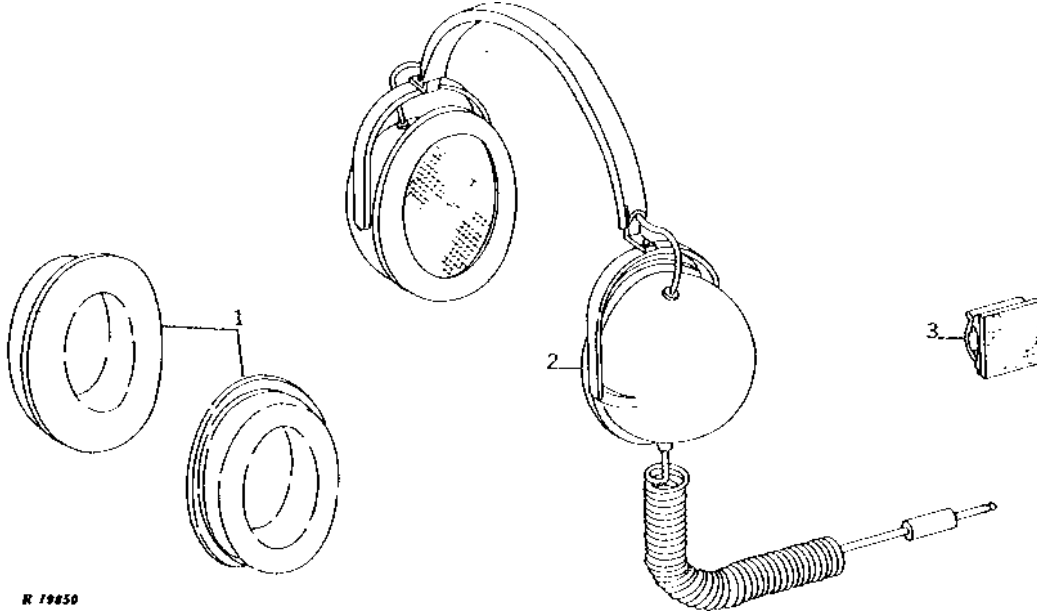
- KIT LISTED BELOW CONSISTS OF ALL PARTS IDENTIFIED BY AN (A):
- |    |         |      |   |         |  |
|----|---------|------|---|---------|--|
| .. | AR46983 | BASE | 1 | -550000 |  |
|----|---------|------|---|---------|--|
- ASSEMBLY LISTED BELOW CONSISTS OF ALL PARTS IDENTIFIED BY A (B):
- |    |         |         |   |  |  |
|----|---------|---------|---|--|--|
| .. | AH87161 | SUPPORT | 1 |  |  |
|----|---------|---------|---|--|--|
- KIT LISTED BELOW CONSISTS OF ALL PARTS IDENTIFIED BY A (C):
- |    |         |     |   |         |  |
|----|---------|-----|---|---------|--|
| .. | AR41754 | KIT | 1 | -550000 | MOUNTING FOR 2ND VEHICLE RADIO APPLICATION |
|----|---------|-----|---|---------|--|
- ASSEMBLY LISTED BELOW CONSISTS OF ALL PARTS IDENTIFIED BY A (D):
- |    |         |       |   |         |  |
|----|---------|-------|---|---------|--|
| .. | AR71981 | RADIO | 1 | -550000 |  |
|----|---------|-------|---|---------|--|

# 1F24

ELECTRICAL

R19850 -UN-01JAN94

## RADIO HEAD PHONES



KEY	PART NO.	<i>R 19850</i> PART NAME	QTY	SERIAL NO.	REMARKS
1	AR73311	FOAM PAD	1		
2	AR59663	HEADPHONES	1	-550000	
3	R53410	CLIP	1		

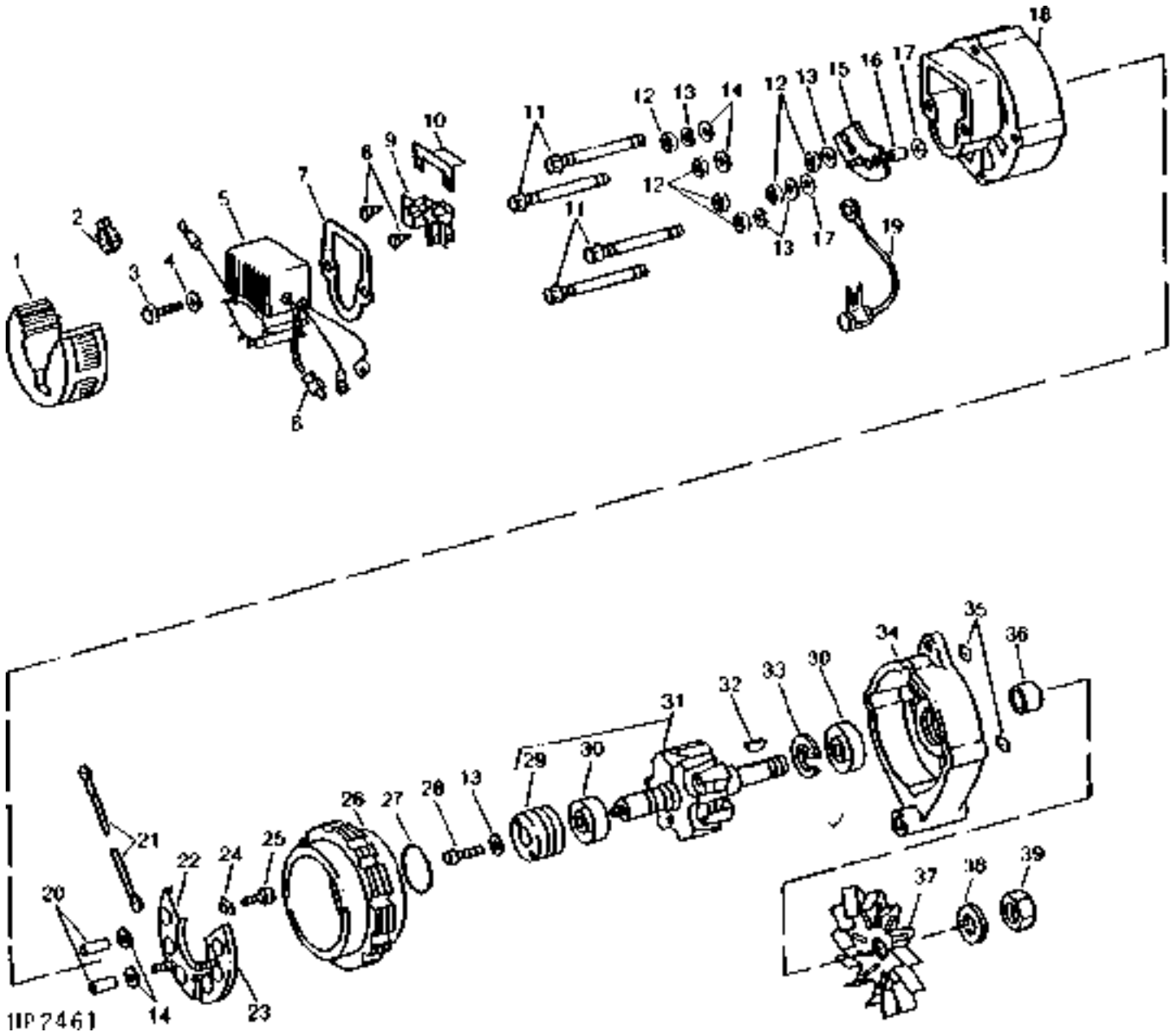
# 1G1

ELECTRICAL

ALTERNATOR AND VOLTAGE REGULATOR (72 AMP)  
(SERIAL NO. -600000)

HP2461

-UN-01JAN94



**ALTERNATOR AND VOLTAGE REGULATOR (72 AMP) - CONTINUED**  
**(SERIAL NO. -600000)**

KEY	PART NO.	PART NAME	QTY	SERIAL NO.	REMARKS
1	AH93170	COVER	1		
2	H77698	TIE BAND	1		
3	T29103	SCREW	2		
4	12H315	LOCK WASHER	2	0.164"	
5	AT56592	REGULATOR	1		
6	R48887	TAB CONNECTOR BODY	1		
7	T29100	GASKET	1		
8	37H47	SCREW	2		
9	AT27128	HOLDER	1		
10	T25357	INSULATOR	1	-400000	(SUB T46862)
	T46862	ISOLATOR	1		
11	R47460	BOLT	4		
12	14H778	NUT	6	0.190"	
13	12H246	LOCK WASHER	5	0.190"	
14	R39804	WASHER	4	(INSULATOR)	
15	AR50229	DIODE	1		
16	R39803	WASHER	1		
17	R15036	WASHER	2		
18	R63977	HOUSING	1		
19	AH105521	CAPACITOR	1	401299-	
20	T25353	BUSHING	2		
21	AT27126	WIRING LEAD	1		
22	AH103067	PLATE	1		(RECTIFYING, POSITIVE)
23	AH103068	PLATE	1		(RECTIFYING, NEGATIVE)
24	T25350	INSULATOR	1		
25	T29099	BOLT	1		
26	AR50226	STATOR	1		
27	T50860	RING	1		
28	T29102	SCREW	1		
29	AT27127	RING	1		
30	AT23188	BEARING	2		
31	AR50227	ROTOR	1		(WITH SLIP RINGS AND BEARINGS)
32	26H9	SHAFT KEY	1		1/8" X 5/8"
33	R15029	RETAINER	1		
34	R15033	HOUSING	1		
35	14H631	NUT	4	0.190"	
36	T25343	BUSHING	1		
37	R15027	FAN	1		
38	12H294	LOCK WASHER	1	5/8"	
39	14H866	NUT	1	5/8"	
..	AR52077	ALTERNATOR	1	-600000	(SUB TY6653)
..	TY6603	ALTERNATOR	1	-600000	(REMANUFACTURED) (SUB TY6653)

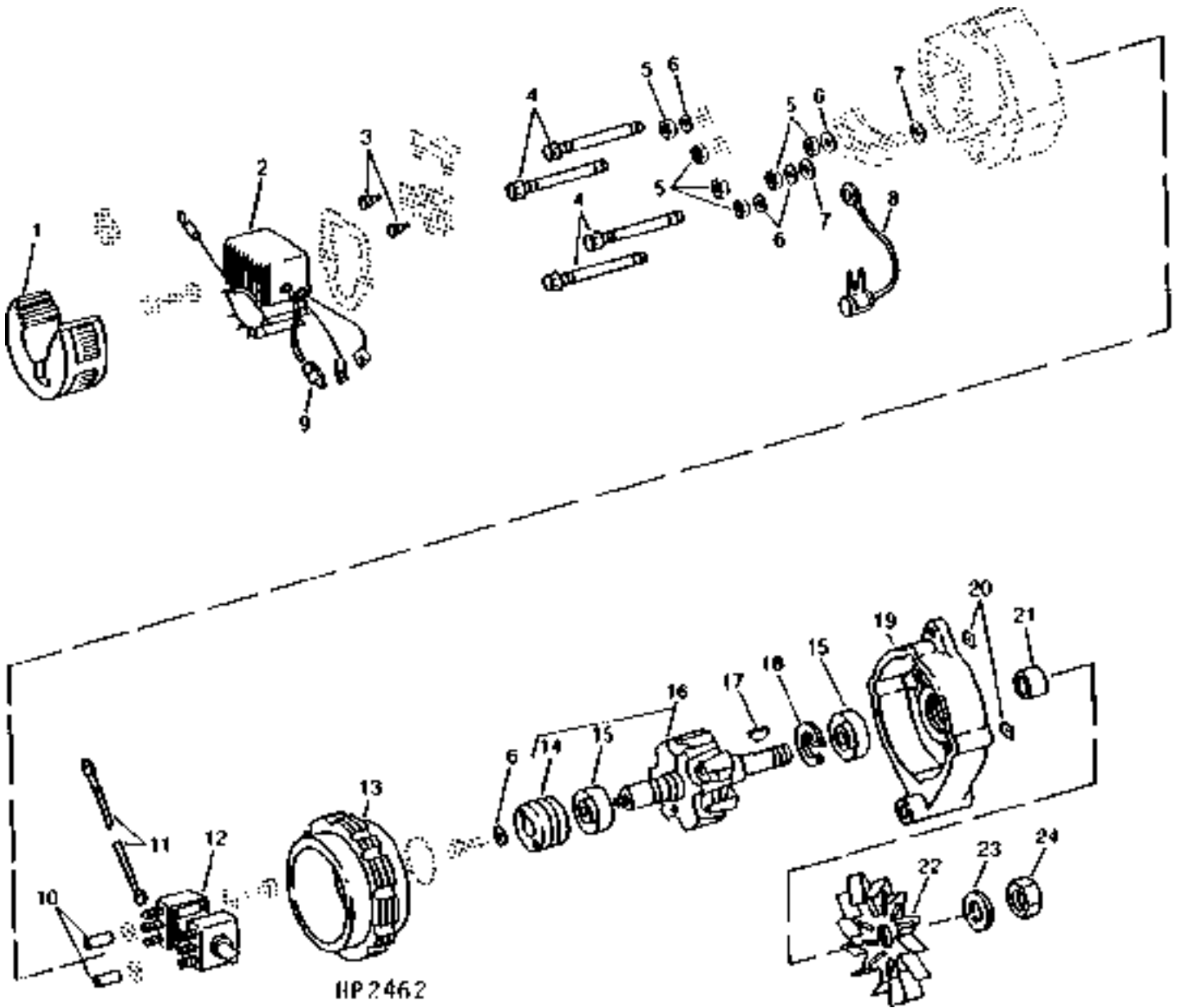
# 1G3

ELECTRICAL

ALTERNATOR AND VOLTAGE REGULATOR (90 AMP)  
(SERIAL NO. 600001- )

HP2462

-UN-01JAN94



# 1G4

ELECTRICAL

## ALTERNATOR AND VOLTAGE REGULATOR (90 AMP) - CONTINUED (SERIAL NO. 600001- )

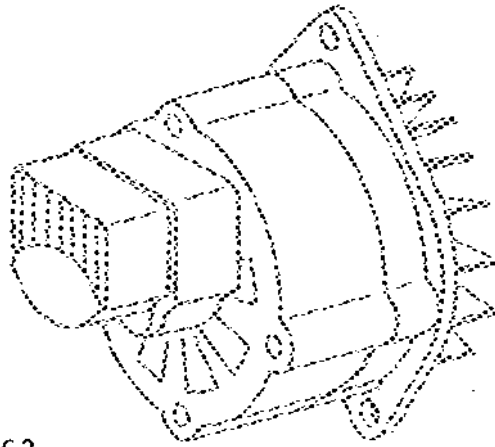
KEY	PART NO.	PART NAME	QTY	SERIAL NO.	REMARKS
1	H121705	COVER	1		
2	AH117788	VOLTAGE REGULATOR	1		
3	37H47	SCREW	2		NO. 8 X 1/2"
4	R77460	CONNECTOR	4		
5	14H778	NUT	6		0.190"
6	12H246	LOCK WASHER	5		0.190"
7	R15036	WASHER	2		
8	AH105521	CAPACITOR	1		
9	R48887	TAB CONNECTOR BODY	1		
10	T25353	BUSHING	2		
11	AT27126	WIRING LEAD	1		
12	AH117790	DIODE	2		
13	AH117791	STATOR	1		
14	AT27127	RING	1		
15	AT23188	BEARING	2		
16	AH117789	ROTOR	1		
17	26H9	SHAFT KEY	1		1/8" X 5/8", (W/SLIP RINGS AND BEARINGS)
18	R15029	RETAINER	1		
19	R15033	HOUSING	1		
20	14H631	NUT	4		0.190"
21	T25343	BUSHING	1		
22	R15027	FAN	1		
23	12H294	LOCK WASHER	1		5/8"
24	14H866	NUT	1		5/8"
..	TY6653	ALTERNATOR	1		(REMANUFACTURED)

# 1G5

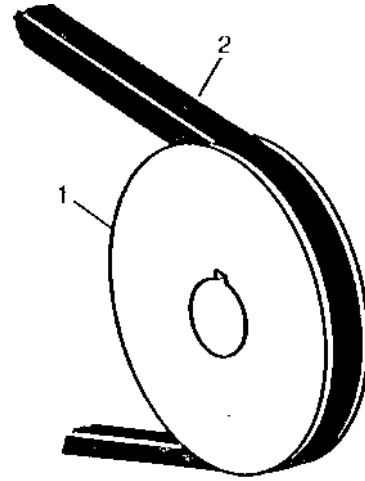
ELECTRICAL

HP2463 -UN-01JAN94

## ALTERNATOR SHEAVE AND BELT (72 AMP AND 90 AMP)



HP 2463



KEY	PART NO.	PART NAME	QTY	SERIAL NO.	REMARKS
1	H93619	PULLEY	1		
2	H82724	BELT	1	-550000	
	H101813	BELT	1	550001-	

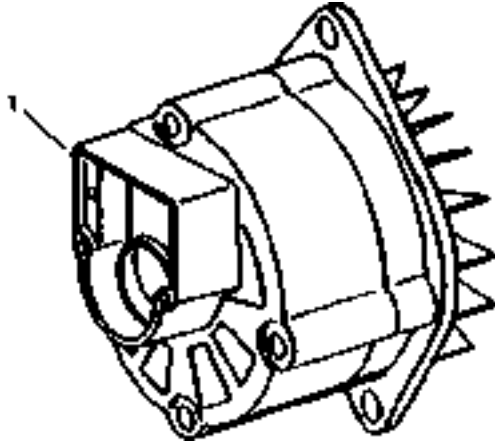


# 1G6

ELECTRICAL

HP2604 -UN-01JAN94

ALTERNATOR (90 AMP)  
(SERIAL NO. 600001- )



HP 2604

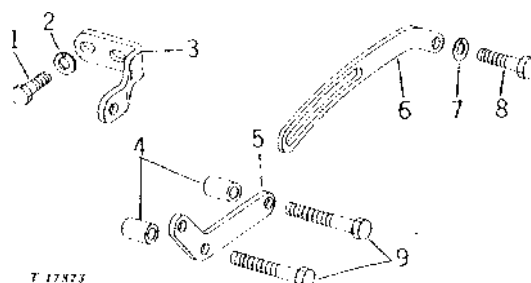
KEY	PART NO.	PART NAME	QTY	SERIAL NO.	REMARKS
1	TY6653	ALTERNATOR	1	90 AMP (REMANUFACTURED)	

---

MEMORANDA

### FRONT AND REAR ALTERNATOR SUPPORTS (6329DH)

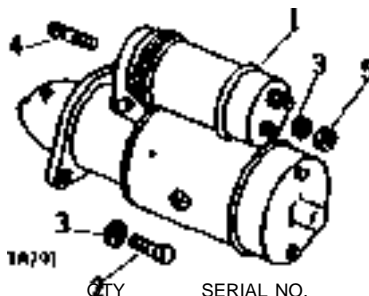
T17823 -UN-01JAN94



KEY	PART NO.	PART NAME	QTY	SERIAL NO.	REMARKS
1	19H2284	CAP SCREW	2		3/8" X 7/8"
2	24H1305	WASHER	2		13/32" X 13/16" X 0.065"
3	R38372	BRACKET	1	-550000	
	R59677	BRACKET	1	550001-	
4	28H2547	SPACER	2		0.423" X 0.675" X 1"
5	T20202	BRACKET	1	-550000	
	R59676	BRACKET	1	550001-	
6	T32853	STRAP	1		
7	12H304	LOCK WASHER	1		3/8"
8	19H1801	CAP SCREW	1		3/8" X 2"
9	19H2128	CAP SCREW	2		3/8" X 3"

### STARTING MOTOR ATTACHING HARDWARE (6329DH)

T8791 -UN-01JAN94

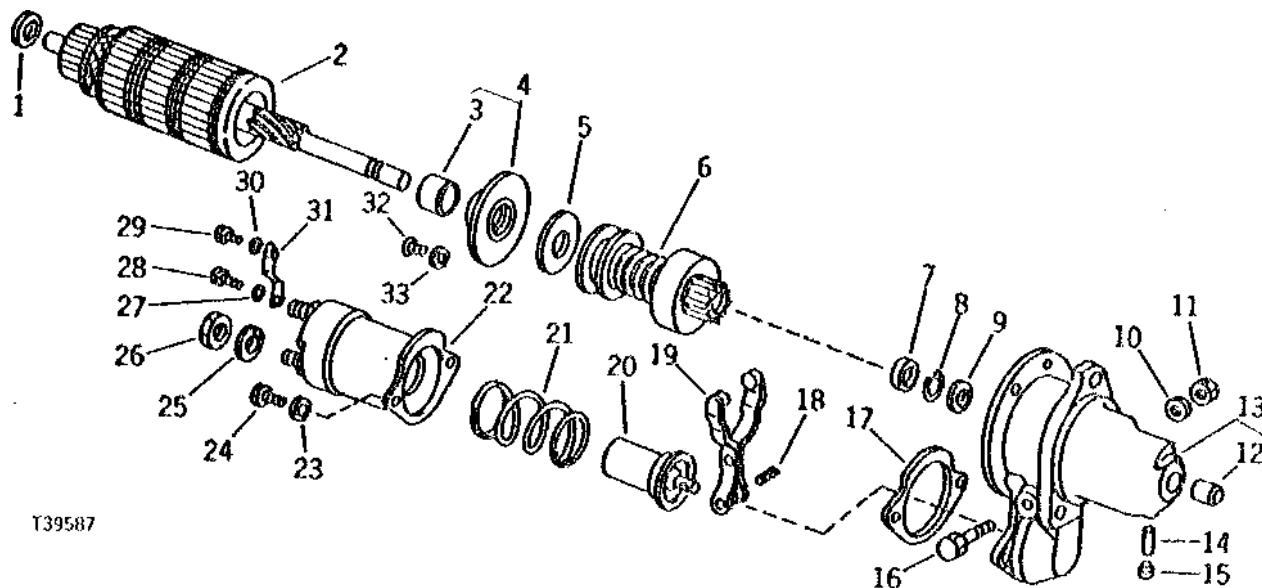


KEY	PART NO.	PART NAME	QTY	SERIAL NO.	REMARKS
1	AT25619	STARTER MOTOR	1	-110624	(DELCO-REMY NO. 1107863 AND 1107871) (SUB RE19187)
	RE19187	STARTER MOTOR	1		(DELCO-REMY NO. 1998367)
	TY6620	STARTER MOTOR	1		(REMANUFACTURED) (12-VOLT) (DELCO-REMY)
2	19H1731	CAP SCREW	1		3/8" X 1"
3	12H304	LOCK WASHER	2		3/8"
4	C2175R	STUD	1		(SUB FOR M3636T, THIS APPLICATION)
5	14H1076	NUT	1		3/8"

STARTING MOTOR DRIVE MOTOR AND ARMATURE ASSEMBLY  
 (6329DH)  
 (DELCO-REMY NOS. 1107863 AND 1107871)  
 (ENGINE SERIAL NO. -110624)

T39587

-UN-01JAN94



T39587

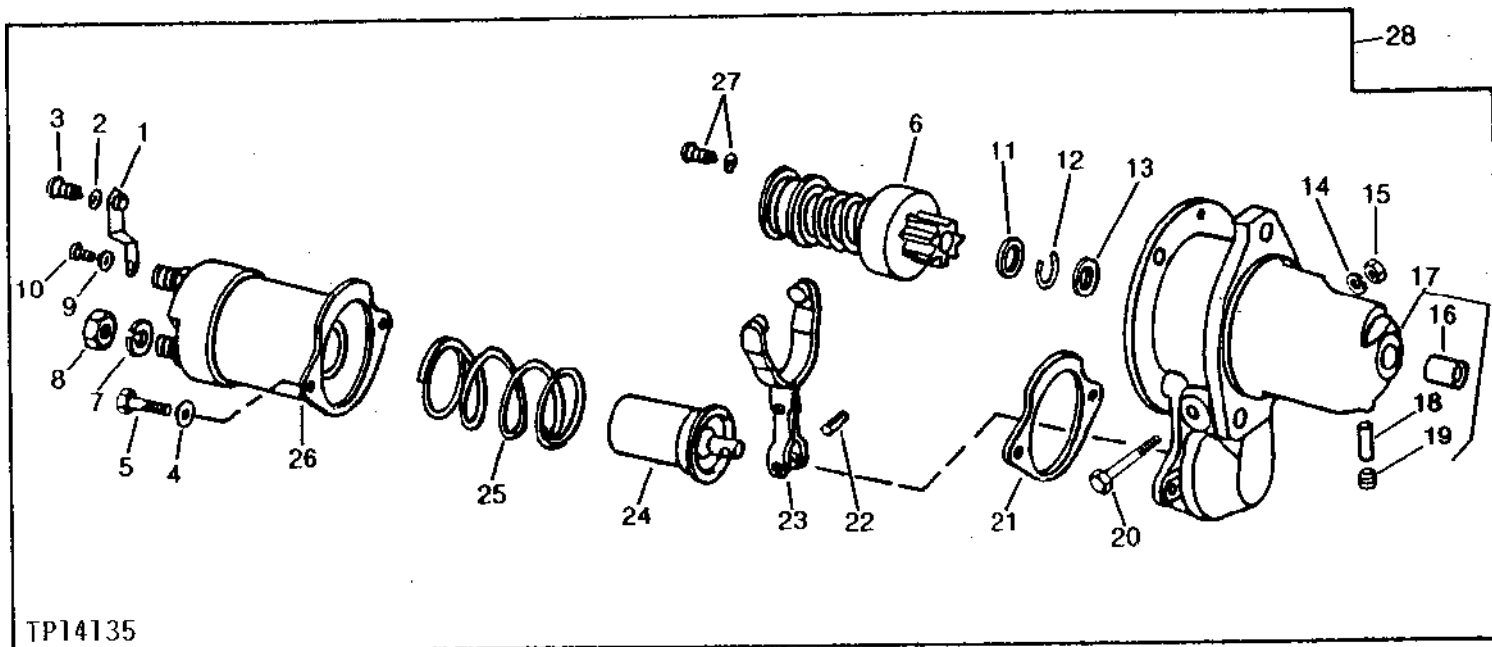
KEY	PART NO.	PART NAME	QTY	ENGINE SERIAL NO.	REMARKS
1	R11096	WASHER	1		
2	AT16291	ARMATURE	1		
3	T11684	BUSHING	1		
4	820149	BEARING	1		
5	R11095	WASHER	1		
6	AR54923	BENDIX DRIVE	1		
7	R11116	SPACER	1		
8	R11117	SNAP RING	1		
9	T24539	WASHER	1		
10	12H303	LOCK WASHER	1	5/16"	
11	14H611	NUT	1	5/16"	
12	T17987	BUSHING	1		
13	RE19193	HOUSING	1		(SUB FOR AR70082)
14	R40337	WICK	1		
15	15H558	PIPE PLUG	1	1/8"	
16	T11672	CAP SCREW	1		
17	T17058	GASKET	1		
18	34H279	SPRING PIN	1	3/16" X 13/16"	
19	T18113	SHIFTER	1		
20	AT15147	PLUNGER	1		
21	T11675	SPRING	1		
22	AR68304	SOLENOID	1		(SUB FOR R11240)
23	12H302	LOCK WASHER	2	1/4"	
24	21H1142	SCREW	2	1/4" X 1/2"	
25	12H304	LOCK WASHER	1	3/8"	
26	14H732	NUT	1	3/8"	
27	12H295	LOCK WASHER	1	0.190"	
28	T15564	SCREW	1		
29	21H1127	SCREW	1	0.190" X 7/16"	
30	12H246	LOCK WASHER	1	0.190"	
31	R39877	BRACKET	1		
32	T19589	SCREW	2		
33	T19569	LOCK WASHER	2		
..	AT25619	STARTER MOTOR	1		(SUB RE19187)

# 1G9

ELECTRICAL

STARTING MOTOR DRIVE AND SWITCH ASSEMBLY  
(6329DH)  
(DELCO-REMY NO. 1998367)  
(ENGINE SERIAL NO. 110625- )

TP14135 -UN-01JAN94



KEY	PART NO.	PART NAME	QTY	ENGINE SERIAL NO.	REMARKS
1	R57025	FITTING	1		
2	21H1127	SCREW	1	0.190" X 7/16"	
3	12H246	LOCK WASHER	1	0.190"	
4	12H302	LOCK WASHER	2	1/4"	
5	21H1142	SCREW	2	1/4" X 1/2"	
6	AR54923	BENDIX DRIVE	1		
7	12H304	LOCK WASHER	1	3/8"	
8	14H732	NUT	1	3/8"	
9	12H295	LOCK WASHER	1	0.190"	
10	T15564	SCREW	1		
11	R11116	SPACER	1		
12	R11117	SNAP RING	1		
13	T24539	WASHER	1		
14	12H303	LOCK WASHER	1	5/16"	
15	14H611	NUT	1	5/16"	
16	R57029	BUSHING	1		
17	RE19193	HOUSING	1		
18	R81175	WICK	1		
19	R81174	PLUG	1	1/8"	
20	T11672	CAP SCREW	1		
21	T17058	GASKET	1		
22	34H279	SPRING PIN	1	3/16" X 13/16"	
23	T18113	SHIFTER	1		
24	AM39970	PLUNGER	1		
25	R81176	COMPRESSION SPRING	1		
26	AM39968	SOLENOID	1		
27	RE19191	SCREW, WITH WASHER	1		
28	.....	STARTER MOTOR	1	(SUB RE19187)	

# 1G10

ELECTRICAL

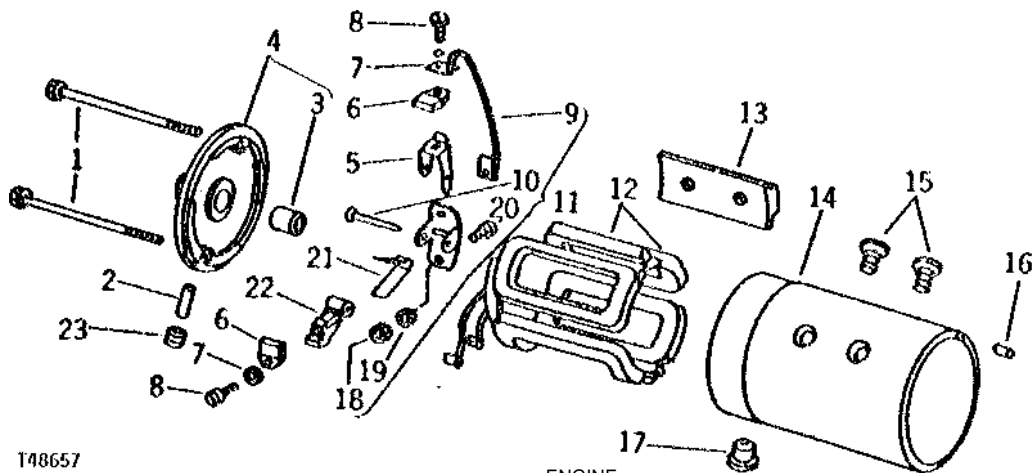
## STARTING MOTOR HOUSING AND COIL ASSEMBLY

(6329DH)

(DELCO-REMY NOS. 1107863 AND 1107871)

(ENGINE SERIAL NO. -110624)

T48657 -UN-01JAN94



T48657

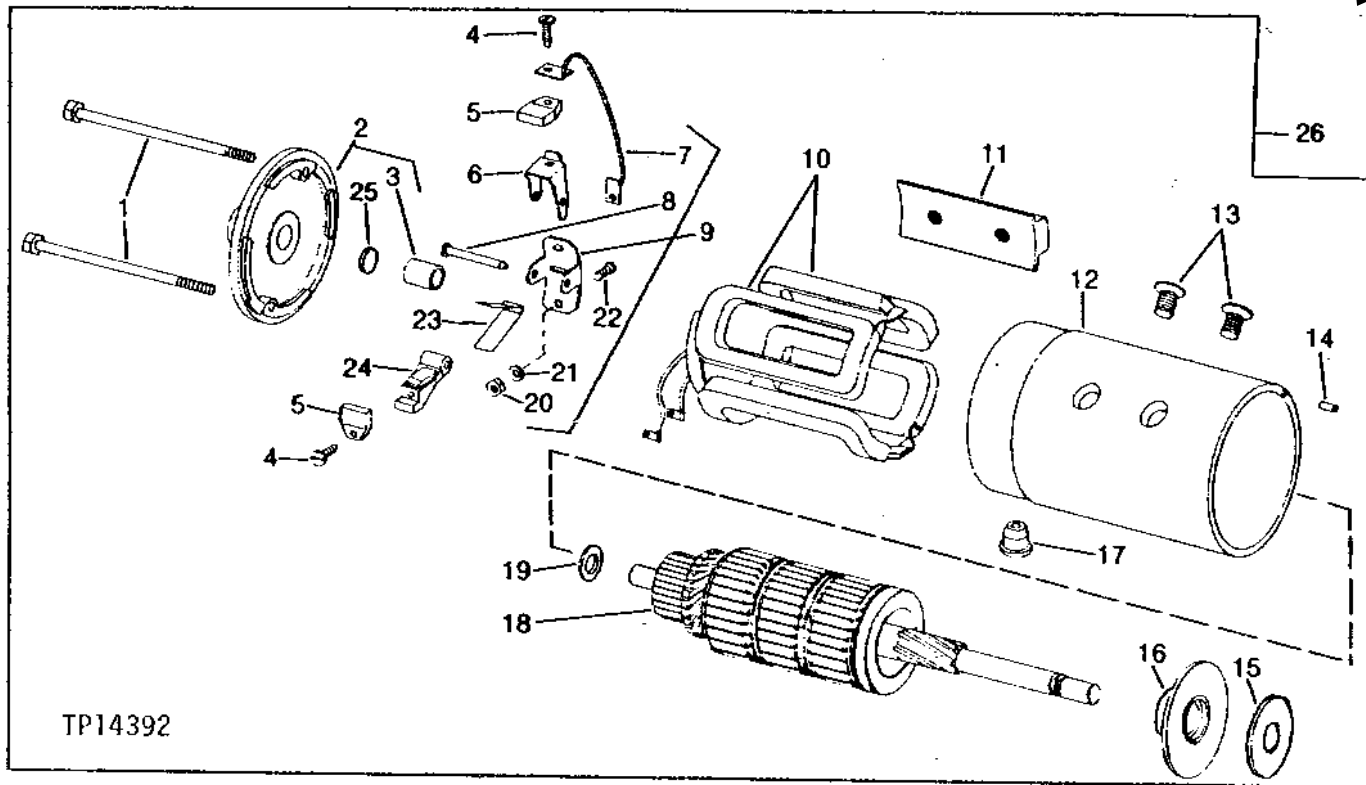
KEY	PART NO.	PART NAME	QTY	ENGINE SERIAL NO.	REMARKS
1	R11243	CAP SCREW	2		
2	H23193	FELT	1		
3	T11739	BUSHING	1		
4	R11238	END PLATE	1		
5	T738T	HOLDER	2		
6	R11239	BRUSH	4		
7	12H290	WASHER	4	0.164"	
8	37H79	SCREW	4	1/4" X 5/8"	
9	AT514T	WIRING LEAD	2		
10	T736T	PIN	2		
11	AT516T	KIT	2		INCLUDES GROUND LEAD, BRUSH HOLDER, PIN SUPPORT, SCREWS, LOCK WASHERS AND NUTS
12	AT16290	FIELD WINDING COIL	1		
13	T11680	SHOE	4		
14	.....	STARTER MOTOR	1	(SUB RE19187)	
15	21H1280	SCREW	8	3/8" X 3/4"	
16	R11087	DOWEL PIN	1		
17	R11236	GROMMET	1		
18	14H778	NUT	4	0.190"	
19	12H246	LOCK WASHER	4	0.190"	
20	21H1301	SCREW	4	0.190" X 1/2"	
21	T740T	SPRING	4		
22	T739T	HOLDER	2		
23	15H558	PIPE PLUG	1	1/8"	
..	AT25619	STARTER MOTOR	1	(SUB RE19187)	

# 1G11

ELECTRICAL

STARTING MOTOR COIL ASSEMBLY, HOUSING AND ARMATURE  
 (6329DH)  
 (DELCO-REMY NO. 1998367)  
 (ENGINE SERIAL NO. 110625- )

TP14392 -UN-01JAN94



TP14392

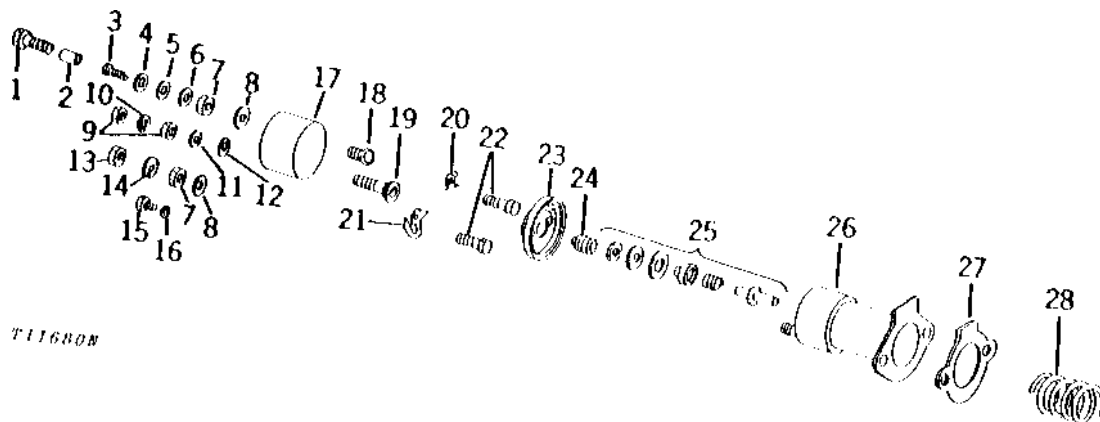
KEY	PART NO.	PART NAME	QTY	ENGINE SERIAL NO.	REMARKS
1	R81171	BOLT	2		
2	R81167	END PLATE	1		
3	R61932	BUSHING	1		
4	RE19189	SCREW	4		
5	R81168	BRUSH	4		
6	R81169	CARBON BRUSH HOLDER	2		
7	R57028	WIRING LEAD	2		
8	T736T	PIN	2		
9	AR68302	KIT	2		
10	RE19188	FIELD WINDING COIL	1		
11	T11680	SHOE	4		
12	.....	HOUSING	1	(SUB RE19187)	
13	21H1280	SCREW	4	3/8" X 3/4"	
14	R81173	DOWEL PIN	4		
15	R81172	WASHER	1		
16	RE19192	PLATE	1	WITH BUSHING	
17	R11236	GROMMET	1		
18	AR68299	ARMATURE	1		
19	R81198	THRUST WASHER	1		
20	14H778	NUT	4	0.190"	
21	12H246	LOCK WASHER	4	0.190"	
22	21H1301	SCREW	4	0.190" X 1/2"	
23	R81170	SPRING	4		
24	R57027	HOLDER	2		
25	R61934	WICK	AR	1/8"	
26	.....	STARTER MOTOR	1	(SUB RE19187)	

# 1G12

ELECTRICAL

STARTING MOTOR SOLENOID SWITCH  
 (6329DH)  
 (DELCO-REMY NO. 1114356)  
 (ENGINE SERIAL NO. -110624)

T11680 -UN-01JAN94



T11680N

KEY	PART NO.	PART NAME	QTY	ENGINE SERIAL NO.	REMARKS
1	T19610	CAP SCREW	1		
2	T19608	BUSHING	1		
3	T15564	SCREW	1		
4	12H295	LOCK WASHER	1	0.190"	
5	T19600	WASHER	1		
6	T19602	WASHER	1		
7	14H732	NUT	2	3/8"	
8	T18107	WASHER	2		
9	14H605	NUT	4	0.164"	
10	T19603	LOCK WASHER	2		
11	T19601	WASHER	2		
12	T19607	WASHER	2		
13	14H732	NUT	1	3/8"	
14	12H304	LOCK WASHER	1	3/8"	
15	21H1127	SCREW	2	0.190" X 7/16"	
16	R11039	WASHER	2		
17	R57452	COVER	1		
18	T18354	SCREW	1		
19	T18105	STUD	1		
20	T19605	CLIP	1		
21	T19604	CONTACT	1		
22	T19606	STUD	2		
23	R49394	GASKET	1		
24	R11066	SPRING	1		
25	AT15146	CONTACT	1		
26	.....	ELECTRICAL COIL	1	(SUB AR68304)	
27	T17058	GASKET	1		
28	T11675	SPRING	1		
..	R11240	SWITCH	1	(SUB AR68304)	

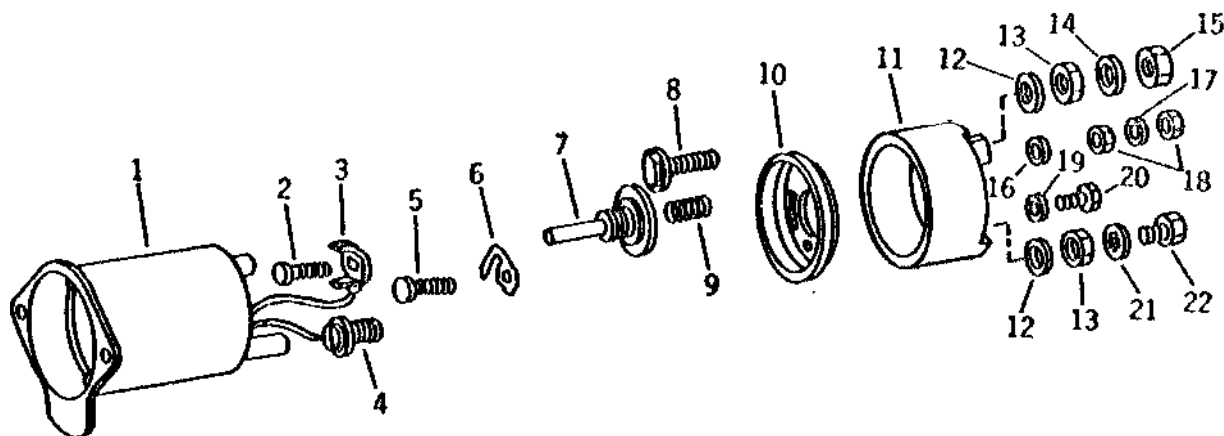


# 1G13

ELECTRICAL

STARTING MOTOR SOLENOID SWITCH  
(6329DH)  
(DELCO-REMY NO. 1114381)  
(ENGINE SERIAL NO. -110624)

T42290 -UN-01JAN94



KEY	PART NO.	PART NAME	QTY	ENGINE SERIAL NO.	T42290 REMARKS
1	.....	ELECTRICAL COIL	1	(SUB AR68304)	
2	T19606	STUD	1		
3	T19605	CLIP	1		
4	T18354	SCREW	1		
5	T19606	STUD	1		
6	T19604	CONTACT	1		
7	AT15146	CONTACT	1		
8	T18105	STUD	1		
9	R11066	SPRING	1		
10	R49394	GASKET	1		
11	R57452	COVER	1		
12	T18107	WASHER	2		
13	14H732	NUT	2	3/8"	
14	12H304	LOCK WASHER	1	3/8"	
15	14H812	NUT	1	3/8"	
16	T19607	WASHER	2		
17	T19603	LOCK WASHER	2		
18	14H605	NUT	4	0.164"	
19	R11039	WASHER	2		
20	21H1298	SCREW	2	0.190" X 3/8"	
21	12H295	LOCK WASHER	1	0.190"	
22	T15564	SCREW	1		
..	AR68304	SOLENOID	1	(12-VOLT)	

---

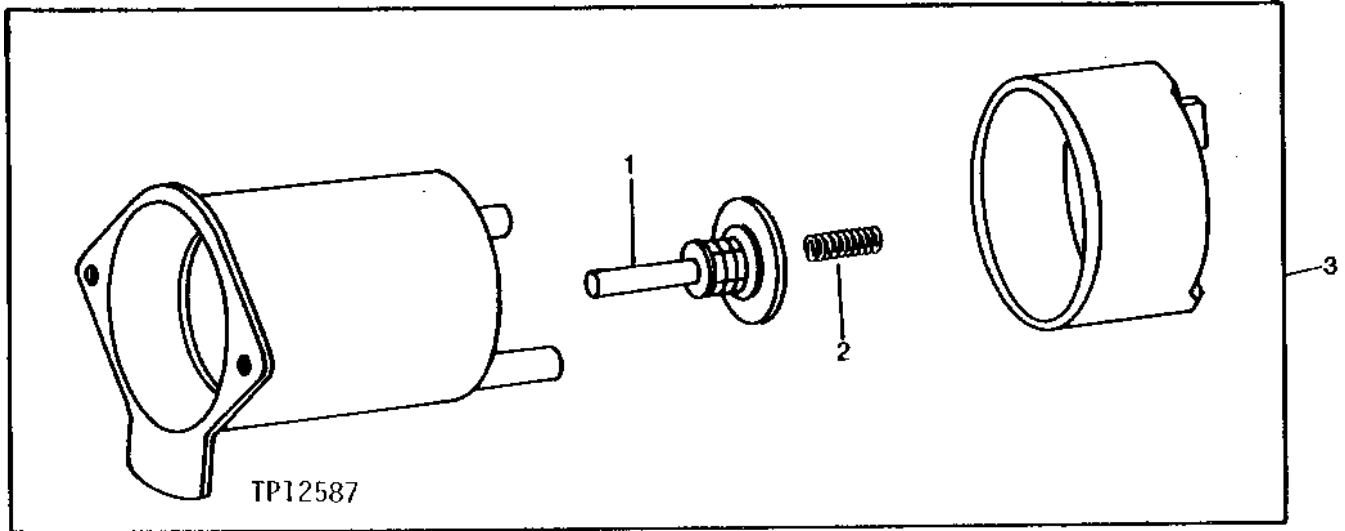
MEMORANDA

# 1G14

ELECTRICAL

STARTER SOLENOID SWITCH  
(6329DH)  
(DELCO-REMY NO. 1998367)  
(ENGINE SERIAL NO. 110625- )

TP12587 -UN-01JAN94



KEY	PART NO.	PART NAME	QTY	ENGINE SERIAL NO.	REMARKS
1	AM39969	CONTACT	1		
2	R11066	SPRING	1		
3	AM39968	SOLENOID	1		(12-VOLT) (DELCO-REMY NO. 1114524)

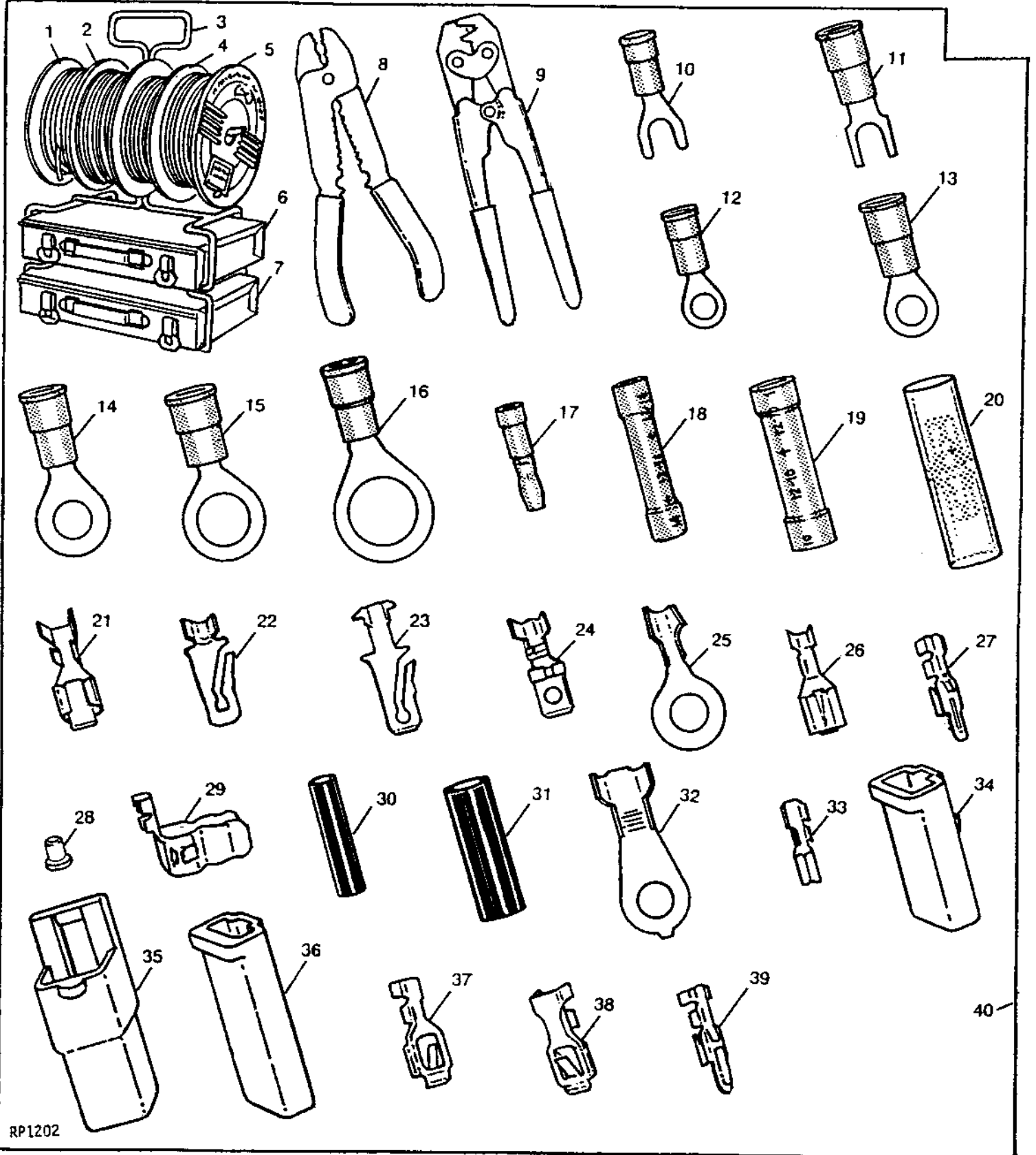
# 1G15

ELECTRICAL

RP1202

-UN-12SEP95

## TERMINAL AND WIRING KIT



RP1202

# 1G16

ELECTRICAL

## TERMINAL AND WIRING KIT - CONTINUED

KEY	PART NO.	PART NAME	QTY	SERIAL NO.	REMARKS
1	R66319	WIRING LEAD	1		14 GA., 30.5 MM (100 FT.) (1 SPOOL)
2	R65593	WIRING LEAD	1		16 GA., 30.5 MM (100 FT.) (1 SPOOL)
3	R65608	RACK	1		
4	R66321	WIRING LEAD	1		10 GA., 15 MM (50 FT.) (1 SPOOL)
5	R66320	WIRING LEAD	1		12 GA., 30.5 MM (100 FT.) (1 SPOOL)
6	R65609	CONTAINER	1		
7	R65610	CONTAINER	1		
8	R32011	TOOL	1		
9	R65594	TOOL	1		
10	R32016	TERMINAL	1		14-16 GA., NO. 10 SPADE
11	R32017	TERMINAL	1		10-12 GA., NO. 10 SPADE
12	R32018	TERMINAL	1		14-16 GA., NO. 10 EYELET
13	R32019	TERMINAL	1		10-12 GA., NO. 10 EYELET
14	R32021	TERMINAL	1		10-12 GA., 1/4" EYELET
15	R32022	TERMINAL	1		10-12 GA., 3/8" EYELET
16	R32023	TERMINAL	1		10-12 GA., 1/2" EYELET
17	R32026	TERMINAL	1		MALE BULLETT
18	R32027	CONNECTOR	1		SPLICE, 14-16 GA.
19	R32028	TERMINAL	1		SPLICE, 10-12 GA.
20	R32029	TERMINAL	1	-610100	(SUB AL2976T, THIS APPLICATION)
	AL2976T	CONNECTOR	1		2-WIRE BULLET CONNECTOR
21	R65595	TERMINAL	1		FEMALE, 10 GA.
22	R65596	TERMINAL	1		MALE, 10 GA. OR (2) 14 GA. CABLES
23	R65597	TERMINAL	1		MALE, 14-16 GA.
24	R65598	TERMINAL	1		MALE, SHORT, 14-16 GA.
25	R65599	TERMINAL	1		14-16 GA., 1/4" EYELET
26	R65600	TERMINAL	1		FEMALE, 14-16 GA.
27	R65601	TERMINAL	1		TWIN-LOCK, (2) 16 GA. CABLES
28	R65602	SOCKET CONTACT	1		BULB SOCKET, 16-18 GA.
29	R65603	TERMINAL NIPPLE	1		FUSE
30	R65604	INSULATING SLEEVE	1		14-18 GA.
31	R65605	INSULATING SLEEVE	1		8-12 GA.
32	R65606	TERMINAL	1		6-8 GA., 1/4" EYELET
33	R65607	TERMINAL	1		18-20 GA.
34	T28583	RECEPTACLE CONNECTOR BODY	1		ONE CONTACT, LOCK-TYPE, MALE
35	T28585	TAB CONNECTOR BODY	1		ONE CONTACT, LOCK-TYPE, FEMALE
36	U46370	CONNECTOR	1		ONE CONTACT, SINGLE BODY, MALE
37	U46662	TERMINAL	1		MALE
38	U46663	TERMINAL	1		MALE
39	U46664	TERMINAL	1		MALE
40	AR84006	KIT	1	-XXXXXX	TERMINAL AND WIRING, (SUB RE11154)

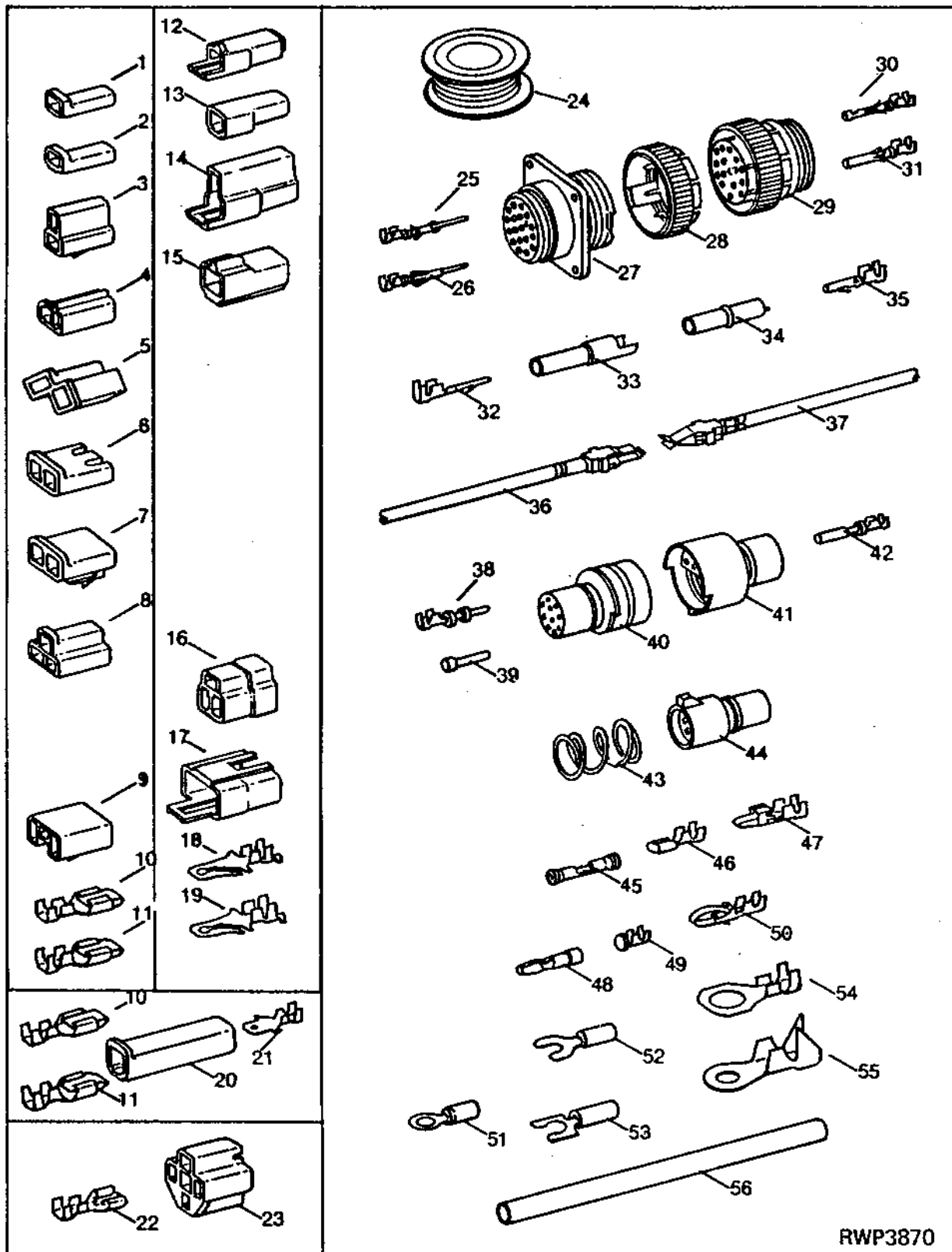
# 1G17

ELECTRICAL

RWP3870

-UN-01JAN94

## ELECTRICAL CONNECTOR SERVICE KIT



## ELECTRICAL CONNECTOR SERVICE KIT - CONTINUED

KEY	PART NO.	PART NAME	QTY	SERIAL NO.	REMARKS
1	T28583	RECEPTACLE CONNECTOR BODY	1		PKG. OF 3
2	M43835	FLAT CONNECTOR	1		PKG. OF 3
3	R77476	CONNECTOR	1		PKG. OF 2
4	R77477	RECEPTACLE CONNECTOR BODY	1		PKG. OF 2
5	R77479	CONNECTOR	1		PKG. OF 2
6	R77480	RECEPTACLE CONNECTOR BODY	1		PKG. OF 2
7	R77481	CONNECTOR	1		PKG. OF 2
8	R77482	CONNECTOR	1		
9	H104855	RECEPTACLE CONNECTOR BODY	1		
10	U46662	TERMINAL	1		PKG. OF 25 (14 OR 16 GA. WIRE)
11	N115096	TERMINAL	1		PKG. OF 15 (10 OR 12 GA. WIRE)
12	T28585	TAB CONNECTOR BODY	1		PKG. OF 3
13	R77475	CONNECTOR	1		PKG. OF 3
14	T28586	CONNECTOR	1		PKG. OF 2
15	R77478	CONNECTOR	1		PKG. OF 2
16	R77483	CONNECTOR	1		
17	R48887	TAB CONNECTOR BODY	1		
18	T34067	TERMINAL	1		PKG. OF 25 (14 OR 16 GA. WIRE)
19	R77484	TERMINAL	1		PKG. OF 15 (10 OR 12 GA. WIRE)
20	U46370	CONNECTOR	1		PKG. OF 3
21	R77485	TAB	1		PKG. OF 10 (14 OR 16 GA. WIRE)
22	R77486	TERMINAL	1		PKG. OF 25
23	R77487	CONNECTOR	1		PKG. OF 3
24	R66321	WIRING LEAD	1		15M (50 FT.) 10 GA.
	R66320	WIRING LEAD	1		30.5M (100 FT.) 12 GA.
	R77501	WIRE	1		30.5M (100 FT.) 14 GA.
	R77500	WIRE	1		30.5M (100 FT.) 16 GA.
	R77499	WIRE	1		30.5M (100 FT.) 18 GA.
	R77498	WIRE	1		30.5M (100 FT.) 20 GA.
25	R77462	PIN CONTACT	1		PKG. OF 40 (20-22 OR 24 GA. WIRE)
26	R77464	PIN CONTACT	1		PKG. OF 50 (14-16 OR 18 GA. WIRE)
27	R77456	RECEPTACLE	1		37 WAY
28	R77458	CONNECTOR	1		PKG. OF 2 (SIZE 23)
	R77459	CONNECTOR	1		PKG. OF 2 (SIZE 17)
	R77460	CONNECTOR	1		PKG. OF 2 (SIZE 13)
	R77461	CONNECTOR	1		PKG. OF 2 (SIZE 11)
29	R77457	ELECTRICAL PLUG	1		37 WAY
30	R77463	SOCKET CONTACT	1		PKG. OF 40 (20-22 OR 24 GA. WIRE)
31	R77465	SOCKET CONTACT	1		PKG. OF 50 (14-16 OR 18 GA. WIRE)
32	R77468	TERMINAL	1		PKG. OF 5
33	R77466	CONNECTOR	1		PKG. OF 2
34	R77467	CONNECTOR	1		PKG. OF 2
35	R77469	TERMINAL	1		PKG. OF 5
36	RE11156	TERMINAL	1		PKG. OF 3 (MALE)
37	RE11157	TERMINAL	1		PKG. OF 3 (FEMALE)
38	R70222	PIN CONTACT	1		PKG. OF 20 (14-16 OR 18 GA. WIRE)
39	R70221	ELECTRICAL PLUG	1		PKG. OF 25
40	R70219	PLUG	1		PKG. OF (2) R70218 AND (2) R70219 (10 WAY)
	R70217	PLUG	1		PKG. OF (2) R70216 AND (2) R70217 (7 WAY)
	R70215	PLUG	1		PKG. OF (2) R70214 AND (2) R70215 (4 WAY)
	R70213	PIN CONTACT CONNECTOR BODY	1		PKG. OF (2) R70212 AND (2) R70213 (3 WAY)
	R70211	CONNECTOR	1		PKG. OF (2) R70210 AND (2) R70211 (2 WAY)
41	R70218	RECEPTACLE	1		(ORDER R70219)
	R70216	RECEPTACLE	1		(ORDER R70217)
	R70214	RECEPTACLE	1		(ORDER R70215)
	R70212	RECEPTACLE	1		(ORDER R70213)
	R70210	RECEPTACLE	1		(ORDER R70211)

NOTE: THIS PARTS LISTING IS CONTINUED ON NEXT PAGE.

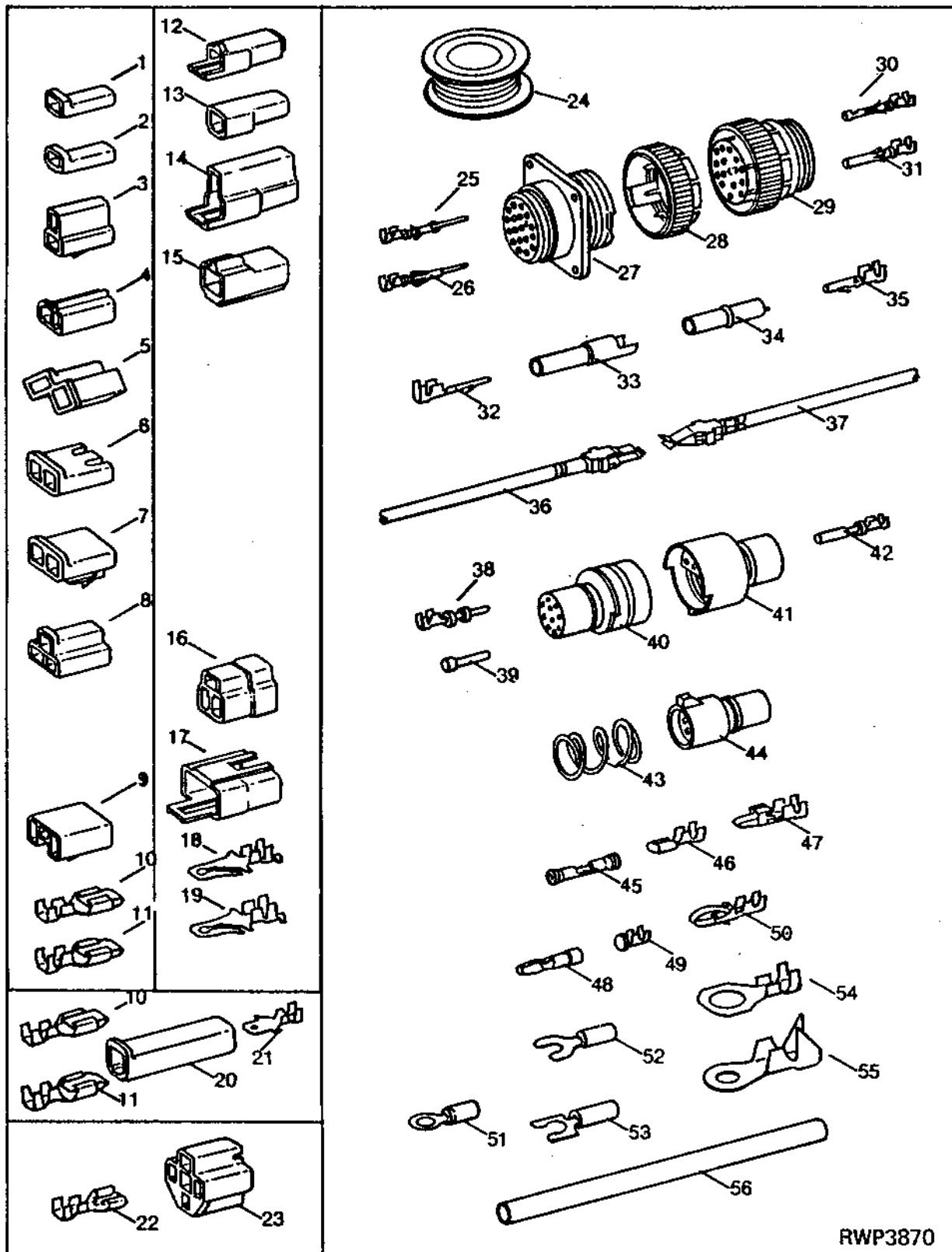
# 1G19

ELECTRICAL

## ELECTRICAL CONNECTOR SERVICE KIT - CONTINUED

RWP3870

-UN-01JAN94





## ELECTRICAL CONNECTOR SERVICE KIT - CONTINUED

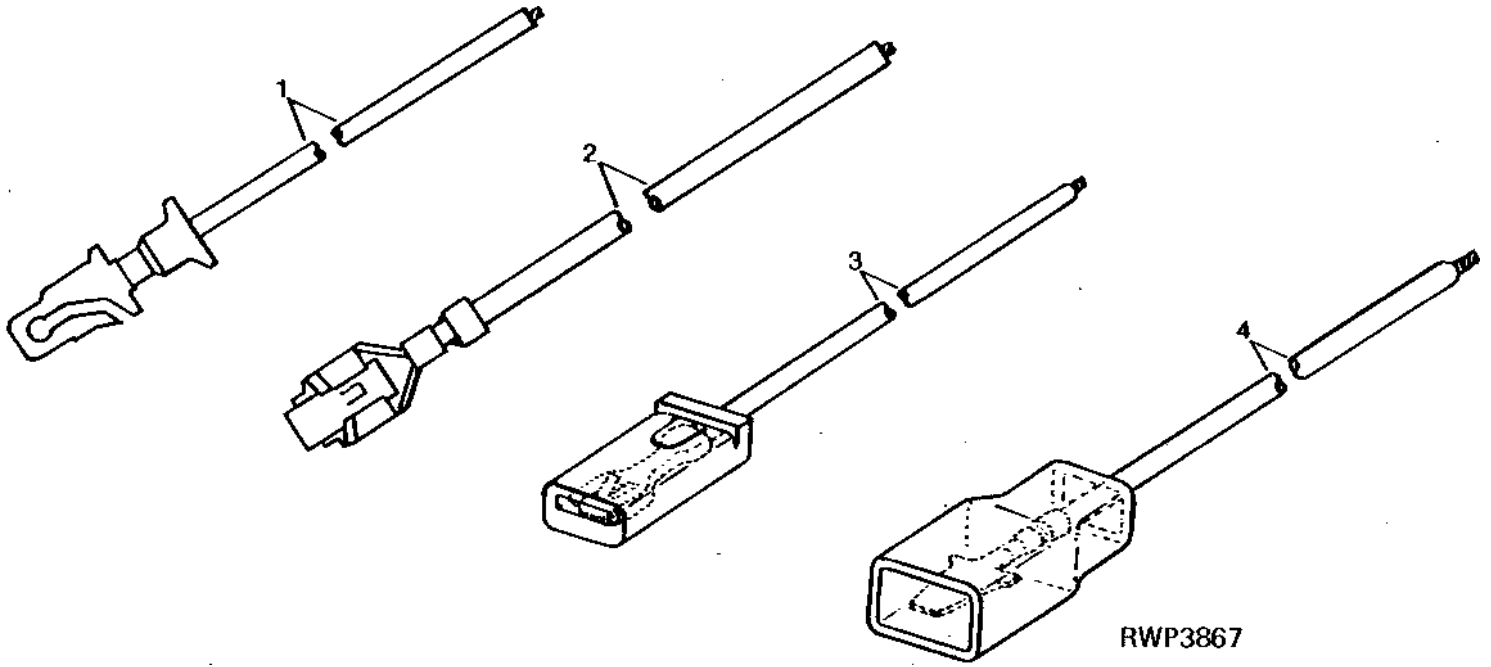
KEY	PART NO.	PART NAME	QTY	SERIAL NO.	REMARKS
42	AR91793	SOCKET CONTACT	1		PKG. OF 20
43	R30378	SPRING	1		PKG. OF 10
44	R77474	CONNECTOR	1		PKG. OF 2 (6 WAY)
45	R77470	TERMINAL	1		SPLICE (PKG. OF 15)(16-18-20 OR 22 GA. WIRE)
	R77471	TERMINAL	1		PKG. OF 10 (10 OR 12 GA. WIRE) SPLICE
	R77472	TERMINAL	1		PKG. OF 2 (8 GA. WIRE) SPLICE
	R77473	TERMINAL	1		PKG. OF 2 (6 GA. WIRE) SPLICE
46	R65607	TERMINAL	1		PKG. OF 10 (18 OR 20 GA. WIRE)
47	U46664	TERMINAL	1		PKG. OF 10 (14 OR 16 GA. WIRE)
48	R32026	TERMINAL	1		PKG. OF 20 (14 OR 16 GA. WIRE)
49	R65602	SOCKET CONTACT	1		PKG. OF 10 (16 OR 18 GA. WIRE)
50	R70220	TERMINAL	1		PKG. OF 10 (18 OR 20 GA. WIRE)
51	R77489	TERMINAL	1		PKG. OF 20 (14-16-18 OR 20 GA. WIRE) (NO. 10 EYELET)
	R77493	TERMINAL	1		PKG. OF 20 (10 OR 12 GA. WIRE)(NO. 10 EYELET)
	R77488	TERMINAL	1		PKG. OF 20 (14-16-18 OR 20 GA. WIRE) (3/8" EYELET)
	R77490	TERMINAL	1		PKG. OF 20 (10 OR 12 GA. WIRE)(1/2" EYELET)
52	R77496	TERMINAL	1		PKG. OF 20 (14 OR 16 GA. WIRE)(NO. 8 SPADE)
	R77495	TERMINAL	1		PKG. OF 20 (18 GA. WIRE)(NO. 10 SPADE)
53	R77497	TERMINAL	1		PKG. OF 20 (14 OR 16 GA. WIRE)(NO. 6 SPADE)
54	R77491	TERMINAL	1		PKG. OF 20 (10 OR 12 GA. WIRE)(3/8" EYELET)
	R77492	TERMINAL	1		PKG. OF 20 (10 OR 12 GA. WIRE)(1/4" EYELET)
55	R77494	TERMINAL	1		PKG. OF 20 (6 OR 8 GA. WIRE)(1/4" EYELET)
56	R77502	TUBE	1		PKG. OF 8 (3/8")(HEAT SHRINK)
	R77503	TUBE	1		PKG. OF 8 (3/16")(HEAT SHRINK)
57	RE11154	KIT	1		

# 1G21

ELECTRICAL

RWP3867 -UN-01JAN94

## SUPPLEMENTARY TERMINALS AND CONNECTORS



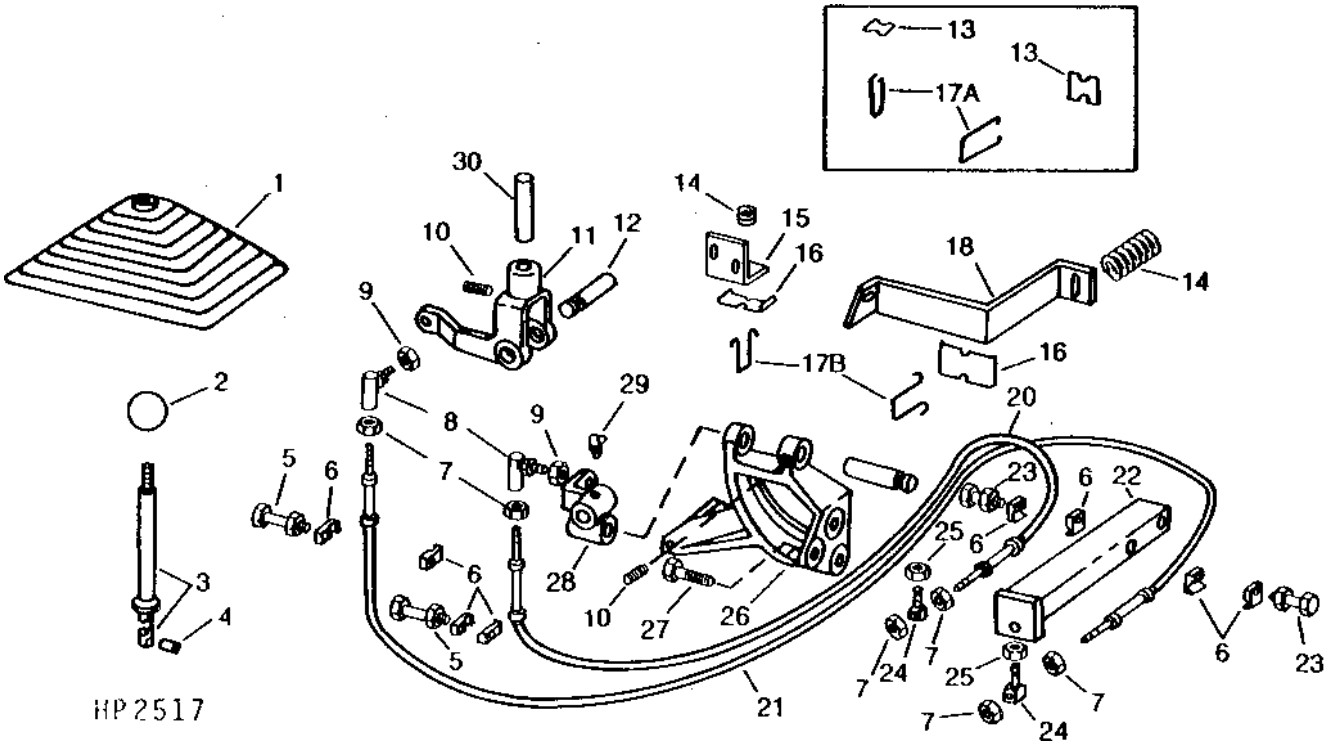
KEY	PART NO.	PART NAME	QTY	SERIAL NO.	REMARKS
1	AR65005	TERMINAL	1		
2	AR65006	TERMINAL	1		
3	R32024	WIRING LEAD	1		
4	R32025	WIRING LEAD	1		

# 1H3

POWER TRAIN

HP2517 -UN-01JAN94

## GEARSHIFT CONTROLS

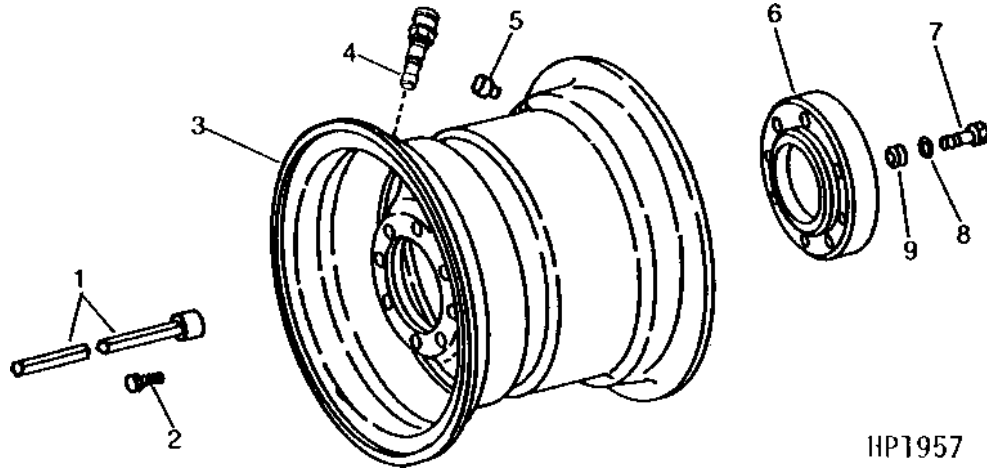


KEY	PART NO.	PART NAME	QTY	SERIAL NO.	REMARKS
1	AH90543	BOOT	1		
2	H93809	KNOB	1		
3	AH93277	LEVER	1		
4	34H385	SPRING PIN	1	1/4" X 1-3/4"	
5	19H1726	CAP SCREW	2	3/8" X 2-1/4"	
	14H812	NUT	2	3/8"	
6	H76869	CLAMP	8		
7	14H882	NUT	6	5/16"	
8	AH76556	BALL JOINT	2		
9	14H846	NUT	2	3/8"	
10	22H835	SET SCREW	2	5/16" X 1/2"	
11	H78001	SHIFTER	1		
12	H77943	PIN	1		
13	H80153	RETAINER	2	-610550	(SUB H122290)
14	R26151	SPRING	2		
15	H78440	BRACKET	1		UPPER
16	AH76765	CLAMP	2		
17A	H78437	HOOK	2	-610550	(SUB H122290)
17B	H122290	HOOK	2		
18	H80811	BRACKET	1		LOWER
19	H77938	PIN	1		
20	AH76769	CABLE	1		
21	AH76767	CABLE	1		
22	AH76764	BRACKET	1		
23	19H1765	CAP SCREW	2	3/8" X 1-3/4"	
	14H812	NUT	2	3/8"	
24	H76873	PIVOT	2		
25	14H785	NUT	2	5/16"	
26	H78002	SUPPORT	1		
27	19H1815	CAP SCREW	3	1/2" X 1-1/4"	
	12H301	LOCK WASHER	3	1/2"	
28	H85401	SHIFT COLLAR	1		
29	JD7806	LUBRICATION FITTING	1	90°, 1/4"	
30	H89272	BUMPER	1		

# 1H4

HP1957 -UN-01JAN94

## DRIVE WHEEL AND SPACERS



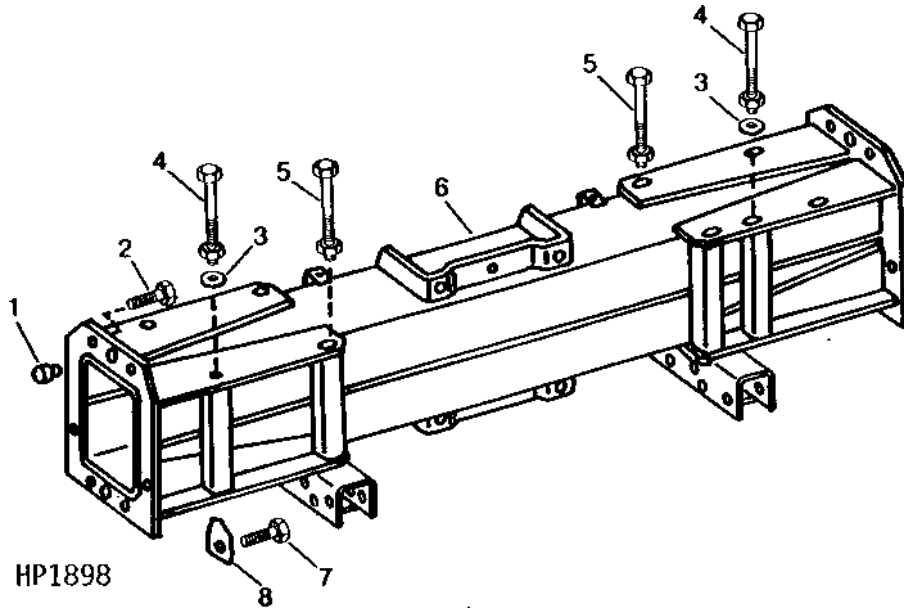
HP1957

KEY	PART NO.	PART NAME	QTY	SERIAL NO.	REMARKS
1	AH79764	SOCKET	1		
	AH79765	SOCKET	1		(HEAVY-DUTY FINAL DRIVE)
2	H86160	SCREW	16	-550000	(USE WITHOUT SPACERS) (HEAVY-DUTY FINAL DRIVE) (SUB H86161, THIS APPLICATION)
	H86160	SCREW	16	-500000	(USE WITH 18.4-26 TIRES)
	H86161	BOLT	16		(USE WITHOUT SPACERS) (HEAVY-DUTY FINAL DRIVE)
	H86162	BOLT	16		(USE WITH 51 MM (2") WHEEL SPACERS) (HEAVY-DUTY FINAL DRIVE)
	H86164	SCREW	16		(USE WITH 102 MM (4") WHEEL SPACERS) (HEAVY-DUTY FINAL DRIVE)
3	AH76709	WHEEL	2		(USE WITH 16.9-26 TIRES)
	AH84636	WHEEL	2	-500000	(USE WITH 18.4-26 TIRES) (HEAVY-DUTY FINAL DRIVE)
	AH87873	WHEEL	2	-550000	(SUB AH108503)
	AH108503	WHEEL	2		(USE WITH 23.1-26 TIRES) (HEAVY-DUTY FINAL DRIVE)
	AH88520	WHEEL	2		(USE WITH 16.9-26 TIRES) (HEAVY-DUTY FINAL DRIVE)
4	AT25226	TIRE VALVE STEM	2		
5	AH86866	PLUG	2		(USE WITH 16.9-26, 18.4-26, AND 23.1-26 TUBELESS TIRES)
6	H77644	SPACER	2		(HEAVY-DUTY FINAL DRIVE)
	H77645	SPACER	2		(HEAVY-DUTY FINAL DRIVE)
7	19H1824	CAP SCREW	4		5/8" X 2-1/4", (USED WITH WHEEL SPACERS)
8	24H1367	WASHER	4		21/32" X 1-1/4" X 1/4", (USED WITH WHEEL SPACERS)
9	P50273	BUSHING	4		(USE WITH WHEEL SPACERS)

# 1H5

HP1898 -UN-01JAN94

DRIVE WHEEL AXLE

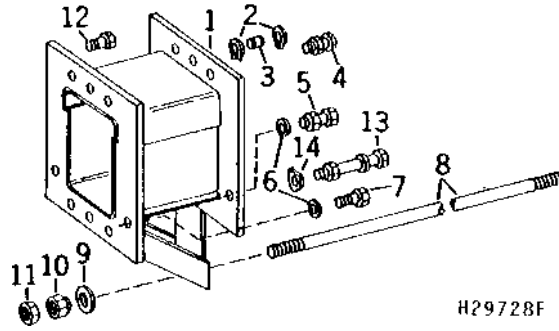


KEY	PART NO.	PART NAME	QTY	SERIAL NO.	REMARKS
1	H75423	PIN	4		
2	19H1798	CAP SCREW	8	3/4" X 1-3/4"	
3	24H1399	WASHER	4	25/32" X 1-5/8" X 0.180"	
4	08H4423	CAP SCREW	4	3/4" X 9"	
	12H236	LOCK WASHER	4	3/4"	
	14H794	NUT	4	3/4"	
5	08H4525	CAP SCREW	4	3/4" X 9-1/2"	
	12H236	LOCK WASHER	4	3/4"	
	14H794	NUT	4	3/4"	
6	AH75132	FRONT AXLE	1	-550000	
	AH112365	FRONT AXLE	1	550001-	
7	19H2174	CAP SCREW	4	3/4" X 4-1/4"	
8	H80107	STRAP	4		

# 1H6

H29728F -UN-01JAN94

## AXLE SPACERS



H29728F

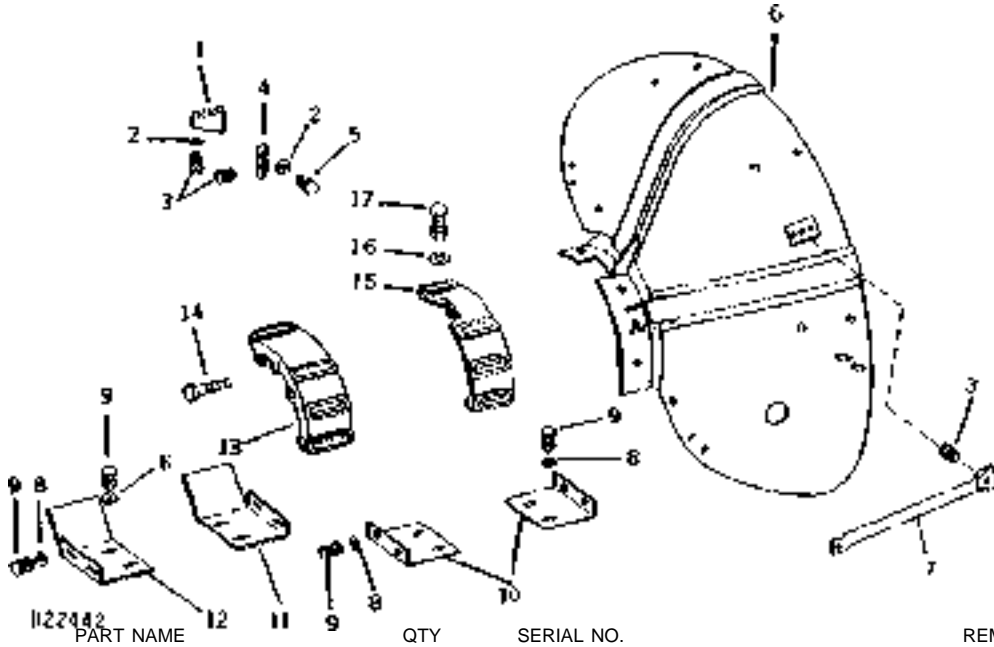
KEY	PART NO.	PART NAME	QTY	SERIAL NO.	REMARKS
1	AH95999	SPACER	2		
2	M1871T	SNAP RING	8		
3	H85200	PIN	4		
4	19H1768	CAP SCREW	8	3/4" X 2"	
	14H794	NUT	8	3/4"	
5	19H1862	CAP SCREW	4	3/4" X 2-1/2"	
	14H794	NUT	4	3/4"	
6	H78426	BUSHING	16		
7	19H1768	CAP SCREW	4	3/4" X 2"	
8	H94343	STUD	1	(USE WITH 8" SPACERS)	
9	H105579	SPACER	2		
10	H61941	NUT	2		
11	14H876	NUT	2	1"	
12	19H1798	CAP SCREW	4	3/4" X 1-3/4"	
13	19H2084	CAP SCREW	4	3/4" X 4-1/2"	
	12H236	LOCK WASHER	20	3/4"	
14	H80107	STRAP	4		

# 1H7

POWER TRAIN

H22442 -UN-01JAN94

## FENDERS (RIGHT-HAND ILLUSTRATED)



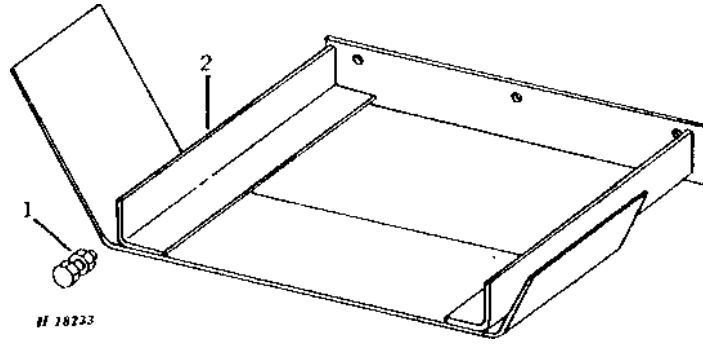
KEY	PART NO.	PART NAME	QTY	SERIAL NO.	REMARKS
1	H80993	BRACKET	1	L.H.	
2	24H1305	WASHER	8	13/32" X 13/16" X 0.065"	
3	19H1731	CAP SCREW	5	3/8" X 1"	
	14H812	NUT	5	3/8"	
4	H82157	BRACKET	1	L.H.	
5	19H1800	CAP SCREW	1	3/8" X 1-1/2"	
	14H812	NUT	1	3/8"	
6	AH77858	FENDER	1	L.H.	
	AH77859	FENDER	1	R.H.	
7	H80995	BRACE	1	R.H.	
8	24H1136	WASHER	16	11/32" X 11/16" X 0.065"	
9	19H2127	CAP SCREW	12	5/16" X 7/8"	
	14H785	NUT	12	5/16"	
10	H79934	SHIELD	2	R.H.	
11	H84620	SHIELD	1	INNER, L.H.	
12	H84621	SHIELD	1	OUTER, L.H.	
13	H80708	SUPPORT	1	L.H.	
14	19H1974	CAP SCREW	8	1/2" X 2-3/4"	
15	H80707	SUPPORT	1	R.H.	
16	24H1111	WASHER	8	17/32" X 1-1/16" X 0.090"	
17	19H1777	CAP SCREW	8	1/2" X 1-3/4"	
	12H301	LOCK WASHER	8	1/2"	
	14H1040	NUT	8	1/2"	

# 1H8

POWER TRAIN

H18233 -UN-01JAN94

## TRANSMISSION SHEAVE GUARD



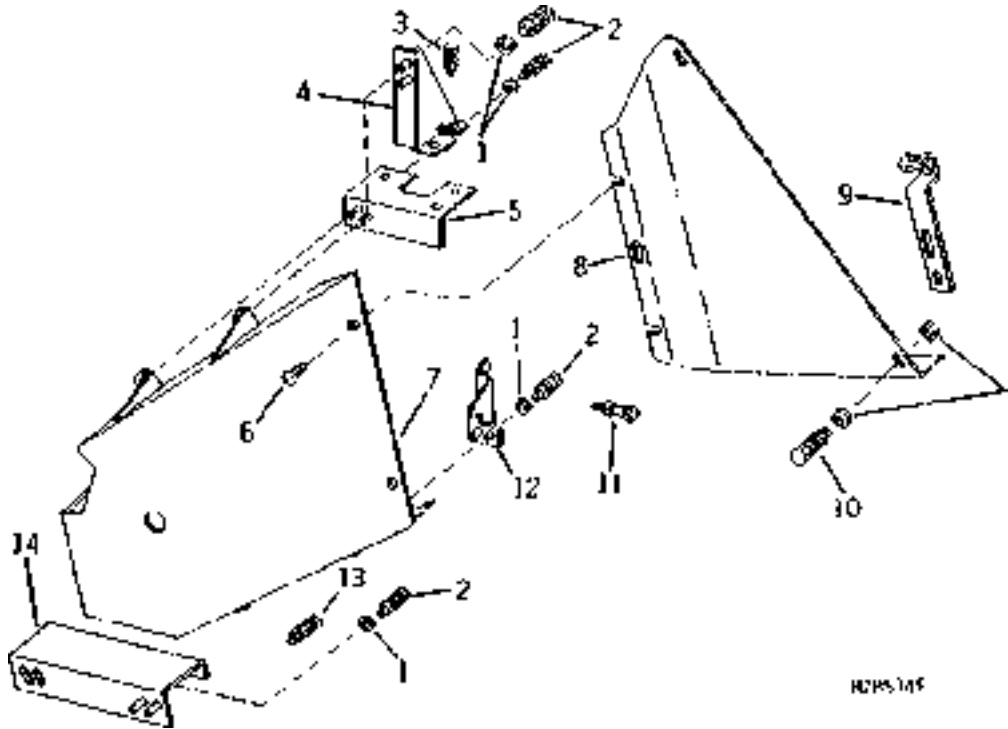
KEY	PART NO.	PART NAME	QTY	SERIAL NO.	REMARKS
1	19H1905	CAP SCREW	3	5/16" X 1"	
	14H785	NUT	3	5/16"	
2	AH78913	GUARD	1		



# 1H9

H28514F -UN-01JAN94

## TRANSMISSION DRIVE MUD SHIELD

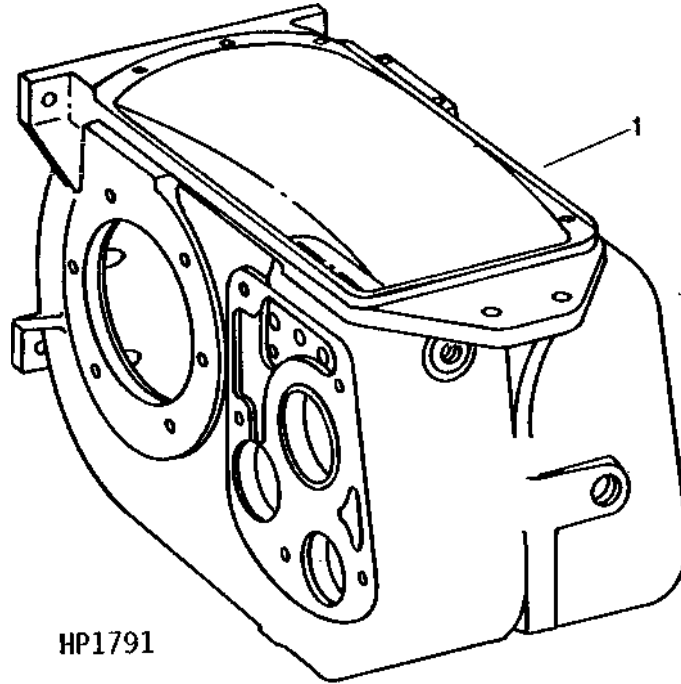


KEY	PART NO.	PART NAME	QTY	SERIAL NO.	REMARKS
1	24H1305	WASHER	9	13/32" X 13/16" X 0.065"	
2	03H1707	BOLT	5	3/8" X 1"	
3	19H2552	CAP SCREW	3	3/8" X 1-1/8"	
	12H304	LOCK WASHER	3	3/8"	
	14H812	NUT	3	3/8"	
4	H94810	BRACKET	1	UPPER FRONT	
5	H94811	BRACKET	1	LOWER FRONT	
6	H77932	SCREW	2	SELF-LOCKING	
7	AH99677	SHIELD	1	(WITHOUT FENDERS)	
8	H89774	SHIELD	1	COUNTERSHAFT	
9	H94555	BRACKET	1	(WITH FENDERS)	
10	19H2284	CAP SCREW	2	3/8" X 7/8"	
	12H304	LOCK WASHER	2	3/8"	
	14H812	NUT	2	3/8"	
11	19H1733	CAP SCREW	2	3/8" X 2-1/2"	
	12H304	LOCK WASHER	2	3/8"	
	14H812	NUT	2	3/8"	
12	H94812	BRACKET	1	REAR	
13	19H1905	CAP SCREW	3	5/16" X 1"	
	14H785	NUT	3	5/16"	
14	H94813	BRACKET	1	LOWER	

# 1H10

HP1791 -UN-01JAN94

## TRANSMISSION



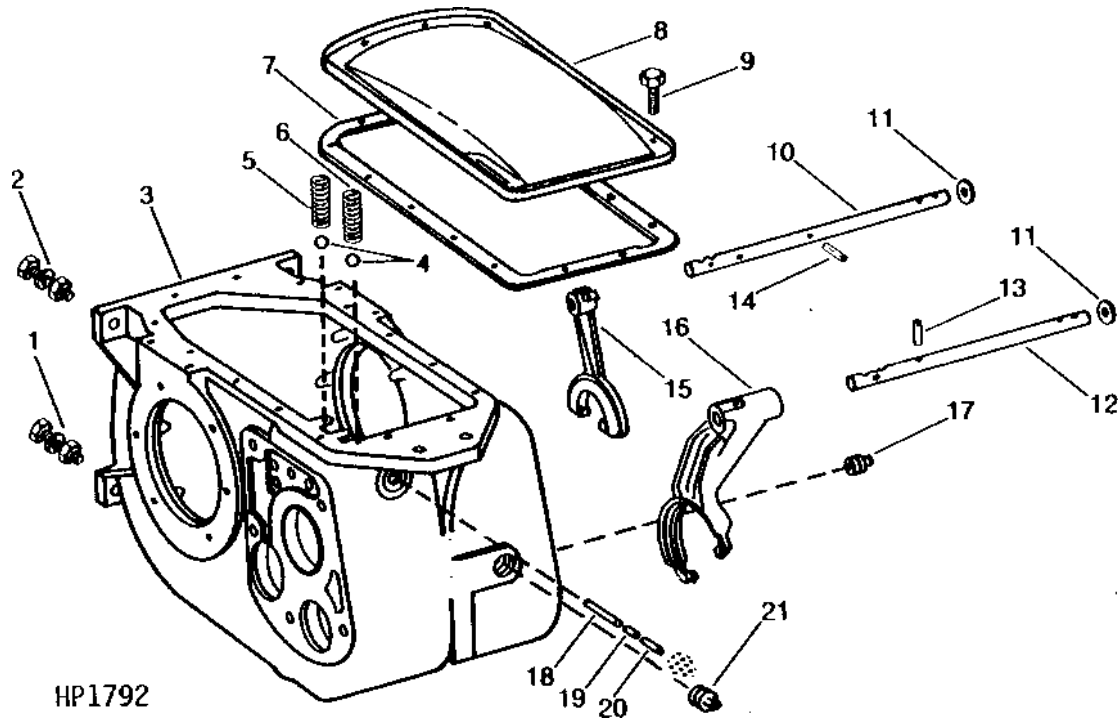
HP1791

KEY	PART NO.	PART NAME	QTY	SERIAL NO.	REMARKS
1	AH99563	TRANSMISSION	1	-550000	(LESS BRAKES) (COMPLETE COMPONENT) (DEALER RECONDITIONED) (SUB AH113961)
	AH113961	TRANSMISSION	1		(LESS BRAKES) (COMPLETE COMPONENT)

# 1H11

TRANSMISSION AND DIFFERENTIAL CASE, COVER, SHIFTER RAILS AND FORKS

HP1792 -UN-01JAN94

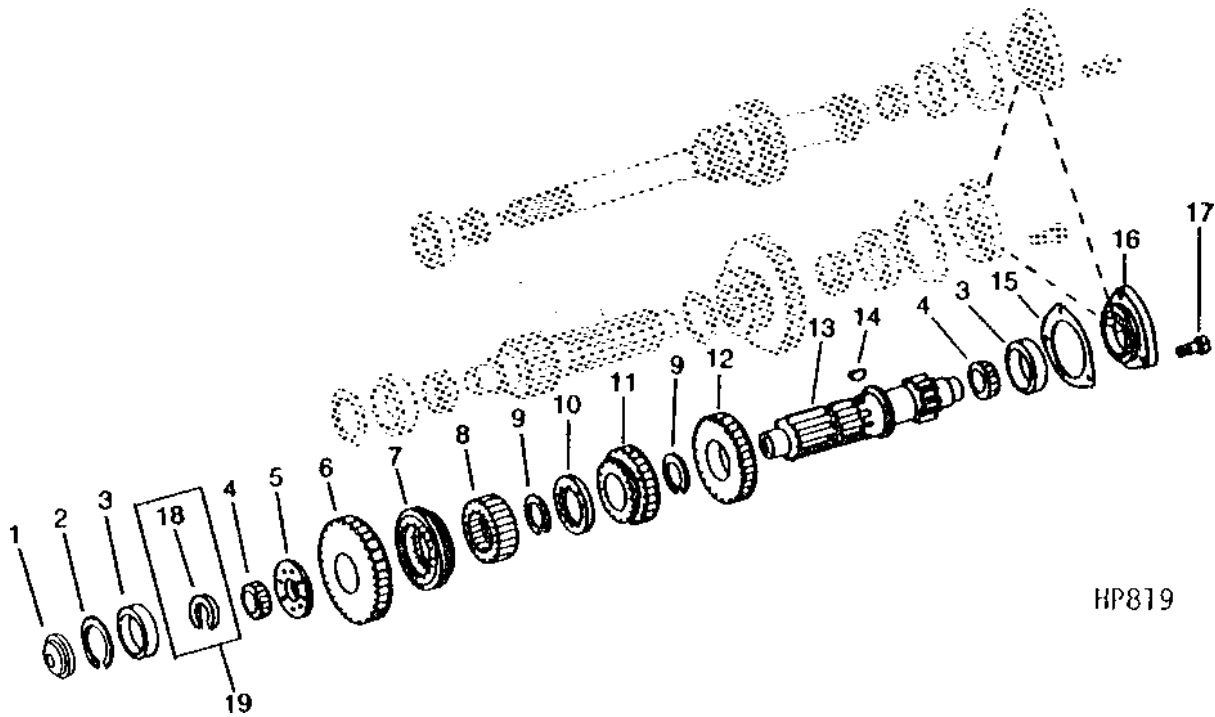


KEY	PART NO.	PART NAME	QTY	SERIAL NO.	REMARKS
1	19H2644	CAP SCREW	2		
	12H301	LOCK WASHER	2		1/2" X 2-1/2"
	14H1040	NUT	2		1/2"
2	H84229	BOLT	2		
	12H301	LOCK WASHER	2		1/2"
	14H1040	NUT	2		1/2"
3	H84231	TRANSMISSION CASE	1		
4	405R	BALL	2		
5	H75251	SPRING	1		48 MM (1-29/32") LONG
6	H75252	SPRING	1		42 MM (1-21/32") LONG
7	P48666	GASKET	1		
8	H75249	COVER	1		
9	19H1813	CAP SCREW	14		5/16" X 5/8"
10	H75254	RAIL	1		
11	AP19599	SEAL	2		
12	H75255	RAIL	1		
13	34H298	SPRING PIN	1		7/32" X 1-1/8"
14	34H301	SPRING PIN	1		7/32" X 1-1/2"
15	PK1826H	FORK	1		
16	H11479	FORK	1		
17	AH18240	HOSE FITTING	1		
18	H33500	COTTER PIN	1		
19	H30266	PIN	1		
20	H75813	PIN	1		
21	15H585	PIPE PLUG	1		3/4"

# 1H12

HP819 -UN-01JAN94

## TRANSMISSION COUNTERSHAFT AND GEARS



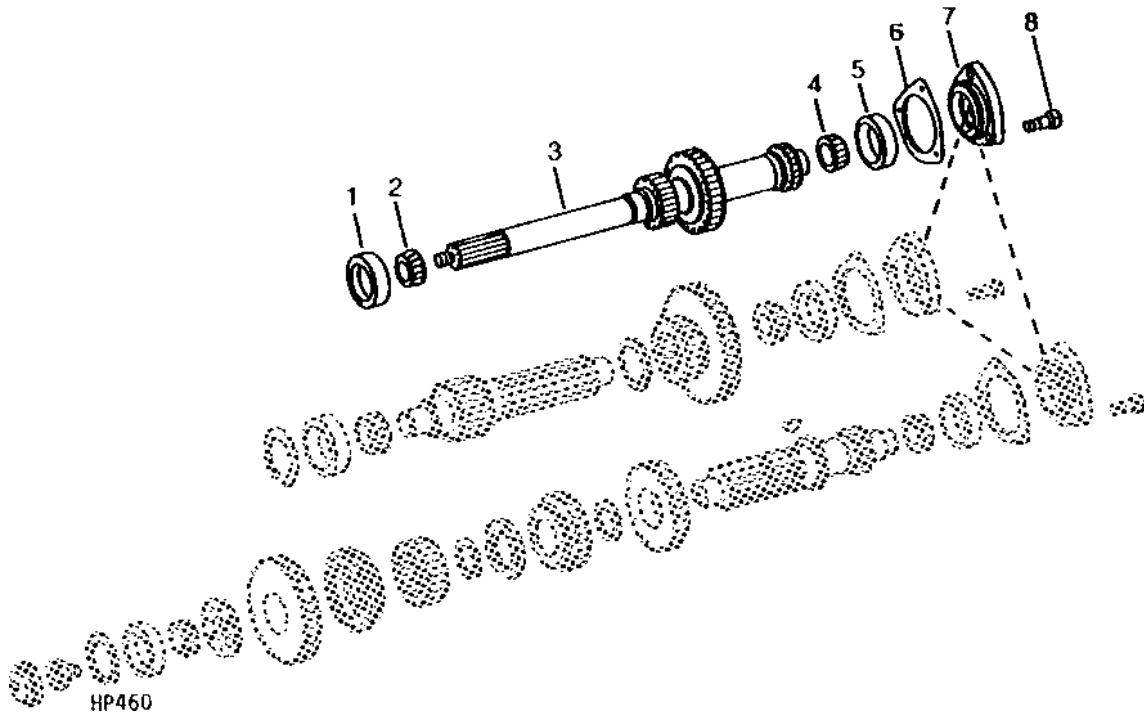
KEY	PART NO.	PART NAME	QTY	SERIAL NO.	REMARKS
1	H64037	SHIELD	1		
2	P42669	RING	1		
3	JD7449	BEARING CUP	2		
4	JD8134	BEARING CONE	2		
5	H35906	WASHER	1		
6	H75180	GEAR	1		34 TEETH
7	H82165	SYNCHRONIZER	1		
8	R26255	GEAR	1		SHIFTER
9	R26266	SNAP RING	2		
10	R26253	THRUST WASHER	1	-500000	(SUB H103167, THIS APPLICATION)
	H103167	WASHER	1		
11	H75179	GEAR	1		26 TEETH
12	H33491	GEAR	1		HIGH-RANGE
13	H87445	COUNTERSHAFT	1		
14	26H23	SHAFT KEY	1		5/16" X 1"
15	P49116	SHIM	1		0.05 MM (.002") (RED PLASTIC)
	P48652	SHIM	1		0.08 MM (.003") (GREEN PLASTIC)
	P49117	SHIM	1		0.13 MM (.005) (STEEL)
	P49118	SHIM	1		0.25 MM (.010") (STEEL)
	P49119	SHIM	1		0.51 MM (.020") (STEEL)
16	H89510	CRADLE	1		
17	19H1821	CAP SCREW	3		7/16" X 1-1/4"
18	.....	SNAP RING	1		1.93 MM (.076") (KIT AH90493)
	.....	SNAP RING	1		2.01 MM (.079") (KIT AH90493)
	.....	SNAP RING	1		2.08 MM (.082") (KIT AH90493)
	.....	SNAP RING	1		2.16 MM (.085") (KIT AH90493)
	.....	SNAP RING	1		2.24 MM (.088") (KIT AH90493)
	.....	SNAP RING	1		2.31 MM (.091") (KIT AH90493)
	.....	SNAP RING	1		2.39 MM (.094") (KIT AH90493)
19	AH90493	KIT	1		RING SNAP

# 1H13

POWER TRAIN

HP460 -UN-01JAN94

## TRANSMISSION INPUT SHAFT



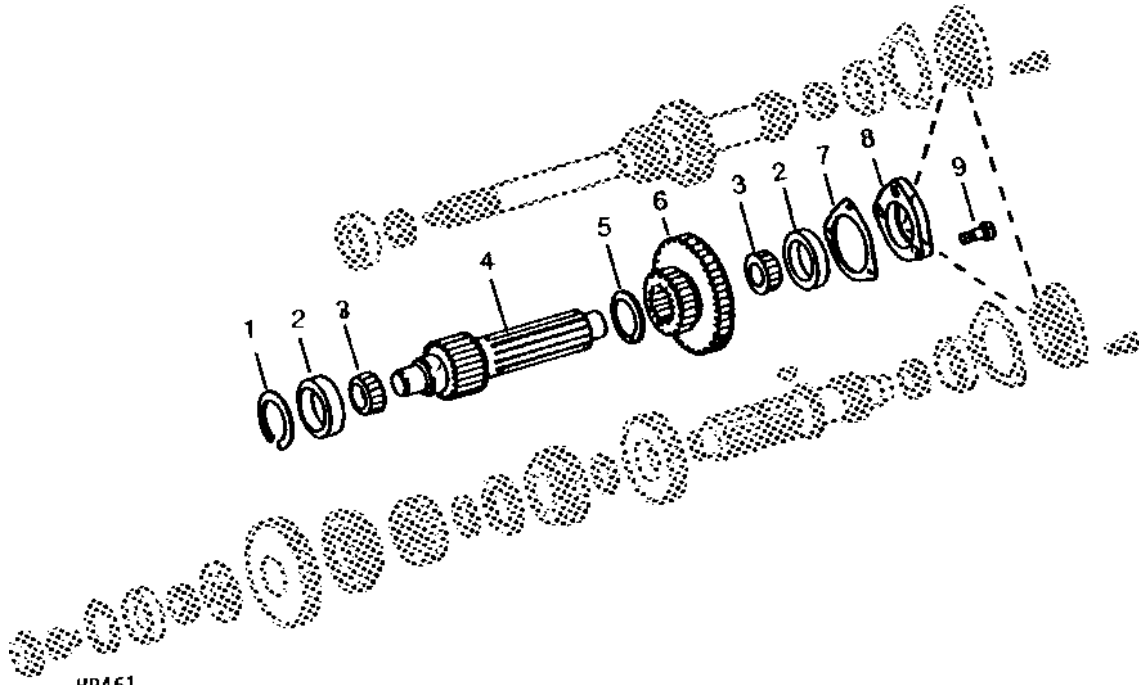
KEY	PART NO.	PART NAME	QTY	SERIAL NO.	REMARKS
1	JD7409	BEARING CUP	1		
2	JD7207	BEARING CONE	1		
3	H33495	SHAFT	1		
4	JD8134	BEARING CONE	1		
5	JD7449	BEARING CUP	1		
6	P49116	SHIM	1		0.05 MM (.002") (RED PLASTIC)
	P48652	SHIM	1		0.08 MM (.003") (GREEN PLASTIC)
	P49117	SHIM	1		0.13 MM (.005") (STEEL)
	P49118	SHIM	1		0.25 MM (.010") (STEEL)
	P49119	SHIM	1		0.51 MM (.020") (STEEL)
7	H89510	CRADLE	1		
8	19H1821	CAP SCREW	3		7/16" X 1-1/4"

# 1H14

POWER TRAIN

HP461 -UN-01JAN94

## DIFFERENTIAL PINION SHAFT AND GEARS



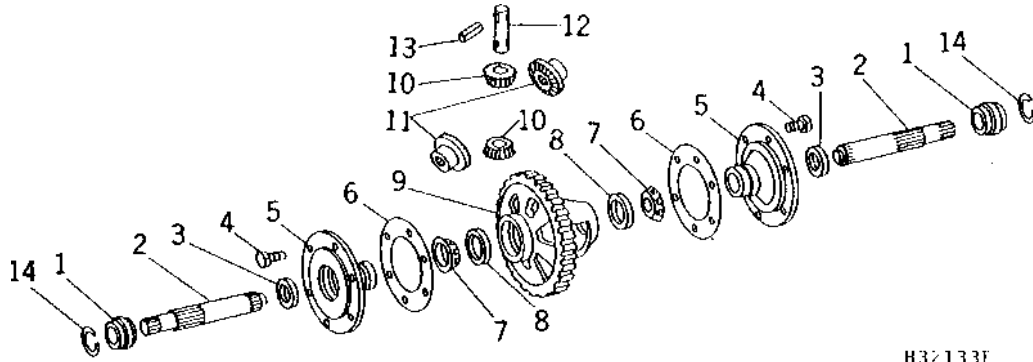
HP461

KEY	PART NO.	PART NAME	QTY	SERIAL NO.	REMARKS
1	P46356	RING	1		
2	JD7424	BEARING CUP	2		
3	JD8100	BEARING CONE	2		
4	H80357	PINION SHAFT	1		
5	H32300	SNAP RING	1		
6	H32057	GEAR	1		LOW-RANGE
7	P49116	SHIM	1		0.05 MM (.002") (RED PLASTIC)
	P48652	SHIM	1		0.08 MM (.003") (GREEN PLASTIC)
	P49117	SHIM	1		0.13 MM (.005") (STEEL)
	P49118	SHIM	1		0.25 MM (.010") (STEEL)
	P49119	SHIM	1		0.51 MM (.020") (STEEL)
8	H11013	PRESSED FLANGED HOUSING	1		
9	19H1821	CAP SCREW	3		7/16" X 1-1/4"

# 1H15

H32133F -UN-01JAN94

## DIFFERENTIAL GEARS, SHAFTS, AND BEARINGS



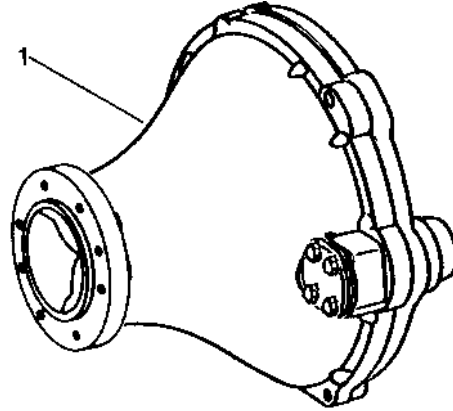
KEY	PART NO.	PART NAME	QTY	SERIAL NO.	H32133F REMARKS
1	JD9213	BALL BEARING	2		
2	H98364	SHAFT	2		
3	AH19842	SEAL	2		
4	19H1815	CAP SCREW	6	1/2" X 1-1/4"	
	12H301	LOCK WASHER	6	1/2"	
5	H11321	BEARING HOUSING W/O BEARING	2		
6	P49128	SHIM	AR	0.05 MM (.002") (RED PLASTIC)	
	P48658	SHIM	AR	0.08 MM (.003") (GREEN PLASTIC)	
	P49129	SHIM	AR	0.13 MM (.005") (STEEL)	
	P49130	SHIM	AR	0.25 MM (.010") (STEEL)	
	P49131	SHIM	AR	0.51 MM (.020") (STEEL)	
7	JD8147	BEARING CONE	2		
8	JD7425	BEARING CUP	2		
9	AH19836	GEAR	1		DIFFERENTIAL
10	R26103	PINION	2		
11	R26102	BEVEL GEAR	2		BEVEL
12	H30939	PINION SHAFT	1		
13	34H336	SPRING PIN	1	5/16" X 2-1/4"	
14	P46407	SNAP RING	2		

# 1H16

POWER TRAIN

HP1948 -UN-01JAN94

FINAL DRIVE



HP1948

KEY	PART NO.	PART NAME	QTY	SERIAL NO.	REMARKS
1	AH104872	DRIVE	1		(HEAVY-DUTY, 13 TO 89 RATIO)(COMPLETE COMPONENT)(REMANUFACTURED)

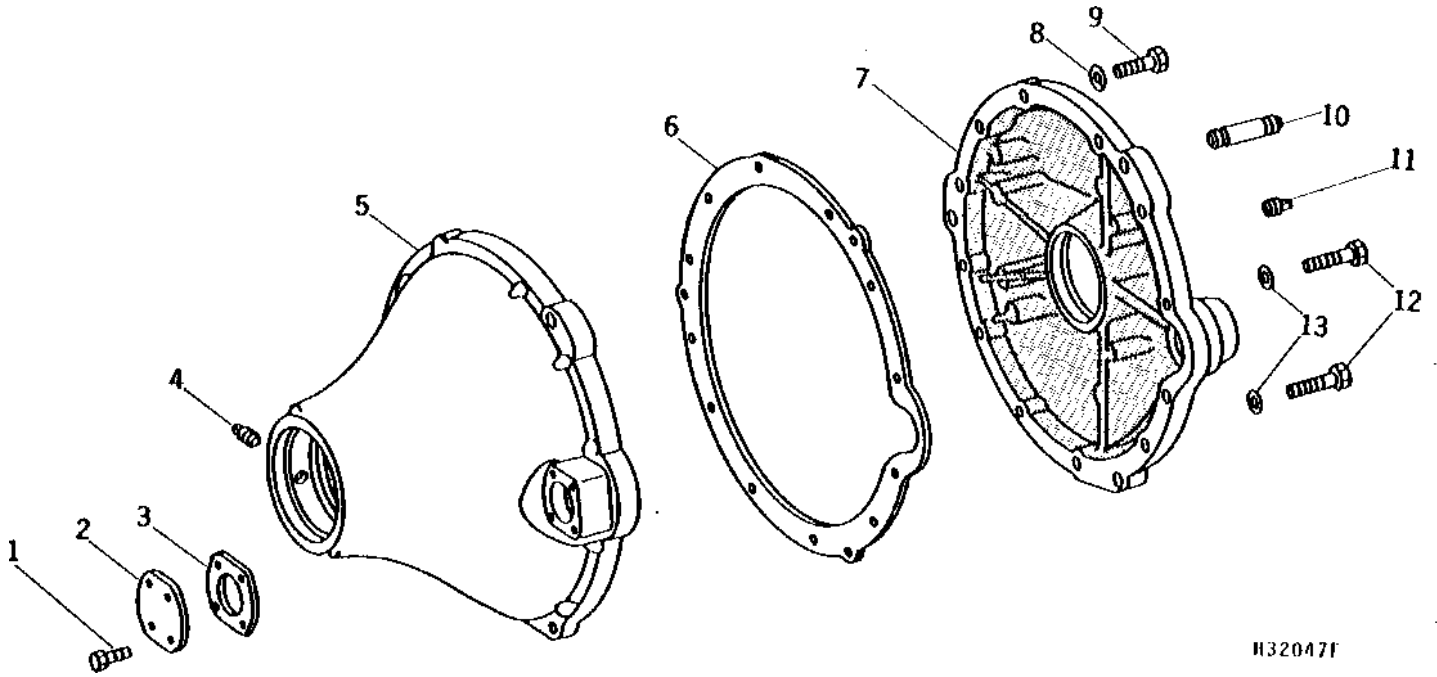
NOTE: QUANTITIES SHOWN ARE FOR ONE UNIT. TWO UNITS USED PER MACHINE.



# 1H17

H32047F -UN-01JAN94

## FINAL DRIVE HOUSING AND BEARING CAP



H32047F

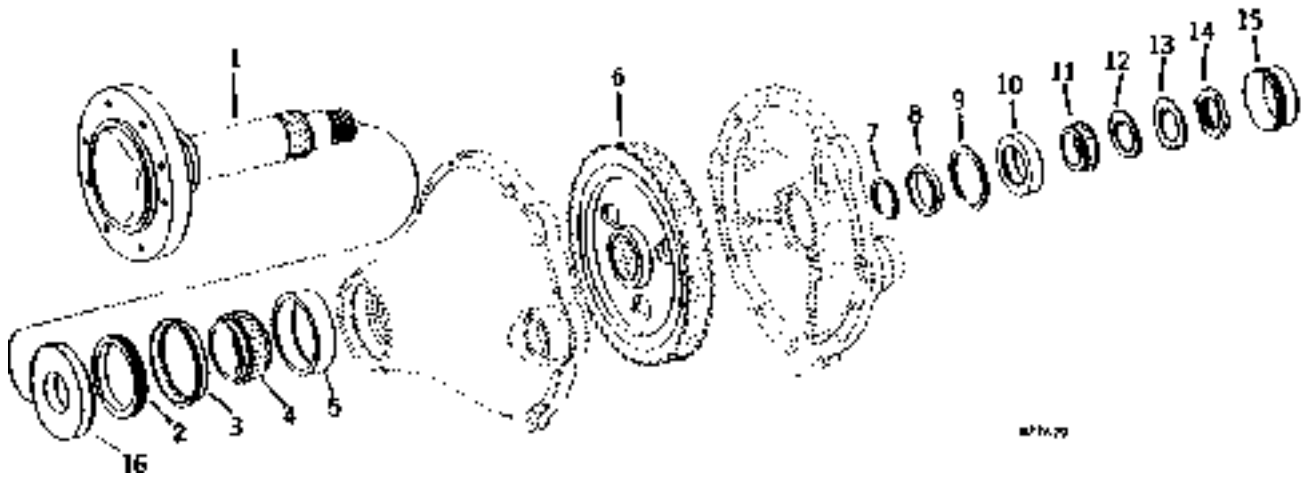
KEY	PART NO.	PART NAME	QTY	SERIAL NO.	REMARKS
1	19H1732	CAP SCREW	4		
2	H85354	CAP	1		(HEAVY-DUTY FINAL DRIVE)
3	H75711	SHIM	AR		PLASTIC, 0.05 MM (.002")
	H75712	SHIM	AR		PLASTIC, 0.08 MM (.003")
	H75713	SHIM	AR		PLASTIC, 0.13 MM (.005")
	H75714	SHIM	AR		STEEL, 0.25 MM (.010")
	H75715	SHIM	AR		STEEL, 0.51 MM (.020")
4	15H558	PIPE PLUG	1		1/8"
5	H94883	HOUSING	1		OUTER, (HEAVY-DUTY FINAL DRIVE; 13 TO 89 RATIO)
6	H75244	GASKET	1		
7	H86902	HOUSING	1		INNER, (HEAVY-DUTY FINAL DRIVE; 13 TO 89 RATIO)
8	H75716	LOCK WASHER	2		
9	19H1831	CAP SCREW	2		1/2" X 2"
10	H95027	PIN	3		
11	P46369	FITTING	1		
	15H584	PIPE PLUG	1		1/2"
12	19H1805	CAP SCREW	10		1/2" X 2-1/4"
13	12H301	LOCK WASHER	10		1/2"

NOTE: QUANTITIES SHOWN ARE FOR ONE UNIT. TWO UNITS USED PER MACHINE.

# 1H18

FINAL DRIVE AXLE, GEAR, AND BEARINGS  
(SERIAL NO. -400489)

H27679 -UN-01JAN94



KEY	PART NO.	PART NAME	QTY	SERIAL NO.	REMARKS
1	H94800	SPINDLE	1		(SUB H103537, H103538, H93681 AND P48703)
2	AH93852	SEAL	1		
3	R59074	OIL CUP	1		
4	JD9018	BEARING CONE	1		
5	JD8248	BEARING CUP	1		
6	AH75466	RING GEAR	1		(MARKED H76025) (13 TO 89 RATIO)
7	B3611R	SNAP RING	1		
8	H76155	BUSHING	1		
9	C565R	SNAP RING	1		
10	JD8296	BEARING CUP	1		
11	JD7378	BEARING CONE	1		
12	H83262	LOCK WASHER	1		
13	H83263	LOCK WASHER	1		
14	H76446	NUT	1		
15	H76441	CAP	1		
16	H94885	SEAL	1		(USE WITH R-2 TIRES AND CRAWLER TRACKS)

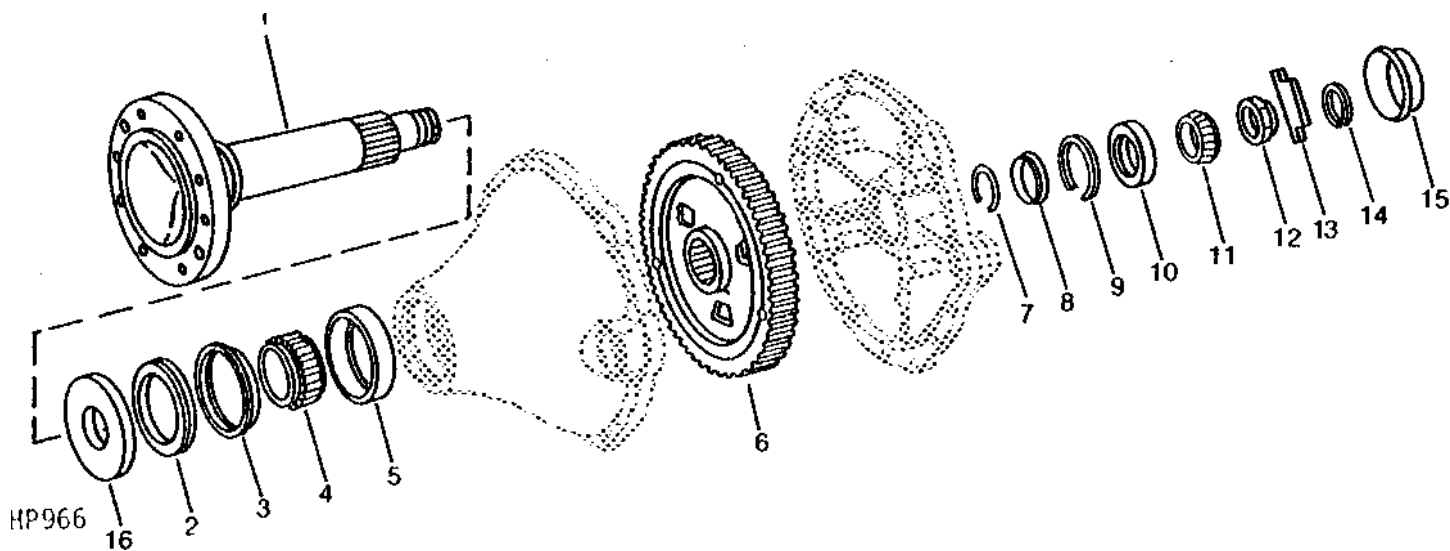
NOTE: QUANTITIES SHOWN ARE FOR ONE UNIT. TWO UNITS USED PER MACHINE.

# 1H19

## FINAL DRIVE AXLE, GEAR, AND BEARINGS (SERIAL NO. 400490- )

HP966

-UN-01JAN94



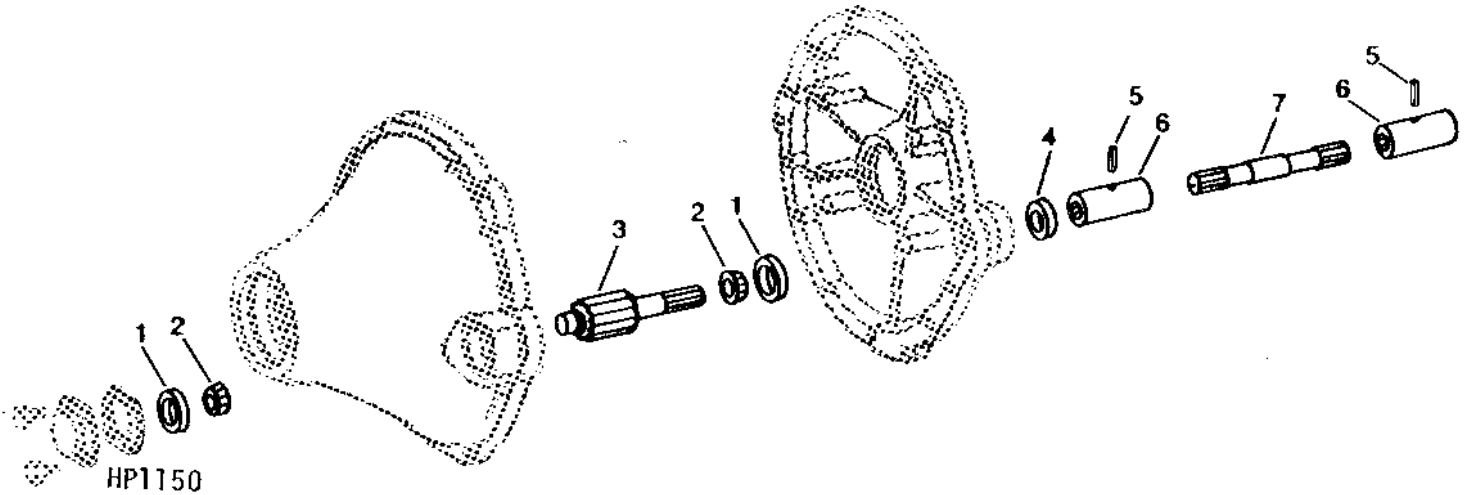
KEY	PART NO.	PART NAME	QTY	SERIAL NO.	REMARKS
1	H103537	SPINDLE	1		
2	AH93852	SEAL	1		
3	R59074	OIL CUP	1		
4	JD9018	BEARING CONE	1		
5	JD8248	BEARING CUP	1		
6	AH75466	RING GEAR	1		(MARKED H76025) (13 TO 89 RATIO)
7	B3611R	SNAP RING	1		
8	H76155	BUSHING	1		
9	C565R	SNAP RING	1		
10	JD8296	BEARING CUP	1		
11	JD7378	BEARING CONE	1		
12	H103538	NUT	1		
13	H93681	KEY	1		
14	P48703	SNAP RING	1		
15	H76441	CAP	1		
16	H94885	SEAL	1		(USE WITH R-2 TIRES AND CRAWLER TRACKS)

NOTE: QUANTITIES SHOWN ARE FOR ONE UNIT. TWO UNITS USED PER MACHINE.

# 1H20

HP1150 -UN-01JAN94

## FINAL DRIVE PINION, DRIVE SHAFT, AND BEARINGS



KEY	PART NO.	PART NAME	QTY	SERIAL NO.	REMARKS
1	JD8221	BEARING CUP	2		
2	JD8180	BEARING CONE	2		
3	H75164	PINION	1		
4	T22069	SEAL	1	-450000	(SUB AH107857, THIS APPLICATION)
	AH107857	SEAL	1		
5	34H385	SPRING PIN	2		1/4" X 1-3/4"
6	H91808	SPLINED COUPLING	2		
7	H87165	DRIVE SHAFT	1		
	H87275	DRIVE SHAFT	1		(WITH SPACERS)

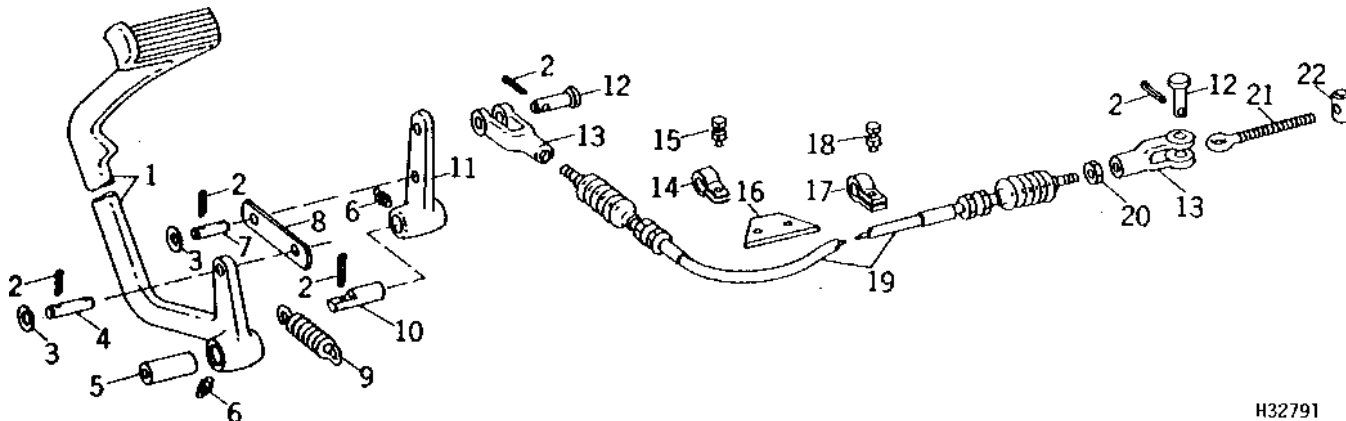
NOTE: QUANTITIES SHOWN ARE FOR ONE UNIT. TWO UNITS USED PER MACHINE.

# 1H21

POWER TRAIN

H32791 -UN-01JAN94

## CLUTCH PEDAL AND LINKAGE



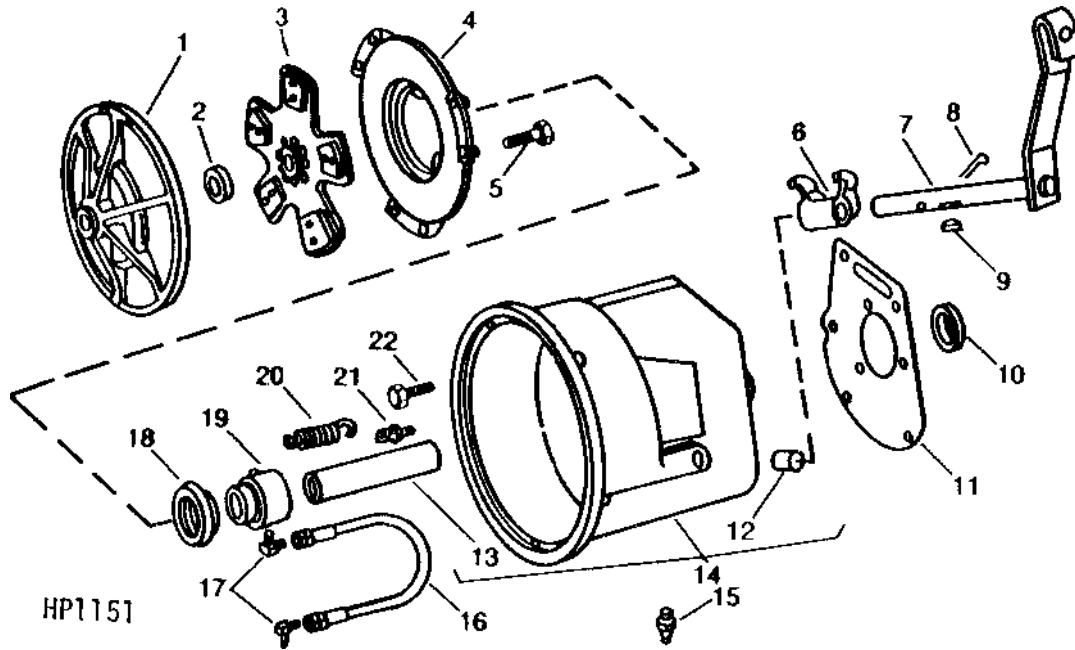
H32791

KEY	PART NO.	PART NAME	QTY	SERIAL NO.	REMARKS
1	H104006	PEDAL	1		
2	11H244	COTTER PIN	7	3/16" X 2-1/2"	
3	24H1305	WASHER	4	13/32" X 13/16" X 0.065"	
4	X7111C	PIN	1		
5	H80387	BUSHING	1		
6	JD7797	LUBRICATION FITTING	2		
7	P50777	PIN	1		
8	H104148	STRAP	2		
9	H104075	SPRING	1		
10	H78307	SHAFT	1		
11	H78309	ARM	1		
12	H24979	PIN	2		
13	1C3621H	YOKE	2	-550000	
	T21158	YOKE	2	550001-	
14	AH11015	CLIP	1	-400000	(SUB H77358, THIS APPLICATION)
	H77358	CLIP	1		
15	19H1936	CAP SCREW	2	3/8" X 3/4"	
	14H812	NUT	2	3/8"	
16	H78802	BRACKET	1		
17	AH80916	CLIP	1		
18	19H2127	CAP SCREW	1	5/16" X 7/8"	
	14H785	NUT	1	5/16"	
19	AH103649	PUSH PULL CABLE	1		
20	14H856	NUT	1	1/2"	
21	H75257	EYEBOLT	1		
22	H75256	PIN	1		

# 1H22

HP1151 -UN-01JAN94

## DRIVE WHEEL CLUTCH AND HOUSING



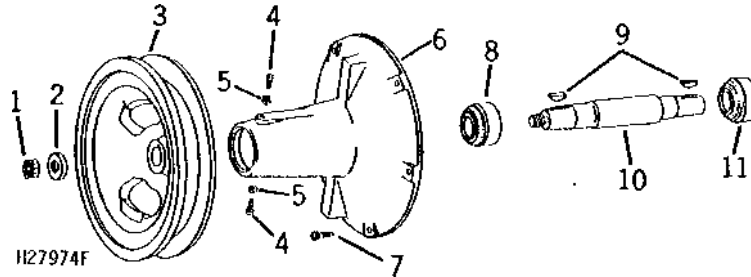
KEY	PART NO.	PART NAME	QTY	SERIAL NO.	REMARKS
1	H94323	WHEEL	1		
2	JD9436	BALL BEARING	1		
3	AH93293	DISK	1		
4	AH93292	PLATE	1		
	AH93337	BRACKET	1		
	T35294	BOLT	3		
	T35296	CLAMP	3		
	T35298	LINK	3		
	T35300	RING	1		
	T39871	PLATE	1		
	T52507	SPRING	1		
5	19H2284	CAP SCREW	6	3/8" X 7/8"	
	12H304	LOCK WASHER	6	3/8"	
6	H75814	FORK	1		
7	AH75065	ARM	1		
8	11H244	COTTER PIN	1	3/16" X 2-1/2"	
9	26H14	SHAFT KEY	1	3/16" X 3/4"	
10	T22069	SEAL	1	-450000	(SUB AH107857, THIS APPLICATION)
	AH107857	SEAL	1		
11	H64042	GASKET	1		
12	H80934	BUSHING	1		
13	H75832	SLEEVE	1		
14	AH93294	HOUSING	1		(MARKED H94321)
15	JD7759	LUBRICATION FITTING	1		STRAIGHT, 1/8"
16	AH81168	HYDRAULIC HOSE	1		3 MM X 229 MM (1/8" I.D. X 9") LONG
17	H80936	ELBOW FITTING	2		90°
	AR41942	THRUST BEARING	1		
18	H80937	SLEEVE	1		
19	H105055	SPRING	1		
20	T21147	EYEBOLT	1		
22	H82748	CAP SCREW	4		
	19H1740	CAP SCREW	1	7/16" X 1-3/4"	
	12H293	LOCK WASHER	5	7/16"	

# 1H23

POWER TRAIN

H27974 -UN-01JAN94

## CLUTCH INPUT SHAFT AND HOUSING



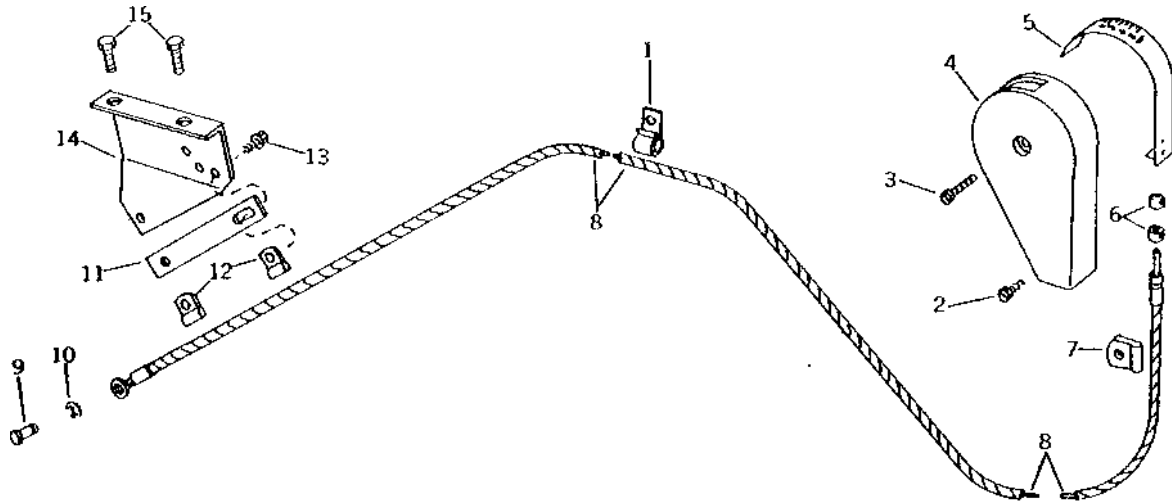
KEY	PART NO.	PART NAME	QTY	SERIAL NO.	REMARKS
1	H82587	LOCK NUT	1		
2	24H1446	WASHER	1		1-1/64" X 2" X 0.134"
3	H75833	SHEAVE	1		356 MM (14") DIA.
4	22H1049	SET SCREW	2		1/4" X 1-1/2"
5	14H850	NUT	1		1/4"
6	H94322	HOUSING	1		
7	19H1732	CAP SCREW	6		3/8" X 1-1/4"
	12H304	LOCK WASHER	6		3/8"
8	JD8524	BEARING	1		
9	26H41	SHAFT KEY	2		5/16" X 2-1/8"
10	H94324	SHAFT	1		
11	JD9301	BALL BEARING	1		

# 1H24

POWER TRAIN

RELATIVE GROUND SPEED INDICATOR  
(SERIAL NO. -450000)

H24147 -UN-01JAN94



KEY	PART NO.	PART NAME	QTY	SERIAL NO.	REMARKS
1	AH76883	CLIP	1		
2	37H32	SCREW	1		0.190" X 3/8"
3	R53678	SCREW	1		SELF-TAPPING
4	H85953	HOUSING	1		
5	AH87111	GAUGE	1		
6	AH87112	STOP	2		
7	BP13682	CLIP	1		
8	AH97895	CABLE	1	-450000	(SUB AH108960)
	AH108960	CABLE	1		
9	H85959	PIN	1		
10	T23529	SNAP RING	1		
11	H86143	STRAP	1		
12	H22660	CLIP	2		
13	H76139	SCREW	2		SELF-TAPPING
14	AH87263	BRACKET	1		
15	19H2284	CAP SCREW	2		3/8" X 7/8"
	12H304	LOCK WASHER	2		3/8"

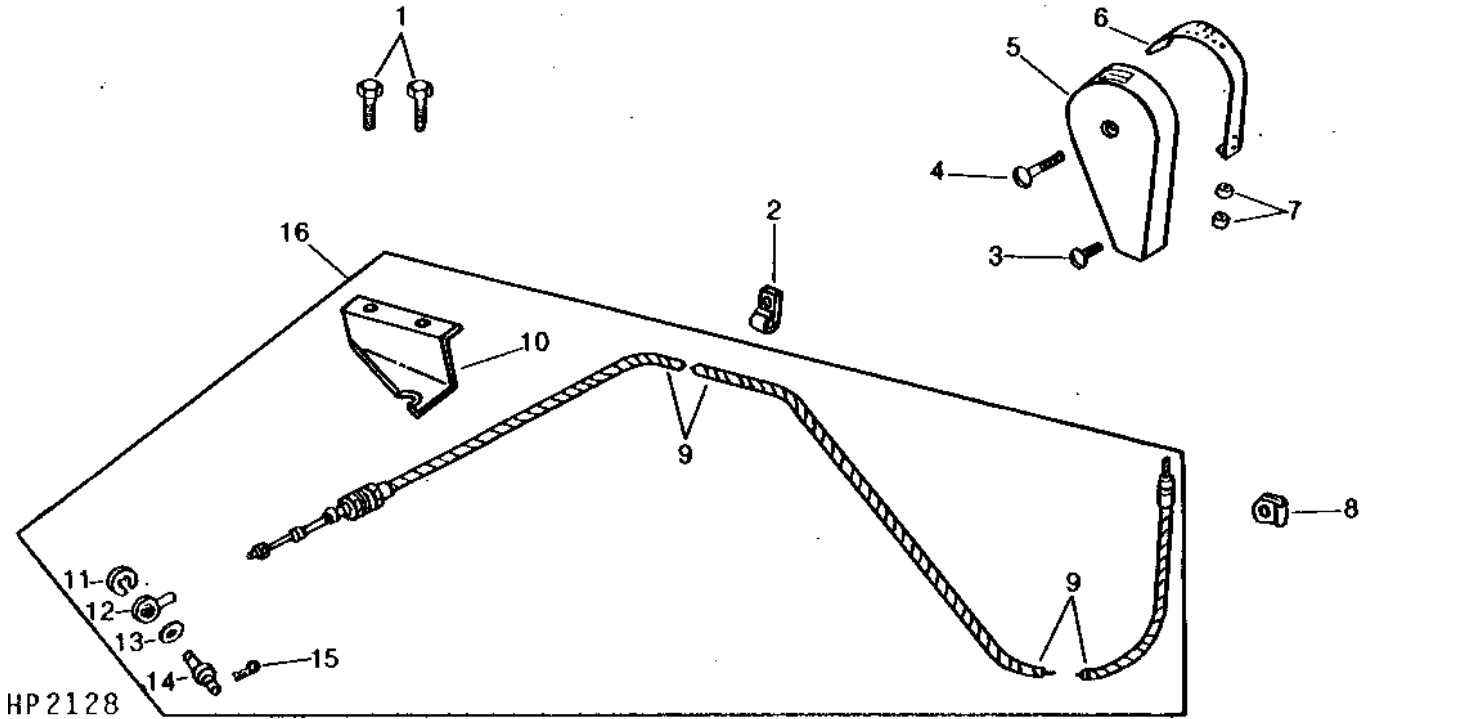


# 1H25

POWER TRAIN

## RELATIVE GROUND SPEED INDICATOR (SERIAL NO. 450001- )

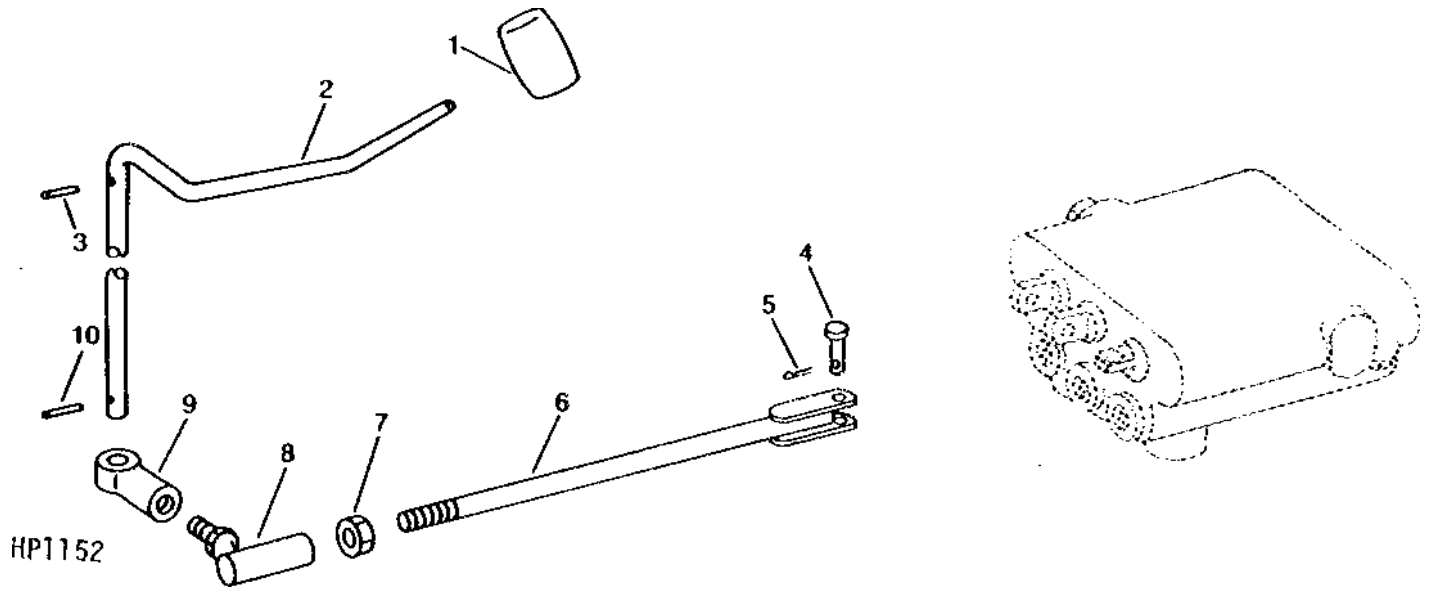
HP2128 -UN-01JAN94



KEY	PART NO.	PART NAME	QTY	SERIAL NO.	REMARKS
1	19H2284	CAP SCREW	2	3/8" X 7/8"	
	12H304	LOCK WASHER	2	3/8"	
2	AH76883	CLIP	1		
3	37H32	SCREW	1	0.190" X 3/8"	
4	R53678	SCREW	1	SELF-TAPPING	
5	H85953	HOUSING	1		
6	AH87111	GAUGE	1		
7	AH87112	STOP	2		
8	BP13682	CLIP	1		
9	AH108056	CABLE	1		
10	AH108057	BRACKET	1		
11	R31935	SNAP RING	1		
12	AH108055	TIE ROD END	1		
13	24H1287	WASHER	1	9/32" X 5/8" X 0.065"	
14	H110273	PIN	1		
15	11H233	COTTER PIN	1	3/32" X 1/2"	
16	AH108960	CABLE	1		

SELECTIVE GROUND SPEED CONTROLS

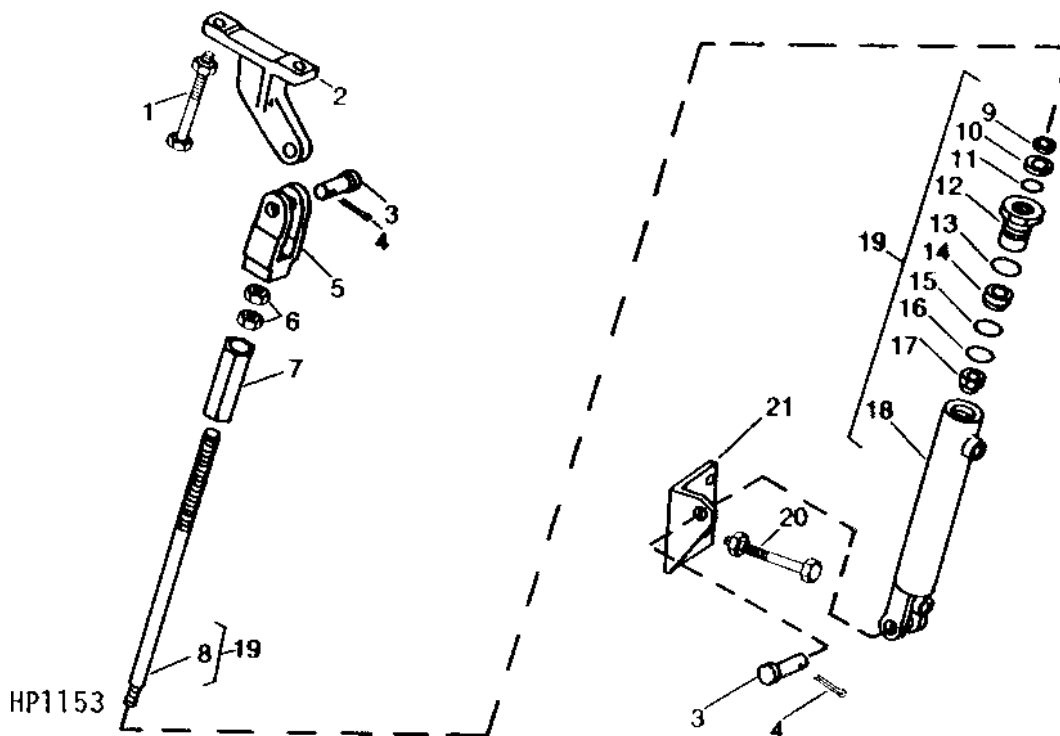
HP1152 -UN-01JAN94



KEY	PART NO.	PART NAME	QTY	SERIAL NO.	REMARKS
1	H87468	KNOB	1		
2	H99269	LEVER	1		
3	34H266	SPRING PIN	1		
4	H35481	PIN	1	-500000	5/32" X 1"
	U42845	PIN	1	500001-	
5	11H266	COTTER PIN	1		1/16" X 1/2"
6	AH76371	YOKE	1	-500000	
	AH111057	ROD	1	500001-	
7	14H774	NUT	1		3/8"
8	AH83521	BALL JOINT	1		
9	AH92607	ARM	1		
10	34H282	SPRING PIN	1		3/16" X 1"

HP1153 -UN-01JAN94

## SELECTIVE GROUND SPEED CYLINDER

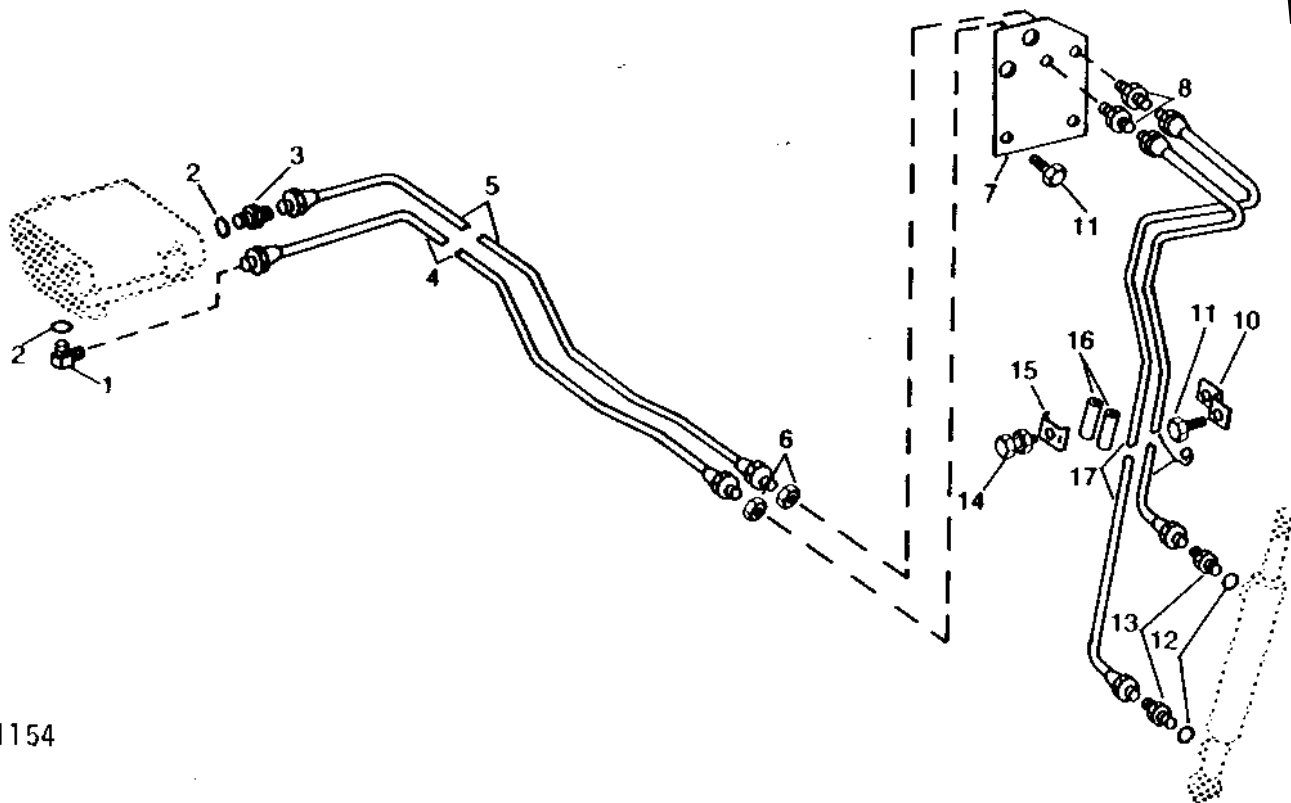


KEY	PART NO.	PART NAME	QTY	SERIAL NO.	REMARKS
1	19H2345	CAP SCREW	2	3/8" X 5-1/2"	
	14H812	NUT	2	3/8"	
2	H83460	ANCHOR	1		
3	P43548	PIN	1	(LOWER)	
	H76788	PIN	1	(UPPER)	
4	11H237	COTTER PIN	1	1/8" X 2", (LOWER)	
	11H234	COTTER PIN	1	3/32" X 1", (UPPER)	
5	H92700	YOKE	1		
6	14H821	NUT	2	5/8"	
7	H75938	NUT	1		
8	H80437	ROD	1		
9	.....	SEAL	1	(A)	
10	.....	WASHER	1	(A)	
11	.....	O-RING	1	(A)	
12	H80439	GUIDE	1		
13	.....	O-RING	1	(A)	
14	H80438	PISTON	1		
15	.....	O-RING	1	(A)	
16	.....	RING	1	(A)	
17	H80440	LOCK NUT	1		
18	AH78773	HYDRAULIC CYLINDER BARREL	1		
19	AH75428	CYLINDER	1		
20	19H1726	CAP SCREW	2	3/8" X 2-1/4"	
	14H812	NUT	2	3/8"	
21	H75926	BRACKET	1		

KIT LISTED BELOW CONSISTS OF ALL PARTS IDENTIFIED BY AN (A):  
 .. AH78772 SEAL KIT 1

HP1154 -UN-01JAN94

## SELECTIVE GROUND SPEED OIL LINES

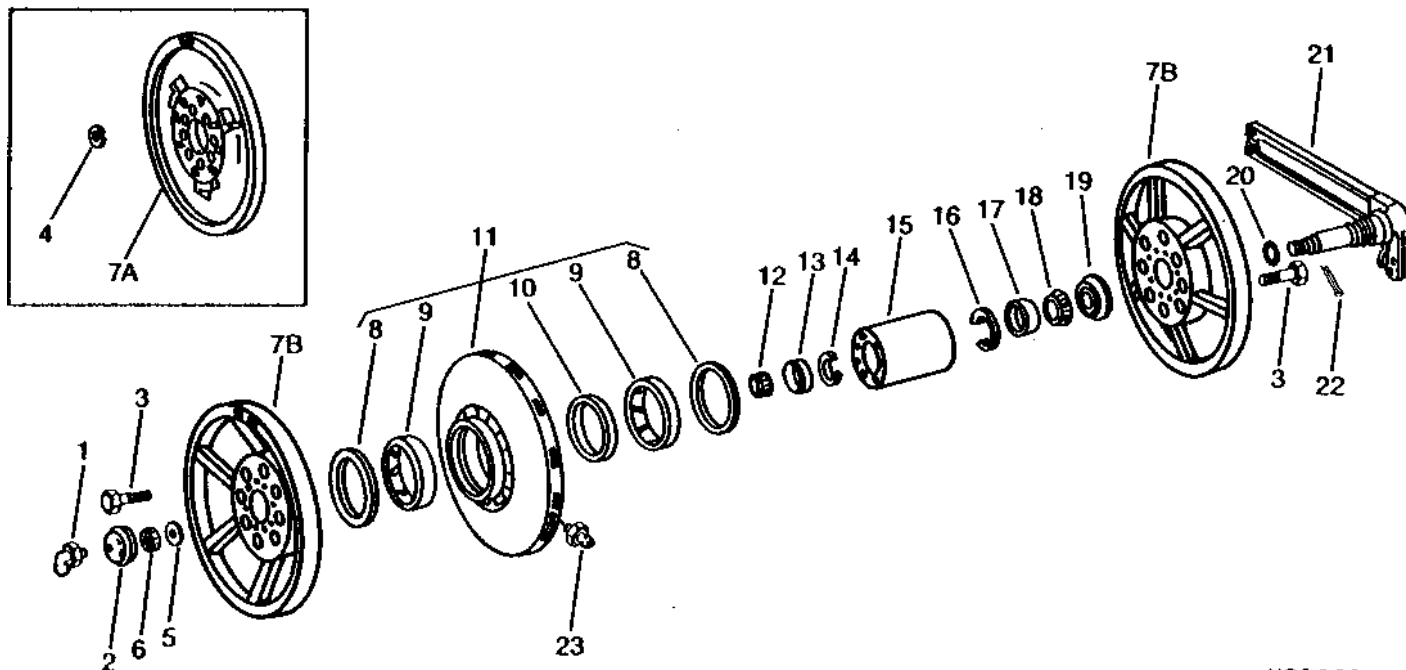


HP1154

KEY	PART NO.	PART NAME	QTY	SERIAL NO.	REMARKS
1	AH75160	ELBOW FITTING	1		
2	R26448	O-RING	2		
3	H75414	ADAPTER	1		
4	AH75461	LINE	1		PRESSURE, FRONT
5	AH75460	LINE	1		PRESSURE, FRONT
6	14H934	NUT	2		7/16"
7	H79019	BRACKET	1		
8	H75416	UNION FITTING	2		
9	AH78578	LINE	1		PRESSURE, REAR
10	H79576	BRACKET	1		
11	H65108	SCREW	3		SELF-TAPPING
12	R28782	O-RING	2		
13	AM30686	FITTING	2	-610100	(SUB T39220 AND R28782)
	T39220	FITTING	2		
14	19H1905	CAP SCREW	1		5/16" X 1"
	14H785	NUT	1		5/16"
15	H83208	CLAMP	1		
16	H23941	ISOLATOR	2		
17	AH78579	LINE	1		PRESSURE, REAR

## PROPULSION DRIVE COUNTERSHAFT SHEAVE

HP1829 -UN-01JAN94

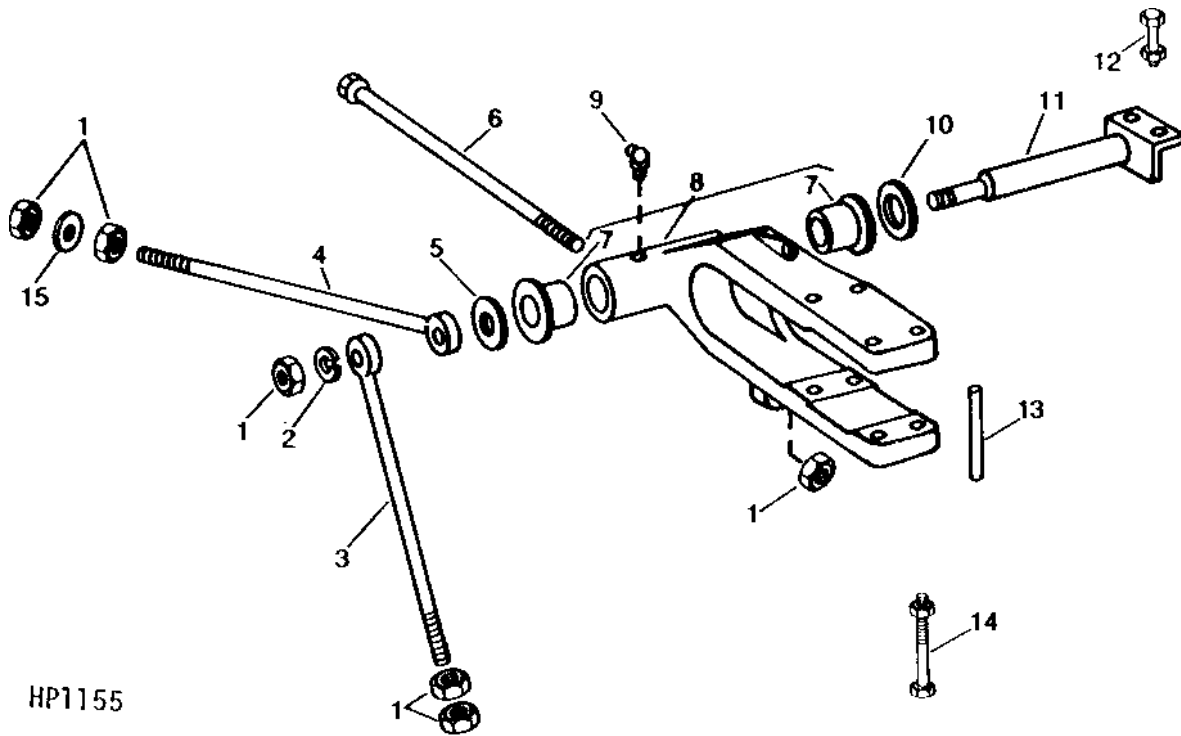


HP1829

KEY	PART NO.	PART NAME	QTY	SERIAL NO.	REMARKS
1	JD7797	LUBRICATION FITTING	1		
2	H89303	CAP	1		
3	19H1765	CAP SCREW	16		3/8" X 1-3/4"
4	P49970	DOWEL PIN	8	-500209	
5	T19572	WASHER	1		
6	14H875	NUT	1		7/8"
7A	H75855	SHEAVE	2	-500209	(SUB H112547)
7B	H112547	SHEAVE	2		397 MM (15-5/8") DIA.
8	AH12466	PACKING	2		
9	H23005	BUSHING	2		
10	AH12467	FELT	1		
11	AH85700	CENTER SHEAVE	1		WITH BUSHINGS AND SEALS, (MARKED H85253)
12	JD8134	BEARING CONE	1		
13	JD7449	BEARING CUP	1		
14	P42669	RING	1		
15	H75856	HUB	1	-500209	(SUB H112548)
	H112548	HUB	1		
16	E10911	SNAP RING	1		
17	JD8271	BEARING CUP	1		
18	JD8988	BEARING CONE	1		
19	AH86596	SEAL	1		
20	A4730R	O-RING	1		
21	AH94803	ARM	1		(MARKED H83494)
22	11H237	COTTER PIN	1		1/8" X 2"
23	JD7759	LUBRICATION FITTING	1		

HP1155 -UN-01JAN94

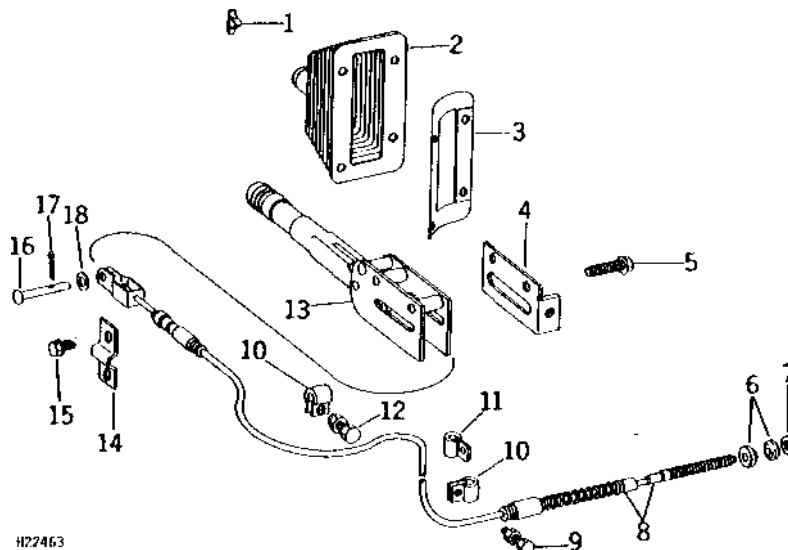
PROPULSION DRIVE COUNTERSHAFT



HP1155

KEY	PART NO.	PART NAME	QTY	SERIAL NO.	REMARKS
1	14H1039	NUT	6	5/8"	
2	12H294	LOCK WASHER	1	5/8"	
3	H75925	EYEBOLT	1	REAR	
4	H75924	EYEBOLT	1	FRONT	
5	24H1626	WASHER	1	21/32" X 2" X 0.060"	
6	H75851	CAP SCREW	1		
7	H85568	BUSHING	2		
8	AH86829	ARM	1	UPPER, WITH BUSHINGS, (MARKED H85845)	
9	JD7806	LUBRICATION FITTING	1	90°, 1/4"	
10	24H1667	WASHER	1	1-17/64" X 2-1/4" X 0.075"	
11	AH77224	BRACKET	1		
12	19H1731	CAP SCREW	2	3/8" X 1"	
	14H812	NUT	2	3/8"	
13	H75850	BUSHING	4		
14	19H2104	CAP SCREW	2	3/8" X 5"	
	14H812	NUT	2	3/8"	
15	24H1368	WASHER	1	21/32" X 1-5/16" X 0.090"	

H22463 -UN-01JAN94

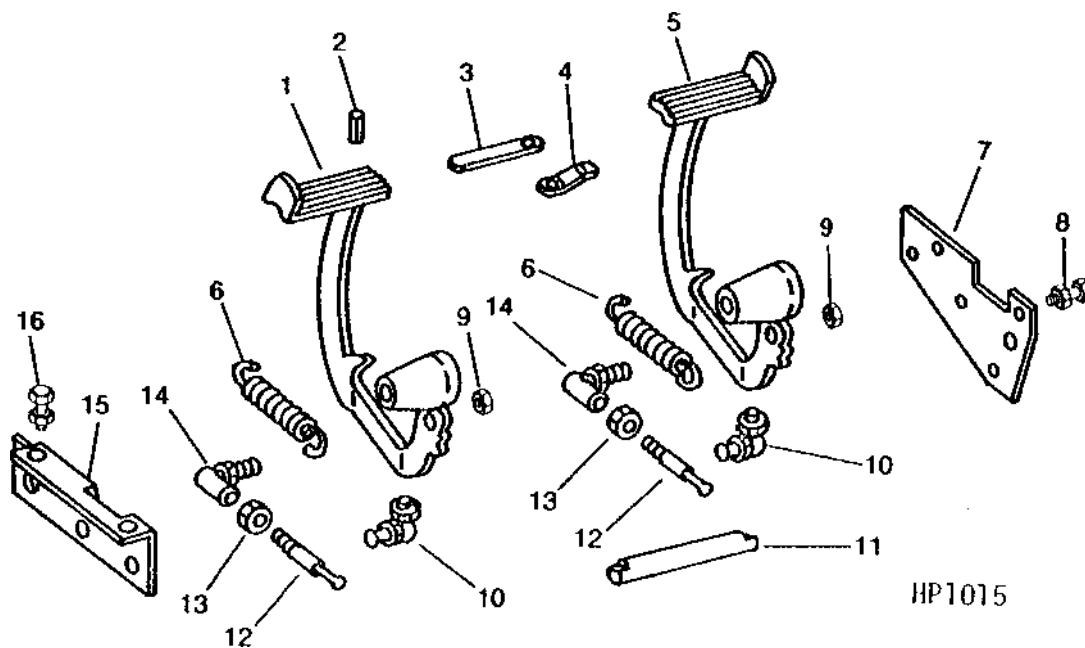
**PARKING BRAKE CONTROLS**


H22463

KEY	PART NO.	PART NAME	QTY	SERIAL NO.	REMARKS
1	H88910	PLUG	4		
2	AH94812	BOOT	1	-600000	(SUB H94267)
	H94267	BOOT	1		
3	H94638	RETAINER	1		
4	H84659	BRACKET	1		SWITCH
5	H78421	SCREW	2		SELF-TAPPING
6	H77337	WASHER	2		
7	14H774	NUT	2	3/8"	
8	AH96679	PUSH PULL CABLE	1		
9	19H1732	CAP SCREW	1	3/8" X 1-1/4"	
	14H812	NUT	1	3/8"	
10	AH11015	CLIP	2		CUSHIONED
11	AH76883	CLIP	1		CUSHIONED
12	19H2284	CAP SCREW	1	3/8" X 7/8"	
	14H812	NUT	1	3/8"	
13	AH93255	LEVER	1	-450000	
	AH106513	LEVER	1	450001-	
14	H78420	CLAMP	1		
15	H77931	SCREW	2		SELF-TAPPING
16	H78423	PIN	1		
17	11H211	COTTER PIN	1		1/8" X 3/4"
18	24H1136	WASHER	1		11/32" X 11/16" X 0.065"
19	H94640	SEAL	1	600001-	

HP1015 -UN-01JAN94

## BRAKE PEDALS AND LINKAGE



HP1015

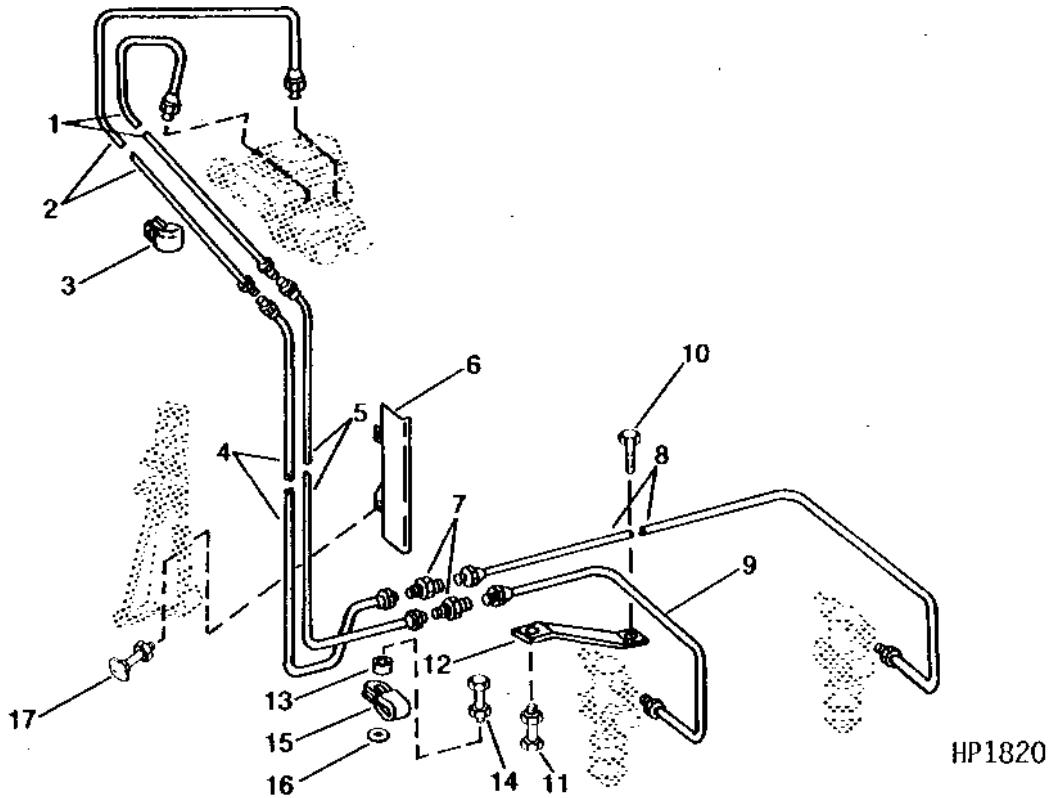
KEY	PART NO.	PART NAME	QTY	SERIAL NO.	REMARKS
1	H99272	PEDAL	1		L.H.
2	34H311	SPRING PIN	1		1/4" X 7/8"
3	H99264	STRAP	1		
4	R31602	LEAF SPRING	1		
5	H99271	PEDAL	1		R.H.
6	H77373	SPRING	1		L.H.
	H81688	SPRING	1		R.H.
7	H78812	SUPPORT	1		R.H.
8	19H1731	CAP SCREW	2		3/8" X 1"
	14H812	NUT	2		3/8"
9	14H846	NUT	2		3/8"
10	JD7806	LUBRICATION FITTING	2		90°
11	H77372	SHAFT	1	-550000	(SUB H117225)
	H117225	SHAFT	1		
12	H77371	STUD	2	-451143	(SUB H109824)
	H109824	WELD STUD	2		
13	14H774	NUT	2		3/8"
14	AH83521	BALL JOINT	2		
15	H78813	SUPPORT	1		L.H.
16	21H1069	SCREW	2		3/8" X 1"
	14H812	NUT	2		3/8"



# 1110

HP1820 -UN-01JAN94

## BRAKE LINES

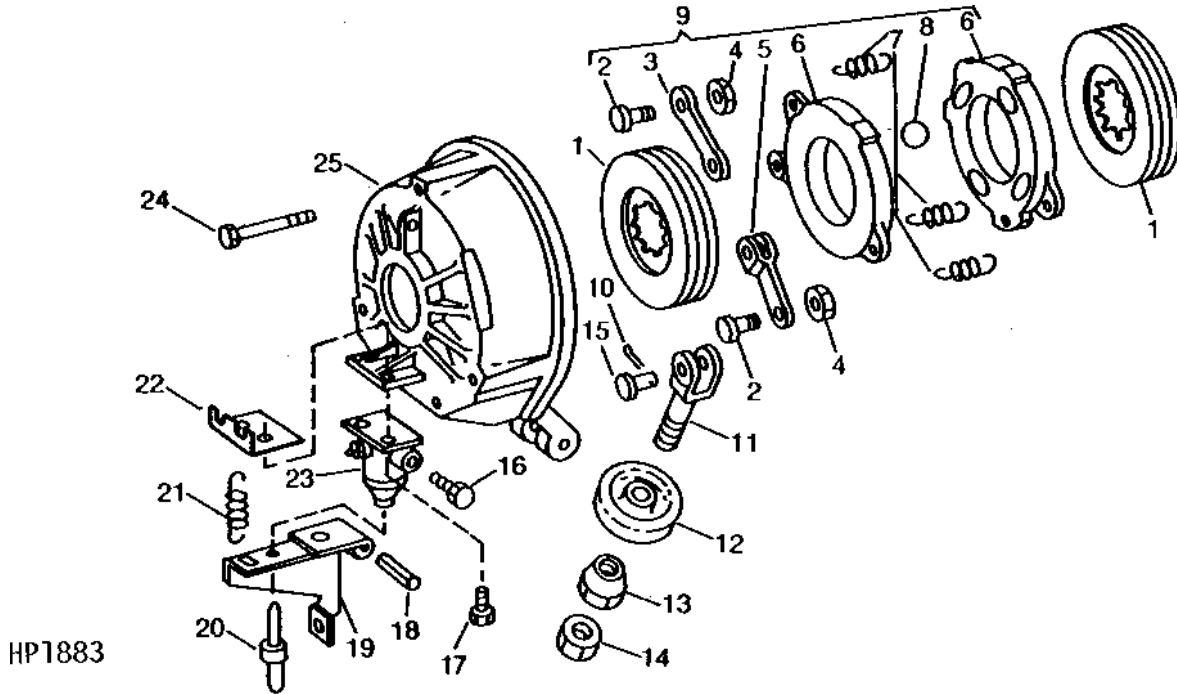


KEY	PART NO.	PART NAME	QTY	SERIAL NO.	REMARKS
1	AH96779	LINE	1	(L.H.)	
2	AH96780	LINE	1	(R.H.)	
3	AH76883	CLIP	1		
4	AH99349	LINE	1	(R.H.)	
5	AH101327	LINE	1	(L.H.)	
6	H99825	SHIELD	1		
7	H33795	UNION FITTING	2		
8	AH96782	LINE	1	(R.H.)	
9	AH96781	LINE	1	(L.H.)	
10	19H1936	CAP SCREW	1	3/8" X 3/4"	
11	19H1948	CAP SCREW	1	1/4" X 3/4"	
	14H786	NUT	1	1/4"	
12	H83138	BRACKET	1		
13	28H1883	SPACER	1	1/4" X 1/2"	
14	19H1898	CAP SCREW	1	1/4" X 1-1/2"	
	14H786	NUT	1	1/4"	
15	AH76996	CLIP	1		
16	24H1287	WASHER	1	9/32" X 5/8" X 0.065"	
17	10H1028	BOLT	2	3/8" X 1-1/2"	
	12H304	LOCK WASHER	2	3/8"	
	14H812	NUT	2	3/8"	

# 1111

HP1883 -UN-01JAN94

## BRAKES AND HOUSING



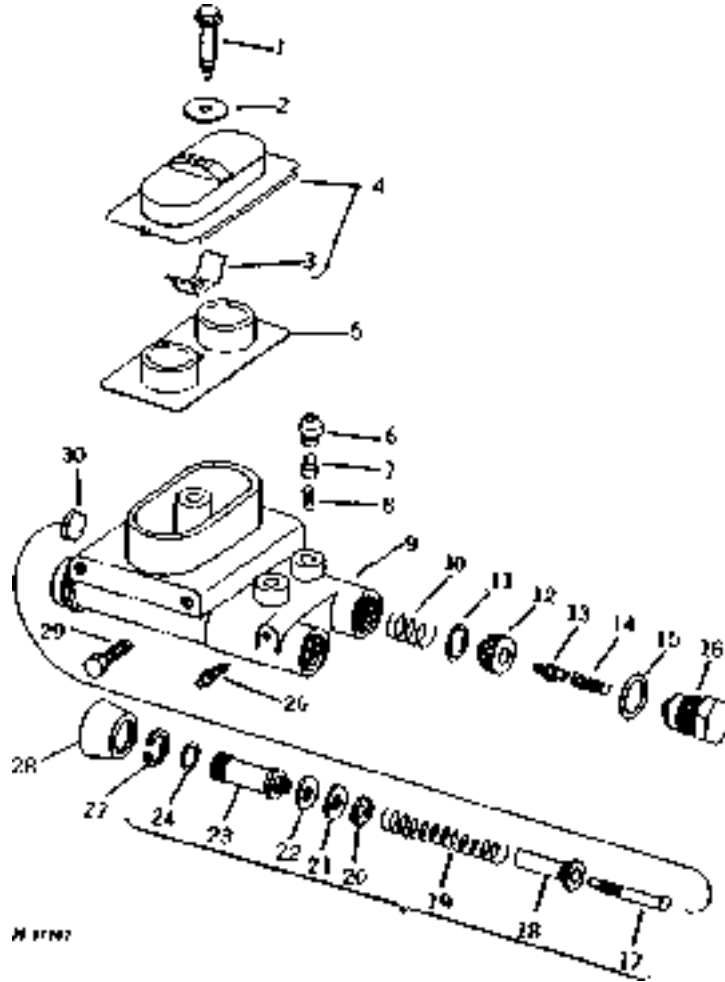
KEY	PART NO.	PART NAME	QTY	SERIAL NO.	REMARKS
1	AH19839	BRAKE DISK	2		
2	P48685	STUD	2		
3	H33511	LINK	1		
4	14H882	NUT	2		5/16"
5	AH19841	LINK	1		
6	H11318	DISK	2		
7	P47704	EXTENSION SPRING	3		
8	M830T	BALL	5		
9	AH19840	DISK	1		
10	J16931	SPRING LOCKING PIN	1		
11	P48669	YOKE	1		
12	H79514	BOOT	1		
13	H33513	NUT	1		
14	14H934	NUT	1		7/16"
15	L364T	PIN	1		
16	H100457	FITTING	1	-550000	
17	19H1914	CAP SCREW	2		1/4" X 1"
	12H302	LOCK WASHER	2		1/4"
18	34H379	SPRING PIN	1		1/2" X 4"
19	AH96680	LEVER	1		(R.H.)
	AH96681	LEVER	1		(L.H.)
20	H98190	PUSH ROD	1	-450000	(SUB H111181)
	H111181	ROD	1	-550000	(SUB H114990 AND H114991)
	H114990	PUSH ROD	1		
21	M226T	SPRING	2	-550000	
	H114562	EXTENSION SPRING	2	550001-	
	H100394	BRACKET	1		
23	AH99360	CYLINDER	1	-550000	(SUB AH112541)
	AH112541	CYLINDER	1		
24	19H1739	CAP SCREW	3		1/2" X 4-1/2"
25	H100455	HOUSING	1		
..	AH100003	KIT	1	-550000	BRAKE CYLINDER, (SUB AH112542)
..	AH112542	HYDRAULIC CYLINDER KIT	1		BRAKE SLAVE CYLINDER

NOTE: QUANTITIES SHOWN ARE FOR ONE UNIT. TWO UNITS USED PER MACHINE.

# 1112

H17107 -UN-01JAN94

## BRAKE MASTER CYLINDER

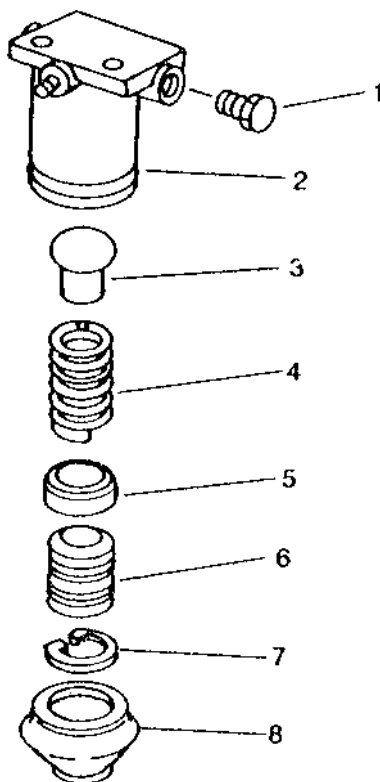


KEY	PART NO.	PART NAME	QTY	SERIAL NO.	REMARKS
1	H81459	SCREW	1		
2	H81460	DUST SHIELD	1		
3	.....	ISOLATOR	1	(SUB AH79858)	
4	AH79858	COVER	1		
5	H81458	GASKET	1		
6	H81471	SEAT	1		
7	H81470	VALVE	1		
8	H81469	SPRING	1		
9	.....	HOUSING	1	(SUB AH76186)	
10	H81462	SPRING	2		
11	H81466	O-RING	2		
12	H81463	BEARING	2		
13	H81464	POPPET	2		
14	H81465	SPRING	2		
15	H81468	O-RING	2		
16	H81467	FITTING PLUG	2		
17	.....	SCREW	2	(SUB AH79857)	
18	.....	RETAINER	2	(SUB AH79857)	
19	.....	SPRING	2	(SUB AH79857)	
20	.....	RETAINER	2	(SUB AH79857)	
21	.....	PACKING	2	(SUB AH79857)	
22	.....	PACKING	2	(SUB AH79857)	
23	.....	PISTON	2	(SUB AH79857)	
24	.....	O-RING	2	(SUB AH79857)	
25	AH79857	PISTON	2		
26	R21612	BLEED SCREW	1		
27	H81472	SNAP RING	2		
28	H77378	BOOT	2		
29	19H2247	CAP SCREW	4	7/16" X 1"	
30	H81461	RETAINER	2		
..	AH76186	CYLINDER	1		

# 1113

HP801 -UN-01JAN94

**BRAKE SLAVE CYLINDER**  
(SERIAL NO. -550000)



HP801

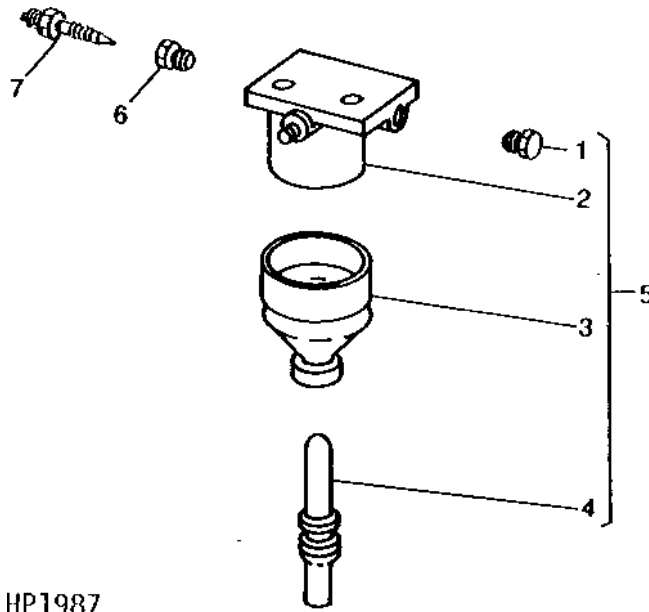
KEY	PART NO.	PART NAME	QTY	SERIAL NO.	REMARKS
1	H100457	FITTING	1		(KIT AH100003)
2	AH99360	CYLINDER	1	-550000	(SUB AH112541, H117041 AND H117042)
	AH112541	CYLINDER	1		
3	.....	STOP	1		(KIT AH100003)
4	.....	SPRING	1		(KIT AH100003)
5	.....	PACKING	1		(KIT AH100003)
6	.....	PISTON	1		(KIT AH100003)
7	.....	SNAP RING	1		(KIT AH100003)
8	H111566	BOOT	1	-550000	(SUB H114990 AND H114991)
	H114990	PUSH ROD	1		
	H114991	BOOT	1		
..	AH100003	KIT	1	-550000	BRAKE CYLINDER, (SUB AH112542)
..	AH112542	HYDRAULIC CYLINDER KIT	1		BRAKE CYLINDER

NOTE: QUANTITIES SHOWN ARE FOR ONE UNIT. TWO UNITS USED PER MACHINE.

# 1114

**BRAKE SLAVE CYLINDER**  
(SERIAL NO. 550001- )

HP1987 -UN-01JAN94



KEY	PART NO.	PART NAME	QTY	SERIAL NO.	REMARKS
1	H100457	FITTING	2		(SHIPPING PLUG)
2	.....	HOUSING	1		
3	H114991	BOOT	1		
4	H114990	PUSH ROD	1		
5	AH112541	CYLINDER	1		
6	H117041	FITTING	2		
7	H117042	BLEED SCREW	1		
..	AH112542	HYDRAULIC CYLINDER KIT	1		

NOTE: QUANTITIES SHOWN ARE FOR ONE UNIT. TWO UNITS USED PER MACHINE.

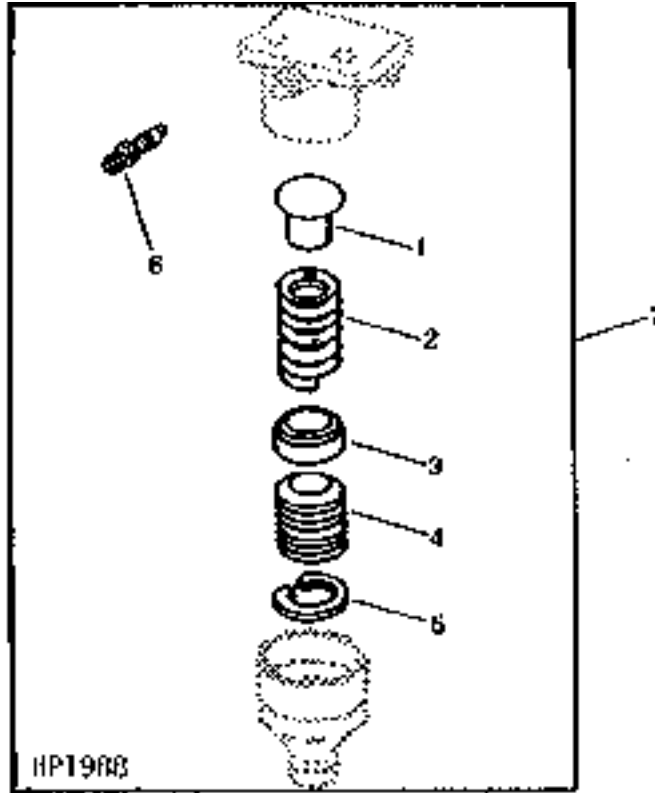
---

MEMORANDA

# 1115

HP1988 -UN-01JAN94

## KIT, BRAKE SLAVE CYLINDER

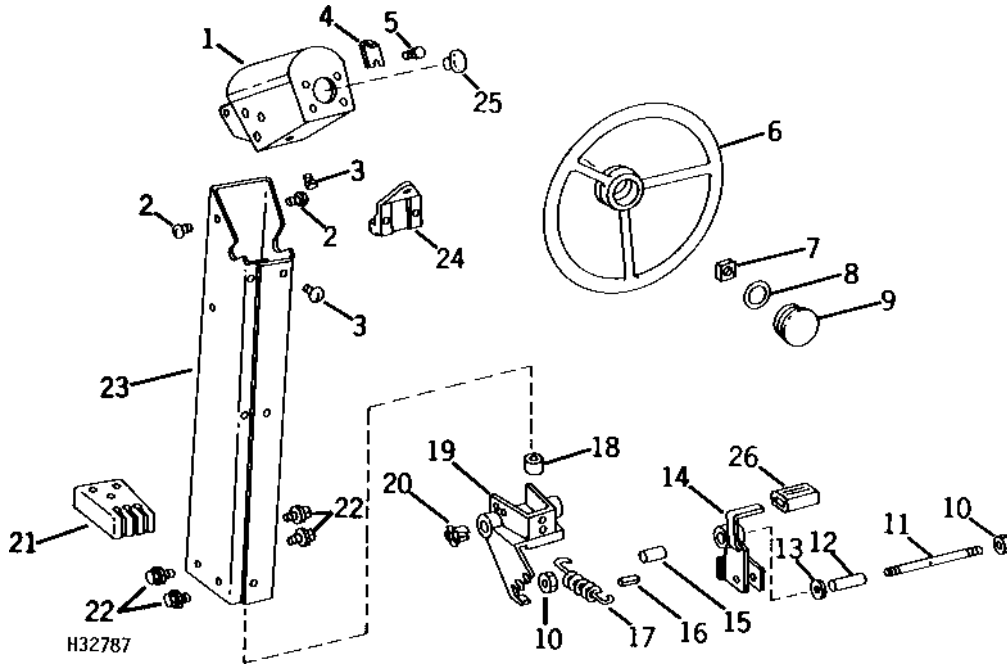


KEY	PART NO.	PART NAME	QTY	SERIAL NO.	REMARKS
1	.....	STOP	1		
2	.....	SPRING	1		
3	.....	PACKING	1		
4	.....	PISTON	1		
5	.....	SNAP RING	1		
6	.....	BLEED SCREW	1		
7	AH112542	HYDRAULIC CYLINDER KIT	1		BRAKE CYLINDER

# 1116

H32787 -UN-01JAN94

## STEERING COLUMN AND WHEEL



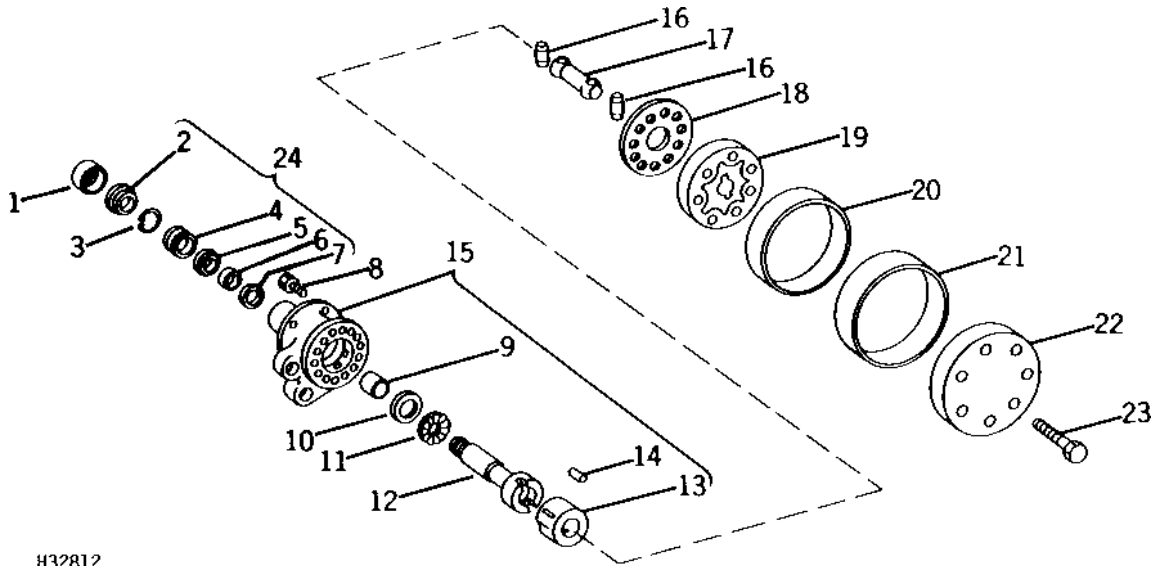
KEY	PART NO.	PART NAME	QTY	SERIAL NO.	REMARKS
1	H99274	STEERING COLUMN	1		(BELT DRIVE)
	AH94133	STEERING COLUMN	1		(HYDROSTATIC DRIVE)
2	H99275	SCREW	2		SELF-TAPPING
3	H99276	SCREW	3		
4	H82556	SUPPORT	1		(LOW SHAFT SPEED INDICATOR)
5	H99277	CAP SCREW	4		
	R53669	THRUST WASHER	4		
6	AR26625	STEERING WHEEL	1		
7	H35228	NUT	1		
8	B3690R	O-RING	1		
9	R47998	CAP	1		
10	14H1040	NUT	2		1/2"
	12H301	LOCK WASHER	2		1/2"
11	H84624	STUD	1		
12	28H1845	BUSHING	1		1/2" X 3-13/16"
13	24H1788	WASHER	1		17/32" X 1-1/8" X 0.060"
14	AH96744	PEDAL	1		
15	H84625	BUSHING	1		
16	34H329	SPRING PIN	1		5/16" X 1-1/4"
17	H77924	SPRING	1		
18	H86876	WASHER	3		
19	AH89824	PIVOT	1		
20	H86870	BUSHING	2		
21	H95361	SEAL	1		
22	H99275	SCREW	5		SELF-TAPPING
23	H99273	STEERING COLUMN	1		
24	H77937	BEARING	1		
25	AH61036	LAMP	1		(LOW SHAFT SPEED INDICATOR)
26	H98237	PAD	1		



# 1117

H32812 -UN-01JAN94

## STEERING PUMP



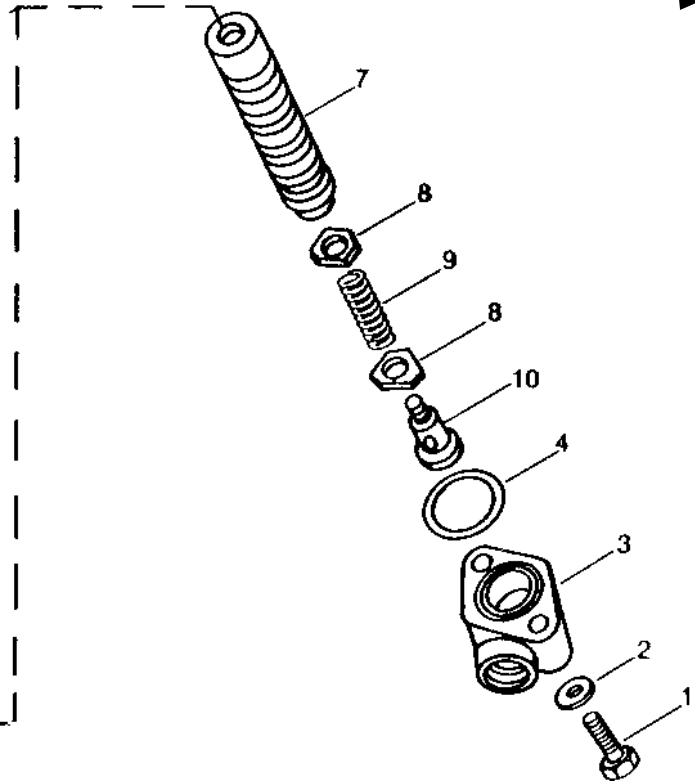
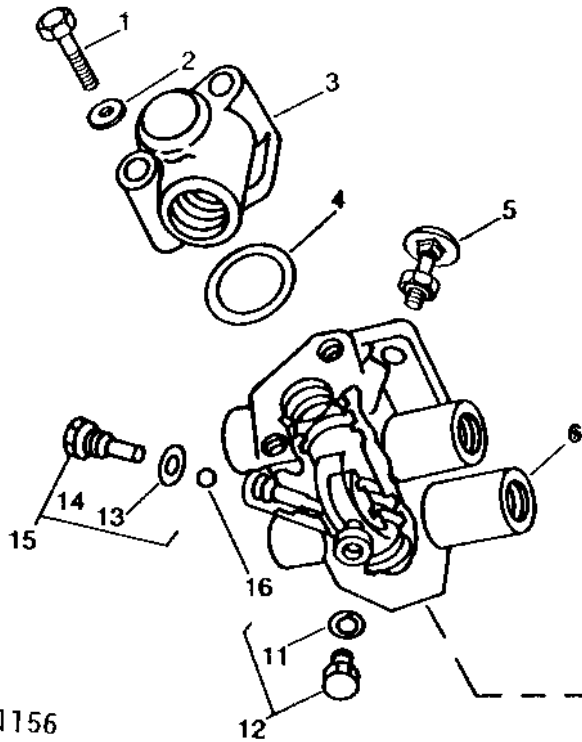
H32812

KEY	PART NO.	PART NAME	QTY	SERIAL NO.	REMARKS
1	H35227	SEAL	1		
2	.....	SEAL	1		
3	H35226	SNAP RING	1		
4	.....	SPACER	1		
5	.....	SEAL	1		
6	.....	SEAL	1		
7	.....	WASHER	1		
8	19H1900	CAP SCREW	4	5/16" X 3/4"	
9	AH20812	BEARING	1		
10	H35213	THRUST BEARING	1		
11	AH20813	BEARING	1		
12	H35212	SHAFT	1		
13	.....	RING	1	(COMMUTATOR) (SUB AH20811)	
14	H35214	DOWEL PIN	2		
15	AH20811	HOUSING	1		
16	H35216	PIN	2		
17	H35215	LINK	1		
18	H64747	BUSHING	1		
19	AH78779	STATOR	1		
20	H35219	BUSHING	1		
21	H35218	BUSHING	1		
22	H35220	COVER	1		
23	H35221	CAP SCREW	7		
24	AH91068	KIT	1	SEAL REPAIR	
..	AH75429	PUMP	1	(REMANUFACTURED)	

# 1118

HP1156 -UN-01JAN94

## STEERING CONTROL VALVE



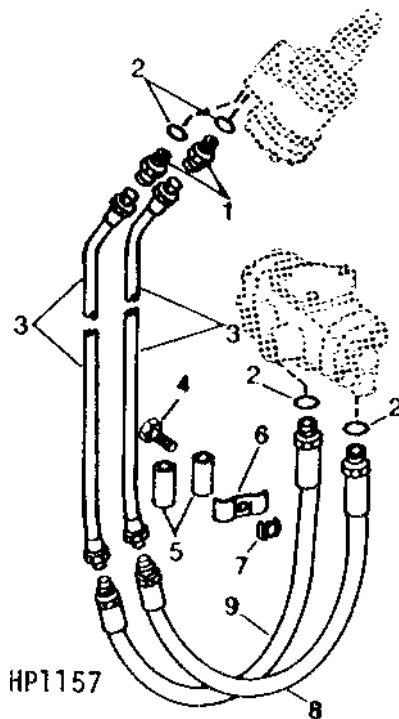
HP1156

KEY	PART NO.	PART NAME	QTY	SERIAL NO.	REMARKS
1	19H1801	CAP SCREW	4	3/8" X 2"	
2	H30816	WASHER	4		
3	H35210	VALVE	2		
4	H36257	WASHER	2		
5	21H1069	SCREW	3	3/8" X 1"	
	14H812	NUT	3	3/8"	
6	.....	HOUSING	1	(SUB AH19773)	
7	.....	SPOOL	1	(SUB AH19773)	
8	H35207	WASHER	2	O-RING	
9	H35208	SPRING	1		
10	H35209	SCREW	1		
11	R26286	O-RING	1		
12	AH20809	FITTING	1		
13	R26287	O-RING	1		
14	34H250	SPRING PIN	1	1/8" X 15/16"	
15	AH20810	PLUG	1		
16	P49134	BALL	1		
..	AH19773	VALVE	1	(REMANUFACTURED)	

# 1119

HP1157 -UN-01JAN94

## STEERING UPPER OIL LINES

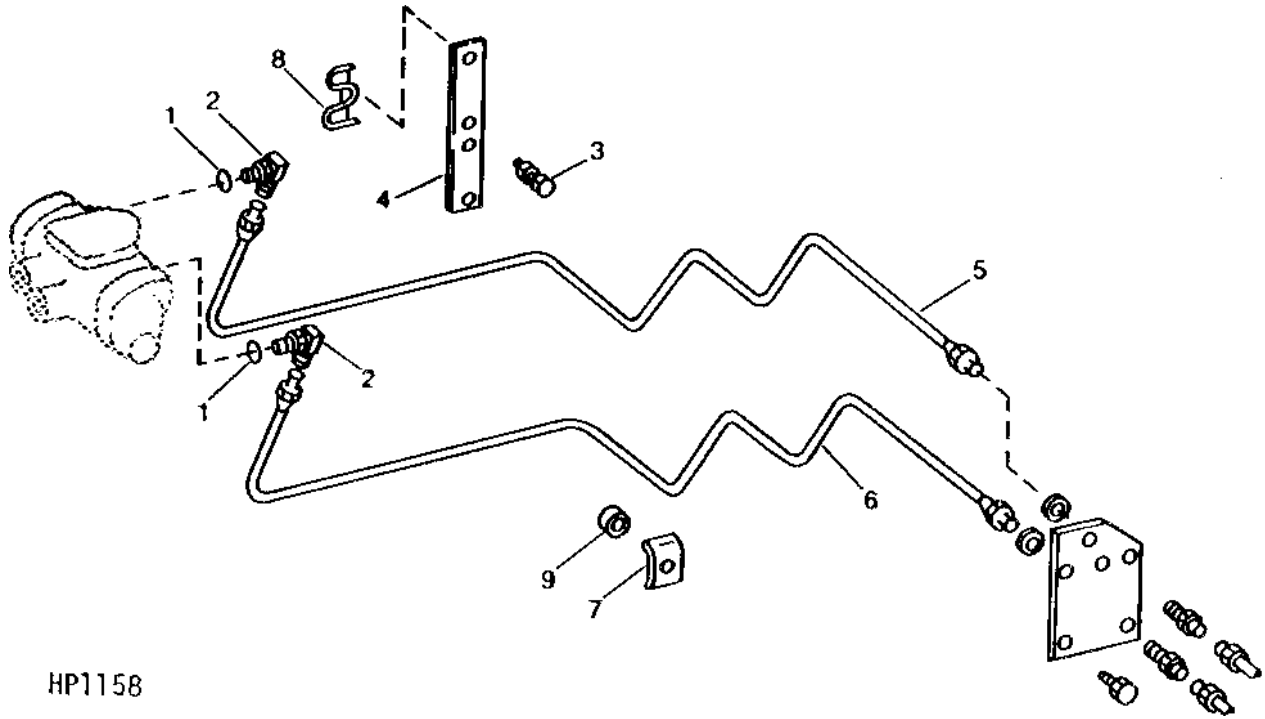


KEY	PART NO.	PART NAME	QTY	SERIAL NO.	REMARKS
1	R27237	FITTING	2		
2	R26375	O-RING	4		
3	AH76838	LINE	2		
4	19H1849	CAP SCREW	1	5/16" X 1-1/4"	
5	H22979	BUSHING	2		
6	H78560	CLAMP	1		
7	P43033	NUT	1		
8	AH76841	HYDRAULIC HOSE	1		13 MM X 508 MM (1/2" I.D. X 20") LONG
9	AH76842	HYDRAULIC HOSE	1		13 MM X 584 MM (1/2" I.D. X 23") LONG

# 1120

HP1158 -UN-01JAN94

## STEERING LOWER OIL LINES (FRONT)



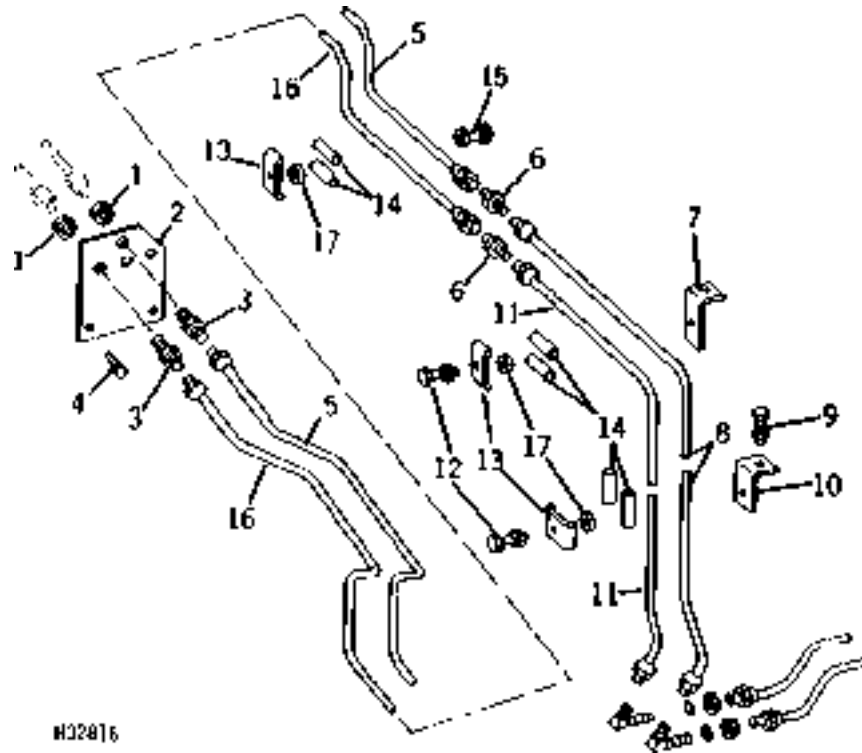
HP1158

KEY	PART NO.	PART NAME	QTY	SERIAL NO.	REMARKS
1	R26448	O-RING	2		
2	AR26725	ELBOW FITTING	2	90°	
3	08H4416	BOLT	1	5/16" X 1"	
	14H785	NUT	1	5/16"	
4	H87781	STRAP	1		
5	AH103603	LINE	1		UPPER
6	AH103604	LINE	1		LOWER
7	H83208	CLAMP	1		
8	AH83845	CLAMP	1		
9	28H90	BUSHING	1	1/4" X 7/16"	

# 1121

H32816 -UN-01JAN94

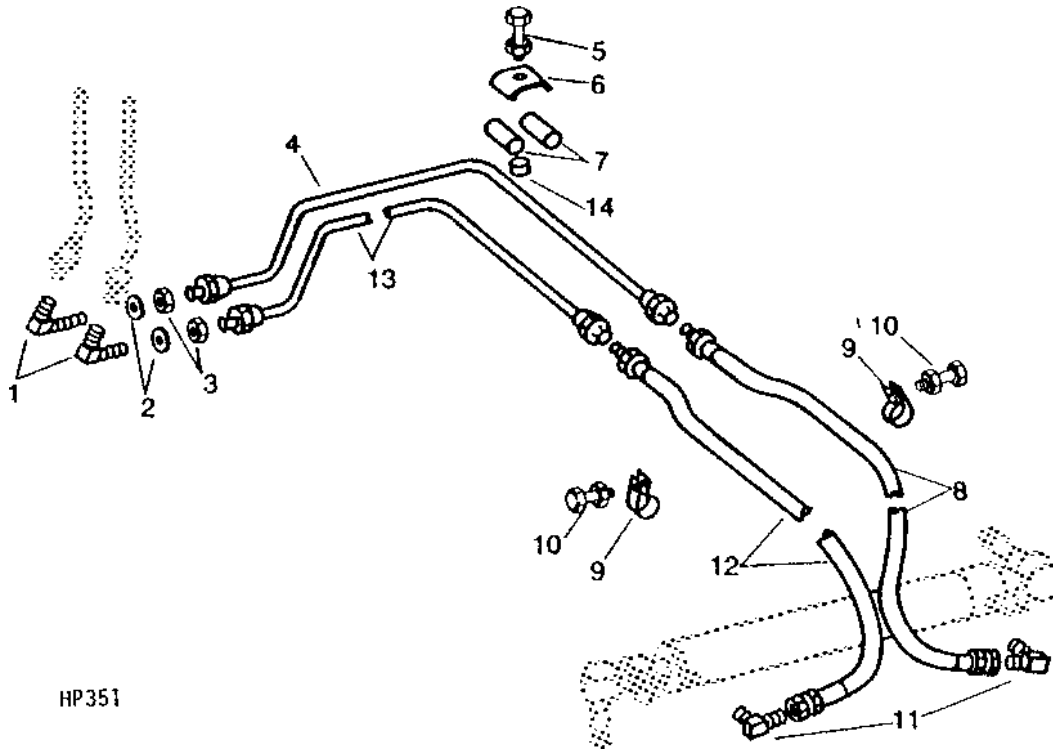
## STEERING LOWER OIL LINES (MIDDLE)



KEY	PART NO.	PART NAME	QTY	SERIAL NO.	REMARKS
1	R26572	NUT	2		
2	H79019	BRACKET	1		UPPER
3	R27238	FITTING	2		
4	H65108	SCREW	2		SELF-TAPPING
5	AH77462	LINE	1		R.H.
6	R27095	FITTING	2		
7	H79573	BRACKET	1		MIDDLE
8	AH77387	LINE	1		UPPER
9	19H1813	CAP SCREW	1		5/16" X 5/8"
	14H785	NUT	1		5/16"
10	H79577	BRACKET	1		LOWER
11	AH77386	LINE	1		LOWER
12	19H1849	CAP SCREW	2		5/16" X 1-1/4"
	14H785	NUT	2		5/16"
13	H83208	CLAMP	3		
14	H23932	ISOLATOR	6		RUBBER
15	03H1613	BOLT	1		5/16" X 1-1/4"
	14H785	NUT	1		5/16"
16	AH77463	LINE	1		L.H.
17	28H90	BUSHING	1		1/4" X 7/16"

HP351 -UN-01JAN94

STEERING LOWER OIL LINES (REAR)



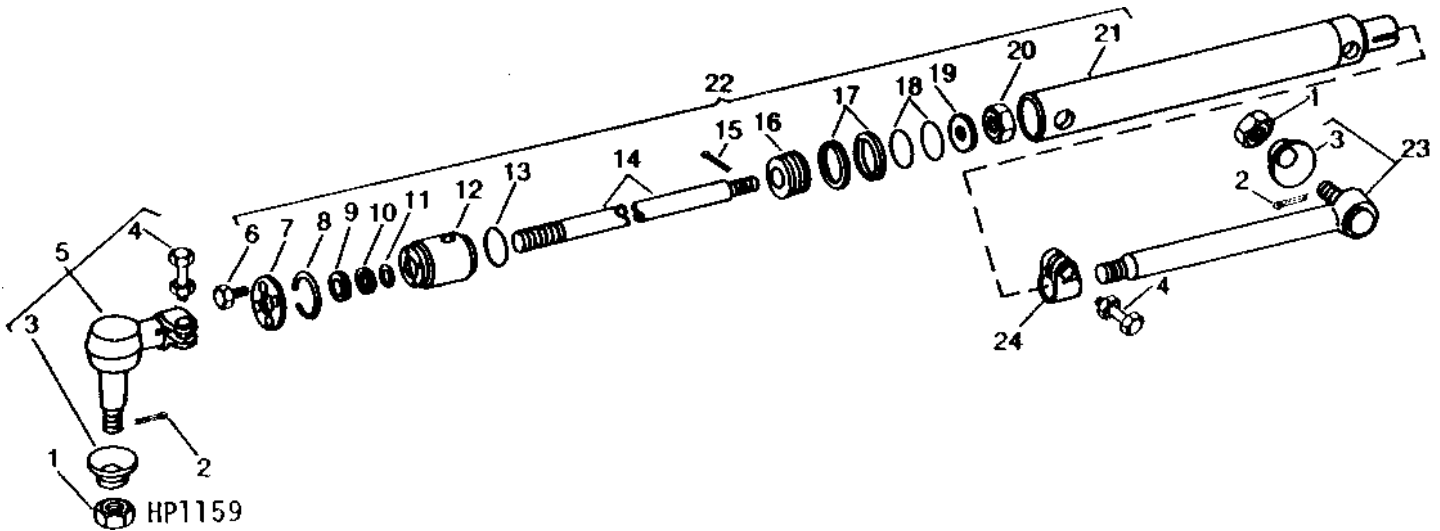
HP351

KEY	PART NO.	PART NAME	QTY	SERIAL NO.	REMARKS
1	H75413	ELBOW FITTING	2	90°	
2	24H1357	WASHER	2	19/32" X 1-5/32" X 0.090"	
3	R26572	NUT	2		
4	AH77148	LINE	1	R.H.	
5	19H1849	CAP SCREW	1	5/16" X 1-1/4"	
	14H785	NUT	1	5/16"	
6	H83208	CLAMP	1		
7	H23932	ISOLATOR	2	RUBBER	
8	AH75507	HYDRAULIC HOSE	1	-500000	R.H., 6 MM X 610 MM (1/4" I.D. X 24") LONG, (FIXED REAR AXLE)
	AH75510	HYDRAULIC HOSE	1		R.H., 6 MM X 914 MM (1/4" I.D. X 36") LONG, (ADJUSTABLE REAR AXLE)
9	H77358	CLIP	AR		(2 USED, FIXED REAR AXLE; 4 USED, ADJUSTABLE REAR AXLE)
10	19H1919	CAP SCREW	AR		1/4" X 5/8", (2 USED, FIXED REAR AXLE; 4 USED, ADJUSTABLE REAR AXLE)
	14H786	NUT	AR		1/4", (2 USED, FIXED REAR AXLE; 4 USED, ADJUSTABLE REAR AXLE)
11	AR26635	ELBOW FITTING	2	90°	
12	AH75507	HYDRAULIC HOSE	1	-500000	L.H., 6 MM X 610 MM (1/4" I.D. X 24") LONG, (NARROW FIXED REAR AXLE)
	AH75509	HYDRAULIC HOSE	1	-500000	L.H., 6 MM X 813 MM (1/4" I.D. X 32") LONG, (WIDE FIXED REAR AXLE)
	AH75511	HYDRAULIC HOSE	1		L.H., 6 MM X 1118 MM (1/4" I.D. X 44") LONG, (ADJUSTABLE REAR AXLE)
13	AH77147	LINE	1	L.H.	
14	28H90	BUSHING	1	1/4" X 7/16"	

# 1123

HP1159 -UN-01JAN94

## POWER STEERING CYLINDER

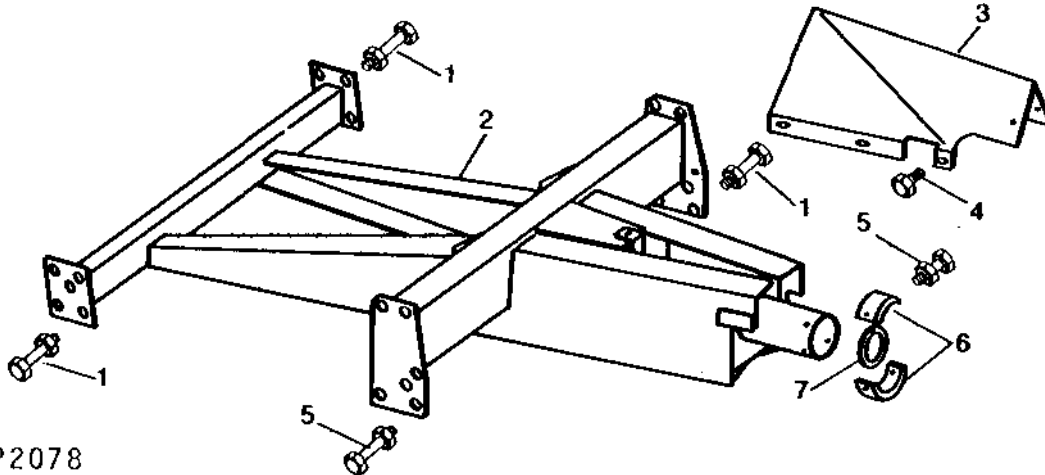


KEY	PART NO.	PART NAME	QTY	SERIAL NO.	REMARKS
1	14H918	NUT	2	5/8"	
2	11H236	COTTER PIN	2	1/8" X 1"	
3	H35664	BOOT	2		
4	19H1765	CAP SCREW	2	3/8" X 1-3/4"	
	14H812	NUT	2	3/8"	
5	AH75396	TIE ROD END	1	-500000	(USE WITH NARROW FIXED REAR AXLE)
	AH75396	TIE ROD END	1		(USE WITH ADJUSTABLE REAR AXLE)
6	21H1301	SCREW	4	0.190" X 1/2"	
7	H31254	WASHER	1		
8	H31253	SNAP RING	1		
9	AM3426T	SEAL	1		
10	H60330	BACK-UP RING	1		
11	P48347	O-RING	1		
12	H35242	BEARING	1		
13	U10289	O-RING	1		
14	H35240	ROD	1		
15	11H234	COTTER PIN	1	3/32" X 1"	
16	H35241	PISTON	1		
17	H35243	PISTON RING	2		
18	H35244	RING	2		
19	24H1111	WASHER	1	17/32" X 1-1/16" X 0.090"	
20	14H994	NUT	1	1/2"	
21	AH20836	HYDRAULIC CYLINDER BARREL	1		
22	AH19764	HYDRAULIC CYLINDER	1	-500000	(USE WITH NARROW FIXED REAR AXLE)
	AH19764	HYDRAULIC CYLINDER	1		(USE WITH ADJUSTABLE REAR AXLE)
23	AH75397	TIE ROD END	1		(USE WITH ADJUSTABLE REAR AXLE)
	AH75397	TIE ROD END	1	-500000	(USE WITH NARROW FIXED REAR AXLE)
	AH75398	END	1	-500000	(USE WITH WIDE FIXED REAR AXLE)
24	M2300T	CLAMP	1		

# 1124

HP2078 -UN-01JAN94

## REAR AXLE MOUNTING

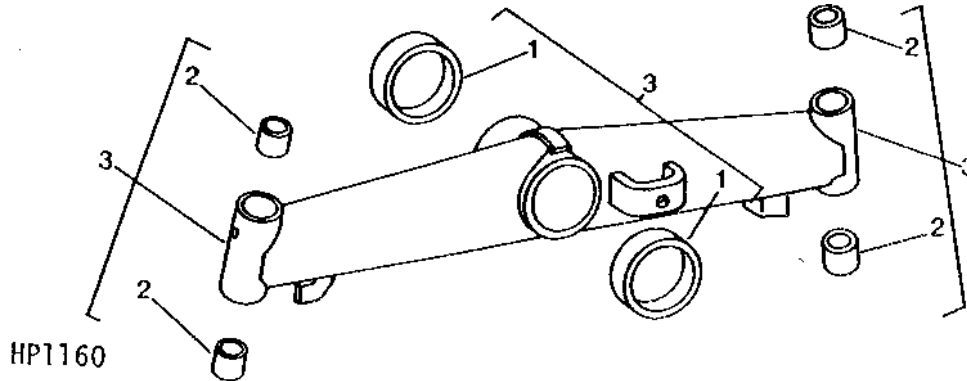


HP2078

KEY	PART NO.	PART NAME	QTY	SERIAL NO.	REMARKS
1	19H1731	CAP SCREW	13		3/8" X 1"
	14H812	NUT	13		3/8"
2	AH90642	SUPPORT	1		
3	H76918	DEFLECTOR	1		
4	H65108	SCREW	6		SELF-TAPPING
5	19H1732	CAP SCREW	9		3/8" X 1-1/4"
	14H812	NUT	9		3/8"
6	H75775	STOP	2		
7	H26433	WASHER	1		

## FIXED REAR AXLE (SERIAL NO. -500000)

HP1160 -UN-01JAN94



HP1160

KEY	PART NO.	PART NAME	QTY	SERIAL NO.	REMARKS
1	H86254	BUSHING	2		
2	H75777	BUSHING	4		
3	AH87546	REAR AXLE	1		NARROW, WITH BUSHINGS
	AH87547	REAR AXLE	1		WIDE, WITH BUSHINGS
4	JD7806	LUBRICATION FITTING	2		90°, 1/4"
5	JD7813	LUBRICATION FITTING	1		STRAIGHT, 1/4"

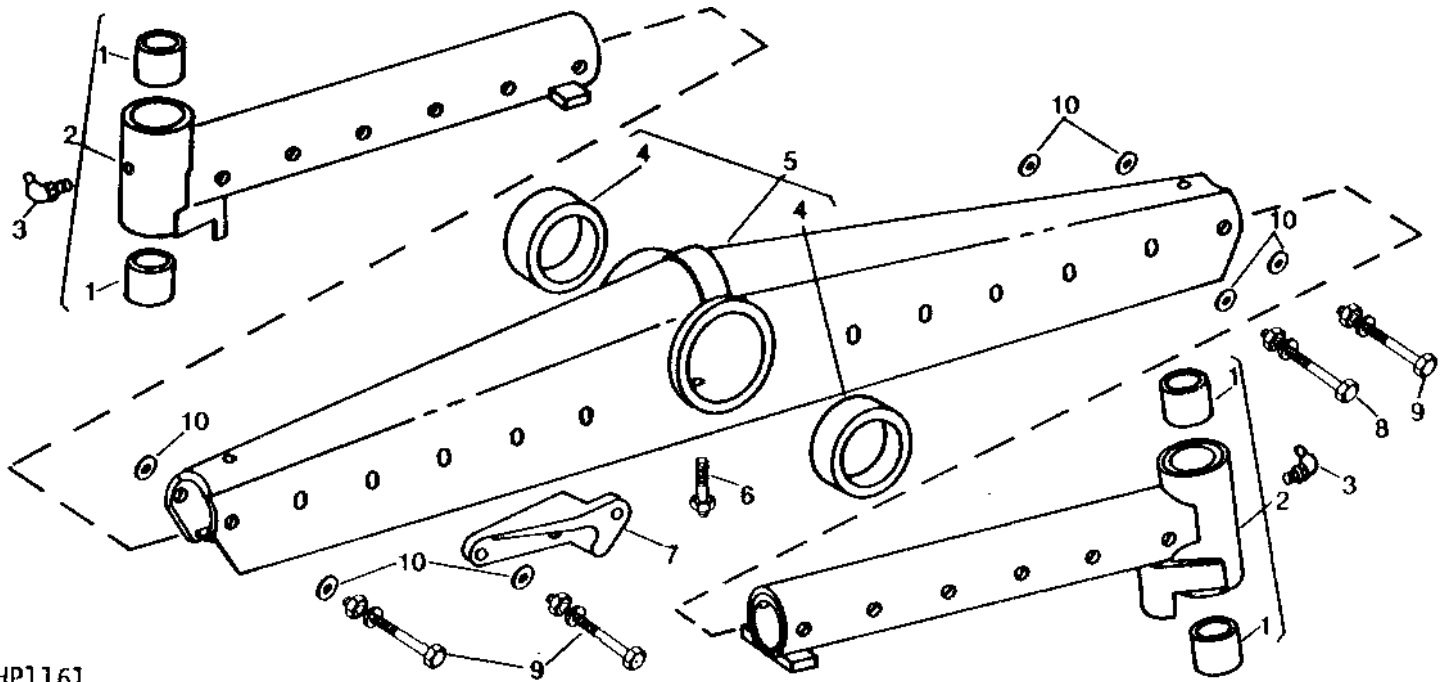


# 1125

STEERING AND BRAKES

HP1161 -UN-01JAN94

## ADJUSTABLE REAR AXLE

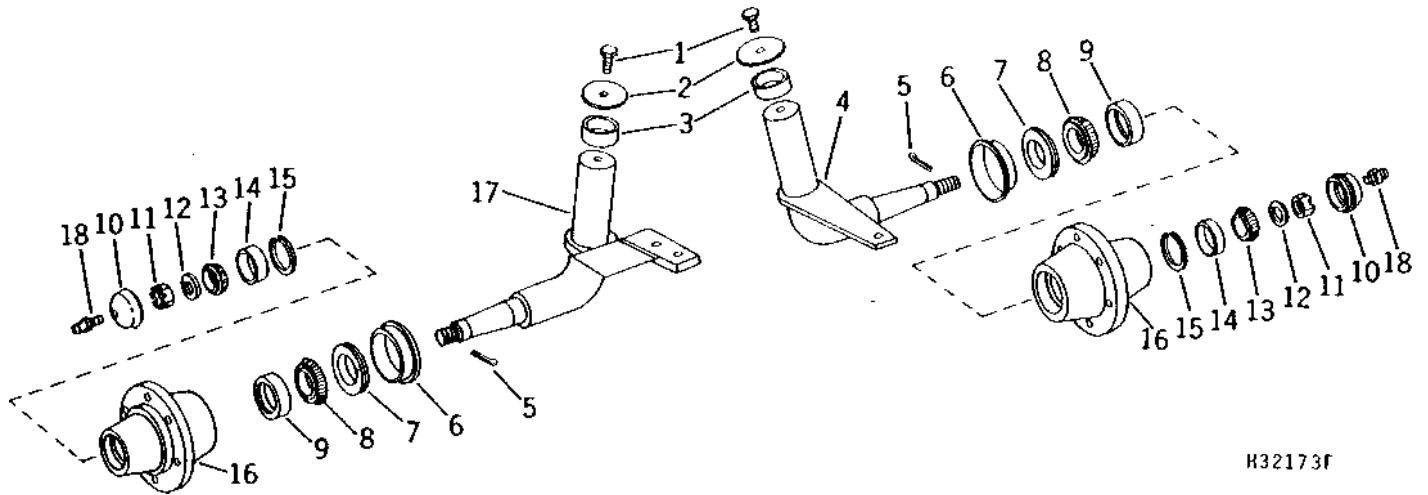


KEY	PART NO.	PART NAME	QTY	SERIAL NO.	REMARKS
1	H75777	BUSHING	4		
2	AH75332	AXLE KNEE	2		
3	JD7806	LUBRICATION FITTING	2		90°, 1/4"
4	H86254	BUSHING	2		
5	AH87545	AXLE	1		
6	JD7813	LUBRICATION FITTING	1		STRAIGHT, 1/4"
7	H75931	BRACKET	1		
8	19H2718	CAP SCREW	2		5/8" X 4-3/4"
	14H800	NUT	2		5/8"
9	19H3174	CAP SCREW	4		5/8" X 5-1/4"
	14H800	NUT	4		5/8"
10	T40728	WASHER	10		

# 1J1

H32173F -UN-01JAN94

## REAR AXLE SPINDLES



H32173F

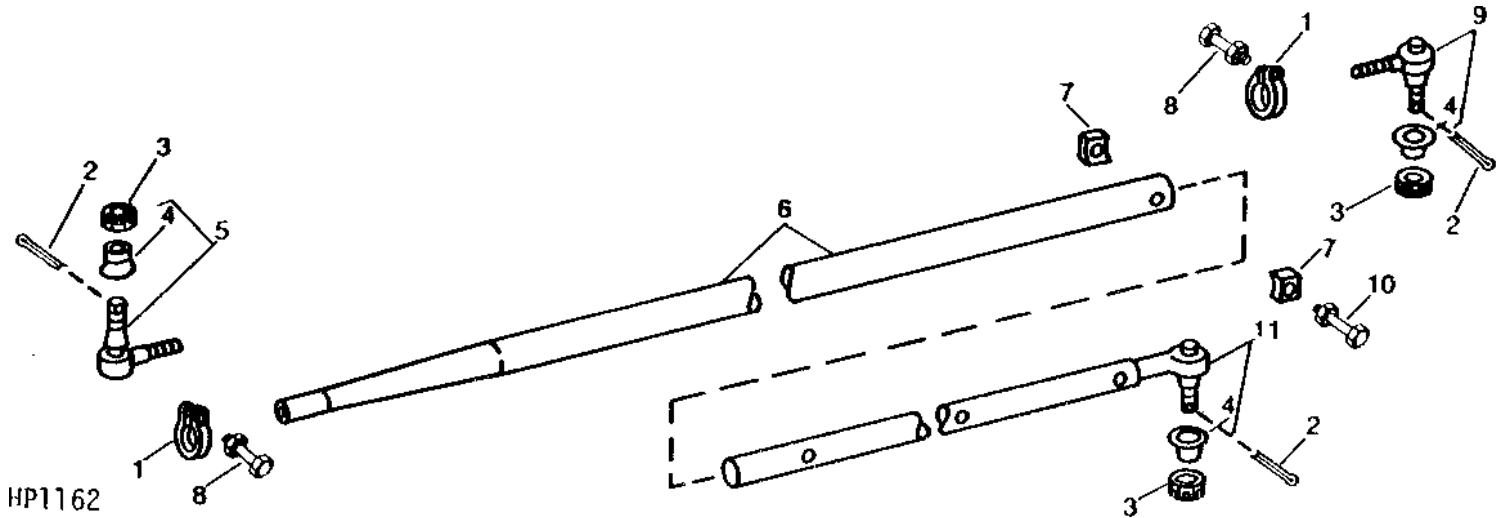
KEY	PART NO.	PART NAME	QTY	SERIAL NO.	REMARKS
1	19H1731	CAP SCREW	2	3/8" X 1"	
2	H77999	WASHER	2		
3	JD8412	THRUST BEARING	2		
4	AH75407	SPINDLE	1	R.H.	
5	11H237	COTTER PIN	2	1/8" X 2"	
6	H75937	SLEEVE	2		
7	AH75408	SEAL	2		
8	JD8902	BEARING CONE	2		
9	JD8237	BEARING CUP	2		
10	H76047	CAP	2		
11	14H875	NUT	2	7/8"	
12	T19572	WASHER	1		
13	JD8187	BEARING CONE	2		
14	JD8225	BEARING CUP	2		
15	Z9902H	SNAP RING	2		
16	H89772	HUB	2		
17	AH75405	SPINDLE	1	L.H.	
18	JD7759	LUBRICATION FITTING	1	STRAIGHT, 1/8"	

# 1J2

## STEERING AND BRAKES

HP1162 -UN-01JAN94

### STEERING TIE RODS



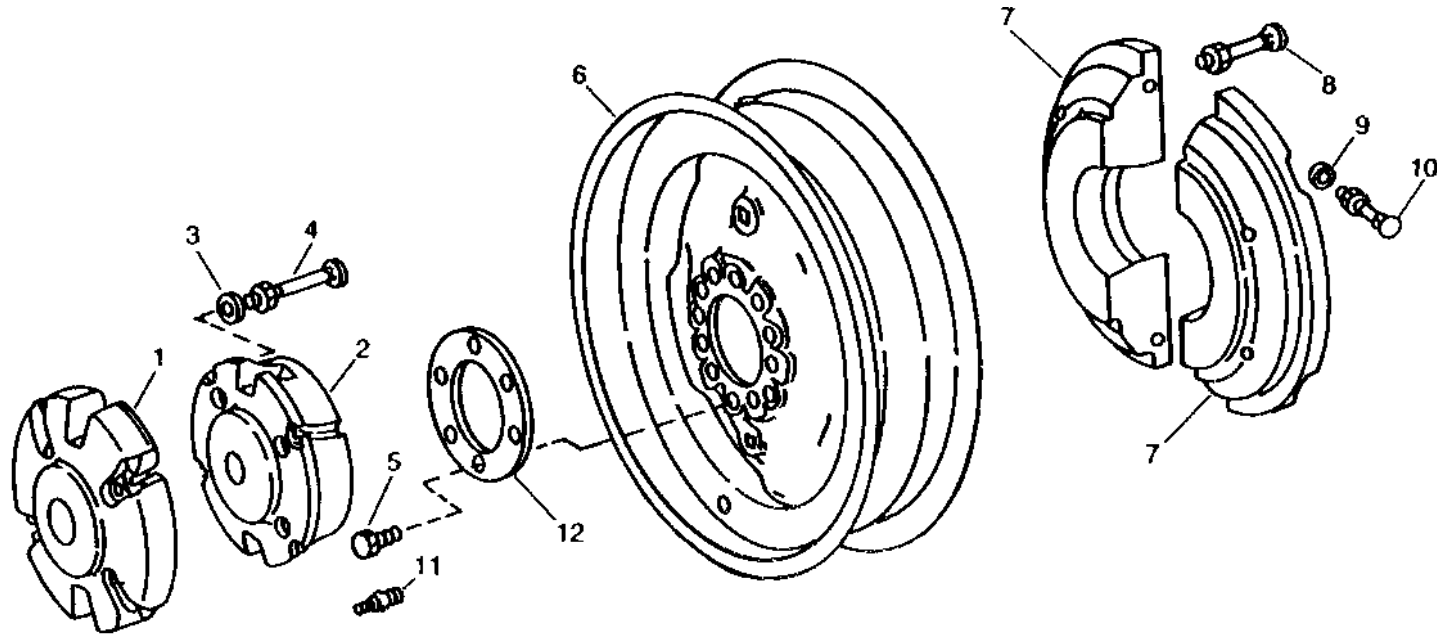
HP1162

KEY	PART NO.	PART NAME	QTY	SERIAL NO.	REMARKS
1	M2300T	CLAMP	1		(ADJUSTABLE REAR AXLE)
	AP18380	CLAMP	2	-500000	(FIXED REAR AXLE)
2	11H236	COTTER PIN	2		1/8" X 1"
3	14H862	NUT	2		9/16"
4	H28271	SEAL	2		
5	AH79241	UNIVERSAL JOINT	1		R.H. THREAD, WITH SHIELD
6	H80252	TUBE	1		(ADJUSTABLE REAR AXLE)
	H75928	TIE ROD	1	-500000	(NARROW FIXED REAR AXLE)
	H75929	TIE ROD	1	-500000	(WIDE FIXED REAR AXLE)
7	R28024	CLAMP	2		(ADJUSTABLE REAR AXLE)
8	19H1765	CAP SCREW	1		3/8" X 1-3/4", (ADJUSTABLE REAR AXLE)
	14H812	NUT	1		3/8", (ADJUSTABLE REAR AXLE)
	19H1906	CAP SCREW	2	-500000	5/16" X 1-1/2", (FIXED REAR AXLE)
	14H785	NUT	2	-500000	5/16", (FIXED REAR AXLE)
9	AH79240	BALL JOINT	1	-500000	L.H. THREAD, WITH SHIELD, (FIXED REAR AXLE)
10	19H1944	CAP SCREW	1		3/8" X 2-3/4", (ADJUSTABLE REAR AXLE)
	H99923	LOCK NUT	1		(ADJUSTABLE REAR AXLE)
11	AH75402	ROD	1		(ADJUSTABLE REAR AXLE)

# 1J3

HP1163 -UN-01JAN94

## REAR WHEELS AND WHEEL WEIGHTS



HP1163

KEY	PART NO.	PART NAME	QTY	SERIAL NO.	REMARKS
1	H93799	WEIGHT	AR		
2	H93849	WEIGHT	1		(16" WHEEL)
3	24H1625	WASHER	4		17/32" X 1" X 0.120"
4	03H2261	BOLT	4		1/2" X 3-1/2"
	03H1946	BOLT	4		1/2" X 4-1/2"
	14H1040	NUT	AR		1/2", (4 USED, WITH 03H1946; 8 USED, WITH 03H2261)
5	12H301	LOCK WASHER	4		1/2"
	JD16	WHEEL BOLT	6		
	19H3384	CAP SCREW	6		9/16" X 1-3/4"
6	JD3227	RIM	1	-400000	(USE WITH 7.50-20 TIRES)
	JD1298	WHEEL	1	400001-	(USE WITH 7.50-20 TIRES)
	AE31147	WHEEL	1		(USE WITH 11.00-16 OR 11L-16 TIRES)
	AE31147	WHEEL	1		(USE WITH 10.00-16 AND 11.00-16 TIRES)
7	H78062	WEIGHT	2		(16" AND 20" WHEEL)
8	03H1946	BOLT	4		1/2" X 4-1/2"
	03H2055	BOLT	4		1/2" X 7-1/2"
	03H2250	BOLT	4		1/2" X 9"
	14H1040	NUT	4		1/2"
	12H301	LOCK WASHER	4		1/2"
9	24H1111	WASHER	2		17/32" X 1-1/16" X 0.090"
10	03H1806	BOLT	2		1/2" X 3-3/4"
	14H1040	NUT	2		1/2"
	12H301	LOCK WASHER	2		1/2"
11	AM30347	TIRE VALVE STEM	1		(USE WITH TUBELESS TIRES)
12	H89992	RING	1		(USE WITH 7.50-20 TIRES)

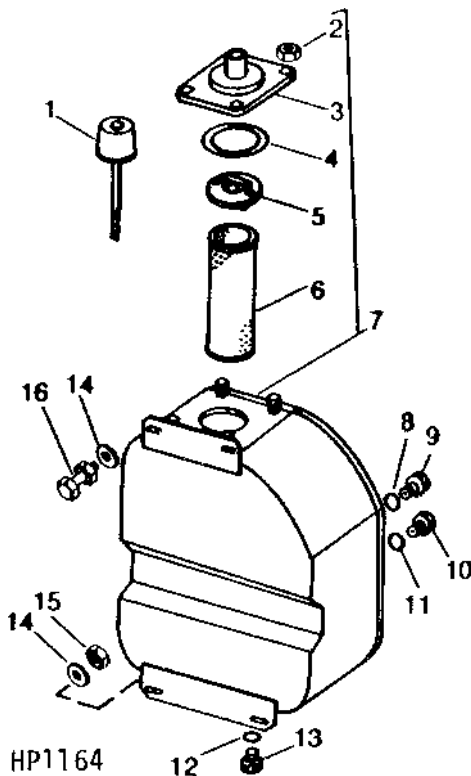
NOTE: QUANTITIES SHOWN ARE FOR ONE UNIT. TWO UNITS PER MACHINE.

# 2A20

HYDRAULICS

HP1164 -UN-01JAN94

## OIL RESERVOIR



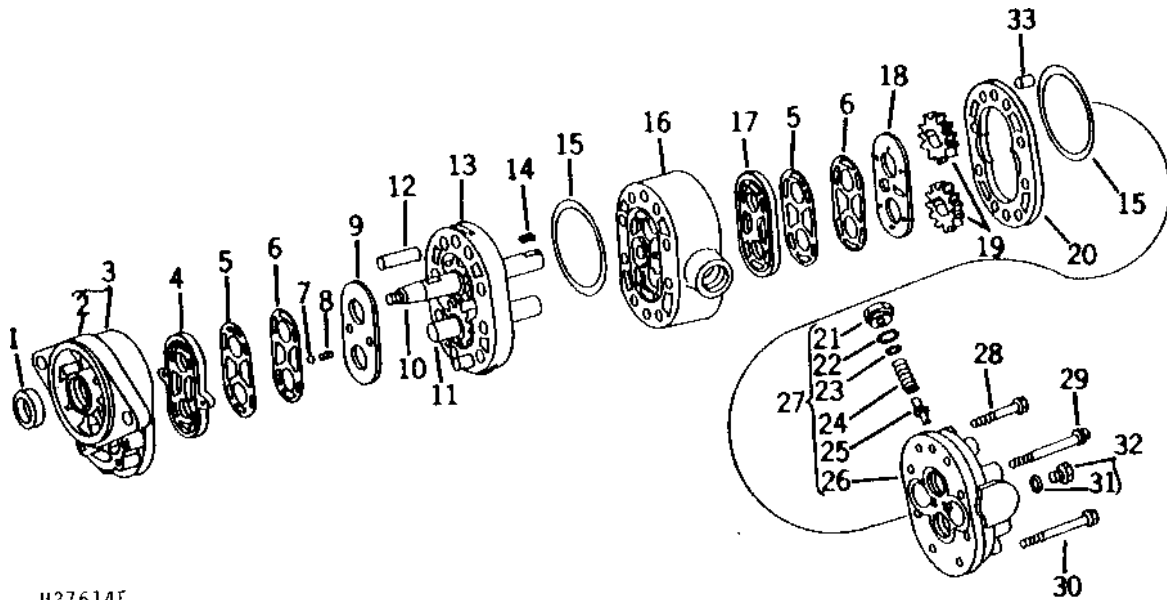
KEY	PART NO.	PART NAME	QTY	SERIAL NO.	REMARKS
1	AH76670	EXHAUST CAP	1		
2	14H786	NUT	6	1/4"	
	12H302	LOCK WASHER	6	1/4"	
3	AH78763	COVER	1		
4	H80405	O-RING	1		
5	AH78764	VALVE	1		
6	AH76668	FILTER ELEMENT	1		
7	AH76669	RESERVOIR	1		
8	R26906	O-RING	1		
9	R27474	DRAIN PLUG	1		(NOT USED WITH HYDROSTATIC DRIVE REEL)
10	R27175	DRAIN PLUG	1		(NOT USED WITH HYDROSTATIC DRIVE REEL)
11	U12547	O-RING	1		
12	R26448	O-RING	1		
13	R27218	FITTING PLUG	1		
14	24H1136	WASHER	4		11/32" X 11/16" X 0.065"
15	14H785	NUT	2	5/16"	
16	21H1304	SCREW	2	5/16" X 3/4"	
	14H785	NUT	2	5/16"	

# 2A21

HYDRAULICS

H27614 -UN-01JAN94

## HYDRAULIC PUMP (CESSNA NO. 24382-RAB)



H27614F

KEY	PART NO.	PART NAME	QTY	SERIAL NO.	REMARKS
1	AH15442	SEAL	1	(A)	
2	.....	BEARING	1	(SUB AT12111)	
3	AT12111	HOUSING	1		FRONT, WITH BEARING
4	T12956	SEAL	2		
5	T12959	GASKET	2		
6	T12958	GASKET	2		
7	.....	BALL CHECK	2		
8	H22695	SPRING	2		
9	N126257	DIAPHRAGM	1		
10	AH91798	STEERING GEAR	1		
11	AH91799	STEERING GEAR	1		
12	H65662	DOWEL PIN	2		
13	H92075	HOUSING	1		
14	H83241	KEY	1	-400987 (A)	
	N111500	SHAFT KEY	1	400988-	
15	H80821	O-RING	2		(A)
16	H80819	PLATE	1		
17	N111497	DIAPHRAGM	1		
18	N126258	DIAPHRAGM	1		
19	H80820	GEAR	2		
20	H80818	HOUSING	1		
21	AH79117	FITTING	1	-450350	(SUB AH108495)
	AH108495	DRAIN PLUG	1		
22	R375R	O-RING	1	-450350	(A) (THIS APPLICATION ONLY)
	U40745	O-RING	1	450351-	
23	H31257	SHIM	AR		
24	H31256	SPRING	1		
25	AH18137	POPPET	1		
26	.....	PLATE	1		
27	AH79115	KIT	1		BACK PLATE REPAIR
28	19H1897	CAP SCREW	4	-400784	5/16" X 3-3/4"
	H63062	CAP SCREW	4	400785-	
	N111507	BOLT	2		
29	19H2729	CAP SCREW	2	-400784	5/16" X 4-1/4"
	N111507	BOLT	2	400785-	
31	R28782	O-RING	1		(A)
32	AH63282	FITTING PLUG	1	-450350	
	R51031	FITTING	1	450351-	
33	H92074	DOWEL PIN	2		
..	AH89479	HYDRAULIC PUMP	1		(CESSNA NO. 24382-RAB) (REMANUFACTURED)

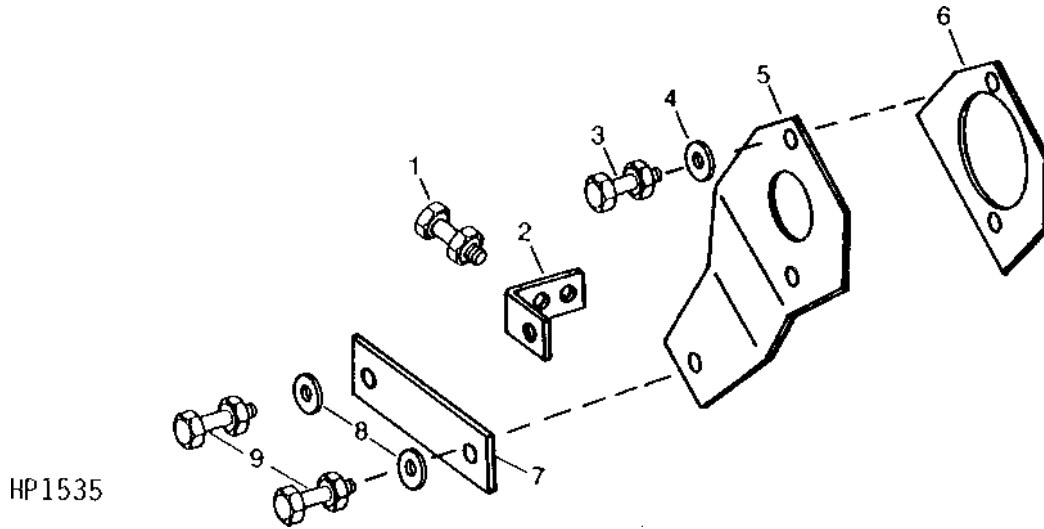
KIT LISTED BELOW CONSISTS OF ALL PARTS IDENTIFIED BY AN (A):

..	AH79116	KIT	1	-450350	(SUB AH101242)
..	AH101242	TUNE-UP KIT	1		

# 2A22

## HYDRAULIC PUMP TORQUE ARM AND SUPPORT

HP1535 -UN-01JAN94



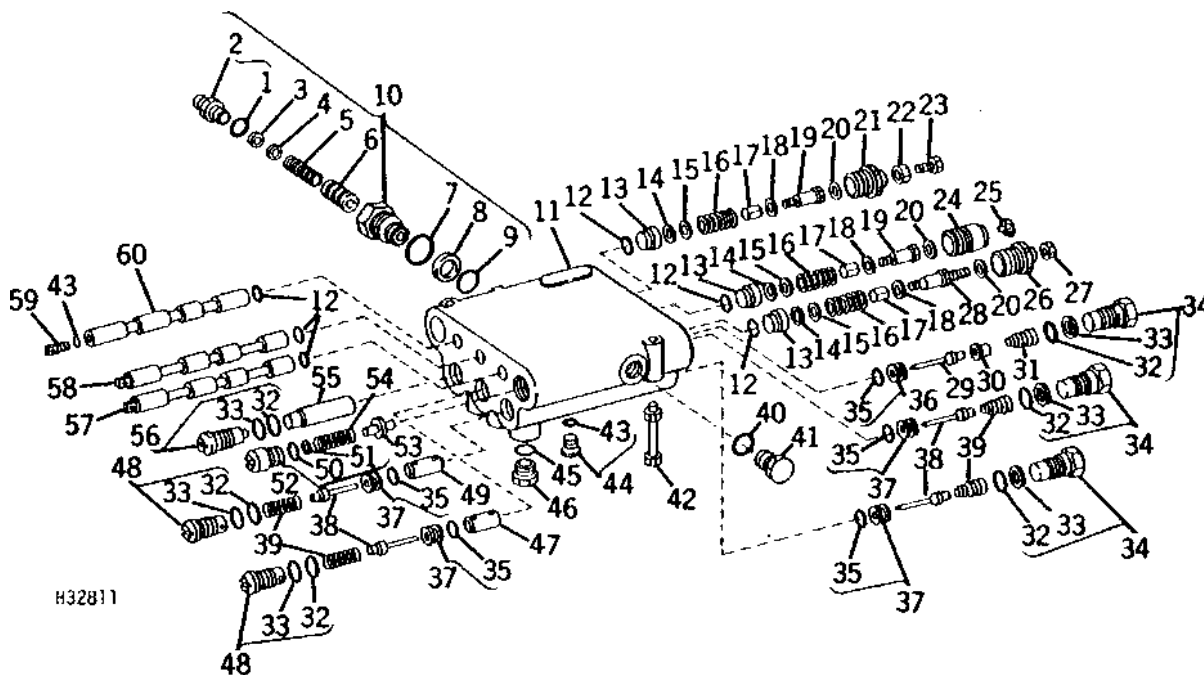
KEY	PART NO.	PART NAME	QTY	SERIAL NO.	REMARKS
1	19H1905	CAP SCREW	2		5/16" X 1"
	14H785	NUT	2		5/16"
2	H88441	BRACKET	1		
3	19H1800	CAP SCREW	2	-500000	3/8" X 1-1/2"
	19H1765	CAP SCREW	2	500001-	3/8" X 1-3/4"
	12H304	LOCK WASHER	2		3/8"
	14H812	NUT	2		3/8"
4	24H1653	WASHER	2		13/32" X 1-1/4" X 0.120"
5	H80682	ARM	1		
6	H80681	PLATE	1	-500000	(SUB H113054, THIS APPLICATION)
	H113054	PLATE	1		
7	H78340	STRAP	1		
8	24H1294	WASHER	2		11/32" X 1-1/8" X 1/16"
9	19H1849	CAP SCREW	2		5/16" X 1-1/4"
	14H785	NUT	2		5/16"

# 2A23

HYDRAULICS

## HYDRAULIC CONTROL VALVE (SERIAL NO. -610100)

H32811 -UN-01JAN94



KEY	PART NO.	PART NAME	QTY	SERIAL NO.	REMARKS
1	P46051	O-RING	1	(B)	
2	.....	CONNECTOR	1		
3	.....	WASHER	AR		
4	H102493	ORIFICE	1		
5	.....	SPRING	1		
6	.....	POPPET	1		
7	T13119	O-RING	1	(A) (B)	
8	N140001	BACK-UP RING	1	(B)	
9	R27166	O-RING	1	(B)	
10	AH101625	CONTROL VALVE	1		
11	.....	HOUSING	1	(SUB AH88807)	
12	M81668	SEAL	6	(A)	
13	N150470	BUSHING	3		
14	M46768	WASHER	3	(USE WITH AH108709)	
15	M46767	WASHER	3	(USE WITH AH108709)	
16	N150471	SPRING	3		
17	N150469	BUSHING	3		
18	N153975	WASHER	3	(USE WITH AH108709)	
19	N150468	SCREW	2	(USE WITH AH88807)	
20	M44169	SNAP RING	3	(USE WITH AH108709)	
21	AH78785	PLUG	1	(PLATFORM LIFT)	
22	14H882	NUT	1	5/16"	
23	19H2551	CAP SCREW	1	5/16" X 3/4"	
24	AH78780	CAP	1	(USE WITH AH88807)	
	M82702	DRAIN PLUG	1	-500000	(USE WITH AH108709) (SUB AM38629, THIS APPLICATION)
	AM38629	DETENT	1		(USE WITH AH108709)
25	T13911	PLUG	1		
26	H80450	EXHAUST CAP	1		
27	E19700	LOCK NUT	1		
28	H80449	SCREW	1	(USE WITH AH88807)	
29	AH80223	POPPET	1	(A)	
30	H84537	GUIDE	1	(A)	
31	H81707	SPRING	1		
32	U40745	O-RING	6	(A)	
33	H63357	BACK-UP RING	6	(A)	
34	AE24788	PLUG	3		
35	R28776	O-RING	5	(A)	
36	AH80224	SEAT	1		

THIS PARTS LISTING IS CONTINUED



# 2A24

HYDRAULICS

HYDRAULIC CONTROL VALVE - CONTINUED  
(SERIAL NO. -610100)

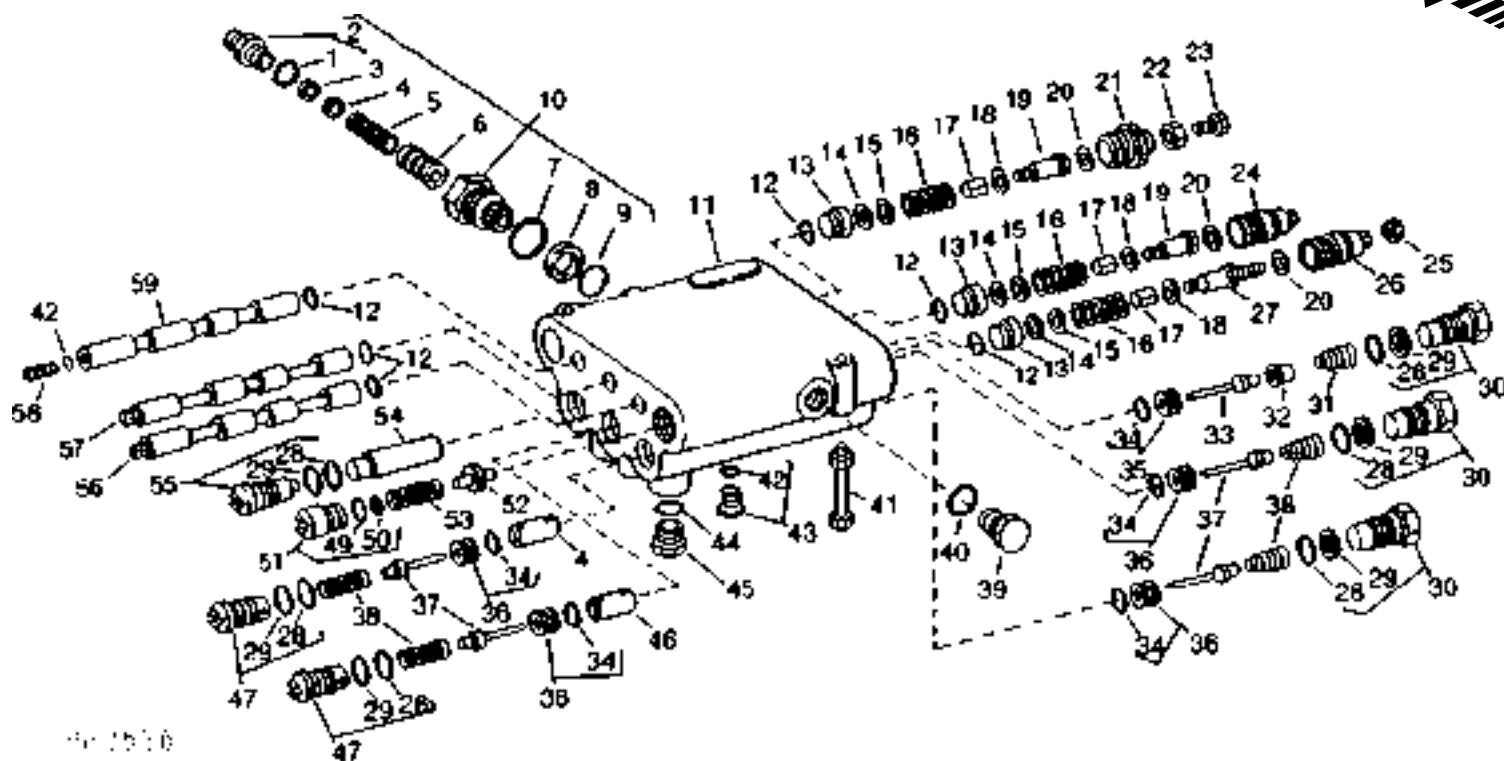
KEY	PART NO.	PART NAME	QTY	SERIAL NO.	REMARKS
37	AE24787	SEAL	4		
38	AN30940	POPPET	4	(A)	
39	E40772	SPRING	4		
40	R28782	O-RING	1	(USE WITH AH108709)	
41	R51031	FITTING	1	(USE WITH AH108709)	
42	19H1996	CAP SCREW	2	1/4" X 2"	
	14H786	NUT	2	1/4"	
43	E56086	O-RING	2		
44	AH62843	FITTING	1		
45	R26448	O-RING	1		
46	R27218	FITTING PLUG	1		
47	N31766	PLUNGER	1		
48	AH78784	PLUG	2		
49	H80448	PLUNGER	1		
50	32246	O-RING	1	(A)	
51	H31257	SHIM	AR	0.254 MM (.010") (STEEL)	
	T24871	SHIM	AR	0.381 MM (.015") (STEEL)	
	N111502	WASHER	1		
52	AE25156	PLUG	1		
53	AE14096	CHECK VALVE	1		
54	H60817	SPRING	1		
55	H80452	PLUNGER	1		
56	AE24792	PLUG	1		
57	.....	SPOOL	1	(HYDRAULIC LIFT REEL) (SUB AH88807)	
58	.....	SPOOL	1	(SELECTIVE GROUND SPEED) (SUB AH88807)	
59	H80447	SPOOL	1	(PLATFORM LIFT)	
60	.....	SPOOL	1	(PLATFORM LIFT) (SUB AH88807)	
..	AH88807	CONTROL VALVE	1	-500000	(CESSNA NO. 31923-AAE)
..	AH108709	CONTROL VALVE	1	500001-	(CESSNA NO. 31923-CAK)
PART LISTED BELOW CONSISTS OF ALL PARTS IDENTIFIED BY AN (A):					
..	AH78786	SEAL KIT	1	-500000	(CESSNA NO. 31923-915) (SUB AH108726)
..	AH108726	SEAL KIT	1		(CESSNA NO. 31923-917)
PART LISTED BELOW CONSISTS OF ALL PARTS IDENTIFIED BY A (B):					
..	AH78796	SEAL KIT	1		

# 2B1

HYDRAULICS

## HYDRAULIC CONTROL VALVE (SERIAL NO. 610101- )

HP2526 -UN-01JAN94



KEY	PART NO.	PART NAME	QTY	SERIAL NO.	REMARKS
1	P46051	O-RING	1	(B)	
2	.....	CONNECTOR	1		
3	.....	WASHER	AR		
4	H102493	ORIFICE	1		
5	.....	SPRING	1		
6	.....	POPPET	1		
7	T13119	O-RING	1	(A) (B)	
8	N140001	BACK-UP RING	1	(B)	
9	R27166	O-RING	1	(B)	
10	AH101625	CONTROL VALVE	1		
11	.....	HOUSING	1		
12	M81668	SEAL	6	(A)	
13	N150470	BUSHING	3		
14	M87511	WASHER	3		
15	M46767	WASHER	3		
16	M87401	SPRING	3		
17	AM100539	SPACER	3		
18	N153975	WASHER	3		
19	N150468	SCREW	2		
20	M87403	SNAP RING	3		
21	AH121235	CAP SCREW, AND NUT	1	(PLATFORM LIFT)	
22	14H882	NUT	1	5/16"	
23	19H2529	CAP SCREW	1	5/16" X 1"	
24	AM100541	CAP	1		
25	E19700	LOCK NUT	1		
26	H126073	CAP	1		
27	H80449	SCREW	1		
28	U40745	O-RING	6	(A)	
29	H63357	BACK-UP RING	6	(A)	
30	AE24788	PLUG	3		
31	H81707	SPRING	1		
32	H84537	GUIDE	1	(A)	
33	AH80223	POPPET	1	(A)	
34	R28776	O-RING	5	(A)	
35	AH80224	SEAT	1		

THIS PARTS LISTING IS CONTINUED

# 2B2

HYDRAULICS

HYDRAULIC CONTROL VALVE - CONTINUED  
(SERIAL NO. 610101- )

KEY	PART NO.	PART NAME	QTY	SERIAL NO.	REMARKS
36	AE24787	SEAL	4		
37	AN30940	POPPET	4	(A)	
38	E40772	SPRING	4		
39	R51031	FITTING	1		
40	R28782	O-RING	1		
41	19H1996	CAP SCREW	2	1/4" X 2"	
	14H786	NUT	2	1/4"	
42	E56086	O-RING	2		
43	AH62843	FITTING	1		
44	R26448	O-RING	1		
45	R27218	FITTING PLUG	1		
46	N31766	PLUNGER	1		
47	AH78784	PLUG	2		
48	H80448	PLUNGER	1		
49	32246	O-RING	1	(A)	
50	H31257	SHIM	AR	0.254 MM (.010") (STEEL)	
	T24871	SHIM	AR	0.381 MM (.015") (STEEL)	
	N111502	WASHER	AR		
51	AE25156	PLUG	1		
52	E40775	POPPET	1		
53	H60817	SPRING	1		
54	H80452	PLUNGER	1		
55	AE24792	PLUG	1		
56	.....	SPOOL	1	(HYDRAULIC LIFT REEL)	
57	.....	SPOOL	1	(SELECTIVE GROUND SPEED)	
58	H80447	SPOOL	1	(PLATFORM LIFT)	
59	.....	SPOOL	1	(PLATFORM LIFT)	
..	AH120374	CONTROL VALVE	1	(CESSNA NO. 31923-CAZ) (REMANUFACTURED)	

PARTS LISTED BELOW CONSISTS OF ALL PARTS IDENTIFIED BY AN (A):

..	AH108726	SEAL KIT	1	(CESSNA NO. 31923-917)
----	----------	----------	---	------------------------

PART LISTED BELOW CONSISTS OF ALL PARTS IDENTIFIED BY A (B):

..	AH78796	SEAL KIT	1	
----	---------	----------	---	--

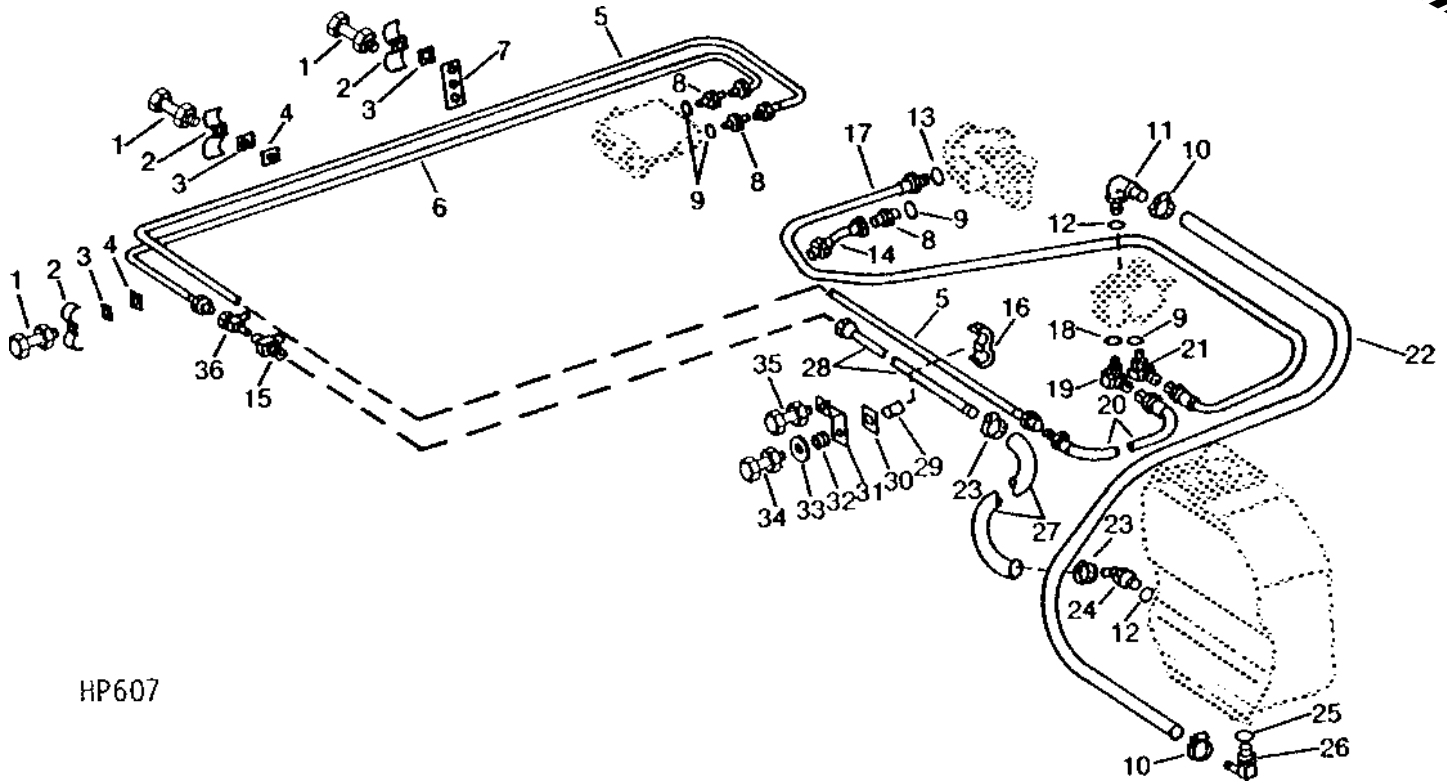
# 2B3

HYDRAULICS

HP607

-UN-01JAN94

## MAIN HYDRAULIC PUMP LINES



HP607

KEY	PART NO.	PART NAME	QTY	SERIAL NO.	REMARKS
1	08H4416	BOLT	3	5/16" X 1"	
	12H303	LOCK WASHER	3	5/16"	
	14H785	NUT	3	5/16"	
2	AH83847	CLAMP	3		
3	H83769	FOAM PAD	3		
4	H83371	STRAP	2		
5	AH75450	LINE	1		
6	AH75454	OIL TUBE	1		(USED WITHOUT AUTOMATIC HEADER HEIGHT CONTROL)
7	H87781	STRAP	1		
8	R27237	FITTING	3		
9	R26375	O-RING	4		
10	AR21839	CLAMP	1		
11	AH75157	FITTING	1		
12	U12547	O-RING	2		
13	R26448	O-RING	1		
14	AH75452	LINE	1		
15	H75415	TEE FITTING	1		
16	AH83843	CLAMP	1		
17	AH78292	HYDRAULIC HOSE	1		10MM X 1524MM (3/8" I.D. X 60") LONG
18	R26906	O-RING	1		
19	AR26724	ELBOW FITTING	1		90°
20	AH89615	HYDRAULIC HOSE	1		10MM X 610 MM (3/8" I.D. X 24") LONG
21	AR26763	ELBOW FITTING	1		90°
22	H88374	HYDRAULIC HOSE	1		19MM X 927MM (3/4" I.D. X 36-1/2") LONG
23	AR21837	CLAMP	2		
24	AH103078	ELBOW FITTING	1		45°
25	R29936	O-RING	1		
26	AH75156	FITTING	1		90°
27	H78685	HOSE	1		RETURN, 16 MM X 584 MM (5/8" I.D. X 23") LONG
28	AH75462	LINE	1		RETURN, REAR
29	28H1903	BUSHING	1		1/4" X 3/4"
30	H87783	STRAP	1		
31	H87782	BRACKET	1		
32	H91811	GROMMET	1		
33	24H1822	WASHER	1		11/32" X 7/8" X 1/16"
34	19H1906	CAP SCREW	1		5/16" X 1-1/2"
	12H303	LOCK WASHER	1		5/16"
	14H785	NUT	1		5/16"

THIS PARTS LISTING IS CONTINUED

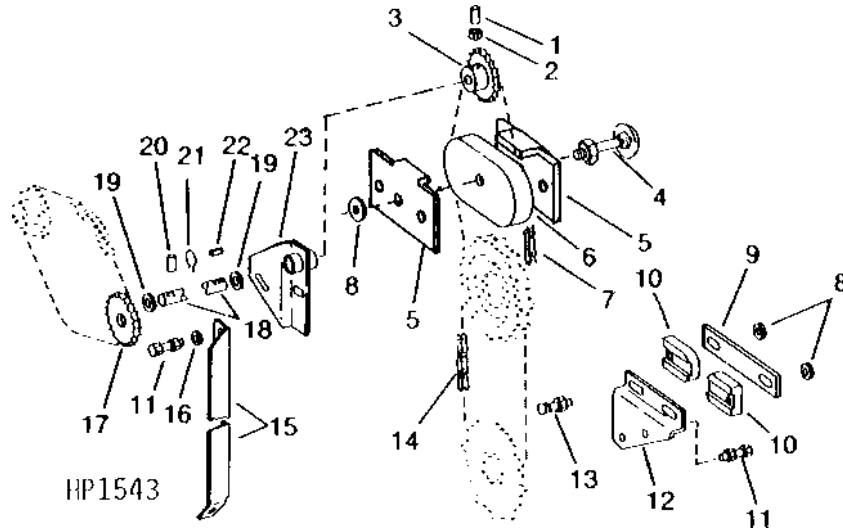
# 2B4

## MAIN HYDRAULIC PUMP LINES - CONTINUED

KEY	PART NO.	PART NAME	QTY	SERIAL NO.	REMARKS
35	19H2552	CAP SCREW	1	3/8" X 1-1/8"	
	12H304	LOCK WASHER	1	3/8"	
	14H812	NUT	1	3/8"	
36	AN33434	TEE FITTING	1		

## VARIABLE SPEED CYLINDER CONTROL ON SEPARATOR SIDE

HP1543 -UN-01JAN94

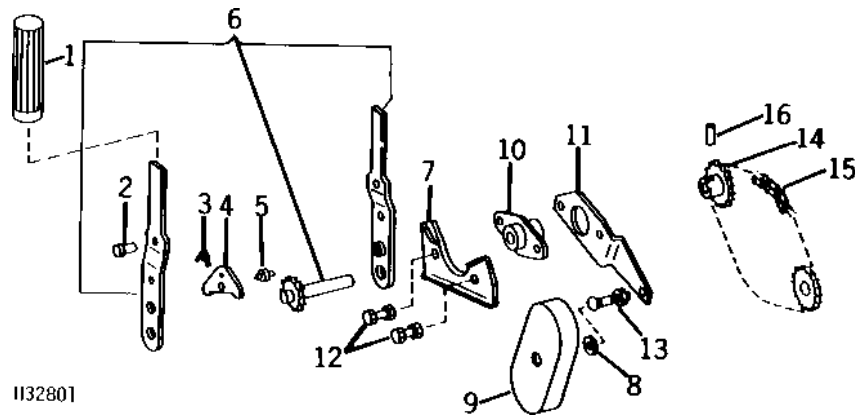


KEY	PART NO.	PART NAME	QTY	SERIAL NO.	REMARKS
1	22H892	SET SCREW	1	1/4" X 5/8"	
2	14H850	NUT	1	1/4"	
3	AH101521	CHAIN SPROCKET	1		
4	03H1505	BOLT	1	5/16" X 1-3/4"	
	12H303	LOCK WASHER	1	5/16"	
	14H785	NUT	1	5/16"	
5	H113727	RETAINER	2		
6	H76518	TIGHTENER	1		
7	.....	LINK CHAIN	1		CONTROL, ROLLER, TYPE 65, 13 MM (1/2") PITCH, 58 LINKS (ASSEMBLE FROM 55 LINKS OF AB18594, AB14025, AND (2) AB17232)
8	24H1294	WASHER	3		11/32" X 1-1/8" X 1/16"
9	H96911	STRAP	1		
10	P47883	TIGHTENER	2		
11	19H1731	CAP SCREW	2	3/8" X 1"	
	12H304	LOCK WASHER	2	3/8"	
	14H812	NUT	2	3/8"	
12	H82542	BRACKET	1		
13	03H2020	BOLT	2	3/8" X 2"	
	14H812	NUT	2	3/8"	
14	.....	LINK CHAIN	1		CONTROL, ROLLER, TYPE 65, 13 MM (1/2") PITCH, 116 LINKS (ASSEMBLE FROM 115 LINKS OF AB18594 AND AB14025) (COUPLER, WITH CLIP)
	AH77091	ROLLER CHAIN	1		(OFFSET)
	AH77090	TRACK CHAIN W/O SHOES	1		(OFFSET)
	H78972	CLIP	1		
	H78973	PIN	1		(OFFSET LINK)
15	H86170	SUPPORT	1		
16	24H1305	WASHER	2	13/32" X 13/16" X 0.065"	
17	H89035	CHAIN SPROCKET	1		
18	H101822	SHAFT	1		
19	24H1368	WASHER	2	21/32" X 1-5/16" X 0.090"	
20	34H283	SPRING PIN	2	3/16" X 1-1/8"	
21	11H224	COTTER PIN	1	1/8" X 1-1/4"	
22	U46425	SHAFT KEY	1		
23	AH80954	BRACKET	1		

# 2B5

## VARIABLE SPEED CYLINDER CONTROL ON OPERATOR'S PLATFORM

H32801 -UN-01JAN94



1132801

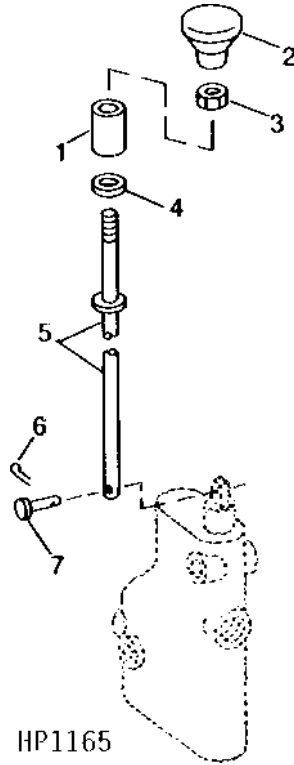
KEY	PART NO.	PART NAME	QTY	SERIAL NO.	REMARKS
1	H83058	GRIP	1		
2	16H658	RIVET	1		1/4" X 5/8"
3	H76523	SPRING	1		
4	H76522	PAWL	1		
5	P46115	RIVET	1		
6	AH97871	RATCHET	1		
7	H99238	STOP	1		
8	24H1294	WASHER	2		11/32" X 1-1/8" X 1/16"
9	H76518	TIGHTENER	1		
10	H76502	BEARING	1		
11	H76526	BRACKET	1		
12	H99281	CAP SCREW	2		
	14H785	NUT	2		5/16"
13	03H1505	BOLT	1		5/16" X 1-3/4"
	14H785	NUT	1		5/16"
14	H89035	CHAIN SPROCKET	1		14 TEETH
15	.....	LINK CHAIN	1		CONTROL, ROLLER, TYPE 65, 13 MM (1/2") PITCH, 79 LINKS (ASSEMBLE FROM 77 LINKS OF AB18594, AB14025, AND AB17232)
16	34H283	SPRING PIN	1		3/16" X 1-1/8"

# 2B6

HYDRAULICS

HP1165 -UN-01JAN94

## HYDRAULIC AUGER SWING CONTROL



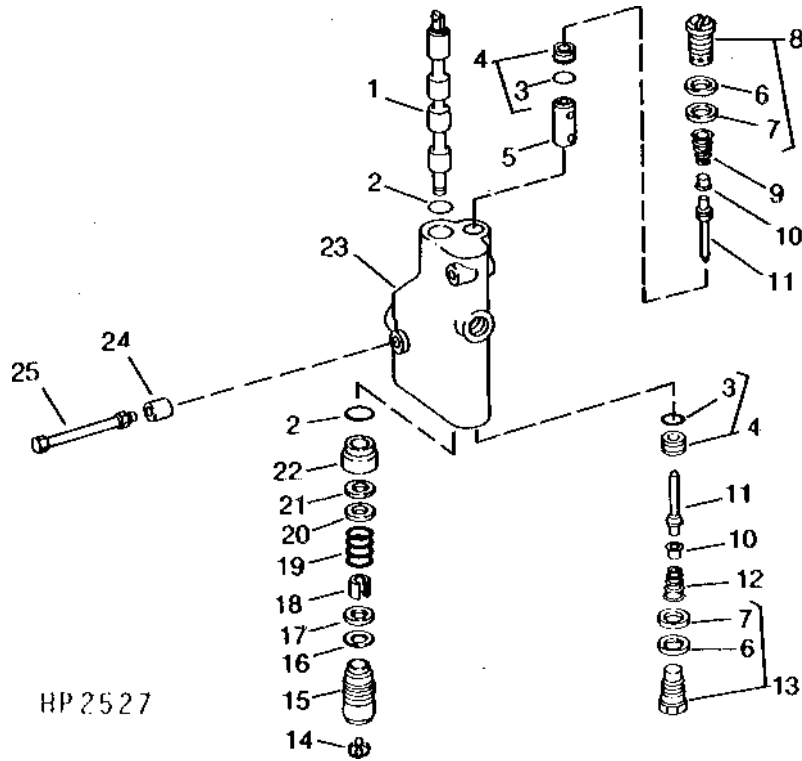
KEY	PART NO.	PART NAME	QTY	SERIAL NO.	REMARKS
1	H83944	ISOLATOR	1		
2	H80205	KNOB	1		
3	14H732	NUT	1		3/8"
4	24H1306	WASHER	1		13/32" X 1" X 0.035"
5	AH97975	ROD	1		
6	11H266	COTTER PIN	1		1/16" X 1/2"
7	U42845	PIN	1		

# 2B7

HYDRAULICS

## UNLOADING AUGER SWING CONTROL VALVE (SERIAL NO. -610149)

HP2527 -UN-01JAN94



KEY	PART NO.	PART NAME	QTY	SERIAL NO.	REMARKS
1	.....	SPOOL	1	(SUB AH101631)	
2	M81668	SEAL	2	(A)	
3	R28776	O-RING	2	(A)	
4	AH80224	SEAT	2		
5	N31766	PLUNGER	1		
6	H63357	BACK-UP RING	2	(A)	
7	U40745	O-RING	2	(A)	
8	AH78784	PLUG	1		
9	H103201	SPRING	1		
10	H84537	GUIDE	2		
11	AH80223	POPPET	2	(A)	
12	H81707	SPRING	1		
13	AE24788	PLUG	1		
14	T13911	PLUG	1		
15	M82702	DRAIN PLUG	1		
16	M44169	SNAP RING	1		
17	N153975	WASHER	1		
18	N150469	BUSHING	1		
19	H101998	SPRING	1		
20	M46767	WASHER	1		
21	M46768	WASHER	1		
22	N150470	BUSHING	1		
23	.....	HOUSING	1	(SUB AH101631)	
24	28H1688	BUSHING	2	1/4" X 11/16"	
25	H99283	CAP SCREW	2		
	12H302	LOCK WASHER	2	1/4"	
	14H786	NUT	2	1/4"	
..	AH101631	CONTROL VALVE	1	-610149 (SUB AH120377)	

KIT LISTED BELOW CONSISTS OF ALL PARTS IDENTIFIED BY AN (A):

..	AH103895	SEAL KIT	1		
----	----------	----------	---	--	--



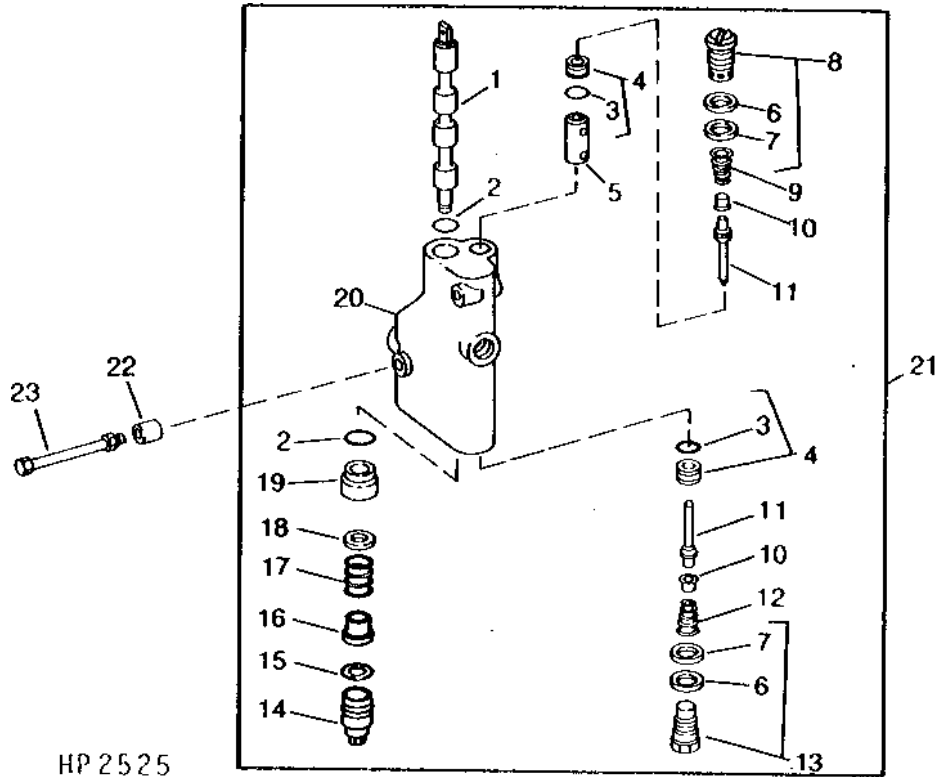
# 2B8

HYDRAULICS

## UNLOADING AUGER SWING CONTROL VALVE (SERIAL NO. 610150- )

HP2525

-UN-01JAN94



HP 2525

KEY	PART NO.	PART NAME	QTY	SERIAL NO.	REMARKS
1	.....	SPOOL	1		
2	M81668	SEAL	2	(A)	
3	R28776	O-RING	2	(A)	
4	AH80224	SEAT	2		
5	N31766	PLUNGER	1		
6	H63357	BACK-UP RING	2	(A)	
7	U40745	O-RING	2	(A)	
8	AH78784	PLUG	1		
9	H103201	SPRING	1		
10	H84537	GUIDE	2		
11	AH80223	POPPET	2	(A)	
12	H81707	SPRING	1		
13	AE24788	PLUG	1		
14	AM100541	CAP	1		
15	M87403	SNAP RING	1		
16	AM100539	SPACER	1		
17	M87401	SPRING	1		
18	M87511	WASHER	1		
19	N150470	BUSHING	1		
20	.....	HOUSING	1		
21	AH120377	CONTROL VALVE	1		
22	28H1688	BUSHING	2	0.364" X 0.540" X 11/16"	
23	H99283	CAP SCREW	2		
	12H302	LOCK WASHER	2	1/4"	
	14H786	NUT	2	1/4"	

KIT LISTED BELOW CONSISTS OF ALL PARTS IDENTIFIED BY AN (A):

.. AH103895 SEAL KIT 1

---

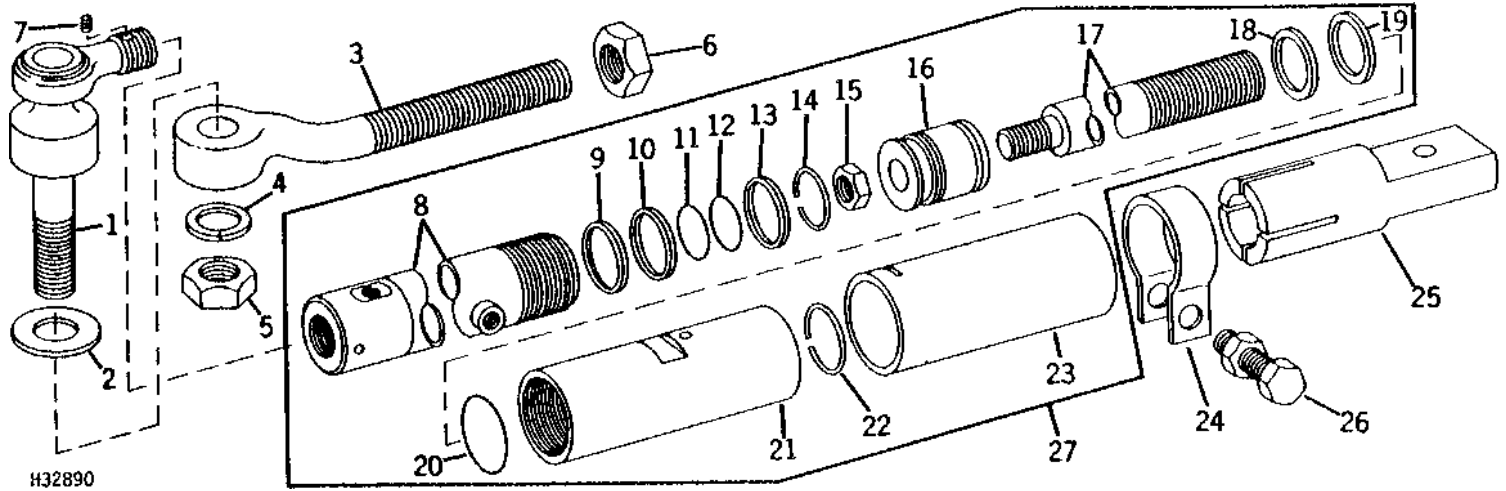
MEMORANDA

# 2B9

HYDRAULICS

## UNLOADING AUGER SWING HYDRAULIC CYLINDER AND MOUNTING

H32890 -UN-01JAN94



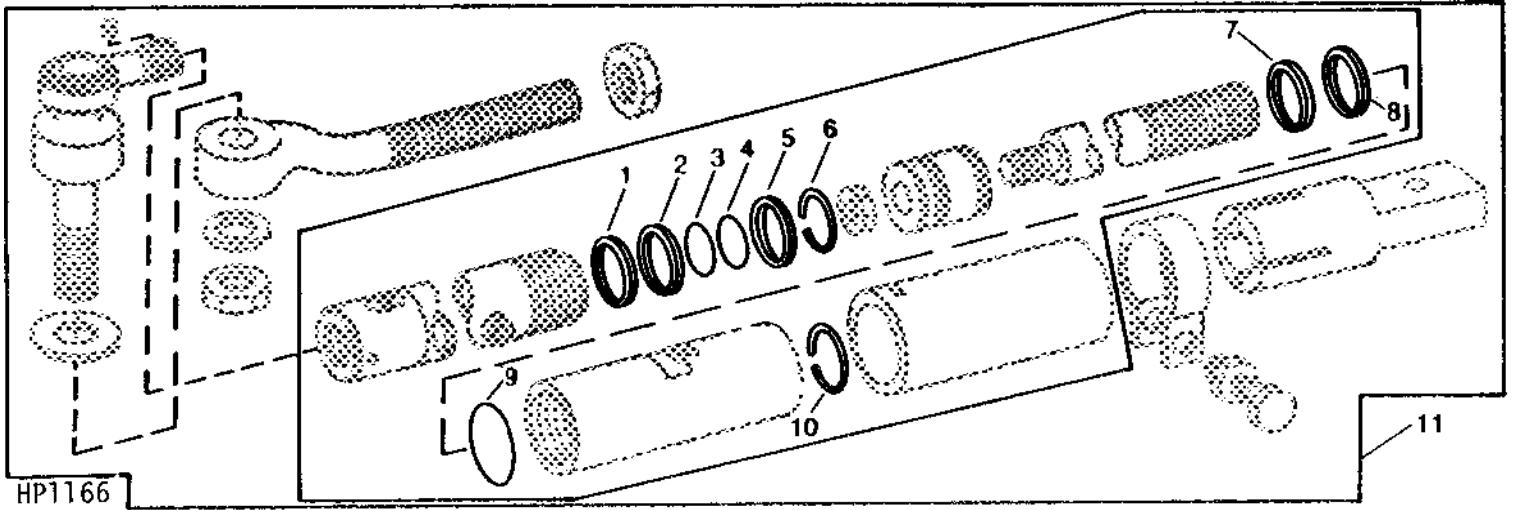
KEY	PART NO.	PART NAME	QTY	SERIAL NO.	REMARKS
1	AH104294	BALL JOINT	1		
2	24H1217	WASHER	1		1-9/32" X 2-7/32" X 0.060"
3	H102281	EYEBOLT	1		
4	12H236	LOCK WASHER	1		3/4"
5	14H794	NUT	1		3/4"
6	14H793	NUT	2		3/4"
7	22H898	SET SCREW	1		1/4" X 3/8"
8	AH104674	HYDRAULIC CYLINDER BARREL	1		
9	.....	WEAR RING	1		(KIT AH103335)
10	E42435	RING	1		(KIT AH103335)
11	.....	O-RING	1		(KIT AH103335)
12	32238	PACKING	1		(KIT AH103335)
13	.....	PISTON RING	1		(KIT AH103335)
14	H35246	SNAP RING	1		(KIT AH103335)
15	P42337	LOCK NUT	1		
16	H105716	PISTON	1		
17	H105718	ROD	1		
18	AH87264	SEAL	1		(KIT AH103335)
19	AH20841	SEAL	1		(KIT AH103335)
20	.....	O-RING	1		(KIT AH103335)
21	H105717	BEARING	1	-450000	(SUB H112108)
	H112108	BEARING	1		
22	.....	RING	1		(KIT AH103335)
23	H105719	BUSHING	1	-450350	(SUB H109998)
	H109998	HUB	1		
24	H102284	CLAMP	1		
25	H101620	CLAMP	1		
26	19H1765	CAP SCREW	1		3/8" X 1-3/4"
	H99923	LOCK NUT	1		
27	AH101316	CYLINDER	1		

# 2B10

HYDRAULICS

HP1166 -UN-01JAN94

## KIT, UNLOADING AUGER SWING HYDRAULIC CYLINDER



KEY	PART NO.	PART NAME	QTY	SERIAL NO.	REMARKS
1	.....	WEAR RING	1		
2	E42435	RING	1		
3	.....	O-RING	1		
4	32238	PACKING	1		
5	.....	PISTON RING	1		
6	H35246	SNAP RING	1		
7	AH87264	SEAL	1		
8	AH20841	SEAL	1		
9	.....	O-RING	1		
10	.....	RING	1		
11	AH103335	SEAL KIT	1		

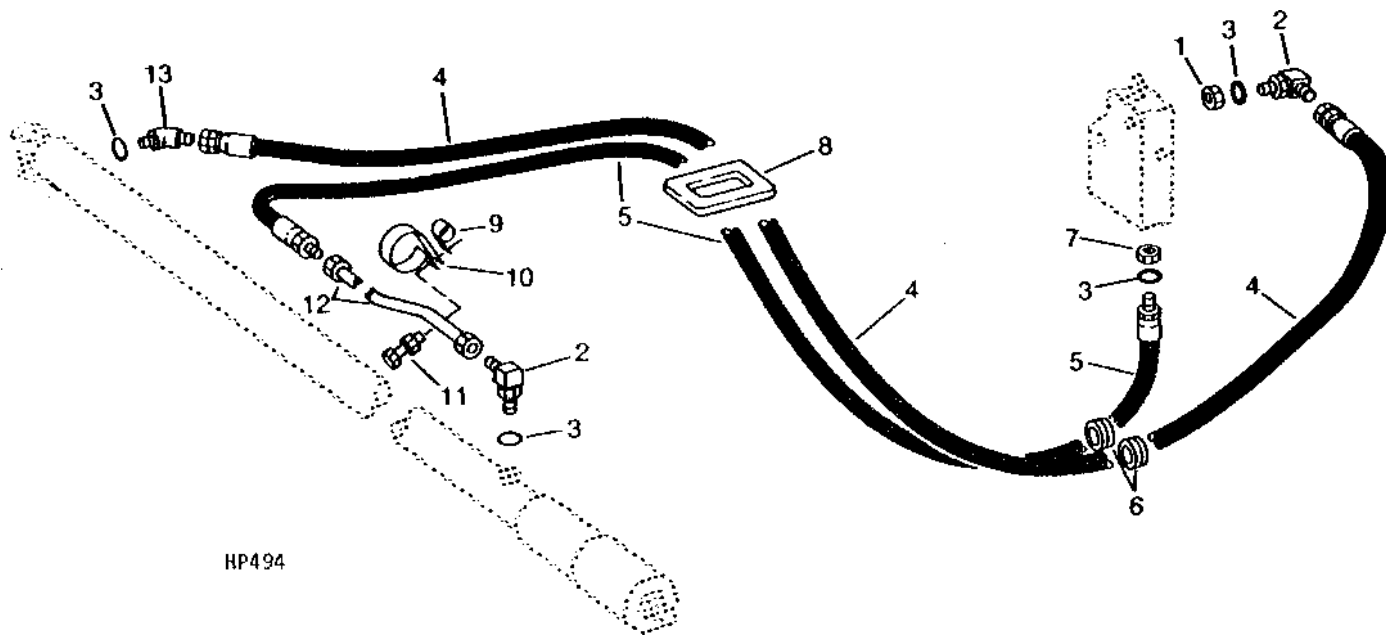
# 2B11

HYDRAULICS

## UNLOADING AUGER SWING HOSES AND LINE

HP494

-UN-01JAN94



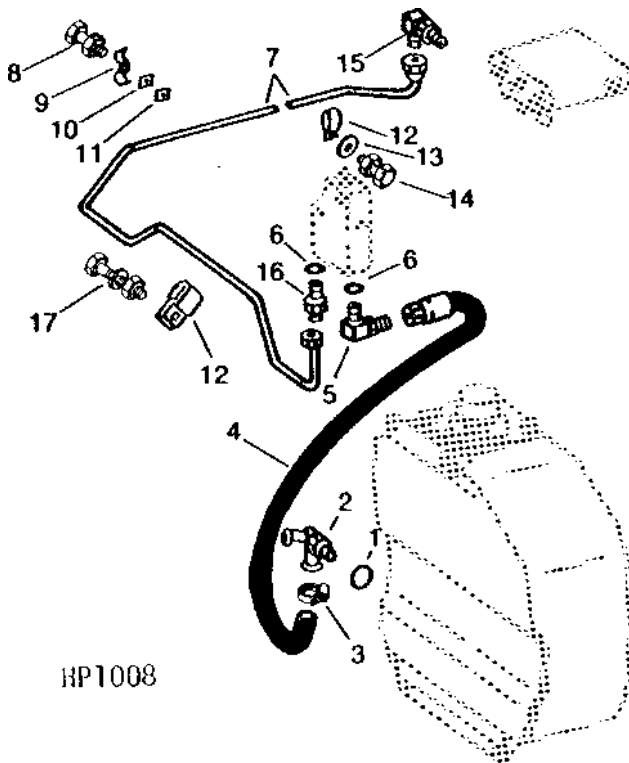
HP494

KEY	PART NO.	PART NAME	QTY	SERIAL NO.	REMARKS
1	H94190	ORIFICE	1		
2	AR26725	ELBOW FITTING	2	90°	
3	R26448	O-RING	4		
4	AH94858	HOSE	1		6 MM X 978 MM (1/4" I.D. X 38-1/2") LONG
5	AH107013	HOSE	1		6 MM X 1092 MM (1/4" I.D. X 43") LONG
6	H80627	GROMMET	2		
7	N155290	ORIFICE	1		
8	R20759	GROMMET	1		
9	AH76882	CLIP	2		
10	AH77714	CLIP	2		
11	19H1936	CAP SCREW	2	3/8" X 3/4"	
	14H812	NUT	2	3/8"	
12	AH103143	LINE	1		
13	AT38033	ELBOW FITTING	1	45°	

# 2B12

HP1008 -UN-01JAN94

## UNLOADING AUGER SWING LINE



HP1008

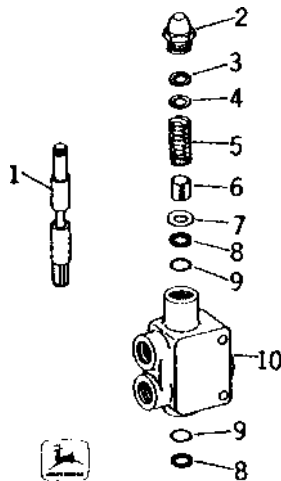
KEY	PART NO.	PART NAME	QTY	SERIAL NO.	REMARKS
1	U12547	O-RING	1		
2	AH103078	ELBOW FITTING	1	45°	
3	AR21836	CLAMP	1		
4	AH89603	HOSE	1		
5	AR27699	ELBOW FITTING	1		
6	R26375	O-RING	2		
7	AH103077	LINE	1	-450000	
	AH108749	LINE	1	450001-	
8	08H4416	BOLT	1		5/16" X 1"
	12H303	LOCK WASHER	1		5/16"
	14H785	NUT	1		5/16"
9	AH83847	CLAMP	1		
10	H83769	FOAM PAD	1		
11	H83371	STRAP	1		
12	H75541	CLAMP	2		
13	24H1243	WASHER	1		11/32" X 5/8" X 1/16"
14	19H1900	CAP SCREW	1		5/16" X 3/4"
	12H303	LOCK WASHER	1		5/16"
	14H785	NUT	1		5/16"
15	AH75164	ELBOW FITTING	1	90°	
16	R27237	FITTING	1		
17	19H1919	CAP SCREW	1	1/4" X 5/8"	
	12H302	LOCK WASHER	1	1/4"	
	14H786	NUT	1	1/4"	

# 2B13

HYDRAULICS

H23280 -UN-01JAN94

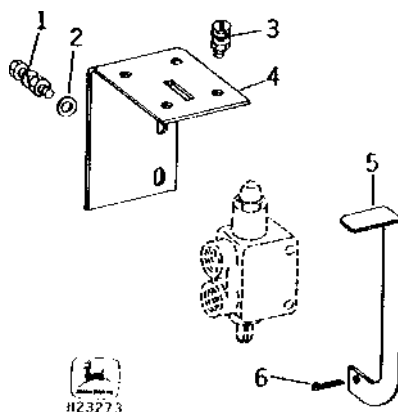
## AUXILIARY UNLOADING AUGER HYDRAULIC DRIVE SELECTOR VALVE



KEY	PART NO.	PART NAME	QTY	SERIAL NO.	REMARKS
1	.....	SPOOL	1		
2	H25638	EXHAUST CAP	1		
3	32244	SNAP RING	1		
4	N31768	WASHER	1		
5	N31762	SPRING	1		
6	N31761	SLEEVE	1		
7	N31767	WASHER	1		
8	H28931	WASHER	2		
9	H28930	O-RING	2	-400000	(SUB R375R)
	R375R	O-RING	2		
10	.....	HOUSING	1		
..	AH86630	VALVE	1		

H23273 -UN-01JAN94

## AUXILIARY UNLOADING AUGER HYDRAULIC DRIVE SELECTOR VALVE SUPPORT



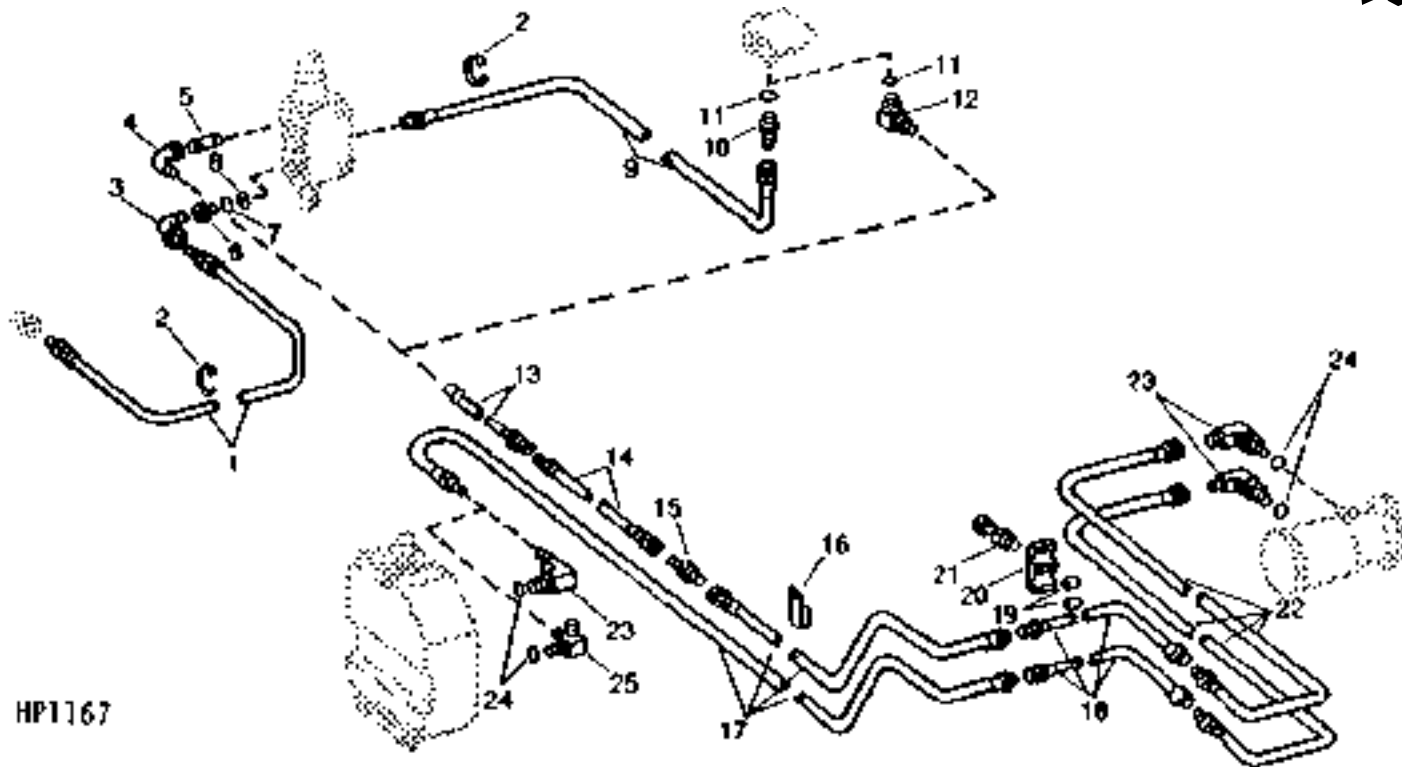
KEY	PART NO.	PART NAME	QTY	SERIAL NO.	REMARKS
1	19H1949	CAP SCREW	2	5/16" X 2-1/2"	
	12H303	LOCK WASHER	2	5/16"	
	14H785	NUT	2	5/16"	
2	24H1136	WASHER	2	11/32" X 11/16" X 0.065"	
3	21H1070	SCREW	4	5/16" X 7/8"	
	12H303	LOCK WASHER	4	5/16"	
	14H785	NUT	4	5/16"	
4	H85586	BRACKET	1		
5	H85587	PEDAL	1		
6	11H216	COTTER PIN	1	3/16" X 1"	

# 2B14

HYDRAULICS

## AUXILIARY UNLOADING AUGER HYDRAULIC DRIVE OIL LINES

HP1167 -UN-01JAN94



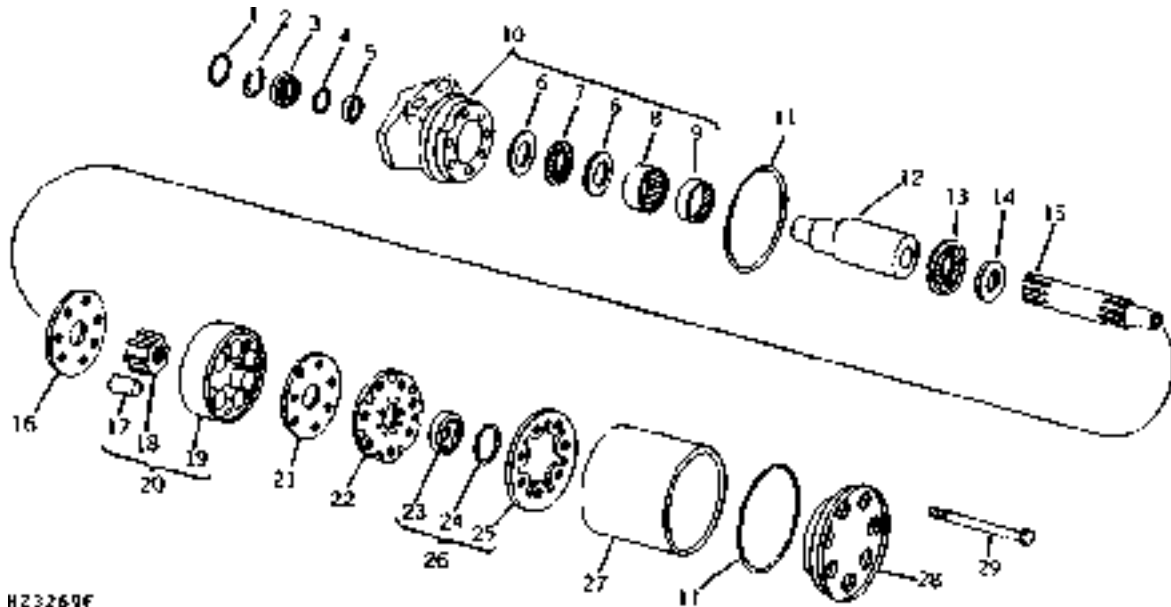
KEY	PART NO.	PART NAME	QTY	SERIAL NO.	REMARKS
1	AH12307	HYDRAULIC HOSE	1		6 MM X 1048 MM (1/4" I.D. X 41-1/4") LONG
2	H81372	STRAP	6		
3	P47478	ELBOW FITTING	1		STREET, 90°
4	H33776	ELBOW FITTING	1		90°
5	29H588	THREADED NIPPLE	1		3/8" X 1-1/4"
6	P51319	ADAPTER	1		
7	N31771	PLUG	1		
8	H85637	ORIFICE	1		
9	AH86644	HYDRAULIC HOSE	1		10 MM X 1194 MM (3/8" I.D. X 47") LONG
10	R27212	FITTING	1		
11	R26448	O-RING	1		
12	AR37017	ELBOW FITTING	1	-610100	(SUB AT35120)
	AT35120	ELBOW FITTING	1		90°
13	AH75452	LINE	1		
14	AH77860	HYDRAULIC HOSE	1		13 MM X 1324 MM (1/2" I.D. X 60") LONG
15	R35717	FITTING	1		
16	AH77869	CLIP	4		INSULATED
17	AH77867	HYDRAULIC HOSE	2		13 MM X 3048 MM (1/2" I.D. X 120") LONG
18	AH77479	LINE	2		
19	H22979	BUSHING	4		RUBBER
20	H76109	CLAMP	2		
21	21H1137	SCREW	2		5/16" X 1-1/4"
	12H303	LOCK WASHER	2		5/16"
	14H785	NUT	2		5/16"
22	AH77473	HYDRAULIC HOSE	2		13 MM X 711 MM (1/2" I.D. X 28") LONG
23	AR26724	ELBOW FITTING	AR		90° (2 USED, WITH REEL DRIVE; 3 USED, WITHOUT REEL DRIVE)
24	R26906	O-RING	3		
25	AH86624	FITTING	1		



# 2B15

## HYDRAULIC MOTOR (HYDRAULIC DRIVE AUXILIARY UNLOADING AUGER)

H23269 -UN-01JAN94



H23269F

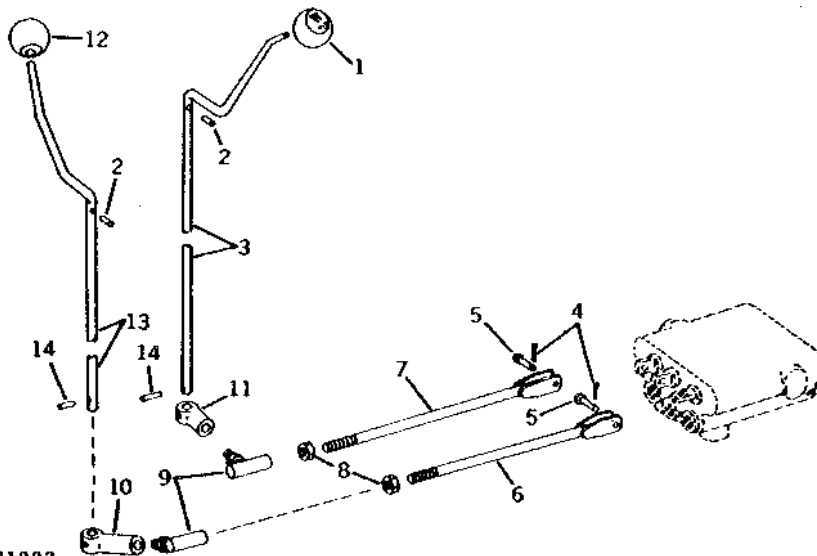
KEY	PART NO.	PART NAME	QTY	SERIAL NO.	REMARKS
1	.....	SEAL	1	(A)	
2	.....	SNAP RING	1	(A)	
3	.....	SPACER	1	(A)	
4	H85803	WASHER	1	(A)	
5	.....	SEAL	1	(A)	
6	H85794	WASHER	2		
7	AH86808	THRUST BEARING	1		
8	AH86809	NEEDLE BEARING	1		
9	JD8870	NEEDLE BEARING	1		
10	AH86807	HOUSING	1		
11	H85800	WASHER	2	(A)	
12	H85795	SHAFT	1		
13	JD8841	THRUST BEARING	1		
14	H80419	BEARING RACE	1		
15	H85796	LINK	1		
16	H85797	PLATE	1		
17	.....	VANE	1		
18	.....	ROTOR	1		
19	.....	STATOR	1		
20	AH86810	ROTOR	1		
21	AH103809	PLATE	1		
22	H85798	MANIFOLD	1		
23	.....	RING	1	(COMMUTATOR)	
24	H85806	RING	1	(A)	
25	.....	RING	1		
26	AH86813	COMMUTATOR HOUSING	1		
27	H85801	BUSHING	1		
28	AH86814	COVER	1		
29	H85807	BOLT	7	SPECIAL	
..	AH83835	MOTOR	1	(REMANUFACTURED)	
KIT LISTED BELOW CONSISTS OF ALL PARTS IDENTIFIED BY AN (A):					
..	AH83836	KIT	1	SEAL	

# 2B16

HYDRAULICS

H21992 -UN-01JAN94

## PLATFORM LIFT AND REEL LIFT CONTROLS

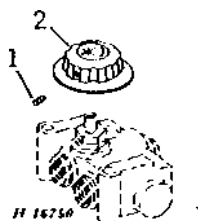


**H21992**  
PART NAME

KEY	PART NO.	PART NAME	QTY	SERIAL NO.	REMARKS
1	H83053	KNOB	1		(PLATFORM LIFT)
2	34H266	SPRING PIN	2		5/32" X 1"
3	H99268	LEVER	1		(PLATFORM LIFT)
4	11H266	COTTER PIN	2		1/16" X 1/2"
5	H35481	PIN	2	-500000	
	U42845	PIN	2	500001-	
6	AH76491	YOKE	1	-500000	(SUB AH111058 AND U42845)
	AH111058	ROD	1		(LIFT REEL)
7	AH76372	YOKE	1	-500000	(PLATFORM LIFT) (SUB AH111056 AND U42845)
	AH111056	ROD	1		(PLATFORM LIFT)
8	14H774	NUT	2		3/8"
9	AH83521	BALL JOINT	2		
10	AH92608	ARM	1		
11	AH92606	ARM	1		(PLATFORM LIFT)
12	H83054	KNOB	1		(REEL LIFT)
13	H99267	LEVER	1		(REEL LIFT)
14	34H282	SPRING PIN	2		3/16" X 1"

## FLOW CONTROL VALVE KNOB (HYDROSTATIC DRIVE REEL)

H16750 -UN-01JAN94



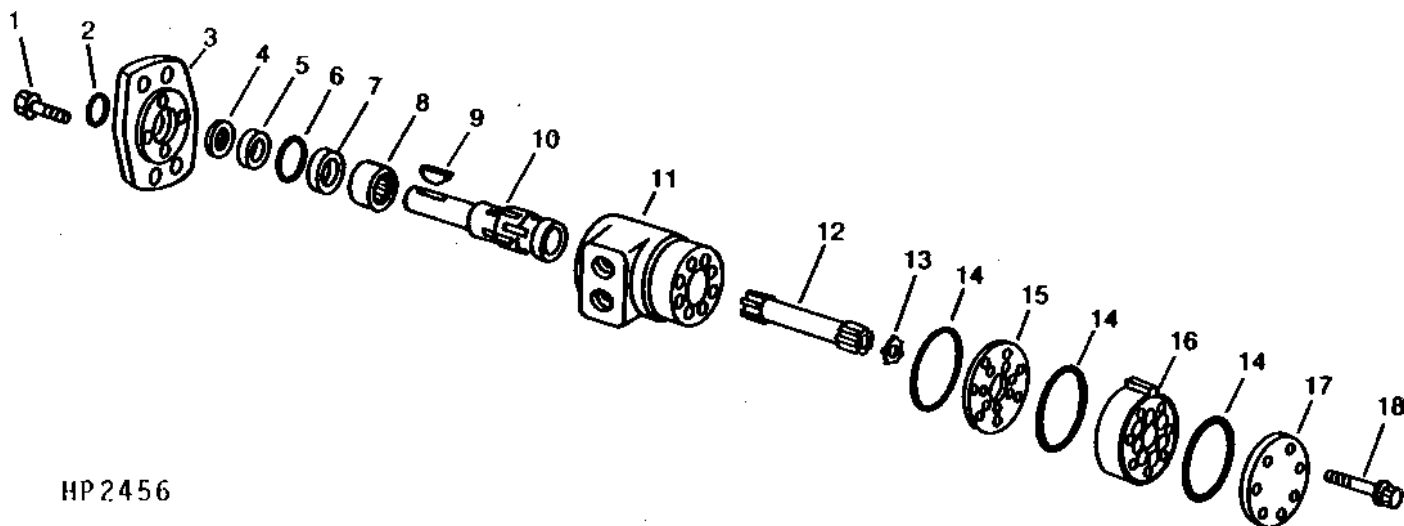
KEY	PART NO.	PART NAME	QTY	SERIAL NO.	REMARKS
1	22H922	SET SCREW	2		0.190" X 1/4"
2	AH76955	KNOB	1		

# 2B17

HYDRAULICS

REEL MOTOR  
(SERIAL NO. 610101- )

HP2456 -UN-01JAN94



HP 2456

KEY	PART NO.	PART NAME	QTY	SERIAL NO.	REMARKS
1	N132503	BOLT	4		
2	.....	SEAL	1	(A)	
3	H122141	FLANGE	1		
4	.....	WASHER	1	(A)	
5	.....	SEAL	1	(A)	
6	.....	SEAL	1	(A)	
7	H122143	THRUST BEARING	1		
8	AH118381	NEEDLE BEARING	1		
9	26H22	SHAFT KEY	1		
10	H122142	SHAFT	1		
11	.....	HOUSING	1	(SUB AH83835)	
12	H122139	DRIVE	1		
13	H122140	SPACER	1		
14	.....	SEAL	3	(A)	
15	H106807	SPACER	1		
16	AH118380	ROTOR	1	(GEROLER ASSEMBLY)	
17	H106806	SEAL KIT	1		
18	H122138	CAP SCREW	7		
..	AH83835	MOTOR	1	(CHAR-LYNN IDENTIFICATION NO. 126-1101-108)	
KIT LISTED BELOW CONSISTS OF ALL PARTS IDENTIFIED BY AN (A):					
..	AH118382	SEAL KIT	1	(TO REPAIR AH83835 MOTOR)	

---

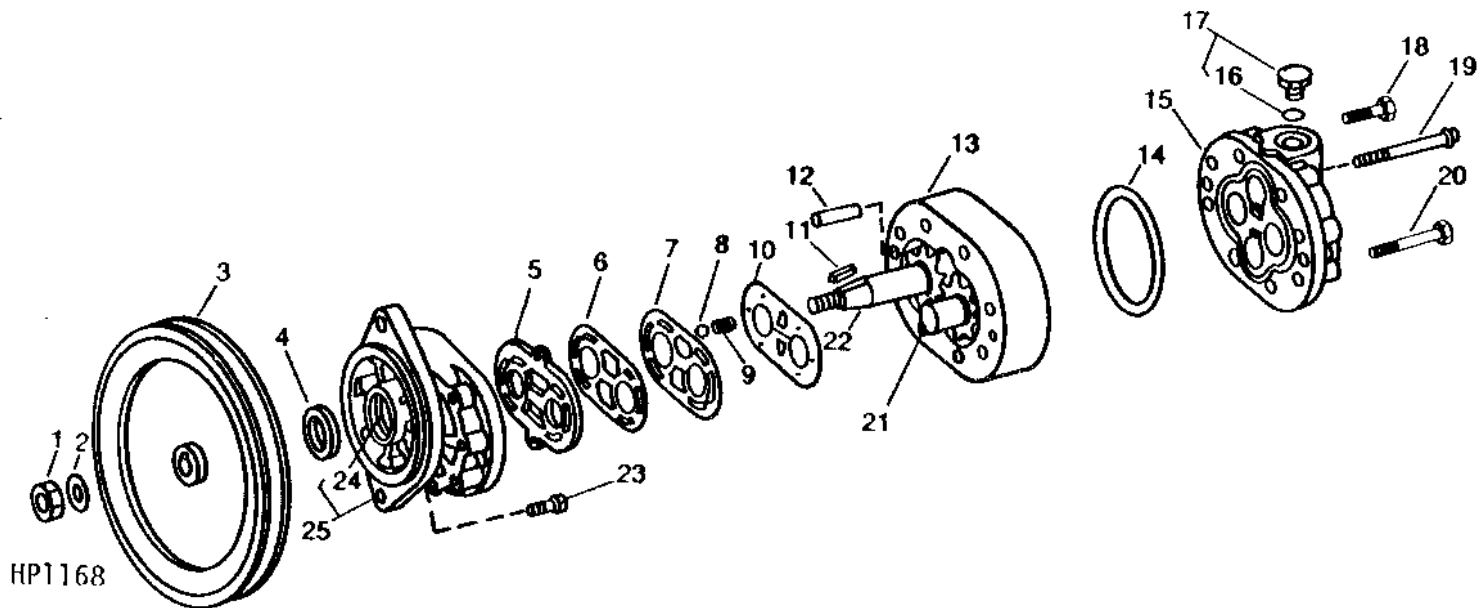
MEMORANDA

# 2B18

HYDRAULICS

## HYDROSTATIC DRIVE REEL HYDRAULIC PUMP (CESSNA NO. 24306-RAC)

HP1168 -UN-01JAN94



KEY	PART NO.	PART NAME	QTY	SERIAL NO.	REMARKS
1	14H812	NUT	1	3/8"	
2	24H1237	WASHER	1	25/64" X 7/8" X 0.060"	
3	AH83518	SHEAVE	1	178 MM (7") DIA.	
4	AH15442	SEAL	1	(A)	
5	.....	SEAL	1	(A)	
6	.....	GASKET	1	(A)	
7	T12958	GASKET	1	(A)	
8	.....	BALL CHECK	2	(A)	
9	.....	SPRING	2	(A)	
10	.....	DIAPHRAGM	1	(A)	
11	N34986	SHAFT KEY	1		
12	P51444	DOWEL PIN	2		
13	H80813	HOUSING	1		
14	.....	O-RING	1	(A)	
15	AH66645	PLATE	1		
16	R28782	O-RING	1		
17	AH63282	FITTING PLUG	1	-450350	
	R51031	FITTING	1	450351-	
18	19H1949	CAP SCREW	4	-400784	5/16" X 2-1/2"
	H28156	SCREW	4	400785-	
19	T12966	CAP SCREW	3		
20	19H1904	CAP SCREW	2	-400784	5/16" X 3"
	T12966	CAP SCREW	3	400785-	
21	AE28051	GEAR	1		IDLER
22	AE28050	STEERING GEAR	1		
23	19H1732	CAP SCREW	2		3/8" X 1-1/4"
24	.....	BEARING	1		(SUB AT12111)
25	AT12111	HOUSING	1		
..	AH75515	PUMP	1		(REMANUFACTURED)
..	AH66648	KIT	1		SEAL REPAIR

KIT LISTED BELOW CONSISTS OF ALL PARTS IDENTIFIED BY AN (A):

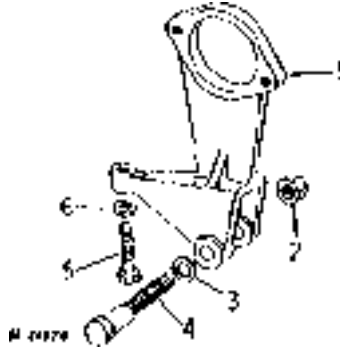
MEMORANDA

# 2B19

HYDRAULICS

H16678 -UN-01JAN94

## HYDROSTATIC DRIVE REEL PUMP MOUNTING



KEY	PART NO.	PART NAME	QTY	SERIAL NO.	REMARKS
1	H77680	ARM	1		
2	14H821	NUT	1	5/8"	
	12H294	LOCK WASHER	1	5/8"	
3	24H1362	WASHER	AR	41/64" X 1" X 0.075"	
4	H77682	BOLT	1		
5	19H1793	CAP SCREW	1	1/2" X 2"	
6	14H826	NUT	1	1/2"	

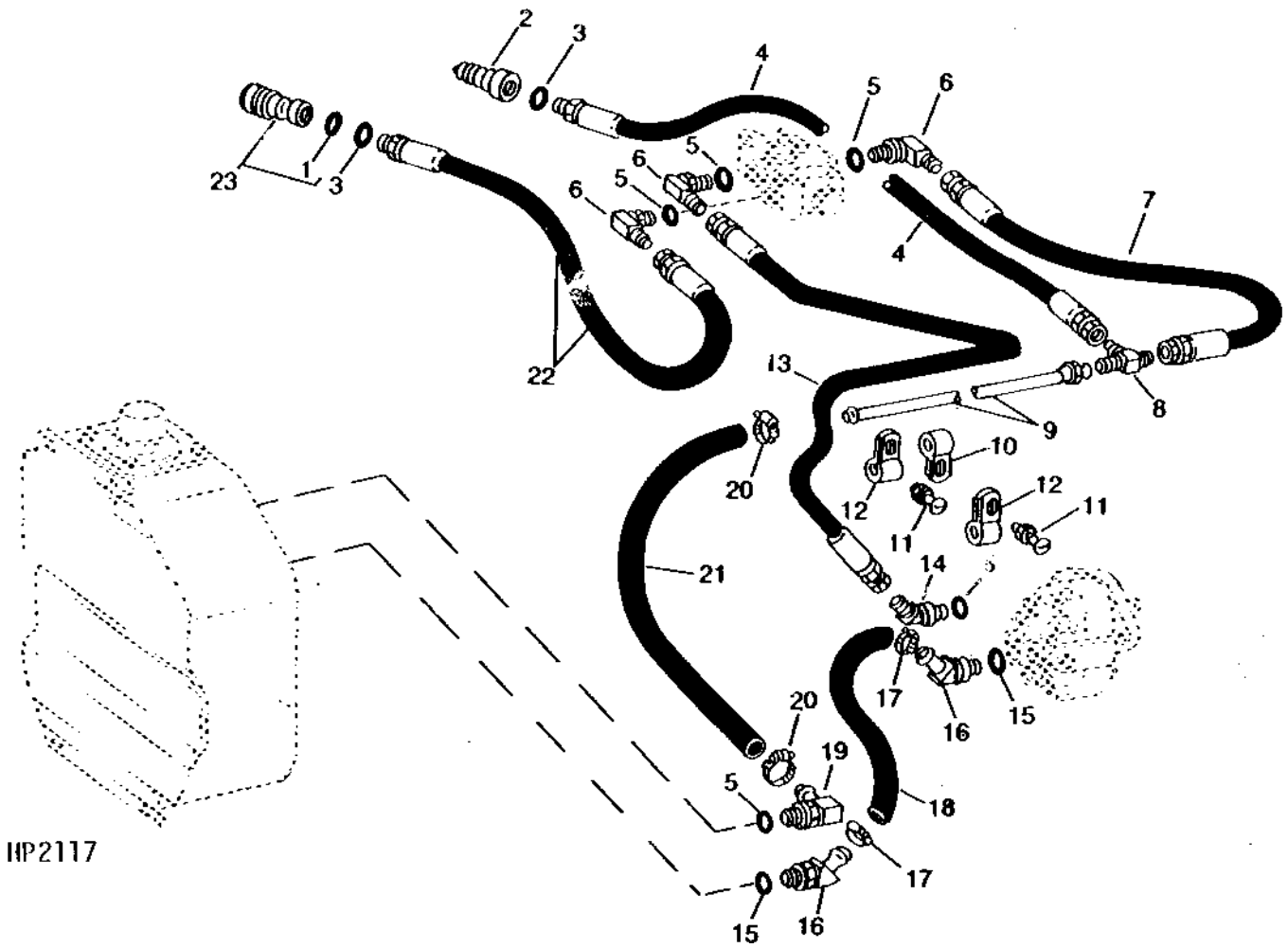
# 2B20

HYDRAULICS

HP2117

-UN-01JAN94

## REEL DRIVE OIL HOSES





# 2B21

HYDRAULICS

## REEL DRIVE OIL HOSES - CONTINUED

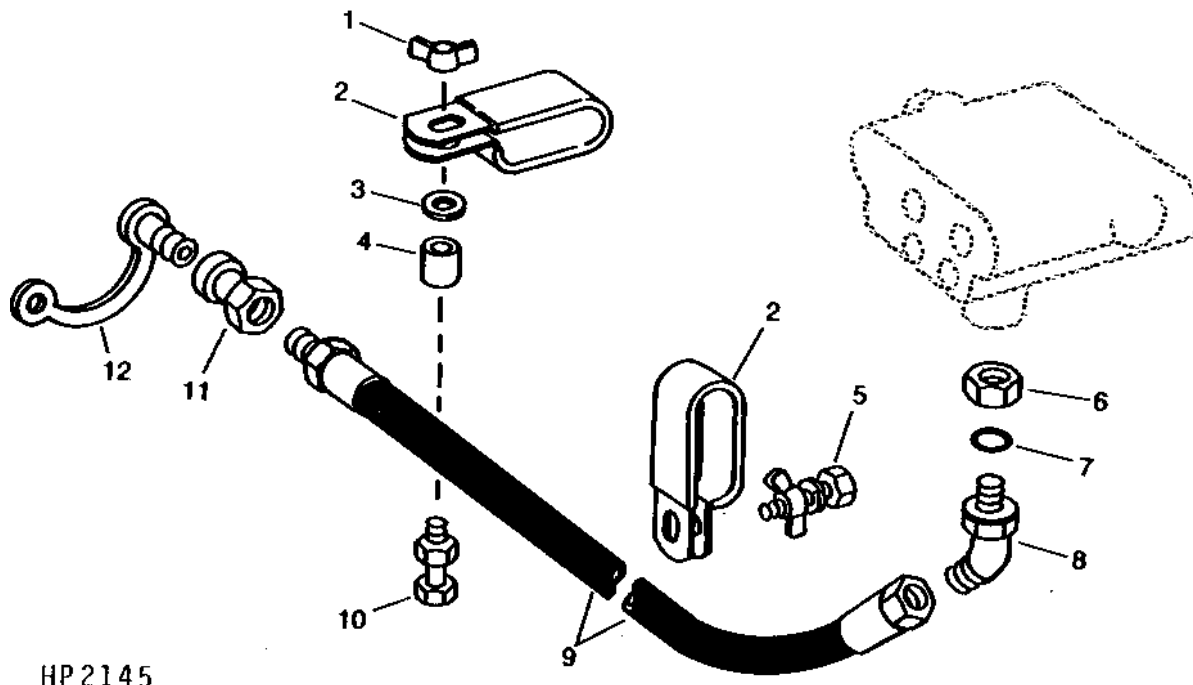
KEY	PART NO.	PART NAME	QTY	SERIAL NO.	REMARKS
1	P45750	O-RING	1		
2	AH15000	HYD. QUICK-CONNECT COUPLER	1	-600000	(SUB AR94522, THIS APPLICATION)
	AR94522	INTERNAL HALF COUPLER	1		
3	R26375	O-RING	2		
4	AH78086	HYDRAULIC HOSE	1	-600000	(SUB AH112764 OR AH112766, THIS APPLICATION)
	AH112764	HYDRAULIC HOSE	1		12.7 MM X 3300 MM (1/2" I.D. X 130") LONG, (REGULAR VARIABLE DRIVE AND REGULAR CHAIN DRIVE)
	AH112766	HYDRAULIC HOSE	1		12.7 MM X 3500 MM (1/2" I.D. X 138") LONG, (LONG CHAIN DRIVE AND LONG VARIABLE DRIVE)
5	R26906	O-RING	5		
6	AR26724	ELBOW FITTING	3		
7	AH76927	HOSE	1		
8	H60885	TEE FITTING	1		
9	AH75462	LINE	1		
10	AH77924	CLIP	1		
11	21H1014	SCREW	2	1/4" X 1"	
	12H302	LOCK WASHER	2	1/4"	
	14H786	NUT	2	1/4"	
12	H77358	CLIP	2		
13	AH76900	HYDRAULIC HOSE	1		
14	AR26828	ELBOW FITTING	1		
15	U12547	O-RING	2		
16	AH75159	FITTING	2		
17	AR21839	CLAMP	2		
18	H78684	HYDRAULIC HOSE	1		
19	AH75158	FITTING	1		
20	AR21837	CLAMP	2		(SUB AR94522, THIS APPLICATION)
21	H78685	HOSE	1		
22	AH76926	HYDRAULIC HOSE	1	-600001	(SUB AH112764 OR AH112766, THIS APPLICATION)
	AH112764	HYDRAULIC HOSE	1		12.7 MM X 3300 MM (1/2" I.D. X 130") LONG, (REGULAR VARIABLE DRIVE AND REGULAR CHAIN DRIVE)
	AH112766	HYDRAULIC HOSE	1		12.7 MM X 3500 MM (1/2" I.D. X 138") LONG, (LONG CHAIN DRIVE AND LONG VARIABLE DRIVE)
23	AH75167	HYD. QUICK-CONNECT COUPLER	1		

MEMORANDA

# 2B22

REEL LIFT HYDRAULIC HOSES  
(LONG VARIABLE FEEDER HOUSE)  
(SERIAL NO. 600001- )

HP2145 -UN-01JAN94



HP 2145

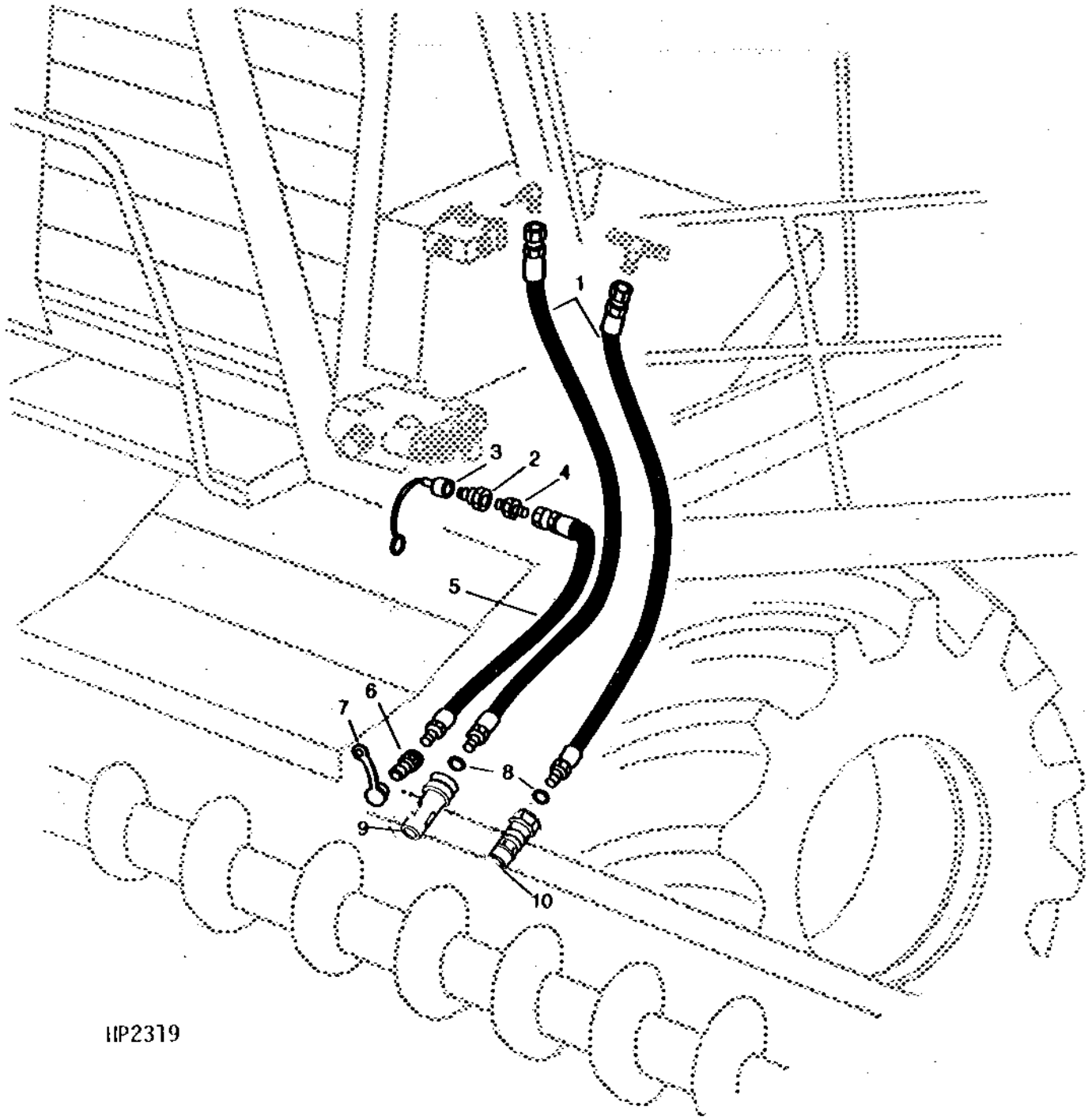
KEY	PART NO.	PART NAME	QTY	SERIAL NO.	REMARKS
1	14H827	WING NUT	1	3/8"	
2	AH77884	CLIP	2		
3	24H1305	WASHER	1	13/32" X 13/16" X 0.065"	
4	28H2497	SPACER	1	0.423" X 0.675" X 5/8"	
5	19H1731	CAP SCREW	1	3/8" X 1"	
	12H304	LOCK WASHER	1	3/8"	
6	14H827	WING NUT	1	3/8"	
	H94190	ORIFICE	1		
7	R26448	O-RING	1		
8	AT38033	ELBOW FITTING	1		
9	AH112932	HYDRAULIC HOSE	1	6.5 MM X 2400 MM (1/4" I.D. X 94") LONG (LONG VARIABLE FEEDER HOUSE)	
10	19H1936	CAP SCREW	1	3/8" X 3/4"	
	14H812	NUT	1	3/8"	
11	AH15940	HYD. QUICK-CONNECT COUPLER	1		

# 2B23

HOSES AND COUPLERS FOR COMBINES ( -600000)  
USED WITH PLATFORMS (600001- )

HP2319

-UN-01JAN94



HP2319

# 2B24

HYDRAULICS

## HOSES AND COUPLERS FOR COMBINES ( -600000) - CONTINUED USED WITH PLATFORMS (600001- )

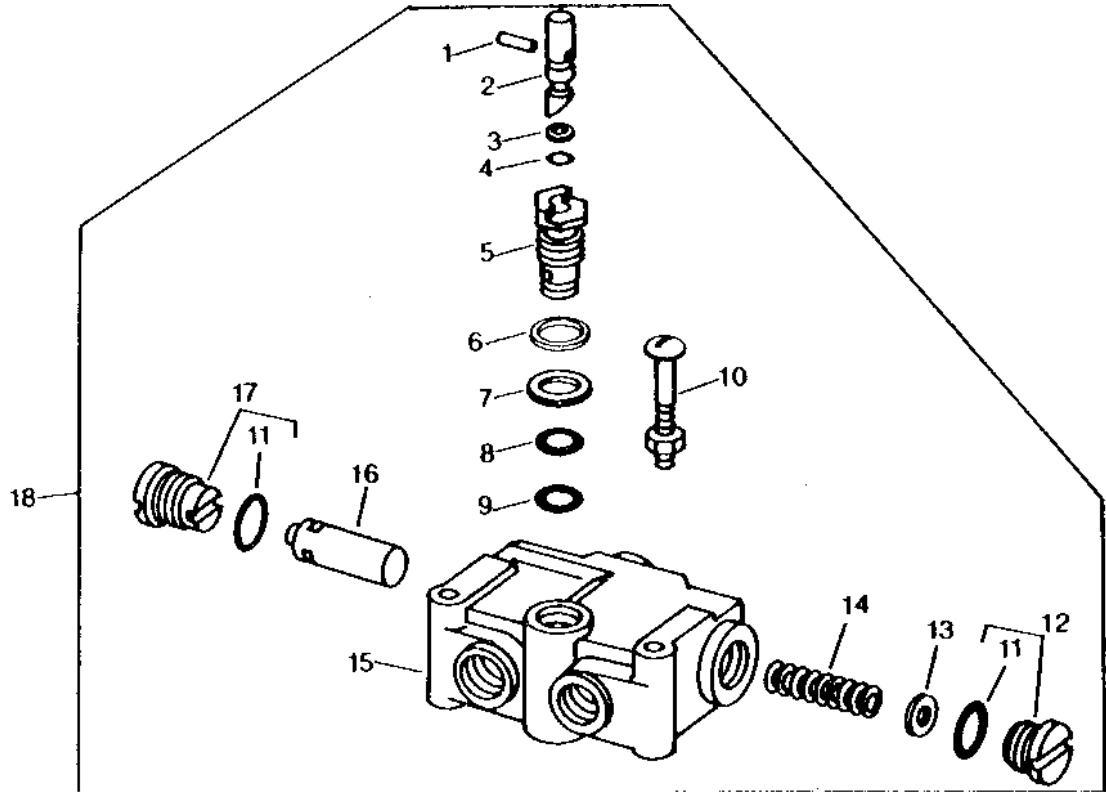
KEY	PART NO.	PART NAME	QTY	SERIAL NO.	REMARKS
1	AH112764	HYDRAULIC HOSE	2		12.7 MM X 3300 MM (1/2" X 130") LONG, (REGULAR F.H.) (REEL DRIVE)
	AH112766	HYDRAULIC HOSE	2		12.7 X 3500 MM (1/2" X 156") LONG (LONG F.H.) (REEL DRIVE)
2	AH15939	HYD. QUICK-CONNECT COUPLER	1		
3	AH83821	CAP	1		
4	R26892	FITTING	1		
5	AH112930	HYDRAULIC HOSE	1		6.5 MM X 2200 MM (1/4" X 87") LONG, (REGULAR F.H.) (REEL LIFT)
	AH112932	HYDRAULIC HOSE	1		6.5 MM X 2300 MM (1/4" X 103") LONG (LONG F.H.) (REEL LIFT)
6	AH15940	HYD. QUICK-CONNECT COUPLER	1		
7	H83742	DEFLECTOR	1		
8	R26375	O-RING	2		
9	AH75167	HYD. QUICK-CONNECT COUPLER	1		
10	AH15000	HYD. QUICK-CONNECT COUPLER	1		

# 2B25

HYDRAULICS

HP710 -UN-01JAN94

## HYDROSTATIC DRIVE REEL FLOW CONTROL VALVE

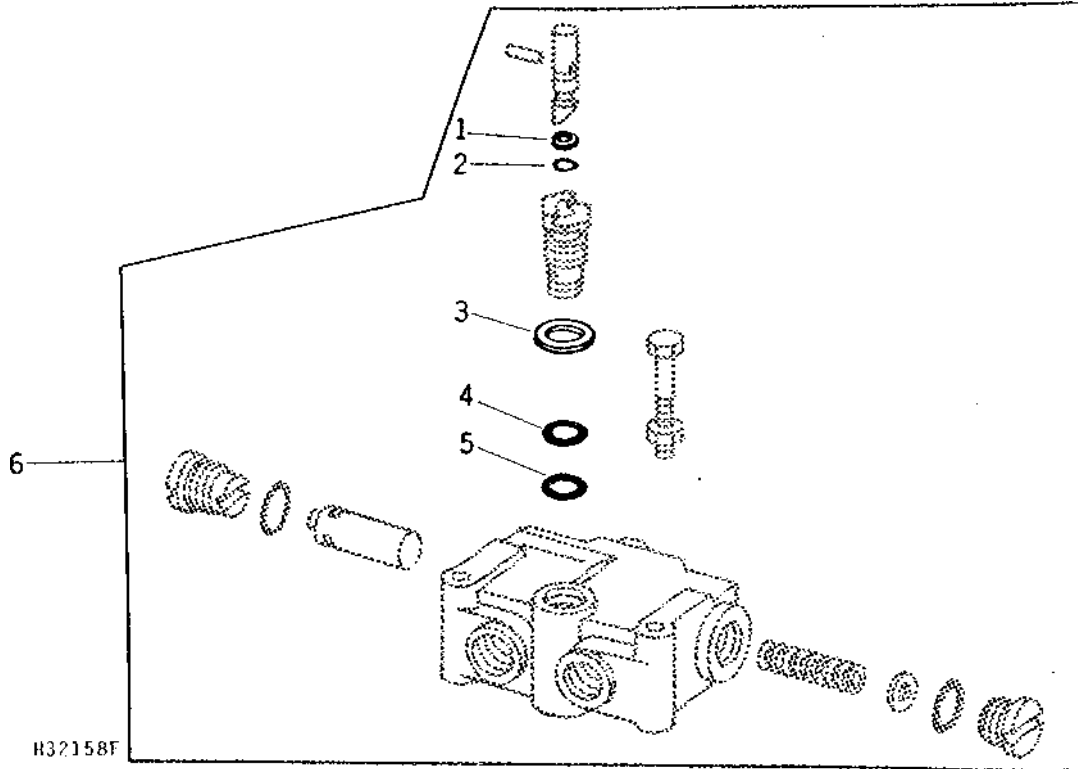


HP710

KEY	PART NO.	PART NAME	QTY	SERIAL NO.	REMARKS
1	H101370	GROOVE PIN	1		(KIT AH81166)
2	.....	SPOOL	1		(KIT AH81166)
3	T27624	BACK-UP RING	1		(KIT AH81166 AND AH81167)
4	P51212	O-RING	1		(KIT AH81166 AND AH81167)
5	.....	PLUG	1		(KIT AH81166)
6	H63357	BACK-UP RING	1		(KIT AH81166 AND AH81167)
7	T42786	O-RING	1		(KIT AH81166 AND AH81167)
8	R28776	O-RING	1		(KIT AH81166 AND AH81167)
9	R28776	O-RING	1		(KIT AH81166 AND AH81167)
10	H99280	SCREW	2		
	14H785	NUT	2	5/16"	
11	H63289	O-RING	2		
12	AH78760	DRAIN PLUG	1		
13	.....	SHIM	1		
14	.....	SPRING	1		
15	.....	HOUSING	1		
16	.....	RELIEF VALVE	1		
17	AH81165	PLUG	1		
18	AH81164	VALVE	1	-610100	(REMANUFACTURED) (SUB AH122371)
	AH122371	CHECK VALVE	1		(REMANUFACTURED)
..	AH81167	SEAL KIT	1		
..	AH81166	KIT	1	-610100	(SUB AH122354)
..	AH122354	KIT	1		ADJUSTING SCREW

KIT, SEAL REPAIR  
HYDROSTATIC DRIVE REEL FLOW CONTROL VALVE

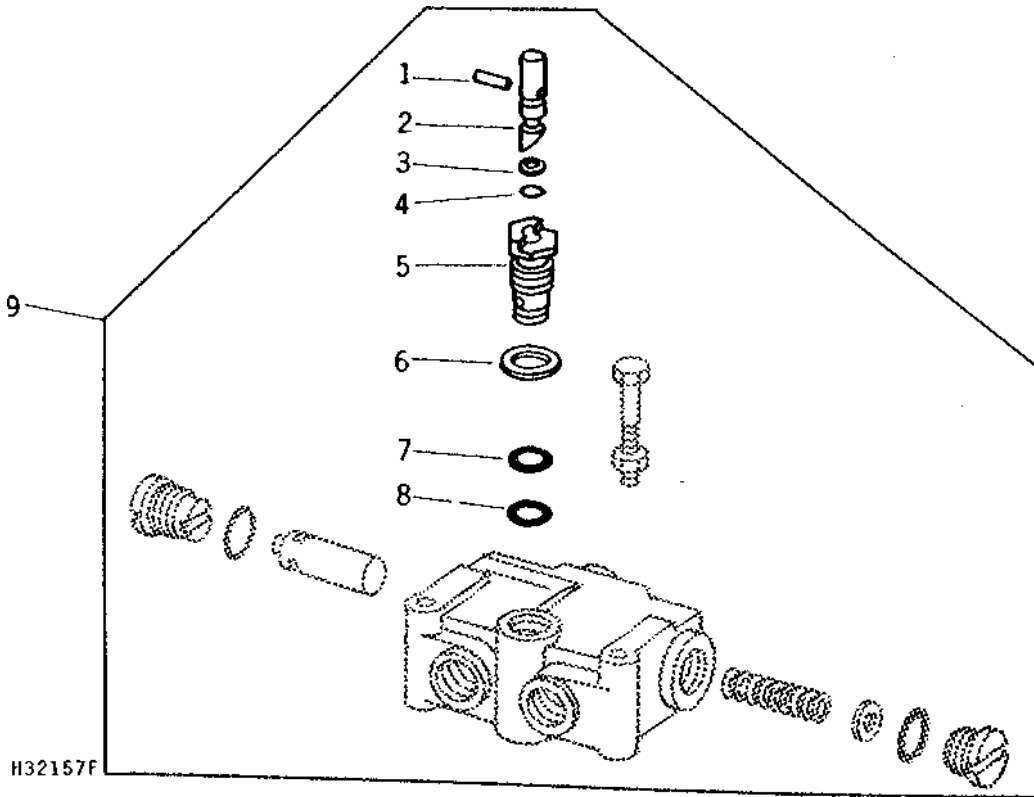
H32158F -UN-01JAN94



KEY	PART NO.	PART NAME	QTY	SERIAL NO.	REMARKS
1	T27624	BACK-UP RING	1		
2	P51212	O-RING	1		
3	H63357	BACK-UP RING	1		
4	T42786	O-RING	1		
5	R28776	O-RING	1		
6	AH81167	SEAL KIT	1		
..	.....	O-RING	2		(NOT USED THIS APPLICATION)
..	.....	WASHER	1		(NOT USED THIS APPLICATION)
..	.....	O-RING	1		(NOT USED THIS APPLICATION)

H32157F -UN-01JAN94

KIT, ADJUSTING SCREW  
(HYDROSTATIC DRIVE REEL FLOW CONTROL VALVE)



KEY	PART NO.	PART NAME	QTY	SERIAL NO.	REMARKS
1	H101370	GROOVE PIN	1		
2	.....	SPOOL	1		
3	T27624	BACK-UP RING	1		
4	P51212	O-RING	1		
5	.....	PLUG	1		
6	H63357	BACK-UP RING	1		
7	T42786	O-RING	1		
8	R28776	O-RING	1		
9	AH81166	KIT	1	-610100	(SUB AH122354)
	AH122354	KIT	1		

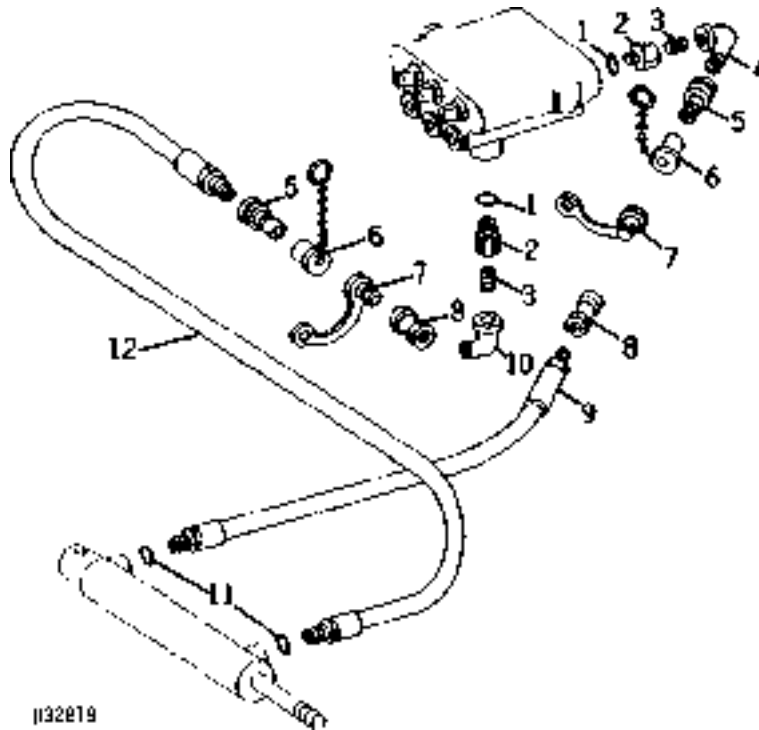


# 2C3

HYDRAULICS

VARIABLE DRIVE FEEDER HOUSE OIL HOSES  
(SERIAL NO. -600000)

H32819 -UN-01JAN94



KEY	PART NO.	PART NAME	QTY	SERIAL NO.	REMARKS
1	R26448	O-RING	2		
2	H75412	ADAPTER	2		
3	29H598	THREADED NIPPLE	2	1/4" X 7/8"	
4	P47478	ELBOW FITTING	1	60°	
5	AH15939	HYD. QUICK-CONNECT COUPLER	2		
6	AH83821	CAP	2		
7	H83743	PLUG	2		
8	AH15940	HYD. QUICK-CONNECT COUPLER	2		
9	AH75506	HYDRAULIC HOSE	1		6 MM X 1270 MM (1/4" I.D. X 50") LONG
10	P50647	ELBOW FITTING	1	90°	
11	R28782	O-RING	1		
12	AH75505	HYDRAULIC HOSE	1		6 MM X 864 MM (1/4" I.D. X 34") LONG

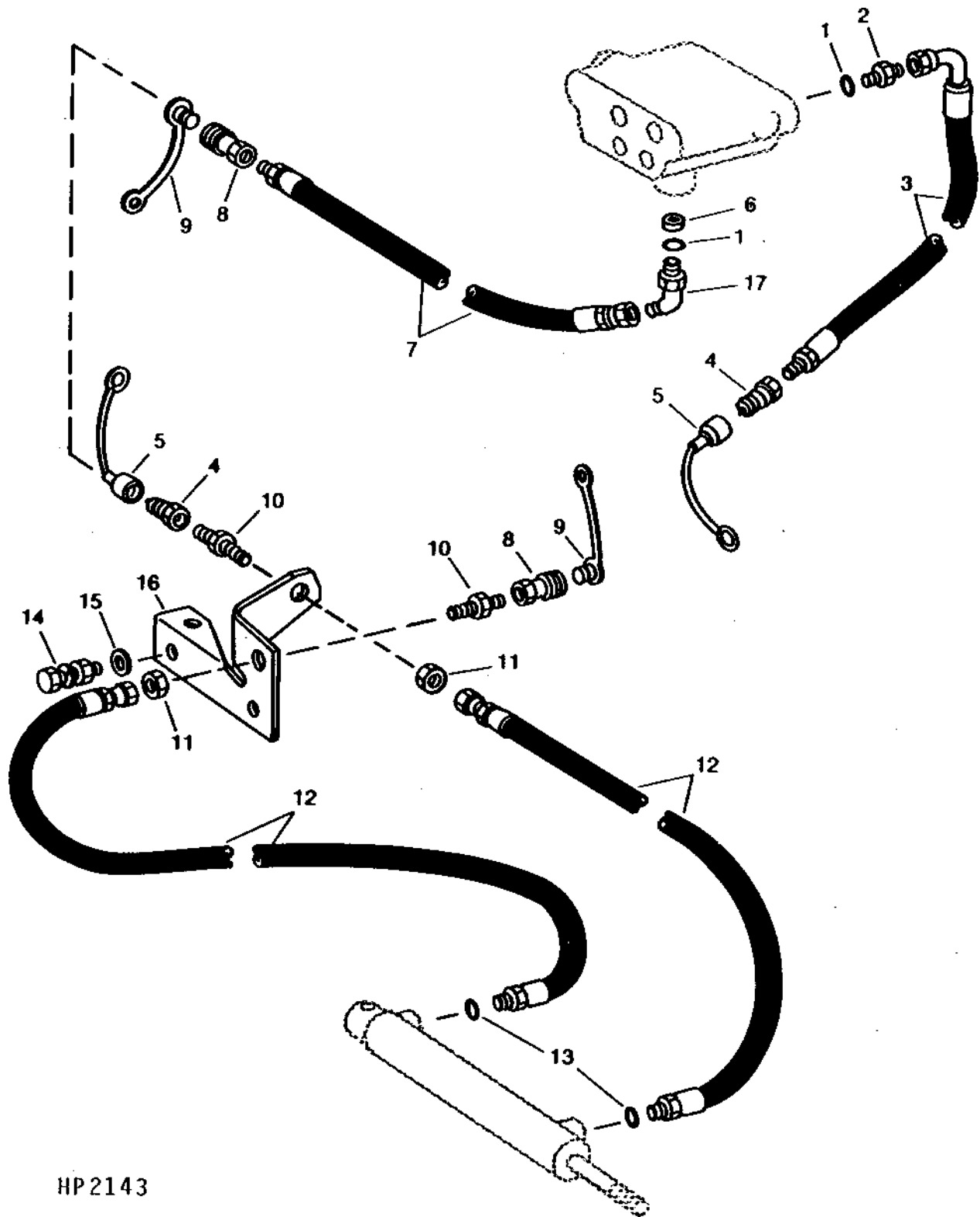
# 2C4

HYDRAULICS

## VARIABLE DRIVE FEEDER HOUSE HYDRAULIC HOSES (SERIAL NO. 600001- )

HP2143

-UN-01JAN94



HP2143

# 2C5

HYDRAULICS

VARIABLE DRIVE FEEDER HOUSE HYDRAULIC HOSES - CONTINUED  
(SERIAL NO. 600001- )

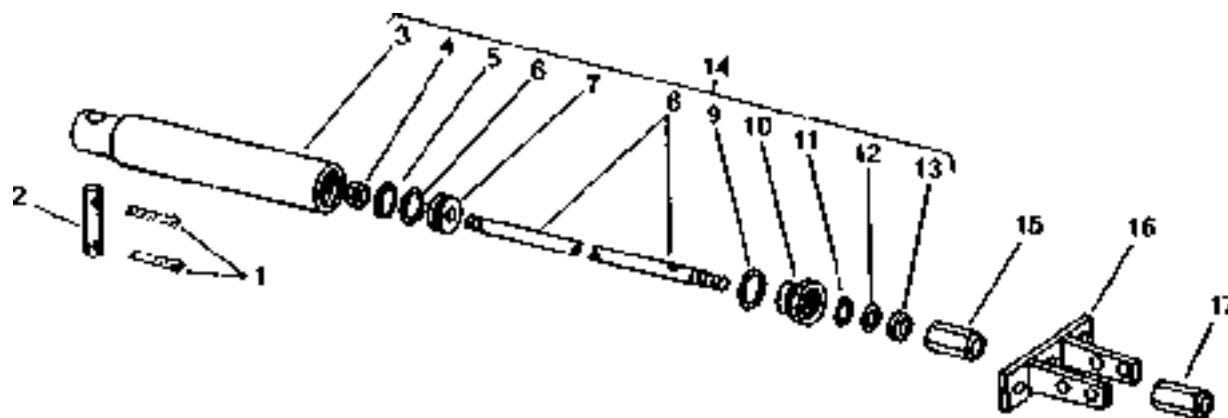
KEY	PART NO.	PART NAME	QTY	SERIAL NO.	REMARKS
1	R26448	O-RING	2		
2	R27212	FITTING	1		
3	AH113137	HYDRAULIC HOSE	1		6.5 MM X 900 MM (1/4" X 23") LONG (REGULAR AND LONG VARIABLE DRIVE)
4	AH15939	HYD. QUICK-CONNECT COUPLER	2		
5	AH83821	CAP	2		
6	H94190	ORIFICE	1		
7	AH112930	HYDRAULIC HOSE	1		6.5 MM X 2100 MM (1/4" X 83") LONG (REGULAR VARIABLE AND REGULAR CHAIN DRIVE)
	AH112932	HYDRAULIC HOSE	1		6.5 MM X 2400 MM (1/4" X 94") LONG (LONG CHAIN AND LONG VARIABLE DRIVE)
8	AH15940	HYD. QUICK-CONNECT COUPLER	2		
9	H83743	PLUG	2		
10	H115880	UNION FITTING	1		
11	14H832	NUT	2		9/16"
12	AH113136	HYDRAULIC HOSE	2		6.5 MM X 580 MM (1/4" X 15") LONG (REGULAR AND LONG VARIABLE DRIVE)
13	R28782	O-RING	2		
14	19H2127	CAP SCREW	2		5/16" X 7/8"
	12H303	LOCK WASHER	2		5/16"
	14H785	NUT	2		5/16"
15	24H1136	WASHER	2		11/32" X 11/16" X 0.065"
16	H115732	BRACKET	1		
17	AT38033	ELBOW FITTING	1		45° ELBOW

# 2C6

HYDRAULICS

HP1577 -UN-01JAN94

## FEEDER HOUSE VARIABLE DRIVE HYDRAULIC CYLINDER



### HP 1577

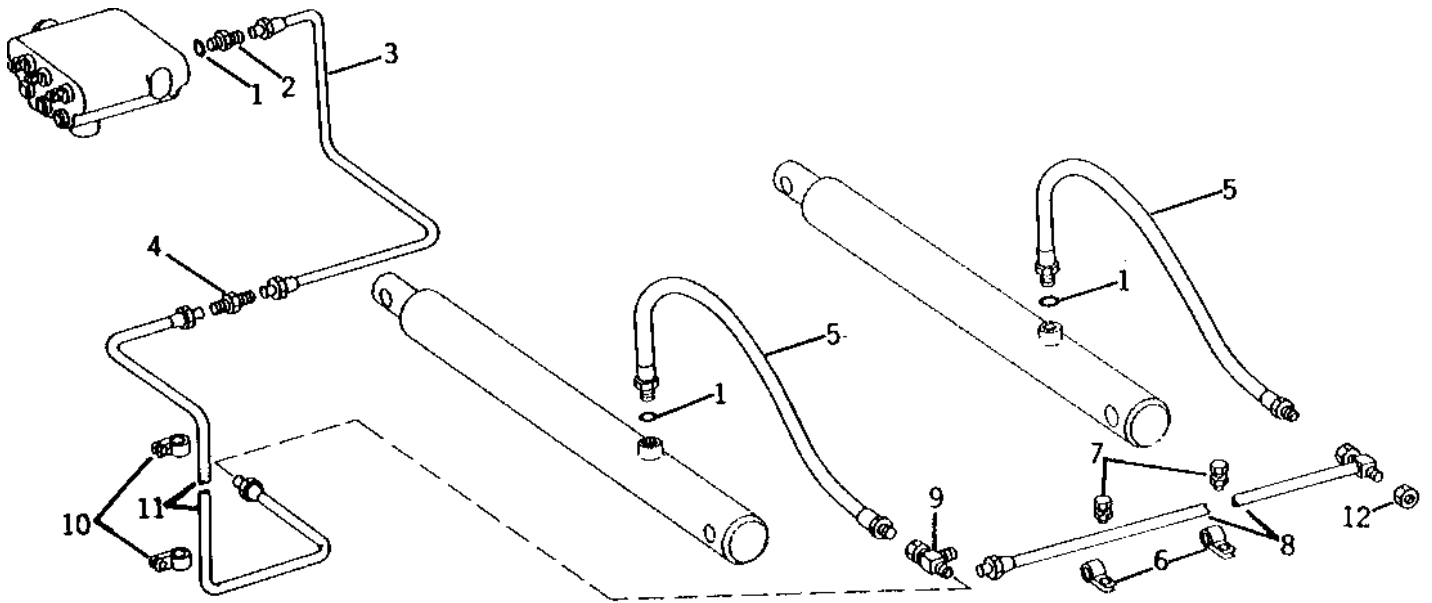
KEY	PART NO.	PART NAME	QTY	SERIAL NO.	REMARKS
1	11H216	COTTER PIN	2	3/16" X 1"	
2	P454M	PIN	1		
3	AH78778	HYDRAULIC CYLINDER BARREL	1		
4	H80440	LOCK NUT	1		
5	.....	RING	1	(A)	
6	.....	WASHER	1	(A)	
7	H80443	PISTON	1		
8	H80441	STUD	1		
9	.....	O-RING	1	(A)	
10	H80442	BEARING	1		
11	.....	O-RING	1	(A)	
12	.....	PISTON RING	1	(A)	
13	.....	SEAL	1	(A)	
14	AH75422	CYLINDER	1	(REMANUFACTURED)	
15	H75938	NUT	1		
16	AH87592	CLEVIS	1		
17	H84367	NUT	1		
..	AH78777	SEAL KIT	1		

# 2C7

HYDRAULICS

H32817 -UN-01JAN94

## PLATFORM LIFT OIL LINES

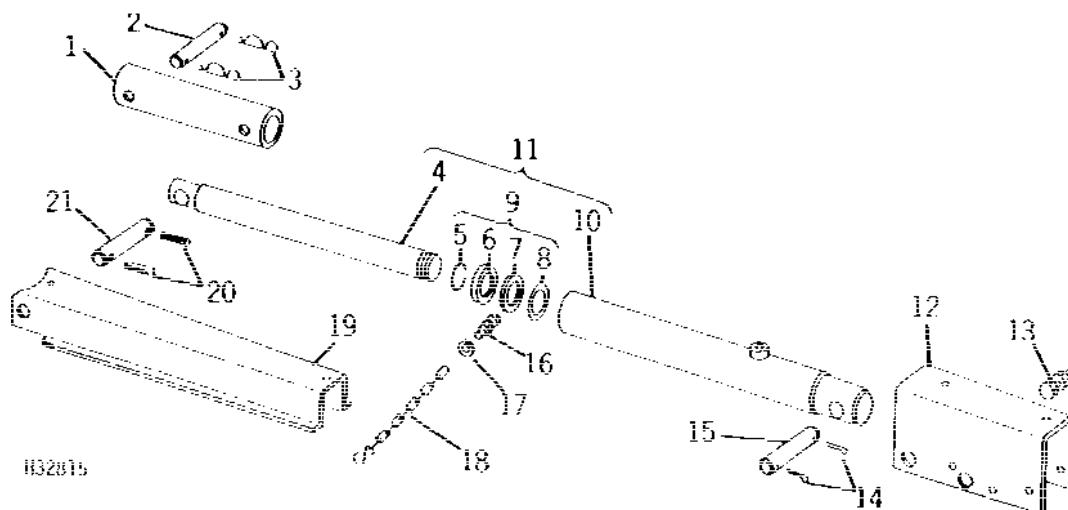


H32817

KEY	PART NO.	PART NAME	QTY	SERIAL NO.	REMARKS
1	R26448	O-RING	3		
2	R27212	FITTING	1		
3	AH76897	LINE	1		UPPER
4	R27095	FITTING	1		
5	AH75502	HYDRAULIC HOSE	2		
6	AH76882	CLIP	2		CUSHIONED
7	19H1813	CAP SCREW	2		5/16" X 5/8"
	14H785	NUT	2		5/16"
8	AH99828	TUBE	1	-400000	(SUB AH101642)
	AH101642	OIL LINE	1		LOWER
9	AH75165	TEE FITTING	1	-451070	(SUB AT36921)
	AT36921	TEE FITTING	1		
10	AH76883	CLIP	2		CUSHIONED
11	AH102531	LINE	1		MIDDLE
12	R39783	FITTING	1		

PLATFORM LIFT CYLINDER, BRACKETS, AND SAFETY STOP

H32815 -UN-01JAN94



KEY	PART NO.	PART NAME	QTY	SERIAL NO.	REMARKS
1	AH96699	EXTENSION	1		(LONG FEEDER HOUSE)
2	H95041	PIN	1		
3	H95042	COTTER PIN	2		
4	.....	ROD	1		
5	.....	SNAP RING	1		
6	.....	SEAL	1		
7	.....	WASHER	1		
8	.....	O-RING	1		
9	AH78775	SEAL KIT	1		
10	.....	HYDRAULIC CYLINDER BARREL	1		
11	AH89362	HYDRAULIC CYLINDER	1		
12	AH101491	BRACKET	1	-550000	(SUB AH112374)
	AH112374	BRACKET	1		R.H.
	AH101492	BRACKET	1	-550000	(SUB AH112375)
	AH112375	BRACKET	1		L.H.
13	19H2898	CAP SCREW	3	-550000	1/2" X 1-1/4"
	12H301	LOCK WASHER	3	-550000	1/2"
	14H1040	NUT	3	-550000	1/2"
	19H2205	CAP SCREW	5	550001-	3/8" X 6"
	E54809	LOCK NUT	5	550001-	
14	H95042	COTTER PIN	2		
15	H99086	PIN	1		
16	19H1900	CAP SCREW	1		5/16" X 3/4"
	14H785	NUT	1		5/16"
17	24H1136	WASHER	1		11/32" X 11/16" X 0.065"
18	AH20203	LINK CHAIN	1		(WITHOUT FLOAT SPRINGS)
	AH80055	LINK CHAIN	1		(WITH FLOAT SPRINGS)
19	H88237	STOP	1		
20	H95042	COTTER PIN	2		
21	H95041	PIN	1	-500000	(SUB H112109)
	H112109	PIN	1		

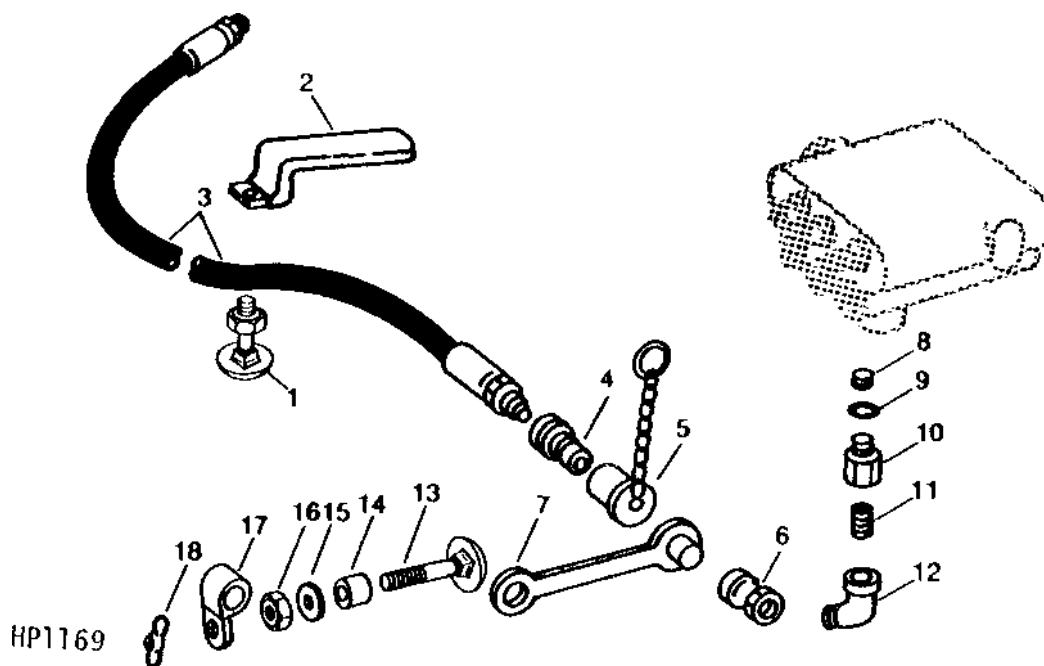
NOTE: QUANTITIES SHOWN ARE FOR ONE UNIT. TWO UNITS USED PER MACHINE

# 2C9

HYDRAULICS

HP1169 -UN-01JAN94

## REEL LIFT OIL LINES

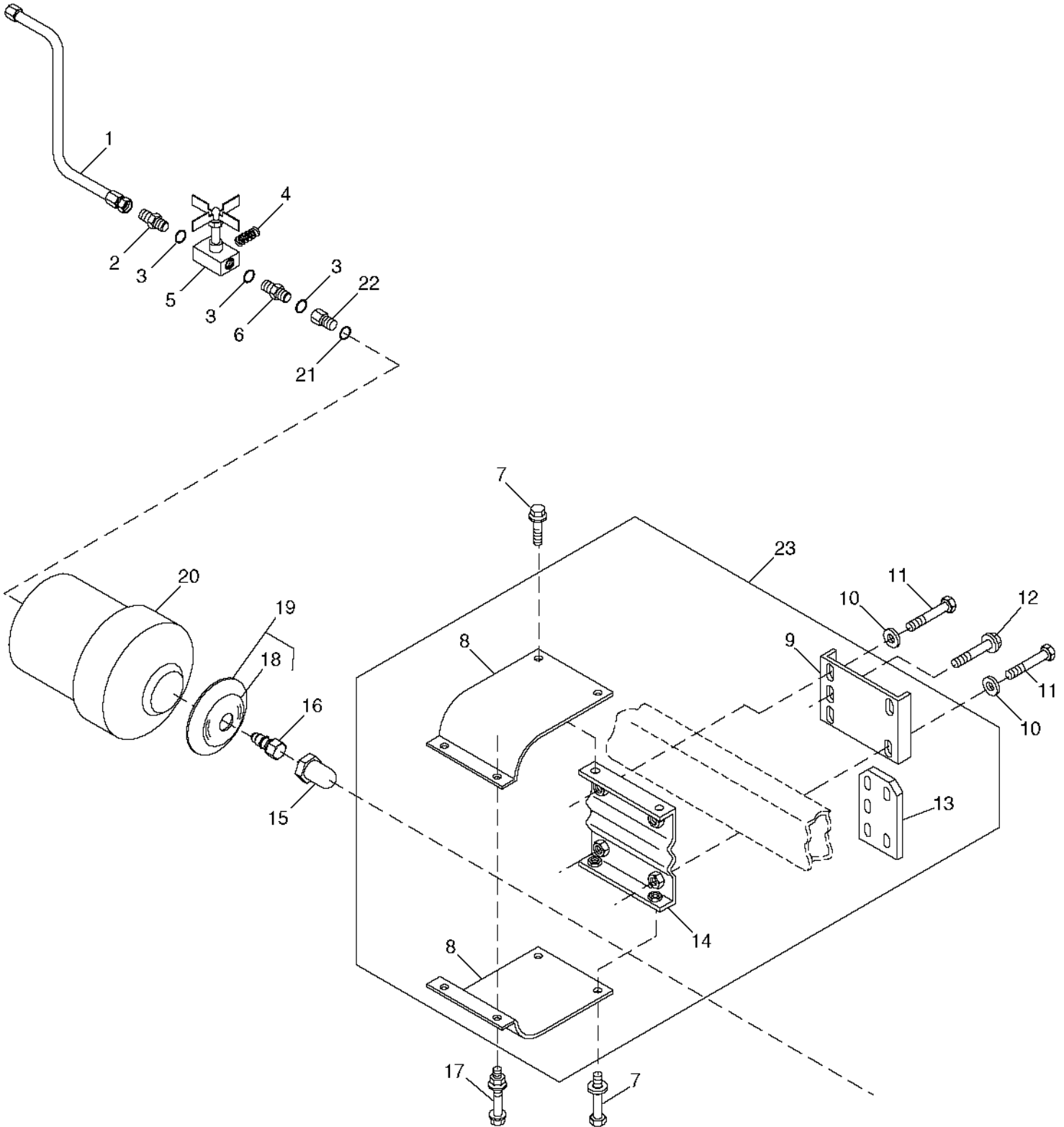


KEY	PART NO.	PART NAME	QTY	SERIAL NO.	REMARKS
1	19H1936	CAP SCREW	1	3/8" X 3/4"	
	14H812	NUT	1	3/8"	
2	AH78124	CLIP	1		
3	AH62037	LINE	1		6 MM X 1727 MM (1/4" I.D. X 68") LONG, (WITH LONG FEEDER HOUSE)
	AH78119	HYDRAULIC HOSE	1		6 MM X 1422 MM (1/4" I.D. X 56") LONG, (WITH REGULAR LENGTH FEEDER HOUSE)
4	AH15939	HYD. QUICK-CONNECT COUPLER	1		
5	AH83821	CAP	1		
6	AH15940	HYD. QUICK-CONNECT COUPLER	1		
7	H83743	PLUG	1		
8	H94190	ORIFICE	1		
9	R26448	O-RING	1		
10	H75412	ADAPTER	1		
11	29H598	THREADED NIPPLE	1	1/4" X 7/8"	
12	P50647	ELBOW FITTING	1		
13	03H2020	BOLT	1	3/8" X 2"	
14	28H2497	SPACER	1	3/8" X 5/8"	
15	24H1305	WASHER	1	13/32" X 13/16" X 0.065"	
16	14H812	NUT	1	3/8"	
17	AH78125	CLIP	1		
18	14H827	WING NUT	1	3/8"	

# 2C10

HYDRAULICS

HP9689 -UN-12APR00 ACCUMULATOR, PRESSURE CONTROL VALVE, AND MOUNTING BRACKET



HP9689



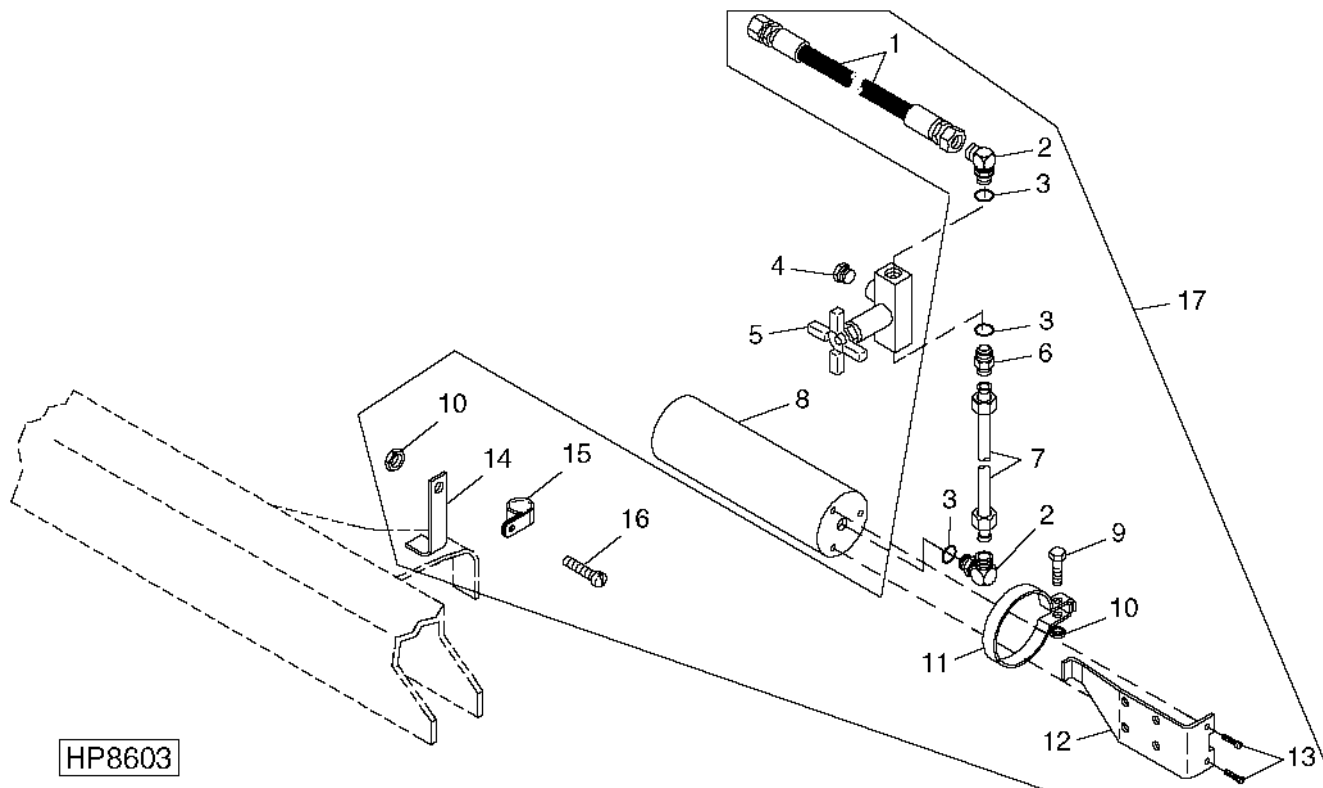
ACCUMULATOR, PRESSURE CONTROL VALVE, AND MOUNTING BRACKET - CONTINUED

KEY	PART NO.	PART NAME	QTY	SERIAL NO.	REMARKS
1	AH101382	LINE	1		
2	AR31674	FITTING	1		
3	R26375	O-RING	3		
4	15H275	PIPE PLUG	1	1/4"	
5	AA14834	VALVE	1		
6	AN131153	UNION FITTING	1		
7	N10212	SELF-LOCKING SCREW	4		
8	H101178	STRAP	2		
9	H101179	CHANNEL	1		
10	H101177	BRACKET	1		
11	19H1913	CAP SCREW	4	5/16" X 2-1/4"	
	12H303	LOCK WASHER	4	5/16"	
12	24H1136	WASHER	4	11/32" X 11/16" X 0.065"	
13	AH100282	BRACKET	1		
14	19H1849	CAP SCREW	2	5/16" X 1-1/4"	
	12H303	LOCK WASHER	2	5/16"	
	14H785	NUT	2	5/16"	
15	A16065	GUARD	1		
16	AA15092	VALVE	1		
17	H109826	DECAL	1		
18	H101544	INSTRUCTION PLATE	1	-450000	(SUB H109555)
	H109555	DECAL	1		INCLUDES DECAL
19	AH100091	ACCUMULATOR	1		(ONE-HALF GALLON) (AUTOMATIC HEADER HEIGHT CONTROL)
	AH108187	ACCUMULATOR	1		(ONE GALLON)
20	U12547	O-RING	1		(ONE GALLON TANK)
21	R70921	ADAPTER	1		(ONE GALLON TANK)

# 2C12

HP8603 -UN-12APR00

## ACCUMULATOR AND REPLACEMENT MOUNTING BRACKET



HP8603

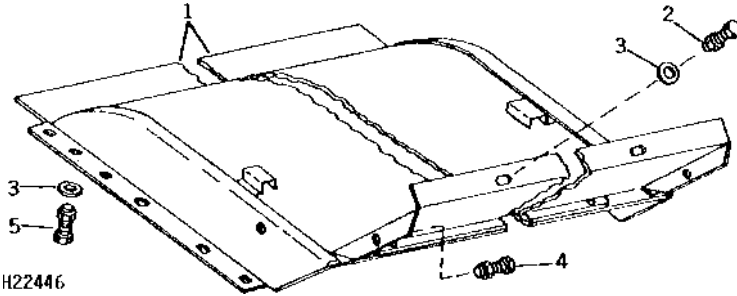
KEY	PART NO.	PART NAME	QTY	SERIAL NO.	REMARKS
1	AH165472	HOSE	1		
2	AT32332	ELBOW FITTING	2		
3	R26375	O-RING	3		
4	15H275	PIPE PLUG	1		1/4", (OR OPTIONAL GAGE HOSE)
5	AA14834	VALVE	1		
6	R27237	FITTING	1		
7	AH165471	TUBE	1		
8	AH133265	ACCUMULATOR	1		(1/2 GALLON) (SUB FOR AH100091) (FOR 1ST TIME INSTALLATION, AH166769 KIT ALSO REQUIRED)
	AH143455	ACCUMULATOR	1		(1 GALLON) (SUB FOR AH108187) (FOR 1ST TIME INSTALLATION, AH166769 KIT ALSO REQUIRED)
9	03M7196	BOLT	1		M10 X 50
10	14M7296	FLANGE NUT	2		M10
11	R77178	CLAMP	1		
12	H171289	BRACKET	1		
13	19M7864	SCREW	2		M8 X 12
14	H171290	CLAMP	1		
15	AH79175	CLIP	1		
16	19M7784	SCREW	1		M10 X 20
17	AH166769	KIT	1		

# 2C14

SEPARATOR SHELL

H22446 -UN-01JAN94

## SEPARATOR TOP SHEET



H22446

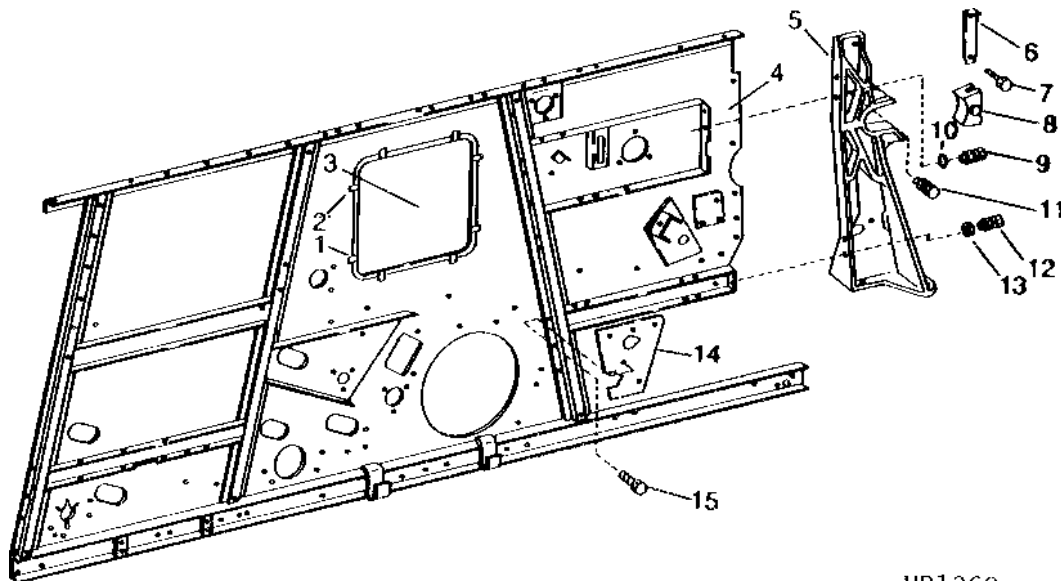
KEY	PART NO.	PART NAME	QTY	SERIAL NO.	REMARKS
1	AH101579	SHEET	1		
2	19H1905	CAP SCREW	3	5/16" X 1"	
	14H785	NUT	3	5/16"	
3	24H1136	WASHER	10	11/32" X 11/16" X 0.065"	
4	19H1813	CAP SCREW	2	5/16" X 5/8"	
	14H785	NUT	2	5/16"	
5	19H2127	CAP SCREW	4	5/16" X 7/8"	
	14H785	NUT	4	5/16"	

# 2C15

SEPARATOR SHELL

HP1362 -UN-01JAN94

## SEPARATOR RIGHT-HAND SIDE SHEETS AND FRAME



HP1362

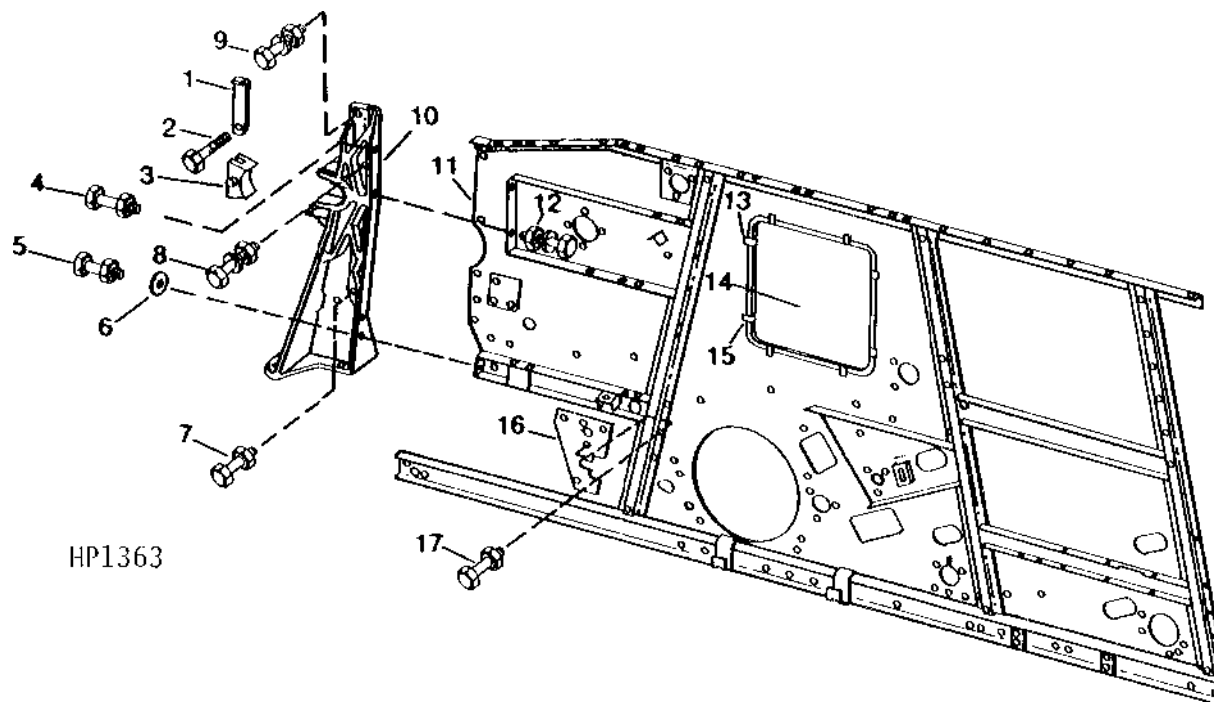
KEY	PART NO.	PART NAME	QTY	SERIAL NO.	REMARKS
1	03H1540	BOLT	7		5/16" X 3/4"
	14H819	WING NUT	7		5/16"
	P47159	CLAMP	1		
3	H77885	DOOR	1		
4	AH101577	FRAME	1	-550000	(SUB AH112245)
	AH112245	FRAME	1		
5	H92938	SUPPORT	1		
6	P47415	KEY	1		
7	19H2020	CAP SCREW	1		5/16" X 1/2"
8	H10835	RETAINER	1		
9	19H2993	CAP SCREW	2		1/2" X 1-1/2"
	12H301	LOCK WASHER	2		1/2"
	14H1040	NUT	2		1/2"
10	24H1341	WASHER	2		17/32" X 15/16" X 0.060"
11	10H1026	BOLT	3		3/8" X 1"
	12H304	LOCK WASHER	3		3/8"
	14H812	NUT	3		3/8"
12	19H3239	CAP SCREW	2		3/8" X 1-1/4"
	12H304	LOCK WASHER	2		3/8"
	14H812	NUT	2		3/8"
13	24H1122	WASHER	2		3/8" X 7/8" X 0.083"
14	H86204	GUSSET	1		
15	19H1731	CAP SCREW	5		3/8" X 1"
	12H304	LOCK WASHER	5		3/8"
	14H812	NUT	5		3/8"

# 2C16

SEPARATOR SHELL

HP1363 -UN-01JAN94

## SEPARATOR LEFT-HAND SIDE SHEETS AND FRAME



KEY	PART NO.	PART NAME	QTY	SERIAL NO.	REMARKS
1	P47415	KEY	1		
2	19H2020	CAP SCREW	1	5/16" X 1/2"	
3	H10835	RETAINER	1		
4	19H3263	CAP SCREW	1	1/2" X 2-1/2"	
	14H1040	NUT	1	1/2"	
	12H301	LOCK WASHER	2	1/2"	
5	19H3217	CAP SCREW	2	3/8" X 1-3/4"	
	14H812	NUT	2	3/8"	
6	24H1122	WASHER	2	3/8" X 7/8" X 0.083"	
7	10H1028	BOLT	1	3/8" X 1-1/2"	
	14H812	NUT	1	3/8"	
8	09H1590	BOLT	2	3/8" X 1-1/2"	
	12H304	LOCK WASHER	2	3/8"	
	14H812	NUT	2	3/8"	
9	19H1815	CAP SCREW	2	1/2" X 1-1/4"	
	12H301	LOCK WASHER	2	1/2"	
	14H1040	NUT	2	1/2"	
10	H92939	SUPPORT	1		
11	AH101578	FRAME	1	-550000	(SUB AH112244)
	AH112244	FRAME	1		
12	19H2993	CAP SCREW	1	1/2" X 1-1/2"	
	12H301	LOCK WASHER	1	1/2"	
	14H1040	NUT	1	1/2"	
13	03H1540	BOLT	8	5/16" X 3/4"	
	14H819	WING NUT	8	5/16"	
14	H77885	DOOR	1		
15	P47159	CLAMP	8		
16	H86204	GUSSET	1		
17	19H1731	CAP SCREW	5	3/8" X 1"	
	14H812	NUT	5	3/8"	

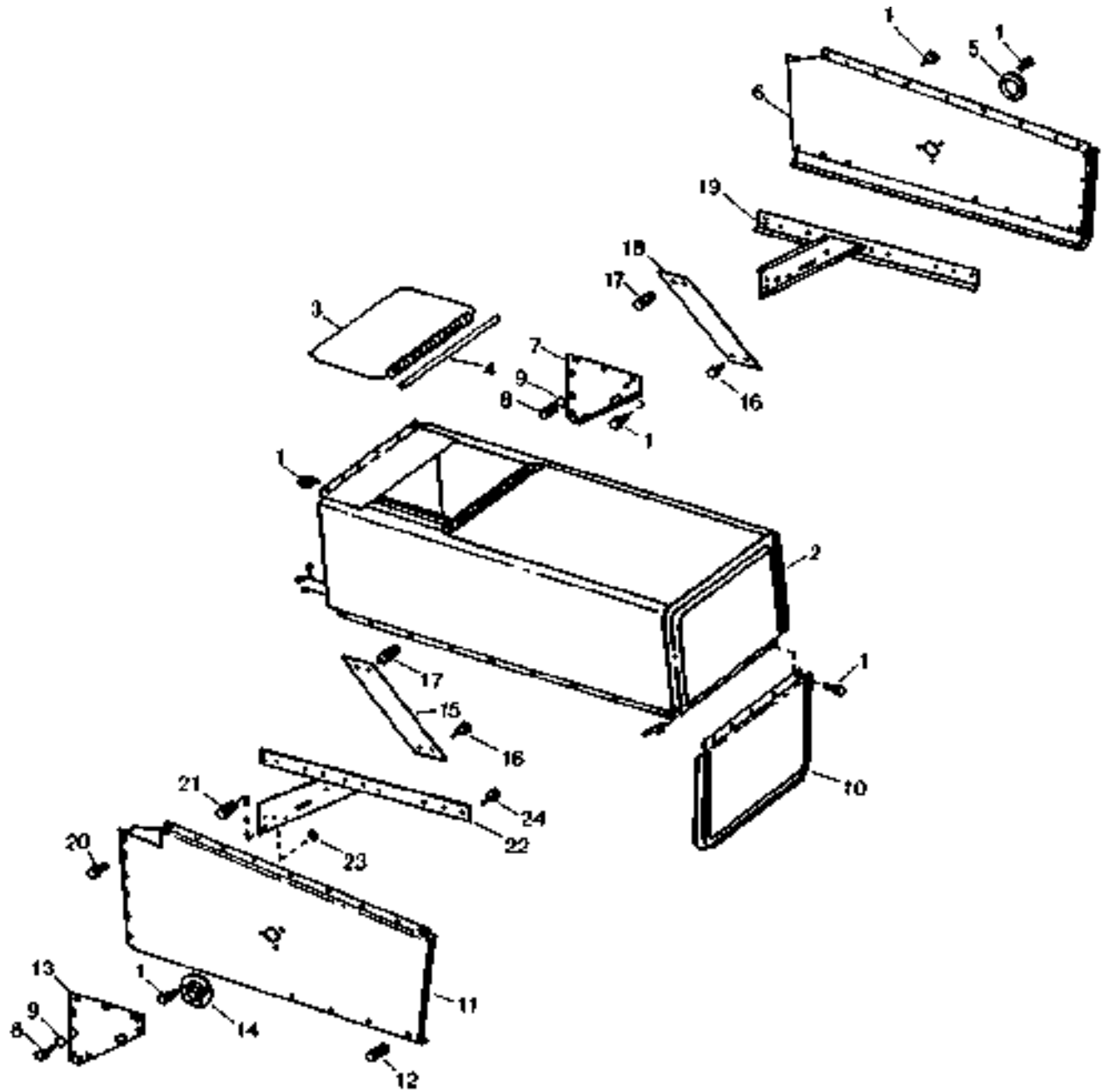
# 2C17

SEPARATOR SHELL

HP1901

-UN-01JAN94

REAR HOOD



HP1901

# 2C18

SEPARATOR SHELL

## REAR HOOD - CONTINUED

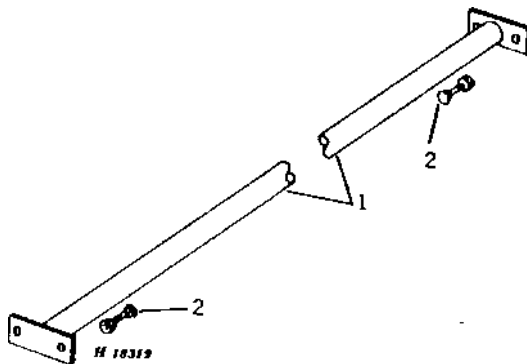
KEY	PART NO.	PART NAME	QTY	SERIAL NO.	REMARKS
1	H65108	SCREW	AR	-550000	SELF-TAPPING
2	AH98947	HOOD	1		TOP
3	H75294	DOOR	1		
4	H75295	PIN	1		
5	H76805	COVER	1	-550000	R.H.
	H99297	COVER	1	550001-	R.H.
6	AH85648	SHEET	1	-550000	(SUB AH112250)
	AH112250	SHEET	1		R.H.
7	H77529	GUSSET	1	-550000	R.H.
	H114557	GUSSET	1	550001-	R.H.
8	19H1813	CAP SCREW	6		5/16" X 5/8"
	14H785	NUT	6		5/16"
9	24H1136	WASHER	6		11/32" X 11/16" X 0.065"
10	AH76263	SHEET	1		
11	AH76261	SHEET	1		(SUB AH85649)
	AH85649	SHEET	1	-550000	(SUB AH112251)
	AH112251	SHEET	1		L.H.
12	N10212	SELF-LOCKING SCREW	8		
	N10213	LOCK NUT	8		
13	H77530	GUSSET	1	-550000	L.H.
	H114557	GUSSET	1	550001-	L.H.
14	H83386	COVER	1	-550000	(SUB H99297)
	H99297	COVER	1		L.H.
15	AH112282	STRAP	1		L.H.
16	N14822	SELF-LOCKING SCREW	4	550001-	
17	N10212	SELF-LOCKING SCREW	4	550001-	
	N10213	LOCK NUT	4	550001-	
18	AH112281	STRAP	1		R.H.
19	AH113196	REINFORCEMENT	1	550001-	R.H.
20	N14822	SELF-LOCKING SCREW	12	550001-	
21	19H1813	CAP SCREW	4	550001-	5/16" X 5/8"
	12H303	LOCK WASHER	4	550001-	5/16"
	14H785	NUT	4	550001-	5/16"
22	AH113195	REINFORCEMENT	1	550001-	L.H.
23	24H1136	WASHER	4	550001-	11/32" X 11/16" X 0.065"
24	N10212	SELF-LOCKING SCREW	4	550001-	

# 2C19

SEPARATOR SHELL

H18319 -UN-01JAN94

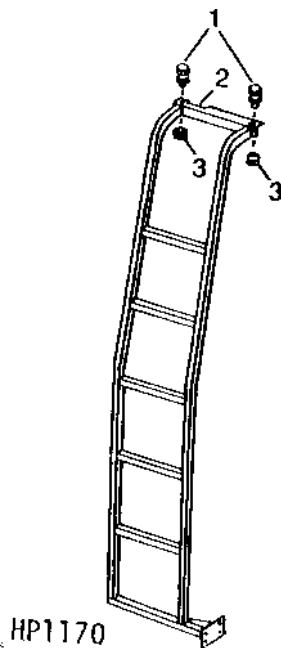
## SEPARATOR CROSS BRACE



KEY	PART NO.	PART NAME	QTY	SERIAL NO.	REMARKS
1	AH83430	BRACE	1		
2	03H1500	BOLT	4	3/8" X 1"	
	14H812	NUT	4	3/8"	

HP1170 -UN-01JAN94

## SEPARATOR LADDER



KEY	PART NO.	PART NAME	QTY	SERIAL NO.	REMARKS
1	19H1905	CAP SCREW	2	5/16" X 1"	
	14H785	NUT	2	5/16"	
2	AH77692	LADDER	1		
3	24H1136	WASHER	2	11/32" X 11/16" X 0.065"	

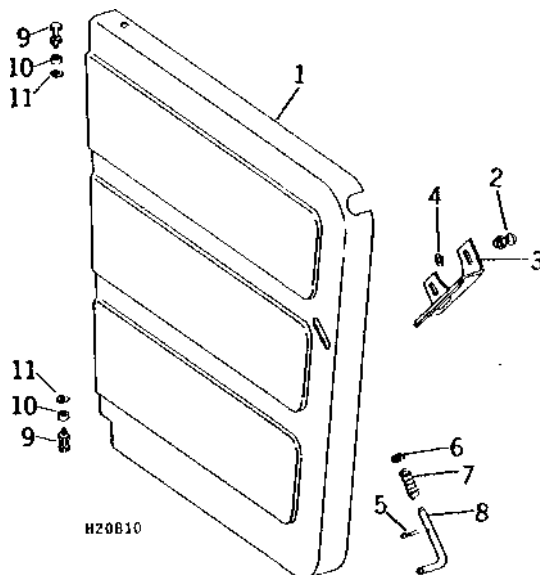


# 2C20

SEPARATOR SHELL

H20810 -UN-01JAN94

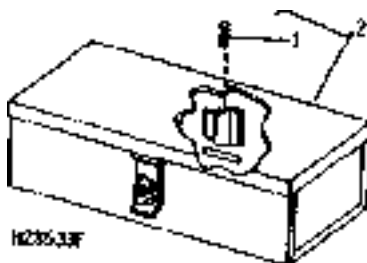
## SEPARATOR RIGHT-HAND SHIELD



KEY	PART NO.	PART NAME	QTY	SERIAL NO.	REMARKS
1	AH76985	SHIELD	1		
2	03H1524	BOLT	2	5/16" X 1"	
	14H785	NUT	2	5/16"	
3	H80067	LATCH	1		
4	24H1122	WASHER	2	3/8" X 7/8" X 0.083"	
5	11H211	COTTER PIN	1	1/8" X 3/4"	
6	24H1305	WASHER	1	13/32" X 13/16" X 0.065"	
7	HZ5621H	SPRING	1		
8	H78557	PIN	1		
9	19H1731	CAP SCREW	2	3/8" X 1"	
	14H812	NUT	2	3/8"	
10	28H1517	WASHER	2	0.493" X 0.675" X 1/4"	
11	24H1305	WASHER	2	13/32" X 13/16" X 0.065"	

## TOOL BOX

H28533F -UN-01JAN94



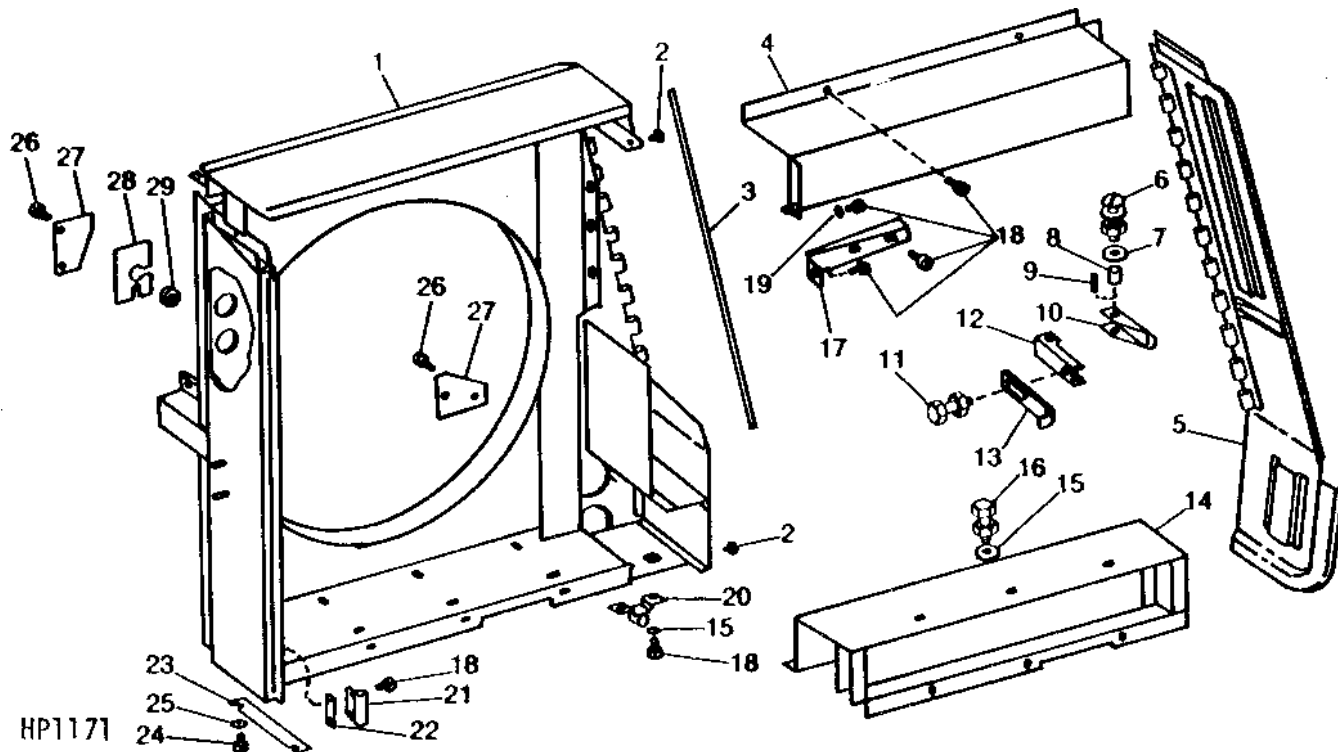
KEY	PART NO.	PART NAME	QTY	SERIAL NO.	REMARKS
1	34H94	SPRING PIN	1	7/32" X 1-3/4"	
2	AH84966	TOOLBOX	1		

# 2C21

SEPARATOR SHELL

HP1171 -UN-01JAN94

## CORNER FRAME, RADIATOR CLOSURES, AND DOOR



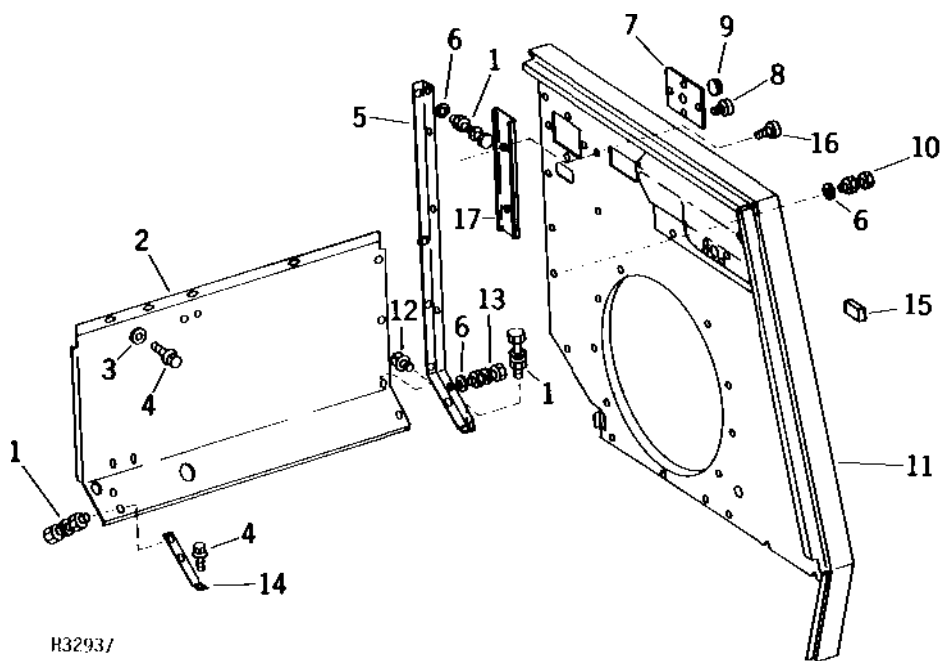
KEY	PART NO.	PART NAME	QTY	SERIAL NO.	REMARKS
1	AH92224	FRAME	1		
2	H81804	BUMPER	2		
3	H86509	PIN	1		
4	AH92222	COVER	1		UPPER
5	AH90894	PANEL	1		
6	21H1045	SCREW	1		1/4" X 2"
	12H302	LOCK WASHER	1		1/4"
	14H786	NUT	1		1/4"
7	24H1287	WASHER	1		9/32" X 5/8" X 0.065"
8	28H1955	BUSHING	1		1/8" X 1-15/32"
9	34H270	SPRING PIN	1		5/32" X 1-1/2"
10	H86493	HANDLE	1		
11	03H1416	BOLT	1		5/16" X 3/4"
	N10213	LOCK NUT	1		
12	H89313	BRACKET	1		
13	H89312	HOOK	1		
14	AH87730	SUPPORT	1		BOTTOM (WITHOUT AIR CONDITIONING)
15	24H1136	WASHER	5		11/32" X 11/16" X 0.065"
16	19H1813	CAP SCREW	3		5/16" X 5/8"
	N10213	LOCK NUT	3		
17	H86689	BRACKET	1		
18	N71292	SELF-LOCKING SCREW	12		
19	24H1224	WASHER	1		11/32" X 1" X 1/16"
20	H99937	BRACKET	1		
21	H94605	HINGE	2		
22	H86523	STRAP	2		
23	H86688	STRAP	AR		
24	N10214	SELF-LOCKING SCREW	2		
25	24H1305	WASHER	2		13/32" X 13/16" X 0.065"
26	37H3	SCREW	2		1/4" X 5/8"
27	H87661	COVER	2		
28	H88190	COVER	1		(WITH AIR CONDITIONING)
29	H80306	GROMMET	1		(WITH AIR CONDITIONING)

# 2C22

SEPARATOR SHELL

H32937 -UN-01JAN94

## ENGINE COMPARTMENT REAR SHEET AND INSTRUMENT WALL



H32937

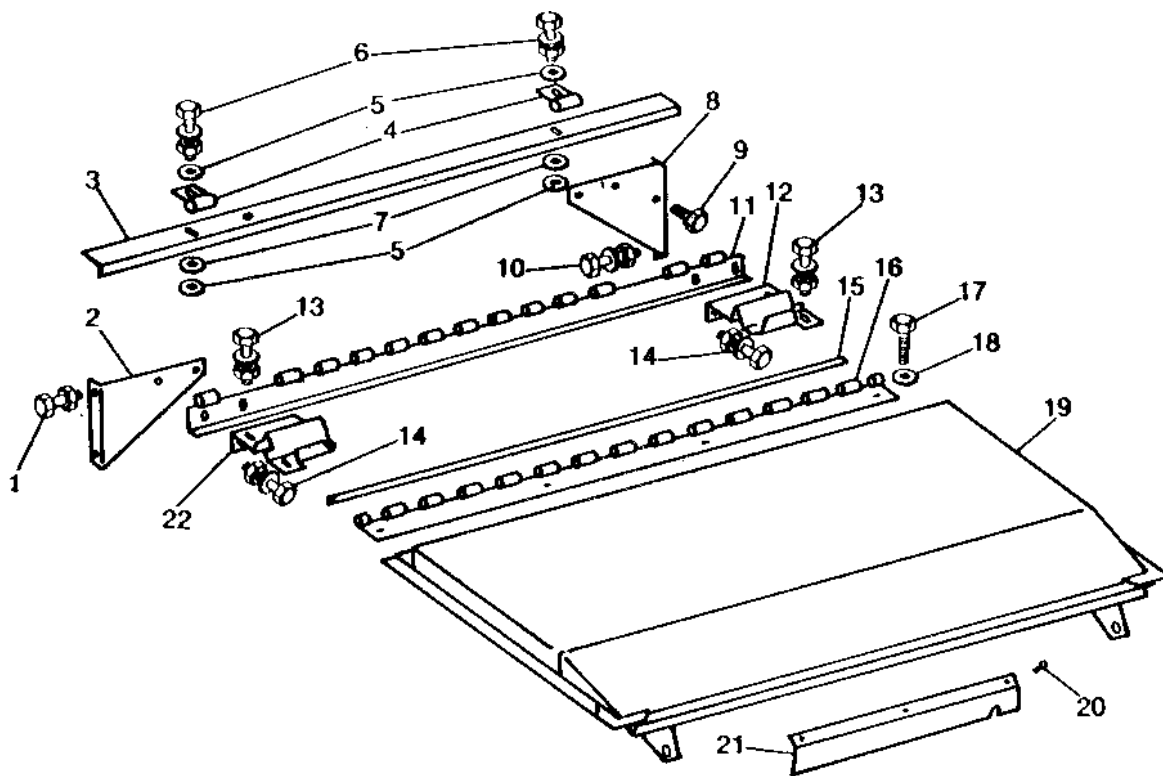
KEY	PART NO.	PART NAME	QTY	SERIAL NO.	REMARKS
1	19H1905	CAP SCREW	5	5/16" X 1"	
	12H303	LOCK WASHER	5	5/16"	
	14H785	NUT	5	5/16"	
2	AH89058	SHEET	1	REAR	
3	24H1224	WASHER	4	11/32" X 1" X 1/16"	
4	H76139	SCREW	5	SELF-TAPPING	
5	H84581	ANGLE	1		
6	24H1136	WASHER	5	11/32" X 11/16" X 0.065"	(WITHOUT AIR CONDITIONING)
7	H86115	COVER	1		
8	37H120	SCREW	4	0.164" X 1/2",	(WITHOUT AIR CONDITIONING)
9	H83060	GROMMET	1		(WITHOUT AIR CONDITIONING)
10	19H2127	CAP SCREW	1	5/16" X 7/8"	
	12H303	LOCK WASHER	1	5/16"	
	14H785	NUT	1	5/16"	
11	AH97875	PANEL	1		
12	H65108	SCREW	4	SELF-TAPPING	
13	19H1813	CAP SCREW	2	5/16" X 5/8"	
	12H303	LOCK WASHER	2	5/16"	
	14H785	NUT	2	5/16"	
14	H86339	STRAP	1		
15	.....	SEAL	1	19 MM X 35 MM X 76 MM (3/4" X 1-3/4" X 3")	LONG (CUT FROM H92017)
16	H76139	SCREW	1	SELF-TAPPING	
17	H99527	RETAINER	1		

# 2C23

SEPARATOR SHELL

HP1172 -UN-01JAN94

## ENGINE COMPARTMENT UPPER DOOR



HP1172

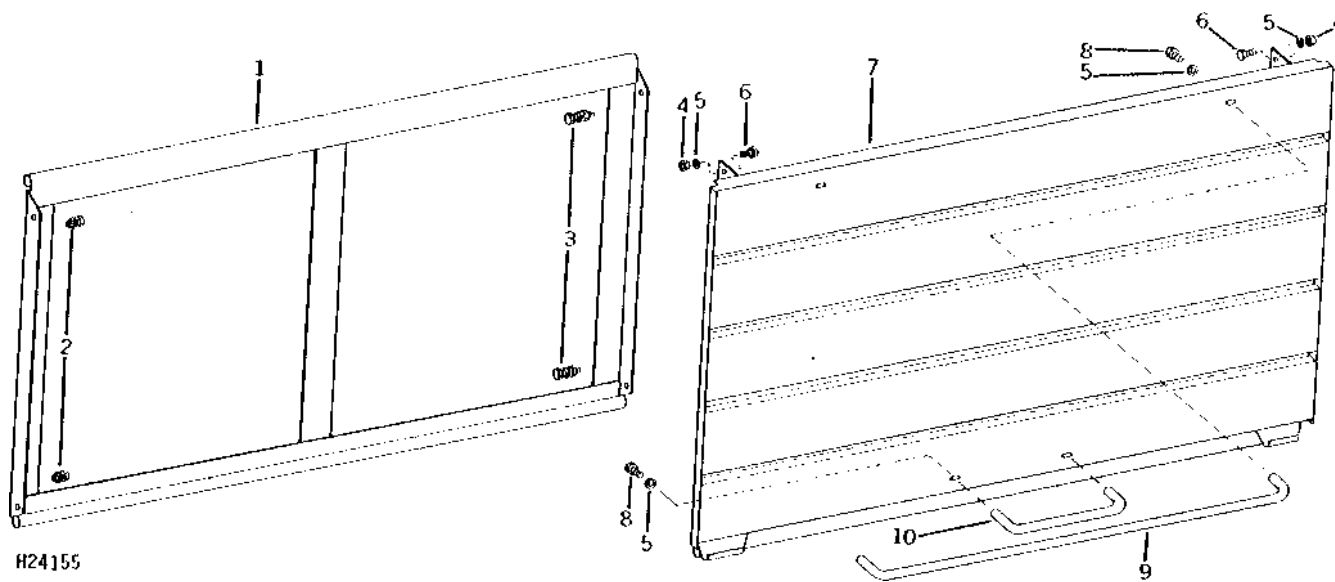
KEY	PART NO.	PART NAME	QTY	SERIAL NO.	REMARKS
1	H77932	SCREW	2		SELF-LOCKING
2	H86326	GUSSET	1		
3	H86328	SEAL	1		
4	H86847	CLIP	2		
5	24H1305	WASHER	4		13/32" X 13/16" X 0.065"
6	19H1732	CAP SCREW	2		3/8" X 1-1/4"
	12H304	LOCK WASHER	2		3/8"
	14H812	NUT	2		3/8"
7	24H1309	WASHER	2		13/32" X 1-1/16" X 0.120"
8	H99936	GUSSET	1		
9	H76139	SCREW	1		SELF-TAPPING
10	19H1900	CAP SCREW	2		5/16" X 3/4"
	12H303	LOCK WASHER	2		5/16"
	14H785	NUT	2		5/16"
11	H86321	HINGE	1		
12	H87453	STOP	1		L.H. DOOR
13	19H1905	CAP SCREW	4		5/16" X 1"
	12H303	LOCK WASHER	4		5/16"
	14H785	NUT	4		5/16"
14	19H1936	CAP SCREW	4		3/8" X 3/4"
	12H304	LOCK WASHER	4		3/8"
	14H812	NUT	4		3/8"
15	H86316	PIN	1		
16	AH87584	HINGE	1		
17	19H1813	CAP SCREW	4		5/16" X 5/8"
18	24H1136	WASHER	4		11/32" X 11/16" X 0.065"
19	AH87586	DOOR	1		
20	H64584	RIVET	4		(WITHOUT OPERATOR'S CAB)
21	H86819	REINFORCEMENT	1		(WITHOUT OPERATOR'S CAB)
22	H87454	STOP	1		R.H. DOOR

# 2C24

SEPARATOR SHELL

H24155 -UN-01JAN94

## ENGINE COMPARTMENT MIDDLE DOOR AND FRAME



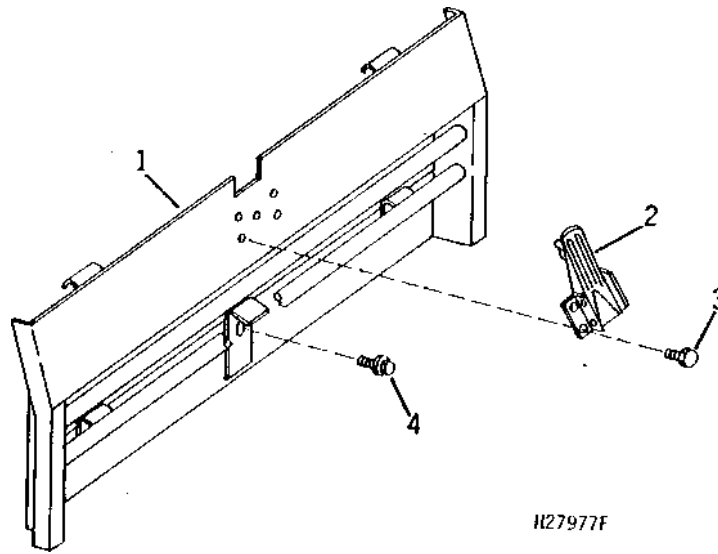
KEY	PART NO.	PART NAME	QTY	SERIAL NO.	REMARKS
1	AH87574	FRAME	1		
2	H65108	SCREW	2		
3	19H1900	CAP SCREW	2		5/16" X 3/4"
	12H303	LOCK WASHER	2		5/16"
	14H785	NUT	2		5/16"
4	BP12232	LOCK NUT	2	-550000	(SUB M40699)
	M40699	NUT	2		
5	24H1136	WASHER	6		11/32" X 11/16" X 0.065"
6	19H2127	CAP SCREW	2		5/16" X 7/8"
7	AH93351	DOOR	1		
8	19H1849	CAP SCREW	4		5/16" X 1-1/4"
	12H303	LOCK WASHER	4		5/16"
9	H86347	HANDRAIL	1		
10	H86349	HANDRAIL	1		

# 2C25

SEPARATOR SHELL

H27977F -UN-01JAN94

## FRONT ENGINE COMPARTMENT PANEL



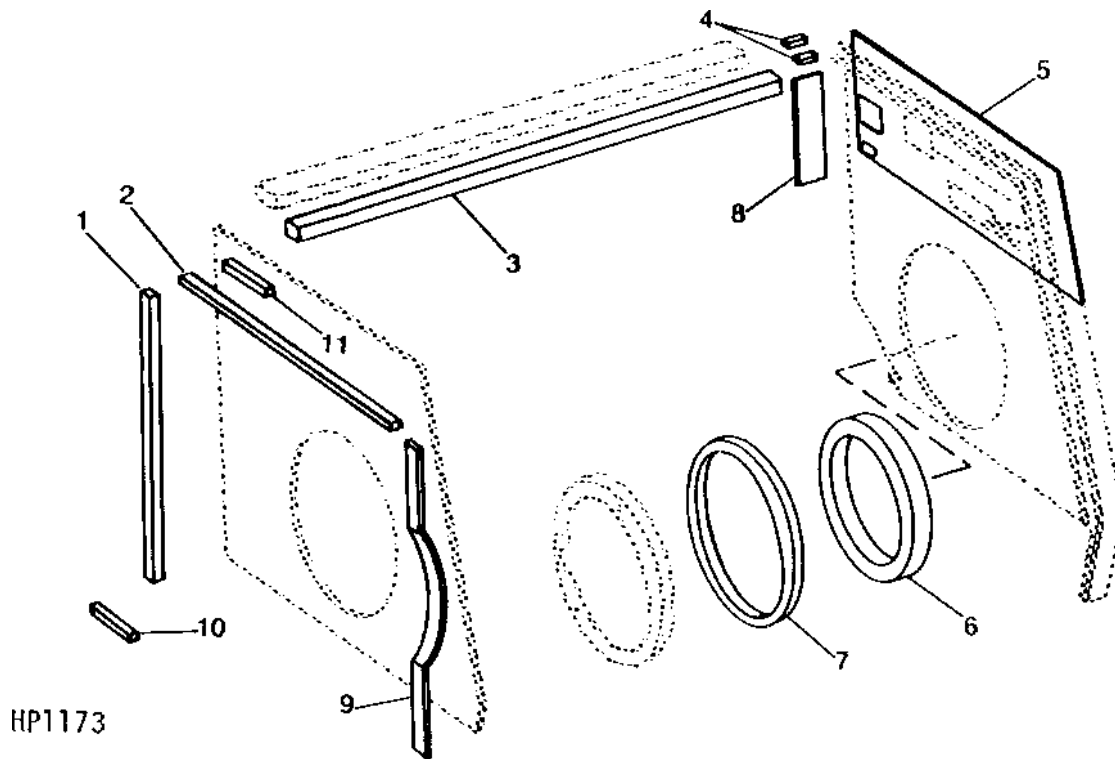
KEY	PART NO.	PART NAME	QTY	SERIAL NO.	REMARKS
1	AH91707	PANEL	1		
2	AH87272	LATCH	1		
3	H85092	SCREW	4		SELF-TAPPING
4	H65108	SCREW	3		SELF-TAPPING

# 2D1

SEPARATOR SHELL

HP1173 -UN-01JAN94

## ENGINE COMPARTMENT SEALS



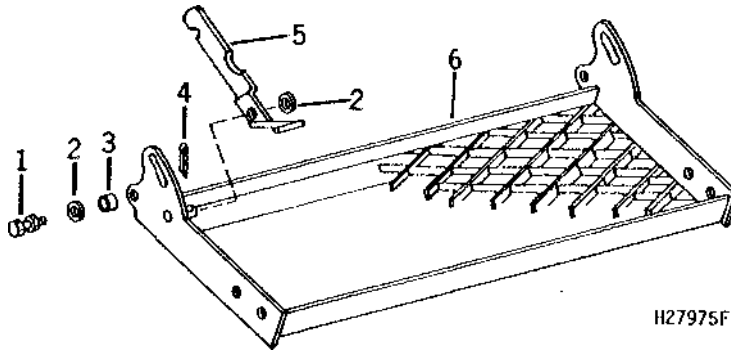
KEY	PART NO.	PART NAME	QTY	SERIAL NO.	REMARKS
1	.....	SEAL	1		19 MM X 19 MM X 610 MM (3/4" X 3/4" X 24") PRESSURE SENSITIVE (BETWEEN RADIATOR AND CORNER FRAME AT REAR) (CUT FROM H88769)
2	.....	SEAL	1		10 MM X 25 MM X 711 MM (3/8" X 1" X 28") PRESSURE SENSITIVE (BETWEEN RADIATOR AND CORNER FRAME AT TOP) (CUT FROM H88773)
3	.....	SEAL	1		25 MM X 25 MM X 1114 MM (1" X 1" X 4-7/8") (BETWEEN TOP DOOR HINGE SEAL AND GRAIN TANK) (CUT FROM H81326)
4	.....	SEAL	2		27 MM X 27 MM X 76 MM (1-1/16" X 1-1/16" X 3") (UNDER GRAIN TANK CHANNEL NEXT TO INSTRUMENT WALL AND BETWEEN L.H. GUSSET AND INSTRUMENT WALL) (CUT FROM H88770)
5	H86990	SEAL	1		PRESSURE SENSITIVE (ON ENGINE SIDE OF INSTRUMENT WALL AT TOP)
6	AH85910	ISOLATOR	1		(BETWEEN INSTRUMENT WALL AND BELL HOUSING)
7	H81350	SEAL	1		(BETWEEN INSTRUMENT WALL AND ENGINE SEAL PLATE)
8	.....	SEAL	1		3 MM X 32 MM X 457 MM (1/8" X 1-1/4" X 18") (BETWEEN REAR SHEET AND CORNER REINFORCEMENT ANGLE AT TOP) (CUT FROM H88771)
9	.....	SEAL	1		19 MM X 19 MM X 737 MM (3/4" X 3/4" X 29") PRESSURE SENSITIVE (BETWEEN RADIATOR AND CORNER FRAME AT FRONT) (CUT FROM H88769)
10	.....	SEAL	1		19 MM X 19 MM X 76 MM (3/4" X 3/4" X 3") PRESSURE SENSITIVE (BETWEEN ROTARY SCREEN DOOR STOP BRACKET AND CORNER FRAME) (CUT FROM H88769)
11	.....	SEAL	1		19 MM X 19 MM X 203 MM (3/4" X 3/4" X 8") PRESSURE SENSITIVE (BETWEEN RADIATOR AND CORNER FRAME AT LEFT FRONT) (CUT FROM H88769)

# 2D2

SEPARATOR SHELL

H27975F -UN-01JAN94

## ENGINE COMPARTMENT WALKWAY

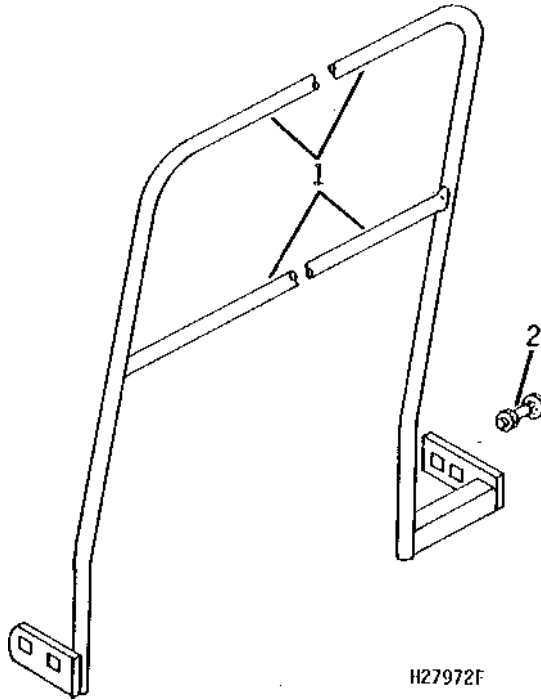


H27975F

KEY	PART NO.	PART NAME	QTY	SERIAL NO.	REMARKS
1	19H1815	CAP SCREW	4	1/2" X 1-1/4"	
	E54809	LOCK NUT	4		
2	24H1111	WASHER	5	17/32" X 1-1/16" X 0.090"	
3	28H935	SPACER	4	1/2" X 7/16"	
4	11H206	COTTER PIN	1	3/32" X 3/4"	
5	AH90998	LATCH	1		
6	AH93235	STEP	1		

H27972F -UN-01JAN94

## SAFETY RAILING



H27972F

KEY	PART NO.	PART NAME	QTY	SERIAL NO.	REMARKS
1	AH92686	HANDRAIL	1		
2	03H1500	BOLT	4	3/8" X 1"	
	N10215	LOCK NUT	4		

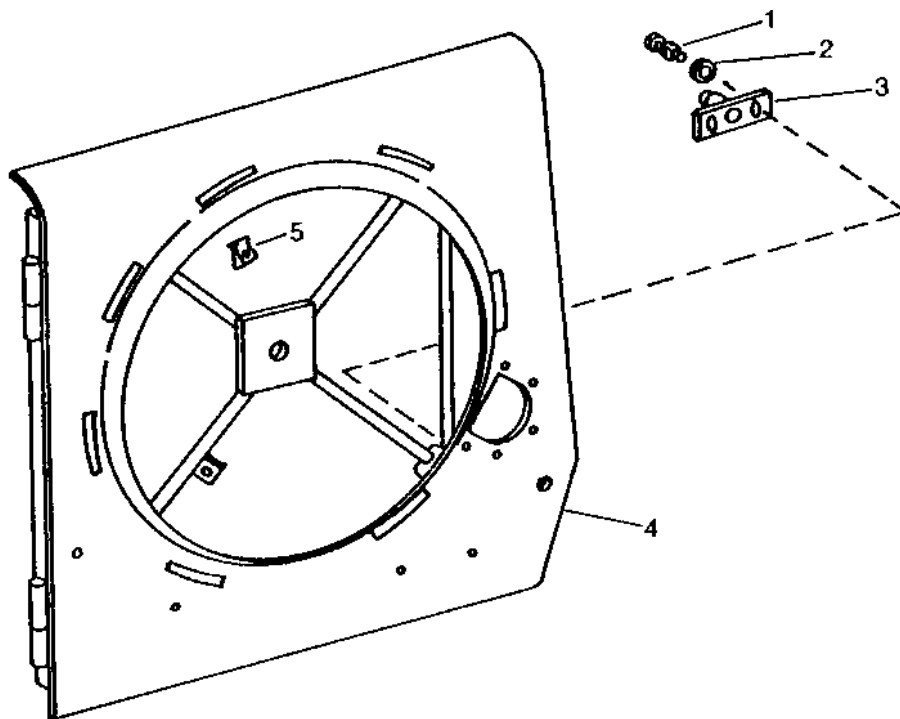


# 2D3

SEPARATOR SHELL

HP559 -UN-01JAN94

## ROTARY SCREEN DOOR AND SAFETY ROD



HP559

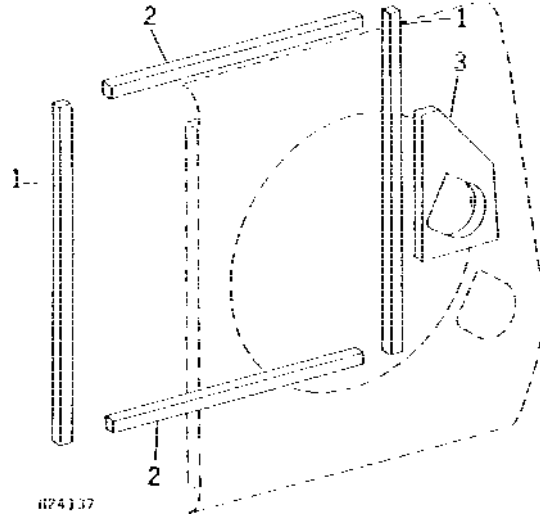
KEY	PART NO.	PART NAME	QTY	SERIAL NO.	REMARKS
1	19H1900	CAP SCREW	2	5/16" X 3/4"	
	12H303	LOCK WASHER	2	5/16"	
2	24H1136	WASHER	2	11/32" X 11/16" X 0.065"	
3	AH87612	SUPPORT	1	-600000	(SUB AH113908)
	AH113908	SUPPORT	1		
4	AH93926	DOOR	1		
5	R53677	LOCK NUT	7		

# 2D4

SEPARATOR SHELL

H24137 -UN-01JAN94

## ROTARY SCREEN DOOR SEALS



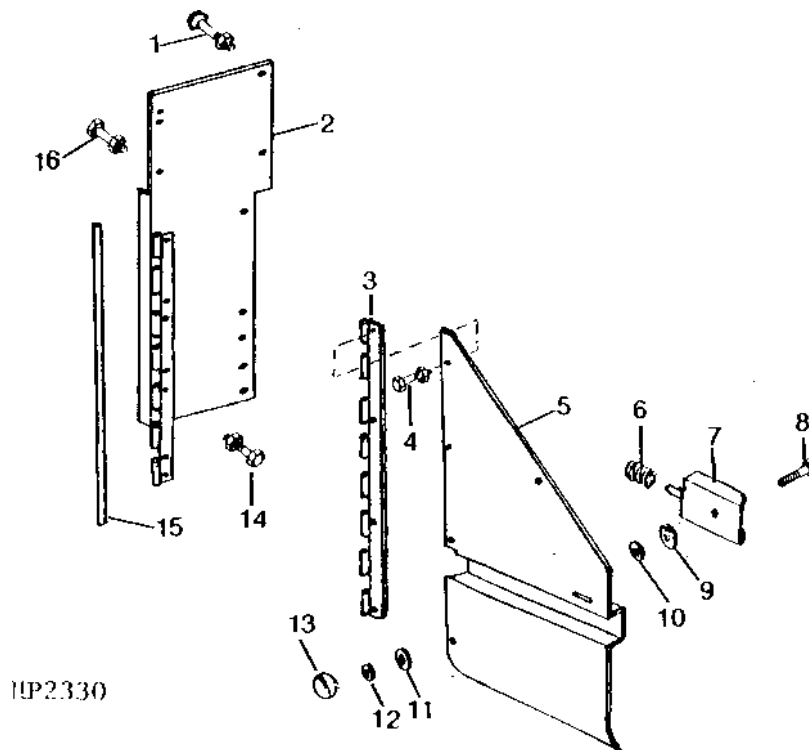
KEY	PART NO.	PART NAME	QTY	SERIAL NO.	REMARKS
1	.....	SEAL	2		27 MM X 27 MM X 867 MM (1-1/16" X 1-1/16" X 34") (CUT FROM H88842)
2	.....	SEAL	2		27 MM X 27 MM X 724 MM (1-1/16" X 1-1/16" X 28-1/2") (CUT FROM H88842)
3	H93421	SEAL	1		
PARTS LISTED BELOW ARE NOT ILLUSTRATED:					
..	H88842	SEAL	1		
..	AR31790	ADHESIVE	1		

# 2D5

SEPARATOR SHELL

HP2330 -UN-01JAN94

## OIL RESERVOIR ACCESS DOOR



KEY	PART NO.	PART NAME	QTY	SERIAL NO.	REMARKS
1	21H1030	SCREW	3	3/8" X 3/4"	
2	AH76595	SUPPORT	1		
3	H77420	HINGE	1		
4	19H1813	CAP SCREW	4	5/16" X 5/8"	
	14H785	NUT	4	5/16"	
5	AH76211	DOOR	1		
6	F1463R	SPRING	1		
7	AH78173	LATCH	1		
8	19H2529	CAP SCREW	1	5/16" X 1"	
9	24H1211	WASHER	1	9/16" X 1-3/8" X 0.105"	
10	28H1861	WASHER	1	0.364" X 0.540" X 7/32"	
11	24H1224	WASHER	1	11/32" X 1" X 1/16"	
12	14H882	NUT	1	5/16"	
13	H29296	KNOB	1		
14	19H1731	CAP SCREW	5	3/8" X 1"	
	14H812	NUT	5	3/8"	
15	H75293	DOWEL PIN	1		
16	19H1936	CAP SCREW	1	3/8" X 3/4"	
	14H812	NUT	1	3/8"	

---

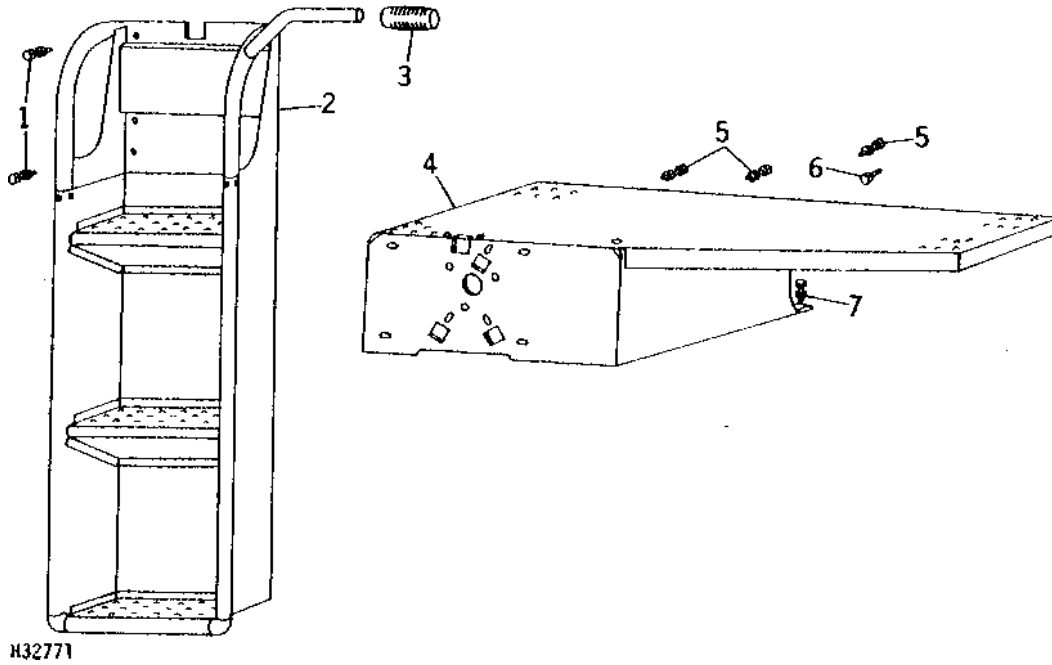
MEMORANDA

# 2D8

OPERATOR'S STATION

H32771 -UN-01JAN94

## OPERATOR'S PLATFORM LADDER AND LANDING



KEY	PART NO.	PART NAME	QTY	SERIAL NO.	REMARKS
1	03H1707	BOLT	4		3/8" X 1", (USE WITH FIXED LADDER)
	14H812	NUT	4		3/8"
2	AH90298	LADDER	1	-450000	(SUB AH108066)
	AH108066	LADDER	1		
3	C3203E	GRIP	1		
4	AH101641	STEP	1	-550000	
	AH114447	STEP	1	550001-	
5	19H1732	CAP SCREW	3		3/8" X 1-1/4"
	14H812	NUT	3		3/8"
6	H65108	SCREW	2		SELF-TAPPING
7	19H2284	CAP SCREW	4		3/8" X 7/8"
	14H812	NUT	4		3/8"

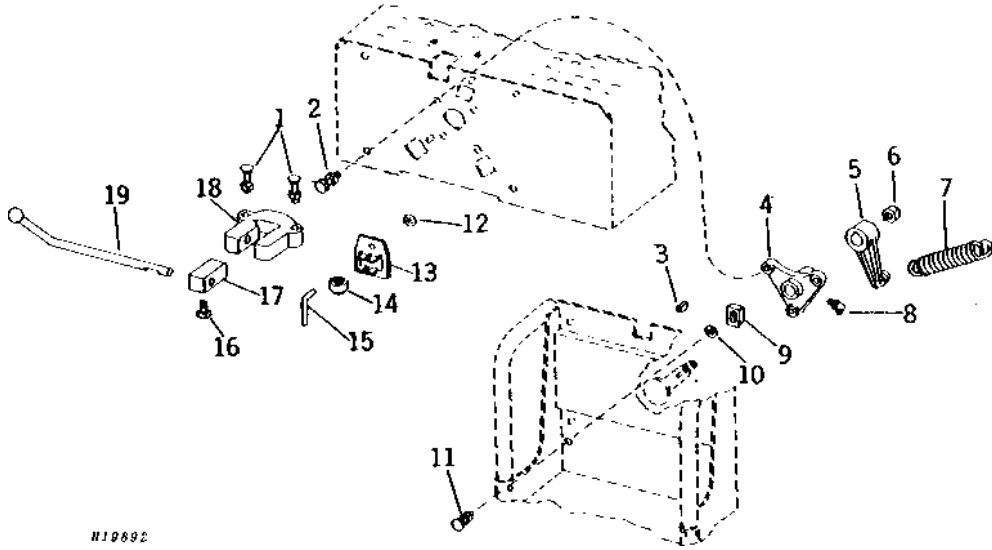
MEMORANDA

# 2D9

OPERATOR'S STATION

H19892 -UN-01JAN94

## PIVOTING LADDER CONTROLS



H19892

KEY	PART NO.	PART NAME	QTY	SERIAL NO.	REMARKS
1	03H1560	BOLT	2	3/8" X 1-3/4"	
	14H812	NUT	2	3/8"	
2	19H1732	CAP SCREW	3	3/8" X 1-1/4"	
	14H812	NUT	3	3/8"	
3	26H22	SHAFT KEY	1	1/4" X 1"	
4	H82069	SUPPORT	1		
5	H81253	ARM	1		
6	H34753	LOCK NUT	1		
7	S2827M	EXTENSION SPRING	1		
8	JD7788	LUBRICATION FITTING	1	45°, 1/4"	
9	H81342	STOP	1		
10	24H1237	WASHER	1	25/64" X 7/8" X 0.060"	
11	03H1558	BOLT	1	3/8" X 1-1/2"	
	14H812	NUT	1	3/8"	
12	H81721	NUT	3		
13	H81247	RETAINER	3		
14	H79962	ROLLER	3		
15	H81720	SPRING PIN	3		
16	22H844	SET SCREW	1	3/8" X 1/2"	
17	H81246	LOCK	1		
18	H81252	BEARING	1		
19	H81250	LEVER	1		

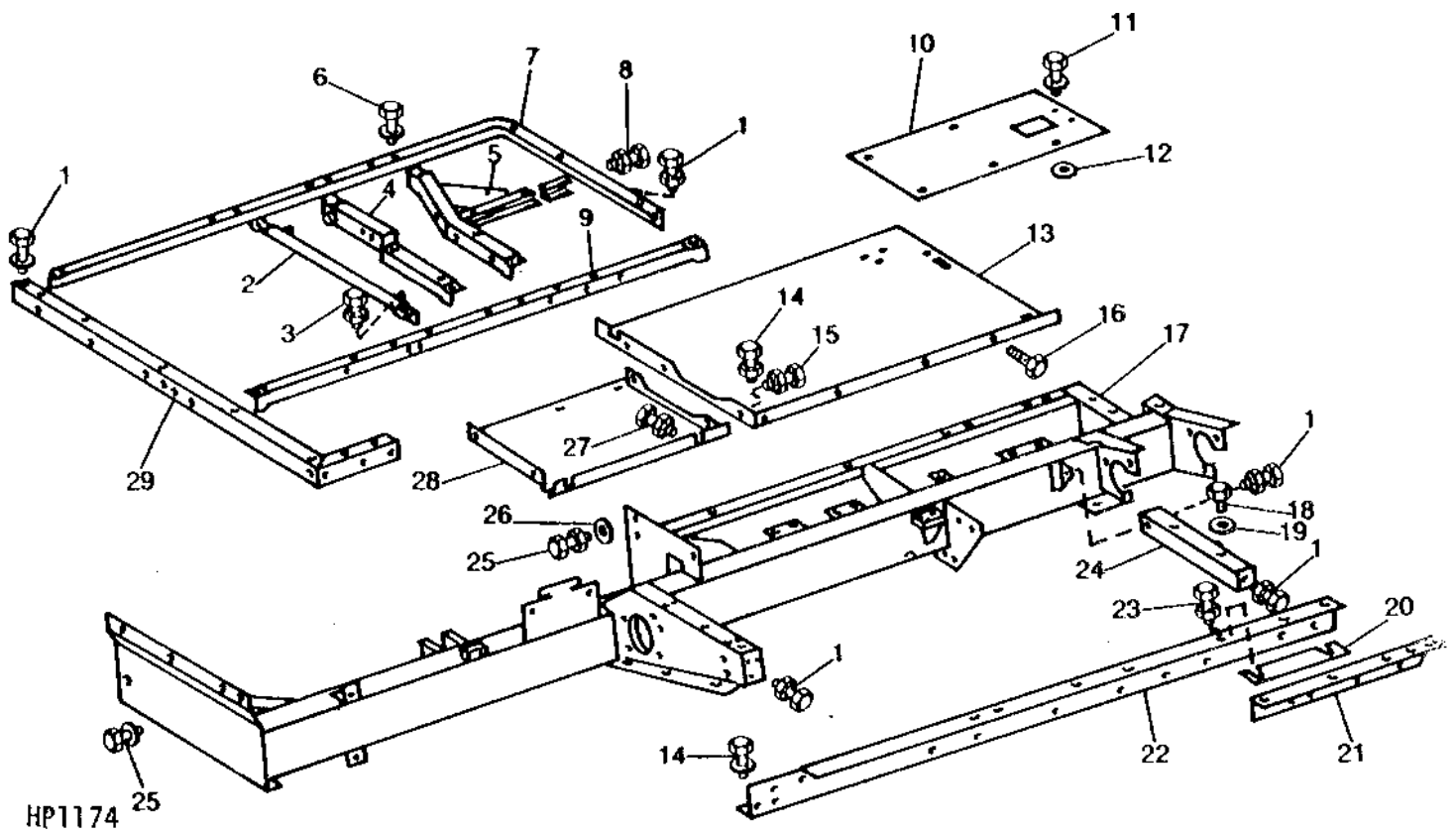
# 2D10

OPERATOR'S STATION

## ENGINE AND OPERATOR'S PLATFORM ANGLES AND SUPPORTS

HP1174

-UN-01JAN94





## ENGINE AND OPERATOR'S PLATFORM ANGLES AND SUPPORTS-CONTINUED

KEY	PART NO.	PART NAME	QTY	SERIAL NO.	REMARKS
1	19H1731	CAP SCREW	11		3/8" X 1"
	12H304	LOCK WASHER	11		3/8"
	14H812	NUT	11		3/8"
2	AH87796	ANGLE	1		
3	21H1137	SCREW	1		5/16" X 1-1/4"
	12H303	LOCK WASHER	1		5/16"
	14H785	NUT	1		5/16"
4	AH87795	ANGLE	1		
5	AH93670	SUPPORT	1		
6	19H1905	CAP SCREW	7		5/16" X 1"
	12H303	LOCK WASHER	7		5/16"
	14H785	NUT	7		5/16"
7	H78809	ANGLE	1		
8	19H1900	CAP SCREW	2		5/16" X 3/4"
	12H303	LOCK WASHER	2		5/16"
	14H785	NUT	2		5/16"
9	H78808	ANGLE	1		
10	H95044	SHEET	1	-401580	(SUB H103271)
	H103271	SHEET	1		
11	21H1069	SCREW	5		3/8" X 1"
	12H304	LOCK WASHER	5		3/8"
	14H812	NUT	5		3/8"
12	24H1378	WASHER	2		11/16" X 1-15/32" X 0.134"
13	H86583	SHEET	1		
14	19H1792	CAP SCREW	2		1/2" X 1"
	12H301	LOCK WASHER	2		1/2"
	14H1040	NUT	2		1/2"
15	19H1813	CAP SCREW	4		5/16" X 5/8"
	12H303	LOCK WASHER	4		5/16"
	14H785	NUT	4		5/16"
16	H65108	SCREW	3		
	H76139	SCREW	2		
17	AH102739	SUPPORT	1	-401580	(SUB AH105315)
	AH105315	SUPPORT	1	-500000	(SUB AH109597)
	AH109597	SUPPORT	1		
18	19H1732	CAP SCREW	3		3/8" X 1-1/4"
	12H304	LOCK WASHER	3		3/8"
19	24H1305	WASHER	3		13/32" X 13/16" X 0.065"
20	H85345	STRAP	3		
21	H86687	ANGLE	1		
22	H91710	RAIL	1	-401580	(SUB H103269)
	H103269	RAIL	1		
23	19H1732	CAP SCREW	2		3/8" X 1-1/4"
	N10215	LOCK NUT	2		
24	AH83452	ANGLE	1	-401580	(SUB AH105062)
	AH105062	SUPPORT	1		
25	19H1815	CAP SCREW	3		1/2" X 1-1/4"
	12H301	LOCK WASHER	3		1/2"
	14H1040	NUT	3		1/2"
26	24H1788	WASHER	2		17/32" X 1-1/8" X 0.060"
27	19H1936	CAP SCREW	1		3/8" X 3/4"
	12H304	LOCK WASHER	1		3/8"
	14H812	NUT	1		3/8"
28	H82617	SHEET	1		
29	H78827	ANGLE	1		

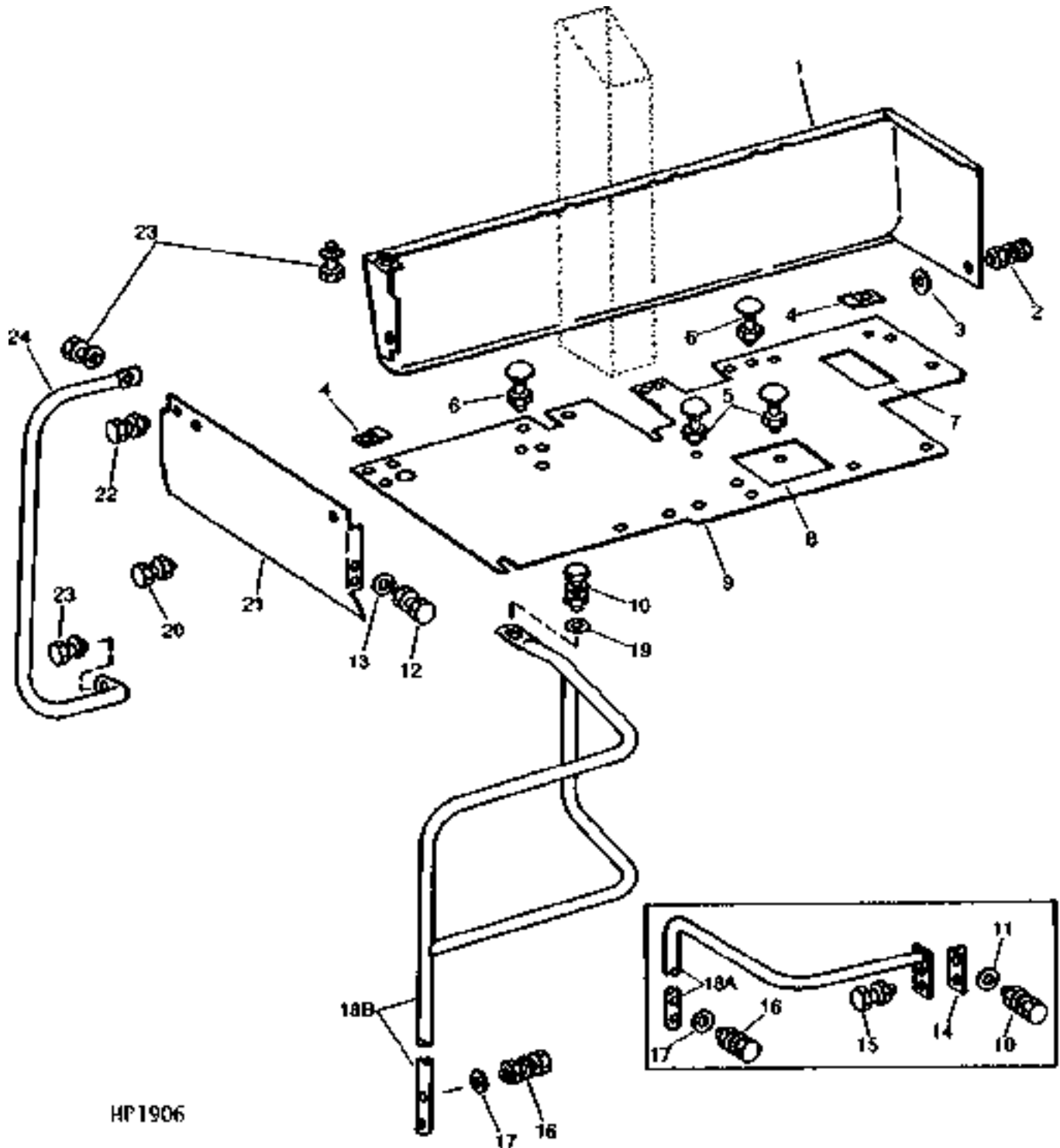
# 2D12

OPERATOR'S STATION

OPERATOR'S PLATFORM SHIELDS, FLOORBOARD, FLOOR MATS, AND HANDRAILS

HP1906

-UN-01JAN94



HP1906

# 2D13

OPERATOR'S STATION

## OPERATOR'S PLATFORM SHIELDS, FLOORBOARD, FLOOR MATS, AND HANDRAILS - CONTINUED

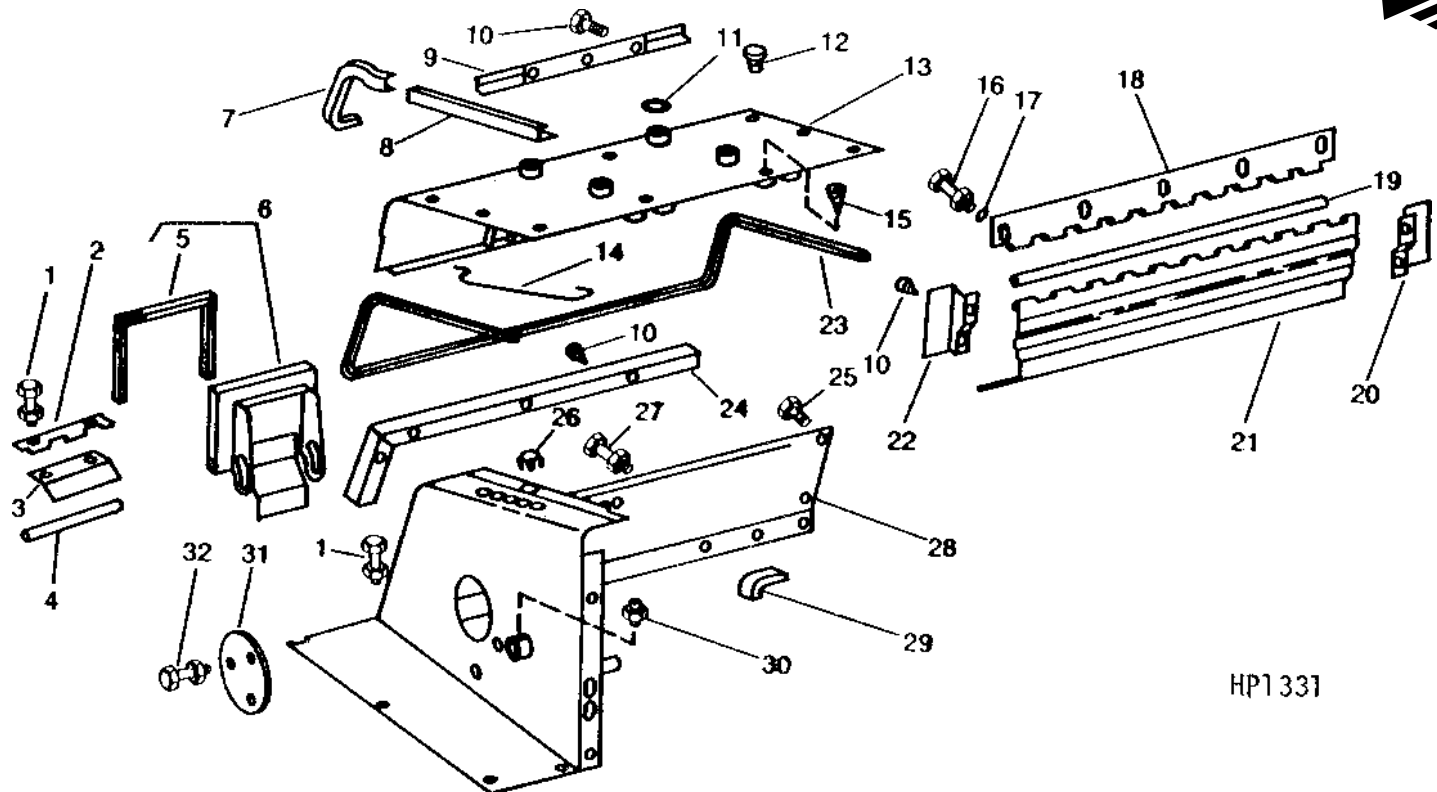
KEY	PART NO.	PART NAME	QTY	SERIAL NO.	REMARKS
1	AH87713	SHIELD	1		FRONT
2	19H1900	CAP SCREW	1		5/16" X 3/4"
	12H303	LOCK WASHER	1		5/16"
	14H785	NUT	1		5/16"
3	24H1136	WASHER	1		11/32" X 11/16" X 0.065"
4	H80970	REINFORCEMENT	2		
5	21H1069	SCREW	2		3/8" X 1"
	14H812	NUT	2		3/8"
6	21H1075	SCREW	4		5/16" X 1"
	14H785	NUT	4		5/16"
7	H82936	DOOR	1		
8	H82937	DOOR	1		
9	H95212	FLOOR	1	-500004	(LESS FLOOR MATS) (SUB H109904)
	H109904	BOARD	1		
	AH86445	MAT	1	-500004	(WITH OPERATOR'S CAB) (SUB AH108504)
	AH108504	MAT	1		
10	19H1731	CAP SCREW	4	-550000	3/8" X 1"
	12H304	LOCK WASHER	4	-550000	3/8"
	14H812	NUT	4	-550000	3/8"
	19H1731	CAP SCREW	1	550001-	3/8" X 1"
	12H304	LOCK WASHER	1	550001-	3/8"
	14H812	NUT	1	550001-	3/8"
11	24H1305	WASHER	4	-550000	13/32" X 13/16" X 0.065"
12	21H1310	SCREW	1		1/4" X 1/2"
	14H786	NUT	1		1/4"
13	24H1287	WASHER	1		9/32" X 5/8" X 0.065"
	24H1305	WASHER	1		13/32" X 13/16" X 0.065"
14	H83448	REINFORCEMENT	1	-550000	
15	R53663	SELF-LOCKING SCREW	2	-550000	
	14H812	NUT	2	-550000	3/8"
16	19H1801	CAP SCREW	2		3/8" X 2"
	12H304	LOCK WASHER	2		3/8"
	14H812	NUT	2		3/8"
17	24H1305	WASHER	2		13/32" X 13/16" X 0.065"
18A	AH97870	HANDRAIL	1	-550000	L.H., REAR
18B	AH114060	HANDRAIL	1	550001-	L.H., REAR
19	24H1312	WASHER	1	550001-	13/32" X 1-3/8" X 0.105"
20	21H1304	SCREW	2		5/16" X 3/4"
	14H785	NUT	2		5/16"
21	H103618	SHIELD	1		L.H., REAR
22	21H1030	SCREW	2		3/8" X 3/4"
	14H812	NUT	2		3/8"
23	R53664	SELF-LOCKING SCREW	4		
	R53668	THRUST WASHER	4		
24	AH97858	HANDRAIL	1		(WITH OPERATOR'S CAB)
..	.....	SEAL	1		3 MM X 32 MM X 25 MM (1/8" X 1-1/4" X 1") (AROUND LEFT AND RIGHT CONDENSATE DRAIN TUBES AT FLOORBOARD) (CUT FROM H88771)

# 2D14

OPERATOR'S STATION

HP1331 -UN-01JAN94

## ENGINE POWERSHAFT CLOSURE



HP1 331

KEY	PART NO.	PART NAME	QTY	SERIAL NO.	REMARKS
1	21H1331	SCREW	5		5/16" X 1"
	14H785	NUT	5		5/16"
2	H75987	HINGE	1		(SUB H113113)
	H113113	HINGE	1		
3	H78289	DEFLECTOR	1		
4	H75985	DOWEL PIN	1		
5	AH110867	ISOLATOR	1	451641-	(USE WITH AH110868)
6	AH85464	DOOR	1		(WITHOUT OPERATOR'S CAB)
	AH86444	DOOR	1	-451640	(WITH OPERATOR'S CAB)
	AH110868	DOOR	1	451641-	(WITH OPERATOR'S CAB)
7	H85496	RETAINER	1		(R.H.)
	H85497	RETAINER	1		(L.H.)
8	H85492	CHANNEL	1		(R.H.)
	H85493	CHANNEL	1		(L.H.)
	H85494	CHANNEL	1		FRONT
10	H85233	RIVET	10		
11	H85464	NUT	4		
12	H85465	PLUG	14		(WITHOUT OPERATOR'S CAB)
13	AH97887	COVER	1		
14	H84975	SUPPORT	1		
15	H76139	SCREW	4		
16	21H1304	SCREW	4		5/16" X 3/4"
	14H785	NUT	4		5/16"
17	24H1136	WASHER	4		11/32" X 11/16" X 0.065"
18	H84981	HINGE	1		UPPER
19	H78134	DOWEL PIN	1		
20	H85457	COVER	1		
21	AH85457	HINGE	1		LOWER
22	H85458	COVER	1		
23	.....	SEAL	1		21 MM X 33 MM X 1981 MM (27/32" X 1-5/16" X 78") LONG (CUT FROM AH83289)

# 2D15

OPERATOR'S STATION

## ENGINE POWERSHAFT CLOSURE - CONTINUED

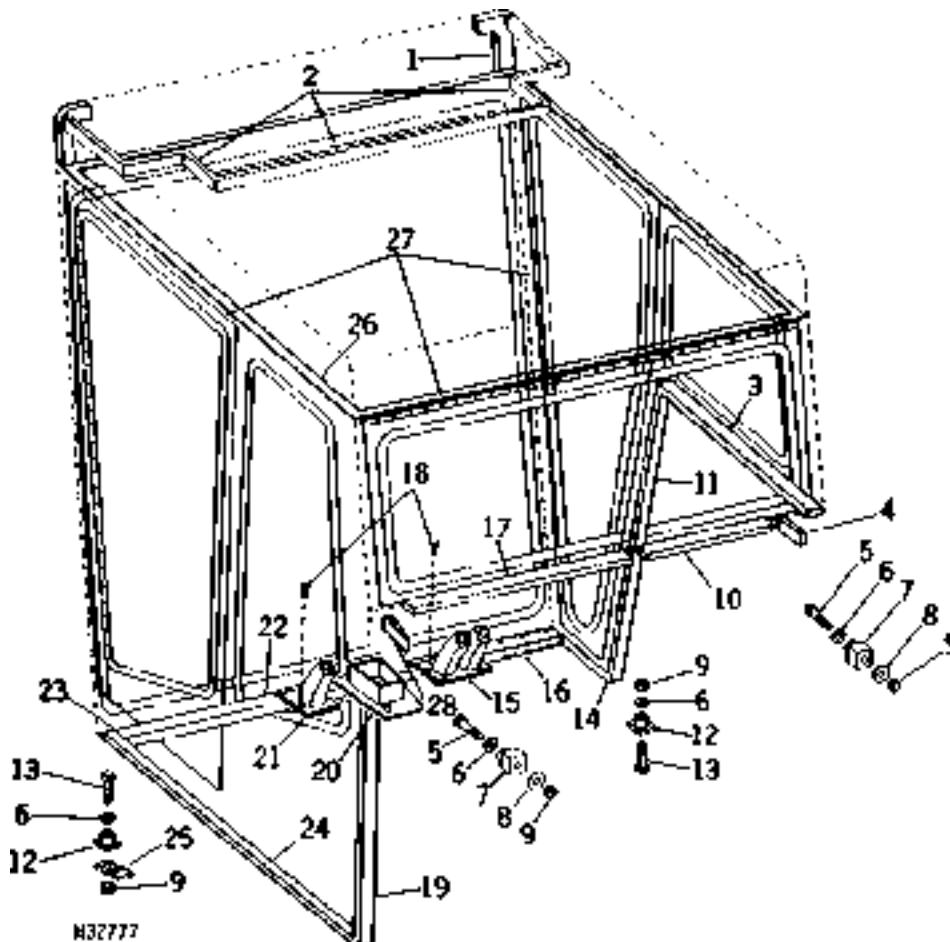
KEY	PART NO.	PART NAME	QTY	SERIAL NO.	REMARKS
24	H85498	RETAINER	1		
25	H65108	SCREW	2		SELF-TAPPING
26	M2655T	PLUG	1		
27	19H1905	CAP SCREW	4		5/16" X 1"
	14H785	NUT	4		5/16"
28	AH97886	SHROUD	1		
29	.....	SEAL	1		27 MM X 27 MM X 127 MM (1-1/16" X 1-1/16" X 5") LONG (CUT FROM H88770)
30	JD7797	LUBRICATION FITTING	1		STRAIGHT, 1/4"
31	H99260	DOOR	1		
32	H99282	CAP SCREW	1		
	14H786	NUT	1		1/4"

# 2D16

OPERATOR'S STATION

## OPERATOR'S CAB MOUNTING BRACKETS, BUSHINGS, AND SEALS

H32777 -UN-01JAN94



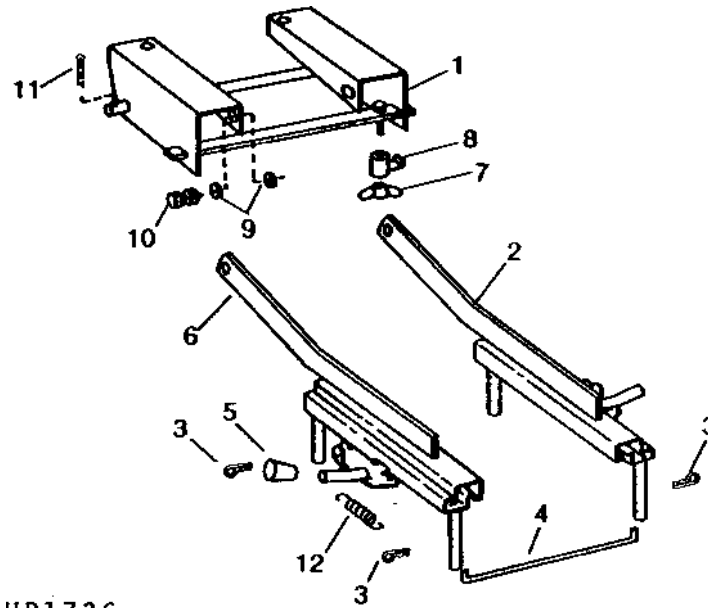
KEY	PART NO.	PART NAME	QTY	SERIAL NO.	REMARKS
1	.....	SEAL	2		318 MM (12-1/2") LONG (CUT FROM AH86791)
2	H81696	SEAL	1		(SUB H93819)
3	.....	SEAL	1		819 MM (32-15/64") LONG (CUT FROM H92017)
4	.....	SEAL	1		102 MM (4") LONG (CUT FROM H92017)
5	19H2128	CAP SCREW	2		3/8" X 3"
6	24H1312	WASHER	5		13/32" X 1-3/8" X 0.105"
7	AH79104	ISOLATOR	2		
8	24H1315	WASHER	2		13/32" X 2-1/8" X 0.134"
9	14H812	NUT	5		3/8"
10	.....	SEAL	1		615 MM (24-13/64") LONG (CUT FROM H92017)
11	.....	SEAL	1		832 MM (32-47/64") LONG (CUT FROM H92017)
12	AH79105	ISOLATOR	3		
13	19H1726	CAP SCREW	3		3/8" X 2-1/4"
14	.....	SEAL	1		25 MM (10") LONG (CUT FROM H92017)
15	H93579	BOOT	1		BRAKE, PEDAL
16	.....	SEAL	1		158 MM (6-15/64") LONG (CUT FROM H92017)
17	.....	SEAL	1		345 MM (13-5/8") LONG (CUT FROM H92017)
18	H82771	NUT	4		
19	AH79758	WEATHERSTRIP	1		
20	H94149	BOOT	1		STEERING COLUMN
21	H104223	BOOT	1		CLUTCH PEDAL
22	.....	SEAL	1		782 MM (30-51/64") LONG (CUT FROM H92017)
23	.....	SEAL	1		64 MM (2-1/2") LONG (CUT FROM H92017)
24	.....	SEAL	1		122 MM (48") LONG (CUT FROM H92017)
25	H80970	REINFORCEMENT	2		
26	.....	SEAL	1		3 MM X 6 MM (1/8" X 1/4") LONG (CUT FROM H81847)
27	.....	SEAL	1		(CUT FROM AH80335)
28	AH96110	SEAL	1		

# 2D17

OPERATOR'S STATION

HP1736 -UN-01JAN94

## OPERATOR'S PLATFORM SEAT SUPPORTS (SERIAL NO. -550000)



HP1736

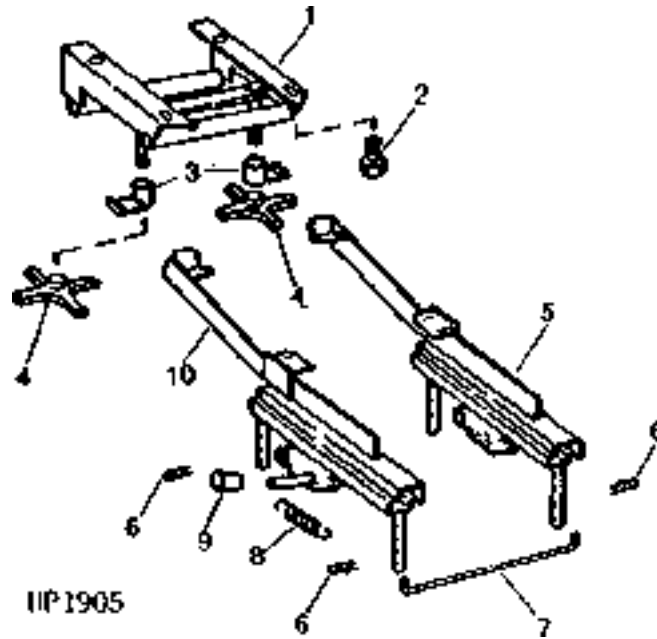
KEY	PART NO.	PART NAME	QTY	SERIAL NO.	REMARKS
1	AH90485	SUPPORT	1	(REGULAR)	
	AH97885	SUPPORT	1	(PERSONAL POSTURE)	
2	AH97888	RAIL	1	R.H.	
3	28316	SPRING LOCKING PIN	4		
4	H99258	PIN	1		
5	H83055	KNOB	1		
6	AH97889	RAIL	1	L.H.	
7	H99316	WING NUT	2		
	12H304	LOCK WASHER	2	3/8"	
8	H99259	LOCK	1		
9	24H1237	WASHER	4	25/64" X 7/8" X 0.060"	
10	19H1731	CAP SCREW	2	3/8" X 1"	
	12H304	LOCK WASHER	2	3/8"	
	14H812	NUT	2	3/8"	
11	J16931	SPRING LOCKING PIN	2		
12	H114637	SPRING	2		

# 2D18

OPERATOR'S STATION

HP1905 -UN-01JAN94

## OPERATOR'S PLATFORM SEAT SUPPORTS (SERIAL NO. 550001- )



KEY	PART NO.	PART NAME	QTY	SERIAL NO.	REMARKS
1	AH112120	SUPPORT	1		
2	N10212	SELF-LOCKING SCREW	4		
3	H99259	LOCK	2		
4	M48237	KNOB	2		
5	AH112122	RAIL	1		R.H.
6	28316	SPRING LOCKING PIN	4		
7	H99258	PIN	1		
8	H114637	SPRING	2		
9	H83055	KNOB	1		
10	AH112121	RAIL	1		L.H.

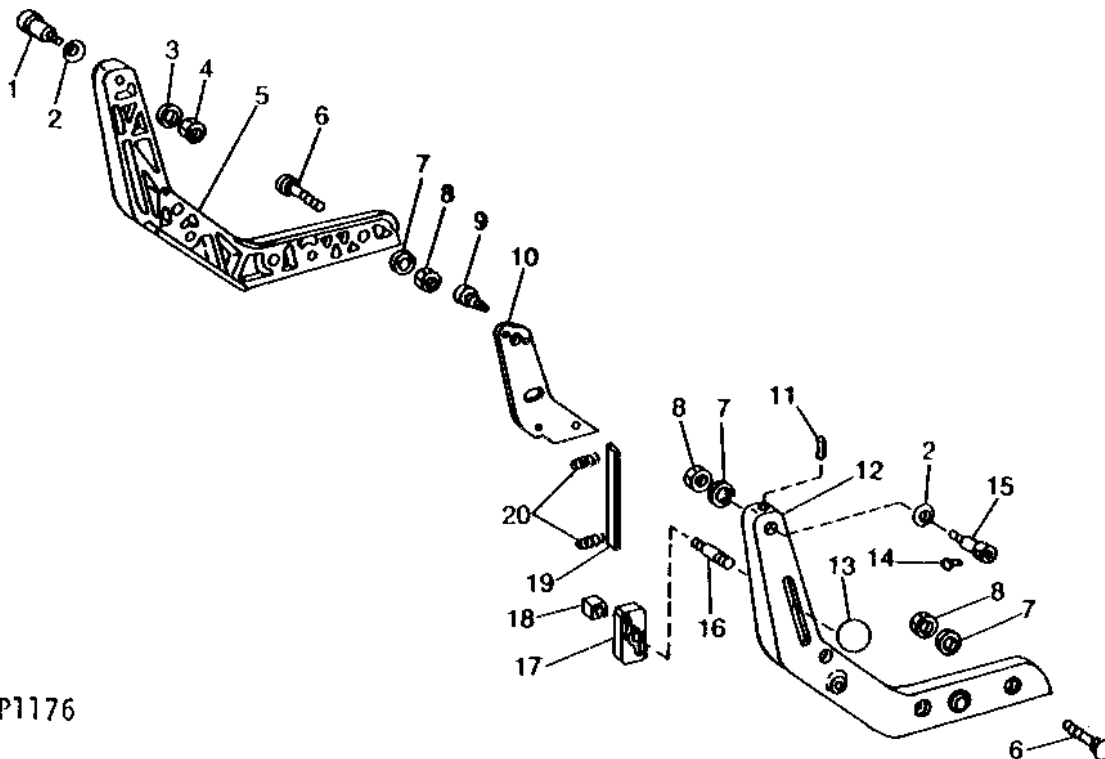


# 2D19

OPERATOR'S STATION

HP1176 -UN-01JAN94

## SEAT BACKREST SUPPORTS (PERSONAL POSTURE SEAT)



HP1176

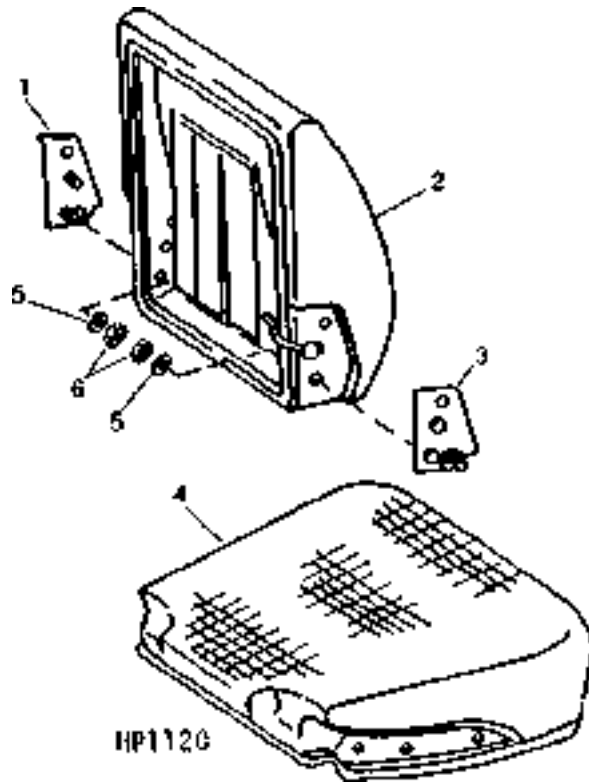
KEY	PART NO.	PART NAME	QTY	SERIAL NO.	REMARKS
1	R59019	SCREW	1		
2	T519T	WASHER	2		
3	R53668	THRUST WASHER	2		
4	R53670	WELD NUT	2		
5	R58814	SUPPORT	1		
6	R59015	GANG BOLT	4		
7	R53668	THRUST WASHER	4		
8	R53670	WELD NUT	4		
9	37H78	SCREW	3	0.164" X 3/4"	
10	R59011	PLATE	1		
11	22H971	SET SCREW	1	0.190" X 1/2"	
12	H92310	SUPPORT	1		
13	R60458	KNOB	1		
14	19H2948	SCREW	1	1/4" X 0.380"	
15	H92311	STUD	1	R.H.	
16	R59012	WELD STUD	1		
17	R59010	ADJUSTER	1		
18	R59018	BUSHING	1		
19	R59009	REINFORCEMENT	1		
20	R31890	SPRING	2		

# 2D20

OPERATOR'S STATION

HP1120 -UN-01JAN94

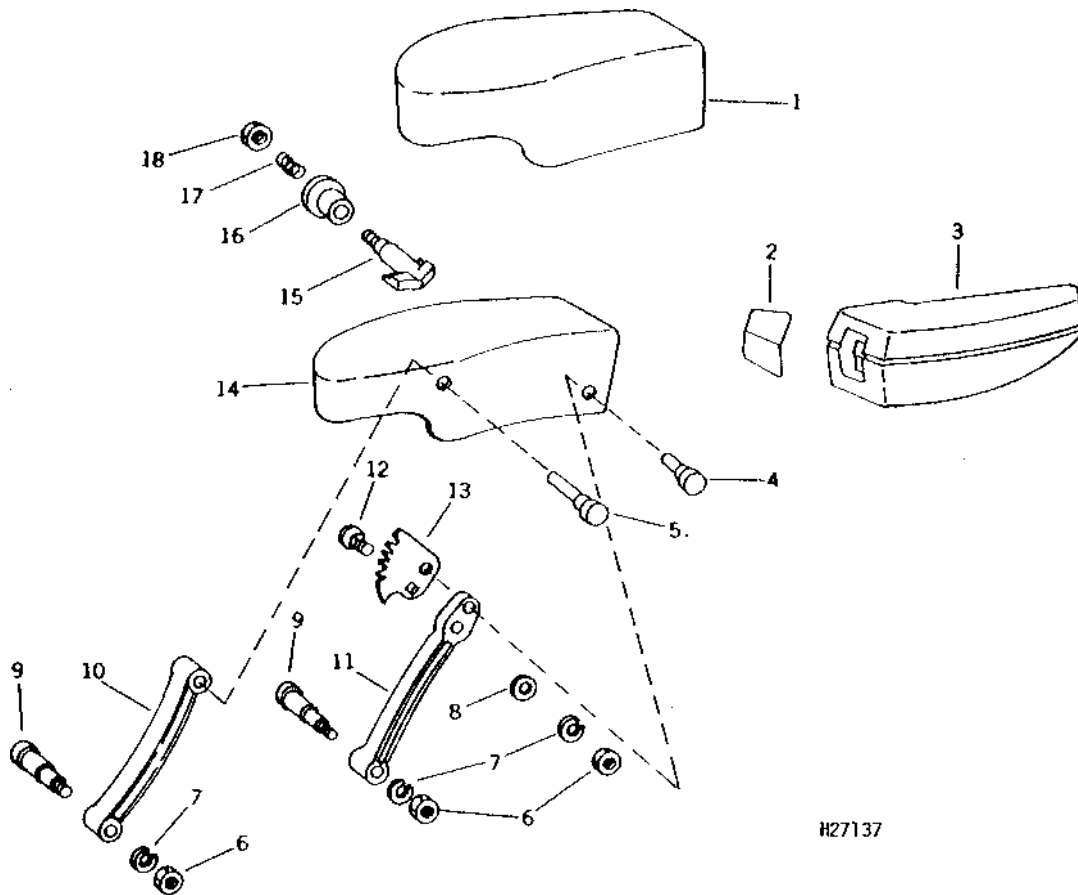
## SEAT CUSHIONS (PERSONAL POSTURE SEAT)



KEY	PART NO.	PART NAME	QTY	SERIAL NO.	REMARKS
1	AR71109	PLATE	1		BACKREST, PIVOT, L.H.
2	AR71107	CUSHION	1		BACKREST
3	AR71108	PLATE	1		BACKREST, PIVOT, R.H.
4	AR71106	CUSHION	1	-610100	(SUB AT74219)
5	AT74219	CUSHION	1		
5	R53668	THRUST WASHER	4		
6	R53670	WELD NUT	4		

H27137 -UN-01JAN94

## ARMRESTS (PERSONAL POSTURE SEAT)



H27137

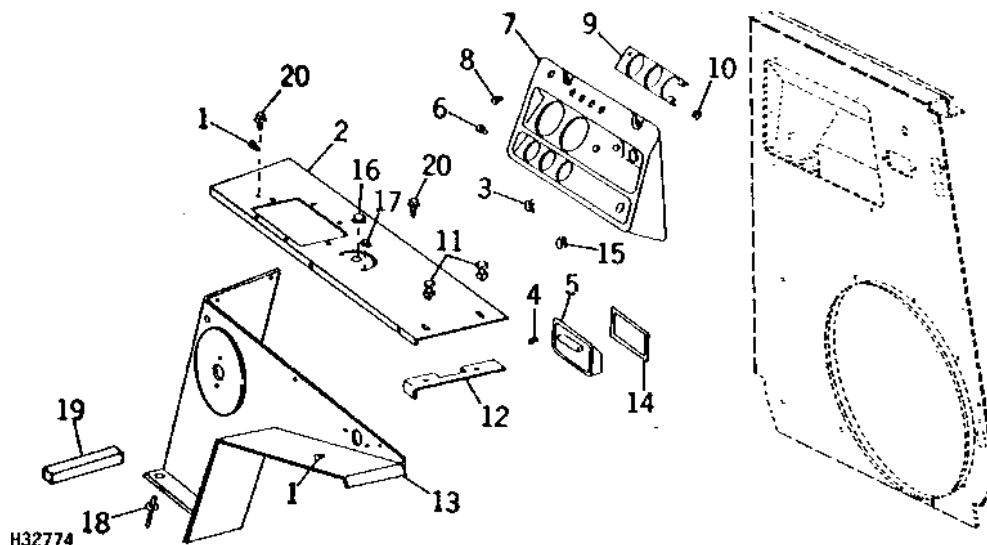
KEY	PART NO.	PART NAME	QTY	SERIAL NO.	REMARKS
1	R59025	CUSHION	1		
2	H92315	PLATE	1		ARMREST, L.H.
3	AH92078	ARMREST	1		ARMREST, R.H. R.H.
4	R59021	PIN	1		
5	R59023	PIN	1		
6	R53670	WELD NUT	3		
7	R53668	THRUST WASHER	3		
8	R53665	WASHER	1		
9	R59022	SCREW	2		SPECIAL
10	R59013	LINK	1		ARMREST, REAR
11	R59020	LINK	1		ARMREST, FRONT
12	03H1765	BOLT	1		3/8" X 3/4"
13	R59026	PLATE	1		
14	R58816	ARMREST	1		L.H.
15	R59070	SHAFT KEY	1		
16	R59028	BUSHING	1		
17	A4741R	SPRING	1		
18	R59029	KNOB	1		

# 2D22

OPERATOR'S STATION

H32774 -UN-01JAN94

## INSTRUMENT PANEL AND CONSOLE



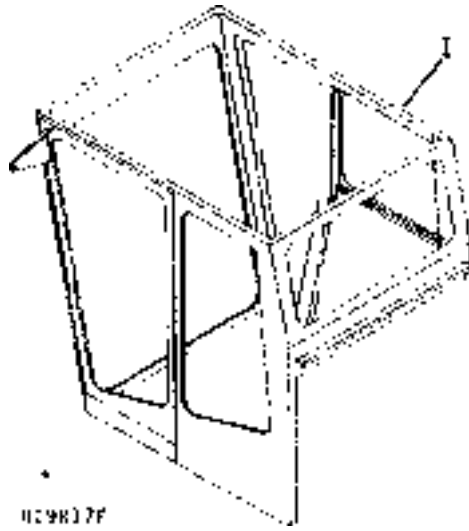
KEY	PART NO.	PART NAME	QTY	SERIAL NO.	REMARKS
1	H89266	SCREW	1		
2	H99237	COVER	1	-500000	(SUB H113093 AND H113094)
	H113093	COVER	1	-500000	(SUB H115764)
	H115764	COVER	1		
	H99236	COVER	1	-500000	(SUB H113092 AND H113094)
	H113092	COVER	1	-500000	(SUB H115765)
	H115765	COVER	1		(USE WITH LOW SHAFT SPEED INDICATOR)
3	H81352	PLUG	1		
4	H98110	SCREW	2		
5	AH96177	ASHTRAY	1		
6	H80264	SCREW	3		
7	H91338	INSTRUMENT PANEL	1		
8	H99278	SCREW	4		
9	H78546	RETAINER	1		
10	14H786	NUT	3		1/4"
11	19H1900	CAP SCREW	2		5/16" X 3/4"
	14H785	NUT	2		5/16"
12	H99239	EXTENSION	1	-500000	
	H113094	EXTENSION	1	500001-	
13	AH97884	PANEL	1		
14	H98108	SEAL	1		
15	H91792	PLUG	1		
16	H62218	PLUG	1	-400784	(SUB H106000)
	H106000	PLUG	1		
17	P48338	PLUG	2		
18	21H1312	SCREW	1		0.190" X 1"
	14H778	NUT	1		0.190"
19	.....	SEAL	1		19 MM X 19 MM X 225 MM (3/4" X 3/4" X 3-7/8") (CUT FROM H88769)
20	H99284	SCREW	7		

# 2D23

OPERATOR'S STATION

H29817F -UN-01JAN94

## OPERATOR'S CAB BODY



KEY	PART NO.	PART NAME	QTY	SERIAL NO.	REMARKS
1	AH97973	CAB	1		(INCLUDES GLASS AND DOOR FRAMES)

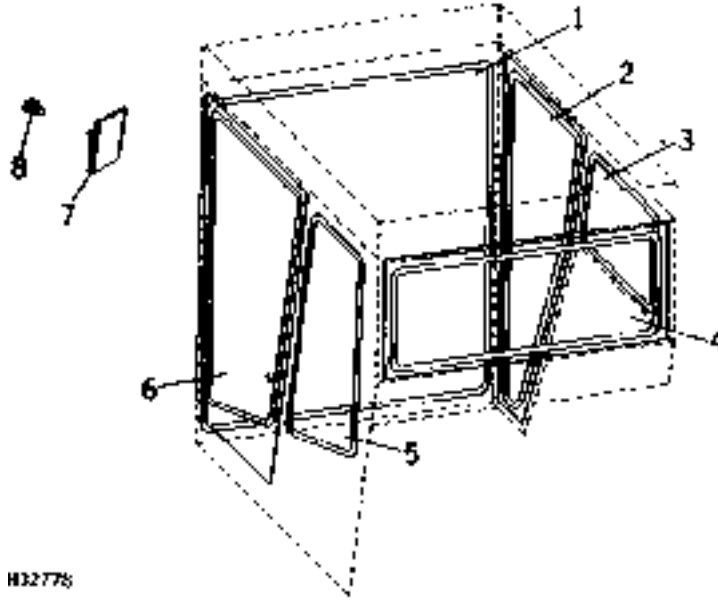
# 2D24

OPERATOR'S STATION

H32778

-UN-01JAN94

## OPERATOR'S CAB GLASS, MOLDING, AND MIRROR



H32778

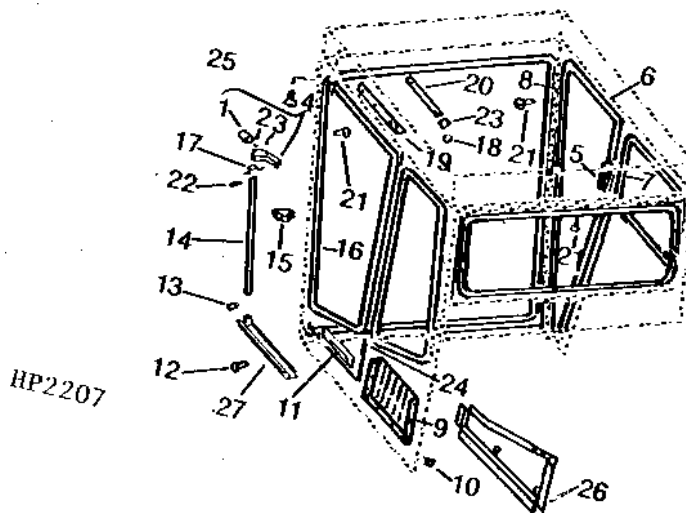
KEY	PART NO.	PART NAME	QTY	SERIAL NO.	REMARKS
1	H81792	WINDOWPANE	1		WINDSHIELD
2	H81793	WINDOWPANE	1		R.H. DOOR
3	H81798	WINDOWPANE	1		R.H.
4	H81796	WINDOWPANE	1		REAR
5	H81797	WINDOWPANE	1		L.H.
6	H81794	WINDOWPANE	1		L.H. DOOR
7	AH16186	REAR VIEW MIRROR	1		
8	19H2651	CAP SCREW	1		1/4" X 3/4"

# 2D25

OPERATOR'S STATION

HP2207 -UN-01JAN94

## DOORS, HINGES, LATCHES, AND TOOL POCKET FOR OPERATOR'S CAB

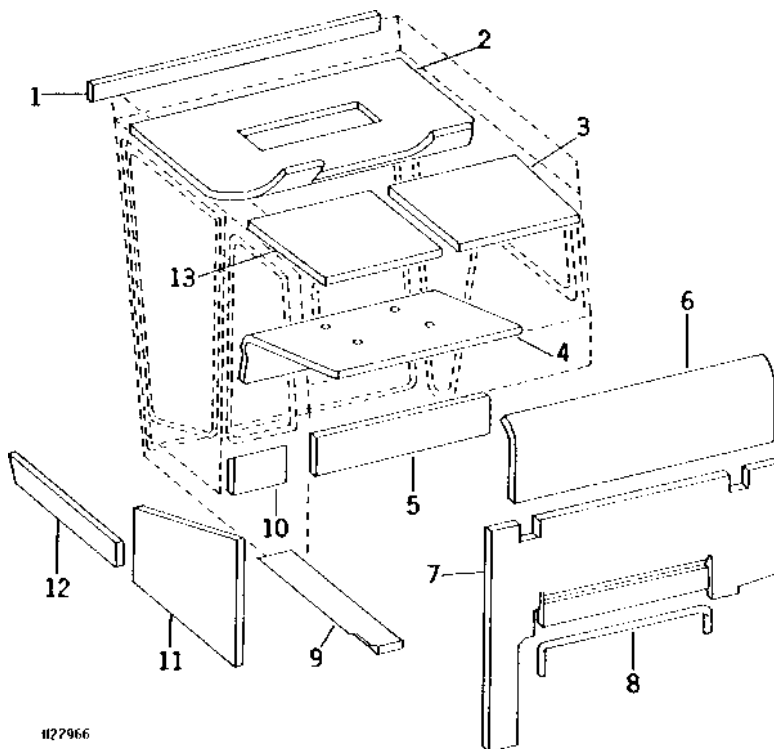


KEY	PART NO.	PART NAME	QTY	SERIAL NO.	REMARKS
1	H81782	BOLT	1		
2	H88849	SPRING	1		INNER HANDLE, R.H. DOOR
3	34H251	SPRING PIN	1		1/8" X 1"
4	AH80329	HANDLE	1		INNER, L.H. DOOR
5	AH86853	LATCH	1		
	37H32	SCREW	2		0.190" X 3/8"
6	AH80338	FRAME	1		R.H. DOOR
7	AH81544	HANDLE	1		OUTER, R.H. DOOR
8	AH80331	HINGE	1		R.H. DOOR
9	AH80715	HOLDER	1		
10	21H1300	SCREW	10		0.190" X 3/8"
11	AH84129	FRAME	1		L.H. DOOR
12	H81804	BUMPER	1		
13	34H277	SPRING PIN	1		3/16" X 5/8"
14	H84481	PIN	1		
15	H82241	PLATE	1	-550000	(SUB H100286)
	H100286	LATCH	1		STRIKER
16	AH84125	HINGE	1		
17	H84197	SPRING	1		
18	16H1300	RIVET	3		3/8" X 5/8"
19	AH84127	HOUSING	1		
20	AH84126	STRAP	1		L.H. DOOR
21	37H32	SCREW	30		0.190" X 3/8"
22	34H282	SPRING PIN	1		3/16" X 1"
23	H83943	PUSH NUT	1		
24	H89012	PIN	1		
25	H89266	SCREW	9		
26	AH107850	PANEL	1	400988-	L.H. INNER DOOR
27	AH84128	HANDLE	1		L.H., LOWER

# 2E1

H22966 -UN-01JAN94

## OPERATOR'S CAB SOUND INSULATION AND SEALS



KEY	PART NO.	PART NAME	QTY	SERIAL NO.	REMARKS
1	AH86563	INSULATOR	1		FRONT, TOP, (CUT AS REQUIRED FOR CABS EQUIPPED WITH WINDSHIELD WIPERS)
2	AH96289	INSULATOR	1		ROOF, FRONT
3	AH86824	INSULATOR	1		HEADLINER, R.H.
4	AH86441	INSULATOR	1		LID, SEAT
5	AH86440	INSULATOR	1		SEAT, LOWER
6	AH85443	INSULATOR	1		(TRIM TO SIZE)
7	AH86434	INSULATOR	1		CAB, REAR
8	.....	SEAL	1		19 MM X 15 MM X 597 MM (3/4" X 37/64" X 23-1/2") (CUT FROM H85782)
9	AH86555	MAT	1		FLOOR, L.H.
10	AH86439	INSULATOR	1		DOOR, ELEVATOR
11	AH86560	INSULATOR	1		SILL, L.H. WINDOW
12	AH86559	INSULATOR	1		SILL, L.H. DOOR
13	AH86825	INSULATOR	1		HEADLINER, L.H.

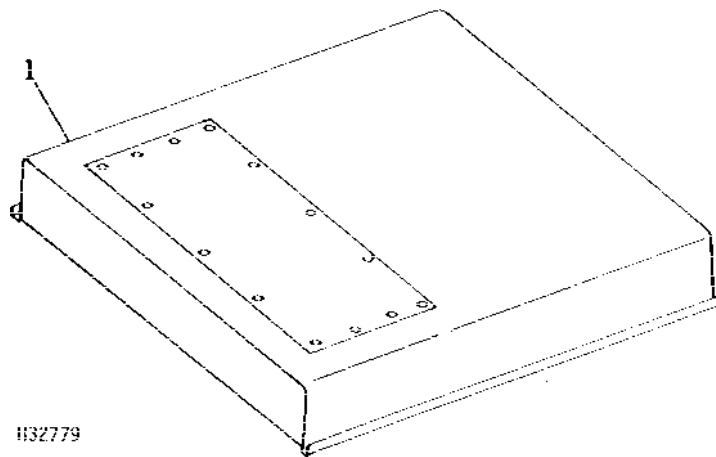


# 2E2

OPERATOR'S STATION

H32779 -UN-01JAN94

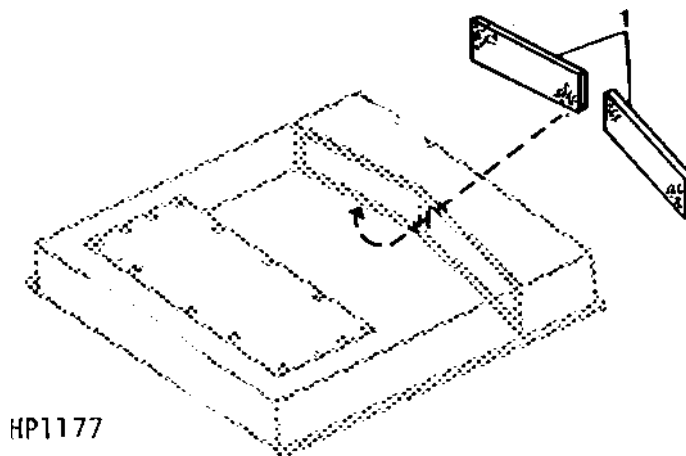
## CAB ROOF



KEY	PART NO.	PART NAME	QTY	SERIAL NO.	REMARKS
1	AH96319	ROOF	1		

HP1177 -UN-01JAN94

## CAB ROOF RECIRCULATING FILTERS

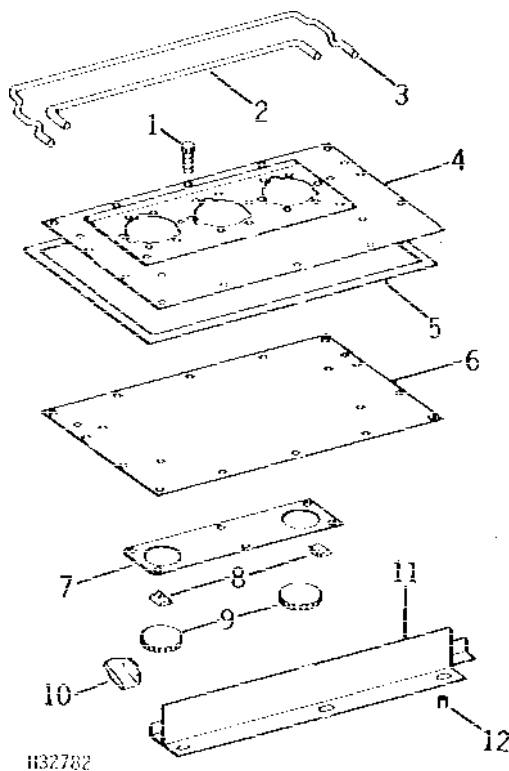


KEY	PART NO.	PART NAME	QTY	SERIAL NO.	REMARKS
1	H97814	AIR FILTER	2		

# 2E3

H32782 -UN-01JAN94

## OPERATOR'S CAB PANELS AND LOUVERS



H32782

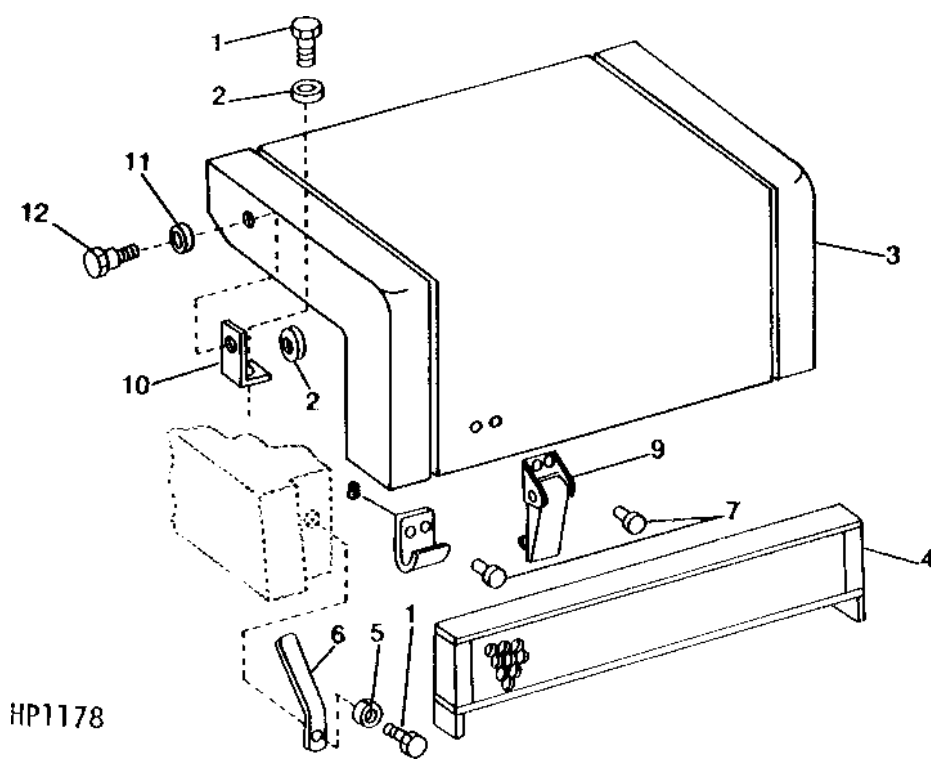
KEY	PART NO.	PART NAME	QTY	SERIAL NO.	REMARKS
1	AH87867	SCREW	16		
2	.....	SEAL	1		19 MM X 19 MM X 1130 MM (3/4" X 3/4" X 44-1/2") (CUT FROM H88769)
3	.....	SEAL	1		6 MM X 13 MM X 1829 MM (1/4" X 1/2" X 72") (CUT FROM H118398)
4	H88578	SHEET	1		
5	.....	SEAL	1		3 MM X 6 MM X 3658 MM (1/8" X 1/4" X 144") (CUT FROM H81847)
6	H88779	SEAL	1		
7	H81685	PANEL	1		
8	H83282	CLIP	6		
9	AH96276	LOUVER	2		
10	H83062	DEFLECTOR	1		
11	AH85442	PANEL	1		
12	37H105	SCREW	3		NO. 10 X 3/8"

# 2E4

OPERATOR'S STATION

HP1178 -UN-01JAN94

## AIR INTAKE AT REAR OF OPERATOR'S CAB



HP1178

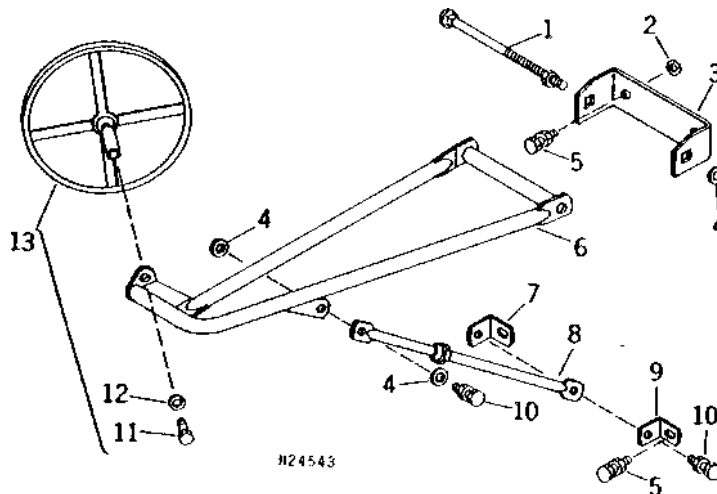
KEY	PART NO.	PART NAME	QTY	SERIAL NO.	REMARKS
1	19H1948	CAP SCREW	3	1/4" X 3/4"	
2	24H1287	WASHER	4	9/32" X 5/8" X 0.065"	
3	AH96387	COVER	1		
4	AH80920	FILTER	1		
5	M40333	LOCK NUT	1		
6	H97815	HANDLE	1		
7	H64584	RIVET	4		
8	H61805	HOOK	1		
9	AH61903	LATCH	1		
10	H96870	ANGLE	2		
11	24H1136	WASHER	2	11/32" X 11/16" X 0.065"	
12	E55780	CAP SCREW	2		
	14H786	NUT	2	1/4"	

# 2E5

OPERATOR'S STATION

H24543 -UN-01JAN94

## RIGHT-HAND REAR VIEW MIRROR



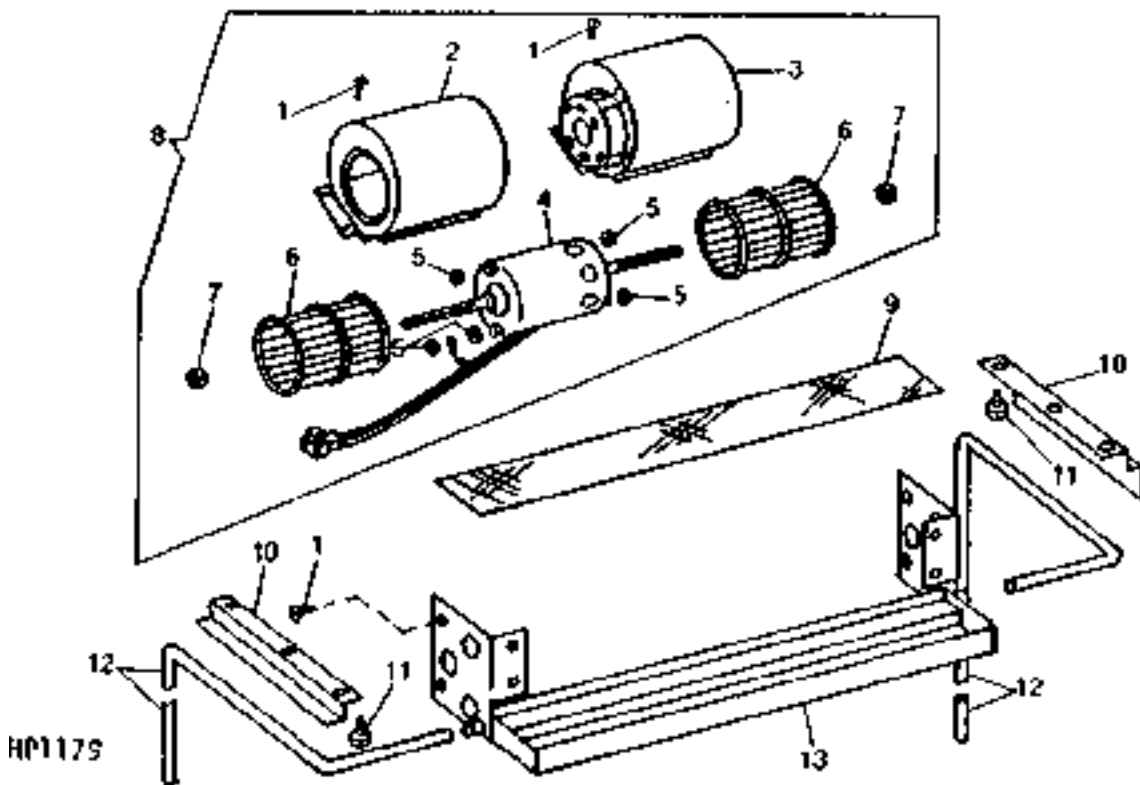
KEY	PART NO.	PART NAME	QTY	SERIAL NO.	REMARKS
1	03H2299	BOLT	1		5/16" X 6-1/2"
	14H785	NUT	1		5/16"
2	24H1305	WASHER	2		13/32" X 13/16" X 0.065"
3	H86757	BRACKET	1	-400000	(SUB H100673)
	H100673	BRACKET	1		
4	24H1122	WASHER	3		3/8" X 7/8" X 0.083"
5	19H2284	CAP SCREW	3		3/8" X 7/8"
	14H812	NUT	3		3/8"
6	AH87744	SUPPORT	1		
7	H86391	ANGLE	1		OUTER
8	AH99411	ARM	1		
9	H86390	ANGLE	1		INNER
10	19H2127	CAP SCREW	2		5/16" X 7/8"
	14H785	NUT	2		5/16"
11	19H1919	CAP SCREW	1		1/4" X 5/8"
12	12H302	LOCK WASHER	1		1/4"
13	AH85485	REAR VIEW MIRROR	1	-400000	
	AH99408	REAR VIEW MIRROR	1		

# 2E6

OPERATOR'S STATION

HP1179 -UN-01JAN94

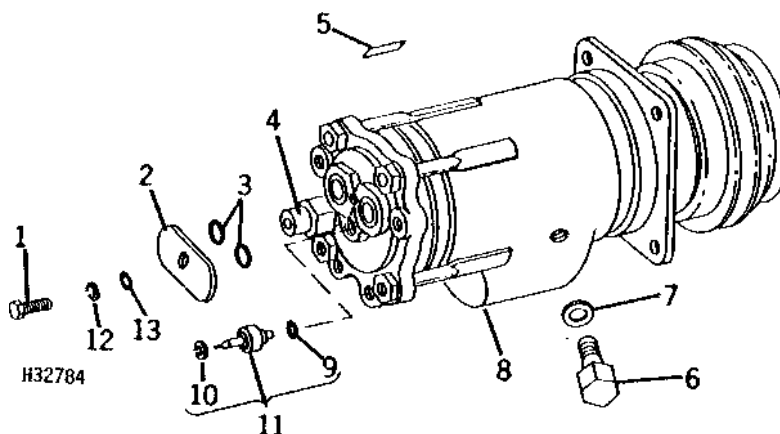
## OPERATOR'S CAB PRESSURIZER



KEY	PART NO.	PART NAME	QTY	SERIAL NO.	REMARKS
1	19H1919	CAP SCREW	8		1/4" X 5/8"
2	AH89814	CASE	1		L.H.
3	AH89813	CASE	1		R.H.
4	AH80194	MOTOR	1		
5	14H778	NUT	5		0.190"
6	H84107	WHEEL	2		
7	H84108	CLIP	2		
8	AH89816	FAN	1		
9	H82237	SCREEN	1		
10	H85485	SHIELD	2		
11	37H32	SCREW	6		0.190" X 3/8"
12	H83025	LINE	2		
13	AH88881	HOLDER	1		

H32784 -UN-01JAN94

OPERATOR'S CAB COMPRESSOR AND VALVE  
(SERIAL NO. -610100)



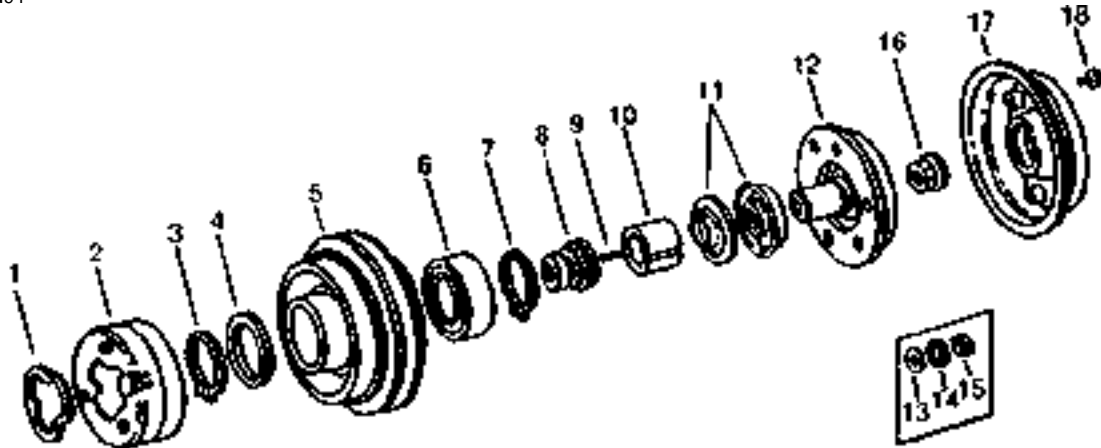
KEY	PART NO.	PART NAME	QTY	SERIAL NO.	REMARKS
1	19M7170	CAP SCREW	1		M10 X 50
2	R60171	STRAP	1		
3	R47235	O-RING	2		
4	AR49808	VALVE	1		
5	R42822	LABEL	1	-400000	(COMPRESSOR CHARGE)
	H106299	LABEL	1	400001-	(COMPRESSOR CHARGE)
6	R47233	PLUG	1		
7	R47234	WASHER	1		
8	AR92109	COMPRESSOR	1		
9	32240	O-RING	1		
10	R63571	SNAP RING	1		
11	AR78501	KIT	1		
12	12M7066	LOCK WASHER	1		10 MM (3/8")
13	24H1884	WASHER	1		13/32" X 13/16" X 0.120"

# 2E8

OPERATOR'S STATION

## COMPRESSOR COIL, CLUTCH, AND PULLEY (SERIAL NO. -610100)

HP514 -UN-01JAN94



KEY	PART NO.	PART NAME	QTY	SERIAL NO.	REMARKS
1	R56246	GASKET	1		(A) (ALSO ORDER AR71289)
2	AR49803	ELECTRICAL COIL	1		(A) (ALSO ORDER AR71289)
3	R47224	SNAP RING	1		(A) (ALSO ORDER AR71289)
4	R54766	WASHER	1		(A) REAR, (ALSO ORDER AR71289)
5	AR71287	PULLEY	1		(INCLUDES KEYS 4, 6 AND 11)
	AH119050	ROTOR	1		ROTOR-MAGNET CLUTCH
6	AR71288	BALL BEARING	1		
7	R47226	SNAP RING	1		(A) (ALSO ORDER AR71289)
8	AR71285	KIT	1		SEAL WITH FRONT SHIELD (INCLUDES KEY 11)
9	R47229	SHAFT KEY	1		
10	R47227	SEAL	1		(A) (ALSO ORDER AR71289)
11	AR71289	SHIELD	1		FRONT
12	AR71286	CLUTCH	1		(INCLUDES AR71290)
13	R47230	WASHER	1	-400000	
14	R47231	SNAP RING	1	-400000	
15	R47232	NUT	1	-400000	
16	R69297	FLANGE NUT	1	400001-	
17	AR71290	COVER	1		
18	37H32	SCREW	3	0.190" X 3/8"	

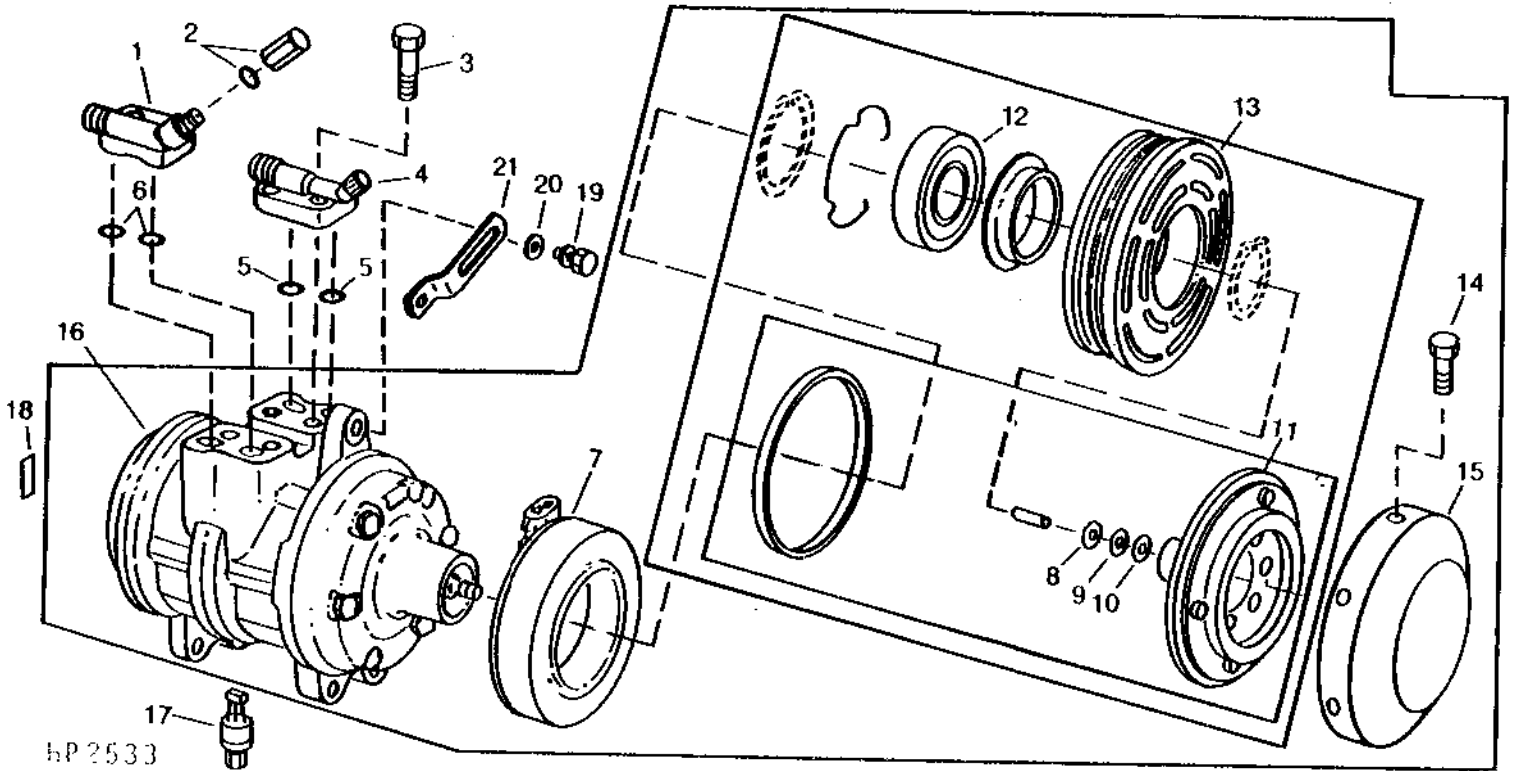
NOTE: WHEN ANY OF THE PARTS MARKED WITH AN (A) ARE ORDERED FOR PARTS, ALSO ORDER AR71289.

# 2E9

OPERATOR'S STATION

## COMPRESSOR, CLUTCH AND SERVICE VALVES (SERIAL NO. 610101- )

HP2533 -UN-01JAN94



KEY	PART NO.	PART NAME	QTY	SERIAL NO.	REMARKS
1	RE10981	MANIFOLD	1		
2	RE10982	VALVE	1		
3	R77398	SCREW	4		
4	RE10980	MANIFOLD	1		
5	R77401	O-RING	1		
6	R77400	PACKING	1		
7	R77395	CLUTCH	1		
8	R77391	WASHER	AR		
9	R77392	SHIM	AR		
10	R77393	SHIM	AR		
11	RE10974	KIT	1		
12	R77394	BEARING	1		
13	RE10975	KIT	1		
14	R77390	SCREW	6		
15	R77389	COVER	1		
16	RE12513	COMPRESSOR	1		
17	AT63265	SWITCH	1		HI PRESSURE SWITCH
18	H115067	LABEL	1		COMPRESSOR CHARGE
..	RE10976	KIT	1		

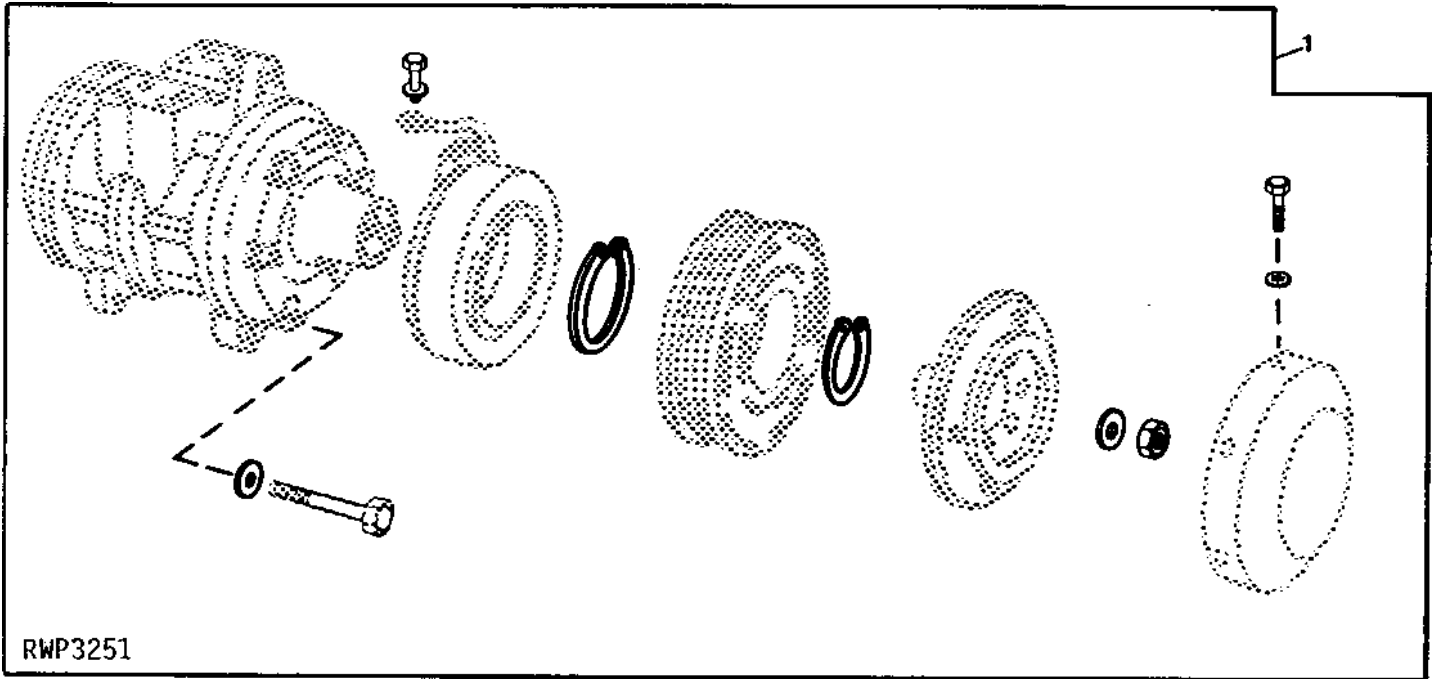


# 2E10

OPERATOR'S STATION

## COMPRESSOR HARDWARE SET (SERIAL NO. 610101- )

RWP3251 -UN-01JAN94



KEY	PART NO.	PART NAME	QTY	SERIAL NO.	REMARKS
1	RE10976	KIT	1		

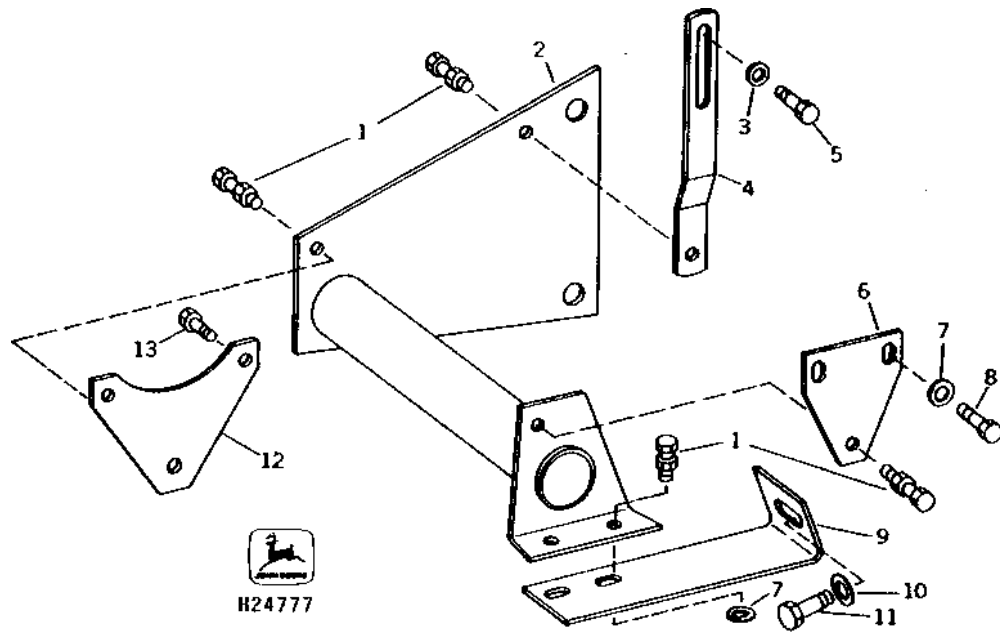
# 2E11

OPERATOR'S STATION

## AIR CONDITIONER COMPRESSOR MOUNTING AND SUPPORTS (SERIAL NO. -610100)

H24777

-UN-01JAN94



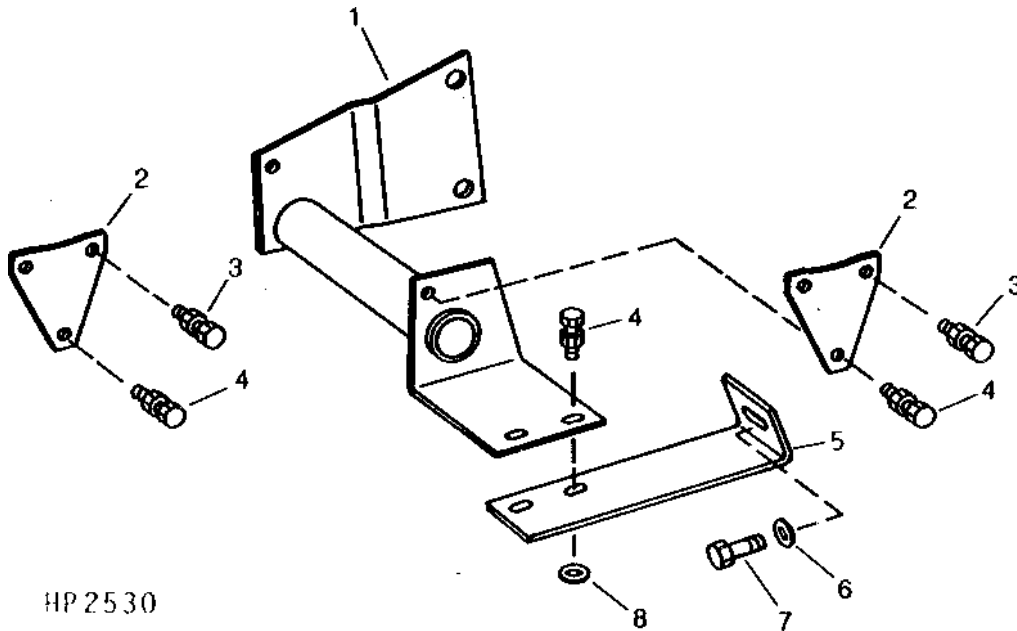
KEY	PART NO.	PART NAME	QTY	SERIAL NO.	REMARKS
1	19H1731	CAP SCREW	5	3/8" X 1"	
	14H812	NUT	5	3/8"	
2	AH87977	SUPPORT	1		
3	24H1292	WASHER	1	11/32" X 3/4" X 0.120"	
4	H87116	ARM	1		
5	19M7163	CAP SCREW	1	8 MM X 25 MM (5/16" X 1")	
	12M7065	LOCK WASHER	1	8 MM (5/16")	
6	H87114	HOLDER	1	REAR	
7	24H1305	WASHER	3	13/32" X 13/16" X 0.065"	
8	19M7662	CAP SCREW	2	10 MM X 30 MM (3/8" X 1-3/16")	
	12M7066	LOCK WASHER	2	10 MM (3/8")	
9	H87115	BRACE	1		
10	24H1357	WASHER	1	19/32" X 1-5/32" X 0.090"	
11	19H2355	CAP SCREW	1	9/16" X 1-1/2"	
	12H317	LOCK WASHER	1	9/16"	
12	H87101	PLATE	1	FRONT	
13	19M7163	CAP SCREW	2	8 MM X 25 MM (5/16" X 1")	
	12M7065	LOCK WASHER	2	8 MM (5/16")	

# 2E12

OPERATOR'S STATION

## AIR CONDITIONER COMPRESSOR MOUNTING AND SUPPORTS (SERIAL NO. 610101- )

HP2530 -UN-01JAN94



HP 2530

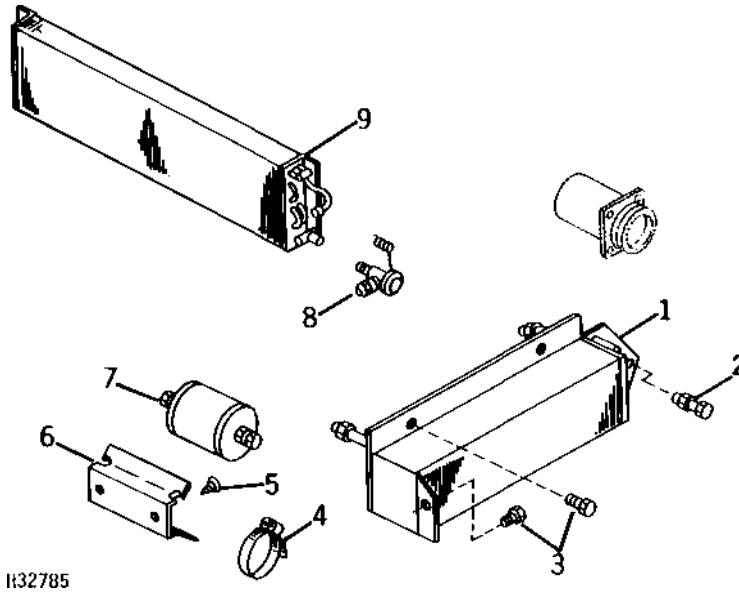
KEY	PART NO.	PART NAME	QTY	SERIAL NO.	REMARKS
1	AH119896	SUPPORT	1		
2	H120407	PLATE	2		
3	19M8007	CAP SCREW	4	M10 X 25	
	12M7066	LOCK WASHER	4	10.200 MM	
4	19H1731	CAP SCREW	4	3/8" X 1"	
	12H304	LOCK WASHER	4	3/8"	
	14H812	NUT	4	3/8"	
5	H87115	BRACE	1		
6	24H1357	WASHER	1	19/32" X 1-5/32" X 0.090"	
7	19H2355	CAP SCREW	1	9/16" X 1-1/2"	
	12H317	LOCK WASHER	1	9/16"	
	24H1305	WASHER	2	13/32" X 13/16" X 0.065"	
8	24H1305	WASHER	2	13/32" X 13/16" X 0.065"	

MEMORANDA

# 2E13

H32785 -UN-01JAN94

## AIR CONDITIONER CONDENSER AND RECEIVER-DRYER



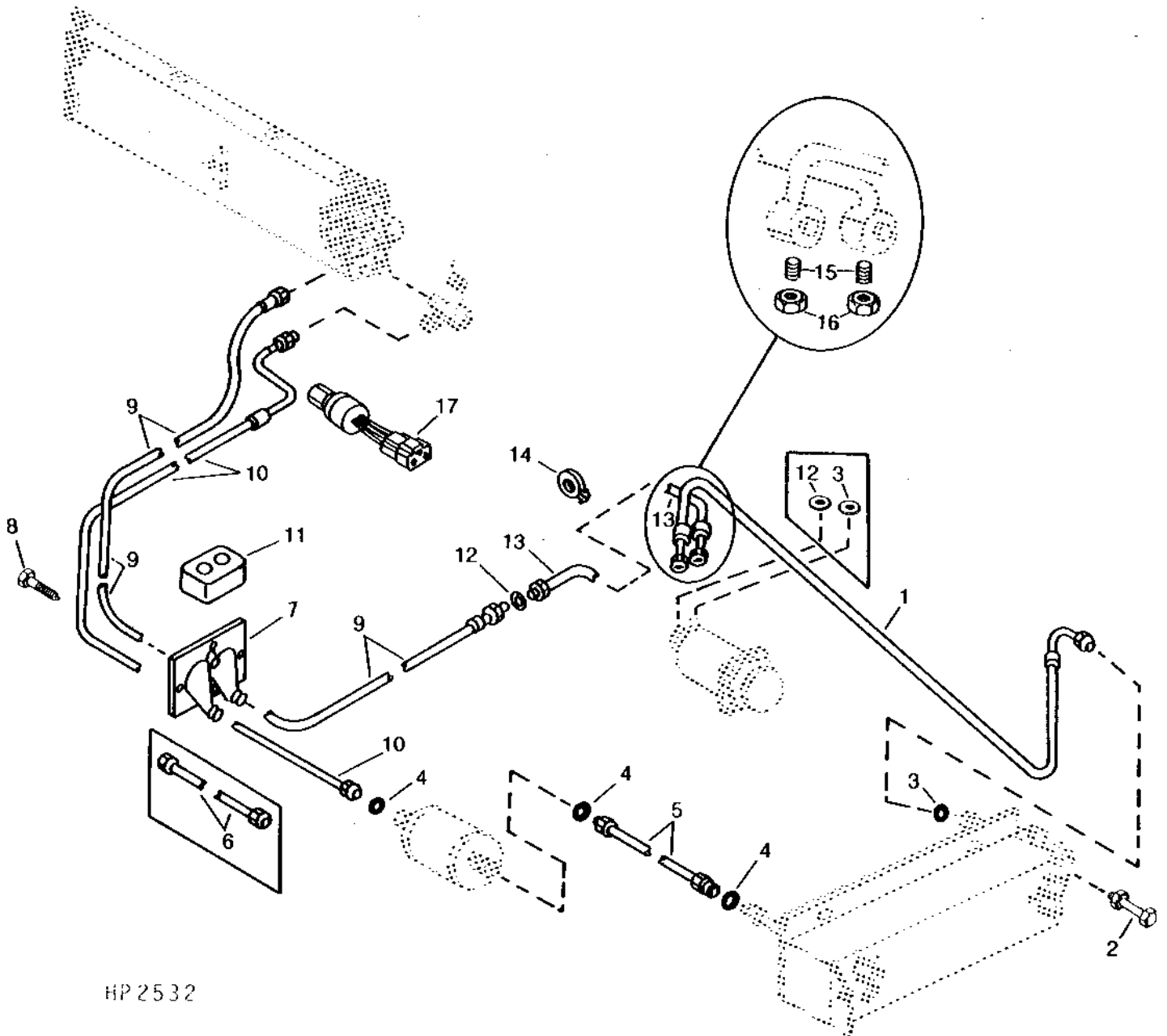
KEY	PART NO.	PART NAME	QTY	SERIAL NO.	REMARKS
1	AH92499	VAPOR CONDENSER	1		
2	19H1900	CAP SCREW	1	5/16" X 3/4"	
	N10213	LOCK NUT	1		
3	N71292	SELF-LOCKING SCREW	3		
4	AR21842	CLAMP	2		
5	H65108	SCREW	2	SELF-TAPPING	
6	H87092	SUPPORT	1		
7	AR59780	RECEIVER-DRYER	1		
8	AH80191	VALVE	1		
9	AH80696	EVAPORATOR	1		

# 2E14

OPERATOR'S STATION

HP2532 -UN-01JAN94

## AIR CONDITIONER LINES



HP 2532

# 2E15

OPERATOR'S STATION

## AIR CONDITIONER LINES - CONTINUED

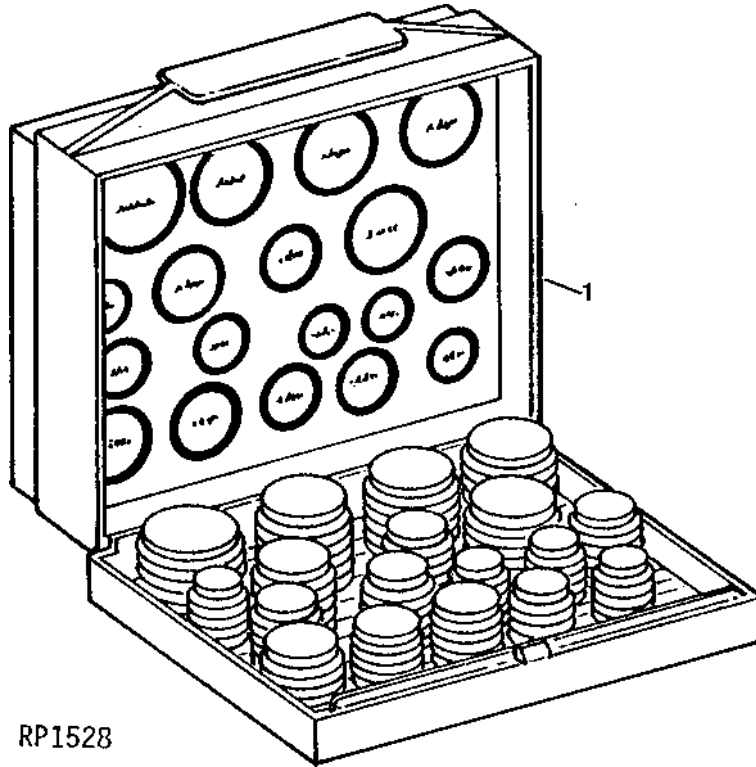
KEY	PART NO.	PART NAME	QTY	SERIAL NO.	REMARKS
1	AH91612	HYDRAULIC HOSE	1	-610100	
	AH116882	HOSE	1	610101-	
2	19H1900	CAP SCREW	1		5/16" X 3/4"
	N10213	LOCK NUT	1		
3	P51212	O-RING	1		
4	R10093	O-RING	1		
5	AH87968	LINE	1		
6	AH87970	LINE	1		
7	H87117	BOOT	1		
8	37H120	SCREW	4		0.164" X 1/2"
9	AH89593	HOSE	1		
10	AH91326	HOSE	1	-610100	
	AH117218	HOSE	1	610101-	
11	H97745	SEAL	1		
12	R33259	O-RING	1		
13	AH91607	LINE	1	-610100	
	AH116881	LINE	1	610101-	
14	H91298	CLIP	1		
15	R60170	VALVE	2		
16	R60172	NUT	2		
17	AT63266	SWITCH	1	610101-	LO PRESSURE SWITCH
..	PT94	SEALANT	1	-500000	(SUB TY15130)
..	TY15130	SEALANT	1		

# 2E16

OPERATOR'S STATION

RP1528 -UN-01JAN94

KIT, O-RING - AIR CONDITIONING



RP1528

KEY	PART NO.	PART NAME	QTY	SERIAL NO.	REMARKS
1	AT66632	KIT	1		

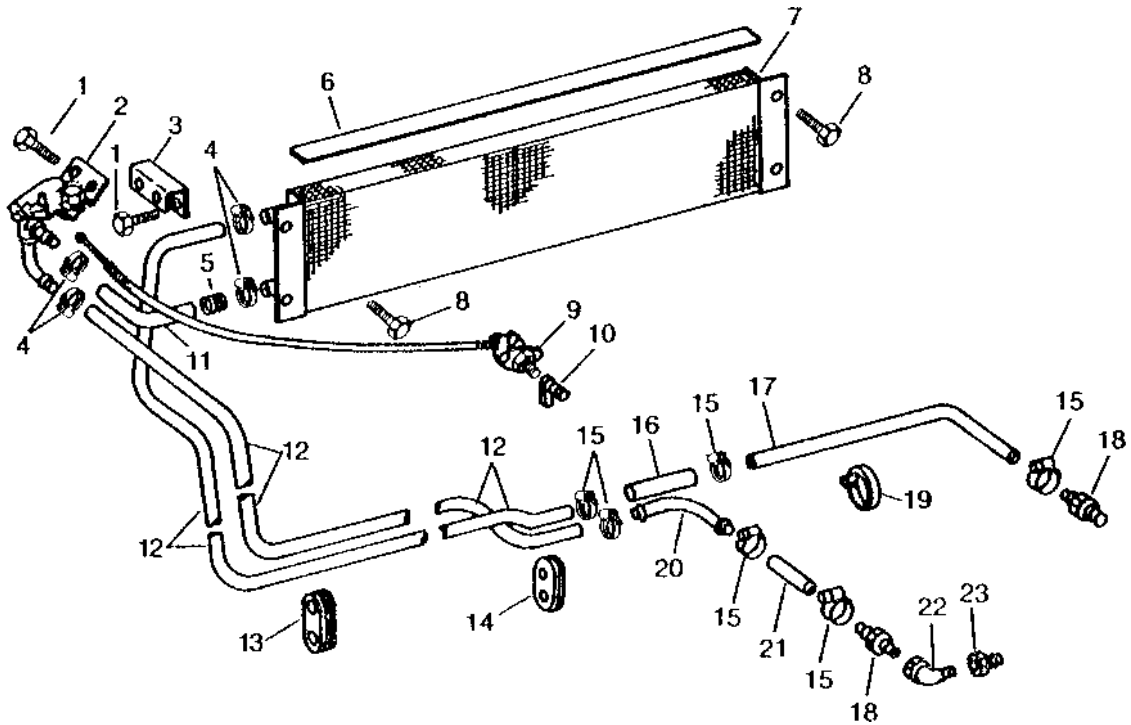


# 2E17

OPERATOR'S STATION

HP714 -UN-01JAN94

## HEATER AND HOSES



HP714

KEY	PART NO.	PART NAME	QTY	SERIAL NO.	REMARKS
1	19H1919	CAP SCREW	3		1/4" X 5/8"
2	AH80166	VALVE	1		
3	AH80164	BRACKET	1		
4	AR21837	CLAMP	8	-400784	
	AH105953	CLAMP	4	400785-	
5	H82426	GROMMET	1		
6	H81669	WEATHERSTRIP	1		
7	AH80167	HEATER	1		
8	37H14	SCREW	4		NO. 10 X 1/2"
9	AH80165	PUSH PULL CABLE	1		
10	AH91003	KNOB	1		
11	H82425	HOSE	1		16 MM X 140 MM (5/8" I.D. X 5-1/2") LONG
12	H81011	HOSE	2		16 MM X 3353 MM (5/8" I.D. X 132") LONG
13	H81001	GROMMET	1		
14	H88890	GROMMET	1		
15	AR21837	CLAMP	6		
16	H81010	BUSHING	2	-450000	
	H81010	BUSHING	1	450001-	
17	.....	HOSE	1		16 MM X 813 MM (5/8" I.D. X 32") LONG (CUT FROM R45847)
18	H23196	FITTING	2		
19	H91298	CLIP	1		
20	H106018	TUBE	1	450001-	
21	R45847	HOSE	1		16 MM X 711 MM (5/8" I.D. X 28") LONG
22	15H200	ELBOW FITTING	1		90°
23	15H515	PIPE BUSHING	1		3/4" X 1/2"

MEMORANDA

---

FOR INDIVIDUAL HEADER PARTS CATALOGS REFER TO:

PC-1558 - PARTS CATALOG FOR JOHN DEERE 200 SERIES PLATFORMS

PC-1223 - PARTS CATALOG FOR JOHN DEERE 40 SERIES CORN HEADS

PC-1549 - PARTS CATALOG FOR JOHN DEERE 50 SERIES ROW-CROP HEADS

PC-1747 - PARTS CATALOG FOR JOHN DEERE 50A SERIES ROW-CROP HEADS

PC-1189 - PARTS CATALOG FOR JOHN DEERE THREE-ROLLER BELT PICKUPS

---

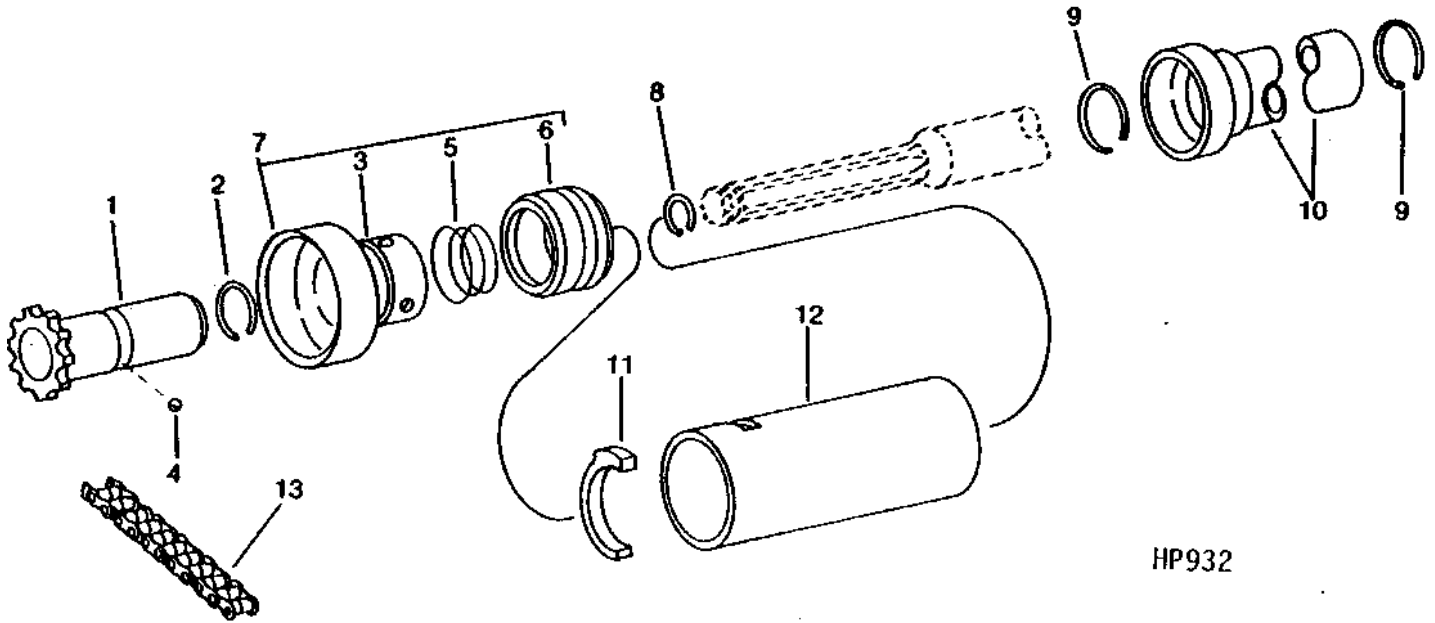
MEMORANDA

# 2E21

FEEDER HOUSE

HP932 -UN-01JAN94

## QUIK-TATCH COUPLER AND SHIELDS



HP932

KEY	PART NO.	PART NAME	QTY	SERIAL NO.	REMARKS
1	AN102382	CHAIN SPROCKET	1		14 TEETH
2	H25360	SNAP RING	1		
3	.....	RETAINER	1		(SUB AH89038)
4	N104243	BALL	3		
5	.....	SPRING	1		(SUB AH89038)
6	.....	COVER	1		(SUB AH89038)
7	AH89038	QUIK COUPLER	1		
8	H80926	SNAP RING	1		
9	H28865	SNAP RING	2		
10	.....	SHIELD	1		(CUT FROM AH89028)
11	H22039	UNIVERSAL JOINT BEARING	2	-400987	(SUB E62951)
	E62951	UNIVERSAL JOINT BEARING	2		
12	H87725	SHIELD	1		
13	AN102383	LINK CHAIN	1		

NOTE: QUANTITIES SHOWN ARE FOR ONE COUPLER ASSEMBLY.

---

MEMORANDA

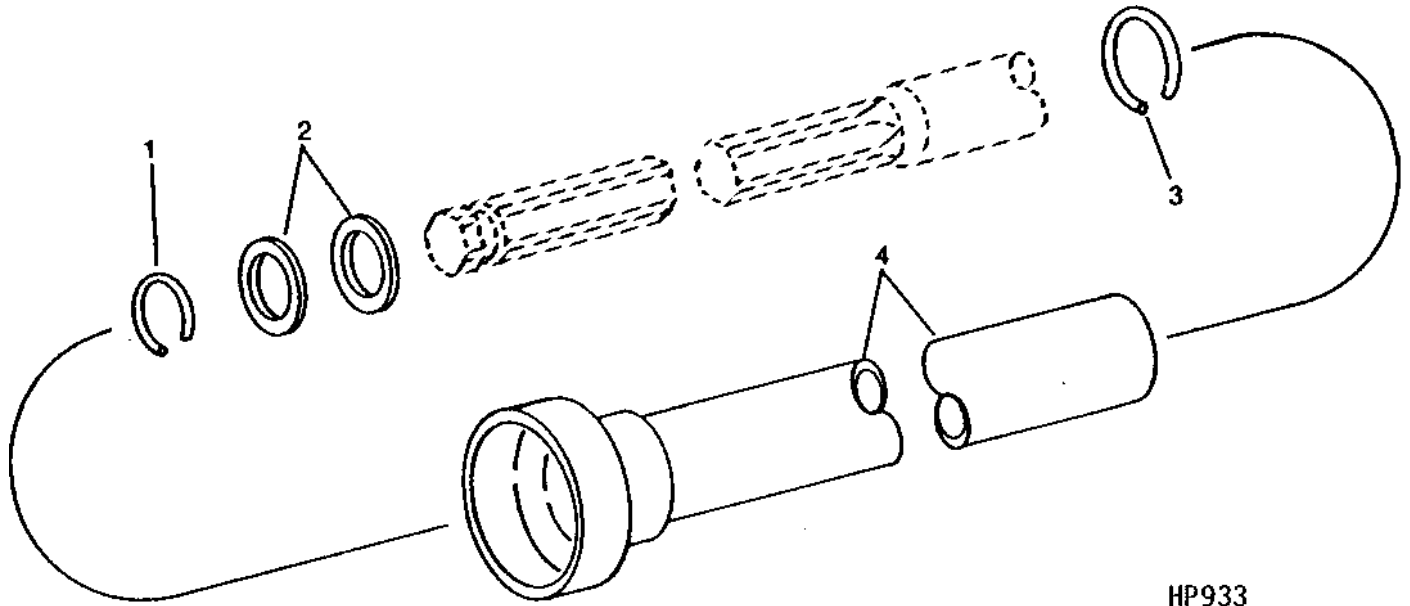
# 2E22

FEEDER HOUSE

HP933

-UN-01JAN94

## SPECIAL LEFT-HAND LOWER SHIELD



HP933

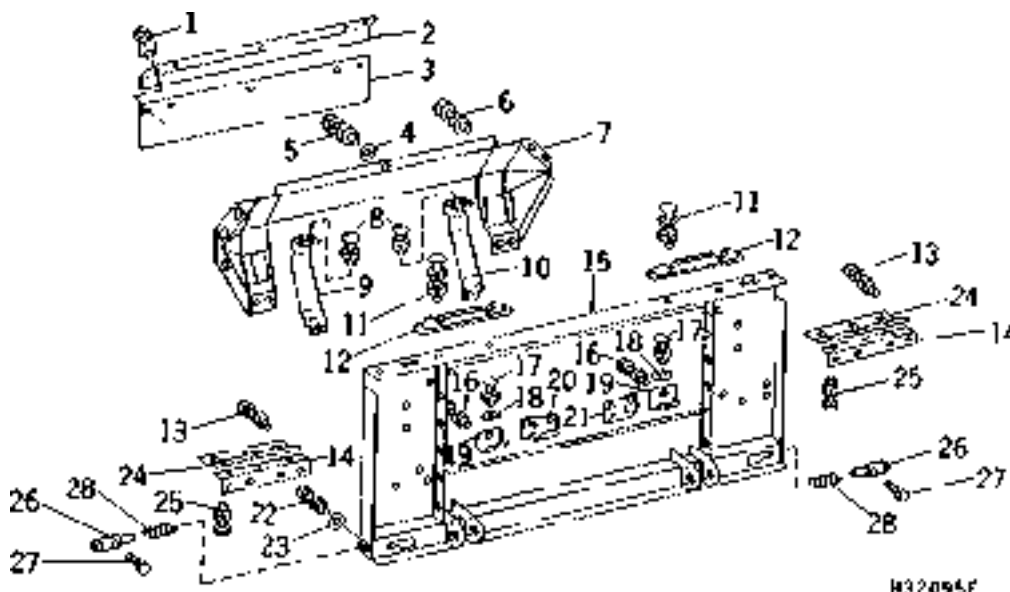
KEY	PART NO.	PART NAME	QTY	SERIAL NO.	REMARKS
1	P50419	SNAP RING	1		
2	24H1633	WASHER	2		
3	H28865	SNAP RING	1		
4	AH90527	SHIELD	1		

# 2E23

FEEDER HOUSE

## FEEDER HOUSE FRONT SHEETS

H32095F -UN-01JAN94



KEY	PART NO.	PART NAME	QTY	SERIAL NO.	REMARKS
1	21H1030	SCREW	5	3/8" X 3/4"	
	N10215	LOCK NUT	5		
2	H83737	STRIP	1		
3	H83738	DEFLECTOR	1		
4	24H1136	WASHER	1	11/32" X 11/16" X 0.065"	
5	21H1304	SCREW	6	5/16" X 3/4"	
	14H785	NUT	6	5/16"	
6	21H1071	SCREW	6	5/16" X 5/8"	
	14H785	NUT	6	5/16"	
7	AH84657	SHIELD	1		
8	21H1116	SCREW	6	3/8" X 5/8"	
	N10215	LOCK NUT	6		
9	H83576	EXTENSION	1		L.H. CONVEYOR SHIELD
10	H83575	EXTENSION	1		R.H. CONVEYOR SHIELD
11	03H1439	BOLT	4	1/2" X 1-3/4"	
	12H301	LOCK WASHER	4	1/2"	
	14H1040	NUT	4	1/2"	
12	H93556	CLAMP	2		
13	21H1030	SCREW	6	3/8" X 3/4"	
	N10215	LOCK NUT	6		
14	H87762	SUPPORT	2		STRIPPER
15	AH95012	SUPPORT	1		FRONT
16	21H1030	SCREW	2	3/8" X 3/4"	
	N10215	LOCK NUT	2		
17	03H1519	BOLT	2	3/8" X 1"	
	14H812	NUT	2	3/8"	
18	24H1305	WASHER	2	13/32" X 13/16" X 0.065"	
19	H77628	STRIP	2		
20	H85936	EXTENSION	1		L.H. CLOSURE STRIP
21	H85935	EXTENSION	1		R.H. CLOSURE STRIP
22	03H1499	BOLT	AR		1/2" X 1-1/2", (3 USED, WITH CORN HEAD; 4 USED, WITH CUTTING PLATFORM)
	12H301	LOCK WASHER	AR		1/2", (3 USED, WITH CORN HEAD; 4 USED, WITH CUTTING PLATFORM)
	14H1040	NUT	AR		1/2", (3 USED, WITH CORN HEAD; 4 USED, WITH CUTTING PLATFORM)
23	24H1850	WASHER	AR		17/32" X 1-1/4" X 0.180", (3 USED, WITH CORN HEAD; 4 USED, WITH CUTTING PLATFORM)



# 2E24

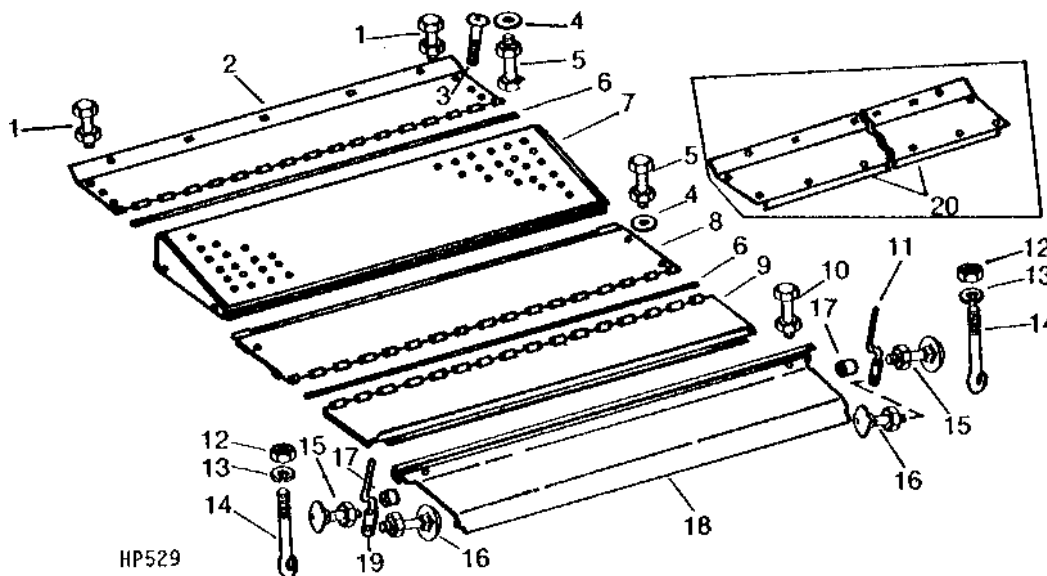
FEEDER HOUSE

## FEEDER HOUSE FRONT SHEETS - CONTINUED

KEY	PART NO.	PART NAME	QTY	SERIAL NO.	REMARKS
24	H87761	STRIPPER	2		
25	03H1765	BOLT	6	3/8" X 3/4"	
	N10215	LOCK NUT	1		
26	H89360	PIN	2		
27	19H3189	CAP SCREW	2	1/2" X 3"	
28	124424	SPRING	2		

## FEEDER HOUSE TOP SHEETS

HP529 -UN-01JAN94



KEY	PART NO.	PART NAME	QTY	SERIAL NO.	REMARKS
1	21H1304	SCREW	2	5/16" X 3/4"	
	14H785	NUT	2	5/16"	
2	AH81163	SHEET	1	(REGULAR)	
	H82699	SHEET	1	(LONG)	
3	21H1029	SCREW	2	-400784	5/16" X 3/4", (SUB M66314, THIS APPLICATION)
	M66314	SCREW	2		
4	24H1136	WASHER	10	11/32" X 11/16" X 0.065"	
5	19H1900	CAP SCREW	6	5/16" X 3/4"	
	14H785	NUT	6	5/16"	
6	H77578	PIN	2		
7	AH76285	DOOR	1		
8	AH76288	SHEET	1		
9	AH77690	DOOR	1		
10	19H2021	CAP SCREW	2	3/8" X 5/8"	
	14H812	NUT	2	3/8"	
11	H78624	LEVER	1		
12	14H611	NUT	2	5/16"	
13	N10213	LOCK NUT	1		
14	H76683	EYEBOLT	2		
15	09H1696	BOLT	2	5/16" X 1-1/4"	
	H76696	LOCK NUT	2		
16	03H1524	BOLT	2	5/16" X 1"	
	H76696	LOCK NUT	2		
17	H79784	BUSHING	1		
18	AH77688	DOOR	1	-550000	
	AH111190	DOOR	1	550001-	
	H76701	LEVER	1		
20	H82700	SUPPORT	1	(LONG)	

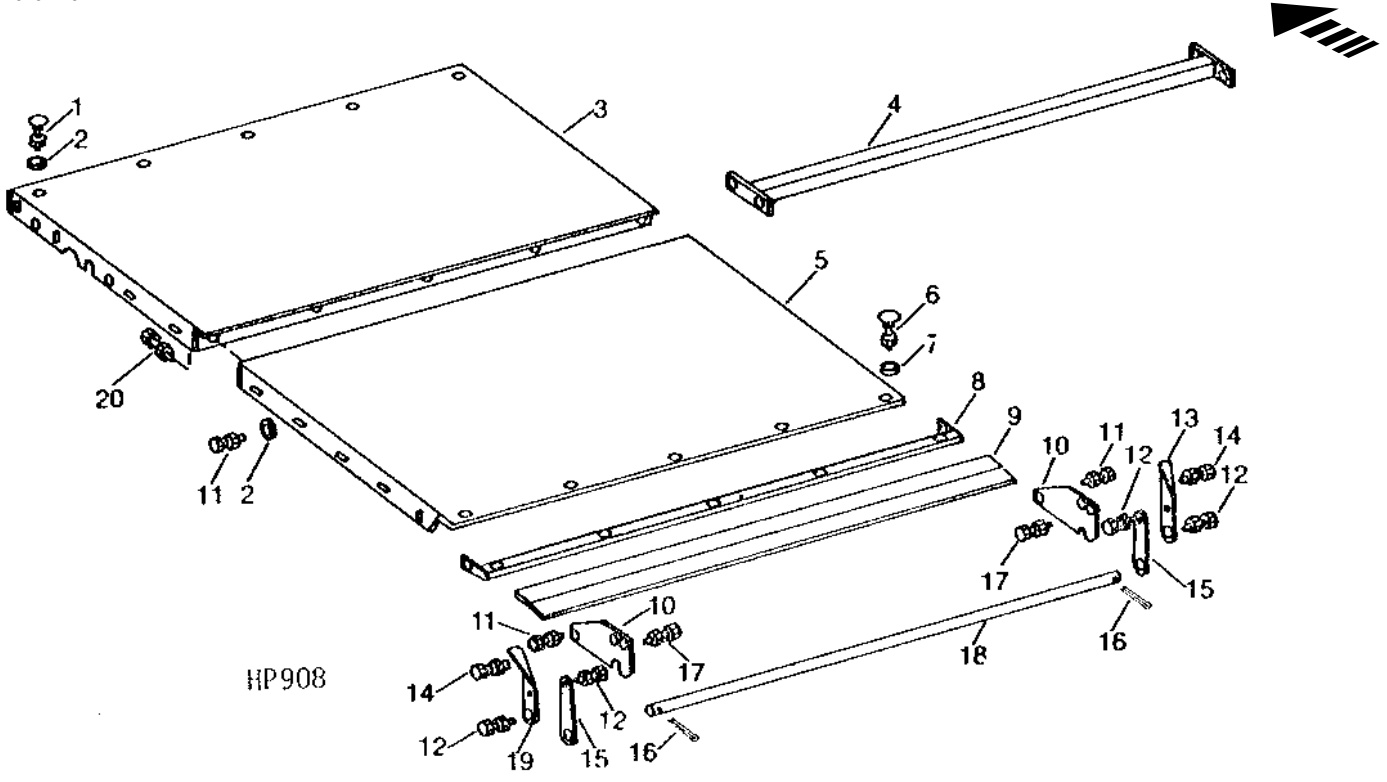
# 2E25

FEEDER HOUSE

HP908

-UN-01JAN94

## REGULAR FEEDER HOUSE BOTTOM SHEETS



HP908

KEY	PART NO.	PART NAME	QTY	SERIAL NO.	REMARKS
1	03H1519	BOLT	6	3/8" X 1"	
	14H812	NUT	6	3/8"	
2	24H1305	WASHER	23	13/32" X 13/16" X 0.065"	
3	AH83627	SHEET	1		
4	AH78881	REINFORCEMENT	2		
5	AH83623	SHEET	1	PERFORATED	
	AH83616	SHEET	1	SOLID	
6	09H1649	BOLT	6	5/16" X 3/4"	
	14H785	NUT	6	5/16"	
7	24H1652	WASHER	5	13/32" X 11/16" X 7/64"	
8	AH80937	REINFORCEMENT	1		
9	H98032	COVER	1		
10	H93170	BRACKET	2		
11	19H1731	CAP SCREW	8	3/8" X 1"	
	14H812	NUT	8	3/8"	
12	21H1226	SCREW	4	5/16" X 7/8"	
	H76696	LOCK NUT	4		
13	H76690	HANDLE	1	R.H.	
14	19H1900	CAP SCREW	2	5/16" X 3/4"	
	14H785	NUT	2	5/16"	
15	H93166	LATCH	2		
16	11H224	COTTER PIN	2	1/8" X 1-1/4"	
17	03H1463	BOLT	2	3/8" X 3/4"	
	14H812	NUT	2	3/8"	
18	H99878	TUBE	1		
19	H76700	HANDLE	1	L.H.	
20	03H1765	BOLT	5	3/8" X 3/4"	
	12H304	LOCK WASHER	5	3/8"	
	14H812	NUT	5	3/8"	

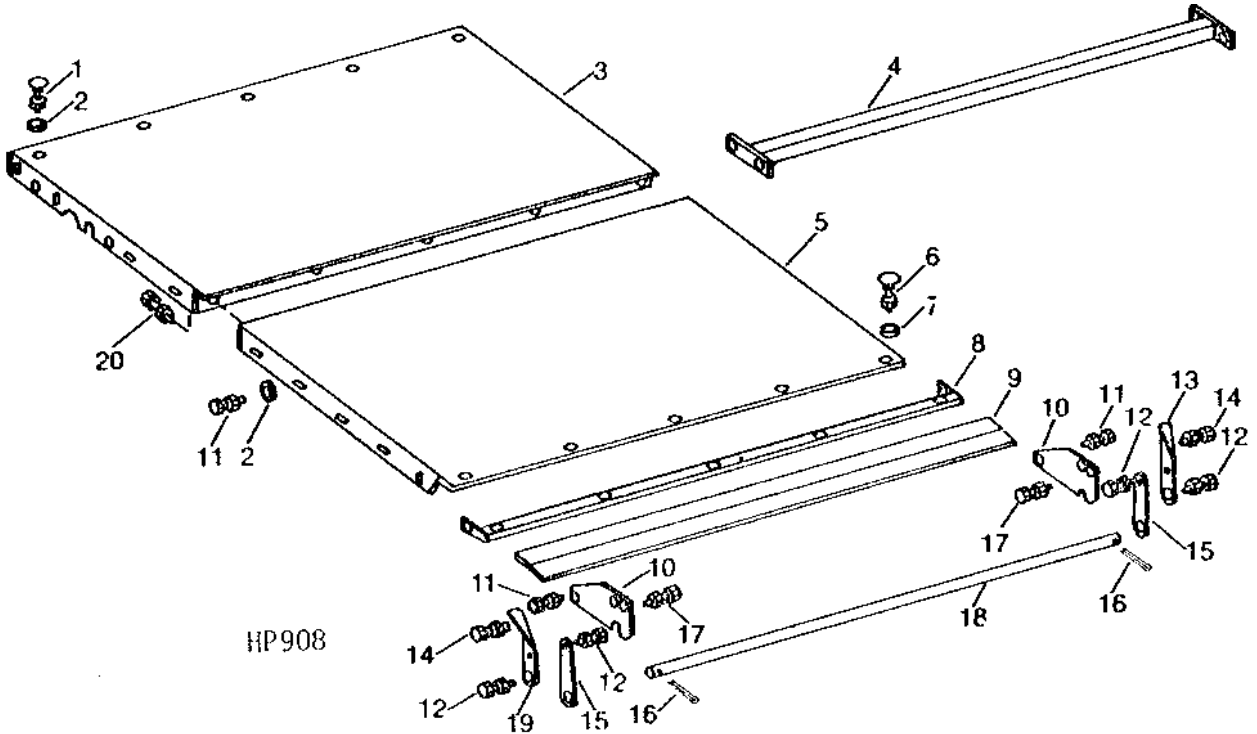
# 2F1

FEEDER HOUSE

HP908

-UN-01JAN94

## LONG FEEDER HOUSE BOTTOM SHEETS



KEY	PART NO.	PART NAME	QTY	SERIAL NO.	REMARKS
1	03H1519	BOLT	6	3/8" X 1"	
	14H812	NUT	6	3/8"	
2	24H1305	WASHER	23	13/32" X 13/16" X 0.065"	
3	AH83628	SHEET	1		
4	AH78881	REINFORCEMENT	2		
5	AH83617	SHEET	1	SOLID	
	AH83631	SHEET	1	PERFORATED	
6	09H1649	BOLT	6	5/16" X 3/4"	
	14H785	NUT	6	5/16"	
7	24H1652	WASHER	5	13/32" X 11/16" X 7/64"	
8	AH80937	REINFORCEMENT	1		
9	H98032	COVER	1		
10	H93170	BRACKET	2		
11	19H1731	CAP SCREW	8	3/8" X 1"	
	14H812	NUT	8	3/8"	
12	21H1226	SCREW	4	5/16" X 7/8"	
	H76696	LOCK NUT	4		
13	H76690	HANDLE	1	R.H.	
14	19H1900	CAP SCREW	2	5/16" X 3/4"	
	14H785	NUT	2	5/16"	
15	H93166	LATCH	2		
16	11H224	COTTER PIN	2	1/8" X 1-1/4"	
17	03H1463	BOLT	2	3/8" X 3/4"	
	14H812	NUT	2	3/8"	
18	H99878	TUBE	1		
19	H76700	HANDLE	1	L.H.	
20	03H1765	BOLT	5	3/8" X 3/4"	
	12H304	LOCK WASHER	5	3/8"	
	14H812	NUT	5	3/8"	

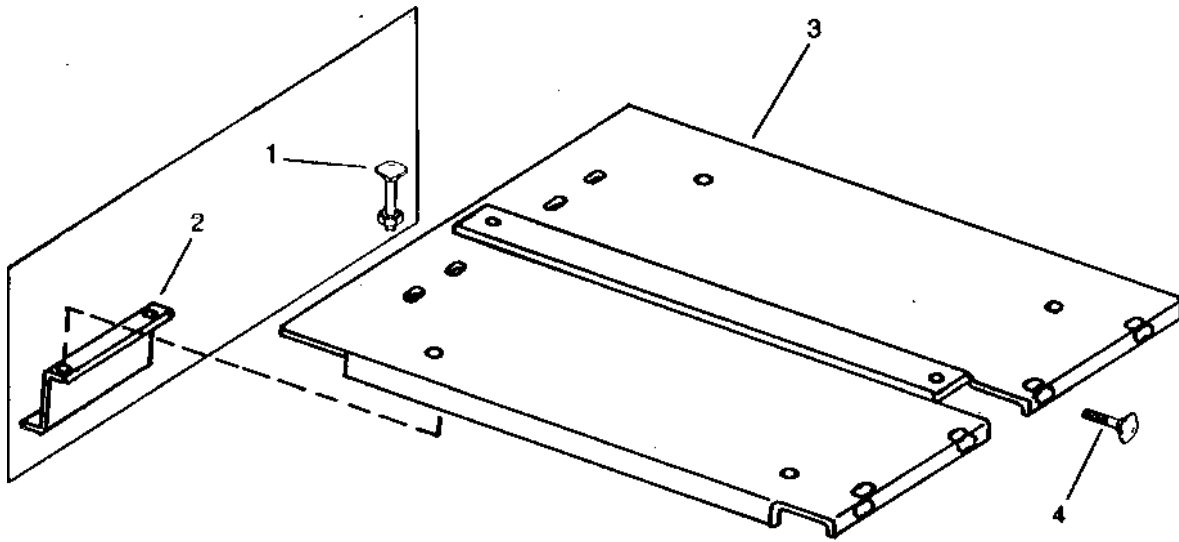
---

MEMORANDA

# 2F2

HP1679 -UN-01JAN94

## FEEDER HOUSE FALSE BOTTOM



HP1679

KEY	PART NO.	PART NAME	QTY	SERIAL NO.	REMARKS
1	21H1024	SCREW	4	-550000	1/4" X 5/8"
	12H302	LOCK WASHER	4	-550000	1/4"
	14H786	NUT	4	-550000	1/4"
2	H104954	CLAMP	2	-550000	
3	AH89516	PLATE	1	-550000	(REGULAR, VARIABLE, AND CHAIN)
	AH111504	BOTTOM	1	550001-	(REGULAR, VARIABLE)
	AH89518	PLATE	1	-550000	(LONG, VARIABLE, AND CHAIN)
4	AH111178	BOTTOM	1	550001-	(LONG, VARIABLE, AND CHAIN)
	H65108	SCREW	4		

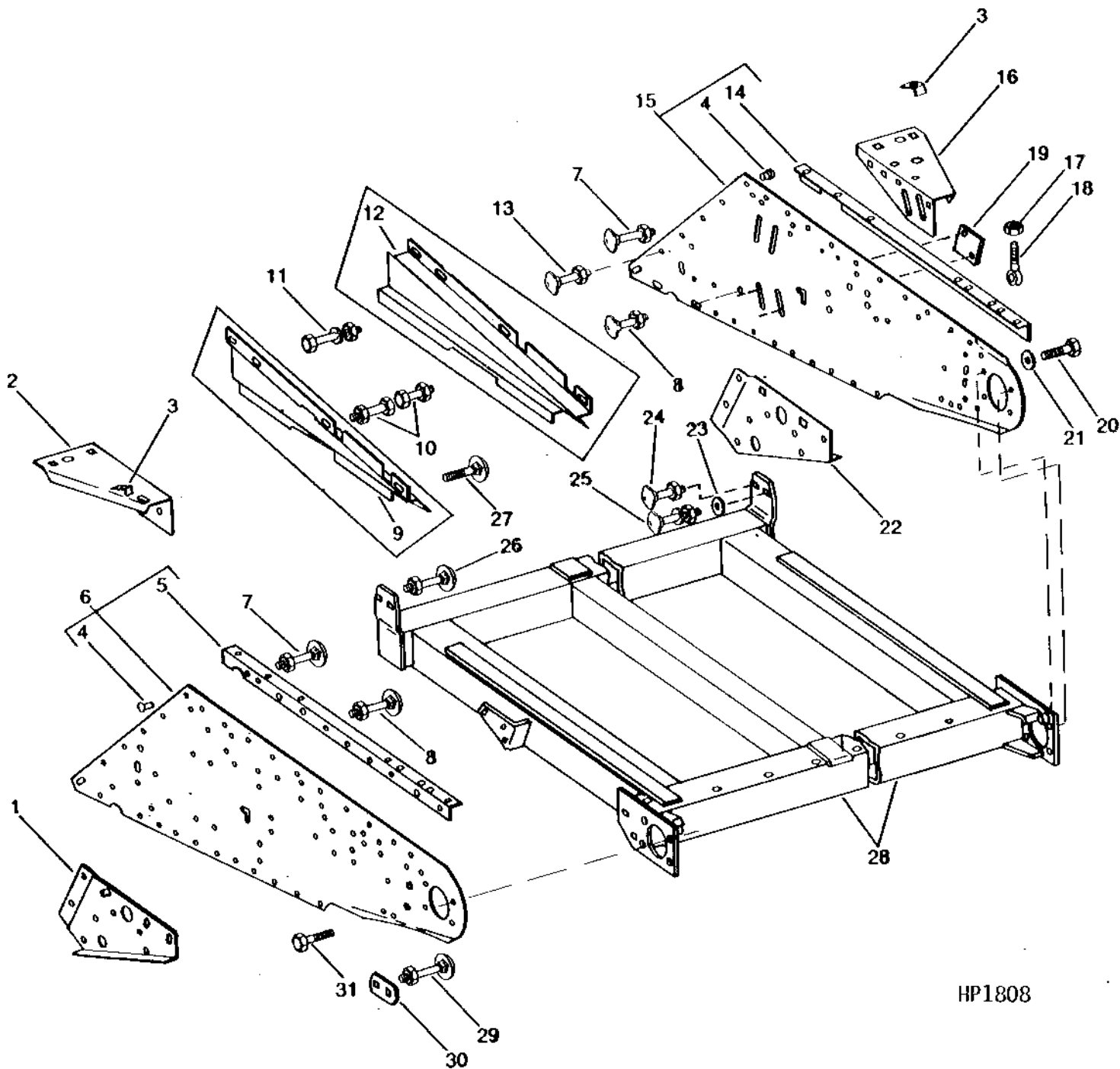
# 2F3

FEEDER HOUSE

HP1808

-UN-01JAN94

## REGULAR FEEDER HOUSE SIDE SHEETS AND FRAME



HP1808

# 2F4

FEEDER HOUSE

## REGULAR FEEDER HOUSE SIDE SHEETS AND FRAME - CONTINUED

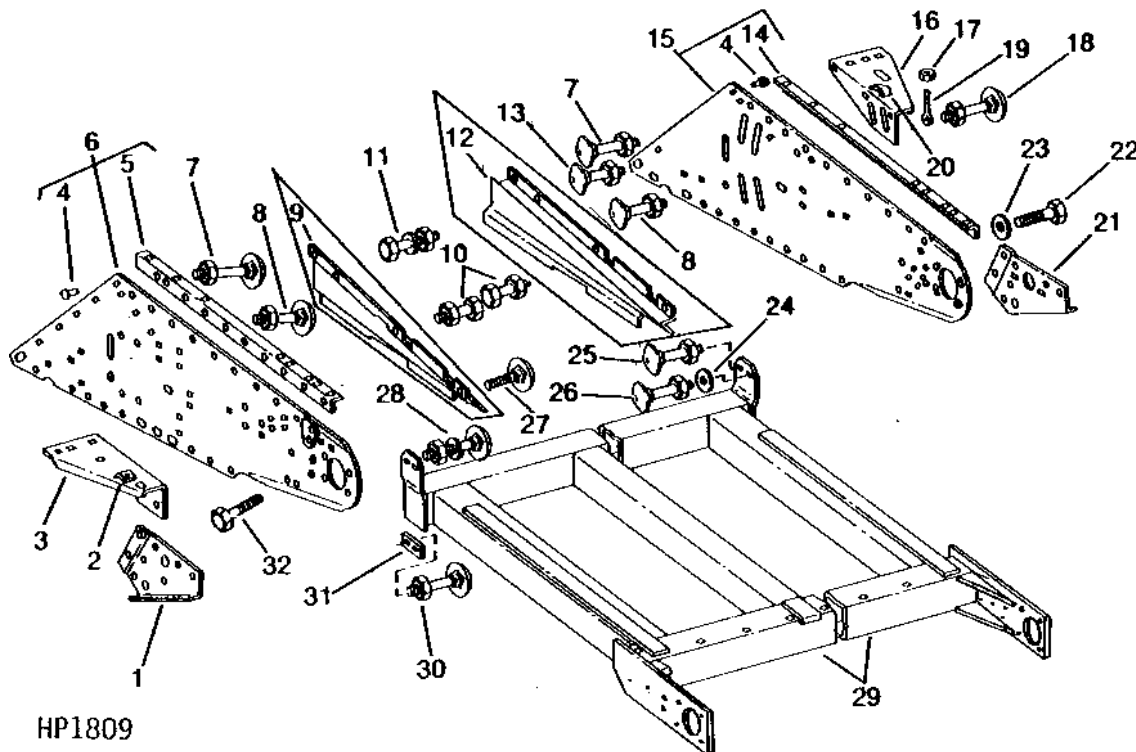
KEY	PART NO.	PART NAME	QTY	SERIAL NO.	REMARKS
1	H100207	REINFORCEMENT	1		
2	H102681	BRACE	1		
3	H88767	SPACER	2		
4	16H658	RIVET	14		1/4" X 5/8"
	16H697	RIVET	2		1/4" X 1"
5	H78273	FLANGE	1		
6	AH102725	SHEET	1	-550000	
	AH111651	SHEET	1	550001-610100	
	AH115063	SHEET	1	610101-	
7	03H1519	BOLT	3		3/8" X 1"
	14H812	NUT	3		3/8"
8	03H1709	BOLT	3		5/16" X 1"
	14H785	NUT	3		5/16"
9	H101755	SHIELD	1	-550000	
10	21H1304	SCREW	2		5/16" X 3/4"
	14H785	NUT	2		5/16"
11	21H1030	SCREW	4		3/8" X 3/4"
	12H304	LOCK WASHER	4		3/8"
	14H812	NUT	4		3/8"
12	H101754	SHIELD	1	-550000	
13	03H1463	BOLT	3		3/8" X 3/4"
	14H812	NUT	3		3/8"
14	H78274	FLANGE	1		
15	AH102724	SHEET	1	-550000	(USE WITH H101795) (SUB AH111668, THIS APPLICATION)
	AH111668	SHEET	1		(USE WITH H101795)
16	H102680	BRACE	1		
17	14H1039	NUT	1		5/8"
18	H102690	EYEBOLT	1		
19	H101795	PLATE	1		
20	19H1895	CAP SCREW	2	550001-	1/2" X 3/4"
21	24H1111	WASHER	2	550001-	17/32" X 1-1/16" X 0.090"
22	H100206	REINFORCEMENT	1		
23	24H1371	WASHER	1		21/32" X 1-3/8" X 0.194"
24	03H1603	BOLT	1		5/8" X 2"
	12H294	LOCK WASHER	1		5/8"
	14H1039	NUT	1		5/8"
25	03H1801	BOLT	1		5/8" X 1-3/4"
	12H294	LOCK WASHER	1		5/8"
	14H1039	NUT	1		5/8"
26	03H1801	BOLT	2		5/8" X 1-3/4"
	12H294	LOCK WASHER	2		5/8"
	14H1039	NUT	2		5/8"
27	21H1030	SCREW	1	-500000	3/8" X 3/4"
	21H1139	SCREW	1	500001-	3/8" X 1-1/4"
	12H304	LOCK WASHER	1		3/8"
	14H812	NUT	1		3/8"
28	AH101370	FRAME	1	-550000	
	AH111497	FRAME	1	550001-	
29	03H1522	BOLT	1		1/2" X 1-1/4"
	12H301	LOCK WASHER	1		1/2"
	14H1040	NUT	1		1/2"
30	H101814	STRAP	1		
31	19H1792	CAP SCREW	2	550001-	1/2" X 1"

# 2F5

FEEDER HOUSE

HP1809 -UN-01JAN94

## LONG FEEDER HOUSE SIDE SHEETS AND FRAME



HP1809

KEY	PART NO.	PART NAME	QTY	SERIAL NO.	REMARKS
1	H101718	REINFORCEMENT	1		
2	H88767	SPACER	1		
3	H102713	BRACE	1		
4	16H658	RIVET	16		1/4" X 5/8"
	16H697	RIVET	2		1/4" X 1"
5	H98043	ANGLE	1		
6	AH102726	SHEET	1	-450000	(SUB AH105293)
	AH105293	SHEET	1	-550000	
	AH111701	SHEET	1	550001-610100	
	AH117526	SHEET	1	610101-	L.H.
7	03H1519	BOLT	3		3/8" X 1"
	14H812	NUT	3		3/8"
8	03H1709	BOLT	3		5/16" X 1"
	14H785	NUT	3		5/16"
9	H83824	SHIELD	1	-550000	
10	21H1304	SCREW	2		5/16" X 3/4"
	14H785	NUT	2		5/16"
11	21H1029	SCREW	4		5/16" X 3/4"
	12H303	LOCK WASHER	4		5/16"
	14H785	NUT	4		5/16"
12	H83823	SHIELD	1	-550000	
13	03H1463	BOLT	3		3/8" X 3/4"
	14H812	NUT	3		3/8"
14	H98042	ANGLE	1		
15	AH101608	SHEET	1	-450000	(SUB AH105292)
	AH105292	SHEET	1	-550000	
	AH111700	SHEET	1	550001-610000	
	AH117525	SHEET	1	610101-	R.H.
16	H102678	BRACE	1		
17	14H1039	NUT	1		5/8"
18	03H1603	BOLT	1		5/8" X 2"
	12H294	LOCK WASHER	1		5/8"
	14H1039	NUT	1		5/8"
19	H102690	EYEBOLT	1		
20	H102691	SPACER	1		
21	H101717	REINFORCEMENT	1		
22	19H1895	CAP SCREW	2	550001-	1/2" X 3/4"
23	24H1111	WASHER	2	550001-	17/32" X 1-1/16" X 0.090"

THIS PARTS LISTING IS CONTINUED



# 2F6

FEEDER HOUSE

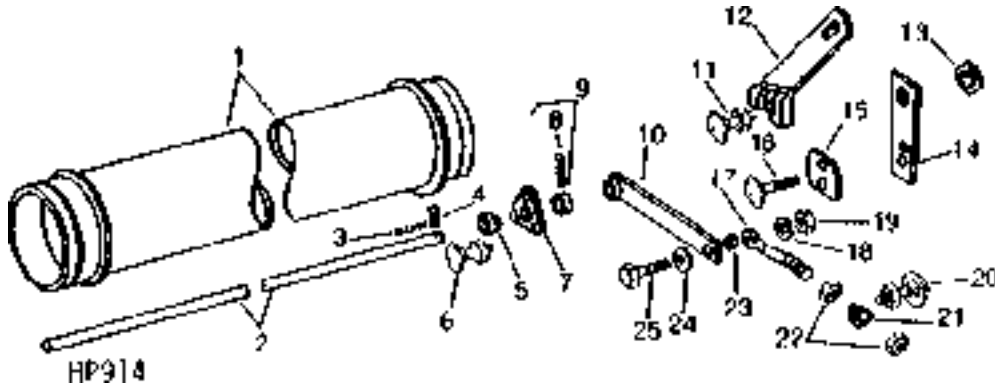
## LONG FEEDER HOUSE SIDE SHEETS AND FRAME - CONTINUED

KEY	PART NO.	PART NAME	QTY	SERIAL NO.	REMARKS
24	24H1371	WASHER	1		21/32" X 1-3/8" X 0.194"
25	03H1603	BOLT	1		5/8" X 2"
	12H294	LOCK WASHER	1		5/8"
	14H1039	NUT	1		5/8"
26	03H1801	BOLT	1		5/8" X 1-3/4"
	12H294	LOCK WASHER	1		5/8"
	14H1039	NUT	1		5/8"
27	21H1137	SCREW	1	-500000	5/16" X 1-1/4"
	21H1235	SCREW	1	500001-	5/16" X 1-3/4"
28	03H1801	BOLT	2		5/8" X 1-3/4"
	12H294	LOCK WASHER	2		5/8"
	14H1039	NUT	2		5/8"
29	AH101149	FRAME	1	-550000	
	AH111148	FRAME	1	550001-	
30	03H1522	BOLT	2		1/2" X 1-1/4"
	12H301	LOCK WASHER	2		1/2"
	14H1040	NUT	2		1/2"
31	H102882	PLATE	1		
32	19H1792	CAP SCREW	2	550001-	1/2" X 1"

# 2F7

HP914 -UN-01JAN94

## FEEDER CONVEYOR IDLER SHAFT AND FEEDER DRUM



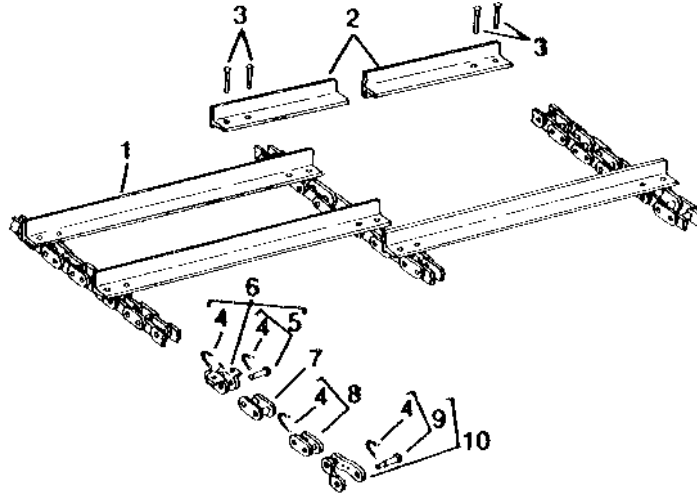
KEY	PART NO.	PART NAME	QTY	SERIAL NO.	REMARKS
1	AH76375	DRUM	1	-500001	
	AH108852	DRUM	1	500002-	
2	H77751	PIN	1		
3	11H211	COTTER PIN	2		1/8" X 3/4"
4	H81710	PIN	2		
5	JD8665	BALL BEARING	2		
6	03H1500	BOLT	6	-500001	3/8" X 1"
	14H812	NUT	6	-500001	3/8"
	19H1731	CAP SCREW	6	500002-	3/8" X 1"
	12H304	LOCK WASHER	6	500002-	3/8"
	14H812	NUT	6	500002-	3/8"
7	H80806	HOUSING	2		
8	22H897	SET SCREW	2		1/4" X 1/4"
9	JD8554	ECCENTRIC LOCKING COLLAR	2		
10	AH79728	ARM	2	-610100	
	AH116698	ARM	2	610101-	
11	03H1439	BOLT	2		1/2" X 1-3/4"
	12H301	LOCK WASHER	2		1/2"
	14H1040	NUT	2		1/2"
12	H84945	STOP	1		R.H.
	H84946	STOP	1		L.H.
13	H97322	CAM	2		
14	H84942	PLATE	2		
15	H84944	STOP	2		
16	H84943	BOLT	2		SPECIAL
17	H76694	EYEBOLT	2	-610100	(SUB H118582, THIS APPLICATION)
	H118582	EYEBOLT	2		
18	12H301	LOCK WASHER	2		1/2"
19	14H1040	NUT	2		1/2"
20	03H1540	BOLT	4		5/16" X 3/4"
	14H785	NUT	4		5/16"
21	H81074	CLIP	2		
22	14H1039	NUT	4		5/8"
23	H81277	BUSHING	2		
24	24H1162	WASHER	4		17/32" X 1-1/4" X 0.060"
25	H31381	BOLT	2		

# 2F8

FEEDER HOUSE

HP1228 -UN-01JAN94

## FEEDER CONVEYOR CHAIN



### HP1228

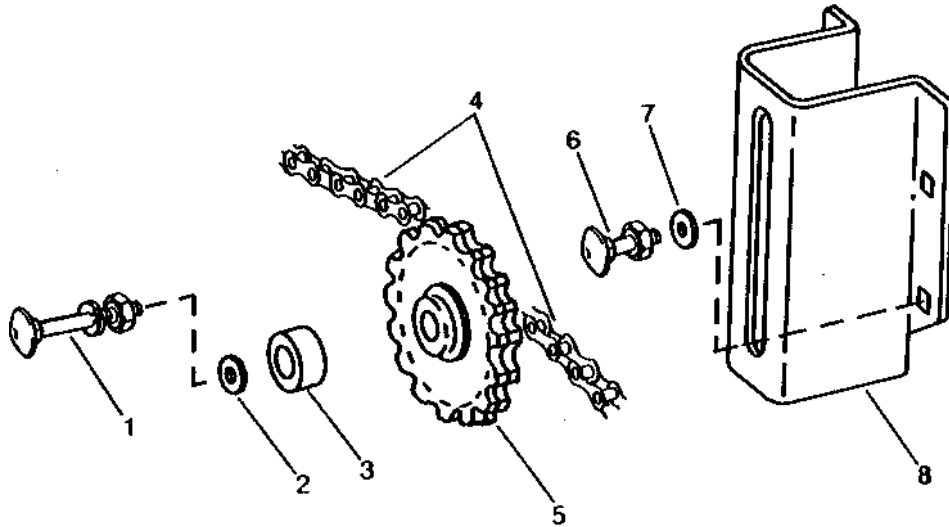
KEY	PART NO.	PART NAME	QTY	SERIAL NO.	REMARKS	
1	AH86860	CONVEYOR	1	-450000	(REGULAR) (SUB AH96284)	
	AH96284	CONVEYOR	1	-550000	24 H97615 "T" SLATS, (REGULAR)	
	AH112321	CONVEYOR	1	550001-610100	(SUB AH116711, (3) AH84241 AND (3) C10233)	
	AH116711	CONVEYOR	1	-610550	(SUB AH123532)	
	AH123532	CONVEYOR	1		(REGULAR)	
	AH86861	CONVEYOR	1	-450000	(SUB AH96295)	
	AH96295	CONVEYOR	1	-550000	28 H97615 "T" SLATS (LONG) (SUB AH112322)	
	AH112322	CONVEYOR	1	-610100	(SUB AH116712, (3) AH84241 AND (3) C10233)	
	AH116712	CONVEYOR	1	-610550	(SUB AH123533)	
	AH123533	CONVEYOR	1		(LONG)	
	2	H85894	SLAT	AR	-450000	(37 USED, REGULAR; 42 USED, LONG)
		H97615	SLAT	AR	450001-550000	(24 USED, REGULAR; 28 USED, LONG)
	H85894	SLAT	AR	550001-610550	(24 USED, REGULAR; 28 USED, LONG)	
	H85894	SLAT	AR	610551-	(37 USED, REGULAR; 42 USED, LONG)	
3	16H1083	RIVET	AR		5/16" X 5/8", (4 USED PER SLAT)	
4	H84026	HOOK	1			
5	AC14974	PIN	1	-450000		
6	AH18582	CHAIN LINK	1	-450000	(CORN)	
	AH83426	CHAIN LINK	1	-450000	(5/16" RIVET) (CORN)	
	AH83426	CHAIN LINK	1	-450000	(5/16" RIVET) (GRAIN)	
	AH18582	CHAIN LINK	1	-450000	(1/4" RIVET) (RICE)	
	AH110740	CHAIN LINK	1	450001-550000		
7	AH83426	CHAIN LINK	1	550001-		
	C10232	LINK	1		ROLLER	
8	AH84241	CHAIN LINK	1		COUPLER	
9	AC11779	PIN	1		OFFSET LINK, WITH COTTER PIN	
10	C10233	CHAIN LINK	1		OFFSET	

# 2F9

FEEDER HOUSE

## FEEDER CONVEYOR CHAIN DRIVE TIGHTENER ON RIGHT-HAND SIDE OF FEEDER HOUSE

HP1683 -UN-01JAN94



HP1683

KEY	PART NO.	PART NAME	QTY	SERIAL NO.	REMARKS
1	03H2113	BOLT	1		1/2" X 2"
	14H1040	NUT	1		1/2"
	12H301	LOCK WASHER	1		1/2"
2	24H1662	WASHER	1		49/64" X 1-1/2" X 0.075"
3	28H1596	WASHER	1		0.546" X 0.840" X 5/16"
4	.....	LINK CHAIN	1		DRIVE, ROLLER, TYPE 50, 16 MM (5/8") PITCH, 225 LINKS (ASSEMBLE FROM (4) AP6093H AND AP6094H)
5	AH98176	CHAIN SPROCKET	1		
6	03H1463	BOLT	4	-550000	3/8" X 3/4"
	14H812	NUT	4	-550000	3/8"
	19H1731	CAP SCREW	3	550001-	3/8" X 1"
	12H304	LOCK WASHER	3	550001-	3/8"
	14H812	NUT	3	550001-	3/8"
7	24H1305	WASHER	3	550001-	13/32" X 13/16" X 0.065"
8	H77964	BRACKET	1	-550000	
	H98332	BRACKET	1	550001-	

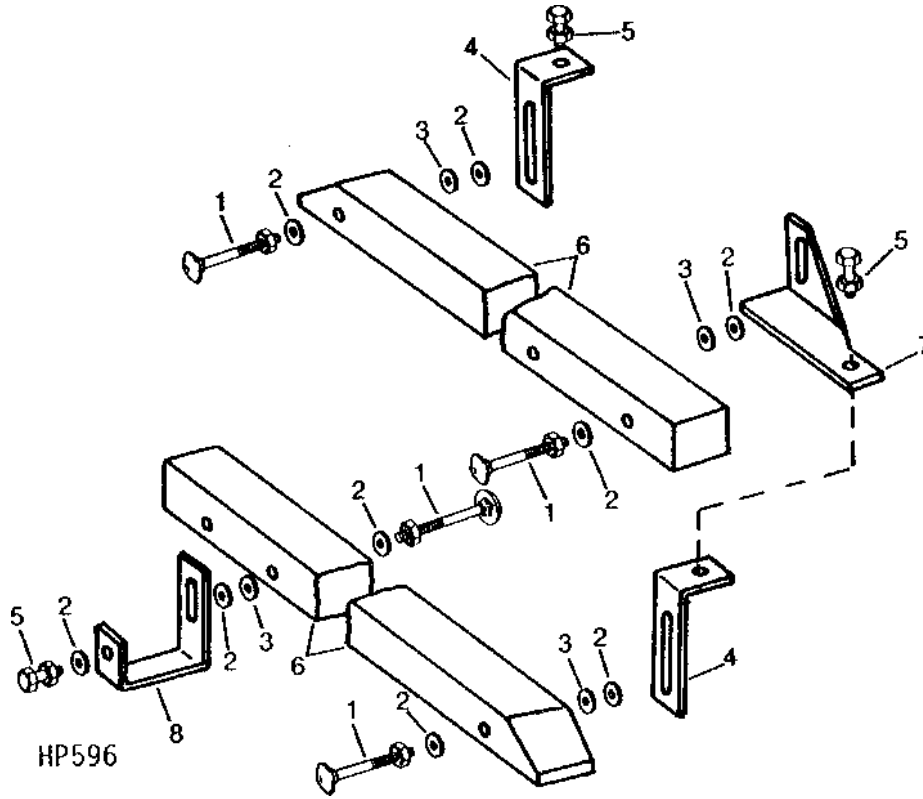
# 2F10

FEEDER HOUSE

HP596

-UN-01JAN94

## FEEDER CONVEYOR DRIVE CHAIN GUIDES (REGULAR)



KEY	PART NO.	PART NAME	QTY	SERIAL NO.	REMARKS
1	19H1944	CAP SCREW	4	3/8" X 2-3/4"	
	12H304	LOCK WASHER	4	3/8"	
	14H812	NUT	4	3/8"	
2	24H1305	WASHER	9	13/32" X 13/16" X 0.065"	
	24H1308	WASHER	4	13/32" X 1" X 0.134"	
4	H80843	ANGLE	2	UPPER REAR AND LOWER FRONT	
5	19H1732	CAP SCREW	3	3/8" X 1-1/4"	
	12H304	LOCK WASHER	3	3/8"	
	14H812	NUT	3	3/8"	
6	H80838	GUIDE	2		
7	H80840	BRACKET	1	UPPER FRONT	
8	H82510	BRACKET	1	LOWER REAR	

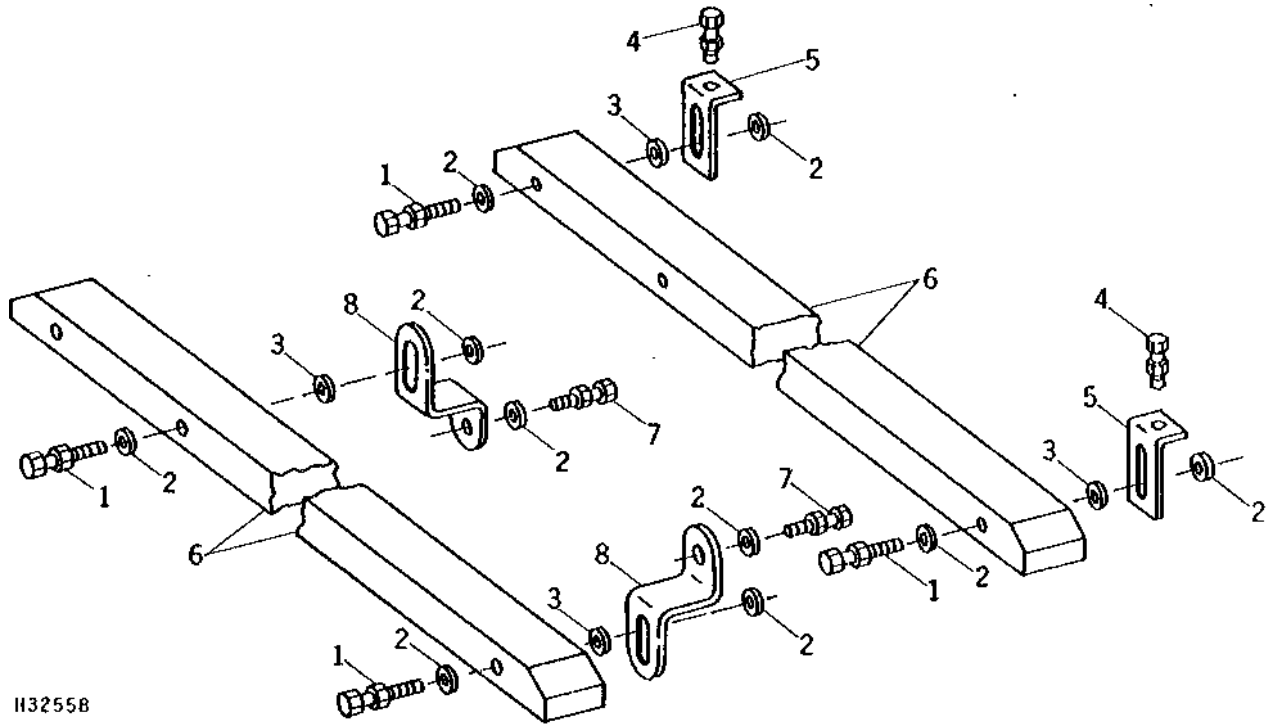
# 2F11

FEEDER HOUSE

H32558

-UN-01JAN94

## FEEDER CONVEYOR DRIVE CHAIN GUIDES (LONG)



H32558

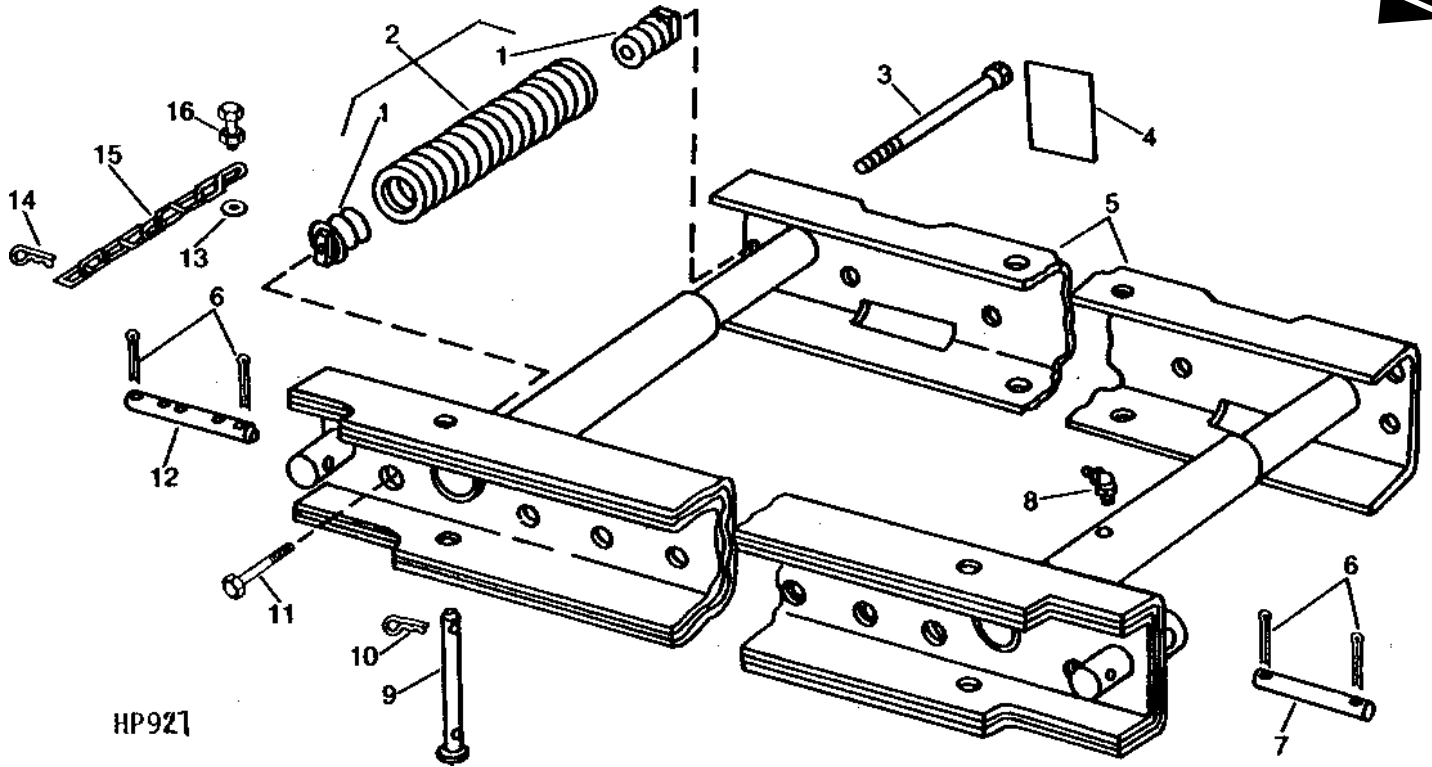
KEY	PART NO.	PART NAME	QTY	SERIAL NO.	REMARKS
1	19H2128	CAP SCREW	4	3/8" X 3"	
	12H304	LOCK WASHER	4	3/8"	
	14H812	NUT	4	3/8"	
2	24H1305	WASHER	10	13/32" X 13/16" X 0.065"	
	24H1308	WASHER	4	13/32" X 1" X 0.134"	
4	19H2284	CAP SCREW	2	3/8" X 7/8"	
	12H304	LOCK WASHER	2	3/8"	
	14H812	NUT	2	3/8"	
5	H80843	ANGLE	2	UPPER	
6	H95464	GUIDE	2		
7	19H1732	CAP SCREW	2	3/8" X 1-1/4"	
	12H304	LOCK WASHER	2	3/8"	
	14H812	NUT	2	3/8"	
8	H82530	BRACKET	2	LOWER	

# 2F12

FEEDER HOUSE

HP921 -UN-01JAN94

## FLOAT SPRINGS



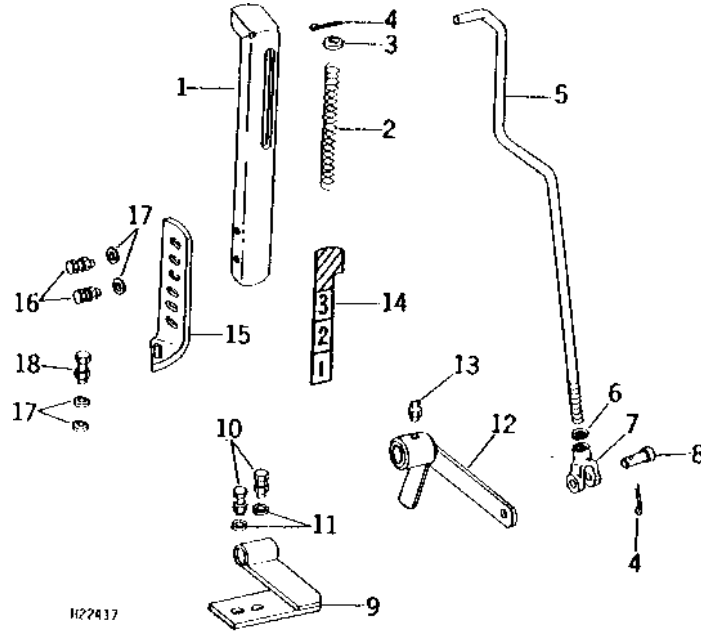
KEY	PART NO.	PART NAME	QTY	SERIAL NO.	REMARKS
1	H60209	PLUG	2		(PER SPRING)
2	AH60736	SPRING ASSEMBLY	AR		
3	08H4559	CAP SCREW	AR		5/8" X 9"
4	H89657	DECAL	1		
5	AH89501	FRAME	1		
6	11H222	COTTER PIN	4		3/16" X 2"
7	H99087	PIN	2		
8	JD7806	LUBRICATION FITTING	4		90°, 1/4"
9	AH90761	PIN	2		
10	28316	SPRING LOCKING PIN	2		
11	19H2261	CAP SCREW	1		5/8" X 2-1/2"
12	H99114	PIN	1		
13	24H1305	WASHER	2		13/32" X 13/16" X 0.065"
14	J16931	SPRING LOCKING PIN	2		
15	AH10367	LINK CHAIN	2		
16	19H1731	CAP SCREW	2		3/8" X 1"
	14H812	NUT	2		3/8"

# 2F13

FEEDER HOUSE

H22417 -UN-01JAN94

## FLOAT SPRING INDICATOR



KEY	PART NO.	PART NAME	QTY	SERIAL NO.	REMARKS
1	AH84962	GUIDE	1		
2	H61803	SPRING	1		
3	24H1286	WASHER	1		9/32" X 1/2" X 1/16"
4	11H231	COTTER PIN	2		1/16" X 1"
5	H83592	ROD	1		
6	14H860	NUT	1		1/4"
7	P42921	YOKE	1	-550000	
	M3742T	YOKE	1	550001-	
8	P47303	PIN	1		
9	H88242	STOP	1		
10	H81101	SCREW	2		SELF-TAPPING
11	24H1136	WASHER	2		11/32" X 11/16" X 0.065"
12	AH83691	ARM	1		
13	JD7797	LUBRICATION FITTING	1		STRAIGHT, 1/4"
14	H84513	DECAL	1		
15	H83596	BRACKET	1		
16	19H1732	CAP SCREW	2		3/8" X 1-1/4"
	14H812	NUT	2		3/8"
17	24H1305	WASHER	4		13/32" X 13/16" X 0.065"
18	19H1731	CAP SCREW	1		3/8" X 1"
	14H812	NUT	1		3/8"

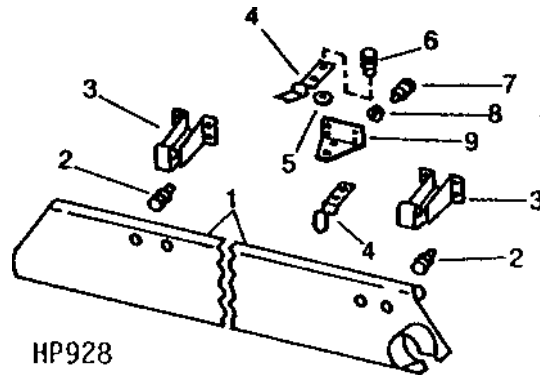


# 2F14

FEEDER HOUSE

HP928 -UN-01JAN94

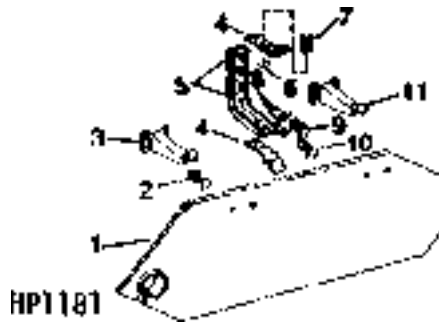
## FEEDER HOUSE RIGHT-HAND SHIELD



KEY	PART NO.	PART NAME	QTY	SERIAL NO.	REMARKS
1	AH98890	SHIELD	1		(CORN OR GRAIN) (REGULAR)
	AH98891	SHIELD	1	-610100	(LONG) (RICE, GRAIN, OR CORN)
	AH115249	SHIELD	1	610101-	(LONG) (RICE, GRAIN OR CORN)
2	03H1268	BOLT	4		5/16" X 3/4"
3	H88055	BRACKET	2		
4	H78884	LATCH	2		
5	24H1136	WASHER	1		11/32" X 11/16" X 0.065"
6	19H1900	CAP SCREW	2		5/16" X 3/4"
	14H785	NUT	2		5/16"
7	19H1732	CAP SCREW	2		3/8" X 1-1/4"
	14H812	NUT	2		3/8"
8	24H1305	WASHER	4		13/32" X 13/16" X 0.065"
9	H88056	BRACKET	1		(REGULAR)
	H88057	BRACKET	1		(LONG)

HP1181 -UN-01JAN94

## FEEDER HOUSE LEFT-HAND SHIELD



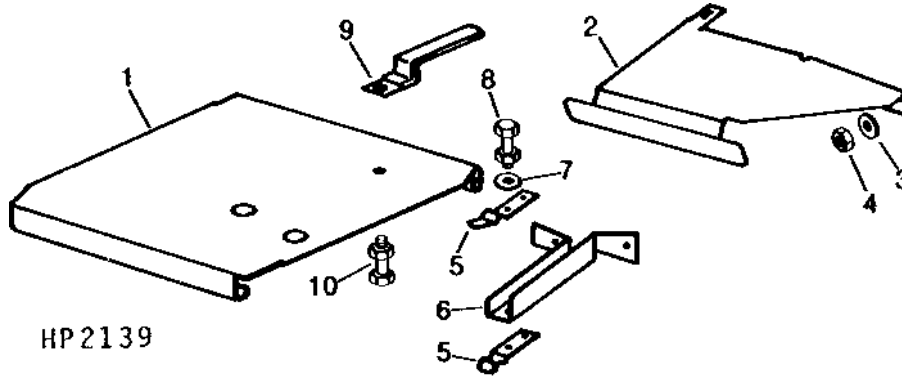
KEY	PART NO.	PART NAME	QTY	SERIAL NO.	REMARKS
1	AH94459	SHIELD	1		(REGULAR)
	AH94460	SHIELD	1	-600000	(SUB AH114776)
	AH114776	SHIELD	1		(LONG)
2	03H1463	BOLT	6		3/8" X 3/4"
	14H812	NUT	6		3/8"
3	H83776	BRACKET	1		FRONT
4	H78884	LATCH	2		
5	H82521	BRACKET	1		
6	24H1136	WASHER	1		11/32" X 11/16" X 0.065"
7	19H1900	CAP SCREW	2		5/16" X 3/4"
	14H785	NUT	2		5/16"
8	24H1305	WASHER	2		13/32" X 13/16" X 0.065"
9	03H1765	BOLT	1		3/8" X 3/4"
	14H812	NUT	1		3/8"
10	19H1731	CAP SCREW	1		3/8" X 1"
	14H812	NUT	1		3/8"
11	H78880	BRACKET	1		REAR

# 2F15

FEEDER HOUSE

HP2139 -UN-01JAN94

## VARIABLE BELT DRIVE SHIELD



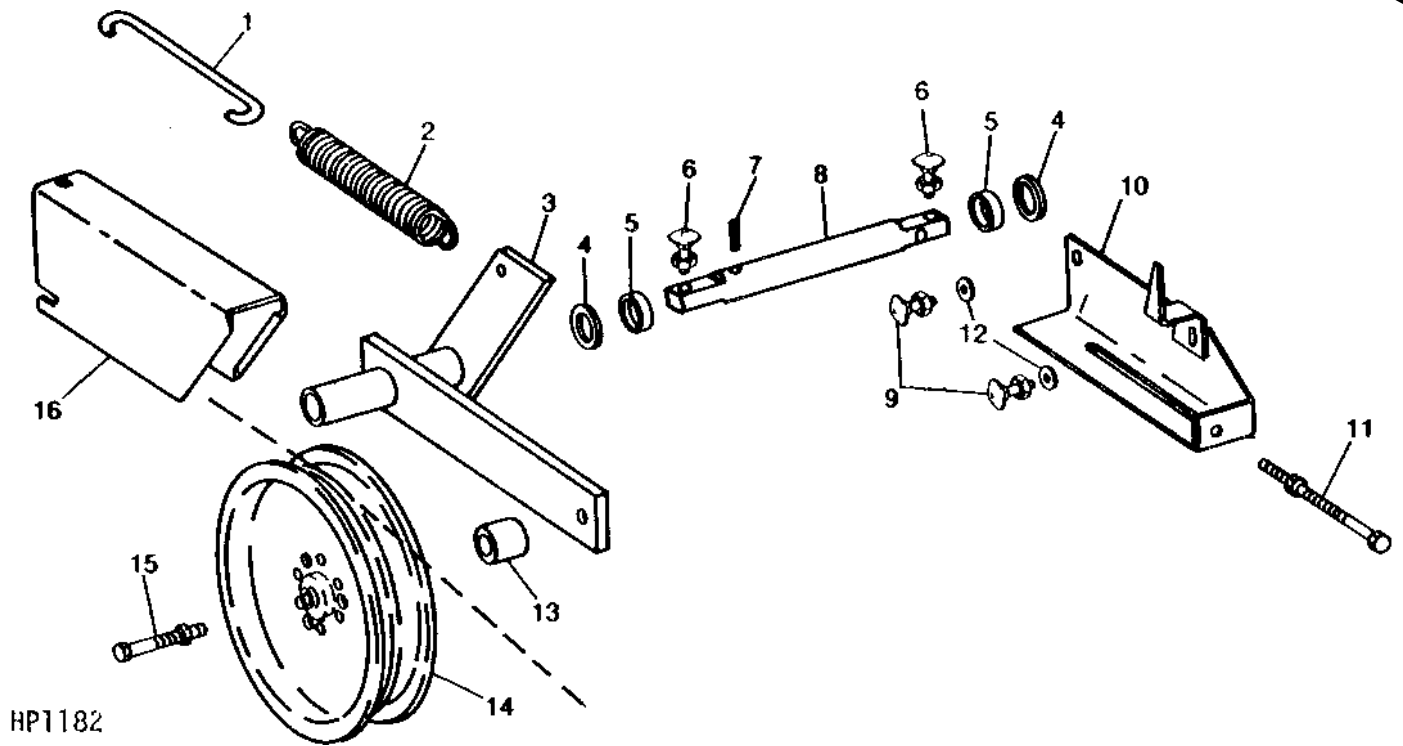
KEY	PART NO.	PART NAME	QTY	SERIAL NO.	REMARKS
1	AH85437	SHIELD	1	-600000	(SUB AH114774)
	AH114774	SHIELD	1		
2	H84958	SUPPORT	1	-400000	(SUB H100592)
	H100592	SUPPORT	1		
3	H84956	SUPPORT	1		(LONG FEEDER HOUSE)
	24H1136	WASHER	1		11/32" X 11/16" X 0.065"
4	14H785	NUT	1		5/16"
5	H78884	LATCH	2		
6	H84959	SUPPORT	1	-400000	
	H100593	SUPPORT	1	400001-	
7	H99639	SUPPORT	1		(LONG FEEDER HOUSE)
	24H1305	WASHER	2		13/32" X 13/16" X 0.065"
8	19H1900	CAP SCREW	2		5/16" X 3/4"
	14H785	NUT	2		5/16"
9	AH78124	CLIP	1		
10	21H1069	SCREW	1	600001-	3/8" X 1"
	12H304	LOCK WASHER	1	600001-	3/8"
	14H812	NUT	1	600001-	3/8"

# 2F16

FEEDER HOUSE

## PLATFORM AND FEEDER HOUSE VARIABLE DRIVE MIDDLE BELT TIGHTENER

HP1182 -UN-01JAN94



KEY	PART NO.	PART NAME	QTY	SERIAL NO.	REMARKS
1	H77286	LINK	1		
	H83284	LINK	1		(LONG FEEDER HOUSE)
2	124725	SPRING	1		
	H86646	SPRING	1		(LONG FEEDER HOUSE)
3	AH85435	ARM	1		
4	24H1413	WASHER	2		57/64" X 1-3/8" X 0.048"
5	M42565	BUSHING	2		
6	03H1495	BOLT	2		3/8" X 1-1/2"
	14H812	NUT	2		3/8"
7	34H284	SPRING PIN	1		3/16" X 1-1/4"
8	H89433	SHAFT	1		
9	03H1500	BOLT	2		3/8" X 1"
	14H812	NUT	2		3/8"
10	AH78581	BRACKET	1		
11	19H3042	CAP SCREW	1		3/8" X 6"
	14H841	NUT	1		3/8"
12	24H1305	WASHER	2		13/32" X 13/16" X 0.065"
13	28H1016	SPACER	1		3/4" X 1"
14	AH85276	PULLEY	1		229 MM (9") DIA.
15	19H1863	CAP SCREW	1		5/8" X 3"
	14H1039	NUT	1		5/8"
16	H95450	SHIELD	1		

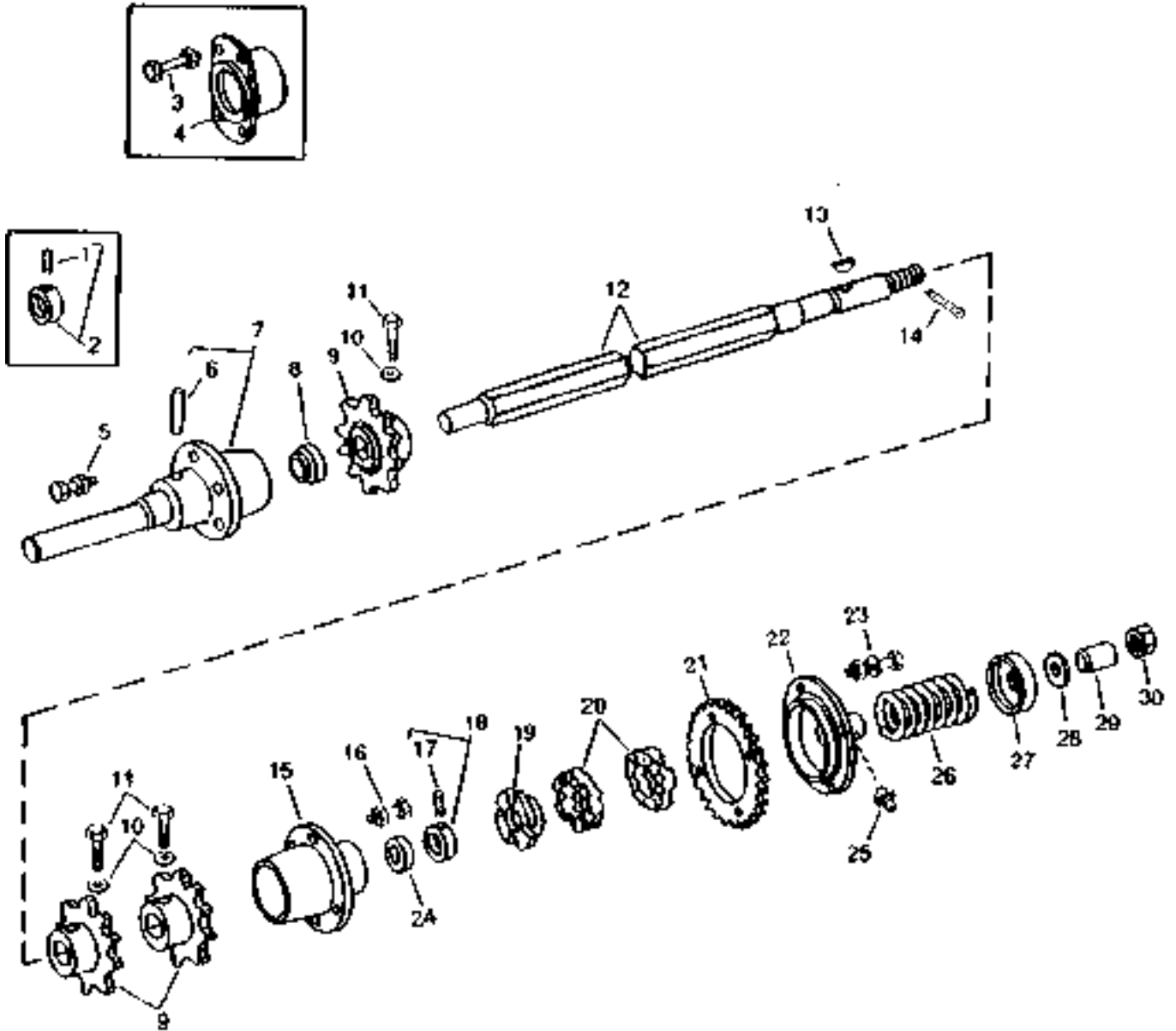
# 2F17

FEEDER HOUSE

HP2372

-UN-01JAN94

## FEEDER HOUSE UPPER SHAFT, SPROCKETS, AND SLIP CLUTCH



HP2372

# 2F18

FEEDER HOUSE

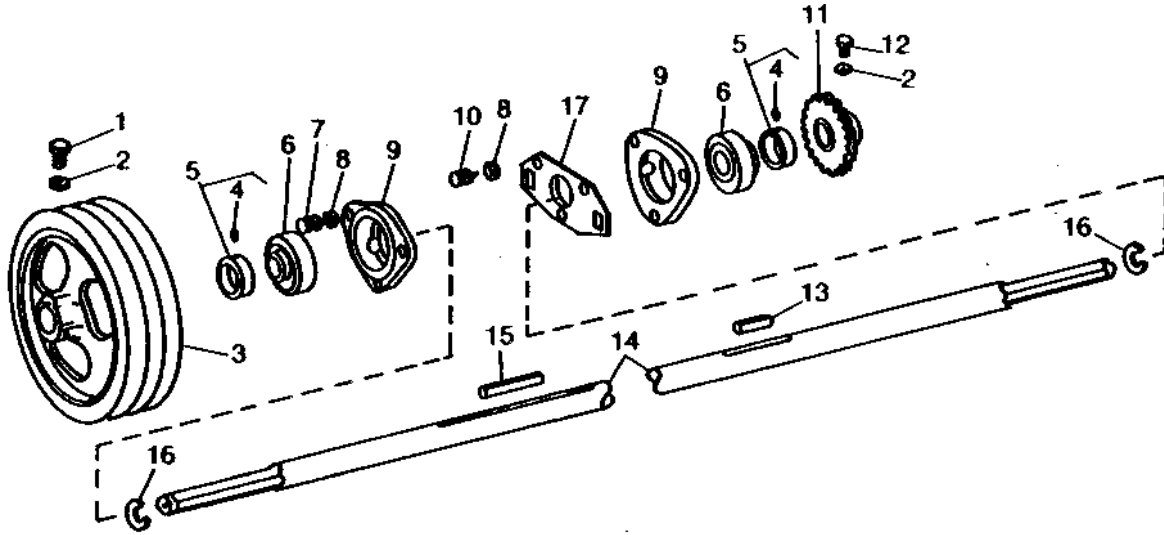
## FEEDER HOUSE UPPER SHAFT, SPROCKETS, AND SLIP CLUTCH - CONTINUED

KEY	PART NO.	PART NAME	QTY	SERIAL NO.	REMARKS
1	22H899	SET SCREW	1	-550000	3/8" X 1/2"
2	JD8544	ECCENTRIC LOCKING COLLAR	1	-550000	
3	H95783	SCREW	4	-550000	
	12H301	LOCK WASHER	4	-550000	1/2"
	14H1040	NUT	4	-550000	1/2"
4	H102505	HOUSING	1	-550000	(CORN, GRAIN, RICE, SOYBEAN)
5	H95783	SCREW	2	550001-	
	T49269	SCREW	2	550001-	
	12H301	LOCK WASHER	4	550001-	1/2"
	14H1040	NUT	4	550001-	1/2"
6	34H321	SPRING PIN	1	550001-	1/4" X 2-1/2"
7	AH111642	SHAFT	1	550001-	
8	JD8545	BALL BEARING	1	-550000	
	JD9373	BALL BEARING	1	550001-	
9	H94168	CHAIN SPROCKET	3	-610100	10 TEETH
	H121435	CHAIN SPROCKET	3	610101-	10 TEETH, 45 MM (1-3/4") HEX BORE
10	14H732	NUT	6		3/8"
11	H84158	SCREW	6	-610100	
	H118776	SET SCREW	6	610101-	
12	H86092	SHAFT	1	-550000	
	H113409	SHAFT	1	550001-	
13	26H82	SHAFT KEY	1		1/4" X 7/8"
14	11H218	COTTER PIN	1		3/16" X 1-1/2"
15	H95857	HOUSING	1		(CORN, GRAIN, RICE, SOYBEAN)
16	H100562	SCREW	4	-550000	
	H95783	SCREW	2	550001-	REAR
	T49269	SCREW	2	550001-	FRONT
	12H301	LOCK WASHER	4		1/2"
	14H1040	NUT	4		1/2"
17	22H899	SET SCREW	1		3/8" X 1/2"
18	JD8544	ECCENTRIC LOCKING COLLAR	1		
19	H85015	HUB	1		
20	Z699H	SLIP CLUTCH	2		
21	H80845	CHAIN SPROCKET	1		35 TEETH
22	H93736	HUB	1		
23	19H1732	CAP SCREW	4		3/8" X 1-1/4"
	14H812	NUT	4		3/8"
24	JD8545	BALL BEARING	1		
25	JD7797	LUBRICATION FITTING	1		STRAIGHT, 1/4"
26	H84390	SPRING	1	-402700	
	H101244	SPRING	1	402701-	
27	H22216	CAP	1		
28	J4489H	WASHER	1		
29	M18105	SPACER	1	-400280	(SUB 28H1576, THIS APPLICATION)
	28H1576	BUSHING	1		3/4" X 7/8"
30	H83786	NUT	1	-402700	
	H105936	NUT	1	402701-	

# 2F19

FEEDER HOUSE VARIABLE BELT DRIVE LOWER SHAFT AND SHEAVE

HP2074 -UN-01JAN94



HP2074

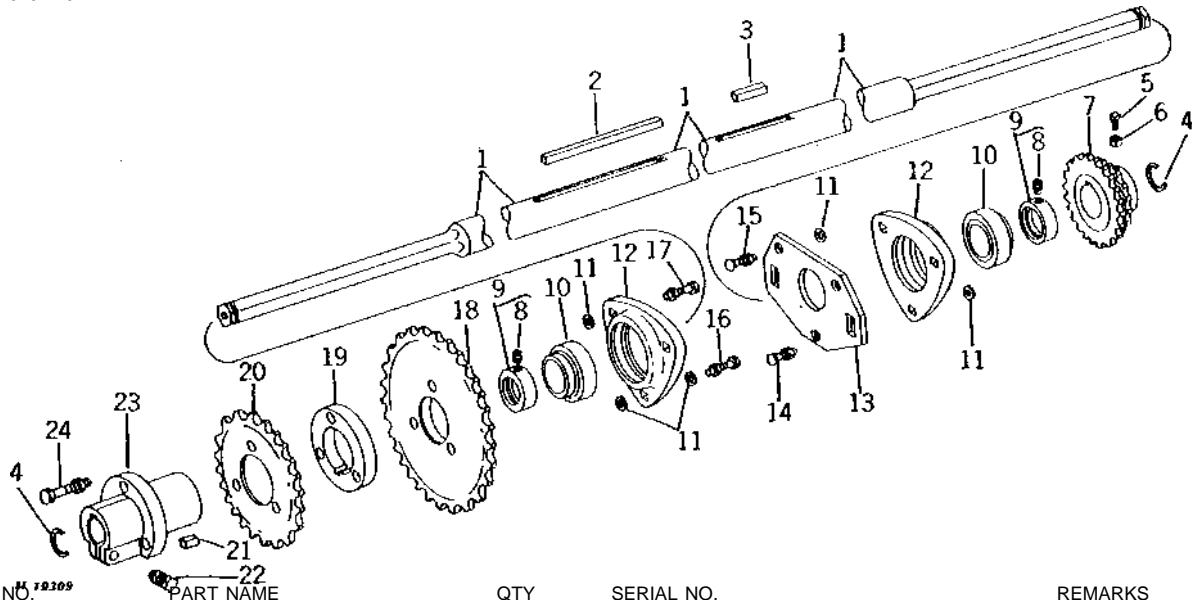
KEY	PART NO.	PART NAME	QTY	SERIAL NO.	REMARKS
1	22H853	SET SCREW	2		3/8" X 7/8"
2	14H732	NUT	4		3/8"
3	H76849	SHEAVE	1		275 MM (10-13/16") DIA.
	H76851	SHEAVE	1		289 MM(10-3/8") DIA. (LONG FEEDER HOUSE)
4	22H979	SET SCREW	2		3/8" X 3/8"
5	JD9201	ECCENTRIC LOCKING COLLAR	2		
6	JD9202	BALL BEARING	2		
7	19H1800	CAP SCREW	3		3/8" X 1-1/2"
	14H812	NUT	3		3/8"
8	24H1305	WASHER	6		13/32" X 13/16" X 0.065"
9	H93927	HOUSING	2		
10	10H1027	BOLT	3		3/8" X 1-1/4"
	14H812	NUT	3		3/8"
11	AH101146	CHAIN SPROCKET	1		18 AND 29 TEETH
12	H82306	SCREW	2		
13	.....	KEY	1		10 MM X 10 MM X 38 MM (3/8" X 3/8" X 1-1/2") (CUT FROM H64376 IN AH64587 KEY STOCK KIT)
14	H80923	SHAFT	1	-550000	(SUB H115230)
	H115230	SHAFT	1		
15	.....	KEY	1		10 MM X 10 MM X 86 MM (3/8" X 3/8" X 3-3/8") (CUT FROM H64376 IN AH64587 KEY STOCK KIT)
16	H80926	SNAP RING	2		
17	H82532	PLATE	1		

# 2F20

FEEDER HOUSE

H19309 -UN-01JAN94

## FEEDER HOUSE DRIVE CHAIN LOWER SHAFT



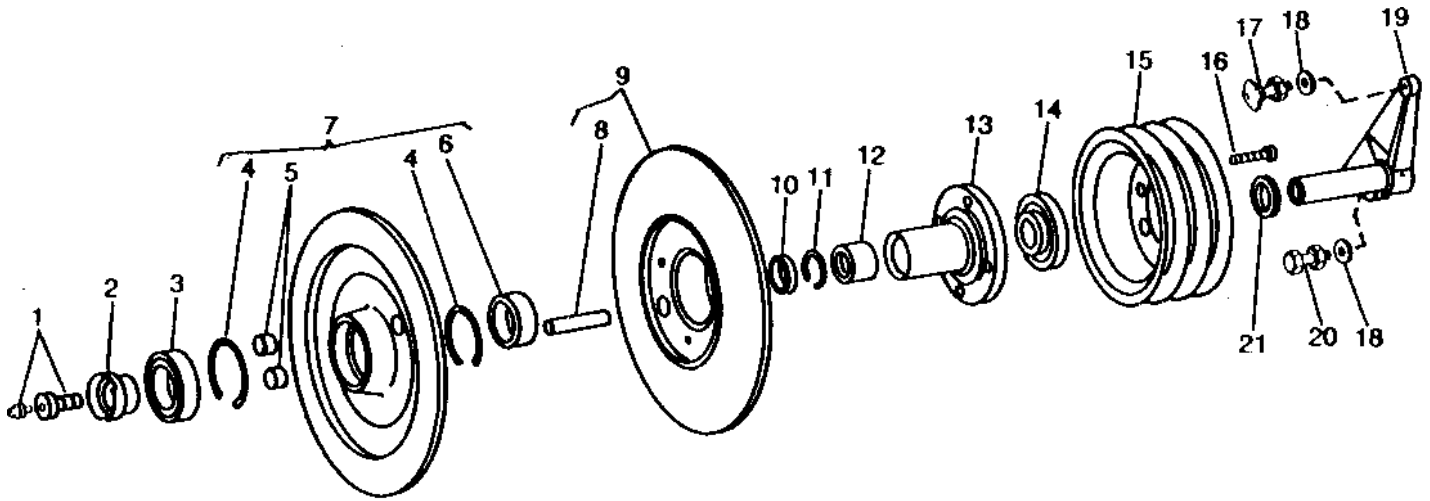
KEY	PART NO. <sup>H19309</sup>	PART NAME	QTY	SERIAL NO.	REMARKS
1	H80923	SHAFT	1	-550000	(SUB H115230)
	H115230	SHAFT	1		
2	.....	KEY	1		10 MM X 10 MM X 159 MM (3/8" X 3/8" X 6-1/4") (CUT FROM H64376 IN AH64587 KEY STOCK KIT)
3	.....	KEY	1		10 MM X 10 MM X 38 MM (3/8" X 3/8" X 1-1/2") (CUT FROM H64376 IN AH64587 KEY STOCK KIT)
4	H80926	SNAP RING	2		
5	H82306	SCREW	2		
6	14H732	NUT	2		3/8"
7	AH101146	CHAIN SPROCKET	1		18 AND 29 TEETH
8	22H979	SET SCREW	2		3/8" X 3/8"
9	JD9201	ECCENTRIC LOCKING COLLAR	2		
10	JD9202	BALL BEARING	2		
11	24H1305	WASHER	10		13/32" X 13/16" X 0.065"
12	H93927	HOUSING	2		
13	H82532	PLATE	1		
14	03H1519	BOLT	2		3/8" X 1"
	14H812	NUT	2		3/8"
15	10H1027	BOLT	3		3/8" X 1-1/4"
	14H812	NUT	3		3/8"
16	19H1765	CAP SCREW	2		3/8" X 1-3/4"
17	19H1732	CAP SCREW	1		3/8" X 1-1/4"
	14H812	NUT	1		3/8"
18	H77951	CHAIN SPROCKET	1		29 TEETH
	H77979	CHAIN SPROCKET	1		22 TEETH
	H77950	CHAIN SPROCKET	1		18 TEETH
19	H75895	SPACER	1		
20	H77979	CHAIN SPROCKET	1		22 TEETH
	H77950	CHAIN SPROCKET	1		18 TEETH
	H77951	CHAIN SPROCKET	1		29 TEETH
21	.....	SHAFT KEY	1		6 MM X 6 MM X 13 MM (1/4" X 1/4" X 1/2") (CUT FROM H64374 IN AH64587 KEY STOCK KIT)
22	19H1974	CAP SCREW	1		1/2" X 2-3/4"
	12H301	LOCK WASHER	1		1/2"
	14H1040	NUT	1		1/2"
23	H75894	HUB	1		
24	19H1820	CAP SCREW	3		1/2" X 3"
	12H301	LOCK WASHER	3		1/2"
	14H1040	NUT	3		1/2"

# 2F21

FEEDER HOUSE

## LOWER COUNTERSHAFT AND SHEAVES FOR PLATFORM AND FEEDER HOUSE VARIABLE BELT DRIVE

HP1183 -UN-01JAN94



HP1183

KEY	PART NO.	PART NAME	QTY	SERIAL NO.	REMARKS
1	JD7797	LUBRICATION FITTING	1		1/4" (USE FOR PERIODIC LUBRICATION ONLY)
2	H85652	HUB	1		
3	JD9406	BALL BEARING	1		
4	H83285	SNAP RING	2		
5	H82457	BUSHING	4		
6	H75691	BUSHING	1		(64 MM) I.D.
7	AH84613	SHEAVE	1		OUTER, 377 MM (14-55/64") DIA. (WITH BUSHINGS AND SNAP RING) (MARKED H84201)
8	H79404	PIN	4		
9	AH83816	SHEAVE	1		WITH DRIVE PINS, (MARKED H83721)
10	H25051	SEAL	1		
11	E1343FN	SNAP RING	1		
12	JD9878	NEEDLE BEARING	1		
13	H84449	HUB	1		
14	JD9301	BALL BEARING	1		
15	H76848	SHEAVE	1		216 MM (8-1/2") DIA.
	H86021	SHEAVE	1		226 MM (8-27/32") DIA. (LONG FEEDER HOUSE)
	19H1765	CAP SCREW	1		3/8" X 1-3/4"
17	03H1492	BOLT	1		1/2" X 2"
	14H1040	NUT	1		1/2"
18	24H1305	WASHER	4		13/32" X 13/16" X 0.065"
19	AH96810	SUPPORT	1	-550000	(MARKED H80226)
	AH109096	SHAFT	1	550001-	
	AH84897	SUPPORT	1		(LONG FEEDER HOUSE)
20	03H1439	BOLT	2		1/2" X 1-3/4"
	14H1040	NUT	2		1/2"
21	24H1669	WASHER	1		1-25/64" X 2-1/8" X 0.075"

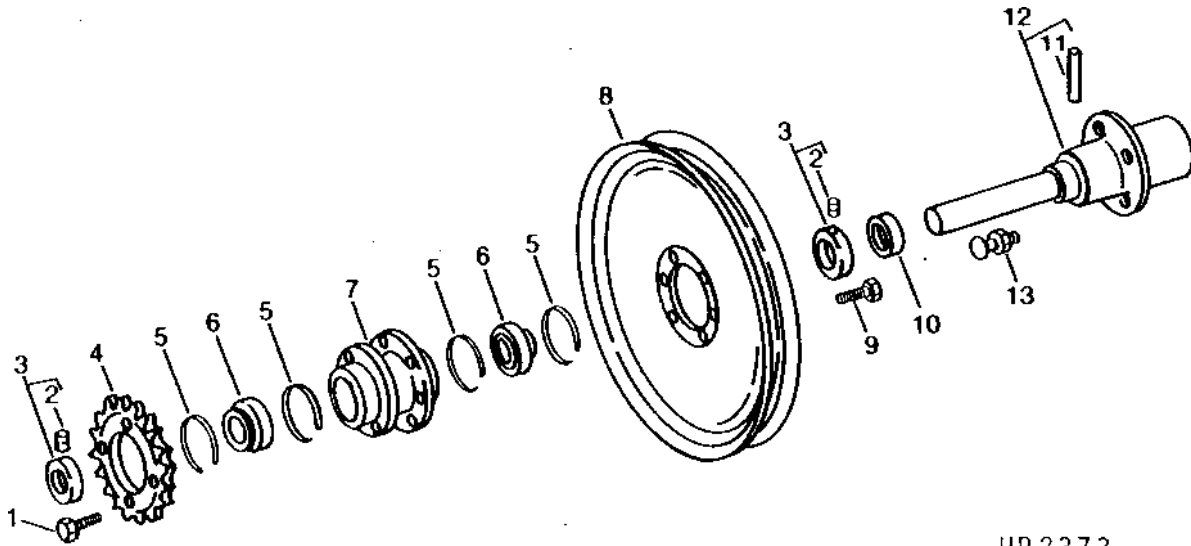


# 2F22

FEEDER HOUSE

HP2373 -UN-01JAN94

## UPPER COUNTERSHAFT AND SPROCKET FOR PLATFORM AND FEEDER HOUSE CHAIN DRIVE



HP 2373

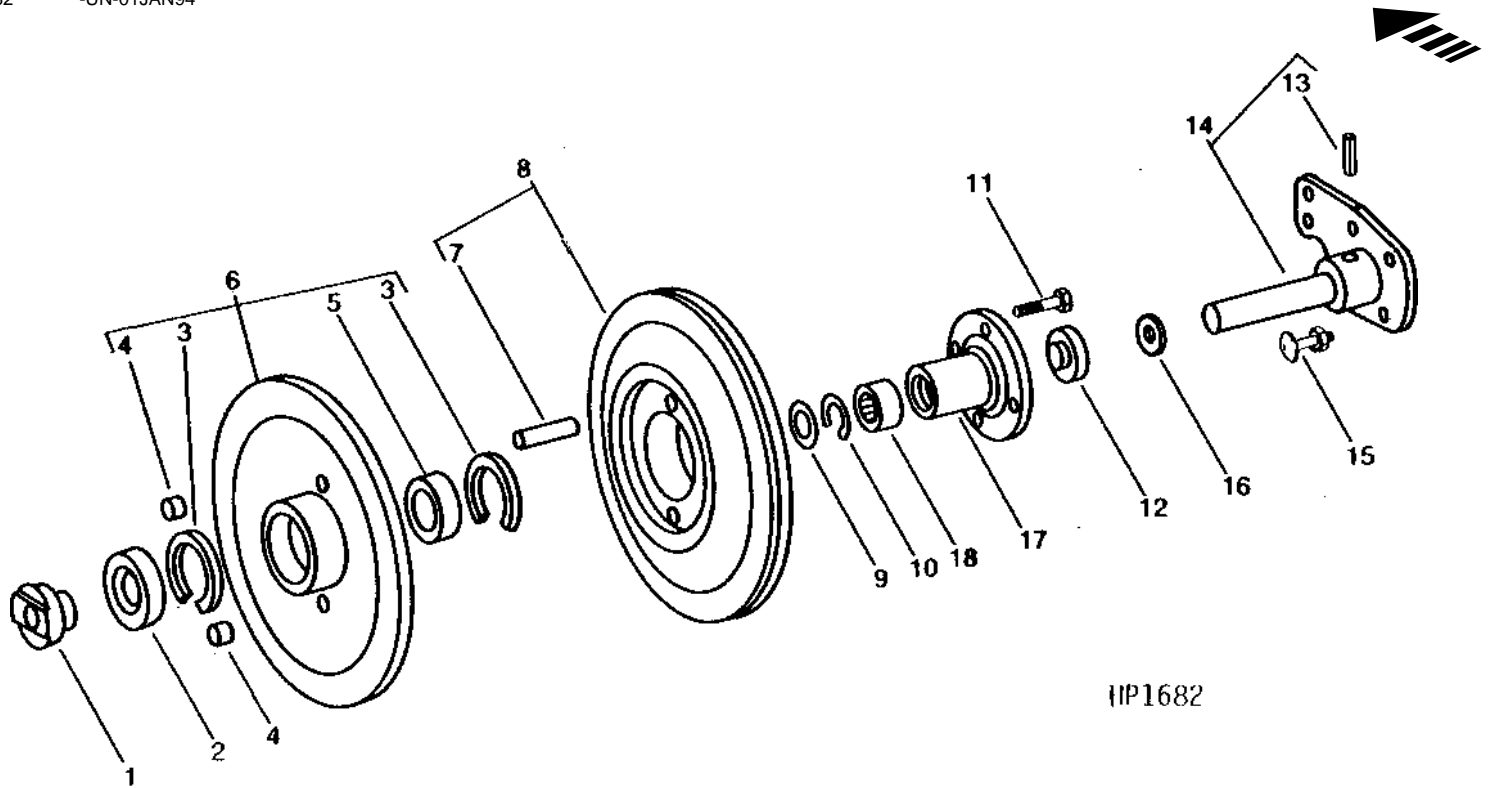
KEY	PART NO.	PART NAME	QTY	SERIAL NO.	REMARKS
1	19H1732	CAP SCREW	4		3/8" X 1-1/4"
2	22H897	SET SCREW	2		1/4" X 1/4"
3	JD9220	ECCENTRIC LOCKING COLLAR	2		
4	H77967	CHAIN SPROCKET	1		18 TEETH
5	P42232	SNAP RING	4		
6	JD9221	BALL BEARING	2		
7	H75893	HUB	1		
8	AH75979	SHEAVE	1		440 MM (17-5/16") DIA.
9	19H1936	CAP SCREW	6		3/8" X 3/4"
10	E31845	BUSHING	1	-550000	
11	34H321	SPRING PIN	1		1/4" X 2-1/2"
12	AH94705	SHAFT	1	-550000	(MARKED H95856)
	AH111642	SHAFT	1	550001-	
13	H95783	SCREW	2		
	T49269	SCREW	2		
	12H301	LOCK WASHER	4		1/2"
	14H1040	NUT	4		1/2"

# 2F23

FEEDER HOUSE

## UPPER COUNTERSHAFT AND SHEAVES FOR PLATFORM AND FEEDER HOUSE VARIABLE BELT DRIVE

HP1682 -UN-01JAN94



KEY	PART NO.	PART NAME	QTY	SERIAL NO.	REMARKS
1	H85652	HUB	1		
2	JD9406	BALL BEARING	1		
3	H83285	SNAP RING	1		
4	H82457	BUSHING	4		
5	H75691	BUSHING	1		
6	AH84613	SHEAVE	1		WITH BUSHINGS AND SNAP RING, (MARKED H84201)
7	H79404	PIN	4		
8	AH83815	SHEAVE	1		INNER, WITH DRIVE PINS, 374 MM (14-55/64") DIA. (MARKED H83720)
9	H25051	SEAL	1		
10	E1343FN	SNAP RING	1		
11	19H1732	CAP SCREW	4		3/8" X 1-1/4"
12	JD9301	BALL BEARING	1		
13	34H321	SPRING PIN	1		
14	AH94706	SUPPORT	1	-550000	(MARKED H95784)
	AH111100	SHAFT	1	550001-	
15	H95783	SCREW	1		
	12H301	LOCK WASHER	4		1/2"
	14H1040	NUT	4		1/2"
16	24H1669	WASHER	1		1-25/64" X 2-1/8" X 0.075"
17	H84449	HUB	1		
18	JD9878	NEEDLE BEARING	1		

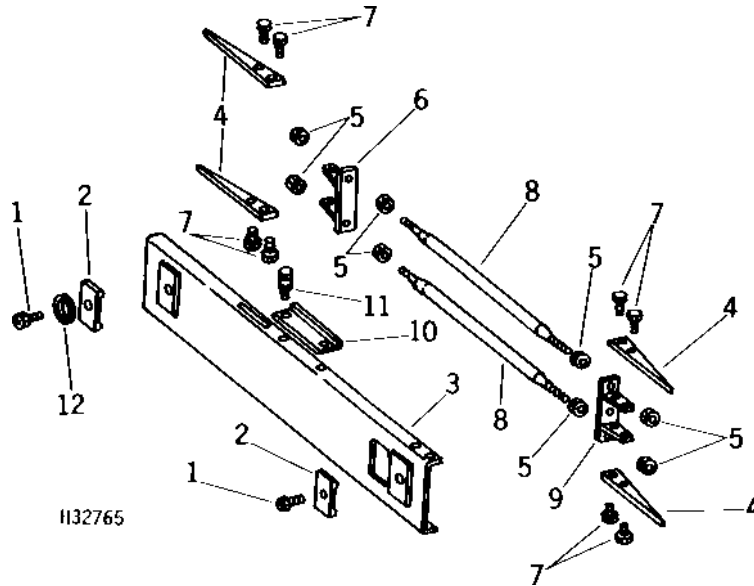
# 2F24

FEEDER HOUSE

## PLATFORM AND FEEDER HOUSE VARIABLE BELT DRIVE SHEAVE CONTROL

H32765

-UN-01JAN94



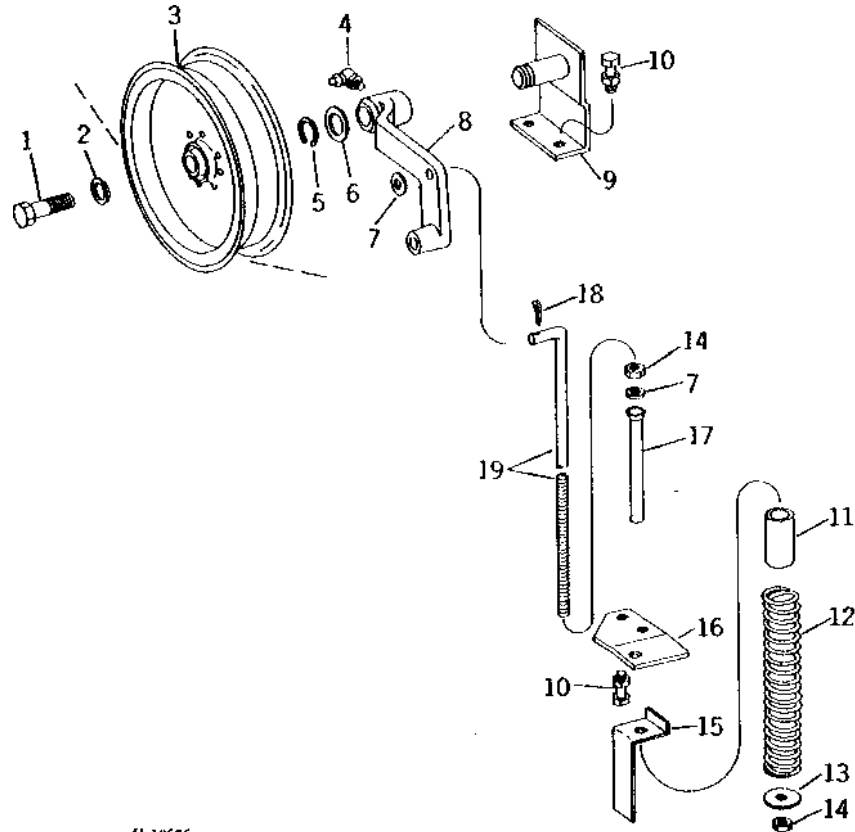
KEY	PART NO.	PART NAME	QTY	SERIAL NO.	REMARKS
1	H77280	CAP SCREW	2		
2	H85651	PLATE	2		
3	AH84898	SUPPORT	1		
4	H85912	WEDGE	4		
5	14H1040	NUT	8	1/2"	
6	AH87591	CLEVIS	1	LOWER	
7	19H2284	CAP SCREW	8	3/8" X 7/8"	
8	AH76147	TUBE	2		
9	AH87592	CLEVIS	1	UPPER	
10	H84954	BRACKET	1		
11	19H1936	CAP SCREW	2	3/8" X 3/4"	
	14H812	NUT	2	3/8"	
12	H84961	WASHER	1		

# 2F25

FEEDER HOUSE

H18505 -UN-01JAN94

## PLATFORM AND FEEDER HOUSE UPPER DRIVE TIGHTENER



H 18505

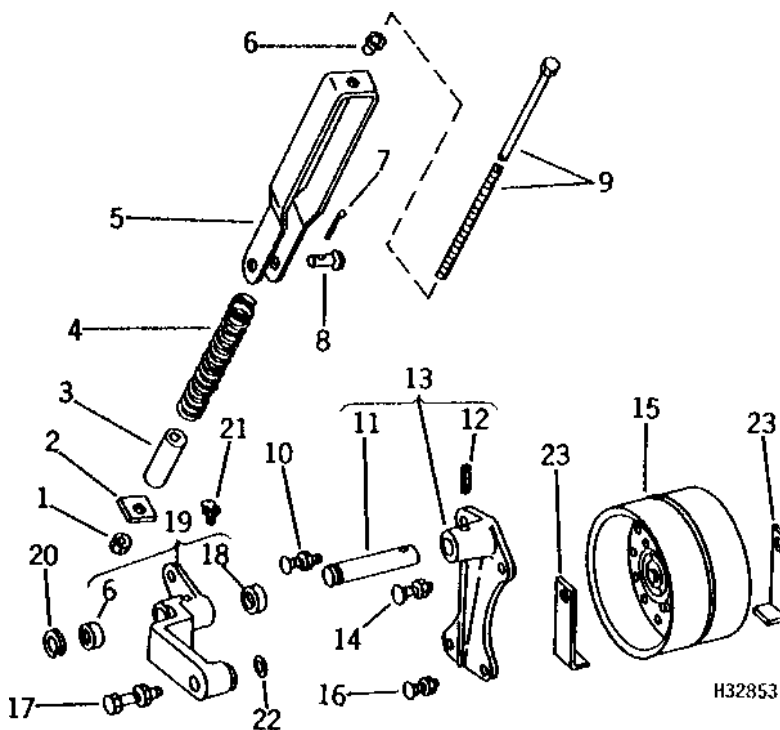
KEY	PART NO.	PART NAME	QTY	SERIAL NO.	REMARKS
1	19H1708	CAP SCREW	1	5/8" X 1-3/4"	
2	24H1362	WASHER	1	41/64" X 1" X 0.075"	
3	AH85276	PULLEY	1		
4	JD7806	LUBRICATION FITTING	1	90°, 1/4"	
5	P43026	SNAP RING	1		
6	24H1441	WASHER	1	1-1/64" X 1-1/2" X 0.048"	
7	24H1305	WASHER	2	13/32" X 13/16" X 0.065"	
8	H76032	ARM	1		
9	AH78545	PIVOT	1		
10	19H1731	CAP SCREW	4	3/8" X 1"	
	14H812	NUT	4	3/8"	
11	.....	HOSE	1	51 MM (2") LONG, (CUT FROM T61939)	
12	H76040	SPRING	1		
13	24H1312	WASHER	1	13/32" X 1-3/8" X 0.105"	
14	14H812	NUT	2	3/8"	
15	H80759	GAUGE	1		
16	H80760	BRACKET	1		
17	H76041	SPACER	1		
18	11H236	COTTER PIN	1	1/8" X 1"	
19	H76038	BOLT	1		

# 2G1

FEEDER HOUSE

## PLATFORM AND FEEDER HOUSE VARIABLE DRIVE LOWER BELT TIGHTENER

H32853 -UN-01JAN94

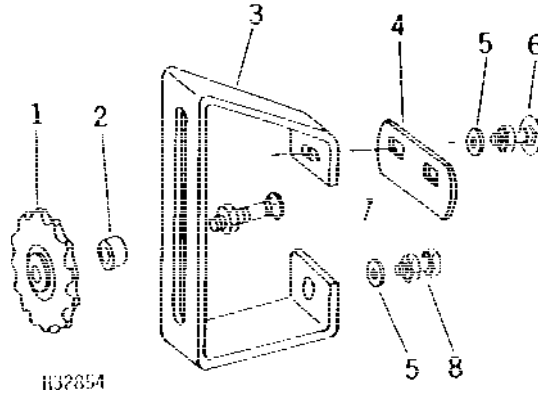


KEY	PART NO.	PART NAME	QTY	SERIAL NO.	REMARKS
1	14H812	NUT	1	3/8"	
2	H77287	STRAP	1		
3	28H2611	SPACER	1	1/2" X 2"	
4	H26552	SPRING	1		
5	H77288	CLEVIS	1	(RICE)	
	H77292	CLEVIS	1	(LONG FEEDER HOUSE) (RICE)	
6	H77289	WASHER	1		
7	11H216	COTTER PIN	1	3/16" X 1"	
8	H748DA	PIN	1		
9	08H4665	CAP SCREW	1	3/8" X 10"	
10	03H1557	BOLT	1	3/8" X 1-1/4"	
	14H812	NUT	1	3/8"	
11	H76846	PIN	1		
12	34H316	SPRING PIN	1	1/4" X 1-1/2"	
13	AH80928	BRACKET	1		
14	03H1764	BOLT	1	1/2" X 1-3/4"	
	14H812	NUT	1	3/8"	
15	AH86835	SHEAVE	1	165 MM (6-1/2") DIA.	
	AH87118	SHEAVE	1	165 MM (6-1/2") DIA. (LONG FEEDER HOUSE) (USE WITH AH81161)	
	AH81161	BALL BEARING	1		
16	03H1524	BOLT	1	5/16" X 1"	
	14H785	NUT	1	5/16"	
17	19H1739	CAP SCREW	1	1/2" X 4-1/2"	
	H79449	LOCK NUT	1	-610550 (SUB K40014)	
	K40014	LOCK NUT	1		
18	L4694T	BUSHING	2		
19	AH86900	ARM	1		
20	P46614	SNAP RING	1		
21	JD7806	LUBRICATION FITTING	1	90°, 1/4"	
22	T21242	WASHER	1		
23	H85859	BRACKET	1		

PLATFORM AND FEEDER HOUSE CHAIN DRIVE TIGHTENER  
ON LEFT-HAND SIDE OF FEEDER HOUSE

H32854

-UN-01JAN94



KEY	PART NO.	PART NAME	QTY	SERIAL NO.	REMARKS
1	AH20447	CHAIN SPROCKET	1	12 TEETH	
2	H27952	BUSHING	1		
3	H82520	BRACKET	1		
4	H101814	STRAP	1		
5	24H1305	WASHER	2	13/32" X 13/16" X 0.065"	
6	03H1522	BOLT	1	1/2" X 1-1/4"	
	12H301	LOCK WASHER	1	1/2"	
	14H1040	NUT	1	1/2"	
7	03H1591	BOLT	1	1/2" X 2-1/4"	
	12H301	LOCK WASHER	1	1/2"	
	14H1040	NUT	1	1/2"	
8	19H1732	CAP SCREW	1	3/8" X 1-1/4"	
	12H304	LOCK WASHER	1	3/8"	
	14H812	NUT	1	3/8"	

---

MEMORANDA

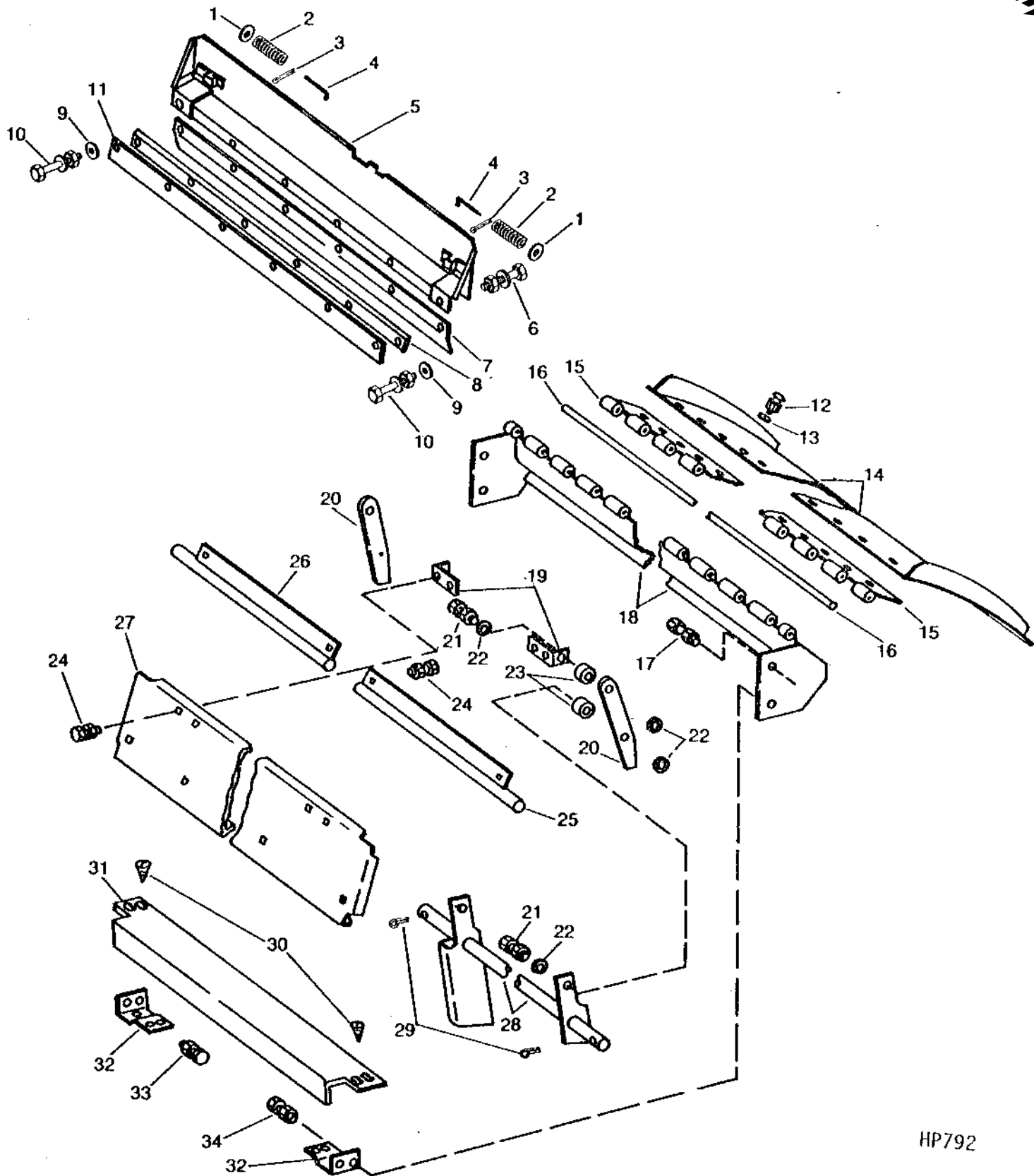
# 2G6

SEPARATOR

HP792

-UN-01JAN94

SEPARATOR FRONT SHEETS, FEED PLATE, REMOTE DUMP STONE TRAP, AND DOOR



HP792



## SEPARATOR FRONT SHEETS, FEED PLATE, REMOTE DUMP STONE TRAP, AND DOOR - CONTINUED

KEY	PART NO.	PART NAME	QTY	SERIAL NO.	REMARKS
1	24H1305	WASHER	2		13/32" X 13/16" X 0.065"
2	HZ5621H	SPRING	2		
3	11H211	COTTER PIN	2		1/8" X 3/4"
4	H76877	PIN	2		
5	AH87716	DOOR	1		
6	03H1540	BOLT	6		5/16" X 3/4"
	12H303	LOCK WASHER	6		5/16"
	14H785	NUT	6		5/16"
7	H82630	SEAL	1		
8	H75732	STRIP	1		
9	24H1136	WASHER	2		11/32" X 11/16" X 0.065"
10	19H2127	CAP SCREW	6		5/16" X 7/8"
	12H303	LOCK WASHER	6		5/16"
	14H785	NUT	6		5/16"
11	H78938	SEAL	1		
12	03H1463	BOLT	7		3/8" X 3/4"
	12H304	LOCK WASHER	7		3/8"
	14H812	NUT	7		3/8"
13	24H1305	WASHER	7		13/32" X 13/16" X 0.065"
14	H102468	PLATE	1		
15	H82497	HINGE	1		
16	H76258	PIN	1		
17	19H1732	CAP SCREW	2		3/8" X 1-1/4"
	12H304	LOCK WASHER	2		3/8"
	14H812	NUT	2		3/8"
18	AH92374	SUPPORT	1		
19	H89649	BRACKET	2		
20	H92931	LINK	2		
21	19H1849	CAP SCREW	4		5/16" X 1-1/4"
	12H303	LOCK WASHER	4		5/16"
	14H785	NUT	4		5/16"
22	24H1822	WASHER	8		11/32" X 7/8" X 1/16"
23	28H1883	SPACER	4		1/4" X 1/2"
24	03H1268	BOLT	8		5/16" X 3/4"
	12H303	LOCK WASHER	8		5/16"
	14H785	NUT	8		5/16"
25	AH96025	SUPPORT	1		DOOR, PIVOT, L.H.
26	AH96024	SUPPORT	1		DOOR, PIVOT, R.H.
27	AH92376	DOOR	1	-550000	(SUB AH113900)
	AH113900	DOOR	1		
28	AH92380	SHAFT	1	-550000	
	AH113901	SHAFT	1	550001-	
29	11H218	COTTER PIN	2		3/16" X 1-1/2"
30	H76139	SCREW	4		SELF-TAPPING
31	H92918	DEFLECTOR	1		
32	H92919	SUPPORT	2		
33	19H2284	CAP SCREW	2		3/8" X 7/8"
	12H304	LOCK WASHER	2		3/8"
	14H812	NUT	2		3/8"
34	19H1800	CAP SCREW	2		3/8" X 1-1/2"
	12H304	LOCK WASHER	2		3/8"
	14H812	NUT	2		3/8"

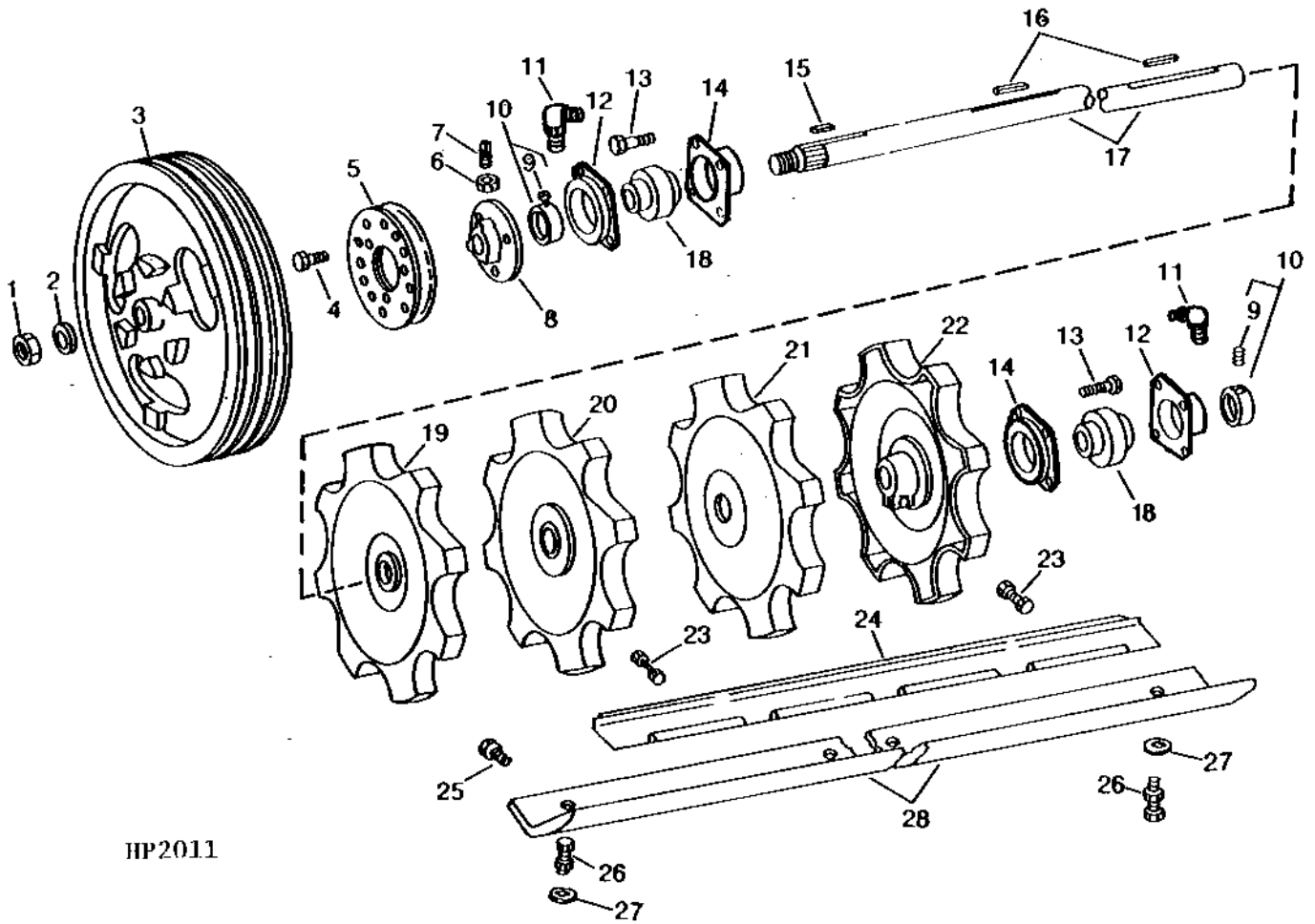
# 2G8

SEPARATOR

HP2011

-UN-01JAN94

## RASP-BAR CYLINDER



HP2011

# 2G9

SEPARATOR

## RASP-BAR CYLINDER - CONTINUED

KEY	PART NO.	PART NAME	QTY	SERIAL NO.	REMARKS
1	H82619	LOCK NUT	1		
2	24H1471	WASHER	1		1-9/64" X 1-3/4" X 0.134"
3	H84542	SHEAVE	1		467 MM (18-25/64") DIA.
4	19H1936	CAP SCREW	3		3/8" X 3/4"
5	AH80755	SHEAVE	1		229 MM (9") DIA. (100 PER CENT BEATER SPEED)
	AH100303	SHEAVE	1		254 MM (10") DIA. (150 PER CENT BEATER SPEED)
6	14H732	NUT	2		3/8"
7	22H888	SET SCREW	1		3/8" X 1-1/4"
8	H82314	HUB	1		
9	22H979	SET SCREW	2		3/8" X 3/8"
10	JD9201	ECCENTRIC LOCKING COLLAR	2		
11	JD7806	LUBRICATION FITTING	2	500001-	90°, 1/4"
12	G6661E	PRESSED FLANGED HOUSING	2	-450000	(SUB E62484)
	E62484	PRESSED FLANGED HOUSING	2	-500000	
	H113626	PRESSED FLANGED HOUSING	2	500001-	
13	19H1815	CAP SCREW	8		1/2" X 1-1/4"
	12H301	LOCK WASHER	8		1/2"
14	G6661E	PRESSED FLANGED HOUSING	2	-450000	(SUB E62484)
	E62484	PRESSED FLANGED HOUSING	2	-500000	
	H113625	PRESSED FLANGED HOUSING	2	500001-	
15	.....	KEY	2		10 MM X 10 MM X 32 MM (3/8" X 3/8" X 1-1/4") (CUT FROM H64376 IN AH64587 KEY STOCK KIT)
16	.....	KEY	2		(A) 10 MM X 10 MM X 57 MM (3/8" X 3/8" X 2-1/4") (CUT FROM H64376 IN AH64587 KEY STOCK KIT)
17	H79757	SHAFT	1		(A)
18	JD9276	BALL BEARING	2	-500000	
	JD9434	BEARING	2	500001-	
19	AH75122	CYLINDER HEAD	1		(A) (WITH HUB)
20	AH75118	CYLINDER HEAD	1		(A) (R.H.) (WITH KEYED HUB)
21	H75324	CYLINDER HEAD	1	-550000	(A) (SUB H117614, H99923, 19H2676 AND R42729) (WITHOUT HUB)
	H117614	THRESHING CYLINDER HEAD	1		
22	AH96530	CYLINDER HEAD	1		(L.H.) (WITH KEYED HUB)
23	19H1930	CAP SCREW	2		(A) 1/2" X 2-1/2"
	14H1040	NUT	2		(A) 1/2"
	P3629H	LOCK WASHER	2	-610600	(A) (SUB 12H301)
	12H301	LOCK WASHER	2		1/2"
24	H79484	PLATE	8		
25	19H2554	CAP SCREW	32		(A) 3/8" X 5/8"
26	19H2676	CAP SCREW	AR	-550000	3/8" X 1", (32 USED, WITHOUT FILLER PLATES; 64 USED, WITH FILLER PLATES) (SUB 19H3239)
	19H3239	CAP SCREW	AR		3/8" X 1-1/4", (32 USED, WITHOUT FILLER PLATES; 64 USED, WITH FILLER PLATES)
	H99923	LOCK NUT	AR		(32 USED, WITHOUT FILLER PLATES; 64 USED, WITH FILLER PLATES)
27	R42729	WASHER	AR		(32 USED, WITHOUT FILLER PLATES; 64 USED, WITH FILLER PLATES)
28	AH75125	RASP BAR	2		(A) (R.H.) (HARDENED) (SET OF 2)
	AH75126	RASP BAR	2		(A) (L.H.) (HARDENED) (SET OF 2)
PART LISTED BELOW CONSISTS OF ALL PARTS INDICATED BY AN (A):					
..	AH76099	RASP-BAR CYLINDER	1		

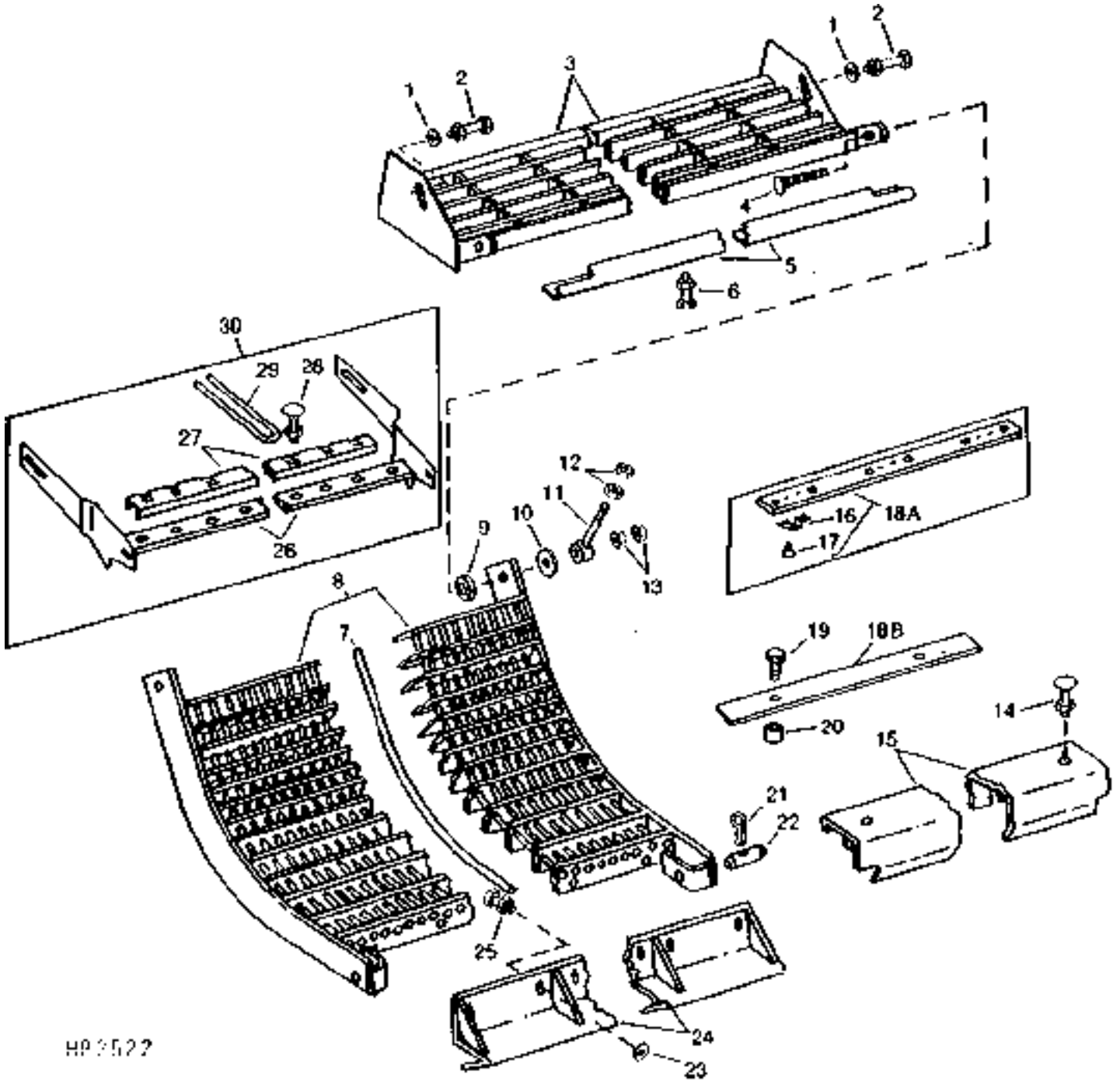
# 2G10

SEPARATOR

HP2522

-UN-01JAN94

OPEN-BAR CONCAVE, STONE TRAP, AND DOOR



HP 2522

# 2G11

SEPARATOR

## OPEN-BAR CONCAVE, STONE TRAP, AND DOOR - CONTINUED

KEY	PART NO.	PART NAME	QTY	SERIAL NO.	REMARKS
1	24H1111	WASHER	2		17/32" X 1-1/16" X 0.090"
2	19H1815	CAP SCREW	2		1/2" X 1-1/4"
	12H301	LOCK WASHER	2		1/2"
	14H1040	NUT	2		1/2"
3	AH100283	GRATE	1	-450000	(SUB AH106721)
	AH106721	GRATE	1		
4	03H2240	BOLT	2		3/4" X 3"
5	H101189	RETAINER	1	-400000	(SUB AH106278)
	AH106278	RETAINER	1	-450000	(SUB AH108733)
	AH108733	RETAINER	1	-600000	
	H116273	RETAINER	1	600001-	(USE WITH AH85396)
6	19H1732	CAP SCREW	4		3/8" X 1-1/4"
	12H304	LOCK WASHER	4		3/8"
	14H812	NUT	4		3/8"
7	H97824	PIN	36	-600000	
	H84857	DOWEL PIN	36	600001-	
8	AH101597	CONCAVE	1	-450000	(SUB AH108863)
	AH108863	CONCAVE	1	-600000	(SUB AH85396)
	AH85396	CONCAVE	1		(USE WITH H116273)
9	H84869	BUSHING	2		
10	24H1161	WASHER	2		13/16" X 1-15/32" X 0.134"
11	H84292	EYEBOLT	2		
12	14H821	NUT	4		5/8"
13	14H794	NUT	4		3/4"
14	03H1631	BOLT	4		3/8" X 3-1/2"
	12H304	LOCK WASHER	4		3/8"
	14H812	NUT	4		3/8"
15	AH92382	COVER	1		
16	P45427	CLIP	6	-610550	(PER PLATE) (USE WITH AH85380)
17	16H235	RIVET	6	-610550	3/16" X 1/4", (PER PLATE) (USE WITH AH85380)
18A	AH85380	PLATE	10	-610550	(SUB H119094)
18B	H119094	PLATE	10		
19	19H1732	CAP SCREW	2		3/8" X 1-1/4", (PER PLATE) (USE WITH H119094)
20	AH118989	ISOLATOR	2		(PER PLATE) (USE WITH H119094)
21	11H218	COTTER PIN	2		3/16" X 1-1/2"
22	H84867	PIN	2		
23	24H1305	WASHER	6		13/32" X 13/16" X 0.065"
24	AH92372	SEPARATOR	1		STONE TRAP
25	19H2552	CAP SCREW	6		3/8" X 1-1/8"
	12H304	LOCK WASHER	6		3/8"
	14H812	NUT	6		3/8"
26	AH107062	GRATE	1		
27	H94170	RETAINER	1		
28	03H1937	BOLT	17		5/16" X 1-1/4"
	12H303	LOCK WASHER	17		5/16"
	14H785	NUT	17		5/16"
29	H87132	FINGER	17		
30	AH106816	GRATE	1		

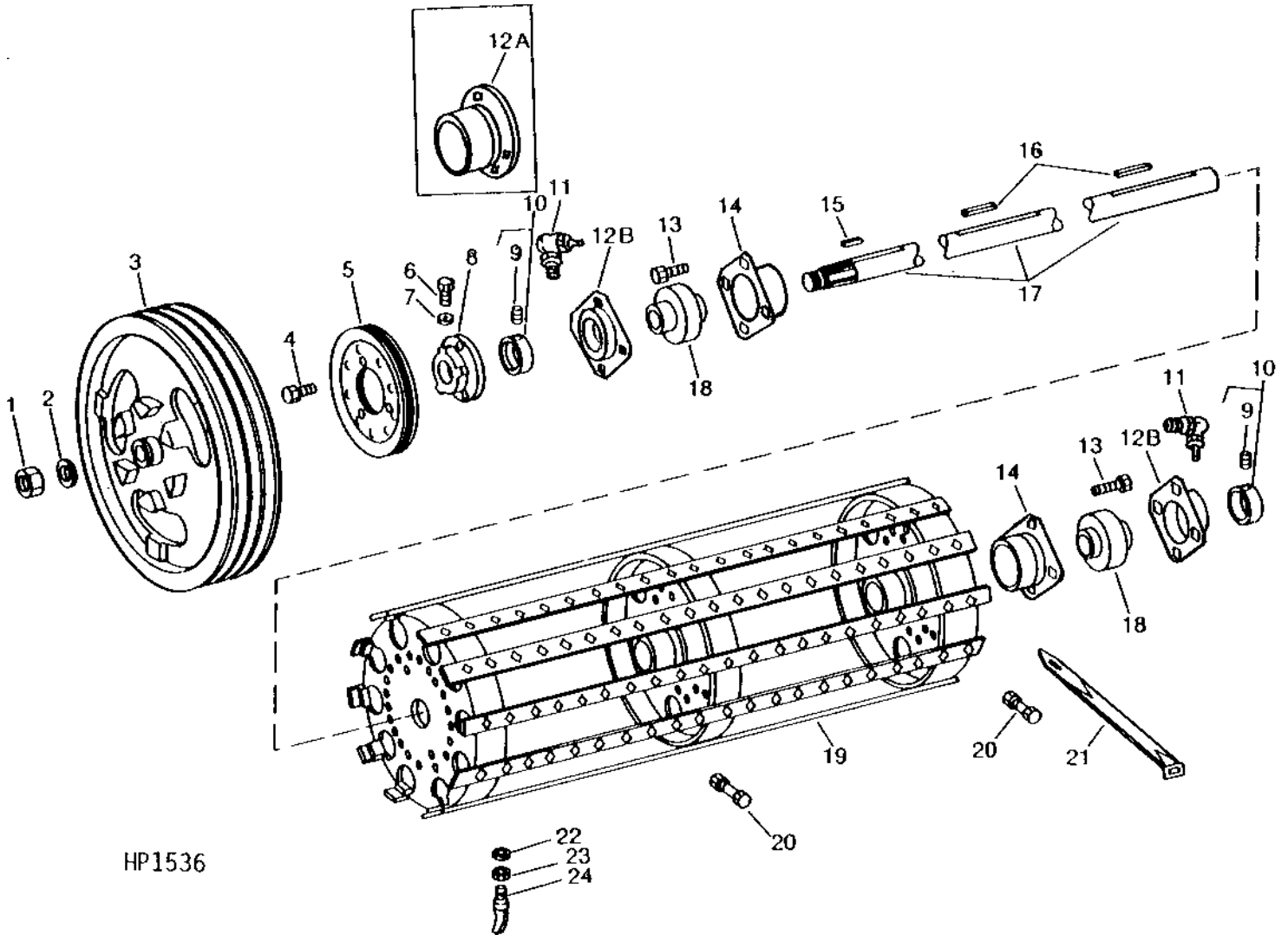
# 2G12

SEPARATOR

HP1536

-UN-01JAN94

## SPIKE-TOOTH CYLINDER



HP1536

# 2G13

SEPARATOR

## SPIKE-TOOTH CYLINDER - CONTINUED

KEY	PART NO.	PART NAME	QTY	SERIAL NO.	REMARKS
1	H82619	LOCK NUT	1		
2	24H1471	WASHER	1		1-9/64" X 1-3/4" X 0.134"
3	H84542	SHEAVE	1		467 MM (18-25/64") DIA.
4	19H1936	CAP SCREW	3		3/8" X 3/4"
5	AH80755	SHEAVE	1		229 MM (9") DIA. (100 PER CENT BEATER SPEED)
	AH100303	SHEAVE	1		254 MM (10") DIA. (150 PER CENT BEATER SPEED)
6	22H888	SET SCREW	1		3/8" X 1-1/4"
7	14H732	NUT	2		3/8"
8	H82314	HUB	1		
9	22H979	SET SCREW	2		3/8" X 3/8"
10	JD9201	ECCENTRIC LOCKING COLLAR	2		
11	JD7806	LUBRICATION FITTING	2	500001-	90°, 1/4"
12A	G6661E	PRESSED FLANGED HOUSING	2	-450000	(SUB E62484)
	E62484	PRESSED FLANGED HOUSING	2	-500000	
12B	H113626	PRESSED FLANGED HOUSING	2	500001-	
13	19H1815	CAP SCREW	8		1/2" X 1-1/4"
	12H301	LOCK WASHER	8		1/2"
14	AH83380	PRESSED FLANGED HOUSING	2		
15	.....	KEY	1		10 MM X 10 MM X 32 MM (3/8" X 3/8" X 1-1/4") (CUT FROM H64376 IN AH64587 KEY STOCK KIT)
16	.....	KEY	2		(A) 10 MM X 10 MM X 57 MM (3/8" X 3/8" X 2-1/4") (CUT FROM H64376 IN AH64587 KEY STOCK KIT)
17	H79757	SHAFT	1		(A)
18	JD9276	BALL BEARING	2	-500000	
	JD9434	BEARING	2	500001-	
19	.....	CYLINDER	1		(A) (SUB AH77670)
20	19H1930	CAP SCREW	2		(A) 1/2" X 2-1/2"
	P3629H	LOCK WASHER	2	-610600	(A) (SUB 12H301)
	12H301	LOCK WASHER	2		1/2"
	14H1040	NUT	2		(A) 1/2"
21	P5403H	TOOL	1		
22	12H301	LOCK WASHER	AR		(A) 1/2"
23	14H865	NUT	AR		(A) 1/2"
24	P44H	TOOTH	AR		(A)

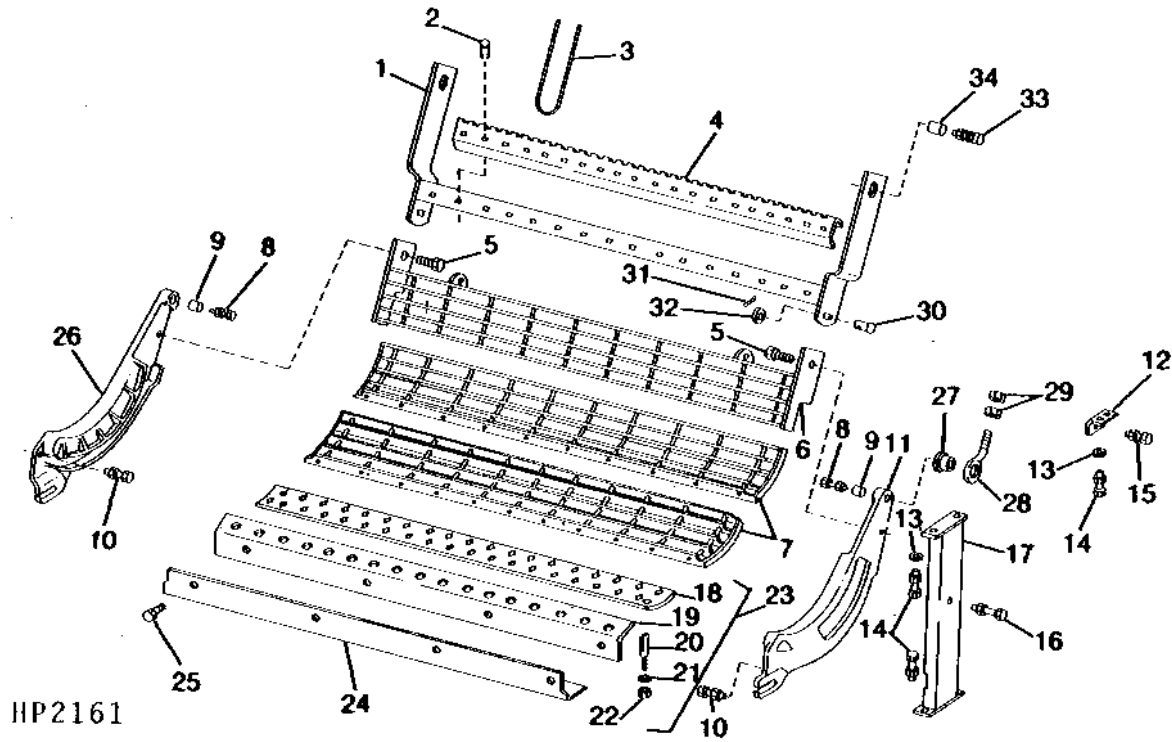
PART LISTED BELOW CONSISTS OF ALL PARTS IDENTIFIED BY AN (A):  
 .. AH77670 SPIKE-TOOTH CYLINDER 1

# 2G14

SEPARATOR

HP2161 -UN-01JAN94

## SPIKE-TOOTH CONCAVE



KEY	PART NO.	PART NAME	QTY	SERIAL NO.	REMARKS
1	AH95892	SUPPORT	1		
2	03H1544	BOLT	15	5/16" X 1-1/4"	
	14H785	NUT	15	5/16"	
3	H87132	FINGER	15		
4	H96941	RETAINER	1		
5	19H1792	CAP SCREW	2	1/2" X 1"	
	24H1111	WASHER	2	17/32" X 1-1/16" X 0.090"	
	28H1597	WASHER	2	0.546" X 0.840" X 3/8"	
6	AH101526	GRATE	1		
7	AH86873	GRATE	2		
8	19H1945	CAP SCREW	2	1/2" X 3-1/4"	
	12H301	LOCK WASHER	2	1/2"	
	14H1040	NUT	2	1/2"	
9	28H1676	BUSHING	2	1/2" X 1-5/8"	
10	19H1900	CAP SCREW	2	5/16" X 3/4"	
	12H303	LOCK WASHER	2	5/16"	
	28H1511	WASHER	2	0.364" X 0.540" X 1/4"	
11	H85903	CONCAVE	1		
12	H94435	BRACKET	2		
13	24H1136	WASHER	AR	11/32" X 11/16" X 0.065"	
14	19H1905	CAP SCREW	12	5/16" X 1"	
	14H785	NUT	12	5/16"	
15	19H2461	CAP SCREW	2	3/8" X 1-1/4"	
	14H812	NUT	2	3/8"	
16	19H3162	CAP SCREW	2	3/8" X 2"	
	14H812	NUT	2	3/8"	
17	AH77906	SUPPORT	2		
18	H79996	PLATE	2		
19	AH80789	SEAL	1		
20	P44H	TOOTH	AR		
21	12H301	LOCK WASHER	AR	1/2"	
22	14H865	NUT	AR	1/2"	
23	AH78550	CONCAVE	AR	(1 OR 2 USED)	



# 2G15

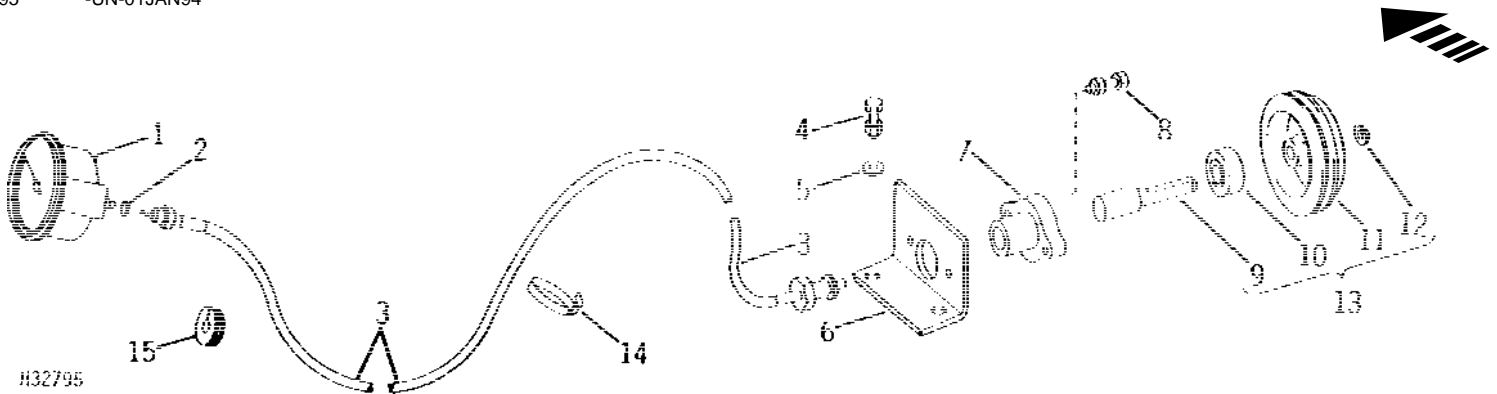
SEPARATOR

## SPIKE-TOOTH CONCAVE - CONTINUED

KEY	PART NO.	PART NAME	QTY	SERIAL NO.	REMARKS
24	H82368	EXTENSION	1		
25	H77931	SCREW	5		SELF-TAPPING
26	H85904	CONCAVE	1		CIRCLE, R.H.
27	H84295	BUSHING	2		
28	H84292	EYEBOLT	2		
29	14H821	NUT	4		5/8"
30	N104051	PIN	2		
31	11H213	COTTER PIN	2		3/16" X 1-3/4"
32	24H1211	WASHER	2		9/16" X 1-3/8" X 0.105"
33	19H1721	CAP SCREW	2		1/2" X 1-1/2"
	12H301	LOCK WASHER	2		1/2"
	14H1040	NUT	2		1/2"
	24H1211	WASHER	2		9/16" X 1-3/8" X 0.105"
34	28H2482	BUSHING	2		1/2" X 1/2"
..	AH95889	FINGER	1		(CONSISTS OF AH95892, (15) H87132, H96941, (15) 03H1544, (15) 12H303, AND (15) 14H785)

## VARIABLE SPEED CYLINDER TACHOMETER

H32795 -UN-01JAN94



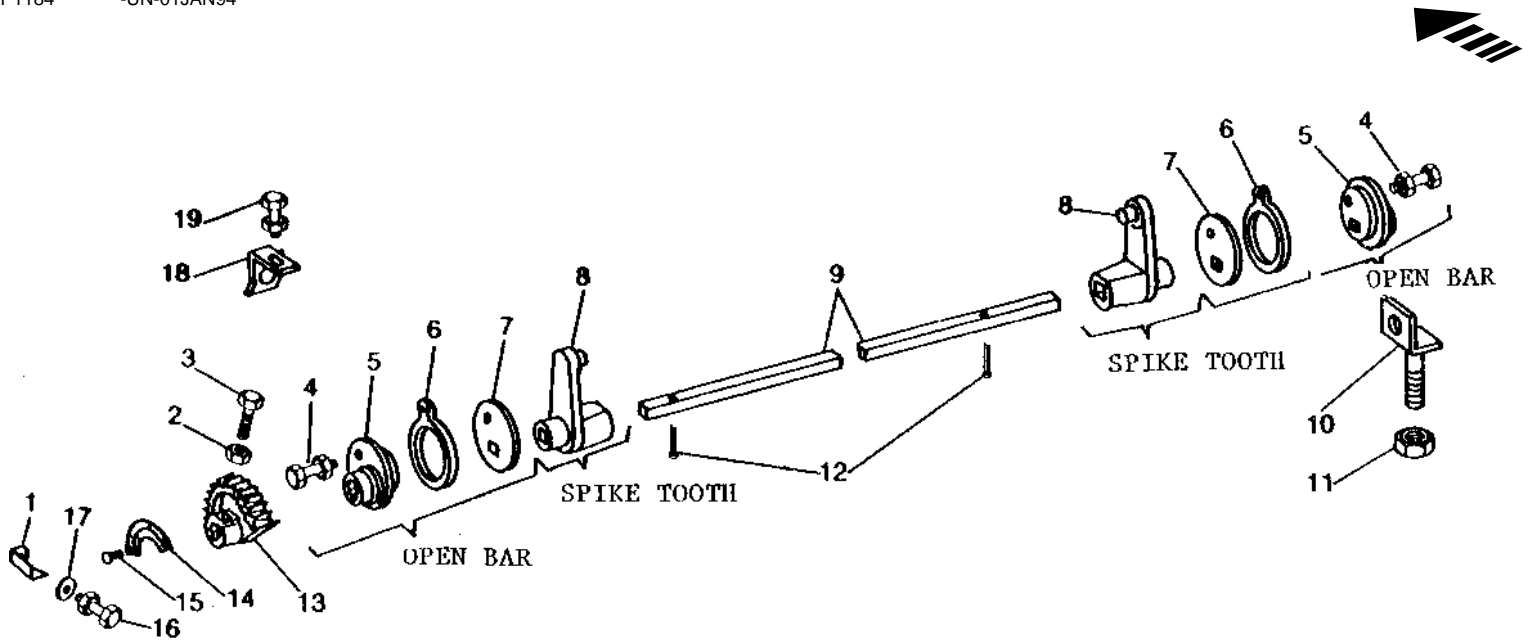
KEY	PART NO.	PART NAME	QTY	SERIAL NO.	REMARKS
1	AH91002	TACHOMETER	1		
2	14H631	NUT	2		0.190"
3	AH75616	CABLE	1		
4	19H1731	CAP SCREW	2		3/8" X 1"
	12H304	LOCK WASHER	2		3/8"
	14H812	NUT	2		3/8"
5	24H1305	WASHER	2		13/32" X 13/16" X 0.065"
6	H100973	BRACKET	1		
7	H100586	HUB	1		
8	21H1287	SCREW	2		1/4" X 1-1/4"
	12H302	LOCK WASHER	2		1/4"
	14H786	NUT	2		1/4"
9	H100584	SHAFT	1		
10	JD9399	BALL BEARING	1	-550000	(SUB AT23189)
	AT23189	BALL BEARING	1		
11	H100585	SHEAVE	1		
12	R11026	SNAP RING	1		
13	AH99422	SHAFT	1		
14	H77698	TIE BAND	1		
15	H80305	GROMMET	1		

# 2G16

SEPARATOR

HP1184 -UN-01JAN94

## CONCAVE ADJUSTING SHAFT



HP1184

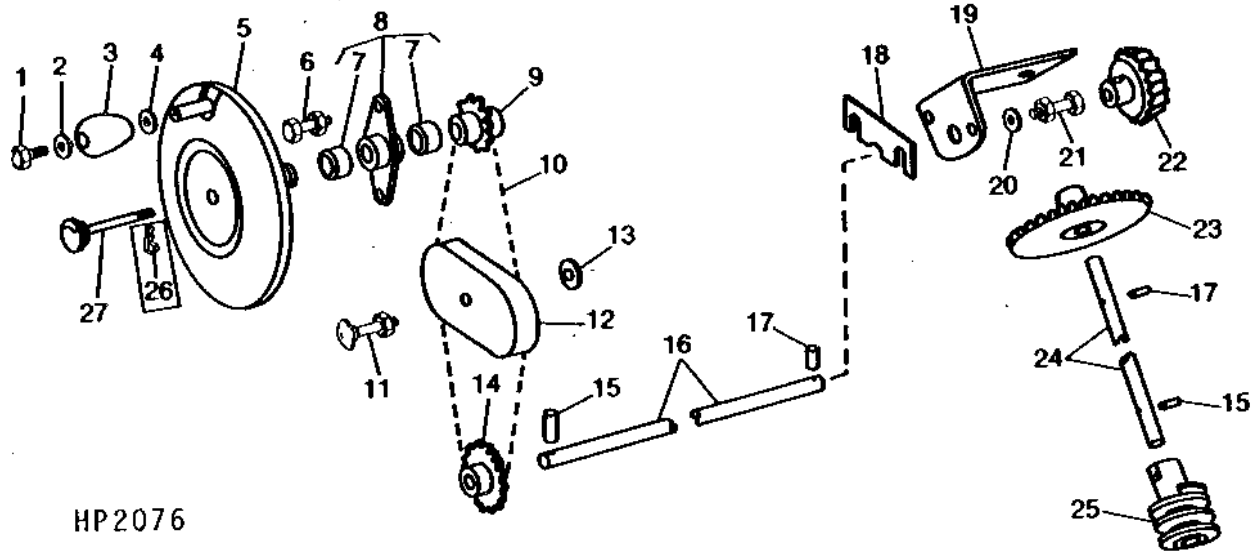
KEY	PART NO.	PART NAME	QTY	SERIAL NO.	REMARKS
1	H85229	POINTER	1		
2	14H732	NUT	1	3/8"	
3	22H853	SET SCREW	1	3/8" X 7/8"	
4	19H1906	CAP SCREW	2	5/16" X 1-1/2"	
	14H785	NUT	2	5/16"	
5	H89619	CAM	2		
6	H85372	LINK	2		
7	H75367	PLATE	2		
8	H89620	ARM	2		
9	H75374	SHAFT	1		
10	AH94130	BOLT	1		
11	14H794	NUT	2	3/4"	
12	11H222	COTTER PIN	2	3/16" X 2"	
13	H82447	SECTOR	1		
14	H82444	PLATE	1		(SPIKE TOOTH)
	H82445	PLATE	1		(RASP BAR)
15	P43110	SCREW	2		
16	03H1540	BOLT	1	5/16" X 3/4"	
	14H785	NUT	1	5/16"	
17	24H1224	WASHER	1	11/32" X 1" X 1/16"	
18	H94304	STOP	1		(USED WITH SPIKE-TOOTH CONCAVE)
19	03H1709	BOLT	1	5/16" X 1"	
	14H819	WING NUT	1	5/16"	

# 2G17

SEPARATOR

HP2076 -UN-01JAN94

## CONCAVE ADJUSTING CONTROLS



HP2076

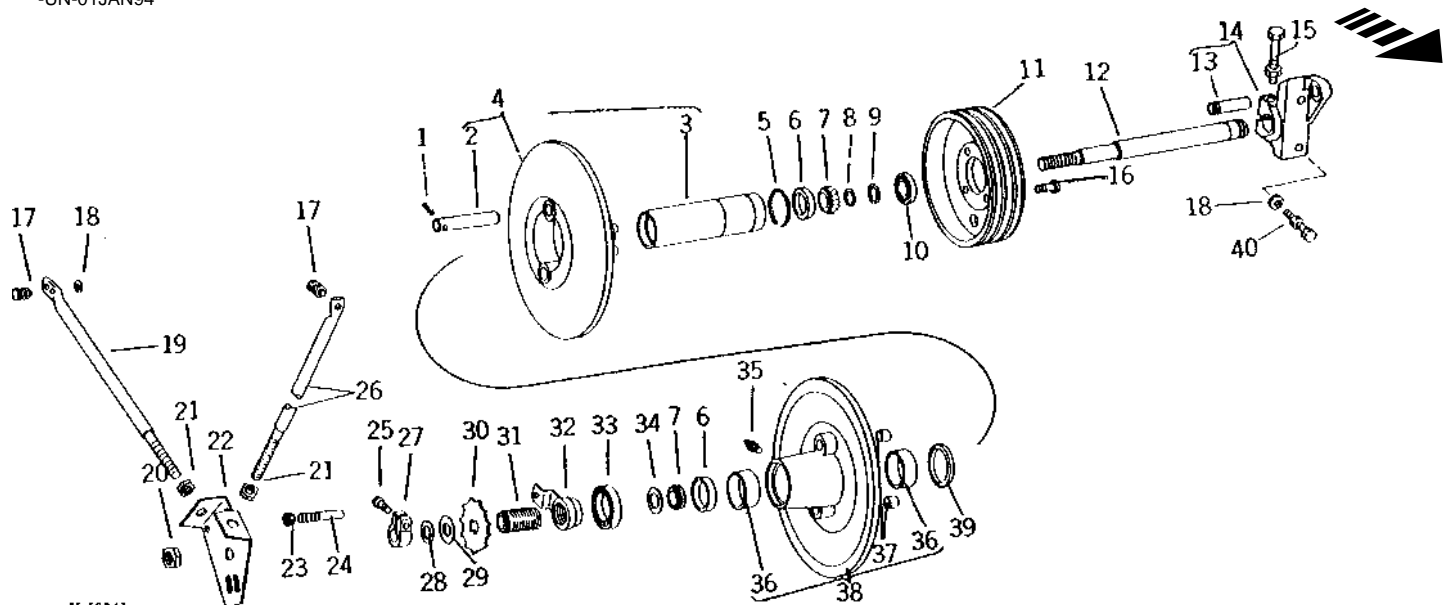
KEY	PART NO.	PART NAME	QTY	SERIAL NO.	REMARKS
1	19H2948	SCREW	1		1/4" X 0.380"
2	24H1286	WASHER	1		9/32" X 1/2" X 1/16"
3	H76517	KNOB	1		
4	H82448	WASHER	1		
5	AH97873	CRANK	1	-600000	
	AH95020	CRANK	1	600001-	
6	19H1905	CAP SCREW	2		5/16" X 1"
	14H785	NUT	2		5/16"
7	H96455	BUSHING	2	600001-	
8	H76502	BEARING	1	-600000	
	AH112198	BEARING	1	600001-	
9	H94783	CHAIN SPROCKET	1	-600000	11 TEETH
	H100016	SHAFT	1	600001-	9 TEETH
10	.....	LINK CHAIN	1	-600000	98 LINKS, 13 MM (1/2") PITCH ROLLER CHAIN (ASSEMBLE FROM 97 LINKS OF AB18594 AND AB14025)
	.....	LINK CHAIN	1	600001-	97 LINKS, 13 MM (1/2") PITCH ROLLER CHAIN (ASSEMBLE FROM (96) LINKS OF AB18594 AND (1) AB14052)
11	03H1505	BOLT	1		5/16" X 1-3/4"
	14H785	NUT	1		5/16"
12	H76518	TIGHTENER	1		
13	24H1294	WASHER	1		11/32" X 1-1/8" X 1/16"
14	H89035	CHAIN SPROCKET	1		14 TEETH
15	34H283	SPRING PIN	2		3/16" X 1-1/8"
16	H76507	PIN	1		UPPER
17	34H282	SPRING PIN	2		3/16" X 1"
18	H80686	STRAP	AR		
19	H76505	BRACKET	1		
20	24H1237	WASHER	2		25/64" X 7/8" X 0.060"
21	19H1731	CAP SCREW	2		3/8" X 1"
	14H812	NUT	2		3/8"
22	H76503	SUN GEAR	1		13 TEETH
23	H76504	GEAR	1		26 TEETH
24	H76515	PIN	1		LOWER
25	H100400	GEAR	1		LOWER
26	11H266	COTTER PIN	1	-600000	1/16" X 1/2"
27	AH78915	KNOB	1	-600000	
	AH95018	KNOB	1	600001-	

# 2G18

SEPARATOR

H19343 -UN-01JAN94

## CYLINDER DRIVE INTERMEDIATE SHAFT



KEY	PART NO.	PART NAME	QTY	SERIAL NO.	REMARKS
1	34H313	SPRING PIN	2		1/4" X 1-1/8"
2	H75695	PIN	2		
3	H75696	SPOOL	1		
4	AH75294	SHEAVE	1		356 MM (14-1/32") DIA. (MARKED H75007)
5	R26246	SNAP RING	1		
6	JD8225	BEARING CUP	2		
7	JD8187	BEARING CONE	2		
8	H2172B	WASHER	1		
9	P33554	SNAP RING	1		
10	AH75296	SEAL	1		
11	H79646	SHEAVE	1		174 MM (6-55/64")DIA. (SLOW SPEED CYLINDER ATTACHMENT)
	H79647	SHEAVE	1		215 MM (8-29/64") DIA.
12	H75697	SHAFT	1		
13	H79683	PIN	1		
14	AH77606	BRACKET	1		(MARKED H79638)
15	19H2444	CAP SCREW	1		7/16" X 3-1/4"
16	19H1732	CAP SCREW	4		3/8" X 1-1/4"
17	19H1731	CAP SCREW	3		3/8" X 1"
	14H812	NUT	3		3/8"
18	24H1305	WASHER	3		13/32" X 13/16" X 0.065"
19	AH75300	BRACE	1		REAR
20	14H962	NUT	1		1"
21	14H794	NUT	4		3/4"
22	H79688	PLATE	1		
23	14H1040	NUT	2		1/2"
24	H75555	STUD	1		
25	19H1800	CAP SCREW	1		3/8" X 1-1/2"
26	AH75299	BRACE	1		FRONT
27	H75348	NUT	1		
28	H78360	WASHER	1		
29	J4489H	WASHER	1		
30	H89034	CHAIN SPROCKET	1		28 TEETH
31	H89033	SCREW	1		
32	AH75297	NUT	1		
33	JD9241	BALL BEARING	1		
34	H75346	WASHER	1		
35	JD7797	LUBRICATION FITTING	1		STRAIGHT, 1/4"
36	H84935	BUSHING	2		
37	H75693	BUSHING	2		
38	AH75293	SHEAVE	1		356 MM (14-1/32") DIA. (MARKED H75009)
39	AH75295	SEAL	1		
40	19H1944	CAP SCREW	2		3/8" X 2-3/4"
	14H812	NUT	2		3/8"

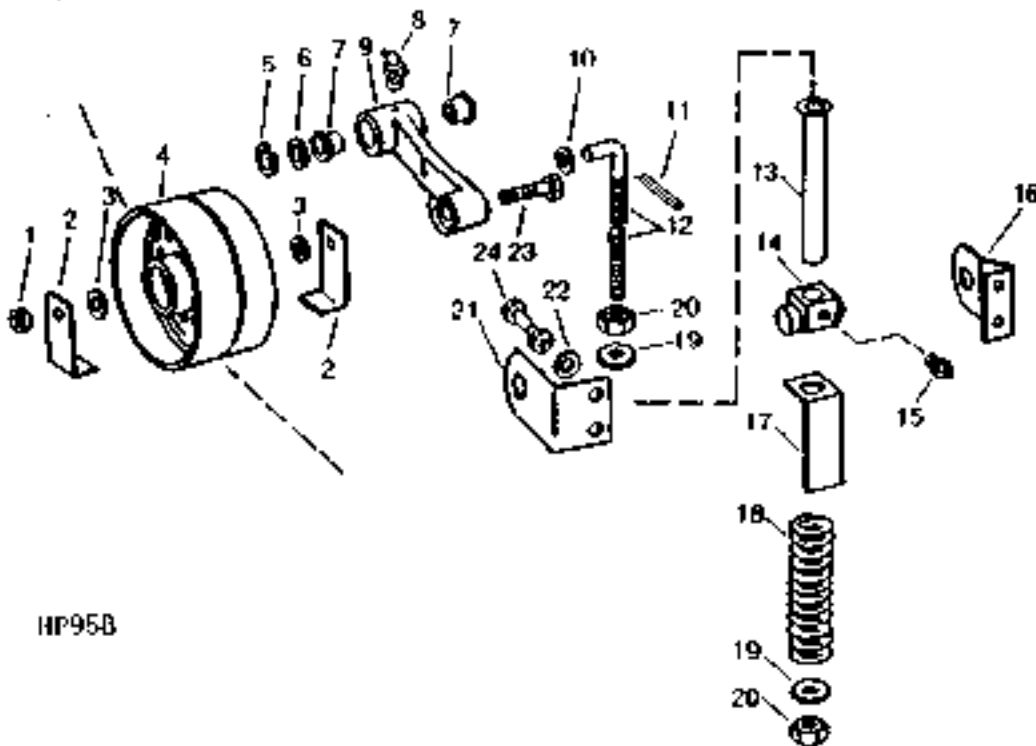
# 2G19

SEPARATOR

HP958

-UN-01JAN94

## CYLINDER DRIVE TIGHTENER



HP958

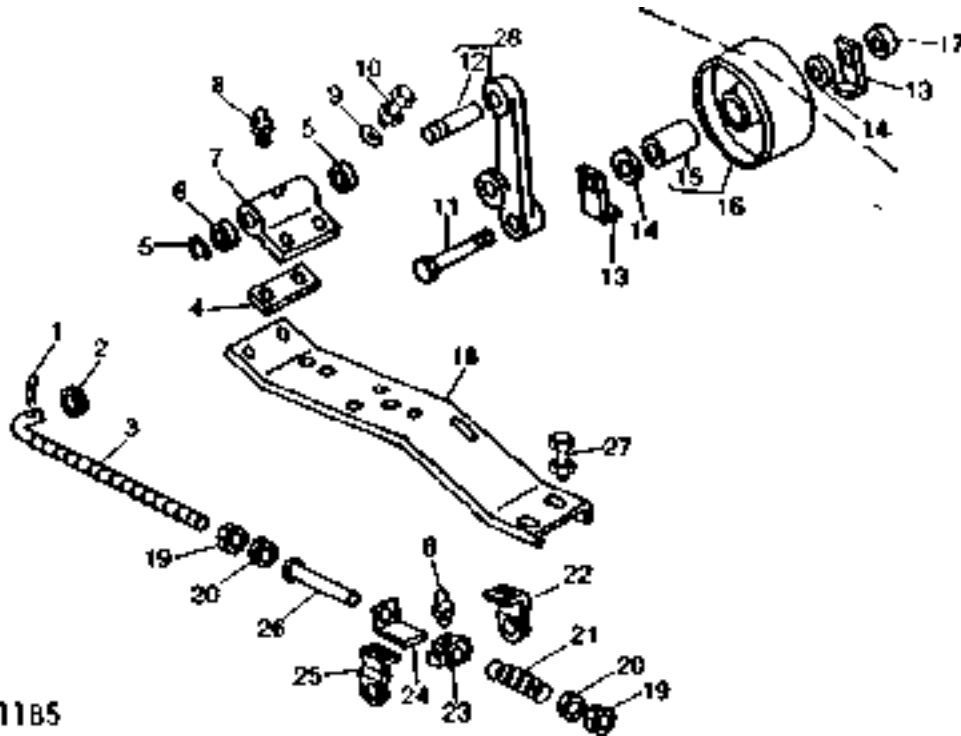
KEY	PART NO.	PART NAME	QTY	SERIAL NO.	REMARKS
1	H79449	LOCK NUT	1	-610550	(SUB K40014)
	K40014	LOCK NUT	1		
2	H94395	BRACKET	2		
3	T21242	WASHER	2		
4	AH86835	SHEAVE	1		165 MM (6-1/2") DIA. (WITH AH81161)
	AH81161	BALL BEARING	1		
5	P46614	SNAP RING	1		
6	24H1413	WASHER	1		57/64" X 1-3/8" X 0.048"
7	H85857	BUSHING	2		
8	JD7788	LUBRICATION FITTING	2		45°, 1/4"
9	H85862	ARM	1		
10	24H1338	WASHER	1		33/64" X 7/8" X 0.048"
11	11H236	COTTER PIN	1		1/8" X 1"
12	H85580	BOLT	1		
13	H75571	SPACER	1		
14	H86082	SWIVEL	1		
15	JD7788	LUBRICATION FITTING	1		45°, 1/4"
16	H75689	CLIP	1		INNER
17	H75688	ANGLE	1		
18	H26552	SPRING	1		
19	24H1211	WASHER	2		9/16" X 1-3/8" X 0.105"
20	14H865	NUT	2		1/2"
21	H75690	CLIP	1		OUTER
22	24H1305	WASHER	2		13/32" X 13/16" X 0.065"
23	19H2123	CAP SCREW	1		1/2" X 4-1/4"
24	19H1733	CAP SCREW	2		3/8" X 2-1/2"
	14H812	NUT	2		3/8"

# 2G20

SEPARATOR

HP1185 -UN-01JAN94

## INTERMEDIATE SHAFT DRIVE TIGHTENER



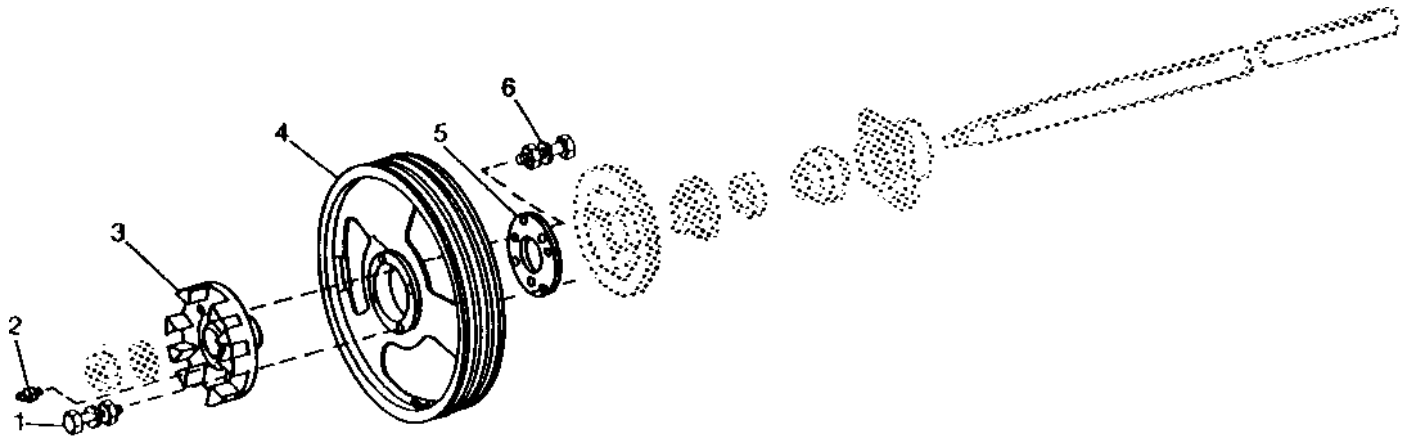
KEY	PART NO.	PART NAME	QTY	SERIAL NO.	REMARKS
1	11H236	COTTER PIN	1		1/8" X 1"
2	24H1338	WASHER	1		33/64" X 7/8" X 0.048"
3	H85579	BOLT	1		
4	H85440	STRAP	1		(SLOW SPEED)
5	P46614	SNAP RING	1		
6	H85857	BUSHING	2		
7	H79599	PIVOT	1		
8	JD7797	LUBRICATION FITTING	2		STRAIGHT, 1/4"
9	24H1305	WASHER	1		13/32" X 13/16" X 0.065"
10	19H1732	CAP SCREW	2		3/8" X 1-1/4"
	19H1801	CAP SCREW	2		3/8" X 2", (SLOW SPEED)
	14H812	NUT	2		3/8"
11	19H1739	CAP SCREW	1		1/2" X 4-1/2"
12	H85858	PIN	1		
13	H94396	BRACKET	2		
14	T21242	WASHER	2		
15	AH81161	BALL BEARING	1		
16	AH86839	IDLER	1		165 MM (6-1/2") DIA. (MARKED H85863)
17	H79449	LOCK NUT	1	-610550	(SUB K40014)
	K40014	LOCK NUT	1		
18	H86667	SUPPORT	1	-450000	(SUB H109579)
	H109579	SUPPORT	1		
19	14H865	NUT	2		1/2"
20	24H1211	WASHER	2		9/16" X 1-3/8" X 0.105"
21	H26552	SPRING	1		
22	H75689	CLIP	1		INNER
23	H86062	SWIVEL	1		
24	H75282	ANGLE	1		
25	H79689	CLIP	1		OUTER
26	H75571	SPACER	1		
27	03H1519	BOLT	2		3/8" X 1"
	12H304	LOCK WASHER	2		3/8"
	14H812	NUT	2		3/8"
28	AH86836	ARM	1		(MARKED H85860)

# 2G21

SEPARATOR

HP1186 -UN-01JAN94

## CYLINDER SHAFT SHEAR HUB AND SHEAVE



HP1186

KEY	PART NO.	PART NAME	QTY	SERIAL NO.	REMARKS
1	19H2335	CAP SCREW	1	1/4" X 2-3/4"	
	12H302	LOCK WASHER	1	1/4"	
	14H786	NUT	1	1/4"	
2	JD7797	LUBRICATION FITTING	1	STRAIGHT, 1/4"	
3	H94232	HUB	1		
4	H92382	SHEAVE	1	457 MM (18-25/64") DIA	
5	H92418	PLATE	1		
6	19H1733	CAP SCREW	3	3/8" X 2-1/2"	
	12H304	LOCK WASHER	3	3/8"	
	14H812	NUT	3	3/8"	

---

MEMORANDA

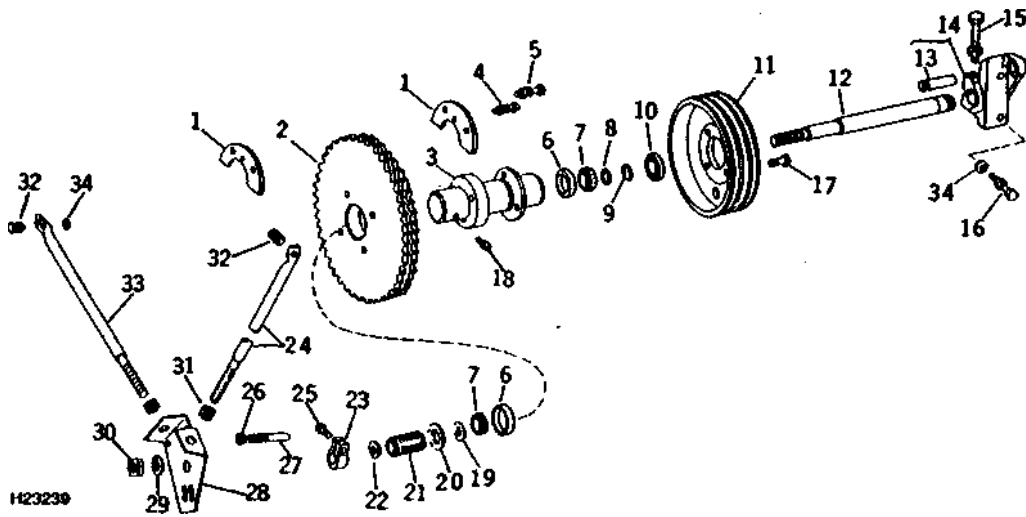


# 2G22

SEPARATOR

H23239 -UN-01JAN94

## SLOW SPEED CYLINDER DRIVE INTERMEDIATE SHAFT



KEY	PART NO.	PART NAME	QTY	SERIAL NO.	REMARKS
1	H85450	PLATE	4		
2	H85448	CHAIN SPROCKET	1		77 TEETH
3	AH86431	HUB	1		
4	19H1996	CAP SCREW	1		1/4" X 2"
	12H302	LOCK WASHER	1		1/4"
	14H786	NUT	1		1/4"
5	19H1726	CAP SCREW	4		3/8" X 2-1/4"
	12H304	LOCK WASHER	4		3/8"
	14H812	NUT	4		3/8"
6	JD8225	BEARING CUP	2		
7	JD8187	BEARING CONE	2		
8	H2172B	WASHER	1		
9	P33554	SNAP RING	1		
10	AH75296	SEAL	1		
11	H79646	SHEAVE	1		174 MM (6-55/64") DIA.
12	H75697	SHAFT	1		
13	H79683	PIN	1		
14	AH77606	BRACKET	1		(MARKED H79638)
15	19H2444	CAP SCREW	1		7/16" X 3-1/4"
16	19H1944	CAP SCREW	2		3/8" X 2-3/4"
	14H812	NUT	2		3/8"
17	19H1732	CAP SCREW	4		3/8" X 1-1/4"
	12H304	LOCK WASHER	4		3/8"
	JD7797	LUBRICATION FITTING	1		STRAIGHT, 1/4"
19	24H1266	WASHER	1		1-9/32" X 1-3/4" X 0.060"
20	AH76193	SEAL	1		
21	H85449	BUSHING	1		
22	H78360	WASHER	1		
23	H75348	NUT	1		
24	AH75299	BRACE	1		FRONT
25	19H1800	CAP SCREW	1		3/8" X 1-1/2"
26	14H1040	NUT	2		1/2"
27	H75555	STUD	1		
28	H79688	PLATE	1		
29	12H234	LOCK WASHER	1		1"
30	14H962	NUT	1		1"
31	14H794	NUT	4		3/4"
32	19H1731	CAP SCREW	3		3/8" X 1"
	14H812	NUT	3		3/8"
33	AH75300	BRACE	1		REAR
34	24H1305	WASHER	3		13/32" X 13/16" X 0.065"

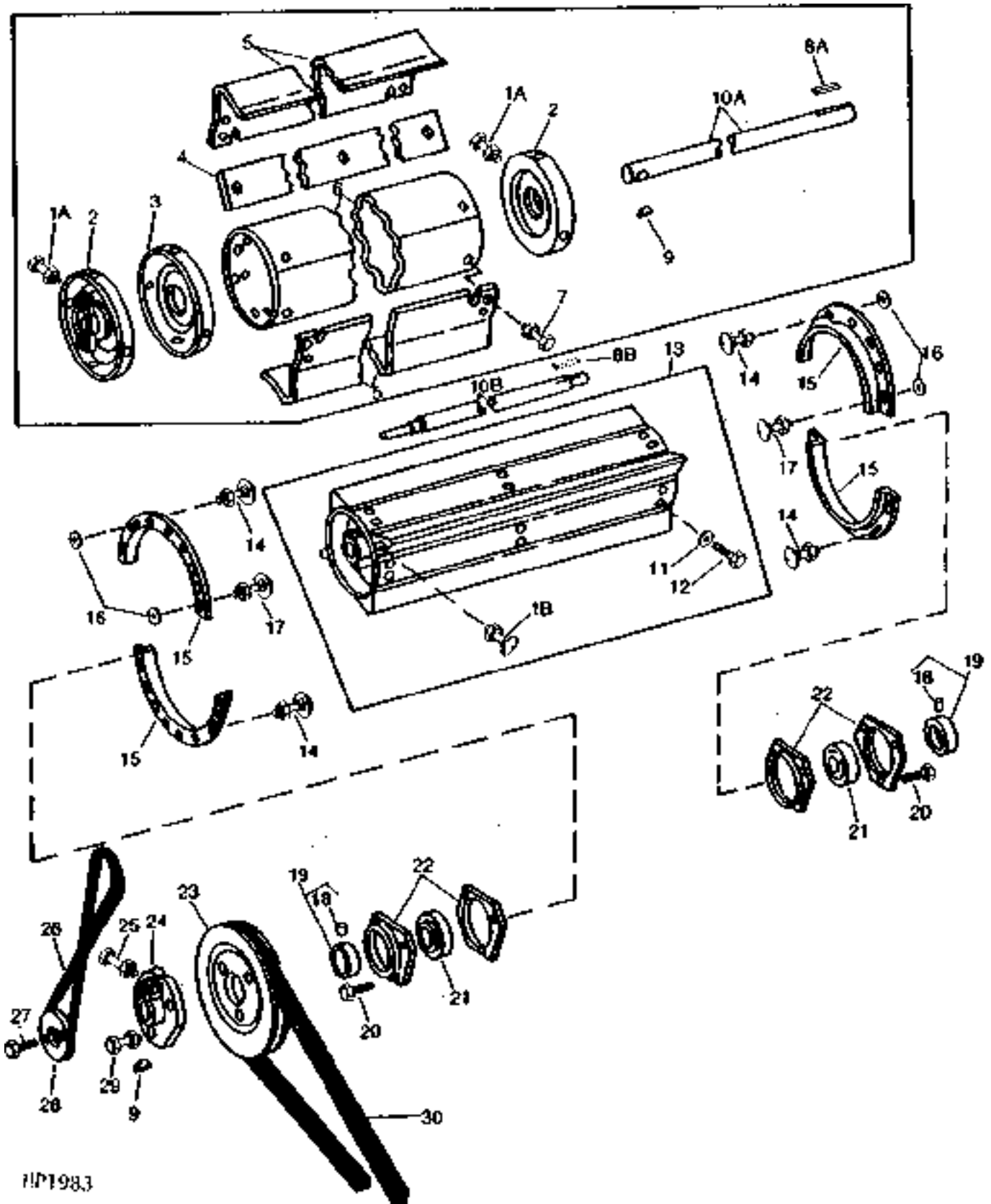
# 2G23

SEPARATOR

BEATER AND TACHOMETER DRIVE  
(SERIAL NO. -600000)

HP1983

-UN-01JAN94



HP1983

# 2G24

SEPARATOR

**BEATER AND TACHOMETER DRIVE - CONTINUED**  
(SERIAL NO. -600000)

KEY	PART NO.	PART NAME	QTY	SERIAL NO.	REMARKS
1A	03H1439	BOLT	2	-400987	1/2" X 1-3/4"
	12H301	LOCK WASHER	2	-400987	1/2"
	14H1040	NUT	2	-400987	1/2"
1B	03H1439	BOLT	2		1/2" X 1-3/4"
	12H301	LOCK WASHER	2		1/2"
	14H1040	NUT	2		1/2"
2	AH100271	CYLINDER HEAD	2		
3	AH101474	CYLINDER HEAD	1	-400987	(SUB AH108532)
4	H109245	STRAP	1	-400987	(SUB AH108532)
5	H101149	DEFLECTOR	4		
6	H101150	DRUM	1		
7	19H1732	CAP SCREW	16	-400987	3/8" X 1-1/4"
	12H304	LOCK WASHER	16	-400987	3/8"
8A	.....	KEY	1	-400987	10 MM X 10 MM X 51 MM (3/8" X 3/8" X 2") (CUT FROM H64376 IN AH64587 KEY STOCK KIT)
8B	.....	KEY	1		10 MM X 10 MM X 50 MM (3/8" X 3/8" X 2") (CUT FROM H64376 IN AH64587 KEY STOCK KIT)
9	26H42	SHAFT KEY	1		3/8" X 2-1/8"
10A	H102598	SHAFT	1	-400987	(SUB H110005)
10B	H110005	SHAFT	1		
11	24H1305	WASHER	4		13/32" X 13/16" X 0.065"
12	19H1732	CAP SCREW	16		3/8" X 1-1/4"
	12H304	LOCK WASHER	16		3/8"
13	AH108532	BEATER	1	-600000	(SUB AH114805)
14	03H1540	BOLT	9		5/16" X 3/4"
	12H303	LOCK WASHER	9		5/16"
	14H785	NUT	9		5/16"
15	H98955	SEAL	4		
16	24H1136	WASHER	6		11/32" X 11/16" X 0.065"
17	03H1709	BOLT	3		5/16" X 1"
	12H303	LOCK WASHER	3		5/16"
	14H785	NUT	3		5/16"
18	22H775	SET SCREW	2		5/16" X 1/4"
19	JD8544	ECCENTRIC LOCKING COLLAR	2		
20	H77931	SCREW	6		SELF-TAPPING
21	JD8545	BALL BEARING	2		
22	E10018	PRESSED FLANGED HOUSING	4		
23	AH87155	SHEAVE	1		229 MM (9") DIA. (100 PER CENT BEATER SPEED)
	AH100302	SHEAVE	1		178 MM (7") DIA. (150 PER CENT BEATER SPEED)
24	H102749	HUB	1		
25	19H1831	CAP SCREW	1		1/2" X 2"
	12H301	LOCK WASHER	1		1/2"
	14H1040	NUT	1		1/2"
26	H83078	O-RING	1		
27	19H1731	CAP SCREW	1		3/8" X 1"
	12H304	LOCK WASHER	1		3/8"
	24H1305	WASHER	1		13/32" X 13/16" X 0.065"
28	H108544	SHEAVE	1		82 MM (3-1/4") DIA. (100 PER CENT BEATER SPEED)
	H102126	SHEAVE	1		62 MM (2-27/64") DIA. (150 PER CENT BEATER SPEED)
29	19H1936	CAP SCREW	3		3/8" X 3/4"
	12H304	LOCK WASHER	3		3/8"
30	H86039	BELT	1		(100 PER CENT BEATER SPEED)
	H101352	BELT	1		(150 PER CENT BEATER SPEED)

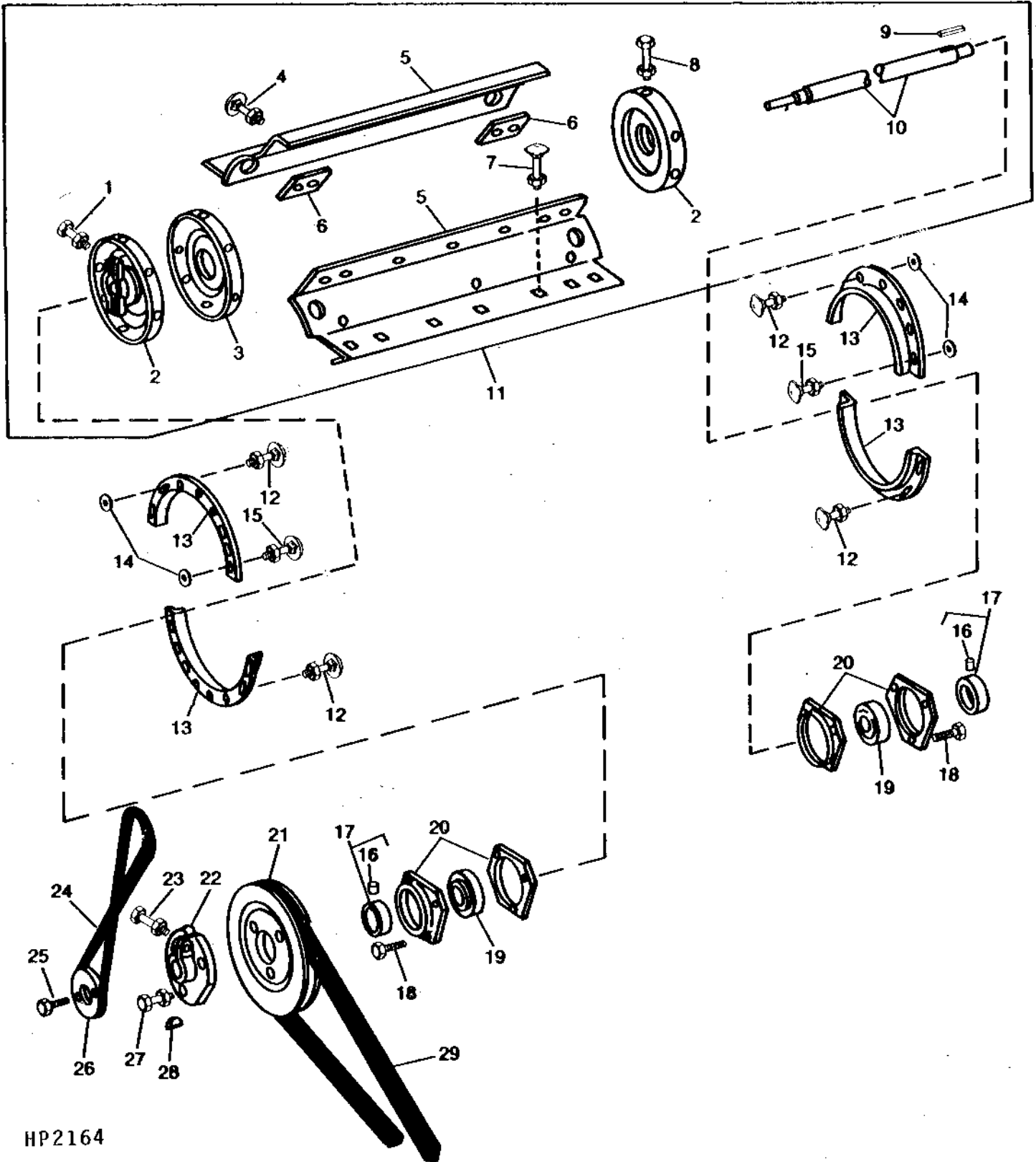
# 2H1

SEPARATOR

## BEATER AND TACHOMETER DRIVE (SERIAL NO. 600001- )

HP2164

-UN-01JAN94



HP2164

# 2H2

SEPARATOR

**BEATER AND TACHOMETER DRIVE - CONTINUED**  
(SERIAL NO. 600001- )

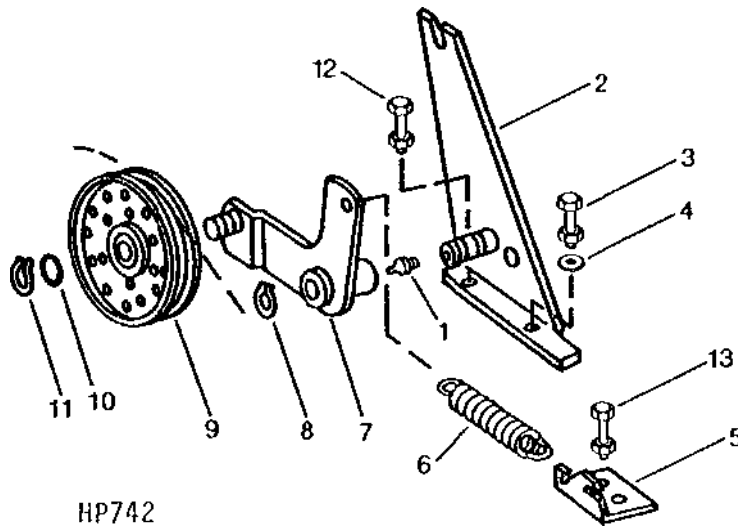
KEY	PART NO.	PART NAME	QTY	SERIAL NO.	REMARKS
1	03H1439	BOLT	2	1/2" X 1-3/4"	
	12H301	LOCK WASHER	2	1/2"	
	14H1040	NUT	2	1/2"	
2	AH113355	CYLINDER HEAD	2		
3	AH113362	CYLINDER HEAD	1		
4	03H1480	BOLT	AR	3/8" X 1-1/4"	
	12H304	LOCK WASHER	AR	3/8"	
	14H812	NUT	AR	3/8"	
5	H117549	BEATER	6		
6	H110734	STRAP	AR		
	H110736	STRAP	AR		
	24H1781	WASHER	AR	13/32" X 7/8" X 1/4", (USE WITH H110734)	
	24H1307	WASHER	AR	13/32" X 1" X 1/16", (USE WITH H110736)	
7	03H1519	BOLT	30	3/8" X 1"	
	12H304	LOCK WASHER	30	3/8"	
	14H812	NUT	30	3/8"	
8	19H1936	CAP SCREW	18	3/8" X 3/4"	
	12H304	LOCK WASHER	18	3/8"	
9	.....	KEY	1	10 MM X 10 MM X 50 MM (3/8" X 3/8" X 2") (CUT FROM H64376 IN AH64587 KEY STOCK KIT)	
10	H110005	SHAFT	1		
11	AH114805	BEATER	1		
12	03H1540	BOLT	9	5/16" X 3/4"	
	12H303	LOCK WASHER	9	5/16"	
	14H785	NUT	9	5/16"	
13	H98955	SEAL	4		
14	24H1136	WASHER	6	11/32" X 11/16" X 0.065"	
15	03H1709	BOLT	3	5/16" X 1"	
	12H303	LOCK WASHER	3	5/16"	
	14H785	NUT	3	5/16"	
16	22H775	SET SCREW	2	5/16" X 1/4"	
17	JD8544	ECCENTRIC LOCKING COLLAR	2		
18	H77931	SCREW	6	SELF-TAPPING	
19	JD8545	BALL BEARING	2		
20	E10018	PRESSED FLANGED HOUSING	4		
21	AH87155	SHEAVE	1	229 MM (9") DIA. (100 PER CENT BEATER SPEED)	
	AH100302	SHEAVE	1	178 MM (7") DIA. (150 PER CENT BEATER SPEED)	
22	H102749	HUB	1		
23	19H1831	CAP SCREW	1	1/2" X 2"	
	12H301	LOCK WASHER	1	1/2"	
	14H1040	NUT	1	1/2"	
24	H83078	O-RING	1		
25	19H1731	CAP SCREW	1	3/8" X 1"	
	12H304	LOCK WASHER	1	3/8"	
	24H1305	WASHER	1	13/32" X 13/16" X 0.065"	
26	H108544	SHEAVE	1	82 MM (3-1/4") DIA. (100 PER CENT BEATER SPEED)	
	H102126	SHEAVE	1	62 MM (2-27/64") DIA. (150 PER CENT BEATER SPEED)	
27	19H1936	CAP SCREW	3	3/8" X 3/4"	
	12H304	LOCK WASHER	3	3/8"	
28	26H42	SHAFT KEY	1	3/8" X 2-1/8"	
29	H86039	BELT	1	(100 PER CENT BEATER SPEED)	
	H101352	BELT	1	(150 PER CENT BEATER SPEED)	

# 2H3

SEPARATOR

HP742 -UN-01JAN94

## BEATER DRIVE TIGHTENER



HP742

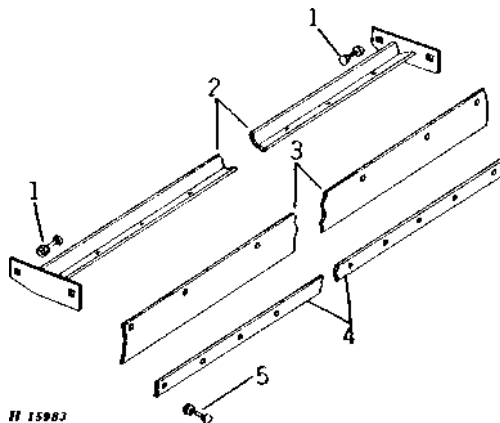
KEY	PART NO.	PART NAME	QTY	SERIAL NO.	REMARKS
1	JD7797	LUBRICATION FITTING	1		STRAIGHT, 1/4"
2	AH102554	BRACKET	1	-450000	(SUB AH107883)
	AH107883	BRACKET	1		(150 PER CENT BEATER SPEED)
	AH93195	BRACKET	1	-450000	(SUB AH107884)
	AH107884	BRACKET	1		(100 PER CENT BEATER SPEED)
3	19H1732	CAP SCREW	1	-500000	3/8" X 1-1/4"
	12H304	LOCK WASHER	1	-500000	3/8"
	14H812	NUT	1	-500000	3/8"
	19H1849	CAP SCREW	1	500001-	5/16" X 1-1/4"
	12H303	LOCK WASHER	1	500001-	5/16"
	14H785	NUT	1	500001-	5/16"
4	24H1136	WASHER	2		11/32" X 11/16" X 0.065"
5	H86040	CLIP	1		
6	E10086	SPRING	1		
7	AH93206	ARM	1		
8	U17408	RING	1		
9	AH80757	SHEAVE	1		140 MM (5-1/2") DIA.
10	R28776	O-RING	1		
11	H82987	SNAP RING	1		
12	E60315	SELF-LOCKING SCREW	1	450001-	
	12H304	LOCK WASHER	1	450001-	3/8"
	14H812	NUT	1	450001-	3/8"
13	19H1731	CAP SCREW	1		3/8" X 1"
	12H304	LOCK WASHER	1		3/8"
	14H812	NUT	1		3/8"

# 2H4

SEPARATOR

H15983 -UN-01JAN94

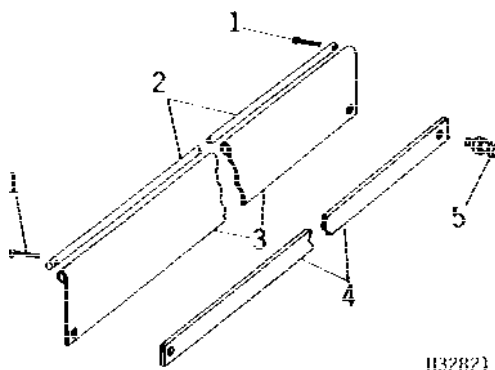
## CYLINDER SHEAR BAR



KEY	PART NO.	PART NAME	QTY	SERIAL NO.	REMARKS
1	03H1480	BOLT	6	3/8" X 1-1/4"	
	14H812	NUT	6	3/8"	
2	AH76355	BAR	1		
3	H77703	SEAL	1		
4	H77706	RETAINER	1		
5	03H1825	BOLT	8	5/16" X 1-1/2"	

H32821 -UN-01JAN94

## SEPARATOR CURTAINS



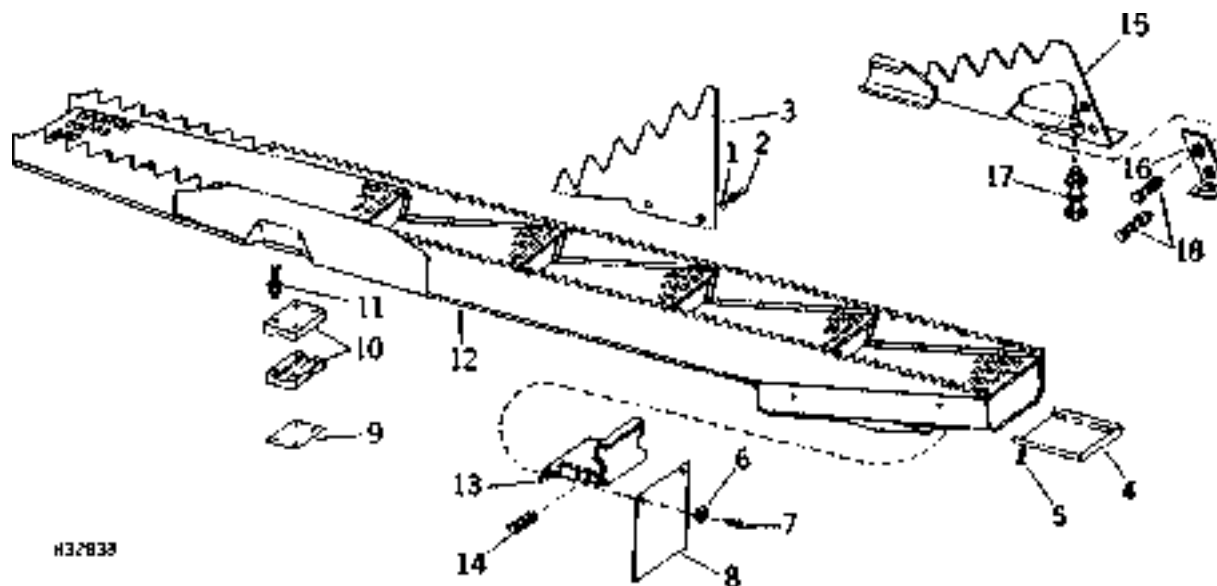
KEY	PART NO.	PART NAME	QTY	SERIAL NO.	REMARKS
1	11H211	COTTER PIN	4	1/8" X 3/4"	
2	H76890	PIN	2		
3	AH84216	LIMIT CURTAIN	1	(REAR)	
	AH84218	LIMIT CURTAIN	1	(FRONT)	
4	H76010	STRIP	1		
5	21H1071	SCREW	12	5/16" X 5/8"	
	14H785	NUT	12	5/16"	

# 2H5

SEPARATOR

H32838 -UN-01JAN94

## STRAW WALKERS



H32838

KEY	PART NO.	PART NAME	QTY	SERIAL NO.	REMARKS
1	24H1287	WASHER	2		9/32" X 5/8" X 0.065"
2	21H1016	SCREW	2		1/4" X 1/2", (PER RISER)
	14H786	NUT	2		1/4", (PER RISER)
3	H94669	RISER	1		(BETWEEN EACH WALKER)
4	H82460	PAN	1		(GRAIN)
5	03H1540	BOLT	2		5/16" X 3/4"
	14H785	NUT	2		5/16"
6	24H1711	WASHER	2		11/32" X 1-1/8" X 0.105", (STRAW CHOPPER)
7	19H1900	CAP SCREW	2		5/16" X 3/4"
	14H785	NUT	2		5/16"
8	H76636	SEAL	1		(STRAW CHOPPER)
9	H93580	PLATE	2		
10	AH93030	BEARING	1	-600000	(MATCHED HALVES)
	H119612	BEARING	2	600001-	(SINGLE HALF)
11	03H1506	BOLT	8		5/16" X 3"
	M40699	NUT	8		
12	AH99693	STRAW WALKER	1		
13	H85190	SHIELD	1		(USED WITH STRAW CHOPPER)
14	19H1227	CAP SCREW	4		1/4" X 1/2", (USE WITH STRAW CHOPPER)
	24H1287	WASHER	4		9/32" X 5/8" X 0.060", (USE WITH STRAW CHOPPER)
	14H786	NUT	4	-400784	1/4", (USE WITH STRAW CHOPPER)
	N10217	LOCK NUT	4		(USE WITH STRAW CHOPPER)
15	AH99755	RISER	1		
16	H100869	CLIP	1		
17	N10212	SELF-LOCKING SCREW	1		
18	03H1774	BOLT	2		5/16" X 5/8"
	12H303	LOCK WASHER	2		5/16"
	14H785	NUT	2		5/16"

NOTE: QUANTITIES USED ARE FOR ONE UNIT. FOUR UNITS USED PER MACHINE.

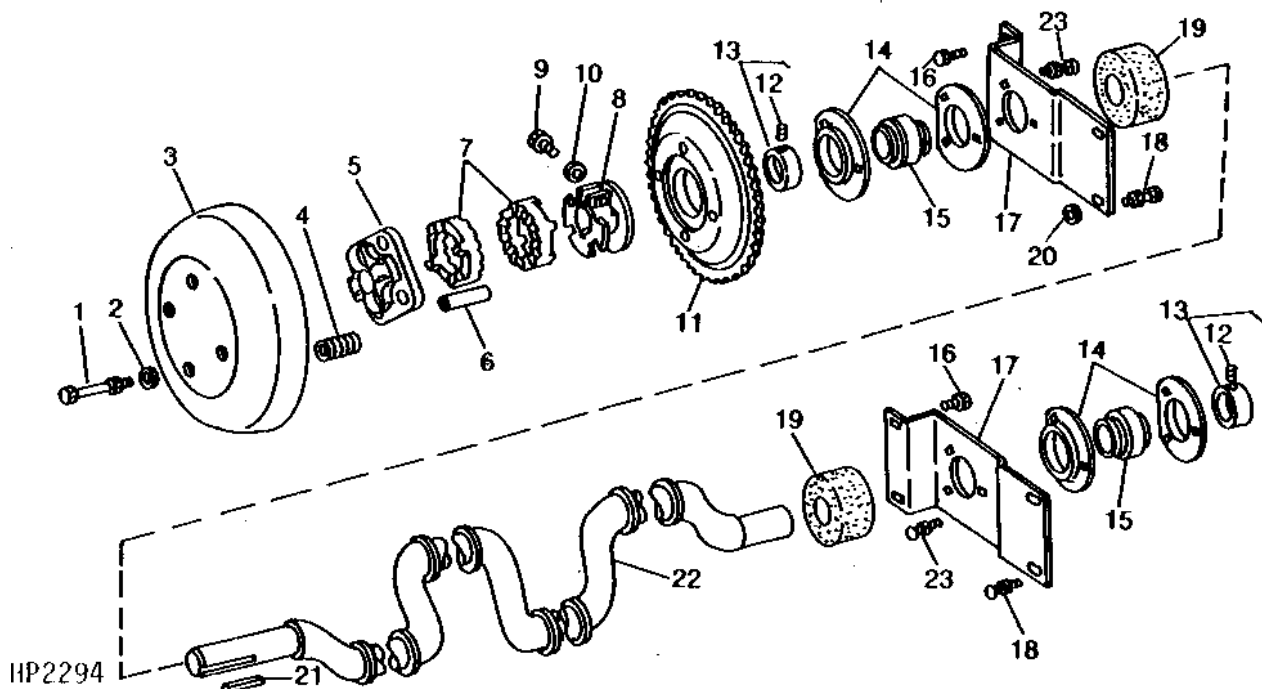


# 2H6

SEPARATOR

HP2294 -UN-01JAN94

## STRAW WALKER FRONT CRANKSHAFT



KEY	PART NO.	PART NAME	QTY	SERIAL NO.	REMARKS
1	19H2205	CAP SCREW	4		3/8" X 6"
	H99923	LOCK NUT	4		
2	24H1305	WASHER	4		13/32" X 13/16" X 0.065"
3	H76436	SHIELD	1		
4	B10608	SPRING	4		
5	N100101	RETAINER	1	-600000	
	H89525	RETAINER	1	600001-	
6	H76435	SPACER	4		
7	Z699H	SLIP CLUTCH	2		
8	H76432	HUB	1		
9	19H1765	CAP SCREW	1		3/8" X 1-3/4"
10	14H812	NUT	1		3/8"
11	H76434	CHAIN SPROCKET	1		49 TEETH
12	22H897	SET SCREW	2		1/4" X 1/4"
13	JD8554	ECCENTRIC LOCKING COLLAR	2		
14	H87472	PRESSED FLANGED HOUSING	4	-600400	
	H103264	PRESSED FLANGED HOUSING	4	600401-	
15	JD8665	BALL BEARING	2		
16	H65108	SCREW	4		SELF-TAPPING
17	H76440	BRACKET	2		
18	03H1540	BOLT	4		5/16" X 3/4"
	14H785	NUT	4		5/16"
19	H76431	ISOLATOR	2		
20	24H1136	WASHER	2		11/32" X 11/16" X 0.065"
21	.....	KEY	1		6 MM X 6 MM X 51 MM (11/32" X 11/16" X 0.060") (CUT FROM H64374 IN AH64587 KEY STOCK KIT)
22	AH92414	SHAFT	1		(USE WITH (4) AH93030 OR (8) H119612)
23	03H1774	BOLT	6		5/16" X 5/8"
	14H785	NUT	6		5/16"