

450DLC EXCAVATOR



JOHN DEERE

PARTS CATALOG

450DLC EXCAVATOR

PC9546 (Aug-08) English

Worldwide Construction and Forestry Division

Worldwide Edition
Litho in U.S.A. (Revised)
COPYRIGHT © 2008
DEERE & COMPANY
Moline, Illinois
All rights reserved

INTRODUCTION AND CUSTOMER INFORMATION

TX1001501A

-UN-23JAN06



*JOHN DEERE 450D LC EXCAVATOR
(MANUFACTURED 2006-)*

TO THE CUSTOMER

THE PART NUMBERS IN THIS PARTS CATALOG WERE CORRECT AT THE TIME YOUR CATALOG WAS PUBLISHED. IT IS OUR POLICY TO CONSTANTLY IMPROVE OUR MACHINES AND, THEREFORE, PART NUMBERS MAY CHANGE. WHEN ORDERING PARTS, VERIFY PART NUMBERS THROUGH YOUR DEALER.

(SPECIFICATIONS AND DESIGN SUBJECT TO CHANGE WITHOUT NOTICE.)

SERIAL NUMBER LOCATIONS

EACH 450D LC EXCAVATOR HAS EIGHT SERIAL NUMBER PLATES:

A PRODUCT IDENTIFICATION NUMBER PLATE, AN ENGINE SERIAL NUMBER PLATE, A HYDRAULIC PUMP SERIAL NUMBER PLATE, A LEFT-HAND TRAVEL DEVICE SERIAL NUMBER PLATE, A RIGHT-HAND PROPEL MOTOR SERIAL NUMBER PLATE, A LEFT-HAND SWING MOTOR SERIAL NUMBER PLATE, A RIGHT-HAND SWING MOTOR SERIAL NUMBER PLATE AND A CONTROL VALVE SERIAL NUMBER PLATE

- THE PRODUCT IDENTIFICATION PLATE IS LOCATED AT THE FRONT OF THE UPPERSTRUCTURE TO THE RIGHT OF THE CAB.
- THE ENGINE SERIAL NUMBER PLATE IS LOCATED ON THE FRONT SIDE OF THE CYLINDER BLOCK NEAR THE FUEL INJECTION PUMP.
- THE HYDRAULIC PUMP SERIAL NUMBER PLATE IS LOCATED NEAR THE FRONT OF THE HYDRAULIC PUMP.
- THE LEFT-HAND SWING MOTOR SERIAL NUMBER PLATE IS LOCATED ON TOP OF THE SWING MOTOR.
- THE RIGHT-HAND SWING MOTOR SERIAL NUMBER PLATE IS LOCATED ON TOP OF THE SWING MOTOR.
- THE RIGHT TRAVEL DEVICE SERIAL NUMBER PLATE IS LOCATED ON THE LEFT-HAND OF THE MOTOR.
- THE LEFT TRAVEL DEVICE SERIAL NUMBER PLATE IS LOCATED ON THE RIGHT-HAND OF THE MOTOR.
- THE CONTROL VALVE SERIAL NUMBER PLATE IS LOCATED ON THE UPPER LEFT-HAND SIDE OF THE CONTROL VALVE.

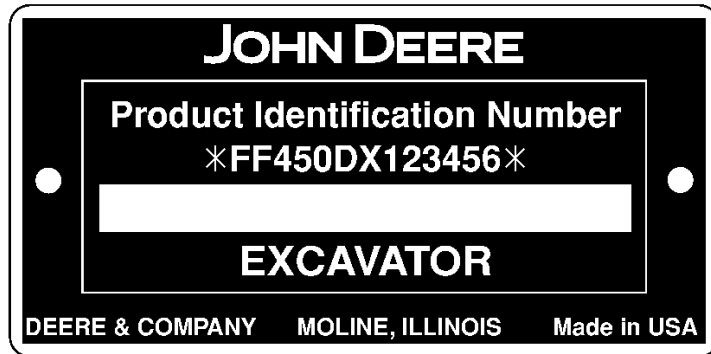
IF PRODUCT IDENTIFICATION NUMBERS OR SERIAL NUMBERS ARE REQUIRED FOR WARRANTY CLAIMS OR CORRESPONDENCE PERTAINING TO THIS PRODUCT. IT IS EXTREMELY IMPORTANT THAT ALL CHARACTERS BE FURNISHED. THIS POINT CANNOT BE OVEREMPHASIZED.

ORIENTATION REFERENCE

LEFT SIDE, RIGHT SIDE, FRONT AND REAR OF THE EXCAVATOR ARE VIEWED BY FACING IN THE DIRECTION OF THE EXCAVATOR FORWARD TRAVEL.

PRODUCT IDENTIFICATION NUMBER

TX1001506 -UN-28DEC05

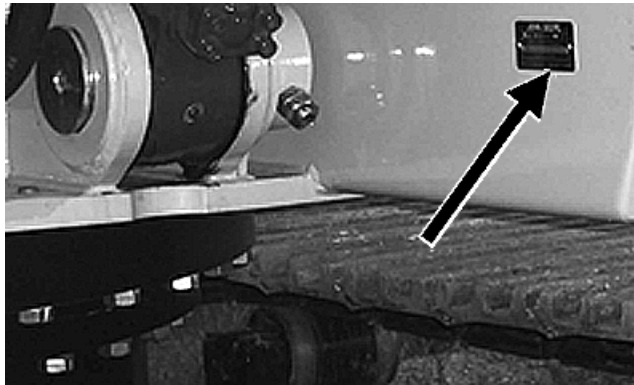


TX1001506

DESIGNATES MANUFACTURER
DESIGNATES MODEL
DESIGNATES EXCAVATOR CONFIGURATION
DESIGNATES SERIAL NUMBER
DESIGNATES MACHINE

FF - JOHN DEERE
450
DX
123456
EXCAVATOR

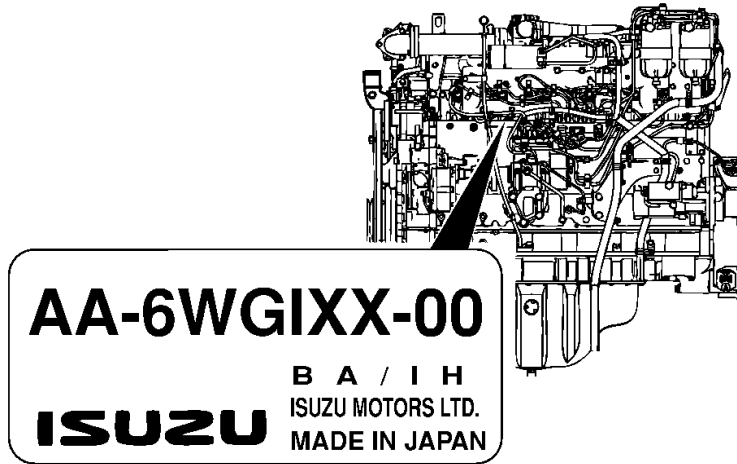
T216595A -UN-27OCT05



THE PRODUCT IDENTIFICATION PLATE IS LOCATED AT THE FRONT OF THE UPPERSTRUCTURE TO THE RIGHT OF THE CAB.

ENGINE SERIAL NUMBER INFORMATION

TX1002853 -UN-20JAN06

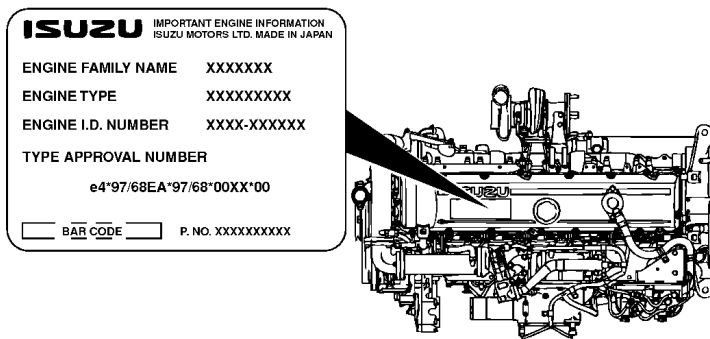


TX1002853

SERIAL NUMBER PLATE

THE ENGINE SERIAL NUMBER TOGETHER WITH THE ENGINE MODEL IS STAMPED ON THE FRONT SIDE OF THE CYLINDER BLOCK, TO THE LEFT OF THE FUEL INJECTION PUMP.

TX1002854 -UN-20JAN06



TX1002854

EMISSION CONTROL LABEL

THE ENGINE MODEL MAY BE FOUND ON THE ENGINE EMISSION CONTROL LABEL LOCATED ON TOP OF THE CYLINDER HEAD COVER.

SERIAL NUMBER LISTING INFORMATION

SERIAL NUMBER INFORMATION IS LISTED TO SHOW ON WHICH MACHINES EACH PART CAN BE USED; FOR EXAMPLE:

- THE PART CAN BE USED ON ALL MACHINES.
- 000000- THE PART CAN BE USED ON ALL MACHINES BEGINNING WITH THE SERIAL NUMBER LISTED.
- 000000 THE PART CAN BE USED ON ALL MACHINES UP TO AND INCLUDING THE SERIAL NUMBER LISTED.
- 000000-000000 THE PART CAN BE USED ON ALL MACHINES BETWEEN AND INCLUDING THE SERIAL NUMBERS LISTED.

WHEN XXXXXX'S ARE LISTED IN PLACE OF A SERIAL NUMBER, A SERIAL NUMBER CHANGE WAS MADE BUT THE EXACT SERIAL NUMBER WAS NOT AVAILABLE WHEN THE CATALOG WAS PRODUCED.

DIRECTION ARROW

ARROWS ARE USED WITH ILLUSTRATIONS TO INDICATE THE FRONT OF THE UNIT. "RIGHT-HAND" AND "LEFT-HAND" SIDES ARE DETERMINED BY FACING IN THE DIRECTION OF MACHINE FORWARD TRAVEL.

BOX-ENCLOSED ILLUSTRATIONS

A KEY NUMBER, SHOWN IN THE PARTS LIST, IS ASSIGNED TO A BOX ENCLOSING ALL PARTS SOLD AS A SERVICE ASSEMBLY.

COMPLETE GOODS LISTINGS

COMPLETE GOODS ARE LISTED IN BOLD FACE TYPE. ORDER SEPARATELY. DO NOT INCLUDE ON REPLACEMENT PARTS ORDER.

SI UNITS OF MEASURE

METRIC DIMENSIONS ARE GIVEN, WHERE APPLICABLE, THROUGHOUT THIS PARTS CATALOG.

REMARKS AND ABBREVIATIONS

THE FOLLOWING REMARKS AND ABBREVIATIONS MAY APPEAR THROUGHOUT THE PARTS CATALOG. REFER TO THE FOLLOWING CHART FOR TRANSLATIONS TO LANGUAGES OTHER THAN ENGLISH.

REMARKS AND ABBREVIATIONS

TX1007193 -UN-04MAY06

PHRASE	ENGLISH	FRANCAIS	DEUTSCH	ITALIANO	ESPAÑOL	SVENSKA
ALSO ORDER, ORD W/	Also order	Commander aussi	Ebenso bestellen	Ordinare anche	Pedir también	Beställ även
AMP	Ampere	Ampère	Ampere	Ampere	Amperio	Ampere
APPL, APPL ONLY	This application only	Uniquement pour cette utilisation	Nur für diese Anwendung	Solo per questa applicazione	Solo para este propósito	Endast för denna användning
AR	As required	Selon le besoin	Nach Bedarf	Secondo necessità	Según necesidad	Vid behov
ASSY	Complete assembly	Ensemble complet	Kompl.-Zusammenbau	Gruppo completo	Montaje completo	Komplett montering
CA, CONVENIENCE ASSY	Convenience assembly	Ensemble convenance	Komfort-Zusammenbau	Montaggio pratico	Montaje de conveniencia	Lämplig montering
CCW	Counter-clockwise	Sens anti-horaire	Gegen Uhrzeigersinn	Senso antiorario	A la izquierda	Moturs
COMPLETE	Complete	Complet	Vollständig	Completo	Completo	Fullständig
COMPLETE GOODS	Complete goods	Compléter marchandises	Vollst. Waren	Merci complete	Mercancías completas	Kompleta varor
CTL CUT TO LENGTH	Cut to length	Couper à la longueur	Auf Länge zurechtschneiden	Tagliare alla lunghezza	Corte a la longitud	Skära till längd
CW	Clockwise	Sens horaire	Im Uhrzeigersinn	In senso orario	A la derecha	Medurs
FOR	For	Pour	Für	Per	Para	För
FRONT	Front	Avant	Vorn	Anteriore	Frente	Fram
GAS	Gasoline	Essence	Benzin	Benzina	Gasolina	Bensin
HP	Horsepower	Puissance en cv	Leistung	Potenza	Potencia	Hästkraft
HFWD	Hydraulic Front-wheel Drive	Traction Avant Hydraulique	Hydraulischer Vorderradantrieb	Trazione Anteriore Idraulica	Tracción Delantera Hidraulica	Hydraulisk Framhjulsdrift
HS, HEAD MARKED	High strength, head marked	Haute résistance, tête marquée	Hochfest, vorn gekennzeichnet	Contrassegnato in testa, ad alta resistenza	Alta fuerza, marca en cabeza	Hög styrka, huvudmärkt
ID	Inside diameter	Diamètre intérieur	Innendurchmesser	Diametro interno	Diá. interior	Innerdiameter
INCH	Inch	Pouce	In.	Pollice	Pulg.	Tum
INCL KEYS	Includes keys...	Comprend les positions...	Einschließlich Schlüssel...	Include le chiavette...	Incluye posiciones...	Inklusive nycklar...
INCL, INCLUDES	Includes...	Comprend...	Enthält...	Include...	Incluye...	Inkluderar...
INCLUDES PARTS/ ITEMS MARKED	Includes parts/items marked...	Comprend les pièces/articles marqués...	Enthält gekennzeichnete Teile/Pos. ...	Include i pezzi e gli elementi contrassegnati...	Incluye piezas marcadas...	Inkluderar markerade delar/artiklar...
INNER	Inner	Intérieur	Innerer	Interno	Interno	Inre, invändig
KIT	Kit	Kit	Kit	Kit	Juego	Sats
L	Number of links	Nombre de maillons	Anzahl der Glieder	Numero di maglie	Nº de eslabones	Antal länkar
LGTH	Length	Longueur	Länge	Lunghezza	Longitud	Längd
LGP	Low Ground Pressure	Faible Pression Au Sol	Niederer Bodendruck	Bassa Pressione Sul Suelo	Baja Presion Sobre El Suelo	Laagt Marktryck
LH	Left-hand	Gauche	Links	Sinistra	Izquierda	Vänster
LT	Long Track	Chenille Longue	Mit Langem Laufwerk	Cingolo Lungo	Cadena Largo	Laangt Larvband
LOW, LOWER	Lower	Inférieur	Unterer	Inferiore	Inferior	Nedre
MAKE FROM, MF MARKED	Make from Marked	Faireavec Marqué	Herstellen von Markiert	Fabbricare da Contrassegnato	Hacer de Marcado	Tillverka av Märkt

TX1007193

REMARKS AND ABBREVIATIONS

TX1007195

-UN-04MAY06

PHRASE	ENGLISH	FRANCAIS	DEUTSCH	ITALIANO	ESPAÑOL	SVENSKA
MATCHED SET	Matched set	Ensemble assorti	Passender Satz	Set abbinato	Sistema emparejado	Anpassad sats
MFWD	Mechanical Front-Wheel Drive	Pont Avant	Allradantrieb	Ruota Motrice Meccanica Anteriore	Traccion Delantera Mecanica	Mekanisk Framhjulsdrift
NA, NOT USED THIS APPL	Not used this application	Ne sert pas pour cette application	In dieser Anwendung nicht benutzt	Non usato in questa applicazione	No se usa en esta aplicación	Ej använd i detta sammanhang
NLA	No longer available	Epuisé	Nicht mehr lieferbar	Non più disponibile	Descontinuado	Ej längre tillgänglig
NSEP	Not supplied separately	Non livré séparément	Nicht einzeln lieferbar	Non fornito separatamente	No se suministra por separado	Kan ej erhållas separat
OD	Outside diameter	Diamètre extérieur	Außendurchmesser	Diametro esterno	Diá. exterior	Ytterdiameter
OPTIONAL	Optional	En option	Wahlweise	Opzionale	Opcional	Valfri
OR	Or	Ou	Oder	Oppure	O	Eller
ORD, ORDER	Order	Commander	Bestellen	Ordinare	Pídase	Order
OS	Oversize	Sur-dimension	Übergröße	Maggiorato	Sobretamaño	Överdimension
OUTER	Outer	Externe	Äußerer	Esterno	Externo	Yttre, utvändig
PKG, PACKG	Package, Packet of	Emballage, paquet de	Verpackung, verpackt mit	In confezione da	Paquete de	I sats; paket
PTO	Power Take Off	Prise De Force	Zapfwelle	Presa Di Forza	Toma De Fuerza	Kraftuttag
RATIO	Ratio	Rapport	Übersetzungsverhältnis	Rapporto	Índice	Förhållande
REAR	Rear	Arrière	Hinten	Posteriore	Trasero	Bak; bakre
REMAN	Remanufactured	Echange Standard	Generalveberholt	Refatto	Refabricador por	Renoverad
REPL	Replaces	Remplace	Ersetzt	Sostituisce	Sustituye	Ersätter
RH	Right-hand	Droit	Rechts	Destra	Derecha	Höger
SN	Serial number	Numéro de série	Seriennummer	Numero di serie	Nº de serie	Seriennummer
STD	Standard	Standard	Standard	Standard	Normal	Standard
SUB	Replaced by	Remplacé par	Ersetzt durch	Sostituito da	Sustituido por	Ersatt med
SUB COMPONENTS	Substitute components (of the kit or assy)	Substituer les composants (du kit ou de l'ensemble)	Komponenten ersetzen (des Kits oder der Baugruppe)	Sostituire i componenti (del kito del gruppo)	Sustituir los componentes	Ersätta komponenterna (i satsen eller monteringen)
SUB FOR	Substitutes for	Remplace	Ersatz für	Sostituisce	Sustitución para	Ersätter
TEETH, Z	Number of gear teeth	Nombre de dents d'engrenages	Zahl der Zahnradzähne	Numero di denti dell'ingranaggio	Nº de dientes de engranaje	Antal redskapständer
TK	Thickness	Épaisseur	Stärke	Spessore	Espesor	Tjocklek
UP, UPPER	Upper	Supérieur	Oberer	Superiore	Superior	Övre
US	Undersize	Sous-dimension	Untergröße	Minorato	Subtamaño	Underdimension
USE WITH	Use with	À utiliser avec	Verwenden mit	Usare con	Usar con	Använd med
USE UNTIL EXHAUSTED	Use until exhausted	Utilisation jusqu'à épuisé	Verwenden, bis erschöpft	Usare fino all'esaurimento	Usar hasta agotar	Använda till uttömd
W/	With	Avec	Mit	Con	Con	Med; inklusive
W/O	Without	Sans	Ohne	Senza	Sin	Utan; exklusive
WHOLE GOODS	Whole goods	Marchandises entières	Vollständige Waren	Merci intere	Mercancías enteras	Hela varor
XLT	Extra Long Track	Chenille Extra Longue	Mit Extra Langem Laufwerk	Cingolo Extra Lungo	Cadena Extra Larga	Extra Laangt Larvband
VEC	Vehicle Electronic Controller	Controlleur Electronique Du Vehicule	Elektronisches Steuergeraet Des Fahrzeugs	Unità Di Comando Elettronica Del Veicolo	Unidad de Control Electronico del Vehiculo	Elektronisk Fordonsstyrenhet
VLC	Vehicle Load Center	Coffret De Repartition Du Vehicule	Verteilerstation Des Fahrzeugs	Centro Di Carico Del Veicolo	Centro De Cargas Del Vehiculo	Fordonets Elcentral

TX1007195

ALPHABETICAL INDEX

PAGE

PAGE

A

AC CONDENSOR BRACKET	0560-6
ACCUMULATOR MOUNTING, AUXILIARY HIGH FLOW	3363A-118
ACCUMULATOR, HYDRAULIC	3363-40
ADAPTER, HEAVY DUTY HIGH CAPACITY BUCKET TEETH	3302-28
ADAPTER, SEVERE DUTY CAST LIP BUCKET TEETH	3302-30
ADAPTER, SEVERE DUTY PLATE LIP BUCKET	3302-32
ADJUSTER, TRACK CHAIN	0130-8
AIR BREATHER, ENGINE VENTILATION SYSTEM	0408-2
AIR CLEANER	0520-2
AIR CLEANER ACCESS DOOR (SN -913326)	1910-16
AIR CLEANER ACCESS DOOR (SN - 913326) (CONTINUED)	1910-17A
AIR CLEANER ACCESS DOOR (SN 913327-)	1910-18
AIR CLEANER ACCESS DOOR (SN 913327-) (CONTINUED)	1910-19A
AIR CLEANER ELEMENT	0520-2
AIR CLEANER HOSES AND BRACKET	0520-4
AIR CONDITIONER	1830-6
AIR CONDITIONER COMPONENTS	1830-2
AIR CONDITIONER COMPRESSOR BELT	1830-10
AIR CONDITIONER CONDENSOR	1830-8
AIR CONDITIONER CONDENSOR	1830-12
AIR CONDITIONER HOSE	1830-10
AIR CONDITIONER REFRIGERANT HOSE	1830-6
AIR CONDITIONER SYSTEM, ENGINE COMPARTMENT	1830-10
AIR CONDITIONER/HEATER DUCT	1830-16
AIR CONDITIONER/HEATER FILTER	1830-16
AIR DUCT, AIR CONDITIONER/HEATER	1830-6
AIR DUCT, AIR CONDITIONER/HEATER	1830-16
AIR FILTER ACCESS DOOR (SN -913326)	1910-16
AIR FILTER ACCESS DOOR (SN -913326) (CONTINUED)	1910-17A
AIR FILTER ACCESS DOOR (SN 913327-)	1910-18
AIR FILTER ACCESS DOOR (SN 913327-) (CONTINUED)	1910-19A
AIR HEATER CONTROLLER	1830-6
AIR HOSE	0510-12
AIR INLET	0414-2
AIR SUSPENSION, SEAT	1821-2
AIR TEMPERATURE INTAKE SENSOR	1674-6
AIR TEMPERATURE SENSOR, INTAKE MANIFOLD	0414-2
AIR TUBE	0510-12
AIRSPRING KIT, SEAT	1821-2
ALARM, TRAVEL	2004-2
ALARM, TRAVEL WARNING	1674-26
ALARM, TRAVEL WARNING	1674-27A
ALTERNATOR	0432-2
ALTERNATOR MOUNTING AND IDLER PULLEY	0429-2
ANTENNA, GPS	1810-14
ANTENNA, JDLINK™	2600-2
ANTENNA, RADIO	1810-14
ANTI-DRIFT KIT, BOOM	3363A-110
ANTI-DRIFT VALVE	3363A-110
ANTI-DRIFT VALVE, ARM	3363A-112
ARM (3.9M - 12 FT 10 IN)	3340-4
ARM ANTI-DRIFT VALVE	3363A-112
ARM AUXILIARY HYDRAULIC LINES	3363A-108
ARM CYLINDER	3365A-6

ARM CYLINDER COMPONENTS	3365A-6
ARM CYLINDER LINE TO CONTROL VALVE	3363-18
ARM CYLINDER ROD END PIN	3344-4
ARM HI-FLOW AUXILIARY LINES	3363A-120
ARM HYDRAULIC CYLINDER KIT	3365A-6
ARM HYDRAULIC LINES (LONG) (BUCKET CYLINDER)	3363A-116
ARM HYDRAULIC LINES (SEMI-LONG) (BUCKET CYLINDER)	3363A-74
ARM IN PRESSURE SENSOR	3363-48
ARM LINK	3340-10
ARM LUBRICATION HOSES (MASS EXCAVATING)	3363A-94
ARM LUBRICATION HOSES (STD)	3363A-72
ARM OUT PRESSURE SENSOR	3363-48
ARM REDUCED LEAKAGE VALVE	3363A-112
ARM, HEAVY DUTY (3.4M - 11 FT 2 IN)	3340-6
ARM, LOCKING; HYDRAULIC COUPLER	3302-52
ARM, LONG (4.9M)	3340-12
ARM, MASS EXCAVATING 2.9M	3340-2
ARM, ROCKER, CAMSHAFT	0402-2
ARM, STANDARD (3.9M - 12 FT 10 IN)	3340-4
ARM, WINDSHIELD WIPER	1810-8
ARMATURE, STARTER	0432-6
ARMREST	1821-4
ASHTRAY	1810-30
ATTACHING PINS, BUCKET THUMB	3302-34
ATTENUATOR LINES	3363-22
AUXILIARY CONTROL PILOT CONTROLLER GRIP	3315-10
AUXILIARY CONTROL SWITCH	1674-18
AUXILIARY FOOT CONTROL SOLENOID VALVE KIT (2 WAY)	3363A-104
AUXILIARY HIGH FLOW HYDRAULICS ACCUMULATOR KIT	3363A-118
AUXILIARY HYDRAULICS, ELECTRIC SOLENOID VALVE KIT	3363A-104
AUXILIARY LINES, ARM HI-FLOW	3363A-120
AUXILIARY LINES, BODY	3363A-106
AUXILIARY LINES, BODY (HI-FLOW) (1)	3363A-126
AUXILIARY LINES, BODY (HI-FLOW)(2)	3363A-128
AUXILIARY LINES, BOOM AND ARM	3363A-108
AUXILIARY LINES, RELIEF VALVE, HI FLOW	3363A-124
AUXILIARY LINES,BOOM HI-FLOW	3363A-122
AUXILIARY TRAVEL PILOT CONTROL VALVE	3315-16

B

BAFFLES, RADIATOR	0510-22
BASE, SEAT	1821-4
BATTERY AND BATTERY CABLES (SN -913536)	1671-2
BATTERY AND BATTERY CABLES (SN 913537-)	1671-3A
BATTERY COVER (SN 913537-)	1671-3A
BATTERY RELAYS COVER (SN 913537-)	1671-3A
BEARING BOTTOM COVER, TRACK FRAME	0130-16
BEARING, CARRIER TRACK ROLLER	0130-2
BEARING, LOWER TRACK ROLLER	0130-4
BEARING, SWING	1740-6
BEARING, TRACK IDLER	0130-6
BEARINGS, ROD, CRANKSHAFT	0401-2
BEARINGS, WATER PUMP	0417-2
BELT, AIR CONDITIONER COMPRESSOR	1830-10
BELT, COOLING FAN	0429-2
BELT, SEAT	1821-14
BELT, SEAT (3.00 INCH)	1821-16

ALPHABETICAL INDEX - CONTINUED

	PAGE		PAGE
BLADE, WINDSHIELD WIPER.....	1810-8	BRACKETS, CAB.....	1810-18
BLOCK, CYLINDER.....	0404-2	BRACKETS, CONTROL VALVE.....	3362-6
BODY AUXILIARY HYDRAULIC LINES.....	3363A-106	BRAKE VALVE COMPONENTS.....	0260-10
BODY AUXILIARY HYDRAULIC LINES (HI-FLOW)		BRAKE VALVE, TRAVEL MOTOR.....	0260-8
(1).....	3363A-126	BRAKE VALVE, TRAVEL MOTOR	
BODY AUXILIARY HYDRAULIC LINES (HI-FLOW)		COMPONENTS.....	0260-10
(2).....	3363A-128	BREATHER, AIR, ENGINE VENTILATION	
BOOM (7.0M).....	3344-2	SYSTEM.....	0408-2
BOOM ANTI-DRIFT KIT.....	3363A-110	BRUSH ASSEMBLY, STARTER.....	0432-6
BOOM AUXILIARY HYDRAULIC LINES.....	3363A-108	BUCKET CURL PRESSURE SENSOR.....	3363-48
BOOM COMPONENTS.....	3344-4	BUCKET CYLINDER COMPONENTS.....	3365A-8
BOOM CYLINDER ROD END PIN.....	3344-4	BUCKET CYLINDER HYDRAULIC LINES	
BOOM CYLINDER, LEFT.....	3365A-4	(LONG ARM).....	3363A-116
BOOM CYLINDER, RIGHT.....	3365A-2	BUCKET CYLINDER HYDRAULIC LINES	
BOOM DOWN PRESSURE SENSOR.....	3363-48	(SEMI-LONG ARM).....	3363A-74
BOOM HI-FLOW AUXILIARY LINES.....	3363A-122	BUCKET CYLINDER LINE TO CONTROL VALVE.....	3363-18
BOOM HYDRAULIC LINES.....	3363A-62	BUCKET DUMP PRESSURE SENSOR.....	3363-48
BOOM HYDRAULIC LINES TO CYLINDER (MASS		BUCKET HYDRAULIC CYLINDER KIT.....	3365A-8
EXCAVATING).....	3363A-96	BUCKET HYDRAULIC CYLINDER TO ARM LINK.....	3340-10
BOOM LIGHT.....	3344-4	BUCKET HYDRAULIC CYLINDER TO BUCKET LINK.....	3340-8
BOOM LIGHT (RIGHT).....	1673-14	BUCKET KIT, ROADBUILDER.....	3302-25A
BOOM LIGHT WIRING HARNESS		BUCKET LINK.....	3340-8
(RIGHT).....	1673-14	BUCKET TEETH, HEAVY DUTY HIGH CAPACITY.....	3302-28
BOOM LINES.....	3363-20	BUCKET TEETH, SEVERE DUTY CAST LIP.....	3302-30
BOOM LINES TO CONTROL VALVE.....	3363-20	BUCKET TEETH, SEVERE DUTY PLATE LIP.....	3302-32
BOOM LUBRICATION HOSES (MASS EXCAVATING).....	3363A-92	BUCKET THUMB ATTACHING PINS.....	3302-34
BOOM LUBRICATION HOSES (STD).....	3363A-70	BUCKET TOOTH ASSEMBLY, GENERAL PURPOSE	
BOOM UP PRESSURE SENSOR.....	3363-48	BUCKET.....	3302-26
BOOM, MASS EXCAVATING.....	3344-6	BUCKET TOOTH ASSEMBLY, GENERAL PURPOSE	
BOOST SENSOR, ENGINE.....	0414-2	BUCKET.....	3302-27A
BOOT, PILOT CONTROLLER.....	3315-10	BUCKET TOOTH ASSEMBLY, HEAVY DUTY.....	3302-26
BOTTOM COVER.....	1910-24	BUCKET TOOTH ASSEMBLY, HEAVY DUTY.....	3302-27A
BOTTOM COVER (HEAVY DUTY) KIT.....	1910-26	BUCKET TOOTH ASSEMBLY, TRUCK LOADING.....	3302-26
BOX, CIRCUIT (SN -913536).....	1671-2	BUCKET TOOTH ASSEMBLY, TRUCK LOADING.....	3302-27A
BOX, CIRCUIT (SN 913537-).....	1671-3A	BUCKET, DITCH CLEANING.....	3302-12
BRACKET, AIR CLEANER.....	0520-4	BUCKET, GENERAL PURPOSE.....	3302-2
BRACKET, AIR CONDITIONER COMPRESSOR.....	1830-10	BUCKET, GENERAL PURPOSE.....	3302-3A
BRACKET, CAB FLOOR.....	1810-38	BUCKET, GENERAL PURPOSE FOR SHORT ARM.....	3302-24
BRACKET, CAB MOUNTING.....	1810-42	BUCKET, HEAVY DUTY.....	3302-4
BRACKET, CAB WIRING HARNESS.....	1674-26	BUCKET, HEAVY DUTY.....	3302-5A
BRACKET, CAB WIRING HARNESS.....	1674-27A	BUCKET, HEAVY DUTY.....	3302-5C
BRACKET, CARRIER TRACK ROLLER.....	0130-2	BUCKET, HEAVY DUTY HIGH CAPACITY.....	3302-6
BRACKET, CIRCUIT BOX		BUCKET, HEAVY DUTY HIGH CAPACITY.....	3302-7A
(SN -913536).....	1671-2	BUCKET, HEAVY DUTY HIGH CAPACITY.....	3302-7C
BRACKET, CIRCUIT BOX		BUCKET, SEVERE DUTY CAST LIP.....	3302-8
(SN 913537-).....	1671-3A	BUCKET, SEVERE DUTY PLATE LIP.....	3302-10
BRACKET, COVER,		BUCKET, TRUCK LOADING.....	3302-14
HYDRAULIC TANK AND FILTER.....	3364A-2	BUCKET, TRUCK LOADING.....	3302-15A
BRACKET, EXHAUST PIPE.....	0416-2	BUCKET, TRUCK LOADING.....	3302-15C
BRACKET, FAN DRIVE MOTOR.....	0510-6	BUSHING, TRACK CHAIN ASSEMBLY.....	0130-12
BRACKET, FUEL FILTER.....	0420-6	BUSHINGS, CAB.....	1810-18
BRACKET, HYDRAULIC FILTER RESTRICTION			
INDICATOR KIT.....	3364A-8		
BRACKET, LOWER TRACK ROLLER.....	0130-4		
BRACKET, MONITOR.....	1674-3A		
BRACKET, MOUNTING, PILOT SIGNAL MANIFOLD.....	3363-34		
BRACKET, MUFFLER.....	0530-2		
BRACKET, OIL SEPARATOR.....	0408-2		
BRACKET, PILOT LINE MANIFOLD.....	3363-40		
BRACKET, RADIO.....	2001-2		
BRACKET, RELAY, HEADLIGHTS, FRONT (2			
LIGHTS).....	1673-2		
BRACKET, RELAY, HEADLIGHTS, FRONT (4			
LIGHTS).....	1673-4		
BRACKET, RELAY, HEADLIGHTS, REAR.....	1673-8		
BRACKET, RIGHT PILOT CONTROLLER WIRING			
HARNESS.....	1674-18		

C

CAB AIR VENT COVER.....	1810-16
CAB COMPONENTS (BRACKETS, BUSHINGS AND	
STOPPERS).....	1810-18
CAB COMPONENTS (CAB LIGHT, ANTENNA AND	
SPEAKERS).....	1810-14
CAB COMPONENTS (DOOR CATCH).....	1810-12
CAB COMPONENTS (GLASS, WIPER ARM, AND	
DOOR).....	1810-8
CAB COMPONENTS (HANDRAIL, GUARD BARS, VE	
NT COVER).....	1810-16
CAB COMPONENTS (SUNROOF, SHADE, AND HEAD	
LINER).....	1810-20

ALPHABETICAL INDEX - CONTINUED

	PAGE		PAGE
CAB COMPONENTS (WINDSHIELD ASSEMBLY)	1810-6	CLAMPS, MAIN AND ENGINE WIRING	
CAB DOOR COMPONENTS	1810-10	HARNES	1674-12
CAB DOOR LOCK	1810-10	CLIPS, WIRING HARNES	1674-12
CAB DOOR WEATHERSTRIP	1810-10	COMPARTMENT,VANDAL DOOR	1910-4
CAB DOOR WINDOW GLASS	1810-10	COMPONENTS, BRAKE VALVE	0260-10
CAB FLOOR MAT	1810-32	COMPONENTS, ELECTRIC	1674-10
CAB FLOOR PARTS (1) OF (2)	1810-38	COMPONENTS, FAN DRIVE MOTOR	0510-8
CAB FLOOR PARTS (2) OF (2)	1810-40	COMPONENTS, MAIN AND ENGINE WIRING	
CAB FLOOR PLATE	1810-36	HARNES	1674-12
CAB GUARD, FOPS	1810-48	COMPONENTS, RELIEF VALVE FOR STANDARD	
CAB GUARD, OPG	1810-50	FAN CONTROL VALVE	0510-20
CAB INFORMATION CONTROLLER	1674-26	COMPRESSOR KIT, SEAT, 24V	1821-2
CAB INFORMATION CONTROLLER	1674-27A	COMPUTER KIT, MACHINE INFORMATION CENTER	1674-24
CAB INSIDE RIGHT COVER	1810-30	CONDENSOR BRACKET, AC	0560-6
CAB ISOLATORS	1810-2	CONDENSOR, AIR CONDITIONER	1830-8
CAB MAIN CONTROLLER	1674-26	CONDENSOR, AIR CONDITIONER	1830-12
CAB MAIN CONTROLLER	1674-27A	CONNECTOR KIT, NINE PIN	1674-16
CAB MIRROR	2002-2	CONNECTOR REPAIR KIT	1674-26
CAB MOUNTING BRACKET	1810-42	CONNECTOR REPAIR KIT	1674-27A
CAB MOUNTS	1810-2	CONNECTOR, FUEL INJECTOR	0432-4
CAB TO FLOOR PLATE HARDWARE	1810-34	CONSOLE	1810-26
CAB VANDAL PROTECTION	1810-22	CONSOLE COMPONENTS	1810-26
CAB WIRING HARNES AND COMPONENTS	1674-26	CONSOLE COVER	1810-28
CAB WIRING HARNES AND COMPONENTS	1674-27A	CONSOLE, CONTROL	1674-26
CAB WIRING HARNES BRACKET	1674-26	CONSOLE, CONTROL	1674-27A
CAB WIRING HARNES BRACKET	1674-27A	CONTROL CONSOLE	1674-26
CAB WIRING HARNES COVER	1674-28	CONTROL CONSOLE	1674-27A
CAB WIRING HARNES GROUND STRAPS	1674-26	CONTROL SENSOR, HYDRAULIC PUMP	1674-6
CAB WIRING HARNES GROUND STRAPS	1674-27A	CONTROL VALVE (COMPLETE)	3362-6
CAB WIRING HARNES MOUNTING	1674-28	CONTROL VALVE BODY AND SPOOLS (4-SPOOL)	3362-12
CAB WIRING HARNES RELAYS	1674-26	CONTROL VALVE BODY AND SPOOLS (4-SPOOL)	
CAB WIRING HARNES RELAYS	1674-27A	CONTINUED	3362-13A
CAB, CONSOLE	1810-26	CONTROL VALVE BODY AND SPOOLS (5-SPOOL)	3362-8
CAB, HEADLINER	1810-20	CONTROL VALVE BODY AND SPOOLS (5-SPOOL)	
CAB, COMPLETE	1810-4	CONTINUED	3362-9A
CABLE, BATTERY (SN -913536)	1671-2	CONTROL VALVE BOTTOM LINES TO PILOT	
CABLE, BATTERY (SN 913537-)	1671-3A	SIGNAL MANIFOLD	3363-32
CABLE, DOOR CATCH RELEASE	1810-12	CONTROL VALVE BRACKETS	3362-6
CABLE, ENGINE STOP	0574-4	CONTROL VALVE COMPONENTS, PILOT	3315-2
CABLE, GROUND	1674-26	CONTROL VALVE END CAPS (4-SPOOL SIDE)	3362-14
CABLE, GROUND	1674-27A	CONTROL VALVE END CAPS (5-SPOOL SIDE)	3362-10
CABLE, MACHINE INFORMATION CENTER	1674-24	CONTROL VALVE HOSE TO RESERVOIR (PILOT	
CAMSHAFT	0402-2	SYSTEM)	3363-38
CAMSHAFT GEAR	0402-4	CONTROL VALVE HYDRAULIC LINES (AUX)	3363A-106
CAP, FUEL TANK	0560-2	CONTROL VALVE HYDRAULIC LINES (1)	3363A-126
CAP, OIL FILLER, ENGINE	0409-2	CONTROL VALVE HYDRAULIC LINES(2)	3363A-128
CAP, RADIATOR	0510-2	CONTROL VALVE LINE TO PILOT LINE	
CAST LIP BUCKET, SEVERE DUTY	3302-8	REMOVAL DEVICE	3363A-68
CATCH, DOOR	1810-12	CONTROL VALVE LINES TO COOLING PACKAGE A	
CENTER JOINT PILOT LINE TO CONTROL VALVE	3363-38	AND OIL TANK	3363-8
CHAIN ADJUSTER, TRACK	0130-8	CONTROL VALVE LINES TO HYDRAULIC PUMP	3363-4
CHAIN DRIVE GEAR, TRACK	0260-6	CONTROL VALVE LINES TO OIL TANK	3363-6
CHAIN GUARD, TRACK	0130-10	CONTROL VALVE LINES TO REMOVAL DEVICE	
CHAIN IDLER, TRACK	0130-6	CYLINDER	3363A-66
CHAIN, TRACK ASSEMBLY	0130-12	CONTROL VALVE LINES TO ROTARY MANIFOLD	3363-16
CHECK VALVE (PILOT SYSTEM)	3363A-88	CONTROL VALVE LINES TO SWING MOTOR	3363-14
CHECK VALVE COMPONENTS (PILOT SYSTEM)	3363A-88	CONTROL VALVE O-RINGS	
CHECK VALVE, HYDRAULIC COUPLER	3302-52	(4-SPOOL TO 5-SPOOL)	3362-10
CIRCUIT BOX COVER (SN -913536)	1671-2	CONTROL VALVE PILOT LINES	3363-40
CIRCUIT BOX COVER (SN 913537-)	1671-3A	CONTROL VALVE PILOT LINES TO	
CIRCUIT BOX, HYDRAULIC COUPLER KIT	3302-50	HYDRAULIC RESERVOIR	3363-36
CIRCULATION BAFFLES	0510-22	CONTROL VALVE SPOOLS (4-SPOOL)	3362-12
CIRUIT BOX (SN -913536)	1671-2	CONTROL VALVE SPOOLS (4-SPOOL)	
CIRUIT BOX (SN 913537-)	1671-3A	CONTINUED	3362-13A
CIRUIT BOX BRACKET (SN -913536)	1671-2	CONTROL VALVE TO ARM AND BUCKET CYLINDER	3363-18
CIRUIT BOX BRACKET (SN 913537-)	1671-3A	CONTROL VALVE TO HYDRAULIC PUMP	
CLAMP, BUCKET, PROGRESSIVE	3302-34	(S.N. -913308)	3363-10

ALPHABETICAL INDEX - CONTINUED

	PAGE		PAGE
CONTROL VALVE TO HYDRAULIC PUMP (S.N. 913309-).....	3363-11A	COVER (REAR UPPER LEFT SIDE).....	1910-11A
CONTROL VALVE TOP TO PILOT SIGNAL MANIFOLD PILOT HYDRAULIC LINES.....	3363-34	COVER, AIR CLEANER ACCESS (SN -913326).....	1910-16
CONTROL VALVE, COUNTERWEIGHT REMOVAL.....	3315-6	COVER, AIR CLEANER ACCESS (SN -913326) (CONTINUED).....	1910-17A
CONTROL VALVE, PILOT CONTROL.....	3315-10	COVER, AIR CLEANER ACCESS (SN 913327-).....	1910-18
CONTROL VALVE, STANDARD FAN.....	0510-18	COVER, AIR CLEANER ACCESS (SN 913327-) (CONTINUED).....	1910-19A
CONTROL VALVE, TRAVEL; COMPONENTS.....	3315-22	COVER, BATTERY (SN 913537-).....	1671-3A
CONTROL VALVE, TWO-WAY HYDRAULIC FOOT PEDAL CONTROL.....	3315-20	COVER, BATTERY RELAYS (SN 913537-).....	1671-3A
CONTROL, SINGLE PEDAL PROPEL.....	3315-18	COVER, BOTTOM.....	1910-24
CONTROLLER COMPONENTS, TRAVEL PILOT.....	3315-4	COVER, BOTTOM (HEAVY DUTY) KIT.....	1910-26
CONTROLLER, AIR CONDITIONER/HEATER.....	1830-6	COVER, CAB AIR VENT.....	1810-16
CONTROLLER, AUXILIARY CONTROL.....	1674-18	COVER, CAB FLOOR.....	1810-40
CONTROLLER, ENGINE.....	0432-2	COVER, CAB INTERIOR; REAR TRAY.....	1830-18
CONTROLLER, HEATER AIR.....	1830-6	COVER, CAB WIRING HARNESS COVER.....	1674-28
CONTROLLER, INFORMATION.....	1674-2	COVER, CIRCUIT BOX (SN -913536).....	1671-2
CONTROLLER, INFORMATION.....	1674-26	COVER, CIRCUIT BOX (SN 913537-).....	1671-3A
CONTROLLER, INFORMATION.....	1674-27A	COVER, CONSOLE.....	1810-28
CONTROLLER, JDLINK™.....	2600-2	COVER, COOLING PACKAGE.....	1910-12
CONTROLLER, MACHINE INFORMATION CENTER.....	1674-24	COVER, COUNTERWEIGHT REMOVAL DEVICE.....	1740-8
CONTROLLER, MAIN.....	1674-26	COVER, COUNTERWEIGHT REMOVAL DEVICE.....	3363A-66
CONTROLLER, MAIN.....	1674-27A	COVER, COUNTERWEIGHT REMOVAL PILOT CONTROL VALVE.....	3315-6
CONTROLLER, PILOT.....	3315-10	COVER, CYLINDER HEAD.....	0409-2
CONTROLLER, PILOT; RIGHT HANDLE.....	1674-18	COVER, ENGINE (SN -913326).....	1910-16
CONTROLLER, UNIT.....	1674-2	COVER, ENGINE (SN -913326) (CONTINUED).....	1910-17A
CONTROLS SOLENOID VALVE KIT (2 WAY).....	3363A-104	COVER, ENGINE (SN 913327-).....	1910-18
CONVERTER (24-VOLT TO 12-VOLT).....	1674-4	COVER, ENGINE (SN 913327-) (CONTINUED).....	1910-19A
COOLER (INTER).....	0510-2	COVER, RADIATOR.....	0510-22
COOLER, EGR (EXHAUST GAS RECIRCULATION).....	0408-4	COVER, RADIATOR.....	1910-12
COOLER, FUEL.....	0560-6	COVER, REAR TRAY LID.....	1830-18
COOLER, HYDRAULIC OIL.....	0510-2	COVER, RIGHT CAB INSIDE.....	1810-30
COOLER, OIL.....	0419-2	COVER, TIMING GEAR.....	0402-6
COOLING PACKAGE.....	0510-2	COVER, TIMING GEAR ACCESS.....	0402-6
COOLING PACKAGE COVER.....	1910-12	COVER, TOOLBOX.....	1910-20
COOLING PACKAGE FRAME.....	0510-2	COVER, TRACK FRAME BOTTOM.....	0130-16
COOLING PACKAGE HOSES AND MOUNTING.....	0510-4	COVER, TRAVEL MOTOR HYDRAULIC LINES.....	0260-20
COOLING PACKAGE LINES TO CONTROL VALVE A.....	3363-8	COVER, VANDAL.....	1910-4
COOLING PACKAGE LINES TO OIL TANK.....	3363-6	COVER, VANDAL COMPARTMENT.....	1910-4
COOLING PACKAGE, FUEL COOLER.....	0560-6	COVERS (REAR LEFT SIDE).....	1910-6
CORE, RADIATOR.....	0510-2	COVERS, REAR LEFT SUPPORTS.....	1910-6
COUNTERWEIGHT.....	1740-2	COVERS, REAR UPPER LEFT SIDE.....	1910-10
COUNTERWEIGHT (REMOVAL DEVICE).....	1740-8	COVERS, REAR UPPER LEFT SIDE.....	1910-11A
COUNTERWEIGHT HIGH PRESSURE LINES (REMOVAL DEVICE).....	3363A-66	CRANKSHAFT.....	0401-2
COUNTERWEIGHT PILOT LINES (REMOVAL DEVICE).....	3363A-68	CRANKSHAFT FLYWHEEL.....	0401-2
COUNTERWEIGHT REMOVAL COMPONENTS.....	1740-10	CRANKSHAFT PULLEY.....	0401-2
COUNTERWEIGHT REMOVAL CONTROL VALVE.....	3315-6	CUTTING EDGE, DITCH CLEANING BUCKET.....	3302-12
COUNTERWEIGHT REMOVAL DEVICE CYLINDER.....	3365A-10	CYLINDER BLOCK.....	0404-2
COUNTERWEIGHT REMOVAL DEVICE CYLINDER.....	3365A-12	CYLINDER COMPONENTS, ARM.....	3365A-6
COUNTERWEIGHT REMOVAL LIFTING DEVICE.....	1740-10	CYLINDER COMPONENTS, BUCKET.....	3365A-8
COUNTERWEIGHT REMOVAL PILOT CONTROL VALVE COVER.....	3315-6	CYLINDER HEAD.....	0409-4
COUNTERWEIGHT REMOVAL PILOT CONTROL VALVE LEVER.....	3315-6	CYLINDER HEAD COMPONENTS.....	0409-6
COUNTERWEIGHT REMOVAL PILOT VALVE COMPONENTS.....	3315-8	CYLINDER HEAD COVER.....	0409-2
COUNTERWEIGHT REMOVAL PIN.....	1740-10	CYLINDER HEAD LEFT COVER AND GASKETS.....	0409-2
COUPLER COMPONENTS, FUEL INJECTION PUMP.....	0413-7A	CYLINDER HEAD GASKET.....	0409-2
COUPLER KIT, HYDRAULIC.....	3302-50	CYLINDER HEAD GASKET.....	0409-4
COUPLER, HYDRAULIC FILTER RESTRICTION INDICATOR KIT.....	3364A-8	CYLINDER LINES, BOOM HYDRAULIC (MASS EXCAVATING).....	3363A-96
COUPLER, HYDRAULIC, COMPONENTS.....	3302-52	CYLINDER REMOVAL DEVICE, COUNTERWEIGHT.....	3365A-12
COUPLING COMPONENTS, FUEL INJECTION PUMP.....	0413-7A	CYLINDER SEAL KIT.....	3302-34
COUPLING, HYDRAULIC PUMP MOUNTING.....	3361-2	CYLINDER, ARM.....	3365A-6
COVER (REAR UPPER LEFT SIDE).....	1910-10	CYLINDER, COUNTERWEIGHT REMOVAL DEVICE.....	3365A-10
		CYLINDER, HYDRAULIC COUPLER.....	3302-52
		CYLINDER, HYDRAULIC PUMP.....	3361-6
		CYLINDER, LEFT BOOM.....	3365A-4
		CYLINDER, PROGRESSIVE HYDRAULIC THUMB.....	3302-34

ALPHABETICAL INDEX - CONTINUED

	PAGE		PAGE
CYLINDER, REMOVAL DEVICE, TO CONTROL VALVE LINE	3363A-66	DUCT (RADIATOR)	1910-12
CYLINDER, RIGHT BOOM	3365A-2	DUCT, AIR CONDITIONER/HEATER	1830-6
CYLINDER, TOOLBOX	1910-20	DUCT, AIR CONDITIONER/HEATER	1830-16
 D 		DUCT, RADIATOR	1910-12
DATA LINK CONNECTOR WIRE HARNESS	0574-2	DUCT, REAR TRAY	1830-18
DDU (DIAGNOSTIC DISPLAY UNIT)	1674-14	 E 	
DECAL (PILOT SHUTOFF, IGNITION KEY SWITCH)	1810-28	ECU	0432-2
DECALS	1320-2	ECU	1674-14
DECALS	1320-4	EGR COOLER (EXHAUST GAS RECIRCULATION)	0408-4
DECALS (FRENCH)(SPANISH)	1320-6	EGR VALVE (EXHAUST GAS RECIRCULATION)	0408-4
DECALS (FRENCH)(SPANISH)(CONTINUED)	1320-8	ELECTRIC COMPONENTS	1674-10
DECALS, FRENCH; HYDRAULIC COUPLER KIT	3302-50	ELECTRIC SOLENOID VALVE KIT (2 WAY)	3363A-104
DECALS, HYDRAULIC COUPLER KIT	3302-50	ELECTRICAL BOX, HYDRAULIC COUPLER KIT	3302-50
DECALS, SPANISH; HYDRAULIC COUPLER KIT	3302-50	ELECTRICAL COMPONENTS WIRING HARNESS	1674-12
DELIVERY LINES	3363-4	ELEMENT, AIR CLEANER	0520-2
DELIVERY SENSOR, HYDRAULIC PUMP	1674-6	ELEMENT, ENGINE OIL FILTER	0419-2
DIAGNOSTIC DISPLAY UNIT	1674-14	ELEMENT, FILTER; FUEL AND WATER SEPARATOR	0420-4
DIAGNOSTIC HARNESS (DR.ZX)	1674-24	ELEMENT, FUEL FILTER	0420-2
DIGGING SENSOR MANIFOLD	3363-48	END CAPS, CONTROL VALVE (4-SPOOL SIDE)	3362-14
DIGGING SENSOR MANIFOLD LINES TO LEFT PILOT CONTROLLER	3363A-54	END CAPS, CONTROL VALVE (5-SPOOL SIDE) (4-SPOOL SIDE)	3362-10
DIGGING SENSOR MANIFOLD LINES TO PILOT SIGNAL MANIFOLD	3363-44	ENGINE (COMPLETE)	0400-2
DIGGING SENSOR MANIFOLD LINES TO RIGHT PILOT CONTROLLER	3363A-56	ENGINE BOOST SENSOR	0414-2
DIODE, WIRING HARNESS	1674-12	ENGINE BRACKET, AIR CONDITIONER COMPRESSOR	1830-10
DIPSTICK, OIL	0407-2	ENGINE CONTROL UNIT	1674-14
DIPSTICK, SWING MOTOR OIL	4360-2	ENGINE CONTROL UNIT	0432-2
DITCH CLEANING BUCKET	3302-12	ENGINE COVER (SN -913326)	1910-16
DOME LIGHT	1810-14	ENGINE COVER (SN -913326) (CONTINUED)	1910-17A
DOOR CATCH	1810-12	ENGINE COVER (SN 913327-)	1910-18
DOOR LOCK, LEFT SIDE ACCESS	1910-8	ENGINE COVER (SN 913327-) (CONTINUED)	1910-19A
DOOR, AIR CLEANER ACCESS (SN -913326)	1910-16	ENGINE COVER COMPONENTS (SN -913326)	1910-16
DOOR, AIR CLEANER ACCESS (SN -913326) (CONTINUED)	1910-17A	ENGINE COVER COMPONENTS (SN -913326) (CONTINUED)	1910-17A
DOOR, AIR CLEANER ACCESS (SN 913327-)	1910-18	ENGINE COVER COMPONENTS (SN 913327-)	1910-18
DOOR, AIR CLEANER ACCESS (SN 913327-) (CONTINUED)	1910-19A	ENGINE COVER COMPONENTS (SN 913327-) (CONTINUED)	1910-19A
DOOR, CAB	1810-8	ENGINE COVER ISOLATOR (SN -913326)	1910-16
DOOR, CAB; COMPONENTS	1810-10	ENGINE COVER ISOLATOR (SN -913326) (CONTINUED)	1910-17A
DOOR, VANDAL	1910-4	ENGINE COVER ISOLATOR (SN 913327-)	1910-18
DOOR, VANDAL COMPARTMENT	1910-4	ENGINE COVER ISOLATOR (SN 913327-) (CONTINUED)	1910-19A
DOORS, LEFT SIDE ACCESS	1910-8	ENGINE COVER SUPPORTS	1910-14
DOUBLE FUEL PRE-FILTER CONVERSION KIT	0560-4	ENGINE CYLINDER BLOCK	0404-2
DR.ZX DIAGNOSTIC HARNESS	1674-24	ENGINE EXHAUST GAS RECIRCULATION SYSTEM	0408-4
DRAIN HOSE, OIL PAN	0407-2	ENGINE FUEL HOSES	0560-4
DRAIN HOSES, SWING MOTOR GEARBOX	4360-4	ENGINE GASKET REPLACEMENT KIT (1 OF 2)	0452-2
DRAIN LINES (OIL TANK)	3363-12	ENGINE GASKET REPLACEMENT KIT (2 OF 2)	0452-4
DRAIN LINES,(HYDRAULIC PUMP TO CONTROL VALVE)(S.N. -913308)	3363-10	ENGINE HEAD GASKET REPLACEMENT KIT	0452-6
DRAIN LINES,(HYDRAULIC PUMP TO CONTROL VALVE)(S.N. 913309-)	3363-11A	ENGINE MOUNT, HYDRAULIC PUMP	3361-2
DRAIN VALVE, FUEL TANK	0560-2	ENGINE MOUNTING	0400-2
DRIVE COVER, TRAVEL MOTOR	0260-20	ENGINE OIL FILTER	0407-10
DRIVE GEAR, ENGINE OIL PUMP	0407-4	ENGINE OIL FILTER	0419-2
DRIVE GEAR, TRAVEL MOTOR	0260-6	ENGINE OIL FILTER LINES	0407-10
DRIVE LIGHT	1674-10	ENGINE OIL LINES	0407-6
DRIVE LIGHT	1910-20	ENGINE OIL PUMP	0407-4
DRIVE MOTOR, FAN	0510-6	ENGINE OIL SAMPLING KIT	3364A-4
DRYER BRACKET, AC	0560-6	ENGINE PRESSURE SENSOR	0432-2
DRYER, RECIEVER (A/C)	1830-12	ENGINE SHIELD (SN -913326)	1910-16
		ENGINE SHIELD (SN -913326) (CONTINUED)	1910-17A
		ENGINE SHIELD (SN 913327-)	1910-18

ALPHABETICAL INDEX - CONTINUED

	PAGE	PAGE
ENGINE SHIELD (SN 913327-) (CONTINUED).....	1910-19A	
ENGINE SPEED SENSOR.....	.0433-2	
ENGINE STOP CABLE.....	.0574-4	
ENGINE STOP HARNESS.....	.0574-4	
ENGINE STOP SWITCH.....	.0574-4	
ENGINE TEMPERATURE SENSOR.....	.0432-2	
ENGINE THERMO SENSOR.....	.1674-6	
ENGINE THERMOSTAT.....	.0418-2	
ENGINE UNIT, CONTROL.....	.1674-14	
ENGINE VENTILATION SYSTEM.....	.0408-2	
ENGINE WATER OUTLET PIPE.....	.0418-2	
ENGINE WATER TEMPERATURE SENSOR.....	.0409-6	
ENGINE WIRE HARNESS.....	.0574-2	
ENGINE WIRING HARNESS.....	.1674-12	
EVAPORATOR, AIR CONDITIONER.....	.1830-2	
EXHAUST.....	.0530-2	
EXHAUST GAS RECIRCULATION SYSTEM.....	.0408-4	
EXHAUST MANIFOLD.....	.0410-2	
EXHAUST PIPE BRACKET.....	.0416-2	
EXHAUST VALVE INSERT, CYLINDER HEAD.....	.0409-6	
EXHAUST VALVE, CAMSHAFT.....	.0402-2	
EXIT, SECONDARY.....	.1810-24	
 F 		
FALLING OBJECT PROTECTION KIT.....	.1810-48	
FAN BELT, COOLING FAN.....	.0429-2	
FAN CONTROL VALVE, STANDARD.....	.0510-18	
FAN DRIVE MOTOR.....	.0510-6	
FAN DRIVE MOTOR COMPONENTS.....	.0510-8	
FAN DRIVE MOTOR HOSES.....	.0510-10	
FAN DRIVE MOTOR LINES.....	.0510-10	
FAN DRIVE MOTOR MOUNTING.....	.0510-6	
FAN GUARD.....	.0510-2	
FAN MOTOR COMPONENTS.....	.0510-8	
FAN PULLEY.....	.0429-2	
FAN PUMP (HYDRAULIC).....	.3361-14	
FAN REVERSING CONTROL VALVE.....	.0510-14	
FAN REVERSING CONTROL VALVE COMPONENTS.....	.0510-16	
FAN REVERSING SOLENOID.....	.0510-16	
FAN REVERSING SOLENOID VALVE.....	.0510-14	
FAN REVERSING VALVE.....	.0510-14	
FAN REVERSING VALVE WIRE HARNESS.....	.0510-14	
FAST FUEL SYSTEM KIT.....	.0560-3A	
FILLER CAP, ENGINE OIL.....	.0409-2	
FILTER ELEMENT, HYDRAULIC TANK AND FILTER.....	.3364A-2	
FILTER ELEMENT, AIR CLEANER.....	.0520-2	
FILTER ELEMENT, FUEL AND WATER SEPARATOR.....	.0420-4	
FILTER HEAD, ENGINE OIL.....	.0419-2	
FILTER PILOT LINE TO SOLENOID VALVE.....	.3363-38	
FILTER RESTRICTION INDICATOR KIT.....	.3364A-8	
FILTER, AIR; AIR CLEANER ACCESS DOOR (SN -913326).....	.1910-16	
FILTER, AIR; AIR CLEANER ACCESS DOOR (SN -913326) (CONTINUED).....	.1910-17A	
FILTER, AIR; AIR CLEANER ACCESS DOOR (SN 913327-).....	.1910-18	
FILTER, AIR; AIR CLEANER ACCESS DOOR (SN 913327-) (CONTINUED).....	.1910-19A	
FILTER, ENGINE OIL.....	.0407-10	
FILTER, ENGINE OIL.....	.0419-2	
FILTER, FRESH AIR.....	.1830-16	
FILTER, FUEL.....	.0420-2	
FILTER, FUEL AND WATER SEPARATOR.....	.0420-4	
FILTER, FUEL SYSTEM PRE-FILTER.....	.0420-4	
FILTER, FUEL WATER SEPARATOR.....	.0560-4	
FILTER, FUEL; FUEL WATER SEPARATOR.....	.0560-4	
FILTER, FUEL, LINES.....	.0420-6	
FILTER, HYDRAULIC OIL.....	.3363-12	
FILTER, HYDRAULIC OIL.....	.3363A-84	
FILTER, HYDRAULIC OIL TANK.....	.3364A-2	
FILTER, PRECLEANER; AIR CLEANER (SN -913326).....	.1910-16	
FILTER, PRECLEANER; AIR CLEANER (SN -913326) (CONTINUED).....	.1910-17A	
FILTER, PRECLEANER; AIR CLEANER (SN 913327-).....	.1910-18	
FILTER, PRECLEANER; AIR CLEANER (SN 913327-) (CONTINUED).....	.1910-19A	
FILTER, RECIRCULATING AIR.....	.1830-6	
FINAL DRIVE COVER, TRAVEL MOTOR.....	.0260-20	
FITTINGS, CYLINDER BLOCK.....	.0404-2	
FITTINGS, FROM MANIFOLD TO PILOT SIGNAL MANIFOLD (PILOT SYSTEM).....	.3363-46	
FITTINGS, FROM PILOT SIGNAL MANIFOLD TO MANIFOLD (PILOT SYSTEM).....	.3363-46	
FITTINGS, FROM PILOT SIGNAL MANIFOLD TO RESERVOIR (PILOT SYSTEM).....	.3363-46	
FITTINGS, FROM PILOT SIGNAL MANIFOLD TO SWING MOTOR (PILOT SYSTEM).....	.3363-46	
FITTINGS, FROM RESERVOIR TO PILOT SIGNAL MANIFOLD (PILOT SYSTEM).....	.3363-46	
FITTINGS, FROM SWING MOTOR TO PILOT SIGNAL MANIFOLD (PILOT SYSTEM).....	.3363-46	
FITTINGS, HYDRAULIC PUMP.....	.3363-28	
FITTINGS, MECHANICAL PATTERN CHANGER VALVE.....	.3363A-57A	
FITTINGS, PILOT SIGNAL MANIFOLD (CONTROL VALVE SIDE).....	.3362-22	
FITTINGS, PILOT SIGNAL MANIFOLD (PILOT CONTROLLER SIDE).....	.3362-20	
FLANGE, ARM HYDRAULIC LINES (LONG).....	.3363A-116	
FLANGE, ARM HYDRAULIC LINES (SEMI-LONG).....	.3363A-74	
FLOAT, FUEL TANK.....	.0560-2	
FLOAT, FULE FILTER.....	.0420-2	
FLOOR MAT.....	.1810-32	
FLOOR PARTS (1) OF (2), CAB.....	.1810-38	
FLOOR PARTS (2) OF (2), CAB.....	.1810-40	
FLOOR PLATE TO CAB HARDWARE.....	.1810-34	
FLOOR PLATE, CAB.....	.1810-36	
FLOW CONTROL VALVE (PUMP REGULATOR).....	.3361-10	
FLOW CONTROL VALVE COMPONENTS.....	.3363A-86	
FLOW CONTROL VALVE, AIR CONDITIONER / HEATER.....	.1830-2	
FLYWHEEL HOUSING.....	.0433-2	
FLYWHEEL, CRANKSHAFT.....	.0401-2	
FOOT CONTROL SOLENOID VALVE KIT (2 WAY).....	.3363A-104	
FOOT PEDAL CONTROL, TWO-WAY HYDRAULIC.....	.3315-20	
FOOTREST, TRAVEL PILOT CONTROL VALVE LEVER.....	.3315-12	
FOPS.....	.1810-48	
FRAME BOTTOM COVER, TRACK.....	.0130-16	
FRAME STEP.....	.1740-4	
FRAME, COOLING PACKAGE.....	.0510-2	
FRAME, MAIN.....	.1740-4	
FRAME, UNDERCARRIAGE.....	.0130-10	
FRAME, WINDSHIELD.....	.1810-6	
FRENCH DECALS, HYDRAULIC COUPLER KIT.....	.3302-50	
FRENCH LABELS.....	.1320-6	
FRENCH LABELS (CONTINUED).....	.1320-8	
FRESH AIR FILTER.....	.1830-16	
FRONT LIGHTS (2 LAMP).....	.1673-10	

ALPHABETICAL INDEX - CONTINUED

	PAGE		PAGE
FRONT LIGHTS (4 LAMP).....	1673-12	GLASS, CAB.....	1810-8
FRONT PLATE GASKET, TIMING GEAR.....	0402-6	GLASS, CAB DOOR.....	1810-10
FUEL AND WATER SEPARATOR.....	0420-4	GLOBALTRACS TERMINAL.....	2600-2
FUEL FILTER.....	0420-2	GLOW PLUG (SN -913536).....	1671-2
FUEL FILTER BRACKET.....	0420-6	GLOW PLUG (SN 913537-).....	1671-3A
FUEL FILTER HOSES.....	0420-6	GLOW PLUG RELAY.....	0432-2
FUEL FILTER LINES.....	0420-6	GLOW PLUG, CYLINDER HEAD.....	0409-4
FUEL FLOAT ASSEMBLY, FAST FUEL		GPS ANTENNA.....	1810-14
SYSTEM KIT.....	0560-3A	GRIP, PILOT CONTROLLER LEVER.....	3315-10
FUEL INJECTION LINE.....	0413-8	GRIP, PILOT SHUTOFF LEVER.....	3315-14
FUEL INJECTION PUMP.....	0413-6	GRIP, TRAVEL PILOT CONTROL VALVE LEVER.....	3315-12
FUEL INJECTION PUMP COMPONENTS.....	0413-10	GROMMET, FLOOR PLATE.....	1810-36
FUEL INJECTION PUMP COUPLING COMPONENTS.....	0413-7A	GROUND CABLE.....	1674-26
FUEL INJECTION PUMP DRIVE COMPONENTS.....	0413-4	GROUND CABLE.....	1674-27A
FUEL INJECTION PUMP DRIVE GEAR AND		GROUND STRAP, STARTER.....	0432-2
HARDWARE.....	0413-2	GROUND STRAPS, CAB WIRING HARNESS.....	1674-26
FUEL INJECTION SYSTEM (1 OF 2).....	0413-6	GROUND STRAPS, CAB WIRING HARNESS.....	1674-27A
FUEL INJECTION SYSTEM (2 OF 2).....	0413-8	GROUSER, TRACK CHAIN ASSEMBLY.....	0130-12
FUEL INJECTOR WIRE HARNESS AND CONNECTOR.....	0432-4	GUAGE, SIGHT, HYDRAULIC OIL TANK.....	3364A-2
FUEL PUMP.....	0413-6	GUARD BARS (SIDE WINDOW).....	1810-16
FUEL SHUTOFF SOLENOID, WIRING HARNESS.....	1674-12	GUARD, FAN.....	0510-2
FUEL SYSTEM COOLER.....	0560-6	GUARD, FOPS.....	1810-48
FUEL SYSTEM HOSES.....	0560-4	GUARD, OPG.....	1810-50
FUEL TANK.....	0560-2	GUARD, TRACK.....	0130-10
FUEL TANK AND MOUNTING.....	0560-2	GUARD, TRAVEL MOTOR HYDRAULIC LINES.....	0260-20
FUEL TANK CAP.....	0560-2	GUIDE, VALVE, CYLINDER HEAD.....	0409-6
FUEL TANK DRAIN VALVE.....	0560-2		
FUEL TANK FLOAT.....	0560-2	H	
FUEL TANK LEVEL SENDING UNIT.....	0560-2	HAMMER, ESCAPE.....	1810-14
FUEL TANK STRAINER.....	0560-2	HANDHOLD.....	1810-16
FUEL TEMPERATURE SENSOR, INJECTION PUMP.....	0413-10	HANDHOLD.....	1910-20
FUEL WATER SEPARATOR.....	0560-4	HANDLE, AUXILIARY CONTROL.....	1674-18
FUSE, SEAT HEATER WIRING HARNESS.....	1821-8	HANDLE, CAB DOOR.....	1810-10
FUSED LINK FOR WIRING HARNESS.....	1674-12	HANDLE, DOOR CATCH.....	1810-12
FUSED LINK, MAIN WIRING HARNESS		HANDLE, LEFT PILOT CONTROL.....	3315-11A
(SN -913536).....	1671-2	HANDLE, SECONDARY EXIT.....	1810-24
FUSED LINK, MAIN WIRING HARNESS		HANDLE, WINDSHIELD.....	1810-6
(SN 913537-).....	1671-3A	HANDRAIL.....	1810-16
FUSIBLE LINK (SN -913536).....	1671-2	HANDRAIL.....	1910-20
FUSIBLE LINK (SN 913537-).....	1671-3A	HANDRAIL, CAB DOOR.....	1810-10
		HANDRAIL, HYDRAULIC RESERVOIR.....	1910-22
G		HARNESS, BOOM LIGHT WIRING	
GAS RECIRCULATION SYSTEM, EXHAUST.....	0408-4	(RIGHT).....	1673-14
GASKET KIT, ENGINE (1 OF 2).....	0452-2	HARNESS, CAB WIRING AND COMPONENTS.....	1674-26
GASKET KIT, ENGINE (2 OF 2).....	0452-4	HARNESS, CAB WIRING AND COMPONENTS.....	1674-27A
GASKET KIT, ENGINE, HEAD.....	0452-6	HARNESS, DOME LIGHT.....	1810-14
GASKET, AIR CLEANER.....	0520-2	HARNESS, ELECTRICAL COMPONENTS WIRING.....	1674-12
GASKET, CYLINDER HEAD.....	0409-2	HARNESS, ENGINE STOP.....	0574-4
GASKET, CYLINDER HEAD.....	0409-4	HARNESS, FAN REVERSING VALVE WIRE.....	0510-14
GASKET, FRONT PLATE, TIMING GEAR.....	0402-6	HARNESS, MASS EXCVATING BOOM WIRING.....	3344-4
GASKET, HYDRAULIC OIL TEMPERATURE SENSOR.....	1674-8	HARNESS, RADIO WIRING.....	2001-2
GASKET, OIL PAN.....	0407-2	HARNESS, SPEAKER.....	1810-14
GASKET, WATER PUMP.....	0417-2	HARNESS, STANDARD BOOM WIRING.....	3344-4
GAUGE, OIL LEVEL, OIL PAN.....	0407-2	HARNESS, WINDSHIELD WIPER.....	1810-6
GAUGE, ENGINE CONTROL UNIT.....	1674-14	HARNESS, WIRE (COUNTERWEIGHT REMOVAL	
GEAR PUMP.....	3361-16	DEVICE).....	3363A-68
GEAR, CAMSHAFT.....	0402-4	HARNESS, WIRE, DATA LINK CONNECTOR.....	0574-2
GEAR, DRIVE, ENGINE OIL PUMP.....	0407-4	HARNESS, WIRE, ENGINE.....	0574-2
GEAR, FUEL INJECTION PUMP DRIVE.....	0413-2	HARNESS, WIRE, FUEL INJECTOR.....	0432-4
GEAR, STARTER.....	0432-6	HARNESS, WIRING; AUXILIARY CONTROL.....	1674-18
GEARBOX, SWING.....	4360-8	HARNESS, WIRING; HYDRAULIC FILTER	
GEARBOX, TRAVEL MOTOR.....	0260-6	RESTRICTION INDICATOR KIT.....	3364A-8
GENERAL PURPOSE BUCKET.....	3302-2	HARNESS, WIRING; RIGHT PILOT CONTROLLER.....	1674-18
GENERAL PURPOSE BUCKET.....	3302-3A	HARNESS, WIRING, MONITOR.....	1674-3A
GENERAL PURPOSE BUCKET, FOR SHORT ARM.....	3302-24	HEAD GASKET REPLACEMENT KIT.....	0452-6

ALPHABETICAL INDEX - CONTINUED

	PAGE		PAGE
HEAD LAMP	1673-10	HOSE, FROM CHECK VALVE TO PILOT SIGNAL	
HEAD LAMP	1673-12	MANIFOLD (PILOT SYSTEM).....	3363-36
HEAD, CYLINDER	0409-4	HOSE, FROM CONTROL VALVE TO RESERVOIR	
HEAD, CYLINDER, COMPONENTS	0409-6	(PILOT SYSTEM)	3363-38
HEAD, ENGINE OIL FILTER	0419-2	HOSE, FROM MANIFOLD TO PILOT SIGNAL	
HEADLIGHTS, FRONT (2 LIGHTS) WIRING		MANIFOLD (PILOT SYSTEM).....	3363-46
HARNES	1673-2	HOSE, FROM PILOT SIGNAL MANIFOLD TO	
HEADLIGHTS, FRONT (4 LIGHTS) WIRING		MANIFOLD (PILOT SYSTEM).....	3363-46
HARNES	1673-4	HOSE, FROM PILOT SIGNAL MANIFOLD TO	
HEADLIGHTS, FRONT, CAB, WIRING		RESERVOIR (PILOT SYSTEM)	3363-46
HARNES	1673-6	HOSE, FROM PILOT SIGNAL MANIFOLD TO	
HEADLIGHTS, REAR	1673-8	SWING MOTOR (PILOT SYSTEM).....	3363-46
HEADLIGHTS, REAR WIRING HARNES	1673-8	HOSE, FROM RESERVOIR TO PILOT SIGNAL	
HEADLIGHTS, REAR, SWITCH	1673-8	MANIFOLD (PILOT SYSTEM).....	3363-46
HEADLINER, CAB	1810-20	HOSE, FROM SWING MOTOR TO PILOT SIGNAL	
HEATER	1830-6	MANIFOLD (PILOT SYSTEM).....	3363-46
HEATER COMPONENTS	1830-2	HOSE, FROM TRAVEL PILOT CONTROLLER TO	
HEATER CORE	1830-2	PILOT SIGNAL MANIFOLD (PILOT SYSTEM)	3363-44
HEATER SWITCH	1821-8	HOSE, HYDRAULIC (CONTROL VALVE TO S	
HEATER WIRING HARNES, SEAT	1821-8	WING MOTOR)	3363-14
HEATER, AIR CONTROLLER	1830-6	HOSE, HYDRAULIC CONTROL VALVE	3363-40
HEATER, 24V KIT (SEAT)	1821-2	HOSE, HYDRAULIC DRAIN	3363-30
HEAVY DUTY ARM (3.4M - 11 FT 2 IN)	3340-6	HOSE, HYDRAULIC FILTER TO PUMP	3363-30
HEAVY DUTY ARM PIVOT PINS	3340-6	HOSE, HYDRAULIC FILTER TO RESERVOIR	3363-30
HEAVY DUTY BOTTOM COVER KIT	1910-26	HOSE, HYDRAULIC PUMP REGULATOR	3363-28
HEAVY DUTY BUCKET	3302-4	HOSE, HYDRAULIC PUMP TO CONTROL VALVE	3363-4
HEAVY DUTY BUCKET	3302-5A	HOSE, HYDRAULIC PUMP TO FILTER	3363-30
HEAVY DUTY BUCKET	3302-5C	HOSE, HYDRAULIC PUMP TO OIL TANK	3363-2
HEAVY DUTY HIGH CAPACITY BUCKET TEETH	3302-28	HOSE, OIL TANK TO COOLING PACKAGE	3363-6
HI-FLOW AUXILIARY HYDRAULIC MAIN LINES		HOSE, OIL TANK TO HYDRAULIC PUMP	3363-2
(1)	3363A-126	HOSE, PILOT SIGNAL MANIFOLD TO TRAVEL	
HI-FLOW AUXILIARY HYDRAULIC MAIN LINES		SENSOR MANIFOLD	3363-44
(2)	3363A-128	HOSE, REMOVAL DEVICE CYLINDER TO	
HI-FLOW AUXILIARY LINES, ARM	3363A-120	CONTROL VALVE	3363A-66
HI-FLOW AUXILIARY LINES, RELIEF VALVE	3363A-124	HOSE, ROTARY MANIFOLD TO CONTROL VALVE	3363-16
HI-FLOW AUXILIARY LINES, BOOM	3363A-122	HOSE, SWING MOTOR TO ROTARY MANIFOLD	3363-42
HIGH CAPACITY BUCKET, HEAVY DUTY	3302-6	HOSE, TRAVEL PILOT CONTROL VALVE TO	
HIGH CAPACITY BUCKET, HEAVY DUTY	3302-7A	PILOT SHUTOFF VALVE	3363A-52
HIGH CAPACITY BUCKET, HEAVY DUTY	3302-7C	HOSES AND MOUNTING, COOLING PACKAGE	0510-4
HIGH PRESSURE LINES	3363A-66	HOSES AND MOUNTING, RADIATOR	0510-4
HOLDER, BEVERAGE	1810-30	HOSES, AIR CLEANER	0520-4
HOOD (SN -913326)	1910-16	HOSES, ARM HYDRAULIC (LONG)	3363A-116
HOOD (SN -913326) (CONTINUED)	1910-17A	HOSES, ARM HYDRAULIC (SEMI-LONG)	3363A-74
HOOD (SN 913327-)	1910-18	HOSES, ARM LUBRICATION (MASS EXCAVATING)	3363A-94
HOOD (SN 913327-) (CONTINUED)	1910-19A	HOSES, ARM LUBRICATION (STD)	3363A-72
HORN	1674-10	HOSES, BOOM HYDRAULIC	3363A-62
HORN	1674-28	HOSES, BOOM HYDRAULIC (MASS EXCAVATING)	3363A-96
HORN PILOT CONTROLLER GRIP	3315-10	HOSES, BOOM LUBRICATION	
HOSE, (ARM AND BUCKET CYLINDERS)	3363-18	(MASS EXCAVATING)	3363A-92
HOSE, (CONTROL VALVE BOTTOM TO PILOT		HOSES, BOOM LUBRICATION (STD)	3363A-70
SIGNAL MANIFOLD)	3363-32	HOSES, FAN DRIVE MOTOR	0510-10
HOSE, AIR CONDITIONER	1830-10	HOSES, FAN DRIVE MOTOR TO CONTROL	
HOSE, AIR CONDITIONER REFRIGERANT	1830-6	VALVE	0510-6
HOSE, BOOM LINES TO BOOM CYLINDER	3363-20	HOSES, FAN DRIVE PUMP TO CONTROL VALVE	0510-10
HOSE, CONTROL VALVE TO COOLING PACKAGE A		HOSES, FAST FUEL SYSTEM KIT	0560-3A
AND OIL TANK	3363-8	HOSES, FUEL SYSTEM	0560-4
HOSE, CONTROL VALVE TO HYDRAULIC PUMP	3363-4	HOSES, HEATER	1830-6
HOSE, CONTROL VALVE TO OIL TANK	3363-6	HOSES, HYDRAULIC COUPLER KIT	3302-50
HOSE, CONTROL VALVE TO REMOVAL DEVICE		HOSES, LEFT PILOT CONTROLLER TO PILOT	
CYLINDER	3363A-66	SHUTOFF AND DIGGING SENSOR MANIFOLD	3363A-54
HOSE, DRAIN, (CONTROL VALVE TO HYDRAULIC		HOSES, LUBRICATE (LONG ARM)	3363A-114
PUMP)(S.N. -913308)	3363-10	HOSES, LUBRICATE (SEMI-LONG ARM)	3363A-78
HOSE, DRAIN, (CONTROL VALVE TO HYDRAULIC		HOSES, MECHANICAL PATTERN CHANGER	3363A-57A
PUMP)(S.N. 913309-)	3363-11A	HOSES, PUMP CASE DRAIN	0510-10
HOSE, DRAIN, OIL PAN	0407-2	HOSES, RIGHT PILOT CONTROLLER TO PILOT	
HOSE, ENGINE TO OIL FILTER	0407-10	SHUTOFF AND DIGGING SENSOR MANIFOLD	3363A-56
		HOSES, TRAVEL MOTOR HYDRAULIC	0260-14

ALPHABETICAL INDEX - CONTINUED

	PAGE		PAGE
HOUSING AND GASKETS, PILOT SIGNAL		HYDRAULIC PUMP HOSE TO FILTER	3363-30
MANIFOLD	3362-16	HYDRAULIC PUMP LINES TO CONTROL VALVE	3363-4
HOUSING, AIR CLEANER	0520-2	HYDRAULIC PUMP LINES TO OIL TANK	3363-2
HOUSING, FAN DRIVE MOTOR	0510-8	HYDRAULIC PUMP MOUNTING	3361-2
HOUSING, FAN REVERSINGVALVE	0510-16	HYDRAULIC PUMP MOUNTING COUPLING	3361-2
HOUSING, FLYWHEEL	0433-2	HYDRAULIC PUMP PRESSURE SENSOR	1674-6
HOUSING, HYDRAULIC OIL TANK AND FILTER	3364A-2	HYDRAULIC PUMP REGULATOR	3361-10
HOUSING, PILOT SHUTOFF VALVE	3362-28	HYDRAULIC PUMP TO CONTROL VALVE	
HYDRAULIC ACCUMULATOR	3363-40	(S.N. -913308)	3363-10
HYDRAULIC CONTROL VALVE LINES	3363-40	HYDRAULIC PUMP TO CONTROL VALVE	
HYDRAULIC COUPLER COMPONENTS	3302-52	(S.N. 913309-)	3363-11A
HYDRAULIC COUPLER KIT	3302-50	HYDRAULIC PUMP, GEAR	3361-16
HYDRAULIC DRAIN HOSE	3363-30	HYDRAULIC RESERVOIR HANDRAIL	1910-22
HYDRAULIC FAN PUMP	3361-14	HYDRAULIC RESERVOIR LINES TO CONTROL	
HYDRAULIC FAN PUMP REGULATOR	3361-12	VALVE AND PILOT SIGNAL MANIFOLD	3363-36
HYDRAULIC FILTER HOSE TO PUMP	3363-30	HYDRAULIC SENSOR MANIFOLD, TRAVEL	3362-4
HYDRAULIC FILTER RESTRICTION INDICATOR		HYDRAULIC SHUTOFF VALVE, PILOT	3362-28
KIT	3364A-8	HYDRAULIC THUMB KIT, PROGRESSIVE	3302-34
HYDRAULIC FOOT PEDAL CONTROL, TWO-WAY	3315-20		
HYDRAULIC LINES COVER, TRAVEL MOTOR	0260-20	I	
HYDRAULIC LINES ON BOOM TO CYLINDERS		IDLER PULLEY	0429-2
(MASS EXCAVATING)	3363A-96	IDLER PULLEY, AIR CONDITIONER COMPRESSOR	1830-10
HYDRAULIC LINES(CONTROL VALVE TO SWING		IDLER, TRACK CHAIN	0130-6
MOTOR)	3363-14	IGNITION KEY	1674-26
HYDRAULIC LINES, (BOOM AND ARM)	3363A-108	IGNITION KEY	1674-27A
HYDRAULIC LINES, ARM (LONG)		IGNITION KEY SWITCH DECAL	1810-28
(BUCKET CYLINER)	3363A-116	IGNITION SWITCH	1674-26
HYDRAULIC LINES, ARM (SEMI-LONG)		IGNITION SWITCH	1674-27A
(BUCKET CYLINDER)	3363A-74	IMPELLER, TURBOCHARGER	0416-4
HYDRAULIC LINES, ARM HI-FLOW AUXILIARY	3363A-120	IMPELLER, WATER PUMP	0417-2
HYDRAULIC LINES, AUXILIARY(MAIN BODY)	3363A-106	INDICATOR, AIR CLEANER	0520-2
HYDRAULIC LINES, BOOM	3363A-62	INDICATOR, HYDRAULIC FILTER RESTRICTION;	
HYDRAULIC LINES, HI-FLOW AUXILIARY (1)	3363A-126	KIT	3364A-8
HYDRAULIC LINES, HI-FLOW AUXILIARY (2)	3363A-128	INFORMATION CENTER KIT, MACHINE	1674-24
HYDRAULIC LINES, HI-FLOW AUXILIARY,		INFORMATION CONTROLLER	1674-2
RELIEF VALVE	3363A-124	INFORMATION CONTROLLER	1674-26
HYDRAULIC LINES, MASS EXCAVATING ARM	3363A-90	INFORMATION CONTROLLER	1674-27A
HYDRAULIC LINES, ROTARY MANIFOLD TO		INJECTION PUMP COUPLER COMPONENTS, FUEL	0413-7A
SWING MOTOR	3363-42	INJECTION PUMP DRIVE COMPONENTS	0413-4
HYDRAULIC LINES, TRAVEL MOTOR	0260-14	INJECTION PUMP DRIVE GEAR AND HARDWARE	0413-2
HYDRAULIC LINES,BOOM HI-FLOW AUXILIARY	3363A-122	INJECTION PUMP, FUEL	0413-6
HYDRAULIC MOTOR GEARBOX DRAIN HOSES	4360-4	INJECTION PUMP, FUEL, COMPONENTS	0413-10
HYDRAULIC MOTOR GEARBOX, SWING	4360-8	INJECTION SYSTEM, FUEL (1 OF 2)	0413-6
HYDRAULIC MOTOR MOUNT, SWING	4360-2	INJECTION SYSTEM, FUEL (2 OF 2)	0413-8
HYDRAULIC MOTOR OIL FILL, SWING	4360-2	INLET VALVE INSERT, CYLINDER HEAD	0409-6
HYDRAULIC MOTOR, SWING	4360-6	INLET VALVE, CAMSHAFT	0402-2
HYDRAULIC OIL COOLER	0510-2	INLET, AIR	0414-2
HYDRAULIC OIL COOLER LINE	0510-4	INSERTS, VALVE SEAT, CYLINDER HEAD	0409-6
HYDRAULIC OIL FILTER	3363-12	INTAKE MANIFOLD	0414-2
HYDRAULIC OIL FILTER COMPONENTS	3363A-84	INTAKE VALVE INSERT, CYLINDER HEAD	0409-6
HYDRAULIC OIL RESERVOIR	3364A-2	INTERCOOLER	0510-2
HYDRAULIC OIL RESERVOIR AND FILTER	3364A-2	INTERCOOLER TUBING	0510-12
HYDRAULIC OIL RESERVOIR FILTER	3364A-2	ISOLATOR, CAB FLOOR	1810-38
HYDRAULIC OIL RESERVOIR TEMPERATURE		ISOLATOR, ENGINE COVER (SN -913326)	1910-16
SENSOR	3364A-2	ISOLATOR, ENGINE COVER (SN -913326)	
HYDRAULIC OIL SAMPLING KIT	3364A-6	(CONTINUED)	1910-17A
HYDRAULIC OIL TANK AND FILTER	3364A-2	ISOLATOR, ENGINE COVER (SN 913327-)	1910-18
HYDRAULIC OIL TANK FILTER	3364A-2	ISOLATOR, ENGINE COVER (SN 913327-)	
HYDRAULIC OIL TANK SIGHT GAUGE	3364A-2	(CONTINUED)	1910-19A
HYDRAULIC OIL TEMPERATURE SENSOR	1674-8	ISOLATOR, RADIATOR	0510-22
HYDRAULIC PUMP	3361-2	ISOLATORS, CAB	1810-2
HYDRAULIC PUMP	3361-4	ISOLATORS, COUNTERWEIGHT	1740-2
HYDRAULIC PUMP (COMPONENTS)	3361-6		
HYDRAULIC PUMP ATTENUATOR LINES	3363-22		
HYDRAULIC PUMP COMPONENTS			
(CONTINUED)	3361-8		
HYDRAULIC PUMP FITTINGS	3363-28		

ALPHABETICAL INDEX - CONTINUED

	PAGE		PAGE
J			
JDLINK™ ANTENNA	2600-2		
JDLINK™ CONTROLLER	2600-2		
JDLINK™ ULTIMATE FIELD KIT	2600-2		
JDLINK™ WIRE HARNESS	2600-2		
JETS, PISTON COOLING, CYLINDER BLOCK	0404-2		
JOYSTICK	3315-10		
K			
KEY, IGNITION	1674-26		
KEY, IGNITION	1674-27A		
KIT, ACCUMULATOR, AUXILIARY HIGH FLOW	3363A-118		
KIT, ANTI-DRIFT BOOM	3363A-110		
KIT, ARM ANTI-DRIFT VALVE	3363A-112		
KIT, ARM HYDRAULIC CYLINDER	3365A-6		
KIT, ARM REDUCED LEAKAGE VALVE	3363A-112		
KIT, AUXILIARY (BOOM AND ARM)	3363A-108		
KIT, AUXILIARY (HI-FLOW) RELIEF VALVE	3363A-124		
KIT, AUXILIARY (HI-FLOW) (ARM)	3363A-120		
KIT, AUXILIARY (HI-FLOW) (BOOM)	3363A-122		
KIT, AUXILIARY (HI-FLOW) (MAIN BODY) (1)	3363A-126		
KIT, AUXILIARY (HI-FLOW) (MAIN BODY)(2)	3363A-128		
KIT, AUXILIARY (MAIN BODY)	3363A-106		
KIT, BUCKET HYDRAULIC CYLINDER	3365A-8		
KIT, CAB VANDAL PROTECTION	1810-22		
KIT, CONNECTOR REPAIR	1674-26		
KIT, CONNECTOR REPAIR	1674-27A		
KIT, DOUBLE FUEL PRE-FILTER CONVERSION	0560-4		
KIT, ELECTRIC SOLENOID VALVE (2 WAY)	3363A-104		
KIT, ENGINE OIL SAMPLING	3364A-4		
KIT, FALLING OBJECT PROTECTION	1810-48		
KIT, FAN REVERSAL	0510-14		
KIT, FAST FUEL SYSTEM	0560-3A		
KIT, GASKET, ENGINE (1 OF 2)	0452-2		
KIT, GASKET, ENGINE (2 OF 2)	0452-4		
KIT, GASKET, ENGINE, HEAD	0452-6		
KIT, HEAVY DUTY BOTTOM COVER	1910-26		
KIT, HEAVY DUTY HIGH CAPACITY BUCKET TEETH	3302-28		
KIT, HYDRAULIC COUPLER	3302-50		
KIT, HYDRAULIC FILTER RESTRICTION INDICATOR	3364A-8		
KIT, HYDRAULIC OIL SAMPLING	3364A-6		
KIT, MECHANICAL PATTERN CHANGER	3363A-57A		
KIT, MIC CONTROLLER	1674-24		
KIT, OPERATOR PROTECTION GUARD	1810-50		
KIT, PROGRESSIVE HYDRAULIC THUMB	3302-34		
KIT, REPAIR, FUEL INJECTION PUMP DRIVE	0413-4		
KIT, RIGHT PILOT CONTROLLER AND WIRING HARNESS	1674-18		
KIT, ROADBUILDER BUCKET	3302-25A		
KIT, SEAL; HYDRAULIC COUPLER CYLINDER	3302-52		
KIT, SEAL, LEFT BOOM CYLINDER	3365A-4		
KIT, SEAL, RIGHT BOOM CYLINDER	3365A-2		
KIT, SEAT FOAM	1821-2		
KIT, SEAT HARDWARE	1821-3A		
KIT, SECONDARY EXIT	1810-24		
KIT, SEVERE DUTY PLATE LIP BUCKET TEETH	3302-32		
KIT, SINGLE PEDAL PROPEL	3315-18		
KIT, TWO-WAY HYDRAULIC FOOT PEDAL CONTROL	3315-20		
KIT, WATER PUMP REPAIR	0417-2		
		KIT, 3.00 INCH SEAT BELT	1821-16
		KITS, LABEL (FRENCH)(SPANISH)	1320-6
		KITS, LABEL (FRENCH)(SPANISH) (CONTINUED)	1320-8
L			
		LABEL (PILOT SHUTOFF, IGNITION KEY SWITCH)	1810-28
		LABEL, SECONDARY EXIT	1810-24
		LABELS	1320-2
		LABELS	1320-4
		LABELS (FRENCH)(SPANISH)	1320-6
		LABELS (FRENCH)(SPANISH)(CONTINUED)	1320-8
		LABELS AND DECALS	1320-2
		LABELS AND DECALS	1320-4
		LABELS, FRENCH; HYDRAULIC COUPLER KIT	3302-50
		LABELS, HYDRAULIC COUPLER KIT	3302-50
		LABELS, SPANISH; HYDRAULIC COUPLER KIT	3302-50
		LAMP, HEAD	1673-10
		LAMP, HEAD	1673-12
		LAMP, MASS EXCAVATING BOOM	3344-4
		LAMP, STANDARD BOOM	3344-4
		LATCH MECHANISM, WINDSHIELD	1810-6
		LEFT BOOM CYLINDER	3365A-4
		LEFT PILOT CONTROL HANDLE	3315-11A
		LEFT PILOT CONTROLLER LINES TO PILOT SHUTOFF AND DIGGING SENSOR MANIFOLD	3363A-54
		LEFT REARVIEW MIRROR	2002-2
		LEFT SIDE ACCESS DOOR LOCK	1910-8
		LEFT SIDE ACCESS DOORS	1910-8
		LEFT SIDE PANEL	1910-8
		LEFT TRAVEL PRESSURE SENSOR	3363-48
		LEFT, CONSOLE	1810-26
		LEFT, REAR COVERS	1910-6
		LEFT, REAR UPPER COVERS	1910-10
		LEFT, REAR UPPER COVERS	1910-11A
		LEVER, COUNTERWEIGHT REMOVAL PILOT CONTROL VALVE	3315-6
		LEVER, DOOR CATCH	1810-12
		LEVER, PILOT CONTROL VALVE	3315-10
		LEVER, PILOT SHUTOFF	3315-14
		LEVER, TRAVEL PILOT CONTROL VALVE	3315-12
		LID, REAR TRAY	1830-18
		LIGHT, BOOM (RIGHT)	1673-14
		LIGHT, DOME	1810-14
		LIGHT, DRIVE	1674-10
		LIGHT, DRIVE	1910-20
		LIGHT, MASS EXCVATING BOOM	3344-4
		LIGHT, STANDARD BOOM	3344-4
		LIGHTER, REAR TRAY	1830-18
		LIGHTS (2 LAMP), FRONT	1673-10
		LIGHTS (4 LAMP), FRONT	1673-12
		LIGHTS SWITCH, REAR HEAD	1673-8
		LIGHTS, HEAD, FRONT (CAB) WIRING HARNESS	1673-6
		LIGHTS, HEAD, FRONT (2 LIGHTS) WIRING HARNESS	1673-2
		LIGHTS, HEAD, FRONT (4 LIGHTS) WIRING HARNESS	1673-4
		LIGHTS, HEAD, REAR WIRING HARNESS	1673-8
		LINE, CONTROL VALVE TO REMOVAL DEVICE CYLINDER	3363A-66
		LINE, FUEL INJECTION	0413-8
		LINE, HYDRAULIC PUMP REGULATOR	3363-28

ALPHABETICAL INDEX - CONTINUED

	PAGE		PAGE
LINE, OIL TANK TO PILOT LINES		LINES, RETURN (CONTROL VALVE TO	
REMOVAL DEVICE	3363A-68	COOLING PACKAGE AND OIL TANK)	3363-8
LINE, REMOVAL DEVICE CYLINDER TO		LINES, RIGHT PILOT CONTROLLER TO PILOT	
CONTROL VALVE	3363A-66	SHUTOFF AND DIGGING SENSOR MANIFOLD	3363A-56
LINER, CYLINDER BLOCK	0404-2	LINES, ROTARY MANIFOLD TO CONTROL VALVE	3363-16
LINES, (ARM AND BUCKET CYLINDERS).....	3363-18	LINES, SUCTION	3363-2
LINES, (CONTROL VALVE BOTTOM TO PILOT		LINES, SWING BEARING LUBE	3363A-60
SIGNAL MANIFOLD)	3363-32	LINES, SWING MOTOR TO ROTARY MANIFOLD	3363-42
LINES, ARM HI-FLOW AUXILIARY	3363A-120	LINES, TRAVEL MOTOR HYDRAULIC	0260-14
LINES, ARM HYDRAULIC (LONG)		LINES, TRAVEL PILOT CONTROL VALVE TO	
(BUCKET CYLINDER)	3363A-116	PILOT SHUTOFF VALVE	3363A-52
LINES, ARM HYDRAULIC (SEMI-LONG)		LINES, TRAVEL SENSOR MANIFOLD TO PILOT	
(BUCKET CYLINDER)	3363A-74	SIGNAL MANIFOLD	3363-44
LINES, ARM LUBRICATION (MASS EXCAVATING)	3363A-94	LINES, BOOM HI-FLOW AUXILIARY	3363A-122
LINES, ARM LUBRICATION (STD)	3363A-72	LINK, ARM	3340-10
LINES, ATTENUATOR	3363-22	LINK, BUCKET	3340-8
LINES, AUXILIARY (BOOM AND ARM)	3363A-108	LINK, BUCKET CYLINDER TO BUCKET	3340-8
LINES, AUXILIARY (MAIN BODY)	3363A-106	LINK, BUCKET HYDRAULIC CYLINDER TO ARM	3340-10
LINES, BOOM HYDRAULIC	3363A-62	LINK, TRACK CHAIN ASSEMBLY	0130-12
LINES, BOOM HYDRAULIC (MASS EXCAVATING)	3363A-96	LINKAGE, COUNTERWEIGHT REMOVAL	1740-10
LINES, BOOM LINES TO BOOM CYLINDER	3363-20	LOCK VALVE TO CAB WIRING HARNESS	1674-26
LINES, BOOM LUBRICATION		LOCK VALVE TO CAB WIRING HARNESS	1674-27A
(MASS EXCAVATING).....	3363A-92	LOCK VALVE, SWING	3362-28
LINES, BOOM LUBRICATION (STD)	3363A-70	LOCK, LEFT SIDE ACCESS DOOR	1910-8
LINES, CONTROL VALVE TO COOLING PACKAGE		LOCK, CAB DOOR	1810-10
AND OIL TANK	3363-8	LOCKING ARM, HYDRAULIC COUPLER	3302-52
LINES, CONTROL VALVE TO OIL TANK	3363-6	LOCKING PLATE, HYDRAULIC COUPLER	3302-52
LINES, CONTROL VALVE TO PILOT LINE		LONG ARM (4.9M)	3340-12
REMOVAL DEVICE	3363A-68	LONG ARM LUBRICATE LINES	3363A-114
LINES, DELIVERY	3363-4	LOWER RADIATOR HOSE	0510-4
LINES, DRAIN (OIL TANK)	3363-12	LOWER ROLLER, TRACK	0130-4
LINES, DRAIN, (HYDRAULIC PUMP TO CONTROL		LUBE LINE, SWING BEARING	3363A-60
VALVE)(S.N. -913308).....	3363-10	LUBRICANT LINES, SWING BEARING	3363A-60
LINES, DRAIN, (HYDRAULIC PUMP TO CONTROL		LUBRICATE LINES (LONG ARM)	3363A-114
VALVE)(S.N. 913309-)	3363-11A	LUBRICATE LINES (SEMI-LONG ARM)	3363A-78
LINES, ENGINE OIL	0407-6	LUBRICATION LINES, ARM (MASS EXCAVATING)	3363A-94
LINES, ENGINE TO OIL FILTER	0407-10	LUBRICATION LINES, ARM (STD).....	3363A-72
LINES, FAN DRIVE LINES	0510-10	LUBRICATION LINES, BOOM	
LINES, FAN DRIVE PUMP TO CONTROL VALVE	0510-10	(MASS EXCAVATING).....	3363A-92
LINES, FROM CONTROL VALVE TO CENTER		LUBRICATION LINES, BOOM (STD).....	3363A-70
JOINT	3363-38		
LINES, FUEL SYSTEM	0560-4		
LINES, HI-FLOW AUXILIARY (1).....	3363A-126		
LINES, HI-FLOW AUXILIARY(2)	3363A-128		
LINES, HIGH PRESSURE (REMOVAL DEVICE)	3363A-66		
LINES, HYDRAULIC (CONTROL VALVE TO			
SWING MOTOR).....	3363-14		
LINES, HYDRAULIC CONTROL VALVE	3363-40		
LINES, HYDRAULIC COUPLER KIT	3302-50		
LINES, HYDRAULIC PUMP TO CONTROL VALVE	3363-4		
LINES, HYDRAULIC PUMP TO OIL TANK	3363-2		
LINES, LEFT PILOT CONTROLLER TO PILOT			
SHUTOFF AND DIGGING SENSOR MANIFOLD	3363A-54		
LINES, LUBRICATE (LONG ARM)	3363A-114		
LINES, LUBRICATE (SEMI-LONG ARM)	3363A-78		
LINES, MASS EXCAVATING ARM HYDRAULIC	3363A-90		
LINES, OIL COOLER (1 OF 2)	0417-4		
LINES, OIL COOLER (2 OF 2)	0417-6		
LINES, OIL TANK TO COOLING PACKAGE	3363-6		
LINES, OIL TANK TO HYDRAULIC PUMP	3363-2		
LINES, OIL, TURBOCHARGER	0407-8		
LINES, PILOT, (CONTROL VALVE TOP TO			
PILOT SIGNAL MANIFOLD)	3363-34		
LINES, PUMP CASE DRAIN	0510-10		
LINES, RESERVOIR TO PILOT SIGNAL			
MANIFOLD AND CONTROL VALVE	3363-36		
LINES, RETURN.....	3363-6		

M

MACHINE INFORMATION CENTER KIT	1674-24
MAIN BODY AUXILIARY HYDRAULIC LINES	3363A-106
MAIN BODY AUXILIARY HYDRAULIC LINES	
(BOOM AND ARM).....	3363A-108
MAIN BODY AUXILIARY HYDRAULIC LINES	
(HI-FLOW)(2).....	3363A-128
MAIN BODY AUXILIARY HYDRAULIC LINES (1)	
(HI-FLOW)	3363A-126
MAIN BOOM HYDRAULIC LINES	3363A-62
MAIN CONTROLLER.....	1674-26
MAIN CONTROLLER.....	1674-27A
MAIN FRAME.....	1740-4
MAIN FRAME SIDE STEP	1740-4
MAIN WIRING HARNESS	1674-12
MANIFOLD HOSE TO PILOT SIGNAL MANIFOLD	
(PILOT SYSTEM)	3363-46
MANIFOLD MOUNTING, ROTARY	0260-2
MANIFOLD, ARM LUBRICATION (STD).....	3363A-72
MANIFOLD, BOOM LUBRICATION (STD).....	3363A-70
MANIFOLD, COUNTERWEIGHT REMOVAL DEVICE	3363A-66
MANIFOLD, DIGGING SENSOR	3363-48
MANIFOLD, EXHAUST	0410-2
MANIFOLD, INTAKE	0414-2

ALPHABETICAL INDEX - CONTINUED

	PAGE		PAGE
MANIFOLD, PILOT LINE	3363-40	O	
MANIFOLD, PILOT SIGNAL (CONTROL VALVE SIDE)	3362-22	OIL COOLER	0419-2
MANIFOLD, PILOT SIGNAL (HOUSING AND GASKETS)	3362-16	OIL COOLER LINES (1 OF 2)	0417-4
MANIFOLD, PILOT SIGNAL (PILOT CONTROLLER SIDE)	3362-20	OIL COOLER LINES (2 OF 2)	0417-6
MANIFOLD, PILOT SIGNAL (VALVE SECTION)	3362-18	OIL COOLER PIPING (1 OF 2)	0417-4
MANIFOLD, PILOT SIGNAL (VALVES)	3362-24	OIL COOLER PIPING (2 OF 2)	0417-6
MANIFOLD, PILOT SIGNAL, TO CONTROL VALVE TOP PILOT HYDRAULIC LINES	3363-34	OIL COOLER THERMOSTAT	0419-2
MANIFOLD, SOLENOID VALVE	3362-26	OIL FILL, SWING MOTOR	4360-2
MANIFOLD, SWING BEARING LUBRICANT LINES	3363A-60	OIL FILLER CAP, ENGINE	0409-2
MANIFOLD, TRAVEL SENSOR	3362-4	OIL FILTER, HYDRAULIC	3363A-84
MANIFOLD, TRAVEL SENSOR	3363-48	OIL LINES TO OIL FILTER	0407-10
MASS EXCAVATING ARM HYDRAULIC LINES	3363A-90	OIL LINES, ENGINE	0407-6
MASS EXCAVATING ARM LUBRICATION HOSES	3363A-94	OIL LINES, TURBOCHARGER	0407-8
MASS EXCAVATING ARM LUBRICATION LINES	3363A-94	OIL PAN ASSEMBLY	0407-2
MASS EXCAVATING ARM 2.9M	3340-2	OIL PAN DRAIN HOSE	0407-2
MASS EXCAVATING BOOM	3344-6	OIL PRESSURE SENSOR	0404-2
MASS EXCAVATING BOOM LIGHT	3344-4	OIL PRESSURE UNIT, CYLINDER BLOCK	0404-2
MASS EXCVATING BOOM COMPONENTS	3344-4	OIL PUMP, ENGINE	0407-4
MASS EXCVATING BOOM WIRING HARNESS	3344-4	OIL RELIEF VALVE, CYLINDER BLOCK	0404-2
MAT, CAB FLOOR	1810-32	OIL RESERVOIR, HYDRAULIC	3364A-2
MECHANICAL PATTERN CHANGER KIT	3363A-57A	OIL RESERVOIR, HYDRAULIC, TEMPERATURE SENSOR	3364A-2
MECHANICAL PATTERN CHANGER VALVE	3363A-57A	OIL SAMPLING KIT, ENGINE	3364A-4
MIC CABLE	1674-24	OIL SAMPLING KIT, HYDRAULIC	3364A-6
MIC CONTROLLER KIT	1674-24	OIL SEPARATOR BRACKET	0408-2
MIRROR, CAB	2002-2	OIL TANK LINE TO PILOT LINE REMOVAL DEVICE	3363A-68
MIRROR, LEFT REARVIEW	2002-2	OIL TANK LINES TO CONTROL VALVE	3363-6
MIRROR, RIGHT REAR VIEW	1910-20	OIL TANK LINES TO COOLING PACKAGE	3363-6
MIRROR, TOOLBOX	1910-20	OIL TANK LINES TO HYDRAULIC PUMP	3363-2
MONITOR	1674-3A	OIL TANK TO CONTOL VALVE	3363-8
MONITOR BRACKET	1674-3A	OIL TANK, HYDRAULIC	3364A-2
MOTOR COMPONENTS, FAN DRIVE	0510-8	OIL, HYDRAULIC, FILTER	3363-12
MOTOR GEARBOX DRAIN HOSES, SWING	4360-4	OPERATOR PROTECTION GUARD	1810-50
MOTOR GEARBOX, SWING	4360-8	OPG	1810-50
MOTOR MOUNT, SWING	4360-2	OUTLET, ENGINE, WATER PIPE	0418-2
MOTOR, AIR CONDITONER / HEATER	1830-2	OVERFLOW VALVE, INJECTION PUMP	0413-10
MOTOR, FAN DRIVE	0510-6		
MOTOR, SWING	4360-6	P	
MOTOR, TRAVEL COMPONENTS	0260-8	PAN, OIL	0407-2
MOTOR, TRAVEL AND BRAKE VALVE ASSEMBLY	0260-6	PANEL, LEFT SIDE	1910-8
MOTOR, WINDOW WASHER	1810-44	PATTERN CHANGER VALVE, MECHANICAL	3363A-57A
MOUNTING BRACKET, PILOT SIGNAL MANIFOLD	3363-34	PEDAL PROPEL KIT, SINGLE	3315-18
MOUNTING BRACKETS, CONTROL VALVE	3362-6	PEDAL, TRAVEL PILOT CONTROL VALVE	3315-12
MOUNTING, ENGINE	0400-2	PEDAL, TRAVEL PILOT CONTROL VALVE, AUXILIARY	3315-16
MOUNTING, ENGINE CONTROLLER	1674-14	PEDAL, TWO-WAY HYDRAULIC FOOT CONTROL	3315-20
MOUNTING, SWING MOTOR	4360-2	PILOT CHECK VALVE COMPONENTS	3363A-88
MOUNTS, CAB	1810-2	PILOT CONTROL HANDLE, LEFT	3315-11A
MUFFLER	0530-2	PILOT CONTROL VALVE AND LEVERS	3315-10
MUFFLER BRACKET	0530-2	PILOT CONTROL VALVE COMPONENTS	3315-2
N		PILOT CONTROL VALVE COMPONENTS, TRAVEL	3315-22
NAME PLATES (FRENCH)(SPANISH)	1320-6	PILOT CONTROL VALVE, TRAVEL, AUXILIARY	3315-16
NAME PLATES (FRENCH)(SPANISH) (CONTINUED)	1320-8	PILOT CONTROLLER COMPONENTS, TRAVEL	3315-4
NINE PIN CONNECTOR KIT	1674-16	PILOT CONTROLLER, RIGHT, AND WIRING HARNESSES	1674-18
NOZZLE HOLDER, CYLINDER HEAD	0409-6	PILOT HYDRAULIC LINES (CONTROL VALVE TOP TO PILOT SIGNAL MANIFOLD)	3363-34
NOZZLE, WINDSHIELD WASHER	1810-14	PILOT KIT, SINGLE PEDAL PROPEL	3315-18
		PILOT LINE REMOVAL DEVICE	3363A-68
		PILOT LINES (CONTROL VALVE BOTTOM TO PILOT SIGNAL MANIFOLD)	3363-32
		PILOT LINES (CONTROL VALVE TOP TO PILOT SIGNAL MANIFOLD)	3363-34

ALPHABETICAL INDEX - CONTINUED

	PAGE		PAGE
PILOT LINES (COUNTERWEIGHT REMOVAL DEVICE).....	3363A-68	POPPET VALVE, SOLENOID; HYDRAULIC COUPLER KIT.....	3302-50
PILOT LINES (PILOT SIGNAL MANIFOLD TO SHUTOFF VALVE).....	3363-44	POWER CONVERTER.....	1674-4
PILOT LINES FROM CONTROL VALVE TO CENTER JOINT.....	3363-38	POWER OUTLET (12 VOLT), REAR TRAY.....	1830-18
PILOT LINES FROM RESERVOIR TO CONTROL VALVE.....	3363-38	POWER UNIT (12-VOLT).....	1674-4
PILOT LINES FROM RESERVOIR TO CONTROL VALVE AND PILOT SIGNAL MANIFOLD.....	3363-36	POWER-BOOST PILOT CONTROLLER GRIP.....	3315-10
PILOT LINES, SWING MOTOR TO ROTARY MANIFOLD.....	3363-42	PRE-FILTER COMPONENTS, FUEL SYSTEM.....	0420-4
PILOT PUMP.....	3361-16	PRE-FILTER CONVERSION KIT, FUEL SYSTEM.....	0560-4
PILOT SHUTOFF DECAL.....	1810-28	PRE-FILTER, FUEL SYSTEM.....	0560-4
PILOT SHUTOFF LEVER.....	3315-14	PRECLEANER, AIR CLEANER (SN -913326).....	1910-16
PILOT SHUTOFF LINES TO LEFT PILOT CONTROLLER.....	3363A-54	PRECLEANER, AIR CLEANER (SN - 913326) (CONTINUED).....	1910-17A
PILOT SHUTOFF LINES TO RIGHT PILOT CONTROLLER.....	3363A-56	PRECLEANER, AIR CLEANER (SN 913327-).....	1910-18
PILOT SHUTOFF VALVE (COMPLETE).....	3363A-52	PRECLEANER, AIR CLEANER (SN 913327-) (CONTINUED).....	1910-19A
PILOT SHUTOFF VALVE COMPONENTS.....	3362-28	PRESSURE DIFFERENTIAL SWITCH, HYDRAULIC FILTER RESTRICTION INDICATOR KIT.....	3364A-8
PILOT SHUTOFF VALVE LINES TO TRAVEL PILOT CONTROL VALVE.....	3363A-52	PRESSURE REDUCING VALVE, TWO-WAY AUXILIARY HYDRAULIC KIT.....	3363A-104
PILOT SIGNAL MANIFOLD (CONTROL VALVE SIDE).....	3362-22	PRESSURE RELIEF VALVE COMPONENTS FOR STANDARD FAN CONTROL VALVE.....	0510-20
PILOT SIGNAL MANIFOLD (HOUSING AND GASKETS).....	3362-16	PRESSURE RELIEF VALVE, STANDARD FAN CONTROL VALVE.....	0510-18
PILOT SIGNAL MANIFOLD (PILOT CONTROLLER SIDE).....	3362-20	PRESSURE RELIEF VALVE, SWING MOTOR.....	4360-6
PILOT SIGNAL MANIFOLD (VALVE SECTION).....	3362-18	PRESSURE SENSOR.....	1674-10
PILOT SIGNAL MANIFOLD (VALVES).....	3362-24	PRESSURE SENSOR (COUNTERWEIGHT REMOVAL DEVICE).....	3363A-68
PILOT SIGNAL MANIFOLD HOSE TO DIGGING SENSOR MANIFOLD.....	3363-44	PRESSURE SENSOR, ARM IN.....	3363-48
PILOT SIGNAL MANIFOLD LINES TO CONTROL VALVE.....	3363-32	PRESSURE SENSOR, ARM OUT.....	3363-48
PILOT SIGNAL MANIFOLD MOUNTING BRACKET.....	3363-34	PRESSURE SENSOR, BOOM DOWN.....	3363-48
PILOT SIGNAL MANIFOLD TO CONTROL VALVE TOP PILOT HYDRAULIC LINES.....	3363-34	PRESSURE SENSOR, BOOM UP.....	3363-48
PILOT SOLENOID VALVE KIT (2 WAY).....	3363A-104	PRESSURE SENSOR, BUCKET CURL.....	3363-48
PILOT VALVE, COUNTERWEIGHT REMOVAL, COMPONENTS.....	3315-8	PRESSURE SENSOR, BUCKET DUMP.....	3363-48
PIN, ARM CYLINDER BARREL END.....	3344-4	PRESSURE SENSOR, ENGINE.....	0432-2
PIN, ARM CYLINDER ROD END.....	3344-4	PRESSURE SENSOR, FUEL PUMP.....	0413-6
PIN, BOOM CYLINDER ROD END.....	3344-4	PRESSURE SENSOR, LEFT TRAVEL.....	3363-48
PIN, COUNTERWEIGHT REMOVAL.....	1740-10	PRESSURE SENSOR, RIGHT TRAVEL.....	3363-48
PIN, PIVOT, BOOM TO FRAME.....	3344-2	PRESSURE SWITCH, PILOT LINE REMOVAL DEVICE.....	3363A-68
PIN, PIVOT, BOOM TO FRAME.....	3344-6	PRIMARY FILTER ELEMENT, AIR CLEANER.....	0520-2
PIN, TIMING, CYLINDER BLOCK.....	0404-2	PROGRESSIVE HYDRAULIC THUMB KIT.....	3302-34
PIN, TRACK CHAIN ASSEMBLY.....	0130-12	PROPEL KIT, SINGLE PEDAL.....	3315-18
PIPE, ENGINE WATER OUTLET.....	0418-2	PROPEL MOTOR COMPONENTS.....	0260-8
PIPING, OIL COOLER (1 OF 2).....	0417-4	PROPEL MOTOR AND BRAKE VALVE ASSEMBLY.....	0260-6
PIPING, OIL COOLER (2 OF 2).....	0417-6	PROPEL MOTOR BRAKE VALVE.....	0260-10
PISTON COOLING JETS, CYLINDER BLOCK.....	0404-2	PROPEL MOTOR COVER.....	0260-20
PISTON HYDRAULIC MOTOR GEARBOX, SWING.....	4360-8	PROPEL MOTOR HYDRAULIC LINES.....	0260-14
PISTON HYDRAULIC MOTOR, SWING.....	4360-6	PROPEL MOTOR, GEARBOX.....	0260-6
PISTON, HYDRAULIC PUMP.....	3361-6	PROTECTION, CAB VANDAL.....	1810-22
PISTON, TRAVEL MOTOR.....	0260-8	PULLEY, AIR CONDITIONER COMPRESSOR.....	1830-10
PIVOT PIN BOOM TO ARM.....	3344-4	PULLEY, CRANKSHAFT.....	0401-2
PIVOT PINS, HEAVY DUTY ARM.....	3340-6	PULLEY, FAN.....	0429-2
PLATE LIP BUCKET, SEVERE DUTY.....	3302-10	PULLEY, IDLER.....	0429-2
PLATE, CAB FLOOR.....	1810-36	PUMP COMPONENTS (CONTINUED).....	3361-8
PLATE, LOCKING; HYDRAULIC COUPLER.....	3302-52	PUMP COUPLER COMPONENTS, FUEL INJECTION.....	0413-7A
PLATE, TRAVEL MOTOR COVER.....	0260-20	PUMP MOUNTING, HYDRAULIC.....	3361-2
PLUG, FLOOR PLATE.....	1810-36	PUMP PRESSURE AND INTAKE SENSORS.....	1674-6
PLUG, GLOW, CYLINDER HEAD.....	0409-4	PUMP, ENGINE OIL.....	0407-4
POLY CARBONATE SUNROOF.....	1810-20	PUMP, FUEL INJECTION.....	0413-6
		PUMP, FUEL INJECTION, COMPONENTS.....	0413-10
		PUMP, HYDRAULIC.....	3361-2
		PUMP, HYDRAULIC.....	3361-4
		PUMP, HYDRAULIC LINES, ATTENUATOR.....	3363-22
		PUMP, HYDRAULIC, FAN.....	3361-14

ALPHABETICAL INDEX - CONTINUED

	PAGE		PAGE
PUMP, PILOT	3361-16	REMOVAL COUNTERWEIGHT VALVE, PILOT,	
PUMP, REGULATOR	3361-10	COMPONENTS	3315-8
PUMP, WATER, COMPONENTS	0417-2	REMOVAL DEVICE COVER	1740-8
PUMP, WINDOW WASHER	1810-44	REMOVAL DEVICE LINES	3363A-66
		REMOVAL LIFTING DEVICE, COUNTERWEIGHT	1740-10
		REMOVAL OF COUNTERWEIGHT DEVICE,	
		CYLINDER	3365A-10
R		REMOVAL OF COUNTERWEIGHT DEVICE,	
RADIATOR	0510-2	CYLINDER	3365A-12
RADIATOR BAFFLES	0510-22	REPAIR KIT, FUEL INJECTION PUMP DRIVE	0413-4
RADIATOR CAP	0510-2	REPAIR KIT, WATER PUMP	0417-2
RADIATOR CORE	0510-2	RESERVE TANK	0560-2
RADIATOR COVER	0510-22	RESERVOIR, HYDRAULIC OIL	3364A-2
RADIATOR COVER	1910-12	RESERVOIR, WINDOW WASHER	1810-44
RADIATOR DUCT	1910-12	RESTRICTION INDICATOR KIT, HYDRAULIC	
RADIATOR HOSES AND MOUNTING	0510-4	FILTER	3364A-8
RADIATOR ISOLATOR	0510-22	RETURN LINES	3363-6
RADIATOR, FUEL	0560-6	RETURN LINES (CONTROL VALVE TO	
RADIO	2001-2	COOLING PACKAGE AND OIL TANK)	3363-8
RADIO ANTENNA	1810-14	REVERSING CONTROL VALVE COMPONENTS, FAN	0510-16
RADIO BRACKET	2001-2	RIGHT BOOM CYLINDER	3365A-2
RADIO SPEAKER	1810-14	RIGHT BOOMLIGHT	1673-14
RADIO WIRING HARNESS	2001-2	RIGHT CAB INSIDE COVER	1810-30
RAIN VISOR	1810-46	RIGHT PILOT CONTROLLER LINES TO PILOT	
REAR RIGHT SIDE COVER	1910-12	SHUTOFF AND DIGGING SENSOR MANIFOLD	3363A-56
REAR TRAY	1830-18	RIGHT TRAVEL PRESSURE SENSOR	3363-48
REAR VIEW MIRROR, RIGHT	1910-20	RIGHT, CONSOLE	1810-26
REARVIEW MIRROR, LEFT	2002-2	ROADBUILDER BUCKET KIT	3302-25A
RECIEVER-DRYER (A/C)	1830-12	ROCKER ARM, CAMSHAFT	0402-2
RECIRCULATION SYSTEM, ENGINE EXHAUST GAS	0408-4	ROD BEARINGS, CRANKSHAFT	0401-2
REDUCED LEAKAGE VALVE, ARM	3363A-112	ROLLER, CARRIER TRACK	0130-2
REDUCING VALVE (FAN PUMP REGULATOR)	3361-12	ROLLER, LOWER TRACK	0130-4
REFIGERANT HOSE, AIR CONDITIONER	1830-10	ROTARY MANIFOLD	0260-2
REFRIGERANT HOSE, AIR CONDITIONER	1830-6	ROTARY MANIFOLD COMPONENTS	0260-2
REGULATOR, HYDRAULIC FAN PUMP	3361-12	ROTARY MANIFOLD LINES TO CONTROL VALVE	3363-16
REGULATOR, HYDRAULIC PUMP	3361-10	ROTARY MANIFOLD LINES TO SWING MOTOR	3363-42
REINFORCEMENT BARS (SIDE WINDOW)	1810-16	ROTARY MANIFOLD MOUNTING	0260-2
RELAY BRACKET, HEADLIGHTS, FRONT (2		ROTARY MANIFOLD STOP	1740-4
LIGHTS)	1673-2	ROTARY MOTOR GEARBOX, SWING	4360-8
RELAY BRACKET, HEADLIGHTS, FRONT (4		ROTARY MOTOR MOUNTING, SWING	4360-2
LIGHTS)	1673-4	ROTARY MOTOR OIL FILL	4360-2
RELAY BRACKET, HEADLIGHTS, REAR	1673-8	ROTARY MOTOR, SWING	4360-6
RELAY, BATTERY (SN -913536)	1671-2		
RELAY, BATTERY (SN 913537-)	1671-3A	S	
RELAY, GLOW PLUG	0432-2	SEAL KIT, FAN DRIVE MOTOR	0510-8
RELAY, HEADLIGHTS, FRONT (2 LIGHTS)	1673-2	SEAL KIT, HYDRAULIC COUPLER CYLINDER	3302-52
RELAY, HEADLIGHTS, FRONT (4 LIGHTS)	1673-4	SEAL KIT, LEFT BOOM CYLINDER	3365A-4
RELAY, HEADLIGHTS, REAR	1673-8	SEAL KIT, RIGHT BOOM CYLINDER	3365A-2
RELAY, RIGHT PILOT CONTROLLER	1674-18	SEAL, SWING BEARING	0130-10
RELAY, SEAT HEATER	1821-8	SEAT BASE	1821-4
RELAY, STARTER	0432-2	SEAT BASE TRACK KIT	1821-4
RELAY, STARTER (SN -913536)	1671-2	SEAT BELT	1821-14
RELAY, STARTER (SN 913537-)	1671-3A	SEAT BELT KIT, (3.00 INCH)	1821-16
RELAY,ENGINE CONTROL UNIT	1674-14	SEAT FOAM KIT	1821-2
RELAYS, CAB WIRING HARNESS	1674-26	SEAT HARDWARE SERVICE KIT	1821-3A
RELAYS, CAB WIRING HARNESS	1674-27A	SEAT HEATER WIRING HARNESS	1821-8
RELEASE LEVER, DOOR CATCH	1810-12	SEAT SLIDE TRACK KIT	1821-4
RELIEF VALVE COMPONENTS FOR STANDARD FAN		SEAT SUPPORT	1821-4
CONTROL VALVE	0510-20	SEAT, AIR SUSPENSION	1821-2
RELIEF VALVE FOR STANDARD FAN		SEAT, AIRSPRING	1821-2
CONTROL VALVE, COMPONENTS	0510-20	SEAT, ARMREST	1821-4
RELIEF VALVE, FAN REVERSING VALVE	0510-16	SEAT, 24V COMPRESSOR KIT	1821-2
RELIEF VALVE, HI-FLOW AUXILIARY LINES	3363A-124	SECONDARY EXIT KIT	1810-24
RELIEF VALVE, OIL COOLER	0419-2	SECONDARY FILTER ELEMENT, AIR CLEANER	0520-2
RELIEF VALVE, STANDARD FAN CONTROL VALVE	0510-18	SECURITY, CAB VANDAL PROTECTION	1810-22
RELIEF VALVE, SWING MOTOR	4360-6		
RELIEF VALVE, TRAVEL MOTOR CROSSOVER	0260-10		

ALPHABETICAL INDEX - CONTINUED

	PAGE		PAGE
SEMI-LONG ARM LUBRICATE LINES	3363A-78	SINGLE BAR SHOE	0130-13A
SENDING UNIT, FUEL TANK LEVEL	0560-2	SINGLE PEDAL PROPEL KIT	3315-18
SENSOR LINES, TRAVEL SENSOR MANIFOLD TO PILOT SIGNAL MANIFOLD	3363-44	SMARTLOC™ COUPLER COMPONENTS.....	3302-52
SENSOR MANIFOLD, DIGGING	3363-48	SMARTLOC™ HYDRAULIC COUPLER KIT	3302-50
SENSOR MANIFOLD, TRAVEL	3362-4	SOLAR SENSOR	1830-10
SENSOR MANIFOLD, TRAVEL	3363-48	SOLENOID VALVE	3362-26
SENSOR, ARM IN PRESSURE	3363-48	SOLENOID VALVE PILOT LINE TO FILTER.....	3363-38
SENSOR, ARM OUT PRESSURE	3363-48	SOLENOID VALVE, HYDRAULIC COUPLER KIT	3302-50
SENSOR, BOOM DOWN PRESSURE	3363-48	SOLENOID VALVE, KIT (2 WAY)	3363A-104
SENSOR, BOOM UP PRESSURE	3363-48	SOLENOID, FAN REVERSING	0510-14
SENSOR, BUCKET CURL PRESSURE	3363-48	SOLENOID, FAN REVERSING VALVE	0510-16
SENSOR, BUCKET DUMP PRESSURE	3363-48	SOLENOID, PILOT SHUTOFF VALVE	3362-28
SENSOR, ENGINE BOOST	0414-2	SOLENOID, STARTER	0432-6
SENSOR, ENGINE PRESSURE	0432-2	SOLENOID, WIRING HARNESS	1674-12
SENSOR, ENGINE SPEED	0433-2	SPANISH DECALS, HYDRAULIC COUPLER KIT	3302-50
SENSOR, ENGINE TEMPERATURE	0432-2	SPANISH LABELS	1320-6
SENSOR, ENGINE THERMO	1674-6	SPANISH LABELS (CONTINUED)	1320-8
SENSOR, ENGINE WATER TEMPERATURE	0409-6	SPEAKER, RADIO	1810-14
SENSOR, FUEL TEMPERATURE, INJECTION PUMP	0413-10	SPLIT FLANGE, ARM HYDRAULIC LINES (LONG)	3363A-116
SENSOR, HYDRAULIC OIL TEMPERATURE	1674-8	SPLIT FLANGE, ARM HYDRAULIC LINES (SEMI-LONG)	3363A-74
SENSOR, HYDRAULIC PUMP PRESSURE	1674-6	SPOOL LOCK, PILOT SHUTOFF VALVE	3362-28
SENSOR, INTAKE MANIFOLD, AIR TEMPERATURE	0414-2	SPOOL VALVE, SOLENOID; HYDRAULIC COUPLER KIT	3302-50
SENSOR, INTAKE AIR TEMPERATURE	1674-6	SPOOL, FAN REVERSING VALVE	0510-16
SENSOR, LEFT TRAVEL PRESSURE	3363-48	SPOOLS, CONTROL VALVE (4-SPOOL SIDE)	3362-12
SENSOR, OIL LEVEL, OIL PAN	0407-2	SPOOLS, CONTROL VALVE (4-SPOOL SIDE) CONTINUED	3362-13A
SENSOR, OIL PRESSURE	0404-2	SPOOLS, CONTROL VALVE (5-SPOOL SIDE)	3362-8
SENSOR, PRESSURE	1674-10	SPOOLS, CONTROL VALVE (5-SPOOL SIDE) CONTINUED	3362-9A
SENSOR, PRESSURE (COUNTERWEIGHT REMOVAL DEVICE)	3363A-68	SPRING, TRACK CHAIN ADJUSTER	0130-8
SENSOR, PRESSURE, FUEL PUMP	0413-6	STANDARD ARM (3.9M - 12 FT 10 IN)	3340-4
SENSOR, RIGHT TRAVEL PRESSURE	3363-48	STANDARD BOOM COMPONENTS	3344-4
SENSOR, SOLAR	1830-10	STANDARD BOOM LIGHT	3344-4
SENSOR, TEMPERATURE, HYDRAULIC OIL RESERVOIR	3364A-2	STANDARD BOOM WIRING HARNESS	3344-4
SENSOR, WATER TEMPERATURE	0432-2	STANDARD FAN CONTROL VALVE	0510-18
SEPARATOR, FUEL AND WATER	0420-4	STANDARD FAN CONTROL VALVE PRESSURE RELIEF VALVE COMPONENTS	0510-20
SEPARATOR, FUEL WATER	0560-4	START SWITCH	1674-26
SEVERE DUTY CAST LIP BUCKET	3302-8	START SWITCH	1674-27A
SEVERE DUTY CAST LIP BUCKET TEETH	3302-30	STARTER	0432-2
SEVERE DUTY PLATE LIP BUCKET	3302-10	STARTER COMPONENTS	0432-6
SEVERE DUTY PLATE LIP BUCKET TEETH	3302-32	STARTER RELAY	0432-2
SHAFT, FAN DRIVE MOTOR	0510-8	STEP, FRAME	1740-4
SHAFT, WATER PUMP	0417-2	STEP, MAIN FRAME SIDE	1740-4
SHANK, GENERAL PURPOSE, HEAVY DUTY, AND TRUCK LOADING	3302-26	STEP, UNDERCARRIAGE FRAME	0130-10
SHANK, GENERAL PURPOSE, HEAVY DUTY, AND TRUCK LOADING	3302-27A	STOP SWITCH, ENGINE	0574-4
SHANK, SEVERE DUTY CAST LIP BUCKET TEETH	3302-30	STOP, ROTARY MANIFOLD	1740-4
SHIELD, ENGINE (SN -913326)	1910-16	STOPPERS, CAB	1810-18
SHIELD, ENGINE (SN -913326) (CONTINUED)	1910-17A	STRAINER, FUEL TANK	0560-2
SHIELD, ENGINE (SN 913327-)	1910-18	STRAP, GROUND, STARTER	0432-2
SHIELD, ENGINE (SN 913327-) (CONTINUED)	1910-19A	SUCTION LINES	3363-2
SHOCKLESS VALVE	3363A-56	SUNROOF	1810-20
SHOCKLESS VALVE (COMPONENTS)	3363A-86	SUNSHADE	1810-20
SHOE, SINGLE BAR	0130-13A	SUPPORT, AIR CLEANER	0520-4
SHOE, TRACK CHAIN ASSEMBLY	0130-12	SUPPORT, COUNTERWEIGHT	1740-2
SHUT-OFF VALVE, HIGH PRESSURE LINES	3363A-66	SUPPORT, SEAT	1821-4
SHUTOFF LEVER, PILOT	3315-14	SUPPORT, SWING BEARING	1740-6
SHUTOFF VALVE LINES TO TRAVEL PILOT CONTROL VALVE	3363A-52	SUPPORTS, ENGINE COVER	1910-14
SHUTOFF VALVE, PILOT	3362-28	SUPPORTS, FLOOR PLATE	1810-36
SHUTTLE VALVE, PILOT LINE REMOVAL DEVICE	3363A-68	SUPPORTS, REAR LEFT SIDE	1910-6
SIGHT GAUGE, HYDRAULIC OIL TANK	3364A-2	SUPPORTS, UPPER LEFT REAR	1910-10
		SUPPORTS, UPPER LEFT REAR	1910-11A
		SURGE TANK	0560-2
		SUSPENSION, AIR SEAT	1821-2

ALPHABETICAL INDEX - CONTINUED

	PAGE		PAGE
SWING BEARING.....	1740-6	TOOLBOX COVER CYLINDER	1910-20
SWING BEARING BOTTOM COVER, TRACK FRAME	0130-16	TOOTH, GENERAL PURPOSE, HEAVY DUTY, AND TRUCK LOADING	3302-26
SWING BEARING LUBRICANT LINE	3363A-60	TOOTH, GENERAL PURPOSE, HEAVY DUTY, AND TRUCK LOADING	3302-27A
SWING BEARING SEAL	0130-10	TOOTH, HEAVY DUTY HIGH CAPACITY BUCKET	3302-28
SWING BEARING SUPPORT	1740-6	TOOTH, SEVERE DUTY CAST LIP BUCKET	3302-30
SWING GEARBOX	4360-8	TOOTH, SEVERE DUTY PLATE LIP BUCKET.....	3302-32
SWING LOCK VALVE	3362-28	TORSIONAL DAMPER, CRANKSHAFT	0401-2
SWING MANIFOLD	0260-2	TRACK CHAIN ADJUSTER	0130-8
SWING MANIFOLD COMPONENTS	0260-2	TRACK CHAIN ASSEMBLY	0130-12
SWING MANIFOLD MOUNTING	0260-2	TRACK CHAIN DRIVE GEAR.....	0260-6
SWING MOTOR.....	4360-6	TRACK CHAIN IDLER	0130-6
SWING MOTOR GEARBOX DRAIN HOSES	4360-4	TRACK FRAME BOTTOM COVER.....	0130-16
SWING MOTOR LINES TO CONTROL VALVE	3363-14	TRACK FRAME, UNDERCARRIAGE	0130-10
SWING MOTOR LINES TO ROTARY MANIFOLD.....	3363-42	TRACK GUARD	0130-10
SWING MOTOR MOUNTING	4360-2	TRACK KIT, SEAT BASE	1821-4
SWING MOTOR OIL FILL	4360-2	TRACK KIT, SEAT SLIDE.....	1821-4
SWITCH, AUXILIARY CONTROL	1674-18	TRACK ROLLER, CARRIER.....	0130-2
SWITCH, IGNITION.....	1674-26	TRACK ROLLER, LOWER.....	0130-4
SWITCH, IGNITION.....	1674-27A	TRAVEL ALARM	2004-2
SWITCH, LEFT PILOT CONTROL HANDLE.....	3315-11A	TRAVEL KIT, SINGLE PEDAL	3315-18
SWITCH, OVERHEAT WARNING	0418-2	TRAVEL MOTOR COMPONENTS.....	0260-8
SWITCH, PRESSURE DIFFERENTIAL; HYDRAULIC FILTER RESTRICTION INDICATOR KIT	3364A-8	TRAVEL MOTOR AND BRAKE VALVE ASSEMBLY	0260-6
SWITCH, PRESSURE, PILOT LINE REMOVAL DEVICE	3363A-68	TRAVEL MOTOR BRAKE VALVE COMPONENTS	0260-10
SWITCH, REAR HEADLIGHTS	1673-8	TRAVEL MOTOR COVER.....	0260-20
SWITCH, SEAT HEATER.....	1821-8	TRAVEL MOTOR CROSSOVER RELIEF VALVE	0260-10
SWITCH, START	1674-26	TRAVEL MOTOR DRIVE GEAR	0260-6
SWITCH, START	1674-27A	TRAVEL MOTOR GEARBOX.....	0260-6
SWITCH, STARTER.....	0432-6	TRAVEL MOTOR HYDRAULIC LINES	0260-14
SWITCH, TEMPERATURE; HYDRAULIC FILTER RESTRICTION INDICATOR KIT	3364A-8	TRAVEL PILOT CONTROL VALVE	3315-12
T			
TANK, FUEL.....	0560-2	TRAVEL PILOT CONTROL VALVE COMPONENTS	3315-4
TANK, FUEL HOSES	0560-4	TRAVEL PILOT CONTROL VALVE COMPONENTS.....	3315-22
TANK, HYDRAULIC OIL	3364A-2	TRAVEL PILOT CONTROL VALVE TO PILOT SHUTOFF VALVELINES	3363A-52
TANK, SURGE	0560-2	TRAVEL PILOT CONTROL VALVE, AUXILIARY	3315-16
TANK, WINDOW WASHER.....	1810-44	TRAVEL SENSOR MANIFOLD.....	3362-4
TEETH, GENERAL PURPOSE, HEAVY DUTY, AND TRUCK LOADING	3302-26	TRAVEL SENSOR MANIFOLD	3363-48
TEETH, GENERAL PURPOSE, HEAVY DUTY, AND TRUCK LOADING	3302-27A	TRAVEL SENSOR MANIFOLD LINES TO PILOT SIGNAL MANIFOLD.....	3363-44
TEETH, HEAVY DUTY HIGH CAPACITY BUCKET.....	3302-28	TRAVEL WARNING ALARM.....	1674-26
TEETH, SEVERE DUTY CAST LIP BUCKET	3302-30	TRAVEL WARNING ALARM.....	1674-27A
TEETH, SEVERE DUTY PLATE LIP BUCKET	3302-32	TRAY, REAR	1830-18
TEMPERATURE INTAKE SENSOR, AIR.....	1674-6	TRUCK LOADING BUCKET	3302-14
TEMPERATURE SENSOR, ENGINE	0432-2	TRUCK LOADING BUCKET	3302-15A
TEMPERATURE SENSOR, FUEL, INJECTION PUMP.....	0413-10	TRUCK LOADING BUCKET	3302-15C
TEMPERATURE SENSOR, HYDRAULIC OIL RESERVOIR	3364A-2	TUBING, INTERCOOLER.....	0510-12
TEMPERATURE SENSOR, INTAKE MANIFOLD	0414-2	TURBOCHARGER.....	0416-2
TEMPERATURE SENSOR, WATER.....	0432-2	TURBOCHARGER COMPONENTS.....	0416-4
TENSION DEVICE, TRACK CHAIN ADJUSTER	0130-8	TURBOCHARGER OIL LINES	0407-8
TENSION DEVICE, TRACK CHAIN IDLER.....	0130-6	TWO-WAY HYDRAULIC FOOT PEDAL CONTROL	3315-20
TERMINAL, GLOBALTRACS	2600-2	U	
TEMPERATURE SWITCH, HYDRAULIC FILTER RESTRICTION INDICATOR KIT	3364A-8	ULTIMATE FIELD KIT, JDLINK™	2600-2
THERMOSTAT	0418-2	UNDERCARRIAGE FRAME	0130-10
THERMOSTAT, AIR CONDITIONER / HEATER	1830-2	UNDERCARRIAGE FRAME STEP.....	0130-10
THERMOSTAT, OIL COOLER.....	0419-2	UNIT (12-VOLT), POWER	1674-4
THUMB, PROGRESSIVE HYDRAULIC.....	3302-34	UNIT, CONTROLLER.....	1674-2
TIMING GEAR COVER.....	0402-6	UPPER RADIATOR HOSE.....	0510-4
TIMING PIN, CYLINDER BLOCK	0404-2	UPPER ROLLER, TRACK	0130-2
TOOLBOX	1910-20		

ALPHABETICAL INDEX - CONTINUED

PAGE

PAGE

V

VALVE BODY, CONTROL VALVE (4-SPOOL)	3362-12
VALVE BODY, CONTROL VALVE (4-SPOOL) CONTINUED	3362-13A
VALVE BODY, CONTROL VALVE (5-SPOOL)	3362-8
VALVE BODY, CONTROL VALVE (5-SPOOL) CONTINUED	3362-9A
VALVE COMPONENTS, FAN REVERSING	0510-16
VALVE COMPONENTS, FLOW CONTROL	3363A-86
VALVE GUIDE, CYLINDER HEAD	0409-6
VALVE INSERT, EXHAUST, CYLINDER HEAD	0409-6
VALVE INSERT, INLET, CYLINDER HEAD	0409-6
VALVE KIT, ELECTRIC SOLENOID (2 WAY)	3363A-104
VALVE MOUNTING BRACKETS, CONTROL	3362-6
VALVE PILOT LINES	3363-40
VALVE SEAT INSERTS, CYLINDER HEAD	0409-6
VALVE SECTION, PILOT SIGNAL MANIFOLD	3362-18
VALVE, AIR CLEANER	0520-2
VALVE, ANTI-DRIFT	3363A-110
VALVE, ARM ANTI-DRIFT	3363A-112
VALVE, ARM REDUCED LEAKAGE	3363A-112
VALVE, BRAKE, COMPONENTS	0260-10
VALVE, CHECK (PILOT SYSTEM)	3363A-88
VALVE, CHECK; HYDRAULIC COUPLER	3302-52
VALVE, CONTROL (COMPLETE)	3362-6
VALVE, CONTROL; TWO-WAY HYDRAULIC FOOT PEDAL CONTROL	3315-20
VALVE, CONTROL, TOP, TO PILOT SIGNAL MANIFOLD PILOT HYDRAULIC LINES	3363-34
VALVE, COUNTERWEIGHT REMOVAL CONTROL	3315-6
VALVE, COUNTERWEIGHT REMOVAL, PILOT, COMPONENTS	3315-8
VALVE, EGR (EXHAUST GAS RECIRCULATION)	0408-4
VALVE, EXHAUST, CAMSHAFT	0402-2
VALVE, FAN REVERSING CONTROL	0510-14
VALVE, FAST FUEL SYSTEM, KIT	0560-3A
VALVE, FLOW CONTROL (PUMP REGULATOR)	3361-10
VALVE, INLET, CAMSHAFT	0402-2
VALVE, MECHANICAL PATTERN CHANGER	3363A-57A
VALVE, OIL RELIEF, CYLINDER BLOCK	0404-2
VALVE, OVERFLOW, INJECTION PUMP	0413-10
VALVE, PILOT CONTROL AND LEVER	3315-10
VALVE, PILOT CONTROL, COMPONENTS	3315-2
VALVE, PILOT SHUTOFF	3362-28
VALVE, RELIEF, OIL COOLER	0419-2
VALVE, RELIEF, STANDARD FAN CONTROL VALVE	0510-18
VALVE, SHOCKLESS	3363A-56
VALVE, SHOCKLESS (COMPONENTS)	3363A-86
VALVE, SHUT-OFF, HIGH PRESSURE LINES	3363A-66
VALVE, SHUTTLE, PILOT LINE REMOVAL DEVICE	3363A-68
VALVE, SOLENOID	3362-26
VALVE, SOLENOID; HYDRAULIC COUPLER KIT	3302-50
VALVE, STANDARD FAN CONTROL	0510-18
VALVE, SWING LOCK	3362-28
VALVE, TRAVEL CONTROL; COMPONENTS	3315-22
VALVE, TRAVEL PILOT COMPONENTS	3315-4
VALVE, REDUCING (FAN PUMP REGULATOR)	3361-12
VALVES, PILOT SIGNAL MANIFOLD	3362-24
VANDAL COMPARTMENT COVER	1910-4
VANDAL COVER	1910-4
VANDAL DOOR	1910-4
VANDAL PROTECTION, CAB	1810-22
VAPOR CONDENSOR, AIR CONDITIONER	1830-8

VEHICLE CONTROLLER	1674-2
VENT, COVER	1810-16
VENT, RIGHT CAB INSIDE COVER	1810-30
VENTILATION SYSTEM, ENGINE	0408-2
VISOR, RAIN	1810-46

W

WASHER NOZZLE	1810-14
WASHER, WINDOW	1810-44
WATER AND FUEL SEPARATOR	0420-4
WATER OUTLET PIPE, ENGINE	0418-2
WATER PUMP BEARINGS	0417-2
WATER PUMP COMPONENTS	0417-2
WATER PUMP GASKET	0417-2
WATER PUMP IMPELLER	0417-2
WATER PUMP SHAFT	0417-2
WATER SEPARATOR, FUEL	0560-4
WATER TEMPERATURE SENSOR	0432-2
WATER TEMPERATURE SENSOR, ENGINE	0409-6
WEATHERSTRIP, CAB DOOR	1810-10
WEIGHT REMOVAL DEVICE, COUNTERWEIGHT	1740-8
WEIGHT, COUNTERWEIGHT	1740-2
WINDOW GLASS, CAB DOOR	1810-10
WINDOW GUARD BARS	1810-16
WINDOW WASHER	1810-44
WINDOW, CAB	1810-8
WINDOW, CAB VANDAL PROTECTION	1810-22
WINDSHIELD	1810-6
WINDSHIELD FRAME	1810-6
WINDSHIELD WASHER	1810-44
WINDSHIELD WASHER NOZZLE	1810-14
WINDSHIELD WIPER	1810-8
WIPER, WINDSHIELD	1810-8
WIRE HARNESS (COUNTERWEIGHT REMOVAL DEVICE)	3363A-68
WIRE HARNESS (DR.ZX)	1674-24
WIRE HARNESS, DATA LINK CONNECTOR	0574-2
WIRE HARNESS, ENGINE	0574-2
WIRE HARNESS, FAN REVERSING VALVE	0510-14
WIRE HARNESS, FUEL INJECTOR	0432-4
WIRE HARNESS, JDLINK™	2600-2
WIRE HARNESS, RADIO SPEAKER	1810-14
WIRING HARNESS MOUNTING, CAB	1674-28
WIRING HARNESS, AUXILIARY CONTROL	1674-18
WIRING HARNESS, BATTERY (SN -913536)	1671-2
WIRING HARNESS, BATTERY (SN 913537-)	1671-3A
WIRING HARNESS, BOOM LIGHT (RIGHT)	1673-14
WIRING HARNESS, CAB, COVER	1674-28
WIRING HARNESS, ELECTRICAL COMPONENTS	1674-12
WIRING HARNESS, ENGINE	1674-12
WIRING HARNESS, FRONT HEADLIGHTS, CAB	1673-6
WIRING HARNESS, FRONT LIGHTS (2 LAMP)	1673-10
WIRING HARNESS, FRONT LIGHTS (4 LAMP)	1673-12
WIRING HARNESS, HEADLIGHTS, FRONT (2 LIGHTS)	1673-2
WIRING HARNESS, HEADLIGHTS, FRONT (4 LIGHTS)	1673-4
WIRING HARNESS, HEADLIGHTS, REAR	1673-8
WIRING HARNESS, HYDRAULIC FILTER RESTRICTION INDICATOR KIT	3364A-8
WIRING HARNESS, LEFT PILOT CONTROL HANDLE	3315-11A

0001-25

450DLC EXCAVATOR

ALPHABETICAL INDEX - CONTINUED

	<i>PAGE</i>	<i>PAGE</i>
WIRING HARNESS, LOCK VALVE TO CAB	1674-26	
WIRING HARNESS, LOCK VALVE TO CAB	1674-27A	
WIRING HARNESS, MAIN	1674-12	
WIRING HARNESS, MASS EXCVATING BOOM	3344-4	
WIRING HARNESS, MONITOR	1674-3A	
WIRING HARNESS, RADIO	2001-2	
WIRING HARNESS, RIGHT PILOT CONTROLLER	1674-18	
WIRING HARNESS, SEAT HEATER	1821-8	
WIRING HARNESS, STANDARD BOOM	3344-4	
Y		
YOKE, TRACK IDLER.....	0130-6	

0130-2

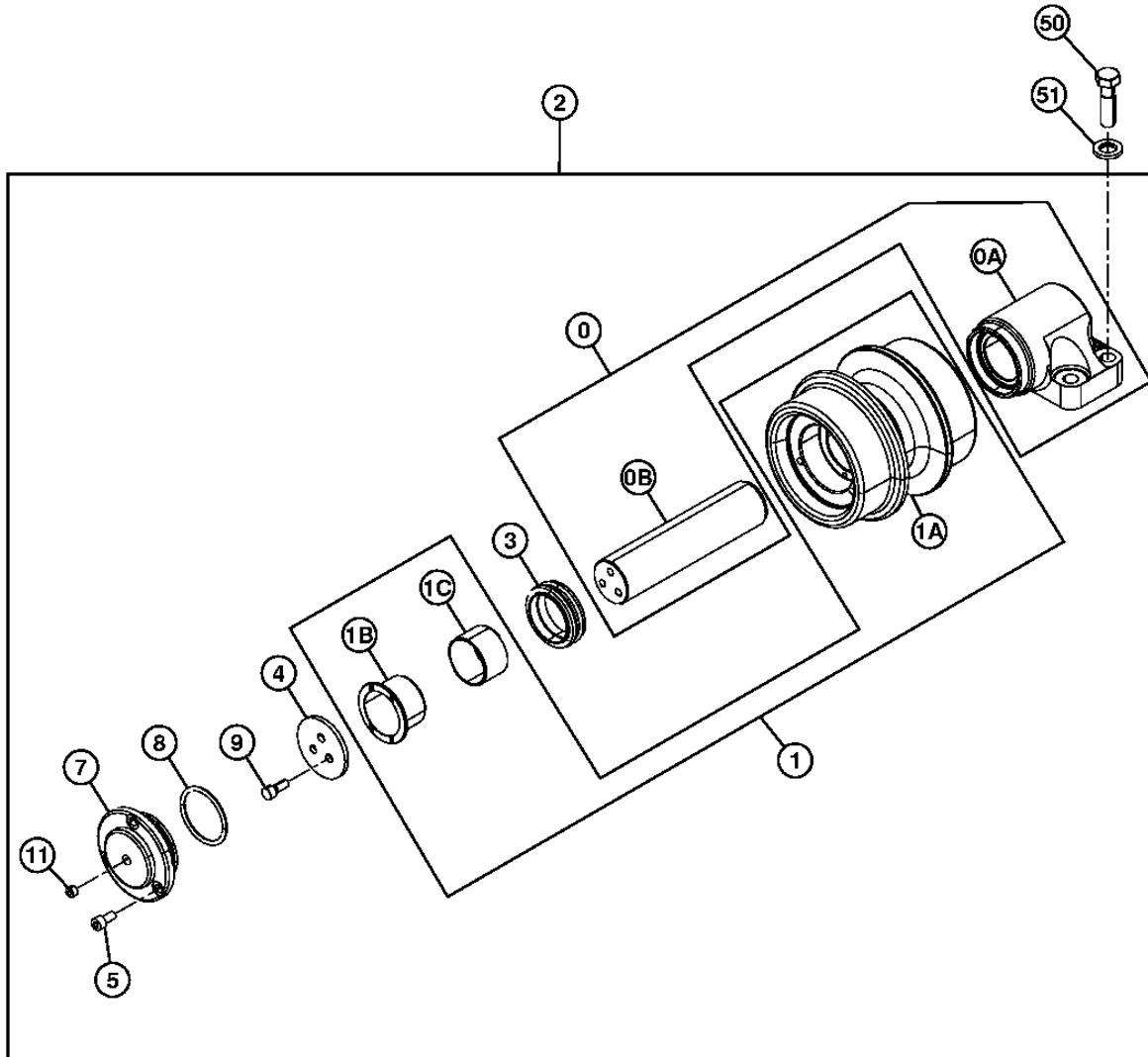
WHEELS, TIRES, TRACKS 01

TRACK SYSTEM 0130

CARRIER ROLLER
GALET SUPERIEUR
RODILLO SUPERIOR

TX1000935

-UN-01DEC05



TX1000935

0130-3

WHEELS, TIRES, TRACKS 01

TRACK SYSTEM 0130

CARRIER ROLLER GALET SUPERIEUR RODILLO SUPERIOR

KEY	PART NO.	PART NAME	QTY.	SERIAL NO.	REMARKS
0	4659162	BRACKET	1		
0A	BEARING	1		(NLA)
0B	AXLE	1		(NLA)
1	4659163	CARRIER ROLLER	1		
1A	4659164	CARRIER ROLLER	1		
1B	3104812	BUSHING	1		
1C	3104813	BUSHING	1		
2	9250478	ROLLER	1		(SUB FOR 4656891)
3	4479926	SEAL	1		
4	4659165	PLATE	1		
5	19M9200	SCREW	3		M10 X 20, (SUB FOR M341020)
7	4659166	COVER	1		
8	955046	O-RING	1		
9	19M8440	SCREW	3		(SUB FOR M341025)
11	94-2011	FITTING PLUG	1		
50	19M8857	CAP SCREW	24		M18 X 70, (SUB FOR J931865)
51	4114406	WASHER	24		

0130-4

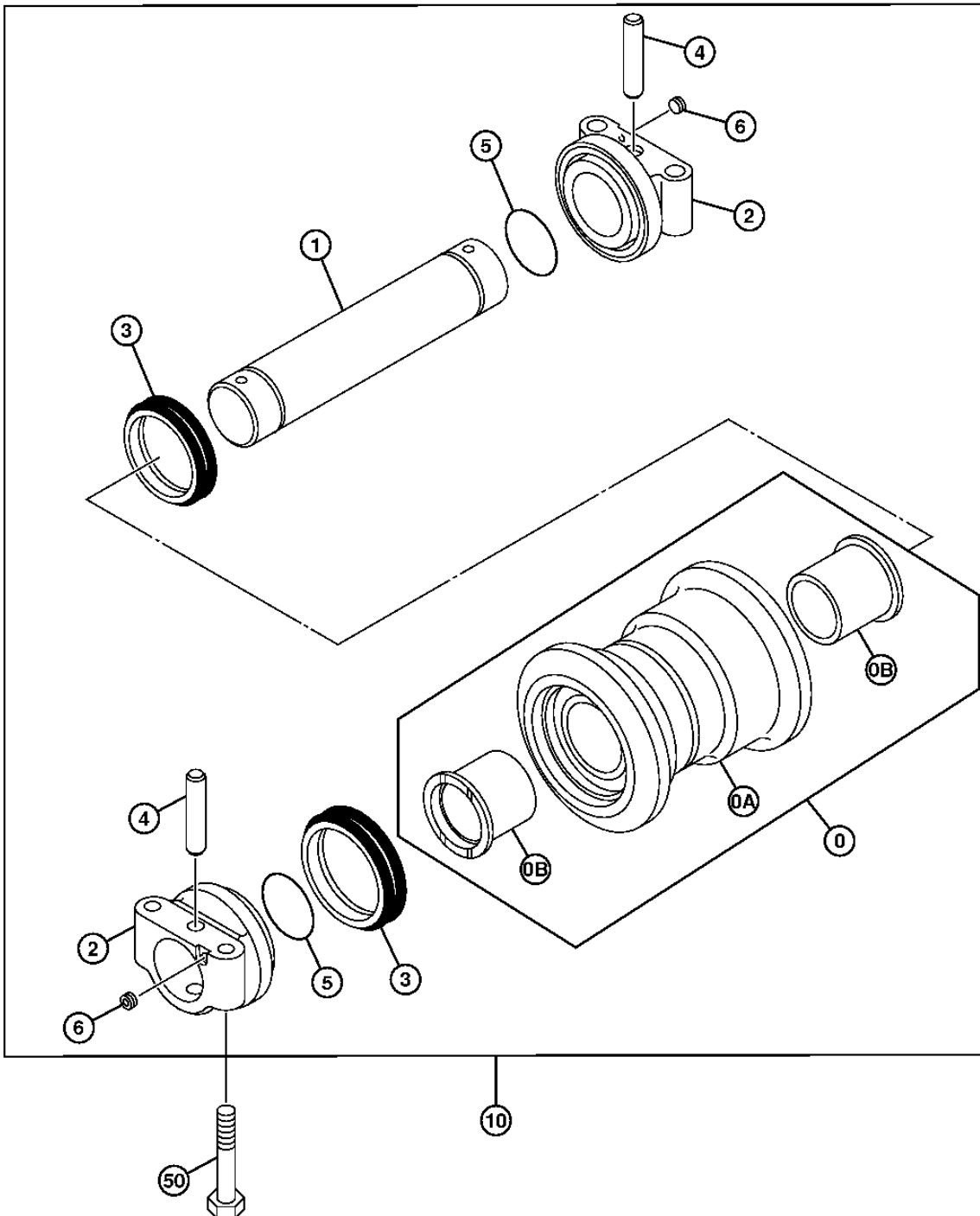
WHEELS, TIRES, TRACKS 01

TRACK SYSTEM 0130

LOWER TRACK ROLLER GALET INFÉRIEUR RODILLO INFERIOR

TX1001273

-UN-21DEC05



TX1001273

0130-5

WHEELS, TIRES, TRACKS 01

TRACK SYSTEM 0130

LOWER TRACK ROLLER GALET INFERIEUR RODILLO INFERIOR

KEY	PART NO.	PART NAME	QTY.	SERIAL NO.	REMARKS
0	ROLLER	1		(4659167 NLA)
0A	ROLLER	1		(4637403 NLA)
0B	3037465	BUSHING	2		
1	AXLE	1		(4637406 NLA)
2	SHIFT COLLAR	2		(4647561 NLA)
3	4645513	SEAL	2		
4	4153955	PIN	2		
5	A810080	PACKING	2		
6	4315607	PLUG	2		
10	ROLLER	1		(SUB AT318029) (4633629 NLA)
50	19M8806	SCREW	4		M22 X 110, (SUB FOR J932202)

0130-6

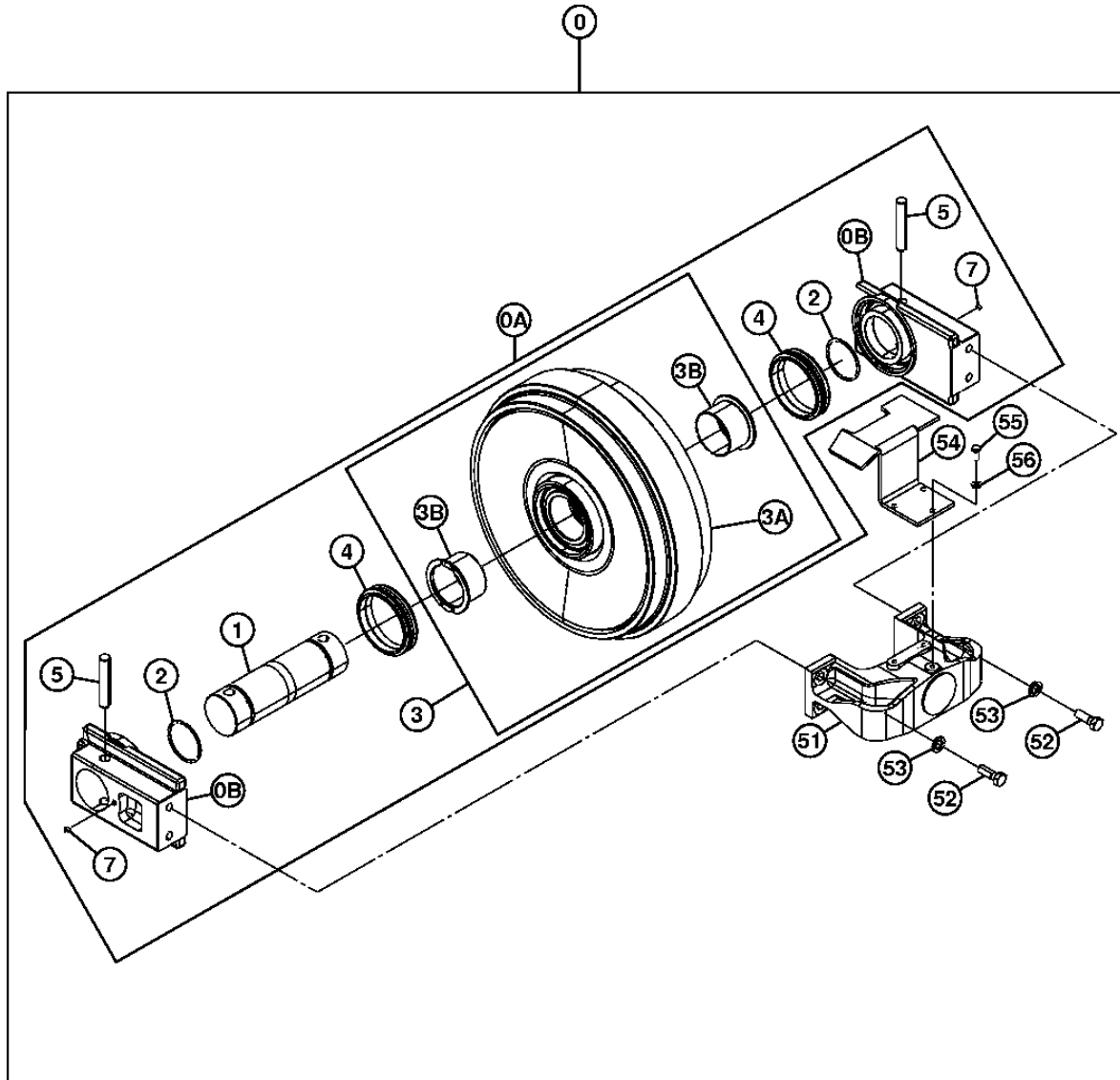
WHEELS, TIRES, TRACKS 01

TRACK SYSTEM 0130

TRACK CHAIN IDLER TENDEUR DE CHAÎNE DE CHENILLE RODILLO TENSOR DE CADENA DE ORUGA

TX1000936

-UN-13DEC05



TX1000936

0130-7

WHEELS, TIRES, TRACKS 01

TRACK SYSTEM 0130

TRACK CHAIN IDLER
TENDEUR DE CHAINE DE CHENILLE
RODILLO TENSOR DE CADENA DE ORUGA

KEY	PART NO.	PART NAME	QTY.	SERIAL NO.	REMARKS
0	TRACK IDLER	1		RH, (9244298 NLA)
	TRACK IDLER	1		LH, (9249951 NLA)
0A	9244297	IDLER	1		
0B	2051605	BEARING	2		
1	2030997	AXLE	1		
2	TH100156	O-RING	2		(SUB FOR 4513526)
3	IDLER	1		(9165600 NLA)
3A	IDLER	1		(6016356 NLA)
3B	3037466	BUSHING	2		
4	4344810	SEAL	2		
5	4153956	PIN	2		
7	94-2011	FITTING PLUG	2		
51	2051606	YOKE	1		
52	4255154	CAP SCREW	4		(SUB FOR J912060)
53	N231749	WASHER	4		(SUB FOR 4018545)
54	2052360	GUARD	1		RH
	2052361	GUARD	1		LH
55	19M8011	CAP SCREW	3		M12 X 30, (SUB FOR J901230)
56	24M7047	WASHER	3		13 X 24 X 2.500 MM, (SUB FOR A590112)

0130-8

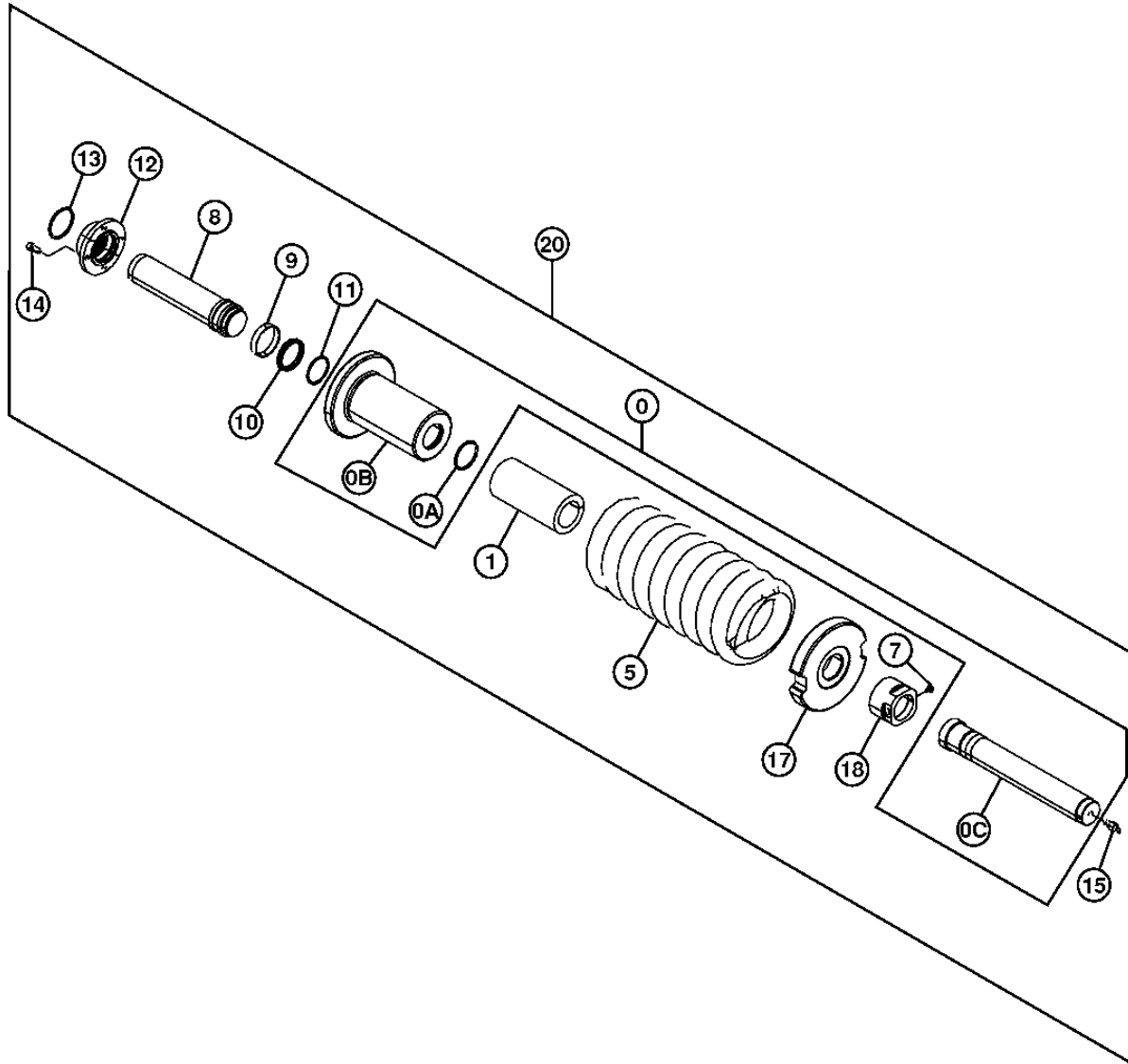
WHEELS, TIRES, TRACKS 01

TRACK SYSTEM 0130

TRACK CHAIN ADJUSTER DISPOSITIF DE REGLAGE DE CHAINE DE CHENILLE AJUSTADOR DE CADENA DE ORUGA

TX1001274

-UN-16DEC05



TX1001274

THIS PARTS LISTING IS CONTINUED

0130-9

WHEELS, TIRES, TRACKS 01

TRACK SYSTEM 0130

TRACK CHAIN ADJUSTER
DISPOSITIF DE REGLAGE DE CHAINE DE CHENILLE
AJUSTADOR DE CADENA DE ORUGA

KEY	PART NO.	PART NAME	QTY.	SERIAL NO.	REMARKS
0	9155800	CYLINDER	1		
0A	4377558	O-RING	1		
0B	CYLINDER	1		(2040241 NLA)
0C	2040242	PIN FASTENER	1		
1	4627531	SPACER	1		
5	TH3102854	EXTENSION SPRING	1		(SUB FOR 3102854)
7	TH108868	BOLT	1		(SUB FOR 4186691)
8	3103495	ROD	1		
9	4150804	RING	1		
10	4152609	SEAL	1		
11	4150805	SNAP RING	1		
12	3053628	GUARD	1		
13	AT264234	O-RING	1		(SUB FOR 4071223)
14	19M8531	SCREW	4		M14 X 35, (SUB FOR M341430)
15	4255055	VALVE	1		
17	3077626	RETAINER	1		
18	4377557	NUT	1		
20	9244702	ADJUSTER	1		

0130-10

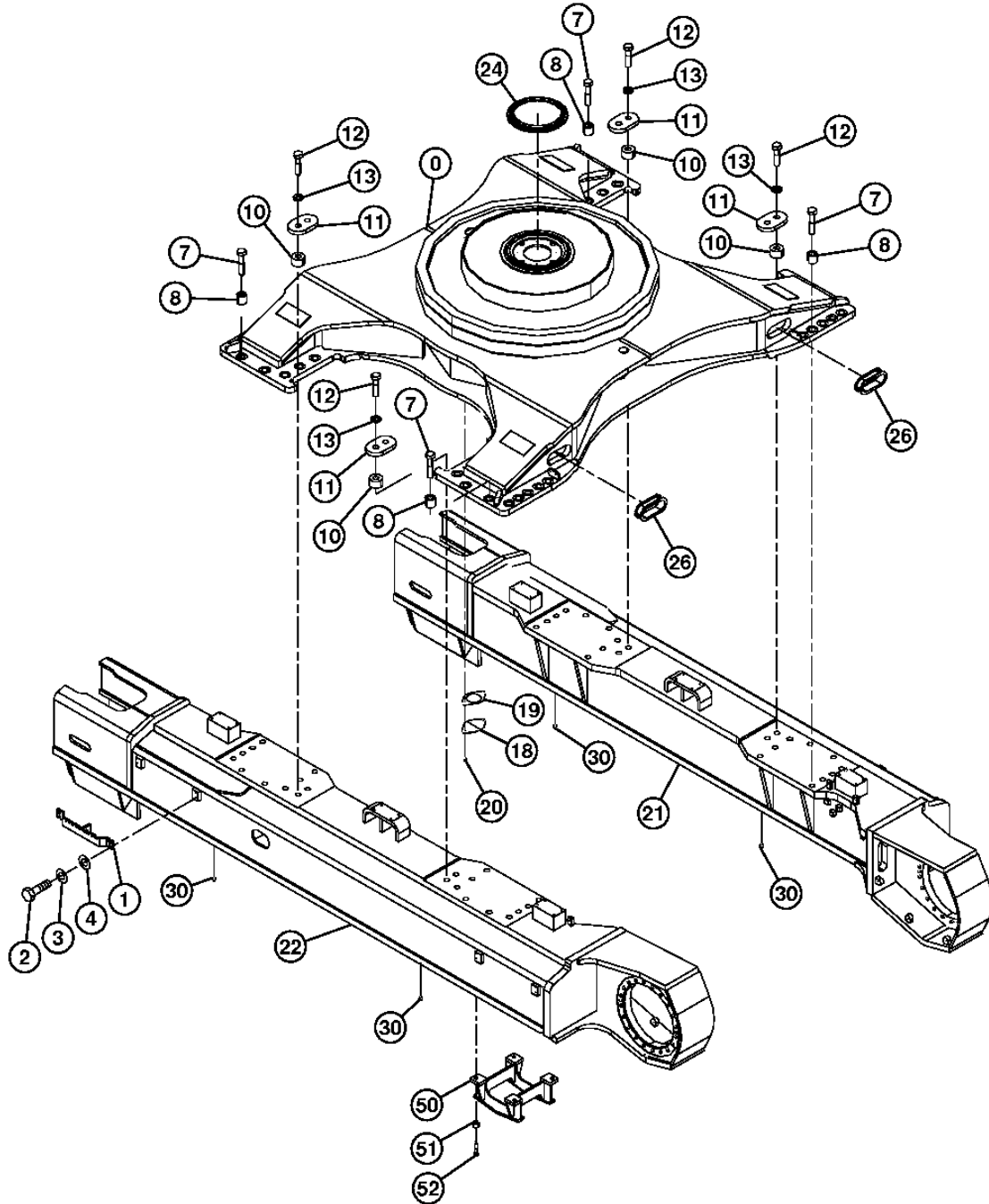
WHEELS, TIRES, TRACKS 01

TRACK SYSTEM 0130

UNDERCARRIAGE FRAME BÂTI DE CHENILLE BASTIDOR DE CADENAS

TX1000937

-UN-12DEC05



TX1000937

0130-11

WHEELS, TIRES, TRACKS 01

TRACK SYSTEM 0130

UNDERCARRIAGE FRAME BATI DE CHENILLE BASTIDOR DE CADENAS

KEY	PART NO.	PART NAME	QTY.	SERIAL NO.	REMARKS
0	5010013	FRAME	1		
1	8092940	STEP	4		
2	19M7489	CAP SCREW	8		M16 X 45, (SUB FOR J901645)
3	12H294	LOCK WASHER	8		15.875 MM, (SUB FOR A590916)
4	24M7338	WASHER	8		17 X 30 X 3 MM, (SUB FOR J222016)
7	J833310	BOLT	36		
8	4320218	SPACER	36		
10	4269567	SPACER	8		
11	4269566	STRAP	4		
12	J833306	CAP SCREW	8		
13	4083438	WASHER	8		
18	4013896	COVER	1		
19	4244172	GASKET	1		
20	SCREW WITH WASHER	2		(J271020 NLA)
	19M7938	CAP SCREW	1		(SUB FOR J901020)
	24M7346	WASHER	1		(SUB FOR J222010)
21	4637288	FRAME	1		RH
22	4637289	FRAME	1		LH
24	4610571	SEAL	1		
26	4459210	BUSHING	2		
30	99M7010	PLUG	20		(SUB FOR 431578)
50	8100798	GUARD	4		
51	4375092	SPACER	16		
52	J932200	BOLT	16		

0130-12

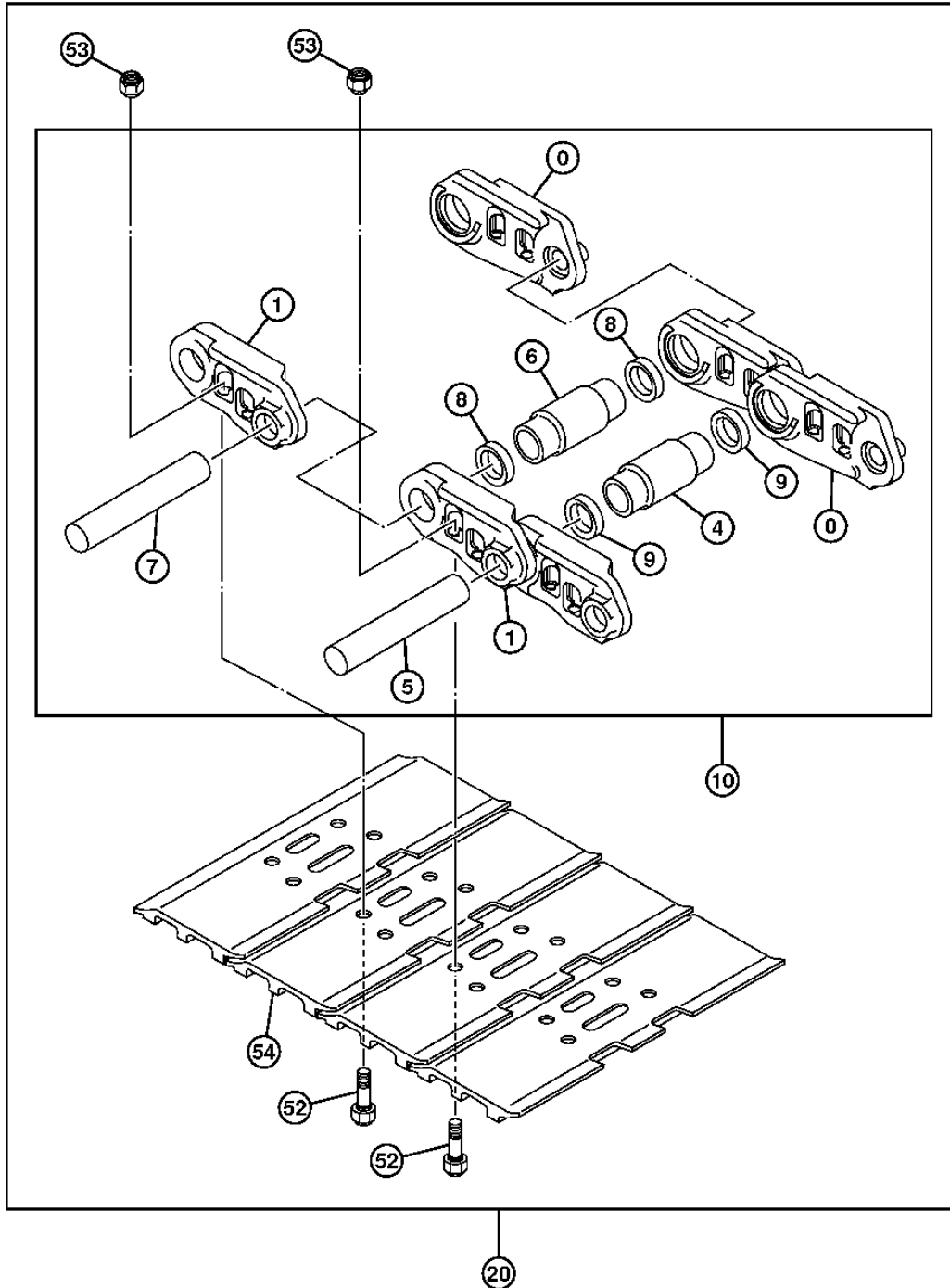
WHEELS, TIRES, TRACKS 01

TRACK SYSTEM 0130

TRACK CHAIN ASSEMBLY SYSTEMES A CHENILLES SISTEMAS DE ORUGAS

TX1001278

-UN-16DEC05



TX1001278

0130-13

WHEELS, TIRES, TRACKS 01

TRACK SYSTEM 0130

**TRACK CHAIN ASSEMBLY
SYSTEMES A CHENILLES
SISTEMAS DE ORUGAS**

KEY	PART NO.	PART NAME	QTY.	SERIAL NO.	REMARKS
0	4637797	TRACK LINK	53		RH
1	4637798	TRACK LINK	53		LH
4	4637799	BUSHING	52		
5	AT132153	PIN	52		(SUB FOR 4155607)
6	AT132505	BUSHING	1		(MASTER TRACK BUSHING) (SUB FOR 4207487)
7	4637800	PIN FASTENER	1		(MASTER TRACK PIN)
8	4328032	SEAL	2		(MASTER TRACK SEAL)
9	4631358	SEAL	104		
10	9251219	TRACK CHAIN W/O SHOES	1		
20	9251220	TRACK ASSEMBLY WITH SHOES	1		ORDER IF AVAILABLE, (600 MM)
	9264408	TRACK ASSEMBLY WITH SHOES	1		ORDER IF AVAILABLE, (750 MM)
	9260580	TRACK ASSEMBLY WITH SHOES	1		ORDER IF AVAILABLE, (900 MM)
52	4328034	BOLT	212		
53	4328035	NUT	212		
54	4409426	TRIPLE BAR SHOE	53		(600 MM)
	4403212	TRIPLE BAR SHOE	53		(750 MM)
	4409428	OPEN CENTER 3 BAR SHOE	53		(900 MM)

0130-13A

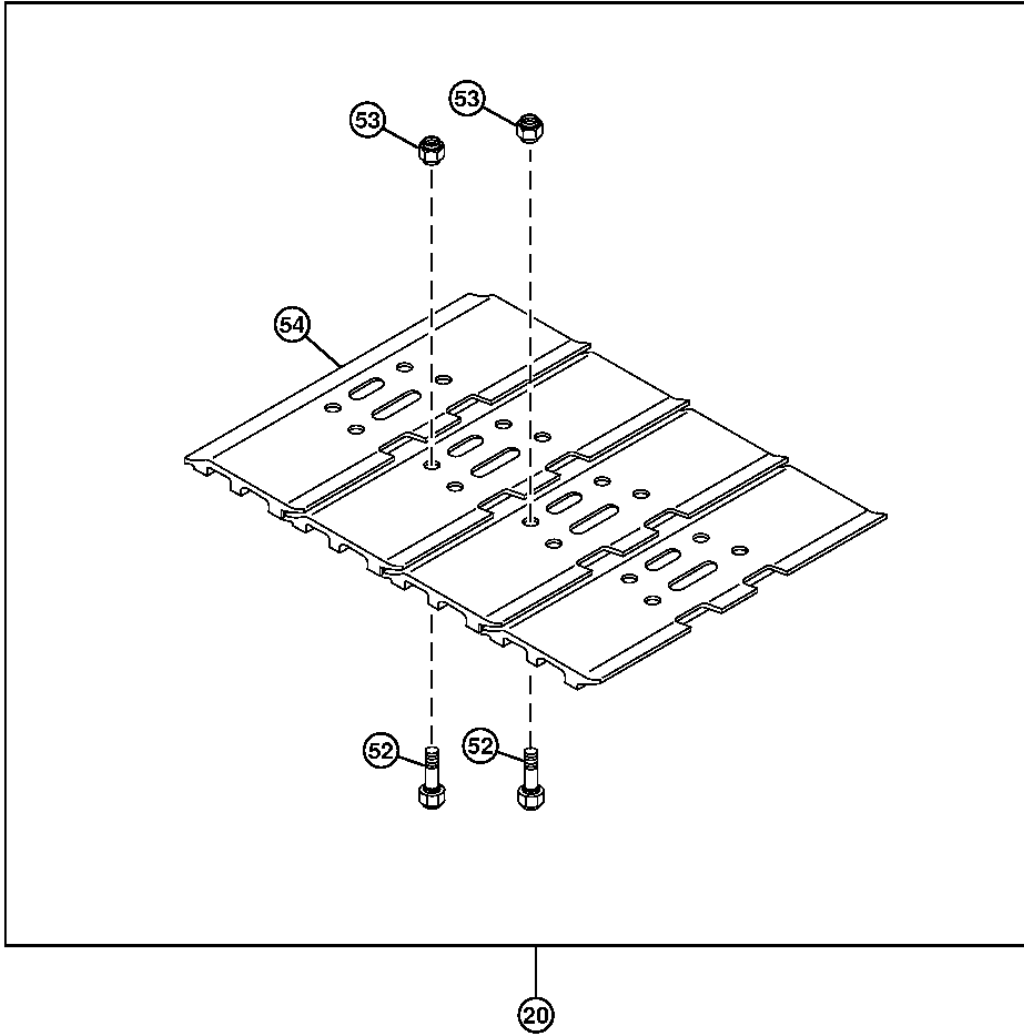
WHEELS, TIRES, TRACKS 01

TRACK SYSTEM 0130

SINGLE BAR SHOE
PATIN A SIMPLE BARRE
ZAPATA DE BARRA UNICA

TX1046461

-UN-



TX1046461

0130-13B

WHEELS, TIRES, TRACKS 01

TRACK SYSTEM 0130

**SINGLE BAR SHOE
PATIN A SIMPLE BARRE
ZAPATA DE BARRA UNICA**

KEY	PART NO.	PART NAME	QTY.	SERIAL NO.	REMARKS
20	AT354843	KIT	1		(WHOLEGOODS) (ORDER DURA TRAX DIRECT WHOLEGOODS) (2 PER MACHINE)
52	FFSB108850	TRACK BOLT	212		(ORDER DURA TRAX DIRECT)
53	FFSB108847	NUT	212		(ORDER DURA TRAX DIRECT)
54	F437477	SHOE	53		(ORDER DURA TRAX DIRECT)

0130-16

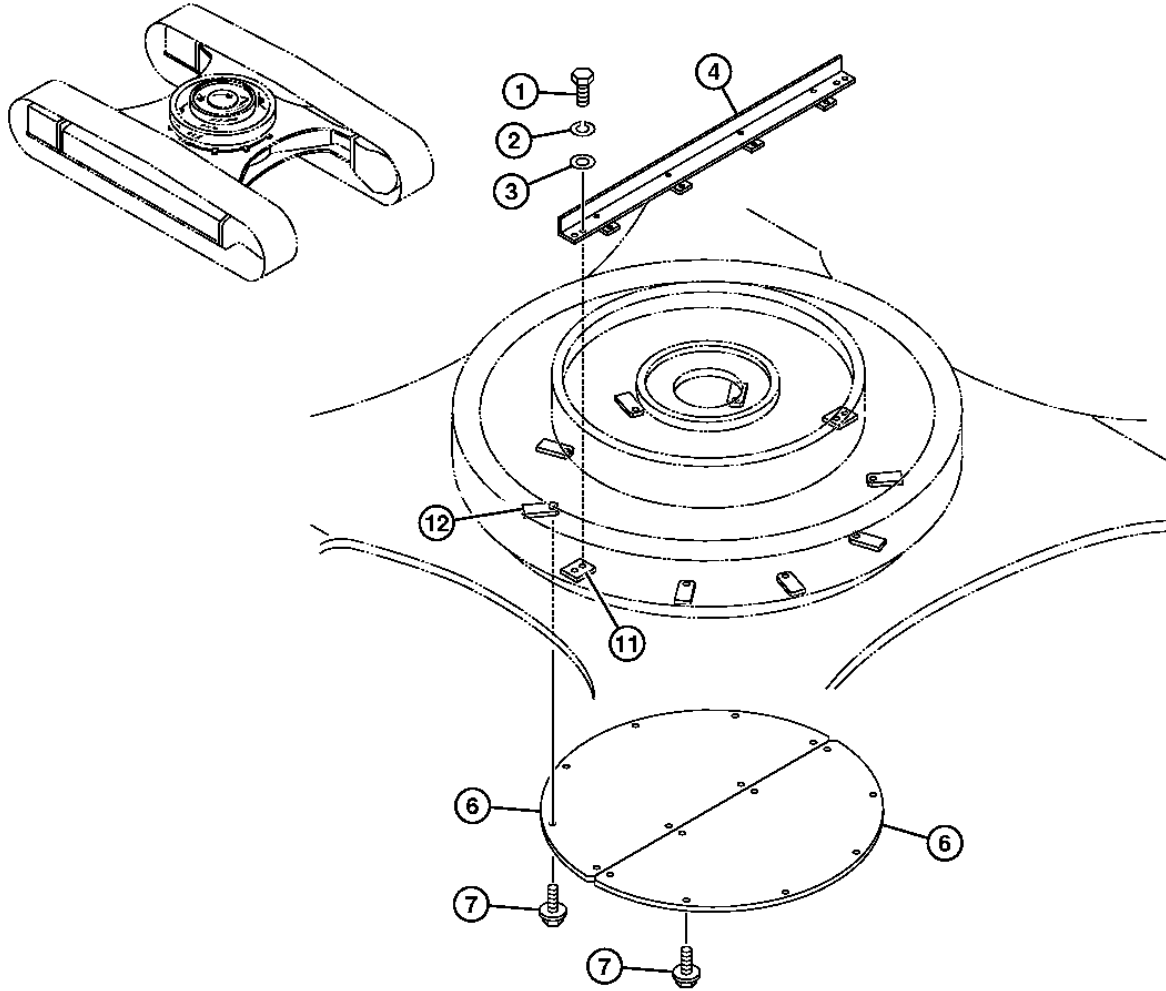
WHEELS, TIRES, TRACKS 01

TRACK SYSTEM 0130

TRACK FRAME BOTTOM COVER PROTECTION INFERIEURE DE BATI DE CHENILLE CUBIERTA DE FONDO DE BASTIDOR DE CADENA

TX1001213

-UN-12DEC05



TX1001213

0130-17

WHEELS, TIRES, TRACKS 01

TRACK SYSTEM 0130

**TRACK FRAME BOTTOM COVER
PROTECTION INFERIEURE DE BATI DE CHENILLE
CUBIERTA DE FONDO DE BASTIDOR DE CADENA**

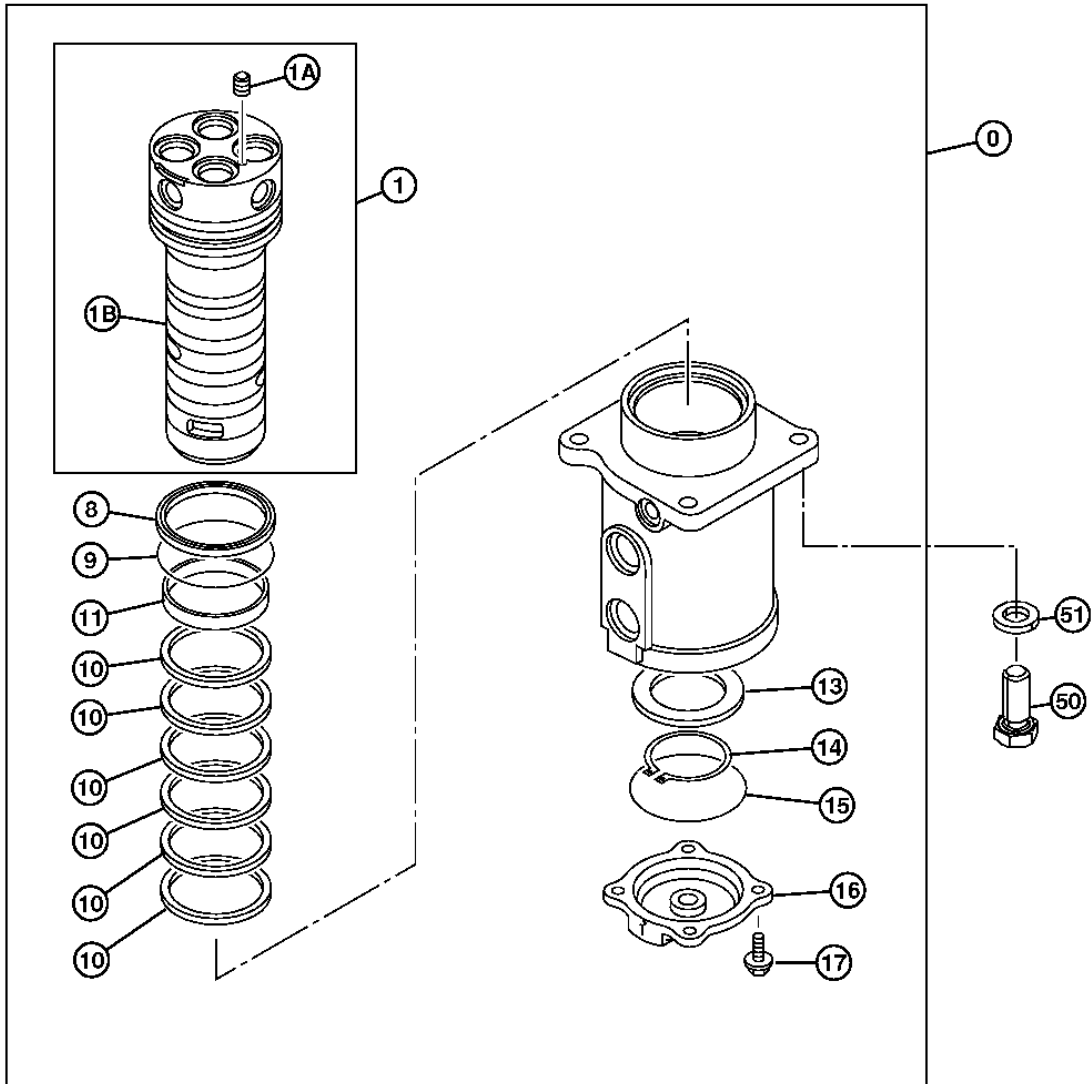
KEY	PART NO.	PART NAME	QTY.	SERIAL NO.	REMARKS
1	J901630	CAP SCREW	4		
2	A590916	LOCK WASHER	4		
3	A590116	WASHER	4		
4	8082794	SUPPORT	1		
6	3087157	COVER	2		
7	BOLT	16		(J281230 NLA)
	19M8011	CAP SCREW	1		M12 X 30, (SUB FOR J901230)
	4249324	WASHER	1		
11	4257964	WELD NUT	2		
12	4257965	WELD NUT	8		

0260-2

ROTARY MANIFOLD COLLECTEUR ROTATIF MULTIPLE GIRATORIO

TX1002015

-UN-13JAN06



TX1002015

0260-3

AXLES AND SUSPENSION SYSTEMS 02

HYDRAULIC SYSTEM 0260

ROTARY MANIFOLD COLLECTEUR ROTATIF MULTIPLE GIRATORIO

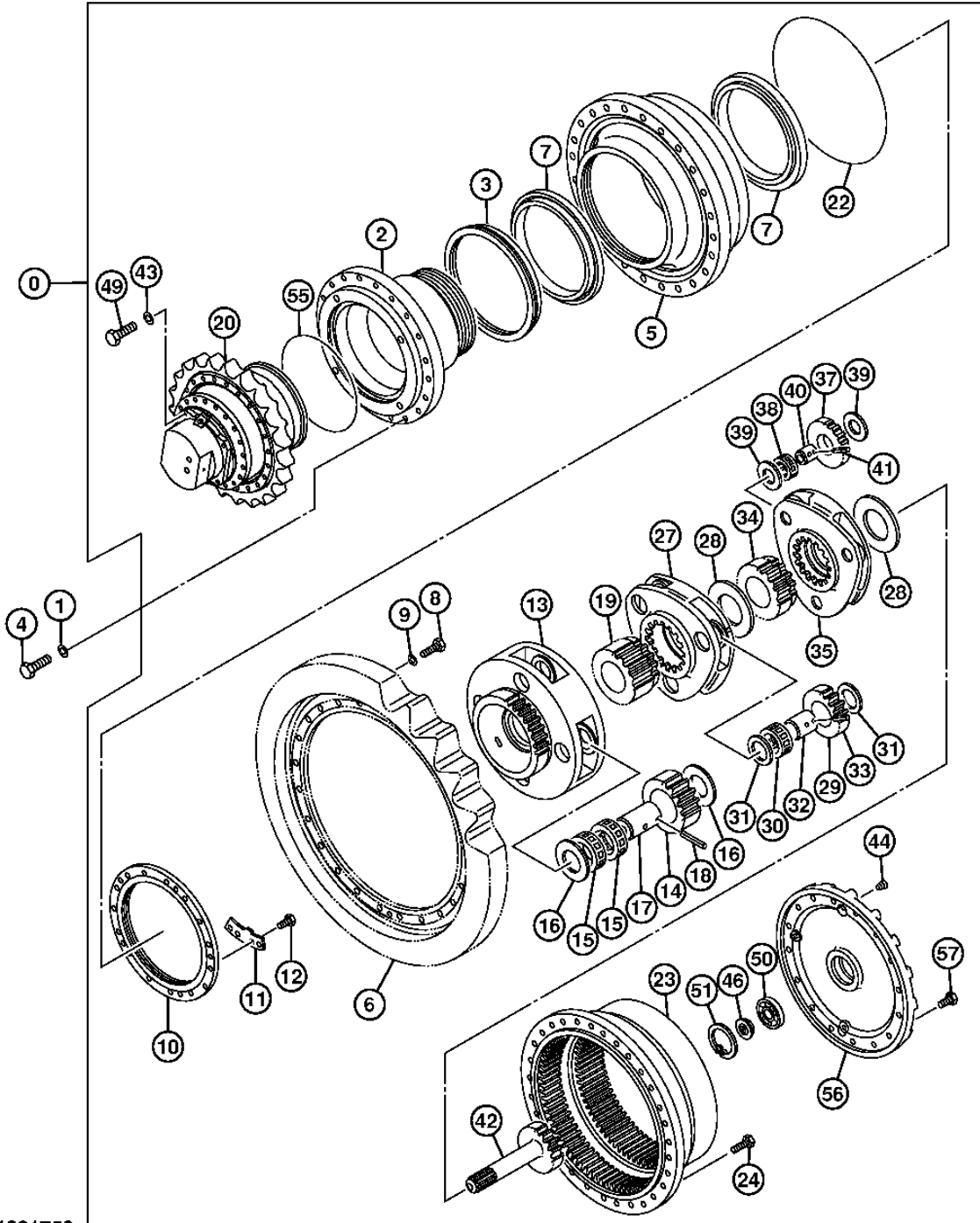
KEY	PART NO.	PART NAME	QTY.	SERIAL NO.	REMARKS
0	9199789EX	MANIFOLD	1		REMAN, (SUB FOR 9183296)
1	9186449	SPINDLE	1		
1A	4239610	PLUG	1		
1B	SPINDLE	1		(0003590 NLA)
8	4408281	SEAL	1		
9	AT264340	O-RING	1		(SUB FOR 4430508 OR 992446)
10	4359550	SEAL	6		
11	4359549	BUSHING	1		
13	4359548	RING	1		
14	40M7150	SNAP RING	1		(SUB FOR 991350)
15	CH13523	PACKING	1		(SUB FOR A810125)
16	3074241	COVER	1		
17	SCREW WITH WASHER	4		(J222010 NLA)
	19M8011	CAP SCREW	4		M12 X 30, (SUB FOR J901230)
	24M7345	WASHER	4		13.500 X 24 X 2.500 MM. (SUB FOR J222012)
50	19M7488	CAP SCREW	4		M16 X 40, (SUB FOR J901640)
51	12H294	LOCK WASHER	4		15.875 MM, (SUB FOR A590916)

0260-6

TRAVEL MOTOR GEARBOX BOITE D'ENGRENAGES DE MOTEUR DE DEPLACEMENT CAJA DE ENGRANAJES DE MOTOR DE PROPULSION

TX1001759

-UN-03JAN06



TX1001759

THIS PARTS LISTING IS CONTINUED

0260-7

AXLES AND SUSPENSION SYSTEMS 02

HYDRAULIC SYSTEM 0260

**TRAVEL MOTOR GEARBOX
BOITE D'ENGRENAGES DE MOTEUR DE DEPLACEMENT
CAJA DE ENGRANAJES DE MOTOR DE PROPULSION**

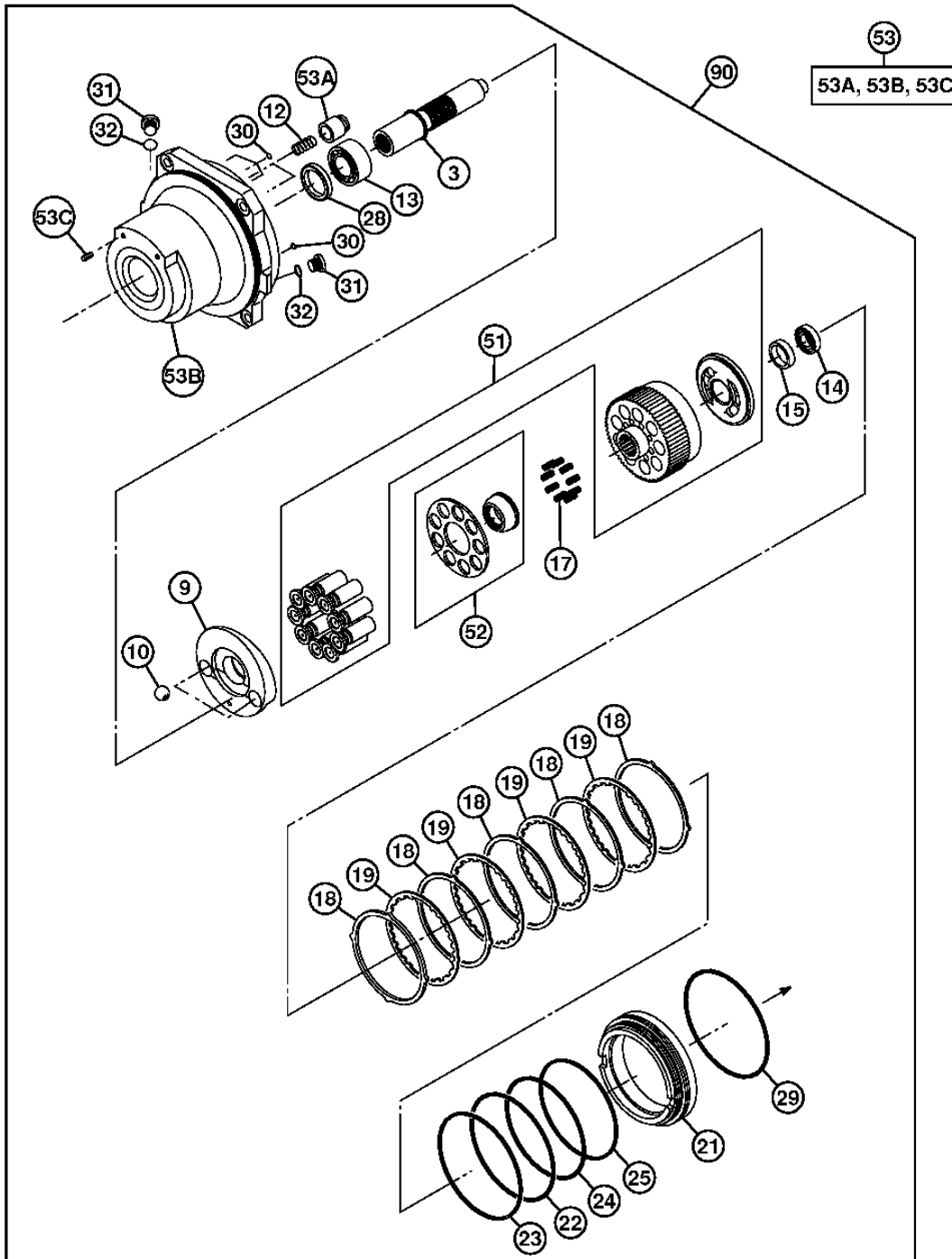
KEY	PART NO.	PART NAME	QTY.	SERIAL NO.	REMARKS
0	9263595	HYDRAULIC MOTOR	1		(SUB FOR 9251680)
1	T56006	WASHER	40		(SUB FOR 4089822)
2	1027942	HOUSING	1		
3	4344155	SEAL KIT	1		
4	J932200	BOLT	40		
5	1015882	DRUM	1		
6	1028494	CHAIN SPROCKET	1		
7	4200411	TAPERED ROLLER BEARING	2		
8	T214405	BOLT	24		
9	12H352	LOCK WASHER	24		7/8"
10	3043140	RETAINER	1		
11	3043141	LOCK PLATE	1		
12	19M7872	CAP SCREW	2		M12 X 25
13	1015883	PLANET PINION CARRIER	1		
14	3053195	PLANET PINION	4		
15	4452484	NEEDLE BEARING	8		
16	4219595	THRUST WASHER	8		
17	4263903	SLEEVE	4		
18	34H343	SPRING PIN	4		5/16" X 3-1/2"
19	3053786	SUN GEAR	1		
20	PG200030	HYDRAULIC MOTOR	1		(REMAN) (SUB FOR 4637796) (TRAVEL MOTOR AND BRAKE VALVE)
	0979004	SEAL KIT	1		
22	4203187	O-RING	1		
23	1018360	RING GEAR	1		
24	J931845	BOLT	30		
27	1015523	PLANET PINION CARRIER	1		
28	4263905	WASHER	2		
29	3053194	PLANET PINION	3		
30	4452483	NEEDLE BEARING	3		
31	4201968	SHIM	6		
32	4263902	SPACER	3		
33	4203180	SPRING PIN	3		
34	3053785	SUN GEAR	1		
35	1015505	PLANET PINION CARRIER	1		
37	3053098	PLANET PINION	3		
38	4452480	NEEDLE BEARING	3		
39	4269295	SHIM	6		
40	4263901	SPACER	3		
41	4222030	SPRING PIN	3		
42	2044685	SHAFT	1		
43	12H312	LOCK WASHER	4		3/4"
44	0153426	FITTING PLUG	3		
46	4288767	PIN	1		
49	19M8969	CAP SCREW	4		M18 X 60, (SUB FOR J911860)
50	4274541	BALL BEARING	1		
51	40M7090	SNAP RING	1		
55	4271596	O-RING	1		
56	1023348	COVER	1		
57	4373463	BOLT	16		

0260-8

TRAVEL MOTOR MOTEUR DE DEPLACEMENT MOTOR DE PROPULSION

TX1005647

-UN-30MAR06



TX1005647

0260-9

AXLES AND SUSPENSION SYSTEMS 02

HYDRAULIC SYSTEM 0260

TRAVEL MOTOR MOTEUR DE DEPLACEMENT MOTOR DE PROPULSION

KEY	PART NO.	PART NAME	QTY.	SERIAL NO.	REMARKS
3	0809501	SHAFT	1		
9	0923601	PLATE	1		(SUB FOR 0820101)
10	0682706	BALL	2		
12	0809503	SPRING	2		
13	0809504	CYLINDRICAL ROLLER BEARING	1		
14	0809505	CYLINDRICAL ROLLER BEARING	1		
15	0809506	BUSHING	1		
17	0806502	SPRING	9		(SUB FOR 0419805)
18	0979001	PLATE	5		
19	0419808	PLATE	4		
21	0809509	PISTON	1		
22	0365427	O-RING	1		(SUB FOR 0411419)
23	0809510	PISTON RING	1		
24	0419806	O-RING	1		
25	0419812	BACK-UP RING	1		
28	0979002	SEAL	1		
29	A811260	O-RING	1		
30	CH17167	O-RING	4		(SUB FOR 4506320)
31	0809511	PIPE PLUG	2		
32	AT318035	O-RING	2		(SUB FOR 4506424)
51	0923601	PLATE	1		(SUB FOR 0820103)
52	0809513	RETAINER	1		
53	CASE	1		(0809514 NLA)
53A	CAP	1		(NLA)
53B	HOUSING	1		(NLA)
53C	PLUG	1		(NLA)
90	PG200030	HYDRAULIC MOTOR	1		(A) (REMAN) (SUB FOR 4637796)

(A) ADDITIONAL COMPONENTS LISTED ON FOLLOWING PAGE

(A) COMPOSANTS SUPPLEMENTAIRES ENUMERES AUX PAGE SUIVANTES

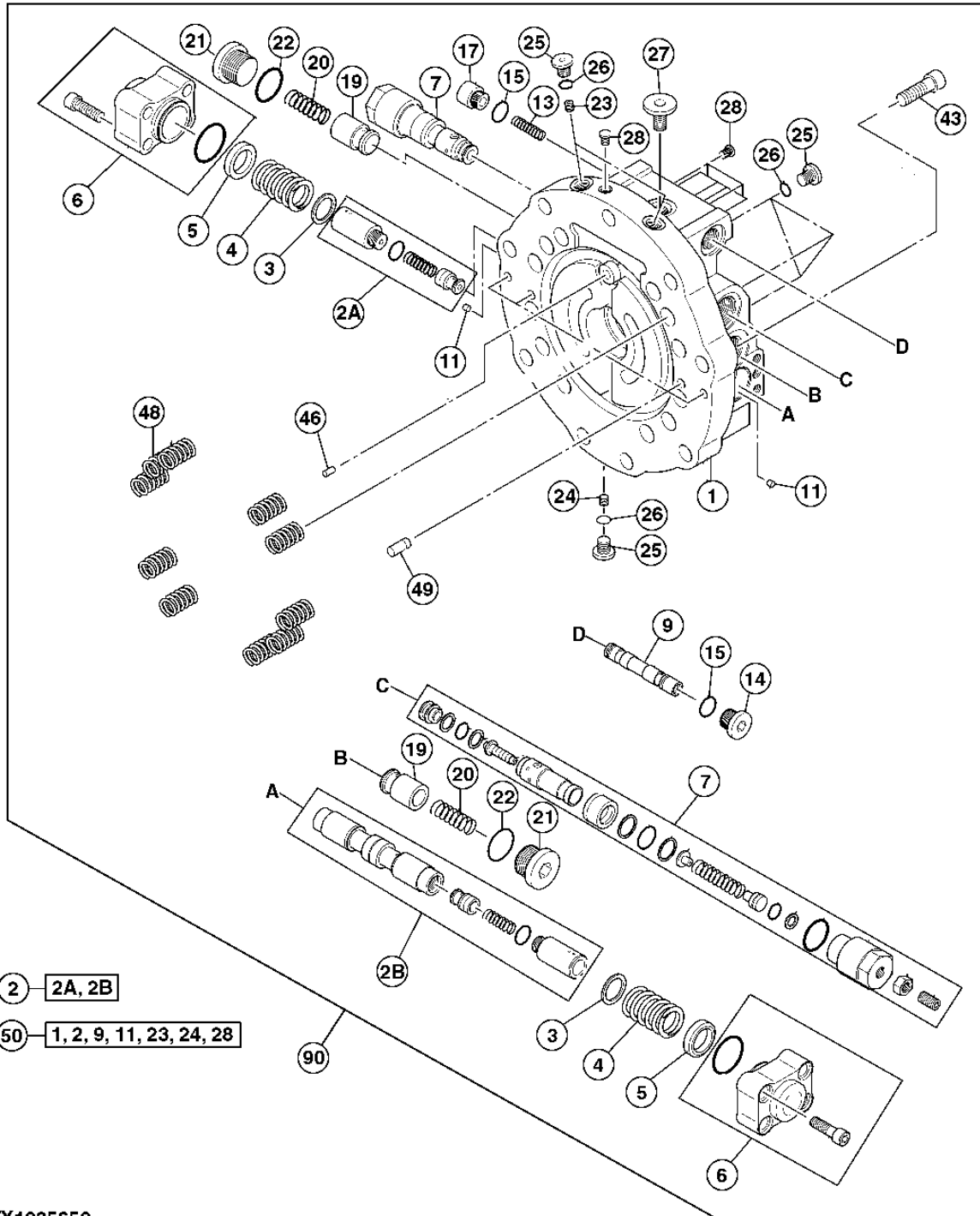
(A) COMPONENTES ADICIONALES INDICADOS EN PAGINA SIGUIENTES

0260-10

TRAVEL MOTOR BRAKE VALVE CLAPET DE FREIN DE MOTEUR DE DEPLACEMENT VALVULA DE FRENO DE MOTOR DE PROPULSION

TX1005650

-UN-30MAR06



TX1005650

0260-11

AXLES AND SUSPENSION SYSTEMS 02

HYDRAULIC SYSTEM 0260

**TRAVEL MOTOR BRAKE VALVE
CLAPET DE FREIN DE MOTEUR DE DEPLACEMENT
VALVULA DE FRENO DE MOTOR DE PROPULSION**

KEY	PART NO.	PART NAME	QTY.	SERIAL NO.	REMARKS
1	MANIFOLD	1		(NLA)
2	SPOOL VALVE	1		(NLA)
2A	SPOOL	1		(NLA)
2B	SPOOL AND STRING	1		(NLA)
3	0163601	PLATE	1		
4	0420002	SPRING	1		
5	0809601	SPRING	1		
6	0979101	CAP	1		
7	0806602	PRESSURE RELIEF VALVE	1		
9	SPOOL	1		(NLA)
11	FITTING	2		(NLA)
13	0820203	SPRING	1		
14	0671002	FITTING PLUG	1		
15	4506418	O-RING	2		
17	0820204	PIPE PLUG	1		
19	0352304	CHECK VALVE	2		
20	0352305	SPRING	2		
21	0352306	PLUG	2		
22	TH101926	O-RING	2		(SUB FOR 4506429)
23	FITTING	2		(NLA)
24	FITTING	1		(NLA)
25	0436608	FITTING PLUG	5		
26	M800650	PACKING	5		(SUB FOR 957366)
27	PLUG	1		(NLA)
28	PLUG	7		(NLA)
43	0168008	BOLT	9		
46	0682803	PIN	1		
48	0809604	SPRING	10		
49	0251319	PIN	4		
50	0979103	PLATE	1		
90	PG200030	HYDRAULIC MOTOR	1		(A) (REMAN) (SUB FOR 4637796)

(A) ADDITIONAL COMPONENTS LISTED ON PREVIOUS PAGE

(A) COMPOSANTS SUPPLEMENTAIRES ENUMERES AUX PAGE PRECEDENTES

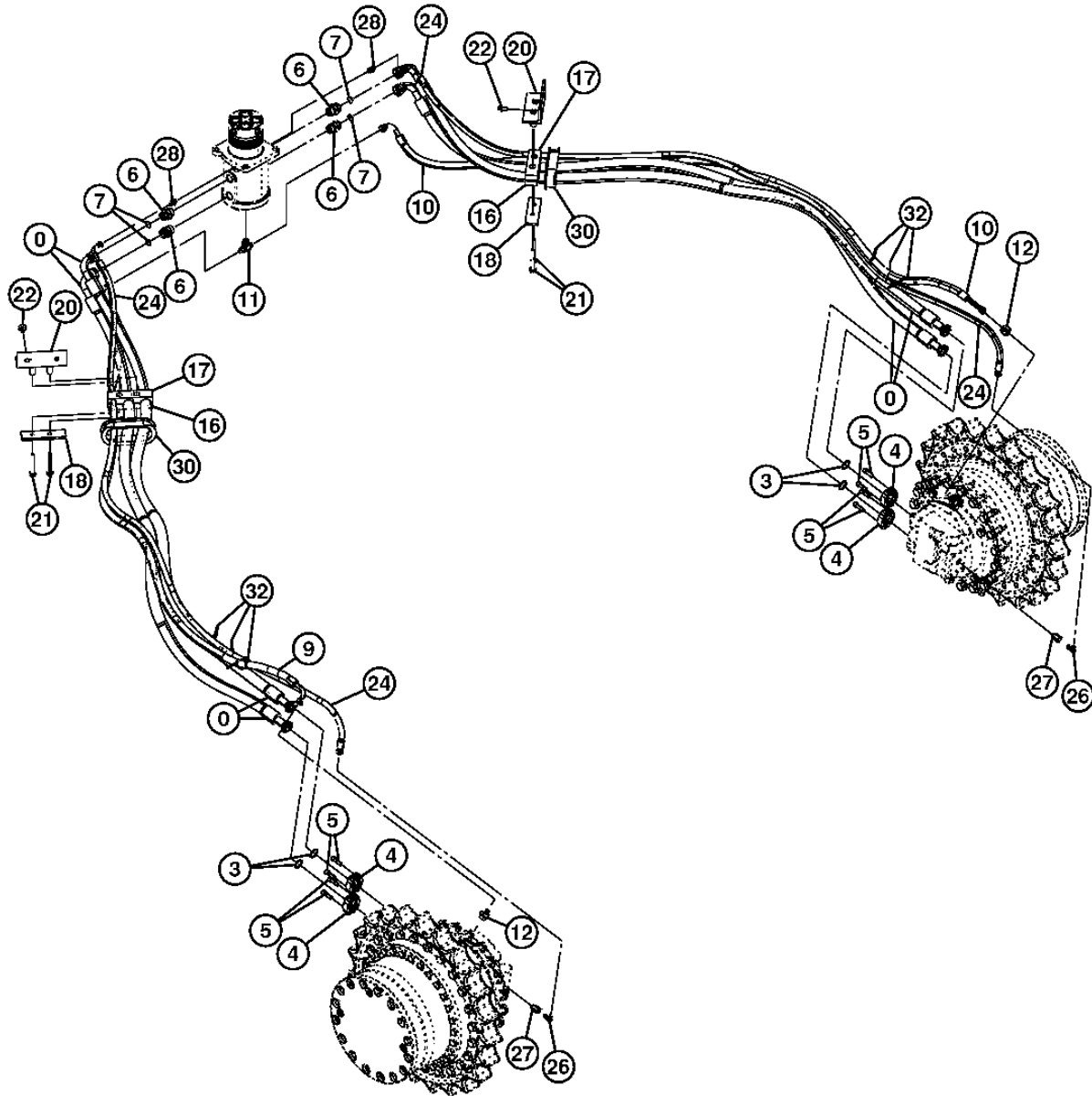
(A) COMPONENTES ADICIONALES INDICADOS EN PAGINA ANTERIORES

0260-14

TRAVEL DEVICE HYDRAULIC LINES FLEXIBLES HYDRAULIQUES DE MOTEUR DE PROPULSION MANGUERAS HIDRAULICAS DE MOTOR PROPULSOR

TX1001223

-UN-16DEC05



TX1001223

0260-15

AXLES AND SUSPENSION SYSTEMS 02

HYDRAULIC SYSTEM 0260

**TRAVEL DEVICE HYDRAULIC LINES
FLEXIBLES HYDRAULIQUES DE MOTEUR DE PROPULSION
MANGUERAS HIDRAULICAS DE MOTOR PROPULSOR**

KEY	PART NO.	PART NAME	QTY.	SERIAL NO.	REMARKS
0	4640188	HYDRAULIC HOSE	4		
3	966993	O-RING	4		
4	4085560	FLANGE FITTING	8		
5	19M8395	SCREW	16		M12 X 40, (SUB FOR M341240)
6	4189535	ADAPTER FITTING	4		
	TH101926	O-RING	1		(SUB FOR 4506429)
7	T76938	O-RING	4		(SUB FOR 4187328)
9	4639753	HYDRAULIC HOSE	1		
10	4640204	HYDRAULIC HOSE	1		
11	A852544	TEE FITTING	1		
	4506418	O-RING	1		
12	4279302	ADAPTER FITTING	2		(SUB FOR 4317612)
	AT318035	O-RING	1		(SUB FOR 4506424)
16	4339413	HOSE CLAMP	2		
17	4267673	HOSE CLAMP	2		
18	4268908	STRAP	2		
20	8061456	BRACKET	2		
21	BOLT	4		(J271200 NLA)
	19M7949	CAP SCREW	4		M12 X 100, (SUB FOR J901200)
	24M7345	WASHER	4		13.500 X 24 X 2.500 MM, (SUB FOR J222012)
22	BOLT	4		(J281230 NLA)
	19M8011	CAP SCREW	4		M12 X 30, (SUB FOR J901230)
	4249324	WASHER	4		
24	4639749	HYDRAULIC HOSE	2		
26	A852323	ELBOW FITTING	2		
	M800650	PACKING	1		(SUB FOR 0957366)
27	4202564	ADAPTER FITTING	2		
	M800650	PACKING	1		(SUB FOR 0957366)
28	A852133	ADAPTER FITTING	2		
	CH11570	O-RING	1		(SUB FOR 4509180)
30	4343768	GROMMET	2		
32	H77698	TIE BAND	6		(SUB FOR 4055312)

0260-20

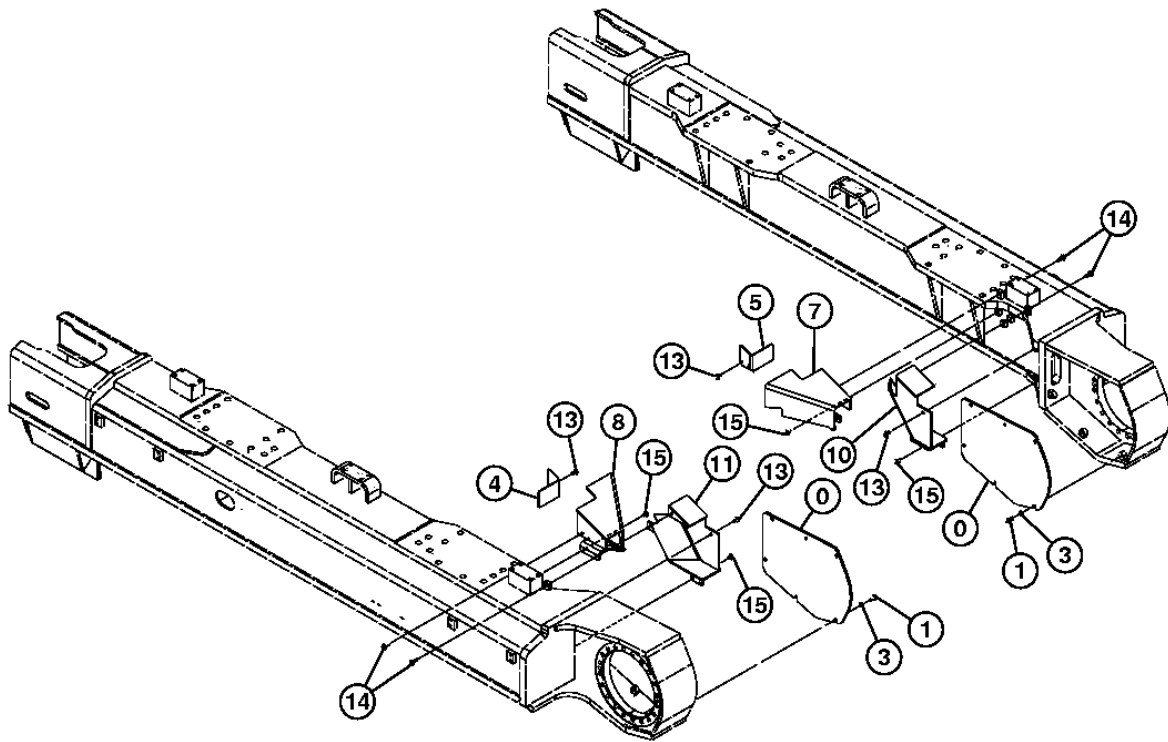
AXLES AND SUSPENSION SYSTEMS 02

HYDRAULIC SYSTEM 0260

TRAVEL MOTOR COVER COUVERCLES D' MOTEUR DE PROPULSION CUBIERTAS DE MOTOR PROPULSOR

TX1001228

-UN-12DEC05



TX1001228

THIS PARTS LISTING IS CONTINUED

0260-21

AXLES AND SUSPENSION SYSTEMS 02

HYDRAULIC SYSTEM 0260

**TRAVEL MOTOR COVER
COUVERCLES D' MOTEUR DE PROPULSION
CUBIERTAS DE MOTOR PROPULSOR**

KEY	PART NO.	PART NAME	QTY.	SERIAL NO.	REMARKS
0	3088005	COVER	2		
1	4257968	BOLT	12		
3	24M7338	WASHER	12		17 X 30 X 3 MM, (SUB FOR J222016)
4	8061383	BRACKET	1		
5	8061384	BRACKET	1		
7	COVER	1	-916002	(6023946 NLA)
8	6026430	COVER	1	916003-	(ALSO ORDER 7054991 AND (2) J281240)
	COVER	1	-916002	(6023945 NLA)
	6026431	COVER	1	916003-	(ALSO ORDER 7054992 AND (2) J281240)
10	COVER	1	-916002	(7054991 NLA)
	7054991	COVER	1	916003-	(ALSO ORDER 6026430 AND (2) J281240)
11	COVER	1	-916002	(7054992 NLA)
	7054992	COVER	1	916003-	(ALSO ORDER 6026431 AND (2) J281240)
12	SCREW WITH WASHER	4	916003-	(J281240 NLA)
	19M7493	CAP SCREW	4	916003-	M12 X 40
	4249324	WASHER	4	916003-	
13	BOLT	6		(J281235 NLA)
	19M7403	CAP SCREW	1		M12 X 35, (SUB FOR J901235)
	4249324	WASHER	1		
14	BOLT	4		(J281250 NLA)
	19M7361	CAP SCREW	1		M12 X 50, (SUB FOR J901250)
	4249324	WASHER	1		
15	BOLT	10	-916002	(J281230 NLA)
	19M8011	CAP SCREW	10	-916002	M12 X 30, (SUB FOR J901230)
	4249324	WASHER	10	-916002	
	BOLT	6	916003-	(J281230 NLA)
	19M8011	CAP SCREW	6	916003-	M12 X 30, (SUB FOR J901230)
	4249324	WASHER	6	916003-	

0400-2

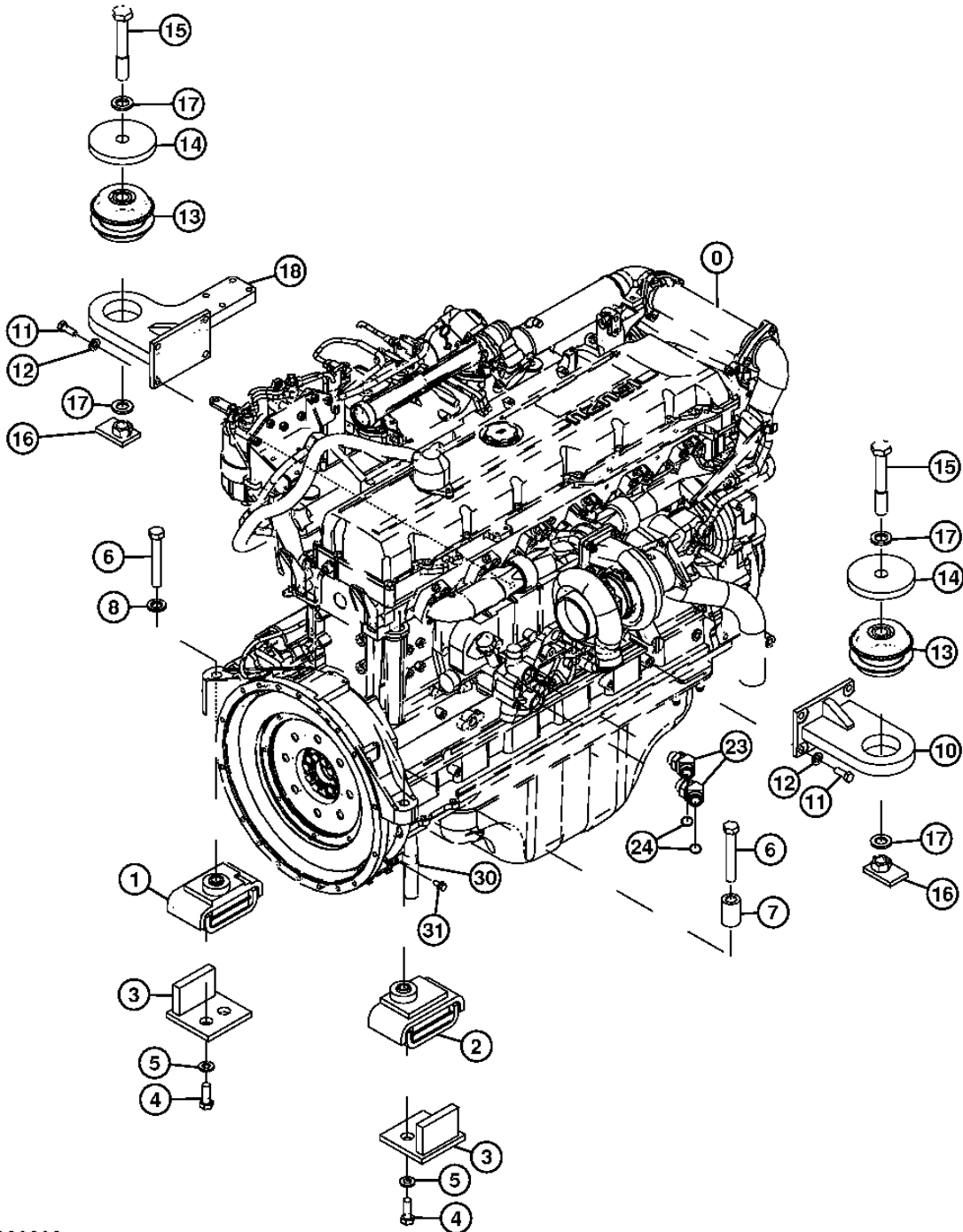
ENGINE 04

ENGINE 0400

ENGINE
MOTEUR
MOTOR

TX1002000

-UN-05JAN06



TX1002000

0400-3

ENGINE 04

ENGINE 0400

**ENGINE
MOTEUR
MOTOR**

KEY	PART NO.	PART NAME	QTY.	ENGINE SERIAL NO.	REMARKS
0	6WG1XYSA01	DIESEL ENGINE	1		
1	4628977	ISOLATOR	1		
2	4628983	ISOLATOR	1		
3	8079688	STOP	2		
4	19M8232	CAP SCREW	4		M18 X 50, (SUB FOR J931850)
5	24M7353	WASHER	4		20 X 34 X 3 MM, (SUB FOR J222018, AT154553)
6	J932209	CAP SCREW	2		
7	4226774	SPACER	1		
8	T56006	WASHER	1		(SUB FOR 4089822)
10	8100063	BRACKET	1		
11	4317650	CAP SCREW	8		(SUB FOR 4100116)
12	J222014	WASHER	8		
13	4633972	ISOLATOR	2		
14	4633971	PLATE	2		
15	J932713	BOLT	2		
16	9764138	NUT	2		
17	4085857	WASHER	4		
18	7048124	BRACKET	1		
23	4633977	ELBOW FITTING	2		
	4342846	O-RING	1		(SUB FOR 4153108, THIS APPLICATION)
24	4420526	O-RING	2		
30	XCL-19	HOSE CLAMP	1		(SUB FOR 4192035)
31	SCREW WITH WASHER	1		(J271025 NLA)
	19M7402	CAP SCREW	1		M10 X 25, (SUB FOR J901025)
	24M7346	WASHER	1		11 X 20 X 2 MM, (SUB FOR J222010)

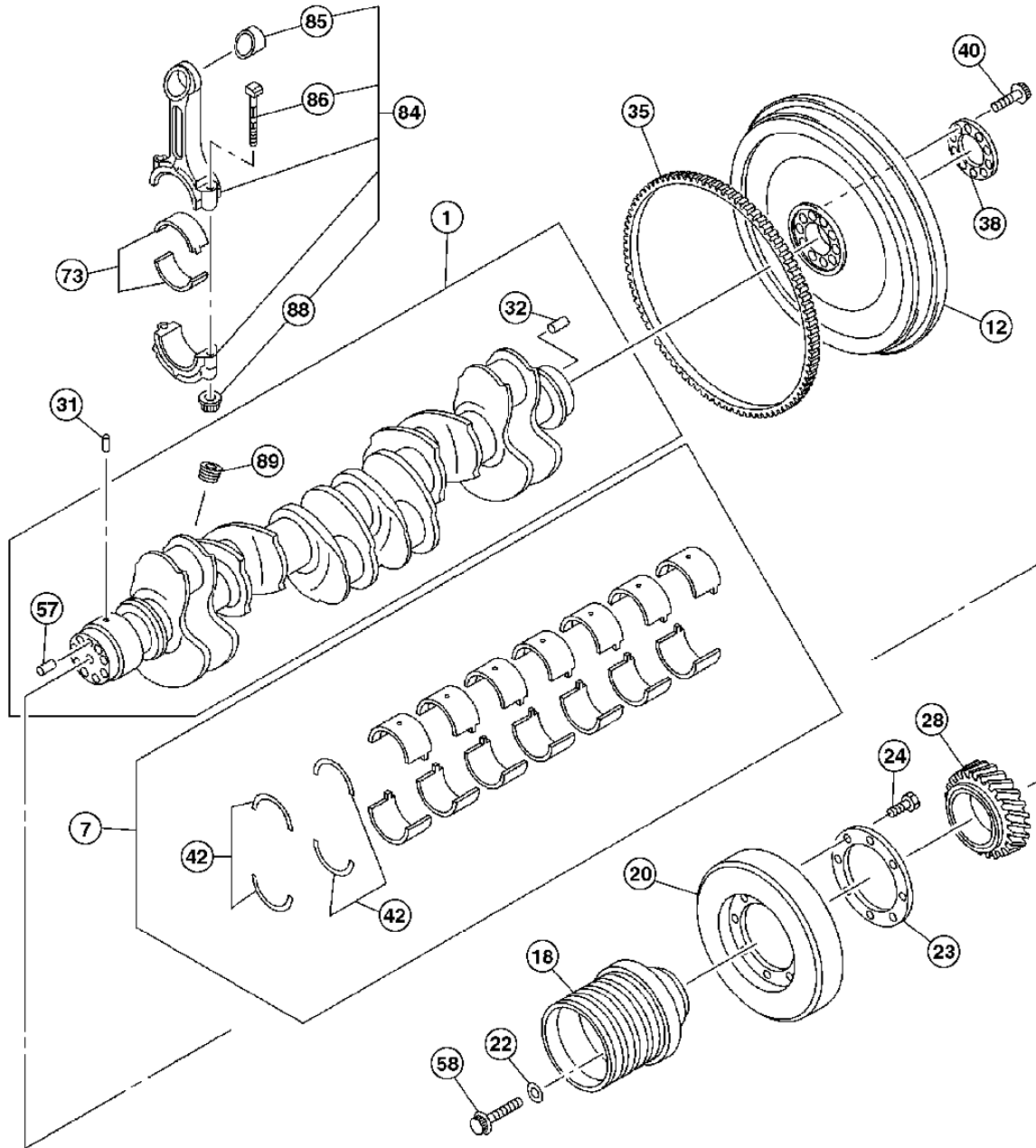
0401-2

ENGINE 04

CRANKSHAFT AND MAIN BEARINGS 0401

CRANKSHAFT
VILEBREQUIN
CIGUENAL

T216355 -UN-07NOV05



T216355

0401-3

ENGINE 04

CRANKSHAFT AND MAIN BEARINGS 0401

**CRANKSHAFT
VILEBREQUIN
CIGUENAL**

KEY	PART NO.	PART NAME	QTY.	ENGINE SERIAL NO.	REMARKS
1	1123107151	CRANKSHAFT	1		
7	1115100933	KIT	1		
12	1123314211	FLYWHEEL	1		(SUB FOR 1123314210)
18	1123714443	PULLEY	1		
20	1123751930	TORSIONAL DAMPER	1		
22	9098518620	LOCK PLATE	8		
23	1123790391	WASHER	1		(SUB FOR 1123790390)
24	0287912300	BOLT	8		
28	1125210680	GEAR	1		(SUB FOR 1125210612)
31	9098786260	DOWEL PIN	1		
32	9081508160	PIN FASTENER	1		
35	1123330131	GEAR	1		
38	1123360110	WASHER	1		
40	1090700171	BOLT	10		
42	1115990090	WASHER	2		
57	9081608200	PIN FASTENER	1		
58	1090700171	BOLT	8		
73	1122710960	ROD	6		
84	1122301762	CONNECTING ROD	6		
85	1122510374	BUSHING	1		
86	1122350363	BOLT	6		
88	1122390051	NUT	6		
89	1096050210	PIPE PLUG	6		

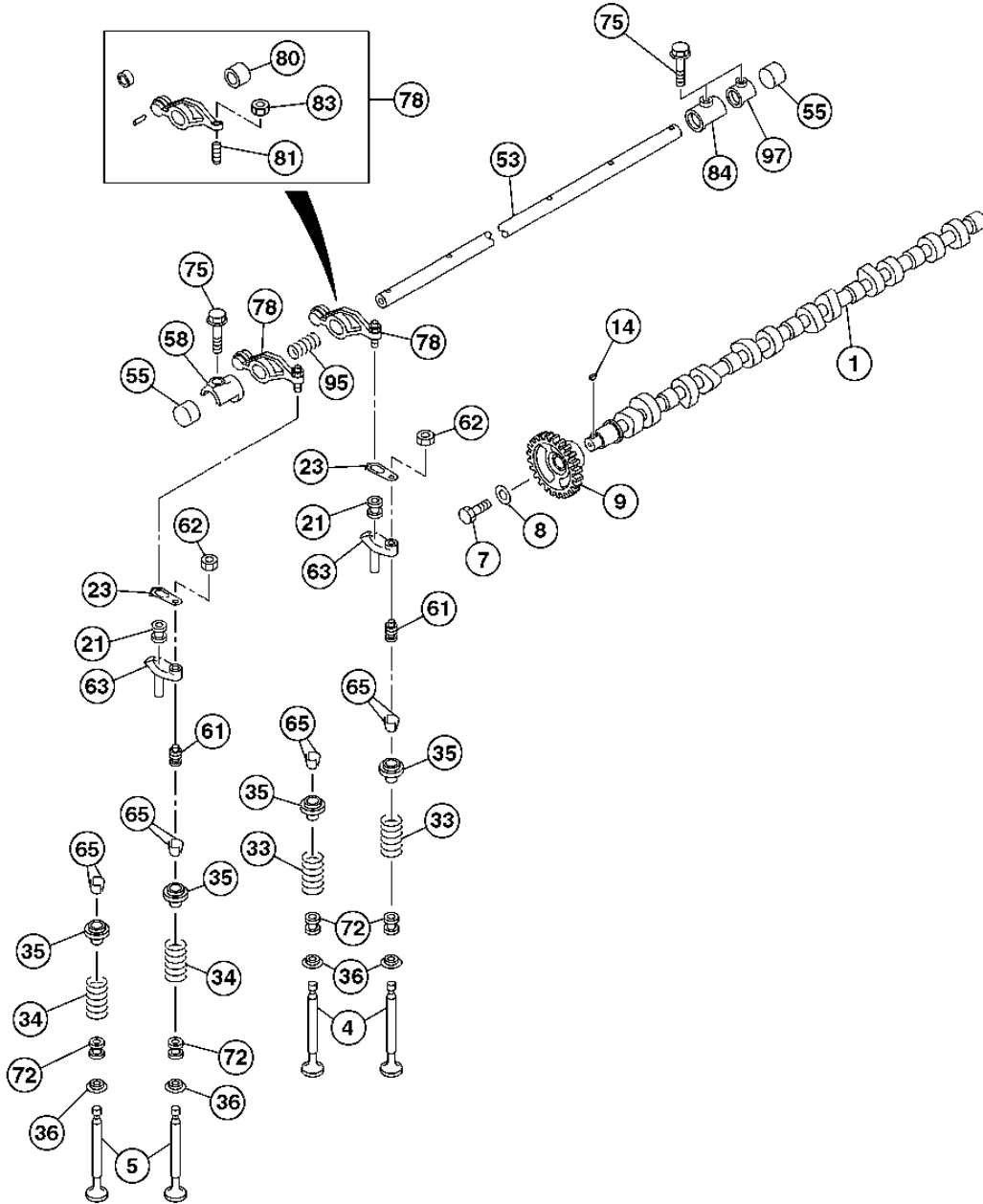
0402-2

ENGINE 04

CRANKSHAFT AND VALVE ACTUATING MEANS 0402

CAMSHAFT
ARBE A CAMES
ARBOL DE LEVAS

T216123 -UN-20OCT05



T216123

0402-3

ENGINE 04

CRANKSHAFT AND VALVE ACTUATING MEANS 0402

CAMSHAFT VILEBREQUIN ARBOL DE LEVAS

KEY	PART NO.	PART NAME	QTY.	ENGINE SERIAL NO.	REMARKS
1	1125112552	CAMSHAFT	1		
4	1125511623	INTAKE VALVE	12		(INLET) (SUB FOR 1125511621 OR 1125511622)
5	1125521002	VALVE	12		(EXHAUST)
7	9920614280	BOLT	1		
8	9098518503	WASHER	1		
9	1125220600	GEAR	1		
14	9080555160	KEY	1		
21	1126160400	CAP	12		
23	1126190112	PLATE	12		
33	1125610920	SPRING	12		(SUB FOR 8976033050) (INLET)
34	1125610930	SPRING	12		(EXHAUST)
35	1125630600	PLATE	24		
36	1125630562	PLATE	24		
53	1126210920	ROCKER ARM SHAFT	1		
55	5112190080	PLUG	2		(SUB FOR 9111290820)
58	1126280703	BRACKET	1		(SUB FOR 1126280702)
61	1126160420	SCREW	12		
62	9098403100	NUT	12		
63	1126112773	DRAWER SLIDE	12		
65	1125650070	BUSHING	48		
72	1125690200	SEAL	24		(A) (B)
75	1090440871	BOLT	7		
78	1126100800	ROCKER ARM	12		
80	1093301300	BUSHING	12		
81	1126160341	SCREW	12		
83	9991105120	NUT	12		
84	1126280682	BRACKET	5		
95	1095804721	SPRING	6		
97	1126280723	BRACKET	1		(SUB FOR 1126280722)

(A) PARTS INCLUDED IN ENGINE GASKET KIT
(A) PIECES INCLUSES DANS LE JEU DE JOINTS DU MOTEUR
(A) PEZAS INCLUIDAS EN EL JUEGO DE EMPAQUETADURAS DEL MOTOR

(B) PARTS INCLUDED IN ENGINE HEAD GASKET KIT
(B) LES PIECES FONT PARTIE DU KIT DE JOINT DE CULASSE DE MOTEUR
(B) PIEZAS INCLUIDAS EN EL JUEGO DE EMPAQUETADURA DE CULATA DEL MOTOR

0402-4

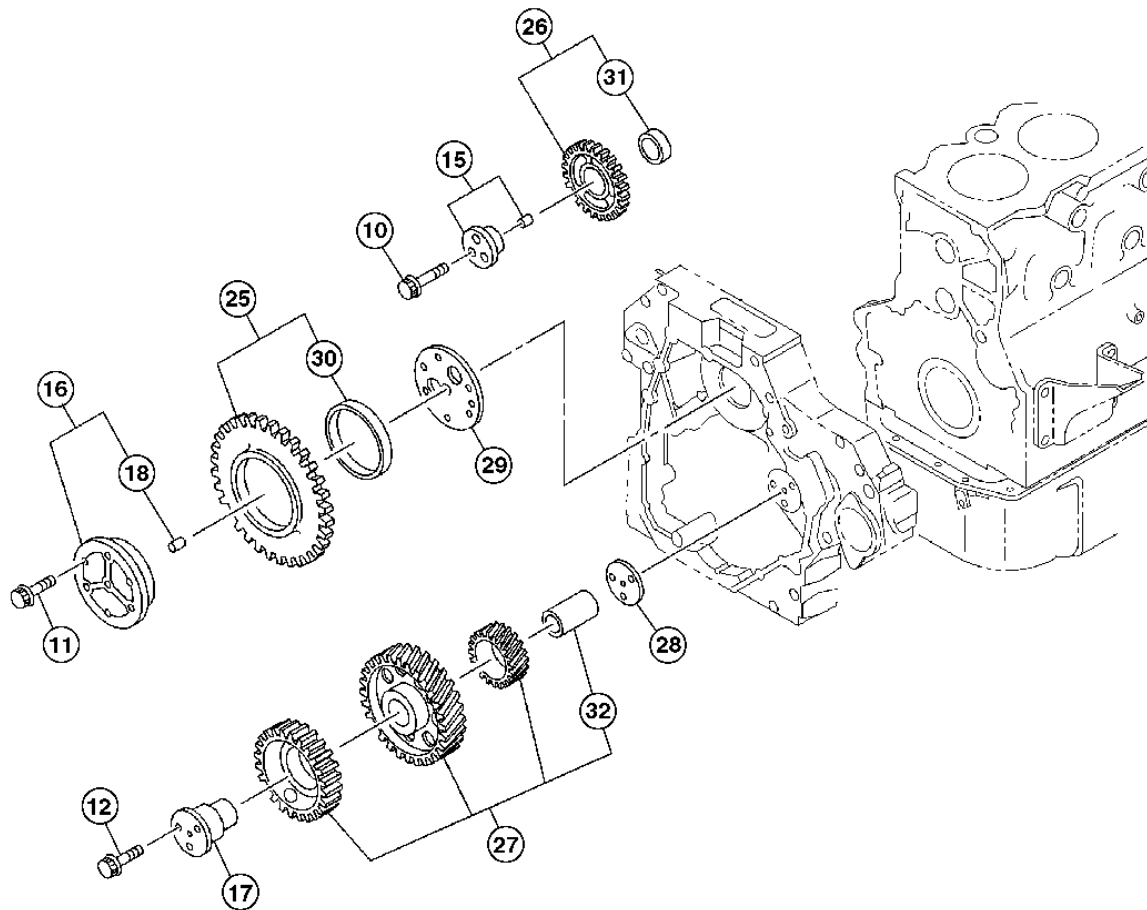
ENGINE 04

CRANKSHAFT AND VALVE ACTUATING MEANS 0402

CAMSHAFT GEAR PIGNON D'ARBRE A CAMES ENGRANAJE DE ARBOL DE LEVAS

T216278

-UN-20OCT05



T216278

0402-5

ENGINE 04

CRANKSHAFT AND VALVE ACTUATING MEANS 0402

**CAMSHAFT GEAR
PIGNON D'ARBRE A CAMES
ENGRANAJE DE ARBOL DE LEVAS**

KEY	PART NO.	PART NAME	QTY.	ENGINE SERIAL NO.	REMARKS
10	0281810400	BOLT	3		
11	19M7742	CAP SCREW	6		M10 X 65, (SUB FOR 0281810600 OR 0168060650)
12	1090700872	BOLT	3		
15	1125310931	SHAFT	1		
16	1125310762	SHAFT	1		
17	1125310921	SHAFT	1		
18	9081612320	DOWEL PIN	1		
25	1125233691	GEAR	1		
26	1125233710	GEAR	1		
27	1125233660	GEAR	1		
28	1125350081	BUSHING	1		
29	1125350190	BUSHING	1		
30	1093301241	BUSHING	1		
31	1093301080	BUSHING	1		
32	1093301130	BUSHING	1		

0402-6

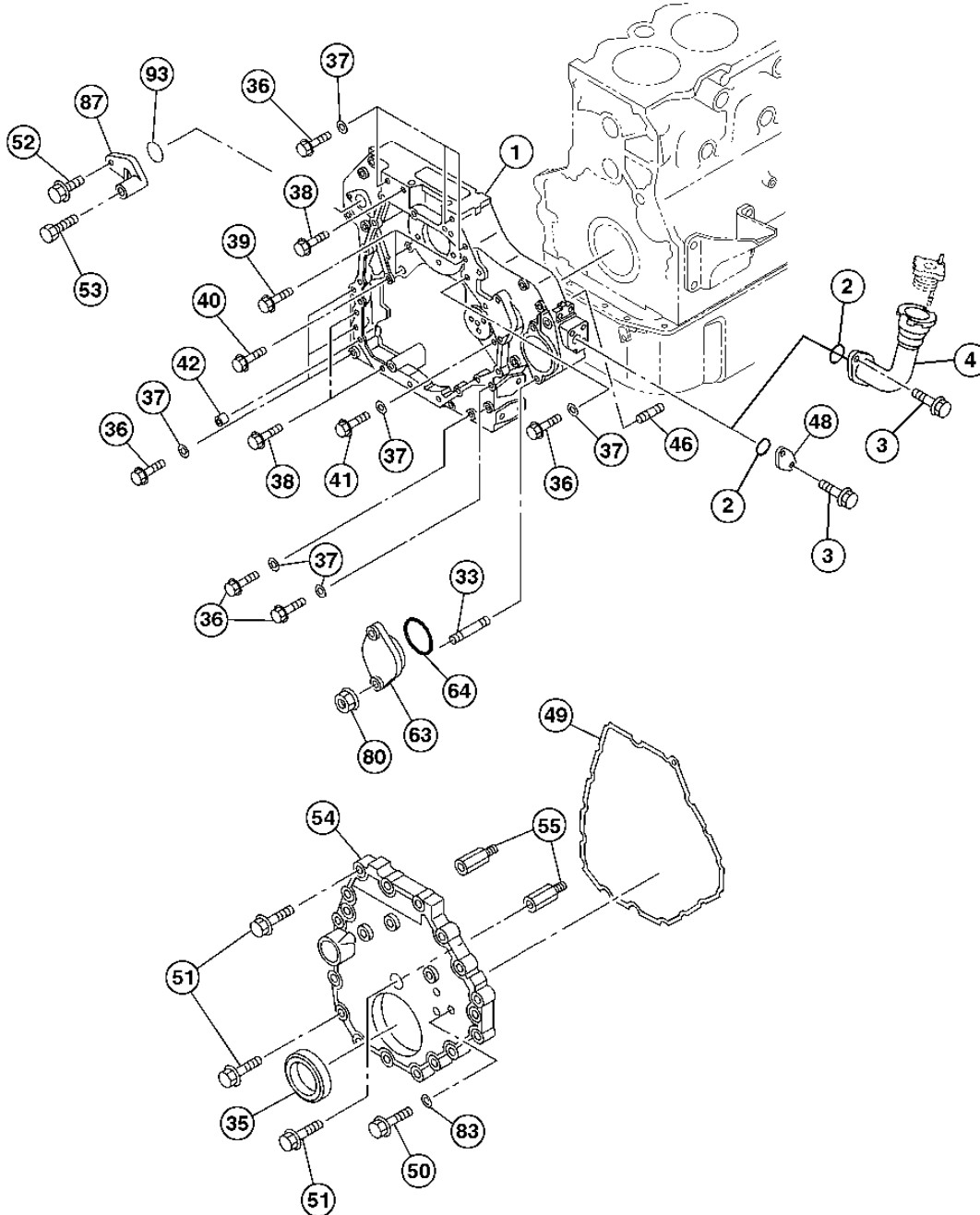
ENGINE 04

CRANKSHAFT AND VALVE ACTUATING MEANS 0402

TIMING GEAR COVER CARTER DE DISTRIBUCION CUBIERTA DE ENGRANAJES DE DISTRIBUCION

T216357

-UN-01DEC05



T216357

0402-7

ENGINE 04

CRANKSHAFT AND VALVE ACTUATING MEANS 0402

**TIMING GEAR COVER
CARTER DE DISTRIBUTION
CUBIERTA DE ENGRANAJES DE DISTRIBUCION**

KEY	PART NO.	PART NAME	QTY.	ENGINE SERIAL NO.	REMARKS
1	1113100535	CASE	1		
2	1096232990	PACKING	1		(A)
3	0280508160	BOLT	2		(SUB FOR 0280808160)
4	STRUCTURAL TUBING	1		(1117412800 NOT USED THIS APPL)
33	0440110300	STUD	2		(SUB FOR 9044110300)
35	8976173080	SEAL	1		(A) (SUB FOR 1096255562)
36	1090200070	BOLT	10		
37	9091645140	WASHER	11		
38	0281510000	BOLT	3		(SUB FOR 0281810000)
39	0281810250	BOLT	4		
40	0281510350	BOLT	1		(SUB FOR 0281210350)
41	1090201460	BOLT	1		
42	1131190040	DOWEL PIN	1		
46	0440114450	STUD	1		(SUB FOR 9044114450)
48	1113190120	COVER	1		
49	1113220441	GASKET	1		
50	9010658400	BOLT	3		
51	0281810300	BOLT	17		
52	19M7866	SCREW	1		M8 X 20, (SUB FOR 0280808200)
53	0280808600	BOLT	1		
54	1113211743	COVER	1		(SUB FOR 1113211740 OR 1113211741)
55	8976034820	BOLT	2		
63	1117491860	COVER	1		
64	1096234210	O-RING	1		(A)
80	4447336	NUT	2		(SUB FOR 0911501100, 4408178, 8944698430, AT259946, 0911502100 OR 0911802100)
83	5095031110	WASHER	3		
87	1113491512	COVER	1		
93	1096234160	GASKET	1		(A)

(A) PARTS INCLUDED IN 1878129661 ENGINE GASKET KIT

(A) PIECES INCLUSES DANS LE JEU DE JOINTS DU MOTEUR 1878129661

(A) PEZAS INCLUIDAS EN EL JUEGO DE EMPAQUETADURAS DEL MOTOR 1878129661

0404-2

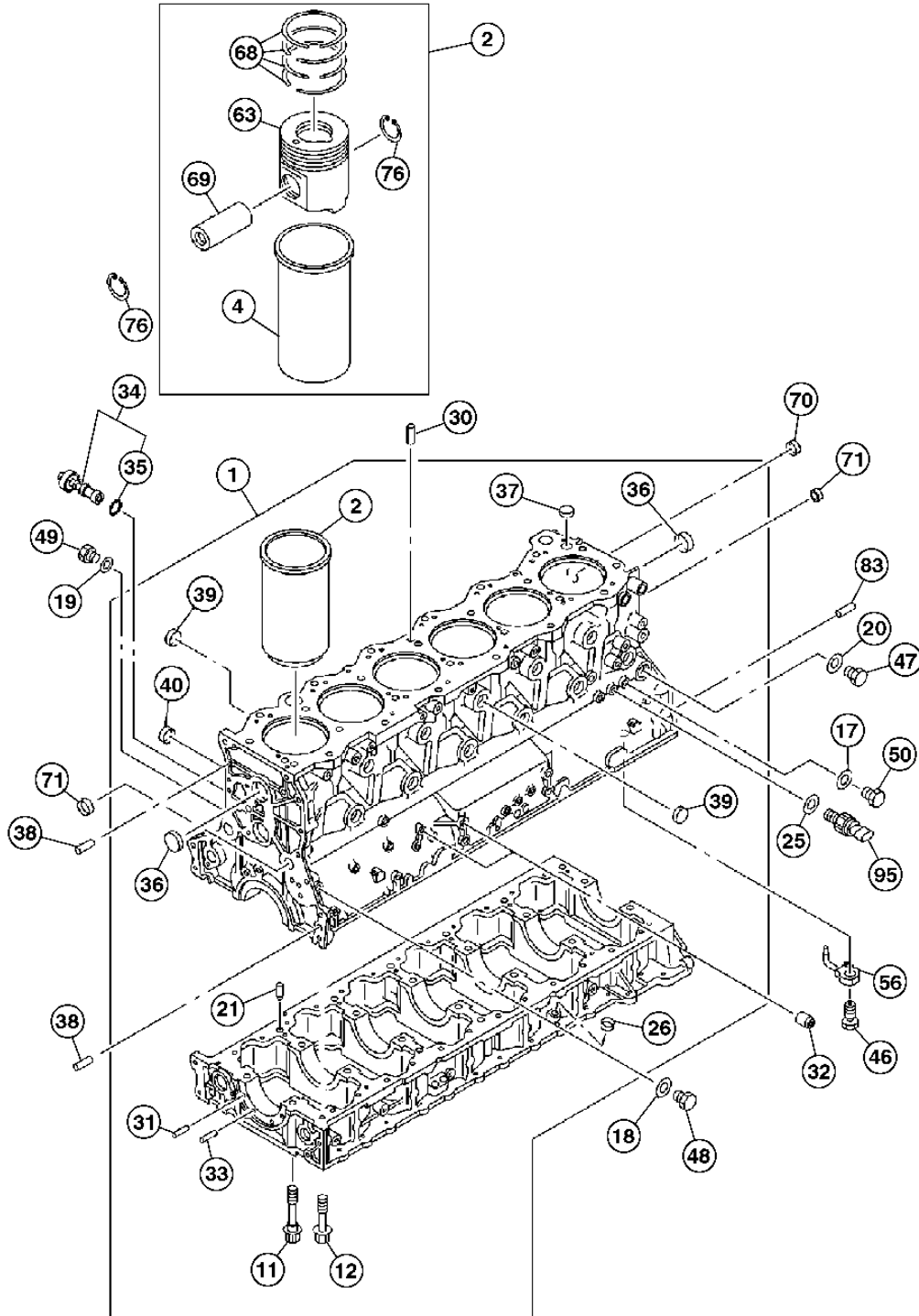
ENGINE 04

CYLINDER BLOCK 0404

CYLINDER BLOCK
BLOCK-CYLINDRES
BLOQUE DE CILINDROS

T215965

-UN-01DEC05



T215965

0404-3

ENGINE 04

CYLINDER BLOCK 0404

**CYLINDER BLOCK
BLOCK-CYLINDRES
BLOQUE DE CILINDROS**

KEY	PART NO.	PART NAME	QTY.	ENGINE SERIAL NO.	REMARKS
1	1112106912	CYLINDER BLOCK	1		
2	CYLINDER LINER	6		(GRADE 3X) (1878128600 NLA)
	1878128590	CYLINDER LINER	6		(GRADE 1X)
4	CYLINDER LINER	1		(GRADE 1X) (1112613792 NLA)
	1112613802	CYLINDER LINER	1		(GRADE 3X)
11	1090701510	BOLT	14		
12	1090700872	BOLT	28		
17	1096301410	GASKET	1		(A)
18	1096300830	GASKET	1		(A)
19	1096300840	GASKET	1		(A)
20	1096300890	GASKET	1		(A)
21	1097400681	DOWEL PIN	2		
25	1096301410	GASKET	1		(A)
26	30H7	PLUG	1		5/8", (SUB FOR 5111290030)
30	9081510180	DOWEL PIN	3		
31	1097490251	DOWEL PIN	2		
32	8943255061	DOWEL PIN	2		
33	9081605100	PIN FASTENER	2		
34	1131600303	PRESSURE RELIEF VALVE	1		(SUB FOR 1131600302)
35	1096232970	GASKET	1		(A)
36	8970365501	BEARING CUP	4		(SUB FOR 8973514510)
37	1096000160	PLUG	1		
38	9081510180	DOWEL PIN	2		
39	8942416370	PLUG	13		
40	1096000651	PLUG	2		
46	1133490140	BOLT	6		
47	1096040350	PLUG	1		
48	1096040940	PLUG	1		
49	1096040950	PLUG	1		
50	9992023140	PIPE PLUG	1		
56	1133421390	JET	6		
63	1121120010	PISTON	1		
68	1121211540	PISTON RING	1		(SET OF FOUR)
69	1122110291	PIN FASTENER	1		
70	1096000122	PLUG	1		
71	1096000160	PLUG	4		
76	1095870820	SNAP RING	12		
83	9081514280	PIN FASTENER	2		
95	8980274560	SENSOR	1		(SUB FOR 8976004340) (OIL)

(A) PARTS INCLUDED IN 1878129661 ENGINE GASKET KIT

(A) PIECES INCLUSES DANS LE JEU DE JOINTS DU MOTEUR 1878129661

(A) PEZAS INCLUIDAS EN EL JUEGO DE EMPAQUETADURAS DEL MOTOR 1878129661

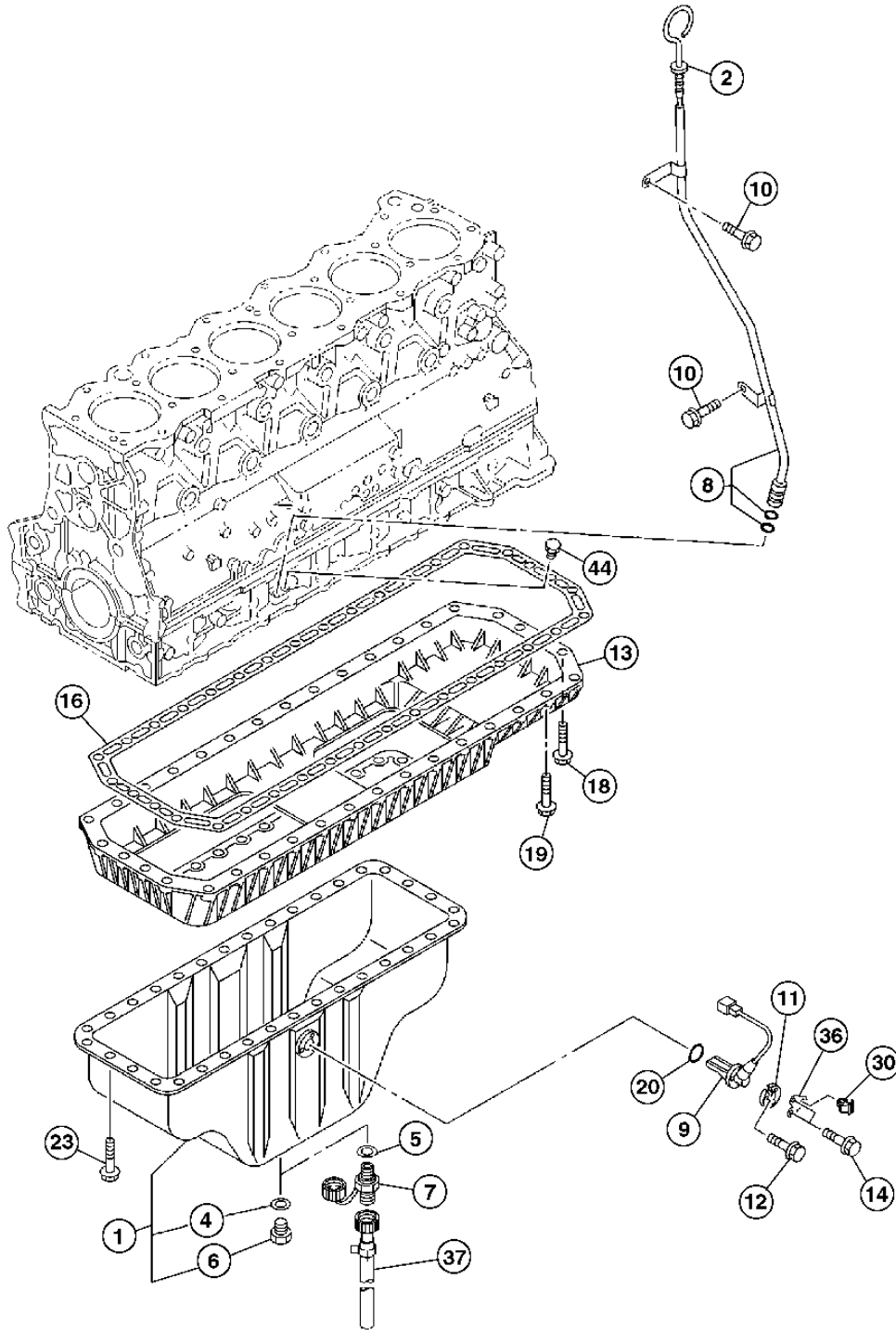
0407-2

ENGINE 04

ENGINE OILING SYSTEM 0407

OIL PAN ASSEMBLY CARTER D'HUILE CARTER DE ACEITE

T216008 -UN-17OCT05



T216008

0407-3

ENGINE 04

ENGINE OILING SYSTEM 0407

OIL PAN ASSEMBLY CARTER D'HUILE CARTER DE ACEITE

KEY	PART NO.	PART NAME	QTY.	ENGINE SERIAL NO.	REMARKS
1	1113609170	OIL PAN	1		
2	1117604461	LEVEL GAUGE	1		(SUB FOR 1117604460)
4	1096231790	O-RING	1		(A) (SUB FOR 1096230580)
5	9095714240	GASKET	1		(A)
6	1096040641	PIPE PLUG	1		(SUB FOR 1096040220 OR 1096040640)
7	1096801052	DRAIN PLUG	1		(SUB FOR 1096801050 OR 1096801051)
8	1117666091	OIL TUBE	1		(SUB FOR 1117666090)
9	8971312230	SENSOR	1		(OIL LEVEL)
10	4447337	BOLT	2		(SUB FOR 0281810200 OR TH4447337)
11	5113690720	SPACER	1		
12	1099805430	BOLT	1		(SUB FOR 0501406280)
13	1113608982	SPACER	1		
14	0501406300	BOLT	2		
16	1113671300	GASKET	1		(A)
18	0281810500	BOLT	4		
19	0287810350	BOLT	28		
20	8976049160	GASKET	1		(A) (SUB FOR 1096233550)
23	SCREW WITH WASHER	34		(0501408250 NLA)
	19M7163	CAP SCREW	34		M8 X 25
	12M7065	LOCK WASHER	34		8 MM
	24M7036	WASHER	34		9 X 16 X 1.600 MM
30	1097091780	CLIP	1		
36	1154197290	BRACKET	1		
37	8973880231	HOSE	1		(SUB FOR 8973880230)
44	1096040980	PLUG	1		

(A) PARTS INCLUDED IN 1878129661 ENGINE GASKET KIT

(A) PIECES INCLUSES DANS LE JEU DE JOINTS DU MOTEUR 1878129661

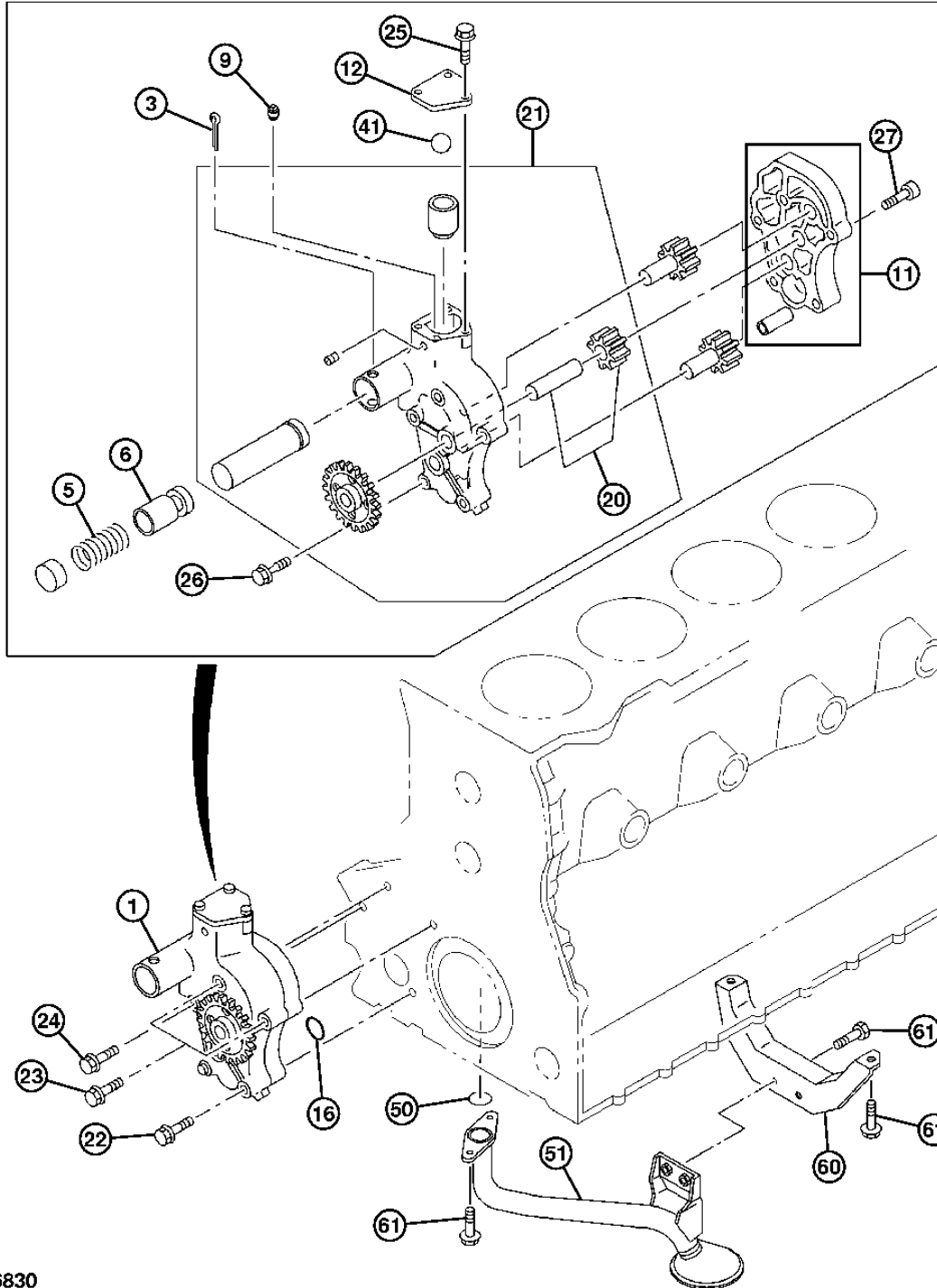
(A) PEZAS INCLUIDAS EN EL JUEGO DE EMPAQUETADURAS DEL MOTOR 1878129661

0407-4

ENGINE OIL PUMP POMPE A HUILE MOTEUR BOMBA DE ACEITE DEL MOTOR

T216830

-UN-02NOV05



T216830

0407-5

ENGINE 04

ENGINE OILING SYSTEM 0407

ENGINE OIL PUMP POMPE A HUILE MOTEUR BOMBA DE ACEITE DEL MOTOR

KEY	PART NO.	PART NAME	QTY.	SERIAL NO.	REMARKS
1	1131003120	PUMP	1		
3	COTTER PIN	1	(9081140600 NLA)	
5	1095805340	SPRING	1		
6	PRESSURE RELIEF VALVE	1	(1131610240 NLA)	
9	PLUG	1	(1131630020 NLA)	
11	COVER	1	(1131130680 NLA)	
12	1131630040	COVER	1		
16	1096235290	SEAL	1	(A)	
20	GEAR	1	(1131200800 USE UNTIL EXHAUSTED)	
21	1131200890	GEAR	1		
22	8943973591	BOLT	1		
23	8943994881	BOLT	2		
24	9059210800	BOLT	1		
25	0280808180	BOLT	3		
26	19M7742	CAP SCREW	1	M10 X 65 (SUB FOR 0281810600 OR 0168060650)	
27	0583308350	BOLT	2	(SUB FOR 0583108350)	
41	BALL	1	(1131610210 NLA)	
50	1096235290	SEAL	1	(A)	
51	1133138853	STRAINER	1	(SUB FOR 1133138852)	
60	1133451801	BRACKET	1		
61	4447337	BOLT	6	(SUB FOR 0281810200 OR TH4447337)	

(A) PARTS INCLUDED IN 1878129661 ENGINE GASKET KIT

(A) PIECES INCLUSES DANS LE JEU DE JOINTS DUE MOTEUR 1878129661

(A) PEZAS INCLUIDAS EN EL JEUGO DE EMPAQUETADURAS DEL MOTOR 1878129661

0407-6

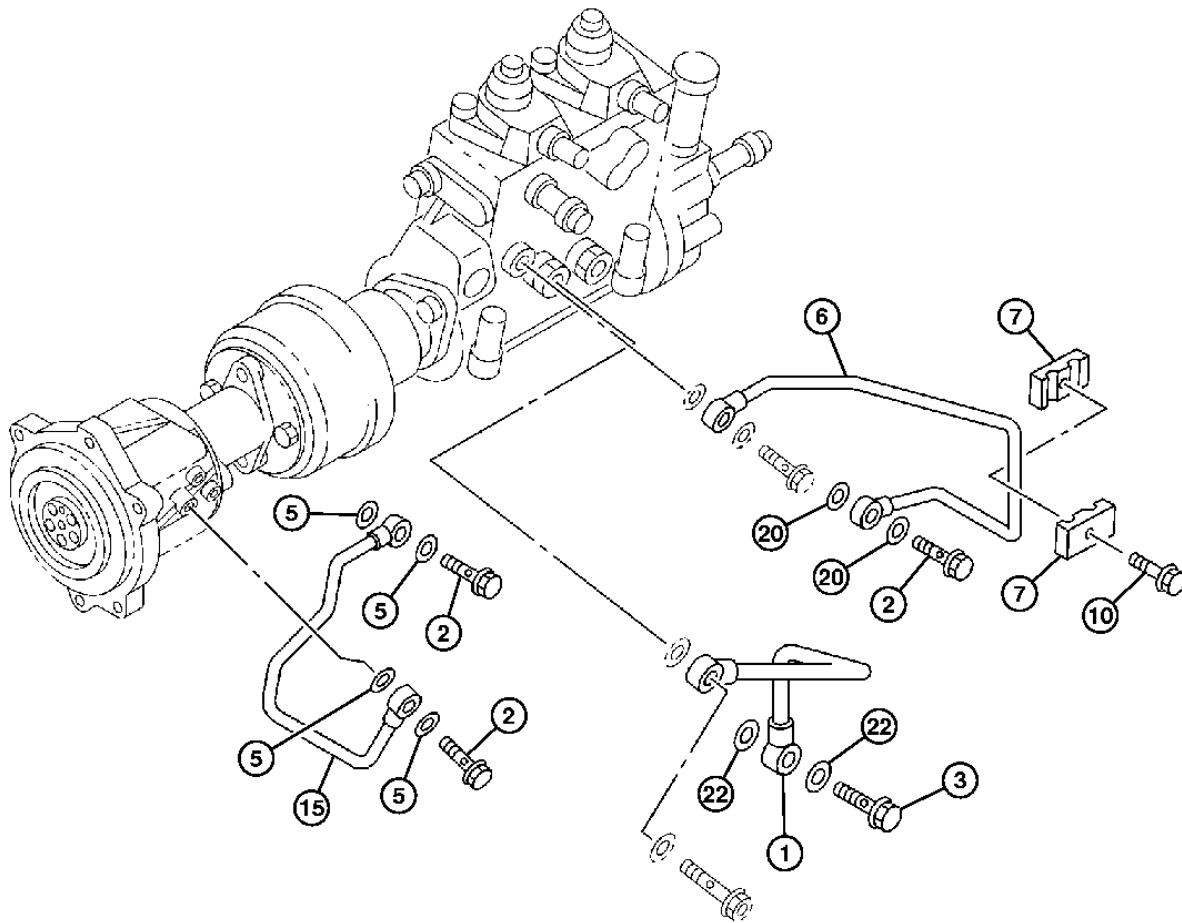
ENGINE 04

ENGINE OILING SYSTEM 0407

ENGINE OIL LINES CONDUITES D'HUILE MOTEUR LINEAS DE ACEITE DEL MOTOR

T216843

-UN-01NOV05



T216843

THIS PARTS LISTING IS CONTINUED

0407-7

ENGINE 04

ENGINE OILING SYSTEM 0407

ENGINE OIL LINES CONDUITES D'HUILE MOTEUR LINEAS DE ACEITE DEL MOTOR

KEY	PART NO.	PART NAME	QTY.	ENGINE SERIAL NO.	REMARKS
1	1133140220	LINE	1		(OIL INJECTION PUMP TO CYLINDER BLOCK)
2	1096750770	BOLT	3		
3	1096750860	BOLT	1		
5	1096300830	GASKET	4		(A) (B)
6	1133140210	OIL LINE	1		(INJECTION PUMP INLET)
7	1097011321	CLIP	2		
10	0280806350	BOLT	1		
15	1133136420	OIL TUBE	1		
20	1096300830	GASKET	2		(A) (B)
22	1096301410	GASKET	2		(A) (B)

(A) PARTS INCLUDED IN ENGINE GASKET KIT

(A) PIECES INCLUSES DANS LE JEU DE JOINTS DU MOTEUR

(A) PEZAS INCLUIDAS EN EL JUEGO DE EMPAQUETADURAS DEL MOTOR

(B) PARTS INCLUDED IN ENGINE HEAD GASKET KIT

(B) LES PIECES FONT PARTIE DU KIT DE JOINT DE CULASSE DE MOTEUR

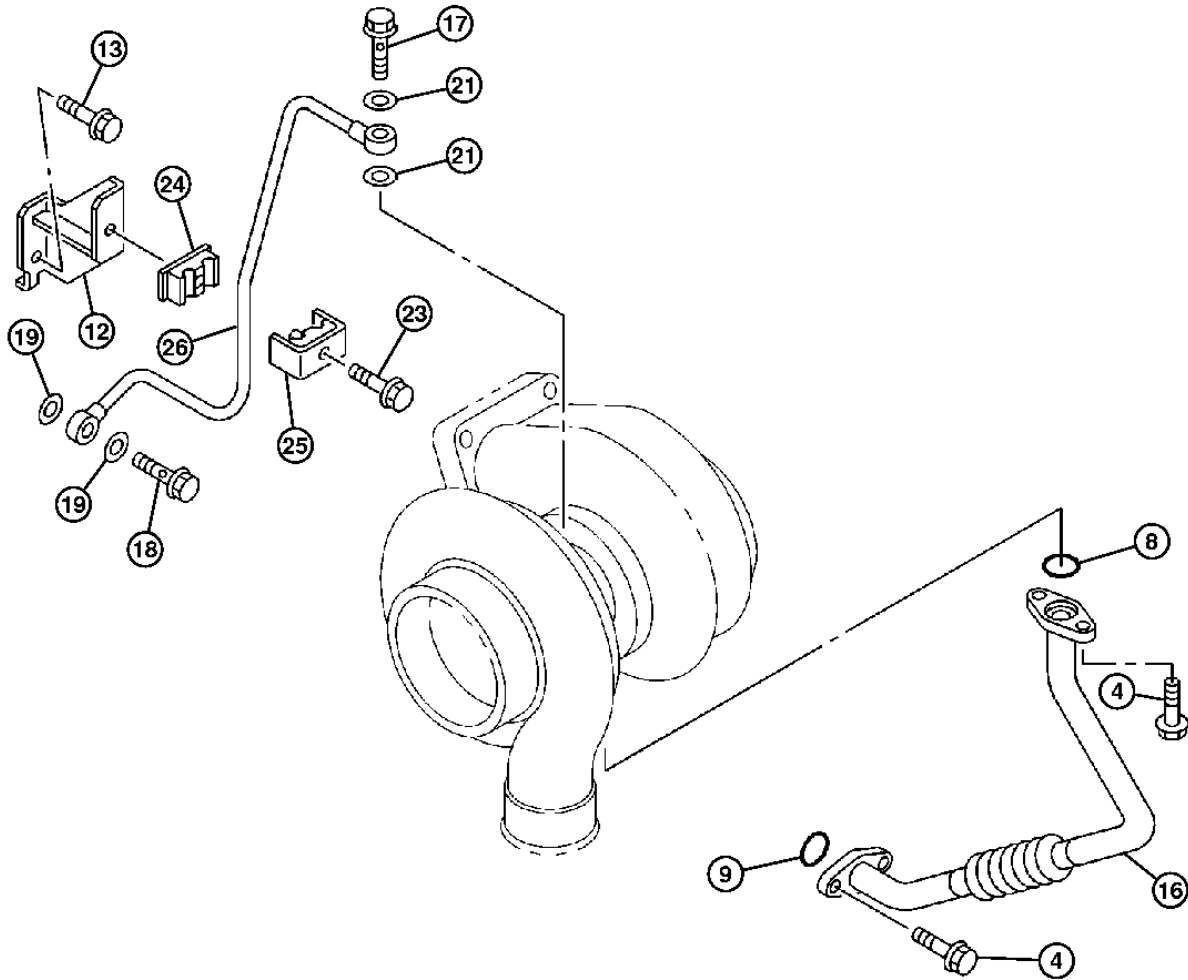
(B) PIEZAS INCLUIDAS EN EL JUEGO DE EMPAQUETADURA DE CULATA DEL MOTOR

0407-8

ENGINE 04
ENGINE OILING SYSTEM 0407

TURBOCHARGER OIL LINES CONDUITES D'HUILE DE TURBOCOMPRESSEUR LINEAS DE ACEITE DEL TURBOALIMENTADOR

T216849 -UN-01NOV05



T216849

0407-9

ENGINE 04

ENGINE OILING SYSTEM 0407

**TURBOCHARGER OIL LINES
CONDUITES D'HUILE DE TURBOCOMPRESSEUR
LINEAS DE ACEITE DEL TURBOALIMENTADOR**

KEY	PART NO.	PART NAME	QTY.	ENGINE SERIAL NO.	REMARKS
4	0287810250	BOLT	4		
8	8943993990	GASKET	1		(A) (B)
9	1096234500	PACKING	1		(A) (B)
12	1133452270	BRACKET	1		
13	0287810200	BOLT	1		
16	1133140610	PIPE	1		
17	8971499950	BOLT	1		
18	1096751600	BOLT	1		
19	1096300840	GASKET	2		(A) (B)
21	9095714100	GASKET	2		(A) (B)
23	0280806350	BOLT	1		
24	1097011800	CLAMP	1		
25	8943932803	CLIP	1		(SUB FOR 8943932802)
26	8980258870	PIPE	1		(1133140600 NLA)

(A) PARTS INCLUDED IN ENGINE GASKET KIT

(A) PIECES INCLUSES DANS LE JEU DE JOINTS DU MOTEUR

(A) PEZAS INCLUIDAS EN EL JUEGO DE EMPAQUETADURAS DEL MOTOR

(B) PARTS INCLUDED IN ENGINE HEAD GASKET KIT

(B) LES PIECES FONT PARTIE DU KIT DE JOINT DE CULASSE DE MOTEUR

(B) PIEZAS INCLUIDAS EN EL JUEGO DE EMPAQUETADURA DE CULATA DEL MOTOR

0407-10

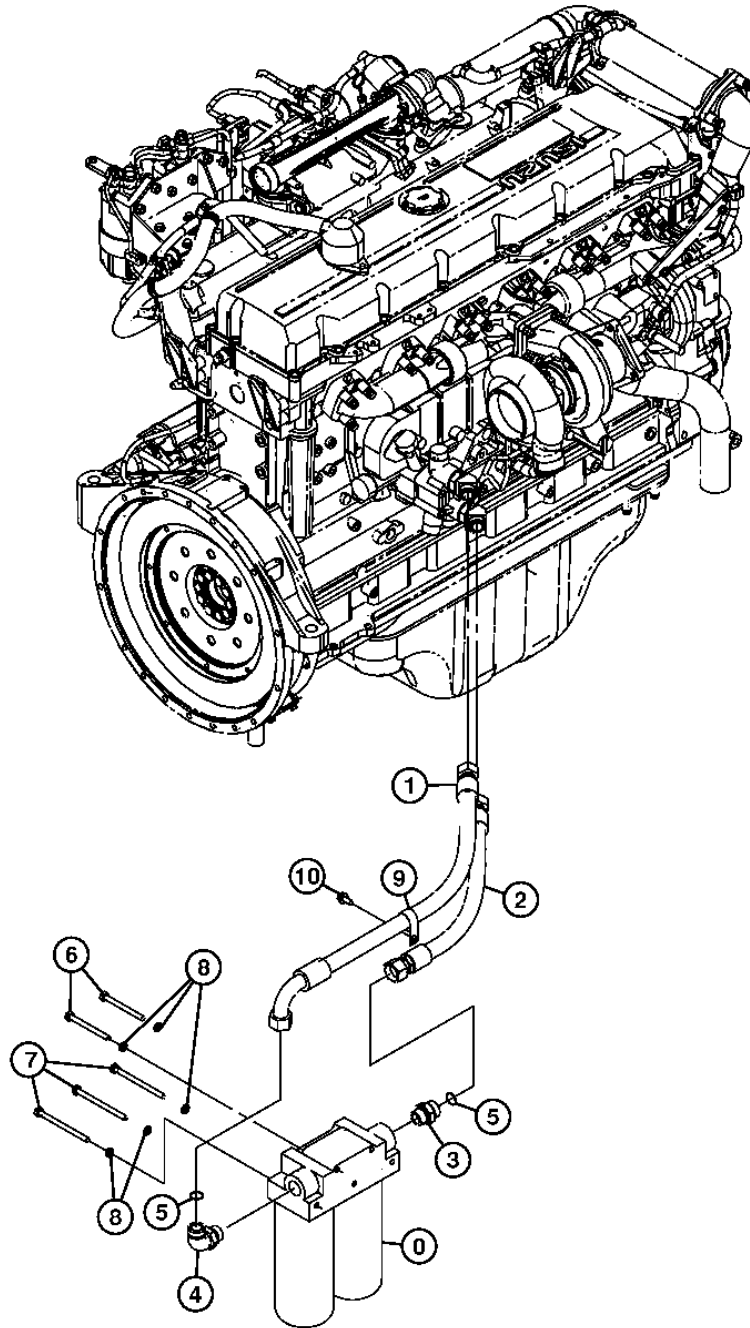
ENGINE 04

ENGINE OILING SYSTEM 0407

ENGINE OIL LINES
CONDUITES D'HUILE MOTEUR
LINEAS DE ACEITE DEL MOTOR

TX1002056

-UN-06JAN06



TX1002056

0407-11

ENGINE 04

ENGINE OILING SYSTEM 0407

ENGINE OIL LINES CONDUITES D'HUILE MOTEUR LINEAS DE ACEITE DEL MOTOR

KEY	PART NO.	PART NAME	QTY.	ENGINE SERIAL NO.	REMARKS
0	1132010192	FILTER	1		(ASSEMBLY)
1	4633973	HYDRAULIC HOSE - FABRICATE	1		(SUB FOR 4658521)
2	4633974	HYDRAULIC HOSE - FABRICATE	1		
3	4443904	ADAPTER FITTING	1		
	4342846	O-RING	1		(SUB FOR 4153108, THIS APPLICATION)
4	4443907	ELBOW FITTING	1		
	4342846	O-RING	1		(SUB FOR 4153108, THIS APPLICATION)
5	4420526	O-RING	2		
6	19M7836	SCREW	2		M10 X 110, (SUB FOR THJ901002 OR J901002)
7	19M8003	CAP SCREW	3		M10 X 140, (SUB FOR J901008)
8	24M7028	WASHER	5		10.500 X 20 X 2 MM, (SUB FOR A590110)
9	4190291	CLIP	1		
10	SCREW WITH WASHER	1		(J271025 NLA)
	19M7402	CAP SCREW	1		M10 X 25, (SUB FOR J901025)
	24M7346	WASHER	1		11 X 20 X 2 MM, (SUB FOR J222010)

0408-2

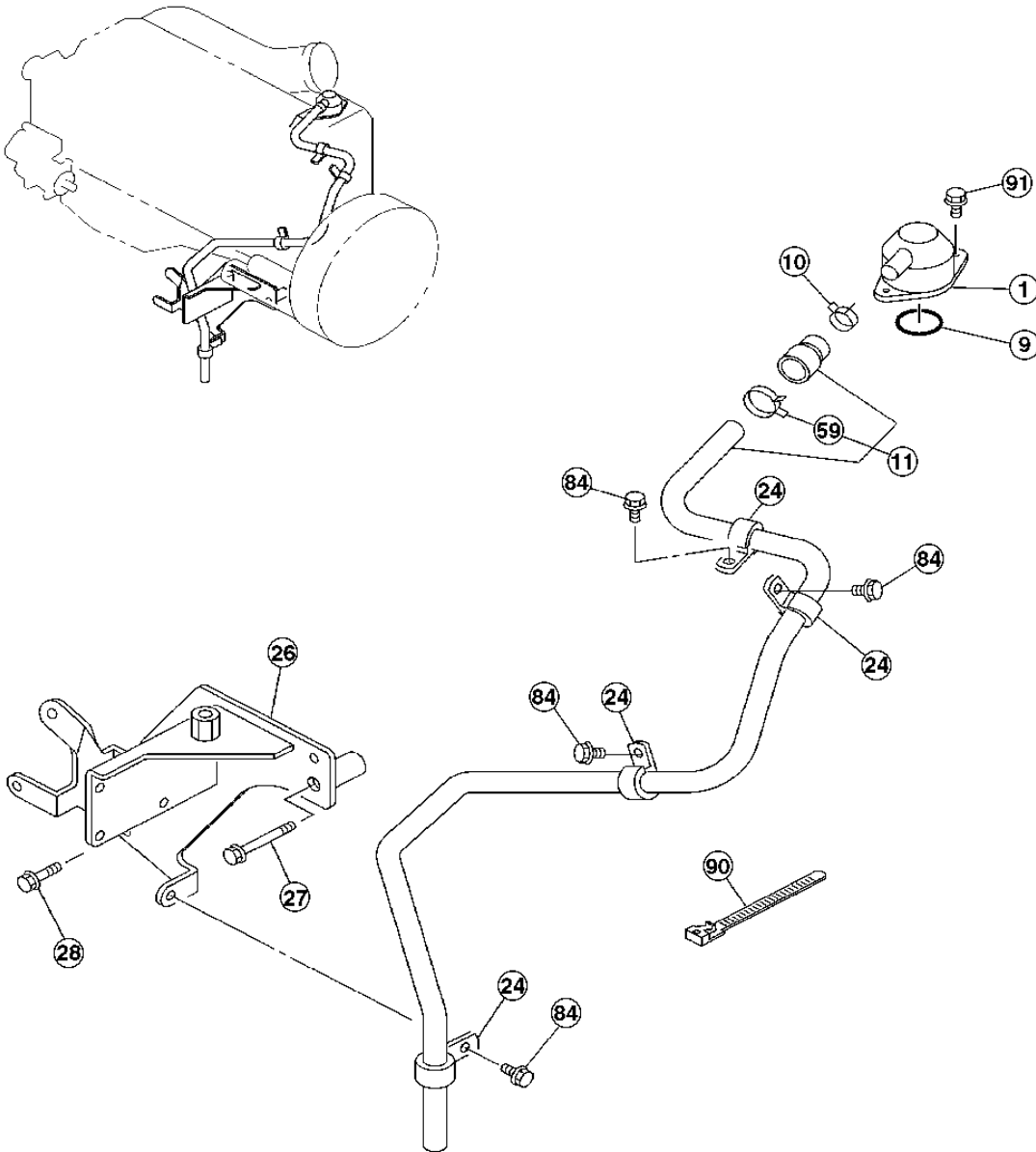
ENGINE 04

VENTILATING SYSTEM 0408

VENTILATION SYSTEM
SYSTEME DE VENTILATION
SISTEMA DE VENTILACION

T216369

-UN-27OCT05



T216369

0408-3

ENGINE 04

VENTILATING SYSTEM 0408

VENTILATION SYSTEM SYSTEME DE VENTILATION SISTEMA DE VENTILACION

KEY	PART NO.	PART NAME	QTY.	ENGINE SERIAL NO.	REMARKS
1	1117401811	BREATHER	1		
9	1096235650	O-RING	1		(A)
10	1097071500	CLIP	1		
11	8980007882	AIR INTAKE	1		(8980007880 NLA) (SUB FOR 8980007881)
24	1097003291	CLIP	4		
26	1133452261	BRACKET	1		(SUB FOR 1133452260)
27	0281810700	BOLT	1		
28	0289814250	BOLT	2		
59	TY22484	HOSE CLAMP	1		(SUB FOR 8943625180, 0099150421, 8943324060, 5097040480, 9099156740, 9099150420 OR 9099150421) (SUB FOR 1097040770)
84	19M7866	SCREW	4		M8 X 20, (SUB FOR 0280808200)
90	5097070301	TIE BAND	1		
91	4447337	BOLT	2		(SUB FOR 0281810200 OR TH4447337)

(A) PARTS INCLUDED IN 1878129661 ENGINE GASKET KIT

(A) PIECES INCLUSES DANS LE JEU DE JOINTS DUE MOTEUR 1878129661

(A) PEZAS INCLUIDAS EN EL JEUGO DE EMPAQUETADURAS DEL MOTOR 1878129661

0408-4

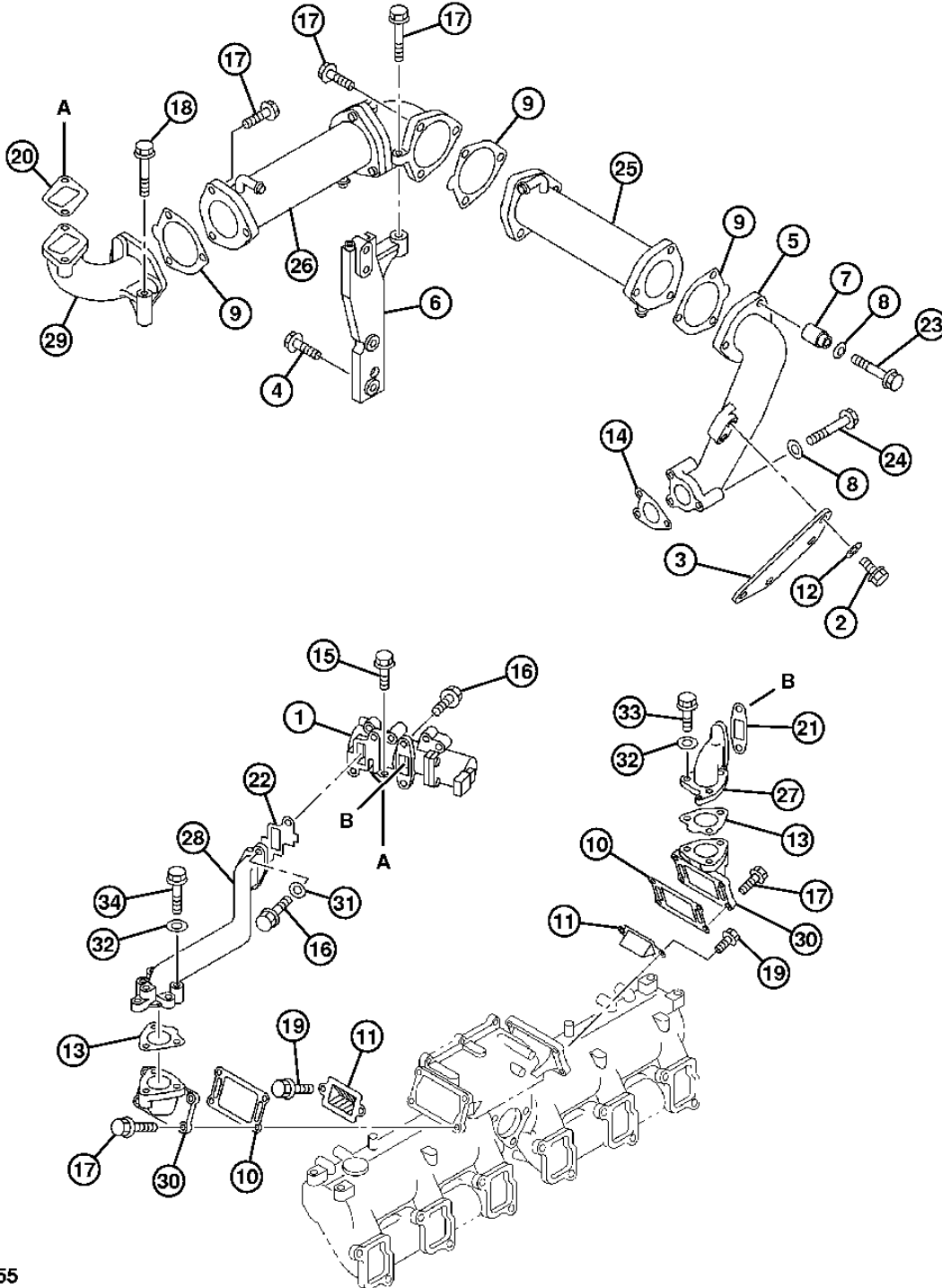
ENGINE 04

VENTILATING SYSTEM 0408

EXHAUST GAS RECIRCULATION SYSTEM (EGR) SYSTEME DE RECIRCULATION DES GAZ D'ECHAPPEMENT (EGR) SISTEMA DE RECIRCULACION DE GASES DE ESCAPE (EGR)

T216855

-UN-07NOV05



T216855

0408-5

ENGINE 04

VENTILATING SYSTEM 0408

**EXHAUST GAS RECIRCULATION SYSTEM (EGR)
SYSTEME DE RECIRCULATION DES GAZ D'ECHAPPEMENT (EGR)
SISTEMA DE RECIRCULACION DE GASES DE ESCAPE (EGR)**

KEY	PART NO.	PART NAME	QTY.	ENGINE SERIAL NO.	REMARKS
1	1161100173	EXHAUST GAS RECYCLING VALVE	1		
2	1090200732	BOLT	4		
3	1161510330	BRACKET	1		
4	0281912500	BOLT	2		
5	1161830591	AIR DUCT	1		
6	1161510321	BRACKET	1		
7	8972500731	LOCKING COLLAR	3		
8	1095560150	WASHER	6		
9	8976038890	GASKET	3	(A)	
10	1161850040	GASKET	2	(A)	
11	8976065900	VALVE	2		
12	1095000070	WASHER	4		
13	1161570171	GASKET	2	(A)	
14	1161570150	GASKET	1	(A)	
15	0280808600	BOLT	2		
16	0286808300	BOLT	4		
17	0281810300	BOLT	15		
18	0281810900	BOLT	1		
19	SCREW	4		(9034866120 NLA)
20	1161570270	GASKET	1	(A)	
21	8973670131	GASKET	1	(A)	
22	8973670140	GASKET	1	(A)	
23	19M7742	CAP SCREW	3		M10 X 65, (SUB FOR 0281810600 OR 0168060650)
24	8980498250	BOLT	3		(SUB FOR 8976020090)
25	1161270213	HEAT EXCHANGER	1		(SUB FOR 1161270210 OR 1161270211)
26	1161270223	HEAT EXCHANGER	1		(SUB FOR 1161270220 OR 1161270221)
27	8980040090	AIR DUCT	1		
28	8980040100	AIR DUCT	1		
29	8980040080	AIR DUCT	1		
30	8980040070	AIR DUCT	2		
31	0916105080	WASHER	2		(SUB FOR 9091605080)
32	9091605100	WASHER	6		
33	0281810300	BOLT	3		
34	19M7742	CAP SCREW	3		M10 X 65, (SUB FOR 0281810600 OR 0168060650)

(A) PARTS INCLUDED IN 1878129661 ENGINE GASKET KIT

(A) PIECES INCLUSES DANS LE JEU DE JOINTS DUE MOTEUR 1878129661

(A) PEZAS INCLUIDAS EN EL JEUGO DE EMPAQUETADURAS DEL MOTOR 1878129661

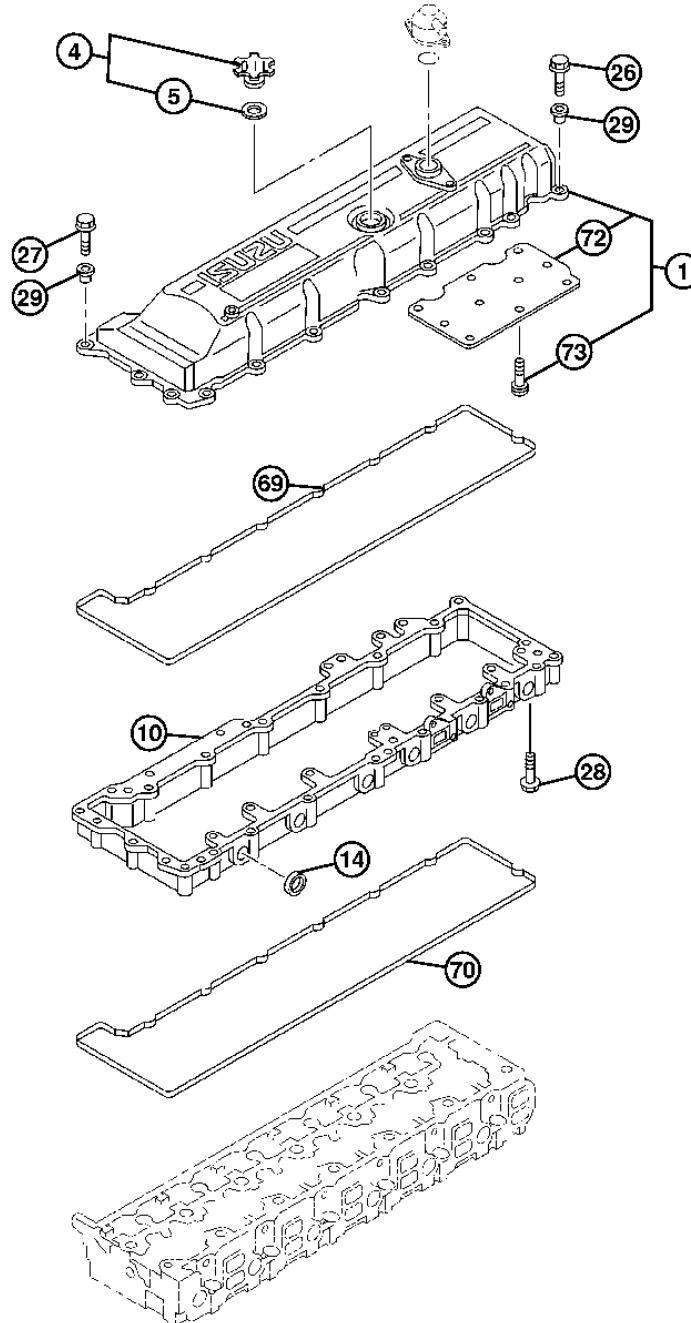
0409-2

ENGINE 04

CYLINDER HEAD AND VALVES 0409

CYLINDER HEAD COVERS AND GASKETS COUVERCLES ET JOINTS DE CULASSE CUBIERTAS Y EMPAQUETADURAS DE CULATA

T215371 -UN-17OCT05



T215371

0409-3

ENGINE 04

CYLINDER HEAD AND VALVES 0409

CYLINDER HEAD COVERS AND GASKETS COUVERCLES ET JOINTS DE CULASSE CUBIERTAS Y EMPAQUETADURAS DE CULATA

KEY	PART NO.	PART NAME	QTY.	ENGINE SERIAL NO.	REMARKS
1	1111804762	COVER	1		
4	8943997230	FILLER CAP	1		
5	8943996890	O-RING	1		(A) (B)
10	8976036052	COVER	1		
14	1096390340	GASKET	6		(A)
26	0280808800	BOLT	12		
27	0280808300	BOLT	8		
28	0280808600	BOLT	7		
29	8943956840	ISOLATOR	20		
69	1111731191	GASKET	1		(A) (B)
70	1111731201	GASKET	1		(A) (B)
72	1111791091	PLATE	1		
73	0583106120	BOLT	10		

(A) PARTS INCLUDED IN ENGINE GASKET KIT

(A) PIECES INCLUSES DANS LE JEU DE JOINTS DU MOTEUR

(A) PIEZAS INCLUIDAS EN EL JUEGO DE EMPAQUETADURAS DEL MOTOR

(B) PARTS INCLUDED IN ENGINE HEAD GASKET KIT

(B) LES PIECES FONT PARTIE DU KIT DE JOINT DE CULASSE DE MOTEUR

(B) PIEZAS INCLUIDAS EN EL JUEGO DE EMPAQUETADURA DE CULATA DEL MOTOR

0409-4

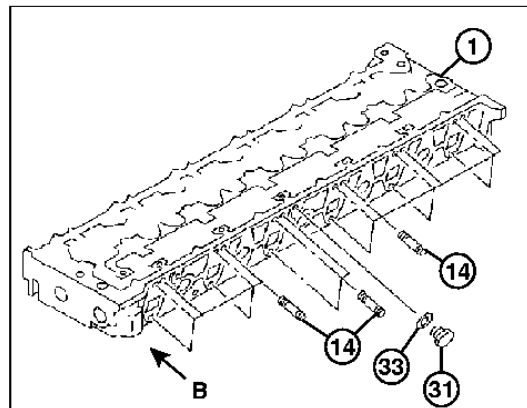
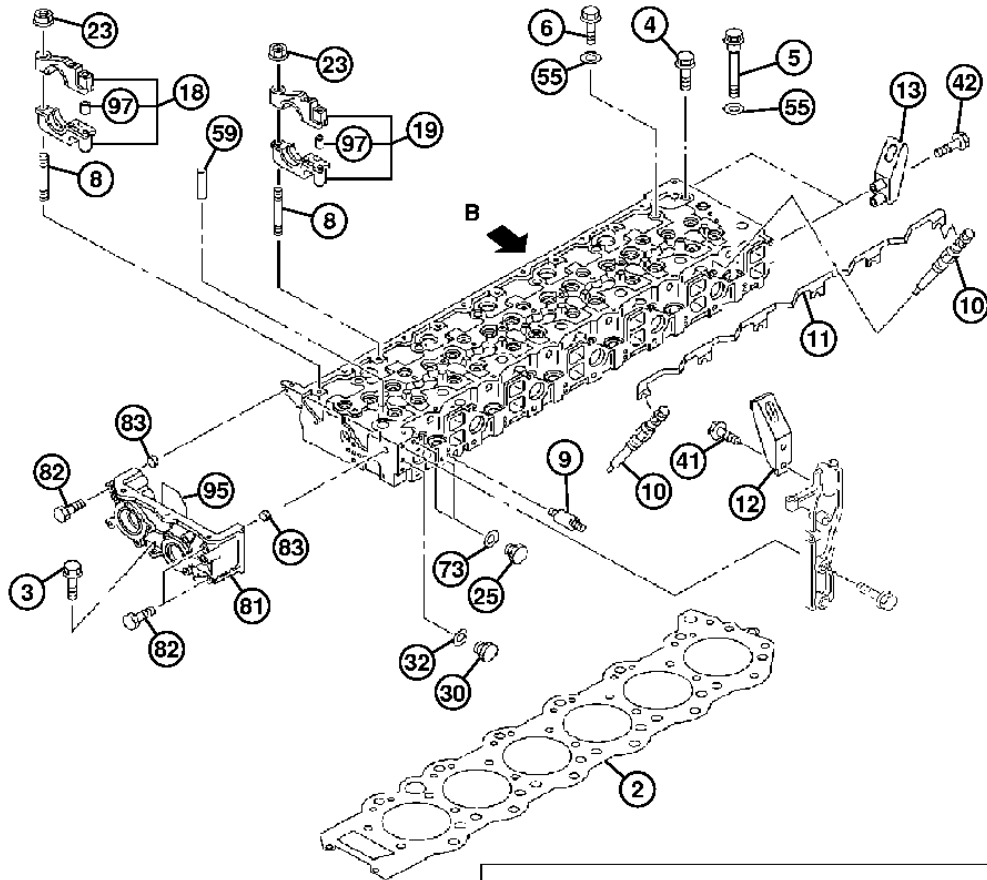
ENGINE 04

CYLINDER HEAD AND VALVES 0409

CYLINDER HEAD
CULASSE
CULATA

T215934

-UN-07DEC05



T215934

THIS PARTS LISTING IS CONTINUED

0409-5

ENGINE 04

CYLINDER HEAD AND VALVES 0409

CYLINDER HEAD CULASSE CULATA

KEY	PART NO.	PART NAME	QTY.	ENGINE SERIAL NO.	REMARKS
1	1111109393	CYLINDER HEAD	1		(SUB FOR 1111109393) (SEE SEPARATE PAGE FOR DETAIL)
2	1111412653	ENGINE CYLINDER HEAD GASKET	1		(A) (B)
3	0281510350	BOLT	2		(SUB FOR 0281810350 OR 0281210350)
4	0281862120	BOLT	1		
5	1090701410	BOLT	6		
6	1090701420	BOLT	20		
8	8943973220	STUD	14		
9	1093090080	STUD	12		(INLET MANIFOLD)
10	1825130443	GLOW PLUG	6		(SUB FOR 1825130442)
11	1197320371	FITTING	1		
12	1117771231	HANGER	1		(FRONT) (SUB FOR 1117770870)
13	1117771493	BRACKET	2		(REAR)
14	1093021760	STUD	18		(EXHAUST MANIFOLD)
18	8976087851	BRACKET KIT	1		(SUB FOR 8976087850)
19	8976087911	BRACKET KIT	6		(SUB FOR 8976087910)
23	1094400040	NUT	14		
25	9992023140	PIPE PLUG	2		
30	1096040940	PLUG	1		
31	9992023140	PIPE PLUG	1		
32	1096300830	GASKET	1		(A)
33	1096301410	GASKET	1		(A)
41	0281912200	BOLT	2		
42	0281912500	BOLT	4		
55	1095030320	WASHER	26		
59	1117290050	HANGER	12		(SUB FOR 8973780210)
73	1096301410	GASKET	2		(A) (B)
81	1113100550	CASE	1		
82	9059210800	BOLT	7		
83	1131190040	DOWEL PIN	2		
95	1096234030	GASKET	1		(A) (B)
97	1131190050	DOWEL PIN	28		

(A) PARTS INCLUDED IN ENGINE GASKET KIT

(A) PIECES INCLUSES DANS LE JEU DE JOINTS DU MOTEUR

(A) PEZAS INCLUIDAS EN EL JUEGO DE EMPAQUETADURAS DEL MOTOR

(B) PARTS INCLUDED IN ENGINE HEAD GASKET KIT

(B) LES PIECES FONT PARTIE DU KIT DE JOINT DE CULASSE DE MOTEUR

(B) PIEZAS INCLUIDAS EN EL JUEGO DE EMPAQUETADURA DE CULATA DEL MOTOR

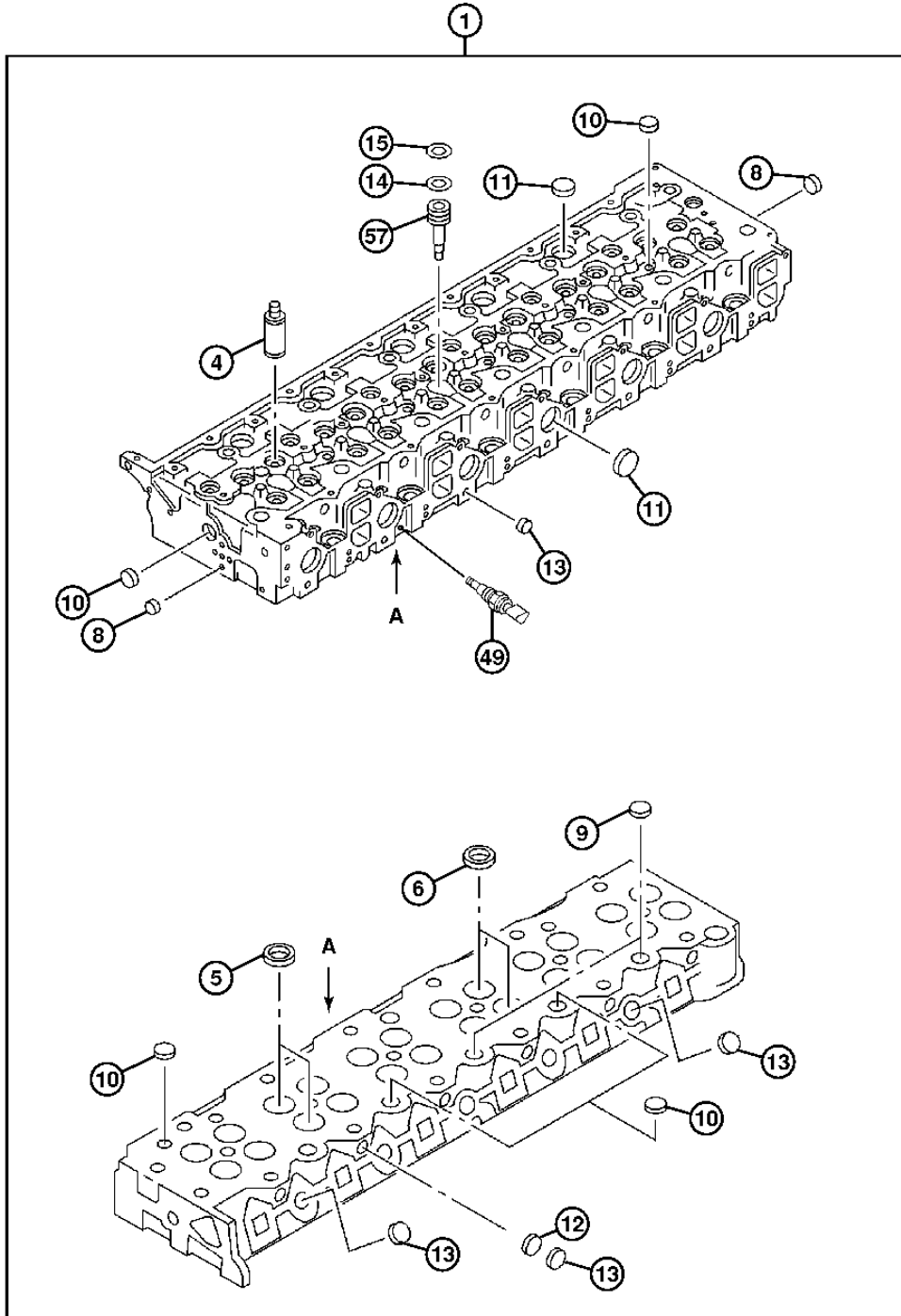
0409-6

ENGINE 04

CYLINDER HEAD AND VALVES 0409

CYLINDER HEAD COMPONENTS
COMPOSANTS DE CULASSE
COMPONENTES DE LA CULATA

T215962 -UN-20JAN06



T215962

0409-7

ENGINE 04

CYLINDER HEAD AND VALVES 0409

CYLINDER HEAD COMPONENTS COMPOSANTS DE CULASSE COMPONENTES DE LA CULATA

KEY	PART NO.	PART NAME	QTY.	ENGINE SERIAL NO.	REMARKS
1	1111109393	CYLINDER HEAD	1		(SUB FOR 1111109392) (BOTH TOP AND BOTTOM VIEW SHOWN)
4	1117210120	GUIDE	24		(VALVE)
5	1117110740	VALVE SEAT INSERT	12		(EXHAUST)
6	1117151090	VALVE SEAT INSERT	12		(INLET)
8	5096000130	SEAL	2		
9	1096000122	PLUG	2		
10	1096000160	PLUG	10		
11	8942416370	PLUG	18		
12	5111290060	SEAL	6		
13	5112190080	PLUG	12		
14	8972331260	O-RING	6		(BLACK) (A) (B)
15	8980415850	O-RING	6		(SUB FOR AT263769 OR 8972331270) (RED) (A) (B)
49	8973639360	SENSOR	1		(WATER TEMPERATURE)
57	1111290640	SLEEVE	6		(NOZZLE HOLDER)

(A) PARTS INCLUDED IN ENGINE GASKET KIT
(A) PIECES INCLUSES DANS LE JEU DE JOINTS DU MOTEUR
(A) PEZAS INCLUIDAS EN EL JUEGO DE EMPAQUETADURAS DEL MOTOR

(B) PARTS INCLUDED IN ENGINE HEAD GASKET KIT
(B) LES PIECES FONT PARTIE DU KIT DE JOINT DE CULASSE DE MOTEUR
(B) PIEZAS INCLUIDAS EN EL JUEGO DE EMPAQUETADURA DE CULATA DEL MOTOR

0410-2

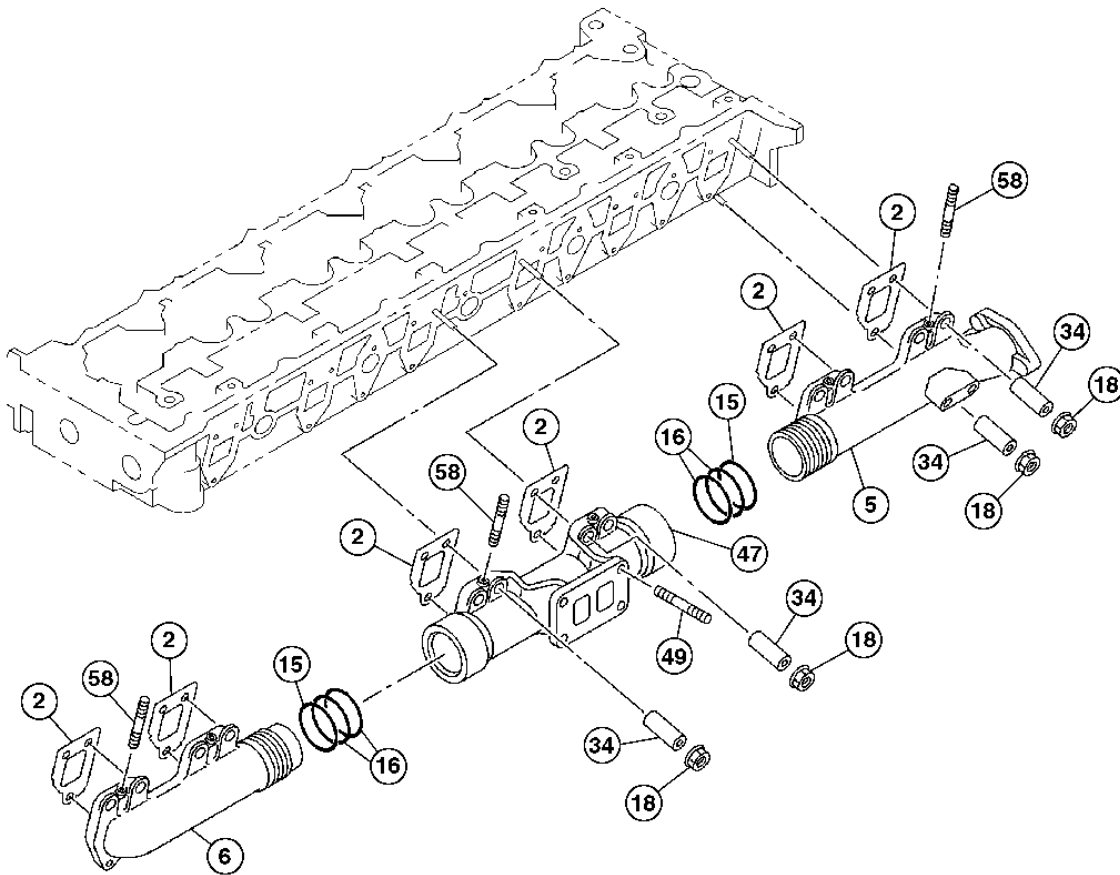
ENGINE 04

EXHAUST MANIFOLD 0410

EXHAUST MANIFOLD
COLLECTEUR D'ÉCHAPPEMENT
COLECTOR DE ESCAPE

T216368

-UN-19OCT05



T216368

0410-3

ENGINE 04

EXHAUST MANIFOLD 0410

EXHAUST MANIFOLD
COLLECTEUR D'ÉCHAPPEMENT
COLECTOR DE ESCAPE

KEY	PART NO.	PART NAME	QTY.	ENGINE SERIAL NO.	REMARKS
2	1141451821	GASKET	6		(A) (B)
5	1141420301	EXHAUST MANIFOLD	1		
6	1141420010	EXHAUST MANIFOLD	1		
15	1141492010	SEAL	2		
16	9141490260	SEAL	4		
18	8970961921	NUT	18		
34	8972500731	LOCKING COLLAR	18		
47	1141420311	EXHAUST MANIFOLD	1		(SUB FOR 1141420310)
49	8973780710	STUD	4		
58	0410108200	STUD	6		(SUB FOR 9041108200)

(A) PARTS INCLUDED IN ENGINE GASKET KIT

(A) PIÈCES INCLUSES DANS LE JEU DE JOINTS DU MOTEUR

(A) PIEZAS INCLUIDAS EN EL JUEGO DE EMPAQUETADURAS DEL MOTOR

(B) PARTS INCLUDED IN ENGINE HEAD GASKET KIT

(B) LES PIÈCES FONT PARTIE DU KIT DE JOINT DE CULASSE DE MOTEUR

(B) PIEZAS INCLUIDAS EN EL JUEGO DE EMPAQUETADURA DE CULATA DEL MOTOR

0413-2

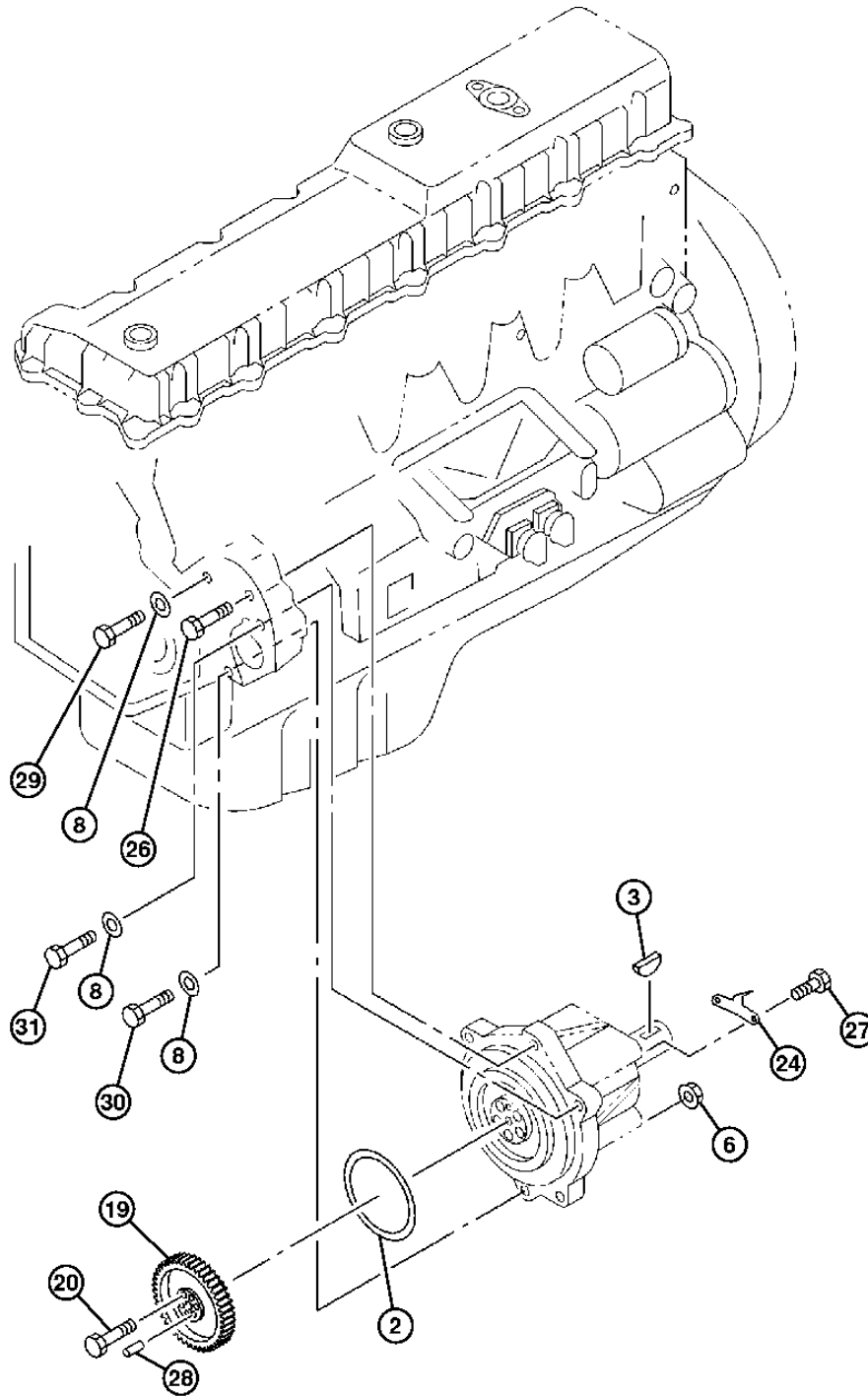
ENGINE 04

FUEL INJECTION SYSTEM 0413

FUEL INJECTION PUMP DRIVE GEAR AND HARDWARE PIGNON D'ENTRAÎNEMENT DE POMPE D'INJECTION DE CARBURANT ET BOULONNERIE ENGRANAJE IMPULSOR DE BOMBA DE INYECCION DE COMBUSTIBLE Y TORNILLERIA

T216675

-UN-28OCT05



T216675

THIS PARTS LISTING IS CONTINUED

0413-3

ENGINE 04

FUEL INJECTION SYSTEM 0413

FUEL INJECTION PUMP DRIVE GEAR AND HARDWARE
PIGNON D'ENTRAÎNEMENT DE POMPE D'INJECTION DE CARBURANT ET BOULONNERIE
ENGRANAJE IMPULSOR DE BOMBA DE INYECCION DE COMBUSTIBLE Y TORNILLERIA

KEY	PART NO.	PART NAME	QTY.	ENGINE SERIAL NO.	REMARKS
2	1096234760	O-RING	1		(A)
3	9080556220	SHAFT KEY	1		
6	0911801140	NUT	1		(SUB FOR 0911501140)
8	9091645140	WASHER	3		
19	1125241640	GEAR	1		
20	1090701160	BOLT	5		
24	SPACER	1		(1113270550 NLA)
26	0281660130	BOLT	1		(SUB FOR 0281960130)
27	0281510160	BOLT	2		(SUB FOR 0281810160)
28	9081505100	PIN	1		
29	8943992531	BOLT	1		
30	9916664000	BOLT	1		
31	9916664900	BOLT	1		

(A) PARTS INCLUDED IN 1878129661 ENGINE GASKET KIT

(A) PIECES INCLUSES DANS LE JEU DE JOINTS DUE MOTEUR 1878129661

(A) PEZAS INCLUIDAS EN EL JEUGO DE EMPAQUETADURAS DEL MOTOR 1878129661

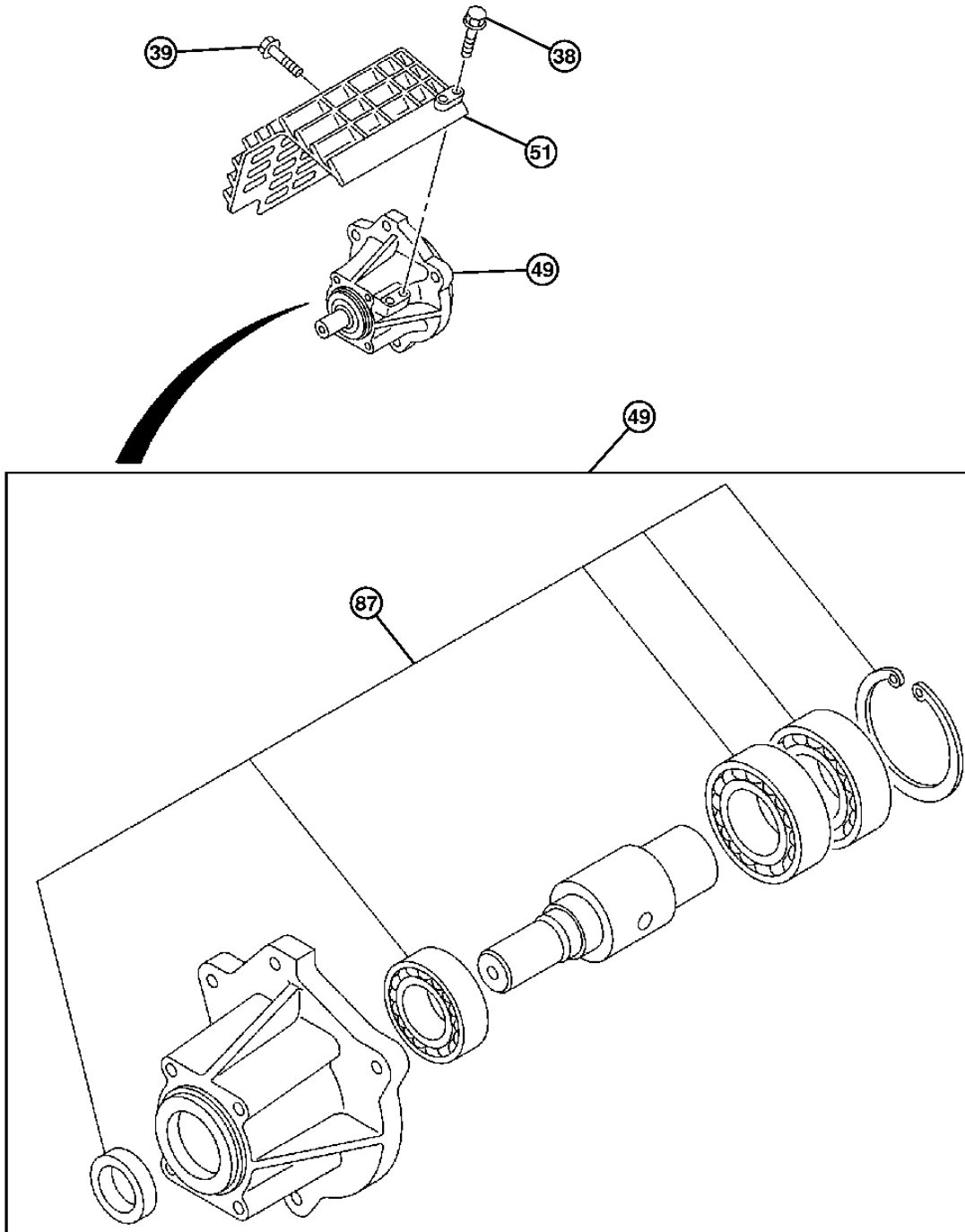
0413-4

ENGINE 04

FUEL INJECTION SYSTEM 0413

FUEL INJECTION PUMP DRIVE COMPONENTS COMPOSANTS D'ENTRAÎNEMENT DE POMPE D'INJECTION DE CARBURANT COMPONENTES DE MANDO DE BOMBA DE INYECCION DE COMBUSTIBLE

T216676 -UN-28OCT05



T216676

0413-5

ENGINE 04

FUEL INJECTION SYSTEM 0413

FUEL INJECTION PUMP DRIVE COMPONENTS
COMPOSANTS D'ENTRAÎNEMENT DE POMPE D'INJECTION DE CARBURANT
COMPONENTES DE MANDO DE BOMBA DE INYECCION DE COMBUSTIBLE

KEY	PART NO.	PART NAME	QTY.	ENGINE SERIAL NO.	REMARKS
38	0281810500	BOLT	2		
39	0287810400	BOLT	2		
49	1125300190	COUPLING	1		(AIR COMPRESSOR)
51	1112192080	COVER	1		
87	1873101420	COUPLING	1		

0413-6

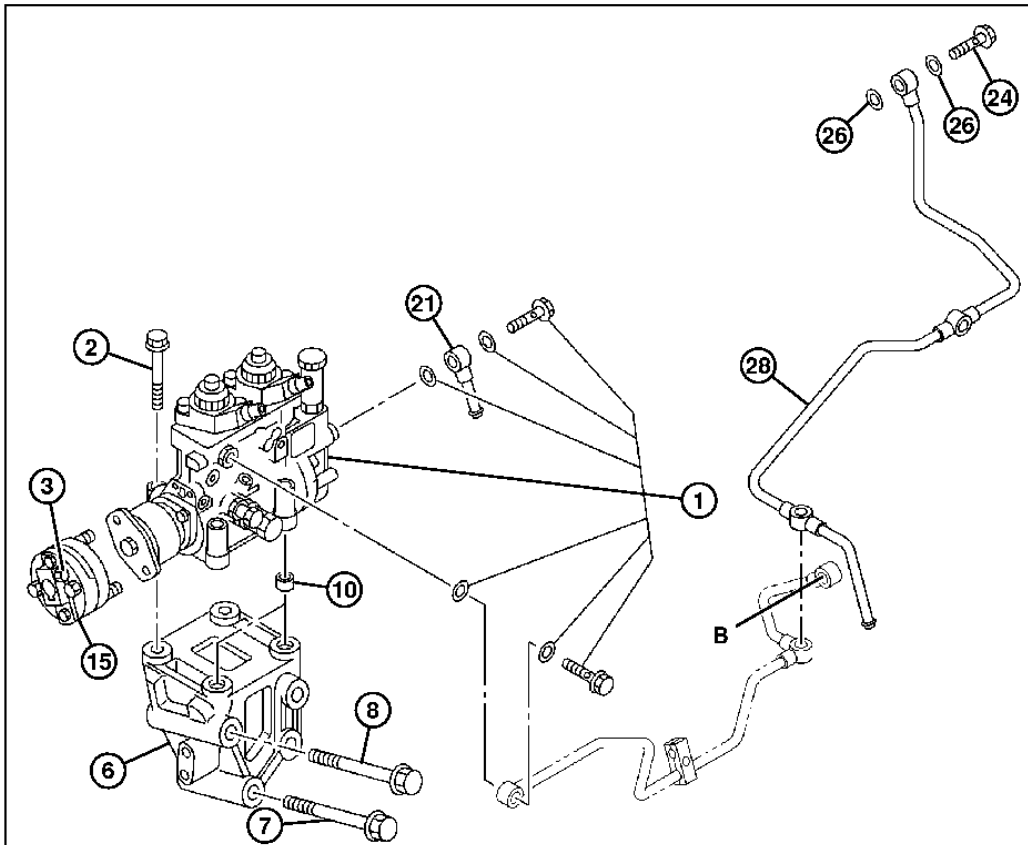
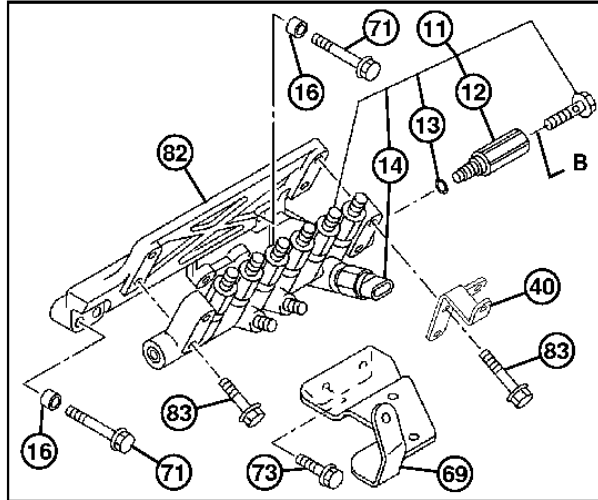
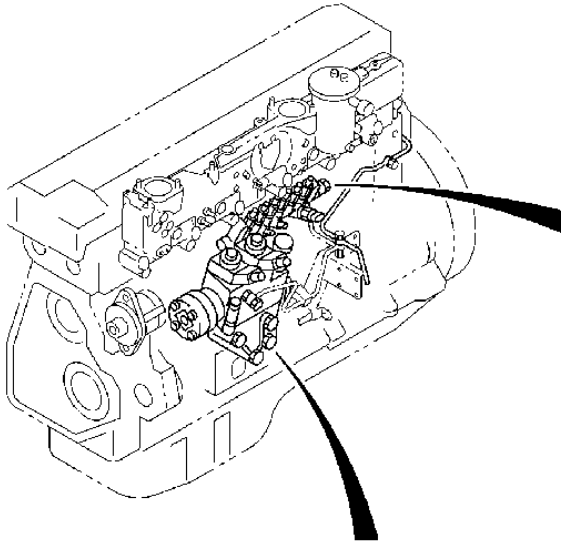
ENGINE 04

FUEL INJECTION SYSTEM 0413

FUEL INJECTION SYSTEM (1 OF 2) CIRCUIT D'INJECTION DE CARBURANT (1 OF 2) SISTEMA DE INYECCION DE COMBUSTIBLE (1 OF 2)

T216746

-UN-04NOV05



T216746

THIS PARTS LISTING IS CONTINUED

0413-7

ENGINE 04

FUEL INJECTION SYSTEM 0413

FUEL INJECTION SYSTEM (1 OF 2)
CIRCUIT D'INJECTION DE CARBURANT (1 OF 2)
SISTEMA DE INYECCION DE COMBUSTIBLE (1 OF 2)

KEY	PART NO.	PART NAME	QTY.	ENGINE SERIAL NO.	REMARKS
1	8976034140	FUEL INJECTION PUMP	1		(SEE SEPARATE PAGE FOR DETAIL)
2	0280908900	BOLT	4		
3	1157892120	BOLT	1		
6	1197511790	BRACKET	1		
7	0289814900	BOLT	2		
8	0289564120	BOLT	2		(SUB FOR 0289864120)
10	1112290121	DOWEL PIN	2		
11	8976031211	FUEL LINE	1		
12	8973186910	PRESSURE RELIEF VALVE	1		(FUEL)
13	1156410460	GASKET	1		
14	8973186841	PRESSURE SENSOR	1		(SUB FOR 8973186840) (PRESSURE)
15	1157801920	COUPLING	1		
16	1131190040	DOWEL PIN	2		
21	8980149190	LINE	1		(FUEL PUMP, SUCTION)
24	1096750860	BOLT	1		
26	1096301410	GASKET	2		(A) (B)
28	1154168732	PIPE	1		(SUB FOR 1154168730 OR 1154168731) (INJECTION)
40	1137290970	BRACKET	1		
69	8976052190	BRACKET	1		
71	19M7742	CAP SCREW	2		M10 X 65, (SUB FOR 0281810600 OR 0168060650)
73	0280508160	BOLT	2		(SUB FOR 0280808160)
82	8976031222	BRACKET	1		
83	0281810400	BOLT	4		

(A) PARTS INCLUDED IN ENGINE GASKET KIT

(A) PIECES INCLUSES DANS LE JEU DE JOINTS DU MOTEUR

(A) PEZAS INCLUIDAS EN EL JUEGO DE EMPAQUETADURAS DEL MOTOR

(B) PARTS INCLUDED IN ENGINE HEAD GASKET KIT

(B) LES PIECES FONT PARTIE DU KIT DE JOINT DE CULASSE DE MOTEUR

(B) PIEZAS INCLUIDAS EN EL JUEGO DE EMPAQUETADURA DE CULATA DEL MOTOR

0413-7A

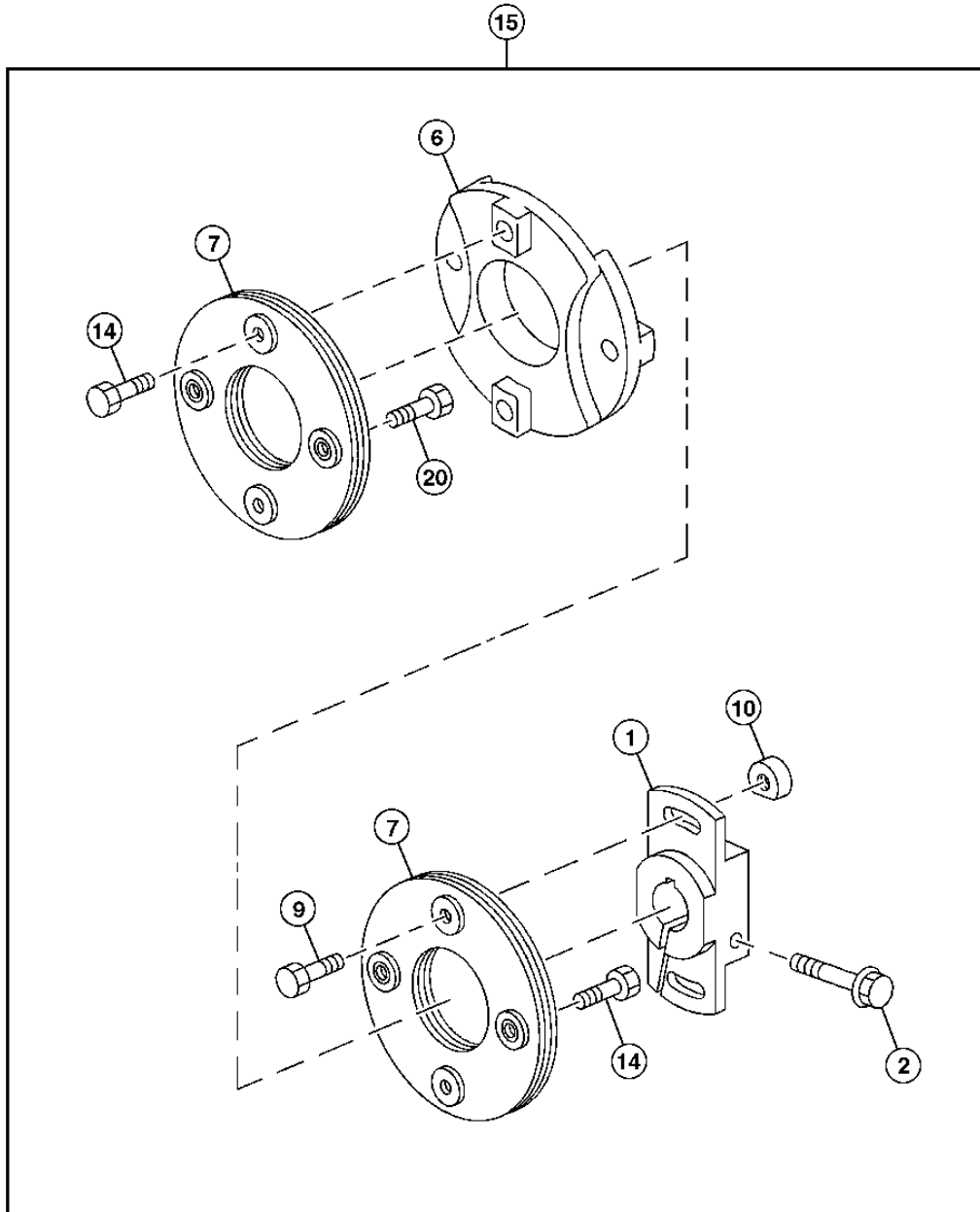
ENGINE 04

FUEL INJECTION SYSTEM 0413

FUEL INJECTION PUMP COUPLER COMPONENTS COMPOSANTS DE ACCOUPLEMENT DE POMPE D'INJECTION DE CARBURANT COMPONENTES DEL ACOPLAMIENTO DE BOMBA DE INYECCION DE COMBUSTIBLE

TX1036591

-UN-03MAR08



TX1036591

0413-7B

ENGINE 04

FUEL INJECTION SYSTEM 0413

FUEL INJECTION PUMP COUPLING COMPONENTS
COMPOSANTS DE ACCOUPLEMENT DE POMPE D'INJECTION DE CARBURANT
COMPONENTES DEL ACOPLAMIENTO DE BOMBA DE INYECCION DE COMBUSTIBLE

KEY	PART NO.	PART NAME	QTY.	ENGINE SERIAL NO.	REMARKS
1	1157892070	COUPLING	1		
2	1157892120	BOLT	1		
6	1157892080	COUPLING	1		
7	1157892090	PLATE	2		
9	1157892100	BOLT	2		
10	1157892130	NUT	2		
14	1157892110	BOLT	4		
15	1157801920	COUPLING	1		
20	1157892140	BOLT	2		

0413-8

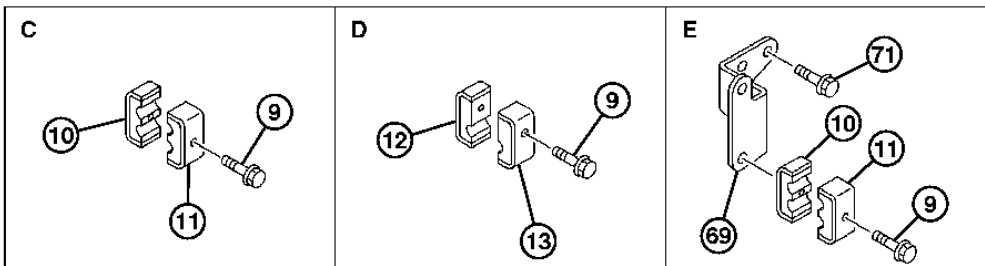
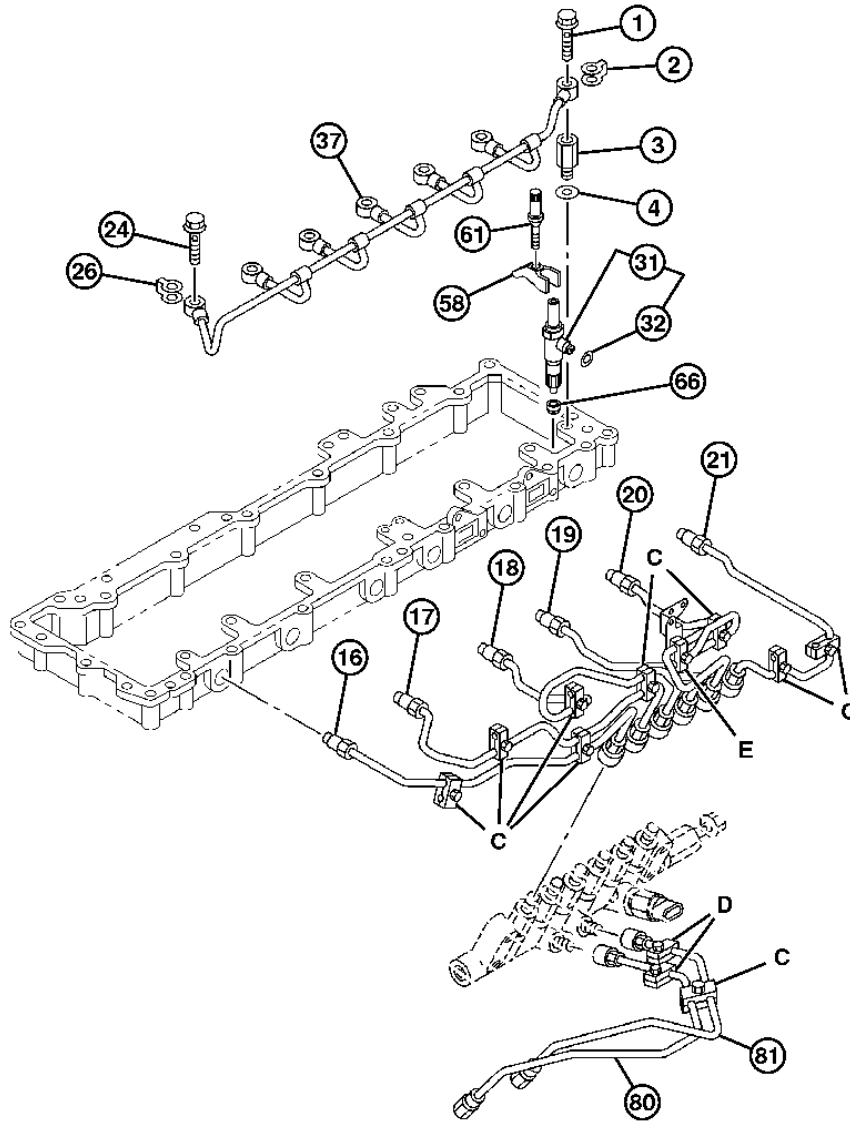
ENGINE 04

FUEL INJECTION SYSTEM 0413

FUEL INJECTION SYSTEM (2 OF 2) CIRCUIT D'INJECTION DE CARBURANT (2 OF 2) SISTEMA DE INYECCION DE COMBUSTIBLE (2 OF 2)

T216782

-UN-28OCT05



T216782

0413-9

ENGINE 04

FUEL INJECTION SYSTEM 0413

FUEL INJECTION SYSTEM (2 OF 2)
 CIRCUIT D'INJECTION DE CARBURANT (2 OF 2)
 SISTEMA DE INYECCION DE COMBUSTIBLE (2 OF 2)

KEY	PART NO.	PART NAME	QTY.	ENGINE SERIAL NO.	REMARKS
1	1096751600	BOLT	1		
2	1154196351	GASKET	1		(SUB FOR 1154196350) (A) (B)
3	1154195252	ADAPTER FITTING	1		
4	GASKET	1		(1096300850 NLA)
9	0282806300	BOLT	13		(SUB FOR 0280806300 OR AT191642)
10	1097011723	CLIP	11		(SUB FOR 1097011722)
11	1097011732	CLIP	11		(SUB FOR 1097011731)
12	1097012690	CLIP	2		
13	8943963710	CLIP	2		
16	1154168420	LINE	1		(SUB FOR 1154168421)
17	1154168432	LINE	1		
18	1154168441	LINE	1		
19	1154168451	LINE	1		
20	1154168462	LINE	1		
21	1154168471	LINE	1		(SUB FOR 1154168470)
24	1096750371	BOLT	6		
26	8943952140	GASKET	6		(A) (B)
31	8976034152	NOZZLE	6		
32	9095611110	GASKET	1		(A)
37	8976171610	FUEL LINE	1		(SUB FOR 1154168510) (LEAK-OFF)
58	1153370210	FLANGE	6		
61	1090701210	BOLT	6		
66	8972160820	GASKET	6		(A) (B)
69	1191994110	BRACKET	1		
71	0280506120	BOLT	1		(SUB FOR 0280806120)
80	1154168110	LINE	1		(SUB FOR 1154168111)
81	1154168121	LINE	1		

0413-10

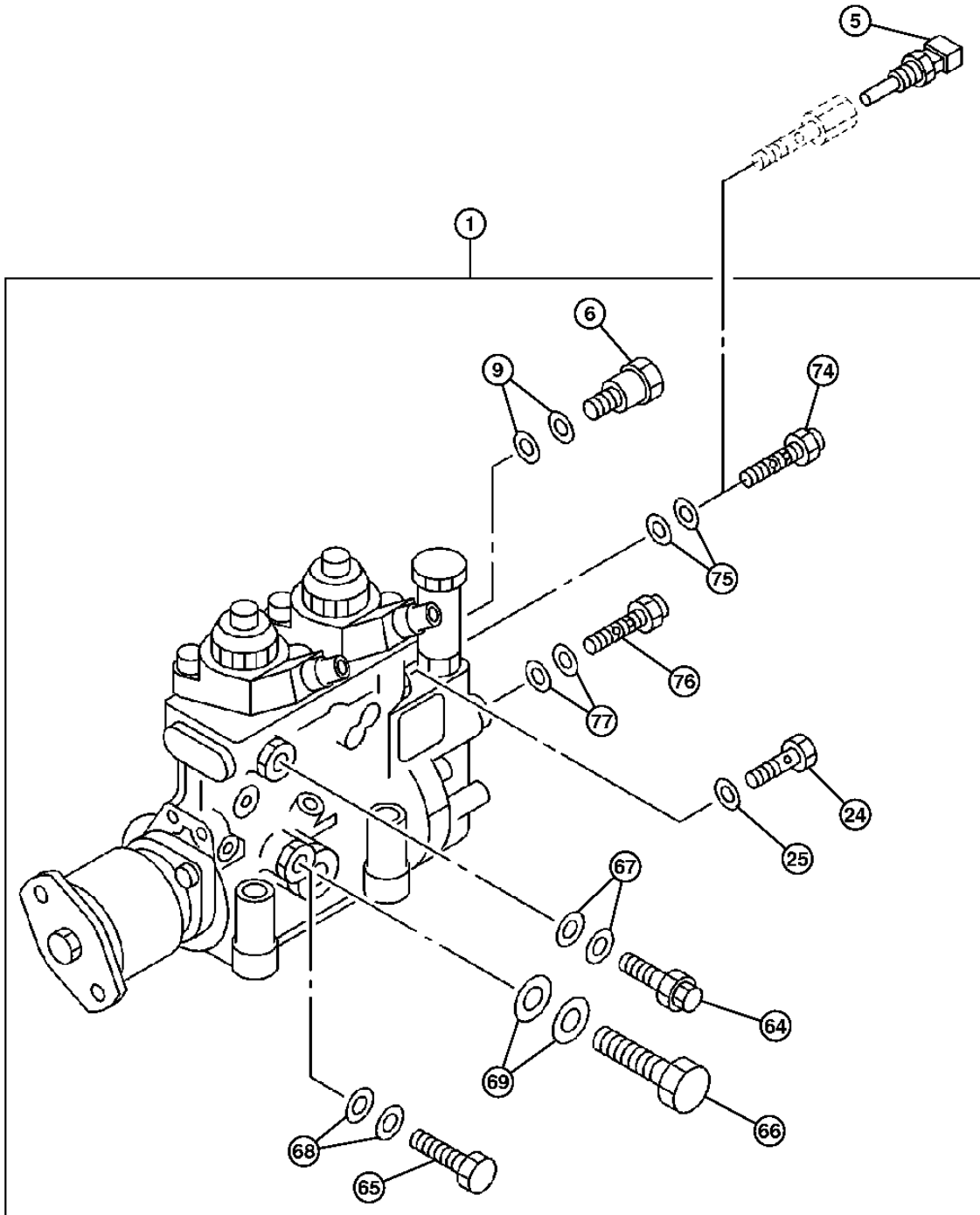
ENGINE 04

FUEL INJECTION SYSTEM 0413

FUEL INJECTION PUMP
POMPE D'INJECTION
BOMBA DE INYECCION

T216792

-UN-28OCT05



T216792

0413-11

ENGINE 04

FUEL INJECTION SYSTEM 0413

**FUEL INJECTION PUMP
POMPE D'INJECTION
BOMBA DE INYECCION**

KEY	PART NO.	PART NAME	QTY.	ENGINE SERIAL NO.	REMARKS
1	8976034140	FUEL INJECTION PUMP	1		
5	8972249930	SENSOR	1		(FUEL TEMPERATURE)
6	5157590030	EYEBOLT	1		
9	1156195070	GASKET	2		
24	1156195000	PLUG	1		
25	1156195020	GASKET	1		
64	1156194960	VALVE	1		(OVERFLOW)
65	9881300880	EYEBOLT	1		
66	1156194970	EYEBOLT	1		
67	1156195010	GASKET	2		
68	1156195080	GASKET	2		
69	1156195040	GASKET	2		
74	5157590030	EYEBOLT	1		
75	1156195070	GASKET	2		
76	1156195090	EYEBOLT	1		
77	1156195070	GASKET	2		

0414-2

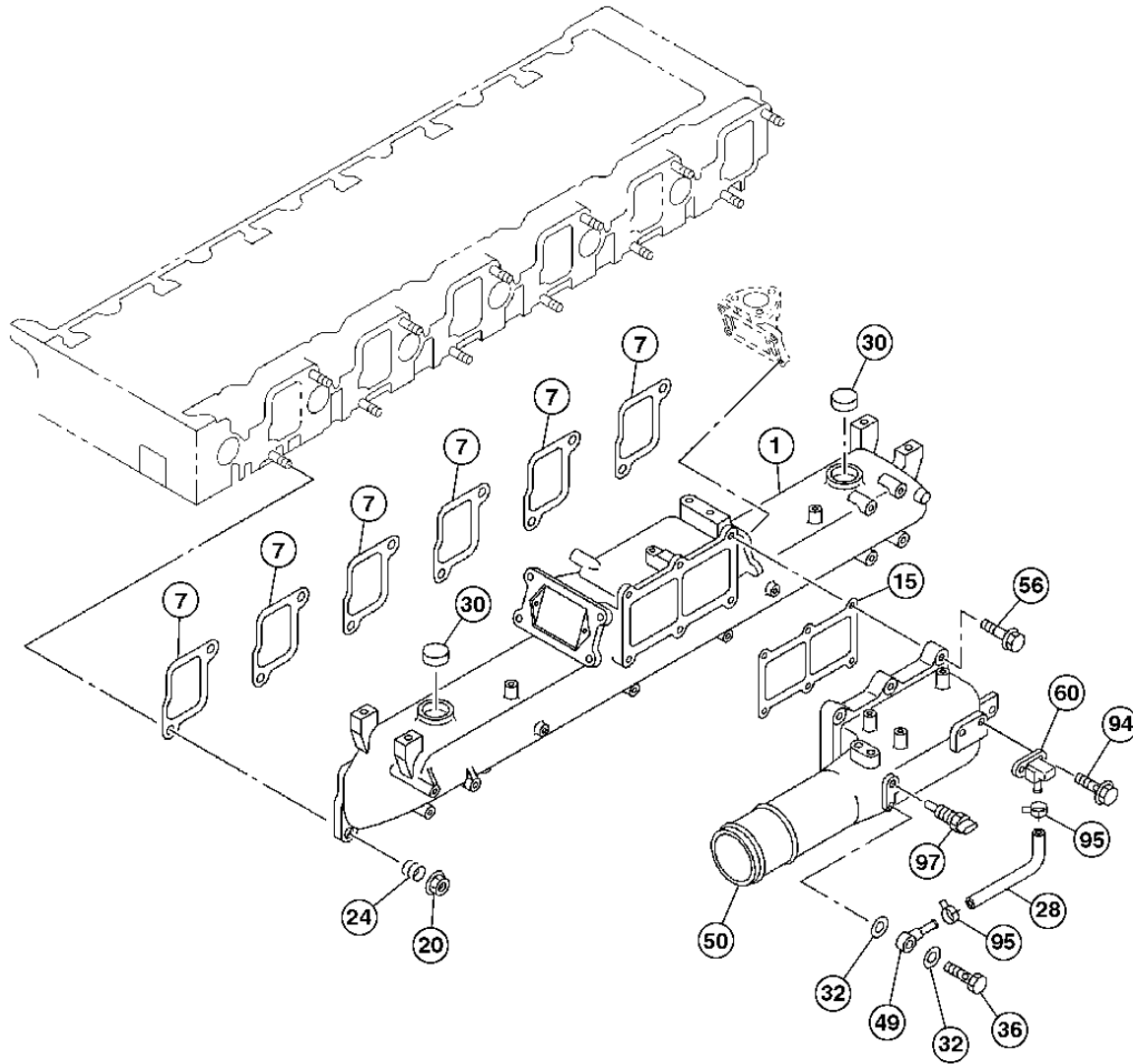
ENGINE 04

INTAKE MANIFOLD 0414

INTAKE MANIFOLD
COLLECTEUR D'ADMISSION
COLECTOR DE ADMISION

T216366

-UN-02DEC05



T216366

0414-3

ENGINE 04

INTAKE MANIFOLD 0414

INTAKE MANIFOLD COLLECTEUR D'ADMISSION COLECTOR DE ADMISION

KEY	PART NO.	PART NAME	QTY.	ENGINE SERIAL NO.	REMARKS
1	1141106121	INTAKE MANIFOLD	1		(SUB FOR 1141127791)
7	1141150961	GASKET	6		(SUB FOR 8976075981) (A) (B)
15	1141150941	GASKET	1		(A) (B)
20	4447336	NUT	12		(SUB FOR 0911501100, 4408178, 8944698430, AT259946, 0911502100, 0911802100)
24	1095801560	SPRING	12		
28	1141194160	ISOLATOR	1		
30	8942416370	PLUG	2		
32	1096300820	GASKET	2		(A) (B)
36	8972578260	EYEBOLT	1		(SUB FOR 1096752060)
49	8944288070	PIPE	1		
50	8980303480	PIPE	1		(1141127811 NLA) (SUB FOR 1141127810)
56	0281810300	BOLT	6		
60	1802200140	SENSOR	1		(BOOST)
94	0280506120	BOLT	2		(SUB FOR 0280806120)
95	R56101	CLIP	2		(SUB FOR 5097070051 OR AT261421) (SUB FOR 1097070870)
97	8121468300	SENSOR	1		(INTAKE AIR TEMPERATURE)

(A) PARTS INCLUDED IN ENGINE GASKET KIT

(A) PIECES INCLUSES DANS LE JEU DE JOINTS DU MOTEUR

(A) PEZAS INCLUIDAS EN EL JUEGO DE EMPAQUETADURAS DEL MOTOR

(B) PARTS INCLUDED IN ENGINE HEAD GASKET KIT

(B) LES PIECES FONT PARTIE DU KIT DE JOINT DE CULASSE DE MOTEUR

(B) PIEZAS INCLUIDAS EN EL JUEGO DE EMPAQUETADURA DE CULATA DEL MOTOR

0416-2

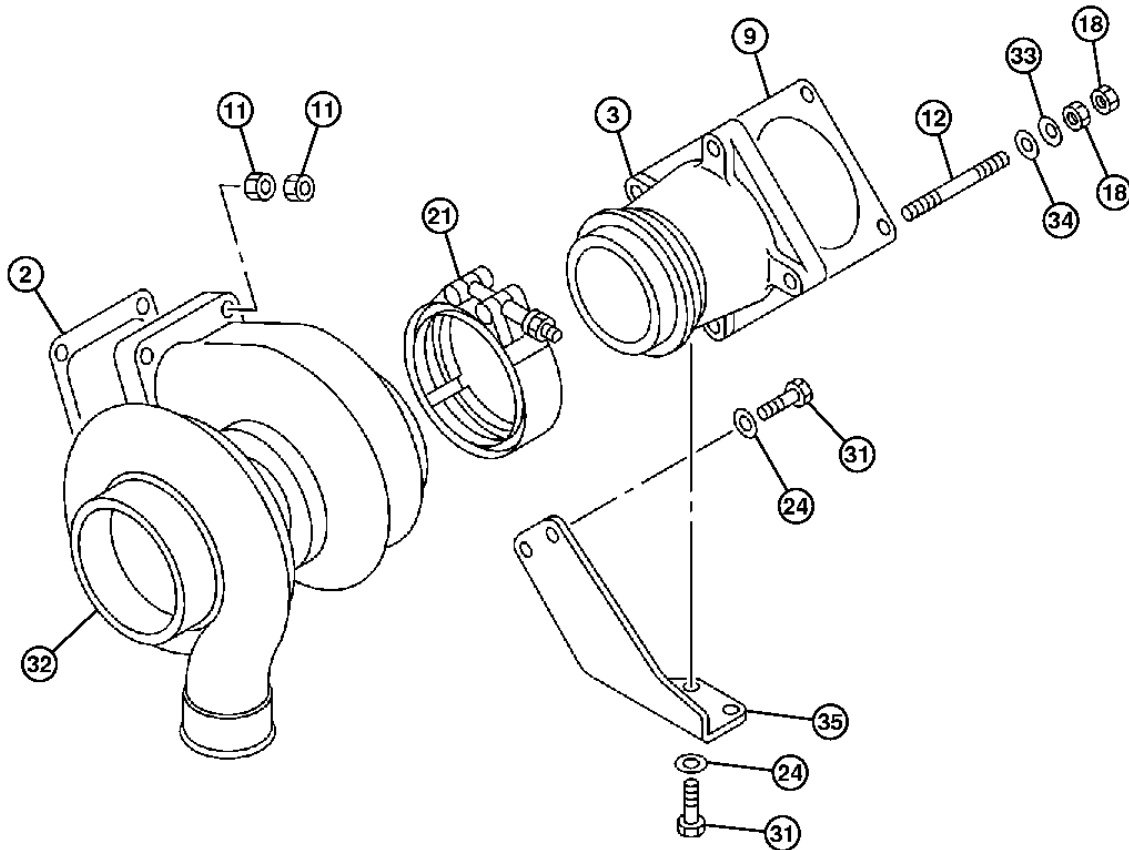
ENGINE 04

TURBOCHARGER 0416

TURBOCHARGER
TURBOCOMPRESSEUR
TURBOCARGADOR

T216562

-UN-27OCT05



T216562

0416-3

ENGINE 04

TURBOCHARGER 0416

**TURBOCHARGER
TURBOCOMPRESSEUR
TURBOCARGADOR**

KEY	PART NO.	PART NAME	QTY.	ENGINE SERIAL NO.	REMARKS
2	8980188550	GASKET	1		(A) (B)
3	1141446323	PIPE	1		
9	1141451750	GASKET	1		
11	1094200050	NUT	8		
12	9098330970	STUD	4		
18	1094000720	NUT	8		
21	1097090941	BAND	1		
24	1095000070	WASHER	4		
31	1090200732	BOLT	4		
32	1144004440	TURBOCHARGER	1		(SEE SEPARATE PAGE FOR DETAIL)
33	1095560200	WASHER	4		
34	0916147120	WASHER	4		(SUB FOR 9091646120 OR 9091647120)
35	1141492650	BRACKET	1		

(A) PARTS INCLUDED IN ENGINE GASKET KIT

(A) PIECES INCLUSES DANS LE JEU DE JOINTS DU MOTEUR

(A) PEZAS INCLUIDAS EN EL JUEGO DE EMPAQUETADURAS DEL MOTOR

(B) PARTS INCLUDED IN ENGINE HEAD GASKET KIT

(B) LES PIECES FONT PARTIE DU KIT DE JOINT DE CULASSE DE MOTEUR

(B) PIEZAS INCLUIDAS EN EL JUEGO DE EMPAQUETADURA DE CULATA DEL MOTOR

0416-4

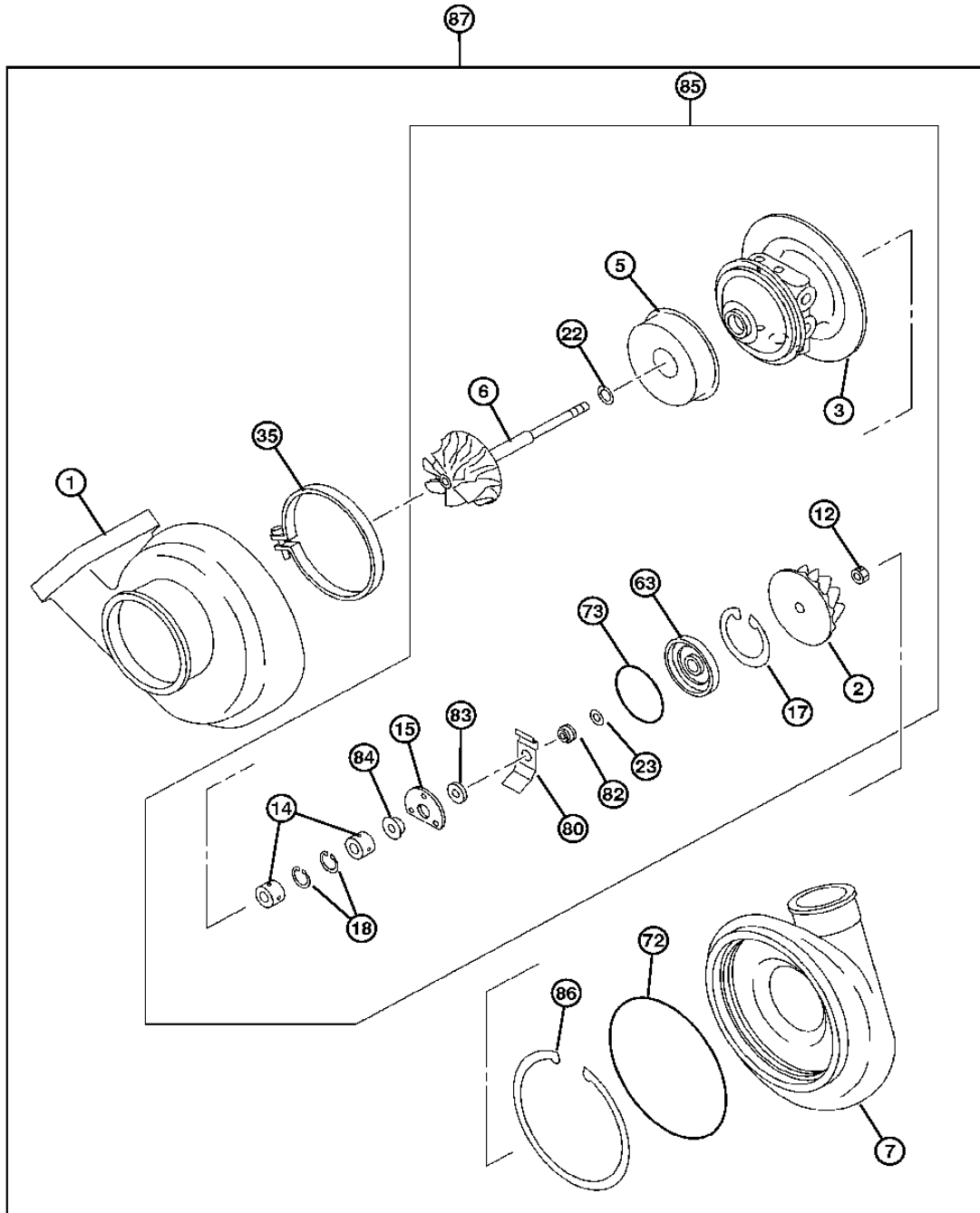
ENGINE 04

TURBOCHARGER 0416

TURBOCHARGER COMPONENTS COMPOSANTS DE TURBOCOMPRESSEUR COMPONENTES DE TURBOALIMENTADOR

T216659

-UN-09NOV05



T216659

0416-5

ENGINE 04

TURBOCHARGER 0416

TURBOCHARGER COMPONENTS COMPOSANTS DE TURBOCOMPRESSEUR COMPONENTES DE TURBOALIMENTADOR

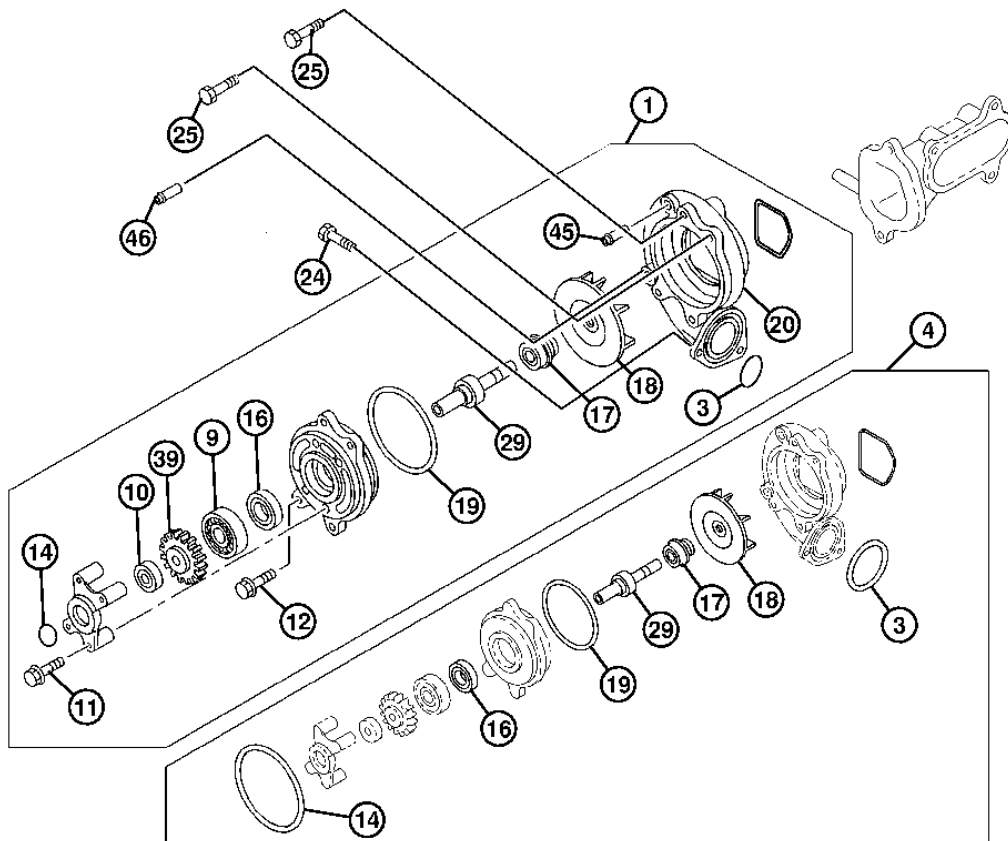
KEY	PART NO.	PART NAME	QTY.	ENGINE SERIAL NO.	REMARKS
1	HOUSING	1		(1144151360 NLA)
2	1144510740	IMPELLER	1		
3	HOUSING	1		(1144110850 NLA)
5	1144250350	COVER	1		
6	1144500630	SHAFT	1		
7	HOUSING	1		(1144141450 NLA)
12	NUT	1		(1144590570 NLA)
14	1144110650	BEARING	2		
15	BEARING	1		(1144110600 NLA)
17	1144191170	RING	1		
18	RING	2		(1144590620 NLA)
22	RING	1		(1144590630 NLA)
23	RING	1		(1144590590 NLA)
35	1142192680	CLAMP	1		
63	1144250370	INSERT	1		
72	1144141070	GASKET	1		
73	1144141070	GASKET	1		(SUB FOR 1144191180)
80	1144191470	DEFLECTOR	1		
82	SLEEVE	1		(1144550440 NLA)
83	RING	1		(1144590610 NLA)
84	RING	1		(1144590600 NLA)
85	1144110840	TURBOCHARGER	1		
86	RING	1		(1144590560 NLA)
87	1144004440	TURBOCHARGER	1		

0417-2

ENGINE 04
WATER PUMP 0417

WATER PUMP COMPONENTS COMPOSANTS DE POMPE A EAU COMPONENTES DE BOMBA DE AGUA

T216371 -UN-02NOV05



T216371

THIS PARTS LISTING IS CONTINUED

0417-3

ENGINE 04

WATER PUMP 0417

WATER PUMP COMPONENTS COMPOSANTS DE POMPE A EAU COMPONENTES DE BOMBA DE AGUA

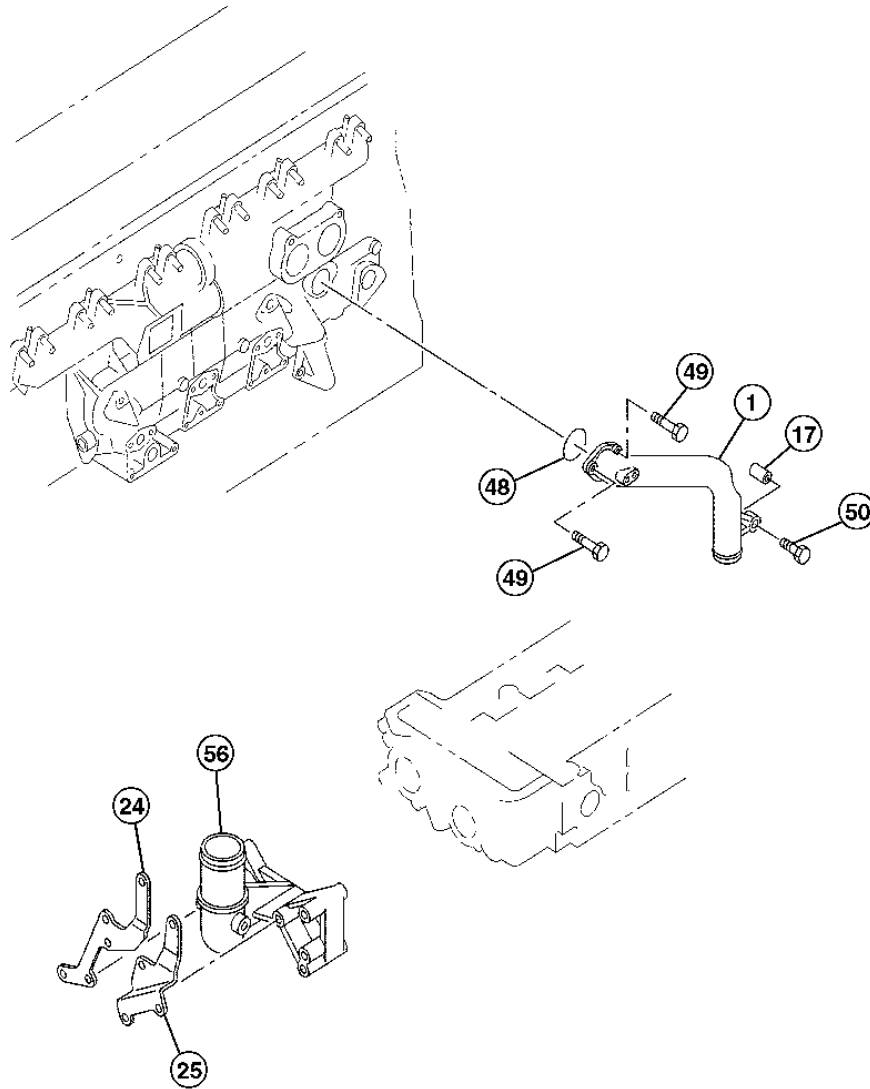
KEY	PART NO.	PART NAME	QTY.	ENGINE SERIAL NO.	REMARKS
1	8980463660	WATER PUMP	1		(SUB FOR 8980197410) (WATER)
3	1096235861	O-RING	1		
4	1878118430	KIT	1		(SUB FOR 1878129210) (WATER PUMP REPAIR KIT)
9	BEARING	1		(1098002520 NLA)
10	BEARING	1		(1098002530 NLA)
11	0280808400	BOLT	4		
12	4447337	BOLT	1		(SUB FOR 0281810200 OR TH4447337)
14	1096234940	O-RING	1		
16	SEAL	1		(1096255510 NLA)
17	8943920900	SEAL	1		
18	IMPELLER	1		(1136210490 NLA)
19	8976067290	GASKET	1		
20	8973890000	COVER	1		
24	0281810250	BOLT	2		
25	0281810900	BOLT	4		
29	SHAFT	1		(1136310781 NLA)
39	8976062190	GEAR	1		
45	8943732463	FITTING	1		
46	9099036310	FITTING	1		

0417-4

ENGINE 04
WATER PUMP 0417

OIL COOLER LINES (1 OF 2) CONDUITES DU REFROIDISSEUR D'HUILE LINEAS DE ENFRIADOR DE ACEITE

T216461 -UN-25OCT05



T216461

0417-5

ENGINE 04

WATER PUMP 0417

OIL COOLER LINES (1 OF 2)
CONDUITES DU REFROIDISSEUR D'HUILE
LINEAS DE ENFRIADOR DE ACEITE

KEY	PART NO.	PART NAME	QTY.	ENGINE SERIAL NO.	REMARKS
1	1137118100	LINE	1		(WATER PUMP INLET)
17	1534571330	SPACER	1		
24	8980040050	BRACKET	1		
25	8980040061	BRACKET	1		(SUB FOR 8980040060)
48	1096234060	GASKET	1		(A)
49	0281810300	BOLT	2		
50	0289964110	BOLT	1		
56	1137130712	PIPE	1		(SUB FOR 1137130710) (OUTLET)

(A) PARTS INCLUDED IN 1878129661 ENGINE GASKET KIT

(A) PIECES INCLUSES DANS LE JEU DE JOINTS DUE MOTEUR 1878129661

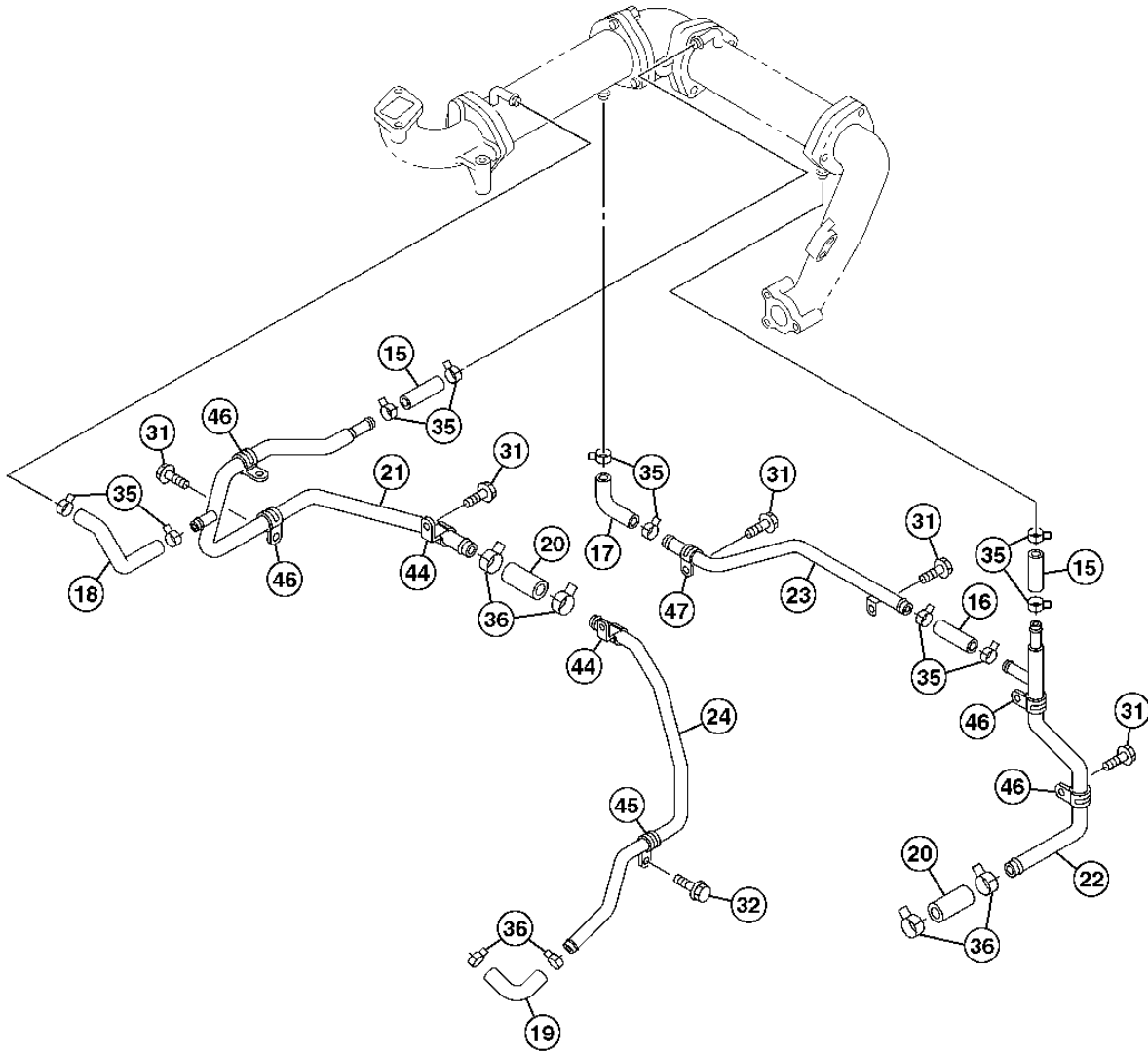
(A) PEZAS INCLUIDAS EN EL JEUGO DE EMPAQUETADURAS DEL MOTOR 1878129661

0417-6

ENGINE 04
WATER PUMP 0417

OIL COOLER LINES (2 OF 2) CONDUITES DU REFROIDISSEUR D'HUILE LINEAS DE ENFRIADOR DE ACEITE

T216462 -UN-27OCT05



T216462

0417-7

ENGINE 04

WATER PUMP 0417

OIL COOLER LINES (2 OF 2)
CONDUITES DU REFROIDISSEUR D'HUILE
LINEAS DE ENFRIADOR DE ACEITE

KEY	PART NO.	PART NAME	QTY.	ENGINE SERIAL NO.	REMARKS
15	0035663000	HOSE	2		
16	0035663000	HOSE	1		
17	1093610811	HOSE	1		
18	1137290980	HOSE	1		
19	8980007890	HOSE	1		
20	8980008060	HOSE	2		
21	8980040161	PIPE	1		(SUB FOR 8980040160)
22	8980077751	PIPE	1		(SUB FOR 8980077750)
23	8980077761	PIPE	1		(SUB FOR 8980077760)
24	8980077771	PIPE	1		(SUB FOR 8980077770)
31	0280508160	BOLT	8		(SUB FOR 0280808160)
32	0281510160	BOLT	1		(SUB FOR 0281810160)
35	1097070841	CLIP	10		
36	8943824020	CLIP	6		
44	9099170350	CLIP	2		(1097001091 NLA)
45	1097005151	CLIP	1		
46	9095258360	CLIP	4		
47	0952358560	CLIP	1		(SUB FOR 9095258560)

0418-2

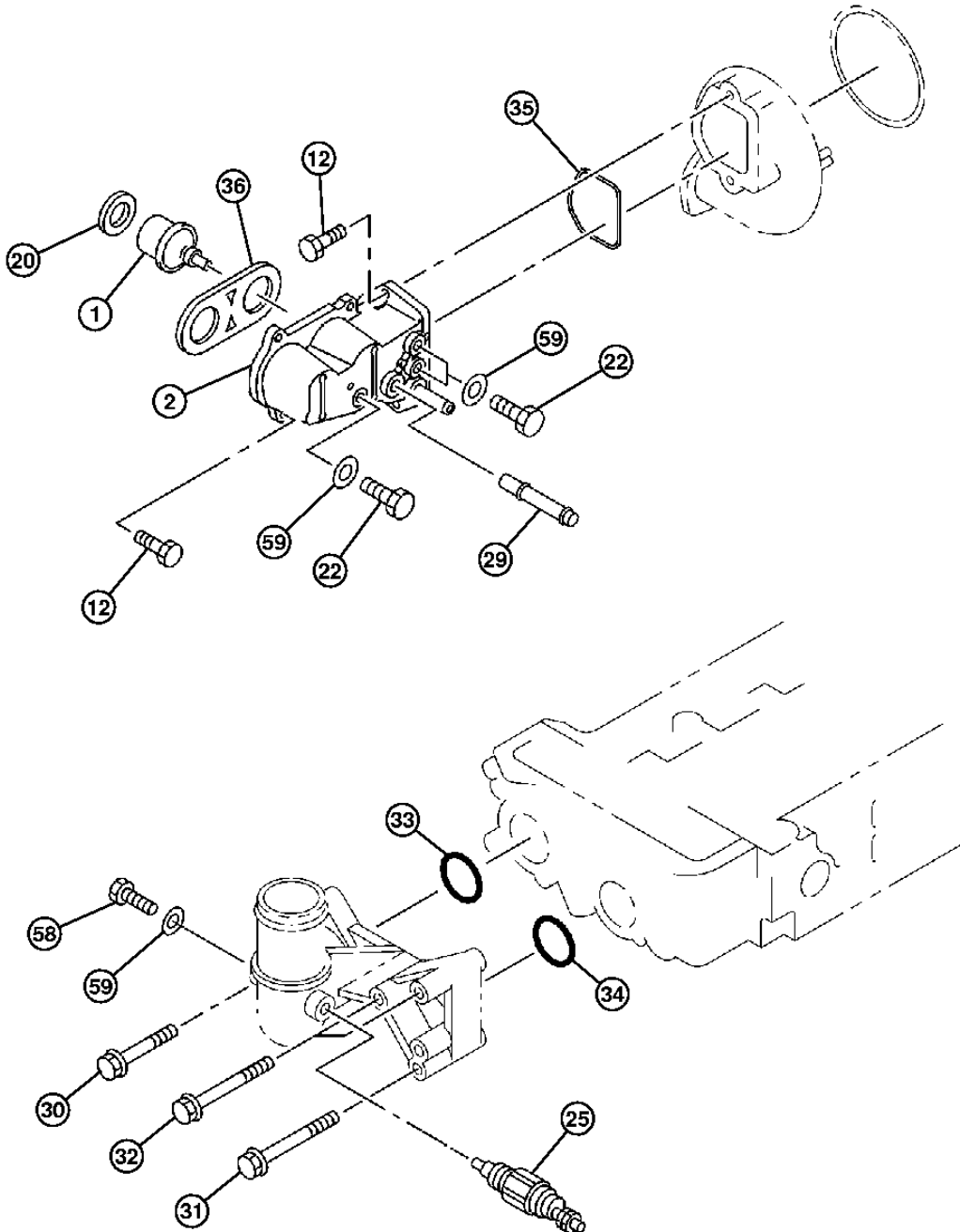
ENGINE 04

THERMOSTATS, HOUSINGS AND WATER PIPING 0418

THERMOSTAT
THERMOSTAT
TERMOSTATO

T216457

-UN-03DEC05



T216457

0418-3

ENGINE 04

THERMOSTATS, HOUSINGS AND WATER PIPING 0418

**THERMOSTAT
THERMOSTAT
TERMOSTATO**

KEY	PART NO.	PART NAME	QTY.	ENGINE SERIAL NO.	REMARKS
1	1137700891	THERMOSTAT	2		(82 DEGREE CENTIGRADE)
2	HOUSING	1		(8973889970 NLA)
12	0281810250	BOLT	5		
20	1137790110	SEAL	2		
22	9992023160	PLUG	3		
25	4371318	SWITCH	1		(SUB FOR 8971256011) (OVERHEAT - WARNING)
29	9099036310	FITTING	1		
30	19M7742	CAP SCREW	2		M10 X 65, (SUB FOR 0281810600 OR 0168060650)
31	8943973591	BOLT	2		
32	0281810900	BOLT	2		
33	1096235420	GASKET	1		(SUB FOR 1096234520) (A) (B)
34	1096235050	GASKET	1		(A) (B)
35	1096234230	GASKET	1		(SUB FOR 1096232470) (A) (B)
36	1137430361	GASKET	1		(A) (B)
58	9992023160	PLUG	1		
59	1096301110	GASKET	4		(A)

(A) PARTS INCLUDED IN ENGINE GASKET KIT
(A) PIECES INCLUSES DANS LE JEU DE JOINTS DU MOTEUR
(A) PEZAS INCLUIDAS EN EL JUEGO DE EMPAQUETADURAS DEL MOTOR

(B) PARTS INCLUDED IN ENGINE HEAD GASKET KIT
(B) LES PIECES FONT PARTIE DU KIT DE JOINT DE CULASSE DE MOTEUR
(B) PIEZAS INCLUIDAS EN EL JUEGO DE EMPAQUETADURA DE CULATA DEL MOTOR

0419-2

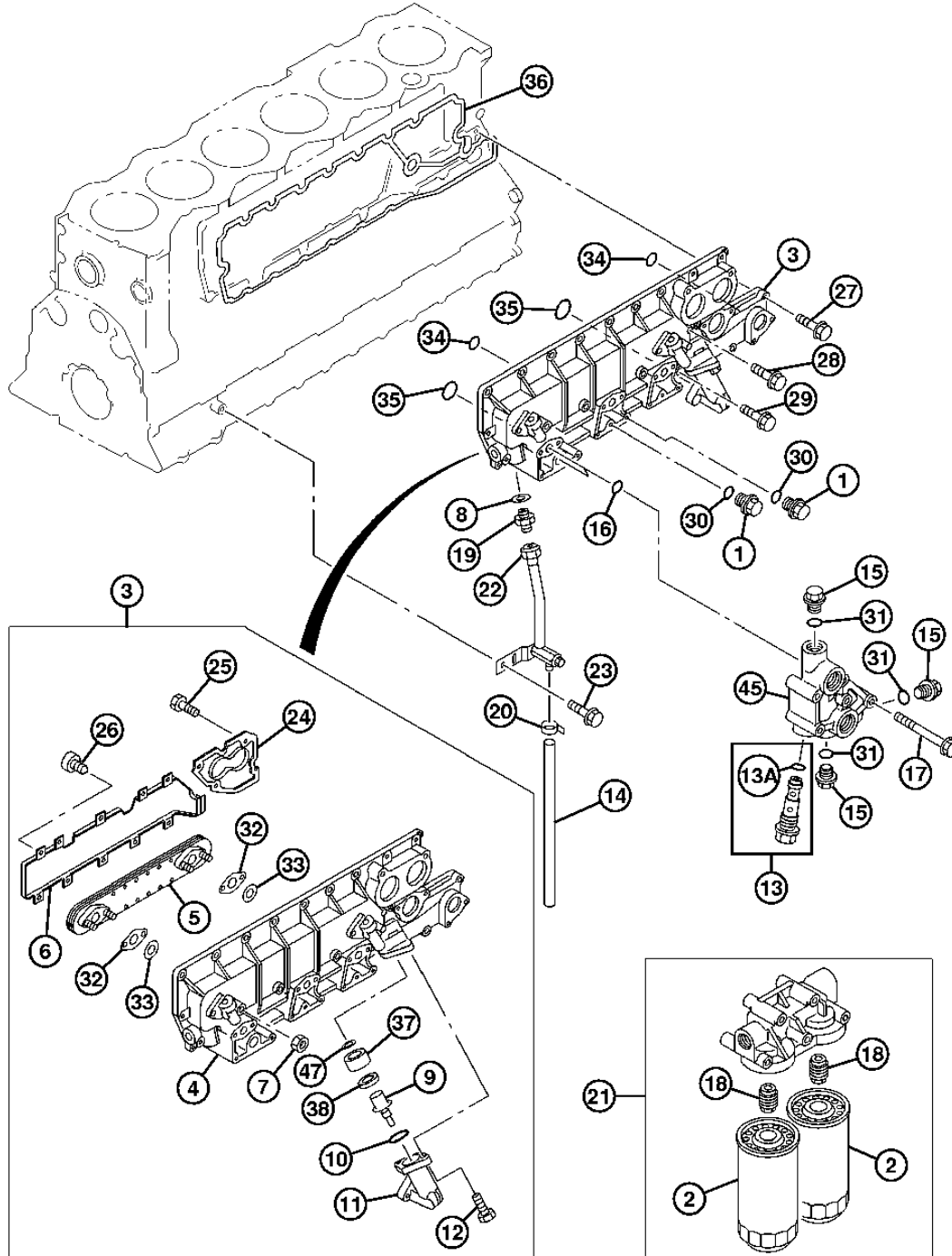
ENGINE 04

ENGINE OIL COOLER 0419

OIL COOLER AND OIL FILTER REFROIDISSEUR D'HUILE ET FILTRE A HUILE ENFRIADOR Y FILTRO DE ACEITE

T216824

-UN-01NOV05



T216824

0419-3

ENGINE 04

ENGINE OIL COOLER 0419

**OIL COOLER AND OIL FILTER
REFROIDISSEUR D'HUILE ET FILTRE A HUILE
ENFRIADOR Y FILTRO DE ACEITE**

KEY	PART NO.	PART NAME	QTY.	ENGINE SERIAL NO.	REMARKS
1	9992023140	PIPE PLUG	2		
2	1132402322	FILTER ELEMENT	2		(SUB FOR AT308576, 4448336, 4484495 OR 4622562)
3	8980037900	OIL COOLER	1		
4	1217210980	HOUSING	1		
5	8976066430	CORE	1		
6	1217290861	PLATE	1		
7	0912801100	NUT	4		(SUB FOR 0912501100)
8	1096300870	GASKET	1		(A)
9	1217700040	THERMOSTAT	1		
10	1096234190	GASKET	1		
11	1217260532	FITTING	1		
12	SCREW WITH WASHER	2		(0501410350 NLA)
	19M8118	CAP SCREW	2		M10 X 35
	12M7006	LOCK WASHER	2		6 MM
	24M7096	WASHER	2		10.500 X 18 X 1.600 MM
13	1132690090	PRESSURE RELIEF VALVE	1		
13A	1096231770	PACKING	1		(SUB FOR 1096230590) (NLA)
14	9099147010	LINE	1		
15	1096040230	PIPE PLUG	3		
16	1096234790	GASKET	2		(A)
17	0281510800	BOLT	4		(SUB FOR 0281810800 OR 0168060850)
18	8972221250	THREADED NIPPLE	2		
19	1096600111	FITTING	1		
20	8971488921	CLIP	1		(SUB FOR 5097070041, AT254828, 8943609200, 8942385720, 1097041020, 8971732210, 8941215660, 8941235260, 8941235261, 1097041000 OR 8971488920)
21	1132010192	FILTER	1		
22	1137214963	LINE	1		
23	4447337	BOLT	1		(SUB FOR 0281810200 OR TH4447337)
24	1217220400	COVER	1		
25	8980147630	BOLT	4		
26	1090300360	SCREW	10		
27	0281810300	BOLT	17		
28	8943445401	BOLT	8		
29	0281860110	BOLT	1		
30	1096301410	GASKET	2		(A)
31	1096231790	O-RING	3		
32	8976066400	GASKET	2		
33	8976066410	GASKET	2		
34	1096234780	GASKET	2		(A)
35	1096234790	GASKET	2		(A)
36	1112192050	GASKET	1		(A)
37	1217290854	SUPPORT	1		
38	1217290941	SUPPORT	1		
45	1133412310	COVER	1		
47	1217790010	SEALING RING	1		

(A) PARTS INCLUDED IN 1878129661 ENGINE GASKET KIT

(A) PIECES INCLUSES DANS LE JEU DE JOINTS DUE MOTEUR 1878129661

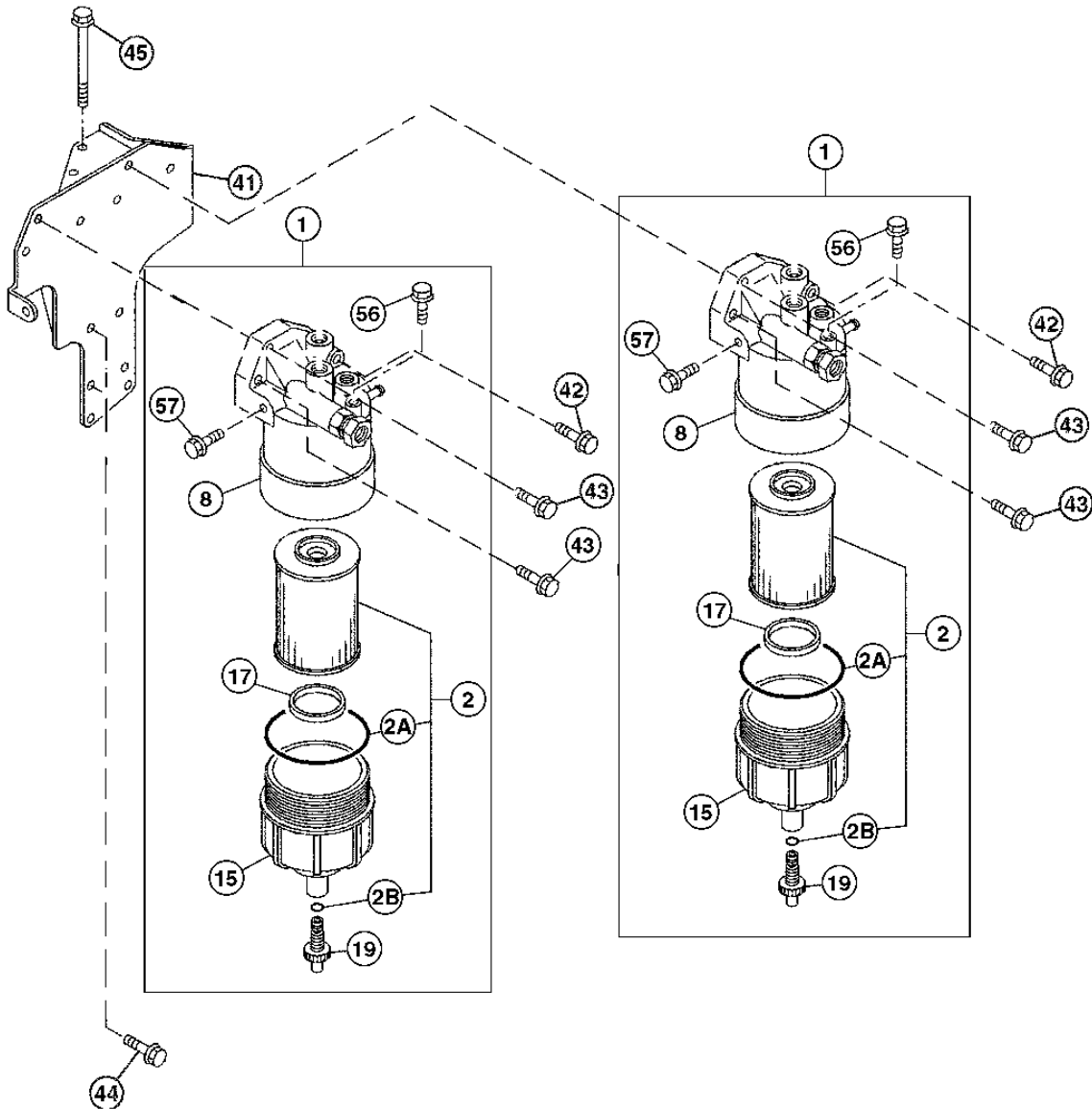
(A) PEZAS INCLUIDAS EN EL JEUGO DE EMPAQUETADURAS DEL MOTOR 1878129661

0420-2

ENGINE 04
FUEL FILTER 0420

FUEL FILTER
FILTRE D'ESSENCE
FILTRO DE COMBUSTIBLE

TX1045674 -UN-



TX1045674

THIS PARTS LISTING IS CONTINUED

0420-3

ENGINE 04

FUEL FILTER 0420

FUEL FILTER
FILTRE D'ESSENCE
FILTRO DE COMBUSTIBLE

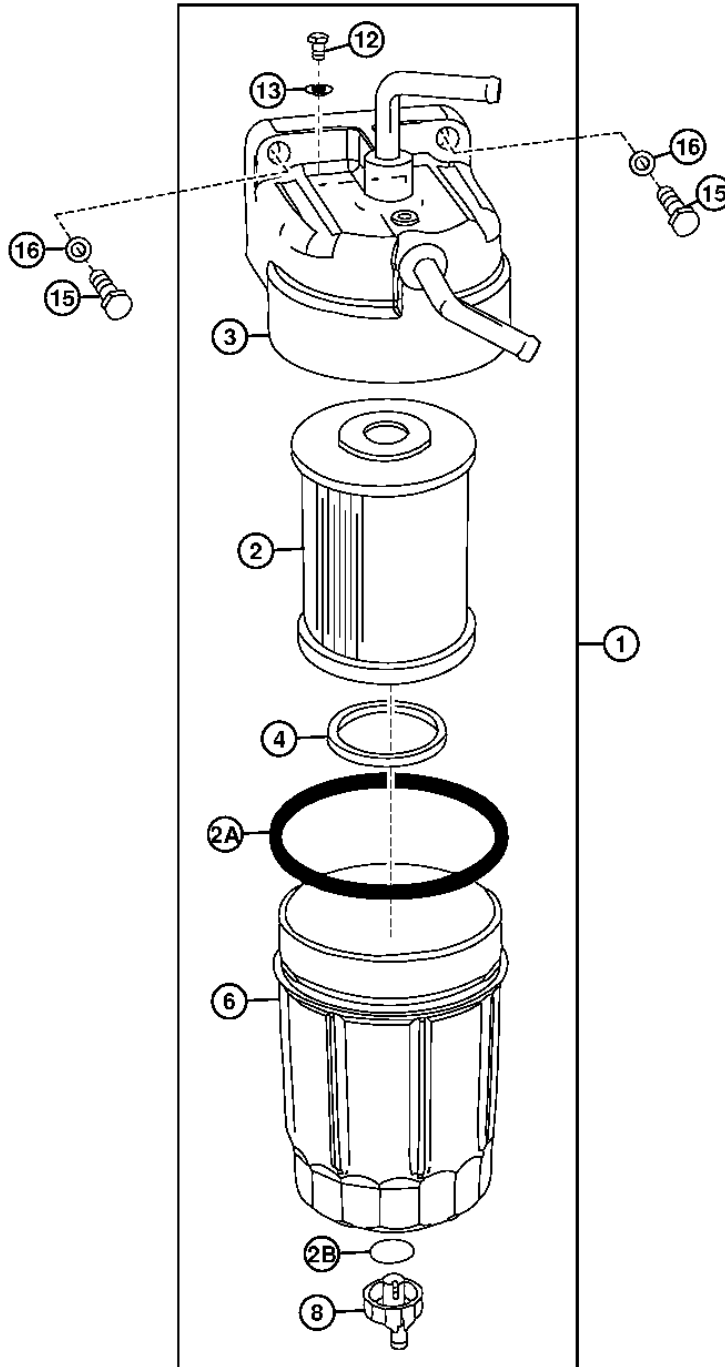
KEY	PART NO.	PART NAME	QTY.	ENGINE SERIAL NO.	REMARKS
1	8973759082	FILTER	2		(SUB FOR 8973759081 OR 4648336)
2	8980088400	FILTER ELEMENT	1		(SUB FOR 4642641)
2A	8980088420	GASKET	1		
2B	8980088430	GASKET	1		
8	8980185291	COVER	1		
15	8980088440	CASE	1		
17	8980088490	FLOAT	1		
19	8980088480	PLUG	1		
41	8980311970	BRACKET	1		(1197552290 NLA)
42	0280510800	BOLT	2		(SUB FOR 0280810800)
43	0286510400	BOLT	4		(SUB FOR 0286810400)
44	4447337	BOLT	4		(SUB FOR 0281810200 OR TH4447337)
45	0281560120	BOLT	2		(SUB FOR 0281860120)
56	8980088460	PLUG	1		
57	8980088470	PLUG	1		

0420-4

ENGINE 04
FUEL FILTER 0420

FUEL AND WATER SEPARATOR SEPARATEUR DE CARBURANT ET D'EAU FILTRO DE COMBUSTIBLE Y SEPARADOR DE AGUA

TX1027697 -UN-17AUG07



TX1027697

0420-5

ENGINE 04

FUEL FILTER 0420

FUEL AND WATER SEPARATOR
SEPARATEUR DE CARBURANT ET D'EAU
FILTRO DE COMBUSTIBLE Y SEPARADOR DE AGUA

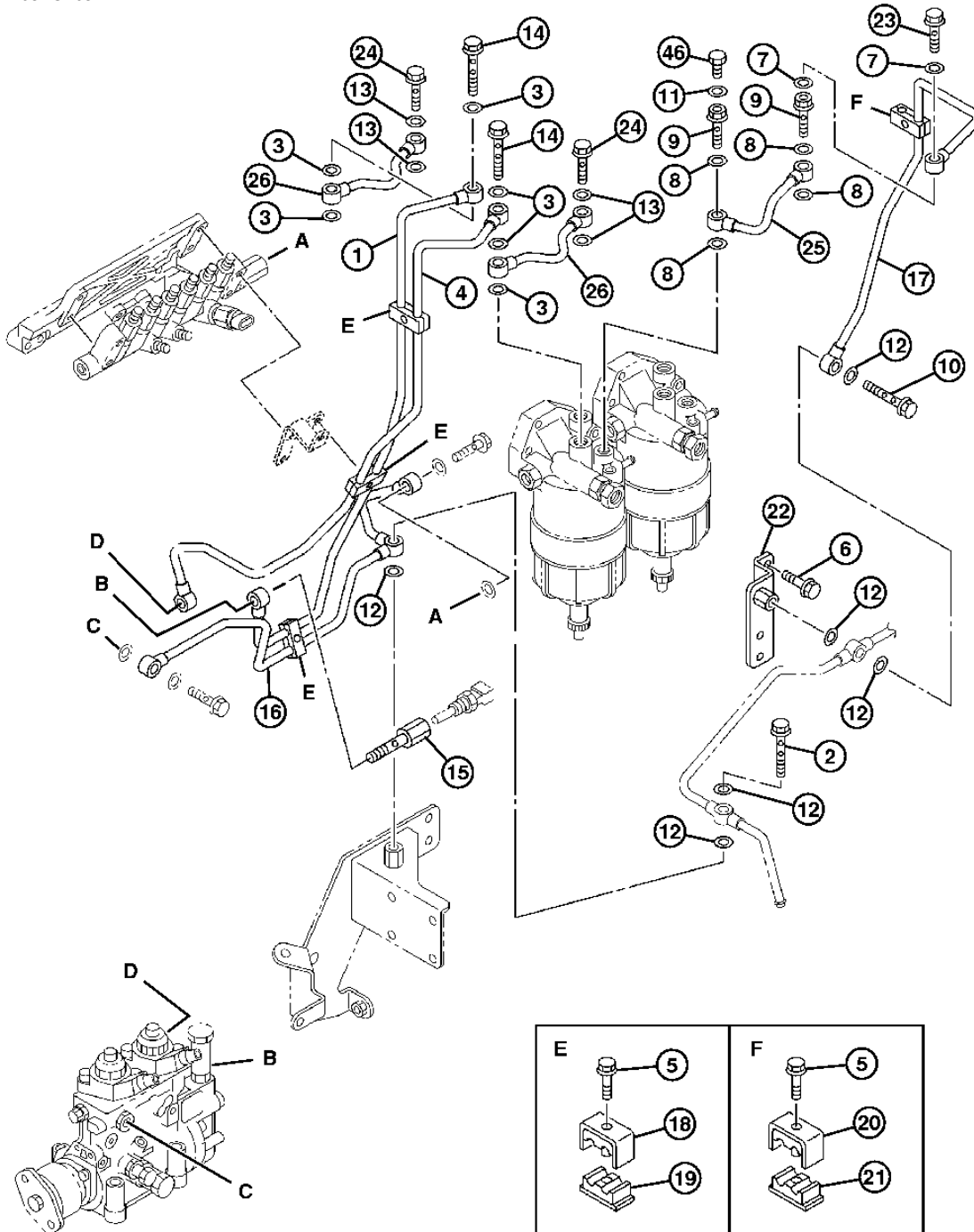
KEY	PART NO.	PART NAME	QTY.	ENGINE SERIAL NO.	REMARKS
1	4654220	FILTER	1	-913458	
	4679165	FUEL FILTER	1	913459-	
2	FILTER ELEMENT	1	-913458	(SUB 4676385) (4649267 NLA)
	4676385	FILTER ELEMENT	1	913459-	
2A	4653195	O-RING	1		
2B	4653194	GASKET	1		
3	4683284	FILTER HEAD	1	-913458	
	4683285	FILTER HEAD	1	913459-	
4	4653190	RING	1		
6	4653189	SEDIMENT BOWL	1		
8	4653193	PLUG	1		
12	4653191	PLUG	1		
13	4653192	GASKET	1		
15	19M7572	CAP SCREW	2		(SUB FOR J901045)
16	24M7346	WASHER	2		11 X 20 X 2 MM, (SUB FOR DH400703 OR J222010)

0420-6

ENGINE 04
FUEL FILTER 0420

FUEL FILTER LINES CONDUITES DU FILTRE A CARBURANT LINEAS DEL FILTRO DE ACEITE

T216808 -UN-03NOV05



T216808

0420-7

ENGINE 04

FUEL FILTER 0420

FUEL FILTER LINES
CONDUITES DU FILTRE A CARBURANT
LINEAS DEL FILTRO DE ACEITE

KEY	PART NO.	PART NAME	QTY.	ENGINE SERIAL NO.	REMARKS
1	1154168710	PIPE	1		(FUEL PUMP TO FUEL FILTER)
2	1096750900	EYEBOLT	1		
3	1096301110	GASKET	6		
4	1154168720	PIPE	1		(FUEL FILTER TO INJECTION PUMP)
5	0280806350	BOLT	4		
6	4447337	BOLT	2		(SUB FOR 0281810200 OR TH4447337)
7	1096300820	GASKET	2		(A)
8	1096301410	GASKET	4		
9	1132600740	VALVE	2		(OVERFLOW)
10	1096750900	EYEBOLT	2		
11	1096300820	GASKET	1		(A)
12	1096301410	GASKET	7		(A) (B)
13	1096301110	GASKET	4		(A) (B)
14	1096752390	BOLT	2		
15	1154197161	BOLT	1		(SUB FOR 1154197160)
16	8980259980	PIPE	1		(FUEL FILTER LEAK-OFF) (1154168660 NLA)
17	1154168740	PIPE	1		(FUEL FILTER LEAK-OFF)
18	8943932803	CLIP	3		(SUB FOR 8943932802)
19	1097011800	CLAMP	3		
20	1097011723	CLIP	1		(SUB FOR 1097011722)
21	1097011732	CLIP	1		(SUB FOR 1097011731)
22	1137290962	BRACKET	1		(SUB FOR 1137290960 OR 1137290961)
23	1096750371	BOLT	1		
24	1096752160	EYEBOLT	2		(SUB FOR 1096750951)
25	1154168700	PIPE	1		
26	1154168750	PIPE	2		
46	9092023080	PIPE PLUG	1		

(A) PARTS INCLUDED IN ENGINE GASKET KIT

(A) PIECES INCLUSES DANS LE JEU DE JOINTS DU MOTEUR

(A) PIEZAS INCLUIDAS EN EL JUEGO DE EMPAQUETADURAS DEL MOTOR

(B) PARTS INCLUDED IN ENGINE HEAD GASKET KIT

(B) LES PIECES FONT PARTIE DU KIT DE JOINT DE CULASSE DE MOTEUR

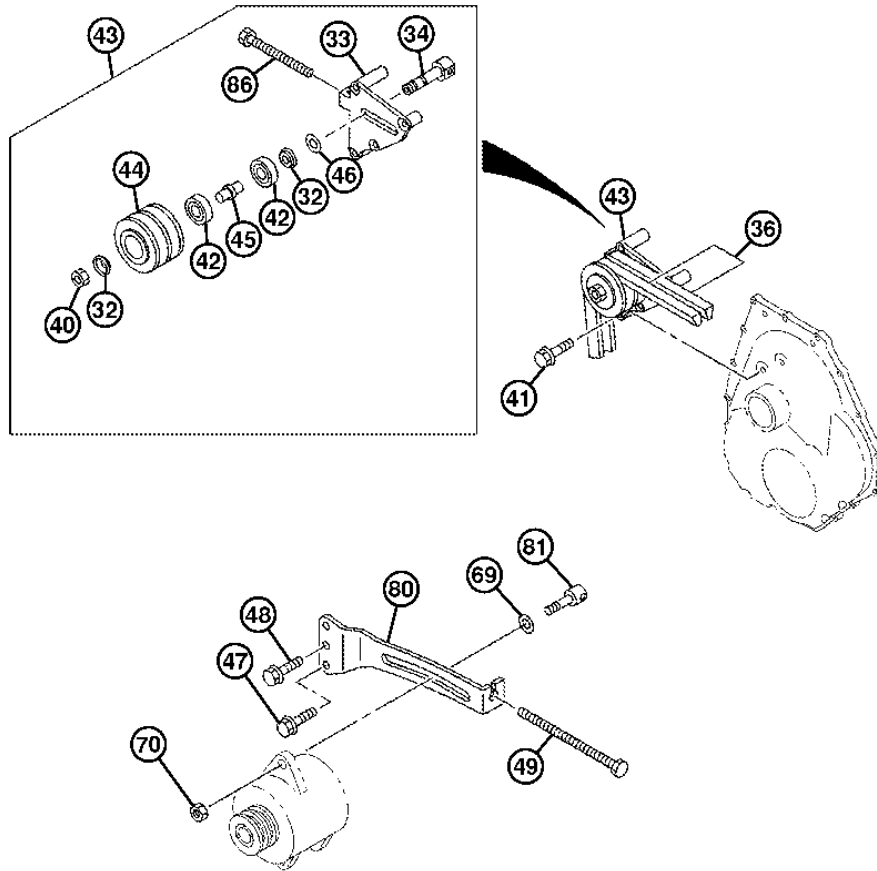
(B) PIEZAS INCLUIDAS EN EL JUEGO DE EMPAQUETADURA DE CULATA DEL MOTOR

0429-2

ENGINE 04
FAN DRIVE 0429

ALTERNATOR MOUNTING AND IDLER PULLEY MONTAGE D'ALTERNATEUR ET POULIE DE RENVOI POLEA TENSORA Y MONTAJE DE ALTERNADOR

TX1010172 -UN-31JUL06



TX1010172

0429-3

ENGINE 04
FAN DRIVE 0429

ALTERNATOR MOUNTING AND IDLER PULLEY
VENTILATEUR ET POULIE DE RENVOI
VENTILADOR Y POLEA TENSORA

KEY	PART NO.	PART NAME	QTY.	ENGINE SERIAL NO.	REMARKS
32	1136640092	COVER	2		
33	1136691971	BRACKET	1		
34	1136650650	ADJUSTER	1		
36	1136715200	V-BELT	1		(SET OF TWO)
40	9991115180	NUT	1		
41	0281510800	BOLT	4		(SUB FOR 0281810800 OR 0168060850)
42	1098003090	BEARING	2		
43	1136603680	PULLEY	1		
44	1136631111	IDLER	1		(SUB FOR 1136630670)
45	1136660070	SPACER	1		
46	1136660320	SPACER	1		
47	0281810250	BOLT	1		
48	0281860110	BOLT	1		
49	1090091131	BOLT	1		
69	9091607120	WASHER	2		
70	0911801120	NUT	1		(SUB FOR 0911501120)
80	1136742950	BRACKET	1		
81	1136741600	ADJUSTER	1		
86	1090091131	BOLT	1		

0432-2

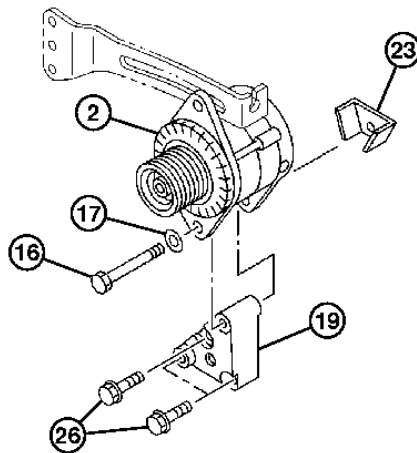
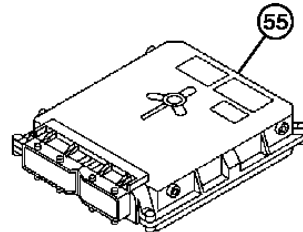
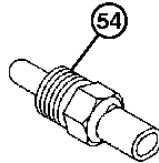
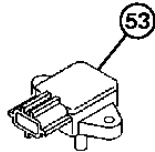
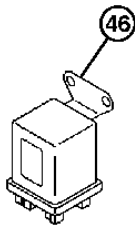
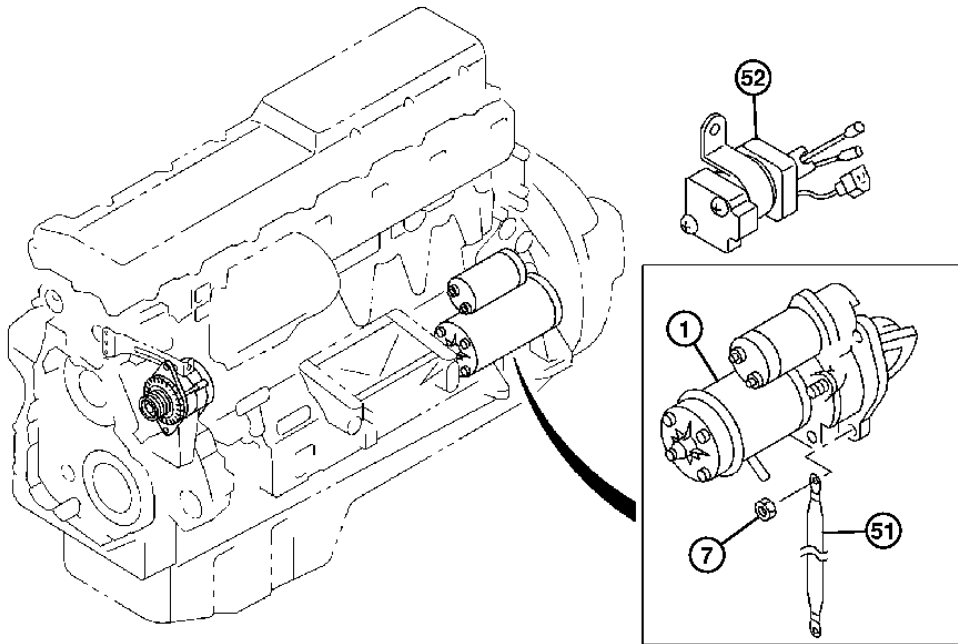
ENGINE 04

ENGINE FINISH ASSEMBLY 0432

STARTER AND ALTERNATOR DEMARREUR ET ALTERNATEUR ARRANCADOR Y ALTERNADOR

TX1000027

-UN-03NOV05



TX1000027

0432-3

ENGINE 04

ENGINE FINISH ASSEMBLY 0432

**STARTER AND ALTERNATOR
DEMARREUR ET ALTERNATEUR
ARRANCADOR Y ALTERNADOR**

KEY	PART NO.	PART NAME	QTY.	ENGINE SERIAL NO.	REMARKS
1	1811003413	STARTER MOTOR	1		(SEE SEPARATE PAGE FOR COMPONENTS)
2	1812005306	ALTERNATOR	1		(SUB FOR 1812005303, 1812005304 OR 1812005305)
7	0911801140	NUT	3		(SUB FOR 0911501140)
16	1090401050	BOLT	1		
17	0916105140	WASHER	1		(SUB FOR 9091605140)
19	1197111430	BRACKET	1		(SUB FOR 8976041770)
23	1197110290	NUT	1		
26	19M7742	CAP SCREW	2		M10 X 65, (SUB FOR 0281810600 OR 0168060650)
46	8944607060	RELAY	1		
51	9829322900	GROUND CABLE	1		
52	1825530391	RELAY	1		(STARTER)
53	8972177780	PRESSURE SENSOR	1		(PRESSURE)
54	8121468300	SENSOR	1		(TEMPERATURE)
55	8980602470	ENGINE CONTROLLER	1		(SUB FOR 8980207850 OR 8980209442)

0432-4

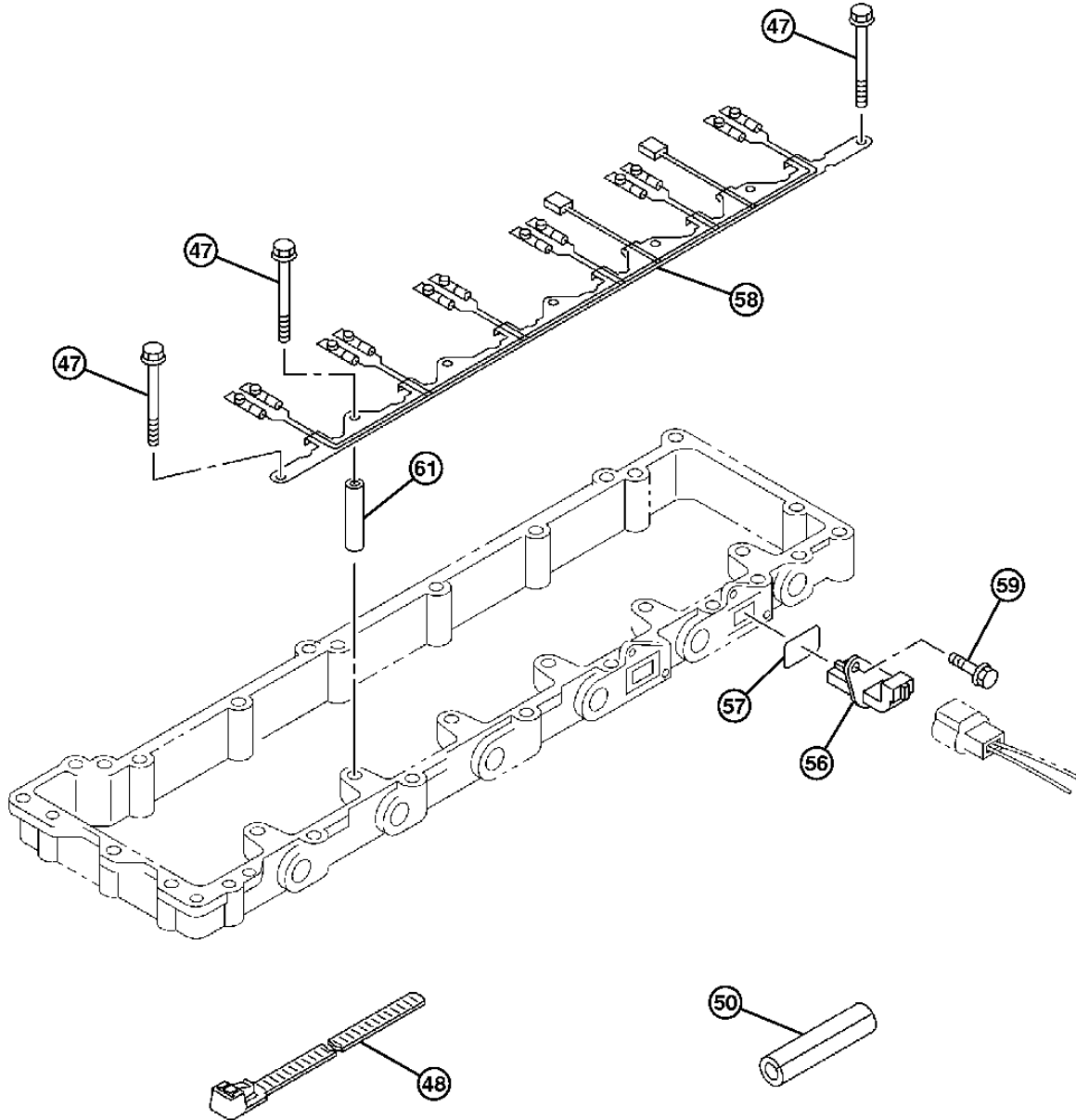
ENGINE 04

ENGINE FINISH ASSEMBLY 0432

FUEL INJECTOR WIRE HARNESS AND CONNECTOR FAISCEAU DE FILS ET CONNECTEUR D'INJECTEUR DE CARBURANT ARNES DE ALAMBRADO Y CONECTORES DE INYECTORES DE COMBUSTIBLE

TX1000036

-UN-03NOV05



TX1000036

0432-5

ENGINE 04

ENGINE FINISH ASSEMBLY 0432

FUEL INJECTOR WIRE HARNESS AND CONNECTOR
FAISCEAU DE FILS ET CONNECTEUR D'INJECTEUR DE CARBURANT
ARNES DE ALAMBRADO Y CONECTORES DE INYECTORES DE COMBUSTIBLE

KEY	PART NO.	PART NAME	QTY.	ENGINE SERIAL NO.	REMARKS
47	0280508700	BOLT	7		(SUB FOR 0280808700)
48	5097070301	TIE BAND	1		
50	5093609262	SLEEVE	1		(SUB FOR 9099566820, 5093609260 OR 5093609261)
56	8943908581	FITTING	2		
57	8943913100	GASKET	2		(A)
58	1826413381	WIRING HARNESS	1		
59	8973780750	BOLT	4		(SUB FOR 0280808120, 8943126990 OR 8943126991)
61	1113691570	SPACER	7		

(A) PARTS INCLUDED IN 1878129661 ENGINE GASKET KIT

(A) PIECES INCLUSES DANS LE JEU DE JOINTS DUE MOTEUR 1878129661

(A) PEZAS INCLUIDAS EN EL JEUGO DE EMPAQUETADURAS DEL MOTOR 1878129661

0432-6

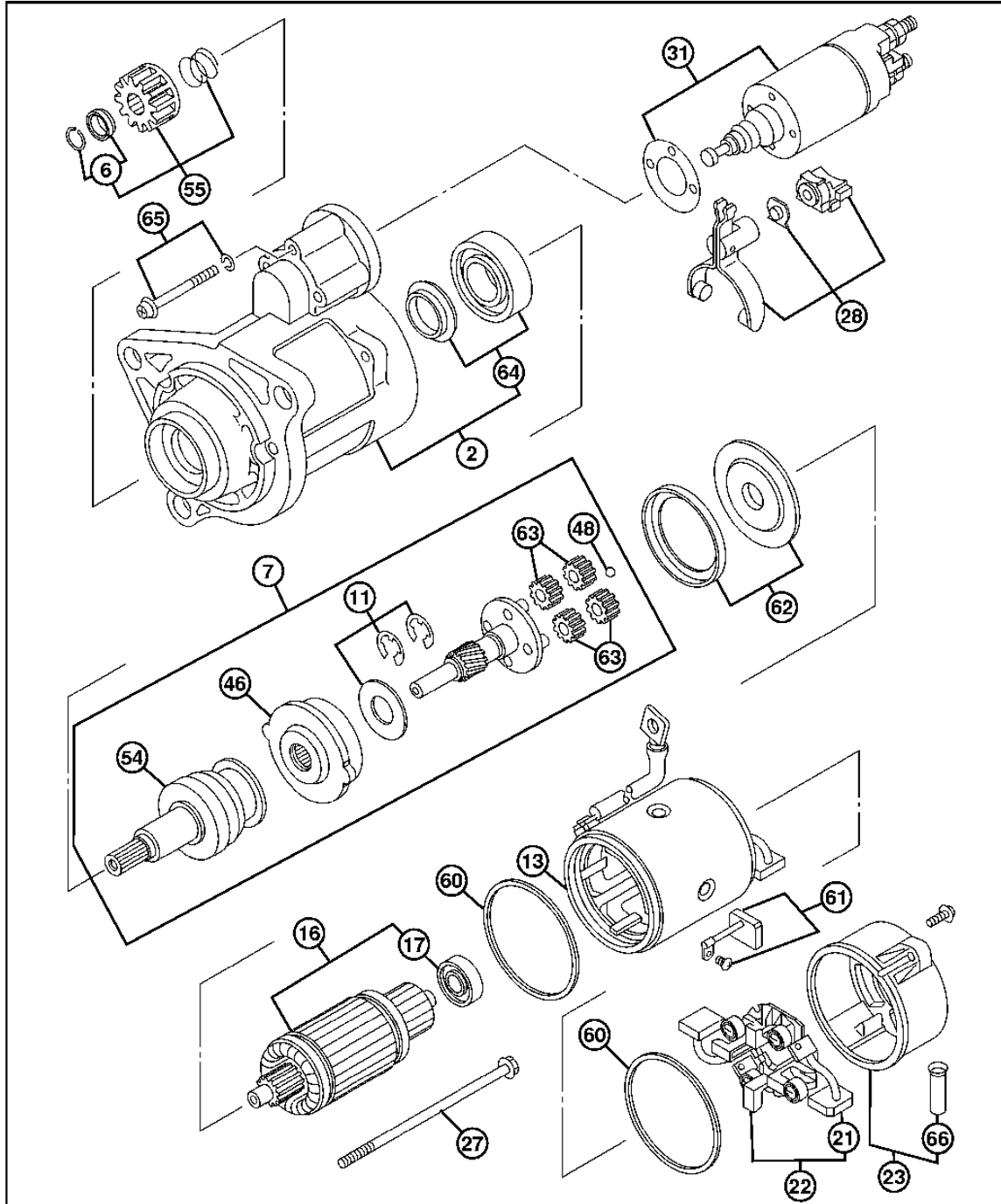
ENGINE 04

ENGINE FINISH ASSEMBLY 0432

STARTER COMPONENTS COMPOSANTS DE DEMARREUR COMPONENTES DEL ARRANCADOR

TX1000094

-UN-07DEC05



TX1000094

1

0432-7

ENGINE 04

ENGINE FINISH ASSEMBLY 0432

**STARTER COMPONENTS
COMPOSANTS DE DEMARREUR
COMPONENTES DEL ARRANCADOR**

KEY	PART NO.	PART NAME	QTY.	ENGINE SERIAL NO.	REMARKS
1	1811003413	STARTER MOTOR	1		
2	CASE	1	(1811230650 NLA)	
6	STOP	1	(1811297850 NLA)	
7	CLUTCH	1	(1811297940 NLA)	
11	WASHER	1	(1811297810 NLA)	
13	YOKE	1	(1811298400 NLA)	
16	1811210670	ARMATURE	1		
17	BEARING	1	(1811297900 NLA)	
21	HOLDER	4	(1811298280 NLA)	
22	HOLDER	1	(1811210710 NLA)	
23	COVER	1	(1811152330 NLA)	
27	1811297690	BOLT	1		
28	LEVER	1	(1811297830 NLA)	
31	1811511290	SWITCH	1	(STARTER)	
46	GEAR	1	(1811230610 NLA)	
48	8971165150	BALL	1		
54	CLUTCH	1	(1811297820 NLA)	
55	PINION	1	(1811297840 NLA)	
60	GASKET	2	(1811298270 NLA)	
61	BRUSH SET	1	(1811160670 NLA)	
62	GASKET	1	(1811297960 NLA)	
63	GEAR	4	(1811230560 NLA)	
64	BEARING	1	(1811297800 NLA)	
65	SCREW	1	(1811297870 NLA)	
66	GROMMET	1	(8973763890 NLA)	

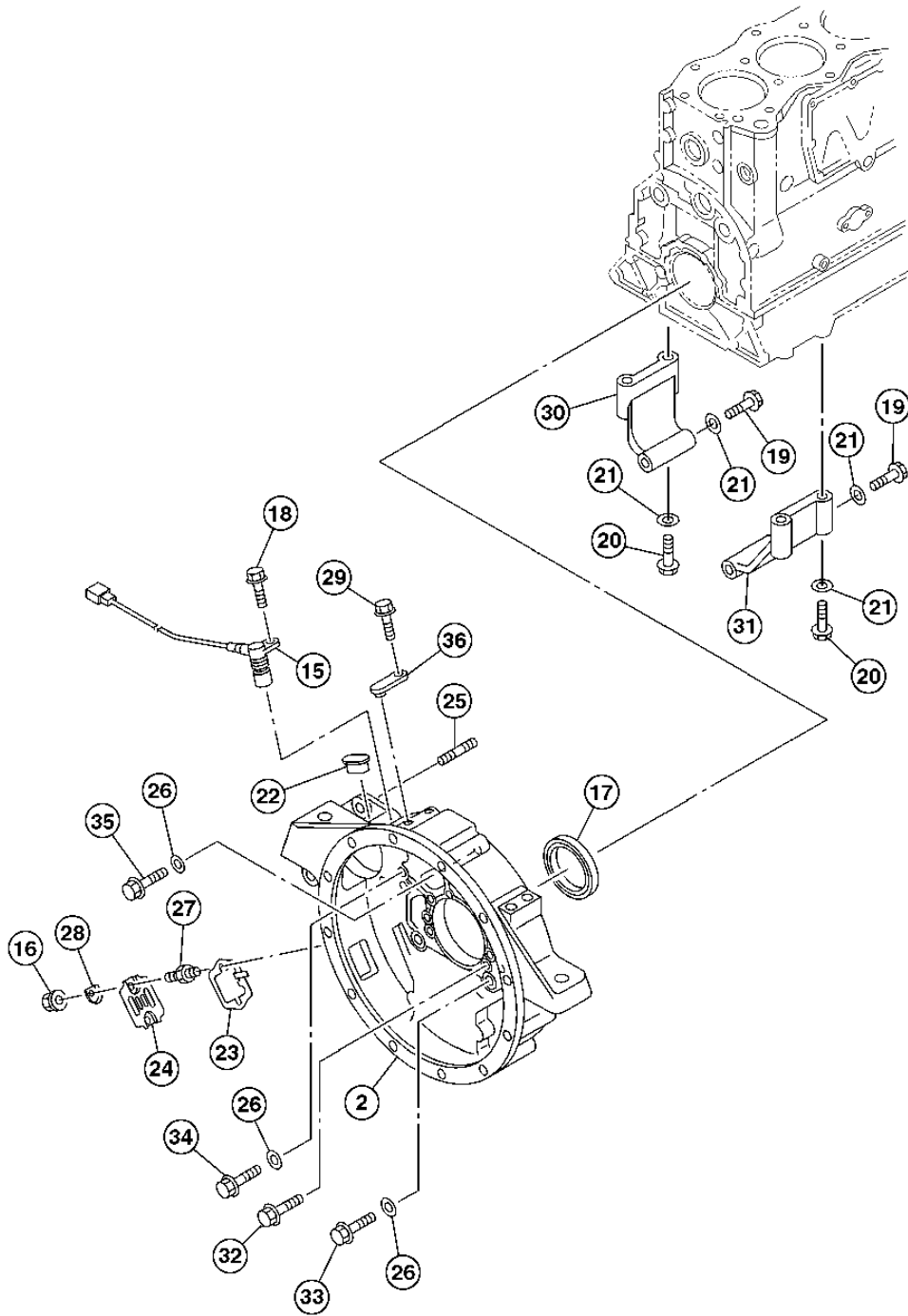
0433-2

ENGINE 04

FLYWHEEL, HOUSING AND FASTENERS 0433

FLYWHEEL HOUSING
CARTER DE VOLANT-MOTEUR
CAJA DEL VOLANTE

T216363 -UN-25OCT05



T216363

0433-3

ENGINE 04

FLYWHEEL, HOUSING AND FASTENERS 0433

FLYWHEEL HOUSING
CARTER DE VOLANT-MOTEUR
CAJA DEL VOLANTE

KEY	PART NO.	PART NAME	QTY.	ENGINE SERIAL NO.	REMARKS
2	1113416870	HOUSING	1		
15	8973061131	SENSOR	1		(ENGINE SPEED)
16	14M7298	FLANGE NUT	4		M8, (SUB FOR 0911501080, 0911502080 OR 4447338)
17	8976173090	SEAL	1		(A) (SUB FOR 1096255571)
18	0286506160	BOLT	1		(SUB FOR 0286806160)
19	1090200081	BOLT	2		
20	9916664000	BOLT	4		
21	9091645140	WASHER	6		
22	9113490490	COVER	1		
23	1113270451	POINTER	1		
24	1113491310	COVER	2		
25	9044114350	STUD	3		
26	9091645140	WASHER	12		
27	1093000581	STUD	4		
28	1113491270	WASHER	2		
29	0280508160	BOLT	1		(SUB FOR 0280808160)
30	1113492410	SUPPORT	1		
31	1113492400	SUPPORT	1		
32	0280808350	BOLT	8		
33	9916664500	BOLT	2		
34	9923614450	BOLT	10		
35	0287914400	BOLT	1		
36	1117491940	COVER	1		

(A) PARTS INCLUDED IN 1878129661 ENGINE GASKET KIT

(A) PIECES INCLUSES DANS LE JEU DE JOINTS DUE MOTEUR 1878129661

(A) PEZAS INCLUIDAS EN EL JEUGO DE EMPAQUETADURAS DEL MOTOR 1878129661

0452-2

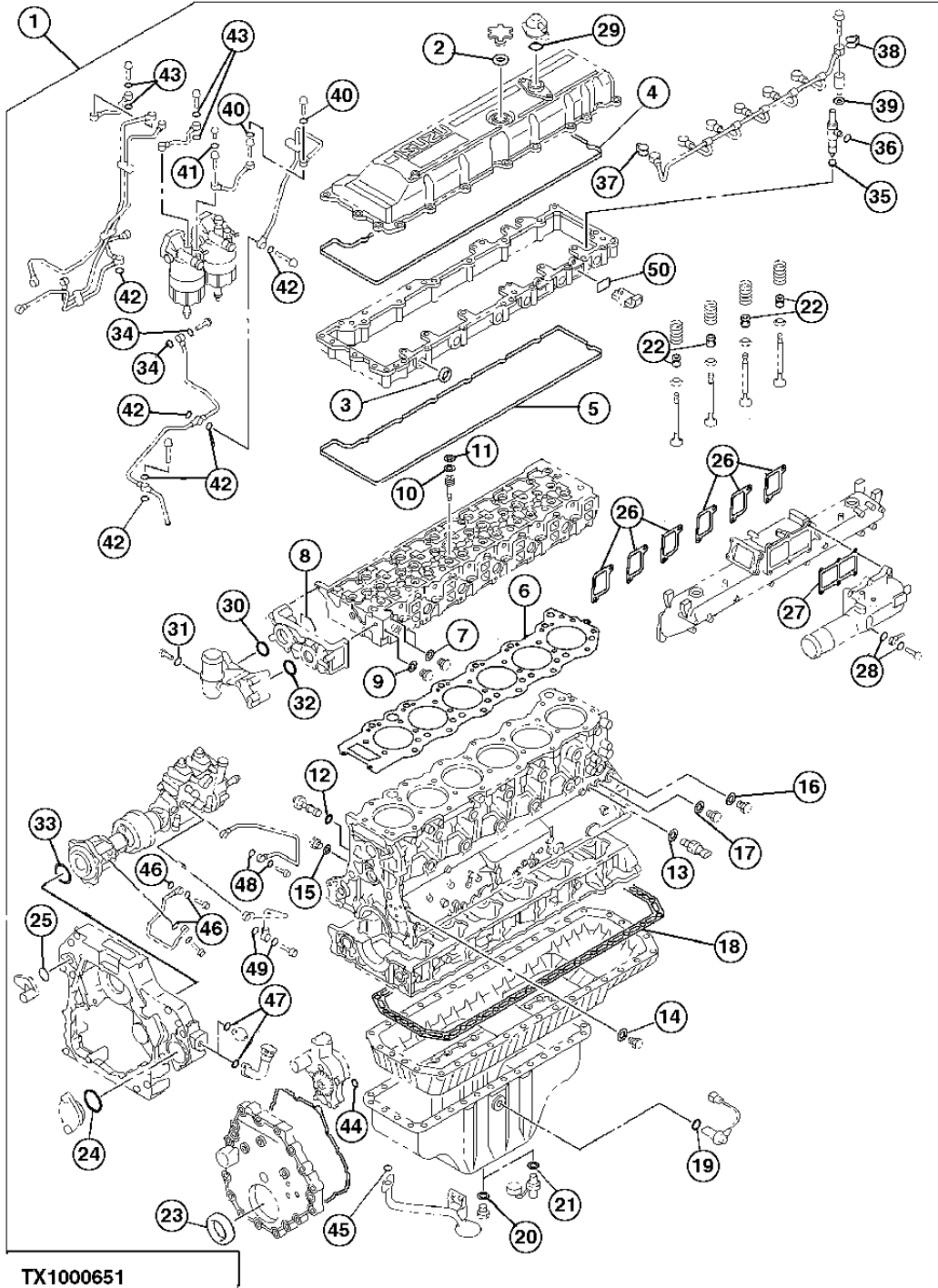
ENGINE 04

GASKET REPLACEMENT KITS 0452

ENGINE GASKET REPLACEMENT KIT (1 OF 2) KIT DE REMPLACEMENT DE JOINTS DU MOTEUR JUEGO DE REPUESTO DE EMPAQUETADURAS DEL MOTOR

TX1000651

-UN-08DEC05



0452-3

ENGINE 04

GASKET REPLACEMENT KITS 0452

ENGINE GASKET REPLACEMENT KIT (1 OF 2)
KIT DE REMPLACEMENT DE JOINTS DU MOTEUR
JUEGO DE REPUESTO DE EMPAQUETADURAS DEL MOTOR

KEY	PART NO.	PART NAME	QTY.	ENGINE SERIAL NO.	REMARKS
1	1878129661	GASKET KIT	1		
2	WASHER	1		(8743996890 NLA)
3	1096390340	GASKET	6		
4	1111731191	GASKET	1		
5	1111731201	GASKET	1		
6	1111412653	ENGINE CYLINDER HEAD GASKET	1		
7	1096301410	GASKET	2		
8	1096234030	GASKET	1		
9	1096300830	GASKET	1		
10	8972331260	O-RING	6		
11	8980415850	O-RING	6		(SUB FOR AT263769 OR 8972331270)
12	1096232970	GASKET	1		
13	1096301410	GASKET	1		
14	1096300830	GASKET	1		
15	1096300840	GASKET	1		
16	1096300890	GASKET	1		
17	1096301410	GASKET	1		
18	1113671300	GASKET	1		
19	8976049160	GASKET	1		(SUB FOR 1096233550)
20	1096231790	O-RING	1		(SUB FOR 1096230580)
21	9095714240	GASKET	1		
22	1125690200	SEAL	24		
23	8976173080	SEAL	1		(SUB FOR 1096255562)
24	1096234210	O-RING	1		
25	1096234160	GASKET	1		
26	1141150961	GASKET	6		(SUB FOR 897607581)
27	1141150941	GASKET	1		
28	1096300820	GASKET	2		
29	1096235650	O-RING	1		
30	1096235420	GASKET	1		(SUB FOR 1096234520)
31	1096301110	GASKET	4		
32	1096235050	GASKET	1		
33	1096234760	O-RING	1		
34	1096301410	GASKET	2		
35	8972160820	GASKET	6		
36	9095611110	GASKET	1		
37	8976009250	GASKET	6		(SUB FOR 8943952140)
38	1154196351	GASKET	1		(SUB FOR 1154196350)
39	GASKET	1		(4452165 OR 1096300850 NLA)
40	1096300820	GASKET	2		
41	1096300820	GASKET	1		
42	1096301410	GASKET	7		
43	1096301110	GASKET	4		
44	1096235290	SEAL	1		
45	1096235290	SEAL	1		
46	1096300830	GASKET	4		
47	1096232990	PACKING	1		
48	1096300830	GASKET	2		
49	1096301410	GASKET	2		
50	8943913100	GASKET	2		

0452-4

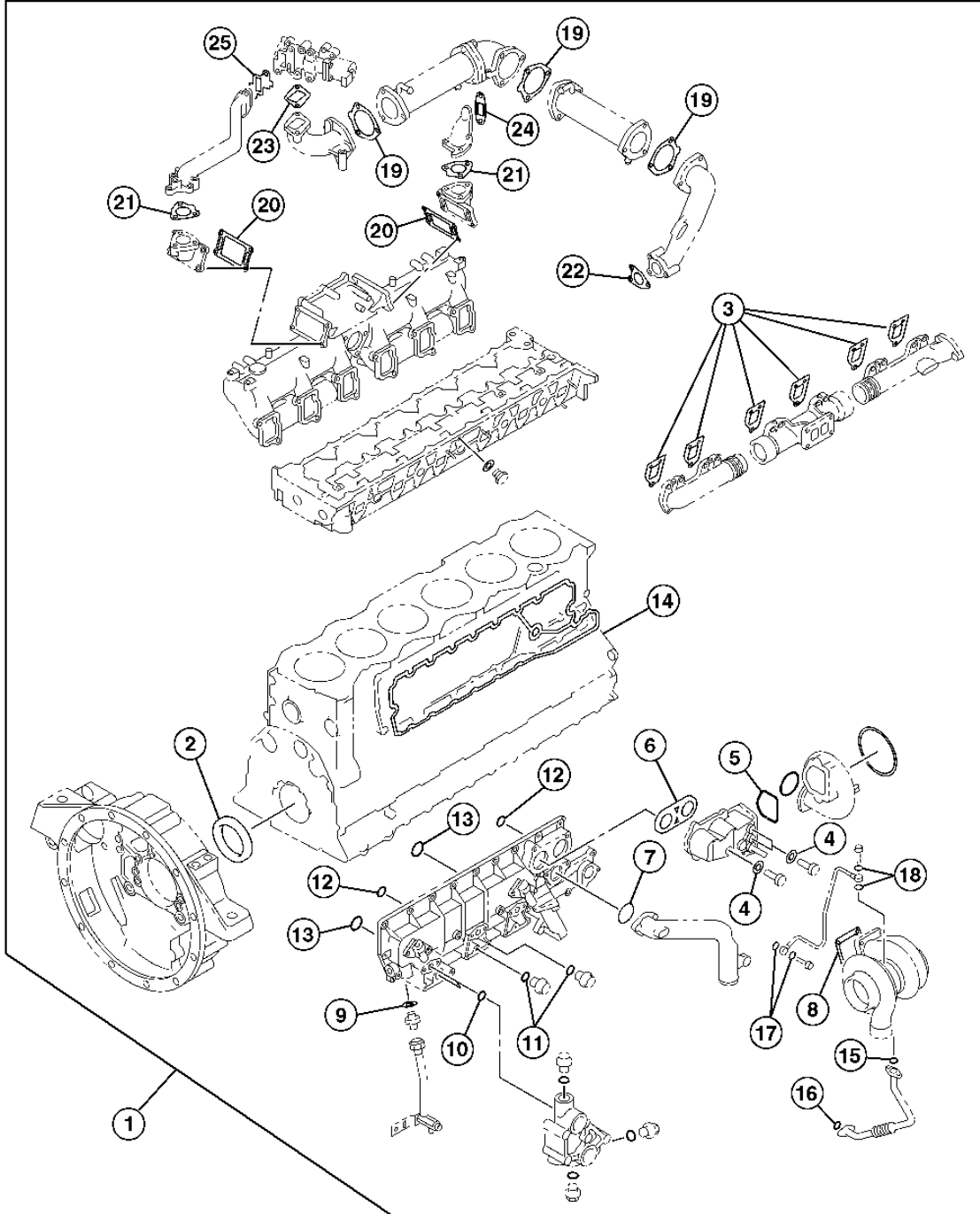
ENGINE 04

GASKET REPLACEMENT KITS 0452

ENGINE GASKET REPLACEMENT KIT (2 OF 2) KIT DE REMPLACEMENT DE JOINTS DU MOTEUR JUEGO DE REPUESTO DE EMPAQUETADURAS DEL MOTOR

TX1000654

-UN-06DEC05



TX1000654

THIS PARTS LISTING IS CONTINUED

0452-5

ENGINE 04

GASKET REPLACEMENT KITS 0452

ENGINE GASKET REPLACEMENT KIT (2 OF 2)
KIT DE REMPLACEMENT DE JOINTS DU MOTEUR
JUEGO DE REPUESTO DE EMPAQUETADURAS DEL MOTOR

KEY	PART NO.	PART NAME	QTY.	ENGINE SERIAL NO.	REMARKS
1	1878129661	GASKET KIT	1		
2	8976173090	SEAL	1		(SUB FOR 1096255571)
3	1141451821	GASKET	6		
4	1096301110	GASKET	4		
5	1096234230	GASKET	1		(SUB FOR 1096232470)
6	1137430361	GASKET	1		
7	1096234060	GASKET	1		
8	8980188550	GASKET	1		
9	1096300870	GASKET	1		
10	1096234790	GASKET	2		
11	1096301410	GASKET	2		
12	1096234780	GASKET	2		
13	1096234790	GASKET	2		
14	1112192050	GASKET	1		
15	8943993990	GASKET	1		
16	1096234500	PACKING	1		
17	1096300840	GASKET	2		
18	9095714100	GASKET	2		
19	8976038890	GASKET	3		
20	1161850040	GASKET	2		
21	1161570171	GASKET	2		
22	1161570150	GASKET	1		
23	1161570270	GASKET	1		
24	8973670131	GASKET	1		
25	8973670140	GASKET	1		

0452-6

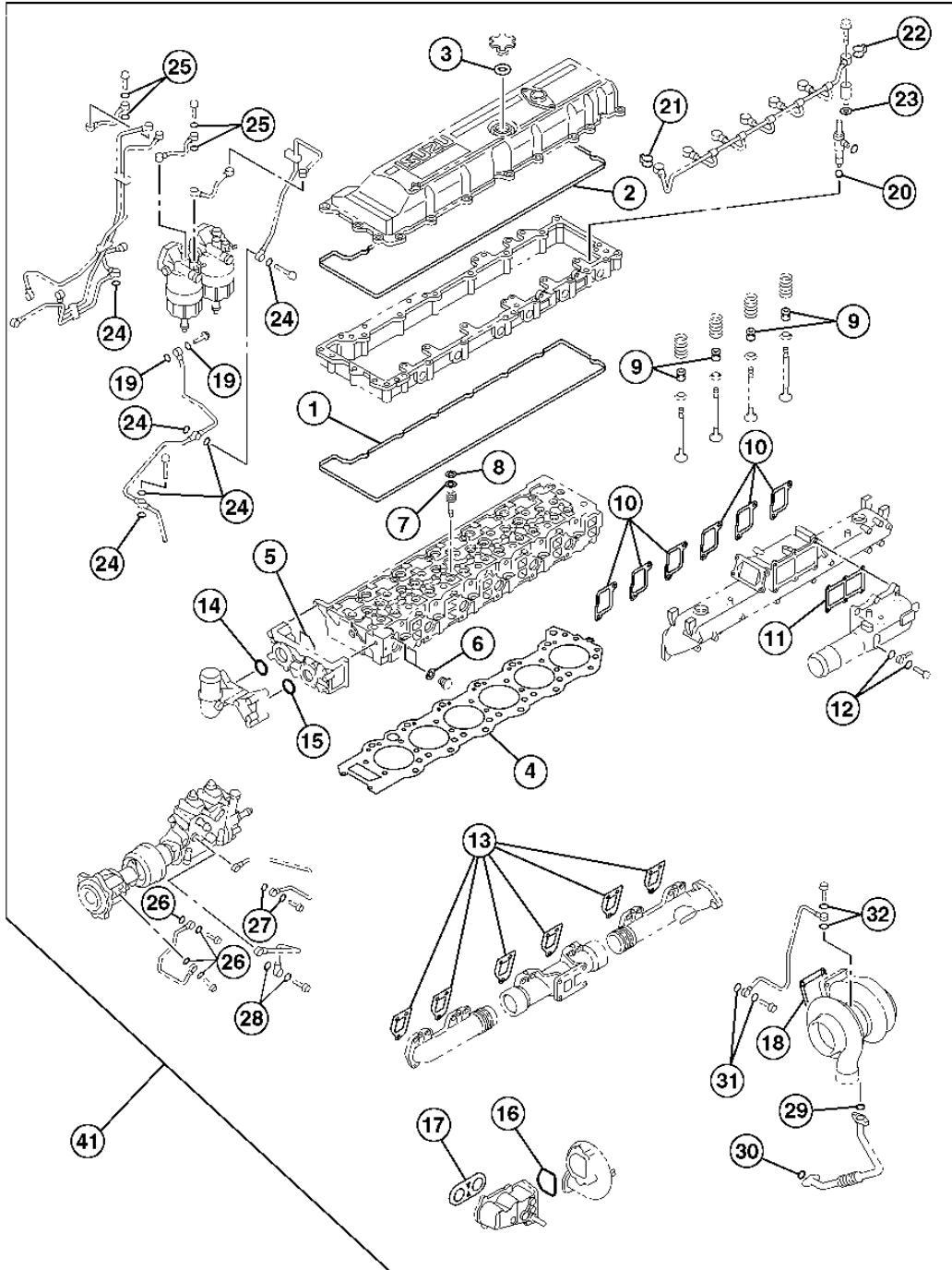
ENGINE 04

GASKET REPLACEMENT KITS 0452

ENGINE HEAD GASKET REPLACEMENT KIT KIT DE REMPLACEMENT DE JOINTS DE CULASSE DU MOTEUR JUEGO DE REPUESTO DE EMPAQUETADURA DE CULATA DEL MOTOR

TX1000657

-UN-23NOV05



TX1000657

0452-7

ENGINE 04

GASKET REPLACEMENT KITS 0452

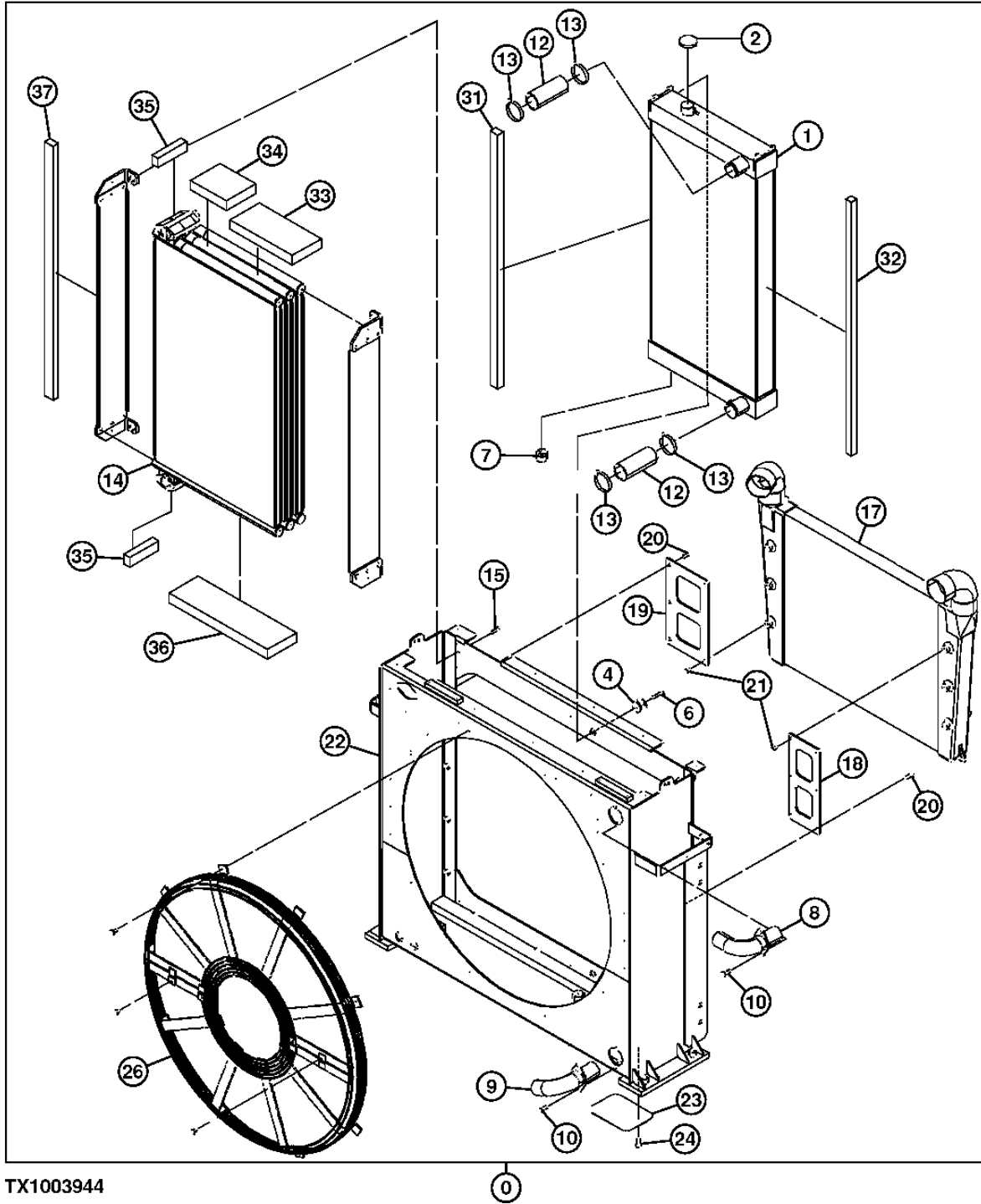
**ENGINE HEAD GASKET REPLACEMENT KIT
KIT DE REMPLACEMENT DE JOINTS DE CULASSE DU MOTEUR
JUEGO DE REPUESTO DE EMPAQUETADURA DE CULATA DEL MOTOR**

KEY	PART NO.	PART NAME	QTY.	ENGINE SERIAL NO.	REMARKS
1	1111731201	GASKET	1		
2	1111731191	GASKET	1		
3	8943996890	O-RING	1		
4	1111412653	ENGINE CYLINDER HEAD GASKET	1		
5	1096234030	GASKET	1		
6	1096301410	GASKET	2		
7	8972331260	O-RING	6		
8	8980415850	O-RING	6		(SUB FOR AT263769 OR 8972331270)
9	1125690200	SEAL	24		
10	1141150961	GASKET	6		(SUB FOR 8976075981)
11	1141150941	GASKET	1		
12	1096300820	GASKET	2		
13	1141451821	GASKET	6		
14	1096235420	GASKET	1		(SUB FOR 1096234520)
15	1096235050	GASKET	1		
16	1096234230	GASKET	1		(SUB FOR 1096232470)
17	1137430361	GASKET	1		
18	8980188550	GASKET	1		
19	1096301410	GASKET	2		
20	8972160820	GASKET	6		
21	8976009250	GASKET	6		(SUB FOR 8943952140)
22	1154196351	GASKET	1		(SUB FOR 1154196350)
23	GASKET	1		(4452165 OR 1096300850 NLA)
24	1096301410	GASKET	7		
25	1096301110	GASKET	4		
26	1096300830	GASKET	4		
27	1096300830	GASKET	2		
28	1096301410	GASKET	2		
29	8943993990	GASKET	1		
30	1096234500	PACKING	1		
31	1096300840	GASKET	2		
32	9095714100	GASKET	2		
41	1878129672	GASKET KIT	1		(ENGINE HEAD GASKET KIT) (SUB FOR 1878129671)

0510-2

COOLING PACKAGE ENSEMBLE DE REFROIDISSEMENT CONJUNTO DE ENFRIAMIENTO

TX1003944 -UN-21FEB06



TX1003944

0

0510-3

ENGINE AUXILIARY SYSTEM 05
ENGINE COOLING SYSTEMS 0510

**COOLING PACKAGE
ENSEMBLE DE REFROIDISSEMENT
CONJUNTO DE ENFRIAMIENTO**

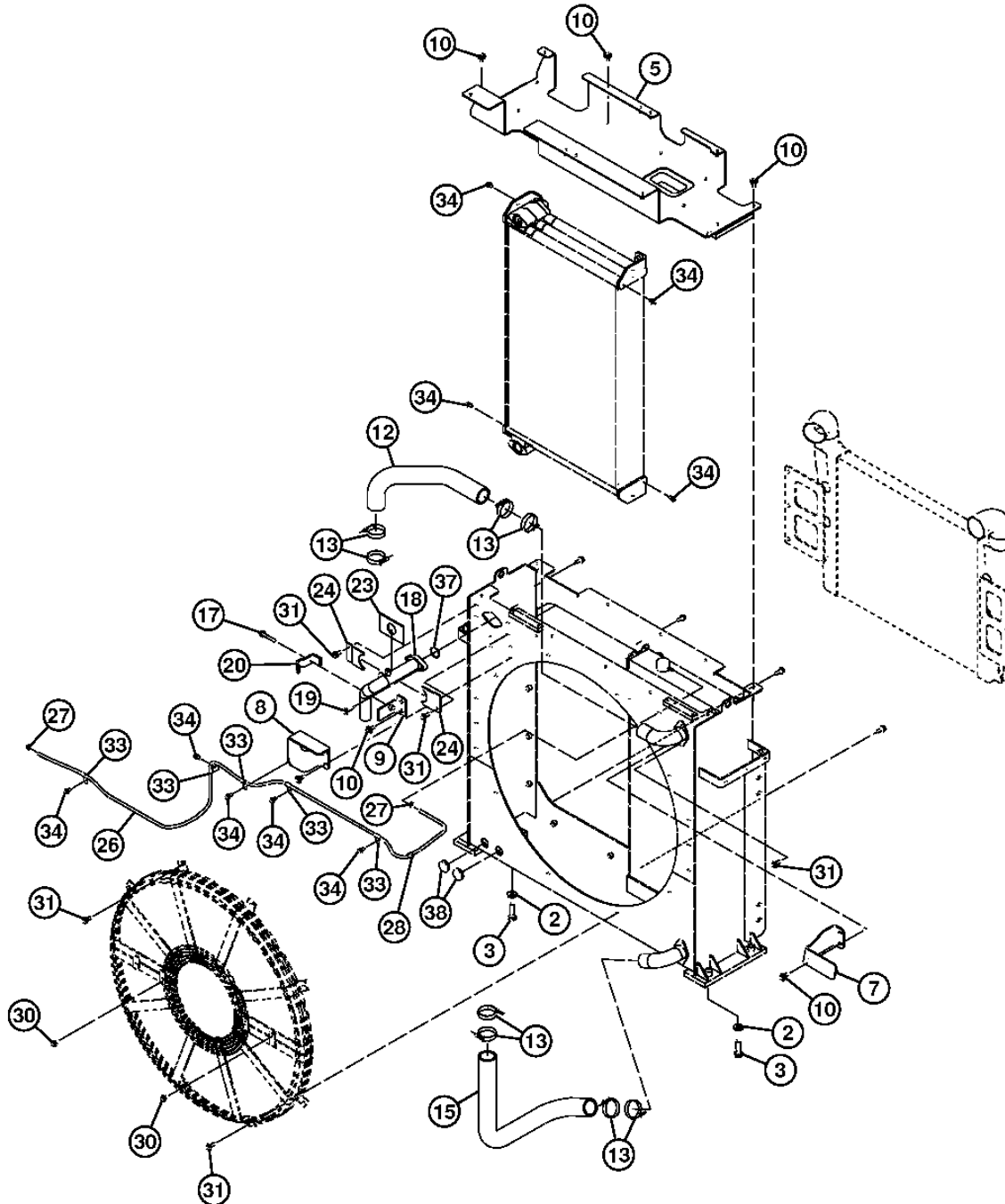
KEY	PART NO.	PART NAME	QTY.	SERIAL NO.	REMARKS
0	4636162	RADIATOR	1		
1	4655008	CORE	1		
2	4152858	CAP	1		
4	4655010	CUSHION	1		
6	SCREW WITH WASHER	4		(J271050 NLA)
	19M7658	CAP SCREW	4		M10 X 50, (SUB FOR J901050)
	4486055	WASHER	4		
7	4655013	CUSHION	2		
8	4655014	PIPE	1		
9	4655015	PIPE	1		
10	SCREW WITH WASHER	4		(J271235 NLA)
	19M7403	CAP SCREW	4		M12 X 35, (SUB FOR J901235)
	24M7345	WASHER	4		13.500 X 24 X 2.500 MM, (SUB FOR J222012)
12	4655017	HOSE	2		
13	4655018	CLAMP	4		
14	4655019	OIL COOLER	1		
15	SCREW WITH WASHER	4		(J271235 NLA)
	19M7403	CAP SCREW	4		M12 X 35, (SUB FOR J901235)
	24M7345	WASHER	4		13.500 X 24 X 2.500 MM, (SUB FOR J222012)
17	4655020	INTERCOOLER	1		
18	4655021	PLATE	1		
19	4655022	PLATE	1		
20	SCREW WITH WASHER	6		(J271235 NLA)
	19M7403	CAP SCREW	6		M12 X 35, (SUB FOR J901235)
	24M7345	WASHER	6		13.500 X 24 X 2.500 MM, (SUB FOR J222012)
21	SCREW WITH WASHER	6		(J271225 NLA)
	19M7872	CAP SCREW	6		(SUB FOR J901225)
	24M7345	WASHER	6		(SUB FOR J222012)
22	4655024	FRAME	1		
23	4655025	PLATE	1		
24	SCREW WITH WASHER	2		(J271235 NLA)
	19M7403	CAP SCREW	2		M12 X 35, (SUB FOR J901235)
	24M7345	WASHER	2		13.500 X 24 X 2.500 MM, (SUB FOR J222012)
26	4655027	GUARD	1		
31	4655030	PACKING	1		
32	4655031	PACKING	1		
33	4655032	PACKING	1		
34	4655033	PACKING	1		
35	4655034	PACKING	2		
36	4655035	PACKING	1		
37	4655036	PACKING	1		

0510-4

ENGINE AUXILIARY SYSTEM 05
ENGINE COOLING SYSTEMS 0510

COOLING PACKAGE HOSES AND MOUNTING FLEXIBLES D'ENSEMBLE DE REFROIDISSEMENT ET MONTAGE MANGUERAS DE CONJUNTO DE ENFRIAMIENTO Y MONTAJE

TX1003940 -UN-21FEB06



TX1003940

0510-5

ENGINE AUXILIARY SYSTEM 05
ENGINE COOLING SYSTEMS 0510

COOLING PACKAGE HOSES AND MOUNTING
FLEXIBLES D'ENSEMBLE DE REFROIDISSEMENT ET MONTAGE
MANGUERAS DE CONJUNTO DE ENFRIAMIENTO Y MONTAJE

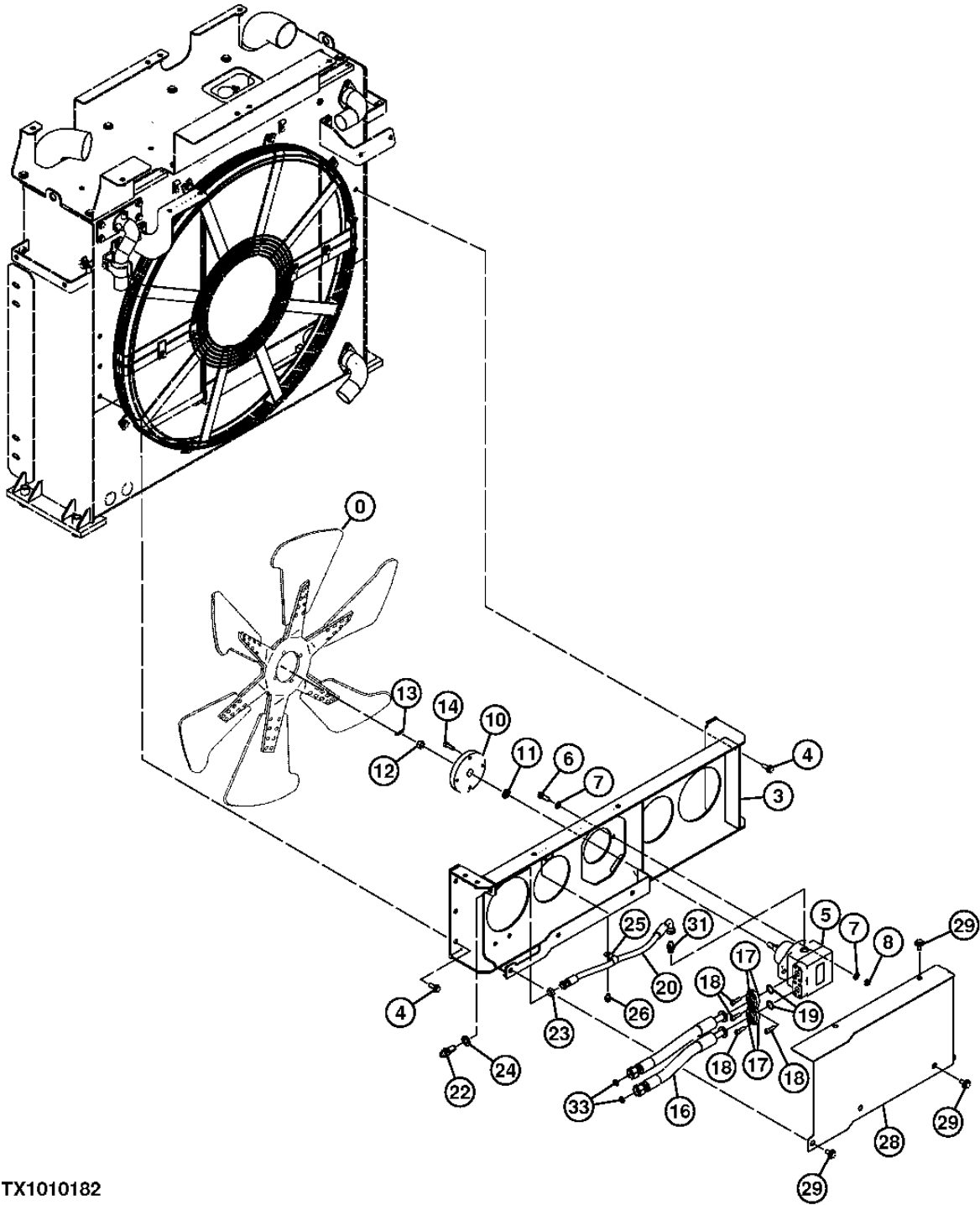
KEY	PART NO.	PART NAME	QTY.	SERIAL NO.	REMARKS
2	J222020	WASHER	4		
3	19M7597	CAP SCREW	4		M20 X 50, (SUB FOR J922065 OR J922050)
5	7048500	COVER	1		
7	8100796	BRACKET	1	-913266	
	8110263	BRACKET	1	913267-	(USE WITH 8110264 AND 3110694)
8	8100795	BRACKET	1		
9	8104283	BRACKET	1		
10	SCREW WITH WASHER	16		(J281235 NLA)
	19M7403	CAP SCREW	16		M12 X 35, (SUB FOR J901235)
	4249324	WASHER	16		
12	3104740	RADIATOR HOSE	1		
13	4263764	HOSE CLAMP	8		
15	3104739	RADIATOR HOSE	1		
17	SCREW WITH WASHER	1		(J271280 NLA)
	19M7364	CAP SCREW	1		M12 X 80, (SUB FOR J901280)
	24M7345	WASHER	1		13.500 X 24 X 2.500 MM, (SUB FOR J222012)
18	7048447	LINE	1		
19	SCREW WITH WASHER	2		(J271245 NLA)
	19M7496	CAP SCREW	2		M12 X 45, (SUB FOR J901245)
	24M7345	WASHER	2		13.500 X 24 X 2.500 MM, (SUB FOR J222012)
20	4053697	CLAMP	1		
23	4637669	ISOLATOR	1		
24	4637661	COVER	2		
26	4631038	HOSE	1		
27	TY22462	CLAMP	2		(SUB FOR 4508575, AR48236)
28	445100	GROMMET	1		
30	SCREW WITH WASHER	4		(J271220 NLA)
	19M8017	CAP SCREW	4		M12 X 20, (SUB FOR J901220)
	24M7345	WASHER	4		13.500 X 24 X 2.500 MM, (SUB FOR J222012)
31	SCREW WITH WASHER	13		(J271235 NLA)
	19M7403	CAP SCREW	13		M12 X 35, (SUB FOR J901235)
	24M7345	WASHER	13		13.500 X 24 X 2.500 MM, (SUB FOR J222012)
33	AH79175	CLIP	5		(SUB FOR 4190272)
34	SCREW WITH WASHER	17		(J271025 NLA)
	19M7402	CAP SCREW	17		M10 X 25, (SUB FOR J901025)
	24M7346	WASHER	17		11 X 20 X 2 MM, (SUB FOR J222010)
37	985096	O-RING	1		
38	4288445	PLUG	2		

0510-6

ENGINE AUXILIARY SYSTEM 05
ENGINE COOLING SYSTEMS 0510

FAN DRIVE MOTOR AND MOUNTING MOTEUR D'ENTRAÎNEMENT DE VENTILATEUR ET MONTAGE MOTOR DE MANDO DEL VENTILADOR Y MONTAJE

TX1010182 -UN-28JUL06



TX1010182

0510-7

ENGINE AUXILIARY SYSTEM 05
ENGINE COOLING SYSTEMS 0510

FAN DRIVE MOTOR AND MOUNTING
MOTEUR D'ENTRAÎNEMENT DE VENTILATEUR ET MONTAGE
MOTOR DE MANDO DEL VENTILADOR Y MONTAJE

KEY	PART NO.	PART NAME	QTY.	SERIAL NO.	REMARKS
0	1136603690	FAN	1		(SUB FOR 4636721, THIS APPLICATION)
3	7048518	BRACKET	1		
4	SCREW WITH WASHER	6		(J271235 NLA)
	19M7403	CAP SCREW	6		M12 X 35, (SUB FOR J901235)
	24M7345	WASHER	6		13.500 X 24 X 2.500 MM, (SUB FOR J222012)
5	4634936	MOTOR	1		(COMPONENTS ON ANOTHER PAGE)
6	19M7493	CAP SCREW	2		M12 X 40, (SUB FOR J921240)
7	24M7047	WASHER	4		13 X 24 X 2.500 MM, (SUB FOR A590112)
8	14M7275	NUT	2		M12, (SUB FOR J950012)
10	4637864	COUPLING	1		
11	24M7338	WASHER	1		17 X 30 X 3 MM, (SUB FOR J222016)
12	14M7289	NUT	1		M16, (SUB FOR J953016)
13	M40461	SPRING LOCKING PIN	1		(SUB FOR 4022701, TH100590)
14	19M8337	SCREW	4		M10 X 30, (SUB FOR M341030)
16	4637942	HYDRAULIC HOSE - FABRICATE	2		
17	R29424	FLANGE FITTING	4		(SUB FOR 986910)
18	19M8337	SCREW	8		M10 X 30, (SUB FOR M341030)
19	T59014	O-RING	2		(SUB FOR 971489)
20	4282549	HYDRAULIC HOSE	1		
22	4315207	ADAPTER FITTING	1		
23	4465189	NUT	1		
24	24M7051	WASHER	1		21 X 37 X 3 MM, (SUB FOR A590120)
25	T28949	CLAMP	1		(SUB FOR 4190274)
26	SCREW WITH WASHER	1		(J271020 NLA)
	19M7938	CAP SCREW	1		M10 X 20, (SUB FOR J901020)
	24M7346	WASHER	1		11 X 20 X 2 MM, (SUB FOR J222010)
28	8104307	COVER	1		
29	SCREW WITH WASHER	5		(J281230 NLA)
	19M8011	CAP SCREW	5		M12 X 30, (SUB FOR J901230)
	4249324	WASHER	5		
31	4489342	ADAPTER FITTING	1		
	4506416	O-RING	1		
33	T77858	O-RING	2		(SUB FOR 4187308)

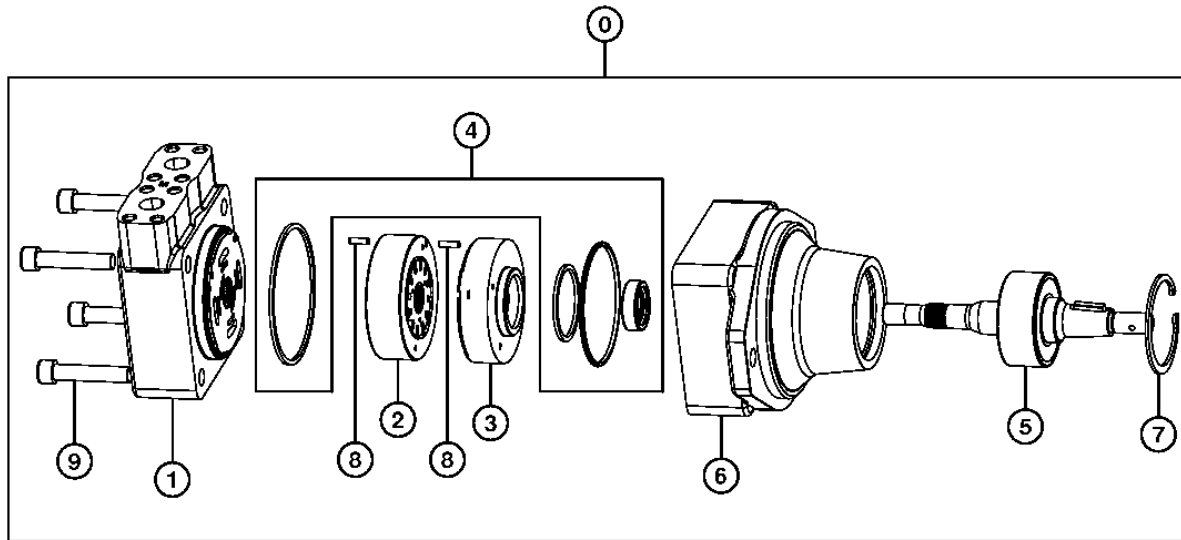
0510-8

ENGINE AUXILIARY SYSTEM 05
ENGINE COOLING SYSTEMS 0510

FAN DRIVE MOTOR COMPONENTS COMPOSANTS DE MOTEUR D'ENTRAÎNEMENT DE VENTILATEUR COMPONENTES DE MOTOR DE MANDO DEL VENTILADOR

TX1002032

-UN-04JAN06



TX1002032

THIS PARTS LISTING IS CONTINUED

0510-9

ENGINE AUXILIARY SYSTEM 05
ENGINE COOLING SYSTEMS 0510

FAN DRIVE MOTOR COMPONENTS
COMPOSANTS DE MOTEUR D'ENTRAÎNEMENT DE VENTILATEUR
COMPONENTES DE MOTOR DE MANDO DEL VENTILADOR

KEY	PART NO.	PART NAME	QTY.	SERIAL NO.	REMARKS
0	4634936	MOTOR	1		
1	4659032	CAP	1		
2	4659033	CAM	1		
3	4659034	PLATE	1		
4	4659035	SEAL KIT	1		
5	4659036	SHAFT	1		
6	HOUSING	1		
7	4654383	SNAP RING	1		
8	4654387	DOWEL PIN	2		
9	4654390	BOLT	4		

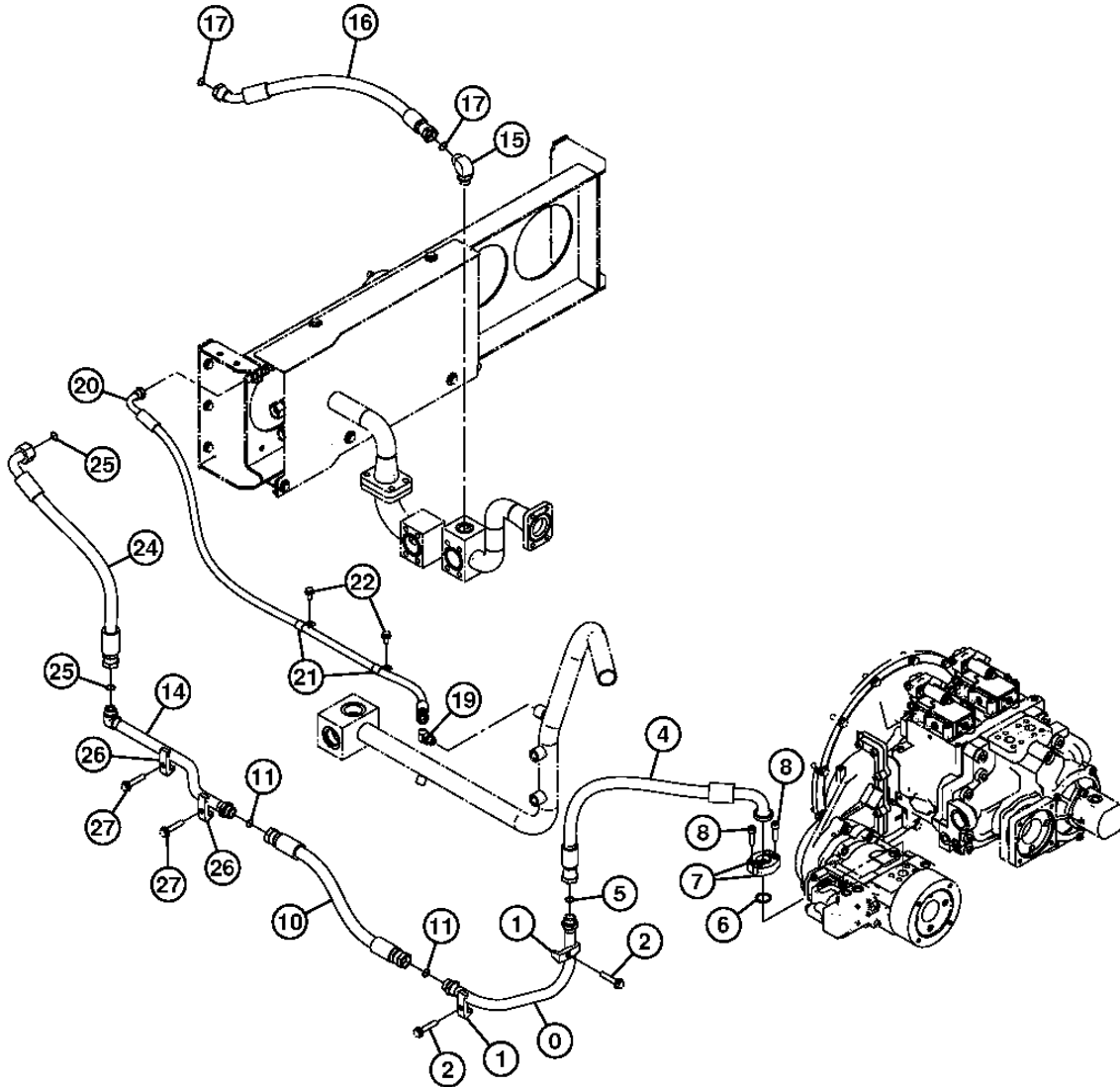
0510-10

ENGINE AUXILIARY SYSTEM 05
ENGINE COOLING SYSTEMS 0510

FAN DRIVE MOTOR HOSES FLEXIBLES DE MOTEUR D'ENTRAINEMENT DE VENTILATEUR MANGUERAS DEL MOTOR DE MANDO DEL VENTILADOR

TX1001938

-UN-03JAN06



TX1001938

0510-11

ENGINE AUXILIARY SYSTEM 05
ENGINE COOLING SYSTEMS 0510

**FAN DRIVE MOTOR HOSES
FLEXIBLES DE MOTEUR D'ENTRAINEMENT DE VENTILATEUR
MANGUERAS DEL MOTOR DE MANDO DEL VENTILADOR**

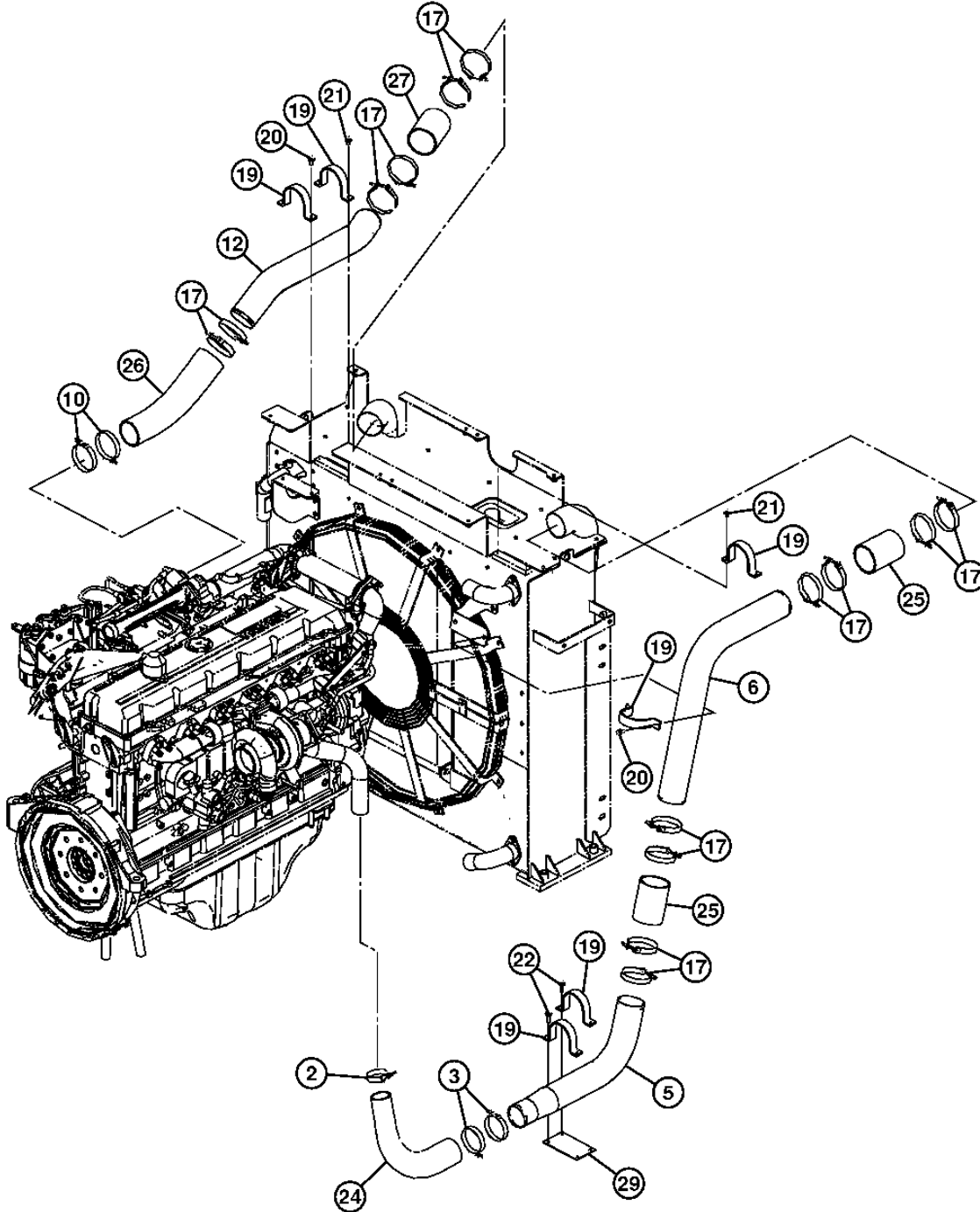
KEY	PART NO.	PART NAME	QTY.	SERIAL NO.	REMARKS
0	8099718	LINE	1		
1	4053595	CLAMP	2		
2	SCREW WITH WASHER	2		(J271265 NLA)
	19M7331	CAP SCREW	2		M12 X 65
	24M7047	WASHER	2		13 X 24 X 2.500 MM
4	4635850	HYDRAULIC HOSE - FABRICATE	1		
5	T77858	O-RING	1		(SUB FOR 4187308)
6	966993	O-RING	1		
7	4085560	FLANGE FITTING	2		
8	19M8395	SCREW	4		M12 X 40, (SUB FOR M341240)
10	4636860	HYDRAULIC HOSE - FABRICATE	1		
11	T77858	O-RING	2		(SUB FOR 4187308)
14	8101366	LINE	1		
15	4157562	ELBOW FITTING	1		
	AT318035	O-RING	1		(SUB FOR 4506424)
16	4636859	HYDRAULIC HOSE - FABRICATE	1		
17	T77858	O-RING	2		(SUB FOR 4187308)
19	A852244	ELBOW FITTING	1		
	4506418	O-RING	1		
20	4264575-S	HYDRAULIC HOSE	1		(SUB FOR 4217383)
21	T28949	CLAMP	2		(SUB FOR 4190274)
22	SCREW WITH WASHER	2		(J271025 NLA)
	19M7402	CAP SCREW	2		M10 X 25, (SUB FOR J901025)
	24M7346	WASHER	2		11 X 20 X 2 MM, (SUB FOR J222010)
24	4639651	HYDRAULIC HOSE - FABRICATE	1		
25	T77858	O-RING	2		(SUB FOR 4187308)
26	4053595	CLAMP	2		
27	SCREW WITH WASHER	2		(J271265 NLA)
	19M7331	CAP SCREW	2		M12 X 65
	24M7047	WASHER	2		13 X 24 X 2.500 MM

0510-12

ENGINE AUXILIARY SYSTEM 05
ENGINE COOLING SYSTEMS 0510

INTERCOOLER TUBING TUBULURE DE REFROIDISSEUR INTERMEDIAIRE TUBERIA DEL INTERENFRIADOR

TX1001940 -UN-03JAN06



TX1001940

0510-13

ENGINE AUXILIARY SYSTEM 05
ENGINE COOLING SYSTEMS 0510

INTERCOOLER TUBING TUBULURE DE REFRROIDISSEUR INTERMEDIAIRE TUBERIA DEL INTERENFRIADOR

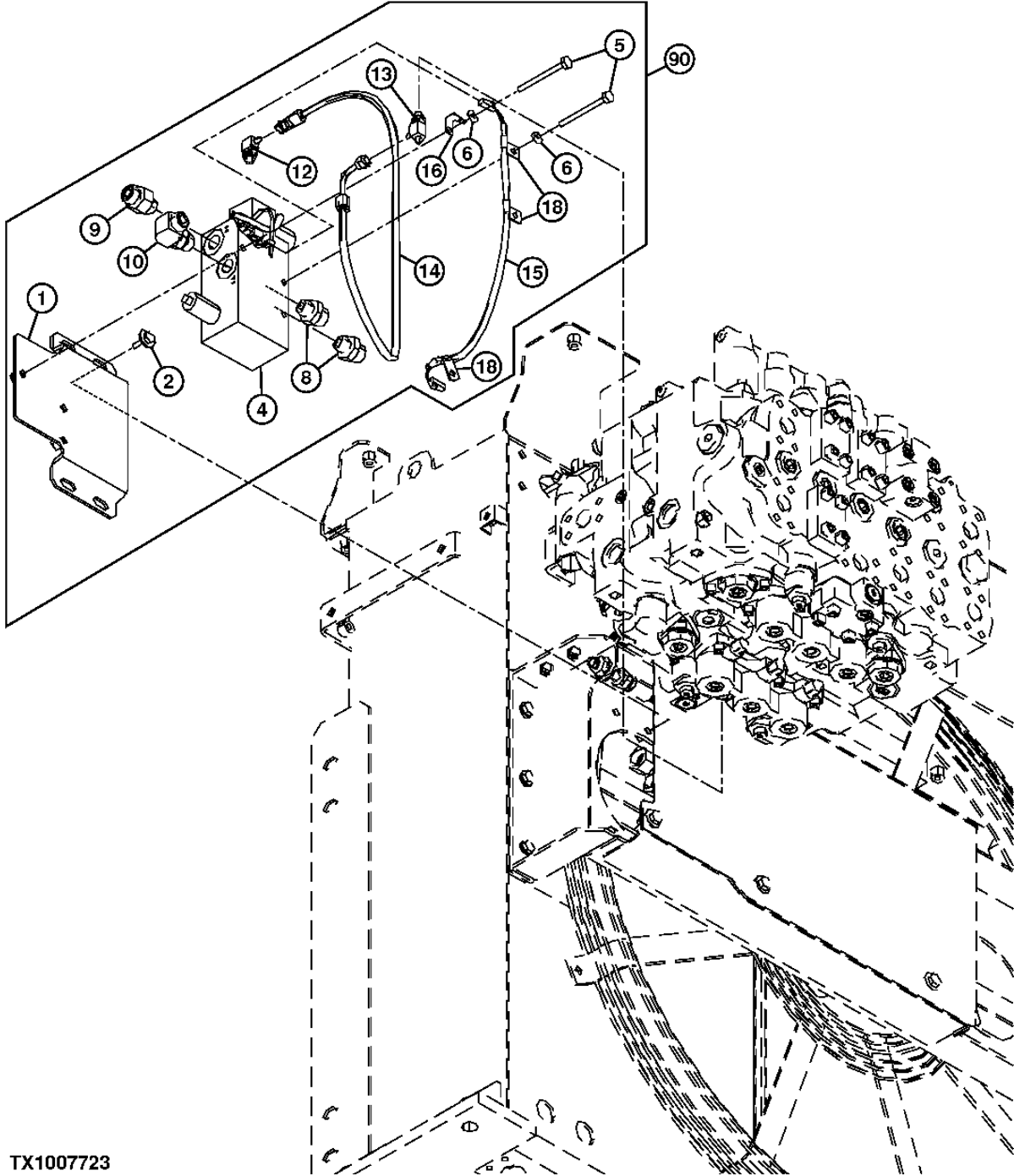
KEY	PART NO.	PART NAME	QTY.	SERIAL NO.	REMARKS
2	4263764	HOSE CLAMP	1		
3	4282484	HOSE CLAMP	2		
5	8100442	LINE	1	-913266	
	8110264	MUFFLER EXTENSION	1	913267-	(USE WITH 3110694 AND 8110263)
6	LINE	1	-913266	(3107574 NLA)
	3110694	MUFFLER EXTENSION	1	913267-	(USE WITH 8110264 AND 8110263)
10	4282484	HOSE CLAMP	2		(SUB FOR 4263766 OR AT56658, THIS APPLICATION)
12	3107570	LINE	1		
17	4282485	HOSE CLAMP	14		(SUB FOR 4282486 OR AT56657, THIS APPLICATION)
19	4186854	CLAMP	6		
20	SCREW WITH WASHER	4		(J271030 NLA)
	19M7662	CAP SCREW	4		M10 X 30, (SUB FOR J901030)
	24M7346	WASHER	4		11 X 20 X 2 MM, (SUB FOR J222010)
21	SCREW WITH WASHER	4		(J271025 NLA)
	19M7402	CAP SCREW	4		M10 X 25, (SUB FOR J901025)
	24M7346	WASHER	4		11 X 20 X 2 MM, (SUB FOR J222010)
22	SCREW WITH WASHER	4		(J271040 NLA)
	19M7358	CAP SCREW	4		M10 X 40, (SUB FOR J901040)
	24M7346	WASHER	4		11 X 20 X 2 MM, (SUB FOR J222010)
24	4644282	HOSE	1		
25	4644283	HOSE	2		
26	4644284	HYDRAULIC HOSE	1		
27	4644285	LINE	1		
29	4651495	PLATE	1		

0510-14

ENGINE AUXILIARY SYSTEM 05
ENGINE COOLING SYSTEMS 0510

FAN REVERSING CONTROL VALVE DISTRIBUTEUR D'INVERSION DE VENTILATEUR VALVULA DE CONTROL DE INVERSION DEL VENTILADOR

TX1007723 -UN-23MAY06



TX1007723

0510-15

ENGINE AUXILIARY SYSTEM 05
ENGINE COOLING SYSTEMS 0510

**FAN REVERSING CONTROL VALVE
DISTRIBUTEUR D'INVERSION DE VENTILATEUR
VALVULA DE CONTROL DE INVERSION DEL VENTILADOR**

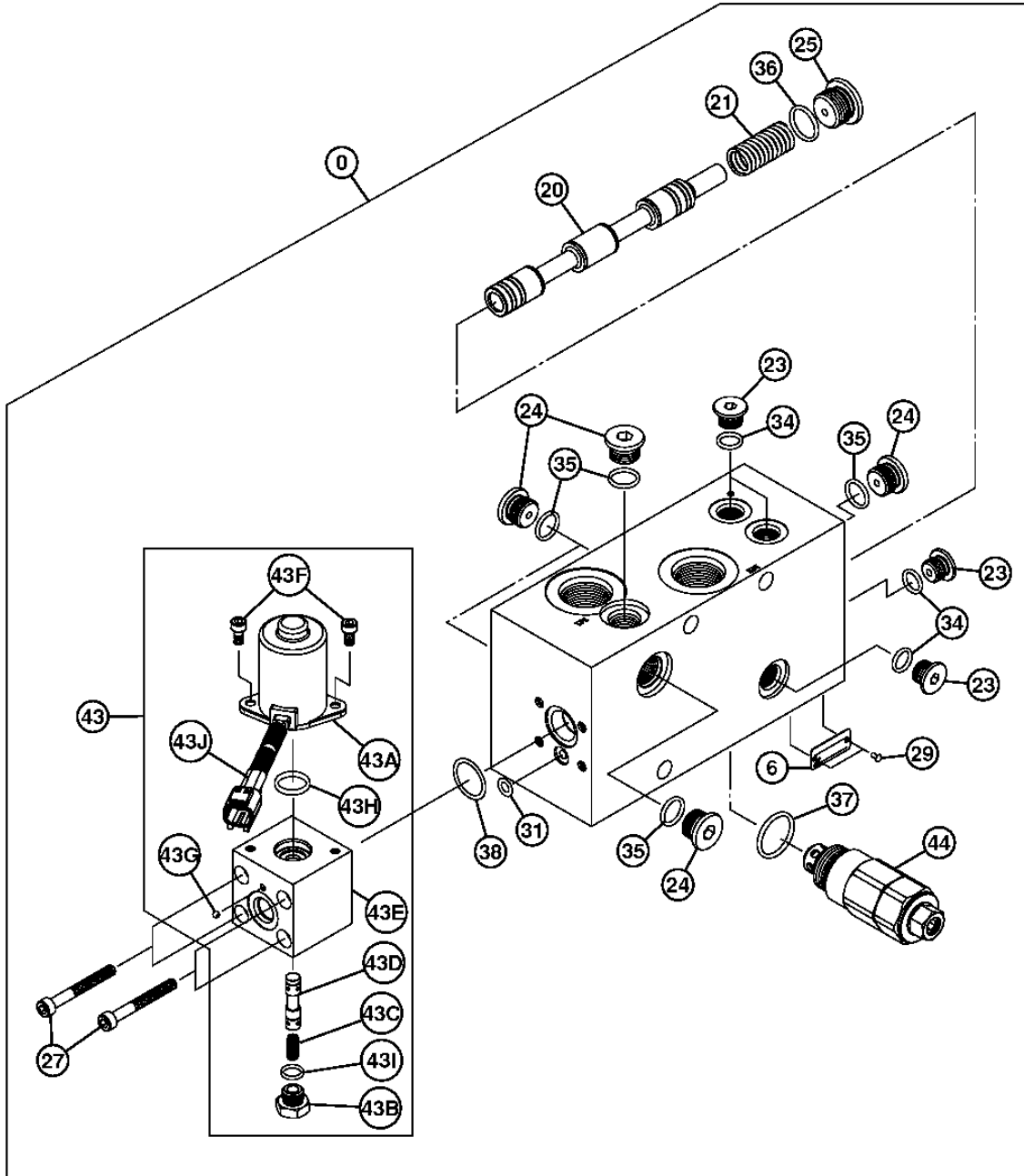
KEY	PART NO.	PART NAME	QTY.	SERIAL NO.	REMARKS
1	8101399	BRACKET	1		
2	SCREW WITH WASHER	4		(J281030 NLA)
	19M7662	CAP SCREW	4		M10 X 30, (SUB FOR J901030)
	4486055	WASHER	4		
4	4639102	SOLENOID HYDRAULIC VALVE	1		(COMPONENTS ON ANOTHER PAGE)
5	19M7668	CAP SCREW	3		M10 X 100, (SUB FOR J901000)
6	24M7028	WASHER	3		10.500 X 20 X 2 MM, (SUB FOR A590110)
8	A853166	ADAPTER FITTING	2		
	AT318035	O-RING	1		(SUB FOR 4506424)
9	A853166	ADAPTER FITTING	1		(SUB FOR 4429979)
	AT318035	O-RING	1		(SUB FOR 4506424)
10	A853366	ELBOW FITTING	1		
	AT318035	O-RING	1		(SUB FOR 4506424)
12	4154670	ELBOW FITTING	1		(SUB FOR A852322)
	M800650	PACKING	1		(SUB FOR 957366)
13	A852422	TEE FITTING	1		
	M800650	PACKING	1		(SUB FOR 957366)
14	4451993	HYDRAULIC HOSE - FABRICATE	1		
15	4655770	WIRING HARNESS	1		
16	4336875	BRACKET	1		
17	H77698	TIE BAND	1		(SUB FOR 4055311)
18	4190261	CLIP	3		(SUB FOR 4190261)
90	FIELD INSTALLATION KIT	1		REVERSE FAN DRIVE, (WHOLEGOODS) (AT332354 NA)

0510-16

ENGINE AUXILIARY SYSTEM 05
ENGINE COOLING SYSTEMS 0510

FAN REVERSING CONTROL VALVE COMPONENTS COMPOSANTS DE DISTRIBUTEUR D'INVERSION DE VENTILATEUR COMPONENTES DE VALVULA DE CONTROL DE INVERSION DEL VENTILADOR

TX1002366 -UN-13JAN06



TX1002366

0510-17

ENGINE AUXILIARY SYSTEM 05
ENGINE COOLING SYSTEMS 0510

FAN REVERSING CONTROL VALVE COMPONENTS
COMPOSANTS DE DISTRIBUTEUR D'INVERSION DE VENTILATEUR
COMPONENTES DE VALVULA DE CONTROL DE INVERSION DEL VENTILADOR

KEY	PART NO.	PART NAME	QTY.	SERIAL NO.	REMARKS
0	4639102	SOLENOID HYDRAULIC VALVE	1		
6	PLATE	1	(NLA)	
20	SPOOL	1	(NLA)	
21	0980508	COMPRESSION SPRING	1		
23	0314205	PLUG	4		
24	15M7036	DRAIN PLUG	5	(SUB FOR 0309805)	
25	0343611	FITTING PLUG	1		
27	19M8541	SCREW	4	M6 X 50, (SUB FOR 0228404, 0208707)	
29	0794701	SCREW	2		
31	CH19111	O-RING	1	(SUB FOR 4113154)	
34	M800650	PACKING	4	(SUB FOR 957366)	
35	CH11570	O-RING	5	(SUB FOR 4509180)	
36	4506418	O-RING	1		
37	U12547	O-RING	1	(SUB FOR U12547U)	
38	0980509	O-RING	1		
43	4658559	SOLENOID HYDRAULIC VALVE	1		
43A	SOLENOID HYDRAULIC VALVE	1	(0980511 NLA)	
43B	0624902	PLUG	1		
43C	0624904	SPRING	1		
43D	SPOOL	1	(NLA)	
43E	HOUSING	1	(NLA)	
43F	0624906	BOLT	2		
43G	BALL	1	(NLA)	
43H	CH10570	O-RING	1	(SUB FOR 954495, TH100513)	
43I	CH17167	O-RING	1	(SUB FOR 4506320)	
43J	0980510	STRUCTURAL TUBING	1		
44	4658560	PRESSURE RELIEF VALVE	1		

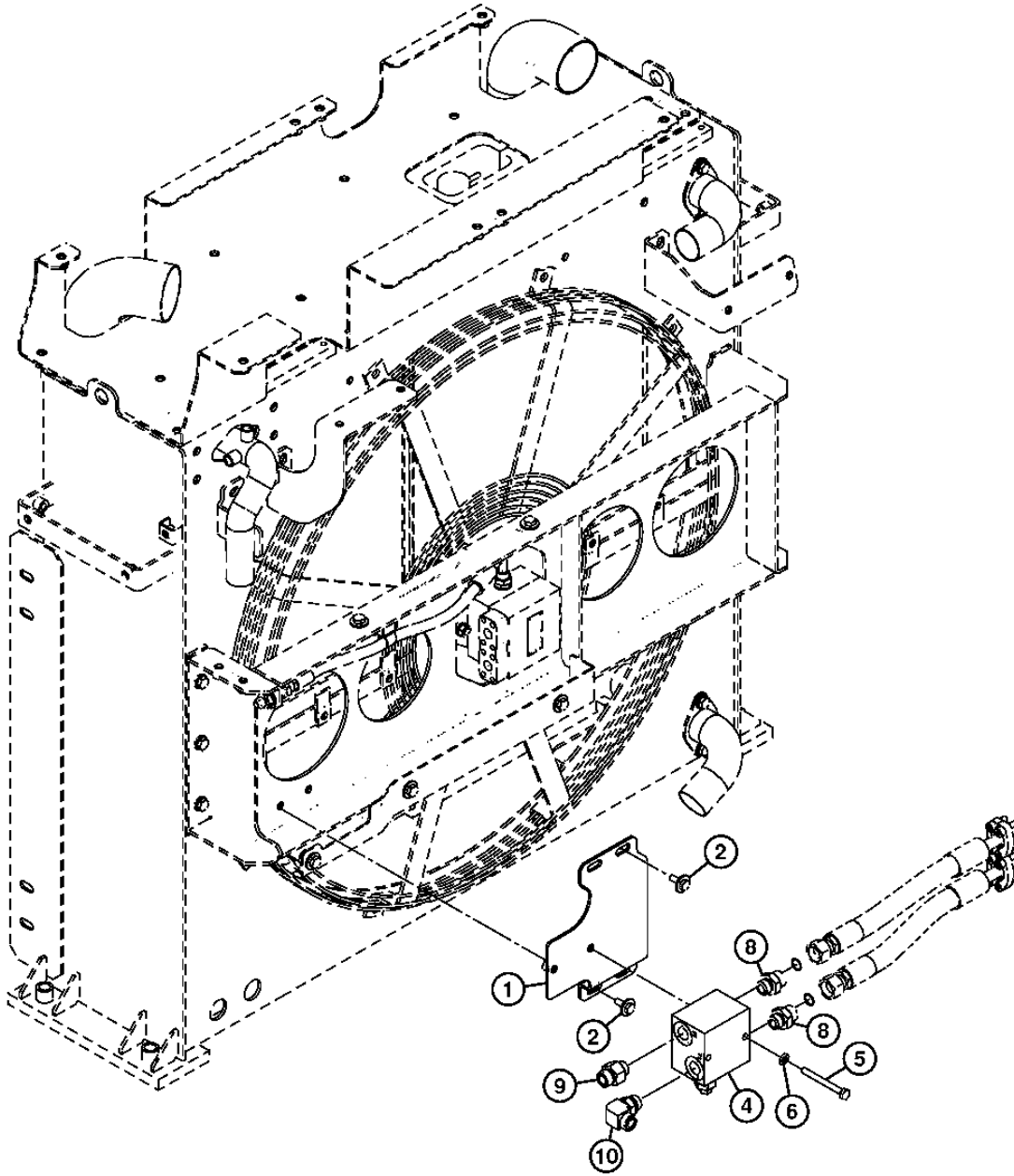
0510-18

ENGINE AUXILIARY SYSTEM 05
ENGINE COOLING SYSTEMS 0510

STANDARD FAN CONTROL VALVE DISTRIBUTEUR DE VENTILATEUR STANDARD VALVULA DE CONTROL DE VENTILADOR ESTANDAR

TX1003093

-UN-27JAN06



TX1003093

0510-19

ENGINE AUXILIARY SYSTEM 05
ENGINE COOLING SYSTEMS 0510

**STANDARD FAN CONTROL VALVE
DISTRIBUTEUR DE VENTILATEUR STANDARD
VALVULA DE CONTROL DE VENTILADOR ESTANDAR**

KEY	PART NO.	PART NAME	QTY.	SERIAL NO.	REMARKS
1	8101118	BRACKET	1		
2	SCREW WITH WASHER	4		(J281030 NLA)
	19M7662	CAP SCREW	4		M10 X 30, (SUB FOR J901030)
	4486055	WASHER	4		
4	4639754	PRESSURE RELIEF VALVE	1		(COMPONENTS ON ANOTHER PAGE)
5	19M7668	CAP SCREW	2		M10 X 100, (SUB FOR J901000)
6	24M7028	WASHER	2		10.500 X 20 X 2 MM, (SUB FOR A590110)
8	A853166	ADAPTER FITTING	2		
	AT318035	O-RING	1		(SUB FOR 4506424)
9	4429979	ADAPTER FITTING	1		
	AT318035	O-RING	1		(SUB FOR 4506424)
10	A853366	ELBOW FITTING	1		
	AT318035	O-RING	1		(SUB FOR 4506424)

0510-20

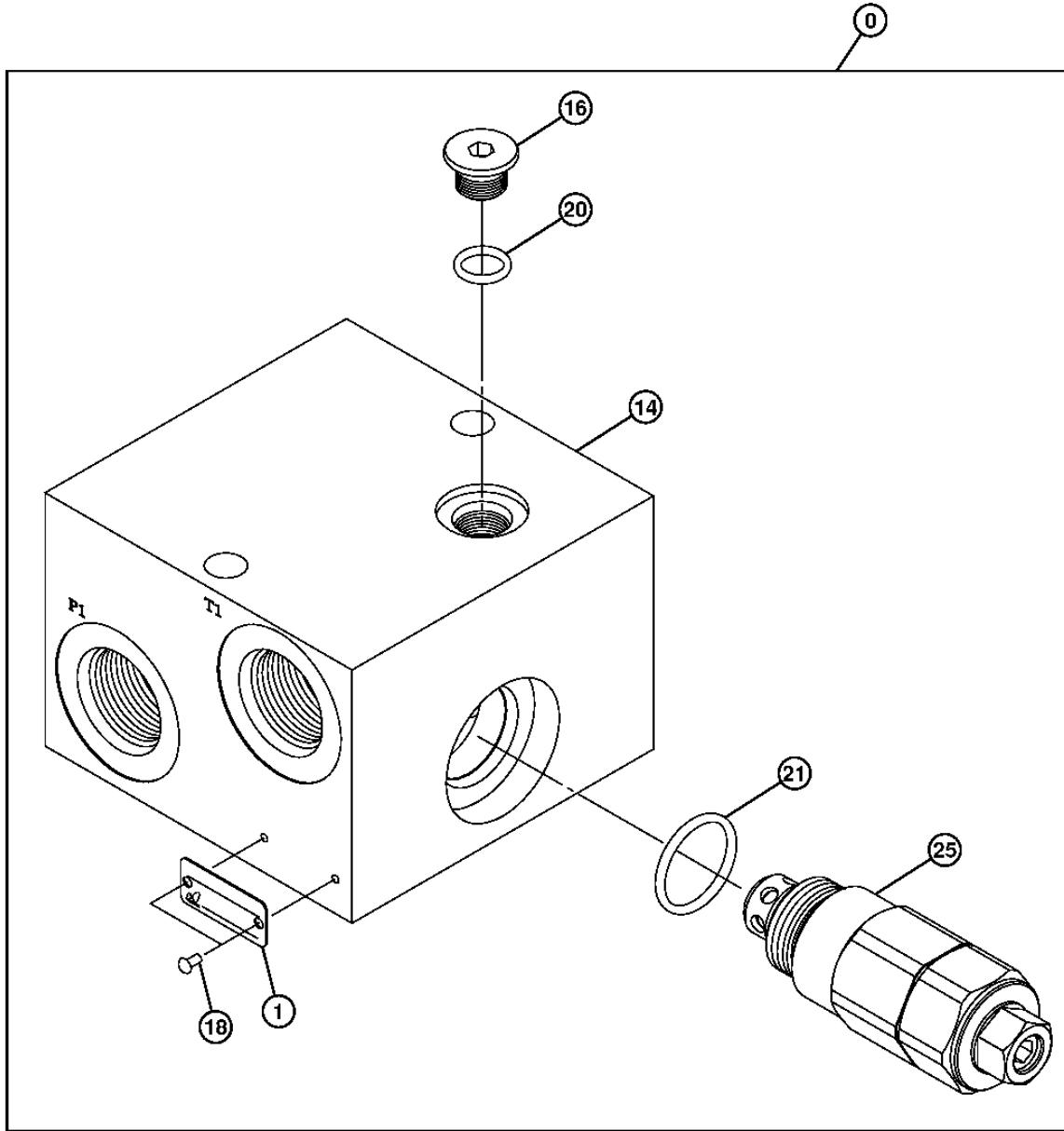
ENGINE AUXILIARY SYSTEM 05

ENGINE COOLING SYSTEMS 0510

PRESSURE RELIEF VALVE COMPONENTS FOR STANDARD FAN CONTROL VALVE
COMPOSANTS DE SOUPAPE DE SURETE POUR DISTRIBUTEUR DE VENTILATEUR STANDARD
COMPONENTES DE VALVULA DE ALIVIO DE PRESION PARA VALVULA DE CONTROL DE VENTILADOR ESTANDAR

TX1002031

-UN-05JAN06



TX1002031

0510-21

ENGINE AUXILIARY SYSTEM 05

ENGINE COOLING SYSTEMS 0510

PRESSURE RELIEF VALVE COMPONENTS FOR STANDARD FAN CONTROL VALVE
COMPOSANTS DE SOUPEPE DE SURETE POUR DISTRIBUTEUR DE VENTILATEUR STANDARD
COMPONENTES DE VALVULA DE ALIVIO DE PRESION PARA VALVULA DE CONTROL DE VENTILADOR ESTANDAR

KEY	PART NO.	PART NAME	QTY.	SERIAL NO.	REMARKS
0	4639754	PRESSURE RELIEF VALVE	1		
1	IDENTIFICATION PLATE	1		(NLA)
14	HOUSING	1		(0980401 NLA)
16	0314205	PLUG	1		
18	0794701	SCREW	2		
20	M800650	PACKING	1		(SUB FOR 957366)
21	U12547	O-RING	1		(SUB FOR U12547U)
25	4658560	PRESSURE RELIEF VALVE	1		

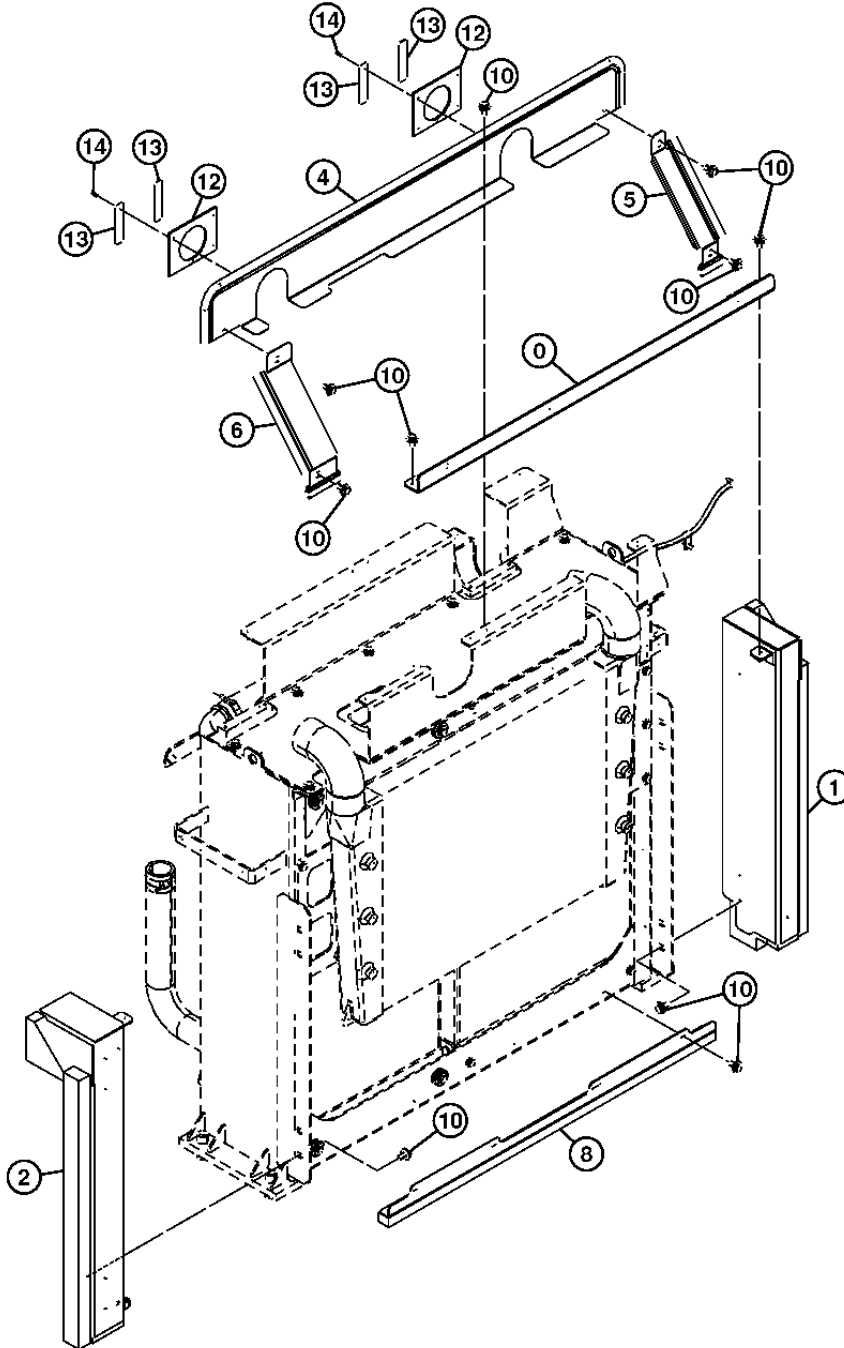
0510-22

ENGINE AUXILIARY SYSTEM 05
ENGINE COOLING SYSTEMS 0510

RADIATOR BAFFLES DEFLECTEURS DU RADIATEUR ALETAS DEL RADIADOR

TX1000702

-UN-05JAN06



TX1000702

0510-23

ENGINE AUXILIARY SYSTEM 05
ENGINE COOLING SYSTEMS 0510

RADIATOR BAFFLES DEFLECTEURS DU RADIATEUR ALETAS DEL RADIADOR

KEY	PART NO.	PART NAME	QTY.	SERIAL NO.	REMARKS
0	8104177	BRACKET	1		
1	8100715	COVER	1		
2	8100717	COVER	1		
4	7048441	COVER	1		
5	8100603	COVER	1		
6	8100604	COVER	1		
8	8100507	COVER	1		
10	BOLT	23		(J281230 NA)
	19M8011	CAP SCREW	23		M12 X 30. (SUB FOR J901230)
	4249324	WASHER	23		
12	4637645	ISOLATOR	2		
13	4637645	ISOLATOR	4		
14	4443487	CLIP	8		(SUB FOR 4425573)

0520-2

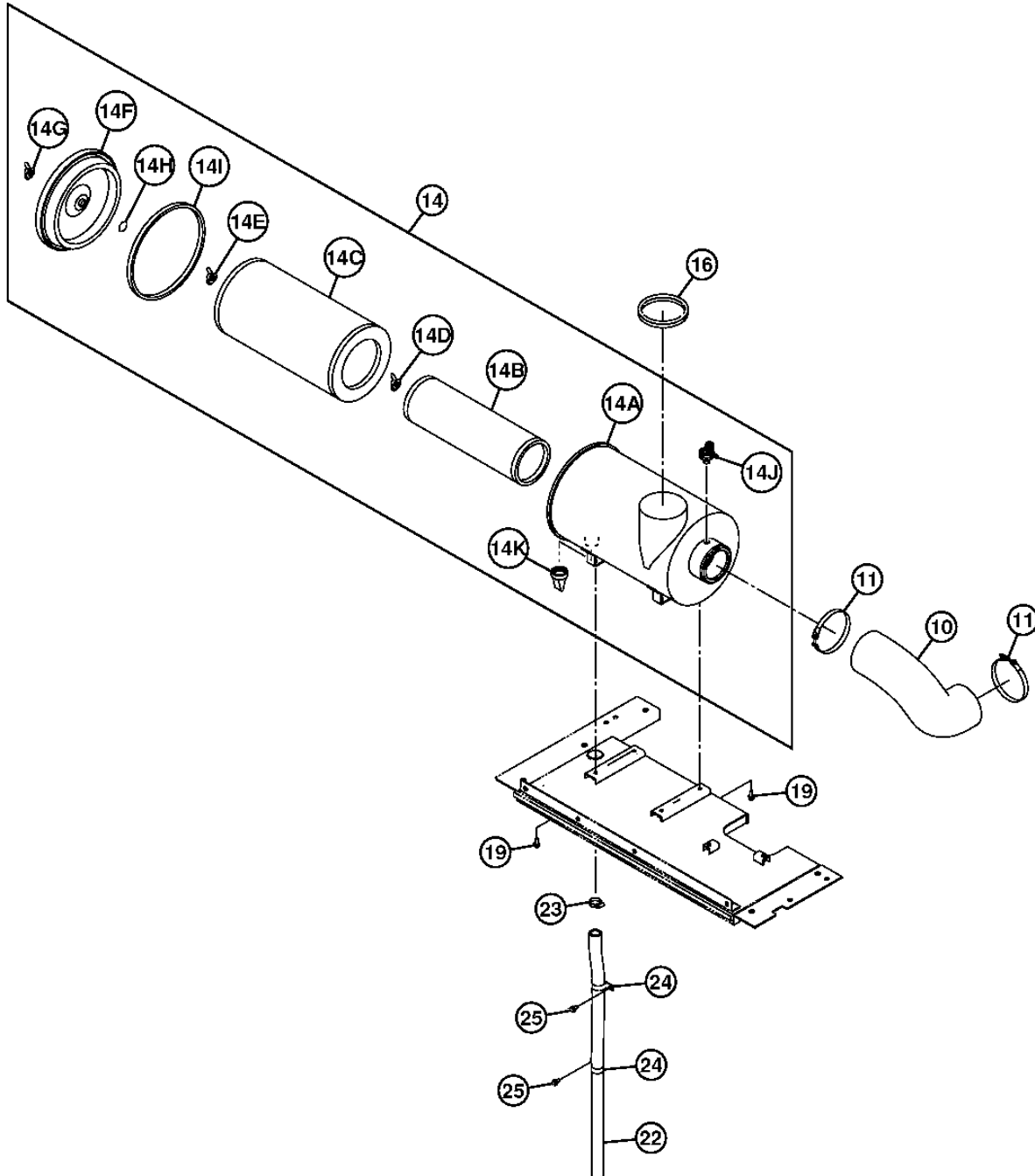
ENGINE AUXILIARY SYSTEM 05

INTAKE SYSTEM 0520

AIR CLEANER
FILTRE A AIR
FILTRO DELL'ARIA

TX1002858

-UN-20JAN06



TX1002858

0520-3

ENGINE AUXILIARY SYSTEM 05

INTAKE SYSTEM 0520

AIR CLEANER FILTRE A AIR FILTRO DELL'ARIA

KEY	PART NO.	PART NAME	QTY.	SERIAL NO.	REMARKS
10	3104596	HOSE	1		
11	4312517	HOSE CLAMP	2		
14	4634745	AIR CLEANER	1		
14A	HOUSING	1		(NLA)
14B	AT179370	FILTER ELEMENT	1		(SUB FOR 4240295)
14C	AT179371	FILTER ELEMENT	1		(SUB FOR 4240294)
14D	4337642	NUT	1		
14E	4257360	NUT	1		
14F	4297292	COVER	1		
14G	AR73234	WING NUT	1		(SUB FOR 4162833)
14H	P46402	SNAP RING	1		(SUB FOR 4162834)
14I	4257362	GASKET	1		
14J	4419601	INDICATOR	1		
14K	4474785	VALVE	1		
16	4651531	ISOLATOR	1		
19	SCREW WITH WASHER	4		(J271030 NLA)
	19M7662	CAP SCREW	4		M10 X 30, (SUB FOR J901030)
	24M7346	WASHER	4		11 X 20 X 2 MM, (SUB FOR J222010)
22	4656208	STRUCTURAL TUBING	1		
23	TY22470	CLAMP	1		(SUB FOR 4011675, AR65293, AR21840)
24	XCL-29	HOSE CLAMP	2		(SUB FOR 4190291, AT131725, TH110522, 4193848)
25	SCREW WITH WASHER	2		(J271025 NLA)
	19M7402	CAP SCREW	2		M10 X 25, (SUB FOR J901025)
	24M7346	WASHER	2		11 X 20 X 2 MM, (SUB FOR J222010)

0520-4

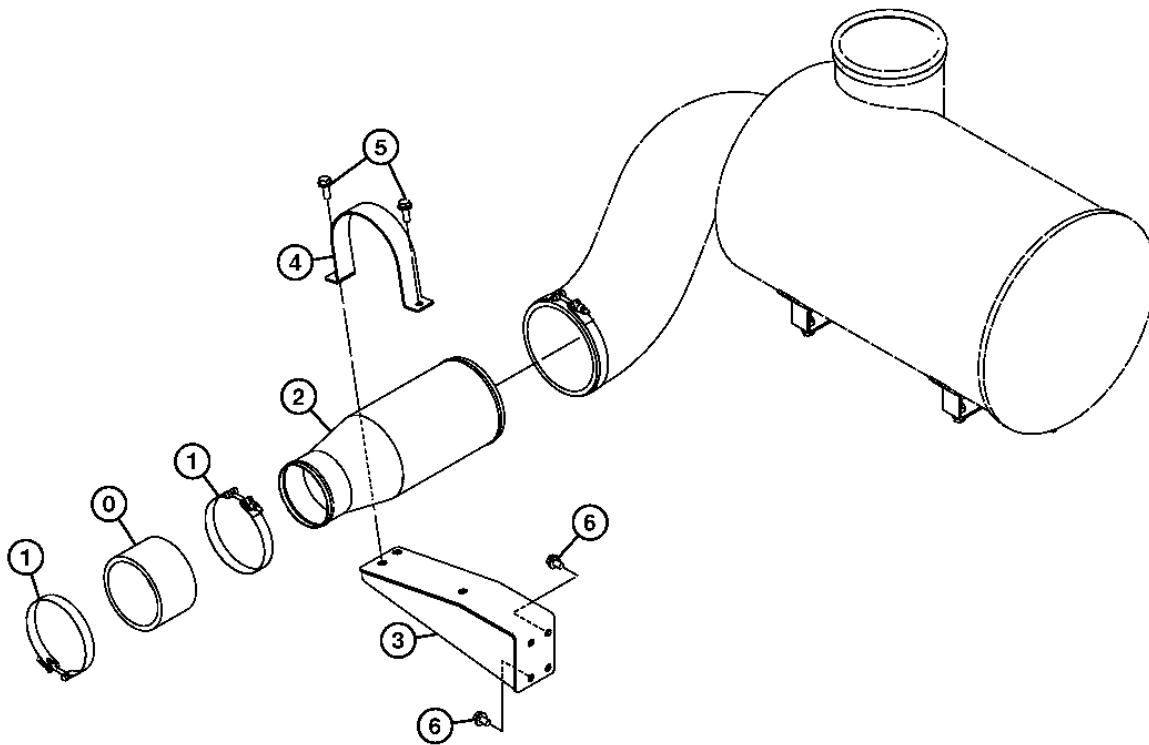
ENGINE AUXILIARY SYSTEM 05

INTAKE SYSTEM 0520

AIR CLEANER HOSES AND BRACKET TUYAUX ET SUPPORT DE FILTRE A AIR SOPORTE Y MANGUERAS DEL FILTRO DE AIRE

TX1001998

-UN-05JAN06



TX1001998

THIS PARTS LISTING IS CONTINUED

0520-5

ENGINE AUXILIARY SYSTEM 05

INTAKE SYSTEM 0520

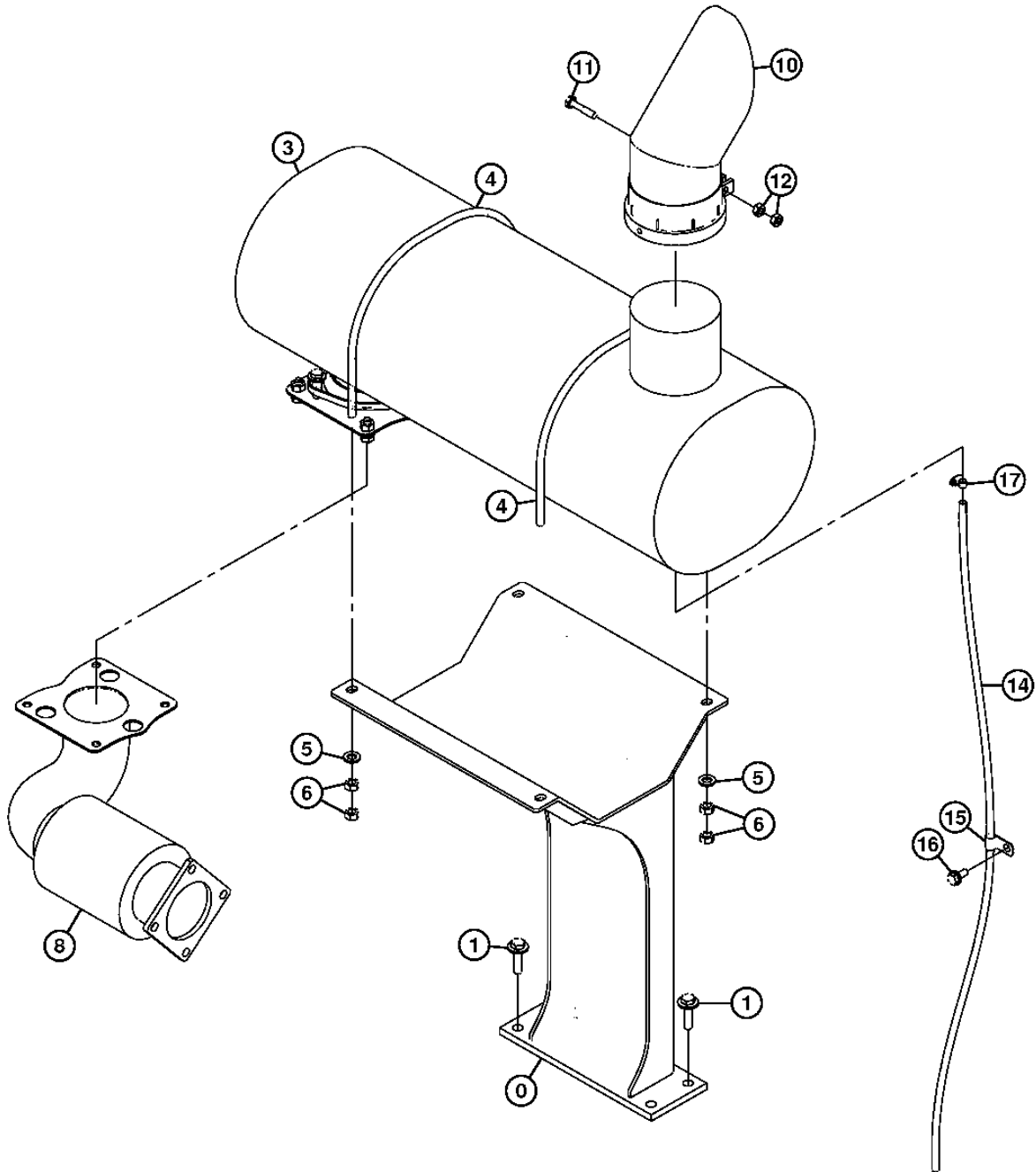
AIR CLEANER HOSES AND BRACKET TUYAUX ET SUPPORT DE FILTRE A AIR SOPORTE Y MANGUERAS DEL FILTRO DE AIRE

KEY	PART NO.	PART NAME	QTY.	SERIAL NO.	REMARKS
0	4681386	HOSE	1		(SUB FOR 4634744) (USE WITH 4282489)
1	4282489	HOSE CLAMP	2		(SUB FOR 4282490)
2	8100268	LINE	1		
3	8100269	BRACKET	1		
4	4331619	CLAMP	1		
5	SCREW WITH WASHER	2		(J271030 NLA)
	19M7662	CAP SCREW	2		M10 X 30, (SUB FOR J901030)
	24M7346	WASHER	2		11 X 20 X 2 MM, (SUB FOR J222010)
6	SCREW WITH WASHER	4		(J271020 NLA)
	19M7938	CAP SCREW	4		M10 X 20, (SUB FOR J901020)
	24M7346	WASHER	4		11 X 20 X 2 MM, (SUB FOR J222010)

0530-2

MUFFLER SILENCIEUX SILENCIADOR

TX1001999 -UN-05JAN06



TX1001999

0530-3

ENGINE AUXILIARY SYSTEM 05
EXTERNAL EXHAUST SYSTEMS 0530

MUFFLER SILENCIEUX SILENCIADOR

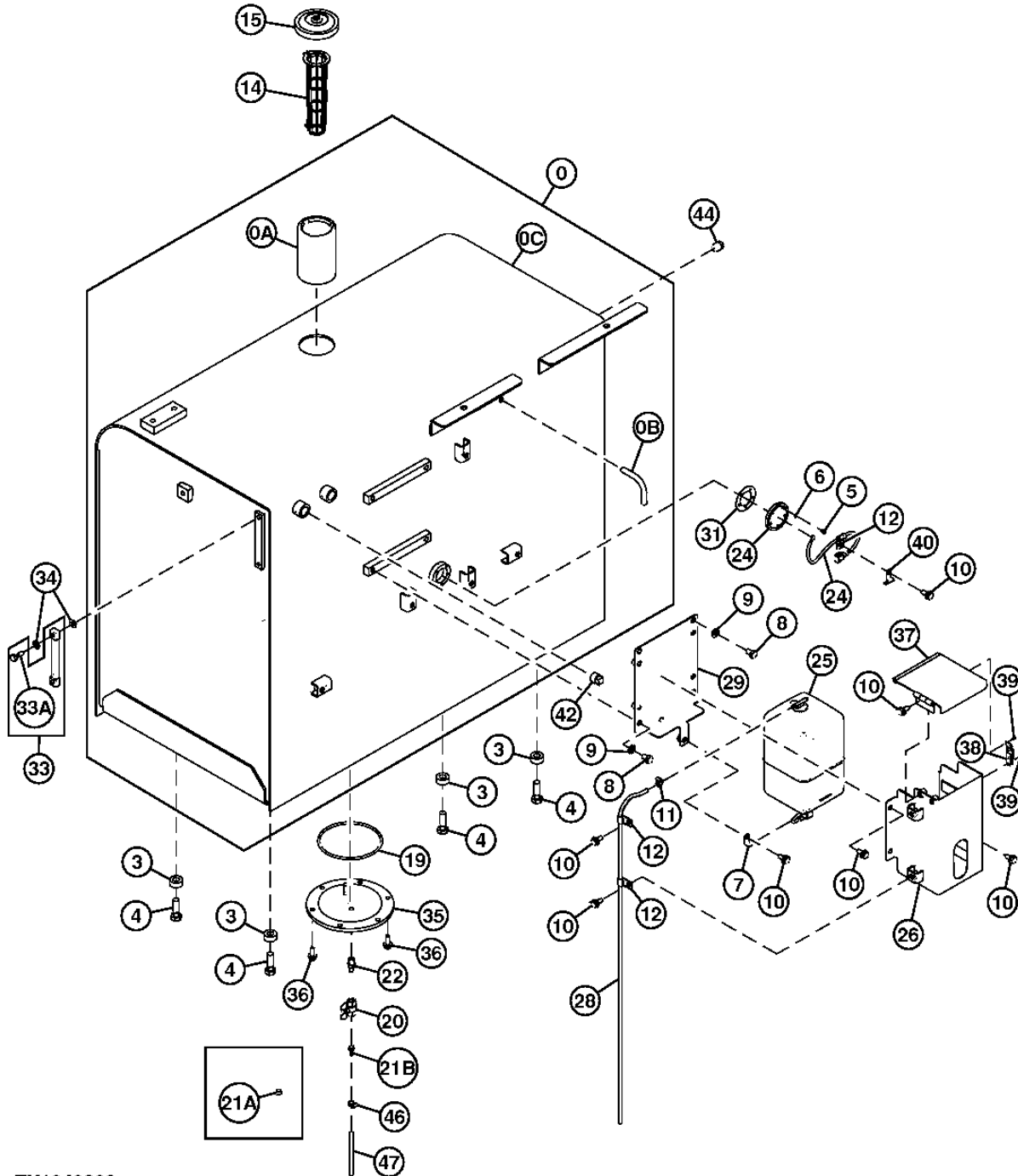
KEY	PART NO.	PART NAME	QTY.	SERIAL NO.	REMARKS
0	6023871	BRACKET	1		
1	SCREW WITH WASHER	4		(J281250 NLA)
	19M7361	CAP SCREW	4		M12 X 50, (SUB FOR J901250)
	4249324	WASHER	4		
3	4638628	MUFFLER	1		
4	4637836	U-BOLT	2		
5	24M7345	WASHER	4		13.500 X 24 X 2.500 MM, (SUB FOR J222010)
6	14M7275	NUT	8		M12, (SUB FOR M520012, AT131559, 14M7383)
8	4638671	EXHAUST PIPE	1		
10	8101575	EXHAUST PIPE	1		
11	19M8600	CAP SCREW	1		M10 X 50, (SUB FOR J921050)
12	14M7274	NUT	2		M10, (SUB FOR M520010)
14	4639683	STRUCTURAL TUBING	1		
15	4344303	CLIP	1		
16	SCREW WITH WASHER	1		(J271025 NLA)
	19M7402	CAP SCREW	1		M10 X 25, (SUB FOR J901025)
	24M7346	WASHER	1		11 X 20 X 2 MM, (SUB FOR J222010)
17	TY22462	CLAMP	1		(SUB FOR 4508575, AR48236)

0560-2

ENGINE AUXILIARY SYSTEM 05
EXTERNAL FUEL SUPPLY SYSTEMS 0560

FUEL TANK RESERVOIR DE CARBURANT TANQUE DE COMBUSTIBLE

TX1046392 -UN-



TX1046392

0560-3

ENGINE AUXILIARY SYSTEM 05

EXTERNAL FUEL SUPPLY SYSTEMS 0560

FUEL TANK RESERVOIR DE CARBURANT TANQUE DE COMBUSTIBLE

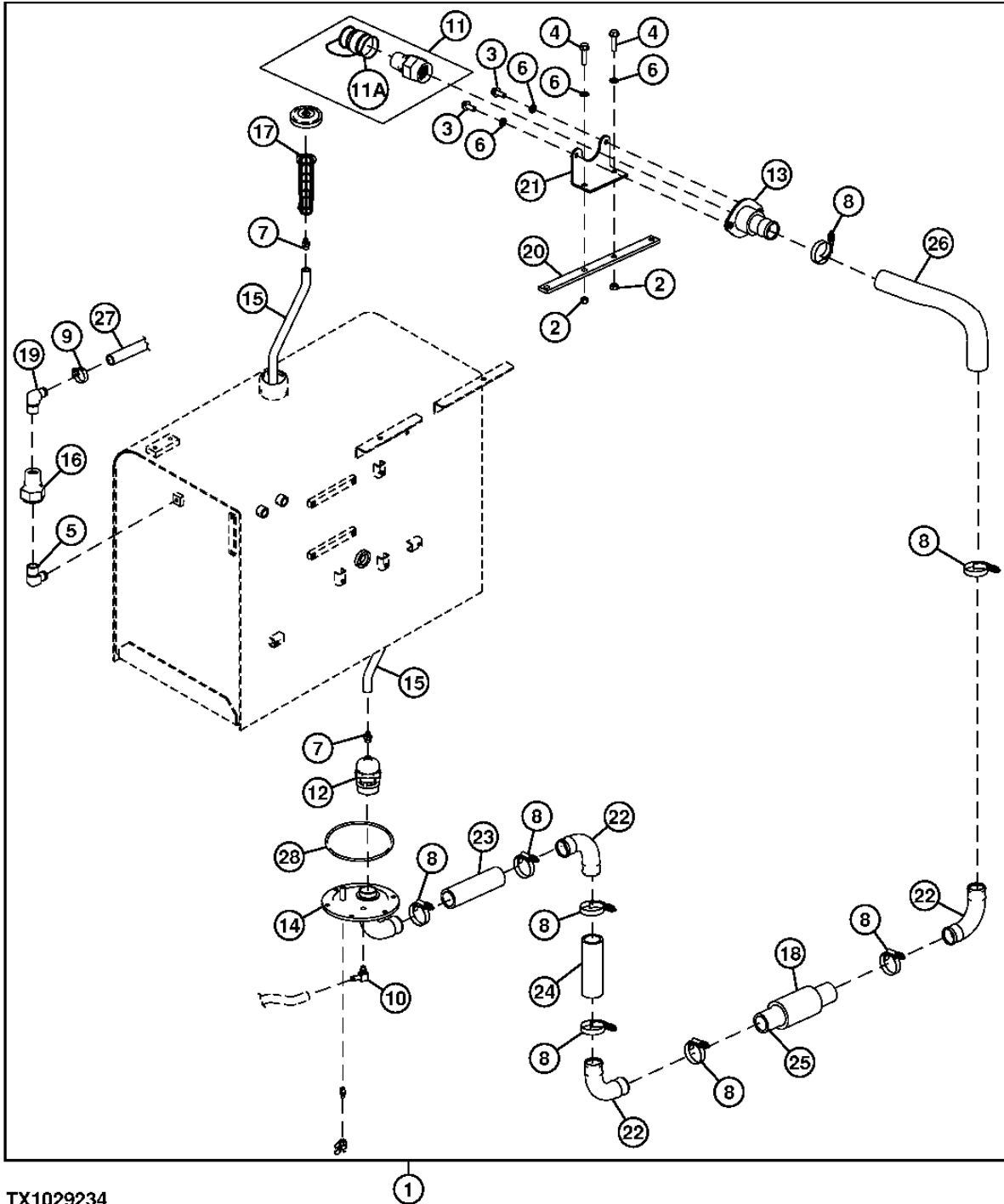
KEY	PART NO.	PART NAME	QTY.	SERIAL NO.	REMARKS
0	5009967J	FUEL TANK	1		
0A	4121497	TUBE	1		
0B	PIPE	1		(4653213 NLA)
0C	FUEL TANK	1		(NLA)
3	4626882	SPACER	8		
4	19M7409	CAP SCREW	8		M16 X 50, (SUB FOR J901650)
5	J780510	BOLT	5		
6	12M7064	WASHER	5		5 MM, (SUB FOR A590905)
7	4257159	BRACKET	1		
8	19M8017	CAP SCREW	4		M12 X 20, (SUB FOR J901220)
9	24M7047	WASHER	4		13 X 24 X 2.500 MM, (SUB FOR A590112)
10	SCREW WITH WASHER	10		(J271025 NLA)
	19M7402	CAP SCREW	10		M10 X 25, (SUB FOR J901025)
	24M7346	WASHER	10		11 X 20 X 2 MM, (SUB FOR J222010)
11	TY22462	CLAMP	1		(SUB FOR 4508575 OR AR48236)
12	4190261	CLIP	3		
14	4353560	STRAINER	1		(SUB FOR 4372619)
15	FILLER CAP	1		(4361638 NLA)
	AT321249	FILLER CAP	1		(KEY LOCKABLE) (ALSO ORDER AT194969)
	AT194969	KEY	1		(NOT ILLUSTRATED)
	AT323462	FILLER CAP	1		(LIP FOR PADLOCK)
	4168820	PACKING	1		(NOT ILLUSTRATED)
19	TH100679	O-RING	1		(SUB FOR A810160)
20	TH100679	O-RING	1		
21	94-2011	FITTING PLUG	1		
21A	94-2011	FITTING PLUG	1		-913416
21B	4449362	ADAPTER FITTING	1	913417-	
22	94-1901	ADAPTER FITTING	1		
24	4257128	FLOAT	1		
25	4651992	TANK	1		
26	7050354J	COVER	1		
28	4206453	HOSE	1		
29	8104396	BRACKET	1		
31	U42323	GASKET	1		(SUB FOR 4269607)
33	8033923	LEVEL GAUGE	1		
33A	4100967	BOLT	2		
34	449558	WASHER	4		
35	8104209	COVER	1		
36	SCREW WITH WASHER	6		(J271030 NLA)
	19M7662	CAP SCREW	6		(SUB FOR J901030)
	24M7346	WASHER	6		(SUB FOR J222010)
37	8104395J	COVER	1		
38	4254200	LOCK	1		
39	J460308	SCREW WITH WASHER	4		
40	4336875	BRACKET	1		
42	94-2025	FITTING PLUG	2		
44	4655968	PLUG	1		
45	4514700	CLIP	1	913417-	
46	4676391	HOSE	1	913417-	

0560-3A

ENGINE AUXILIARY SYSTEM 05
EXTERNAL FUEL SUPPLY SYSTEMS 0560

FAST FUEL SYSTEM KIT DE KIT CIRCUIT DE CARBURANT RAPIDE DE JUEGO SISTEMA DE COMBUSTIBLE RAPIDO

TX1029234 -UN-01OCT07



TX1029234

0560-3B

ENGINE AUXILIARY SYSTEM 05

EXTERNAL FUEL SUPPLY SYSTEMS 0560

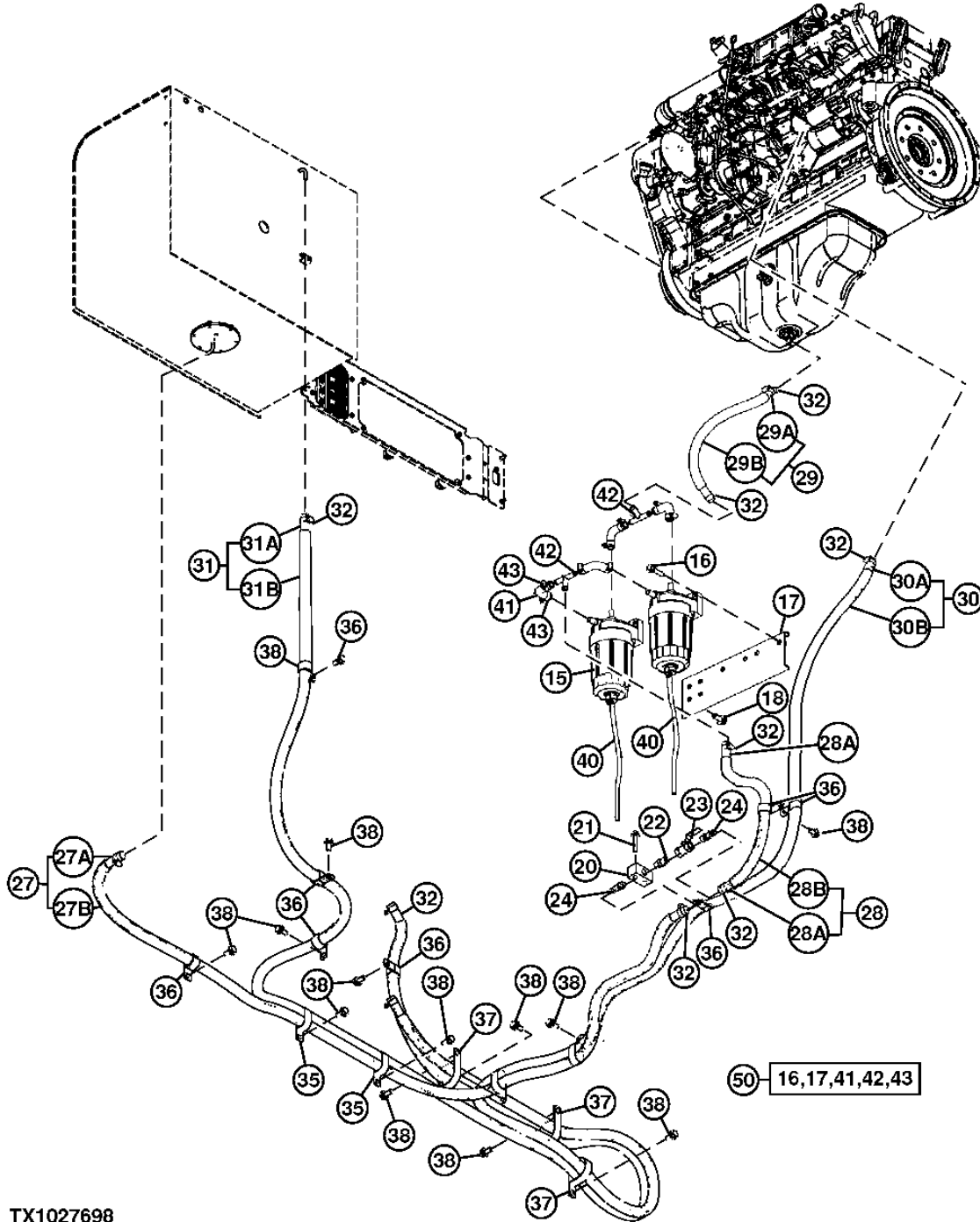
FAST FUEL SYSTEM KIT DE KIT CIRCUIT DE CARBURANT RAPIDE DE JUEGO SISTEMA DE COMBUSTIBLE RAPIDO

KEY	PART NO.	PART NAME	QTY.	SERIAL NO.	REMARKS
1	AT340702	FIELD INSTALLATION KIT	1		
2	14M7275	NUT	2	M12	
3	19M7789	SCREW	2	M12 X 30	
4	19M7814	SCREW	4	M12 X 50	
5	AE48034	ELBOW FITTING	1		
6	24M7345	WASHER	6	13.500 X 24 X 2.500 MM	
7	38H1170	ADAPTER FITTING	2		
	T77613	O-RING	2		
	R26286	O-RING	2		
8	AH170895	CLAMP	8		
9	AR21839	CLAMP	1		
10	AT307668	FITTING	1		
11	AT311554	VALVE	1		
11A	AT311176	CAP	1		
12	AT316520	VALVE	1		
13	AT317961	PLATE	1		
14	AT338624	PLATE	1		
15	AT338977	HOSE	1		
16	AT339947	VENT	1		
17	AT339948	FLOAT	1		
18	T162520	HOSE GUARD	1		
19	T214877	HOSE FITTING	1		
20	T228545	STRAP	1		
21	T228701	BRACKET	1		
22	T228702	TUBE	3		
23	BULK HOSE	1	(MF T228718 - CTL 110 MM)	
24	BULK HOSE	1	(MF T228718 - CTL 152 MM)	
25	BULK HOSE	1	(MF T228718 - CTL 457 MM)	
26	BULK HOSE	1	(MF T228718 - CTL 965 MM)	
27	T228719	HOSE	1		
28	TH100679	O-RING	1		

0560-4

FUEL SYSTEM HOSES FLEXIBLES DE CIRCUIT DE CARBURANT MANGUERAS DEL SISTEMA DE COMBUSTIBLE

TX1027698 -UN-20AUG07



TX1027698

0560-5

ENGINE AUXILIARY SYSTEM 05

EXTERNAL FUEL SUPPLY SYSTEMS 0560

FUEL SYSTEM HOSES FLEXIBLES DE CIRCUIT DE CARBURANT MANGUERAS DEL SISTEMA DE COMBUSTIBLE

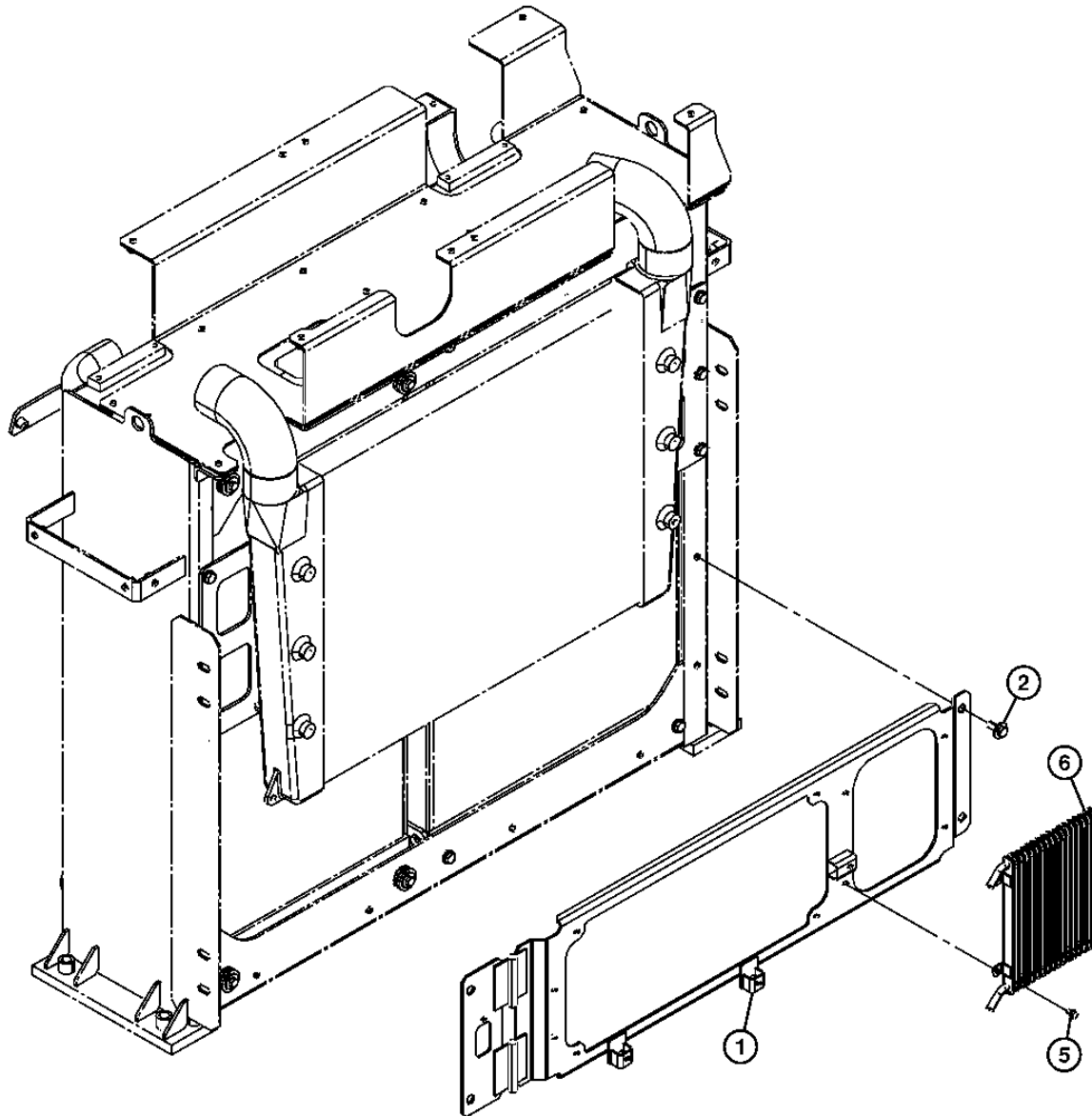
KEY	PART NO.	PART NAME	QTY.	SERIAL NO.	REMARKS
12	H77698	TIE BAND	1	-913458	(SUB FOR 4055312)
15	4654220	FILTER	1	-913458	FUEL AND WATER SEPARATOR (FOR CONVERSION ORDER PRE-FILTER CONVERSION KIT AND FILTERS)
	FILTER ELEMENT	1	-913458	(SUB 4676385) (4649267 NLA)
	4679165	FUEL FILTER	2	913459-	FUEL AND WATER SEPARATOR
	4676385	FILTER ELEMENT	2	913459-	
16	SCREW WITH WASHER	2	-913458	(J271045 NLA)
	19M7572	CAP SCREW	2	-913458	M10 X 45, (SUB FOR J901045)
	24M7346	WASHER	2	-913458	11 X 20 X 2 MM, (SUB FOR J222010)
	SCREW WITH WASHER	4	913459-	(J271045 NLA)
	19M7572	CAP SCREW	4	913459-	M10 X 45, (SUB FOR J901045)
	24M7346	WASHER	4	913459-	11 X 20 X 2 MM, (SUB FOR J222010)
17	8105010	BRACKET	1	-913458	
	8112029	BRACKET	1	913459-	
18	SCREW WITH WASHER	2		(J271230 NLA)
	19M8011	CAP SCREW	2		M12 X 30, (SUB FOR J901230)
	24M7345	WASHER	2		13.500 X 24 X 2.500 MM, (SUB FOR J222012)
20	4648394	MANIFOLD	1		
21	SCREW WITH WASHER	2		(J271055 NLA)
	19M7935	CAP SCREW	2		M10 X 55, (SUB FOR J901055)
	24M7346	WASHER	2		11 X 20 X 2 MM, (SUB FOR J222010)
22	94-1702	ADAPTER FITTING	1		
23	4209782	HAND OPERATED VALVE	1		
24	4649401	ADAPTER FITTING	2		
27	HOSE KIT	1		(9264220 NLA)
27A	4654876	HOSE	1		
27B	4657166	HOSE GUARD	1		
28	HOSE KIT	1		(9264221 NLA)
28A	4654350	HOSE	1		
28B	4657168	TUBE	1		
29	HOSE KIT	1		(9264222 NLA)
29A	4654352	HOSE	1		
29B	4657170	TUBE	1		
30	HOSE KIT	1		(9264223 NLA)
30A	4656889	HOSE	1		
30B	4657171	TUBE	1		
31	HOSE KIT	1		(9264224 NLA)
31A	4654356	HOSE	1		
31B	4657172	HOSE GUARD	1		
32	AA34965	HOSE CLAMP	10		(SUB FOR 4514699)
35	R50454	CLAMP	5	-913458	(SUB FOR 4411911)
	R50454	CLAMP	4	913459-	
36	XCL-19	HOSE CLAMP	6	-913458	(SUB FOR 4192035)
	XCL-19	HOSE CLAMP	8	913459-	
37	R134002	CLAMP	3		(SUB FOR 4193816)
38	SCREW WITH WASHER	13		(J271025 NLA)
	19M7402	CAP SCREW	13		M10 X 25, (SUB FOR J901025)
	24M7346	WASHER	13		11 X 20 X 2 MM, (SUB FOR J222010)
40	4677530	HOSE	1	-913458	
	4677530	HOSE	2	913459-	
41	4679166	PIPE ELBOW	4	913459-	
42	9768265	PIPE	2	913459-	
43	4514699	CLAMP	8	913459-	
50	9285961	FILTER KIT	1	-913458	PRE-FILTER CONVERSION KIT

0560-6

ENGINE AUXILIARY SYSTEM 05
EXTERNAL FUEL SUPPLY SYSTEMS 0560

FUEL COOLER
REFROIDISS. DE COMBUSTIBLE
ENFRIADOR DE COMBUSTIBLE

TX1002002 -UN-22JUL06



TX1002002

0560-7

ENGINE AUXILIARY SYSTEM 05

EXTERNAL FUEL SUPPLY SYSTEMS 0560

**FUEL COOLER
REFROIDISS. DE COMBUSTIBLE
ENFRIADOR DE COMBUSTIBLE**

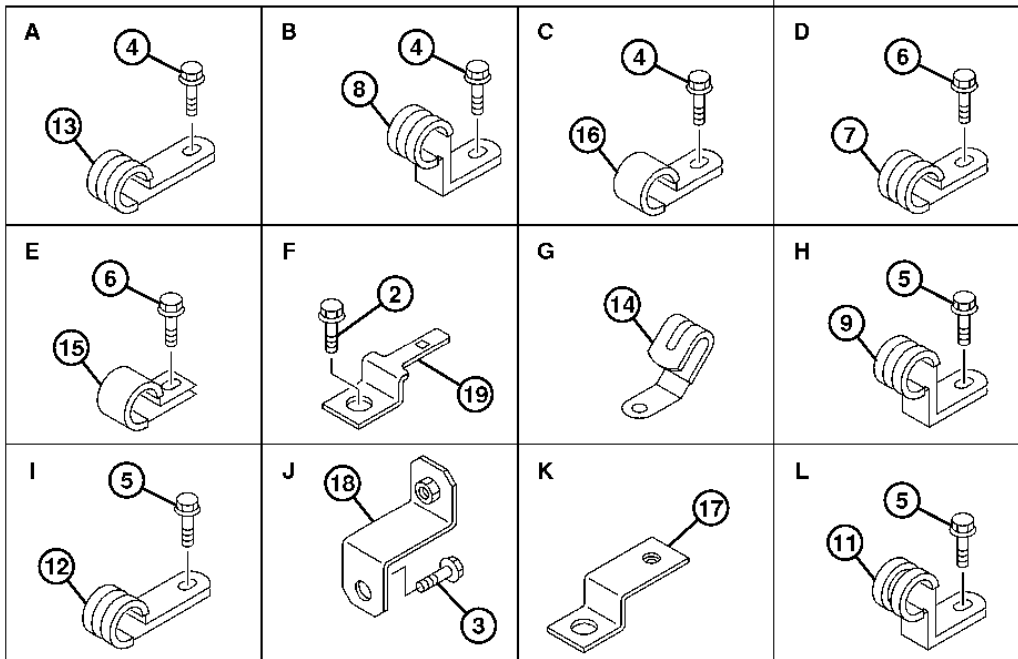
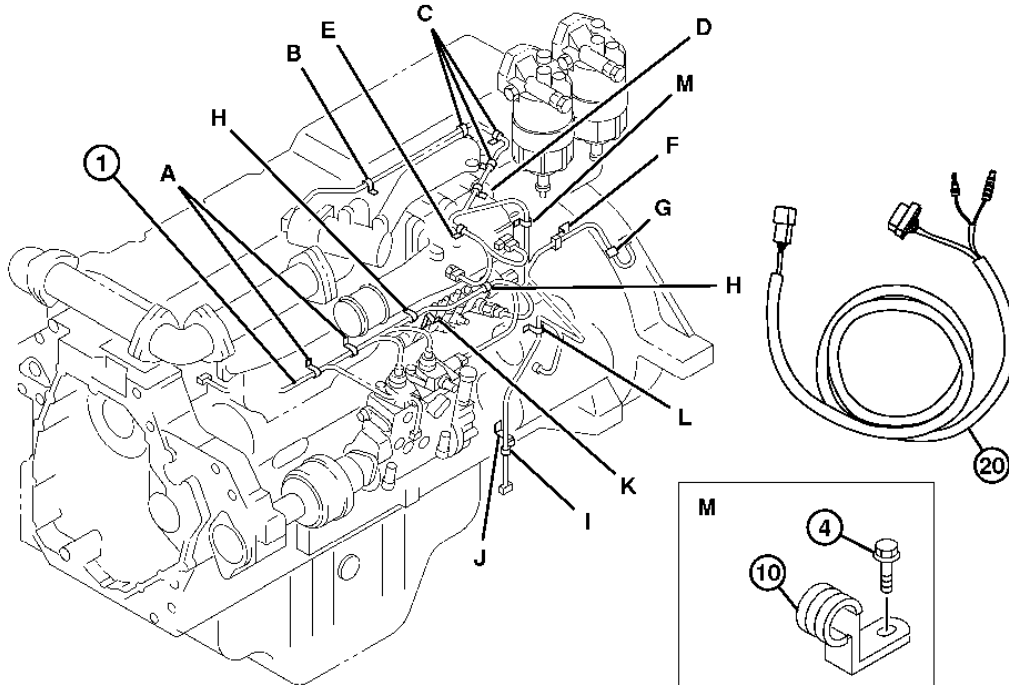
KEY	PART NO.	PART NAME	QTY.	SERIAL NO.	REMARKS
1	7048476	BRACKET	1		
2	SCREW WITH WASHER	4		(J281235 NLA)
	19M7403	CAP SCREW	4		M12 X 35, (SUB FOR J901235)
	4249324	WASHER	4		
5	SCREW WITH WASHER	4		(J260816 NLA)
	19M7162	CAP SCREW	4		M8 X 16, (SUB FOR J900816)
	24M7055	WASHER	4		8.400 X 16 X 1.600 MM, (SUB FOR A590108)
6	4653895	HEAT SINK	1		

0574-2

ENGINE WIRE HARNESS FAISCEAU DE FILS MOTEUR ARNES DE ALAMBRADO DEL MOTOR

TX1033786

-UN-03JAN08



TX1033786

0574-3

ENGINE AUXILIARY SYSTEM 05

WIRING HARNESES AND SWITCHES 0574

ENGINE WIRE HARNESS
FAISCEAU DE FILS MOTEUR
ARNES DE ALAMBRADO DEL MOTOR

KEY	PART NO.	PART NAME	QTY.	ENGINE SERIAL NO.	REMARKS
1	8980382660	WIRING HARNESS	1		(SUB FOR 1826413582 OR 1826413584)
2	19M7866	SCREW	1		M8 X 20, (SUB FOR 0280808200)
3	0281510160	BOLT	1		(SUB FOR 0281810160)
4	0280508160	BOLT	7		(SUB FOR 0280808160)
5	19M7866	SCREW	4		M8 X 20, (SUB FOR 0280808200)
6	0281510160	BOLT	2		
7	1097005151	CLIP	1		
8	1097008590	CLIP	1		
9	1097008600	CLIP	2		
10	1097008610	CLIP	1		
11	1097009940	CLIP	1		
12	1097009951	CLIP	1		
13	1097010120	HOSE CLAMP	2		
14	8973679851	CLIP	1		(SUB FOR 5097003480, 8942251850 OR 8973679850)
15	8972556290	CLIP	1		
16	9095258360	CLIP	3		
17	1474655180	BRACKET	1		
18	1474756890	BRACKET	1		(SUB FOR 1474756880)
19	8976028701	BRACKET	1		
20	3106414	WIRING HARNESS	1		(TO DATA LINK CONNECTOR)

0574-4

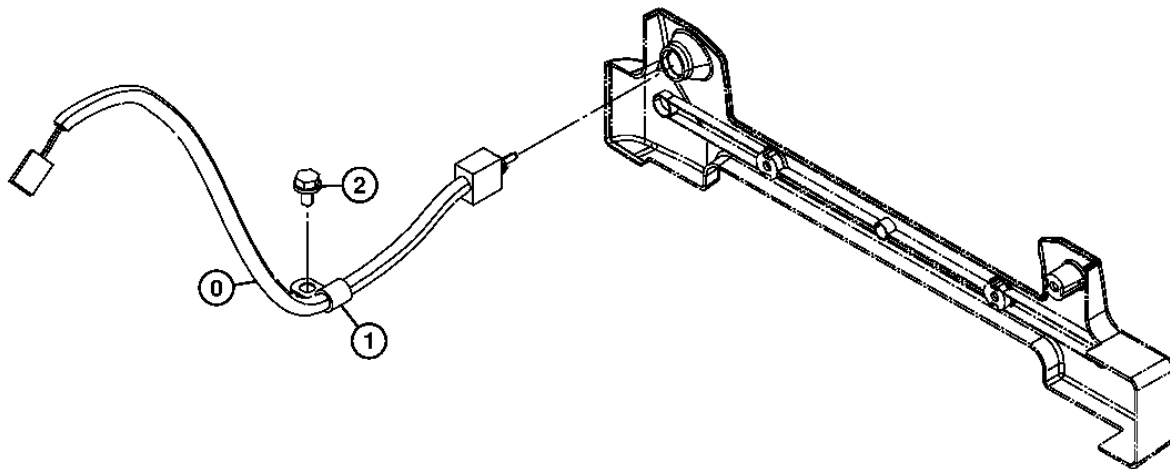
ENGINE AUXILIARY SYSTEM 05

WIRING HARNESSES AND SWITCHES 0574

ENGINE STOP CABLE WITH SWITCH CABLE D'ARRET DE MOTEUR AVEC INTERRUPTEUR CABLE DE PARADA DEL MOTOR CON INTERRUPTOR

TX1002003

-UN-06JAN06



TX1002003

THIS PARTS LISTING IS CONTINUED

0574-5

ENGINE AUXILIARY SYSTEM 05

WIRING HARNESSSES AND SWITCHES 0574

**ENGINE STOP CABLE WITH SWITCH
CABLE D'ARRET DE MOTEUR AVEC INTERRUPTEUR
CABLE DE PARADA DEL MOTOR CON INTERRUPTOR**

KEY	PART NO.	PART NAME	QTY.	ENGINE SERIAL NO.	REMARKS
0	4618409	SWITCH	1		
1	4190275	CLAMP	1		
2	SCREW WITH WASHER	1		(J271020 NLA)
	19M7938	CAP SCREW	1		M10 X 20, (SUB FOR J901020)
	24M7346	WASHER	1		11 X 20 X 2 MM, (SUB FOR J222010)

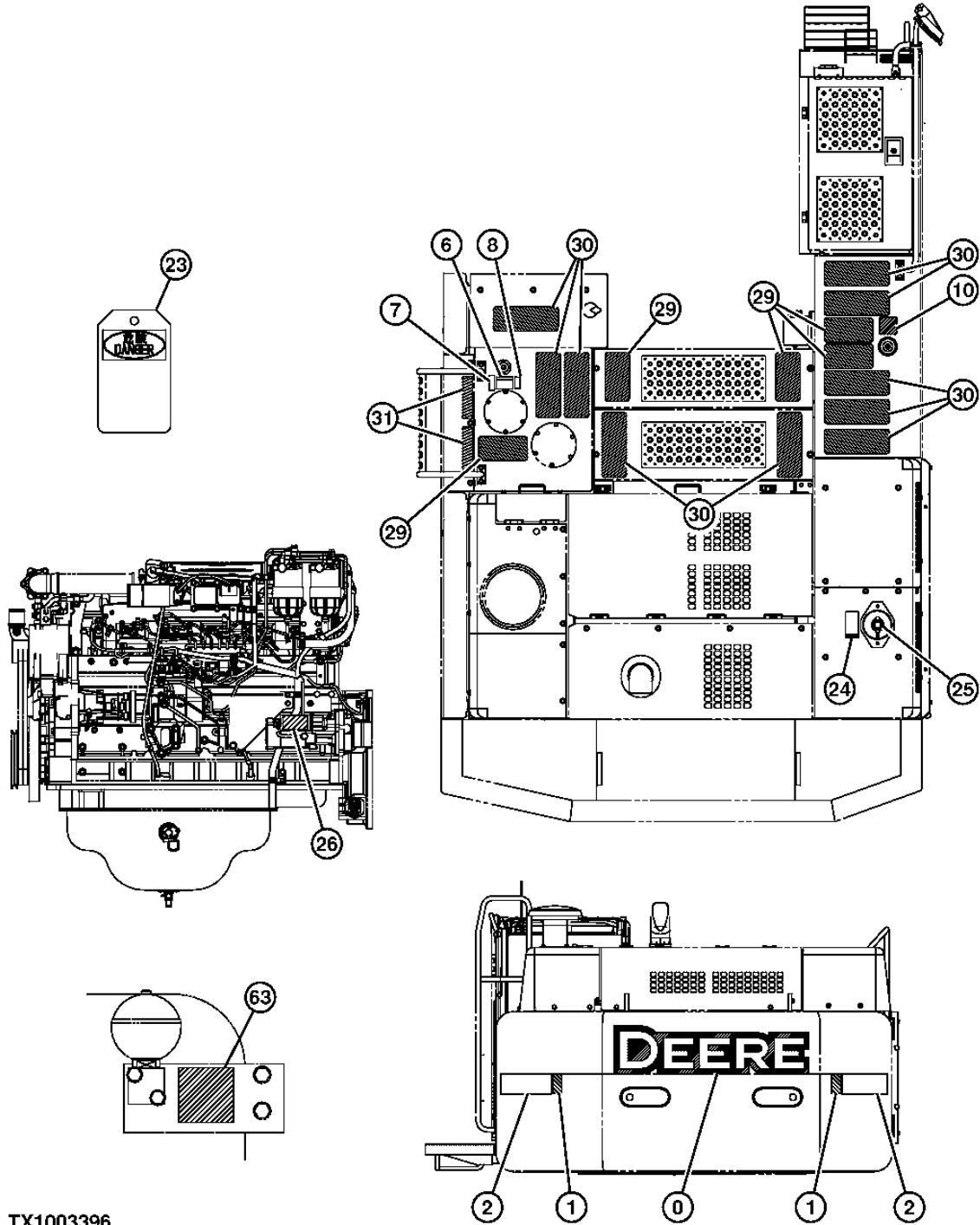
1320-2

MISCELLANEOUS VEHICLE 13
VEHICLE FINISH AND TRIM 1320

LABELS AND DECALS ETIQUETTES ET AUTOCOLLANTS ETIQUETAS Y ADHESIVOS

TX1003396

-UN-07FEB06



TX1003396

1320-3

MISCELLANEOUS VEHICLE 13
VEHICLE FINISH AND TRIM 1320

**LABELS AND DECALS
ETIQUETTES ET AUTOCOLLANTS
ETIQUETAS Y ADHESIVOS**

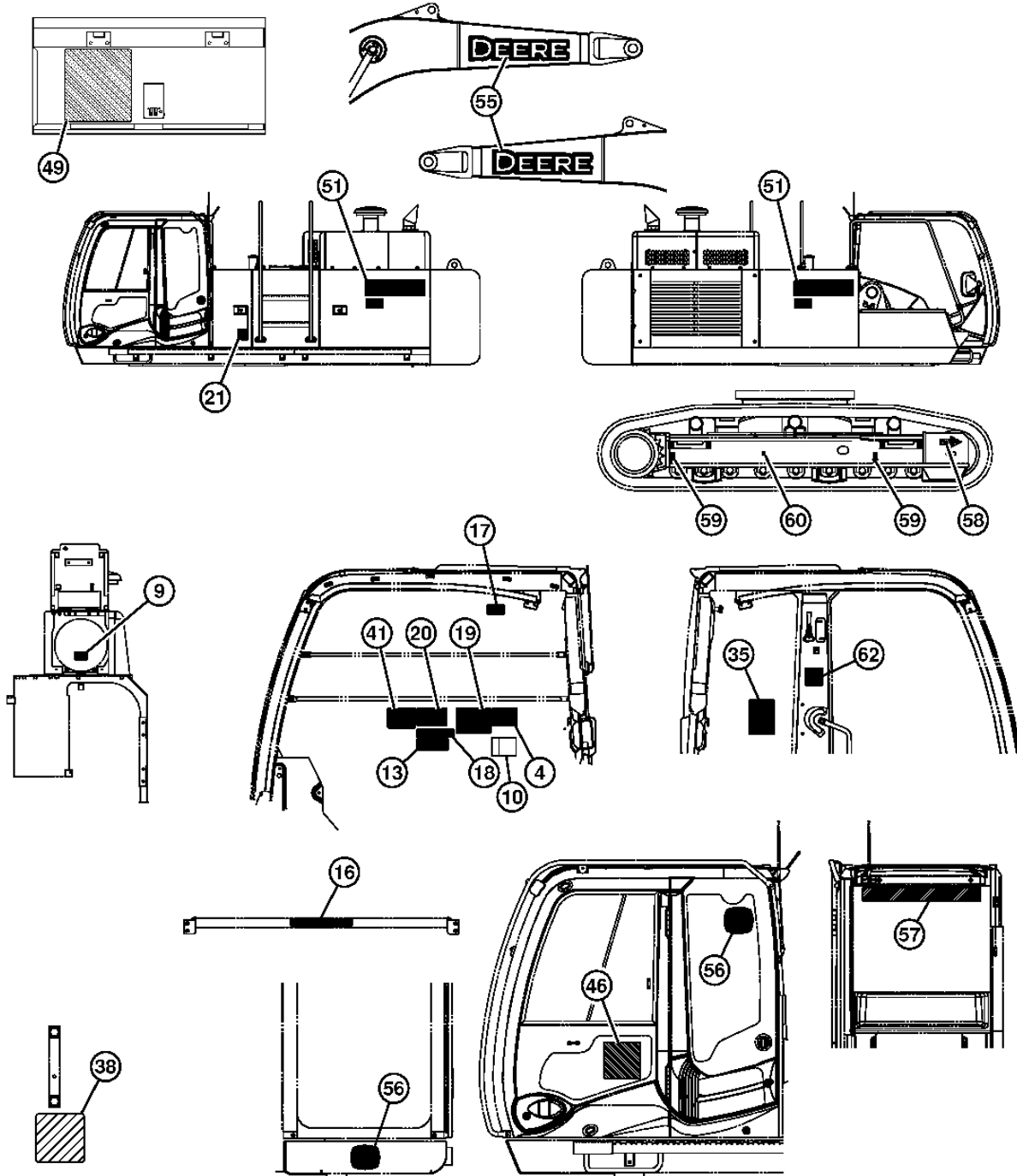
KEY	PART NO.	PART NAME	QTY.	SERIAL NO.	REMARKS
0	JD5855	LABEL	1		DEERE
1	T161266	REFLECTOR	2		
2	2035960R	SAFETY SIGN	2		WARNING: STAY CLEAR, (SUB FOR T147008 OR 2035960)
6	T216193	SAFETY SIGN	1		PRESSURE CAP
7	T101942	LABEL	1		HYD OIL ONLY, (SUB FOR 4223254)
8	P63448	LABEL	1		HYD PUMP DAMAGE, (SUB FOR 4371799)
10	T79632	LABEL	1		DIESEL ONLY
23	3076175	TAG	1		DO NOT START
24	T152657	SAFETY SIGN	1		COOLING SYSTEM
25	T146671	SAFETY SIGN	1		CAUTION: RADIATOR CAP
26	T146102	LABEL	1		BYPASS START, (SUB FOR T146195)
29	T25838	MAT	5		NON-SLIP 150X300
30	H21259	MAT	10		NON-SLIP 150X400, (SUB FOR 4073519)
31	H21259	MAT	2		NON-SLIP 60X260, (SUB FOR T161541)
63	T183425	LABEL	1		WARNING: ACCUMULATOR

THIS PARTS LISTING IS CONTINUED

1320-4

LABELS AND DECALS ETIQUETTES ET AUTOCOLLANTS ETIQUETAS Y ADHESIVOS

TX1012489 -UN-22SEP06



TX1012489

1320-5

MISCELLANEOUS VEHICLE 13
VEHICLE FINISH AND TRIM 1320

LABELS AND DECALS ETIQUETTES ET AUTOCOLLANTS ETIQUETAS Y ADHESIVOS

KEY	PART NO.	PART NAME	QTY.	SERIAL NO.	REMARKS
4	4266386	LABEL	1		WORK POSITION, (SUB FOR T116735)
9	R56902	LABEL	1		AIR CLEANER
10	3095835	LABEL	1		(SUN VISOR)
13	T201519	LABEL	1		PILOT CONTROL, (SUB FOR 3100573)
16	T223082	SAFETY SIGN	1		CAUTION: HANDLE
17	T187535	LABEL	1		CAUTION: FRONT WINDOW
18	T146668	SAFETY SIGN	1		WARNING, (SUB FOR 3067125)
19	T159887	SAFETY SIGN	1		CAUTION, (SUB FOR 3079466)
20	T146667	SAFETY SIGN	1		ELECTRIC DANGER, (SUB FOR 3069396)
21	P63440	LABEL	1		WARNING: TIPOVER
35	T222361	LABEL	1		LIFT CHART
38	T149983	LABEL	1		HYD LEVEL, (SUB FOR 4342227)
41	T219580	LABEL	1		ENGINE OPERATION
46	2053759	LABEL	1		LIFTING METHOD
49	T233255	LABEL	1		PERIODIC MAINTENANCE, (SUB FOR T222369)
51	T218753	LABEL	2		450D LC
55	JD5856	LABEL	2		DEERE
56	JD5742	LABEL	3		LEAPING DEERE
57	JD5850	LABEL	1		JOHN DEERE
58	4658927	LABEL	2		DIRECTION ARROW
59	3089138	LABEL	4		LIFTING POSITION
60	4201787	LABEL	1		CENTER
62	T190393	LABEL	1		IMPORTANT, (SUB FOR 4485649)

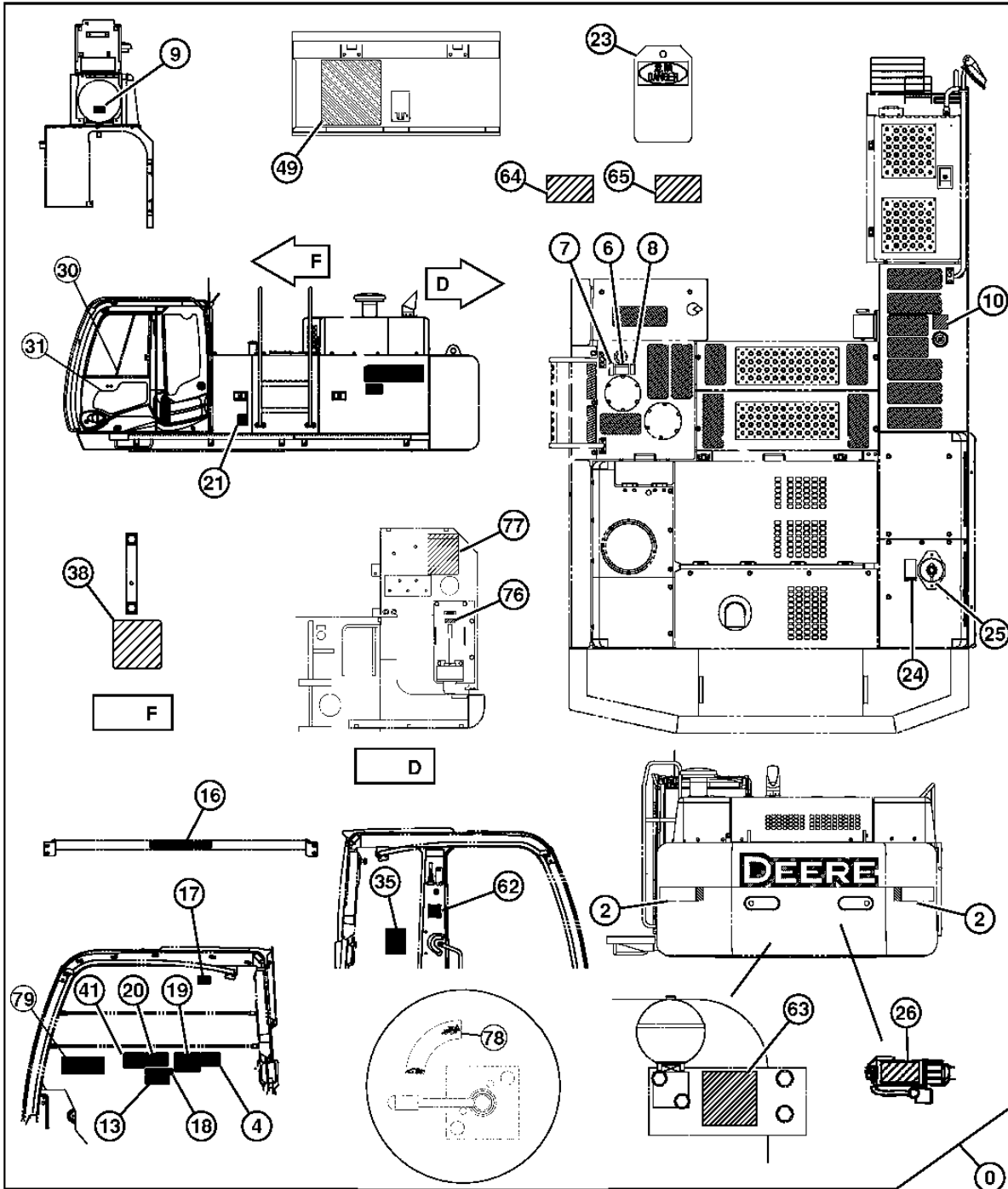
1320-6

MISCELLANEOUS VEHICLE 13
VEHICLE FINISH AND TRIM 1320

LABELS AND DECALS (FRENCH)(SPANISH) ETIQUETTES ET AUTOCOLLANTS (FRANCAIS)(ESPAÑOLE) ETIQUETAS Y ADHESIVOS (FRANCES)(ESPAÑOL)

TX1023028

-UN-05JUN07



TX1023028

1320-7

MISCELLANEOUS VEHICLE 13
VEHICLE FINISH AND TRIM 1320

**LABELS AND DECALS (FRENCH)(SPANISH)
ETIQUETTES ET AUTOCOLLANTS (FRANCAIS)(ESPAGNOLE)
ETIQUETAS Y ADHESIVOS (FRANCES)(ESPAÑOL)**

KEY	PART NO.	PART NAME	QTY.	SERIAL NO.	REMARKS
0	LABEL KIT	1		FRENCH, (AT335679 NLA)
	LABEL KIT	1		SPANISH, (AT335680 NLA)
2	T147069	SAFETY SIGN	2		WARNING: STAY CLEAR, (FRENCH)
	T147067	SAFETY SIGN	2		WARNING: STAY CLEAR, (SPANISH)
4	T222819	LABEL	1		WORK POSITION, (FRENCH)
	T222820	LABEL	1		WORK POSITION, (SPANISH)
6	T223028	LABEL	1		PRESSURE CAP, (FRENCH)
	T223029	LABEL	1		PRESSURE CAP, (SPANISH)
7	T235837	LABEL	1		HYD OIL ONLY, (SUB FOR T102618) (FRENCH)
	T235838	LABEL	1		HYD OIL ONLY, (SUB FOR T102620) (SPANISH)
8	T222805	LABEL	1		HYD PUMP DAMAGE, (FRENCH)
	T222806	LABEL	1		HYD PUMP DAMAGE, (SPANISH)
9	T222757	LABEL	1		AIR CLEANER, (FRENCH)
	T222758	LABEL	1		AIR CLEANER, (SPANISH)
10	T114681	LABEL	1		DIESEL ONLY, (FRENCH)
	T127575	LABEL	1		DIESEL ONLY, (SPANISH)
13	T201548	LABEL	1		PILOT CONTROL, (FRENCH)
	T201547	LABEL	1		PILOT CONTROL, (SPANISH)
16	T223133	SAFETY SIGN	1		CAUTION: HANDLE, (FRENCH)
	T223124	SAFETY SIGN	1		CAUTION: HANDLE, (SPANISH)
17	T190799	SAFETY SIGN	1		CAUTION: FRONT WINDOW, (FRENCH)
	T190803	LABEL	1		CAUTION: FRONT WINDOW, (SPANISH)
18	LABEL	1		WARNING, (FRENCH) (T222823 NLA)
	LABEL	1		WARNING, (SPANISH) (T222825 NLA)
19	T162774	LABEL	1		CAUTION, (FRENCH)
	T162754	LABEL	1		CAUTION, (SPANISH)
20	T222831	LABEL	1		ELECTRIC DANGER, (FRENCH)
	T222832	LABEL	1		ELECTRIC DANGER, (SPANISH)
21	T222746	LABEL	1		WARNING: TIPOVER, (FRENCH)
	T222747	LABEL	1		WARNING: TIPOVER, (SPANISH)
23	T223511	LABEL	1		DO NOT START, (FRENCH)
	T223513	LABEL	1		DO NOT START, (SPANISH)
24	T222773	LABEL	1		COOLING SYSTEM, (FRENCH)
	T222774	LABEL	1		COOLING SYSTEM, (SPANISH)

THIS PARTS LISTING IS CONTINUED

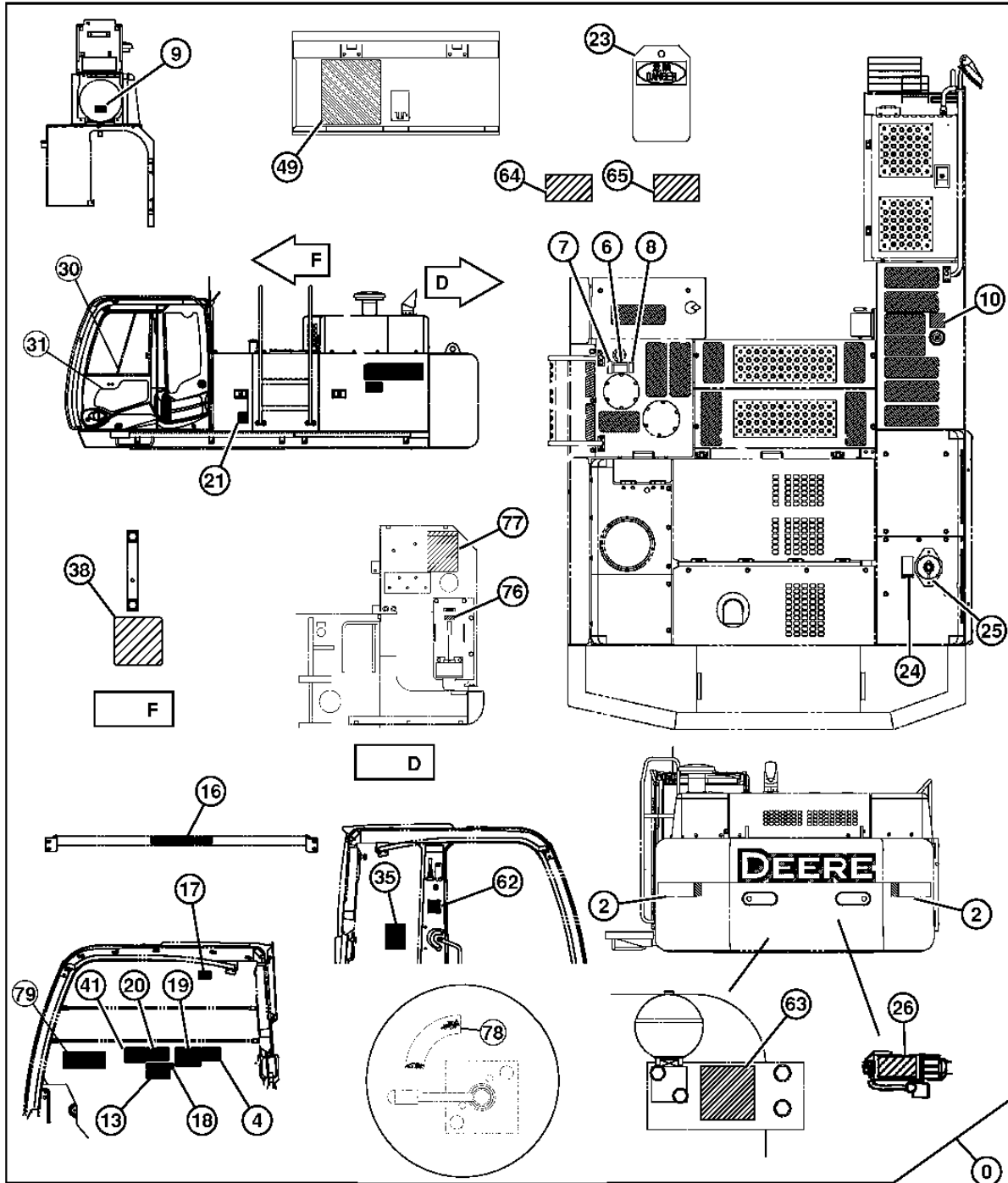
1320-8

MISCELLANEOUS VEHICLE 13
VEHICLE FINISH AND TRIM 1320

LABELS AND DECALS (FRENCH)(SPANISH) ETIQUETTES ET AUTOCOLLANTS (FRANCAIS)(ESPAÑOLE) ETIQUETAS Y ADHESIVOS (FRANCES)(ESPAÑOL)

TX1023028

-UN-



TX1023028

1320-9

MISCELLANEOUS VEHICLE 13
VEHICLE FINISH AND TRIM 1320

**LABELS AND DECALS (FRENCH)(SPANISH)
ETIQUETTES ET AUTOCOLLANTS (FRANCAIS)(ESPAÑOLE)
ETIQUETAS Y ADHESIVOS (FRANCES)(ESPAÑOL)**

KEY	PART NO.	PART NAME	QTY.	SERIAL NO.	REMARKS
25	T181295	LABEL	1		CAUTION: RADIATOR CAP, (FRENCH)
	T181296	LABEL	1		CAUTION: RADIATOR CAP, (SPANISH)
26	T146104	SAFETY SIGN	1		BYPASS START, (FRENCH)
	T146106	SAFETY SIGN	1		BYPASS START, (SPANISH)
30	T222837	LABEL	1		KEY SWITCH, (FRENCH)
	T222838	LABEL	1		KEY SWITCH, (SPANISH)
31	T222833	LABEL	1		HYDRAULIC LOCKOUT, (FRENCH)
	T222834	LABEL	1		HYDRAULIC LOCKOUT, (SPANISH)
35	T222919	LABEL	1		LIFT CHART, (FRENCH)
	T222920	LABEL	1		LIFT CHART, (SPANISH)
38	T222777	LABEL	1		HYD LEVEL, (FRENCH)
	T222778	LABEL	1		HYD LEVEL, (SPANISH)
41	T222948	LABEL	1		ENGINE OPERATION, (FRENCH)
	T222949	LABEL	1		ENGINE OPERATION, (SPANISH)
49	T233268	LABEL	1		PERIODIC MAINTENANCE, (SUB FOR T222744) (FRENCH)
	T233278	LABEL	1		PERIODIC MAINTENANCE, (SUB FOR T222745) (SPANISH)
62	T222927	LABEL	1		IMPORTANT, (FRENCH)
	T222928	LABEL	1		IMPORTANT, (SPANISH)
63	T222750	LABEL	1		WARNING: ACCUMULATOR, (FRENCH)
	T222751	LABEL	1		WARNING: ACCUMULATOR, (SPANISH)
64	T222755	LABEL	1		SLING HERE, (FRENCH)
	T222756	LABEL	1		SLING HERE, (SPANISH)
65	T222767	LABEL	1		VANDAL ASSEMBLY, (FRENCH)
	T222768	LABEL	1		VANDAL ASSEMBLY, (SPANISH)
76	T222987	LABEL	1		UP - DOWN, (FRENCH)
	T222988	LABEL	1		UP - DOWN, (SPANISH)
77	T222748	LABEL	1		COUNTERWEIGHT REMOVAL, (FRENCH)
	T222749	LABEL	1		COUNTERWEIGHT REMOVAL, (SPANISH)
78	T228108	LABEL	1		PATTERN CHANGER (PATTERN SELECTOR VALVE) (FRENCH AND SPANISH)
79	T222823	LABEL	1		WARNING: AVOID CRUSHING (FRENCH)
	T222825	LABEL	1		WARNING: AVOID CRUSHING (SPANISH)

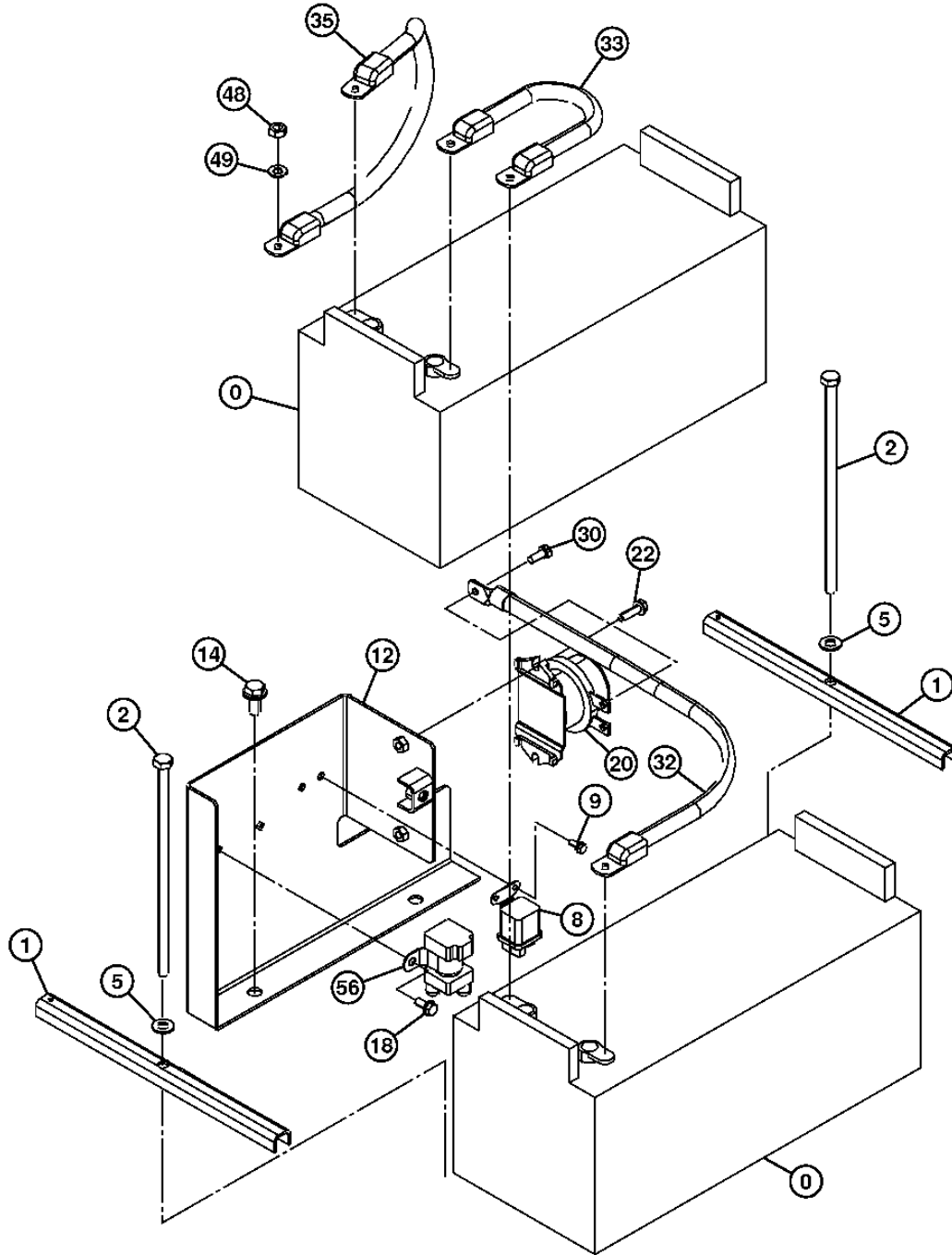
1671-2

VEHICLE ELECTRICAL SYSTEM 16
BATTERIES, SUPPORT & CABLES 1671

BATTERY AND BATTERY CABLES (SN -913536)
BATTERIE ET SES CABLES
BATERIA Y CABLES DE LA BATERIA

TX1001941

-UN-03JAN06



TX1001941

1671-3

VEHICLE ELECTRICAL SYSTEM 16

BATTERIES, SUPPORT & CABLES 1671

**BATTERY AND BATTERY CABLES (SN -913536)
BATTERIE ET SES CABLES
BATERIA Y CABLES DE LA BATERIA**

KEY	PART NO.	PART NAME	QTY.	SERIAL NO.	REMARKS
0	TY25882	DRY CHARGED BATTERY	2		(SUB FOR 4192421)
1	4145156	HOLDER	2		
2	4206101	BOLT	2		
5	24M7047	WASHER	2		13 X 24 X 2.500 MM, (SUB FOR A590112)
8	8944607060	RELAY	1		(SUB FOR 4654039)
9	SCREW WITH WASHER	1		(J260616 NLA)
	19M7560	CAP SCREW	1		M6 X 16, (SUB FOR J900616)
	24M7054	WASHER	1		6.400 X 12 X 1.600 MM, (SUB FOR A590106)
12	8099547	BRACKET	1		
14	SCREW WITH WASHER	2		(J271230 NLA)
	19M8011	CAP SCREW	2		M12 X 30, (SUB FOR J901230)
	24M7345	WASHER	2		13.500 X 24 X 2.500 MM, (SUB FOR J222012)
18	SCREW WITH WASHER	2		(J260820 NLA)
	19M7881	SCREW	2		M8 X 20, (SUB FOR J900820 OR 19M7139)
	24M7055	WASHER	2		8.400 X 16 X 1.600 MM, (SUB FOR A590108)
20	4255762	RELAY	1		(BATTERY)
22	SCREW WITH WASHER	2		(J260830 NLA)
	19M7288	CAP SCREW	2		M8 X 30, (SUB FOR J900830)
	24M7055	WASHER	2		8.400 X 16 X 1.600 MM, (SUB FOR A590108)
30	19M7881	SCREW	1		M8 X 20, (SUB FOR J900820 OR 19M7139)
32	4673485	WIRING HARNESS	1		(SUB FOR 4605567)
33	4294694	WIRING HARNESS	1		
35	4605531	WIRING HARNESS	1		
48	14M7274	NUT	1		M10, (SUB FOR J950010)
49	24M7028	WASHER	1		10.500 X 20 X 2 MM, (SUB FOR A590110)
56	1825530391	RELAY	1		(SUB FOR 4279835) (STARTER)
57	4315323	LINK	1		(FUSIBLE LINK - 45 AMP) (NOT ILLUSTRATED)
58	4315324	LINK	1		(FUSIBLE LINK - 75 AMP) (NOT ILLUSTRATED)

1671-3A

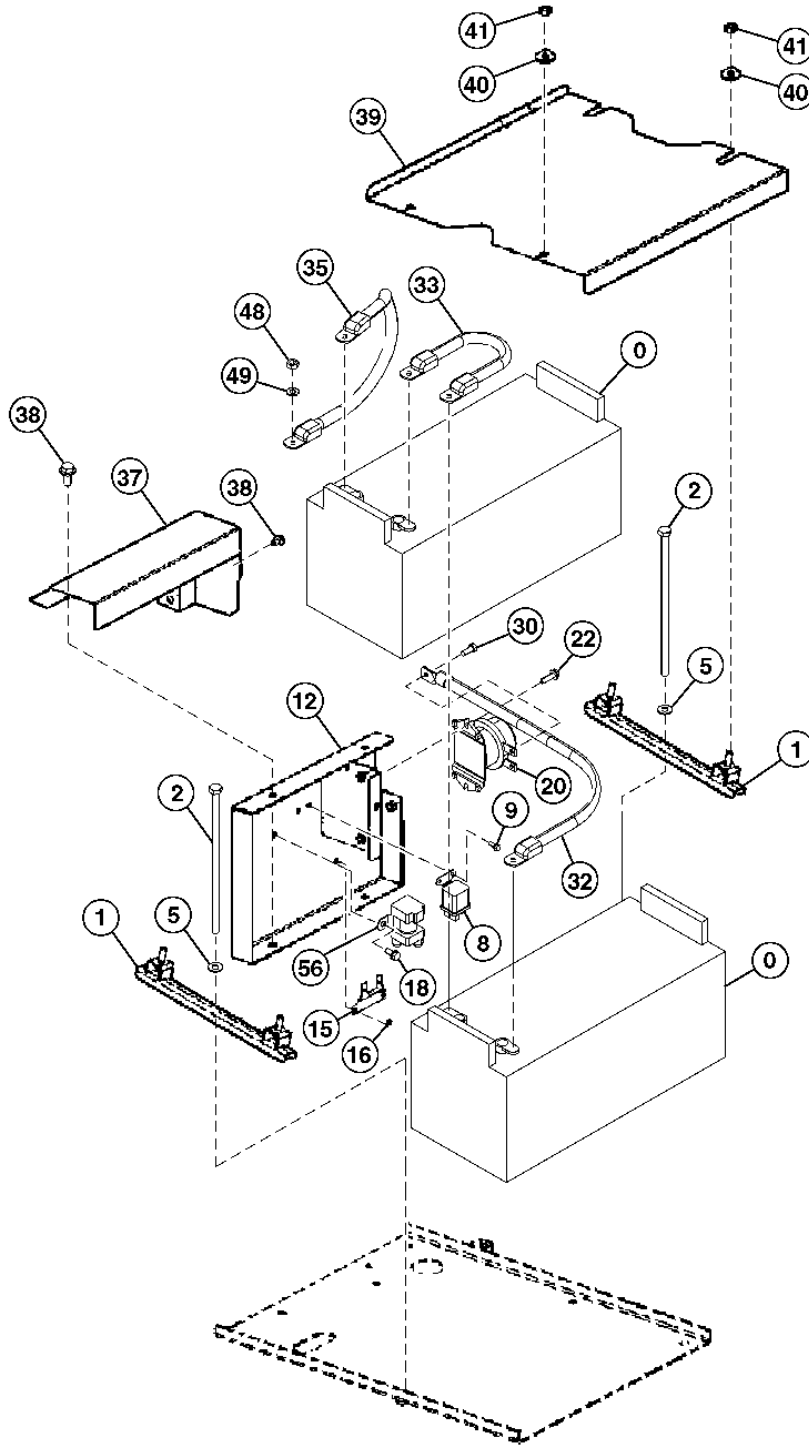
VEHICLE ELECTRICAL SYSTEM 16

BATTERIES, SUPPORT & CABLES 1671

BATTERY AND BATTERY CABLES (SN 913537-)
BATTERIE ET SES CABLES
BATERIA Y CABLES DE LA BATERIA

TX1044963

-UN-09JUL08



TX1044963

1671-3B

VEHICLE ELECTRICAL SYSTEM 16

BATTERIES, SUPPORT & CABLES 1671

**BATTERY AND BATTERY CABLES (SN 913537-)
BATTERIE ET SES CABLES
BATERIA Y CABLES DE LA BATERIA**

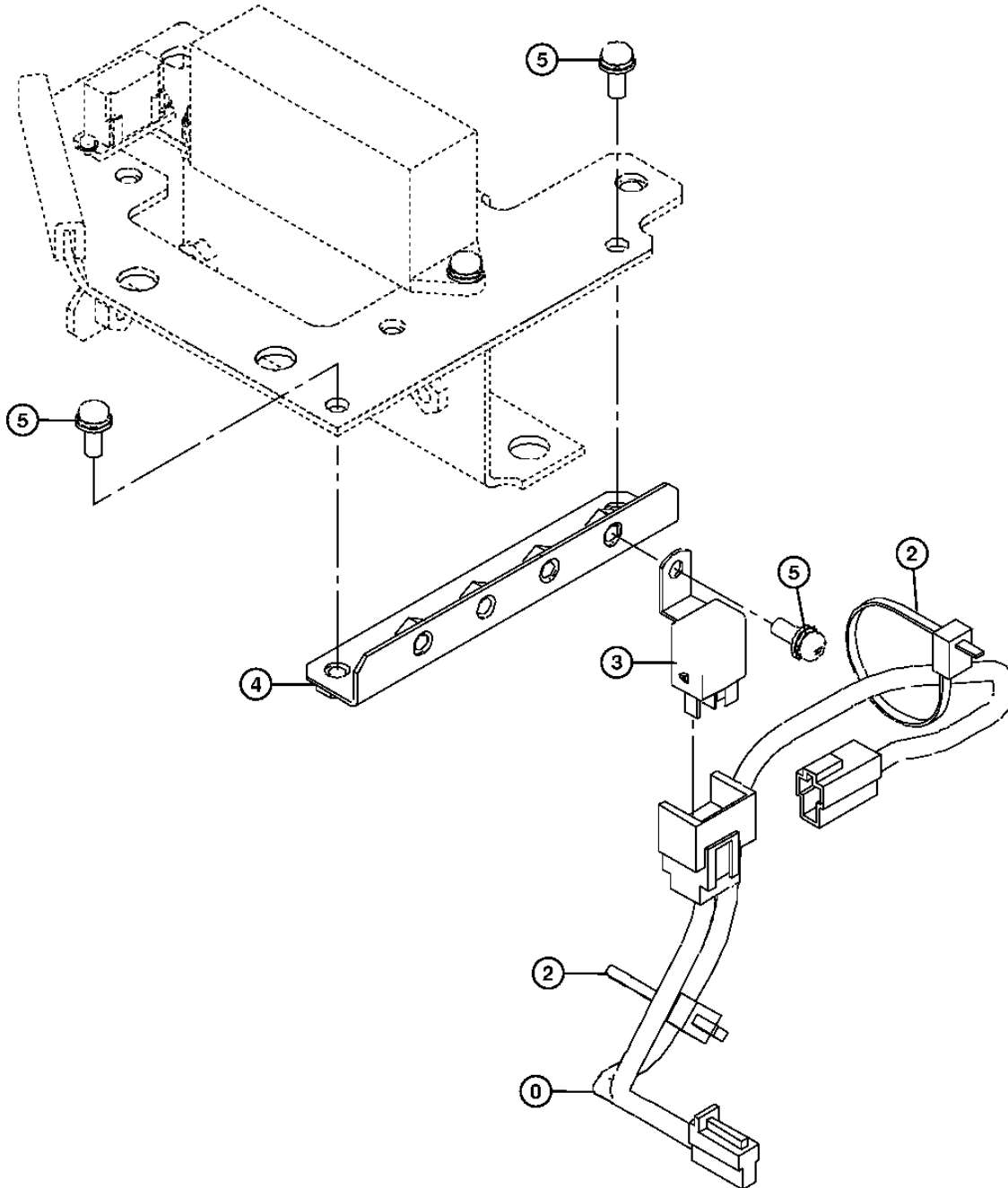
KEY	PART NO.	PART NAME	QTY.	SERIAL NO.	REMARKS
0	TY25882	DRY CHARGED BATTERY	2		(SUB FOR 4192421)
1	9768740	SUPPORT	2		
2	4206101	BOLT	2		
5	24M7047	WASHER	2		13 X 24 X 2.500 MM, (SUB FOR A590112)
8	8944607060	RELAY	1		(SUB FOR 4654039)
9	SCREW WITH WASHER	1		(J260616 NLA)
	19M7560	CAP SCREW	1		M6 X 16, (SUB FOR J900616)
	24M7054	WASHER	1		6.400 X 12 X 1.600 MM, (SUB FOR A590106)
12	8099547	BRACKET	1		
14	SCREW WITH WASHER	2		(J271230 NLA)
	19M8011	CAP SCREW	2		M12 X 30, (SUB FOR J901230)
	24M7345	WASHER	2		13.500 X 24 X 2.500 MM, (SUB FOR J222012)
18	SCREW WITH WASHER	2		(J260820 NLA)
	19M7881	SCREW	2		M8 X 20, (SUB FOR J900820 OR 19M7139)
	24M7055	WASHER	2		8.400 X 16 X 1.600 MM, (SUB FOR A590108)
20	4255762	RELAY	1		(BATTERY)
22	SCREW WITH WASHER	2		(J260830 NLA)
	19M7288	CAP SCREW	2		M8 X 30, (SUB FOR J900830)
	24M7055	WASHER	2		8.400 X 16 X 1.600 MM, (SUB FOR A590108)
30	19M7881	SCREW	1		M8 X 20, (SUB FOR J900820 OR 19M7139)
32	4673485	WIRING HARNESS	1		(SUB FOR 4605567)
33	4294694	WIRING HARNESS	1		
35	4605531	WIRING HARNESS	1		
37	4674191	COVER	1		
38	SCREW WITH WASHER	2		(J271020 NLA)
	19M7938	CAP SCREW	2		M10 X 20, (SUB FOR J901020)
	24M7346	WASHER	2		11 X 20 X 2 MM, (SUB FOR J222010)
39	8111398	COVER	1		
40	4486055	WASHER	2		(SUB FOR 4371706)
41	14M7274	NUT	4		(SUB FOR J950010)
48	14M7274	NUT	1		M10, (SUB FOR J950010)
49	24M7028	WASHER	1		10.500 X 20 X 2 MM, (SUB FOR A590110)
56	1825530391	RELAY	1		(SUB FOR 4279835) (STARTER)
57	4315323	LINK	1		(FUSIBLE LINK - 45 AMP) (NOT ILLUSTRATED)
58	4315324	LINK	1		(FUSIBLE LINK - 75 AMP) (NOT ILLUSTRATED)

1673-2

FRONT HEADLIGHTS WIRING HARNESS (2 LIGHTS)
FAISCEAU DE FILS DE PHARES (2 PHARES)
ARNES DE FAROS DELANTEROS (2 LUCES)

TX1002325

-UN-12JAN06



TX1002325

1673-3

VEHICLE ELECTRICAL SYSTEM 16

LIGHTING SYSTEM 1673

**FRONT HEADLIGHTS WIRING HARNESS (2 LIGHTS)
FAISCEAU DE FILS DE PHARES (2 PHARES)
ARNES DE FAROS DELANTEROS (2 LUCES)**

KEY	PART NO.	PART NAME	QTY.	SERIAL NO.	REMARKS
0	4632799	WIRING HARNESS	1		
2	H77698	TIE BAND	2		
3	4414207	RELAY	1		
4	8100850	BRACKET	1		
5	SCREW WITH WASHER	3		(J460616 NLA)
	19M8425	CAP SCREW	3		M6 X 16
	12M7006	LOCK WASHER	3		6 MM
	24M7293	WASHER	3		6.500 X 13 X 1.600 MM

1673-4

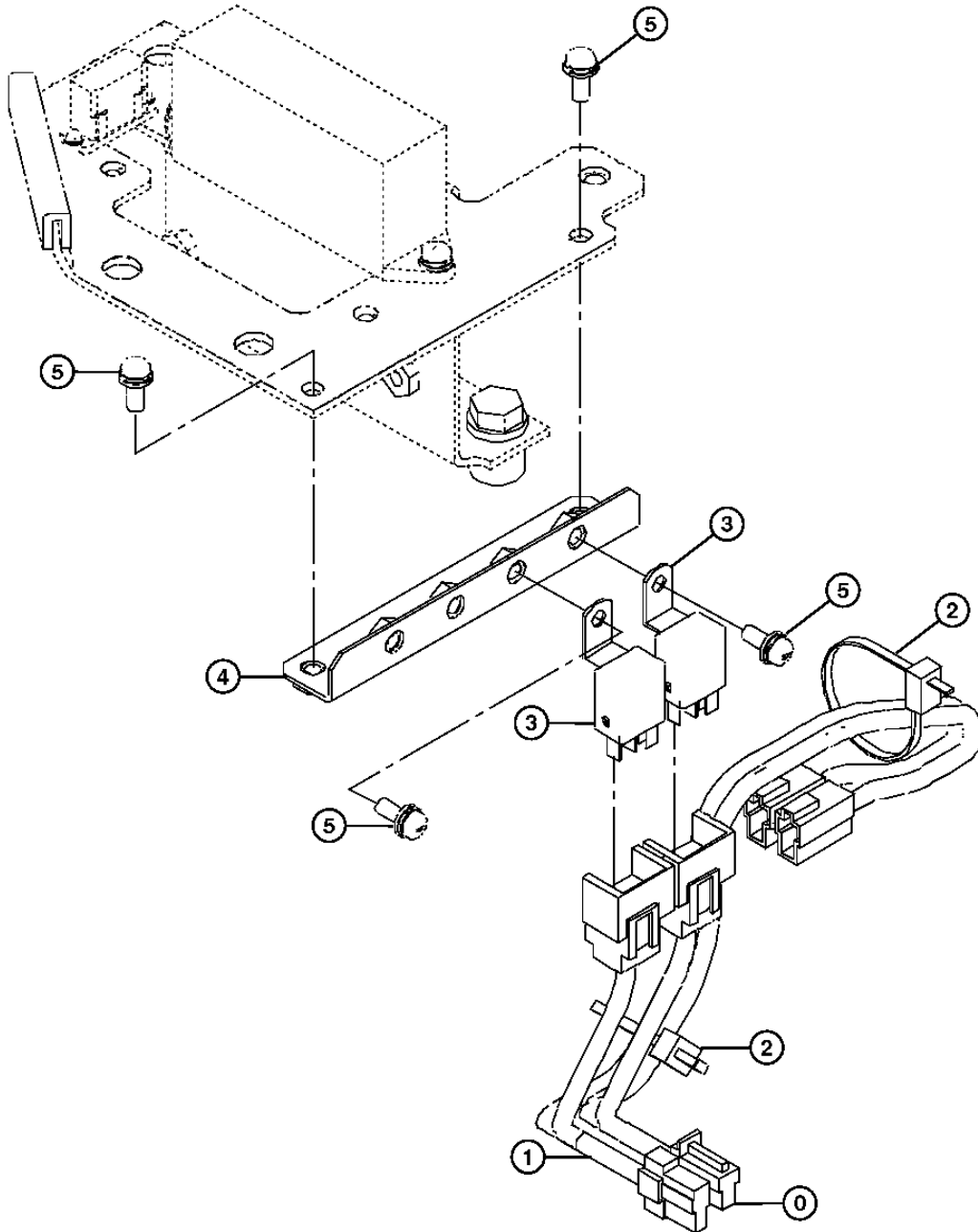
VEHICLE ELECTRICAL SYSTEM 16

LIGHTING SYSTEM 1673

FRONT HEADLIGHTS WIRING HARNESS (4 LIGHTS) FAISCEAU DE FILS DE PHARES (4 PHARES) ARNES DE FAROS DELANTEROS (4 LUCES)

TX1002326

-UN-10JAN06



TX1002326

1673-5

VEHICLE ELECTRICAL SYSTEM 16

LIGHTING SYSTEM 1673

**FRONT HEADLIGHTS WIRING HARNESS (4 LIGHTS)
FAISCEAU DE FILS DE PHARES (4 PHARES)
ARNES DE FAROS DELANTEROS (4 LUCES)**

KEY	PART NO.	PART NAME	QTY.	SERIAL NO.	REMARKS
0	4632799	WIRING HARNESS	1		
1	4648480	WIRING HARNESS	1		
2	H77698	TIE BAND	2		
3	4414207	RELAY	2		
4	8100850	BRACKET	1		
5	SCREW WITH WASHER	4		(J460616 NLA)
	19M8425	CAP SCREW	4		M6 X 16
	12M7006	LOCK WASHER	4		6 MM
	24M7293	WASHER	4		6.500 X 13 X 1.600 MM

1673-6

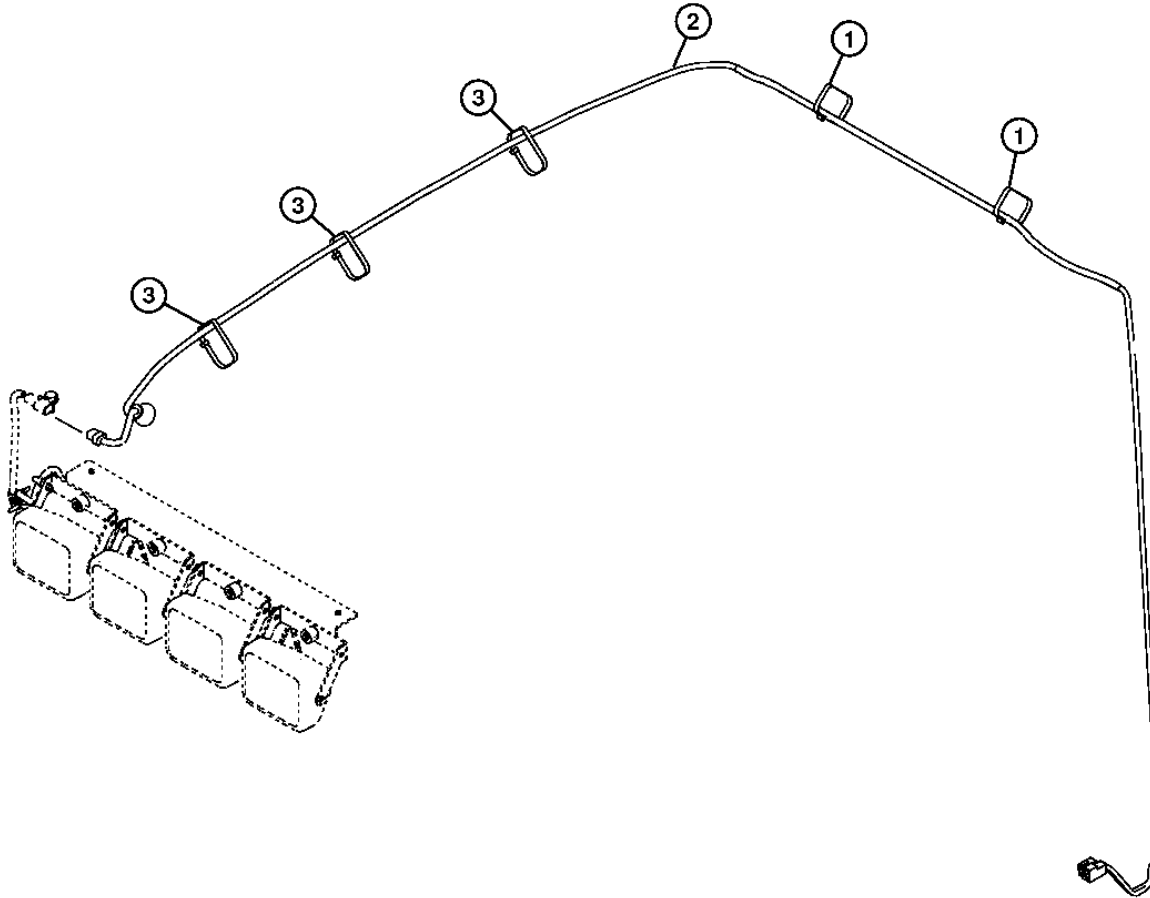
VEHICLE ELECTRICAL SYSTEM 16

LIGHTING SYSTEM 1673

FRONT HEADLIGHTS WIRING HARNESS (CAB)
FAISCEAU DE FILS DE PHARES (CABINE)
ARNES DE FAROS DELANTEROS (CABINA)

TX1002327

-UN-10JAN06



TX1002327

THIS PARTS LISTING IS CONTINUED

1673-7

VEHICLE ELECTRICAL SYSTEM 16

LIGHTING SYSTEM 1673

**FRONT HEADLIGHTS WIRING HARNESS (CAB)
FAISCEAU DE FILS DE PHARES (CABINE)
ARNES DE FAROS DELANTEROS (CABINA)**

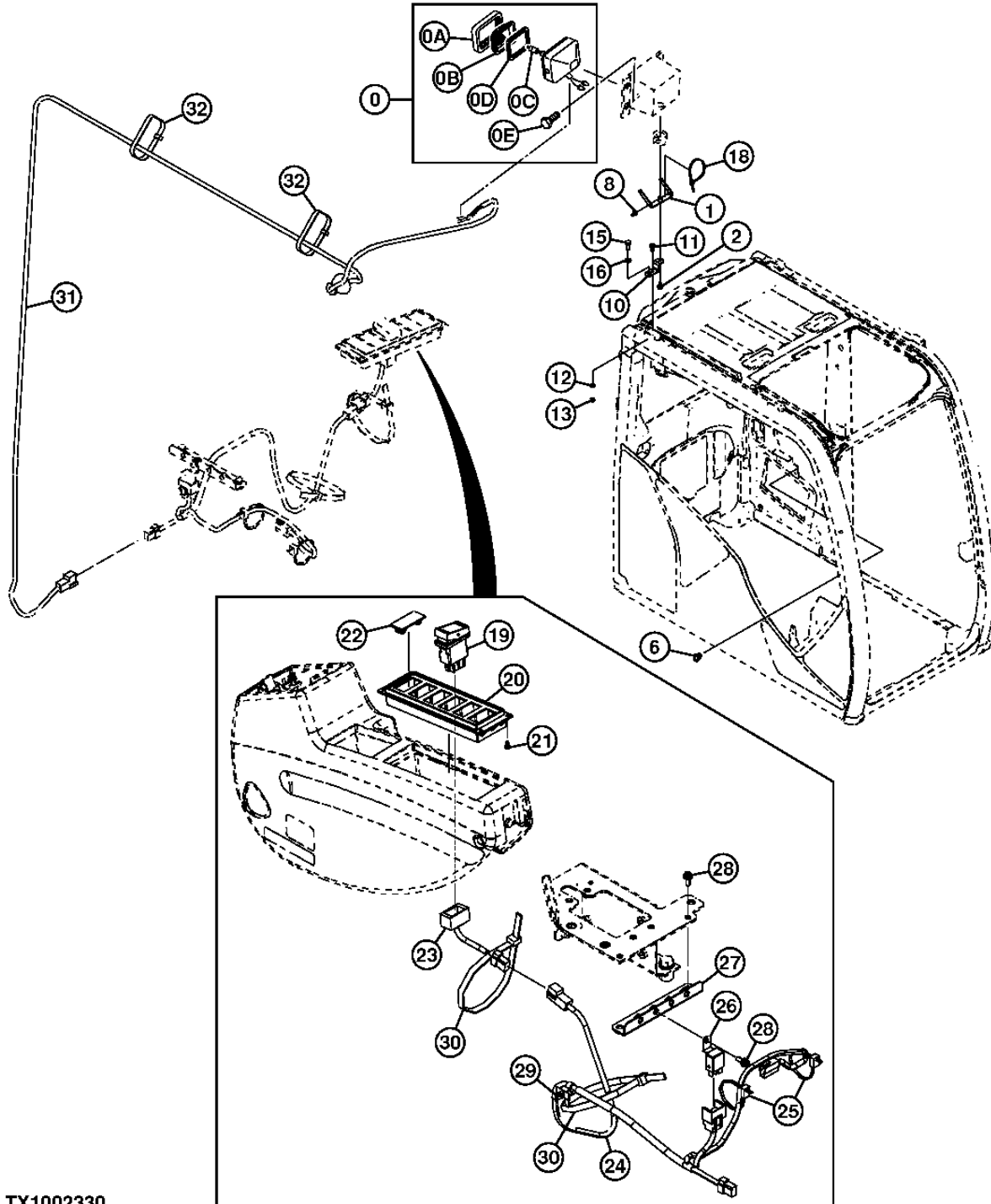
KEY	PART NO.	PART NAME	QTY.	SERIAL NO.	REMARKS
1	H77698	TIE BAND	2		(SUB FOR 4121859)
2	4652875	WIRING HARNESS	1		
3	4654945	CLIP	3		

1673-8

REAR HEADLIGHTS, WIRING HARNESS AND SWITCH PROJECTEURS ARRIERE, FAISCEAU DE FILS ET INTERRUPTEUR FAROS TRASEROS, ARNES Y CONMUTADOR

TX1002330

-UN-10JAN06



TX1002330

1673-9

VEHICLE ELECTRICAL SYSTEM 16

LIGHTING SYSTEM 1673

**REAR HEADLIGHTS, WIRING HARNESS AND SWITCH
PROJECTEURS ARRIERE, FAISCEAU DE FILS ET INTERRUPTEUR
FAROS TRASEROS, ARNES Y CONMUTADOR**

KEY	PART NO.	PART NAME	QTY.	SERIAL NO.	REMARKS
0	4274478	HEADLIGHT	1		
0A	4285646	LENS	1		
0B	4285647	RIM	1		
0C	AT135758	BULB	1		(SUB FOR 4285648 OR AT154990 OR AT274462)
0D	4288342	GASKET	1		
0E	19M7560	CAP SCREW	2		(SUB FOR J900616)
1	8104656	BRACKET	1		
2	SCREW WITH WASHER	1		(J271230 NLA)
	24M7345	WASHER	1		13.500 X 24 X 2.500 MM, (SUB FOR J222012)
6	4254600	CLIP	1		
8	4259220	CLIP	1		
10	3108016	BRACKET	1		
11	SCREW WITH WASHER	1		(J271230 NLA)
	19M8011	CAP SCREW	1		M12 X 30, (SUB FOR J901230)
12	24M7047	WASHER	1		13 X 24 X 2.500 MM, (SUB FOR A590112)
13	14M7275	NUT	1		M12, (SUB FOR J950012)
15	19M8029	CAP SCREW	1		M16 X 30, (SUB FOR J901630)
16	24M7053	WASHER	1		17 X 30 X 3 MM
18	H77698	TIE BAND	1		
19	4651293	SWITCH	1		
20	2053295	CASE	1		
21	4361800	SCREW	4		
22	4620283	CAP	5		
23	4659092	WIRING HARNESS	1		(SUB FOR 4652003)
24	4648252	WIRING HARNESS	1		
25	H77698	TIE BAND	2		
26	4414207	RELAY	1		
27	8100850	BRACKET	1		
28	SCREW WITH WASHER	3		(J460616 NLA)
	19M8425	CAP SCREW	3		M6 X 16
	12M7006	LOCK WASHER	3		6 MM
	24M7293	WASHER	3		6.500 X 13 X 1.600 MM
29	4254600	CLIP	1		
30	H77698	TIE BAND	2		(SUB FOR 4121859)
31	4652876	WIRING HARNESS	1		
32	H77698	TIE BAND	2		(SUB FOR 4121859)

1673-10

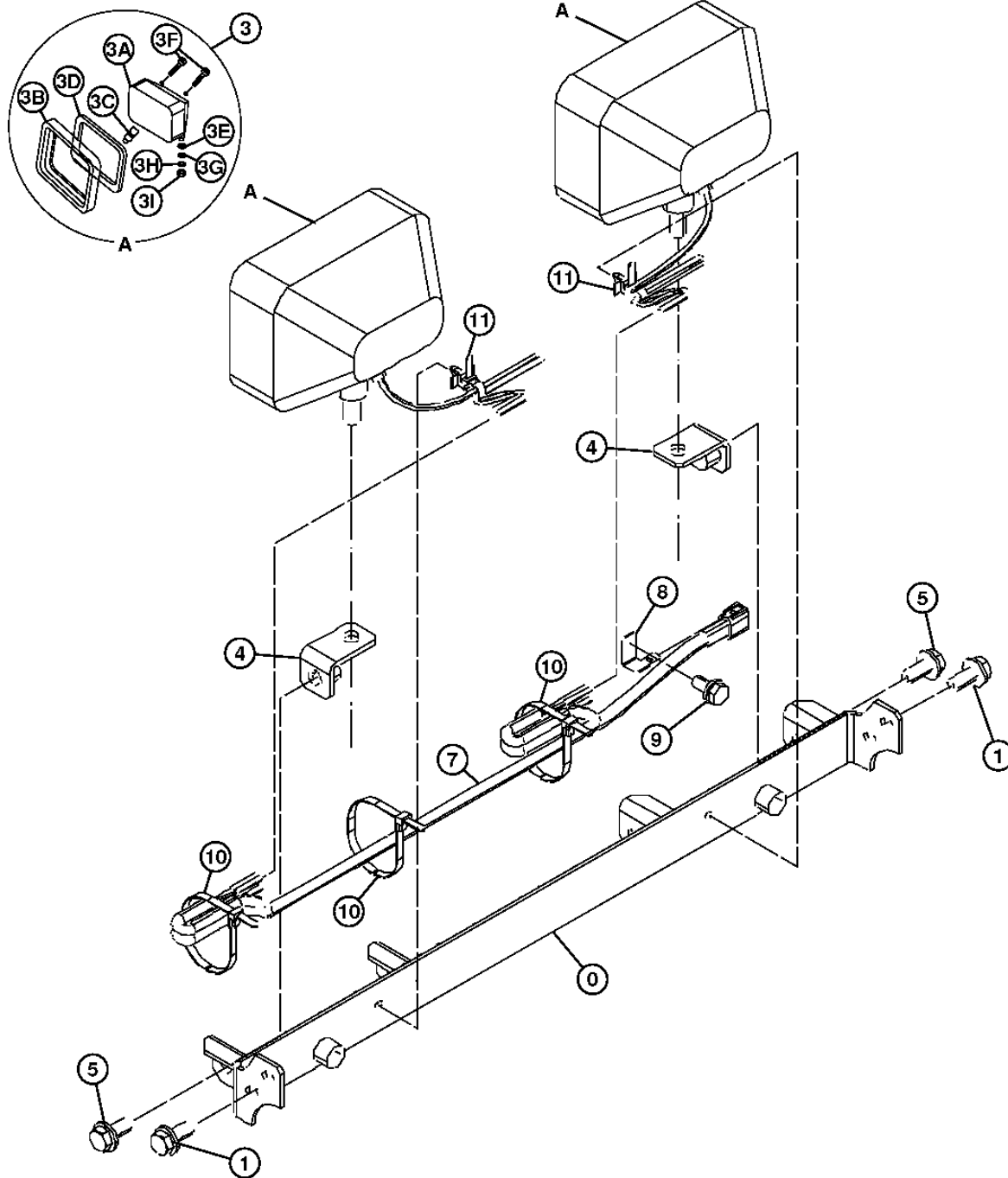
VEHICLE ELECTRICAL SYSTEM 16

LIGHTING SYSTEM 1673

FRONT LIGHTS (2 LIGHT) PHARES (2 PHARES) FAROS DELANTEROS (2 LUCES)

TX1002494

-UN-10JAN06



TX1002494

THIS PARTS LISTING IS CONTINUED

1673-11

VEHICLE ELECTRICAL SYSTEM 16

LIGHTING SYSTEM 1673

FRONT LIGHTS (2 LIGHT) PHARES (2 PHARES) FAROS DELANTEROS (2 LUCES)

KEY	PART NO.	PART NAME	QTY.	SERIAL NO.	REMARKS
0	7050578	BRACKET	1		
1	SCREW WITH WASHER	4		(J271230 NLA)
	19M8011	CAP SCREW	4		M12 X 30, (SUB FOR J901230)
	24M7345	WASHER	4		13.500 X 24 X 2.500 MM, (SUB FOR J222012)
3	AT165110	LAMP	2		(SUB FOR 4326800)
3A	4326801	LENS	1		
3B	4326802	FRAME	1		
3C	AT135758	BULB	1		(SUB FOR 4285648)
3D	4326803	GASKET	1		
3E	4307026	WASHER	1		
3F	37H19	SCREW	4		(SUB FOR 4307027)
3G	24M7085	WASHER	1		15 X 28 X 2.500 MM, (SUB FOR A590114)
3H	12H317	LOCK WASHER	1		9/16", (SUB FOR A590914)
	3I 14M7345	NUT	1		M14, (SUB FOR J952014)
4	9766221	BRACKET	2		
5	SCREW WITH WASHER	2		(J271230 NLA)
	19M8011	CAP SCREW	2		M12 X 30, (SUB FOR J901230)
	24M7345	WASHER	2		13.500 X 24 X 2.500 MM, (SUB FOR J222012)
7	4655717	WIRING HARNESS	1		
8	4257159	BRACKET	1		
9	SCREW WITH WASHER	1		(J271025 NLA)
	19M7402	CAP SCREW	1		M10 X 25, (SUB FOR J901025)
	24M7346	WASHER	1		11 X 20 X 2 MM, (SUB FOR J222010)
10	H77698	TIE BAND	3		(SUB FOR 4055312)
11	4259220	CLIP	2		

1673-12

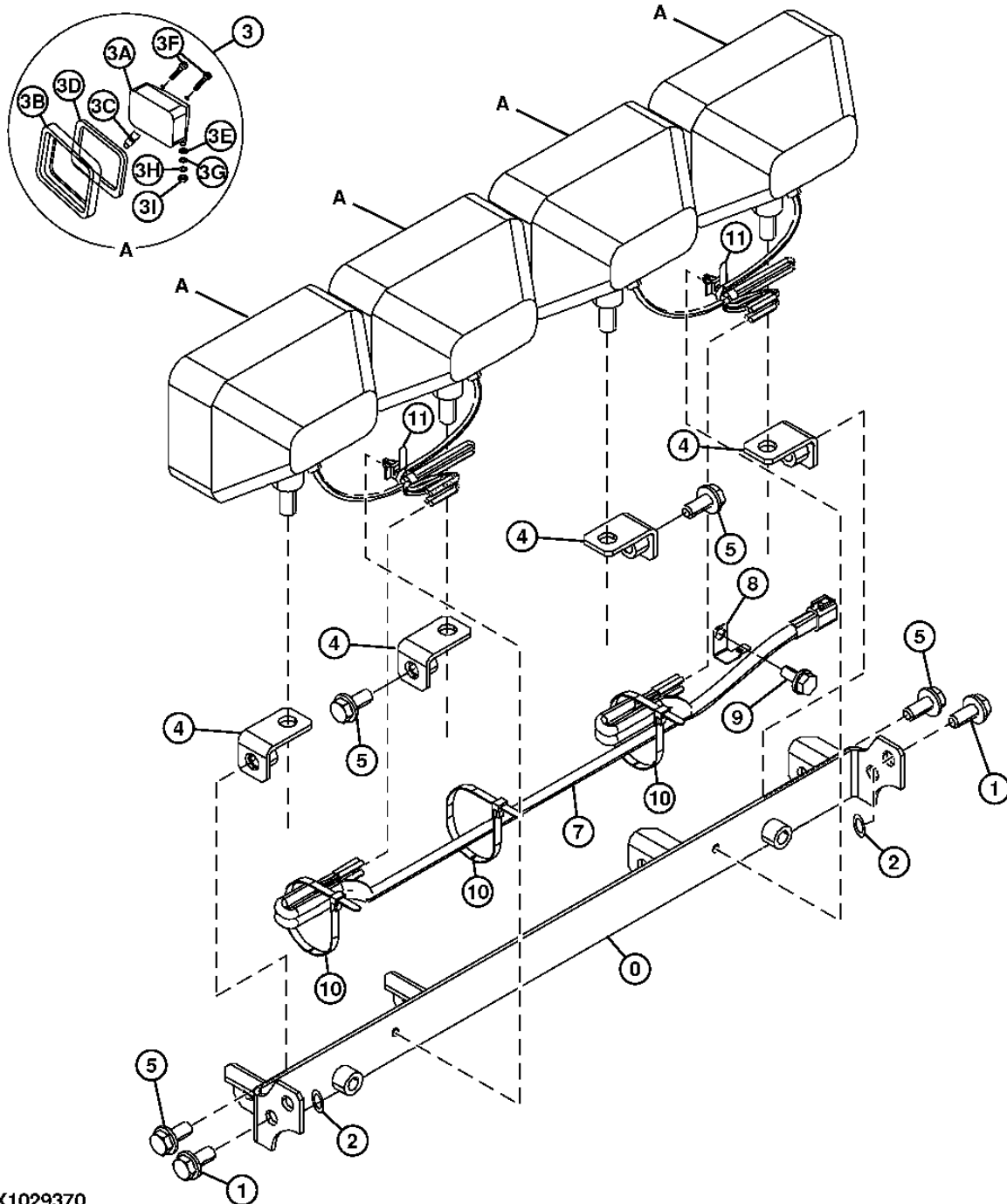
VEHICLE ELECTRICAL SYSTEM 16

LIGHTING SYSTEM 1673

FRONT LIGHTS (4 LIGHT)
PHARES (2 PHARES)
FAROS DELANTEROS (2 LUCES)

TX1029370

-UN-19SEP07



TX1029370

THIS PARTS LISTING IS CONTINUED

1673-13

VEHICLE ELECTRICAL SYSTEM 16

LIGHTING SYSTEM 1673

FRONT LIGHTS (4 LIGHT) PHARES (2 PHARES) FAROS DELANTEROS (2 LUCES)

KEY	PART NO.	PART NAME	QTY.	SERIAL NO.	REMARKS
0	7050578	BRACKET	1		
1	SCREW WITH WASHER	4		(J271230 NLA)
	19M8011	CAP SCREW	4		M12 X 30, (SUB FOR J901230)
	24M7345	WASHER	4		13.500 X 24 X 2.500 MM, (SUB FOR J222012)
2	24M7047	WASHER	4		
3	AT165110	LAMP	4		(SUB FOR 4326800)
3A	4326801	LENS	1		
3B	4326802	FRAME	1		
3C	AT135758	BULB	1		(SUB FOR 4285648)
3D	4326803	GASKET	1		
3E	4307026	WASHER	1		
3F	37H19	SCREW	4		(SUB FOR 4307027)
3G	24M7085	WASHER	1		15 X 28 X 2.500 MM, (SUB FOR A590114)
3H	12H317	LOCK WASHER	1		9/16", (SUB FOR A590914)
3I	14M7345	NUT	1		M14, (SUB FOR J952014)
4	9766221	BRACKET	4		
5	SCREW WITH WASHER	4		(J271230 NLA)
	19M8011	CAP SCREW	4		M12 X 30, (SUB FOR J901230)
	24M7345	WASHER	4		13.500 X 24 X 2.500 MM, (SUB FOR J222012)
7	4655717	WIRING HARNESS	1		
8	4257159	BRACKET	1		
9	SCREW WITH WASHER	1		(J271025 NLA)
	19M7402	CAP SCREW	1		M10 X 25, (SUB FOR J901025)
	24M7346	WASHER	1		11 X 20 X 2 MM, (SUB FOR J222010)
10	H77698	TIE BAND	3		
11	4259220	CLIP	2		(SUB FOR 4055312)

1673-14

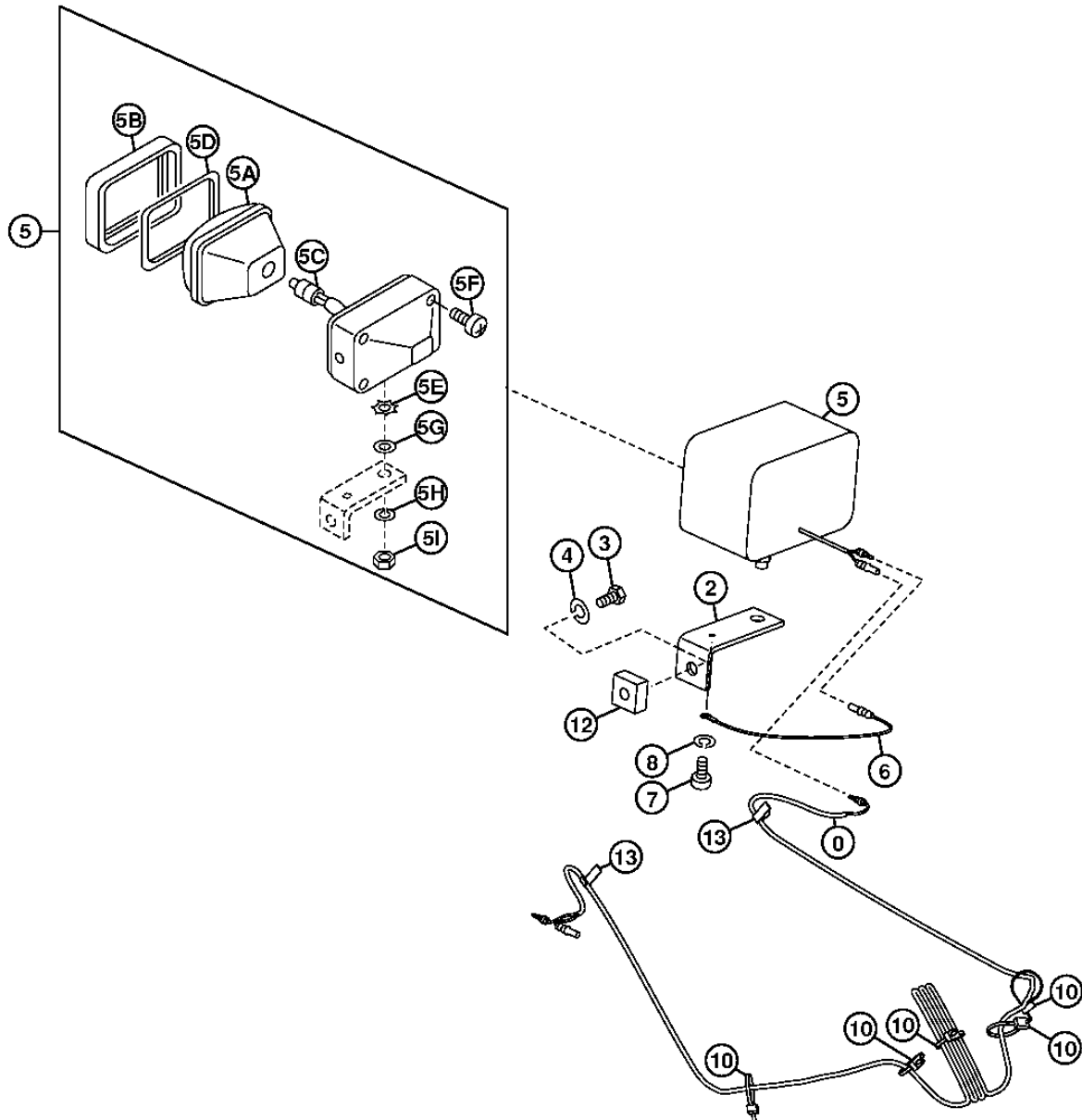
VEHICLE ELECTRICAL SYSTEM 16

LIGHTING SYSTEM 1673

BOOM WORK LIGHT AND WIRING HARNESS (RIGHT) PROJECTEUR DE TRAVAIL DE FLECHE ET FAISCEAU DE FILS (DROIT) LUZ DE TRABAJO DEL AGUILON Y ARNES DE ALAMBRADO (DERECHO)

TX1021316

-UN-01MAY07



TX1021316

1673-15

VEHICLE ELECTRICAL SYSTEM 16

LIGHTING SYSTEM 1673

BOOM WORK LIGHT AND WIRING HARNESS (RIGHT)
PROJECTEUR DE TRAVAIL DE FLECHE ET FAISCEAU DE FILS (DROIT)
LUZ DE TRABAJO DEL AGUILON Y ARNES DE ALAMBRADO (DERECHO)

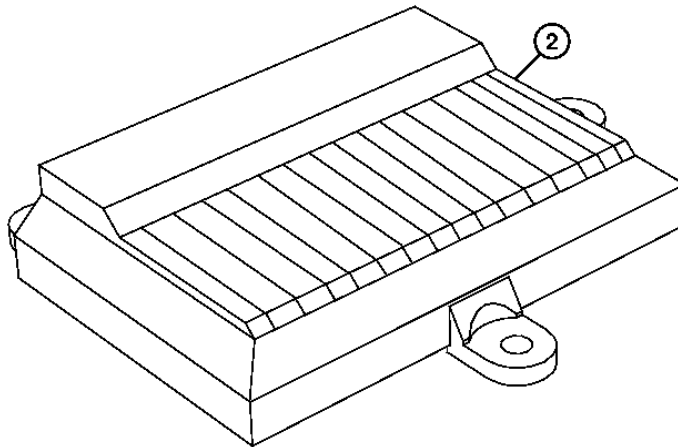
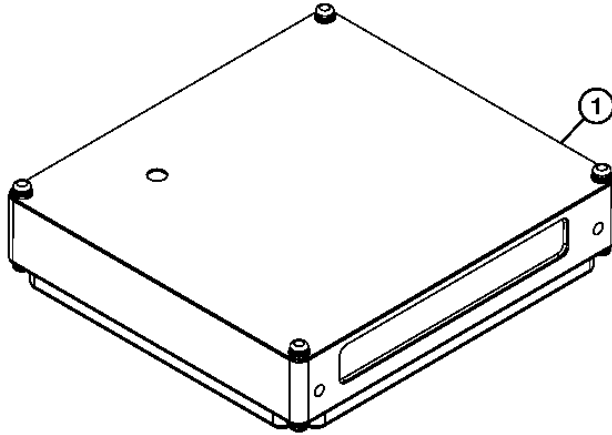
KEY	PART NO.	PART NAME	QTY.	SERIAL NO.	REMARKS
0	4344125	WIRING HARNESS	1		
2	4224631	ANGLE	1		
3	19M7877	CAP SCREW	1		M14 X 30, (SUB FOR J901430)
4	J222014	WASHER	1		
5	AT165110	LAMP	1		(SUB FOR 4326800)
5A	4326801	LENS	1		
5B	4326802	FRAME	1		
5C	AT135758	BULB	1		(SUB FOR 4285648)
5D	4326803	GASKET	1		
5E	4307026	WASHER	1		
5F	37H19	SCREW	1		
5G	24M7085	WASHER	1		15 X 28 X 2.500 MM
5H	12H317	LOCK WASHER	1		9/16", (SUB FOR A590914)
5I	14M7345	NUT	1		M14, (SUB FOR J952014)
6	4254604	GROUND CABLE	1		
7	21M7285	SCREW	1		M6 X 12, (SUB FOR M430613)
8	12M7006	LOCK WASHER	1		6 MM, (SUB FOR A590906)
10	H77698	TIE BAND	5		(SUB FOR 4055311)
12	4644727	WELD NUT	1		
13	4272256	CLIP	2		

1674-2

VEHICLE ELECTRICAL SYSTEM 16
WIRING HARNESS AND SWITCHES 1674

CONTROLLERS
CONTROLEURS
CONTROLADORS

TX1011272 -UN-28AUG06



TX1011272

1674-3

VEHICLE ELECTRICAL SYSTEM 16
WIRING HARNESS AND SWITCHES 1674

**CONTROLLERS
CONTROLEURS
CONTROLADORS**

<i>KEY</i>	<i>PART NO.</i>	<i>PART NAME</i>	<i>QTY.</i>	<i>SERIAL NO.</i>	<i>REMARKS</i>
1	9261200	VEHICLE CONTROLLER	1		(MAIN CONTROLLER) (MCF)
2	4631129	VEHICLE CONTROLLER	1		(MACHINE INFORMATION) (ICF)

1674-3A

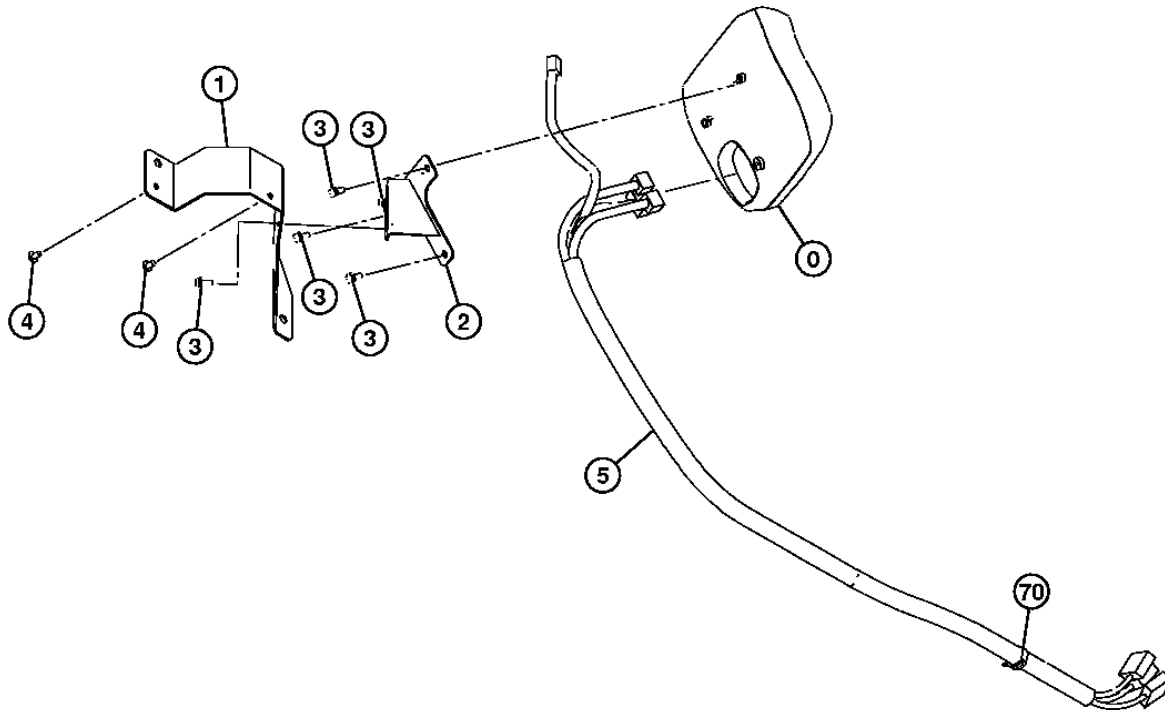
VEHICLE ELECTRICAL SYSTEM 16

WIRING HARNESS AND SWITCHES 1674

MONITOR AND MONITOR WIRING HARNESS
MONITEUR ET FAISCEAU DE FILS
MONITOR Y ARNES DE ALAMBRADO DEL MONITOR

TX1000114

-UN-09DEC05



TX1000114

1674-3B

VEHICLE ELECTRICAL SYSTEM 16

WIRING HARNESS AND SWITCHES 1674

**MONITOR AND MONITOR WIRING HARNESS
MONITEUR ET FAISCEAU DE FILS
MONITOR Y ARNES DE ALAMBRADO DEL MONITOR**

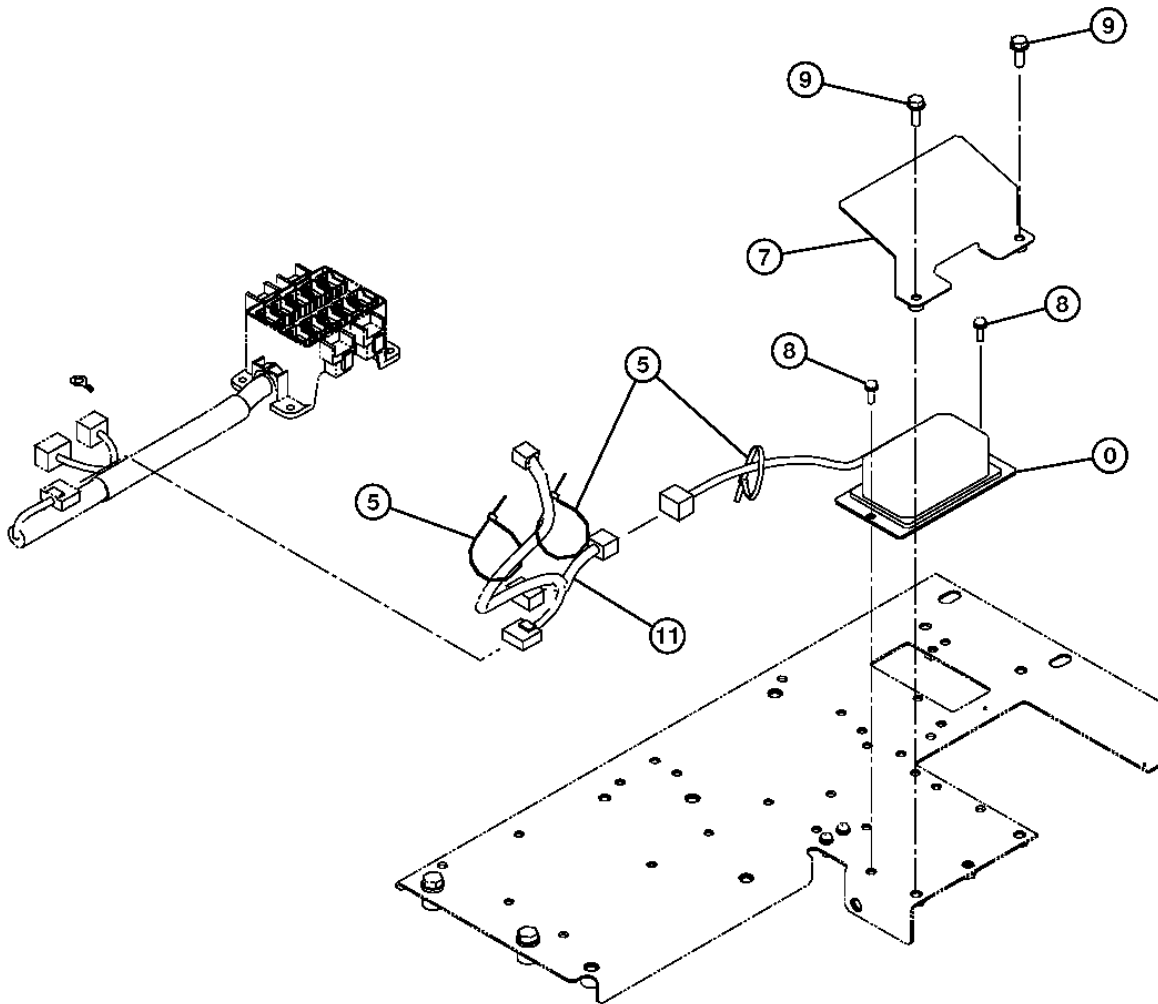
KEY	PART NO.	PART NAME	QTY.	SERIAL NO.	REMARKS
0	4653775	MONITOR	1		
1	2052113	BRACKET	1		
2	7047782	BRACKET	1		
3	SCREW WITH WASHER	5		(J460616 NLA)
	19M8425	CAP SCREW	5		M6 X 16
	12M7006	LOCK WASHER	5		6 MM
	24M7293	WASHER	5		6.500 X 13 X 1.600 MM
4	4444700	SCREW	2		
5	2052445	WIRING HARNESS	1		
70	4654654	CLIP	1		

1674-4

VEHICLE ELECTRICAL SYSTEM 16
WIRING HARNESS AND SWITCHES 1674

POWER CONVERTER (12VOLT)
CONVERTISSEUR D'ALIMENTATION (12 VOLTS)
CONVERTIDOR DE ENERGIA (12 V)

TX1001644 -UN-21DEC05



TX1001644

1674-5

VEHICLE ELECTRICAL SYSTEM 16

WIRING HARNESS AND SWITCHES 1674

**POWER CONVERTER (12VOLT)
CONVERTISSEUR D'ALIMENTATION (12 VOLTS)
CONVERTIDOR DE ENERGIA (12 V)**

KEY	PART NO.	PART NAME	QTY.	SERIAL NO.	REMARKS
0	4450008	POWER SUPPLY	1		
5	H77698	TIE BAND	3		(SUB FOR 4055312)
7	8103829	COVER	1		
8	12M7006	LOCK WASHER	2		6 MM, (SUB FOR J460616)
	19M8425	CAP SCREW	2		M6 X 16
	24M7293	WASHER	2		6.500 X 13 X 1.600 MM
9	SCREW WITH WASHER	2		(J260825 NLA)
	19M7163	CAP SCREW	2		M8 X 25, (SUB FOR J900825)
	24M7055	WASHER	2		8.400 X 16 X 1.600 MM, (SUB FOR A590108)
11	3105989	WIRING HARNESS	1		

1674-6

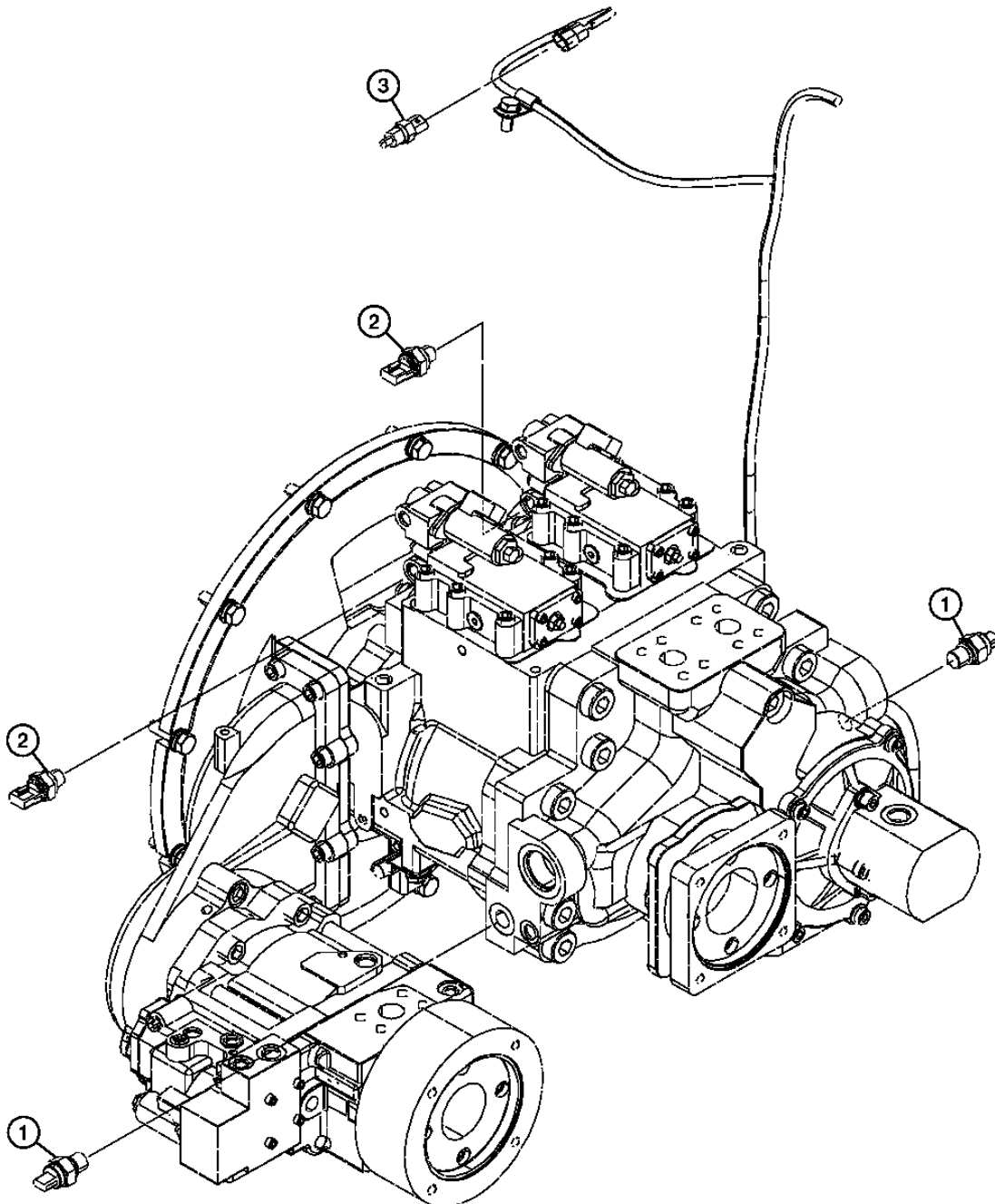
VEHICLE ELECTRICAL SYSTEM 16

WIRING HARNESS AND SWITCHES 1674

PUMP PRESSURE AND INTAKE SENSORS
CAPTEURS DE PRESSION DE POMPE ET D'ADMISSION
SENSORES DE PRESION Y ADMISION DE BOMBA

TX1001946

-UN-03JAN06



TX1001946

1674-7

VEHICLE ELECTRICAL SYSTEM 16

WIRING HARNESS AND SWITCHES 1674

PUMP PRESSURE AND INTAKE SENSORS
CAPTEURS DE PRESSION DE POMPE ET D'ADMISSION
SENSORES DE PRESION Y ADMISION DE BOMBA

KEY	PART NO.	PART NAME	QTY.	SERIAL NO.	REMARKS
1	4436271	SENSOR	2		
	4365826	O-RING	2		
2	4436536	SENSOR	2		
	4153095	O-RING	2		
3	8121468300	SENSOR	1		(SUB FOR 4651943)

1674-8

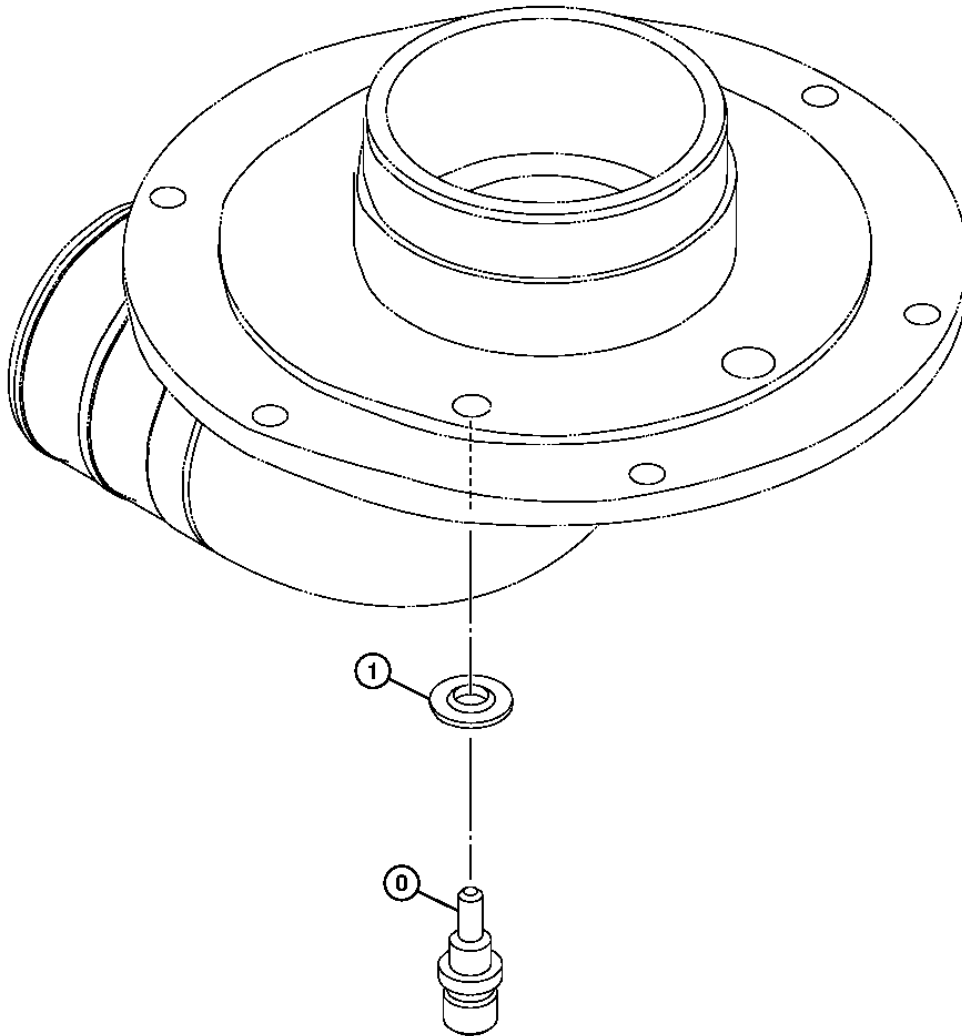
VEHICLE ELECTRICAL SYSTEM 16

WIRING HARNESS AND SWITCHES 1674

HYDRAULIC OIL TEMPERATURE SENSOR
CAPTEUR DE TEMPERATURE DE L'HUILE HYDRAULIQUE
SENSOR DE TEMPERATURA DEL ACEITE HIDRAULICO

TX1001948

-UN-03JAN06



TX1001948

1674-9

VEHICLE ELECTRICAL SYSTEM 16

WIRING HARNESS AND SWITCHES 1674

**HYDRAULIC OIL TEMPERATURE SENSOR
CAPTEUR DE TEMPERATURE DE L'HUILE HYDRAULIQUE
SENSOR DE TEMPERATURA DEL ACEITE HIDRAULICO**

<i>KEY</i>	<i>PART NO.</i>	<i>PART NAME</i>	<i>QTY.</i>	<i>SERIAL NO.</i>	<i>REMARKS</i>
0	4250260	SENSOR	1		(SUB FOR AT154921)
1	4250261	GASKET	1		(SUB FOR AT154922)

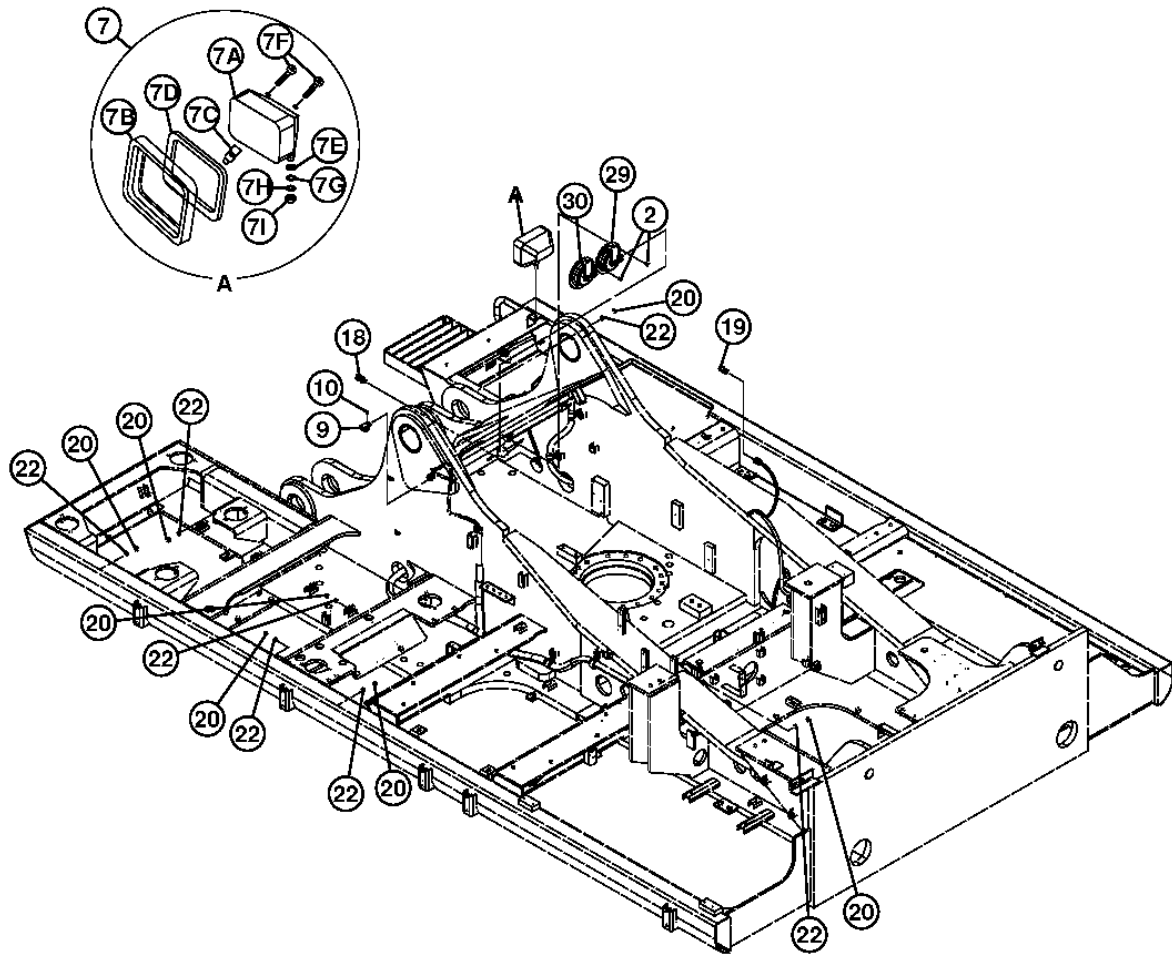
1674-10

VEHICLE ELECTRICAL SYSTEM 16
WIRING HARNESS AND SWITCHES 1674

ELECTRIC COMPONENTS
COMPOSANTS ELECTRIQUES
COMPONENTES ELECTRICOS

TX1001951

-UN-06JAN06



TX1001951

1674-11

VEHICLE ELECTRICAL SYSTEM 16
WIRING HARNESS AND SWITCHES 1674

**ELECTRIC COMPONENTS
COMPOSANTS ELECTRIQUES
COMPONENTES ELECTRICOS**

KEY	PART NO.	PART NAME	QTY.	SERIAL NO.	REMARKS
2	SCREW WITH WASHER	4		(J260825 NLA)
	19M7163	CAP SCREW	4		M8 X 25, (SUB FOR J900825)
	24M7055	WASHER	4		8.400 X 16 X 1.600 MM. (SUB FOR A590108)
7	AT165110	LAMP	1		(SUB FOR 4326800) (4336570 NLA)
7A	4326801	LENS	1		
7B	4326802	FRAME	1		
7C	AT135758	BULB	1		(SUB FOR 4285648)
7D	4326803	GASKET	1		
7E	4307026	WASHER	1		
7F	37H19	SCREW	4		(SUB FOR 4307027)
7G	24M7085	WASHER	1		15 X 28 X 2.500 MM. (SUB FOR A590114)
7H	12H317	LOCK WASHER	1		14.288 MM. (SUB FOR A590914)
7I	14M7345	NUT	1		M14, (SUB FOR J952014)
9	8972177780	PRESSURE SENSOR	1		(SUB FOR 4651944)
10	19M7373	CAP SCREW	2		M5 X 20. (SUB FOR J460520)
18	4436271	SENSOR	1		
	4365826	O-RING	1		
19	4436535	SENSOR	1		
	M800650	PACKING	1		
20	14M7274	NUT	7		M10, (SUB FOR J950010)
22	24M7028	WASHER	7		10.500 X 20 X 2 MM. (SUB FOR A590110)
29	4449757	HORN	1		
30	4449758	HORN	1		

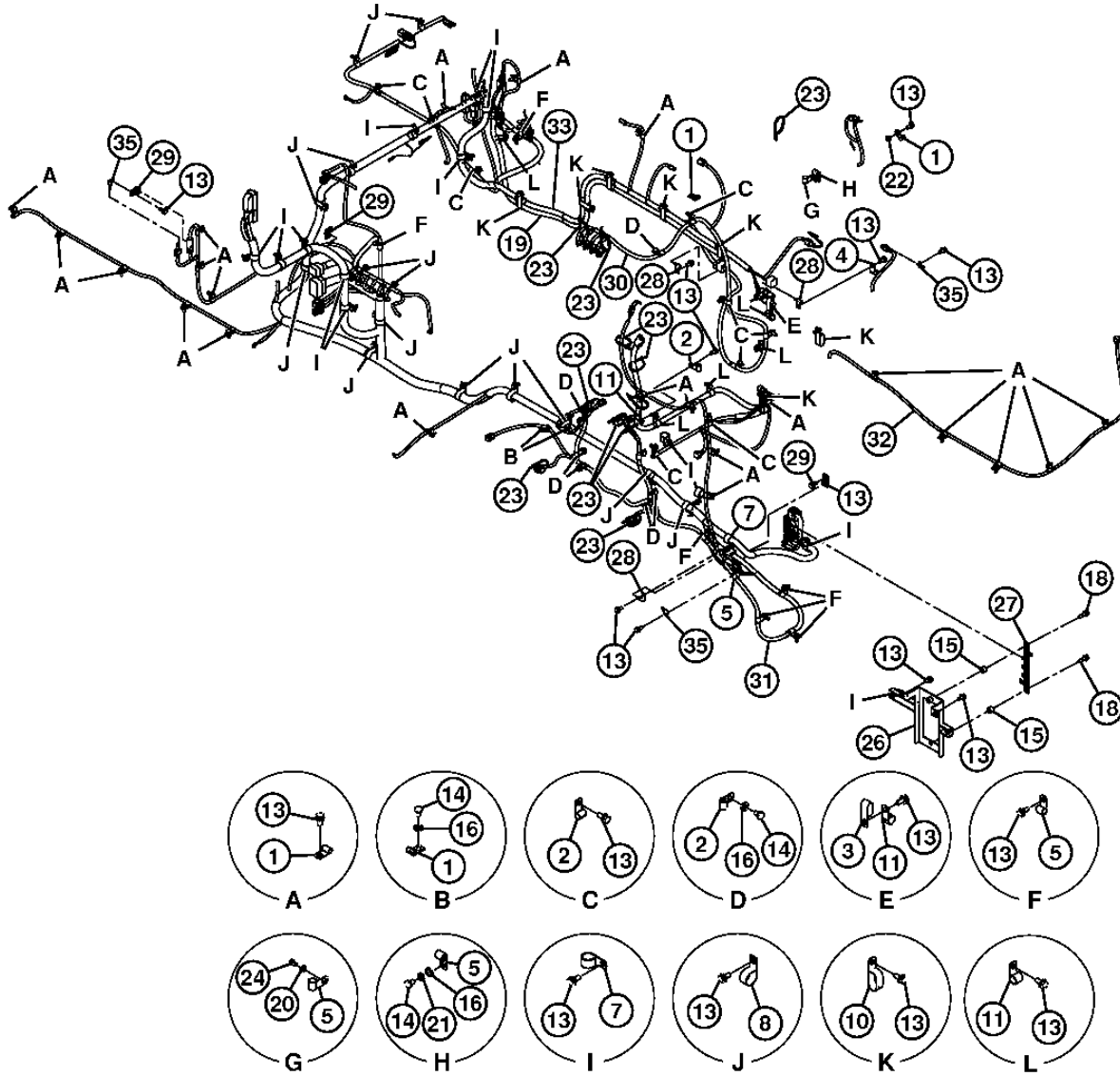
1674-12

VEHICLE ELECTRICAL SYSTEM 16
WIRING HARNESS AND SWITCHES 1674

MACHINE WIRING HARNESS FAISCEAU DE FILS DE MACHINE ARNES DE ALAMBRADO DE LA MAQUINA

TX1001954

-UN-05JAN06



TX1001954

1674-13

VEHICLE ELECTRICAL SYSTEM 16
WIRING HARNESS AND SWITCHES 1674

**MACHINE WIRING HARNESS
FAISCEAU DE FILS DE MACHINE
ARNES DE ALAMBRADO DE LA MAQUINA**

KEY	PART NO.	PART NAME	QTY.	SERIAL NO.	REMARKS
1	4190261	CLIP	26		
2	4190275	CLAMP	21		
3	T32854	CLAMP	1		(SUB FOR 4190282)
4	T28949	CLAMP	1		(SUB FOR 4190273)
5	R73384	CLAMP	9		(SUB FOR 4190253)
7	XCL-19	HOSE CLAMP	14		(SUB FOR 4192035)
8	XCL-29	HOSE CLAMP	10		(SUB FOR 4190264)
10	R50454	CLAMP	7		(SUB FOR 4192034)
11	R73291	CLAMP	7		(SUB FOR 4190262)
13	SCREW WITH WASHER	88		(J271025 NLA)
	19M7402	CAP SCREW	88		M10 X 25, (SUB FOR J901025)
	24M7346	WASHER	88		11 X 20 X 2 MM, (SUB FOR J222010)
14	19M8324	CAP SCREW	10		M10 X 16, (SUB FOR J901016)
15	4322539	SPACER	2		
16	24M7346	WASHER	10		11 X 20 X 2 MM, (SUB FOR J222010)
18	SCREW WITH WASHER	2		(J271040 NLA)
	19M7358	CAP SCREW	2		M10 X 40, (SUB FOR J901040)
	24M7346	WASHER	2		11 X 20 X 2 MM, (SUB FOR J222010)
19	4605568	WIRING HARNESS	1		
20	24M7055	WASHER	1		8.400 X 16 X 1.600 MM, (SUB FOR A590108)
21	12M7066	LOCK WASHER	1		10 MM, (SUB FOR A590910)
22	14M7274	NUT	1		M10, (SUB FOR J950010)
23	H77698	TIE BAND	8		(SUB FOR 4055312)
24	19M7865	SCREW	8		M8 X 16, (SUB FOR J900812)
26	8101178	BRACKET	1		
27	8110130	BRACKET	1		(SUB FOR 3106886)
28	4418301	BRACKET	3		
29	4448037	BRACKET	3		
30	2052446	WIRING HARNESS	1		
31	2052447	WIRING HARNESS	1		
32	2052448	WIRING HARNESS	1		
33	0005513	WIRING HARNESS	1		
35	4257159	BRACKET	3		

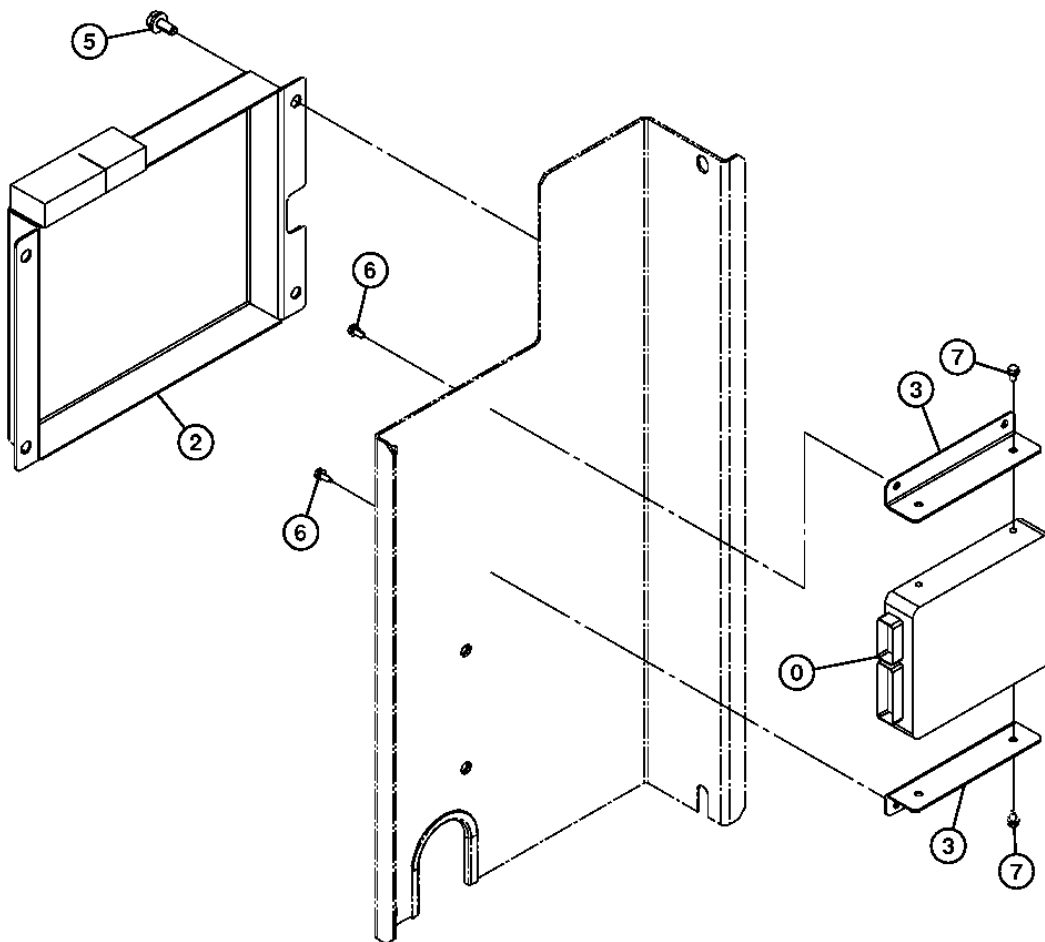
1674-14

VEHICLE ELECTRICAL SYSTEM 16
WIRING HARNESS AND SWITCHES 1674

ENGINE CONTROL UNIT UNITE DE COMMANDE DU MOTEUR UNIDAD DE CONTROL DEL MOTOR

TX1001959

-UN-05JAN06



TX1001959

THIS PARTS LISTING IS CONTINUED

1674-15

VEHICLE ELECTRICAL SYSTEM 16
WIRING HARNESS AND SWITCHES 1674

**ENGINE CONTROL UNIT
UNITE DE COMMANDE DU MOTEUR
UNIDAD DE CONTROL DEL MOTOR**

KEY	PART NO.	PART NAME	QTY.	SERIAL NO.	REMARKS
0	8980602470	ENGINE CONTROLLER	1		(SUB FOR 8980209442)
2	8105505	COVER	1		
3	4656402	BRACKET	2		
5	SCREW WITH WASHER	4		(J271025 NLA)
	19M7402	CAP SCREW	4		M10 X 25, (SUB FOR J901025)
	24M7346	WASHER	4		11 X 20 X 2 MM, (SUB FOR J222010)
6	SCREW WITH WASHER	4		(J260616 NLA)
	19M7560	CAP SCREW	4		M6 X 16, (SUB FOR J900616)
	24M7054	WASHER	4		6.400 X 12 X 1.600 MM, (SUB FOR A590106)
7	SCREW WITH WASHER	4		(J260612 NLA)
	19M6614	CAP SCREW	4		M6 X 12, (SUB FOR J900612)
	24M7054	WASHER	4		6.400 X 12 X 1.600 MM, (SUB FOR A590106)

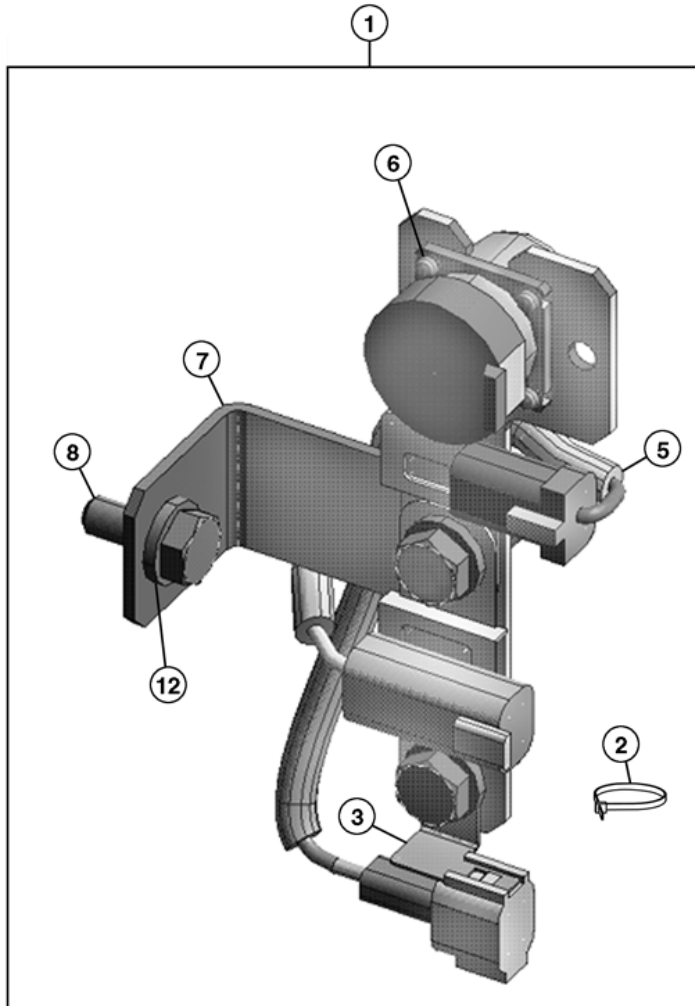
1674-16

VEHICLE ELECTRICAL SYSTEM 16
WIRING HARNESS AND SWITCHES 1674

NINE PIN CONNECTOR KIT KIT DE CONNECTEUR A NEUF BROCHES JUEGO DE CONECTOR DE NUEVE CLAVIJAS

TX1023639

-UN-09AUG07



TX1023639

1674-17

VEHICLE ELECTRICAL SYSTEM 16
WIRING HARNESS AND SWITCHES 1674

**NINE PIN CONNECTOR KIT
KIT DE CONNECTEUR A NEUF BROCHES
JUEGO DE CONECTOR DE NUEVE CLAVIJAS**

KEY	PART NO.	PART NAME	QTY.	SERIAL NO.	REMARKS
1	AT334254	FIELD INSTALLATION KIT	1		(USE UNTIL EXHAUSTED)
2	H77698	TIE BAND	2		
3	4448037	BRACKET	1		
5	3109407	WIRING HARNESS	1		
6	J460310	SCREW	4		
7	8107612	BRACKET	1		
8	19M7402	CAP SCREW	3		M10 X 25
12	24M7346	WASHER	3		11 X 20 X 2 MM

1674-18

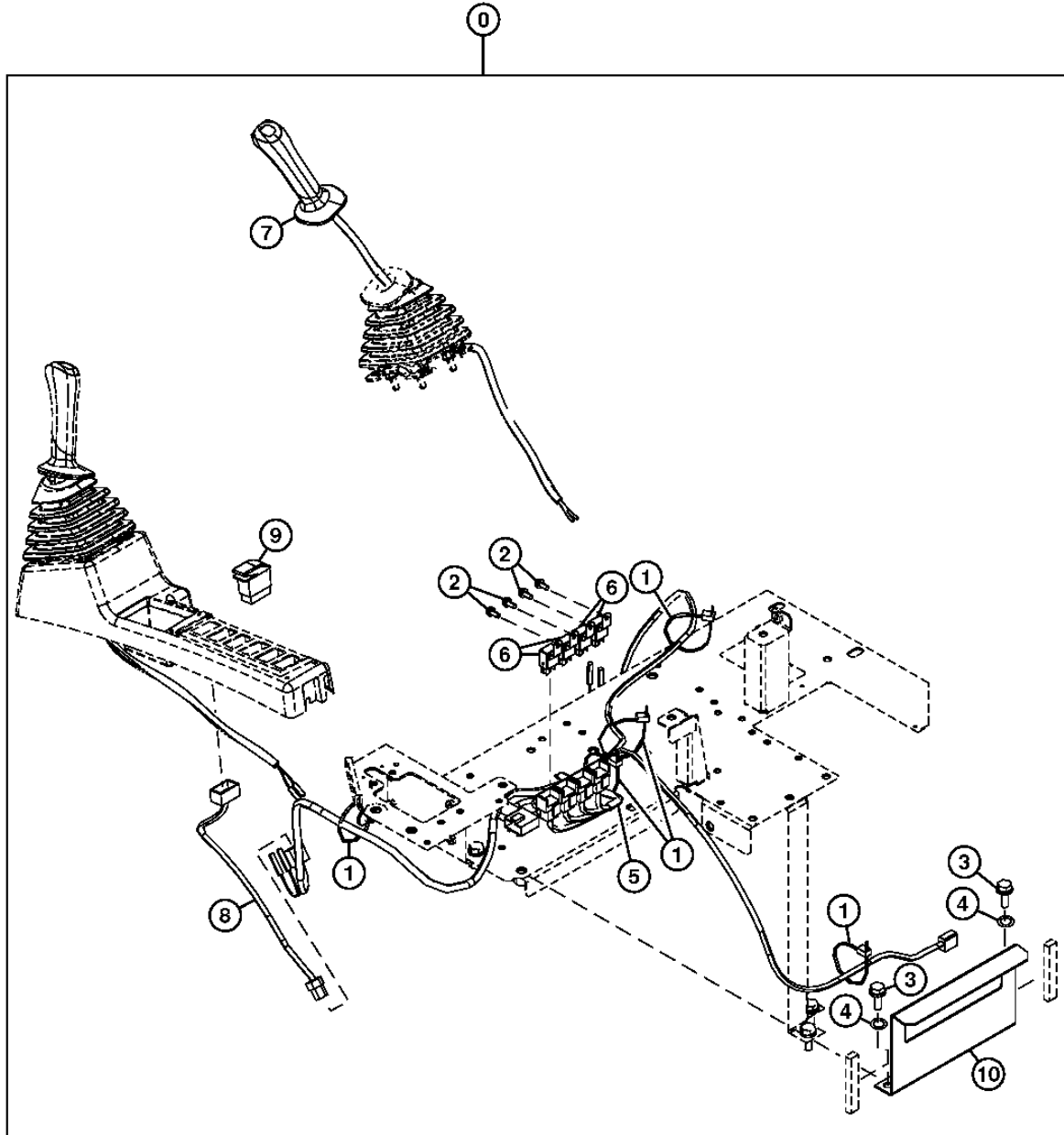
VEHICLE ELECTRICAL SYSTEM 16

WIRING HARNESS AND SWITCHES 1674

RIGHT PILOT CONTROLLER AND WIRING HARNESSES
CONTROLEUR PILOTE DROIT ET FAISCEAUX DE FILS
CONTROLADOR PILOTO DERECHO Y ARNESES DE ALAMBRADO

TX1029545

-UN-21SEP07



TX1029545

1674-19

VEHICLE ELECTRICAL SYSTEM 16

WIRING HARNESS AND SWITCHES 1674

**RIGHT PILOT CONTROLLER AND WIRING HARNESSES
CONTROLEUR PILOTE DROIT ET FAISCEAUX DE FILS
CONTROLADOR PILOTO DERECHO Y ARNESES DE ALAMBRADO**

KEY	PART NO.	PART NAME	QTY.	SERIAL NO.	REMARKS
0	AT327648	FIELD INSTALLATION KIT	1		RIGHT PILOT CONTROLLER
1	H77698	TIE BAND	5		
2	19M8425	CAP SCREW	4		M6 X 16
3	21M7267	SCREW	2		M6 X 20
4	24M7293	WASHER	2		6.500 X 13 X 1.600 MM
5	3108484	WIRING HARNESS	1		
6	4414207	RELAY	4		
7	4650094	GRIP	1		RH
8	4651278	WIRING HARNESS	1		AUXILIARY CONTROL
9	4651295	SWITCH	1		AUXILIARY CONTROL
10	8101967	BRACKET	1		

1674-24

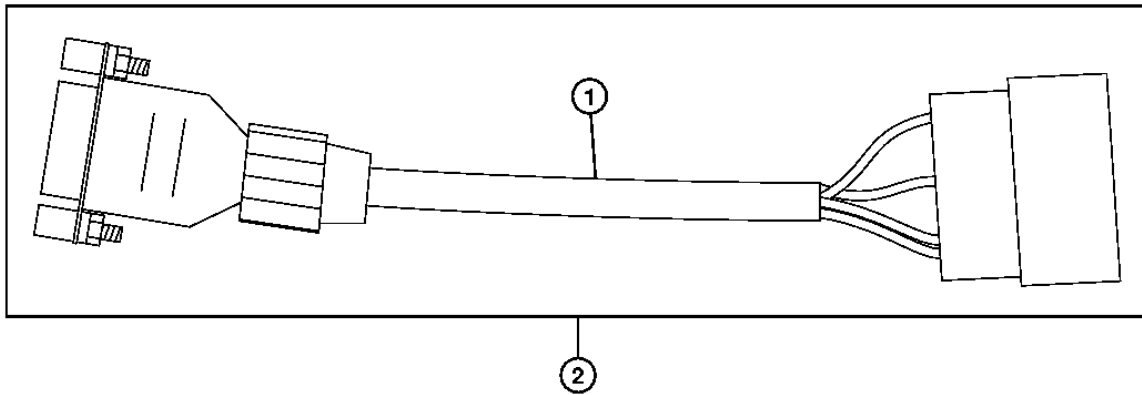
VEHICLE ELECTRICAL SYSTEM 16

WIRING HARNESS AND SWITCHES 1674

MACHINE INFORMATION CENTER (MIC) DIAGNOSTIC HARNESS
CENTRE D'INFORMATION DE MACHINE (MIC) FAISCEAU DE DIAGNOSTIC
CENTRO DE INFORMACION DE LA MAQUINA (MIC) ARNES PARA DIAGNOSTICO

TX1008354

-UN-25MAY06



TX1008354

1674-25

VEHICLE ELECTRICAL SYSTEM 16

WIRING HARNESS AND SWITCHES 1674

**MACHINE INFORMATION CENTER (MIC) DIAGNOSTIC HARNESS
CENTRE D'INFORMATION DE MACHINE (MIC) FAISCEAU DE DIAGNOSTIC
CENTRO DE INFORMACION DE LA MAQUINA (MIC) ARNES PARA DIAGNOSTICO**

KEY	PART NO.	PART NAME	QTY.	SERIAL NO.	REMARKS
1	TH3100010	CABLE	1		MACHINE INFORMATION CENTER KIT, (INCLUDES SOFTWARE AND CABLE) (WHOLE GOODS) (AT320680 OR AT327664 NLA)
2	FIELD INSTALLATION KIT	1		

1674-26

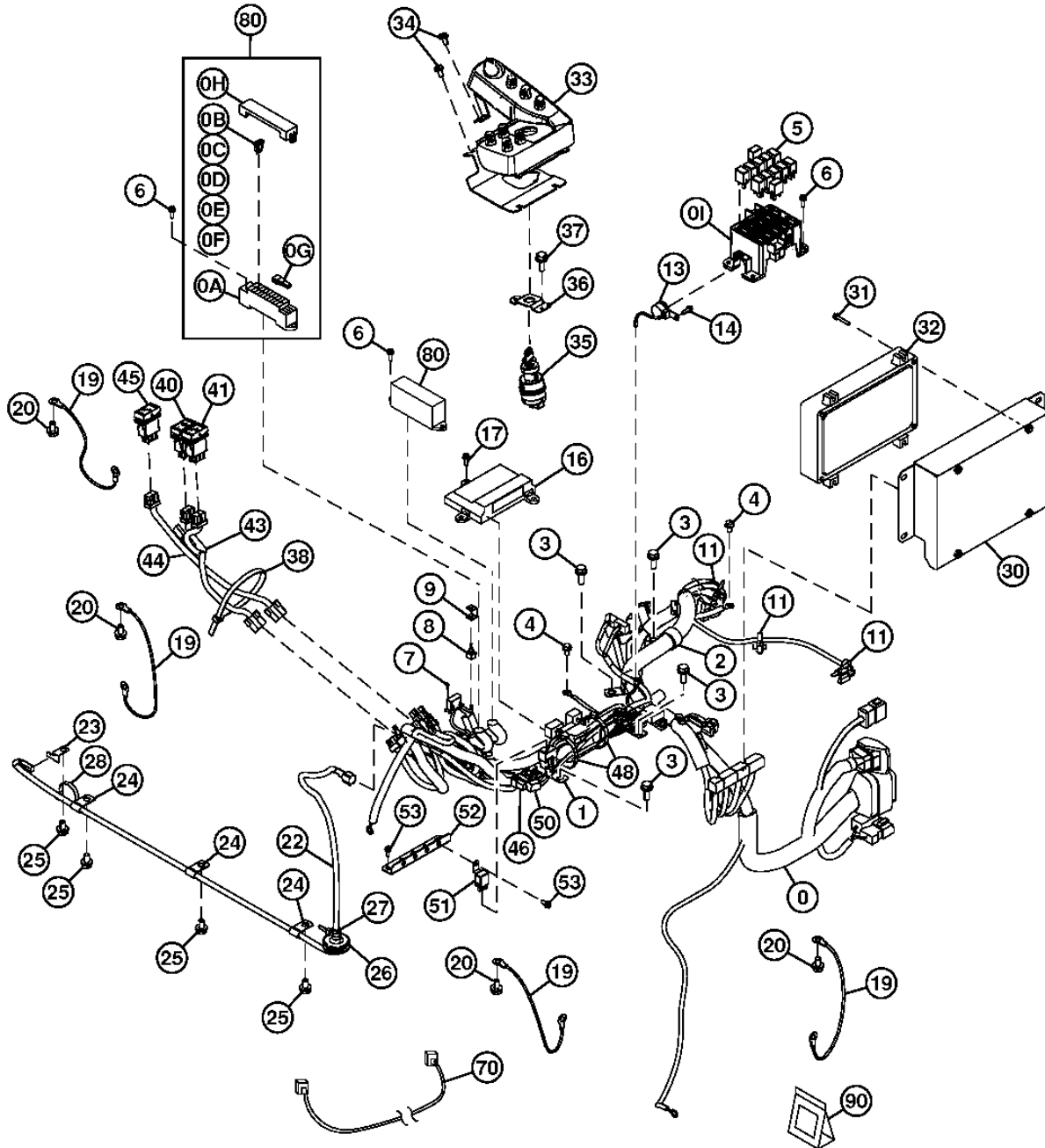
VEHICLE ELECTRICAL SYSTEM 16

WIRING HARNESS AND SWITCHES 1674

CAB WIRING HARNESS AND COMPONENTS FAISCEAU DE FILS ET COMPOSANTS DE CABINE ARNES DE ALAMBRADO DE LA CABINA Y COMPONENTES

TX1029388

-UN-19SEP07



TX1029388

1674-27

VEHICLE ELECTRICAL SYSTEM 16

WIRING HARNESS AND SWITCHES 1674

CAB WIRING HARNESS AND COMPONENTS
FAISCEAU DE FILS ET COMPOSANTS DE CABINE
ARNES DE ALAMBRADO DE LA CABINA Y COMPONENTES

KEY	PART NO.	PART NAME	QTY.	SERIAL NO.	REMARKS
0	0005470	WIRING HARNESS	1		
0A	FUSE HOLDER	1		(SUB 4460037) (4456735 NLA)
0B	57M7688	FUSE	8		(SUB FOR 4428910) (5 AMP)
0C	57M7689	FUSE	8		(SUB FOR 4428911) (10 AMP)
0D	57M7690	FUSE	1		(SUB FOR 4438015)
0E	57M7691	FUSE	2		(SUB FOR 4436736) (20 AMP)
0F	57M8163	FUSE	1		(SUB FOR 4639136)
0G	4436737	PULLER	1		
0H	4648583	COVER	1		
0I	4427429	CIRCUIT BOX	1		
0J	4456778	DIODE	4		(NOT ILLUSTRATED)
0K	DIODE	2		(NOT ILLUSTRATED)
1	XCL-19	HOSE CLAMP	2		(SUB FOR 4192035)
2	XCL-29	HOSE CLAMP	3		(SUB FOR 4190264)
3	SCREW WITH WASHER	5		(J271030 NLA)
	19M7662	CAP SCREW	5		M10 X 30, (SUB FOR J901030)
	24M7346	WASHER	5		11 X 20 X 2 MM, (SUB FOR J222010)
4	SCREW WITH WASHER	2		(J260816 NLA)
	19M7162	CAP SCREW	2		M8 X 16, (SUB FOR J900816)
	24M7055	WASHER	2		8.400 X 16 X 1.600 MM, (SUB FOR A590108)
5	4436534	RELAY	12		
6	SCREW WITH WASHER	8		(J460620 NLA)
	21M7267	SCREW	8		M6 X 20
	24M7293	WASHER	8		6.500 X 13 X 1.600 MM
	12M7006	LOCK WASHER	8		6 MM
7	J460310	SCREW	2		
8	4617012	SWITCH	1		
9	4367375	BRACKET	1		
11	4254600	CLIP	3		
13	4297188	TRAVEL WARNING ALARM	1		
14	SCREW WITH WASHER	1		(J460620 NLA)
	21M7267	SCREW	1		M6 X 20
	24M7293	WASHER	1		6.500 X 13 X 1.600 MM
	12M7006	LOCK WASHER	1		6 MM
16	4631129	VEHICLE CONTROLLER	1		
17	SCREW WITH WASHER	3		(J460620 NLA)
	21M7267	SCREW	3		M6 X 20
	24M7293	WASHER	3		6.500 X 13 X 1.600 MM
	12M7006	LOCK WASHER	3		6 MM
19	4464075	GROUND CABLE	4		
20	SCREW WITH WASHER	4		(J271020 NLA)
	19M7938	CAP SCREW	4		M10 X 20, (SUB FOR J901020)
	24M7346	WASHER	4		11 X 20 X 2 MM, (SUB FOR J222010)
22	4640410	WIRING HARNESS	1		
23	4257159	BRACKET	1		
24	4190261	CLIP	3		
25	SCREW WITH WASHER	4		(J271020 NLA)
	19M7938	CAP SCREW	4		M10 X 20, (SUB FOR J901020)
	24M7346	WASHER	4		11 X 20 X 2 MM, (SUB FOR J222010)
26	4638604	ISOLATOR	1		
27	H77698	TIE BAND	1		(SUB FOR 4055311)
28	H77698	TIE BAND	1		(SUB FOR 4055312)
30	7049302	COVER	1		
31	SCREW WITH WASHER	4		(J460635 NLA)
	19M7177	CAP SCREW	4		M6 X 35
	24M7293	WASHER	4		6.500 X 13 X 1.600 MM
	12M7006	LOCK WASHER	4		6 MM
32	9261200	VEHICLE CONTROLLER	1		(MAIN)
33	4631128	SWITCH	1		
	4482656	DIAL KNOB	1		(SPEED)
	4483208	DIAL KNOB	4		
	4483209	DIAL KNOB	1		

1674-27A

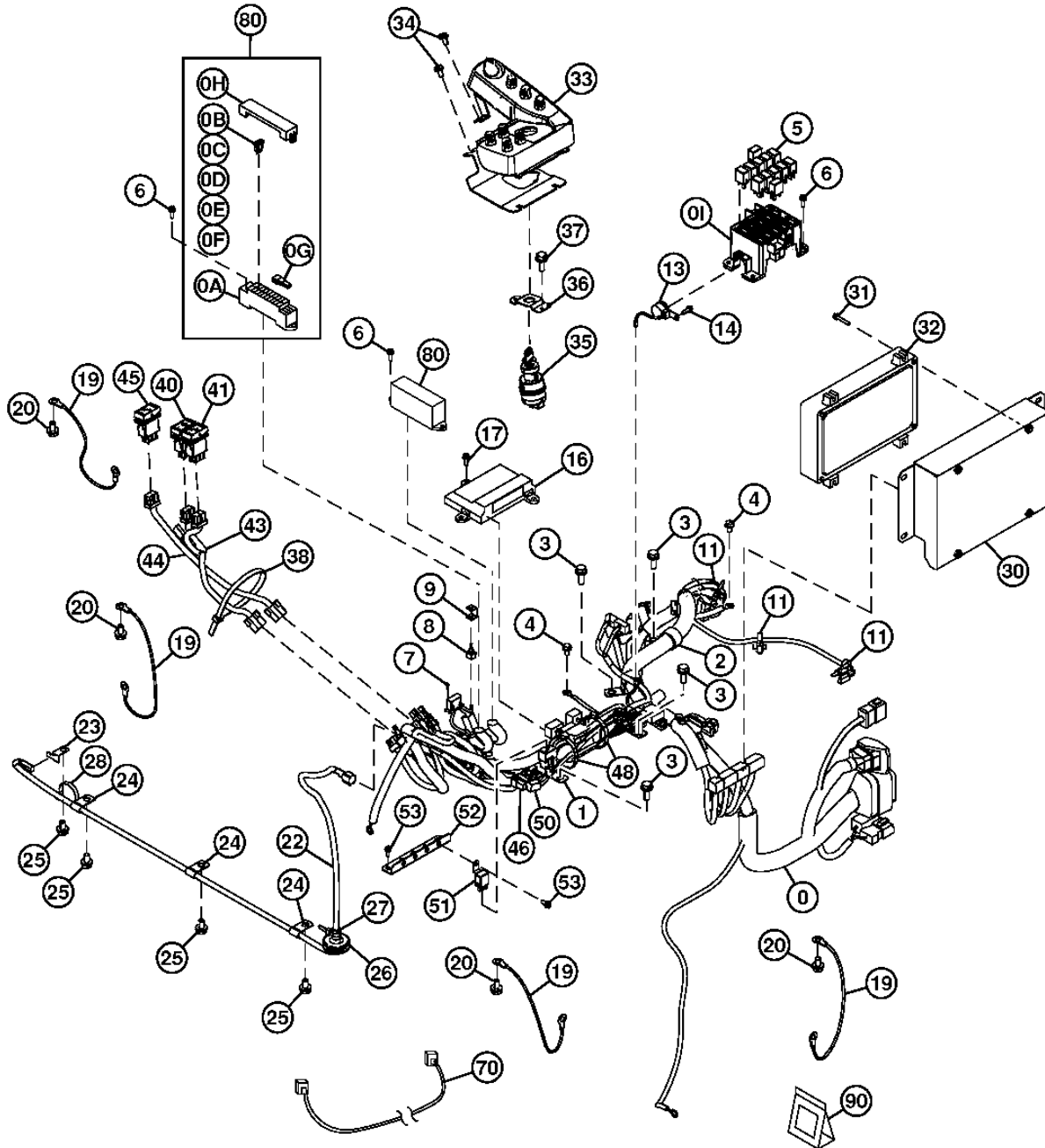
VEHICLE ELECTRICAL SYSTEM 16

WIRING HARNESS AND SWITCHES 1674

CAB WIRING HARNESS AND COMPONENTS (CONTINUED)
FAISCEAU DE FILS ET COMPOSANTS DE CABINE (SUITE)
ARNES DE ALAMBRADO DE LA CABINA Y COMPONENTES (CONTINUACION)

TX1029388

-UN-19SEP07



TX1029388

1674-27B

VEHICLE ELECTRICAL SYSTEM 16

WIRING HARNESS AND SWITCHES 1674

CAB WIRING HARNESS AND COMPONENTS (CONTINUED)
FAISCEAU DE FILS ET COMPOSANTS DE CABINE (SUITE)
ARNES DE ALAMBRADO DE LA CABINA Y COMPONENTES (CONTINUACION)

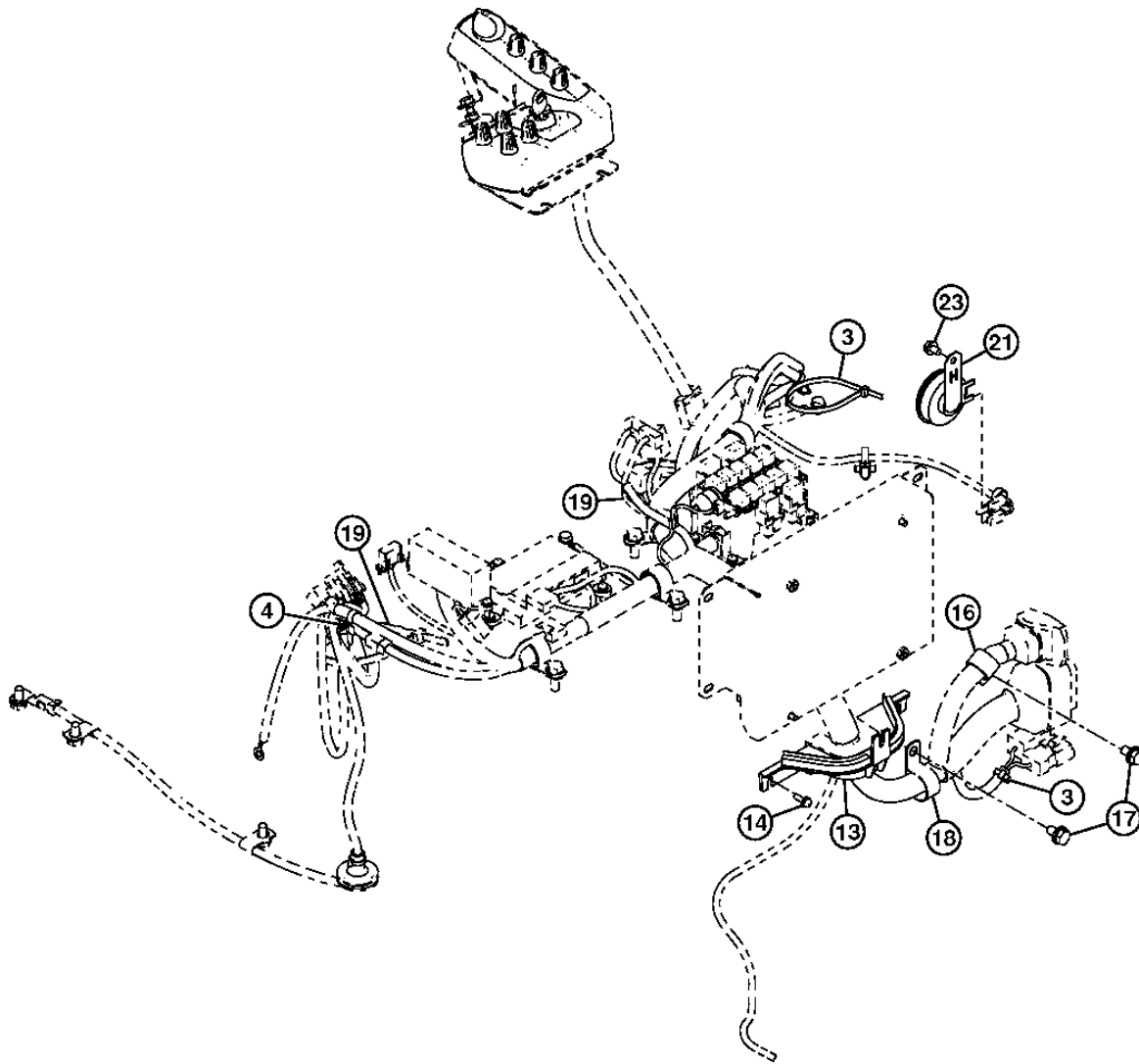
KEY	PART NO.	PART NAME	QTY.	SERIAL NO.	REMARKS
34	SCREW WITH WASHER	2		(J260816 NLA)
	19M7162	CAP SCREW	2		M8 X 16, (SUB FOR J900816)
	24M7055	WASHER	2		8.400 X 16 X 1.600 MM., (SUB FOR A590108)
35	4477373	SWITCH	1		
36	3106928	BRACKET	1		
37	4361800	SCREW	3		
38	H77698	TIE BAND	2		(SUB FOR 4121859)
40	4651742	SWITCH	1		
41	4651743	SWITCH	1		
43	3107724	WIRING HARNESS	1		
44	3107848	WIRING HARNESS	1		
45	4658818	SWITCH	1		
46	2053507	WIRING HARNESS	1		
48	H77698	TIE BAND	2		(SUB FOR 4055312)
50	4632799	WIRING HARNESS	1		
51	4414207	RELAY	1		
52	8100850	BRACKET	1		
53	SCREW WITH WASHER	3		(J460616 NLA)
	19M8125	SCREW	3		M8 X 140
	24M7293	WASHER	3		6.500 X 13 X 1.600 MM
	12M7006	LOCK WASHER	3		6 MM
70	2053912	CAB WIRING HARNESS	1		(EXTENSION - 4 M)
80	4460037	FUSE BOX	2		
90	4369817	ELECTRICAL CONNECTOR ASSY	1		

1674-28

VEHICLE ELECTRICAL SYSTEM 16
WIRING HARNESS AND SWITCHES 1674

CAB WIRING HARNESS MOUNTING
OUILLETS DE FAISCEAU DE FILS DE CABINE
CONJUNTO DE ANILLO PARA ARNES DE ALAMBRADO DE LA CABINA

TX1012072 -UN-21SEP06



TX1012072

1674-29

VEHICLE ELECTRICAL SYSTEM 16
WIRING HARNESS AND SWITCHES 1674

CAB WIRING HARNESS MOUNTING
FAISCEAU DE FILS DE CABINE MONTAGE
ARNES DE ALAMBRADO DE CABINA MONTAJE

KEY	PART NO.	PART NAME	QTY.	SERIAL NO.	REMARKS
3	H77698	TIE BAND	2		(SUB FOR 4055312)
4	4254600	CLIP	1		
13	4642883	COVER	1		
14	SCREW WITH WASHER	3		(J460616 NLA)
	19M8425	CAP SCREW	3		M6 X 16
	12M7006	LOCK WASHER	3		6 MM
	24M7293	WASHER	3		6.500 X 13 X 1.600 MM
16	XCL-19	HOSE CLAMP	1		(SUB FOR 4192035)
17	SCREW WITH WASHER	2		(J271020 NLA)
	19M7938	CAP SCREW	2		M10 X 20, (SUB FOR J901020)
	24M7346	WASHER	2		11 X 20 X 2 MM, (SUB FOR DH400703 OR J222010)
18	XCL-29	HOSE CLAMP	1		(SUB FOR 4190264)
19	H77698	TIE BAND	2		(SUB FOR 4121859)
21	4638167	HORN	1		
23	SCREW WITH WASHER	5		(J260816 NLA)
	19M7932	CAP SCREW	5		M8 X 16, (SUB FOR J900816 OR 19M7162)
	24M7055	WASHER	5		8.400 X 16 X 1.600 MM, (SUB FOR A590108)

1740-2

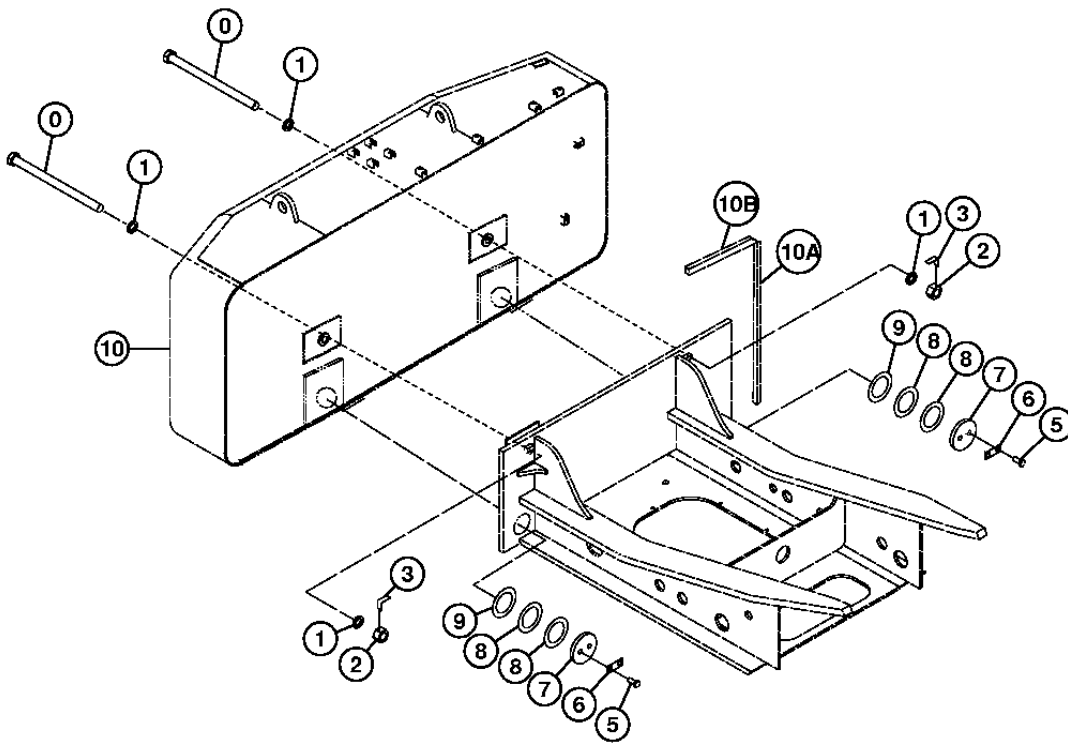
FRAME, CHASSIS OR SUPPORTING STRUCTURE 17

FRAME INSTALLATION 1740

COUNTERWEIGHT
CONTREPOIDS PRINCIPAL
CONTRAPESO PRINCIPAL

TX1000658

-UN-29NOV05



TX1000658

1740-3

FRAME, CHASSIS OR SUPPORTING STRUCTURE 17

FRAME INSTALLATION 1740

**COUNTERWEIGHT
CONTREPOIDS PRINCIPAL
CONTRAPESO PRINCIPAL**

KEY	PART NO.	PART NAME	QTY.	SERIAL NO.	REMARKS
0	4635562	BOLT	2		
1	4103743	BUSHING	4		
2	M660045	NUT	2	M45	
3	4345741	SHIM	2		
5	J912455	BOLT	4		
6	4070952	STRAP	2		
7	4070953	PLATE	2		
8	4070951	SHIM	4		
9	4071071	SHIM	2		
10	5010043	COUNTERWEIGHT	1		
10A	4652472	ISOLATOR	1		
10B	4651868	ISOLATOR	1		

1740-4

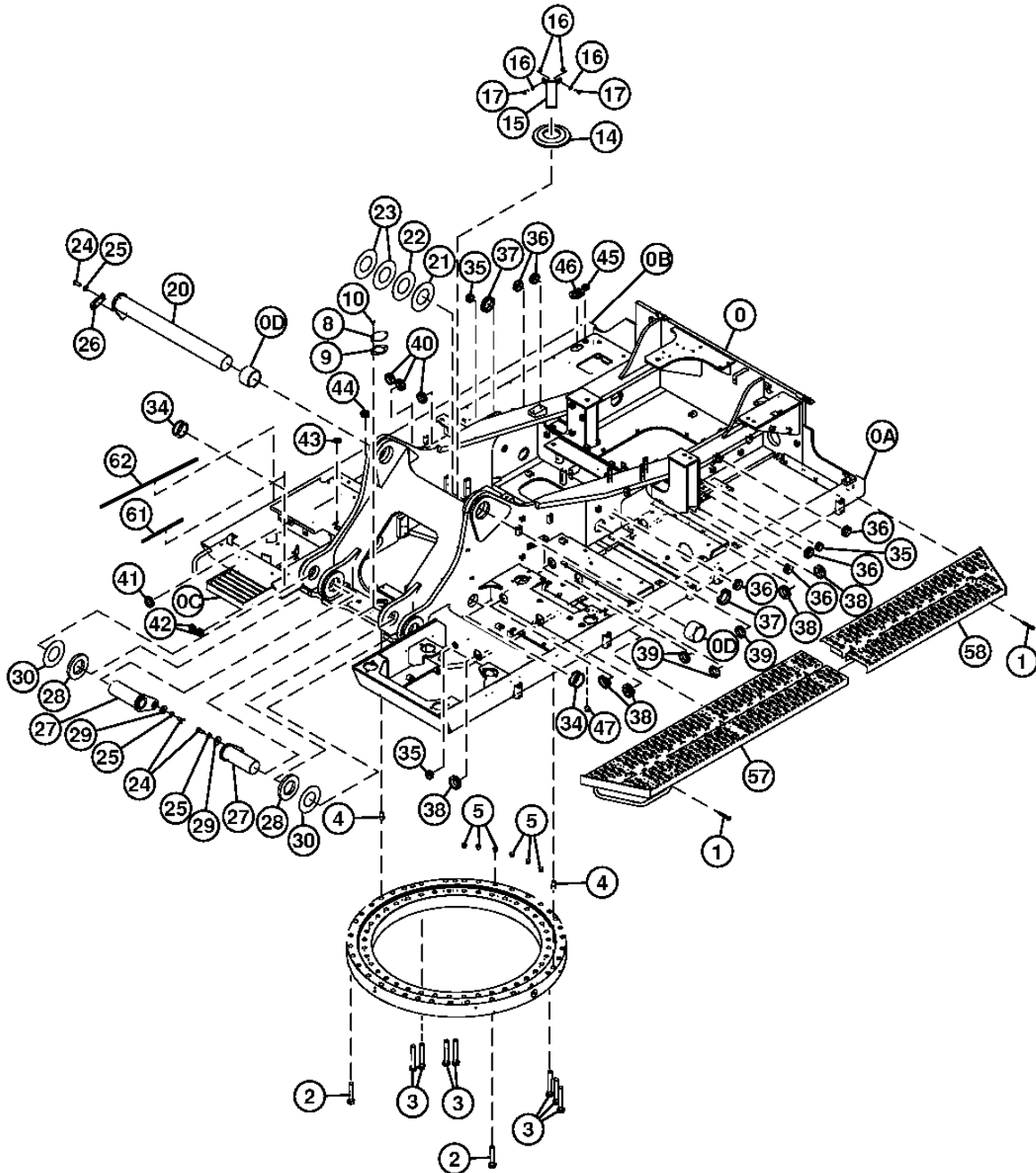
FRAME, CHASSIS OR SUPPORTING STRUCTURE 17

FRAME INSTALLATION 1740

MAIN FRAME
CHASSIS PRINCIPAL
BASTIDOR PRINCIPAL

TX1046037

-UN-



TX1046037

THIS PARTS LISTING IS CONTINUED

1740-5

FRAME, CHASSIS OR SUPPORTING STRUCTURE 17

FRAME INSTALLATION 1740

**MAIN FRAME
CHASSIS PRINCIPAL
BASTIDOR PRINCIPAL**

KEY	PART NO.	PART NAME	QTY.	SERIAL NO.	REMARKS
0	5010030	FRAME	1		
0A	PIPE	1		(LH) (4634648 NSEP)
0B	PIPE	1		(RH) (4634836 CTL)
0C	8104562	STEP	1		
0D	4216361	BUSHING	2		
1	SCREW WITH WASHER	10		(J281230 NLA)
	19M8011	CAP SCREW	10		M12 X 30, (SUB FOR J901230)
	4249324	WASHER	10		
2	J833011	CAP SCREW	29		
3	J833015	BOLT	7		
4	4292932	PLUG	2		
5	429135	PLUG	6		
8	4070948	COVER	1		(SUB FOR AT131676)
9	4602624	GASKET	1		
10	BOLT	2		(J271025 NLA)
	19M7402	CAP SCREW	2		M10 X 25, (SUB FOR J901025)
	24M7346	WASHER	2		11 X 20 X 2 MM, (SUB FOR J222010)
14	4205476	COVER	1		
15	8039014	STOP	1		
16	4114404	WASHER	4		
17	19M6332	CAP SCREW	2		M14 X 35, (SUB FOR J901435)
20	8100446	PIN FASTENER	1		
21	4207845	WASHER	1		
22	4173485	WASHER	1		
23	4191280	SOLID SHIM	2		
24	19M7950	CAP SCREW	4		M20 X 45
25	J222020	WASHER	4		
26	4335757	PLATE	1		(SUB FOR AT202337)
27	AT132074	PIN FASTENER	2		
28	4207890	SPACER	2		(SUB FOR AT131851)
29	4040826	BUSHING	2		
30	4143607	WASHER	2		
34	4200176	GROMMET	2		
35	4200176	GROMMET	3		
36	4255567	BUSHING	6		(SUB FOR 4255530)
37	4201986	GROMMET	2		
38	4226533	GROMMET	5		
39	4292762	BUSHING	4		
40	4208279	GROMMET	3		
41	4087462	BUSHING	1		
42	998720	BUSHING	2		
43	GROMMET	1		(4184582 NLA)
44	4207839	GROMMET	1		
45	4279257	BUSHING	1		
46	4253889	GROMMET	1		
47	4196825	GROMMET	1		
57	6024198G	STEP	1		(SUB FOR 6024198)
58	6024183G	STEP	1		(SUB FOR 6024183)
61	4673772	ISOLATOR	1	913279-	
62	4673773	ISOLATOR	1	913279-	

1740-6

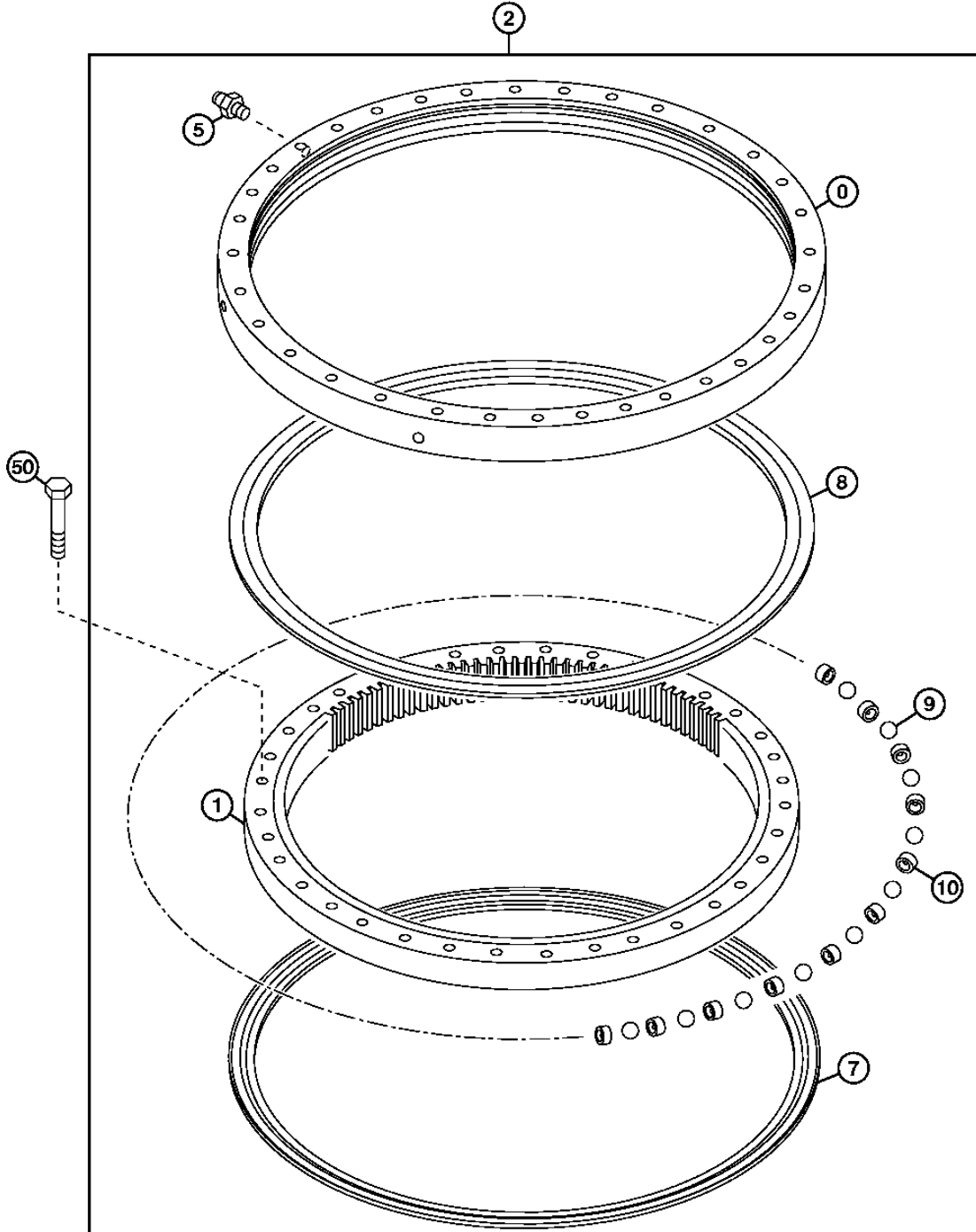
FRAME, CHASSIS OR SUPPORTING STRUCTURE 17

FRAME INSTALLATION 1740

SWING BEARING
ROULEMENT DE PIVOTEMENT
COJINETE DE GIRO

TX1000850

-UN-01DEC05



TX1000850

THIS PARTS LISTING IS CONTINUED

1740-7

FRAME, CHASSIS OR SUPPORTING STRUCTURE 17

FRAME INSTALLATION 1740

SWING BEARING ROULEMENT DE PIVOTEMENT COJINETE DE GIRO

KEY	PART NO.	PART NAME	QTY.	SERIAL NO.	REMARKS
0	BEARING RACE	1		
1	BEARING RACE	1		
2	PG200019	SWING BEARING	1		(A) REMAN, (SUB FOR 9247287)
5	TH100074	LUBRICATION FITTING	1		(SUB FOR J75481)
7	T203958	SEAL	1		(A) (SUB FOR 4633532) (ALSO ORDER TY21517 AND AT66866)
	TY21517	ADHESIVE	AR		
	AT66866	CLEANING SOLVENT	AR		
8	4631755	SEAL	1		(A)
9	4650432	BALL BEARING	1		(KIT CONTAINS 86 PIECES)
10	SUPPORT	86		(4631382 NLA)
50	J932709	BOLT	40		

(A) CONTACT PHOENIX REMAN FOR REPLACEMENT SEAL ON NON-OEM SWING BEARINGS.

(A) CONTACTER LE PHOENIX REMAN POUR LE JOINT DE RECHANGE SUR LES ROULEMENTS DE PIVOTEMENT NON OEM.

(A) COMUNICARSE CON PHOENIX REMAN PARA OBTENER SELLO DE REPUESTO DE COJINETES DE GIRO NO PARA OEM.

1740-8

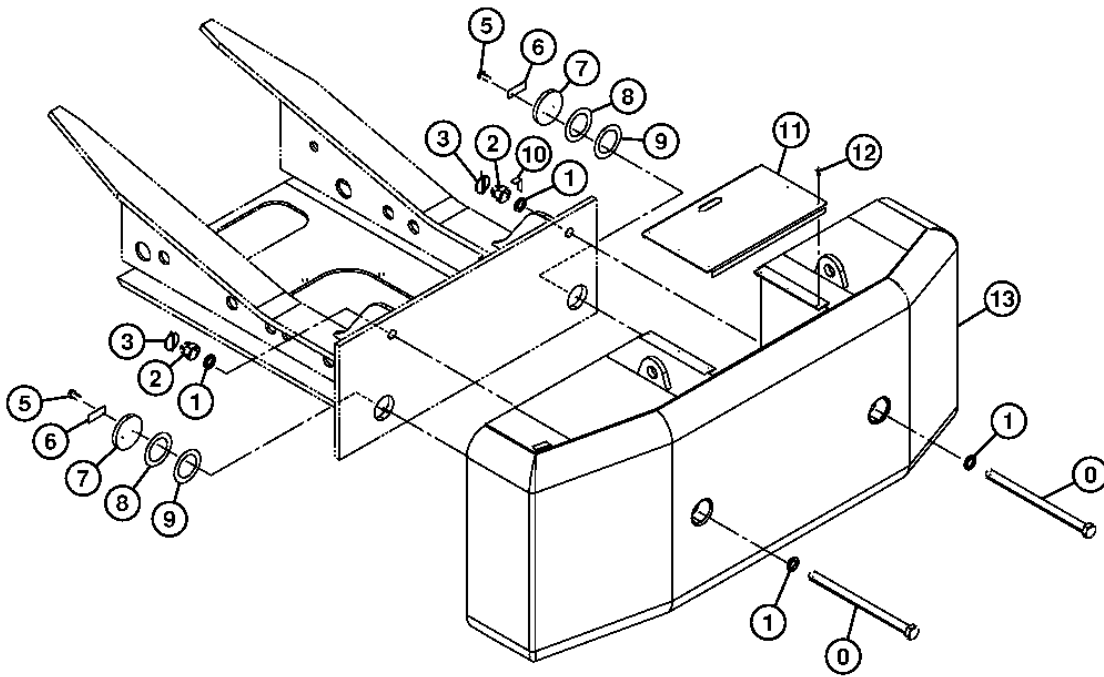
FRAME, CHASSIS OR SUPPORTING STRUCTURE 17

FRAME INSTALLATION 1740

COUNTERWEIGHT (REMOVAL DEVICE)
CONTREPOIDS (DISPOSITIF DE DEPOSE)
CONTRAPESO (DISPOSITIVO DE RETIRO)

TX1001920

-UN-03JAN06



TX1001920

1740-9

FRAME, CHASSIS OR SUPPORTING STRUCTURE 17

FRAME INSTALLATION 1740

**COUNTERWEIGHT (REMOVAL DEVICE)
CONTREPOIDS (DISPOSITIF DE DEPOSE)
CONTRAPESO (DISPOSITIVO DE RETIRO)**

KEY	PART NO.	PART NAME	QTY.	SERIAL NO.	REMARKS
0	4658786	BOLT	2		
1	4103743	BUSHING	4		
2	4246150	NUT	2		
3	9701925	QUICK LOCK PIN	2		
5	J912455	BOLT	4		
6	4070952	STRAP	2		
7	4070953	PLATE	2		
8	4070951	SHIM	4		
9	4071071	SHIM	2		
10	4345741	SHIM	1		
11	8106210	COVER	1		
12	SCREW WITH WASHER	6		(J271235 NLA)
	19M7403	CAP SCREW	6		M12 X 35
	24M7345	WASHER	6		13.500 X 24 X 2.500 MM
13	5010916	COUNTERWEIGHT	1		

1740-10

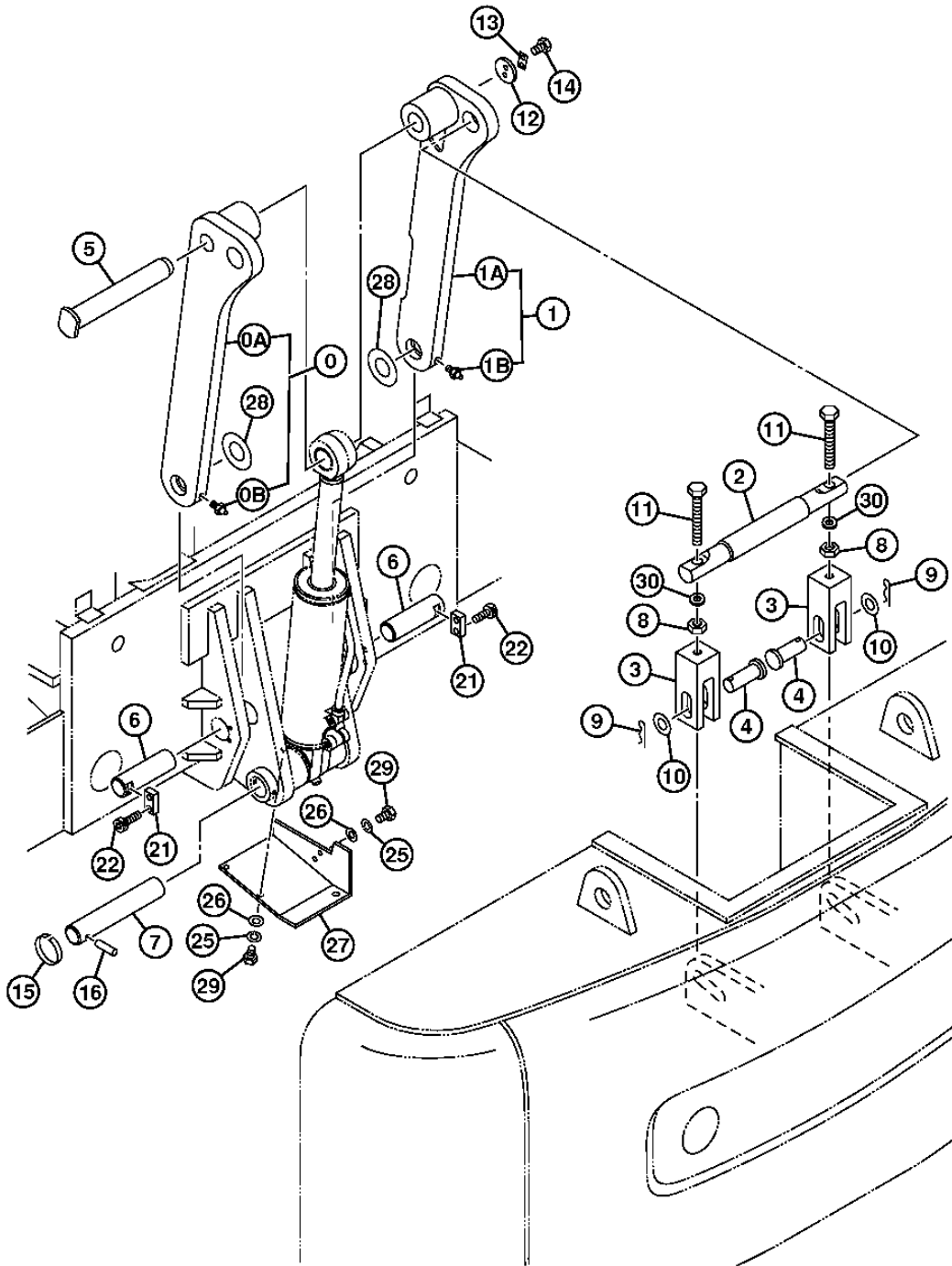
FRAME, CHASSIS OR SUPPORTING STRUCTURE 17

FRAME INSTALLATION 1740

COUNTERWEIGHT (LIFTING DEVICE)
DISPOSITIF DE LEVAGE DE CONTREPOIDS
DISPOSITIVO ELEVADOR DE CONTRAPESO

TX1025918

-UN-26JUL07



TX1025918

1740-11

FRAME, CHASSIS OR SUPPORTING STRUCTURE 17

FRAME INSTALLATION 1740

**COUNTERWEIGHT (LIFTING DEVICE)
DISPOSITIF DE LEVAGE DE CONTREPOIDS
DISPOSITIVO ELEVADOR DE CONTRAPESO**

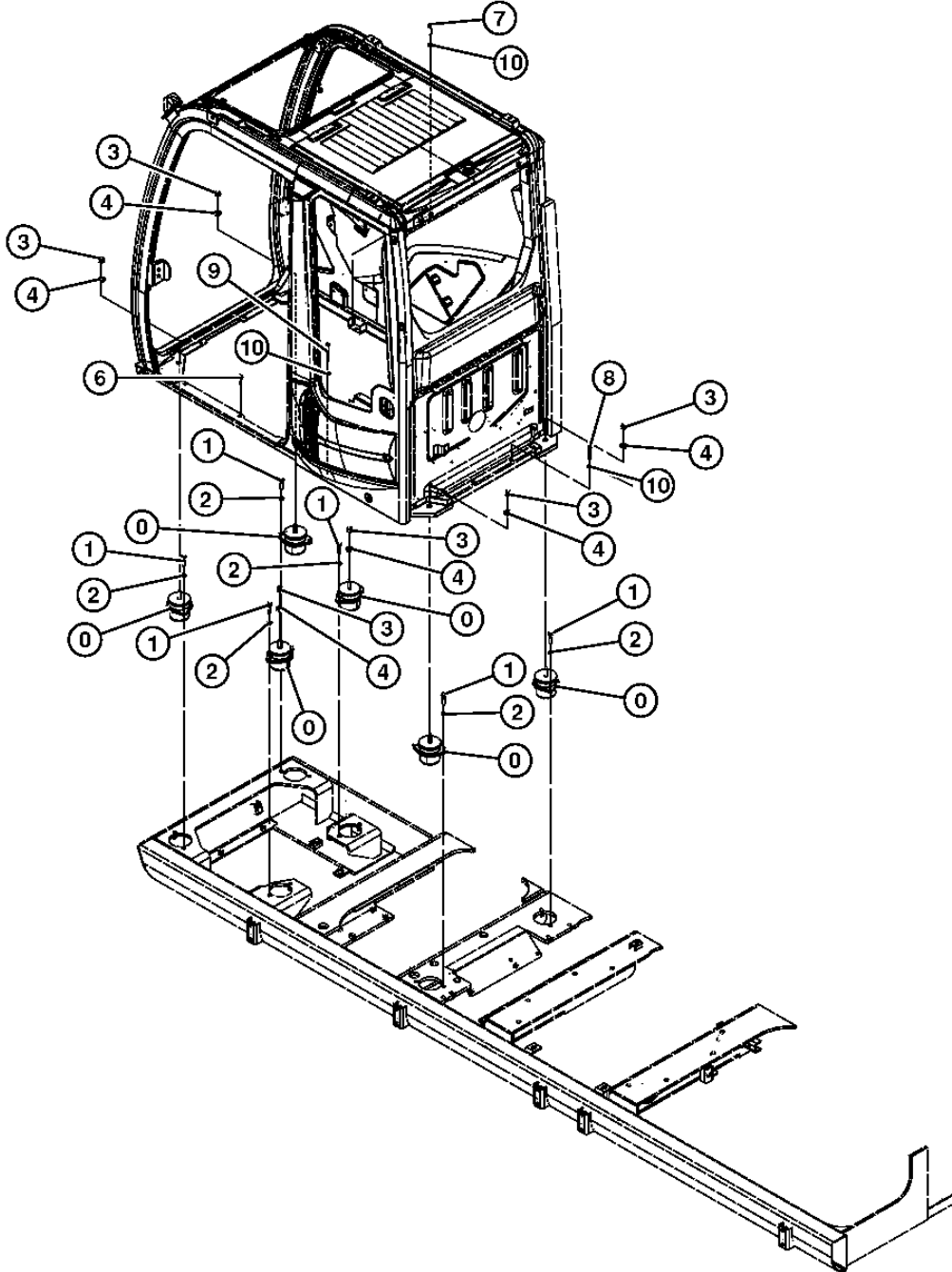
KEY	PART NO.	PART NAME	QTY.	SERIAL NO.	REMARKS
0	9134171	LINK	1		
0A	LINK	1		(8059541 NLA)
0B	TH100074	LUBRICATION FITTING	1		(SUB FOR J75481)
1	9134172	LINK	1		
1A	LINK	1		(8059544 NLA)
1B	TH100074	LUBRICATION FITTING	1		(SUB FOR J75481)
2	4337811	PIN	1		
3	4337792	FORK	2		
4	4337833	PIN	2		
5	4337830	PIN	1		
6	4337837	PIN	2		
7	4337843	PIN	1		
8	J953030	NUT	2		
9	414322	SPRING LOCKING PIN	2		
10	A590142	WASHER	2		
11	4235221	CAP SCREW	2		
12	AD4112	RETAINER	1		(SUB FOR 492067 OR Z492067)
13	442687	STRAP	1		
14	19M8017	CAP SCREW	2		M12 X 20, (SUB FOR J901220)
15	4065688	RETAINER	1		
16	4186695	PIN	1		(SUB FOR 4107899)
21	4063340	STRAP	2		
22	19M9514	SCREW	4		M16 X 35, (SUB FOR M341636)
25	12H317	LOCK WASHER	3		(SUB FOR A590914)
26	24M7085	WASHER	3		15 X 28 X 2.500 MM, (SUB FOR A590114)
27	8065783	GUARD	1		
28	4348458	SHIM	2		
29	19M6332	CAP SCREW	3		M14 X 35, (SUB FOR J901435)
30	4666150	SPACER	2		

1810-2

OPERATOR'S STATION 18
OPERATOR ENCLOSURE 1810

CAB MOUNTS SUPPORTS DE MONTAGE DE CABINE PUNTOS DE MONTAJE DE CABINA

TX1001417 -UN-17DEC05



TX1001417

1810-3

OPERATOR'S STATION 18
OPERATOR ENCLOSURE 1810

CAB MOUNTS
SUPPORTS DE MONTAGE DE CABINE
PUNTOS DE MONTAJE DE CABINA

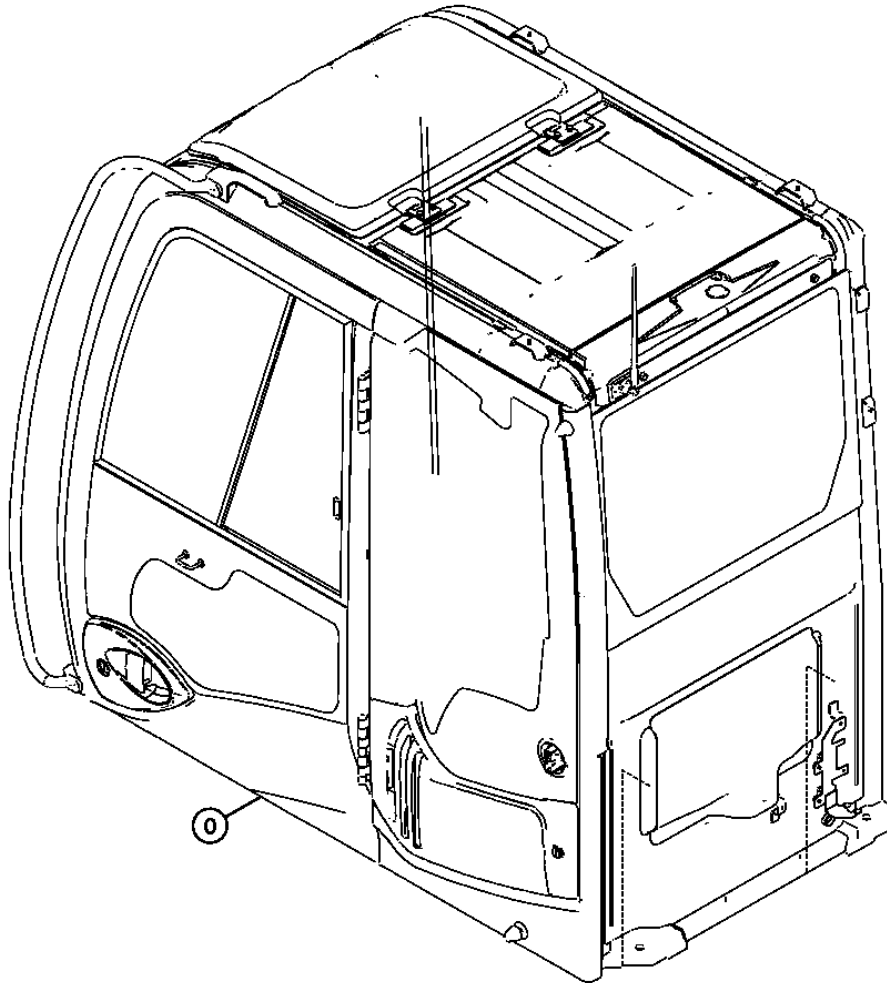
KEY	PART NO.	PART NAME	QTY.	SERIAL NO.	REMARKS
0	4602034	ISOLATOR	6		
1	19M7361	CAP SCREW	12		M12 X 50, (SUB FOR J921250)
2	24M7345	WASHER	12		13.500 X 24 X 2.500 MM, (SUB FOR J222012 OR AT153809)
3	14M7328	LOCK NUT	12		M16, (SUB FOR 4423699)
4	24M7338	WASHER	6		17 X 30 X 3 MM, (SUB FOR J222016)
6	SCREW WITH WASHER	6		(J271035 NLA)
	19M7550	CAP SCREW	6		M10 X 35, (SUB FOR J901035)
	24M7346	WASHER	6		11 X 20 X 2 MM, (SUB FOR J222010)
7	19M8338	SCREW	2		M10 X 40, (SUB FOR J781040 OR AT213615)
8	J781065	BOLT	2		
9	J781090	BOLT	1		
10	24M7346	WASHER	5		11 X 20 X 2 MM, (SUB FOR J222010)

1810-4

OPERATOR'S STATION 18
OPERATOR ENCLOSURE 1810

CAB
CABINE
CABINA

TX1000670 -UN-28NOV05



TX1000670

1810-5

OPERATOR'S STATION 18
OPERATOR ENCLOSURE 1810

CAB
CABINE
CABINA

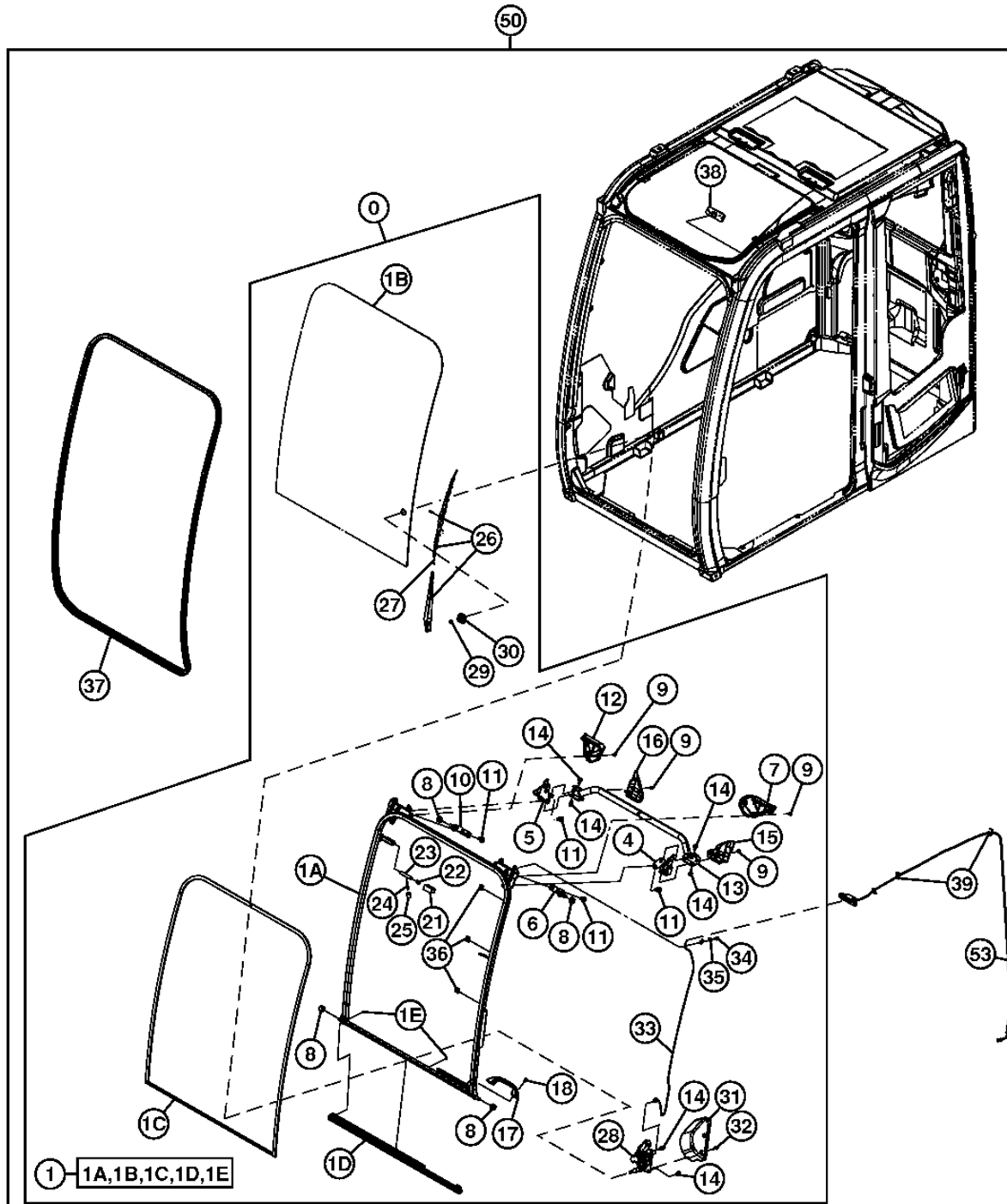
KEY	PART NO.	PART NAME	QTY.	SERIAL NO.	REMARKS
0	4664054	CAB	1		(A) (SUB FOR 4651079)

(A) (ADDITIONAL COMPONENTS FOUND ON SEPARATE PAGES)
(A) VOIR LES COMPOSANTS AUX PAGES SUIVANTES.
(A) VER LAS PAGINAS SIGUIENTES PARA LOS COMPONENTES.

1810-6

CAB COMPONENTS (WINDSHIELD ASSEMBLY)
COMPOSANTS DE CABINE (ESSUIE-GLACE)
COMPONENTES DE CABINA (CONJUNTO DEL PARABRISAS)

TX1025793 -UN-16JUL07



TX1025793

1810-7

OPERATOR'S STATION 18
OPERATOR ENCLOSURE 1810

**CAB COMPONENTS (WINDSHIELD ASSEMBLY)
COMPOSANTS DE CABINE (ESSUIE-GLACE)
COMPONENTES DE CABINA (CONJUNTO DEL PARABRISAS)**

KEY	PART NO.	PART NAME	QTY.	SERIAL NO.	REMARKS
0	4662487	WINDOW	1		
1	WINDOW	1		(4678930 NLA)
1A	4662234	FRAME	1		
1B	4651653	WINDOWPANE	1		
1C	4663017	ISOLATOR	1		
1D	4659660	ISOLATOR	1		
1E	4662244	SCREW	4		
4	4662237	LOCK	1		
5	4662239	LOCK	1		
6	4662235	BRACKET	1		
7	4662240	COVER	1		
8	4204558	ROLLER	4		
9	4662252	BOLT	8		
10	4662236	BRACKET	1		
11	J271025	BOLT	8		
12	4662241	COVER	1		
13	4662238	HANDLE	1		
14	4658110	BOLT	6		
15	4662247	COVER	1		
16	4662248	COVER	1		
17	4204579	HANDLE	1		(SUB FOR 4411821)
18	4464237	BOLT	1		
21	4456227	COVER	1		
22	4662251	SPRING	1		
23	4662243	SHAFT	1		
24	4662223	LEVER	1		
25	4607646	COVER	1		
26	4650571	WIPER ARM	1		
27	4650572	WIPER BLADE	1		
28	4650570	WIPER MOTOR	1		
29	4464401	NUT	1		
30	4656158	CAP	1		
31	4650573	COVER	1		
32	4658109	BOLT	2		
33	4658091	ELEC. CONNECTOR TERMINAL	1		
34	4658095	BOLT	2		
35	4662226	WASHER	2		
36	4662246	HOLDER	3		
37	4659659	ISOLATOR	1		
38	4658090	ELEC. CONNECTOR TERMINAL	1		
39	4377820	CLAMP	3		
50	4664054	CAB	1		(A) (SUB FOR 4651079)
53	4662225	WIRING HARNESS	1		

(A) (ADDITIONAL COMPONENTS FOUND ON SEPARATE PAGES)

(A) (AUTRES COMPOSANTS SUR PAGES SEPARÉES)

(A) (LOS COMPONENTES ADICIONALES SE ENCUENTRAN EN OTRAS PAGINAS)

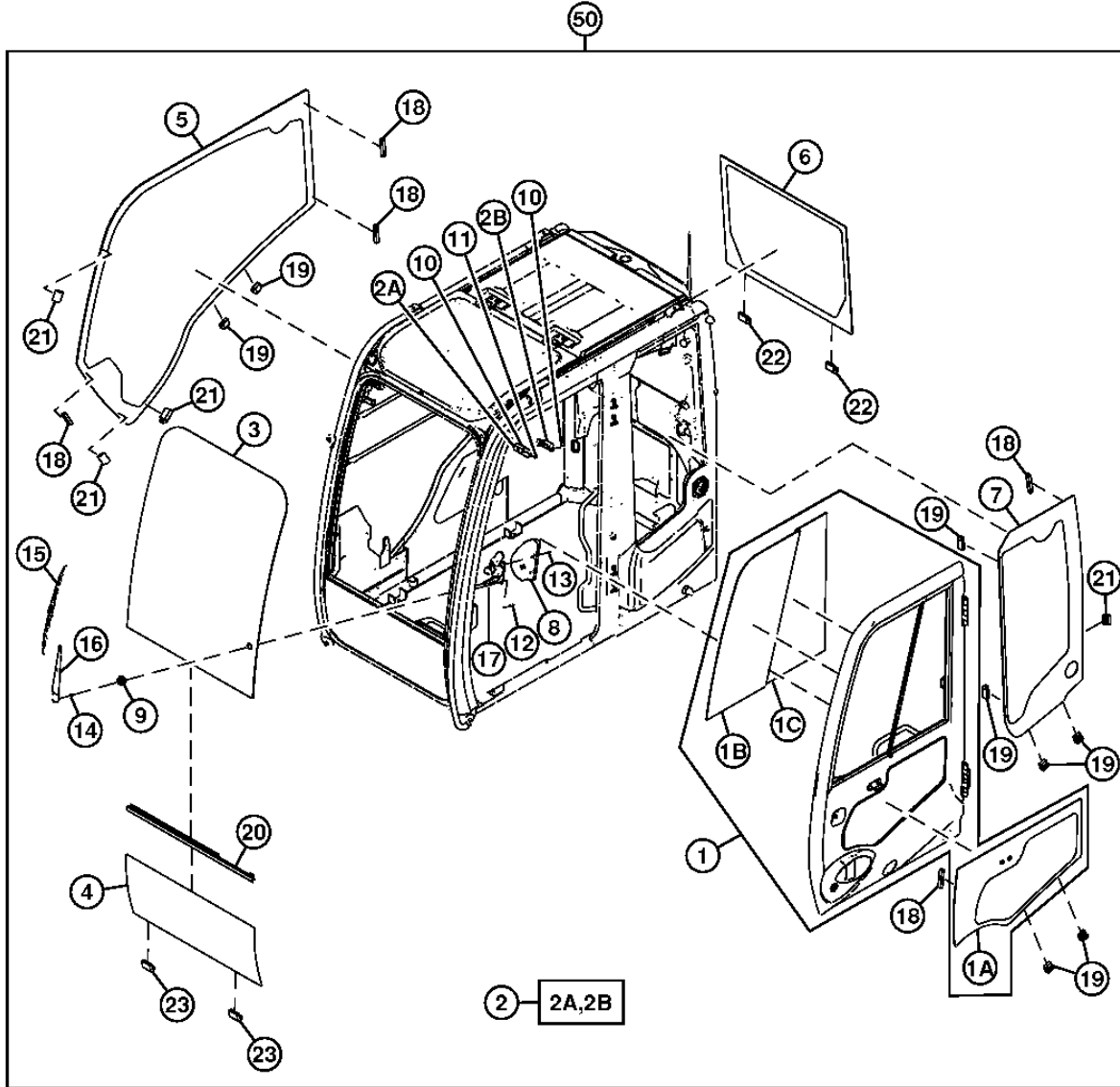
1810-8

OPERATOR'S STATION 18
OPERATOR ENCLOSURE 1810

CAB COMPONENTS (GLASS, WIPER ARM, AND DOOR)
COMPOSANTS DE CABINE (GLACE, BALAI D'ESSUIE-GLACE ET PORTIERE)
COMPONENTES DE CABINA (CRISTAL, BRAZO DE LIMPIAPARABRISAS Y PUERTA)

TX1039188

-UN-25MAR08



TX1039188

1810-9

OPERATOR'S STATION 18

OPERATOR ENCLOSURE 1810

CAB COMPONENTS (GLASS, WIPER ARM, AND DOOR)
COMPOSANTS DE CABINE (GLACE, BALAI D'ESSUIE-GLACE ET PORTIERE)
COMPONENTES DE CABINA (CRISTAL, BRAZO DE LIMPIAPARABRISAS Y PUERTA)

KEY	PART NO.	PART NAME	QTY.	SERIAL NO.	REMARKS
1	4652829	DOOR	1		
1A	4651658	WINDOWPANE	1		
1B	4651659	WINDOWPANE	1		
1C	4651660	WINDOWPANE	1		
2	ELEC. CONNECTOR TERMINAL	1		
2A	4658091	ELEC. CONNECTOR TERMINAL	1		
2B	4658090	ELEC. CONNECTOR TERMINAL	1		
3	4651653	WINDOWPANE	1		
4	4651654	WINDOWPANE	1		
5	4651655	WINDOWPANE	1		
6	4651656	WINDOWPANE	1		
7	4651657	WINDOWPANE	1		
8	4650573	COVER	1		
9	4656158	CAP	1		
10	4658095	BOLT	2		
11	4658094	SCREW	2		
12	4658110	BOLT	2		
13	4658109	BOLT	2		
14	4464401	NUT	1		
15	4650572	WIPER BLADE	1		
16	4650571	WIPER ARM	1		
17	4650570	WIPER MOTOR	1		
18	4659595	ISOLATOR	5		
19	4659592	BUSHING	8		
20	4659660	ISOLATOR	1		
21	4659593	BUSHING	4		
22	4659594	BUSHING	2		
23	4662735	BUSHING	2		
50	4664054	CAB	1		(A) (SUB FOR 4651079)

(A) (ADDITIONAL COMPONENTS FOUND ON SEPARATE PAGES)

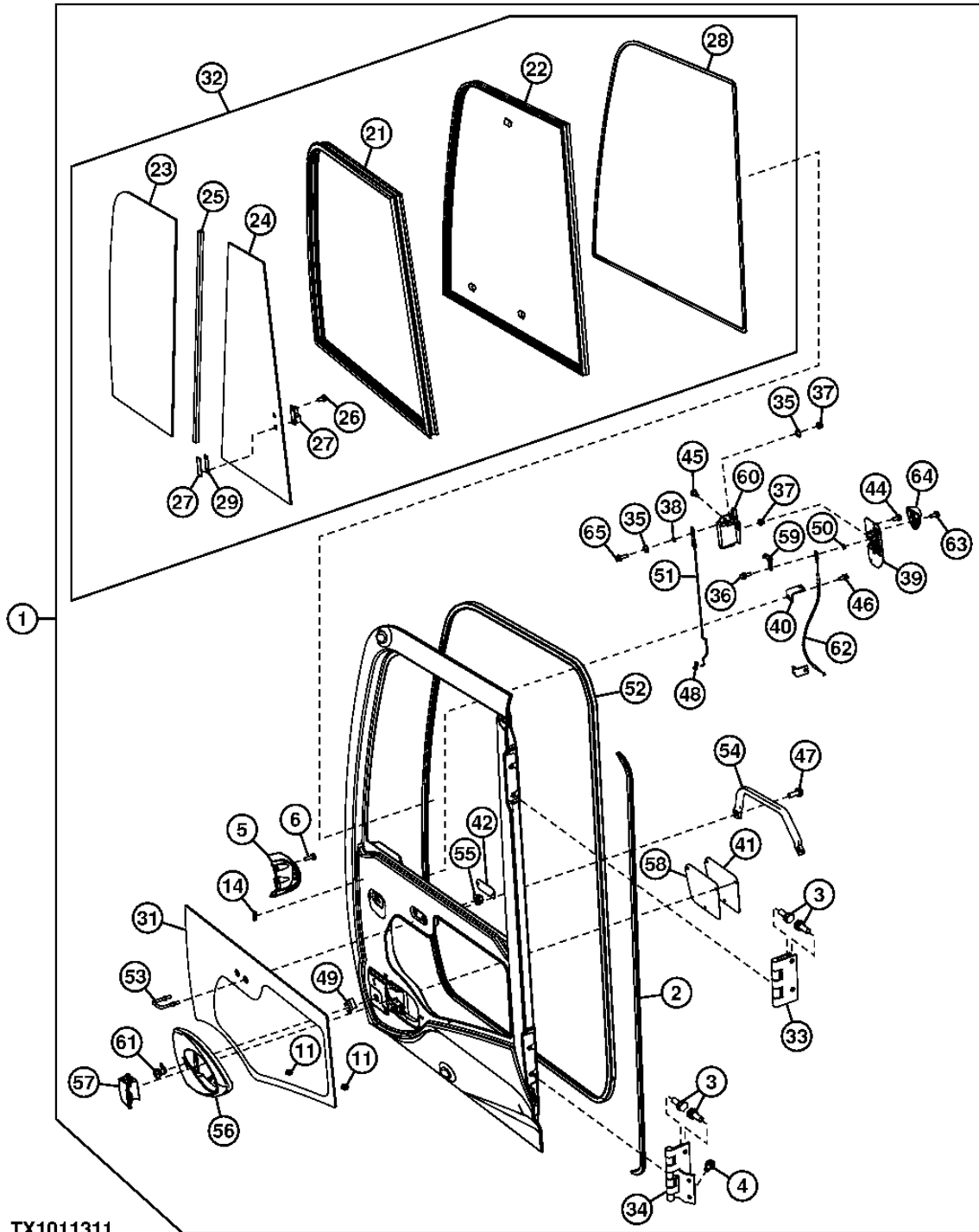
(A) (AUTRES COMPOSANTS SUR PAGES SEPARÉES)

(A) (LOS COMPONENTES ADICIONALES SE ENCUENTRAN EN OTRAS PAGINAS)

1810-10

CAB COMPONENTS (DOOR) COMPOSANTS DE CABINE (PORTIERE) COMPONENTES DE CABINA (PUERTA)

TX1011311 -UN-16AUG06



TX1011311

1810-11

OPERATOR'S STATION 18
OPERATOR ENCLOSURE 1810

CAB COMPONENTS (DOOR)
COMPOSANTS DE CABINE (PORTIERE)
COMPONENTES DE CABINA (PUERTA)

KEY	PART NO.	PART NAME	QTY.	SERIAL NO.	REMARKS
1	4652829	DOOR	1		
2	4662747	ISOLATOR	1		
3	SCREW WITH WASHER	8		(4411829 NLA)
	R168831	CAP SCREW	8		M10 X 25
	24M7028	WASHER	8		10.500 X 20 X 2 MM, (SUB FOR 24M7271)
4	4658110	BOLT	2		
5	4662750	COVER	1		
6	4485892	BOLT	2		
11	4659592	BUSHING	8		
14	4659595	ISOLATOR	5		
21	4665561	FRAME	1		
22	4665562	BRACKET	1		
23	4651659	WINDOWPANE	1		
24	4651660	WINDOWPANE	1		
25	4665563	SEAL	1		
26	4607512	SCREW	2		
27	4369653	LOCK	1		
28	4665634	BUSHING	1		
29	4420531	SPACER	1		(SUB FOR 4372093)
31	4651658	WINDOWPANE	1		
32	4665566	FRAME	1		
33	4665496	HINGE	1		
34	4665497	HINGE	1		
35	4662770	WASHER	2		
36	4662730	BOLT	1		
37	4608999	NUT	4		
38	4665508	BUSHING	1		
39	4665489	GUARD	1		
40	4665502	BRACKET	1		
41	4665500	COVER	1		
42	4665501	COVER	1		
44	4456428	SCREW	8		
45	4665506	BOLT	3		
46	19M7286	CAP SCREW	1		(SUB FOR 4444669)
47	4665505	BOLT	2		
48	4444664	HOLDER	1		
49	4372091	CLIP	1		
50	4665494	BUSHING	1		
51	4665492	ROD	1		
52	4665504	BUSHING	1		
53	4665495	U-BOLT	1		
54	4665498	HANDRAIL	1		
55	4341450	NUT	2		
56	4665488	COVER	1		
57	4369645	HANDLE	1		
58	4665503	SEAL	1		
59	4665499	BRACKET	1		
60	4461933	LATCH	1		
61	4665491	LOCK	1		
62	4665493	WIRE	1		
63	4662252	BOLT	1		
64	4665490	GRIP	1		
65	4658095	BOLT	1		
75	4664054	CAB	1		(A) (SUB FOR 4651079) (NOT ILLUSTRATED)

(A) (ADDITIONAL COMPONENTS FOUND ON SEPARATE PAGES)

(A) (AUTRES COMPOSANTS SUR PAGES SEPARÉES)

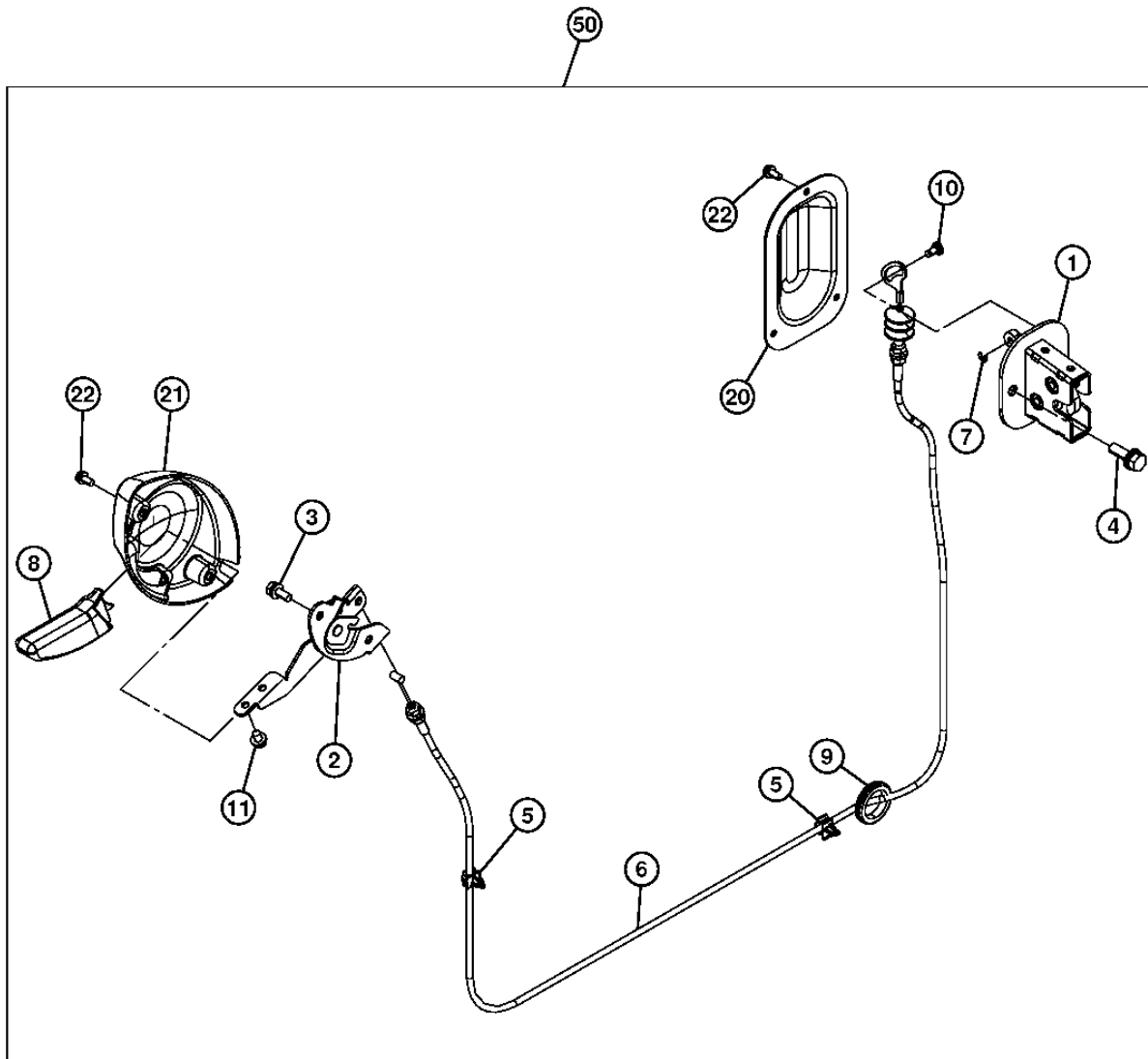
(A) (LOS COMPONENTES ADICIONALES SE ENCUENTRAN EN OTRAS PAGINAS)

1810-12

OPERATOR'S STATION 18
OPERATOR ENCLOSURE 1810

CAB COMPONENTS (DOOR CATCH) COMPOSANTS DE CABINE (LOQUET DE PORTIERE) COMPONENTES DE CABINA (TRABA DE LA PUERTA)

TX1006029 -UN-21APR06



TX1006029

1810-13

OPERATOR'S STATION 18
OPERATOR ENCLOSURE 1810

**CAB COMPONENTS (DOOR CATCH)
COMPOSANTS DE CABINE (LOQUET DE PORTIERE)
COMPONENTES DE CABINA (TRABA DE LA PUERTA)**

KEY	PART NO.	PART NAME	QTY.	SERIAL NO.	REMARKS
1	4662720	LATCH	1		
2	4662724	LEVER	1		
3	4662730	BOLT	1		
4	4662367	BOLT	2		
5	4662728	CLIP	2		
6	4662727	CABLE	1		
7	4662722	SNAP RING	1		
8	4662725	HANDLE	1		
9	4607409	BUSHING	1		
10	4662721	PIN	1		
11	4662731	SCREW WITH WASHER	2		
20	4662723	COVER	1		
21	4662726	COVER	1		
22	4662729	SCREW	5		
50	4664054	CAB	1		(A) (SUB FOR 4651079)

(A) (ADDITIONAL COMPONENTS FOUND ON SEPARATE PAGES)

(A) (AUTRES COMPOSANTS SUR PAGES SEPARÉES)

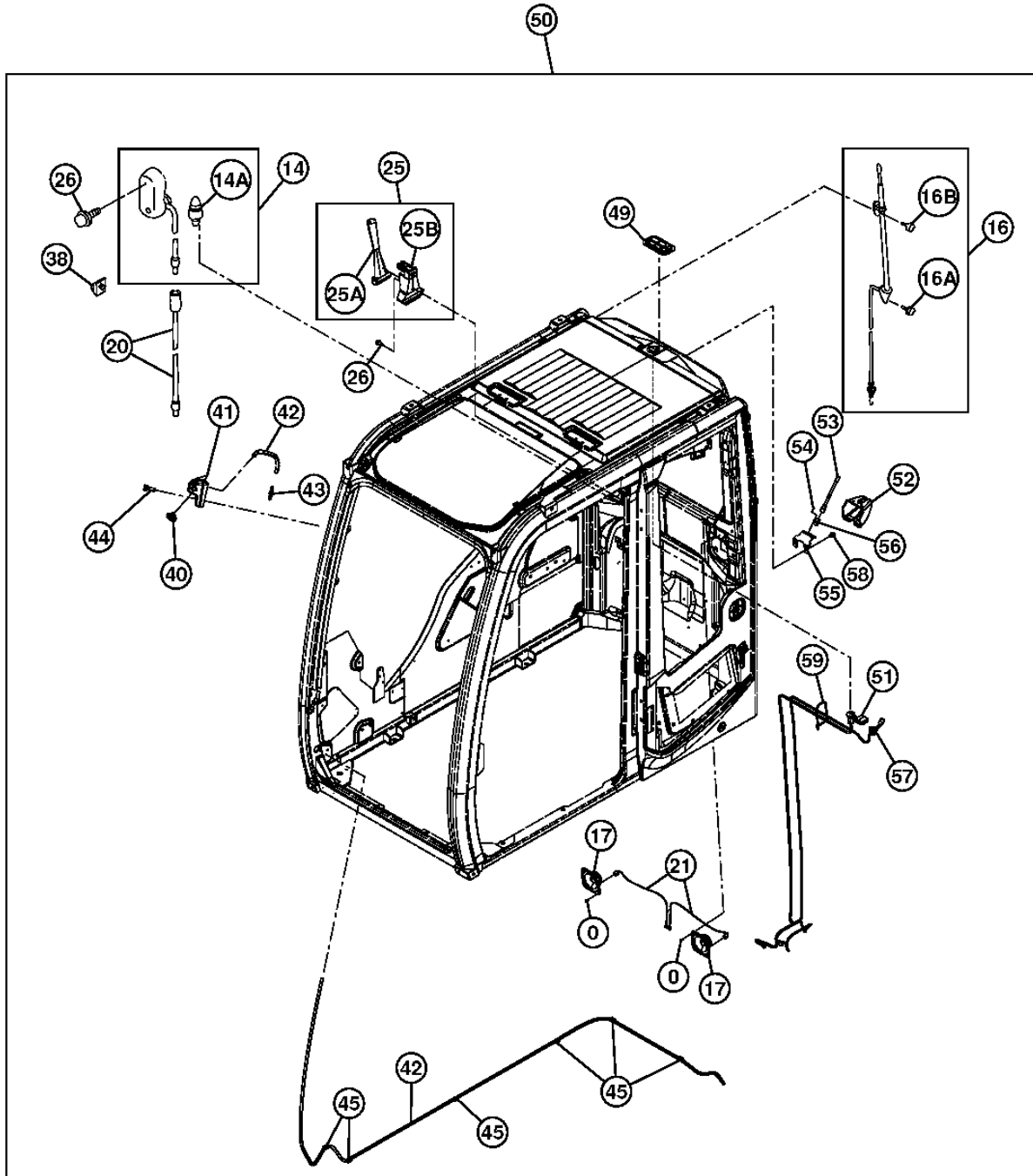
(A) (LOS COMPONENTES ADICIONALES SE ENCUENTRAN EN OTRAS PAGINAS)

1810-14

OPERATOR'S STATION 18
OPERATOR ENCLOSURE 1810

CAB COMPONENTS (CAB LIGHT, ANTENNA AND SPEAKERS)
COMPOSANTS DE CABINE (ECLAIRAGE DE CABINE, ANTENNE ET HAUT-PARLEURS)
COMPONENTES DE CABINA (LUZ INTERIOR DE CABINA, ANTENA Y PARLANTES)

TX1006025 -UN-21APR06



TX1006025

1810-15

OPERATOR'S STATION 18
OPERATOR ENCLOSURE 1810

CAB COMPONENTS (CAB LIGHT, ANTENNA AND SPEAKERS)
COMPOSANTS DE CABINE (ECLAIRAGE DE CABINE, ANTENNE ET HAUT-PARLEURS)
COMPONENTES DE CABINA (LUZ INTERIOR DE CABINA, ANTENA Y PARLANTES)

KEY	PART NO.	PART NAME	QTY.	SERIAL NO.	REMARKS
0	4456427	SCREW	8		(SUB FOR TH4456427)
14	4187082	LAMP	1		(SUB FOR TH108567)
14A	4187083	BULB	1		(SUB FOR TH108568)
15	4456428	SCREW	2		(SUB FOR TH4456428)
16	4658092	ANTENNA	1		
16A	4210412	SCREW	1		(SUB FOR AT131864)
16B	4210413	SCREW	1		(SUB FOR AT131865)
17	4361302	SPEAKER	2		(SUB FOR AT214007)
20	4658093	WIRING HARNESS	1		(DOME LIGHT)
21	4369547	WIRING HARNESS	1		(SPEAKER)
25	HAMMER	1		(ASSY)
25A	4362700	HAMMER	1		(SUB FOR T158020)
25B	2038764	BRACKET	1		(SUB FOR T158021)
26	4456428	SCREW	2		(SUB FOR TH4456428)
38	4464337	HANGER	1		
40	4464394	NOZZLE	1		
41	4662759	ADAPTER FITTING	1		
42	4369549	HOSE	1		
43	4367481	FLOW CONTROL HYD. VALVE	1		
44	4658095	BOLT	1		
45	4662758	CLIP	6		
49	4662370	COVER	1		
50	4664054	CAB	1		(A) (SUB FOR 4651079)
51	4662375	ANTENNA	1		(GPS PARTS)
52	4662371	COVER	1		
53	4662372	ANTENNA	1		
54	4662377	SCREW	4		
55	4662376	BRACKET	1		
56	4662373	FITTING	1		
57	4662374	CABLE	1		(GPS PARTS)
58	4464320	BOLT	2		
59	4662378	CLIP	1		

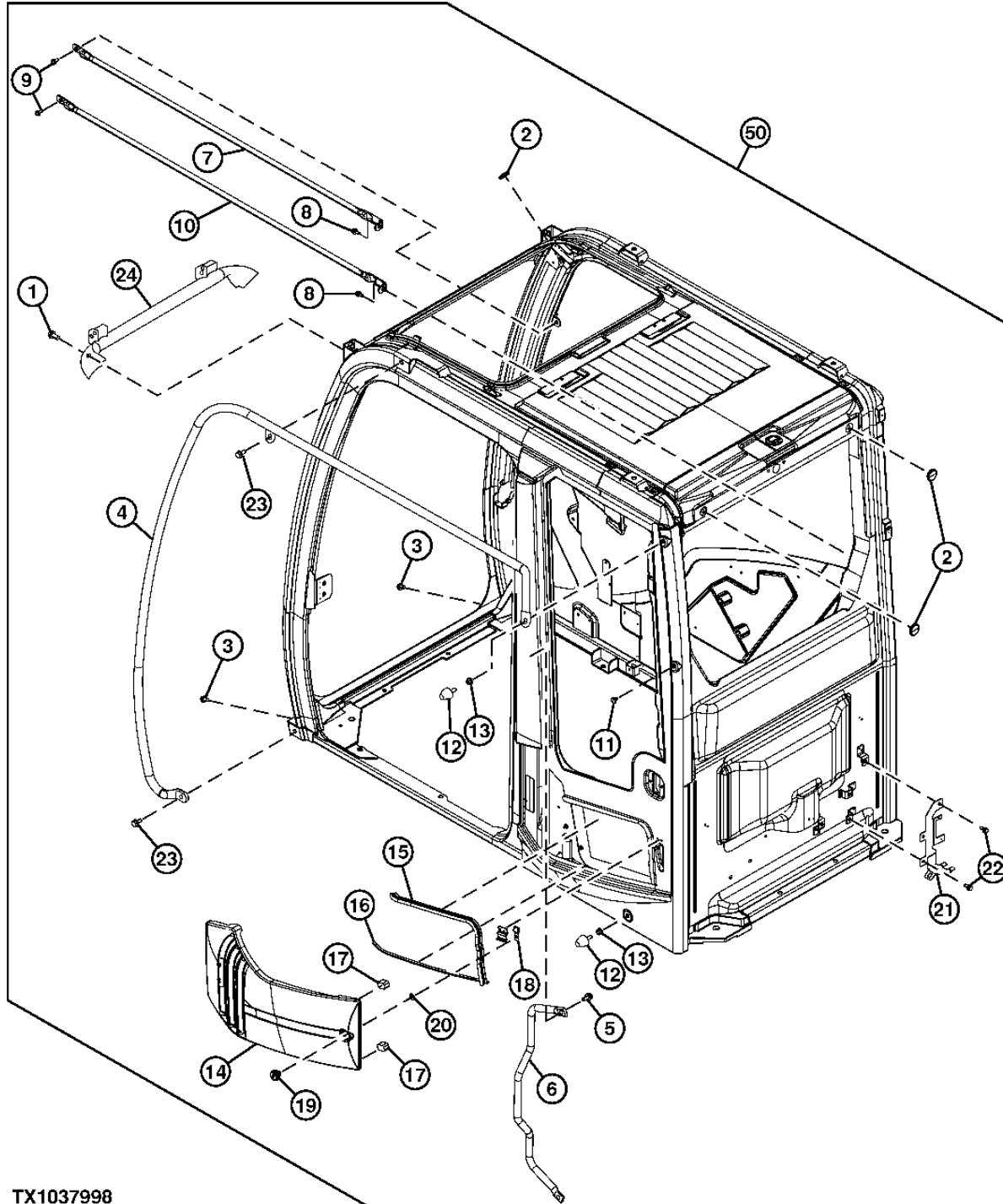
(A) (ADDITIONAL COMPONENTS FOUND ON SEPARATE PAGES)
(A) (AUTRES COMPOSANTS SUR PAGES SEPARÉES)
(A) (LOS COMPONENTES ADICIONALES SE ENCUENTRAN EN OTRAS PAGINAS)

1810-16

OPERATOR'S STATION 18
OPERATOR ENCLOSURE 1810

CAB COMPONENTS (HANDRAIL, GUARD BARS)
COMPONENTES DE CABINA (MAIN COURANTE, BARRAS DE PROTECTION)
COMPONENTES DE CABINA (ASIDERO, PROTECTORES DE BARRAS)

TX1037998 -UN-11MAR08



TX1037998

1810-17

OPERATOR'S STATION 18
OPERATOR ENCLOSURE 1810

CAB COMPONENTS (HANDRAIL, GUARD BARS)
COMPONENTES DE CABINA (MAIN COURANTE, BARRES DE PROTECTION)
COMPONENTES DE CABINA (ASIDERO, PROTECTORES DE BARRAS)

KEY	PART NO.	PART NAME	QTY.	SERIAL NO.	REMARKS
1	4678832	CAP SCREW	4		
2	4662744	BUSHING	3		
3	4662740	SCREW	2		
4	4671090	HANDRAIL	1		
5	SCREW WITH WASHER	2		(J271025 NLA)
	19M7402	CAP SCREW	2		M10 X 25, (SUB FOR J901025)
	24M7346	WASHER	2		11 X 20 X 2 MM, (SUB FOR J222010)
6	4662760	HANDRAIL	1		
7	4662761	GUARD	1		
8	4658110	BOLT	2		
9	4600275	SCREW	2		
10	4662762	GUARD	4		
11	4662755	CLIP	2		
12	4607054	STOP	2		
13	4341450	NUT	2		
14	4662768	COVER	1		
15	4662745	ISOLATOR	1		
16	4662746	ISOLATOR	1		
17	4662771	ISOLATOR	2		
18	4662751	LOCK PLATE	1		
19	4662763	LOCK	1		(LOCK)
20	4662770	WASHER	1		
21	4661732	BRACKET	1		
22	4464320	BOLT	2		
23	19M7662	CAP SCREW	2		M10 X 30
	24H1305	WASHER	2		10.312 X 20.625 X 1.651 MM
	12M7066	LOCK WASHER	2		10 MM
24	4678830	BRACKET	1		
50	4664054	CAB	1		(A) (SUB FOR 4651079)

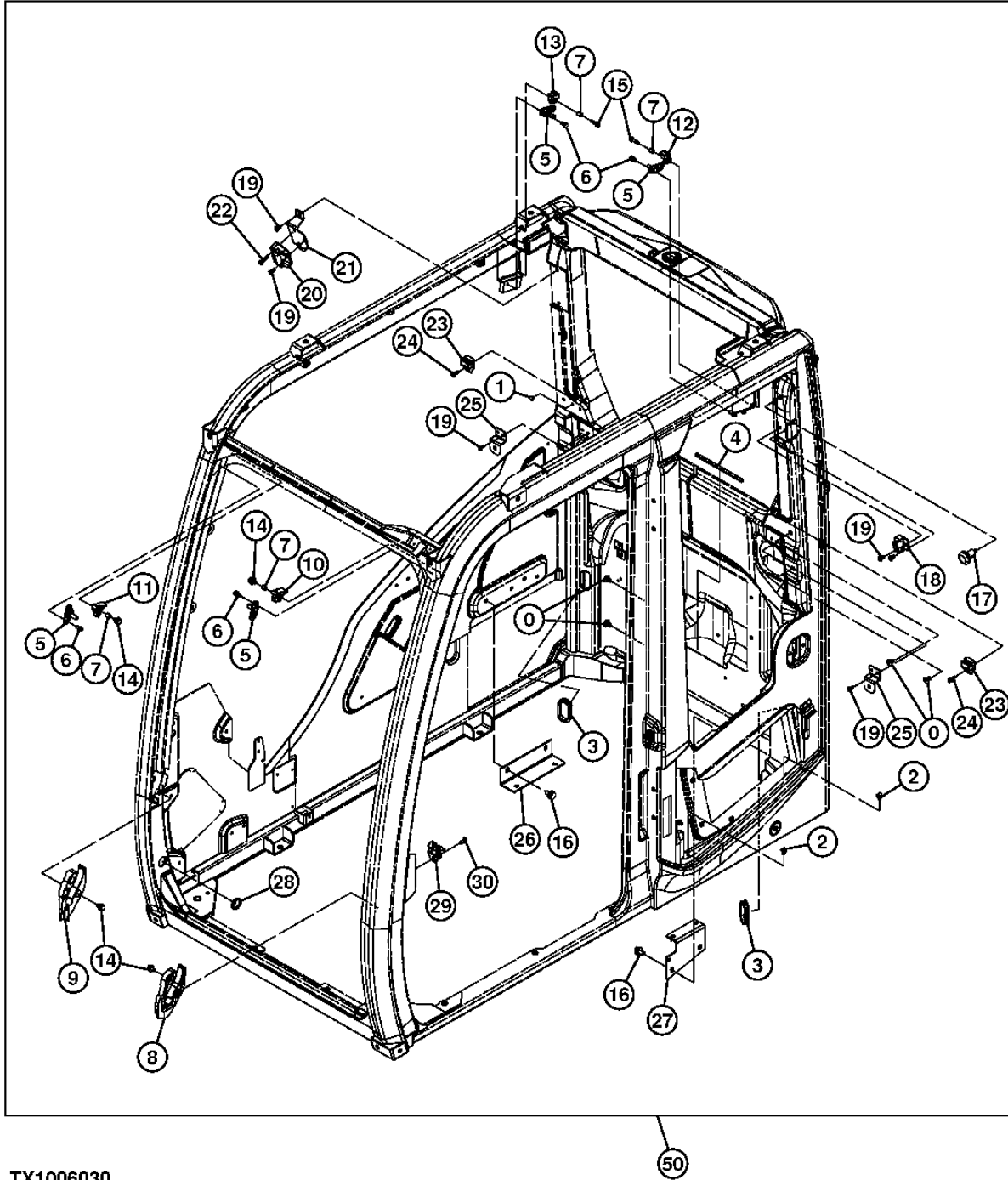
(A) (ADDITIONAL COMPONENTS FOUND ON SEPARATE PAGES)
(A) (AUTRES COMPOSANTS SUR PAGES SEPARÉES)
(A) (LOS COMPONENTES ADICIONALES SE ENCUENTRAN EN OTRAS PAGINAS)

1810-18

OPERATOR'S STATION 18
OPERATOR ENCLOSURE 1810

CAB COMPONENTS (BRACKETS, BUSHINGS AND STOPPERS)
COMPOSANTS DE CABINE (SUPPORTS, BAGUES ET BUTEES)
COMPONENTES DE CABINA (ESCUADRAS, BUJES Y TOPES)

TX1006030 -UN-21APR06



TX1006030

1810-19

OPERATOR'S STATION 18
OPERATOR ENCLOSURE 1810

**CAB COMPONENTS (BRACKETS, BUSHINGS AND STOPPERS)
COMPOSANTS DE CABINE (SUPPORTS, BAGUES ET BUTEES)
COMPONENTES DE CABINA (ESCUADRAS, BUJES Y TOPES)**

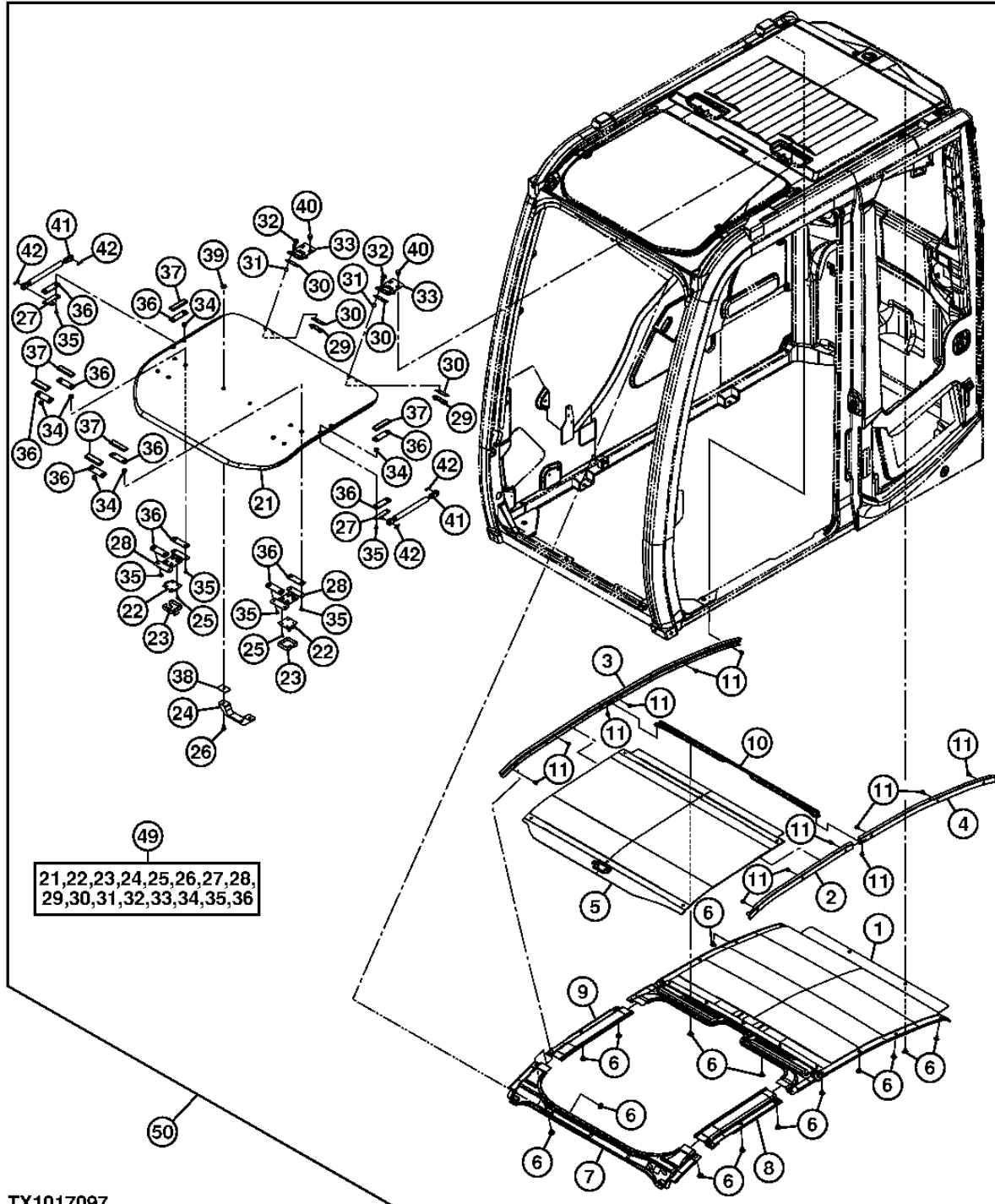
KEY	PART NO.	PART NAME	QTY.	SERIAL NO.	REMARKS
0	4662755	CLIP	4		
1	4377818	CLIP	2		
2	4662754	CLIP	2		
3	4662749	ISOLATOR	2		
4	4662769	ISOLATOR	1		
5	4662242	STRIKER	4		
6	4662224	BOLT	8		
7	4662227	BUSHING	4		
8	4662228	ISOLATOR	1		
9	4662229	ISOLATOR	1		
10	4662230	PLUG	1		
11	4662231	PLUG	1		
12	4662232	PLUG	1		
13	4662233	PLUG	1		
14	4662245	BOLT	6		
15	4662249	BOLT	2		
16	SCREW WITH WASHER	4		(J271020 NLA)
	19M7938	CAP SCREW	4		M10 X 20, (SUB FOR J901020)
	24M7346	WASHER	4		11 X 20 X 2 MM, (SUB FOR J222010)
17	4341413	SCREW	1		
18	4464305	HOLDER	1		
19	4609479	SCREW	9		
20	4464273	HOLDER	1		
21	4662738	BRACKET	1		
22	4662741	BOLT	2		
23	4662736	HOLDER	2		
24	4485892	BOLT	2		
25	4662764	BRACKET	2		
26	4662765	BRACKET	1		
27	4662766	BRACKET	1		
28	4466815	BUSHING	1		
29	4369627	STRIKER	1		
30	4341415	SCREW WITH WASHER	2		
50	4664054	CAB	1		(A) (SUB FOR 4651079)

- (A) (ADDITIONAL COMPONENTS FOUND ON SEPARATE PAGES)
 (A) (AUTRES COMPOSANTS SUR PAGES SEPARÉES)
 (A) (LOS COMPONENTES ADICIONALES SE ENCUENTRAN EN OTRAS PAGINAS)

1810-20

CAB COMPONENTS (SUNROOF, SHADE, AND HEADLINER)
COMPOSANTS DE CABINE (TOIT OUVRANT, PARE-SOLEIL ET REVETEMENT DE TOIT)
COMPONENTES DE CABINA (TECHO DE CRISTAL, PARASOL Y FORRO)

TX1017097 -UN-27DEC06



TX1017097

1810-21

OPERATOR'S STATION 18
OPERATOR ENCLOSURE 1810

CAB COMPONENTS (SUNROOF, SHADE, AND HEADLINER)
COMPOSANTS DE CABINE (TOIT OUVRANT, PARE-SOLEIL ET REVETEMENT DE TOIT)
COMPONENTES DE CABINA (TECHO DE CRISTAL, PARASOL Y FORRO)

KEY	PART NO.	PART NAME	QTY.	SERIAL NO.	REMARKS
1	4662714	COVER	1		
2	4663620	RAIL	1		
3	4663621	RAIL	1		
4	4663622	RAIL	1		
5	4663623	VISOR	1		
6	4662718	CLIP	22		
7	4662711	COVER	1		
8	4662712	COVER	1		
9	4662713	COVER	1		
10	4662715	BRACKET	1		
11	4662252	BOLT	13		
21	4654276	WINDOW	1		
22	4369615	LOCK	2		
23	4369616	COVER	2		
24	4662358	GRIP	1		
25	4662368	SCREW	8		
26	4662369	SCREW	2		
27	4662361	BRACKET	2		
28	4662362	BRACKET	2		
29	4662366	BRACKET	2		
30	4474476	PACKING	4		
31	4474482	BUSHING	4		
32	4662367	BOLT	4		
33	4662360	HINGE	2		
34	4662363	BUSHING	12		
35	4662364	SCREW	12		
36	4662365	PACKING	12		
37	4662356	RETAINER	6		
38	4386450	PACKING	2		(SUB FOR 4474495)
39	4487045	RETAINER	2		(SUB FOR 4662357)
40	4662767	SCREW	4		
41	4369619	CYLINDER	2		
42	4022697	COTTER PIN	4		
49	4662488	ROOF	1		
50	4664054	CAB	1		(A) (SUB FOR 4651079)

(A) (ADDITIONAL COMPONENTS FOUND ON SEPARATE PAGES)

(A) (AUTRES COMPOSANTS SUR PAGES SEPARÉES)

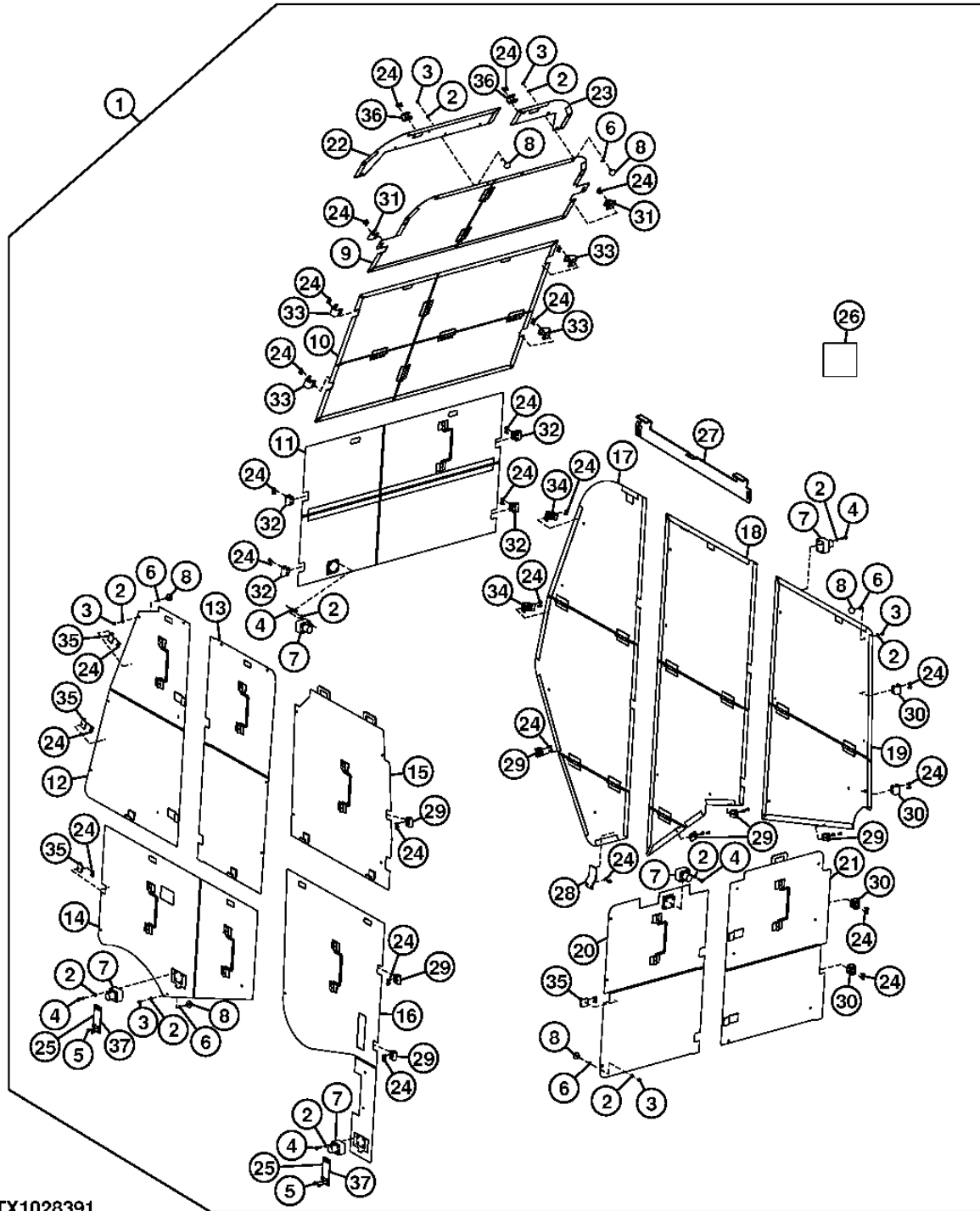
(A) (LOS COMPONENTES ADICIONALES SE ENCUENTRAN EN OTRAS PAGINAS)

1810-22

OPERATOR'S STATION 18
OPERATOR ENCLOSURE 1810

CAB VANDAL PROTECTION PROTECTION ANTIVANDALISME DE CABINE PROTECCION CONTRA VANDALISMO DE LA CABINA

TX1028391 -UN-13NOV07



1810-23

OPERATOR'S STATION 18
OPERATOR ENCLOSURE 1810

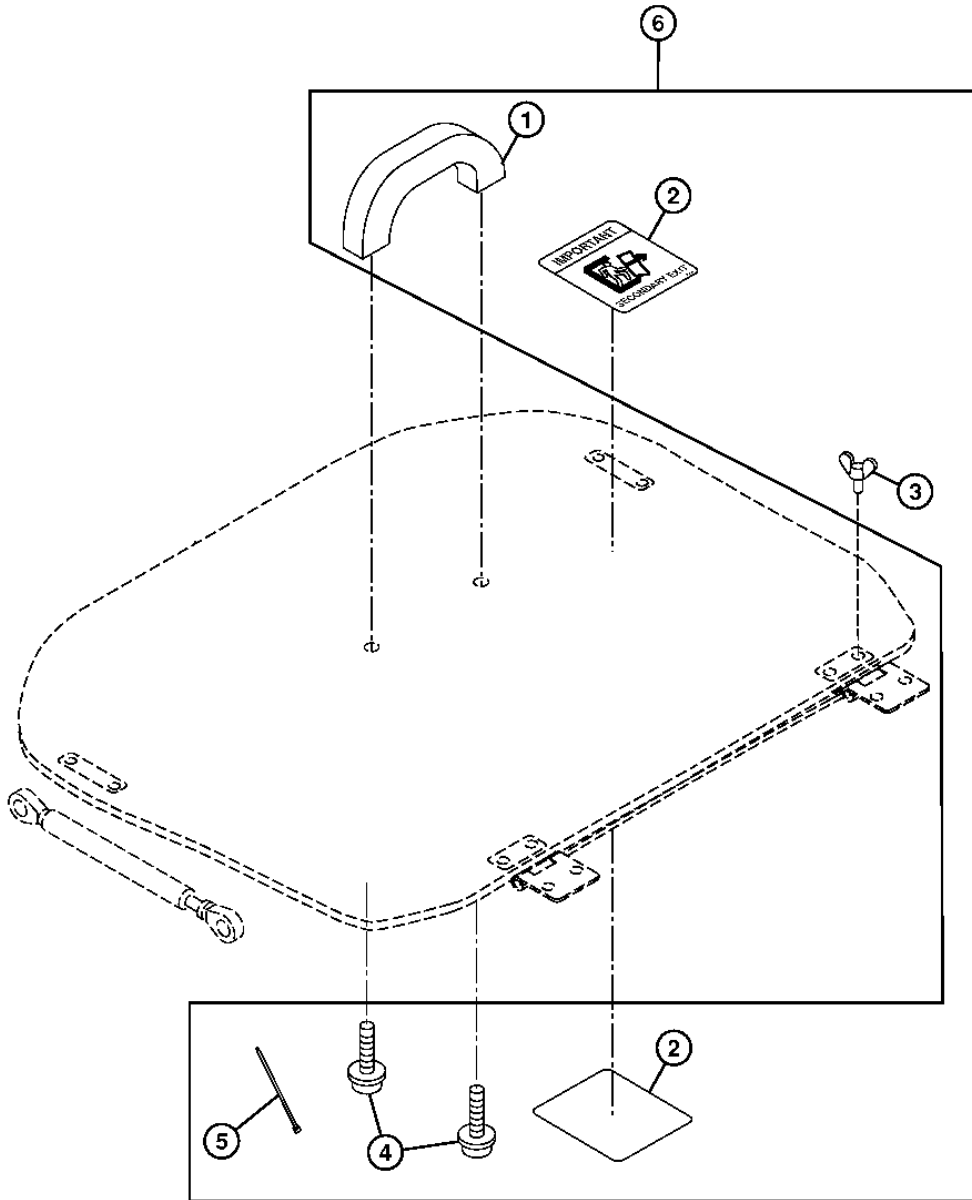
**CAB VANDAL PROTECTION
PROTECTION ANTIVANDALISME DE CABINE
PROTECCION CONTRA VANDALISMO DE LA CABINA**

KEY	PART NO.	PART NAME	QTY.	SERIAL NO.	REMARKS
1	AT329859	FIELD INSTALLATION KIT	1		CAB VANDAL PROTECTION, (WHOLE GOODS)
2	12M7064	WASHER	72		5 MM
3	14M7297	NUT	52		M5
4	21M7022	SCREW	20		M5 X 20
5	21M7249	SCREW	4		M5 X 10
6	24M7027	WASHER	52		5.300 X 10 X 1 MM
7	4361601	LOCK	5		
8	9738682	BUMPER	52		
9	AT329618	COVER	1		FRONT UPPER
10	AT329619	COVER	1		FRONT
11	AT329623	COVER	1		FRONT LOWER
12	AT329625	COVER	1		FRONT DOOR
13	AT329626	COVER	1		REAR DOOR
14	AT329629	COVER	1		LOWER DOOR
15	AT329630	COVER	1		LH UPPER
16	AT329631	COVER	1		LH LOWER
17	AT329632	COVER	1		RH FRONT
18	AT329633	COVER	1		RH
19	AT329634	COVER	1		RH REAR
20	AT329636	COVER	1		REAR LH
21	AT329637	COVER	1		REAR RH
22	AT329638	COVER	1		FRONT UPPER (1)
23	AT329639	COVER	1		FRONT UPPER (2)
24	R212988	SOCKET HEAD SCREW	60		
25	T205218	WASHER	4		
26	T218467	LABEL	1		(ENGLISH)
	T222767	LABEL	1		(FRENCH)
	T222768	LABEL	1		(SPANISH)
27	T223713	PLATE	1		
28	T225931	BRACKET	1		
29	T228058	BRACKET	7		(SUB FOR T225933)
30	T228058	BRACKET	4		(SUB FOR T225934)
31	T225936	BRACKET	2		(SUB FOR T225935)
32	T225936	BRACKET	4		
33	T225936	BRACKET	4		(SUB FOR T225937)
34	T225938	ANGLE	2		
35	T225939	ANGLE	4		
36	T228058	BRACKET	2		(SUB FOR T225940)
37	TH108983	HINGE	2		

1810-24

SECONDARY EXIT KIT KIT DE ISSUE SECONDAIRE JUEGO DE SALIDA AUXILIAR

TX1003284 -UN-02FEB06



TX1003284

1810-25

OPERATOR'S STATION 18
OPERATOR ENCLOSURE 1810

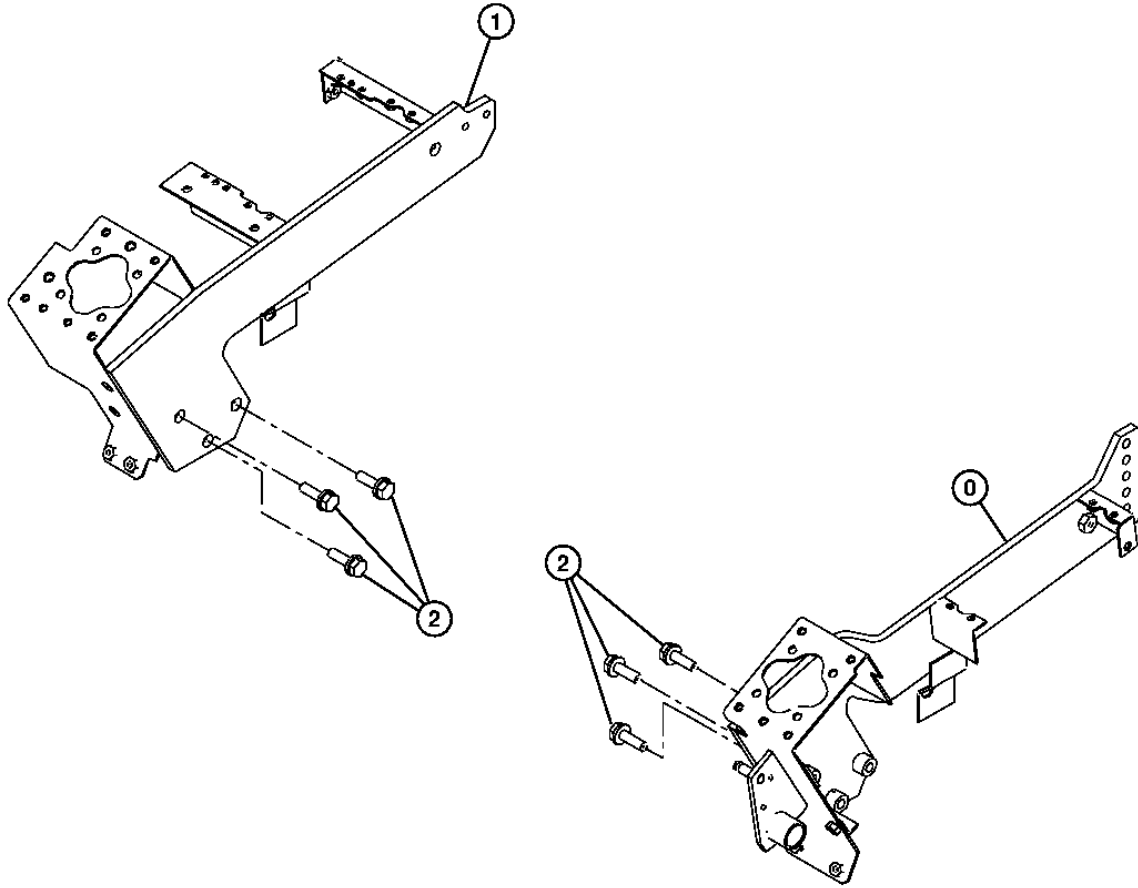
**SECONDARY EXIT KIT
KIT DE ISSUE SECONDAIRE
JUEGO DE SALIDA AUXILIAR**

KEY	PART NO.	PART NAME	QTY.	SERIAL NO.	REMARKS
1	4204579	HANDLE	1		(SUB FOR TH108661)
2	T167256	LABEL	2		SECONDARY EXIT
	T222929	LABEL	1		(FRENCH)
	T222930	LABEL	1		(SPANISH)
3	21M7243	WING SCREW	4		M8 X 16
4	21M7085	SCREW	2		M6 X 20. (SUB FOR 21M7322)
5	R44302	TIE BAND	2		
6	AT196567	KIT	1		(WHOLEGOODS) (SECONDARY EXIT KIT)

1810-26

CONSOLE
CONSOLE
CONSOLA

T216302 -UN-24OCT05



T216302

1810-27

OPERATOR'S STATION 18
OPERATOR ENCLOSURE 1810

CONSOLE
CONSOLE
CONSOLA

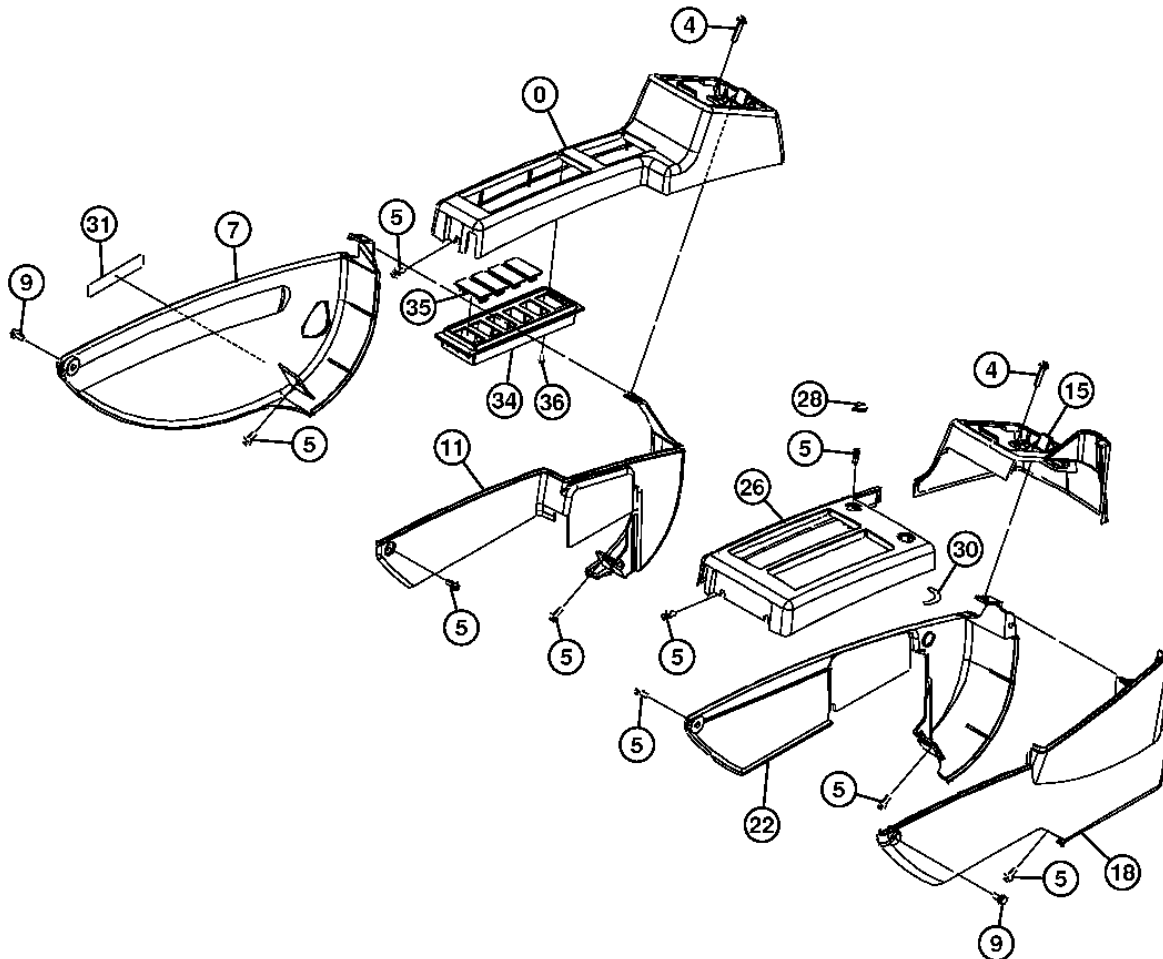
KEY	PART NO.	PART NAME	QTY.	SERIAL NO.	REMARKS
0	6023755	CONSOLE	1		LH
1	6023756	CONSOLE	1		RH
2	BOLT	6		(J271035 NLA)
	19M7550	CAP SCREW	6		M10 X 35, (SUB FOR J901035)
	24M7346	WASHER	6		11 X 20 X 2 MM, (SUB FOR J222010)

1810-28

OPERATOR'S STATION 18
OPERATOR ENCLOSURE 1810

CONSOLE COVER COUVERCLE DE CONSOLE CUBIERTA DE CONSOLA

TX1001645 -UN-09JAN06



TX1001645

1810-29

OPERATOR'S STATION 18
OPERATOR ENCLOSURE 1810

CONSOLE COVER COUVERCLE DE CONSOLE CUBIERTA DE CONSOLA

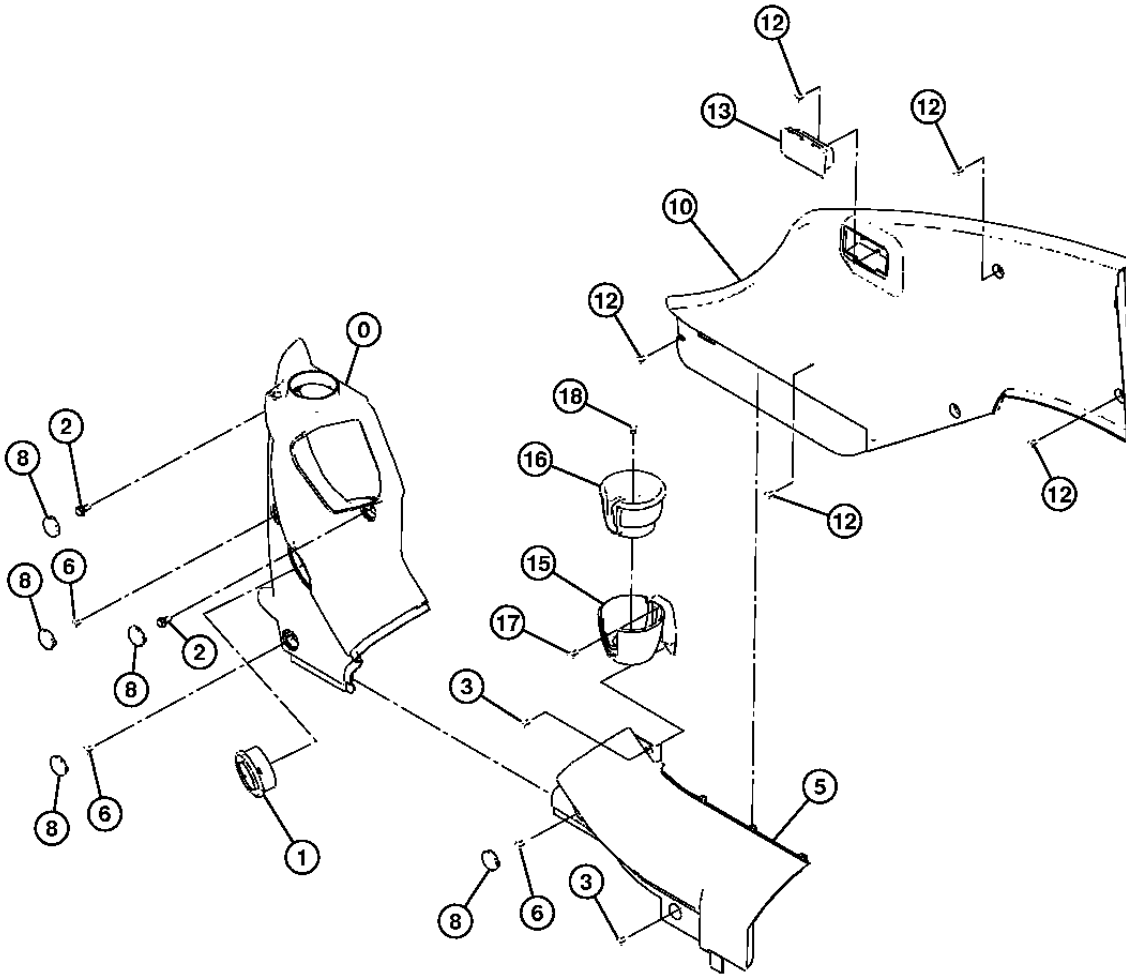
KEY	PART NO.	PART NAME	QTY.	SERIAL NO.	REMARKS
0	4640957	COVER	1		(LH)
4	SCREW WITH WASHER	8		(J460630 NLA)
	21M7466	SCREW	8		M6 X 30
	12M7006	LOCK WASHER	8		6 MM
	24M7054	WASHER	8		6.400 X 12 X 1.600 MM
5	BOLT	14		(J460616 NLA)
	19M8425	CAP SCREW	14		M6 X 16
	12M7006	LOCK WASHER	14		6 MM
	24M7293	WASHER	14		6.500 X 13 X 1.600 MM
7	4640958	COVER	1		(LH)
9	BOLT	1		(J260616 NLA)
	19M7560	CAP SCREW	1		M6 X 16
	24M7054	WASHER	1		6.400 X 12 X 1.600 MM
11	4640959	COVER	1		(LH)
15	4640960	COVER	1		(RH)
18	4640961	COVER	1		(RH)
22	4640962	COVER	1		(RH)
26	4640963	COVER	1		(RH)
28	4640965	CAP	2		
30	4264805	LABEL	1		IGNITION KEY SWITCH
	T222837	LABEL	1		IGNITION KEY SWITCH, (FRENCH)
	T222838	LABEL	1		IGNITION KEY SWITCH, (SPANISH)
31	4299059	LABEL	1		PILOT SHUTOFF
	T222833	LABEL	1		PILOT SHUTOFF, (FRENCH)
	T222834	LABEL	1		PILOT SHUTOFF, (SPANISH)
34	2053295	CASE	1		
35	4620283	CAP	4		
36	4361800	SCREW	4		

1810-30

OPERATOR'S STATION 18
OPERATOR ENCLOSURE 1810

CAB INSIDE RIGHT COVER PROTECTION INTERIEURE DROITE DE CABINE CUBIERTA DERECHA INTERIOR DE CABINA

T216251 -UN-25OCT05



T216251

1810-31

OPERATOR'S STATION 18
OPERATOR ENCLOSURE 1810

**CAB INSIDE RIGHT COVER
PROTECTION INTERIEURE DROITE DE CABINE
CUBIERTA DERECHA INTERIOR DE CABINA**

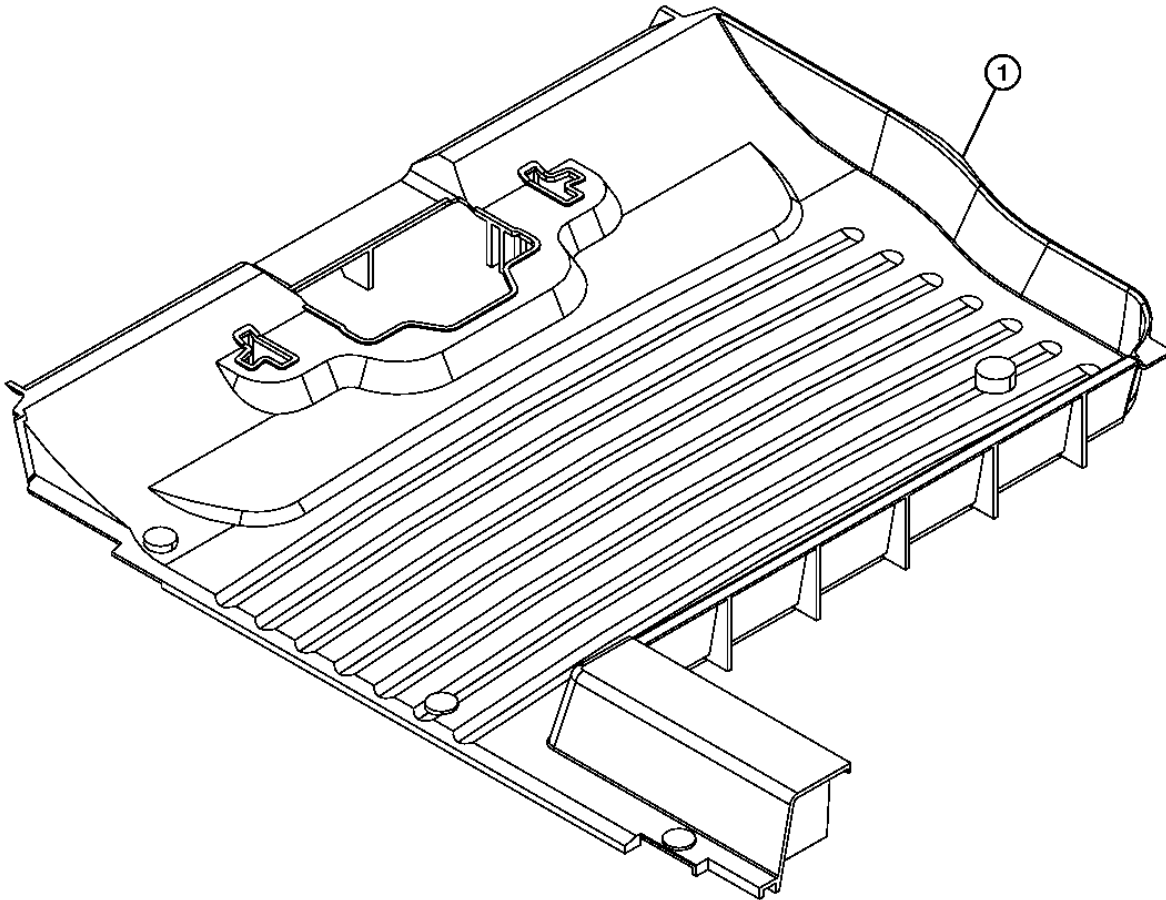
KEY	PART NO.	PART NAME	QTY.	SERIAL NO.	REMARKS
0	4638891	COVER	1		
1	4619904	VENT	1		
2	BOLT	2		(J260820 NLA)
	19M7881	SCREW	2		M8 X 20, (SUB FOR J900820 AND 19M7139)
	24M7055	WASHER	2		8.400 X 16 X 1.600 MM, (SUB FOR A590108)
3	BOLT	2		(J460616 NLA)
	19M8425	CAP SCREW	2		M6 X 16
	12M7006	LOCK WASHER	2		6 MM
	24M7293	WASHER	2		6.500 X 13 X 1.600 MM
5	4638893	COVER	1		
6	BOLT	3		(J460616 NLA)
	19M8425	CAP SCREW	3		M6 X 16
	12M7006	LOCK WASHER	3		6 MM
	24M7293	WASHER	3		6.500 X 13 X 1.600 MM
8	4638620	CAP	5		
10	4638895	COVER	1		
12	BOLT	7		(J460616 NLA)
	19M8425	CAP SCREW	7		M6 X 16
	12M7006	LOCK WASHER	7		6 MM
	24M7293	WASHER	7		6.500 X 13 X 1.600 MM
13	4643128	ASHTRAY	1		
15	4651285	HOLDER	1		
16	4651286	HOLDER	1		
17	BOLT	2		(J460616 NLA)
	19M8425	CAP SCREW	2		M6 X 16
	12M7006	LOCK WASHER	2		6 MM
	24M7293	WASHER	2		6.500 X 13 X 1.600 MM
18	4444700	SCREW	1		

1810-32

OPERATOR'S STATION 18
OPERATOR ENCLOSURE 1810

FLOOR MAT
TAPIS DE PLANCHER
FELPUDO DE PISO

TX1003339 -UN-06FEB06



TX1003339

1810-33

OPERATOR'S STATION 18
OPERATOR ENCLOSURE 1810

FLOOR MAT
TAPIS DE PLANCHER
FELPUDO DE PISO

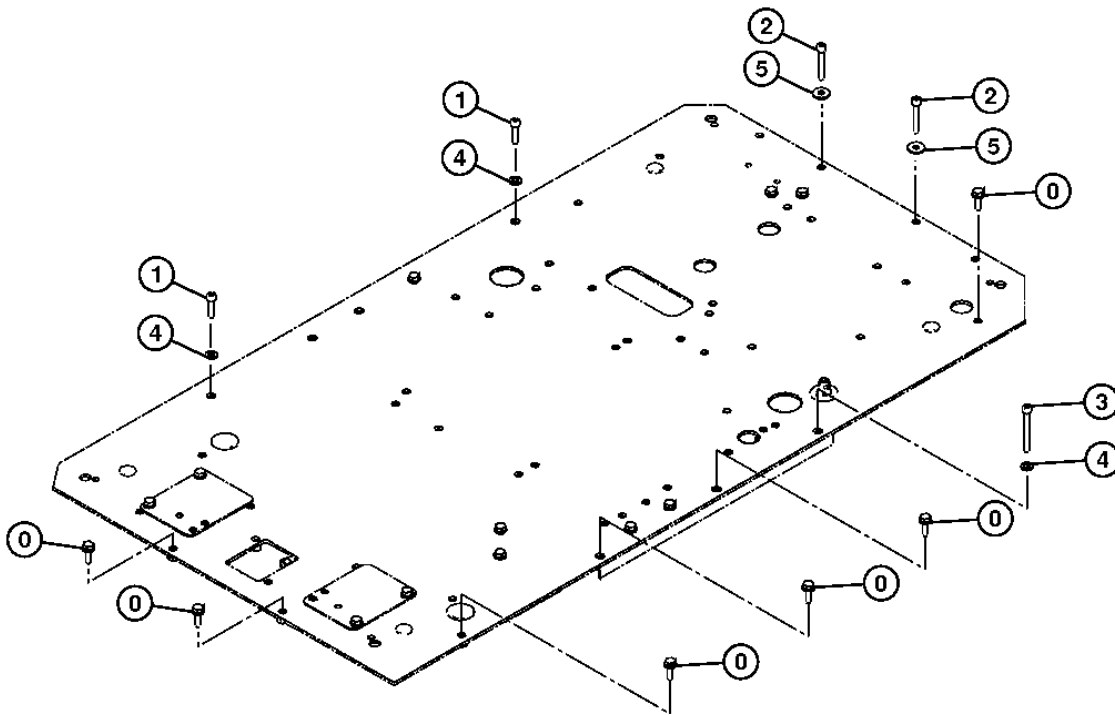
KEY	PART NO.	PART NAME	QTY.	SERIAL NO.	REMARKS
1	4652452	MAT	1		(OPENING FOR SINGLE PEDAL PROPEL)
	4654418	MAT	1		

1810-34

OPERATOR'S STATION 18
OPERATOR ENCLOSURE 1810

CAB FLOOR PLATE HARDWARE BOULONNERIE DE PLAQUE DE PLANCHER DE CABINE TORNILLERIA DE PLANCHA DE PISO DE CABINA

T216347 -UN-15DEC05



T216347

1810-35

OPERATOR'S STATION 18
OPERATOR ENCLOSURE 1810

CAB FLOOR PLATE HARDWARE
BOULONNERIE DE PLAQUE DE PLANCHER DE CABINE
TORNILLERIA DE PLANCHA DE PISO DE CABINA

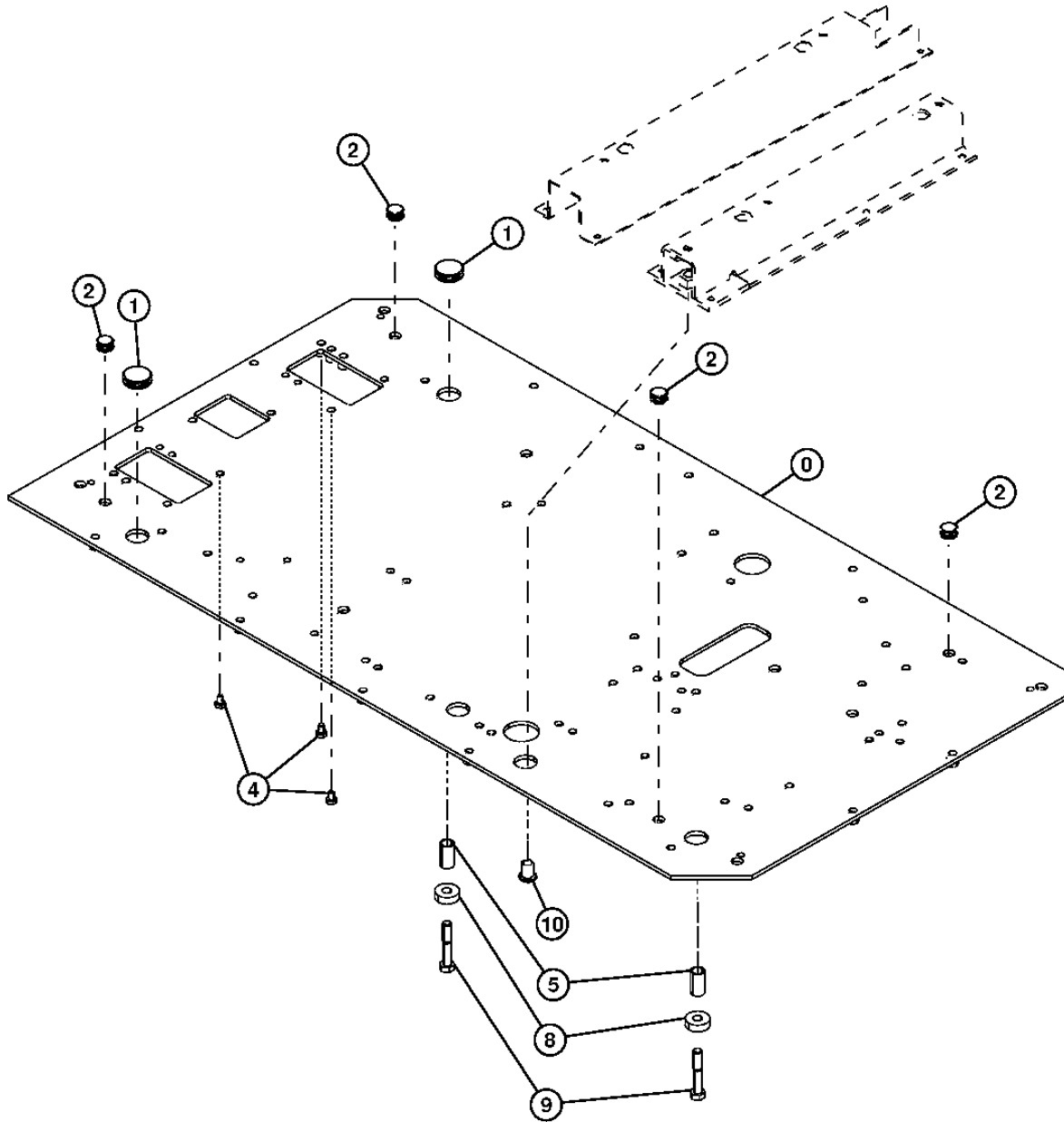
KEY	PART NO.	PART NAME	QTY.	SERIAL NO.	REMARKS
0	19M7550	CAP SCREW	6		M10 X 35, (SUB FOR J901035)
	24M7346	WASHER	6		11 X 20 X 2 MM, (SUB FOR DH400703 AND J222010)
1	19M8338	SCREW	2		M10 X 40, (SUB FOR J781040 AND L159272)
2	J781065	BOLT	2		
3	J781090	BOLT	1		
4	24M7346	WASHER	3		11 X 20 X 2 MM, (SUB FOR J222010)
5	24M7346	WASHER	2		11 X 20 X 2 MM, (SUB FOR J222010)

1810-36

OPERATOR'S STATION 18
OPERATOR ENCLOSURE 1810

FLOOR PLATE PLAQUE DE PLANCHER PLANCHA DE PISO

TX1002403 -UN-07FEB06



TX1002403

1810-37

OPERATOR'S STATION 18
OPERATOR ENCLOSURE 1810

FLOOR PLATE
PLAQUE DE PLANCHER
PLANCHA DE PISO

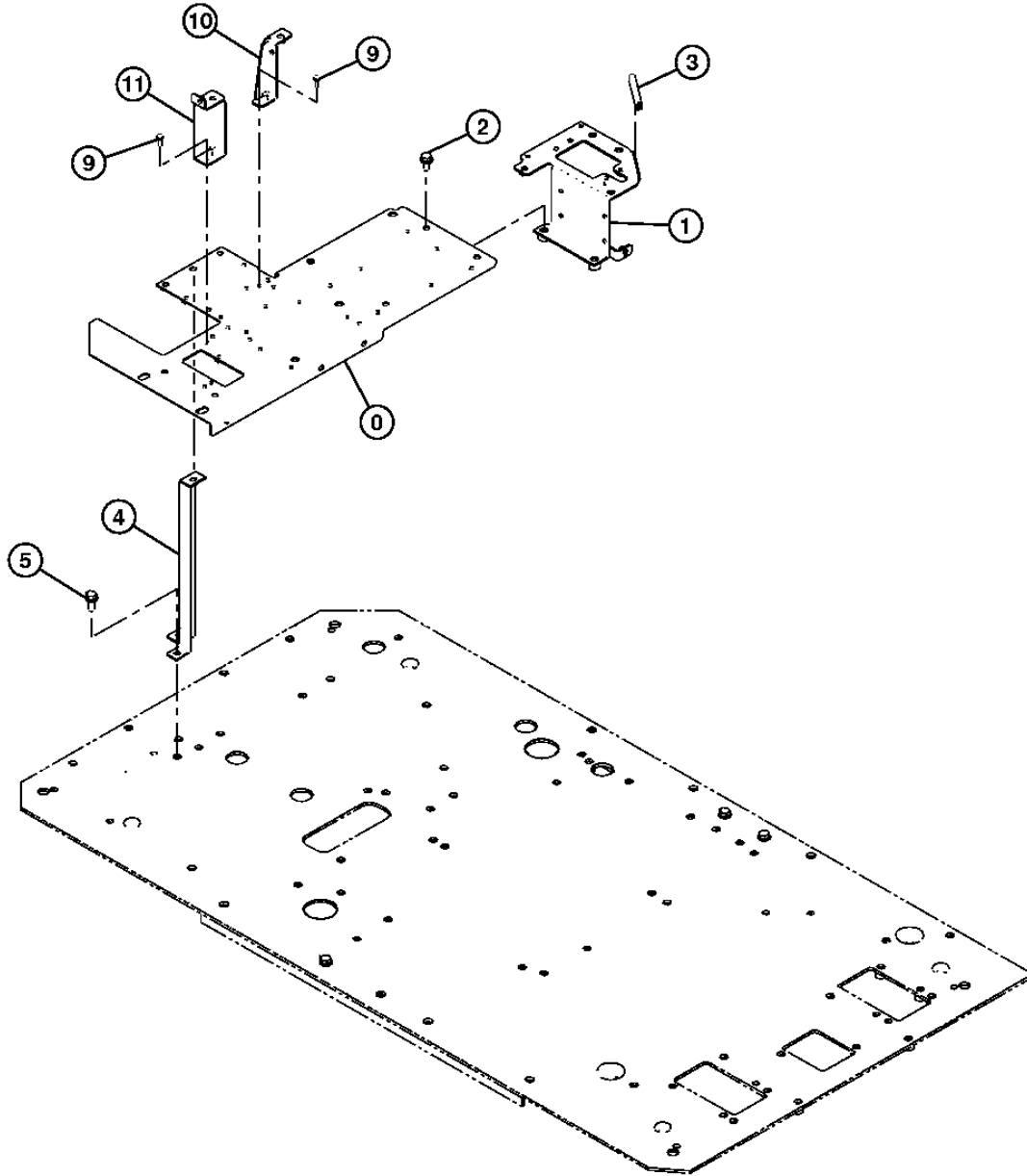
KEY	PART NO.	PART NAME	QTY.	SERIAL NO.	REMARKS
0	6026321	PLATE	1		(SUB FOR 6023880)
1	4288445	PLUG	2		
2	4205084	GROMMET	4		
4	19M8324	CAP SCREW	3		M10 X 16, (SUB FOR J901016)
5	4630531	SPACER	2		
8	4630532	WASHER	2		
9	R134070	CAP SCREW	2		M22 X 120, (SUB FOR J922204)
10	4644518	CAP	1		

1810-38

OPERATOR'S STATION 18
OPERATOR ENCLOSURE 1810

CAB FLOOR PARTS (1) OF (2) PIECES DE PLANCHER DE CABINE (1) DE (2) PIEZAS DE PISO DE CABINA (1) DE (2)

T216305 -UN-24OCT05



T216305

1810-39

OPERATOR'S STATION 18
OPERATOR ENCLOSURE 1810

CAB FLOOR PARTS (1) OF (2)
PIECES DE PLANCHER DE CABINE (1) DE (2)
PIEZAS DE PISO DE CABINA (1) DE (2)

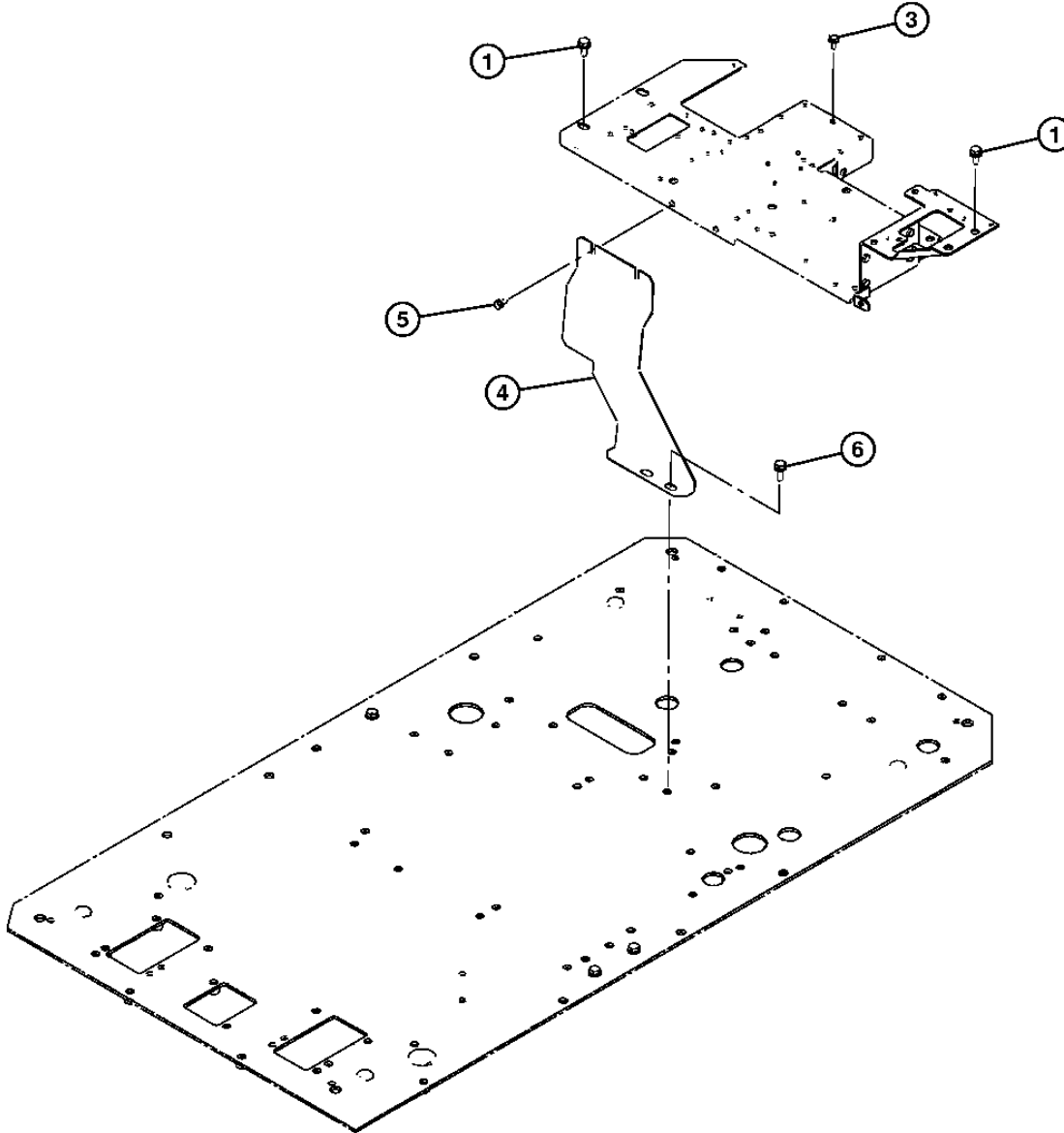
KEY	PART NO.	PART NAME	QTY.	SERIAL NO.	REMARKS
0	6023338	BRACKET	1		
1	7047546	BRACKET	1		
2	BOLT	2		(J271025 NLA)
	19M7402	CAP SCREW	2		M10 X 25, (SUB FOR J901025)
	24M7346	WASHER	2		11 X 20 X 2 MM, (SUB FOR J222010)
3	4649377	ISOLATOR	1		
4	8098880	BRACKET	1		
5	BOLT	2		(J271030 NLA)
	19M7662	CAP SCREW	2		M10 X 30, (SUB FOR J901030)
	24M7346	WASHER	2		11 X 20 X 2 MM, (SUB FOR J222010)
9	BOLT	4		(J460620 NLA)
	21M7267	SCREW	4		M6 X 20
	24M7293	WASHER	4		6.500 X 13 X 1.600 MM
	12M7006	LOCK WASHER	4		6 MM
10	8104074	BRACKET	1		
11	8104075	BRACKET	1		

1810-40

OPERATOR'S STATION 18
OPERATOR ENCLOSURE 1810

CAB FLOOR PARTS (2) OF (2)
PIECES DE PLANCHER DE CABINE 2 DE 2
PISO DE CABINA, PARTE 2 DE 2

T216236 -UN-25OCT05



T216236

1810-41

OPERATOR'S STATION 18
OPERATOR ENCLOSURE 1810

CAB FLOOR PARTS (2) OF (2)
PIECES DE PLANCHER DE CABINE 2 DE 2
PISO DE CABINA, PARTE 2 DE 2

KEY	PART NO.	PART NAME	QTY.	SERIAL NO.	REMARKS
1	BOLT	4		(J271025 NLA)
	19M7402	CAP SCREW	4		M10 X 25, (SUB FOR J901025)
	24M7346	WASHER	4		11 X 20 X 2 MM, (SUB FOR J222010)
3	BOLT	1		(J260820 NLA)
	19M7402	CAP SCREW	1		M10 X 25, (SUB FOR J900820)
	24M7055	WASHER	1		8.400 X 16 X 1.600 MM, (SUB FOR A590108)
4	2052023	COVER	1		
5	BOLT	2		(J260820 NLA)
	19M7881	SCREW	2		M8 X 20, (SUB FOR J900820 AND 19M7139)
	24M7055	WASHER	2		8.400 X 16 X 1.600 MM, (SUB FOR A590108)
6	BOLT	2		(J271030 NLA)
	19M7662	CAP SCREW	2		M10 X 30, (SUB FOR J901030)
	24M7346	WASHER	2		11 X 20 X 2 MM, (SUB FOR J222010)

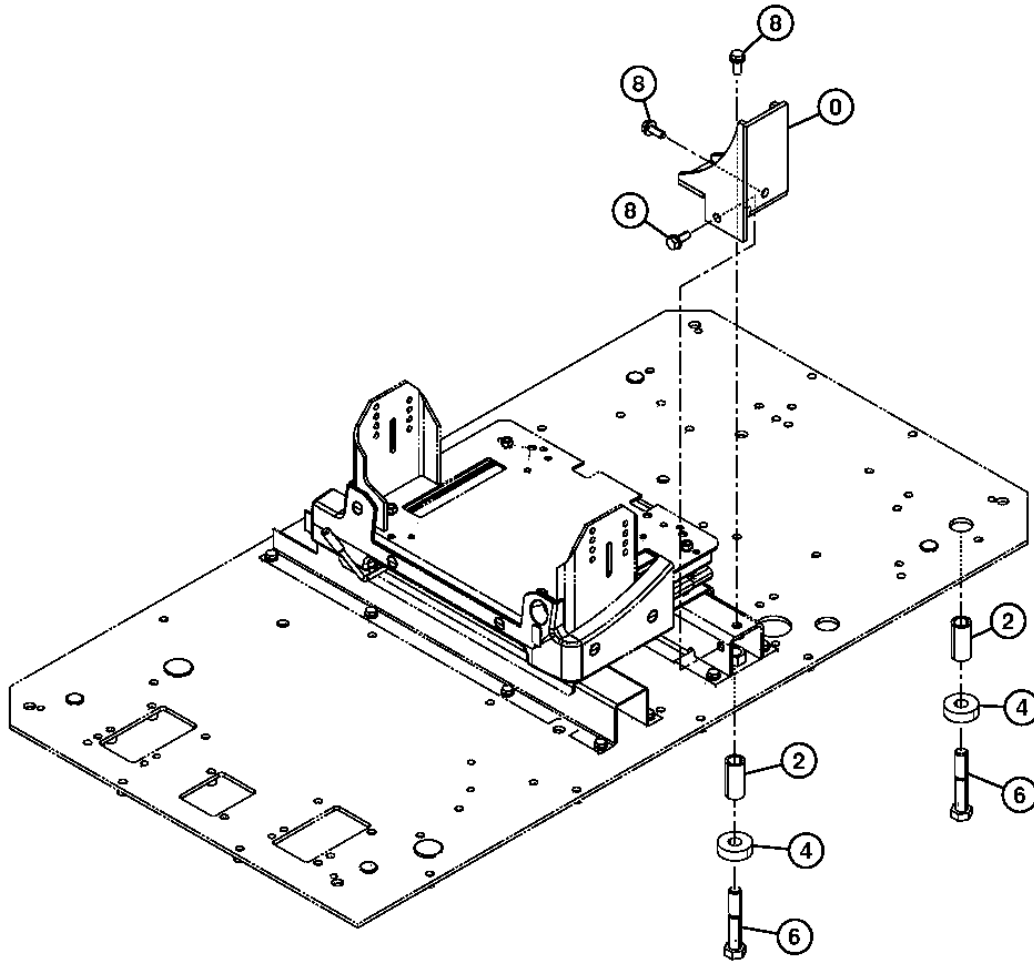
1810-42

OPERATOR'S STATION 18
OPERATOR ENCLOSURE 1810

CAB MOUNTING BRACKET SUPPORT DE MONTAGE DE CABINE ESCUADRA DE MONTAJE DE CABINA

TX1002207

-UN-06JAN06



TX1002207

1810-43

OPERATOR'S STATION 18
OPERATOR ENCLOSURE 1810

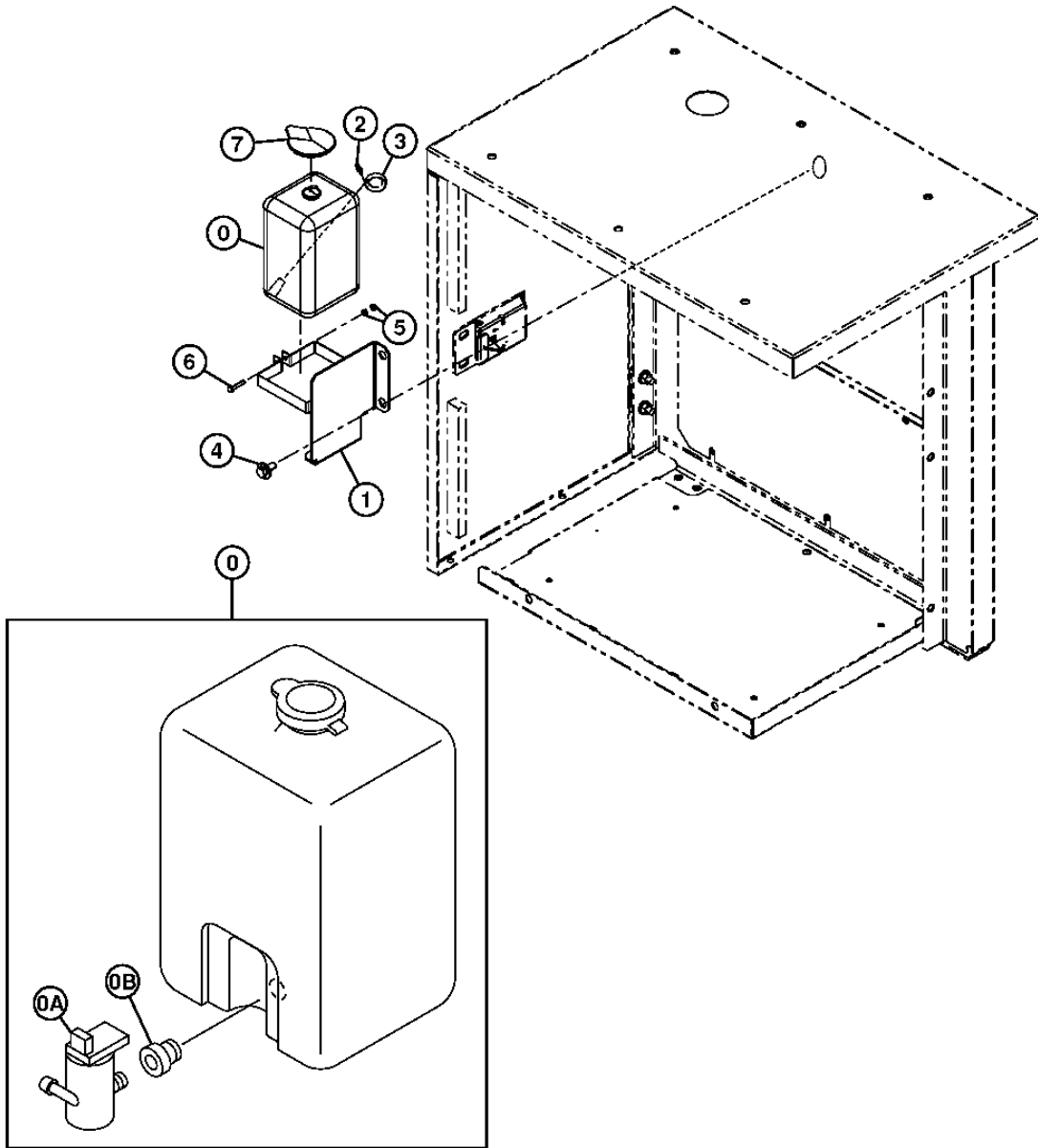
**CAB MOUNTING BRACKET
SUPPORT DE MONTAGE DE CABINE
ESCUADRA DE MONTAJE DE CABINA**

KEY	PART NO.	PART NAME	QTY.	SERIAL NO.	REMARKS
0	8099296	BRACKET	1		
2	4631815	SPACER	2		
4	4630532	WASHER	2		
6	R134070	CAP SCREW	2		M22 X 120, (SUB FOR J922204)
8	SCREW WITH WASHER	3		(J271235 NLA)
	19M7403	CAP SCREW	3		M12 X 35, (SUB FOR J901235)
	24M7345	WASHER	3		13.500 X 24 X 2.500 MM, (SUB FOR J222012 OR AT153809)

1810-44

WINDOW WASHER LAVE-GLACE LAVACRISTAL

TX1005176 -UN-23MAR06



TX1005176

1810-45

OPERATOR'S STATION 18
OPERATOR ENCLOSURE 1810

WINDOW WASHER
LAVE-GLACE
LAVACRISTAL

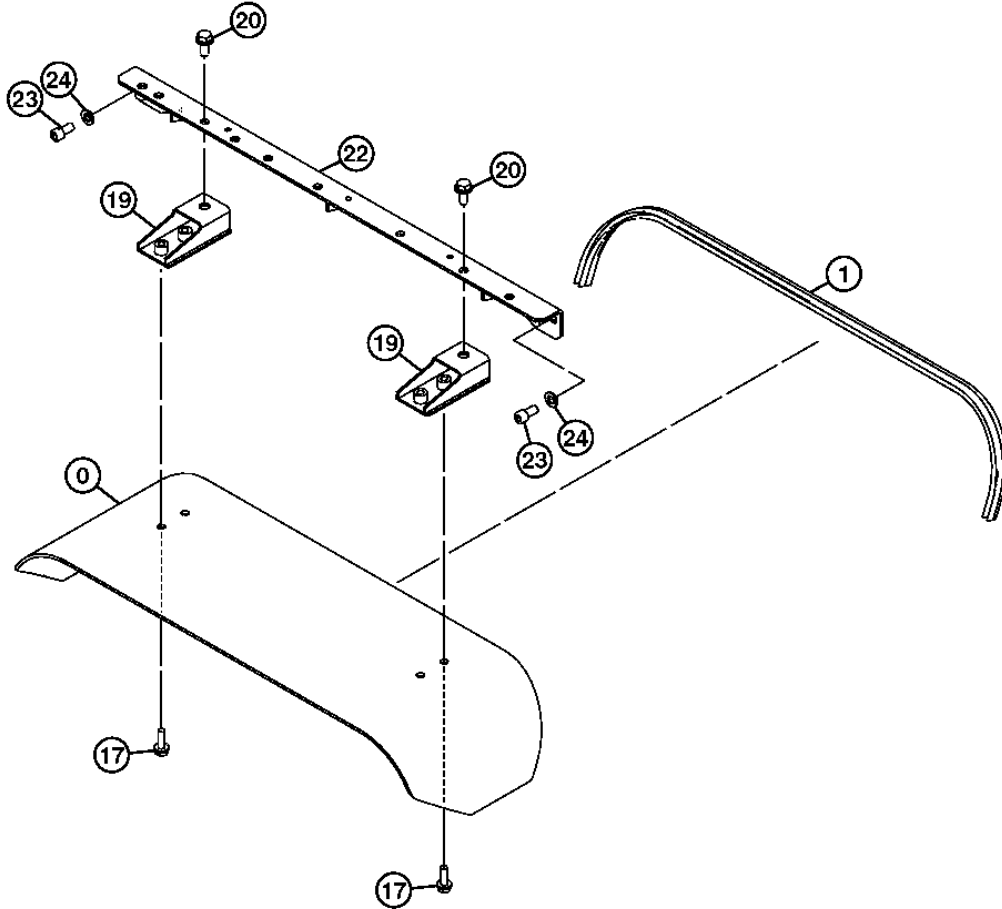
KEY	PART NO.	PART NAME	QTY.	SERIAL NO.	REMARKS
0	4325519	TANK	1		
0A	4326095	PUMP	1	(A)	
0B	4386343	PACKING	1	(A)	
1	7047750	BRACKET	1		
2	4273335	CHECK VALVE	1		
3	4334203	HOSE	1		
4	SCREW WITH WASHER	2	(J281230 NLA)	
	19M8011	CAP SCREW	2	M12 X 30, (SUB FOR J901230)	
	4249324	WASHER	2		
5	14M7272	NUT	2	M6, (SUB FOR M500605)	
6	19M7177	CAP SCREW	1	M6 X 35, (SUB FOR J900635)	
7	3058180	CAP	1		

(A) NOT ILLUSTRATED
(A) PAS ILLUSTRE
(A) NO SE ILUSTRA

1810-46

RAIN VISOR
PARE-PLUIE
VISERA PARA LLUVIA

TX1012474 -UN-22SEP06



TX1012474

1810-47

OPERATOR'S STATION 18
OPERATOR ENCLOSURE 1810

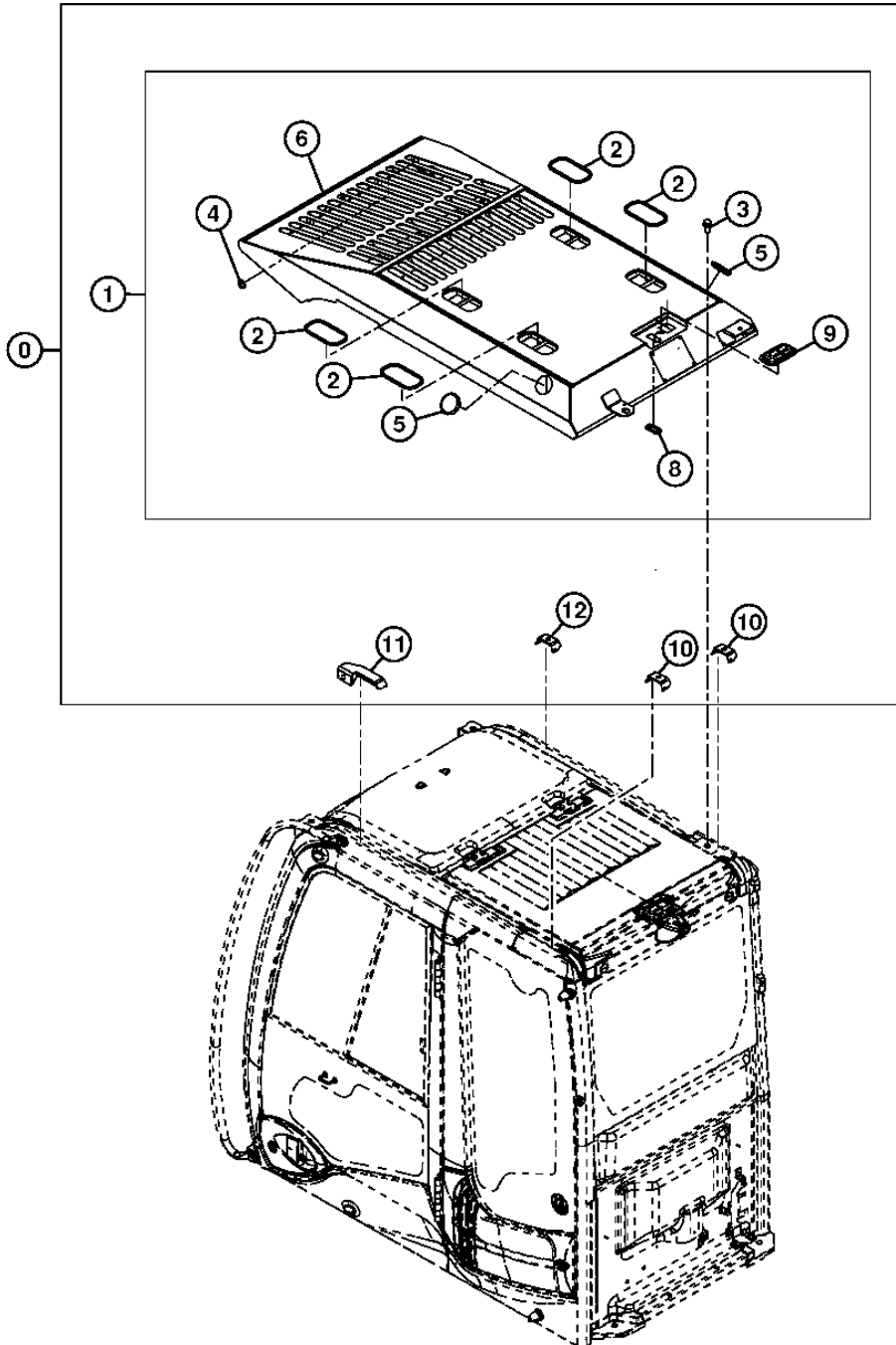
RAIN VISOR PARE-PLUIE VISERA PARA LLUVIA

KEY	PART NO.	PART NAME	QTY.	SERIAL NO.	REMARKS
0	3106733	VISOR	1		
1	4646226	BUSHING	1		
13	3095835	LABEL	1		(NOT ILLUSTRATED)
15	4488905	LABEL	1		(NOT ILLUSTRATED)
17	SCREW WITH WASHER	4		(J271035 NLA)
	19M7550	CAP SCREW	4		M10 X 35, (SUB FOR J901035)
	24M7346	WASHER	4		11 X 20 X 2 MM, (SUB FOR J222010)
19	7050520	BRACKET	2		
20	SCREW WITH WASHER	2		(J271230 NLA)
	19M8011	CAP SCREW	2		M12 X 30, (SUB FOR J901230)
	24M7345	WASHER	2		13.500 X 24 X 2.500 MM, (SUB FOR J222012)
22	7050519	BRACKET	1		
23	J781225	BOLT	2		
24	24M7047	WASHER	2		13 X 24 X 2.500 MM, (SUB FOR A590112)

1810-48

FALLING OBJECT PROTECTION KIT
PROTECTION CONTRE LES CHUTES D'OBJETS KIT
PROTECCIIN CONTRA CAÏDA DE OBJETOS JUEGO

TX1020351 -UN-14APR07



TX1020351

1810-49

OPERATOR'S STATION 18
OPERATOR ENCLOSURE 1810

FALLING OBJECT PROTECTION KIT
PROTECTION CONTRE LES CHUTES D'OBJETS KIT
PROTECCIIN CONTRA CAÿDA DE OBJETOS JUEGO

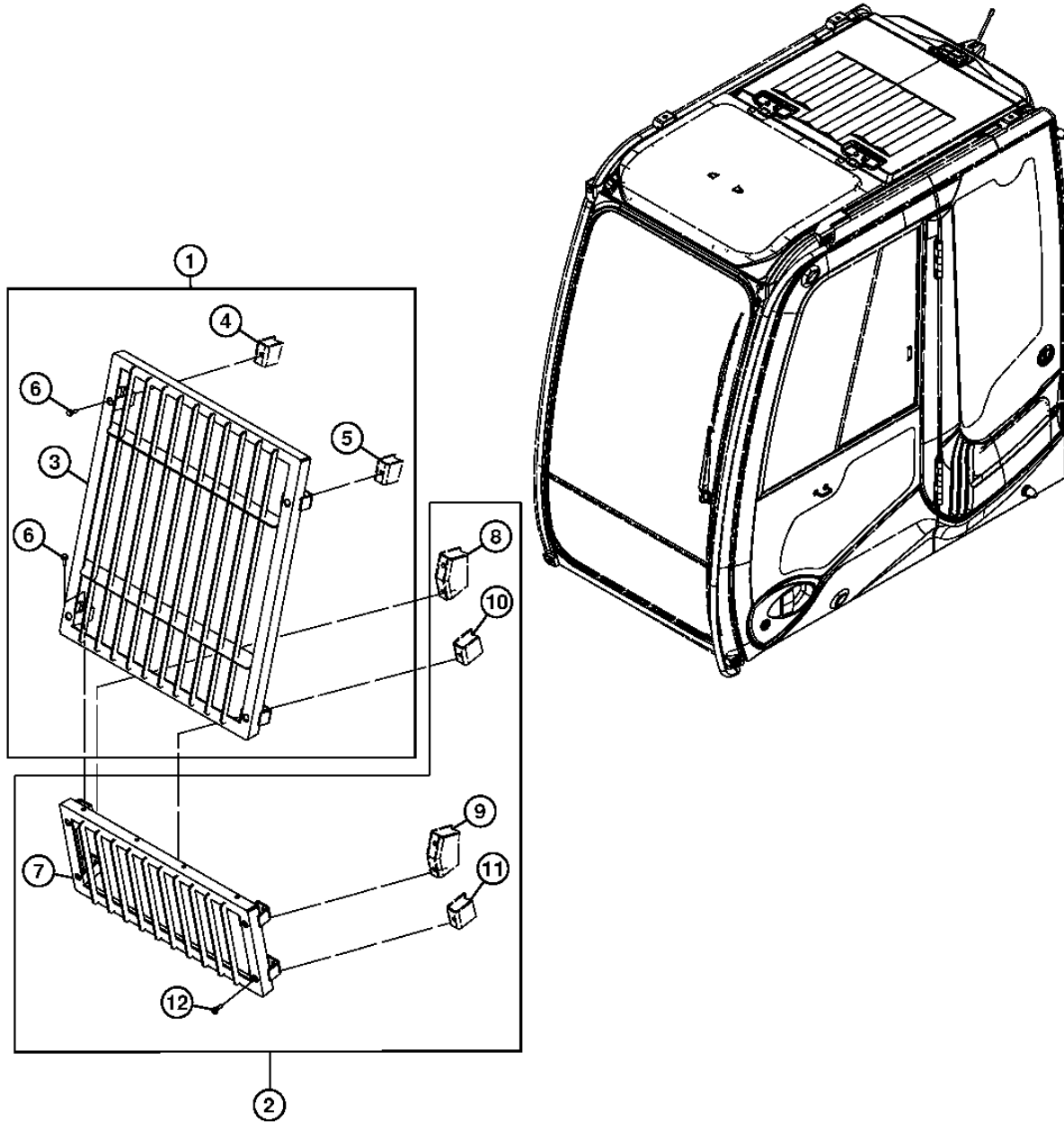
KEY	PART NO.	PART NAME	QTY.	SERIAL NO.	REMARKS
0	AT327842	FIELD INSTALLATION KIT	1		(WHOLEGOODS)
1	4655509	GUARD	1		
2	4466834	ISOLATOR	4		
3	4456179	BOLT	4		
4	4466815	BUSHING	1		
5	4666063	BUSHING	2		
6	GUARD	1		(4659799 NSEP)
8	4666057	BUSHING	1		
9	4662370	COVER	1		
10	4655548	BRACKET	2		
11	4655546	BRACKET	1		
12	4655547	BRACKET	1		

1810-50

OPERATOR'S STATION 18
OPERATOR ENCLOSURE 1810

OPERATOR PROTECTION GUARD KIT PROTECTION DE L'OPERATEUR PROTECTOR DEL OPERADOR

TX1020350 -UN-10APR07



TX1020350

1810-51

OPERATOR'S STATION 18
OPERATOR ENCLOSURE 1810

**OPERATOR PROTECTION GUARD
PROTECTION DE L'OP@RATEUR
PROTECTOR DEL OPERADOR**

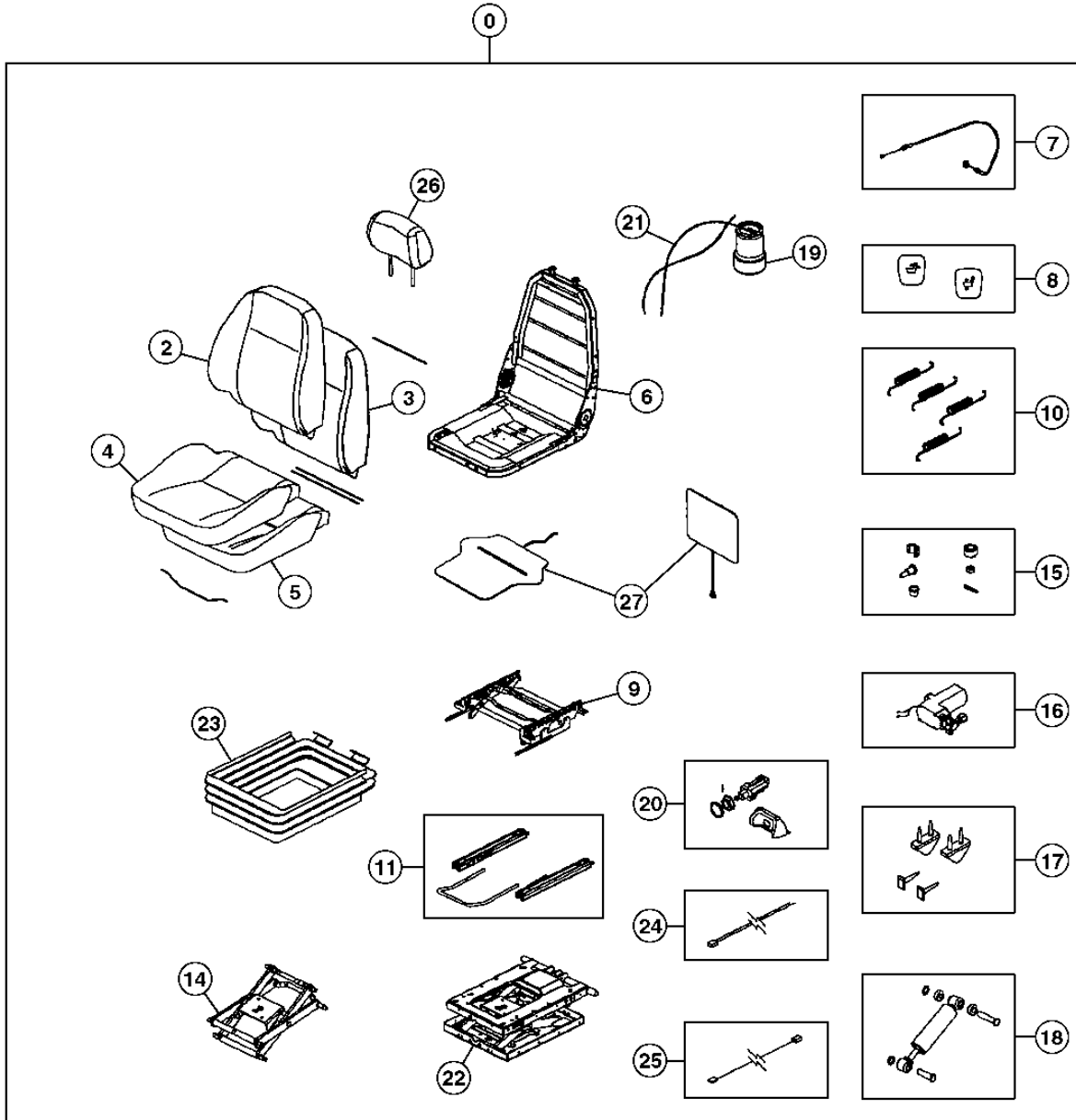
KEY	PART NO.	PART NAME	QTY.	SERIAL NO.	REMARKS
1	AT336154	GUARD KIT	1		
2	AT337329	GUARD KIT	1		
3	4661444	GUARD	1		
4	4666222	BRACKET	1		
5	4666221	BRACKET	1		
6	19M7550	CAP SCREW	4		M10 X 35
	24H1682	WASHER	4		13/32" X 7/8" X 0.120"
7	4661445	GUARD	1		
8	4666224	BRACKET	1		
9	4666223	BRACKET	1		
10	4666226	BRACKET	1		
11	4666225	BRACKET	1		
12	19M7550	CAP SCREW	8		M10 X 35
	24H1682	WASHER	8		13/32" X 7/8" X 0.120"

1821-2

OPERATOR'S STATION 18
SEAT AND SEAT BELT 1821

SEAT AND SEAT SUSPENSION ASSEMBLY (AIR) SIEGE ET SUSPENSION (PNEUMATIQUE) CONJUNTO DE ASIENTO Y SUSPENSION (NEUMATICA)

TX1019022 -UN-21FEB07



TX1019022

1821-3

OPERATOR'S STATION 18

SEAT AND SEAT BELT 1821

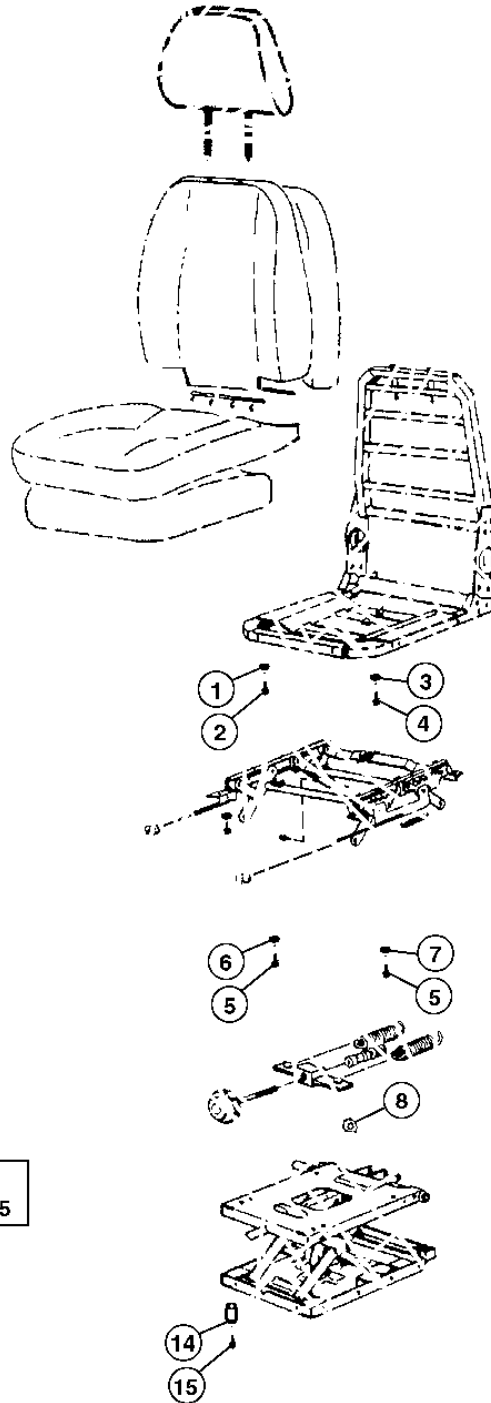
SEAT AND SEAT SUSPENSION ASSEMBLY (AIR)
SIEGE ET SUSPENSION (PNEUMATIQUE)
CONJUNTO DE ASIENTO Y SUSPENSION (NEUMATICA)

KEY	PART NO.	PART NAME	QTY.	SERIAL NO.	REMARKS
0	4658114R	SEAT ASSEMBLY	1		
2	4486190R	COVER	1		(SUB FOR AT309263)
3	4392796R	PAD	1		(SUB FOR AT309264)
4	4486191R	COVER	1		(SUB FOR AT195278)
5	4392798R	PAD	1		(SUB FOR AT195279)
6	FRAME	1		(SUB FOR AT322187) (4392799R NLA)
7	4392800R	CABLE	1		(SUB FOR AT216522)
8	AT329374	HANDLE	1		
9	4392801R	STAND	1		
10	4370199R	SPRING	1		(SUB FOR AT195287)
11	4660734R	ADJUSTER	1		(SUB FOR 4392807R OR 4660734)
14	AT329367	LEVER KIT	1		
15	AT329372	BEARING KIT	1		
16	AT329369	COMPRESSOR	1		(ALSO ORDER AT336932)
	AT336932	WIRING LEAD	1		(SUB FOR AT334782) (AIR COMPRESSOR) (NOT ILLUSTRATED)
17	4392805R	STOP	1		(SUB FOR AT322189)
18	4392803R	TORSIONAL DAMPER	1		
19	AT329373	AIR SPRING SEAT KIT	1		
20	4660732R	VALVE	1		(SUB FOR AT329371)
21	AT329370	KIT	1		
22	AT329379	SEAT SUSPENSION	1		
23	AT329380	SEAT SUSPENSION BOOT KIT	1		
24	AT329377	SEAT ADJUSTMENT CABLE KIT	1		
25	AT329381	WIRING HARNESS	1		(HEATER WIRING HARNESS)
26	4486192R	HEAD RESTRAINT	1		(SUB FOR AT329368)
27	AT329366	HEATER	1		

1821-3A

SEAT HARDWARE SERVICE KIT KIT D'ENTRETIEN DE BOULONNERIE DE SIEGE JUEGO DE SERVICIO DE TORNILLERIA DEL ASIENTO

TX1009879 -UN-27JUL06



- 20
- | |
|---|
| 1, 2, 3, 4, 5, 6, 7
8, 9, 10, 11, 12, 13, 14, 15 |
|---|

TX1009879

1821-3B

OPERATOR'S STATION 18

SEAT AND SEAT BELT 1821

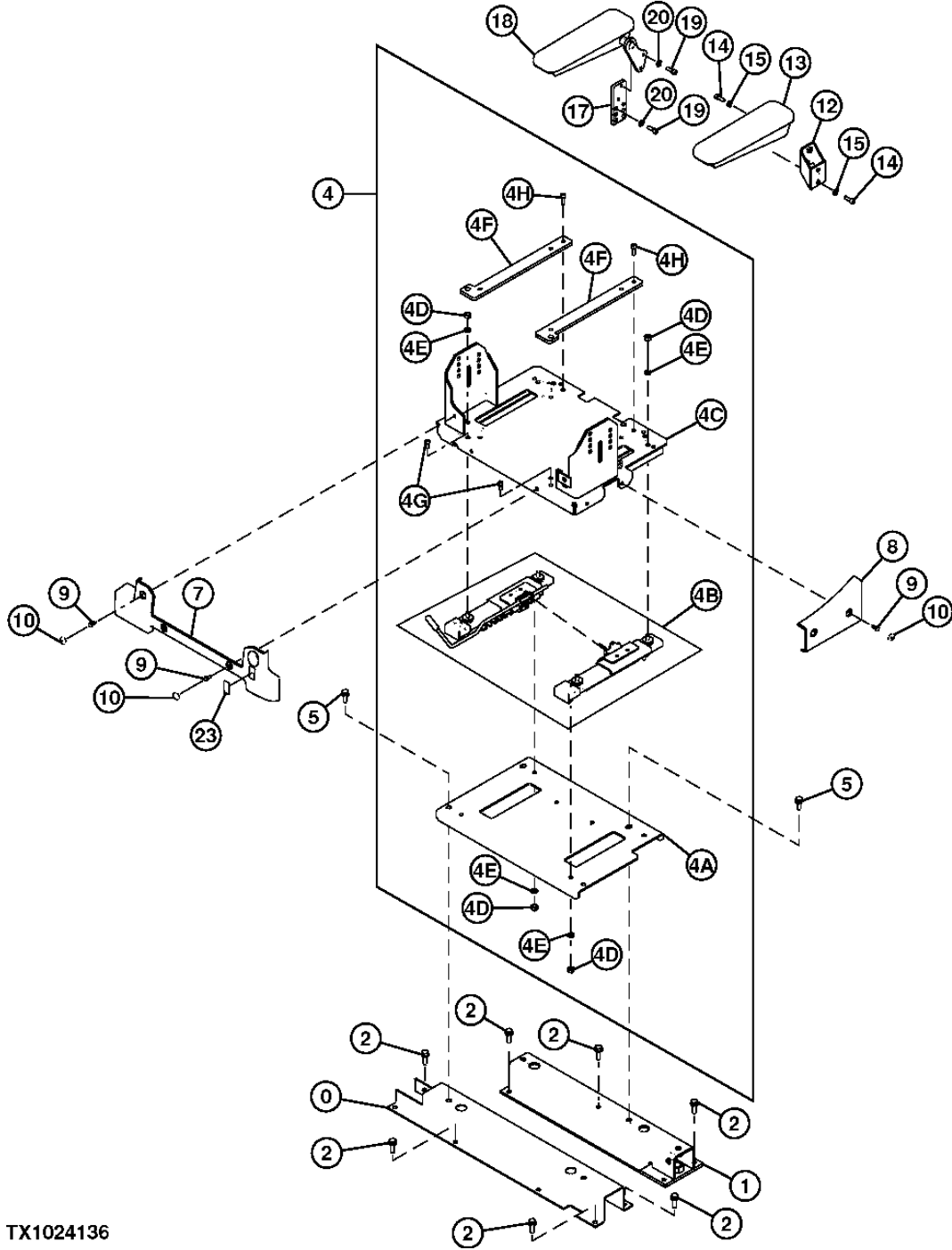
SEAT HARDWARE SERVICE KIT
KIT D ENTRETIEN DE BOULONNERIE DE SIEGE
JUEGO DE SERVICIO DE TORNILLERIA DEL ASIENTO

KEY	PART NO.	PART NAME	QTY.	SERIAL NO.	REMARKS
1	WASHER	4		(157020 NLA) (HEIGHT RISER TO UPPER HARDWARE)
2	CAP SCREW	4		(157070 NLA) (HEIGHT RISER TO UPPER HARDWARE)
3	WASHER	4		(2160621013 NLA) (HEIGHT RISER TO UPPER HARDWARE)
4	CAP SCREW	4		(53511340001 NLA) (HOLDS THE HEIGHT RISER TO THE UPPER SEAT)
5	BOLT	4		(79495 NLA) (HEIGHT RISER TO SUSPENSION HARDWARE)
6	SPACER	2		(151141 NLA) (HEIGHT RISER TO SUSPENSION HARDWARE)
7	WASHER	2		(151207 NLA) (HEIGHT RISER TO SUSPENSION HARDWARE)
8	WASHER	4		(53530010007 NLA) (HEIGHT RISER TO SUSPENSION HARDWARE)
9	NUT	6		(53500250005 NLA) (SLIDE RAILS TO SUSPENSION)
10	SCREW	6		(53490210001 NLA) (SLIDE RAILS TO SUSPENSION)
11	WASHER	6		(53530020006 NLA) (SLIDE RAILS TO SUSPENSION)
12	SPACER	6		(166579 NLA) (SLIDE RAILS TO SUSPENSION)
13	WASHER	6		(2160821019 NLA) (BELOW THE NUT ON SLIDE RAIL TO SUSPENSION)
14	SPACER	4		(150584 NLA) (BETWEEN SLIDE RAIL AND SUSPENSION BRACKETS)
15	SCREW	4		(2050616016 NLA) (FRONT SLIDE RAIL BRACKETS TO SUSPENSION)
20	AT335573	HARDWARE KIT	1		

1821-4

SEAT STAND (AIR SUSPENSION)
BASE DE SIEGE (SUSPENSION PNEUMATIQUE)
SOPORTE DE ASIENTO (SUSPENSION NEUMATICA)

TX1024136 -UN-18JUN07



TX1024136

1821-5

OPERATOR'S STATION 18

SEAT AND SEAT BELT 1821

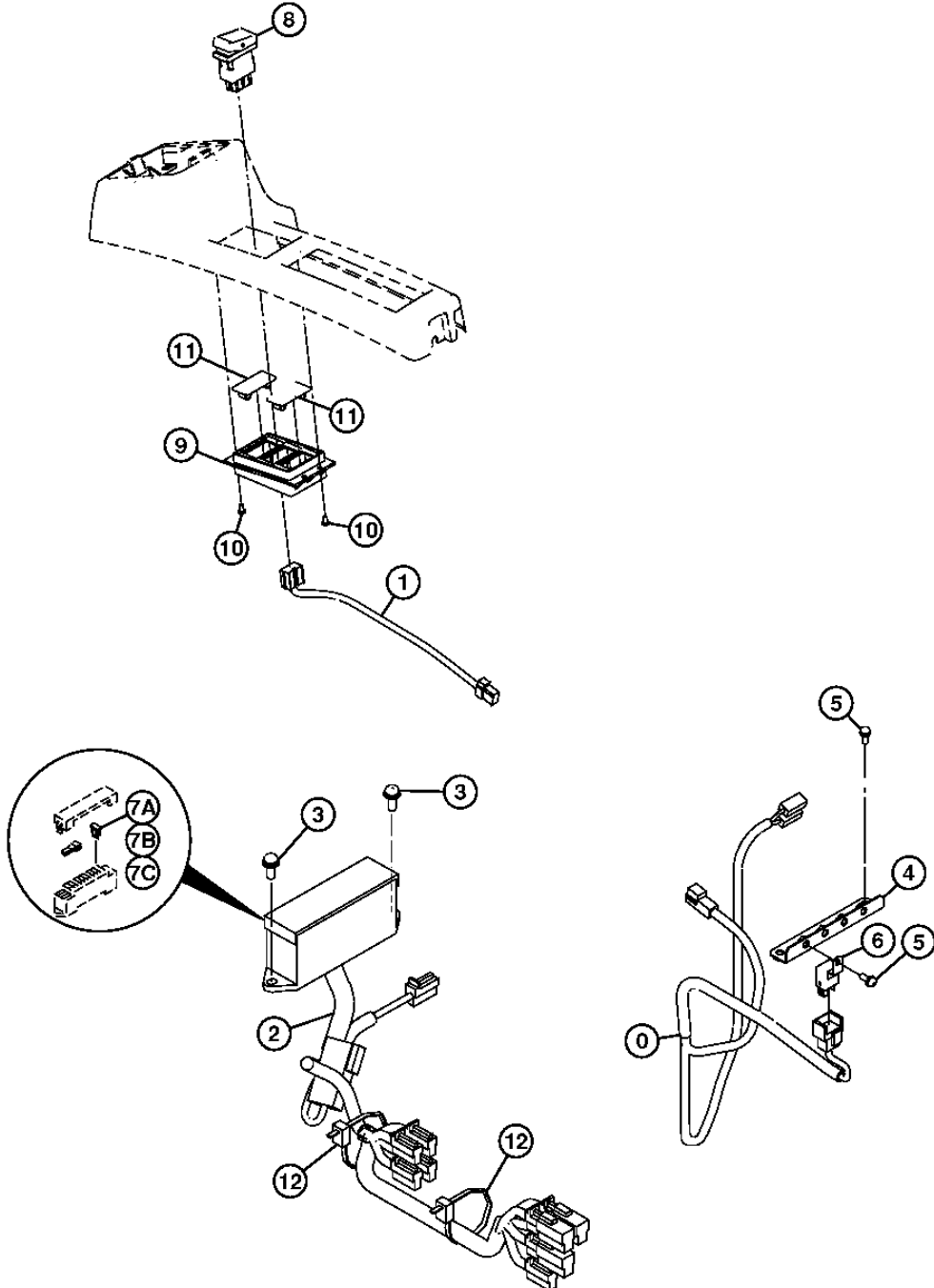
**SEAT STAND (AIR SUSPENSION)
BASE DE SIEGE (SUSPENSION PNEUMATIQUE)
SOPORTE DE ASIENTO (SUSPENSION NEUMATICA)**

KEY	PART NO.	PART NAME	QTY.	SERIAL NO.	REMARKS
0	8098869	SUPPORT	1		(SUB FOR TH6020171)
1	8098870	SUPPORT	1		
2	SCREW WITH WASHER	11		(J271035 NLA)
	19M7550	CAP SCREW	11		M10 X 35, (SUB FOR J901035)
	24M7346	WASHER	11		11 X 20 X 2 MM, (SUB FOR J222010)
4	9258981	FRAME	1		(SUB FOR TH4405128)
4A	8101964	PLATE	1		
4B	4631364	SEAT SLIDE TRACK KIT	1		
4C	6024037	BASE	1		
4D	J952010	NUT	8		
4E	24M7346	WASHER	8		11 X 20 X 2 MM, (SUB FOR 24M7346)
4F	4653261	SPACER	2		
4G	19M7647	SCREW	2		M8 X 16, (SUB FOR M340816)
4H	19M8439	SCREW	2		M8 X 25, (SUB FOR M340825)
5	SCREW WITH WASHER	4		(J271030 NLA)
	19M7662	CAP SCREW	4		M10 X 30, (SUB FOR J901030)
	24M7346	WASHER	4		11 X 20 X 2 MM, (SUB FOR J222010)
7	4644044	COVER	1		
8	4644052	COVER	1		
9	SCREW WITH WASHER	5		(J460620 NLA)
	21M7267	SCREW	5		M6 X 20
	24M7293	WASHER	5		6.500 X 13 X 1.600 MM
	12M7006	LOCK WASHER	5		6 MM
10	4644220	CAP	5		
12	7050007	BRACKET	1		
13	4644169R	ARMREST	1		
14	19M7657	SCREW	4		M8 X 25, (SUB FOR J780825)
15	J222008	WASHER	4		
17	4648791	BRACKET	1		
18	4644172R	ARMREST	1		
19	19M7657	SCREW	4		M8 X 25
20	J222008	WASHER	4		
23	8101964	PLATE	1		

1821-8

SEAT HEATER COMPONENTS COMPOSANTS DE CHAUFFAGE DE BASE DE SIEGE COMPONENTES DEL CALEFACTOR BAJO EL ASIENTO

TX1000631 -UN-07FEB06



TX1000631

1821-9

OPERATOR'S STATION 18

SEAT AND SEAT BELT 1821

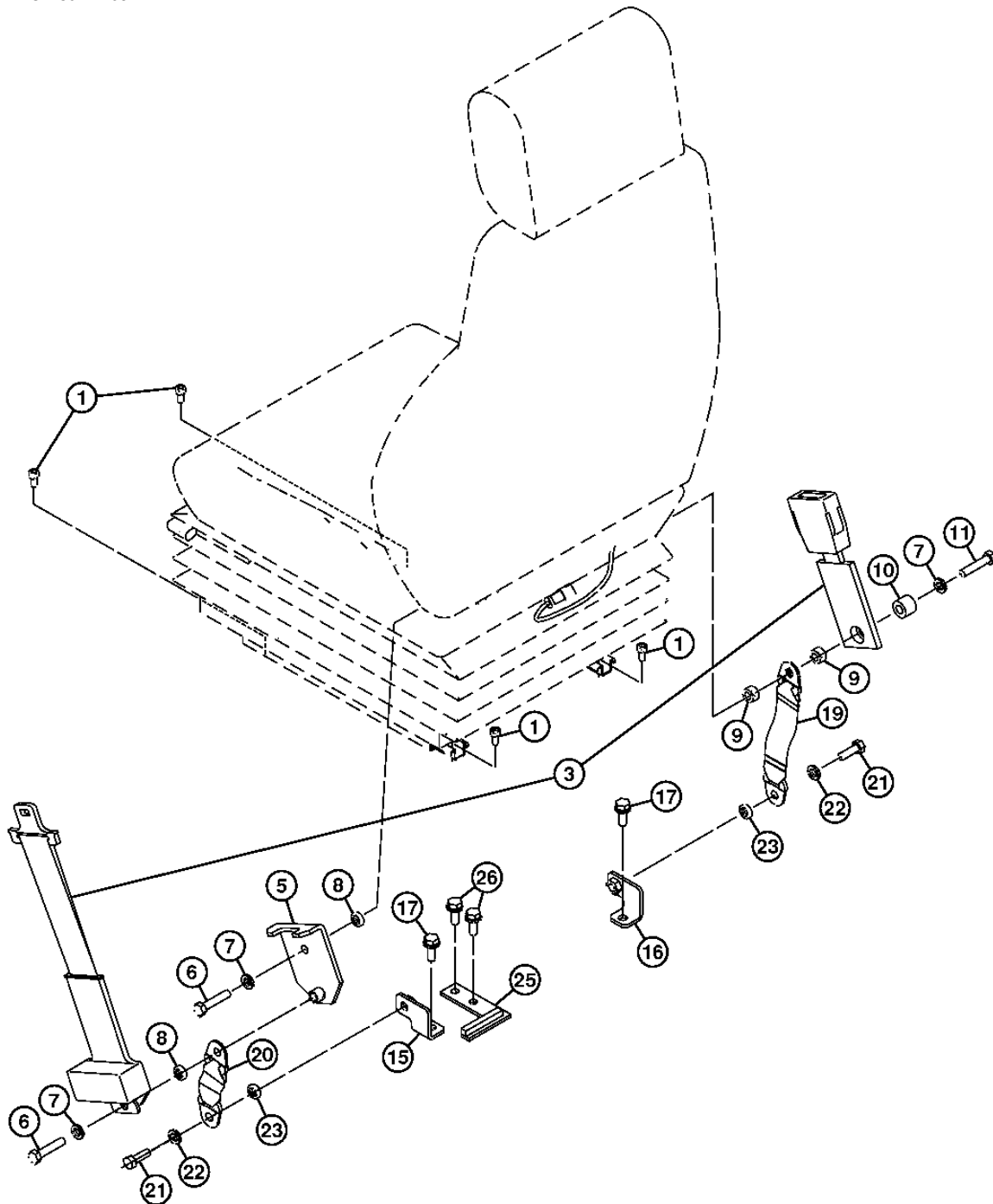
SEAT HEATER COMPONENTS
COMPOSANTS DE CHAUFFAGE DE BASE DE SIEGE
COMPONENTES DEL CALEFACTOR BAJO EL ASIENTO

KEY	PART NO.	PART NAME	QTY.	SERIAL NO.	REMARKS
0	3104470	WIRING HARNESS	1		
1	4651877	WIRING HARNESS	1		
2	2053073	WIRING HARNESS	1		
3	SCREW WITH WASHER	2		(SUB FOR J460620)
	21M7267	SCREW	2		M6 X 20
	12M7006	LOCK WASHER	2		6 MM
	24M7293	WASHER	2		6.500 X 13 X 1.600 MM
4	8100850	BRACKET	1		
5	SCREW WITH WASHER	3		(J460616 NLA)
	19M8425	CAP SCREW	3		M6 X 16
	12M7006	LOCK WASHER	3		6 MM
6	4414207	RELAY	1		(SUB FOR AT186647)
7A	57M7688	FUSE	1		5 AMP
7B	57M7689	FUSE	1		10 AMP
7C	57M7691	FUSE	1		20 AMP
8	4651292	SWITCH	1		
9	2053294	CASE	1		
10	4361800	SCREW	4		(SUB FOR AT214011)
11	4620283	CAP	2		
12	DH400240	TIE BAND	2		

1821-14

SEAT BELT CEINTURE DE SECURITE CINTURON DE SEGURIDAD

TX1042941 -UN-30MAY08



TX1042941

1821-15

OPERATOR'S STATION 18

SEAT AND SEAT BELT 1821

SEAT BELT CEINTURE DE SECURITE CINTURON DE SEGURIDAD

KEY	PART NO.	PART NAME	QTY.	SERIAL NO.	REMARKS
1	19M7647	SCREW	4		M8 X 16, (SUB FOR AT217709 OR M340816)
3	4653162	SEAT BELT	1		
5	8105912	BRACKET	1		
6	4333835	BOLT	2		(SUB FOR AT215561)
7	12H293	LOCK WASHER	3		7/16", (SUB FOR J219167)
8	4382554	WASHER	2		(SUB FOR AT215565)
9	4453874	SPACER	1		
10	4372200	SPACER	1		
11	4380534	CAP SCREW	1		
15	9765212	BRACKET	1		(LH)
16	9765213	BRACKET	1		(RH)
17	SCREW WITH WASHER	2		(J271030 NLA)
	19M7662	CAP SCREW	2		M10 X 30, (SUB FOR J901030)
	24M7346	WASHER	2		11 X 20 X 2 MM, (SUB FOR J222010)
19	4455566	BELT SET	1		(SUB FOR TH4455566)
20	4366871	SEAT BELT	1		
21	19H3187	CAP SCREW	2		7/16" X 1-1/2", (SUB FOR 4235232)
22	12H293	LOCK WASHER	2		7/16", (SUB FOR J219167)
23	4382554	WASHER	2		
25	9765095	BRACKET	1		
26	SCREW WITH WASHER	2		(J271030 NLA)
	19M7662	CAP SCREW	2		M10 X 30, (SUB FOR J901030)
	24M7346	WASHER	2		11 X 20 X 2 MM, (SUB FOR J222010)

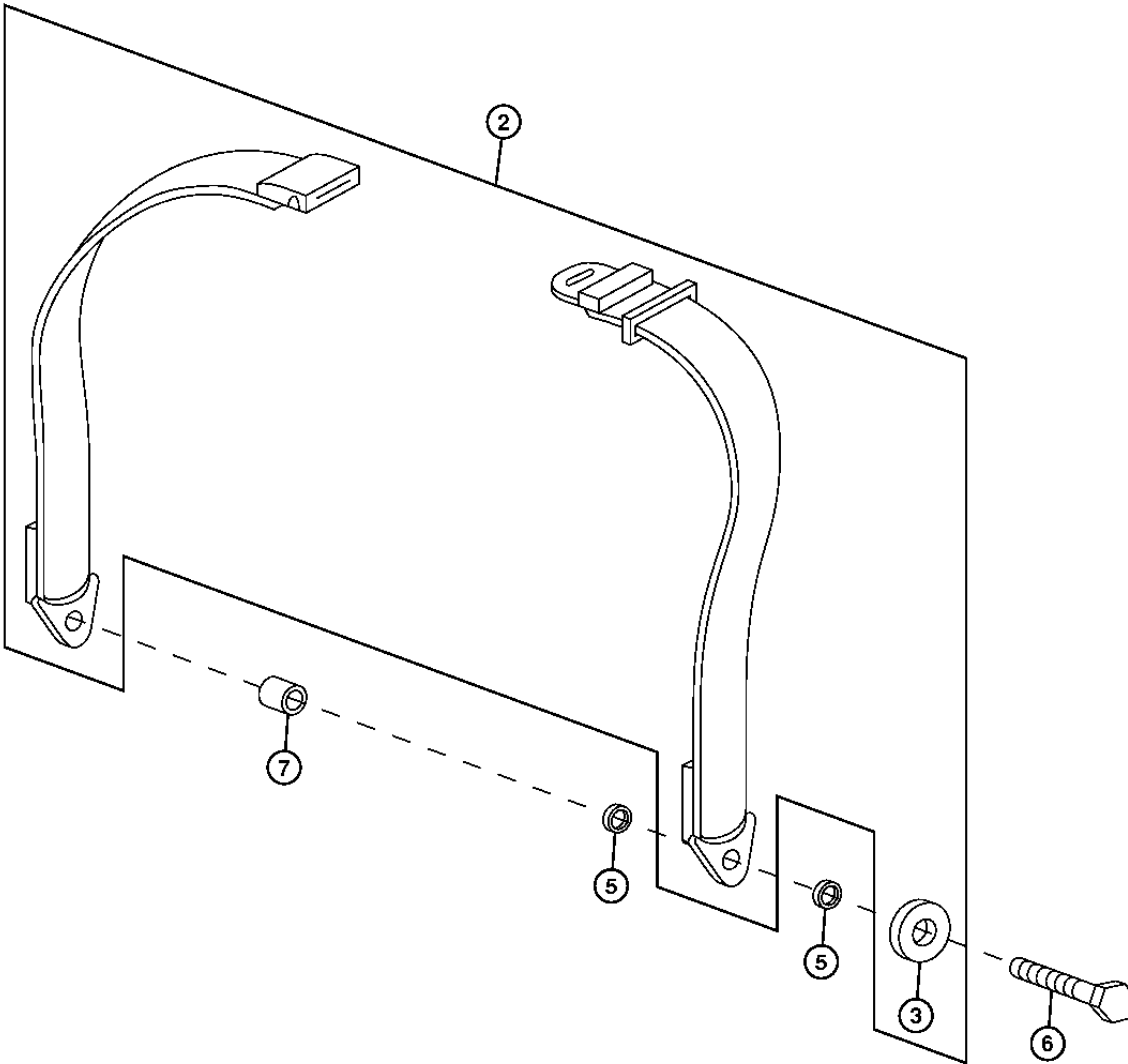
1821-16

OPERATOR'S STATION 18
SEAT AND SEAT BELT 1821

3.00 INCH SEAT BELT KIT
KIT DE CEINTURE DE SECURITE DE 3.00 INCH
JUEGO DE CINTURON DE SEGURIDAD DE 3.00 IN.

TX1003239

-UN-02FEB06



TX1003239

1821-17

OPERATOR'S STATION 18

SEAT AND SEAT BELT 1821

**3.00 INCH SEAT BELT KIT
KIT DE CEINTURE DE SECURITE DE 3.00 INCH
JUEGO DE CINTURON DE SEGURIDAD DE 3.00 IN.**

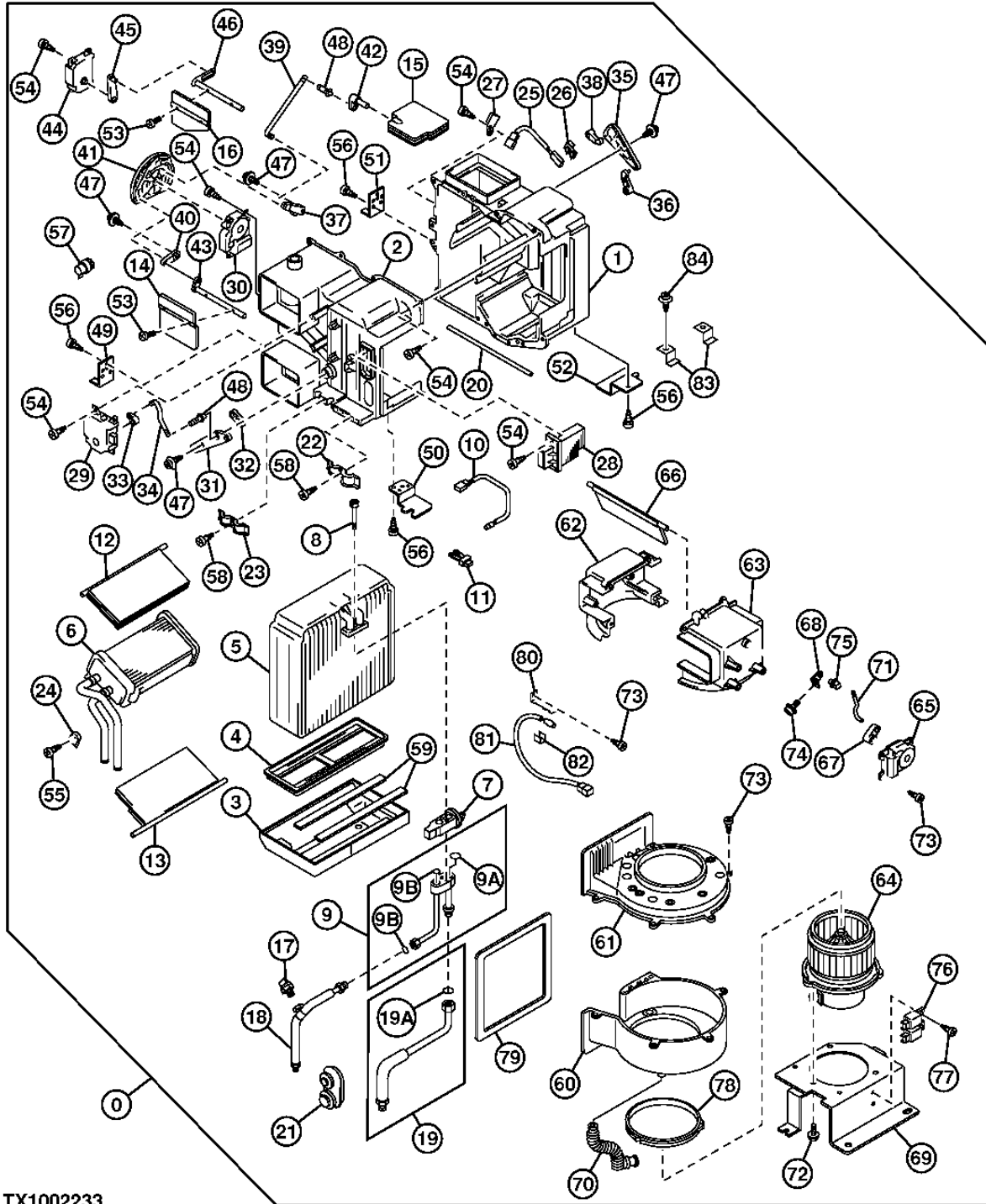
KEY	PART NO.	PART NAME	QTY.	SERIAL NO.	REMARKS
2	AT173678	SEAT BELT	1		(WHOLEGOODS) (ALSO ORDER (4) 24H1301 AND (2) 19H1387 AND 4372200)
	T157779	FLANGE NUT	2		7/16", 7/16" (NA NOT USED THIS APPL)
	R41778	BOLT	2		7/16" X 1-1/4". (NA NOT USED THIS APPL)
3	T105740	WASHER	2		
5	24H1301	WASHER	4		13/32" X 9/16" X 0.065"
6	19H3187	CAP SCREW	2		7/16" X 1-1/2"
7	4372200	SPACER	1		(SUB FOR P60915)

1830-2

AIR CONDITIONER/HEATER (COMPONENTS)
CLIMATISEUR/CHAUFFAGE (COMPOSANTS)
ACONDICIONADOR DE AIRE/CALEFACTOR (COMPONENTES)

TX1002233

-UN-27JAN06



TX1002233

THIS PARTS LISTING IS CONTINUED

1830-3

OPERATOR'S STATION 18

HEATING AND AIR CONDITIONING 1830

**AIR CONDITIONER/HEATER (COMPONENTS)
CLIMATISEUR/CHAUFFAGE (COMPOSANTS)
ACONDICIONADOR DE AIRE/CALEFACTOR (COMPONENTES)**

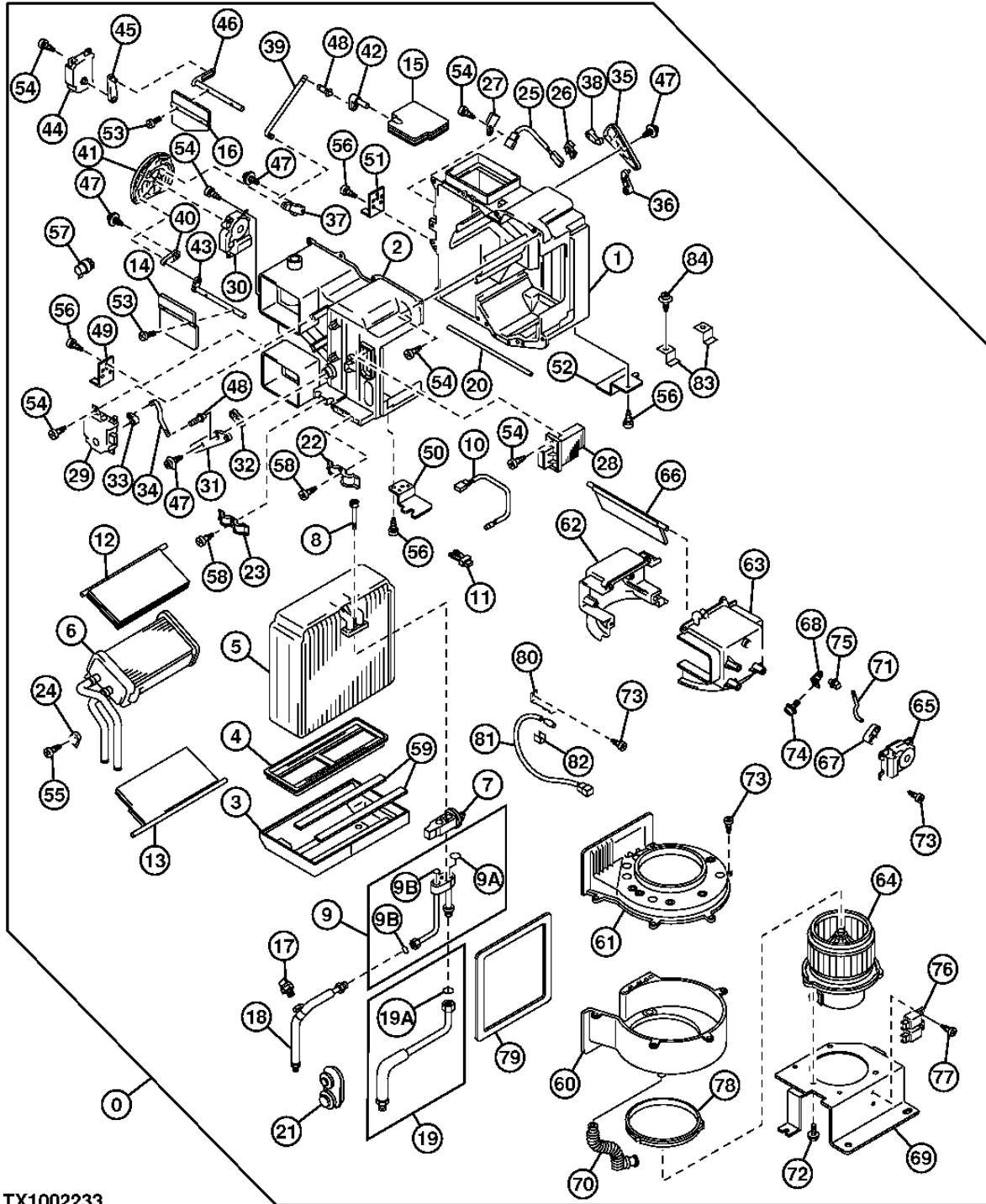
KEY	PART NO.	PART NAME	QTY.	SERIAL NO.	REMARKS
0	4436024	AIR CONDITIONER	1		
1	4475264	CASE	1		
2	4475265	CASE	1		
3	4475283	CASE	1		
4	4475284	PLATE	1		(J460516 AND AT154883 NLA)
5	4469056	EVAPORATOR	1		
	CH11570	O-RING	2		(SUB FOR 4350206 OR 4509180)
6	4469057	CORE	1		
7	4465995	FLOW CONTROL HYD. VALVE	1		
8	4475285	BOLT	2		
9	4475286	STRUCTURAL TUBING	1		
9A	4450206	ISOLATOR	1		
9B	CH11568	PACKING	2		(SUB FOR AT181000 OR 4350187 OR 4226445)
10	4469058	THERMOSTAT	1		
11	4475287	CLIP	2		
12	4475288	DOOR	1		
13	4475289	DOOR	1		
14	4475290	DOOR	1		
15	4475291	PULLEY WITH DAMPENER	1		
16	4475345	DOOR	1		
17	PRESSURE SWITCH	1		(AT322233 NLA)
	AT336248	PRESSURE SWITCH	1		(SUB FOR 4382816 OR 4469059 OR AT181007)
	4475346	O-RING	1		
18	4475347	HOSE	1		
19	4475348	HOSE	1		
19A	4450206	ISOLATOR	1		(SUB FOR 4350206 OR AT181000 OR 4509180)
20	4475349	PACKING	1		
21	4475350	ISOLATOR	1		
22	4475351	CLIP	1		(J460616 NLA)
23	4475352	CLIP	1		
24	4475353	BRACKET	1		
25	4418144	THERMOSTAT	1		
26	4418143	CLAMP	1		
27	4418142	BRACKET	1		
28	4469060	INTEGRATED CIRCUIT	1		
29	4469061	MOTOR	1		
30	4469062	MOTOR	1		
31	4475364	PLATE	1		
32	4475365	LEVER	1		
33	4475366	LEVER	1		
34	4475367	ROD	1		
35	4475368	PLATE	1		
36	4475369	LEVER	1		
37	4475370	PLATE	1		
38	4475371	LEVER	1		
39	4475372	ROD	1		
40	4475399	PLATE	1		
41	4475400	PLATE	1		
42	4475401	LEVER	1		
43	4475402	LEVER	1		
44	4469063	MOTOR	1		
45	4475403	LEVER	1		

1830-4

AIR CONDITIONER/HEATER (COMPONENTS) (CONTINUED)
CLIMATISEUR/CHAUFFAGE (COMPOSANTS) (SUITE)
ACONDICIONADOR DE AIRE/CALEFACTOR (COMPONENTES) (CONTINUACION)

TX1002233

-UN-27JAN06



TX1002233

THIS PARTS LISTING IS CONTINUED

1830-5

OPERATOR'S STATION 18

HEATING AND AIR CONDITIONING 1830

AIR CONDITIONER/HEATER (COMPONENTS) (CONTINUED)
CLIMATISEUR/CHAUFFAGE (COMPOSANTS) (SUITE)
ACONDICIONADOR DE AIRE/CALEFACTOR (COMPONENTES) (CONTINUACION)

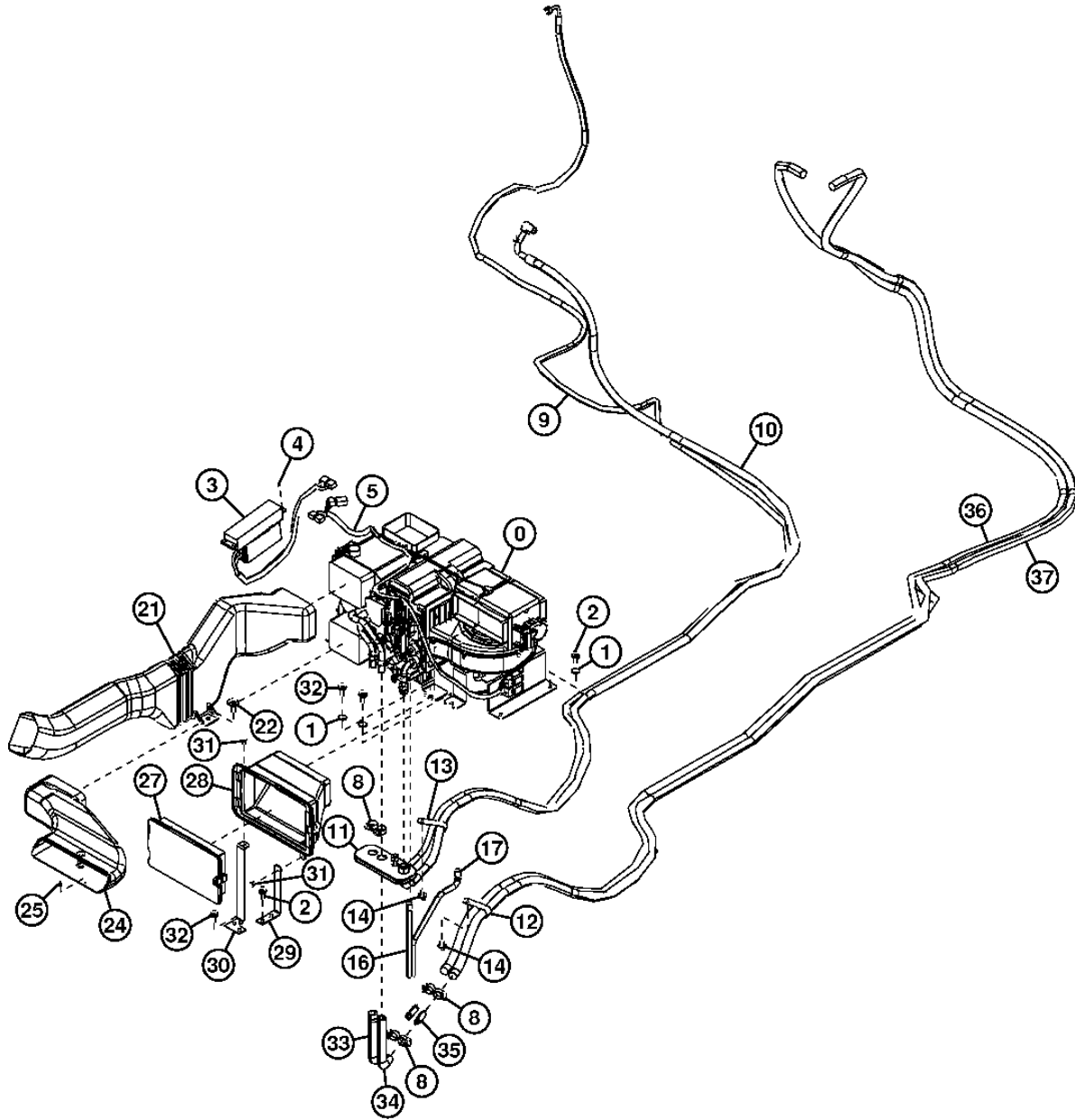
KEY	PART NO.	PART NAME	QTY.	SERIAL NO.	REMARKS
46	4475404	LEVER	1		
47	4475405	BOLT	4		
48	4469047	CLAMP	2		
49	4475406	BRACKET	1		
50	4475407	BRACKET	1		
51	4475430	BRACKET	1		
52	4475431	BRACKET	1		
53	4475432	BOLT	1		
54	4382883	SCREW	23		(SUB FOR AT181011)
55	4236448	SCREW	1		(SUB FOR AT181024)
56	4382882	BOLT	8		(SUB FOR AT218133)
57	4475433	BUSHING	1		
58	4475434	BOLT	2		
59	4475435	PACKING	2		
60	4475247	CASE	1		
61	4475248	CASE	1		
62	4475249	CASE	1		
63	4475250	CASE	1		
64	4469041	ELECTRIC MOTOR	1		
65	4469063	MOTOR	1		
66	DOOR	1		
67	LEVER KIT	1		
68	LEVER KIT	1		
69	4475257	BRACKET	1		
70	4475258	HOSE	1		
71	SHAFT	1		
72	4475259	BOLT	3		
73	4382883	SCREW	17		(SUB FOR 4482883)
74	4475260	BOLT	1		
75	4469047	CLAMP	1		
76	4382860	RELAY	1		(SUB FOR AT181053)
77	4382832	SCREW	2		(SUB FOR AT181022)
78	4475261	PACKING	1		
79	4475262	PACKING	1		
80	4475263	BRACKET	1		
81	4418147	THERMOSTAT	1		
82	4418149	CLAMP	1		
83	4475229	BRACKET	2		
84	4382882	BOLT	2		(SUB FOR AT218133)

1830-6

AIR CONDITIONER / HEATER
CLIMATISEUR (1)
ACONDICIONADOR DE AIRE (1)

TX1008323

-UN-25MAY06



TX1008323

1830-7

OPERATOR'S STATION 18

HEATING AND AIR CONDITIONING 1830

**AIR CONDITIONER / HEATER
CLIMATISEUR (1)
ACONDICIONADOR DE AIRE (1)**

KEY	PART NO.	PART NAME	QTY.	SERIAL NO.	REMARKS
0	4436024	AIR CONDITIONER	1		(A)
1	24M7346	WASHER	8		11 X 20 X 2 MM, (SUB FOR J222010)
2	SCREW WITH WASHER	8		(J271030 NLA)
	19M7662	CAP SCREW	8		M10 X 30, (SUB FOR J901030)
	24M7346	WASHER	8		11 X 20 X 2 MM, (SUB FOR J222010)
3	4439093	AIR HEATER CONTROLLER	1		
4	SCREW WITH WASHER	4		(J460516 AND AT154883 NLA)
	19M7372	CAP SCREW	4		M5 X 16
	12M7064	WASHER	4		5 MM
	24M7348	WASHER	4		5.500 X 10 X 1 MM
5	1032924	WIRING HARNESS	1		
8	WZ2141223	HOSE CLAMP	6		(SUB FOR 4514699 OR AA34965)
9	4638112	REFRIGERANT HOSE	1		
10	4647951	REFRIGERANT HOSE	1		
11	2044923	BUSHING	1		(SUB FOR TH2044923)
12	R50454	CLAMP	1		(SUB FOR 4192034)
13	4190266	CLIP	1		
14	SCREW WITH WASHER	2		(J271020 NLA)
	19M7938	CAP SCREW	2		M10 X 20, (SUB FOR J901020)
	24M7346	WASHER	2		11 X 20 X 2 MM, (SUB FOR J222010)
16	4436306	HOSE	1		
17	4436307	HOSE	1		(SUB FOR TH4436307)
21	4636094	AIR DUCT	1		
22	SCREW WITH WASHER	1		(J281035 NLA)
	19M7550	CAP SCREW	1		M10 X 35, (SUB FOR J901035)
	4486055	WASHER	1		(SUB FOR 4486055)
24	4636096	AIR DUCT	1		
25	SCREW WITH WASHER	2		(J460616 NLA)
	19M8425	CAP SCREW	2		M6 X 16
	12M7006	LOCK WASHER	2		6 MM
	24M7293	WASHER	2		6.500 X 13 X 1.600 MM
27	4643580	FILTER	1		
28	4639945	AIR DUCT	1		
29	9764301	BRACKET	1		
30	8102261	BRACKET	1		
31	SCREW WITH WASHER	2		(J260816 NLA)
	19M7162	CAP SCREW	2		M8 X 16, (SUB FOR J900816)
	24M7055	WASHER	2		8.400 X 16 X 1.600 MM, (SUB FOR A590108)
32	SCREW WITH WASHER	4		
	19M7662	CAP SCREW	4		M10 X 30
	24M7346	WASHER	4		11 X 20 X 2 MM
33	4344638	HOSE	1		(SUB FOR 4366623 OR AT213898)
34	4344638	HOSE	1		(SUB FOR 4366623 OR AT213898)
35	4347396	FITTING	2		
36	BULK HOSE	1		(MF TY22328 CTL 5280MM) (4656166 NLA)
37	BULK HOSE	1		(MF TY22328 CTL 5240MM) (4656165 NLA)

(A) ADDITIONAL COMPONENTS LISTED ON PREVIOUS PAGES

(A) COMPOSANTS SUPPLEMENTAIRES ENUMERES AUX PAGES PRECEDENTES

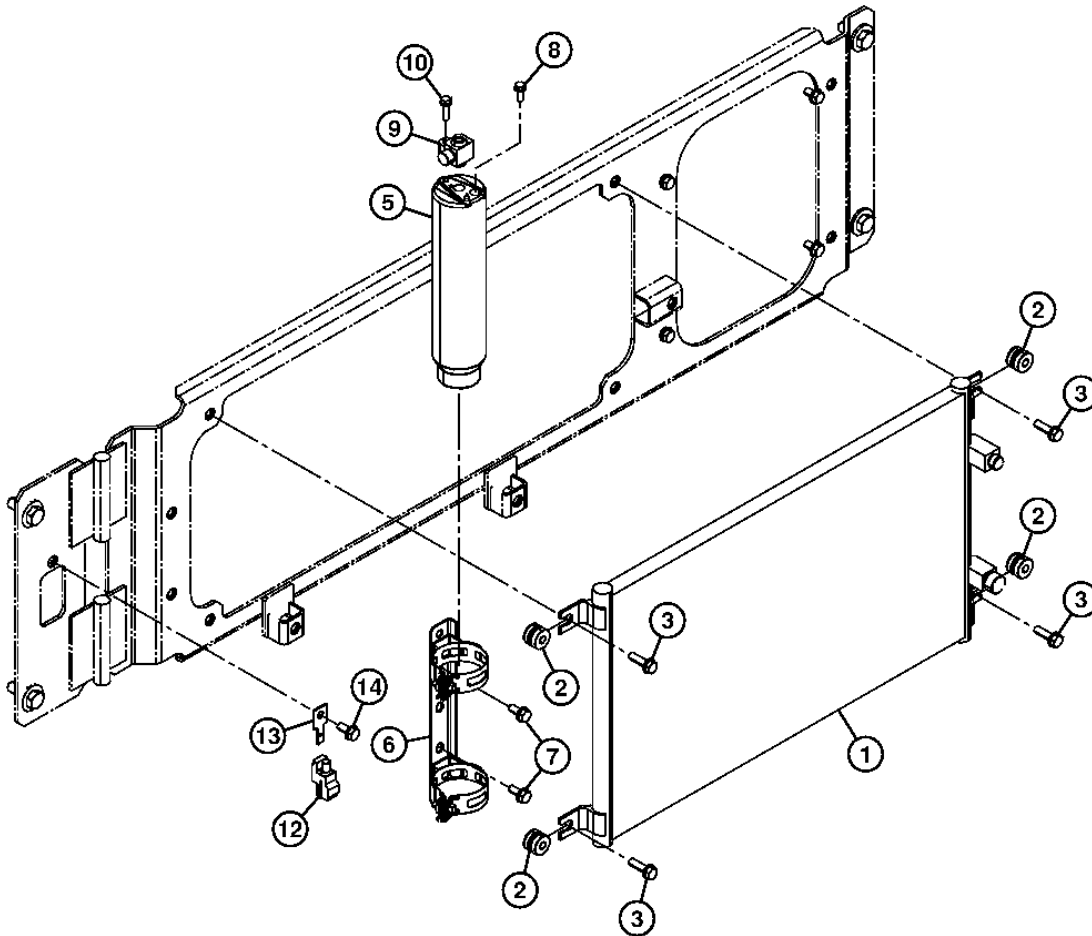
(A) COMPONENTES ADICIONALES INDICADOS EN PAGINAS ANTERIORES

1830-8

**AIR CONDITIONER CONDENSER
CONDENSEUR DE CLIMATISATION
CONDENSADOR DE ACONDICIONADOR DE AIRE**

TX1009858

-UN-17JUL06



TX1009858

1830-9

OPERATOR'S STATION 18

HEATING AND AIR CONDITIONING 1830

**AIR CONDITIONER CONDENSER
CONDENSEUR DE CLIMATISATION
CONDENSADOR DE ACONDICIONADOR DE AIRE**

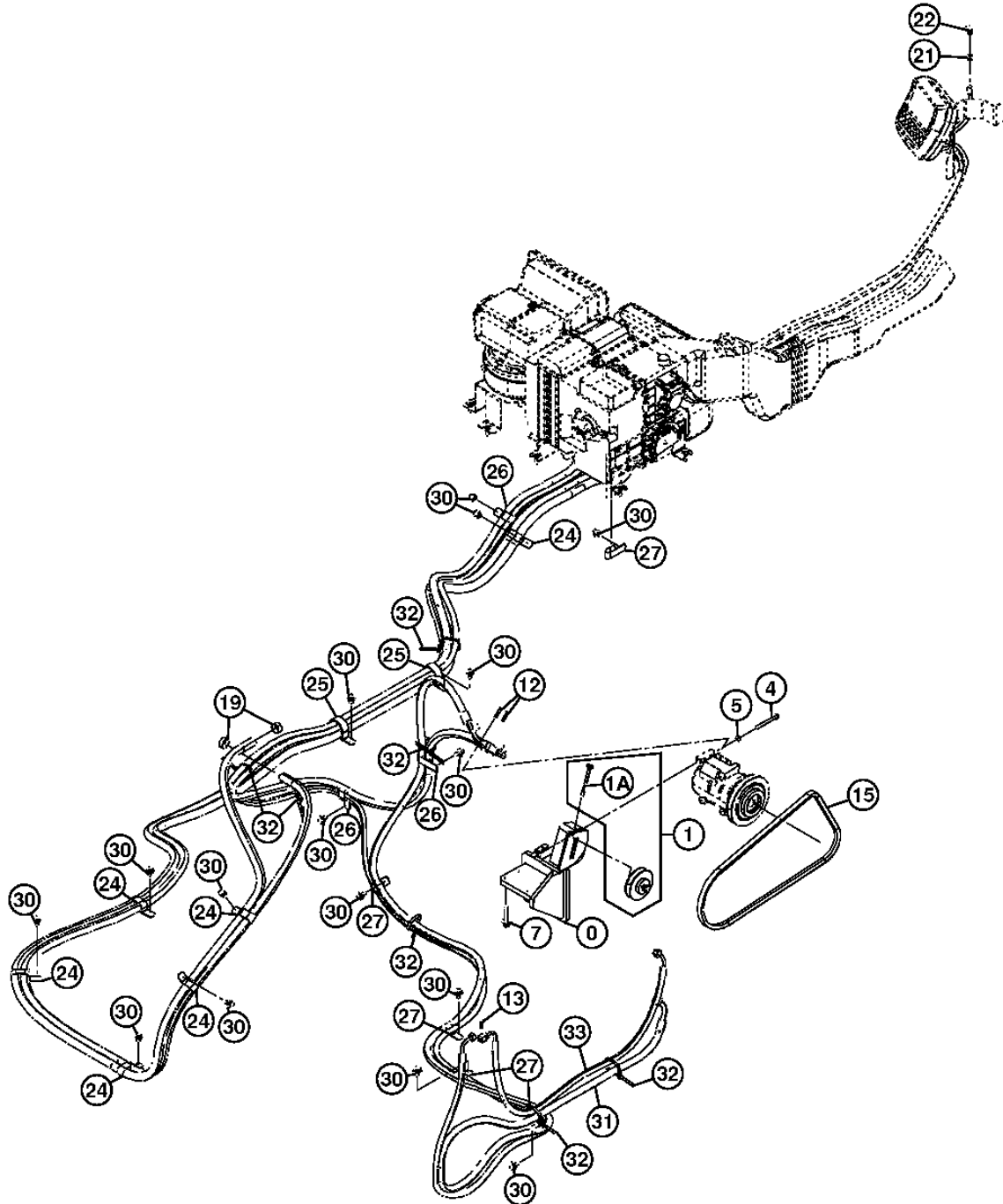
KEY	PART NO.	PART NAME	QTY.	SERIAL NO.	REMARKS
1	4617327	VAPOR CONDENSER	1		
2	4618721	BUSHING	4		
3	SCREW WITH WASHER	4		(J260830 NLA)
	19M7288	CAP SCREW	4		M8 X 30, (SUB FOR J900830)
	24M7055	WASHER	4		(SUB FOR A590108)
5	4333461	TANK	1		(SUB FOR AT215511)
6	4333462	SUPPORT	1		(SUB FOR AT215512)
7	SCREW WITH WASHER	2		(J260820 NLA)
	19M7881	SCREW	2		M8 X 20, (SUB FOR J900820 OR 19M7139)
	24M7055	WASHER	2		8.400 X 16 X 1.600 MM, (SUB FOR A590108)
8	SCREW WITH WASHER	1		(SUB FOR J260616)
	19M8425	CAP SCREW	1		M6 X 16, (SUB FOR J900616)
	24M7054	WASHER	1		6.400 X 12 X 1.600 MM
9	4374958	ADAPTER FITTING	1		(SUB FOR AT181084)
10	SCREW WITH WASHER	1		(J260625 NLA)
	19M7286	CAP SCREW	1		M6 X 25, (SUB FOR J900625)
	24M7054	WASHER	1		6.400 X 12 X 1.600 MM, (SUB FOR A590106)
12	4405815	SENSOR	1		(SUB FOR AT186241)
13	4411931	BRACKET	1		
14	SCREW WITH WASHER	1		(J260820 NLA)
	19M7881	SCREW	1		M8 X 20, (SUB FOR J900820 OR 19M7139)
	24M7055	WASHER	1		8.400 X 16 X 1.600 MM, (SUB FOR A590108)

1830-10

AIR CONDITIONER REFRIGERANT HOSE AND COMPRESSOR DRIVE BELT
FLEXIBLE DE REFRIGERANT ET COURROIE D'ENTRAÎNEMENT DE COMPRESSEUR DE CLIMA TISEUR
MANGUERA DE REFRIGERANTE DEL ACONDICIONADOR DE AIRE Y CORREA IMPULSORA DEL COMPRESOR

TX1002317

-UN-03FEB06



TX1002317

1830-11

OPERATOR'S STATION 18

HEATING AND AIR CONDITIONING 1830

**AIR CONDITIONER REFRIGERANT HOSE AND COMPRESSOR DRIVE BELT
FLEXIBLE DE REFRIGERANT ET COURROIE D'ENTRAINEMENT DE COMPRESSEUR DE CLIMA TISEUR
MANGUERA DE REFRIGERANTE DEL ACONDICIONADOR DE AIRE Y CORREA IMPULSORA DEL COMPRESOR**

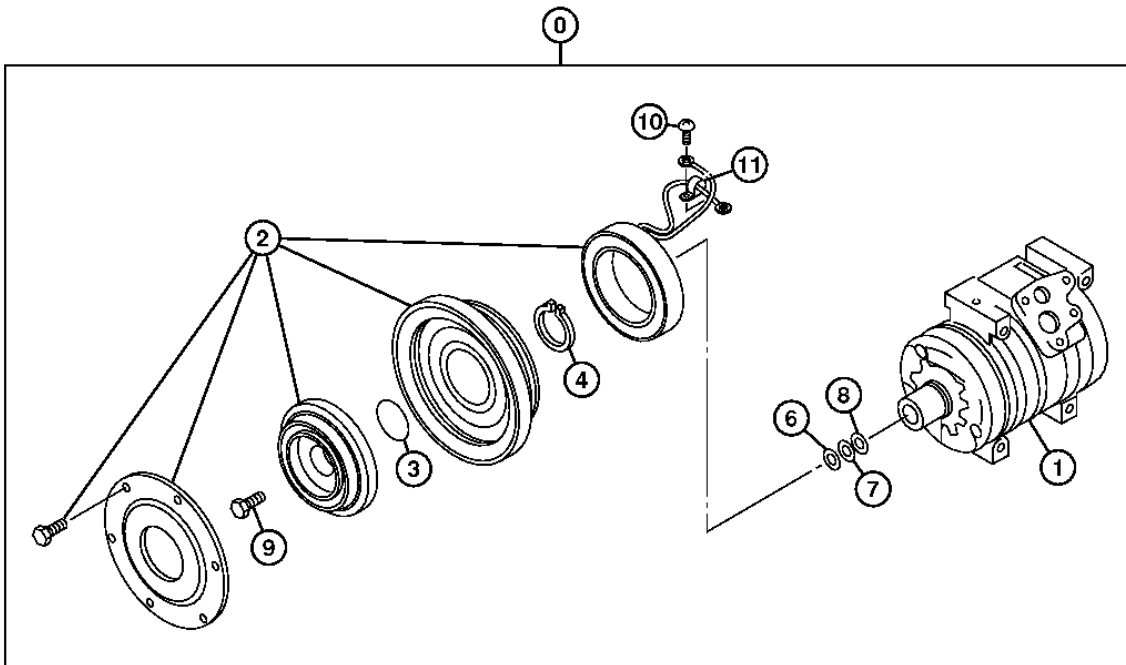
KEY	PART NO.	PART NAME	QTY.	SERIAL NO.	REMARKS
0	7048591	BRACKET	1		
1	4252004	PULLEY	1		
1A	BOLT	1		(NSEP)
4	19M8504	CAP SCREW	4		M8 X 80, (SUB FOR J901070)
5	24M7055	WASHER	4		8.400 X 16 X 1.600 MM, (J281030 NLA)
7	SCREW WITH WASHER	4		(J260820 NLA)
	19M7362	CAP SCREW	4		M12 X 55
	24M7345	WASHER	4		13.500 X 24 X 2.500 MM
12	SCREW WITH WASHER	2		(J260630 NLA)
	19M7874	CAP SCREW	2		M6 X 30, (SUB FOR J900630 OR 19M7318)
	24M7054	WASHER	2		6.400 X 12 X 1.600 MM, (SUB FOR A590106)
13	SCREW WITH WASHER	1		
	19M7286	CAP SCREW	1		M6 X 25
	24M7054	WASHER	1		6.400 X 12 X 1.600 MM
15	4612763	V-BELT	1		
19	WZ2141223	HOSE CLAMP	2		(SUB FOR AA34965 OR 4514699)
21	4405194	SPACER	1		
22	4405814	SENSOR	1		(SUB FOR A590916)
24	R50454	CLAMP	6		(SUB FOR 4192034 OR TH109445)
25	N198631	CLAMP	2		(SUB FOR 4190265)
26	4190266	CLIP	3		(SUB FOR TH108793)
27	T32854	CLAMP	5		(SUB FOR 4190282)
30	SCREW WITH WASHER	16		
	19M7938	CAP SCREW	16		M10 X 20
	24M7346	WASHER	16		11 X 20 X 2 MM
31	4647902	HOSE	1		
32	H77698	TIE BAND	7		(SUB FOR 4055312)
33	4359287	HOSE	1		

1830-12

AIR CONDITIONER COMPRESSOR COMPRESSEUR DE CLIMATISEUR COMPRESOR DEL ACONDICIONADOR DE AIRE

TX1002288

-UN-07FEB06



TX1002288

1830-13

OPERATOR'S STATION 18

HEATING AND AIR CONDITIONING 1830

**AIR CONDITIONER COMPRESSOR
COMPRESSEUR DE CLIMATISEUR
COMPRESOR DEL ACONDICIONADOR DE AIRE**

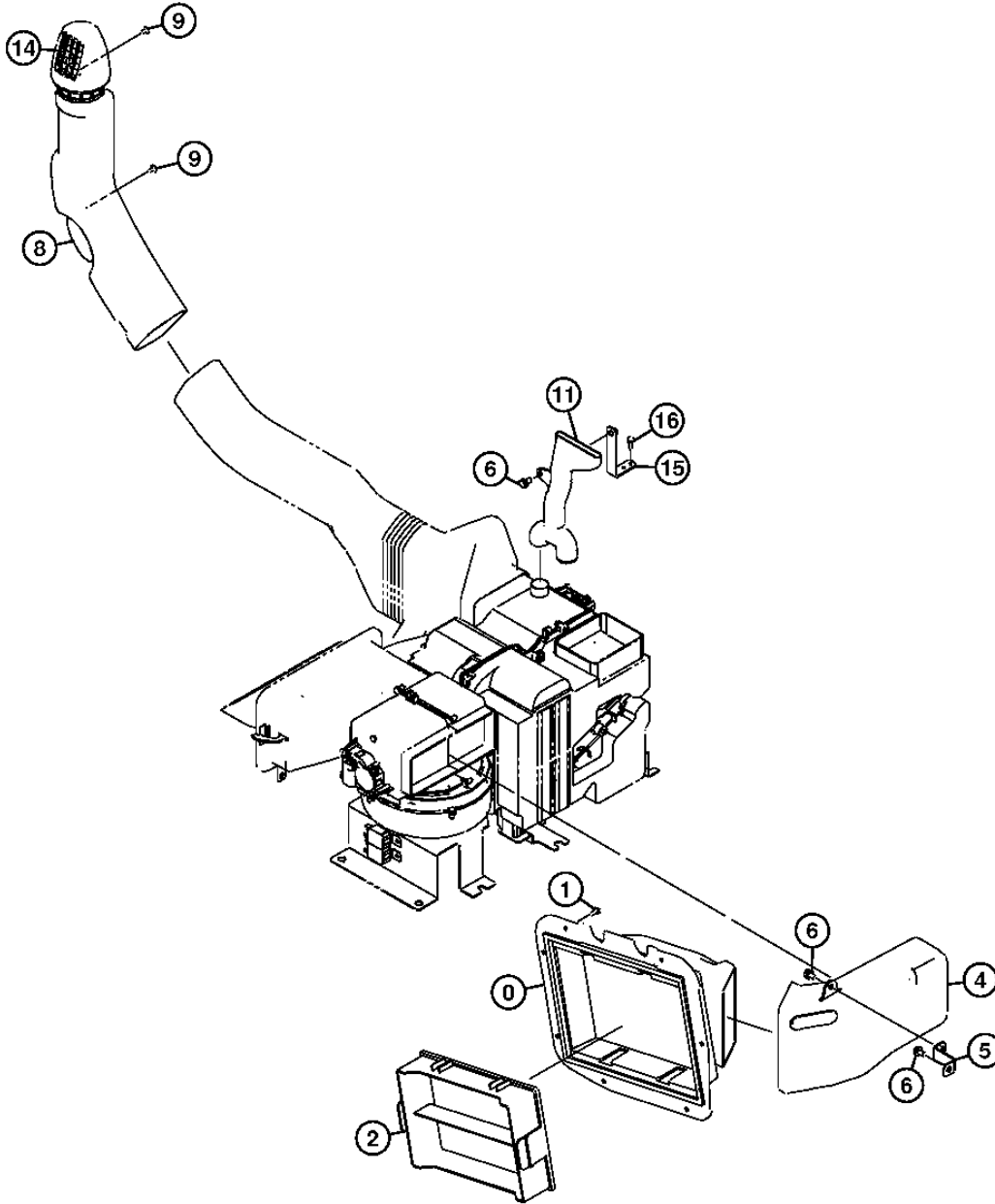
KEY	PART NO.	PART NAME	QTY.	SERIAL NO.	REMARKS
0	4436025	COMPRESSOR	1		(ASSY)
1	COMPRESSOR	1		(4469049 NLA)
2	4469050	CLUTCH	1		
3	4475230	RING	1		
4	4475236	RING	1		
6	4475237	WASHER	1		
7	4475242	WASHER	1		
8	4475243	WASHER	1		
9	4475244	BOLT	1		
10	4475245	SCREW	1		
11	4475246	CLAMP	1		

1830-16

AIR CONDITIONER/HEATER DUCT CONDUIT DE CLIMATISEUR CONDUCTO DE ACONDICIONADOR DE AIRE

TX1002291

-UN-09JAN06



TX1002291

THIS PARTS LISTING IS CONTINUED

1830-17

OPERATOR'S STATION 18

HEATING AND AIR CONDITIONING 1830

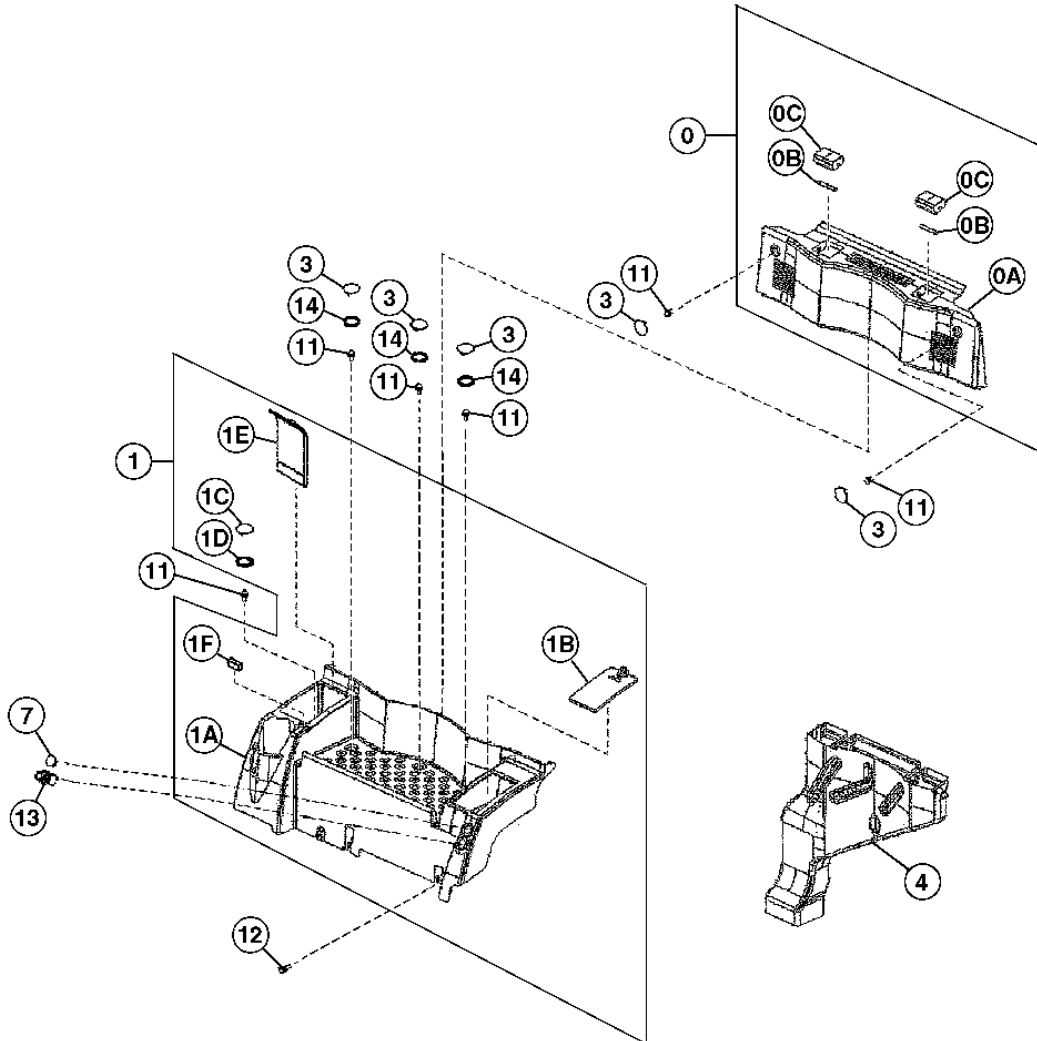
AIR CONDITIONER/HEATER DUCT
CONDUIT DE CLIMATISEUR
CONDUCTO DE ACONDICIONADOR DE AIRE

KEY	PART NO.	PART NAME	QTY.	SERIAL NO.	REMARKS
0	4640506	AIR DUCT	1		
1	BOLT	7		(J460616 NLA)
	19M8425	CAP SCREW	7		M6 X 16
	12M7006	LOCK WASHER	7		6 MM
	24M7293	WASHER	7		6.500 X 13 X 1.600 MM
2	4632689	FILTER ELEMENT	1		(FRESH AIR FILTER)
4	4636268	AIR DUCT	1		
5	8100576	BRACKET	1		
6	BOLT	3		(J260816 NLA)
	19M7162	CAP SCREW	3		M8 X 16
	24M7055	WASHER	3		8.400 X 16 X 1.600 MM
8	4636095	AIR DUCT	1		
9	4444700	SCREW	2		
11	4636269	AIR DUCT	1		
14	4631375	AIR DUCT	1		
15	9764263	BRACKET	1		
16	BOLT	2		(J460620 NLA)
	21M7267	SCREW	2		M6 X 20
	24M7293	WASHER	2		6.500 X 13 X 1.600 MM
	12M7006	LOCK WASHER	2		6 MM

1830-18

REAR TRAY PLATEAU ARRIERE BANDEJA POSTERIOR

TX1029257 -UN-18SEP07



TX1029257

1830-19

OPERATOR'S STATION 18

HEATING AND AIR CONDITIONING 1830

REAR TRAY PLATEAU ARRIERE BANDEJA POSTERIOR

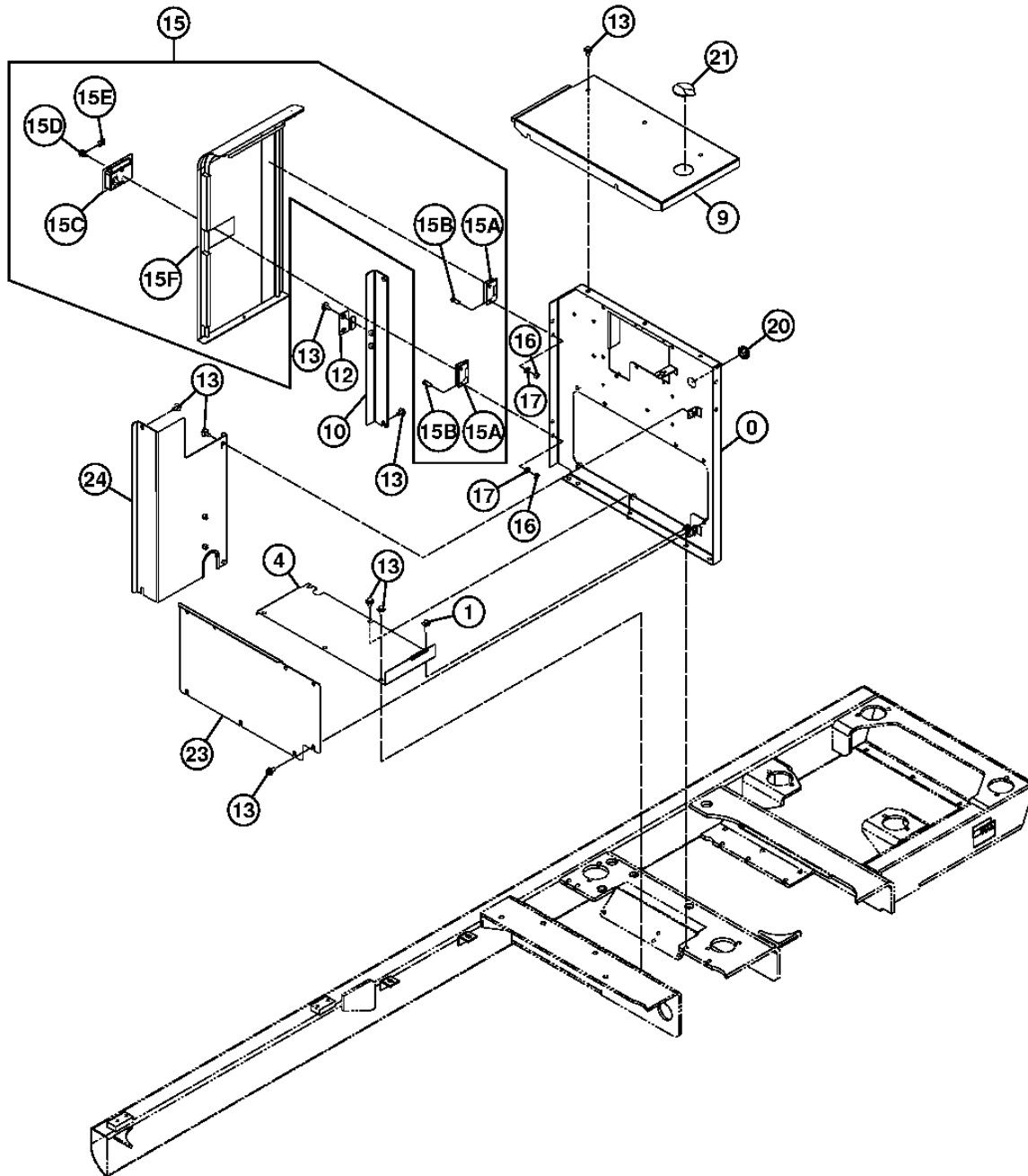
KEY	PART NO.	PART NAME	QTY.	SERIAL NO.	REMARKS
0	4648101	COVER	1		
0A	COVER	1		(4667711 NLA)
0B	4667713	SHAFT	2		
0C	4458236	LOUVER	2		
1	4648100	TRAY	1		
1A	TRAY	1		(4667705 NLA)
1B	4667706	COVER	1		
1C	4667707	COVER	1		
1D	4458234	SEAL	1		
1E	4667708	COVER	1		
1F	4458229	MAGNET	1		
3	4648102	CAP	5		
4	4636099	AIR DUCT	1		
7	4432965	ELEC. CONNECTOR TERMINAL	1		(12 VOLT POWER SUPPLY)
11	SCREW WITH WASHER	6		(J460820 NLA)
	21M7089	SCREW	6		M8 X 20
	12M7065	LOCK WASHER	6		8 MM
	24M7036	WASHER	6		9 X 16 X 1.600 MM
12	BOLT	1		(J260820 NLA)
	19M7881	SCREW	1		M8 X 20, (SUB FOR J900820)
	24M7055	WASHER	1		8.400 X 16 X 1.600 MM, (SUB FOR A590108)
13	4653906	MECHANICAL LIGHTER	1		(24 VOLT)
14	4656300	ISOLATOR	3		

1910-4

COVERS (VANDAL COMPARTMENT)
COUVERCLES (COMPARTIMENT ANTIVANDALISME)
CUBIERTAS (COMPARTIMIENTO ANTIVANDALISMO)

TX1000718

-UN-29NOV05



TX1000718

1910-5

SHEET METAL AND STYLING 19

HOOD AND ENGINE ENCLOSURE 1910

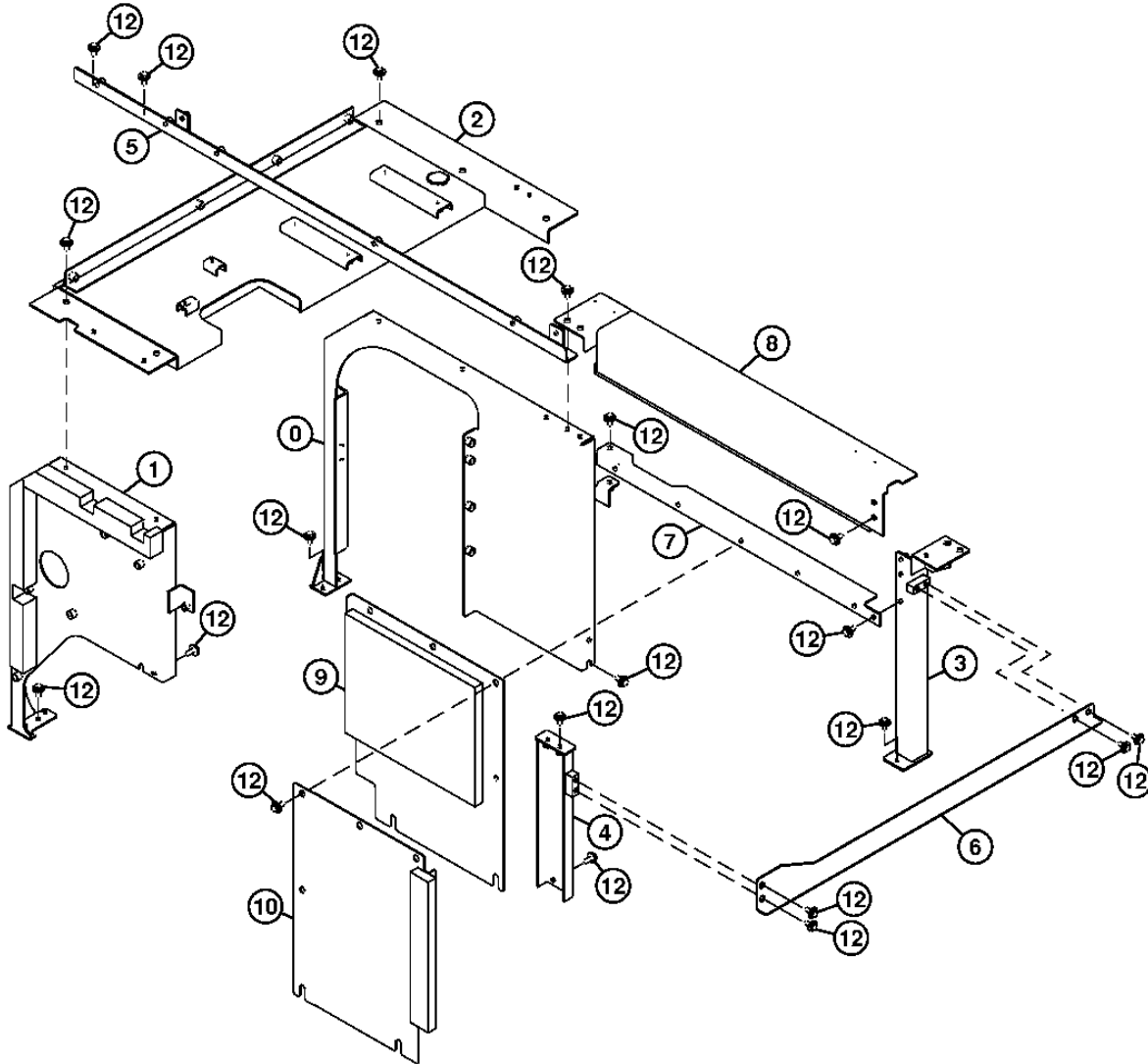
COVERS (VANDAL COMPARTMENT)
COUVERCLES (COMPARTIMENT ANTIVANDALISME)
CUBIERTAS (COMPARTIMIENTO ANTIVANDALISMO)

KEY	PART NO.	PART NAME	QTY.	SERIAL NO.	REMARKS
0	7048938	COVER	1		
1	BOLT	4		(J281245 NLA)
	19M7496	CAP SCREW	4		M12 X 45, (SUB FOR J901245)
	4249324	WASHER	4		
4	8104844	COVER	1		
9	8101565J	COVER	1		(SUB FOR 8101565)
10	7048931	BRACKET	1		
12	4454860J	LATCH	1		(SUB FOR 4454860)
13	BOLT	25		
	19M8011	CAP SCREW	25		M12 X 30
	4249324	WASHER	25		
15	6023610J	DOOR	1		(SUB FOR 6023610)
15A	4404208	HINGE	2		(SUB FOR 3072015)
15B	19M8011	CAP SCREW	4		
15C	4409395	LOCK	1		
15D	4409396	LOCK	1		
15E	4461342	CLIP	1		
15F	COVER	1		(NSEP)
16	14M7275	NUT	4		M12, (SUB FOR J950012)
17	24M7345	WASHER	4		13.500 X 24 X 2.500 MM, (SUB FOR J222012)
20	U15091	GROMMET	1		(SUB FOR 4210485)
21	3058180	CAP	1		
23	3107858	COVER	1		
24	7049985	COVER	1		

1910-6

COVERS (REAR LEFT SIDE)
COUVERCLES (ARRIERE GAUCHE)
CUBIERTAS (LADO TRASERO IZQUIERDO)

TX1028643 -UN-07SEP07



TX1028643

1910-7

SHEET METAL AND STYLING 19

HOOD AND ENGINE ENCLOSURE 1910

COVERS (REAR LEFT SIDE)
 COUVERCLES (ARRIERE GAUCHE)
 CUBIERTAS (LADO TRASERO IZQUIERDO)

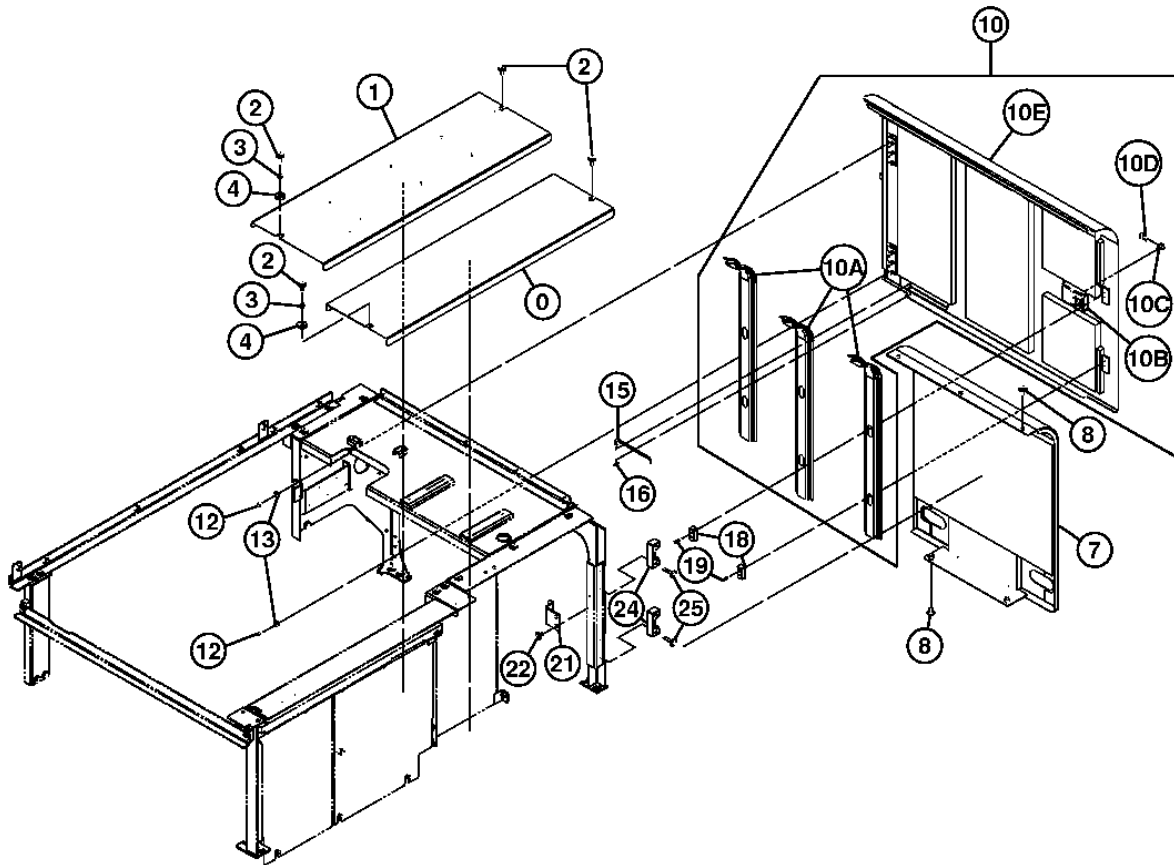
KEY	PART NO.	PART NAME	QTY.	SERIAL NO.	REMARKS
0	6023901J	SUPPORT	1		(SUB FOR 6023901)
1	6023903J	SUPPORT	1		(SUB FOR 6023903)
2	6023902J	COVER	1		(SUB FOR 6023902)
3	SUPPORT	1	-913266	(SUB 7053243, 8110265, 3110695, (2) J281230, 8110263, 8110264 AND 3110694) (7048791 NLA)
4	7053243	SUPPORT	1	913267-	
	BRACKET	1	-913266	(SUB 8110265, 7053243, 3110695, (2) J281230, 8110263, 8110264 AND 3110694) (8101304 NLA)
5	8110265	BRACKET	1	913267-	
6	7048790J	SUPPORT	1		(SUB FOR 7048790)
	BRACKET	1	-913266	(SUB 3110695, 7053243, 8110265, (2) J281230, 8110263, 8110264 AND 3110694) (3105761 NLA)
7	3110695	BRACKET	1	913267-	
8	8101305J	SUPPORT	1		(SUB FOR 8101305)
9	7048793J	SUPPORT	1		(SUB FOR 7048793)
10	7048793J	COVER	1		(SUB FOR 7048793)
11	7048792J	COVER	1		(SUB FOR 7048792)
12	BOLT	38	-913266	(J281230 NLA)
	19M8011	CAP SCREW	38	-913266	M12 X 30, (SUB FOR J901230)
	4249324	WASHER	38	-913266	
	BOLT	40	913267-	(J281230 NLA)
	19M8011	CAP SCREW	40	913267-	M12 X 30, (SUB FOR J901230)
	4249324	WASHER	40	913267-	

1910-8

DOORS AND PANEL (LEFT SIDE)
PORTES ET PANNEAU D'ACCES (COTE GAUCHE)
PUERTAS DE ACCESO Y TABLERO (LADO IZQ)

TX1000730

-UN-29NOV05



TX1000730

1910-9

SHEET METAL AND STYLING 19

HOOD AND ENGINE ENCLOSURE 1910

**DOORS AND PANEL (LEFT SIDE)
PORTES ET PANNEAU D'ACCES (COTE GAUCHE)
PUERTAS DE ACCESO Y TABLERO (LADO IZQ)**

KEY	PART NO.	PART NAME	QTY.	SERIAL NO.	REMARKS
0	7048736J	COVER	1		(SUB FOR 7048736)
1	7048737J	COVER	1		(SUB FOR 7048737)
2	BOLT	4		(J281235 NLA)
	19M7403	CAP SCREW	4		M12 X 35, (SUB FOR J901235)
	4249324	WASHER	4		
3	4435575	SPACER	2		
4	4456191	ISOLATOR	2		
7	6023899J	COVER	1		(SUB FOR 6023899)
8	BOLT	5		(J281230 NLA)
	19M8011	CAP SCREW	5		M12 X 30, (SUB FOR J901230)
	4249324	WASHER	5		
10	5011326	DOOR	1		(SUB FOR 5010369)
10A	COVER	3		(3106499 NA)
10B	4409447	LOCK	1		
10C	4409396	LOCK	1		
10D	4461342	CLIP	1		
10E	COVER	1		(NSEP)
12	14M7275	NUT	6		M12, (SUB FOR J950012)
13	24M7345	WASHER	6		13.500 X 24 X 2.500 MM, (SUB FOR J222012)
15	4341788	ROD	1		(SUB FOR 4341788J)
16	4022697	COTTER PIN	1		(SUB FOR 4022697)
18	4626289J	LATCH	2		(SUB FOR 4626289)
19	BOLT	4		(J260835 NLA)
	19M8008	CAP SCREW	4		M8 X 35, (SUB FOR J900835 OR 19M7298)
	24M7055	WASHER	4		8.400 X 16 X 1.600 MM, (SUB FOR A590108)
21	4639409J	LATCH	1		(SUB FOR 4639409)
22	BOLT	2		(J281030 NLA)
	19M7662	CAP SCREW	2		M10 X 30, (SUB FOR J901030)
	4486055	WASHER	2		
24	4654749J	LATCH	2		(SUB FOR 4654749)
25	BOLT	4		(J281060 NLA)
	19M5536	CAP SCREW	4		M10 X 60, (SUB FOR J901060)
	4486055	WASHER	4		

1910-10

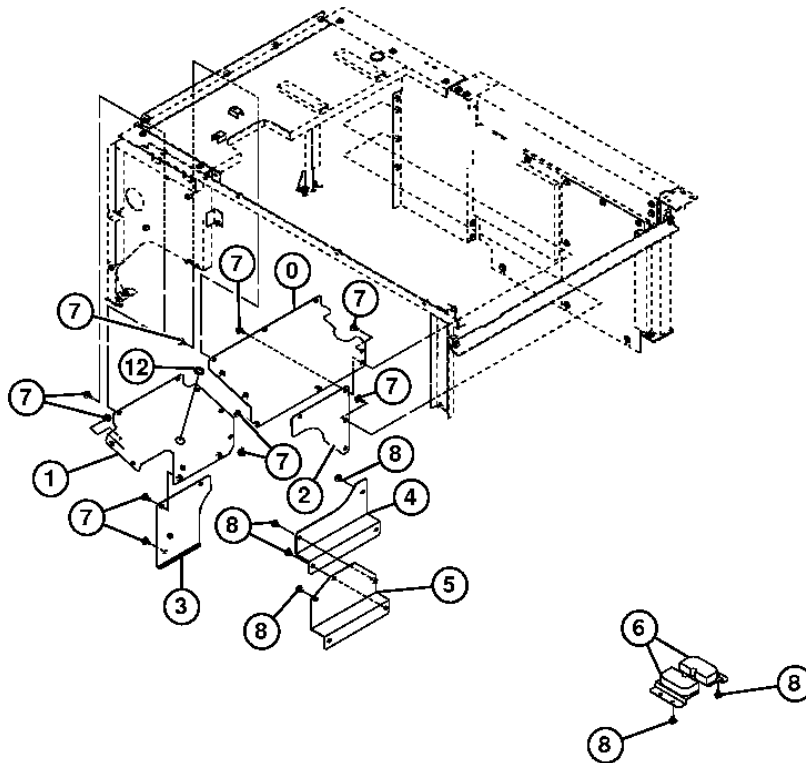
SHEET METAL AND STYLING 19

COVERS (REAR UPPER LEFT SIDE)(SN -020764)
COUVERCLES (ARRIERE SUPERIEUR GAUCHE)(SN -020764)
CUBIERTAS (LADO TRASERO SUPERIOR IZQUIERDO)(SN -020764)

HOOD AND ENGINE ENCLOSURE 1910

TX1000753

-UN-29NOV05



TX1000753

1910-11

SHEET METAL AND STYLING 19

HOOD AND ENGINE ENCLOSURE 1910

COVERS (REAR UPPER LEFT SIDE)(SN -020764)
 COUVERCLES (ARRIERE SUPERIEUR GAUCHE)(SN -020764)
 CUBIERTAS (LADO TRASERO SUPERIOR IZQUIERDO)(SN -020764)

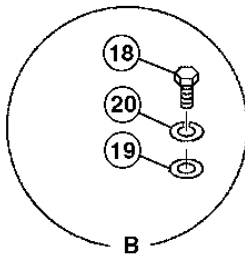
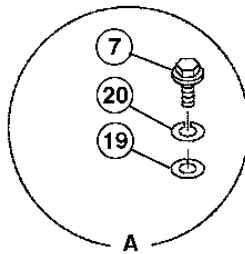
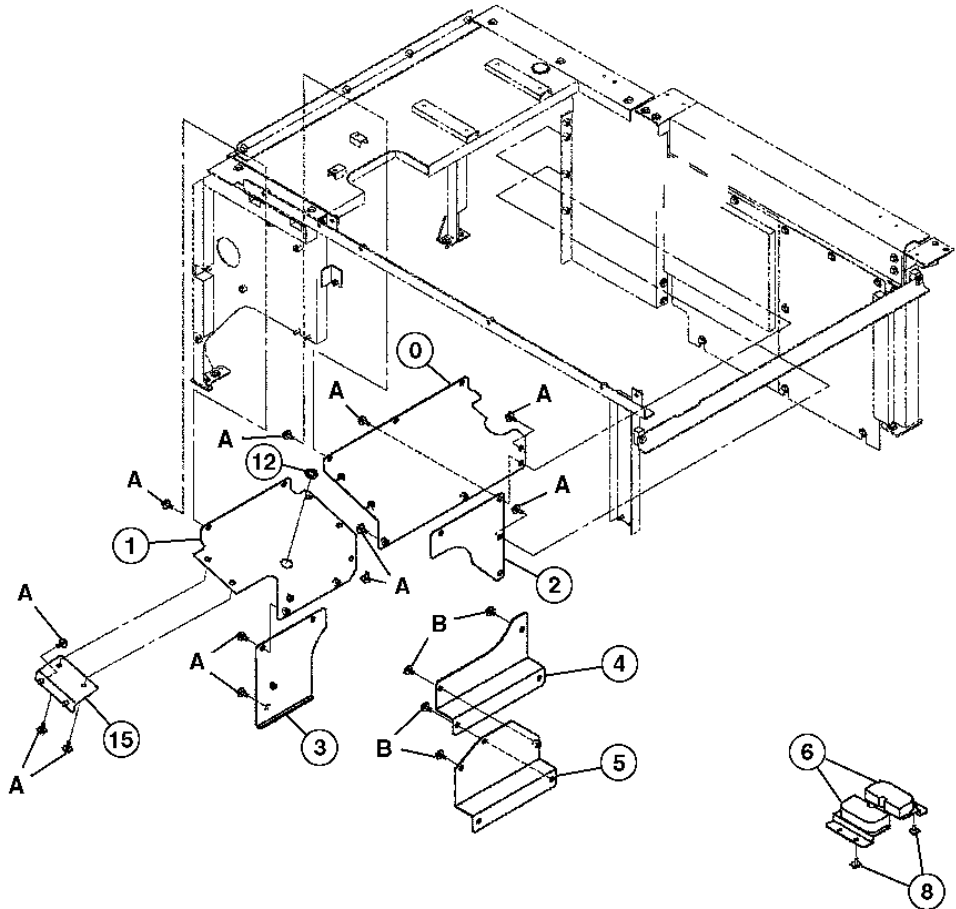
KEY	PART NO.	PART NAME	QTY.	SERIAL NO.	REMARKS
0	7048699	COVER	1		
1A	7048700J	COVER	1		(SUB FOR 7048700)
1B	7053338J	COVER	1	020651-020764	(SUB FOR 7053338)
2	8104430	COVER	1		
3	8101177J	COVER	1		(SUB FOR 8101177)
4	3105167	COVER	1		
5	8101176J	COVER	1		(SUB FOR 8101176)
6	8101129J	COVER	2		(SUB FOR 8101129)
7	BOLT	18	-020650	(J281230 NLA)
	19M8011	CAP SCREW	18	-020650	M12 X 30, (SUB FOR J901230)
	4249324	WASHER	18	-020650	
	BOLT	20	020651-020764	(J281230 NLA)
	19M8011	CAP SCREW	20	020651-020764	M12 X 30, (SUB FOR J901230)
	4249324	WASHER	20	020651-020764	
8	BOLT	11		(J281225 NLA)
	19M7872	CAP SCREW	11		M12 X 25, (SUB FOR J901225)
	4249324	WASHER	11		
12	GROMMET	1		(4211059 NA)
15	9768294	BRACKET	1	020651-020764	

1910-11A

SHEET METAL AND STYLING 19

COVERS (REAR UPPER LEFT SIDE)(SN 020765-) HOOD AND ENGINE ENCLOSURE 1910
COUVERCLES (ARRIERE SUPERIEUR GAUCHE)(SN 020765-)
CUBIERTAS (LADO TRASERO SUPERIOR IZQUIERDO)(SN 020765-)

TX1020759 -UN-19APR07



TX1020759

1910-11B

SHEET METAL AND STYLING 19

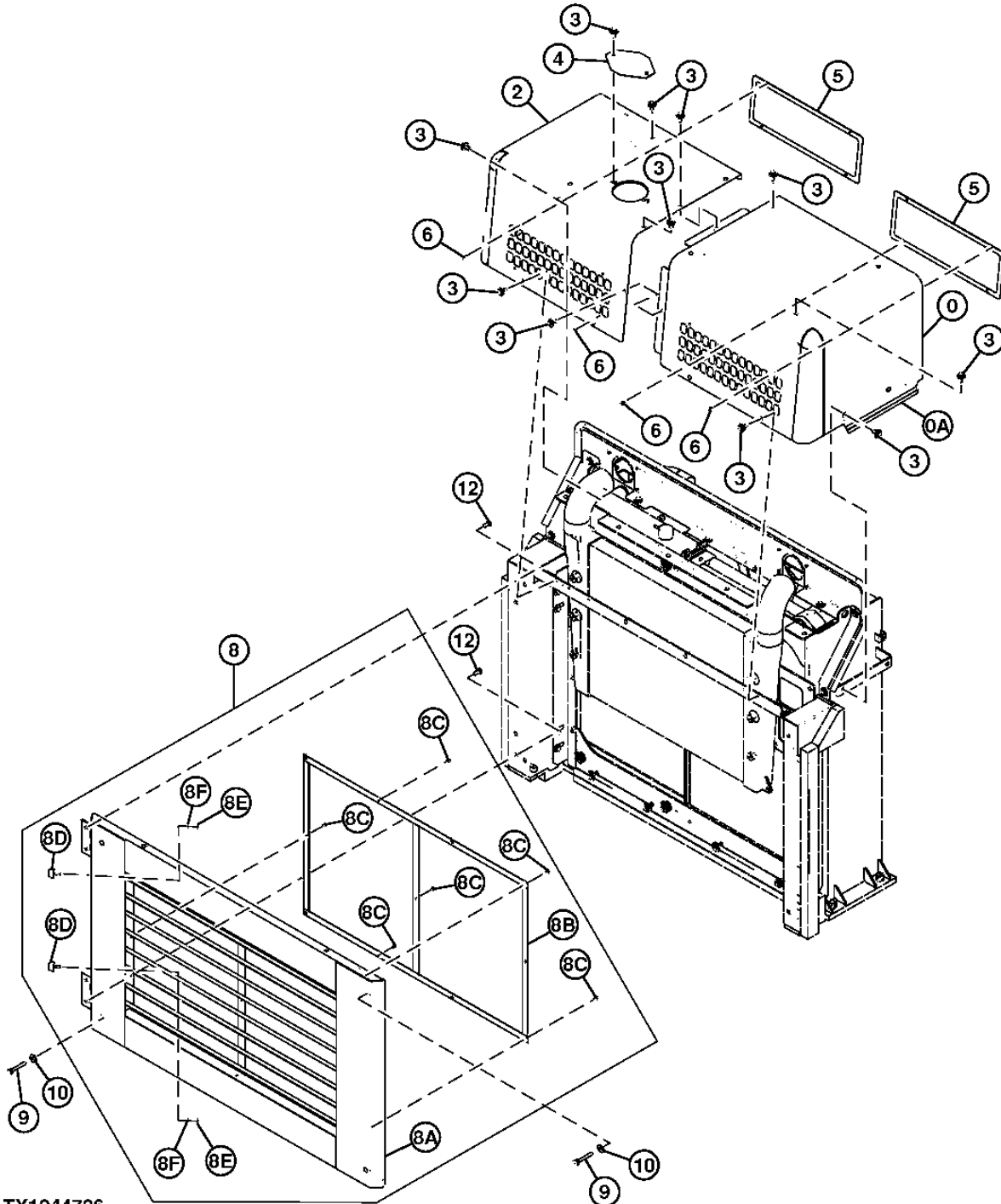
HOOD AND ENGINE ENCLOSURE 1910
COVERS (REAR UPPER LEFT SIDE)(SN 020765-)
COUVERCLES (ARRIERE SUPERIEUR GAUCHE)(SN 020765-)
CUBIERTAS (LADO TRASERO SUPERIOR IZQUIERDO)(SN 020765-)

KEY	PART NO.	PART NAME	QTY.	SERIAL NO.	REMARKS
0	7048699	COVER	1		
1	7053338J	COVER	1	020765-	(SUB FOR 7053338)
2	8104430	COVER	1		
3	8101177J	COVER	1		(SUB FOR 8101177)
4	3105167	COVER	1		
5	8101176J	COVER	1		(SUB FOR 8101176)
6	8101129J	COVER	2		(SUB FOR 8101129)
7	19M8011	CAP SCREW	20	020765-	M12 X 30, (SUB FOR J901230)
8	BOLT	4	020765-	(J281225 NLA)
	19M7872	CAP SCREW	4	020765-	M12 X 25, (SUB FOR J901225)
	4249324	WASHER	4	020765-	
12	GROMMET	1		(4211059 NA)
15	9768294	BRACKET	1	020765-	
18	19M7872	CAP SCREW	7	020765-	M12 X 25, (SUB FOR J901225)
19	4249324	WASHER	27	020765-	
20	12H301	LOCK WASHER	27	020765-	(SUB FOR A590912)

1910-12

DUCT (RADIATOR)
CONDUIT (RADIATEUR)
CONDUCTO (RADIADOR)

TX1044786 -UN-01JUL08



TX1044786

1910-13

SHEET METAL AND STYLING 19
HOOD AND ENGINE ENCLOSURE 1910

DUCT (RADIATOR)
CONDUIT (RADIATEUR)
CONDUCTO (RADIADOR)

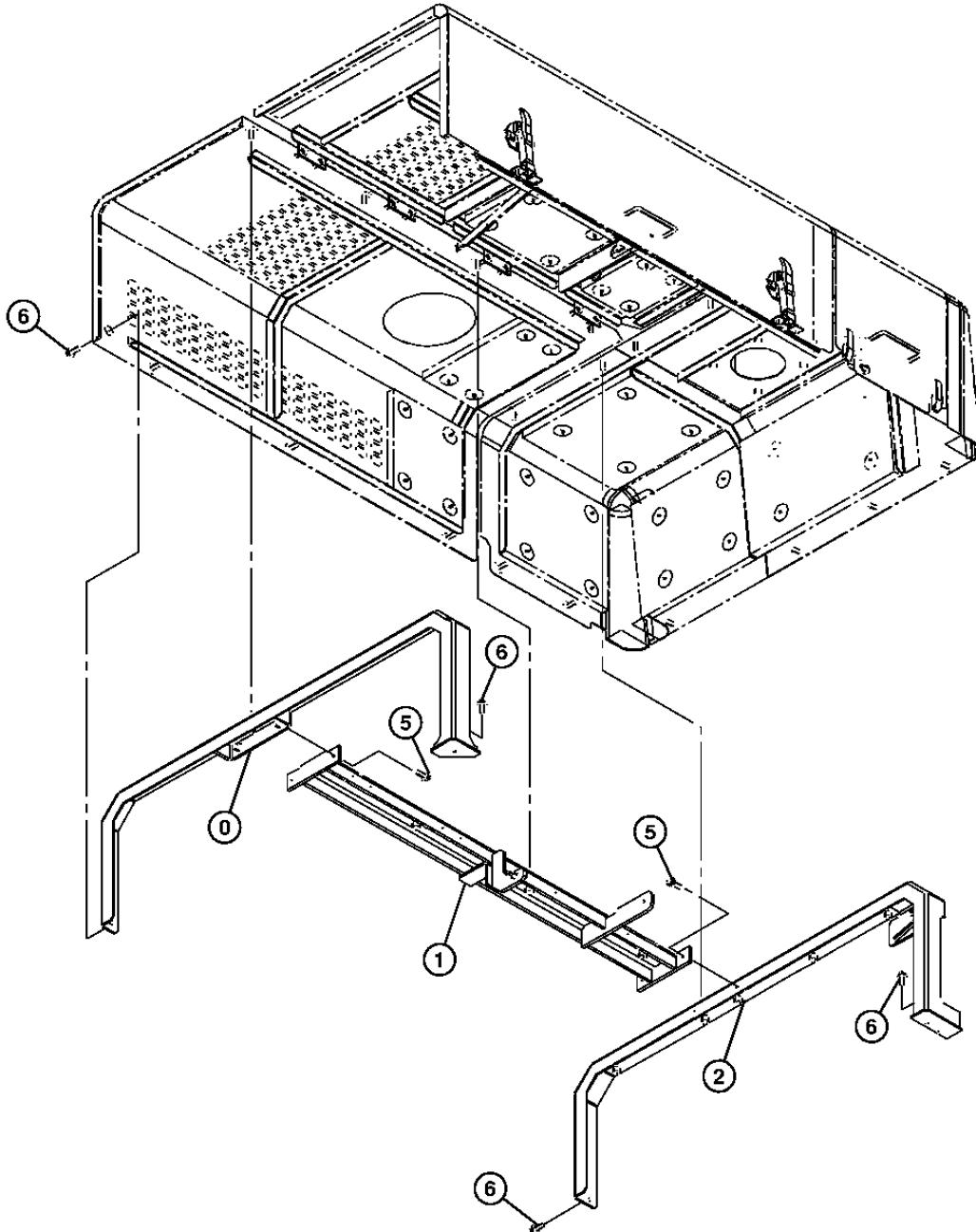
KEY	PART NO.	PART NAME	QTY.	SERIAL NO.	REMARKS
0	6025535	COVER	1		(SUB FOR 6024477) (ALSO ORDER 4670332)
0A	4670332	SEAL	1		
2	6023845	COVER	1		
3	SCREW WITH WASHER	20		(J281230 NLA)
	19M8011	CAP SCREW	20		M12 X 30, (SUB FOR J901230)
	4249324	WASHER	20		
4	4343333	GUARD	1		
5	8101043	SCREEN	2		
6	SCREW WITH WASHER	8		(J260616 NLA)
	19M7560	CAP SCREW	8		M6 X 16, (SUB FOR J900616)
	24M7054	WASHER	8		6.400 X 12 X 1.600 MM, (SUB FOR A590106)
8	9251902	AIR DUCT	1		
8A	AIR DUCT	1		(5010143 NSEP)
8B	8101064	SCREEN	1		
8C	SCREW WITH WASHER	11		(J260616 NLA)
	19M7560	CAP SCREW	11		M6 X 16, (SUB FOR J900616)
	24M7054	WASHER	11		6.400 X 12 X 1.600 MM, (SUB FOR A590106)
8D	4294508	BUMPER	2		
8E	J952010	NUT	2		
8F	24M7028	WASHER	2		10.500 X 20 X 2 MM, (SUB FOR A590110)
9	19M7364	CAP SCREW	4		M12 X 80, (SUB FOR J921280)
10	24H1748	WASHER	4		12.700 X 31.750 X 2.667 MM, (SUB FOR 449490)
12	19M8011	CAP SCREW	4		M12 X 30, (SUB FOR J921230)

1910-14

ENGINE COVER SUPPORTS SUPPORTS DE COUVERCLE DE MOTEUR SOPORTES DE CUBIERTA DE MOTOR

TX1000715

-UN-29NOV05



TX1000715

1910-15

SHEET METAL AND STYLING 19

HOOD AND ENGINE ENCLOSURE 1910

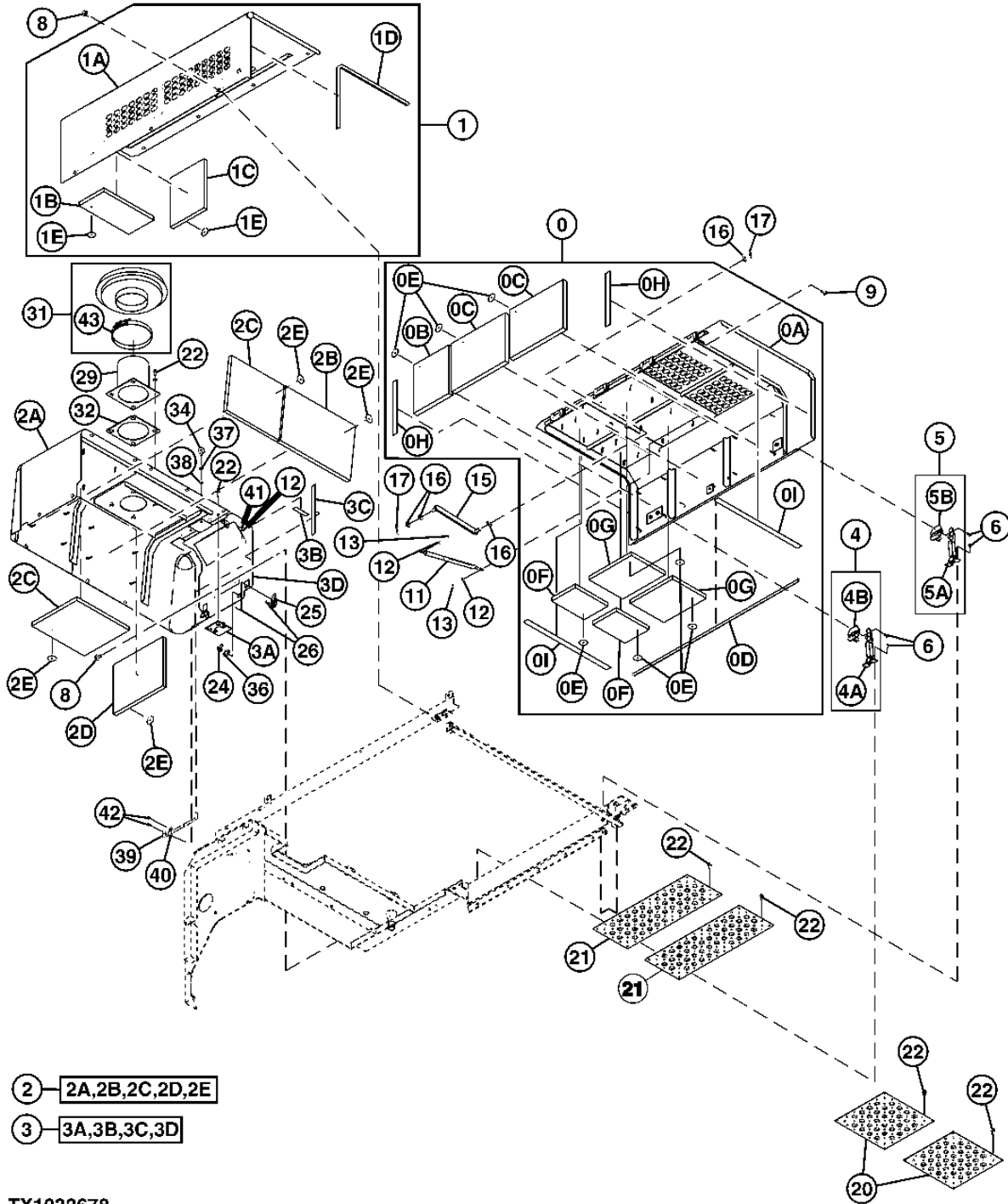
**ENGINE COVER SUPPORTS
SUPPORTS DE COUVERCLE DE MOTEUR
SOPORTES DE CUBIERTA DE MOTOR**

KEY	PART NO.	PART NAME	QTY.	SERIAL NO.	REMARKS
0	7053200	SUPPORT	1		(SUB FOR 7048656)
1	7048655J	SUPPORT	1		(SUB FOR 7048655)
2	7048657J	SUPPORT	1		(SUB FOR 7048657)
5	BOLT	4		(J271240 NLA)
	19M7493	CAP SCREW	4		M12 X 40, (SUB FOR J901240)
	24M7345	WASHER	4		13.500 X 24 X 2.500 MM, (SUB FOR J222012)
6	BOLT	5		(J271235 NLA)
	19M7403	CAP SCREW	5		M12 X 35, (SUB FOR J271235)
	24M7345	WASHER	5		13.500 X 24 X 2.500 MM, (SUB FOR J222012)

1910-16

ENGINE COVER (SN -913326)
HABILLAGE MOTEUR(NS -913326)
CUBIERTA DEL MOTOR(NS -913326)

TX1032678 -UN-17DEC07



TX1032678

1910-17

SHEET METAL AND STYLING 19

HOOD AND ENGINE ENCLOSURE 1910

ENGINE COVER (SN -913326)
 HABILLAGE MOTEUR(NS -913326)
 CUBIERTA DEL MOTOR(NS -913326)

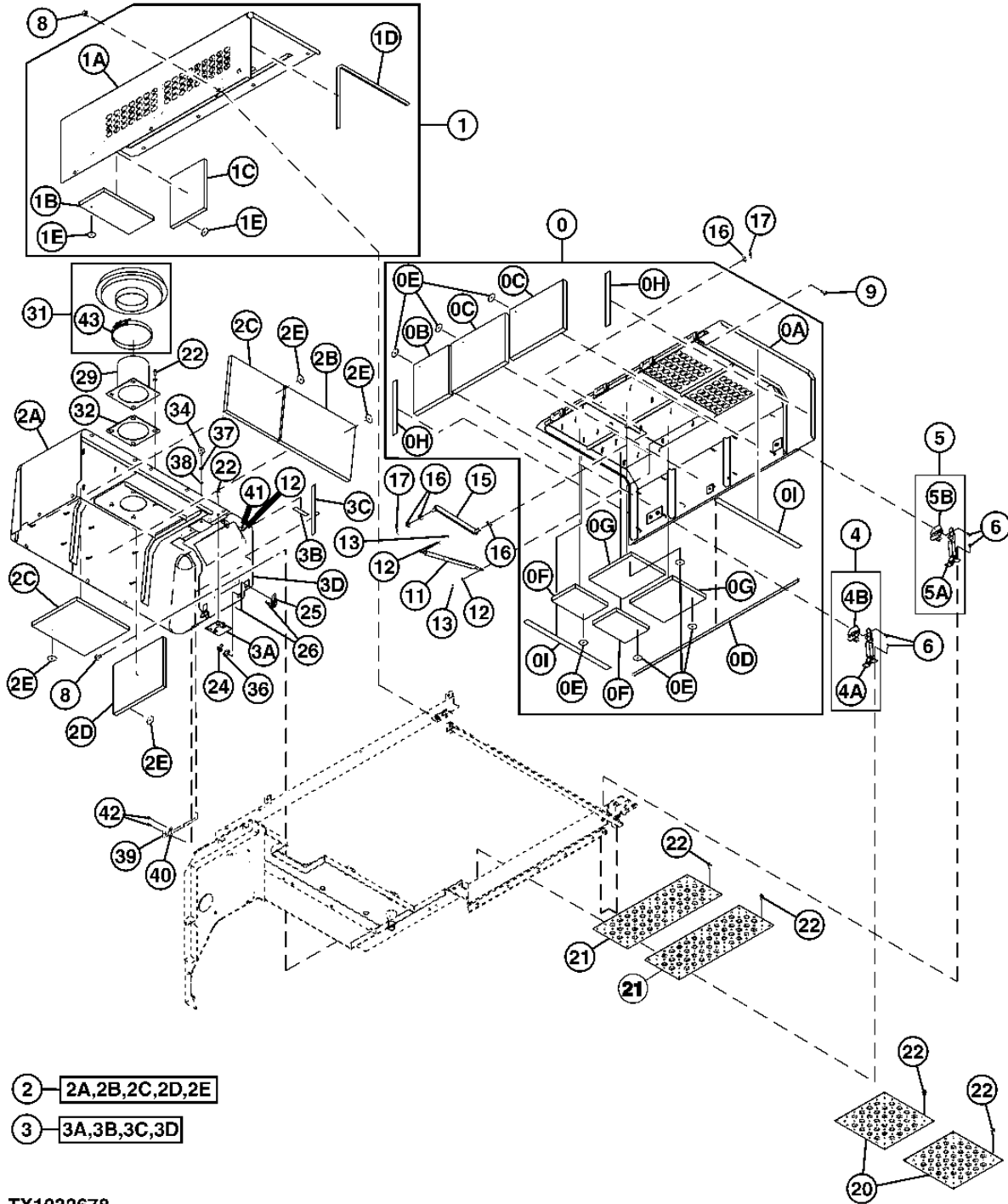
KEY	PART NO.	PART NAME	QTY.	SERIAL NO.	REMARKS
0	7048660J	COVER	1		
0A	DOOR	1		(5010178 NLA)
0B	4639220	ISOLATOR	1		
0C	4639834	ISOLATOR	2		
0D	4639273	ISOLATOR	1		
0E	4156886	SPRING WASHER	28		
0F	4440912	ACOUSTICAL UPHOLSTERY	2		
0G	4639217	ACOUSTICAL UPHOLSTERY	2		
0H	4648975	ISOLATOR	2		
0I	4648976	ISOLATOR	2		
1	7048661J	COVER	1		
1A	DOOR	1		(6023862 NLA)
1B	4639216	ACOUSTICAL UPHOLSTERY	1		
1C	4639217	ACOUSTICAL UPHOLSTERY	1		
1D	4639221	ISOLATOR	1		
1E	4156886	SPRING WASHER	8		
2	7048659J	COVER	1		
2A	DOOR	1		(5010177 NLA)
2B	4639415	ISOLATOR	1		
2C	4639414	ACOUSTICAL UPHOLSTERY	2		
2D	4639413	ACOUSTICAL UPHOLSTERY	1		
2E	4156886	SPRING WASHER	16		
3	7054079	DOOR	1		AIR CLEANER ACCESS, (SUB FOR 7050857)
3A	4404208	HINGE	2		(SUB FOR 3072015)
3B	4648669	ISOLATOR	2		
3C	4461706	ISOLATOR	2		
3D	DOOR	1		NSEP
4	4377519	CATCH	1		
4A	3077612	CATCH	1		
4B	3077611	ANCHOR	1		
5	CATCH	1		(4377569J NLA)
5A	3077613	CATCH	1		
5B	3077611	ANCHOR	1		
6	BOLT	8		(J260820 NLA)
	19M7881	SCREW	8		M8 X 20, (SUB FOR J900820 OR 19M7139)
	24M7055	WASHER	8		8.400 X 16 X 1.600 MM. (SUB FOR A590108)

THIS PARTS LISTING IS CONTINUED

1910-17A

ENGINE COVER (SN -913326)
HABILLAGE MOTEUR(NS -913326)
CUBIERTA DEL MOTOR(NS -913326)

TX1032678 -UN-



TX1032678

1910-17B

SHEET METAL AND STYLING 19

HOOD AND ENGINE ENCLOSURE 1910

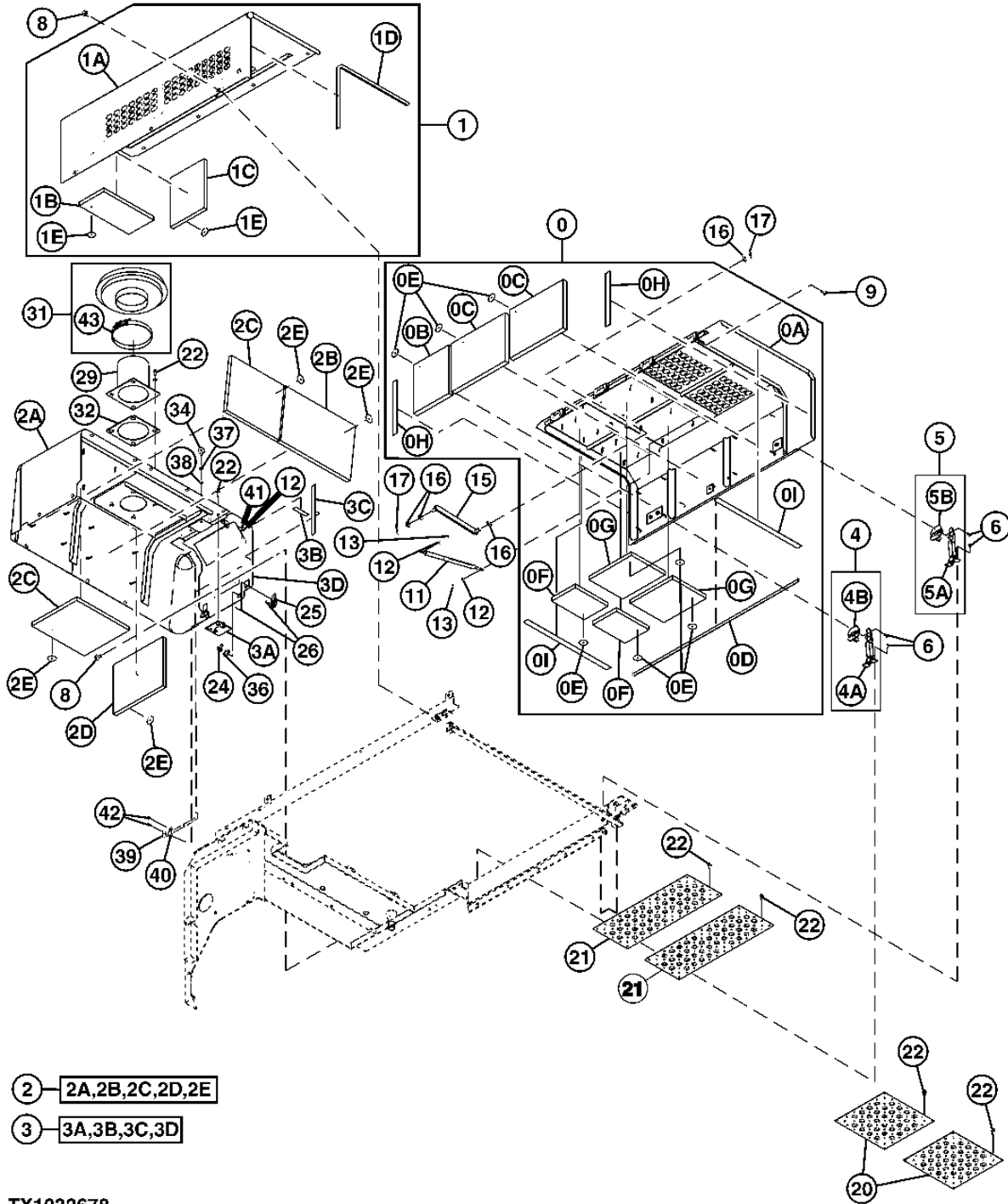
ENGINE COVER (SN -913326)
 HABILLAGE MOTEUR(NS -913326)
 CUBIERTA DEL MOTOR(NS -913326)

KEY	PART NO.	PART NAME	QTY.	SERIAL NO.	REMARKS
8	BOLT	18		(J281235 NLA)
	19M7403	CAP SCREW	18		M12 X 35, (SUB FOR J901235)
	4249324	WASHER	18		
9	BOLT	8		(J271035 NLA)
	19M7550	CAP SCREW	8		M10 X 35, (SUB FOR J901035)
	24M7346	WASHER	8		11 X 20 X 2 MM, (SUB FOR J222010)
11	4648439	CYLINDER	1		
12	24M7055	WASHER	3		8.400 X 16 X 1.600 MM, (SUB FOR A590108)
13	H132922	COTTER PIN	2		(SUB FOR 4022697)
15	9764742J	LATCH	1		(SUB FOR 9764742)
16	24M7338	WASHER	4		17 X 30 X 3 MM, (SUB FOR J222016)
17	M40461	SPRING LOCKING PIN	2		(SUB FOR 4022701)
20	3091337	COVER	2		
21	3091338	COVER	2		
22	BOLT	28		(J271030 NLA)
	19M7662	CAP SCREW	28		M10 X 30, (SUB FOR J901030)
	24M7346	WASHER	28		11 X 20 X 2 MM, (SUB FOR J222010)
24	4363359	LOCK	1		(SUB FOR 4363359)
25	4464922	LOCK	2		
26	J460410	SCREW	8		
29	9764200	AIR INTAKE	1		
31	4420871	CAP	1		
	4465368	PRECLEANER	1		
32	4654835	PACKING	1		
34	4294508	BUMPER	1		
36	24M7052	WASHER	1		25 X 44 X 4 MM, (A590124 NLA)
37	14M7274	NUT	1		M10, (SUB FOR J950010)
38	24M7028	WASHER	1		10.500 X 20 X 2 MM, (SUB FOR A590110)
39	4659790	BRACKET	1		
40	4659888	CATCH	1		
41	M800051	PIN	1		(SUB FOR 4022696 OR CH10542)
42	24M7054	WASHER	2		6.400 X 12 X 1.600 MM, (SUB FOR J460612)
43	TY22495	HOSE CLAMP	1		

1910-18

ENGINE COVER (SN 913327-)
HABILLAGE MOTEUR (NS 913327-)
CUBIERTA DEL MOTOR (NS 913327-)

TX1032678 -UN-



TX1032678

1910-19

SHEET METAL AND STYLING 19

HOOD AND ENGINE ENCLOSURE 1910

ENGINE COVER (SN 913327-)
 HABILLAGE MOTEUR (NS 913327-)
 CUBIERTA DEL MOTOR (NS 913327-)

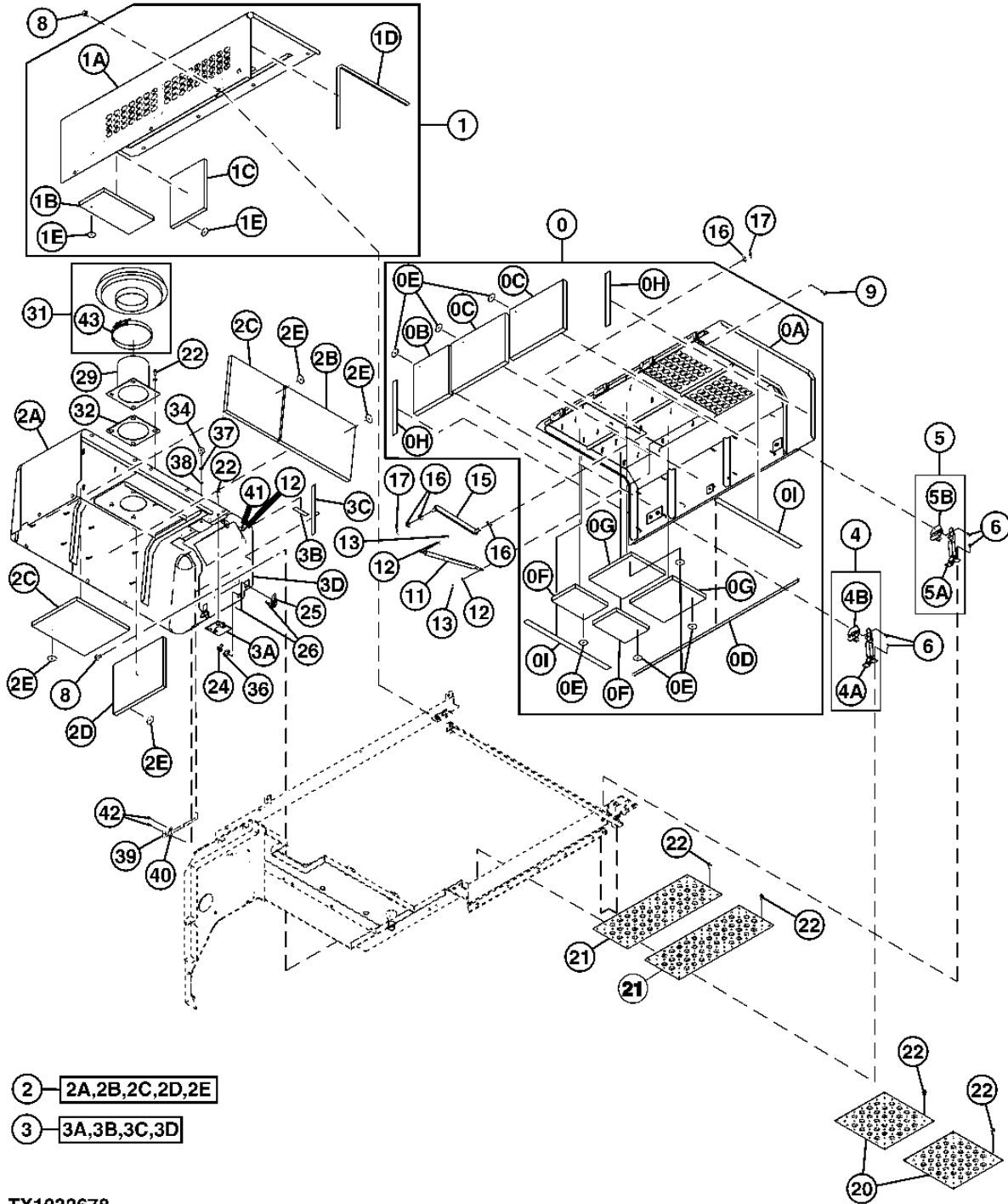
KEY	PART NO.	PART NAME	QTY.	SERIAL NO.	REMARKS
0	7048660J	COVER	1		
0A	DOOR	1		(5010178 NLA)
0B	4639220	ISOLATOR	1		
0C	4639834	ISOLATOR	2		
0D	4639273	ISOLATOR	1		
0E	4156886	SPRING WASHER	28		
0F	4440912	ACOUSTICAL UPHOLSTERY	2		
0G	4639217	ACOUSTICAL UPHOLSTERY	2		
0H	4648975	ISOLATOR	2		
0I	4648976	ISOLATOR	2		
1	7048661J	COVER	1		
1A	DOOR	1		(6023862 NLA)
1B	4639216	ACOUSTICAL UPHOLSTERY	1		
1C	4639217	ACOUSTICAL UPHOLSTERY	1		
1D	4639221	ISOLATOR	1		
1E	4156886	SPRING WASHER	8		
2	7054124	COVER	1		
2A	DOOR	1		(5010177 NLA)
2B	4639415	ISOLATOR	1		
2C	4639414	ACOUSTICAL UPHOLSTERY	2		
2D	4639413	ACOUSTICAL UPHOLSTERY	1		
2E	4156886	SPRING WASHER	16		
3	7054079	DOOR	1		AIR CLEANER ACCESS
3A	4404208	HINGE	2		(SUB FOR 3072015)
3B	4648669	ISOLATOR	2		
3C	4461706	ISOLATOR	2		
3D	DOOR	1		NSEP
4	4377519	CATCH	2		
4A	3077612	CATCH	2		
4B	3077611	ANCHOR	2		
5	4363359	LOCK	1		
5A	3077613	CATCH	1		
5B	3077611	ANCHOR	1		

THIS PARTS LISTING IS CONTINUED

1910-19A

ENGINE COVER (SN 913327-)
HABILLAGE MOTEUR (NS 913327-)
CUBIERTA DEL MOTOR (NS 913327-)

TX1032678 -UN-



TX1032678

1910-19B

SHEET METAL AND STYLING 19

HOOD AND ENGINE ENCLOSURE 1910

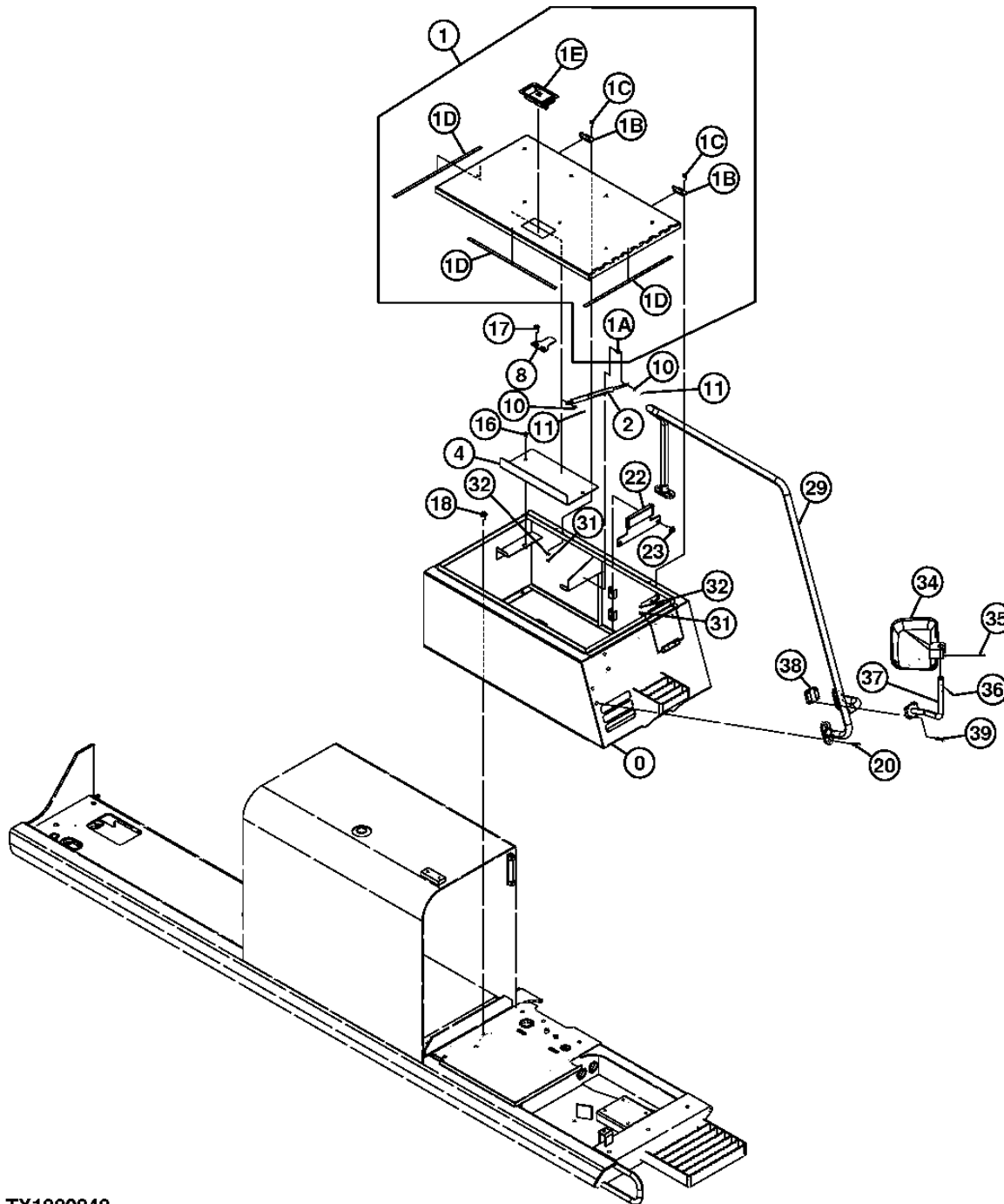
ENGINE COVER (SN 913327-)
 HABILLAGE MOTEUR (NS 913327-)
 CUBIERTA DEL MOTOR (NS 913327-)

KEY	PART NO.	PART NAME	QTY.	SERIAL NO.	REMARKS
6	BOLT	8		(J260820 NLA)
	19M7881	SCREW	8		M8 X 20, (SUB FOR J900820 OR 19M7139)
	24M7055	WASHER	8		8.400 X 16 X 1.600 MM, (SUB FOR A590108)
8	BOLT	18		(J281235 NLA)
	19M7403	CAP SCREW	18		M12 X 35, (SUB FOR J901235)
	4249324	WASHER	18		
9	BOLT	8		(J271035 NLA)
	19M7550	CAP SCREW	8		M10 X 35, (SUB FOR J901035)
	24M7346	WASHER	8		11 X 20 X 2 MM, (SUB FOR J222010)
11	4648439	CYLINDER	1		
12	24M7055	WASHER	3		8.400 X 16 X 1.600 MM, (SUB FOR A590108)
13	H132922	COTTER PIN	2		(SUB FOR 4022697)
15	9764742J	LATCH	1		(SUB FOR 9764742)
16	24M7338	WASHER	4		17 X 30 X 3 MM, (SUB FOR J222016)
17	M40461	SPRING LOCKING PIN	2		(SUB FOR 4022701)
20	3091337	COVER	2		
21	3091338	COVER	2		
22	BOLT	28		(J271030 NLA)
	19M7662	CAP SCREW	28		M10 X 30, (SUB FOR J901030)
	24M7346	WASHER	28		11 X 20 X 2 MM, (SUB FOR J222010)
24	DOOR	1		NA
25	4363359	LOCK	1		
26	J460410	SCREW	8		
29	9764200	AIR INTAKE	1		
31	4420871	CAP	1		
	4465368	PRECLEANER	1		
32	4654835	PACKING	1		
34	4294508	BUMPER	1		
36	24M7052	WASHER	1		25 X 44 X 4 MM, (A590124 NLA)
37	14M7274	NUT	1		M10, (SUB FOR J950010)
38	24M7028	WASHER	1		10.500 X 20 X 2 MM, (SUB FOR A590110)
39	4659790	BRACKET	1		
40	4659888	CATCH	1		
41	M800051	PIN	1		(SUB FOR 4022696 OR CH10542)
42	24M7054	WASHER	2		6.400 X 12 X 1.600 MM, (SUB FOR J460612)
43	TY22495	HOSE CLAMP	1		

1910-20

TOOL BOX AND RIGHT REARVIEW MIRROR
BOITE A OUTILS ET RETROVISEUR DROIT
CAJA PARA HERRAMIENTAS Y ESPEJO RETROVISOR DERECHO

TX1000840 -UN-01DEC05



TX1000840

1910-21

SHEET METAL AND STYLING 19

HOOD AND ENGINE ENCLOSURE 1910

**TOOL BOX AND RIGHT REARVIEW MIRROR
BOITE A OUTILS ET RETROVISEUR DROIT
CAJA PARA HERRAMIENTAS Y ESPEJO RETROVISOR DERECHO**

KEY	PART NO.	PART NAME	QTY.	SERIAL NO.	REMARKS
0	COVER	1	-913344	(SUB 5011704J AND 7053849J) (5010132 OR 5010132J NLA)
1	5011704J	COVER	1	913345-	(SUB FOR 5011704)
	COVER	1	-913344	(SUB 7053849J AND 5011704J) (7048519 OR 7048519J NLA)
	7053849J	COVER	1	913345-	(SUB FOR 7053849)
1A	4207234	PIN FASTENER	1		
1B	9746541	HINGE	2		
1C	19M7402	CAP SCREW	4		M10 X 25, (SUB FOR J901025)
1D	4606241	ISOLATOR	3		
1E	4466402	LOCK	1		
2	4487511	CYLINDER	1		
4	4605340J	COVER	1		(SUB FOR 4605340)
8	4605339J	LATCH	1		(SUB FOR 4605339)
10	24M7055	WASHER	2		8.400 X 16 X 1.600 MM, (SUB FOR A590108)
11	H132922	COTTER PIN	2		(SUB FOR 4022697)
16	BOLT	2		(J271025 NLA)
	19M7402	CAP SCREW	2		M10 X 25, (SUB FOR J901235)
	24M7346	WASHER	2		11 X 20 X 2 MM, (SUB FOR J222010)
17	BOLT	2		(J271230 NLA)
	19M8011	CAP SCREW	2		M12 X 30, (SUB FOR J901230)
	24M7345	WASHER	2		13.500 X 24 X 2.500 MM, (SUB FOR J222012)
18	BOLT	6		(J281235 NLA)
	19M7403	CAP SCREW	6		M12 X 35, (SUB FOR J901235)
	4249324	WASHER	6		
20	BOLT	6		(J271235 NLA)
	19M7403	CAP SCREW	6		M12 X 35, (SUB FOR J901235)
	24M7345	WASHER	6		13.500 X 24 X 2.500 MM, (SUB FOR J222012)
22	9761716J	BRACKET	1		(SUB FOR 9761716)
23	BOLT	2		(J281235 NLA)
	19M7403	CAP SCREW	2		M12 X 35, (SUB FOR J901235)
	4249324	WASHER	2		
29	6023887G	HANDRAIL	1		(SUB FOR 6023887)
31	14M7274	NUT	4		M10, (SUB FOR J950010)
32	12M7066	LOCK WASHER	4		10 MM. (SUB FOR A590910)
34	4418912	REAR VIEW MIRROR	1		
	4653315	BUSHING	1		
35	19M8280	SCREW	4		M5 X 45, (SUB FOR J780545)
36	4144018	SPRING PIN	1		
37	8093819	ARM	1		
38	4376895	CLAMP	1		
39	BOLT	4		(J260850 NLA)
	19M8397	CAP SCREW	4		M8 X 50, (SUB FOR J900850)
	24M7055	WASHER	4		8.400 X 16 X 1.600 MM, (SUB FOR A590108)

1910-22

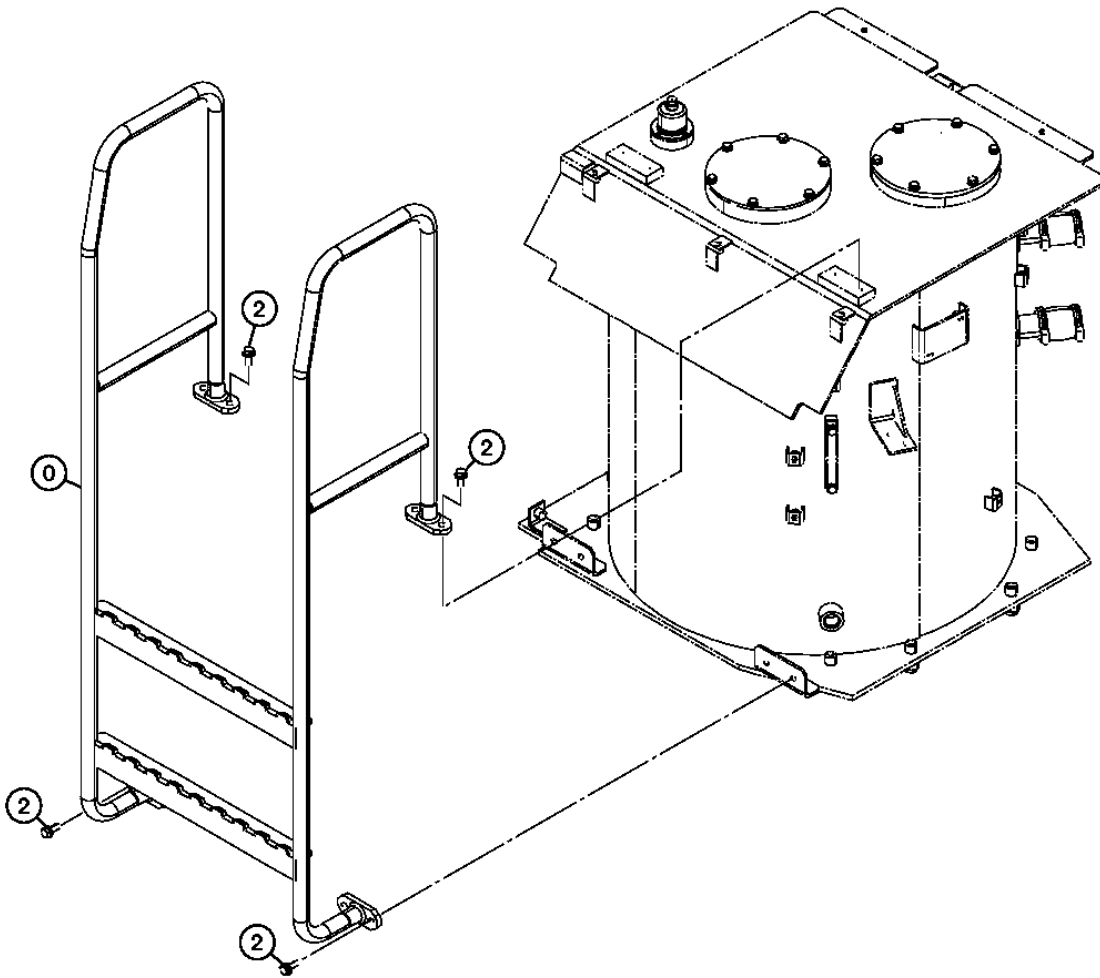
SHEET METAL AND STYLING 19

HOOD AND ENGINE ENCLOSURE 1910

HANDRAIL (HYDRAULIC RESERVOIR)
MAIN COURANTE (RESERVOIR HYDRAULIQUE)
BARANDILLA (DEPOSITO HIDRAULICO)

TX1000693

-UN-11JAN06



TX1000693

1910-23

SHEET METAL AND STYLING 19

HOOD AND ENGINE ENCLOSURE 1910

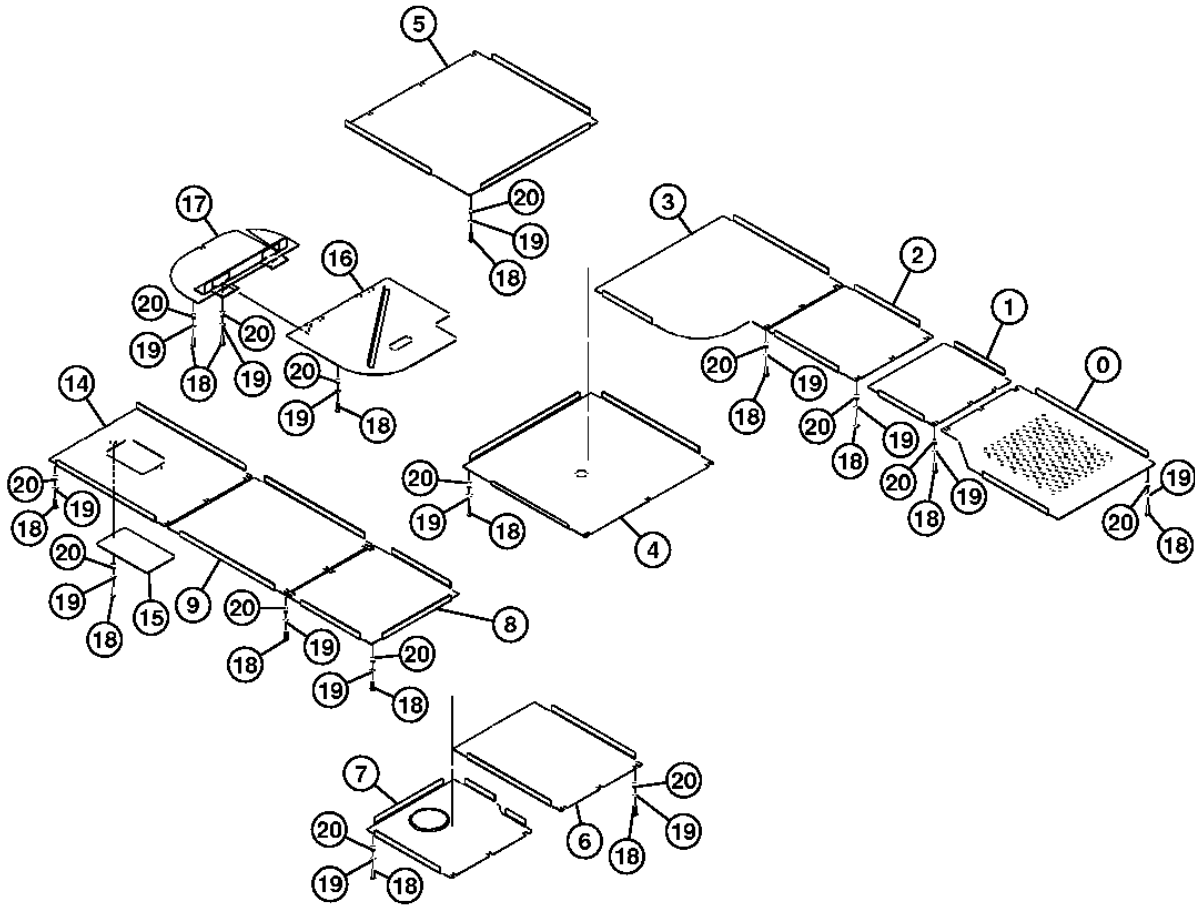
HANDRAIL (HYDRAULIC RESERVOIR)
MAIN COURANTE (RESERVOIR HYDRAULIQUE)
BARANDILLA (DEPOSITO HIDRAULICO)

KEY	PART NO.	PART NAME	QTY.	SERIAL NO.	REMARKS
0	7048745	HANDRAIL	1		
2	BOLT	8		(J271235 NLA)
	19M7403	CAP SCREW	8		M12 X 35, (SUB FOR J901235)
	24M7345	WASHER	8		13.500 X 24 X 2.500 MM, (SUB FOR J222012)

1910-24

BOTTOM COVER
COUVERCLES D'ACCES DU BAS
CUBIERTAS DE ACCESO DE FONDO

TX1000831 -UN-01DEC05



TX1000831

1910-25

SHEET METAL AND STYLING 19

HOOD AND ENGINE ENCLOSURE 1910

**BOTTOM COVER
COUVERCLES D'ACCES DU BAS
CUBIERTAS DE ACCESO DE FONDO**

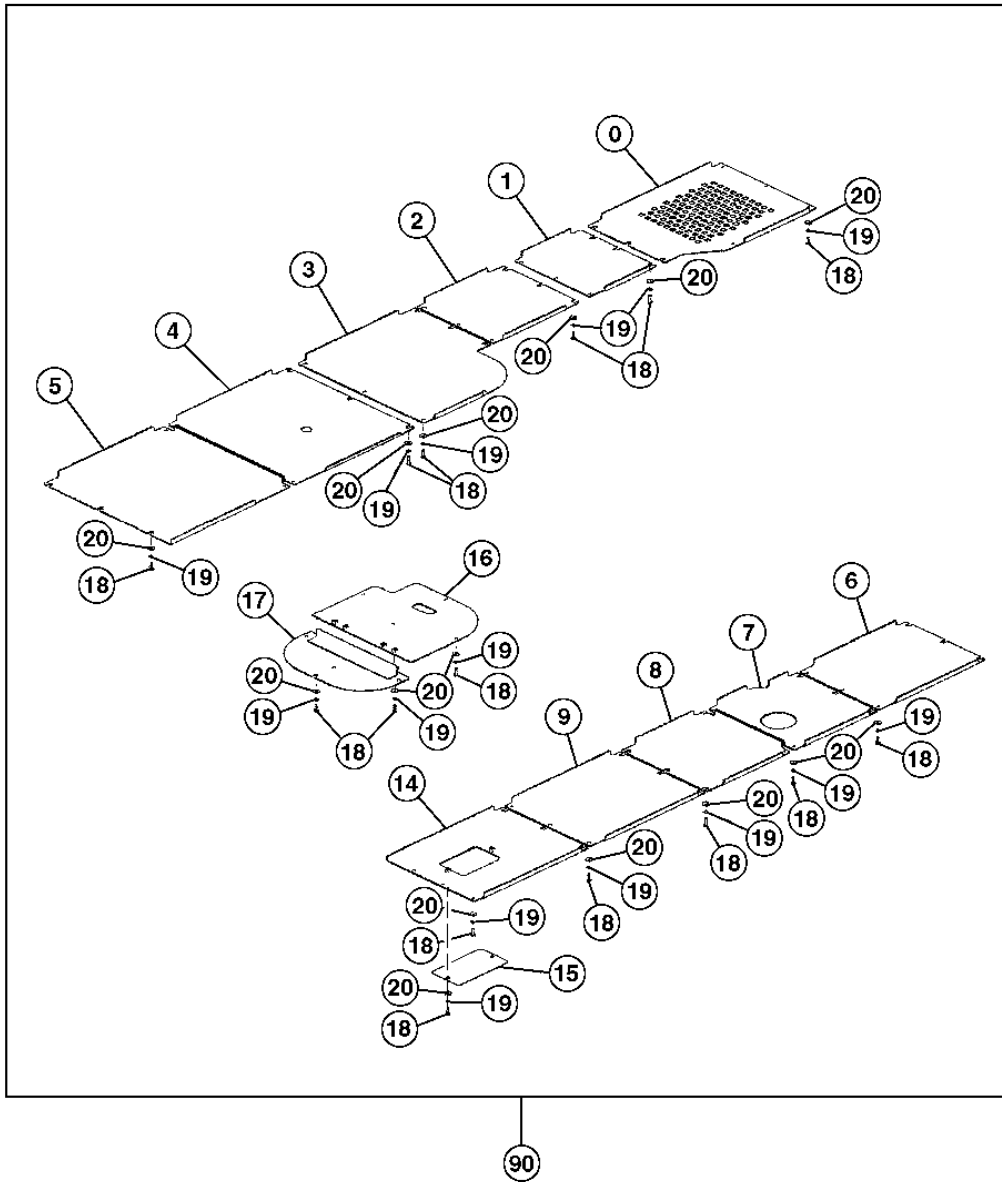
KEY	PART NO.	PART NAME	QTY.	SERIAL NO.	REMARKS
0	2052529	COVER	1		
1	3105566	COVER	1		
2	3105567	COVER	1		
3	2052714	COVER	1		
4	2052723	COVER	1		
5	2052724	COVER	1		
6	3105569	COVER	1		
7	2052733	COVER	1		
8	3105571	COVER	1		
9	8109385	COVER	1		(SUB FOR 3105618)
14	8102423	COVER	1		
15	4652261	COVER	1		
16	8104803	COVER	1		
17	8104804	COVER	1		
18	19M7493	CAP SCREW	76		M12 X 40, (SUB FOR J901240)
19	12H301	LOCK WASHER	76		12.700 MM, (SUB FOR A590912)
20	24H1748	WASHER	76		12.700 X 31.750 X 2.667 MM, (SUB FOR 449490)

1910-26

BOTTOM COVER (HEAVY DUTY)
COUVERCLES D'ACCES DU BAS (USAGE INTENSIF X)
CUBIERTAS DE ACCESO DE FONDO

TX1045369

-UN-15JUL08



TX1045369

1910-27

SHEET METAL AND STYLING 19

HOOD AND ENGINE ENCLOSURE 1910

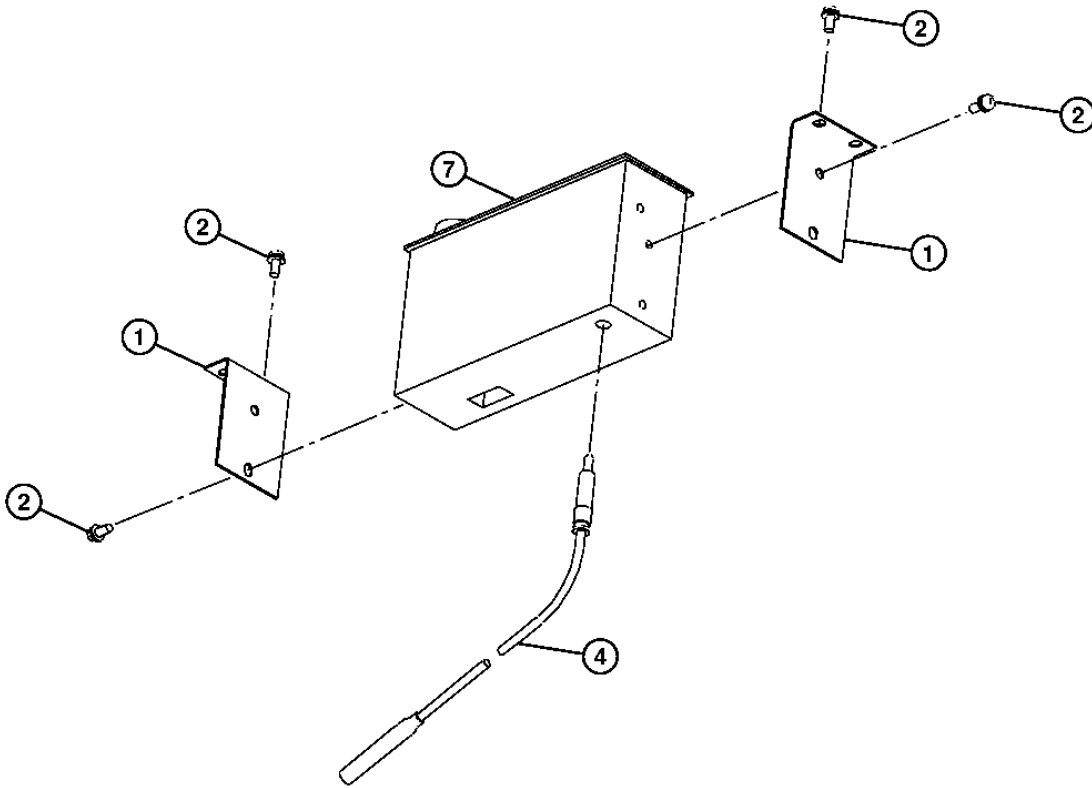
BOTTOM COVER (HEAVY DUTY)
COUVERCLES D'ACCES DU BAS (USAGE INTENSIF X)
CUBIERTAS DE ACCESO DE FONDO (SERVICIO SEVERO X)

KEY	PART NO.	PART NAME	QTY.	SERIAL NO.	REMARKS
0	2052325	COVER	1		
1	3106119	COVER	1		
2	3106085	COVER	1		
3	2052720	COVER	1		
4	2052701	COVER	1		
5	2052702	COVER	1		
6	3106122	COVER	1		
7	2052722	COVER	1		
8	3106120	COVER	1		
9	8109388	COVER	1		(SUB FOR 3106123)
14	8100952	COVER	1		
15	4652261	COVER	1		
16	8104834	COVER	1		
17	8104835	COVER	1		
18	19M7493	CAP SCREW	76		M12 X 40. (J901240 NLA)
19	12H301	LOCK WASHER	76		1/2", (SUB FOR A590912)
20	24M7345	WASHER	76		13.500 X 24 X 2.500 MM
90	AT337095	FIELD INSTALLATION KIT	1		(WHOLE GOODS)

2001-2

RADIO
RADIO
RADIO

T216309 -UN-14NOV05



T216309

2001-3

SAFETY, CONVENIENCE AND MISCELLANEOUS 20

RADIO 2001

RADIO
RADIO
RADIO

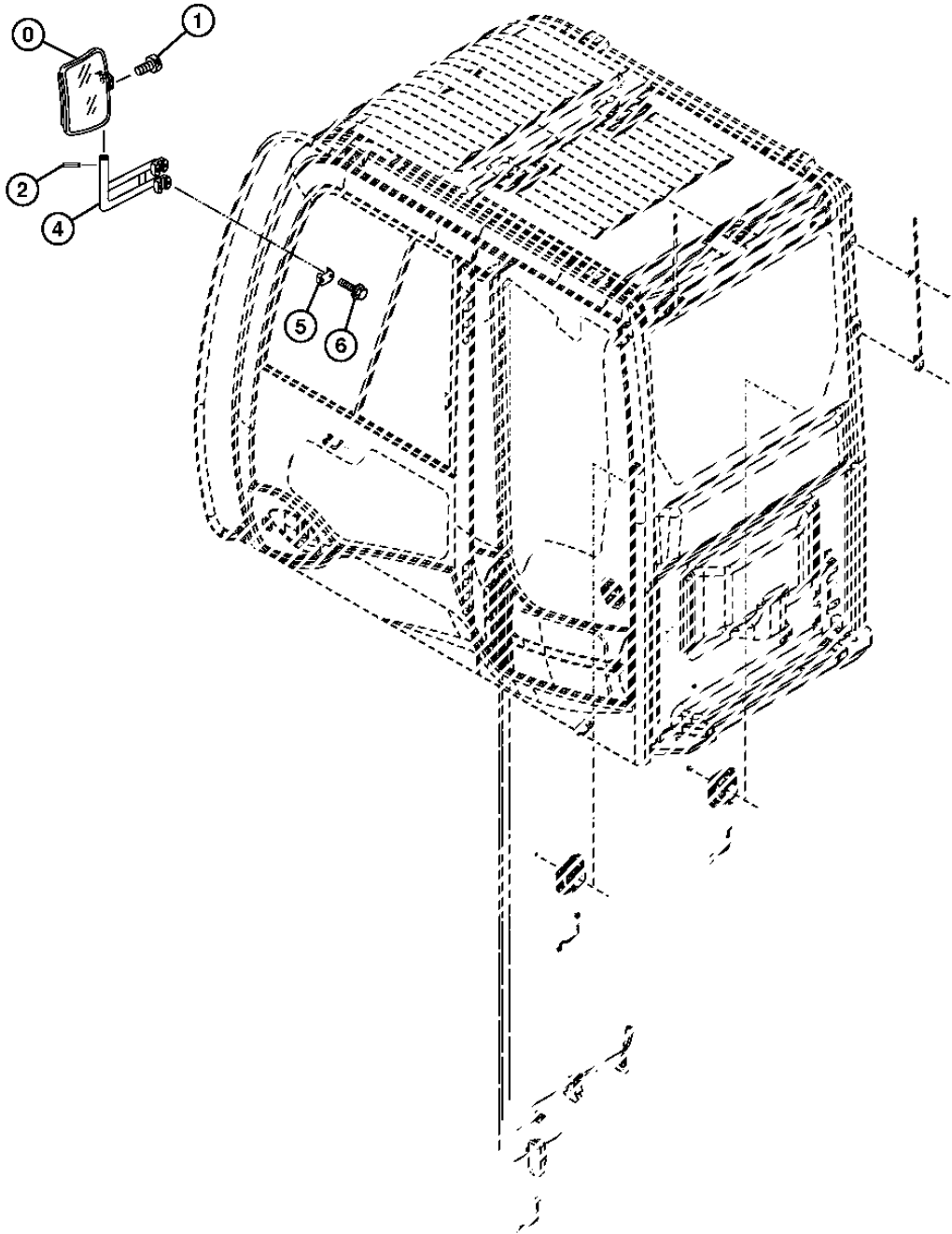
KEY	PART NO.	PART NAME	QTY.	SERIAL NO.	REMARKS
1	4630315	BRACKET	2		
2	SCREW	8		(J460516 NLA)
	19M7372	CAP SCREW	8		M5 X 16
	12M7064	WASHER	8		5 MM
	24M7348	WASHER	8		5.500 X 10 X 1 MM
4	4102096	WIRING HARNESS	1		
7	4645225	RADIO	1		

2002-2

LEFT REARVIEW MIRROR RETROVISEUR GAUCHE ESPEJO RETROVISOR IZQUIERDO

TX1000983

-UN-01DEC05



TX1000983

2002-3

SAFETY, CONVENIENCE AND MISCELLANEOUS 20

MIRROR 2002

**LEFT REARVIEW MIRROR
RETROVISEUR GAUCHE
ESPEJO RETROVISOR IZQUIERDO**

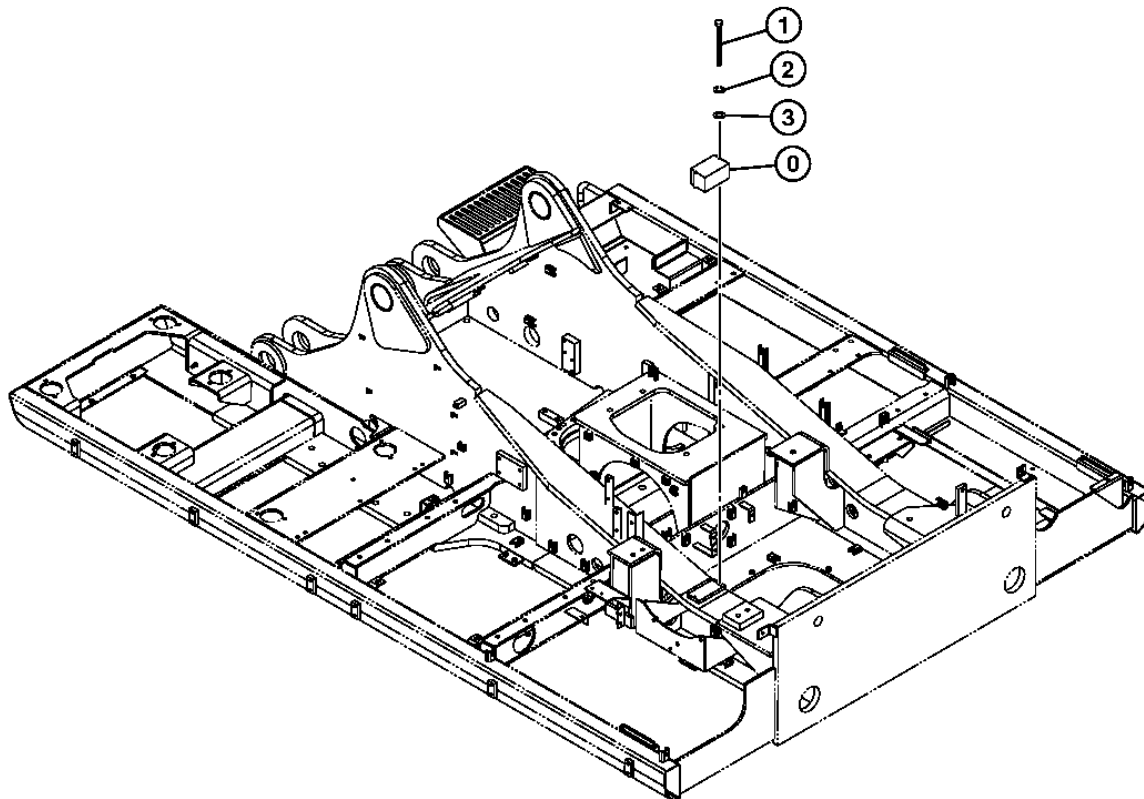
KEY	PART NO.	PART NAME	QTY.	SERIAL NO.	REMARKS
0	4418912	REAR VIEW MIRROR	1		
	4653315	BUSHING	1		
1	19M8280	SCREW	4		M5 X 45, (SUB FOR J780545)
2	4144018	SPRING PIN	1		(SUB FOR AT131743)
4	8093827	ARM	1		
5	4201441	CLAMP	2		
6	BOLT	4		(J260845 NLA)
	19M8359	CAP SCREW	4		M8 X 45, (SUB FOR J900845)
	24M7055	WASHER	4		8.400 X 16 X 1.600 MM, (SUB FOR A590108)

2004-2

TRAVEL ALARM ALARME DE DEPLACEMENT ALARMA DE PROPULSION

TX1000987

-UN-01DEC05



TX1000987

2004-3

SAFETY, CONVENIENCE AND MISCELLANEOUS 20

WARNING DEVICES 2004

**TRAVEL ALARM
ALARME DE DEPLACEMENT
ALARMA DE PROPULSION**

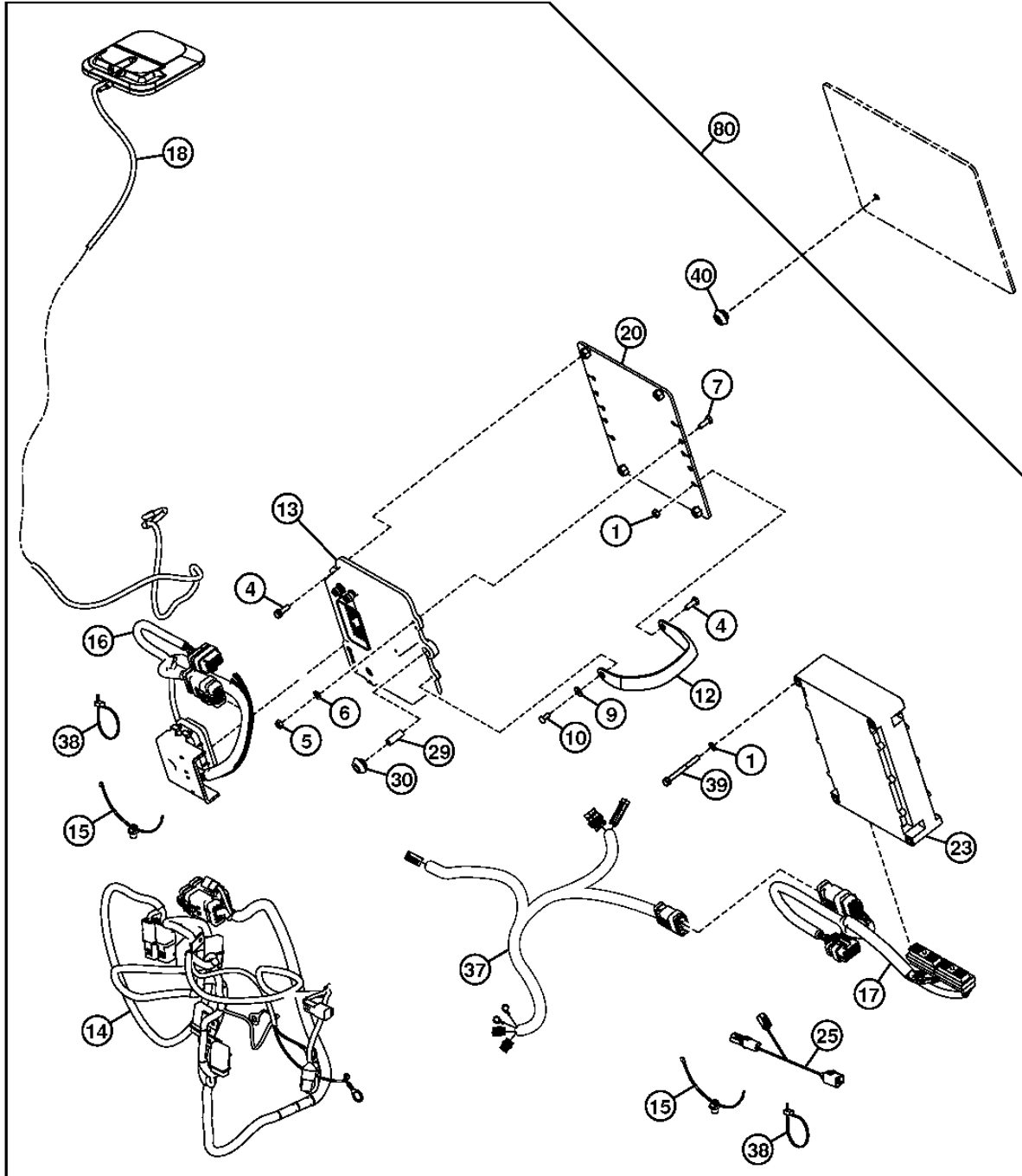
KEY	PART NO.	PART NAME	QTY.	SERIAL NO.	REMARKS
0	AT301074	ALARM SYSTEM	1		(SUB FOR 4283028)
1	19M7296	CAP SCREW	2		M8 X 100, (SUB FOR J900800)
2	12M7065	LOCK WASHER	2		8 MM, (SUB FOR A590908)
3	24M7055	WASHER	2		8.400 X 16 X 1.600 MM, (SUB FOR A590108)

2600-2

JDLINK™ ULTIMATE FIELD KIT KIT JDLINK™ ULTIMATE SUR LE TERRAIN JEU DE CAMPO JDLINK™ ULTIMATE

TX1041751

-UN-05MAY08



TX1041751

THIS PARTS LISTING IS CONTINUED

2600-3

GLOBAL VEHICLE COMMUNICATION 26

GLOBAL POSITIONING SYSTEM 2600

**JDLINK™ ULTIMATE FIELD KIT
KIT JDLINK™ ULTIMATE SUR LE TERRAIN
JUEGO DE CAMPO JDLINK™ ULTIMATE**

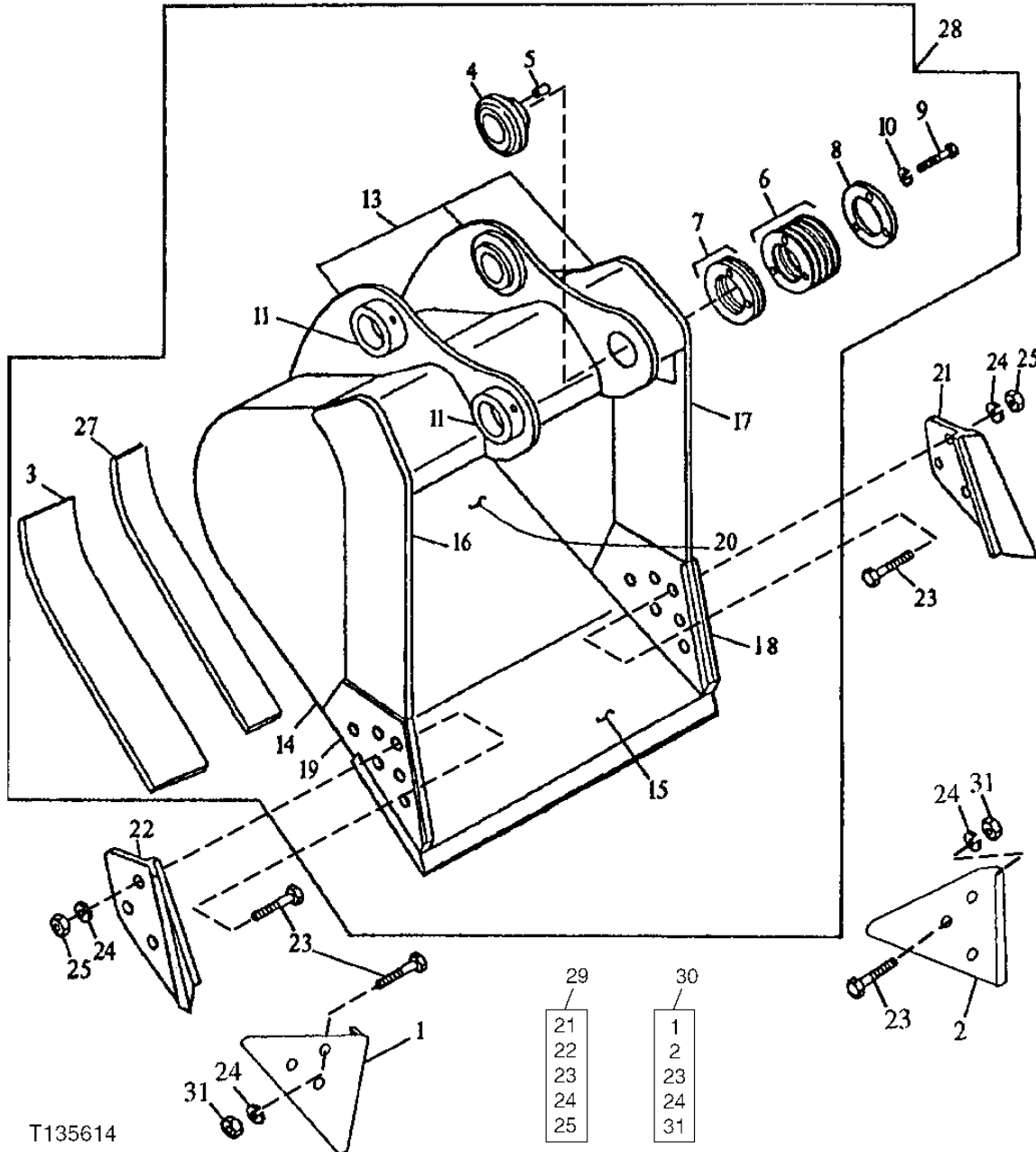
KEY	PART NO.	PART NAME	QTY.	SERIAL NO.	REMARKS
1	14M7528	LOCK NUT	5		M6
4	19M7863	SCREW	5		M6 X 25
5	14M7528	LOCK NUT	3		M6
6	24M7139	WASHER	3		6.400 X 18 X 1.600 MM
7	19M8321	SCREW	3		M6 X 45
9	24M7087	WASHER	1		5.500 X 10 X 1 MM
10	37M7415	SCREW	1		
12	AT209965	GROUND CABLE	1		
13	AT347687	BOX	1		(GTT) (SUB FOR AT336266) (REMAN)
14	AT359544	WIRING HARNESS	1		(SUB FOR AT344101) (CAN)
15	T209627	CLAMP	AR		
16	AT344872	WIRING HARNESS	1		(GTT)
17	AT344098	WIRING HARNESS	1		(MIG)
18	AT344868	ANTENNA	1		
20	AT345074	BRACKET	1		
23	PF81226	MULTI-FUNCTIONAL CONTROLLER	1		(MIG) (SUB FOR PF81111)
25	AT345880	WIRING HARNESS	1		(ISUZU)
	AT345879	WIRING HARNESS	1		(JOHN DEERE)
29	T234392	SPACER	3		
30	T234394	GROMMET	3		
31	R238026	ISOLATOR	1		(NOT ILLUSTRATED)
32	R49921	CLAMP	2		(NOT ILLUSTRATED)
37	AT345866	WIRING HARNESS	1		
38	R76477	TIE BAND	AR		(SUB FOR T111653)
39	19M8145	SCREW	4		M6 X 80
40	R120048	GROMMET	1		
80	AT346565	FIELD INSTALLATION KIT	1		

3302-2

GENERAL PURPOSE BUCKET (54 INCH) (ALSO ORDER BUCKET TOOTH ASSEMBLIES)
 BENNE A USAGE GENERAL (54 IN)(COMMANDER EGALEMENT DES DENTS DE BENNE)
 CUCHARON UNIVERSAL (54 IN.)(TAMBIEN PEDIR LOS CONJUNTOS DE DIENTES DE CUCHARON)

T135614

-UN-13AUG01



T135614

29
21
22
23
24
25

30
1
2
23
24
31

3302-3

EXCAVATOR 33

BUCKET WITH TEETH 3302

GENERAL PURPOSE BUCKET (54 INCH) (ALSO ORDER BUCKET TOOTH ASSEMBLIES)
BENNE A USAGE GENERAL (54 IN)(COMMANDER EGALEMENT DES DENTS DE BENNE)
CUCHARON UNIVERSAL (54 IN.)(TAMBIÉN PEDIR LOS CONJUNTOS DE DIENTES DE CUCHARON)

KEY	PART NO.	PART NAME	QTY.	SERIAL NO.	REMARKS
1	SHROUD	1		(EDGE PROTECTOR) (RH) (SUB AT167874)
2	SHROUD	1		(EDGE PROTECTOR) (LH) (SUB AT167874)
3	307048	BAR	2		(F) (OUTER WEAR BAR)
4	4143522	BUSHING	1		(SUB FOR TH103234)
5	4179110	PIN	1		(SUB FOR TH103520)
6	4143524	WASHER	6		(SUB FOR TH103235) (1 MM)
7	4143525	SHIM	2		(SUB FOR TH103236) (5 MM)
8	TH103237	PLATE	1		
9	19H2706	CAP SCREW	3		5/8" X 2"
10	12H294	LOCK WASHER	3		5/8"
11	TH103198	BUSHING	2		
13	C606071	PIVOT	1		(F) (BUCKET EAR BLANK ASSEMBLY)
14	307047	PLATE	2		(F) (RH) (LH)
15	AT131090	CUTTING EDGE	1		(CUT TO LENGTH)
16	300483	VERTICAL CUTTER	1		(F) (CUTTER) (UPPER RH)
17	300484	VERTICAL CUTTER	1		(F) (CUTTER) (UPPER LH)
18	300482	VERTICAL CUTTER	1		(F) (CUTTER INSERT) (LH)
19	300481	VERTICAL CUTTER	1		(F) (CUTTER INSERT) (RH)
20	600292	MOLDBOARD	1		(F) (48 INCH BUCKET)
	600915	MOLDBOARD	1		(F) (54 INCH BUCKET)
	600916	MOLDBOARD	1		(F) (60 INCH BUCKET)
21	CUTTING EDGE	1		(CUTTER) (LH) (SUB AT131080)
22	CUTTING EDGE	1		(CUTTER) (RH) (SUB AT131080)
23	09H1770	BOLT	6		7/8" X 2-1/2"
24	12H245	LOCK WASHER	6		7/8"
25	14H1077	NUT	6		7/8"
27	300479	BAR	2		(F) (INNER WEAR BAR)
28	EXCAVATOR BUCKET	1		(AT163660 NLA) (SUB AT332722) (WHOLEGOODS) (54 INCH - 2.3 CUBIC YARD) (REQUIRES 7 TEETH)
29	AT131080	END BIT	1		(WHOLEGOODS) (SIDE CUTTER KIT)
30	AT167874	SHROUD	1		(WHOLEGOODS) (EDGE PROTECTOR)
31	14H1044	NUT	6		7/8"

(F) JOHN DEERE DEALER ORDER DIRECTLY FROM CENTRAL FABRICATORS.

(F) CONCESSIONNAIRES JOHN DEERE COMMANDER DIRECTEMENT AUPRES DE CENTRAL FABRICATORS)

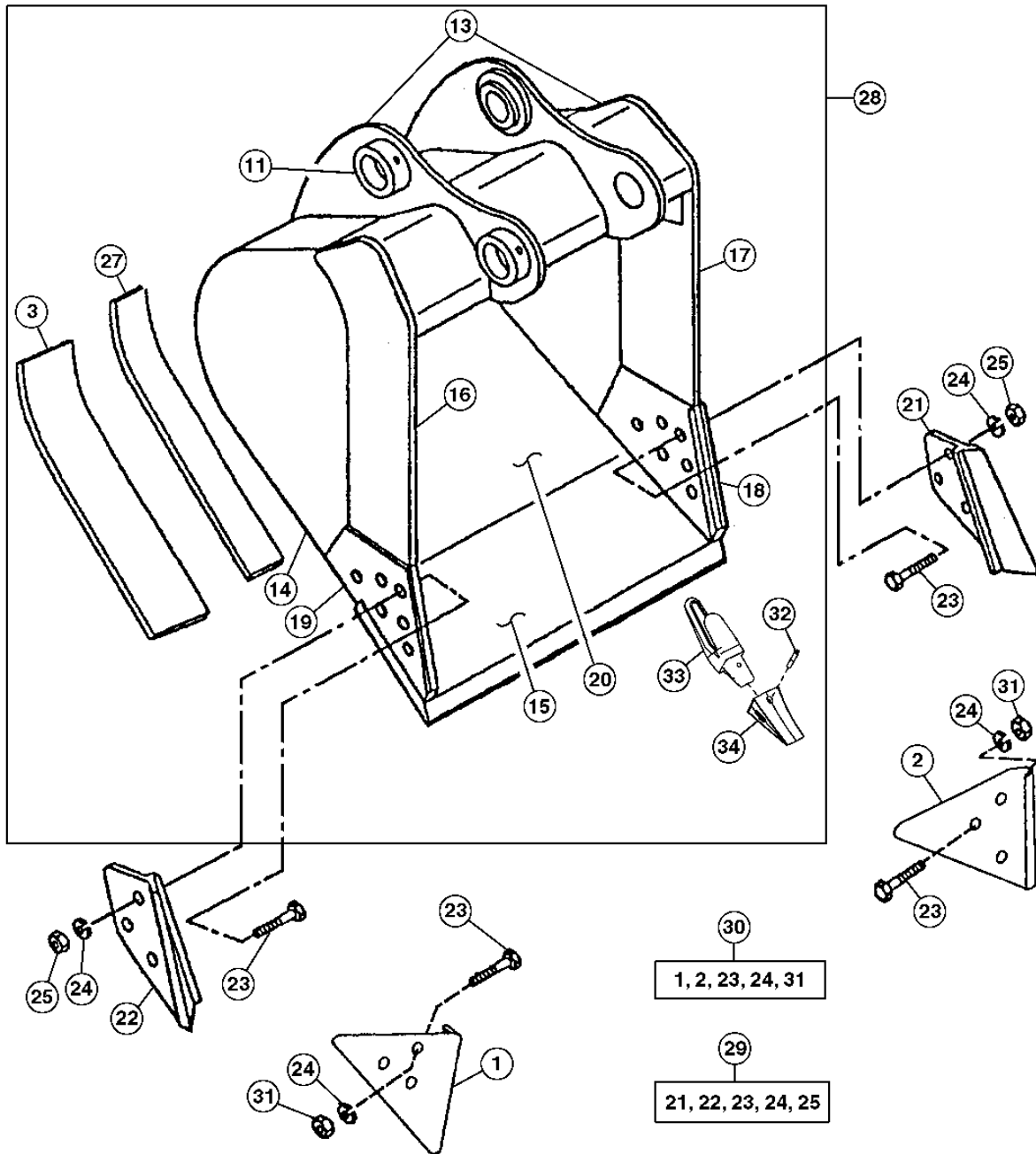
(F) CONCESIONARIOS JOHN DEERE - PEDIR DIRECTAMENTE DE CENTRAL FABRICATORS)

3302-3A

GENERAL PURPOSE BUCKET (54 INCH)
 BENNE A USAGE GENERAL (54 IN)
 CUCHARON UNIVERSAL (54 IN.)

TX1009169

-UN-05JUL06



TX1009169

3302-3B

EXCAVATOR 33

BUCKET WITH TEETH 3302

**GENERAL PURPOSE BUCKET (54 INCH)
BENNE A USAGE GENERAL (54 IN)
CUCHARON UNIVERSAL (54 IN.)**

KEY	PART NO.	PART NAME	QTY.	SERIAL NO.	REMARKS
1	SHROUD	1		(EDGE PROTECTOR) (RH) (SUB AT167874)
2	SHROUD	1		(EDGE PROTECTOR) (LH) (SUB AT167874)
3	307048	BAR	2		(F) (OUTER WEAR BAR)
11	TH103198	BUSHING	2		
13	C606071	PIVOT	1		(F) (BUCKET EAR BLANK ASSEMBLY)
14	307047	PLATE	2		(F) (RH) (LH)
15	AT131090	CUTTING EDGE	1		(CUT TO LENGTH)
16	300483	VERTICAL CUTTER	1		(F) (CUTTER) (UPPER RH)
17	300484	VERTICAL CUTTER	1		(F) (CUTTER) (UPPER LH)
18	300482	VERTICAL CUTTER	1		(F) (CUTTER INSERT) (LH)
19	300481	VERTICAL CUTTER	1		(F) (CUTTER INSERT) (RH)
20	600292	MOLDBOARD	1		(F) (48 INCH BUCKET)
	600915	MOLDBOARD	1		(F) (54 INCH BUCKET)
	600916	MOLDBOARD	1		(F) (60 INCH BUCKET)
21	CUTTING EDGE	1		(CUTTER) (LH) (SUB AT131080)
22	CUTTING EDGE	1		(CUTTER) (RH) (SUB AT131080)
23	09H1770	BOLT	6		7/8" X 2-1/2"
24	12H245	LOCK WASHER	6		7/8"
25	14H1077	NUT	6		7/8"
27	300479	BAR	2		(F) (INNER WEAR BAR)
28	EXCAVATOR BUCKET	1		(SUB FOR AT163660) (AT332722 NLA) (54 INCH - 2.3 CUBIC YARD) (REQUIRES 7 TEETH)
29	AT131080	END BIT	1		(WHOLEGOODS) (SIDE CUTTER KIT)
30	AT167874	SHROUD	1		(WHOLEGOODS) (EDGE PROTECTOR)
31	14H1044	NUT	6		7/8"

(F) JOHN DEERE DEALER ORDER DIRECTLY FROM CENTRAL FABRICATORS.

(F) CONCESSIONNAIRES JOHN DEERE COMMANDER DIRECTEMENT AUPRES DE CENTRAL FABRICATORS)

(F) CONCESIONARIOS JOHN DEERE - PEDIR DIRECTAMENTE DE CENTRAL FABRICATORS)

REFER TO PC 9555 FOR ADDITIONAL BUCKET TOOTH OPTIONS

SE REPORTER A PC9555 POUR DES OPTIONS SUPPLEMENTAIRES DE DENTS DE BENNE

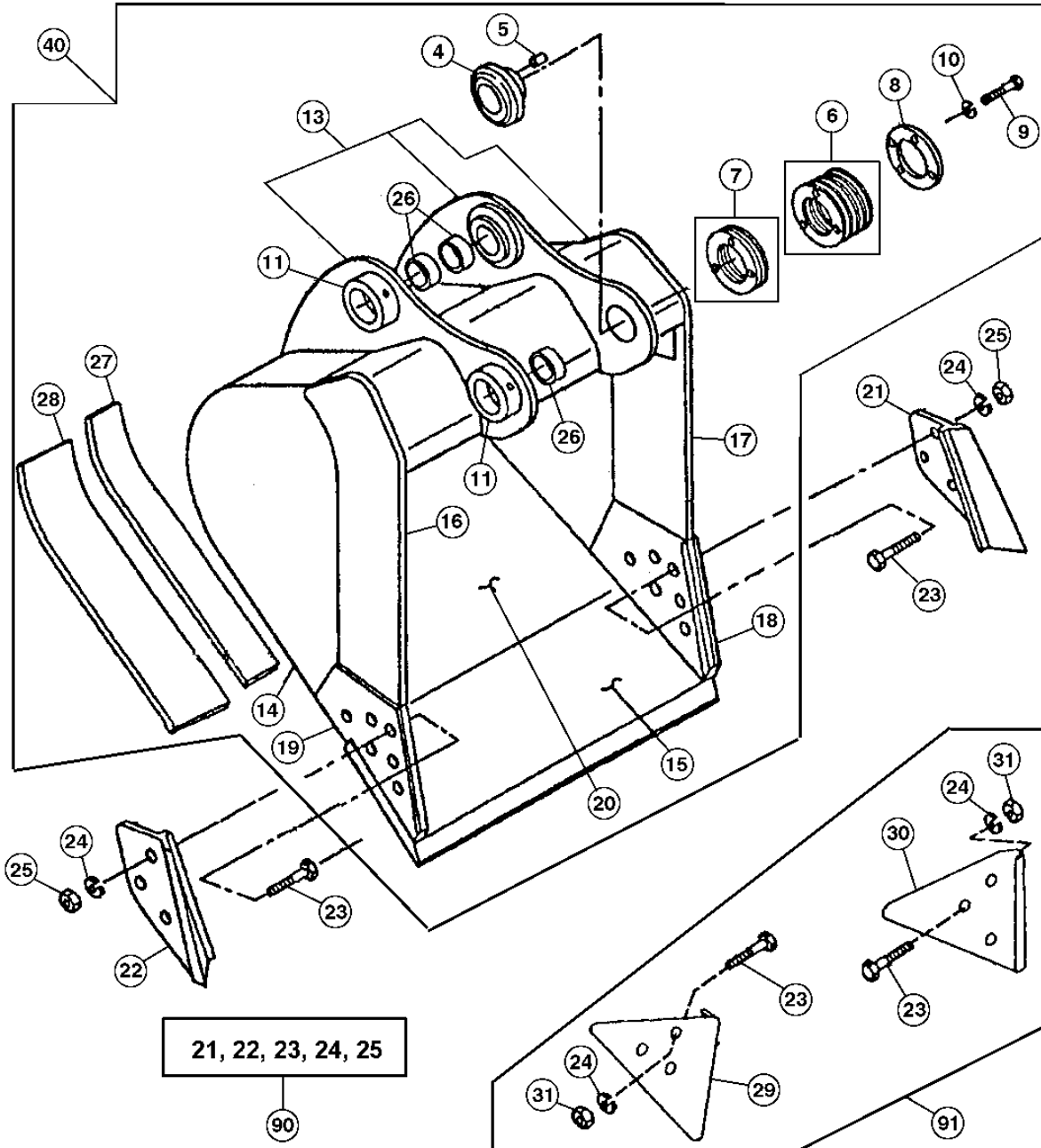
CONSULTAR PC9555 PARA OPCIONES ADICIONALES DE DIENTES DE CUCHARON

3302-4

HEAVY DUTY BUCKET (ALSO ORDER BUCKET TOOTH ASSEMBLIES)
BENNE A USAGE INTENSIF (COMMANDEZ EGALEMENT DES DENTS DE BENNE)
CUCHARON PARA SERVICIO SEVERO (TAMBIEN PEDIR DIENTES DE CUCHARON)

TX1001858

-UN-06JAN06



TX1001858

3302-5

**HEAVY DUTY BUCKET (ALSO ORDER BUCKET TOOTH ASSEMBLIES)
 BENNE A USAGE INTENSIF (COMMANDER EGALEMENT DES DENTS DE BENNE)
 CUCHARON PARA SERVICIO SEVERO (TAMBIEN PEDIR DIENTES DE CUCHARON)**

KEY	PART NO.	PART NAME	QTY.	SERIAL NO.	REMARKS
4	3038818	BOSS	1		(SUB FOR AT131625)
5	4179110	PIN	2		(SUB FOR TH103520)
6	AT131816	WASHER	7		(1 MM)
7	4207194	SHIM	2		(SUB FOR AT131815) (.5 MM)
8	AT131814	PLATE	1		
9	19H2706	CAP SCREW	4		5/8" X 2"
10	12H294	LOCK WASHER	4		5/8"
11	AT128461	BUSHING	2		
13	C606320	PIVOT	1		(F) (BUCKET EAR BLANK ASSEMBLY)
14	304578	PLATE	2		(F) (RH) (LH)
15	AT131097	CUTTING EDGE	1		(CUT TO LENGTH)
16	301025	VERTICAL CUTTER	1		(F) (UPPER RH) (SIDE CUTTER)
17	301026	VERTICAL CUTTER	1		(F) (UPPER LH) (SIDE CUTTER)
18	304577	VERTICAL CUTTER	1		(F) (LH) (CUTTER INSERT)
19	304576	VERTICAL CUTTER	1		(F) (RH) (CUTTER INSERT)
20	600541	MOLDBOARD	1		(F) (36 INCH BUCKET)
	600542	MOLDBOARD	1		(F) (42 INCH BUCKET)
	600543	MOLDBOARD	1		(F) (48 INCH BUCKET)
	602705	MOLDBOARD	1		(F) (54 INCH BUCKET)
	602706	MOLDBOARD	1		(F) (60 INCH BUCKET)
	602707	MOLDBOARD	1		(F) (66 INCH BUCKET)
	602707	MOLDBOARD	1		(F) (72 INCH BUCKET)
21	CUTTING EDGE	1		(SUB AT131085)
22	CUTTING EDGE	1		(SUB AT131085)
23	09H1771	BOLT	6		7/8" X 3"
24	12H245	LOCK WASHER	6		7/8"
25	14H1077	NUT	6		7/8"
26	4205109	BUSHING	3		(SUB FOR AT131768)
27	301024	BAR	2		(F) (INNER WEAR)
28	304579	BAR	2		(F) (OUTER WEAR)
29	SHROUD	1		(WEAR SHROUD)
30	SHROUD	1		(WEAR SHROUD)
31	14H1044	NUT	6		22.225 MM (7/8")
40	EXCAVATOR BUCKET	1		(AT163675 NLA) (WHOLEGOODS) (36 INCH - 1.56 CUBIC YARD) (REQUIRES 4 TEETH)
	EXCAVATOR BUCKET	1		(AT163678 NLA) (SUB AT332738) (WHOLEGOODS) (42 INCH - 1.85 CUBIC YARD) (REQUIRES 5 TEETH)
	EXCAVATOR BUCKET	1		(AT163681 NLA) (SUB AT332739) (WHOLEGOODS) (48 INCH - 2.15 CUBIC YARD) (REQUIRES 6 TEETH)
	EXCAVATOR BUCKET	1		(AT163682 NLA) (SUB AT332740) (WHOLEGOODS) (54 INCH - 2.45 CUBIC YARD) (REQUIRES 6 TEETH)
	EXCAVATOR BUCKET	1		(AT163683 NLA) (SUB AT332741) (WHOLEGOODS) (60 INCH - 2.74 CUBIC YARD) (REQUIRES 7 TEETH) (DO NOT USE WITH 16' 1" ARM)
	EXCAVATOR BUCKET	1		(AT163684 NLA) (SUB AT332742) (WHOLEGOODS) (66 INCH - 3.01 CUBIC YARD) (REQUIRES 7 TEETH)
	EXCAVATOR BUCKET	1		(AT163686 NLA) (SUB AT332743) (WHOLEGOODS) (72 INCH - 3.29 CUBIC YARD) (REQUIRES 8 TEETH)
90	AT131085	END BIT	1		(SIDE CUTTER KIT) (WHOLEGOODS)
91	AT167876	KIT	1		(EDGE PROTECTOR KIT) (WHOLEGOODS)

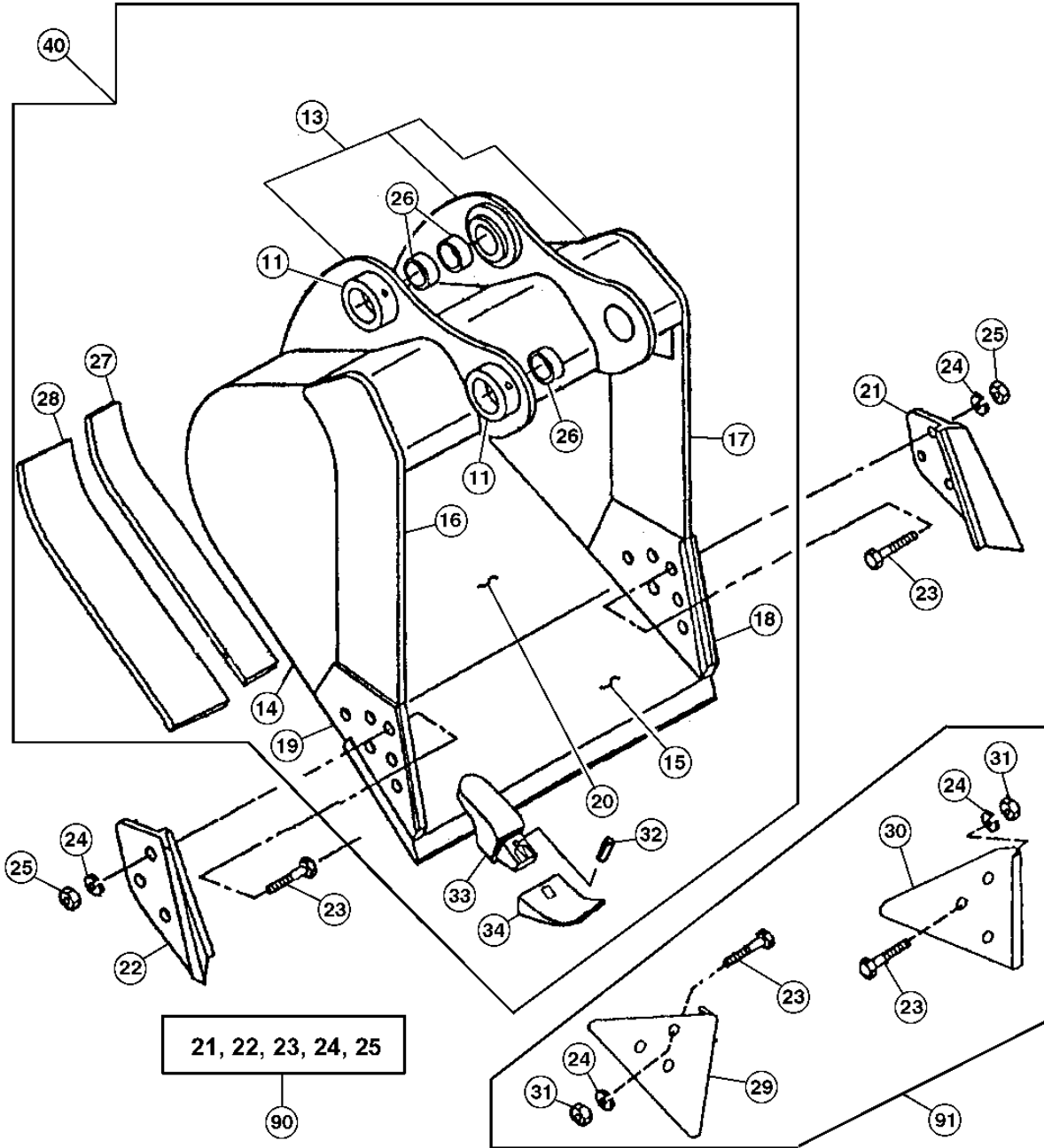
(F) JOHN DEERE DEALER ORDER DIRECTLY FROM CENTRAL FABRICATORS.
 (F) CONCESIONARIOS JOHN DEERE - PEDIR DIRECTAMENTE DE CENTRAL FABRICATORS)
 (F) CONCESSIONNAIRES JOHN DEERE COMMANDER DIRECTEMENT AUPRES DE CENTRAL FABRICATORS)

3302-5A

EXCAVATOR 33
BUCKET WITH TEETH 3302

HEAVY DUTY BUCKET
BENNE A USAGE INTENSIF
CUCHARON PARA SERVICIO SEVERO

TX1007365 -UN-04MAY06



TX1007365

3302-5B

EXCAVATOR 33

BUCKET WITH TEETH 3302

**HEAVY DUTY BUCKET
BENNE A USAGE INTENSIF
CUCHARON PARA SERVICIO SEVERO**

KEY	PART NO.	PART NAME	QTY.	SERIAL NO.	REMARKS
11	AT128461	BUSHING	2		
13	C606320	PIVOT	1		(F) (BUCKET EAR BLANK ASSEMBLY)
14	304578	PLATE	2		(F) (RH) (LH)
15	AT131097	CUTTING EDGE	1		(CUT TO LENGTH)
16	301025	VERTICAL CUTTER	1		(F) (UPPER RH) (SIDE CUTTER)
17	301026	VERTICAL CUTTER	1		(F) (UPPER LH) (SIDE CUTTER)
18	304577	VERTICAL CUTTER	1		(F) (LH) (CUTTER INSERT)
19	304576	VERTICAL CUTTER	1		(F) (RH) (CUTTER INSERT)
20	600541	MOLDBOARD	1		(F) (36 INCH BUCKET)
	600542	MOLDBOARD	1		(F) (42 INCH BUCKET)
	600543	MOLDBOARD	1		(F) (48 INCH BUCKET)
	602705	MOLDBOARD	1		(F) (54 INCH BUCKET)
	602706	MOLDBOARD	1		(F) (60 INCH BUCKET)
	602707	MOLDBOARD	1		(F) (66 INCH BUCKET)
	602707	MOLDBOARD	1		(F) (72 INCH BUCKET)
21	CUTTING EDGE	1		(SUB AT131085)
22	CUTTING EDGE	1		(SUB AT131085)
23	09H1771	BOLT	6		7/8" X 3"
24	12H245	LOCK WASHER	6		7/8"
25	14H1077	NUT	6		7/8"
26	4205109	BUSHING	3		(SUB FOR AT131768)
27	301024	BAR	2		(F) (INNER WEAR)
28	304579	BAR	2		(F) (OUTER WEAR)
29	SHROUD	1		(WEAR SHROUD)
30	SHROUD	1		(WEAR SHROUD)
31	14H1044	NUT	6		22.225 MM (7/8")
32	TP400HD	PIN	AR		
33	T802X400	BUCKET TOOTH ADAPTER	AR		
34	TF400	TOOTH	AR		
40	EXCAVATOR BUCKET	1		(SUB FOR AT163678) (SUB AT339242) (AT332738 NLA) (42 INCH - 1.85 CUBIC YARD) (REQUIRES 5 TEETH)
.....		EXCAVATOR BUCKET	1		(SUB FOR AT163681) (SUB AT339244) (AT332739 NLA) (48 INCH - 2.15 CUBIC YARD) (REQUIRES 6 TEETH)
.....		EXCAVATOR BUCKET	1		(SUB FOR AT163682) (SUB AT339246) (AT332740 NLA) (54 INCH - 2.45 CUBIC YARD) (REQUIRES 6 TEETH)
.....		EXCAVATOR BUCKET	1		(SUB FOR AT163683) (SUB AT339248) (AT332741 NLA) (60 INCH - 2.74 CUBIC YARD) (REQUIRES 7 TEETH) (DO NOT USE WITH 16' 1" ARM)
.....		EXCAVATOR BUCKET	1		(SUB FOR AT163684) (SUB AT339250) (AT332742 NLA) (66 INCH - 3.01 CUBIC YARD) (REQUIRES 7 TEETH)
.....		EXCAVATOR BUCKET	1		(SUB FOR AT163686) (SUB AT339252) (AT332743 NLA) (72 INCH - 3.29 CUBIC YARD) (REQUIRES 8 TEETH)
90	AT131085	END BIT	1		(SIDE CUTTER KIT) (WHOLEGOODS)
91	AT167876	KIT	1		(EDGE PROTECTOR KIT) (WHOLEGOODS)

REFER TO PC 9555 FOR ADDITIONAL BUCKET TOOTH OPTIONS
SE REPORTER A PC9555 POUR DES OPTIONS SUPPLEMENTAIRES DE DENTS DE BENNE
CONSULTAR PC9555 PARA OPCIONES ADICIONALES DE DIENTES DE CUCHARON

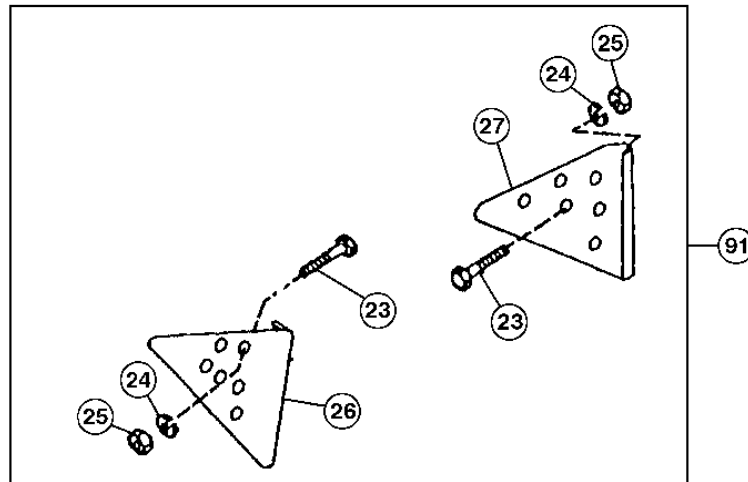
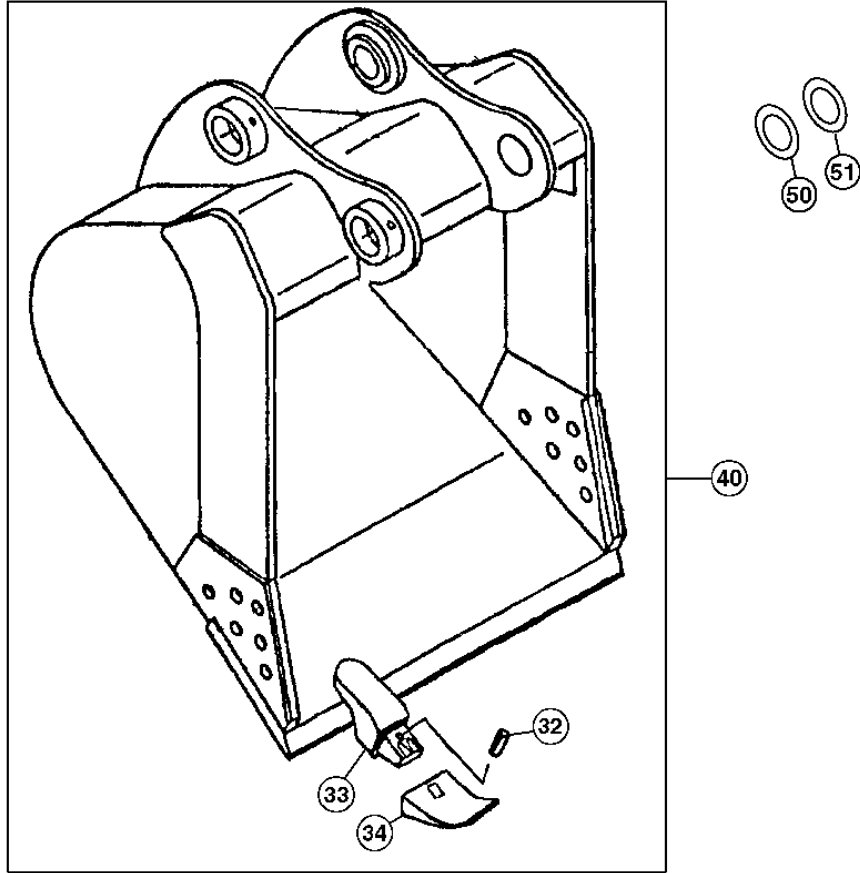
(F) JOHN DEERE DEALER ORDER DIRECTLY FROM CENTRAL FABRICATORS.
(F) CONCESIONARIOS JOHN DEERE - PEDIR DIRECTAMENTE DE CENTRAL FABRICATORS)
(F) CONCESSIONAIRES JOHN DEERE COMMANDER DIRECTEMENT AUPRES DE CENTRAL FABRICATORS)

3302-5C

EXCAVATOR 33
BUCKET WITH TEETH 3302

HEAVY DUTY BUCKET
BENNE A USAGE INTENSIF
CUCHARON PARA SERVICIO SEVERO

TX1038307 -UN-11MAR08



TX1038307

3302-5D

EXCAVATOR 33

BUCKET WITH TEETH 3302

**HEAVY DUTY BUCKET
BENNE A USAGE INTENSIF
CUCHARON PARA SERVICIO SEVERO**

KEY	PART NO.	PART NAME	QTY.	SERIAL NO.	REMARKS
23	09H1772	BOLT	12		22.225 X 88.900 MM (7/8" X 3-1/2")
24	12H245	LOCK WASHER	12		22.225 MM (7/8")
25	14H1077	NUT	12		22.225 MM (7/8")
26	T1157A	END BIT	1		
27	T1156A	END BIT	1		
32	TP400HD	PIN	AR		
33	T802X400	BUCKET TOOTH ADAPTER	AR		
34	TF400	TOOTH	AR		
40	AT339242	EXCAVATOR BUCKET	1		(SUB FOR AT332738) (WHOLEGOODS) (42 INCH - 1.74 CUBIC YARD) (REQUIRES 5 TEETH)
	AT339244	EXCAVATOR BUCKET	1		(SUB FOR AT332739) (WHOLEGOODS) (48 INCH - 2.07 CUBIC YARD) (REQUIRES 6 TEETH)
	AT339246	EXCAVATOR BUCKET	1		(SUB FOR AT332740) (WHOLEGOODS) (54 INCH - 2.41 CUBIC YARD) (REQUIRES 6 TEETH)
	AT339248	EXCAVATOR BUCKET	1		(SUB FOR AT332741) (WHOLEGOODS) (60 INCH - 2.75 CUBIC YARD) (REQUIRES 7 TEETH)
	AT339250	EXCAVATOR BUCKET	1		(SUB FOR AT332742) (WHOLEGOODS) (66 INCH - 3.09 CUBIC YARD) (REQUIRES 7 TEETH)
	AT339252	EXCAVATOR BUCKET	1		(SUB FOR AT332743) (WHOLEGOODS) (72 INCH - 3.44 CUBIC YARD) (REQUIRES 8 TEETH)
50	T241927	WASHER	AR		115 X 185 X 1 MM (4.528" X 7.283" X 0.039") (1 MM)
51	T241934	SHIM	AR		0.500 MM (0.020") (.5 MM)
91	AT342513	KIT	1		(EDGE PROTECTOR KIT) (WHOLEGOODS)

REFER TO PC 9555 FOR ADDITIONAL BUCKET TOOTH OPTIONS
SE REPORTER A PC9555 POUR DES OPTIONS SUPPLEMENTAIRES DE DENTS DE BENNE
CONSULTAR PC9555 PARA OPCIONES ADICIONALES DE DIENTES DE CUCHARON

3302-6

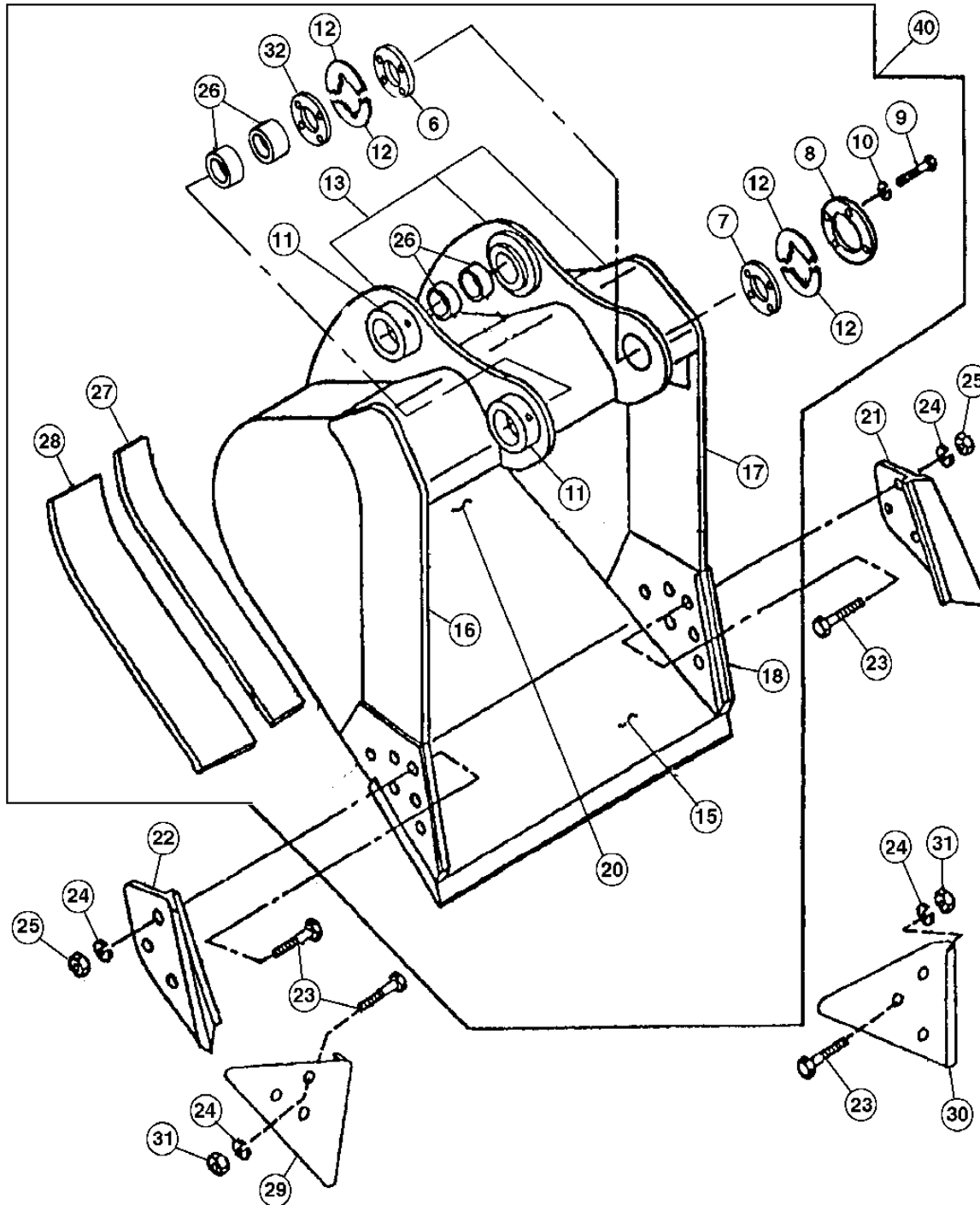
EXCAVATOR 33

BUCKET WITH TEETH 3302

HEAVY DUTY HIGH CAPACITY BUCKET (ALSO ORDER BUCKET TOOTH ASSEMBLIES)
BENNE GRANDE CONTENANCE A USAGE INTENSIF(COMMANDER EGALEMENT DES DENTS DE BENNE)
CUCHARON PARA SERVICIO SEVERO DE CAPACIDAD ALTA(TAMBIEN PEDIR DIENTES DE CUCHARON)

TX1001859

-UN-03JAN06



TX1001859

3302-7

EXCAVATOR 33

BUCKET WITH TEETH 3302

HEAVY DUTY HIGH CAPACITY BUCKET (ALSO ORDER BUCKET TOOTH ASSEMBLIES)
BENNE GRANDE CONTENANCE A USAGE INTENSIF(COMMANDER EGALEMENT DES DENTS DE BENNE)
CUCHARON PARA SERVICIO SEVERO DE CAPACIDAD ALTA(TAMBIEN PEDIR DIENTES DE CUCHARON)

KEY	PART NO.	PART NAME	QTY.	SERIAL NO.	REMARKS
6	C31763	BOSS	1		(F)
7	C31764	BOSS	1		(F)
8	AT183653	PLATE	1		
9	19M7884	CAP SCREW	4		M16 X 110
10	12M7134	LOCK WASHER	4		16 MM (0.630")
11	AT128461	BUSHING	2		
12	AT183654	SHIM	14		
13	C606320	PIVOT	1		(F) (BUCKET EAR BLANK ASSEMBLY)
14	300324	PLATE	2		(F) (RH) (LH)
15	AT131098	CUTTING EDGE	1		(CUT TO LENGTH)
16	300327	VERTICAL CUTTER	1		(F) (UPPER RH) (SIDE CUTTER)
17	300328	VERTICAL CUTTER	1		(F) (UPPER LH) (SIDE CUTTER)
18	300326	VERTICAL CUTTER	1		(F) (LH) (CUTTER INSERT)
19	300325	VERTICAL CUTTER	1		(F) (RH) (CUTTER INSERT)
20	600190	MOLDBOARD	1		(F) (36 INCH BUCKET)
	600192	MOLDBOARD	1		(F) (42 INCH BUCKET)
	600194	MOLDBOARD	1		(F) (48 INCH BUCKET)
	600195	MOLDBOARD	1		(F) (54 INCH BUCKET)
	600196	MOLDBOARD	1		(F) (60 INCH BUCKET)
	MOLDBOARD	1		(66 INCH BUCKET)
	608234	MOLDBOARD	1		(F) (72 INCH BUCKET)
21	CUTTING EDGE	1		(K) (SUB AT131085)
22	CUTTING EDGE	1		(K) (SUB AT131085)
23	09H1771	BOLT	6		7/8" X 3" (K) (K2)
24	12H245	LOCK WASHER	6		7/8", (K) (K2)
25	14H1077	NUT	6		(K) 7/8"
26	4205109	BUSHING	4		(SUB FOR AT131768)
27	300645	BAR	1		(F) (INNER WEAR)
28	307451	BAR	1		(F) (OUTER WEAR)
29	SHROUD	1		(K2) (WEAR SHROUD)
30	SHROUD	1		(K2) (WEAR SHROUD)
31	14H1044	NUT	6		22.225 MM (7/8") (K2)
32	AT183652	BOSS	1		
40	EXCAVATOR BUCKET	1		(AT183645 NLA) (WHOLE GOODS) (36 INCH - 1.96 CUBIC YARD) (REQUIRES 4 TEETH)
	EXCAVATOR BUCKET	1		(AT183646 NLA) (WHOLEGOODS) (42 INCH - 2.32 CUBIC YARD) (REQUIRES 4 TEETH)
	EXCAVATOR BUCKET	1		(AT183647 NLA) (SUB AT332745) (WHOLEGOODS) (48 INCH - 2.69 CUBIC YARD) (REQUIRES 5 TEETH)
	EXCAVATOR BUCKET	1		(AT183648 NLA) (SUB AT332746) (WHOLEGOODS) (54 INCH - 3.06 CUBIC YARD) (REQUIRES 5 TEETH)
	EXCAVATOR BUCKET	1		(AT183649 NLA) (SUB AT332747) (WHOLEGOODS) (60 INCH - 3.43 CUBIC YARD) (REQUIRES 6 TEETH)
	EXCAVATOR BUCKET	1		(AT183650 NLA) (SUB AT332748) (WHOLEGOODS) (66 INCH - 3.80 CUBIC YARD) (REQUIRES 6 TEETH)
	EXCAVATOR BUCKET	1		(AT183651 NLA) (SUB AT332749) (WHOLEGOODS) (72 INCH - 4.18 CUBIC YARD) (REQUIRES 7 TEETH)

(K) AT131085. INCLUDES ALL PARTS MARKED (K).
 (K) L'ENSEMBLE AT131085 INCLUT TOUTES LES PIECES MARQUEES (K)
 (K) AT131085 INCLUYE TODAS LAS PIEZAS MARCADAS (K)

(K2) AT167876. INCLUDES ALL PARTS MARKED (K2).
 (K2) L'ENSEMBLE AT167876 INCLUT TOUTES LES PIECES MARQUEES (K2)
 (K2) AT167876 INCLUYE TODAS LAS PIEZAS MARCADAS (K2)

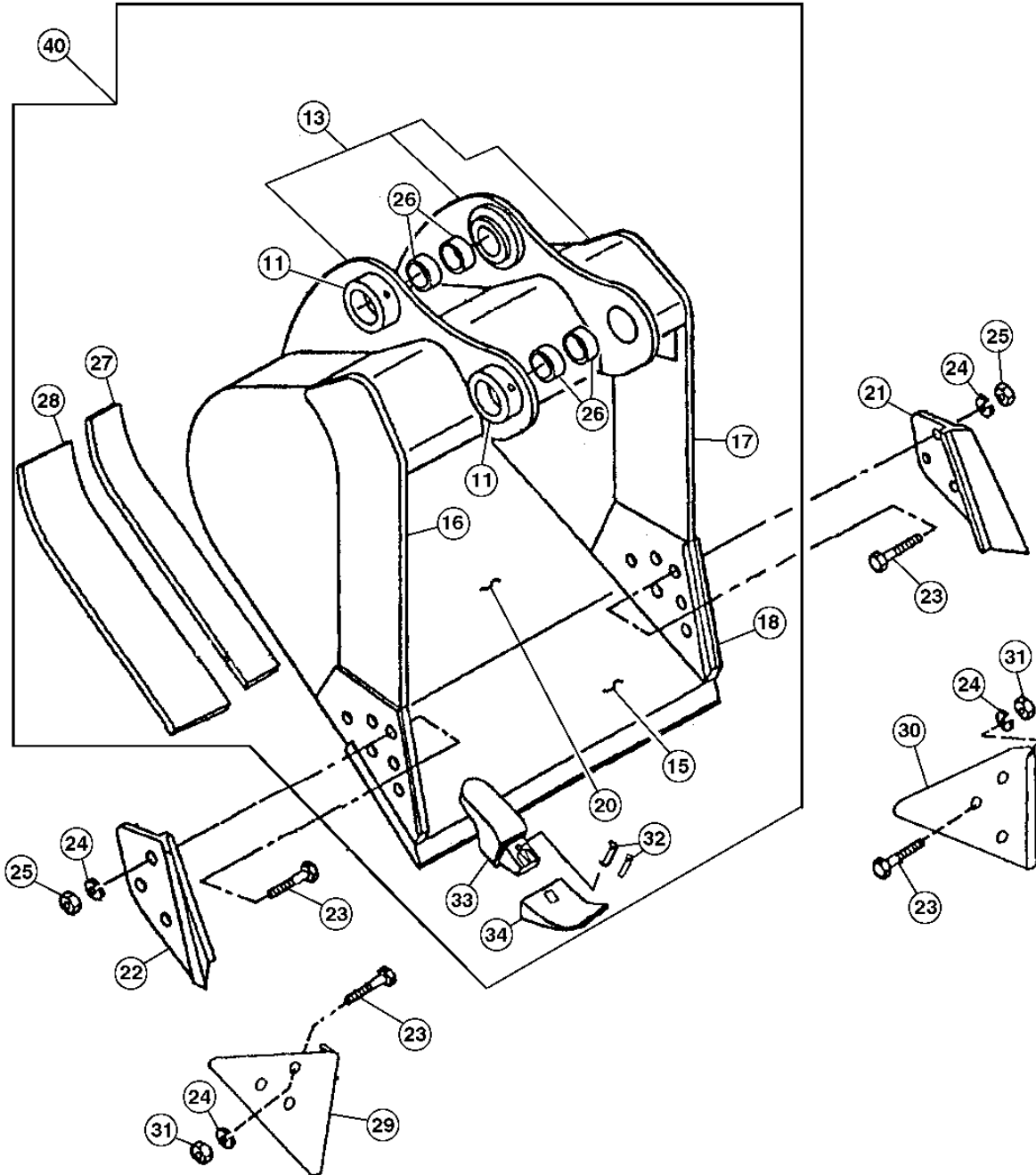
(F) JOHN DEERE DEALER ORDER DIRECTLY FROM CENTRAL FABRICATORS.
 (F) CONCESSIONNAIRES JOHN DEERE (COMMANDER DIRECTEMENT AUPRES DE CENTRAL FABRICATORS)
 (F) CONCESIONARIOS JOHN DEERE - PEDIR DIRECTAMENTE DE CENTRAL FABRICATORS)

3302-7A

EXCAVATOR 33
BUCKET WITH TEETH 3302

HEAVY DUTY HIGH CAPACITY BUCKET
BENNE GRANDE CONTENANCE A USAGE INTENSIF
CUCHARON PARA SERVICIO SEVERO DE CAPACIDAD ALTA

TX1007367 -UN-04MAY06



TX1007367

3302-7B

EXCAVATOR 33

BUCKET WITH TEETH 3302

**HEAVY DUTY HIGH CAPACITY BUCKET
BENNE GRANDE CONTENANCE A USAGE INTENSIF
CUCHARON PARA SERVICIO SEVERO DE CAPACIDAD ALTA**

KEY	PART NO.	PART NAME	QTY.	SERIAL NO.	REMARKS
11	AT128461	BUSHING	2		
13	C606320	PIVOT	1		(F) (BUCKET EAR BLANK ASSEMBLY)
14	300324	PLATE	2		(F) (RH) (LH)
15	AT131098	CUTTING EDGE	1		(CUT TO LENGTH)
16	300327	VERTICAL CUTTER	1		(F) (UPPER RH) (SIDE CUTTER)
17	300328	VERTICAL CUTTER	1		(F) (UPPER LH) (SIDE CUTTER)
18	300326	VERTICAL CUTTER	1		(F) (LH) (CUTTER INSERT)
19	300325	VERTICAL CUTTER	1		(F) (RH) (CUTTER INSERT)
20	600190	MOLDBOARD	1		(F) (36 INCH BUCKET)
	600192	MOLDBOARD	1		(F) (42 INCH BUCKET)
	600194	MOLDBOARD	1		(F) (48 INCH BUCKET)
	600195	MOLDBOARD	1		(F) (54 INCH BUCKET)
	600196	MOLDBOARD	1		(F) (60 INCH BUCKET)
	MOLDBOARD	1		(66 INCH BUCKET)
	608234	MOLDBOARD	1		(F) (72 INCH BUCKET)
21	CUTTING EDGE	1		(K) (SUB AT131085)
22	CUTTING EDGE	1		(K) (SUB AT131085)
23	09H1771	BOLT	6		7/8" X 3" (K) (K2)
24	12H245	LOCK WASHER	6		7/8", (K) (K2)
25	14H1077	NUT	6		(K) 7/8"
26	4205109	BUSHING	4		(SUB FOR AT131768)
27	300645	BAR	1		(F) (INNER WEAR)
28	307451	BAR	1		(F) (OUTER WEAR)
29	SHROUD	1		(K2) (WEAR SHROUD)
30	SHROUD	1		(K2) (WEAR SHROUD)
31	14H1044	NUT	6		22.225 MM (7/8") (K2)
32	TP475HD	PIN FASTENER	AR		
33	T303X475	BUCKET TOOTH ADAPTER	AR		
34	TF475	TOOTH	AR		
40	EXCAVATOR BUCKET	1		(SUB FOR AT183647) (SUB AT339258) (AT332745 NLA) (48 INCH - 2.69 CUBIC YARD) (REQUIRES 5 TEETH)
.....	EXCAVATOR BUCKET	1			(SUB FOR AT183648) (SUB AT339260) (AT332746 NLA) (54 INCH - 3.06 CUBIC YARD) (REQUIRES 5 TEETH)
.....	EXCAVATOR BUCKET	1			(SUB FOR AT183649) (SUB AT339262) (AT332747 NLA) (60 INCH - 3.43 CUBIC YARD) (REQUIRES 6 TEETH)
.....	EXCAVATOR BUCKET	1			(SUB FOR AT183650) (SUB AT339264) (AT332748 NLA) (66 INCH - 3.80 CUBIC YARD) (REQUIRES 6 TEETH)
.....	EXCAVATOR BUCKET	1			(SUB FOR AT183651) (SUB AT339266) (AT332749 NLA) (72 INCH - 4.18 CUBIC YARD) (REQUIRES 7 TEETH)

(K) AT131085. INCLUDES ALL PARTS MARKED (K).
(K) L'ENSEMBLE AT131085 INCLUT TOUTES LES PIECES MARQUEES (K)
(K) AT131085 INCLUYE TODAS LAS PIEZAS MARCADAS (K)

(K2) AT167876. INCLUDES ALL PARTS MARKED (K2).
(K2) L'ENSEMBLE AT167876 INCLUT TOUTES LES PIECES MARQUEES (K2)
(K2) AT167876 INCLUYE TODAS LAS PIEZAS MARCADAS (K2)

(F) JOHN DEERE DEALER ORDER DIRECTLY FROM CENTRAL FABRICATORS.
(F) CONCESSIONNAIRES JOHN DEERE COMMANDER DIRECTEMENT AUPRES DE CENTRAL FABRICATORS)
(F) CONCESIONARIOS JOHN DEERE - PEDIR DIRECTAMENTE DE CENTRAL FABRICATORS)

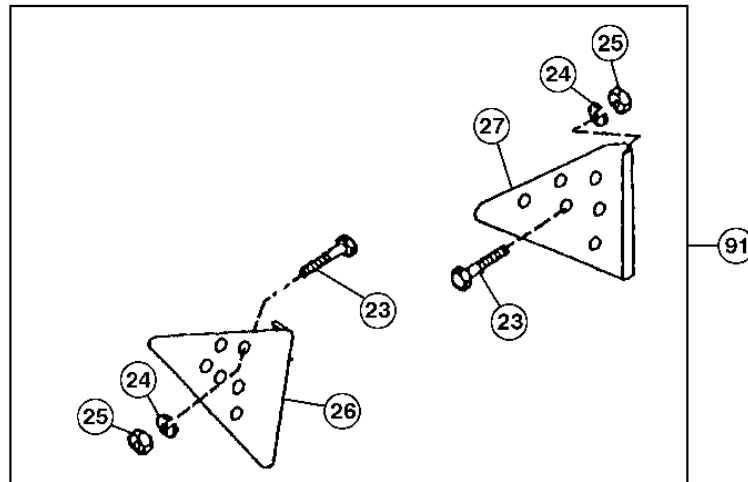
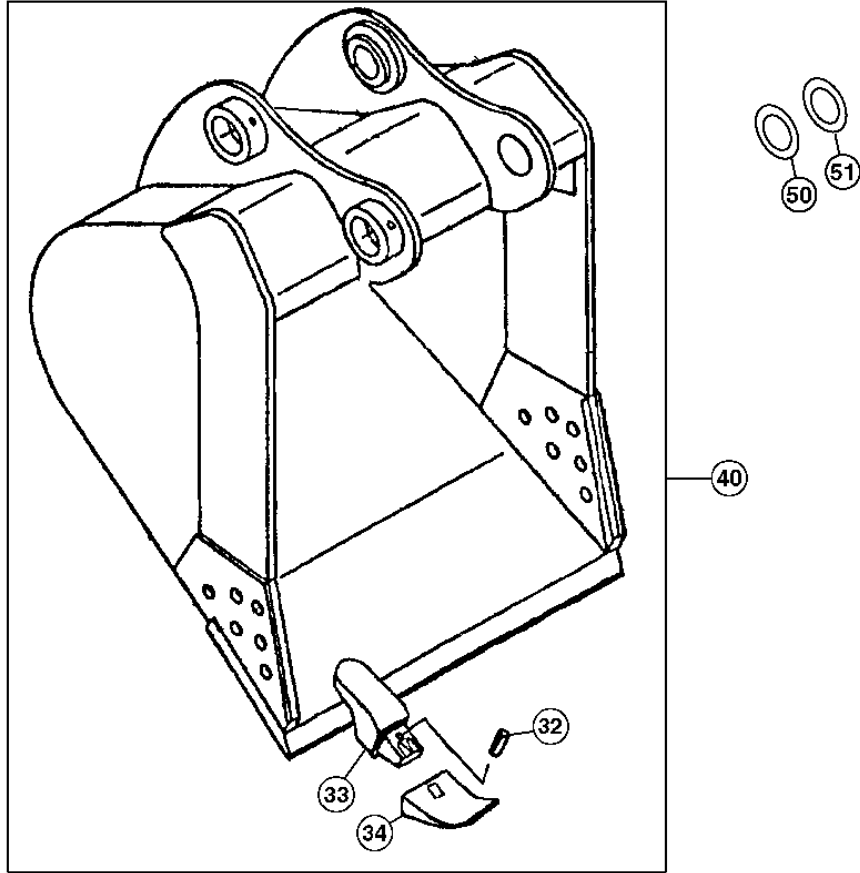
REFER TO PC 9555 FOR ADDITIONAL BUCKET TOOTH OPTIONS
SE REPORTER A PC9555 POUR DES OPTIONS SUPPLEMENTAIRES DE DENTS DE BENNE
CONSULTAR PC9555 PARA OPCIONES ADICIONALES DE DIENTES DE CUCHARON

3302-7C

EXCAVATOR 33
BUCKET WITH TEETH 3302

HEAVY DUTY HIGH CAPACITY BUCKET
BENNE GRANDE CONTENANCE A USAGE INTENSIF
CUCHARON PARA SERVICIO SEVERO DE CAPACIDAD ALTA

TX1038307 -UN-11MAR08



TX1038307

3302-7D

EXCAVATOR 33

BUCKET WITH TEETH 3302

**HEAVY DUTY HIGH CAPACITY BUCKET
BENNE GRANDE CONTENANCE A USAGE INTENSIF
CUCHARON PARA SERVICIO SEVERO DE CAPACIDAD ALTA**

KEY	PART NO.	PART NAME	QTY.	SERIAL NO.	REMARKS
23	09H1772	BOLT	12		22.225 X 88.900 MM (7/8" X 3-1/2")
24	12H245	LOCK WASHER	12		22.225 MM (7/8")
25	14H1077	NUT	12		22.225 MM (7/8")
26	T1157A	END BIT	1		
27	T1156A	END BIT	1		
32	TP475HD	PIN FASTENER	AR		
33	T303X475	BUCKET TOOTH ADAPTER	AR		
34	TF475	TOOTH	AR		
40	AT339258	EXCAVATOR BUCKET	1		(SUB FOR AT332745) (WHOLEGOODS) (48 INCH - 2.37 CUBIC YARD) (REQUIRES 5 TEETH)
	AT339260	EXCAVATOR BUCKET	1		(SUB FOR AT332746) (WHOLEGOODS) (54 INCH - 2.76 CUBIC YARD) (REQUIRES 5 TEETH)
	AT339262	EXCAVATOR BUCKET	1		(SUB FOR AT332747) (WHOLEGOODS) (60 INCH - 3.17 CUBIC YARD) (REQUIRES 6 TEETH)
	AT339264	EXCAVATOR BUCKET	1		(SUB FOR AT332748) (WHOLEGOODS) (66 INCH - 3.57 CUBIC YARD) (REQUIRES 6 TEETH)
	AT339266	EXCAVATOR BUCKET	1		(SUB FOR AT332749) (WHOLEGOODS) (72 INCH - 3.97 CUBIC YARD) (REQUIRES 7 TEETH)
50	T241927	WASHER	AR		115 X 185 X 1 MM (4.528" X 7.283" X 0.039") (1 MM)
51	T241934	SHIM	AR		0.500 MM (0.020") (.5 MM)
91	AT342513	KIT	1		(EDGE PROTECTOR KIT) (WHOLEGOODS)

REFER TO PC 9555 FOR ADDITIONAL BUCKET TOOTH OPTIONS
SE REPORTER A PC9555 POUR DES OPTIONS SUPPLEMENTAIRES DE DENTS DE BENNE
CONSULTAR PC9555 PARA OPCIONES ADICIONALES DE DIENTES DE CUCHARON

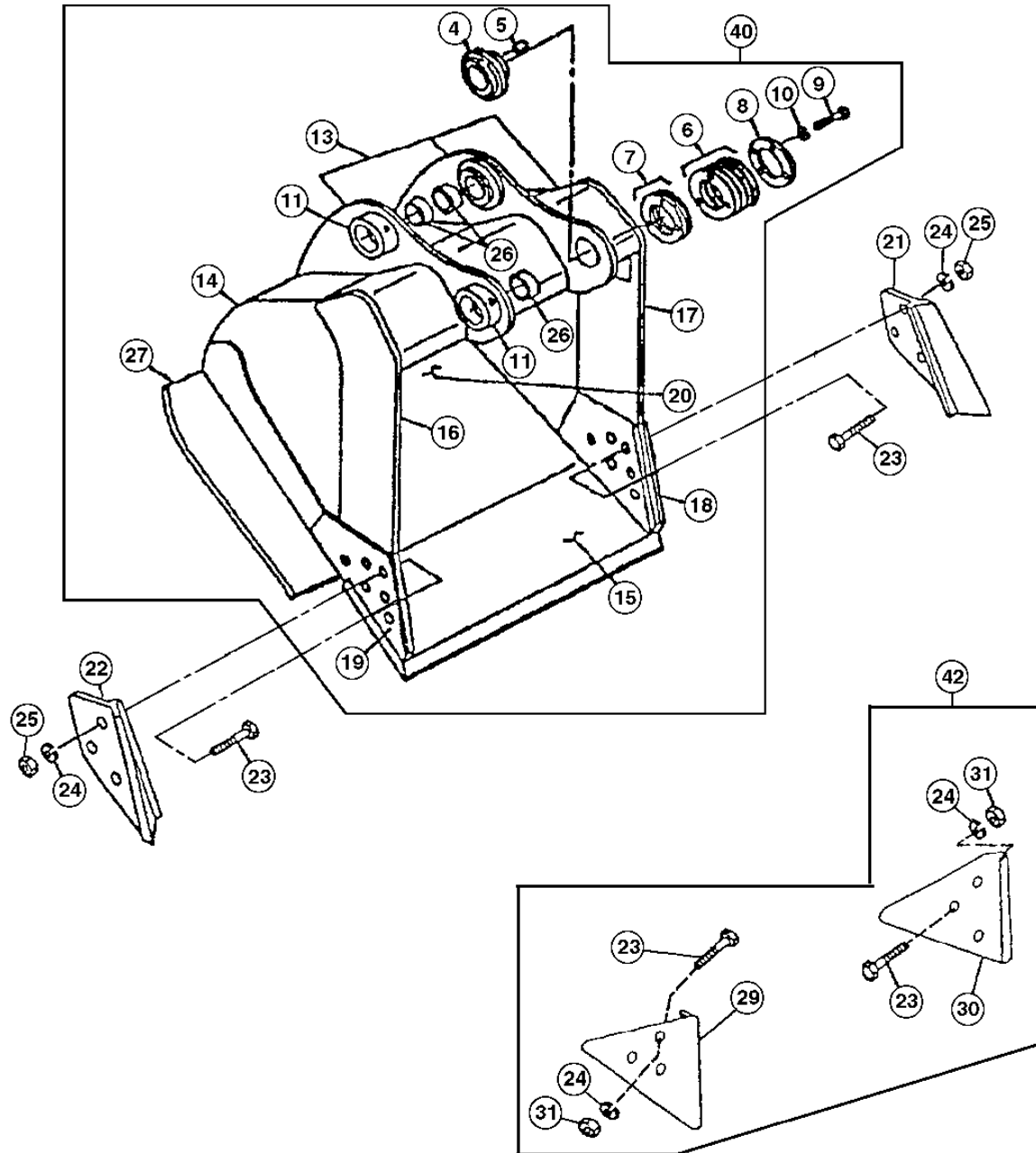
3302-8

EXCAVATOR 33

BUCKET WITH TEETH 3302

SEVERE DUTY CAST LIP BUCKET (ALSO ORDER BUCKET TOOTH ASSEMBLIES)
BENNE A REBORD EN FONTE POUR CONDITIONS DIFFICILES (COMMANDEZ EGALEMENT DES DENTS DE BENNE)
CUCHARON CON REBORDE DE FUNDICION PARA SERVICIO SEVERO (CHARON) (TAMBIEN PEDIR LOS CONJUNTOS)

TX1001453 -UN-16DEC05



TX1001453

3302-9

EXCAVATOR 33

BUCKET WITH TEETH 3302

SEVERE DUTY CAST LIP BUCKET (ALSO ORDER BUCKET TOOTH ASSEMBLIES)
BENNE A REBORD EN FONTE POUR CONDITIONS DIFFICILES(COMMANDER EGALEMENT DES DENTS DE BENNE)
CUCHARON CON REBORDE DE FUNDICION PARA SERVICIO SEVERO(TAMBIEN PEDIR LOS CONJUNTOS DE DIENTES)

KEY	PART NO.	PART NAME	QTY.	SERIAL NO.	REMARKS
4	3038818	BOSS	1		(SUB FOR AT131625)
5	4179110	PIN	2		(SUB FOR TH103520)
6	AT131816	WASHER	7		(1 MM)
7	4207194	SHIM	2		(SUB FOR AT131815) (.5 MM)
8	AT131814	PLATE	1		
9	19H2706	CAP SCREW	4		5/8" X 2"
10	12H294	LOCK WASHER	4		5/8"
11	AT128461	BUSHING	2		
13	C606320	PIVOT	1		(F) (BUCKET EAR BLANK ASSEMBLY)
14	304578	PLATE	2		(F) (RH) (LH)
15	CUTTING EDGE	1		(42 INCH BUCKET) (CUT TO LENGTH) (AT131094 NLA)
	CUTTING EDGE	1		(48 INCH BUCKET) (CUT TO LENGTH) (AT131095 NLA)
16	300642	VERTICAL CUTTER	1		(F) (UPPER RH) (SIDE CUTTER)
17	300647	VERTICAL CUTTER	1		(F) (UPPER LH) (SIDE CUTTER)
18	300344	VERTICAL CUTTER	1		(F) (LH) (CUTTER INSERT)
19	300343	VERTICAL CUTTER	1		(F) (RH) (CUTTER INSERT)
20	600373	MOLDBOARD	1		(F) (42 INCH BUCKET)
	600374	MOLDBOARD	1		(F) (48 INCH BUCKET)
21	CUTTING EDGE	1		(K) (SUB AT131085)
22	CUTTING EDGE	1		(K) (SUB AT131085)
23	09H1771	BOLT	6		(K) 7/8" X 3"
24	12H245	LOCK WASHER	6		(K) 7/8"
25	14H1077	NUT	6		(K) 7/8"
26	4205109	BUSHING	3		(SUB FOR AT131768)
27	606116	BAR	1		(F) (DOUBLE BOTTOM WEAR BAR) (42 INCH BUCKET)
	606117	BAR	1		(F) (DOUBLE BOTTOM WEAR BAR) (48 INCH BUCKET)
29	SHROUD	1		(WEAR SHROUD)
30	SHROUD	1		(WEAR SHROUD)
31	14H1044	NUT	6		22.225 MM (7/8")
40	EXCAVATOR BUCKET	1		(AT163694 NLA) (WHOLEGOODS) (42 INCH - 1.80 CUBIC YARD) (REQUIRES 5 TEETH)
	EXCAVATOR BUCKET	1		(AT163695 NLA) (WHOLEGOODS) (48 INCH - 2.15 CUBIC YARD) (REQUIRES 5 TEETH)
42	AT167876	KIT	1		(WEAR) WHOLEGOODS

(K) AT131085. INCLUDES ALL PARTS MAKED (K).

(K) AT131085 INCLUYE TODAS LAS PIEZAS MARCADAS (K)

(K) LENSEMBLE AT131085 INCLUT TOUTES LES PIECES MARQUEES (K)

(F) JOHN DEERE DEALER ORDER DIRECTLY FROM CENTRAL FABRICATORS.

(F) CONCESIONARIOS JOHN DEERE - PEDIR DIRECTAMENTE DE CENTRAL FABRICATORS)

(F) CONCESSIONNAIRES JOHN DEERE COMMANDER DIRECTEMENT AUPRES DE CENTRAL FABRICATORS)

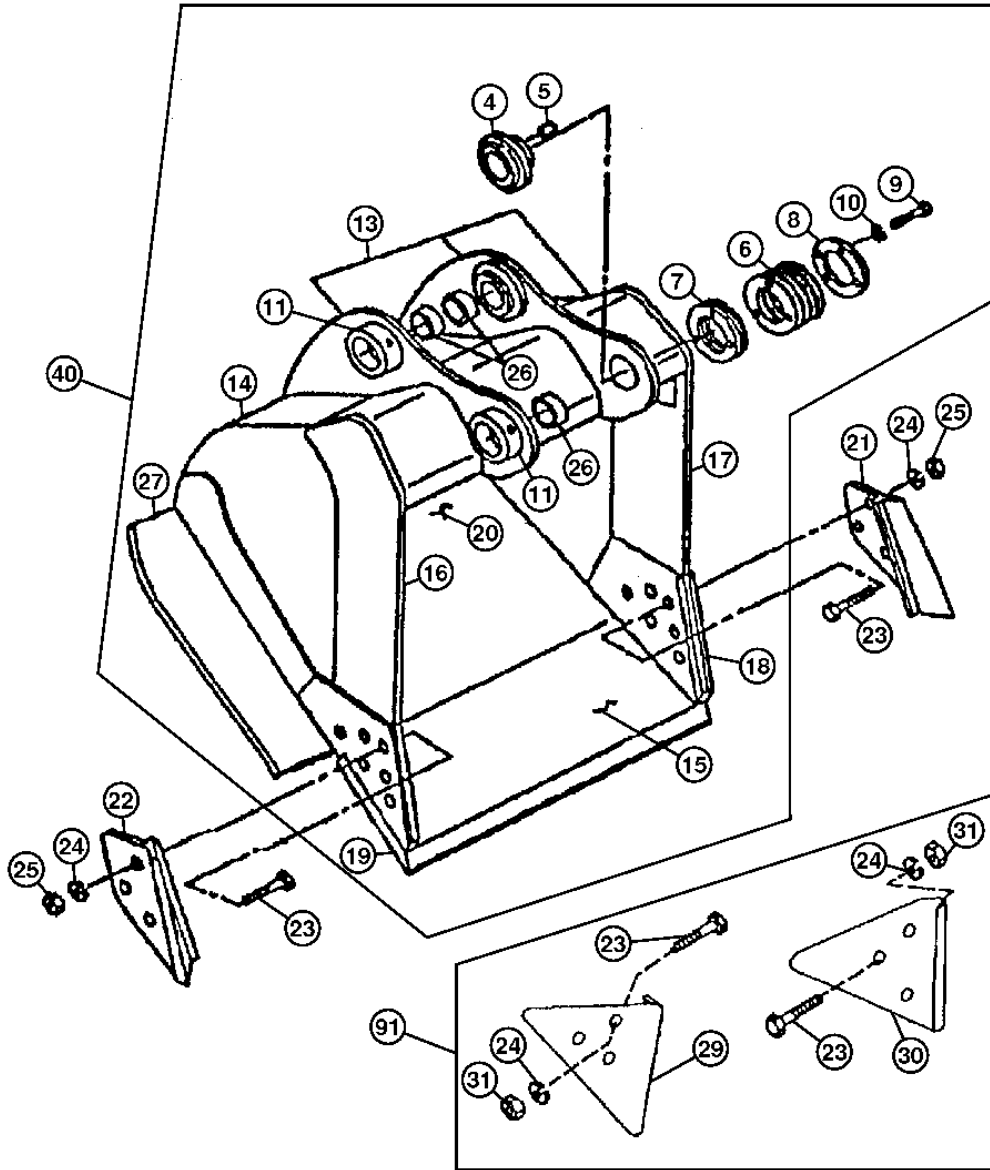
3302-10

EXCAVATOR 33

BUCKET WITH TEETH 3302

SEVERE DUTY PLATE LIP BUCKET (ALSO ORDER BUCKET TOOTH ASSEMBLIES)
BENNE A REBORD DE PLATEAU POUR CONDITIONS DIFFICILES(COMMANDER EGALEMENT DES DENTS DE BENNE)
CUCHARON CON REBORDE DE PLACA PARA SERVICIO SEVERO(TAMBIEN PEDIR LOS CONJUNTOS DE DIENTES)

TX1001460 -UN-28DEC05



TX1001460

3302-11

EXCAVATOR 33

BUCKET WITH TEETH 3302

SEVERE DUTY PLATE LIP BUCKET (ALSO ORDER BUCKET TOOTH ASSEMBLIES)
BENNE A REBORD DE PLATEAU POUR CONDITIONS DIFFICILES(COMMANDER EGALEMENT DES DENTS DE BENNE)
CUCHARON CON REBORDE DE PLACA PARA SERVICIO SEVERO(TAMBIEN PEDIR LOS CONJUNTOS DE DIENTES)

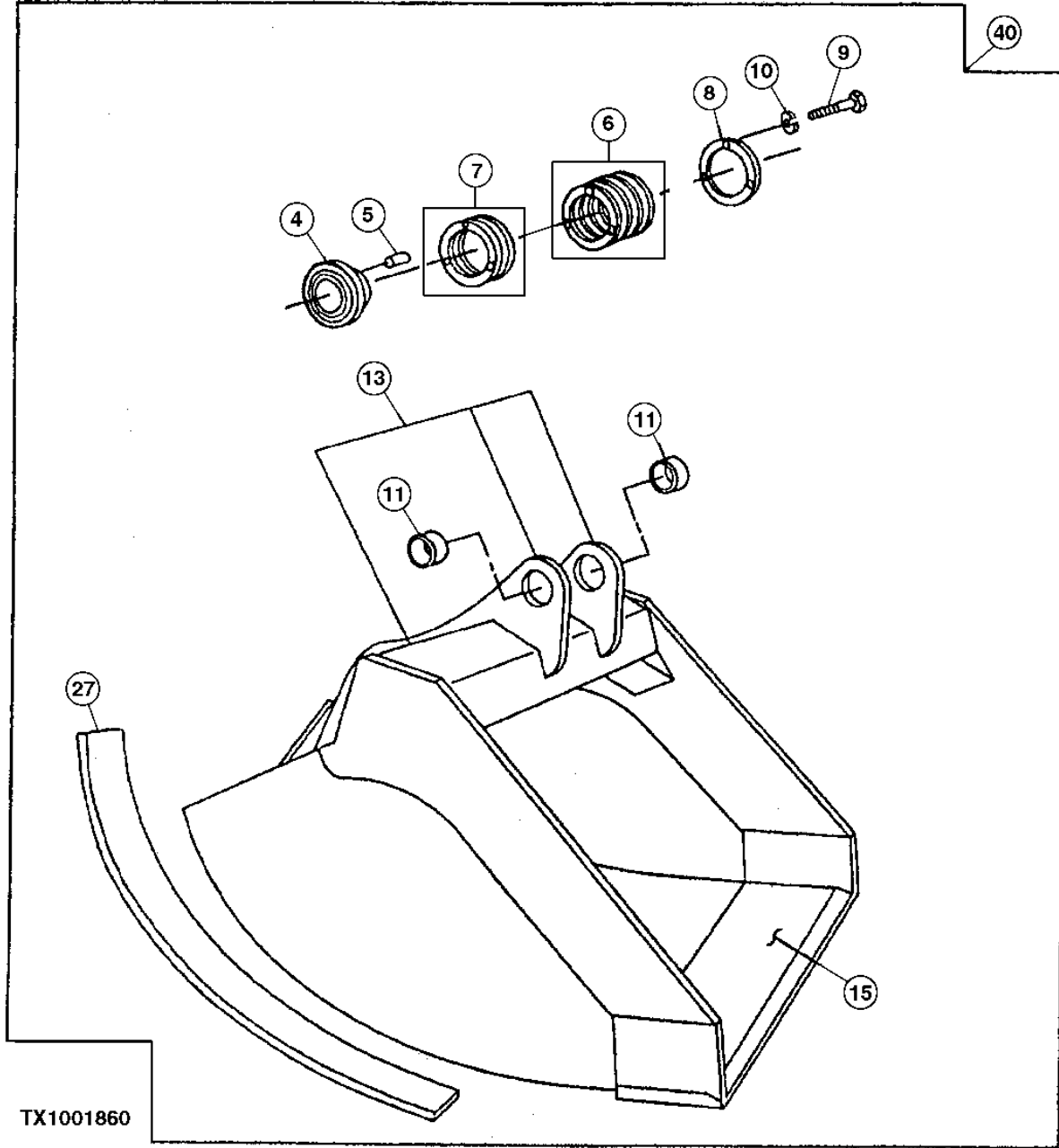
KEY	PART NO.	PART NAME	QTY.	SERIAL NO.	REMARKS
4	3038818	BOSS	1		(SUB FOR AT131625)
5	4179110	PIN	2		(SUB FOR TH103520)
6	AT131816	WASHER	7		(1 MM)
7	4207194	SHIM	2		(SUB FOR AT131815) (.5 MM)
8	AT131814	PLATE	1		
9	19H2706	CAP SCREW	4		5/8" X 2"
10	12H294	LOCK WASHER	4		5/8"
11	AT128461	BUSHING	2		
13	C606320	PIVOT	1		(F) (BUCKET EAR BLANK ASSEMBLY)
14	304578	PLATE	2		(F) (RH) (LH)
15	AT131096	CUTTING EDGE	1		(CUT TO LENGTH)
16	300642	VERTICAL CUTTER	1		(F) (UPPER RH) (SIDE CUTTER)
17	300647	VERTICAL CUTTER	1		(F) (UPPER LH) (SIDE CUTTER)
18	300344	VERTICAL CUTTER	1		(F) (LH) (SIDE CUTTER)
19	300343	VERTICAL CUTTER	1		(F) (RH) (SIDE CUTTER)
20	605585	MOLDBOARD	1		(F) (42 INCH BUCKET)
	605586	MOLDBOARD	1		(F) (48 INCH BUCKET)
	605587	MOLDBOARD	1		(F) (54 INCH BUCKET)
21	CUTTING EDGE	1		(K) (SUB AT131086) (42, 48, 54 INCH BUCKET)
	CUTTING EDGE	1		(SUB AT131085) (K2) (36 INCH BUCKET)
22	CUTTING EDGE	1		(K) (SUB AT131086) (42, 48, 54 INCH BUCKET)
	CUTTING EDGE	1		(SUB AT131085) (K2) (36 INCH BUCKET)
23	09H1772	BOLT	6		(K) 7/8" X 3-1/2", (42, 48, 54 INCH BUCKET)
	09H1771	BOLT	6		7/8" X 3", (K2) (36 INCH BUCKET)
24	12H245	LOCK WASHER	6		(K) 7/8", (K2)
25	14H1077	NUT	6		(K) 7/8", (K2)
26	4205109	BUSHING	3		(SUB FOR AT131768)
27	605591	BAR	1		(F) (DOUBLE BOTTOM WEAR BAR) (42 INCH BUCKET)
	605592	BAR	1		(F) (DOUBLE BOTTOM WEAR BAR) (48 INCH BUCKET)
	605593	BAR	1		(F) (DOUBLE BOTTOM WEAR BAR) (54 INCH BUCKET)
29	SHROUD	1		(WEAR SHROUD) (SUB AT167876 OR AT167878)
30	SHROUD	1		(WEAR SHROUD) (SUB AT167876 OR AT167878)
31	14H1044	NUT	6		7/8", (22.225 MM)
40	EXCAVATOR BUCKET	1		(AT167304 NLA) (WHOLEGOODS) (36 INCH - 1.56 CUBIC YARD) (REQUIRES 3 TEETH)
	EXCAVATOR BUCKET	1		(AT163696 NLA) (WHOLEGOODS) (42 INCH - 1.85 CUBIC YARD) (REQUIRES 4 TEETH)
	EXCAVATOR BUCKET	1		(AT163697 NLA) (WHOLEGOODS) (48 INCH - 2.15 CUBIC YARD) (REQUIRES 5 TEETH)
	EXCAVATOR BUCKET	1		(AT163698 NLA) (WHOLEGOODS) (54 INCH - 2.45 CUBIC YARD) (REQUIRES 5 TEETH)
91	AT167878	KIT	1		(WHOLEGOODS) (EDGE KIT)
	AT167876	KIT	1		(WHOLEGOODS) (EDGE PROTECTOR KIT)

3302-12

EXCAVATOR 33
BUCKET WITH TEETH 3302

DITCH CLEANING BUCKET
GODET CUREUR DE FOSSE
CUCHARON PARA LIMPIAR ZANJAS

TX1001860 -UN-03JAN06



TX1001860

3302-13

EXCAVATOR 33

BUCKET WITH TEETH 3302

**DITCH CLEANING BUCKET
GODET CUREUR DE FOSSE
CUCHARON PARA LIMPIAR ZANJAS**

KEY	PART NO.	PART NAME	QTY.	SERIAL NO.	REMARKS
4	3038818	BOSS	1		(SUB FOR AT131625)
5	4179110	PIN	2		(SUB FOR TH103520)
6	AT131816	WASHER	7		(1.0 MM)
7	4207194	SHIM	2		(SUB FOR AT131815) (0.5 MM)
8	AT131814	PLATE	1		
9	19H2706	CAP SCREW	4		5/8" X 2"
10	12H294	LOCK WASHER	4		5/8"
11	AT128461	BUSHING	2		
13	C610778	PIVOT	1		(F) (BUCKET EAR BLANK ASSEMBLY)
15	CUTTING EDGE	1		(CUT TO LENGTH FROM AT131089)
27	300292	BAR	4		(F) (WEAR STRIP)
40	EXCAVATOR BUCKET	1		(F) (WHOLEGOODS) (84 INCH - 2.40 CUBIC YARD) (AT160753 NLA)

(F) JOHN DEERE DEALER ORDER DIRECTLY FROM CENTRAL FABRICATORS.

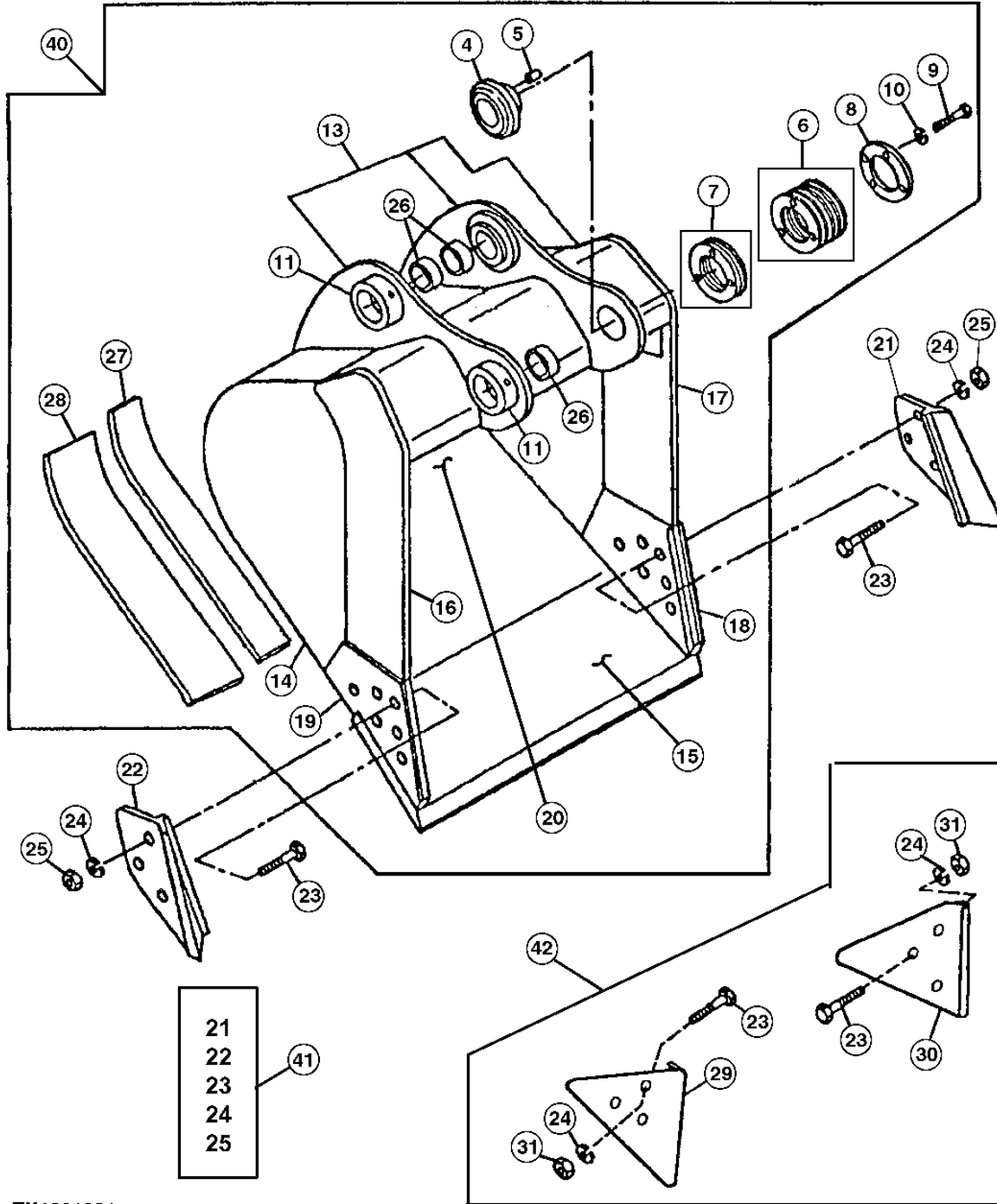
(F) CONCESIONARIOS JOHN DEERE - PEDIR DIRECTAMENTE DE CENTRAL FABRICATORS)

(F) CONCESSIONNAIRES JOHN DEERE COMMANDER DIRECTEMENT AUPRES DE CENTRAL FABRICATORS)

3302-14

TRUCK LOADING BUCKET (ALSO ORDER BUCKET TOOTH ASSEMBLIES)
 BENNE DE CHARGEMENT DE CAMION(COMMANDER EGALEMENT DES DENTS DE BENNE)
 CUCHARON PARA CARGAR CAMIONES(TAMBIEN PEDIR LOS CONJUNTOS DE DIENTES DE CUCHARON)

TX1001861 -UN-03JAN06



TX1001861

3302-15

EXCAVATOR 33

BUCKET WITH TEETH 3302

TRUCK LOADING BUCKET (ALSO ORDER BUCKET TOOTH ASSEMBLIES)
BENNE DE CHARGEMENT DE CAMION (COMMANDER EGALEMENT DES DENTS DE BENNE)
CUCHARON PARA CARGAR CAMIONES (TAMBIEN PEDIR LOS CONJUNTOS DE DIENTES DE CUCHARON)

KEY	PART NO.	PART NAME	QTY.	SERIAL NO.	REMARKS
4	3038818	BOSS	1		(SUB FOR AT131625)
5	4179110	PIN	2		(SUB FOR TH103520)
6	AT131816	WASHER	7		(1 MM)
7	4207194	SHIM	2		(SUB FOR AT131815) (.5 MM)
8	AT131814	PLATE	1		
9	19H2706	CAP SCREW	4		5/8" X 2"
10	12H294	LOCK WASHER	4		5/8"
11	AT128461	BUSHING	2		
13	C609726	PIVOT	1		(F) (BUCKET EAR BLANK ASSEMBLY)
14	304171	PLATE	2		(F) (RH) (LH)
15	AT131097	CUTTING EDGE	1		(CUT TO LENGTH)
16	300327	VERTICAL CUTTER	1		(F) (UPPER RH) (SIDE CUTTER)
17	300328	VERTICAL CUTTER	1		(F) (UPPER LH) (SIDE CUTTER)
18	309971	VERTICAL CUTTER	1		(F) (LH) (CUTTER INSERT)
19	309970	VERTICAL CUTTER	1		(F) (RH) (CUTTER INSERT)
20	608619	MOLDBOARD	1		(F) (UPPER)
	610934	MOLDBOARD	1		(F) (LOWER)
21	CUTTING EDGE	1		(SUB AT131086)
22	CUTTING EDGE	1		(SUB AT131086)
23	09H1772	BOLT	6		7/8" X 3-1/2"
24	12H245	LOCK WASHER	6		7/8"
25	14H1077	NUT	6		7/8"
26	4205109	BUSHING	3		(SUB FOR AT131768)
27	309972	BAR	2		(F) (INNER WEAR)
28	309972	BAR	2		(F) (OUTER WEAR)
29	SHROUD	1		(WEAR SHROUD) (SUB AT167878)
30	SHROUD	1		(WEAR SHROUD) (SUB AT167878)
31	14H1044	NUT	6		22.225 MM (7/8")
39	T145372	LABEL	1		(NOT ILLUSTRATED)
40	EXCAVATOR BUCKET	1		(AT163687 NLA) (SUB AT332744) (WHOLEGOODS) (INCLUDES T145372 LABEL) (72 INCH - 4.18 CUBIC YARD) (REQUIRES 6 TEETH)
41	AT131086	KIT	1		(WHOLEGOODS) (CUTTING EDGE)
42	AT167878	KIT	1		(WHOLEGOODS) (WEAR)

(F) JOHN DEERE DEALER ORDER DIRECTLY FROM CENTRAL FABRICATORS.

(F) CONCESSIONARIOS JOHN DEERE - PEDIR DIRECTAMENTE DE CENTRAL FABRICATORS)

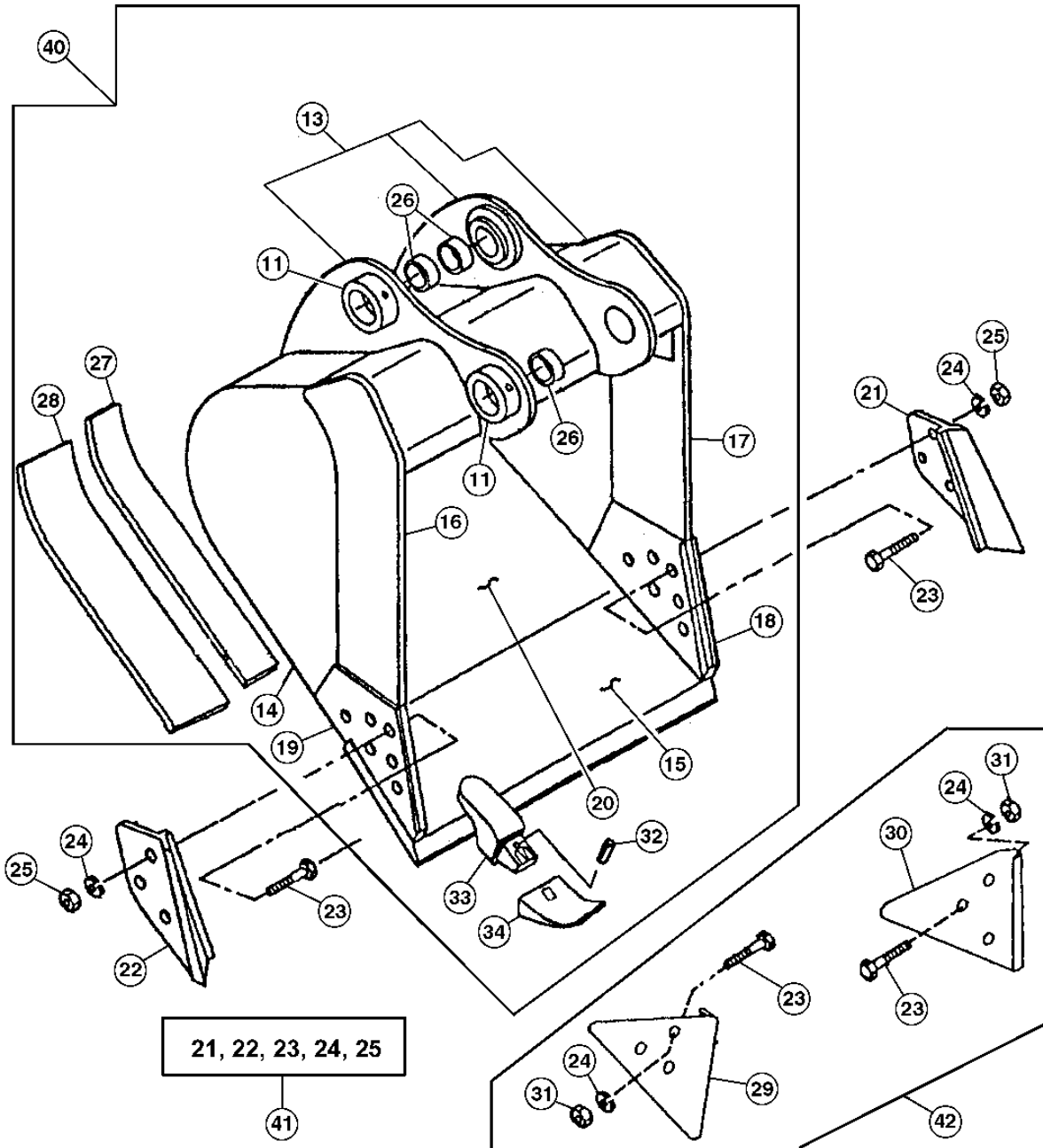
(F) CONCESSIONNAIRES JOHN DEERE COMMANDER DIRECTEMENT AUPRES DE CENTRAL FABRICATORS)

3302-15A

EXCAVATOR 33
BUCKET WITH TEETH 3302

TRUCK LOADING BUCKET
BENNE DE CHARGEMENT DE CAMION
CUCHARON PARA CARGAR CAMIONES

TX1007369 -UN-04MAY06



TX1007369

3302-15B

EXCAVATOR 33

BUCKET WITH TEETH 3302

**TRUCK LOADING BUCKET
BENNE DE CHARGEMENT DE CAMION
CUCHARON PARA CARGAR CAMIONES**

KEY	PART NO.	PART NAME	QTY.	SERIAL NO.	REMARKS
11	AT128461	BUSHING	2		
13	C609726	PIVOT	1		(F) (BUCKET EAR BLANK ASSEMBLY)
14	304171	PLATE	2		(F) (RH) (LH)
15	AT131097	CUTTING EDGE	1		(CUT TO LENGTH)
16	300327	VERTICAL CUTTER	1		(F) (UPPER RH) (SIDE CUTTER)
17	300328	VERTICAL CUTTER	1		(F) (UPPER LH) (SIDE CUTTER)
18	309971	VERTICAL CUTTER	1		(F) (LH) (CUTTER INSERT)
19	309970	VERTICAL CUTTER	1		(F) (RH) (CUTTER INSERT)
20	608619	MOLDBOARD	1		(F) (UPPER)
	610934	MOLDBOARD	1		(F) (LOWER)
21	CUTTING EDGE	1		(SUB AT131086)
22	CUTTING EDGE	1		(SUB AT131086)
23	09H1772	BOLT	6		7/8" X 3-1/2"
24	12H245	LOCK WASHER	6		7/8"
25	14H1077	NUT	6		7/8"
26	4205109	BUSHING	3		(SUB FOR AT131768)
27	309972	BAR	2		(F) (INNER WEAR)
28	309972	BAR	2		(F) (OUTER WEAR)
29	SHROUD	1		(WEAR SHROUD) (SUB AT167878)
30	SHROUD	1		(WEAR SHROUD) (SUB AT167878)
31	14H1044	NUT	6		22.225 MM (7/8")
32	TP400HD	PIN	AR		
33	T802X400	BUCKET TOOTH ADAPTER	AR		
34	TF400	TOOTH	AR		
39	T145372	LABEL	1		(NOT ILLUSTRATED)
40	EXCAVATOR BUCKET	1		(SUB FOR AT163687) (SUB AT339254) (AT332744 NLA) (INCLUDES T145372 LABEL) (72 INCH - 4.18 CUBIC YARD) (REQUIRES 6 TEETH)
41	AT131086	KIT	1		(WHOLEGOODS) (CUTTING EDGE)
42	AT167878	KIT	1		(WHOLEGOODS) (WEAR)

REFER TO PC 9555 FOR ADDITIONAL BUCKET TOOTH OPTIONS
SE REPORTER A PC9555 POUR DES OPTIONS SUPPLEMENTAIRES DE DENTS DE BENNE
CONSULTAR PC9555 PARA OPCIONES ADICIONALES DE DIENTES DE CUCHARON

(F) JOHN DEERE DEALER ORDER DIRECTLY FROM CENTRAL FABRICATORS.
(F) CONCESIONARIOS JOHN DEERE - PEDIR DIRECTAMENTE DE CENTRAL FABRICATORS)
(F) CONCESSIONAIRES JOHN DEERE COMMANDER DIRECTEMENT AUPRES DE CENTRAL FABRICATORS)

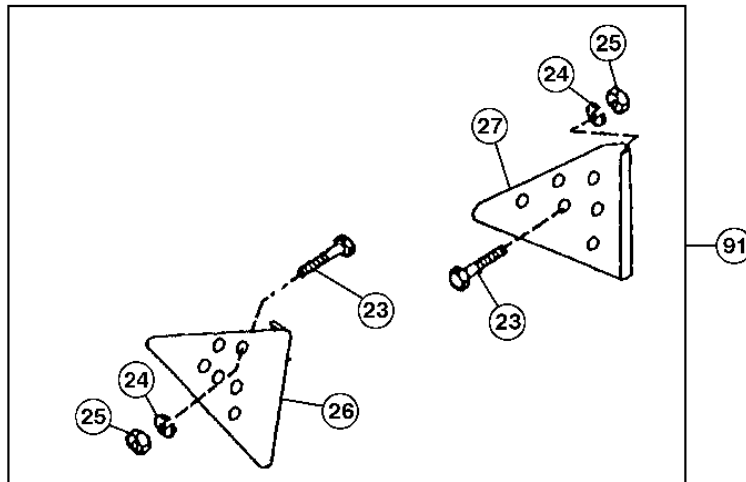
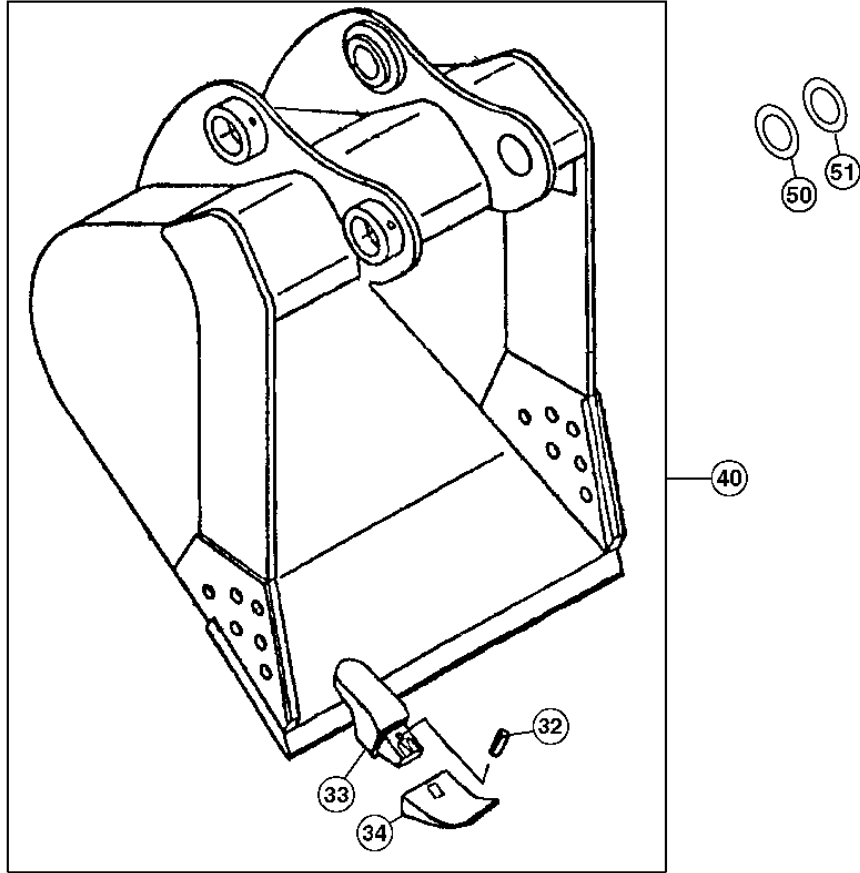
REFER TO PC 9555 FOR ADDITIONAL BUCKET TOOTH OPTIONS
SE REPORTER A PC9555 POUR DES OPTIONS SUPPLEMENTAIRES DE DENTS DE BENNE
CONSULTAR PC9555 PARA OPCIONES ADICIONALES DE DIENTES DE CUCHARON

3302-15C

EXCAVATOR 33
BUCKET WITH TEETH 3302

TRUCK LOADING BUCKET
BENNE DE CHARGEMENT DE CAMION
CUCHARON PARA CARGAR CAMIONES

TX1038307 -UN-11MAR08



TX1038307

3302-15D

EXCAVATOR 33

BUCKET WITH TEETH 3302

TRUCK LOADING BUCKET
BENNE DE CHARGEMENT DE CAMION
CUCHARON PARA CARGAR CAMIONES

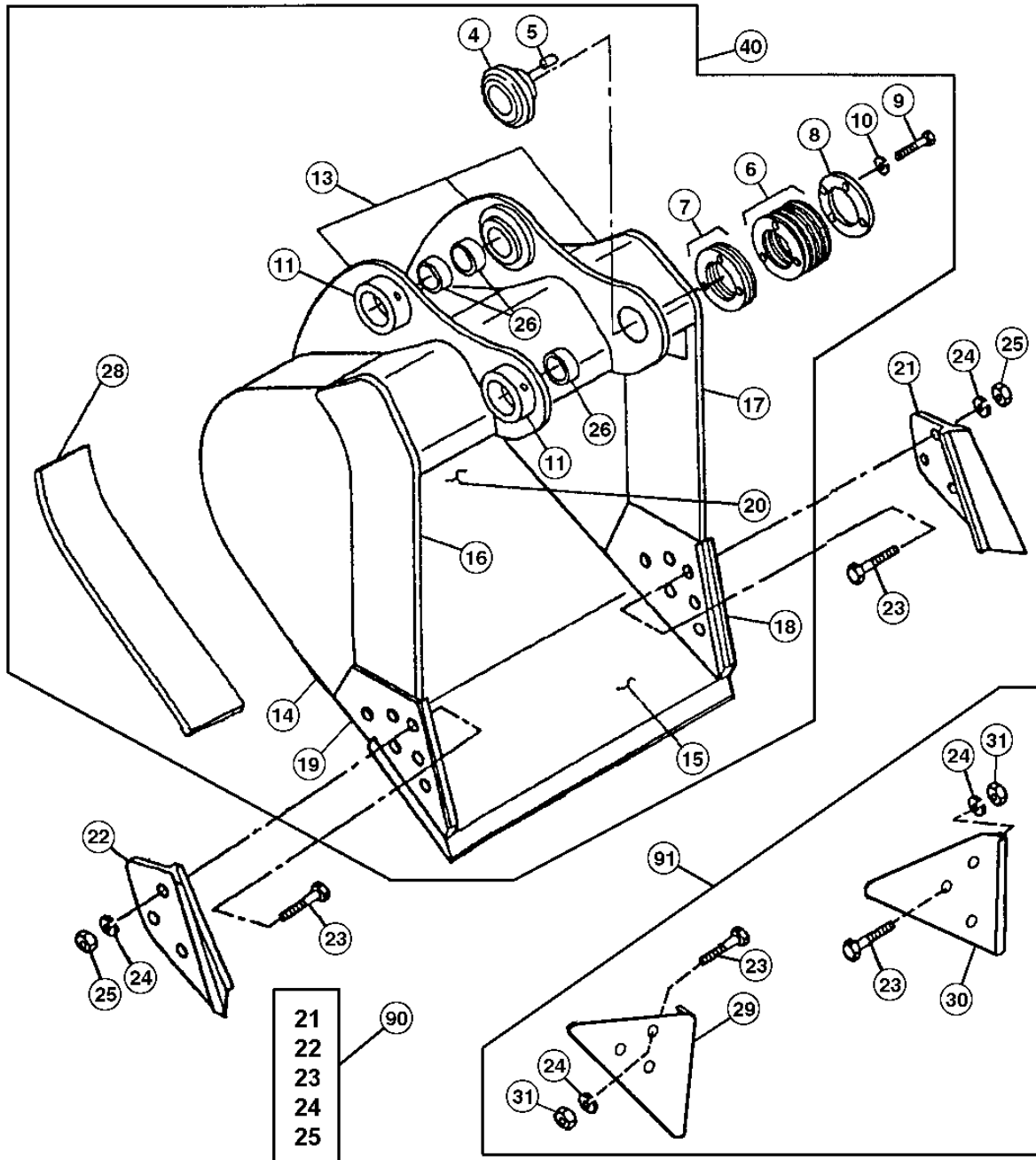
KEY	PART NO.	PART NAME	QTY.	SERIAL NO.	REMARKS
23	09H1772	BOLT	12		22.225 X 88.900 MM (7/8" X 3-1/2")
24	12H245	LOCK WASHER	12		22.225 MM (7/8")
25	14H1077	NUT	12		22.225 MM (7/8")
26	T1157A	END BIT	1		
27	T1156A	END BIT	1		
32	TP400HD	PIN	AR		
33	T802X400	BUCKET TOOTH ADAPTER	AR		
34	TF400	TOOTH	AR		
40	AT339254	EXCAVATOR BUCKET	1		(SUB FOR AT332744) (WHOLEGOODS) (72 INCH - 4.01 CUBIC YARD) (REQUIRES 6 TEETH)
50	T241927	WASHER	AR		115 X 185 X 1 MM (4.528" X 7.283" X 0.039") (1 MM)
51	T241934	SHIM	AR		0.500 MM (0.020") (.5 MM)
91	AT342513	KIT	1		(EDGE PROTECTOR KIT) (WHOLEGOODS)

REFER TO PC 9555 FOR ADDITIONAL BUCKET TOOTH OPTIONS
SE REPORTER A PC9555 POUR DES OPTIONS SUPPLEMENTAIRES DE DENTS DE BENNE
CONSULTAR PC9555 PARA OPCIONES ADICIONALES DE DIENTES DE CUCHARON

3302-24

GENERAL PURPOSE BUCKET FOR USE WITH SHORT ARM (ALSO ORDER BUCKET TEETH)
 BENNE A USAGE GENERAL A UTILISER AVEC UN BRAS COURT (COMMANDEZ EGALEMENT DES DENTS DE BENNE)
 CUCHARON UNIVERSAL PARA USO CON BRAZO CORTO (TAMBIEN PEDIR DIENTES DE CUCHARON)

TX1001864 -UN-03JAN06



TX1001864

3302-25

EXCAVATOR 33

BUCKET WITH TEETH 3302

GENERAL PURPOSE BUCKET FOR USE WITH SHORT ARM (ALSO ORDER BUCKET TEETH)
BENNE A USAGE GENERAL A UTILISER AVEC UN BRAS COURT(COMMANDER EGALEMENT DES DENTS DE BENNE)
CUCHARON UNIVERSAL PARA USO CON BRAZO CORTO (TAMBIEN PEDIR DIENTES DE CUCHARON)

KEY	PART NO.	PART NAME	QTY.	SERIAL NO.	REMARKS
4	3038818	BOSS	1		(SUB FOR AT131625)
5	4179110	PIN	2		(SUB FOR TH103520)
6	AT131816	WASHER	7		(1 MM)
7	4207194	SHIM	2		(SUB FOR AT131815) (.5 MM)
8	AT131814	PLATE	1		
9	19H2706	CAP SCREW	4		5/8" X 2"
10	12H294	LOCK WASHER	4		5/8"
11	AT128461	BUSHING	2		
13	CF609726	PIVOT	1		(F) (BUCKET EAR BLANK ASSEMBLY)
14	300324	PLATE	2		(F) (RH) (LH)
15	AT159362	CUTTING EDGE	1		(CUT TO LENGTH)
16	300327	VERTICAL CUTTER	1		(F) (UPPER RH) (SIDE CUTTER)
17	300328	VERTICAL CUTTER	1		(F) (UPPER LH) (SIDE CUTTER)
18	311080	VERTICAL CUTTER	1		(F) (LH) (CUTTER INSERT)
19	311079	VERTICAL CUTTER	1		(F) (RH) (CUTTER INSERT)
20	611803	MOLDBOARD	1		(F)
21	CUTTING EDGE	1		(SUB AT131080)
22	CUTTING EDGE	1		(SUB AT131080)
23	09H1770	BOLT	6		22.225 X 63.500 MM (7/8" X 2-1/2")
24	12H245	LOCK WASHER	6		22.225 MM (7/8")
25	14H1077	NUT	6		22.225 MM (7/8")
26	4205109	BUSHING	3		(SUB FOR AT131768)
28	309972	BAR	2		(F) (WEAR)
29	SHROUD	1		(WEAR SHROUD) (SUB AT167874)
30	SHROUD	1		(WEAR SHROUD) (SUB AT167874)
31	14H1044	NUT	6		22.225 MM (7/8")
39	T145372	LABEL	1		(NOT ILLUSTRATED)
40	EXCAVATOR BUCKET	1		(AT163674 NLA) (WHOLEGOODS) (84 INCH - 5.0 CUBIC YARD) (REQUIRES 7 TEETH) (INCLUDES T145372 LABEL) (FOR USE WITH 9 FOOT 6 INCH SHORT ARM ONLY)
90	AT131080	END BIT	1		(SIDE CUTTER KIT) (WHOLEGOODS)
91	AT167874	KIT	1		(EDGE PROTECTOR KIT) (WHOLEGOODS)

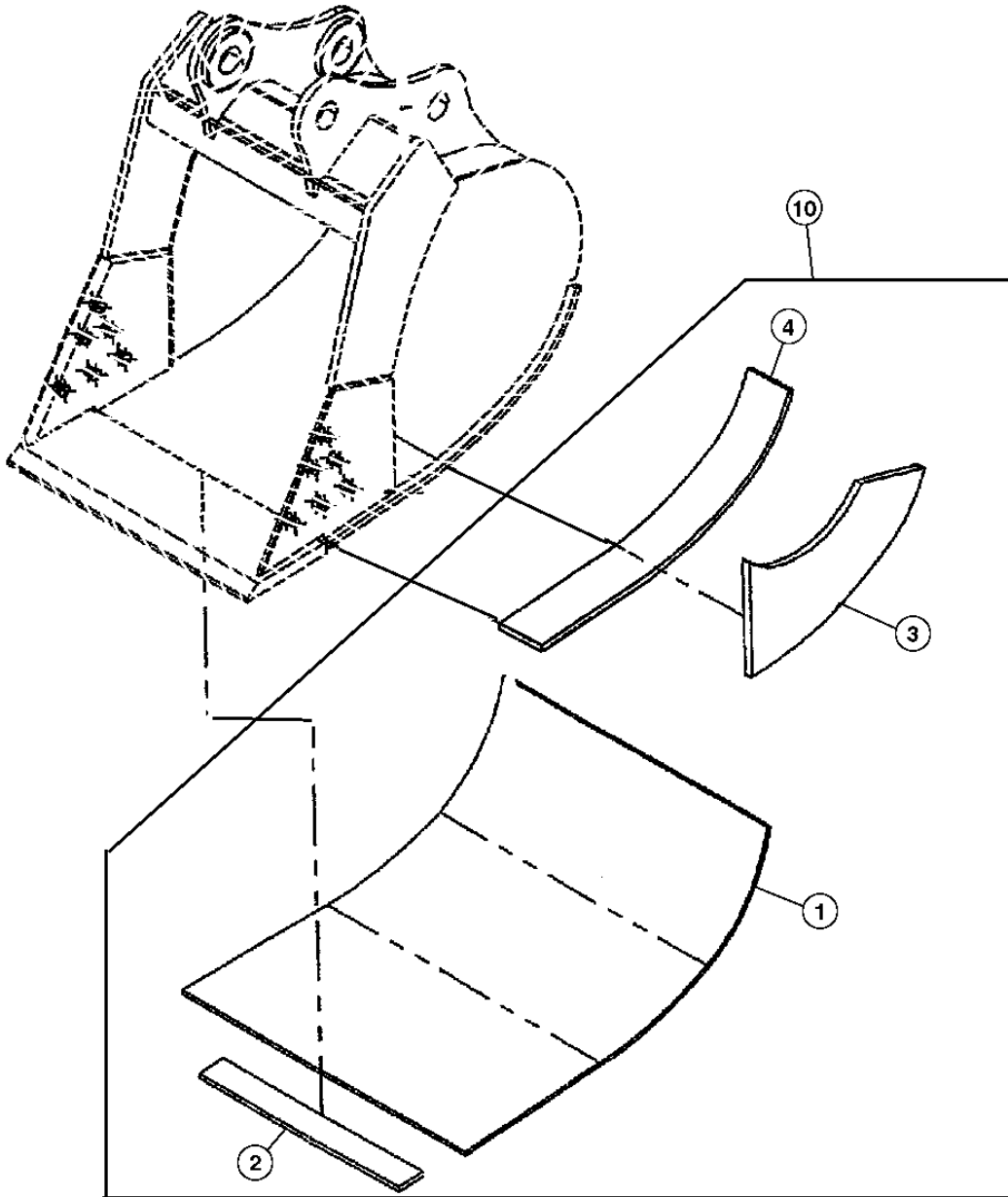
(F) JOHN DEERE DEALER ORDER DIRECTLY FROM CENTRAL FABRICATORS.
(F) CONCESSIONARIOS JOHN DEERE - PEDIR DIRECTAMENTE DE CENTRAL FABRICATORS)
(F) CONCESSIONNAIRES JOHN DEERE COMMANDER DIRECTEMENT AUPRES DE CENTRAL FABRICATORS)

3302-25A

EXCAVATOR 33
BUCKET WITH TEETH 3302

ROADBUILDER BUCKET KIT
KIT DE GODET DE CONSTRUCTION DES ROUTES
JUEGO DE CUCHARON PARA CONSTRUCCION DE CARRETERAS

TX1001866 -UN-03JAN06



TX1001866

3302-25B

**ROADBUILDER BUCKET KIT
KIT DE GODET DE CONSTRUCTION DES ROUTES
JUEGO DE CUCHARON PARA CONSTRUCCION DE CARRETERAS**

KEY	PART NO.	PART NAME	QTY.	SERIAL NO.	REMARKS
1	624268	MOLDBOARD	1		(F) (36 INCH BUCKET)
	624270	MOLDBOARD	1		(F) (42 INCH BUCKET)
	624272	MOLDBOARD	1		(F) (48 INCH BUCKET)
	624273	MOLDBOARD	1		(F) (54 INCH BUCKET)
	624274	MOLDBOARD	1		(F) (60 INCH BUCKET) (HEAVY DUTY HIGH CAPACITY)
2	36889	BAR	8		(F) (HORIZONTAL WEAR BAR) (36 INCH BUCKET)
	36894	BAR	5		(F) (HORIZONTAL WEAR BAR) (42 INCH BUCKET)
	36900	BAR	8		(F) (HORIZONTAL WEAR BAR) (48 INCH BUCKET)
	36906	BAR	8		(F) (HORIZONTAL WEAR BAR) (54 INCH BUCKET)
	36912	BAR	8		(F) (HORIZONTAL WEAR BAR) (60 INCH BUCKET) (HEAVY DUTY HIGH CAPACITY)
3	322558	PLATE	2		(F)
4	300341	PLATE	2		(F) (OUTER WEAR BAR)
10	KIT	1		(ROAD BUILDER) (AT187274 NLA)
	KIT	1		(ROAD BUILDER) (AT187275 NLA)
	KIT	1		(ROAD BUILDER) (AT187276 NLA)
	KIT	1		(ROAD BUILDER) (AT187277 NLA)
	KIT	1		(ROAD BUILDER) (AT187278 NLA)

(F) JOHN DEERE DEALER ORDER DIRECTLY FROM CENTRAL FABRICATORS.
 (F) CONCESSIONARIOS JOHN DEERE - PEDIR DIRECTAMENTE DE CENTRAL FABRICATORS)
 (F) CONCESSIONAIRES JOHN DEERE COMMANDER DIRECTEMENT AUPRES DE CENTRAL FABRICATORS)

- (K1) USE WITH 36 INCH HEAVY DUTY HIGH CAPACITY BUCKET.
- (K1) USE WITH 36 IN. BENNE GRANDE CONTENANCE A USAGE INTENSIF.
- (K1) USE WITH 36 IN. CUCHARON PARA SERVICIO SEVERO DE CAPACIDAD ALTA.

- (K2) USE WITH 42 INCH HEAVY DUTY HIGH CAPACITY BUCKET.
- (K2) USE WITH 42 IN. BENNE GRANDE CONTENANCE A USAGE INTENSIF.
- (K2) USE WITH 42 IN. CUCHARON PARA SERVICIO SEVERO DE CAPACIDAD ALTA.

- (K3) USE WITH 48 INCH HEAVY DUTY HIGH CAPACITY BUCKET)
- (K3) USE WITH 48 IN. BENNE GRANDE CONTENANCE A USAGE INTENSIF.
- (K3) USE WITH 48 IN. CUCHARON PARA SERVICIO SEVERO DE CAPACIDAD ALTA.

- (K4) USE WITH 54 INCH HEAVY DUTY HIGH CAPACITY BUCKET.
- (K4) USE WITH 54 IN. BENNE GRANDE CONTENANCE A USAGE INTENSIF.
- (K4) USE WITH 54 IN. CUCHARON PARA SERVICIO SEVERO DE CAPACIDAD ALTA.

- (K5) USE WITH 60 INCH HEAVY DUTY HIGH CAPACITY BUCKET.
- (K5) USE WITH 60 IN. BENNE GRANDE CONTENANCE A USAGE INTENSIF.
- (K5) USE WITH 60 IN. CUCHARON PARA SERVICIO SEVERO DE CAPACIDAD ALTA.

3302-26

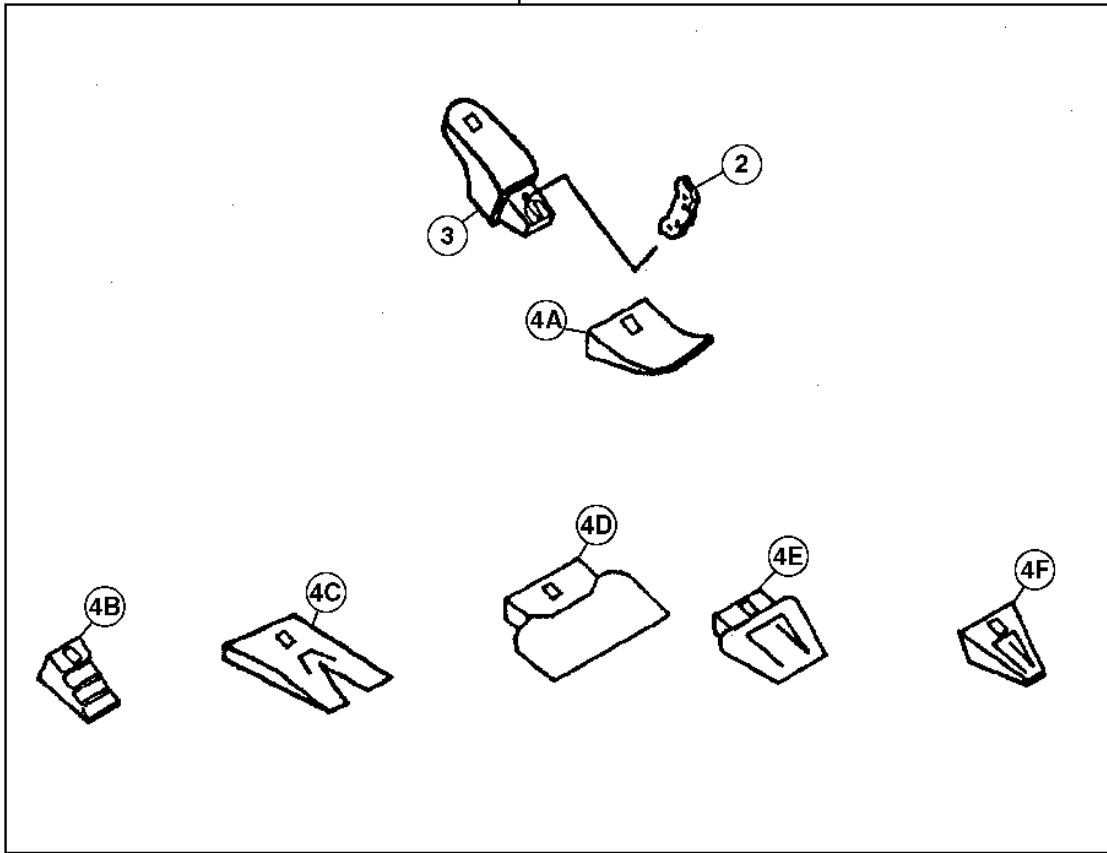
GENERAL PURPOSE, HEAVY DUTY AND TRUCK LOADING BUCKET TOOTH ASSEMBLIES
DENTS DE BENNES A USAGE GENERAL, A USAGE INTENSIF ET DE CHARGEMENT DE CAMION
DIENTES DE CUCHARON UNIVERSAL, SERVICIO SEVERO Y CARGA DE CAMIONES

TX1001612

-UN-21DEC05



1A - 1 F



TX1001612

3302-27

EXCAVATOR 33

BUCKET WITH TEETH 3302

**GENERAL PURPOSE, HEAVY DUTY, AND TRUCK LOADING BUCKET TOOTH ASSEMBLIES
DENTS DE BENNES A USAGE GENERAL, A USAGE INTENSIF ET DE CHARGEMENT DE CAMION
DIENTES DE CUCHARON UNIVERSAL, SERVICIO SEVERO Y CARGA DE CAMIONES**

KEY	PART NO.	PART NAME	QTY.	SERIAL NO.	REMARKS
1A	KIT	1		(FANGGS) (AT163548 NLA)
1B	KIT	1		(STANDARD) (AT163549 NLA)
1C	KIT	1		(TWIN TIGER) (AT163553 NLA)
1D	KIT	1		(FLARE) (AT163552 NOT USED THIS APPL)
1E	KIT	1		(ABRASION PANEL) (AT163551 NLA)
1F	KIT	1		(TIGER) (AT163550 NLA)
1G	KIT	1		(ESCO STANDARD) (NOT ILLUSTRATED) (AT163554 NLA)
1H	KIT	1		(ESCO TWIN TIGER) (NOT ILLUSTRATED) (AT163557 NLA)
1I	KIT	1		(ESCO FLARE) (NOT ILLUSTRATED) (AT163556 NLA)
1J	KIT	1		(ESCO TIGER) (NOT ILLUSTRATED) (AT163555 NLA)
1K	KIT	1		(CATERPILLAR REPLACEMENT) (FANGGS TOOTH ASSEMBLY) (NOT ILLUSTRATED) (AT167196 NLA)
1L	KIT	1		(CATERPILLAR REPLACEMENT) (STANDARD TOOTH ASSEMBLY) (NOT ILLUSTRATED) (AT167197 NOT USED THIS APPL)
1M	KIT	1		(SUPER V STYLE) (AT199401 NLA)
2	TP400HD	PIN	1		
	EX37VPN	PIN	1		(ESCO VERTALOK) (NOT ILLUSTRATED)
	T1U1458	PIN FASTENER	1		(CATERPILLAR REPLACEMENT) (NOT ILLUSTRATED)
	EV43PN	PIN FASTENER	1		(NOT ILLUSTRATED) (USE WITH SUPER V STYLE TOOTH)
3	T802X400	SHANK	1		
	EX5856-37V	BUCKET TOOTH ADAPTER	1		(ESCO VERTALOK) (NOT ILLUSTRATED)
	T8E6464	BUCKET TOOTH ADAPTER	1		(CATERPILLAR REPLACEMENT) (NOT ILLUSTRATED)
	EV5856-V43	BUCKET TOOTH ADAPTER	1		(USE WITH SUPER V STYLE TOOTH)

REFER TO PC 9555 FOR ADDITIONAL BUCKET TOOTH OPTIONS
SE REPORTER A PC9555 POUR DES OPTIONS SUPPLEMENTAIRES DE DENTS DE BENNE
CONSULTAR PC9555 PARA OPCIONES ADICIONALES DE DIENTES DE CUCHARON

3302-27A

EXCAVATOR 33

GENERAL PURPOSE, HEAVY DUTY AND TRUCK LOADING BUCKET TOOTH ASSEMBLIES (CONTINUED)
DENTS DE BENNES A USAGE GENERAL, A USAGE INTENSIF ET DE CHARGEMENT DE CAMION(SUITE)
DIENTES DE CUCHARON UNIVERSAL, SERVICIO SEVERO Y CARGA DE CAMIONES (CONTINUACION)

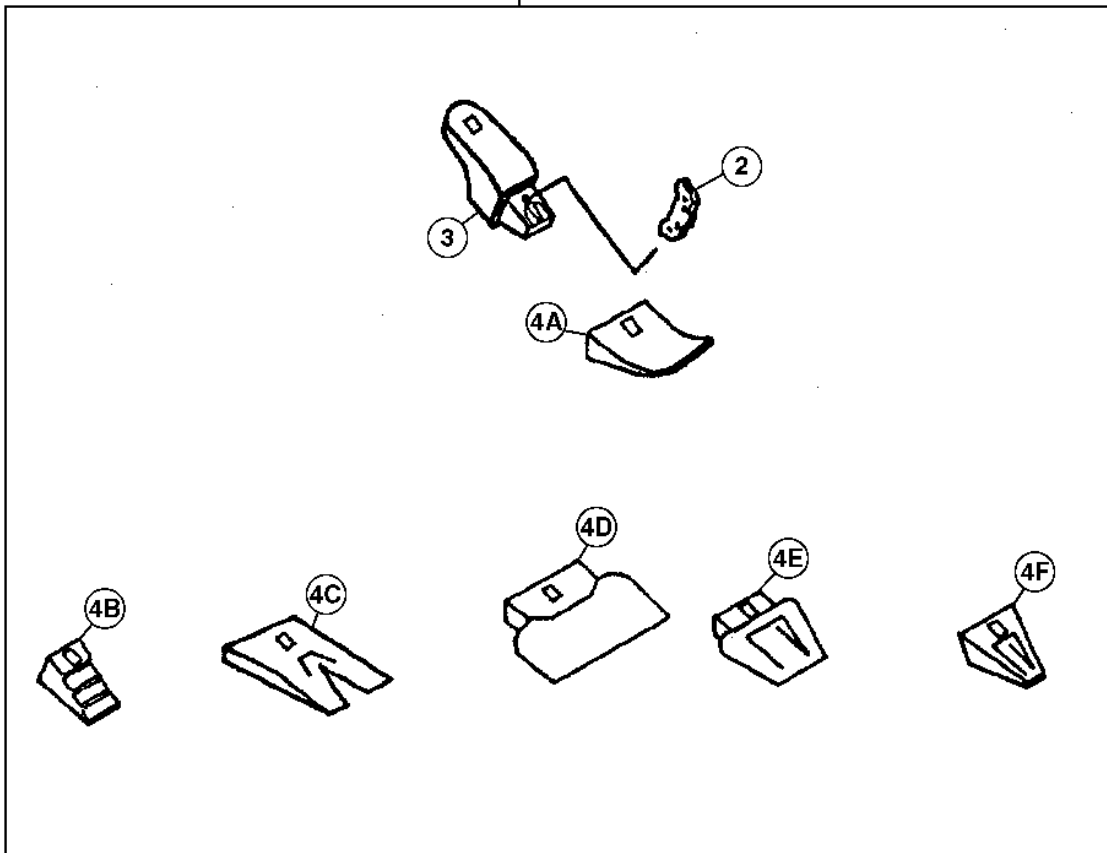
BUCKET WITH TEETH 3302

TX1001612

-UN-21DEC05



1A - 1 F



TX1001612

3302-27B

EXCAVATOR 33

BUCKET WITH TEETH 3302

GENERAL PURPOSE, HEAVY DUTY, AND TRUCK LOADING BUCKET TOOTH ASSEMBLIES (CONTINUED)
 DENTS DE BENNES A USAGE GENERAL, A USAGE INTENSIF ET DE CHARGEMENT DE CAMION (SUITE)
 DIENTES DE CUCHARON UNIVERSAL, SERVICIO SEVERO Y CARGA DE CAMIONES (CONTINUACION)

KEY	PART NO.	PART NAME	QTY.	SERIAL NO.	REMARKS
4A	TF400	TOOTH	1		(FANGGS)
4B	TX400	TOOTH	1		(STANDARD)
4C	TX400WT	TOOTH	1		(TWIN TIGER)
4D	TX400F	TOOTH	1		(FLARE) (NOT USED THIS APPL)
4E	TX400AP	TOOTH	1		(ABRASION PANEL)
4F	TT400	TOOTH	1		(TIGER)
4G	EX37SYL	TOOTH	1		(ESCO STANDARD) (NOT ILLUSTRATED)
4H	EX37TVIP	TOOTH	1		(ESCO TWIN TIGER) (NOT ILLUSTRATED)
4I	EX37S7F	TOOTH	1		(ESCO FLARE) (NOT ILLUSTRATED)
4J	EX37VIP	TOOTH	1		(ESCO TIGER) (NOT ILLUSTRATED)
4K	TF9W8452D	TOOTH	1		(CATERPILLAR REPLACEMENT) (45 SERIES DIGGER FANGGS) (NOT ILLUSTRATED)
4L	T9W8452	TOOTH	1		(CATERPILLAR REPLACEMENT) (STANDARD LONG) (NOT ILLUSTRATED)
4M	EV43SYL	TOOTH	1		(SUPER V STYLE) (NOT ILLUSTRATED)
5	EX37VPL	PLUG	1		(NOT ILLUSTRATED)
	T3G9549	RETAINER	1		(CATERPILLAR REPLACEMENT) (NOT ILLUSTRATED)

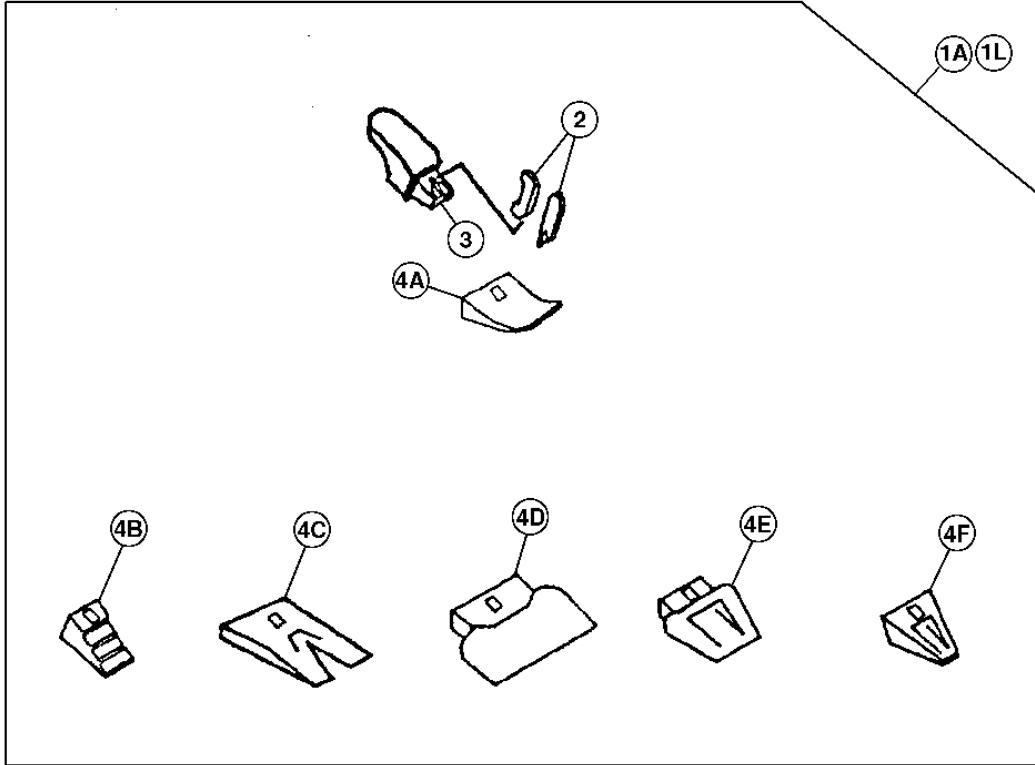
REFER TO PC9555 FOR ADDITIONAL BUCKET TOOTH OPTIONS.
 SE REPORTER A PC9555 POUR DES OPTIONS SUPPLEMENTAIRES DE DENTS DE BENNE
 CONSULTAR PC9555 PARA OPCIONES ADICIONALES DE DIENTES DE CUCHARON

3302-28

HEAVY DUTY HIGH CAPACITY BUCKET TOOTH ASSEMBLY
BENNE GRANDE CONTENANCE A USAGE INTENSIF DENTS
CUCHARON PARA SERVICIO SEVERO DE CAPACIDAD ALTA CONJUNTO DE DIENTES

TX1000069

-UN-21DEC05



TX1000069

3302-29

EXCAVATOR 33

BUCKET WITH TEETH 3302

**HEAVY DUTY HIGH CAPACITY BUCKET TOOTH ASSEMBLY
BENNE GRANDE CONTENANCE A USAGE INTENSIF DENTS
CUCHARON PARA SERVICIO SEVERO DE CAPACIDAD ALTA CONJUNTO DE DIENTES**

KEY	PART NO.	PART NAME	QTY.	SERIAL NO.	REMARKS
1A	KIT	1		(FANGGS TOOTH) (AT163558 NLA)
1B	KIT	1		(STANDARD TOOTH) (AT163559 NLA)
1C	KIT	1		(TWIN TIGER TOOTH) (AT163563 NLA)
1D	KIT	1		(FLARE TOOTH) (AT163562 NLA)
1E	KIT	1		(ABRASION PANEL TOOTH) (AT163561 NLA)
1F	KIT	1		(TIGER TOOTH) (AT163560 NLA)
1G	KIT	1		(ESCO STANDARD TOOTH) (AT163564 NLA) (NOT ILLUSTRATED)
1H	KIT	1		(ESCO TWIN TIGER TOOTH) (AT163567 NLA) (NOT ILLUSTRATED)
1I	KIT	1		(ESCO FLARE TOOTH) (AT163566 NLA) (NOT ILLUSTRATED)
1J	KIT	1		(ESCO TIGER TOOTH) (AT163565 NLA) (NOT ILLUSTRATED)
1K	KIT	1		(SUPER V STYLE TOOTH) (AT199375 NLA) (NOT ILLUSTRATED)
1L	KIT	1		(CATERPILLAR STYLE REPLACEMENT TOOTH) (AT198439 NLA) (NOT ILLUSTRATED)
2	TP475HD EX47VPN EV51PN	PIN FASTENER PIN PIN FASTENER	1 1 1		(ESCO) (NOT ILLUSTRATED) (USE WITH SUPER V STYLE TOOTH) (NOT ILLUSTRATED)
3	T303X475 EX5857-47V EV5857A-V51	BUCKET TOOTH ADAPTER BUCKET TOOTH ADAPTER BUCKET TOOTH ADAPTER	1 1 1		(ESCO) (NOT ILLUSTRATED) (USE WITH SUPER V STYLE TOOTH) (NOT ILLUSTRATED)
4A	TF475	TOOTH	1		(FANGGS)
4B	TX475	TOOTH	1		(STANDARD)
4C	TX475WT	TOOTH	1		(TWIN TIGER)
4D	TX475F	TOOTH	1		(FLARE)
4E	TOOTH	1		(ABRASION PANEL) (TX475AP NLA)
4F	TT475	TOOTH	1		(TIGER)
4G	EX47SYL	TOOTH	1		(ESCO STANDARD) (NOT ILLUSTRATED)
4H	EX47TVIP	TOOTH	1		(ESCO TWIN TIGER) (NOT ILLUSTRATED)
4I	EX47S9F	TOOTH	1		(ESCO FLARE) (NOT ILLUSTRATED)
4J	EX47VIP	TOOTH	1		(ESCO TIGER) (NOT ILLUSTRATED)
4K	EV51SYL	TOOTH	1		(SUPER V STYLE) (NOT ILLUSTRATED)
6	EX47VPL	PLUG	1		(NOT ILLUSTRATED)

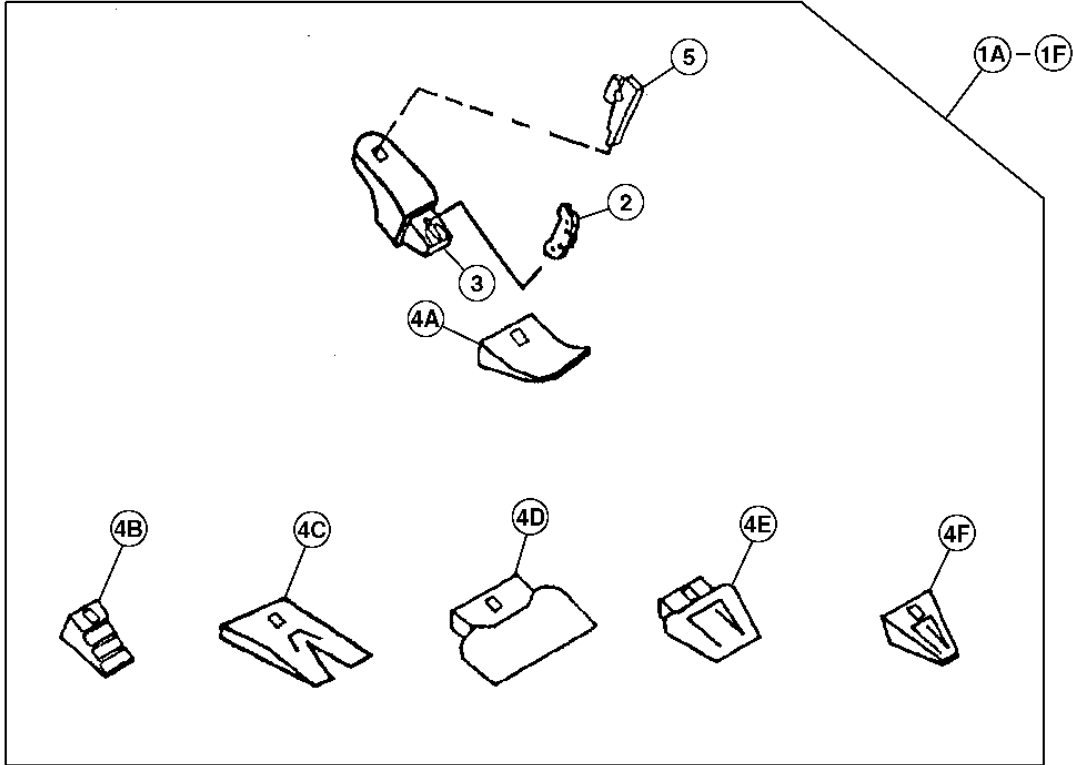
REFER TO PC9555 FOR ADDITIONAL BUCKET TOOTH OPTIONS.
SE REPORTER A PC9555 POUR DES OPTIONS SUPPLEMENTAIRES DE DENTS DE BENNE
CONSULTAR PC9555 PARA OPCIONES ADICIONALES DE DIENTES DE CUCHARON

3302-30

SEVERE DUTY CAST LIP BUCKET TOOTH ASSEMBLY
BENNE A REBORD EN FONTE POUR CONDITIONS DIFFICILES DENTS
CUCHARON CON REBORDE DE FUNDICION PARA SERVICIO SEVERO CONJUNTO DE DIENTES

TX1000075

-UN-21DEC05



TX1000075

3302-31

EXCAVATOR 33

BUCKET WITH TEETH 3302

**SEVERE DUTY CAST LIP BUCKET TOOTH ASSEMBLY
BENNE A REBORD EN FONTE POUR CONDITIONS DIFFICILES DENTS
CUCHARON CON REBORDE DE FUNDICION PARA SERVICIO SEVERO CONJUNTO DE DIENTES**

KEY	PART NO.	PART NAME	QTY.	SERIAL NO.	REMARKS
1A	KIT	1		(FANGGS TOOTH) (AT163825 NLA)
1B	KIT	1		(STANDARD TOOTH) (AT163826 NLA)
1C	KIT	1		(TWIN TIGER TOOTH) (AT163832 NLA)
1D	KIT	1		(FLARE TOOTH) (NOT USED THIS APPL.)
1E	KIT	1		(ABRASION PANEL TOOTH) (AT163828 NLA)
1F	KIT	1		(TIGER TOOTH) (AT163827 NLA)
2	TP400HD	PIN	1		
3	T130X400	SHANK	1		
4A	TF400	TOOTH	1		(FANGGS)
4B	TX400	TOOTH	1		(STANDARD)
4C	TX400WT	TOOTH	1		(TWIN TIGER)
4D	TOOTH	1		(FLARE TOOTH) (NOT USED THIS APPL.)
4E	TX400AP	TOOTH	1		(ABRASION PANEL)
4F	TT400	TOOTH	1		(TIGER)
5	TK130	SHAFT KEY	1		

REFER TO PC9555 FOR ADDITIONAL BUCKET TOOTH OPTIONS.

SE REPORTER A PC9555 POUR DES OPTIONS SUPPLEMENTAIRES DE DENTS DE BENNE

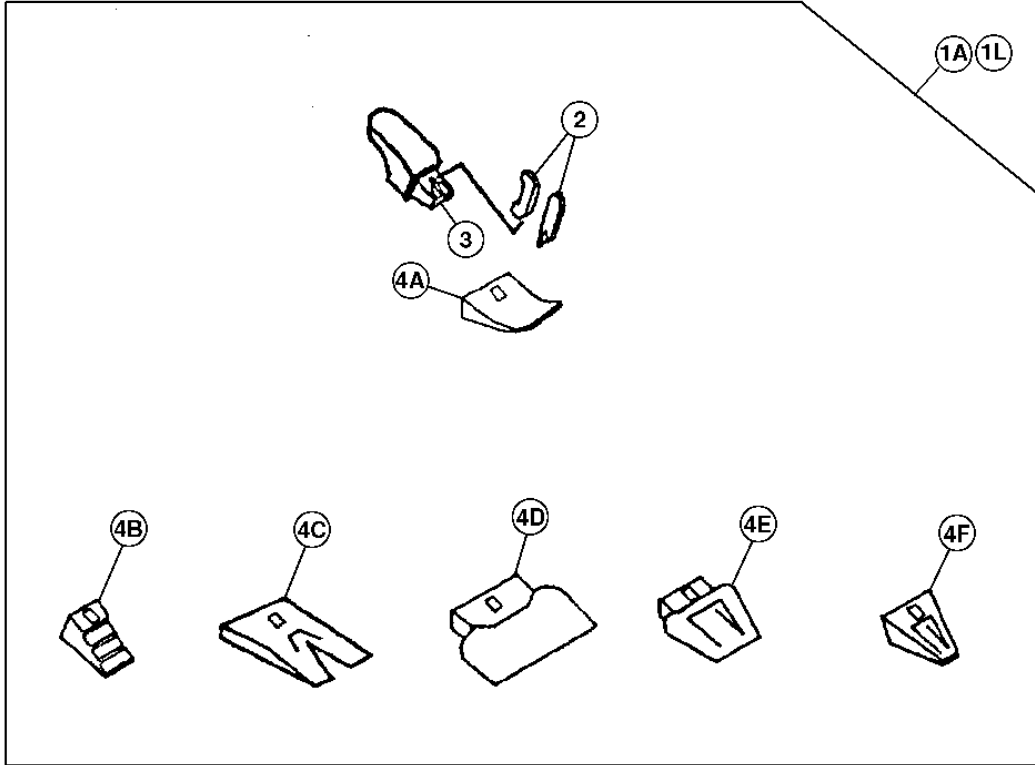
CONSULTAR PC9555 PARA OPCIONES ADICIONALES DE DIENTES DE CUCHARON

3302-32

SEVERE DUTY PLATE LIP BUCKET TOOTH ASSEMBLY
BENNE A REBORD DE PLATEAU POUR CONDITIONS DIFFICILES DENTS
CUCHARON CON REBORDE DE PLACA PARA SERVICIO SEVERO CONJUNTO DE DIENTES

TX1000069

-UN-21DEC05



TX1000069

3302-33

EXCAVATOR 33

BUCKET WITH TEETH 3302

**SEVERE DUTY PLATE LIP BUCKET TOOTH ASSEMBLY
BENNE A REBORD DE PLATEAU POUR CONDITIONS DIFFICILES DENTS
CUCHARON CON REBORDE DE PLACA PARA SERVICIO SEVERO CONJUNTO DE DIENTES**

KEY	PART NO.	PART NAME	QTY.	SERIAL NO.	REMARKS
1A	KIT	1		(FANGGS TOOTH) (AT163558 NLA)
1B	KIT	1		(STANDARD TOOTH) (AT163559 NLA)
1C	KIT	1		(TWIN TIGER TOOTH) (AT163563 NLA)
1D	KIT	1		(FLARE TOOTH) (AT163562 NLA)
1E	KIT	1		(ABRASION PANEL TOOTH) (AT163561 NOT USED THIS APPL.)
1F	KIT	1		(TIGER TOOTH) (AT163560 NLA)
1G	KIT	1		(ESCO STANDARD TOOTH) (AT163564 NLA) (NOT ILLUSTRATED)
1H	KIT	1		(ESCO TWIN TIGER TOOTH) (AT163567 NLA) (NOT ILLUSTRATED)
1I	KIT	1		(ESCO FLARE TOOTH) (AT163566 NOT USED THIS APPL) (NOT ILLUSTRATED)
1J	KIT	1		(ESCO TIGER TOOTH) (AT163565 NLA) (NOT ILLUSTRATED)
1K	KIT	1		(SUPER V STYLE TOOTH) (AT199375 NLA) (NOT ILLUSTRATED)
1L	KIT	1		(CATERPILLAR STYLE REPLACEMENT TOOTH) (AT198439 NLA) (NOT ILLUSTRATED)
2	TP475HD EX47VPN EV51PN	PIN FASTENER PIN PIN FASTENER	1 1 1		(ESCO) (NOT ILLUSTRATED) (USE WITH SUPER V STYLE TOOTH) (NOT ILLUSTRATED)
3	T303X475 EX5857-47V EV5857A-V51	BUCKET TOOTH ADAPTER BUCKET TOOTH ADAPTER BUCKET TOOTH ADAPTER	1 1 1		(ESCO) (NOT ILLUSTRATED) (USE WITH SUPER V STYLE TOOTH) (NOT ILLUSTRATED)
4A	TF475	TOOTH	1		(FANGGS)
4B	TX475	TOOTH	1		(STANDARD)
4C	TX475WT	TOOTH	1		(TWIN TIGER)
4D	TX475F	TOOTH	1		(FLARE)
4E	TOOTH	1		(ABRASION PANEL) (TX475AP NLA)
4F	TT475	TOOTH	1		(TIGER)
4G	EX47SYL	TOOTH	1		(ESCO STANDARD) (NOT ILLUSTRATED)
4H	EX47TVIP	TOOTH	1		(ESCO TWIN TIGER) (NOT ILLUSTRATED)
4I	EX47S9F	TOOTH	1		(ESCO FLARE) (NOT ILLUSTRATED)
4J	EX47VIP	TOOTH	1		(ESCO TIGER) (NOT ILLUSTRATED)
4K	EV51SYL	TOOTH	1		(SUPER V STYLE) (NOT ILLUSTRATED)
6	EX47VPL	PLUG	1		(NOT ILLUSTRATED)

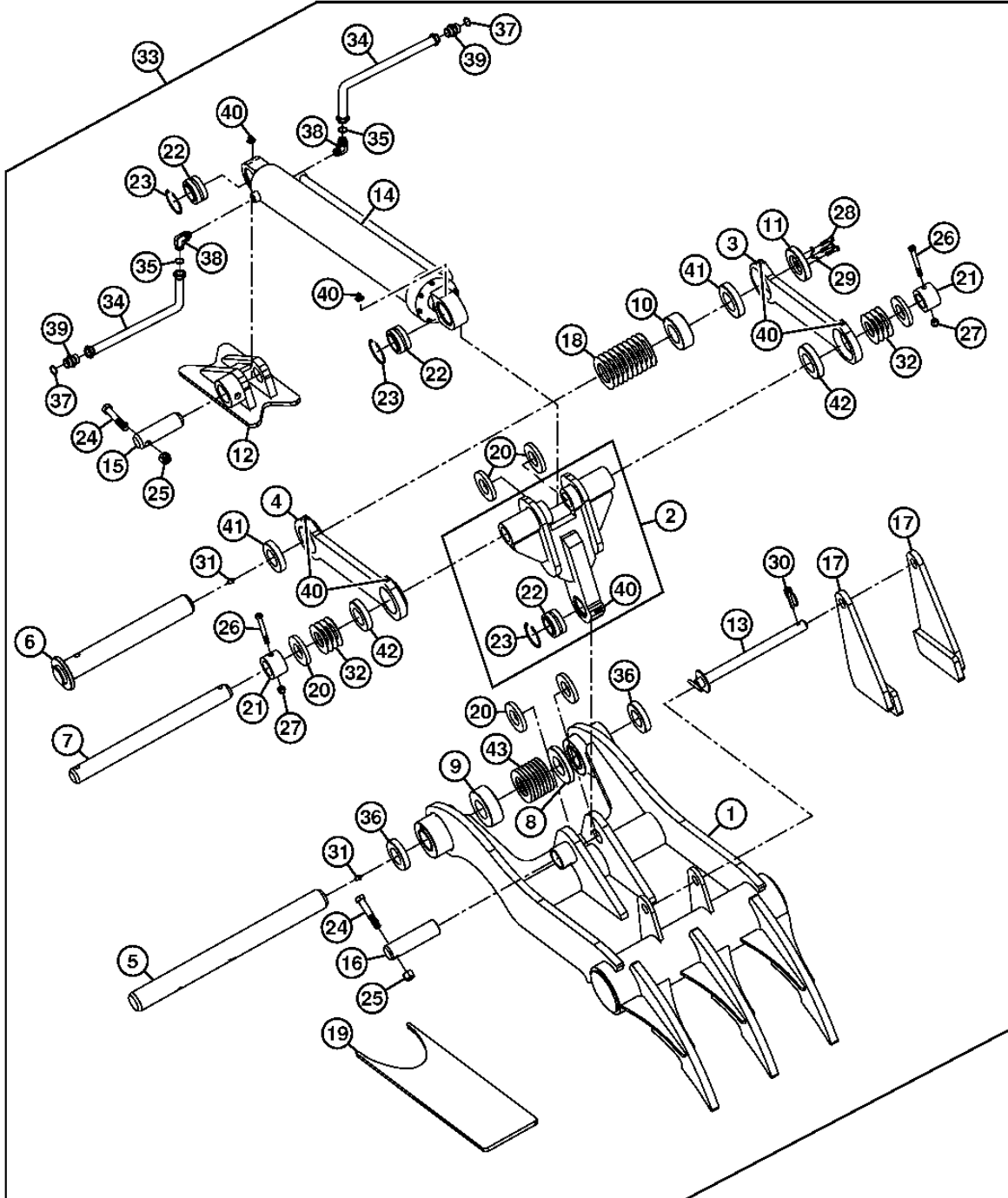
REFER TO PC9555 FOR ADDITIONAL BUCKET TOOTH OPTIONS.
SE REPORTER A PC9555 POUR DES OPTIONS SUPPLEMENTAIRES DE DENTS DE BENNE
CONSULTAR PC9555 PARA OPCIONES ADICIONALES DE DIENTES DE CUCHARON

3302-34

EXCAVATOR 33
BUCKET WITH TEETH 3302

PROGRESSIVE HYDRAULIC THUMB KIT KIT DE POUCE HYDRAULIQUE PROGRESSIF JUEGO DE PULGAR CON MANDO HIDRAULICO PROGRESIVO

TX1017497 -UN-09APR07



TX1017497

3302-35

EXCAVATOR 33

BUCKET WITH TEETH 3302

**PROGRESSIVE HYDRAULIC THUMB KIT
KIT DE POUCE HYDRAULIQUE PROGRESSIF
JUEGO DE PULGAR CON MANDO HIDRAULICO PROGRESIVO**

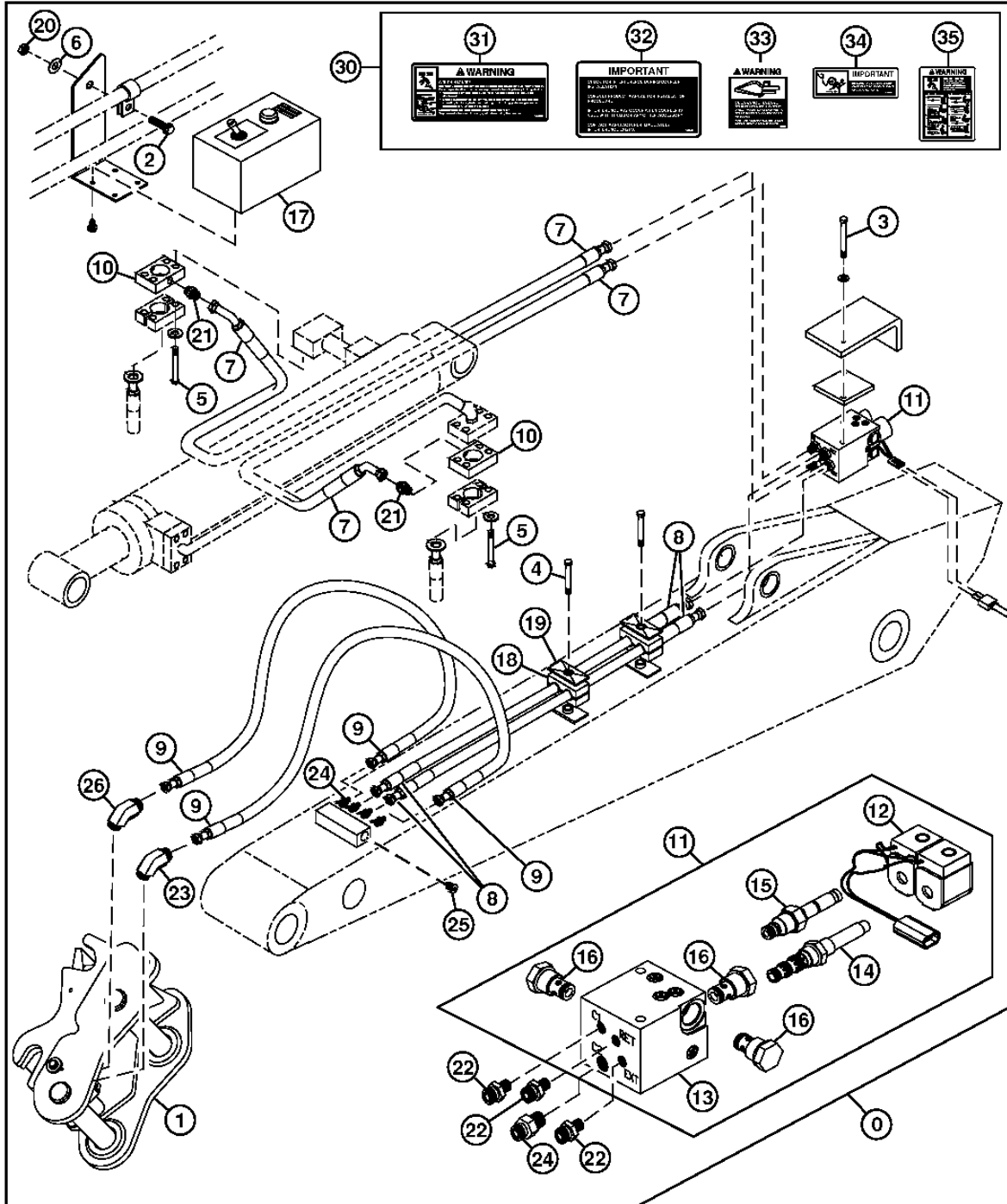
KEY	PART NO.	PART NAME	QTY.	SERIAL NO.	REMARKS
1	CLAMP	1		
2	AT339961	LINK	1		
3	AT340020	ARM	1		
4	AT340019	LINK	1		
5	AT340016	PIN	1		
6	AT340021	PIN	1		
7	AT340022	PIN	1		
8	SPACER	1		
9	SPACER	1		
10	SPACER	1		
11	T229551	CAP	1		
12	BRACKET	1		
13	AT340017	PIN	1		
14	AT340010	HYDRAULIC CYLINDER	1		
	AT339958	SEAL KIT	1		NOT ILLUSTRATED
15	AT340018	PIN	1		
16	AT340008	PIN	1		
17	BRACKET	2		
18	T229555	SHIM	10		
19	REINFORCEMENT	1		
20	T229499	THRUST WASHER	6		
21	AT339966	SNAP RING	2		
22	AT339959	BEARING	3		
23	T229485	SNAP RING	3		
24	19H2826	CAP SCREW	2		
25	T25879	NUT	2		
26	19H2826	CAP SCREW	2		
27	U16721	LOCK NUT	2		
28	19H2993	CAP SCREW	3		
29	12H301	LOCK WASHER	3		
30	T115753	PIN FASTENER	1		
31	JD7769	LUBRICATION FITTING	1		
32	T229515	SHIM	8		
33	AT339858	CLAMP	1		42. IN. BUCKET NOT FOR USE WITH THE 9FT. 6IN.(2.9M) ARM OR 11FT. 2IN. (3.4M) ARM
	AT341030	CLAMP	1		48. IN. BUCKET NOT FOR USE WITH THE 9FT. 6IN.(2.9M) ARM OR 11FT. 2IN. (3.4M) ARM
	AT339859	CLAMP	1		42 IN. HC BUCKET NOT FOR USE WITH THE 9FT. 6IN.(2.9M) ARM OR 11FT. 2IN. (3.4M) ARM
	AT341031	CLAMP	1		48 IN. HC BUCKET NOT FOR USE WITH THE 9FT. 6IN.(2.9M) ARM OR 11FT. 2IN. (3.4M) ARM
34	AT339887	HYDRAULIC HOSE - FABRICATE	2		
35	R26375	O-RING	2		
36	T229543	BUSHING	2		
37	U12547	O-RING	2		
38	AT32331	ELBOW FITTING	2		
40	JD5815	LUBRICATION FITTING	7		
41	T229554	BUSHING	2		
42	T229541	BUSHING	2		
43	T229558	SHIM	8		

3302-50

HYDRAULIC COUPLER KIT KIT DE RACCORD HYDRAULIQUE JUEGO DE ACOPLADOR HIDRAULICO

TX1025604

-UN-02AUG07



TX1025604

THIS PARTS LISTING IS CONTINUED

3302-51

EXCAVATOR 33

BUCKET WITH TEETH 3302

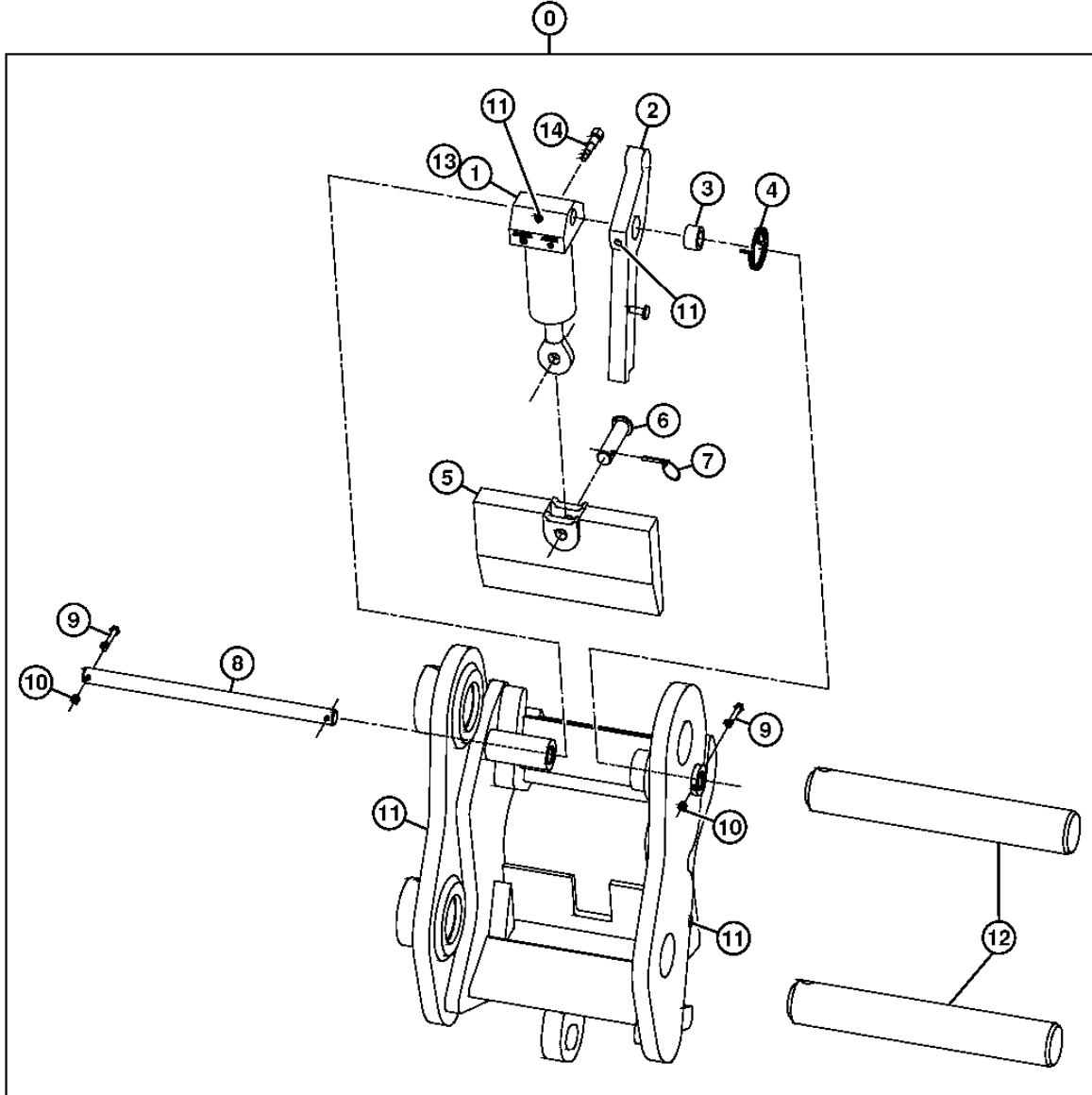
**HYDRAULIC COUPLER KIT
KIT DE RACCORD HYDRAULIQUE
JUEGO DE ACOPLADOR HIDRAULICO**

KEY	PART NO.	PART NAME	QTY.	SERIAL NO.	REMARKS
0	AT343233	FIELD INSTALLATION KIT	1		HYDRAULIC COUPLER, (WHOLE GOODS)
1	HYD. QUICK-CONNECT COUPLER	1		(COMPONENTS ON SEPARATE PAGE) (AT343221 NLA)
2	19H1648	CAP SCREW	1		3/8" X 3/4"
3	19H2852	CAP SCREW	2		5/16" X 4"
4	19H3219	CAP SCREW	2		3/8" X 1-3/8"
5	19M9761	SCREW	8		M12 X 75
6	24H1298	WASHER	1		3/8" X 5/8" X 0.032"
7	AT343352	HYDRAULIC HOSE - FABRICATE	2		
8	AT343359	HYDRAULIC HOSE - FABRICATE	2		
9	AT343366	HYDRAULIC HOSE - FABRICATE	2		
10	AT343368	TEE FITTING	2		
11	AT343400	SOLENOID VALVE	1		
12	AT343401	SOLENOID VALVE COIL	1		
13	AT343406	MANIFOLD	1		
14	AT343410	VALVE SPOOL	1		
15	AT343412	POPPET	1		
16	AT343413	CHECK VALVE	1		
17	AT343415	CIRCUIT BOX	1		
18	H120847	CLAMP	4		
19	H121168	PLATE	2		
20	T11234	LOCK NUT	1		3/8"
21	X4FLO-S	ADAPTER FITTING	2		
22	X6-4F5OLO-S	ADAPTER FITTING	3		
23	X6-4V5OLO-S	ELBOW FITTING	1		
24	X6F5OLO-S	ADAPTER FITTING	5		
25	X6HP5ON-S	FITTING PLUG	2		
26	X6V5OLO-S	ELBOW FITTING	1		
27	X6F5OLO-S	ADAPTER FITTING	5		
30	AT344819	LABEL KIT	1		(ENGLISH)
	AT344821	LABEL KIT	1		(FRENCH)
	AT344820	LABEL KIT	1		(SPANISH)
31	SAFETY SIGN	3		WARNING: CRUSH HAZARD, (T232151 NSEP)
32	SAFETY SIGN	1		WARNING: CHECK INTERFERENCE, (T232154 NSEP)
33	SAFETY SIGN	1		WARNING: CLEARANCE HAZARD, (T232157 NSEP)
34	SAFETY SIGN	1		CAUTION: READ OPERATOR MANUAL, (T232161 NSEP)
35	SAFETY SIGN	1		WARNING: COUPLER OPERATION, (T232166 NSEP)

3302-52

HYDRAULIC COUPLER
ACCOUPLMENT HYDRAULIQUE
ACOPLADOR HIDRAULICO

TX1025382 -UN-26JUL07



TX1025382

3302-53

EXCAVATOR 33

BUCKET WITH TEETH 3302

HYDRAULIC COUPLER
ACCOUPLMENT HYDRAULIQUE
ACOPLADOR HIDRAULICO

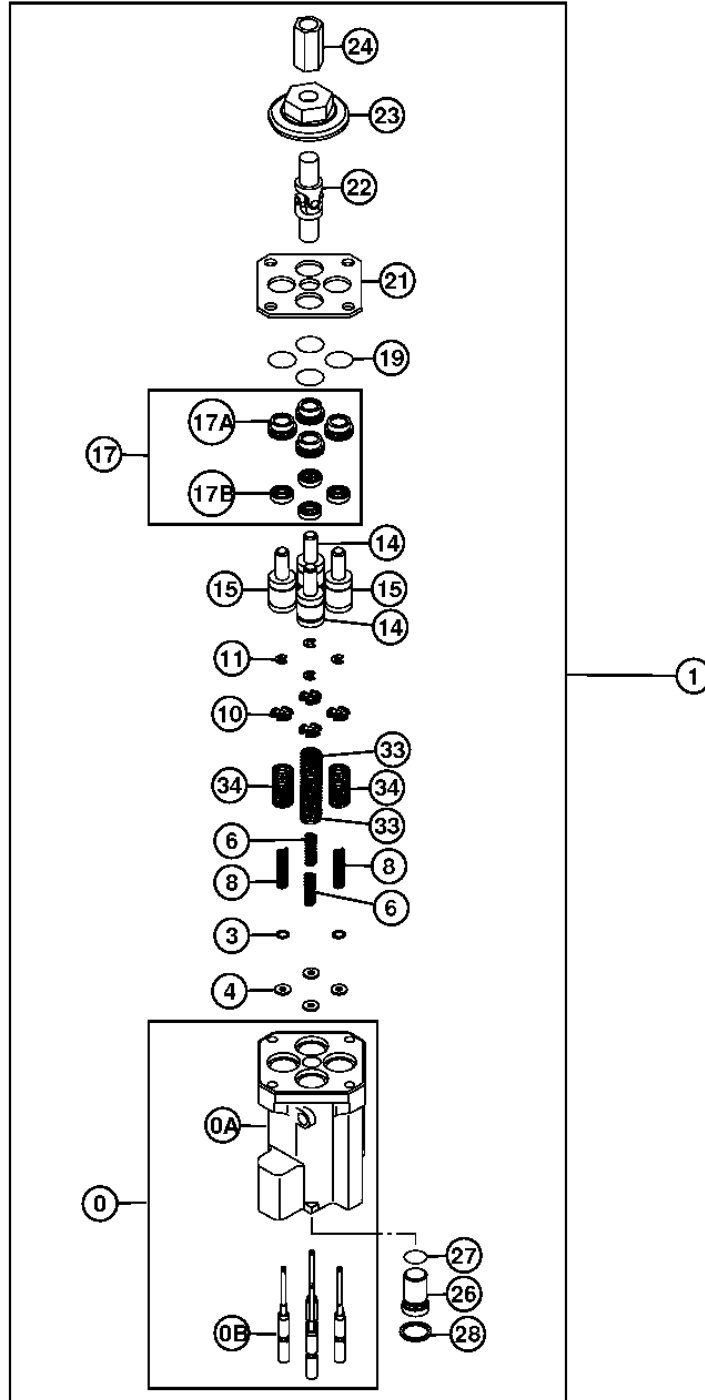
KEY	PART NO.	PART NAME	QTY.	SERIAL NO.	REMARKS
0	HYD. QUICK-CONNECT COUPLER	1		(AT343221 NLA)
1	AT343214	HYDRAULIC CYLINDER	1		
2	T232172	LOCK PLATE	1		
3	T232175	BUSHING	1		
4	T232176	EXTENSION SPRING	1		
5	T232183	LOCK PLATE	1		
6	T232188	RETAINER	1		
7	PM02704	QUICK LOCK PIN	1		
8	T232195	PIN	1		
9	19H3220	CAP SCREW	2		1/4" X 2-1/2"
10	K40001	LOCK NUT	2		1/4"
11	JD5815	LUBRICATION FITTING	2		
12	AT343209	PIN	2		
13	AT343210	SEAL KIT	1		
14	T232235	CHECK VALVE	1		

3315-2

EXCAVATOR 33
CONTROLS LINKAGE 3315

PILOT CONTROL VALVE COMPONENTS COMPOSANTS DE DISTRIBUTEUR PILOTE COMPONENTES DE LA VALVULA DE CONTROL PILOTO

TX1002408 -UN-10JAN06



TX1002408

3315-3

EXCAVATOR 33

CONTROLS LINKAGE 3315

PILOT CONTROL VALVE COMPONENTS
COMPOSANTS DE DISTRIBUTEUR PILOTE
COMPONENTES DE LA VALVULA DE CONTROL PILOTO

KEY	PART NO.	PART NAME	QTY.	COMPONENT SERIAL NO.	REMARKS
0	CASE	1		(8094446 NLA)
0A	CRANKCASE	1		
0B	SPOOL	1		
1	9267050	HYD ACTUATED CONTROL VALVE	1		(SUB FOR 9266189)
3	4662206	SHIM	4		(SUB FOR 4203411)
4	4410898	SPACER	4		
6	4429120	SPRING	2		
8	4425414	SPRING	2		
10	4615610	GUIDE	4		
11	4437333	SNAP RING	4		
14	9759157	PISTON	2		
15	9759158	PISTON	2		
17	9246436	SLEEVE	4		
17A	SLEEVE	1		
17B	SEAL	1		
19	4201993	O-RING	4		
21	4614296	PLATE	1		
22	4335060	UNIVERSAL JOINT	1		
23	4639115	CAM	1		(SUB FOR 4437106)
24	4631248	FITTING	1		
26	4614286	PLUG	1		
27	4170585	O-RING	1		
28	4614331	SNAP RING	1		
33	4645214	COMPRESSION SPRING	2		
34	4643247	COMPRESSION SPRING	2		

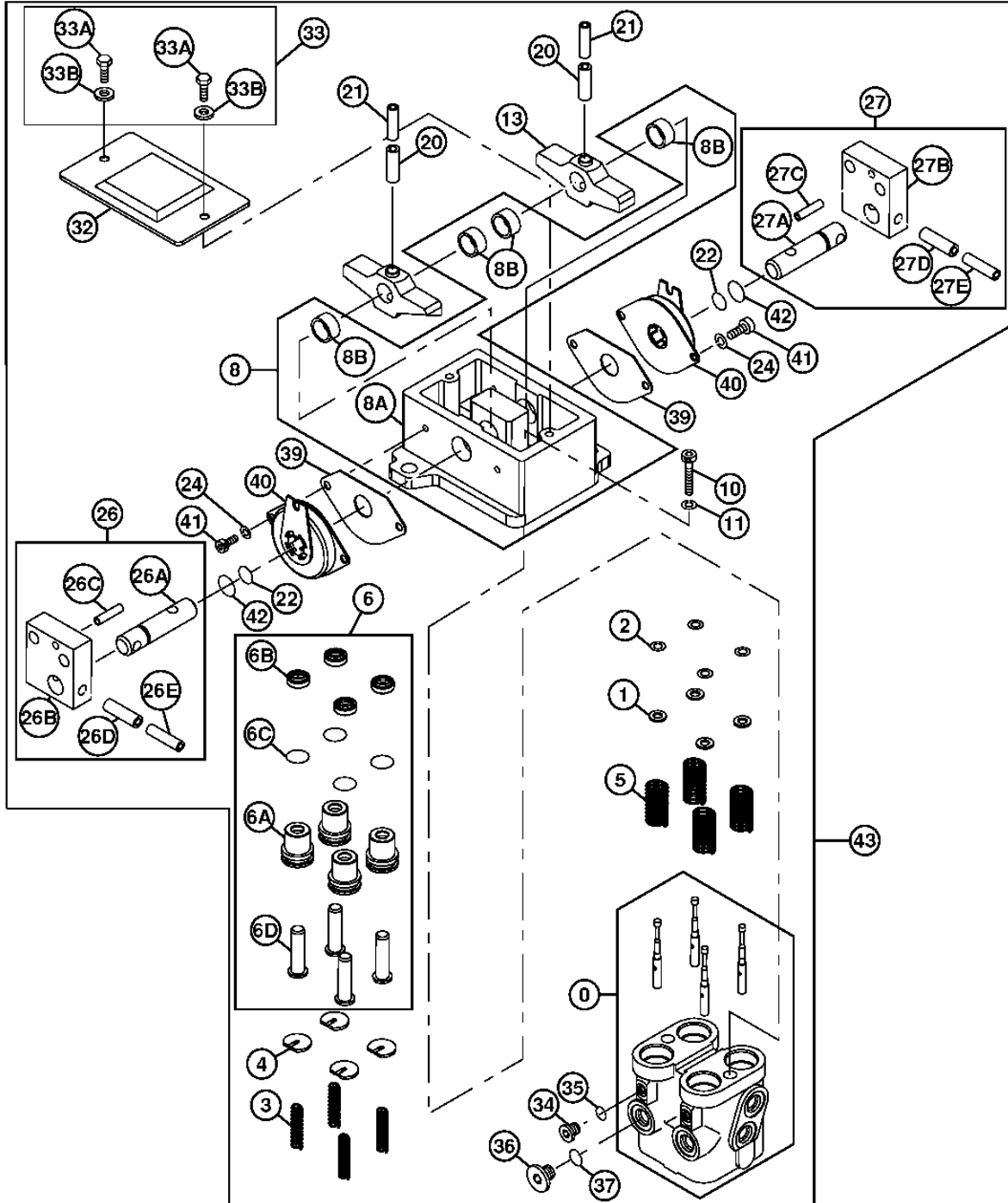
3315-4

EXCAVATOR 33
CONTROLS LINKAGE 3315

TRAVEL PILOT CONTROL VALVE COMPONENTS COMPOSANTS DE DISTRIBUTEUR PILOTE DE DEPLACEMENT COMPONENTES DE VALVULA DE CONTROL PILOTO DE PROPULSION

T216028

-UN-10JAN06



T216028

3315-5

EXCAVATOR 33

CONTROLS LINKAGE 3315

**TRAVEL PILOT CONTROL VALVE COMPONENTS
COMPOSANTS DE DISTRIBUTEUR PILOTE DE DEPLACEMENT
COMPONENTES DE VALVULA DE CONTROL PILOTO DE PROPULSION**

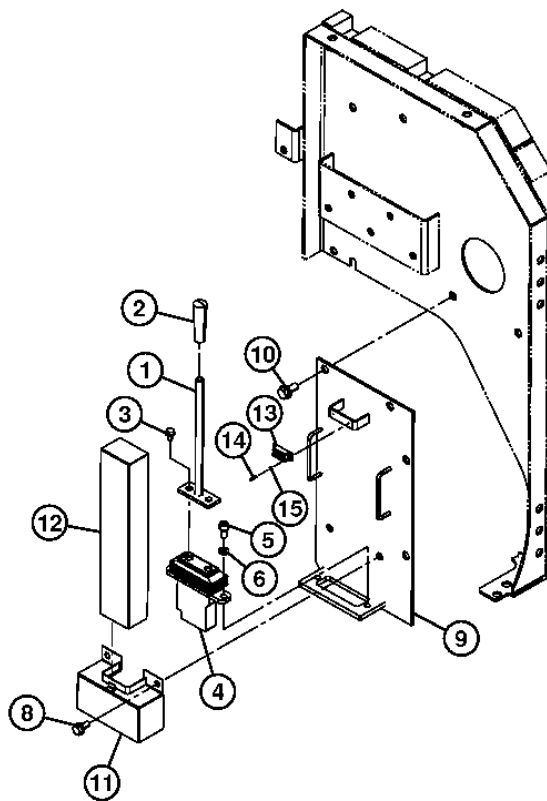
KEY	PART NO.	PART NAME	QTY.	SERIAL NO.	REMARKS
0	CASE	1		(8092248 NLA)
1	4319299	SPACER	4		
2	4203411	SHIM	12		
3	4368629	COMPRESSION SPRING	4		
4	4364970	GUIDE	4		
5	4368630	COMPRESSION SPRING	4		
6	9226367	PUSH NUT	4		
6A	3099628	BUSHING	1		
6B	SEAL	1		(4447050 OR 4477852 NLA)
6C	4201993	O-RING	1		
6D	4602154	PUSH NUT	1		
8	HOLDER	1		(9184275 NLA)
8A	HOLDER	1		(2044332 NLA)
8B	4437433	BUSHING	4		
10	19M7576	SCREW	2		M10 X 30, (SUB FOR J781030)
11	12M7066	LOCK WASHER	2		10 MM, (SUB FOR A590910)
13	3098245	CAM	2		
20	34M6402	SPRING PIN	2		8 X 28 MM, (SUB FOR 4027427)
21	4213419	SPRING PIN	2		
22	4185600	O-RING	2		
24	12M7006	LOCK WASHER	4		6 MM, (SUB FOR A590906)
26	9207567	PIN FASTENER	1		
26A	4425305	PIN FASTENER	1		
26B	3087987	BRACKET	1		
26C	4051262	SPRING PIN	1		
26D	34M7124	SPRING PIN	1		8 X 30 MM, (SUB FOR 4205318 OR 34M7065)
26E	34M7062	SPRING PIN	1		5 X 32 MM, (SUB FOR 4205317)
27	9207568	PIN FASTENER	1		
27A	4425305	PIN FASTENER	1		
27B	3087987	BRACKET	1		
27C	4051262	SPRING PIN	1		
27D	34M7124	SPRING PIN	1		8 X 30 MM, (SUB FOR 4205318 OR 34M7065)
27E	34M7062	SPRING PIN	1		5 X 32 MM, (SUB FOR 4205317)
32	8077903	COVER	1		
33	SCREW WITH WASHER	2		(J260614 NLA)
33A	19M7560	CAP SCREW	2		M6 X 16, (SUB FOR J900616)
33B	24M7054	WASHER	2		6.400 X 12 X 1.600 MM, (SUB FOR A590106)
34	9134109	DRAIN PLUG	2		(SUB FOR 4217651)
35	CH19111	O-RING	2		(SUB FOR 4113154)
36	4208977	DRAIN PLUG	2		
37	CH11561	O-RING	2		(SUB FOR 964255)
39	4437432	GASKET	2		
40	4428902	ABSORBER	2		
41	J780612	BOLT	4		
42	4447067	O-RING	2		
43	9235551	HYDR./PILOT CONTROL VALVE	1		(SUB FOR 9226365)

3315-6

EXCAVATOR 33
CONTROLS LINKAGE 3315

COUNTERWEIGHT REMOVAL CONTROL VALVE
SOUPAPE PILOTE DE DEPOSE DE CONTREPOIDS
VALVULA DE CONTROL DE RETIRO DE CONTRAPESO

TX1001928 -UN-03JAN06



TX1001928

THIS PARTS LISTING IS CONTINUED

3315-7

EXCAVATOR 33

CONTROLS LINKAGE 3315

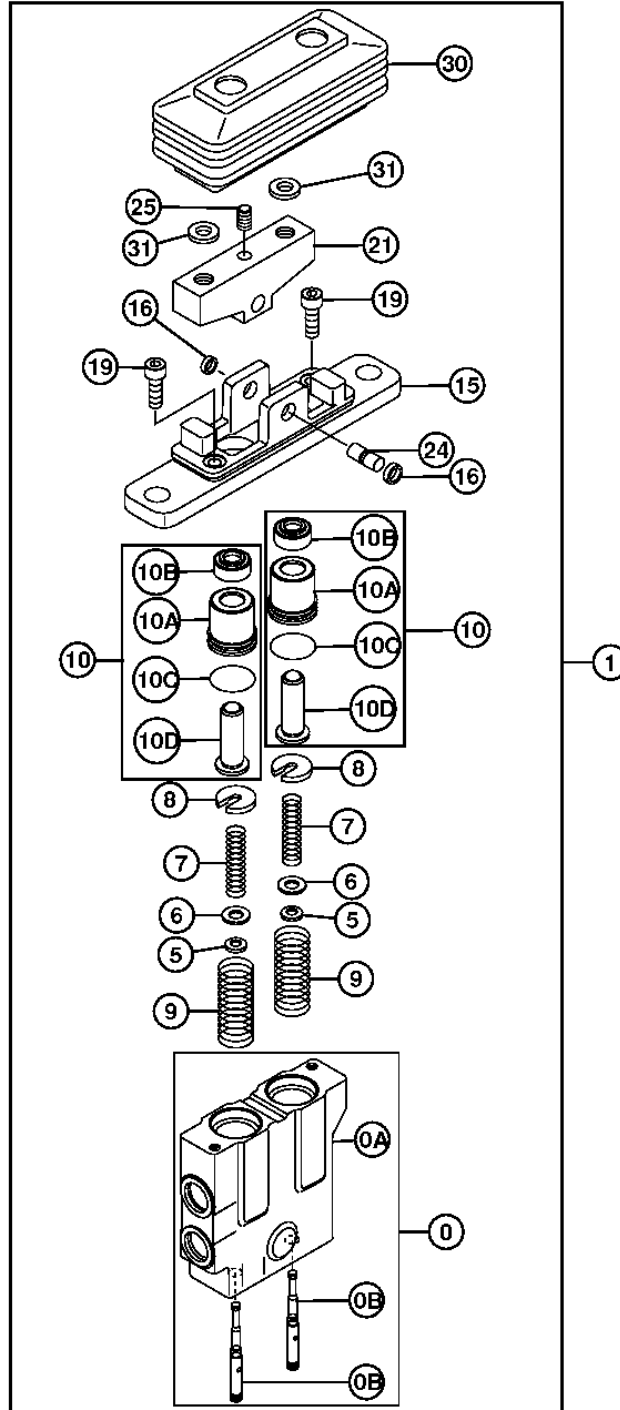
COUNTERWEIGHT REMOVAL CONTROL VALVE
DISTRIBUTEUR POUR DEPOSE DE CONTREPOIDS
VALVULA DE CONTROL DE RETIRO DE CONTRAPESO

KEY	PART NO.	PART NAME	QTY.	SERIAL NO.	REMARKS
1	9766630	LEVER	1		
2	4122424	GRIP	1		
3	SCREW WITH WASHER	2		(J260816 NLA)
	19M7162	CAP SCREW	2		M8 X 16, (SUB FOR J900816)
	24M7055	WASHER	2		8.400 X 16 X 1.600 MM, (SUB FOR A590108)
4	9216905	VALVE	1		
5	J781020	BOLT	2		
6	12M7066	LOCK WASHER	2		10 MM, (SUB FOR A590910)
8	SCREW WITH WASHER	2		(J271025 NLA)
	19M7402	CAP SCREW	2		M10 X 25, (SUB FOR J901025)
	24M7346	WASHER	2		11 X 20 X 2 MM, (SUB FOR J222010)
9	7051276	PLATE	1		
10	SCREW WITH WASHER	4		(J271230 NLA)
	19M8011	CAP SCREW	4		M12 X 30, (SUB FOR J901230)
	24M7345	WASHER	4		13.500 X 24 X 2.500 MM, (SUB FOR J222012)
11	8106188	COVER	1		
12	4658672	COVER	1		
13	4240985	CATCH	1		
14	21M7394	SCREW	2		M3 X 10
15	12M7048	LOCK WASHER	2		3.100 MM

3315-8

COUNTERWEIGHT REMOVAL PILOT VALVE COMPONENTS
COMPOSANTS DE SOUPE PILOTE DE DEPOSE DE CONTREPOIDS
COMPONENTES DE VALVULA PILOTO DE RETIRO DE CONTRAPESO

TX1002409 -UN-10JAN06



TX1002409

3315-9

EXCAVATOR 33

CONTROLS LINKAGE 3315

**COUNTERWEIGHT REMOVAL PILOT VALVE COMPONENTS
COMPOSANTS DE SOUPAPE PILOTE DE DEPOSE DE CONTREPOIDS
COMPONENTES DE VALVULA PILOTO DE RETIRO DE CONTRAPESO**

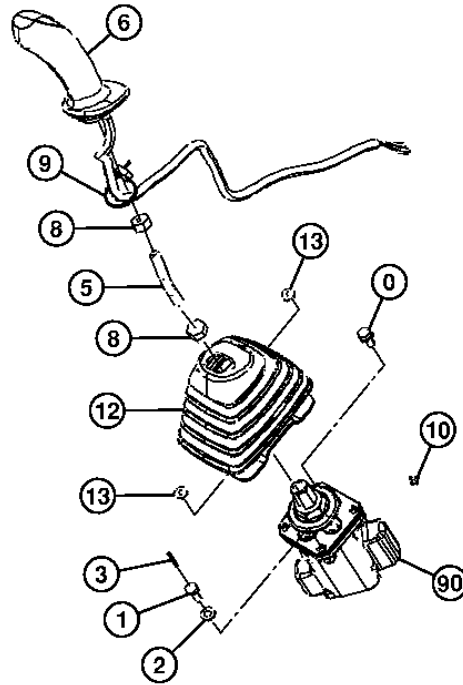
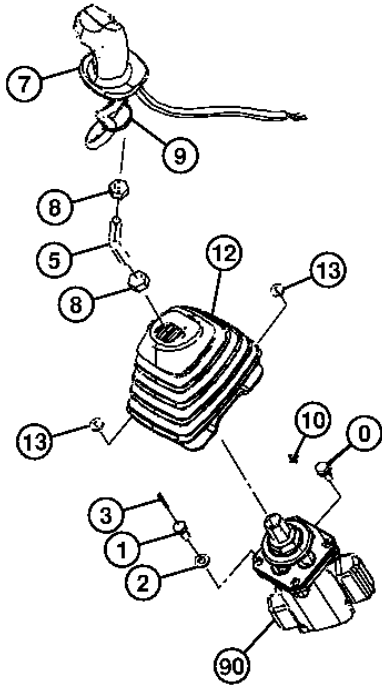
KEY	PART NO.	PART NAME	QTY.	COMPONENT SERIAL NO.	REMARKS
0	CASE	1		(8088360 NLA)
0A	CASE	1		
0B	SPOOL	2		
1	9216905	VALVE	1		
5	4319299	SPACER	2		
6	4203411	SHIM	6		
7	4474214	COMPRESSION SPRING	2		
8	4474218	GUARD	2		
9	4479053	COMPRESSION SPRING	2		
10	9214706	PISTON	2		
10A	3095375	BUSHING	1		
10B	SEAL	1		(4447050, 4477852 NLA)
10C	4306888	O-RING	1		(SUB FOR 4269615 OR AT154310)
10D	9758896	PISTON	1		
15	BASE	1		(2048256 NLA)
16	4480261	BUSHING	2		
19	21M7277	SCREW	2		M6 X 25
21	4474216	CAM	1		
	4482606	SPACER	2		
24	4474217	PIN	1		
25	SET SCREW	1		(NLA)
30	2048374	BOOT	1		
31	4482606	SPACER	2		

3315-10

EXCAVATOR 33
CONTROLS LINKAGE 3315

PILOT CONTROL VALVE AND LEVERS DISTRIBUTEUR PILOTE ET LEVIERS VALVULA DE CONTROL PILOTO Y PALANCAS

T216328 -UN-14NOV05



T216328

3315-11

EXCAVATOR 33

CONTROLS LINKAGE 3315

PILOT CONTROL VALVE AND LEVERS
DISTRIBUTEUR PILOTE ET LEVIERS
VALVULA DE CONTROL PILOTO Y PALANCAS

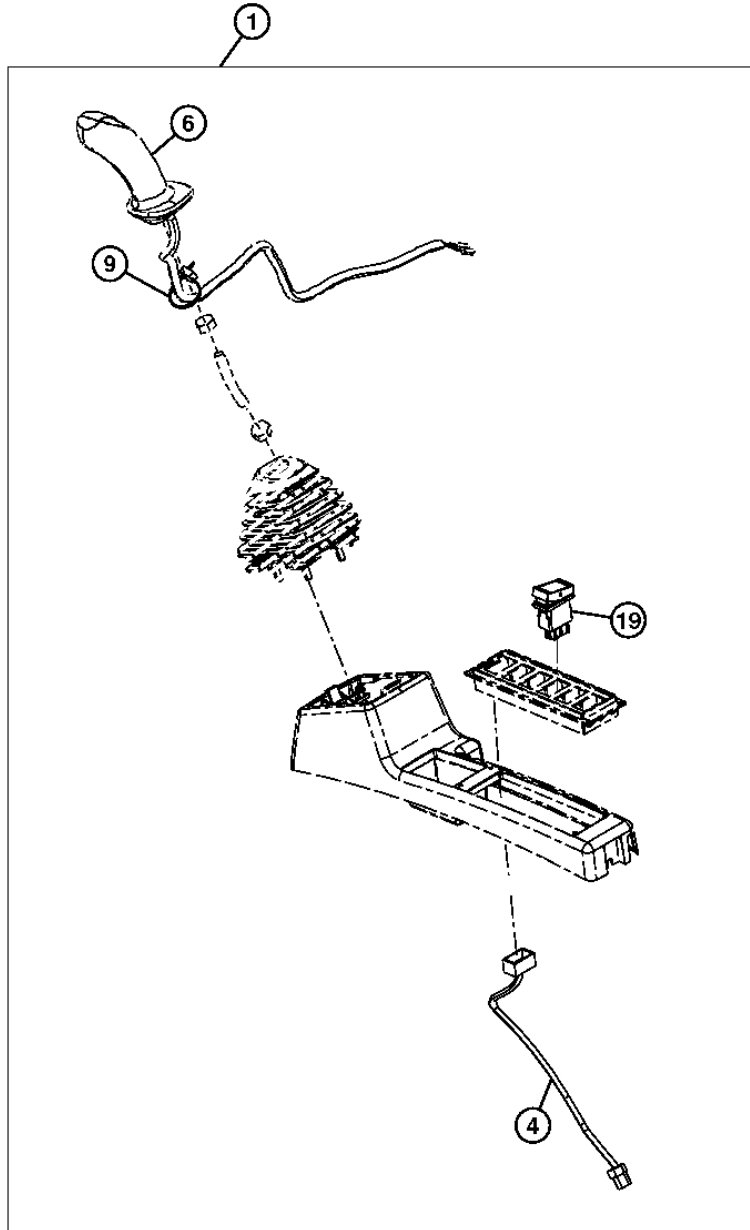
KEY	PART NO.	PART NAME	QTY.	COMPONENT SERIAL NO.	REMARKS
0	SCREW WITH WASHER	6		(J260820 NLA)
	19M7881	SCREW	6		M8 X 20, (SUB FOR J900820 OR 19M7139)
	24M7055	WASHER	6		8.400 X 16 X 1.600 MM, (SUB FOR A590108)
1	4609956	BOLT	2		
2	24M7055	WASHER	2		8.400 X 16 X 1.600 MM, (SUB FOR A590108)
3	34M7086	SPRING PIN	2		3 X 32 MM, (SUB FOR 4144011)
5	4633644	SHAFT	2		
6	4648125	GRIP	1		LH W/HORN
	4650093	GRIP	1		LH W/AUXILIARY CONTROL
7	4648126	GRIP	1		RH W/POWER-BOOST SWITCH
	4650094	GRIP	1		RH W/AUXILIARY CONTROL
8	14M7275	NUT	4		M12, (SUB FOR J950012)
9	H77698	TIE BAND	2		(SUB FOR M88199, 4055311)
10	H77698	TIE BAND	2		(SUB FOR 4300351)
12	4639127	BOOT	2		
13	4642773	WASHER	8		
90	9267050	HYD ACTUATED CONTROL VALVE	2		(SUB FOR 9266189)

3315-11A

EXCAVATOR 33
CONTROLS LINKAGE 3315

LEFT PILOT CONTROL HANDLE POIGNEE DE COMMANDE PILOTE GAUCHE PALANCA DE CONTROL IZQUIERDA

TX1011276 -UN-01SEP06



TX1011276

3315-11B

EXCAVATOR 33

CONTROLS LINKAGE 3315

LEFT PILOT CONTROL HANDLE
POIGNEE DE COMMANDE PILOTE GAUCHE
PALANCA DE CONTROL IZQUIERDA

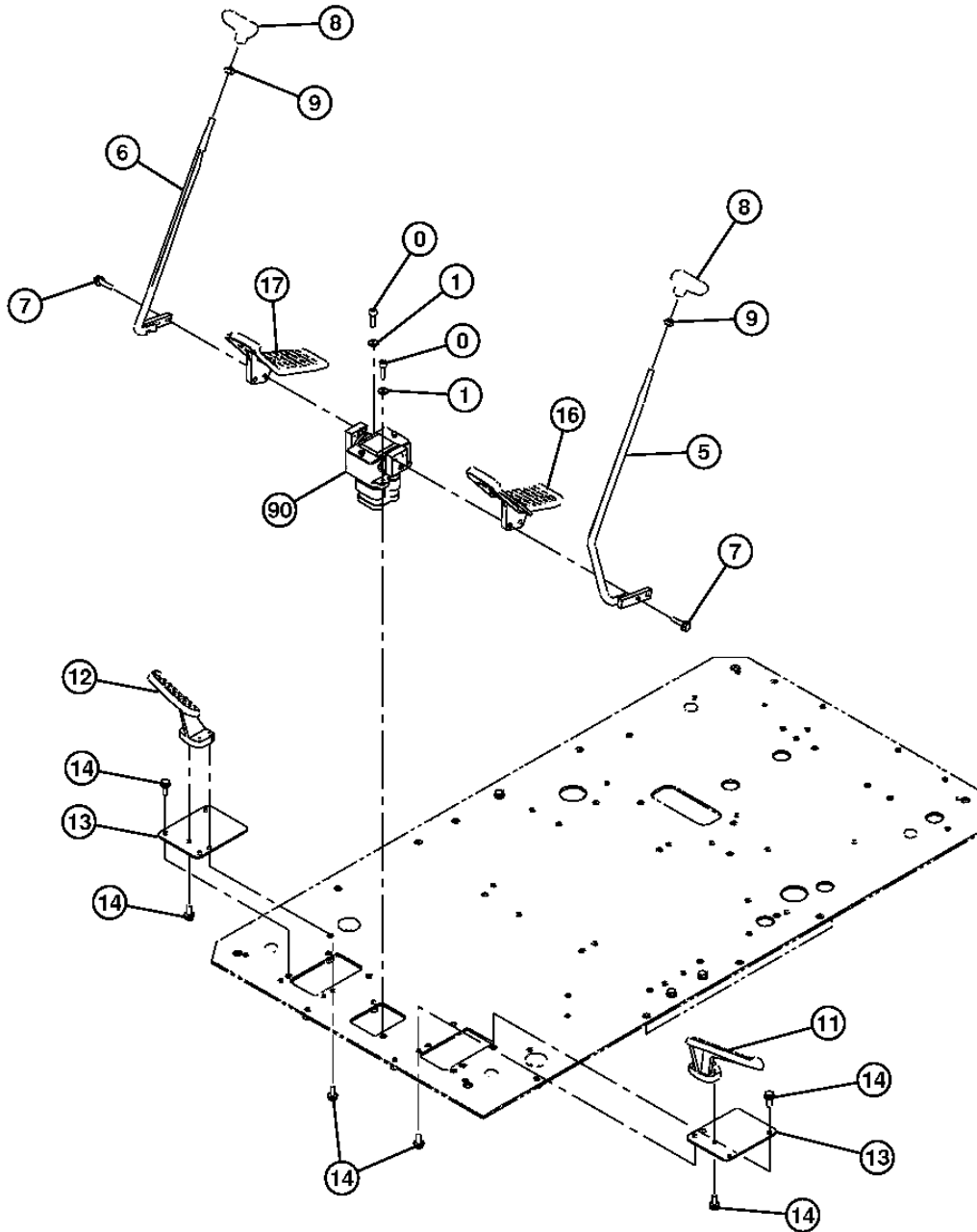
KEY	PART NO.	PART NAME	QTY.	COMPONENT SERIAL NO.	REMARKS
1	AT327652	CONTROL LEVER	1		(WHOLE GOODS)
4	4651278	WIRING HARNESS	1		
6	4650093	GRIP	1		
9	H77698	TIE BAND	1		
19	4651295	SWITCH	1		

3315-12

EXCAVATOR 33
CONTROLS LINKAGE 3315

TRAVEL PILOT CONTROL VALVE, LEVERS AND PEDALS DISTRIBUTEUR PILOTE DE DEPLACEMENT, LEVIERS ET PEDALES PALANCA Y PEDAL DE CONTROL PILOTO DE PROPULSION

T216304 -UN-21DEC05



T216304

3315-13

EXCAVATOR 33

CONTROLS LINKAGE 3315

TRAVEL PILOT CONTROL VALVE, LEVERS AND PEDALS
DISTRIBUTEUR PILOTE DE DEPLACEMENT, LEVIERS ET PEDALES
VALVULA DE CONTROL PILOTO, PALANCAS Y PEDALES DE PROPULSION

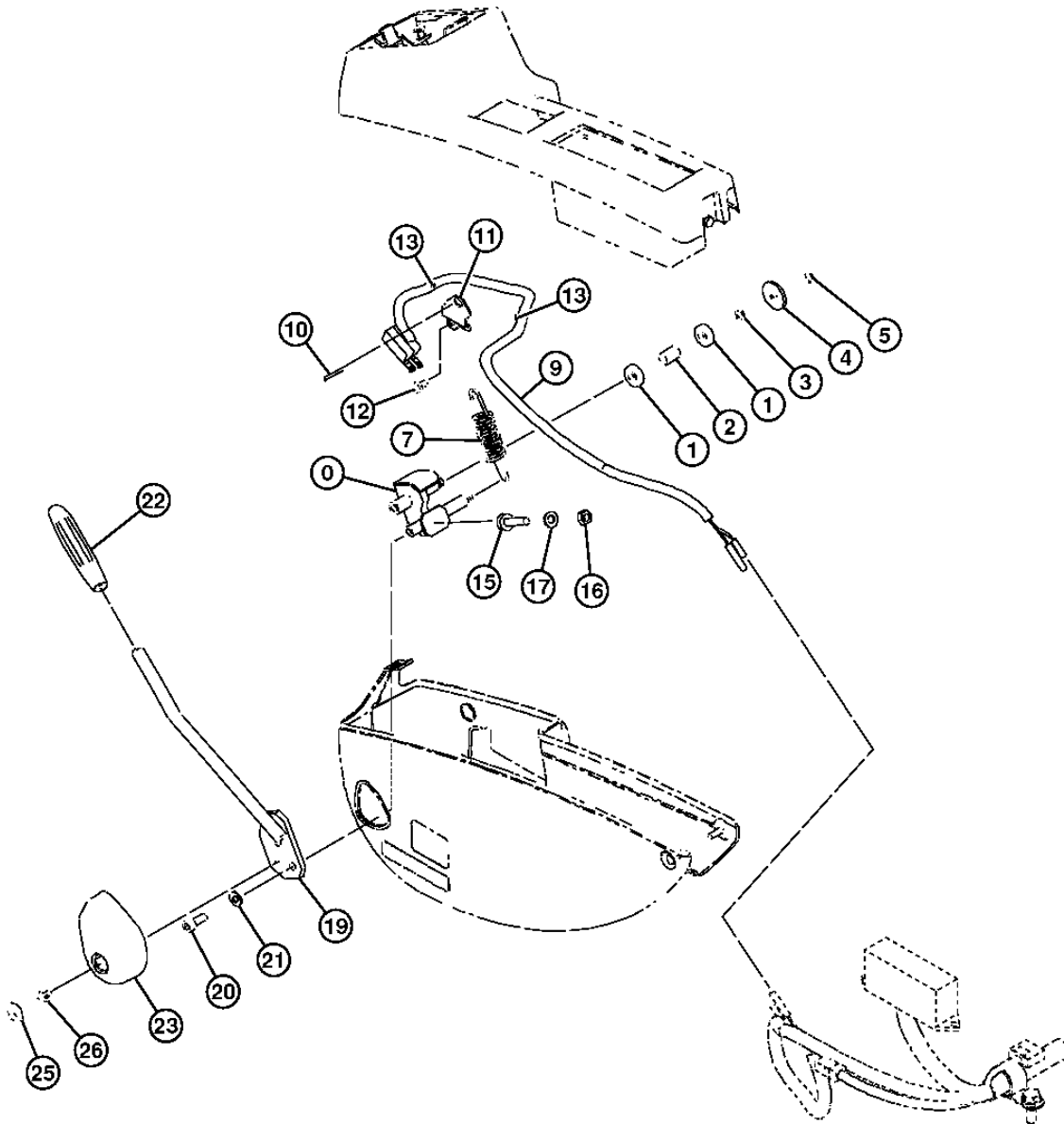
KEY	PART NO.	PART NAME	QTY.	SERIAL NO.	REMARKS
0	19M8337	SCREW	2		M10 X 30, (SUB FOR J781035)
1	24M7346	WASHER	2		11 X 20 X 2 MM, (SUB FOR J222010)
5	8099799	LEVER	1		
6	8099800	LEVER	1		
7	SCREW WITH WASHER	4		(J271050 NLA)
	19M7658	CAP SCREW	4		M10 X 50, (SUB FOR J901050)
	24M7346	WASHER	4		11 X 20 X 2 MM, (SUB FOR J222010)
8	2052912	GRIP	2		
9	4424185	NUT	2		
11	1015477	FOOTREST	1		
12	1015478	FOOTREST	1		
13	4645170	COVER	2		
14	SCREW WITH WASHER	10		(J271030 NLA)
	19M7662	CAP SCREW	10		M10 X 30, (SUB FOR J901030)
	24M7346	WASHER	10		11 X 20 X 2 MM, (SUB FOR J222010)
16	1033298	PEDAL	1		(LH)
17	1033299	PEDAL	1		(RH)
90	9235551	HYDR./PILOT CONTROL VALVE	1		(SUB FOR 9226365)

3315-14

EXCAVATOR 33
CONTROLS LINKAGE 3315

PILOT SHUTOFF LEVER LEVIER D'ARRÊT PILOTE PALANCA DE CORTE PILOTO

TX1011707 -UN-05SEP06



TX1011707

3315-15

EXCAVATOR 33

CONTROLS LINKAGE 3315

PILOT SHUTOFF LEVER
LEVIER D'ARRET PILOTE
PALANCA DE CORTE PILOTO

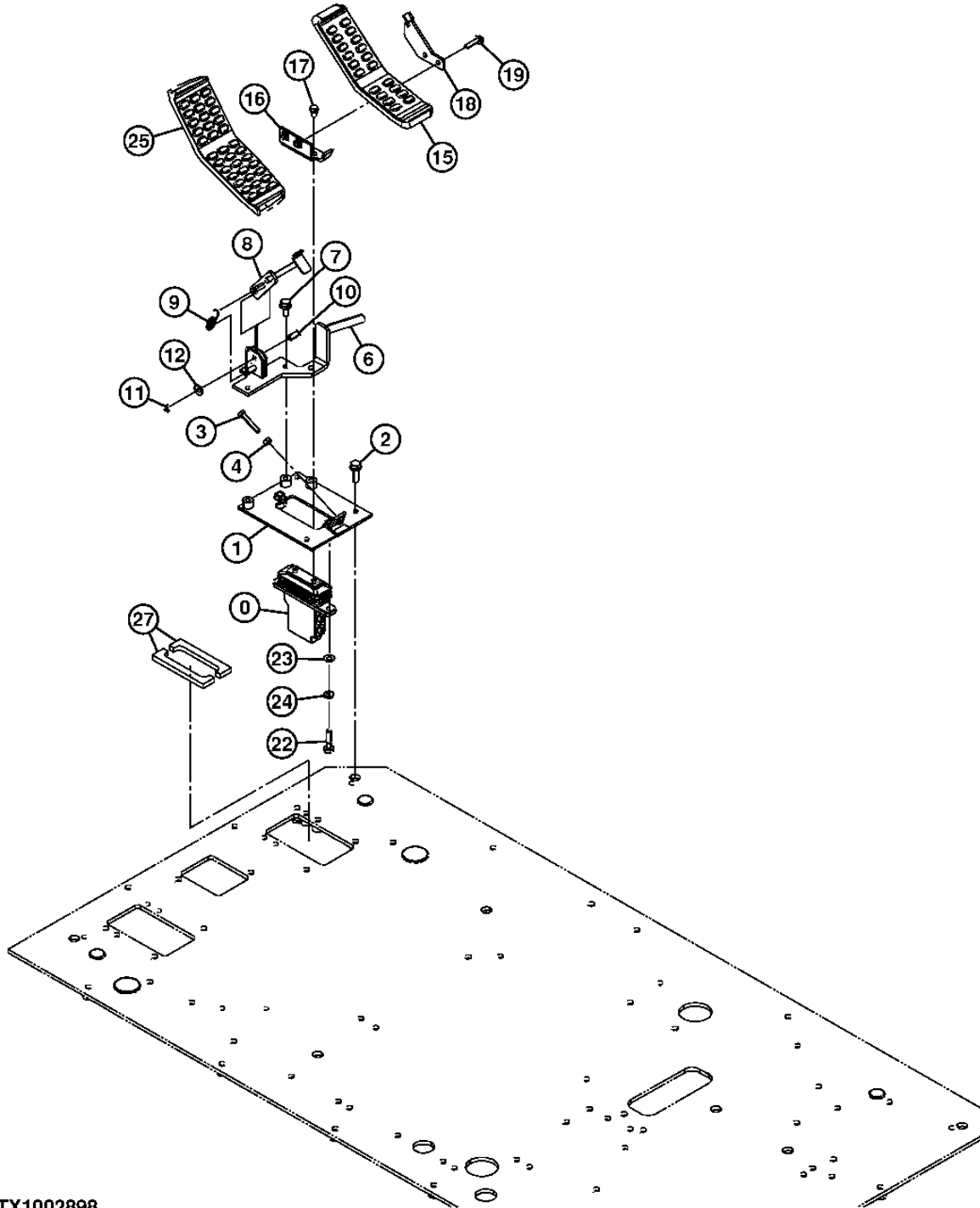
KEY	PART NO.	PART NAME	QTY.	COMPONENT SERIAL NO.	REMARKS
0	8101358	BRACKET	1		
1	4637175	BALL BEARING	2		
2	4631103	SPACER	1		
3	4454269	SHIM	1		
4	4486055	WASHER	1		(SUB FOR 4371706)
5	991334	SNAP RING	1		
7	4636765	SPRING	1		
9	4637925	SWITCH	1		(WIRING HARNESS WITH SWITCH)
10	J460325	SCREW	2		
11	4644696	BRACKET	1		
12	J460614	SCREW	2		
13	H77698	TIE BAND	2		(SUB FOR 4300351)
15	4642575	ISOLATOR	1		
16	14M7273	NUT	1		M8, (SUB FOR J950008)
17	24M7055	WASHER	1		8.400 X 16 X 1.600 MM, (SUB FOR A590108)
19	8100579	LEVER	1		
20	19M7660	SCREW	2		M8 X 20, (SUB FOR J780820)
21	24M7055	WASHER	2		8.400 X 16 X 1.600 MM, (SUB FOR A590108)
22	3109101	GRIP	1		(SUB FOR 3105010)
23	4644191	COVER	1		
25	4644220	CAP	1		
26	24M7054	WASHER	1		6.400 X 12 X 1.600 MM, (SUB FOR J460612)

3315-16

EXCAVATOR 33
CONTROLS LINKAGE 3315

AUXILIARY TRAVEL PILOT CONTROL VALVE AND PEDALS DISTRIBUTEUR PILOTE DE DEPLACEMENT AUXILIAIRE ET PEDALES VALVULA DE CONTROL PILOTO Y PEDALES DE PROPULSION AUXILIARES

TX1002898 -UN-20JAN06



TX1002898

3315-17

EXCAVATOR 33

CONTROLS LINKAGE 3315

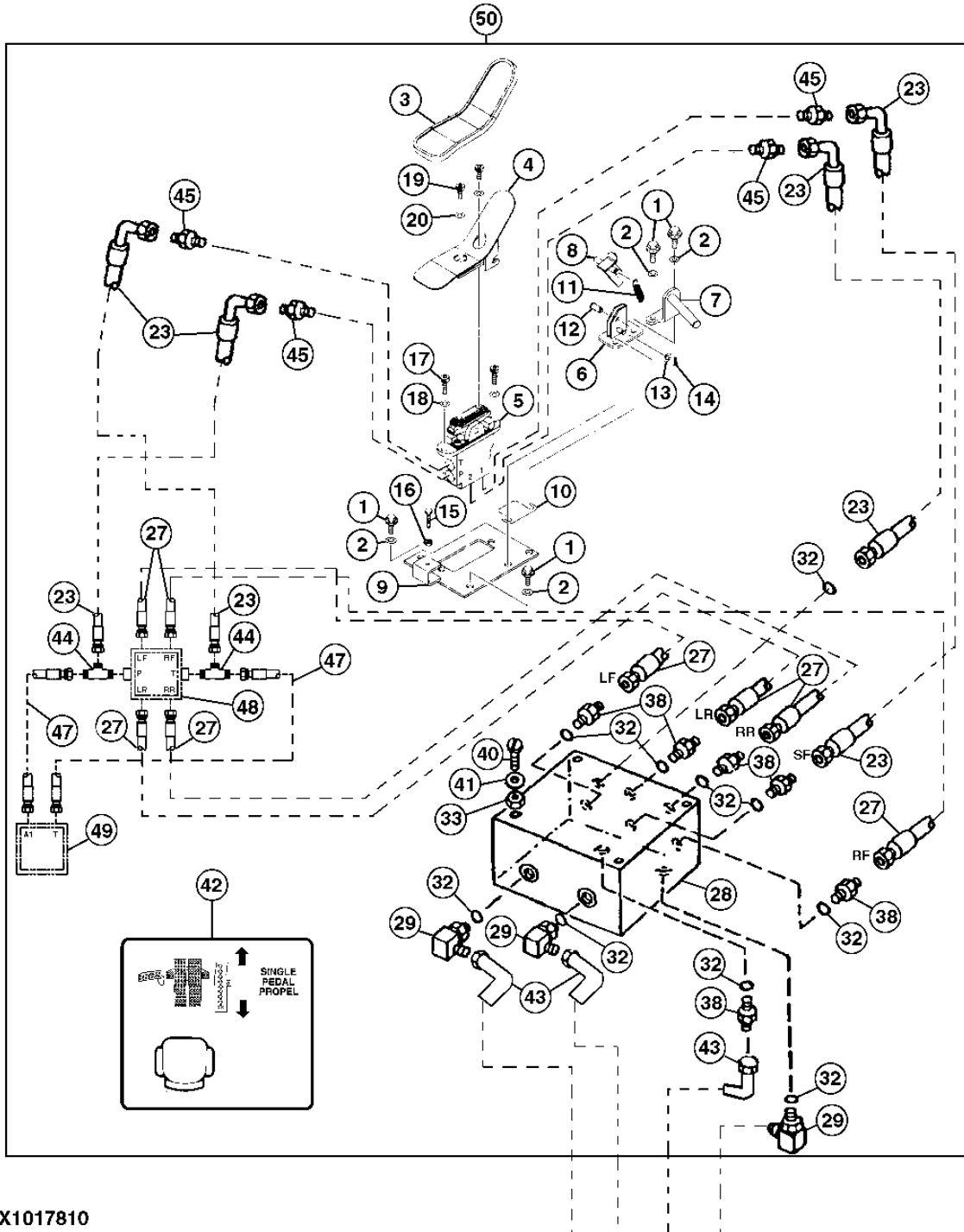
**AUXILIARY TRAVEL PILOT CONTROL VALVE AND PEDALS
COMPOSANTS DE DISTRIBUTEUR PILOTE
COMPONENTES DE LA VALVULA DE CONTROL PILOTO**

KEY	PART NO.	PART NAME	QTY.	SERIAL NO.	REMARKS
0	9216905	VALVE	1		
1	8101299	BRACKET	1		
2	SCREW WITH WASHER	3		(J271035 NLA)
	19M7550	CAP SCREW	3		M10 X 35, (SUB FOR J901035)
	24M7346	WASHER	3		11 X 20 X 2 MM, (SUB FOR J222010)
3	4317640	BOLT	1		
4	14M7273	NUT	1		(SUB FOR M500807)
6	BRACKET	1		(SUB 8106893, 9766166 AND 4660755) (8101451 NLA)
	8106893	BRACKET	1		
7	SCREW WITH WASHER	3		(J271025 NLA)
	19M7402	CAP SCREW	3		M10 X 25, (SUB FOR J901025)
	24M7346	WASHER	3		11 X 20 X 2 MM, (SUB FOR J222010)
8	STOP	1		(SUB 9766166, 8106893 AND 4660755) (9765444 NLA)
	9766166	STOP	1		
9	4279604	SPRING	1		
10	4287795	PIN	1		
11	11M7080	COTTER PIN	1		2.500 X 16 MM, (SUB FOR A763016)
12	24M7028	WASHER	1		10.500 X 20 X 2 MM, (SUB FOR A590110)
15	1033219	PEDAL	1		
16	9765447	BRACKET	1		
17	SCREW WITH WASHER	2		(J260816 NLA)
	19M7162	CAP SCREW	2		M8 X 16, (SUB FOR J900816)
	24M7055	WASHER	2		8.400 X 16 X 1.600 MM, (SUB FOR A590108)
18	PLATE	1		(SUB 4660755, 8106893 AND 9766166) (4647334 NLA)
	4660755	PLATE	1		
19	SCREW WITH WASHER	2		(J260835 NLA)
	19M7298	CAP SCREW	2		(SUB FOR J900835)
	24M7055	WASHER	2		(SUB FOR A590108)
22	19M7358	CAP SCREW	2		M10 X 40, (SUB FOR J901040)
23	24M7028	WASHER	2		10.500 X 20 X 2 MM, (SUB FOR A590110)
24	12M7066	LOCK WASHER	2		10 MM, (SUB FOR A590910)
25	3106855	PEDAL	1		
27	4658295	ISOLATOR	2		

3315-18

SINGLE PEDAL PROPEL KIT KIT DE PROPULSION A PEDALE UNIQUE JUEGO DE PROPULSION CON PEDAL SENCILLO

TX1017810 -UN-24JAN07



TX1017810

3315-19

EXCAVATOR 33

CONTROLS LINKAGE 3315

**SINGLE PEDAL PROPEL KIT
KIT DE PROPULSION A PEDALE UNIQUE
JUEGO DE PROPULSION CON PEDAL SENCILLO**

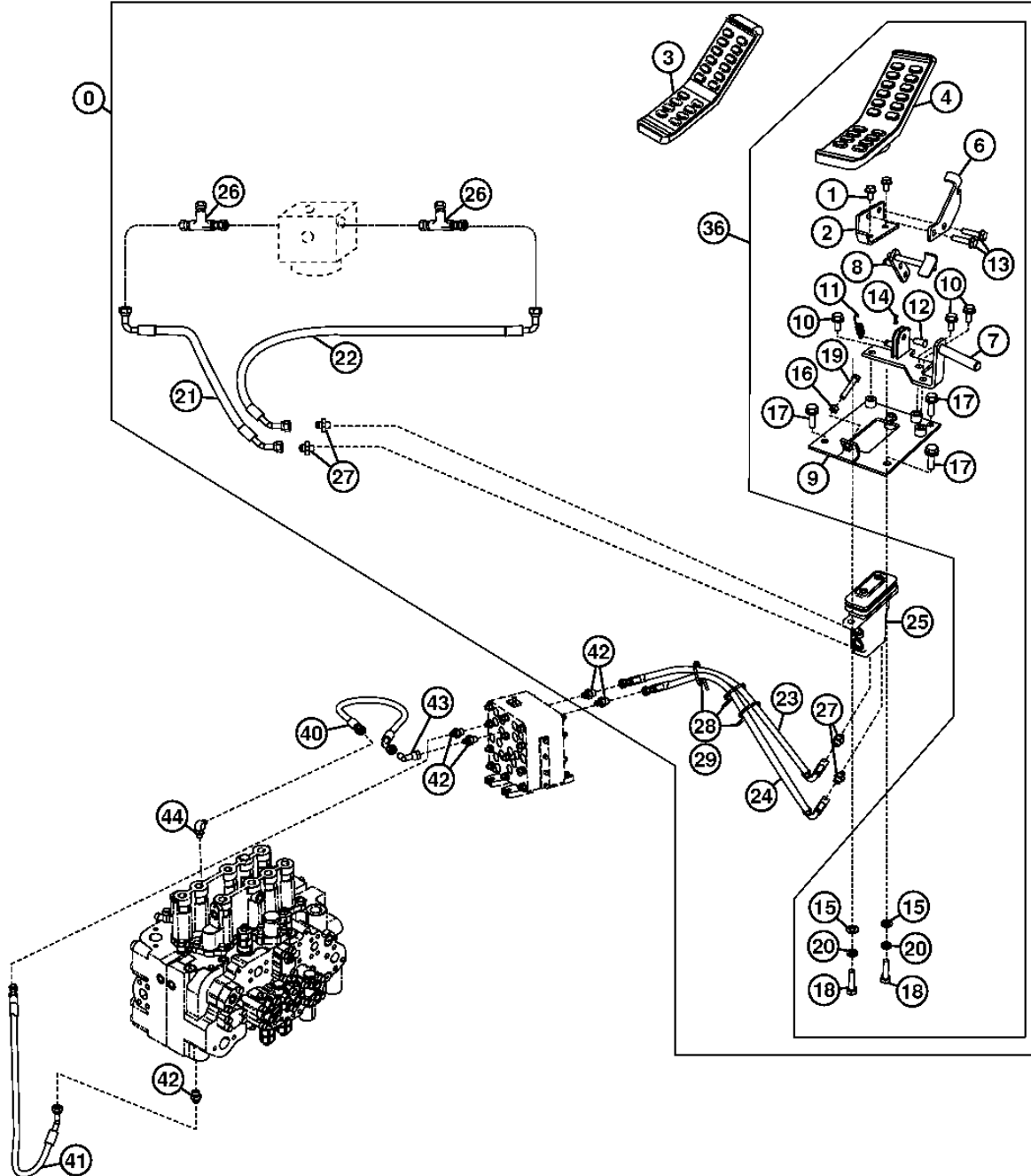
KEY	PART NO.	PART NAME	QTY.	SERIAL NO.	REMARKS
1	19M7784	SCREW	4		M10 X 20
2	24M7296	WASHER	4		10.500 X 30 X 2.500 MM
3	4283758	COVER	1		
4	8084644	PEDAL	1		
5	9197490	HYDR./PILOT CONTROL VALVE	1		
6	8080596	BRACKET	1		
7	8083128	BRACKET	1		
8	8084658	STOP	1		
9	8087747	PLATE	1		
10	4461388	SHIM	1		
11	4279604	SPRING	1		
12	4287795	PIN	1		
13	24M7028	WASHER	1		10.500 X 20 X 2 MM
14	11M7080	COTTER PIN	1		2.500 X 16 MM
15	4317640	BOLT	1		
16	14M7273	NUT	1		M8
17	19M7576	SCREW	2		M10 X 30, (SUB FOR J781030)
18	12M7066	LOCK WASHER	2		10 MM
19	J781020	BOLT	2		
20	12M7066	LOCK WASHER	2		10 MM
23	AT71082	HYDRAULIC HOSE - FABRICATE	4		
27	AT215538	HYDRAULIC HOSE - FABRICATE	4		
28	AT170459	HYD ACTUATED CONTROL VALVE	1		(INCLUDES (4) AT158988)
	AT158988	HYDRAULIC PRESSURE VALVE	4		
29	AT35121	ELBOW FITTING	3		
32	R26448	O-RING	10		
33	14M7298	FLANGE NUT	4		M8
38	R27212	FITTING	7		
40	19M8456	CAP SCREW	4		M8 X 100
41	24M7036	WASHER	4		
42	T153674	LABEL	1		W/O AUX
	T153676	LABEL	1		WITH AUX
43	AE24616	ELBOW FITTING	3		
44	AT36921	TEE FITTING	2		
45	A852123	ADAPTER FITTING	4		
47	AT216983	HYDRAULIC HOSE - FABRICATE	2		
48	9235551	HYDR./PILOT CONTROL VALVE	1		PROPEL PEDALS (NOT INCLUDED IN KIT)
49	4609630	VALVE	1		PILOT SHUTOFF VALVE (NOT INCLUDED IN KIT)
50	AT327650	FIELD INSTALLATION KIT	1		(WHOLE GOODS) SINGLE PEDAL PROPEL

3315-20

EXCAVATOR 33
CONTROLS LINKAGE 3315

TWO-WAY HYDRAULIC FOOT PEDAL CONTROL COMMANDE A PEDALE HYDRAULIQUE A DEUX VOIES CONTROL DEL PEDAL HIDRAULICO DE DOS VIAS

TX1010229 -UN-10AUG06



TX1010229

3315-21

EXCAVATOR 33

CONTROLS LINKAGE 3315

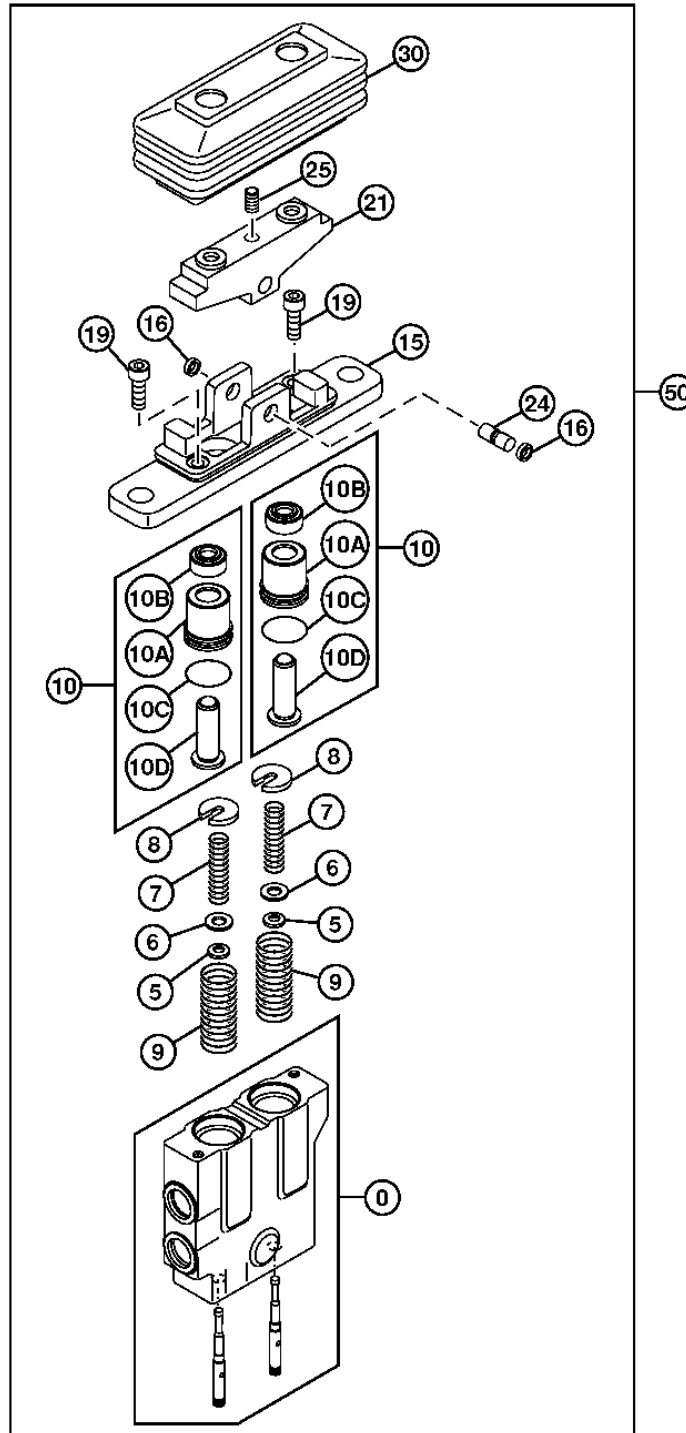
**TWO-WAY HYDRAULIC FOOT PEDAL CONTROL
COMMANDE A PEDALE HYDRAULIQUE A DEUX VOIES
CONTROL DEL PEDAL HIDRAULICO DE DOS VIAS**

KEY	PART NO.	PART NAME	QTY.	SERIAL NO.	REMARKS
0	AT330568	FIELD INSTALLATION KIT	1		WHOLE GOODS, (AUXILIARY FOOT PEDAL CONTROL)
1	19M7162	CAP SCREW	2		M8 X 16
2	9765447	BRACKET	1		
3	3106855	PEDAL	1		
4	1033219	PEDAL	1		
6	PLATE	1		(SUB 4660755, 8106893 AND 9766166) (4647334 NLA)
	4660755	PLATE	1		
7	BRACKET	1		(SUB 8106893, 9766166 AND 4660755) (8101451 NLA)
	8106893	BRACKET	1		
8	STOP	1		(SUB 9766166, 8106893 AND 4660755) (9765444 NLA)
	9766166	STOP	1		
9	8101299	BRACKET	1		
10	19M7402	CAP SCREW	3		M10 X 25
11	4279604	SPRING	1		
12	4287795	PIN	1		
13	19M7298	CAP SCREW	2		M8 X 35
14	11M7080	COTTER PIN	1		2.500 X 16 MM, (SUB FOR A763016)
15	12M7066	LOCK WASHER	2		10 MM
16	14M7273	NUT	1		M8
17	19M7550	CAP SCREW	3		M10 X 35
18	19M7358	CAP SCREW	2		M10 X 40
19	4317640	BOLT	1		
20	24M7055	WASHER	2		8.400 X 16 X 1.600 MM
21	4648205	HYDRAULIC HOSE	1		
22	4648204	HYDRAULIC HOSE	1		
23	4659601	HYDRAULIC HOSE - FABRICATE	1		
24	4659600	HYDRAULIC HOSE	1		
25	9219244	HYDR./PILOT CONTROL VALVE	1		
26	A852433	TEE FITTING	2		
27	A852123	ADAPTER FITTING	4		
28	M45242	CLIP	3		(SUB FOR 4190292)
29	19M7938	CAP SCREW	3		(SUB FOR J901020)
36	9261030	PEDAL	1		
40	4453063	HYDRAULIC HOSE	1		
41	4654406	HOSE	1		
42	A852133	ADAPTER FITTING	5		
43	4239976	UNION FITTING	1		
44	AT318017	ADAPTER FITTING	1		(SUB FOR 4208913)

3315-22

AUXILIARY PILOT CONTROL VALVE COMPONENTS
COMPOSANTS DE DISTRIBUTEUR PILOTE AUXILIAIRE
COMPONENTES DE VALVULA DE CONTROL PILOTO AUXILIAR

TX1035870 -UN-11FEB08



TX1035870

3315-23

EXCAVATOR 33

CONTROLS LINKAGE 3315

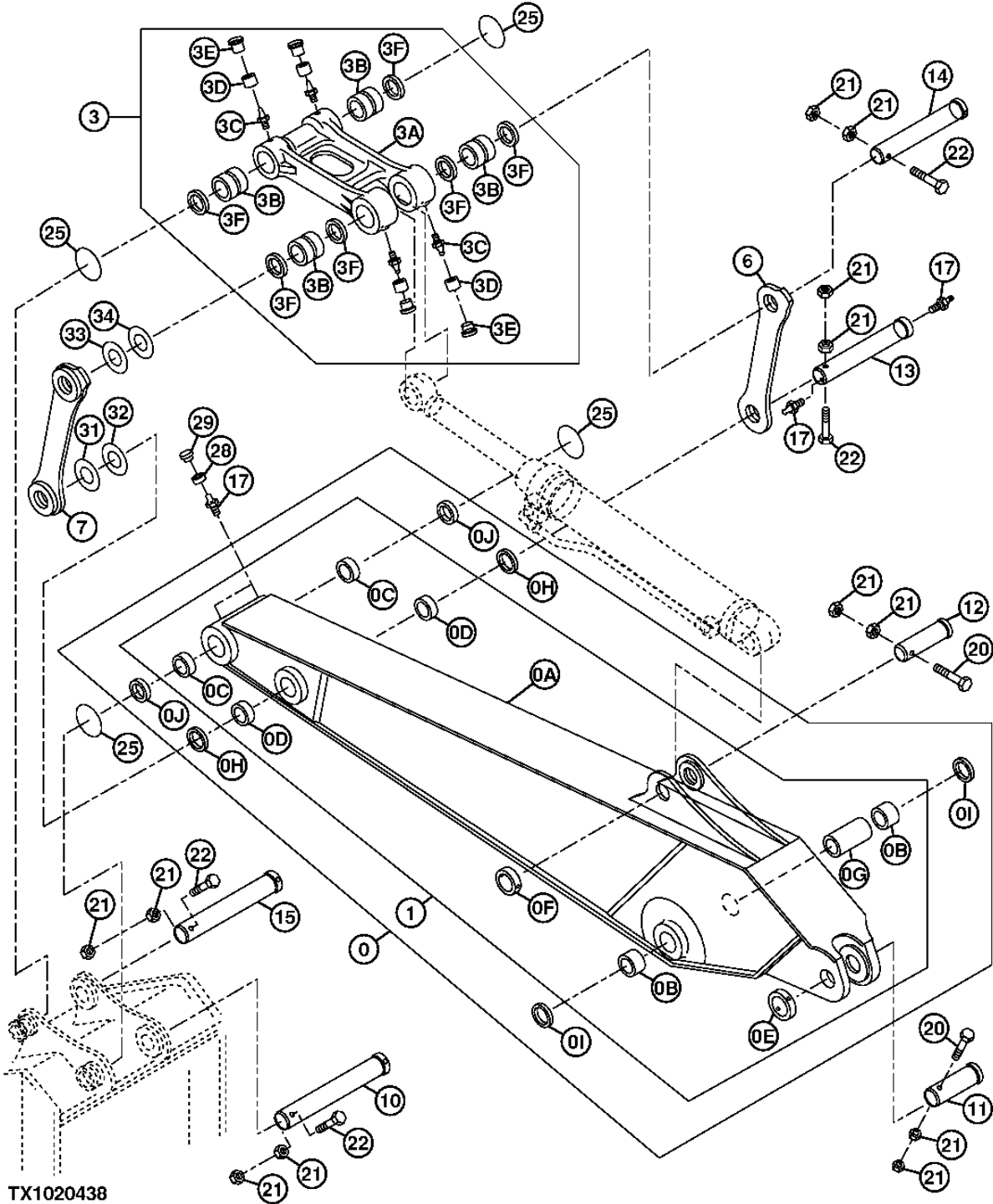
AUXILIARY PILOT CONTROL VALVE COMPONENTS
COMPOSANTS DE DISTRIBUTEUR PILOTE AUXILIAIRE
COMPONENTES DE VALVULA DE CONTROL PILOTO AUXILIAR

KEY	PART NO.	PART NAME	QTY.	SERIAL NO.	REMARKS
0	CASE	1		(8088591 NLA)
5	4319299	SPACER	2		
6	4662206	SHIM	6		(SUB FOR 4203411)
7	4474214	COMPRESSION SPRING	2		
8	4474218	GUARD	2		
9	4481334	SPRING	2		
10	9214706	PISTON	2		
10A	3095375	BUSHING	1		
10B	4447050	SEAL	1		
10C	4306888	O-RING	1		(SUB FOR 4269615)
10D	9758896	PISTON	1		
15	BASE	1		(2048256 NSEP)
16	4480261	BUSHING	2		
19	21M7277	SCREW	2		M6 X 25, (SUB FOR J780625)
21	4474216	CAM	1		(SUB FOR 4609781)
24	4474217	PIN	1		
25	BOLT	1		(4209728 NLA)
30	2048374	BOOT	1		
50	9219244	HYDR./PILOT CONTROL VALVE	1		

3340-2

MASS EXCAVATING ARM 2.9M
BRAS D'EXCAVATION MASSIQUE 2.9 M
BRAZO DE EXCAVACION EN GRAN VOLUMEN DE 2.9 M

TX1020438 -UN-25APR07



TX1020438

3340-3

EXCAVATOR 33

EXCAVATOR FRAME 3340

**MASS EXCAVATING ARM 2.9M
BRAS D'EXCAVATION MASSIQUE 2,9 M
BRAZO DE EXCAVACION EN GRAN VOLUMEN DE 2.9 M**

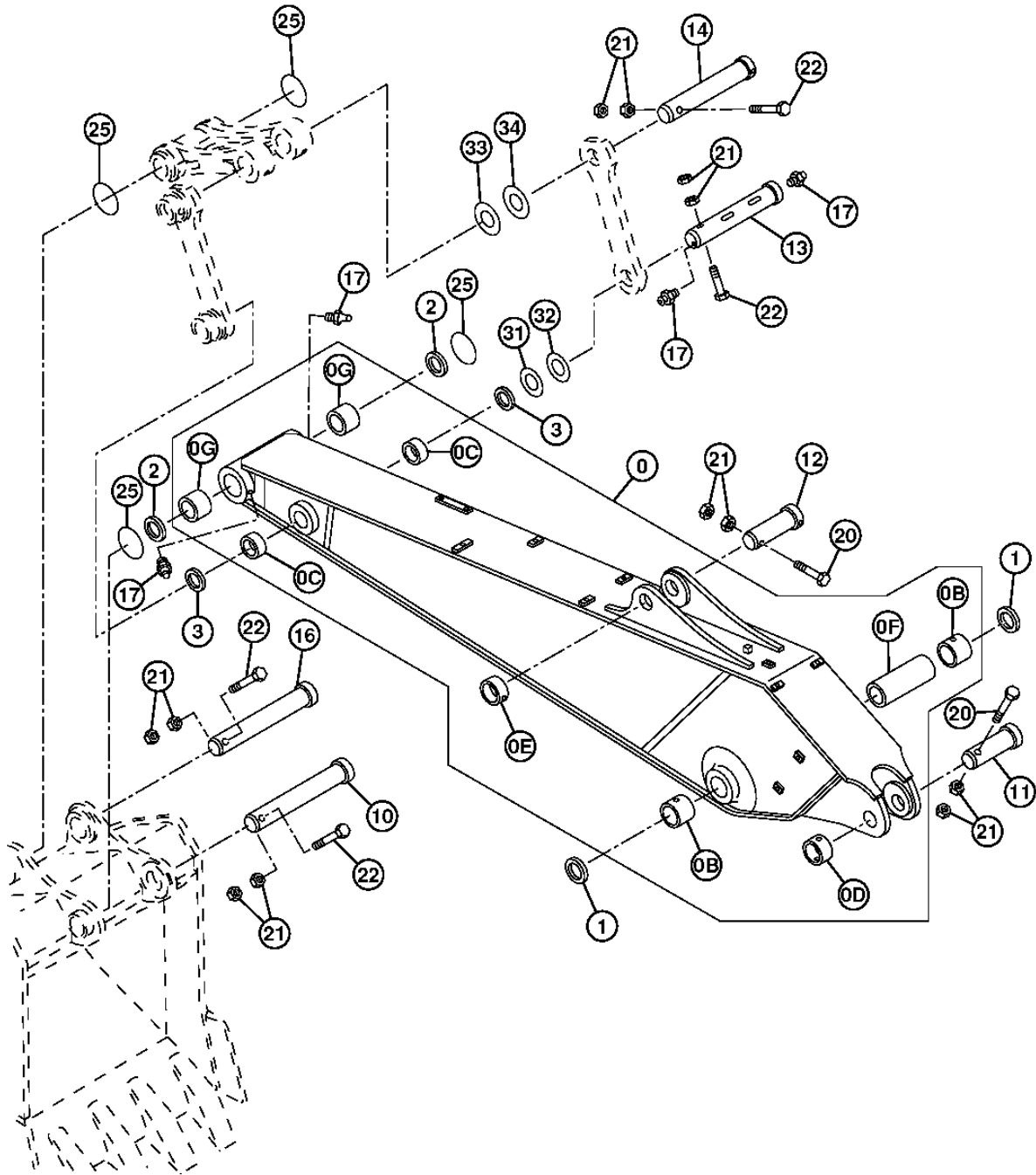
KEY	PART NO.	PART NAME	QTY.	SERIAL NO.	REMARKS
0	9267658	ARM	1		(MASS EXCAVATING)
0A	ARM	1		(5010923 NLA)
0B	3055205	BUSHING	2		
0C	AT217078	BUSHING	2		(SUB FOR 3079233)
0D	TH103214	BUSHING	2		(SUB FOR 3026075)
0E	4662435	STOP	1		(SUB FOR 4205110)
0F	TH103198	BUSHING	1		(SUB FOR 4143531)
0G	4334122	SPACER	1		
0H	TH102411	SEAL	2		(SUB FOR 4074008)
0I	4251752	SEAL	2		
0J	4251212	SEAL	2		
1	ARM	1		(7051352 NLA)
3	9206398	LINK	1		
3A	LINK	1		(1029877 NLA)
3B	AT201695	BUSHING	4		(SUB FOR 3060476)
3C	TH100074	LUBRICATION FITTING	4		(SUB FOR J75481)
3D	4130686	BUSHING	4		
3E	4105912	CAP	4		
3F	4251212	SEAL	6		
6	8050176G	LINK	1		(SUB FOR 8050176)
7	8050178G	LINK	1		(SUB FOR 8050178)
10	3104742R	PIN	1		(SUB FOR 3104742)
11	3104744	PIN	1		
12	AT131627	PIN FASTENER	1		(SUB FOR 3038820)
13	3055219	PIN FASTENER	1		
14	AT192342	PIN FASTENER	1		(SUB FOR 3104743)
15	3093215	PIN FASTENER	1		
17	TH100074	LUBRICATION FITTING	4		(SUB FOR J75481)
20	19M8100	CAP SCREW	2		M20 X 180, (SUB FOR J932013)
21	14M7277	NUT	12		M20, (SUB FOR J951020)
22	4276312R	BOLT	4		(SUB FOR 4276312)
25	4487682	O-RING	4		
28	4130686	BUSHING	2		
29	4105912	CAP	2		
31	4134370R	SHIM	1		(SUB FOR 4134370)
32	4134371R	SHIM	1		(SUB FOR 4134371)
33	4134372R	SHIM	1		(SUB FOR 4134372)
34	4134373R	SHIM	1		(SUB FOR 4134373)

3340-4

EXCAVATOR 33
EXCAVATOR FRAME 3340

ARM (3.9M - 12 FT 10 IN)
BRAS (3.4M - 12FT 10IN)
BRAZO (3.9M - 12FT 10IN)

TX1002134 -UN-09JAN06



TX1002134

3340-5

EXCAVATOR 33

EXCAVATOR FRAME 3340

ARM (3.9M - 12 FT 10 IN)
BRAS (3,4M - 12FT 10IN)
BRAZO (3.9M - 12FT 10IN)

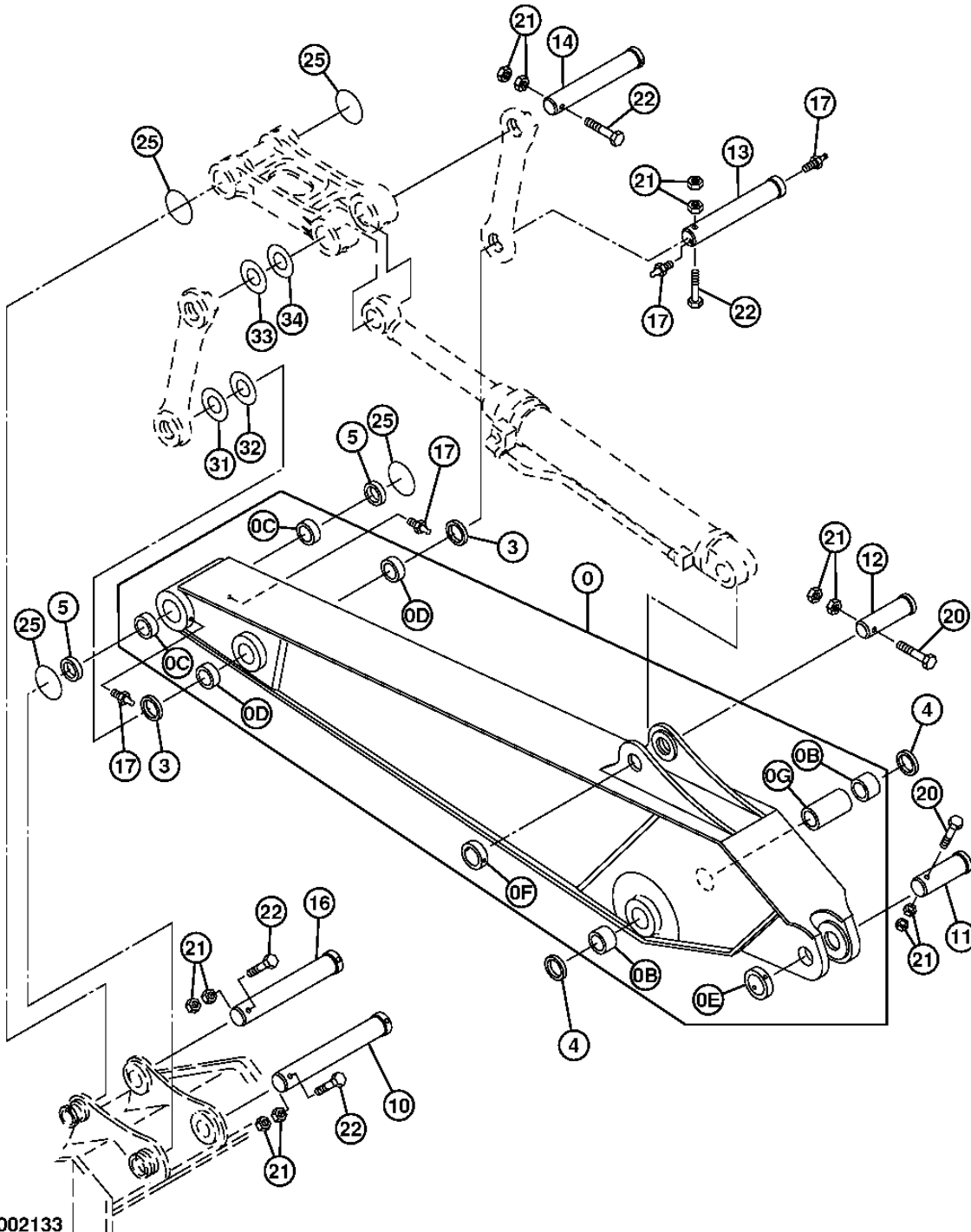
KEY	PART NO.	PART NAME	QTY.	SERIAL NO.	REMARKS
0	7051364G	ARM	1		
0B	3055205	BUSHING	2		
0C	TH103214	BUSHING	2		(SUB FOR 3026075)
0D	4662435	STOP	1		(SUB FOR 4205110)
0E	TH103198	BUSHING	1		(SUB FOR 4143531)
0F	4334122	SPACER	1		
0G	3079233	BUSHING	2		
0H	7048348	BOSS	2		(REPLACEMENT ARM END PARTS) (NOT ILLUSTRATED)
1	4251752	SEAL	2		
2	4251212	SEAL	2		
3	TH102411	SEAL	2		(SUB FOR 4074008)
10	3104742R	PIN	1		(SUB FOR 3104742)
11	3104744	PIN	1		
12	AT131627	PIN FASTENER	1		105 X 324 MM, (SUB FOR 3038820)
13	3055219	PIN FASTENER	1		100 X 608 MM
14	AT192342	PIN FASTENER	1		(SUB FOR 3104743)
16	3093215	PIN FASTENER	1		
17	TH100074	LUBRICATION FITTING	4		(SUB FOR J75481)
20	19M8100	CAP SCREW	2		M20 X 180, (SUB FOR J932013)
21	14M7277	NUT	12		M20, (SUB FOR J951020)
22	4276312R	BOLT	4		(SUB FOR 4276312)
25	4487682	O-RING	4		
31	4134370R	SHIM	1		(SUB FOR 4134370)
32	4134371R	SHIM	1		(SUB FOR 4134371)
33	4134372R	SHIM	1		(SUB FOR 4134372)
34	4134373R	SHIM	1		(SUB FOR 4134373)

3340-6

HEAVY DUTY ARM (3.4M - 11 FT 2 IN)
BRAS RENFORCE (3.4 M - 11 FT 2 IN)
BRAZO PARA SERVICIO SEVERO (3.4 M - 11 FT 2 IN.)

TX1002133

-UN-09JAN06



TX1002133

3340-7

EXCAVATOR 33

EXCAVATOR FRAME 3340

HEAVY DUTY ARM (3.4M - 11 FT 2 IN)
BRAS RENFORCE (3.4 M - 11 FT 2 IN)
BRAZO PARA SERVICIO SEVERO (3.4 M - 11 FT 2 IN.)

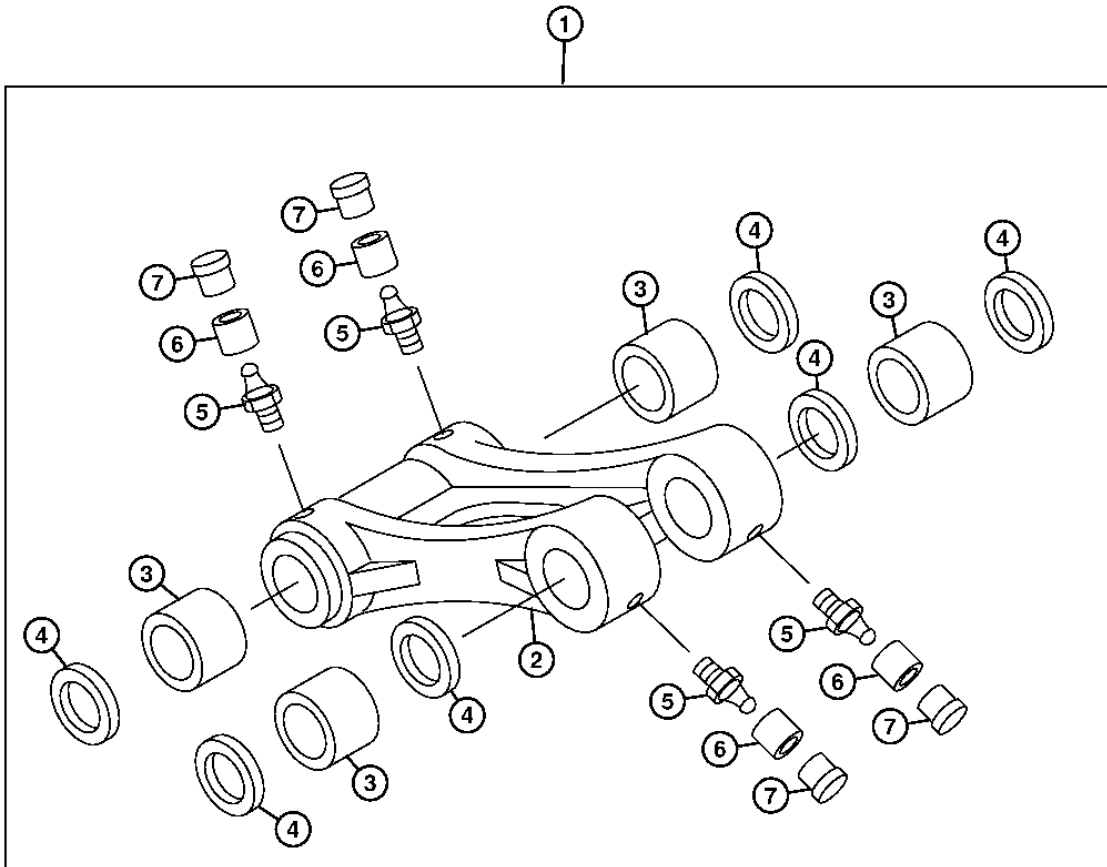
KEY	PART NO.	PART NAME	QTY.	SERIAL NO.	REMARKS
0	7048605G	ARM	1		
0B	3055205	BUSHING	2		
0C	AT217078	BUSHING	2		(SUB FOR 3079233)
0D	TH103214	BUSHING	2		(SUB FOR 3026075)
0E	4662435	STOP	1		(SUB FOR 4205110)
0F	TH103198	BUSHING	1		(SUB FOR 4143531)
0G	4334122	SPACER	1		
0H	7048348	BOSS	2		(REPLACEMENT ARM END PARTS) (NOT ILLUSTRATED)
3	TH102411	SEAL	2		(SUB FOR 4074008)
4	4251752	SEAL	2		
5	4251212	SEAL	2		
10	3104742R	PIN	1		(SUB FOR 3104742)
11	3104744	PIN	1		
12	AT131627	PIN FASTENER	1		(SUB FOR 3038820)
13	3055219	PIN FASTENER	1		
14	AT192342	PIN FASTENER	1		(SUB FOR 3104743)
16	3093215	PIN FASTENER	1		
17	TH100074	LUBRICATION FITTING	4		(SUB FOR J75481)
20	19M8100	CAP SCREW	2		M20 X 180, (SUB FOR J932013)
21	14M7277	NUT	12		M20, (SUB FOR J951020)
22	4276312R	BOLT	4		(SUB FOR 4276312)
25	4487682	O-RING	4		
31	4134370R	SHIM	1		(SUB FOR 4134370)
32	4134371	WASHER	1		
33	4134372	WASHER	1		
34	4134373R	SHIM	1		(SUB FOR 4134373)

3340-8

EXCAVATOR 33
EXCAVATOR FRAME 3340

BUCKET LINK TRINGLERIE DE BENNE ESLABON DE CUCHARON

TX1002211 -UN-10JAN06



TX1002211

THIS PARTS LISTING IS CONTINUED

3340-9

EXCAVATOR 33

EXCAVATOR FRAME 3340

**BUCKET LINK
TRINGLERIE DE BENNE
ESLABON DE CUCHARON**

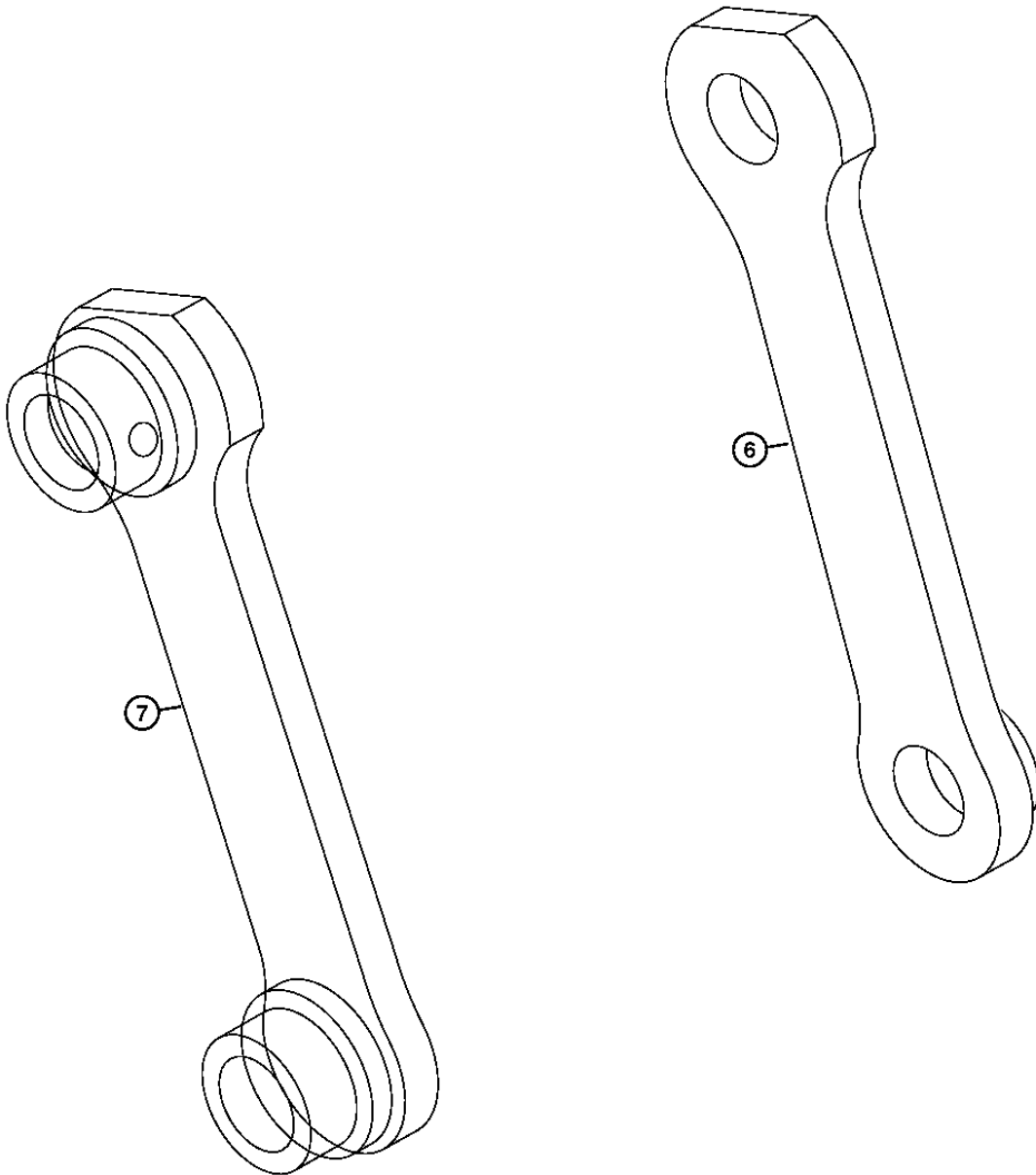
KEY	PART NO.	PART NAME	QTY.	SERIAL NO.	REMARKS
1	9206398	LINK	1		
2	LINK	1		
3	AT201695	BUSHING	4		
4	AT131682	SEAL	6		
5	TH100074	LUBRICATION FITTING	4		
6	4130686	BUSHING	4		
7	4105912	CAP	4		

3340-10

EXCAVATOR 33
EXCAVATOR FRAME 3340

ARM LINK
BIELLE DE BRAS
BRAZO

TX1002212 -UN-07JAN06



TX1002212

3340-11

EXCAVATOR 33

EXCAVATOR FRAME 3340

**ARM LINK
BIELLE DE BRAS
BRAZO**

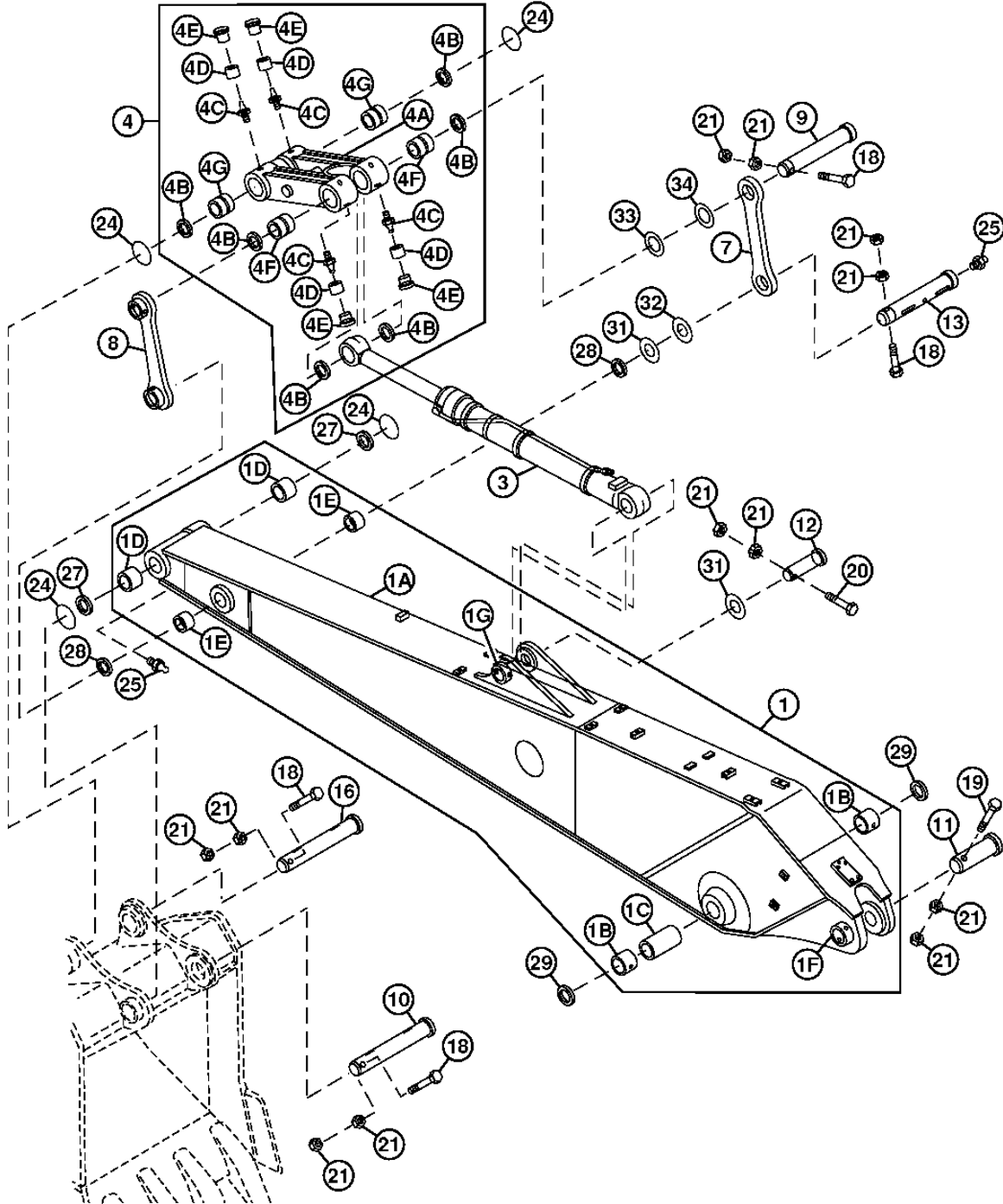
KEY	PART NO.	PART NAME	QTY.	SERIAL NO.	REMARKS
6	8050176G	LINK	1		
7	8050178G	LINK	1		

3340-12

EXCAVATOR 33
EXCAVATOR FRAME 3340

LONG ARM (4.9M)
BRAS LONG (4.9M)
BRAZO LARGO (4.9M)

TX1031131 -UN-29OCT07



TX1031131

3340-13

EXCAVATOR 33

EXCAVATOR FRAME 3340

**LONG ARM (4.9M)
BRAS LONG (4.9M)
BRAZO LARGO (4.9M)**

KEY	PART NO.	PART NAME	QTY.	SERIAL NO.	REMARKS
1	7051364G	ARM	1		
1A	ARM	1		(5010842 NLA)
1B	3055205	BUSHING	2		
1C	4334122	SPACER	1		
1D	AT217079	BUSHING	2		(SUB FOR 3079389)
1E	TH103216	BUSHING	2		(SUB FOR 3026076)
1F	4662435	STOP	1		(SUB FOR 4205110)
1G	TH102409	BUSHING	1		(SUB FOR 4067720)
3	4658553G	HYDRAULIC CYLINDER	1		
4	9244604G	LINK	1		
4A	LINK	1		(7046116 NLA)
4B	TH102411	SEAL	6		(SUB FOR 4074008)
4C	TH100074	LUBRICATION FITTING	8		(SUB FOR J75481)
4D	4130686	BUSHING	8		
4E	4105912	CAP	8		
4F	TH111170	BUSHING	2		(SUB FOR 3037259)
4G	3095466	BUSHING	2		
7	3055521G	LINK	1		
8	8068280	LINK	1		
9	3069081	PIN FASTENER	1		(SUB FOR 3060056)
10	3079432	PIN FASTENER	1		
11	3104744	PIN	1		
12	TH103204	PIN	1		(SUB FOR 3026126)
13	TH111181	PIN FASTENER	1		90 X 546 MM. (SUB FOR 3037539)
16	3099337	PIN	1		
18	4382449	BOLT	4		
19	19M8100	CAP SCREW	1		(SUB FOR J932013)
20	19M8503	CAP SCREW	1		M20 X 160, (SUB FOR J932011)
21	14M7277	NUT	12		M20, (SUB FOR J951020)
24	4100180	O-RING	4		(STANDARD O-RING)
	AT349467	SEAL	4		(SPLIT O-RING)
25	TH100074	LUBRICATION FITTING	3		(SUB FOR J75481)
27	TH102411	SEAL	2		(SUB FOR 4074008)
28	TH102445	SEAL	2		(SUB FOR 4067901)
29	4251752	SEAL	2		
31	TH106307	WASHER	4		(SUB FOR 4101281)
32	TH106308	WASHER	1		(SUB FOR 4142950)
33	4189839	WASHER	2		
34	4189838	WASHER	1		

3344-2

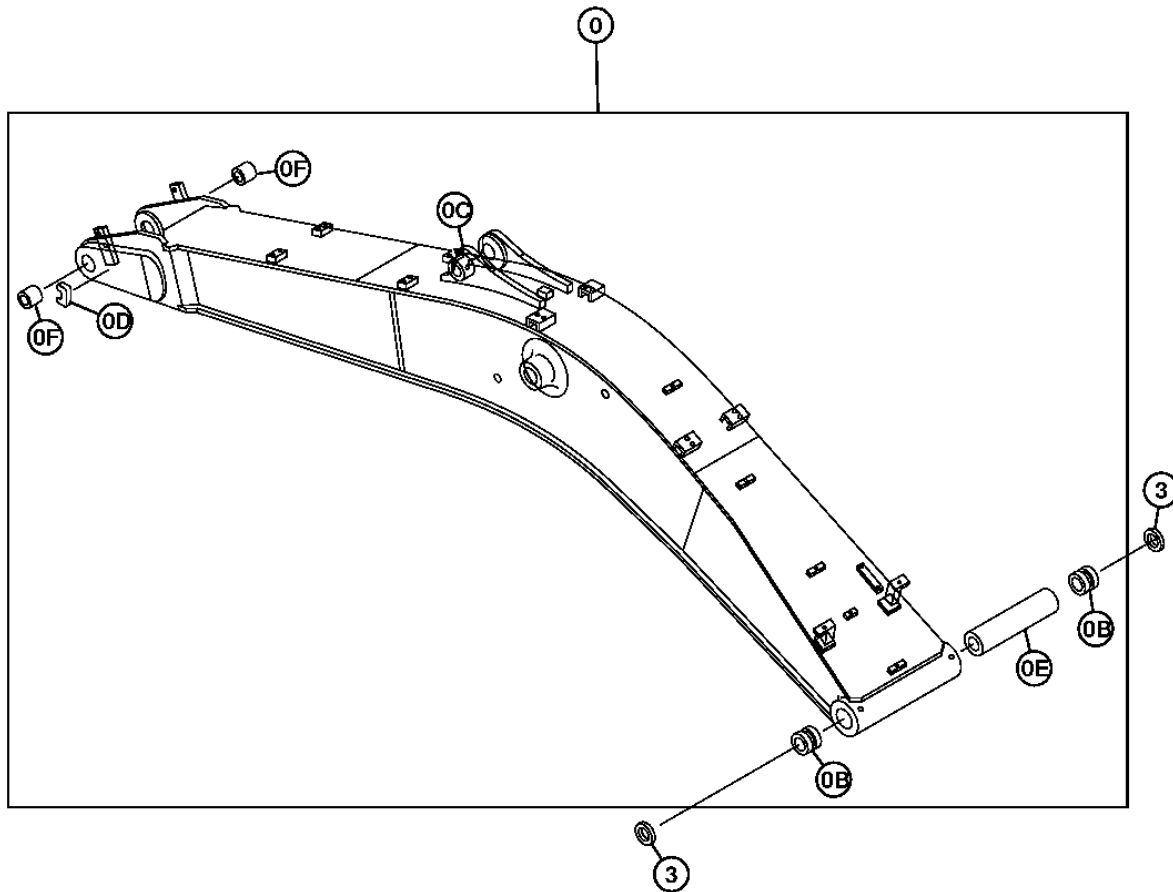
EXCAVATOR 33

BOOM 3344

STANDARD AND HEAVY DUTY BOOM (7.0M)
FLECHE STANDARD ET RENFORCEE (7,0 M)
AGUILONES ESTANDAR Y PARA SERVICIO SEVERO (7.0 M)

TX1005818

-UN-31MAR06



TX1005818

3344-3

EXCAVATOR 33

BOOM 3344

STANDARD AND HEAVY DUTY BOOM (7.0M)
FLECHE STANDARD ET RENFORCEE (7,0 M)
AGUILONES ESTANDAR Y PARA SERVICIO SEVERO (7.0 M)

KEY	PART NO.	PART NAME	QTY.	SERIAL NO.	REMARKS
0	7048603G	EXCAVATOR BOOM	1		
0B	3055205	BUSHING	2		
0C	4662435	STOP	1		(SUB FOR 4205110)
0D	4299048	STOP	1		
0E	4334120	SPACER	1		
0F	4439033	BUSHING	2		
3	4251752	SEAL	2		

3344-4

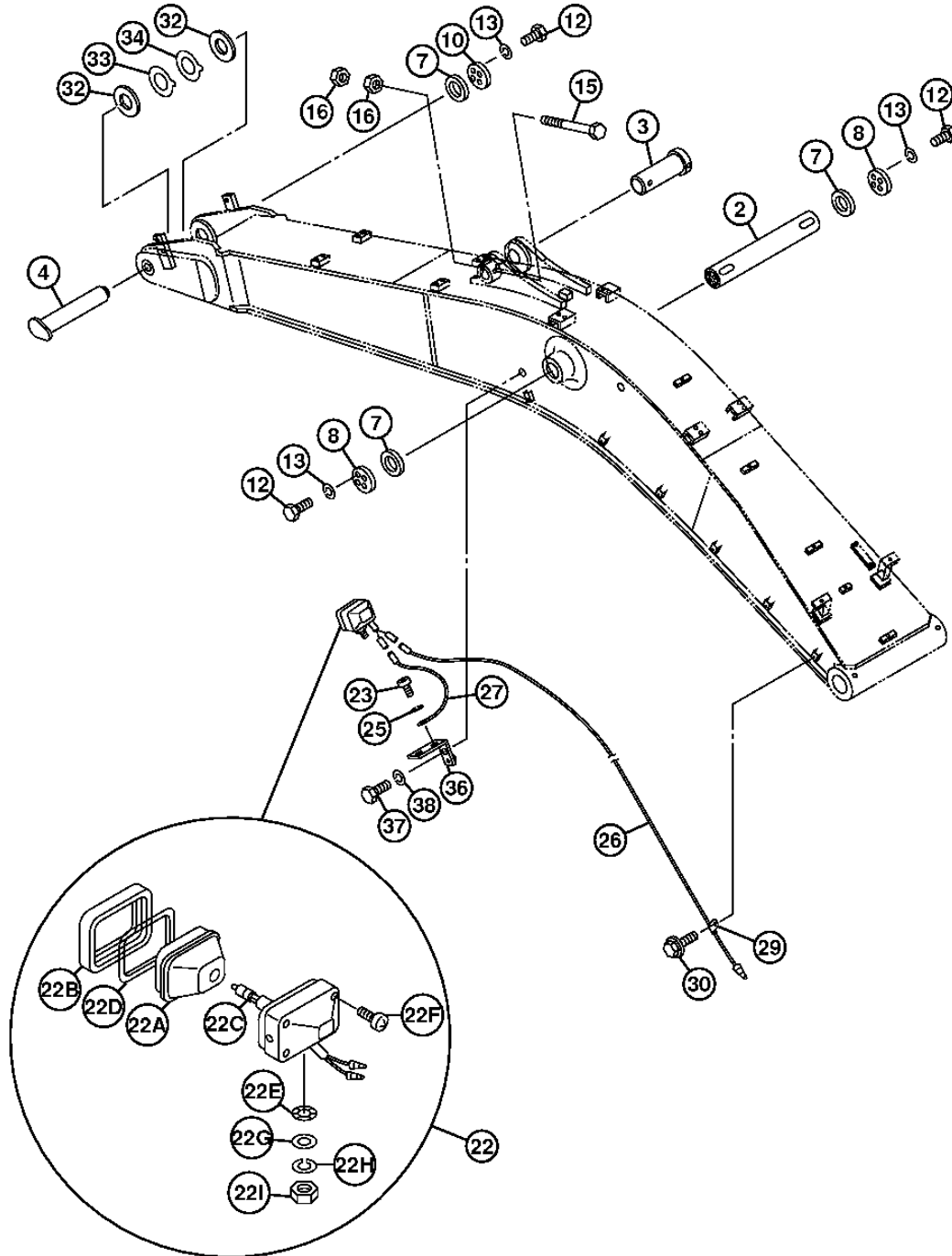
EXCAVATOR 33

BOOM 3344

BOOM PINS AND LIGHT AXES DE FLECHE ET ECLAIRAGE PASADORES Y LUZ DEL AGUILON

TX1005773

-UN-05APR06



TX1005773

3344-5

EXCAVATOR 33

BOOM 3344

**BOOM PINS AND LIGHT
AXES DE FLECHE ET ECLAIRAGE
PASADORES Y LUZ DEL AGUILON**

KEY	PART NO.	PART NAME	QTY.	SERIAL NO.	REMARKS
2	3104745	PIN	1		
3	3104744	PIN	1		
4	8100447R	PIN	1		(SUB FOR 8100447)
7	4040931	BUSHING	3		
8	4117700	SPACER	2		
10	4206989	WASHER	1		
12	19M7597	CAP SCREW	12		M20 X 50, (SUB FOR J912050)
13	J222020	WASHER	12		
15	19M8100	CAP SCREW	1		M20 X 180, (SUB FOR J932013)
16	14M7277	NUT	2		M20, (SUB FOR J951020)
22	AT165110	LAMP	1		(SUB FOR 4336570 OR 4326800)
22A	4326801	LENS	1		
22B	4326802	FRAME	1		
22C	AT135758	BULB	1		(SUB FOR 4285648)
22D	4326803	GASKET	1		
22E	4307026	WASHER	1		
22F	37H19	SCREW	4		(SUB FOR 4307027)
22G	24M7085	WASHER	1		15 X 28 X 2.500 MM, (SUB FOR A590114)
22H	12H317	LOCK WASHER	1		(SUB FOR A590914)
22I	14M7345	NUT	1		M14, (SUB FOR J952014)
23	21M7288	SCREW	1		M6 X 10, (SUB FOR M430610)
25	24M7054	WASHER	1		6.400 X 12 X 1.600 MM, (SUB FOR A590106)
26	4271787	WIRING HARNESS	1		
27	4271788	WIRING HARNESS	1		
29	T30367	CLAMP	6		(SUB FOR 4190271)
30	SCREW WITH WASHER	6		(J271025 NLA)
	19M7402	CAP SCREW	6		M10 X 25, (SUB FOR J901025)
	24M7346	WASHER	6		11 X 20 X 2 MM, (SUB FOR J222010)
32	4479444	PLATE	2		
33	4651551	SHIM	1		
34	4651552	SHIM	2		
36	9765757	BRACKET	1		
37	19M7877	CAP SCREW	1		M14 X 30, (SUB FOR J901430)
38	J222014	WASHER	1		

3344-6

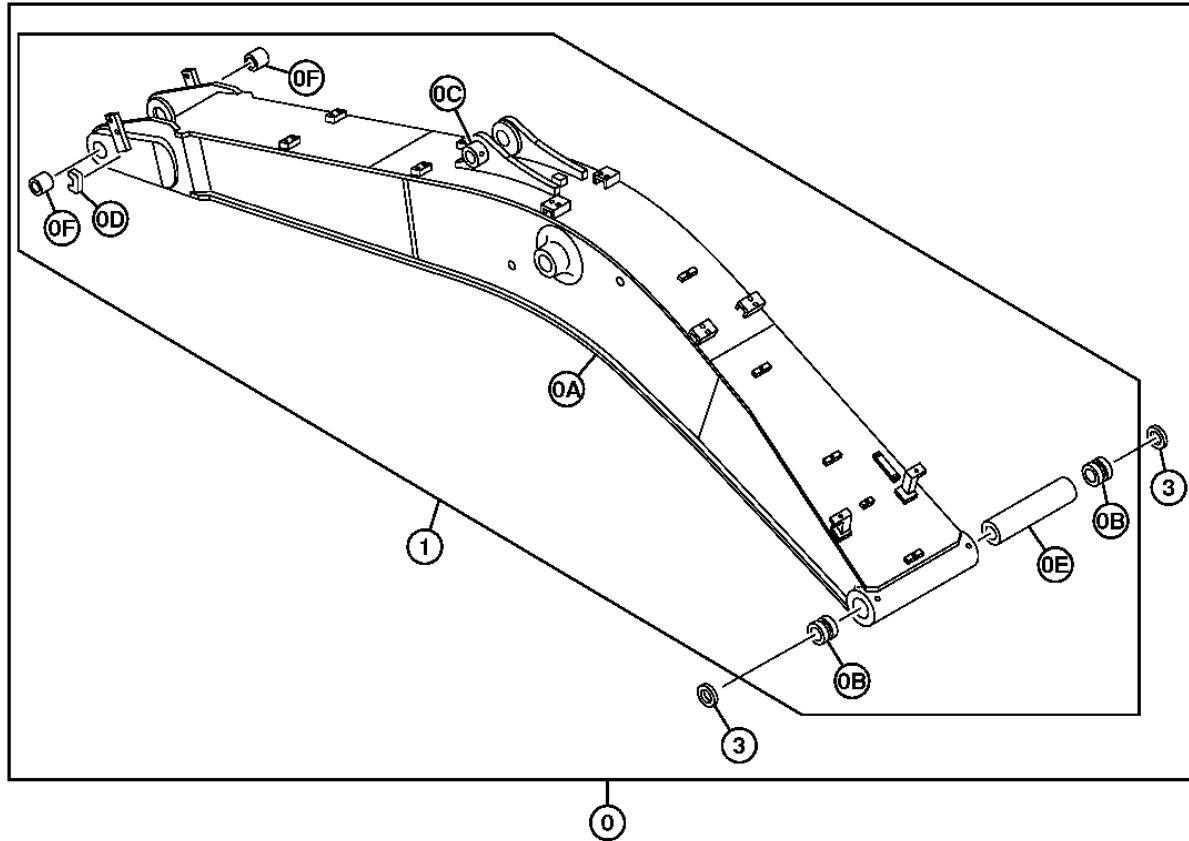
EXCAVATOR 33

BOOM 3344

MASS EXCAVATING BOOM (6.3M)
FLECHE D'EXCAVATION DE MASSE (6,3 M)
AGUILON EXCAVACION MASIVA (6.3M)

TX1020434

-UN-14APR07



TX1020434

3344-7

EXCAVATOR 33

BOOM 3344

MASS EXCAVATING BOOM (6.3M)
FLECHE D'EXCAVATION DE MASSE (6,3 M)
AGUILON EXCAVACION MASIVA (6.3M)

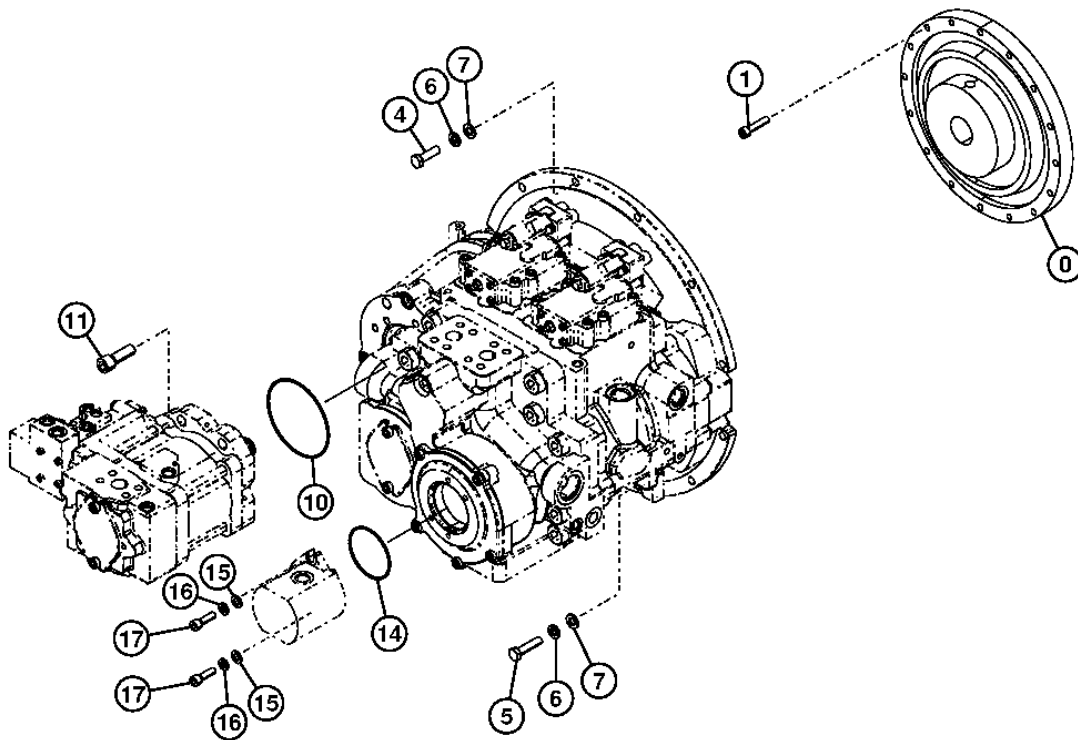
KEY	PART NO.	PART NAME	QTY.	SERIAL NO.	REMARKS
0	9267736	EXCAVATOR BOOM	1		
0A	EXCAVATOR BOOM	1		(5010896 NLA)
0B	3055205	BUSHING	2		
0C	4662435	STOP	1		(SUB FOR 4205110)
0D	4299048	STOP	1		
0E	4334120	SPACER	1		
0F	4439033	BUSHING	2		
1	EXCAVATOR BOOM	1		(7051358 NLA)
3	4251752	SEAL	2		

3361-2

HYDRAULIC PUMP MOUNTING MONTAGE DE POMPE HYDRAULIQUE MONTAJE DE BOMBA HIDRAULICA

TX1003351

-UN-07FEB06



TX1003351

THIS PARTS LISTING IS CONTINUED

3361-3

EXCAVATOR 33

HYDRAULIC PUMP 3361

HYDRAULIC PUMP MOUNTING
MONTAGE DE POMPE HYDRAULIQUE
MONTAJE DE BOMBA HIDRAULICA

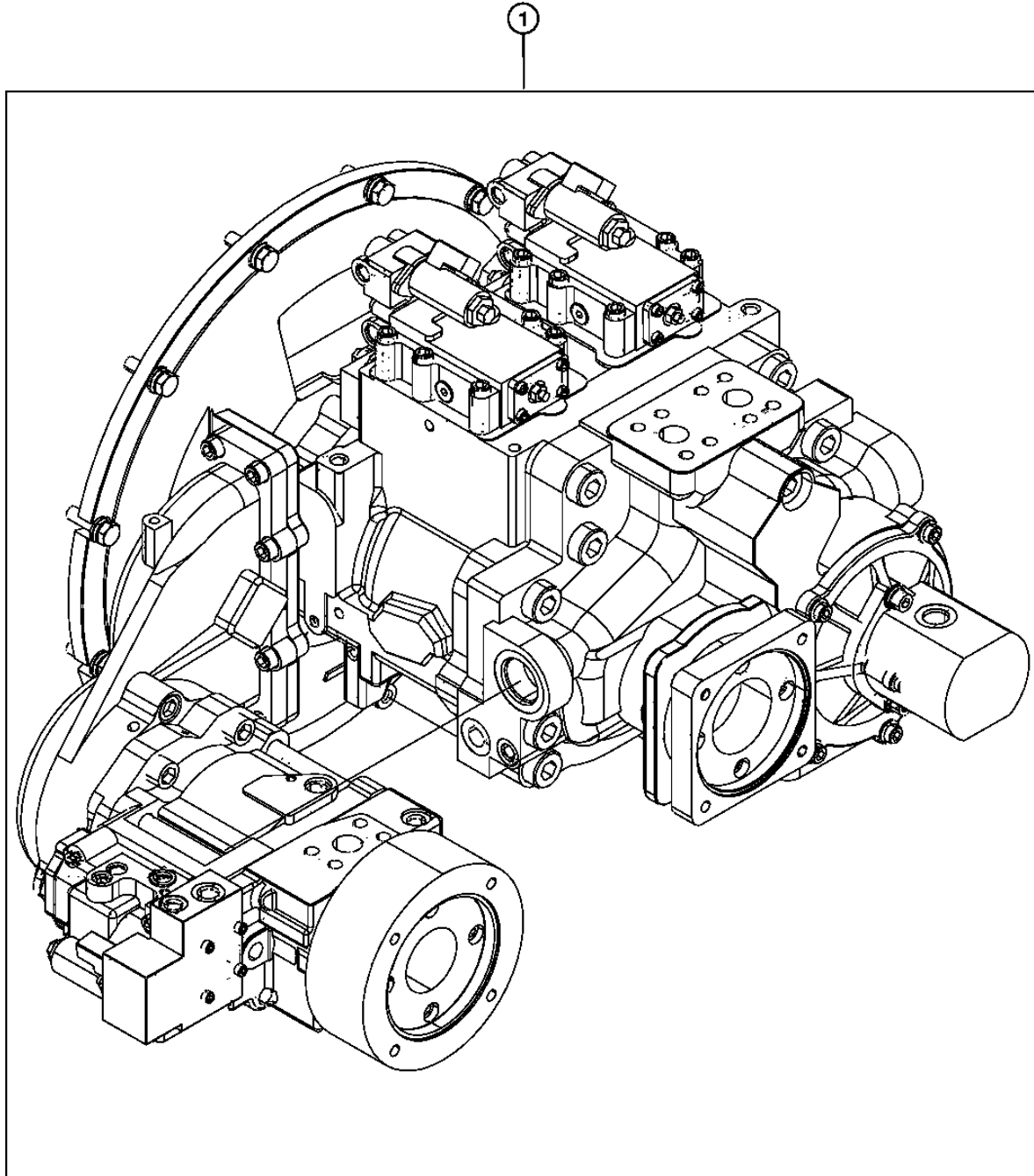
KEY	PART NO.	PART NAME	QTY.	SERIAL NO.	REMARKS
0	4636444	COUPLING	1		
1	19M8904	SCREW	10		
4	19M7493	CAP SCREW	8		M10 X 45, (SUB FOR M341045)
5	19M7361	CAP SCREW	2		M12 X 40, (SUB FOR J901240)
6	12H301	LOCK WASHER	2		M12 X 50, (SUB FOR J901250)
7	24M7047	WASHER	10		1/2", (SUB FOR A590112)
10	4153552	O-RING	1		13 X 24 X 2.500 MM, (SUB FOR A590112)
11	19M8208	SCREW	4		
14	CH17854	PACKING	1		M16 X 50, (SUB FOR M341650)
15	24M7028	WASHER	2		(SUB FOR A811085)
16	12M7066	LOCK WASHER	2		10.500 X 20 X 2 MM, (SUB FOR A590110)
17	19M8337	SCREW	2		10 MM, (SUB FOR A590910)
					M10 X 30, (SUB FOR J781035)

3361-4

EXCAVATOR 33
HYDRAULIC PUMP 3361

HYDRAULIC PUMP
POMPE HYDRAULIQUE
BOMBA HIDRAULICA

TX1002533 -UN-20JAN06



TX1002533

3361-5

EXCAVATOR 33

HYDRAULIC PUMP 3361

HYDRAULIC PUMP
POMPE HYDRAULIQUE
BOMBA HIDRAULICA

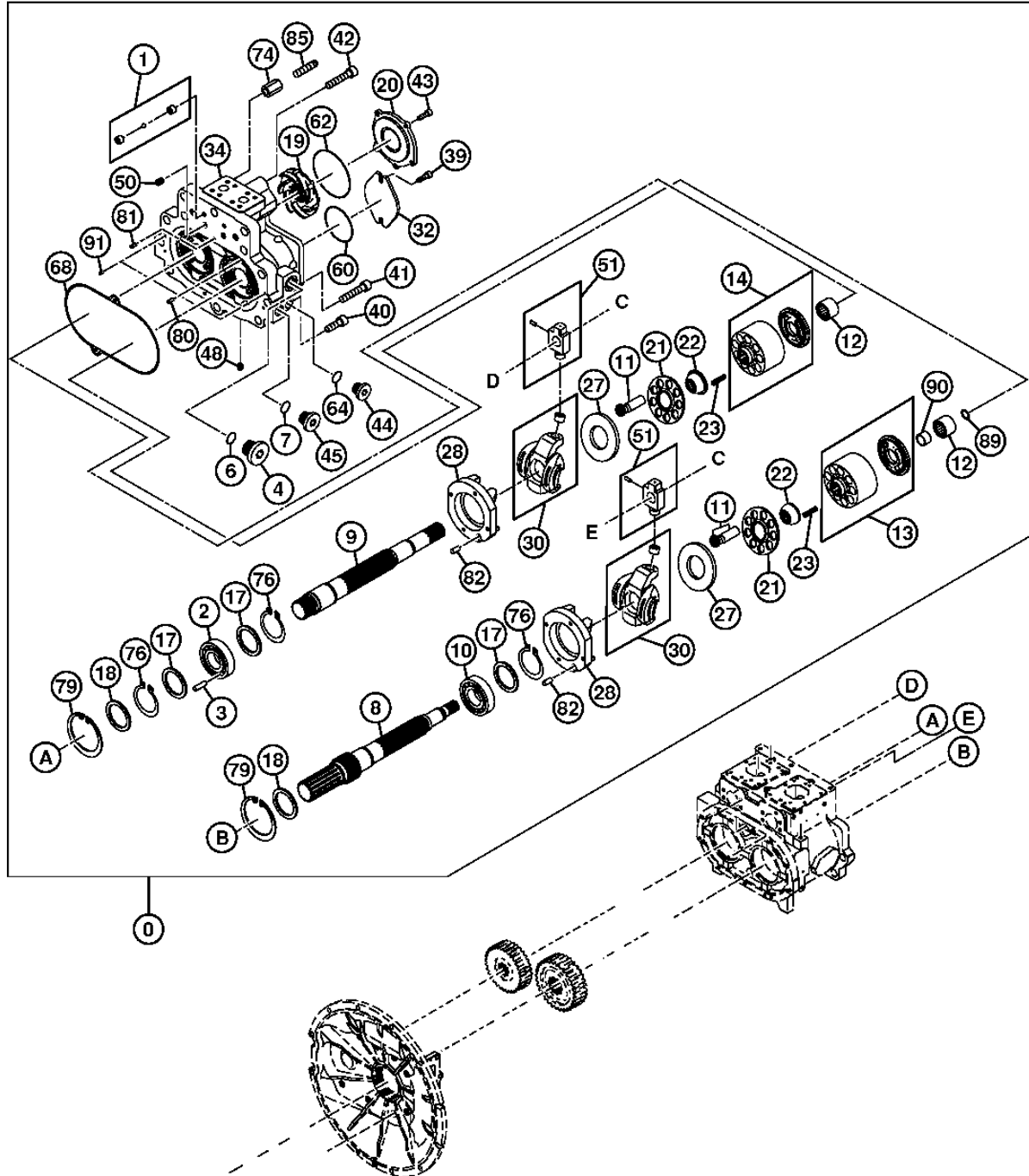
KEY	PART NO.	PART NAME	QTY.	SERIAL NO.	REMARKS
1	PG200028	HYDRAULIC PUMP	1		(REMAN) (SUB FOR 4633472)

3361-6

HYDRAULIC PUMP ROTATING GROUP
GROUPE DE ROTATION DE POMPE HYDRAULIQUE
GRUPO GIRATORIO DE BOMBA HIDRAULICA

TX1012479

-UN-22SEP06



TX1012479

3361-7

EXCAVATOR 33

HYDRAULIC PUMP 3361

**HYDRAULIC PUMP ROTATING GROUP
GROUPE DE ROTATION DE POMPE HYDRAULIQUE
GRUPO GIRATORIO DE BOMBA HIDRAULICA**

KEY	PART NO.	PART NAME	QTY.	SERIAL NO.	REMARKS
0	PG200028	HYDRAULIC PUMP	1		(A) (B) (REMAN) (SUB FOR 4633472)
1	0708004	CHECK VALVE	1		
2	0820453	TAPERED ROLLER BEARING	1		
3	0820455	PIN	1		
4	0978511	PLUG	2		
6	0719402	O-RING	2		(SUB FOR AT219565)
7	4365826	O-RING	2		(SUB FOR 0443407)
8	0978501	SHAFT	1		
9	0820406	SHAFT	1		
10	0820407	CYLINDRICAL ROLLER BEARING	1		(SUB FOR TH0820407)
11	0820401	PISTON	2		(SUB FOR TH0820401)
12	0978503	NEEDLE BEARING	2		
13	0820402	ROTOR	1		(SUB FOR TH0820402)
14	0451003	ROTOR	1		(SUB FOR AT201601)
17	0820411	SPACER	3		(SUB FOR TH0820411)
18	0820412	SPACER	2		(SUB FOR TH0820412)
19	0978505	HYDRAULIC STEERING BOOSTER	1		
20	0820414	COVER	1		(SUB FOR TH0820414)
21	0820415	RETAINER	2		(SUB FOR TH0820415)
22	0820416	BUSHING	2		(SUB FOR TH0820416)
23	0451016	SPRING	18		(SUB FOR AT201613)
27	0451018	PLATE	2		(SUB FOR AT201615)
28	0820420	SUPPORT	2		(SUB FOR TH0820420)
30	0772701	PLATE	2		
32	0820422	COVER	1		(SUB FOR TH0820422)
34	0978509	COVER	1		(SUB FOR TH0820424)
39	0820425	BOLT	2		(SUB FOR TH0820425)
40	0820426	BOLT	9		(SUB FOR TH0820426)
41	0820427	BOLT	2		
42	M342205	BOLT	1		(SUB FOR TH0820428 OR 0820428)
43	19M8440	SCREW	5		M10 X 25, (SUB FOR M341025 OR 4259780)
44	0629404	FITTING PLUG	2		(SUB FOR AT213630)
45	0626901	PLUG	2		
48	0451028	FITTING PLUG	12		(SUB FOR AT201622)
50	94-2011	FITTING PLUG	1		(SUB FOR 0102440 OR TH100434)
51	0820438	KIT	2		(SUB FOR TH0820438)
60	4369925	O-RING	2		(SUB FOR 0694604)
62	4153558	O-RING	1		(SUB FOR 0820433)
64	4297379	O-RING	2		
68	0820439	GASKET	2		
74	0820434	NUT	2		
76	40M7166	SNAP RING	3		(SUB FOR 991345)
79	0820435	SNAP RING	2		
80	0313404	PIN	2		
81	0244604	SPRING PIN	4		(SUB FOR AT201968)
82	0978514	PIN FASTENER	2		
85	0682328	SET SCREW	2		
89	0978513	RING	1		
90	0978504	RING	1		
91	0978515	PIN FASTENER	4		

(A) CONTAINS ALL ITEMS ON THIS PAGE
(A) CONTIENT TOUTES LES PIECES ENUMEREES SUR CETTE PAGE
(A) CONTIENE TODAS LAS PIEZAS INDICADAS EN ESTA PAGINA

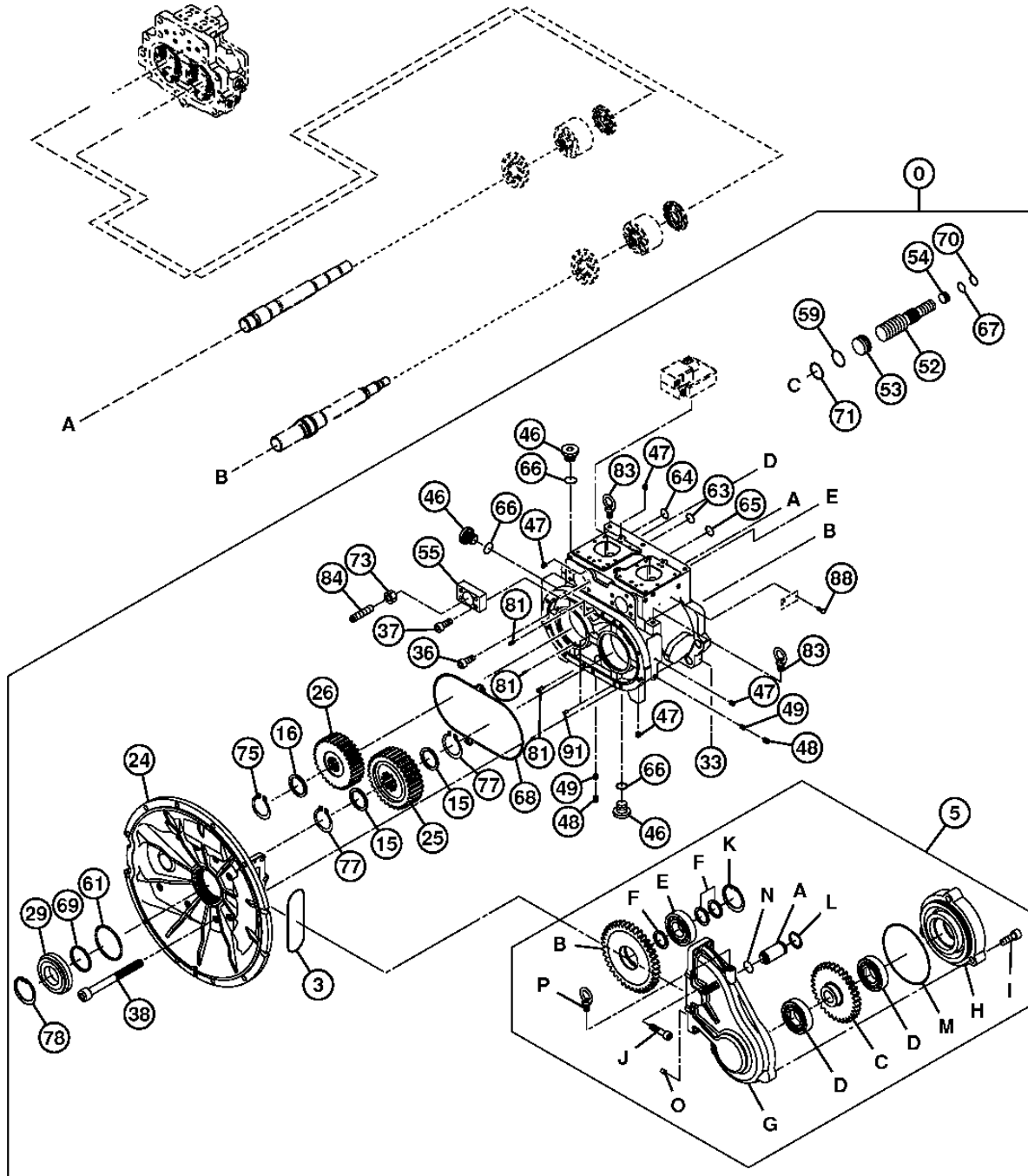
(B) ADDITIONAL COMPONENTS ON FOLLOWING PAGE
(B) COMPOSANTS SUPPLEMENTAIRES ENUMERES AUX PAGES SUIVANTES
(B) COMPONENTES ADICIONALES INDICADOS EN PAGINAS SIGUIENTES

3361-8

HYDRAULIC PUMP ROTATING GROUP GROUPE DE ROTATION DE POMPE HYDRAULIQUE GRUPO GIRATORIO DE BOMBA HIDRAULICA

TX1002622

-UN-18JAN06



TX1002622

3361-9

EXCAVATOR 33

HYDRAULIC PUMP 3361

HYDRAULIC PUMP ROTATING GROUP
 GROUPE DE ROTATION DE POMPE HYDRAULIQUE
 GRUPO GIRATORIO DE BOMBA HIDRAULICA

KEY	PART NO.	PART NAME	QTY.	SERIAL NO.	REMARKS
0	PG200028	HYDRAULIC PUMP	1		(A) (B) (REMAN) (SUB FOR 4633472)
3	0978512	O-RING	1		
5	4654554	DRIVE	1		
5A	SHAFT	1		(NSEP)
5B	SPUR GEAR	1		(NSEP)
5C	SPUR GEAR	1		(NSEP)
5D	0978517	BALL BEARING	1		
5E	0878107	TAPERED ROLLER BEARING	1		
5F	0818508	SPACER	3		
5G	CASE	1		(NSEP)
5H	GEAR CASE	1		(NSEP)
5I	19M8490	SCREW	3		M16 X 40, (SUB FOR 0195126 OR M341640)
5J	19M8448	SCREW	8		M12 X 35
5K	0978512	O-RING	1		
5L	4366544	O-RING	1		(SUB FOR AT219503 OR 0458201 OR 0443404)
5M	40M7115	SNAP RING	1		(SUB FOR 988850)
5N	40M7123	SNAP RING	1		(SUB FOR AT154445 OR 446751)
5O	DOWEL PIN	2		(NSEP)
5P	4091248	BOLT	1		
15	0820409	SPACER	2		(SUB FOR TH0820409)
16	0820410	SPACER	1		
24	0978518	HOUSING	1		
25	0820418	GEAR	1		
26	0820419	GEAR	1		
29	0978507	COVER	1		
33	HOUSING	1		(NLA)
36	0978510	BOLT	8		
37	19M8448	SCREW	8		M12 X 35, (SUB FOR M341236)
38	19M9012	SCREW	11		M12 X 55, (SUB FOR 0131103)
46	0697911	FITTING PLUG	3		(SUB FOR AT219506)
47	0263019	PIPE PLUG	20		
48	0451028	FITTING PLUG	12		(SUB FOR AT201622)
49	0451027	SCREW	4		(SUB FOR AT201621)
52	0820429	PISTON	2		(SUB FOR TH0820429)
53	0451031	STOP	2		(SUB FOR AT201625)
54	0820430	STOP	2		(SUB FOR TH0820430)
55	0820431	COVER	2		(SUB FOR TH0820431)
59	4292942	O-RING	2		(SUB FOR T155186 OR 0448703)
61	AT264318	O-RING	1		(SUB FOR TH0820432, 0820432, A811095 OR T110446)
63	4366517	O-RING	9		(SUB FOR TH0443801)
64	4297379	O-RING	2		(SUB FOR TH4297379)
65	4366519	O-RING	2		(SUB FOR AT219504)
66	4297381	O-RING	2		(SUB FOR TH0443408)
67	4366522	O-RING	2		(SUB FOR AT201629 OR 0451035)
68	0820439	GASKET	2		(SUB FOR TH0820439)
69	0820443	SEAL	1		
70	4S00227	BACK-UP RING	2		(SUB FOR AT201630)
71	4S00237	RING	2		(SUB FOR 0451037, AT201631)
73	4068898	NUT	2		(SUB FOR AT201632) (SUB FOR 0451038)
75	40M7047	SNAP RING	1		
77	40M7120	SNAP RING	2		(SUB FOR 488075)
78	40M7117	SNAP RING	1		(SUB FOR 991728)
81	0244604	SPRING PIN	4		(SUB FOR AT201968)
83	0134458	EYEBOLT	2		(SUB FOR AT201963)
84	0978516	SET SCREW	2		
88	0625509	CAP SCREW	2		(SUB FOR TH0625509)
91	0978515	PIN FASTENER	4		

(A) CONTAINS ALL ITEMS ON THIS PAGE
 (A) CONTIENT TOUTES LES PIECES ENUMEREES SUR CETTE PAGE
 (A) CONTIENE TODAS LAS PIEZAS INDICADAS EN ESTA PAGINA

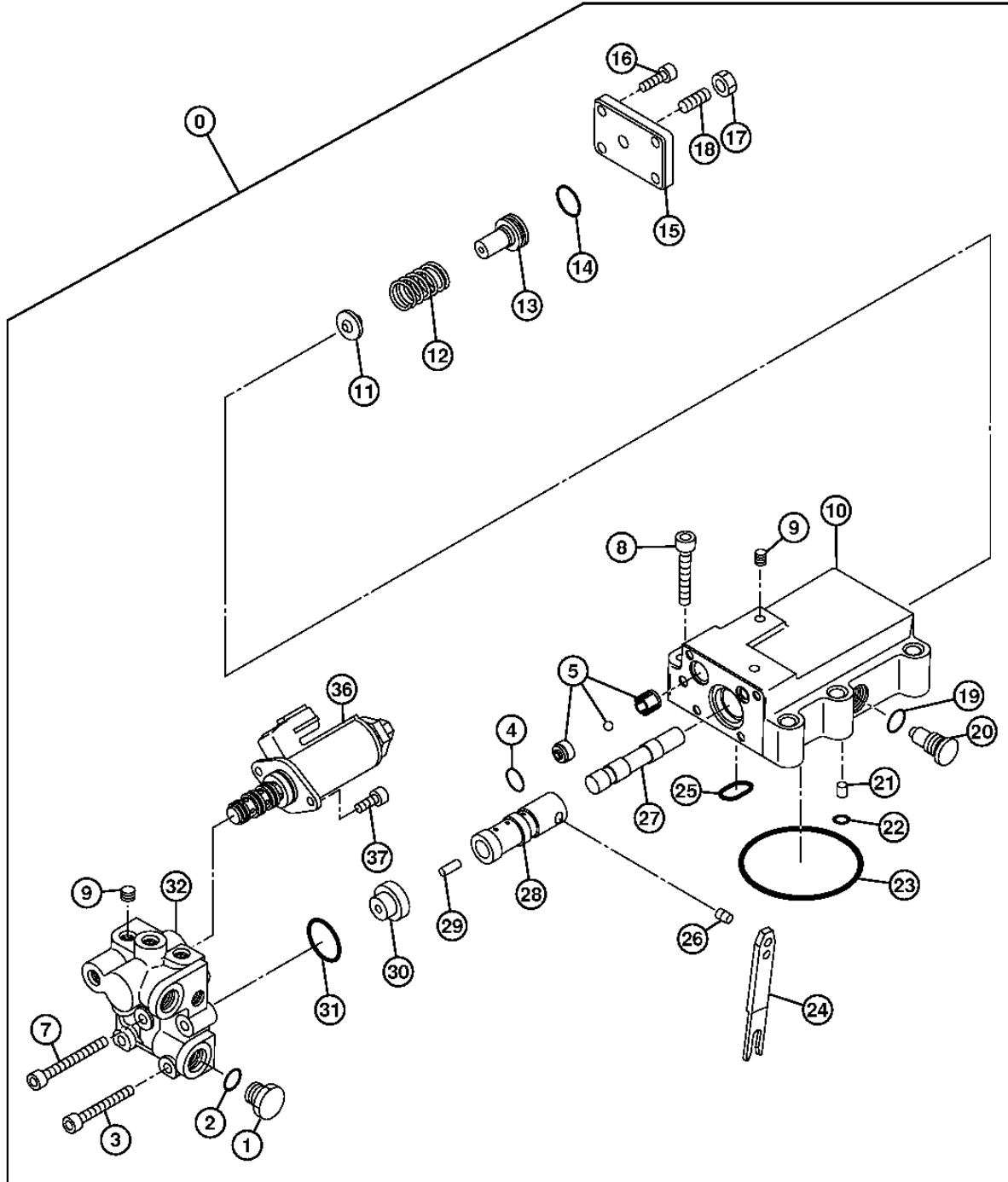
(B) ADDITIONAL COMPONENTS ON PREVIOUS PAGE
 (B) COMPOSANTS SUPPLEMENTAIRES ENUMERES AUX PAGES PRECEDENTES
 (B) COMPONENTES ADICIONALES INDICADOS EN PAGINAS ANTERIORES

3361-10

HYDRAULIC PUMP REGULATOR REGULATEUR DE POMPE HYDRAULIQUE REGULADOR DE BOMBA HIDRAULICA

TX1002688

-UN-17JAN06



TX1002688

3361-11

EXCAVATOR 33

HYDRAULIC PUMP 3361

**HYDRAULIC PUMP REGULATOR
REGULATEUR DE POMPE HYDRAULIQUE
REGULADOR DE BOMBA HIDRAULICA**

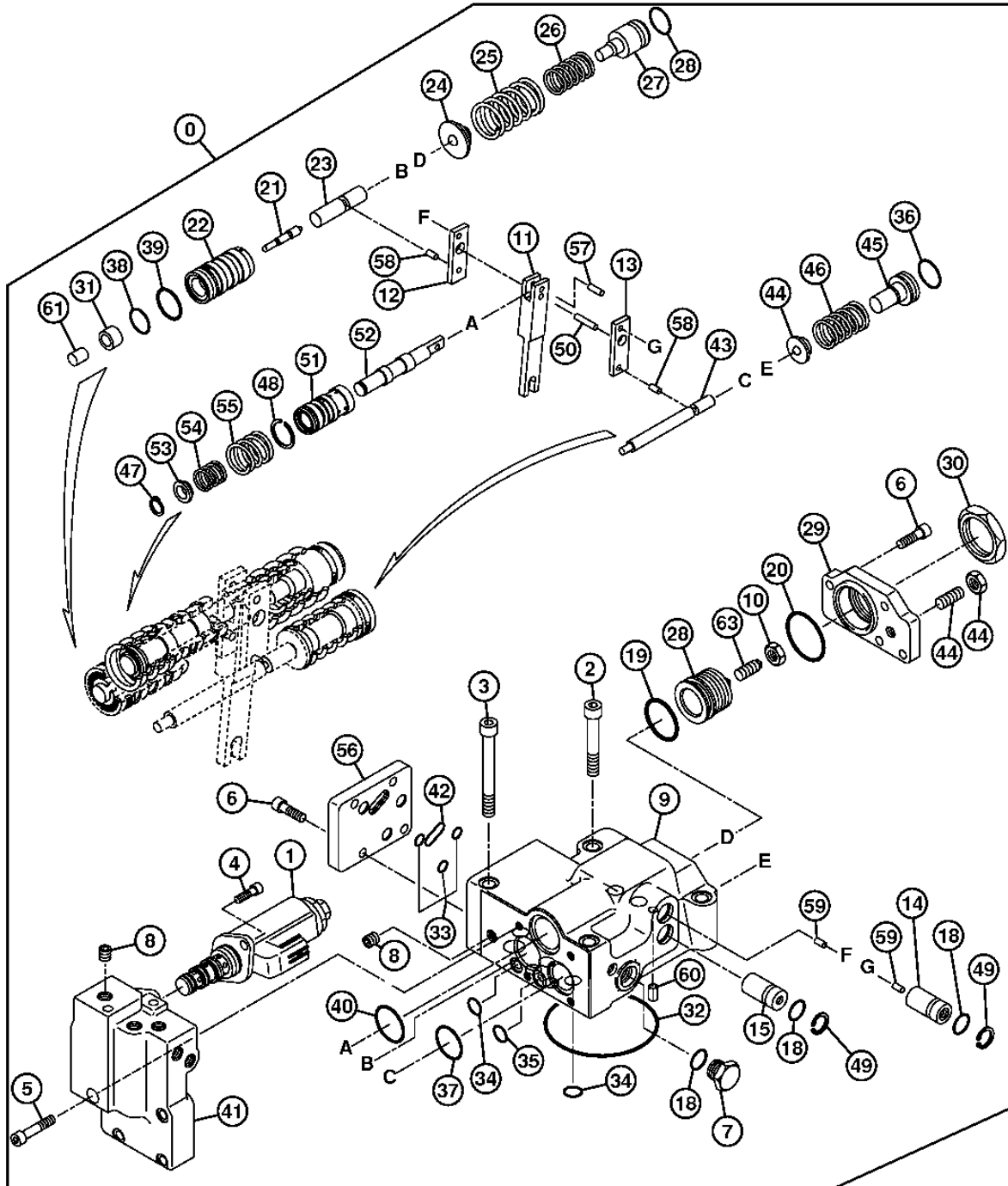
KEY	PART NO.	PART NAME	QTY.	ENGINE SERIAL NO.	REMARKS
0	4658831	HYDRAULIC PUMP	1		
1	0878301	PLUG	1		
2	4297380	O-RING	1		(SUB FOR 0443406)
3	19M8334	SCREW	4		M6 X 30, (SUB FOR 0211510 OR M340630)
4	TH0703102	O-RING	2		
5	0708004	CHECK VALVE	2		
7	19M8513	SCREW	1		M6 X 40, (SUB FOR M340640)
8	19M8711	SCREW	6		(SUB FOR 0135904 OR M340850)
9	0263019	PIPE PLUG	9		
10	HOUSING	1		(NSEP)
11	VALVE SEAT	1		(NSEP)
12	SPRING	1		(NSEP)
13	SPRING PIN	1		(NSEP)
14	4366521	O-RING	1		(SUB FOR TH0443803 OR 0443803 OR 0444003)
15	COVER	1		(NSEP)
16	19M8553	SCREW	4		(SUB FOR AT201967 OR M340616 OR 0237902)
17	14M7274	NUT	1		M10, (SUB FOR 0156009)
18	0828501	SCREW	1		
19	4297379	O-RING	1		(SUB FOR TH4297379)
20	FITTING PLUG	1		(NSEP)
21	PIN	1		(NSEP)
22	4366517	O-RING	5		(SUB FOR TH0443801 OR 0443801)
23	0682502	O-RING	1		(SUB FOR TH0682502)
24	LEVER	1		(NSEP)
25	4366521	O-RING	1		(SUB FOR TH0443803)
26	PIN	1		(NSEP)
27	SPOOL	1		(NSEP)
28	SLEEVE	1		(NSEP)
29	PIN	1		(NSEP)
30	SLEEVE	1		(NSEP)
31	TH0703101	O-RING	1		
32	CASE	1		(NSEP)
36	4654325	VALVE	1		
37	0667626	SCREW	2		

3361-12

HYDRAULIC PUMP REGULATOR (FAN DRIVE)
REGULATEUR DE POMPE HYDRAULIQUE (VISCO-COUPLEUR DE VENTILATEUR)
REGULADOR DE BOMBA HIDRAULICA (EMBRAGUE VISCO D. VENTILADOR)

TX1002690

-UN-24JAN06



TX1002690

3361-13

EXCAVATOR 33

HYDRAULIC PUMP 3361

**HYDRAULIC PUMP REGULATOR (FAN DRIVE)
REGULATEUR DE POMPE HYDRAULIQUE (VISCO-COUPLEUR DE VENTILATEUR)
REGULADOR DE BOMBA HIDRAULICA (EMBRAGUE VISCO D. VENTILADOR)**

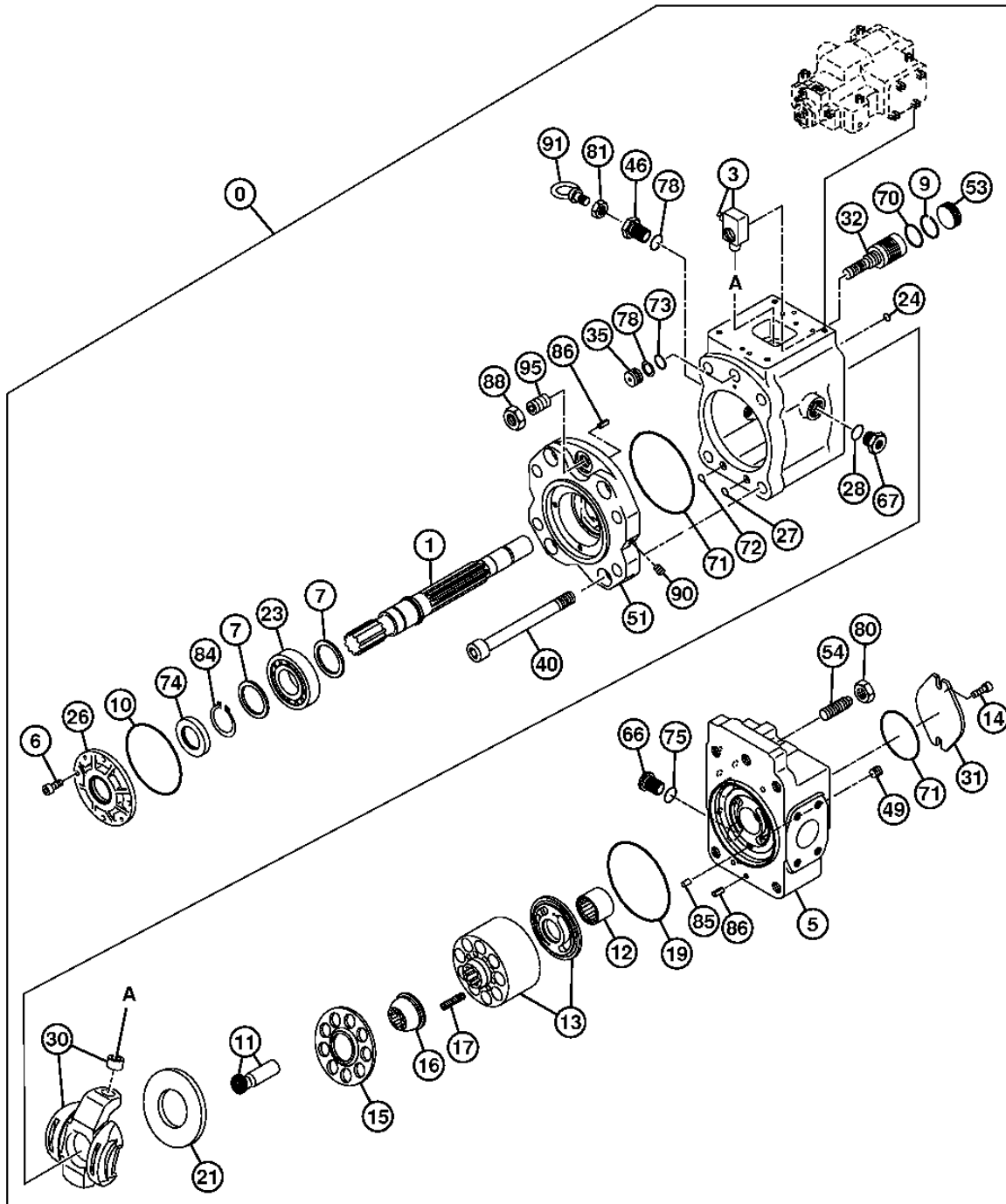
KEY	PART NO.	PART NAME	QTY.	ENGINE SERIAL NO.	REMARKS
0	4658832	HYDRAULIC PUMP	1		
1	4654325	VALVE	1		
2	19M8711	SCREW	2		(SUB FOR 0135904 OR M340850)
3	19M8405	SCREW	2		(SUB FOR 0213208)
4	0667626	SCREW	2		
5	19M8334	SCREW	4		M6 X 30. (SUB FOR 0211510 OR M340630)
6	19M8627	SCREW	8		M6 X 20. (SUB FOR 0102411 OR TH0104612 OR 0195127) (SUB FOR TH102650)
7	0236014	FITTING PLUG	1		
8	0263019	PIPE PLUG	11		
9	CASE	1		(NSEP)
10	14M7151	NUT	2		M8. (SUB FOR 0124811)
11	LEVER	1		(NSEP)
12	LEVER	1		(NSEP)
13	LEVER	1		(NSEP)
14	PIPE PLUG	1		(NSEP)
15	PIPE PLUG	1		(NSEP)
18	M800650	PACKING	3		(SUB FOR 957366)
19	CH17886	PACKING	1		(SUB FOR 4509182 OR TH109886)
20	AT264324	O-RING	1		(SUB FOR A811035 OR TH100044)
21	PISTON	1		(NSEP)
22	CASE	1		(NSEP)
23	ROD	1		(NSEP)
24	PLATE	1		(NSEP)
25	SPRING	1		(NSEP)
26	SPRING	1		(NSEP)
27	ROD	1		(NSEP)
28	SCREW	1		(NSEP)
29	COVER	1		(NSEP)
30	LOCK NUT	1		(NSEP)
31	TH0703101	O-RING	1		
32	TH105684	O-RING	1		(SUB FOR A811075)
33	4506406	O-RING	3		(SUB FOR TH104587)
34	4506408	O-RING	9		(SUB FOR TH101490)
35	CH17167	O-RING	1		
36	4506418	O-RING	1		
37	0976602	O-RING	1		(SUB FOR 4509181, TH103574 OR AT264354)
38	4365826	O-RING	2		(SUB FOR 0443407)
39	CH12329	PACKING	1		(SUB FOR 4506420)
40	A811025	O-RING	1		(SUB FOR TH103950)
41	COVER	1		(NSEP)
42	4140470	O-RING	1		(SUB FOR TH109089)
43	PISTON	1		(NSEP)
44	PLATE	1		(NSEP)
45	ROD	1		(NSEP)
46	SPRING	1		(NSEP)
47	991334	SNAP RING	1		
48	SNAP RING	1		(NSEP)
49	40M7129	SNAP RING	2		(SUB FOR TH104595 OR 0288704)
50	DOWEL PIN	1		(NSEP)
51	SLEEVE	1		(NSEP)
52	VALVE SPOOL	1		(NSEP)
53	PLATE	1		(NSEP)
54	EXTENSION SPRING	1		(NSEP)
55	PLATE	1		(NSEP)
56	COVER	1		(NSEP)
57	DOWEL PIN	1		(NSEP)
58	DOWEL PIN	2		(NSEP)
59	DOWEL PIN	2		(NSEP)
60	DOWEL PIN	1		(NSEP)
61	DOWEL PIN	1		(NSEP)
62	22M7070	SET SCREW	1		M8 X 20. (SUB FOR 0218852 OR TH104597 OR 0195171)
63	SCREW	1		(NSEP)

3361-14

HYDRAULIC FAN PUMP POMPE D'ENTRAINEMENT DE VENTILATEUR BOMBA DE MANDO DEL VENTILADOR

TX1002819

-UN-31JAN06



TX1002819

3361-15

EXCAVATOR 33

HYDRAULIC PUMP 3361

**HYDRAULIC FAN PUMP
POMPE D'ENTRAÎNEMENT DE VENTILATEUR
BOMBA DE MANDO DEL VENTILADOR**

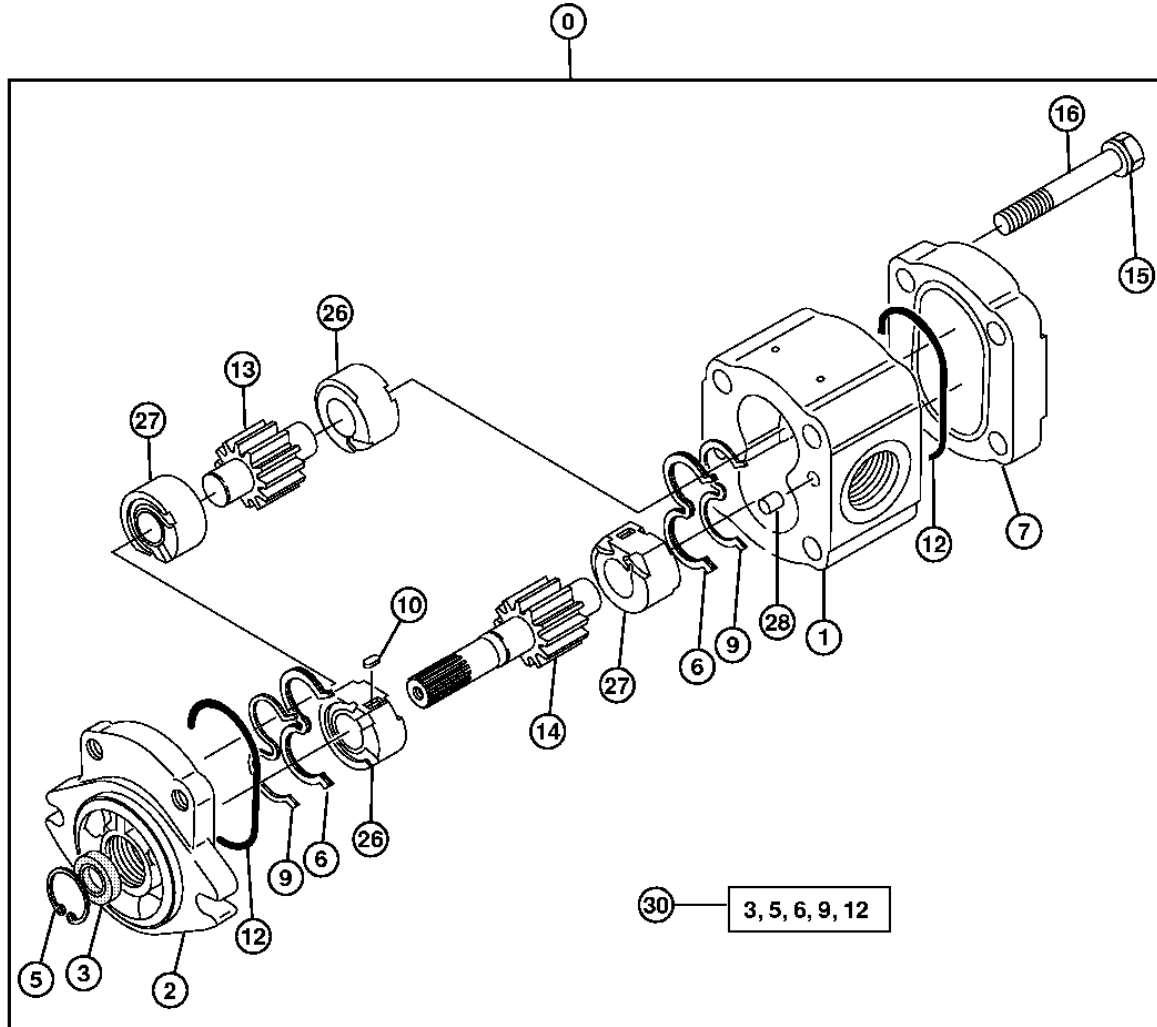
KEY	PART NO.	PART NAME	QTY.	ENGINE SERIAL NO.	REMARKS
0	PG200027	HYDRAULIC PUMP	1		(REMAN) (SUB FOR 4633474)
1	0818504	SHAFT	1		
3	0818521	PIN FASTENER	1		
5	0928002	COVER	1		
6	19M8553	SCREW	4		(SUB FOR 0237902 OR AT201967 OR M340616)
7	0818508	SPACER	2		
9	4284569	BACK-UP RING	1		(SUB FOR AT168851 OR TH112261 OR 0249148)
10	CH17854	PACKING	2		(SUB FOR A811085)
11	0928006	PISTON	9		
12	0924003	NEEDLE BEARING	1		
13	0978701	CYLINDER	1		
14	0820425	BOLT	2		
15	0818509	PLATE	1		
16	0818510	BUSHING	1		
17	0818511	SPRING	9		
19	AT264342	O-RING	1		(SUB FOR A811115 OR TH100125)
21	0818512	PLATE	1		
23	0878107	TAPERED ROLLER BEARING	1		
24	4506408	O-RING	2		
26	0818514	COVER	1		
27	CASE	1		(0978702 NLA)
28	4506418	O-RING	2		
30	0818503	PLATE	1		
31	0820422	COVER	1		(SUB FOR TH0820422)
32	0878116	PISTON	1		
35	0818524	STOP	1		
40	0818519	BOLT	4		
46	0818520	PLUG	2		
51	0818513	SUPPORT	1		
53	0924006	STOP	1		
54	0978704	SET SCREW	1		
66	0629404	FITTING PLUG	1		
70	4366544	O-RING	1		(SUB FOR 0443404 OR AT219503)
71	AT264339	O-RING	1		(SUB FOR A811120 OR TH100122)
73	4365826	O-RING	1		(SUB FOR 0443407)
74	0924007	SEAL	1		
75	M800650	PACKING	1		(SUB FOR 957366)
79	4085607	BACK-UP RING	1		(SUB FOR TH102562)
81	14M7151	NUT	1		(SUB FOR 0124811)
84	40M7046	SNAP RING	1		(SUB FOR 991342)
85	0175241	PIN FASTENER	1		
86	0244604	SPRING PIN	2		
88	14M7260	NUT	2		M16, (SUB FOR 0131108)
90	0263019	PIPE PLUG	8		
91	4163072	BOLT	1		
95	0978704	SET SCREW	1		

3361-16

EXCAVATOR 33
HYDRAULIC PUMP 3361

PILOT PUMP POMPE PILOTE BOMBA DEL CIRCUITO PILOTO

TX1000470 -UN-06DEC05



TX1000470

3361-17

EXCAVATOR 33

HYDRAULIC PUMP 3361

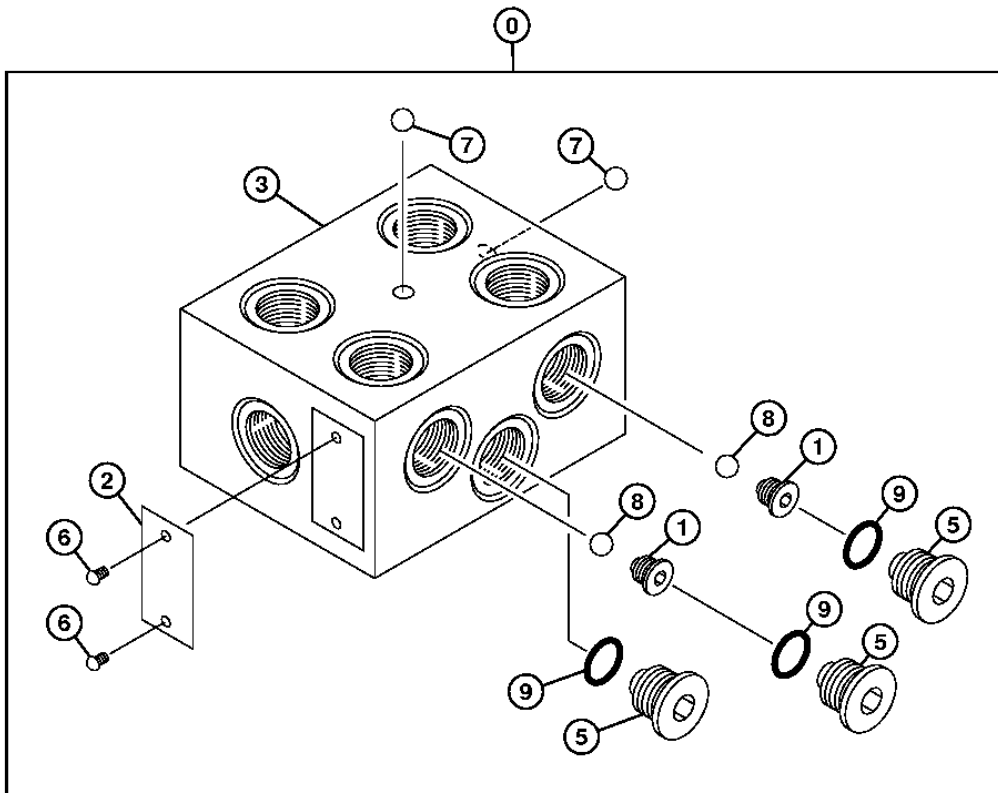
PILOT PUMP
POMPE PILOTE
BOMBA DEL CIRCUITO PILOTO

KEY	PART NO.	PART NAME	QTY.	SERIAL NO.	REMARKS
0	9218005	PUMP	1		
1	HOUSING	1		(NSEP)
2	FLANGE	1		(2050209 NLA)
3	3097272	SEAL	1		
5	40M1855	SNAP RING	1		(SUB FOR 447068)
6	3095748	SEAL	2		(SUB FOR 1031045)
7	COVER	1		(4605732 NLA)
9	4487250	RING	2		
10	4484119	KEY	2		
12	4488720	GASKET	2		
13	GEAR	1		(NSEP)
14	GEAR	1		(NSEP)
15	4605742	WASHER	4		
16	4605670	BOLT	4		
26	BUSHING	2		(NSEP)
27	BUSHING	2		(NSEP)
28	J400613	DOWEL PIN	2		(SUB FOR 400613)
30	4487340	SEAL KIT	1		

3362-4

TRAVEL SENSOR MANIFOLD COLLECTEUR DE CAPTEUR DE DEPLACEMENT COLECTOR DE SENSOR DE PROPULSION

T216032 -UN-17OCT05



T216032

THIS PARTS LISTING IS CONTINUED

3362-5

EXCAVATOR 33

CONTROL AND LOAD HOLDING VALVES 3362

**TRAVEL SENSOR MANIFOLD
COLLECTEUR DE CAPTEUR DE DEPLACEMENT
COLECTOR DE SENSOR DE PROPULSION**

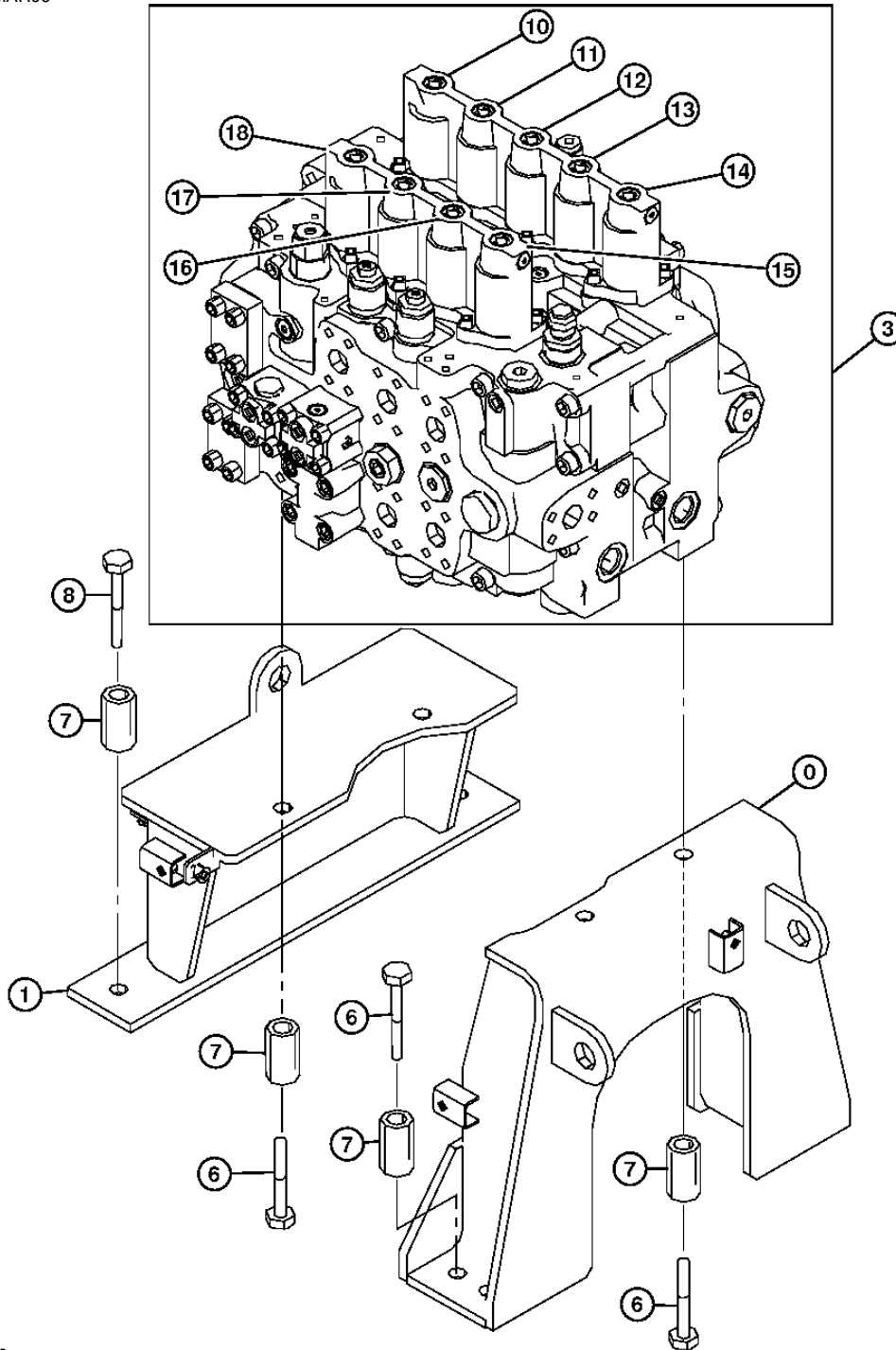
KEY	PART NO.	PART NAME	QTY.	SERIAL NO.	REMARKS
0	4627456	VALVE	1		
1	0614101	SEAT	2		
2	IDENTIFICATION PLATE	1		
3	HOUSING	1		(0980301 NLA)
5	0314205	PLUG	3		
6	0794701	SCREW	2		
7	4179573	BALL	2		
8	0966705	BALL	2		
9	M800650	O-RING	3		(SUB FOR 957366)

3362-6

CONTROL VALVE DISTRIBUTEUR VALVULA DE CONTROL

TX1004609

-UN-14MAR06



TX1004609

3362-7

EXCAVATOR 33

CONTROL AND LOAD HOLDING VALVES 3362

CONTROL VALVE DISTRIBUTEUR VALVULA DE CONTROL

KEY	PART NO.	PART NAME	QTY.	SERIAL NO.	REMARKS
0	7048594	BRACKET	1		
1	8100969	BRACKET	1		
3	4691477	VALVE	1		(A) (SUB FOR 4661709) (SUB FOR 4632973) (PORT RELIEF SETTING ONLY DIFFERENCE IN THESE TWO VALVES)
6	19M7969	CAP SCREW	8		M20 X 110, (SUB FOR J932002)
7	4638275	SPACER	10		
8	19M7968	CAP SCREW	2		M20 X 130, (SUB FOR J932006)
10	SPOOL	1		(SWING)
11	SPOOL	1		(ARM 1)
12	SPOOL	1		(BOOM 2)
13	SPOOL	1		(AUXILIARY)
14	SPOOL	1		(LEFT TRAVEL)
15	SPOOL	1		(RIGHT TRAVEL)
16	SPOOL	1		(BUCKET)
17	SPOOL	1		(BOOM 1)
18	SPOOL	1		(ARM 2)

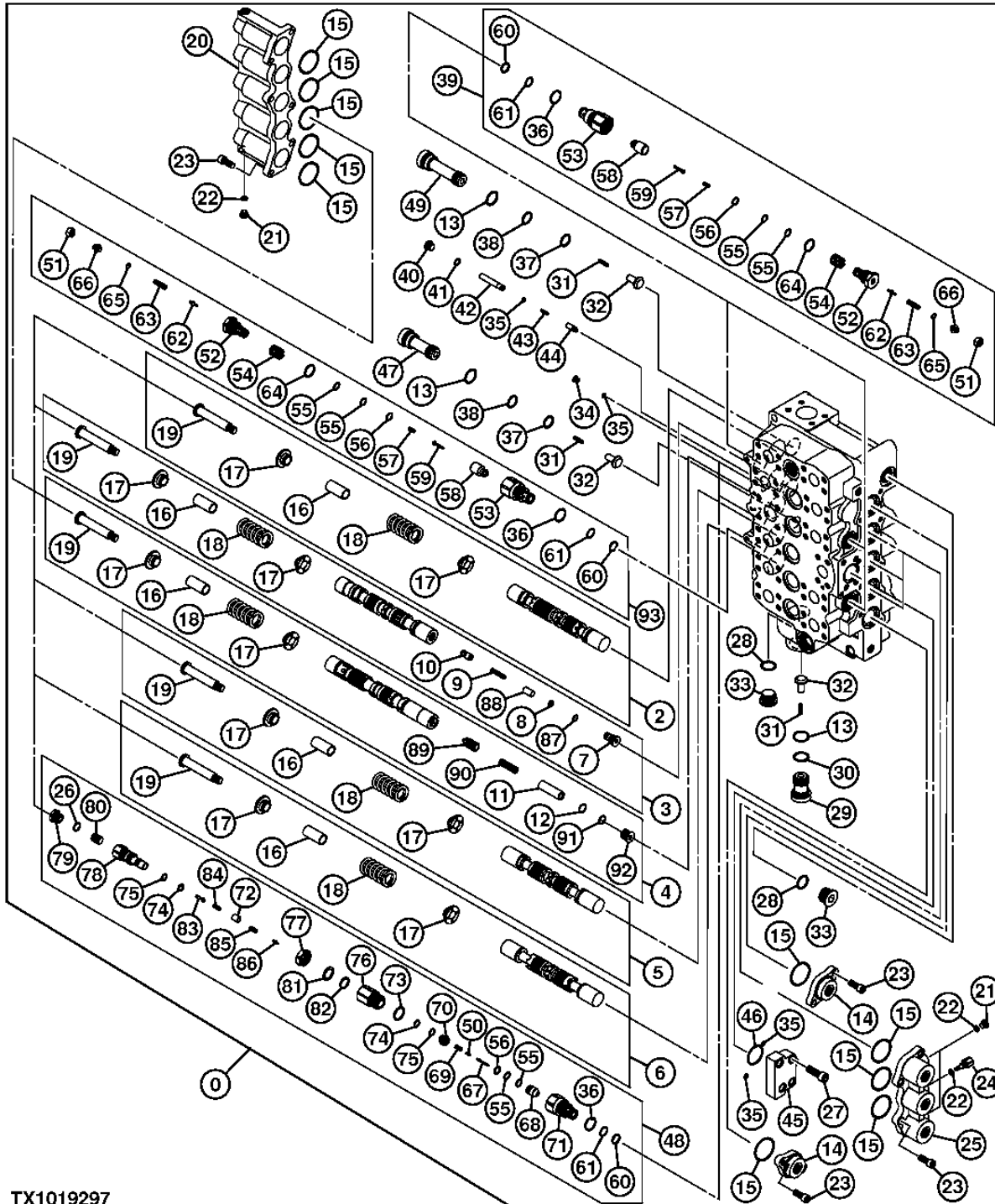
- (A) ADDITIONAL COMPONENTS ON FOLLOWING PAGE
(A) COMPOSANTS SUPPLEMENTAIRES ENUMERES AUX PAGES SUIVANTES
(A) COMPONENTES ADICIONALES INDICADOS EN PAGINAS SIGUIENTES

3362-8

CONTROL VALVE BODY AND SPOOLS (5-SPOOL SIDE)
CORPS ET TIROIRS DE DISTRIBUTEUR (COTE A 5 TIROIRS)
CUERPO Y CARRETES DE VALVULA DE CONTROL (LADO DE 5 CARRETES)

TX1019297 -UN-28MAR07

CONTROL AND LOAD HOLDING VALVES 3362



TX1019297

3362-9

EXCAVATOR 33

CONTROL AND LOAD HOLDING VALVES 3362

CONTROL VALVE BODY AND SPOOLS (5-SPOOL SIDE)
CORPS ET TIROIRS DE DISTRIBUTEUR (COTE A 5 TIROIRS)
CUERPO Y CARRETES DE VALVULA DE CONTROL (LADO DE 5 CARRETES)

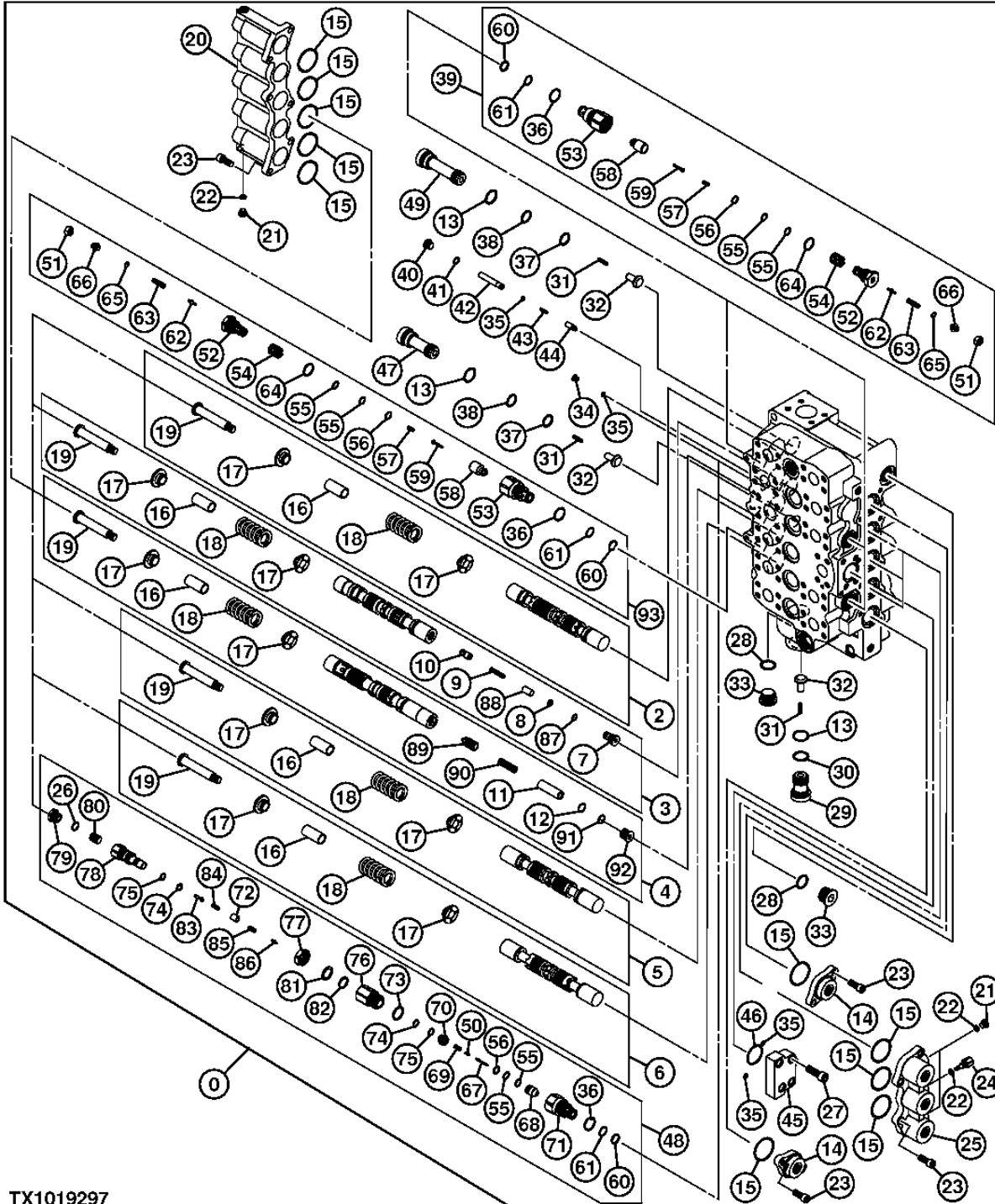
KEY	PART NO.	PART NAME	QTY.	SERIAL NO.	REMARKS
0	4691477	VALVE	1		(A) (SUB FOR 4661709) (SUB FOR 4632973) (PORT RELIEF SETTING ONLY DIFFERENCE IN THESE TWO VALVES)
2	PLUNGER	1		SWING, (0979201 NLA)
3	PLUNGER	1		ARM 1, (0979202 NLA)
4	PLUNGER	1		BOOM 2, (0979203 NLA)
5	PLUNGER	1		AUXILIARY, (0979204 NLA)
6	PLUNGER	1		LEFT TRAVEL, (0979205 NLA)
7	0622877	CAP (HAT)	1		
8	4506412	PACKING	1		
9	0159214	SPRING	1		
10	0622811	CHECK VALVE	1		
11	0979206	SPACER	1		
12	4506418	O-RING	1		
13	4088425	O-RING	3		
14	0622803	COVER	2		
15	4073426	O-RING	10		(SUB FOR 0101616)
16	0622805	SLEEVE	5		
17	0622806	GUIDE	10		
18	0622807	SPRING	5		
19	0622808	CAP	5		
20	0979217	COVER	1		
21	0622810	CAP	3		
22	M800650	PACKING	4		(SUB FOR 957366)
23	19M8127	SCREW	15		M12 X 30, (SUB FOR M341230)
24	0979218	PLUG	1		
25	0979219	COVER	1		
26	4366521	O-RING	1		(SUB FOR 4153098 OR 0818008, THIS APPLICATION)
27	19M8734	SCREW	4		M14 X 45, (SUB FOR M341445)
28	0624703	O-RING	2		
29	0622825	CAP	1		
30	0223104	BACK-UP RING	1		
31	0622827	SPRING	3		
32	0622829	CHECK VALVE	3		
33	0624702	CAP	2		
34	0838001	CAP	1		
35	0838002	O-RING	4		
36	4366528	O-RING	5		(SUB FOR 4153108) (SUB FOR 0818007, THIS APPLICATION)
37	966689	O-RING	2		
38	4113187	BACK-UP RING	2		
39	4469301	RELIEF VALVE	3		
40	0622819	CAP	1		
41	CH11570	O-RING	1		(SUB FOR 4509180)
42	0979227	SPACER	1		
43	0979228	SPRING	1		
44	0979229	CHECK VALVE	1		
45	0979230	COVER	1		
46	0979231	O-RING	1		

(A)ADDITIONAL COMPONENTS LISTED ON FOLLOWING PAGES
(A)COMPOSANTS SUPPLEMENTAIRES ENUMERES AUX PAGES SUIVANTES
(A)COMPONENTES ADICIONALES INDICADOS EN PAGINAS SIGUIENTES

3362-9A

CONTROL VALVE BODY AND SPOOLS (5-SPOOL SIDE) CONTROL AND LOAD HOLDING VALVES 3362
CORPS ET TIROIRS DE DISTRIBUTEUR (COTE A 5 TIROIRS) SUITE
CUERPO Y CARRETES DE VALVULA DE CONTROL (LADO DE 5 CARRETES) CONTINUACION

TX1019297 -UN-28MAR07



TX1019297

3362-9B

EXCAVATOR 33

CONTROL AND LOAD HOLDING VALVES 3362

CONTROL VALVE BODY AND SPOOLS (5-SPOOL SIDE) CONTINUED
CORPS ET TIROIRS DE DISTRIBUTEUR (COTE A 5 TIROIRS) SUITE
CUERPO Y CARRETES DE VALVULA DE CONTROL (LADO DE 5 CARRETES) CONTINUACION

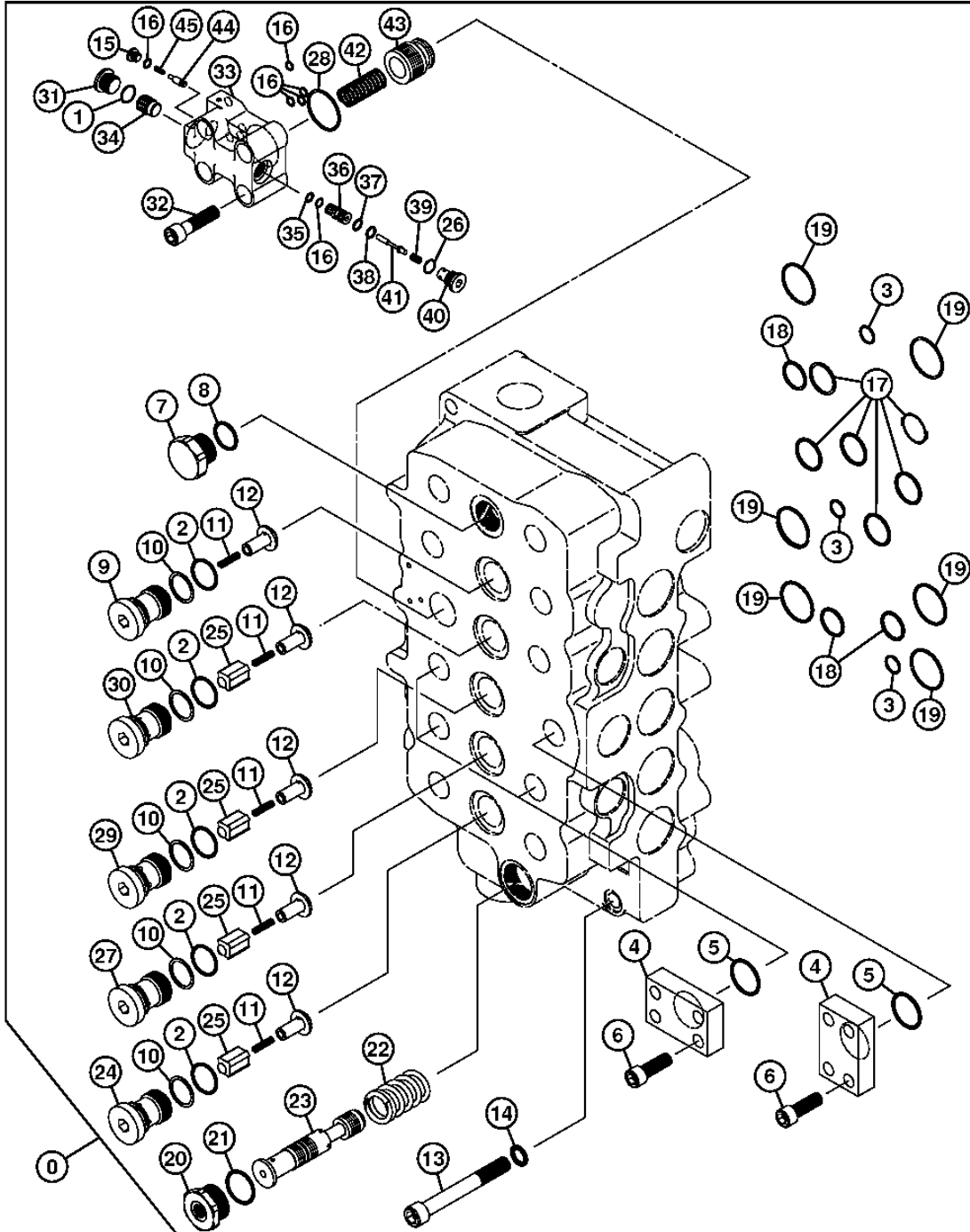
KEY	PART NO.	PART NAME	QTY.	SERIAL NO.	REMARKS
47	0979232	CAP	1		
48	4659820	PRESSURE RELIEF VALVE	1		
49	0979233	CAP	1		
50	0810719	SPRING	1		
51	0809721	NUT	4		
52	0809722	VALVE SEAT	4		
53	0809723	SLEEVE	4		
54	0809724	SPRING	4		
55	0809725	RING	10		
56	0809726	O-RING	5		
57	0809727	SPRING	4		
58	0809728	POPPET	4		
59	0809729	PISTON	4		
60	4355080	O-RING	5		(SUB FOR 4153099 OR 0818011, THIS APPLICATION)
61	4027959	BACK-UP RING	5		
62	0809733	POPPET	4		
63	0809732	SPRING	4		
64	0809731	O-RING	4		
65	4366519	O-RING	4		(SUB FOR AT202085) (SUB FOR 4153089, THIS APPLICATION) (SUB FOR 0818012)
66	0809730	SCREW	4		
67	0810722	PISTON	1		
68	0810721	POPPET	1		
69	0810720	SPRING	1		
70	0810718	VALVE SEAT	1		
71	0810717	SLEEVE	1		
72	0810716	RETAINER	1		
73	0810715	O-RING	1		
74	0810714	O-RING	2		
75	0810713	RING	2		
76	0810712	SLEEVE	1		
77	0810711	NUT	1		
78	0810710	SLEEVE	1		
79	0810709	CAP	1		
80	0810723	PISTON	1		
81	0810724	RING	1		
82	0810725	O-RING	1		
83	0810726	POPPET	1		
84	0810727	SPRING	1		
85	0810728	SPRING	1		
86	0810729	POPPET	1		
87	0166805	BACK-UP RING	1		
88	0622813	SPACER	1		
89	0810707	CHECK VALVE	1		
90	0810706	SPRING	1		
91	0979207	BACK-UP RING	1		
92	0979208	CAP	1		
93	4469302	RELIEF VALVE	1		

3362-10

CONTROL VALVE END CAPS (5-SPOOL SIDE)
COUVERCLES D'EXTREME DE DISTRIBUTEUR (COTE A 5 TIROIRS)
TAPAS TERMINALES DE VALVULA DE CONTROL LADO DE 5 CARRETES)

TX1003534 -UN-10FEB06

CONTROL AND LOAD HOLDING VALVES 3362



TX1003534

3362-11

EXCAVATOR 33

CONTROL AND LOAD HOLDING VALVES 3362

CONTROL VALVE END CAPS (5-SPOOL SIDE)
COUVERCLES D EXTREMITE DE DISTRIBUTEUR (COTE A 5 TIROIRS)
TAPAS TERMINALES DE VALVULA DE CONTROL LADO DE 5 CARRETÉS)

KEY	PART NO.	PART NAME	QTY.	SERIAL NO.	REMARKS
0	4691477	VALVE	1		(A) (SUB FOR 4661709) (SUB FOR 4632973) (PORT RELIEF SETTING ONLY DIFFERENCE IN THESE TWO VALVES)
1	4506418	O-RING	1		
2	4088425	O-RING	5		
3	4366521	O-RING	3		(SUB FOR 4153098, THIS APPLICATION)
4	0622858	FLANGE	4		
5	4508805	O-RING	4		(SUB FOR 0197011)
6	19M8734	SCREW	16		M14 X 45, (SUB FOR M341445)
7	T72216	O-RING	1		
8	0624703	O-RING	1		
9	0622825	CAP	1		
10	0223104	BACK-UP RING	5		
11	0622827	SPRING	5		
12	0622829	CHECK VALVE	5		
13	0101511	BOLT	1		
14	0189908	WASHER	1		
15	0838001	CAP	1		
16	0838002	O-RING	6		
17	0223109	O-RING	6		
18	4366528	O-RING	3		(SUB FOR 4153108) (SUB FOR 0818007, THIS APPLICATION)
19	4292386	O-RING	6		(SUB FOR 4153535, 0818006 OR 0818203, THIS APPLICATION)
20	0979223	CAP	1		
21	0979224	O-RING	1		
22	0979225	SPRING	1		
23	SPOOL	1		(0979226 NSEP)
24	0622868	CAP	1		
25	0622848	CHECK VALVE	4		
26	CH11570	O-RING	1		(SUB FOR 4509180)
27	0622869	CAP	1		
28	0979231	O-RING	1		
29	0622860	CAP	1		
30	0622849	CAP	1		
31	0622822	CAP	1		
32	0979234	BOLT	4		
33	0979236	COVER	1		
34	0979237	PISTON	1		
35	0979238	BACK-UP RING	1		
36	0979239	SLEEVE	1		
37	0979240	BACK-UP RING	1		
38	CH17167	O-RING	1		(SUB FOR 4506320)
39	0979241	SPRING	1		
40	0979242	CAP	1		
41	0979243	POPPET	1		
42	0622856	SPRING	1		
43	0622855	POPPET	1		
44	0979244	CHECK VALVE	1		
45	0810719	SPRING	1		

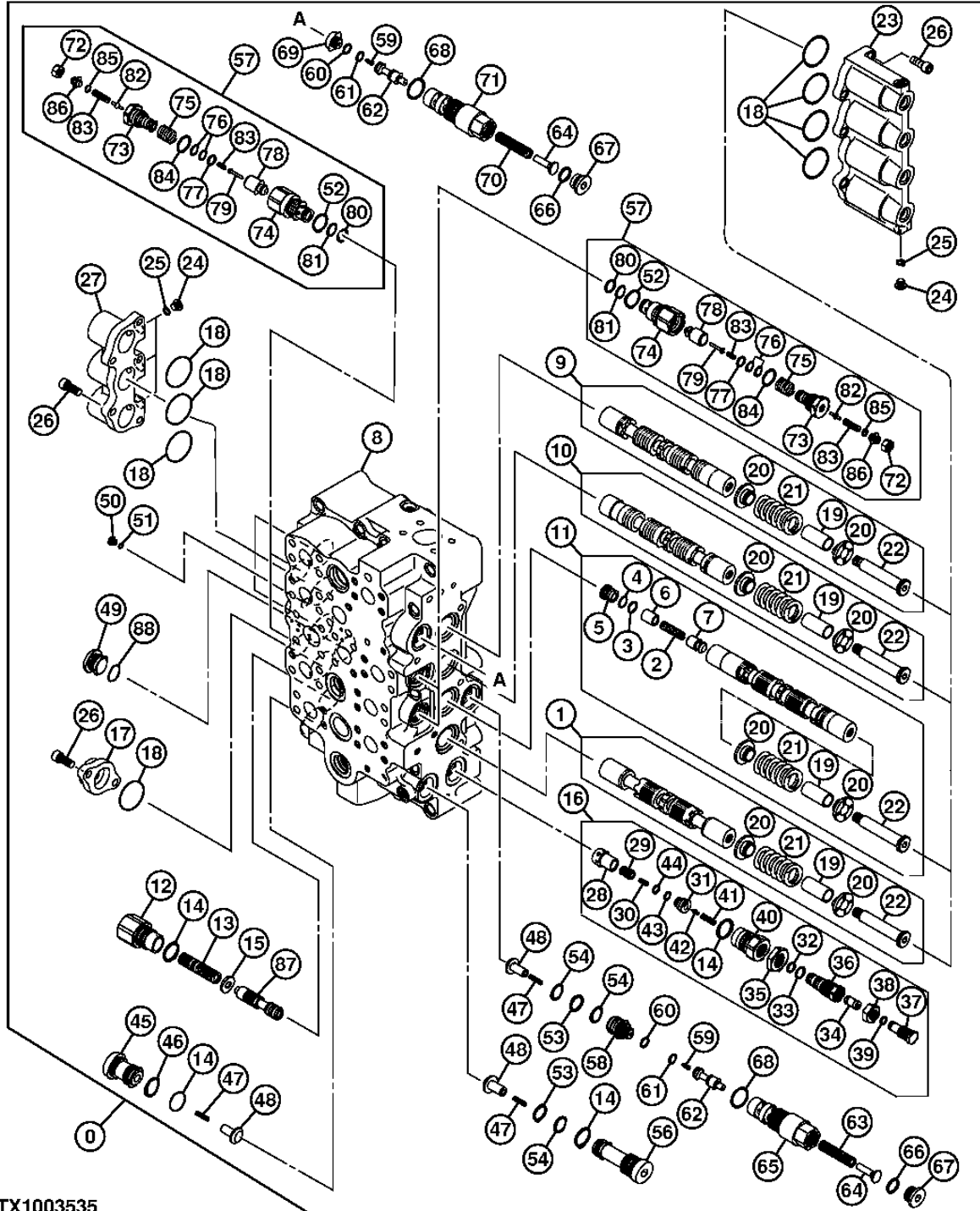
(A)ADDITIONAL COMPONENTS LISTED ON FOLLOWING PAGES
(A)COMPOSANTS SUPPLEMENTAIRES ENUMERES AUX PAGES SUIVANTES
(A)COMPONENTES ADICIONALES INDICADOS EN PAGINAS SIGUIENTES

3362-12

CONTROL VALVE BODY AND SPOOLS (4-SPOOL SIDE) CORPS ET TIROIRS DE DISTRIBUTEUR (COTE A 4 TIROIRS) CUERPO Y CARRETES DE VALVULA DE CONTROL (LADO DE 4 CARRETES)

TX1003535

-UN-17FEB06



TX1003535

THIS PARTS LISTING IS CONTINUED

3362-13

EXCAVATOR 33

CONTROL AND LOAD HOLDING VALVES 3362

CONTROL VALVE BODY AND SPOOLS (4-SPOOL SIDE)
CORPS ET TIROIRS DE DISTRIBUTEUR (COTE A 4 TIROIRS)
CUERPO Y CARRETES DE VALVULA DE CONTROL (LADO DE 4 CARRETES)

KEY	PART NO.	PART NAME	QTY.	SERIAL NO.	REMARKS
0	4691477	VALVE	1		(A) (SUB FOR 4661709) (SUB FOR 4632973) (PORT RELIEF SETTING ONLY DIFFERENCE IN THESE TWO VALVES)
1		1		RIGHT TRAVEL, (0979205 NLA)
2	0810706	SPRING	1		
3	4506418	O-RING	1		
4	0979207	BACK-UP RING	1		
5	0979208	CAP	1		
6	0979209	SPACER	1		
7	0979210	CHECK VALVE	1		
8	HOUSING	1		
9	PLUNGER	1		ARM 2, (0979211 NLA)
10	PLUNGER	1		BOOM 1, (0979212 NLA)
11	PLUNGER	1		BUCKET, (0979213 NLA)
12	0979214	CAP	1		
13	0810405	SPRING	1		
14	4088425	O-RING	4		
15	0622816	SPACER	1		
16	4674564	PRESSURE RELIEF VALVE	1		POWER DIG
17	0622803	COVER	1		
18	4073426	O-RING	8		(SUB FOR 0101616)
19	0622805	SLEEVE	4		
20	0622806	GUIDE	8		
21	0622807	SPRING	4		
22	0622808	CAP	4		
23	0979216	COVER	1		
24	0622810	CAP	4		
25	M800650	PACKING	4		(SUB FOR 957366)
26	19M8127	SCREW	13		M12 X 30, (SUB FOR M341230)
27	0979219	COVER	1		
28	0809715	SLEEVE	1		
29	0809714	POPPET	1		
30	0809713	SPRING	1		
31	0809712	VALVE SEAT	1		
32	0809711	O-RING	1		
33	4366521	O-RING	1		(SUB FOR 4153098 OR 0818008, THIS APPLICATION)
34	0809710	ORIFICE	1		
35	0809709	NUT	1		
36	0809708	SLEEVE	1		
37	0809716	SCREW	1		
38	0809717	NUT	1		
39	4138931	O-RING	1		(SUB FOR 0212416)
40	0809718	CAP	1		
41	0135206	SPRING	1		
42	0809719	POPPET	1		
43	4040813	BACK-UP RING	1		
44	0809720	O-RING	1		
45	0622825	CAP	1		
46	0223104	BACK-UP RING	1		
47	0622827	SPRING	3		
48	0622829	CHECK VALVE	3		
49	0624702	CAP	1		

(ADDITIONAL COMPONENTS LISTED ON FOLLOWING PAGES)
 (COMPOSANTS SUPPLEMENTAIRES ENUMERES AUX PAGES SUIVANTES)
 (COMPONENTES ADICIONALES INDICADOS EN PAGINAS SIGUIENTES)

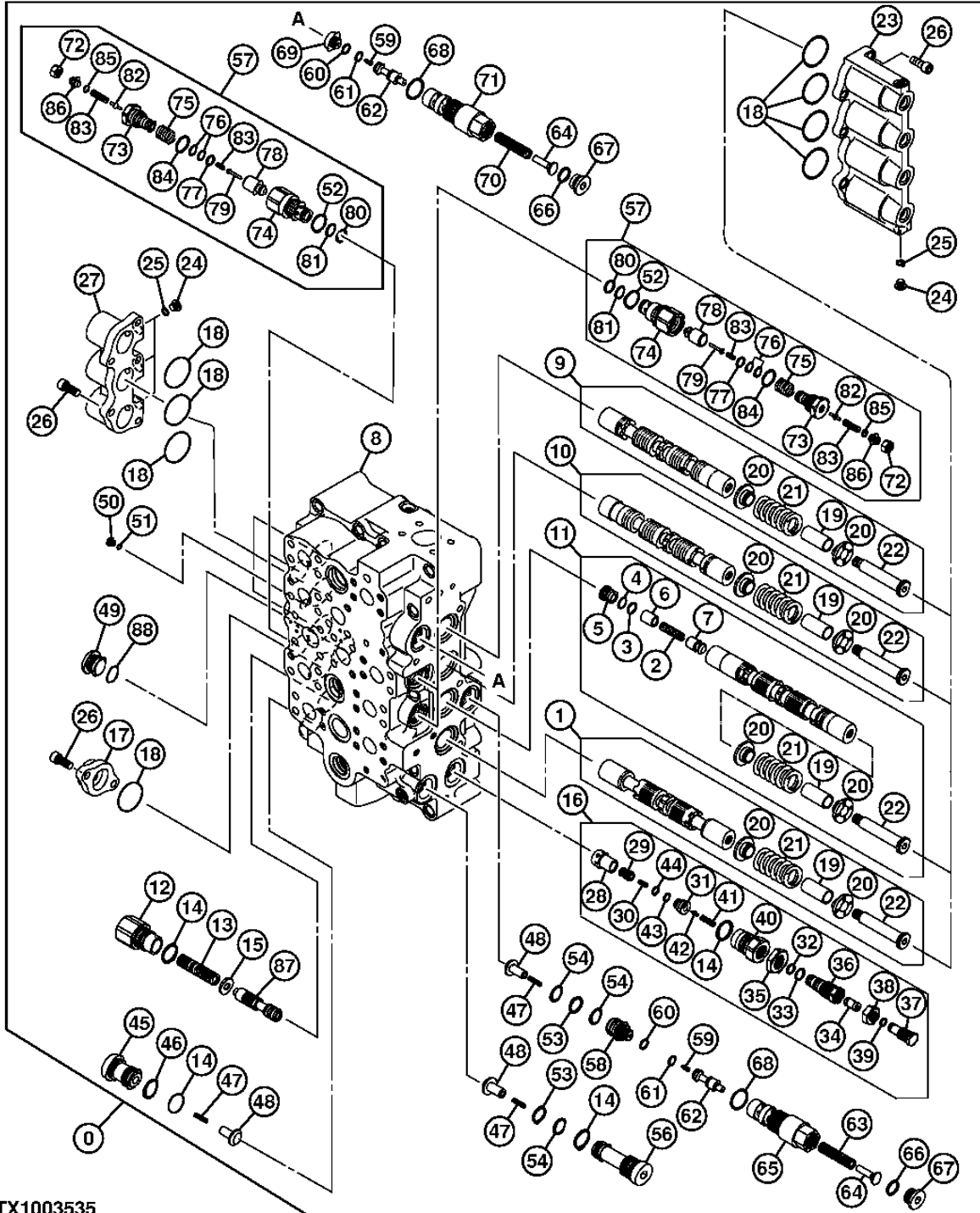
3362-13A

CONTROL VALVE BODY AND SPOOLS (4-SPOOL SIDE) CONTINUED
CORPS ET TIROIRS DE DISTRIBUTEUR (COTE A 4 TIROIRS) SUITE
CUERPO Y CARRETES DE VALVULA DE CONTROL (LADO DE 4 CARRETES) CONTINUACION

TX1003535

-UN-17FEB06

CONTROL AND LOAD HOLDING VALVES 3362



TX1003535

3362-13B

EXCAVATOR 33

CONTROL AND LOAD HOLDING VALVES 3362

CONTROL VALVE BODY AND SPOOLS (4-SPOOL SIDE) CONTINUED
CORPS ET TIROIRS DE DISTRIBUTEUR (COTE A 4 TIROIRS) SUITE
CUERPO Y CARRETES DE VALVULA DE CONTROL (LADO DE 4 CARRETES) CONTINUACION

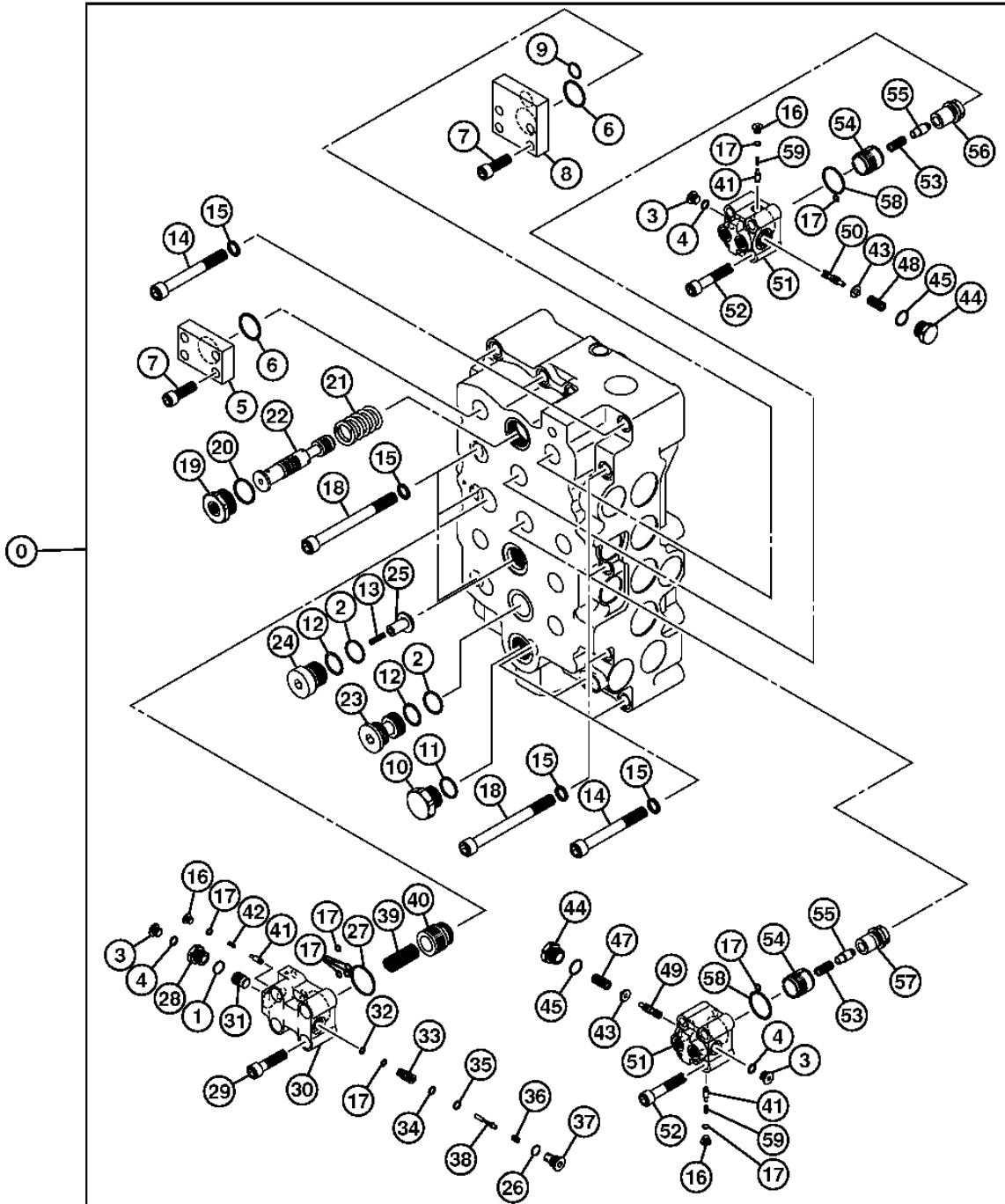
KEY	PART NO.	PART NAME	QTY.	SERIAL NO.	REMARKS
50	0838001	CAP	1		
51	0838002	O-RING	1		
52	4366528	O-RING	4		(SUB FOR 4153108) (SUB FOR 0818007, THIS APPLICATION)
53	966689	O-RING	2		
54	4113187	BACK-UP RING	3		
56	0979222	CAP	1		
57	4469301	RELIEF VALVE	4		
58	0979258	SLEEVE	1		
59	0622835	PISTON	2		
60	T111819	O-RING	2		(SUB FOR 4506415)
61	4040814	BACK-UP RING	2		
62	0979259	SPOOL	2		
63	0979260	SPRING	1		
64	0622831	GUIDE	2		
65	0979261	SLEEVE	1		
66	4138931	O-RING	2		
67	0453932	FITTING PLUG	2		
68	0810603	O-RING	2		
69	0979262	SLEEVE	1		
70	0979263	SPRING	1		
71	0979264	SLEEVE	1		
72	0809721	NUT	4		
73	0809722	VALVE SEAT	4		
74	0809723	SLEEVE	4		
75	0809724	SPRING	4		
76	0809725	RING	8		
77	0809726	O-RING	4		
78	0809728	POPPET	4		
79	0809729	PISTON	4		
80	4355080	O-RING	4		(SUB FOR 4153099 OR 0818011, THIS APPLICATION)
81	4027959	BACK-UP RING	4		
82	0809733	POPPET	4		
83	0809732	SPRING	4		
84	0809731	O-RING	4		
85	4366519	O-RING	4		(SUB FOR AT202085) (SUB FOR 4153089, THIS APPLICATION) (SUB FOR 0818012)
86	0809730	SCREW	4		
87	PLUNGER	1		(0979215 NLA)
88	0624703	O-RING	1		

3362-14

CONTROL VALVE END CAPS (4-SPOOL SIDE)
COUVERCLES D EXTREMITE DE DISTRIBUTEUR (COTE A 4 TIROIRS)
TAPAS TERMINALES DE VALVULA DE CONTROL LADO DE 4 CARRETES)

TX1003536 -UN-10FEB06

CONTROL AND LOAD HOLDING VALVES 3362



TX1003536

3362-15

EXCAVATOR 33

CONTROL AND LOAD HOLDING VALVES 3362

CONTROL VALVE END CAPS (4-SPOOL SIDE)
COUVERCLES D EXTREMITÉ DE DISTRIBUTEUR (COTE A 4 TIROIRS)
TAPAS TERMINALES DE VALVULA DE CONTROL LADO DE 4 CARRETÉS)

KEY	PART NO.	PART NAME	QTY.	SERIAL NO.	REMARKS
0	4691477	VALVE	1		(A) (SUB FOR 4661709) (SUB FOR 4632973) (PORT RELIEF SETTING ONLY DIFFERENCE IN THESE TWO VALVES)
1	4506418	O-RING	1		
2	4088425	O-RING	2		
3	0622810	CAP	3		
4	M800650	PACKING	3		(SUB FOR 957366)
5	0622858	FLANGE	1		
6	T72216	O-RING	2		(SUB FOR 0197011)
7	19M8734	SCREW	8		M14 X 45, (SUB FOR M341445)
8	0979220	FLANGE	1		
9	TH103574	O-RING	1		(SUB FOR 4509181)
10	0818102	CAP	1		
11	0624703	O-RING	1		
12	0223104	BACK-UP RING	2		
13	0622827	SPRING	1		
14	0101511	BOLT	7		
15	0189908	WASHER	13		
16	0838001	CAP	3		
17	0838002	O-RING	10		
18	0979221	BOLT	6		
19	0979223	CAP	1		
20	0979224	O-RING	1		
21	0979225	SPRING	1		
22	SPOOL	1		(0979226 NSEP)
23	0876801	CAP	1		
24	0703701	FITTING PLUG	1		
25	0705401	CHECK VALVE	1		
26	CH11570	O-RING	1		(SUB FOR 4509180)
27	0979231	O-RING	1		
28	0810709	CAP	1		
29	0979234	BOLT	4		
30	0979235	COVER	1		
31	0979237	PISTON	1		
32	0979238	BACK-UP RING	1		
33	0979239	SLEEVE	1		
34	0979240	BACK-UP RING	1		
35	CH17167	O-RING	1		(SUB FOR 4506320)
36	0979241	SPRING	1		
37	0979242	CAP	1		
38	0979243	POPPET	1		
39	0622856	SPRING	1		
40	0622855	POPPET	1		
41	0979244	CHECK VALVE	3		
42	0810719	SPRING	1		
43	0979245	GUIDE	2		
44	0979246	CAP	2		
45	985099	O-RING	2		
47	0979247	SPRING	1		
48	0979248	SPRING	1		
49	0979249	SPOOL	1		
50	0979250	SPOOL	1		
51	0979251	COVER	2		
52	0979252	BOLT	8		
53	0979253	SPRING	2		
54	0979254	PISTON	2		
55	0686908	CHECK VALVE	2		
56	0979255	POPPET	1		
57	0979256	POPPET	1		
58	A811040	O-RING	2		
59	0979257	SPRING	2		

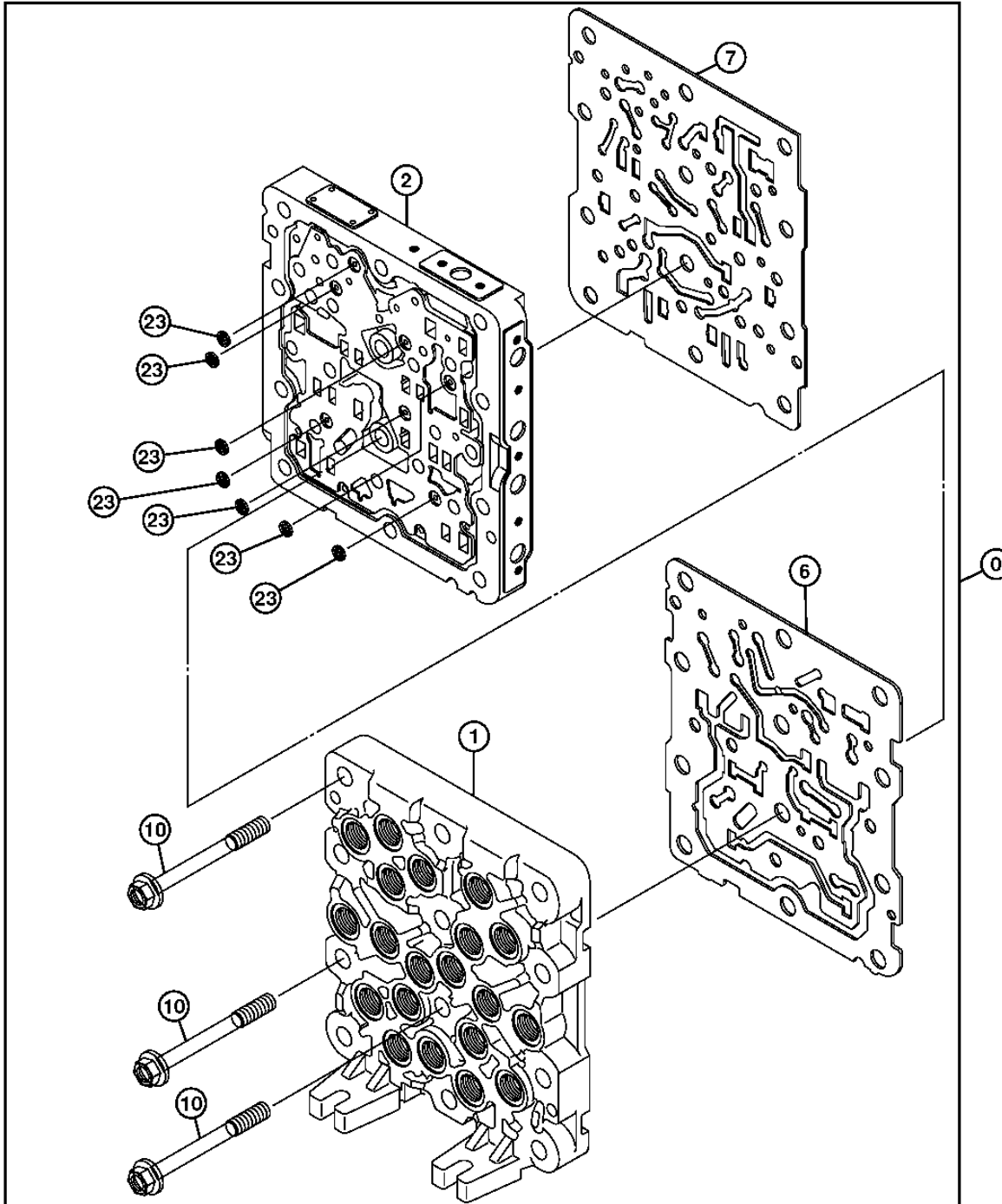
(A)ADDITIONAL COMPONENTS LISTED ON FOLLOWING PAGES
(A)COMPOSANTS SUPPLEMENTAIRES ENUMERES AUX PAGES SUIVANTES
(A)COMPONENTES ADICIONALES INDICADOS EN PAGINAS SIGUIENTES

3362-16

CONTROL AND LOAD HOLDING VALVES 3362
PILOT SIGNAL MANIFOLD (HOUSING AND GASKETS)
COLLECTEUR DE SIGNAL PILOTE (CARTER ET JOINTS)
COLECTOR DE SENALES PILOTO (CAJA Y EMPAQUETADURAS)

TX1002737

-UN-17JAN06



TX1002737

3362-17

EXCAVATOR 33

CONTROL AND LOAD HOLDING VALVES 3362
PILOT SIGNAL MANIFOLD (HOUSING AND GASKETS)
COLLECTEUR DE SIGNAL PILOTE (CARTER ET JOINTS)
COLECTOR DE SENALES PILOTO (CAJA Y EMPAQUETADURAS)

KEY	PART NO.	PART NAME	QTY.	SERIAL NO.	REMARKS
0	4634207	VALVE	1		(A)(B)
1	HOUSING	1		
2	HOUSING	1		
6	GASKET	1		
7	GASKET	1		
10	BOLT	12		
23	FILTER	7		

(A) (CONTAINS ALL PARTS ON THIS PAGE)

(A) (CONTIENT TOUTES LES PIECES ENUMEREES SUR CETTE PAGE)

(A) (CONTIENE TODAS LAS PIEZAS INDICADAS EN ESTA PAGINA)

(B) (ADDITIONAL COMPONENTS LISTED ON FOLLOWING PAGES)

(B)(COMPOSANTS SUPPLEMENTAIRES ENUMERES AUX PAGES SUIVANTES)

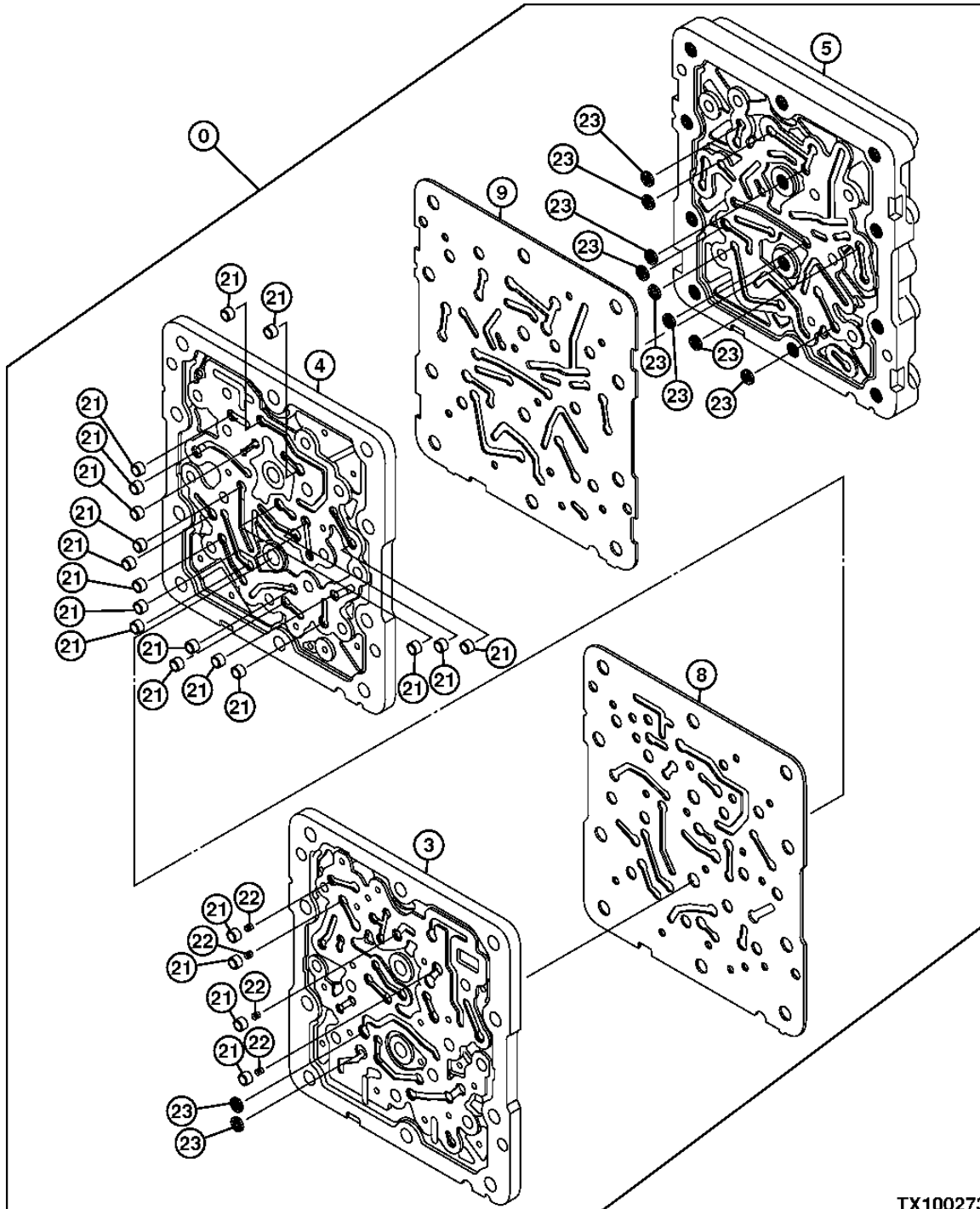
(B) (COMPONENTES ADICIONALES INDICADOS EN PAGINAS SIGUIENTES)

3362-18

PILOT SIGNAL MANIFOLD (VALVE SECTION)
COLLECTEUR DE SIGNAL PILOTE (SECTION DE DISTRIBUTEUR)
COLECTOR DE SENALES PILOTO (SECCION DE VALVULA)

TX1002738

-UN-17JAN06



TX1002738

3362-19

EXCAVATOR 33

CONTROL AND LOAD HOLDING VALVES 3362

PILOT SIGNAL MANIFOLD (VALVE SECTION)
COLLECTEUR DE SIGNAL PILOTE (SECTION DE DISTRIBUTEUR)
COLECTOR DE SENALES PILOTO (SECCION DE VALVULA)

KEY	PART NO.	PART NAME	QTY.	SERIAL NO.	REMARKS
0	4634207	VALVE	1		(A)(B)
3	HOUSING	1		
4	HOUSING	1		
5	HOUSING	1		
8	GASKET	1		
9	GASKET	1		
21	SLEEVE	21		
22	SPRING	4		
23	FILTER	10		

(A) (CONTAINS ALL PARTS ON THIS PAGE)

(A) (CONTIENT TOUTES LES PIECES ENUMEREES SUR CETTE PAGE)

(A) (CONTIENE TODAS LAS PIEZAS INDICADAS EN ESTA PAGINA)

(B) (ADDITIONAL COMPONENTS LISTED ON PREVIOUS AND FOLLOWING PAGES)

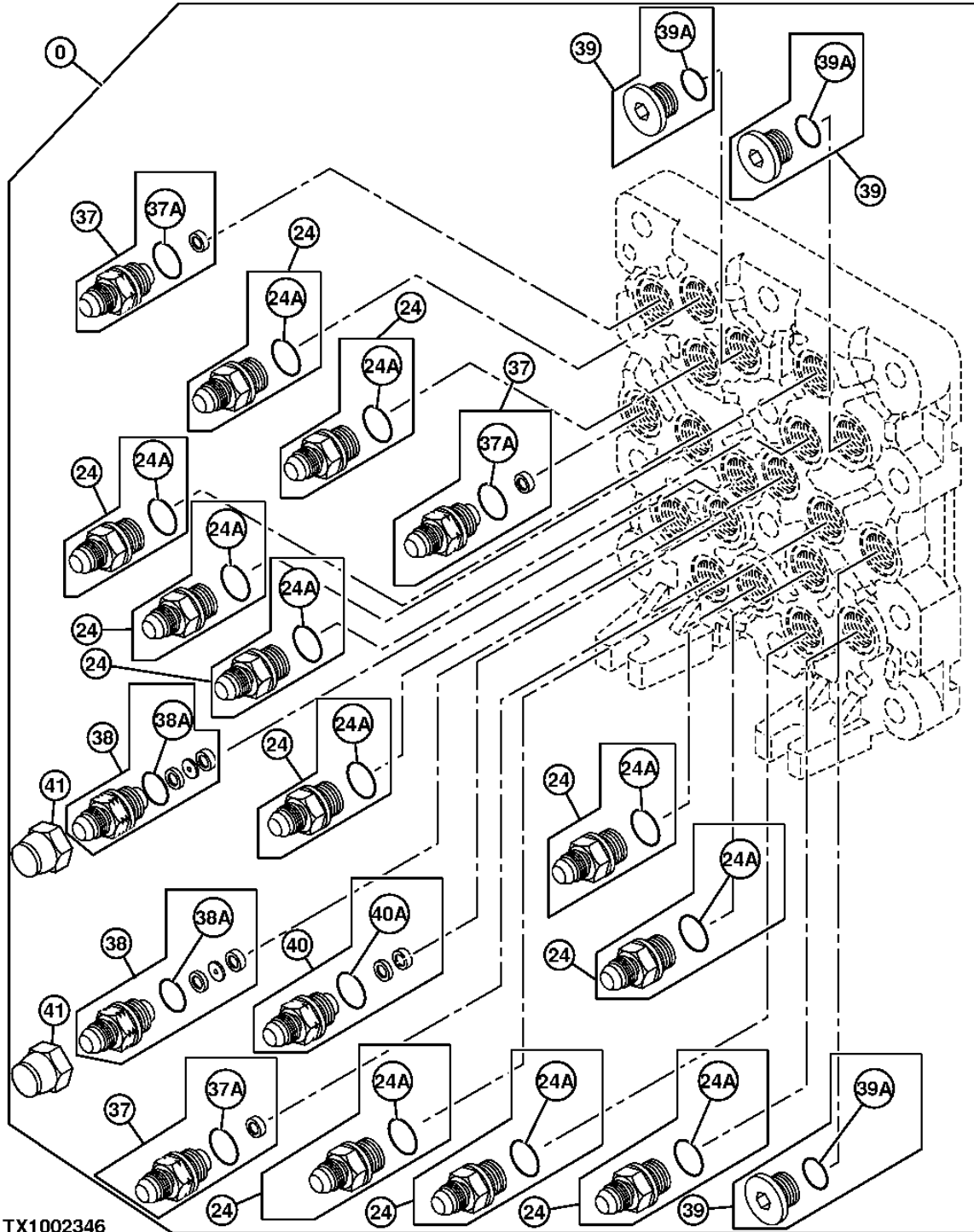
(B) (COMPOSANTS SUPPLEMENTAIRES ENUMERES AUX PAGES PRECEDENTES ET SUIVANTES)

(B) (COMPONENTES ADICIONALES INDICADOS EN PAGINAS ANTERIORES Y SIGUIENTES)

3362-20

CONTROL AND LOAD HOLDING VALVES 3362
PILOT SIGNAL MANIFOLD (PILOT CONTROLLER SIDE)
COLLECTEUR DE SIGNAL PILOTE (COTE COMMANDE PILOTE)
COLECTOR DE SEÑALES PILOTO (LADO DE CONTROLADOR PILOTO)

TX1002346 -UN-09JAN06



TX1002346

3362-21

EXCAVATOR 33

CONTROL AND LOAD HOLDING VALVES 3362

PILOT SIGNAL MANIFOLD (PILOT CONTROLLER SIDE)
COLLECTEUR DE SIGNAL PILOTE (COTE COMMANDE PILOTE)
COLECTOR DE SEÑALES PILOTO (LADO DE CONTROLADOR PILOTO)

KEY	PART NO.	PART NAME	QTY.	SERIAL NO.	REMARKS
0	4634207	VALVE	1		(A)(B)
24	4451784	ADAPTER FITTING	11		(SUB FOR TH4451784)
24A	CH11570	O-RING	1		
37	4451787	ADAPTER FITTING	3		
37A	CH11570	O-RING	1		
38	4482233	ADAPTER FITTING	2		
38A	CH11570	O-RING	1		
39	4451789	PIPE PLUG	2		
39A	CH11570	O-RING	1		
40	4654655	ADAPTER FITTING	1		
40A	CH11570	O-RING	1		
41	4613987	PLUG	2		

(A) (CONTAINS ALL PARTS ON THIS PAGE)

(A) (CONTIENT TOUTES LES PIECES ENUMEREES SUR CETTE PAGE)

(A) (CONTIENE TODAS LAS PIEZAS INDICADAS EN ESTA PAGINA)

(B) (ADDITIONAL COMPONENTS LISTED ON PREVIOUS AND FOLLOWING PAGES)

(B)(COMPOSANTS SUPPLEMENTAIRES ENUMERES AUX PAGES PRECEDENTES ET SUIVANTES)

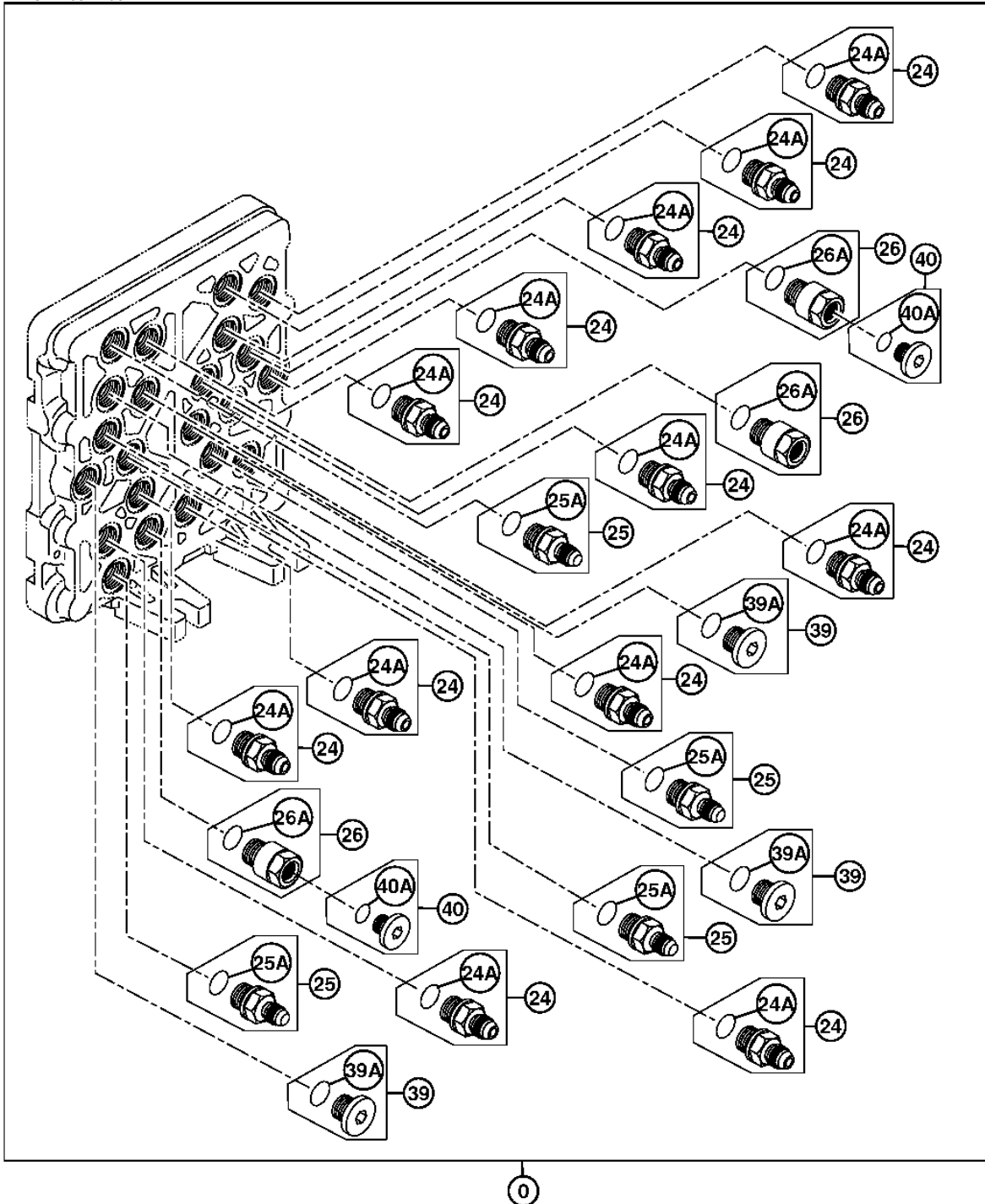
(B) (COMPONENTES ADICIONALES INDICADOS EN PAGINAS ANTERIORES Y SIGUIENTES)

3362-22

CONTROL AND LOAD HOLDING VALVES 3362
PILOT SIGNAL MANIFOLD (CONTROL VALVE SIDE)
COLLECTEUR DE SIGNAL PILOTE (COTE DISTRIBUTEUR)
COLECTOR DE SENALES PILOTO (LADO DE VALVULA DE CONTROL)

TX1002349

-UN-20JAN06



TX1002349

3362-23

EXCAVATOR 33

CONTROL AND LOAD HOLDING VALVES 3362

PILOT SIGNAL MANIFOLD (CONTROL VALVE SIDE)
COLLECTEUR DE SIGNAL PILOTE (COTE DISTRIBUTEUR)
COLECTOR DE SENALES PILOTO (LADO DE VALVULA DE CONTROL)

KEY	PART NO.	PART NAME	QTY.	SERIAL NO.	REMARKS
0	4634207	VALVE	1		(A)(B)
24	4451784	ADAPTER FITTING	12		
24A	CH11570	O-RING	12		(SUB FOR 4509180)
25	4451785	ADAPTER FITTING	5		
25A	CH11570	O-RING	5		(SUB FOR 4509180)
26	4451786	REDUCER	2		
26A	CH11570	O-RING	2		(SUB FOR 4509180)
39	4451789	PIPE PLUG	3		
39A	CH11570	O-RING	3		(SUB FOR 4509180)
40	4451790	PIPE PLUG	2		
40A	957366	O-RING	2		

(A) (CONTAINS ALL PARTS ON THIS PAGE)

(A) (CONTIENT TOUTES LES PIECES ENUMEREES SUR CETTE PAGE)

(A) (CONTIENE TODAS LAS PIEZAS INDICADAS EN ESTA PAGINA)

(B) (ADDITIONAL COMPONENTS LISTED ON PREVIOUS PAGES)

(B) (COMPOSANTS SUPPLEMENTAIRES ENUMERES AUX PAGES PRECEDENTES)

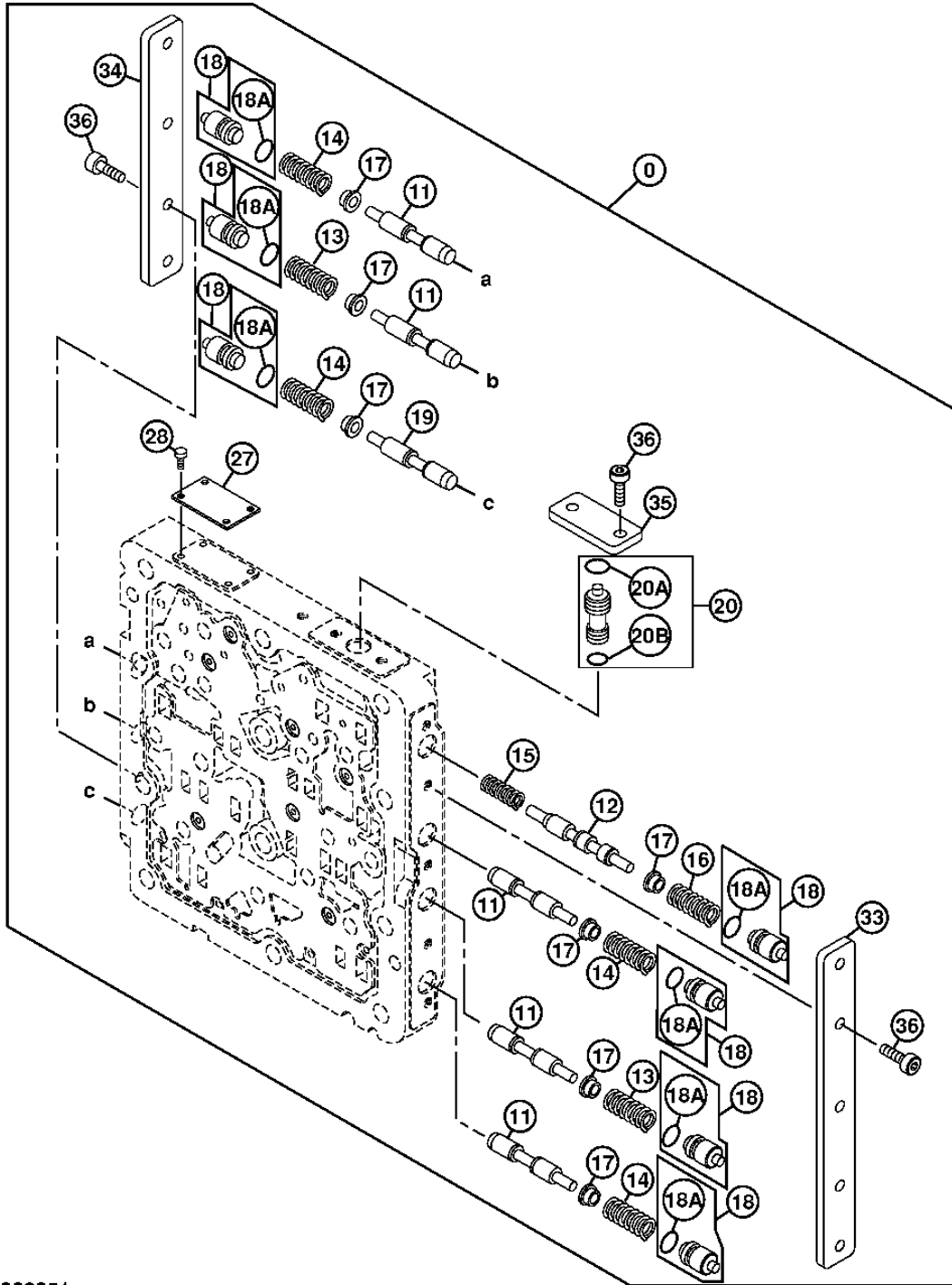
(B) (COMPONENTES ADICIONALES INDICADOS EN PAGINAS ANTERIORES)

3362-24

PILOT SIGNAL MANIFOLD VALVES SOUPAPES DE COLLECTEUR DE SIGNAL PILOTE VALVULAS DE COLECTOR DE SENAL PILOTO

TX1002351

-UN-09JAN06



TX1002351

3362-25

EXCAVATOR 33

CONTROL AND LOAD HOLDING VALVES 3362

PILOT SIGNAL MANIFOLD VALVES
SOUPAPES DE COLLECTEUR DE SIGNAL PILOTE
VALVULAS DE COLECTOR DE SENAL PILOTO

KEY	PART NO.	PART NAME	QTY.	SERIAL NO.	REMARKS
0	4634207	VALVE	1		(A)(B)
11	SPOOL VALVE	5		
12	SPOOL VALVE	1		
13	0788703	SPRING	2		
14	0788704	SPRING	4		
15	0788705	SPRING	1		
16	0788706	SPRING	1		
17	0788707	VALVE SEAT	7		
18	4452647	PIPE PLUG	7		
18A	CH11560	PACKING	1		
19	SPOOL VALVE	1		
20	SLEEVE	1		
20A	CH11560	PACKING	1		
20B	CH10567	PACKING	1		
27	PLATE	1		(NSEP)
28	SCREW	1		(NSEP)
33	0788710	PLATE	1		
34	0788711	PLATE	1		
35	0788712	PLATE	1		
36	0788713	BOLT	11		

(A) (CONTAINS ALL PARTS ON THIS PAGE)

(A) (CONTIENT TOUTES LES PIECES ENUMEREES SUR CETTE PAGE)

(A) (CONTIENE TODAS LAS PIEZAS INDICADAS EN ESTA PAGINA)

(B) (ADDITIONAL COMPONENTS LISTED ON PREVIOUS PAGES)

(B) (COMPOSANTS SUPPLEMENTAIRES ENUMERES AUX PAGES PRECEDENTES)

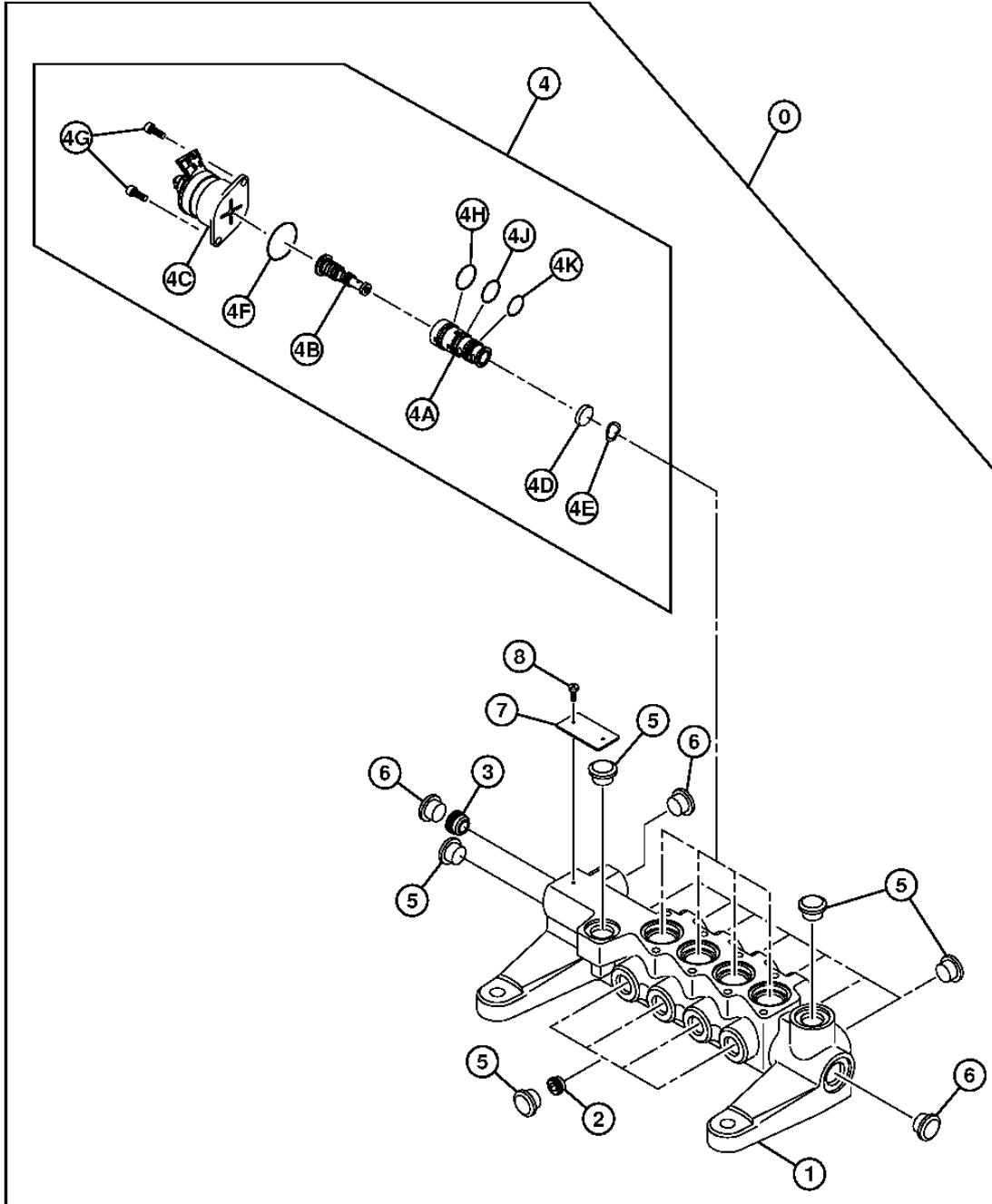
(B) (COMPONENTES ADICIONALES INDICADOS EN PAGINAS ANTERIORES)

3362-26

SOLENOID VALVE ELECTROVANNE VALVULA DE SOLENOIDE

TX1000412

-UN-20JAN06



TX1000412

THIS PARTS LISTING IS CONTINUED

3362-27

EXCAVATOR 33

CONTROL AND LOAD HOLDING VALVES 3362

SOLENOID VALVE ELECTROVANNE VALVULA DE SOLENOIDE

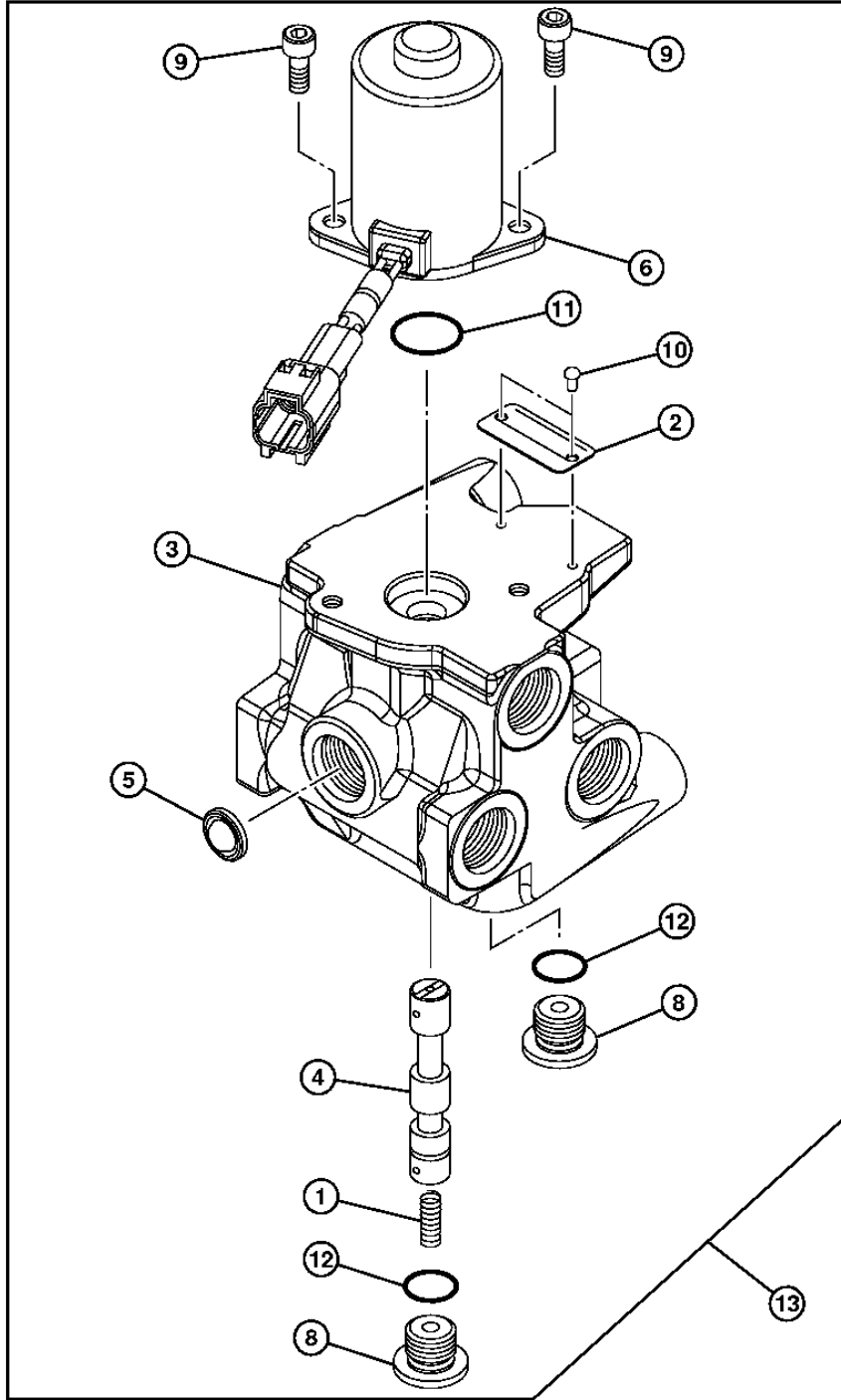
KEY	PART NO.	PART NAME	QTY.	SERIAL NO.	REMARKS
0	9285047	SOLENOID HYDRAULIC VALVE	1		(SUB FOR 9246518)
1	HOUSING	1		
2	9761179	PLUG	4		
3	9228828	PLUG	1		
4	9239590	SOLENOID HYDRAULIC VALVE	4		
4A	SOLENOID VALVE	1		
4B	SPOOL	1		
4C	SOLENOID VALVE COIL	1		
4D	PLATE	1		
4E	WASHER	1		
4F	4614764	O-RING	1		
4G	19M7600	SCREW	2		(SUB FOR J780512)
4H	4614703	O-RING	1		
4J	4614702	O-RING	1		
4K	4614701	O-RING	1		
5	PLUG	14		(3095882 NLA)
6	PLUG	3		(3094771 NLA)
7	PLATE	1		
8	M491832	SCREW	2		

3362-28

PILOT SHUTOFF SOLENOID VALVE ELECTROVANNE DARRET PILOTE VALVULA DE SOLENOIDE DE CORTE PILOTO

TX1000413

-UN-16NOV05



TX1000413

3362-29

EXCAVATOR 33

CONTROL AND LOAD HOLDING VALVES 3362

**PILOT SHUTOFF SOLENOID VALVE
ELECTROVANNE DARRET PILOTE
VALVULA DE SOLENOIDE DE CORTE PILOTO**

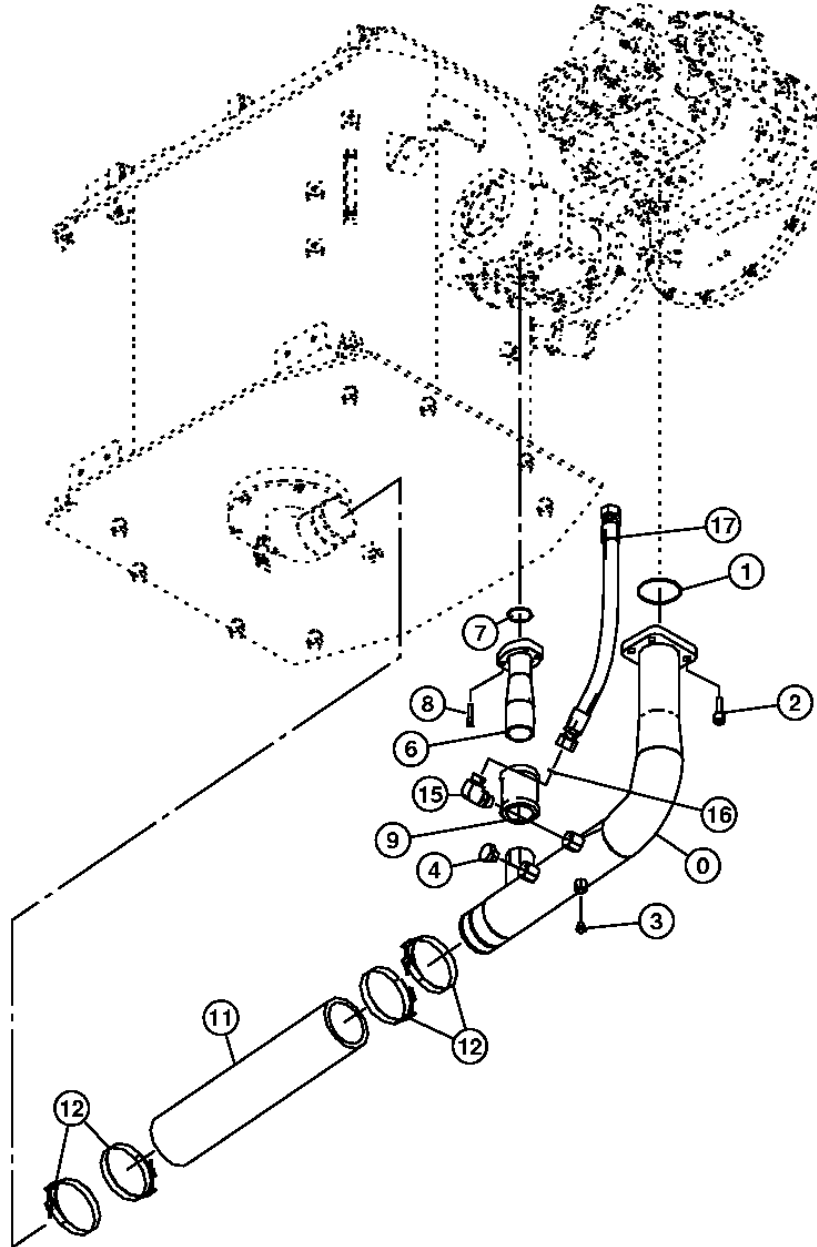
KEY	PART NO.	PART NAME	QTY.	SERIAL NO.	REMARKS
1	0624904	SPRING	1		
2	PLATE	1		
3	HOUSING	1		
4	SPOOL	4		
5	SCREEN	1		
6	0976504	SOLENOID HYDRAULIC VALVE	1		
8	0732608	PLUG	2		
9	0794204	BOLT	2		
10	0794701	SCREW	2		
11	CH10570	O-RING	1		(SUB FOR 954495)
12	M800650	PACKING	2		(SUB FOR 957366)
13	4609630	VALVE	1		

3363-2

SUCTION LINES CONDUITES D'ASPIRATION LINEAS DE ASPIRACION

TX1001086

-UN-07DEC05



TX1001086

THIS PARTS LISTING IS CONTINUED

3363-3

EXCAVATOR 33

LINES, HOSES, AND FITTINGS 3363

SUCTION LINES CONDUITES D'ASPIRATION LINEAS DE ASPIRACION

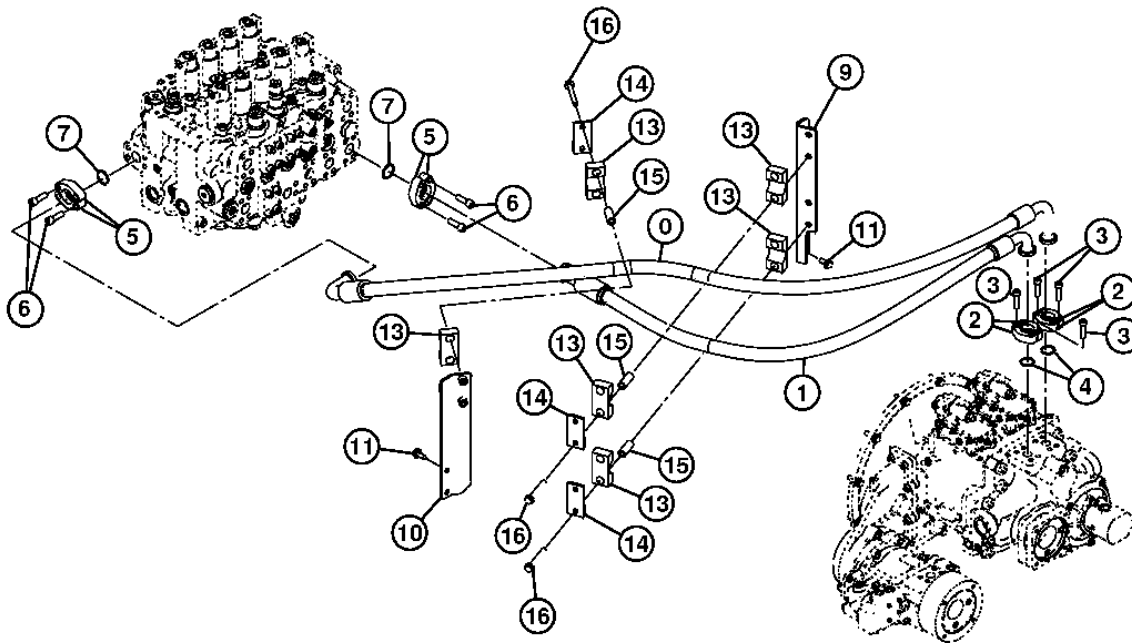
KEY	PART NO.	PART NAME	QTY.	SERIAL NO.	REMARKS
0	7048463	LINE	1		
1	4153544	O-RING	1		(SUB FOR AT202091)
2	19M8445	SCREW	4		M16 X 45, (SUB FOR M341645)
3	A885002	PLUG	1		
	M800650	PACKING	1		(SUB FOR 957366)
4	A885006	PLUG	1		
	AT318035	O-RING	1		(SUB FOR 4506424)
6	TH8100690	TUBE	1		(8100690 NLA)
7	4153536	O-RING	1		
8	19M8448	SCREW	4		M12 X 35, (SUB FOR M341236 OR TH101907)
9	4067833	COUPLING	1		(SUB FOR TH101934)
	4196261	SEAL	2		(SUB FOR TH106968)
11	4637328	HOSE	1		
12	RE28140	CLAMP	4		(SUB FOR 4282488)
15	A853366	ELBOW FITTING	1		
	AT318035	O-RING	1		(SUB FOR 4506424 OR TH100055)
16	T77858	O-RING	1		18.771 X 1.778 MM, (SUB FOR 4187308)
17	4316023	HYDRAULIC HOSE - FABRICATE	1		

3363-4

DELIVERY LINES
CONDUITES D'ALIMENTATION
LINEAS DE ENTREGA

TX1001087

-UN-24JAN06



TX1001087

THIS PARTS LISTING IS CONTINUED

3363-5

EXCAVATOR 33

LINES, HOSES, AND FITTINGS 3363

DELIVERY LINES CONDUITES D'ALIMENTATION LINEAS DE ENTREGA

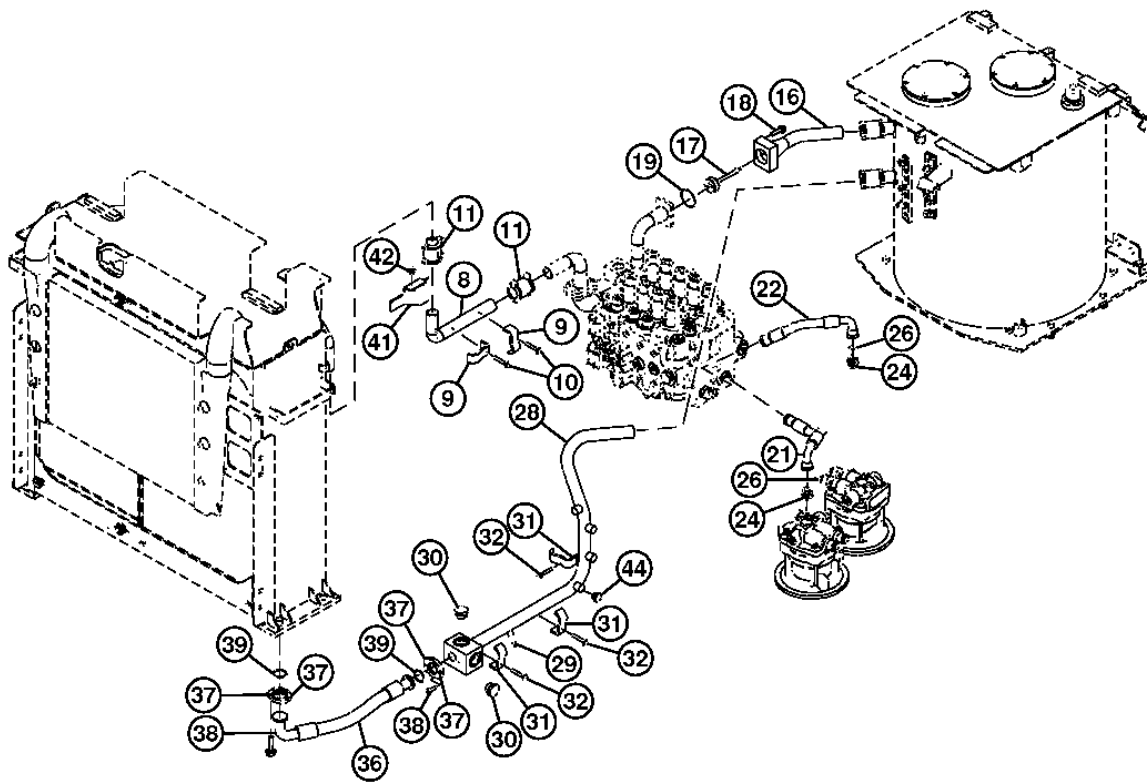
KEY	PART NO.	PART NAME	QTY.	SERIAL NO.	REMARKS
0	4636846	HYDRAULIC HOSE	1		
1	4636847	HYDRAULIC HOSE - FABRICATE	1		
2	4085560	FLANGE FITTING	4		(SUB FOR AT214413)
3	19M8341	SCREW	8		M12 X 45, (SUB FOR M341245)
4	966993	O-RING	2		
5	AT131685	FLANGE FITTING	4		(SUB FOR 4089703)
6	19M8734	SCREW	8		M14 X 45, (SUB FOR M341445 OR TH102991)
7	T72216	O-RING	2		37.694 X 3.531 MM, (SUB FOR 4508805)
9	9764407	BRACKET	1		
10	9764404	BRACKET	1		
11	SCREW WITH WASHER	4		(J271230 NLA)
	19M8011	CAP SCREW	4		M12 X 30, (SUB FOR J901230)
	24M7345	WASHER	4		13.500 X 24 X 2.500 MM, (SUB FOR J222012)
13	4341808	HOSE CLAMP	6		(SUB FOR AT201828)
14	4341803	PLATE	3		(SUB FOR AT201827)
15	4205614	SPACER	6		(SUB FOR AT131791)
16	SCREW WITH WASHER	1		(J271200 NLA)
	19M7949	CAP SCREW	1		M12 X 100, (SUB FOR J901200)
	24M7345	WASHER	1		13.500 X 24 X 2.500 MM, (SUB FOR J222012)

3363-6

RETURN LINES CONDUITES DE RETOUR LINEAS DE RETORNO

TX1030299

-UN-11OCT07



TX1030299

3363-7

EXCAVATOR 33

LINES, HOSES, AND FITTINGS 3363

RETURN LINES
CONDUITES DE RETOUR
LINEAS DE RETORNO

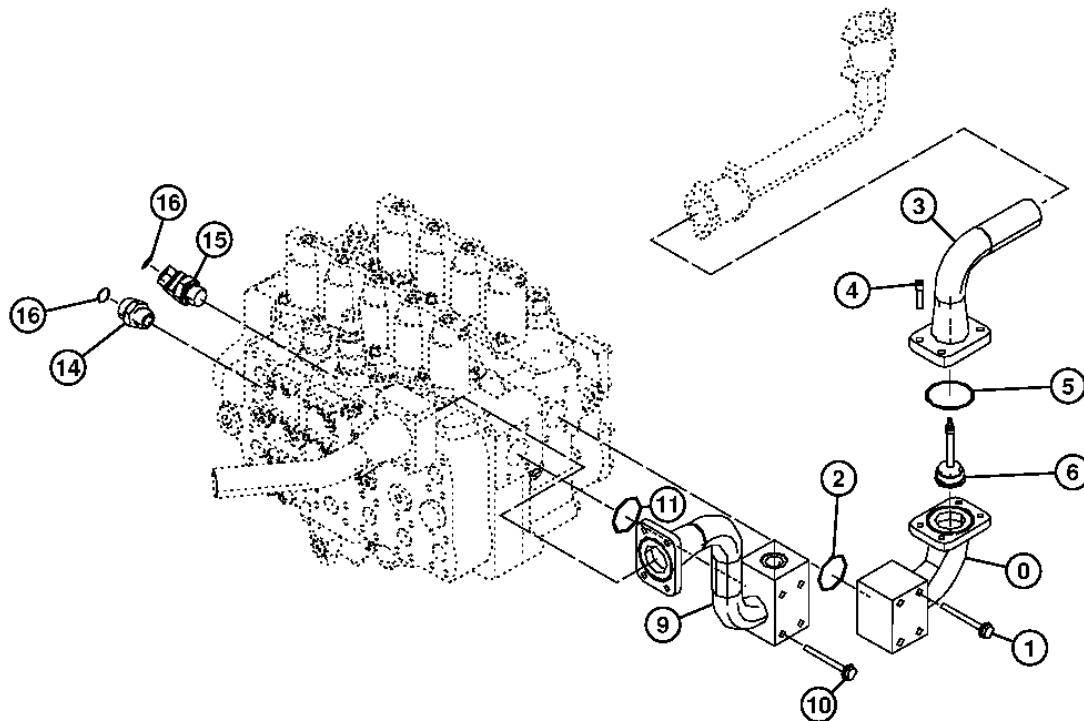
KEY	PART NO.	PART NAME	QTY.	SERIAL NO.	REMARKS
8	8100658	LINE	1		
9	4053697	CLAMP	2		
10	SCREW WITH WASHER	2		(J271275 NLA)
	19M8767	SCREW	2		M12 X 75
	24M7047	WASHER	2		13 X 24 X 2.500 MM
11	4067834	COUPLING	2		(SUB FOR TH102945)
	4196260	SEAL	2		(SUB FOR TH106967)
16	8100655	LINE	1		
17	4633510	VALVE	1		
18	19M8444	SCREW	4		M12 X 60, (SUB FOR M341260)
19	TH105684	O-RING	1		74.400 X 3.100 MM, (SUB FOR A811075)
21	4651788	HYDRAULIC HOSE - FABRICATE	1		
22	4651787	HYDRAULIC HOSE - FABRICATE	1		
24	A853168	ADAPTER FITTING	2		(SUB FOR THA853168)
	AT318035	O-RING	1		(SUB FOR 4187328)
26	T76938	O-RING	2		23.520 X 1.778 MM, (SUB FOR 4187328)
28	PIPE	1	-913068	(SUB 7051799 AND A885006) (7048702 NLA)
	7051799	PIPE	1	913069-	
29	A885002	PLUG	1		
	M800650	PACKING	1		(SUB FOR 957366)
30	A885000	PIPE PLUG	2		
	970860	O-RING	1		37.700 X 3.500 MM
31	4053697	CLAMP	3		
32	SCREW WITH WASHER	1		(J271275 NLA)
	19M8767	SCREW	1		M12 X 75
	24M7047	WASHER	1		13 X 24 X 2.500 MM
36	4636851	HYDRAULIC HOSE	1		
37	965946	FLANGE	4		(SUB FOR TH965946)
38	19M8448	SCREW	8		M12 X 35, (SUB FOR TH101907 OR M341236)
39	T34248	O-RING	2		47.219 X 3.531 MM
41	8101198	BRACKET	1		
42	SCREW WITH WASHER	2		(J281230 NLA)
	19M8011	CAP SCREW	2		M12 X 30, (SUB FOR J901230)
	4249324	WASHER	2		(SUB FOR TH4249324)
44	A885006	PLUG	1	913069-	

3363-8

RETURN LINES CONDUITES DE RETOUR LINEAS DE RETORNO

TX1001085

-UN-04JAN06



TX1001085

THIS PARTS LISTING IS CONTINUED

3363-9

EXCAVATOR 33

LINES, HOSES, AND FITTINGS 3363

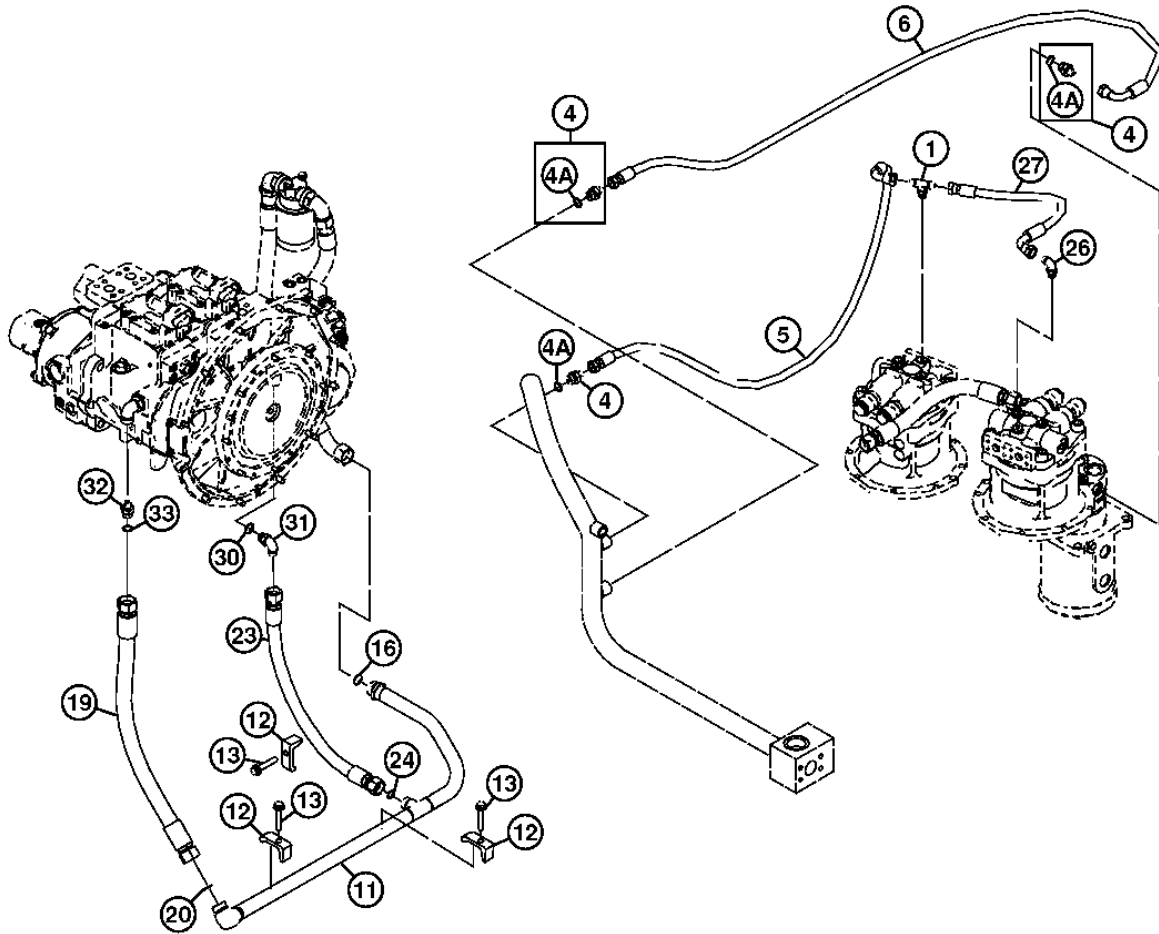
RETURN LINES
CONDUITES DE RETOUR
LINEAS DE RETORNO

KEY	PART NO.	PART NAME	QTY.	SERIAL NO.	REMARKS
0	8100657	LINE	1		
1	SCREW WITH WASHER	4		(J271200 NLA)
	19M7949	CAP SCREW	4		M12 X 100, (SUB FOR J901200)
	24M7345	WASHER	4		13.500 X 24 X 2.500 MM, (SUB FOR J222012)
2	TH105683	O-RING	1		59.400 X 3.100 MM, (SUB FOR A811060 OR 4153538)
3	8100656	LINE	1		(SUB FOR J781035)
4	19M8448	SCREW	4		M12 X 35, (SUB FOR M341236 OR TH101907)
5	TH105684	O-RING	1		(SUB FOR A811075)
6	4652756	VALVE	1		
9	7048443	LINE	1		
10	SCREW WITH WASHER	1		(J271200 NLA)
	19M7949	CAP SCREW	1		M12 X 100, (SUB FOR J901200)
	24M7345	WASHER	1		13.500 X 24 X 2.500 MM, (SUB FOR J222012)
11	TH105683	O-RING	1		59.400 X 3.100 MM, (SUB FOR A811060 OR 4153538)
14	A853188	ADAPTER FITTING	1		(SUB FOR THA853188)
	TH101926	O-RING	1		28.700 X 3.500 MM, (SUB FOR 4506429)
15	A853288	ELBOW FITTING	1		
	TH101926	O-RING	1		28.700 X 3.500 MM, (SUB FOR 4506429)
16	T76938	O-RING	2		23.520 X 1.778 MM, (SUB FOR 4187328)

3363-10

DRAIN LINES (S.N. -913308)
CONDUITES DE VIDANGE (S.N. -913308)
LINEAS DE VACIADO (S.N. -913308)

TX1004980 -UN-22MAR06



TX1004980

3363-11

EXCAVATOR 33

LINES, HOSES, AND FITTINGS 3363

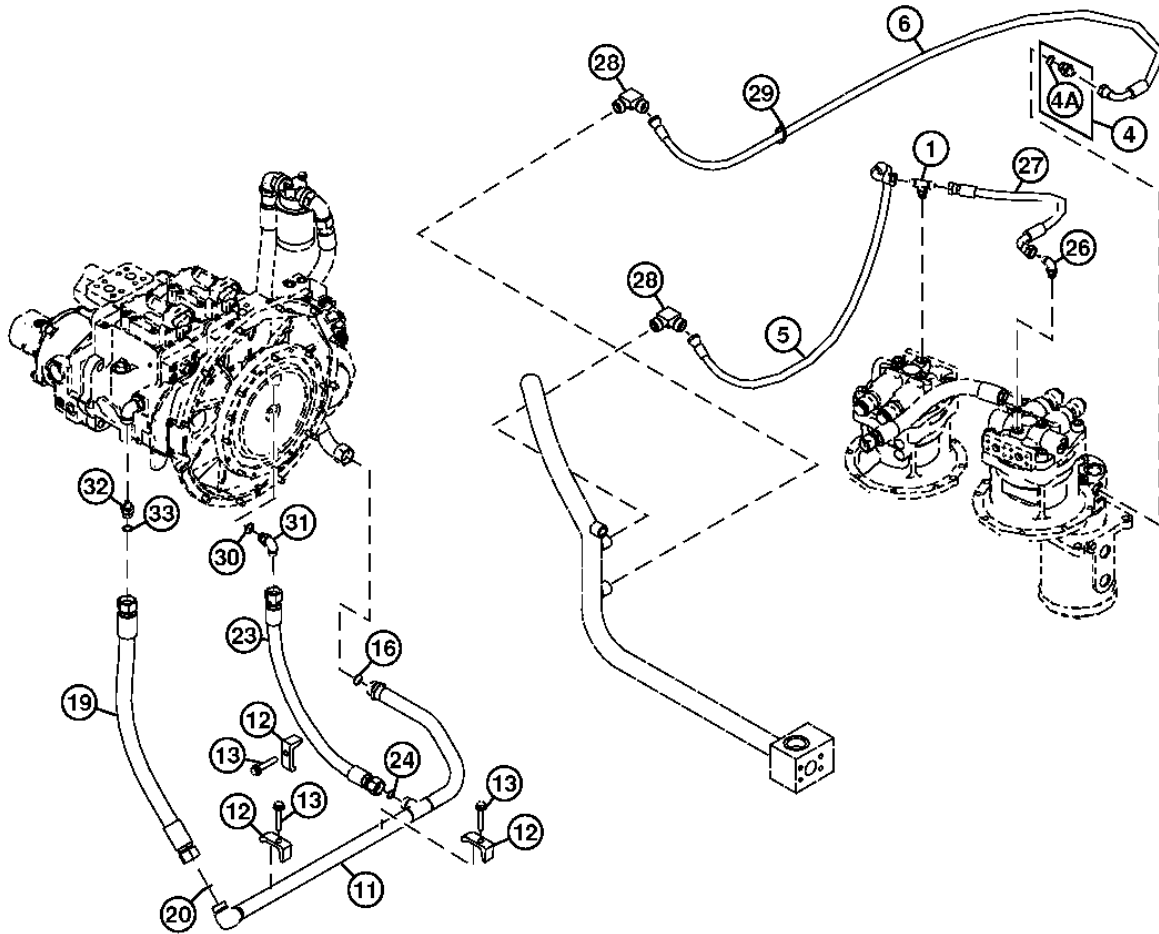
DRAIN LINES (S.N. -913308)
 CONDUITES DE VIDANGE (S.N. -913308)
 LINEAS DE VACIADO (S.N. -913308)

KEY	PART NO.	PART NAME	QTY.	SERIAL NO.	REMARKS
1	A852534	TEE FITTING	1		
	CH11570	O-RING	1		13.800 X 2.400 MM, (SUB FOR 4509180)
4	A852144	ADAPTER FITTING	3		
4A	4506418	O-RING	1		
5	HOSE	1		(9261691 NLA)
	4313166	HYDRAULIC HOSE	1		
	HOSE GUARD	1		(MF E90991, CUT TO LENGTH) (SUB FOR 4327293)
6	HOSE	1		(9261690 NLA)
	AT131926	HYDRAULIC HOSE - FABRICATE	1		
	HOSE GUARD	1		(MF E90991, CUT TO LENGTH) (SUB FOR 4327293)
11	8100589	LINE	1		
12	4053598	CLAMP	3		
13	SCREW WITH WASHER	3		(J271270 NLA)
	19M7753	CAP SCREW	3		M12 X 70, (SUB FOR J901270)
	24M7345	WASHER	3		13.500 X 24 X 2.500 MM, (SUB FOR J222012)
16	T76938	O-RING	1		(SUB FOR 4187328)
19	4636853	HOSE	1		
20	T76938	O-RING	1		(SUB FOR 4187328)
23	4636852	HYDRAULIC HOSE - FABRICATE	1		
24	T77858	O-RING	1		(SUB FOR 4187308)
26	A852334	ELBOW FITTING	1		
	CH11570	O-RING	1		(SUB FOR 4509180)
27	4313150	HOSE	1		
30	T76938	O-RING	1		(SUB FOR 4187328)
31	A853368	ELBOW FITTING	1		
	AT318035	O-RING	1		(SUB FOR 4506424)
32	A853146	ADAPTER FITTING	1		
	4506418	O-RING	1		
33	T77858	O-RING	1		(SUB FOR 4187308)

3363-11A

DRAIN LINES (S.N. 913309-)
CONDUITES DE VIDANGE (S.N. 913309-)
LINEAS DE VACIADO (S.N. 913309-)

TX1029357 -UN-19SEP07



TX1029357

3363-11B

EXCAVATOR 33

LINES, HOSES, AND FITTINGS 3363

DRAIN LINES (S.N. 913309-)
 CONDUITES DE VIDANGE (S.N. 913309-)
 LINEAS DE VACIADO (S.N. 913309-)

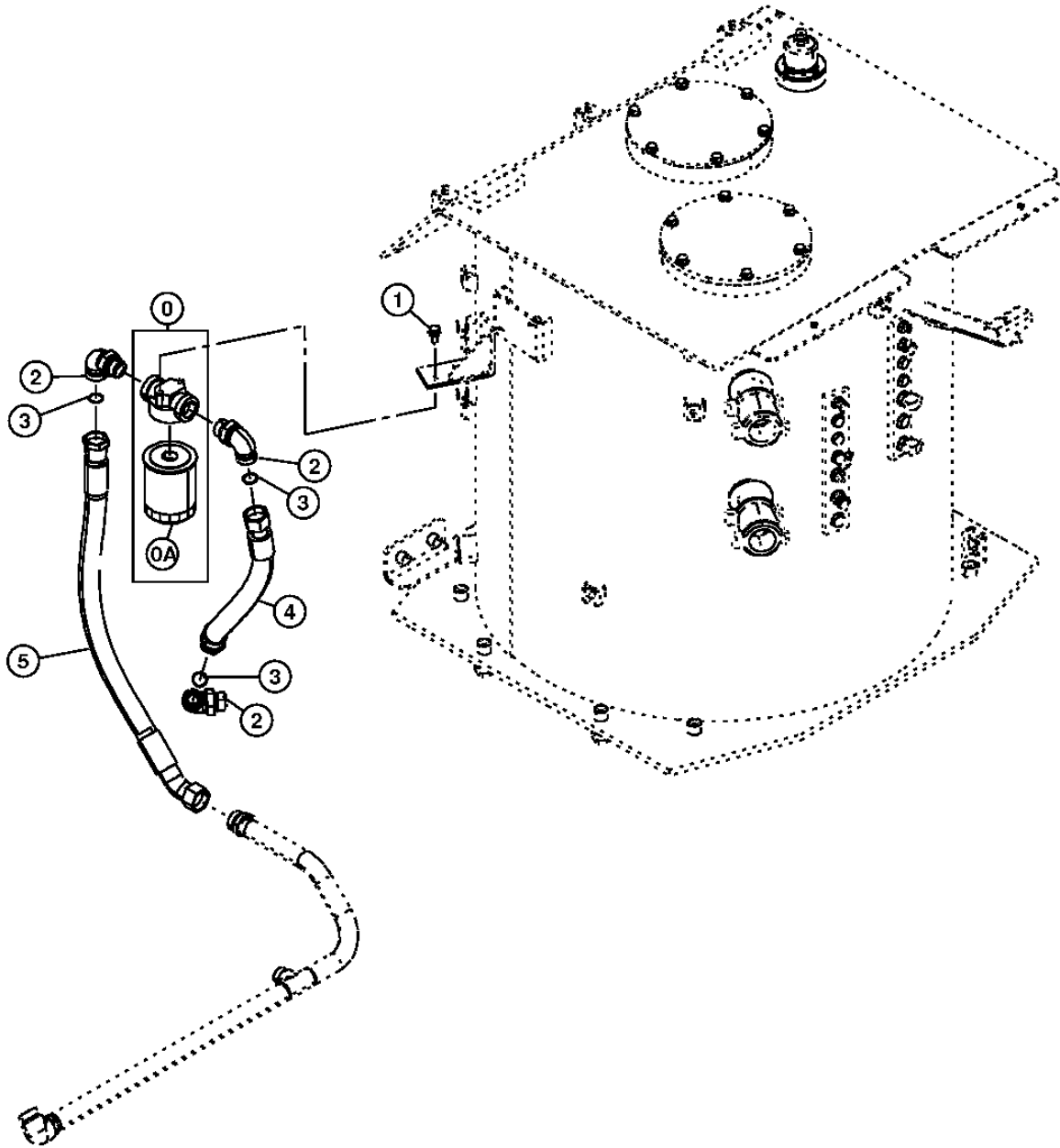
KEY	PART NO.	PART NAME	QTY.	SERIAL NO.	REMARKS
1	A852534	TEE FITTING	1		
	CH11570	O-RING	1		13.800 X 2.400 MM, (SUB FOR 4509180)
4	A852144	ADAPTER FITTING	1		
4A	4506418	O-RING	1		
5	HOSE	1		(9261691 NLA)
	4313166	HYDRAULIC HOSE	1		
	HOSE GUARD	1		(MF E90991, CUT TO LENGTH) (SUB FOR 4327293)
6	HOSE	1		(9261690 NLA)
	AT131926	HYDRAULIC HOSE - FABRICATE	1		
	HOSE GUARD	1		(MF E90991, CUT TO LENGTH) (SUB FOR 4327293)
11	8100589	LINE	1		
12	4053598	CLAMP	3		
13	SCREW WITH WASHER	3		(J271270 NLA)
	19M7753	CAP SCREW	3		M12 X 70, (SUB FOR J901270)
	24M7345	WASHER	3		13.500 X 24 X 2.500 MM, (SUB FOR J222012)
16	T76938	O-RING	1		(SUB FOR 4187328)
19	4636853	HOSE	1		
20	T76938	O-RING	1		(SUB FOR 4187328)
23	4636852	HYDRAULIC HOSE - FABRICATE	1		
24	T77858	O-RING	1		(SUB FOR 4187308)
26	A852334	ELBOW FITTING	1		
	CH11570	O-RING	1		(SUB FOR 4509180)
27	4313150	HOSE	1		
28	A852344	ELBOW FITTING	2		
29	H77698	TIE BAND	1		(SUB FOR 4055312)
30	T76938	O-RING	1		(SUB FOR 4187328)
31	A853368	ELBOW FITTING	1		
	AT318035	O-RING	1		(SUB FOR 4506424)
32	A853146	ADAPTER FITTING	1		
	4506418	O-RING	1		
33	T77858	O-RING	1		(SUB FOR 4187308)

3363-12

DRAIN LINES (OIL TANK)
CONDUITES DE VIDANGE (RESERVOIR DHUILE)
LINEAS DE VACIADO (TANQUE DE ACEITE)

TX1001094

-UN-27JAN06



TX1001094

3363-13

EXCAVATOR 33

LINES, HOSES, AND FITTINGS 3363

DRAIN LINES (OIL TANK)
CONDUITES DE VIDANGE (RESERVOIR DHUILE)
LINEAS DE VACIADO (TANQUE DE ACEITE)

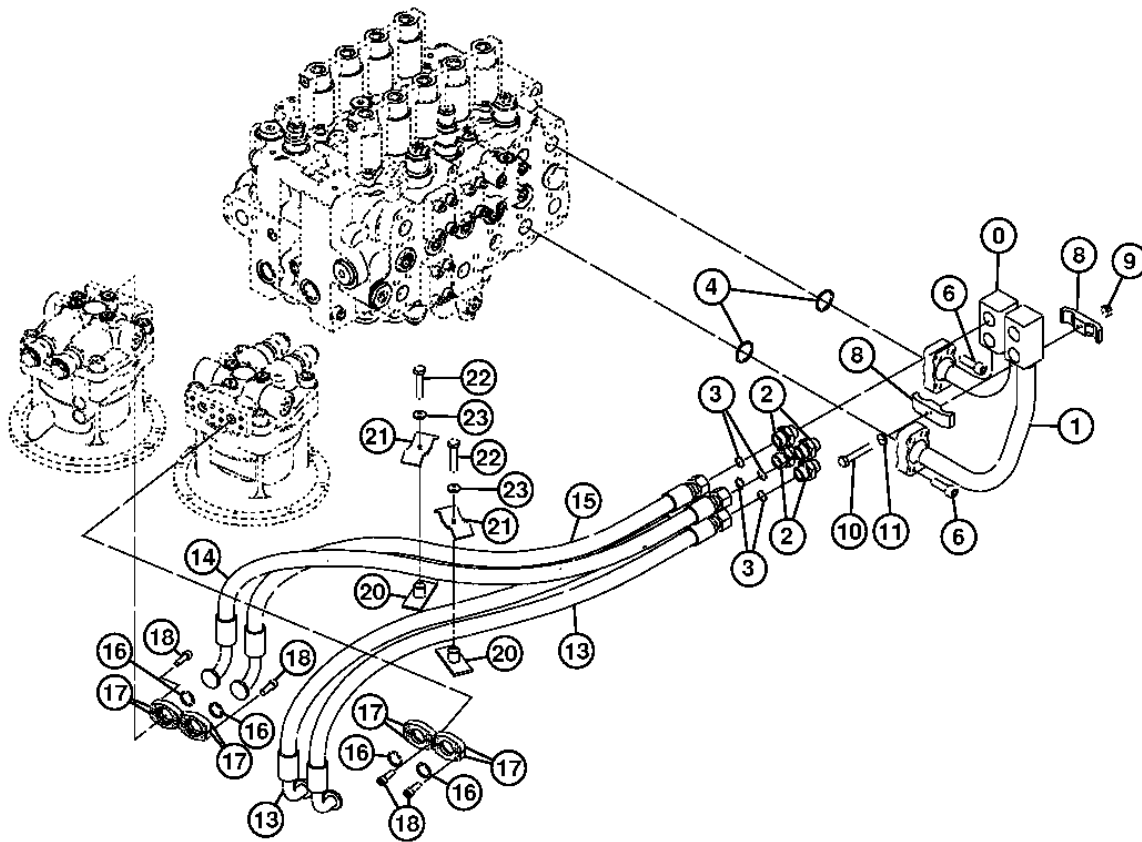
KEY	PART NO.	PART NAME	QTY.	SERIAL NO.	REMARKS
0	4362444	FILTER	1		(SUB FOR AT175916)
0A	4363399	FILTER ELEMENT	1		(SUB FOR AT175919)
1	SCREW WITH WASHER	2		(J271025 NLA)
	19M7402	CAP SCREW	2		M10 X 25, (SUB FOR J901025)
	24M7346	WASHER	2		11 X 20 X 2 MM, (SUB FOR J222010)
2	A853388	ELBOW FITTING	3		
	TH101926	O-RING	3		28.700 X 3.500 MM, (SUB FOR 4506429)
3	T76938	O-RING	3		23.520 X 1.778 MM, (SUB FOR 4187328)
4	4637841	HYDRAULIC HOSE	1		
5	4636854	HYDRAULIC HOSE - FABRICATE	1		

3363-14

HYDRAULIC LINES (CONTROL VALVE TO SWING MOTOR)
CONDUITES HYDRAULIQUES (ENTRE DISTRIBUTEUR ET MOTEUR DE PIVOTEMENT)
LINEAS HIDRAULICAS (VALVULA DE CONTROL A MOTOR DE GIRO)

TX1001095

-UN-04JAN06



TX1001095

3363-15

EXCAVATOR 33

LINES, HOSES, AND FITTINGS 3363

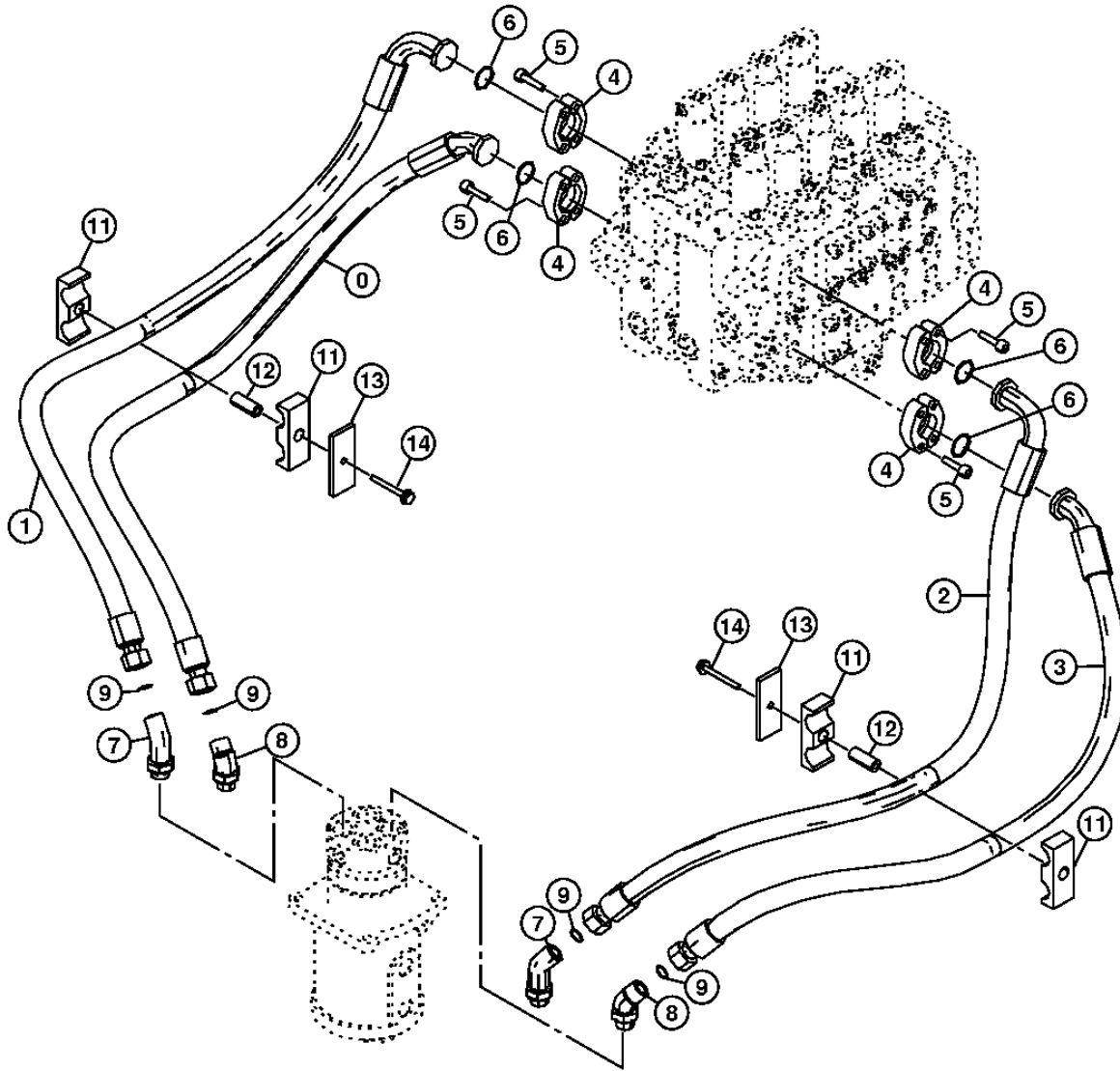
HYDRAULIC LINES (CONTROL VALVE TO SWING MOTOR)
 CONDUITES HYDRAULIQUES (ENTRE DISTRIBUTEUR ET MOTEUR DE PIVOTEMENT)
 LINEAS HIDRAULICAS (VALVULA DE CONTROL A MOTOR DE GIRO)

KEY	PART NO.	PART NAME	QTY.	SERIAL NO.	REMARKS
0	8038955	LINE	1		
1	8055536	OIL LINE	1		
2	A853166	ADAPTER FITTING	4		(SUB FOR AT213614)
	AT318035	O-RING	4		(SUB FOR 4506424)
3	T77858	O-RING	4		18.771 X 1.778 MM
4	T72216	O-RING	2		37.694 X 3.531 MM. (SUB FOR 4508805)
6	19M8734	SCREW	8		M14 X 45, (SUB FOR M341445 OR TH102991)
8	4053599	CLAMP	2		(SUB FOR TH101980)
9	14M7275	NUT	1		M12, (SUB FOR J950012)
10	19M7753	CAP SCREW	1		M12 X 70, (SUB FOR J901270)
11	12H301	LOCK WASHER	1		12.700 MM, (SUB FOR A590912)
13	4372523	HYDRAULIC HOSE - FABRICATE	2		
14	4636813	HYDRAULIC HOSE - FABRICATE	1		
15	4425891	HYDRAULIC HOSE - FABRICATE	1		
16	T59014	O-RING	4		24.994 X 3.531 MM. (SUB FOR 971489)
17	R29424	FLANGE FITTING	8		(SUB FOR 986910)
18	19M8337	SCREW	16		M10 X 30, (SUB FOR M341030)
20	9727822	CLAMP	2		
21	4202103	CLAMP	2		
22	19M7363	CAP SCREW	2		M12 X 60, (SUB FOR J901260)
23	24M7047	WASHER	2		13 X 24 X 2.500 MM. (SUB FOR A590112)

3363-16

LINES, HOSES, AND FITTINGS 3363
HYDRAULIC LINES (CONTROL VALVE TO ROTARY MANIFOLD)
CONDUITES HYDRAULIQUES (ENTRE DISTRIBUTEUR ET COLLECTEUR ROTATIF)
LINEAS HIDRAULICAS (VALVULA DE CONTROL A COLECTOR GIRATORIO)

TX1001123 -UN-07DEC05



TX1001123

3363-17

EXCAVATOR 33

LINES, HOSES, AND FITTINGS 3363

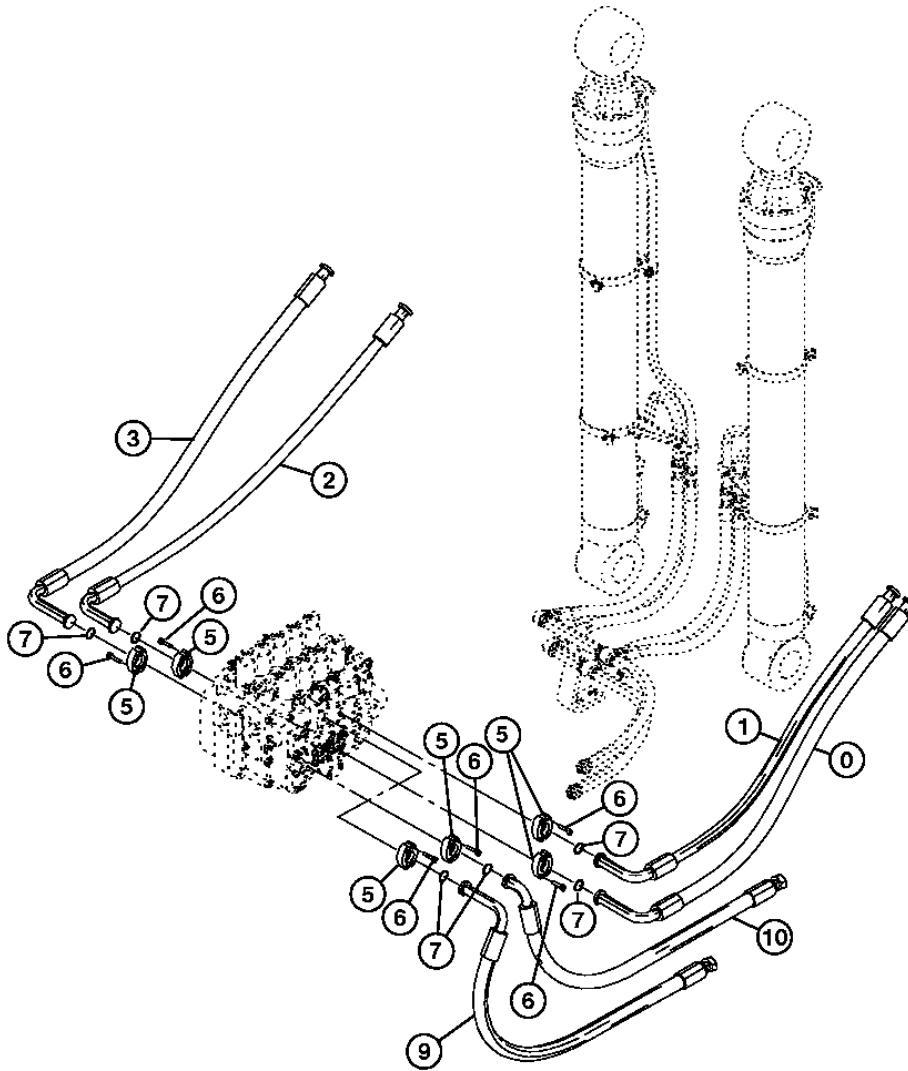
HYDRAULIC LINES(CONTROL VALVE TO ROTARY MANIFOLD)
 CONDUITES HYDRAULIQUES (ENTRE DISTRIBUTEUR ET COLLECTEUR ROTATIF)
 LINEAS HIDRAULICAS (VALVULA DE CONTROL A COLECTOR GIRATORIO)

KEY	PART NO.	PART NAME	QTY.	SERIAL NO.	REMARKS
0	4651807	HYDRAULIC HOSE - FABRICATE	1		
1	4651806	HYDRAULIC HOSE	1		
2	4651808	HYDRAULIC HOSE	1		
3	4651809	HYDRAULIC HOSE - FABRICATE	1		
4	AT131685	FLANGE FITTING	8		(SUB FOR 4089703)
5	19M8734	SCREW	16		M14 X 45, (SUB FOR M341445)
6	T72216	O-RING	4		37.694 X 3.531 MM, (SUB FOR 4508805)
7	4274593	ELBOW FITTING	2		
	TH101926	O-RING	2		28.700 X 3.500 MM, (SUB FOR 4506429)
8	4270315	ELBOW FITTING	2		(SUB FOR AT201732)
	TH101926	O-RING	2		(SUB FOR 4506429)
9	T76938	O-RING	4		23.520 X 1.778 MM, (SUB FOR 4187328)
11	4205615	HOSE CLAMP	4		
12	4205614	SPACER	2		
13	4224002	STRAP	2		
14	SCREW WITH WASHER	2		(J271285 NLA)
	19M8122	CAP SCREW	2		M12 X 85, (SUB FOR J901285)
	24M7345	WASHER	2		13.500 X 24 X 2.500 MM, (SUB FOR J222012)

3363-18

HYDRAULIC LINES(ARM AND BUCKET CYLINDER)
CONDUITES HYDRAULIQUES(VERIN DE BENNE ET BRAS)
LINEAS HIDRAULICAS (CILINDRO DE BRAZO Y CUCHARON)

TX1001131 -UN-07DEC05



TX1001131

3363-19

EXCAVATOR 33

LINES, HOSES, AND FITTINGS 3363

HYDRAULIC LINES(ARM AND BUCKET CYLINDER)
CONDUITES HYDRAULIQUES(VERIN DE BENNE ET BRAS)
LINEAS HIDRAULICAS (CILINDRO DE BRAZO Y CUCHARON)

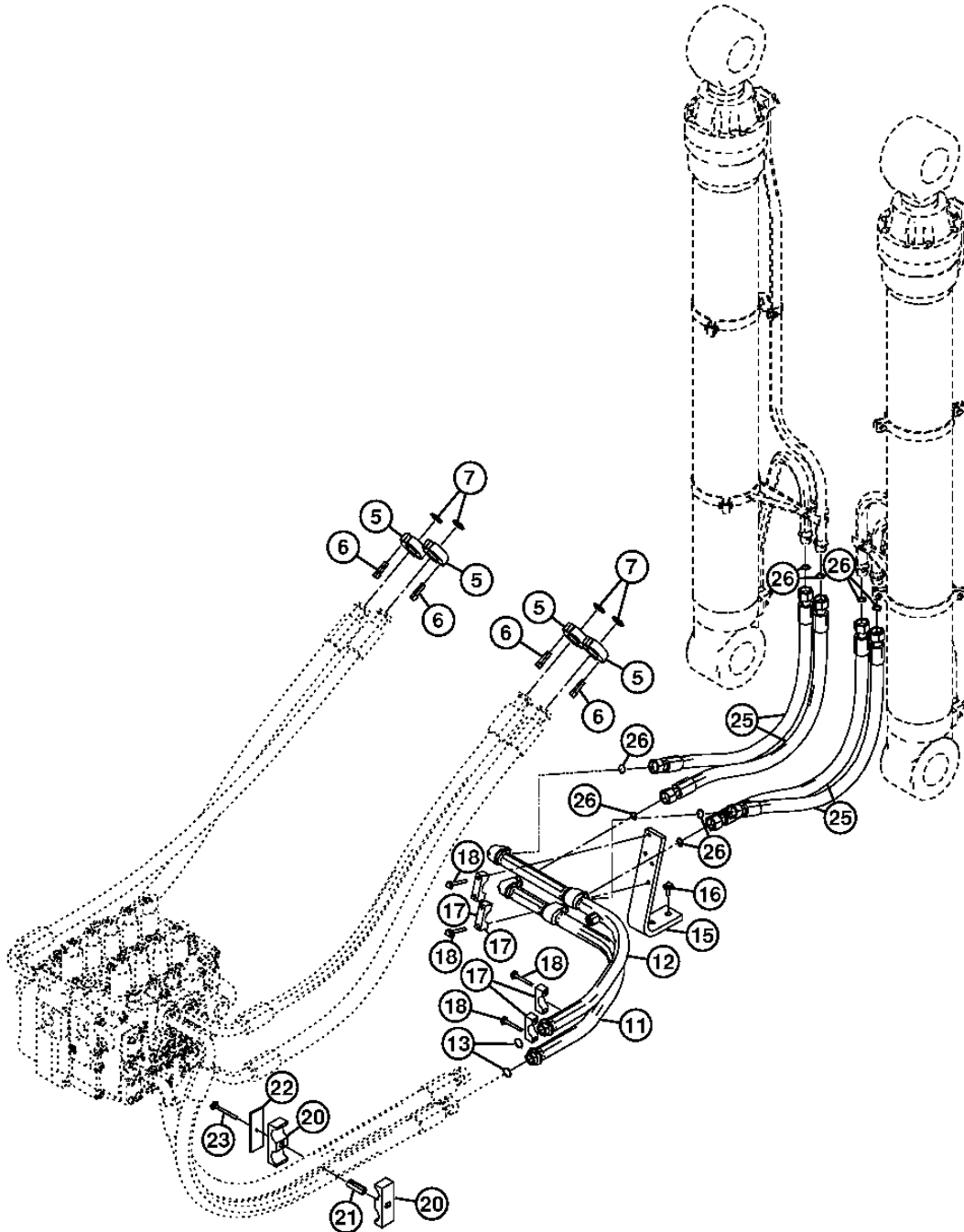
KEY	PART NO.	PART NAME	QTY.	SERIAL NO.	REMARKS
0	4631615	HYDRAULIC HOSE	1		
1	4631616	HYDRAULIC HOSE	1		
2	4646587	HYDRAULIC HOSE	1		
3	4636820	HYDRAULIC HOSE	1		
5	AT131685	FLANGE FITTING	12		(SUB FOR 4089703)
6	19M8734	SCREW	24		M14 X 45, (SUB FOR M341445 OR TH102291)
7	T72216	O-RING	6		37.694 X 3.531 MM, (SUB FOR 4508805)
9	4631509	HYDRAULIC HOSE	1		
10	4631614	HYDRAULIC HOSE	1		

3363-20

HYDRAULIC LINES (CONTROL VALVE TO BOOM CYLINDER LINES)
CONDUITES HYDRAULIQUES (ENTRE DISTRIBUTEUR ET CONDUITES DE VERIN DE FLECHE)
LINEAS HIDRAULICAS (VALVULA DE CONTROL A LINEAS DE CILINDRO DE AGUILON)

TX1001144

-UN-03FEB06



TX1001144

3363-21

EXCAVATOR 33

LINES, HOSES, AND FITTINGS 3363

**HYDRAULIC LINES (CONTROL VALVE TO BOOM CYLINDER LINES)
CONDUITES HYDRAULIQUES (ENTRE DISTRIBUTEUR ET CONDUITES DE VERIN DE FLECHE)
LINEAS HIDRAULICAS (VALVULA DE CONTROL A LINEAS DE CILINDRO DE AGUILON)**

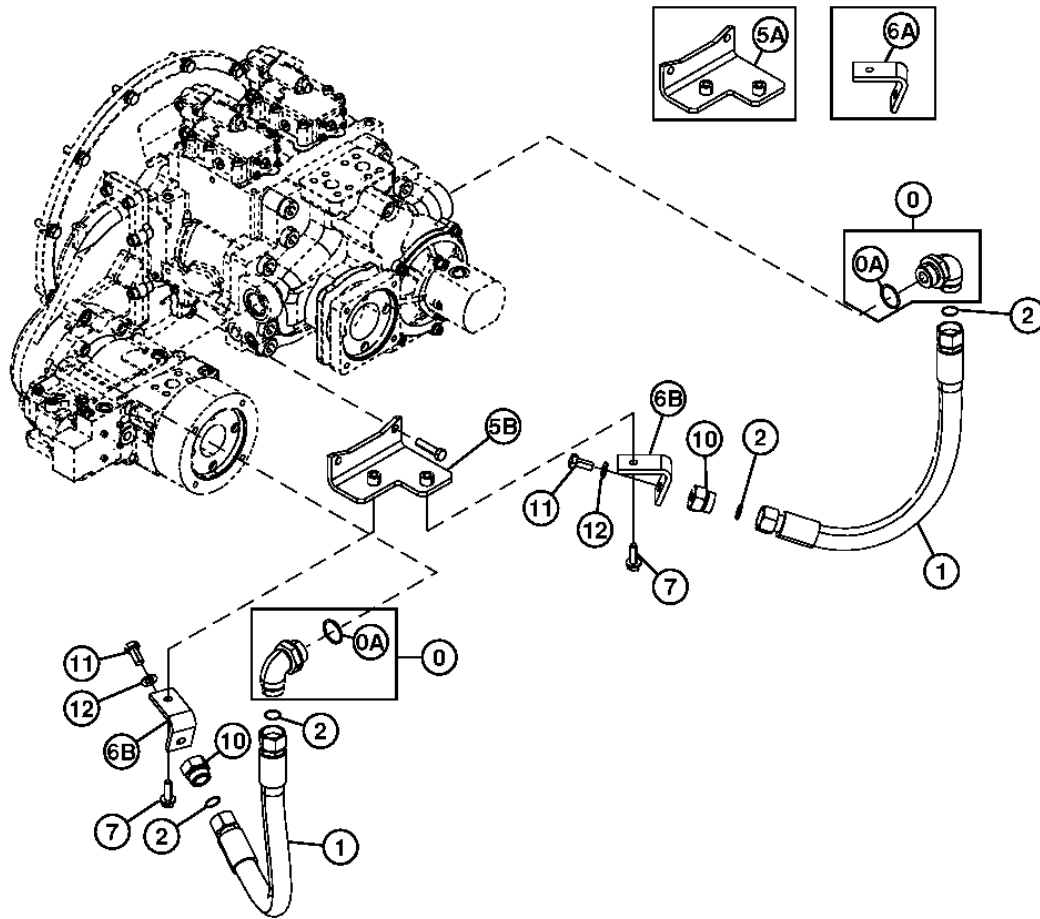
KEY	PART NO.	PART NAME	QTY.	SERIAL NO.	REMARKS
5	AT131685	FLANGE FITTING	8		(SUB FOR 4089703)
6	19M8734	SCREW	16		M14 X 45, (SUB FOR M341445)
7	T72216	O-RING	4		37.694 X 3.531 MM, (SUB FOR 4508805)
11	8066121	OIL LINE	1		(SUB FOR AT178136)
12	8100635	LINE	1		
	4436271	SENSOR	1		(BOOM UP) (NOT ILLUSTRATED)
	4365826	O-RING	1		(USE WITH 4436271) (NOT ILLUSTRATED)
13	T78612	O-RING	2		29.870 X 1.778 MM
15	3078970	BRACKET	1		(SUB FOR AT216974)
16	SCREW WITH WASHER	2		(J281235 NLA)
	19M7403	CAP SCREW	2		M12 X 35, (SUB FOR J901235)
	4249324	WASHER	2		(SUB FOR TH4249324)
17	AT201796	CLAMP	4		
18	SCREW WITH WASHER	8		(J271275 NLA)
	19M8767	SCREW	8		M12 X 75
	24M7047	WASHER	8		13 X 24 X 2.500 MM
20	4215878	HOSE CLAMP	2		(SUB FOR AT178139)
21	4207037	SPACER	1		(SUB FOR 4215879 OR AT178140 OR AT131810)
22	4215880	PLATE	1		(SUB FOR AT178140)
23	SCREW WITH WASHER	1		(J271295 NLA)
	19M7349	CAP SCREW	1		(SUB FOR J901295)
	24M7345	WASHER	1		(SUB FOR J222012)
25	4636821	HYDRAULIC HOSE - FABRICATE	4		
26	T76938	O-RING	8		23.520 X 1.778 MM

3363-22

ATTENUATOR LINES CONDUITES D'ATTENUATEUR LINEAS DEL ATENUADOR

TX1030291

-UN-11OCT07



TX1030291

3363-23

EXCAVATOR 33

LINES, HOSES, AND FITTINGS 3363

ATTENUATOR LINES CONDUITES D'ATTENUATEUR LINEAS DEL ATENUADOR

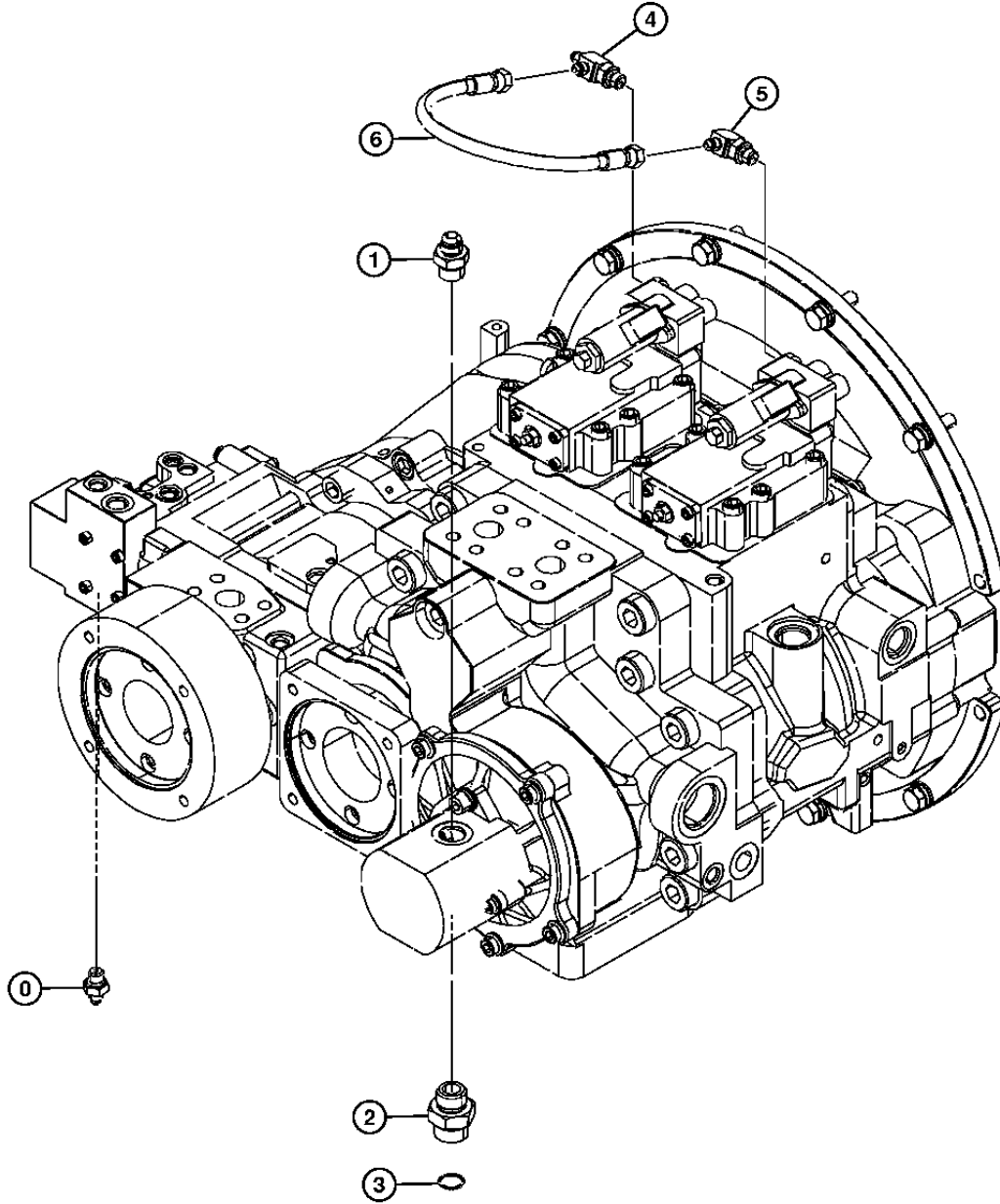
KEY	PART NO.	PART NAME	QTY.	SERIAL NO.	REMARKS
0	4345084	ELBOW FITTING	2		
0A	970860	O-RING	2		37.700 X 3.500 MM, (SUB FOR TH104634)
1	4286812	HYDRAULIC HOSE	2		(SUB FOR AT202308)
2	T76938	O-RING	4		23.520 X 1.778 MM, (SUB FOR 4187328)
5A	BRACKET	1	-913302	(SUB FOR J781035) (SUB 9768277 AND (2) 9768278) (9763703 NLA)
5B	9768277	BRACKET	1	913303-	
6A	BRACKET	2	-913302	(SUB (2) 9768278 AND 9768277) (4633247 NLA)
6B	9768278	BRACKET	2	913303-	
7	SCREW WITH WASHER	2		(J271240 NLA)
	19M7493	CAP SCREW	2		M12 X 40, (SUB FOR J901240)
	24M7345	WASHER	1		(SUB FOR J222012)
10	4637521	PLUG	2		
11	19M7493	CAP SCREW	2		M12 X 40, (SUB FOR J901430)
12	24M7085	WASHER	2		15 X 28 X 2.500 MM, (SUB FOR A590114)

3363-28

HYDRAULIC PUMP FITTINGS RACCORDS DE POMPE HYDRAULIQUE ADAPTADORES DE BOMBA HIDRAULICA

TX1001162

-UN-09DEC05



TX1001162

3363-29

EXCAVATOR 33

LINES, HOSES, AND FITTINGS 3363

HYDRAULIC PUMP FITTINGS
RACCORDS DE POMPE HYDRAULIQUE
ADAPTADORES DE BOMBA HIDRAULICA

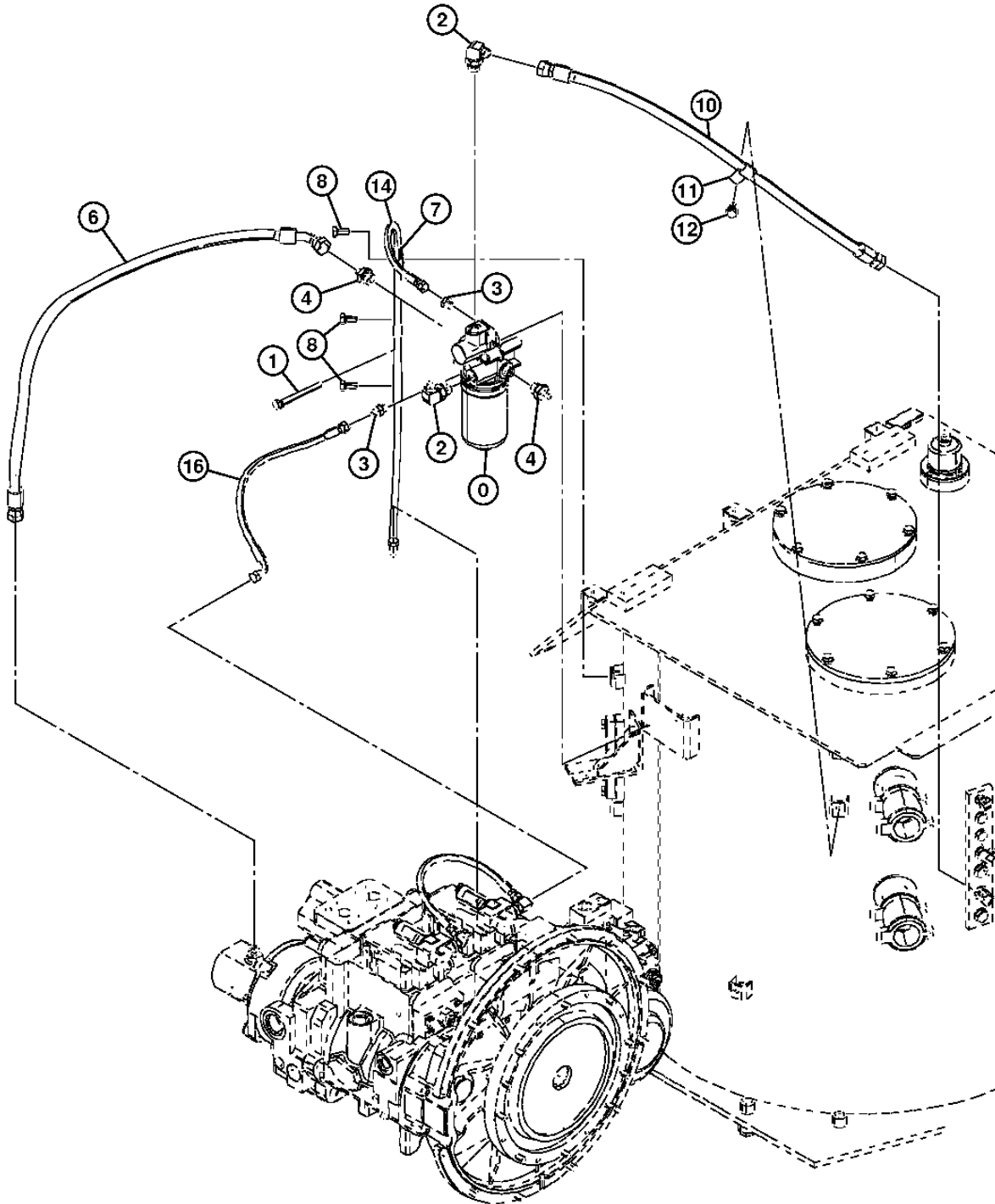
KEY	PART NO.	PART NAME	QTY.	SERIAL NO.	REMARKS
0	A852122	ADAPTER FITTING	1		
	M800650	PACKING	1		(SUB FOR 957366)
1	A852144	ADAPTER FITTING	1		
	4506418	O-RING	1		
2	A853166	ADAPTER FITTING	1		
	AT318035	O-RING	1		(SUB FOR 4506424)
3	T77858	O-RING	1		18.771 X 1.778 MM, (SUB FOR 4187308)
4	A852422	TEE FITTING	1		
	M800650	PACKING	1		(SUB FOR 957366)
5	4154670	ELBOW FITTING	1		(SUB FOR A882322)
	M800650	PACKING	1		(SUB FOR 957366)
6	4452733	HOSE	1		

3363-30

PILOT LINES (HYDRAULIC TANK TO FILTER AND PUMP)
CONDUITES PILOTES (RELIANT LE RESERVOIR D'HUILE HYDRAULIQUE AU FILTRE ET A LA POMPE)
LINEAS PILOTO (DEPOSITO HIDRAULICO A FILTRO Y BOMBA)

TX1005170

-UN-23MAR06



TX1005170

3363-31

EXCAVATOR 33

LINES, HOSES, AND FITTINGS 3363

**PILOT LINES (HYDRAULIC TANK TO FILTER AND PUMP)
 CONDUITES PILOTES (RELIANT LE RESERVOIR D'HUILE HYDRAULIQUE AU FILTRE ET A LA POMPE)
 LINEAS PILOTO (DEPOSITO HIDRAULICO A FILTRO Y BOMBA)**

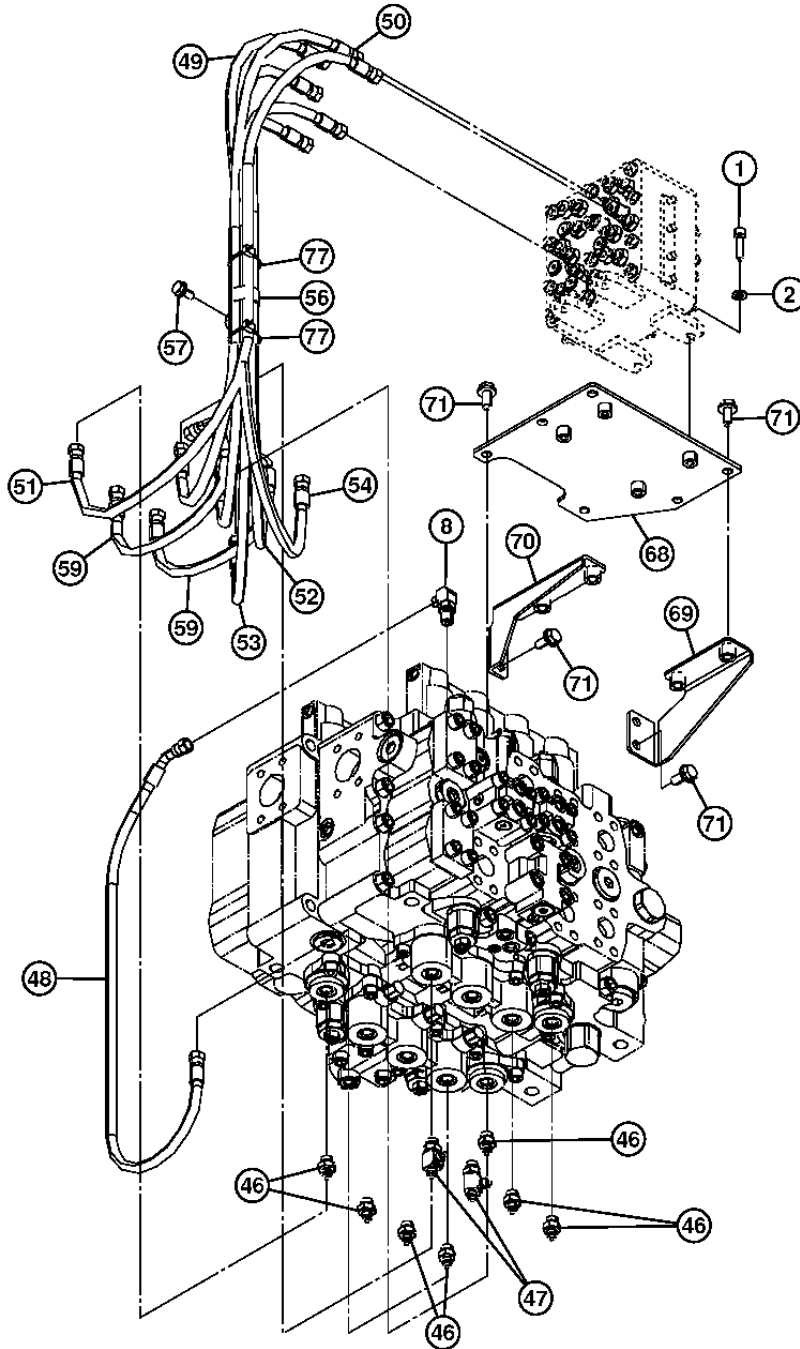
KEY	PART NO.	PART NAME	QTY.	SERIAL NO.	REMARKS
0	4629717	FILTER	1		(COMPONENTS ON ANOTHER PAGE)
1	SCREW WITH WASHER	2		(J271000 NLA)
	19M7668	CAP SCREW	2		(SUB FOR J901000)
	24M7346	WASHER	2		(SUB FOR J222010)
2	A852344	ELBOW FITTING	2		
	4506418	O-RING	2		
3	A852122	ADAPTER FITTING	2		
	M800650	PACKING	2		(SUB FOR 957366)
4	A852144	ADAPTER FITTING	2		
	4506418	O-RING	2		
6	4322485	HYDRAULIC HOSE - FABRICATE	1		
7	AH79175	CLIP	3		(SUB FOR 4190272)
8	SCREW WITH WASHER	3		(J271025 NLA)
	19M7402	CAP SCREW	3		M10 X 25, (SUB FOR J901025)
	24M7346	WASHER	3		11 X 20 X 2 MM. (SUB FOR J222010)
10	4397471	HYDRAULIC HOSE - FABRICATE	1		(SUB FOR 4270458)
11	R73291	CLAMP	1		(SUB FOR 4190262)
12	SCREW WITH WASHER	1		(J271025 NLA)
	19M7402	CAP SCREW	1		M10 X 25, (SUB FOR J901025)
	24M7346	WASHER	1		11 X 20 X 2 MM, (SUB FOR J222010)
14	4448867	HYDRAULIC HOSE - FABRICATE	1		(SUB FOR 4487224)
16	4618606	HOSE	1		

3363-32

PILOT LINES (CONTROL VALVE BOTTOM TO PILOT SIGNAL MANIFOLD)
CONDUITES PILOTES (BAS DE DISTRIBUTEUR VERS COLLECTEUR DE SIGNAL PILOTE)
LINEAS PILOTO (FONDO DE VALVULA DE CONTROL A COLECTOR DE SENALES PILOTO)

TX1001164

-UN-13JAN06



TX1001164

3363-33

EXCAVATOR 33

LINES, HOSES, AND FITTINGS 3363

**PILOT LINES (CONTROL VALVE BOTTOM TO PILOT SIGNAL MANIFOLD)
CONDUITES PILOTES (BAS DE DISTRIBUTEUR VERS COLLECTEUR DE SIGNAL PILOTE)
LINEAS PILOTO (FONDO DE VALVULA DE CONTROL A COLECTOR DE SENALES PILOTO)**

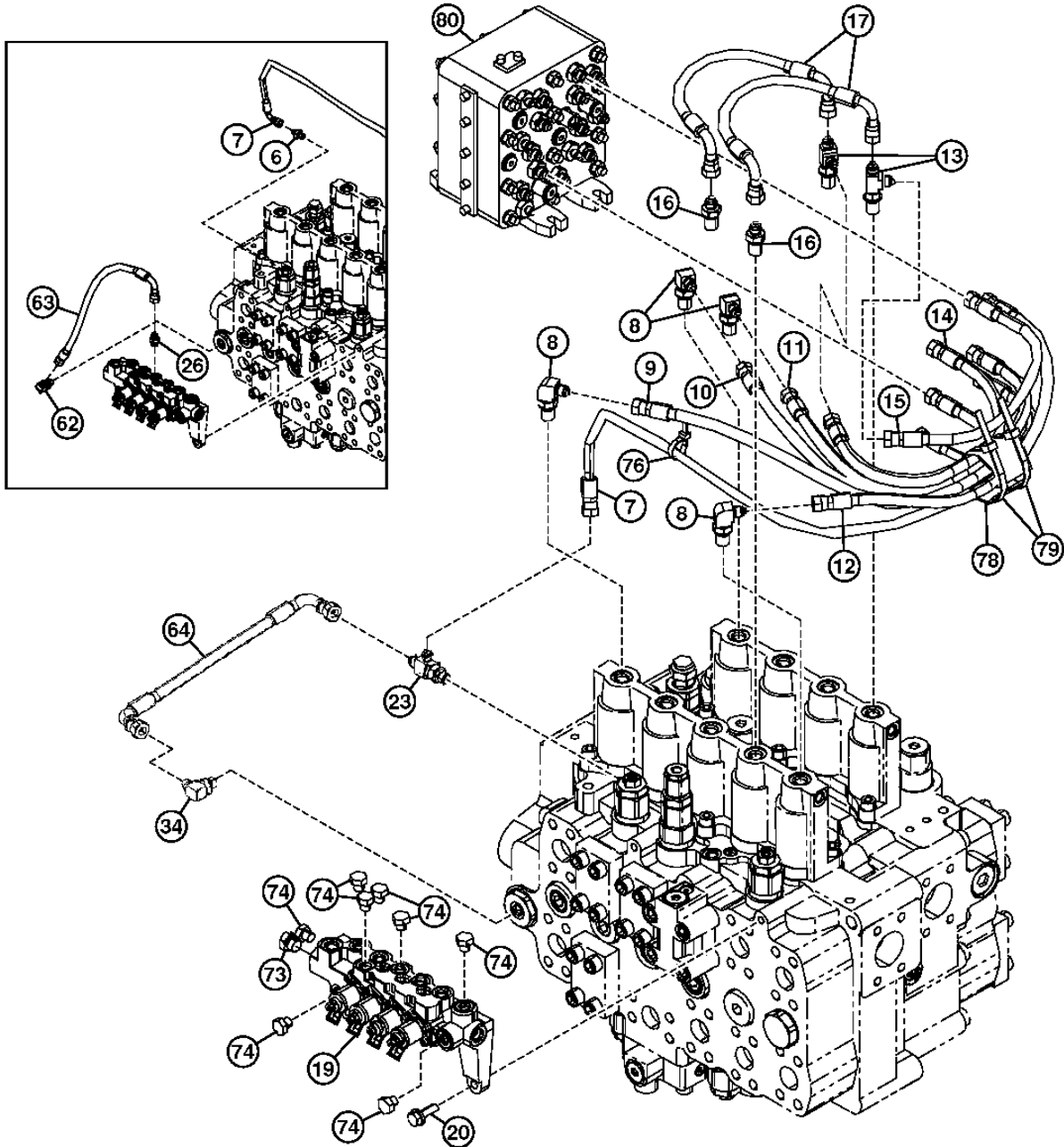
KEY	PART NO.	PART NAME	QTY.	SERIAL NO.	REMARKS
1	19M8338	SCREW	4		M10 X 40, (SUB FOR J781040)
2	24M7028	WASHER	4		10.500 X 20 X 2 MM, (SUB FOR A590110)
8	AT318017	ADAPTER FITTING	1		(SUB FOR 4208913)
	CH11570	O-RING	1		13.800 X 2.400 MM, (SUB FOR 4509180)
46	A852133	ADAPTER FITTING	7		
	CH11570	O-RING	7		13.800 X 2.400 MM, (SUB FOR 4509180)
47	A852433	TEE FITTING	2		
	CH11570	O-RING	2		13.800 X 2.400 MM, (SUB FOR 4509180)
48	4642214	HYDRAULIC HOSE - FABRICATE	1		
49	4634365	HYDRAULIC HOSE - FABRICATE	1		
50	4634368	HYDRAULIC HOSE - FABRICATE	1		
51	4634370	HYDRAULIC HOSE - FABRICATE	1		
52	4634371	HYDRAULIC HOSE - FABRICATE	1		
53	4634374	HYDRAULIC HOSE - FABRICATE	1		
54	4634376	HYDRAULIC HOSE - FABRICATE	1		
56	XCL-29	HOSE CLAMP	1		(SUB FOR 4190291, 4193848)
57	SCREW WITH WASHER	1		(J271025 NLA)
	19M7402	CAP SCREW	1		M10 X 25, (SUB FOR J901025)
	24M7346	WASHER	1		11 X 20 X 2 MM, (SUB FOR J222010)
59	4442429	HYDRAULIC HOSE	2		
68	8103066	PLATE	1		
69	8103064	BRACKET	1		
70	8103065	BRACKET	1		
71	SCREW WITH WASHER	10		(J271230 NLA)
	19M8011	CAP SCREW	10		M12 X 30, (SUB FOR J901230)
	24M7345	WASHER	10		13.500 X 24 X 2.500 MM, (SUB FOR J222012)
77	H77698	TIE BAND	2		(SUB FOR 4055312)

3363-34

PILOT LINES (CONTROL VALVE TOP TO PILOT SIGNAL MANIFOLD)
CONDUITES PILOTES (HAUT DE DISTRIBUTEUR VERS COLLECTEUR DE SIGNAL PILOTE)
LINEAS PILOTO (PARTE SUPERIOR DE VALVULA DE CONTROL A COLECTOR DE SENALES PILOTO)

TX1026907

-UN-07AUG07



TX1026907

3363-35

EXCAVATOR 33

LINES, HOSES, AND FITTINGS 3363

**PILOT LINES (CONTROL VALVE TOP TO PILOT SIGNAL MANIFOLD)
CONDUITES PILOTES (HAUT DE DISTRIBUTEUR VERS COLLECTEUR DE SIGNAL PILOTE)
LINEAS PILOTO (PARTE SUPERIOR DE VALVULA DE CONTROL A COLECTOR DE SENALES PILOTO)**

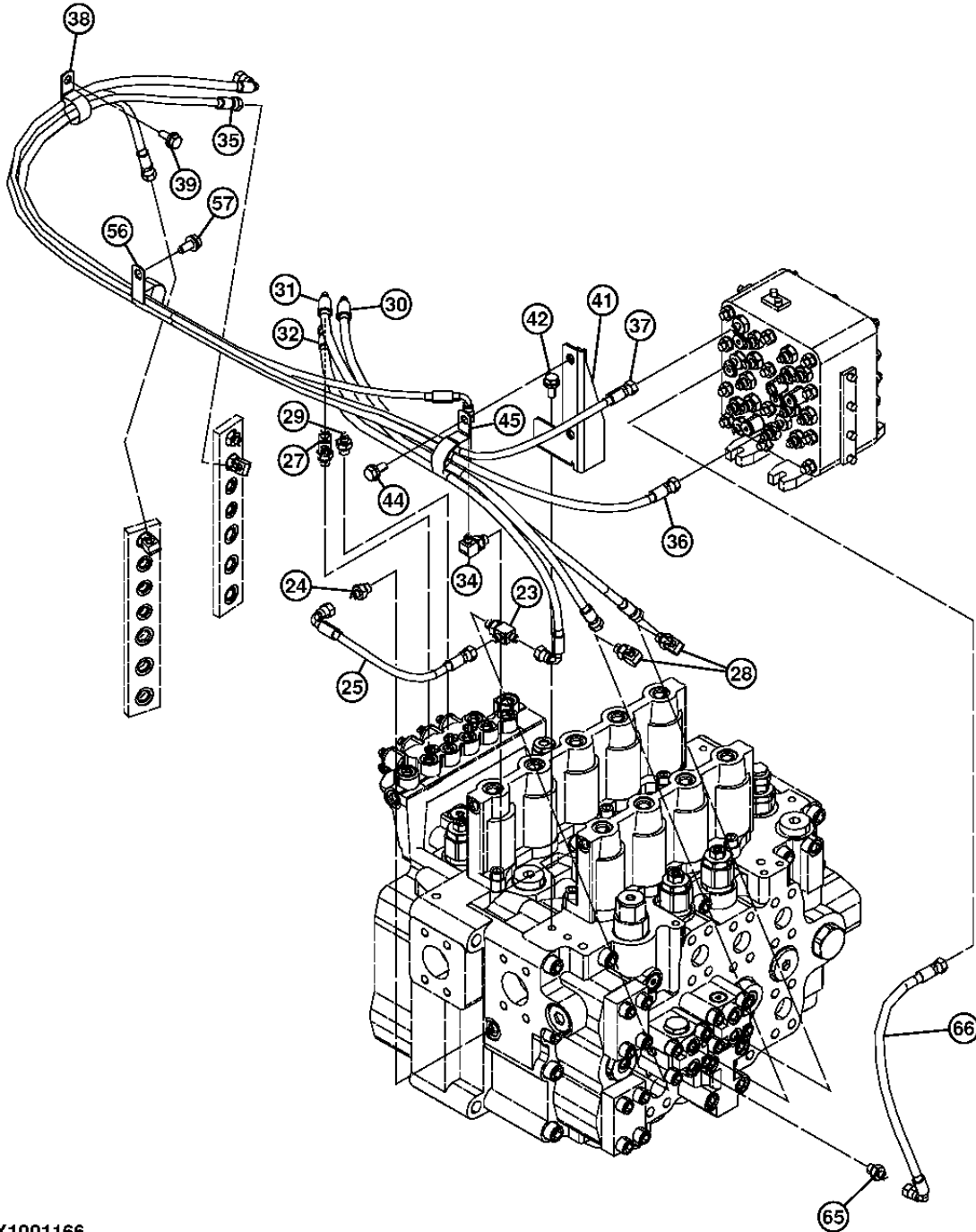
KEY	PART NO.	PART NAME	QTY.	SERIAL NO.	REMARKS
6	A852122	ADAPTER FITTING	1	-913108	
	M800650	PACKING	1	-913108	(SUB FOR 957366)
7	HOSE	1	-913108	(9261142 NLA)
	4634379	HYDRAULIC HOSE - FABRICATE	1	-913108	
	HOSE SLEEVE - FABRICATE	1	-913108	(MF E90991, CTL 600MM)
	HOSE	1	913109-	(9272311 NLA)
	4664469	HOSE	1	913109-	
	HOSE GUARD	1	913109-	(MF E90991, CTL 600MM)
8	AT318017	ADAPTER FITTING	4		(SUB FOR 4208913)
	CH11570	O-RING	4		13.800 X 2.400 MM, (SUB FOR 4509180)
9	4634373	HYDRAULIC HOSE	1		
10	4634375	HYDRAULIC HOSE	1		
11	4634372	HYDRAULIC HOSE	1		
12	4634369	HYDRAULIC HOSE	1		
13	4208910	TEE FITTING	2		
	CH11570	O-RING	1		13.800 X 2.400 MM, (SUB FOR 4509180)
14	4634366	HYDRAULIC HOSE	1		
15	4634367	HYDRAULIC HOSE	1		
16	4202422	ADAPTER FITTING	2		
	CH11570	O-RING	2		13.800 X 2.400 MM, (SUB FOR 4509180)
17	4436269	HYDRAULIC HOSE	2		
19	9285047	SOLENOID VALVE	1		(SUB FOR 9246518)
20	SCREW WITH WASHER	2		(J271035 NLA)
	19M7550	CAP SCREW	2		M10 X 35, (SUB FOR J901035)
	24M7346	WASHER	2		11 X 20 X 2 MM, (SUB FOR J222010)
23	A852422	TEE FITTING	1	913109-	
26	A852123	ADAPTER FITTING	1	-913108	
	M800650	PACKING	1	-913108	(SUB FOR 957366)
34	4154670	ELBOW FITTING	1	913109-	(SUB FOR A852322)
62	A852323	ELBOW FITTING	1	-913108	
	M800650	PACKING	1	-913108	(SUB FOR 957366)
63	4451924	HYDRAULIC HOSE - FABRICATE	1	-913108	
64	4627868	HYDRAULIC HOSE - FABRICATE	1	913109-	
73	TH109285	PIPE PLUG	1		(SUB FOR 4092534)
	CH11570	O-RING	1		(SUB FOR 4509180)
74	AT318013	DRAIN PLUG	7	-913108	(SUB FOR 4093624)
	AT318013	DRAIN PLUG	8	913109-	(SUB FOR 4093624)
	M800650	PACKING	8		(SUB FOR 957366)
76	H77698	TIE BAND	1		(SUB FOR 4055311)
78	4258351	ISOLATOR	1		
79	H77698	TIE BAND	2		(SUB FOR 4121859)
80	4634207	VALVE	1		(COMPONENTS ON ANOTHER PAGE)

3363-36

PILOT LINES (RESERVOIR TO PILOT SIGNAL MANIFOLD AND CONTROL VALVE)
CONDUITES PILOTES (RESERVOIR VERS COLLECTEUR DE SIGNAL PILOTE ET DISTRIBUTEUR)
LINEAS PILOTO (DEPOSITO A COLECTOR DE SENALES PILOTO Y VALVULA DE CONTROL)

TX1001166

-UN-04JAN06



TX1001166

THIS PARTS LISTING IS CONTINUED

3363-37

EXCAVATOR 33

LINES, HOSES, AND FITTINGS 3363

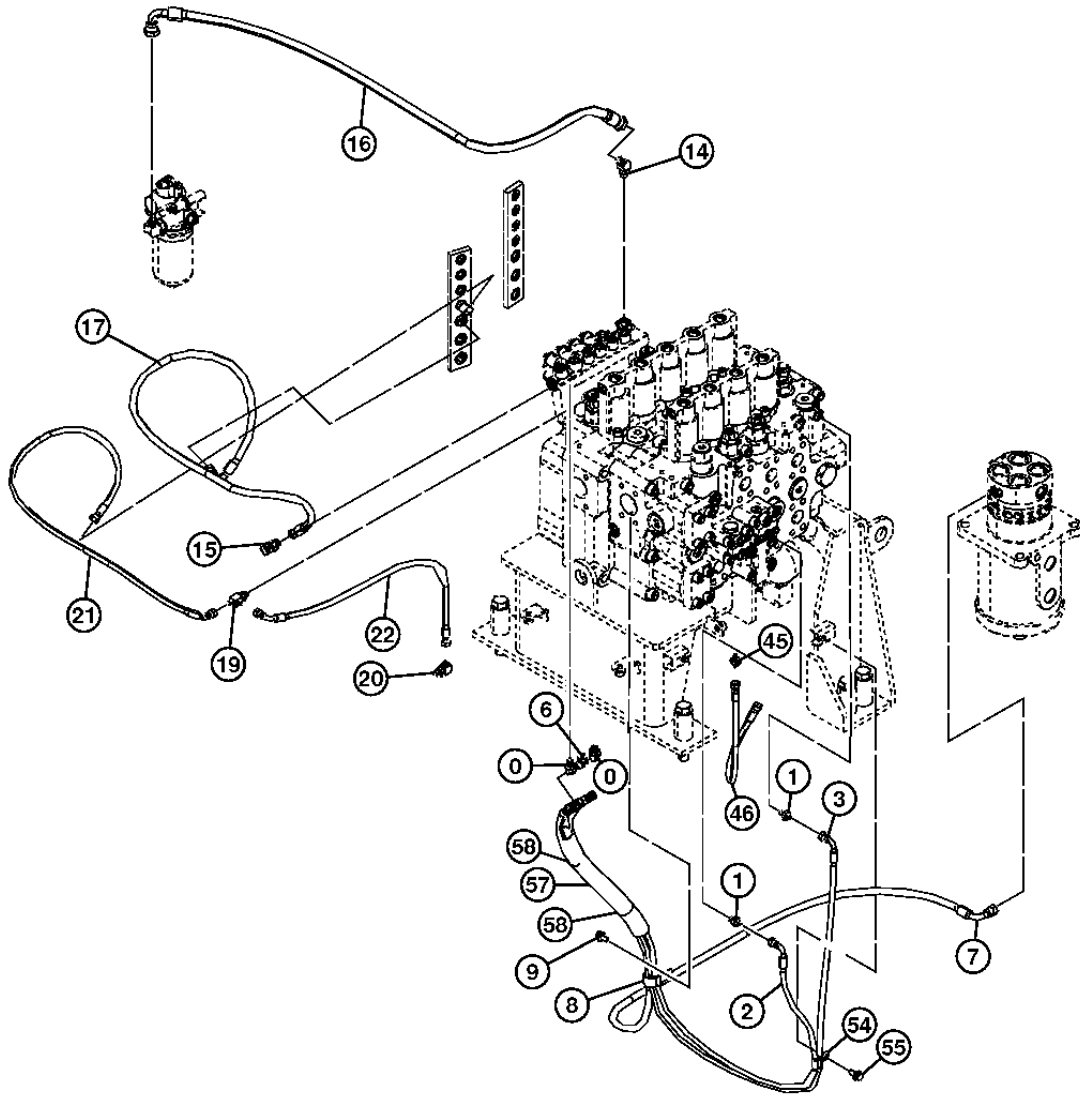
PILOT LINES (RESERVOIR TO PILOT SIGNAL MANIFOLD AND CONTROL VALVE)
 CONDUITES PILOTES (RESERVOIR VERS COLLECTEUR DE SIGNAL PILOTE ET DISTRIBUTEUR)
 LINEAS PILOTO (DEPOSITO A COLECTOR DE SENALES PILOTO Y VALVULA DE CONTROL)

KEY	PART NO.	PART NAME	QTY.	SERIAL NO.	REMARKS
23	A852422	TEE FITTING	1		
	M800650	PACKING	1		(SUB FOR 957366)
24	A852122	ADAPTER FITTING	1		
	M800650	PACKING	1		(SUB FOR 957366)
25	4427359	HOSE	1		(SUB FOR 4470393)
27	A852422	TEE FITTING	1		
	M800650	PACKING	1		(SUB FOR 957366)
28	4154670	ELBOW FITTING	2		(SUB FOR A852322)
	M800650	PACKING	2		(SUB FOR 957366)
29	A852122	ADAPTER FITTING	1		
	M800650	PACKING	1		(SUB FOR 957366)
30	4634383	HYDRAULIC HOSE	1		
31	4634384	HYDRAULIC HOSE	1		
32	4679421	HOSE	1		(SUB FOR 4634385)
34	4154670	ELBOW FITTING	1		(SUB FOR A852322)
	M800650	PACKING	1		(SUB FOR 957366)
35	4634915	HYDRAULIC HOSE - FABRICATE	1		
36	4634381	HYDRAULIC HOSE - FABRICATE	1		
37	4634382	HYDRAULIC HOSE - FABRICATE	1		
38	XCL-29	HOSE CLAMP	1		(SUB FOR 4190264)
39	SCREW WITH WASHER	1		(J271025 NLA)
	19M7402	CAP SCREW	1		M10 X 25, (SUB FOR J901025)
	24M7346	WASHER	1		11 X 20 X 2 MM, (SUB FOR J222010)
41	8103028	BRACKET	1		
42	SCREW WITH WASHER	2		(J271025 NLA)
	19M7402	CAP SCREW	2		(SUB FOR J901025)
	24M7346	WASHER	2		(SUB FOR J222010)
44	SCREW WITH WASHER	1		(J271025 NLA)
	19M7402	CAP SCREW	1		(SUB FOR J901025)
	24M7346	WASHER	1		(SUB FOR J222010)
45	N198631	CLAMP	1		(SUB FOR 4190265)
56	XCL-29	HOSE CLAMP	1		(SUB FOR 4190291)
57	SCREW WITH WASHER	1		(J271025 NLA)
	19M7402	CAP SCREW	1		(SUB FOR J901025)
	24M7346	WASHER	1		(SUB FOR J222010)
65	A852122	ADAPTER FITTING	1		
	M800650	PACKING	1		(SUB FOR 957366)
66	4634377	HYDRAULIC HOSE	1		

3363-38

LINES, HOSES, AND FITTINGS 3363
PILOT LINES FROM CONTROL VALVE TO RESERVOIR AND CENTER JOINT
CONDUITES PILOTES DU DISTRIBUTEUR VERS RESERVOIR ET JOINT CENTRAL
LINEAS PILOTO DE VALVULA DE CONTROL A DEPOSITO Y UNION CENTRAL

TX1001183 -UN-08FEB06



TX1001183

THIS PARTS LISTING IS CONTINUED

3363-39

EXCAVATOR 33

LINES, HOSES, AND FITTINGS 3363

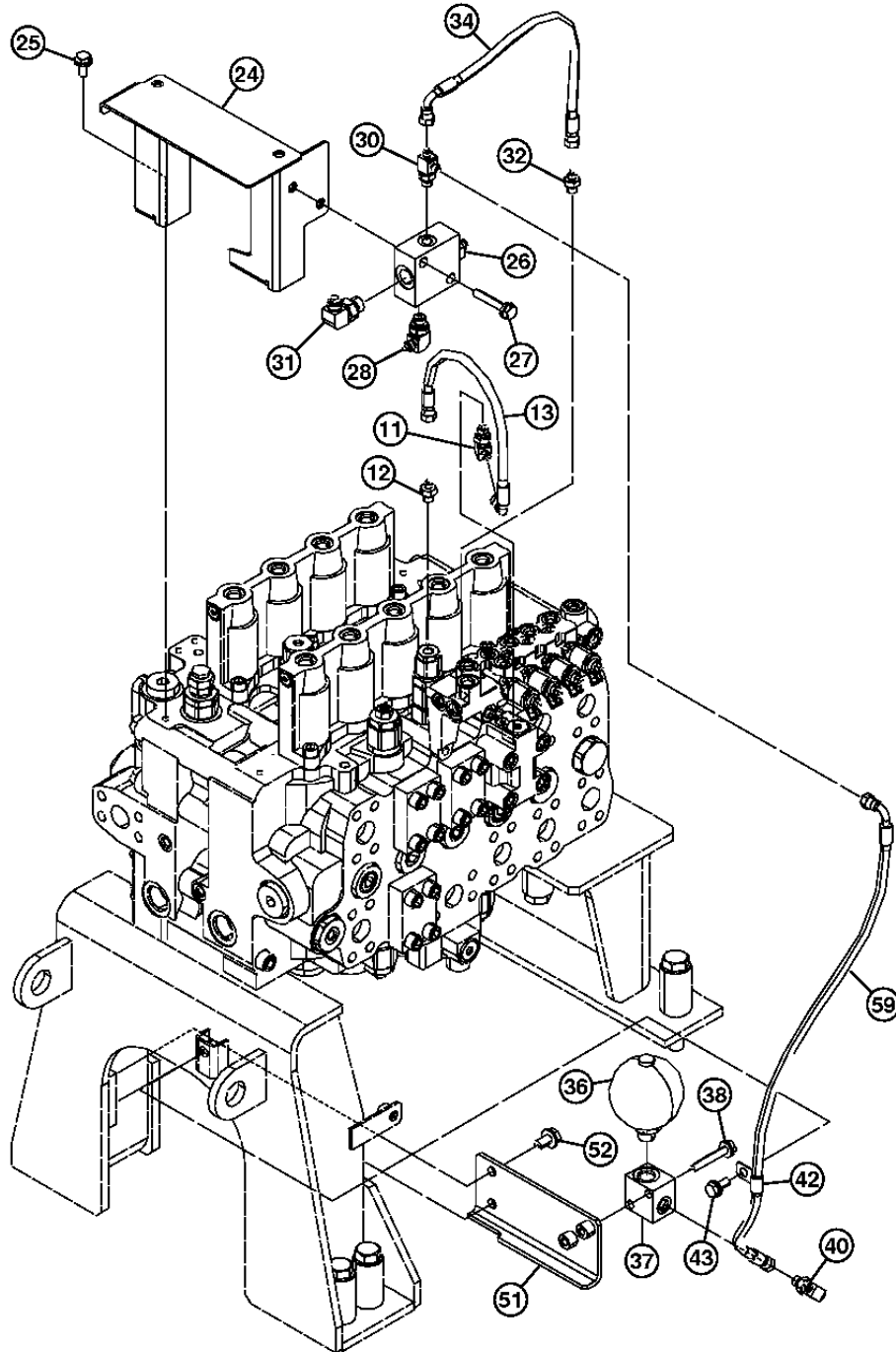
**PILOT LINES FROM CONTROL VALVE TO RESERVOIR AND CENTER JOINT
CONDUITES PILOTES DU DISTRIBUTEUR VERS RESERVOIR ET JOINT CENTRAL
LINEAS PILOTO DE VALVULA DE CONTROL A DEPOSITO Y UNION CENTRAL**

KEY	PART NO.	PART NAME	QTY.	SERIAL NO.	REMARKS
0	A852222	UNION FITTING	2		
	M800650	PACKING	2		(SUB FOR 957366)
1	A852122	ADAPTER FITTING	2		
	M800650	PACKING	2		(SUB FOR 957366)
2	4634388	HYDRAULIC HOSE - FABRICATE	1		
3	4634390	HYDRAULIC HOSE - FABRICATE	1		
6	A852223	ELBOW FITTING	1		
	M800650	PACKING	1		(SUB FOR 957366)
7	HOSE KIT	1		(9261223 NLA)
	4634389	HYDRAULIC HOSE	1		
	HOSE SLEEVE - FABRICATE	1		(MAKE FROM E90991) (CUT TO LENGTH 600MM)
8	XCL-19	HOSE CLAMP	1		(SUB FOR 4192035)
9	SCREW WITH WASHER	1		(J271025 NLA)
	19M7402	CAP SCREW	1		(SUB FOR J901025)
	24M7346	WASHER	1		(SUB FOR J222010)
14	A852234	ELBOW FITTING	1		
	CH11570	O-RING	1		(SUB FOR 4509180)
15	A852333	ELBOW FITTING	1		
	CH11570	O-RING	1		(SUB FOR 4509180)
16	4634354	HYDRAULIC HOSE - FABRICATE	1		
17	4651397	HYDRAULIC HOSE - FABRICATE	1		
19	A852422	TEE FITTING	1		
	M800650	PACKING	1		(SUB FOR 957366)
20	4154670	ELBOW FITTING	1		(SUB FOR A852322)
	M800650	PACKING	1		(SUB FOR 957366)
21	4651399	HYDRAULIC HOSE - FABRICATE	1		
22	HOSE KIT	1		
	4638242	HYDRAULIC HOSE - FABRICATE	1		
	HOSE SLEEVE - FABRICATE	1		(MAKE FROM E90991) (CUT TO LENGTH 600MM)
45	A852122	ADAPTER FITTING	1		
	M800650	PACKING	1		(SUB FOR 957366)
46	4486003	HYDRAULIC HOSE - FABRICATE	1		
54	4208479	CLAMP	1		
55	SCREW WITH WASHER	1		(J271025 NLA)
	19M7402	CAP SCREW	1		M10 X 25, (SUB FOR J901025)
	24M7346	WASHER	1		11 X 20 X 2 MM, (SUB FOR J222010)
57	4167524	ISOLATOR	1		(SUB FOR 4326809)
58	H77698	TIE BAND	2		(SUB FOR 4055312)

3363-40

CONTROL VALVE PILOT LINES CONDUITES PILOTES DU DISTRIBUTEUR LINEAS PILOTO DE VALVULA DE CONTROL

TX1001184 -UN-07DEC05



TX1001184

3363-41

EXCAVATOR 33

LINES, HOSES, AND FITTINGS 3363

**CONTROL VALVE PILOT LINES
CONDUITES PILOTES DU DISTRIBUTEUR
LINEAS PILOTO DE VALVULA DE CONTROL**

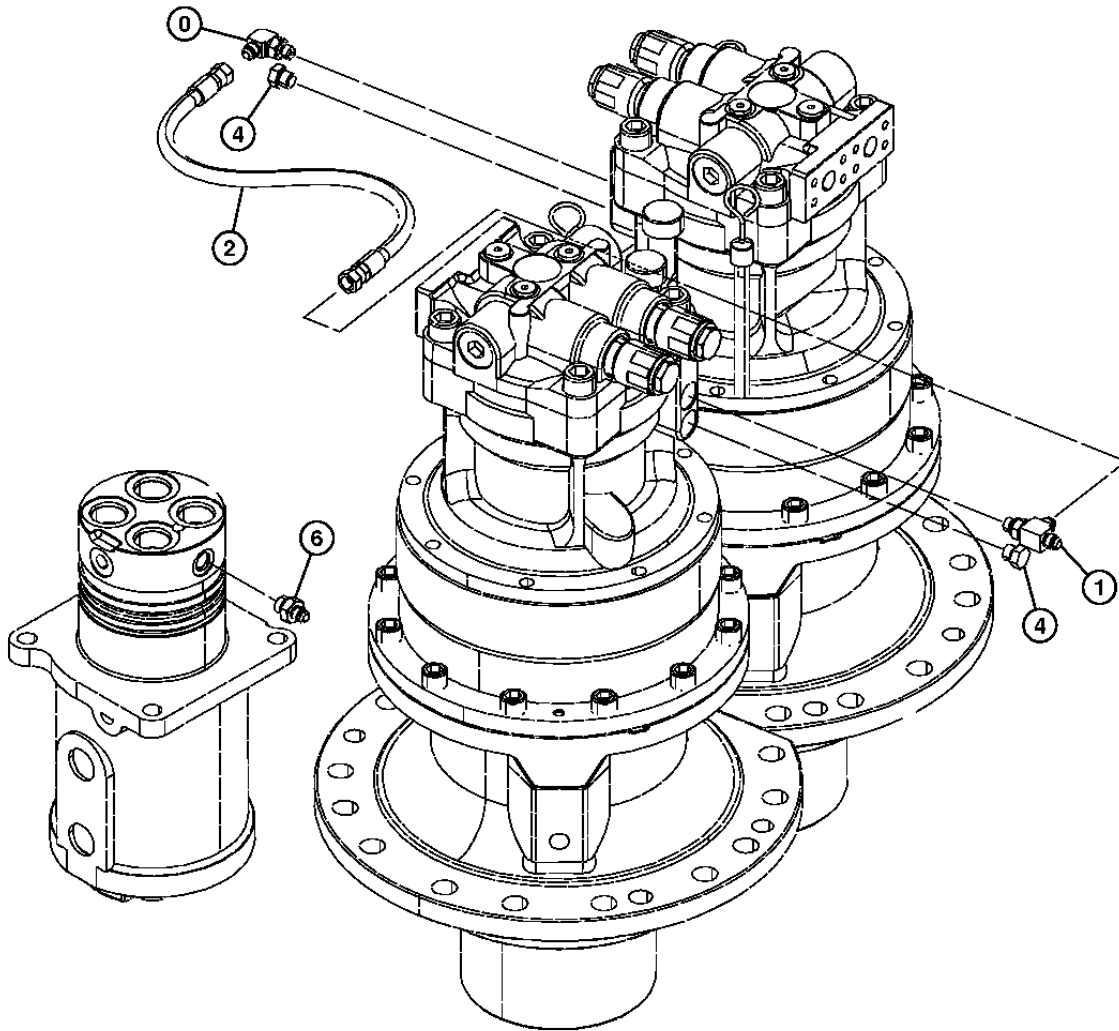
KEY	PART NO.	PART NAME	QTY.	SERIAL NO.	REMARKS
11	4154670	ELBOW FITTING	1		(SUB FOR A852322)
	M800650	PACKING	1		(SUB FOR 957366)
12	A852122	ADAPTER FITTING	1		
	M800650	PACKING	1		(SUB FOR 957366)
13	4620080	HYDRAULIC HOSE	1		
24	7049631	BRACKET	1		
25	SCREW WITH WASHER	2		(J271025 NLA)
	19M7402	CAP SCREW	2		M10 X 25, (SUB FOR J901025)
	24M7346	WASHER	2		11 X 20 X 2 MM, (SUB FOR J222010)
26	9123033	CHECK VALVE	1		
27	SCREW WITH WASHER	2		(J271060 NLA)
	19M8499	CAP SCREW	2		M10 X 60, (SUB FOR J901060)
	24M7346	WASHER	2		11 X 20 X 2 MM, (SUB FOR J222010)
28	A852333	ELBOW FITTING	1		
	CH11570	O-RING	1		13.800 X 2.400 MM, (SUB FOR 4509180)
30	A852422	TEE FITTING	1		
	M800650	PACKING	1		(SUB FOR 957366)
31	A852344	ELBOW FITTING	1		
	4506418	O-RING	1		
32	A852122	ADAPTER FITTING	1		
	M800650	PACKING	1		(SUB FOR 957366)
34	4618606	HOSE	1		
36	4195978	HYDRAULIC ACCUMULATOR	1		
	CH14634	O-RING	1		17.800 X 2.400 MM, (SUB FOR 954493)
37	3036998	MANIFOLD	1		
38	SCREW WITH WASHER	2		(J271065 NLA)
	19M7742	CAP SCREW	2		M10 X 65, (SUB FOR J901065)
	24M7346	WASHER	2		11 X 20 X 2 MM, (SUB FOR J222010)
40	A852522	TEE FITTING	1		
	M800650	PACKING	1		(SUB FOR 957366)
42	AH79175	CLIP	1		(SUB FOR 4190272)
43	SCREW WITH WASHER	1		(J271025 NLA)
	19M7402	CAP SCREW	1		M10 X 25, (SUB FOR J901025)
	24M7346	WASHER	1		11 X 20 X 2 MM, (SUB FOR J222010)
51	9764706	BRACKET	1		
52	SCREW WITH WASHER	2		(J271225 NLA)
	19M7872	CAP SCREW	2		M12 X 25, (SUB FOR J901225)
	24M7346	WASHER	2		(SUB FOR J222012)
59	9265074	HYDRAULIC HOSE - FABRICATE	1		
	HYDRAULIC HOSE - FABRICATE	1		(4655903)
	4449646	GUARD	1		

3363-42

PILOT LINES (SWING MOTOR TO ROTARY MANIFOLD)
CONDUITES PILOTES (RELIANT LE MOTEUR DE PIVOTEMENT AU COLLECTEUR ROTATIF)
LINEAS PILOTO (MOTOR DE GIRO A COLECTOR GIRATORIO)

TX1001185

-UN-07DEC05



TX1001185

3363-43

EXCAVATOR 33

LINES, HOSES, AND FITTINGS 3363

PILOT LINES (SWING MOTOR TO ROTARY MANIFOLD)
CONDUITES PILOTES (RELIANT LE MOTEUR DE PIVOTEMENT AU COLLECTEUR ROTATIF)
LINEAS PILOTO (MOTOR DE GIRO A COLECTOR GIRATORIO)

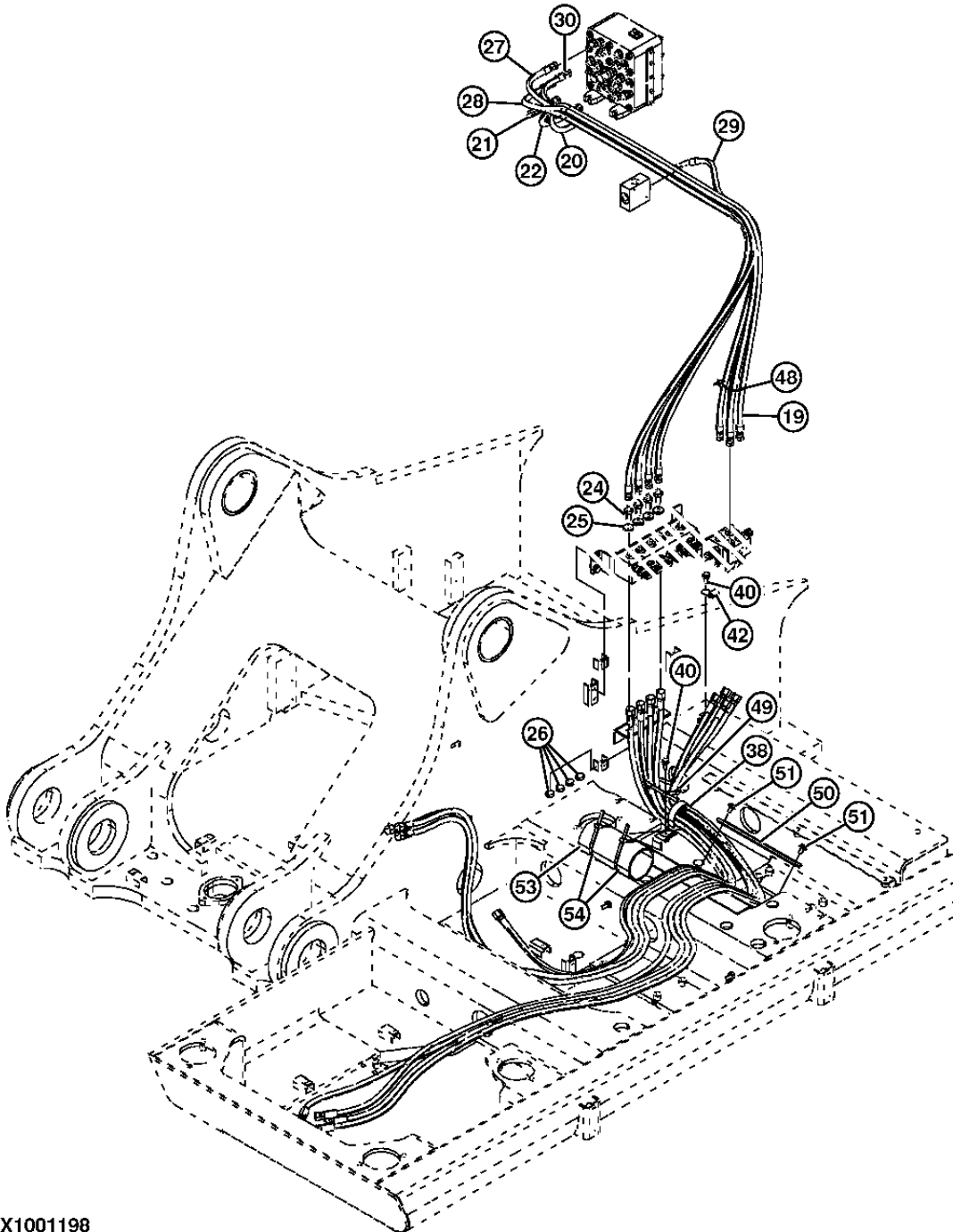
KEY	PART NO.	PART NAME	QTY.	SERIAL NO.	REMARKS
0	A852323	ELBOW FITTING	1		
	M800650	PACKING	1		(SUB FOR 957366)
1	A852423	TEE FITTING	1		
	M800650	PACKING	1		(SUB FOR 957366)
2	4442270	HYDRAULIC HOSE	1		(SUB FOR 4474678)
4	A885002	PLUG	2		
	M800650	PACKING	2		(SUB FOR 957366)
6	A852133	ADAPTER FITTING	1		
	CH11570	O-RING	1		13.800 X 2.400 MM. (SUB FOR 4509180)

3363-44

PILOT LINES (PILOT SIGNAL MANIFOLD TO SHUTOFF VALVE)
CONDUITES PILOTES (COLLECTEUR DE SIGNAL PILOTE VERS SOUPAPE D'ARRET PILOTE)
LINEAS PILOTO (COLECTOR DE SENALES PILOTO A VALVULA DE CORTE PILOTO)

TX1001198

-UN-13JAN06



TX1001198

3363-45

EXCAVATOR 33

LINES, HOSES, AND FITTINGS 3363

**PILOT LINES (PILOT SIGNAL MANIFOLD TO SHUTOFF VALVE)
CONDUITES PILOTES (COLLECTEUR DE SIGNAL PILOTE VERS SOUPAPE D'ARRET PILOTE)
LINEAS PILOTO (COLECTOR DE SENALES PILOTO A VALVULA DE CORTE PILOTO)**

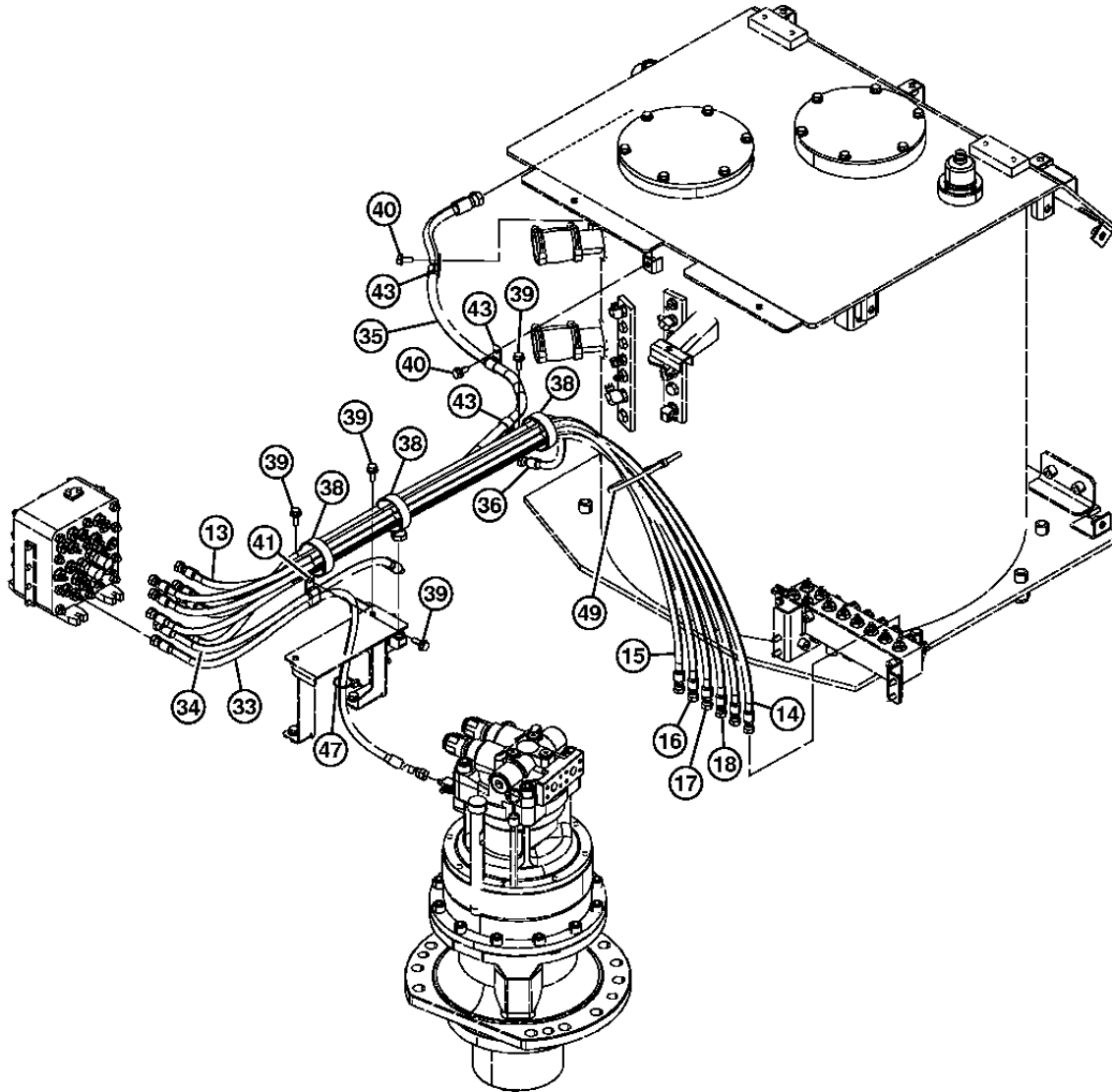
KEY	PART NO.	PART NAME	QTY.	SERIAL NO.	REMARKS
19	4635238	HYDRAULIC HOSE - FABRICATE	1		
20	4635239	HYDRAULIC HOSE	1		
21	4635240	HYDRAULIC HOSE - FABRICATE	1		
22	4635241	HYDRAULIC HOSE - FABRICATE	1		
24	R27238	FITTING	4		(SUB FOR 4202532)
25	J222014	WASHER	4		
26	14H888	NUT	4		9/16", (SUB FOR 4202531)
27	HYDRAULIC HOSE	1		(9251611 NLA)
	4635234	HYDRAULIC HOSE	1		
	HOSE SLEEVE - FABRICATE	1		(MAKE FROM E90991) (CUT TO LENGTH)
28	HYDRAULIC HOSE	1		(9251612 NLA)
	4635235	HYDRAULIC HOSE	1		
	HOSE SLEEVE - FABRICATE	1		(MAKE FROM E90991) (CUT TO LENGTH)
29	HYDRAULIC HOSE	1		(9251616 NLA)
	4638283	HYDRAULIC HOSE	1		
	HOSE SLEEVE - FABRICATE	1		(MAKE FROM E90991) (CUT TO LENGTH)
30	HYDRAULIC HOSE	1		(9251615 NLA)
	4635242	HYDRAULIC HOSE	1		
	HOSE SLEEVE - FABRICATE	1		(MAKE FROM E90991) (CUT TO LENGTH)
38	4204136	CLIP	1		
40		2		(J271025 NLA)
	19M7402	CAP SCREW	2		M10 X 25, (SUB FOR J901025)
	24M7346	WASHER	2		11 X 20 X 2 MM, (SUB FOR J222010)
42	R73384	CLAMP	1		(SUB FOR 4190253)
48	H77698	TIE BAND	1		(SUB FOR 4055312)
49	H77698	TIE BAND	1		(SUB FOR 4121859)
50	4341877	CHANNEL	1		
51	SCREW WITH WASHER	2		(J271020 NLA)
	19M7938	CAP SCREW	2		M10 X 20, (SUB FOR J901020)
	24M7346	WASHER	2		11 X 20 X 2 MM, (SUB FOR J222010)
53	4442484	ISOLATOR	1		
54	H77698	TIE BAND	2		(SUB FOR 4121859)

3363-46

PILOT LINES (PILOT SIGNAL MANIFOLD TO SWING MOTOR AND HYDRAULIC RESERVOIR)
CONDUITES PILOTES (ENTRE COLLECT. DE SIGNAL PILOTE ET MOTEUR PIVOT. / RESERVOIR D'HUILE HYDR.)
LINEAS PILOTO (COLECTOR DE SENAL PILOTO A MOTOR DE GIRO Y DEPOSITO HIDRAULICO)

TX1001199

-UN-07DEC05



TX1001199

3363-47

EXCAVATOR 33

LINES, HOSES, AND FITTINGS 3363

PILOT LINES (PILOT SIGNAL MANIFOLD TO SWING MOTOR AND HYDRAULIC RESERVOIR)
 CONDUITES PILOTES (ENTRE COLLECT. DE SIGNAL PILOTE ET MOTEUR PIVOT. / RESERVOIR D'HUILE HYDR.)
 LINEAS PILOTO (COLECTOR DE SENAL PILOTO A MOTOR DE GIRO Y DEPOSITO HIDRAULICO)

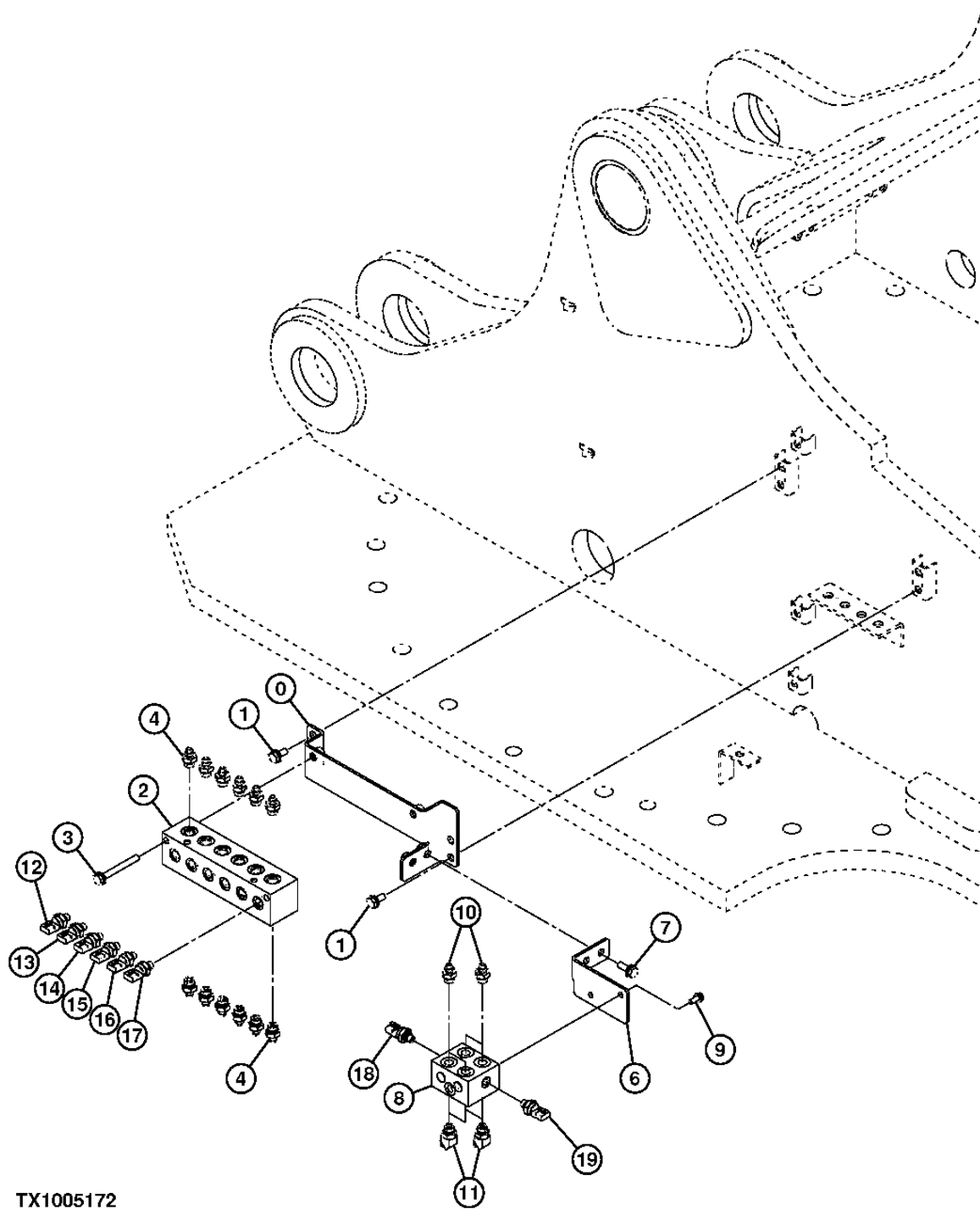
KEY	PART NO.	PART NAME	QTY.	SERIAL NO.	REMARKS
13	4635230	HYDRAULIC HOSE - FABRICATE	1		
14	4635231	HYDRAULIC HOSE - FABRICATE	1		
15	4635232	HYDRAULIC HOSE - FABRICATE	1		
16	4635233	HYDRAULIC HOSE - FABRICATE	1		
17	4635236	HYDRAULIC HOSE	1		
18	4635237	HYDRAULIC HOSE - FABRICATE	1		
33	4651783	HYDRAULIC HOSE	1		
34	4635243	HYDRAULIC HOSE - FABRICATE	1		
35	4634392	HYDRAULIC HOSE - FABRICATE	1		
36	4634380	HYDRAULIC HOSE - FABRICATE	1		
38	4204136	CLIP	3		
39	SCREW WITH WASHER	4		(J271030 NLA)
	19M7662	CAP SCREW	4		M10 X 30, (SUB FOR J901030)
	24M7346	WASHER	4		11 X 20 X 2 MM, (SUB FOR J222010)
40	SCREW WITH WASHER	2		(J271025 NLA)
	19M7402	CAP SCREW	2		M10 X 25, (SUB FOR J901025)
	24M7346	WASHER	2		11 X 20 X 2 MM, (SUB FOR J222010)
41	T32854	CLAMP	1		(SUB FOR 4190282)
43	R73291	CLAMP	3		(SUB FOR 4190262)
47	H77698	TIE BAND	1		(SUB FOR 4055311)
49	H77698	TIE BAND	1		(SUB FOR 4121859)

3363-48

DIGGING AND TRAVEL SENSOR MANIFOLDS
COLLECTEURS DE CREUSEMENT ET DE CAPTEUR DE DEPLACEMENT
COLECTORES DE SENSORES DE EXCAVACION Y PROPULSION

TX1005172

-UN-05APR06



TX1005172

3363-49

EXCAVATOR 33

LINES, HOSES, AND FITTINGS 3363

DIGGING AND TRAVEL SENSOR MANIFOLDS
COLLECTEURS DE CREUSEMENT ET DE CAPTEUR DE DEPLACEMENT
COLECTORES DE SENSORES DE EXCAVACION Y PROPULSION

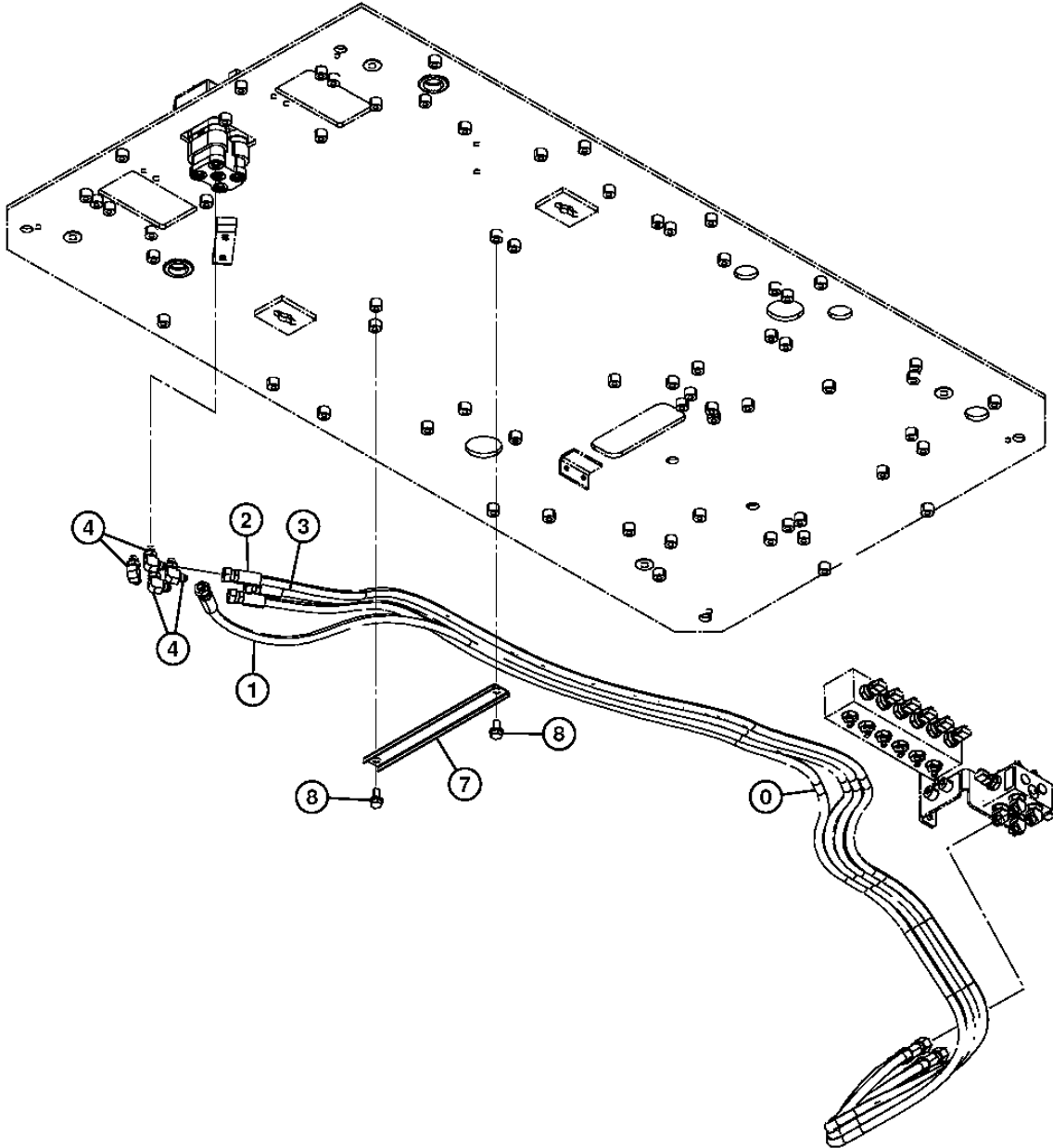
KEY	PART NO.	PART NAME	QTY.	SERIAL NO.	REMARKS
0	8100877	BRACKET	1		
1	SCREW WITH WASHER	4		(J271025 NLA)
	19M7402	CAP SCREW	4		M10 X 25, (SUB FOR J901025)
	24M7346	WASHER	4		11 X 20 X 2 MM, (SUB FOR J222010)
2	3106060	MANIFOLD	1		
3	SCREW WITH WASHER	2		(J271090 NLA)
	19M8183	CAP SCREW	2		M10 X 90, (SUB FOR J901090)
	24M7346	WASHER	2		11 X 20 X 2 MM, (SUB FOR J222010)
4	A852133	ADAPTER FITTING	12		
	CH11570	O-RING	1		13.800 X 2.400 MM, (SUB FOR 4509180)
6	4638922	BRACKET	1		
7	SCREW WITH WASHER	2		(J271030 NLA)
	19M7662	CAP SCREW	2		M10 X 30, (SUB FOR J901030)
	24M7346	WASHER	2		11 X 20 X 2 MM, (SUB FOR J222010)
8	4627456	VALVE	1		(COMPONENTS ON ANOTHER PAGE)
9	SCREW WITH WASHER	2		(J260820 NLA)
	19M7139	CAP SCREW	2		M8 X 20, (SUB FOR J900820)
	24M7055	WASHER	2		8.400 X 16 X 1.600 MM, (SUB FOR A590108)
10	A852133	ADAPTER FITTING	4		
	CH11570	O-RING	4		13.800 X 2.400 MM, (SUB FOR 4509180)
11	4190244	ELBOW FITTING	4		(SUB FOR A852233)
	CH11570	O-RING	4		13.800 X 2.400 MM, (SUB FOR 4509180)
12	4436535	SENSOR	1		(BOOM DOWN)
	M800650	PACKING	1		(SUB FOR 957366)
13	4436535	SENSOR	1		(BOOM UP)
	M800650	PACKING	1		(SUB FOR 957366)
14	4436535	SENSOR	1		(BUCKET DUMP)
	M800650	PACKING	1		(SUB FOR 957366)
15	4436535	SENSOR	1		(BUCKET CURL)
	M800650	PACKING	1		(SUB FOR 957366)
16	4436535	SENSOR	1		(ARM IN)
	M800650	PACKING	1		(SUB FOR 957366)
17	4436535	SENSOR	1		(ARM OUT)
	M800650	PACKING	1		(SUB FOR 957366)
18	4436535	SENSOR	1		(RIGHT TRAVEL)
	M800650	PACKING	1		(SUB FOR 957366)
19	4436535	SENSOR	1		(LEFT TRAVEL)
	M800650	PACKING	1		(SUB FOR 957366)

3363A-50

PILOT LINES CONDUITES PILOTES LINEAS PILOTO

TX1001202

-UN-13JAN06



TX1001202

3363A-51

EXCAVATOR 33

LINES, HOSES, AND FITTINGS 3363

PILOT LINES
CONDUITES PILOTES
LINEAS PILOTO

KEY	PART NO.	PART NAME	QTY.	SERIAL NO.	REMARKS
0	4635247	HYDRAULIC HOSE - FABRICATE	1		
1	4635246	HYDRAULIC HOSE - FABRICATE	1		
2	4635244	HYDRAULIC HOSE - FABRICATE	1		
3	4635245	HYDRAULIC HOSE - FABRICATE	1		
4	A852323	ELBOW FITTING	4		
	M800650	PACKING	4		(SUB FOR 957366)
7	4341877	CHANNEL	1		
8	SCREW WITH WASHER	2		(J271020 NLA)
	19M7938	CAP SCREW	2		M10 X 20, (SUB FOR J901020)
	24M7346	WASHER	2		11 X 20 X 2 MM, (SUB FOR J222010)

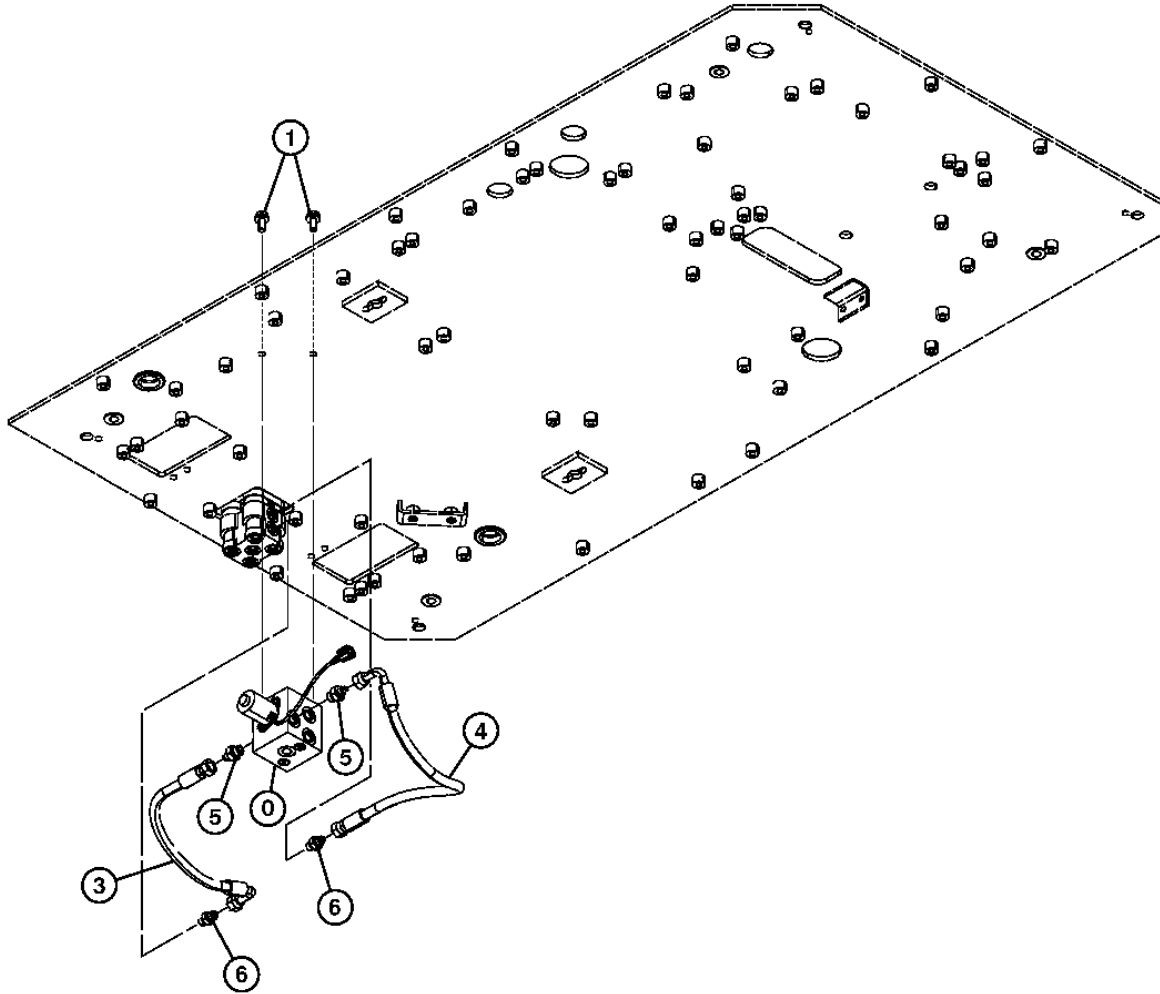
3363A-52

EXCAVATOR 33

LINES, HOSES, AND FITTINGS 3363
TRAVEL PILOT CONTROL VALVE TO PILOT SHUT OFF VALVE
DISTRIBUTEUR PILOTE DE DEPLACEMENT VERS SOUPEPE D'ARRET PILOTE
VALVULA DE CONTROL PILOTO DE PROPULSION A VALVULA DE CORTE PILOTO

TX1004923

-UN-17MAR06



TX1004923

3363A-53

EXCAVATOR 33

LINES, HOSES, AND FITTINGS 3363
TRAVEL PILOT CONTROL VALVE TO PILOT SHUT OFF VALVE
DISTRIBUTEUR PILOTE DE DEPLACEMENT VERS SOUPAPE D'ARRET PILOTE
VALVULA DE CONTROL PILOTO DE PROPULSION A VALVULA DE CORTE PILOTO

KEY	PART NO.	PART NAME	QTY.	SERIAL NO.	REMARKS
0	4609630	VALVE	1		(COMPONENTS ON ANOTHER PAGE)
1	SCREW WITH WASHER	2		(J271025 NLA)
	19M7402	CAP SCREW	2		M10 X 25, (SUB FOR J901025)
	24M7346	WASHER	2		11 X 20 X 2 MM, (SUB FOR J222010)
3	4648087	HYDRAULIC HOSE	1		
4	4635249	HYDRAULIC HOSE	1		
5	A852133	ADAPTER FITTING	2		
	CH11570	O-RING	2		13.800 X 2.400 MM, (SUB FOR 4509180)
6	A852123	ADAPTER FITTING	2		
	M800650	PACKING	2		(SUB FOR 957366)

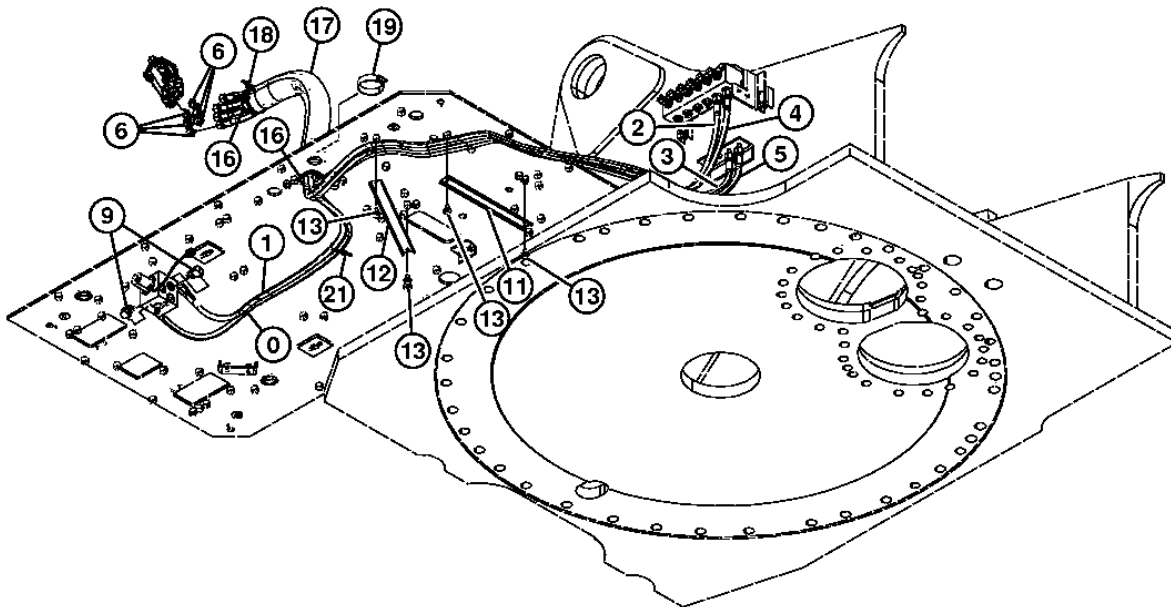
3363A-54

EXCAVATOR 33

LINES, HOSES, AND FITTINGS 3363

PILOT LINES (LEFT PILOT CONTROLLER TO PILOT SHUTOFF AND DIGGING SENSOR MANIFOLD)
CONDUITES PILOTES (CONTROLEUR PILOTE GAUCHE VERS ARRET PILOTE ET COLL. DE CAPTEUR CREUSEMENT)
LINEAS PILOTO (PALANCA CONTROL PILOTO IZQ. A VALVULA CORTE Y COLECTOR SENSOR EXCAVACION)

TX1001297 -UN-13DEC05



TX1001297

3363A-55

EXCAVATOR 33

LINES, HOSES, AND FITTINGS 3363

PILOT LINES (LEFT PILOT CONTROLLER TO PILOT SHUTOFF AND DIGGING SENSOR MANIFOLD)
CONDUITES PILOTES (CONTROLEUR PILOTE GAUCHE VERS ARRET PILOTE ET COLL. DE CAPTEUR CREUSEMENT)
LINEAS PILOTO (PALANCA CONTROL PILOTO IZQ. A VALVULA CORTE Y COLECTOR SENSOR EXCAVACION)

KEY	PART NO.	PART NAME	QTY.	SERIAL NO.	REMARKS
0	4635254	HYDRAULIC HOSE	1		
1	4635255	HYDRAULIC HOSE	1		
2	4635251	HYDRAULIC HOSE - FABRICATE	1		
3	4635253	HYDRAULIC HOSE - FABRICATE	1		
4	4635250	HYDRAULIC HOSE - FABRICATE	1		
5	4635252	HYDRAULIC HOSE - FABRICATE	1		
6	A852223	ELBOW FITTING	6		
	M800650	PACKING	6		(SUB FOR 957366)
9	A852333	ELBOW FITTING	2		
	CH11570	O-RING	2		13.800 X 2.400 MM, (SUB FOR 4509180)
11	4425177	CHANNEL	1		
12	4474337	HOSE CLAMP	1		
13	SCREW WITH WASHER	4		(J271020 NLA)
	19M7938	CAP SCREW	4		M10 X 20, (SUB FOR J901020)
	24M7346	WASHER	4		11 X 20 X 2 MM, (SUB FOR J222010)
16	3079728	BUSHING	2		
17	4629782	HYDRAULIC HOSE	1		
18	H77698	TIE BAND	1		(SUB FOR 4121859)
19	4351774	CLAMP	1		
21	H77698	TIE BAND	1		(SUB FOR 4055312)

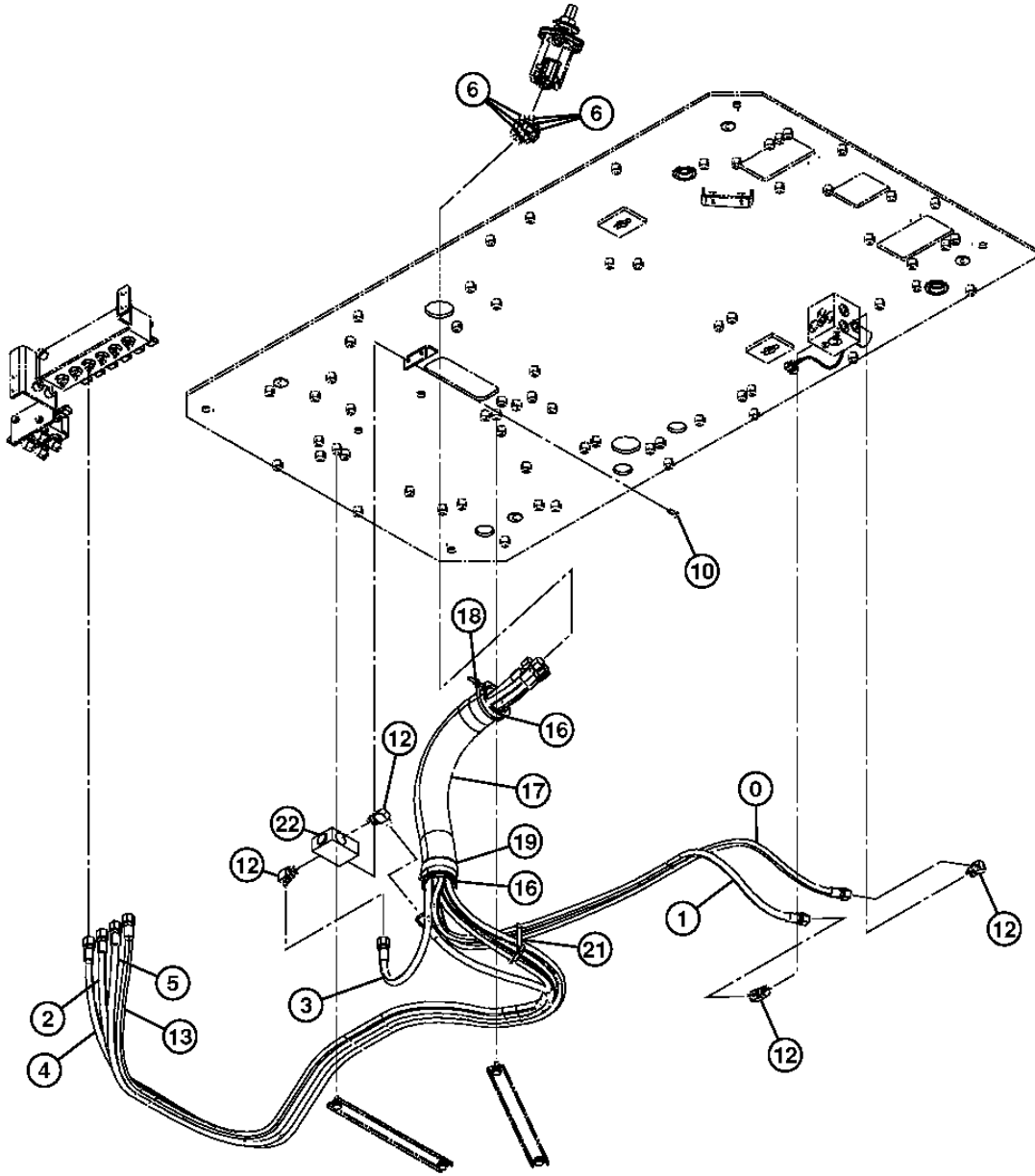
3363A-56

EXCAVATOR 33

PILOT LINES (RIGHT PILOT CONTROLLER TO PILOT SHUTOFF VALVE AND DIGGING SENSOR MANIFOLD)
CONDUITES PILOTES (CONTROLEUR PILOTE DROIT VERS ARRET PILOTE ET COLL. DE CAPTEUR CREUSEMENT)
LINEAS PILOTO (PALANCA CONTROL PILOTO DER. A VALVULA CORTE Y COLECTOR SENSOR EXCAVACION)

TX1005663 -UN-31MAR06

LINES, HOSES, AND FITTINGS 3363



TX1005663

3363A-57

EXCAVATOR 33

LINES, HOSES, AND FITTINGS 3363
PILOT LINES (RIGHT PILOT CONTROLLER TO PILOT SHUTOFF VALVE AND DIGGING SENSOR MANIFOLD)
CONDUITES PILOTES (CONTROLEUR PILOTE DROIT VERS ARRET PILOTE ET COLL. DE CAPTEUR CREUSEMENT)
LINEAS PILOTO (PALANCA CONTROL PILOTO DER. A VALVULA CORTE Y COLECTOR SENSOR EXCAVACION)

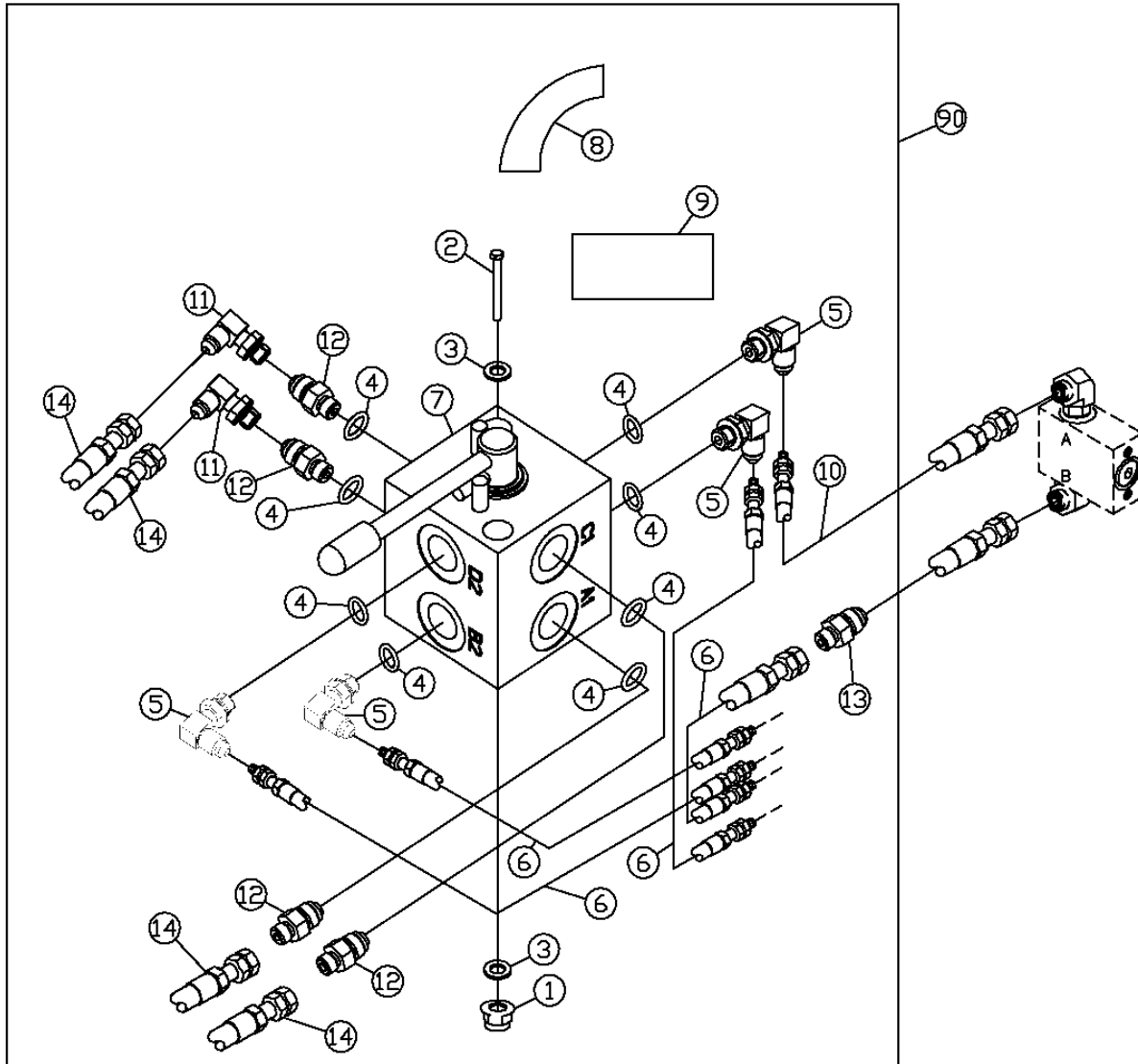
KEY	PART NO.	PART NAME	QTY.	SERIAL NO.	REMARKS
0	4635262	HYDRAULIC HOSE	1		
1	4635261	HYDRAULIC HOSE	1		
2	4635260	HYDRAULIC HOSE - FABRICATE	1		
3	4635258	HYDRAULIC HOSE	1		
4	4635259	HYDRAULIC HOSE - FABRICATE	1		
5	4635256	HYDRAULIC HOSE - FABRICATE	1		
6	A852223	ELBOW FITTING	6		
	M800650	PACKING	6		(SUB FOR 957366)
10	SCREW WITH WASHER	2		(J260820 NLA)
	19M7139	CAP SCREW	2		M8 X 20, (SUB FOR J900820)
	24M7055	WASHER	2		8.400 X 16 X 1.600 MM, (SUB FOR A590108)
12	A852333	ELBOW FITTING	4		
	CH11570	O-RING	4		13.800 X 2.400 MM, (SUB FOR 4509180)
13	AT219688	HYDRAULIC HOSE - FABRICATE	1		9/16" X 1 950 MM X 9/16", (SUB FOR 4354367)
16	3079728	BUSHING	2		(SUB FOR 3079728)
17	4629782	HYDRAULIC HOSE	1		
18	H77698	TIE BAND	1		(SUB FOR 4121859)
19	4351774	CLAMP	1		
21	H77698	TIE BAND	1		(SUB FOR 4055312)
22	4642264	FLOW CONTROL HYD. VALVE	1		(COMPONENTS ON ANOTHER PAGE)

3363A-57A

MECHANICAL PATTERN CHANGER KIT KIT DE CHANGEMENT DE CONFIGURATION MECANIQUE JUEGO DE CAMBIO DE CONFIGURACION MECANICA

TX1007540

-UN-16MAY06



TX1007540

3363A-57B

EXCAVATOR 33

LINES, HOSES, AND FITTINGS 3363

**MECHANICAL PATTERN CHANGER KIT
KIT DE CHANGEMENT DE CONFIGURATION MECANIQUE
JUEGO DE CAMBIO DE CONFIGURACION MECANICA**

KEY	PART NO.	PART NAME	QTY.	SERIAL NO.	REMARKS
1	14M7396	LOCK NUT	2		M8
2	19M8504	CAP SCREW	2		M8 X 80
3	24M7095	WASHER	4		8.400 X 15 X 1.600 MM
4	R28782	O-RING	8		
5	AH63565	ELBOW FITTING	4		
6	AT306775	HYDRAULIC HOSE - FABRICATE	4		
7	AT306737	MANUAL HYDRAULIC VALVE	1		
8	T205175	LABEL	1		
9	T201519	LABEL	1		
10	AT218230	HYDRAULIC HOSE - FABRICATE	1		
11	AE24616	ELBOW FITTING	2		
12	T61120	ADAPTER FITTING	4		
13	R27095	FITTING	4		
14	AT334477	HYDRAULIC HOSE - FABRICATE	4		
90	AT328396	KIT	1		MECHANICAL PATTERN CHANGER KIT

3363A-58

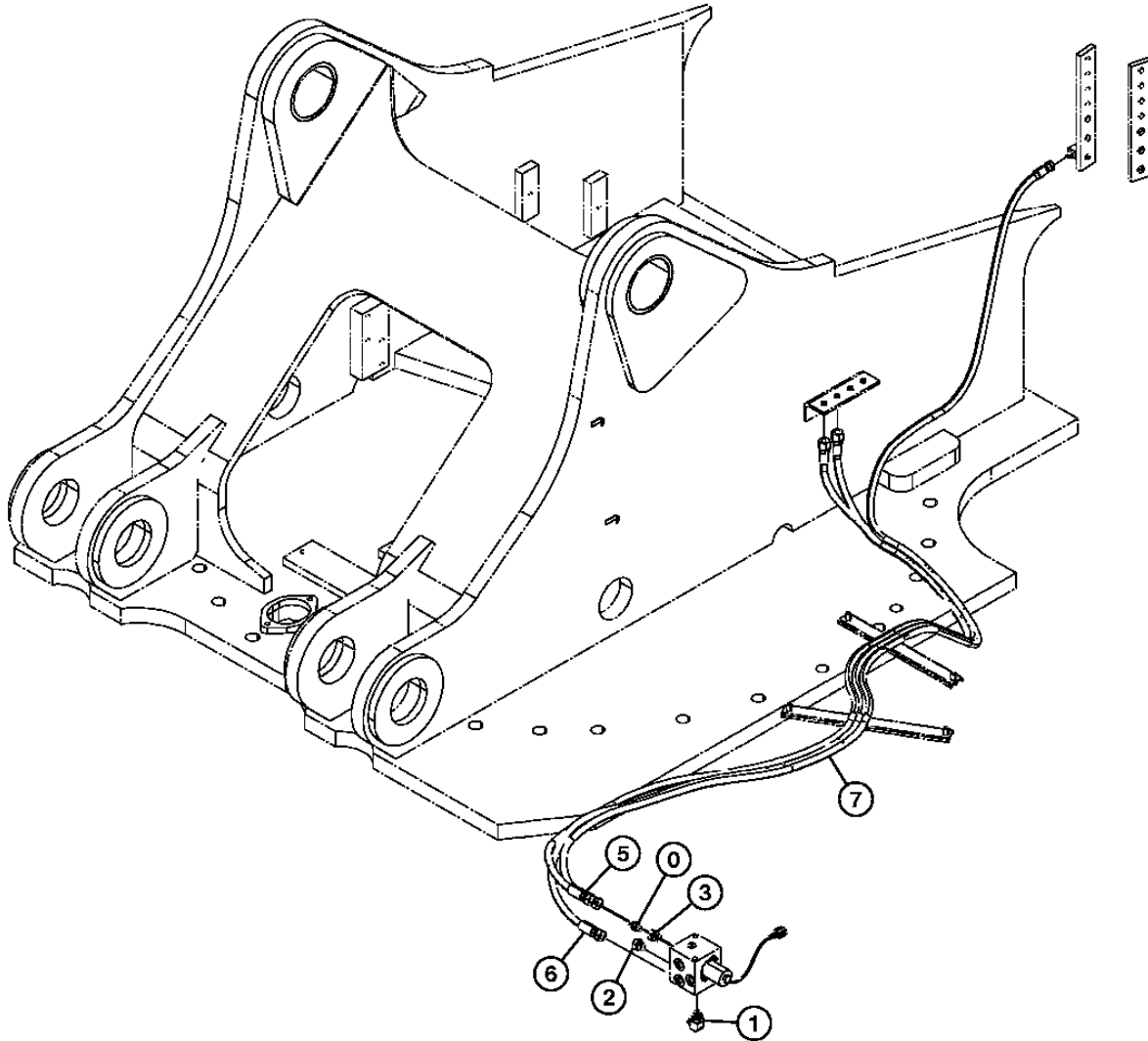
EXCAVATOR 33

LINES, HOSES, AND FITTINGS 3363

PILOT LINES (HYDRAULIC RESERVOIR TO SHUTOFF VALVE)
CONDUITES PILOTES (RELIANT LE RESERVOIR DHUILE HYDRAULIQUE AU ROBINET DARRET)
LINEAS PILOTO (DEPOSITO HIDRAULICO A VALVULA DE CORTE)

TX1001299

-UN-13DEC05



TX1001299

3363A-59

EXCAVATOR 33

LINES, HOSES, AND FITTINGS 3363

PILOT LINES (HYDRAULIC RESERVOIR TO SHUTOFF VALVE)
CONDUITES PILOTES (RELIANT LE RESERVOIR DHUILE HYDRAULIQUE AU ROBINET DARRET)
LINEAS PILOTO (DEPOSITO HIDRAULICO A VALVULA DE CORTE)

KEY	PART NO.	PART NAME	QTY.	SERIAL NO.	REMARKS
0	A852123	ADAPTER FITTING	1		
	M800650	PACKING	1		
1	A852333	ELBOW FITTING	1		
	CH11570	O-RING	1		13.800 X 2.400 MM
2	A885003	PIPE PLUG	1		
	CH11570	O-RING	1		13.800 X 2.400 MM
3	A852133	ADAPTER FITTING	1		
	CH11570	O-RING	1		13.800 X 2.400 MM
5	4635263	HYDRAULIC HOSE - FABRICATE	1		
6	4634393	HYDRAULIC HOSE - FABRICATE	1		
7	4635265	HYDRAULIC HOSE - FABRICATE	1		

3363A-60

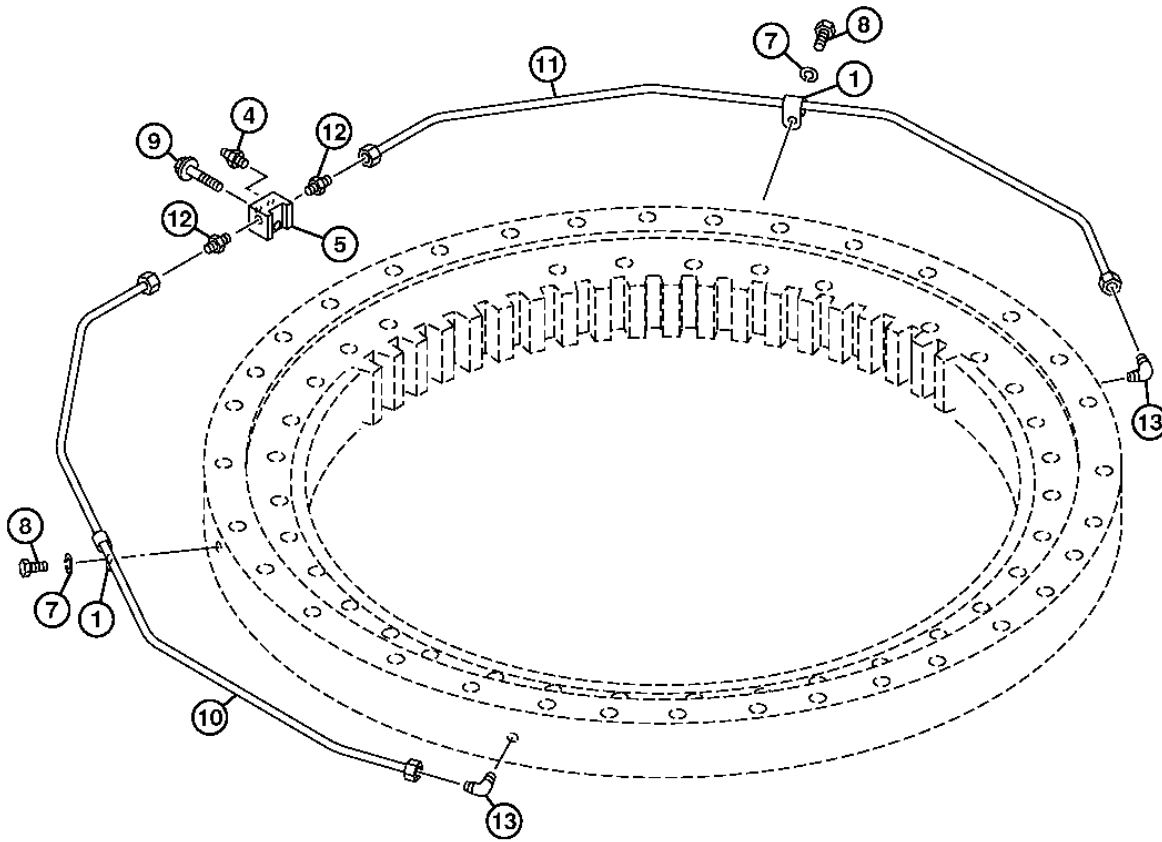
EXCAVATOR 33

LINES, HOSES, AND FITTINGS 3363

SWING BEARING LUBRICATE LINES CONDUITES DE LUBRIFICATION ROULEMENT DE PIVOTEMENT LINEAS DE LUBRICACION COJINETE DE GIRO

TX1001300

-UN-20DEC05



TX1001300

THIS PARTS LISTING IS CONTINUED

3363A-61

EXCAVATOR 33

LINES, HOSES, AND FITTINGS 3363

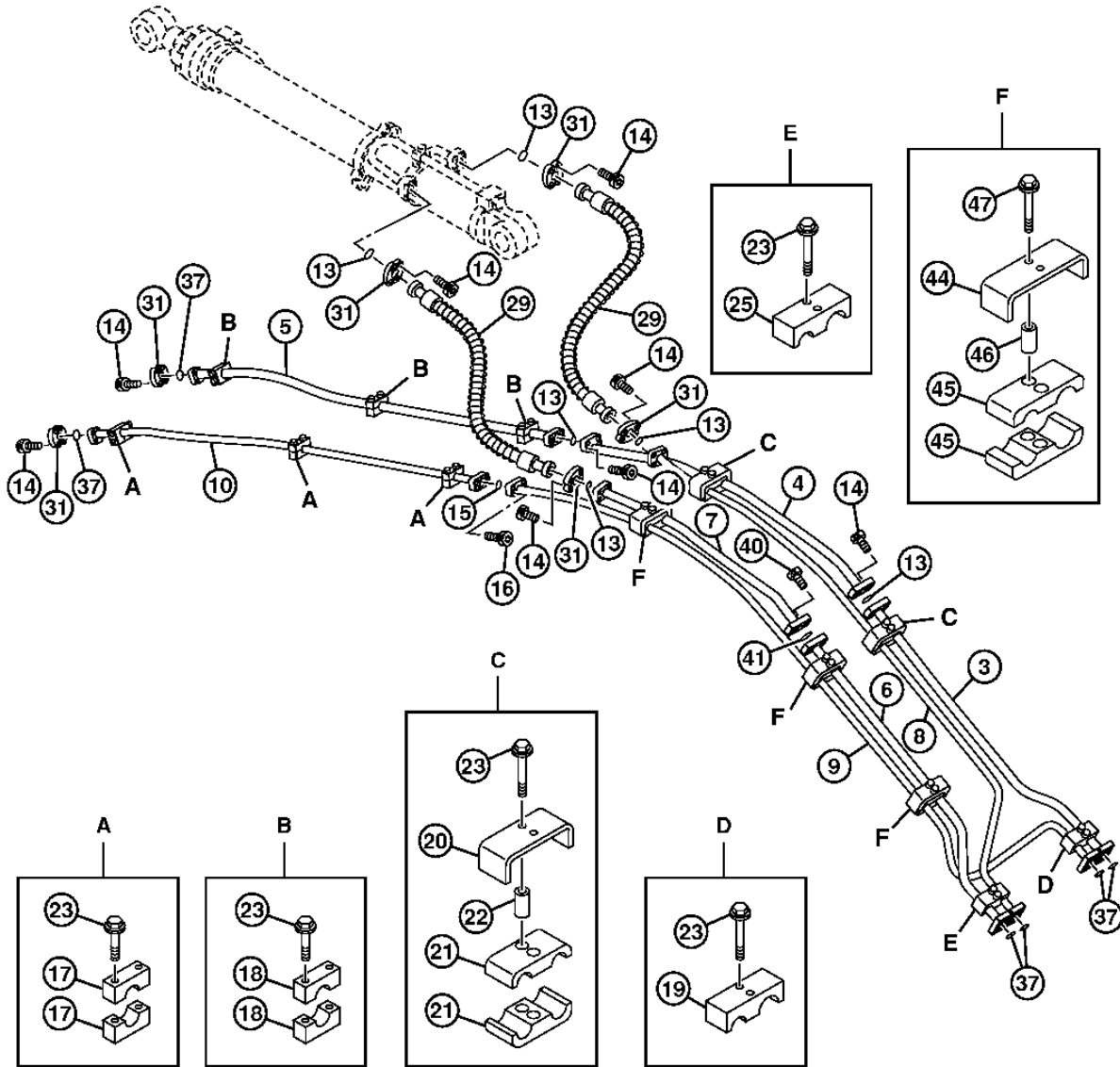
SWING BEARING LUBRICATE LINES
CONDUITES DE LUBRIFICATION ROULEMENT DE PIVOTEMENT
LINEAS DE LUBRICACION COJINETE DE GIRO

KEY	PART NO.	PART NAME	QTY.	SERIAL NO.	REMARKS
1	484827	CLAMP	2		
4	TH100074	LUBRICATION FITTING	2		(SUB FOR J75481)
5	4219720	MANIFOLD	1		
7	12M7066	LOCK WASHER	2		10 MM, (SUB FOR A590910)
8	19M8324	CAP SCREW	2		M10 X 16, (SUB FOR J901016)
9	SCREW WITH WASHER	1		(J271045 NLA)
	19M7572	CAP SCREW	1		M10 X 45, (SUB FOR J901045)
	24M7346	WASHER	1		11 X 20 X 2 MM, (SUB FOR J222010)
10	3099674	LINE	1		
11	3099675	LINE	1		
12	4018355	ADAPTER FITTING	2		
13	4345297	LUBRICATION FITTING	2		

3363A-62

BOOM HYDRAULIC LINES CONDUITES HYDRAULIQUES DE FLECHE LINEAS HIDRAULICAS DEL AGUILON

TX1001325 -UN-31JAN06



TX1001325

THIS PARTS LISTING IS CONTINUED

3363A-63

EXCAVATOR 33

LINES, HOSES, AND FITTINGS 3363

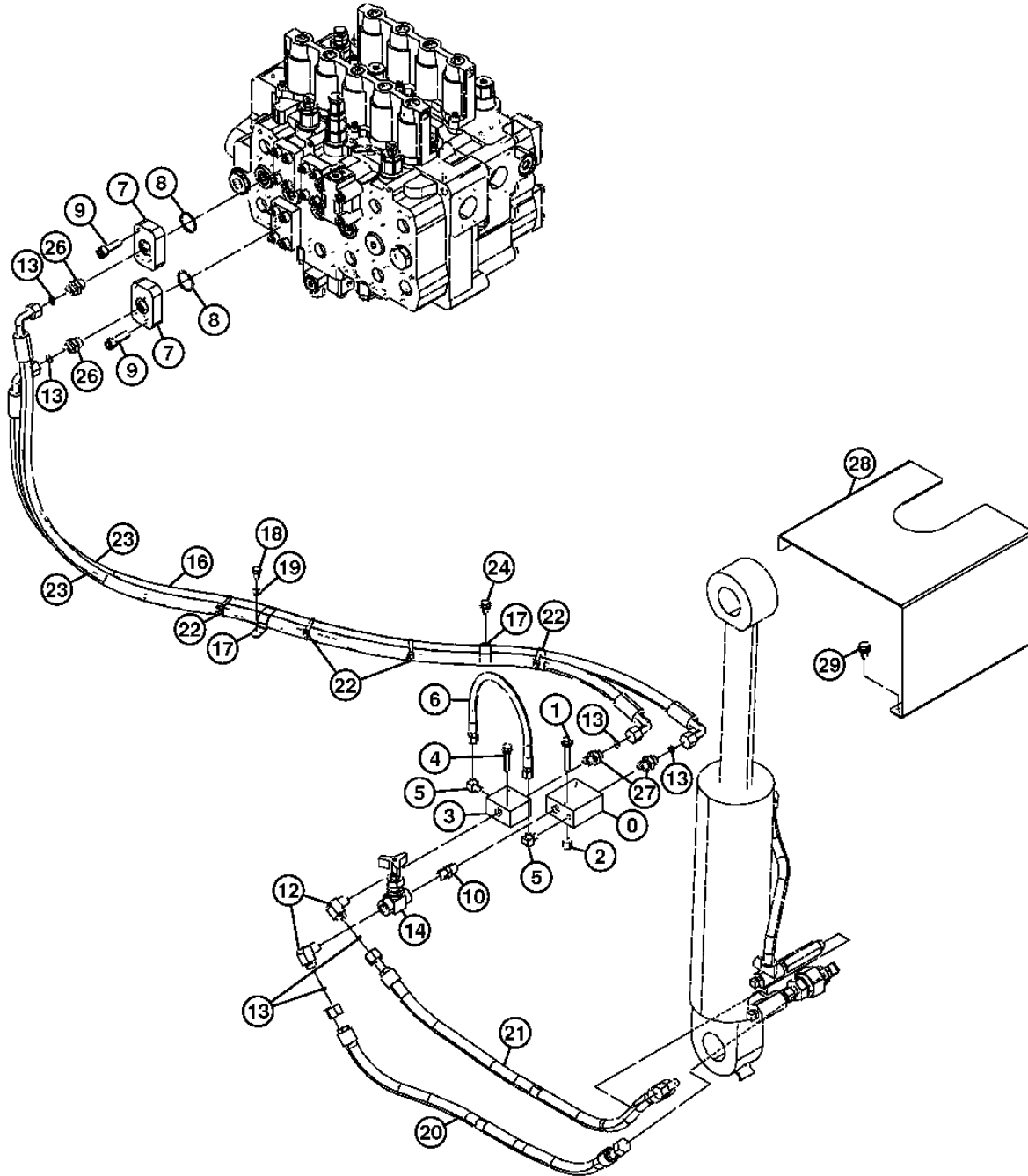
**BOOM HYDRAULIC LINES
CONDUITES HYDRAULIQUES DE FLECHE
LINEAS HIDRAULICAS DEL AGUILON**

KEY	PART NO.	PART NAME	QTY.	SERIAL NO.	REMARKS
3	7048716G	OIL LINE	1		(SUB FOR 7048716)
4	7048717G	OIL LINE	1		(SUB FOR 7048717)
5	8055574G	OIL LINE	1		(SUB FOR 8055574)
6	7048718G	OIL LINE	1		(SUB FOR 7048718)
7	7048719G	OIL LINE	1		(SUB FOR 7048719)
8	7048720G	OIL LINE	1		(SUB FOR 7048720)
9	7048721G	OIL LINE	1		(SUB FOR 7048721)
10	8055578G	OIL LINE	1		(SUB FOR 8055578)
13	T72216	O-RING	6		37.694 X 3.531 MM. (SUB FOR 4508805)
14	19M8712	SCREW	24		M14 X 50, (SUB FOR M341450)
15	966993	O-RING	1		
16	19M9163	SCREW	4		M12 X 40, (SUB FOR J781240)
17	4334363	CLAMP	6		
18	AT201796	CLAMP	6		(SUB FOR 4334364)
19	4249565	CLAMP	1		
20	4304481	CLAMP	2		
21	4337125	CLAMP	4		
22	28H2611	SPACER	4		13.868 X 21.336 X 50.800 MM, (SUB FOR 4304539)
23	SCREW WITH WASHER	20		(J271285 NLA)
	19M8122	CAP SCREW	20		M12 X 85, (SUB FOR J901285)
	24M7345	WASHER	20		13.500 X 24 X 2.500 MM, (SUB FOR J222012)
25	4639233	CLAMP	1		
29	4639172	HYDRAULIC HOSE - FABRICATE	2		
31	AT131685	FLANGE FITTING	12		(SUB FOR 4089703)
37	T72216	O-RING	6		37.694 X 3.531 MM, (SUB FOR 4508805)
40	19M8208	SCREW	4		M16 X 50, (SUB FOR M341650)
41	T34248	O-RING	1		47.219 X 3.531 MM, (SUB FOR 4510169)
44	4342695	BLOCK CLAMP	3		
45	4639234	CLAMP	6		
46	4342699	SPACER	6		
47	SCREW WITH WASHER	1		(J271200 NLA)
	19M7949	CAP SCREW	6		M12 X 100, (SUB FOR J901200)
	24M7345	WASHER	6		13.500 X 24 X 2.500 MM, (SUB FOR J222012)

3363A-66

LINES, HOSES, AND FITTINGS 3363
COUNTERWEIGHT HIGH PRESSURE LINES (REMOVAL DEVICE)
CONDUITES HAUTE PRESSION DE CONTREPOIDS (DISPOSITIF DE DEPOSE)
LINEAS DE PRESION ALTA DE CONTRAPESO (DISPOSITIVO DE RETIRO)

TX1002472 -UN-10JAN06



TX1002472

3363A-67

EXCAVATOR 33

LINES, HOSES, AND FITTINGS 3363

COUNTERWEIGHT HIGH PRESSURE LINES (REMOVAL DEVICE)
CONDUITES HAUTE PRESSION DE CONTREPOIDS (DISPOSITIF DE DEPOSE)
LINEAS DE PRESION ALTA DE CONTRAPESO (DISPOSITIVO DE RETIRO)

KEY	PART NO.	PART NAME	QTY.	SERIAL NO.	REMARKS
0	4240863	FLOW CONTROL HYD. VALVE	1		
1	SCREW WITH WASHER	2		(J271070 NLA)
	19M7875	CAP SCREW	2		M10 X 70, (SUB FOR J901070)
	24M7346	WASHER	2		11 X 20 X 2 MM, (SUB FOR J222010)
2	4131346	SPACER	2		
3	4240862	MANIFOLD	1		
4	SCREW WITH WASHER	2		(J271055 NLA)
	19M7935	CAP SCREW	2		M10 X 55, (SUB FOR J901055)
	24M7346	WASHER	2		11 X 20 X 2 MM, (SUB FOR J222010)
5	4154656	ELBOW FITTING	2		
6	AT126482	HYDRAULIC HOSE - FABRICATE	1		(SUB FOR 4209727)
7	4395369	FLANGE FITTING	2		
8	T72216	O-RING	2		(SUB FOR 4508805)
9	19M8734	SCREW	8		M14 X 45, (SUB FOR M341445)
10	94-1703	ADAPTER FITTING	1		
12	4274178	ELBOW FITTING	2		
13	T77857	O-RING	6		(SUB FOR 4138938)
14	4220806	FLOW CONTROL HYD. VALVE	1		
16	4044420	HOSE GUARD	4		
17	R50454	CLAMP	2		(SUB FOR 4192034)
18	19M8324	CAP SCREW	1		M10 X 16, (SUB FOR J901016)
19	12M7066	LOCK WASHER	1		(SUB FOR A590910)
20	4658555	HYDRAULIC HOSE	1		
21	4374495	HYDRAULIC HOSE	1		
22	H77698	TIE BAND	1		(SUB FOR 4055312)
23	4658554	HYDRAULIC HOSE	2		
24	SCREW WITH WASHER	1		
	19M7938	CAP SCREW	1		M10 X 20, (SUB FOR J901020)
	24M7346	WASHER	1		11 X 20 X 2 MM, (SUB FOR J222010)
26	A853144	ADAPTER FITTING	2		
	4506418	O-RING	1		
27	4210942	ADAPTER FITTING	2		
28	8106226	COVER	1		
29	SCREW WITH WASHER	3		(J271225 NLA)
	19M7872	CAP SCREW	3		M12 X 25, (SUB FOR J901225)
	24M7345	WASHER	3		13.500 X 24 X 2.500 MM, (SUB FOR J222012)

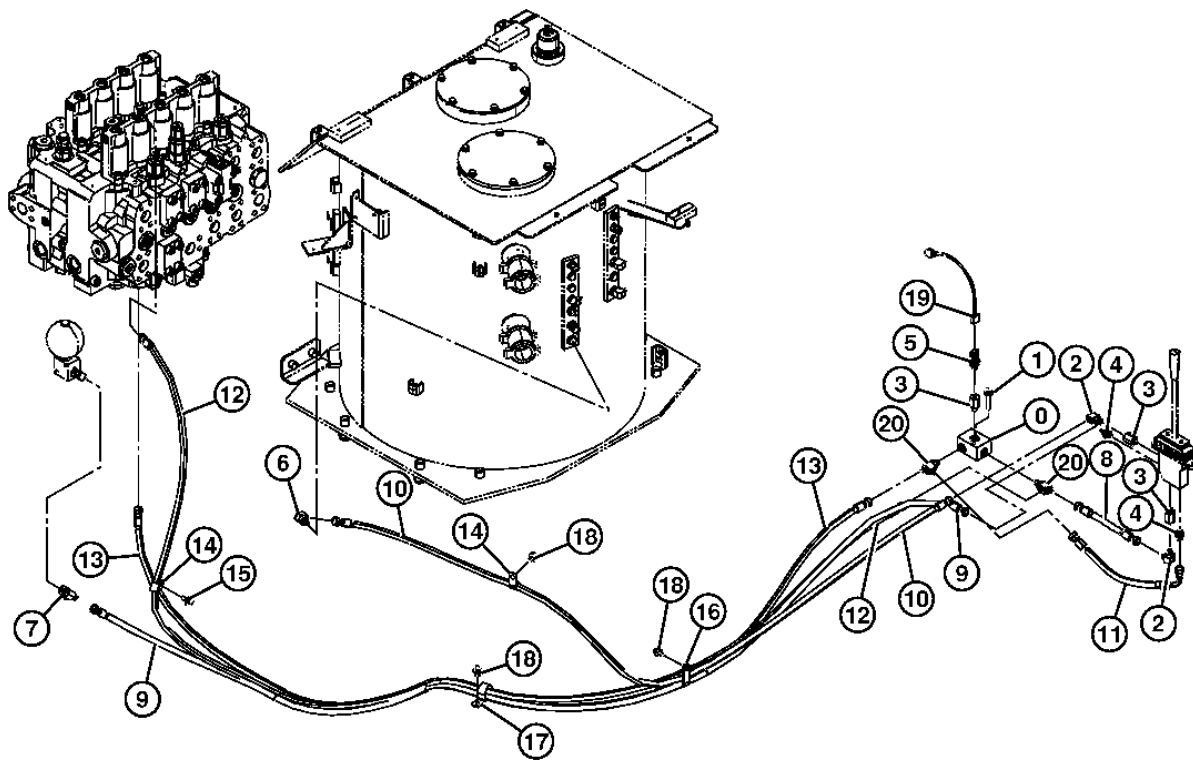
3363A-68

EXCAVATOR 33

LINES, HOSES, AND FITTINGS 3363

PILOT LINES (COUNTERWEIGHT REMOVAL DEVICE)
CONDUITES PILOTES (DISPOSITIF DE DEPOSE DE CONTREPOIDS)
LINEAS PILOTO (DISPOSITIVO DE RETIRO DE CONTRAPESO)

TX1002471 -UN-10JAN06



TX1002471

3363A-69

EXCAVATOR 33

LINES, HOSES, AND FITTINGS 3363

**PILOT LINES (COUNTERWEIGHT REMOVAL DEVICE)
CONDUITES PILOTES (DISPOSITIF DE DEPOSE DE CONTREPOIDS)
LINEAS PILOTO (DISPOSITIVO DE RETIRO DE CONTRAPESO)**

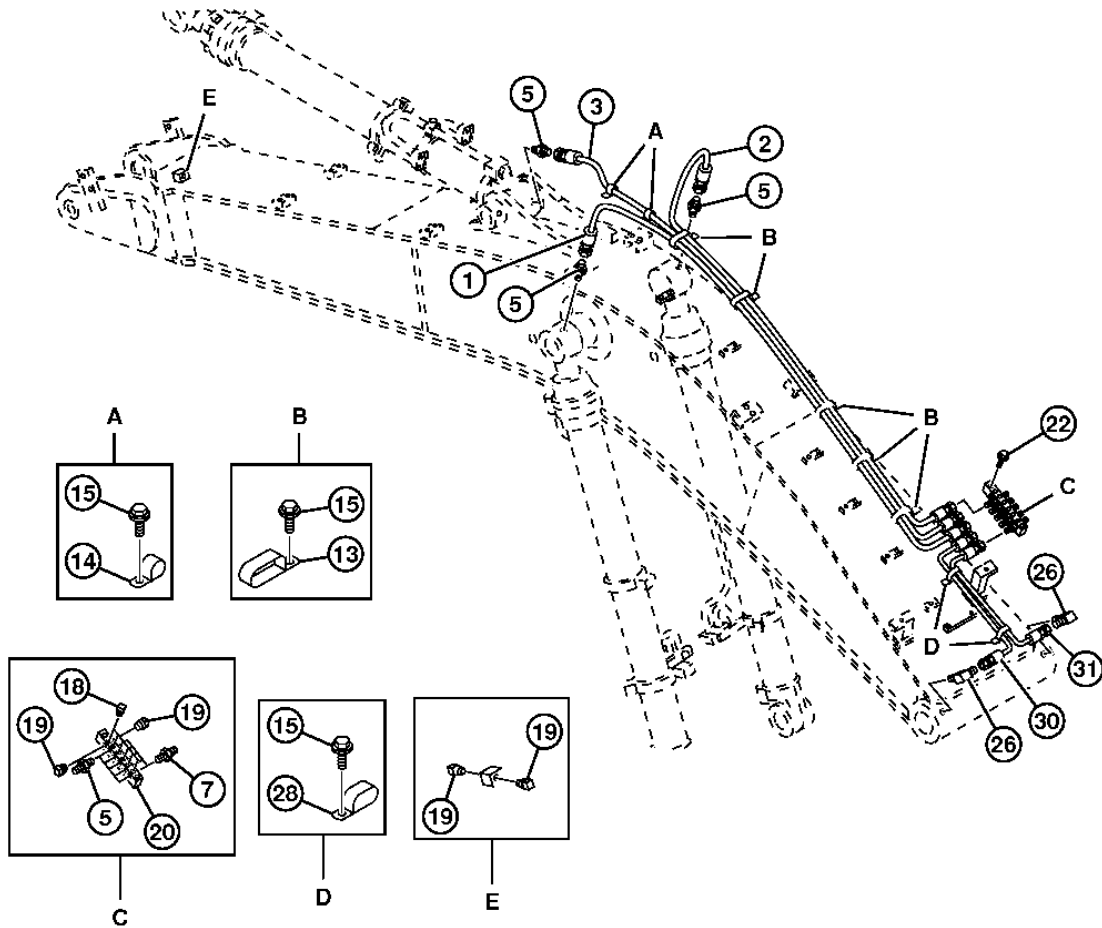
KEY	PART NO.	PART NAME	QTY.	SERIAL NO.	REMARKS
0	4195759	FLOW CONTROL HYD. VALVE	1		
1	SCREW WITH WASHER	2		(J271055 NLA)
	19M7935	CAP SCREW	2		M10 X 55, (SUB FOR J901055)
	24M7346	WASHER	2		11 X 20 X 2 MM, (SUB FOR J222010)
2	A852323	ELBOW FITTING	2		
	M800650	PACKING	1		(SUB FOR 957366)
3	4202564	ADAPTER FITTING	3		
	M800650	PACKING	1		(SUB FOR 957366)
4	A852123	ADAPTER FITTING	4		
	M800650	PACKING	1		(SUB FOR 957366)
5	4436535	SENSOR	1		
	M800650	PACKING	1		(SUB FOR 957366)
6	A852333	ELBOW FITTING	1		
	CH11570	O-RING	1		(SUB FOR 4509180)
7	4285108	TEE FITTING	1		
8	4454734	HOSE	1		(SUB FOR 4457107)
9	4635256	HYDRAULIC HOSE - FABRICATE	1		
10	4654357	HYDRAULIC HOSE	1		(SUB FOR 4614223)
11	4454395	HOSE	1		
12	4449607	HYDRAULIC HOSE	1		
13	4656042	HYDRAULIC HOSE	1		
14	R73384	CLAMP	2		(SUB FOR 4190253)
15	SCREW WITH WASHER	1		(J271025 NLA)
	19M7402	CAP SCREW	1		M10 X 25, (SUB FOR J901025)
	24M7346	WASHER	1		11 X 20 X 2 MM, (SUB FOR J222010)
16	XCL-29	HOSE CLAMP	1		(SUB FOR 4193848)
17	XCL-29	HOSE CLAMP	1		(SUB FOR 4190264)
18	SCREW WITH WASHER	3		(J271020 NLA)
	19M7938	CAP SCREW	3		(SUB FOR J901020)
	24M7346	WASHER	3		(SUB FOR J222010)
19	4658574	WIRING HARNESS	1		
20	A852423	TEE FITTING	2		
	M800650	PACKING	1		(SUB FOR 957366)

3363A-70

BOOM LUBRICATE LINES (STANDARD)
CONDUITES DE LUBRIFICATION DE FLECHE (STANDARD)
LINEAS DE LUBRICACION DEL AGUILON (ESTANDAR)

TX1005780

-UN-31MAR06



TX1005780

3363A-71

EXCAVATOR 33

LINES, HOSES, AND FITTINGS 3363

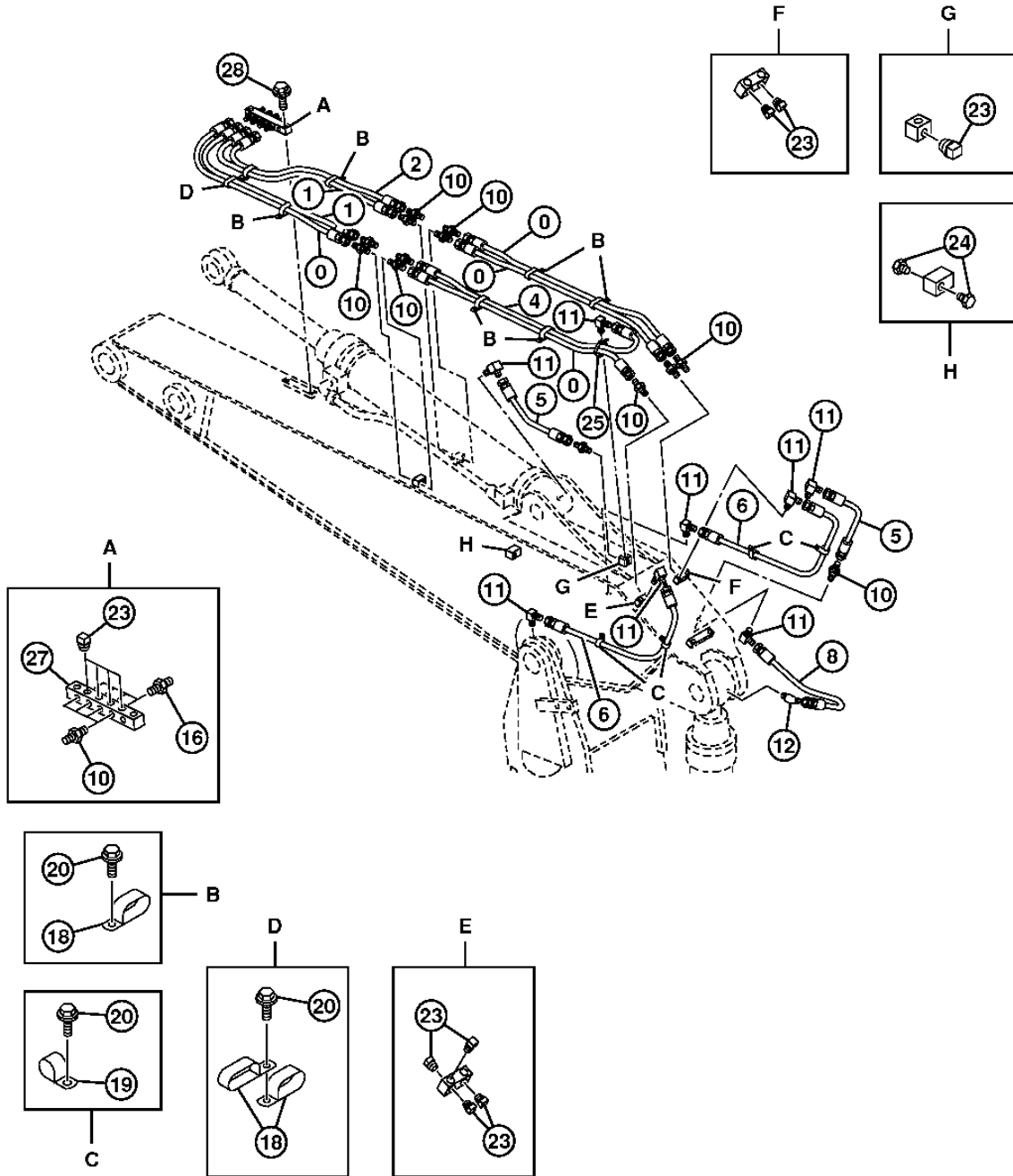
BOOM LUBRICATE LINES (STANDARD)
CONDUITES DE LUBRIFICATION DE FLECHE (STANDARD)
LINEAS DE LUBRICACION DEL AGUILON (ESTANDAR)

KEY	PART NO.	PART NAME	QTY.	SERIAL NO.	REMARKS
1	AT213802	HYDRAULIC HOSE - FABRICATE	1		(SUB FOR 4218064)
2	4297236	HYDRAULIC HOSE	1		
3	AT154755	HYDRAULIC HOSE - FABRICATE	1		(SUB FOR 4289772)
5	4154651	ADAPTER FITTING	8		
7	JD7769	LUBRICATION FITTING	5		(SUB FOR TH100364)
13	T152608	CLAMP	5		(SUB FOR 4252877)
14	4190261	CLIP	2		
15	SCREW WITH WASHER	9		(J271025 NLA)
	19M7402	CAP SCREW	9		M10 X 25, (SUB FOR J901025)
	24M7346	WASHER	9		11 X 20 X 2 MM, (SUB FOR J222010)
18	M800462	PLUG	5		(SUB FOR 94-2022)
19	94-2023	FITTING PLUG	6		
20	4646046	MANIFOLD	1		(SUB FOR 4466640)
22	SCREW WITH WASHER	2		(J271050 NLA)
	19M7658	CAP SCREW	2		(SUB FOR J901050)
	24M7346	WASHER	2		(SUB FOR J222010)
26	4154656	ELBOW FITTING	2		
28	4192018	CLIP	2		
30	4247365-S	HYDRAULIC HOSE	1		(SUB FOR 4317872)
31	4450779	HOSE	1		

3363A-72

ARM LUBRICATE LINES (STANDARD)
 CONDUITES DE LUBRIFICATION DE BRAS (STANDARD)
 LINEAS DE LUBRICACION DEL BRAZO (ESTANDAR)

TX1005779 -UN-31MAR06



TX1005779

3363A-73

EXCAVATOR 33

LINES, HOSES, AND FITTINGS 3363

**ARM LUBRICATE LINES (STANDARD)
CONDUITES DE LUBRIFICATION DE BRAS (STANDARD)
LINEAS DE LUBRICACION DEL BRAZO (ESTANDAR)**

KEY	PART NO.	PART NAME	QTY.	SERIAL NO.	REMARKS
0	4298763	HYDRAULIC HOSE	4		
1	AT30743	HYDRAULIC HOSE - FABRICATE	2		(SUB FOR 4223550)
2	4449548	HYDRAULIC HOSE	1		
4	4262278	HYDRAULIC HOSE	1		
5	FF104453	HOSE	2		(SUB FOR 4251960)
6	FF104455	HOSE	2		(SUB FOR 4221265, THIS APPLICATION)
8	FF104454	HOSE	1		(SUB FOR 4269797, THIS APPLICATION)
10	4154651	ADAPTER FITTING	17		
11	4154656	ELBOW FITTING	8		
12	4154655	ELBOW FITTING	1		
16	JD7769	LUBRICATION FITTING	4		(SUB FOR TH100364)
18	4192018	CLIP	8		
19	4190261	CLIP	4		
20	SCREW WITH WASHER	11		(J271025 NLA)
	19M7402	CAP SCREW	11		M10 X 25, (SUB FOR J901025)
	24M7346	WASHER	11		11 X 20 X 2 MM, (SUB FOR J222010)
23	M800462	PLUG	11		(SUB FOR 94-2022)
24	94-2023	FITTING PLUG	2		
25	4467676	CLIP	1		
27	4646047	MANIFOLD	1		
28	SCREW WITH WASHER	2		(J271050 NLA)
	19M7658	CAP SCREW	2		(SUB FOR J901050)
	24M7346	WASHER	2		(SUB FOR J222010)

3363A-74

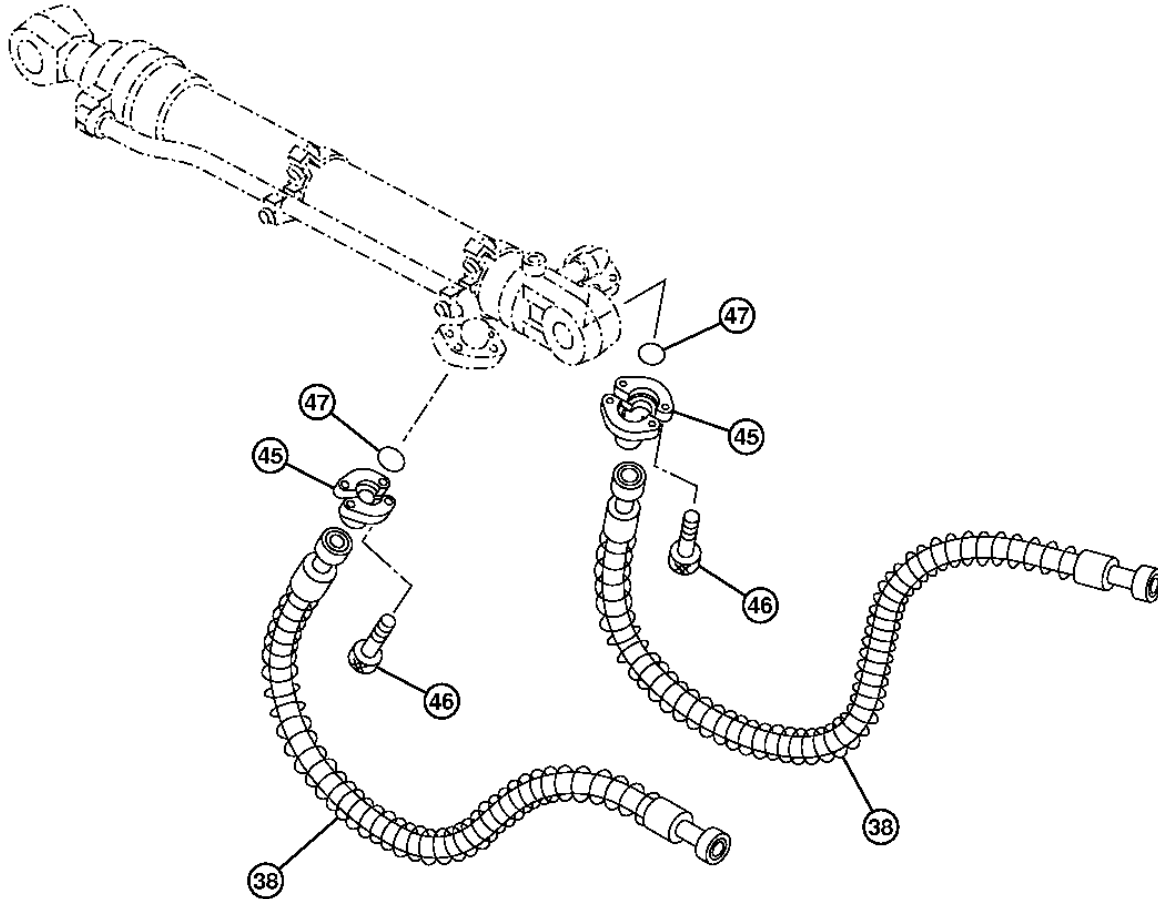
EXCAVATOR 33

LINES, HOSES, AND FITTINGS 3363

ARM HYDRAULIC LINES (SEMI-LONG ARM)
CONDUITES HYDRAULIQUES DE BRAS (BRAS DEMI-LONG)
LINEAS HIDRAULICAS DEL BRAZO (BRAZO SEMILARGO)

TX1001429

-UN-16DEC05



TX1001429

3363A-75

EXCAVATOR 33

LINES, HOSES, AND FITTINGS 3363

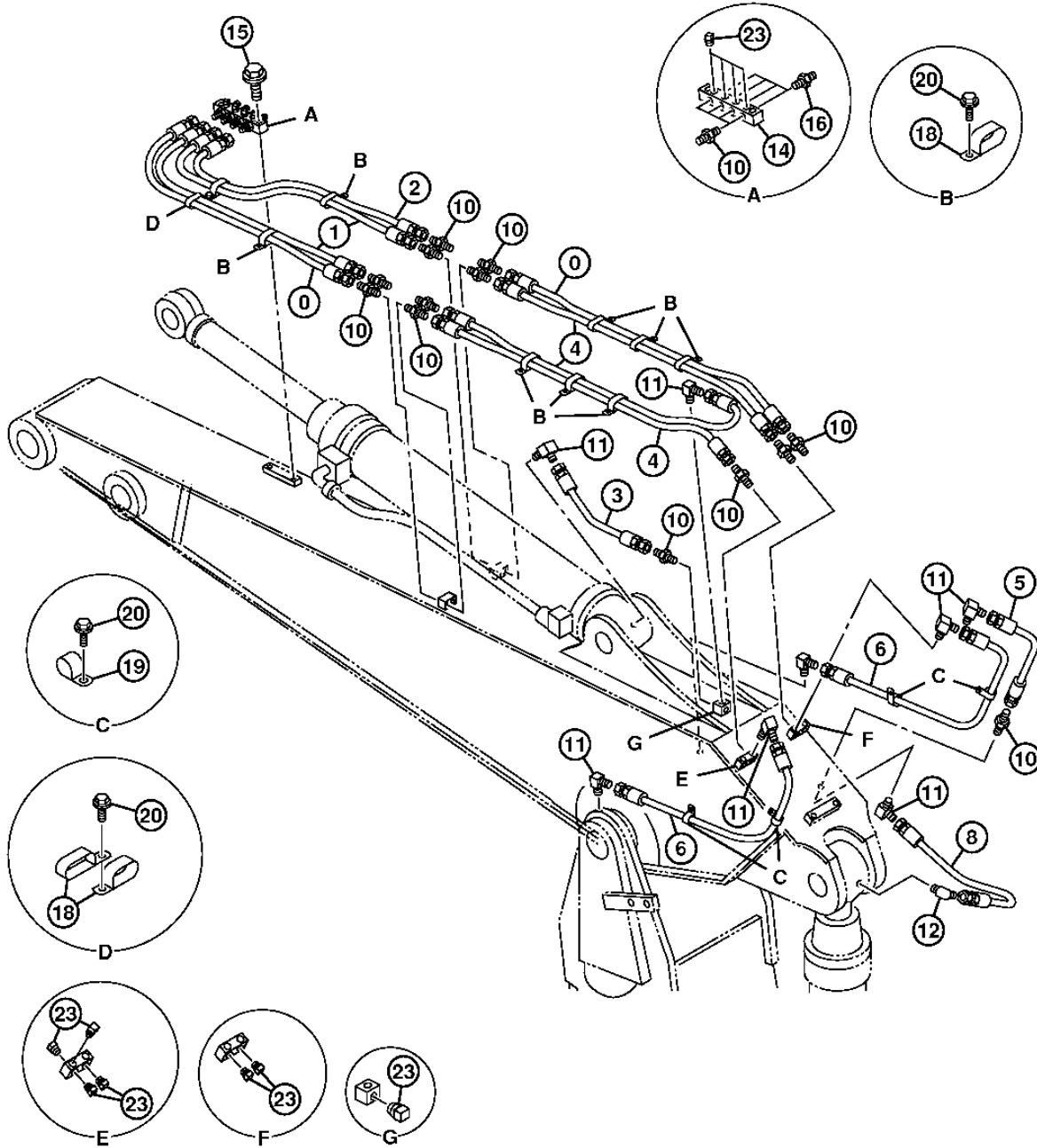
ARM HYDRAULIC LINES (SEMI-LONG ARM)
CONDUITES HYDRAULIQUES DE BRAS (BRAS DEMI-LONG)
LINEAS HIDRAULICAS DEL BRAZO (BRAZO SEMILARGO)

KEY	PART NO.	PART NAME	QTY.	SERIAL NO.	REMARKS
38	4659744	HYDRAULIC HOSE	2		
45	4085560	FLANGE FITTING	4		
46	19M8395	SCREW	8		M12 X 40
47	966993	O-RING	2		

3363A-78

LUBRICATE LINES (SEMI-LONG ARM)
 CONDUITES DE LUBRIFICATION DE BRAS (BRAS DEMI-LONG)
 LINEAS DE LUBRICACION DEL BRAZO (BRAZO SEMILARGO)

TX1002229 -UN-07JAN06



TX1002229

3363A-79

EXCAVATOR 33

LINES, HOSES, AND FITTINGS 3363

**LUBRICATE LINES (SEMI-LONG ARM)
CONDUITES DE LUBRIFICATION DE BRAS (BRAS DEMI-LONG)
LINEAS DE LUBRICACION DEL BRAZO (BRAZO SEMILARGO)**

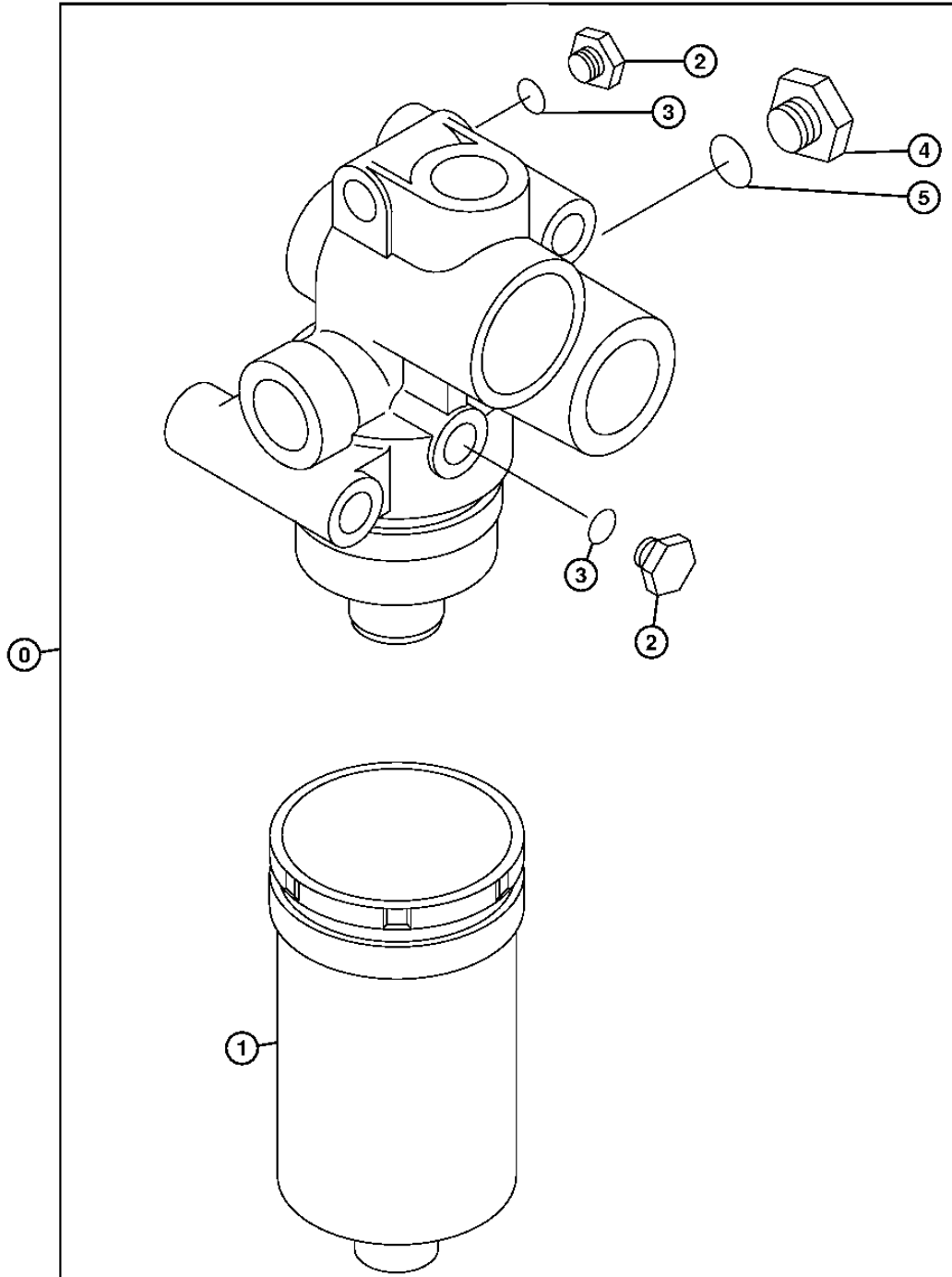
KEY	PART NO.	PART NAME	QTY.	SERIAL NO.	REMARKS
0	4298763	HYDRAULIC HOSE	2		
1	AT30743	HYDRAULIC HOSE - FABRICATE	2		7/16" X 1 626 MM X 7/16", (SUB FOR 4223550)
2	4449548	HYDRAULIC HOSE	1		
3	AT126850	HYDRAULIC HOSE - FABRICATE	1		7/16" X 770 MM X 7/16", (SUB FOR 4251909)
4	4453706	HOSE	4		
5	FF104453	HOSE	1		(SUB FOR 4251960)
6	AE42281	HYDRAULIC HOSE	2		7/16" X 1 850 MM X 7/16", (SUB FOR 4221265)
8	4304400-S	HYDRAULIC HOSE	1		(SUB FOR 4269797)
10	4154651	ADAPTER FITTING	17		
11	4154656	ELBOW FITTING	8		
12	4154655	ELBOW FITTING	1		
14	4646047	MANIFOLD	1		
15	SCREW WITH WASHER	2		(J271050 NLA)
	19M7658	CAP SCREW	2		M10 X 50, (SUB FOR J901050)
	24M7346	WASHER	2		11 X 20 X 2 MM. (SUB FOR J222010)
16	JD7769	LUBRICATION FITTING	4		(SUB FOR TH100364)
18	4192018	CLIP	10		
19	4190261	CLIP	4		
20	SCREW WITH WASHER	13		(J271025 NLA)
	19M7402	CAP SCREW	13		M10 X 25, (SUB FOR J901025)
	24M7346	WASHER	13		11 X 20 X 2 MM. (SUB FOR J222010)
23	M800462	PLUG	11		(SUB FOR 94-2022)

3363A-84

HYDRAULIC OIL FILTER COMPONENTS COMPOSANTS DE FILTRE A HUILE HYDRAULIQUE COMPONENTES DEL FILTRO DE ACEITE HIDRAULICO

TX1002202

-UN-07JAN06



TX1002202

3363A-85

EXCAVATOR 33

LINES, HOSES, AND FITTINGS 3363

**HYDRAULIC OIL FILTER COMPONENTS
COMPOSANTS DE FILTRE A HUILE HYDRAULIQUE
COMPONENTES DEL FILTRO DE ACEITE HIDRAULICO**

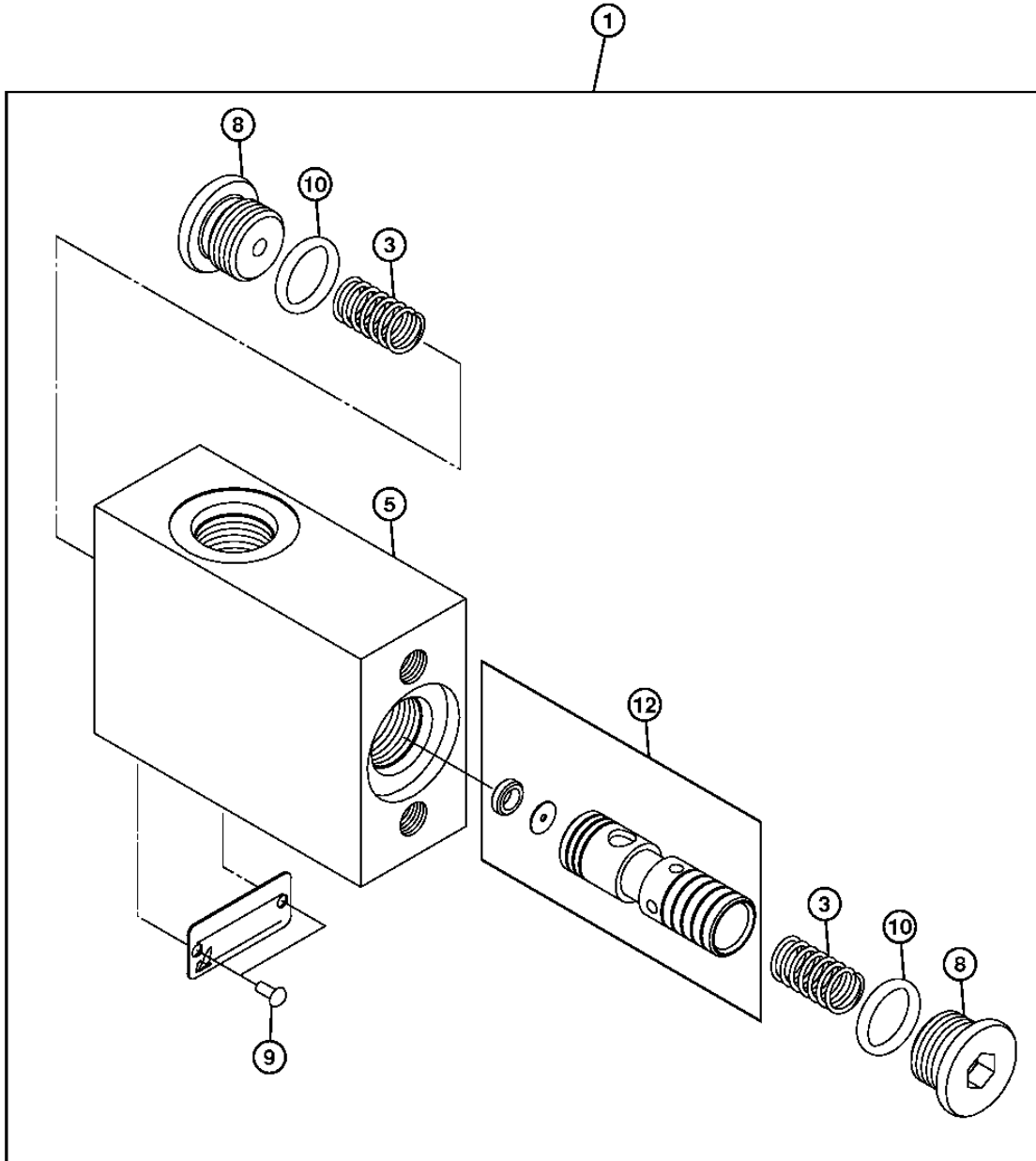
KEY	PART NO.	PART NAME	QTY.	SERIAL NO.	REMARKS
0	4629717	FILTER	1		
1	4630525	FILTER ELEMENT	1		
2	4174541	FITTING	2		(SUB FOR A885004)
3	M800650	PACKING	1		(SUB FOR 957366)
4	A885002	PLUG	1		
5	4506418	O-RING	1		

3363A-86

FLOW CONTROL VALVE REGULATEUR DE DEBIT VALVULA DE CONTROL DE CAUDAL

TX1002502

-UN-10JAN06



TX1002502

3363A-87

EXCAVATOR 33

LINES, HOSES, AND FITTINGS 3363

**FLOW CONTROL VALVE
REGULATEUR DE DEBIT
VALVULA DE CONTROL DE CAUDAL**

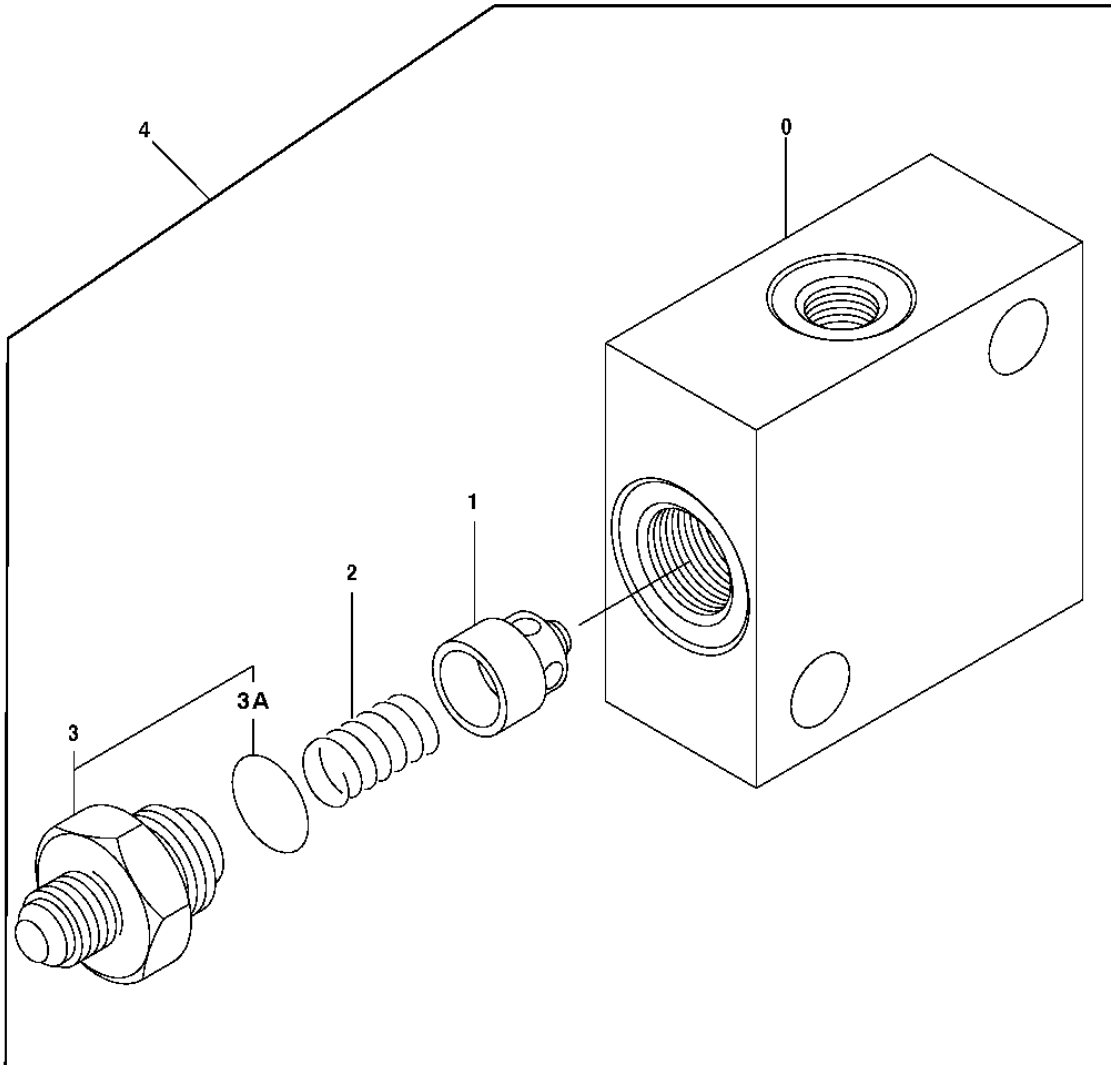
KEY	PART NO.	PART NAME	QTY.	SERIAL NO.	REMARKS
1	4642264	FLOW CONTROL HYD. VALVE	1		
3	0309801	SPRING	2		
5	HOUSING	1		(0338901 NLA)
8	15M7036	DRAIN PLUG	2		(SUB FOR 0309805)
9	0794701	SCREW	2		
10	CH11570	O-RING	2		(SUB FOR 4509180)
12	0364803	PLUNGER	1		

3363A-88

PILOT CHECK VALVE CLAPET ANTIRETOUR PILOTE VALVULA DE RETENCION PILOTO

T142577

-UN-18JUN01



T142577

3363A-89

EXCAVATOR 33

LINES, HOSES, AND FITTINGS 3363

PILOT CHECK VALVE
CLAPET ANTIRETOUR PILOTE
VALVULA DE RETENCION PILOTO

KEY	PART NO.	PART NAME	QTY.	SERIAL NO.	REMARKS
0	HOUSING	1		(3035541 NLA)
1	4105797	PISTON	1		
2	4105795	SPRING	1		(SUB FOR TH100841)
3	4317779	ADAPTER FITTING	1		(SUB FOR AT201769)
3A	4506418	O-RING	1		(SUB FOR U46489)
4	9123033	CHECK VALVE	1		(SUB FOR AT201932)

3363A-90

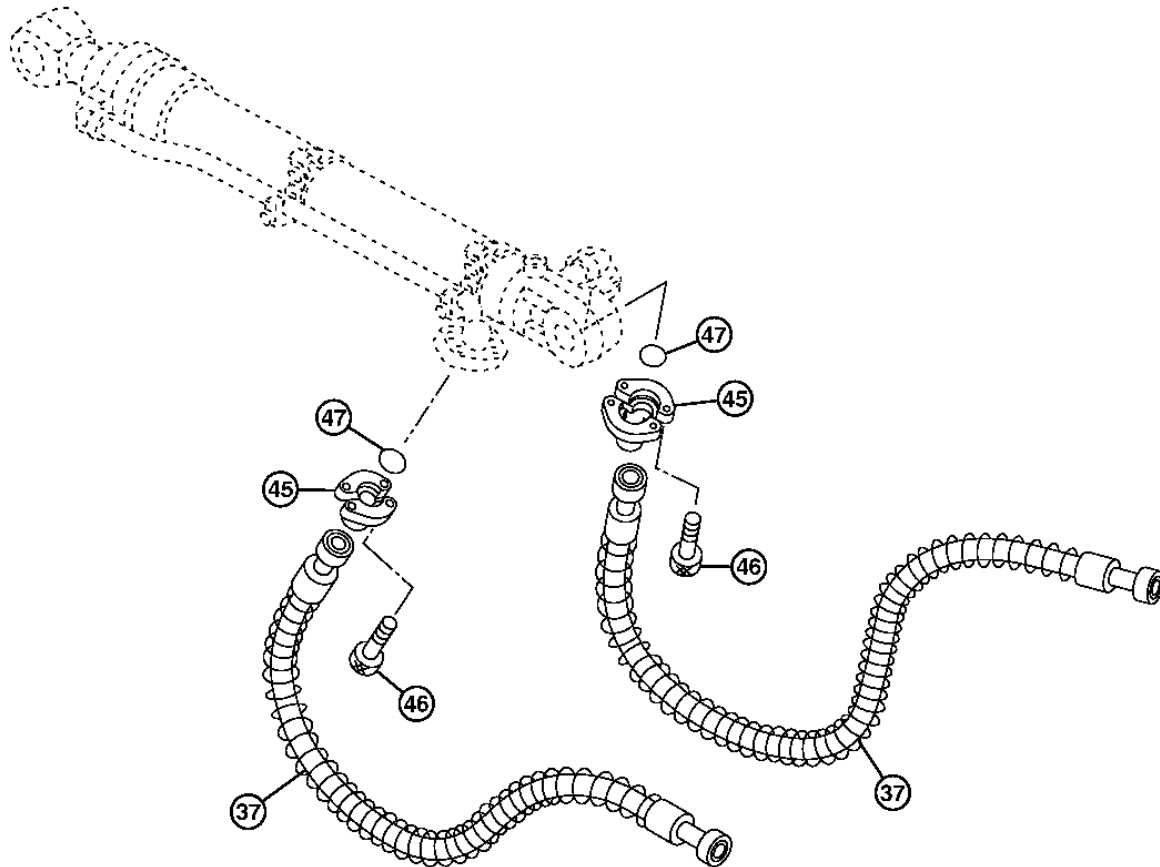
EXCAVATOR 33

LINES, HOSES, AND FITTINGS 3363

ARM HYDRAULIC LINES (MASS EXCAVATING)
CONDUITES HYDRAULIQUES DE BRAS (EXCAVATION MASSIQUE)
LINEAS HIDRAULICAS DEL BRAZO (EXCAVACION EN GRAN VOLUMEN)

TX1001347

-UN-16DEC05



TX1001347

3363A-91

EXCAVATOR 33

LINES, HOSES, AND FITTINGS 3363

ARM HYDRAULIC LINES (MASS EXCAVATING)
CONDUITES HYDRAULIQUES DE BRAS (EXCAVATION MASSIQUE)
LINEAS HIDRAULICAS DEL BRAZO (EXCAVACION EN GRAN VOLUMEN)

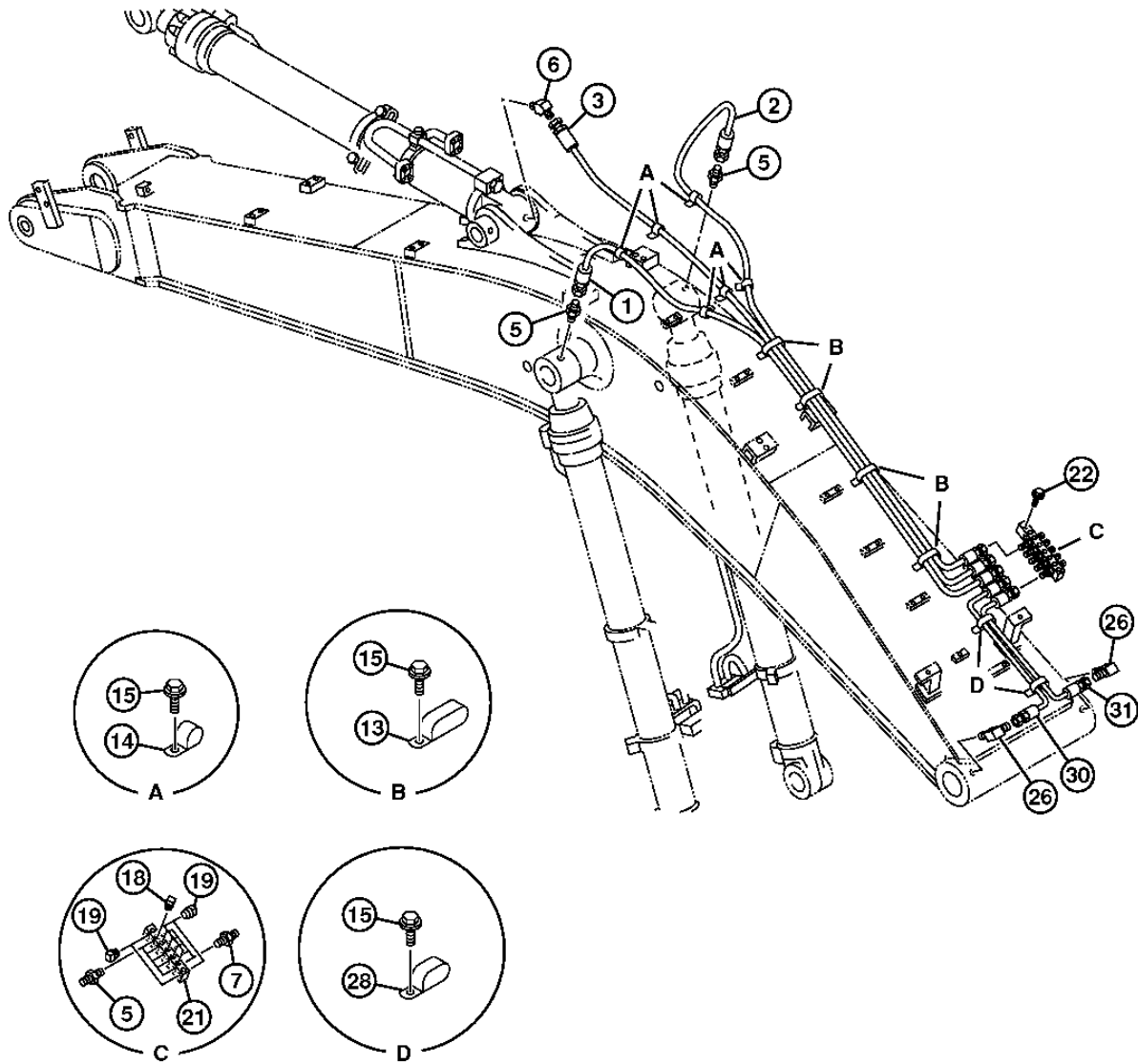
KEY	PART NO.	PART NAME	QTY.	SERIAL NO.	REMARKS
37	4659204	HYDRAULIC HOSE	2		
45	4085560	FLANGE FITTING	4		
46	19M8395	SCREW	8		(SUB FOR M341240)
47	966993	O-RING	2		

3363A-92

BOOM LUBRICATE LINES (MASS EXCAVATING)
CONDUITES DE LUBRIFICATION DE FLECHE (EXCAVATION MASSIQUE)
LINEAS DE LUBRICACION DEL AGUILON (EXCAVACION EN GRAN VOLUMEN)

TX1020436

-UN-11APR07



TX1020436

3363A-93

EXCAVATOR 33

LINES, HOSES, AND FITTINGS 3363

**BOOM LUBRICATE LINES (MASS EXCAVATING)
CONDUITES DE LUBRIFICATION DE FLECHE (EXCAVATION MASSIQUE)
LINEAS DE LUBRICACION DEL AGUILON (EXCAVACION EN GRAN VOLUMEN)**

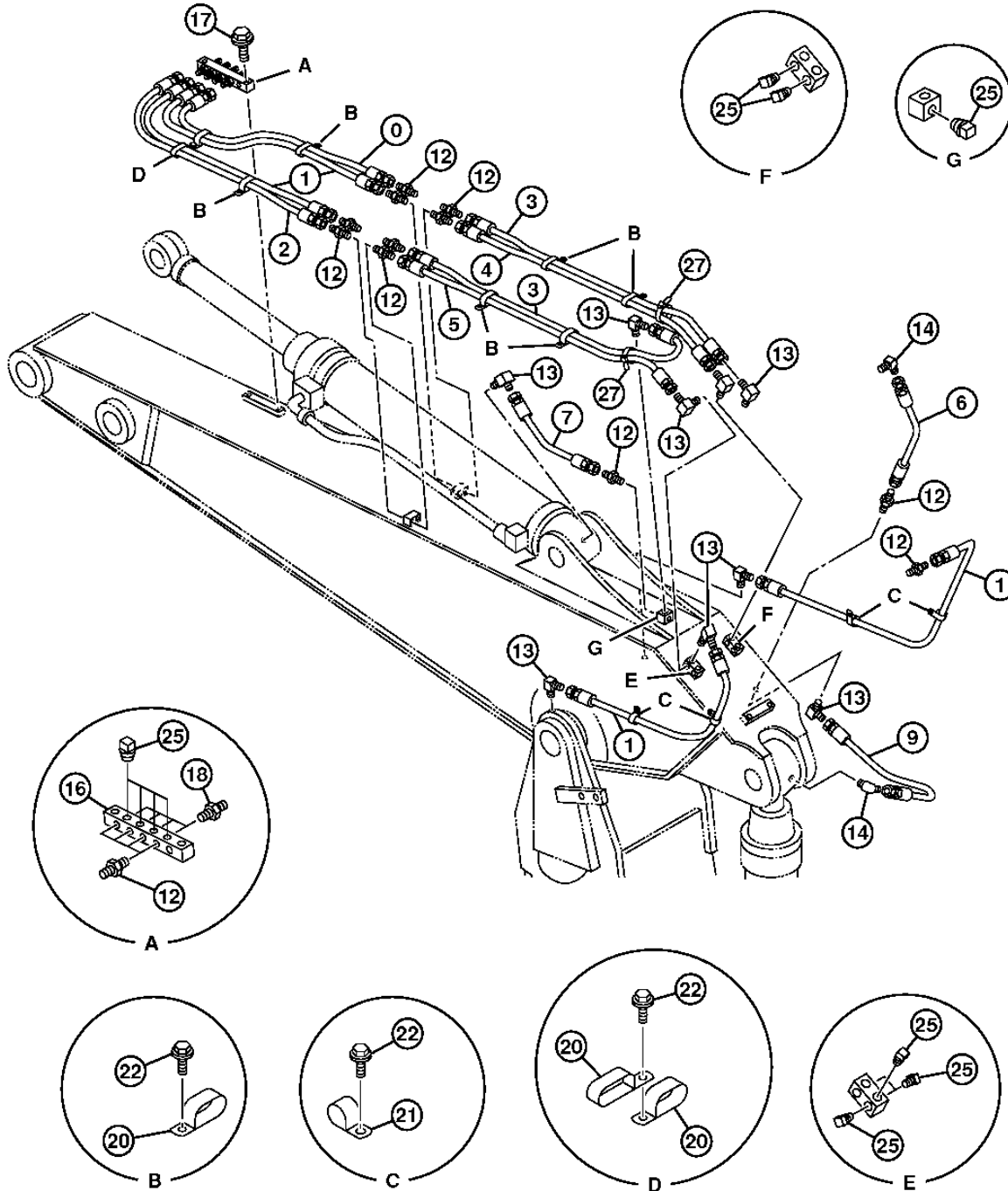
KEY	PART NO.	PART NAME	QTY.	SERIAL NO.	REMARKS
1	4607866	HOSE	1		
2	4296624	HYDRAULIC HOSE - FABRICATE	1		
3	4607867	HOSE	1		
5	4154651	ADAPTER FITTING	7		
6	4154655	ELBOW FITTING	1		
7	JD7769	LUBRICATION FITTING	5		(SUB FOR J75482)
13	T152608	CLAMP	4		(SUB FOR 4252877)
14	4190261	CLIP	6		
15	SCREW WITH WASHER	12		(J271025 NLA)
	19M7402	CAP SCREW	12		M10 X 25, (SUB FOR J901025)
	24M7346	WASHER	12		11 X 20 X 2 MM, (SUB FOR J222010)
18	4190261	CLIP	5		(SUB FOR 94-2022)
19	94-2023	FITTING PLUG	4		
21	4646046	MANIFOLD	1		
22	SCREW WITH WASHER	2		(J271050 NLA)
	19M7658	CAP SCREW	2		M10 X 50, (SUB FOR J901050)
	24M7346	WASHER	2		11 X 20 X 2 MM, (SUB FOR J222010)
26	4154656	ELBOW FITTING	2		
28	4192018	CLIP	2		
30	4247365-S	HYDRAULIC HOSE	1		(SUB FOR 4317872)
31	4450779	HOSE	1		

3363A-94

ARM LUBRICATE LINES (MASS EXCAVATING)
CONDUITES DE LUBRIFICATION DE BRAS (EXCAVATION MASSIQUE)
LINEAS DE LUBRICACION DEL BRAZO (EXCAVACION EN GRAN VOLUMEN)

TX1020437

-UN-11APR07



TX1020437

3363A-95

EXCAVATOR 33

LINES, HOSES, AND FITTINGS 3363

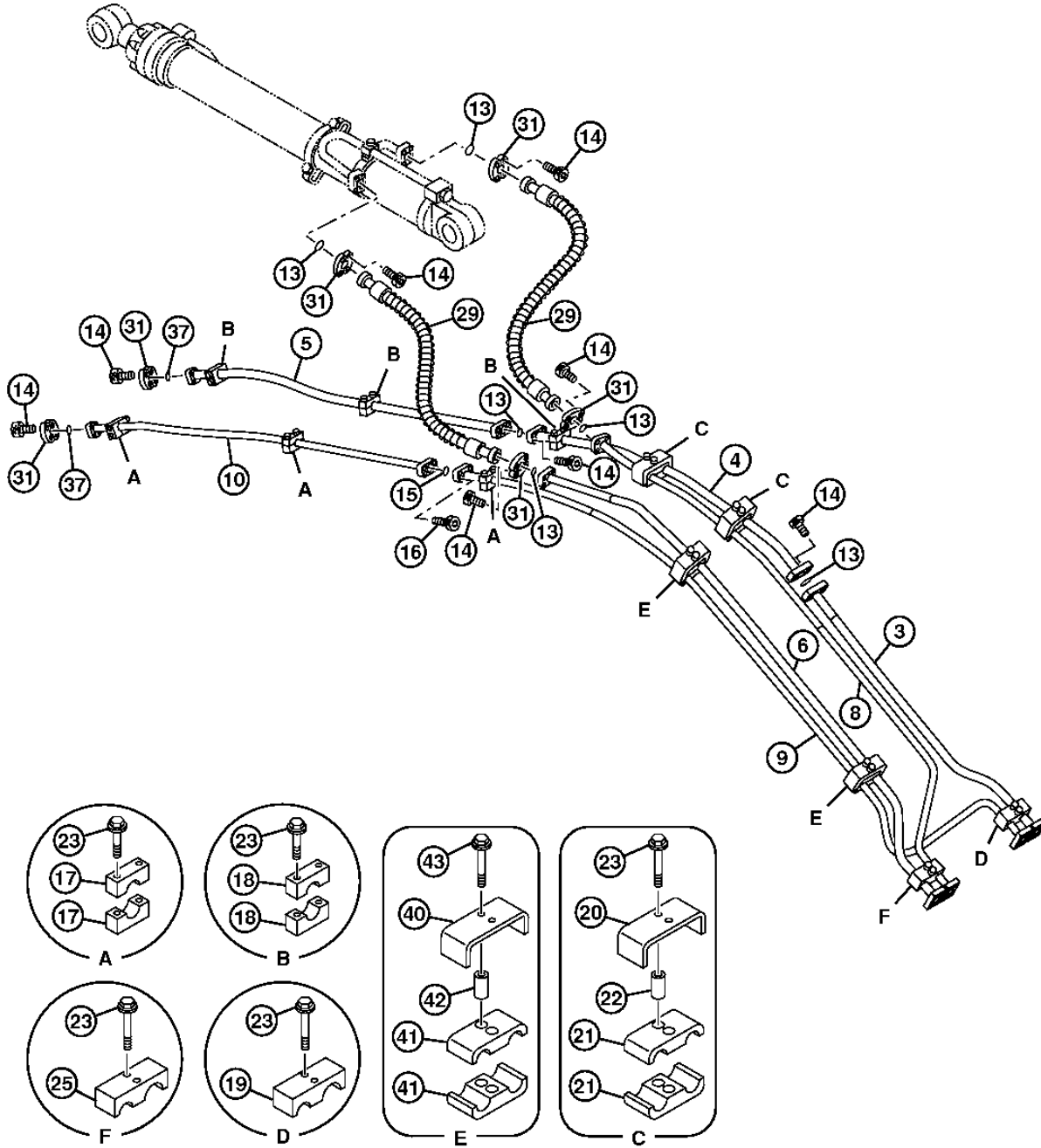
**ARM LUBRICATE LINES (MASS EXCAVATING)
 CONDUITES DE LUBRIFICATION DE BRAS (EXCAVATION MASSIQUE)
 LINEAS DE LUBRICACION DEL BRAZO (EXCAVACION EN GRAN VOLUMEN)**

KEY	PART NO.	PART NAME	QTY.	SERIAL NO.	REMARKS
0	4468009	HOSE	1		
1	AE42281	HYDRAULIC HOSE	4		(SUB FOR 4221265)
2	4306264	HYDRAULIC HOSE	1		(SUB FOR 4249332)
3	4298763	HYDRAULIC HOSE	2		
4	AT30743	HYDRAULIC HOSE - FABRICATE	1		(SUB FOR 4223550)
5	4449548	HYDRAULIC HOSE	1		
6	4316263	HOSE	1		
7	4203161	HYDRAULIC HOSE	1		(SUB FOR 4214424)
9	4304400-S	HYDRAULIC HOSE	1		(SUB FOR 4269797)
12	4154651	ADAPTER FITTING	15		
13	4154656	ELBOW FITTING	9		
14	4154655	ELBOW FITTING	2		
16	4646047	MANIFOLD	1		
17	SCREW WITH WASHER	2		(J271050 NLA)
	19M7658	CAP SCREW	2		M10 X 50, (SUB FOR J901050)
	24M7346	WASHER	2		11 X 20 X 2 MM, (SUB FOR J222010)
18	JD7769	LUBRICATION FITTING	4		(SUB FOR J75482)
20	4192018	CLIP	8		
21	4190261	CLIP	4		
22	SCREW WITH WASHER	11		(J271025 NLA)
	19M7402	CAP SCREW	11		M10 X 25, (SUB FOR J901025)
	24M7346	WASHER	11		11 X 20 X 2 MM, (SUB FOR J222010)
25	M800462	PLUG	11		(SUB FOR 94-2022)
27	4467676	CLIP	2		

3363A-96

BOOM HYDRAULIC LINES (MASS EXCAVATING)
CONDUITES HYDRAULIQUES DE FLECHE (EXCAVATION MASSIQUE)
LINEAS HIDRAULICAS DEL AGUILON (EXCAVACION EN GRAN VOLUMEN)

TX1020435 -UN-11APR07



TX1020435

3363A-97

EXCAVATOR 33

LINES, HOSES, AND FITTINGS 3363

**BOOM HYDRAULIC LINES (MASS EXCAVATING)
 CONDUITES HYDRAULIQUES DE FLECHE (EXCAVATION MASSIQUE)
 LINEAS HIDRAULICAS DEL AGUILON (EXCAVACION EN GRAN VOLUMEN)**

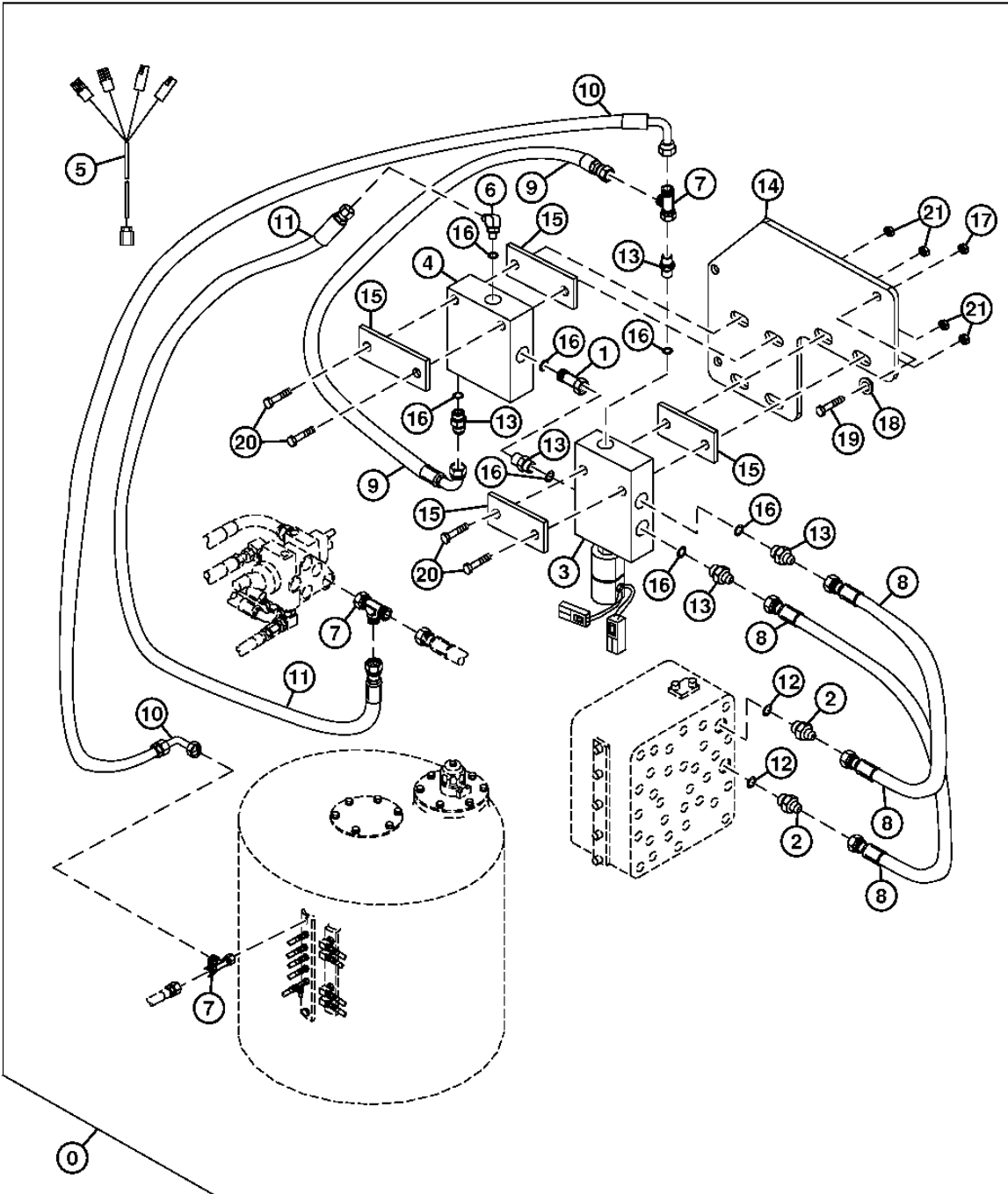
KEY	PART NO.	PART NAME	QTY.	SERIAL NO.	REMARKS
3	8106536	OIL LINE	1		
4	8093102	LINE	1		
5	8093103	LINE	1		
6	8106535	OIL LINE	1		
8	8106537	OIL LINE	1		
9	7051419	OIL LINE	1		
10	8093106	LINE	1		
13	T72216	O-RING	6		(SUB FOR 4508805)
14	19M8712	SCREW	32		M14 X 50, (SUB FOR M341450)
15	966993	O-RING	1		
16	19M8395	SCREW	4		M12 X 40, (SUB FOR M341240)
17	4334363	CLAMP	6		
18	AT201796	CLAMP	6		(SUB FOR 4334364)
19	4249565	CLAMP	1		
20	4304481	CLAMP	2		
21	4337125	CLAMP	4		
22	28H2611	SPACER	4		(SUB FOR 4304539)
23	SCREW WITH WASHER	20		(J271285 NLA)
	19M8122	CAP SCREW	20		M12 X 85, (SUB FOR J901285)
	24M7345	WASHER	20		13.500 X 24 X 2.500 MM, (SUB FOR J222012)
25	4639233	CLAMP	1		
29	4659712	HOSE	2		
31	AT131685	FLANGE FITTING	12		(SUB FOR 4089703)
37	4508805	O-RING	2		
40	4342695	BLOCK CLAMP	2		
41	4639234	CLAMP	4		
42	4342699	SPACER	4		
43	SCREW WITH WASHER	4		(J271200 NLA)
	19M7949	CAP SCREW	4		M12 X 100, (SUB FOR J901200)
	24M7345	WASHER	4		13.500 X 24 X 2.500 MM, (SUB FOR J222012)

3363A-104

ELECTRIC SOLENOID VALVE KIT (2 WAY) KIT DELECTROVANNE (2 VOIES) JUEGO DE VALVULA DE SOLENOIDÉ ELECTRICA (2 VIAS)

TX1029383

-UN-27SEP07



TX1029383

3363A-105

EXCAVATOR 33

LINES, HOSES, AND FITTINGS 3363

ELECTRIC SOLENOID VALVE KIT (2 WAY)
KIT DELECTROVANNE (2 VOIES)
JUEGO DE VALVULA DE SOLENOIDÉ ELECTRICA (2 VIAS)

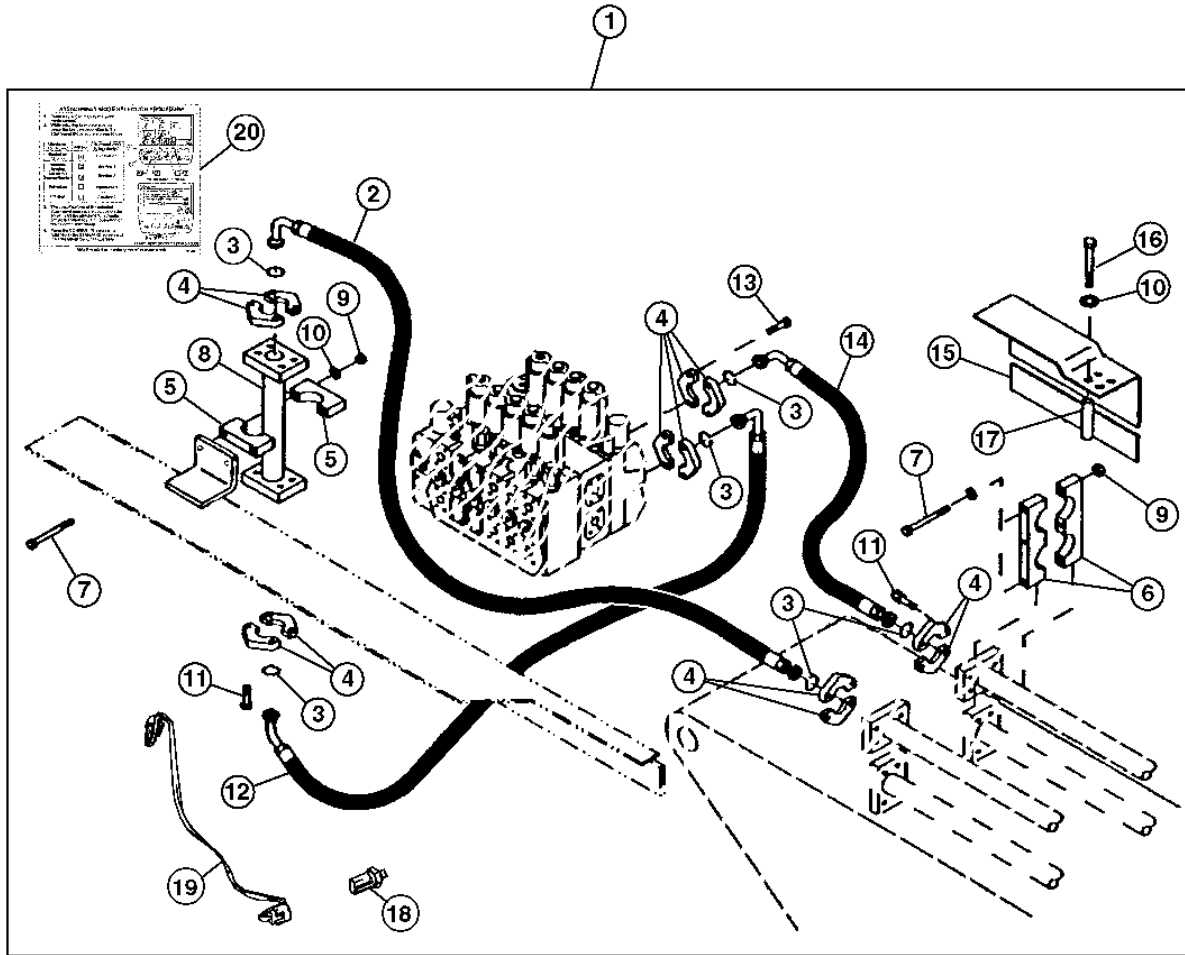
KEY	PART NO.	PART NAME	QTY.	SERIAL NO.	REMARKS
0	AT330567	FIELD INSTALLATION KIT	1		(WHOLEGOODS)
1	AE52955	ADAPTER FITTING	1		
2	AT131445	ADAPTER FITTING	2		
3	AT180585	SOLENOID VALVE	1		
4	AT186623	HYDRAULIC PRESSURE VALVE	1		
5	AT331104	WIRING HARNESS	1		
6	AT35121	ELBOW FITTING	1		
7	AT36921	TEE FITTING	3		
8	AT68901	HYDRAULIC HOSE - FABRICATE	2		
9	AT71082	HYDRAULIC HOSE - FABRICATE	1		
10	AT71732	HYDRAULIC HOSE - FABRICATE	1		
11	AT78124	HYDRAULIC HOSE - FABRICATE	1		
12	CH11570	O-RING	2		
13	R27212	FITTING	5		
14	T201367	REINFORCEMENT	1		
15	T202379	STRAP	4		
16	R26448	O-RING	7		
17	14M7298	FLANGE NUT	2		M8
18	24M7036	WASHER	2		9 X 16 X 1.600 MM
19	19M7868	SCREW	2		M8 X 30
20	19M7529	CAP SCREW	4		M6 X 55
	24M7139	WASHER	4		6.400 X 18 X 1.600 MM
21	14M7272	NUT	4		M6

3363A-106

MAIN BODY HI-FLOW AUXILIARY LINES CONDUITES AUXILIAIRES DEBIT ELEVE CORPS PRINCIPAL LINEAS AUXILIARES DE ALTO CAUDAL DEL CUERPO PRINCIPAL

TX1011320

-UN-18AUG06



TX1011320

3363A-107

EXCAVATOR 33

LINES, HOSES, AND FITTINGS 3363

**MAIN BODY HI-FLOW AUXILIARY LINES
CONDUITES AUXILIAIRES DEBIT ELEVE CORPS PRINCIPAL
LINEAS AUXILIARES DE ALTO CAUDAL DEL CUERPO PRINCIPAL**

KEY	PART NO.	PART NAME	QTY.	SERIAL NO.	REMARKS
1	FIELD INSTALLATION KIT	1		(A) WHOLE GOODS, HI-FLOW AUXILIARY LINES (STANDARD ARM) (AT333982 NLA)
2	AT169988	HYDRAULIC HOSE	1		
3	T72216	O-RING	6		
4	AT131685	FLANGE FITTING	12		
5	AT201796	CLAMP	2		
6	CLAMP	4		(T155058 NO LONGER USED)
7	19M7818	SCREW	2		M12 X 80
8	AT172487	FLANGE FITTING	1		
9	14M7299	FLANGE NUT	2		M12
10	24M7240	WASHER	2		13 X 25 X 3 MM
11	19M7393	CAP SCREW	12		M14 X 50, (SUB FOR 19M6579)
12	AT172373	HYDRAULIC HOSE - FABRICATE	1		
13	T114269	CAP SCREW	8		M14 X 45
14	AT169988	HYDRAULIC HOSE	1		(AT169989 NO LONGER USED)
15	T155063	SHIELD	1		
16	BOLT	2		M12 X 180, (19M8037 NO LONGER USED)
17	BUSHING	2		(28H2695 NO LONGER USED)
18	4436535	SENSOR	1		PRESSURE SENSOR
19	4660321	WIRING HARNESS	1		
20	T223619	LABEL	1		ATTACHMENT MODE PROCEDURE

(A)ADDITIONAL COMPONENTS FOUND ON SEPARATE PAGES

(A)AUTRES COMPOSANTS SUR PAGES SEPARÉES

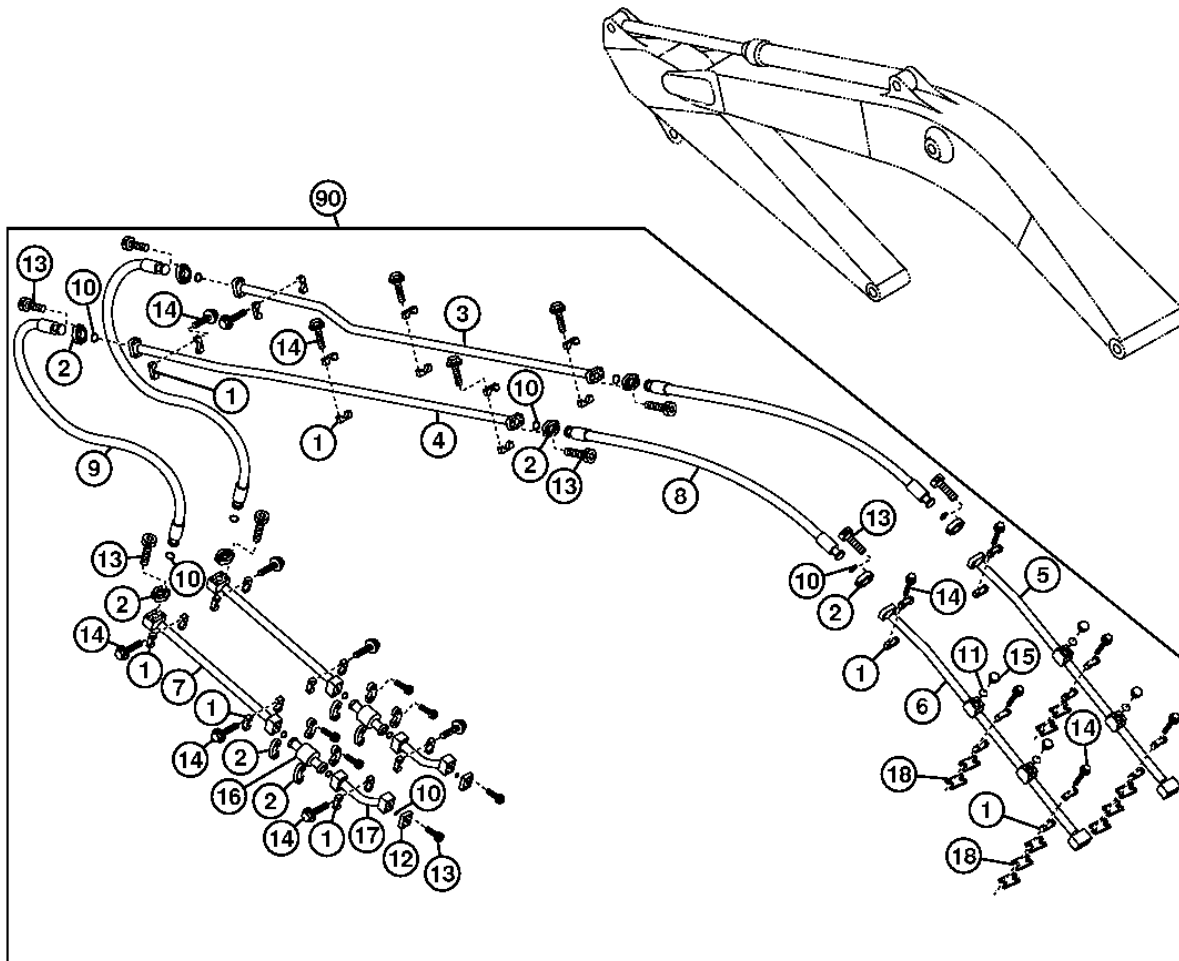
(A)LOS COMPONENTES ADICIONALES SE ENCUENTRAN EN OTRAS PAGINAS

3363A-108

HI-FLOW AUXILIARY LINES CONDUITES AUXILIAIRES DEBIT ELEVE LINEAS AUXILIARES DE ALTO CAUDAL

TX1011158

-UN-16AUG06



TX1011158

3363A-109

EXCAVATOR 33

LINES, HOSES, AND FITTINGS 3363

**HI-FLOW AUXILIARY LINES
CONDUITES AUXILIAIRES DEBIT ELEVE
LINEAS AUXILIARES DE ALTO CAUDAL**

KEY	PART NO.	PART NAME	QTY.	SERIAL NO.	REMARKS
1	T225536	HALF CLAMP	48		
2	AT131685	FLANGE FITTING	24		
3	AT169920	OIL LINE	1		
4	AT169921	OIL LINE	1		
5	AT169922	OIL LINE	1		
6	AT172488	OIL LINE	1		
7	AT169923	OIL LINE	2		
8	AT169990	HYDRAULIC HOSE - FABRICATE	2		
9	AT169991	HYDRAULIC HOSE - FABRICATE	2		
10	T72216	O-RING	14		
11	T76938	O-RING	4		
12	T153655	PLUG	2		
13	19M7393	CAP SCREW	44		M14 X 50
14	SCREW	36		(19M7818 NO LONGER USED)
	19M7720	CAP SCREW	40		M16 X 80
	19M8020	CAP SCREW	8		M16 X 100
	24M7338	WASHER	48		17 X 30 X 3 MM
15	38H1419	FITTING	4		
16	AT195936	BALL COCK VALVE	2		
17	AT196315	OIL LINE	2		
90	FIELD INSTALLATION KIT	1		(A) WHOLE GOODS, HI-FLOW AUXILIARY LINES (STANDARD ARM) (AT333982 NLA)

(A)ADDITIONAL COMPONENTS FOUND ON SEPARATE PAGES

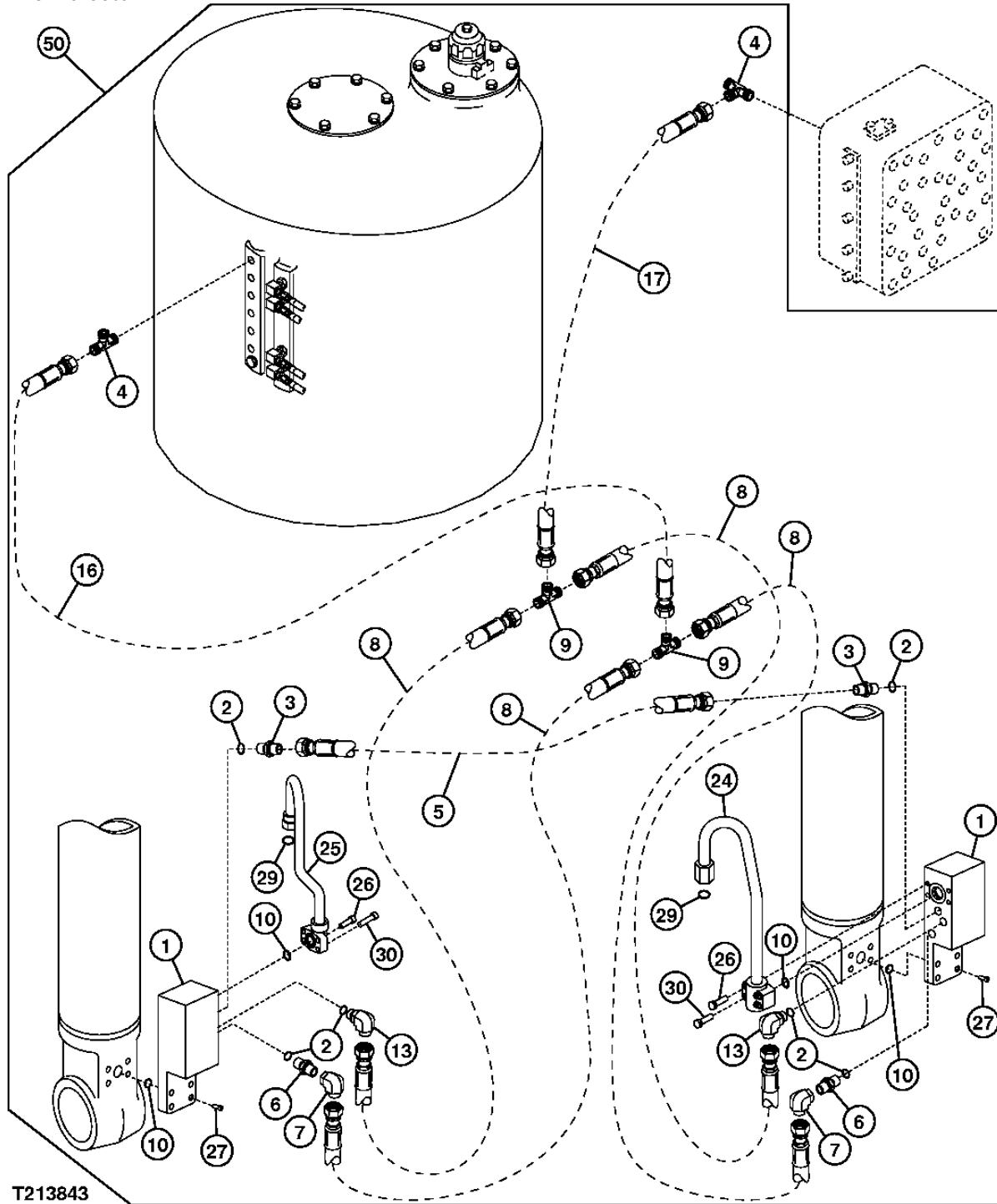
(A)AUTRES COMPOSANTS SUR PAGES SEPARÉES

(A)LOS COMPONENTES ADICIONALES SE ENCUENTRAN EN OTRAS PAGINAS

3363A-110

BOOM ANTI-DRIFT KIT KIT DE STABILISATION DE FLECHE JUEGO ANTICAIDA DE AGUILON

T213843 -UN-25AUG05



3363A-111

EXCAVATOR 33

LINES, HOSES, AND FITTINGS 3363

**BOOM ANTI-DRIFT KIT
KIT DE STABILISATION DE FLECHE
JUEGO ANTICAIDA DE AGUILON**

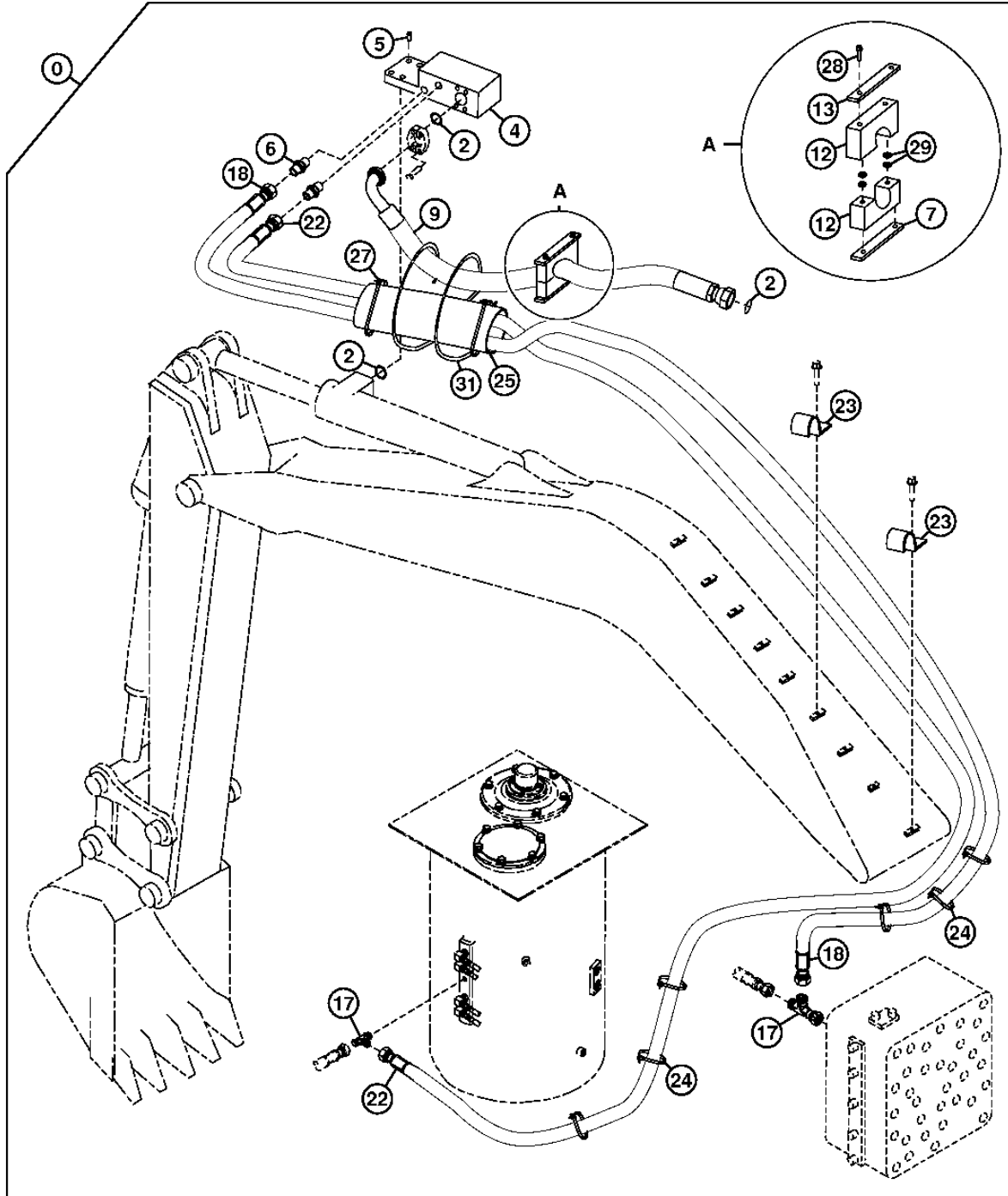
KEY	PART NO.	PART NAME	QTY.	SERIAL NO.	REMARKS
1	AT300303	CHECK VALVE	2		
2	AT300313	SEALING RING	6		
3	X6V4OMXS	ELBOW FITTING	2		
4	AT36921	TEE FITTING	2		
5	AT339065	HYDRAULIC HOSE	1		(SUB FOR AT191567)
6	X6F4OMXS	ADAPTER FITTING	2		
7	AE24616	ELBOW FITTING	2		
8	AP36265	HYDRAULIC HOSE - FABRICATE	4		
9	X6JTXS	ADAPTER FITTING	2		
10	T78313	O-RING	4		
13	X6C4OMXS	ELBOW FITTING	2		
16	AT300465	HYDRAULIC HOSE - FABRICATE	1		
17	AT300466	HYDRAULIC HOSE - FABRICATE	1		
24	AT313679	OIL LINE	1		
25	AT313681	OIL LINE	1		
26	19M8444	SCREW	4		M12 X 60
27	19M9012	SCREW	8		M12 X 55
29	T76938	O-RING	2		
30	19M8444	SCREW	4		M12 X 60
50	AT316251	KIT	1		(BOOM ANTI-DRIFT KIT) (WHOLEGOODS)

3363A-112

ARM REDUCED LEAKAGE VALVE CLAPET DE REDUCTION DES FUITES DU BRAS VALVULA DE REDUCCION DE FUGAS DE BRAZO

TX1020004

-UN-09APR07



TX1020004

3363A-113

EXCAVATOR 33

LINES, HOSES, AND FITTINGS 3363

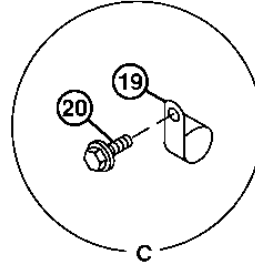
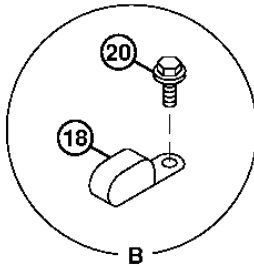
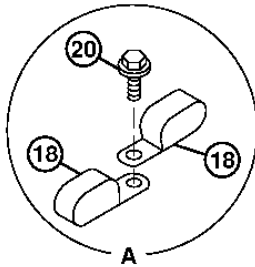
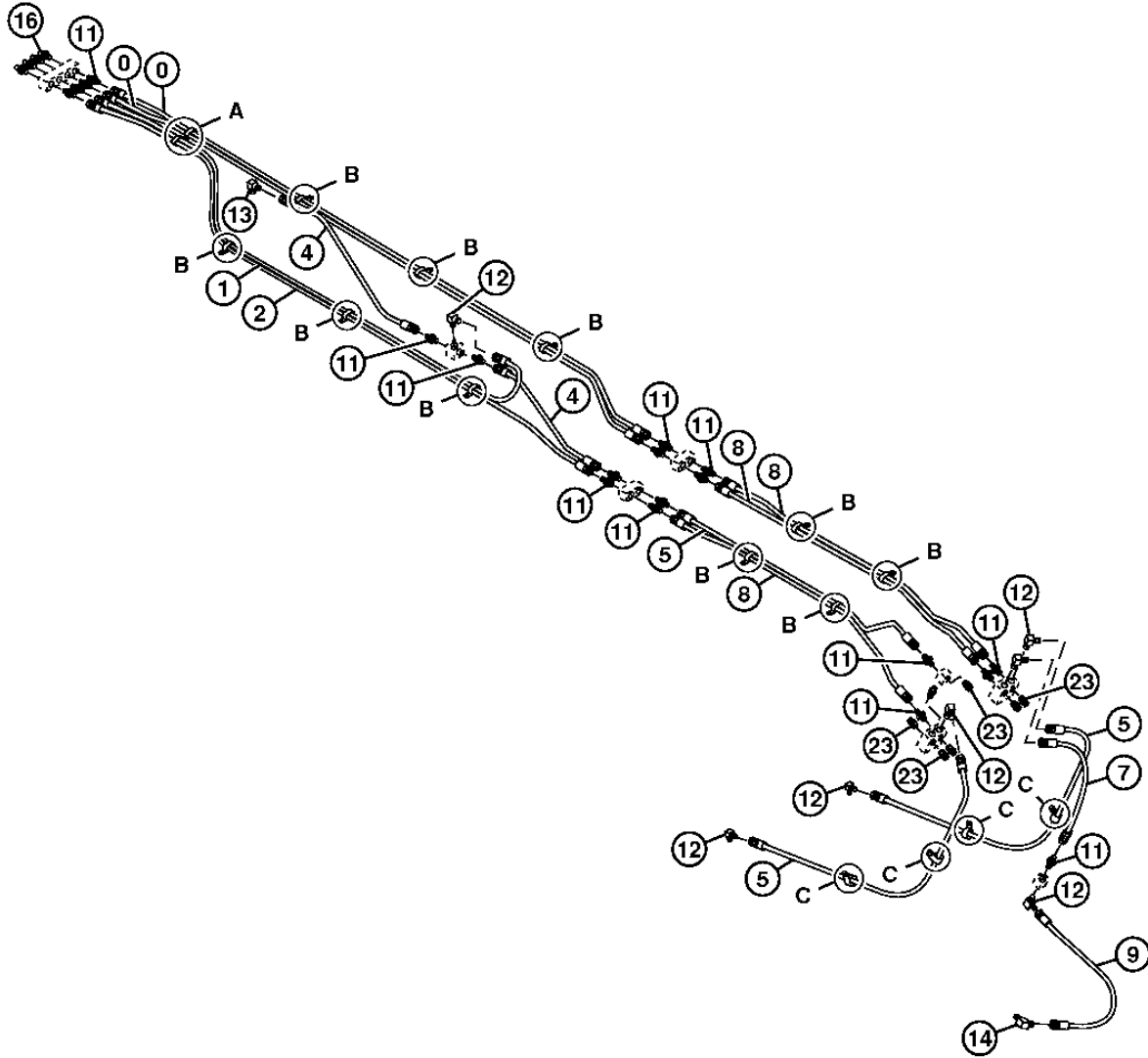
**ARM REDUCED LEAKAGE VALVE
CLAPET DE REDUCTION DES FUITES DU BRAS
VALVULA DE REDUCCION DE FUGAS DE BRAZO**

KEY	PART NO.	PART NAME	QTY.	SERIAL NO.	REMARKS
0	AT338257	KIT	1		ARM ANTI-DRIFT KIT (WHOLE GOODS)
2	T72216	O-RING	3		
4	AT338261	CHECK VALVE	1		
5	19M6619	SCREW	4		M14 X 70
6	X6F4OMXS	ADAPTER FITTING	2		
7	T167276	PLATE	1		
9	AT338362	HYDRAULIC HOSE	1		
12	AT190587	CLAMP	2		
13	T167277	PLATE	1		
17	AT36921	TEE FITTING	2		
18	AT338592	HOSE	1		
22	AT338592	HOSE	1		
23	R49921	CLAMP	9		
24	CLAMP	6		(N189220 NLA THIS APPLICATION)
25	HOSE SLEEVE - FABRICATE	1		(MF T78606, CTL 254MM) (T153422 NLA)
27	H77698	TIE BAND	2		
28	19H3843	CAP SCREW	2		11.125 X 114.300 MM
29	24M7043	WASHER	4		12 X 25 X 3 MM
31	HOSE SPRING GUARD	2		(MF XHG-200, CTL 3.0') (F122734 NLA)

3363A-114

LUBRICATE LINES (LONG ARM) CONDUITES DE LUBRIFICATION DE BRAS (BRAS LONG) LINEAS DE LUBRICACION DEL BRAZO (BRAZO LARGO)

TX1029557 -UN-24SEP07



TX1029557

3363A-115

EXCAVATOR 33

LINES, HOSES, AND FITTINGS 3363

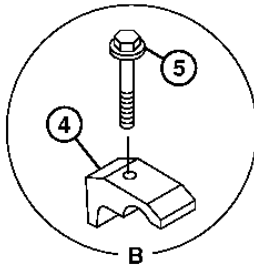
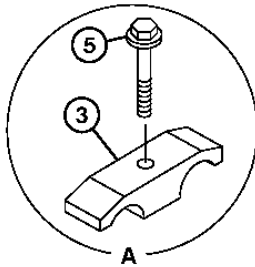
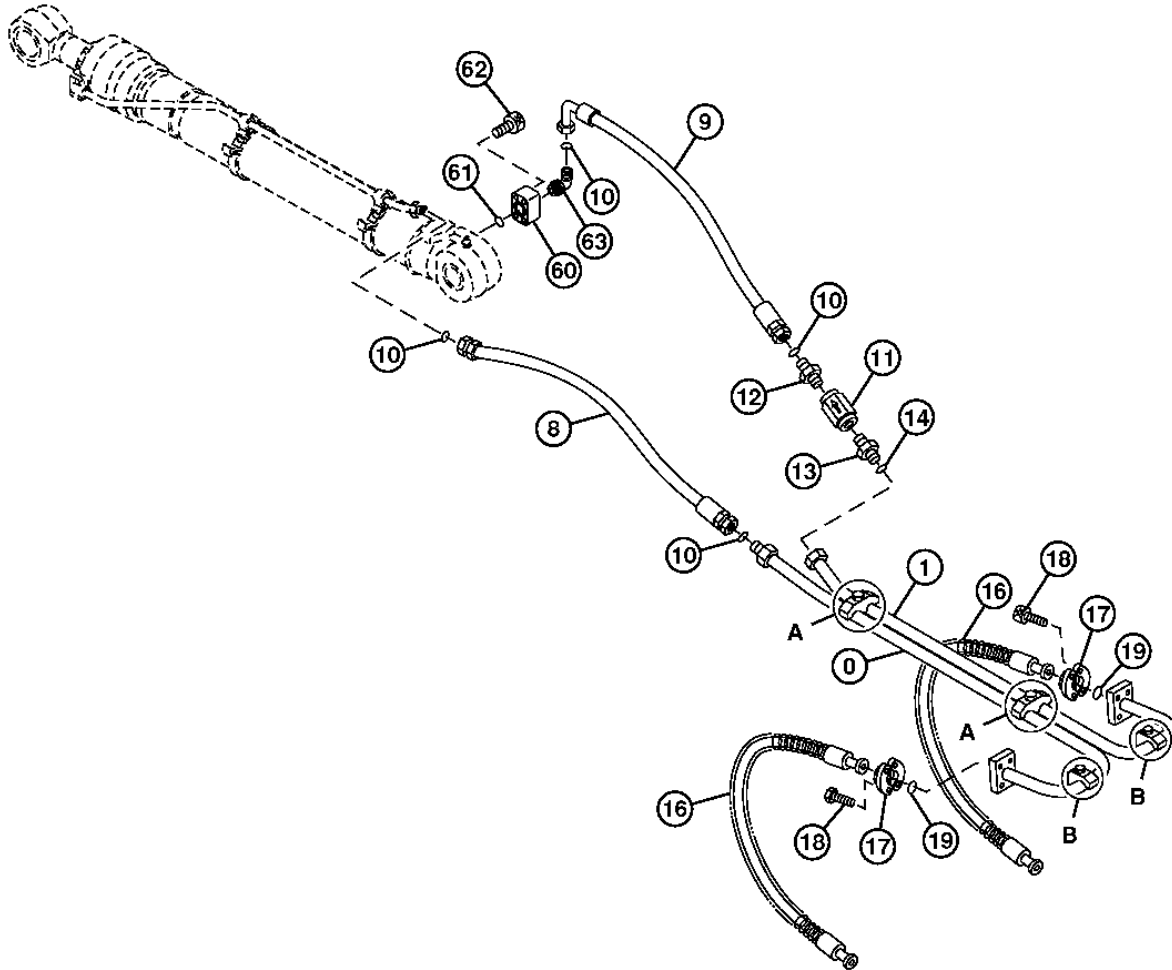
LUBRICATE LINES (LONG ARM)
CONDUITES DE LUBRIFICATION DE BRAS (BRAS LONG)
LINEAS DE LUBRICACION DEL BRAZO (BRAZO LARGO)

KEY	PART NO.	PART NAME	QTY.	SERIAL NO.	REMARKS
0	4428999	HOSE	2		
1	4260314	HYDRAULIC HOSE - FABRICATE	1		
2	4258884	HOSE	1		
4	AH99745	HYDRAULIC HOSE	2		(SUB FOR 4289423)
5	AE42281	HYDRAULIC HOSE	3		(SUB FOR 4221265)
7	FF104453	HOSE	1		(SUB FOR 4251960)
8	AT30743	HYDRAULIC HOSE - FABRICATE	3		(SUB FOR 4223550)
9	4467069	HOSE	1		(SUB FOR 4402701)
11	4154651	ADAPTER FITTING	19		
12	4154656	ELBOW FITTING	7		
13	4256211	ELBOW FITTING	1		
14	4154655	ELBOW FITTING	1		
16	J75482	LUBRICATION FITTING	4		
18	4192018	CLIP	12		
19	4190261	CLIP	4		
20	SCREW WITH WASHER	15		(J271025 NLA)
	19M7402	CAP SCREW	15		(SUB FOR J901025)
	24M7346	WASHER	15		(SUB FOR J222010)
23	M800462	PLUG	7		(SUB FOR 94-2022)

3363A-116

ARM HYDRAULIC LINES (LONG ARM) CONDUITES HYDRAULIQUES DE BRAS (BRAS LONG) LINEAS HIDRAULICAS DEL BRAZO (BRAZO LARGO)

TX1029556 -UN-24SEP07



TX1029556

3363A-117

EXCAVATOR 33

LINES, HOSES, AND FITTINGS 3363

ARM HYDRAULIC LINES (LONG ARM)
CONDUITES HYDRAULIQUES DE BRAS (BRAS LONG)
LINEAS HIDRAULICAS DEL BRAZO (BRAZO LARGO)

KEY	PART NO.	PART NAME	QTY.	SERIAL NO.	REMARKS
0	8061758G	OIL LINE	1		
1	8061759G	OIL LINE	1		
3	4189860	CLAMP	2		
4	4190127	CLAMP	2		
5	SCREW WITH WASHER	4		(J271270 NLA)
	19M7753	CAP SCREW	4		M12 X 70, (SUB FOR J901270)
	24M7345	WASHER	4		13.500 X 24 X 2.500 MM, (SUB FOR J222012)
8	AT159574	HYDRAULIC HOSE - FABRICATE	1		(SUB FOR 4272697)
9	4308148	HYDRAULIC HOSE	1		
10	T76938	O-RING	4		(SUB FOR 4187328)
11	4041432	FLOW CONTROL HYD. VALVE	1		
12	4208659	ADAPTER FITTING	1		
13	4208097	ADAPTER FITTING	1		
14	T78612	O-RING	1		(SUB FOR 4187329)
16	4640114	HYDRAULIC HOSE - FABRICATE	2		
17	4085560	FLANGE FITTING	4		
18	19M8395	SCREW	8		(SUB FOR M341240)
19	966993	O-RING	2		
60	3046126	TUBE	1		
61	AT264324	O-RING	1		(SUB FOR A811035)
62	19M8341	SCREW	4		(SUB FOR M341245)
63	A853388	ELBOW FITTING	1		(SUB FOR 4198799)
	TH101926	O-RING	1		(SUB FOR 4506429)

3363A-118

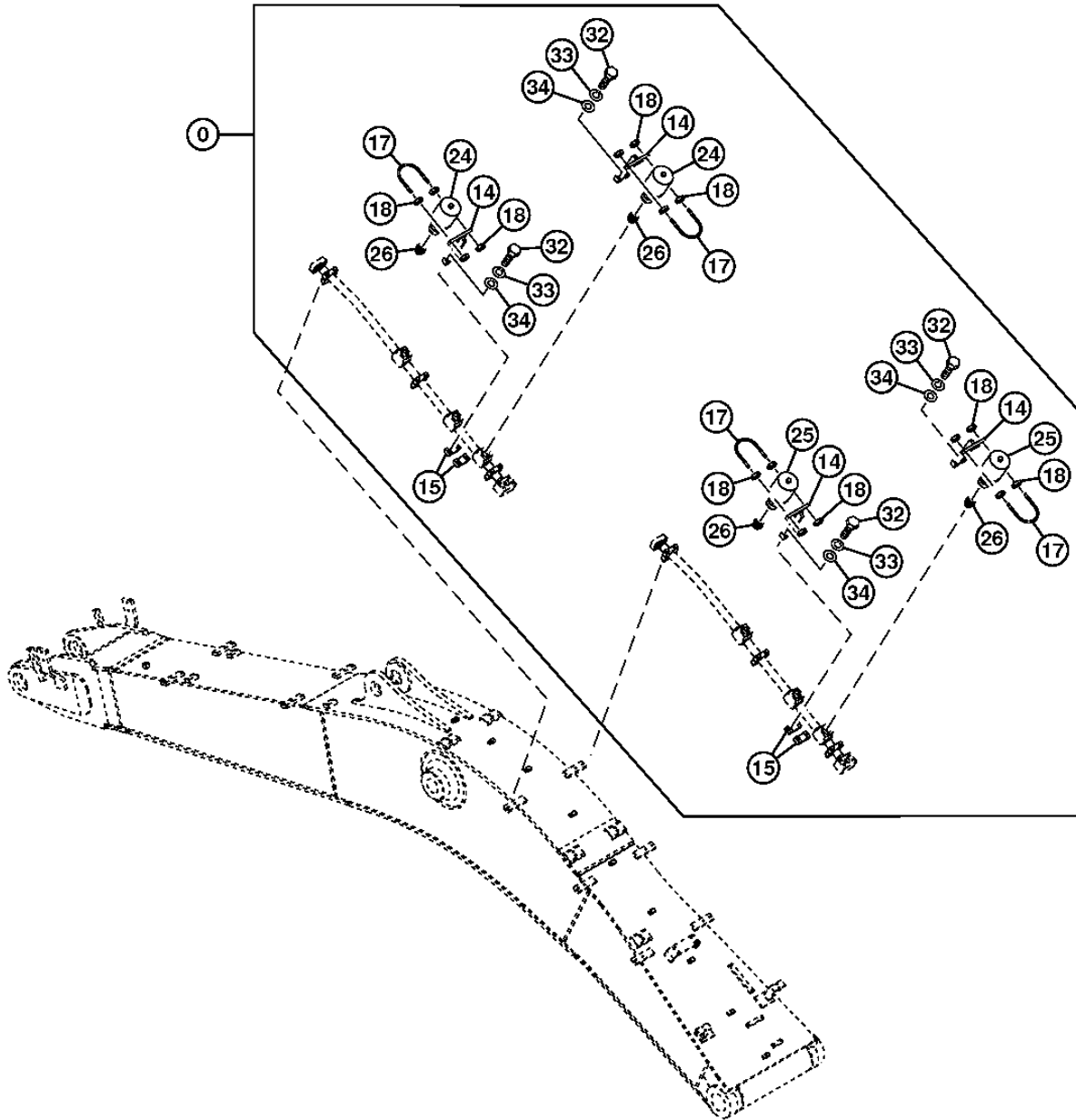
EXCAVATOR 33

LINES, HOSES, AND FITTINGS 3363

AUXILIARY HIGH FLOW HYDRAULICS ACCUMULATOR KIT
KIT D'ACCUMULATEUR DE CIRCUIT HYDRAULIQUE AUXILIAIRE A DEBIT ELEVE
JUEGO DE ACUMULADOR DE SISTEMA HIDRAULICO AUXILIAR DE CAUDAL ALTO

TX1030237

-UN-17OCT07



TX1030237

THIS PARTS LISTING IS CONTINUED

3363A-119

EXCAVATOR 33

LINES, HOSES, AND FITTINGS 3363

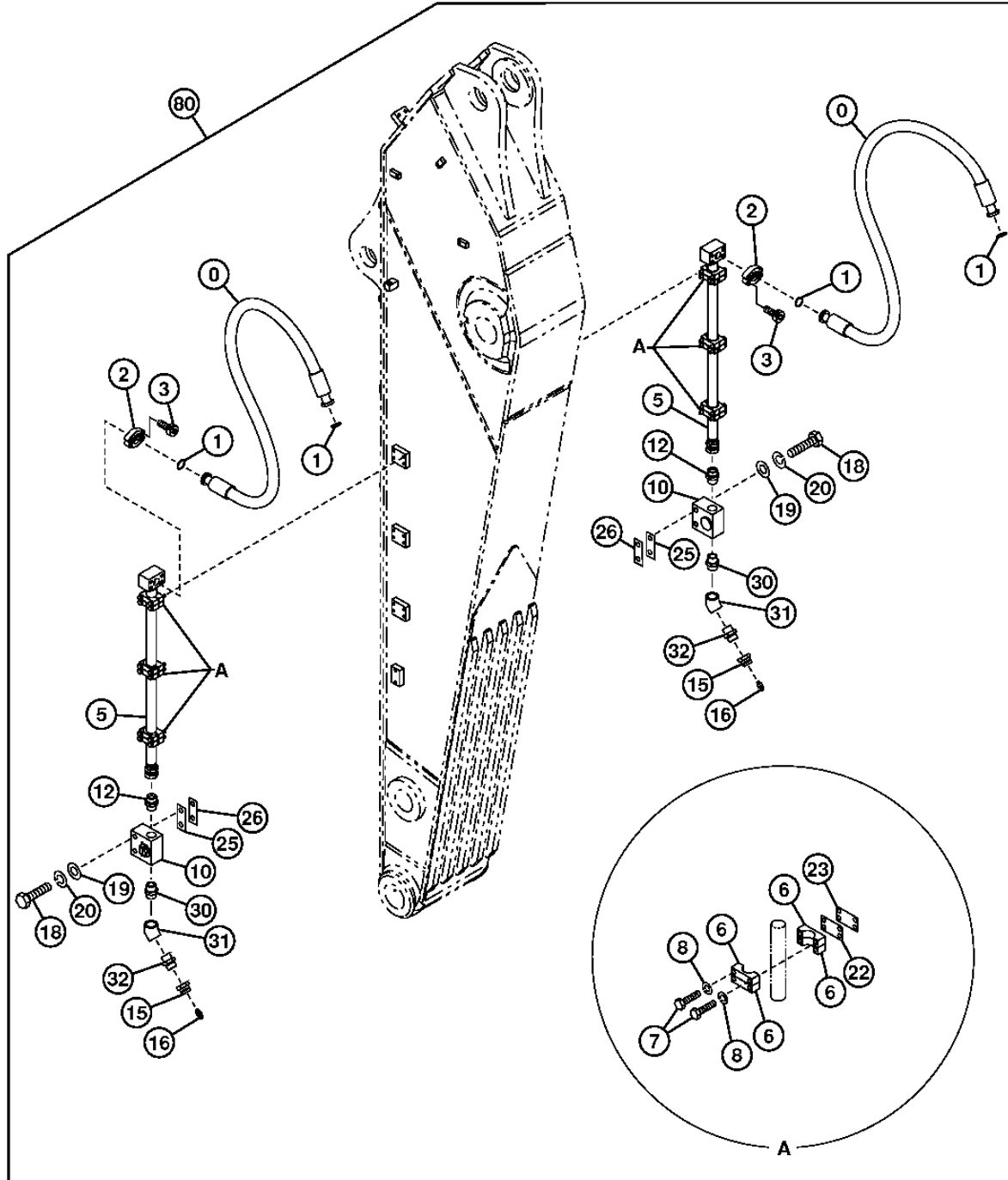
AUXILIARY HIGH FLOW HYDRAULICS ACCUMULATOR KIT
KIT D'ACCUMULATEUR DE CIRCUIT HYDRAULIQUE AUXILIAIRE A DEBIT ELEVE
JUEGO DE ACUMULADOR DE SISTEMA HIDRAULICO AUXILIAR DE CAUDAL ALTO

KEY	PART NO.	PART NAME	QTY.	SERIAL NO.	REMARKS
0	AT335922	FIELD INSTALLATION KIT	1		(WHOLEGOODS)
14	8095446G	BRACKET	4		(SUB FOR 8095446)
15	4617451	CLAMP	4		
17	4289010	U-BOLT	8		
18	14M7275	NUT	32		(SUB FOR J950012)
24	4461979	HYDRAULIC ACCUMULATOR	2		
25	4461977	HYDRAULIC ACCUMULATOR	2		
26	4464962	ADAPTER FITTING	4		
32	J901465	BOLT	8		
33	12H317	LOCK WASHER	8		(SUB FOR A590914)
34	24M7085	WASHER	8		(SUB FOR A590114)

3363A-120

ARM HI-FLOW AUXILIARY LINES CONDUITES AUXILIAIRES DE DEBIT ELEVE DE BRAS LINEAS AUXILIARES DE ALTO CAUDAL DE BRAZO

TX1045735 -UN-



TX1045735

3363A-121

EXCAVATOR 33

LINES, HOSES, AND FITTINGS 3363

**ARM HI-FLOW AUXILIARY LINES
CONDUITES AUXILIAIRES DE DEBIT ELEVE DE BRAS
LINEAS AUXILIARES DE ALTO CAUDAL DE BRAZO**

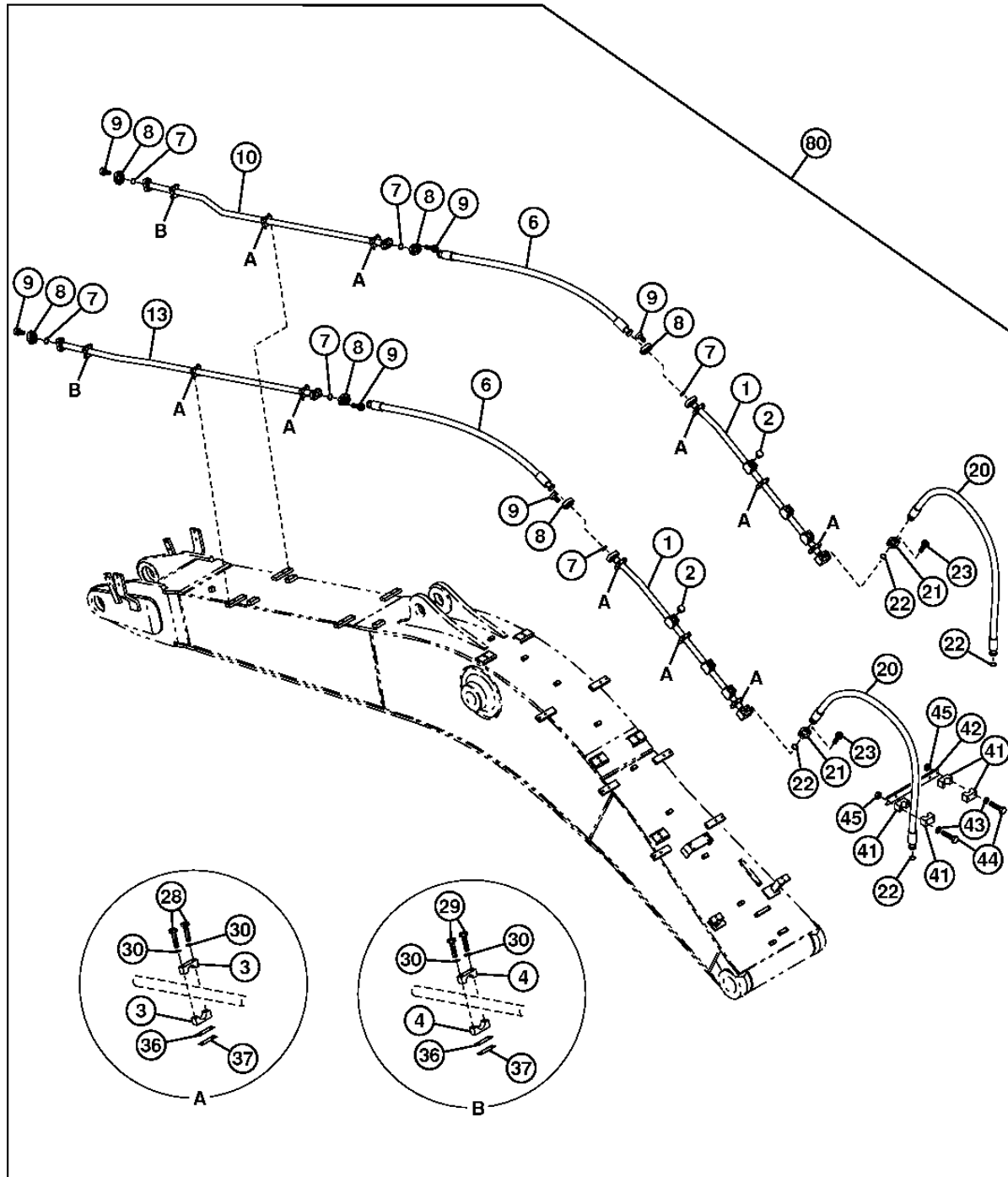
KEY	PART NO.	PART NAME	QTY.	SERIAL NO.	REMARKS
0	4405944	HYDRAULIC HOSE	2		(3.4M ARM)
	FF101729	HYDRAULIC HOSE	2		(3.9M ARM)
1	T72216	O-RING	4		(SUB FOR 4508805)
2	AT131685	FLANGE FITTING	4		(SUB FOR 4089703)
3	19M8734	SCREW	8		M14 X 45, (SUB FOR M341445)
5	9761692G	PIPE	2		(SUB FOR 9761692)
6	4610222	CLAMP	24		
7	19M8485	CAP SCREW	24		M16 X 90, (SUB FOR J901690)
8	12H294	LOCK WASHER	24		5/8", (SUB FOR A590916)
10	4613489	VALVE	2		
12	4042035	ADAPTER FITTING	2		
	970860	O-RING	1		
15	4437280	CAP	2		
16	0643016	BLEED VALVE	2		(SUB FOR 4381187)
18	19M8020	CAP SCREW	4		M16 X 100, (SUB FOR J901600)
19	24M7338	WASHER	4		17 X 30 X 3 MM, (SUB FOR J222016)
20	12H294	LOCK WASHER	4		5/8", (SUB FOR A590916)
22	4613617	SHIM	6		
23	4613618	SHIM	6		
25	4620349	SHIM	2		
26	4620350	SHIM	2		
30	4447524	ADAPTER FITTING	2		
	970860	O-RING	2		
	AT352806	FITTING	2		(1.25" SAE, MALE)
31	94-0605	ELBOW FITTING	2		
32	94-1306	ADAPTER FITTING	2		
80	AT330608	FIELD INSTALLATION KIT	1		(HI-FLOW AUXILIARY LINES KIT - 3.4M ARM) (WHOLEGOODS)
	AT330609	FIELD INSTALLATION KIT	1		(HI-FLOW AUXILIARY LINES KIT - 3.9M ARM) (WHOLEGOODS)

3363A-122

BOOM HI-FLOW AUXILIARY LINES CONDUITES AUXILIAIRES DE DEBIT ELEVE DE FLECHE LINEAS AUXILIARES DE ALTO CAUDAL DE AGUILON

TX1045736

-UN-



TX1045736

3363A-123

EXCAVATOR 33

LINES, HOSES, AND FITTINGS 3363

**BOOM HI-FLOW AUXILIARY LINES
CONDUITES AUXILIAIRES DE DEBIT ELEVE DE FLECHE
LINEAS AUXILIARES DE ALTO CAUDAL DE AGUILON**

KEY	PART NO.	PART NAME	QTY.	SERIAL NO.	REMARKS
1	8075907G	PIPE	2		(SUB FOR 8075907)
2	A885000	PIPE PLUG	6		
	970860	O-RING	1		
3	4610222	CLAMP	20		
4	4620318	CLAMP	4		
6	4631331	HOSE	2		(SUB FOR 4456478)
7	T72216	O-RING	6		(SUB FOR 4508805)
8	AT131685	FLANGE FITTING	12		(SUB FOR 4089703)
9	19M8734	SCREW	24		(SUB FOR M341445)
10	8099594G	PIPE	1		(SUB FOR 8099594)
13	8099595G	PIPE	1		
20	4344300	HYDRAULIC HOSE	2		
21	AT131685	FLANGE FITTING	4		(SUB FOR 4089703)
22	T72216	O-RING	4		(SUB FOR 4508805)
23	19M8734	SCREW	8		M14 X 45, (SUB FOR M341445)
28	19M8350	CAP SCREW	20		M16 X 85, (SUB FOR J901685)
29	19M7353	CAP SCREW	4		M16 X 95, (SUB FOR J901695)
30	12H294	LOCK WASHER	24		5/8", (SUB FOR A590916)
36	4617276	SHIM	12		
37	4617277	SHIM	12		
41	4603541	CLAMP	4		
42	4641195	BRACKET	1		
43	24M7047	WASHER	4		13 X 24 X 2.500 MM, (SUB FOR A590112)
44	19M8413	CAP SCREW	4		M12 X 150, (SUB FOR J901210)
45	14M7274	NUT	8		M10, (SUB FOR J950012)
80	AT330608	FIELD INSTALLATION KIT	1		(HI-FLOW AUXILIARY LINES KIT - 3.4M ARM) (WHOLEGOODS)
	AT330609	FIELD INSTALLATION KIT	1		(HI-FLOW AUXILIARY LINES KIT - 3.9M ARM) (WHOLEGOODS)

3363A-124

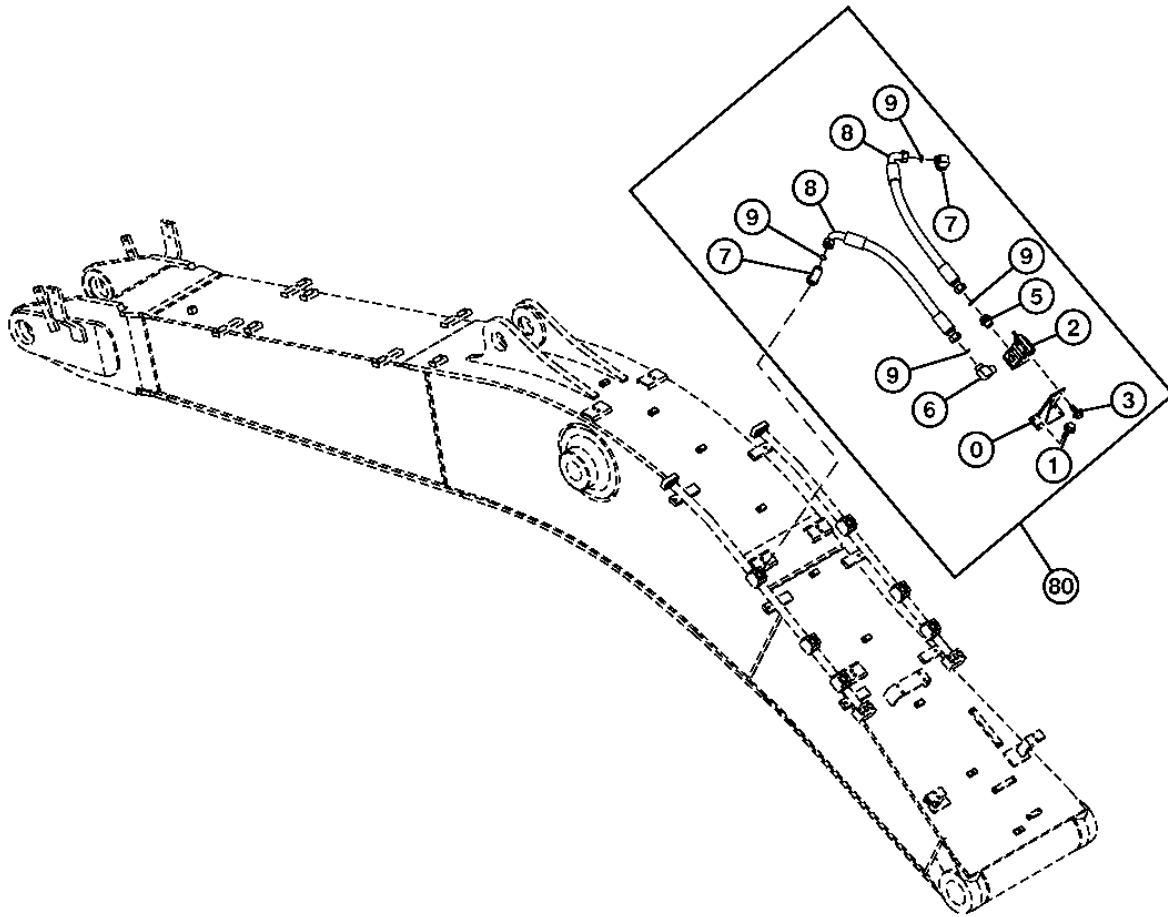
EXCAVATOR 33

LINES, HOSES, AND FITTINGS 3363

HI-FLOW AUXILIARY PRESSURE RELIEF VALVES
CLAPETS DE DECHARGE DE PRESSION AUXILIAIRE HAUT DEBIT
VALVULAS DE ALIVIO DE PRESION AUXILIARES ALTO CAUDAL

TX1045894

-UN-



TX1045894

3363A-125

EXCAVATOR 33

LINES, HOSES, AND FITTINGS 3363

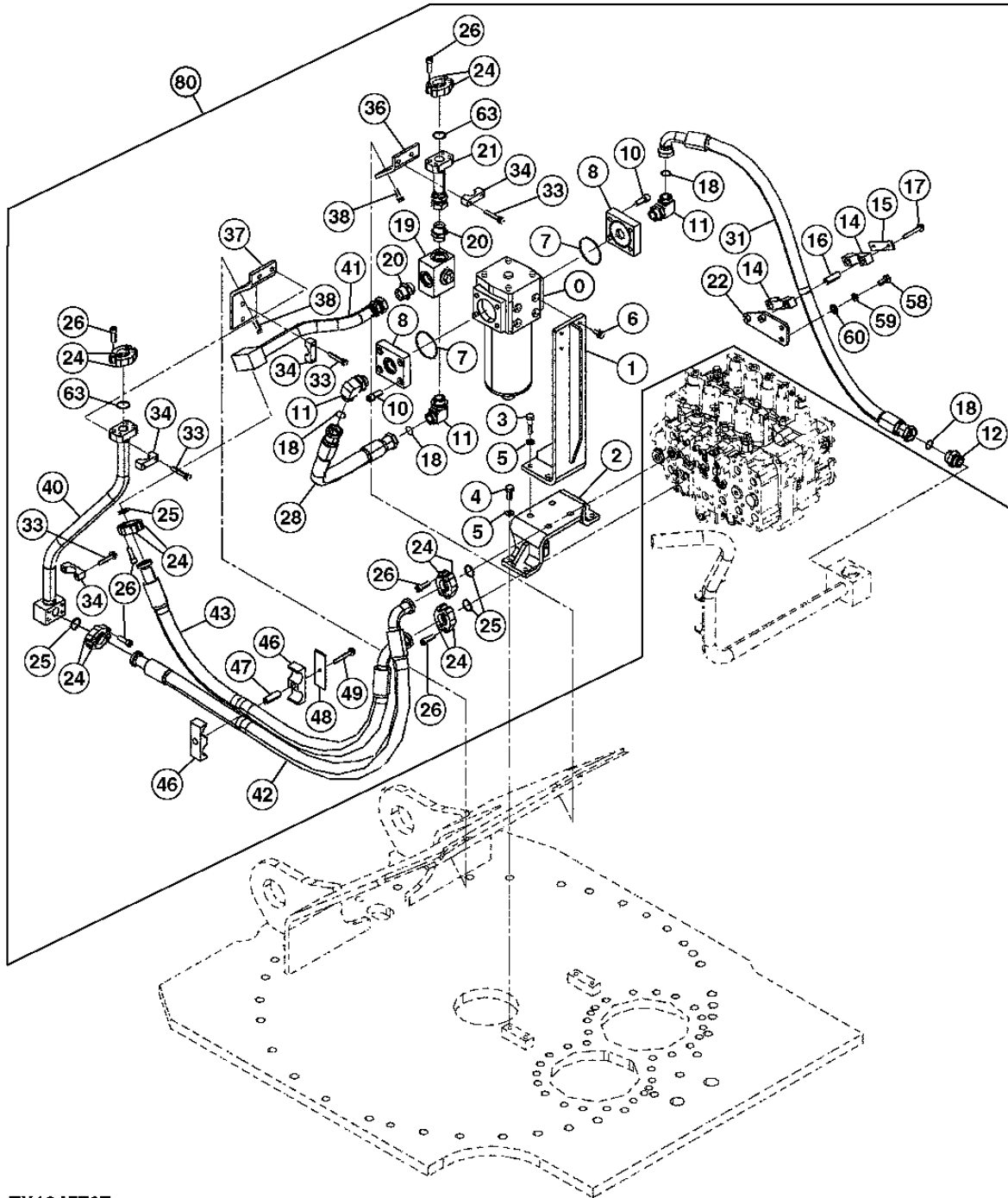
HI-FLOW AUXILIARY PRESSURE RELIEF VALVES
CLAPETS DE DECHARGE DE PRESSION AUXILIAIRE HAUT DEBIT
VALVULAS DE ALIVIO DE PRESION AUXILIARES ALTO CAUDAL

KEY	PART NO.	PART NAME	QTY.	SERIAL NO.	REMARKS
0	8061333	BRACKET	1		
1	SCREW WITH WASHER	4		(J271230 NLA)
	19M8011	CAP SCREW	4		M12 X 30, (SUB FOR J901230)
	24M7345	WASHER	4		13.500 X 24 X 2.500 MM, (SUB FOR J222012)
2	4216292	PRESSURE RELIEF VALVE	1		
3	SCREW WITH WASHER	3		(J271025 NLA)
	19M7402	CAP SCREW	3		M10 X 25, (SUB FOR J901025)
	24M7346	WASHER	3		11 X 20 X 2 MM, (SUB FOR J222010)
5	4318136	ADAPTER FITTING	1		
6	4314059	ELBOW FITTING	1		
7	A853300	ELBOW FITTING	2		
	970860	O-RING	1		
8	4343209	HYDRAULIC HOSE	2		
9	T78612	O-RING	4		(SUB FOR 4187329)
80	AT330608	FIELD INSTALLATION KIT	1		(HI-FLOW AUXILIARY LINES KIT - 3.4M ARM) (WHOLEGOODS)
	AT330609	FIELD INSTALLATION KIT	1		(HI-FLOW AUXILIARY LINES KIT - 3.9M ARM) (WHOLEGOODS)

3363A-126

MAIN BODY HI-FLOW AUXILIARY LINES (1)
CONDUITES AUXILIAIRES DEBIT ELEVE CORPS PRINCIPAL (1)
LINEAS AUXILIARES DE ALTO CAUDAL DEL CUERPO PRINCIPAL (1)

TX1045737 -UN-



TX1045737

3363A-127

EXCAVATOR 33

LINES, HOSES, AND FITTINGS 3363

MAIN BODY HI-FLOW AUXILIARY LINES (1)
CONDUITES AUXILIAIRES DEBIT ELEVE CORPS PRINCIPAL (1)
LINEAS AUXILIARES DE ALTO CAUDAL DEL CUERPO PRINCIPAL (1)

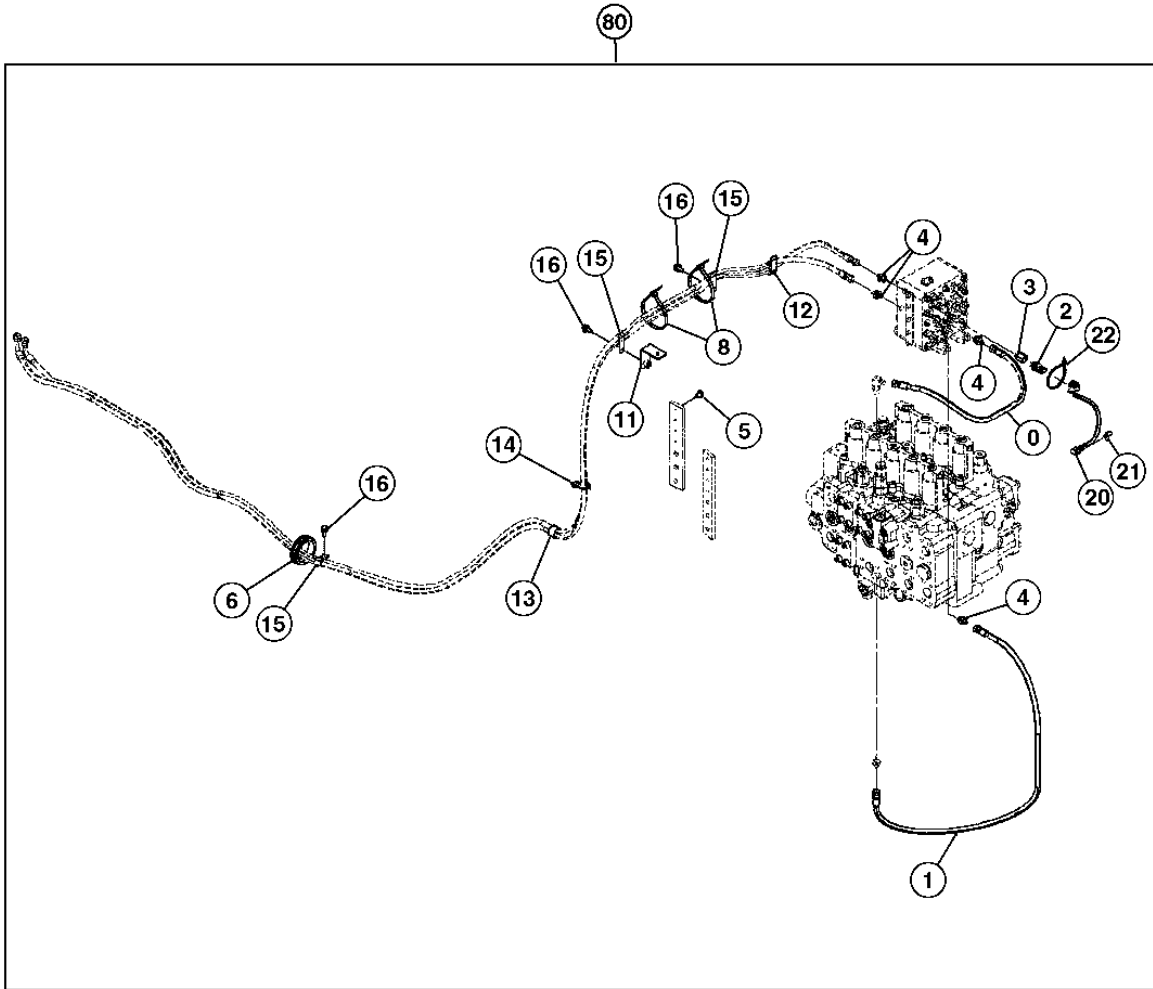
KEY	PART NO.	PART NAME	QTY.	SERIAL NO.	REMARKS
0	4343540	FILTER	1		
1	8061396	BRACKET	1		
2	8106145	BRACKET	1		
3	19M7417	CAP SCREW	4		M16 X 65, (SUB FOR J901665)
4	19M7488	CAP SCREW	4		M16 X 40, (SUB FOR J901640)
5	12H294	LOCK WASHER	8		5/8", (SUB FOR A590916)
6	SCREW WITH WASHER	4		(J271235 NLA)
	19M7403	CAP SCREW	4		M12 X 35
	24M7345	WASHER	4		13.500 X 24 X 2.500 MM
7	AT264319	O-RING	2		(SUB FOR A811100)
8	3108614	MANIFOLD	2		
10	19M8445	SCREW	8		M16 X 45, (SUB FOR M341645)
11	A853300	ELBOW FITTING	3		
	970860	O-RING	1		
12	A853100	ADAPTER FITTING	1		
	970860	O-RING	1		
14	4207036	CLAMP	2		
15	4207038	STRAP	1		
16	4462632	SPACER	2		
17	SCREW WITH WASHER	2		(J271290 NLA)
	19M7943	CAP SCREW	2		M12 X 90
	24M7345	WASHER	2		13.500 X 24 X 2.500 MM
18	T78612	O-RING	4		(SUB FOR 4187329)
19	4409420	SELECTIVE CONTROL VALVE	1		
20	4042035	ADAPTER FITTING	2		
	970860	O-RING	1		
21	9743785	LINE	1		
22	8106218	BRACKET	1		
24	AT131685	FLANGE FITTING	12		(SUB FOR 4089703)
25	T72216	O-RING	4		(SUB FOR 4508805)
26	19M8734	SCREW	24		(SUB FOR M341445)
28	4659696	HYDRAULIC HOSE	1		
31	4658979	HYDRAULIC HOSE	1		
33	SCREW WITH WASHER	8		(J271275 NLA)
	19M8767	SCREW	8		M12 X 75
	24M7047	WASHER	8		13 X 24 X 2.500 MM
34	AT201796	CLAMP	4		(SUB FOR 4334364)
36	8106217	BRACKET	1		
37	8106149	BRACKET	1		
38	SCREW WITH WASHER	4		(J271240 NLA)
	19M7493	CAP SCREW	4		M12 X 40
	24M7345	WASHER	4		13.500 X 24 X 2.500 MM
40	8106674	PIPE	1		
41	8106673	PIPE	1		
42	4348070	HYDRAULIC HOSE	1		
43	4354222	HYDRAULIC HOSE - FABRICATE	1		
46	4215878	HOSE CLAMP	2		
47	4207037	SPACER	1		(SUB FOR 4215879)
48	4215880	PLATE	1		
49	SCREW WITH WASHER	1		(J271290 NLA)
	19M7943	CAP SCREW	1		M12 X 90
	24M7345	WASHER	1		13.500 X 24 X 2.500 MM
58	19M7488	CAP SCREW	2		M16 X 40, (SUB FOR J901640)
59	12H294	LOCK WASHER	2		5/8", (SUB FOR A590916)
60	24M7338	WASHER	2		(SUB FOR J222016)
63	T72216	O-RING	2		(SUB FOR 4508805)
80	AT330608	FIELD INSTALLATION KIT	1		(HI-FLOW AUXILIARY LINES KIT - 3.4M ARM) (WHOLEGOODS)
	AT330609	FIELD INSTALLATION KIT	1		(HI-FLOW AUXILIARY LINES KIT - 3.9M ARM) (WHOLEGOODS)

3363A-128

MAIN BODY HI-FLOW AUXILIARY LINES (2)
CONDUITES AUXILIAIRES DEBIT ELEVE CORPS PRINCIPAL (2)
LINEAS AUXILIARES DE ALTO CAUDAL DEL CUERPO PRINCIPAL (2)

TX1045738

-UN-



TX1045738

3363A-129

EXCAVATOR 33

LINES, HOSES, AND FITTINGS 3363

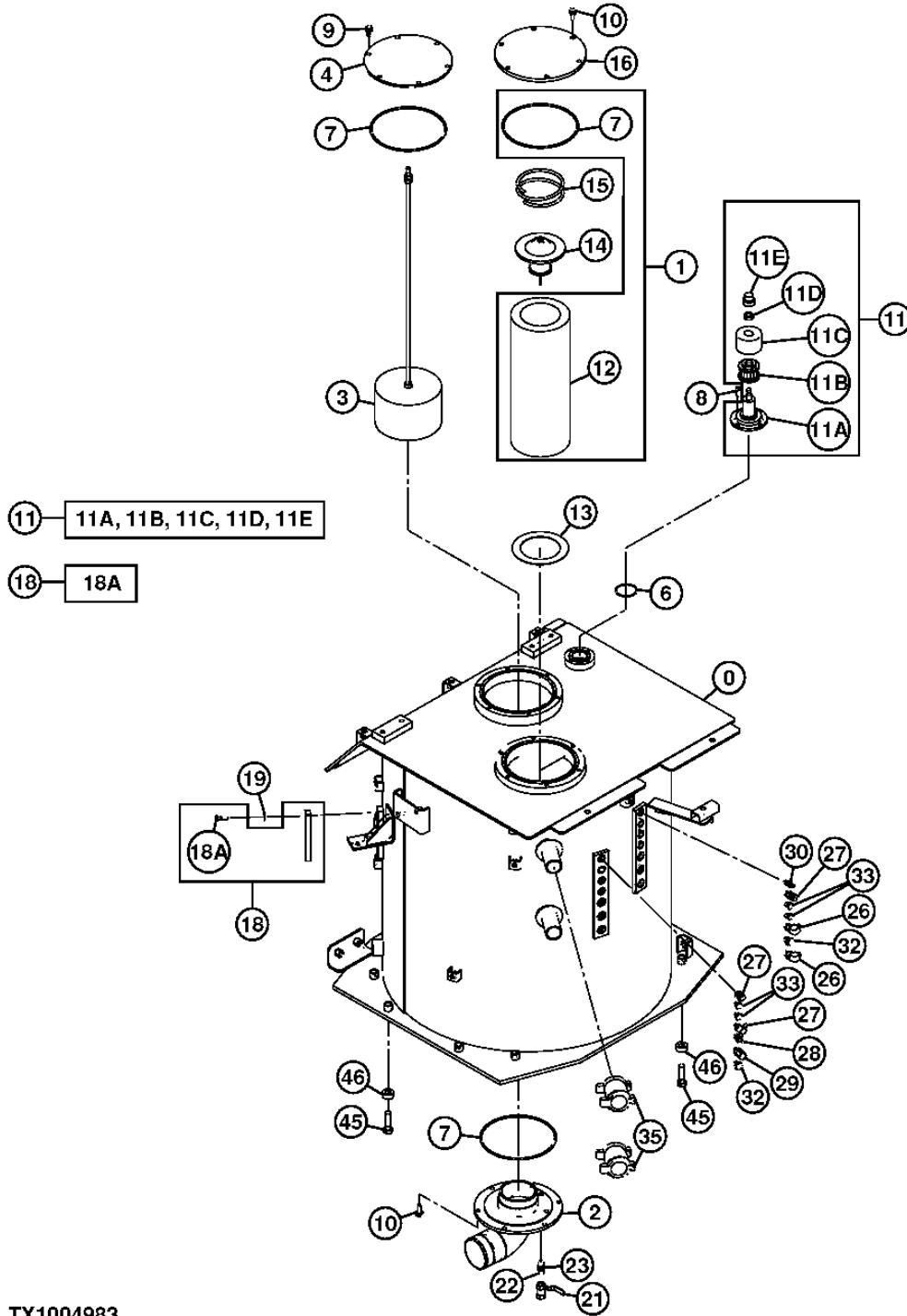
**MAIN BODY HI-FLOW AUXILIARY LINES (2)
 CONDUITES AUXILIAIRES DEBIT ELEVE CORPS PRINCIPAL (2)
 LINEAS AUXILIARES DE ALTO CAUDAL DEL CUERPO PRINCIPAL (2)**

KEY	PART NO.	PART NAME	QTY.	SERIAL NO.	REMARKS
0	4658727	HYDRAULIC HOSE	1		
1	4658728	HYDRAULIC HOSE	1		
2	4436535	SENSOR	1		
	957366	O-RING	1		
3	4263446	REDUCER	1		
	4674883	O-RING	1		(SUB FOR 4509180)
4	A852133	ADAPTER FITTING	4		
	4674883	O-RING	1		(SUB FOR 4509180)
5	A885002	PLUG	1		
	957366	O-RING	1		
6	4292762	BUSHING	1		
8	H77698	TIE BAND	12		(SUB FOR 4121859)
11	9766646	BRACKET	1		
12	XCL-29	HOSE CLAMP	1		(SUB FOR 4190264)
13	N198631	CLAMP	1		(SUB FOR 4190265)
14	4055311	TIE BAND	1		
15	M45242	CLIP	1		(SUB FOR 4190292)
16	SCREW WITH WASHER	3		(J271025 NLA)
	19M7402	CAP SCREW	3		M10 X 25
	24M7346	WASHER	3		11 X 20 X 2 MM
20	4660321	WIRING HARNESS	1		
21	4257159	BRACKET	1		
22	4467676	CLIP	3		
80	AT330608	FIELD INSTALLATION KIT	1		(HI-FLOW AUXILIARY LINES KIT - 3.4M ARM) (WHOLEGOODS)
	AT330609	FIELD INSTALLATION KIT	1		(HI-FLOW AUXILIARY LINES KIT - 3.9M ARM) (WHOLEGOODS)

3364A-2

HYDRAULIC OIL RESERVOIR RESERVOIRS HYDRAULIQUES RESERVAS HIDRAULICAS

TX1004983 -UN-17MAR06



TX1004983

3364A-3

EXCAVATOR 33

HYDRAULIC RESERVOIR 3364

HYDRAULIC OIL RESERVOIR RESERVOIRS HYDRAULIQUES RESERVAS HIDRAULICAS

KEY	PART NO.	PART NAME	QTY.	SERIAL NO.	REMARKS
0	5010088J	HYDRAULIC RESERVOIR	1		(SUB FOR 5010088)
1	4654745	FILTER ELEMENT	2		
2	8100633J	FITTING	1		(SUB FOR 8100633)
3	HYDRAULIC FILTER	1		(TH4343427 NLA) (4343427 NLA)
	4317008	STRAINER	1		(SUB FOR AT160522)
	4343376	ROD	1		
	14M7274	NUT	3		M10, (SUB FOR J950010)
4	8104059	COVER	1		
6	A810060	PACKING	1		(SUB FOR CH11571)
7	A810220	O-RING	3		(SUB FOR TH104436)
8	19M7768	SCREW	4		M6 X 16, (SUB FOR J780616 OR P61953)
9	SCREW WITH WASHER	6		(J271025 NLA)
	19M7402	CAP SCREW	6		M10 X 25, (SUB FOR J901025)
	24M7346	WASHER	6		11 X 20 X 2 MM, (SUB FOR J222010)
10	SCREW WITH WASHER	12		(J271030 NLA)
	19M7662	CAP SCREW	12		M10 X 30, (SUB FOR J901030)
	24M7346	WASHER	12		11 X 20 X 2 MM, (SUB FOR J222010)
11	4434017	FILTER	1		
11A	4437833	HOUSING	1		(SUB FOR TH4437838)
11B	4437838	FILTER ELEMENT	1		
11C	4437837	COVER	1		
11D	4371825	NUT	1		
11E	4437836	CAP	1		
12	FILTER ELEMENT	1		(4630331 NLA)
13	4250293	WASHER	1		(SUB FOR AT134351)
14	4271000	FLOW CONTROL HYD. VALVE	1		(SUB FOR AT201733)
15	4271001	SPRING	1		(SUB FOR AT201734)
16	3054856	COVER	1		(SUB FOR AT201684)
18	8053499	LEVEL GAUGE	1		(SUB FOR TH108293)
18A	4100967	BOLT	2		
19	449558	WASHER	4		
21	4209782	HAND OPERATED VALVE	1		(SUB FOR AT128432)
22	94-1702	ADAPTER FITTING	1		(SUB FOR TH102949) (4643266 OR 4656522 NLA)
23	R30298	PIPE PLUG	1		9.525 MM, (SUB FOR 447483 OR TH101892)
26	A852333	ELBOW FITTING	2		
	CH11570	O-RING	2		13.800 X 2.400 MM, (SUB FOR 4509180)
27	4154670	ELBOW FITTING	3		(SUB FOR A852322)
	M800650	PACKING	3		(SUB FOR 957366)
28	A852133	ADAPTER FITTING	4		
	CH11570	O-RING	1		13.800 X 2.400 MM, (SUB FOR 4509180)
29	A852334	ELBOW FITTING	1		
	CH11570	O-RING	1		13.800 X 2.400 MM, (SUB FOR 4509180)
30	A852122	ADAPTER FITTING	1		
	M800650	PACKING	1		(SUB FOR 957366)
32	A885003	PIPE PLUG	2		(SUB FOR THA885003)
	CH11570	O-RING	2		13.800 X 2.400 MM, (SUB FOR 4509180)
33	A885002	PLUG	4		
	M800650	PACKING	4		(SUB FOR 4509180)
35	4067834	COUPLING	2		
	4196260	SEAL	2		
45	19M7369	CAP SCREW	8		M16 X 60, (SUB FOR J901660)
46	4626882	SPACER	8		

3364A-4

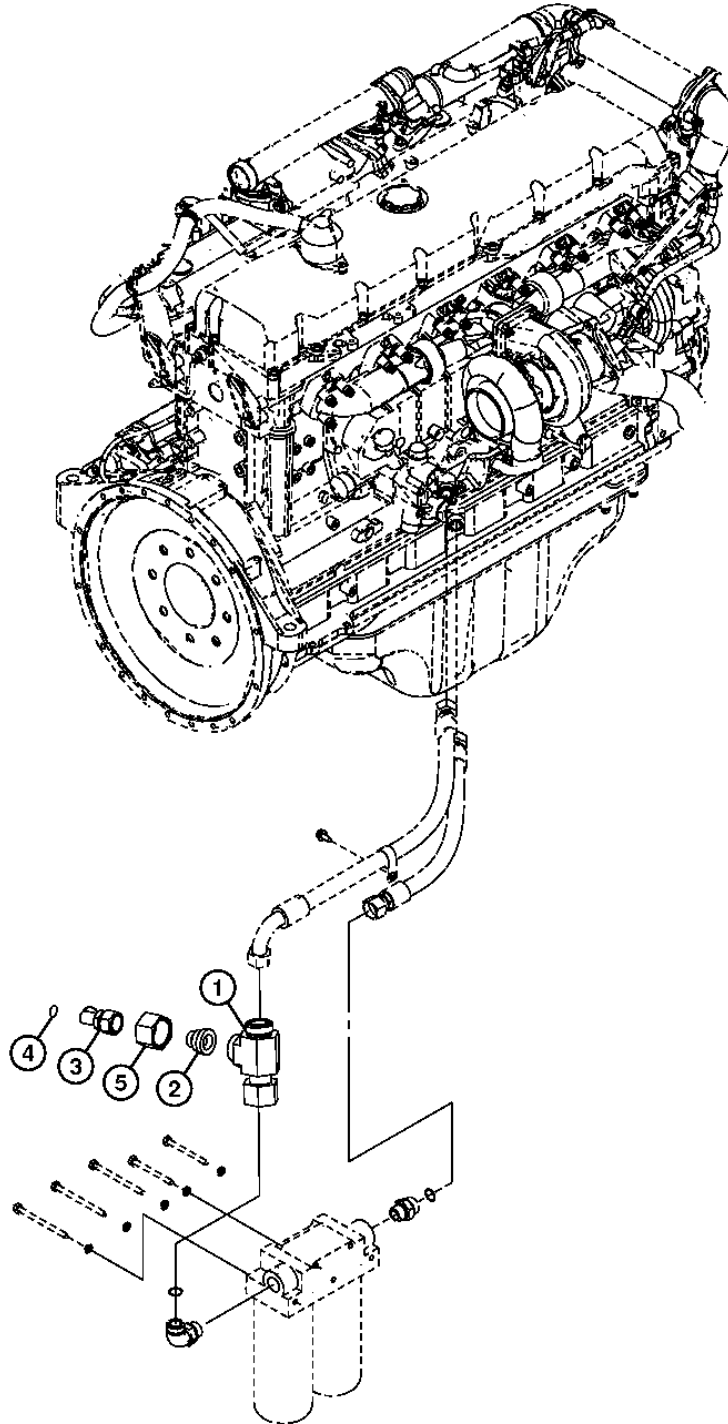
EXCAVATOR 33

HYDRAULIC RESERVOIR 3364

ENGINE OIL SAMPLING KIT KIT D'ECHANTILLONAGE D'HUILE MOTEUR JUEGO DE MUESTREO DE ACEITE DEL MOTOR

TX1006306

-UN-21APR06



TX1006306

THIS PARTS LISTING IS CONTINUED

3364A-5

EXCAVATOR 33

HYDRAULIC RESERVOIR 3364

**ENGINE OIL SAMPLING KIT
KIT D'ECHANTILLONAGE D'HUILE MOTEUR
JUEGO DE MUESTREO DE ACEITE DEL MOTOR**

KEY	PART NO.	PART NAME	QTY.	ENGINE SERIAL NO.	REMARKS
1	38H1002	TEE FITTING	1		
2	38H1475	REDUCER	1		
3	AT312932	FITTING	1		
4	T217790	LABEL	1		
5	38H1358	TUBE NUT	1		

3364A-6

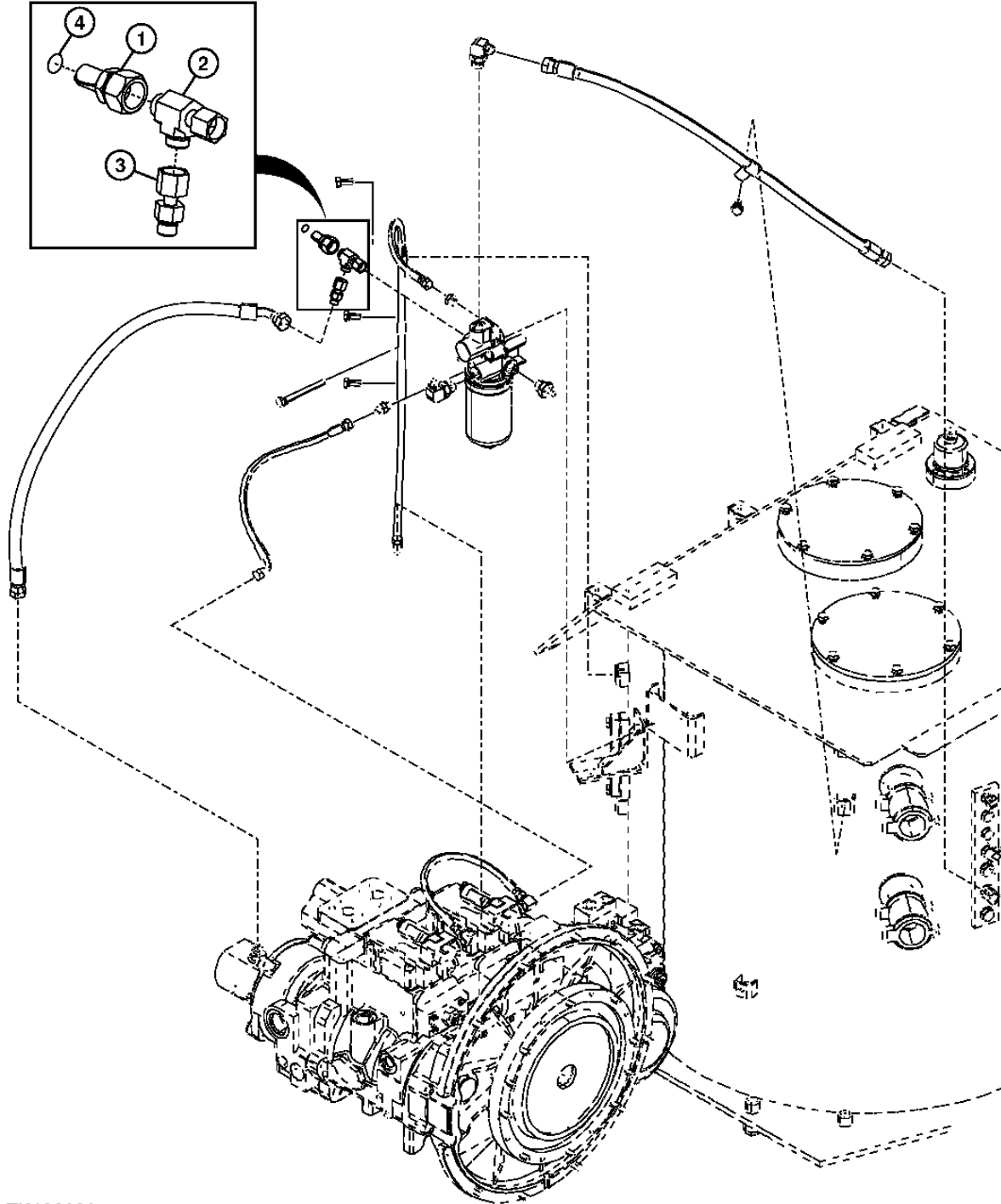
EXCAVATOR 33

HYDRAULIC RESERVOIR 3364

HYDRAULIC OIL SAMPLING KIT KIT D'ECHANTILLONAGE D'HUILE HYDRAULIQUE JUEGO DE MUESTREO DE ACEITE HIDRAULICO

TX1006267

-UN-21APR06



TX1006267

3364A-7

EXCAVATOR 33

HYDRAULIC RESERVOIR 3364

HYDRAULIC OIL SAMPLING KIT
KIT D'ECHANTILLONAGE D'HUILE HYDRAULIQUE
JUEGO DE MUESTREO DE ACEITE HIDRAULICO

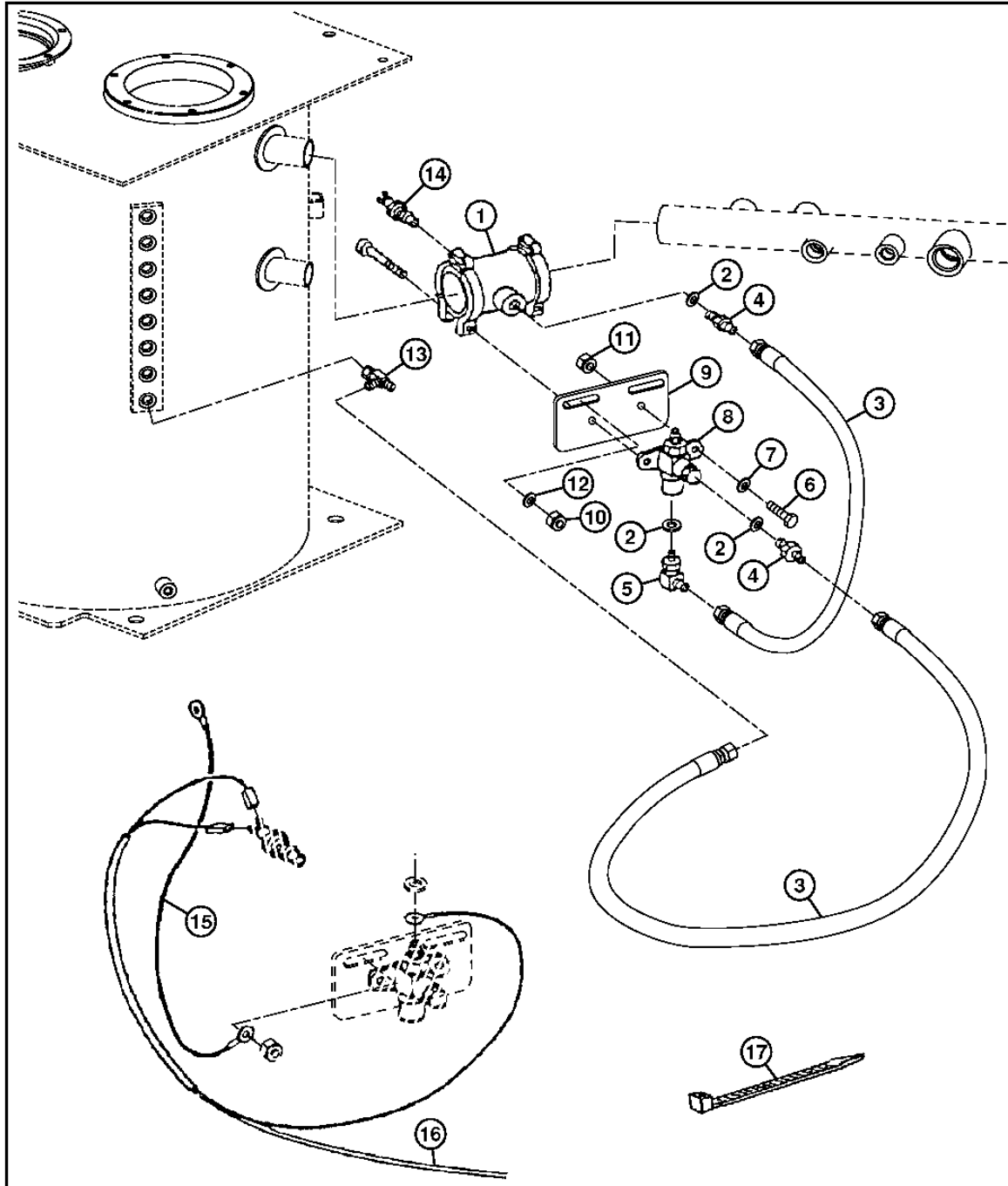
KEY	PART NO.	PART NAME	QTY.	ENGINE SERIAL NO.	REMARKS
1	AT312932	FITTING	1		
2	A853444	TEE FITTING	1		
3	X8XHL6-S	ADAPTER FITTING	1		
4	T217792	LABEL	1		

3364A-8

HYDRAULIC FILTER RESTRICTION INDICATOR INDICATEUR D'OBSTRUCTION DU FILTRE HYDRAULIQUE INDICADOR DE RESTRICCIÓN DE FILTRO HIDRAULICO

TX1019854

-UN-07MAR07



TX1019854

0

3364A-9

EXCAVATOR 33

HYDRAULIC RESERVOIR 3364

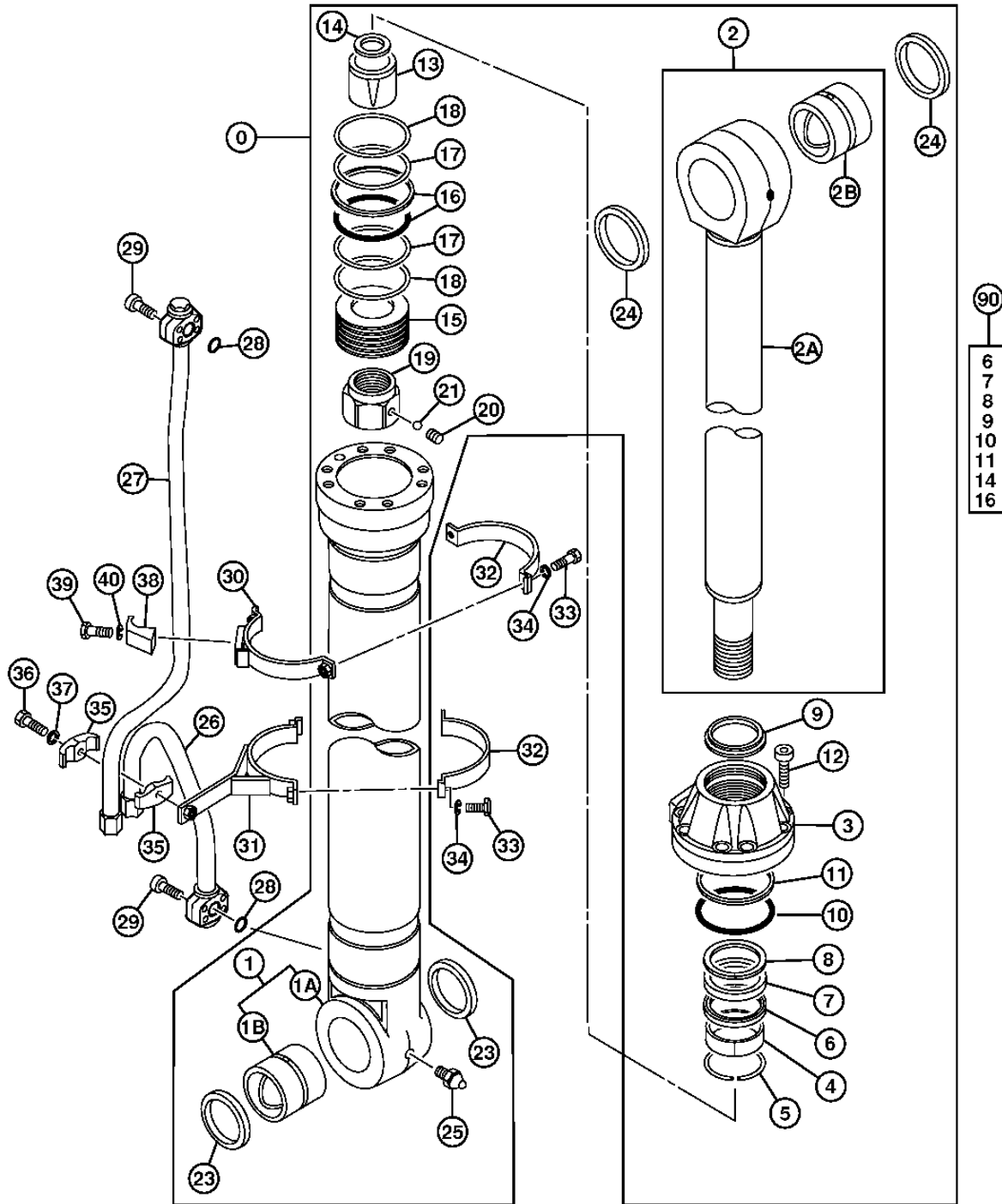
HYDRAULIC FILTER RESTRICTION INDICATOR
INDICATEUR D'OBSTRUCTION DU FILTRE HYDRAULIQUE
INDICADOR DE RESTRICCIÓN DE FILTRO HIDRAULICO

KEY	PART NO.	PART NAME	QTY.	SERIAL NO.	REMARKS
0	AT327632	FIELD INSTALLATION KIT	1		HYD. FILTER RESTRICTION INDICATOR (WHOLE GOODS)
1	AT134347	COUPLING	1		
2	T70177	O-RING	3		
3	AT38628	HYDRAULIC HOSE - FABRICATE	2		
4	R27212	FITTING	2		
5	AT35121	ELBOW FITTING	1		
6	19H1919	CAP SCREW	2		1/4" X 5/8"
7	24H1286	WASHER	2		
8	AT131436	PRESSURE SWITCH	1		
9	T138910	BRACKET	1		
10	14M7273	NUT	2		M8
11	14H786	NUT	2		1/4"
12	24M7036	WASHER	4		9 X 16 X 1.600 MM
13	AT36921	TEE FITTING	1		
14	AT131437	SWITCH	1		
15	AR76140	WIRING LEAD	1		
16	AT334102	WIRING HARNESS	1		
17	H77698	TIE BAND	5		

3365A-2

RIGHT BOOM CYLINDER COMPONENTS
 COMPOSANTS DE VERIN DE FLECHE DE DROITE
 COMPONENTES DEL CILANDRO DERECHO DEL AGUILON

T215950 -UN-09JAN06



T215950

3365A-3

EXCAVATOR 33

HYDRAULIC CYLINDERS 3365

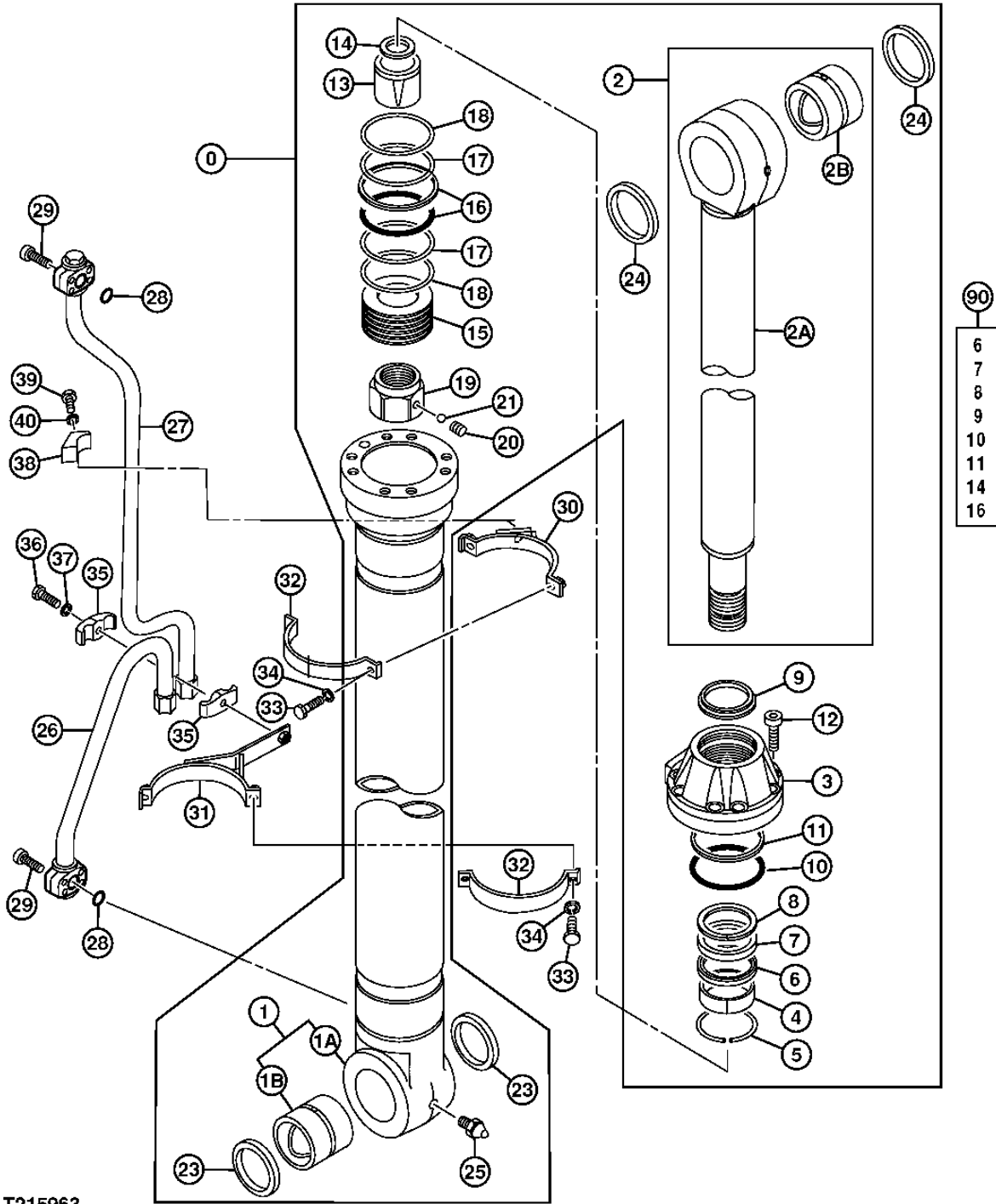
**RIGHT BOOM CYLINDER COMPONENTS
COMPOSANTS DE VERIN DE FLECHE DE DROITE
COMPONENTES DEL CILANDRO DERECHO DEL AGUILON**

KEY	PART NO.	PART NAME	QTY.	SERIAL NO.	REMARKS
0	PG200031G	HYDRAULIC CYLINDER	1		(SUB FOR 4637751, 4653043 OR 4653043G)
1	0420101	TUBE	1		
1A	TUBE	1		
1B	0420112	BUSHING	1		
2	0972101	ROD	1		
2A	ROD	1		
2B	0420104	BUSHING	1		
3	0972102	CYLINDER HEAD	1		
4	0352704	BUSHING	1		
5	0133103	SNAP RING	1		
6	0972103	RING	1		
7	0972104	PACKING	1		
8	AT132286	BACK-UP RING	1		(SUB FOR 0352707)
9	0972105	RING	1		
10	AT264240	O-RING	1		(SUB FOR A811160 OR AT132154)
11	AT132399	BACK-UP RING	1		(SUB FOR 4170546)
12	0191412	BOLT	8		
13	0420106	BEARING	1		
14	0420113	SEAL	1		
15	0420108	PISTON	1		
16	AT264253	RING	1		(SUB FOR 4170547 OR AT132400)
17	0972106	RING	2		
18	AT132175	RING	2		(SUB FOR 0259307)
19	0972107	NUT	1		
20	H228111	SET SCREW	1		(SUB FOR 0352715)
21	R26552	BALL	1		(SUB FOR 0104404)
23	4337631	RING	2		
24	0420111	RING	2		
25	TH100074	LUBRICATION FITTING	1		(SUB FOR J75481)
26	0942407	LINE	1		
27	0420114	TUBE	1		
28	AT264348	O-RING	2		(SUB FOR 984614)
29	19M8448	SCREW	8		M12 X 35, (SUB FOR M341236)
30	0875612	HALF CLAMP	1		
31	0352720	BAND	1		
32	0352721	BAND	2		
33	19M7550	CAP SCREW	4		M10 X 35, (SUB FOR J901035)
34	12M7066	LOCK WASHER	4		10 MM, (SUB FOR A590910)
35	0236915G	HOLDER	2		(SUB FOR 0236915)
36	19M7291	CAP SCREW	1		M14 X 90, (SUB FOR 0236916)
37	12H317	LOCK WASHER	1		9/16", (SUB FOR A590914)
38	0309219G	HALF CLAMP	1		(SUB FOR 0309219)
39	19M8348	CAP SCREW	1		M12 X 65, (SUB FOR J901265)
40	12H301	LOCK WASHER	1		1/2", (SUB FOR A590912)
90	4653040	SEAL KIT	1		

3365A-4

LEFT BOOM CYLINDER COMPONENTS
 COMPOSANTS DE VERIN DE FLECHE DE GAUCHE
 COMPONENTES DEL CILINDRO IZQUIERDO DEL AGUILON

T215963 -UN-04JAN06



T215963

THIS PARTS LISTING IS CONTINUED

3365A-5

EXCAVATOR 33

HYDRAULIC CYLINDERS 3365

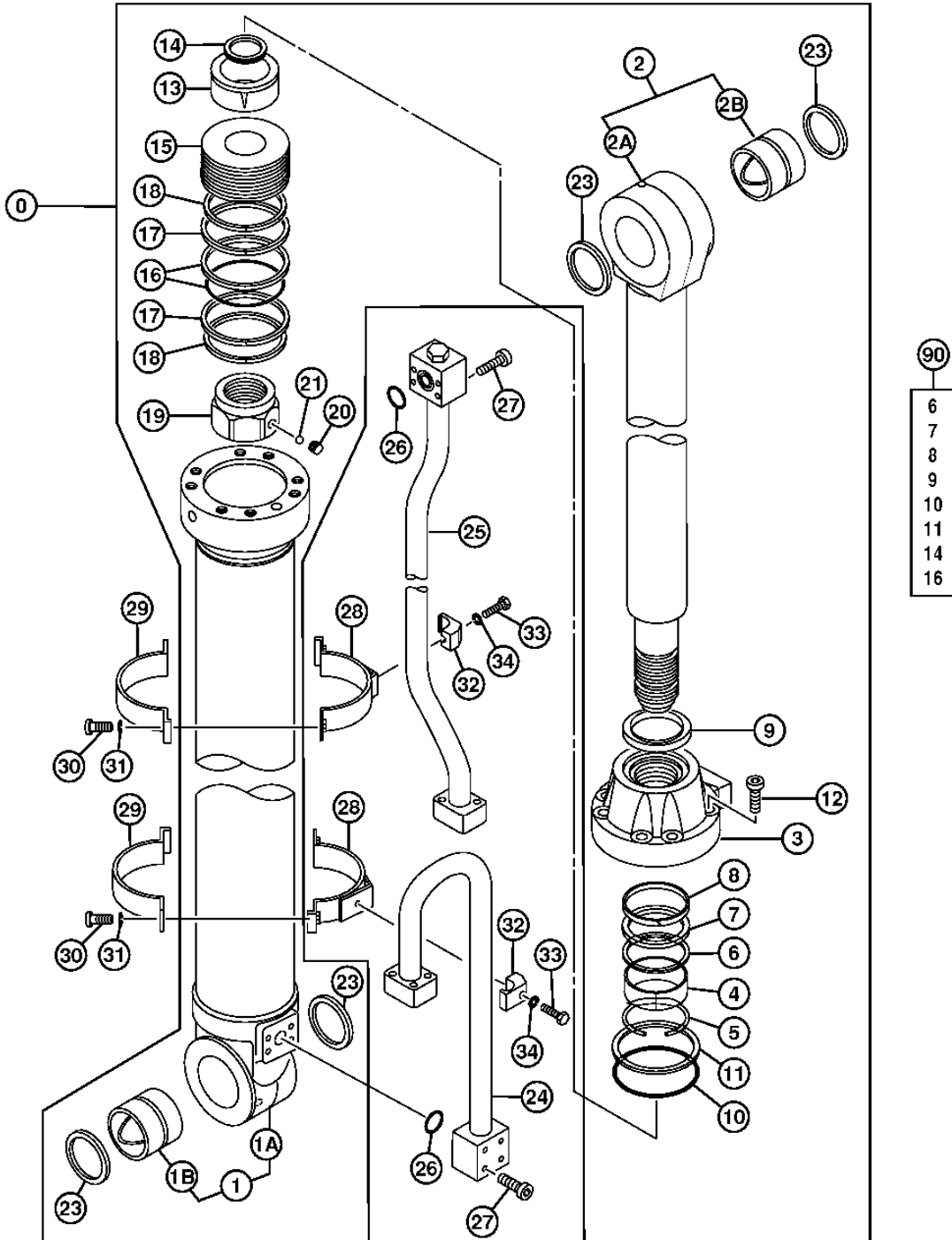
**LEFT BOOM CYLINDER COMPONENTS
COMPOSANTS DE VERIN DE FLECHE DE GAUCHE
COMPONENTES DEL CILINDRO IZQUIERDO DEL AGUILON**

KEY	PART NO.	PART NAME	QTY.	SERIAL NO.	REMARKS
0	4653043G	HYDRAULIC CYLINDER	1		(SUB FOR 4637752 OR 4653043)
1	0420101	TUBE	1		
1A	TUBE	1		
1B	0420112	BUSHING	1		
2	0972101	ROD	1		
2A	ROD	1		
2B	0420104	BUSHING	1		
3	0972102	CYLINDER HEAD	1		
4	0352704	BUSHING	1		
5	0133103	SNAP RING	1		
6	0972103	RING	1		
7	0972104	PACKING	1		
8	AT132286	BACK-UP RING	1		(SUB FOR 0352707)
9	0972105	RING	1		
10	AT264240	O-RING	1		(SUB FOR A811160 OR AT132154)
11	AT264252	BACK-UP RING	1		(SUB FOR 4170546 OR AT132399)
12	0191412	BOLT	8		
13	0420106	BEARING	1		
14	0420113	SEAL	1		
15	0420108	PISTON	1		
16	AT264253	RING	1		(SUB FOR 4170547 OR AT132400)
17	0972106	RING	2		
18	AT132175	RING	2		(SUB FOR 0259307)
19	0972107	NUT	1		
20	H228111	SET SCREW	1		(SUB FOR 0352715)
21	R26552	BALL	1		(SUB FOR 0104404)
23	4337631	RING	2		
24	0420111	RING	2		
25	TH100074	LUBRICATION FITTING	1		(SUB FOR J75481)
26	0942501	LINE	1		
27	0420201	LINE	1		
28	AT264348	O-RING	2		(SUB FOR 984614)
29	19M8448	SCREW	8		(SUB FOR M341236)
30	0875612	HALF CLAMP	1		
31	0352720	BAND	1		
32	0352721	BAND	2		
33	19M7550	CAP SCREW	4		(SUB FOR J901035)
34	12M7066	LOCK WASHER	4		(SUB FOR A590910)
35	0236915G	HOLDER	2		(SUB FOR 0236915)
36	19M7291	CAP SCREW	1		M14 X 90, (SUB FOR 0236916)
37	12H317	LOCK WASHER	1		9/16", (SUB FOR A590914)
38	0309219G	HALF CLAMP	1		(SUB FOR 0309219)
39	19M8348	CAP SCREW	1		M12 X 65, (SUB FOR J901265)
40	12H301	LOCK WASHER	1		1/2", (SUB FOR A590912)
90	4653040	SEAL KIT	1		

3365A-6

ARM CYLINDER COMPONENTS
 COMPOSANTS DE VERIN DE BRAS
 COMPONENTES DEL CILINDRO DE BRAZO

T215964 -UN-09JAN06



T215964

3365A-7

EXCAVATOR 33

HYDRAULIC CYLINDERS 3365

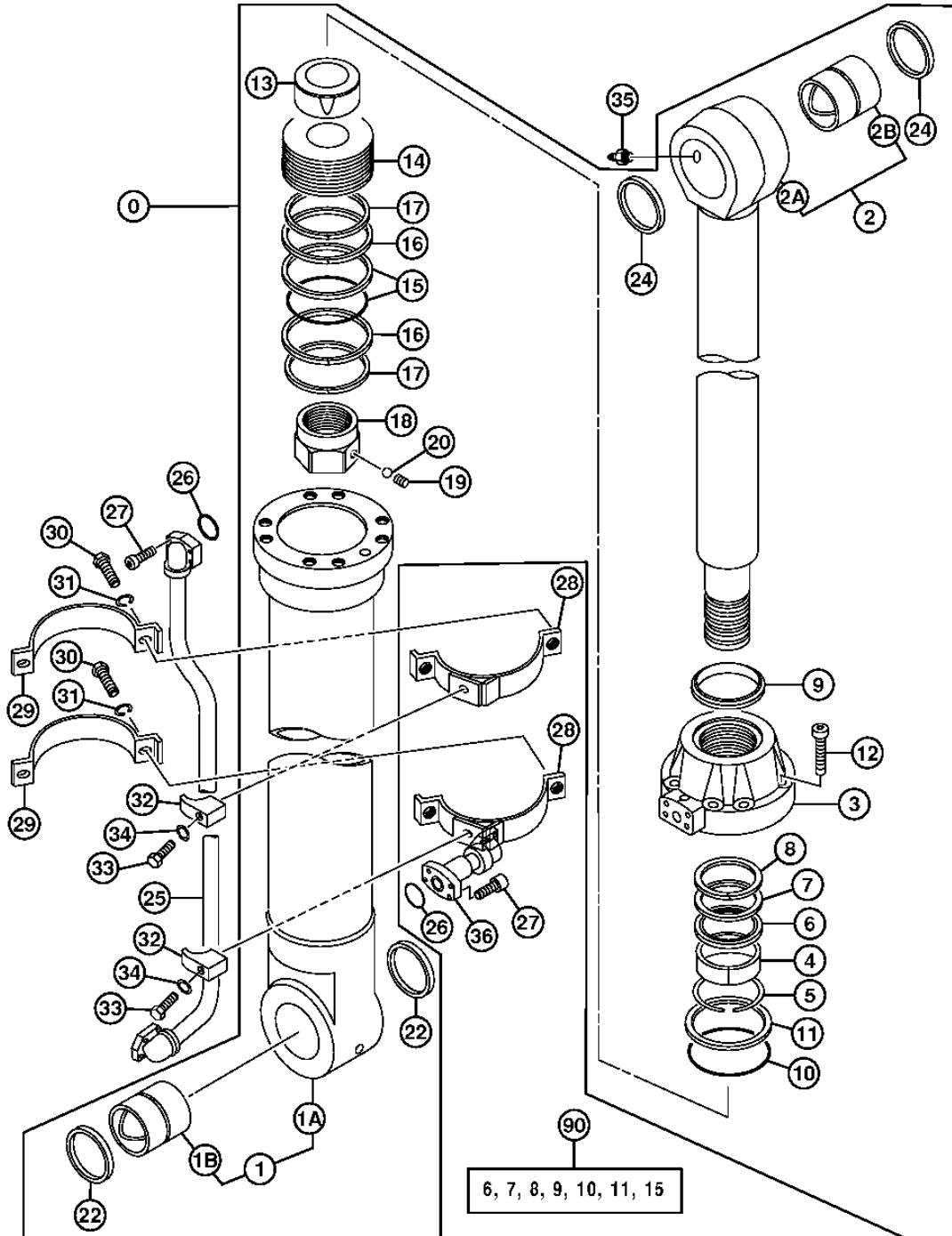
**ARM CYLINDER COMPONENTS
COMPOSANTS DE VERIN DE BRAS
COMPONENTES DEL CILINDRO DE BRAZO**

KEY	PART NO.	PART NAME	QTY.	SERIAL NO.	REMARKS
0	4653044G	HYDRAULIC CYLINDER	1		(SUB FOR 4663044 OR 4637753)
1	0420301	TUBE	1		
1A	TUBE	1		
1B	4660855	BUSHING	1		(SUB FOR 0420102)
2	0972301	ROD	1		
2A	ROD	1		
2B	4660855	BUSHING	1		(SUB FOR 0420102)
3	0972302	CYLINDER HEAD	1		
4	AT264250	BUSHING	1		(SUB FOR 0353004)
5	0133709	SNAP RING	1		
6	AT264251	RING	1		(SUB FOR 0941506 OR AT132314 OR 0353005 OR 4S00045)
7	0972303	PACKING	1		
8	AT264246	BACK-UP RING	1		(SUB FOR 0257005 OR AT132173 OR 4S00038)
9	0972304	RING	1		
10	AT264241	O-RING	1		(SUB FOR A811180)
11	AT264243	BACK-UP RING	1		(SUB FOR 0242507 OR AT132168 OR 4S00079)
12	4104472	BOLT	8		
13	0420304	BEARING	1		
14	0420310	SEAL	1		
15	0646404	PISTON	1		
16	AT264244	O-RING	1		(SUB FOR 0242510 OR AT132169 OR 4S00081)
17	0972305	RING	2		
18	AT264245	WEAR RING	2		(SUB FOR 0242512 OR AT132170)
19	0807708	NUT	1		
20	0353012	SET SCREW	1		
21	0353011	BALL	1		
23	4337631	RING	4		
24	0909002G	OIL LINE	1		(SUB FOR 0909002)
25	0420311G	OIL LINE	1		(SUB FOR 0420311)
26	AT264254	O-RING	1		(SUB FOR 955612)
27	19M8734	SCREW	8		M14 X 45, (SUB FOR M341446 OR M341445)
28	0972306	TIE BAND	2		
29	0353018J	HALF CLAMP	2		(SUB FOR 0353018)
30	19M7550	CAP SCREW	4		M10 X 35, (SUB FOR J901035)
31	12M7066	LOCK WASHER	4		10 MM, (SUB FOR A590910)
32	0972307	CLAMP	2		(SUB FOR 0353016 OR 0353016G)
33	T84067	SCREW	2		(SUB FOR J901485)
34	12H317	LOCK WASHER	2		9/16", (SUB FOR A590914)
90	4653041	SEAL KIT	1		

3365A-8

BUCKET CYLINDER COMPONENTS COMPOSANTS DE VERIN DE BENNE COMPONENTES DE CILINDRO DE CUCHARON

T215998 -UN-09JAN06



T215998

3365A-9

EXCAVATOR 33

HYDRAULIC CYLINDERS 3365

**BUCKET CYLINDER COMPONENTS
COMPOSANTS DE VERIN DE BENNE
COMPONENTES DE CILINDRO DE CUCHARO**

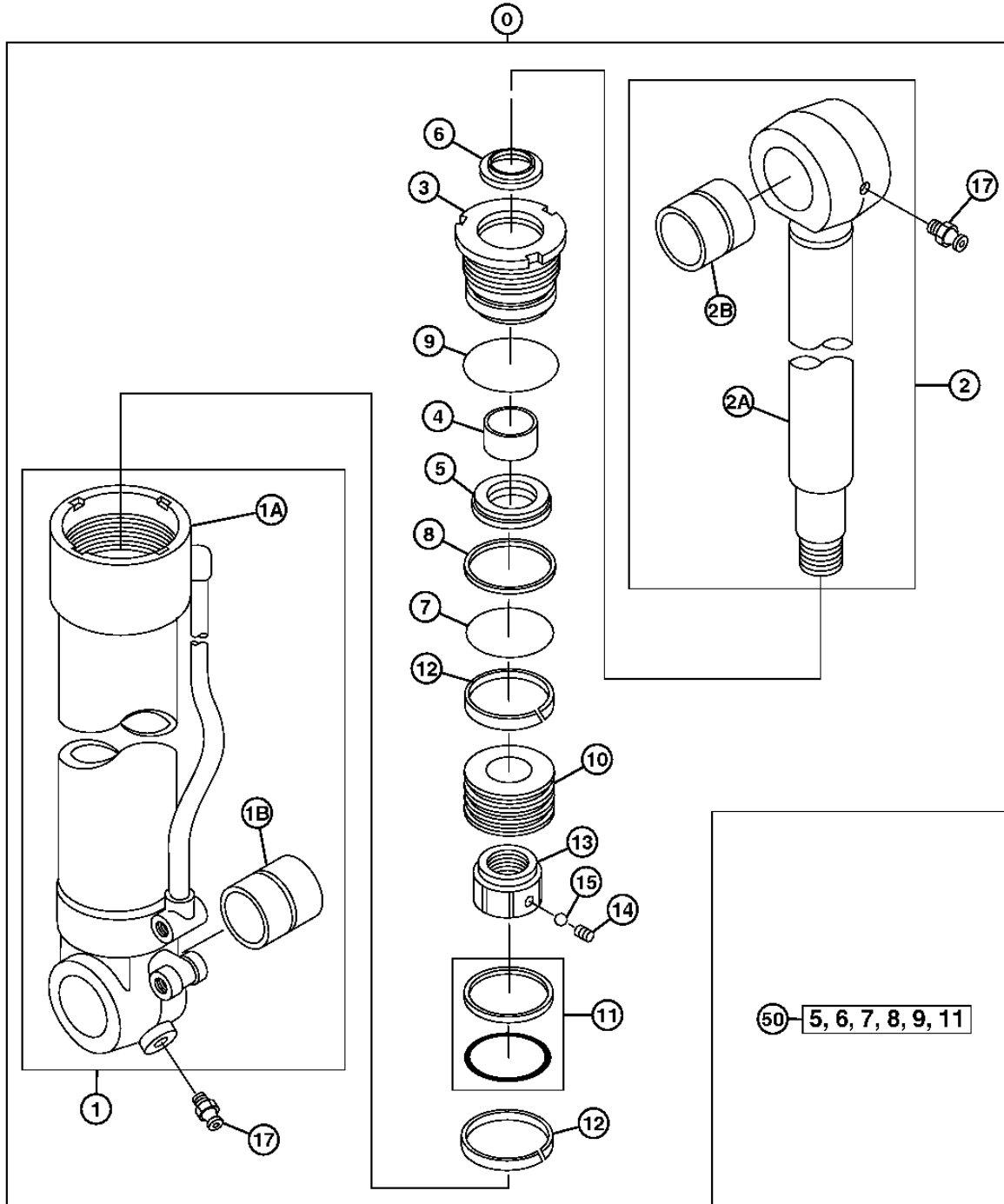
KEY	PART NO.	PART NAME	QTY.	SERIAL NO.	REMARKS
0	PG200033G	HYDRAULIC CYLINDER	1		(SUB FOR 4637754, 4653045 OR 4653045G)
1	0704401	HYDRAULIC CYLINDER BARREL	1		
1A	TUBE	1		
1B	4609091	BUSHING	1		(SUB FOR 0352905)
2	0972401	ROD	1		
2A	ROD	1		
2B	4660855	BUSHING	1		(SUB FOR 0420102)
3	0972402	CYLINDER HEAD	1		
4	AT264291	BUSHING	1		(SUB FOR 0450506)
5	0133103	SNAP RING	1		
6	0450518	RING	1		
7	0972403	PACKING	1		
8	AT264369	BACK-UP RING	1		(SUB FOR 0262403)
9	0450519	RING	1		
10	AT264240	O-RING	1		(SUB FOR A811160 OR AT132154)
11	AT264252	BACK-UP RING	1		(SUB FOR 4170546 OR AT132399)
12	0191412	BOLT	8		
13	0704404	BEARING	1		
14	0704405	PISTON	1		
15	AT264253	RING	1		(SUB FOR 4170547 OR AT132400)
16	0972106	RING	2		
17	AT132175	RING	2		(SUB FOR 0259307)
18	0972404	NUT	1		
19	0353012	SET SCREW	1		
20	0353011	BALL	1		
22	0420403	RING	2		
24	4337631	RING	2		
25	4S00349	LINE	1		(SUB FOR 0420404)
26	AT264348	O-RING	2		(SUB FOR 984614)
27	19M8395	SCREW	8		M12 X 40, (SUB FOR M341240)
28	0875612	HALF CLAMP	2		
29	0352721	BAND	2		
30	19M7550	CAP SCREW	4		M10 X 35, (SUB FOR J901035)
31	12M7066	LOCK WASHER	4		10 MM, (SUB FOR A590910)
32	0309219G	HALF CLAMP	2		(SUB FOR 0309219)
33	19M8348	CAP SCREW	2		M12 X 65, (SUB FOR J901265)
34	12H301	LOCK WASHER	2		1/2", (SUB FOR A590912)
35	TH100074	LUBRICATION FITTING	1		(SUB FOR J75481)
36	4S00350	PIPE	1		(SUB FOR 0420405)
90	4653042	SEAL KIT	1		

3365A-10

COUNTERWEIGHT REMOVAL DEVICE CYLINDER
 COMPOSANTS DE VERIN DE FLECHE DE DROITE
 COMPONENTES DEL CILANDRO DERECHO DEL AGUILON

TX1016061

-UN-19DEC06



TX1016061

3365A-11

EXCAVATOR 33

HYDRAULIC CYLINDERS 3365

COUNTERWEIGHT REMOVAL DEVICE CYLINDER
COMPOSANTS DE VERIN DE FLECHE DE DROITE
COMPONENTES DEL CILANDRO DERECHO DEL AGUILON

KEY	PART NO.	PART NAME	QTY.	SERIAL NO.	REMARKS
0	4344048	CYLINDER	1		(SUB FOR 4637751)
1	0657701	TUBE	1		
1A	0188905	BUSHING	1		
1B	0188905	BUSHING	1		(SUB FOR 0392602)
2	0657702	ROD	1		
2A	ROD	1		
2B	0392602	BUSHING	1		
3	0657703	CYLINDER HEAD	1		
4	0657704	BUSHING	1		
5	4085460	SEAL	1		(SUB FOR 4067131)
6	H158164	SEAL	1		(SUB FOR 0498205 OR AT163910 OR 0437005 OR 0409117 OR 0667106)
7	A811125	O-RING	1		
8	AT132286	BACK-UP RING	1		(SUB FOR 0352707)
9	TH100029	O-RING	1		
10	AT264240	O-RING	1		(SUB FOR A811160 OR AT132154)
11	0254305	SEAL	1		(SUB FOR 4170546)
12	0657706	RING	2		
13	0310511	NUT	1		
14	22M6684	SET SCREW	1		M12 X 12
15	T13624	BALL	1		
17	TH100074	LUBRICATION FITTING	2		
50	SEAL KIT	1		(4363078 NLA)

3365A-12

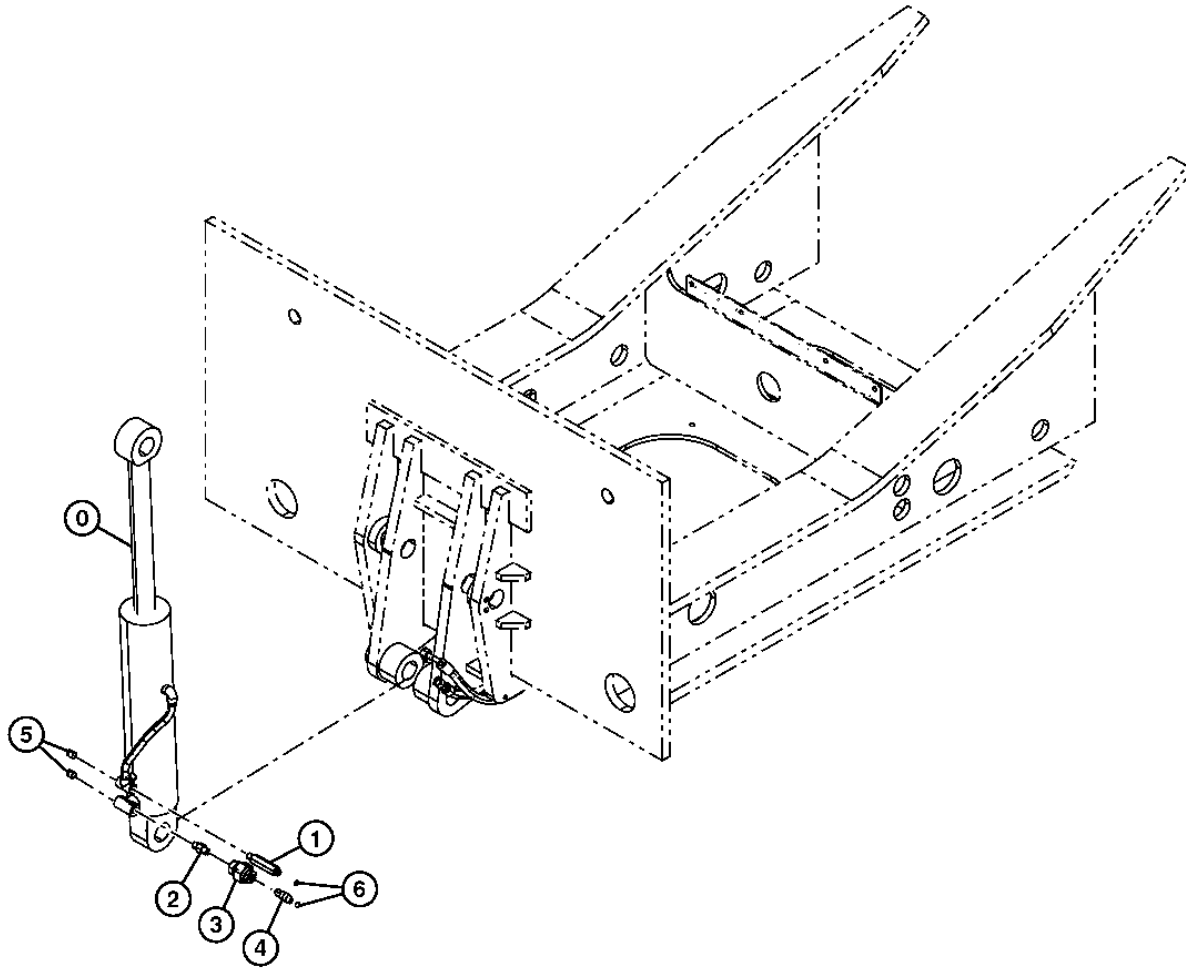
EXCAVATOR 33

HYDRAULIC CYLINDERS 3365

CYLINDER REMOVAL DEVICE
DISPOSITIF DE DEPOSE DE VERIN
DISPOSITIVO RETIRO CILINDRO

TX1002863

-UN-20JAN06



TX1002863

3365A-13

EXCAVATOR 33

HYDRAULIC CYLINDERS 3365

**CYLINDER REMOVAL DEVICE
DISPOSITIF DE DEPOSE DE VERIN
DISPOSITIVO RETIRO CILINDRO**

KEY	PART NO.	PART NAME	QTY.	SERIAL NO.	REMARKS
0	4344048	CYLINDER	1		
1	3071216	ADAPTER FITTING	1		
2	4339469	ADAPTER FITTING	1		
3	4146466	PNEUMATIC PRESSURE VALVE	1		
4	4274178	ELBOW FITTING	1		
5	94-2024	FITTING PLUG	2		
6	T77857	O-RING	2		(SUB FOR 4138938)

4360-2

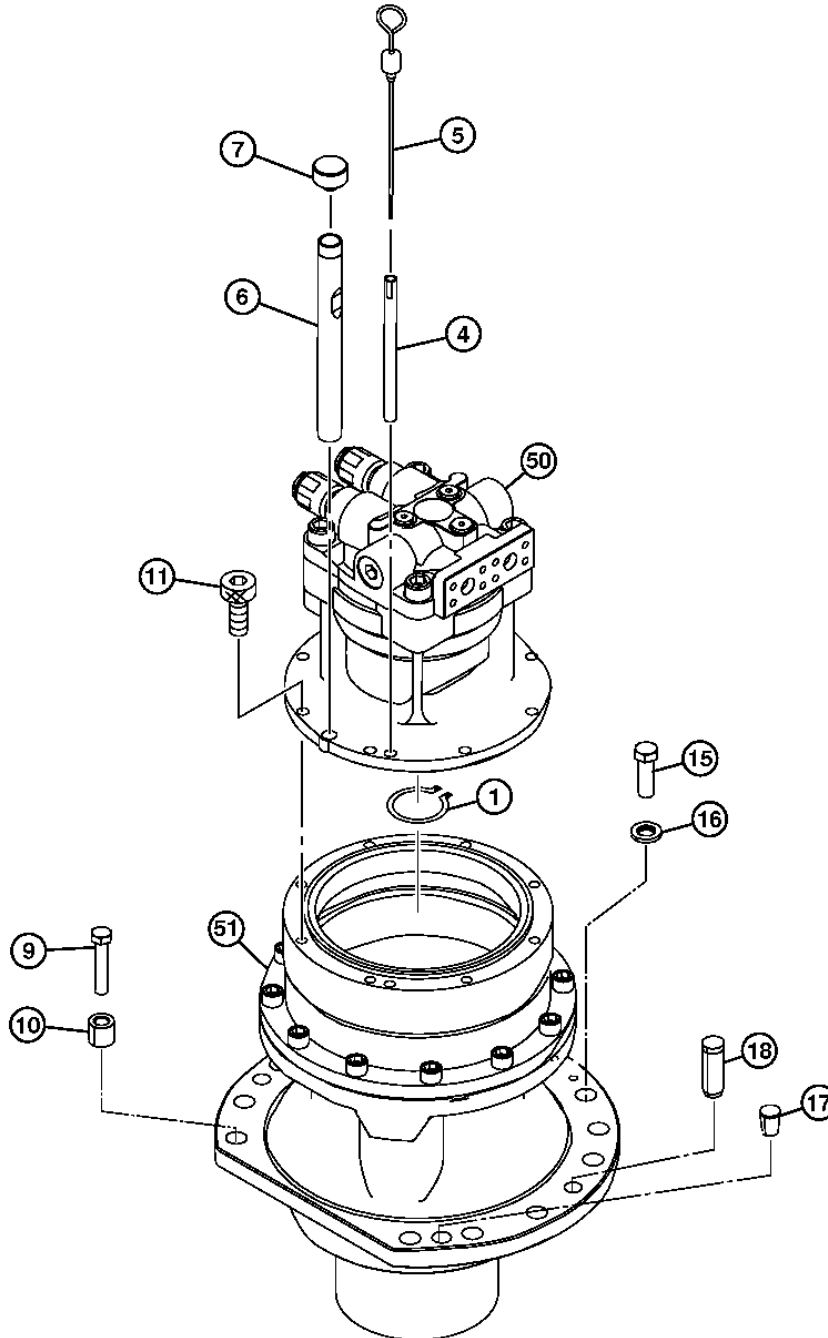
SWING, ROTATION OR PIVOTING SYSTEM 43

HYDRAULICS 4360

SWING MOTOR MOUNTING AND OIL FILL MONTURE DE MOTEUR DE PIVOTEMENT ET REMPLISSAGE D'HUILE MONTAJE Y CONDUCTO DE LLENADO DE MOTOR DE GIRO

TX1004947

-UN-17MAR06



TX1004947

4360-3

SWING, ROTATION OR PIVOTING SYSTEM 43

HYDRAULICS 4360

**SWING MOTOR MOUNTING AND OIL FILL
MONTURE DE MOTEUR DE PIVOTEMENT ET REMPLISSAGE D'HUILE
MONTAJE Y CONDUCTO DE LLENADO DE MOTOR DE GIRO**

KEY	PART NO.	PART NAME	QTY.	SERIAL NO.	REMARKS
1	40M7046	SNAP RING	1		(SUB FOR 991342)
4	4264452	TUBE	1		
5	3074223	DIPSTICK	1		
6	4332658	TUBE	1		
7	4343365	CAP	1		
9	19M8806	SCREW	4		M22 X 110, (SUB FOR J932202)
10	4334138	SPACER	4		
11	19M8168	SCREW	8		M12 X 25, (SUB FOR 4614096)
15	T214405	BOLT	22		(SUB FOR J932270)
16	T56006	WASHER	22		(SUB FOR 4089822)
17	99M7010	PLUG	4		(SUB FOR 0425176)
18	4343336	DOWEL PIN	4		
50	4423009EX	HYDRAULIC MOTOR	1		(SUB FOR 4423009) REMAN
51	SWING BEARING	1		NSEP

4360-4

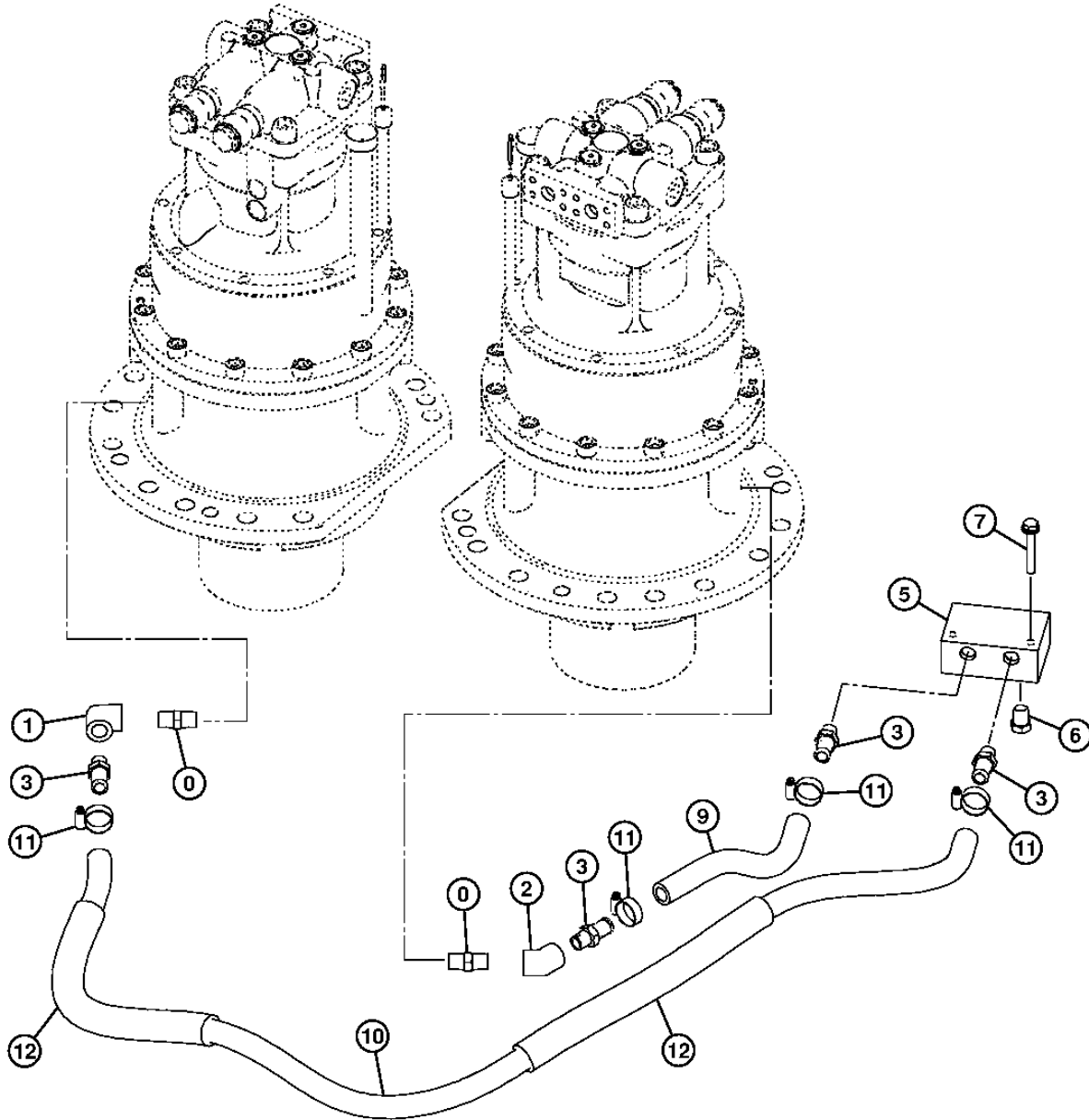
SWING, ROTATION OR PIVOTING SYSTEM 43

HYDRAULICS 4360

SWING MOTOR GEARBOX DRAIN HOSES FLEXIBLES DE VIDANGE DE BOITE D'ENGRENAGES DE MOTEUR DE PIVOTEMENT MANGUERAS DE VACIADO DE CAJA DE ENGRANAJES DEL MOTOR DE GIRO

TX1000803

-UN-28DEC05



TX1000803

4360-5

SWING, ROTATION OR PIVOTING SYSTEM 43

HYDRAULICS 4360

SWING MOTOR GEARBOX DRAIN HOSES
FLEXIBLES DE VIDANGE DE BOITE D'ENGRENAGES DE MOTEUR DE PIVOTEMENT
MANGUERAS DE VACIADO DE CAJA DE ENGRANAJES DEL MOTOR DE GIRO

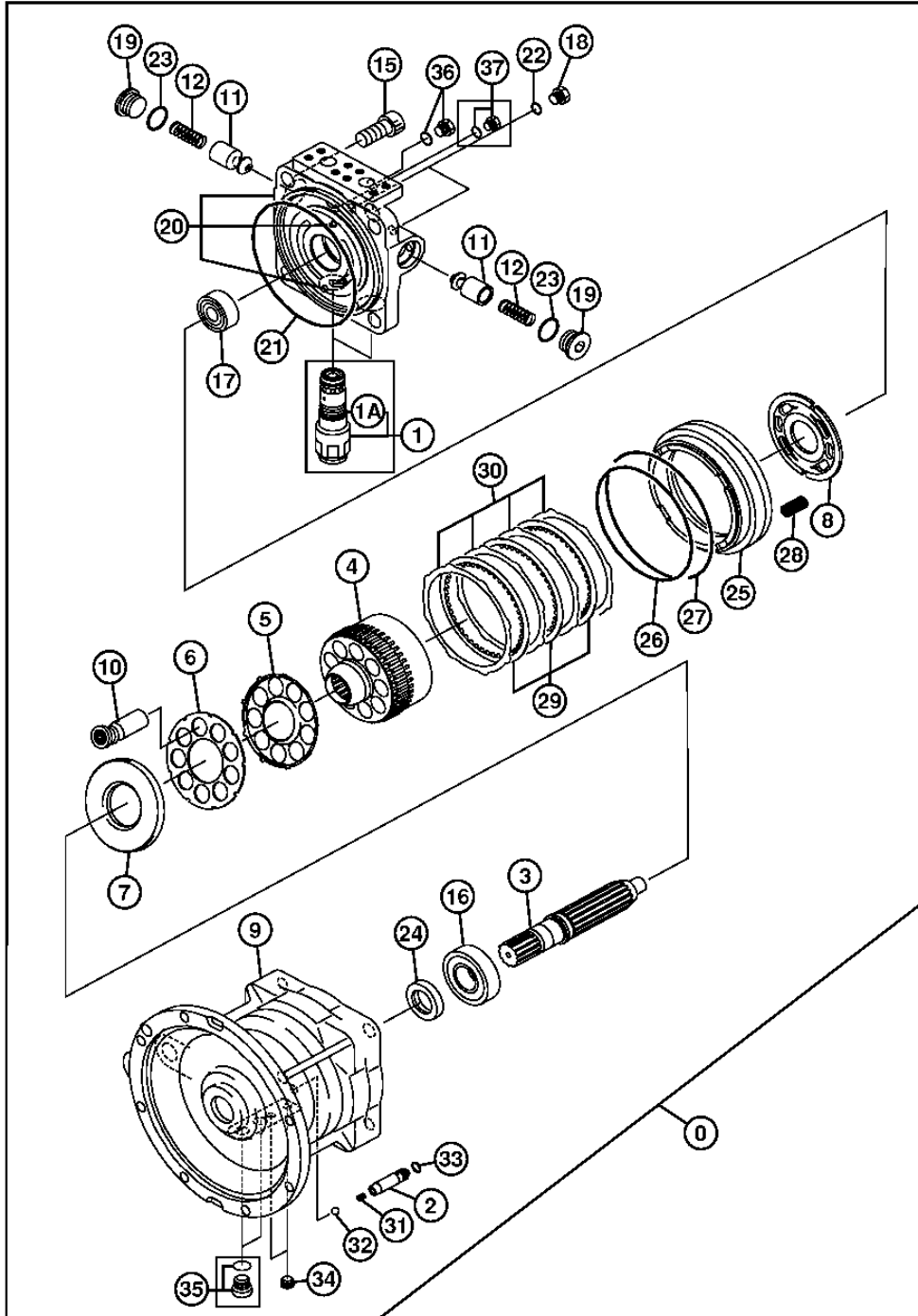
KEY	PART NO.	PART NAME	QTY.	SERIAL NO.	REMARKS
0	94-1703	ADAPTER FITTING	2		
1	94-0617	ELBOW FITTING	1		
2	94-0602	ELBOW FITTING	1		
3	4004589	ADAPTER FITTING	4		
5	4451677	MANIFOLD	1		
6	94-2024	FITTING PLUG	2		(SUB FOR 4509122)
7	BOLT	2		(J271070 OR J271065 NLA)
	19M7742	CAP SCREW	2		M10 X 65, (SUB FOR J901070, J901065 OR 24M7346, THIS APPLICATION)
	24M7346	WASHER	2		11 X 20 X 2 MM, (SUB FOR J222010)
9	TY22563	BULK HOSE	1		(SUB FOR 4055267) (CUT TO LENGTH, 300MM)
10	TY22328	BULK HOSE	1		(SUB FOR TH4435325) (CUT TO LENGTH, 1770MM)
11	TY22467	CLAMP	4		(SUB FOR 4504367)
12	XHG-075	HOSE GUARD	2		(SUB FOR 4044420)

4360-6

SWING MOTOR MOTEUR DU PIVOTEMENT MOTOR DE GIRO

TX1002009

-UN-27JAN06



TX1002009

4360-7

SWING, ROTATION OR PIVOTING SYSTEM 43

HYDRAULICS 4360

**SWING MOTOR
MOTEUR DU PIVOTEMENT
MOTOR DE GIRO**

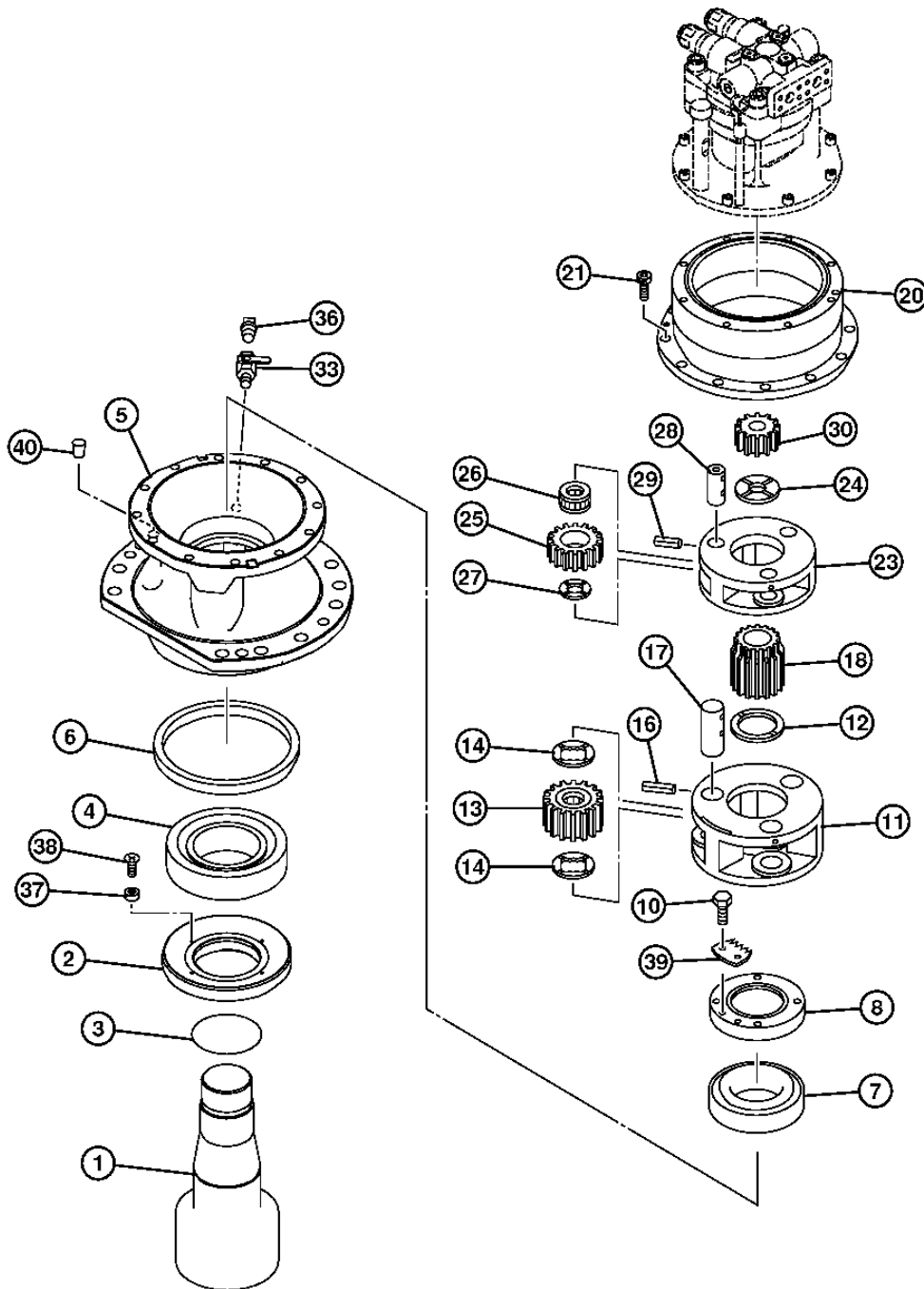
KEY	PART NO.	PART NAME	QTY.	SERIAL NO.	REMARKS
0	4423009EX	HYDRAULIC MOTOR	1		(REMAN) (SUB FOR 4423009)
1	4469527	RELIEF VALVE	2		
1A	A811030	O-RING	2		
2	0788803	PLUNGER	1		
3	0788804	SHAFT	1		
4	0788805	MANIFOLD	1		
5	0788806	PLATE	1		
6	0788807	RETAINER	1		
7	0788808	PLATE	1		
8	0788809	PLATE	1		
9	CASE	1		(0788810 NLA)
10	0788801	PISTON	1		(1 PACKAGE CONTAINS 9 PARTS)
11	0409215	PLUNGER	2		
12	0409216	SPRING	2		
15	M342045	BOLT	4		
16	0788811	CYLINDRICAL ROLLER BEARING	1		
17	0788812	CYLINDRICAL ROLLER BEARING	1		
18	0629404	FITTING PLUG	2		
19	0692708	FITTING PLUG	2		
20	0788802	COVER	1		
21	0425115	O-RING	1		
22	M800650	PACKING	2		
23	AT264347	O-RING	2		
24	0788813	SEAL	1		
25	0788814	PISTON	1		
26	4S00218	O-RING	1		
27	T80622	O-RING	1		
28	0788815	SPRING	24		
29	0788816	THRUST WASHER	3		
30	0788817	DRIVE DISK	4		
31	0788818	SPRING	1		
32	R63075	BALL	1		
33	CH11568	PACKING	1		
34	15H560	PIPE PLUG	2		1/16"
35	0628705	PIPE PLUG	2		
36	0694825	PIPE PLUG	1		
37	0788819	PIPE PLUG	1		

4360-8

SWING GEARBOX BOITE D'ENGRENAGES DE MOTEUR DE PIVOTEMENT MECANISMO DEL MOTOR DE GIRO

TX1002011

-UN-07JAN06



TX1002011

THIS PARTS LISTING IS CONTINUED

4360-9

SWING, ROTATION OR PIVOTING SYSTEM 43

HYDRAULICS 4360

SWING GEARBOX
BOITE D'ENGRENAGES DE MOTEUR DE PIVOTEMENT
MECANISMO DEL MOTOR DE GIRO

KEY	PART NO.	PART NAME	QTY.	SERIAL NO.	REMARKS
1	2043694	SHAFT	1		
2	3085412	SLEEVE	1		
3	AT264339	O-RING	1		
4	4402481	CYLINDRICAL ROLLER BEARING	1		
5	1026994	HOUSING	1		
6	4604376	SEAL	1		
7	4402637	CYLINDRICAL ROLLER BEARING	1		
8	3086064	NUT	1		
10	19M8324	CAP SCREW	2		M10 X 16
11	1026662	PLANET PINION CARRIER	1		
12	4642361	PLATE	1		(SUB FOR 4187590)
13	9750364	GEAR	3		
14	4336929	WEAR PLATE	6		
16	34M7225	SPRING PIN	3		8 X 28 MM
17	4488904	PIN	3		
18	3080912	SUN GEAR	1		
20	1025957	RING GEAR	1		
21	19M8445	SCREW	12		M16 X 45
23	1025912	PLANET PINION CARRIER	1		
24	4403371	PLATE	1		
25	3082517	GEAR	3		
26	4404506	NEEDLE BEARING	3		
27	4403082	PLATE	3		
28	4336923	PIN	3		
29	4051262	SPRING PIN	3		
30	3084056	SUN GEAR	1		
33	4194712	DRAIN VALVE	1		
36	94-2024	FITTING PLUG	1		
37	4422479	MAGNET	4		
38	M470513	CAP SCREW	4		
39	4411122	PLATE	1		
40	99M7010	PLUG	2		

4360-10

SWING, ROTATION OR PIVOTING SYSTEM 43

HYDRAULICS 4360

MEMORANDA
MEMORANDA
MEMORANDA

00II-1

450DLC EXCAVATOR

NUMERICAL INDEX

PART NO.	KEY	PAGE	PART NO.	KEY	PAGE	PART NO.	KEY	PAGE
AA34965	32	0560-5	AT131086	22	3302-11	AT131815	7	3302-11
AA34965	8	1830-7	AT131086	21	3302-15	AT131815	7	3302-13
AA34965	19	1830-11	AT131086	22	3302-15	AT131815	7	3302-15
AD4112	12	1740-11	AT131086	41	3302-15	AT131815	7	3302-25
AE24616	43	3315-19	AT131086	21	3302-15B	AT131816	6	3302-5
AE24616	11	3363A-57B	AT131086	22	3302-15B	AT131816	6	3302-9
AE24616	7	3363A-111	AT131086	41	3302-15B	AT131816	6	3302-11
AE42281	6	3363A-79	AT131089	15	3302-13	AT131816	6	3302-13
AE42281	1	3363A-95	AT131090	15	3302-3	AT131816	6	3302-15
AE42281	5	3363A-115	AT131090	15	3302-3B	AT131816	6	3302-25
AE48034	5	0560-3B	AT131094	15	3302-9	AT131851	28	1740-5
AE52955	1	3363A-105	AT131095	15	3302-9	AT131864	16A	1810-15
AH170895	8	0560-3B	AT131096	15	3302-11	AT131865	16B	1810-15
AH63565	5	3363A-57B	AT131097	15	3302-5	AT131926	6	3363-11
AH79175	33	0510-5	AT131097	15	3302-5B	AT131926	6	3363-11B
AH79175	7	3363-31	AT131097	15	3302-15	AT132074	27	1740-5
AH79175	42	3363-41	AT131097	15	3302-15B	AT132153	5	0130-13
AH99745	4	3363A-115	AT131098	15	3302-7	AT132154	10	3365A-3
AP36265	8	3363A-111	AT131098	15	3302-7B	AT132154	10	3365A-5
AR21839	9	0560-3B	AT131436	8	3364A-9	AT132154	10	3365A-9
AR21840	23	0520-3	AT131437	14	3364A-9	AT132154	10	3365A-11
AR48236	27	0510-5	AT131445	2	3363A-105	AT132168	11	3365A-7
AR48236	17	0530-3	AT131559	6	0530-3	AT132169	16	3365A-7
AR48236	11	0560-3	AT131625	4	3302-5	AT132170	18	3365A-7
AR65293	23	0520-3	AT131625	4	3302-9	AT132173	8	3365A-7
AR73234	14G	0520-3	AT131625	4	3302-11	AT132175	18	3365A-3
AR76140	15	3364A-9	AT131625	4	3302-13	AT132175	18	3365A-5
AT126482	6	3363A-67	AT131625	4	3302-15	AT132175	17	3365A-9
AT126850	3	3363A-79	AT131625	4	3302-25	AT132286	8	3365A-3
AT128432	21	3364A-3	AT131627	12	3340-3	AT132286	8	3365A-5
AT128461	11	3302-5	AT131627	12	3340-5	AT132286	8	3365A-11
AT128461	11	3302-5B	AT131627	12	3340-7	AT132314	6	3365A-7
AT128461	11	3302-7	AT131676	8	1740-5	AT132399	11	3365A-3
AT128461	11	3302-7B	AT131682	4	3340-9	AT132399	11	3365A-5
AT128461	11	3302-9	AT131685	5	3363-5	AT132399	11	3365A-9
AT128461	11	3302-11	AT131685	4	3363-17	AT132400	16	3365A-3
AT128461	11	3302-13	AT131685	5	3363-19	AT132400	16	3365A-5
AT128461	11	3302-15	AT131685	5	3363-21	AT132400	15	3365A-9
AT128461	11	3302-15B	AT131685	31	3363A-63	AT132505	6	0130-13
AT128461	11	3302-25	AT131685	31	3363A-97	AT134347	1	3364A-9
AT131080	21	3302-3	AT131685	4	3363A-107	AT134351	13	3364A-3
AT131080	22	3302-3	AT131685	2	3363A-109	AT135758	0C	1673-9
AT131080	29	3302-3	AT131685	2	3363A-121	AT135758	3C	1673-11
AT131080	21	3302-3B	AT131685	8	3363A-123	AT135758	3C	1673-13
AT131080	22	3302-3B	AT131685	21	3363A-123	AT135758	5C	1673-15
AT131080	29	3302-3B	AT131685	24	3363A-127	AT135758	7C	1674-11
AT131080	21	3302-25	AT131725	24	0520-3	AT135758	22C	3344-5
AT131080	22	3302-25	AT131743	2	2002-3	AT153809	2	1810-3
AT131080	90	3302-25	AT131768	26	3302-5	AT153809	8	1810-43
AT131085	21	3302-5	AT131768	26	3302-5B	AT154310	10C	3315-9
AT131085	22	3302-5	AT131768	26	3302-7	AT154445	5N	3361-9
AT131085	90	3302-5	AT131768	26	3302-7B	AT154553	5	0400-3
AT131085	21	3302-5B	AT131768	26	3302-9	AT154755	3	3363A-71
AT131085	22	3302-5B	AT131768	26	3302-11	AT154883	4	1830-3
AT131085	90	3302-5B	AT131768	26	3302-15	AT154883	4	1830-7
AT131085	21	3302-7	AT131768	26	3302-15B	AT154921	0	1674-9
AT131085	22	3302-7	AT131768	26	3302-25	AT154922	1	1674-9
AT131085	..	3302-7	AT131791	15	3363-5	AT154990	0C	1673-9
AT131085	21	3302-7B	AT131810	21	3363-21	AT158988	28	3315-19
AT131085	22	3302-7B	AT131814	8	3302-5	AT159362	15	3302-25
AT131085	..	3302-7B	AT131814	8	3302-9	AT159574	8	3363A-117
AT131085	21	3302-9	AT131814	8	3302-11	AT160522	3	3364A-3
AT131085	22	3302-9	AT131814	8	3302-13	AT160753	40	3302-13
AT131085	..	3302-9	AT131814	8	3302-15	AT163548	1A	3302-27
AT131085	21	3302-11	AT131814	8	3302-25	AT163549	1B	3302-27
AT131085	22	3302-11	AT131815	7	3302-5	AT163550	1F	3302-27
AT131086	21	3302-11	AT131815	7	3302-9	AT163551	1E	3302-27

00II-2

450DLC EXCAVATOR

NUMERICAL INDEX - CONTINUED

PART NO.	KEY	PAGE	PART NO.	KEY	PAGE	PART NO.	KEY	PAGE
AT163552	1D	3302-27	AT167874	2	3302-3B	AT183653	8	3302-7
AT163553	1C	3302-27	AT167874	30	3302-3B	AT183654	12	3302-7
AT163554	1G	3302-27	AT167874	29	3302-25	AT186241	12	1830-9
AT163555	1J	3302-27	AT167874	30	3302-25	AT186623	4	3363A-105
AT163556	1I	3302-27	AT167874	91	3302-25	AT186647	6	1821-9
AT163557	1H	3302-27	AT167876	91	3302-5	AT187274	10	3302-25B
AT163558	1A	3302-29	AT167876	91	3302-5B	AT187275	10	3302-25B
AT163558	1A	3302-33	AT167876	..	3302-7	AT187276	10	3302-25B
AT163559	1B	3302-29	AT167876	..	3302-7B	AT187277	10	3302-25B
AT163559	1B	3302-33	AT167876	42	3302-9	AT187278	10	3302-25B
AT163560	1F	3302-29	AT167876	29	3302-11	AT190587	12	3363A-113
AT163560	1F	3302-33	AT167876	30	3302-11	AT191567	5	3363A-111
AT163561	1E	3302-29	AT167876	91	3302-11	AT191642	9	0413-9
AT163561	1E	3302-33	AT167878	29	3302-11	AT192342	14	3340-3
AT163562	1D	3302-29	AT167878	30	3302-11	AT192342	14	3340-5
AT163562	1D	3302-33	AT167878	91	3302-11	AT192342	14	3340-7
AT163563	1C	3302-29	AT167878	29	3302-15	AT194969	15	0560-3
AT163563	1C	3302-33	AT167878	30	3302-15	AT195278	4	1821-3
AT163564	1G	3302-29	AT167878	42	3302-15	AT195279	5	1821-3
AT163564	1G	3302-33	AT167878	29	3302-15B	AT195287	10	1821-3
AT163565	1J	3302-29	AT167878	30	3302-15B	AT195936	16	3363A-109
AT163565	1J	3302-33	AT167878	42	3302-15B	AT196315	17	3363A-109
AT163566	1I	3302-29	AT168851	9	3361-15	AT196567	6	1810-25
AT163566	1I	3302-33	AT169920	3	3363A-109	AT198439	1L	3302-29
AT163567	1H	3302-29	AT169921	4	3363A-109	AT198439	1L	3302-33
AT163567	1H	3302-33	AT169922	5	3363A-109	AT199375	1K	3302-29
AT163660	28	3302-3	AT169923	7	3363A-109	AT199375	1K	3302-33
AT163660	28	3302-3B	AT169988	2	3363A-107	AT199401	1M	3302-27
AT163674	40	3302-25	AT169988	14	3363A-107	AT201601	14	3361-7
AT163675	40	3302-5	AT169989	14	3363A-107	AT201613	23	3361-7
AT163678	40	3302-5	AT169990	8	3363A-109	AT201615	27	3361-7
AT163678	40	3302-5B	AT169991	9	3363A-109	AT201621	49	3361-9
AT163681	40	3302-5	AT170459	28	3315-19	AT201622	48	3361-7
AT163681	40	3302-5B	AT172373	12	3363A-107	AT201622	48	3361-9
AT163682	40	3302-5	AT172487	8	3363A-107	AT201625	53	3361-9
AT163682	40	3302-5B	AT172488	6	3363A-109	AT201629	67	3361-9
AT163683	40	3302-5	AT173678	2	1821-17	AT201630	70	3361-9
AT163683	40	3302-5B	AT175916	0	3363-13	AT201631	71	3361-9
AT163684	40	3302-5	AT175919	0A	3363-13	AT201632	73	3361-9
AT163684	40	3302-5B	AT178136	11	3363-21	AT201684	16	3364A-3
AT163686	40	3302-5	AT178139	20	3363-21	AT201695	3B	3340-3
AT163686	40	3302-5B	AT178140	21	3363-21	AT201695	3	3340-9
AT163687	40	3302-15	AT178140	22	3363-21	AT201732	8	3363-17
AT163687	40	3302-15B	AT179370	14B	0520-3	AT201733	14	3364A-3
AT163694	40	3302-9	AT179371	14C	0520-3	AT201734	15	3364A-3
AT163695	40	3302-9	AT180585	3	3363A-105	AT201769	3	3363A-89
AT163696	40	3302-11	AT181000	9B	1830-3	AT201796	17	3363-21
AT163697	40	3302-11	AT181000	19A	1830-3	AT201796	18	3363A-63
AT163698	40	3302-11	AT181007	17	1830-3	AT201796	18	3363A-97
AT163825	1A	3302-31	AT181011	54	1830-5	AT201796	5	3363A-107
AT163826	1B	3302-31	AT181022	77	1830-5	AT201796	34	3363A-127
AT163827	1F	3302-31	AT181024	55	1830-5	AT201827	14	3363-5
AT163828	1E	3302-31	AT181053	76	1830-5	AT201828	13	3363-5
AT163832	1C	3302-31	AT181084	9	1830-9	AT201932	4	3363A-89
AT163910	6	3365A-11	AT183645	40	3302-7	AT201963	83	3361-9
AT165110	3	1673-11	AT183646	40	3302-7	AT201967	16	3361-11
AT165110	3	1673-13	AT183647	40	3302-7	AT201967	6	3361-15
AT165110	5	1673-15	AT183647	40	3302-7B	AT201968	81	3361-7
AT165110	7	1674-11	AT183648	40	3302-7	AT201968	81	3361-9
AT165110	22	3344-5	AT183648	40	3302-7B	AT202085	65	3362-9B
AT167196	1K	3302-27	AT183649	40	3302-7	AT202085	85	3362-13B
AT167197	1L	3302-27	AT183649	40	3302-7B	AT202091	1	3363-3
AT167304	40	3302-11	AT183650	40	3302-7	AT202308	1	3363-23
AT167874	1	3302-3	AT183650	40	3302-7B	AT202337	26	1740-5
AT167874	2	3302-3	AT183651	40	3302-7	AT209965	12	2600-3
AT167874	30	3302-3	AT183651	40	3302-7B	AT213614	2	3363-15
AT167874	1	3302-3B	AT183652	32	3302-7	AT213615	7	1810-3

00II-3

450DLC EXCAVATOR

NUMERICAL INDEX - CONTINUED

PART NO.	KEY	PAGE	PART NO.	KEY	PAGE	PART NO.	KEY	PAGE
AT213630	44	3361-7	AT264369	8	3365A-9	AT329372	15	1821-3
AT213802	1	3363A-71	AT274462	0C	1673-9	AT329373	19	1821-3
AT213898	33	1830-7	AT300303	1	3363A-111	AT329374	8	1821-3
AT213898	34	1830-7	AT300313	2	3363A-111	AT329377	24	1821-3
AT214007	17	1810-15	AT300465	16	3363A-111	AT329379	22	1821-3
AT214011	10	1821-9	AT300466	17	3363A-111	AT329380	23	1821-3
AT214413	2	3363-5	AT301074	0	2004-3	AT329381	25	1821-3
AT215511	5	1830-9	AT306737	7	3363A-57B	AT329618	9	1810-23
AT215512	6	1830-9	AT306775	6	3363A-57B	AT329619	10	1810-23
AT215538	27	3315-19	AT30743	1	3363A-73	AT329623	11	1810-23
AT215561	6	1821-15	AT30743	1	3363A-79	AT329625	12	1810-23
AT215565	8	1821-15	AT30743	4	3363A-95	AT329626	13	1810-23
AT216522	7	1821-3	AT30743	8	3363A-115	AT329629	14	1810-23
AT216974	15	3363-21	AT307668	10	0560-3B	AT329630	15	1810-23
AT216983	47	3315-19	AT308576	2	0419-3	AT329631	16	1810-23
AT217078	0C	3340-3	AT309263	2	1821-3	AT329632	17	1810-23
AT217078	0C	3340-7	AT309264	3	1821-3	AT329633	18	1810-23
AT217079	1D	3340-13	AT311176	11A	0560-3B	AT329634	19	1810-23
AT217709	1	1821-15	AT311554	11	0560-3B	AT329636	20	1810-23
AT218133	56	1830-5	AT312932	3	3364A-5	AT329637	21	1810-23
AT218133	84	1830-5	AT312932	1	3364A-7	AT329638	22	1810-23
AT218230	10	3363A-57B	AT313679	24	3363A-111	AT329639	23	1810-23
AT219503	5L	3361-9	AT313681	25	3363A-111	AT329859	1	1810-23
AT219503	70	3361-15	AT316251	50	3363A-111	AT330567	0	3363A-105
AT219504	65	3361-9	AT316520	12	0560-3B	AT330568	0	3315-21
AT219506	46	3361-9	AT317961	13	0560-3B	AT330608	80	3363A-121
AT219565	6	3361-7	AT318013	74	3363-35	AT330608	80	3363A-123
AT219688	13	3363A-57	AT318017	44	3315-21	AT330608	80	3363A-125
AT254828	20	0419-3	AT318017	8	3363-33	AT330608	80	3363A-127
AT259946	80	0402-7	AT318017	8	3363-35	AT330608	80	3363A-129
AT259946	20	0414-3	AT318029	10	0130-5	AT330609	80	3363A-121
AT261421	95	0414-3	AT318035	32	0260-9	AT330609	80	3363A-123
AT263769	15	0409-7	AT318035	12	0260-15	AT330609	80	3363A-125
AT263769	11	0452-3	AT318035	15	0510-11	AT330609	80	3363A-127
AT263769	8	0452-7	AT318035	8	0510-15	AT330609	80	3363A-129
AT264234	13	0130-9	AT318035	9	0510-15	AT331104	5	3363A-105
AT264240	10	3365A-3	AT318035	10	0510-15	AT332354	90	0510-15
AT264240	10	3365A-5	AT318035	8	0510-19	AT332722	28	3302-3
AT264240	10	3365A-9	AT318035	9	0510-19	AT332722	28	3302-3B
AT264240	10	3365A-11	AT318035	10	0510-19	AT332738	40	3302-5
AT264241	10	3365A-7	AT318035	4	3363-3	AT332738	40	3302-5B
AT264243	11	3365A-7	AT318035	15	3363-3	AT332738	40	3302-5D
AT264244	16	3365A-7	AT318035	24	3363-7	AT332739	40	3302-5
AT264245	18	3365A-7	AT318035	31	3363-11	AT332739	40	3302-5B
AT264246	8	3365A-7	AT318035	31	3363-11B	AT332739	40	3302-5D
AT264250	4	3365A-7	AT318035	2	3363-15	AT332740	40	3302-5
AT264251	6	3365A-7	AT318035	2	3363-29	AT332740	40	3302-5B
AT264252	11	3365A-5	AT320680	2	1674-25	AT332740	40	3302-5D
AT264252	11	3365A-9	AT321249	15	0560-3	AT332741	40	3302-5
AT264253	16	3365A-3	AT322187	6	1821-3	AT332741	40	3302-5B
AT264253	16	3365A-5	AT322189	17	1821-3	AT332741	40	3302-5D
AT264253	15	3365A-9	AT322233	17	1830-3	AT332742	40	3302-5
AT264254	26	3365A-7	AT32331	38	3302-35	AT332742	40	3302-5B
AT264291	4	3365A-9	AT323462	15	0560-3	AT332742	40	3302-5D
AT264318	61	3361-9	AT327632	0	3364A-9	AT332743	40	3302-5
AT264319	7	3363A-127	AT327648	0	1674-19	AT332743	40	3302-5B
AT264324	20	3361-13	AT327650	50	3315-19	AT332743	40	3302-5D
AT264324	61	3363A-117	AT327652	1	3315-11B	AT332744	40	3302-15
AT264339	71	3361-15	AT327664	2	1674-25	AT332744	40	3302-15B
AT264339	3	4360-9	AT327842	0	1810-49	AT332744	40	3302-15D
AT264340	9	0260-3	AT328396	90	3363A-57B	AT332745	40	3302-7
AT264342	19	3361-15	AT329366	27	1821-3	AT332745	40	3302-7B
AT264347	23	4360-7	AT329367	14	1821-3	AT332745	40	3302-7D
AT264348	28	3365A-3	AT329368	26	1821-3	AT332746	40	3302-7
AT264348	28	3365A-5	AT329369	16	1821-3	AT332746	40	3302-7B
AT264348	26	3365A-9	AT329370	21	1821-3	AT332746	40	3302-7D
AT264354	37	3361-13	AT329371	20	1821-3	AT332747	40	3302-7

00II-4

450DLC EXCAVATOR

NUMERICAL INDEX - CONTINUED

PART NO.	KEY	PAGE	PART NO.	KEY	PAGE	PART NO.	KEY	PAGE
AT332747	40	3302-7B	AT340016	5	3302-35	A590106	7	1674-15
AT332747	40	3302-7D	AT340017	13	3302-35	A590106	10	1830-9
AT332748	40	3302-7	AT340018	15	3302-35	A590106	12	1830-11
AT332748	40	3302-7B	AT340019	4	3302-35	A590106	6	1910-13
AT332748	40	3302-7D	AT340020	3	3302-35	A590106	8C	1910-13
AT332749	40	3302-7	AT340021	6	3302-35	A590106	33B	3315-5
AT332749	40	3302-7B	AT340022	7	3302-35	A590106	25	3344-5
AT332749	40	3302-7D	AT340702	1	0560-3B	A590108	5	0560-7
AT333982	1	3363A-107	AT341030	33	3302-35	A590108	18	1671-3
AT333982	90	3363A-109	AT341031	33	3302-35	A590108	22	1671-3
AT334102	16	3364A-9	AT342513	91	3302-5D	A590108	18	1671-3B
AT334254	1	1674-17	AT342513	91	3302-7D	A590108	22	1671-3B
AT334477	14	3363A-57B	AT342513	91	3302-15D	A590108	9	1674-5
AT334782	16	1821-3	AT343209	12	3302-53	A590108	2	1674-11
AT335573	20	1821-3B	AT343210	13	3302-53	A590108	20	1674-13
AT335679	0	1320-7	AT343214	1	3302-53	A590108	4	1674-27
AT335680	0	1320-7	AT343221	1	3302-51	A590108	34	1674-27B
AT335922	0	3363A-119	AT343221	0	3302-53	A590108	23	1674-29
AT336154	1	1810-51	AT343233	0	3302-51	A590108	2	1810-31
AT336248	17	1830-3	AT343352	7	3302-51	A590108	3	1810-41
AT336266	13	2600-3	AT343359	8	3302-51	A590108	5	1810-41
AT336932	16	1821-3	AT343366	9	3302-51	A590108	31	1830-7
AT337095	90	1910-27	AT343368	10	3302-51	A590108	3	1830-9
AT337329	2	1810-51	AT343400	11	3302-51	A590108	7	1830-9
AT338257	0	3363A-113	AT343401	12	3302-51	A590108	14	1830-9
AT338261	4	3363A-113	AT343406	13	3302-51	A590108	12	1830-19
AT338362	9	3363A-113	AT343410	14	3302-51	A590108	19	1910-9
AT338592	18	3363A-113	AT343412	15	3302-51	A590108	6	1910-17
AT338592	22	3363A-113	AT343413	16	3302-51	A590108	12	1910-17B
AT338624	14	0560-3B	AT343415	17	3302-51	A590108	6	1910-19B
AT338977	15	0560-3B	AT344098	17	2600-3	A590108	12	1910-19B
AT339065	5	3363A-111	AT344101	14	2600-3	A590108	10	1910-21
AT339242	40	3302-5B	AT344819	30	3302-51	A590108	39	1910-21
AT339242	40	3302-5D	AT344820	30	3302-51	A590108	6	2002-3
AT339244	40	3302-5B	AT344821	30	3302-51	A590108	3	2004-3
AT339244	40	3302-5D	AT344868	18	2600-3	A590108	3	3315-7
AT339246	40	3302-5B	AT344872	16	2600-3	A590108	0	3315-11
AT339246	40	3302-5D	AT345074	20	2600-3	A590108	2	3315-11
AT339248	40	3302-5B	AT345866	37	2600-3	A590108	17	3315-15
AT339248	40	3302-5D	AT345879	25	2600-3	A590108	21	3315-15
AT339250	40	3302-5B	AT345880	25	2600-3	A590108	17	3315-17
AT339250	40	3302-5D	AT346565	80	2600-3	A590108	19	3315-17
AT339252	40	3302-5B	AT347687	13	2600-3	A590108	9	3363-49
AT339252	40	3302-5D	AT349467	24	3340-13	A590108	10	3363A-57
AT339254	40	3302-15B	AT35121	29	3315-19	A590110	8	0407-11
AT339254	40	3302-15D	AT35121	6	3363A-105	A590110	6	0510-15
AT339258	40	3302-7B	AT35121	5	3364A-9	A590110	6	0510-19
AT339258	40	3302-7D	AT352806	30	3363A-121	A590110	49	1671-3
AT339260	40	3302-7B	AT354843	20	0130-13B	A590110	49	1671-3B
AT339260	40	3302-7D	AT359544	14	2600-3	A590110	22	1674-11
AT339262	40	3302-7B	AT36921	44	3315-19	A590110	8F	1910-13
AT339262	40	3302-7D	AT36921	7	3363A-105	A590110	38	1910-17B
AT339264	40	3302-7B	AT36921	4	3363A-111	A590110	38	1910-19B
AT339264	40	3302-7D	AT36921	17	3363A-113	A590110	12	3315-17
AT339266	40	3302-7B	AT36921	13	3364A-9	A590110	23	3315-17
AT339266	40	3302-7D	AT38628	3	3364A-9	A590110	15	3361-3
AT339858	33	3302-35	AT56657	17	0510-13	A590110	2	3363-33
AT339859	33	3302-35	AT56658	10	0510-13	A590112	56	0130-7
AT339887	34	3302-35	AT66866	7	1740-7	A590112	7	0510-7
AT339947	16	0560-3B	AT68901	8	3363A-105	A590112	9	0560-3
AT339948	17	0560-3B	AT71082	23	3315-19	A590112	5	1671-3
AT339958	14	3302-35	AT71082	9	3363A-105	A590112	5	1671-3B
AT339959	22	3302-35	AT71732	10	3363A-105	A590112	12	1673-9
AT339961	2	3302-35	AT78124	11	3363A-105	A590112	24	1810-47
AT339966	21	3302-35	A590106	9	1671-3	A590112	6	3361-3
AT340008	16	3302-35	A590106	9	1671-3B	A590112	7	3361-3
AT340010	14	3302-35	A590106	6	1674-15	A590112	23	3363-15

00II-5

450DLC EXCAVATOR

NUMERICAL INDEX - CONTINUED

PART NO.	KEY	PAGE	PART NO.	KEY	PAGE	PART NO.	KEY	PAGE
A590112	43	3363A-123	A811060	2	3363-9	A852323	2	3363A-69
A590114	3G	1673-11	A811060	11	3363-9	A852333	15	3363-39
A590114	3G	1673-13	A811075	32	3361-13	A852333	28	3363-41
A590114	7G	1674-11	A811075	19	3363-7	A852333	9	3363A-55
A590114	26	1740-11	A811075	5	3363-9	A852333	12	3363A-57
A590114	22G	3344-5	A811085	14	3361-3	A852333	1	3363A-59
A590114	12	3363-23	A811085	10	3361-15	A852333	6	3363A-69
A590114	34	3363A-119	A811095	61	3361-9	A852333	26	3364A-3
A590116	3	0130-17	A811100	7	3363A-127	A852334	26	3363-11
A590120	24	0510-7	A811115	19	3361-15	A852334	26	3363-11B
A590124	36	1910-17B	A811120	71	3361-15	A852334	29	3364A-3
A590124	36	1910-19B	A811125	7	3365A-11	A852344	28	3363-11B
A590142	10	1740-11	A811160	10	3365A-3	A852344	2	3363-31
A590905	6	0560-3	A811160	10	3365A-5	A852344	31	3363-41
A590906	8	1673-15	A811160	10	3365A-9	A852422	13	0510-15
A590906	24	3315-5	A811160	10	3365A-11	A852422	4	3363-29
A590908	2	2004-3	A811180	10	3365A-7	A852422	23	3363-35
A590910	21	1674-13	A811260	29	0260-9	A852422	23	3363-37
A590910	32	1910-21	A852122	0	3363-29	A852422	27	3363-37
A590910	11	3315-5	A852122	3	3363-31	A852422	19	3363-39
A590910	6	3315-7	A852122	6	3363-35	A852422	30	3363-41
A590910	24	3315-17	A852122	24	3363-37	A852423	1	3363-43
A590910	16	3361-3	A852122	29	3363-37	A852423	20	3363A-69
A590910	7	3363A-61	A852122	65	3363-37	A852433	26	3315-21
A590910	19	3363A-67	A852122	1	3363-39	A852433	47	3363-33
A590910	34	3365A-3	A852122	45	3363-39	A852522	40	3363-41
A590910	34	3365A-5	A852122	12	3363-41	A852534	1	3363-11
A590910	31	3365A-7	A852122	32	3363-41	A852534	1	3363-11B
A590910	31	3365A-9	A852122	30	3364A-3	A852544	11	0260-15
A590912	20	1910-11B	A852123	45	3315-19	A853100	12	3363A-127
A590912	19	1910-25	A852123	27	3315-21	A853144	26	3363A-67
A590912	19	1910-27	A852123	26	3363-35	A853146	32	3363-11
A590912	11	3363-15	A852123	6	3363A-53	A853146	32	3363-11B
A590912	40	3365A-3	A852123	0	3363A-59	A853166	8	0510-15
A590912	40	3365A-5	A852123	4	3363A-69	A853166	9	0510-15
A590912	34	3365A-9	A852133	28	0260-15	A853166	8	0510-19
A590914	3H	1673-11	A852133	42	3315-21	A853166	2	3363-15
A590914	3H	1673-13	A852133	46	3363-33	A853166	2	3363-29
A590914	5H	1673-15	A852133	6	3363-43	A853168	24	3363-7
A590914	7H	1674-11	A852133	4	3363-49	A853188	14	3363-9
A590914	25	1740-11	A852133	10	3363-49	A853288	15	3363-9
A590914	22H	3344-5	A852133	5	3363A-53	A853300	7	3363A-125
A590914	33	3363A-119	A852133	3	3363A-59	A853300	11	3363A-127
A590914	37	3365A-3	A852133	4	3363A-129	A853366	10	0510-15
A590914	37	3365A-5	A852133	28	3364A-3	A853366	10	0510-19
A590914	34	3365A-7	A852144	4	3363-11	A853366	15	3363-3
A590916	3	0130-11	A852144	4	3363-11B	A853368	31	3363-11
A590916	2	0130-17	A852144	1	3363-29	A853368	31	3363-11B
A590916	51	0260-3	A852144	4	3363-31	A853388	2	3363-13
A590916	22	1830-11	A852222	0	3363-39	A853388	63	3363A-117
A590916	8	3363A-121	A852223	6	3363-39	A853444	2	3364A-7
A590916	20	3363A-121	A852223	6	3363A-55	A882322	5	3363-29
A590916	30	3363A-123	A852223	6	3363A-57	A885000	30	3363-7
A590916	5	3363A-127	A852233	11	3363-49	A885000	2	3363A-123
A590916	59	3363A-127	A852234	14	3363-39	A885002	3	3363-3
A763016	11	3315-17	A852244	19	0510-11	A885002	29	3363-7
A763016	14	3315-21	A852322	12	0510-15	A885002	4	3363-43
A810060	6	3364A-3	A852322	34	3363-35	A885002	4	3363A-85
A810080	5	0130-5	A852322	28	3363-37	A885002	5	3363A-129
A810125	15	0260-3	A852322	34	3363-37	A885002	33	3364A-3
A810160	19	0560-3	A852322	20	3363-39	A885003	2	3363A-59
A810220	7	3364A-3	A852322	11	3363-41	A885003	32	3364A-3
A811025	40	3361-13	A852322	27	3364A-3	A885004	2	3363A-85
A811030	1A	4360-7	A852323	26	0260-15	A885006	4	3363-3
A811035	20	3361-13	A852323	62	3363-35	A885006	28	3363-7
A811035	61	3363A-117	A852323	0	3363-43	A885006	44	3363-7
A811040	58	3362-15	A852323	4	3363A-51	CF609726	13	3302-25

00II-6

450DLC EXCAVATOR

NUMERICAL INDEX - CONTINUED

PART NO.	KEY	PAGE	PART NO.	KEY	PAGE	PART NO.	KEY	PAGE
CH10542	41	1910-17B	CH17886	19	3361-13	H120847	18	3302-51
CH10542	41	1910-19B	CH19111	31	0510-17	H121168	19	3302-51
CH10567	20B	3362-25	CH19111	35	3315-5	H132922	13	1910-17B
CH10570	43H	0510-17	C31763	6	3302-7	H132922	13	1910-19B
CH10570	11	3362-29	C31764	7	3302-7	H132922	11	1910-21
CH11560	18A	3362-25	C606071	13	3302-3	H158164	6	3365A-11
CH11560	20A	3362-25	C606071	13	3302-3B	H21259	30	1320-3
CH11561	37	3315-5	C606320	13	3302-5	H21259	31	1320-3
CH11568	9B	1830-3	C606320	13	3302-5B	H228111	20	3365A-3
CH11568	33	4360-7	C606320	13	3302-7	H228111	20	3365A-5
CH11570	28	0260-15	C606320	13	3302-7B	H77698	32	0260-15
CH11570	35	0510-17	C606320	13	3302-9	H77698	17	0510-15
CH11570	5	1830-3	C606320	13	3302-11	H77698	12	0560-5
CH11570	41	3362-9	C609726	13	3302-15	H77698	2	1673-3
CH11570	26	3362-11	C609726	13	3302-15B	H77698	2	1673-5
CH11570	26	3362-15	C610778	13	3302-13	H77698	1	1673-7
CH11570	24A	3362-21	DH400240	12	1821-9	H77698	18	1673-9
CH11570	37A	3362-21	DH400703	16	0420-5	H77698	25	1673-9
CH11570	38A	3362-21	DH400703	17	1674-29	H77698	30	1673-9
CH11570	39A	3362-21	DH400703	0	1810-35	H77698	32	1673-9
CH11570	40A	3362-21	EV43PN	2	3302-27	H77698	10	1673-11
CH11570	24A	3362-23	EV43SYL	4M	3302-27B	H77698	10	1673-13
CH11570	25A	3362-23	EV51PN	2	3302-29	H77698	10	1673-15
CH11570	26A	3362-23	EV51PN	2	3302-33	H77698	5	1674-5
CH11570	39A	3362-23	EV51SYL	4K	3302-29	H77698	23	1674-13
CH11570	1	3363-11	EV51SYL	4K	3302-33	H77698	2	1674-17
CH11570	26	3363-11	EV5856-V43	3	3302-27	H77698	1	1674-19
CH11570	1	3363-11B	EV5857A-V51	3	3302-29	H77698	27	1674-27
CH11570	26	3363-11B	EV5857A-V51	3	3302-33	H77698	28	1674-27
CH11570	8	3363-33	EX37SYL	4G	3302-27B	H77698	38	1674-27B
CH11570	46	3363-33	EX37S7F	4I	3302-27B	H77698	48	1674-27B
CH11570	47	3363-33	EX37TVIP	4H	3302-27B	H77698	3	1674-29
CH11570	8	3363-35	EX37VIP	4J	3302-27B	H77698	19	1674-29
CH11570	13	3363-35	EX37VPL	5	3302-27B	H77698	32	1830-11
CH11570	16	3363-35	EX37VPN	2	3302-27	H77698	9	3315-11
CH11570	73	3363-35	EX47SYL	4G	3302-29	H77698	10	3315-11
CH11570	14	3363-39	EX47SYL	4G	3302-33	H77698	9	3315-11B
CH11570	15	3363-39	EX47S9F	4I	3302-29	H77698	13	3315-15
CH11570	28	3363-41	EX47S9F	4I	3302-33	H77698	29	3363-11B
CH11570	6	3363-43	EX47TVIP	4H	3302-29	H77698	77	3363-33
CH11570	4	3363-49	EX47TVIP	4H	3302-33	H77698	76	3363-35
CH11570	10	3363-49	EX47VIP	4J	3302-29	H77698	79	3363-35
CH11570	11	3363-49	EX47VIP	4J	3302-33	H77698	58	3363-39
CH11570	5	3363A-53	EX47VPL	6	3302-29	H77698	48	3363-45
CH11570	9	3363A-55	EX47VPL	6	3302-33	H77698	49	3363-45
CH11570	12	3363A-57	EX47VPN	2	3302-29	H77698	54	3363-45
CH11570	1	3363A-59	EX47VPN	2	3302-33	H77698	47	3363-47
CH11570	2	3363A-59	EX5856-37V	3	3302-27	H77698	49	3363-47
CH11570	3	3363A-59	EX5857-47V	3	3302-29	H77698	18	3363A-55
CH11570	6	3363A-69	EX5857-47V	3	3302-33	H77698	21	3363A-55
CH11570	10	3363A-87	E90991	7	3363-35	H77698	18	3363A-57
CH11570	12	3363A-105	E90991	7	3363-39	H77698	21	3363A-57
CH11570	26	3364A-3	E90991	22	3363-39	H77698	22	3363A-67
CH11570	28	3364A-3	E90991	27	3363-45	H77698	27	3363A-113
CH11570	29	3364A-3	E90991	28	3363-45	H77698	8	3363A-129
CH11570	32	3364A-3	E90991	29	3363-45	H77698	17	3364A-9
CH11571	6	3364A-3	E90991	30	3363-45	H77698	56	1320-5
CH12329	39	3361-13	FFSB108847	53	0130-13B	JD5742	40	3302-35
CH13523	15	0260-3	FFSB108850	52	0130-13B	JD5815	11	3302-53
CH14634	36	3363-41	FF101729	0	3363A-121	JD5850	57	1320-5
CH17167	30	0260-9	FF104453	5	3363A-73	JD5855	0	1320-3
CH17167	43I	0510-17	FF104453	5	3363A-79	JD5856	55	1320-5
CH17167	35	3361-13	FF104453	7	3363A-115	JD7769	31	3302-35
CH17167	38	3362-11	FF104454	8	3363A-73	JD7769	7	3363A-71
CH17167	35	3362-15	FF104455	6	3363A-73	JD7769	16	3363A-73
CH17854	14	3361-3	F122734	31	3363A-113	JD7769	16	3363A-79
CH17854	10	3361-15	F437477	54	0130-13B	JD7769	7	3363A-93

00II-7

450DLC EXCAVATOR

NUMERICAL INDEX - CONTINUED

PART NO.	KEY	PAGE	PART NO.	KEY	PAGE	PART NO.	KEY	PAGE
JD7769	18	3363A-95	J222010	7	3315-13	J222012	14	1671-3B
J219167	7	1821-15	J222010	14	3315-13	J222012	2	1673-9
J219167	22	1821-15	J222010	2	3315-17	J222012	1	1673-11
J222008	15	1821-5	J222010	7	3315-17	J222012	5	1673-11
J222008	20	1821-5	J222010	30	3344-5	J222012	1	1673-13
J222010	20	0130-11	J222010	1	3363-13	J222012	5	1673-13
J222010	17	0260-3	J222010	1	3363-31	J222012	2	1810-3
J222010	31	0400-3	J222010	8	3363-31	J222012	8	1810-43
J222010	10	0407-11	J222010	12	3363-31	J222012	20	1810-47
J222010	16	0420-5	J222010	57	3363-33	J222012	17	1910-5
J222010	34	0510-5	J222010	20	3363-35	J222012	13	1910-9
J222010	26	0510-7	J222010	39	3363-37	J222012	5	1910-15
J222010	22	0510-11	J222010	42	3363-37	J222012	6	1910-15
J222010	20	0510-13	J222010	44	3363-37	J222012	17	1910-21
J222010	21	0510-13	J222010	57	3363-37	J222012	20	1910-21
J222010	22	0510-13	J222010	9	3363-39	J222012	2	1910-23
J222010	19	0520-3	J222010	55	3363-39	J222012	10	3315-7
J222010	25	0520-3	J222010	25	3363-41	J222012	11	3363-5
J222010	5	0520-5	J222010	27	3363-41	J222012	16	3363-5
J222010	6	0520-5	J222010	38	3363-41	J222012	1	3363-9
J222010	5	0530-3	J222010	43	3363-41	J222012	10	3363-9
J222010	16	0530-3	J222010	40	3363-45	J222012	13	3363-11
J222010	10	0560-3	J222010	51	3363-45	J222012	13	3363-11B
J222010	36	0560-3	J222010	39	3363-47	J222012	14	3363-17
J222010	16	0560-5	J222010	40	3363-47	J222012	23	3363-21
J222010	21	0560-5	J222010	1	3363-49	J222012	7	3363-23
J222010	38	0560-5	J222010	3	3363-49	J222012	71	3363-33
J222010	2	0574-5	J222010	7	3363-49	J222012	52	3363-41
J222010	38	1671-3B	J222010	8	3363A-51	J222012	23	3363A-63
J222010	9	1673-11	J222010	1	3363A-53	J222012	47	3363A-63
J222010	9	1673-13	J222010	13	3363A-55	J222012	29	3363A-67
J222010	13	1674-13	J222010	9	3363A-61	J222012	23	3363A-97
J222010	16	1674-13	J222010	1	3363A-67	J222012	43	3363A-97
J222010	18	1674-13	J222010	4	3363A-67	J222012	5	3363A-117
J222010	5	1674-15	J222010	24	3363A-67	J222012	1	3363A-125
J222010	3	1674-27	J222010	1	3363A-69	J222014	12	0400-3
J222010	20	1674-27	J222010	15	3363A-69	J222014	4	1673-15
J222010	25	1674-27	J222010	18	3363A-69	J222014	38	3344-5
J222010	17	1674-29	J222010	15	3363A-71	J222014	25	3363-45
J222010	10	1740-5	J222010	22	3363A-71	J222016	4	0130-11
J222010	6	1810-3	J222010	20	3363A-73	J222016	3	0260-21
J222010	10	1810-3	J222010	28	3363A-73	J222016	11	0510-7
J222010	5	1810-17	J222010	15	3363A-79	J222016	4	1810-3
J222010	16	1810-19	J222010	20	3363A-79	J222016	16	1910-17B
J222010	2	1810-27	J222010	15	3363A-93	J222016	16	1910-19B
J222010	0	1810-35	J222010	22	3363A-93	J222016	19	3363A-121
J222010	4	1810-35	J222010	17	3363A-95	J222016	60	3363A-127
J222010	5	1810-35	J222010	22	3363A-95	J222018	5	0400-3
J222010	2	1810-39	J222010	20	3363A-115	J222020	2	0510-5
J222010	5	1810-39	J222010	3	3363A-125	J222020	25	1740-5
J222010	1	1810-41	J222010	9	3364A-3	J222020	13	3344-5
J222010	6	1810-41	J222010	10	3364A-3	J260612	7	1674-15
J222010	17	1810-47	J222010	7	4360-5	J260614	33	3315-5
J222010	2	1821-5	J222012	17	0260-3	J260616	9	1671-3
J222010	5	1821-5	J222012	21	0260-15	J260616	9	1671-3B
J222010	17	1821-15	J222012	10	0510-3	J260616	6	1674-15
J222010	26	1821-15	J222012	15	0510-3	J260616	9	1810-29
J222010	1	1830-7	J222012	20	0510-3	J260616	8	1830-9
J222010	2	1830-7	J222012	21	0510-3	J260616	6	1910-13
J222010	14	1830-7	J222012	24	0510-3	J260616	8C	1910-13
J222010	9	1910-17B	J222012	17	0510-5	J260625	10	1830-9
J222010	22	1910-17B	J222012	19	0510-5	J260630	12	1830-11
J222010	9	1910-19B	J222012	30	0510-5	J260816	5	0560-7
J222010	22	1910-19B	J222012	31	0510-5	J260816	4	1674-27
J222010	16	1910-21	J222012	4	0510-7	J260816	34	1674-27B
J222010	8	3315-7	J222012	18	0560-5	J260816	23	1674-29
J222010	1	3315-13	J222012	14	1671-3	J260816	31	1830-7

00II-8

450DLC EXCAVATOR

NUMERICAL INDEX - CONTINUED

PART NO.	KEY	PAGE	PART NO.	KEY	PAGE	PART NO.	KEY	PAGE
J260816	6	1830-17	J271025	44	3363-37	J271200	10	3363-9
J260816	3	3315-7	J271025	57	3363-37	J271200	47	3363A-63
J260816	17	3315-17	J271025	9	3363-39	J271200	43	3363A-97
J260820	18	1671-3	J271025	55	3363-39	J271220	30	0510-5
J260820	18	1671-3B	J271025	25	3363-41	J271225	21	0510-3
J260820	2	1810-31	J271025	43	3363-41	J271225	52	3363-41
J260820	3	1810-41	J271025	40	3363-45	J271225	29	3363A-67
J260820	5	1810-41	J271025	40	3363-47	J271230	18	0560-5
J260820	7	1830-9	J271025	1	3363-49	J271230	14	1671-3
J260820	14	1830-9	J271025	1	3363A-53	J271230	14	1671-3B
J260820	7	1830-11	J271025	15	3363A-69	J271230	2	1673-9
J260820	12	1830-19	J271025	15	3363A-71	J271230	11	1673-9
J260820	6	1910-17	J271025	20	3363A-73	J271230	1	1673-11
J260820	6	1910-19B	J271025	20	3363A-79	J271230	5	1673-11
J260820	0	3315-11	J271025	15	3363A-93	J271230	1	1673-13
J260820	9	3363-49	J271025	22	3363A-95	J271230	5	1673-13
J260820	10	3363A-57	J271025	20	3363A-115	J271230	20	1810-47
J260825	9	1674-5	J271025	3	3363A-125	J271230	17	1910-21
J260825	2	1674-11	J271025	16	3363A-129	J271230	10	3315-7
J260830	22	1671-3	J271025	9	3364A-3	J271230	11	3363-5
J260830	22	1671-3B	J271030	20	0510-13	J271230	71	3363-33
J260830	3	1830-9	J271030	19	0520-3	J271230	1	3363A-125
J260835	19	1910-9	J271030	5	0520-5	J271235	10	0510-3
J260835	19	3315-17	J271030	3	1674-27	J271235	15	0510-3
J260845	6	2002-3	J271030	5	1810-39	J271235	20	0510-3
J260850	39	1910-21	J271030	6	1810-41	J271235	24	0510-3
J271000	1	3363-31	J271030	5	1821-5	J271235	31	0510-5
J271020	20	0130-11	J271030	17	1821-15	J271235	4	0510-7
J271020	26	0510-7	J271030	26	1821-15	J271235	12	1740-9
J271020	6	0520-5	J271030	2	1830-7	J271235	8	1810-43
J271020	2	0574-5	J271030	22	1910-17B	J271235	6	1910-15
J271020	38	1671-3B	J271030	22	1910-19B	J271235	20	1910-21
J271020	20	1674-27	J271030	14	3315-13	J271235	2	1910-23
J271020	25	1674-27	J271030	39	3363-47	J271235	6	3363A-127
J271020	17	1674-29	J271030	7	3363-49	J271240	5	1910-15
J271020	16	1810-19	J271030	10	3364A-3	J271240	7	3363-23
J271020	14	1830-7	J271035	6	1810-3	J271240	38	3363A-127
J271020	51	3363-45	J271035	2	1810-27	J271245	19	0510-5
J271020	8	3363A-51	J271035	17	1810-47	J271265	2	0510-11
J271020	13	3363A-55	J271035	2	1821-5	J271265	27	0510-11
J271025	31	0400-3	J271035	9	1910-17B	J271270	13	3363-11
J271025	34	0510-5	J271035	9	1910-19B	J271270	13	3363-11B
J271025	22	0510-11	J271035	2	3315-17	J271270	5	3363A-117
J271025	21	0510-13	J271035	20	3363-35	J271275	10	3363-7
J271025	25	0520-3	J271040	22	0510-13	J271275	32	3363-7
J271025	16	0530-3	J271040	18	1674-13	J271275	18	3363-21
J271025	10	0560-3	J271045	16	0560-5	J271275	33	3363A-127
J271025	38	0560-5	J271045	9	3363A-61	J271280	17	0510-5
J271025	9	1673-11	J271050	6	0510-3	J271285	14	3363-17
J271025	9	1673-13	J271050	7	3315-13	J271285	23	3363A-63
J271025	13	1674-13	J271050	22	3363A-71	J271285	23	3363A-97
J271025	5	1674-15	J271050	28	3363A-73	J271290	17	3363A-127
J271025	10	1740-5	J271050	15	3363A-79	J271290	49	3363A-127
J271025	11	1810-7	J271050	22	3363A-93	J271295	23	3363-21
J271025	5	1810-17	J271050	17	3363A-95	J281030	2	0510-15
J271025	2	1810-39	J271055	21	0560-5	J281030	2	0510-19
J271025	1	1810-41	J271055	4	3363A-67	J281030	5	1830-11
J271025	16	1910-21	J271055	1	3363A-69	J281030	22	1910-9
J271025	8	3315-7	J271060	27	3363-41	J281035	22	1830-7
J271025	7	3315-17	J271065	38	3363-41	J281060	25	1910-9
J271025	30	3344-5	J271065	7	4360-5	J281225	8	1910-11
J271025	1	3363-13	J271070	1	3363A-67	J281225	8	1910-11B
J271025	8	3363-31	J271070	7	4360-5	J281230	7	0130-17
J271025	12	3363-31	J271090	3	3363-49	J281230	22	0260-15
J271025	57	3363-33	J271200	21	0260-15	J281230	15	0260-21
J271025	39	3363-37	J271200	16	3363-5	J281230	29	0510-7
J271025	42	3363-37	J271200	1	3363-9	J281230	10	0510-23

00II-9

450DLC EXCAVATOR

NUMERICAL INDEX - CONTINUED

PART NO.	KEY	PAGE	PART NO.	KEY	PAGE	PART NO.	KEY	PAGE
J281230	1	1740-5	J460820	11	1830-19	J900816	17	3315-17
J281230	4	1810-45	J75481	5	1740-7	J900820	18	1671-3
J281230	3	1910-7	J75481	0B	1740-11	J900820	30	1671-3
J281230	4	1910-7	J75481	1B	1740-11	J900820	18	1671-3B
J281230	6	1910-7	J75481	3C	3340-3	J900820	30	1671-3B
J281230	12	1910-7	J75481	17	3340-3	J900820	2	1810-31
J281230	8	1910-9	J75481	17	3340-5	J900820	3	1810-41
J281230	7	1910-11	J75481	17	3340-7	J900820	5	1810-41
J281230	3	1910-13	J75481	4C	3340-13	J900820	7	1830-9
J281230	42	3363-7	J75481	25	3340-13	J900820	14	1830-9
J281235	13	0260-21	J75481	4	3363A-61	J900820	12	1830-19
J281235	10	0510-5	J75481	25	3365A-3	J900820	6	1910-17
J281235	2	0560-7	J75481	25	3365A-5	J900820	6	1910-19B
J281235	2	1910-9	J75481	35	3365A-9	J900820	0	3315-11
J281235	8	1910-17B	J75482	7	3363A-93	J900820	9	3363-49
J281235	8	1910-19B	J75482	18	3363A-95	J900820	10	3363A-57
J281235	18	1910-21	J75482	16	3363A-115	J900825	9	1674-5
J281235	23	1910-21	J780510	5	0560-3	J900825	2	1674-11
J281235	16	3363-21	J780512	4G	3362-27	J900830	22	1671-3
J281240	7	0260-21	J780545	35	1910-21	J900830	22	1671-3B
J281240	8	0260-21	J780545	1	2002-3	J900830	3	1830-9
J281240	10	0260-21	J780612	41	3315-5	J900835	19	1910-9
J281240	11	0260-21	J780616	8	3364A-3	J900835	19	3315-17
J281240	12	0260-21	J780625	19	3315-23	J900845	6	2002-3
J281245	1	1910-5	J780820	20	3315-15	J900850	39	1910-21
J281250	14	0260-21	J780825	14	1821-5	J901000	5	0510-15
J281250	1	0530-3	J781020	5	3315-7	J901000	5	0510-19
J400613	28	3361-17	J781020	19	3315-19	J901000	1	3363-31
J460308	39	0560-3	J781030	10	3315-5	J901002	6	0407-11
J460310	6	1674-17	J781030	17	3315-19	J901008	7	0407-11
J460310	7	1674-27	J781035	0	3315-13	J901016	14	1674-13
J460325	10	3315-15	J781035	17	3361-3	J901016	4	1810-37
J460410	26	1910-17B	J781035	3	3363-9	J901016	8	3363A-61
J460410	26	1910-19B	J781035	5A	3363-23	J901016	18	3363A-67
J460516	4	1830-3	J781040	7	1810-3	J901020	20	0130-11
J460516	4	1830-7	J781040	1	1810-35	J901020	26	0510-7
J460516	2	2001-3	J781040	1	3363-33	J901020	6	0520-5
J460520	10	1674-11	J781065	8	1810-3	J901020	2	0574-5
J460612	42	1910-17B	J781065	2	1810-35	J901020	38	1671-3B
J460612	42	1910-19B	J781090	9	1810-3	J901020	20	1674-27
J460612	26	3315-15	J781090	3	1810-35	J901020	25	1674-27
J460614	12	3315-15	J781225	23	1810-47	J901020	17	1674-29
J460616	5	1673-3	J781240	16	3363A-63	J901020	16	1810-19
J460616	5	1673-5	J833011	2	1740-5	J901020	14	1830-7
J460616	28	1673-9	J833015	3	1740-5	J901020	29	3315-21
J460616	3	1674-3B	J833306	12	0130-11	J901020	51	3363-45
J460616	8	1674-5	J833310	7	0130-11	J901020	8	3363A-51
J460616	53	1674-27B	J900612	7	1674-15	J901020	13	3363A-55
J460616	14	1674-29	J900616	9	1671-3	J901020	24	3363A-67
J460616	5	1810-29	J900616	9	1671-3B	J901020	18	3363A-69
J460616	3	1810-31	J900616	0E	1673-9	J901025	31	0400-3
J460616	6	1810-31	J900616	6	1674-15	J901025	10	0407-11
J460616	12	1810-31	J900616	8	1830-9	J901025	34	0510-5
J460616	17	1810-31	J900616	6	1910-13	J901025	22	0510-11
J460616	5	1821-9	J900616	8C	1910-13	J901025	21	0510-13
J460616	22	1830-3	J900616	33A	3315-5	J901025	25	0520-3
J460616	25	1830-7	J900625	10	1830-9	J901025	16	0530-3
J460616	1	1830-17	J900630	12	1830-11	J901025	10	0560-3
J460620	6	1674-27	J900635	6	1810-45	J901025	38	0560-5
J460620	14	1674-27	J900800	1	2004-3	J901025	9	1673-11
J460620	17	1674-27	J900812	24	1674-13	J901025	9	1673-13
J460620	9	1810-39	J900816	5	0560-7	J901025	13	1674-13
J460620	9	1821-5	J900816	4	1674-27	J901025	5	1674-15
J460620	3	1821-9	J900816	34	1674-27B	J901025	10	1740-5
J460620	16	1830-17	J900816	23	1674-29	J901025	5	1810-17
J460630	4	1810-29	J900816	31	1830-7	J901025	2	1810-39
J460635	31	1674-27	J900816	3	3315-7	J901025	1	1810-41

00II-10

450DLC EXCAVATOR

NUMERICAL INDEX - CONTINUED

PART NO.	KEY	PAGE	PART NO.	KEY	PAGE	PART NO.	KEY	PAGE
J901025	1C	1910-21	J901045	16	0560-5	J901235	15	0510-3
J901025	8	3315-7	J901045	9	3363A-61	J901235	20	0510-3
J901025	7	3315-17	J901050	6	0510-3	J901235	24	0510-3
J901025	30	3344-5	J901050	7	3315-13	J901235	10	0510-5
J901025	1	3363-13	J901050	22	3363A-71	J901235	31	0510-5
J901025	8	3363-31	J901050	28	3363A-73	J901235	4	0510-7
J901025	12	3363-31	J901050	15	3363A-79	J901235	2	0560-7
J901025	57	3363-33	J901050	22	3363A-93	J901235	8	1810-43
J901025	39	3363-37	J901050	17	3363A-95	J901235	2	1910-9
J901025	42	3363-37	J901055	21	0560-5	J901235	8	1910-17B
J901025	44	3363-37	J901055	4	3363A-67	J901235	8	1910-19B
J901025	57	3363-37	J901055	1	3363A-69	J901235	16	1910-21
J901025	9	3363-39	J901060	25	1910-9	J901235	18	1910-21
J901025	55	3363-39	J901060	27	3363-41	J901235	20	1910-21
J901025	25	3363-41	J901065	38	3363-41	J901235	23	1910-21
J901025	43	3363-41	J901065	7	4360-5	J901235	2	1910-23
J901025	40	3363-45	J901070	4	1830-11	J901235	16	3363-21
J901025	40	3363-47	J901070	1	3363A-67	J901240	5	1910-15
J901025	1	3363-49	J901070	7	4360-5	J901240	18	1910-25
J901025	1	3363A-53	J901090	3	3363-49	J901240	18	1910-27
J901025	15	3363A-69	J901200	21	0260-15	J901240	4	3361-3
J901025	15	3363A-71	J901200	16	3363-5	J901240	7	3363-23
J901025	20	3363A-73	J901200	1	3363-9	J901245	19	0510-5
J901025	20	3363A-79	J901200	10	3363-9	J901245	1	1910-5
J901025	15	3363A-93	J901200	47	3363A-63	J901250	14	0260-21
J901025	22	3363A-95	J901200	43	3363A-97	J901250	1	0530-3
J901025	20	3363A-115	J901210	44	3363A-123	J901250	5	3361-3
J901025	3	3363A-125	J901220	30	0510-5	J901260	22	3363-15
J901025	9	3364A-3	J901220	8	0560-3	J901265	39	3365A-3
J901030	20	0510-13	J901220	14	1740-11	J901265	39	3365A-5
J901030	2	0510-15	J901225	21	0510-3	J901265	33	3365A-9
J901030	2	0510-19	J901225	8	1910-11	J901270	13	3363-11
J901030	19	0520-3	J901225	8	1910-11B	J901270	13	3363-11B
J901030	5	0520-5	J901225	18	1910-11B	J901270	10	3363-15
J901030	36	0560-3	J901225	52	3363-41	J901270	5	3363A-117
J901030	3	1674-27	J901225	29	3363A-67	J901280	17	0510-5
J901030	5	1810-39	J901230	55	0130-7	J901285	14	3363-17
J901030	6	1810-41	J901230	7	0130-17	J901285	23	3363A-63
J901030	5	1821-5	J901230	17	0260-3	J901285	23	3363A-97
J901030	17	1821-15	J901230	22	0260-15	J901295	23	3363-21
J901030	26	1821-15	J901230	15	0260-21	J901430	3	1673-15
J901030	2	1830-7	J901230	29	0510-7	J901430	37	3344-5
J901030	22	1910-9	J901230	10	0510-23	J901430	11	3363-23
J901030	22	1910-17B	J901230	18	0560-5	J901435	17	1740-5
J901030	22	1910-19B	J901230	14	1671-3	J901435	29	1740-11
J901030	14	3315-13	J901230	14	1671-3B	J901465	32	3363A-119
J901030	39	3363-47	J901230	11	1673-9	J901485	33	3365A-7
J901030	7	3363-49	J901230	1	1673-11	J901600	18	3363A-121
J901030	10	3364A-3	J901230	5	1673-11	J901630	1	0130-17
J901035	6	1810-3	J901230	1	1673-13	J901630	15	1673-9
J901035	2	1810-27	J901230	5	1673-13	J901640	50	0260-3
J901035	0	1810-35	J901230	1	1740-5	J901640	4	3363A-127
J901035	17	1810-47	J901230	4	1810-45	J901640	58	3363A-127
J901035	2	1821-5	J901230	20	1810-47	J901645	2	0130-11
J901035	22	1830-7	J901230	12	1910-7	J901650	4	0560-3
J901035	9	1910-17B	J901230	8	1910-9	J901660	45	3364A-3
J901035	9	1910-19B	J901230	7	1910-11	J901665	3	3363A-127
J901035	2	3315-17	J901230	7	1910-11B	J901685	28	3363A-123
J901035	20	3363-35	J901230	3	1910-13	J901690	7	3363A-121
J901035	33	3365A-3	J901230	17	1910-21	J901695	29	3363A-123
J901035	33	3365A-5	J901230	10	3315-7	J911860	49	0260-7
J901035	30	3365A-7	J901230	11	3363-5	J912050	12	3344-5
J901035	30	3365A-9	J901230	42	3363-7	J912060	52	0130-7
J901040	22	0510-13	J901230	71	3363-33	J912455	5	1740-3
J901040	18	1674-13	J901230	1	3363A-125	J912455	5	1740-9
J901040	22	3315-17	J901235	13	0260-21	J921050	11	0530-3
J901045	15	0420-5	J901235	10	0510-3	J921230	12	1910-13

00II-11

450DLC EXCAVATOR

NUMERICAL INDEX - CONTINUED

PART NO.	KEY	PAGE	PART NO.	KEY	PAGE	PART NO.	KEY	PAGE
J921240	6	0510-7	M340825	4H	1821-5	M800051	41	1910-17B
J921250	1	1810-3	M340850	8	3361-11	M800051	41	1910-19B
J921280	9	1910-13	M340850	2	3361-13	M800462	18	3363A-71
J922050	3	0510-5	M341020	5	0130-3	M800462	23	3363A-73
J922065	3	0510-5	M341025	9	0130-3	M800462	23	3363A-79
J922204	9	1810-37	M341025	43	3361-7	M800462	25	3363A-95
J922204	6	1810-43	M341030	14	0510-7	M800462	23	3363A-115
J931845	24	0260-7	M341030	18	0510-7	M800650	26	0260-11
J931850	4	0400-3	M341030	18	3363-15	M800650	26	0260-15
J931865	50	0130-3	M341045	1	3361-3	M800650	27	0260-15
J932002	6	3362-7	M341230	23	3362-9	M800650	12	0510-15
J932006	8	3362-7	M341230	26	3362-13	M800650	13	0510-15
J932011	20	3340-13	M341236	37	3361-9	M800650	34	0510-17
J932013	20	3340-3	M341236	8	3363-3	M800650	20	0510-21
J932013	20	3340-5	M341236	38	3363-7	M800650	19	1674-11
J932013	20	3340-7	M341236	4	3363-9	M800650	18	3361-13
J932013	19	3340-13	M341236	29	3365A-3	M800650	75	3361-15
J932013	15	3344-5	M341236	29	3365A-5	M800650	9	3362-5
J932200	52	0130-11	M341240	5	0260-15	M800650	22	3362-9
J932200	4	0260-7	M341240	8	0510-11	M800650	25	3362-13
J932202	50	0130-5	M341240	46	3363A-91	M800650	4	3362-15
J932202	9	4360-3	M341240	16	3363A-97	M800650	12	3362-29
J932209	6	0400-3	M341240	18	3363A-117	M800650	3	3363-3
J932270	15	4360-3	M341240	27	3365A-9	M800650	29	3363-7
J932709	50	1740-7	M341245	3	3363-5	M800650	0	3363-29
J932713	15	0400-3	M341245	62	3363A-117	M800650	4	3363-29
J950008	16	3315-15	M341260	18	3363-7	M800650	5	3363-29
J950010	48	1671-3	M341430	14	0130-9	M800650	3	3363-31
J950010	41	1671-3B	M341445	27	3362-9	M800650	6	3363-35
J950010	48	1671-3B	M341445	6	3362-11	M800650	26	3363-35
J950010	20	1674-11	M341445	7	3362-15	M800650	62	3363-35
J950010	22	1674-13	M341445	6	3363-5	M800650	74	3363-35
J950010	37	1910-17B	M341445	6	3363-15	M800650	23	3363-37
J950010	37	1910-19B	M341445	5	3363-17	M800650	24	3363-37
J950010	31	1910-21	M341445	6	3363-19	M800650	27	3363-37
J950010	3	3364A-3	M341445	6	3363-21	M800650	28	3363-37
J950012	8	0510-7	M341445	9	3363A-67	M800650	29	3363-37
J950012	13	1673-9	M341445	3	3363A-121	M800650	34	3363-37
J950012	16	1910-5	M341445	9	3363A-123	M800650	65	3363-37
J950012	12	1910-9	M341445	23	3363A-123	M800650	0	3363-39
J950012	8	3315-11	M341445	26	3363A-127	M800650	1	3363-39
J950012	9	3363-15	M341445	27	3365A-7	M800650	6	3363-39
J950012	18	3363A-119	M341446	27	3365A-7	M800650	19	3363-39
J950012	45	3363A-123	M341450	14	3363A-63	M800650	20	3363-39
J951020	21	3340-3	M341450	14	3363A-97	M800650	45	3363-39
J951020	21	3340-5	M341636	22	1740-11	M800650	11	3363-41
J951020	21	3340-7	M341640	5I	3361-9	M800650	12	3363-41
J951020	21	3340-13	M341645	2	3363-3	M800650	30	3363-41
J951020	16	3344-5	M341645	10	3363A-127	M800650	32	3363-41
J952010	4D	1821-5	M341650	11	3361-3	M800650	40	3363-41
J952010	8E	1910-13	M341650	40	3363A-63	M800650	0	3363-43
J952014	3I	1673-11	M342045	15	4360-7	M800650	1	3363-43
J952014	3I	1673-13	M342205	42	3361-7	M800650	4	3363-43
J952014	5I	1673-15	M40461	13	0510-7	M800650	12	3363-49
J952014	7I	1674-11	M40461	17	1910-17B	M800650	13	3363-49
J952014	22I	3344-5	M40461	17	1910-19B	M800650	14	3363-49
J953016	12	0510-7	M430610	23	3344-5	M800650	15	3363-49
J953030	8	1740-11	M430613	7	1673-15	M800650	16	3363-49
K40001	10	3302-53	M45242	28	3315-21	M800650	17	3363-49
L159272	1	1810-35	M45242	15	3363A-129	M800650	18	3363-49
M340616	16	3361-11	M470513	38	4360-9	M800650	19	3363-49
M340616	6	3361-15	M491832	8	3362-27	M800650	4	3363A-51
M340630	3	3361-11	M500605	5	1810-45	M800650	6	3363A-53
M340630	5	3361-13	M500807	4	3315-17	M800650	6	3363A-55
M340640	7	3361-11	M520010	12	0530-3	M800650	6	3363A-57
M340816	4G	1821-5	M520012	6	0530-3	M800650	0	3363A-59
M340816	1	1821-15	M660045	2	1740-3	M800650	2	3363A-69

00II-12

450DLC EXCAVATOR

NUMERICAL INDEX - CONTINUED

PART NO.	KEY	PAGE	PART NO.	KEY	PAGE	PART NO.	KEY	PAGE
M800650	3	3363A-69	R63075	32	4360-7	TH100074	4C	3340-13
M800650	4	3363A-69	R73291	11	1674-13	TH100074	25	3340-13
M800650	5	3363A-69	R73291	11	3363-31	TH100074	4	3363A-61
M800650	20	3363A-69	R73291	43	3363-47	TH100074	25	3365A-3
M800650	3	3363A-85	R73384	5	1674-13	TH100074	25	3365A-5
M800650	27	3364A-3	R73384	42	3363-45	TH100074	35	3365A-9
M800650	30	3364A-3	R73384	14	3363A-69	TH100074	17	3365A-11
M800650	33	3364A-3	R76477	38	2600-3	TH100122	71	3361-15
M800650	22	4360-7	TF400	34	3302-5B	TH100125	19	3361-15
M88199	9	3315-11	TF400	34	3302-5D	TH100156	2	0130-7
N189220	24	3363A-113	TF400	34	3302-15B	TH100364	7	3363A-71
N198631	25	1830-11	TF400	34	3302-15D	TH100364	16	3363A-73
N198631	45	3363-37	TF400	4A	3302-27B	TH100364	16	3363A-79
N198631	13	3363A-129	TF400	4A	3302-31	TH100434	50	3361-7
N231749	53	0130-7	TF475	34	3302-7B	TH100513	43H	0510-17
PF81111	23	2600-3	TF475	34	3302-7D	TH100590	13	0510-7
PF81226	23	2600-3	TF475	4A	3302-29	TH100679	19	0560-3
PG200019	2	1740-7	TF475	4A	3302-33	TH100679	20	0560-3
PG200027	0	3361-15	TF9W8452D	4K	3302-27B	TH100679	28	0560-3B
PG200028	1	3361-5	THA853168	24	3363-7	TH100841	2	3363A-89
PG200028	0	3361-7	THA853188	14	3363-9	TH101490	34	3361-13
PG200028	0	3361-9	THA885003	32	3364A-3	TH101892	23	3364A-3
PG200030	20	0260-7	THJ901002	6	0407-11	TH101907	8	3363-3
PG200030	90	0260-9	TH0104612	6	3361-13	TH101907	38	3363-7
PG200030	90	0260-11	TH0443408	66	3361-9	TH101907	4	3363-9
PG200031G	0	3365A-3	TH0443801	63	3361-9	TH101926	22	0260-11
PG200033G	0	3365A-9	TH0443801	22	3361-11	TH101926	6	0260-15
PM02704	7	3302-53	TH0443803	14	3361-11	TH101926	14	3363-9
P46402	14H	0520-3	TH0443803	25	3361-11	TH101926	15	3363-9
P60915	7	1821-17	TH0625509	88	3361-9	TH101926	2	3363-13
P61953	8	3364A-3	TH0682502	23	3361-11	TH101926	7	3363-17
P63440	21	1320-5	TH0703101	31	3361-11	TH101926	8	3363-17
P63448	8	1320-3	TH0703101	31	3361-13	TH101926	63	3363A-117
RE28140	12	3363-3	TH0703102	4	3361-11	TH101934	9	3363-3
R120048	40	2600-3	TH0820401	11	3361-7	TH101980	8	3363-15
R134002	37	0560-5	TH0820402	13	3361-7	TH102291	6	3363-19
R134070	9	1810-37	TH0820407	10	3361-7	TH102409	1G	3340-13
R134070	6	1810-43	TH0820409	15	3361-9	TH102411	0H	3340-3
R168831	3	1810-11	TH0820411	17	3361-7	TH102411	3	3340-5
R212988	24	1810-23	TH0820412	18	3361-7	TH102411	3	3340-7
R238026	31	2600-3	TH0820414	20	3361-7	TH102411	4B	3340-13
R26286	7	0560-3B	TH0820415	21	3361-7	TH102411	27	3340-13
R26375	35	3302-35	TH0820416	22	3361-7	TH102445	28	3340-13
R26448	32	3315-19	TH0820420	28	3361-7	TH102562	79	3361-15
R26448	16	3363A-105	TH0820422	32	3361-7	TH102650	7	3361-13
R26552	21	3365A-3	TH0820422	31	3361-15	TH102945	11	3363-7
R26552	21	3365A-5	TH0820424	34	3361-7	TH102949	22	3364A-3
R27095	13	3363A-57B	TH0820425	39	3361-7	TH102991	6	3363-5
R27212	38	3315-19	TH0820426	40	3361-7	TH102991	6	3363-15
R27212	13	3363A-105	TH0820428	42	3361-7	TH103198	11	3302-3
R27212	4	3364A-9	TH0820429	52	3361-9	TH103198	11	3302-3B
R27238	24	3363-45	TH0820430	54	3361-9	TH103198	0F	3340-3
R28782	4	3363A-57B	TH0820431	55	3361-9	TH103198	0E	3340-5
R29424	17	0510-7	TH0820432	61	3361-9	TH103198	0F	3340-7
R29424	17	3363-15	TH0820438	51	3361-7	TH103204	12	3340-13
R30298	23	3364A-3	TH0820439	68	3361-9	TH103214	0D	3340-3
R41778	2	1821-17	TH100029	9	3365A-11	TH103214	0C	3340-5
R44302	5	1810-25	TH100044	20	3361-13	TH103214	0D	3340-7
R49921	32	2600-3	TH100055	15	3363-3	TH103216	1E	3340-13
R49921	23	3363A-113	TH100074	5	1740-7	TH103234	4	3302-3
R50454	35	0560-5	TH100074	0B	1740-11	TH103235	6	3302-3
R50454	10	1674-13	TH100074	1B	1740-11	TH103236	7	3302-3
R50454	12	1830-7	TH100074	3C	3340-3	TH103237	8	3302-3
R50454	24	1830-11	TH100074	17	3340-3	TH103520	5	3302-3
R50454	17	3363A-67	TH100074	17	3340-5	TH103520	5	3302-5
R56101	95	0414-3	TH100074	17	3340-7	TH103520	5	3302-9
R56902	9	1320-5	TH100074	5	3340-9	TH103520	5	3302-11

00II-13

450DLC EXCAVATOR

NUMERICAL INDEX - CONTINUED

PART NO.	KEY	PAGE	PART NO.	KEY	PAGE	PART NO.	KEY	PAGE
TH103520	5	3302-13	TP400HD	2	3302-27	T145372	39	3302-25
TH103520	5	3302-15	TP400HD	2	3302-31	T145372	40	3302-25
TH103520	5	3302-25	TP475HD	32	3302-7B	T146102	26	1320-3
TH103574	37	3361-13	TP475HD	32	3302-7D	T146104	26	1320-9
TH103574	9	3362-15	TP475HD	2	3302-29	T146106	26	1320-9
TH103950	40	3361-13	TP475HD	2	3302-33	T146195	26	1320-3
TH104436	7	3364A-3	TT400	4F	3302-27B	T146667	20	1320-5
TH104587	33	3361-13	TT400	4F	3302-31	T146668	18	1320-5
TH104595	49	3361-13	TT475	4F	3302-29	T146671	25	1320-3
TH104597	62	3361-13	TT475	4F	3302-33	T147008	2	1320-3
TH104634	0A	3363-23	TX400	4B	3302-27B	T147067	2	1320-7
TH105683	2	3363-9	TX400	4B	3302-31	T147069	2	1320-7
TH105683	11	3363-9	TX400AP	4E	3302-27B	T149983	38	1320-5
TH105684	32	3361-13	TX400AP	4E	3302-31	T152608	13	3363A-71
TH105684	19	3363-7	TX400F	4D	3302-27B	T152608	13	3363A-93
TH105684	5	3363-9	TX400WT	4C	3302-27B	T152657	24	1320-3
TH106307	31	3340-13	TX400WT	4C	3302-31	T153422	25	3363A-113
TH106308	32	3340-13	TX475	4B	3302-29	T153655	12	3363A-109
TH106967	11	3363-7	TX475	4B	3302-33	T153674	42	3315-19
TH106968	9	3363-3	TX475AP	4E	3302-29	T153676	42	3315-19
TH108293	18	3364A-3	TX475AP	4E	3302-33	T155058	6	3363A-107
TH108567	14	1810-15	TX475F	4D	3302-29	T155063	15	3363A-107
TH108568	14A	1810-15	TX475F	4D	3302-33	T155186	59	3361-9
TH108661	1	1810-25	TX475WT	4C	3302-29	T157779	2	1821-17
TH108793	26	1830-11	TX475WT	4C	3302-33	T158020	25A	1810-15
TH108868	7	0130-9	TY21517	7	1740-7	T158021	25B	1810-15
TH108983	37	1810-23	TY22328	36	1830-7	T159887	19	1320-5
TH109089	42	3361-13	TY22328	37	1830-7	T161266	1	1320-3
TH109285	73	3363-35	TY22328	10	4360-5	T161541	31	1320-3
TH109445	24	1830-11	TY22462	27	0510-5	T162520	18	0560-3B
TH109886	19	3361-13	TY22462	17	0530-3	T162754	19	1320-7
TH110522	24	0520-3	TY22462	11	0560-3	T162774	19	1320-7
TH111170	4F	3340-13	TY22467	11	4360-5	T167256	2	1810-25
TH111181	13	3340-13	TY22470	23	0520-3	T167276	7	3363A-113
TH112261	9	3361-15	TY22484	59	0408-3	T167277	13	3363A-113
TH2044923	11	1830-7	TY22495	43	1910-17B	T181295	25	1320-9
TH3100010	1	1674-25	TY22495	43	1910-19B	T181296	25	1320-9
TH3102854	5	0130-9	TY22563	9	4360-5	T183425	63	1320-3
TH4249324	42	3363-7	TY25882	0	1671-3	T187535	17	1320-5
TH4249324	16	3363-21	TY25882	0	1671-3B	T190393	62	1320-5
TH4297379	64	3361-9	T1U1458	2	3302-27	T190799	17	1320-7
TH4297379	19	3361-11	T101942	7	1320-3	T190803	17	1320-7
TH4343427	3	3364A-3	T102618	7	1320-7	T201367	14	3363A-105
TH4405128	4	1821-5	T102620	7	1320-7	T201519	13	1320-5
TH4435325	10	4360-5	T105740	3	1821-17	T201519	9	3363A-57B
TH4436307	17	1830-7	T110446	61	3361-9	T201547	13	1320-7
TH4437838	11A	3364A-3	T111653	38	2600-3	T201548	13	1320-7
TH4447337	10	0407-3	T111819	60	3362-13B	T202379	15	3363A-105
TH4447337	61	0407-5	T11234	20	3302-51	T203958	7	1740-7
TH4447337	91	0408-3	T114269	13	3363A-107	T205175	8	3363A-57B
TH4447337	12	0417-3	T114681	10	1320-7	T205218	25	1810-23
TH4447337	23	0419-3	T1156A	27	3302-5D	T209627	15	2600-3
TH4447337	44	0420-3	T1156A	27	3302-7D	T214405	8	0260-7
TH4447337	6	0420-7	T1156A	27	3302-15D	T214405	15	4360-3
TH4451784	24	3362-21	T1157A	26	3302-5D	T214877	19	0560-3B
TH4455566	19	1821-15	T1157A	26	3302-7D	T216193	6	1320-3
TH4456427	0	1810-15	T1157A	26	3302-15D	T217790	4	3364A-5
TH4456428	15	1810-15	T115753	30	3302-35	T217792	4	3364A-7
TH4456428	26	1810-15	T116735	4	1320-5	T218467	26	1810-23
TH6020171	0	1821-5	T127575	10	1320-7	T218753	51	1320-5
TH8100690	6	3363-3	T130X400	3	3302-31	T219580	41	1320-5
TH965946	37	3363-7	T13624	15	3365A-11	T222361	35	1320-5
TK130	5	3302-31	T138910	9	3364A-9	T222369	49	1320-5
TP400HD	32	3302-5B	T145372	39	3302-15	T222744	49	1320-9
TP400HD	32	3302-5D	T145372	40	3302-15	T222745	49	1320-9
TP400HD	32	3302-15B	T145372	39	3302-15B	T222746	21	1320-7
TP400HD	32	3302-15D	T145372	40	3302-15B	T222747	21	1320-7

00II-14

450DLC EXCAVATOR

NUMERICAL INDEX - CONTINUED

PART NO.	KEY	PAGE	PART NO.	KEY	PAGE	PART NO.	KEY	PAGE
T222748	77	1320-9	T228058	36	1810-23	T72216	6	3363-17
T222749	77	1320-9	T228108	78	1320-9	T72216	7	3363-19
T222750	63	1320-9	T228545	20	0560-3B	T72216	7	3363-21
T222751	63	1320-9	T228701	21	0560-3B	T72216	13	3363A-63
T222755	64	1320-9	T228702	22	0560-3B	T72216	37	3363A-63
T222756	64	1320-9	T228719	27	0560-3B	T72216	8	3363A-67
T222757	9	1320-7	T229485	23	3302-35	T72216	13	3363A-97
T222758	9	1320-7	T229499	20	3302-35	T72216	3	3363A-107
T222767	65	1320-9	T229515	32	3302-35	T72216	10	3363A-109
T222767	26	1810-23	T229541	42	3302-35	T72216	2	3363A-113
T222768	65	1320-9	T229543	36	3302-35	T72216	1	3363A-121
T222768	26	1810-23	T229551	11	3302-35	T72216	7	3363A-123
T222773	24	1320-7	T229554	41	3302-35	T72216	22	3363A-123
T222774	24	1320-7	T229555	18	3302-35	T72216	25	3363A-127
T222777	38	1320-9	T229558	43	3302-35	T72216	63	3363A-127
T222778	38	1320-9	T232151	31	3302-51	T76938	7	0260-15
T222805	8	1320-7	T232154	32	3302-51	T76938	26	3363-7
T222806	8	1320-7	T232157	33	3302-51	T76938	16	3363-9
T222819	4	1320-7	T232161	34	3302-51	T76938	16	3363-11
T222820	4	1320-7	T232166	35	3302-51	T76938	20	3363-11
T222823	18	1320-7	T232172	2	3302-53	T76938	30	3363-11
T222823	79	1320-9	T232175	3	3302-53	T76938	16	3363-11B
T222825	18	1320-7	T232176	4	3302-53	T76938	20	3363-11B
T222825	79	1320-9	T232183	5	3302-53	T76938	30	3363-11B
T222831	20	1320-7	T232188	6	3302-53	T76938	3	3363-13
T222832	20	1320-7	T232195	8	3302-53	T76938	9	3363-17
T222833	31	1320-9	T232235	14	3302-53	T76938	26	3363-21
T222833	31	1810-29	T233255	49	1320-5	T76938	2	3363-23
T222834	31	1320-9	T233268	49	1320-9	T76938	11	3363A-109
T222834	31	1810-29	T233278	49	1320-9	T76938	29	3363A-111
T222837	30	1320-9	T234392	29	2600-3	T76938	10	3363A-117
T222837	30	1810-29	T234394	30	2600-3	T77613	7	0560-3B
T222838	30	1320-9	T235837	7	1320-7	T77857	13	3363A-67
T222838	30	1810-29	T235838	7	1320-7	T77857	6	3365A-13
T222919	35	1320-9	T241927	50	3302-5D	T77858	33	0510-7
T222920	35	1320-9	T241927	50	3302-7D	T77858	5	0510-11
T222927	62	1320-9	T241927	50	3302-15D	T77858	11	0510-11
T222928	62	1320-9	T241934	51	3302-5D	T77858	17	0510-11
T222929	2	1810-25	T241934	51	3302-7D	T77858	25	0510-11
T222930	2	1810-25	T241934	51	3302-15D	T77858	16	3363-3
T222948	41	1320-9	T25838	29	1320-3	T77858	24	3363-11
T222949	41	1320-9	T25879	25	3302-35	T77858	33	3363-11
T222987	76	1320-9	T28949	25	0510-7	T77858	24	3363-11B
T222988	76	1320-9	T28949	21	0510-11	T77858	33	3363-11B
T223028	6	1320-7	T28949	4	1674-13	T77858	3	3363-15
T223029	6	1320-7	T3G9549	5	3302-27B	T77858	3	3363-29
T223082	16	1320-5	T303X475	33	3302-7B	T78313	10	3363A-111
T223124	16	1320-7	T303X475	33	3302-7D	T78606	25	3363A-113
T223133	16	1320-7	T303X475	3	3302-29	T78612	13	3363-21
T223511	23	1320-7	T303X475	3	3302-33	T78612	14	3363A-117
T223513	23	1320-7	T30367	29	3344-5	T78612	9	3363A-125
T223619	20	3363A-107	T32854	3	1674-13	T78612	18	3363A-127
T223713	27	1810-23	T32854	27	1830-11	T79632	10	1320-3
T225536	1	3363A-109	T32854	41	3363-47	T8E6464	3	3302-27
T225931	28	1810-23	T34248	39	3363-7	T802X400	33	3302-5B
T225933	29	1810-23	T34248	41	3363A-63	T802X400	33	3302-5D
T225934	30	1810-23	T56006	1	0260-7	T802X400	33	3302-15B
T225935	31	1810-23	T56006	8	0400-3	T802X400	33	3302-15D
T225936	31	1810-23	T56006	16	4360-3	T802X400	3	3302-27
T225936	32	1810-23	T59014	19	0510-7	T80622	27	4360-7
T225936	33	1810-23	T59014	16	3363-15	T84067	33	3365A-7
T225937	33	1810-23	T61120	12	3363A-57B	T9W8452	4L	3302-27B
T225938	34	1810-23	T70177	2	3364A-9	U12547	37	0510-17
T225939	35	1810-23	T72216	7	3362-11	U12547	21	0510-21
T225940	36	1810-23	T72216	6	3362-15	U12547	37	3302-35
T228058	29	1810-23	T72216	7	3363-5	U12547U	37	0510-17
T228058	30	1810-23	T72216	4	3363-15	U12547U	21	0510-21

00II-15

450DLC EXCAVATOR

NUMERICAL INDEX - CONTINUED

PART NO.	KEY	PAGE	PART NO.	KEY	PAGE	PART NO.	KEY	PAGE
U15091	20	1910-5	0163601	3	0260-11	0280508160	73	0413-7
U16721	27	3302-35	0166805	87	3362-9B	0280508160	31	0417-7
U42323	31	0560-3	0168008	43	0260-11	0280508160	29	0433-3
U46489	3A	3363A-89	0168060650	11	0402-5	0280508160	4	0574-3
WZ2141223	8	1830-7	0168060650	26	0407-5	0280508700	47	0432-5
WZ2141223	19	1830-11	0168060650	23	0408-5	0280510800	42	0420-3
XCL-19	30	0400-3	0168060650	34	0408-5	0280806120	71	0413-9
XCL-19	36	0560-5	0168060650	71	0413-7	0280806120	94	0414-3
XCL-19	7	1674-13	0168060650	30	0418-3	0280806300	9	0413-9
XCL-19	1	1674-27	0168060650	26	0432-3	0280806350	10	0407-7
XCL-19	16	1674-29	0168060850	17	0419-3	0280806350	23	0407-9
XCL-19	8	3363-39	0168060850	41	0429-3	0280806350	5	0420-7
XCL-29	24	0520-3	0175241	85	3361-15	0280808120	59	0432-5
XCL-29	8	1674-13	0188905	1A	3365A-11	0280808160	3	0402-7
XCL-29	2	1674-27	0188905	1B	3365A-11	0280808160	73	0413-7
XCL-29	18	1674-29	0189908	14	3362-11	0280808160	31	0417-7
XCL-29	56	3363-33	0189908	15	3362-15	0280808160	29	0433-3
XCL-29	38	3363-37	0191412	12	3365A-3	0280808160	4	0574-3
XCL-29	56	3363-37	0191412	12	3365A-5	0280808180	25	0407-5
XCL-29	16	3363A-69	0191412	12	3365A-9	0280808200	52	0402-7
XCL-29	17	3363A-69	0195126	5I	3361-9	0280808200	84	0408-3
XCL-29	12	3363A-129	0195127	6	3361-13	0280808200	2	0574-3
XHG-075	12	4360-5	0195171	62	3361-13	0280808200	5	0574-3
XHG-200	31	3363A-113	0197011	5	3362-11	0280808300	27	0409-3
X4FLO-S	21	3302-51	0197011	6	3362-15	0280808350	32	0433-3
X6-4F5OLO-S	22	3302-51	0208707	27	0510-17	0280808400	11	0417-3
X6-4V5OLO-S	23	3302-51	0211510	3	3361-11	0280808600	53	0402-7
X6C4OMXS	13	3363A-111	0211510	5	3361-13	0280808600	15	0408-5
X6F4OMXS	6	3363A-111	0212416	39	3362-13	0280808600	28	0409-3
X6F4OMXS	6	3363A-113	0213208	3	3361-13	0280808700	47	0432-5
X6F5OLO-S	24	3302-51	0218852	62	3361-13	0280808800	26	0409-3
X6F5OLO-S	27	3302-51	0223104	30	3362-9	0280810800	42	0420-3
X6HP5ON-S	25	3302-51	0223104	10	3362-11	0280908900	2	0413-7
X6JTXS	9	3363A-111	0223104	46	3362-13	0281210350	40	0402-7
X6V4OMXS	3	3363A-111	0223104	12	3362-15	0281210350	3	0409-5
X6V5OLO-S	26	3302-51	0223109	17	3362-11	0281510000	38	0402-7
X8XHL6-S	3	3364A-7	0228404	27	0510-17	0281510160	27	0413-3
Z492067	12	1740-11	0236014	7	3361-13	0281510160	32	0417-7
0003590	1B	0260-3	0236915	35	3365A-3	0281510160	3	0574-3
0005470	0	1674-27	0236915	35	3365A-5	0281510160	6	0574-3
0005513	33	1674-13	0236915G	35	3365A-3	0281510350	40	0402-7
0035663000	15	0417-7	0236915G	35	3365A-5	0281510350	3	0409-5
0035663000	16	0417-7	0236916	36	3365A-3	0281510800	17	0419-3
0099150421	59	0408-3	0236916	36	3365A-5	0281510800	41	0429-3
0101511	13	3362-11	0237902	16	3361-11	0281560120	45	0420-3
0101511	14	3362-15	0237902	6	3361-15	0281660130	26	0413-3
0101616	15	3362-9	0242507	11	3365A-7	0281810000	38	0402-7
0101616	18	3362-13	0242510	16	3365A-7	0281810160	27	0413-3
0102411	6	3361-13	0242512	18	3365A-7	0281810160	32	0417-7
0102440	50	3361-7	0244604	81	3361-7	0281810160	3	0574-3
0104404	21	3365A-3	0244604	81	3361-9	0281810200	10	0407-3
0104404	21	3365A-5	0244604	86	3361-15	0281810200	61	0407-5
0124811	10	3361-13	0249148	9	3361-15	0281810200	91	0408-3
0124811	81	3361-15	0251319	49	0260-11	0281810200	12	0417-3
0131103	38	3361-9	0254305	11	3365A-11	0281810200	23	0419-3
0131108	88	3361-15	0257005	8	3365A-7	0281810200	44	0420-3
0133103	5	3365A-3	0259307	18	3365A-3	0281810200	6	0420-7
0133103	5	3365A-5	0259307	18	3365A-5	0281810250	39	0402-7
0133103	5	3365A-9	0259307	17	3365A-9	0281810250	24	0417-3
0133709	5	3365A-7	0262403	8	3365A-9	0281810250	12	0418-3
0134458	83	3361-9	0263019	47	3361-9	0281810250	47	0429-3
0135206	41	3362-13	0263019	9	3361-11	0281810300	51	0402-7
0135904	8	3361-11	0263019	8	3361-13	0281810300	17	0408-5
0135904	2	3361-13	0263019	90	3361-15	0281810300	33	0408-5
0153426	44	0260-7	0280506120	71	0413-9	0281810300	56	0414-3
0156009	17	3361-11	0280506120	94	0414-3	0281810300	49	0417-5
0159214	9	3362-9	0280508160	3	0402-7	0281810300	27	0419-3

00II-16

450DLC EXCAVATOR

NUMERICAL INDEX - CONTINUED

PART NO.	KEY	PAGE	PART NO.	KEY	PAGE	PART NO.	KEY	PAGE
0281810350	3	0409-5	0352707	8	3365A-11	0443404	70	3361-15
0281810400	10	0402-5	0352715	20	3365A-3	0443406	2	3361-11
0281810400	83	0413-7	0352715	20	3365A-5	0443407	7	3361-7
0281810500	18	0407-3	0352720	31	3365A-3	0443407	38	3361-13
0281810500	38	0413-5	0352720	31	3365A-5	0443407	73	3361-15
0281810600	11	0402-5	0352721	32	3365A-3	0443801	22	3361-11
0281810600	26	0407-5	0352721	32	3365A-5	0443803	14	3361-11
0281810600	23	0408-5	0352721	29	3365A-9	0444003	14	3361-11
0281810600	34	0408-5	0352905	1B	3365A-9	0448703	59	3361-9
0281810600	71	0413-7	0353004	4	3365A-7	0450506	4	3365A-9
0281810600	30	0418-3	0353005	6	3365A-7	0450518	6	3365A-9
0281810600	26	0432-3	0353011	21	3365A-7	0450519	9	3365A-9
0281810700	27	0408-3	0353011	20	3365A-9	0451003	14	3361-7
0281810800	17	0419-3	0353012	20	3365A-7	0451016	23	3361-7
0281810800	41	0429-3	0353012	19	3365A-9	0451018	27	3361-7
0281810900	18	0408-5	0353016	32	3365A-7	0451027	49	3361-9
0281810900	25	0417-3	0353016G	32	3365A-7	0451028	48	3361-7
0281810900	32	0418-3	0353018	29	3365A-7	0451028	48	3361-9
0281860110	29	0419-3	0353018J	29	3365A-7	0451031	53	3361-9
0281860110	48	0429-3	0364803	12	3363A-87	0451035	67	3361-9
0281860120	45	0420-3	0365427	22	0260-9	0451037	71	3361-9
0281862120	4	0409-5	0392602	1B	3365A-11	0451038	73	3361-9
0281912200	41	0409-5	0392602	2B	3365A-11	0453932	67	3362-13B
0281912500	4	0408-5	0409117	6	3365A-11	0458201	5L	3361-9
0281912500	42	0409-5	0409215	11	4360-7	0498205	6	3365A-11
0281960130	26	0413-3	0409216	12	4360-7	0501406280	12	0407-3
0282806300	9	0413-9	0410108200	58	0410-3	0501406300	14	0407-3
0286506160	18	0433-3	0411419	22	0260-9	0501408250	23	0407-3
0286510400	43	0420-3	0419805	17	0260-9	0501410350	12	0419-3
0286806160	18	0433-3	0419806	24	0260-9	0583106120	73	0409-3
0286808300	16	0408-5	0419808	19	0260-9	0583108350	27	0407-5
0286810400	43	0420-3	0419812	25	0260-9	0583308350	27	0407-5
0287810200	13	0407-9	0420002	4	0260-11	0614101	1	3362-5
0287810250	4	0407-9	0420101	1	3365A-3	0622803	14	3362-9
0287810350	19	0407-3	0420101	1	3365A-5	0622803	17	3362-13
0287810400	39	0413-5	0420102	1B	3365A-7	0622805	16	3362-9
0287912300	24	0401-3	0420102	2B	3365A-7	0622805	19	3362-13
0287914400	35	0433-3	0420102	2B	3365A-9	0622806	17	3362-9
0288704	49	3361-13	0420104	2B	3365A-3	0622806	20	3362-13
0289564120	8	0413-7	0420104	2B	3365A-5	0622807	18	3362-9
0289814250	28	0408-3	0420106	13	3365A-3	0622807	21	3362-13
0289814900	7	0413-7	0420106	13	3365A-5	0622808	19	3362-9
0289864120	8	0413-7	0420108	15	3365A-3	0622808	22	3362-13
0289964110	50	0417-5	0420108	15	3365A-5	0622810	21	3362-9
0309219	38	3365A-3	0420111	24	3365A-3	0622810	24	3362-13
0309219	38	3365A-5	0420111	24	3365A-5	0622810	3	3362-15
0309219	32	3365A-9	0420112	1B	3365A-3	0622811	10	3362-9
0309219G	38	3365A-3	0420112	1B	3365A-5	0622813	88	3362-9B
0309219G	38	3365A-5	0420113	14	3365A-3	0622816	15	3362-13
0309219G	32	3365A-9	0420113	14	3365A-5	0622819	40	3362-9
0309801	3	3363A-87	0420114	27	3365A-3	0622822	31	3362-11
0309805	24	0510-17	0420201	27	3365A-5	0622825	29	3362-9
0309805	8	3363A-87	0420301	1	3365A-7	0622825	9	3362-11
0310511	13	3365A-11	0420304	13	3365A-7	0622825	45	3362-13
0313404	80	3361-7	0420310	14	3365A-7	0622827	31	3362-9
0314205	23	0510-17	0420311	25	3365A-7	0622827	11	3362-11
0314205	16	0510-21	0420311G	25	3365A-7	0622827	47	3362-13
0314205	5	3362-5	0420403	22	3365A-9	0622827	13	3362-15
0338901	5	3363A-87	0420404	25	3365A-9	0622829	32	3362-9
0343611	25	0510-17	0420405	36	3365A-9	0622829	12	3362-11
0352304	19	0260-11	0425115	21	4360-7	0622829	48	3362-13
0352305	20	0260-11	0425176	17	4360-3	0622831	64	3362-13B
0352306	21	0260-11	0436608	25	0260-11	0622835	59	3362-13B
0352704	4	3365A-3	0437005	6	3365A-11	0622848	25	3362-11
0352704	4	3365A-5	0440110300	33	0402-7	0622849	30	3362-11
0352707	8	3365A-3	0440114450	46	0402-7	0622855	43	3362-11
0352707	8	3365A-5	0443404	5L	3361-9	0622855	40	3362-15

00II-17

450DLC EXCAVATOR

NUMERICAL INDEX - CONTINUED

PART NO.	KEY	PAGE	PART NO.	KEY	PAGE	PART NO.	KEY	PAGE
0622856	42	3362-11	0788805	4	4360-7	0809730	86	3362-13B
0622856	39	3362-15	0788806	5	4360-7	0809731	64	3362-9B
0622858	4	3362-11	0788807	6	4360-7	0809731	84	3362-13B
0622858	5	3362-15	0788808	7	4360-7	0809732	63	3362-9B
0622860	29	3362-11	0788809	8	4360-7	0809732	83	3362-13B
0622868	24	3362-11	0788810	9	4360-7	0809733	62	3362-9B
0622869	27	3362-11	0788811	16	4360-7	0809733	82	3362-13B
0622877	7	3362-9	0788812	17	4360-7	0810405	13	3362-13
0624702	33	3362-9	0788813	24	4360-7	0810603	68	3362-13B
0624702	49	3362-13	0788814	25	4360-7	0810706	90	3362-9B
0624703	28	3362-9	0788815	28	4360-7	0810706	2	3362-13
0624703	8	3362-11	0788816	29	4360-7	0810707	89	3362-9B
0624703	88	3362-13B	0788817	30	4360-7	0810709	79	3362-9B
0624703	11	3362-15	0788818	31	4360-7	0810709	28	3362-15
0624902	43B	0510-17	0788819	37	4360-7	0810710	78	3362-9B
0624904	43C	0510-17	0794204	9	3362-29	0810711	77	3362-9B
0624904	1	3362-29	0794701	29	0510-17	0810712	76	3362-9B
0624906	43F	0510-17	0794701	18	0510-21	0810713	75	3362-9B
0625509	88	3361-9	0794701	6	3362-5	0810714	74	3362-9B
0626901	45	3361-7	0794701	10	3362-29	0810715	73	3362-9B
0628705	35	4360-7	0794701	9	3363A-87	0810716	72	3362-9B
0629404	44	3361-7	0806502	17	0260-9	0810717	71	3362-9B
0629404	66	3361-15	0806602	7	0260-11	0810718	70	3362-9B
0629404	18	4360-7	0807708	19	3365A-7	0810719	50	3362-9B
0643016	16	3363A-121	0809501	3	0260-9	0810719	45	3362-11
0646404	15	3365A-7	0809503	12	0260-9	0810719	42	3362-15
0657701	1	3365A-11	0809504	13	0260-9	0810720	69	3362-9B
0657702	2	3365A-11	0809505	14	0260-9	0810721	68	3362-9B
0657703	3	3365A-11	0809506	15	0260-9	0810722	67	3362-9B
0657704	4	3365A-11	0809509	21	0260-9	0810723	80	3362-9B
0657706	12	3365A-11	0809510	23	0260-9	0810724	81	3362-9B
0667106	6	3365A-11	0809511	31	0260-9	0810725	82	3362-9B
0667626	37	3361-11	0809513	52	0260-9	0810726	83	3362-9B
0667626	4	3361-13	0809514	53	0260-9	0810727	84	3362-9B
0671002	14	0260-11	0809601	5	0260-11	0810728	85	3362-9B
0682328	85	3361-7	0809604	48	0260-11	0810729	86	3362-9B
0682502	23	3361-11	0809708	36	3362-13	0818006	19	3362-11
0682706	10	0260-9	0809709	35	3362-13	0818007	36	3362-9
0682803	46	0260-11	0809710	34	3362-13	0818007	18	3362-11
0686908	55	3362-15	0809711	32	3362-13	0818007	52	3362-13B
0692708	19	4360-7	0809712	31	3362-13	0818008	26	3362-9
0694604	60	3361-7	0809713	30	3362-13	0818008	33	3362-13
0694825	36	4360-7	0809714	29	3362-13	0818011	60	3362-9B
0697911	46	3361-9	0809715	28	3362-13	0818011	80	3362-13B
0703701	24	3362-15	0809716	37	3362-13	0818012	65	3362-9B
0704401	1	3365A-9	0809717	38	3362-13	0818012	85	3362-13B
0704404	13	3365A-9	0809718	40	3362-13	0818102	10	3362-15
0704405	14	3365A-9	0809719	42	3362-13	0818203	19	3362-11
0705401	25	3362-15	0809720	44	3362-13	0818503	30	3361-15
0708004	1	3361-7	0809721	51	3362-9B	0818504	1	3361-15
0708004	5	3361-11	0809721	72	3362-13B	0818508	5F	3361-9
0719402	6	3361-7	0809722	52	3362-9B	0818508	7	3361-15
0732608	8	3362-29	0809722	73	3362-13B	0818509	15	3361-15
0772701	30	3361-7	0809723	53	3362-9B	0818510	16	3361-15
0788703	13	3362-25	0809723	74	3362-13B	0818511	17	3361-15
0788704	14	3362-25	0809724	54	3362-9B	0818512	21	3361-15
0788705	15	3362-25	0809724	75	3362-13B	0818513	51	3361-15
0788706	16	3362-25	0809725	55	3362-9B	0818514	26	3361-15
0788707	17	3362-25	0809725	76	3362-13B	0818519	40	3361-15
0788710	33	3362-25	0809726	56	3362-9B	0818520	46	3361-15
0788711	34	3362-25	0809726	77	3362-13B	0818521	3	3361-15
0788712	35	3362-25	0809727	57	3362-9B	0818524	35	3361-15
0788713	36	3362-25	0809728	58	3362-9B	0820101	9	0260-9
0788801	10	4360-7	0809728	78	3362-13B	0820103	51	0260-9
0788802	20	4360-7	0809729	59	3362-9B	0820203	13	0260-11
0788803	2	4360-7	0809729	79	3362-13B	0820204	17	0260-11
0788804	3	4360-7	0809730	66	3362-9B	0820401	11	3361-7

00II-18

450DLC EXCAVATOR

NUMERICAL INDEX - CONTINUED

PART NO.	KEY	PAGE	PART NO.	KEY	PAGE	PART NO.	KEY	PAGE
0820402	13	3361-7	0912801100	7	0419-3	0979001	18	0260-9
0820406	9	3361-7	0916105080	31	0408-5	0979002	28	0260-9
0820407	10	3361-7	0916105140	17	0432-3	0979004	20	0260-7
0820409	15	3361-9	0916147120	34	0416-3	0979101	6	0260-11
0820410	16	3361-9	0923601	9	0260-9	0979103	50	0260-11
0820411	17	3361-7	0923601	51	0260-9	0979201	2	3362-9
0820412	18	3361-7	0924003	12	3361-15	0979202	3	3362-9
0820414	20	3361-7	0924006	53	3361-15	0979203	4	3362-9
0820415	21	3361-7	0924007	74	3361-15	0979204	5	3362-9
0820416	22	3361-7	0928002	5	3361-15	0979205	6	3362-9
0820418	25	3361-9	0928006	11	3361-15	0979205	1	3362-13
0820419	26	3361-9	0941506	6	3365A-7	0979206	11	3362-9
0820420	28	3361-7	0942407	26	3365A-3	0979207	91	3362-9B
0820422	32	3361-7	0942501	26	3365A-5	0979207	4	3362-13
0820422	31	3361-15	0952358560	47	0417-7	0979208	92	3362-9B
0820425	39	3361-7	0957366	26	0260-15	0979208	5	3362-13
0820425	14	3361-15	0957366	27	0260-15	0979209	6	3362-13
0820426	40	3361-7	0966705	8	3362-5	0979210	7	3362-13
0820427	41	3361-7	0972101	2	3365A-3	0979211	9	3362-13
0820428	42	3361-7	0972101	2	3365A-5	0979212	10	3362-13
0820429	52	3361-9	0972102	3	3365A-3	0979213	11	3362-13
0820430	54	3361-9	0972102	3	3365A-5	0979214	12	3362-13
0820431	55	3361-9	0972103	6	3365A-3	0979215	87	3362-13B
0820432	61	3361-9	0972103	6	3365A-5	0979216	23	3362-13
0820433	62	3361-7	0972104	7	3365A-3	0979217	20	3362-9
0820434	74	3361-7	0972104	7	3365A-5	0979218	24	3362-9
0820435	79	3361-7	0972105	9	3365A-3	0979219	25	3362-9
0820438	51	3361-7	0972105	9	3365A-5	0979219	27	3362-13
0820439	68	3361-7	0972106	17	3365A-3	0979220	8	3362-15
0820439	68	3361-9	0972106	17	3365A-5	0979221	18	3362-15
0820443	69	3361-9	0972106	16	3365A-9	0979222	56	3362-13B
0820453	2	3361-7	0972107	19	3365A-3	0979223	20	3362-11
0820455	3	3361-7	0972107	19	3365A-5	0979223	19	3362-15
0828501	18	3361-11	0972301	2	3365A-7	0979224	21	3362-11
0838001	34	3362-9	0972302	3	3365A-7	0979224	20	3362-15
0838001	15	3362-11	0972303	7	3365A-7	0979225	22	3362-11
0838001	50	3362-13B	0972304	9	3365A-7	0979225	21	3362-15
0838001	16	3362-15	0972305	17	3365A-7	0979226	23	3362-11
0838002	35	3362-9	0972306	28	3365A-7	0979226	22	3362-15
0838002	16	3362-11	0972307	32	3365A-7	0979227	42	3362-9
0838002	51	3362-13B	0972401	2	3365A-9	0979228	43	3362-9
0838002	17	3362-15	0972402	3	3365A-9	0979229	44	3362-9
0875612	30	3365A-3	0972403	7	3365A-9	0979230	45	3362-9
0875612	30	3365A-5	0972404	18	3365A-9	0979231	46	3362-9
0875612	28	3365A-9	0976504	6	3362-29	0979231	28	3362-11
0876801	23	3362-15	0976602	37	3361-13	0979231	27	3362-15
0878107	5E	3361-9	0978501	8	3361-7	0979232	47	3362-9B
0878107	23	3361-15	0978503	12	3361-7	0979233	49	3362-9B
0878116	32	3361-15	0978504	90	3361-7	0979234	32	3362-11
0878301	1	3361-11	0978505	19	3361-7	0979234	29	3362-15
0909002	24	3365A-7	0978507	29	3361-9	0979235	30	3362-15
0909002G	24	3365A-7	0978509	34	3361-7	0979236	33	3362-11
0911501080	16	0433-3	0978510	36	3361-9	0979237	34	3362-11
0911501100	80	0402-7	0978511	4	3361-7	0979237	31	3362-15
0911501100	20	0414-3	0978512	3	3361-9	0979238	35	3362-11
0911501120	70	0429-3	0978512	5K	3361-9	0979238	32	3362-15
0911501140	6	0413-3	0978513	89	3361-7	0979239	36	3362-11
0911501140	7	0432-3	0978514	82	3361-7	0979239	33	3362-15
0911502080	16	0433-3	0978515	91	3361-7	0979240	37	3362-11
0911502100	80	0402-7	0978515	91	3361-9	0979240	34	3362-15
0911502100	20	0414-3	0978516	84	3361-9	0979241	39	3362-11
0911801120	70	0429-3	0978517	5D	3361-9	0979241	36	3362-15
0911801140	6	0413-3	0978518	24	3361-9	0979242	40	3362-11
0911801140	7	0432-3	0978701	13	3361-15	0979242	37	3362-15
0911802100	80	0402-7	0978702	27	3361-15	0979243	41	3362-11
0911802100	20	0414-3	0978704	54	3361-15	0979243	38	3362-15
0912501100	7	0419-3	0978704	95	3361-15	0979244	44	3362-11

00II-19

450DLC EXCAVATOR

NUMERICAL INDEX - CONTINUED

PART NO.	KEY	PAGE	PART NO.	KEY	PAGE	PART NO.	KEY	PAGE
0979244	41	3362-15	1093000581	27	0433-3	1096234500	30	0452-7
0979245	43	3362-15	1093021760	14	0409-5	1096234520	33	0418-3
0979246	44	3362-15	1093090080	9	0409-5	1096234520	30	0452-3
0979247	47	3362-15	1093301080	31	0402-5	1096234520	14	0452-7
0979248	48	3362-15	1093301130	32	0402-5	1096234760	2	0413-3
0979249	49	3362-15	1093301241	30	0402-5	1096234760	33	0452-3
0979250	50	3362-15	1093301300	80	0402-3	1096234780	34	0419-3
0979251	51	3362-15	1093610811	17	0417-7	1096234780	12	0452-5
0979252	52	3362-15	1094000720	18	0416-3	1096234790	16	0419-3
0979253	53	3362-15	1094200050	11	0416-3	1096234790	35	0419-3
0979254	54	3362-15	1094400040	23	0409-5	1096234790	10	0452-5
0979255	56	3362-15	1095000070	12	0408-5	1096234790	13	0452-5
0979256	57	3362-15	1095000070	24	0416-3	1096234940	14	0417-3
0979257	59	3362-15	1095030320	55	0409-5	1096235050	34	0418-3
0979258	58	3362-13B	1095560150	8	0408-5	1096235050	32	0452-3
0979259	62	3362-13B	1095560200	33	0416-3	1096235050	15	0452-7
0979260	63	3362-13B	1095801560	24	0414-3	1096235290	16	0407-5
0979261	65	3362-13B	1095804721	95	0402-3	1096235290	50	0407-5
0979262	69	3362-13B	1095805340	5	0407-5	1096235290	44	0452-3
0979263	70	3362-13B	1095870820	76	0404-3	1096235290	45	0452-3
0979264	71	3362-13B	1096000122	70	0404-3	1096235420	33	0418-3
0980301	3	3362-5	1096000122	9	0409-7	1096235420	30	0452-3
0980401	14	0510-21	1096000160	37	0404-3	1096235420	14	0452-7
0980508	21	0510-17	1096000160	71	0404-3	1096235650	9	0408-3
0980509	38	0510-17	1096000160	10	0409-7	1096235650	29	0452-3
0980510	43J	0510-17	1096000651	40	0404-3	1096235861	3	0417-3
0980511	43A	0510-17	1096040220	6	0407-3	1096255510	16	0417-3
1015477	11	3315-13	1096040230	15	0419-3	1096255562	35	0402-7
1015478	12	3315-13	1096040350	47	0404-3	1096255562	23	0452-3
1015505	35	0260-7	1096040640	6	0407-3	1096255571	17	0433-3
1015523	27	0260-7	1096040641	6	0407-3	1096255571	2	0452-5
1015882	5	0260-7	1096040940	48	0404-3	1096300820	32	0414-3
1015883	13	0260-7	1096040940	30	0409-5	1096300820	7	0420-7
1018360	23	0260-7	1096040950	49	0404-3	1096300820	11	0420-7
1023348	56	0260-7	1096040980	44	0407-3	1096300820	28	0452-3
1025912	23	4360-9	1096050210	89	0401-3	1096300820	40	0452-3
1025957	20	4360-9	1096230580	4	0407-3	1096300820	41	0452-3
1026662	11	4360-9	1096230580	20	0452-3	1096300820	12	0452-7
1026994	5	4360-9	1096230590	13A	0419-3	1096300830	18	0404-3
1027942	2	0260-7	1096231770	13A	0419-3	1096300830	5	0407-7
1028494	6	0260-7	1096231790	4	0407-3	1096300830	20	0407-7
1029877	3A	3340-3	1096231790	31	0419-3	1096300830	32	0409-5
1031045	6	3361-17	1096231790	20	0452-3	1096300830	9	0452-3
1032924	5	1830-7	1096232470	35	0418-3	1096300830	14	0452-3
1033219	15	3315-17	1096232470	5	0452-5	1096300830	46	0452-3
1033219	4	3315-21	1096232470	16	0452-7	1096300830	48	0452-3
1033298	16	3315-13	1096232970	35	0404-3	1096300830	26	0452-7
1033299	17	3315-13	1096232970	12	0452-3	1096300830	27	0452-7
1090091131	49	0429-3	1096232990	2	0402-7	1096300840	19	0404-3
1090091131	86	0429-3	1096232990	47	0452-3	1096300840	19	0407-9
1090200070	36	0402-7	1096233550	20	0407-3	1096300840	15	0452-3
1090200081	19	0433-3	1096233550	19	0452-3	1096300840	17	0452-5
1090200732	2	0408-5	1096234030	95	0409-5	1096300840	31	0452-7
1090200732	31	0416-3	1096234030	8	0452-3	1096300850	4	0413-9
1090201460	41	0402-7	1096234030	5	0452-7	1096300850	39	0452-3
1090300360	26	0419-3	1096234060	48	0417-5	1096300850	23	0452-7
1090401050	16	0432-3	1096234060	7	0452-5	1096300870	8	0419-3
1090440871	75	0402-3	1096234160	93	0402-7	1096300870	9	0452-5
1090700171	40	0401-3	1096234160	25	0452-3	1096300890	20	0404-3
1090700171	58	0401-3	1096234190	10	0419-3	1096300890	16	0452-3
1090700872	12	0402-5	1096234210	64	0402-7	1096301110	59	0418-3
1090700872	12	0404-3	1096234210	24	0452-3	1096301110	3	0420-7
1090701160	20	0413-3	1096234230	35	0418-3	1096301110	13	0420-7
1090701210	61	0413-9	1096234230	5	0452-5	1096301110	31	0452-3
1090701410	5	0409-5	1096234230	16	0452-7	1096301110	43	0452-3
1090701420	6	0409-5	1096234500	9	0407-9	1096301110	4	0452-5
1090701510	11	0404-3	1096234500	16	0452-5	1096301110	25	0452-7

00II-20

450DLC EXCAVATOR

NUMERICAL INDEX - CONTINUED

PART NO.	KEY	PAGE	PART NO.	KEY	PAGE	PART NO.	KEY	PAGE
1096301410	17	0404-3	1097090941	21	0416-3	1121120010	63	0404-3
1096301410	25	0404-3	1097091780	30	0407-3	1121211540	68	0404-3
1096301410	22	0407-7	1097400681	21	0404-3	1122110291	69	0404-3
1096301410	33	0409-5	1097490251	31	0404-3	1122301762	84	0401-3
1096301410	73	0409-5	1098002520	9	0417-3	1122350363	86	0401-3
1096301410	26	0413-7	1098002530	10	0417-3	1122390051	88	0401-3
1096301410	30	0419-3	1098003090	42	0429-3	1122510374	85	0401-3
1096301410	8	0420-7	1099805430	12	0407-3	1122710960	73	0401-3
1096301410	12	0420-7	1111109392	1	0409-7	1123107151	1	0401-3
1096301410	7	0452-3	1111109393	1	0409-5	1123314210	12	0401-3
1096301410	13	0452-3	1111109393	1	0409-7	1123314211	12	0401-3
1096301410	17	0452-3	1111290640	57	0409-7	1123330131	35	0401-3
1096301410	34	0452-3	1111412653	2	0409-5	1123360110	38	0401-3
1096301410	42	0452-3	1111412653	6	0452-3	1123714443	18	0401-3
1096301410	49	0452-3	1111412653	4	0452-7	1123751930	20	0401-3
1096301410	11	0452-5	1111731191	69	0409-3	1123790390	23	0401-3
1096301410	6	0452-7	1111731191	4	0452-3	1123790391	23	0401-3
1096301410	19	0452-7	1111731191	2	0452-7	1125112552	1	0402-3
1096301410	24	0452-7	1111731201	70	0409-3	1125210612	28	0401-3
1096301410	28	0452-7	1111731201	5	0452-3	1125210680	28	0401-3
1096390340	14	0409-3	1111731201	1	0452-7	1125220600	9	0402-3
1096390340	3	0452-3	1111791091	72	0409-3	1125233660	27	0402-5
1096600111	19	0419-3	1111804762	1	0409-3	1125233691	25	0402-5
1096750371	24	0413-9	1112106912	1	0404-3	1125233710	26	0402-5
1096750371	23	0420-7	1112192050	36	0419-3	1125241640	19	0413-3
1096750770	2	0407-7	1112192050	14	0452-5	1125300190	49	0413-5
1096750860	3	0407-7	1112192080	51	0413-5	1125310762	16	0402-5
1096750860	24	0413-7	1112290121	10	0413-7	1125310921	17	0402-5
1096750900	2	0420-7	1112613792	4	0404-3	1125310931	15	0402-5
1096750900	10	0420-7	1112613802	4	0404-3	1125350081	28	0402-5
1096750951	24	0420-7	1113100535	1	0402-7	1125350190	29	0402-5
1096751600	18	0407-9	1113100550	81	0409-5	1125511621	4	0402-3
1096751600	1	0413-9	1113190120	48	0402-7	1125511622	4	0402-3
1096752060	36	0414-3	1113211740	54	0402-7	1125511623	4	0402-3
1096752160	24	0420-7	1113211741	54	0402-7	1125521002	5	0402-3
1096752390	14	0420-7	1113211743	54	0402-7	1125610920	33	0402-3
1096801050	7	0407-3	1113220441	49	0402-7	1125610930	34	0402-3
1096801051	7	0407-3	1113270451	23	0433-3	1125630562	36	0402-3
1096801052	7	0407-3	1113270550	24	0413-3	1125630600	35	0402-3
1097001091	44	0417-7	1113416870	2	0433-3	1125650070	65	0402-3
1097003291	24	0408-3	1113491270	28	0433-3	1125690200	72	0402-3
1097005151	45	0417-7	1113491310	24	0433-3	1125690200	22	0452-3
1097005151	7	0574-3	1113491512	87	0402-7	1125690200	9	0452-7
1097008590	8	0574-3	1113492400	31	0433-3	1126100800	78	0402-3
1097008600	9	0574-3	1113492410	30	0433-3	1126112773	63	0402-3
1097008610	10	0574-3	1113608982	13	0407-3	1126160341	81	0402-3
1097009940	11	0574-3	1113609170	1	0407-3	1126160400	21	0402-3
1097009951	12	0574-3	1113671300	16	0407-3	1126160420	61	0402-3
1097010120	13	0574-3	1113671300	18	0452-3	1126190112	23	0402-3
1097011321	7	0407-7	1113691570	61	0432-5	1126210920	53	0402-3
1097011722	10	0413-9	1115100933	7	0401-3	1126280682	84	0402-3
1097011722	20	0420-7	1115990090	42	0401-3	1126280702	58	0402-3
1097011723	10	0413-9	1117110740	5	0409-7	1126280703	58	0402-3
1097011723	20	0420-7	1117151090	6	0409-7	1126280722	97	0402-3
1097011731	11	0413-9	1117210120	4	0409-7	1126280723	97	0402-3
1097011731	21	0420-7	1117290050	59	0409-5	1131003120	1	0407-5
1097011732	11	0413-9	1117401811	1	0408-3	1131130680	11	0407-5
1097011732	21	0420-7	1117412800	4	0402-7	1131190040	42	0402-7
1097011800	24	0407-9	1117491860	63	0402-7	1131190040	83	0409-5
1097011800	19	0420-7	1117491940	36	0433-3	1131190040	16	0413-7
1097012690	12	0413-9	1117604460	2	0407-3	1131190050	97	0409-5
1097040770	59	0408-3	1117604461	2	0407-3	1131200800	20	0407-5
1097041000	20	0419-3	1117666090	8	0407-3	1131200890	21	0407-5
1097041020	20	0419-3	1117666091	8	0407-3	1131600302	34	0404-3
1097070841	35	0417-7	1117770870	12	0409-5	1131600303	34	0404-3
1097070870	95	0414-3	1117771231	12	0409-5	1131610210	41	0407-5
1097071500	10	0408-3	1117771493	13	0409-5	1131610240	6	0407-5

00II-21

450DLC EXCAVATOR

NUMERICAL INDEX - CONTINUED

PART NO.	KEY	PAGE	PART NO.	KEY	PAGE	PART NO.	KEY	PAGE
1131630020	9	0407-5	1141451821	3	0452-5	1156195040	69	0413-11
1131630040	12	0407-5	1141451821	13	0452-7	1156195070	9	0413-11
1132010192	0	0407-11	1141492010	15	0410-3	1156195070	75	0413-11
1132010192	21	0419-3	1141492650	35	0416-3	1156195070	77	0413-11
1132402322	2	0419-3	1142192680	35	0416-5	1156195080	68	0413-11
1132600740	9	0420-7	1144004440	32	0416-3	1156195090	76	0413-11
1132690090	13	0419-3	1144004440	87	0416-5	1156410460	13	0413-7
1133136420	15	0407-7	1144110600	15	0416-5	1157801920	15	0413-7
1133138852	51	0407-5	1144110650	14	0416-5	1157801920	15	0413-7B
1133138853	51	0407-5	1144110840	85	0416-5	1157892070	1	0413-7B
1133140210	6	0407-7	1144110850	3	0416-5	1157892080	6	0413-7B
1133140220	1	0407-7	1144141070	72	0416-5	1157892090	7	0413-7B
1133140600	26	0407-9	1144141070	73	0416-5	1157892100	9	0413-7B
1133140610	16	0407-9	1144141450	7	0416-5	1157892110	14	0413-7B
1133412310	45	0419-3	1144151360	1	0416-5	1157892120	3	0413-7
1133421390	56	0404-3	1144191170	17	0416-5	1157892120	2	0413-7B
1133451801	60	0407-5	1144191180	73	0416-5	1157892130	10	0413-7B
1133452260	26	0408-3	1144191470	80	0416-5	1157892140	20	0413-7B
1133452261	26	0408-3	1144250350	5	0416-5	1161100173	1	0408-5
1133452270	12	0407-9	1144250370	63	0416-5	1161270210	25	0408-5
1133490140	46	0404-3	1144500630	6	0416-5	1161270211	25	0408-5
1136210490	18	0417-3	1144510740	2	0416-5	1161270213	25	0408-5
1136310781	29	0417-3	1144550440	82	0416-5	1161270220	26	0408-5
1136603680	43	0429-3	1144590560	86	0416-5	1161270221	26	0408-5
1136603690	0	0510-7	1144590570	12	0416-5	1161270223	26	0408-5
1136630670	44	0429-3	1144590590	23	0416-5	1161510321	6	0408-5
1136631111	44	0429-3	1144590600	84	0416-5	1161510330	3	0408-5
1136640092	32	0429-3	1144590610	83	0416-5	1161570150	14	0408-5
1136650650	34	0429-3	1144590620	18	0416-5	1161570150	22	0452-5
1136660070	45	0429-3	1144590630	22	0416-5	1161570171	13	0408-5
1136660320	46	0429-3	1153370210	58	0413-9	1161570171	21	0452-5
1136691971	33	0429-3	1154168110	80	0413-9	1161570270	20	0408-5
1136715200	36	0429-3	1154168111	80	0413-9	1161570270	23	0452-5
1136741600	81	0429-3	1154168121	81	0413-9	1161830591	5	0408-5
1136742950	80	0429-3	1154168420	16	0413-9	1161850040	10	0408-5
1137118100	1	0417-5	1154168421	16	0413-9	1161850040	20	0452-5
1137130710	56	0417-5	1154168432	17	0413-9	1191994110	69	0413-9
1137130712	56	0417-5	1154168441	18	0413-9	1197110290	23	0432-3
1137214963	22	0419-3	1154168451	19	0413-9	1197111430	19	0432-3
1137290960	22	0420-7	1154168462	20	0413-9	1197320371	11	0409-5
1137290961	22	0420-7	1154168470	21	0413-9	1197511790	6	0413-7
1137290962	22	0420-7	1154168471	21	0413-9	1197552290	41	0420-3
1137290970	40	0413-7	1154168510	37	0413-9	1217210980	4	0419-3
1137290980	18	0417-7	1154168660	16	0420-7	1217220400	24	0419-3
1137430361	36	0418-3	1154168700	25	0420-7	1217260532	11	0419-3
1137430361	6	0452-5	1154168710	1	0420-7	1217290854	37	0419-3
1137430361	17	0452-7	1154168720	4	0420-7	1217290861	6	0419-3
1137700891	1	0418-3	1154168730	28	0413-7	1217290941	38	0419-3
1137790110	20	0418-3	1154168731	28	0413-7	1217700040	9	0419-3
1141106121	1	0414-3	1154168732	28	0413-7	1217790010	47	0419-3
1141127791	1	0414-3	1154168740	17	0420-7	1474655180	17	0574-3
1141127810	50	0414-3	1154168750	26	0420-7	1474756890	18	0574-3
1141127811	50	0414-3	1154195252	3	0413-9	1474758680	18	0574-3
1141150941	15	0414-3	1154196350	2	0413-9	150584	14	1821-3B
1141150941	27	0452-3	1154196350	38	0452-3	151141	6	1821-3B
1141150941	11	0452-7	1154196350	22	0452-7	151207	7	1821-3B
1141150961	7	0414-3	1154196351	2	0413-9	1534571330	17	0417-5
1141150961	26	0452-3	1154196351	38	0452-3	157020	1	1821-3B
1141150961	10	0452-7	1154196351	22	0452-7	157070	2	1821-3B
1141194160	28	0414-3	1154197160	15	0420-7	166579	12	1821-3B
1141420010	6	0410-3	1154197161	15	0420-7	1802200140	60	0414-3
1141420301	5	0410-3	1154197290	36	0407-3	1811003413	1	0432-3
1141420310	47	0410-3	1156194960	64	0413-11	1811003413	1	0432-7
1141420311	47	0410-3	1156194970	66	0413-11	1811152330	23	0432-7
1141446323	3	0416-3	1156195000	24	0413-11	1811160670	61	0432-7
1141451750	9	0416-3	1156195010	67	0413-11	1811210670	16	0432-7
1141451821	2	0410-3	1156195020	25	0413-11	1811210710	22	0432-7

00II-22

450DLC EXCAVATOR

NUMERICAL INDEX - CONTINUED

PART NO.	KEY	PAGE	PART NO.	KEY	PAGE	PART NO.	KEY	PAGE
1811230560	63	0432-7	2051606	51	0130-7	300647	17	3302-11
1811230610	46	0432-7	2052023	4	1810-41	301024	27	3302-5
1811230650	2	0432-7	2052113	1	1674-3B	301024	27	3302-5B
1811297690	27	0432-7	2052325	0	1910-27	301025	16	3302-5
1811297800	64	0432-7	2052360	54	0130-7	301025	16	3302-5B
1811297810	11	0432-7	2052361	54	0130-7	301026	17	3302-5
1811297820	54	0432-7	2052445	5	1674-3B	301026	17	3302-5B
1811297830	28	0432-7	2052446	30	1674-13	3026075	0D	3340-3
1811297840	55	0432-7	2052447	31	1674-13	3026075	0C	3340-5
1811297850	6	0432-7	2052448	32	1674-13	3026075	0D	3340-7
1811297870	65	0432-7	2052529	0	1910-25	3026076	1E	3340-13
1811297900	17	0432-7	2052701	4	1910-27	3026126	12	3340-13
1811297940	7	0432-7	2052702	5	1910-27	3035541	0	3363A-89
1811297960	62	0432-7	2052714	3	1910-25	3036998	37	3363-41
1811298270	60	0432-7	2052720	3	1910-27	3037259	4F	3340-13
1811298280	21	0432-7	2052722	7	1910-27	3037465	0B	0130-5
1811298400	13	0432-7	2052723	4	1910-25	3037466	3B	0130-7
1811511290	31	0432-7	2052724	5	1910-25	3037539	13	3340-13
1812005303	2	0432-3	2052733	7	1910-25	3038818	4	3302-5
1812005304	2	0432-3	2052912	8	3315-13	3038818	4	3302-9
1812005305	2	0432-3	2053073	2	1821-9	3038818	4	3302-11
1812005306	2	0432-3	2053294	9	1821-9	3038818	4	3302-13
1825130442	10	0409-5	2053295	20	1673-9	3038818	4	3302-15
1825130443	10	0409-5	2053295	34	1810-29	3038818	4	3302-25
1825530391	52	0432-3	2053507	46	1674-27B	3038820	12	3340-3
1825530391	56	1671-3	2053759	46	1320-5	3038820	12	3340-5
1825530391	56	1671-3B	2053912	70	1674-27B	3038820	12	3340-7
1826413381	58	0432-5	2160621013	3	1821-3B	304171	14	3302-15
1826413582	1	0574-3	2160821019	13	1821-3B	304171	14	3302-15B
1826413584	1	0574-3	300292	27	3302-13	3043140	10	0260-7
1873101420	87	0413-5	300324	14	3302-7	3043141	11	0260-7
1878118430	4	0417-3	300324	14	3302-7B	304576	19	3302-5
1878128590	2	0404-3	300324	14	3302-25	304576	19	3302-5B
1878128600	2	0404-3	300325	19	3302-7	304577	18	3302-5
1878129210	4	0417-3	300325	19	3302-7B	304577	18	3302-5B
1878129661	..	0402-7	300326	18	3302-7	304578	14	3302-5
1878129661	..	0404-3	300326	18	3302-7B	304578	14	3302-5B
1878129661	..	0407-3	300327	16	3302-7	304578	14	3302-9
1878129661	..	0407-5	300327	16	3302-7B	304578	14	3302-11
1878129661	..	0408-3	300327	16	3302-15	304579	28	3302-5
1878129661	..	0408-5	300327	16	3302-15B	304579	28	3302-5B
1878129661	..	0413-3	300327	16	3302-25	3046126	60	3363A-117
1878129661	..	0417-5	300328	17	3302-7	3053098	37	0260-7
1878129661	..	0419-3	300328	17	3302-7B	3053194	29	0260-7
1878129661	..	0432-5	300328	17	3302-15	3053195	14	0260-7
1878129661	..	0433-3	300328	17	3302-15B	3053628	12	0130-9
1878129661	1	0452-3	300328	17	3302-25	3053785	34	0260-7
1878129661	1	0452-5	300341	4	3302-25B	3053786	19	0260-7
1878129671	41	0452-7	300343	19	3302-9	3054856	16	3364A-3
1878129672	41	0452-7	300343	19	3302-11	3055205	0B	3340-3
2030997	1	0130-7	300344	18	3302-9	3055205	0B	3340-5
2035960	2	1320-3	300344	18	3302-11	3055205	0B	3340-7
2035960R	2	1320-3	300479	27	3302-3	3055205	1B	3340-13
2038764	25B	1810-15	300479	27	3302-3B	3055205	0B	3344-3
2040241	0B	0130-9	300481	19	3302-3	3055205	0B	3344-7
2040242	0C	0130-9	300481	19	3302-3B	3055219	13	3340-3
2043694	1	4360-9	300482	18	3302-3	3055219	13	3340-5
2044332	8A	3315-5	300482	18	3302-3B	3055219	13	3340-7
2044685	42	0260-7	300483	16	3302-3	3055521G	7	3340-13
2044923	11	1830-7	300483	16	3302-3B	3058180	7	1810-45
2048256	15	3315-9	300484	17	3302-3	3058180	21	1910-5
2048256	15	3315-23	300484	17	3302-3B	3060056	9	3340-13
2048374	30	3315-9	300642	16	3302-9	3060476	3B	3340-3
2048374	30	3315-23	300642	16	3302-11	3067125	18	1320-5
2050209	2	3361-17	300645	27	3302-7	3069081	9	3340-13
2050616016	15	1821-3B	300645	27	3302-7B	3069396	20	1320-5
2051605	0B	0130-7	300647	17	3302-9	307047	14	3302-3

00II-23

450DLC EXCAVATOR

NUMERICAL INDEX - CONTINUED

PART NO.	KEY	PAGE	PART NO.	KEY	PAGE	PART NO.	KEY	PAGE
307047	14	3302-3B	309972	27	3302-15B	3110695	4	1910-7
307048	3	3302-3	309972	28	3302-15B	3110695	6	1910-7
307048	3	3302-3B	309972	28	3302-25	311079	19	3302-25
3071216	1	3365A-13	3100573	13	1320-5	311080	18	3302-25
3072015	15A	1910-5	3102854	5	0130-9	322558	3	3302-25B
3072015	3A	1910-17	3103495	8	0130-9	36889	2	3302-25B
3072015	3A	1910-19	3104470	0	1821-9	36894	2	3302-25B
3074223	5	4360-3	3104596	10	0520-3	36900	2	3302-25B
3074241	16	0260-3	3104739	15	0510-5	36906	2	3302-25B
307451	28	3302-7	3104740	12	0510-5	36912	2	3302-25B
307451	28	3302-7B	3104742	10	3340-3	4S00038	8	3365A-7
3076175	23	1320-3	3104742	10	3340-5	4S00045	6	3365A-7
3077611	4B	1910-17	3104742	10	3340-7	4S00079	11	3365A-7
3077611	5B	1910-17	3104742R	10	3340-3	4S00081	16	3365A-7
3077611	4B	1910-19	3104742R	10	3340-5	4S00218	26	4360-7
3077611	5B	1910-19	3104742R	10	3340-7	4S00227	70	3361-9
3077612	4A	1910-17	3104743	14	3340-3	4S00237	71	3361-9
3077612	4A	1910-19	3104743	14	3340-5	4S00349	25	3365A-9
3077613	5A	1910-17	3104743	14	3340-7	4S00350	36	3365A-9
3077613	5A	1910-19	3104744	11	3340-3	4004589	3	4360-5
3077626	17	0130-9	3104744	11	3340-5	400613	28	3361-17
3078970	15	3363-21	3104744	11	3340-7	4011675	23	0520-3
3079233	0C	3340-3	3104744	11	3340-13	4013896	18	0130-11
3079233	0G	3340-5	3104744	3	3344-5	4018355	12	3363A-61
3079233	0C	3340-7	3104745	2	3344-5	4018545	53	0130-7
3079389	1D	3340-13	3104812	1B	0130-3	4022696	41	1910-17B
3079432	10	3340-13	3104813	1C	0130-3	4022696	41	1910-19B
3079466	19	1320-5	3105010	22	3315-15	4022697	42	1810-21
3079728	16	3363A-55	3105167	4	1910-11	4022697	16	1910-9
3079728	16	3363A-57	3105167	4	1910-11B	4022697	13	1910-17B
3080912	18	4360-9	3105566	1	1910-25	4022697	13	1910-19B
3082517	25	4360-9	3105567	2	1910-25	4022697	11	1910-21
3084056	30	4360-9	3105569	6	1910-25	4022701	13	0510-7
3085412	2	4360-9	3105571	8	1910-25	4022701	17	1910-17B
3086064	8	4360-9	3105618	9	1910-25	4022701	17	1910-19B
3087157	6	0130-17	3105761	6	1910-7	4027427	20	3315-5
3087987	26B	3315-5	3105989	11	1674-5	4027959	61	3362-9B
3087987	27B	3315-5	3106060	2	3363-49	4027959	81	3362-13B
3088005	0	0260-21	3106085	2	1910-27	4040813	43	3362-13
3089138	59	1320-5	3106119	1	1910-27	4040814	61	3362-13B
3091337	20	1910-17B	3106120	8	1910-27	4040826	29	1740-5
3091337	20	1910-19B	3106122	6	1910-27	4040931	7	3344-5
3091338	21	1910-17B	3106123	9	1910-27	4041432	11	3363A-117
3091338	21	1910-19B	3106414	20	0574-3	4042035	12	3363A-121
3093215	15	3340-3	3106499	10A	1910-9	4042035	20	3363A-127
3093215	16	3340-5	3106733	0	1810-47	4044420	16	3363A-67
3093215	16	3340-7	3106855	25	3315-17	4044420	12	4360-5
3094771	6	3362-27	3106855	3	3315-21	4051262	26C	3315-5
3095375	10A	3315-9	3106886	27	1674-13	4051262	27C	3315-5
3095375	10A	3315-23	3106928	36	1674-27B	4051262	29	4360-9
3095466	4G	3340-13	3107570	12	0510-13	4053595	1	0510-11
3095748	6	3361-17	3107574	6	0510-13	4053595	26	0510-11
3095835	10	1320-5	3107724	43	1674-27B	4053598	12	3363-11
3095835	13	1810-47	3107848	44	1674-27B	4053598	12	3363-11B
3095882	5	3362-27	3107858	23	1910-5	4053599	8	3363-15
3097272	3	3361-17	3108016	10	1673-9	4053697	20	0510-5
3098245	13	3315-5	3108484	5	1674-19	4053697	9	3363-7
3099337	16	3340-13	3108614	8	3363A-127	4053697	31	3363-7
3099628	6A	3315-5	3109101	22	3315-15	4055267	9	4360-5
3099674	10	3363A-61	3109407	5	1674-17	4055311	17	0510-15
3099675	11	3363A-61	3110694	7	0510-5	4055311	10	1673-15
309970	19	3302-15	3110694	5	0510-13	4055311	27	1674-27
309970	19	3302-15B	3110694	6	0510-13	4055311	9	3315-11
309971	18	3302-15	3110694	3	1910-7	4055311	76	3363-35
309971	18	3302-15B	3110694	4	1910-7	4055311	47	3363-47
309972	27	3302-15	3110694	6	1910-7	4055311	14	3363A-129
309972	28	3302-15	3110695	3	1910-7	4055312	32	0260-15

00II-24

450DLC EXCAVATOR

NUMERICAL INDEX - CONTINUED

PART NO.	KEY	PAGE	PART NO.	KEY	PAGE	PART NO.	KEY	PAGE
4055312	12	0560-5	4089703	24	3363A-127	4134373	34	3340-7
4055312	10	1673-11	4089822	1	0260-7	4134373R	34	3340-3
4055312	10	1673-13	4089822	8	0400-3	4134373R	34	3340-5
4055312	5	1674-5	4089822	16	4360-3	4134373R	34	3340-7
4055312	23	1674-13	4091248	5P	3361-9	4138931	39	3362-13
4055312	28	1674-27	4092534	73	3363-35	4138931	66	3362-13B
4055312	48	1674-27B	4093624	74	3363-35	4138938	13	3363A-67
4055312	3	1674-29	4100116	11	0400-3	4138938	6	3365A-13
4055312	32	1830-11	4100180	24	3340-13	4140470	42	3361-13
4055312	29	3363-11B	4100967	33A	0560-3	4142950	32	3340-13
4055312	77	3363-33	4100967	18A	3364A-3	414322	9	1740-11
4055312	58	3363-39	4101281	31	3340-13	4143522	4	3302-3
4055312	48	3363-45	4102096	4	2001-3	4143524	6	3302-3
4055312	21	3363A-55	4103743	1	1740-3	4143525	7	3302-3
4055312	21	3363A-57	4103743	1	1740-9	4143531	0F	3340-3
4055312	22	3363A-67	4104472	12	3365A-7	4143531	0E	3340-5
4063340	21	1740-11	4105795	2	3363A-89	4143531	0F	3340-7
4065688	15	1740-11	4105797	1	3363A-89	4143607	30	1740-5
4067131	5	3365A-11	4105912	3E	3340-3	4144011	3	3315-11
4067720	1G	3340-13	4105912	29	3340-3	4144018	36	1910-21
4067833	9	3363-3	4105912	7	3340-9	4144018	2	2002-3
4067834	11	3363-7	4105912	4E	3340-13	4145156	1	1671-3
4067834	35	3364A-3	4107899	16	1740-11	4146466	3	3365A-13
4067901	28	3340-13	4113154	31	0510-17	4150804	9	0130-9
4068898	73	3361-9	4113154	35	3315-5	4150805	11	0130-9
4070948	8	1740-5	4113187	38	3362-9	4152609	10	0130-9
4070951	8	1740-3	4113187	54	3362-13B	4152858	2	0510-3
4070951	8	1740-9	4114404	16	1740-5	4153089	65	3362-9B
4070952	6	1740-3	4114406	51	0130-3	4153089	85	3362-13B
4070952	6	1740-9	4117700	8	3344-5	4153095	2	1674-7
4070953	7	1740-3	4121497	0A	0560-3	4153098	26	3362-9
4070953	7	1740-9	4121859	1	1673-7	4153098	3	3362-11
4071071	9	1740-3	4121859	30	1673-9	4153098	33	3362-13
4071071	9	1740-9	4121859	32	1673-9	4153099	60	3362-9B
4071223	13	0130-9	4121859	38	1674-27B	4153099	80	3362-13B
4073426	15	3362-9	4121859	19	1674-29	4153108	23	0400-3
4073426	18	3362-13	4121859	79	3363-35	4153108	3	0407-11
4073519	30	1320-3	4121859	49	3363-45	4153108	4	0407-11
4074008	0H	3340-3	4121859	54	3363-45	4153108	36	3362-9
4074008	3	3340-5	4121859	49	3363-47	4153108	18	3362-11
4074008	3	3340-7	4121859	18	3363A-55	4153108	52	3362-13B
4074008	4B	3340-13	4121859	18	3363A-57	4153535	19	3362-11
4074008	27	3340-13	4121859	8	3363A-129	4153536	7	3363-3
4083438	13	0130-11	4122424	2	3315-7	4153538	2	3363-9
4085460	5	3365A-11	4130686	3D	3340-3	4153538	11	3363-9
4085560	4	0260-15	4130686	28	3340-3	4153544	1	3363-3
4085560	7	0510-11	4130686	6	3340-9	4153552	10	3361-3
4085560	2	3363-5	4130686	4D	3340-13	4153558	62	3361-7
4085560	45	3363A-75	4131346	2	3363A-67	4153955	4	0130-5
4085560	45	3363A-91	4134370	31	3340-3	4153956	5	0130-7
4085560	17	3363A-117	4134370	31	3340-5	4154651	5	3363A-71
4085607	79	3361-15	4134370	31	3340-7	4154651	10	3363A-73
4085857	17	0400-3	4134370R	31	3340-3	4154651	10	3363A-79
4087462	41	1740-5	4134370R	31	3340-5	4154651	5	3363A-93
4088425	13	3362-9	4134370R	31	3340-7	4154651	12	3363A-95
4088425	2	3362-11	4134371	32	3340-3	4154651	11	3363A-115
4088425	14	3362-13	4134371	32	3340-5	4154655	12	3363A-73
4088425	2	3362-15	4134371	32	3340-7	4154655	12	3363A-79
4089703	5	3363-5	4134371R	32	3340-3	4154655	6	3363A-93
4089703	4	3363-17	4134371R	32	3340-5	4154655	14	3363A-95
4089703	5	3363-19	4134372	33	3340-3	4154655	14	3363A-115
4089703	5	3363-21	4134372	33	3340-5	4154656	5	3363A-67
4089703	31	3363A-63	4134372	33	3340-7	4154656	26	3363A-71
4089703	31	3363A-97	4134372R	33	3340-3	4154656	11	3363A-73
4089703	2	3363A-121	4134372R	33	3340-5	4154656	11	3363A-79
4089703	8	3363A-123	4134373	34	3340-3	4154656	26	3363A-93
4089703	21	3363A-123	4134373	34	3340-5	4154656	13	3363A-95

00II-25

450DLC EXCAVATOR

NUMERICAL INDEX - CONTINUED

PART NO.	KEY	PAGE	PART NO.	KEY	PAGE	PART NO.	KEY	PAGE
4154656	12	3363A-115	4187328	30	3363-11B	4192018	18	3363A-115
4154670	12	0510-15	4187328	3	3363-13	4192034	10	1674-13
4154670	5	3363-29	4187328	9	3363-17	4192034	12	1830-7
4154670	34	3363-35	4187328	2	3363-23	4192034	24	1830-11
4154670	28	3363-37	4187328	10	3363A-117	4192034	17	3363A-67
4154670	34	3363-37	4187329	14	3363A-117	4192035	30	0400-3
4154670	20	3363-39	4187329	9	3363A-125	4192035	36	0560-5
4154670	11	3363-41	4187329	18	3363A-127	4192035	7	1674-13
4154670	27	3364A-3	4187590	12	4360-9	4192035	1	1674-27
4155607	5	0130-13	4189535	6	0260-15	4192035	16	1674-29
4156886	0E	1910-17	4189838	34	3340-13	4192035	8	3363-39
4156886	1E	1910-17	4189839	33	3340-13	4192421	0	1671-3
4156886	2E	1910-17	4189860	3	3363A-117	4192421	0	1671-3B
4156886	0E	1910-19	4190127	4	3363A-117	4193816	37	0560-5
4156886	1E	1910-19	4190244	11	3363-49	4193848	24	0520-3
4156886	2E	1910-19	4190253	5	1674-13	4193848	56	3363-33
4157562	15	0510-11	4190253	42	3363-45	4193848	16	3363A-69
4162833	14G	0520-3	4190253	14	3363A-69	4194712	33	4360-9
4162834	14H	0520-3	4190261	18	0510-15	4195759	0	3363A-69
4163072	91	3361-15	4190261	12	0560-3	4195978	36	3363-41
4167524	57	3363-39	4190261	1	1674-13	4196260	11	3363-7
4168820	15	0560-3	4190261	24	1674-27	4196260	35	3364A-3
4170546	11	3365A-3	4190261	14	3363A-71	4196261	9	3363-3
4170546	11	3365A-5	4190261	19	3363A-73	4196825	47	1740-5
4170546	11	3365A-9	4190261	19	3363A-79	4198799	63	3363A-117
4170546	11	3365A-11	4190261	14	3363A-93	4200176	34	1740-5
4170547	16	3365A-3	4190261	18	3363A-93	4200176	35	1740-5
4170547	16	3365A-5	4190261	21	3363A-95	4200411	7	0260-7
4170547	15	3365A-9	4190261	19	3363A-115	4201441	5	2002-3
4170585	27	3315-3	4190262	11	1674-13	4201787	60	1320-5
4173485	22	1740-5	4190262	11	3363-31	4201968	31	0260-7
4174541	2	3363A-85	4190262	43	3363-47	4201986	37	1740-5
4179110	5	3302-3	4190264	8	1674-13	4201993	19	3315-3
4179110	5	3302-5	4190264	2	1674-27	4201993	6C	3315-5
4179110	5	3302-9	4190264	18	1674-29	4202103	21	3363-15
4179110	5	3302-11	4190264	38	3363-37	4202422	16	3363-35
4179110	5	3302-13	4190264	17	3363A-69	4202531	26	3363-45
4179110	5	3302-15	4190264	12	3363A-129	4202532	24	3363-45
4179110	5	3302-25	4190265	25	1830-11	4202564	27	0260-15
4179573	7	3362-5	4190265	45	3363-37	4202564	3	3363A-69
4184582	43	1740-5	4190265	13	3363A-129	4203161	7	3363A-95
4185600	22	3315-5	4190266	13	1830-7	4203180	33	0260-7
4186691	7	0130-9	4190266	26	1830-11	4203187	22	0260-7
4186695	16	1740-11	4190271	29	3344-5	4203411	3	3315-3
4186854	19	0510-13	4190272	33	0510-5	4203411	2	3315-5
4187082	14	1810-15	4190272	7	3363-31	4203411	6	3315-9
4187083	14A	1810-15	4190272	42	3363-41	4203411	6	3315-23
4187308	33	0510-7	4190273	4	1674-13	4204136	38	3363-45
4187308	5	0510-11	4190274	25	0510-7	4204136	38	3363-47
4187308	11	0510-11	4190274	21	0510-11	4204558	8	1810-7
4187308	17	0510-11	4190275	1	0574-5	4204579	17	1810-7
4187308	25	0510-11	4190275	2	1674-13	4204579	1	1810-25
4187308	16	3363-3	4190282	3	1674-13	4205084	2	1810-37
4187308	24	3363-11	4190282	27	1830-11	4205109	26	3302-5
4187308	33	3363-11	4190282	41	3363-47	4205109	26	3302-5B
4187308	24	3363-11B	4190291	9	0407-11	4205109	26	3302-7
4187308	33	3363-11B	4190291	24	0520-3	4205109	26	3302-7B
4187308	3	3363-29	4190291	56	3363-33	4205109	26	3302-9
4187328	7	0260-15	4190291	56	3363-37	4205109	26	3302-11
4187328	24	3363-7	4190292	28	3315-21	4205109	26	3302-15
4187328	26	3363-7	4190292	15	3363A-129	4205109	26	3302-15B
4187328	16	3363-9	4191280	23	1740-5	4205109	26	3302-25
4187328	16	3363-11	4192018	28	3363A-71	4205110	0E	3340-3
4187328	20	3363-11	4192018	18	3363A-73	4205110	0D	3340-5
4187328	30	3363-11	4192018	18	3363A-79	4205110	0E	3340-7
4187328	16	3363-11B	4192018	28	3363A-93	4205110	1F	3340-13
4187328	20	3363-11B	4192018	20	3363A-95	4205110	0C	3344-3

00II-26

450DLC EXCAVATOR

NUMERICAL INDEX - CONTINUED

PART NO.	KEY	PAGE	PART NO.	KEY	PAGE	PART NO.	KEY	PAGE
4205110	0C	3344-7	4222030	41	0260-7	4251752	29	3340-13
4205317	26E	3315-5	4223254	7	1320-3	4251752	3	3344-3
4205317	27E	3315-5	4223550	1	3363A-73	4251752	3	3344-7
4205318	26D	3315-5	4223550	1	3363A-79	4251909	3	3363A-79
4205318	27D	3315-5	4223550	4	3363A-95	4251960	5	3363A-73
4205476	14	1740-5	4223550	8	3363A-115	4251960	5	3363A-79
4205614	15	3363-5	4224002	13	3363-17	4251960	7	3363A-115
4205614	12	3363-17	4224631	2	1673-15	4252004	1	1830-11
4205615	11	3363-17	4226445	9B	1830-3	4252877	13	3363A-71
4206101	2	1671-3	4226533	38	1740-5	4252877	13	3363A-93
4206101	2	1671-3B	4226774	7	0400-3	4253889	46	1740-5
4206453	28	0560-3	4235221	11	1740-11	4254200	38	0560-3
4206989	10	3344-5	4235232	21	1821-15	4254600	6	1673-9
4207036	14	3363A-127	4236448	55	1830-5	4254600	29	1673-9
4207037	21	3363-21	4239610	1A	0260-3	4254600	11	1674-27
4207037	47	3363A-127	4239976	43	3315-21	4254600	4	1674-29
4207038	15	3363A-127	4240294	14C	0520-3	4254604	6	1673-15
4207194	7	3302-5	4240295	14B	0520-3	4255055	15	0130-9
4207194	7	3302-9	4240862	3	3363A-67	4255154	52	0130-7
4207194	7	3302-11	4240863	0	3363A-67	4255530	36	1740-5
4207194	7	3302-13	4240985	13	3315-7	4255567	36	1740-5
4207194	7	3302-15	4244172	19	0130-11	4255762	20	1671-3
4207194	7	3302-25	4246150	2	1740-9	4255762	20	1671-3B
4207234	1A	1910-21	4247365-S	30	3363A-71	4256211	13	3363A-115
4207487	6	0130-13	4247365-S	30	3363A-93	4257128	24	0560-3
4207839	44	1740-5	4249324	7	0130-17	4257159	7	0560-3
4207845	21	1740-5	4249324	22	0260-15	4257159	8	1673-11
4207890	28	1740-5	4249324	12	0260-21	4257159	8	1673-13
4208097	13	3363A-117	4249324	13	0260-21	4257159	35	1674-13
4208279	40	1740-5	4249324	14	0260-21	4257159	23	1674-27
4208479	54	3363-39	4249324	15	0260-21	4257159	21	3363A-129
4208659	12	3363A-117	4249324	10	0510-5	4257360	14E	0520-3
4208910	13	3363-35	4249324	29	0510-7	4257362	14I	0520-3
4208913	44	3315-21	4249324	10	0510-23	4257964	11	0130-17
4208913	8	3363-33	4249324	1	0530-3	4257965	12	0130-17
4208913	8	3363-35	4249324	2	0560-7	4257968	1	0260-21
4208977	36	3315-5	4249324	1	1740-5	4258351	78	3363-35
4209727	6	3363A-67	4249324	4	1810-45	4258884	2	3363A-115
4209728	25	3315-23	4249324	1	1910-5	4259220	8	1673-9
4209782	23	0560-5	4249324	13	1910-5	4259220	11	1673-11
4209782	21	3364A-3	4249324	12	1910-7	4259220	11	1673-13
4210412	16A	1810-15	4249324	2	1910-9	4259780	43	3361-7
4210413	16B	1810-15	4249324	8	1910-9	4260314	1	3363A-115
4210485	20	1910-5	4249324	7	1910-11	4262278	4	3363A-73
4210942	27	3363A-67	4249324	8	1910-11	4263446	3	3363A-129
4211059	12	1910-11	4249324	8	1910-11B	4263764	13	0510-5
4211059	12	1910-11B	4249324	19	1910-11B	4263764	2	0510-13
4213419	21	3315-5	4249324	3	1910-13	4263766	10	0510-13
4214424	7	3363A-95	4249324	8	1910-17B	4263901	40	0260-7
4215878	20	3363-21	4249324	8	1910-19B	4263902	32	0260-7
4215878	46	3363A-127	4249324	18	1910-21	4263903	17	0260-7
4215879	21	3363-21	4249324	23	1910-21	4263905	28	0260-7
4215879	47	3363A-127	4249324	42	3363-7	4264452	4	4360-3
4215880	22	3363-21	4249324	16	3363-21	4264575-S	20	0510-11
4215880	48	3363A-127	4249332	2	3363A-95	4264805	30	1810-29
4216292	2	3363A-125	4249565	19	3363A-63	4266386	4	1320-5
4216361	0D	1740-5	4249565	19	3363A-97	4267673	17	0260-15
4217383	20	0510-11	4250260	0	1674-9	4268908	18	0260-15
4217651	34	3315-5	4250261	1	1674-9	4269295	39	0260-7
4218064	1	3363A-71	4250293	13	3364A-3	4269566	11	0130-11
4219595	16	0260-7	4251212	0J	3340-3	4269567	10	0130-11
4219720	5	3363A-61	4251212	3F	3340-3	4269607	31	0560-3
4220806	14	3363A-67	4251212	2	3340-5	4269615	10C	3315-9
4221265	6	3363A-73	4251212	5	3340-7	4269615	10C	3315-23
4221265	6	3363A-79	4251752	0I	3340-3	4269797	8	3363A-73
4221265	1	3363A-95	4251752	1	3340-5	4269797	8	3363A-79
4221265	5	3363A-115	4251752	4	3340-7	4269797	9	3363A-95

00II-27

450DLC EXCAVATOR

NUMERICAL INDEX - CONTINUED

PART NO.	KEY	PAGE	PART NO.	KEY	PAGE	PART NO.	KEY	PAGE
4270315	8	3363-17	4294508	34	1910-17B	4319299	5	3315-23
4270458	10	3363-31	4294508	34	1910-19B	4320218	8	0130-11
4271000	14	3364A-3	4294694	33	1671-3	4322485	6	3363-31
4271001	15	3364A-3	4294694	33	1671-3B	4322539	15	1674-13
4271596	55	0260-7	4296624	2	3363A-93	4325519	0	1810-45
4271787	26	3344-5	4297188	13	1674-27	4326095	0A	1810-45
4271788	27	3344-5	4297236	2	3363A-71	4326800	3	1673-11
4272256	13	1673-15	4297292	14F	0520-3	4326800	3	1673-13
4272697	8	3363A-117	4297379	64	3361-7	4326800	5	1673-15
4273335	2	1810-45	4297379	64	3361-9	4326800	7	1674-11
4274178	12	3363A-67	4297379	19	3361-11	4326800	22	3344-5
4274178	4	3365A-13	4297380	2	3361-11	4326801	3A	1673-11
4274478	0	1673-9	4297381	66	3361-9	4326801	3A	1673-13
4274541	50	0260-7	4298763	0	3363A-73	4326801	5A	1673-15
4274593	7	3363-17	4298763	0	3363A-79	4326801	7A	1674-11
4276312	22	3340-3	4298763	3	3363A-95	4326801	22A	3344-5
4276312	22	3340-5	4299048	0D	3344-3	4326802	3B	1673-11
4276312	22	3340-7	4299048	0D	3344-7	4326802	3B	1673-13
4276312R	22	3340-3	4299059	31	1810-29	4326802	5B	1673-15
4276312R	22	3340-5	4300351	10	3315-11	4326802	7B	1674-11
4276312R	22	3340-7	4300351	13	3315-15	4326802	22B	3344-5
4279257	45	1740-5	4304400-S	8	3363A-79	4326803	3D	1673-11
4279302	12	0260-15	4304400-S	9	3363A-95	4326803	3D	1673-13
4279604	9	3315-17	4304481	20	3363A-63	4326803	5D	1673-15
4279604	11	3315-19	4304481	20	3363A-97	4326803	7D	1674-11
4279604	11	3315-21	4304539	22	3363A-63	4326803	22D	3344-5
4279835	56	1671-3	4304539	22	3363A-97	4326809	57	3363-39
4279835	56	1671-3B	4306264	2	3363A-95	4327293	5	3363-11
4282484	3	0510-13	4306888	10C	3315-9	4327293	6	3363-11
4282484	10	0510-13	4306888	10C	3315-23	4327293	5	3363-11B
4282485	17	0510-13	4307026	3E	1673-11	4327293	6	3363-11B
4282486	17	0510-13	4307026	3E	1673-13	4328032	8	0130-13
4282488	12	3363-3	4307026	5E	1673-15	4328034	52	0130-13
4282489	0	0520-5	4307026	7E	1674-11	4328035	53	0130-13
4282489	1	0520-5	4307026	22E	3344-5	4331619	4	0520-5
4282490	1	0520-5	4307027	3F	1673-11	4332658	6	4360-3
4282549	20	0510-7	4307027	3F	1673-13	4333461	5	1830-9
4283028	0	2004-3	4307027	7F	1674-11	4333462	6	1830-9
4283758	3	3315-19	4307027	22F	3344-5	4333835	6	1821-15
4284569	9	3361-15	4308148	9	3363A-117	4334120	0E	3344-3
4285108	7	3363A-69	4312517	11	0520-3	4334120	0E	3344-7
4285646	0A	1673-9	4313150	27	3363-11	4334122	0G	3340-3
4285647	0B	1673-9	4313150	27	3363-11B	4334122	0F	3340-5
4285648	0C	1673-9	4313166	5	3363-11	4334122	0G	3340-7
4285648	3C	1673-11	4313166	5	3363-11B	4334122	1C	3340-13
4285648	3C	1673-13	4314059	6	3363A-125	4334138	10	4360-3
4285648	5C	1673-15	4315207	22	0510-7	4334203	3	1810-45
4285648	7C	1674-11	4315323	57	1671-3	4334363	17	3363A-63
4285648	22C	3344-5	4315323	57	1671-3B	4334363	17	3363A-97
4286812	1	3363-23	4315324	58	1671-3	4334364	18	3363A-63
4287795	10	3315-17	4315324	58	1671-3B	4334364	18	3363A-97
4287795	12	3315-19	4315607	6	0130-5	4334364	34	3363A-127
4287795	12	3315-21	431578	30	0130-11	4335060	22	3315-3
4288342	0D	1673-9	4316023	17	3363-3	4335757	26	1740-5
4288445	38	0510-5	4316263	6	3363A-95	4336570	7	1674-11
4288445	1	1810-37	4317008	3	3364A-3	4336570	22	3344-5
4288767	46	0260-7	4317612	12	0260-15	4336875	16	0510-15
4289010	17	3363A-119	4317640	3	3315-17	4336875	40	0560-3
4289423	4	3363A-115	4317640	15	3315-19	4336923	28	4360-9
4289772	3	3363A-71	4317640	19	3315-21	4336929	14	4360-9
429135	5	1740-5	4317650	11	0400-3	4337125	21	3363A-63
4292386	19	3362-11	4317779	3	3363A-89	4337125	21	3363A-97
4292762	39	1740-5	4317872	30	3363A-71	4337631	23	3365A-3
4292762	6	3363A-129	4317872	30	3363A-93	4337631	23	3365A-5
4292932	4	1740-5	4318136	5	3363A-125	4337631	23	3365A-7
4292942	59	3361-9	4319299	1	3315-5	4337631	24	3365A-9
4294508	8D	1910-13	4319299	5	3315-9	4337642	14D	0520-3

00II-28

450DLC EXCAVATOR

NUMERICAL INDEX - CONTINUED

PART NO.	KEY	PAGE	PART NO.	KEY	PAGE	PART NO.	KEY	PAGE
4337792	3	1740-11	4361800	21	1673-9	4375092	51	0130-11
4337811	2	1740-11	4361800	37	1674-27B	4376895	38	1910-21
4337830	5	1740-11	4361800	36	1810-29	4377519	4	1910-17
4337833	4	1740-11	4361800	10	1821-9	4377519	4	1910-19
4337837	6	1740-11	4362444	0	3363-13	4377557	18	0130-9
4337843	7	1740-11	4362700	25A	1810-15	4377558	0A	0130-9
4339413	16	0260-15	4363078	50	3365A-11	4377569J	5	1910-17
4339469	2	3365A-13	4363359	24	1910-17B	4377818	1	1810-19
4341413	17	1810-19	4363359	5	1910-19	4377820	39	1810-7
4341415	30	1810-19	4363359	25	1910-19B	4380534	11	1821-15
4341450	55	1810-11	4363399	0A	3363-13	4381187	16	3363A-121
4341450	13	1810-17	4364970	4	3315-5	4382449	18	3340-13
4341788	15	1910-9	4365826	1	1674-7	4382554	8	1821-15
4341788J	15	1910-9	4365826	18	1674-11	4382554	23	1821-15
4341803	14	3363-5	4365826	7	3361-7	4382816	17	1830-3
4341808	13	3363-5	4365826	38	3361-13	4382832	77	1830-5
4341877	50	3363-45	4365826	73	3361-15	4382860	76	1830-5
4341877	7	3363A-51	4365826	12	3363-21	4382882	56	1830-5
4342227	38	1320-5	4366517	63	3361-9	4382882	84	1830-5
4342695	44	3363A-63	4366517	22	3361-11	4382883	54	1830-5
4342695	40	3363A-97	4366519	65	3361-9	4382883	73	1830-5
4342699	46	3363A-63	4366519	65	3362-9B	4386343	0B	1810-45
4342699	42	3363A-97	4366519	85	3362-13B	4386450	38	1810-21
4342846	23	0400-3	4366521	14	3361-11	4392796R	3	1821-3
4342846	3	0407-11	4366521	25	3361-11	4392798R	5	1821-3
4342846	4	0407-11	4366521	26	3362-9	4392799R	6	1821-3
4343209	8	3363A-125	4366521	3	3362-11	4392800R	7	1821-3
4343333	4	1910-13	4366521	33	3362-13	4392801R	9	1821-3
4343336	18	4360-3	4366522	67	3361-9	4392803R	18	1821-3
4343365	7	4360-3	4366528	36	3362-9	4392805R	17	1821-3
4343376	3	3364A-3	4366528	18	3362-11	4392807R	11	1821-3
4343427	3	3364A-3	4366528	52	3362-13B	4395369	7	3363A-67
4343540	0	3363A-127	4366544	5L	3361-9	4397471	10	3363-31
4343768	30	0260-15	4366544	70	3361-15	4402481	4	4360-9
4344048	0	3365A-11	4366623	33	1830-7	4402637	7	4360-9
4344048	0	3365A-13	4366623	34	1830-7	4402701	9	3363A-115
4344125	0	1673-15	4366871	20	1821-15	4403082	27	4360-9
4344155	3	0260-7	4367375	9	1674-27	4403212	54	0130-13
4344300	20	3363A-123	4367481	43	1810-15	4403371	24	4360-9
4344303	15	0530-3	4368629	3	3315-5	4404208	15A	1910-5
4344638	33	1830-7	4368630	5	3315-5	4404208	3A	1910-17
4344638	34	1830-7	4369547	21	1810-15	4404208	3A	1910-19
4344810	4	0130-7	4369549	42	1810-15	4404506	26	4360-9
4345084	0	3363-23	4369615	22	1810-21	4405194	21	1830-11
4345297	13	3363A-61	4369616	23	1810-21	4405814	22	1830-11
4345741	3	1740-3	4369619	41	1810-21	4405815	12	1830-9
4345741	10	1740-9	4369627	29	1810-19	4405944	0	3363A-121
4347396	35	1830-7	4369645	57	1810-11	4408178	80	0402-7
4348070	42	3363A-127	4369653	27	1810-11	4408178	20	0414-3
4348458	28	1740-11	4369817	90	1674-27B	4408281	8	0260-3
4350187	9B	1830-3	4369925	60	3361-7	4409395	15C	1910-5
4350206	5	1830-3	4370199R	10	1821-3	4409396	15D	1910-5
4350206	19A	1830-3	4371318	25	0418-3	4409396	10C	1910-9
4351774	19	3363A-55	4371706	40	1671-3B	4409420	19	3363A-127
4351774	19	3363A-57	4371706	4	3315-15	4409426	54	0130-13
4353560	14	0560-3	4371799	8	1320-3	4409428	54	0130-13
4354222	43	3363A-127	4371825	11D	3364A-3	4409447	10B	1910-9
4354367	13	3363A-57	4372091	49	1810-11	4410898	4	3315-3
4355080	60	3362-9B	4372093	29	1810-11	4411122	39	4360-9
4355080	80	3362-13B	4372200	10	1821-15	4411821	17	1810-7
4359287	33	1830-11	4372200	2	1821-17	4411829	3	1810-11
4359548	13	0260-3	4372200	7	1821-17	4411911	35	0560-5
4359549	11	0260-3	4372523	13	3363-15	4411931	13	1830-9
4359550	10	0260-3	4372619	14	0560-3	4414207	3	1673-3
4361302	17	1810-15	4373463	57	0260-7	4414207	3	1673-5
4361601	7	1810-23	4374495	21	3363A-67	4414207	26	1673-9
4361638	15	0560-3	4374958	9	1830-9	4414207	6	1674-19

00II-29

450DLC EXCAVATOR

NUMERICAL INDEX - CONTINUED

PART NO.	KEY	PAGE	PART NO.	KEY	PAGE	PART NO.	KEY	PAGE
4414207	51	1674-27B	4436737	0G	1674-27	4451789	39	3362-23
4414207	6	1821-9	4437106	23	3315-3	4451790	40	3362-23
4418142	27	1830-3	4437280	15	3363A-121	4451924	63	3363-35
4418143	26	1830-3	4437333	11	3315-3	4451993	14	0510-15
4418144	25	1830-3	4437432	39	3315-5	4452165	39	0452-3
4418147	81	1830-5	4437433	8B	3315-5	4452165	23	0452-7
4418149	82	1830-5	4437833	11A	3364A-3	4452480	38	0260-7
4418301	28	1674-13	4437836	11E	3364A-3	4452483	30	0260-7
4418912	34	1910-21	4437837	11C	3364A-3	4452484	15	0260-7
4418912	0	2002-3	4437838	11B	3364A-3	4452647	18	3362-25
4419601	14J	0520-3	4438015	0D	1674-27	4452733	6	3363-29
4420526	24	0400-3	4439033	0F	3344-3	4453063	40	3315-21
4420526	5	0407-11	4439033	0F	3344-7	4453706	4	3363A-79
4420531	29	1810-11	4439093	3	1830-7	4453874	9	1821-15
4420871	31	1910-17B	4440912	0F	1910-17	4454269	3	3315-15
4420871	31	1910-19B	4440912	0F	1910-19	4454395	11	3363A-69
4422479	37	4360-9	4442270	2	3363-43	4454734	8	3363A-69
4423009	50	4360-3	4442429	59	3363-33	4454860	12	1910-5
4423009	0	4360-7	4442484	53	3363-45	4454860J	12	1910-5
4423009EX	50	4360-3	4443487	14	0510-23	4455566	19	1821-15
4423009EX	0	4360-7	4443904	3	0407-11	4456179	3	1810-49
4423699	3	1810-3	4443907	4	0407-11	4456191	4	1910-9
4424185	9	3315-13	4444664	48	1810-11	4456227	21	1810-7
4425177	11	3363A-55	4444669	46	1810-11	4456427	0	1810-15
4425305	26A	3315-5	4444700	4	1674-3B	4456428	44	1810-11
4425305	27A	3315-5	4444700	18	1810-31	4456428	15	1810-15
4425414	8	3315-3	4444700	9	1830-17	4456428	26	1810-15
4425573	14	0510-23	4447050	6B	3315-5	4456478	6	3363A-123
4425891	15	3363-15	4447050	10B	3315-9	4456735	0A	1674-27
442687	13	1740-11	4447050	10B	3315-23	4456778	0J	1674-27
4427359	25	3363-37	4447067	42	3315-5	4457107	11	3363A-69
4427429	0I	1674-27	4447336	80	0402-7	4458229	1F	1830-19
4428902	40	3315-5	4447336	20	0414-3	4458234	1D	1830-19
4428910	0B	1674-27	4447337	10	0407-3	4458236	0C	1830-19
4428911	0C	1674-27	4447337	61	0407-5	4459210	26	0130-11
4428999	0	3363A-115	4447337	91	0408-3	4460037	0A	1674-27
4429120	6	3315-3	4447337	12	0417-3	4460037	80	1674-27B
4429979	9	0510-15	4447337	23	0419-3	4461342	15E	1910-5
4429979	9	0510-19	4447337	44	0420-3	4461342	10D	1910-9
4430508	9	0260-3	4447337	6	0420-7	4461388	10	3315-19
4432965	7	1830-19	4447338	16	0433-3	4461706	3C	1910-17
4434017	11	3364A-3	4447524	30	3363A-121	4461706	3C	1910-19
4435575	3	1910-9	4448037	29	1674-13	4461933	60	1810-11
4436024	0	1830-3	4448037	3	1674-17	4461977	25	3363A-119
4436024	0	1830-7	4448336	2	0419-3	4461979	24	3363A-119
4436025	0	1830-13	4448867	14	3363-31	4462632	16	3363A-127
4436269	17	3363-35	4449362	21B	0560-3	4464075	19	1674-27
4436271	1	1674-7	4449548	2	3363A-73	4464237	18	1810-7
4436271	18	1674-11	4449548	2	3363A-79	4464273	20	1810-19
4436271	12	3363-21	4449548	5	3363A-95	4464305	18	1810-19
4436306	16	1830-7	4449607	12	3363A-69	4464320	58	1810-15
4436307	17	1830-7	4449646	59	3363-41	4464320	22	1810-17
4436534	5	1674-27	4449757	29	1674-11	4464337	38	1810-15
4436535	19	1674-11	4449758	30	1674-11	4464394	40	1810-15
4436535	12	3363-49	4450008	0	1674-5	4464401	29	1810-7
4436535	13	3363-49	4450206	9A	1830-3	4464401	14	1810-9
4436535	14	3363-49	4450206	19A	1830-3	4464922	25	1910-17B
4436535	15	3363-49	4450779	31	3363A-71	4464962	26	3363A-119
4436535	16	3363-49	4450779	31	3363A-93	4465189	23	0510-7
4436535	17	3363-49	445100	28	0510-5	4465368	31	1910-17B
4436535	18	3363-49	4451677	5	4360-5	4465368	31	1910-19B
4436535	19	3363-49	4451784	24	3362-21	4465995	7	1830-3
4436535	5	3363A-69	4451784	24	3362-23	4466402	1E	1910-21
4436535	18	3363A-107	4451785	25	3362-23	4466640	20	3363A-71
4436535	2	3363A-129	4451786	26	3362-23	4466815	28	1810-19
4436536	2	1674-7	4451787	37	3362-21	4466815	4	1810-49
4436736	0E	1674-27	4451789	39	3362-21	4466834	2	1810-49

00II-30

450DLC EXCAVATOR

NUMERICAL INDEX - CONTINUED

PART NO.	KEY	PAGE	PART NO.	KEY	PAGE	PART NO.	KEY	PAGE
4467069	9	3363A-115	4475287	11	1830-3	4486191R	4	1821-3
446751	5N	3361-9	4475288	12	1830-3	4486192R	26	1821-3
4467676	25	3363A-73	4475289	13	1830-3	4487045	39	1810-21
4467676	27	3363A-95	4475290	14	1830-3	4487224	14	3363-31
4467676	22	3363A-129	4475291	15	1830-3	4487250	9	3361-17
4468009	0	3363A-95	4475345	16	1830-3	4487340	30	3361-17
4469041	64	1830-5	4475346	17	1830-3	4487511	2	1910-21
4469047	48	1830-5	4475347	18	1830-3	4487682	25	3340-3
4469047	75	1830-5	4475348	19	1830-3	4487682	25	3340-5
4469049	1	1830-13	4475349	20	1830-3	4487682	25	3340-7
4469050	2	1830-13	4475350	21	1830-3	4488720	12	3361-17
4469056	5	1830-3	4475351	22	1830-3	4488904	17	4360-9
4469057	6	1830-3	4475352	23	1830-3	4488905	15	1810-47
4469058	10	1830-3	4475353	24	1830-3	4489342	31	0510-7
4469059	17	1830-3	4475364	31	1830-3	449490	10	1910-13
4469060	28	1830-3	4475365	32	1830-3	449490	20	1910-25
4469061	29	1830-3	4475366	33	1830-3	449558	34	0560-3
4469062	30	1830-3	4475367	34	1830-3	449558	19	3364A-3
4469063	44	1830-3	4475368	35	1830-3	4504367	11	4360-5
4469063	65	1830-5	4475369	36	1830-3	4506320	30	0260-9
4469301	39	3362-9	4475370	37	1830-3	4506320	43I	0510-17
4469301	57	3362-13B	4475371	38	1830-3	4506320	38	3362-11
4469302	93	3362-9B	4475372	39	1830-3	4506320	35	3362-15
4469527	1	4360-7	4475399	40	1830-3	4506406	33	3361-13
4470393	25	3363-37	4475400	41	1830-3	4506408	34	3361-13
447068	5	3361-17	4475401	42	1830-3	4506408	24	3361-15
4474214	7	3315-9	4475402	43	1830-3	4506412	8	3362-9
4474214	7	3315-23	4475403	44	1830-3	4506415	60	3362-13B
4474216	21	3315-9	4475404	45	1830-3	4506416	31	0510-7
4474216	21	3315-23	4475405	46	1830-5	4506418	15	0260-11
4474217	24	3315-9	4475406	47	1830-5	4506418	11	0260-15
4474217	24	3315-23	4475407	49	1830-5	4506418	19	0510-11
4474218	8	3315-9	4475430	50	1830-5	4506418	36	0510-17
4474218	8	3315-23	4475431	51	1830-5	4506418	36	3361-13
4474337	12	3363A-55	4475432	52	1830-5	4506418	28	3361-15
4474476	30	1810-21	4475433	53	1830-5	4506418	12	3362-9
4474482	31	1810-21	4475434	57	1830-5	4506418	1	3362-11
4474495	38	1810-21	4475435	58	1830-5	4506418	3	3362-13
4474678	2	3363-43	4477373	59	1830-5	4506418	3	3362-13
4474785	14K	0520-3	4479053	35	1674-27B	4506418	1	3362-15
447483	23	3364A-3	4479444	9	3315-9	4506418	4A	3363-11
4475229	83	1830-5	4479926	32	3344-5	4506418	32	3363-11
4475230	3	1830-13	4480261	3	0130-3	4506418	4A	3363-11B
4475236	4	1830-13	4480261	16	3315-9	4506418	32	3363-11B
4475237	6	1830-13	4481334	16	3315-23	4506418	1	3363-29
4475242	7	1830-13	4482233	9	3315-23	4506418	2	3363-31
4475243	7	1830-13	4482233	38	3362-21	4506418	4	3363-31
4475243	8	1830-13	4482606	21	3315-9	4506418	31	3363-41
4475244	9	1830-13	4482606	31	3315-9	4506418	26	3363A-67
4475245	10	1830-13	4482656	33	1674-27	4506418	5	3363A-85
4475246	11	1830-13	4482883	73	1830-5	4506418	3A	3363A-89
4475247	60	1830-5	4483208	33	1674-27	4506420	39	3361-13
4475248	61	1830-5	4483209	33	1674-27	4506424	32	0260-9
4475249	62	1830-5	4484119	10	3361-17	4506424	12	0260-15
4475250	63	1830-5	4484495	2	0419-3	4506424	15	0510-11
4475257	69	1830-5	4485649	62	1320-5	4506424	8	0510-15
4475258	70	1830-5	4485892	6	1810-11	4506424	9	0510-15
4475259	72	1830-5	4485892	24	1810-19	4506424	10	0510-15
4475260	74	1830-5	4486003	46	3363-39	4506424	8	0510-19
4475261	78	1830-5	4486055	6	0510-3	4506424	9	0510-19
4475262	79	1830-5	4486055	2	0510-15	4506424	10	0510-19
4475263	80	1830-5	4486055	2	0510-19	4506424	4	3363-3
4475264	1	1830-3	4486055	40	1671-3B	4506424	15	3363-3
4475265	2	1830-3	4486055	22	1830-7	4506424	31	3363-11
4475283	3	1830-3	4486055	22	1910-9	4506424	31	3363-11B
4475284	4	1830-3	4486055	25	1910-9	4506424	2	3363-15
4475285	8	1830-3	4486055	4	3315-15	4506424	2	3363-29
4475286	9	1830-3	4486190R	2	1821-3	4506429	22	0260-11

00II-31

450DLC EXCAVATOR

NUMERICAL INDEX - CONTINUED

PART NO.	KEY	PAGE	PART NO.	KEY	PAGE	PART NO.	KEY	PAGE
4506429	6	0260-15	4509180	33	3364A-3	4618409	0	0574-5
4506429	14	3363-9	4509181	37	3361-13	4618606	16	3363-31
4506429	15	3363-9	4509181	9	3362-15	4618606	34	3363-41
4506429	2	3363-13	4509182	19	3361-13	4618721	2	1830-9
4506429	7	3363-17	4510169	41	3363A-63	4619904	1	1810-31
4506429	8	3363-17	4513526	2	0130-7	4620080	13	3363-41
4506429	63	3363A-117	4514699	32	0560-5	4620283	22	1673-9
4508575	27	0510-5	4514699	43	0560-5	4620283	35	1810-29
4508575	17	0530-3	4514699	8	1830-7	4620283	11	1821-9
4508575	11	0560-3	4514699	19	1830-11	4620318	4	3363A-123
4508805	5	3362-11	4514700	45	0560-3	4620349	25	3363A-121
4508805	7	3363-5	4600275	9	1810-17	4620350	26	3363A-121
4508805	4	3363-15	4602034	0	1810-3	4622562	2	0419-3
4508805	6	3363-17	4602154	6D	3315-5	4626289	18	1910-9
4508805	7	3363-19	4602624	9	1740-5	4626289J	18	1910-9
4508805	7	3363-21	4603541	41	3363A-123	4626882	3	0560-3
4508805	13	3363A-63	4604376	6	4360-9	4626882	46	3364A-3
4508805	37	3363A-63	4605339	8	1910-21	4627456	0	3362-5
4508805	8	3363A-67	4605339J	8	1910-21	4627456	8	3363-49
4508805	13	3363A-97	4605340	4	1910-21	4627531	1	0130-9
4508805	37	3363A-97	4605340J	4	1910-21	4627868	64	3363-35
4508805	1	3363A-121	4605531	35	1671-3	4628977	1	0400-3
4508805	7	3363A-123	4605531	35	1671-3B	4628983	2	0400-3
4508805	22	3363A-123	4605567	32	1671-3	4629717	0	3363-31
4508805	25	3363A-127	4605567	32	1671-3B	4629717	0	3363A-85
4508805	63	3363A-127	4605568	19	1674-13	4629782	17	3363A-55
4509122	6	4360-5	4605670	16	3361-17	4629782	17	3363A-57
4509180	28	0260-15	4605732	7	3361-17	4630315	1	2001-3
4509180	35	0510-17	4605742	15	3361-17	4630331	12	3364A-3
4509180	5	1830-3	4606241	1D	1910-21	4630525	1	3363A-85
4509180	19A	1830-3	4607054	12	1810-17	4630531	5	1810-37
4509180	41	3362-9	4607409	9	1810-13	4630532	8	1810-37
4509180	26	3362-11	4607512	26	1810-11	4630532	4	1810-43
4509180	26	3362-15	4607646	25	1810-7	4631038	26	0510-5
4509180	24A	3362-23	4607866	1	3363A-93	4631103	2	3315-15
4509180	25A	3362-23	4607867	3	3363A-93	4631128	33	1674-27
4509180	26A	3362-23	4608999	37	1810-11	4631129	2	1674-3
4509180	39A	3362-23	4609091	1B	3365A-9	4631129	16	1674-27
4509180	1	3363-11	4609479	19	1810-19	4631248	24	3315-3
4509180	26	3363-11	4609630	49	3315-19	4631331	6	3363A-123
4509180	1	3363-11B	4609630	13	3362-29	4631358	9	0130-13
4509180	26	3363-11B	4609630	0	3363A-53	4631364	4B	1821-5
4509180	8	3363-33	4609781	21	3315-23	4631375	14	1830-17
4509180	46	3363-33	4609956	1	3315-11	4631382	10	1740-7
4509180	47	3363-33	4610222	6	3363A-121	4631509	9	3363-19
4509180	8	3363-35	4610222	3	3363A-123	4631614	10	3363-19
4509180	13	3363-35	4610571	24	0130-11	4631615	0	3363-19
4509180	16	3363-35	4612763	15	1830-11	4631616	1	3363-19
4509180	73	3363-35	4613489	10	3363A-121	4631755	8	1740-7
4509180	14	3363-39	4613617	22	3363A-121	4631815	2	1810-43
4509180	15	3363-39	4613618	23	3363A-121	4632689	2	1830-17
4509180	28	3363-41	4613987	41	3362-21	4632799	0	1673-3
4509180	6	3363-43	4614096	11	4360-3	4632799	0	1673-5
4509180	4	3363-49	4614223	12	3363A-69	4632799	50	1674-27B
4509180	10	3363-49	4614286	26	3315-3	4632973	3	3362-7
4509180	11	3363-49	4614296	21	3315-3	4632973	0	3362-9
4509180	5	3363A-53	4614331	28	3315-3	4632973	0	3362-11
4509180	9	3363A-55	4614701	4K	3362-27	4632973	0	3362-13
4509180	12	3363A-57	4614702	4J	3362-27	4632973	0	3362-15
4509180	6	3363A-69	4614703	4H	3362-27	4633247	6A	3363-23
4509180	10	3363A-87	4614764	4F	3362-27	4633472	1	3361-5
4509180	3	3363A-129	4615610	10	3315-3	4633472	0	3361-7
4509180	4	3363A-129	4617012	8	1674-27	4633472	0	3361-9
4509180	26	3364A-3	4617276	36	3363A-123	4633474	0	3361-15
4509180	28	3364A-3	4617277	37	3363A-123	4633510	17	3363-7
4509180	29	3364A-3	4617327	1	1830-9	4633532	7	1740-7
4509180	32	3364A-3	4617451	15	3363A-119	4633629	10	0130-5

00II-32

450DLC EXCAVATOR

NUMERICAL INDEX - CONTINUED

PART NO.	KEY	PAGE	PART NO.	KEY	PAGE	PART NO.	KEY	PAGE
4633644	5	3315-11	4635253	3	3363A-55	4638242	22	3363-39
4633971	14	0400-3	4635254	0	3363A-55	4638275	7	3362-7
4633972	13	0400-3	4635255	1	3363A-55	4638283	29	3363-45
4633973	1	0407-11	4635256	5	3363A-57	4638604	26	1674-27
4633974	2	0407-11	4635256	9	3363A-69	4638620	8	1810-31
4633977	23	0400-3	4635258	3	3363A-57	4638628	3	0530-3
4634207	0	3362-17	4635259	4	3363A-57	4638671	8	0530-3
4634207	0	3362-19	4635260	2	3363A-57	4638891	0	1810-31
4634207	0	3362-21	4635261	1	3363A-57	4638893	5	1810-31
4634207	0	3362-23	4635262	0	3363A-57	4638895	10	1810-31
4634207	0	3362-25	4635263	5	3363A-59	4638922	6	3363-49
4634207	80	3363-35	4635265	7	3363A-59	4639102	4	0510-15
4634354	16	3363-39	4635562	0	1740-3	4639102	0	0510-17
4634365	49	3363-33	4635850	4	0510-11	4639115	23	3315-3
4634366	14	3363-35	4636094	21	1830-7	4639127	12	3315-11
4634367	15	3363-35	4636095	8	1830-17	4639136	0F	1674-27
4634368	50	3363-33	4636096	24	1830-7	4639172	29	3363A-63
4634369	12	3363-35	4636099	4	1830-19	4639216	1B	1910-17
4634370	51	3363-33	4636162	0	0510-3	4639216	1B	1910-19
4634371	52	3363-33	4636268	4	1830-17	4639217	0G	1910-17
4634372	11	3363-35	4636269	11	1830-17	4639217	1C	1910-17
4634373	9	3363-35	4636444	0	3361-3	4639217	0G	1910-19
4634374	53	3363-33	4636721	0	0510-7	4639217	1C	1910-19
4634375	10	3363-35	4636765	7	3315-15	4639220	0B	1910-17
4634376	54	3363-33	4636813	14	3363-15	4639220	0B	1910-19
4634377	66	3363-37	4636820	3	3363-19	4639221	1D	1910-17
4634379	7	3363-35	4636821	25	3363-21	4639221	1D	1910-19
4634380	36	3363-47	4636846	0	3363-5	4639233	25	3363A-63
4634381	36	3363-37	4636847	1	3363-5	4639233	25	3363A-97
4634382	37	3363-37	4636851	36	3363-7	4639234	45	3363A-63
4634383	30	3363-37	4636852	23	3363-11	4639234	41	3363A-97
4634384	31	3363-37	4636852	23	3363-11B	4639273	0D	1910-17
4634385	32	3363-37	4636853	19	3363-11	4639273	0D	1910-19
4634388	2	3363-39	4636853	19	3363-11B	4639409	21	1910-9
4634389	7	3363-39	4636854	5	3363-13	4639409J	21	1910-9
4634390	3	3363-39	4636859	16	0510-11	4639413	2D	1910-17
4634392	35	3363-47	4636860	10	0510-11	4639413	2D	1910-19
4634393	6	3363A-59	4637175	1	3315-15	4639414	2C	1910-17
4634648	0A	1740-5	4637288	21	0130-11	4639414	2C	1910-19
4634744	0	0520-5	4637289	22	0130-11	4639415	2B	1910-17
4634745	14	0520-3	4637328	11	3363-3	4639415	2B	1910-19
4634836	0B	1740-5	4637403	0A	0130-5	4639651	24	0510-11
4634915	35	3363-37	4637406	1	0130-5	4639683	14	0530-3
4634936	5	0510-7	4637521	10	3363-23	4639749	24	0260-15
4634936	0	0510-9	4637645	12	0510-23	4639753	9	0260-15
4635230	13	3363-47	4637645	13	0510-23	4639754	4	0510-19
4635231	14	3363-47	4637661	24	0510-5	4639754	0	0510-21
4635232	15	3363-47	4637669	23	0510-5	4639834	0C	1910-17
4635233	16	3363-47	4637751	0	3365A-3	4639834	0C	1910-19
4635234	27	3363-45	4637751	0	3365A-11	4639945	28	1830-7
4635235	28	3363-45	4637752	0	3365A-5	4640114	16	3363A-117
4635236	17	3363-47	4637753	0	3365A-7	4640188	0	0260-15
4635237	18	3363-47	4637754	0	3365A-9	4640204	10	0260-15
4635238	19	3363-45	4637796	20	0260-7	4640410	22	1674-27
4635239	20	3363-45	4637796	90	0260-9	4640506	0	1830-17
4635240	21	3363-45	4637796	90	0260-11	4640957	0	1810-29
4635241	22	3363-45	4637797	0	0130-13	4640958	7	1810-29
4635242	30	3363-45	4637798	1	0130-13	4640959	11	1810-29
4635243	34	3363-47	4637799	4	0130-13	4640960	15	1810-29
4635244	2	3363A-51	4637800	7	0130-13	4640961	18	1810-29
4635245	3	3363A-51	4637836	4	0530-3	4640962	22	1810-29
4635246	1	3363A-51	4637841	4	3363-13	4640963	26	1810-29
4635247	0	3363A-51	4637864	10	0510-7	4640965	28	1810-29
4635249	4	3363A-53	4637925	9	3315-15	4641195	42	3363A-123
4635250	4	3363A-55	4637942	16	0510-7	4642214	48	3363-33
4635251	2	3363A-55	4638112	9	1830-7	4642264	22	3363A-57
4635252	5	3363A-55	4638167	21	1674-29	4642264	1	3363A-87

00II-33

450DLC EXCAVATOR

NUMERICAL INDEX - CONTINUED

PART NO.	KEY	PAGE	PART NO.	KEY	PAGE	PART NO.	KEY	PAGE
4642361	12	4360-9	4650094	7	1674-19	4652829	1	1810-11
4642575	15	3315-15	4650094	7	3315-11	4652875	2	1673-7
4642641	2	0420-3	4650432	9	1740-7	4652876	31	1673-9
4642773	13	3315-11	4650570	28	1810-7	4653040	90	3365A-3
4642883	13	1674-29	4650570	17	1810-9	4653040	90	3365A-5
4643128	13	1810-31	4650571	26	1810-7	4653041	90	3365A-7
4643247	34	3315-3	4650571	16	1810-9	4653042	90	3365A-9
4643266	22	3364A-3	4650572	27	1810-7	4653043	0	3365A-3
4643580	27	1830-7	4650572	15	1810-9	4653043	0	3365A-5
4644044	7	1821-5	4650573	31	1810-7	4653043G	0	3365A-3
4644052	8	1821-5	4650573	8	1810-9	4653043G	0	3365A-5
4644169R	13	1821-5	4651079	0	1810-5	4653044G	0	3365A-7
4644172R	18	1821-5	4651079	50	1810-7	4653045	0	3365A-9
4644191	23	3315-15	4651079	50	1810-9	4653045G	0	3365A-9
4644220	10	1821-5	4651079	75	1810-11	4653162	3	1821-15
4644220	25	3315-15	4651079	50	1810-13	4653189	6	0420-5
4644282	24	0510-13	4651079	50	1810-15	4653190	4	0420-5
4644283	25	0510-13	4651079	50	1810-17	4653191	12	0420-5
4644284	26	0510-13	4651079	50	1810-19	4653192	13	0420-5
4644285	27	0510-13	4651079	50	1810-21	4653193	8	0420-5
4644518	10	1810-37	4651278	8	1674-19	4653194	2B	0420-5
4644696	11	3315-15	4651278	4	3315-11B	4653195	2A	0420-5
4644727	12	1673-15	4651285	15	1810-31	4653213	0B	0560-3
4645170	13	3315-13	4651286	16	1810-31	4653261	4F	1821-5
4645214	33	3315-3	4651292	8	1821-9	4653315	34	1910-21
4645225	7	2001-3	4651293	19	1673-9	4653315	0	2002-3
4645513	3	0130-5	4651295	9	1674-19	4653775	0	1674-3B
4646046	20	3363A-71	4651295	19	3315-11B	4653895	6	0560-7
4646046	21	3363A-93	4651397	17	3363-39	4653906	13	1830-19
4646047	27	3363A-73	4651399	21	3363-39	4654039	8	1671-3
4646047	14	3363A-79	4651495	29	0510-13	4654039	8	1671-3B
4646047	16	3363A-95	4651531	16	0520-3	4654220	1	0420-5
4646226	1	1810-47	4651551	33	3344-5	4654220	15	0560-5
4646587	2	3363-19	4651552	34	3344-5	4654276	21	1810-21
4647334	18	3315-17	4651653	1B	1810-7	4654325	36	3361-11
4647334	6	3315-21	4651653	3	1810-9	4654325	1	3361-13
4647561	2	0130-5	4651654	4	1810-9	4654350	28A	0560-5
4647902	31	1830-11	4651655	5	1810-9	4654352	29A	0560-5
4647951	10	1830-7	4651656	6	1810-9	4654356	31A	0560-5
4648087	3	3363A-53	4651657	7	1810-9	4654357	10	3363A-69
4648100	1	1830-19	4651658	1A	1810-9	4654383	7	0510-9
4648101	0	1830-19	4651658	31	1810-11	4654387	8	0510-9
4648102	3	1830-19	4651659	1B	1810-9	4654390	9	0510-9
4648125	6	3315-11	4651659	23	1810-11	4654406	41	3315-21
4648126	7	3315-11	4651660	1C	1810-9	4654418	1	1810-33
4648204	22	3315-21	4651660	24	1810-11	4654554	5	3361-9
4648205	21	3315-21	4651742	40	1674-27B	4654654	70	1674-3B
4648252	24	1673-9	4651743	41	1674-27B	4654655	40	3362-21
4648336	1	0420-3	4651783	33	3363-47	4654745	1	3364A-3
4648394	20	0560-5	4651787	22	3363-7	4654749	24	1910-9
4648439	11	1910-17B	4651788	21	3363-7	4654749J	24	1910-9
4648439	11	1910-19B	4651806	1	3363-17	4654835	32	1910-17B
4648480	1	1673-5	4651807	0	3363-17	4654835	32	1910-19B
4648583	0H	1674-27	4651808	2	3363-17	4654876	27A	0560-5
4648669	3B	1910-17	4651809	3	3363-17	4654945	3	1673-7
4648669	3B	1910-19	4651868	10B	1740-3	4655008	1	0510-3
4648791	17	1821-5	4651877	1	1821-9	4655010	4	0510-3
4648975	0H	1910-17	4651943	3	1674-7	4655013	7	0510-3
4648975	0H	1910-19	4651944	9	1674-11	4655014	8	0510-3
4648976	0I	1910-17	4651992	25	0560-3	4655015	9	0510-3
4648976	0I	1910-19	4652003	23	1673-9	4655017	12	0510-3
4649267	2	0420-5	4652261	15	1910-25	4655018	13	0510-3
4649267	15	0560-5	4652261	15	1910-27	4655019	14	0510-3
4649377	3	1810-39	4652452	1	1810-33	4655020	17	0510-3
4649401	24	0560-5	4652472	10A	1740-3	4655021	18	0510-3
4650093	6	3315-11	4652756	6	3363-9	4655022	19	0510-3
4650093	6	3315-11B	4652829	1	1810-9	4655024	22	0510-3

00II-34

450DLC EXCAVATOR

NUMERICAL INDEX - CONTINUED

PART NO.	KEY	PAGE	PART NO.	KEY	PAGE	PART NO.	KEY	PAGE
4655025	23	0510-3	4658832	0	3361-13	4662230	10	1810-19
4655027	26	0510-3	4658927	58	1320-5	4662231	11	1810-19
4655030	31	0510-3	4658979	31	3363A-127	4662232	12	1810-19
4655031	32	0510-3	4659032	1	0510-9	4662233	13	1810-19
4655032	33	0510-3	4659033	2	0510-9	4662234	1A	1810-7
4655033	34	0510-3	4659034	3	0510-9	4662235	6	1810-7
4655034	35	0510-3	4659035	4	0510-9	4662236	10	1810-7
4655035	36	0510-3	4659036	5	0510-9	4662237	4	1810-7
4655036	37	0510-3	4659092	23	1673-9	4662238	13	1810-7
4655509	1	1810-49	4659162	0	0130-3	4662239	5	1810-7
4655546	11	1810-49	4659163	1	0130-3	4662240	7	1810-7
4655547	12	1810-49	4659164	1A	0130-3	4662241	12	1810-7
4655548	10	1810-49	4659165	4	0130-3	4662242	5	1810-19
4655717	7	1673-11	4659166	7	0130-3	4662243	23	1810-7
4655717	7	1673-13	4659167	0	0130-5	4662244	1E	1810-7
4655770	15	0510-15	4659204	37	3363A-91	4662245	14	1810-19
4655903	59	3363-41	4659592	19	1810-9	4662246	36	1810-7
4655968	44	0560-3	4659592	11	1810-11	4662247	15	1810-7
4656042	13	3363A-69	4659593	21	1810-9	4662248	16	1810-7
4656158	30	1810-7	4659594	22	1810-9	4662249	15	1810-19
4656158	9	1810-9	4659595	18	1810-9	4662251	22	1810-7
4656165	37	1830-7	4659595	14	1810-11	4662252	9	1810-7
4656166	36	1830-7	4659600	24	3315-21	4662252	63	1810-11
4656208	22	0520-3	4659601	23	3315-21	4662252	11	1810-21
4656300	14	1830-19	4659659	37	1810-7	4662356	37	1810-21
4656402	3	1674-15	4659660	1D	1810-7	4662357	39	1810-21
4656522	22	3364A-3	4659660	20	1810-9	4662358	24	1810-21
4656889	30A	0560-5	4659696	28	3363A-127	4662360	33	1810-21
4656891	2	0130-3	4659712	29	3363A-97	4662361	27	1810-21
4657166	27B	0560-5	4659744	38	3363A-75	4662362	28	1810-21
4657168	28B	0560-5	4659790	39	1910-17B	4662363	34	1810-21
4657170	29B	0560-5	4659790	39	1910-19B	4662364	35	1810-21
4657171	30B	0560-5	4659799	6	1810-49	4662365	36	1810-21
4657172	31B	0560-5	4659820	48	3362-9B	4662366	29	1810-21
4658090	38	1810-7	4659888	40	1910-17B	4662367	4	1810-13
4658090	2B	1810-9	4659888	40	1910-19B	4662367	32	1810-21
4658091	33	1810-7	4660321	19	3363A-107	4662368	25	1810-21
4658091	2A	1810-9	4660321	20	3363A-129	4662369	26	1810-21
4658092	16	1810-15	4660732R	20	1821-3	4662370	49	1810-15
4658093	20	1810-15	4660734	11	1821-3	4662370	9	1810-49
4658094	11	1810-9	4660734R	11	1821-3	4662371	52	1810-15
4658095	34	1810-7	4660755	6	3315-17	4662372	53	1810-15
4658095	10	1810-9	4660755	8	3315-17	4662373	56	1810-15
4658095	65	1810-11	4660755	18	3315-17	4662374	57	1810-15
4658095	44	1810-15	4660755	6	3315-21	4662375	51	1810-15
4658109	32	1810-7	4660755	7	3315-21	4662376	55	1810-15
4658109	13	1810-9	4660755	8	3315-21	4662377	54	1810-15
4658110	14	1810-7	4660855	1B	3365A-7	4662378	59	1810-15
4658110	12	1810-9	4660855	2B	3365A-7	4662435	0E	3340-3
4658110	4	1810-11	4660855	2B	3365A-9	4662435	0D	3340-5
4658110	8	1810-17	4661444	3	1810-51	4662435	0E	3340-7
4658114R	0	1821-3	4661445	7	1810-51	4662435	1F	3340-13
4658295	27	3315-17	4661709	3	3362-7	4662435	0C	3344-3
4658521	1	0407-11	4661709	0	3362-9	4662435	0C	3344-7
4658553G	3	3340-13	4661709	0	3362-11	4662487	0	1810-7
4658554	23	3363A-67	4661709	0	3362-13	4662488	49	1810-21
4658555	20	3363A-67	4661709	0	3362-15	4662711	7	1810-21
4658559	43	0510-17	4661732	21	1810-17	4662712	8	1810-21
4658560	44	0510-17	4662206	3	3315-3	4662713	9	1810-21
4658560	25	0510-21	4662206	6	3315-23	4662714	1	1810-21
4658574	19	3363A-69	4662223	24	1810-7	4662715	10	1810-21
4658672	12	3315-7	4662224	6	1810-19	4662718	6	1810-21
4658727	0	3363A-129	4662225	53	1810-7	4662720	1	1810-13
4658728	1	3363A-129	4662226	35	1810-7	4662721	10	1810-13
4658786	0	1740-9	4662227	7	1810-19	4662722	7	1810-13
4658818	45	1674-27B	4662228	8	1810-19	4662723	20	1810-13
4658831	0	3361-11	4662229	9	1810-19	4662724	2	1810-13

00II-35

450DLC EXCAVATOR

NUMERICAL INDEX - CONTINUED

PART NO.	KEY	PAGE	PART NO.	KEY	PAGE	PART NO.	KEY	PAGE
4662725	8	1810-13	4665501	42	1810-11	5010132J	0	1910-21
4662726	21	1810-13	4665502	40	1810-11	5010143	8A	1910-13
4662727	6	1810-13	4665503	58	1810-11	5010177	2A	1910-17
4662728	5	1810-13	4665504	52	1810-11	5010177	2A	1910-19
4662729	22	1810-13	4665505	47	1810-11	5010178	0A	1910-17
4662730	36	1810-11	4665506	45	1810-11	5010178	0A	1910-19
4662730	3	1810-13	4665508	38	1810-11	5010369	10	1910-9
4662731	11	1810-13	4665561	21	1810-11	5010842	1A	3340-13
4662735	23	1810-9	4665562	22	1810-11	5010896	0A	3344-7
4662736	23	1810-19	4665563	25	1810-11	5010916	13	1740-9
4662738	21	1810-19	4665566	32	1810-11	5010923	0A	3340-3
4662740	3	1810-17	4665634	28	1810-11	5011326	10	1910-9
4662741	22	1810-19	4666057	8	1810-49	5011704	0	1910-21
4662744	2	1810-17	4666063	5	1810-49	5011704J	0	1910-21
4662745	15	1810-17	4666150	30	1740-11	5011704J	1	1910-21
4662746	16	1810-17	4666221	5	1810-51	5093609260	50	0432-5
4662747	2	1810-11	4666222	4	1810-51	5093609261	50	0432-5
4662749	3	1810-19	4666223	9	1810-51	5093609262	50	0432-5
4662750	5	1810-11	4666224	8	1810-51	5095031110	83	0402-7
4662751	18	1810-17	4666225	11	1810-51	5096000130	8	0409-7
4662754	2	1810-19	4666226	10	1810-51	5097070340	14	0574-3
4662755	11	1810-17	4667705	1A	1830-19	5097040480	59	0408-3
4662755	0	1810-19	4667706	1B	1830-19	5097070041	20	0419-3
4662758	45	1810-15	4667707	1C	1830-19	5097070051	95	0414-3
4662759	41	1810-15	4667708	1E	1830-19	5097070301	90	0408-3
4662760	6	1810-17	4667711	0A	1830-19	5097070301	48	0432-5
4662761	7	1810-17	4667713	0B	1830-19	5111290030	26	0404-3
4662762	10	1810-17	4670332	0	1910-13	5111290060	12	0409-7
4662763	19	1810-17	4670332	0A	1910-13	5112190080	55	0402-3
4662764	25	1810-19	4671090	4	1810-17	5112190080	13	0409-7
4662765	26	1810-19	4673485	32	1671-3	5113690720	11	0407-3
4662766	27	1810-19	4673485	32	1671-3B	5157590030	6	0413-11
4662767	40	1810-21	4673772	61	1740-5	5157590030	74	0413-11
4662768	14	1810-17	4673773	62	1740-5	53490210001	10	1821-3B
4662769	4	1810-19	4674191	37	1671-3B	53500250005	9	1821-3B
4662770	35	1810-11	4674564	16	3362-13	53511340001	4	1821-3B
4662770	20	1810-17	4674883	3	3363A-129	53530010007	8	1821-3B
4662771	17	1810-17	4674883	4	3363A-129	53530020006	11	1821-3B
4663017	1C	1810-7	4676385	2	0420-5	6WG1XYSA01	0	0400-3
4663044	0	3365A-7	4676385	15	0560-5	600190	20	3302-7
4663620	2	1810-21	4676391	46	0560-3	600190	20	3302-7B
4663621	3	1810-21	4677530	40	0560-5	600192	20	3302-7
4663622	4	1810-21	4678830	24	1810-17	600192	20	3302-7B
4663623	5	1810-21	4678832	1	1810-17	600194	20	3302-7
4664054	0	1810-5	4678930	1	1810-7	600194	20	3302-7B
4664054	50	1810-7	4679165	1	0420-5	600195	20	3302-7
4664054	50	1810-9	4679165	15	0560-5	600195	20	3302-7B
4664054	75	1810-11	4679166	41	0560-5	600196	20	3302-7
4664054	50	1810-13	4679421	32	3363-37	600196	20	3302-7B
4664054	50	1810-15	4681386	0	0520-5	600292	20	3302-3
4664054	50	1810-17	4683284	3	0420-5	600292	20	3302-3B
4664054	50	1810-19	4683285	3	0420-5	600373	20	3302-9
4664054	50	1810-21	4691477	3	3362-7	600374	20	3302-9
4664469	7	3363-35	4691477	0	3362-9	600541	20	3302-5
4665488	56	1810-11	4691477	0	3362-11	600541	20	3302-5B
4665489	39	1810-11	4691477	0	3362-13	600542	20	3302-5
4665490	64	1810-11	4691477	0	3362-15	600542	20	3302-5B
4665491	61	1810-11	484827	1	3363A-61	600543	20	3302-5
4665492	51	1810-11	488075	77	3361-9	600543	20	3302-5B
4665493	62	1810-11	492067	12	1740-11	600915	20	3302-3
4665494	50	1810-11	5009967J	0	0560-3	600915	20	3302-3B
4665495	53	1810-11	5010013	0	0130-11	600916	20	3302-3
4665496	33	1810-11	5010030	0	1740-5	600916	20	3302-3B
4665497	34	1810-11	5010043	10	1740-3	6016356	3A	0130-7
4665498	54	1810-11	5010088	0	3364A-3	6023338	0	1810-39
4665499	59	1810-11	5010088J	0	3364A-3	6023610	15	1910-5
4665500	41	1810-11	5010132	0	1910-21	6023610J	15	1910-5

00II-36

450DLC EXCAVATOR

NUMERICAL INDEX - CONTINUED

PART NO.	KEY	PAGE	PART NO.	KEY	PAGE	PART NO.	KEY	PAGE
6023755	0	1810-27	7048463	0	3363-3	7051364G	1	3340-13
6023756	1	1810-27	7048476	1	0560-7	7051419	9	3363A-97
6023845	2	1910-13	7048500	5	0510-5	7051799	28	3363-7
6023862	1A	1910-17	7048518	3	0510-7	7053200	0	1910-15
6023862	1A	1910-19	7048519	1	1910-21	7053243	3	1910-7
6023871	0	0530-3	7048519J	1	1910-21	7053243	4	1910-7
6023880	0	1810-37	7048591	0	1830-11	7053243	6	1910-7
6023887	29	1910-21	7048594	0	3362-7	7053338	1B	1910-11
6023887G	29	1910-21	7048603G	0	3344-3	7053338	1	1910-11B
6023899	7	1910-9	7048605G	0	3340-7	7053338J	1B	1910-11
6023899J	7	1910-9	7048655	1	1910-15	7053338J	1	1910-11B
6023901	0	1910-7	7048655J	1	1910-15	7053849	1	1910-21
6023901J	0	1910-7	7048656	0	1910-15	7053849J	0	1910-21
6023902	2	1910-7	7048657	2	1910-15	7053849J	1	1910-21
6023902J	2	1910-7	7048657J	2	1910-15	7054079	3	1910-17
6023903	1	1910-7	7048659J	2	1910-17	7054079	3	1910-19
6023903J	1	1910-7	7048660J	0	1910-17	7054124	2	1910-19
6023945	8	0260-21	7048660J	0	1910-19	7054991	7	0260-21
6023946	7	0260-21	7048661J	1	1910-17	7054991	10	0260-21
6024037	4C	1821-5	7048661J	1	1910-19	7054992	8	0260-21
6024183	58	1740-5	7048699	0	1910-11	7054992	11	0260-21
6024183G	58	1740-5	7048699	0	1910-11B	79495	5	1821-3B
6024198	57	1740-5	7048700	1A	1910-11	8033923	33	0560-3
6024198G	57	1740-5	7048700J	1A	1910-11	8038955	0	3363-15
6024477	0	1910-13	7048702	28	3363-7	8039014	15	1740-5
6025535	0	1910-13	7048716	3	3363A-63	8050176	6	3340-3
6026321	0	1810-37	7048716G	3	3363A-63	8050176G	6	3340-3
6026430	7	0260-21	7048717	4	3363A-63	8050176G	6	3340-11
6026430	10	0260-21	7048717G	4	3363A-63	8050178	7	3340-3
6026431	8	0260-21	7048718	6	3363A-63	8050178G	7	3340-3
6026431	11	0260-21	7048718G	6	3363A-63	8050178G	7	3340-11
602705	20	3302-5	7048719	7	3363A-63	8053499	18	3364A-3
602705	20	3302-5B	7048719G	7	3363A-63	8055536	1	3363-15
602706	20	3302-5	7048720	8	3363A-63	8055574	5	3363A-63
602706	20	3302-5B	7048720G	8	3363A-63	8055574G	5	3363A-63
602707	20	3302-5	7048721	9	3363A-63	8055578	10	3363A-63
602707	20	3302-5B	7048721G	9	3363A-63	8055578G	10	3363A-63
605585	20	3302-11	7048736	0	1910-9	8059541	0A	1740-11
605586	20	3302-11	7048736J	0	1910-9	8059544	1A	1740-11
605587	20	3302-11	7048737	1	1910-9	8061333	0	3363A-125
605591	27	3302-11	7048737J	1	1910-9	8061383	4	0260-21
605592	27	3302-11	7048745	0	1910-23	8061384	5	0260-21
605593	27	3302-11	7048790	5	1910-7	8061396	1	3363A-127
606116	27	3302-9	7048790J	5	1910-7	8061456	20	0260-15
606117	27	3302-9	7048791	3	1910-7	8061758G	0	3363A-117
608234	20	3302-7	7048792	10	1910-7	8061759G	1	3363A-117
608234	20	3302-7B	7048792J	10	1910-7	8065783	27	1740-11
608619	20	3302-15	7048793	9	1910-7	8066121	11	3363-21
608619	20	3302-15B	7048793J	9	1910-7	8068280	8	3340-13
610934	20	3302-15	7048797	8	1910-7	8075907	1	3363A-123
610934	20	3302-15B	7048797J	8	1910-7	8075907G	1	3363A-123
611803	20	3302-25	7048931	10	1910-5	8077903	32	3315-5
624268	1	3302-25B	7048938	0	1910-5	8079688	3	0400-3
624270	1	3302-25B	7049302	30	1674-27	8080596	6	3315-19
624272	1	3302-25B	7049631	24	3363-41	8082794	4	0130-17
624273	1	3302-25B	7049985	24	1910-5	8083128	7	3315-19
624274	1	3302-25B	7050007	12	1821-5	8084644	4	3315-19
7046116	4A	3340-13	7050354J	26	0560-3	8084658	8	3315-19
7047546	1	1810-39	7050519	22	1810-47	8087747	9	3315-19
7047750	1	1810-45	7050520	19	1810-47	8088360	0	3315-9
7047782	2	1674-3B	7050578	0	1673-11	8088591	0	3315-23
7048124	18	0400-3	7050578	0	1673-13	8092248	0	3315-5
7048348	0H	3340-5	7050857	3	1910-17	8092940	1	0130-11
7048348	0H	3340-7	7051276	9	3315-7	8093102	4	3363A-97
7048441	4	0510-23	7051352	1	3340-3	8093103	5	3363A-97
7048443	9	3363-9	7051358	1	3344-7	8093106	10	3363A-97
7048447	18	0510-5	7051364G	0	3340-5	8093819	37	1910-21

00II-37

450DLC EXCAVATOR

NUMERICAL INDEX - CONTINUED

PART NO.	KEY	PAGE	PART NO.	KEY	PAGE	PART NO.	KEY	PAGE
8093827	4	2002-3	8101198	41	3363-7	8110263	7	0510-5
8094446	0	3315-3	8101299	1	3315-17	8110263	5	0510-13
8095446	14	3363A-119	8101299	9	3315-21	8110263	6	0510-13
8095446G	14	3363A-119	8101304	4	1910-7	8110263	3	1910-7
8098869	0	1821-5	8101305	7	1910-7	8110263	4	1910-7
8098870	1	1821-5	8101305J	7	1910-7	8110263	6	1910-7
8098880	4	1810-39	8101358	0	3315-15	8110264	7	0510-5
8099296	0	1810-43	8101366	14	0510-11	8110264	5	0510-13
8099547	12	1671-3	8101399	1	0510-15	8110264	6	0510-13
8099547	12	1671-3B	8101451	6	3315-17	8110264	3	1910-7
8099594	10	3363A-123	8101451	7	3315-21	8110264	4	1910-7
8099594G	10	3363A-123	8101565	9	1910-5	8110264	6	1910-7
8099595G	13	3363A-123	8101565J	9	1910-5	8110265	3	1910-7
8099718	0	0510-11	8101575	10	0530-3	8110265	4	1910-7
8099799	5	3315-13	8101964	4A	1821-5	8110265	6	1910-7
8099800	6	3315-13	8101964	23	1821-5	8111398	39	1671-3B
8100063	10	0400-3	8101967	10	1674-19	8112029	17	0560-5
8100268	2	0520-5	8102261	30	1830-7	8121468300	97	0414-3
8100269	3	0520-5	8102423	14	1910-25	8121468300	54	0432-3
8100442	5	0510-13	8103028	41	3363-37	8121468300	3	1674-7
8100446	20	1740-5	8103064	69	3363-33	8743996890	2	0452-3
8100447	4	3344-5	8103065	70	3363-33	8941215660	20	0419-3
8100447R	4	3344-5	8103066	68	3363-33	8941235260	20	0419-3
8100507	8	0510-23	8103829	7	1674-5	8941235261	20	0419-3
8100576	5	1830-17	8104059	4	3364A-3	8942251850	14	0574-3
8100579	19	3315-15	8104074	10	1810-39	8942385720	20	0419-3
8100589	11	3363-11	8104075	11	1810-39	8942416370	39	0404-3
8100589	11	3363-11B	8104177	0	0510-23	8942416370	11	0409-7
8100603	5	0510-23	8104209	35	0560-3	8942416370	30	0414-3
8100604	6	0510-23	8104283	9	0510-5	8943126990	59	0432-5
8100633	2	3364A-3	8104307	28	0510-7	8943126991	59	0432-5
8100633J	2	3364A-3	8104395J	37	0560-3	8943255061	32	0404-3
8100635	12	3363-21	8104396	29	0560-3	8943324060	59	0408-3
8100655	16	3363-7	8104430	2	1910-11	8943445401	28	0419-3
8100656	3	3363-9	8104430	2	1910-11B	8943609200	20	0419-3
8100657	0	3363-9	8104562	0C	1740-5	8943625180	59	0408-3
8100658	8	3363-7	8104656	1	1673-9	8943732463	45	0417-3
8100690	6	3363-3	8104803	16	1910-25	8943824020	36	0417-7
8100715	1	0510-23	8104804	17	1910-25	8943908581	56	0432-5
8100717	2	0510-23	8104834	16	1910-27	8943913100	57	0432-5
8100795	8	0510-5	8104835	17	1910-27	8943913100	50	0452-3
8100796	7	0510-5	8104844	4	1910-5	8943920900	17	0417-3
8100798	50	0130-11	8105010	17	0560-5	8943932802	25	0407-9
8100850	4	1673-3	8105505	2	1674-15	8943932802	18	0420-7
8100850	4	1673-5	8105912	5	1821-15	8943932803	25	0407-9
8100850	27	1673-9	8106145	2	3363A-127	8943932803	18	0420-7
8100850	52	1674-27B	8106149	37	3363A-127	8943952140	26	0413-9
8100850	4	1821-9	8106188	11	3315-7	8943952140	37	0452-3
8100877	0	3363-49	8106210	11	1740-9	8943952140	21	0452-7
8100952	14	1910-27	8106217	36	3363A-127	8943956840	29	0409-3
8100969	1	3362-7	8106218	22	3363A-127	8943963710	13	0413-9
8101043	5	1910-13	8106226	28	3363A-67	8943973220	8	0409-5
8101064	8B	1910-13	8106535	6	3363A-97	8943973591	22	0407-5
8101118	1	0510-19	8106536	3	3363A-97	8943973591	31	0418-3
8101129	6	1910-11	8106537	8	3363A-97	8943992531	29	0413-3
8101129	6	1910-11B	8106673	41	3363A-127	8943993990	8	0407-9
8101129J	6	1910-11	8106674	40	3363A-127	8943993990	15	0452-5
8101129J	6	1910-11B	8106893	6	3315-17	8943993990	29	0452-7
8101176	5	1910-11	8106893	8	3315-17	8943994881	23	0407-5
8101176	5	1910-11B	8106893	18	3315-17	8943996890	5	0409-3
8101176J	5	1910-11	8106893	6	3315-21	8943996890	3	0452-7
8101176J	5	1910-11B	8106893	7	3315-21	8943997230	4	0409-3
8101177	3	1910-11	8106893	8	3315-21	8944288070	49	0414-3
8101177	3	1910-11B	8107612	7	1674-17	8944607060	46	0432-3
8101177J	3	1910-11	8109385	9	1910-25	8944607060	8	1671-3
8101177J	3	1910-11B	8109388	9	1910-27	8944607060	8	1671-3B
8101178	26	1674-13	8110130	27	1674-13	8944698430	80	0402-7

00II-38

450DLC EXCAVATOR

NUMERICAL INDEX - CONTINUED

PART NO.	KEY	PAGE	PART NO.	KEY	PAGE	PART NO.	KEY	PAGE
8944698430	20	0414-3	8976052190	69	0413-7	8980463660	1	0417-3
8970365501	36	0404-3	8976062190	39	0417-3	8980498250	24	0408-5
8970961921	18	0410-3	8976065900	11	0408-5	8980602470	55	0432-3
8971165150	48	0432-7	8976066400	32	0419-3	8980602470	0	1674-15
8971256011	25	0418-3	8976066410	33	0419-3	9010658400	50	0402-7
8971312230	9	0407-3	8976066430	5	0419-3	9034866120	19	0408-5
8971488920	20	0419-3	8976067290	19	0417-3	9041108200	58	0410-3
8971488921	20	0419-3	897607581	26	0452-3	9044110300	33	0402-7
8971499950	17	0407-9	8976075981	7	0414-3	9044114350	25	0433-3
8971732210	20	0419-3	8976075981	10	0452-7	9044114450	46	0402-7
8972160820	66	0413-9	8976087850	18	0409-5	9059210800	24	0407-5
8972160820	35	0452-3	8976087851	18	0409-5	9059210800	82	0409-5
8972160820	20	0452-7	8976087910	19	0409-5	9080555160	14	0402-3
8972177780	53	0432-3	8976087911	19	0409-5	9080556220	3	0413-3
8972177780	9	1674-11	8976171610	37	0413-9	9081140600	3	0407-5
8972221250	18	0419-3	8976173080	35	0402-7	9081505100	28	0413-3
8972249930	5	0413-11	8976173080	23	0452-3	9081508160	32	0401-3
8972331260	14	0409-7	8976173090	17	0433-3	9081510180	30	0404-3
8972331260	10	0452-3	8976173090	2	0452-5	9081510180	38	0404-3
8972331260	7	0452-7	8980007880	11	0408-3	9081514280	83	0404-3
8972331270	15	0409-7	8980007881	11	0408-3	9081605100	33	0404-3
8972331270	11	0452-3	8980007882	11	0408-3	9081608200	57	0401-3
8972331270	8	0452-7	8980007890	19	0417-7	9081612320	18	0402-5
8972500731	7	0408-5	8980008060	20	0417-7	9091605080	31	0408-5
8972500731	34	0410-3	8980037900	3	0419-3	9091605100	32	0408-5
8972556290	15	0574-3	8980040050	24	0417-5	9091605140	17	0432-3
8972578260	36	0414-3	8980040060	25	0417-5	9091607120	69	0429-3
8973061131	15	0433-3	8980040061	25	0417-5	9091645140	37	0402-7
8973186840	14	0413-7	8980040070	30	0408-5	9091645140	8	0413-3
8973186841	14	0413-7	8980040080	29	0408-5	9091645140	21	0433-3
8973186910	12	0413-7	8980040090	27	0408-5	9091645140	26	0433-3
8973514510	36	0404-3	8980040100	28	0408-5	9091646120	34	0416-3
8973639360	49	0409-7	8980040160	21	0417-7	9091647120	34	0416-3
8973670131	21	0408-5	8980040161	21	0417-7	9092023080	46	0420-7
8973670131	24	0452-5	8980077750	22	0417-7	9095258360	46	0417-7
8973670140	22	0408-5	8980077751	22	0417-7	9095258360	16	0574-3
8973670140	25	0452-5	8980077760	23	0417-7	9095258560	47	0417-7
8973679850	14	0574-3	8980077761	23	0417-7	9095611110	32	0413-9
8973679851	14	0574-3	8980077770	24	0417-7	9095611110	36	0452-3
8973759081	1	0420-3	8980077771	24	0417-7	9095714100	21	0407-9
8973759082	1	0420-3	8980088400	2	0420-3	9095714100	18	0452-5
8973763890	66	0432-7	8980088420	2A	0420-3	9095714100	32	0452-7
8973780210	59	0409-5	8980088430	2B	0420-3	9095714240	5	0407-3
8973780710	49	0410-3	8980088440	15	0420-3	9095714240	21	0452-3
8973780750	59	0432-5	8980088460	56	0420-3	9098330970	12	0416-3
8973880230	37	0407-3	8980088470	57	0420-3	9098403100	62	0402-3
8973880231	37	0407-3	8980088480	19	0420-3	9098518503	8	0402-3
8973889970	2	0418-3	8980088490	17	0420-3	9098518620	22	0401-3
8973890000	20	0417-3	8980147630	25	0419-3	9098786260	31	0401-3
8976004340	95	0404-3	8980149190	21	0413-7	9099036310	46	0417-3
8976009250	37	0452-3	8980185291	8	0420-3	9099036310	29	0418-3
8976009250	21	0452-7	8980188550	2	0416-3	9099147010	14	0419-3
8976020090	24	0408-5	8980188550	8	0452-5	9099150420	59	0408-3
8976028701	19	0574-3	8980188550	18	0452-7	9099150421	59	0408-3
8976031211	11	0413-7	8980197410	1	0417-3	9099156740	59	0408-3
8976031222	82	0413-7	8980207850	55	0432-3	9099170350	44	0417-7
8976033050	33	0402-3	8980209442	55	0432-3	9099566820	50	0432-5
8976034140	1	0413-7	8980209442	0	1674-15	9111290820	55	0402-3
8976034140	1	0413-11	8980258870	26	0407-9	9113490490	22	0433-3
8976034152	31	0413-9	8980259980	16	0420-7	9123033	26	3363-41
8976034820	55	0402-7	8980274560	95	0404-3	9123033	4	3363A-89
8976036052	10	0409-3	8980303480	50	0414-3	9134109	34	3315-5
8976038890	9	0408-5	8980311970	41	0420-3	9134171	0	1740-11
8976038890	19	0452-5	8980382660	1	0574-3	9134172	1	1740-11
8976041770	19	0432-3	8980415850	15	0409-7	9141490260	16	0410-3
8976049160	20	0407-3	8980415850	11	0452-3	9155800	0	0130-9
8976049160	19	0452-3	8980415850	8	0452-7	9165600	3	0130-7

00II-39

450DLC EXCAVATOR

NUMERICAL INDEX - CONTINUED

PART NO.	KEY	PAGE	PART NO.	KEY	PAGE	PART NO.	KEY	PAGE
9183296	0	0260-3	9267736	0	3344-7	957366	0	3363-39
9184275	8	3315-5	9272311	7	3363-35	957366	1	3363-39
9186449	1	0260-3	9285047	0	3362-27	957366	6	3363-39
9197490	5	3315-19	9285047	19	3363-35	957366	19	3363-39
9199789EX	0	0260-3	9285961	50	0560-5	957366	20	3363-39
9206398	3	3340-3	94-0602	2	4360-5	957366	45	3363-39
9206398	1	3340-9	94-0605	31	3363A-121	957366	11	3363-41
9207567	26	3315-5	94-0617	1	4360-5	957366	12	3363-41
9207568	27	3315-5	94-1306	32	3363A-121	957366	30	3363-41
9214706	10	3315-9	94-1702	22	0560-5	957366	32	3363-41
9214706	10	3315-23	94-1702	22	3364A-3	957366	40	3363-41
9216905	4	3315-7	94-1703	10	3363A-67	957366	0	3363-43
9216905	1	3315-9	94-1703	0	4360-5	957366	1	3363-43
9216905	0	3315-17	94-1901	22	0560-3	957366	4	3363-43
9218005	0	3361-17	94-2011	11	0130-3	957366	12	3363-49
9219244	25	3315-21	94-2011	7	0130-7	957366	13	3363-49
9219244	50	3315-23	94-2011	21	0560-3	957366	14	3363-49
9226365	43	3315-5	94-2011	21A	0560-3	957366	15	3363-49
9226365	90	3315-13	94-2011	50	3361-7	957366	16	3363-49
9226367	6	3315-5	94-2022	18	3363A-71	957366	17	3363-49
9228828	3	3362-27	94-2022	23	3363A-73	957366	18	3363-49
9235551	43	3315-5	94-2022	23	3363A-79	957366	19	3363-49
9235551	90	3315-13	94-2022	18	3363A-93	957366	4	3363A-51
9235551	48	3315-19	94-2022	25	3363A-95	957366	6	3363A-53
9239590	4	3362-27	94-2022	23	3363A-115	957366	6	3363A-55
9244297	0A	0130-7	94-2023	19	3363A-71	957366	6	3363A-57
9244298	0	0130-7	94-2023	24	3363A-73	957366	2	3363A-69
9244604G	4	3340-13	94-2023	19	3363A-93	957366	3	3363A-69
9244702	20	0130-9	94-2024	5	3365A-13	957366	4	3363A-69
9246436	17	3315-3	94-2024	6	4360-5	957366	5	3363A-69
9246518	0	3362-27	94-2024	36	4360-9	957366	20	3363A-69
9246518	19	3363-35	94-2025	42	0560-3	957366	3	3363A-85
9247287	2	1740-7	954493	36	3363-41	957366	2	3363A-129
9249951	0	0130-7	954495	43H	0510-17	957366	5	3363A-129
9250478	2	0130-3	954495	11	3362-29	957366	27	3364A-3
9251219	10	0130-13	955046	8	0130-3	957366	30	3364A-3
9251220	20	0130-13	955612	26	3365A-7	964255	37	3315-5
9251611	27	3363-45	957366	26	0260-11	965946	37	3363-7
9251612	28	3363-45	957366	12	0510-15	966689	37	3362-9
9251615	30	3363-45	957366	13	0510-15	966689	53	3362-13B
9251616	29	3363-45	957366	34	0510-17	966993	3	0260-15
9251680	0	0260-7	957366	20	0510-21	966993	6	0510-11
9251902	8	1910-13	957366	18	3361-13	966993	4	3363-5
9258981	4	1821-5	957366	75	3361-15	966993	15	3363A-63
9260580	20	0130-13	957366	9	3362-5	966993	47	3363A-75
9261030	36	3315-21	957366	22	3362-9	966993	47	3363A-91
9261142	7	3363-35	957366	25	3362-13	966993	15	3363A-97
9261200	1	1674-3	957366	4	3362-15	966993	19	3363A-117
9261200	32	1674-27	957366	40A	3362-23	9701925	3	1740-9
9261223	7	3363-39	957366	12	3362-29	970860	30	3363-7
9261690	6	3363-11	957366	3	3363-3	970860	0A	3363-23
9261690	6	3363-11B	957366	29	3363-7	970860	12	3363A-121
9261691	5	3363-11	957366	0	3363-29	970860	30	3363A-121
9261691	5	3363-11B	957366	4	3363-29	970860	2	3363A-123
9263595	0	0260-7	957366	5	3363-29	970860	7	3363A-125
9264220	27	0560-5	957366	3	3363-31	970860	11	3363A-127
9264221	28	0560-5	957366	6	3363-35	970860	12	3363A-127
9264222	29	0560-5	957366	26	3363-35	970860	20	3363A-127
9264223	30	0560-5	957366	62	3363-35	971489	19	0510-7
9264224	31	0560-5	957366	74	3363-35	971489	16	3363-15
9264408	20	0130-13	957366	23	3363-37	9727822	20	3363-15
9265074	59	3363-41	957366	24	3363-37	9738682	8	1810-23
9266189	1	3315-3	957366	27	3363-37	9743785	21	3363A-127
9266189	90	3315-11	957366	28	3363-37	9746541	1B	1910-21
9267050	1	3315-3	957366	29	3363-37	9750364	13	4360-9
9267050	90	3315-11	957366	34	3363-37	9758896	10D	3315-9
9267658	0	3340-3	957366	65	3363-37	9758896	10D	3315-23

00II-40

450DLC EXCAVATOR

NUMERICAL INDEX - CONTINUED

PART NO.	KEY	PAGE	PART NO.	KEY	PAGE	PART NO.	KEY	PAGE
9759157	14	3315-3	9916664900	31	0413-3			
9759158	15	3315-3	991728	78	3361-9			
9761179	2	3362-27	9920614280	7	0402-3			
9761692	5	3363A-121	9923614450	34	0433-3			
9761692G	5	3363A-121	992446	9	0260-3			
9761716	22	1910-21	998720	42	1740-5			
9761716J	22	1910-21	9991105120	83	0402-3			
9763703	5A	3363-23	9991115180	40	0429-3			
9764138	16	0400-3	9992023140	50	0404-3			
9764200	29	1910-17B	9992023140	25	0409-5			
9764200	29	1910-19B	9992023140	31	0409-5			
9764263	15	1830-17	9992023140	1	0419-3			
9764301	29	1830-7	9992023160	22	0418-3			
9764404	10	3363-5	9992023160	58	0418-3			
9764407	9	3363-5						
9764706	51	3363-41						
9764742	15	1910-17B						
9764742	15	1910-19B						
9764742J	15	1910-17B						
9764742J	15	1910-19B						
9765095	25	1821-15						
9765212	15	1821-15						
9765213	16	1821-15						
9765444	8	3315-17						
9765444	8	3315-21						
9765447	16	3315-17						
9765447	2	3315-21						
9765757	36	3344-5						
9766166	6	3315-17						
9766166	8	3315-17						
9766166	18	3315-17						
9766166	6	3315-21						
9766166	7	3315-21						
9766166	8	3315-21						
9766221	4	1673-11						
9766221	4	1673-13						
9766630	1	3315-7						
9766646	11	3363A-129						
9768265	42	0560-5						
9768277	5A	3363-23						
9768277	5B	3363-23						
9768277	6A	3363-23						
9768278	5A	3363-23						
9768278	6A	3363-23						
9768278	6B	3363-23						
9768294	15	1910-11						
9768294	15	1910-11B						
9768740	1	1671-3B						
9829322900	51	0432-3						
984614	28	3365A-3						
984614	28	3365A-5						
984614	26	3365A-9						
985096	37	0510-5						
985099	45	3362-15						
986910	17	0510-7						
986910	17	3363-15						
9881300880	65	0413-11						
988850	5M	3361-9						
991334	5	3315-15						
991334	47	3361-13						
991342	84	3361-15						
991342	1	4360-3						
991345	76	3361-7						
991350	14	0260-3						
9916664000	30	0413-3						
9916664000	20	0433-3						
9916664500	33	0433-3						