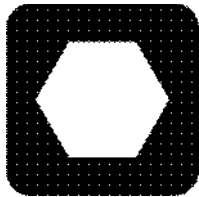


RT95 T3

Hydrostatic

Parts

Manual



Ditch Witch®


RT95 T3 Hydrostatic

ISSUE NO. 02PL-06/11

For Replacement Copy Order **P/N 053-1239**

This manual contains information concerning the following models:
RT95H T3 Tractor

Copyright 2008, 2011 by The Charles Machine Works, Inc.

 , Ditch Witch, CMW, AutoCrowd, Jet Trac, Roto Witch, Subsite, Fluid Miser, Power Pipe, Super Witch, Pierce Arrow, Zahn, The Underground, and The Underground Authority Worldwide are registered trademarks of The Charles Machine Works, Inc.

ID0218630

FOREWORD

This manual contains illustrated parts lists to help you select quality ProTech[®] Replacement parts for your Ditch Witch[®] equipment. Using other replacement parts will lessen the productivity of your equipment.

- ◆ Part numbers enclosed in a box are no longer available from The Charles Machine Works, Inc. Your local Ditch Witch dealer may be able to locate the part for you.
- ◆ Footnotes provide more information to help you identify parts shown in the manual.
- ◆ Assembly instructions and Tech Bits articles referenced in footnotes are available through your local Ditch Witch dealer.
- ◆ Description and specifications in this book were current at publication. However, The Charles Machine Works, Inc. reserves the right to improve equipment, so this manual might not reflect the most current improvements.
- ◆ Instructions on recommended equipment use and maintenance are in the Operator's Manual that was shipped with your equipment.

Keep the following in mind when ordering ProTech replacement parts:

- ◆ Specify parts you need by part number and description, not by illustration reference numbers.
- ◆ Have equipment model and serial number on hand to help ensure you get the right parts for your machine whether it's old or new.

Thank you for buying and using Ditch Witch equipment and ProTech replacement parts.

WARRANTY

DW WARRANTY Policy
July, 2005

POLICY 1: DITCH WITCH® EQUIPMENT AND REPLACEMENT PARTS LIMITED WARRANTY POLICY

Subject to the limitation and exclusions herein, free replacement parts will be provided at any authorized Ditch Witch dealership for any Ditch Witch equipment or parts manufactured by The Charles Machine Works, Inc. (CMW) that fail due to a defect in material or workmanship within one (1) year of first commercial use (Exception: 2 years for all SK500 Attachments). Free labor will be provided at any authorized Ditch Witch dealership for installation of parts under this warranty during the first year following "initial commercial" use of the serial numbered Ditch Witch equipment on which it is installed. The customer is responsible for transporting their equipment to an authorized Ditch Witch dealership for all warranty work.

EXCLUSIONS FROM PRODUCT WARRANTY

- All incidental or consequential damages.
- All defects, damages, or injuries caused by misuse, abuse, improper installation, alteration, neglect, or uses other than those for which products were intended.
- All defects, damages, or injuries caused by improper training, operation, or servicing of products in a manner inconsistent with manufacturer's recommendations.
- All engines and engine accessories (these are covered by original manufacturer's warranty).
- Tires, belts, and other parts which are subject to another manufacturer's warranty. (Such warranty will be available to purchaser.)
- ALL IMPLIED WARRANTIES NOT EXPRESSLY STATED HEREIN, INCLUDING ANY WARRANTY OF FITNESS FOR A PARTICULAR PURPOSE AND MERCHANTABILITY.

IF THE PRODUCTS ARE PURCHASED FOR COMMERCIAL PURPOSES, AS DEFINED BY THE UNIFORM COMMERCIAL CODE, THEN THERE ARE NO WARRANTIES WHICH EXTEND BEYOND THE FACE HEREOF AND THERE ARE NO IMPLIED WARRANTIES OF ANY KIND WHICH EXTEND TO A COMMERCIAL BUYER. ALL OTHER PROVISIONS OF THIS LIMITED WARRANTY APPLY INCLUDING THE DUTIES IMPOSED.

Ditch Witch products have been tested to deliver acceptable performance in most conditions. This does not imply they will deliver acceptable performance in all conditions. Therefore, to assure suitability, products should be operated under anticipated working conditions prior to purchase.

Defects will be determined by an inspection within thirty (30) days of the date of failure of the product or part by CMW or its authorized dealer. CMW will provide the location of its inspection facilities or it's nearest authorized dealer upon inquiry. CMW reserves the right to supply remanufactured replacement parts under this warranty as it deems appropriate.

Extended warranties are available upon request from your local Ditch Witch dealer or CMW.

Some states do not allow exclusion or limitation of incidental or consequential damages, so the above limitation or exclusion may not apply. Further, some states do not allow exclusion of or limitation of how long an implied warranty lasts, so the above limitation may not apply. This limited warranty gives product owner specific legal rights and the product owner may also have other rights which vary from state to state.

For information regarding this limited warranty, contact CMW's Product Support Department, P.O. Box 66, Perry, OK 73077-0066, or contact your local Ditch Witch dealer.

CONTENTS

Decals

Decal Location – RT95H T3	8
---------------------------------	---

Engine Components

John Deere Engine	16
John Deere Engine Service	20
Muffler And Air Filter	24
Muffler Guard Kit - RT/HT115/ RT95	28
Muffler Support	26
Radiator/Oil Cooler - Tier 3	30
Rear Engine Support	22

Power Train

Axle, Axle Housing, Rigid	44
Axle, Axle Housing, Steer	56
Axle, Bevel Gear/Pin Set, Steer/Rigid	52
Axle, Diff Lock, Steer/Rigid	54
Axle, Diff, Steer	58
Axle, Differential, Rigid	46
Axle, Double Joint, Steer	62
Axle, Potentiometer, Steer	66
Axle, Reduction Gears, Rigid	48
Axle, Swivel Housing/Steer Cyl, Steer	64
Axle, Wheel Hub, Rigid	50
Axle, Wheel Hub/Reduction Gear	60
Brake Calipers - Hyd	74
Differentials - RT90/ RT115	42
Grnd Drive Trans Mount - RT90/115	36
Hyd Drive Line - RT90H/RT115	72
Manual Shift Transmission	40
Park Brake	78
Service Brake System	76
Tilt Frame Diff Mount - RT90/115	68
Tilt Frame Diff Mount - RT95M RT95H RT115 ..	70
Tire & Wheel (38 X 18.00-20 E14H)	80

Frame Components

4 - Post ROPS	118
Air Conditioning Kit	126
Backfill Blade Assembly	84
Battery Installation	114
BFB Cylinder Guard	86
Cab Heater Ass'y Tier 3	124
Cab Kit	120
Canopy And Light Kit	128
Counterweight/Grille Tier 3	90
Engine Enclosure	92
Fenders And Covers	98

Front Counterweight	88
Fuel Tank, T3	102
Fuse Block Assembly	116
Gauge Panel Assembly	96
Hyd. Reservoir - RT95/RT115 T3	106
Seat Platform	110
Seat Swivel & Base	112
Sound Blanket	130
Tape Dispenser	136
TDM Module - RT70/RT90/RT115	132
Tilt Steering	94
Trench Depth Meter/Odometer Mt	134

Control Components

Attachment Control Handle	150
Backfill Blade Controls	140
Cruise Control	152
Cruise Foot Control	156
Cruise Hand Control	154
Grnd Speed Direction Foot Cntrl	144
Grnd Speed Direction Hand Cntrl	142
Hand Throttle - Begins	148
Hydrostatic Shift	146
Rear Steer Control	158
Rear Steer Manual Control Kit	160

Hydraulics

Auxiliary Hyd - Begins	178
Backfill Blade Hyd	164
Backfill Blade Valve	166
Cylinder (3.0" X 1.75" X 8.0")	200
Frame Tilt Hyd	190
Hyd Control Valve (3-Spool)	168
Hyd Cylinder (2 X 1 X 3.38)	196
Hyd Cylinder (2.0 X 1.25 X 8.0)	198
Hydraulic Filter	182
Hydraulic Filter Guard	184
Hydrostat Pump Attach Hyd	180
Motor Shift/Diff Lock Hyd - Begins	172
Motor Shift/Diff Lock Hyd - Ends	174
No Frame Tilt/No Rear Steer Opt	192
Power Steering Valve Hyd	186
Pump Drive Hyd	194
Pump Hyd Assembly	170
Rear Steer Hyd	188
Remote Crowd Hyd - Begins	176

CONTENTS

Electrical

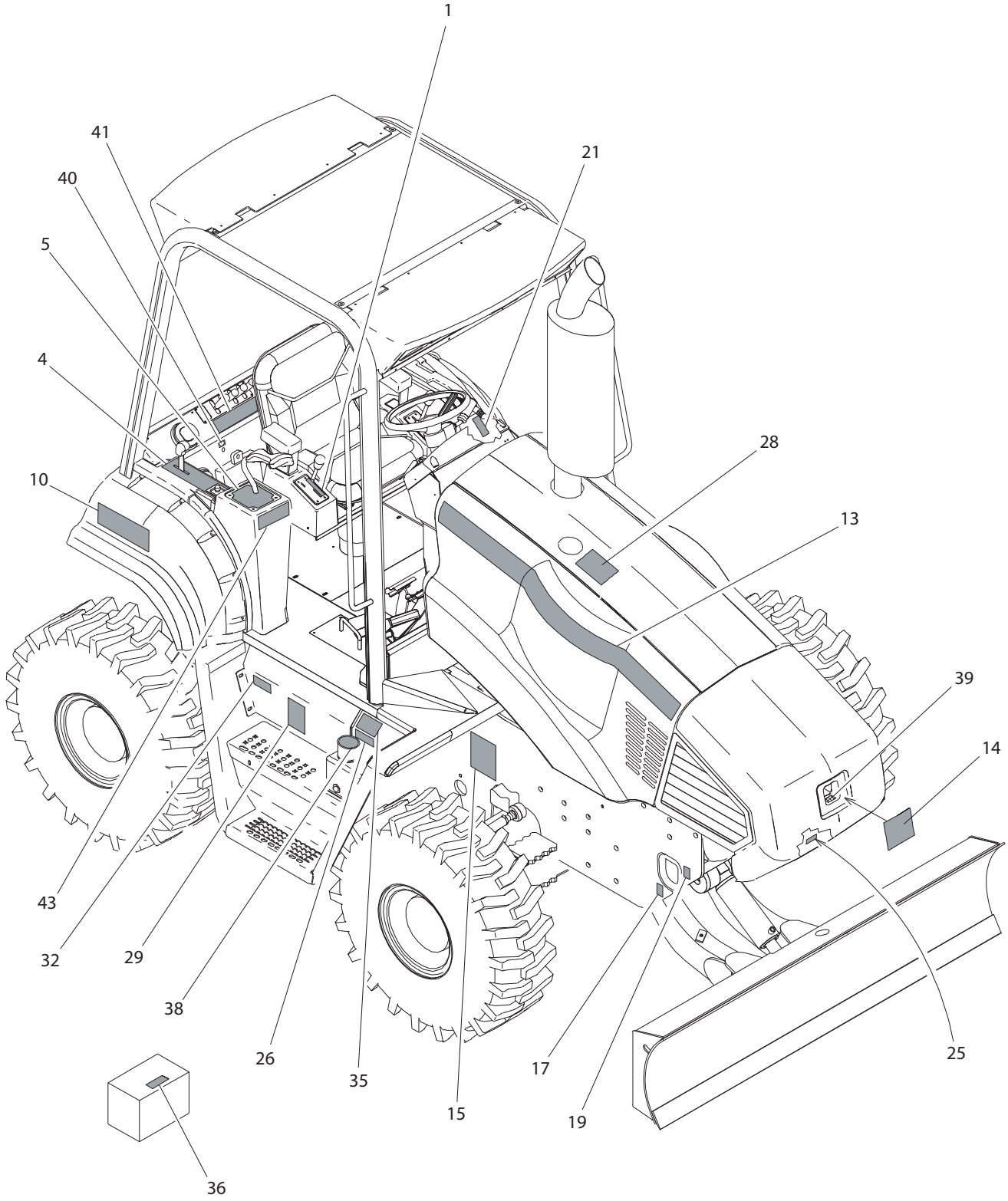
***See Technical Supplement for Further
Electrical Information#053-1277**

Miscellaneous

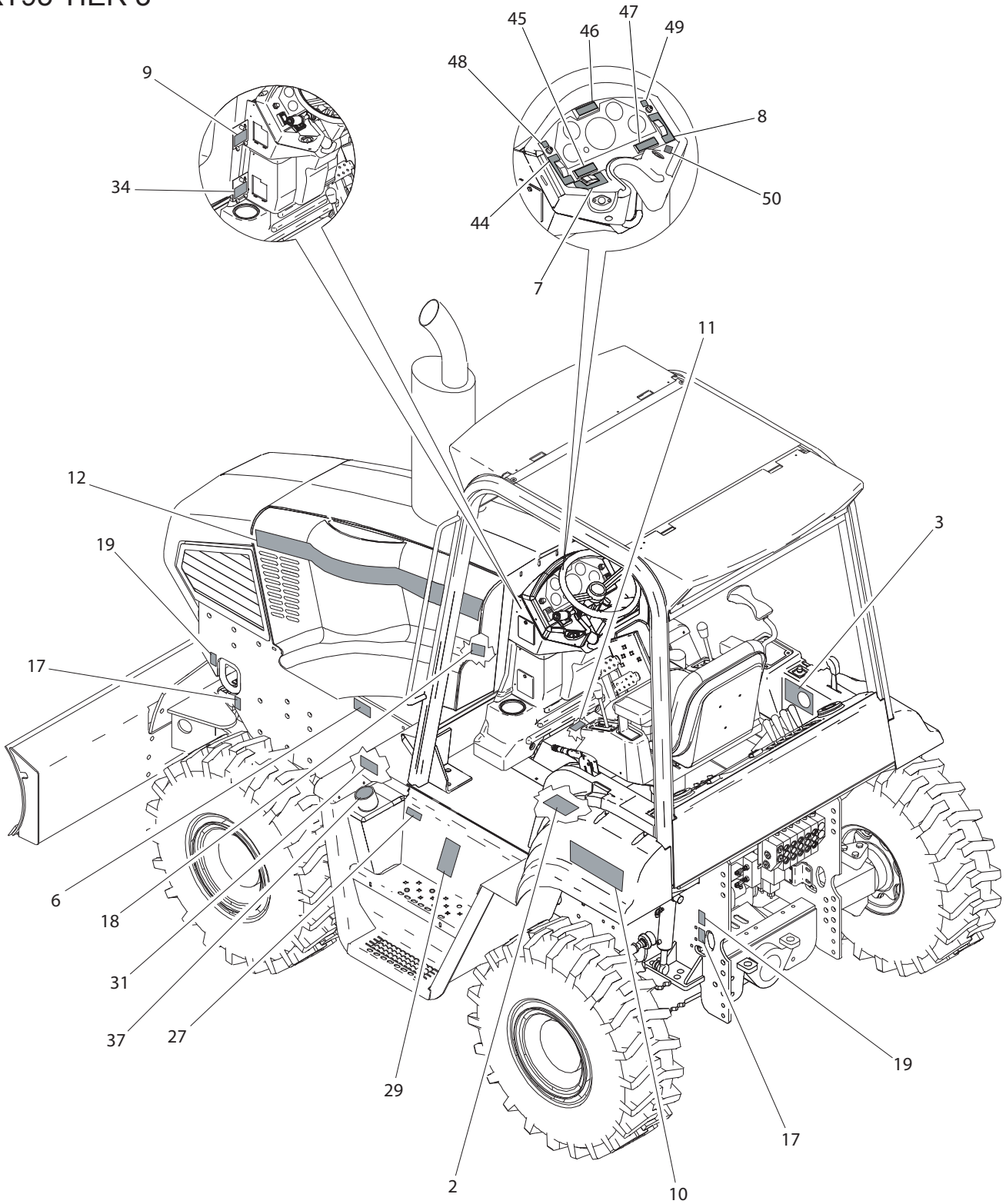
Bolt/Nut Torque Chart.....	206
Filters	210
Optional Kits	210
Parts Manual Change Request	211
Related Publications	210
Replacement O-Ring Chart.....	209
Warranty Registration	214

DECALS

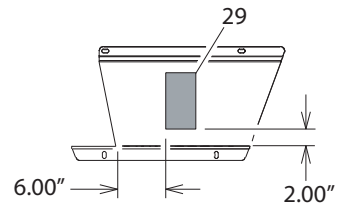
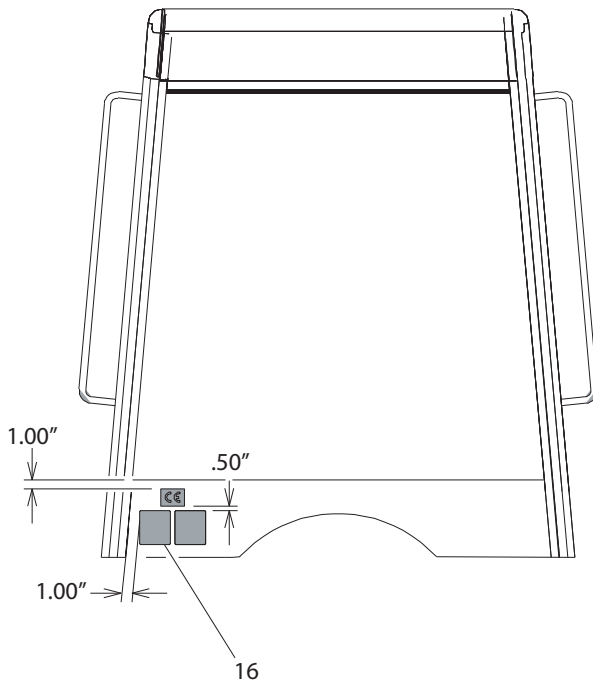
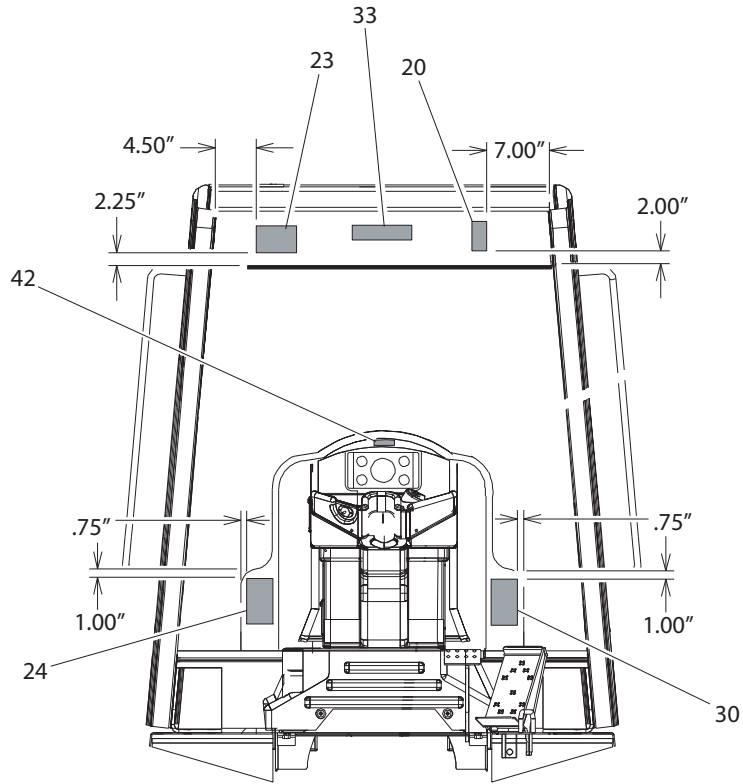
DECAL LOCATION RT95 TIER 3



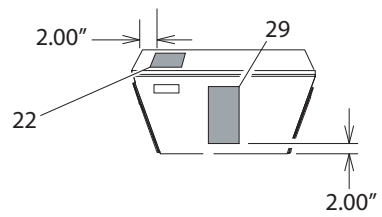
DECAL LOCATION RT95 TIER 3



DECAL LOCATION RT95 TIER 3



BATTERY DOOR



DECAL LOCATION RT95 TIER 3

REF NO.	PART NUMBER	QTY	DESCRIPTION	REMARKS
	270-2243		RT95HT3 DECAL KIT	
	270-2242		RT95MT3 DECAL KIT	
1	273-092	1	GROUND DRIVE CONTROL	
	700-151	1	GROUND DRIVE CONTROL	SEE FOOTNOTE 3
2	273-263	1	1 AND 2 SHIFT	RT95H
	273-213	1	MOBILE-WORK	RT95M
3	273-094	1	AXLE LOCK/AUXILIARY	
4	273-095	1	STEER/TILT/THROTTLE	
5	273-100	1	BFB FUNCTIONS	
6	275-400	1	NOTICE OIL LEVEL	
7	270-1866	1	GROUND DRIVE SPEED	RT95H
	270-2245	1	GROUND DRIVE SPEED	RT95M
8	270-1862	1	HORN	
9	273-104	1	FUSE PANEL	
10	270-1268	2	DITCH WITCH LOGOTYPE	
11	273-109	1	TEST PORTS	RT95H
12	273-490	1	RT95 MODEL ID STRIPE LEFT	
13	273-491	1	RT95 MODEL ID STRIPE RIGHT	
14	273-246	1	RIGID LOGO PLACARD	
15	273-455	1	LUBRICATION CHART	
16	274-291	1	SOUND POWER 10	SEE FOOTNOTE 1
17	274-318	4	TIE DOWN LOCATION	
18	274-375	1	MASTER DISCONNECT SWITCH	
19	274-442	2	LIFT LOCATION	
20	274-724	1	ONE CALL NOTIFICATION	
21	275-361	1	PARKING BRAKE	
22	275-033	1	NOTICE ELECTRICAL SYSTEM	
23	275-048	1	IMPORTANT SAFETY RULES	
24	275-070	1	WARNING RUNAWAY	
25	700-064	1	POWER BEYOND/RETURN/PRESSURE	
26	275-120	1	RESERVOIR (THF)	
27	275-148	1	FUEL TANK (DIESEL)	
28	273-452	1	NOTICE COOLANT	
29	275-185	2	WARNING SINGLE OPERATOR	
30	275-303	1	WARNING ROLLOVER	
31	275-497	1	OIL DRAIN-ID	
32	275-203	1	BATTERY	
33	273-197	1	OVERHEAD CONSOLE	SEE FOOTNOTE 2
34	273-239	1	RELAY PANEL	
35	274-198	1	NOTICE OIL LEVEL	
36	273-267	1	DITCH WITCH BATTERY	
37	700-062	1	DIESEL FUEL CAP	
38	700-063	1	HYDRAULIC OIL CAP	
39	273-292	1	FRAME NOSE CASTING WEIGHT	
40	273-458	1	EDT	SEE FOOTNOTE 1
41	273-449	1	CRUISE CONTROL OVERLAY	RT95H, SEE FOOTNOTE 3
42	273-496	1	NOTICE ENGINE SPEED	RT95M
43	270-4537	1	REAR STEER	
44	270-1865	1	REEL CARRIER	
45	270-1539	1	LED DISPLAY	

FOOTNOTES

1. NOT PART OF KIT.
2. 273-197 NOT PART OF KIT. PROVIDED IN CANOPY AND LIGHT KIT 600-382.
3. NOT PART OF KIT. PROVIDED IN CRUISE CONTROL KIT 604-968.

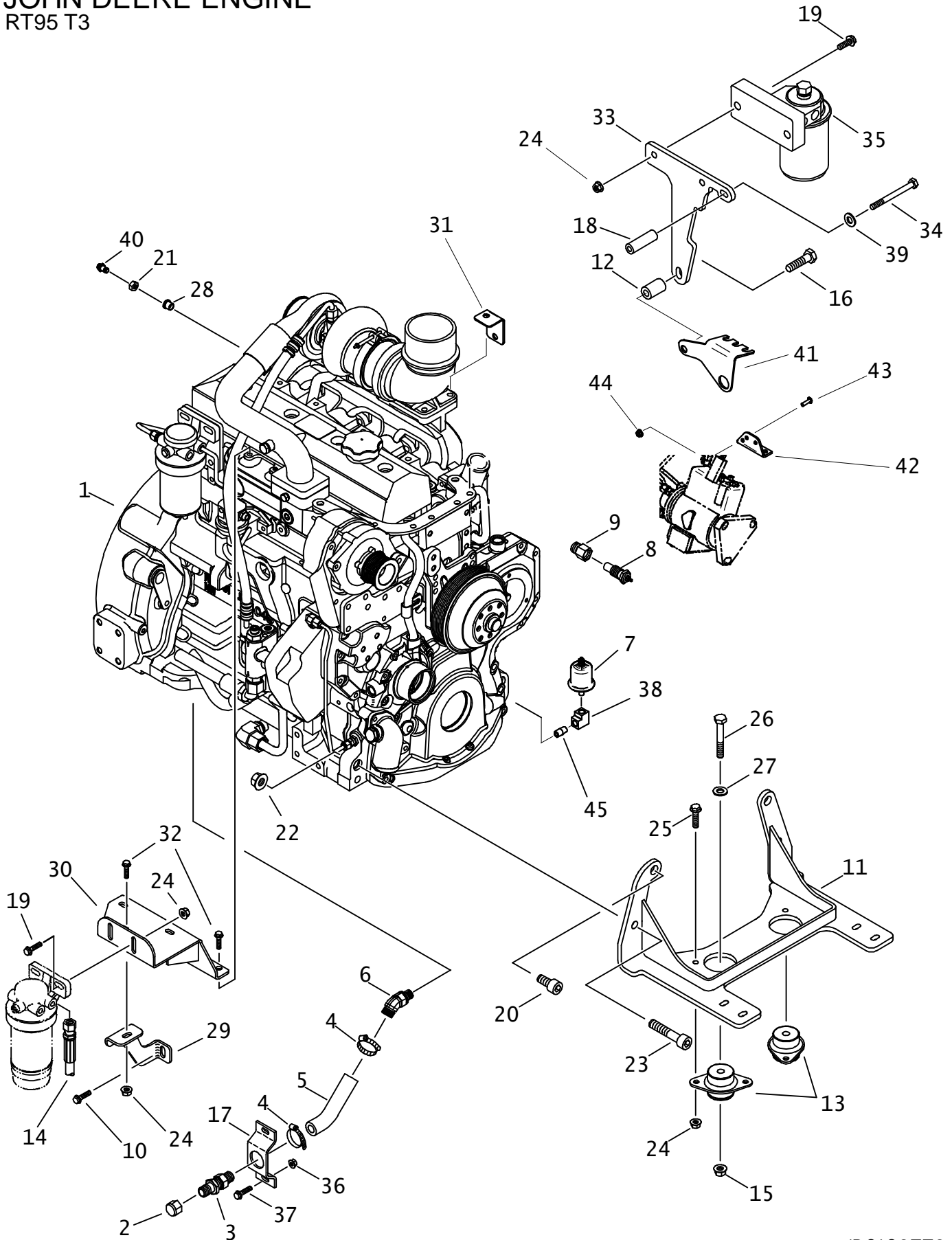
DECAL LOCATION RT95 TIER 3

REF NO.	PART NUMBER	QTY	DESCRIPTION	REMARKS
46	270-1538	1	LED DISPLAY	
47	270-1540	1	LED DISPLAY	
48	270-2244	1	COLD START	
49	270-1864	1	ROTATION DIRECTION	
50	275-087	1	IGNITION SWITCH DECAL	

FOOTNOTES

ENGINE COMPONENTS

JOHN DEERE ENGINE RT95 T3



JOHN DEERE ENGINE

RT95 T3

REF	PART			REMARKS
NO.	NUMBER	QTY	DESCRIPTION	
1.	195-1291	1	ENGINE - DEERE DIESEL	
2.	154-324	1	CAP (100F)	
3.	149-624	1	BK S/O COUPLER (100-10H)	
4.	110-353	2	WORM CLAMP (3/4" TO 1-1/2")	
5.	116-044	AR	BULK HOSE (5/8", SOLD PER 1")	USE 1 @ 5.75"
6.	153-160	1	S/O COUPER (18M-10H45)	
7.	215-1524	1	SENDER, OIL PRESSURE (0-100PSI), SD	
8.	217-565	1	TEMPERATURE SENDER 100 - 280 F	
9.	217-247	1	WATER TEMPERATURE ADAPTER	
10.	107-009	1	FLG LK SCREW (M12-1.75 X 25MM)	
11.	337-369	1	FRONT ENGINE BRACKET	
12.	184-427	1	BOSS	
13.	116-946	2	ENGINE SHOCK MOUNT	POSITION METAL FACE TO FRAME BOTTOM
14.	159-625	1	FUEL FILTER HOSE (060)	
15.	106-709	2	FLG LK NUT (M12-1.75)	
16.	106-527	2	SCREW (M14-2.00 X 50mm)	
17.	310-599	1	MOUNT	
18.	178-358	1	SLEEVE	
19.	107-002	2	FLG LK SCREW (M10-1.50 X 30mm)	
20.	106-643	2	SCREW (M16-2.00 X 25mm, SOC)	
21.	156-277	1	COMPRESSION NUT (05T)	
22.	106-545	2	LOCKNUT (M16-2.0, PRV TRQ, 10.9)	
23.	107-723	2	SCREW (M16-2.00 X 70mm, SOC)	
24.	106-266	9	FLG NUT (M10-1.50)	
25.	107-001	4	FLG LK SCREW (M10-1.50 X 25mm)	
26.	106-336	2	SCREW (M12-1.75 X 90mm)	
27.	105-475	2	WASHER (1/2")	
28.	156-276	1	FERRULE (05T)	

NOT SHOWN:

- 215-I604 IX 2 FEMALE, METRI-PACK I50; USE FOR PLUG ON WATER-FUEL CONNECTOR
- 215-I605 IX 2 TPA, METRI-PACK I50; USE FOR PLUG ON WATER-FUEL CONNECTOR
- 215-I606 2X CAVITY PLUG, METRI-PACK I50; USE FOR PLUG ON WATER-FUEL CONNECTOR

FOOTNOTES:

NOTE:

JOHN DEERE ENGINE

RT95 T3

REF NO.	PART NUMBER	QTY	DESCRIPTION	REMARKS
29.	323-365	1	FILTER MOUNT SUPPORT	
30.	323-634	1	FILTER MOUNT	
31.	324-592	1	BRACKET	MECHANICAL UNITS ONLY
32.	106-382	4	FLG LK SCREW (M10-1.5 X 20mm)	
33.	315-534	1	FILTER MOUNT	
34.	106-124	1	SCREW (M10-1.50 X 110mm)	
35.	194-478	-	ENGINE OIL FILTER	
36.	106-386	2	FLG LOCKNUT (M8-1.25)	
37.	106-989	2	FLG LK SCREW (M8-1.25 X 35mm)	
38.	156-228	1	ELBOW (02NF-02NF90)	
39.	106-396	1	WASHER (M10, HARDENED)	
40.	156-275	1	TUBE CONNECTOR (04H-05T)	
41.	307-068	1	CABLE BRACKET	
42.	307-069	1	LEVER BRACKET	
43.	106-640	2	SCREW (M6-1.00 X 20MM, BUT SOC)	
44.	106-385	2	FLG LOCKNUT (M6-1.00)	
45.	115-180	1	ALL THREAD (1/8-NPT)	

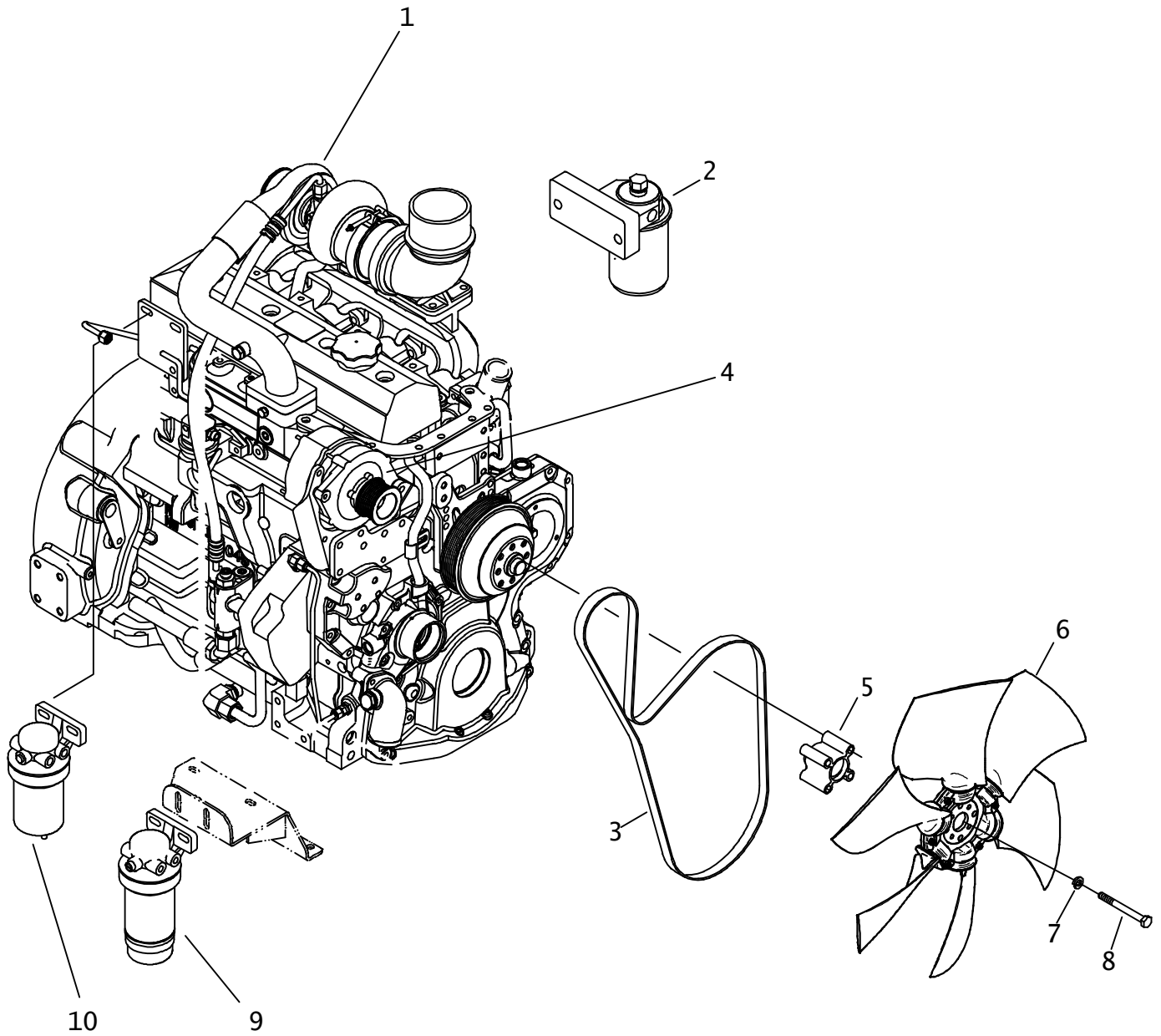
NOT SHOWN:

FOOTNOTES:

NOTE:

JOHN DEERE ENGINE SERVICE

RT95 T3



JOHN DEERE ENGINE SERVICE

RT95 T3

REF NO.	PART NUMBER	QTY	DESCRIPTION	REMARKS
1.	195-1291	-	ENGINE - DEERE DIESEL	
2.	194-478	1	ENGINE OIL FILTER	
	499-944	-	OIL FILTER SEAL RING	
3.	170-1062	1	FAN BELT	
4.	215-1437	1	ALTERNATOR 65 AMP (REMAN)	
5.	195-1337	1	FAN SPACER	
6.	195-1356	1	FAN, 24"	
7.	106-090	4	LOCK WASHER (M10)	
8.	106-248	4	SCREW (M10-1.50 X 150MM)	
9.	195-1378	1	PRIMARY FUEL FILTER	
10.	195-1377	1	SECONDARY FUEL FILTER	

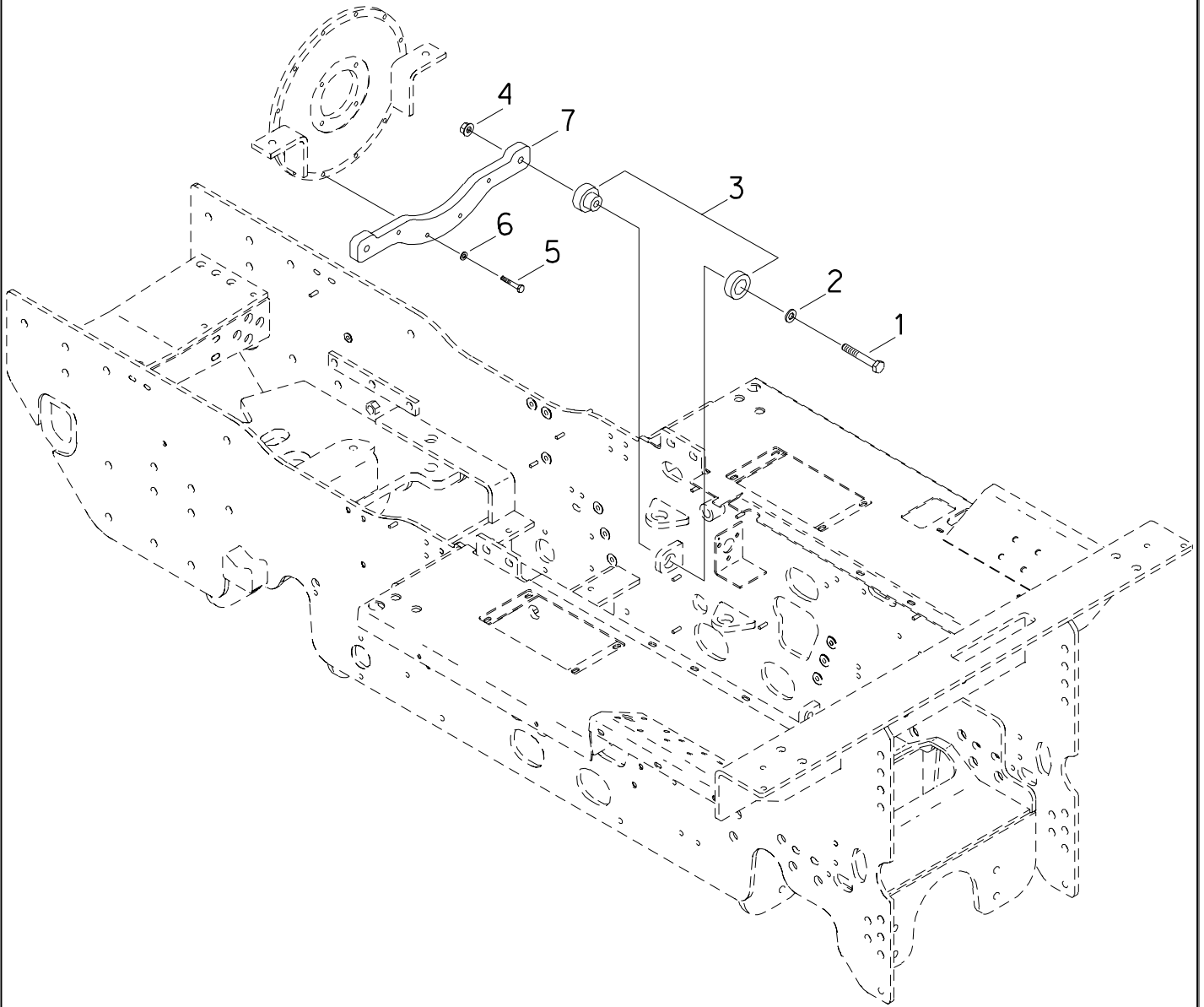
NOT SHOWN:

053-1231	1	JOHN DEERE T3 OPERATOR MANUAL
194-254	1	STARTER
195-1376	1	THERMOSTAT
165-883	1	GASKET, THERMOSTAT
213-080	2	WHEEL SPEED SENSOR
159-586	-	SPEED SENSOR O-RING

FOOTNOTES:

NOTE:

REAR ENGINE SUPPORT



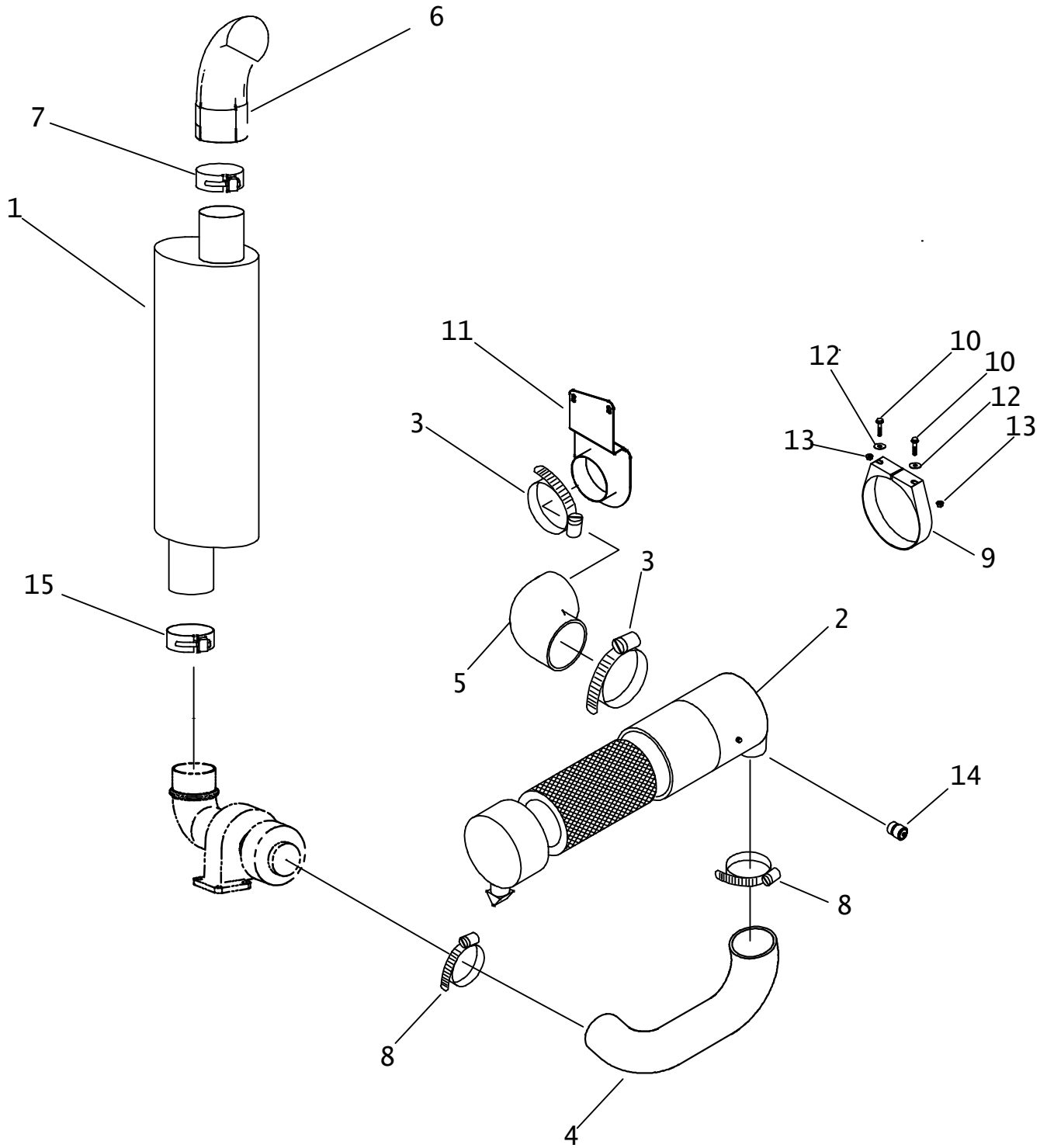
REAR ENGINE SUPPORT

REF NO.	PART NUMBER	QTY	DESCRIPTION	REMARKS
	191-132		REAR ENGINE SUPPORT KIT	INCLUDES REF. NO'S 1 THRU 7
1.	105-386	2	BOLT (5/8-NC X 4-1/2")	
2.	105-416	2	WASHER (5/8")	
3.	116-151	2	SHOCK MOUNT	
4.	105-994	2	FLG LOCKNUT (5/8-NC)	
5.	105-839	4	SCREW (M10-1.50 X 55mm)	
6.	106-396	4	WASHER (M10, HARDENED)	
7.	313-646	1	BUMPER PLATE	

FOOTNOTES

1. REQUIRED OPTION FOR SAW ATTACHMENTS

MUFFLER AND AIR FILTER



MUFFLER AND AIR FILTER

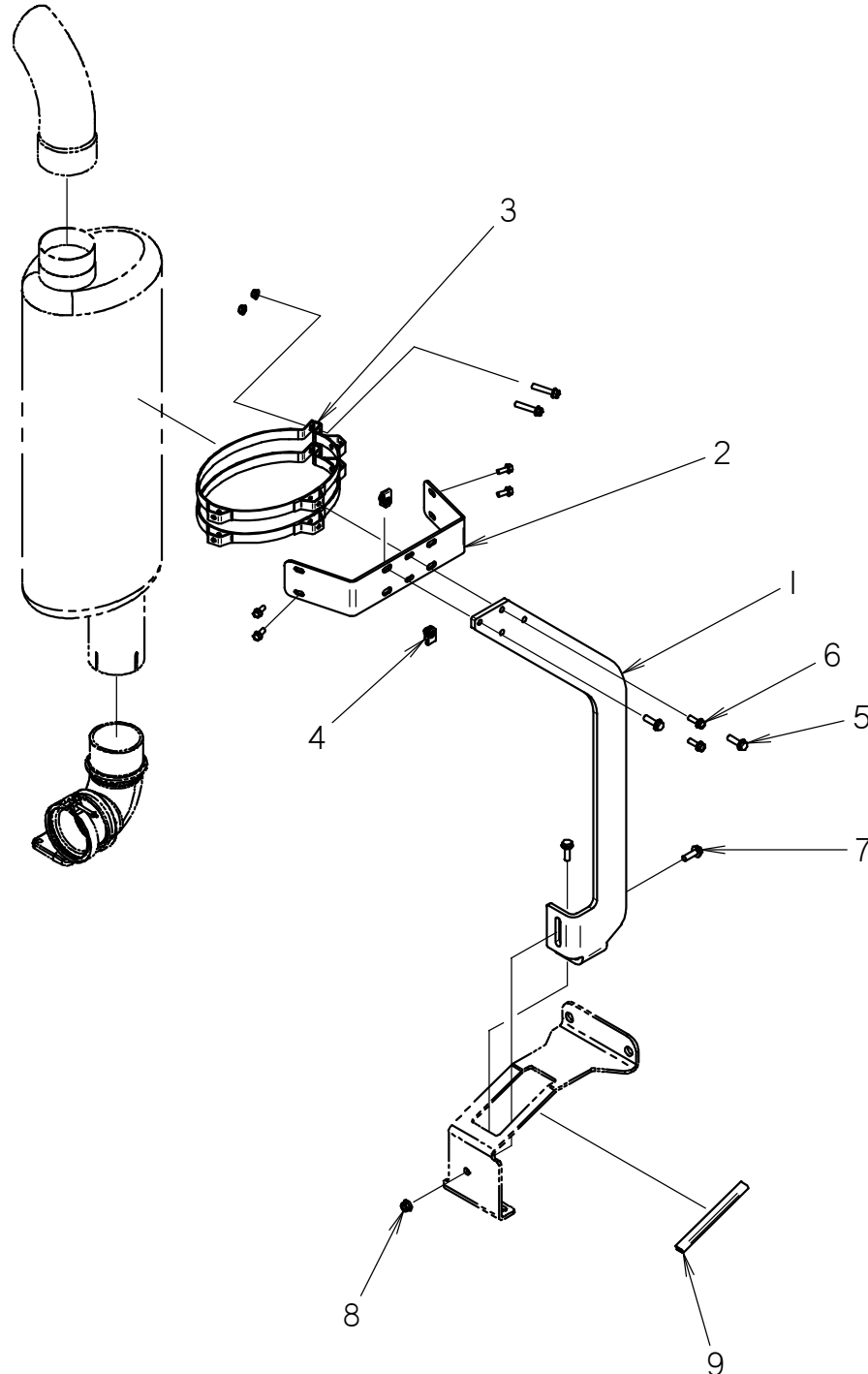
REF NO.	PART NUMBER	QTY	DESCRIPTION	REMARKS
1.	194-201	1	MUFFLER	
2.	194-121	1	AIR CLEANER	
	194-147	1	ELEMENT (PRIMARY)	
	194-148	1	ELEMENT (SECONDARY)	
3.	110-170	2	WORM CLAMP (4-1/8" TO 5")	
4	195-1110	1	ELBOW HOSE (3.000" X 3.500")	
5.	117-852	1	INTAKE ELBOW (4.5")	
6.	196-351	1	EXHAUST TUBE (4" X 12")	
7.	194-027	1	MUFFLER CLAMP (4.143")	
8.	110-367	2	WORM CLAMP (3-1/4" TO 4-1/8")	
9.	309-877	1	MOUNTING BAND (9.330")	
10.	106-989	2	FLG LK SCREW (M8-1.25 X 35mm)	
11.	320-175	1	INLET MOUNT	
12.	105-223	2	WASHER (3/8")	
13.	106-386	2	FLG LOCKNUT (M8-1.25)	
14.	194-788	1	RESTRICTION INDICATOR (25"H2O)	
15.	111-138	1	MUFFLER CLAMP (3.59" TO 4.06")	

NOT SHOWN:

FOOTNOTES:

NOTE:

MUFFLER SUPPORT RT95 T3



MUFFLER SUPPORT

RT95 T3

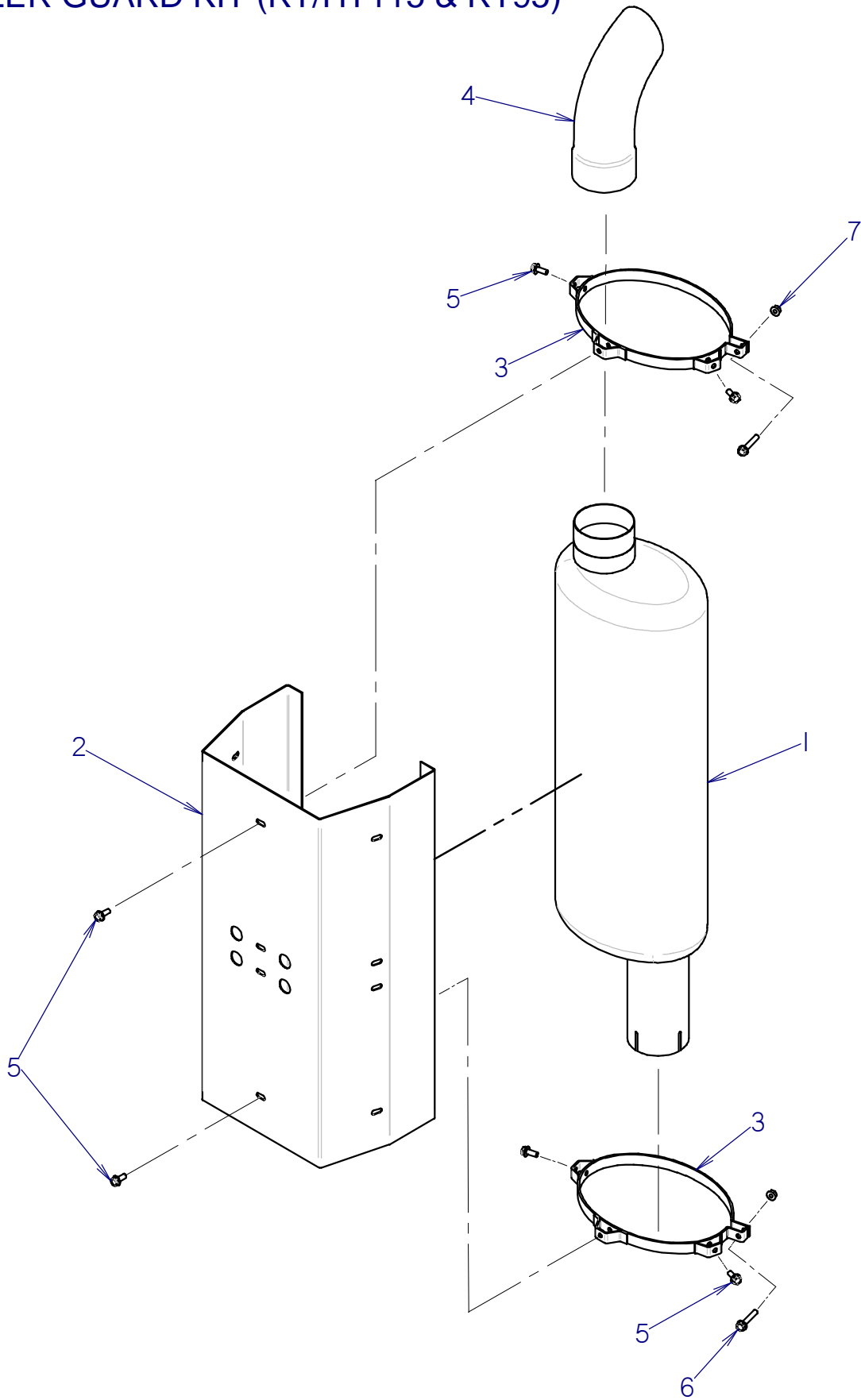
REF NO.	PART NUMBER	QTY	DESCRIPTION	REMARKS
1	300-8479	1	MUFFLER SUPPORT	
2	320-932	1	MUFFLER MOUNT PLATE	
3	111-136	2	MOUNTING CLAMP	
4	106-719	2	CLIP NUT (3/8-NC)	
5	105-827	2	FLG LK BOLT (3/8-NC X 1-1/4")	
6	105-873	2	FLG LK BOLT (5/16-NC X 1")	
7	106-383	2	FLG LK SCREW (M10-1.50 X 30MM)	
8	106-266	1	FLG NUT (M10-1.50)	
9	115-704	1	BULK EDGE (1/4", SOLD PER 1")	

NOT SHOWN:

FOOTNOTES:

NOTE:

MUFFLER GUARD KIT (RT/HT115 & RT95)



MUFFLER GUARD KIT (RT/HT115 & RT95)

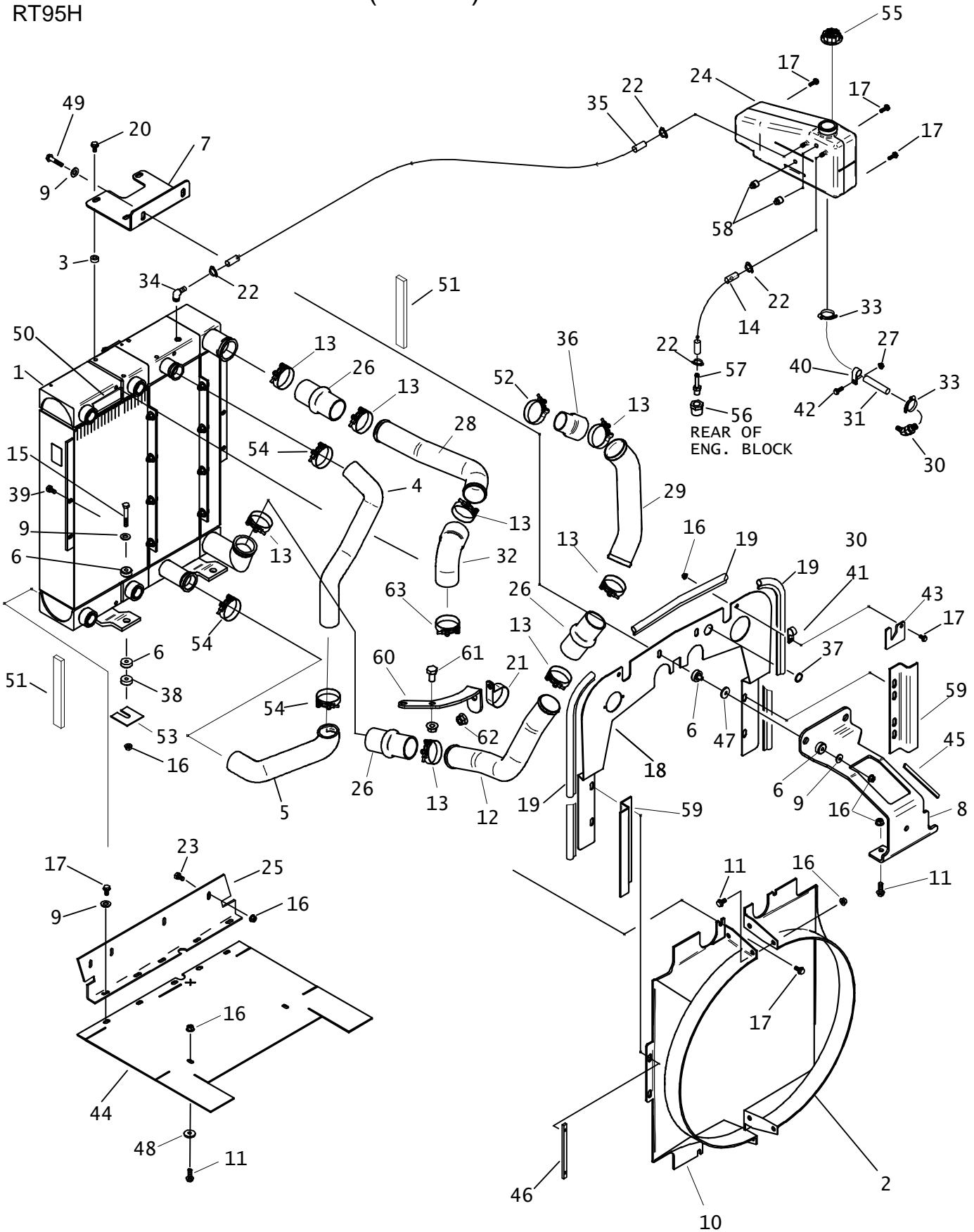
REF NO.	PART NUMBER	QTY	DESCRIPTION	REMARKS
	191-308		MUFFLER GUARD KIT (RT115)	INCLUDES REF. NO'S 2 & 3
1	194-201	1	MUFFLER	
2	320-491	1	MUFFLER GUARD	
3	111-136	2	MOUNTING CLAMP	INCLUDES REF. NO'S 5, 6 & 7 SEE FOOTNOTE 1
4	196-351	1	EXHAUST TUBE (4" X 12")	
5	105-823	6	FLG LK BOLT (5/16-NC X 3/4")	
6	105-562	2	FLG BOLT (5/16-NC X 1-3/4")	
7	105-003	2	FLG LOCKNUT (5/16-NC)	

FOOTNOTES

- I. MOUNTING CLAMP NEEDS TO BE SHAPED TO FIT MUFFLER.

NOTE:

RADIATOR/OIL COOLER (TIER 3) RT95H



RADIATOR/OIL COOLER (TIER 3) RT95H

REF PART NO. NUMBER	QTY	DESCRIPTION	REMARKS
1. 195-1293	1	COOLING PACKAGE	
2. 362-1267	1	FAN SHROUD LH	
3. 184-317	4	ENGINE MOUNT SPACER	
4. 195-1295	1	UPPER RADIATOR HOSE	
5. 195-1296	1	LOWER RADIATOR HOSE	
6. 116-128	4	SHOCK MOUNT	
7. 300-6991	1	FRONT SUPPORT	
8. 300-6992	1	RADIATOR MOUNT	
9. 105-118	10	WASHER (3/8")	
10. 362-1268	1	FAN SHROUD RH	
11. 107-001	8	FLG LK SCREW (M10-1.50 X 25mm)	
12. 150-237	1	CHARGE AIR TUBE - LOWER	
13. 111-135	8	T-BOLT CLAMP (2.88")	
14. 116-108	AR	BULK HOSE (5/16", SOLD PER 1")	USE 1 @ 24"
15. 106-998	2	FLG LK SCREW (M10-1.50 X 70mm)	
16. 106-266	16	FLG NUT (M10-1.50)	
17. 106-999	15	FLG LK SCREW (M10-1.50 X 20mm)	
18. 300-3474	1	BARRIER	
19. 116-421	AR	BULK EDGE (1/8", SOLD PER 1')	USE 70", SEE FOOTNOTE 2
20. 106-497	4	FLG SCREW (M10-1.50 X 35mm)	
21. 111-126	1	P CLAMP (2.5")	USE 3 @ 30"
22. 110-249	4	WORM CLAMP (1/4" X 5/8")	
23. 107-002	4	FLG LK SCREW (M10-1.50 X 30mm)	
24. 364-703	1	PRESSURE TANK	
25. 362-1242	1	AIR BARRIER	
26. 159-551	3	HUMP HOSE	
27. 106-386	1	FLG LOCKNUT (M8-1.25)	
28. 150-2038	1	CHARGE AIR TUBE-UPPER	
29. 150-2036	1	CHARGE AIR TUBE-UPPER	
30. 153-160	1	S/O COUPLER (18M-10H45)	SEE FOOTNOTE 1
31. 116-750	AR	BULK HOSE (5/8", SOLD PER 1")	USE 1 @ 24"
32. 195-1122	1	SILICONE REDUCER	
33. 110-217	2	WORM CLAMP (7/16" TO 1")	
34. 155-164	1	S/O COUPLER (04N-05H90)	
35. 116-108	AR	BULK HOSE (5/16", SOLD PER 1")	USE 1 @ 12"
36. 157-812	1	SILICONE REDUCER	

NOT SHOWN:

FOOTNOTES:

- CONNECTS INTO ENGINE WATER PUMP
- REF 19 (116-421) USES ONE PIECE 15" LONG & TWO PIECES 27.5" LONG.

NOTE:

RADIATOR/OIL COOLER (TIER 3) RT95H

REF NO.	PART NUMBER	QTY	DESCRIPTION	REMARKS
37.	502-046	1	GROMMET (3/4")	
38.	179-608	2	SPACER	
39.	106-163	4	FLG SCREW (M8-1.25 X 30mm)	
40.	110-333	1	BOLT-ON CLAMP (1")	
41.	110-259	2	BOLT-ON CLAMP (.625")	
42.	106-162	1	FLG SCREW(M8-1.25 X 20mm, GD8)	
43.	117-819	2	FLAP	
44.	362-1243	1	AIR BARRIER	
45.	115-704	AR	BULK EDGE (1/4", SOLD PER 1")	USE 1 @ 7"
46.	111-134	2	BOLT CLAMP	
47.	105-975	2	WASHER (3/4")	
48.	105-884	6	WASHER (.531")	
49.	106-997	2	FLG LK SCREW (M10-1.50 X 60MM)	
50.	115-380	AR	WEATHER STRIP (3/8" x 3/4")	
51.	117-888	AR	BULK STRIP (1/2", SOLD PER 1")	USE 2 @ 12"
52.	105-1234	1	T-BOLT CLAMP (2.00" TO 2.31")	
53.	331-555	AR	SHIM	
54.	110-134	4	T-BOLT CLAMP (2.50")	
55.	362-1236	1	PRESSURE CAP	
56.	115-286	1	REDUCER (08N-1/4-NF)	
57.	155-162	1	S/O COUPLER (04N-05H)	
58.	105-1201	2	PLUG (M12-1.0)	
59.	300-6989	2	SEAL STRIP	
60.	300-7200	1	TUBE BRACE	
61.	105-274	3	SCREW (M10-1.50 X 20mm)	
62.	106-266	3	FLG NUT (M10-1.50)	
63.	110-815	1	T-BOLT CLAMP (2.5")	

NOT SHOWN:

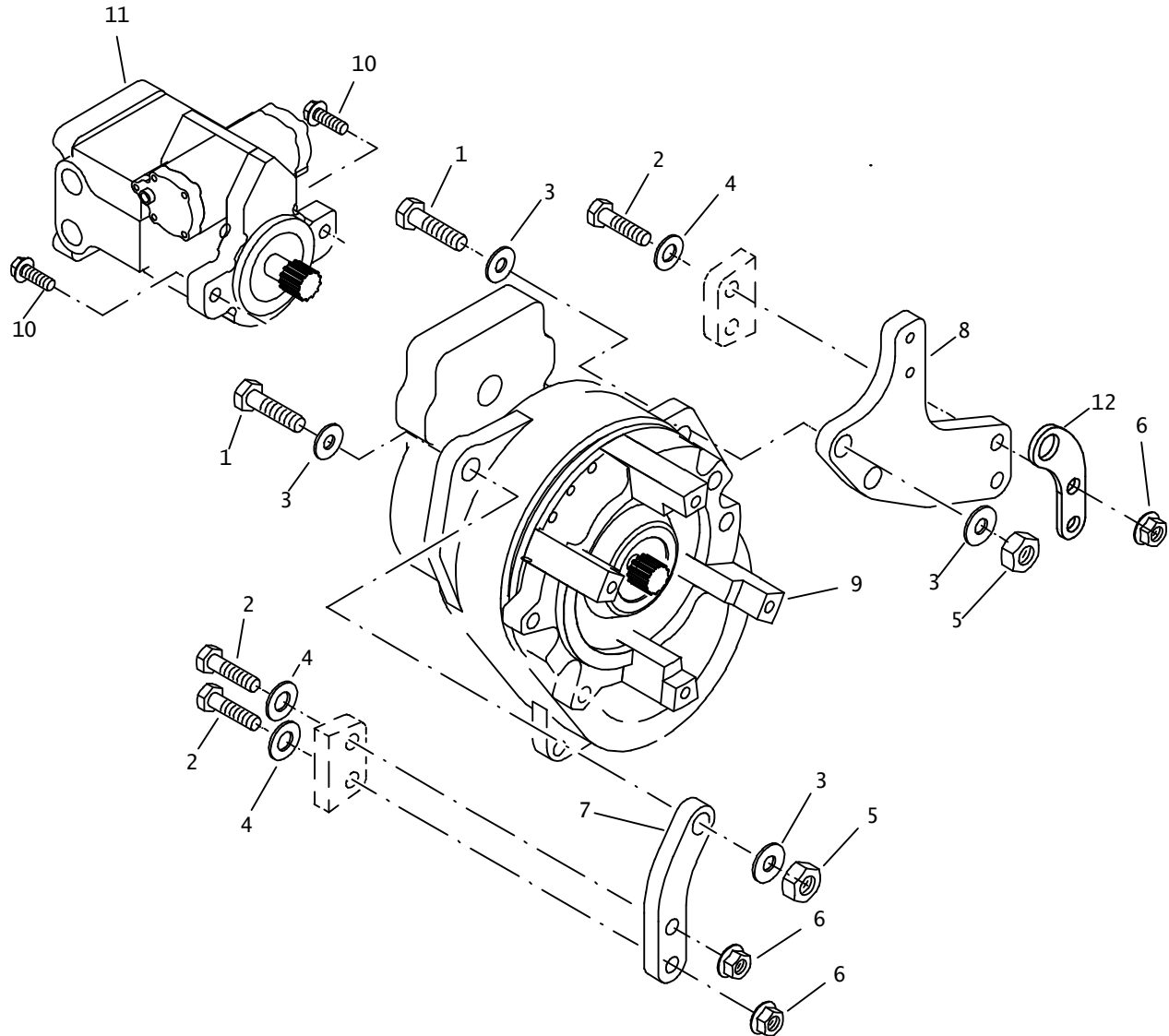
FOOTNOTES:

NOTE:

POWER TRAIN

GROUND DRIVE TRANSMISSION MOUNT

RT90/RT95/RT115



GROUND DRIVE TRANSMISSION MOUNT

RT90/RT95/RT115

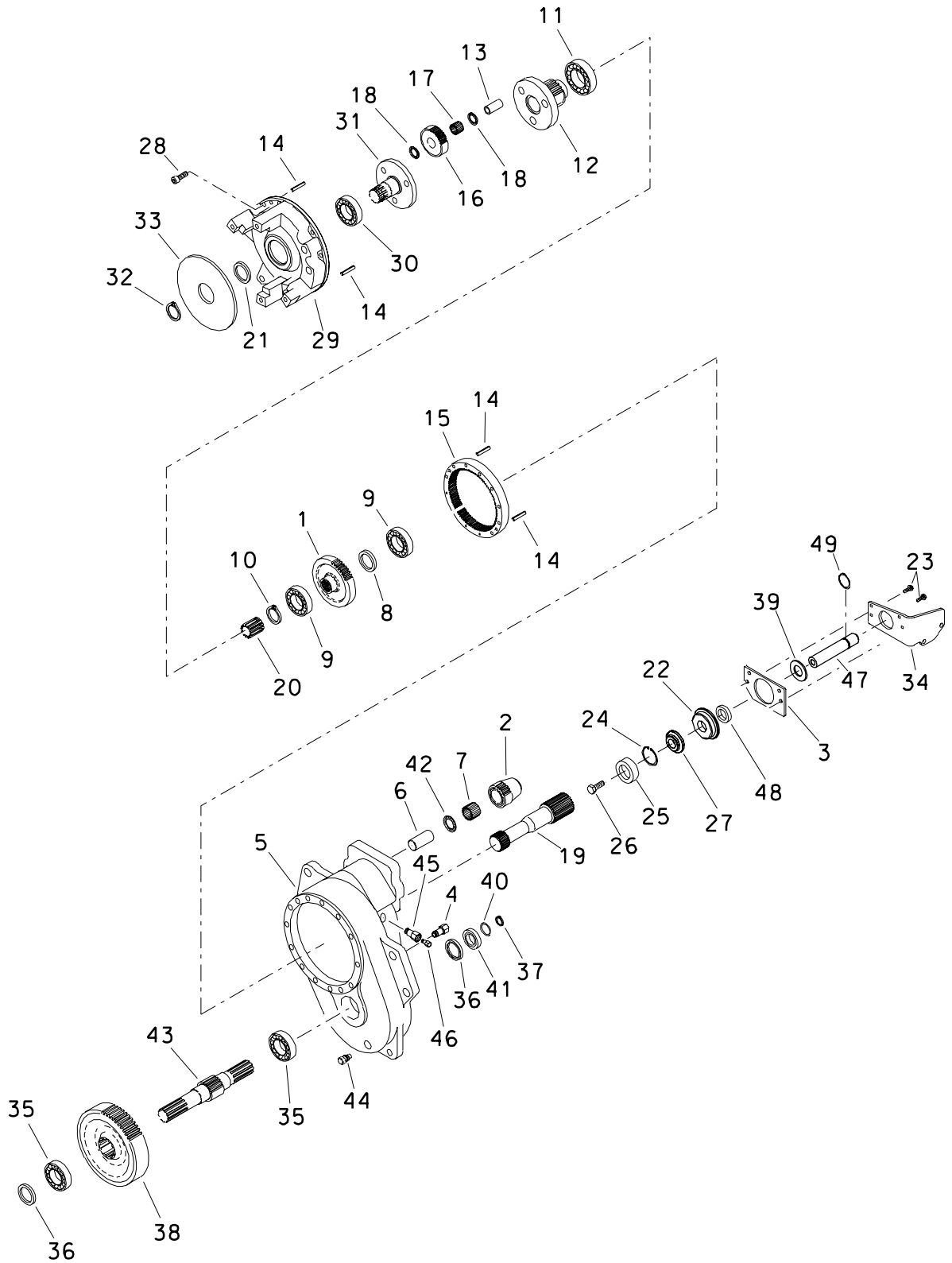
REF NO.	PART NUMBER	QTY	DESCRIPTION	REMARKS
1.	106-346	3	SCREW (M20-2.50 X 70mm)	
2.	106-666	4	SCREW (M16-2.00 X 65mm, 10.9)	
3.	106-399	6	WASHER (M20, HARDENED)	
4.	106-398	8	WASHER (M16, HARDENED)	
5.	106-665	3	LOCKNUT (M20-2.50, 10.9)	
6.	106-442	4	FLG LOCKNUT (M16-2.00, PRV TRQ)	
7.	306-969	1	RIGHT MOUNT BRACKET	
8.	306-938	1	LEFT MOUNT BRACKET	
9.	166-313	1	GROUND DRIVE TRANSMISSION	
10.	106-469	2	FLG SCREW (M12-1.75 X 30mm)	
11.	<u>153-081</u>	1	HYDRAULIC MOTOR	
	157-359	1	HYDRAULIC MOTOR	
12.	316-822	1	RETURN BRACKET	REFER TO PARTS PAGE "PUMP DRIVE HYDRAULICS"

NOT SHOWN:

FOOTNOTES:

NOTE:

MANUAL SHIFT TRANSMISSION



MANUAL SHIFT TRANSMISSION

REF NO.	PART NUMBER	QTY	DESCRIPTION	REMARKS
	166-313		GROUND DRIVE TRANS.	
1.	166-295	1	INPUT GEAR	
2.	166-294	1	INPUT PINION	
3.	331-386	1	SPACER PLATE	
4.	115-178	1	PLUG (06N, SQ FM)	
5.	164-014	1	TRANSMISSION HOUSING	
6.	167-180	1	SHAFT	
7.	126-031	1	NEEDLE BEARING (1.375")	
8.	184-215	1	SPACER	
9.	125-091	2	BALL BEARING (2.165")	
10.	115-525	1	INTERNAL SNAP RING (3.543")	
11.	125-073	1	BALL BEARING (2.362")	
12.	166-080	1	OUTPUT PINION	
13.	183-749	3	PLANET PIN	
14.	105-534	4	DOWEL PIN (.375"X.875")	
15.	165-149	1	RING GEAR	
16.	165-145	3	PLANET GEAR	
17.	126-065	3	BEARING (NEEDLE ROLLER)	
18.	126-009	6	THRUST WASHER RACE (1.000")	
19.	166-279	1	INPUT SHAFT	
20.	165-152	1	SPLINED SLEEVE	
21.	157-552	1	INTERNAL SEAL (1.969")	
22.	184-815	1	SEAL SLEEVE	
23.	106-379	4	FL LK SCREW (M6-1.00 X 20mm)	
24.	115-544	1	INTERNAL SNAP RING (1.188")	
25.	125-119	1	BALL BEARING (.393")	
26.	107-068	1	BOLT (3/8-NF x 1-1/2")	USE LOCTITE 680

FOOTNOTES

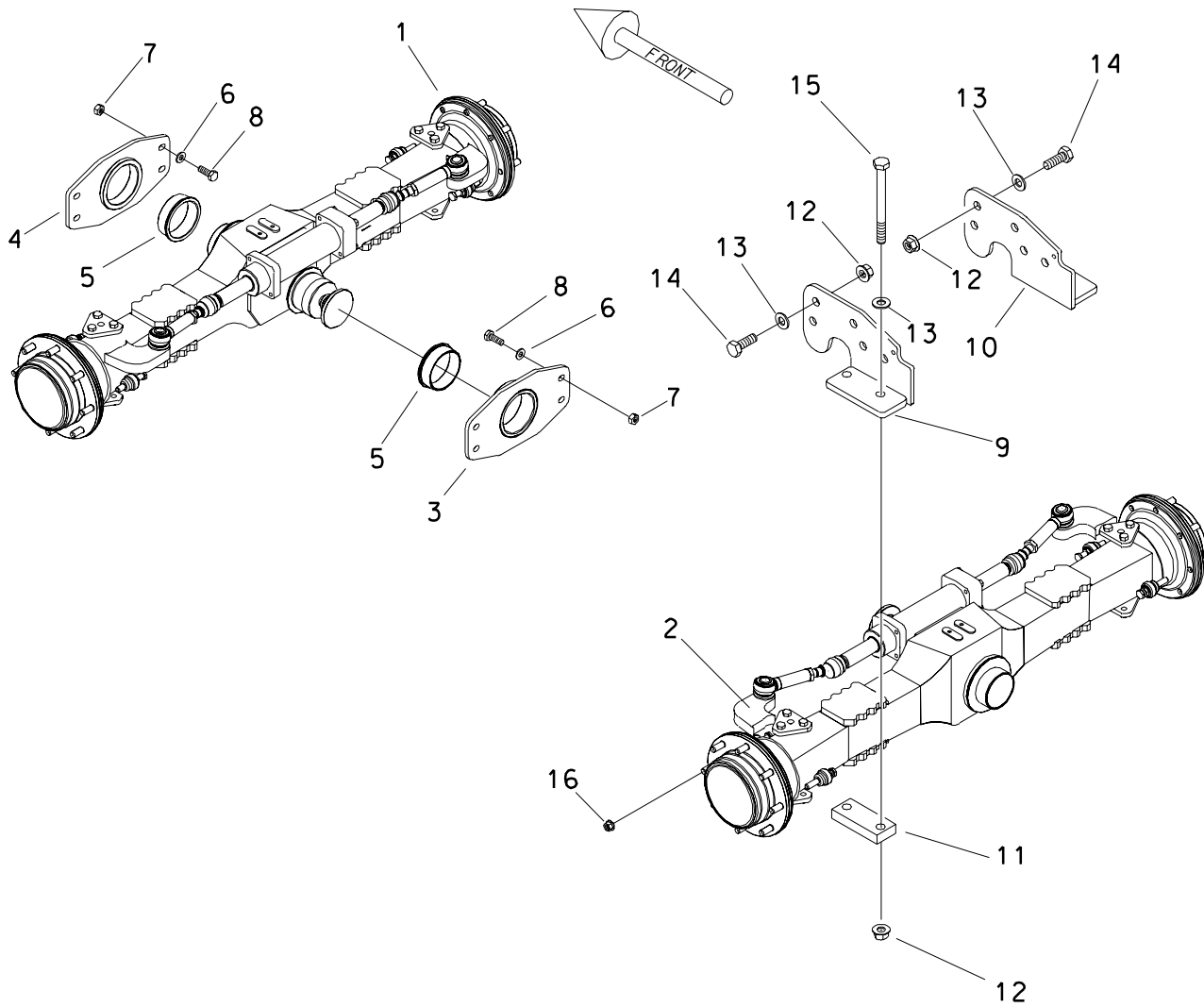
MANUAL SHIFT TRANSMISSION

REF NO.	PART NUMBER	QTY	DESCRIPTION	REMARKS
27.	184-069	1	KEEPER	
	105-115	1	JAM NUT (5/16-NF)	
28.	107-238	8	SCREW (M10-1.5 X 50mm, SOC)	
29.	166-312	1	TRANSMISSION CAP	
30.	125-040	1	BALL BEARING (1.968")	
31.	169-039	1	BRAKE OUTPUT FLANGE	
32.	115-456	1	EXTERNAL SNAP RING (1.750")	
33.	163-092	1	BRAKE DISC	
34.	307-563	1	SHIFT MOUNT	
35.	125-107	2	BALL BEARING (1.574")	
36.	157-609	2	INTERNAL SEAL	
37.	118-022	1	INTERNAL SNAP RING (3.150")	
38.	165-147	1	OUTPUT GEAR	
39.	326-060	1	WASHER (3/4")	
40.	155-795	1	O-RING (233 D70)	
41.	184-214	1	SEAL RETAINER	
42.	126-059	1	BEARING RACE (1.375")	
43.	167-181	1	OUTPUT SHAFT	
44.	115-211	1	PLUG (Ø8N, SQ, MAG)	
45.	115-127	1	REDUCER (Ø8N-Ø2NF)	
46.	159-003	1	AIR VENT (Ø2N)	
47.	183-643	1	SHIFTER SHAFT	
48.	155-878	1	INTERNAL SEAL (.750")	
49.	115-545	1	EXTERNAL SNAP RING (.75")	

FOOTNOTES

DIFFERENTIAL

RT90/RT95/RT115



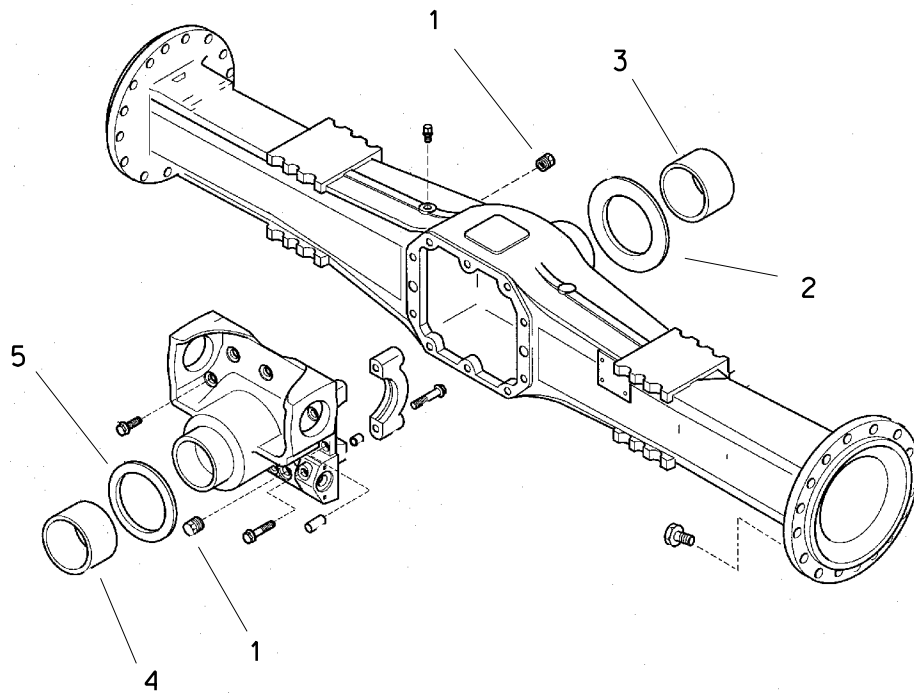
DIFFERENTIAL

RT90/RT95/RT115

REF NO.	PART NUMBER	QTY	DESCRIPTION	REMARKS
1.	160-455	1	STEERABLE AXLE (26.22)	QTY. OF 2 WITH REAR STEER
2.	160-456	1	RIGID PLANETARY AXLE (28.22)	
	160-455	-	STEERABLE AXLE (26.22)	
3.	306-748	1	AXLE MOUNT	
4.	307-711	1	AXLE MOUNT	
5.	178-365	2	BRONZE BUSHING (4.928")	
6.	106-398	8	WASHER (M16, HARDENED)	
7.	106-355	8	FLG NUT (M16-2.00, 10.9)	
8.	106-616	8	SCREW (M16-2.00 X 55mm, 10.9)	
9.	306-896	1	LEFT AXLE MOUNT	
10.	307-280	1	RIGHT AXLE MOUNT	
11.	307-303	2	CLAMP PLATE	
12.	106-489	14	FLG NUT (M24-3.00, 10.9)	
13.	106-625	14	WASHER (M24)	
14.	107-152	10	SCREW (M24-3.00 X 80mm, 10.9)	
15.	107-089	4	SCREW (M24-3.00 X 260mm, 10.9)	
16.	499-521	32	LUG NUT (M20-1.50)	

FOOTNOTES

AXLE -
AXLE HOUSING
RIGID

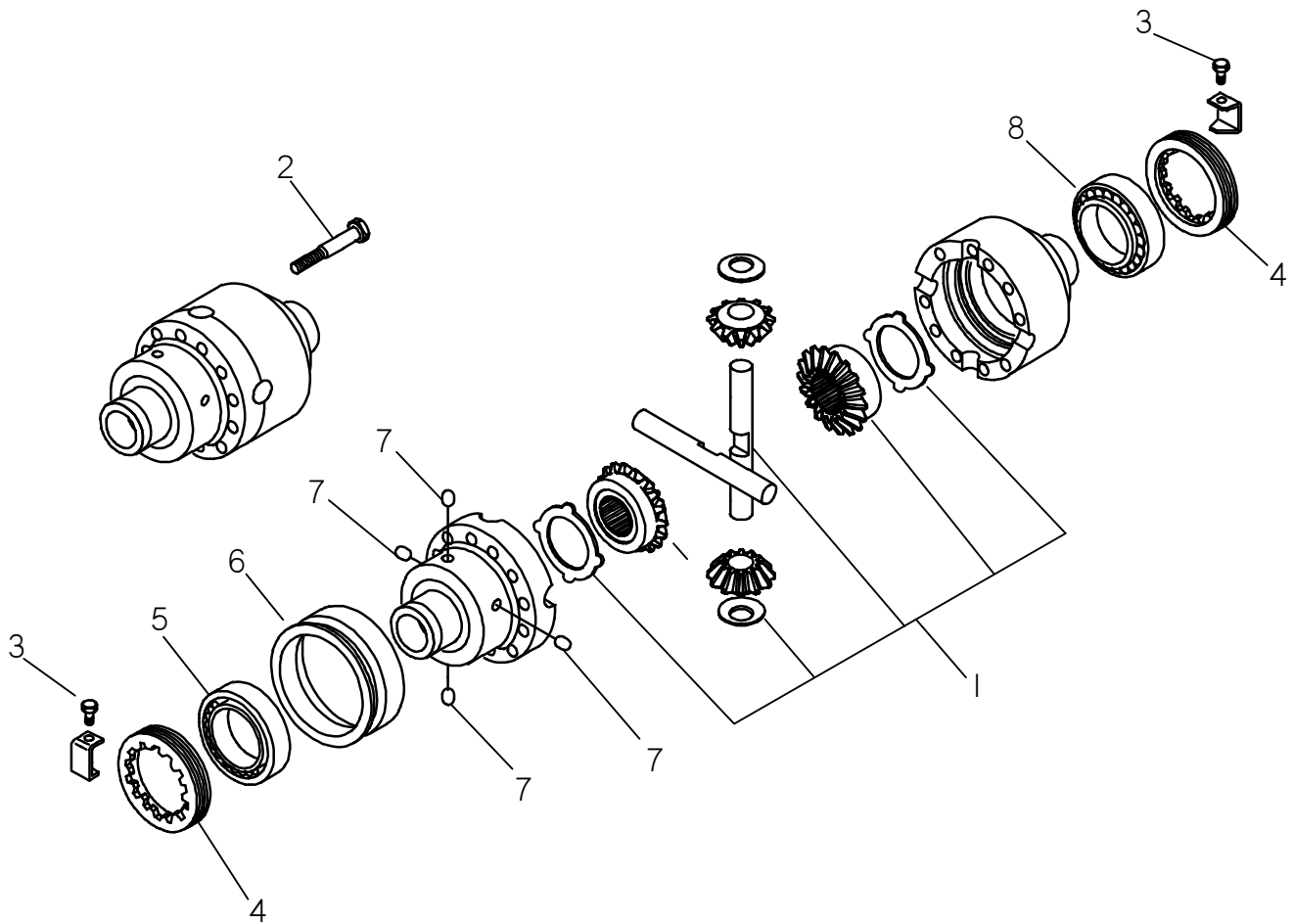


AXLE-
AXLE HOUSING
RIGID

REF NO.	PART NUMBER	QTY	DESCRIPTION	REMARKS
1.	514-345	2	PLUG (M22-1.50, SOC)	
2.	499-461	1	THRUST WASHER	
3.	499-462	1	BUSHING	
4.	499-470	1	BUSHING	
5.	499-471	1	THRUST WASHER	

FOOTNOTES

AXLE DIFFERENTIAL RIGID



AXLE DIFFERENTIAL RIGID

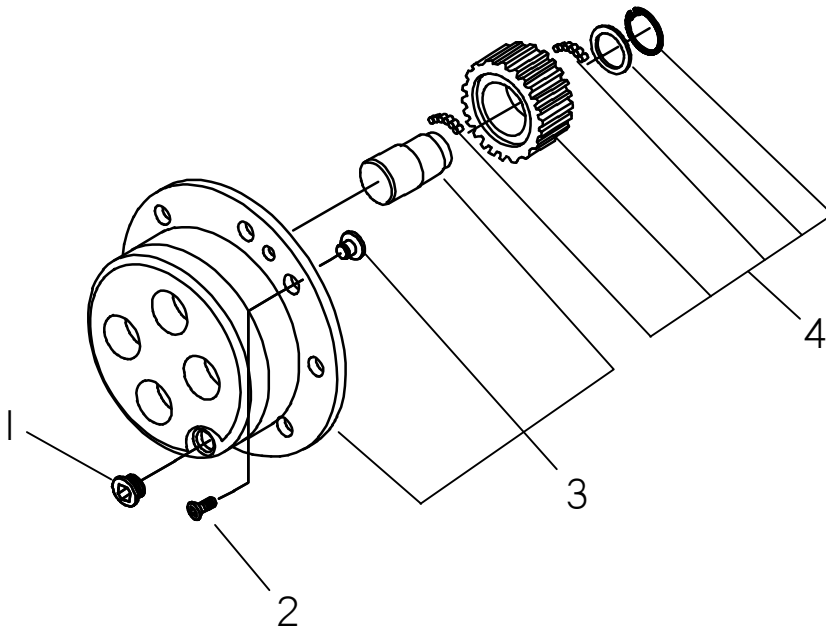
REF NO.	PART NUMBER	QTY	DESCRIPTION	REMARKS
1.	499-513	1	DIFFERENTIAL KIT	
2.	107-346	12	LK SCREW (M10-1.50 X 75mm)	
3.	107-348	2	SCREW (M6-1.00 X 10mm)	
4.	501-893	2	RING NUT	
5.	499-484	2	BEARING	USED ON ALL MODELS. SIZE: 90X50X21.75mm
6.	499-485	1	SLEEVE	
7.	499-486	4	PIN	
8.	500-2006	1	BEARING	REPLACES ONE 499-484 ON NEWER MODELS. SIZE: 90X55X23mm

NOT SHOWN:

FOOTNOTES:

NOTE:

AXLE-REDUCTION GEARS RIDGE



AXLE-REDUCTION GEARS RIDGE

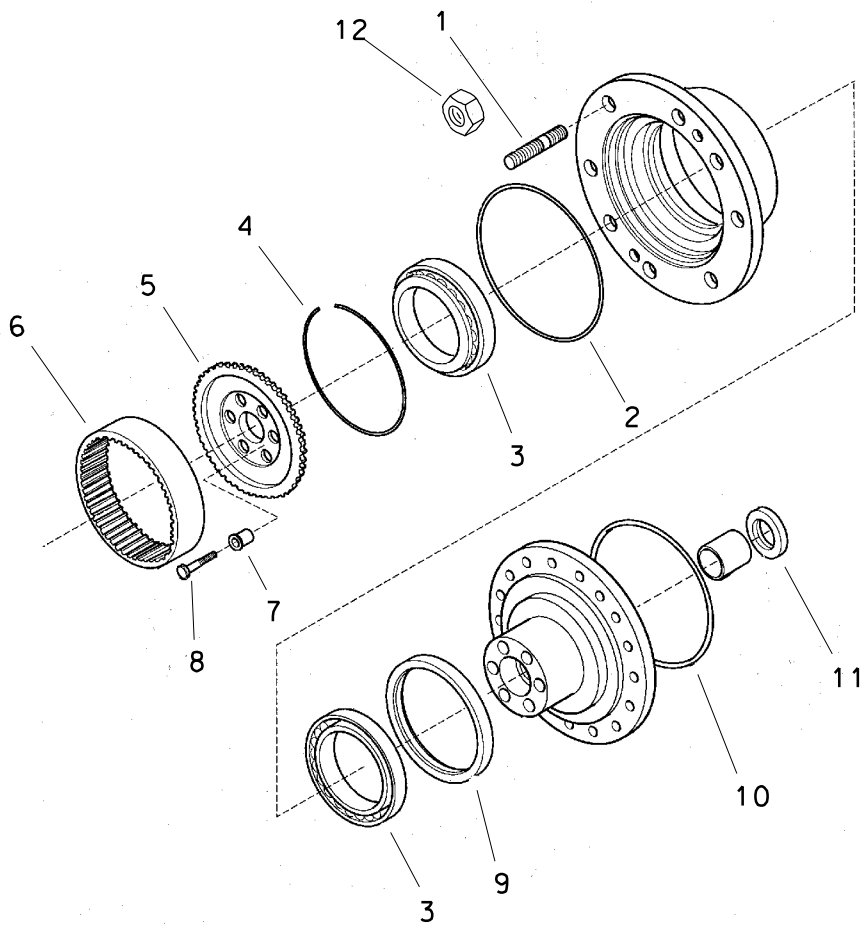
REF NO.	PART NUMBER	QTY	DESCRIPTION	REMARKS
1.	114-036	2	PLUG, PLANETARY CARRIER	
2.	107-349	4	SCREW (M8-1.25 X 20mm)	
3.	499-502	2	PLANETARY CARRIER ASS'Y	
4.	499-504	1	PLANET GEAR KIT	4 KITS PER WHEEL ASSEMBLY

NOT SHOWN:

499-517 2 SPLINE SHAFT Z-12
499-518 2 COUPLING
499-519 2 SNAPRING (D33)
499-520 2 HALF SHAFT

FOOTNOTES:**NOTE:**

AXLE -
WHEEL HUB
RIGID

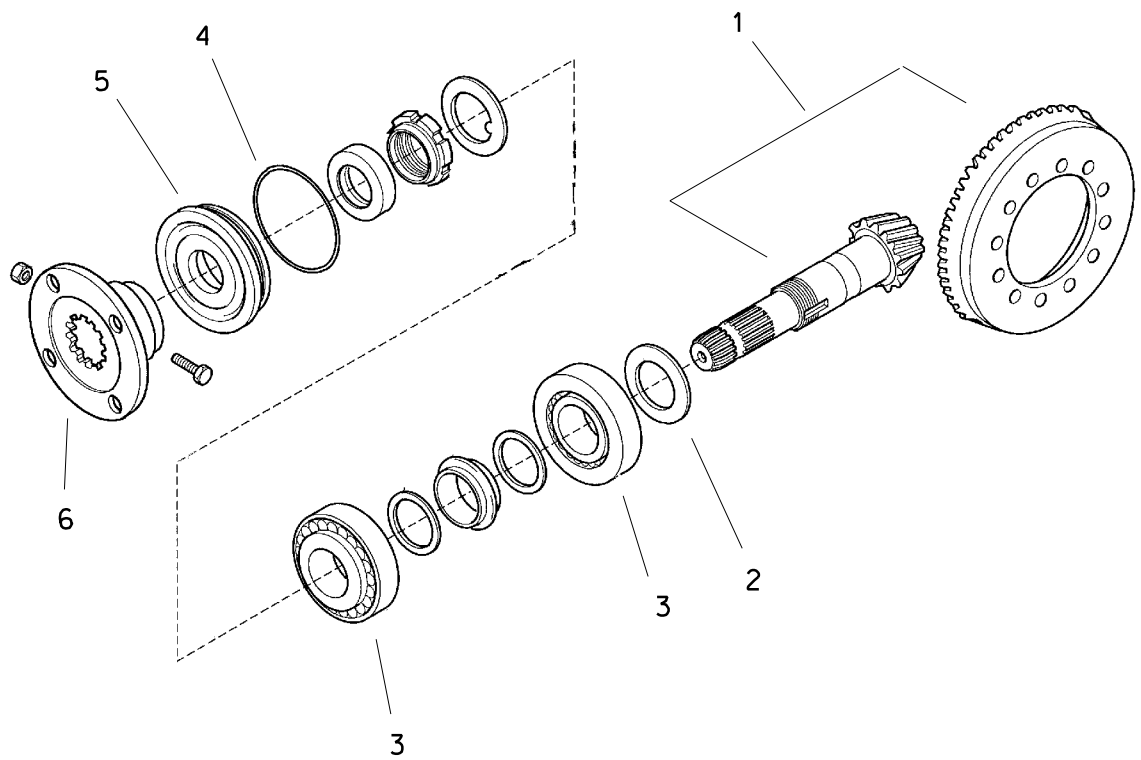


AXLE-
WHEEL HUB
RIGID

REF NO.	PART NUMBER	QTY	DESCRIPTION	REMARKS
1.	499-499	8	STUD	QTY PER WHEEL ASS'Y
2.	157-224	2	O-RING	
3.	499-498	4	BEARING	
4.	499-501	2	RING	
5.	499-507	2	WHEEL CARRIER	
6.	499-503	2	CROWN GEAR	
7.	499-505	16	CENTERING BUSHING	
8.	499-506	16	BOLT (M12 X 45)	
9.	499-497	2	SEAL RING	
10.	499-515	2	O-RING	
11.	499-516	2	SEAL RING	
12.	499-521	8	LUG NUT (M20 X 1.50)	QTY PER WHEEL ASS'Y

FOOTNOTES

AXLE -
BEVEL GEAR/PINION SET
STEERABLE/RIGID

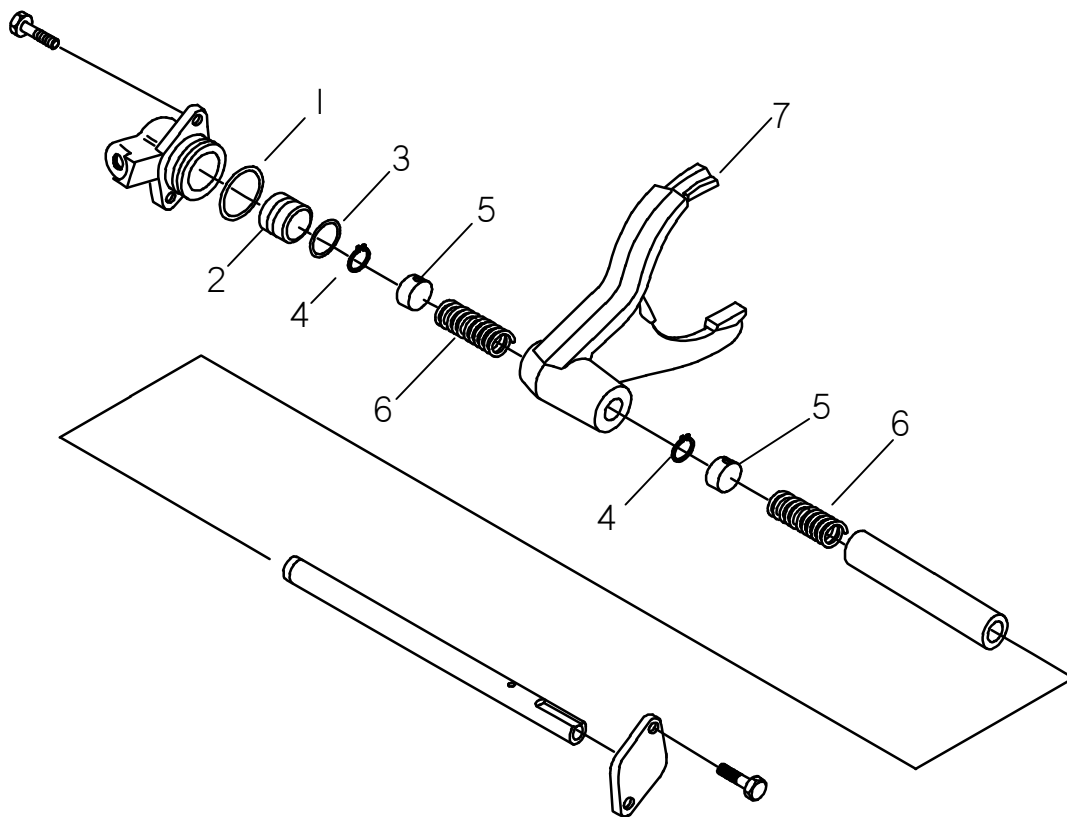


AXLE-
 BEVEL GEAR/PINION SET
 STEERABLE/RIGID

REF NO.	PART NUMBER	QTY	DESCRIPTION	REMARKS
1.	499-478	1	BEVEL GEAR SET Z12/32	
2.	499-487	1	SHIM KIT	
			SHIM 2.50mm	
			SHIM 2.60mm	
			SHIM 2.70mm	
			SHIM 2.80mm	
			SHIM 2.90mm	
			SHIM 3.00mm	
			SHIM 3.10mm	
			SHIM 3.20mm	
			SHIM 3.30mm	
			SHIM 3.40mm	
3.	499-479	2	BEARING	
4.	499-480	1	OIL SEAL RING	
5.	499-481	1	O-RING	
6.	499-482	1	FLANGE	

FOOTNOTES

AXLE
DIFF LOCK
STEERABLE/RIGID



**AXLE
DIFF LOCK
STEERABLE/RIGID**

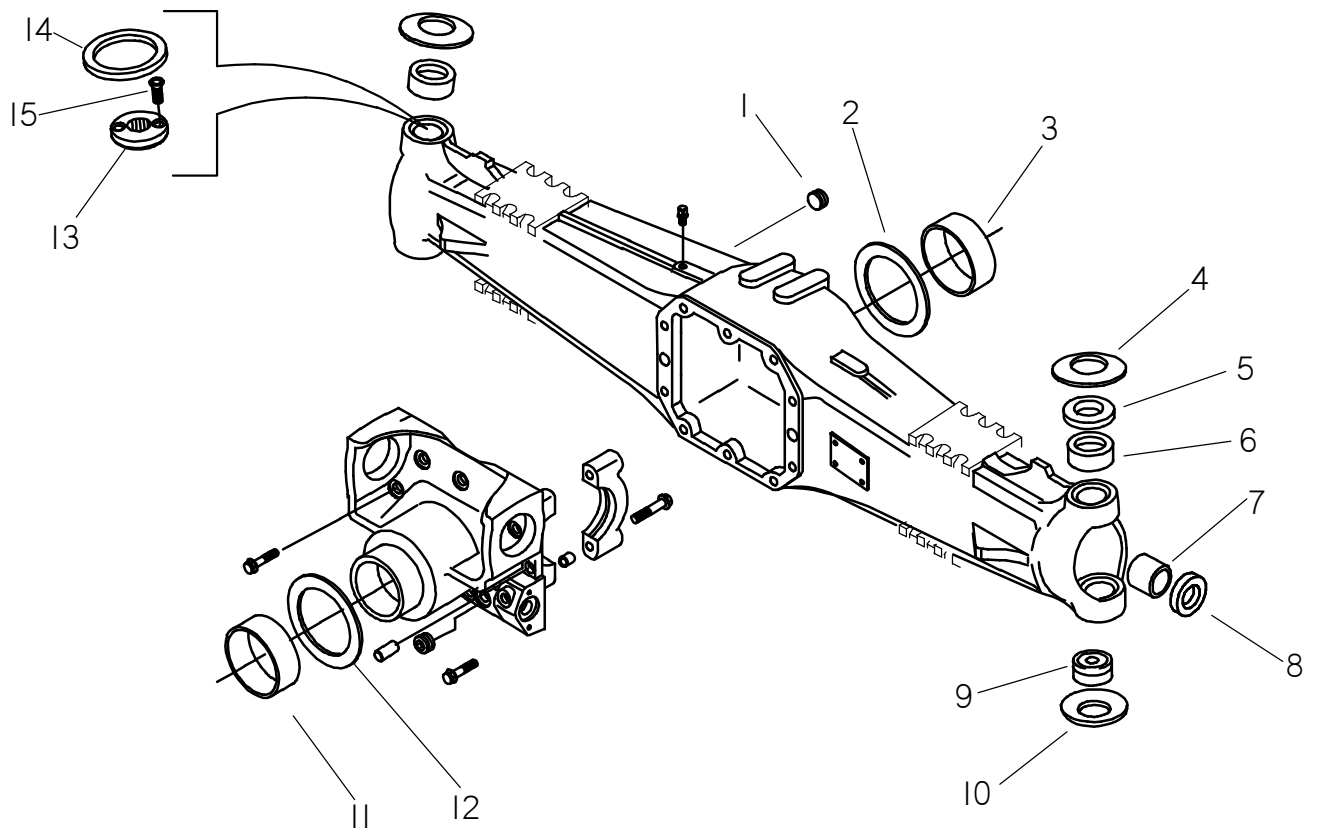
REF PART NO.	PART NUMBER	QTY	DESCRIPTION	REMARKS
1.	499-488	1	O-RING	
2.	499-489	1	PISTON	
3.	499-490	1	O-RING	
4.	499-491	2	SNAP RING (D12)	
5.	499-492	2	SPACER	
6.	499-493	2	SPRING	
7.	499-494	1	FORK	

NOT SHOWN:

FOOTNOTES:

NOTE:

AXLE AXLE HOUSING STEERABLE



AXLE AXLE HOUSING STEERABLE

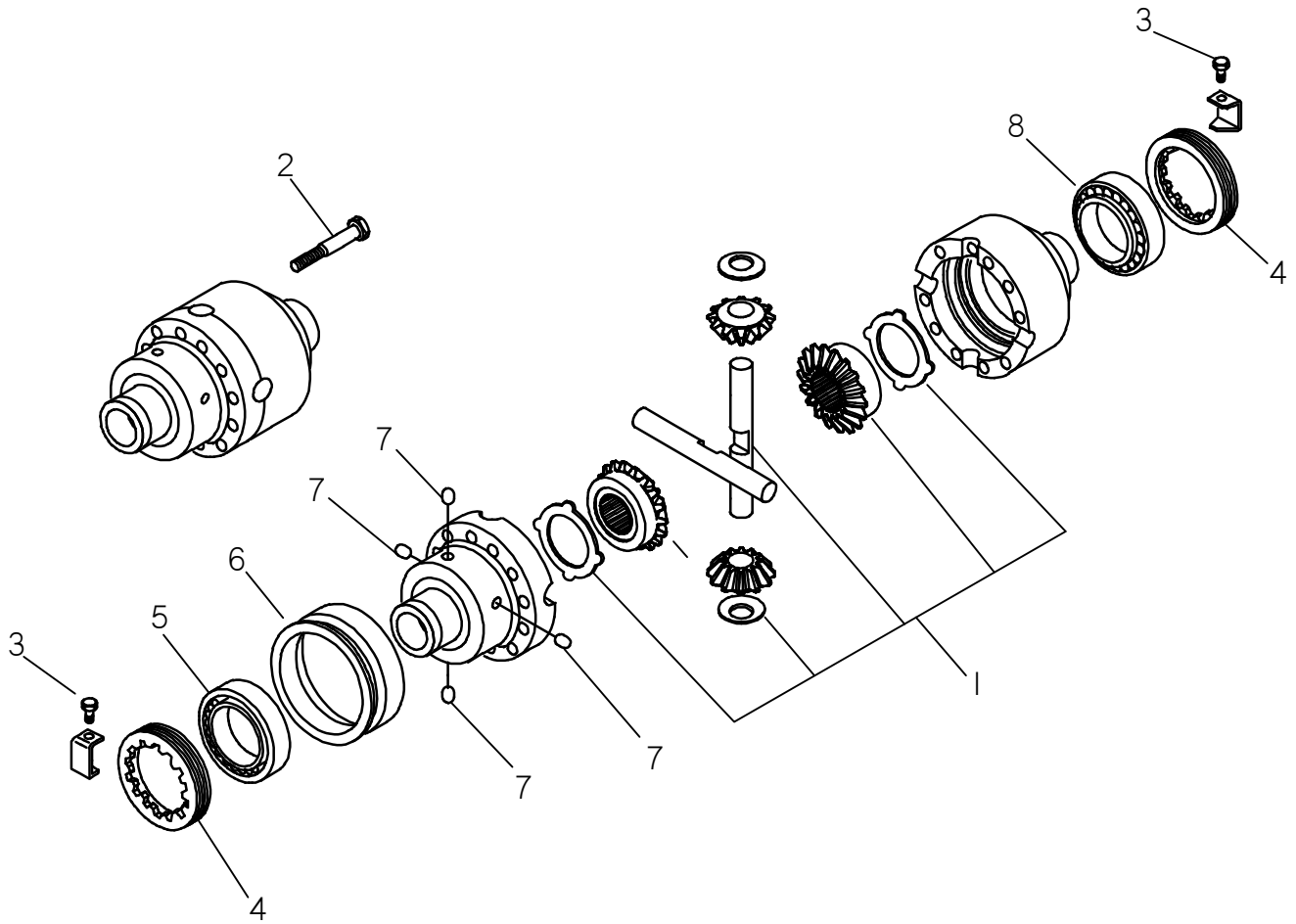
REF	PART				REMARKS
NO.	NUMBER	QTY	DESCRIPTION		
1.	514-345	2	PLUG (M22-1.50, SOC)		
2.	499-461	1	THRUST WASHER		
3.	499-462	1	BUSHING		
4.	499-463	2	BELLEVILLE WASHER		
5.	499-464	1	SPACER		
6.	499-465	2	BUSHING		
7.	499-466	2	BUSHING		
8.	499-467	2	OIL SEAL RING		
	500-1135	2	OIL SEAL		
9.	499-468	2	SPHERICAL BEARING		
10.	499-469	2	BELLEVILLE WASHER		
11.	499-470	1	BUSHING		
12.	499-471	1	THRUST WASHER		
13.	499-472	1	PIN LOCKING WASHER		
14.	500-1697	1	LH BUSH (SPACER)		
15.	500-1698	2	SCREW (M4-.7 x 10mm, 10.9)		

NOT SHOWN:

FOOTNOTES:

NOTE:

AXLE DIFFERENTIAL STEERABLE



AXLE DIFFERENTIAL STEERABLE

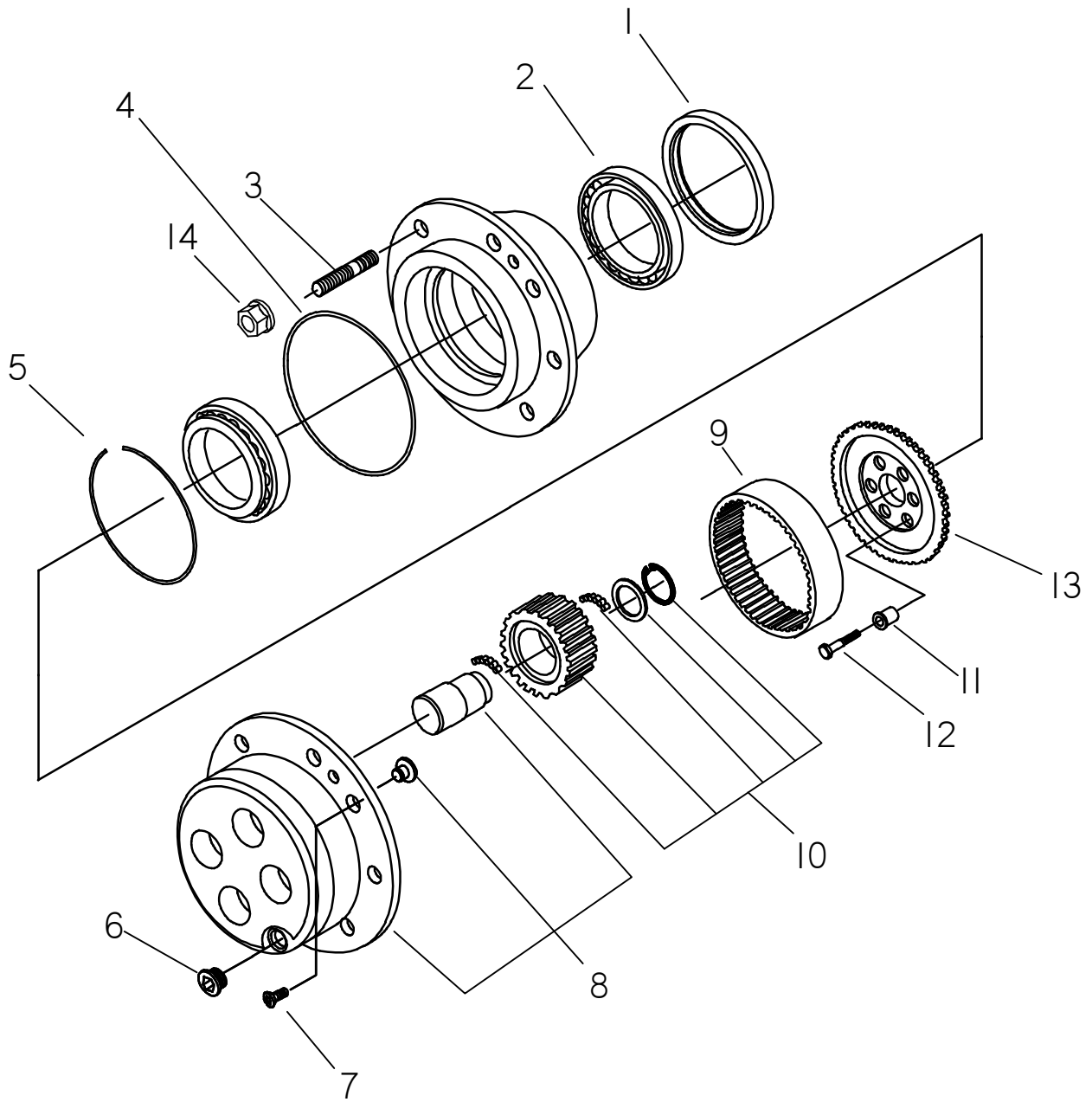
REF NO.	PART NUMBER	QTY	DESCRIPTION	REMARKS
1.	499-483	1	DIFFERENTIAL KIT	
2.	107-346	12	LK SCREW (M10-1.50 X 75mm)	
3.	107-348	2	SCREW (M6-1.00 X 10mm)	
4.	501-893	2	RING NUT	
5.	499-484	2	BEARING	USED ON ALL MODELS. SIZE: 90X50X21.75mm
6.	499-485	1	SLEEVE	
7.	499-486	4	PIN	
8.	500-2006	1	BEARING	REPLACES ONE 499-484 ON NEWER MODELS. SIZE: 90X55X23mm

NOT SHOWN:

FOOTNOTES:

NOTE:

AXLE-WHEEL HUB/REDUCTION GEAR STEERABLE



AXLE-WHEEL HUB/REDUCTION GEAR STEERABLE

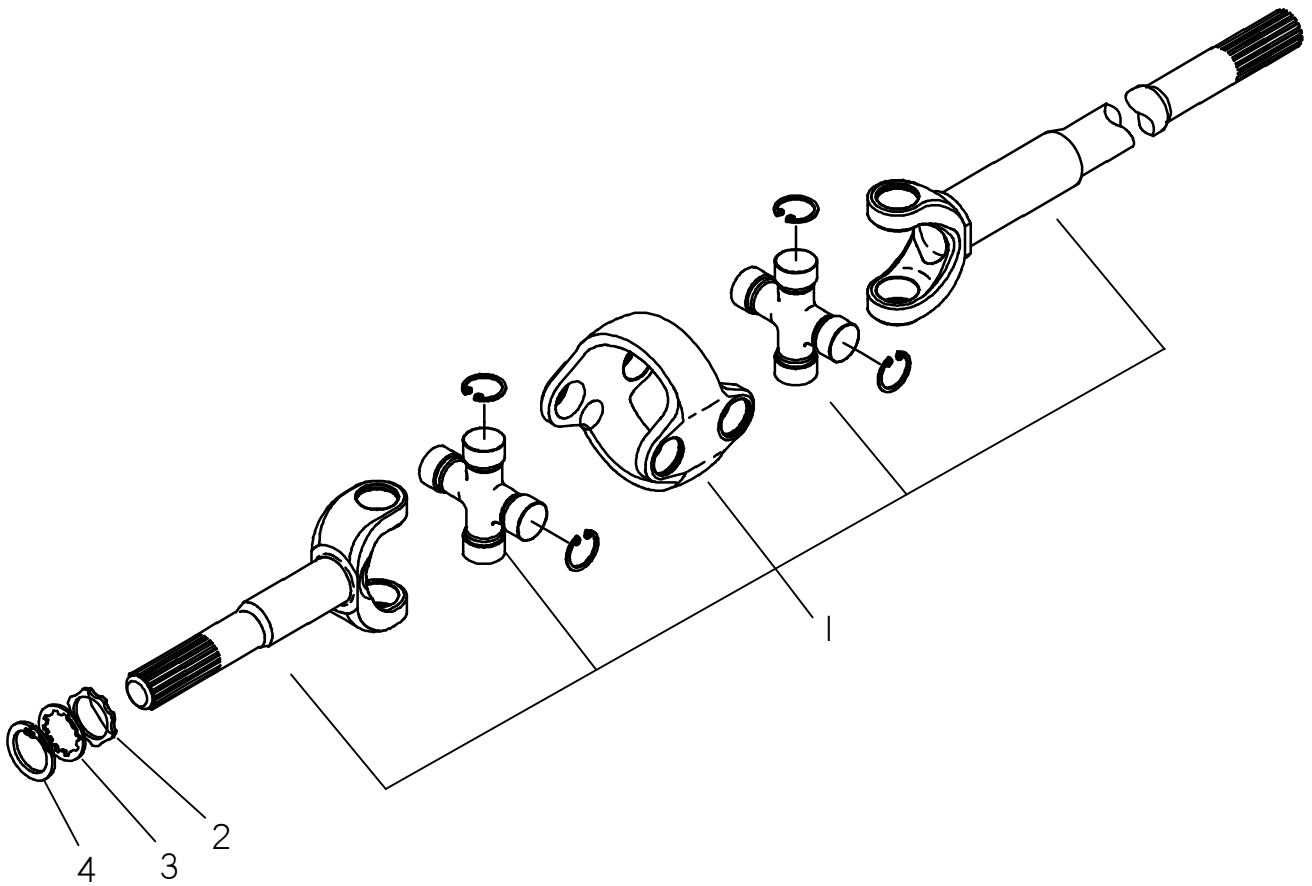
REF PART NO. NUMBER	QTY	DESCRIPTION	REMARKS
1. 499-497	2	SEAL RING	EARLY STYLE 176mm OD
499-940		SEAL KIT	CURRENT PRODUCTION 180mm OD
499-948		OIL SEAL	CURRENT PRODUCTION
2. 499-498	4	BEARING	
3. 499-499	8	STUD	QTY PER WHEEL ASS'Y
4. 157-224	2	O-RING	
5. 499-501	2	RING	
6. 114-036	2	PLUG, PLANETARY CARRIER	
7. 107-349	4	SCREW (M8-1.25 X 20mm)	
8. 499-502	2	PLANETARY CARRIER ASS'Y	
9. 499-503	2	CROWN GEAR	
10. 499-504	1	PLANET GEAR KIT	4 KITS PER WHEEL ASSEMBLY
11. 499-505	12	CENTERING BUSHING	
12. 499-506	12	BOLT (M12 X 45)	
13. 499-507	2	WHEEL CARRIER	
14. 499-521	8	LUG NUT (M20-1.50)	QTY PER WHEEL ASS'Y

NOT SHOWN:

FOOTNOTES:

NOTE:

AXLE
DOUBLE JOINT
STEERABLE



AXLE DOUBLE JOINT STEERABLE

REF NO.	PART NUMBER	QTY	DESCRIPTION	REMARKS
1.	499-495	2	DOUBLE JOINT	
2.	500-1266	2	THRUST WASHER	
3.	500-1267	2	WASHER	
4.	500-1268	2	SNAP RING	

NOT SHOWN:

FOOTNOTES:

NOTE:

AXLE SWIVEL HOUSING & STEERING CYL. STEERABLE

REF NO.	PART NUMBER	QTY	DESCRIPTION	REMARKS
1.	115-065	4	ZERK, METRIC (M6 X 1)	
2.	106-472	12	SCREW (M14-2.00 X 35mm)	
3.	499-473	2	KING PIN	
4.	499-474	2	NUT (M20-1.5)	
5.	499-475	2	KING PIN	
6.	499-476	2	STEERING ARM ASS'Y	
7.	107-344	4	LK SCREW (M12-1.75 X 45mm)	
8.	157-747	2	OIL SEAL	
9.	178-172	2	BUSHING	
10.	107-345	4	SCREW (M16-2.00 X 100mm)	
11.	499-477	1	OIL SEAL KIT (CYL)	

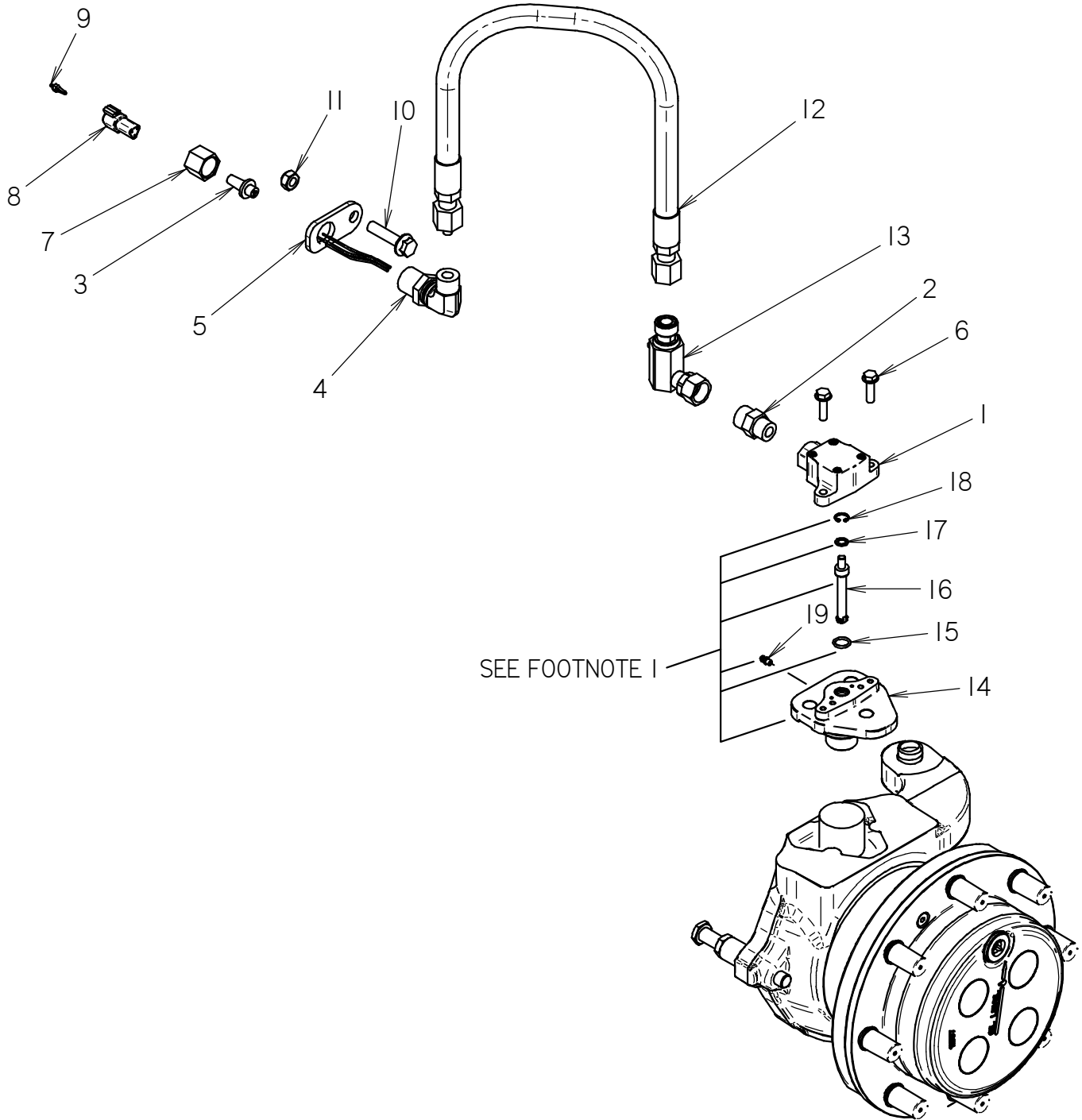
NOT SHOWN:

FOOTNOTES:

NOTE:

REAR STEER AXLE SENSOR

BEGINS WITH S/N'S: CMWRT95MH90000290, CMWRT95HV90000367, CMWRI5T3C90000132



REAR STEER AXLE SENSOR

BEGINS WITH S/N'S: CMWRT95MH90000290, CMWRT95HV90000367, CMWRI5T3C90000132

REF NO.	PART NUMBER	QTY	DESCRIPTION	REMARKS
1	215-1503	1	REAR STEER SENSOR	SEE FOOTNOTE 4
2	154-301	1	CONNECTOR (10S-100)	SEE FOOTNOTE 4
3	362-1404	1	WIRE GROMMET	SEE FOOTNOTE 4
4	154-291	1	BK CONNECTOR (100-10090BK)	SEE FOOTNOTE 4
5	300-9066	1	BRACKET	SEE FOOTNOTE 2 & 4
6	106-163	2	FLG SCREW (M8-1.25 X 30MM)	
7	154-310	1	REDUCER NUT (100F)	
8	215-1518	1	3 PIN DEUTSCH CONNECTOR, DT04-3P	SEE FOOTNOTE 4
9	215-1517	1	3 PIN DEUTSCH PLUG, W3P	SEE FOOTNOTE 4
10	107-008	1	FLG LK SCREW (M12-1.75 X 50MM)	
11	106-685	1	LOCKNUT (M12-1.75, PRV TRQ, 10.9)	
12	150-2907	1	HOSE (100FX-22"-3000)	SEE FOOTNOTE 3 & 4
13	150-2843	1	SWIVEL (100-100FX90; DO NOT PRESSURIZE)	SEE FOOTNOTE 4 & 5
14	500-1804	1	KING PIN (REAR STEER)	SEE FOOTNOTE 1
15	499-512	1	O-RING	SEE FOOTNOTE 1
16	500-1801	1	SHAFT	SEE FOOTNOTE 1
17	500-1802	1	WASHER	SEE FOOTNOTE 1
18	500-1803	1	SNAP RING D15	SEE FOOTNOTE 1
19	115-065	1	ZERK (M6 X 1)	SEE FOOTNOTE 1

NOT SHOWN:

- 214-133, TERMINAL PIN (DEUTSCH), USE QTY=3 PER AXLE SENSOR ASSEMBLY
- 215-1535, HEAT SHRINK 3/8" ADHESIVE, USE QTY=3 @ 2" FOR A TOTAL OF 6" PER AXLE SENSOR ASSEMBLY
- 215-1546, KEVLAR BRAIDED SLEEVING (1/2"), USE QTY=2 @ 5" FOR A TOTAL OF 10" PER AXLE SENSOR ASSEMBLY

FOOTNOTES:

1. PARTS BELONG TO CARRARO REAR STEER KIT 190-1424.
2. BRACKET 300-9066 IS ONLY USED ON THE REAR AXLE SENSOR ASSEMBLIES, 220-1181 AND 220-1183.
3. HOSE 150-2907 USED IN AXLE SENSOR ASSEMBLY 220-1181; USE HOSE 153-294 FOR AXLE SENSOR ASSEMBLY 220-1180, HOSE 515-605 FOR AXLE SENSOR ASSEMBLY 220-1182, AND HOSE 150-1729 FOR AXLE SENSOR ASSEMBLY 220-1183.
4. PARTS BELONG TO AXLE SENSOR ASSEMBLIES; SEE NOTE BELOW FOR DETAILS
5. ONLY USED IN RT90/95/115 AXLE SENSOR ASSEMBLIES 220-1180 AND 220-1181.

NOTE:

- RT90/95/115 FRONT AXLE SENSOR ASSEMBLY IS P/N 220-1180
- RT90/95/115 REAR AXLE SENSOR ASSEMBLY IS P/N 220-1181
- RT70/75 FRONT AXLE SENSOR ASSEMBLY IS P/N 220-1182
- RT70/75 REAR AXLE SENSOR ASSEMBLY IS P/N 220-1183

TILT FRAME DIFFERENTIAL MOUNT

RT90/RT95/RT115

BEGINS WITH S/N_____.

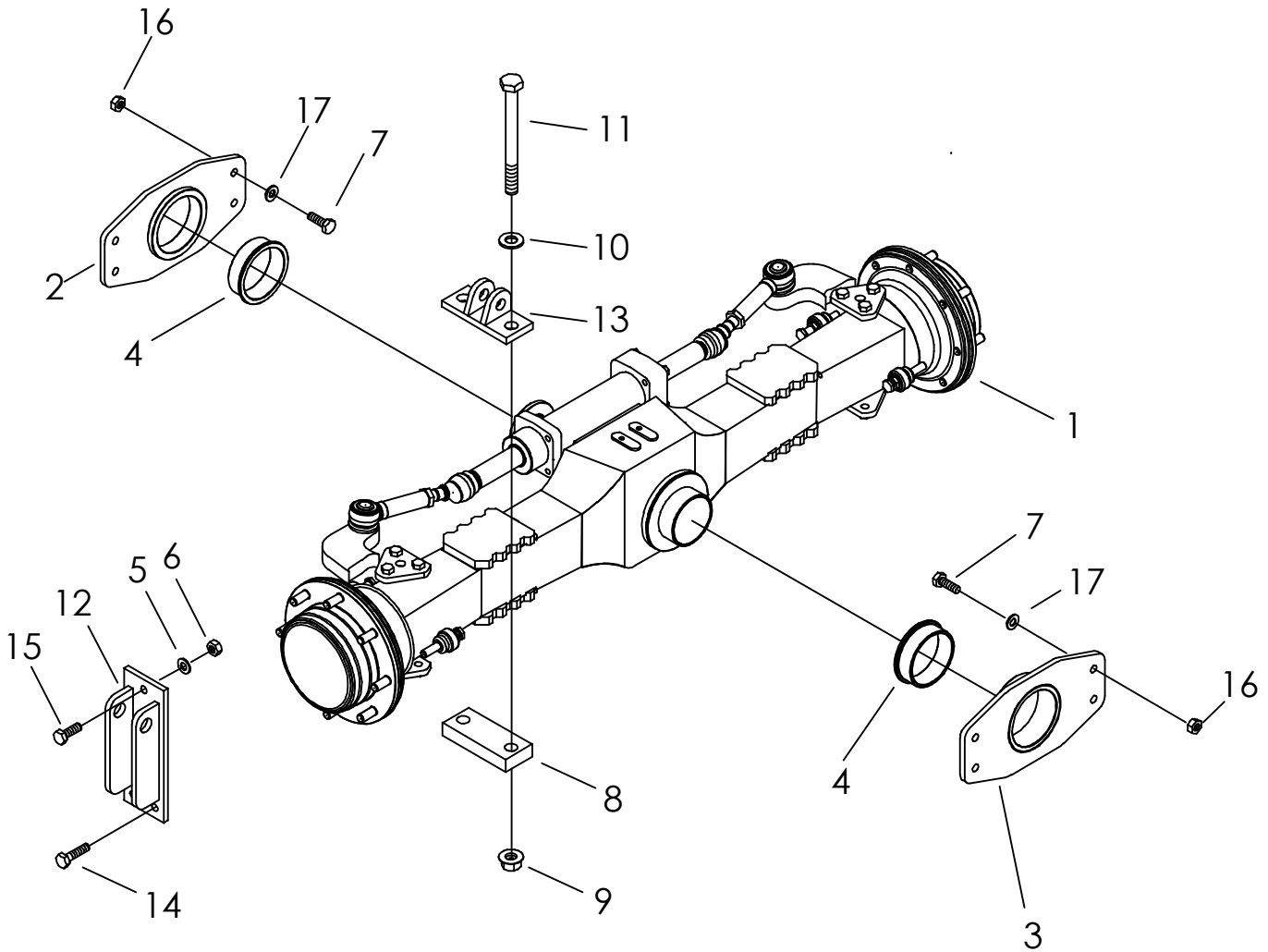
REF NO.	PART NUMBER	QTY	DESCRIPTION	REMARKS
1.	160-456	-	RIGID PLANETARY AXLE (28.22)	
	160-455	-	STEERABLE AXLE (26.22)	
2.	306-748	1	AXLE MOUNT	
3.	307-711	1	AXLE MOUNT	
4.	178-365	2	BRONZE BUSHING (4.928")	
5.	106-398	14	WASHER (M16, HARDENED)	
6.	106-545	14	LOCKNUT (M16-2.0, PRV TRQ, 10.9)	
7.	106-616	8	SCREW (M16-2.00 X 55mm, 10.9)	
8.	307-303	2	CLAMP PLATE	
9.	106-489	4	FLG NUT (M24-3.00, 10.9)	
10.	106-625	4	WASHER (M24)	
11.	107-089	4	SCREW (M24-3.00 X 260mm, 10.9)	
12.	301-1942	2	TILT CYLINDER MOUNT	SEE FOOTNOTE 1
13.	301-1940	2	TILT CYLINDER AXLE MOUNT	SEE FOOTNOTE 1
14.	106-666	4	SCREW (M16-2.00 X 65mm, 10.9)	
15.	106-340	2	SCREW (M16-2.00 X 50mm)	

NOT SHOWN:

FOOTNOTES:

1. OLDER UNITS USED TILT MOUNTS 306-891 AND 306-893. IF REPLACING ONE OF THESE COMPONENTS ALL 4 PARTS MUST BE REPLACED BY 301-1940 AND 301-1942.

NOTE:

TILT FRAME DIFFERENTIAL MOUNTRT95M - RT95H - RT115 BEGINS WITH S/N _____
T2 & T3 UNITS

TILT FRAME DIFFERENTIAL MOUNT

RT95M - RT95H - RT115 BEGINS WITH S/N _____

T2 & T3 UNITS

REF NO.	PART NUMBER	QTY	DESCRIPTION	REMARKS
1.	160-456	-	RIGID PLANETARY AXLE (28.22)	
	160-455	-	STEERABLE AXLE (26.22)	
2.	301-0186	1	AXLE MOUNT	
3.	301-0187	1	AXLE MOUNT	
4.	178-365	2	BRONZE BUSHING (4.928")	
5.	106-398	6	WASHER (M16, HARDENED)	
6.	106-545	6	LOCKNUT (M16-2.0, PRV TRQ, 10.9)	
7.	106-831	8	SCREW (M20-2.50 X 60mm, 10.9)	
8.	307-303	2	CLAMP PLATE	
9.	106-489	4	FLG NUT (M24-3.00, 10.9)	
10.	106-625	4	WASHER (M24)	
11.	107-089	4	SCREW (M24-3.00 X 260mm, 10.9)	
12.	301-1942	2	TILT CYLINDER MOUNT	SEE FOOTNOTE 1
13.	301-1940	2	TILT CYLINDER AXLE MOUNT	SEE FOOTNOTE 1
14.	106-666	4	SCREW (M16-2.00 X 65mm, 10.9)	
15.	106-340	2	SCREW (M16-2.00 X 50mm)	
16.	106-356	8	FLG NUT (M20-2.50, 10.9)	
17.	106-399	8	WASHER (M20, HARDENED)	

NOT SHOWN:

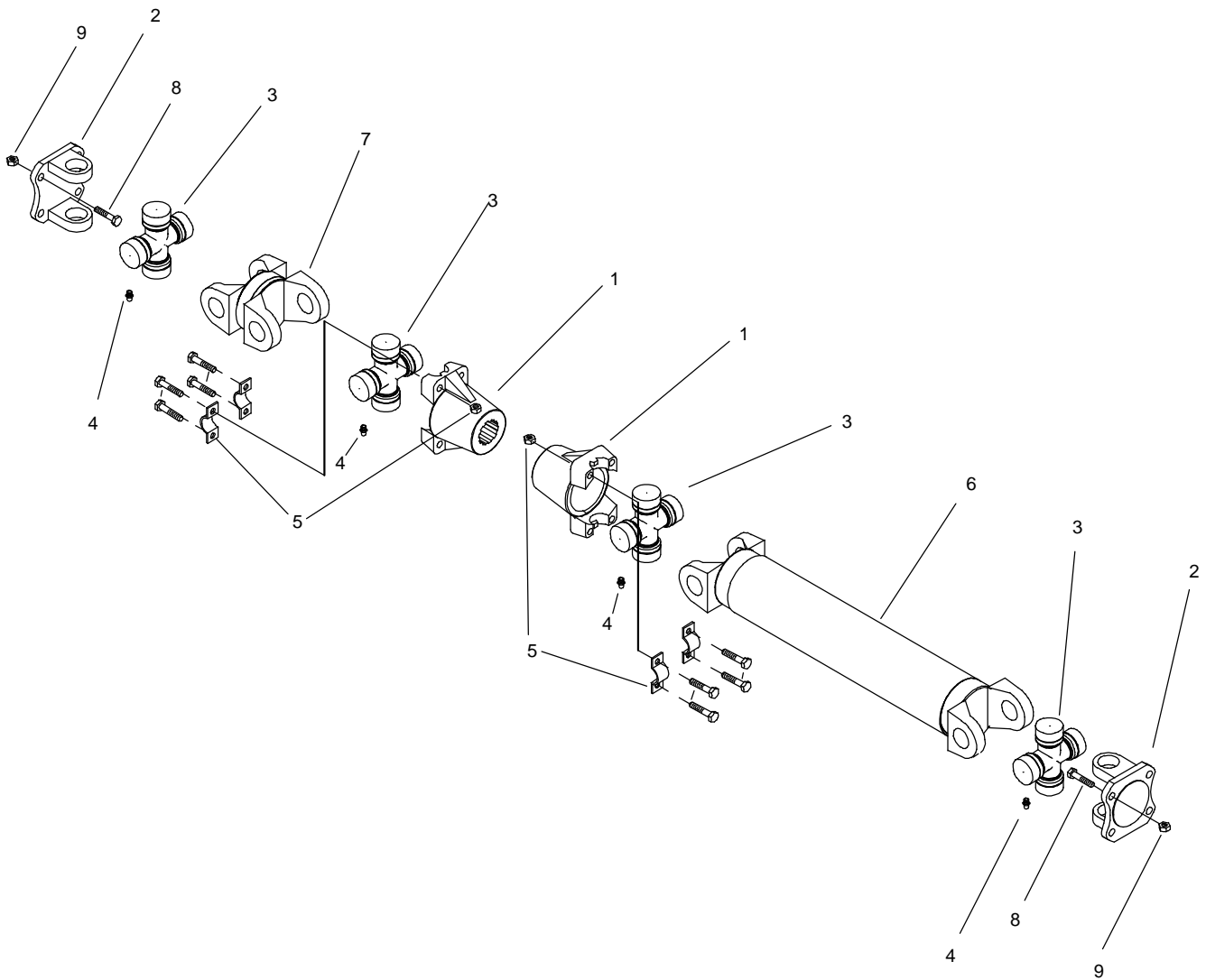
FOOTNOTES:

1. OLDER UNITS USED TILT MOUNTS 306-891 AND 306-893. IF REPLACING ONE OF THESE COMPONENTS ALL 4 PARTS MUST BE REPLACED BY 301-1940 AND 301-1942.

NOTE:

HYDROSTATIC DRIVE LINE

RT90/RT95/RT115



HYDROSTATIC DRIVE LINE

RT90/RT95/RT115

REF PART NO.	PART NUMBER	QTY	DESCRIPTION	REMARKS
1.	182-199	2	410 (SERIES) HUB MACHINING	
2.	182-173	2	FLANGE YOKE	
3.	182-145	4	CROSS/BEARING KIT (1-3/16")	
4.	115-003	4	ZERK (1/4-NF, STR)	
5.	182-204	4	U-BOLT KIT	
6.	166-236	1	FRONT DRIVE LINE	
7.	182-142	1	DOUBLE CENTER YOKE	
8.	105-119	8	BOLT (7/16 NF X 1-1/2")	
9.	105-120	8	NUT (7/16 NF)	USE LOCTITE 242 OR EQUIVALENT

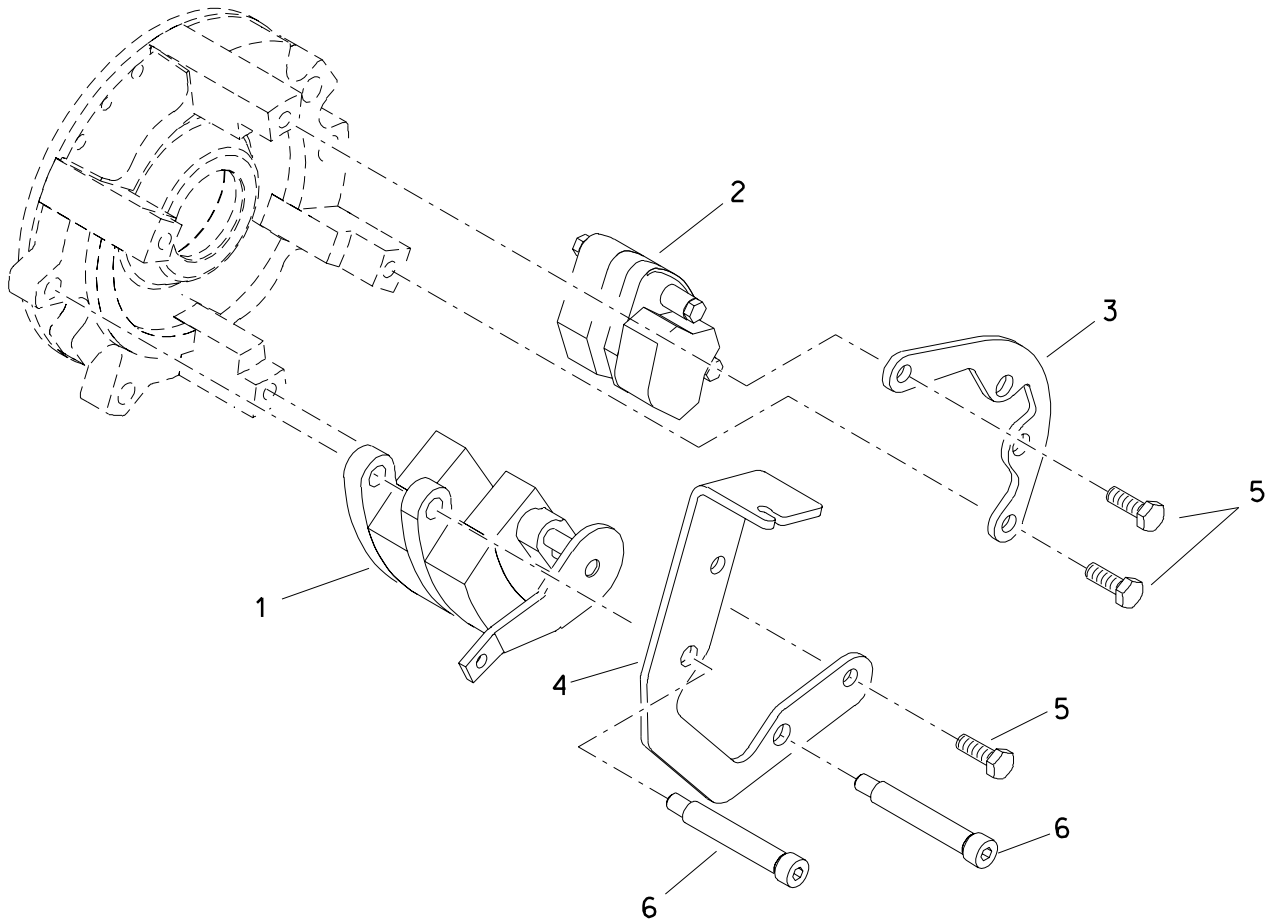
NOT SHOWN:

FOOTNOTES:

NOTE:

BRAKE CALIPERS

HYDROSTATIC



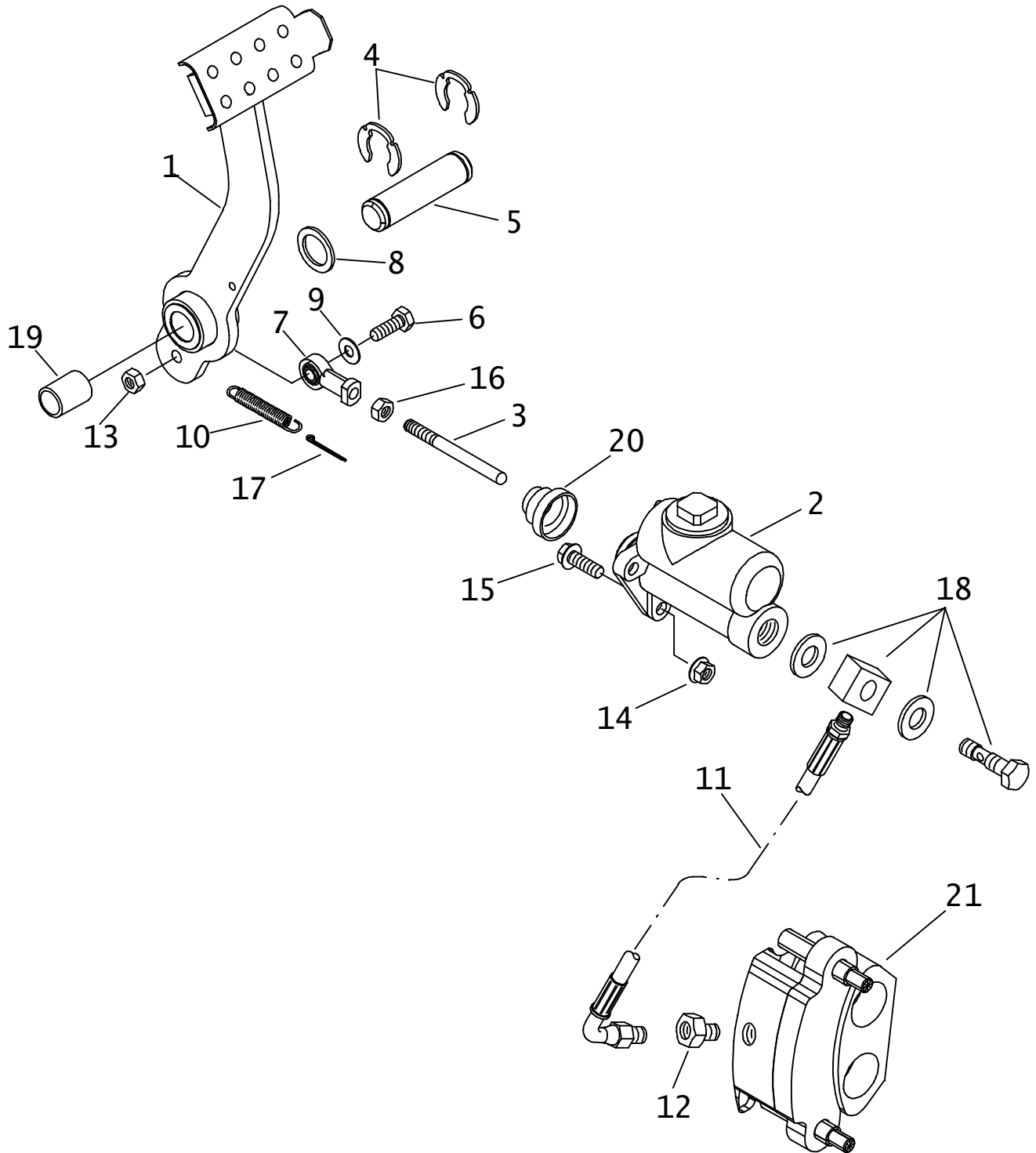
BRAKE CALIPERS

HYDROSTATIC

REF NO.	PART NUMBER	QTY	DESCRIPTION	REMARKS
1.	160-773	1	BRAKE CALIPER	PARKING
	115-600	1	EXTENSION SPRING	
	505-073	1	FRICTION PAD KIT	PAIR
2.	163-088	1	BRAKE CALIPER	SERVICE - INCLUDES HARDWARE
	160-665	2	BRAKE BLEEDER VALVE	
	505-068	2	PAD PIN	
	505-069	2	CUP SPRING	
	505-095	1	BRAKE PAD	PAIR
	505-080	1	CALIPER PISTON	
	505-081	1	DUST BOOT	
	505-082	1	SQUARE RING (223 D70)	
3.	309-264	1	SERVICE BRAKE BRACKET	
4.	309-382	1	BRAKE BRACKET	
5.	106-559	4	SCREW (M12-1.75 X 25mm)	
6.	107-498	2	SHLD_BLT (M16 X 120mm, M12-1.75)	

FOOTNOTES

SERVICE BRAKE SYSTEM



SERVICE BRAKE SYSTEM

REF NO.	PART NUMBER	QTY	DESCRIPTION	REMARKS
1	306-996	1	BRAKE PEDAL	
2	163-219	1	MASTER CYLINDER	
	191-293		SEAL REPAIR KIT	
	505-026		MASTER CYL CAP (1-5/8 SAE)	COMES WITH GASKET
	165-724		CAP GASKET	
3	361-887	1	MASTER CYLINDER ROD	
4	115-484	2	EXTERNAL SNAP RING (1.000")	
5	178-383	1	PIN (1.000" X 3.900")	
6	107-242	1	LK BOLT (3/8-NC X1-1/2", NLK)	
7	110-102	1	ROD END (3/8-NF, FM)	
8	110-078	1	MACH BUSHING (1.000", 14GA)	
9	106-415	1	WASHER (.406")	
10	115-613	1	EXTENSION SPRING	
11	149-861	1	BRAKE HOSE (3/16T X 19")	
12	156-282	1	FLARE FITTING (03TM-04TFM)	
13	105-053	1	NUT (3/8-NC)	
14	106-266	3	FLG NUT (M10-1.50)	
15	107-002	3	FLG LK SCREW (M10-1.50 X 30mm)	
16	105-093	1	NUT (3/8-NF)	
17	105-504	1	COTTER PIN (.187 X .750)	
18	149-863	1	BANJO S/O CONNECTOR (08-05T)	SEE FOOTNOTE I
19	125-407	1	BRONZE BUSHING (1.000")	
20	115-329	1	DUST COVER	
21	163-088		BRAKE CALIPER	USED ON HYDROSTAT MACHINES
	505-095		BRAKE PAD (PAIR)	
	160-534		BRAKE CALIPER	USED ON POWERSHIFT MACHINES
	505-083		BRAKE PAD (PAIR)	

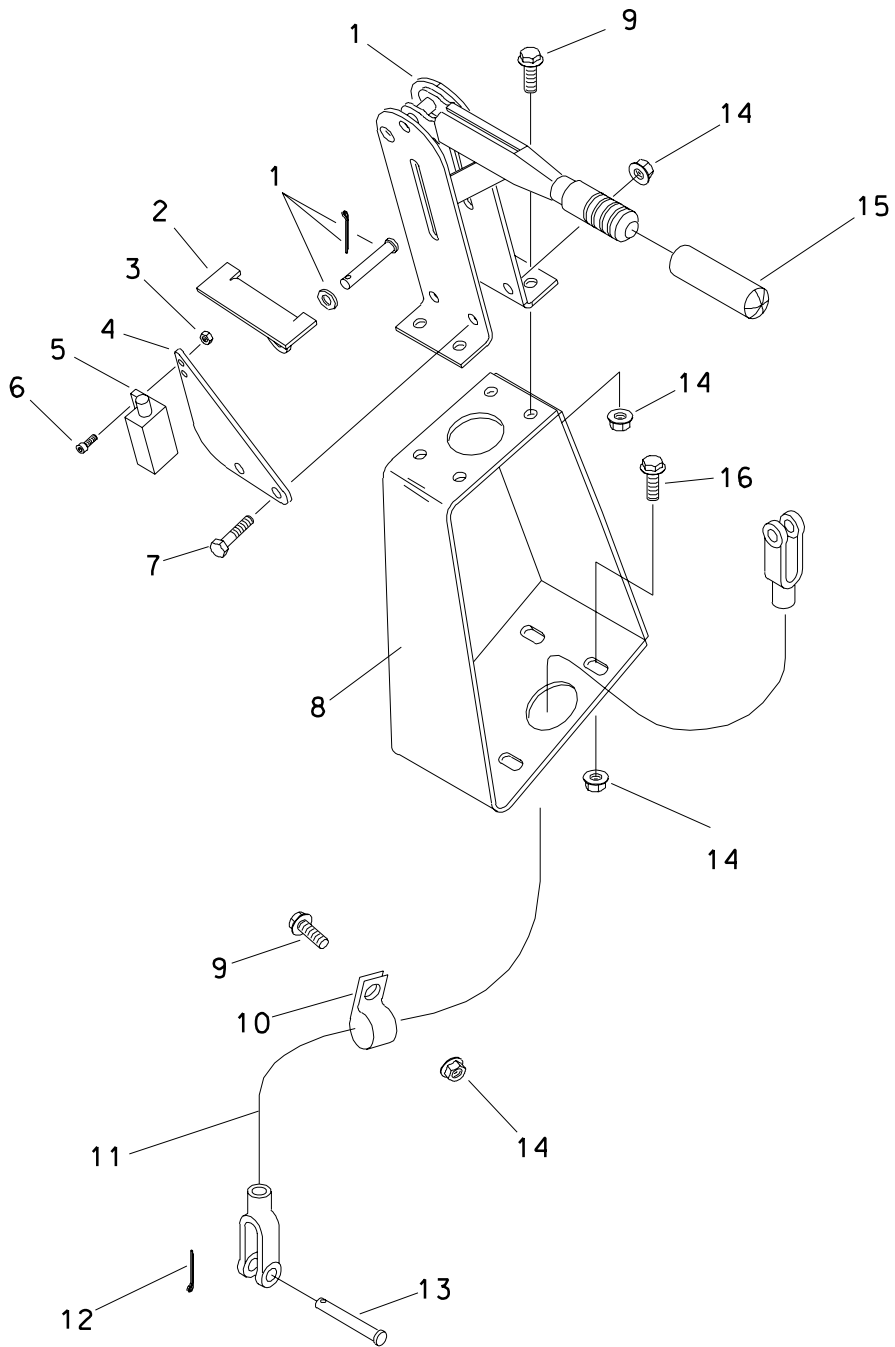
NOT SHOWN:

FOOTNOTES:

I. BANJO CONNECTOR (REF #18) COMES WITH 2X 502-178 (REF #22)

NOTE:

PARK BRAKE



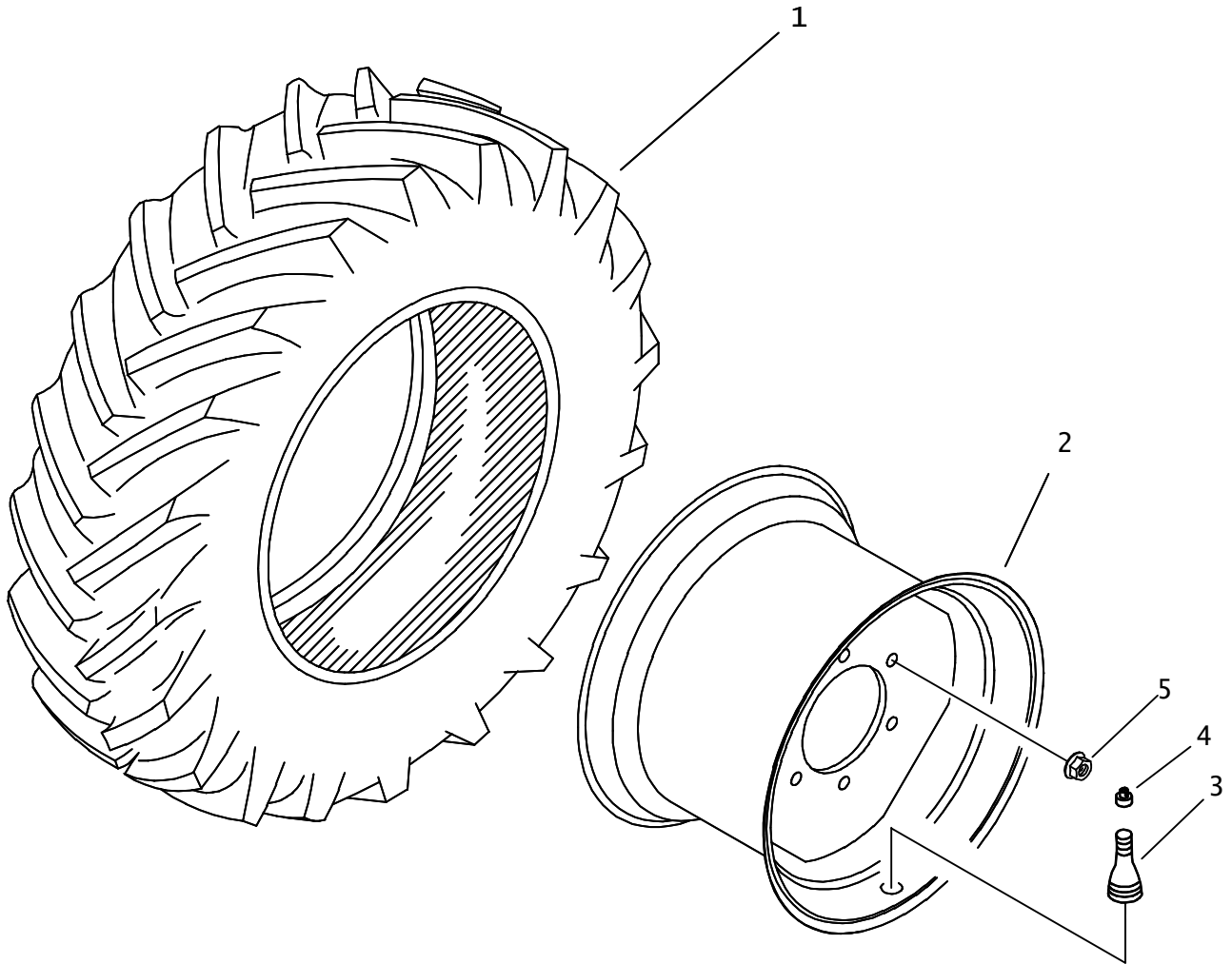
PARK BRAKE

REF NO.	PART NUMBER	QTY	DESCRIPTION	REMARKS
1.	160-744	1	PARKING BRAKE LEVER	
2.	309-413	1	ACTUATOR BRACKET	
3.	105-680	2	NUT (M4, W/LK WSHR)	
4.	309-412	1	SWITCH BRACKET	
5.	217-705	1	PLUNGER SWITCH	
6.	106-715	2	SCREW (M4-0.70 X 12mm, SOC)	
7.	106-328	2	SCREW (M8-1.25 X 40mm)	
8.	309-383	1	PARK BRAKE BRACKET	
9.	106-991	5	FLG LK SCREW (M8-1.25 X 20mm)	
10.	110-373	1	BOLT ON CLAMP (13/16")	
11.	194-183	1	BRAKE CABLE	USED ON POWER SHIFT
	194-184	1	BRAKE CABLE	USED ON HYDROSTATIC
12.	105-508	1	COTTER PIN (3/32" X 1")	
13.	110-053	1	CLEVIS PIN (3/8" X 1.078")	
14.	106-386	11	FLG LOCKNUT (M8-1.25)	
15.	110-469	1	GRIP (7/8", ORANGE)	
16.	106-162	4	FLG SCREW (M8-1.25 X 20mm)	SEE FOOTNOTE 1

FOOTNOTES

1. USE LOCTITE 242 (BLUE) WHEN INSTALLING BOLTS.

TIRE & WHEEL
38 X 18.00-20 E16TL



TIRE & WHEEL

38 X 18.00-20 E16TL

REF NO.	PART NUMBER	QTY	DESCRIPTION	REMARKS
	205-1126	4	T/W (38 X 18.00-20 16PLY)	INCL. REF. #'S 1, 2, 3
1.	205-1125	4	TIRE (38 X 18.00-20.0, E16TL)	16 PLY
2.	205-473	4	WHEEL (20.0 X 14 WD W/8) HP	
3.	205-168	4	VALVE STEM (.625")	INCL. REF #4
4.	205-165	4	VALVE CAP (.305"-32)	
5.	499-521	-	LUG NUT (M20-1.50)	

NOT SHOWN:

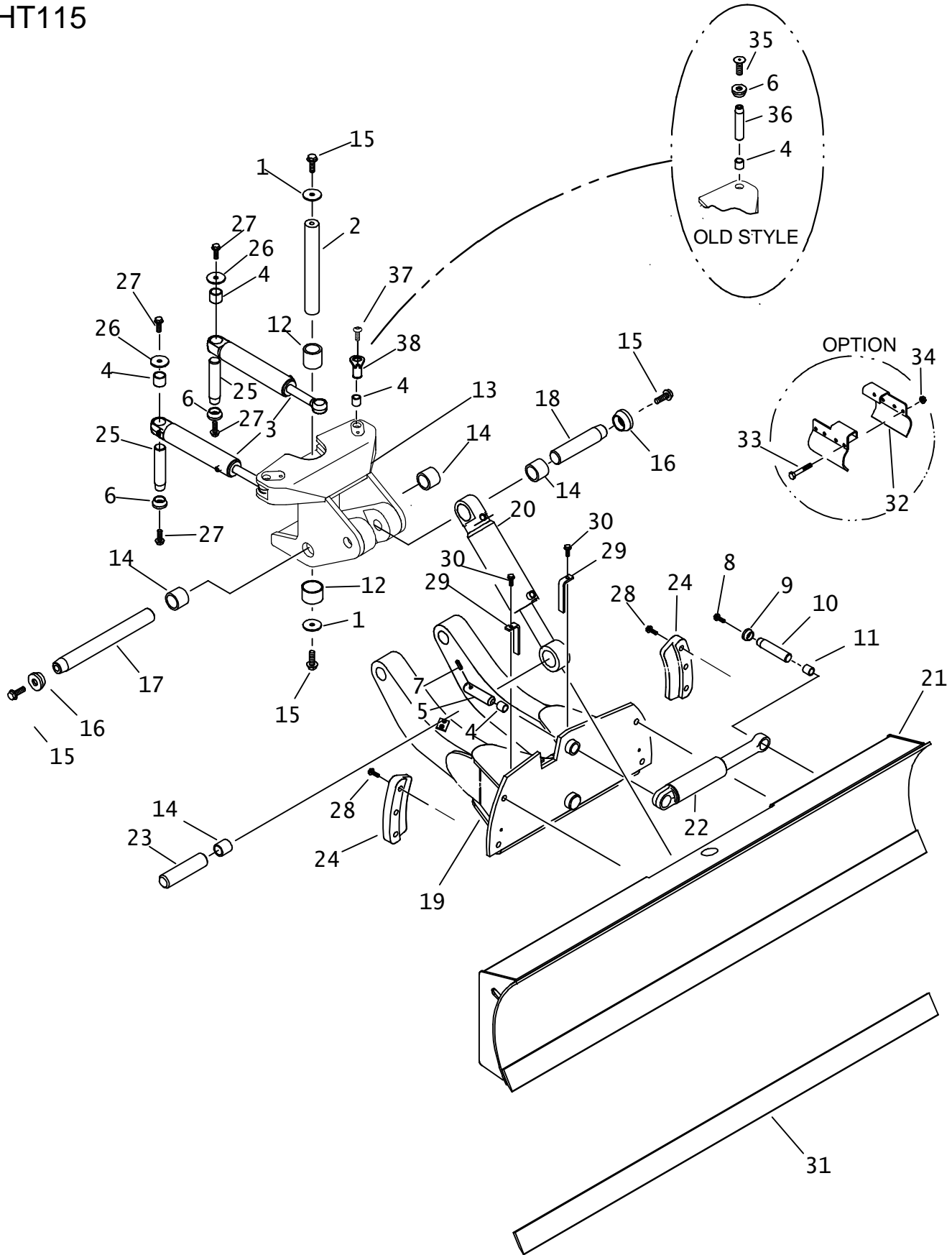
FOOTNOTES:

NOTE:

REPLACES 205-456

FRAME COMPONENTS

BACKFILL BLADE ASSEMBLY HT115



BACKFILL BLADE ASSEMBLY HT115

REF NO.	PART NUMBER	QTY	DESCRIPTION	REMARKS
1.	105-416	2	WASHER (5/8")	
2.	178-572	1	PIN (1.75" X 12.75")	
3.	151-057	-	CYL (2.0" X 1.25" X 8.0")	
4.	125-771	5	COMPOSITION BUSHING (1.25")	
5.	300-7763	1	PIN	
6.	181-982	1	TAPERED INSERT (1.25")	
7.	107-434	1	ROLL PIN 3/8 X 1-5/8	
8.	106-164	1	FLG LK SCREW (M10-1.50 X 30mm)	
9.	181-981	1	TAPERED INSERT (1")	
10.	183-767	1	TAPERED PIN (25.4mm X 60mm)	
11.	125-770	1	COMPOSITION BUSHING (1")	
12.	125-822	2	COMPOSITION BUSHING (1.750")	
13.	331-475	1	PIVOT	
14.	125-773	4	COMPOSITION BUSHING (1.750")	
15.	106-470	4	FLG SCREW (M16-2.00 X 40mm)	
16.	181-975	2	TAPERED INSERT (1.75")	
17.	178-584	1	TAPERED PIN (1.750" X 13.90")	
18.	183-768	1	TAPERED PIN (44.4mm X 205mm)	
19.	308-921	1	LIFT ARM	
20.	151-070	-	CYL (3" X 1.75" X 8")	
21.	300-4321	1	BACKFILL BLADE ASSEMBLY (80")	SEE FOOTNOTE 1 & 2
22.	151-202	-	CYL (2" X 1" X 3.38")	
23.	178-532	1	PIN (1.750" X 7.000")	
24.	314-104	2	TILT BLADE RETAINER	
25.	178-394	2	TAPERED PIN (1.250" X 4.250")	
26.	105-475	2	WASHER (1/2")	
27.	105-830	4	FLG LK BOLT (1/2-NC X 1-1/4")	
28.	106-012	6	FLANGE BOLT (5/8-NC X 3")	SEE FOOTNOTE 2
29.	309-138	2	RETAINER	
30.	106-383	2	FLG LK SCREW (M10-1.50 X 30mm)	
31.	331-751	1	80" CUTTING EDGE	
32.	322-360	2	FITTING GUARD (3.0" CYL)	OPTION
33.	106-330	4	SCREW (M8-1.25 X 70mm)	OPTION
34.	106-386	4	FLG LOCKNUT (M8-1.25)	OPTION
35.	105-1187	2	SCREW (M10-1.5 X 35mm)	USE LOCTITE 242
36.	105-1188	2	TAPERED PIN (1.250" X 2.560")	
37.	107-537	2	SCREW (M10-1.5 X 20mm)	USE LOCTITE 242
38.	300-8460	2	TAB PIN (1.250" X 2.57")	

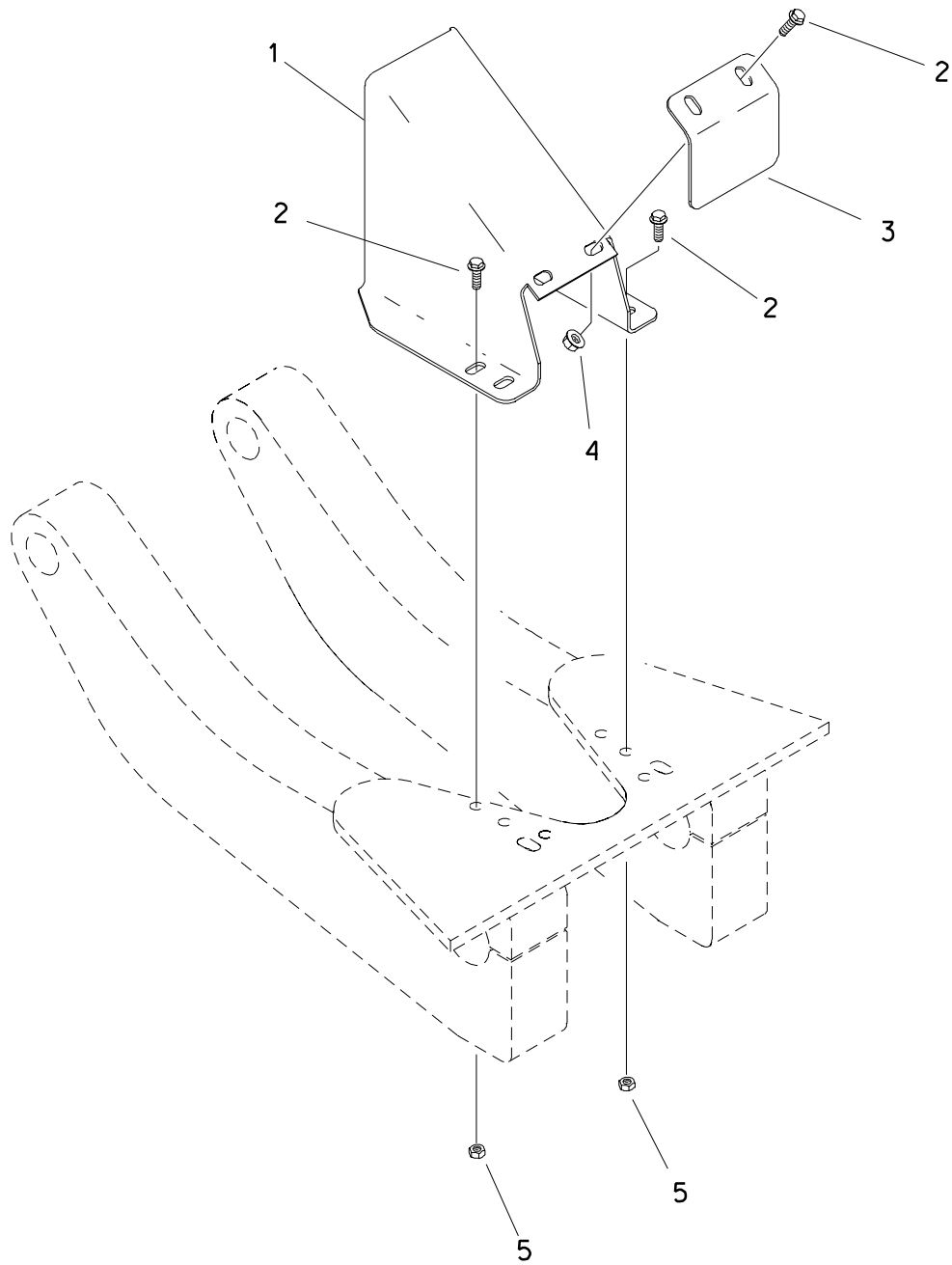
NOT SHOWN:

FOOTNOTES:

1. BACKFILL BLADE 331-749 IS SUPERSEDED BY 300-4321. BEGINS WITH S/N_____.
2. USE OF 300-4321 REQUIRES 6X 106-012 BOLTS (ITEM REF. #28).

NOTE:

BFB CYLINDER GUARD



BFB CYLINDER GUARD

REF NO.	PART NUMBER	QTY	DESCRIPTION	REMARKS
	191-285		CYLINDER GUARD KIT	INCLUDES REF NUMBERS 1-5 & SEE FOOTNOTE 1
1.	319-787	1	CYLINDER GUARD	
2.	106-724	6	FLG SCREW (M10-1.50 X 25mm)	
3.	319-789	1	COVER	
4.	106-387	2	FLG LOCKNUT (M10-1.50)	
5.	106-758	4	LOCKNUT (M10-1.50)	

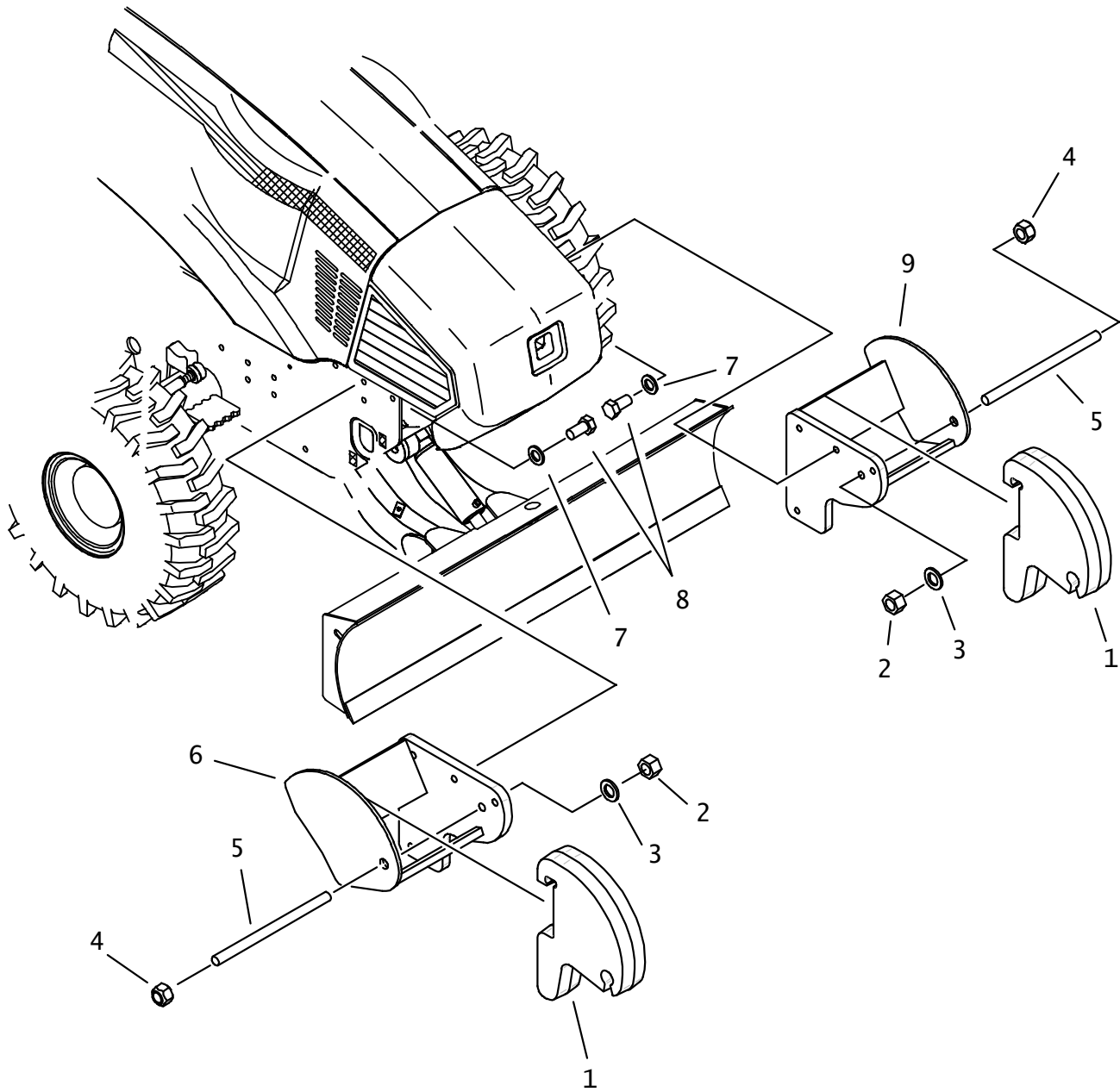
NOTE

REFER TO INSTALLATION INSTRUCTIONS 051-336 FOR INSTALLING BFB CYLINDER GUARD.

FOOTNOTES

1. THIS OPTION CANNOT BE USED WITH AUX. MANIFOLD KIT 191-272 BECAUSE OF INTERFERENCE.

FRONT COUNTERWEIGHT



FRONT COUNTERWEIGHT

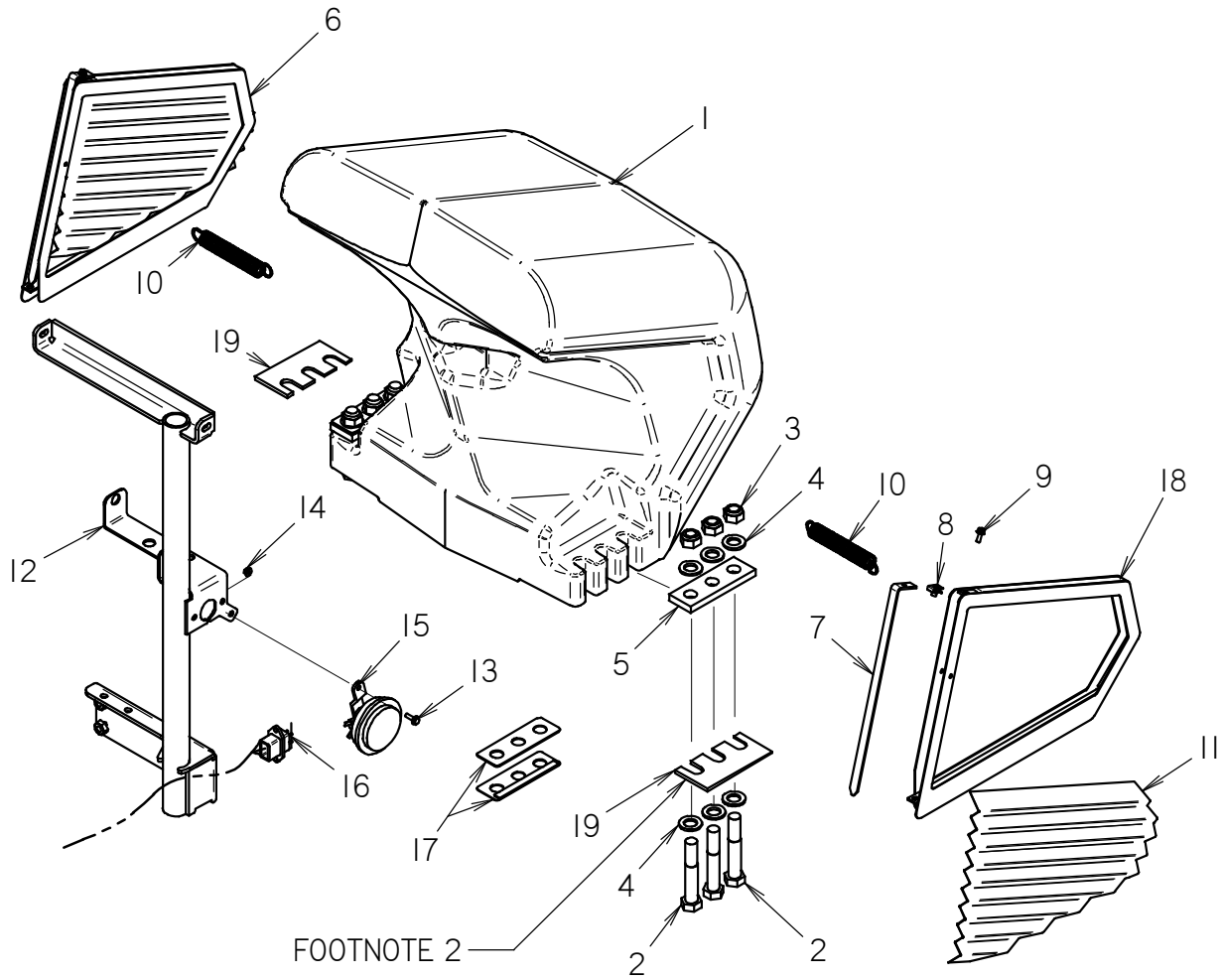
REF NO.	PART NUMBER	QTY	DESCRIPTION	REMARKS
	100-863	-	COUNTERWEIGHT KIT	INCLUDES REF. NO'S 1-9
1.	375-369	8	WEIGHT CASTING	
2.	106-352	2	NUT (M24-3.00)	USED ONLY WITH 3 WEIGHTS OR LESS
3.	106-488	2	WASHER (M24, HARDENED)	USED ONLY WITH 3 WEIGHTS OR LESS
4.	106-587	2	LOCKNUT (M24-3.0, PRV TRQ, 10.9)	
5.	179-605	2	ALL THREAD ROD (M24 X 15.00)	
6.	319-948	1	RIGHT WEIGHT RACK	
7.	106-399	8	WASHER (M20, HARDENED)	
8.	106-611	8	SCREW (M20-2.50 X 40MM, 10.9)	
9.	319-947	1	LEFT WEIGHT RACK	

NOT SHOWN:

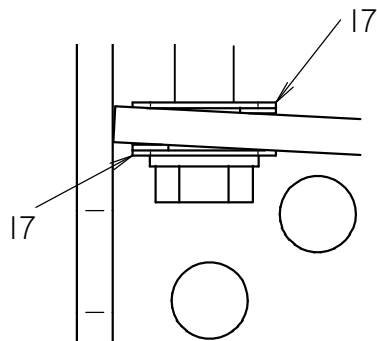
FOOTNOTES:

NOTE:

COUNTERWEIGHT/GRILLE TIER 3



FOOTNOTE 2



SEE FOOTNOTE 2

COUNTERWEIGHT/GRILLE TIER 3

REF NO.	PART NUMBER	QTY	DESCRIPTION	REMARKS
1	375-457	1	NOSE CASTING	
2	106-626	6	SCREW (M20-2.50 X 120MM, 10.9)	SEE FOOTNOTES 1, 2 & 3
3	106-665	6	LOCKNUT (M20-2.50, 10.9)	
4	106-399	12	WASHER (M20, HARDENED)	
5	307-531	2	CLAMP BAR	
6	300-7171	1	GRILLE ASM-L.H.	
7	178-873	2	SCREEN RETAINER	
8	106-574	2	CLIP NUT (M6-1.00)	
9	106-987	2	FLG LK SCREW (M6-1.00 X 16MM)	
10	117-386	2	EXTENSION SPRING	
11	308-723	2	SCREEN	
12	300-4451	1	FRONT HOOD SUPPORT	
13	106-161	1	FLG SCREW (M6-1.00 X 20MM)	
14	106-385	1	FLG LOCKNUT (M6-1.00)	
15	192-006	1	HIGH FREQUENCY HORN	
16	215-1185	1	ENGINE FRAME HARNESS	
17	329-358	4	SHIM	SEE FOOTNOTE 2
18	300-7170	1	GRILLE ASM-R.H.	
19	300-7930	2	RECTANGULAR SHIM	SEE FOOTNOTE 4

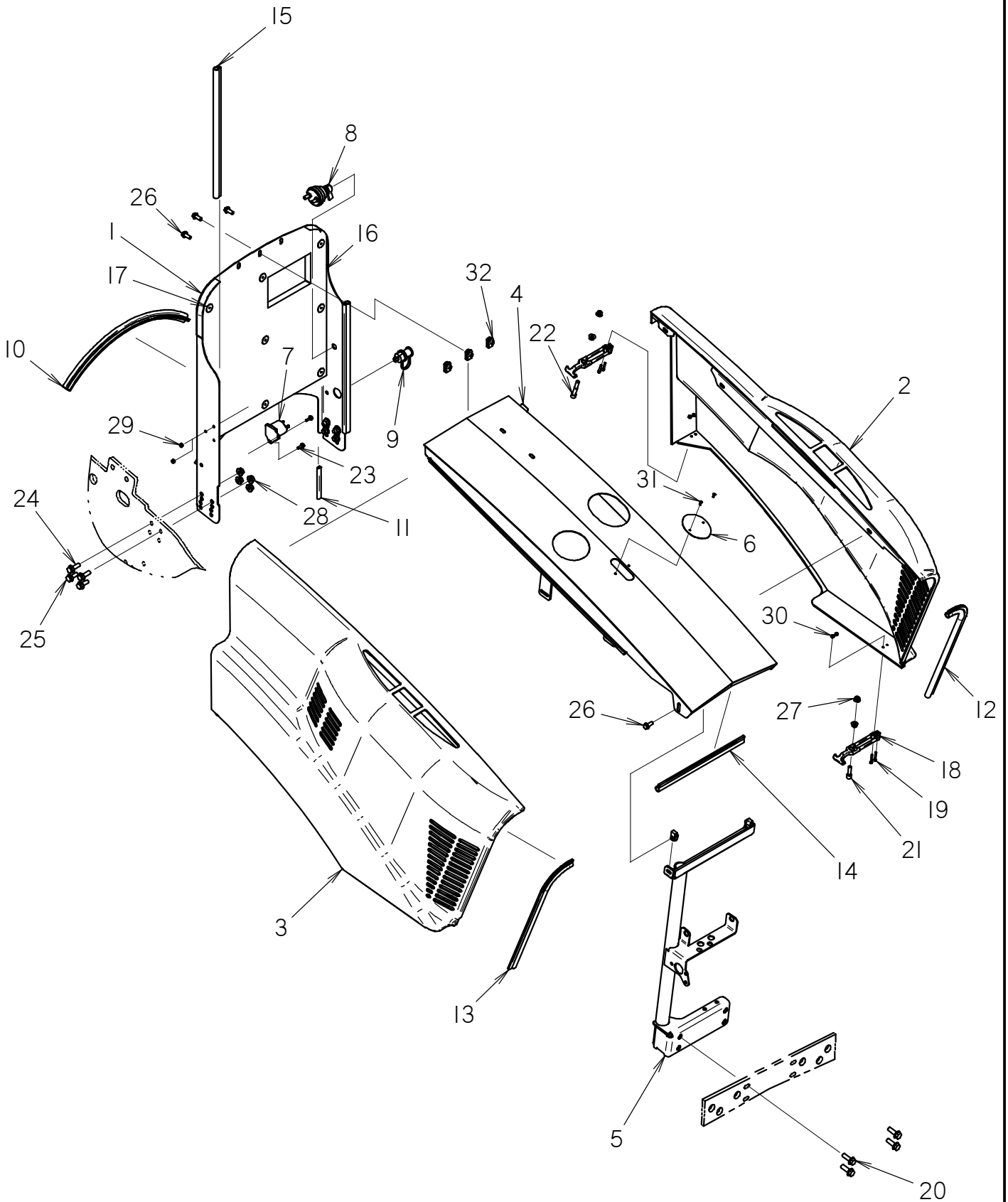
NOT SHOWN:

FOOTNOTES:

1. TORQUE BOLT TO 350 ft/lbs.
2. USE SHIMS (REF #17) WHEN MOUNTING NEW CAST NOSE (375-457) ONTO TRACTOR FRAME BEFORE S/N5Z0676.
3. REFER TO NOSE CASTING INSTALLATION INSTRUCTIONS 051-420 FOR CORRECT TORQUE SEQUENCE.
4. NOTE ORIENTATION OF SHIMS, USE AS NEEDED TO ADJUST HEIGHT OF NOSE CASTING.

NOTE:

ENGINE ENCLOSURE RT95/RT115 T3



ENGINE ENCLOSURE

RT95/RT115 T3

REF NO.	PART NUMBER	QTY	DESCRIPTION	REMARKS
1	310-716	1	FIREWALL	
2	362-1095	1	LEFT SIDE PANEL ASSEMBLY	
3	362-1096	1	RIGHT SIDE PANEL ASSEMBLY	
4	300-4468	1	MID HOOD	
5	300-4451	1	FRONT HOOD SUPPORT	
6	325-791	1	HOOD CAP	
7	214-979	1	PREHEATER SOLENOID (12V)	
8	217-819	1	BATTERY DISCONNECT SWITCH	INCLUDES HARDWARE
9	211-087	1	BATTERY JUMPER TERMINAL (RED)	
10	116-421	26	BULK EDGE (1/8", SOLD PER FT)	USE 1 @ 26"
11	115-686	10	BULK EDGE (5/32",SOLD PER 1")	USE 2 @ 10"
12	117-344	25	BULK EDGE (3/16", SOLD PER FT)	USE 1 @ 25"
13	117-344	25	BULK EDGE (3/16", SOLD PER FT)	USE 1 @ 25"
14	117-344	16	BULK EDGE (3/16", SOLD PER FT)	USE 1 @ 16"
15	116-489	42	BULK EDGE (1/8",SOLD PER FT)	USE 2 @ 42"
16	117-341	1	SOUND INSULATION	
17	111-043	7	INSULATION STUD	
18	110-681	4	DRAW LATCH	
19	106-408	5	BOLT (#10-24 X 1-1/4",SOC,GD8)	
20	105-831	4	FLG LK BOLT (1/2-NC X 1-1/2")	
21	106-081	2	SCREW (M10-1.50 X 35MM, SOC)	
22	106-725	1	SCREW (M10-1.50 X 65MM, SOC)	
23	106-379	2	FLG LK SCREW (M6-1.00 X 20MM)	
24	106-632	4	FLG LK SCR (M12-1.75X35MM,SER)	
25	106-469	4	FLG SCREW (M12-1.75 X 30MM)	
26	106-724	4	FLG SCREW (M10-1.50 X 25MM)	
27	106-387	6	FLG LOCKNUT (M10-1.50)	
28	106-709	8	FLG LK NUT (M12-1.75)	
29	106-538	2	LOCKNUT (M6-1.00,PRV TRQ,10.9)	
30	106-048	5	LOCKNUT (#10-24)	
31	108-173	2	POP RIVET (5/32 X .525)	
32	106-558	5	CLIP NUT (M10-1.50)	

NOT SHOWN:

191-227

SIDE PANEL LOCK KIT

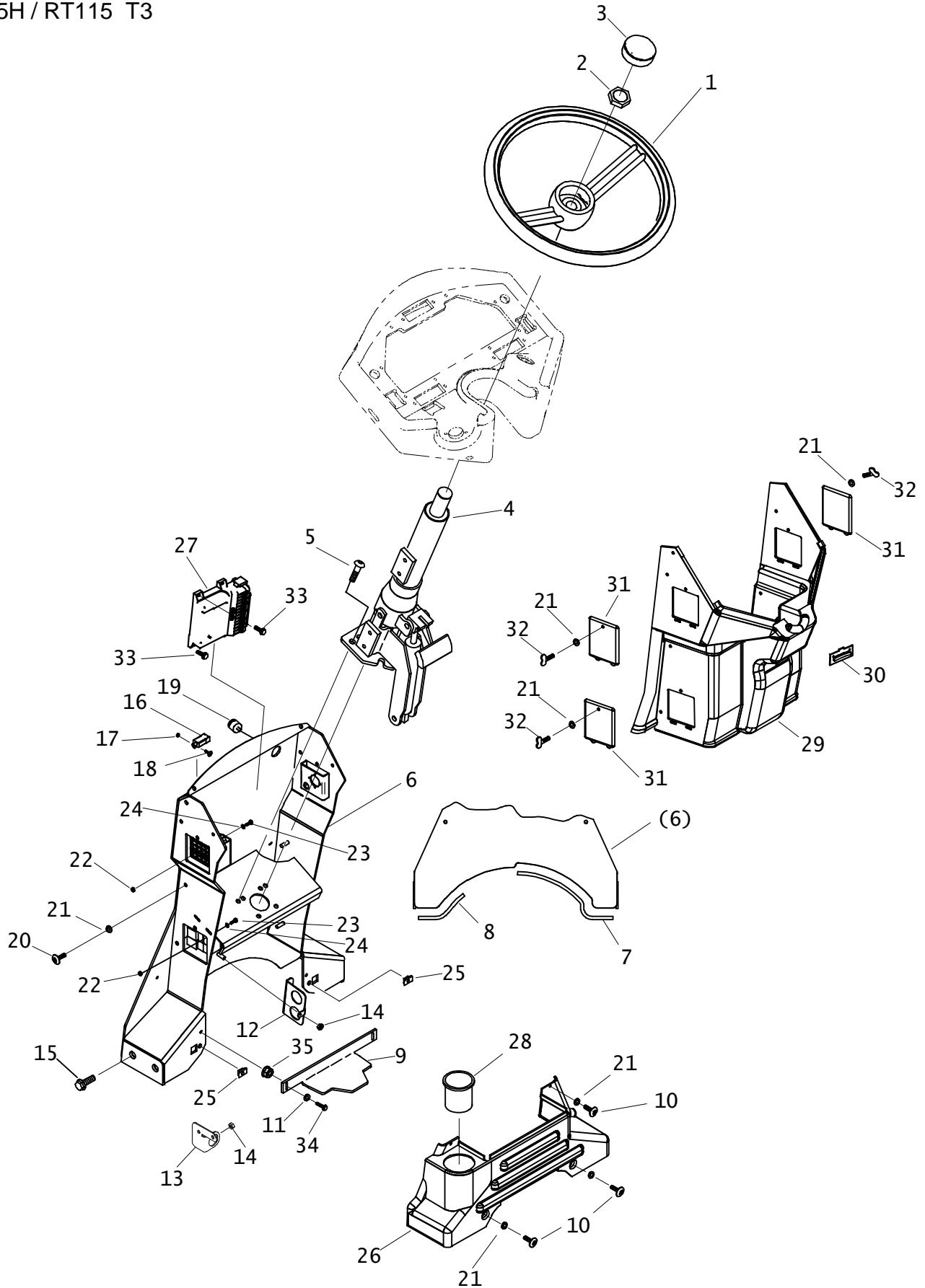
INCLUDES REF #s 23, 24, & 25

FOOTNOTES:

NOTE:

TILT STEERING

RT95H / RT115 T3



TILT STEERING

RT95H / RT115 T3

REF NO.	PART NUMBER	QTY	DESCRIPTION	REMARKS
1.	160-428	1	STEERING WHEEL	
2.	105-361	1	JAM NUT (13/16-NF)	
3.	110-730	1	STEERING WHEEL CAP	
4.	306-433	1	STEERING COLUMN	
	499-855	-	KNOB KIT	
	499-856	-	TILT LEVER KIT	
	499-857	-	SHAFT KIT	
	499-858	-	GAS SPRING KIT (CYLINDER)	
5.	107-864	4	BOLT (3/8-NC X 1.00", BUT SOC	
6.	300-4462	1	PEDESTAL	
7.	115-686	6	BULK EDGE (5/32", SOLD PER 1")	
8.	115-686	13	BULK EDGE (5/32", SOLD PER 1")	
9.	314-487	1	BRACE	
10.	105-1552	4	SCREW (M6-1.00 X 16MM)	
11.	105-095	2	WASHER (1/4")	
12.	319-737	1	DEUTSCH BULKHEAD MOUNT	
13.	319-849	2	BULKHEAD CONNECTOR MOUNT SHEET	
14.	105-092	2	NUT (5/16-NC)	
15.	106-470	4	FLG SCREW (M16-2.0 X 40mm)	
16.	217-704	1	PLUNGER SWITCH	
17.	105-680	2	NUT (M4, w/LKWSHR)	
18.	107-580	2	SCREW (M4-0.70 X 16mm, BUT SOC	
19.	306-603	1	AUDIO ALARM	
20.	105-1550	8	SCREW (M6-1.00 X 25MM)	
21.	107-801	17	WASHER (M6)	
22.	106-850	9	LOCKNUT (M5-0.80)	
23.	107-280	9	SCREW (M5 X 14mm)	
24.	106-388	9	WASHER (M6)	
25.	106-574	2	CLIP NUT (M6-1.00)	
26.	318-557	1	CONSOLE BASE	
27.	220-1241	1	30 PIN CONTROLLER V3	S/N BREAK REQUIRED, SEE FOOTNOTE 1
28.	308-888	1	CUP HOLDER	
29.	300-3709	1	CONSOLE CENTER SECTION	
30.	110-208	1	LEVEL INDICATOR	
31.	318-560	3	ACCESS DOOR	
32.	107-800	3	WING SCREW (M6-1.00 C 25mm)	
33.	106-161	4	FLG SCREW (M6-1.00 X 20MM)	
34.	106-381	2	FLG LK SCREW (M8-1.25 X 25MM)	
35.	106-386	2	FLG LOCKNUT (M8-1.25)	

NOT SHOWN:

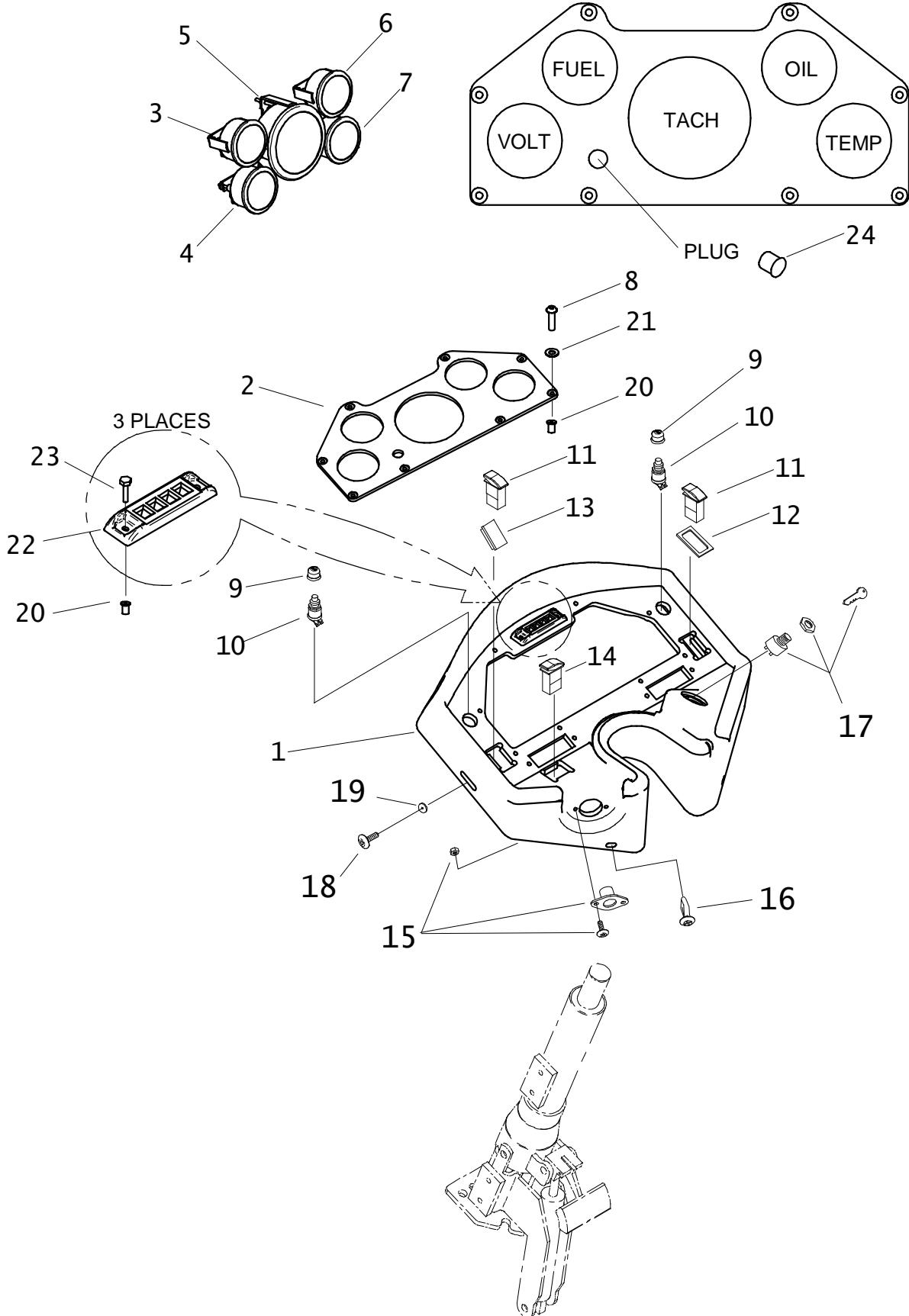
362-1198	1	MAIN CONSOLE	USED WITH CAB ONLY
362-1197	1	CENTER CONSOLE	USED WITH CAB ONLY
318-906	3	ACCESS DOOR	USED WITH CAB ONLY
318-907	1	BASE	USED WITH CAB ONLY

FOOTNOTE:

- I. RT95H BEGINS WITH S/N: CMWRT95HLA0000392
 RT115 T3 BEGINS WITH S/N: CMWRT115T3PA0000177

GAUGE PANEL ASSEMBLY

RT95 T3



GAUGE PANEL ASSEMBLY

RT95 T3

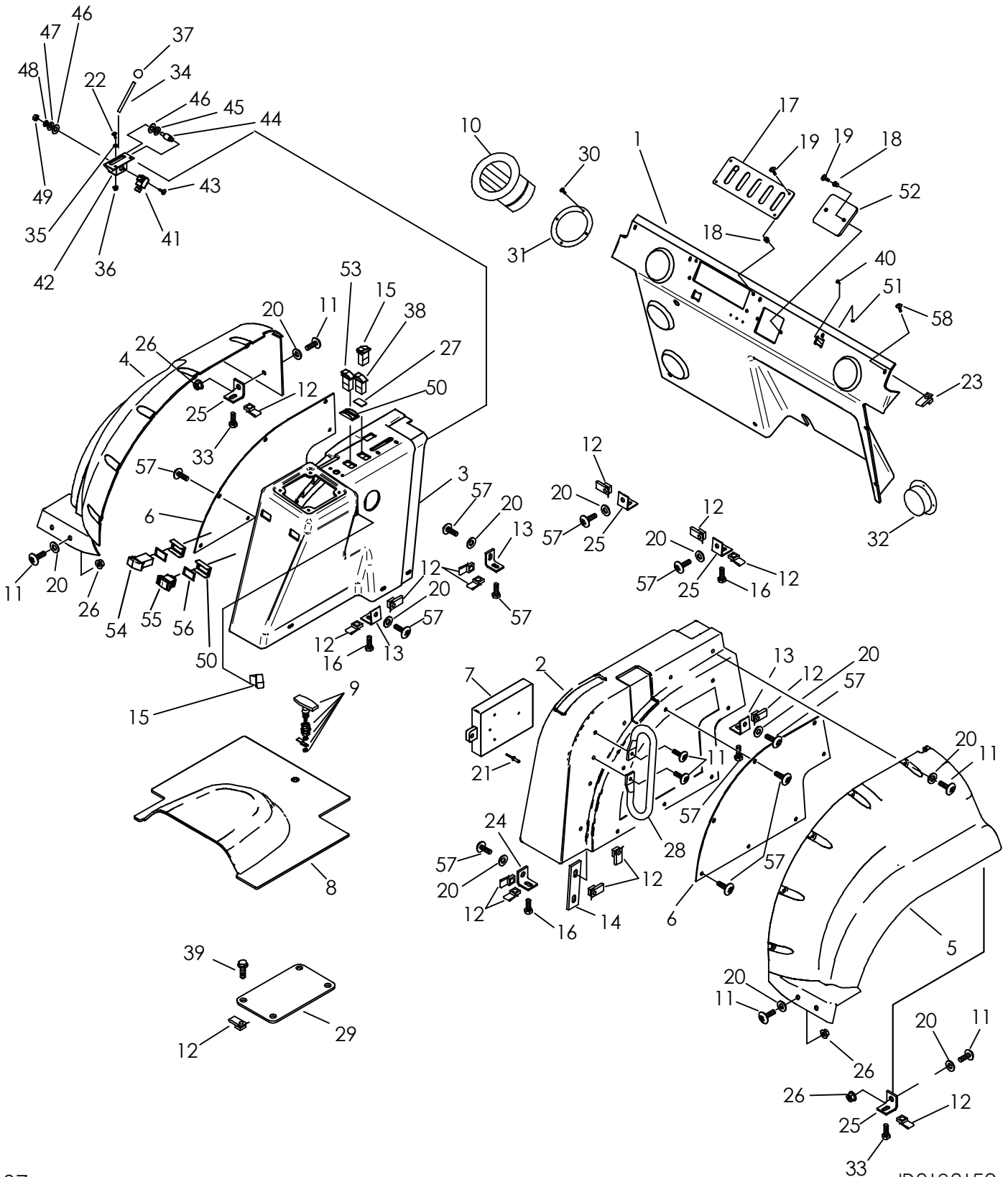
REF PART NO.	PART NUMBER	QTY	DESCRIPTION	REMARKS
1.	362-1085	1	MAIN CONSOLE	
2.	362-1086	1	GAUGE CLUSTER PANEL	
3.	215-1370	1	2.06" FUEL GAUGE	
4.	211-328	1	2.06" VOLTMETER GAUGE	
5.	215-1373	1	3.5" TACHOMETER	
6.	215-1376	1	2.06" ENG OIL PRESS GAUGE	
7.	215-1375	1	2.06" COOLANT TEMP GAUGE	
8.	107-580	8	SCREW (M4-0.70 X 16mm, BUT SOC	
9.	306-608	2	BUTTON COVER	
10.	306-607	2	HORN BUTTON	
11.	217-764	2	ROCKER SWITCH (SPDT)	
12.	165-817	1	SWITCH GASKET	
13.	362-823	2	COVER	
14.	217-762	1	ROCKER SWITCH (SPDT)	
15.	214-301	1	ACCESSORY SOCKET	
	105-185	2	BOLT (#10-24 X 1/2", RD SLT)	
	106-048	2	LOCKNUT (#10-24)	
16.	107-805	2	PLASTIC FASTENER	
17.	214-852	1	IGNITION SWITCH	
18.	105-1550	6	SCREW (M6-1.00 X 25MM)	
19.	107-801	14	WASHER (M6)	
20.	107-358	14	WELLNUT (M4-0.7 X 12.67 mm LG)	
21.	107-597	8	WASHER (M4)	
22.	220-664	3	INDICATOR DISPLAY	
23.	107-393	6	SCREW (M4-0.70 X 16mm, BX)	
24.	362-1313	1	PLUG	

NOT SHOWN:

FOOTNOTES:

NOTE:

FENDERS AND COVERS



FENDERS AND COVERS

REF PART NO.	PART NUMBER	QTY	DESCRIPTION	REMARKS
1.	362-1234	1	REAR PANEL W/O AC DUCT	
	362-1233	1	REAR PANEL W/ AC DUCT	SEE FOOTNOTE 7
2.	306-491	1	LEFT FENDER	
3.	306-490	1	RIGHT FENDER	
4.	313-225	1	RIGHT OUTSIDE FENDER	
5.	313-226	1	LEFT OUTSIDE FENDER	
6.	308-897	2	PANEL	
7.	250-622	1	MANUAL COMPARTMENT	
8.	313-238	1	FLOOR PLATE	
9.	107-461	1	LOCKING LATCH	
10.	120-085	4	ADJUSTABLE LOUVER (23-0005)	
11.	107-778	26	SCREW (M8-1.25 X 30mm,BUT SOC)	
12.	107-135	38	CLIP NUT (M8-1.25)	
13.	306-796	5	TAB	
14.	309-816	2	STRAP	
15.	217-762	2	ROCKER SWITCH (SPDT)	SEE FOOTNOTE 1
16.	106-992	8	FLG LK SCREW (M8-1.25 X 25mm)	
17.	307-644	1	COVER	
18.	107-358	10	WELLNUT (M4-0.7 X 12.67mm LG)	
19.	107-580	6	SCREW (M4-0.70 X 16mm,BUT SOC)	
20.	107-629	37	WASHER (M8)	
21.	110-348	3	POP RIVET (3/16" X .664")	
22.	106-640	2	SCREW (M6-1.00 X 20mm, BUT. SOC.)	
23.	106-574	5	CLIP NUT (M6-1.00)	
24.	306-795	1	TAB	
25.	309-434	6	TAB	
26.	106-386	9	FLG LOCKNUT (M8-1.25)	
27.	362-823	6	COVER	SEE FOOTNOTES 2 & 6
28.	117-360	2	GRAB HANDLE	
29.	309-847	1	FUEL SENDER COVER	
30.	106-155	20	SCREW (#4-40 X 1", PAN PLPS)	
31.	120-084	4	HOSE ADAPTER (23-0048)	
32.	120-123	1	HOSE ADAPTER (23-0090)	
33.	106-989	2	FLG LK SCREW (M8-1.25 X 35mm)	
34.	117-342	1	ROD	
35.	107-744	2	WASHER (M6)	
36.	106-385	2	FLG LOCKNUT (M6-1.00)	
37.	110-590	1	KNOB (3/8-NC, ORANGE)	
38.	217-764	1	ROCKER SWITCH (SPDT)	SEE FOOTNOTE 3
39.	106-992	4	FLG LK SCREW (M8-1.25 X 25mm)	

FOOTNOTES:

- 1) 1 REQUIRED WITH AXLE LOCK &
1 REQUIRED WITH REEL WINDER
- 2) 1 REQUIRED PER FOLLOWING OPTION NOT USED: FRAME TILT, REAR STEER, AXLE LOCK, REEL WINDER
- 3) 1 REQUIRED WITH FRAME TILT OPTION
- 4) 1 REQUIRED WITH STEER SELECT OPTION
- 5) USED WITH REAR STEER SYSTEM. FIELD INSTALLED REAR STEER KITS ALSO USE BRACKET 300-9262 @ 1X, BOLTS 107-312 @ 4X, AND NUTS 107-871 @ 4X.
BEGINS WITH S/N'S: CMWRT95MH90000290, CMWRT95HV90000367, AND CMWR15T3C90000132.
- 6) UNITS WITHOUT REAR STEER USE PLUGS 362-823.
- 7) LOCATE AND CUT A 3.25" DIAMETER HOLE IN THE 362-1233 REAR PANEL TO ALIGN WITH THE AC INLET DURING INSTALLATION.

NOTE:

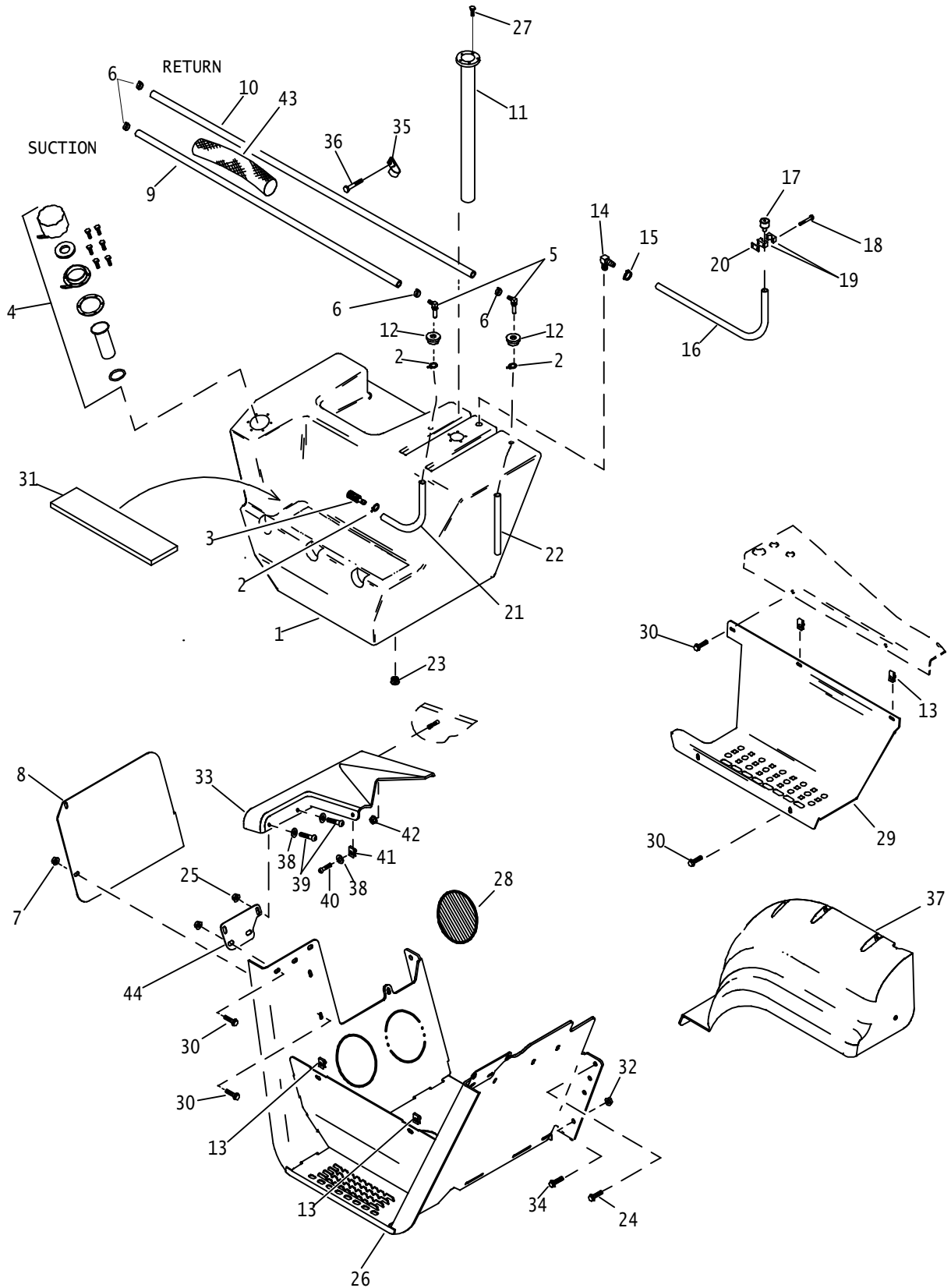
FENDERS AND COVERS

REF NO.	PART NUMBER	QTY	DESCRIPTION	REMARKS
40.	107-269	4	SCREW (#4-40 X 3/4", PAN)	
41.	217-304	1	THROTTLE SENSOR	
42.	319-498	1	THROTTLE BRACKET	
43.	105-815	2	BOLT (#10-24 X 1", PAN SLT)	
44.	179-554	1	THROTTLE PIVOT PIN	
45.	106-598	1	WASHER (9/16", HARDENED)	
46.	107-529	2	WASHER (1.250", UHMW)	
47.	105-118	1	WASHER (3/8")	
48.	105-805	1	BELLEVILLE WASHER (3/8")	
49.	105-287	1	LOCKNUT (3/8-NC)	
50.	110-854	6	SWITCH ACTUATOR GUARD	
51.	105-662	4	NUT (#4-40)	
52.	322-871	1	TDM COVER	
53.	217-854	1	SWITCH	SEE FOOTNOTE 4
54.	217-072	1	ROCKER SWITCH	SEE FOOTNOTES 5 & 6
55.	217-817	1	ROCKER SWITCH (SEALED)	SEE FOOTNOTES 5 & 6
56.	165-817	2	SWITCH GASKET	SEE FOOTNOTES 5 & 6
57.	106-163	22	FLG SCREW (M8-1.25 X 30MM)	
58.	105-1549	7	SCREW (M6-1.00 X 20MM)	

FOOTNOTES:

NOTE:

FUEL TANK RT95/RT115 T3



FUEL TANK

RT95/RT115 T3

REF NO.	PART NUMBER	QTY	DESCRIPTION	REMARKS
1.	194-165	1	FUEL TANK	
2.	110-563	3	SPRING CLAMP (3/8")	
3.	156-268	1	FUEL STRAINER (04H)	
	194-505	1	FUEL PICKUP (04H)	
4.	364-567	1	FILL NECK	SEE FOOTNOTE 3
	153-760	1	CAP	
	153-594	2	GASKET, FILL NECK CAP	
	153-607	1	FLANGE GASKET	
	153-761	1	FLANGE	
	107-781	6	HEX SCREW (#10-24 X 5/8")	
	153-606	1	STRAINER BASKET	
5.	156-269	2	S/O COUPLER (04H-05H90)	
6.	110-528	4	SNAP-ON CLAMP (.531" TO .593")	
7.	106-387	4	FLG LOCKNUT (M10-1.50)	
8.	319-484	1	COVER	
9.	116-108	AR	BULK HOSE (5/16", SOLD PER 1")	USE 1 @ 65" FOR RT95H & RT115, USE 1 @ 80" FOR RT95M
10.	116-108	AR	BULK HOSE (5/16", SOLD PER 1")	USE 1 @ 51" FOR RT95H & RT115, USE 1 @ 80" FOR RT95M
11.	215-1368	1	FUEL SENDER	
	165-704	1	GASKET	
12.	116-325	2	GROMMET (.362")	
13.	106-558	4	CLIP NUT (M10-1.50)	
14.	156-108	1	S/O COUPLER (08N-08H90)	
15.	110-217	1	WORM CLAMP(7/16" TO 1")	
16.	116-322	AR	BULK HOSE (1/2",SOLD PER 1")	USE 1 @ 48"
17.	111-021	1	BREATHER CAP (TANK)	
18.	105-818	2	BOLT (1/4-NC X 1-1/2")	
19.	110-411	1	BOLT-ON CLAMP (3/4", SET)	
20.	322-289	1	BACKUP (BOLT-ON)	
21.	118-096	AR	BULK FUEL TUBING (1/4", PER FT)	USE 1 @ 24"
22.	118-096	AR	BULK FUEL TUBING (1/4", PER FT)	USE 1 @ 20"
23.	114-002	1	PLUG (06N, SOC)	
24.	105-829	2	FLG LK BOLT(1/2 NC X 1")	
25.	106-386	2	FLG LOCKNUT (M8-1.25)	

NOT SHOWN:

FOOTNOTES:

- ARRANGE LINER PADS IN AN EVEN PATTERN ON INTERIOR SURFACES OF THE SIDE PLATES, BOTTOM PLATE AND KICK PLATE. USE .12 THICK AND .25 THICK TO PROVIDE A SNUG FIT FOR THE TANK. APPLY AND ADJUST THE LINER PADS UNTIL THE LEAST MOVEMENT POSSIBLE HAS BEEN ACCOMPLISHED. ONCE FILLED THE TANK SHOULD NOT SHIFT.
- LAYER SUPPORT MAT BETWEEN LEDGE OF TANK AND UNDERSIDE OF STEP UNTIL FIRM PRESSURE IS REQUIRED TO ALIGN SLOTS AND INSERT SCREWS
- ORIENT PADLOCK LUGS AWAY FROM STAIRWELL

NOTE:

FUEL TANK

RT95/RT115 T3

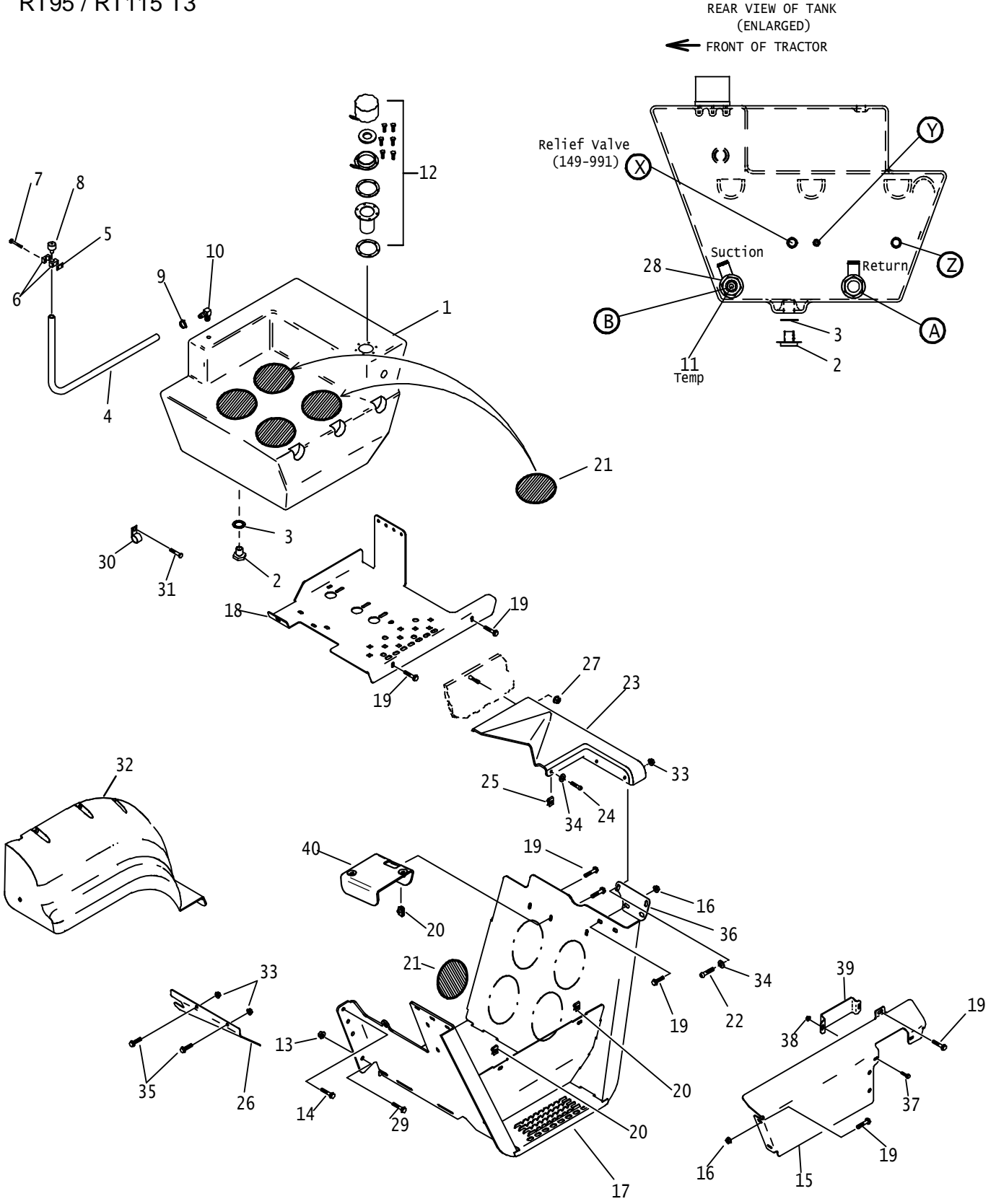
REF NO.	PART NUMBER	QTY	DESCRIPTION	REMARKS
26.	300-9750	1	CRADLE WELDMENT	
27.	105-1190	5	BOLT (#10-24 X 1-1/4")	
28.	117-425 AR		LINER PAD (.12"THK)	SEE FOOTNOTE 1
	117-463 AR		LINER PAD (.25"THK)	
29.	313-821	1	TREAD, FUEL	
30.	107-001	12	FLG LK SCREW (M10-1.50 X 25mm)	
31.	117-442 AR		SUPPORT MAT	SEE FOOTNOTE 2
32.	106-198	2	FLG LOCKNUT (1/2 NC, GD8)	
33.	313-911	1	LEFT AIR DEFLECTOR	
34.	105-831	2	FLG LOCK BOLT (1/2-NC X 1-1/2")	
35.	110-333	1	BOLT ON CLAMP (1")	
36.	105-033	1	BOLT (5/16-NC X 2")	
37.	313-226	-	LEFT OUTSIDE FENDER	
38.	107-629	3	WASHER (M8)	
39.	107-778	2	SCREW (M8-1.25 X 30mm, BUT SOC)	
40.	106-640	1	SCREW (M6-1.00 X 20mm, BUT SOC)	
41.	106-574	1	CLIP NUT (M6-1.00)	
42.	105-003	1	FLG LOCKNUT (5/16-NC)	
43.	117-671	1	ABRASION SLEEVE (1" X 12")	
44.	319-452	1	CONNECTOR PLATE	

NOT SHOWN:

FOOTNOTES:

NOTE:

HYDRAULIC RESERVOIR RT95 / RT115 T3



HYDRAULIC RESERVOIR

RT95 / RT115 T3

REF NO.	PART NUMBER	QTY	DESCRIPTION	REMARKS
1.	150-1388	1	HYDRAULIC RESERVOIR	
	121-040	-	SIGHT GLASS	
2.	157-466	1	DRAIN PLUG (1-UNF, .375 ORF)	
3.	500-749	1	O-RING (211 D70)	
4.	116-322	AR	BULK HOSE (1/2", SOLD PER 1")	USE 1 @ 48"
5.	322-289	1	BACKUP (BOLT-ON)	
6.	110-411	1	BOLT-ON CLAMP (3/4", SET)	
7.	105-818	2	BOLT (1/4-NC X 1-1/2")	
8.	111-021	1	BREATHER CAP (TANK)	
9.	110-217	1	WORM CLAMP (7/16" TO 1")	
10.	156-108	1	S/O COUPLER (08N-08H90)	
11.	214-854	-	TEMPERATURE SWITCH	
12.	364-567	1	FILL NECK	SEE FOOTNOTE 2
	153-760	1	CAP	
	153-594	1	GASKET, FILL NECK CAP	
	153-607	1	FLANGE GASKET	
	153-606	1	STRAINER BASKET	
	153-761	1	FLANGE	
	107-781	6	HEX SCREW (#10-24 X 5/8)	
13.	106-198	2	FLG LOCKNUT (1/2-NC, GD8)	
14.	105-829	6	FLG LK BOLT (1/2-NC X 1")	
15.	320-118	1	BATTERY COVER	SEE FOOTNOTE 3
16.	106-387	6	FLG LOCKNUT (M10-1.50)	
17.	300-9750	1	CRADLE WELDMENT	
18.	320-116	1	BATTERY TRAY STEP	
19.	107-001	8	FLG LK SCREW (M10-1.50 X 25mm)	
20.	106-558	3	CLIP NUT (M10-1.50)	
21.	117-425	AR	LINER PAD (.12"THK)	SEE FOOTNOTE 1
	117-463	AR	LINER PAD (.25"THK)	SEE FOOTNOTE 1
22.	107-778	2	SCREW (M8-1.25 X 30mm, BUT SOC)	
23.	313-910	1	RIGHT AIR DEFLECTOR	
24.	106-640	1	SCREW (M6-1.00 X 20mm, BUT SOC)	
25.	106-574	1	CLIP NUT (M6-1.00)	
26.	315-440	1	TOP MUD SHIELD	
27.	105-003	1	FLG LOCKNUT (5/16-NC)	
28.	157-987	1	S/O COUPLER (20S-16H90,04NF)	
	514-446	1	REDUCER (24S-20SF)	

40. 300-4466 1 FUSE HOLDER MOUNT

FOOTNOTES

1. ARRANGE LINER PADS IN AN EVEN PATTERN ON INTERIOR SURFACES OF THE SIDE PLATES, BOTTOM PLATE AND AND KICK PLATE. USE .12" THICK AND .25" THICK TO PROVIDE A SNUG FIT FOR THE TANK. APPLY AND ADJUST THE LINER PADS UNTIL THE LEAST MOVEMENT POSSIBLE HAS BEEN ACCOMPLISHED. ONCE FILLED THE TANK SHOULD NOT SHIFT.
2. ORIENT PADLOCK LUGS AWAY FROM STAIRWELL.
3. REFER TO PAGE "BATTERY INSTALLATION" FOR BATTERY INSTALLATION DETAILS.

HYDRAULIC RESERVOIR

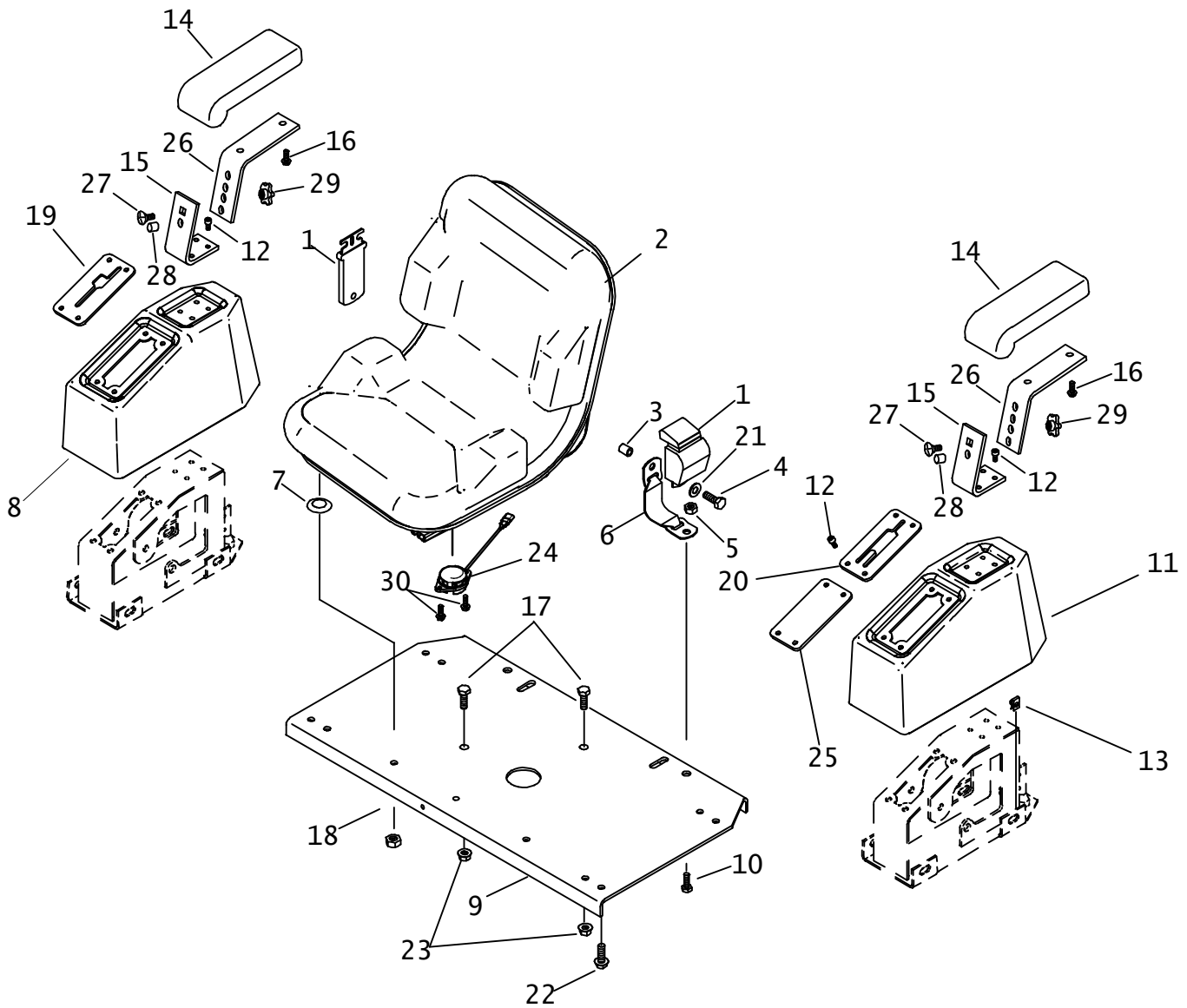
RT95 / RT115 T3

REF NO.	PART NUMBER	QTY	DESCRIPTION	REMARKS
29.	105-831	2	FLG LK BOLT (1/2-NC X 1-1/2")	
30.	110-333	1	BOLT-ON CLAMP (1")	
31.	105-033	1	BOLT (5/16-NC X 2")	
32.	313-225	-	RIGHT OUTSIDE FENDER	
33.	106-386	4	FLG LOCKNUT (M8-1.25)	
34.	107-629	3	WASHER (M8)	
35.	106-162	2	FLG SCREW (M8-1.25 X 20mm)	
36.	319-452	1	CONNECTOR PLATE	
37.	106-379	2	FLG LK SCREW (M6-1.00 X 20mm)	
38.	106-353	2	FLG NUT (M6-1.00)	
39.	323-279	1	COVER	
40.	300-4466	1	FUSE HOLDER MOUNT	

FOOTNOTES

SEAT PLATFORM

RT70H - RT75H - RT95H - RT95M



SEAT PLATFORM

RT70H - RT75H - RT95H - RT95M

REF NO.	PART NUMBER	QTY	DESCRIPTION	REMARKS
1.	117-924	1	SEAT BELT SET W/5.75" TONGUE	
	117-925	-	SEAT BELT TONGUE (5.75")	
2.	117-429	1	SEAT	
	115-445		REPLACEMENT SEAT	
	115-428		ADJUSTABLE TRACK	
3.	184-252	2	BUSHING (.562" X 1" X .590")	
4.	106-333	2	SCREW (M12-1.75 X 40mm, 8.8)	
5.	106-031	2	LOCKNUT (M12-1.75, NLK)	
6.	115-430	2	SEAT BELT TETHER	
7.	105-267	4	CUP WASHER (5/16")	
8.	309-431	1	RIGHT SEAT CONSOLE	SEE FOOTNOTE 2
	324-563	1	RIGHT SEAT CONSOLE	USE ON HYDROSTATS WITH CRUISE CONTROL UNITS ONLY
9.	314-594	1	SEAT BASE	
10.	105-273	2	SCREW (M12-1.75 X 30mm)	
11.	305-649	1	LEFT SEAT CONSOLE	
12.	107-312	16	SCREW (M6-1.00 X 25mm, BUT SOC)	
13.	106-574	8	CLIP NUT (M6-1.00)	
14.	117-314	2	ARMREST	
15.	309-294	2	LOWER ARMREST BRACKET	
16.	106-159	4	FLG SCREW (1/4-NC X 3/4")	
17.	105-876	2	SCREW (M10-1.50 X 35mm)	
18.	105-089	4	LOCKNUT (5/16-NC)	
19.	319-158	1	Z-GATE	SEE FOOTNOTE 2
20.	313-411	1	Y-GATE	USED WITH COMBO ATTACHMENT
	316-479	1	PLOW GATE	USED WITH PLOW ATTACHMENT
21.	106-391	2	WASHER (M12)	
22.	107-001	8	FLG LK SCREW (M10-1.50 X 25mm)	
23.	106-387	2	FLG LOCKNUT (M10-1.50)	
24.	215-1107	1	SEAT SWITCH	
25.	310-801	1	BLANK	USED ON MECHANICAL UNITS ONLY
26.	313-707	2	UPPER ARMREST BRACKET	
27.	107-702	2	CARRIAGE BOLT (3/8-NC X 3/4")	
28.	107-698	2	DOWEL PIN (.375 X .500)	
29.	110-383	2	KNOB (3/8-NC, BLACK)	
30.	106-168	2	FLG LK BOLT (1/4-NC X 3/4")	SEE FOOTNOTE 1

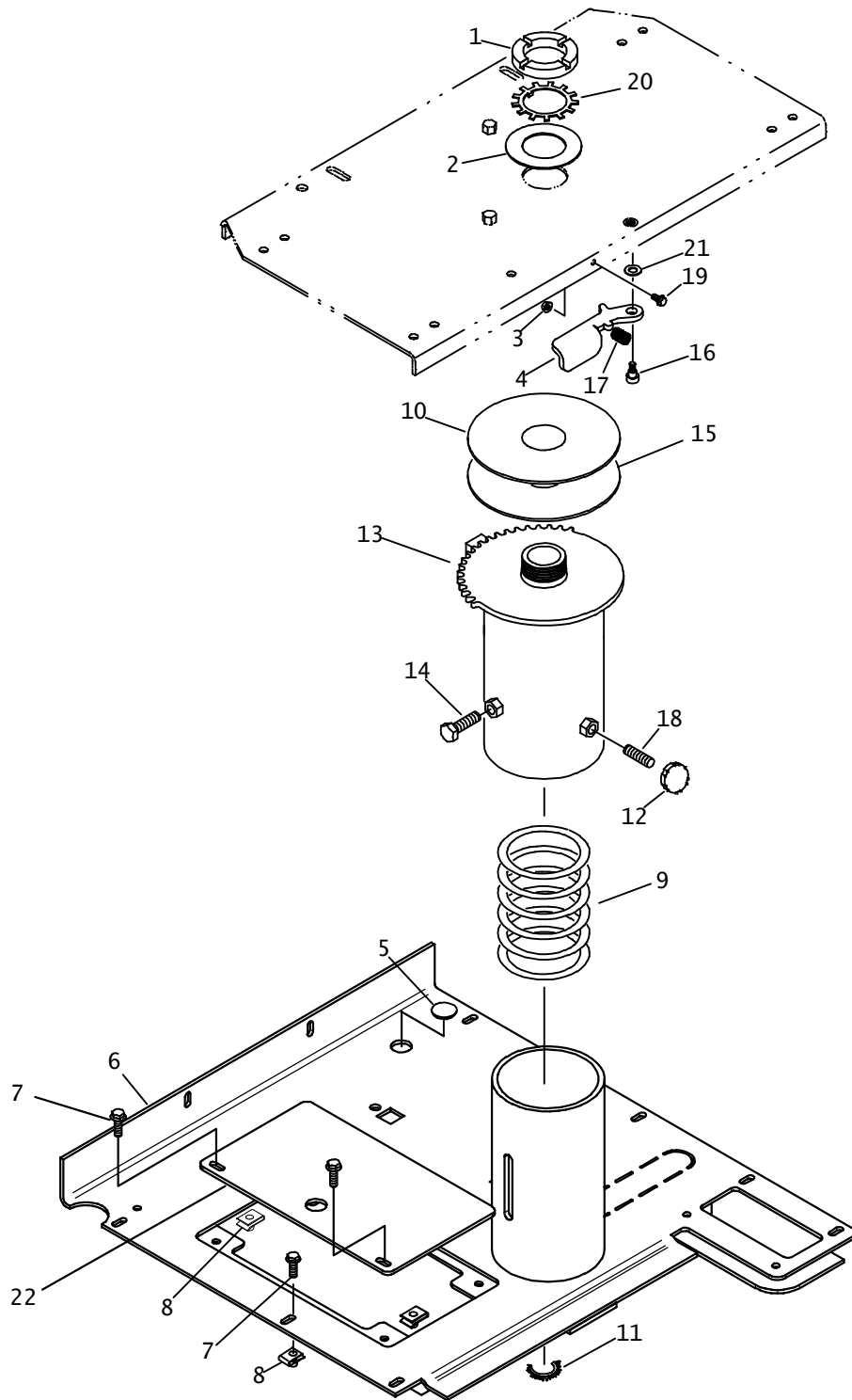
NOT SHOWN:

FOOTNOTES:

1. USE LOCTITE 242 OR EQUIVALENT.
2. NOT USED ON HYDROSTAT UNITS WITH CRUISE CONTROL OPTION

NOTE:

SEAT SWIVEL AND BASE



SEAT SWIVEL AND BASE

REF NO.	PART NUMBER	QTY	DESCRIPTION	REMARKS
1	107-528	1	PN10 SLOTTED NUT	SEE FOOTNOTE 2
2	106-522	1	WASHER (2-1/16")	
3	106-385	1	FLG LOCKNUT (M6-1.00)	
4	308-895	1	LEVER	
5	110-178	2	PLUG (7/8")	
6	306-844	1	SEAT BASE	
	322-986	1	SEAT BASE	FOR TIER 2 RT90 & RT115
	324-729	1	SEAT BASE	FOR HT115
	300-8537	1	SEAT BASE	SEE FOOTNOTE 4 FOR INSTR. & BEG. S/N; FOOTNOTE 5
7	106-992	9	FLG LK SCREW (M8-1.25 X 25mm)	SEE FOOTNOTE 1
8	107-135	13	CLIP NUT (M8-1.25)	
9	117-816	1	COMPRESSION SPRING	
10	179-382	1	SHIM (.020)	
11	115-662	1	GROMMET EDGE (3/16" X 12.7")	
12	110-383	1	KNOB (3/8-NC, BLACK)	
13	308-879	1	SWIVEL	
14	106-559	1	SCREW (M12-1.75 X 25mm)	
15	117-301	1	SWIVEL DISK (7" UHMW)	SEE FOOTNOTE 3
16	107-582	1	SHLD BOLT (3/8" X 1/4", 5/16-NC)	SEE FOOTNOTE 1
17	115-645	1	COMPRESSION SPRING	
18	106-121	1	STUD BOLT (3/8-NC X 1-1/2")	
19	106-986	1	FLG LK SCREW (M6-1.00 X 12mm)	
20	107-606	1	TANG LOCK WASHER (2")	
21	105-095	1	WASHER (1/4")	
22	300-8446	1	ACCESS PANEL	SEE FOOTNOTE 4 FOR INSTR. & BEG. S/N; FOOTNOTE 5

NOT SHOWN:

FOOTNOTES:

- USE LOCTITE 242 OR EQUIVALENT
- TORQUE SPANNER NUT TO PREVENT ROTATION, THEN REVERSE DIRECTION AND LOOSEN 1/8 OF A TURN.
- NO LUBRICANT ON ITEM #15
- SEAT BASE 300-8537, ACCESS PANEL 300-8446 MUST BE USED TOGETHER.
BEGINS WITH SERIAL NUMBERS; RT95ME90000274 RT95HJ90000351 RT115T3T90000125.
- USE 2X 106-264 FOR RETAINING 300-8446 TO 300-8537 IF WELDNUTS ARE PRESENT.
BEGINS WITH SERIAL NUMBERS; RT95HP90000380 RT95ME90000291 RI5T3L90000135.

NOTE:

BATTERY INSTALLATION

REF NO.	PART NUMBER	QTY	DESCRIPTION	REMARKS
1.	105-814	1	FLG LOCKNUT (3/8-NC)	
2.	215-244	-	BATTERY (12V 800 AMP)	
3.	107-001	10	FLG LK SCREW (M10-1.50 X 25mm)	
4.	320-112	1	HOLD DOWN	
5.	213-255	1	BAT CABLE (2/0 X 55", RED)	
6.	106-387	6	FLG LOCKNUT (M10-1.50)	
7.	300-9750	1	CRADLE WELDMENT	
8.	106-558	2	CLIP NUT (M10-1.50)	
9.	320-116	1	BATTERY TRAY STEP	SEE FOOTNOTE 1
10.	320-115	1	TRAY SUPPORT	
11.	108-067	1	CARRIAGE BOLT (3/8-NC X 2")	REFER TO FOOTNOTE 1
12.	107-554	2	BATTERY HOLD DOWN	
13.	320-118	1	BATTERY COVER	
14.	115-320	1	GOMETT (1-1/2")	
15.	116-789	AR	RUBBER EDGE TRIM 1/8" (FT)	USE 3"
16.	106-379	2	FLG LK SCREW (M6-1.00 X 20MM)	
17.	106-353	2	FLG NUT (M6-1.00)	
18.	323-279	1	COVER	
19.	213-338	1	BAT CABLE (2/0 GA X 70", BLK)	
20.	215-1011	1	BUSSBAR (MAIN FUSE HOLDER)	
21.	215-1009	1	MAIN FUSE HOLDER BASE	
22.	300-4466	1	FUSE HOLDER MOUNT ASSEMBLY	
23.	107-859	2	LOCKNUT, #6-32 NYLON INSERT	
24.	106-367	2	SCREW (#6-32 X 1/2" PLPS SS)	
25.	215-1010	1	MAIN FUSE HOLDER COVER	

NOT SHOWN:

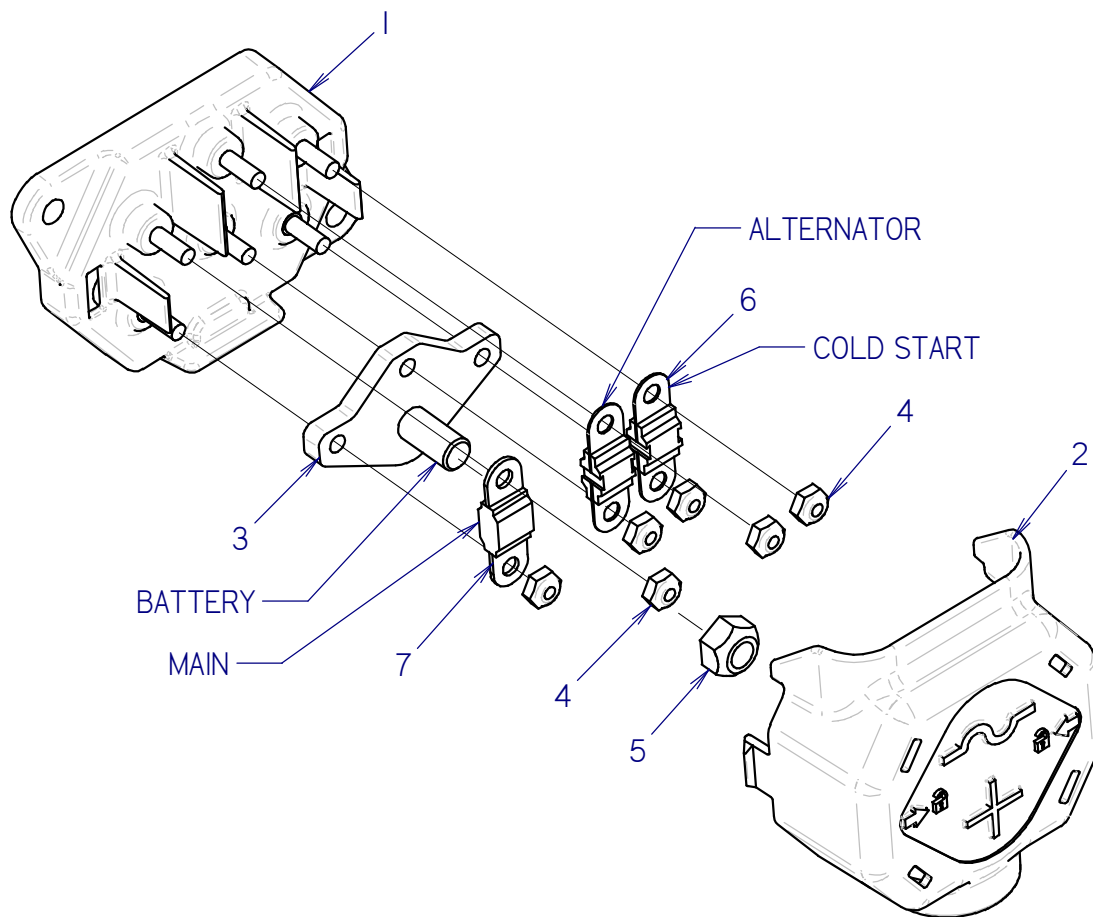
215-375 BAT CABLE (1/0 GA X 24", BLK)
 215-309 BAT CABLE(4 GA X 20", BLK)

FOOTNOTES:

1. HOLE IN CENTER OF BATTERY TRAY STEP IS FOR ACCESSING CARRIAGE BOLT WHEN STARTING TIGHTENING PROCESS.

NOTE:

FUSE BLOCK ASSEMBLY



FUSE BLOCK ASSEMBLY

REF NO.	PART NUMBER	QTY	DESCRIPTION	REMARKS
1	215-1009	1	MAIN FUSE HOLDER BASE	
2	215-1010	1	MAIN FUSE HOLDER COVER	
3	215-1011	1	BUSSBAR (MAIN FUSE HOLDER)	
4	106-048	6	LOCKNUT (#10-24)	
5	105-047	1	LOCKNUT (3/8-NC)	
6	211-305	2	BK/AMI 125 AMP FUSE	
7	211-311	1	BK/AMI 100 AMP FUSE	

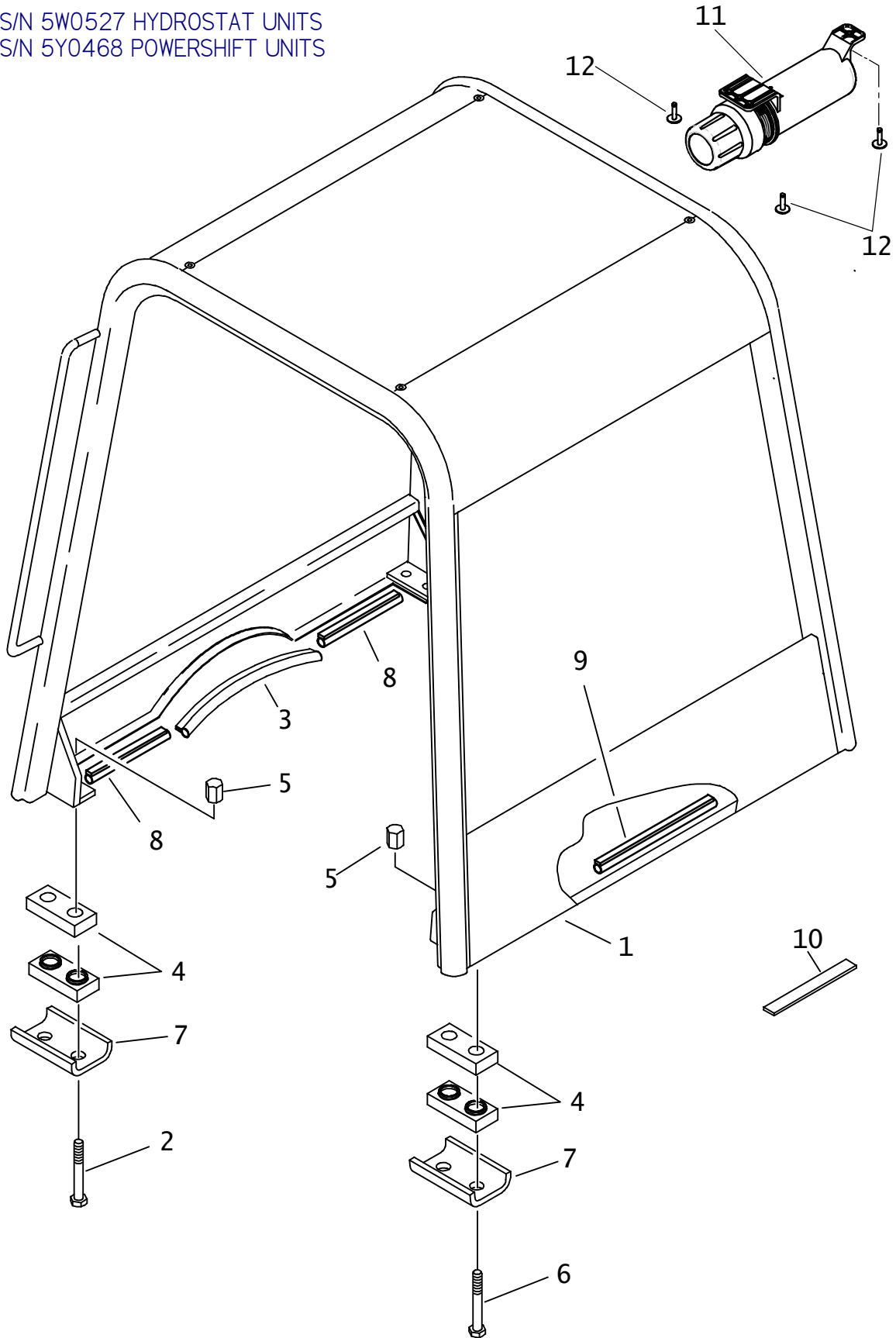
NOT SHOWN:

FOOTNOTES:

NOTE:

4 - POST ROPS

BEGINS WITH S/N 5W0527 HYDROSTAT UNITS
BEGINS WITH S/N 5Y0468 POWERSHIFT UNITS



4 - POST ROPS

BEGINS WITH S/N 5W0527 HYDROSTAT UNITS
 BEGINS WITH S/N 5Y0468 POWERSHIFT UNITS

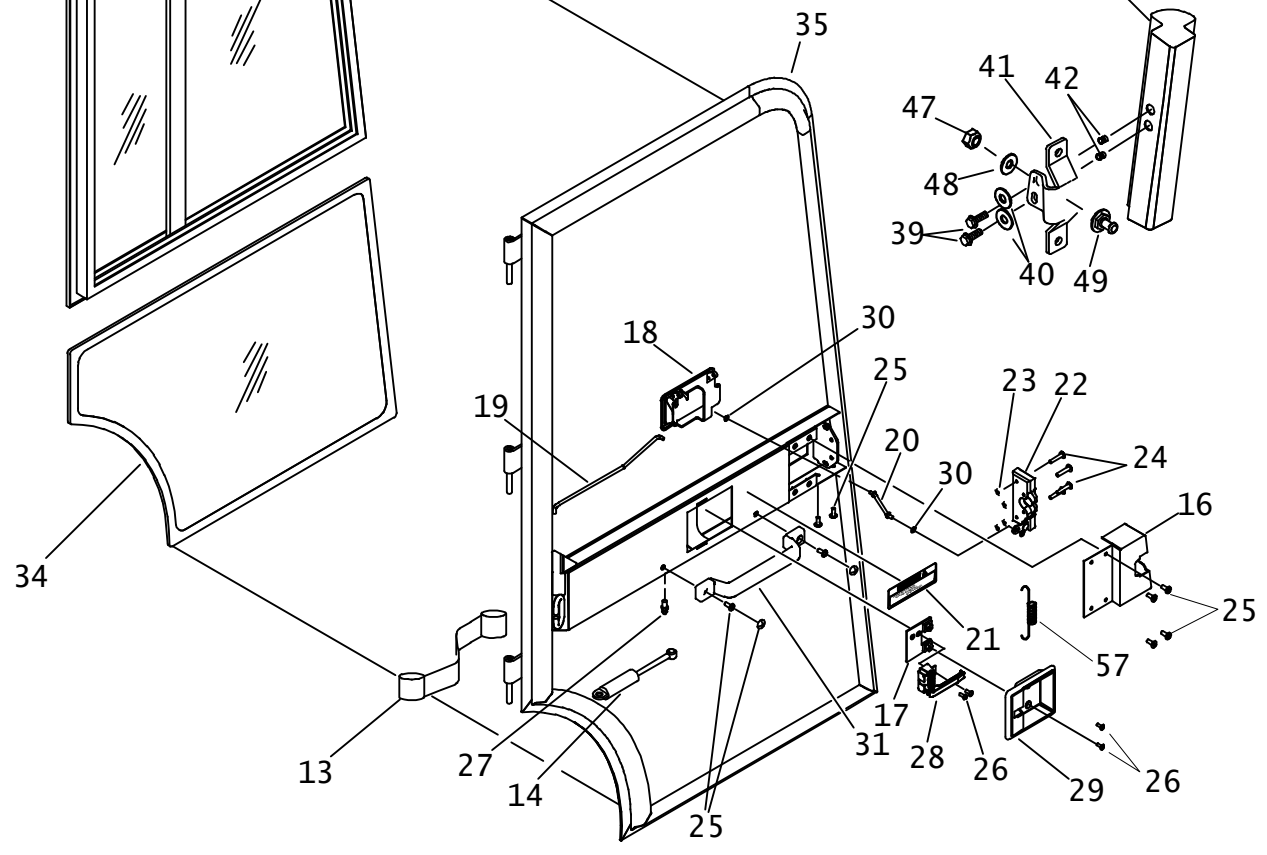
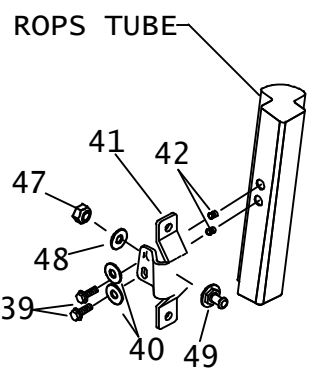
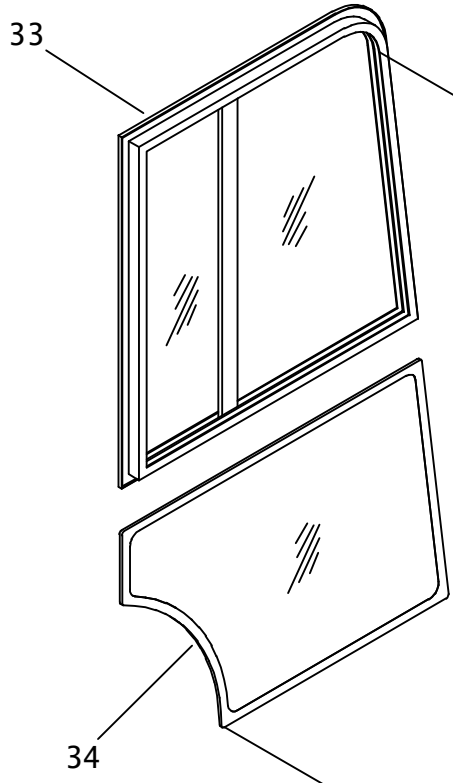
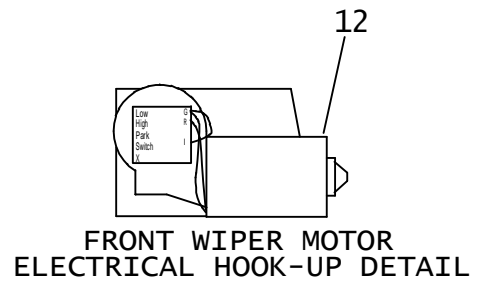
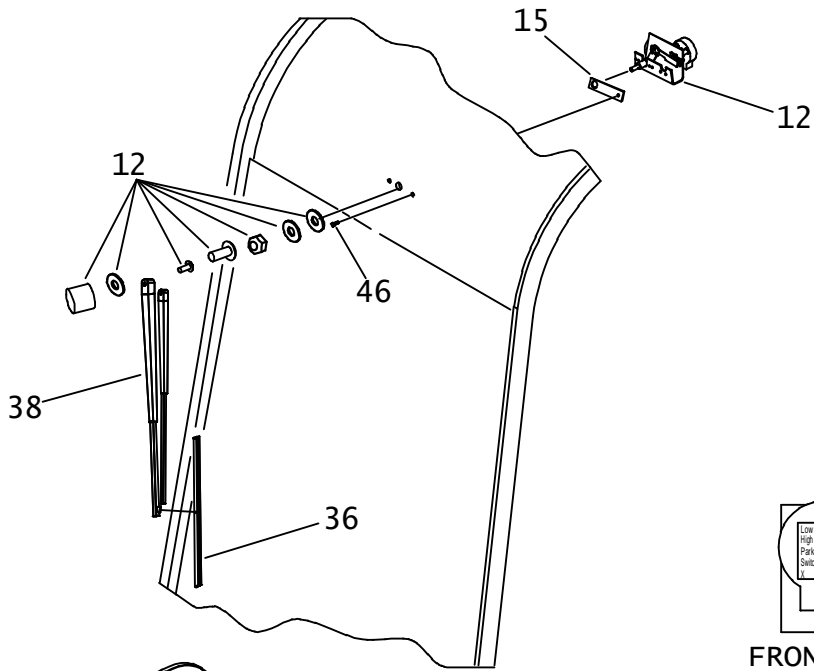
REF PART NO.	NUMBER	QTY	DESCRIPTION	REMARKS
1.	320-250	1	4-POST ROPS FRAME	
2.	107-923	4	SCREW (3/4-NC X 5", GD5) SPEC.	REFER TO FOOTNOTE 1
3.	116-421 AR		BULK EDGE (1/8", SOLD PER 1')	USE 1@ 2.5 FT
4.	117-973	8	SHOCK MOUNT	
5.	107-924	8	NUT (3/4-NC) SPECIAL	
6.	107-922	4	SCREW (3/4-NC X 4-1/2", GD5) SPEC.	REFER TO FOOTNOTE 2
7.	320-240	4	ISOLATOR IRON	
8.	117-344 AR		BULK EDGE (3/16", SOLD PER 1")	USE 2 @ 1 FT.
9.	117-344 AR		BULK EDGE (3/16", SOLD PER 1")	USE 1 @ 3.5 FT.
10.	320-745	1	CHECK GAUGE	
11.	250-063	1	MANUAL COMPARTMENT	
12.	110-348	3	POP RIVET (3/16" X .664")	

FOOTNOTES

1. SCREW (107-923) HAS GOLD PLATING TO DISTINGUISH IT FROM SCREW (107-922). PROPER LOCATION IS IMPORTANT FOR PROPER ASSEMBLY OF THE ROPS. TORQUE TO 200 Ft.Lbs, USE LOCTITE 271 OR EQUIVALENT.
2. SCREW (107-922) HAS SILVER PLATING TO DISTINGUISH IT FROM SCREW (107-923). PROPER LOCATION IS IMPORTANT FOR PROPER ASSEMBLY OF THE ROPS. TORQUE TO 200 Ft.Lbs, USE LOCTITE 271 OR EQUIVALENT.

NOTE:

CAB KIT



CAB KIT

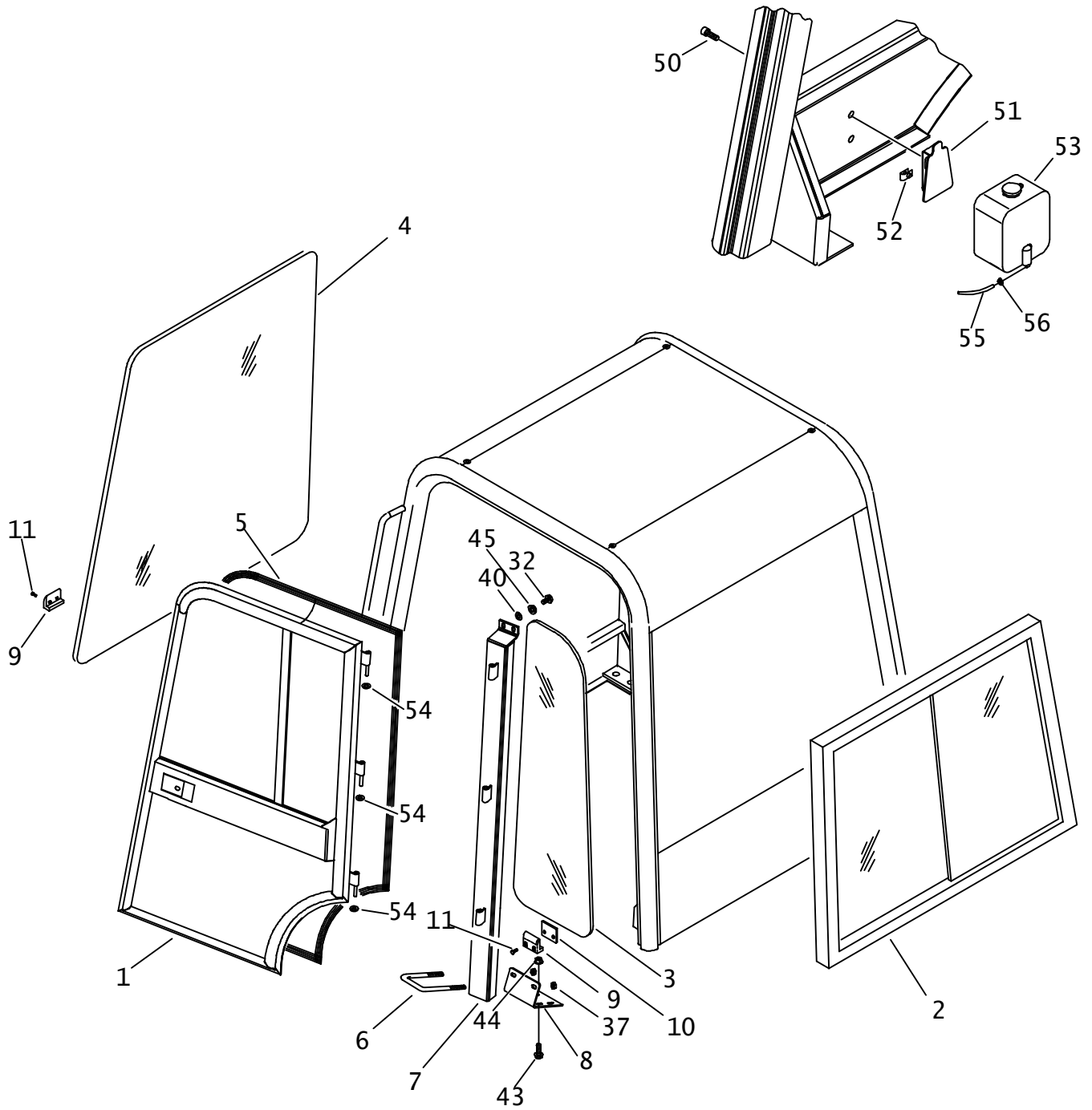
REF NO.	PART NUMBER	QTY	DESCRIPTION	REMARKS
	191-179		CAB KIT	INCL. REF. #S I-57
1.	499-436	1	DOOR ASSY (RIGHT)	
	499-437	1	DOOR ASSY (LEFT)	
2.	121-044	1	SLIDER ASS'Y (REAR)	SEE NOT SHOWN FOR REPLACEMENT LATCH.
	499-747	-	WINDOW FRAME	OBSOLETE
	499-748	-	REAR WINDOW	
3.	121-045	1	SIDE WINDOW (LEFT)	
	121-046	1	SIDE WINDOW (RIGHT)	
4.	121-047	1	FRONT WINDOW	
5.	117-829	21	SEAL, PSA DOUBLE D	
6.	318-374	1	U-CLAMP	
7.	318-358	1	DOORPOST (LEFT)	
	318-359	1	DOORPOST (RIGHT)	
8.	318-375	2	BRACKET, LOWER DOOR POST	
9.	318-376	2	WINDOW RETAINING CLIP	
10.	318-377	2	PLATE	
11.	107-786	32	SCREW, (#10-32 X 1-1/2") HEX	
12.	214-897	1	WIPER MOTOR	
13.	499-441	2	DOOR STRAP	
14.	499-438	2	GAS SPRING STRUT	
15.	119-003	1	SPACER, WIPER MOTOR	
16.	318-360	1	CAM LATCH COVER (RIGHT)	
	318-361	1	CAM LATCH COVER (LEFT)	
17.	318-362	1	INNER BRACKET (RIGHT)	
	318-363	1	INNER BRACKET (LEFT)	
18.	117-825	1	L. LATCH, PADDLE W/KEY	
	117-854	1	R. LATCH, PADDLE W/KEY	
19.	117-821	1	LEFT ROD, DOOR LINKAGE	
	117-855	1	RIGHT ROD, DOOR LINKAGE	
20.	117-856	2	ROD, DOOR LINKAGE	
21.	273-279	1	WARNING TAG	
22.	117-824	1	LEFT LATCH, ROTARY	
	117-857	1	RIGHT LATCH, ROTARY	
23.	105-085	4	LOCKNUT (1/4-NC)	
24.	107-787	4	SCREW (1/4-20 X 1-1/4) TRUS,TORX	
25.	107-788	8	SCREW (1/4 X 5/8)TRUS, TORX T27	COMES WITH SNAP-ON COVER
26.	107-789	4	SCREW (#10-24 X 1/2 ") TRUS, TORX	
27.	166-450	1	STUD, CYLINDER	
28.	117-823	1	LEFT HANDLE, INSIDE	
	117-858	1	RIGHT HANDLE, INSIDE	
29.	499-440	1	INSIDE DOOR BEZEL	
30.	117-828	4	RETAINER, INTERNAL TOOTH	
31.	499-439	1	DOOR PULL	
32.	107-245	4	FLG LK BOLT (3/8-NC X 3/4", NLK)	

NOTE:

MOUNTING A CAB ON THE RT70/RT90/RT115

1. A CAB CAN BE MOUNTED DIRECTLY ON RT70M OR RT90M WHEN OLD ROPS HAS NOT BEEN MODIFIED WITH THE NEW ISOLATORS.
2. A CAB CAN NOT BE MOUNTED ON A RT70H, RT90H OR RT115H WHEN AN OLD ROPS HAS BEEN MOFIFIED WITH THE NEW ISOLATORS.
3. A CAB CAN BE MOUNTED ON A RT79H, RT90H OR RT115H WITH A NEW ROPS WITH THE NEW ISOLATORS.

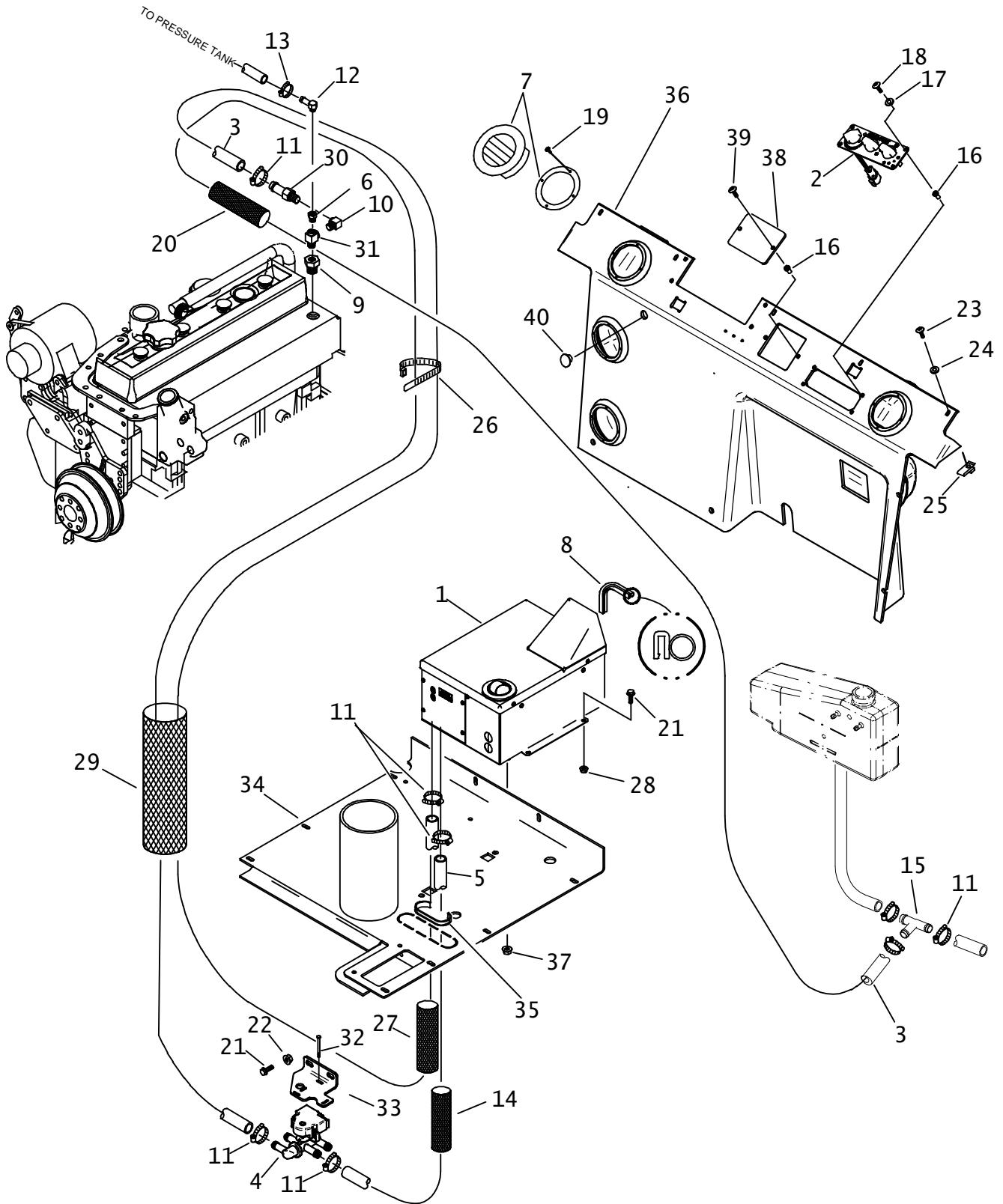
CAB KIT



CAB KIT

REF NO.	PART NUMBER	QTY	DESCRIPTION	REMARKS
33.	121-048	1	SLIDER, (LEFT DOOR)	SEE NOT SHOWN FOR REPLACEMENT LATCH.
	121-049	1	SLIDER, (RIGHT DOOR)	SEE NOT SHOWN FOR REPLACEMENT LATCH.
34.	121-050	1	GLASS (LOWER DOOR), LEFT	
	121-051	1	GLASS (LOWER DOOR), RIGHT	
35.	318-364	1	RIGHT DOOR	
	318-365	1	LEFT DOOR	
36.	121-052	1	WIPER BLADE	
37.	105-047	4	LOCKNUT (3/8-NC)	
38.	121-053	1	WIPER ARM	
39.	106-991	8	FLG LK SCREW (M8-1.25 X 20mm)	
40.	106-415	8	WASHER (.406")	
41.	117-826	1	STRIKE BRACKET (RIGHT)	
	117-827	1	STRIKE BRACKET (LEFT)	
42.	106-565	8	NUTSERT, (M8-1.25)	
43.	106-469	8	FLG SCREW (M12-1.75 X 30mm)	
44.	106-709	8	FLG LK NUT (M12-1.75)	
45.	105-895	4	LOCK WASHER (3/8")	
46.	105-865	1	BOLT (1/4-NC X 3/4", GD8)	
47.	105-151	2	LOCKNUT (7/16-NC)	
48.	105-059	2	WASHER (7/16)	
49.	117-861	2	STRIKER BOLT	
50.	107-778	2	SCREW (M8-1.25 X 30mm, BUT SOC)	
51.	318-879	1	BOTTLE BRACKET	
52.	107-135	2	CLIP NUT (M8-1.25)	
53.	344-115	1	WINDSHIELD WASHER TANK	
54.	107-875	6	WASHER (.400" ID. BRASS)	
55.	116-866	AR	BULK HOSE (3/16", SOLD PER 1")	USE 1 @ 150"
56.	110-249	1	WORM CLAMP (1/4" TO 5/8")	
57.	118-357	1	EXTENSION SPRING	
NOT SHOWN:				
	256-669	2	URETHANE ADHESIVE	10.5 FL. OZ. TUBES
	105-1305	1	KEYS (RT TRACTOR CAB)	REPLACEMENT KEYS
	115-1014	2	CLIP	RETAINS STRUT 499-438 ONTO STUD 166-450
	500-2067		LEFT SLIDER LATCH REAR	USED ON 121-044 SLIDER (REAR)
	500-2068		RIGHT SLIDER LATCH REAR	USED ON 121-044 SLIDER (REAR)
	500-2069		LEFT SLIDER LATCH	USED ON 121-048 SLIDER (LT DOOR)
	500-2070		RIGHT SLIDER LATCH	USED ON 121-049 SLIDER (RT DOOR)
NOTE:				

CAB HEATER ASS'Y
 RT95 T3
 RT115/HT115 T3



CAB HEATER ASS'Y

RT95 T3

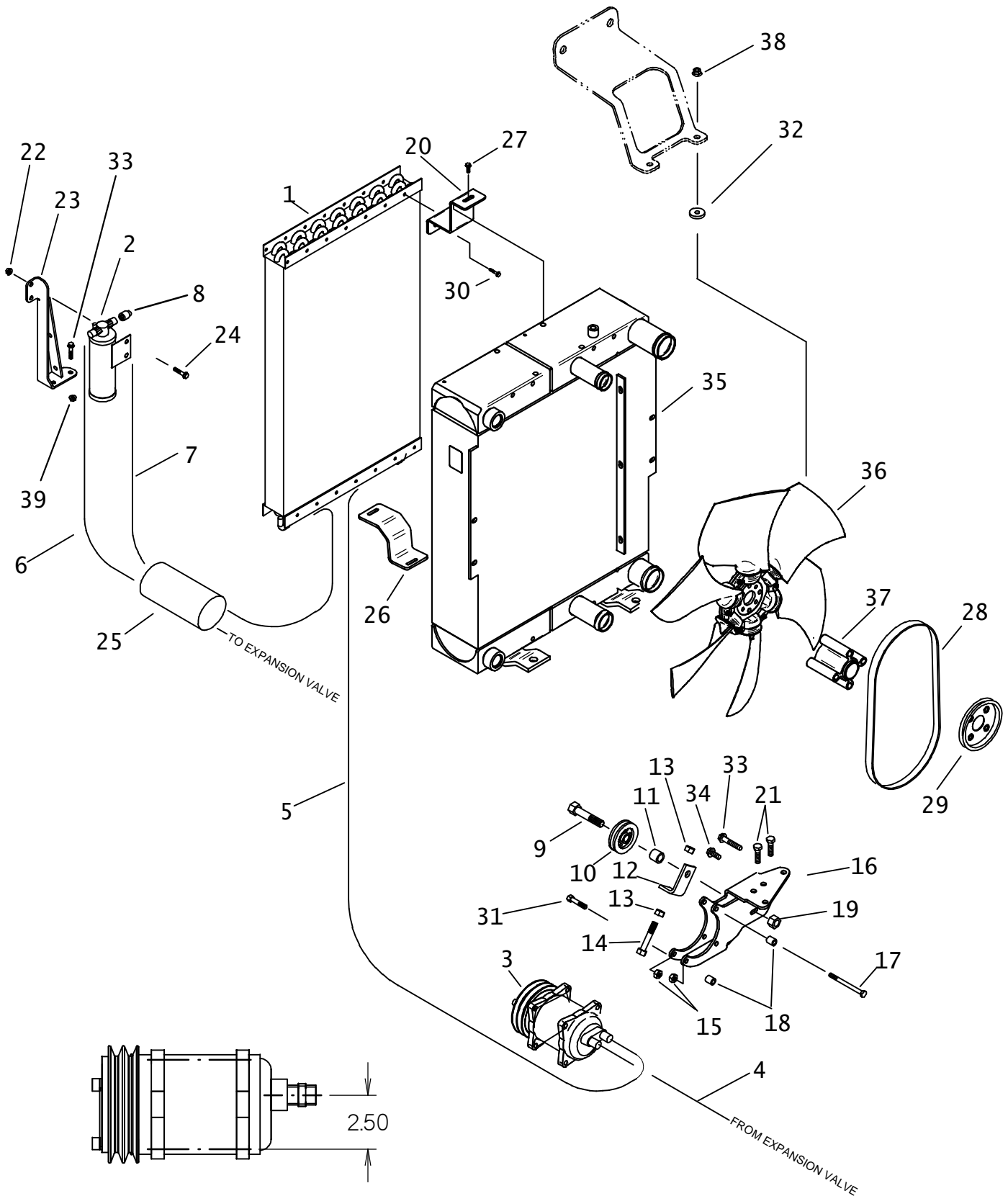
RT115 / HT115 T3

REF PART NO. NUMBER QTY DESCRIPTION	REMARKS	
190-1374	A/C HEATER KIT, TIER 3	
190-1375	HEATER KIT, TIER 3	
1. 499-802	1 MODEL EE320, HVAC, 12V	
194-439	1 HEATER	
2. 499-837	1 CONTROL PANEL, FAN-AC-HT	USE 500-1214 FOR UNITS WITH HEATER ONLY(NO A/C)
3. 116-044	AR BULK HOSE (5/8" , SOLD PER 1")	USE 2 @ 90"
4. 499-705	1 HEATER VALVE	
5. 116-044	AR BULK HOSE (5/8" , SOLD PER 1")	USE 1 @ 22"
6. 115-106	1 REDUCER (06N-04NF)	
7. 499-833	4 LOUVER MOUNT, 3.1" HOLE	
8. 117-344	AR BULK EDGE (3/16", SOLD PER FT)	USE 1 @ 16"
9. 514-085	1 REDUCER (08N-06NF)	
10. 156-260	1 STREET ELBOW (06N-06NF90)	
11. 110-217	8 WORM CLAMP (7/16"TO 1")	
12. 155-164	1 S/O COUPLER (04N-05H90)	
13. 110-249	1 WORM CLAMP (1/4"TO 5/8")	
14. 117-622	1 ABRASION SLEEVE (1.25" X 20")	
15. 514-159	1 S/O TEE (-10H)	
16. 107-358	6 WELLNUT (M4-0.7 X 12.67mm LG)	
17. 107-597	4 WASHER (M4)	
18. 107-580	4 SCREW (M4-0.70 X 16mm, BUT SOC)	
19. 107-852	16 SCREW (#8 X 5/8" CSK PLPS)	
20. 117-397	1 ABRASION SLEEVE (1.25" X 35")	
21. 106-992	4 FLG LK SCREW (M8-1.25 X 25mm)	
22. 106-386	- FLG LOCKNUT (M8-1.25)	
23. 105-1549	- SCREW (M6-1.00 X 20MM)	
24. 106-388	- WASHER (M6)	
25. 106-574	- CLIP NUT (M6-1.00)	
26. 110-030	1 CABLE TIE (1/16" TO 4")	
27. 117-396	1 ABRASION SLEEVE (1.25" X 28")	
28. 106-386	4 FLG LOCKNUT (M8-1.25)	
29. 117-265	1 ABRASION SLEEVE (1.75" X 50")	
30. 155-112	1 S/O COUPLER (06N-10H)	
31. 155-017	1 SERVICE TEE (06N-06NF-06NF)	
32. 108-113	2 SCREW (#6-19 X 1-1/4" PLASTIC)	
33. 318-811	1 VALVE BRACKET	
34. 322-986	- SEAT BASE	
324-729	- SEAT BASE	HT115 ONLY
35. 115-662	1 GROMMET EDGE (3/16" X 12.7")	
36. 362-1233	1 REAR PANEL W/ AC DUCT	
37. 105-814	4 FLG LOCKNUT (3/8-NC)	SCREWS ONTO STUD BOLTS ON BOTTOM OF REF #1 (499-802)
38. 322-871	1 TDM COVER	
39. 107-393	2 SCREW (M4-0.70 X 16mm, BX)	
40. 157-333	1 HOLE PLUG (.750")	

FOOTNOTES:

NOTE:

AIR CONDITIONING KIT RT95 T3



AIR CONDITIONING KIT

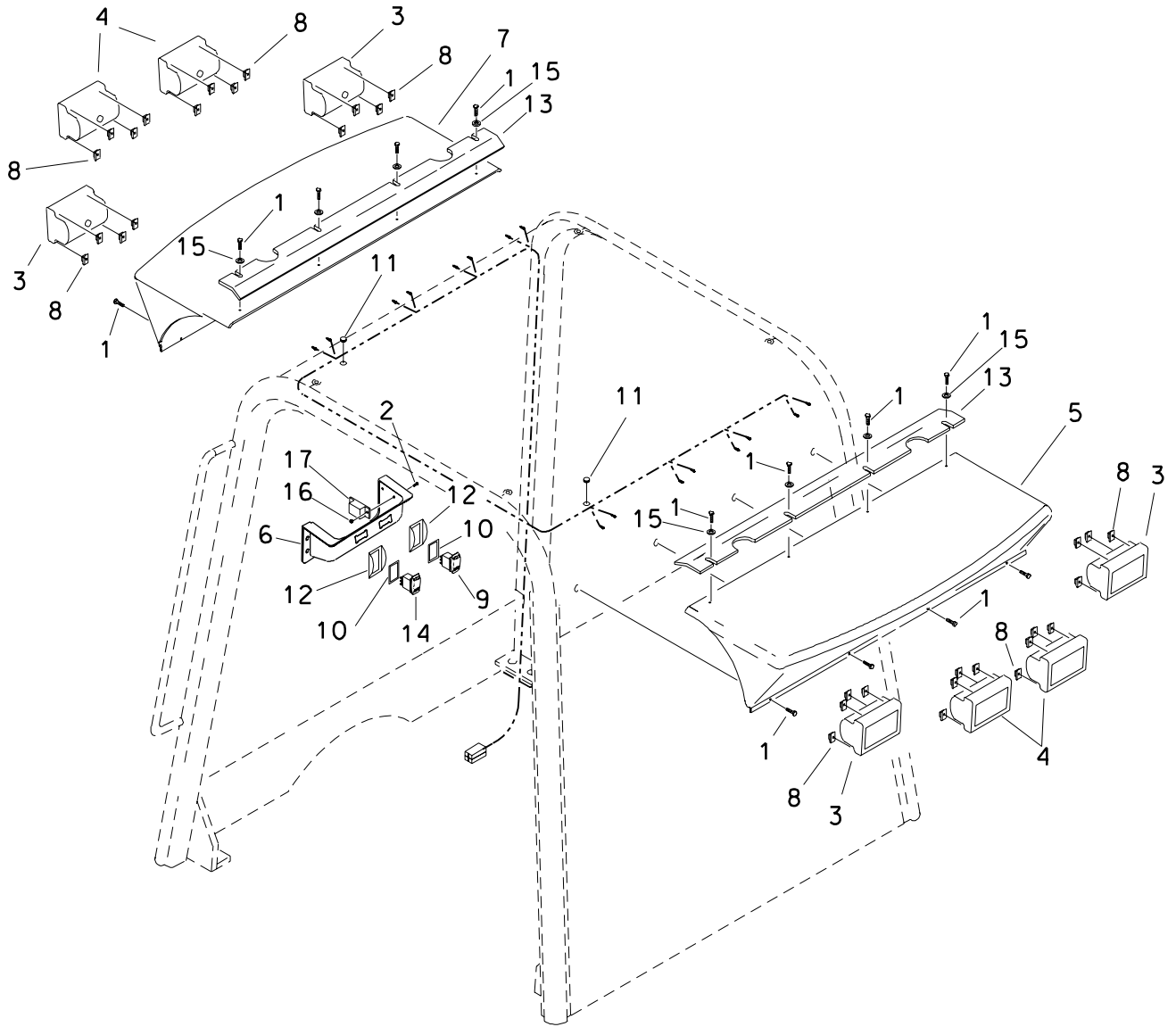
RT95 T3

REF NO.	PART NUMBER	QTY	DESCRIPTION	REMARKS
	191-358		A/C-HEATER KIT	INCL. REF. #'S 1-34.
1.	499-836	1	CONDENSER COIL	
2.	499-205	1	RECEIVER DRIER	
3.	499-706	1	COMPRESSOR	
	499-841	1	COMPRESSOR FITTING	
4.	499-845	1	HOSE (#10 X 90" EVP-CP)	
5.	499-846	1	HOSE (#08 X 55" CP-CND)	
6.	499-847	1	HOSE (#06 X 36" CND-RD)	
7.	499-848	1	HOSE (#06 X 118" RD-EVP)	
8.	214-946	1	BINARY SWITCH	
9.	107-197	1	SCREW (M16-2.00 X 80mm,10.9)	SEE FOOTNOTE 1
10.	170-359	1	BALL BEARING V-PULLEY IDLER	
11.	179-723	1	SPACER	
12.	307-980	1	SLIDE BAR	
13.	106-089	2	NUT (M12-1.75, 10.9)	
14.	106-720	1	SCREW (M12-1.75 X 70mm)	
15.	105-089	5	LOCKNUT (5/16-NC)	
16.	319-917	1	COMPRESSOR MOUNT	
17.	105-190	2	BOLT (5/16-NC X 2-3/4")	
18.	179-726	2	SPACER	
19.	106-077	1	HEX NUT (M16-2.00, 10.9)	
20.	300-4458	2	COMPRESSOR MOUNT BKT TOP	
21.	105-876	3	SCREW (M10-1.50 X 35mm)	SEE FOOTNOTE 1
22.	106-386	2	FLG LOCKNUT (M8-1.25)	
23.	323-217	1	AC DRIER MOUNT	
24.	106-380	2	FLG LK SCREW (M8-1.25 X 16mm)	
25.	115-687	1	ABRASION SLEEVE (SOLD PER FOOT)	USE 1 @ 2'
26.	300-4457	2	CONDENSER MOUNT BKT BOTTOM	
27.	106-987	6	FLG LK SCREW (M6-1.00 X 16mm)	
28.	170-1059	1	BELT	
29.	170-365	1	DRIVE PULLEY	
30.	105-836	4	FLG LOCK BOLT (1/4-NC X ")	
31.	105-160	3	BOLT (5/16-NC X 1-1/4")	
32.	105-886	1	WASHER (.410")	
33.	107-001	3	FLG LK SCREW (M10-1.50 X 25MM)	
34.	106-654	1	FLG LK SCREW (M10-1.50 X 16MM)	
35.	195-1115	-	RADIATOR/OIL COOLER /CAC TIER 3	
36.	195-1356	-	FAN	
37.	195-1337	-	FAN SPACER	
38.	106-387	2	FLG LOCKNUT (M10-1.50)	

FOOTNOTES:

1- USE LOCTITE 242 OR EQUIVALENT.

CANOPY AND LIGHT KIT



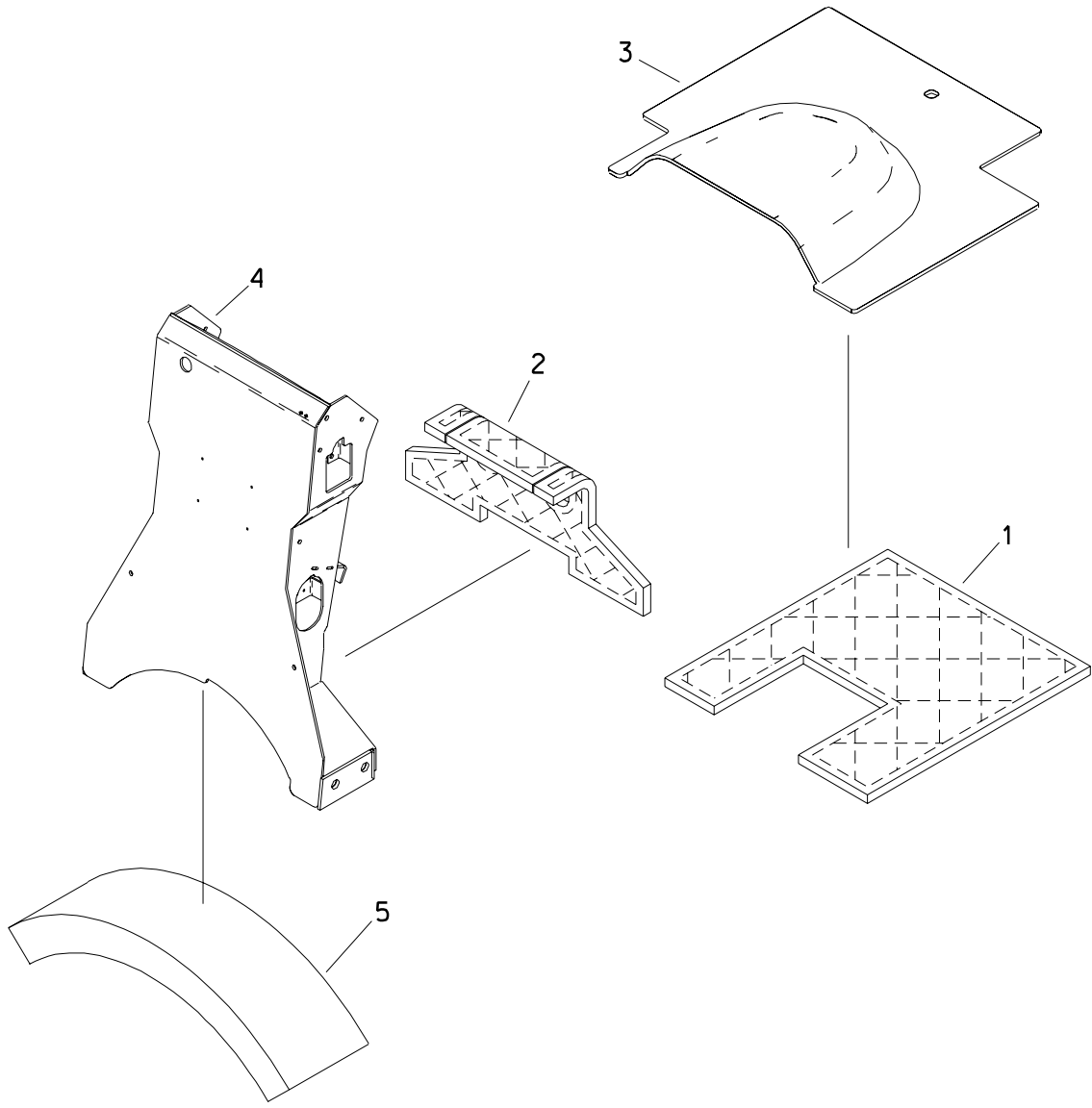
CANOPY AND LIGHT KIT

REF NO.	PART NUMBER	QTY	DESCRIPTION	REMARKS
	191-180		LIGHT KIT	INCLUDES REF #'S 1-17
1.	107-716	16	SCREW (1/4" - 14 x 7/8" SLF DRL)	
2.	105-185	2	BOLT (#10-24 X 1/2", RD SLT)	
3.	217-288	4	WORK LIGHT (100FO)	
4.	217-287	4	WARNING LIGHT	
5.	305-658	1	EYE-BROW CANOPY	
6.	308-894	1	OVERHEAD CONSOLE	
7.	310-113	1	FRONT EYE-BROW CANOPY	
8.	107-405	32	CLIP NUT (6-32)	
9.	217-762	1	ROCKER SWITCH (SPDT)	
10.	165-817	2	SWITCH GASKET	
11.	115-349	2	GROMMET (1/2")	DRILL 2-23/32" HOLES ON DIMPLES
12.	110-854	2	SWITCH ACTUATOR GUARD	
13.	318-661	2	STRAP	
14.	214-912	1	DPST ON-OFF ROCKER SWITCH	
15.	105-284	8	WASHER (3/16")	
16.	106-048	2	LOCKNUT (#10-24)	
17.	215-041	1	FLASHER	

NOT SHOWN:
362-823 COVER

FOOTNOTES

SOUND BLANKETS



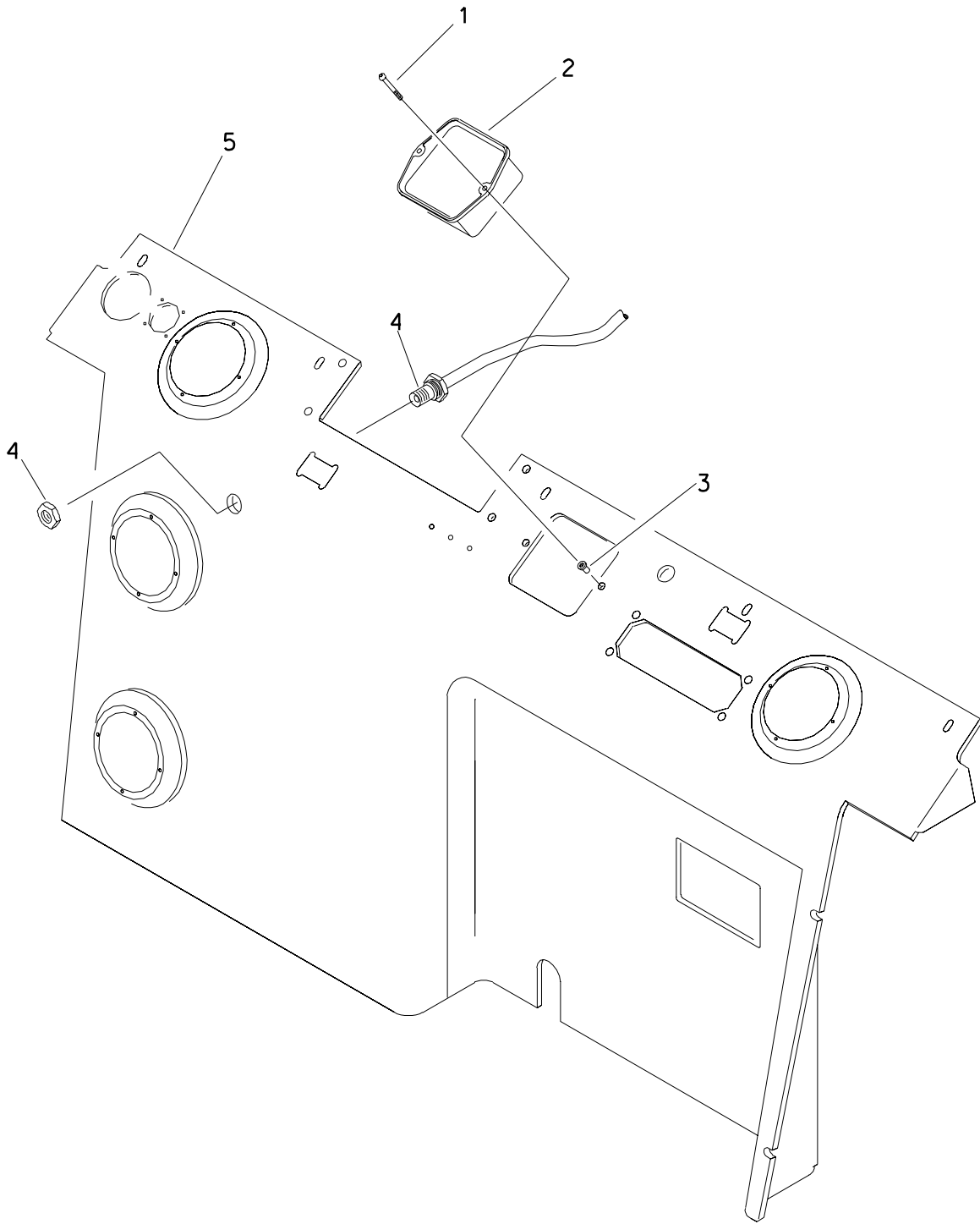
SOUND BLANKETS

REF NO.	PART NUMBER	QTY	DESCRIPTION	REMARKS
1.	117-833	1	SOUND BLANKET	POWERSHIFT ONLY
	117-832	1	SOUND BLANKET	HT115 AND HYDROSTAT ONLY
2.	117-834	1	SOUND BLANKET	USED ON RT/HT115 & POWERSHIFT ONLY
	117-835	1	SOUND BLANKET	USED ON RT75/95 HYDROSTAT ONLY
3.	313-238	-	FLOOR PLATE	
	318-793	-	FLOOR PLATE	
	324-566	-	FLOOR PLATE	HT115 ONLY
4.	315-142	-	PEDESTAL	
5.	117-847	1	HEAT BLANKET	

FOOTNOTES

TRENCH DEPTH METER MODULE

RT70/RT75/RT90/RT95/RT115



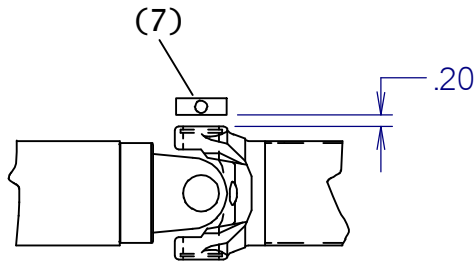
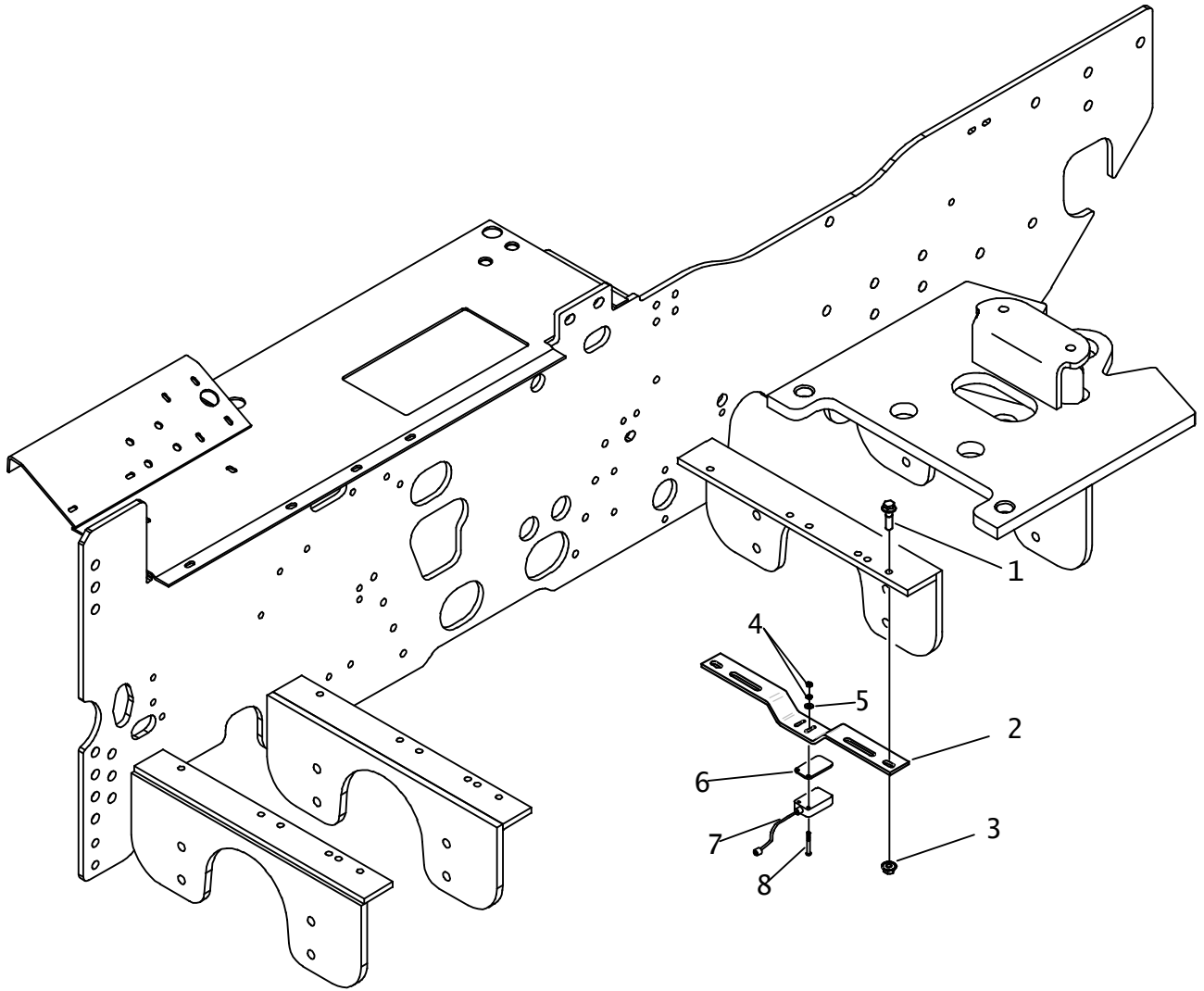
TRENCH DEPTH METER MODULE

RT70/RT75/RT90/RT95/RT115

REF NO.	PART NUMBER	QTY	DESCRIPTION	REMARKS
1.	107-580	2	SCREW (M4-0.70 X 16mm, BUT SOC)	
2.	220-086	1	TRENCH DEPTH METER	
3.	107-358	2	WELLNUT (M4-0.7 X 12.67mm LG)	
4.	213-075	1	TDM HARNESS	
5.	319-745	-	REAR PANEL	

FOOTNOTES

TRENCH DEPTH METER/ODOMETER MT



TRENCH DEPTH METER/ODOMETER MT

REF NO.	PART NUMBER	QTY	DESCRIPTION	REMARKS
1.	107-004	3	FLG LK SCREW (M12-1.75 X 45mm)	RT95 / RT115 & SEE FOOTNOTE 2
2.	315-744	1	SENSOR BRACKET	
3.	106-709	3	FLG LK NUT (M12-1.75)	RT95 / RT115 & SEE FOOTNOTE 2
4.	105-680	2	NUT (M4, W/LK WSHR)	
5.	107-597	2	WASHER (M4)	
6.	107-451	AR	SHIM (.135")	SEE FOOTNOTE 1
7.	214-692	1	PROXIMITY SWITCH	
8.	107-414	2	SCREW (M4-0.70 X 30mm, BUT SOC)	

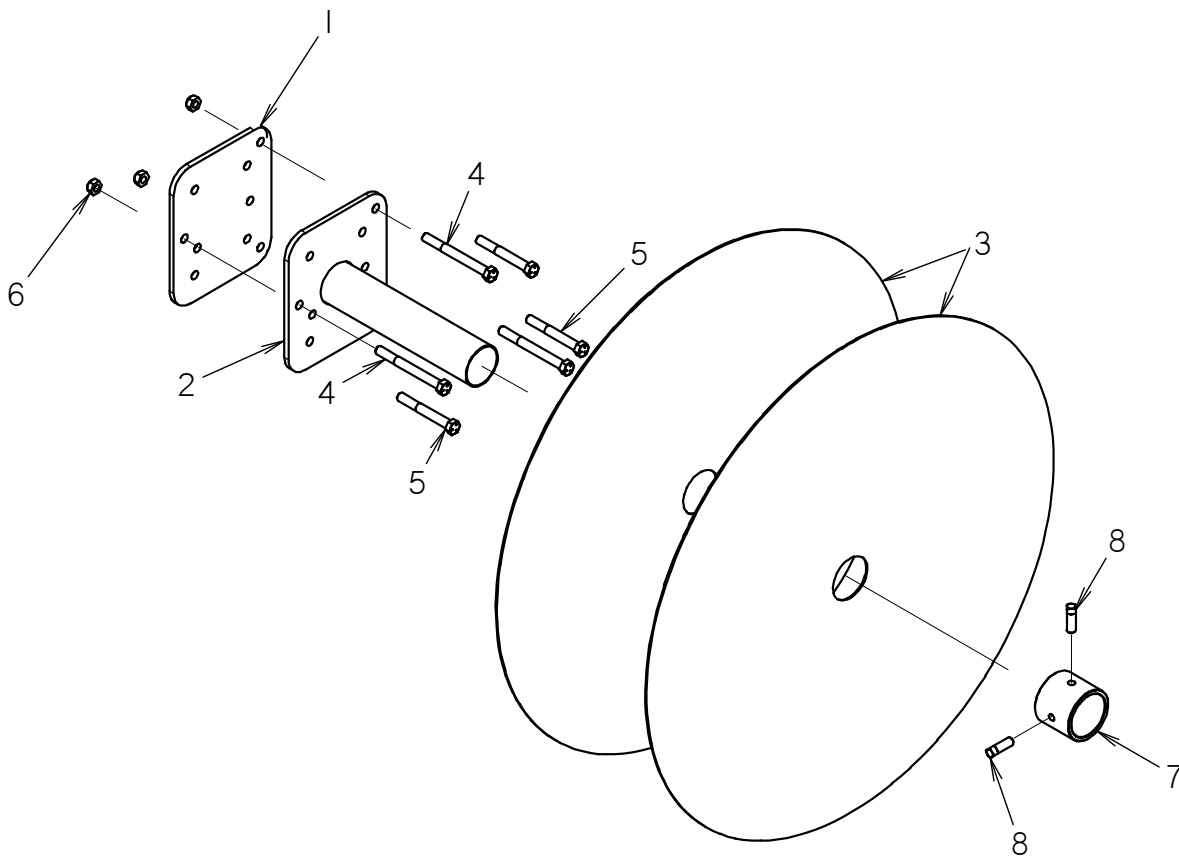
NOT SHOWN

FOOTNOTES

- SHIMS (107-451) ARE USED TO ADJUST SPACING OF PROXIMITY SWITCH (214-692) FROM THE DRIVE SHAFT.
- RT75 USES 2X 105-003 (FLG LOCKNUT 5/16-NC) & 2X 105-190 (BOLT 5/16-NC X 2-3/4")

NOTE

TAPE DISPENSER



TAPE DISPENSER

REF NO.	PART NUMBER	QTY	DESCRIPTION	REMARKS
	190-1637	-	TAPE DISPENSER	INCL'S REF #'S 1 THRU 8
1	301-1490	1	PLATE	
2	301-1399	1	MOUNT	
3	301-1491	2	RING	
4	105-258	3	BOLT (3/8-NC X 3-3/4")	RT80 & RT55
5	105-098	3	BOLT (3/8-NC X 3")	HT/RT115 & QUAD RT45
6	105-047	3	LOCKNUT (3/8-NC)	
7	301-1492	1	COLLAR	
8	105-714	2	SET SCREW (3/8-NC X 1", SQ)	

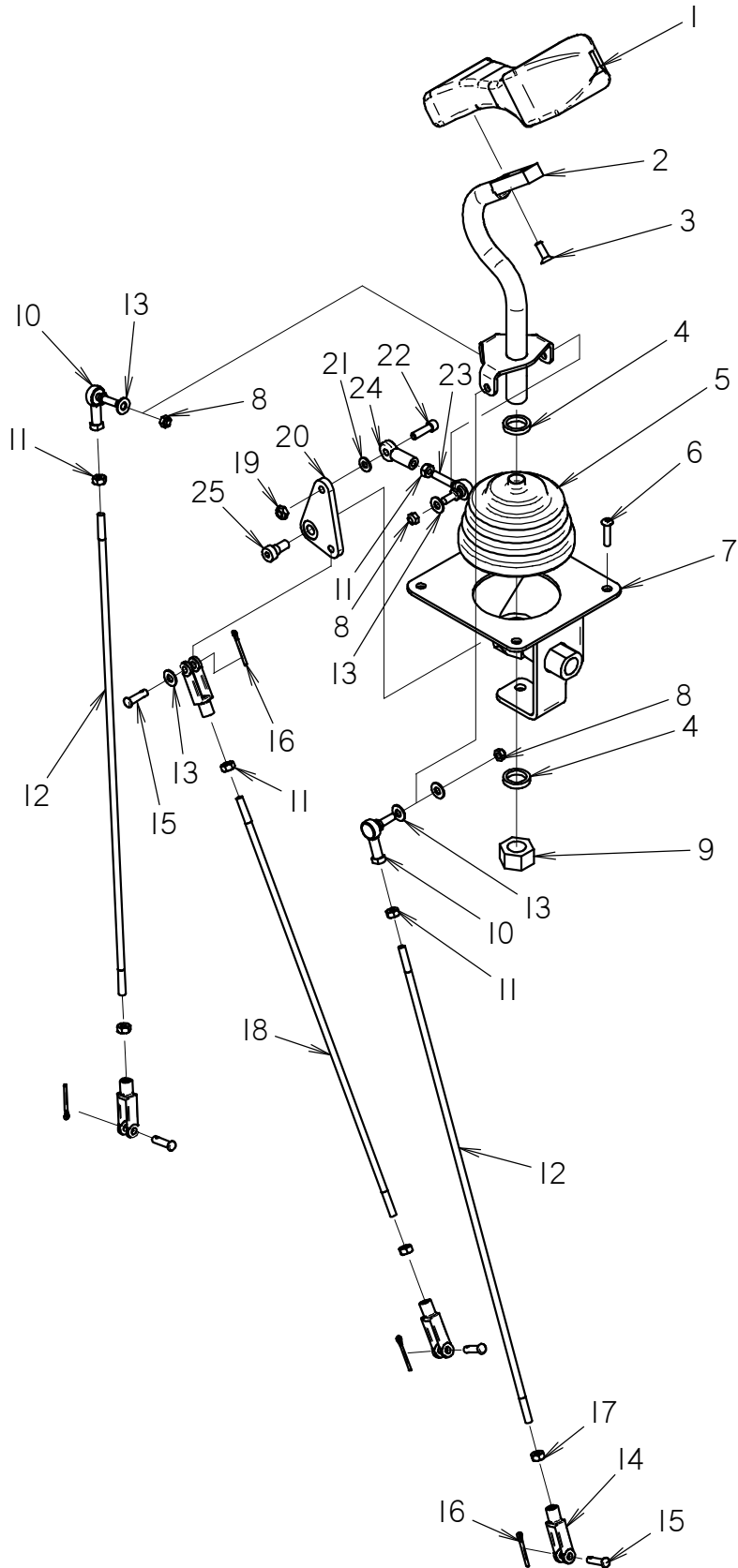
NOT SHOWN:

FOOTNOTES:

NOTE:

CONTROL COMPONENTS

BFB BLADE CONTROLS



BFB BLADE CONTROLS

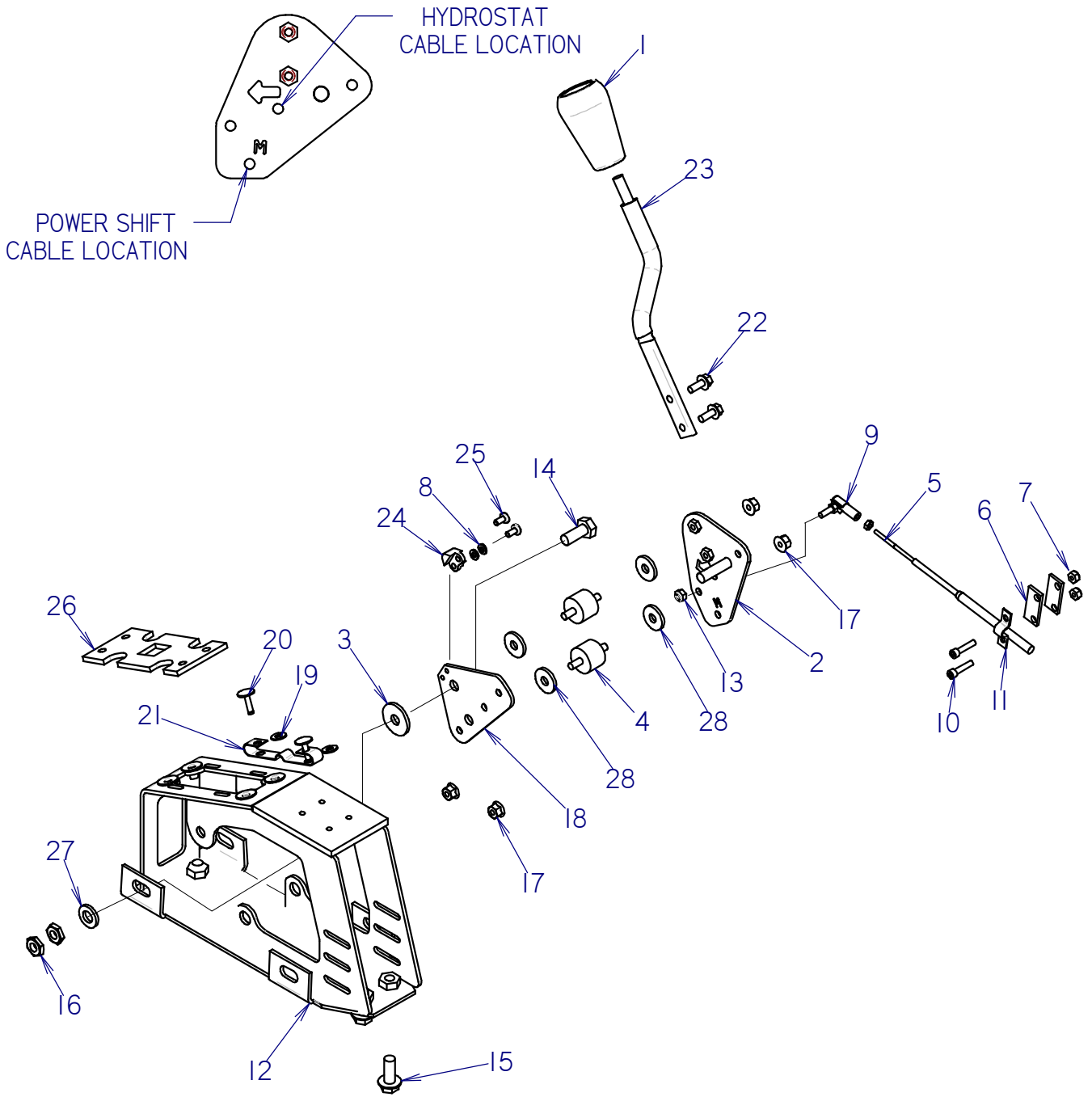
REF NO.	PART NUMBER	QTY	DESCRIPTION	REMARKS
1	117-345	1	CONTROL HANDLE	
2	305-728	1	HANDLE ASSEMBLY	
3	105-263	2	BOLT (1/4-NC X 3/4", CSK, SOC)	
4	178-421	2	BUSHING	
5	110-330	1	DUST BOOT	
6	107-312	4	SCREW (M6-1.00 X 25MM, BUT SOC)	
7	305-727	1	MOUNT ASSEMBLY	
8	107-770	3	LOCKNUT (1/4-NF, NYL INSERT)	
9	105-387	1	LOCKNUT (3/4-NF)	
10	160-540	2	ROD END	
11	105-152	4	NUT (1/4-NF)	
12	179-884	2	ROD (19.44")	
13	106-076	5	WASHER (1/4")	
14	107-790	4	CLEVIS (1/4-NF-LH)	
15	110-082	4	CLEVIS PIN (1/4 X 11/16)	
16	105-508	4	COTTER PIN (3/32" X 1")	
17	105-878	3	NUT (1/4-NF, LH)	
18	179-885	1	ROD (17")	
19	105-085	1	LOCKNUT (1/4"-NC)	
20	305-724	1	LINKAGE PLATE	
21	105-284	1	WASHER (3/16")	
22	105-087	1	BOLT (1/4-NC X 7/8", SOC)	
23	110-565	1	BALL JOINT (1/4-NF)	
24	110-281	1	ROD END (1/4-NF, FM)	
25	107-582	1	SHLD BOLT(3/8" X 1/4",5/16-NC)	

NOT SHOWN:

FOOTNOTES:

NOTE:

GRND SPEED DIRECTION HAND CNTL



GRND SPEED DIRECTION HAND CNTL

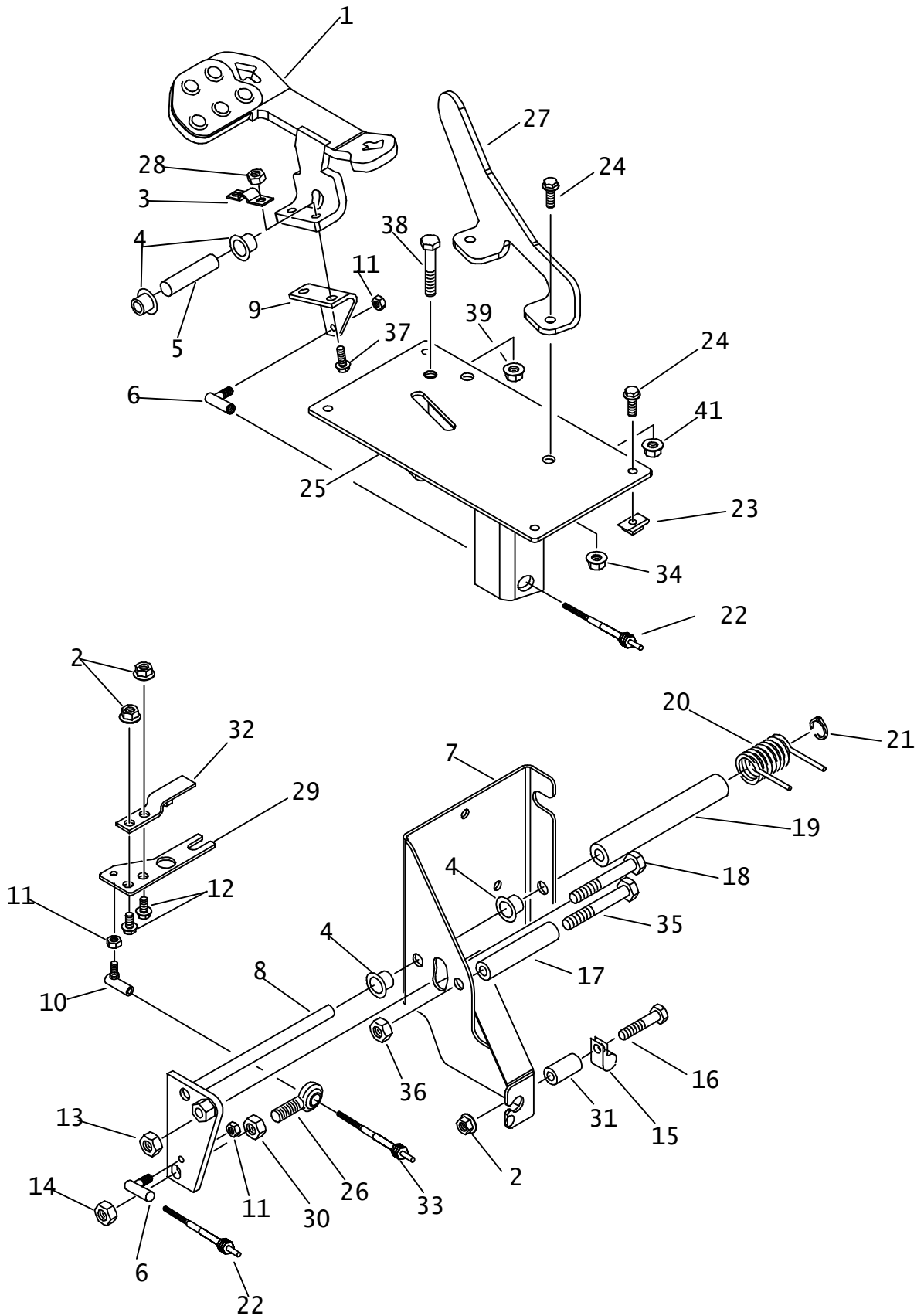
REF NO.	PART NUMBER	QTY	DESCRIPTION	REMARKS
1	110-445	1	KNOB (3/8-NC, ORANGE)	
2	319-914	1	RIGHT CONTROL	SEE FOOTNOTE 3 AND INCLUDES HARDWARE
3	107-529	1	WASHER UHMW (3/8)	
4	116-980	2	SHOCK MOUNT	
5	196-287	1	CONTROL CABLE	SEE FOOTNOTE 4
6	331-166	2	BOLT-ON BACK-UP (.306")	
7	106-048	2	LOCKNUT (#10-24)	
8	106-205	2	WASHER (.191")	
9	110-318	1	BALL JOINT (#10-32, FM)	
10	105-810	2	BOLT (#10-24 X 7/8", SOC)	
11	110-697	1	BOLT-ON CLAMP (.360")	
12	309-227	1	CONTROL LEVER FRAME	
13	107-770	1	LOCKNUT (1/4-NF, NYL INSERT)	
14	105-245	1	SCREW (M10-1.50 X 25MM)	
15	107-001	4	FLG LK SCREW (M10-1.50 X 25MM)	
16	107-769	2	JAM NUT (M10-1.50)	SEE FOOTNOTE 2
17	105-832	4	FLG LOCKNUT (1/4-NC)	
18	310-127	1	PIVOT PLATE	
19	105-284	2	WASHER (3/16")	
20	110-348	2	POP RIVET (3/16" X .664")	
21	115-598	1	SPRING DETENT	
22	106-987	2	FLG LK SCREW (M6-1.00 X 16MM)	
23	117-519	1	CONTROL HANDLE	
24	315-149	1	DETENT TIP	
25	106-271	2	SCREW (M5-0.80 X 8MM, PLPS)	SEE FOOTNOTE 1
26	316-476	1	TEMPLATE	
27	106-396	1	WASHER (M10, HARDENED)	
28	106-261	4	WASHER (.334")	

FOOTNOTES

1. USE LOCTITE 242 OR EQUIVALENT
2. TORQUE TO 70 IN.-LBS.
3. IF ORDERING THIS PART FOR MACHINE WITH S/N _____ OR OLDER, YOU MUST ALSO ORDER LEVER (#319-916) AND REFER TO PARTS PAGE "GRD SPEED DIRECTION FOOT CONTROL", IF THIS UNIT IS EQUIPPED WITH CRUISE CONTROL, PART 319-916 IS NOT NEEDED.
4. 196-287 IS FOR HYDROSTAT TRACTORS. USE 194-196 FOR POWER SHIFT TRACTORS.

NOTE:

GROUND SPEED DIRECTION FOOT CONTROL



GROUND SPEED DIRECTION FOOT CONTROL

REF NO.	PART NUMBER	QTY	DESCRIPTION	REMARKS
1.	309-943	1	PEDAL	
2.	106-387	3	FLG LOCKNUT (M10-1.5)	
3.	310-411	1	CLAMP	
4.	179-293	4	BRONZE BUSHING	
5.	183-221	1	PIN	
6.	110-774	2	BALL JOINT (1/4-NF)	
7.	309-707	1	CABLE BRACKET	
8.	308-441	1	CONTROL ARM	
9.	309-939	1	CABLE BRACKET	
10.	110-318	1	BALL JOINT (#10-32,FM)	
11.	107-770	3	LOCKNUT (1/4-NF, NYL INSERT)	
12.	106-654	2	FLG LK SCREW (M10-1.50 X 16mm)	
13.	106-685	2	LOCKNUT (M12-1.75, PRV TRQ,10.9)	
14.	105-188	1	LOCKNUT (7/16-NF)	
15.	110-333	1	BOLT-ON CLAMP (1")	
16.	106-628	1	SCREW (M10-1.50 X 60mm)	
17.	370-036	1	SPACER	
18.	106-620	1	SCREW (M12-1.75 X 150mm)	
19.	178-582	1	SPACER	
20.	115-650	1	TORSION SPRING	
21.	115-482	1	GRIP RING (.500")	
22.	196-359	1	CONTROL CABLE	
23.	107-135	4	CLIP NUT (M8-1.25)	
24.	106-992	6	FLG LK SCREW (M8-1.25 X 25mm)	
25.	331-595	1	PEDAL MOUNT	
26.	107-604	1	ROD END (7/16-NF)	
27.	319-365	1	PROTECTIVE BAR	
28.	106-175	2	NUT (M10-1.50)	
29.	<u>309-705</u>	1	LEVER	
	319-914	1	LEVER	SEE FOOTNOTE 1
30.	105-920	1	JAM NUT (7/16-NF)	
31.	181-566	1	SLEEVE (1.5")	
32.	365-240	-	CONTROL LEVER	
33.	196-287	-	CONTROL CABLE	
	506-021	-	NUT (#10-32)	
34.	106-386	2	FLG LOCKNUT (M8-1.25)	
35.	105-472	1	BOLT (1/2-NC X 5")	
36.	105-065	1	LOCKNUT (1/2-NC)	
37.	107-002	2	FLG LK SCREW (M10-1.50 X 30mm)	
38.	106-142	1	SCREW (M10-1.50 X 65mm)	
39.	106-387	1	FLG LOCKNUT (M10-1.5)	

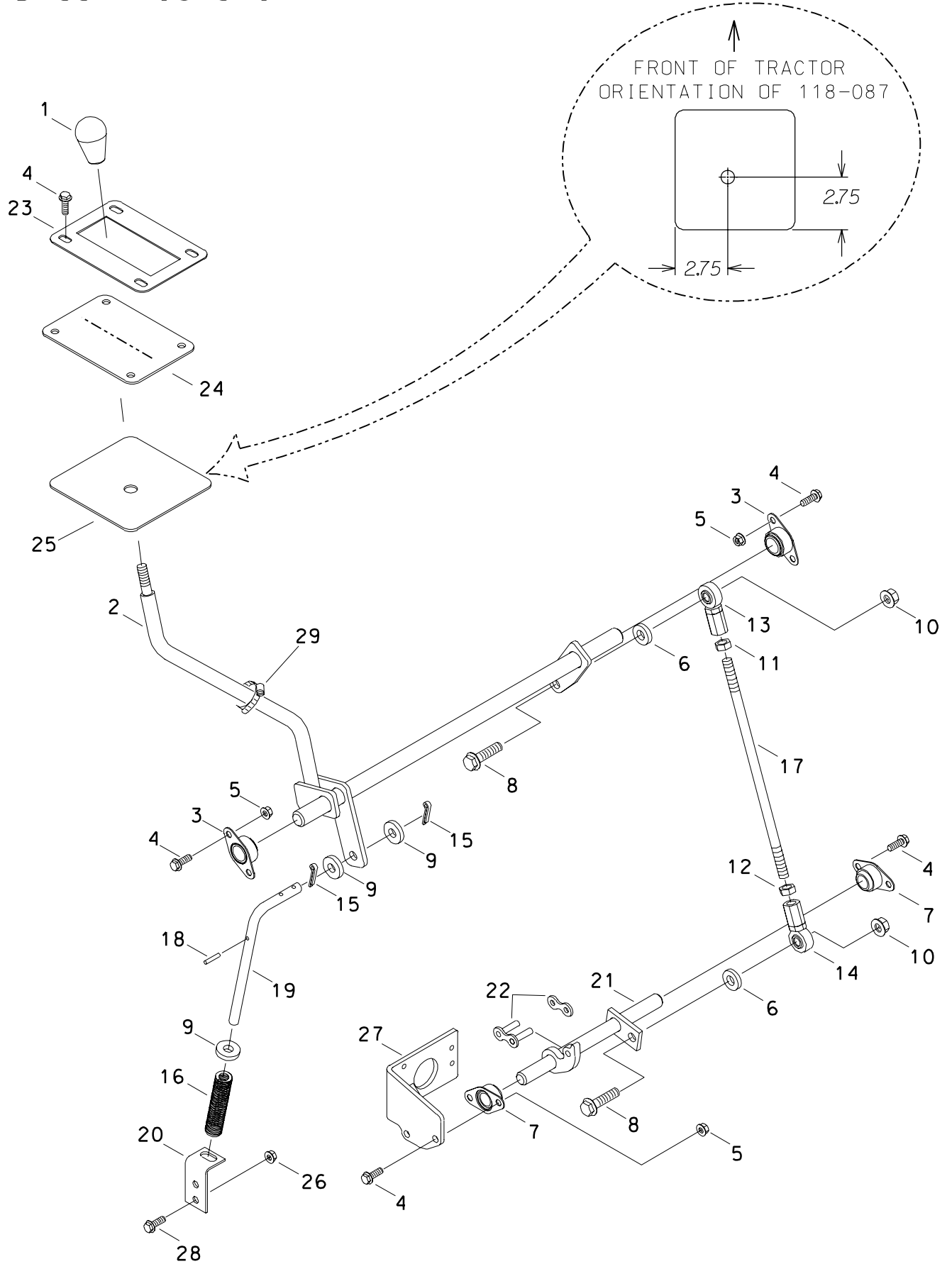
FOOTNOTES:

- I. IF ORDERING THIS PART FOR A MACHINE WITH SERIAL NUMBER_____ OR OLDER, YOU MUST ALSO ORDER NUMBER 319-914 RIGHT CONTROL LEVER, AND REFER TO PARTS PAGE "GRD SPEED DIRECTION HAND CONTROL".

NOTE:

SEE INSTALLATION INSTRUCTIONS

HYDROSTATIC SHIFT



HYDROSTATIC SHIFT

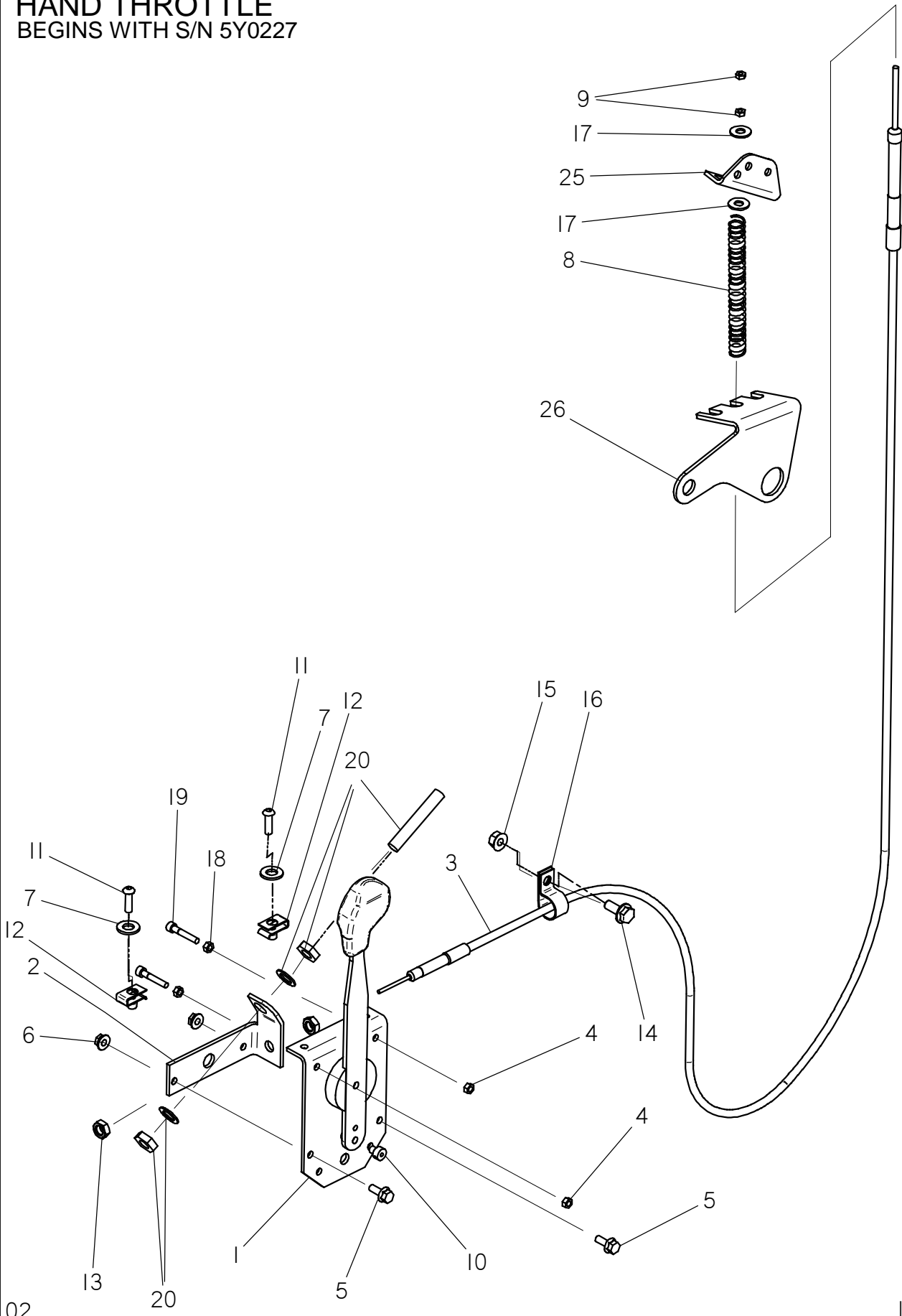
REF NO.	PART NUMBER	QTY	DESCRIPTION	REMARKS
1.	110-375	1	KNOB (1/2-NC, YELLOW)	
2.	307-718	1	SHIFT ARM	
3.	125-488	2	FLANGE BUSHING (.875")	
4.	106-992	12	FLG LK SCREW (M8-1.25 X 25mm)	
5.	106-386	8	FLG LOCKNUT (M8-1.25)	
6.	106-397	2	WASHER (M12, HARDENED)	
7.	125-609	2	BRONZE BUSHING (.750", FLG)	
8.	107-004	2	FLG LK SCREW (M12-1.75 X 45mm)	
9.	105-244	AR	WASHER (1/2")	
10.	106-354	2	FLANGE NUT (M12-1.75)	
11.	106-447	1	JAM NUT (1/2-NF)	
12.	107-573	1	JAM NUT (1/2-NF, LH)	
13.	110-290	1	ROD END (1/2-NF, FM)	
14.	107-574	1	ROD END (1/2-NF, FM, LH)	
15.	105-506	2	COTTER PIN (3/16" X 1-1/2")	
16.	117-019	1	COMPRESSION SPRING	
17.	306-762	1	SHIFT ROD	
18.	106-131	1	DOWEL PIN (.187 X 1.000)	
19.	306-666	1	SPRING ROD	
20.	307-568	1	SPRING MOUNT	
21.	307-567	1	SHIFT ARM	
22.	130-304	1	CONNECTOR LINK (#80)	
23.	307-580	1	BELLOW MOUNT	
24.	307-585	1	BELLOW	
	118-074	1	DUST SHIELD	
25.	118-087	1	DUST SHIELD	
26.	106-266	2	FLG NUT (M10-1.50)	
27.	307-563	-	SHIFT MOUNT	
28.	107-002	2	FLG LK SCREW (M10-1.50 X 30mm)	
29.	110-217	1	WORM CLAMP (7/16" TO 1")	SEE FOOTNOTE 1

FOOTNOTES

1. PLACE WORM CLAMP (110-217) ON SHIFTER TO PREVENT DUST SHIELD (118-087) FROM SLIPPING DOWN.

HAND THROTTLE

BEGINS WITH S/N 5Y0227



02

ID0025136

HAND THROTTLE

BEGINS WITH S/N 5Y0227

REF NO.	PART NUMBER	QTY	DESCRIPTION	REMARKS
1.	306-619	1	CONTROL LEVER	
	117-593	1	KNOB (ORANGE)	
2.	324-666	1	CONTROL BRACKET	
3.	194-539	1	CONTROL CABLE	
4.	106-850	2	LOCKNUT (M5-0.80)	
5.	106-987	2	FLG LK SCREW (M6-1.00 X 16mm)	
6.	106-353	2	FLG NUT (M6-1.00)	
7.	107-744	2	WASHER (M6)	
8.	115-604	1	COMPRESSION SPRING	
9.	506-021	2	NUT (#10-32)	
10.	196-058	1	CABLE SWIVEL (.081")	
	106-205	1	WASHER (.191")	
	505-114	1	THRUST WASHER (.343")	
11.	106-640	2	SCREW (M6-1.00 X 20mm ,BUT SOC)	
12.	106-574	2	CLIP NUT (M6-1.00)	
13.	106-018	2	JAM NUT (3/8-NF)	USE LOCTITE 242 OR ITS EQUIVILENT
14.	106-991	1	FLG LK SCREW (M8-1.25 X 20MM)	
15.	106-386	1	FLG LOCKNUT (M8-1.25)	
16.	110-373	1	BOLT-ON CLAMP (13/16")	
17.	105-095	2	WASHER (1/4")	
18.	106-138	2	NUT (M5-0.8.)	
19.	107-465	2	SCREW (M5-0.80 X 30MM, SOC)	
20.	215-1447	1	PROXIMITY SWITCH 12MM EUROFAST	POWERSHIFT ONLY & REFER TO F/N 1
21.	307-069	-	LEVER BRACKET	
22.	307-068	-	CABLE BRACKET	

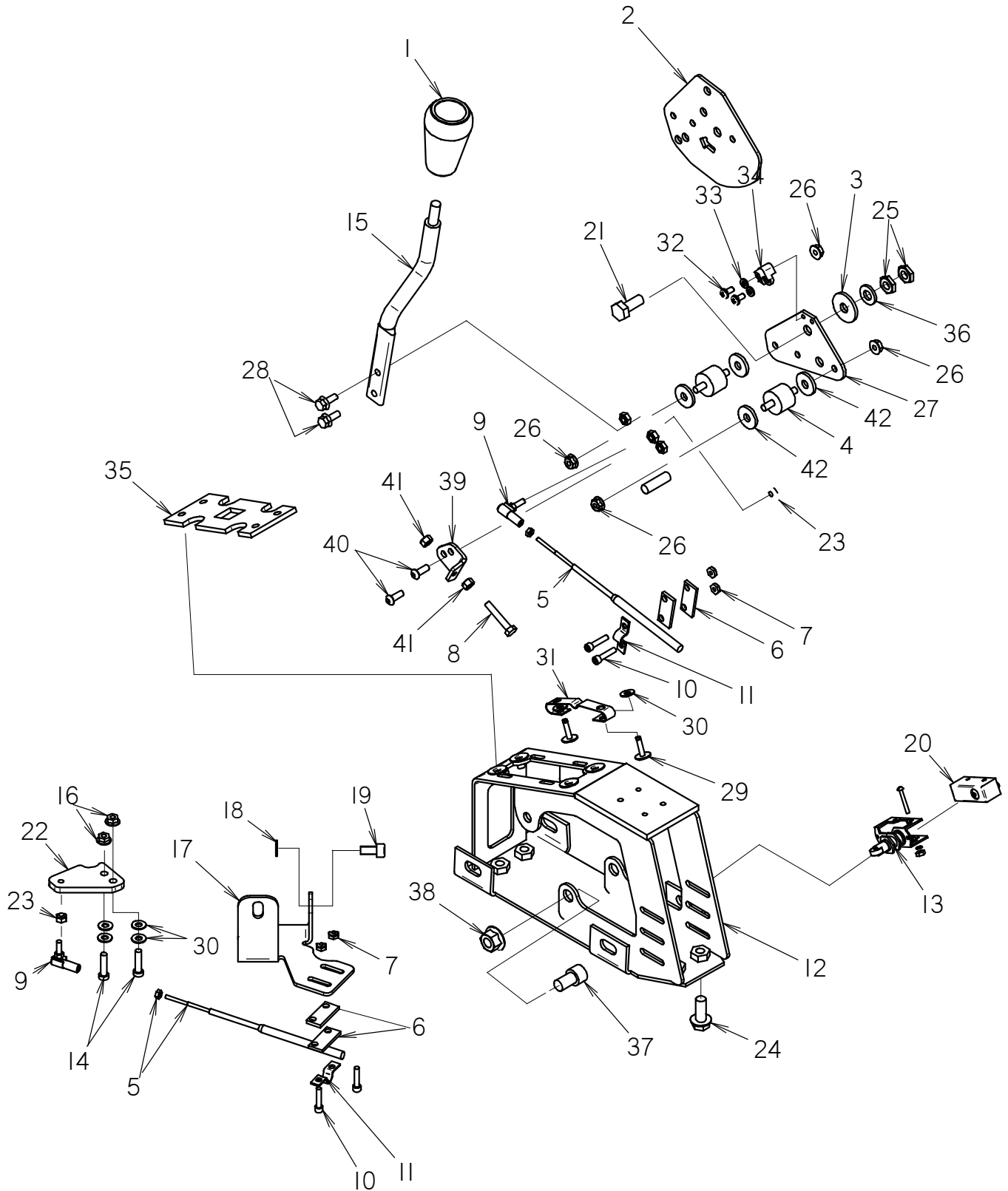
NOT SHOWN:

FOOTNOTES:

- I. PROXIMITY SWITCH 215-1447 SUPERCEDED PROXIMITY SWITCH 213-272

NOTE:

ATTACHMENT CONTROL HANDLE



ATTACHMENT CONTROL HANDLE

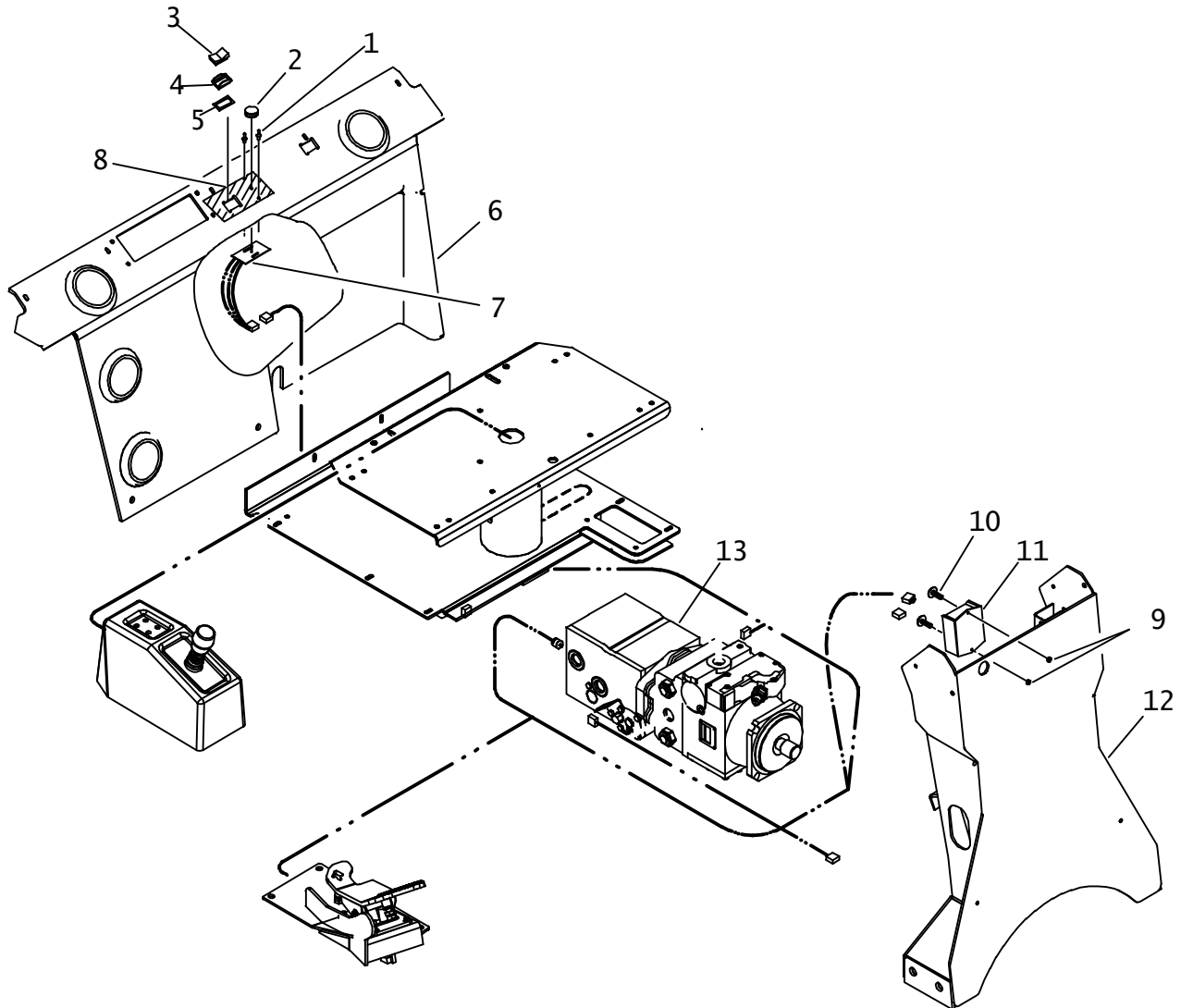
REF NO.	PART NUMBER	QTY	DESCRIPTION	REMARKS
1	117-470	1	KNOB (3/8-NC, YELLOW)	
2	309-671	1	LEFT CONTROL LEVER	
3	107-529	1	WASHER UHMW (3/8)	
4	116-980	2	SHOCK MOUNT	
5	196-294	2	CONTROL CABLE	INCLUDES JAM NUT
6	331-166	4	BOLT-ON BACK-UP (306")	
7	106-048	4	LOCKNUT (#10-24)	
8	105-688	1	SCREW (M6-1.00 X 35MM)	SEE FOOTNOTE 4
9	110-318	2	BALL JOINT (#10-32, FM)	
10	105-810	4	BOLT (#10-24 X 7/8", SOC)	
11	110-697	2	BOLT-ON CLAMP (360")	
12	309-227	1	CONTROL LEVER FRAME	
13	215-082	1	ACTUATOR BRACKET	SEE FOOTNOTE 1 AND INCLUDES HARDWARE
14	107-322	2	SCREW (M6-1.00X25MM,SOC,12.9)	
15	117-519	1	CONTROL HANDLE	
16	106-385	2	FLG LOCKNUT (M6-1.00)	
17	308-682	1	ATTACHMENT BRACKET	
18	106-389	1	WASHER (M8)	
19	106-005	1	SCREW (M8-1.25 X 16MM, SOC)	
20	215-1455	1	PLUNGER SWITCH	SEE FOOTNOTE 1 AND INCLUDES HARDWARE
21	105-245	1	SCREW (M10-1.50 X 25MM)	
22	308-901	1	LEVER EXTENSION	
23	107-770	2	LOCKNUT (1/4-NF, NYL INSERT)	
24	107-001	4	FLG LK SCREW (M10-1.50 X 25MM)	
25	107-769	2	JAM NUT (M10-1.50)	SEE FOOTNOTE 3
26	105-832	4	FLG LOCKNUT (1/4-NC)	
27	310-127	1	PIVOT PLATE	
28	106-987	2	FLG LK SCREW (M6-1.00 X 16MM)	
29	110-348	2	POP RIVET (3/16" X .664")	
30	105-284	6	WASHER (3/16")	
31	115-598	1	SPRING DETENT	
32	106-271	2	SCREW (M5-0.80 X 8MM, PLPS)	SEE FOOTNOTE 2
33	106-205	2	WASHER (191")	
34	315-149	1	DETENT TIP	
35	316-476	1	TEMPLATE	
36	106-396	1	WASHER (M10, HARDENED)	
37	107-277	1	SCREW (M12-1.75 X 20MM, SOC)	SEE FOOTNOTE 4
38	106-709	1	FLG LK NUT (M12-1.75)	SEE FOOTNOTE 4
39	316-851	1	STOP	SEE FOOTNOTE 4
40	107-193	2	SCREW (M6-1.00 X 16MM,BUT SOC)	SEE FOOTNOTE 2
41	106-538	2	LOCKNUT (M6-1.00,PRV TRQ,10.9)	SEE FOOTNOTE 4
42	106-261	4	WASHER (334")	

FOOTNOTES:

1. USED W/COMBO ATTACHMENTS
2. USE LOCTITE 242 OR EQUIVALENT
3. TORQUE TO 70 IN-LBS
4. USE WITH H732, H752, H932, H952

NOTE:

CRUISE CONTROL



CRUISE CONTROL

REF NO.	PART NUMBER	QTY	DESCRIPTION	REMARKS
1.	110-560	2	POP RIVET (3/16" X 1/2 ", ALUM)	
2.	110-641	1	KNOB (1/8", BLK)	
3.	217-762	1	ROCKER SWITCH (SPDT)	
4.	110-854	1	SWITCH ACTUATOR GUARD	
5.	165-817	1	SWITCH GASKET	
6.	306-492	-	REAR PANEL	REFER TO (TILT STEERING) FOR DETAILS
7.	217-892	1	POTENTIOMETER-AUTOCROWD	
8.	273-449	1	CRUISE CONTROL OVERLAY	
9.	106-048	2	LOCKNUT (#10-24)	
10.	105-815	2	BOLT (#10-24 X 1", PAN SLT)	
11.	220-645	1	GENERALCRUISE CONTROL	SEE FOOTNOTE 3
12.	315-142	-	PEDESTAL	
13.	152-107	1	TANDEM PUMP (CRUISE CONTROL)	RT115/RT95 & SEE FOOTNOTE 1
	158-194	-	ATTACHMENT PUMP	RT115/RT95 & SEE FOOTNOTE 2
	157-354	-	GROUND DRIVE PUMP	EDC
	153-866	1	TANDEM PUMP (CRUISE CONTROL)	RT75
	158-039	-	ATTACHMENT PUMP	RT75
	157-354	-	GROUND DRIVE PUMP	EDC

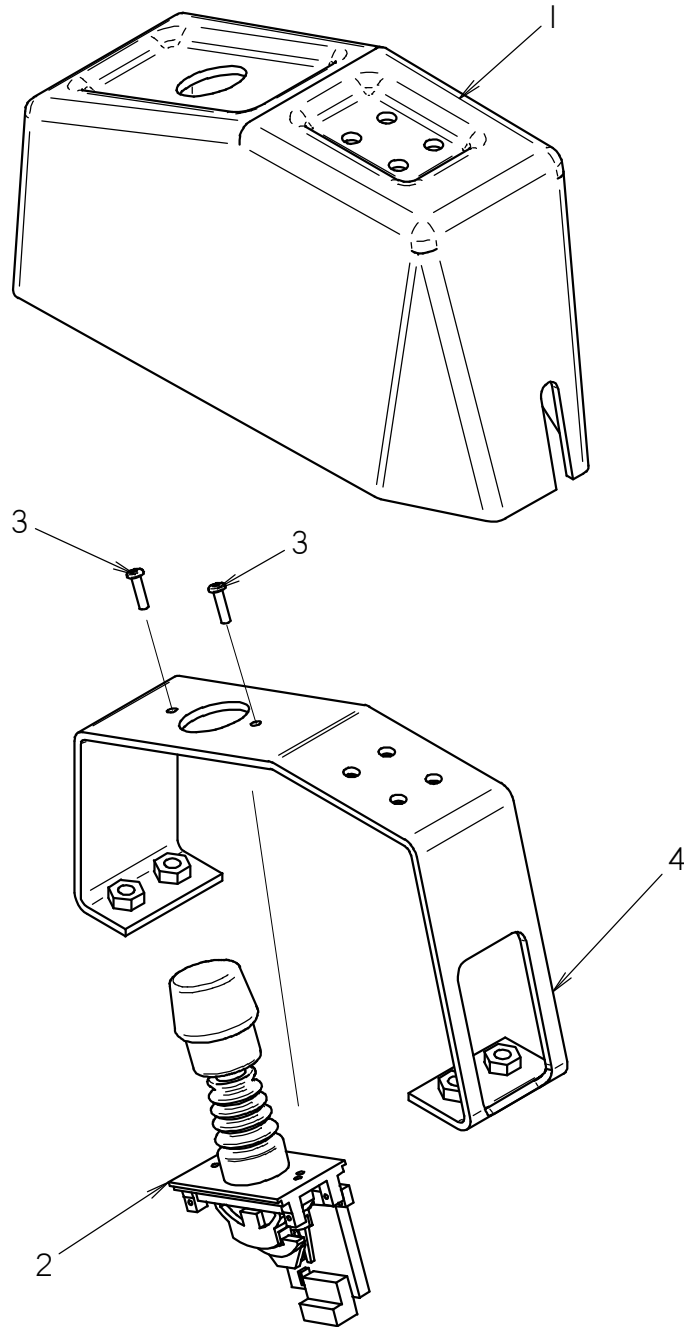
NOT SHOWN

FOOTNOTES

1. TANDEM PUMP 152-107 SUPERCEDES PUMP 153-867.
2. ATTACHMENT PUMP 158-194 SUPERCEDES PUMP 158-038.
3. CRUISE CONTROL 220-645 SUPERCEDES CRUISE CONTROL 220-569.

NOTE

CRUISE HAND CONTROL



CRUISE HAND CONTROL

REF NO.	PART NUMBER	QTY	DESCRIPTION	REMARKS
1	324-563	1	RIGHT SEAT CRUISE CONSOLE	
2	215-1663	1	SINGLE AXIS 12V HAND CONTROL, ORG KNOB	SEE FOOTNOTES 1 & 2
3	105-649	2	BOLT (#10-32 X .75", BUT)	
4	323-963	1	CRUISE HAND CONTROL BASE	

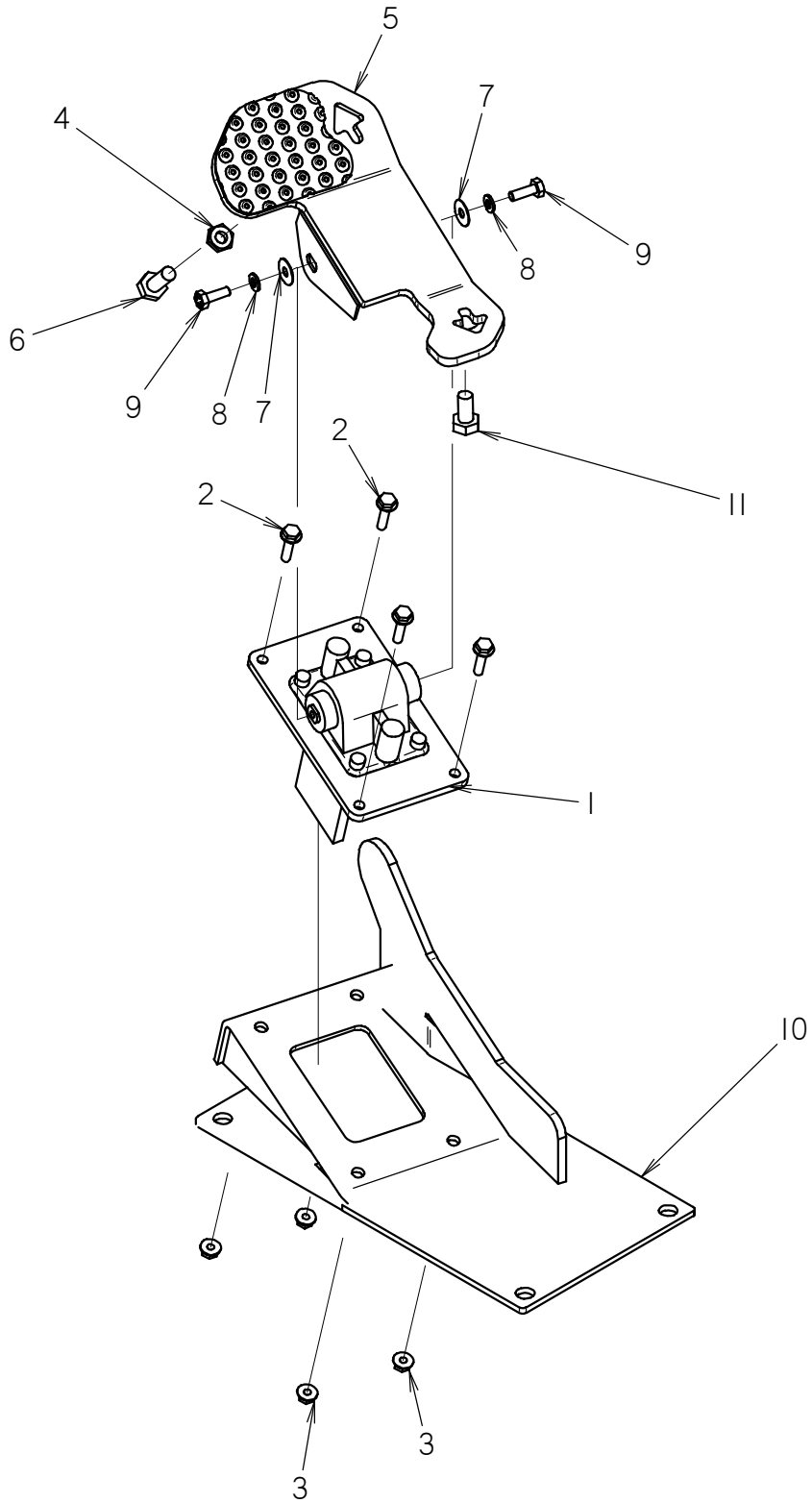
NOT SHOWN:

FOOTNOTES:

1. HAND CONTROL 215-1536 SUPERSEDEDS 215-1242. BEGINS WITH S/N CMWRT80XP90000002, CMWRT95HC90000366, CMWRT5T3J90000131.
2. HAND CONTROL 215-1536 HAS BEEN REPLACED BY 215-1663.

NOTE:

CRUISE FOOT CONTROL



CRUISE FOOT CONTROL

REF NO.	PART NUMBER	QTY	DESCRIPTION	REMARKS
1	215-1537	1	SINGLE AXIS 12V FOOT CONTROL	SEE FOOTNOTE 1 SUPERCEDES 215-1243
2	106-848	4	FLG SCREW (M6-1.00 X 25MM)	
3	106-385	4	FLG LOCKNUT (M6-1.00)	
4	107-769	1	JAM NUT (M10-1.50)	
5	324-554	1	PEDAL	
6	106-079	1	SCREW (M10-1.50 X 30MM)	
7	107-092	2	WASHER (.254")	
8	105-079	2	LOCK WASHER (1/4)	
9	105-865	2	BOLT (1/4-NC X 3/4", GD8)	
10	323-921	1	CRUISE FOOT CONTROL BASE	
11	105-274	1	SCREW (M10-1.50 X 20MM, 10.9)	

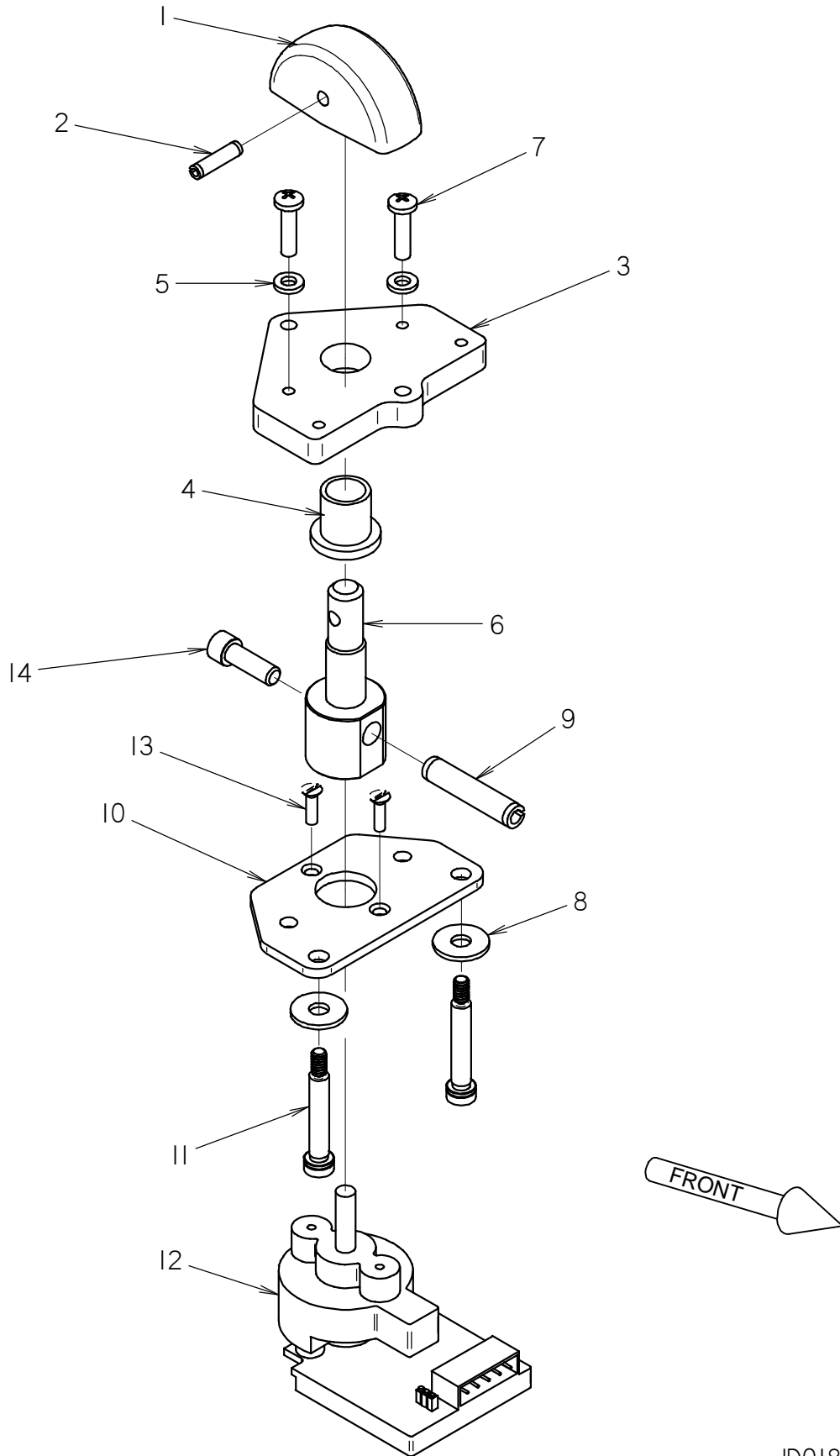
NOT SHOWN:

FOOTNOTES:

RT80, 95 115T3 BEGINS WITH S/N CMWRT80XP90000002, CMWRT95HC90000366, CMWRT5T3J90000131.

NOTE:

REAR STEER CONTROL



REAR STEER CONTROL

REF NO.	PART NUMBER	QTY	DESCRIPTION	REMARKS
	350-1919	-	REAR STEER CONTROL	INCL. REF #S 1 THRU 14
1	117-887	1	KNOB	
2	105-522	1	ROLL PIN (3/16" X 3/4")	
3	318-366	1	MOUNT PLATE	
4	125-447	1	BUSHING	
5	106-205	2	WASHER (191")	
6	300-4783	1	SHAFT	
7	106-049	2	BOLT (#10-24 X 3/4", PLPS)	
8	107-801	2	WASHER (M6)	
9	105-529	1	ROLL PIN (5/16" X 1-1/2")	
10	318-367	1	BOTTOM PLATE	
11	107-785	2	SHLD BLT(1/4" X 1-1/4",#10-24)	SEE FOOTNOTE 1
12	215-1225	1	SWITCH, ROTARY HALL EFFECT	SEE FOOTNOTE 2
13	106-601	2	SCREW (#6-32 X 1/2", CSK)	SEE FOOTNOTE 1
14	105-161	1	BOLT (1/4-NC X 3/4", SOC)	SEE FOOTNOTE 1

NOT SHOWN:

FOOTNOTES:

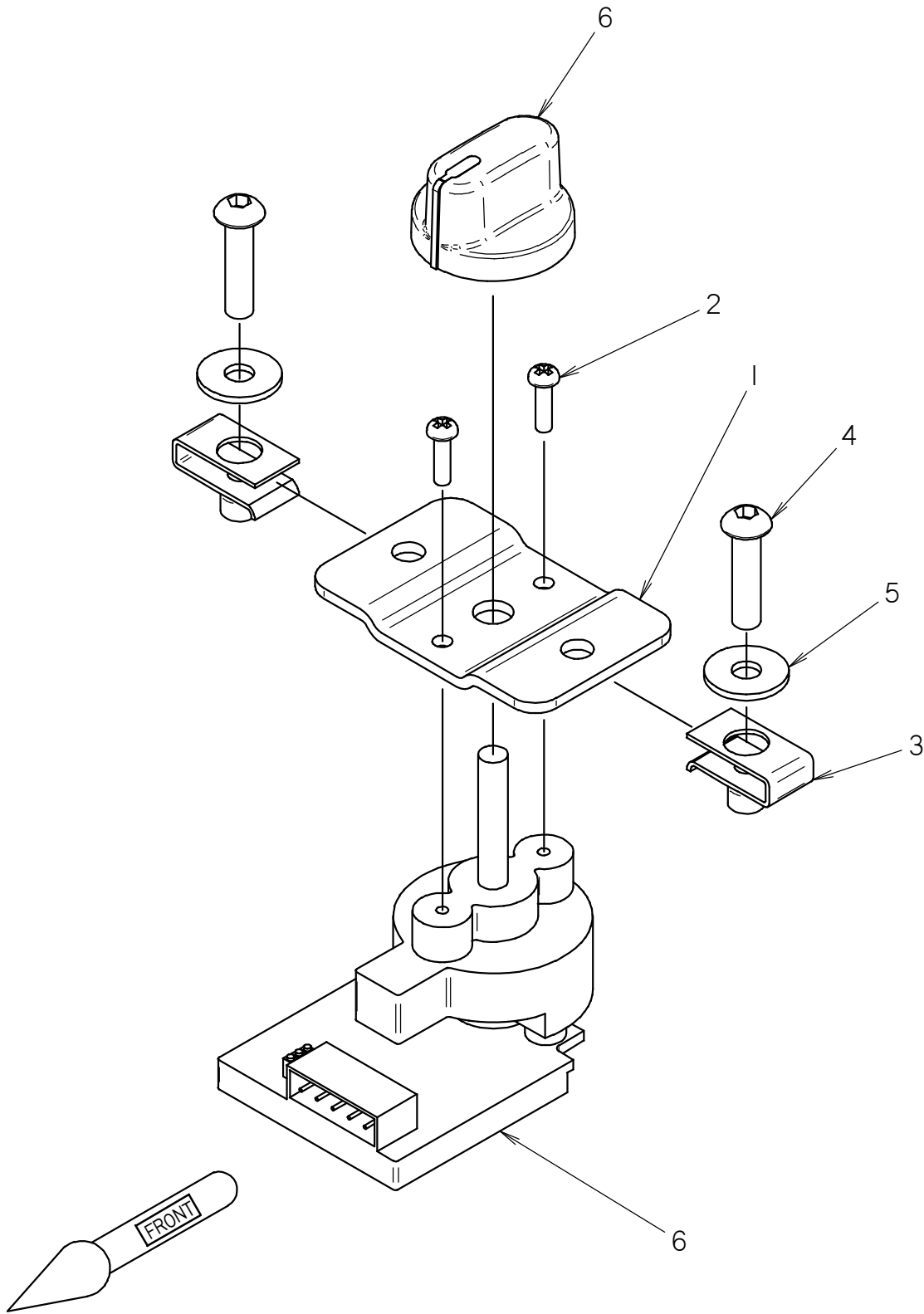
1. USE LOCTITE 242 OR EQUIVALENT
2. SENSOR 215-1225 HAS BEEN SUPERSEDED BY KIT 190-1613. SEE PARTS PAGE ID0257134 FOR S/N BREAKS AND LIST OF PARTS.

NOTE:

REAR STEER CONTROL ASSEMBLY 350-1919 HAS BEEN SUPERSEDED. ORDER KIT 190-1613 IF REPLACING ASSEMBLY 350-1919 OR SENSOR 215-1225.

REAR STEER MANUAL CONTROL KIT

BEGINS WITH S/N: CMWR15T3VA0000170, CMWRT95MEA0000327, & CMWRT95HLA0000392



REAR STEER MANUAL CONTROL KIT

BEGINS WITH S/N: CMWR15T3VA0000170, CMWRT95MEA0000327, & CMWRT95HLA0000392

REF NO.	PART NUMBER	QTY	DESCRIPTION	REMARKS
	190-1613		REAR STEER MANUAL CONTROL KIT	INCLUDES ITEMS 1 - 6
1	301-0531	1	MANUAL CONTROL MOUNT PLATE	
2	106-367	2	SCREW (#6-32 X 1/2" PLPS SS)	SEE FOOTNOTE 2
3	106-574	2	CLIP NUT (M6-1.00)	
4	107-312	2	SCREW (M6-1.00 X 25MM, BUT SOC)	
5	107-801	2	WASHER (M6)	
6	215-1619	1	SENSOR, ROTARY HALL EFFECT (1.30" SHAFT)	SEE FOOTNOTE 1

NOT SHOWN:

FOOTNOTES:

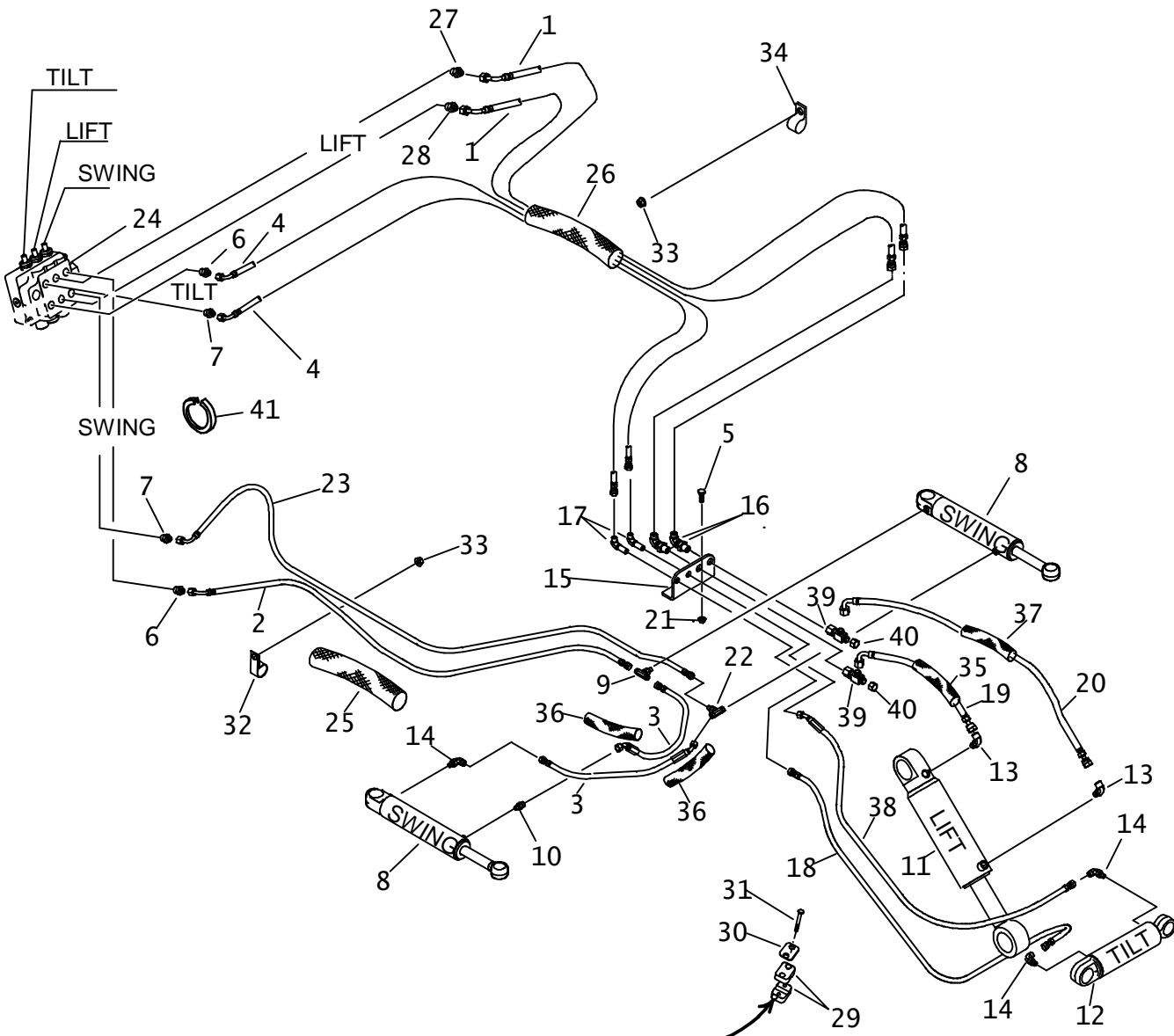
1. THE MANUAL CONTROL KNOB FOR THE 215-1619 SENSOR HAS SERVICE PART NUMBER 500-2008.
2. USE LOCTITE 242 OR EQUIVALENT.

NOTE:

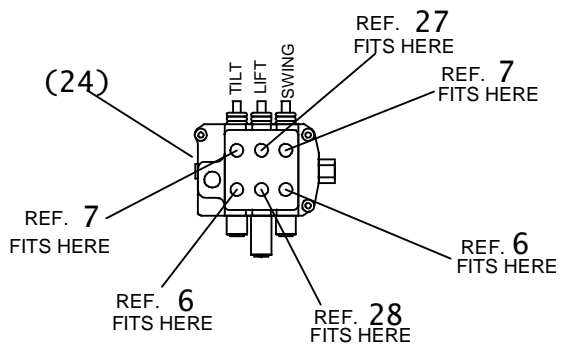
KIT 190-1613 SUPERSEDES SENSOR 215-1225, SHOWN ON PARTS PAGE ID0183867.

HYDRAULICS

BACKFILL BLADE HYDRAULICS



FOOTNOTE 2



BACKFILL BLADE HYDRAULICS

REF NO.	PART NUMBER	QTY	DESCRIPTION	REMARKS
1.	153-074	2	HOSE (060FX90-88"-3000)	LIFT
2.	153-968	1	HOSE (040FX90S-82"-5000)	SWING
3.	515-310	2	HOSE (040FX45-22"-5000)	SWING
4.	515-137	2	HOSE (040FX90-90"-3000)	TILT
5.	106-327	2	SCREW (M8-1.25 X 30mm)	
6.	154-261	2	CONNECTOR (040-08S)	
7.	154-374	2	CONNECTOR (040-08S, ORF)	
8.	151-057	2	CYL (2.0" X 1.25" X 8.0")	SEE FOOTNOTE 1
9.	154-293	1	BRANCH TEE (04S-040-040)	
10.	154-278	1	CONNECTOR (04S-040)	
11.	151-070	1	CYL (3" X 1.75" X 8")	SEE FOOTNOTE 1
12.	151-202	1	CYL (2" X 1" X 3.38")	SEE FOOTNOTE 1
13.	154-342	2	CONNECTOR (06S-06090)	
14.	154-252	3	CONNECTOR (04S-04090)	
15.	307-416	1	BK BRACKET	
16.	154-229	2	BK CONNECTOR (060-06090BK)	
17.	154-355	2	BK CONNECTOR (040-04090BK)	
18.	154-921	1	HOSE (040FX-54"-3000-AR)	TILT
19.	515-586	1	HOSE (060FX90-21"-3000)	LIFT
20.	515-221	1	HOSE (060FX90S-28"-3000)	LIFT
21.	106-386	2	FLG LOCKNUT (M8-1.25)	
22.	154-316	1	RUN TEE (04S-040-040)	
23.	153-967	1	HOSE (040FX90S-90"-5000)	SWING
24.	159-809	-	HYD. CONTROL VALVE (3-SPOOL)	
25.	117-691	1	ABRASION SLEEVE (1.25" X 68")	
26.	115-920	1	ABRASION SLEEVE (2.38" X 70")	
27.	514-294	1	CONNECTOR (08S-060, ORF)	
28.	154-222	1	CONNECTOR (060-08S)	
29.	110-866	2	CLAMP SET (1/2")	SEE FOOTNOTE 2
30.	110-958	2	BACKUP PLATE	
31.	105-818	4	BOLT (1/4-NC X 1-1/2")	
32.	110-332	1	BOLT-ON CLAMP (1-5/8")	SEE FOOTNOTE 3
33.	105-003	2	FLG LOCKNUT (5/16-NC)	SEE FOOTNOTE 3
34.	110-333	1	BOLT-ON CLAMP (1")	SEE FOOTNOTE 3
35.	117-328	1	ABRASION SLEEVE (1.00" X 18")	
36.	117-672	2	ABRASION SLEEVE (1.00" X 20")	
37.	117-409	1	ABRASION SLEEVE (1.00" X 28")	
38.	153-973	1	HOSE (040FX45-54"-3000-AR)	TILT
39.	154-344	2	UN RUN TEE (060FX-060-060)	
40.	154-326	2	CAP (060F)	
41.	116-259	AR	BULK EDGE (1/2", SOLD PER FT)	USE 1 @ 20" & SEE FOOTNOTE 4

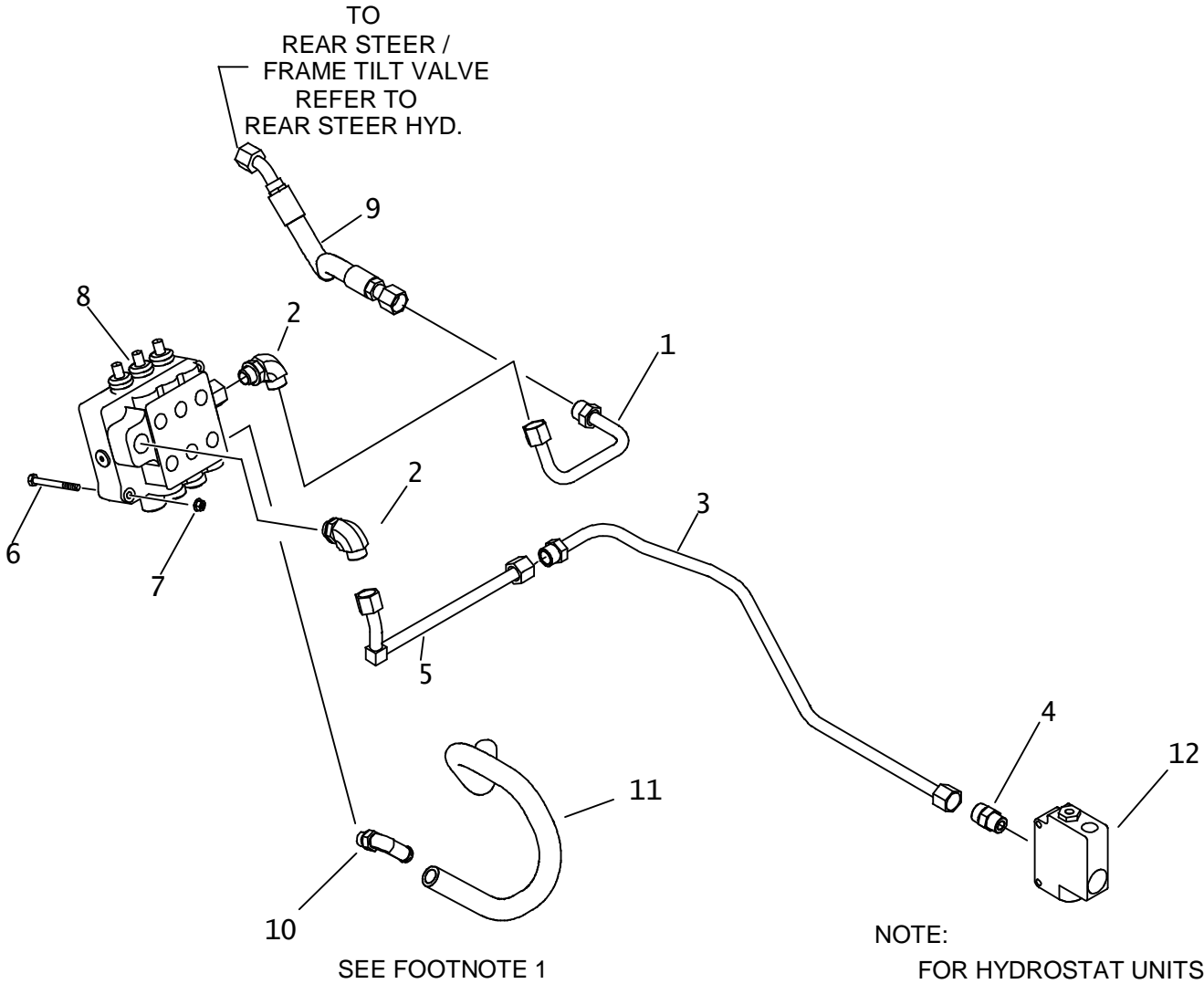
FOOTNOTES:

1. REFER TO PARTS PAGE "BACKFILL BLADE ASSEMBLY" FOR CYLINDER INSTALLATION HARDWARE.
2. CLAMP SET (110-866) BOLTS ONTO WELD PLATE ON BFB LIFT ARM.
3. #110-333, 105-003 & 110-332 ATTACH TO STUD BOLTS ON FRAME PLATES.
4. USE EDGING ON FRAME WHERE HOSE'S PASS THRU.

NOTE:

REFER TO O-RING CHART (800-301) IN BACK OF THE BOOK FOR REPLACEMENT OF O-RINGS.

BACKFILL BLADE VALVE RT95



BACKFILL BLADE VALVE RT95

REF NO.	PART NUMBER	QTY	DESCRIPTION	REMARKS
1.	149-851	1	HYD LINE (-10)	
2.	154-298	2	CONNECTOR (10S-10090)	
3.	149-849	1	HYD LINE (-10)	
4.	154-301	1	CONNECTOR (10S-100)	
5.	157-322	1	HYD LINE (-10)	
6.	105-292	3	SCREW (M8-1.25 X 75mm)	
7.	106-386	3	FLG LOCKNUT (M8-1.25)	
8.	<u>158-033</u>	1	HYD. CONTROL VALVE (3-SPOOL)	ENDS WITH S/N_____, SEE FOOTNOTE 1
	159-809	1	HYD. CONTROL VALVE (3-SPOOL)	BEGINS WITH S/N_____.
9.	153-907	1	HOSE (100FX45-16"-3000)	
10.	154-362	-	S/O COUPLER (10S-12H90)	
11.	116-636	-	BULK HOSE (3/4", SOLD PER 1')	USE 1 @ 25"
12.	157-917	-	PRIORITY VALVE	

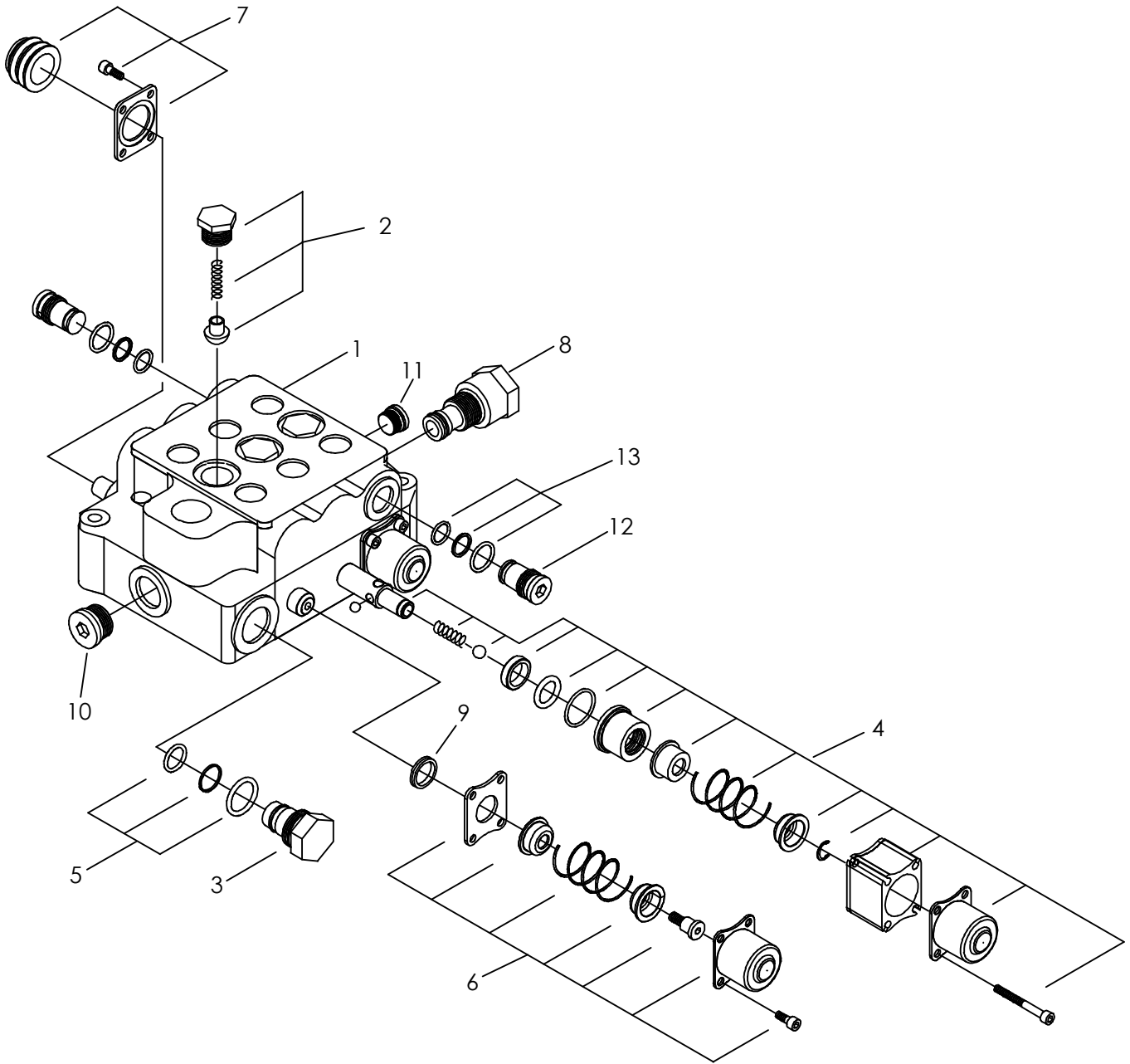
FOOTNOTES

- FOR BFB VALVE RETURN HOSE'S REFER TO PAGE "PUMP DRIVE HYDRAULICS" FOR HYDROSTATICS OR PAGE "GROUND DRIVE MOTOR HYDRAULICS" FOR POWERSHIFTS.

NOTE

REFER TO O-RING CHART (800-301) IN BACK OF THE BOOK FOR REPLACEMENT OF O-RINGS.

HYDRAULIC CONTROL VALVE 3 SPOOL UPPER VALVE



HYDRAULIC CONTROL VALVE 3 SPOOL UPPER VALVE

REF NO.	PART NUMBER	QTY	DESCRIPTION	REMARKS
1.	158-033	1	HYD CONTROL VALVE (3-SPOOL)	ENDS WITH S/N_____. OBSOLETE
	159-809	1	HYD CONTROL VALVE (3-SPOOL)	BEGINS WITH S/N_____. USE FLOAT KIT 500-2020
2.	500-933	3	LOAD CHECK PLUG KIT	
3.	599-278	1	NR PLUG KIT	
4.	500-935	1	FLOAT POSITIONER KIT	
5.	191-149	1	PLUG SEAL KIT	
6.	500-934	2	SPOOL POSITIONER KIT	
7.	191-153	3	SPOOL BOOT KIT	
8.	191-157	1	POWER BEYOND SLEEVE	
9.	191-151	6	SPOOL LIP SEAL KIT	
10.	155-179	1	PLUG (10S, SOC)	
11.	154-384	1	PLUG (06S)	
12.	599-279	2	WORK PORT NR PLUG KIT	
13.	500-928	2	SEAL REPAIR KIT	

NOT SHOWN:

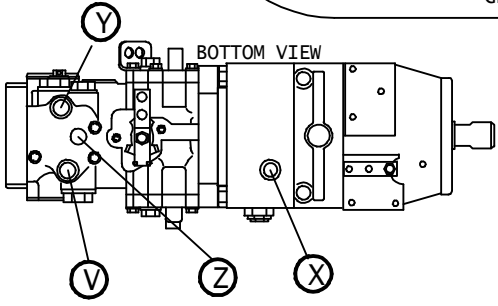
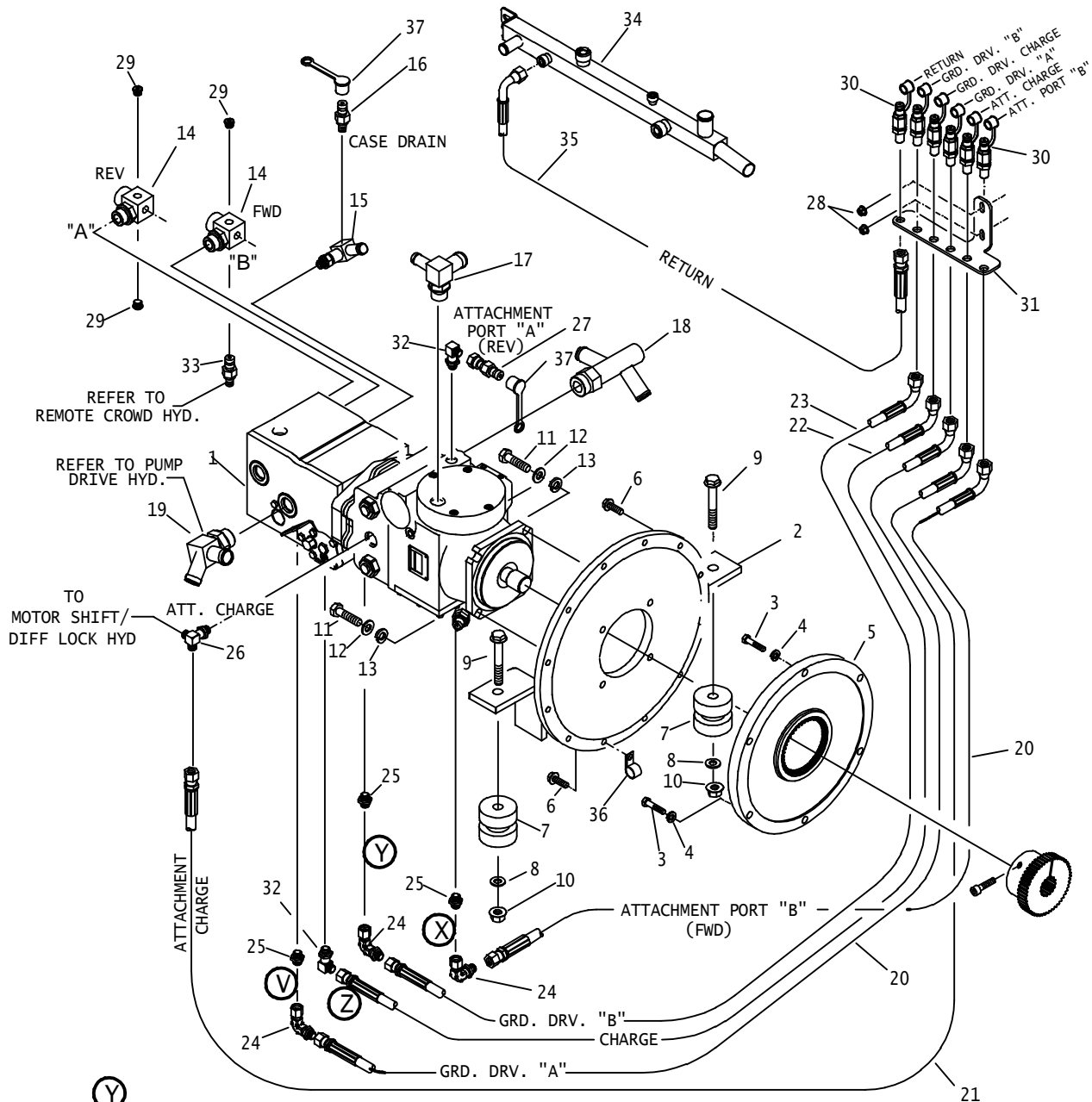
FOOTNOTES:

1. EARLY PRODUCTION VALVES HAVE A MACHINED WORK PORT WITH A PLUG INSTALLED, FUTURE PRODUCTION VALVES WILL NOT HAVE A MACHINED WORK PORT.

NOTE:

REFER TO O-RING CHART (800-301) IN BACK OF THE BOOK FOR REPLACEMENT OF O-RINGS.

PUMP HYDROSTATIC ASSEMBLY



- NOTES:
- 1: REFER TO PARTS PAGE "PUMP DRIVE HYDRAULICS" FOR HYDRAULIC HOSE ROUTING INFORMATION.
 - 2: HUB ON PUMP MEASURES 2-3/4" FROM PUMP MOUNTING SURFACE TO CENTER OF SPLINES.

PUMP HYDROSTATIC ASSEMBLY

REF NO.	PART NUMBER	QTY	DESCRIPTION	REMARKS
1.	<u>158-049</u>	1	TANDEM PUMP	ENDS WITH S/N_____.
	150-3061	1	TANDEM PISTON PUMP	BEGINS WITH S/N_____; SEE FOOTNOTE 6
	<u>158-038</u>		ATTACHMENT PUMP	ENDS WITH S/N_____.
	158-194		ATTACHMENT PUMP	BEGINS WITH S/N_____.
	214-892		PRESSURE SWITCH	SEE FOOTNOTE 4
	190-679		SEAL REPAIR KIT	
	500-763		MULTIFUNCTION VALVE - RELIEF	
	500-764		MULTIFUNCTION VALVE (#1)	
	158-040		GROUND DRIVE PUMP	
	500-806		SEAL REPAIR KIT	
	499-448		SERVO COVER	
	499-447		SERVO COVER (FULL DISPL.)	
	165-728		SERVO GASKET	
	500-639		NEUTRAL START SWITCH	SEE FOOTNOTE 5
2.	307-330	1	PUMP MOUNT	
3.	107-416	6	BOLT (5/16-NC X 1-1/2")	SEE FOOTNOTE 1
4.	105-072	6	LOCK WASHER (3/8")	
5.	165-889	1	FLYWHEEL COUPLING	SEE FOOTNOTE 3
6.	106-383	12	FLG LK SCREW (M10-1.50 X 30mm)	SEE FOOTNOTE 1
7.	116-151	2	SHOCK MOUNT	
8.	105-475	4	WASHER (1/2")	
9.	105-993	2	FLG BOLT (5/8-NC X 4")	
10.	105-994	2	FLG LOCKNUT (5/8-NC)	
11.	105-066	4	BOLT (1/2-NC X 1-3/4")	SEE FOOTNOTE 1
12.	105-244	4	WASHER (1/2")	
13.	105-070	4	LOCK WASHER (1/2")	
14.	149-058	2	RUN TEE (16S-120-06SF-06SF-06SF)	REFER TO PUMP DRIVE HYD. PARTS PAGE
15.	155-198	1	S/O COUPLER (12S-12H90-06SF)	
16.	159-147	1	QDC ADAPTER (02-06S)	
17.	155-224	1	S/O BRANCH TEE (12S-12H-16H90)	
18.	149-820	1	S/O COUPLER (16S-16H90-16H45, XL)	
19.	149-819	1	S/O COUPLER (16S-16H-16H45)	
20.	153-911	2	HOSE (040FX90-10"-5000-AR)	
21.	515-462	1	HOSE (040FX90-22"-3000-AR)	
22.	515-396	1	HOSE (040FX90-8.0"-5000)	
23.	515-358	1	HOSE (040FX90-11"-5000)	
24.	154-255	3	UNION (040-040FX90)	
25.	154-220	3	CONNECTOR (040-06S)	
26.	154-230	-	BRANCH TEE (06S-040-040)	REFER TO MOTOR SHIFT/DIFF LOCK HYD. PARTS PAGE
27.	159-156	1	QDC ADAPTER (02-040F)	
28.	105-003	2	FLG LOCKNUT (5/16-NC)	
29.	154-384	3	PLUG (06S)	
30.	155-260	6	BK QDC ADAPTER (02-040BK)	
31.	310-246	1	TEST PORT BRACKET	SEE FOOTNOTE 2
32.	154-226	2	CONNECTOR (040-06S90)	
33.	159-381	-	CHECK VALVE (06S-060)	REFER TO PUMP DRIVE HYDRAULICS PARTS PAGE
34.	307-535	-	RETURN MANIFOLD	
35.	515-085	1	HOSE (040FX90-8.5"-3000)	
36.	110-332	1	BOLT-ON CLAMP (1-5/8")	
37.	159-148	2	DUST CAP (1/8")	

NOT SHOWN:

FOOTNOTES:

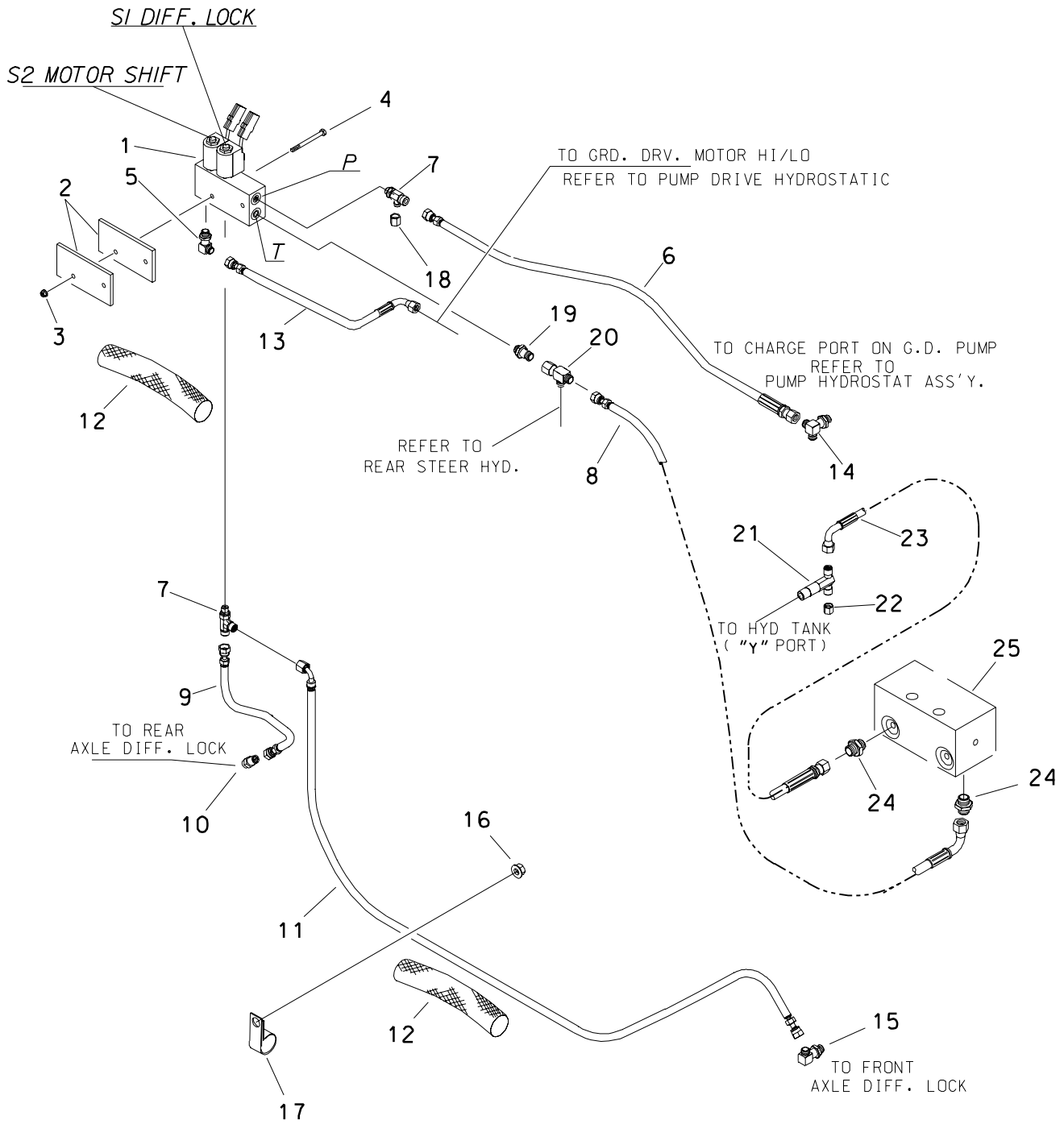
1. USE LOCTITE NO. 242 OR ITS EQUIVALENT
2. TEST PORT BRACKET (REF 31) BOLTS TO 5/16 " STUD BOLTS ON FRAME.
3. TORQUE TO 90 FT-LBS AND USE 242 LOCTITE.
4. ATTACHMENT PUMP (90 SERIES) NEUTRAL SWITCH.
5. G.D. PUMP (M46) NEUTRAL SWITCH; W/O CRUISE CONTROL.
6. PUMP 150-3061 SUPERSEDES 158-193 AND IS A DIRECT REPLACEMENT.

NOTE:

REFER TO O-RING CHART (800-301) IN BACK OF THE BOOK FOR REPLACEMENT OF O-RINGS.

MOTOR SHIFT/DIFF LOCK HYDRAULICS

HYDROSTATIC
 BEGINS WITH S/N 5X0710.



MOTOR SHIFT/DIFF LOCK HYDRAULICS

HYDROSTATIC

BEGINS WITH S/N 5X0710.

REF NO.	PART NUMBER	QTY	DESCRIPTION	REMARKS
1.	157-246	1	MANIFOLD (2-SP)	SEE FOOTNOTE 2
	214-491		COIL, 12V	
	499-446		SOLENOID (3 WAY-2 POS VALVE)	
2.	306-885	2	MOUNT PLATE	SEE FOOTNOTE 3
3.	106-385	2	FLG LOCKNUT (M6-1.00)	
4.	106-566	2	SCREW (M6-1.00 X 70mm)	
5.	154-252	1	CONNECTOR (04S-04090)	
6.	515-249	1	HOSE (040FX-26"-3000)	
7.	154-316	2	RUN TEE (04S-040-040)	DIFF. LOCK
8.	515-716	1	HOSE (060FX90-42"-3000)	
9.	154-743	1	HOSE (040FX90S-23"-3000)	
10.	154-220	1	CONNECTOR (040-06S)	
11.	515-174	1	HOSE (040FX90-74"-3000)	
12.	117-611	2	ABRASION SLEEVE (1.00" X 22")	
13.	154-726	1	HOSE (040FX90-15"-3000)	
14.	154-230	1	BRANCH TEE (06S-040-040)	
15.	154-226	1	CONNECTOR (040-06S90)	
16.	105-003	1	FLG LOCKNUT (5/16-NC)	SEE FOOTNOTE 1
17.	110-333	1	BOLT-ON CLAMP (1")	SEE FOOTNOTE 1
18.	154-296	1	CAP (040F)	
19.	154-411	1	CONNECTOR (04S-060)	
20.	154-344	1	UN RU TEE (060FX-060-060)	
21.	159-643	1	TEE (08N-060-060 X 2.375")	
22.	154-326	1	CAP (060F)	
23.	157-899	-	HOSE (060FX90S-11"-3000)	REFER TO PAGE "REMOTE CROWD HYDRAULICS"
24.	154-221	-	CONNECTOR (06S-060)	
25.	159-218	-	HYD. MANIFOLD (4-PORT)	

FOOTNOTES

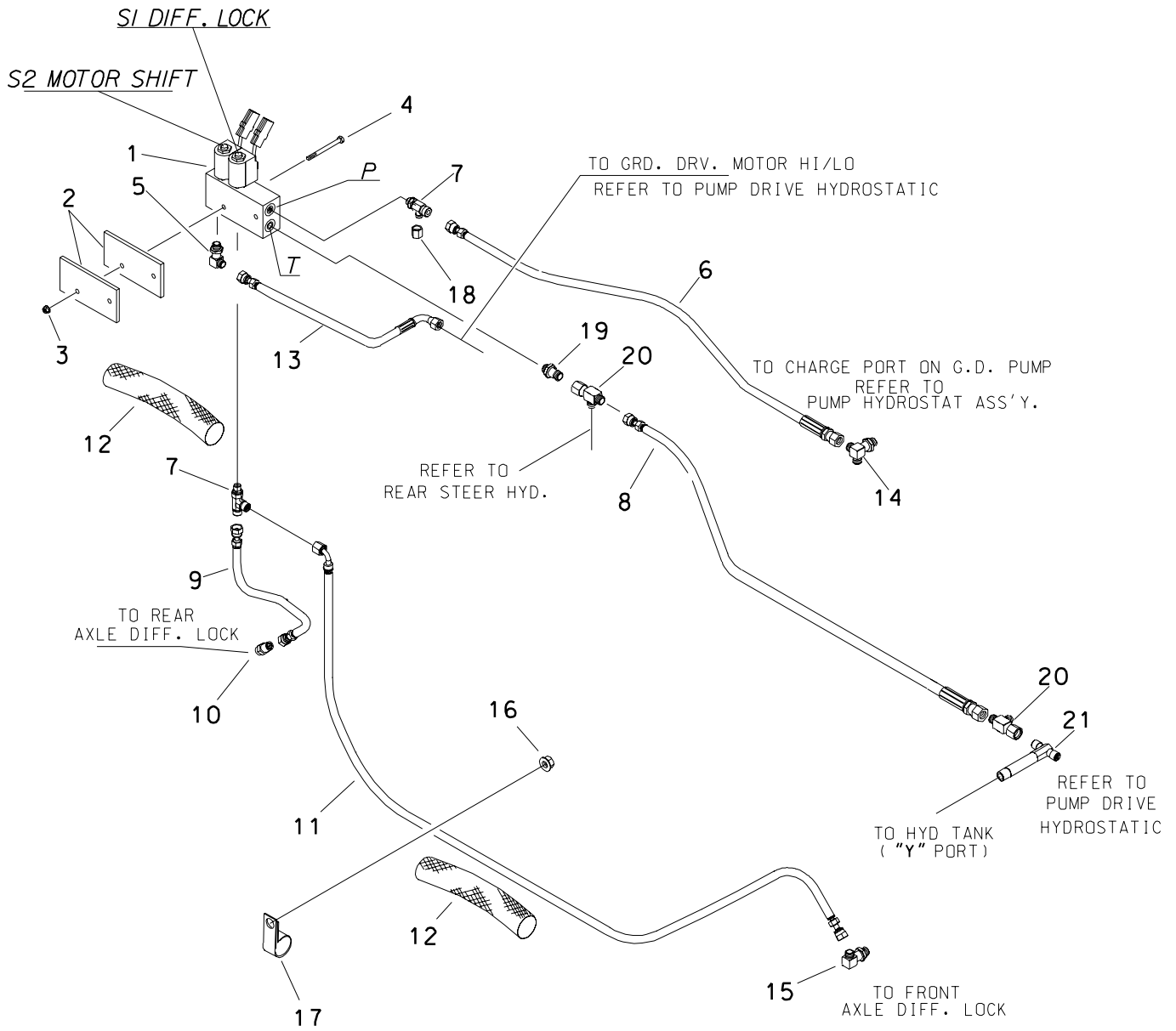
- #105-003 & #110-333 ATTACH TO STUD BOLTS ON FRAME PLATE.
- EARLY PRODUCTION MANIFOLDS HAVE A CAVITY PLUG WHERE THE RELIEF VALVE WAS LOCATED.
- WHEN "FRAME TILT" OPTION IS USED TWO MOUNT PLATES (306-885) IS REQUIRED, ONE ON EITHER SIDE OF FRAME. WITH NO FRAME TILT ONLY ONE MOUNT PLATE (306-885) IS USED ON OUTSIDE OF FRAME.

NOTE

REFER TO O-RING CHART (800-301) IN BACK OF THE BOOK FOR REPLACEMENT OF O-RINGS.

MOTOR SHIFT/DIFF LOCK HYDRAULICS

HYDROSTATIC
ENDS WITH S/N 5X0464



MOTOR SHIFT/DIFF LOCK HYDRAULICS

HYDROSTATIC

ENDS WITH S/N 5X0464

REF NO.	PART NUMBER	QTY	DESCRIPTION	REMARKS
1.	157-246	1	MANIFOLD (2-SP)	SEE FOOTNOTE 2
	214-491		COIL, 12V	
	499-446		SOLENOID (3 WAY-2 POS VALVE)	
2.	306-885	2	MOUNT PLATE	SEE FOOTNOTE 3
3.	106-385	2	FLG LOCKNUT (M6-1.00)	
4.	106-566	2	SCREW (M6-1.00 X 70mm)	
5.	154-252	1	CONNECTOR (04S-04090)	
6.	515-249	1	HOSE (040FX-26"-3000)	
7.	154-316	2	RUN TEE (04S-040-040)	DIFF. LOCK
8.	515-711	1	HOSE (060FX-25"-3000)	
9.	154-743	1	HOSE (040FX90-23"-3000)	
10.	154-220	1	CONNECTOR (040-06S)	
11.	515-174	1	HOSE (040FX90-74"-3000)	
12.	117-611	2	ABRASION SLEEVE (1.00" X 22")	
13.	154-726	1	HOSE (040FX90-15"-3000)	
14.	154-230	1	BRANCH TEE (06S-040-040)	
15.	154-226	1	CONNECTOR (040-06S90)	
16.	105-003	1	FLG LOCKNUT (5/16-NC)	SEE FOOTNOTE 1
17.	110-333	1	BOLT-ON CLAMP (1")	SEE FOOTNOTE 1
18.	154-296	1	CAP (040F)	
19.	154-411	1	CONNECTOR (04S-060)	
20.	154-344	2	UN RUN TEE (060FX-060-060)	
21.	153-917	1	TEE (08N-060-060)	

FOOTNOTES

- #105-003 & #110-333 ATTACH TO STUD BOLTS ON FRAME PLATE.
- EARLY PRODUCTION MANIFOLDS HAVE A CAVITY PLUG WHERE THE RELIEF VALVE WAS LOCATED.
- WHEN "FRAME TILT" OPTION IS USED TWO MOUNT PLATES (306-885) IS REQUIRED, ONE ON EITHER SIDE OF FRAME. WITH NO FRAME TILT ONLY ONE MOUNT PLATE (306-885) IS USED ON OUTSIDE OF FRAME.

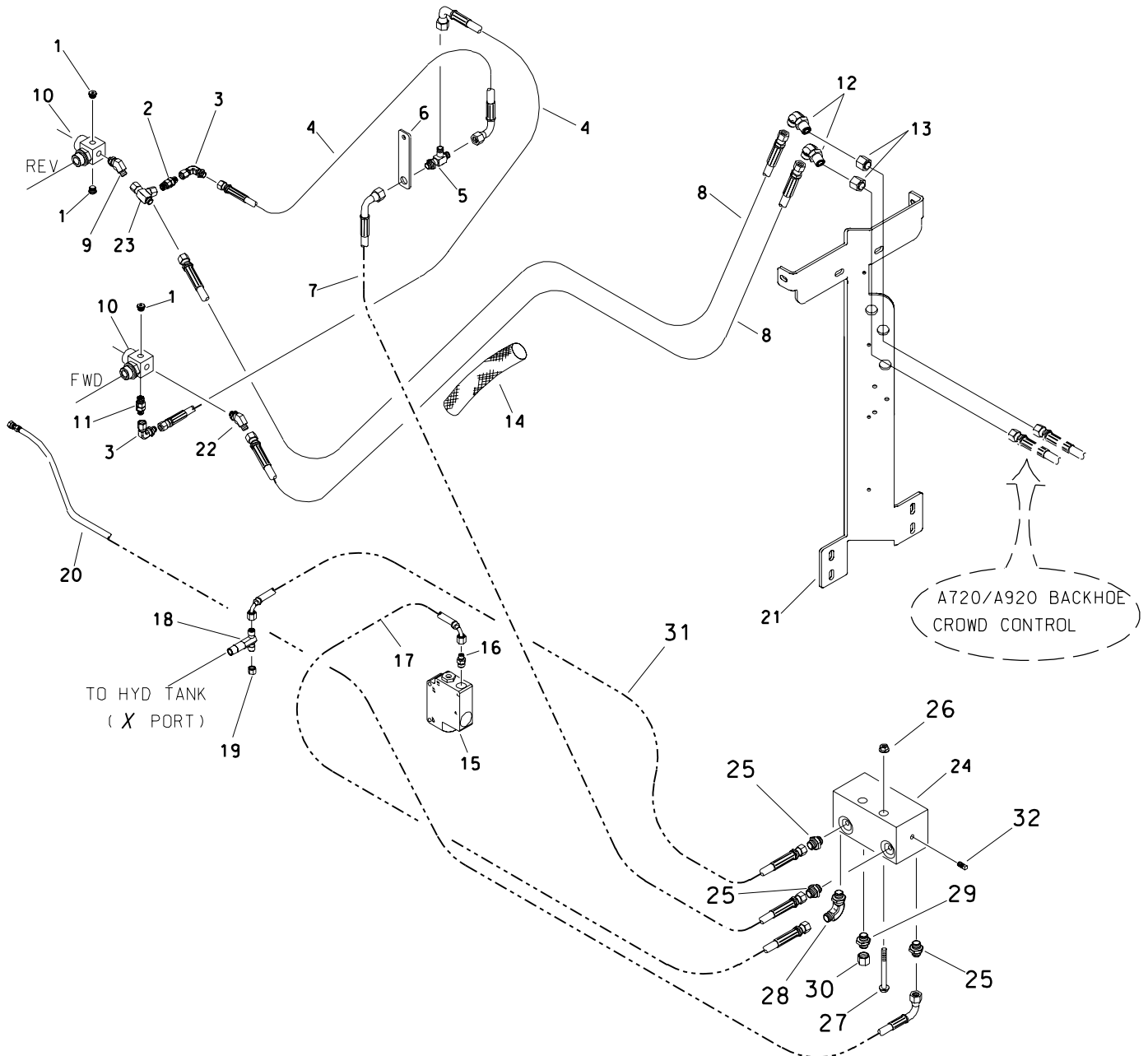
NOTE

REFER TO O-RING CHART (800-301) IN BACK OF THE BOOK FOR REPLACEMENT OF O-RINGS.

REMOTE CROWD HYDRAULICS

BEGINS WITH S/N 5X0465 RT70/RT75

BEGINS WITH S/N 5X0710 RT90/RT95/RT115



REMOTE CROWD HYDRAULICS

BEGINS WITH S/N 5X0465 RT70/RT75

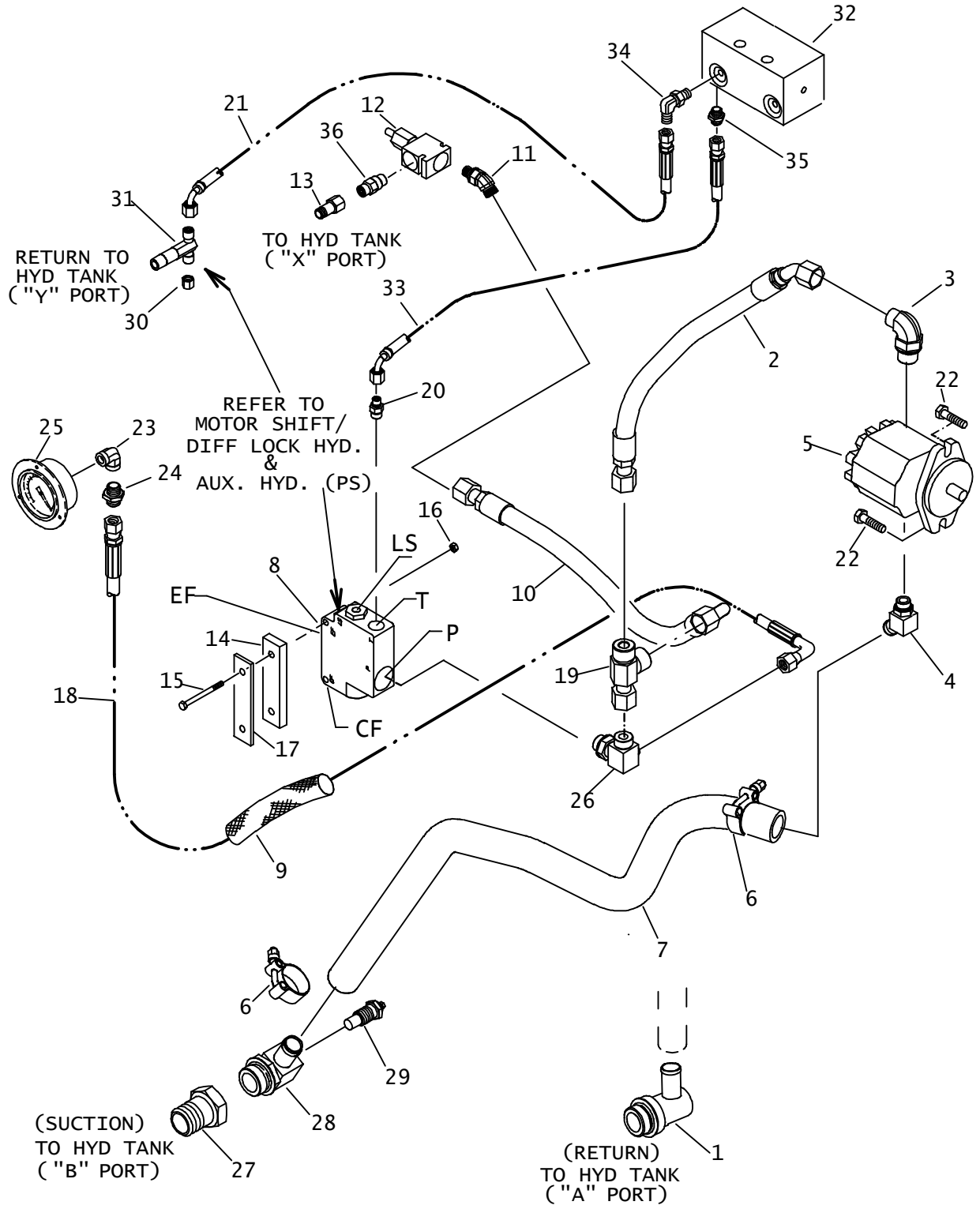
BEGINS WITH S/N 5X0710 RT90/RT95/RT115

REF NO.	PART NUMBER	QTY	DESCRIPTION	REMARKS
1.	154-384	-	PLUG (06S)	
2.	149-871	1	FLOW CHECK VALVE (060-060)	
3.	154-228	2	UNION (060-060FX90)	
4.	149-826	2	HOSE (060FX90L-12"-3000)	
5.	154-400	1	BK RUN TEE (060-060-060BK)	
6.	318-606	1	BULKHEAD BRACKET	
7.	154-887	1	HOSE (060FX45-23"-3000)	
8.	157-263	2	HOSE (040FX-102"-5000)	
9.	154-224	1	CONNECTOR (06S-06045)	
10.	149-058	-	RUN TEE (16S-120-06SF-06SF-06SF)	
11.	159-381	1	CHECK VALVE (06S-060)	
12.	154-355	2	BK CONNECTOR (040-04090BK)	
13.	154-296	2	CAP (040F)	
14.	115-934	1	ABRASION SLEEVE (1.75" X 100")	
15.	157-917	-	PRIORITY VALVE	
16.	154-278	-	CONNECTOR (04S-040)	
17.	154-743	-	HOSE (040FX90S-23"-3000)	
18.	159-643	-	TEE (08N-060-060 X 2.375")	
19.	154-326	-	CAP (060F)	
20.	515-716	-	HOSE (060FX90-42"-3000)	
21.	307-909	-	FRONT HOOD SUPPORT	
22.	154-250	1	CONNECTOR (040-06S45)	
23.	157-264	1	TEE (040-060F-060F)	
24.	159-218	1	HYD. MANIFOLD (4-PORT)	
25.	154-221	3	CONNECTOR (06S-060)	
26.	106-386	2	FLG LOCKNUT (M8-1.25)	
27.	105-665	2	FLG SCREW (M8-1.25 X 55mm)	
28.	154-226	1	CONNECTOR (040-06S90)	
29.	154-220	1	CONNECTOR (040-06S)	
30.	154-296	1	CAP (040F)	REFER TO "GEARBOX & VIBRATOR DRV HYD" H752/H952
31.	157-899	1	HOSE (060FX90S-11"-3000)	
32.	110-264	1	EXPANDER PLUG (.275")	

FOOTNOTES

NOTE
REFER TO O-RING CHART (800-301) IN BACK OF THE BOOK FOR REPLACEMENT OF O-RINGS.

AUXILIARY HYDRAULICS BEGINS WITH S/N 5X0710



AUXILIARY HYDRAULICS BEGINS WITH S/N 5X0710

REF NO.	PART NUMBER	QTY	DESCRIPTION	REMARKS
1.	153-142	1	S/O COUPLER (20S-16H90)	
2.	153-068	1	HOSE (100FX45-24"-3000)	
3.	154-298	1	CONNECTOR (10S-10090)	
4.	155-230	1	S/O COUPLER (16S-16H45)	
5.	153-807	1	HYDRAULIC PUMP (AUX)	
	500-966	1	SEAL REPAIR KIT	
6.	111-027	2	T-BOLT CLAMP (1.25" - 1.50")	
7.	116-460	AR	BULK HOSE (1", SOLD PER 1')	USE 1 @ 42"
8.	157-917	1	PRIORITY VALVE	
9.	117-218	1	ABRASION SLEEVE (1.00" X 52")	
10.	515-605	1	HOSE (100FX90S-20"-3000)	
11.	154-391	1	CONNECTOR (08S-100)	
12.	158-681	1	RELIEF VALVE (AUXILIARY)	PRE SET TO 2500 PSI
13.	153-995	1	CONNECTOR (08S-08SF)	
14.	306-886	1	SPACER	USED ON INSIDE OF FRAME PLATE
15.	107-054	2	SCREW (M6-1.00 X 90mm)	
16.	106-385	2	FLG LOCKNUT (M6-1.00)	
17.	309-817	1	SPACER PLATE	USED ON OUTSIDE OF FRAME PLATE
18.	515-075	1	HOSE (040FX90S-82"-3000)	
19.	154-488	1	UN RUN TEE (100FX-100-100)	
20.	154-278	1	CONNECTOR (04S-040)	
21.	157-899	1	HOSE (060FX90S-11"-3000)	
22.	105-876	2	SCREW (M10-1.50 X 35mm)	
23.	149-896	1	STREET ELBOW (04NF-04NF90)	
24.	154-339	1	CONNECTOR (04N-040)	
25.	217-551	1	PRESSURE GAUGE (3000 PSI)	SEE FOOTNOTE 1
26.	153-787	1	TEE (100-10S-040)	
27.	514-446	-	REDUCER (24S-20SF)	
28.	157-987	1	S/O COUPLER (20S-16H90, 04NF)	
29.	214-854	1	TEMPERATURE SWITCH	
30.	154-326	-	CAP (060F)	
31.	159-643	-	TEE (08N-060-060, X 2.375")	
32.	159-218	-	HYD. MANIFOLD (4-PORT)	
33.	154-743	-	HOSE (040FX90S-23"-3000)	
34.	154-342	-	CONNECTOR (06S-06090)	
35.	154-220	-	CONNECTOR (040-06S)	
36.	154-466	1	CONNECTOR (08S-08S)	

NOT SHOWN:

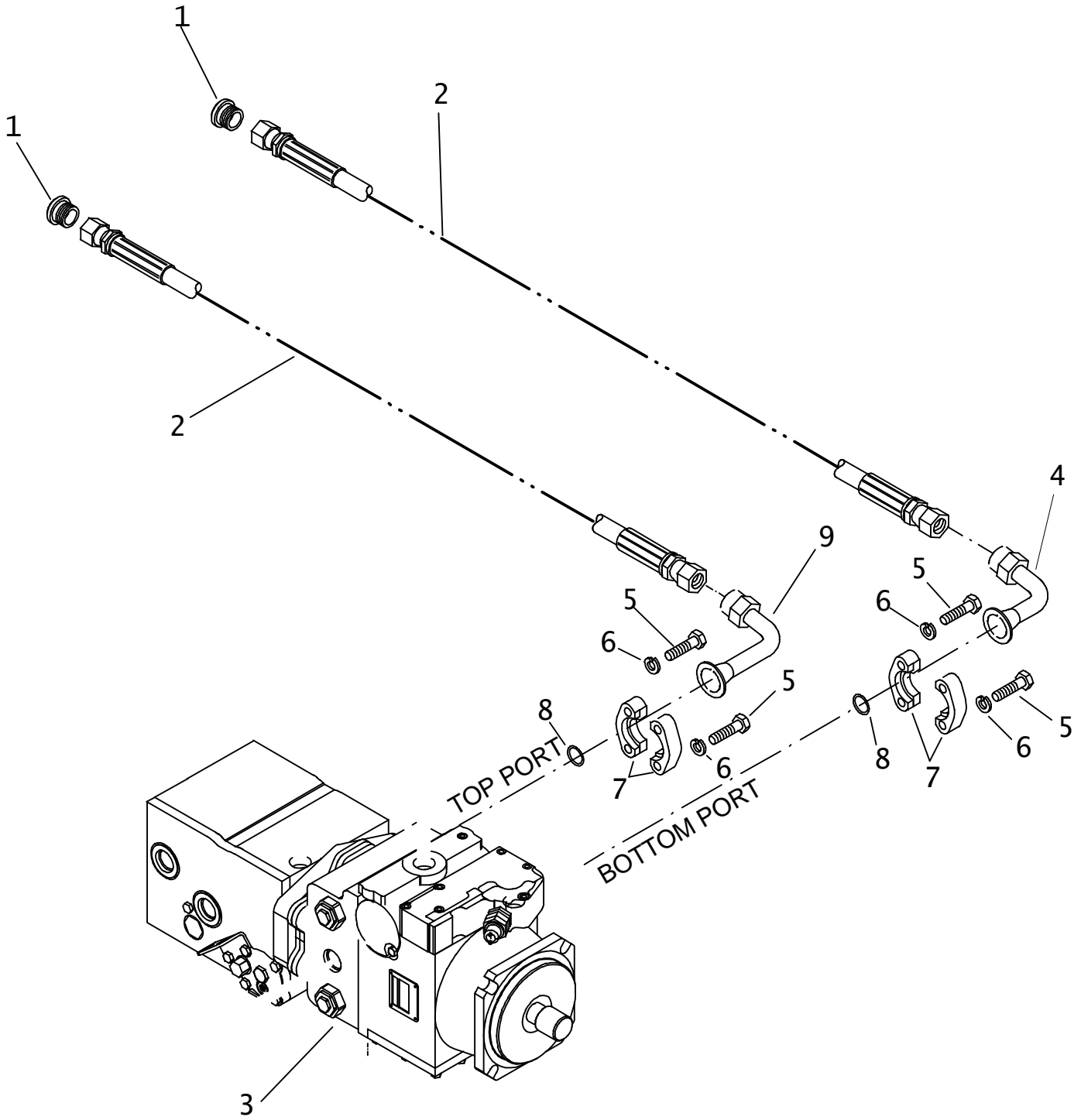
FOOTNOTES:

- REF. #25 (217-551) IS DEPICTED WITH FACE OF GAUGE SHOWING, ACTUALLY IT FITS INSIDE THE FENDER AND FACES THE OPERATOR.

NOTE:

REFER TO O-RING CHART (800-301) IN BACK OF THE BOOK FOR REPLACEMENT OF O-RINGS.

HYDROSTAT PUMP ATTACH HYD



HYDROSTAT PUMP ATTACH HYD

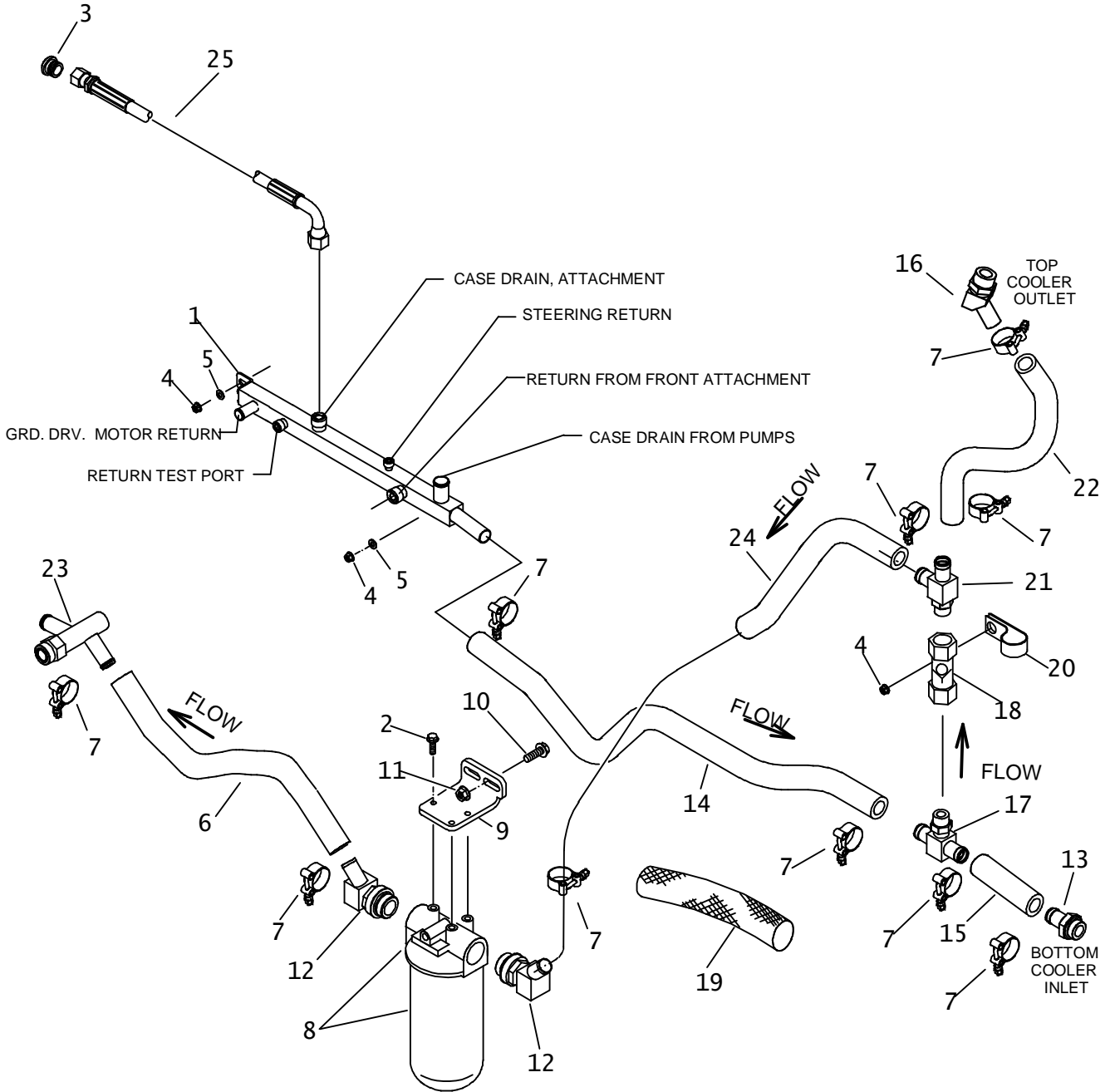
REF NO.	PART NUMBER	QTY	DESCRIPTION	REMARKS
1.	154-334	2	PLUG (160)	
2.	515-621	2	HOSE (160FX-50"-6000)	
3.	158-193	-	TANDEM PUMP	SEE FOOTNOTE I
4.	154-404	1	CONNECTOR (160-16FL90)	
5.	105-222	8	BOLT (7/16-NC X 1-3/4")	
6.	105-073	8	LOCK WASHER (7/16")	
7.	159-077	2	SPLIT FLANGE (16SFL)	
8.	157-029	2	O-RING (219 D90)	
9.	153-929	1	CONNECTOR (160-16FL90, XL)	

FOOTNOTES

I. TANDEM PUMP 158-193 SUPERCEDES PUMP 158-049.

NOTE:

HYDRAULIC FILTER HYDROSTATIC RT95



HYDRAULIC FILTER

HYDROSTATIC RT95

REF NO.	PART NUMBER	QTY	DESCRIPTION	REMARKS
1.	307-535	1	RETURN MANIFOLD	
2.	105-826	3	FLG LK BOLT (3/8-NC X 1")	
3.	154-331	1	PLUG (080)	
4.	105-003	3	FLG LOCKNUT (5/16-NC)	
5.	105-881	2	WASHER (5/16")	
6.	116-460	AR	BULK HOSE (1", SOLD PER 1')	USE 1 @ 19"
7.	111-027	10	T-BOLT CLAMP (1.25"-1.50")	
8.	157-345	1	HYD OIL FILTER (20SF-20SF)	SEE FOOTNOTE 1
	153-792		FILTER ELEMENT (10 MICRON)	
	153-791		FILTER ELEMENT (5 MICRON)	SEE FOOTNOTE 2
	217-765		INDICATOR SWITCH	
9.	306-862	1	BRACKET	
10.	107-003	2	FLG LK SCREW (M12-1.75 X 35mm)	
11.	106-709	2	FLG LK NUT (M12-1.75)	
12.	153-110	2	S/O COUPLER (20S-16H45)	
13.	514-088	1	S/O COUPLER (16S-16H)	
14.	116-460	AR	BULK HOSE (1", SOLD PER 1')	USE 1 @ 44"
15.	116-460	AR	BULK HOSE (1", SOLD PER 1')	USE 1 @ 9.5"
16.	155-230	1	S/O COUPLER (16S-16H45)	
17.	155-231	1	S/O BR TEE (16S-16H-16H)	
18.	153-888	1	CHECK VALVE (16SF-16SF, 25 PSI)	
19.	115-733	AR	ABRASION SLEEVE (SOLD PER FOOT)	USE 1 @ 12"
20.	110-332	1	BOLT-ON CLAMP (1-5/8")	
21.	149-908	1	RUN TEE (16S-16H-16H)	
22.	116-460	AR	BULK HOSE (1", SOLD PER 1')	USE 1 @ 30"
23.	149-820	-	S/O COUPLER (16S-16H90-16H45XL)	
24.	116-460	AR	BULK HOSE (1", SOLD PER 1')	USE 1 @ 21"
25.	515-025	1	HOSE (080FX90-40"-3000)	

NOT SHOWN:

115-687 AR ABRASION SLEEVE(SOLD PER FOOT) USE 1 @ 18" & SEE FOOTNOTE 3

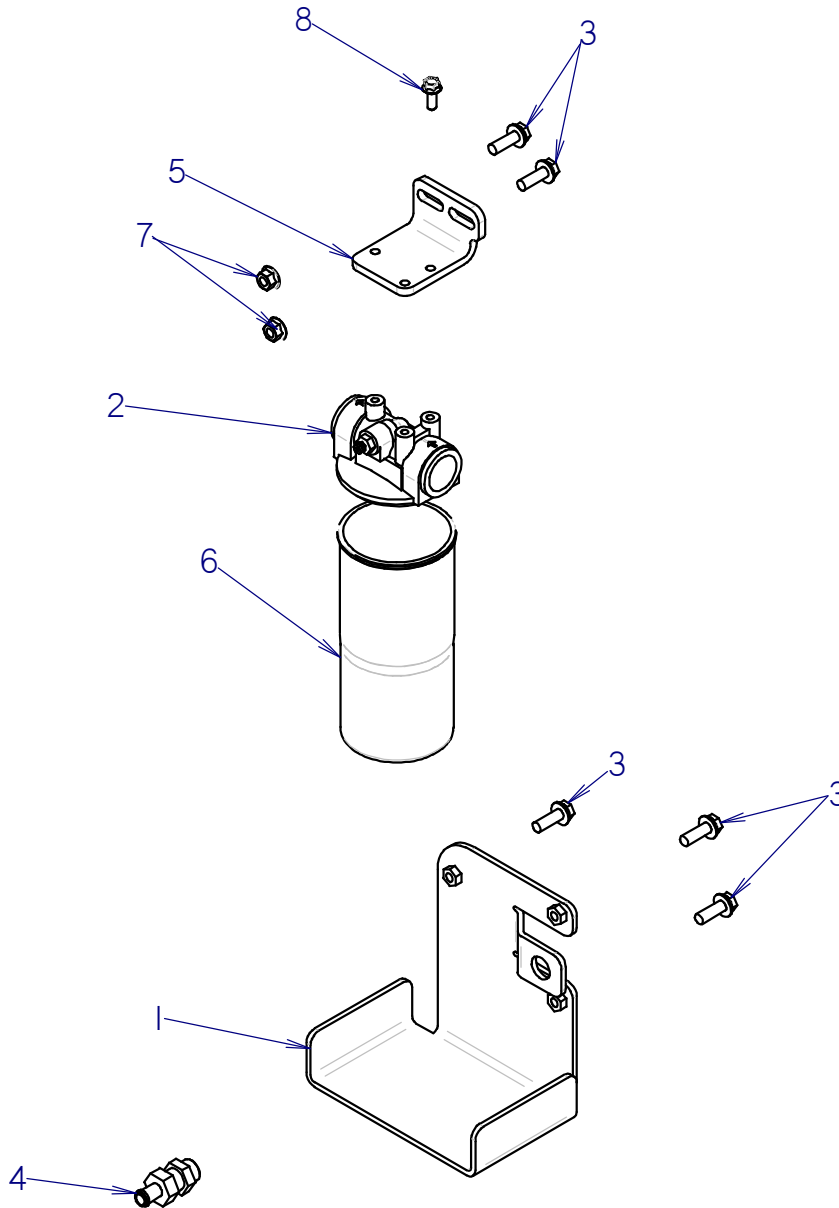
FOOTNOTES:

- 157-345 IS THE FILTER HEAD AND REGULAR ELEMENT 153-792.
- IF THE HYDRAULIC SYSTEM IS EXPOSED TO CONTAMINATES, A NEW BREAK-IN FILTER 153-791 IS INSTALLED FOR 50 HOURS.
- PLACE 115-687 OVER REFERENCE 24, HOSE 116-460

NOTE:

REFER TO O-RING CHART (800-301) IN BACK OF THE BOOK FOR REPLACEMENT OF O-RINGS.

HYDRAULIC FILTER GUARD



HYDRAULIC FILTER GUARD

REF PART
NO. NUMBER QTY DESCRIPTION

REMARKS

REF NO.	PART NUMBER	QTY	DESCRIPTION	REMARKS
1	322-662	1	HYD FILTER GUARD	
2	157-345	1	FILTER HEAD	REFER TO FOOTNOTE 1
3	107-003	5	FLG LK SCREW (M12-1.75 X 35MM)	REFER TO FOOTNOTE 1
4	149-624	1	BK S/O COUPLER (100-10H)	REFER TO FOOTNOTE 1
5	306-862	1	BRACKET	REFER TO FOOTNOTE 1
6	153-792	1	FILTER ELEMENT (10 MICRON)	REFER TO FOOTNOTE 1
7	106-709	2	FLG LK NUT (M12-1.75)	REFER TO FOOTNOTE 1
8	105-826	3	FLG LK BOLT (3/8-NC X 1")	REFER TO FOOTNOTE 1

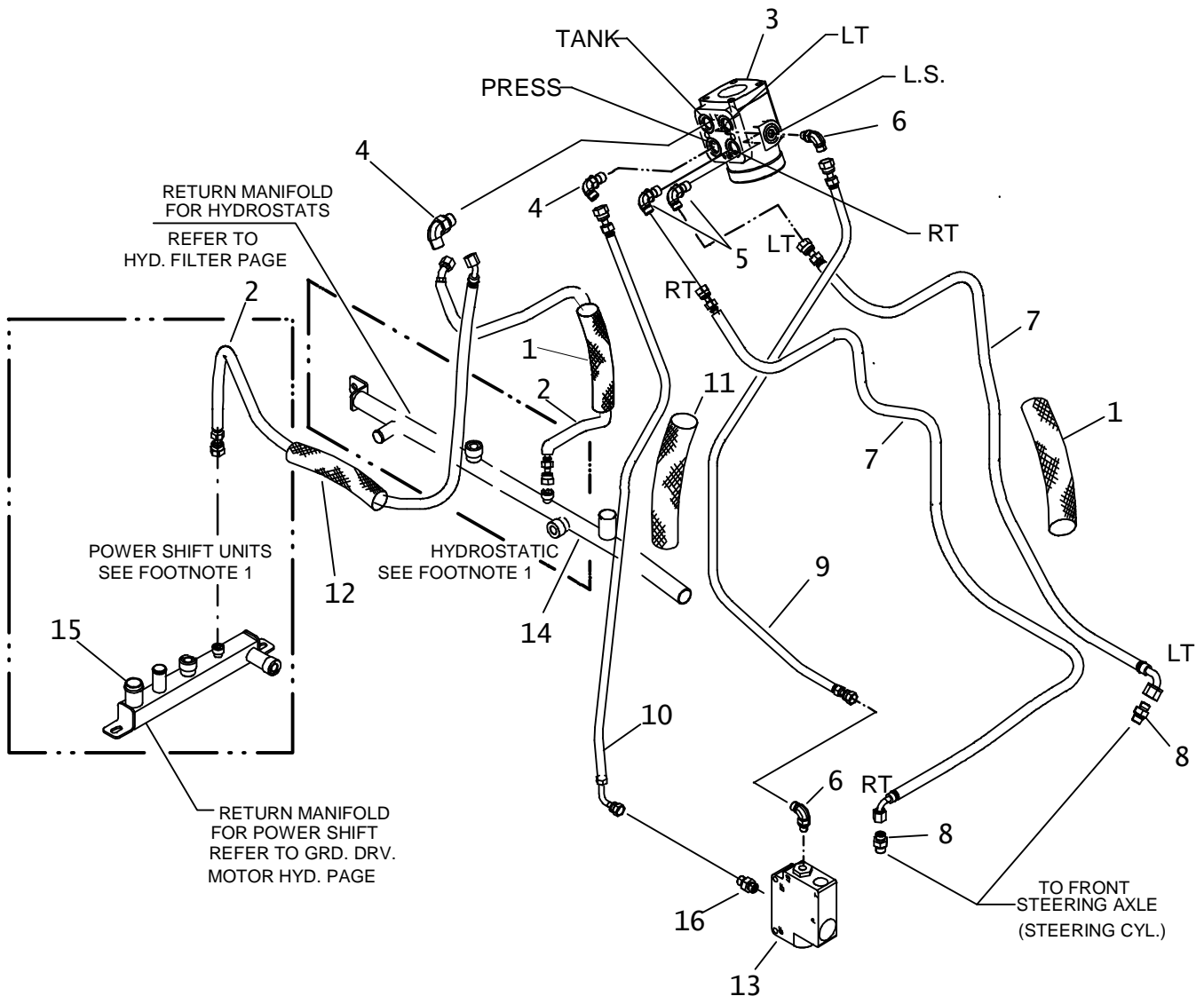
FOOTNOTES

- FOR MORE DETAILS ON REF NO:S 2 THRU 8 REFER TO PARTS PAGE "HYDRAULIC FILTER".

NOTE:

HYDRAULIC FILTER GUARD KIT #191-342 CONSIST OF 1X REF #1 AND 3X REF #3.

POWER STEERING VALVE HYDRAULIC



POWER STEERING VALVE HYDRAULIC

REF NO.	PART NUMBER	QTY	DESCRIPTION	REMARKS
1.	117-214	2	ABRASION SLEEVE (1.25" X 40")	
2.	515-222	1	HOSE (060FX45-46"-3000)	HYDROSTAT UNITS ONLY & SEE FOOTNOTE 1
	149-358	1	HOSE (060FX45-55"-3000)	POWER SHIFT UNITS ONLY & SEE FOOTNOTE 1
3.	149-371	1	POWER STEERING VALVE	
	190-913	1	SEAL REPAIR KIT	
4.	154-227	2	CONNECTOR (060-08S90)	
5.	154-276	2	CONNECTOR (040-08S90)	
6.	154-252	2	CONNECTOR (04S-04090)	
7.	116-804	2	HOSE (040FX90-69"-3000)	
8.	152-146	2	CONNECTOR (040-08S) SHORT	
9.	154-695	1	HOSE (040FX-38"-3000)	
10.	153-315	1	HOSE (060FX90S-36"-3000)	
11.	117-396	1	ABRASION SLEEVE (1.25" X 28")	
12.	117-387	1	ABRASION SLEEVE (1.00" X 42")	
13.	158-901	-	PRIORITY VALVE	
14.	307-535	-	RETURN MANIFOLD	
15.	153-210	-	HYDRAULIC MANIFOLD (5 PORT)	
16.	154-222	1	CONNECTOR (060-08S)	

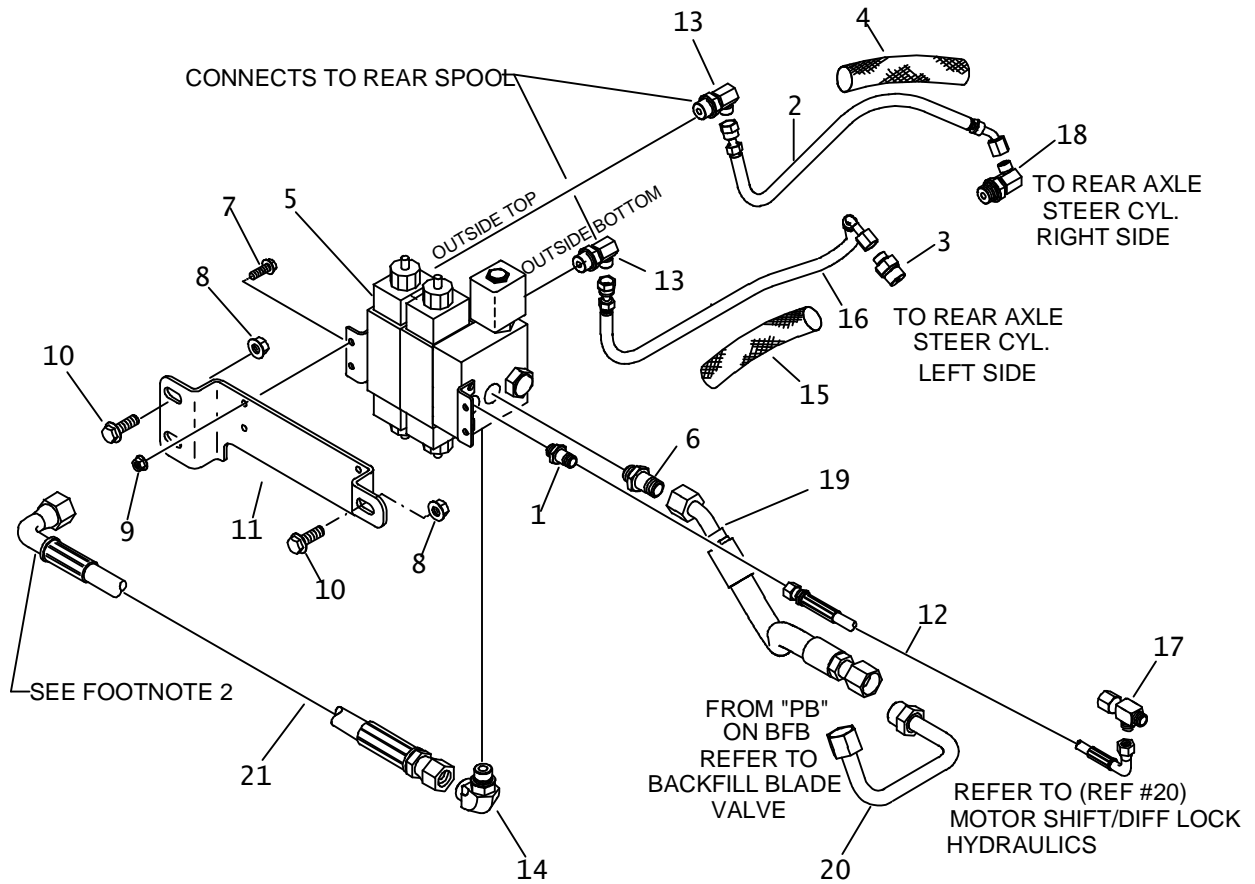
FOOTNOTES

- AS INDICATED BY THE GRAPHICS, "RETURN TO TANK" ON HYDROSTATIC UNITS RETURNS TO RETURN MANIFOLD ON SIDE OF LEFT FRAME PLATE. "RETURN TO TANK" ON POWER SHIFT UNITS RETURNS TO RETURN MANIFOLD ON CROSSMEMBER OF FRAME.

NOTE:

REFER TO O-RING CHART (800-301) IN BACK OF THE BOOK FOR REPLACEMENT OF O-RINGS.

REAR STEER HYDRAULICS



REAR STEER HYDRAULICS

REF NO.	PART NUMBER	QTY	DESCRIPTION	REMARKS
1.	154-222	1	CONNECTOR (060-08S)	
2.	154-934	1	HOSE (040FX45-18"-3000)	
3.	152-146	1	CONNECTOR (040-08S) SHORT	
4.	117-608	1	ABRASION SLEEVE (1.00" X 15")	
5.	153-785	1	HYDRAULIC VALVE (SGL SPOOL)	
	153-786	1	HYDRAULIC VALVE (2-SPOOL)	SEE FOOTNOTE 1
	159-505	-	SOLENOID TUBE	
	149-616	-	CAP NUT	
6.	154-391	1	CONNECTOR (08S-100)	
7.	106-379	4	FLG LK SCREW (M6-1.00 X 20mm)	
8.	106-354	3	FLANGE NUT (M12-1.75)	
9.	106-385	4	FLG LOCKNUT (M6-1.00)	
10.	106-632	3	FLG LK SCREW (M12-1.75 X 35mm, SER)	
11.	307-074	1	BRACKET	
12.	153-320	1	HOSE (060FX90L-17"-3000)	
13.	157-334	2	CONNECTOR (040-06S90, ORF)	
14.	154-298	1	CONNECTOR (10S-10090)	
15.	117-328	1	ABRASION SLEEVE (1.00" X 18")	
16.	515-462	1	HOSE (040FX90-22"-3000 AR)	
17.	154-344	-	UN RUN TEE (060FX-060-060)	REFER TO "MOTOR SHIFT/DIFF LOCK HYD" FOR DESTINATION
18.	154-276	1	CONNECTOR (040-08S90)	
19.	153-907	-	HOSE (100FX45-16"-3000)	
20.	149-851	-	HYD. LINE (-10)	
21.	515-129	-	HOSE (100FX90-30"-3000)	SEE FOOTNOTE 2

NOT SHOWN

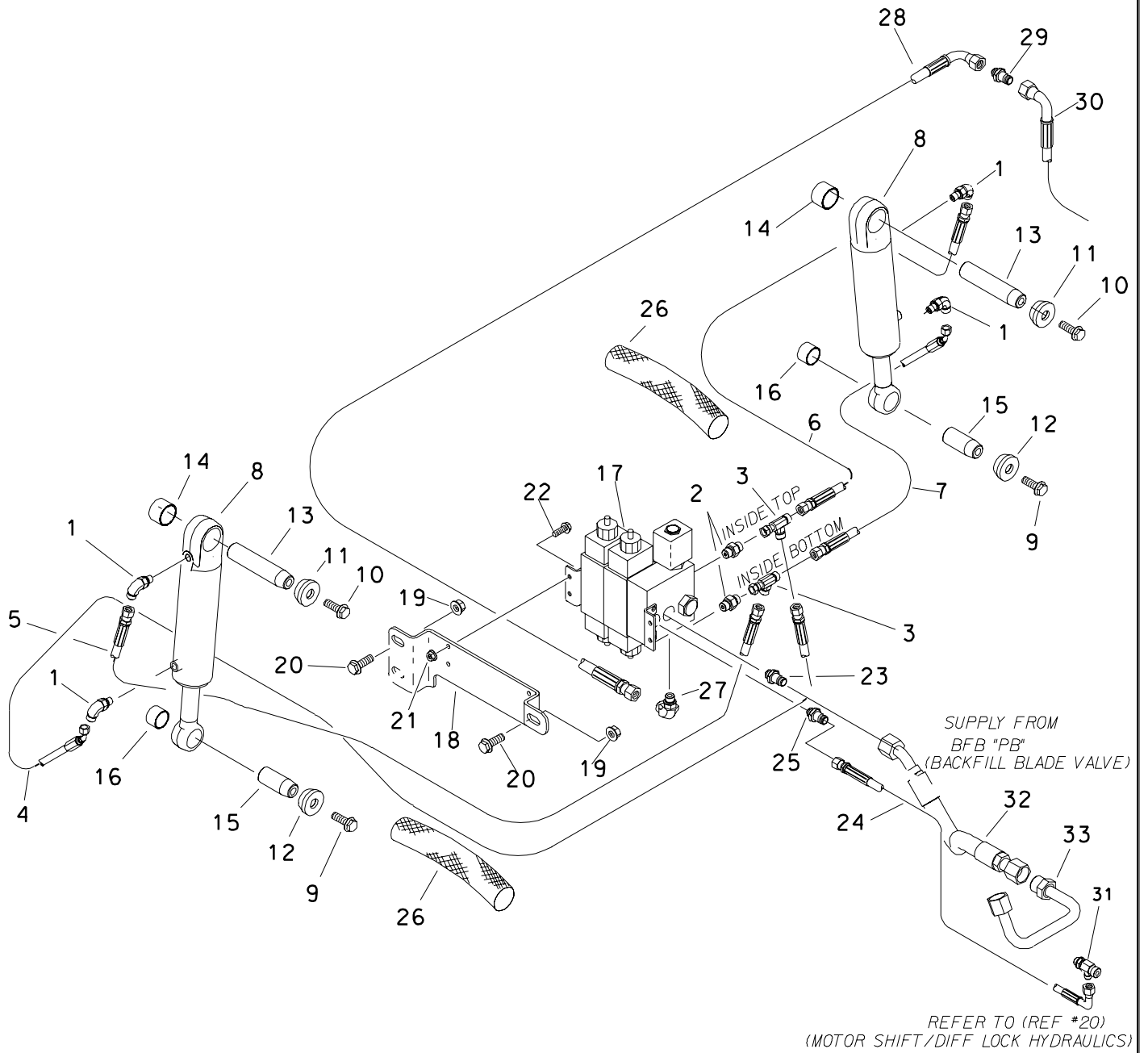
FOOTNOTES

1. 153-786 (2 SPOOL VALVE) IS USED WHEN FRAME TILT & REAR STEER OPTIONS ARE BOTH USED.
2. REFERENCE #3 FROM "PUMP DRIVE HYD" WILL ATTACH HERE UNTIL A REAR ATTACHMENT IS ATTACHED ON TRACTOR.

NOTE

REFER TO O-RING CHART (800-301) IN BACK OF THE BOOK FOR REPLACEMENT OF O-RINGS.

FRAME TILT HYDRAULICS



FRAME TILT HYDRAULICS

REF NO.	PART NUMBER	QTY	DESCRIPTION	REMARKS
1.	154-252	4	CONNECTOR (04S-04090)	
2.	154-385	2	CONNECTOR (040-06S, ORF)	
3.	154-265	2	UN RUN TEE (040FX-040-040)	
4.	154-963	1	HOSE (040FX45-24"-3000)	
5.	154-702	1	HOSE (040FX-30"-3000)	
6.	515-229	1	HOSE (040FX-34"-3000)	
7.	515-019	1	HOSE (040FX45-34"-3000)	
8.	151-202	2	CYL (2" X 1" X 3.38")	
9.	106-164	2	FLG LK SCREW (M10-1.50 X 30mm)	
10.	106-469	2	FLG SCREW (M12-1.75 X 30mm)	
11.	181-982	2	TAPERED INSERT (1.25")	
12.	181-981	2	TAPERED INSERT (1")	
13.	183-765	2	TAPERED PIN (31.7mm X 110mm)	
14.	125-771	2	COMPOSITION BUSHING (1.25")	
15.	183-767	2	TAPERED PIN (25.4mm X 60mm)	
16.	125-770	2	COMPOSITION BUSHING (1")	
17.	153-786	1	HYDRAULIC VALVE (2-SPOOL)	SEE FOOTNOTE 1
	153-785	1	HYDRAULIC VALVE (SGL SPOOL)	SEE FOOTNOTE 1
	217-948		COIL, 12VDC	
	149-616		CAP NUT	
	499-445		COIL RETAINING NUT	
	159-505		SOLENOID TUBE	
	499-444		SOLENOID TUBE ASSM'Y	
	214-909		SOLENOID COIL	
	157-262		DUAL P.O. CHECK	
18.	307-074	1	BRACKET	
19.	106-354	3	FLG NUT (M12-1.75)	
20.	106-632	3	FLG LK SCREW (M12-1.75 X 35mm, SER)	
21.	106-385	4	FLG LK NUT (M6-1.00)	
22.	106-379	4	FLG LK SCREW (M6-1.00 X 20mm)	
23.	154-391	1	CONNECTOR (08S-100)	
24.	154-715	1	HOSE (040FX90-18"-3000)	
25.	154-222	1	CONNECTOR (060-08S)	
26.	115-811	2	ABRASION SLEEVE (1.59" X 20")	
27.	154-298	1	CONNECTOR (10S-10090)	
28.	515-129	1	HOSE (100FX90-30"-3000)	
29.	154-464	1	CONNECTOR (100-100)	
30.	157-343	-	HOSE (100FX90S-120"-3000)	REFER TO REF #3 ON PUMP DRIVE HYDRAULICS
31.	154-344	-	UN RUN TEE (060FX-060-060)	
32.	153-907	-	HOSE (100FX45-16"-3000)	
33.	149-851	-	HYD LINE (-10)	

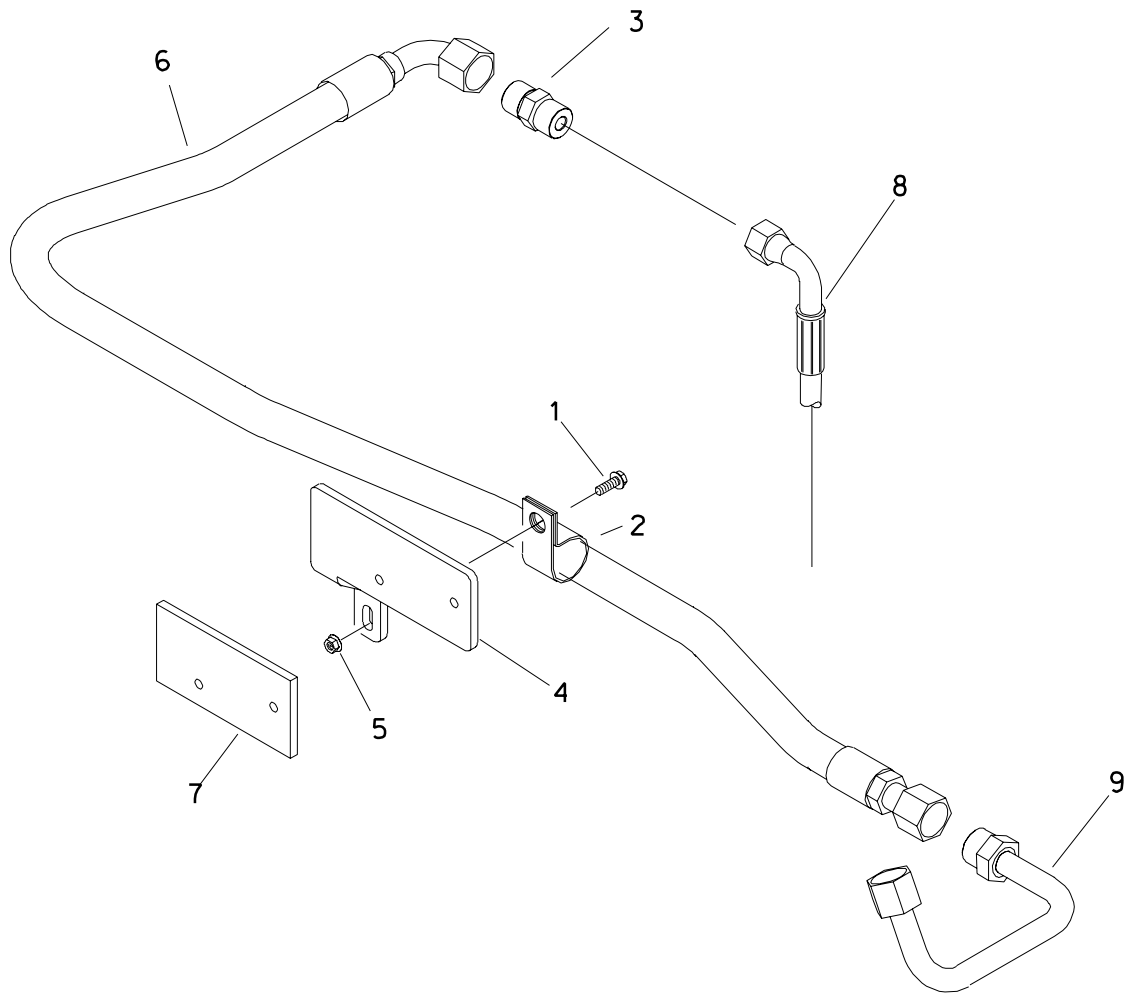
FOOTNOTES

- 153-786 (2-SPOOL VALVE) IS USED WHEN FRAME TILT & REAR STEER OPTIONS ARE BOTH USED. SEE REAR STEER PARTS PAGE FOR REAR STEER OPTION.

NOTE

REFER TO O-RING CHART (800-301) IN BACK OF THE BOOK FOR REPLACEMENT OF O-RINGS.

NO FRAME TILT / NO REAR STEER OPTION



NO FRAME TILT / NO REAR STEER OPTION

REF NO.	PART NUMBER	QTY	DESCRIPTION	REMARKS
1.	106-988	1	FLG LK SCREW (M6-1.00 X 20mm)	
2.	110-333	1	BOLT-ON CLAMP (1")	
3.	154-464	1	CONNECTOR (100-100)	
4.	315-176	1	SPACER BRACKET	SEE FOOTNOTE 1
5.	106-385	1	FLG LOCKNUT (M6-1.00)	
6.	154-939	1	HOSE (100FX90S-50"-3000)	
7.	306-885	-	MOUNT PLATE	
8.	157-343	-	HOSE (100FX90S-120"-3000)	
9.	149-851	-	HYD LINE (-10)	

FOOTNOTES

- REFERENCE #4 (315-176) WILL REPLACE (1X) REFERENCE #2 ON PARTS PAGE "MOTOR SHIFT/DIFF LOCK HYD" WHEN "NO FRAME TILT/NO REAR STEER" IS USED.

NOTE

REFER TO O-RING CHART (800-301) IN BACK OF THE BOOK FOR REPLACEMENT OF O-RINGS.

PUMP DRIVE HYDRAULICS

RT95 T3

REF NO.	PART NUMBER	QTY	DESCRIPTION	REMARKS
1.	153-076	1	HOSE (120FX90S-28"-5000)	REVERSE
2.	153-077	1	HOSE (120FX90S-32"-5000)	FORWARD
3.	157-343	1	HOSE (100FX45-120"-3000)	
4.	110-353	6	WORM CLAMP (3/4" TO 1-1/2")	
5.	154-270	1	CONNECTOR (12S-12090)	
6.	158-193	-	TANDEM PUMP	SEE FOOTNOTE 5
7.	111-027	5	T-BOLT CLAMP (1.25"-1.50")	
8.	153-984	1	BK RUN TEE (100-100-100L)	
9.	154-319	1	BK RUN TEE (100)	
10.	514-307	1	S/O TEE (12S-12H-12H90)	
11.	157-359	-	HYDRAULIC MOTOR	REFER TO "GROUND DRIVE TRANS MOUNT" PAGE USE 1 @ 25"
12.	116-636	AR	BULK HOSE (3/4", SOLD PER 1')	USE 1 @ 25"
13.	154-362	1	S/O COUPLER (10S-12H90)	
14.	153-142	1	S/O COUPLER (20S-16H90)	
15.	116-460	AR	BULK HOSE (1", SOLD PER 1')	USE 2 @ 26"
16.	154-278	1	CONNECTOR (04S-040)	SEE FOOTNOTE 1
17.	116-636	AR	BULK HOSE (3/4", SOLD PER 1')	USE 1 @ 24"
18.	150-1689	1	HYD. LINE (-10)	
19.	154-251	1	CONNECTOR (12S-12045)	
20.	116-636	AR	BULK HOSE (3/4", SOLD PER 1')	USE 1 @ 12"
21.	116-460	AR	BULK HOSE (1", SOLD PER 1')	USE 1 @ 20"
22.	150-1690	1	HOSE (100F45X-70"-3000)	
23.	110-333	2	BOLT-ON CLAMP (1")	SEE FOOTNOTE 2
24.	105-003	2	FLG LOCKNUT (5/16-NC)	SEE FOOTNOTE 2
25.	117-764	1	ABRASION SLEEVE (1.59" X 90")	
26.	117-392	2	ABRASION SLEEVE (1.25" X 60")	
27.	115-687	AR	ABRASION SLEEVE (SOLD PER FOOT)	USE 1 @ 12" & SEE FOOTNOTE 3
28.	307-535	1	RETURN MANIFOLD	
29.	149-820	-	S/O COUPLER (16S-16H90-16H45, XL)	
30.	149-058	-	RUN TEE (16S-120-06SF-06SF-06SF)	
31.	154-324	5	CAP (100F)	
32.	306-459	-	RADIATOR/OIL COOLER	
33.	154-325	1	UN BR TEE (10FX-100-100)	
34.	155-466	1	HOSE (100FX90-74"-2750)	
35.	154-391	1	CONNECTOR (08S-100)	
36.	153-956	1	HOSE (100FX90-50"-3000)	
37.	316-822	1	RETURN BRACKET	SEE FOOTNOTE 4
38.	153-956	1	HOSE (100FX90-50"-3000)	
39.	111-011	1	WORM CLAMP (1" TO 1-3/4")	
40.	155-224	-	S/O BR TEE (12S-12H-16H90)	
41.	155-198	-	S/O COUPLER (12S-12H90-06SF)	
42.	149-819	-	S/O COUPLER (16S-16H-16H45)	
43.	154-230	-	BRANCH TEE (06S-040-040)	
44.	150-1546	2	BK RUN TEE (100-10045-100L)	

FOOTNOTES:

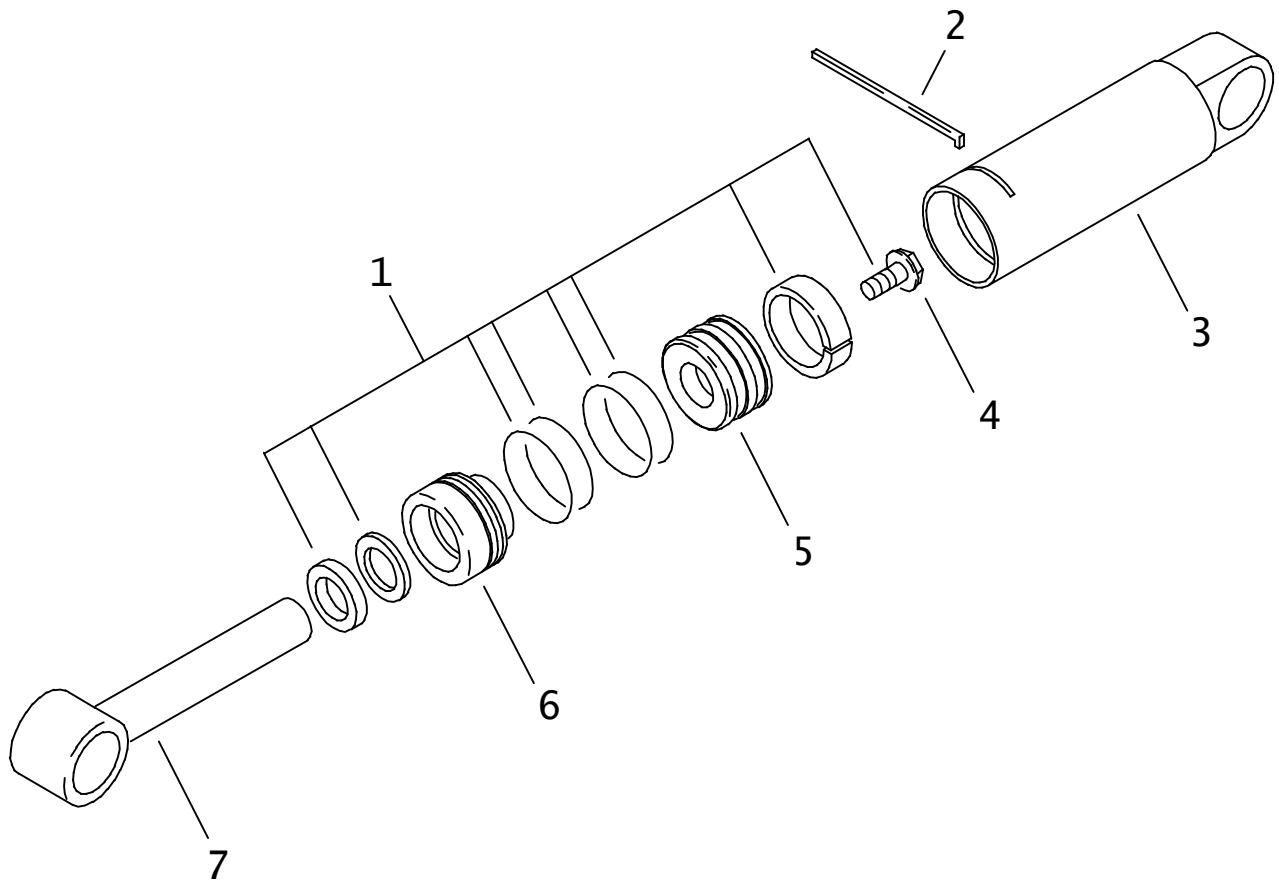
- FOR DESTINATION OF 154-278 (REF #16) REFER TO PARTS PAGE TITLED "MOTOR SHIFT/DIFF LOCK HYDRAULICS" REF #6.
- #110-333 & #105-003 ATTACH TO STUD BOLTS ON LEFT FRAME PLATE.
- ABRASION SLEEVE (REF #27) IS USED TO WRAP HOSE (REF #21) AS IT WRAPS AROUND PUMP.
- RETURN BRACKET (316-822) IS ATTACHED USING CURRENT HARDWARE ON TRANSMISSION MOUNT.
- TANDEM PUMP 158-193 SUPERCEDES PUMP 158-049

NOTE:

REFER TO O-RING CHART (800-301) IN BACK OF THE BOOK FOR REPLACEMENT OF SAE AND ORS O-RINGS.

HYDRAULIC CYLINDER

2.0" X 1.00" X 3.38"



HYDRAULIC CYLINDER

2.0" X 1.00" X 3.38"

REF NO.	PART NUMBER	QTY	DESCRIPTION	REMARKS
	151-202		HYD CYL (2" X 1" X 3.38")	INCLUDES REF NO'S 1 THRU 7
1.	190-165	1	SEAL REPAIR KIT (2" X 1")	
2.	150-778	1	LOCK RING (2")	
3.	150-700	1	CYLINDER BARREL	
4.	106-096	1	FLG BOLT (1/2-NC X 1-3/4",GD8)	SEE FOOTNOTE 1
5.	150-775	1	CYLINDER PISTON (2" X 1")	
6.	150-772	1	CYLINDER HEAD (2" X 1")	
7.	150-698	1	CYLINDER ROD	

NOT SHOWN:

259-100	U-SEAL INSTALLER (1"-1.499")
259-188	CYL HEAD SPANNER - TWO PIN
259-239	WIPER SEAL INSTALLER (2")
259-241	PISTON INSTALLER (2")

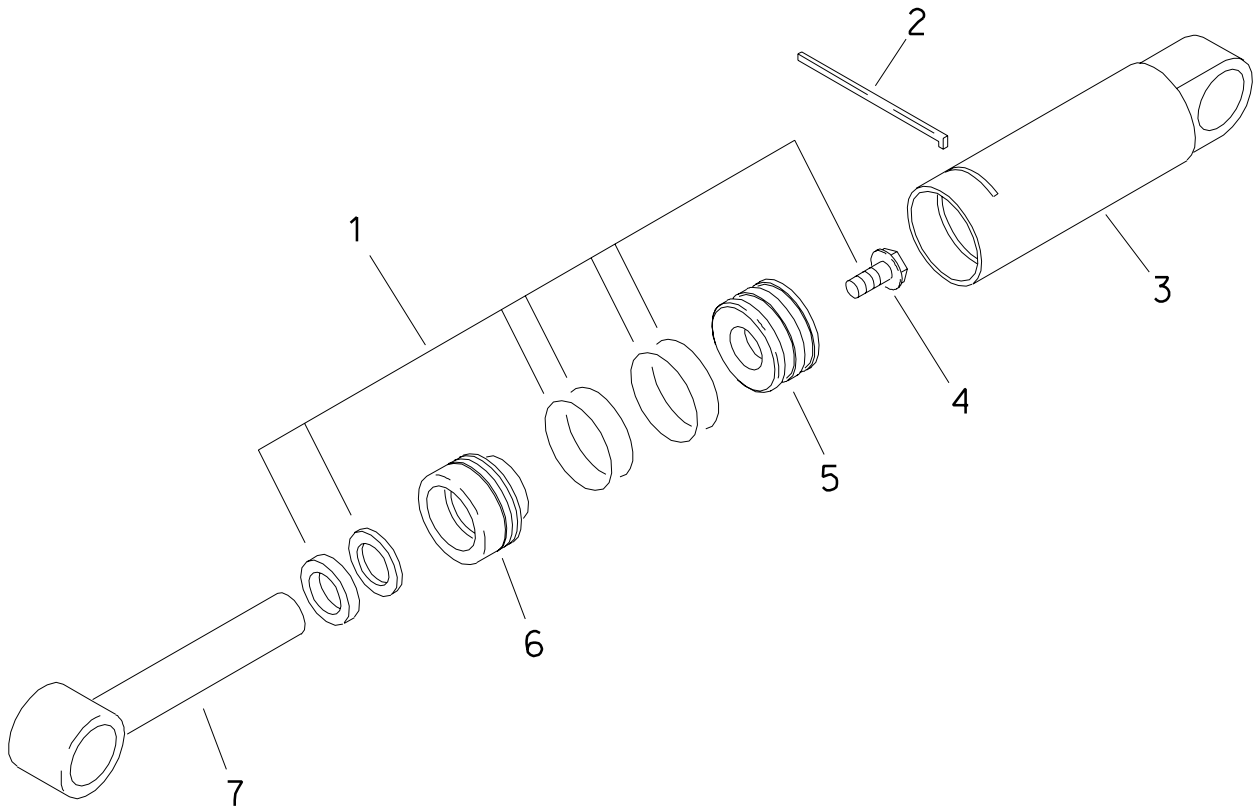
FOOTNOTES

1. APPLY LOCTITE 271 OR 277. TORQUE TO 90-100 FT-LBS (120-135 N.M.)

NOTE:

HYDRAULIC CYLINDER

2" X 1.25" X 8"



HYDRAULIC CYLINDER

2" X 1.25" X 8"

REF NO.	PART NUMBER	QTY	DESCRIPTION	REMARKS
	151-057		HYD CYLINDER (2" X 1.25" X 8")	INCL REF NO.'S 1 THRU 7
1.	190-169	1	SEAL REPAIR KIT (2.0" X 1.25")	
2.	150-778	1	LOCK RING (2.0")	
3.	150-285	1	CYLINDER BARREL (2")	
4.	106-097	1	FLG BOLT (5/8-NC X 1-3/4", GD8)	SEE FOOTNOTE 1
5.	150-771	1	CYLINDER PISTON (2" X 1.25")	SEE FOOTNOTE 2
6.	150-770	1	CYLINDER HEAD (2" X 1.25")	
7.	150-427	1	CYLINDER ROD	

NOT SHOWN:

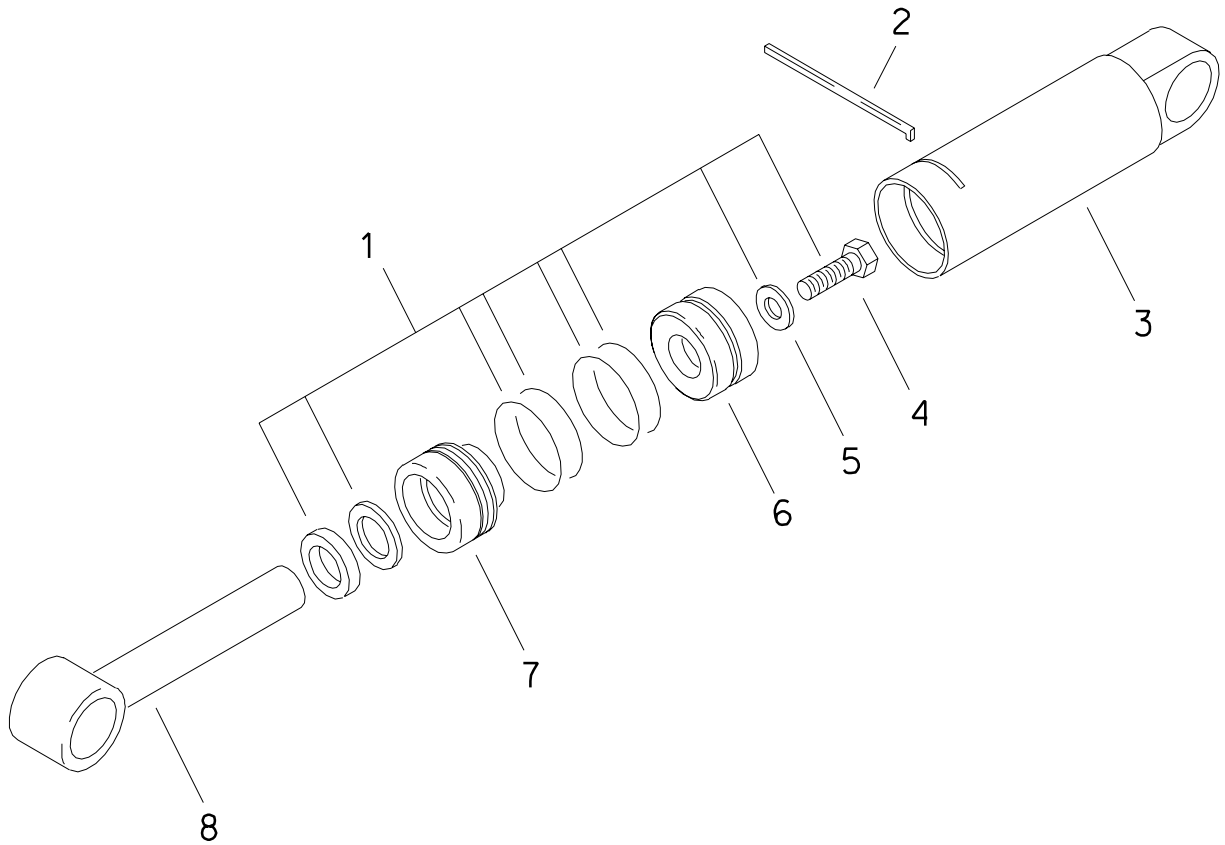
259-100	U-SEAL INSTALLER (1"-1.499")
259-236	WIPER INSTALLER (1.25")
259-239	WIPER/SEAL INSTALLER (2")
259-241	PISTON INSTALLER (2")
259-188	CYLINDER HEAD SPANNER - TWO PIN

FOOTNOTES

1. USE LOCTITE 277, AND TORQUE TO 180-200 FT-LBS (245-270 N.M)
2. INCLUDES MOLDED-ON WEAR RING, H.P. SEAL, AND O-RING.

HYDRAULIC CYLINDER

3" X 1.75" X 8"



HYDRAULIC CYLINDER

3" X 1.75" X 8"

REF NO.	PART NUMBER	QTY	DESCRIPTION	REMARKS
	151-070		CYL (3.0" X 1.75" X 8.0")	INCL REF NO.'S 1 THRU 7
1.	190-172	1	SEAL REPAIR KIT (3.0" X 1.75")	INCL REF NO.'S 4 THRU 5
2.	150-911	1	LOCK RING (3")	
3.	152-014	1	CYLINDER BARREL (3")	
4.	106-122	1	BOLT (7/8-NC X 2-1/4", GD8)	SEE FOOTNOTE 1
5.	105-363	1	WASHER (7/8")	
6.	150-765	1	CYLINDER PISTON (3" X 1.75")	INCL MOLDED-ON WEAR RING
7.	150-763	1	CYLINDER HEAD (3" X 1.75")	
8.	150-436	1	CYLINDER ROD (1.75")	

NOT SHOWN:

259-040 U-SEAL INSTALLER (1.5" - UP)
 259-238 WIPER INSTALLER (1.75")
 259-065 PISTON SEAL INSTALLER (3")
 259-066 PISTON INSTALLER (3")
 259-188 CYL HEAD SPANNER - TWO PIN

FOOTNOTES

1. CLEAN & DRY THREADS. APPLY RED LOCTITE (RC 271 OR RC 272). TORQUE TO 410-460 FT-LBS (560-625 N.M.)

ELECTRICAL

***SEE TECHNICAL SUPPLEMENT FOR
FURTHER ELECTRICAL INFORMATION**

MISCELLANEOUS

SAE Bolt and Nut Torque Value Chart

Grade 5: UNC or UNF Thread

Size	Hex nut, or bolt tapped into hex nut, or d&t hole		Hex top deformed locknut		Flange nut, locknut, or bolt tapped into flange nut or d&t* hole	
	ft•lb	N•m	ft•lb	N•m	ft•lb	N•m
1/4	12	16	8	11	20	27
5/16	25	34	15	20	45	60
3/8	40	54	25	34	75	100
7/16	65	90	40	55	125	170
1/2	100	135	60	80	190	260
9/16	150	200	90	125	270	370
5/8	200	270	120	165	370	500
3/4	350	475	210	285	650	880
7/8	560	760	340	460	1250	1425
1	840	1140	500	680	1580	2145
1-1/8	1030	1400	320	840	1950	3645
1-1/4	1460	1980	880	1195	2760	3475

Grade 8: UNC or UNF Thread

Size	Hex nut, or bolt tapped into hex nut, or d&t hole		Hex top deformed locknut		Flange nut, locknut, or bolt tapped into flange nut or d&t* hole	
	ft•lb	N•m	ft•lb	N•m	ft•lb	N•m
1/4	14	19	10	14	24	33
5/16	30	40	18	25	50	70
3/8	55	73	35	50	90	125
7/16	85	115	50	70	140	190
1/2	130	175	80	110	220	300
9/16	190	260	110	150	310	420
5/8	260	355	160	245	430	585
3/4	450	610	270	365	750	1015
7/8	730	990	440	600	1210	1640
1	1090	1480	650	880	1320	2465
1-1/8	1550	2100	930	1260	2580	3500
1-1/4	2180	2955	1310	1780	3640	4935

*drilled and tapped

Metric Bolt and Cap Screw Torque Values

Size	Class 4.8				Class 8.8 and 9.8				Class 10.9				Class 12.9			
	Lubricated		Dry		Lubricated		Dry		Lubricated		Dry		Lubricated		Dry	
	N•m	ft•lb	N•m	ft•lb	N•m	ft•lb	N•m	ft•lb	N•m	ft•lb	N•m	ft•lb	N•m	ft•lb	N•m	ft•lb
M6	4.8	3.5	6	4.5	9	6.5	11	8.5	13	9.5	17	12	15	11.5	19	14.5
M8	12	8.5	15	11	22	16	28	20	32	24	40	30	37	28	47	35
M10	23	17	29	21	43	32	55	40	63	47	80	60	75	55	95	70
M12	40	29	50	37	75	55	95	70	110	80	140	105	130	95	165	120
M14	63	47	80	60	120	88	150	110	175	130	225	165	205	150	260	190
M16	100	73	125	92	190	140	240	175	275	200	350	225	320	240	400	300
M18	135	100	175	125	260	195	330	250	375	275	475	350	440	325	560	410
M20	190	140	240	180	375	275	475	350	530	400	675	500	625	460	800	580
M22	260	190	330	250	510	375	650	475	725	540	925	675	850	625	1075	800
M24	330	250	425	310	650	475	825	600	925	675	1150	850	1075	800	1350	1000
M27	490	360	625	450	950	700	1200	875	1350	1000	1700	1250	1600	1150	2000	1500
M30	675	490	850	625	1600	950	1650	1200	1850	1350	2300	1700	2150	1600	2700	2000
M33	900	675	1150	850	1750	1300	2200	1650	2500	1850	3150	2350	2900	2150	3700	2750
M36	1150	850	1450	1075	2250	1650	2850	2100	3200	2350	4050	3000	3750	2750	4750	3500

Do not use these values if a different torque value or tightening procedure is given for specific application. Torque values listed are for general use only. Check tightness of fasteners periodically.

Shear bolts are designed to fail under predetermined loads. Always replace shear bolts with identical property class fasteners.

Fasteners should be replaced with the same or higher property class. If higher property class fasteners are used, these should only be tightened to strength of original.

Make sure fastener threads are clean and that the threads are properly started. This will prevent them from cross threading or galling when tightened.

Tighten plastic insert or crimped type steel locknuts to approximately 50% of dry torque indicated on chart. Apply torque to the nut - not the bolt head. Tighten toothed or serrated type locknuts to full torque value.

LUBRICATED means coated with lubricant. DRY means plain or zinc plated without any type of lubricant.

Hydraulic Cylinder Bolt Torque Chart

Bolt Size (inch)	Bolt Part No.	Cylinder Repair Kit Part No.	Torque (ft•lb)	Torque (N•m)
1/2	106-096	190-165	90-100	120-135
5/8	106-097	190-166 & 190-169	180-200	245-270
3/4	106-098	190-167 & 190-170	290-325	395-440
7/8	106-122	190-172 & 190-174	410-640	550-625
1	106-145	190-175 & 190-189	630-700	855-950
1-1/8	106-146	190-177	770-850	1045-1170

As a general rule:

- 1/2-inch bolts are used in cylinders with 1-inch rods
- 5/8-inch bolts are used in cylinders with 1 1/4-inch rods
- 3/4-inch bolts are used in cylinders with 1 1/2-inch rods
- 7/8-inch bolts are used in cylinders with 1 3/4-inch rods
- 1-inch bolts are used in cylinders with 2-inch rods (one with 1 3/4-inch)
- 1-1/8-inch bolts are used in cylinders with 2-1/4-inch rods

IMPORTANT: Do not reuse cylinder piston bolts when rebuilding a hydraulic cylinder. Each cylinder repair kit contains a new bolt. Use it. Lubricate lightly and torque to value shown on chart.

SAE & ORS Hydraulic Fitting Replacement O-Ring Chart

Fraction Size	Dash Size	SAE (Port Seal O-Ring)		ORS (Face Seal O-Ring)	
		Thread Size	O-Ring P/N	Thread Size	O-Ring P/N
1/16	1	NA	NA	NA	NA
1/8	2	5/16 - 24	NA	NA	NA
3/16	3	3/8 - 24	NA	NA	NA
1/4	4	7/16 - 20	155-760	9/16 - 18	157-037
5/16	5	1/2 - 20	NA	NA	NA
3/8	6	9/16 - 18	155-705	11/16 - 16	157-038
1/2	8	3/4 - 16	155-706	13/16 - 16	157-039
5/8	10	7/8 - 14	155-707	1 - 14	157-040
3/4	12	1-1/16 - 12	155-709	1-3/16 - 12	157-017
7/8	14	1-3/16 - 12	155-747	NA	NA
1	16	1-5/16 - 12	155-748	1-7/16 - 12	155-714
1-1/4	20	1-5/8 - 12	155-702	1-11/16 - 12	NA
1-1/2	24	1-7/8 - 12	157-001	2 - 12	NA
2	32	2-1/2 - 12	NA	NA	NA
2-1/2	40	3 - 12	NA	NA	NA
3	48	3-1/2 - 12	NA	NA	NA

Thread size indicates the diameter of the threaded area in fractions of an inch and number of threads per inch.

NA = not a current CMW part numbered o-ring, or dash size does not occur in current CMW applications

SAE = straight thread fitting that seals by sandwiching a hard o-ring between a shoulder on the male part and an angular surface at the mouth of the female port.

ORS = o-ring face seal; a type of fitting that seals by compressing a hard, captive o-ring between two flat parallel faces, one grooved for the o-ring and the other plain to act as the sealing surface

RT95H Tier 3

Related Publications

Component	Ass'y	P/N
Model:		
RT95 Parts Manual		053-1239
RT95 Operators Manual		054-1241
RT95 Repair Guide (Service Manual)		N/A
RT95 Technical Supplement		053-1242
RT95 Special Tools Guide		052-901
Engine:		
John Deere Operators Manual – 4045HF280	195-1291 ..	053-1231

Filters

Engine:		
Air Filter Parts Ass'y		194-121
Element (primary)		194-147
Element (secondary)		194-148
Oil Filter Element (spin-on) - John Deere		194-478
Fuel Strainer (04H) Tank.....		156-268
Primary Filter Sediment Bowl		194-493
Fuel Filter Element-John Deere (Primary)		195-1378
Fuel Filter Element-John Deere (Secondary)		195-1377
Hydraulic:		
Oil Filter Element (1-1/2-UNF, spin-on, Replacement)		153-792
Element (1-1/2-UNF, spin-on, Break-In)		153-791

Optional Kits

O-ring Repair Kit - FLG, ORS & SAE (15 different O-rings)	190-051
O-ring Repair Kit - Field Service (46 different O-rings)	190-052



Ditch Witch[®]

Parts Manual Change Request

(Please print clearly)

Date: _____ Dealer No. (required): _____

Your Name: _____ Position: _____

Phone: _____ Fax: _____ E-mail: _____

Publication Information:

Parts Manual No.: _____ - _____ Model: _____

Illustration Part No.:	Manual Page No.:
1. _____ - _____	1. _____
2. _____ - _____	2. _____
3. _____ - _____	3. _____

Nature of Change Request:

- Text
- Graphics
- Missing Information

Describe change requested (if possible, include copy of publication page with changes marked.):

**Please fax completed form to
Parts Manual Department (580) 572-3525**

Thank you for taking the time to submit this request. We will contact you if further information is needed to process your request.

**A Note To
Ditch Witch
Equipment Owners:**

If your equipment was purchased through a Ditch Witch dealer, there is no need to read further.

However, if you purchased from any other source, please fill out the form on the reverse side and return it to us.

This will enable you to receive updates on this equipment as well as information on new products of interest.

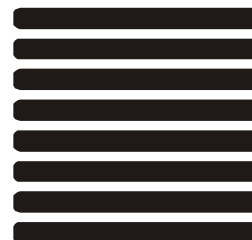
Thanks for using Ditch Witch equipment.

(Please Fold Along This Line And Seal At Bottom With Tape)



**NO POSTAGE
NECESSARY
IF MAILED
IN THE
UNITED STATES**

BUSINESS REPLY MAIL
FIRST CLASS PERMIT NO 23 PERRY OKLAHOMA



POSTAGE WILL BE PAID BY

**The Charles Machine Works, Inc.
P.O. Box 66
Perry, Oklahoma 73077-9989**



Ditch Witch® Registration Card

Please Type or Print All Information

Purchaser's Company Name

Attention

Street Address or P.O. Box

City

County

State

Zip

Nation

()

Phone Number With Area Code

Model

Serial Number

Attachments/Accessories

Serial Numbers

Attachments/Accessories

Serial Numbers

Attachments/Accessories

Serial Numbers

Name of Ditch Witch Dealership

Your Signature