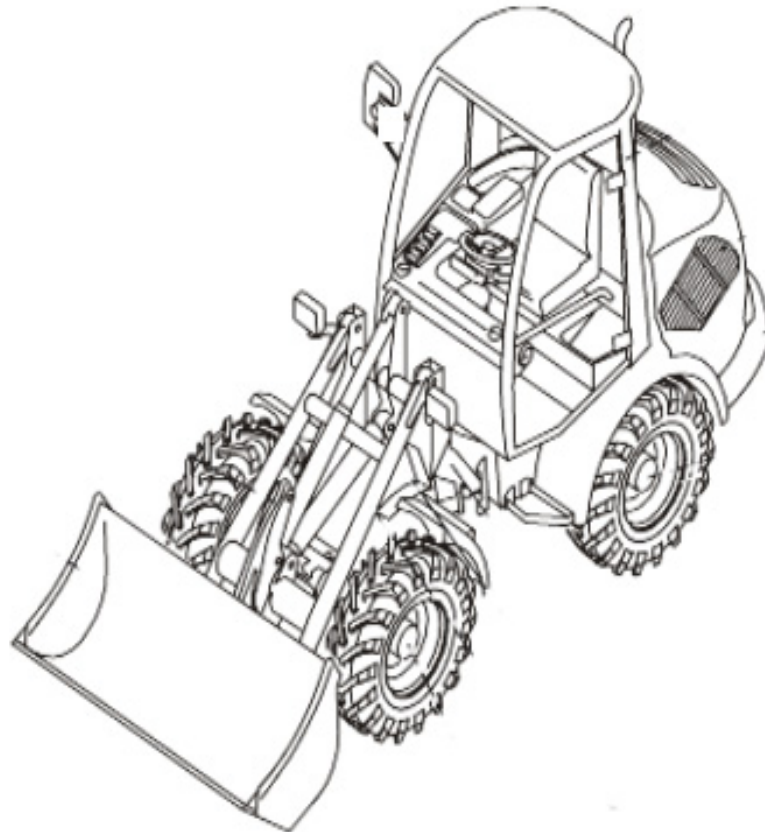


# PARTS MANUAL

**TW80**

Serial No. E107240~

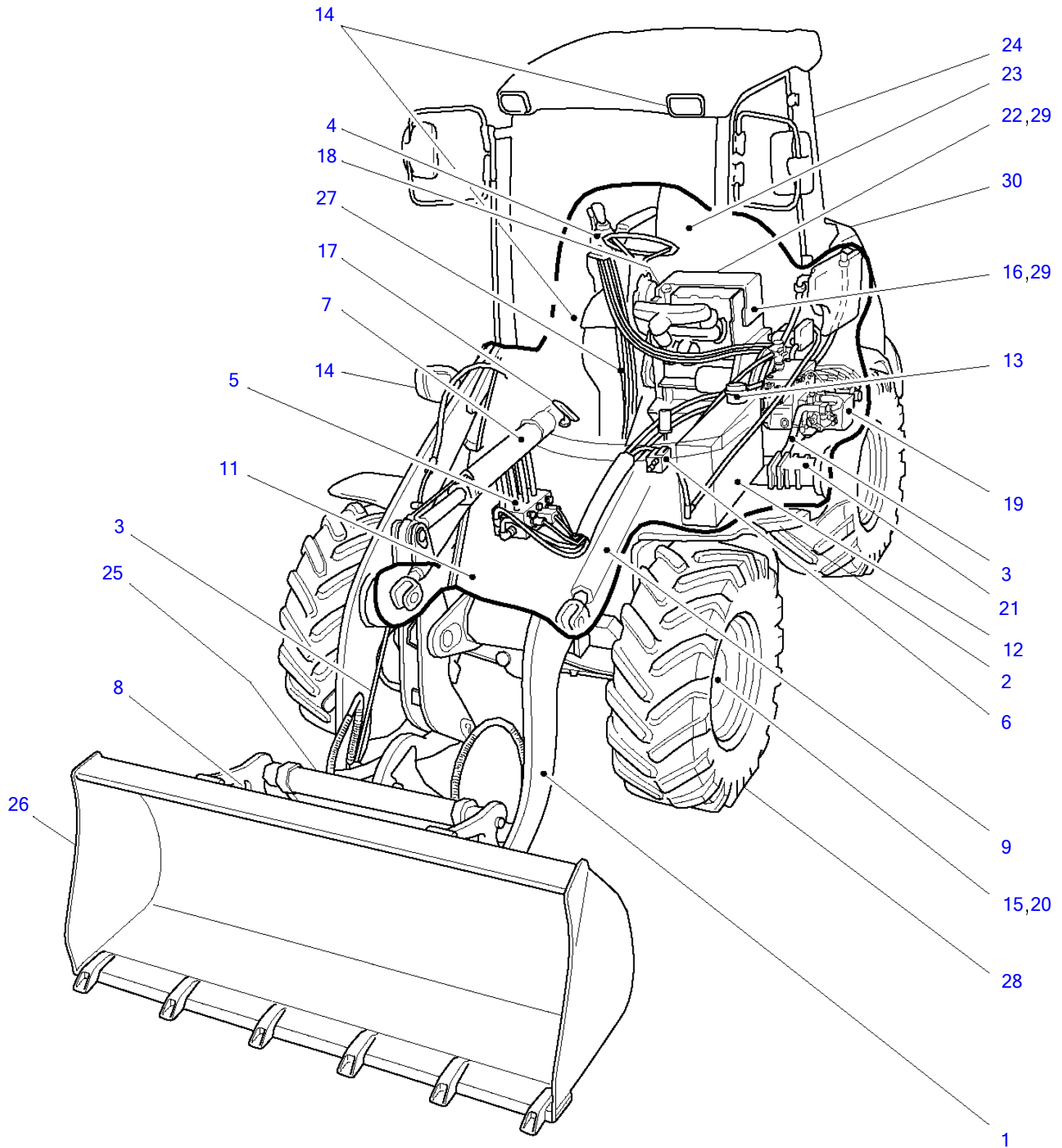
Book No. 8020870



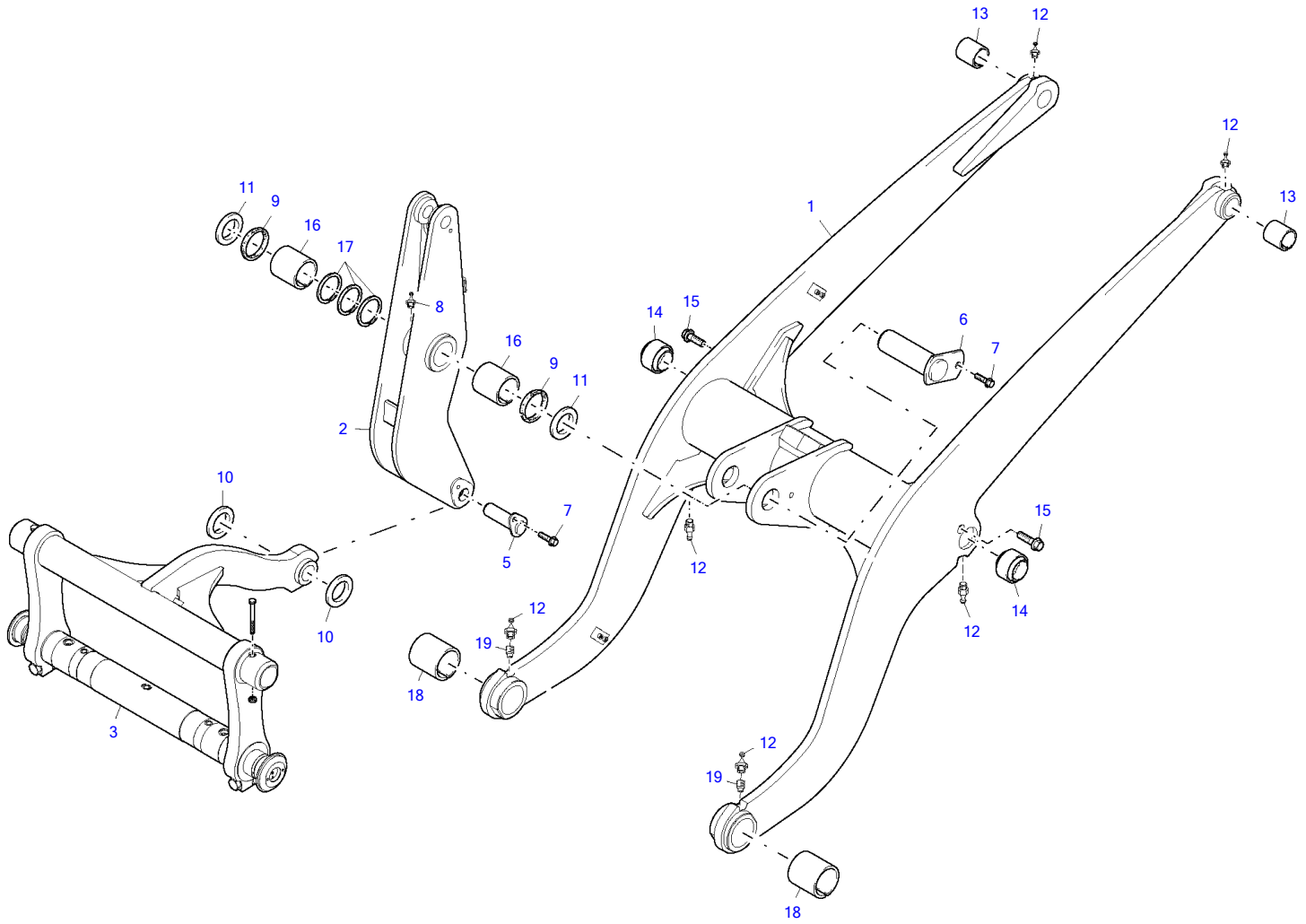
**WHEEL LOADER**

**TAKEUCHI**

Index

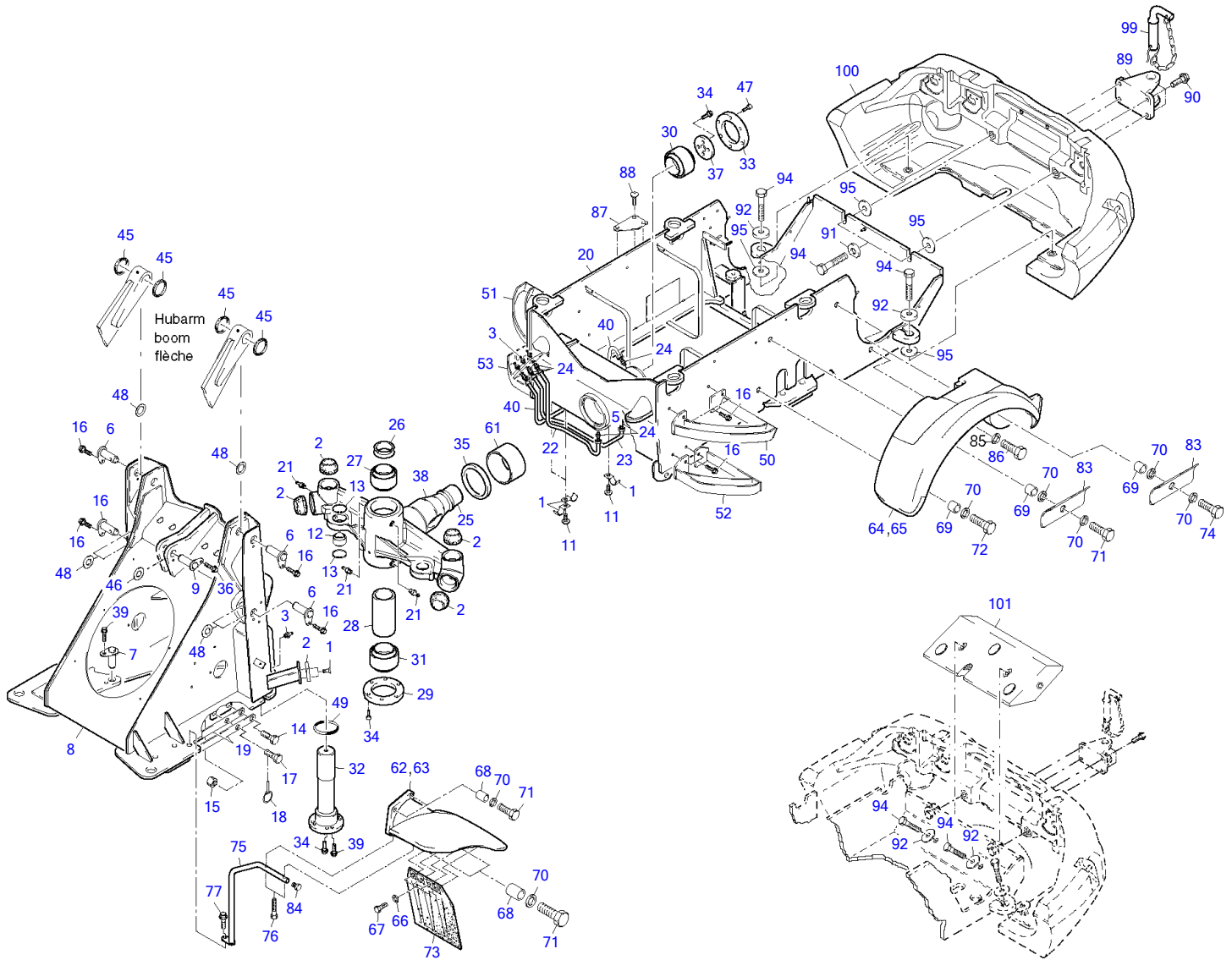


Item	Part number	Description	main	Q'ty	Chan.	Serial No.	Serv.	Remarks
1	8006820	Lifting System						
2	8006801	Base						
3	8006825	Steering Hydraulics						
	8007006	Working Hydraulics						
	8010081	Return Hydraulics						
	8017517	Driving Hydraulics						
	8018585	Hydraulic Lift System						
	8016623	Hydraulic Quick Release						
4	8018579	Servo Control Compl						
	8007923	Server Contr Bracket						
	8011331	Valve Compl						
5	8018506	Directional Valve						
6	8005560	Brake Throllte Valve						
7	8018297	Working Cylinder						
9	8018295	Lifting Cylinder						
11	3931751	Steering Cylinder						
12	8006825	Hydraulic Tank Compl						
13	8009636	Return Filter Compl						
14	8008690	Electric System						
	8008388	Electric System (Cabin)						
	8008597	Printed Circuit Compl						
	8009633	Working Headlights Compl						
15	8018547	Drive Set						
16	8006826	Diesel Engine Compl						
	8008274	Exhaust System						
17	8005490	Inching Actuator						
18	3944347	Air Filter System						
19	8017516	Oil Pressure Pump Compl						
	8016961	Oil Pressure Pump 12V						
	8016961	Oil Pressure Pump 12V sec 2						
	8016962	Oil Motor 12V						
20	8006764	Front Axle						
	8009258	Axle Pipe						
21	8006765	Rear Axle						
	8009546	Axle Pipe						
	8000892	Brake Disk						
	2902754	Rear Axle Multiple Disk Brake						
22	8008536	Fuel Supply System						
23	8008016	Driver's Seat						
	8008626	Seat Lower Part Compl						
24	8003354	Cabin						
	8003297	Cabin Door Left						
	8003340	Lining						
	8004889	Wiper System						
	3930421	Steering Column Compl						
25	8007008	Hyd Quick Release Eq						
26	3705791	Pallet Fork Compl						
27	8003053	Engine Heating						
28	8016611	Decals and Accessories						
	8016645	Protective Hoses						
30	8006828	Covering						
	8016810	Engine Hood Compl						
	8008759	Exterior Covering						
99	8018988	Maintenance Filter Kits						



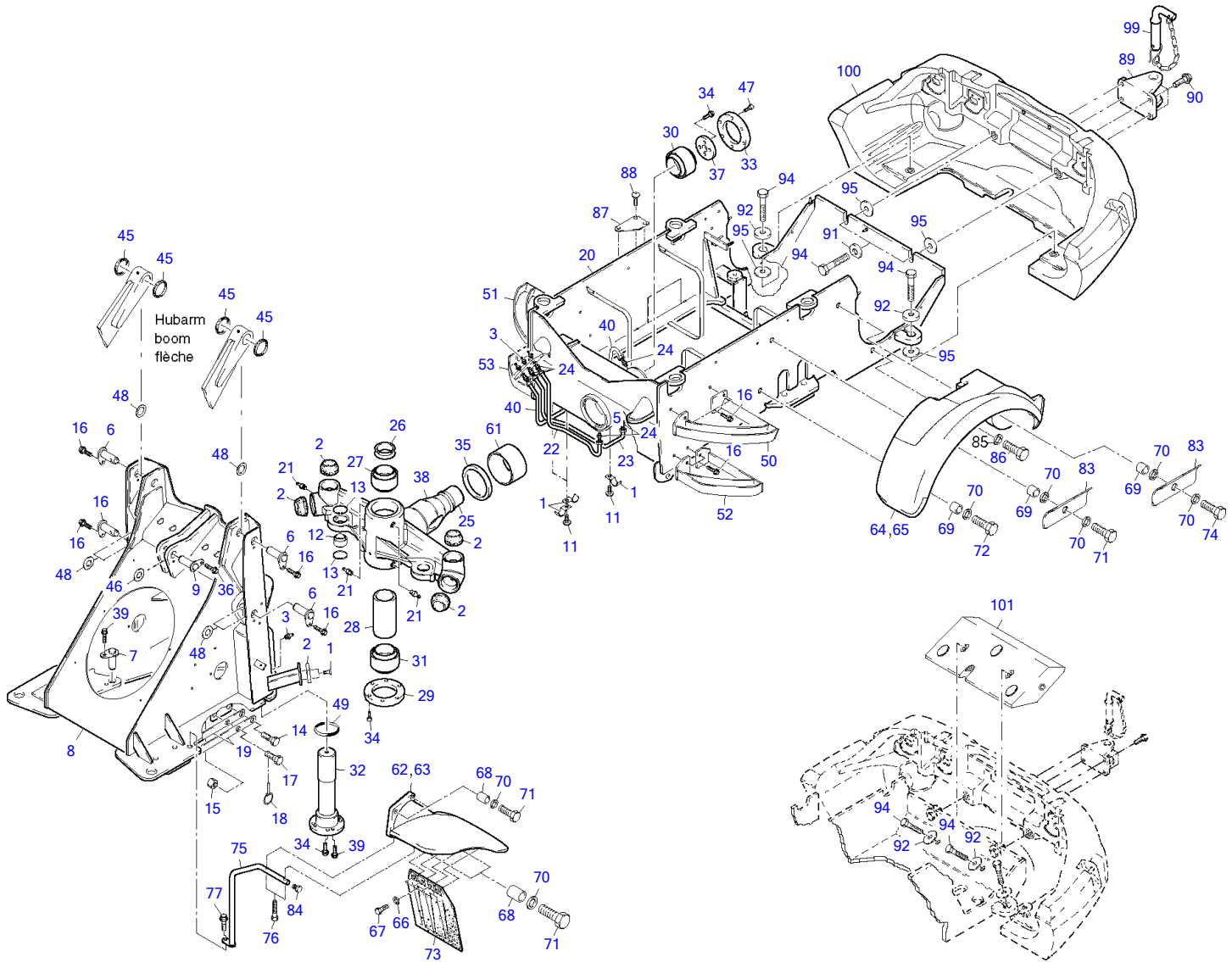
Item	Part number	Description	Lifting System			Remarks
			Q'ty	Chan.	Serial No.	
	<b>8006820</b>	Lifting System				
1	<b>8006381</b>	Boom Compl	1			
2	<b>8007002</b>	Shift Lever Compl	1			
3	<b>8007008</b>	Hyd Quick Release Eq	1			
5	<b>2911255</b>	Pin Compl	1			
6	<b>3933753</b>	Pin Compl	1			
7	<b>1782905</b>	Serrated Hex Head Screw	1			
8	<b>0300569</b>	Grease Nipple	1			
9	<b>0809472</b>	Wiper Seal	2			
10	<b>8004668</b>	Disk 1.0 MM	1			
	<b>8004669</b>	Disk 1.2 MM	1			
	<b>8004670</b>	Disk 1.5 MM	1			
	<b>8004671</b>	Disk 2.0 MM	1			
11	<b>2909079</b>	Disk 1.0 MM	1			
	<b>2909091</b>	Disk 1.2 MM	1			
	<b>2909104</b>	Disk 1.5 MM	1			
	<b>2909080</b>	Disk 2.0 MM	1			
12	<b>0324590</b>	Grease Nipple	6			
13	<b>8004387</b>	Split Bush	2			
14	<b>2915806</b>	Spherical Bearing	2			
15	<b>2916794</b>	Self-Locking Bolt	2			
16	<b>0306689</b>	Split Bush	2			
17	<b>2961437</b>	Circlip	3			
18	<b>8004389</b>	Split Bush	2			
19	<b>2985537</b>	Threaded Pin	2			

Base



Item	Part number	Description	Base Qty	Chan.	Serial No.	Serv.	Remarks
	<b>8006801</b>	Base	1				
1	<b>1025249</b>	Clamp	4				
2	<b>3928869</b>	Stop Buffer	4				
3	<b>0324590</b>	Grease Nipple	1				
6	<b>3740921</b>	Pin Compl	4				
7	<b>3945177</b>	Pin Compl	2				
8	<b>8019914</b>	Frame Front	1				
9	<b>3933720</b>	Pin Compl	1				
11	<b>1039369</b>	Oval Head Screw	3				
12	<b>0447032</b>	Spherical Bearing	2				
13	<b>0318069</b>	Circlip Tone 400	4				
14	<b>1308876</b>	Hex Head Screw A3C	1				
15	<b>0327322</b>	Nut A3C	1				
16	<b>1783337</b>	Serrated Hex Head Screw	12				
17	<b>1014053</b>	Special Screw	1				
18	<b>1011163</b>	Split Pin	1				
19	<b>8004060</b>	Safety Rod	2				
20	<b>8019917</b>	Frame Rear	1				
21	<b>0300569</b>	Grease Nipple	6				
22	<b>3927960</b>	Conduit	1				
23	<b>3927971</b>	Conduit	1				
24	<b>2658564</b>	Screw Connection A3C	6				
25	<b>8006549</b>	Artic Pend Joint	1				
26	<b>0884177</b>	V-Ring	1				
27	<b>2919399</b>	Spherical Bearing	1				
28	<b>2452566</b>	Spacer	1				
29	<b>2452577</b>	Disk	2				
30	<b>2908614</b>	Spherical Bearing	1				
31	<b>2478168</b>	Spherical Bearing	1				
32	<b>3931068</b>	Pin	1				
33	<b>1009716</b>	Disk	1				
34	<b>0884166</b>	Self-Locking Bolt	18				
35	<b>1009705</b>	Distance Ring	1				
36	<b>1782905</b>	Serrated Hex Head Screw	1				
37	<b>1009727</b>	Disk	1				
38	<b>8006800</b>	Artic Pend Joint Comp	1				
39	<b>3762610</b>	Self-Locking Bolt	8				
40	<b>3954065</b>	Conduit	1				
45	<b>8002032</b>	Wiper Seal	4				
46	<b>8004668</b>	Disk 1.0 MM	1				
	<b>8004669</b>	Disk 1.2 MM	1				
	<b>8004670</b>	Disk 1.5 MM	1				
	<b>8004671</b>	Disk 2.0 MM	1				
47	<b>0336185</b>	Self-Locking Bolt	6				
48	<b>8003214</b>	Disk 1.0 MM	1				
	<b>8003215</b>	Disk 1.2 MM	1				
	<b>8003216</b>	Disk 1.5 MM	1				
	<b>8003217</b>	Disk 2.0 MM	1				
49	<b>2916363</b>	O-Ring	1				
50	<b>8005065</b>	Left Climb Bracket	1				
51	<b>8005067</b>	Right Climb Bracket	1				
52	<b>3953893</b>	Left Climb Bracket	1				
53	<b>3953906</b>	Right Climb Bracket	1				
61	<b>2444293</b>	Bush	1				
62	<b>3927620</b>	Left Front Fender	1				
63	<b>3927631</b>	Right Front Fender	1				
64	<b>3927642</b>	Left Rear Fender	1				
65	<b>3927653</b>	Right Rear Fender	1				
66	<b>0447985</b>	Washer A3C	8				
67	<b>8016036</b>	Hex Head Screw A3C	8				
68	<b>3930772</b>	Spacer	8				
69	<b>3930783</b>	Spacer	8				
70	<b>1620160</b>	Washer A3C	8				
71	<b>3930943</b>	Hex Head Screw A3C	10				
72	<b>3930954</b>	Hex Head Screw A3C	2				
73	<b>3955317</b>	Mud Flap Ripp	2				
74	<b>8009218</b>	Hex Head Screw A3C	2				
75	<b>3934298</b>	Holder	2				

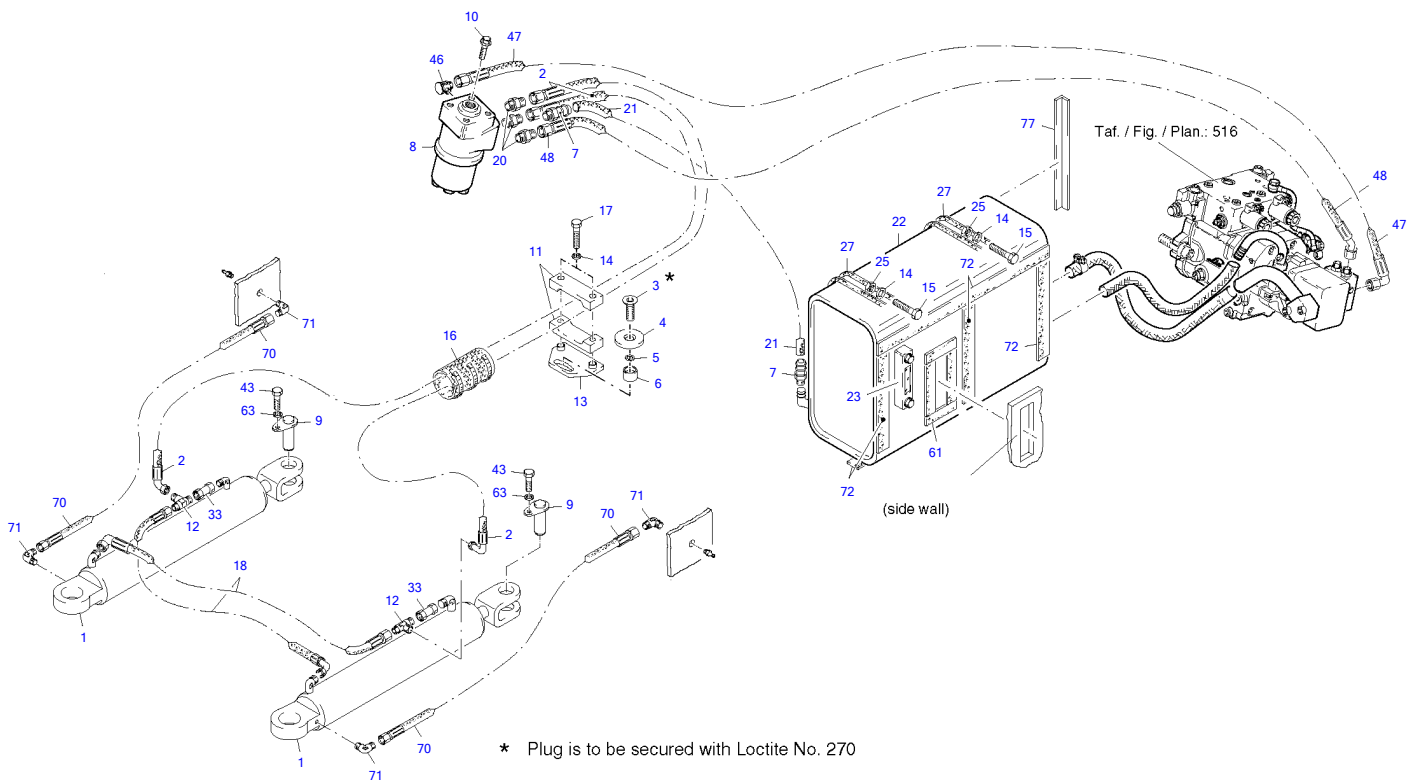
Base





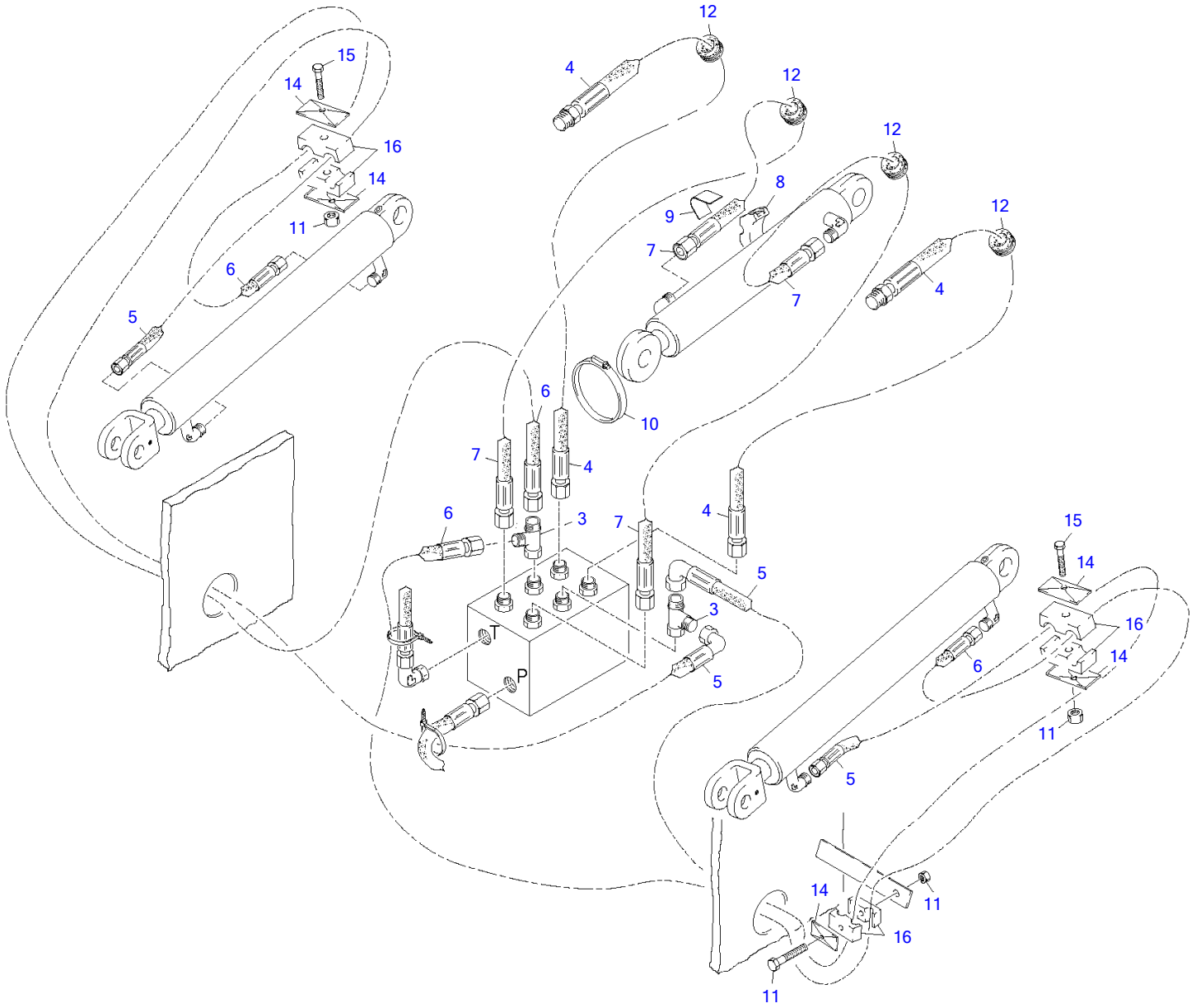
Item	Part number	Description	Base Q'ty	Chan.	Serial No.	Serv.	Remarks
76	<b>3934390</b>	Bolt A3B	4				
77	<b>2916794</b>	Self-Locking Bolt	2				
83	<b>3936450</b>	Cover Plate	4				
84	<b>3938805</b>	Holder	2				
85	<b>1356294</b>	Washer A3C	2				
86	<b>1398589</b>	Hex Head Screw A3C	2				
87	<b>8008792</b>	Plate	1				
88	<b>3934378</b>	Lens Head Screw A3R	3				
89	<b>3944949</b>	Coupling Device	1				
90	<b>2993151</b>	Serrated Hex Head Screw	4				
91	<b>1005438</b>	Washer A3C	2				
92	<b>1781813</b>	Washer A3C	2				
	<b>1781813</b>	Washer A3C	4				
94	<b>1618393</b>	Hex Head Screw A3C	4				
	<b>1618393</b>	Hex Head Screw A3C	6				
95	<b>1781802</b>	Washer A3C 4.0 MM	4				
	<b>3930885</b>	Washer A3C 2.0 MM	1				
	<b>3930896</b>	Washer A3C 3.0 MM	1				
	<b>3930909</b>	Washer A3C 5.0 MM	1				
99	<b>3944574</b>	Linchpin	1				
100	<b>8016070</b>	Counter Weight	1				
101	<b>8016071</b>	Counter Weight	1				

TW80 Book No. 8020870 01.10 S/N E107240  
Steering Hydraulics



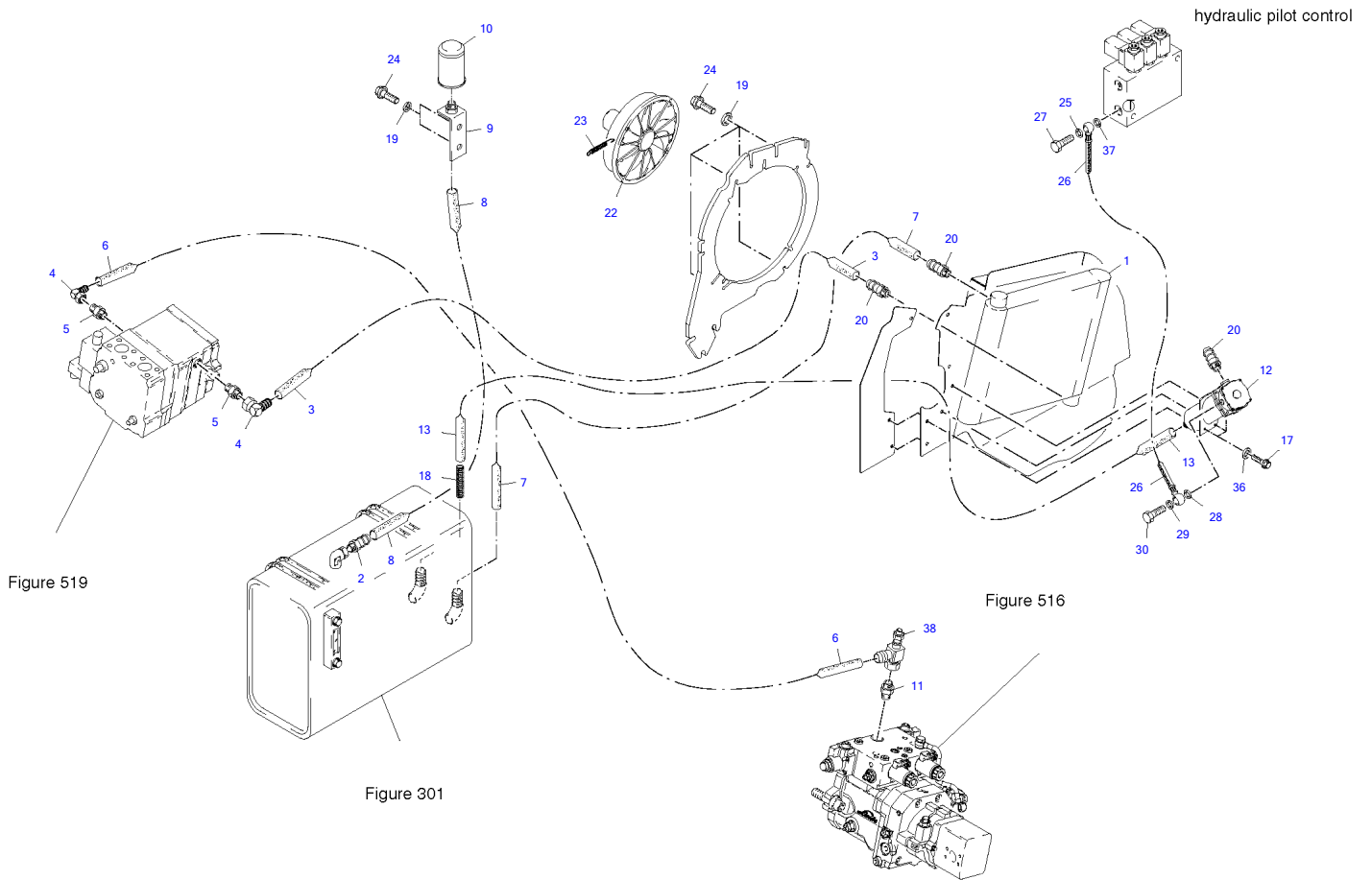
### Steering Hydraulics

Item	Part number	Description	Q'ty	Chan.	Serial No.	Serv.	Remarks
	<b>8006825</b>	Steering Hydraulics					
1	<b>3931751</b>	Steering Ram	2				
2	<b>3947680</b>	HP-Hose 13 x 1550	2				
3	<b>1002184</b>	Countersunk Screw	1				
4	<b>1745591</b>	Washer	1				
5	<b>1388656</b>	Spring Washer A3C	1				
6	<b>0323624</b>	Split Bush	1				
7	<b>8006878</b>	Coupling A3C	2				
8	<b>8008873</b>	Steering Valve	1				
9	<b>3945177</b>	Pin Compl	2				
10	<b>2990216</b>	Self-Locking Bolt	4				
11	<b>3760607</b>	Block	2				
12	<b>2904789</b>	Coupling A3C	2				
13	<b>2908147</b>	Console Compl	1				
14	<b>2481254</b>	Ripp Washer A3C	2				
15	<b>0410073</b>	Hex Head Screw A3C	2				
16	<b>3937075</b>	Rubber Mat	1				
17	<b>0893418</b>	Hex Head Screw A3C	2				
18	<b>3742956</b>	HP-Hose 10 X 500	2				
20	<b>2481696</b>	Coupling A3C	3				
21	<b>8006759</b>	LP-Hose 700 MM	1				
22	<b>8009294</b>	Hydraulic Tank Compl	1				
23	<b>3925322</b>	Sight Glass	1				
25	<b>0399760</b>	Nut A3C	2				
27	<b>0909224</b>	Profile Rubber 680 MM	1				
33	<b>3742978</b>	Double Nipple	2				
34	<b>3925300</b>	Suction Hose 38 x 525	1				
35	<b>3737879</b>	Clip	2				
36	<b>1896571</b>	LP-Hose 480 MM	1				
37	<b>8008624</b>	Compression Spring Cord	1				
43	<b>1307104</b>	Hex Head Screw A3C	2				
46	<b>2456833</b>	Coupling A3C	1				
47	<b>3750412</b>	HP-Hose 8 X 220	1				
48	<b>3951175</b>	HP-Hose 13 X 2000	1				
61	<b>0909304</b>	Profile Rubber 600 MM	1				
63	<b>2481243</b>	Ripp Washer A3C	2				
70	<b>3747519</b>	Hose Line 4 X 500	2				
71	<b>1661841</b>	Coupling A3C	4				
72	<b>0909304</b>	Profile Rubber 2900 MM	1				
77	<b>0935113</b>	Profile Rubber 300 MM	1				



**Working Hydraulics**

Item	Part number	Description	Q'ty	Chan.	Serial No.	Serv.	Remarks
	<b>8007006</b>	Working Hydraulics					
3	<b>3761379</b>	Coupling A3C	2				
4	<b>8008471</b>	HP-Hose 13 X 1600	2				
5	<b>3762541</b>	HP-Hose 10 X 1750	2				
6	<b>2912052</b>	HP-Hose 10 X 1550	2				
7	<b>3947679</b>	HP-Hose 13 X 1600	2				
8	<b>3924730</b>	Clip	1				
9	<b>8004184</b>	Clamp Strap	1				
10	<b>1373604</b>	Clip	1				
11	<b>0399760</b>	Hex Nut A3C	4				
12	<b>3763484</b>	Rubber Socket	4				
14	<b>0874960</b>	Cover Plate	6				
15	<b>1336869</b>	Hex Head Screw A3C	4				
	<b>2912085</b>	2-Piece Clip Body	4				



**Return Hydraulics**

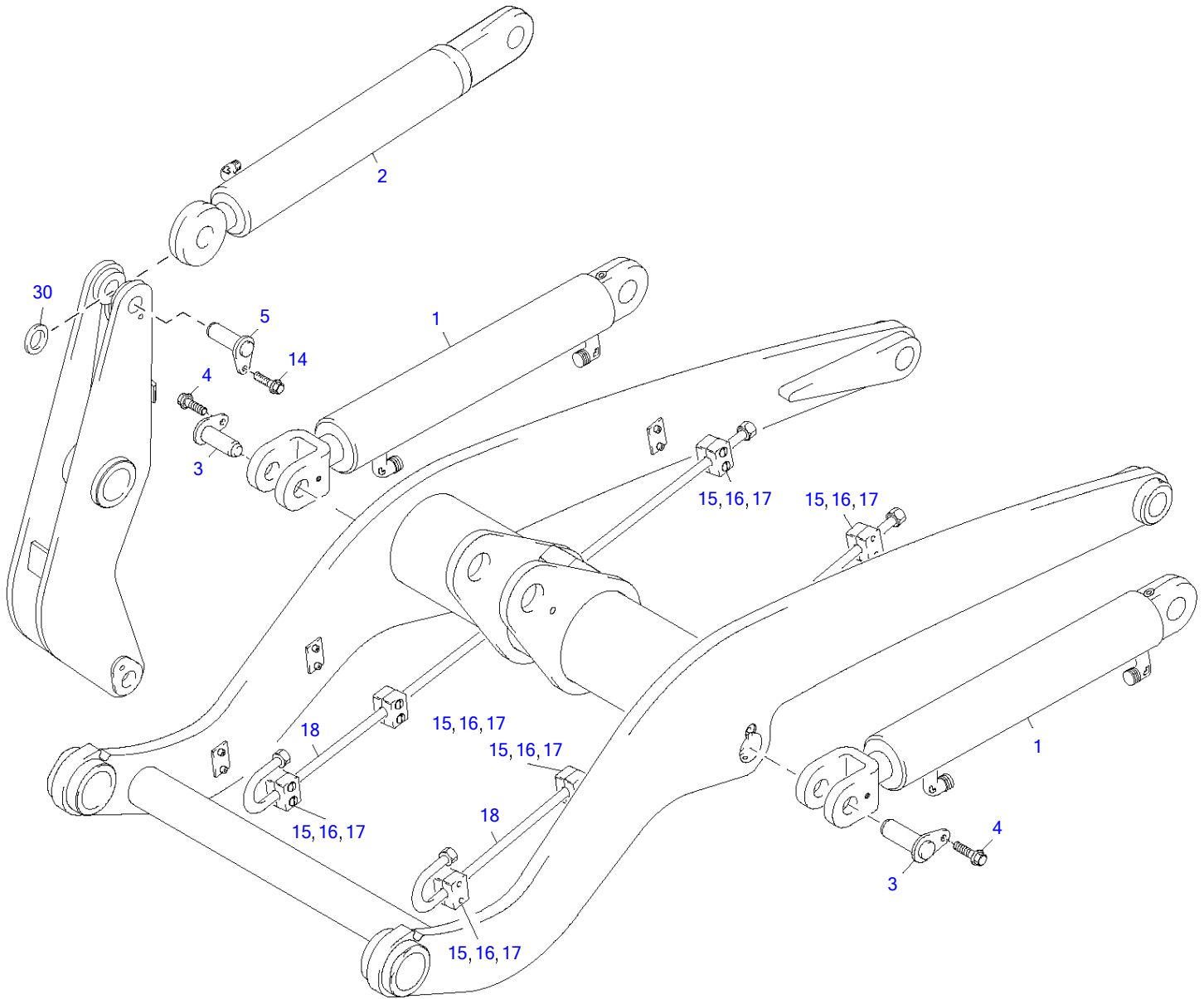
Item	Part number	Description	Q'ty	Chan.	Serial No.	Serv.	Remarks
	<b>8010081</b>	Return Hydraulics					
1	<b>8011354</b>	Oil Cooler/Ventilator Body	1				
2	<b>8006878</b>	Coupling A3C	1				
3	<b>1896571</b>	LP-Hose 1400 MM	1				
4	<b>8010053</b>	Elbow Nipple Compl	2				
5	<b>3951244</b>	Coupling A3C	2				
6	<b>1896571</b>	LP-Hose 1500 MM	1				
7	<b>1896571</b>	LP-Hose 1150 MM	1				
8	<b>8006759</b>	LP-Hose 800 MM	1				
9	<b>8008092</b>	Holder	1				
10	<b>3929440</b>	Air Filter	1				
11	<b>8010061</b>	Coupling A3C	2				
12	<b>8009636</b>	Return Filter Compl	1				
13	<b>1896571</b>	LP-Hose 400 MM	1				
17	<b>1309195</b>	Hex Socket Head Cap Screw	3				
18	<b>8008624</b>	Compression Spring Cord	1				
19	<b>2481254</b>	Serrated Washer A3C	6				
20	<b>8010060</b>	Coupling A3C	4				
22	<b>8017098</b>	Ventilator 12 V	1				
23	<b>3923842</b>	Fastener	1				
24	<b>1307079</b>	Hex Head Screw A3C	6				
25	<b>0350898</b>	Usit Ring	1				
26	<b>2970494</b>	Hose Line	1				
27	<b>0862944</b>	Female Screw A3C	1				
28	<b>1074306</b>	Usit Ring	1				
29	<b>0373588</b>	Usit Ring	1				
30	<b>2982909</b>	Female Screw A3C	1				
36	<b>3939464</b>	Ripp Washer A3C	3				
37	<b>3768296</b>	Gasket A3C	1				
38	<b>8018820</b>	Angular Connection Compl	1				





**Driving Hydraulics**

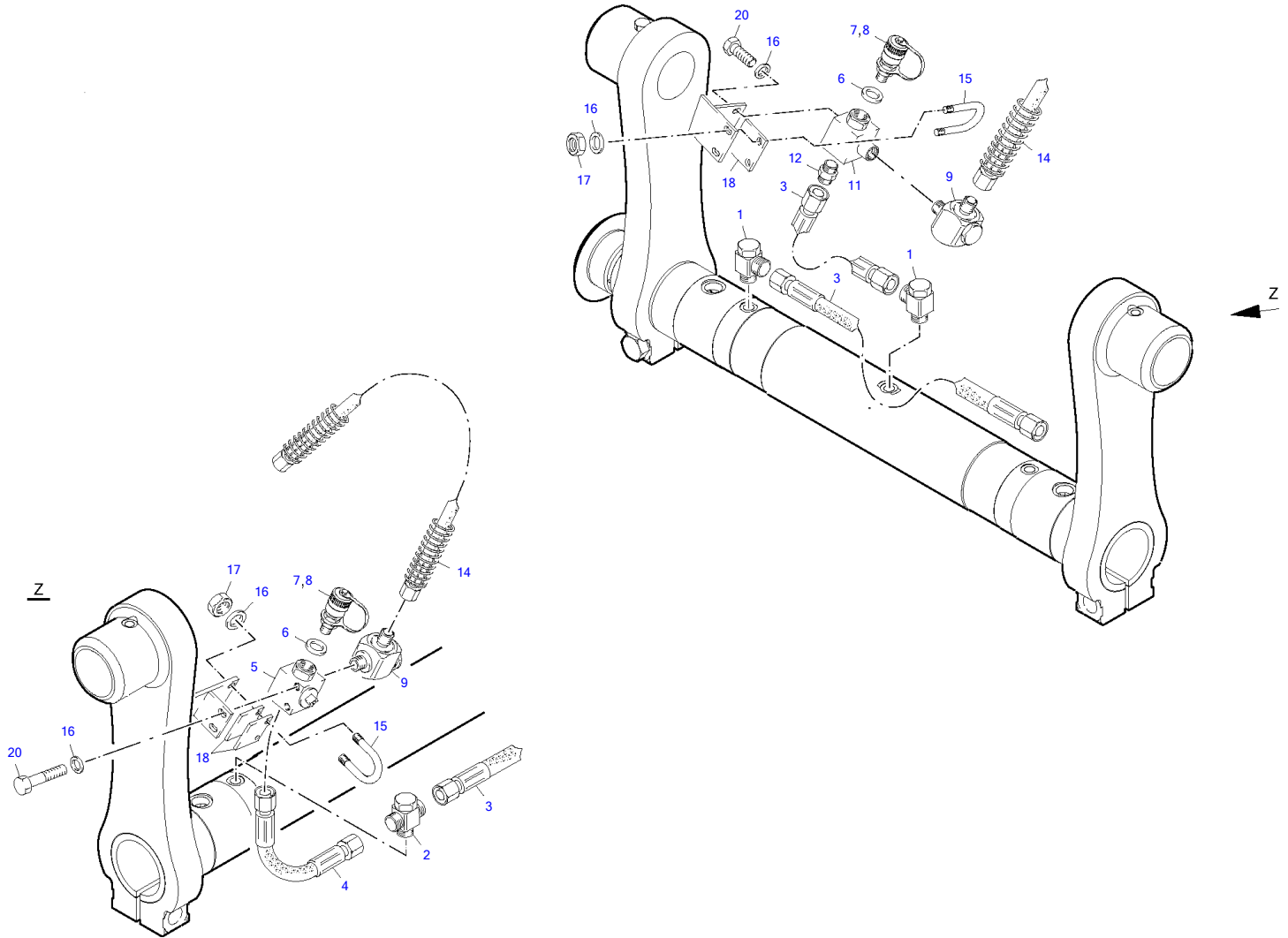
Item	Part number	Description	Q'ty	Chan.	Serial No.	Serv.	Remarks
	<b>8017517</b>	Driving Hydraulics	1				
1	<b>2442848</b>	Oil Pipe A3C	1				
2	<b>1096982</b>	Clip Norma	2				
3	<b>8017518</b>	Hose Line 6 X 1850	1				
9	<b>2960243</b>	Air Vent	1				
11	<b>0399760</b>	Hex Nut A3C	2				
12	<b>3951777</b>	HP-Hose 13 X1850	1				
13	<b>8017519</b>	Hose Line 6 X 1700	1				
15	<b>8008166</b>	HP-Hose 25 X 1500	1				
16	<b>8008166</b>	HP-Hose 25 X 1500	1				
17	<b>1391980</b>	Half of Flange Compl	8				
18	<b>0860179</b>	O-Ring	4				
21	<b>2993151</b>	Serrated Hex Head Screw	16				
25	<b>8017413</b>	Banjo	1				
26	<b>8016983</b>	Banjo	3				
27	<b>8016984</b>	Banjo	1				
30	<b>2977571</b>	HP Hose 13 X 1950	1				
44	<b>3940945</b>	Hose Line 6 X 850	1				
45	<b>2443850</b>	Female Screw S A3C	1				
46	<b>0373588</b>	Usit Ring U	15				
47	<b>0350898</b>	Usit Ring U	1				
48	<b>0862944</b>	Female Screw A3C	1				
50	<b>0311528</b>	Female Screw A3C	6				
52	<b>3768296</b>	Gasket A3C	1				



**Hydraulic Lift System**

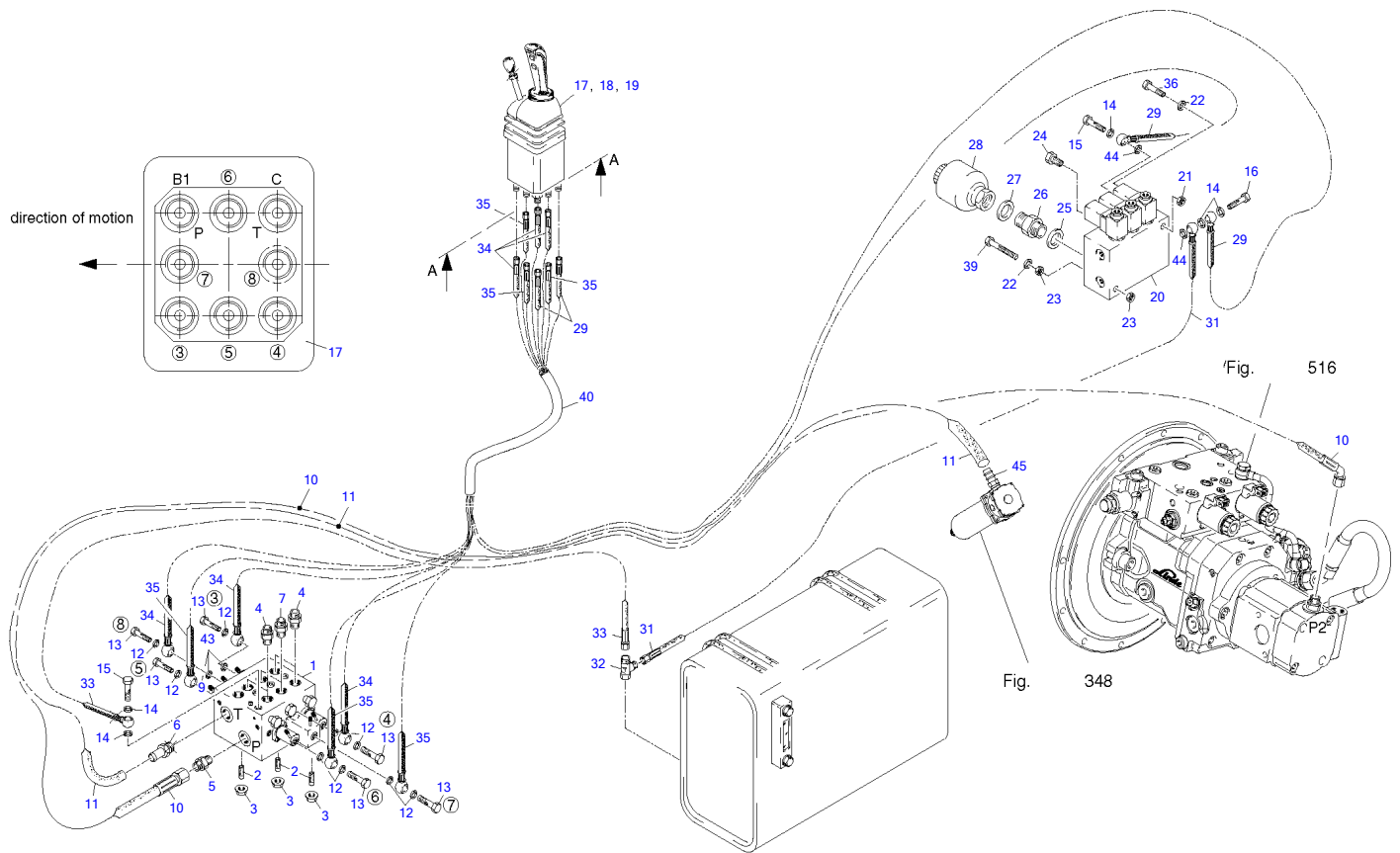
Item	Part number	Description	Q'ty	Chan.	Serial No.	Serv.	Remarks
	<b>8018585</b>	Hydraulic Lift System	1				
	<b>8016715</b>	Hydraulic Lift Arm	1				
1	<b>8018295</b>	Lifting Cylinder	2				
2	<b>8018297</b>	Working Cylinder	1				
3	<b>3741159</b>	Pin Compl	2				
4	<b>1783337</b>	Serrated Hex Head Screw	2				
5	<b>2911255</b>	Pin Compl	1				
14	<b>1782905</b>	Serrated Hex Head Screw	1				
15	<b>0877203</b>	2-Piece Clip Body	6				
16	<b>1302325</b>	Washer	12				
17	<b>1780969</b>	Oval Head Screw	12				
18	<b>8017655</b>	Conduit	2				
30	<b>8004668</b>	Disk 1.0 MM	1				
	<b>8004669</b>	Disk 1.2 MM	1				
	<b>8004670</b>	Disk 1.5 MM	1				
	<b>8004671</b>	Disk 2.0 MM	1				

TW80 Book No. 8020870 01.10 S/N E107240  
Hydraulic Quick Release



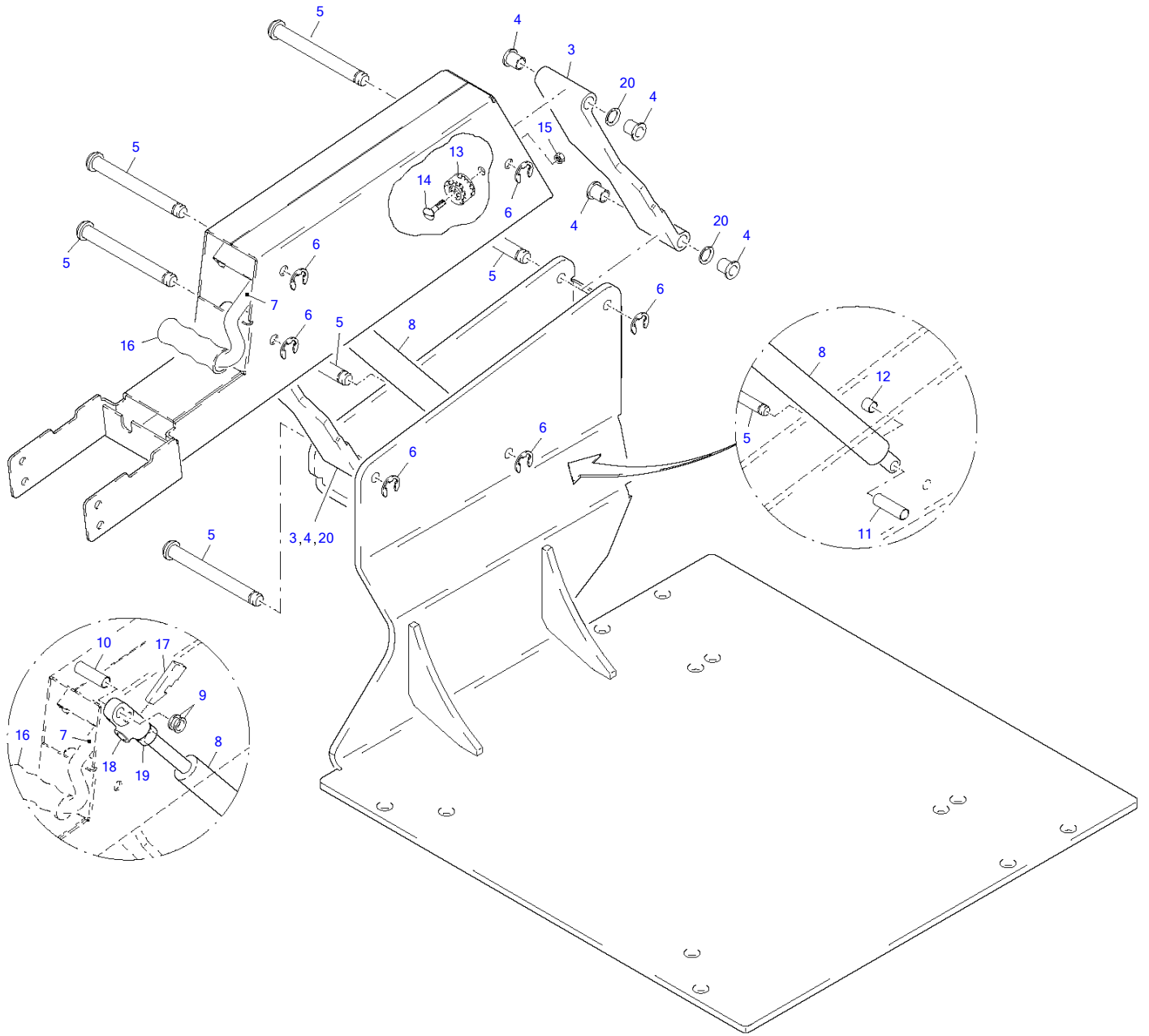
**Hydraulic Quick Release**

Item	Part number	Description	Q'ty	Chan.	Serial No.	Serv.	Remarks
	<b>8016623</b>	Hydraulic Quick Release	1				
1	<b>2456822</b>	Coupling A3C	2				
2	<b>2456844</b>	Coupling A3C	1				
3	<b>8003356</b>	HP-Hose	2				
4	<b>8003357</b>	HP-Hose	1				
5	<b>2970905</b>	Shut Off Cock	1				
7	<b>2605709</b>	Screw Plug A3C	2				
9	<b>8013001</b>	Slew Coupling	2				
11	<b>2971746</b>	Square Steel Bar	1				
12	<b>2908501</b>	Coupling A3C	1				
14	<b>8008375</b>	HP-Hose 13 X 825	2				
15	<b>8002703</b>	Clamp Strap	2				
16	<b>2992014</b>	Ripp Washer A3C	8				
17	<b>0487336</b>	Nut A3C	4				
18	<b>8010355</b>	Plate	3				
20	<b>1307115</b>	Hex Head Screw A3C	4				
	<b>8007008</b>	Hyd Quick Release EQ	1				



**Servo Control Compl**

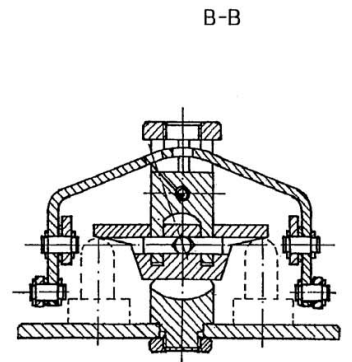
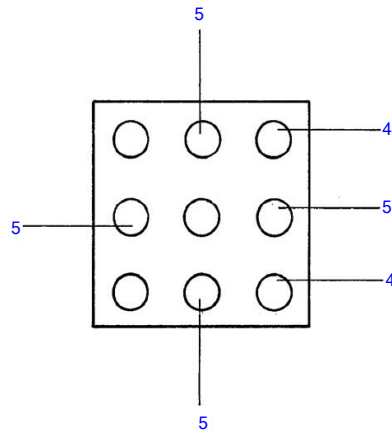
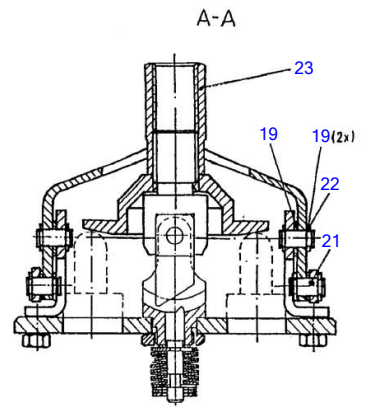
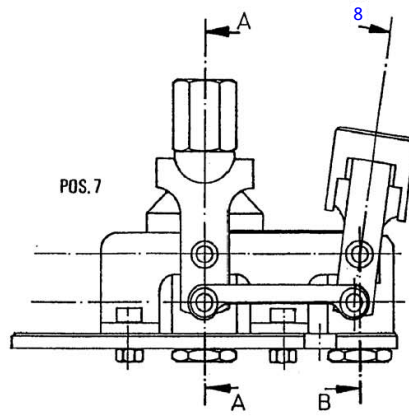
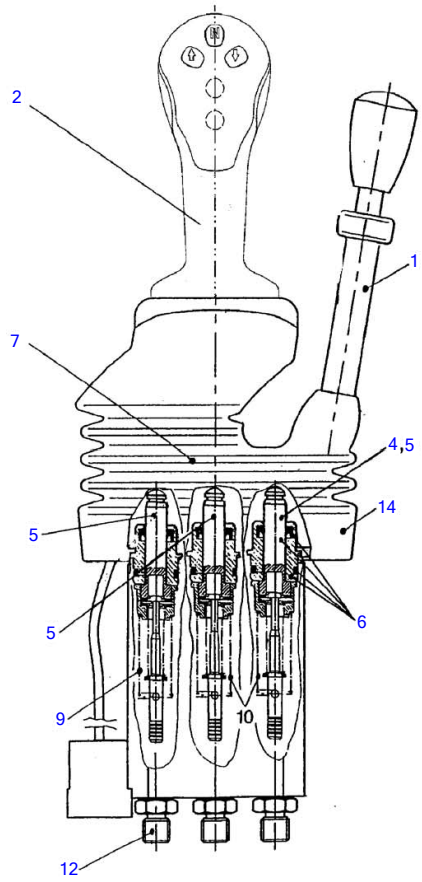
Item	Part number	Description	Q'ty	Chan.	Serial No.	Serv.	Remarks
	<b>8018579</b>	Servo Control Compl	1				
1	<b>8018506</b>	Directional Valve	1				
2	<b>2990169</b>	Stud	3				
3	<b>1722787</b>	Serrated Nut	3				
4	<b>2980576</b>	Screw Connection A3C	4				
5	<b>2481696</b>	Screw Connection A3C	1				
6	<b>8006878</b>	Screw Connection A3C	1				
7	<b>1361586</b>	Screw Connection A3C	2				
10	<b>3951788</b>	HP Hose 13 X 3000	1				
11	<b>8006759</b>	LP Hose 3350 MM	1				
12	<b>0373588</b>	Usit Ring U	9				
13	<b>0311528</b>	Female Screw A3C	6				
14	<b>0350898</b>	Usit Ring U	5				
15	<b>0862944</b>	Female Screw A3C	2				
16	<b>2980827</b>	Female Screw A3C	1				
17	<b>8011331</b>	Valve Compl	1				
18	<b>1347271</b>	Hex Head Screw A3C	2				
19	<b>0487336</b>	Hex Nut A3C	2				
20	<b>8017593</b>	Solenoid Valve	1				
	<b>8020545</b>	Solenoid Valve 12V	3				
21	<b>0893156</b>	Hex Nut A3C	1				
22	<b>2481254</b>	Serrated Washer A3C	2				
23	<b>1356341</b>	Washer A3C	2				
24	<b>1347486</b>	Screw Plug A3C	1				
25	<b>0858506</b>	Usit Ring U	1				
26	<b>3766192</b>	Double Nipple	1				
27	<b>0858573</b>	Usit Ring U	1				
28	<b>3766181</b>	Pressure Accumulator	1				
29	<b>3932707</b>	Hose Line 6 X 2600	2				
31	<b>3945315</b>	Hose Line 6 X 1550	1				
32	<b>2903937</b>	Screw Connection A3C	1				
33	<b>3931013</b>	Hose Line 6 1400	1				
34	<b>3947873</b>	Hose Line 6 X 2200	3				
35	<b>3945304</b>	Hose Line 6 X 2300	3				
36	<b>1307080</b>	Hex Head Screw A3C	1				
39	<b>1625030</b>	Hex Head Screw A3C	1				
40	<b>2986801</b>	Heater Hose 800 MM	1				
43	<b>2989848</b>	Gasket A3C	3				
44	<b>3768296</b>	Gasket A3C	2				
45	<b>8009530</b>	Screw Connection A3C	1				



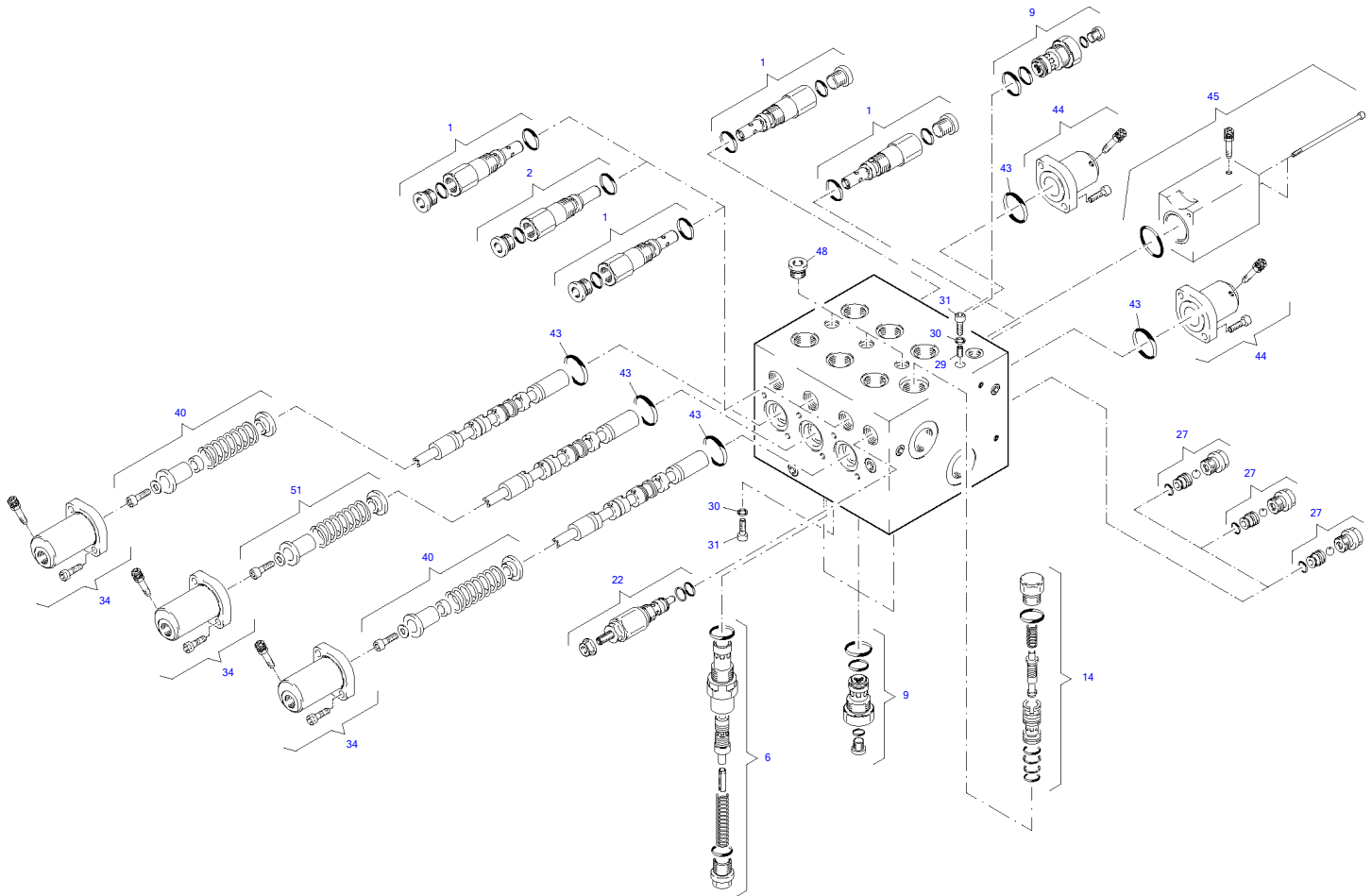


**Servo Control Bracket**

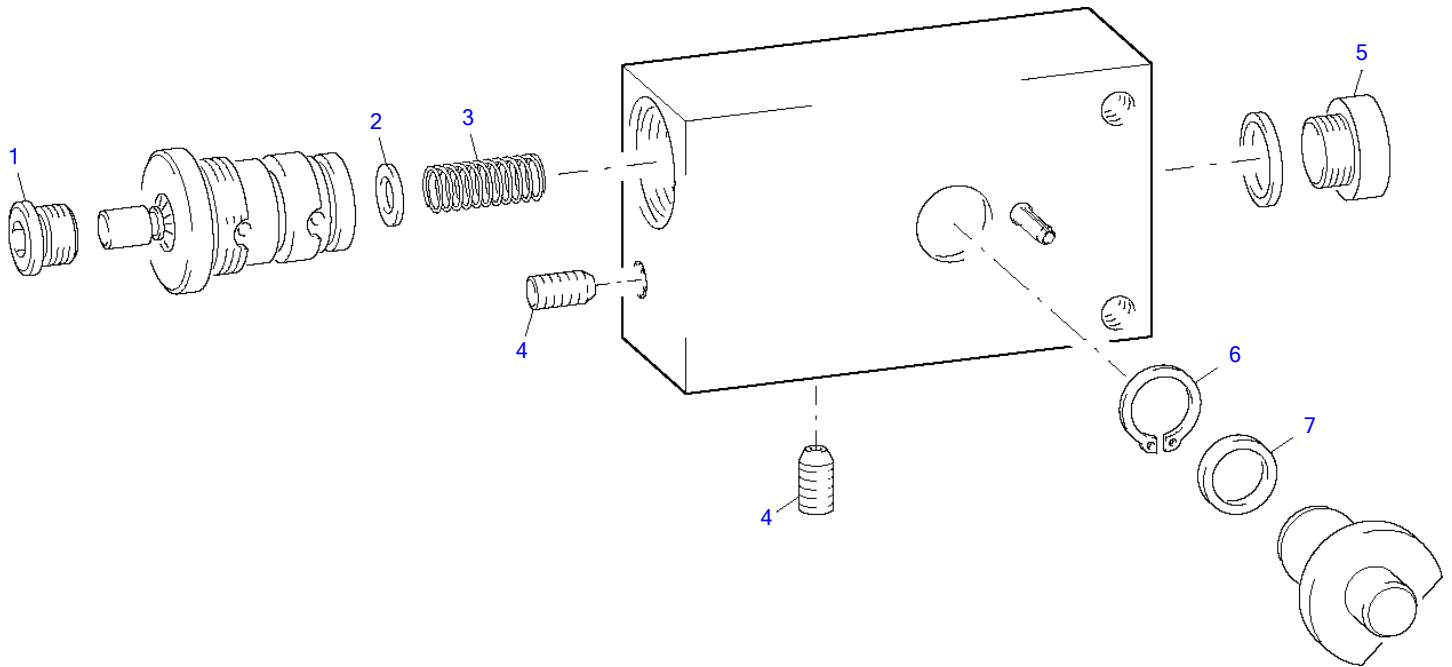
Item	Part number	Description	Q'ty	Chan.	Serial No.	Serv.	Remarks
	<b>8007923</b>	Servo Control Bracket	1				
3	<b>8007487</b>	Hinge Part	2				
4	<b>1749733</b>	Bush	8				
5	<b>0879192</b>	Bolt	6				
6	<b>0498748</b>	Locking Washer	6				
7	<b>3764849</b>	Control Lever Compl	1				
8	<b>3762450</b>	Pneumatic Spring	1				
9	<b>0863138</b>	Washer A3C	2				
10	<b>3764872</b>	Spacer Pipe	1				
11	<b>8007496</b>	Spacer Pipe	1				
12	<b>3764930</b>	Spacer Pipe	1				
13	<b>0466364</b>	Round Buffer	1				
14	<b>0487314</b>	Oval Head Screw	1				
15	<b>0487336</b>	Hex Nut A3C	1				
16	<b>3960676</b>	Handle	1				
17	<b>3768069</b>	Lever	1				
18	<b>3987699</b>	Release	1				
19	<b>0498522</b>	Hex Nut A3C	1				
20	<b>0885849</b>	Disk Spring	4				



Item	Part number	Description	Valve Compl				Remarks
			Q'ty	Chan.	Serial No.	Serv.	
	<b>8011331</b>	Valve Compl	1				
1	<b>3981864</b>	Lock	1				
2	<b>8011332</b>	Servo Control Handle	1				
4	<b>3971486</b>	Valve Insert 408A	2				
5	<b>3971475</b>	Valve Insert 408B	4				
6	<b>3971533</b>	Sliding Insert	6				
7	<b>8003291</b>	Actuation	1				
9	<b>3971408</b>	Pressure Spring	2				
10	<b>3971419</b>	Pressure Spring	4				
12	<b>2917886</b>	Screw Connection A3C	8				
14	<b>3981875</b>	Boot	1				
19	<b>3971555</b>	Shim	20				
21	<b>8004038</b>	Pin A3C	4				
22	<b>8004039</b>	Locking Washer	8				
23	<b>8011883</b>	Connection	1				

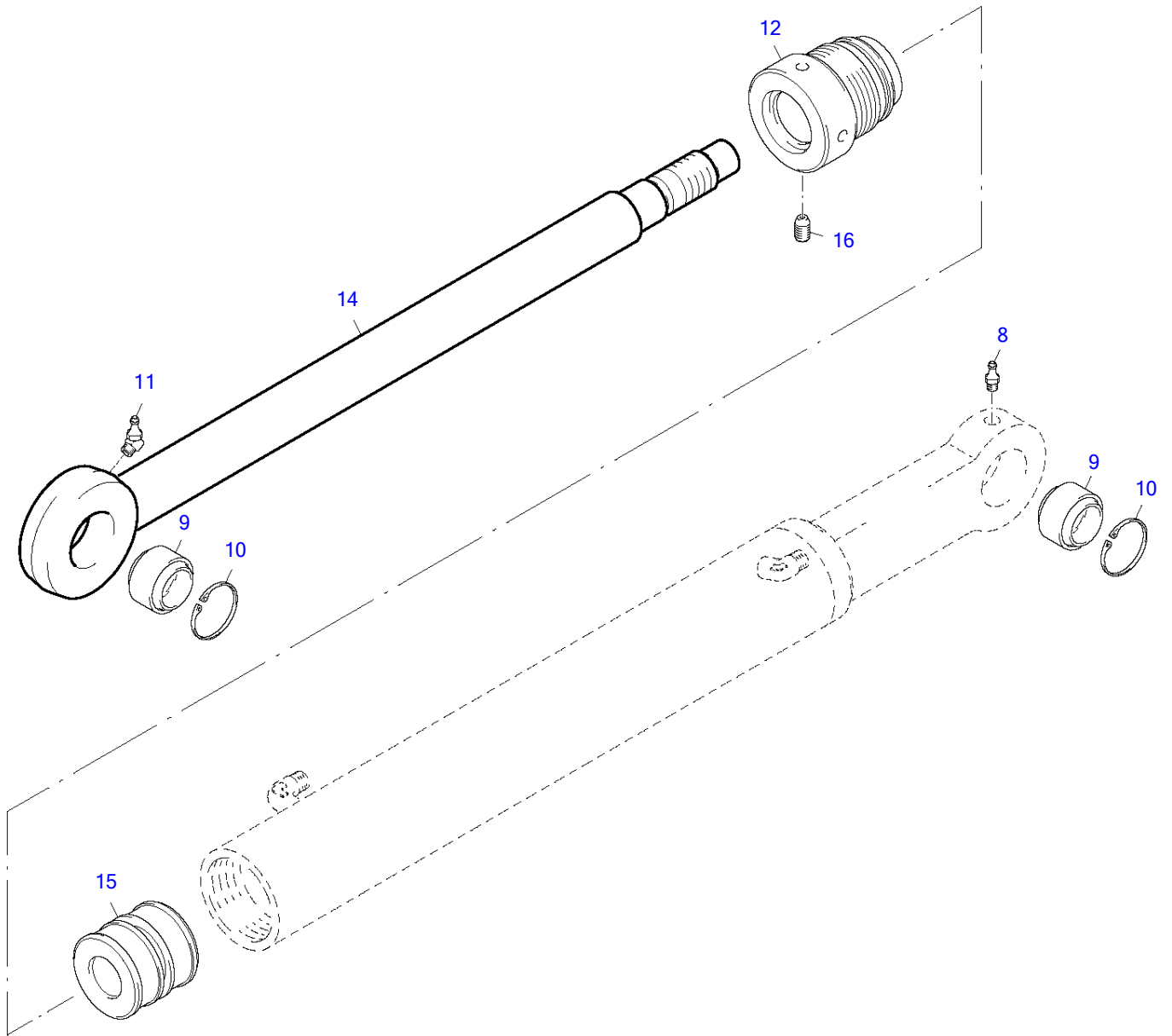


Item	Part number	Description	Directional Valve			
			Q'ty	Chan.	Serial No.	Serv. Remarks
	<b>8018506</b>	Directional Valve	1			
1	<b>8021285</b>	Valve Compl	4			
2	<b>8021286</b>	Valve Compl	1			
6	<b>3964307</b>	Lowering Brake	1			
9	<b>3988952</b>	Check Valve	4			
14	<b>3988929</b>	Regulating Valve	1			
22	<b>2984912</b>	Pilot	1			
27	<b>8011968</b>	Two-Way Valve	3			
29	<b>3964261</b>	Nozzle	1			
30	<b>0407385</b>	Gasket A	2			
34	<b>8011960</b>	Cap Compl	3			
40	<b>8011966</b>	Set of Springs	2			
43	<b>0391251</b>	O-Ring	5			
44	<b>8011961</b>	Cap Compl	2			
45	<b>3985108</b>	Control Head	1			
48	<b>0423556</b>	Screw Plug A3C	3			
51	<b>8011967</b>	Set of Springs	1			
	<b>3988963</b>	Seal Kit	1			



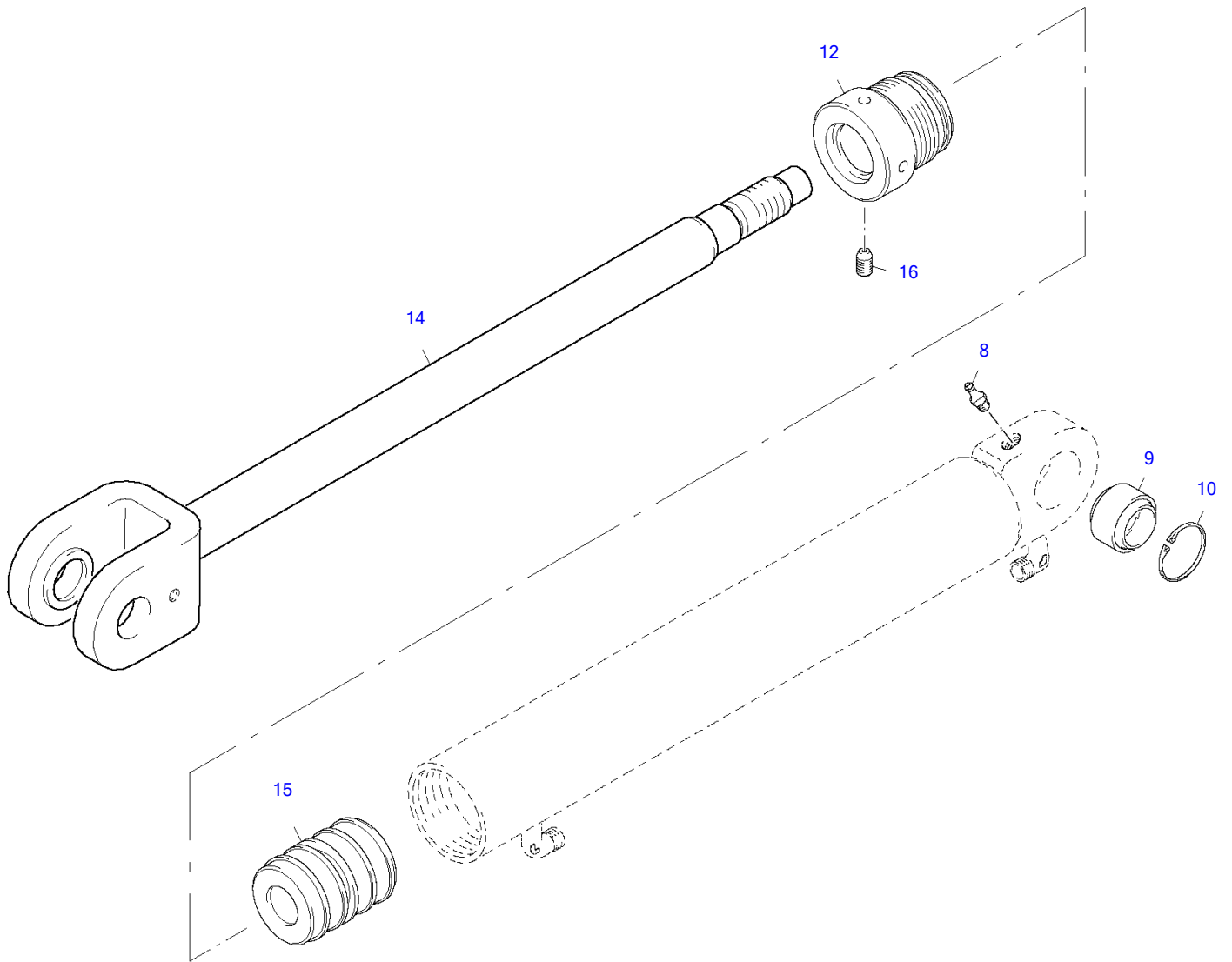
**Brake Throttle Valve**

Item	Part number	Description	Q'ty	Chan.	Serial No.	Serv.	Remarks
	<b>8005560</b>	Brake Throttle Valve	1				
1	<b>1694986</b>	Screw Plug A3C	1				
2	<b>0893043</b>	Washer A3C	1				
3	<b>3960041</b>	Pressure Spring	1				
4	<b>0442888</b>	Threaded Pin A3C	2				
5	<b>0357908</b>	Screw Plug A3C	1				
6	<b>0314123</b>	Circlip	1				
7	<b>3960052</b>	Shim	1				
	<b>8011963</b>	Seal Kit Compl	1				

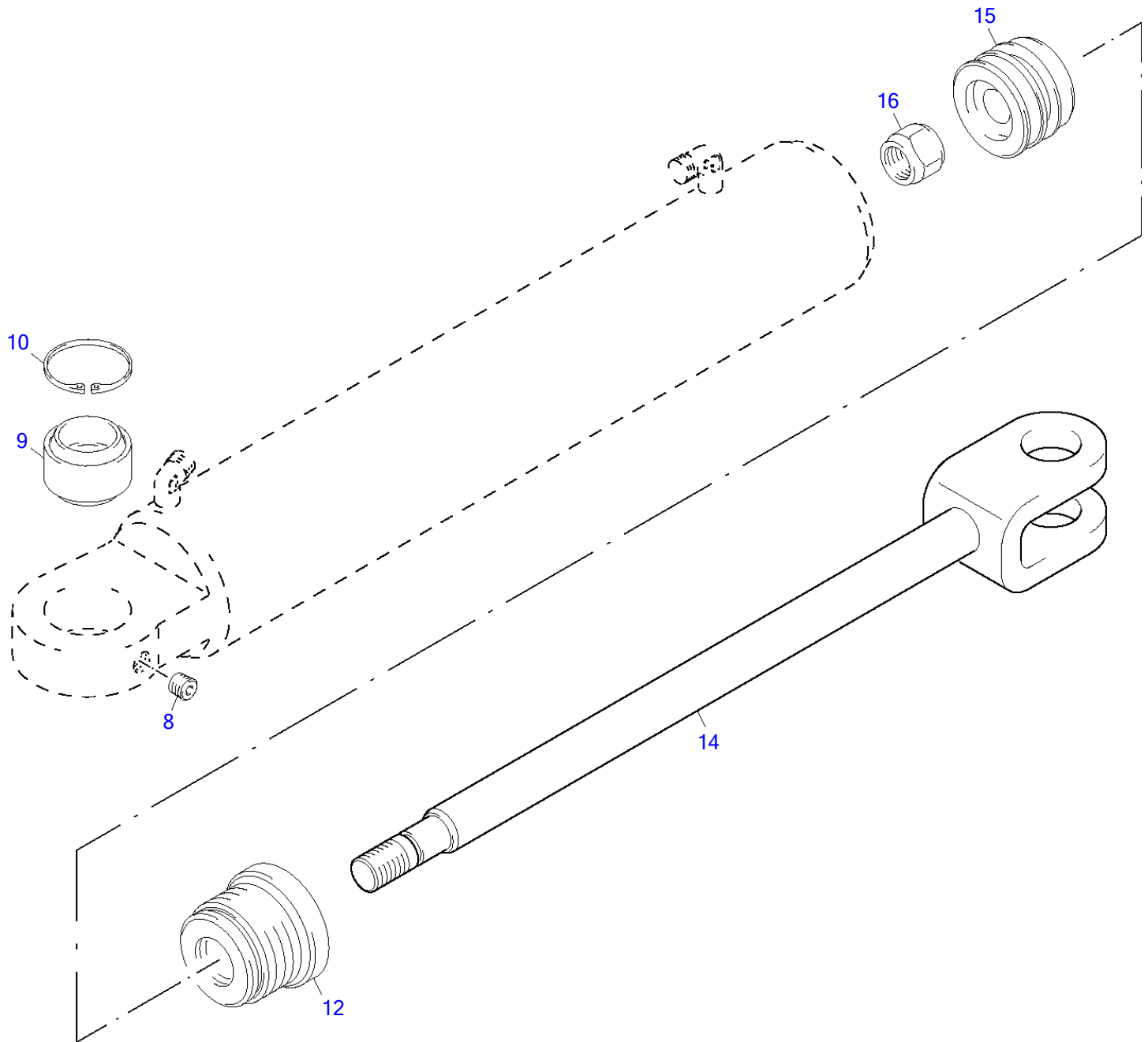




Item	Part number	Description	Working Cylinder				Remarks
			Q'ty	Chan.	Serial No.	Serv.	
	<b>8018297</b>	Working Cylinder	1				
8	<b>0324590</b>	Grease Nipple	1				
9	<b>1050977</b>	Spherical Bearing	2				
10	<b>1627587</b>	Circlip Tone 400	2				
11	<b>0366772</b>	Grease Nipple	1				
12	<b>8021973</b>	Guide Bush	1				
14	<b>8021957</b>	Piston Rod	1				
15	<b>8021974</b>	Piston	1				
16	<b>0346369</b>	Threaded Pin	1				
	<b>8021892</b>	Seal Kit	1				



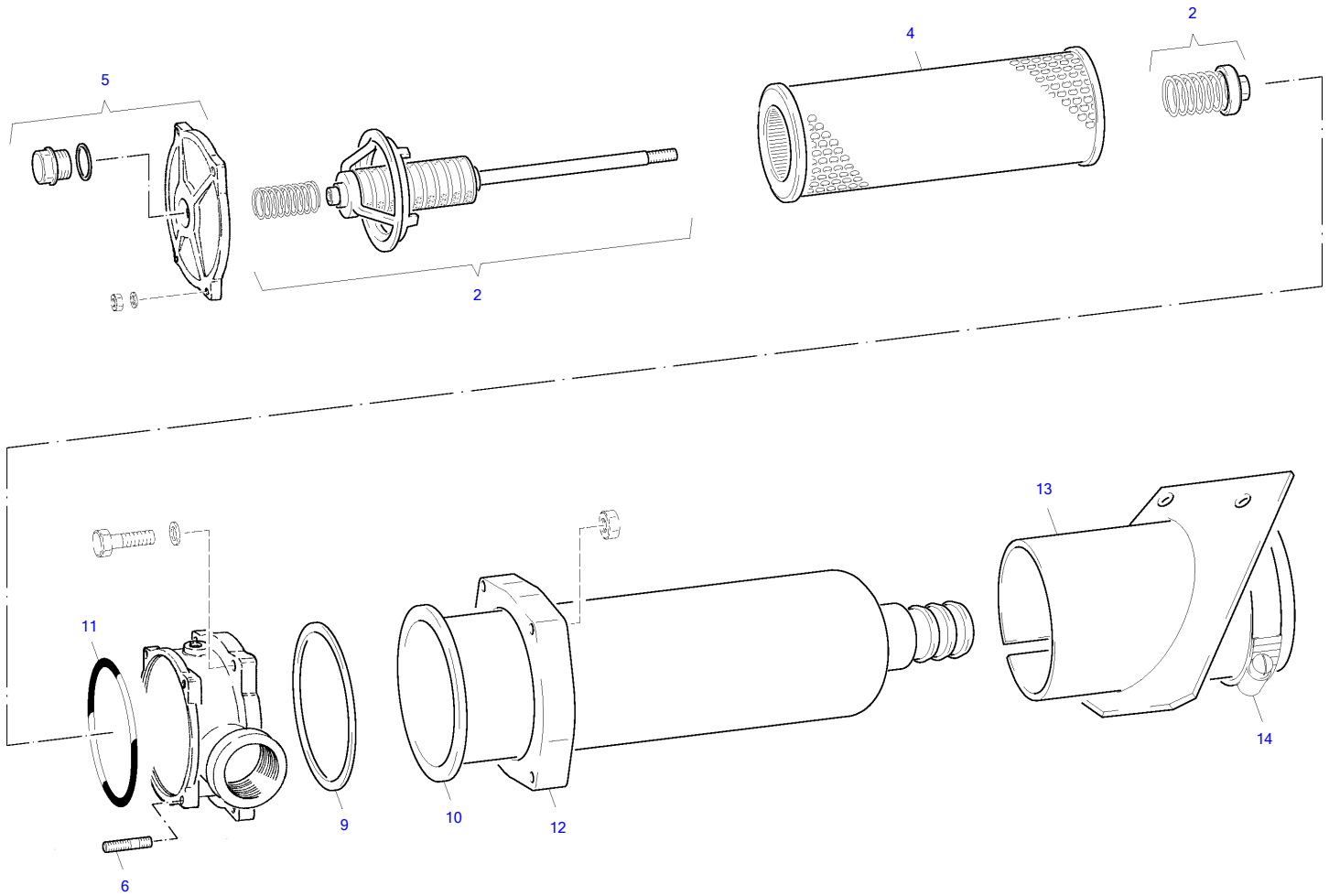
Item	Part number	Description	Lifting Cylinder				Remarks
			Q'ty	Chan.	Serial No.	Serv.	
	<b>8018295</b>	Lifting Cylinder	1				
8	<b>0324590</b>	Grease Nipple	1				
9	<b>2915806</b>	Spherical Bearing	1				
10	<b>1630811</b>	Circlip Tone 400	1				
12	<b>8021916</b>	Guide Bush	1				
14	<b>8021894</b>	Piston Rod	1				
15	<b>8021917</b>	Piston	1				
16	<b>0440002</b>	Threaded Pin	1				
	<b>8021891</b>	Seal Kit	1				



**Steering Cylinder**

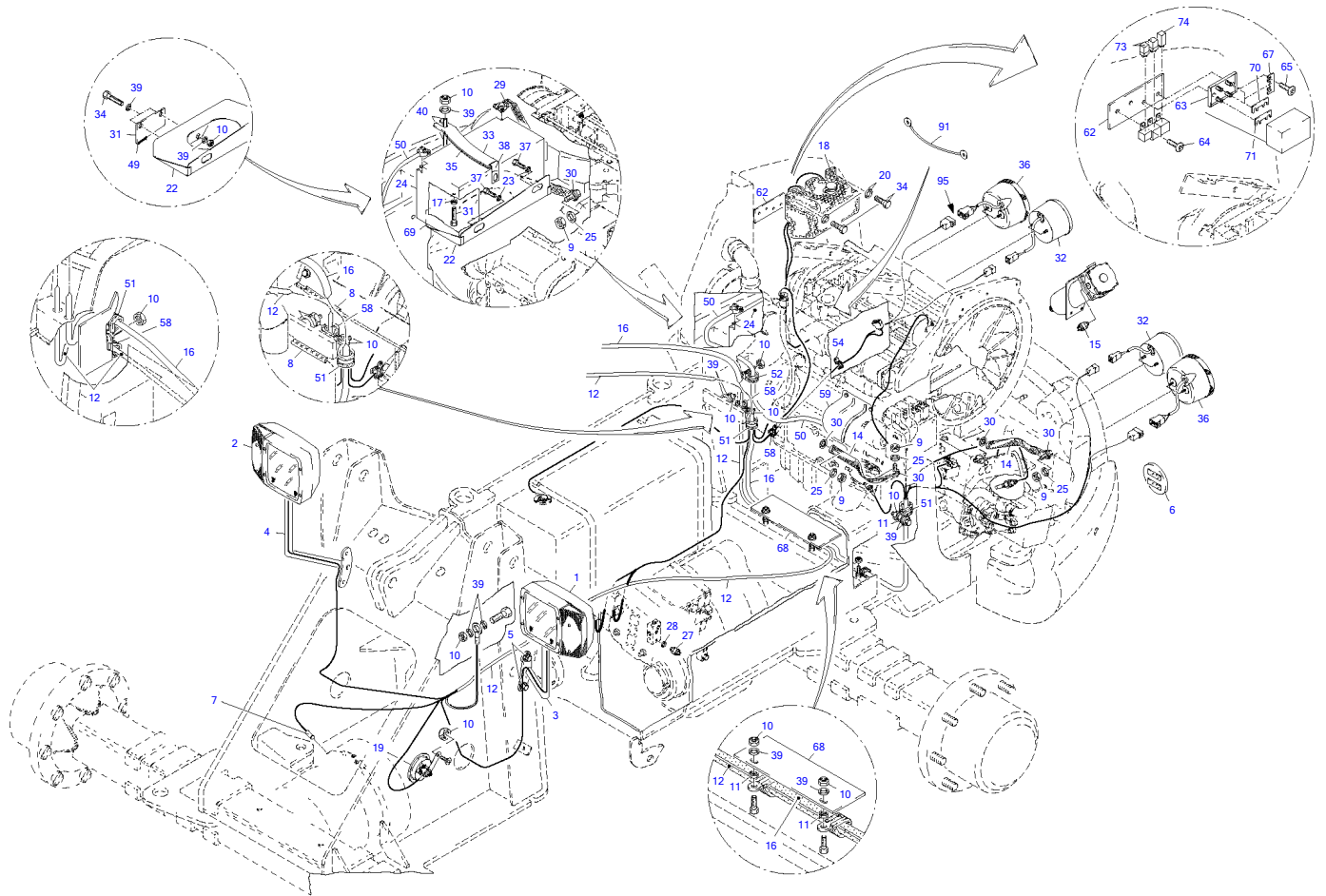
Item	Part number	Description	Q'ty	Chan.	Serial No.	Serv.	Remarks
	<b>3931751</b>	Steering Cylinder	1				
8	<b>1370667</b>	Screw Plug A3C	1				
9	<b>0447032</b>	Spherical Bearing	1				
10	<b>0318069</b>	Circlip Tone 400	1				
12	<b>3740614</b>	Cylinder Nut	1				
14	<b>3931740</b>	Piston Rod Compl	1				
15	<b>3740603</b>	Guide Piston	1				
16	<b>3741228</b>	Hex Nut	1				
	<b>3741206</b>	Seal Kit 63/28	1				

TW80 Book No. 8020870 01.10 S/N E107240  
Return Filter



Item	Part number	Description	Return Filter			Remarks
			Q'ty	Chan.	Serial No.	
	8009636	Return Filter	1			
	8008817	Return Filter	1			
2	8011824	Holder	1			
4	8012138	Conversion Kit	1			
5	8011965	Lid Compl	1			
6	2674713	Stud A3C	4			
9	1084820	Gasket	1			
10	8011826	Bottom Part Housing	1			
11	2918263	O-Ring	1			
12	8008932	Counter Flange	1			
13	8011519	Jacket Sheet	1			
14	1056893	Clip Norma	1			

TW80 Book No. 8020870 01.10 S/N E107240  
Electrical System

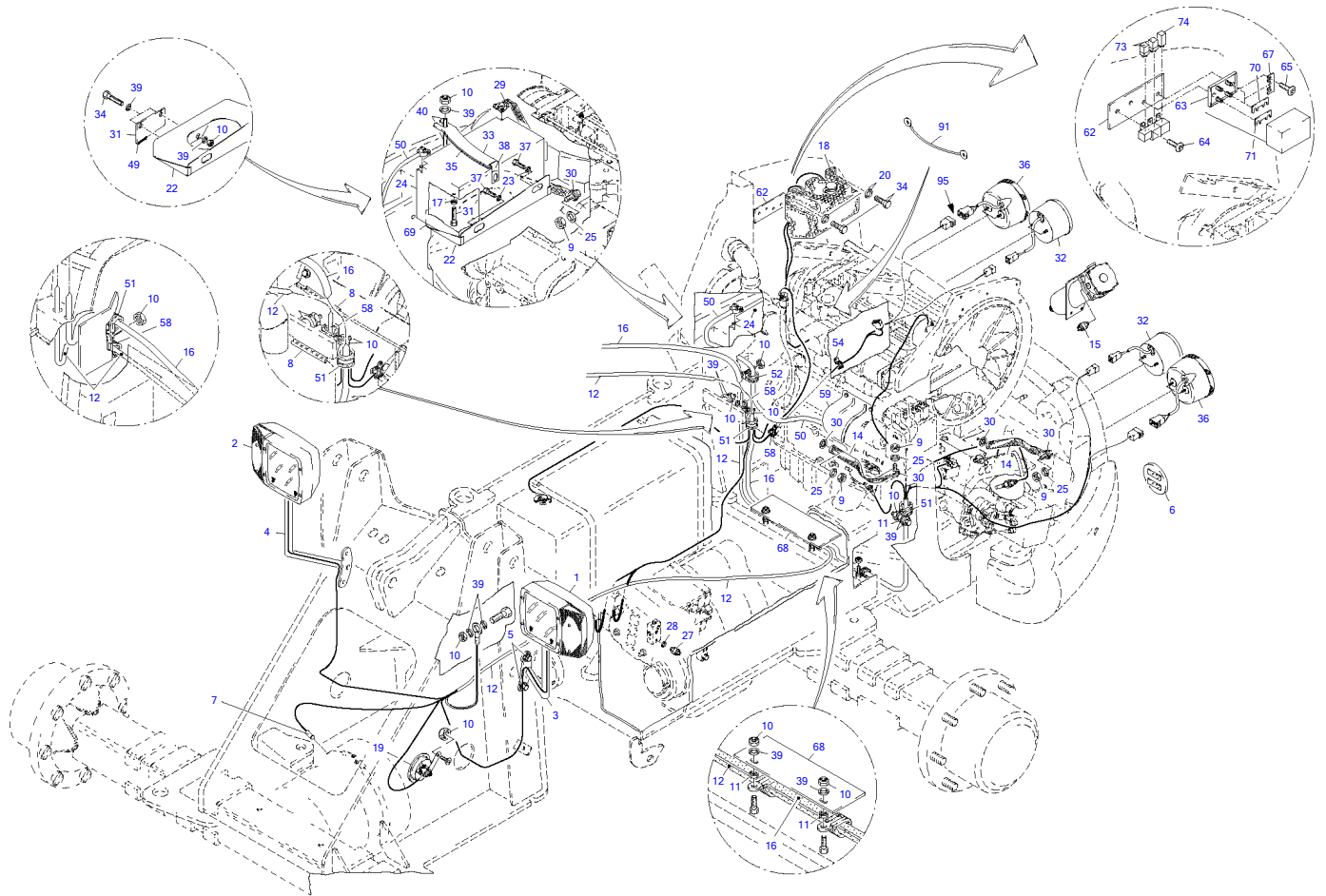




**Electrical System**

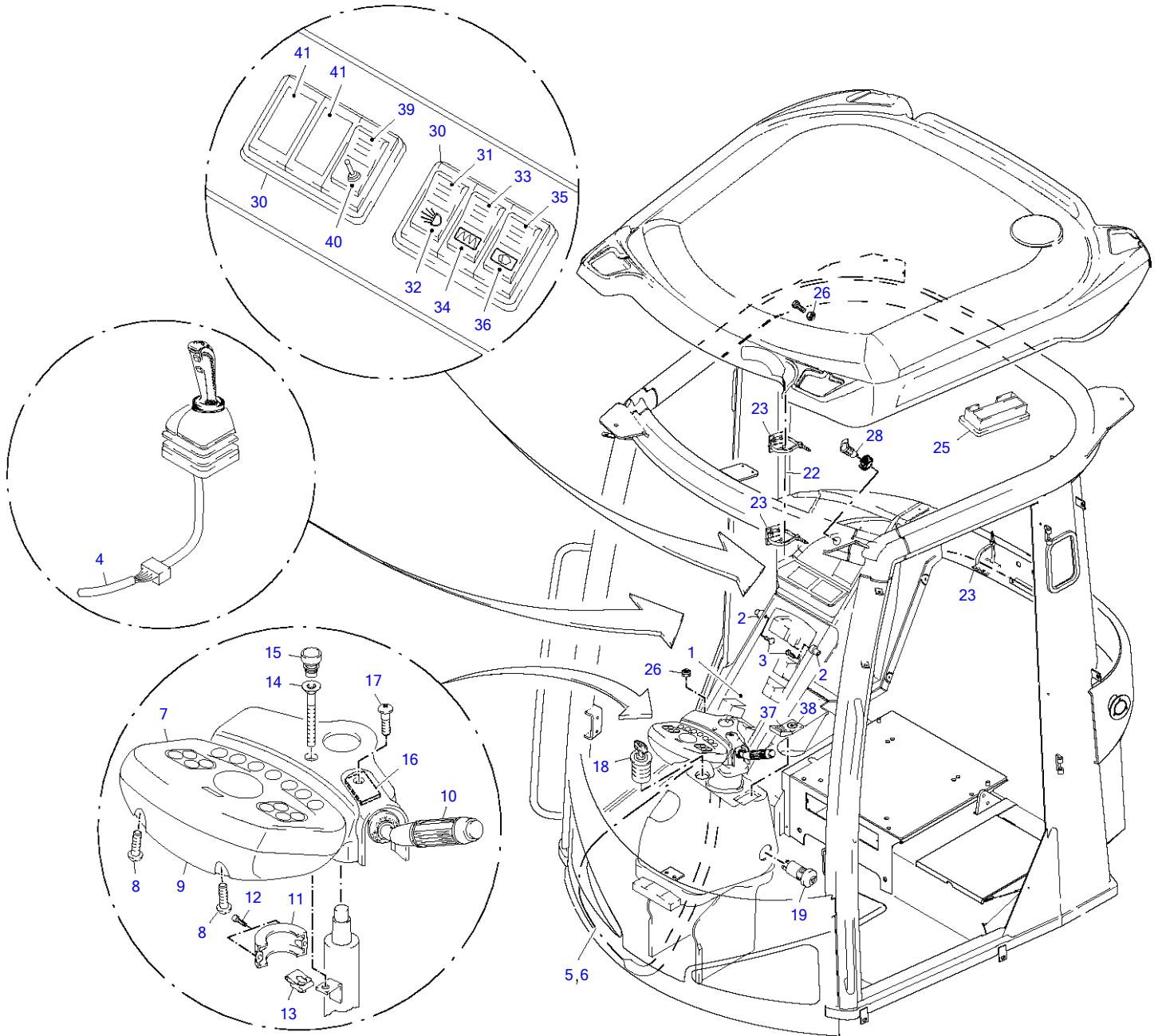
Item	Part number	Description	Qty	Chan.	Serial No.	Serv.	Remarks
	<b>8008690</b>	Electrical System	1				
1	<b>3928789</b>	Left Headlight	1				
	<b>0409672</b>	Light Bulb H3 55W	1				
	<b>0377300</b>	Light Bulb T4W 4W	1				
	<b>3981604</b>	Light Bulb H7 55W	1				
	<b>0388450</b>	Light Bulb P21W 21W	1				
2	<b>3928790</b>	Right Headlight	1				
	<b>0409672</b>	Light Bulb H3 55W	1				
	<b>0377300</b>	Light Bulb T4W 4W	1				
	<b>3981604</b>	Light Bulb H7 55W	1				
	<b>0388450</b>	Light Bulb P21W 21W	1				
3	<b>3929600</b>	Left Holder	1				
4	<b>3929611</b>	Right Holder	1				
5	<b>2916794</b>	Self-Locking Screw	4				
6	<b>3931579</b>	Rear Reflector	2				
7	<b>3929724</b>	RPM Sensor	1				
	<b>3981922</b>	Gasket	1				
8	<b>0935113</b>	Profile Rubber 130 MM	2				
9	<b>0327297</b>	Hex Nut A3C	4				
10	<b>0399760</b>	Hex Nut A3C	13				
11	<b>0893167</b>	Hex Nut A3C	1				
12	<b>8009235</b>	Cable Set Front	1				
14	<b>8004629</b>	Ground Strap	2				
15	<b>3927346</b>	Pushbutton Switch	1				
16	<b>8017124</b>	Engine Cable Set	1				
18	<b>2995299</b>	Container with 2 Pumps	1				
	<b>2995813</b>	Pump	1				
	<b>2995824</b>	Lid	1				
	<b>2995835</b>	Grommet	2				
19	<b>4666308</b>	Horn 12V	1				
20	<b>1356341</b>	Washer A3C	2				
22	<b>8008606</b>	Battery Retainer	1				
24	<b>4615852</b>	Battery	1				
25	<b>2481243</b>	Serrated Washer A3C	5				
27	<b>3963555</b>	Brake Light Switch	1				
28	<b>0321779</b>	Usit Ring U	1				
29	<b>8005421</b>	Ground Strap	1				
30	<b>0492935</b>	Lock Washer	5				
31	<b>8019173</b>	Plate ZN	1				
32	<b>3927197</b>	Rear Light	2				
	<b>0388450</b>	Light Bulb P21W 21W	1				
33	<b>8008286</b>	Holder	1				
34	<b>0893236</b>	Hex Head Screw A3C	4				
35	<b>0909304</b>	Profile Rubber 170 MM	1				
36	<b>8012422</b>	Rear Reflector Compl	2				
	<b>388450</b>	Light Bulb P21W 21W	2				
	<b>0313279</b>	Light Bulb R10W 10W	1				
37	<b>2449607</b>	Serrated Hex Head Screw	2				
38	<b>8008258</b>	Holder	1				
39	<b>2481254</b>	Serrated Washer A3C	13				
40	<b>8019286</b>	Threaded Rod A3C	1				
47	<b>2992014</b>	Serrated Washer A3C	8				
49	<b>0935113</b>	Profile Rubber 110 MM	1				
50	<b>8009414</b>	Positive Cable Compl	1				
51	<b>2443587</b>	Clip Norma	2				
52	<b>1009352</b>	Clip Norma	2				
54	<b>2443576</b>	Clip Norma	3				
55	<b>4651710</b>	Clip Norma	1				
58	<b>1782789</b>	Clip Norma	2				
59	<b>0417069</b>	Starter Protection Cap	1				
60	<b>1703104</b>	Clip Norma	2				
62	<b>8011517</b>	Plate	1				
63	<b>8009049</b>	Fuse Holder	1				
64	<b>3934378</b>	Oval Head Screw A3R	2				
65	<b>3937360</b>	Screw	2				
67	<b>8009052</b>	Bridge	1				
68	<b>3931488</b>	Plate	1				
69	<b>2457425</b>	Plate	1				

TW80 Book No. 8020870 01.10 S/N E107240  
Electrical System



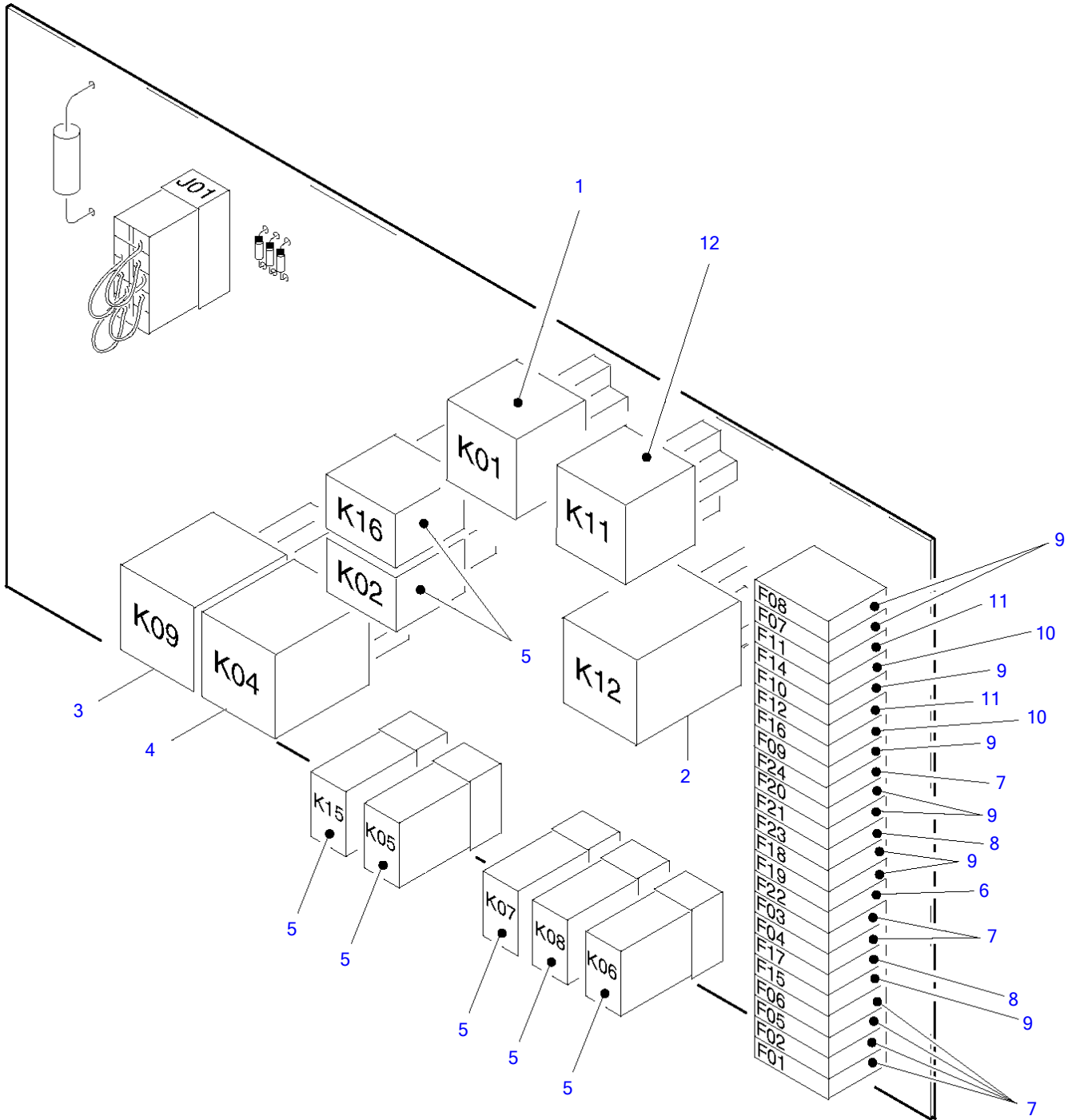
**Electrical System**

Item	Part number	Description	Q'ty	Chan.	Serial No.	Serv.	Remarks
70	<b>2980770</b>	Fuse 80 A	1				
71	<b>8009053</b>	Fuse 40 A	1				
73	<b>3929586</b>	Relay	2				
74	<b>8009487</b>	Control Unit 12V	1				
91	<b>3766170</b>	Cable	1				
92	<b>0893076</b>	Washer A3C	2				
93	<b>0893134</b>	Hex Nut A3C	2				
95	<b>8010481</b>	Warning Buzzer Kit	1				



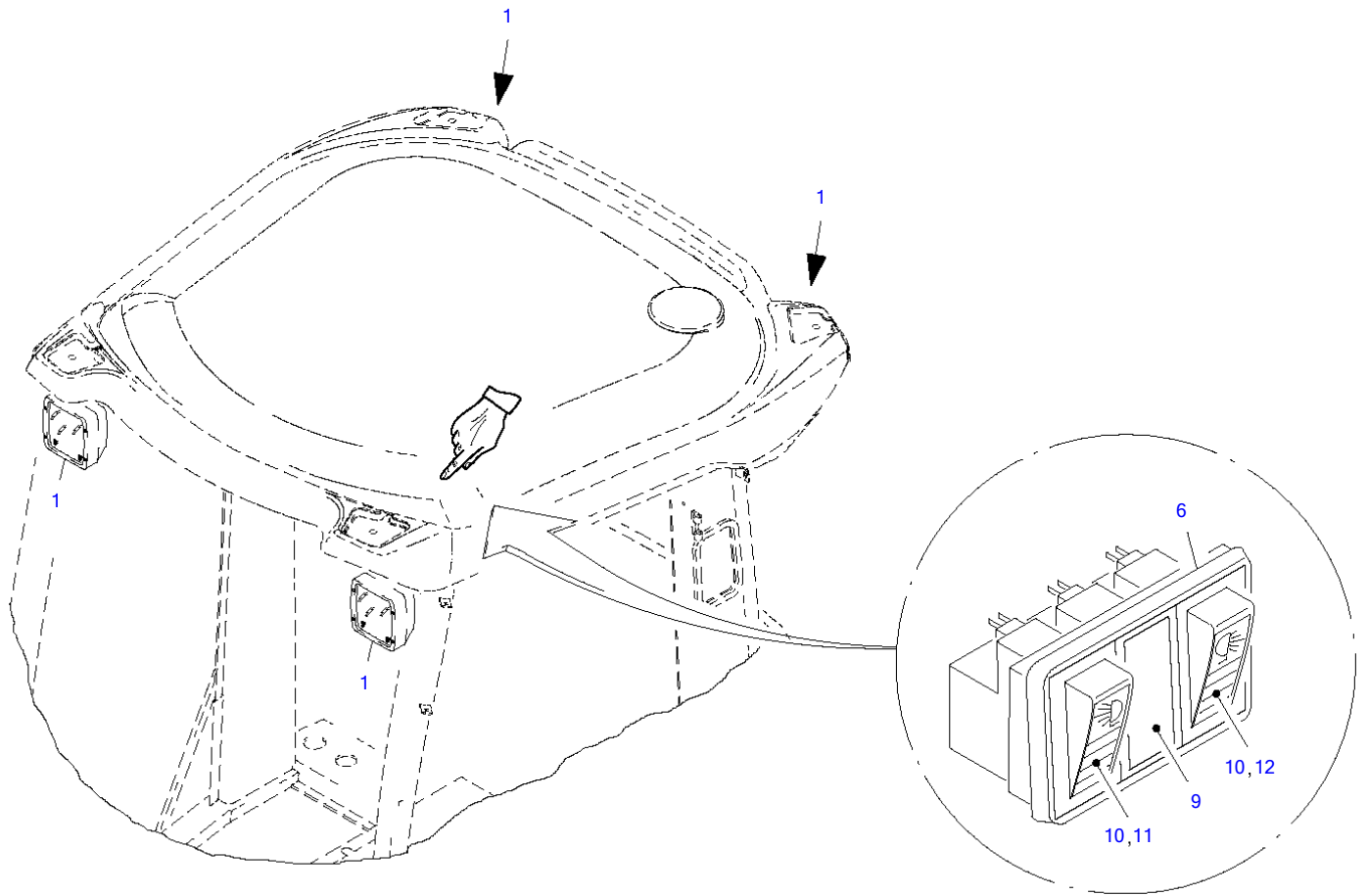
**Electrical System Cabin**

Item	Part number	Description	Q'ty	Chan.	Serial No.	Serv.	Remarks
	<b>8008388</b>	Electrical System Cabin	1				
1	<b>8008597</b>	Printed Circuit Board	1				
2	<b>3940809</b>	Nut	4				
3	<b>1631765</b>	Hex Head Cap Screw	4				
4	<b>8009236</b>	Joystick Cable Set	1				
5	<b>8008598</b>	Cabin Cable Set	1				
6	<b>8009237</b>	Display Cable Set	1				
7	<b>8008592</b>	Display Compl	1				
	<b>8013964</b>	Light Bulb	1				
	<b>0335366</b>	Light Bulb	1				
	<b>8013963</b>	Light Bulb	14				
8	<b>3978370</b>	Oval Head Screw A3R	1				
9	<b>3973693</b>	Dashboard	1				
10	<b>3926776</b>	Switch	1				
11	<b>3926787</b>	Bail	1				
12	<b>0307544</b>	Hex Head Cap Screw	2				
13	<b>0478675</b>	Holder Nut	2				
14	<b>3976607</b>	Countersunk Screw	1				
15	<b>3976629</b>	Laminar Plug	1				
16	<b>3935346</b>	Plate	1				
17	<b>3978381</b>	Raiser Counters H Screw	1				
18	<b>3928143</b>	Ignition Lock	1				
	<b>3643912</b>	Ignition Key	1				
19	<b>3933128</b>	Switch 12V	1				
22	<b>8008599</b>	Cabin Cable Set	1				
23	<b>3977119</b>	Plate	9				
25	<b>3927186</b>	Courtesy Light	1				
	<b>0335344</b>	Light Bulb Soffitte	1				
26	<b>0399760</b>	Hex Nut A3C	2				
28	<b>1719419</b>	Socket	1				
30	<b>1663821</b>	Mounting Frame	2				
31	<b>3972909</b>	Switch	1				
32	<b>1719033</b>	Decal	1				
33	<b>8005311</b>	Button 12V	1				
34	<b>8005312</b>	Decal	1				
35	<b>3972943</b>	Switch	1				
36	<b>1718985</b>	Decal	1				
37	<b>4671952</b>	Switch 12V	1				
38	<b>1719135</b>	Decal	1				
39	<b>4674353</b>	Switch 12V	1				
40	<b>3765828</b>	Decal	1				
41	<b>1359720</b>	Cover	2				



**Printed Circuit Board**

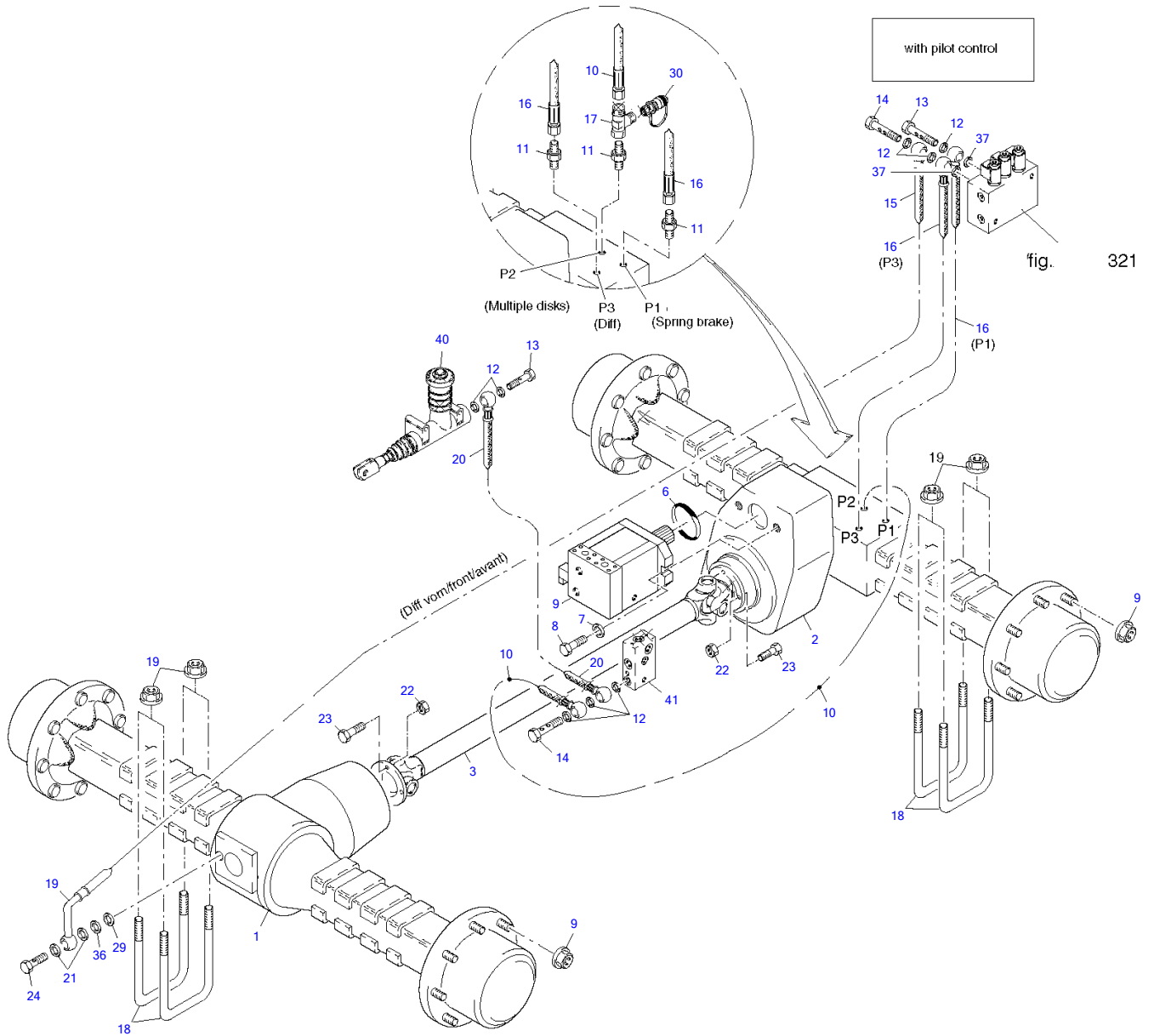
Item	Part number	Description	Q'ty	Chan.	Serial No.	Serv.	Remarks
	<b>8008597</b>	Printed Circuit Board	1				
1	<b>8009370</b>	Relay	1				
2	<b>8005320</b>	Time Control Unit	1				
3	<b>3935277</b>	Signal Transmitter	1				
4	<b>8008996</b>	Special Relay 12V 10/15A	1				
5	<b>1724325</b>	Relay	7				
6	<b>1719237</b>	Fuse 5.0 A	1				
7	<b>1719248</b>	Fuse 7.5 A	7				
8	<b>1719259</b>	Fuse 10.0 A	2				
9	<b>1719260</b>	Fuse 15.0 A	9				
10	<b>1719464</b>	Fuse 25.0 A	2				
11	<b>3933117</b>	Fuse 30.0 A	2				
12	<b>8009368</b>	Relay 12V 20/30 A	1				





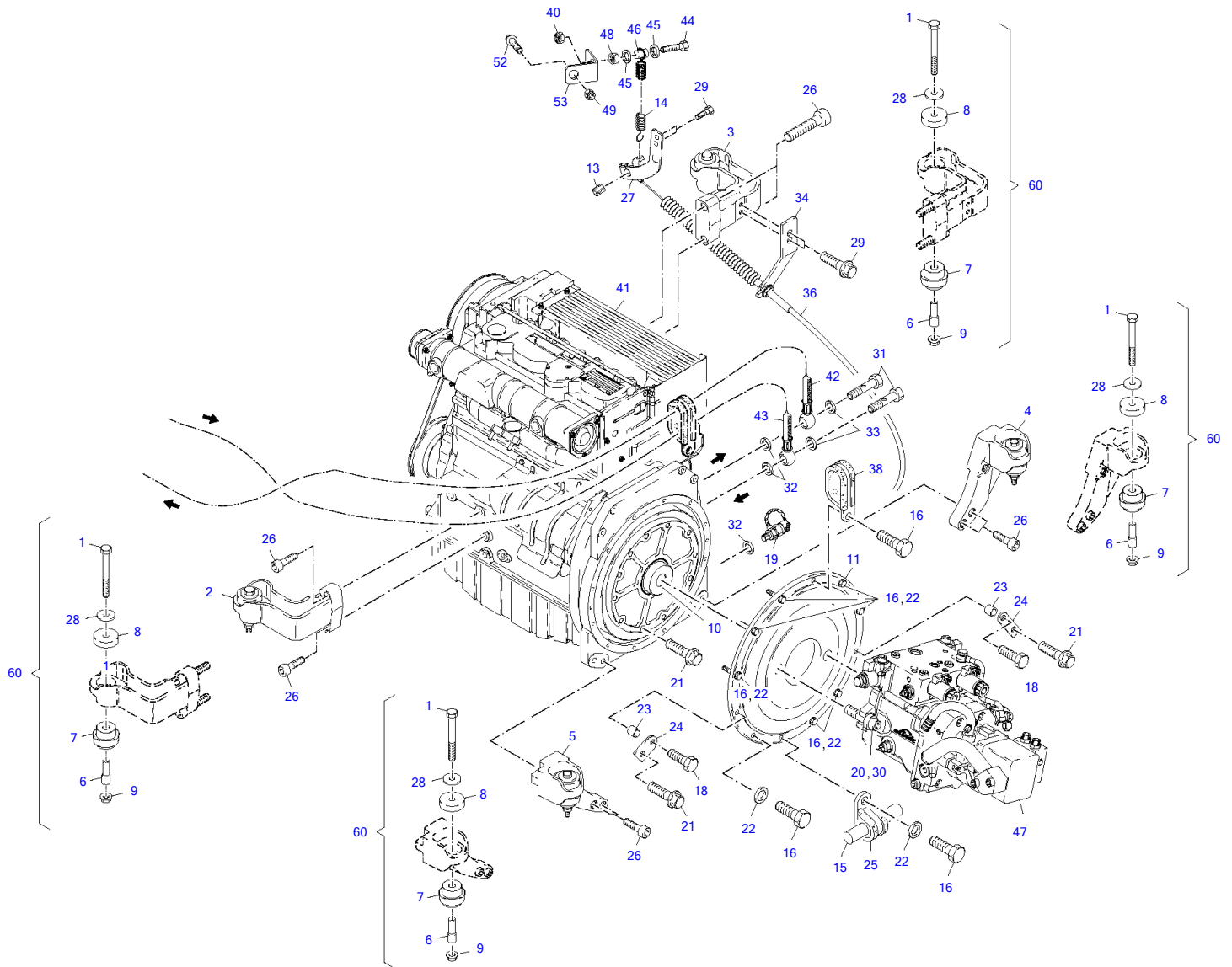
**Working Headlight Compl**

Item	Part number	Description	Q'ty	Chan.	Serial No.	Serv.	Remarks
	<b>8009633</b>	Working Headlight Compl	1				
1	<b>8012513</b>	Rear Working Light	2				
	<b>8012513</b>	Front Working Light	2				
6	<b>8009485</b>	Mounting Frame	1				
9	<b>1359720</b>	Cover	2				
10	<b>4674353</b>	Switch 12V	2				
11	<b>1718996</b>	Front Headlights Decal	1				
12	<b>1719000</b>	Rear Headlights Decal	1				



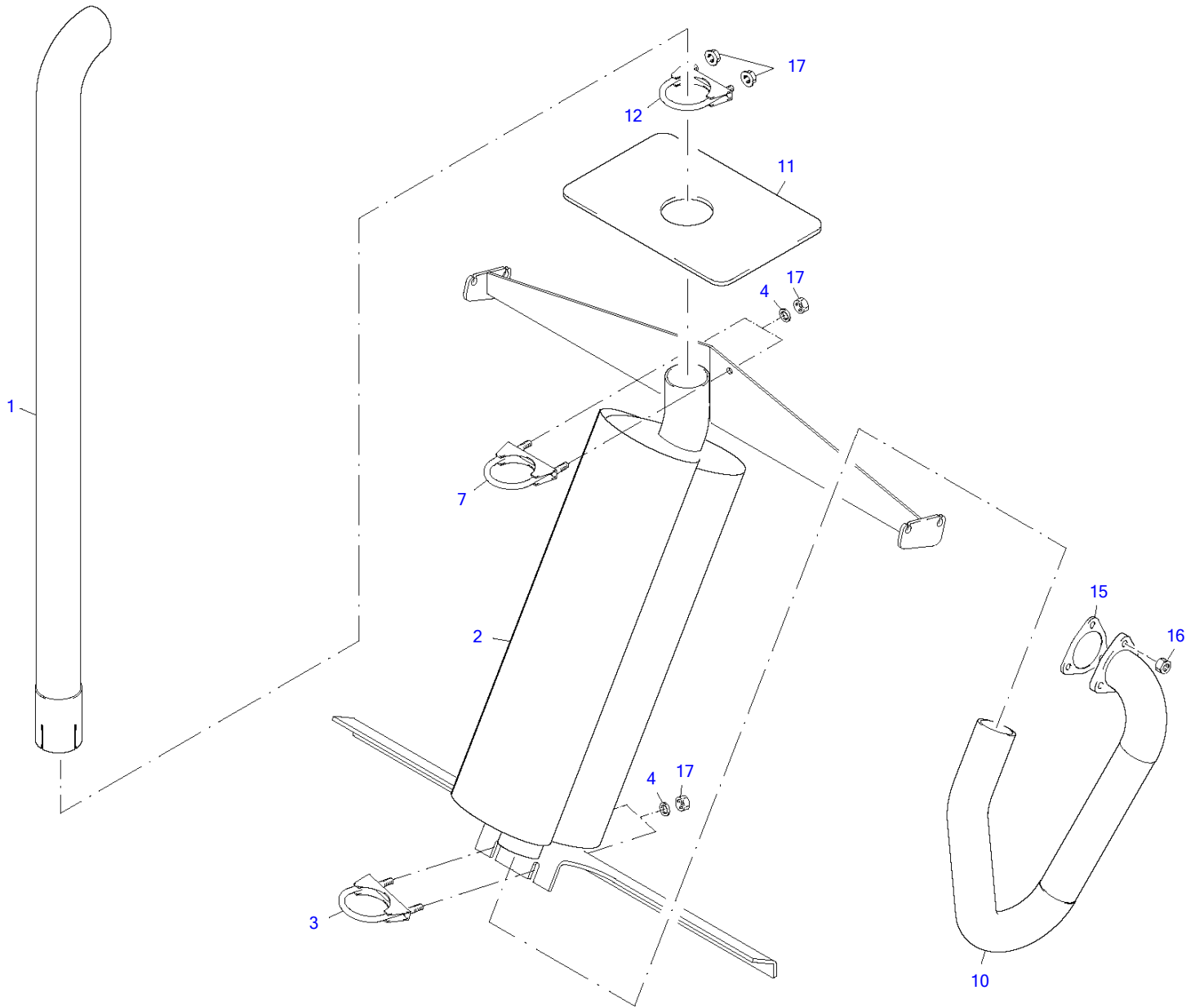
Item	Part number	Description	Drive Set Q'ty	Chan.	Serial No.	Serv.	Remarks
	<b>8018547</b>	Drive Set	1				
1	<b>8006764</b>	Front Axle	1				
2	<b>8006765</b>	Rear Axle	1				
3	<b>8014685</b>	Shaft	1				
5	<b>8016962</b>	Oil Motor	1				
6	<b>3968481</b>	O-Ring	1				
7	<b>3758090</b>	Washer HV	2				
8	<b>3960381</b>	Hex Head Screw	2				
9	<b>0459547</b>	Galvanized Nut	32				
10	<b>8008165</b>	HP Hose 6 X 1350	1				
11	<b>4648704</b>	Screw Connectin A3C	3				
12	<b>0350898</b>	Usit Ring U	6				
13	<b>0862944</b>	Female Screw A3C	2				
14	<b>2980827</b>	Female Screw A3C	2				
15	<b>8008632</b>	Hose Line 6 X 3500	1				
16	<b>8008176</b>	Hose Line 6 X 1000	2				
17	<b>2903937</b>	Screw Connection A3C	1				
18	<b>8002505</b>	Clamping Yoke	8				
19	<b>3932934</b>	Nut	16				
20	<b>3745733</b>	HP Hose 6 X 850	1				
21	<b>0373588</b>	Usit Ring U	2				
22	<b>3960778</b>	Serrated Nut	12				
23	<b>3960789</b>	Serrated Hex Head Screw	12				
24	<b>3929815</b>	Female Screw A3C	1				
25	<b>0858506</b>	Usit Ring U	1				
30	<b>1616551</b>	Screw Coupling	1				
36	<b>3938849</b>	Washer A3C	1				
37	<b>3768296</b>	Gasket A3C	2				
40	<b>3945553</b>	Main Brake Cylinder	1				
41	<b>8005490</b>	Inching Actuator	1				

TW80 Book No. 8020870 01.10 S/N E107240  
Diesel Engine Compl

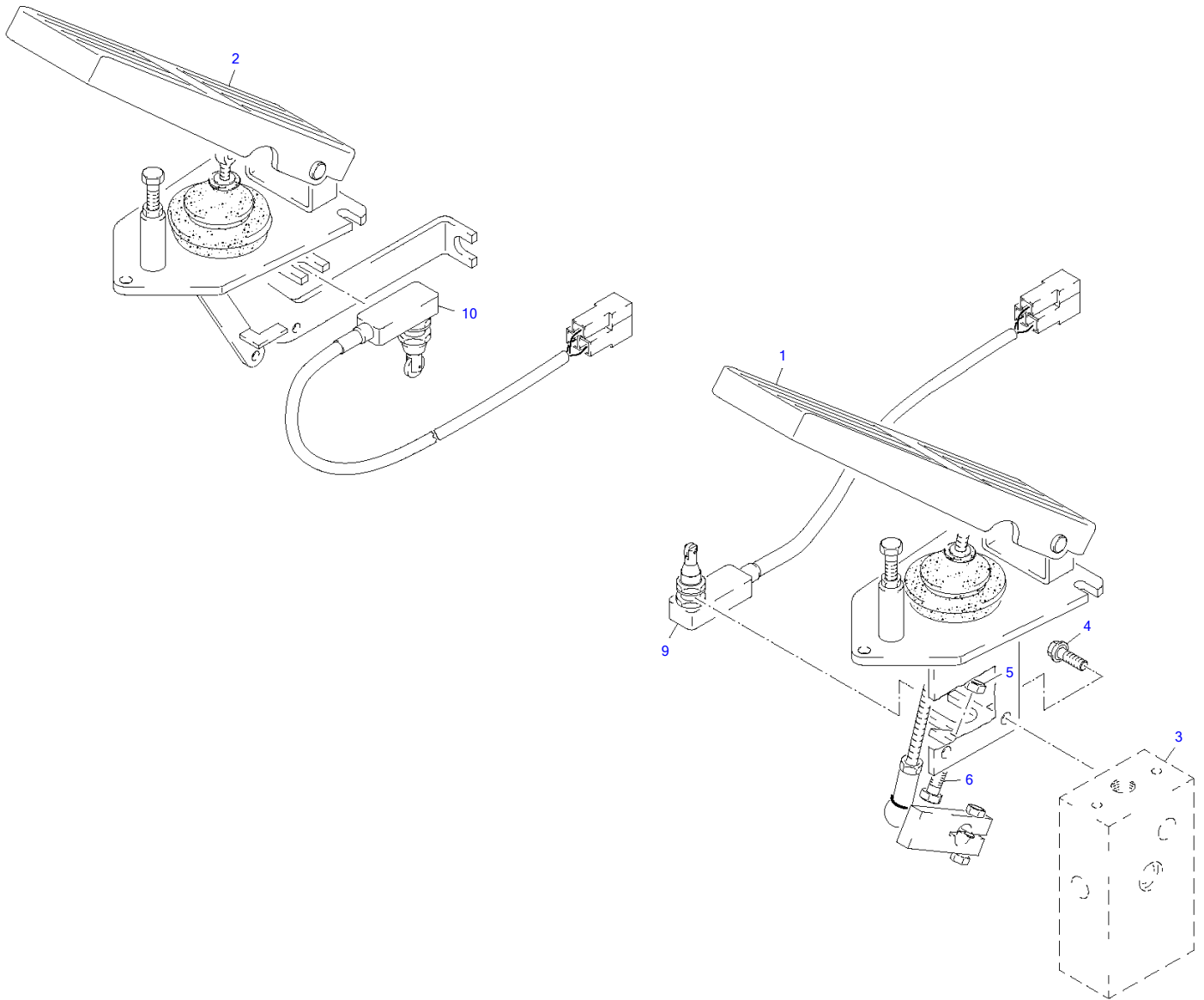


**Diesel Engine Compl**

Item	Part number	Description	Q'ty	Chan.	Serial No.	Serv.	Remarks
	<b>8006826</b>	Diesel Engine Compl	1				
1	<b>2441767</b>	V-Plus Bolt	4				
2	<b>3923864</b>	Right Front Engine Support	1				
3	<b>8003196</b>	Right Rear Engine Support	1				
4	<b>3924116</b>	Rear Engine Support	1				
5	<b>3924127</b>	Front Engine Support	1				
6	<b>3924252</b>	Sleeve	4				
7	<b>3924230</b>	Rubber Element	4				
8	<b>3924241</b>	Rubber Washer	4				
9	<b>2481652</b>	Serrated Nut	4				
10	<b>8002592</b>	Coupling Bowex	1				
11	<b>8002589</b>	Flange SAE 4	1				
13	<b>2964485</b>	Threaded Coupling	1				
14	<b>1016828</b>	Draw Spring Compl	1				
15	<b>0908632</b>	Hose 50 MM	1				
16	<b>0893372</b>	Hex Head Screw A3C	9				
18	<b>0827612</b>	Hex Head Screw	2				
19	<b>2444555</b>	Oil Drain Plug	1				
20	<b>3962372</b>	Hex Head V-Plus Screw	2				
21	<b>0366636</b>	Self-Locking Screw	8				
22	<b>2481243</b>	Serrated Washer A3C	9				
23	<b>8000004</b>	Pipe	2				
24	<b>2443725</b>	Flat Steel	2				
25	<b>2987039</b>	Clip Norma	1				
26	<b>2905020</b>	Hex Head Cap Screw	8				
27	<b>3951879</b>	Lever	1				
28	<b>3927131</b>	Washer HV	4				
29	<b>2982534</b>	Serrated Hex Head Screw	4				
30	<b>2905928</b>	Washer HV	2				
31	<b>2471354</b>	Female Screw A3C	2				
32	<b>0302061</b>	Gasket A	3				
33	<b>0462780</b>	Usit Ring U	2				
34	<b>2961788</b>	Holder	1				
36	<b>3950527</b>	Bowden Cable	1				
38	<b>8000103</b>	Clip Norma	1				
40	<b>0487336</b>	Hex Nut A3C	1				
41	<b>8015804</b>	Deutz Engine 12V	1				
42	<b>3933888</b>	Heater Hose 13 X 1125	1				
43	<b>3933899</b>	Heater Hose 13 X 1200	1				
44	<b>0893270</b>	Hex Head Screw A3C	1				
45	<b>2992014</b>	Serrated Washer A3C	2				
46	<b>8009224</b>	Hose 7 MM	1				
47	<b>8017516</b>	Oil Pressure Pump Compl	1				
48	<b>0893178</b>	Hex Nut A3C	1				
49	<b>0893167</b>	Hex Nut A3C	1				
52	<b>2449607</b>	Serrated Hex Head Screw	1				
53	<b>8016137</b>	Angle	1				
60	<b>8011971</b>	Rubber Elements	4				



<b>Exhaust System</b>						
Item	Part number	Description	Q'ty	Chan.	Serial No.	Serv. Remarks
	<b>8008274</b>	Exhaust System	1			
1	<b>2967182</b>	Pipe	1			
2	<b>8008418</b>	Sound Absorber	1			
3	<b>2981851</b>	Bracket Clip	1			
4	<b>2481254</b>	Serrated Washer A3C	4			
7	<b>3768343</b>	Bracket Clip	1			
	<b>1686997</b>	Bracket Clip	1			
10	<b>3928110</b>	Exhaust Pipe	1			
11	<b>8015250</b>	Insulation Board	1			
12	<b>3768343</b>	Bracket Clip	1			
15	<b>3604153</b>	Gasket	1			
16	<b>0409081</b>	Hex Nut	3			
17	<b>1722787</b>	Serrated Nut	6			

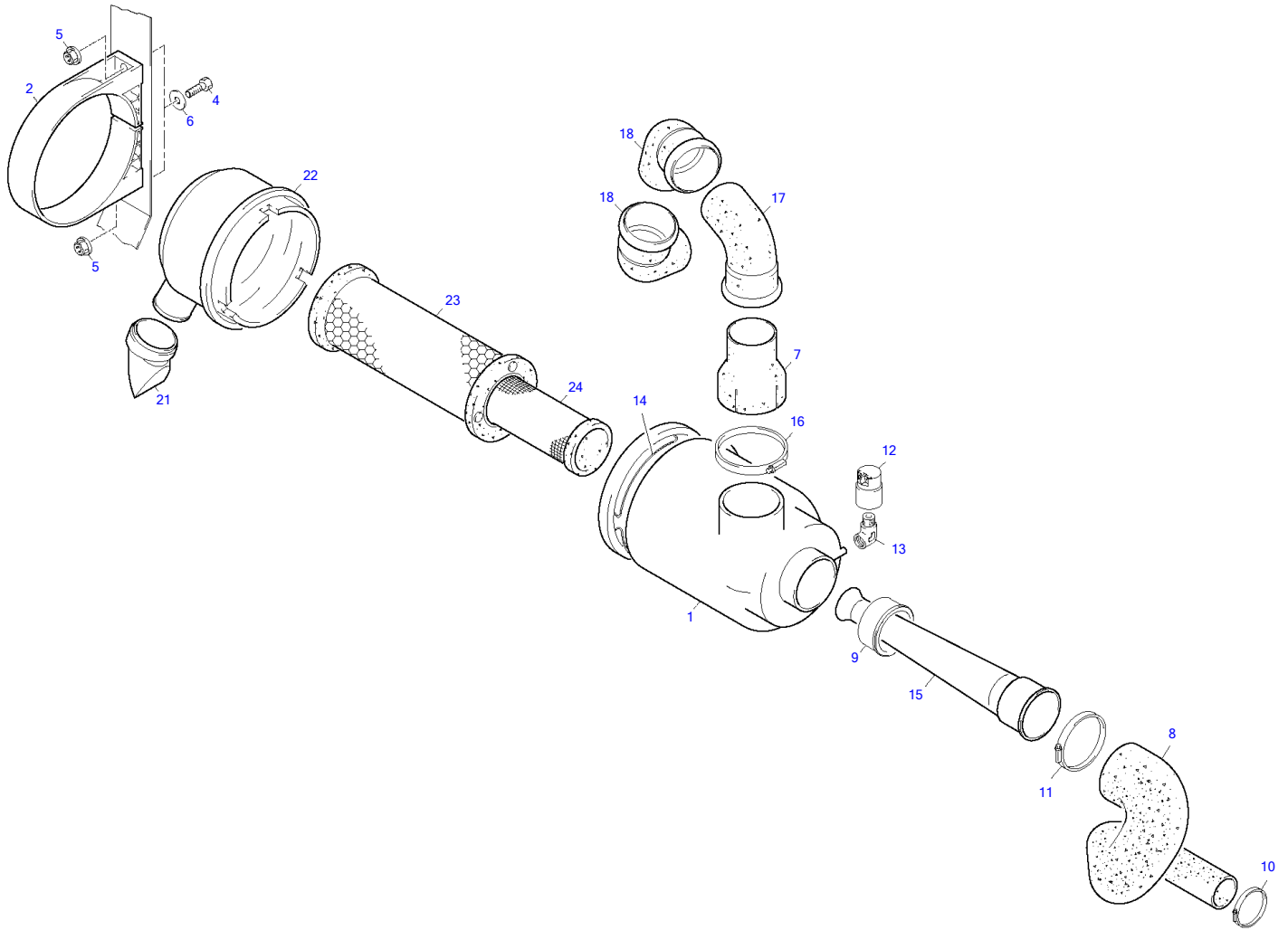




**Inching Actuator**

Item	Part number	Description	Q'ty	Chan.	Serial No.	Serv.	Remarks
	<b>8005490</b>	Inching Actuator	1				
1	<b>8005599</b>	Inching Actuator	1				
2	<b>3952870</b>	Gas Control	1				
3	<b>8005560</b>	Brake Throttle Valve	1				
4	<b>2982534</b>	Serrated Hex Head Screw	2				
5	<b>0893178</b>	Hex Nut A3C	1				
6	<b>8005597</b>	Adjusting Screw	1				
9	<b>3989759</b>	Switch with Cable	1				
10	<b>3989748</b>	Switch with Cable Compl	1				

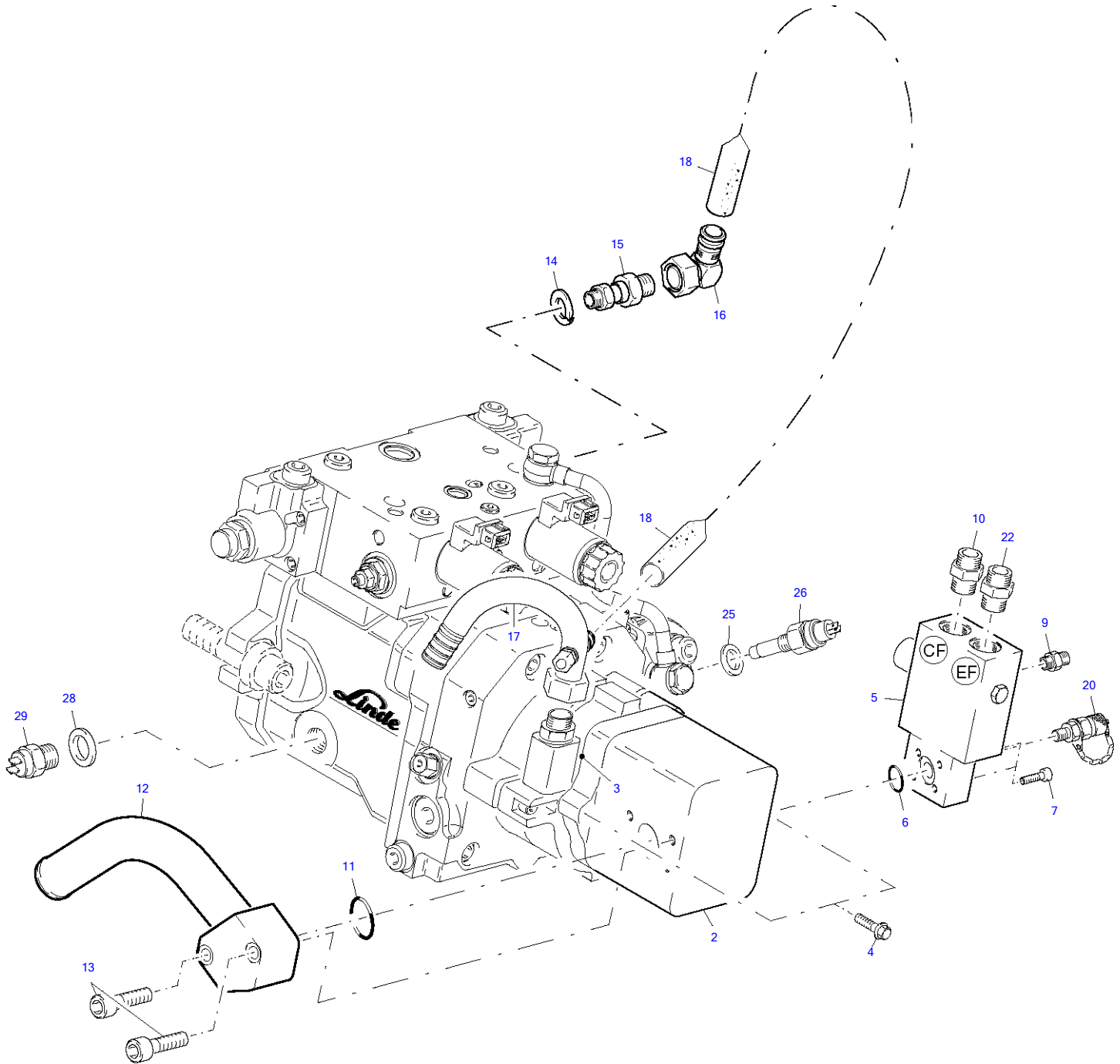
TW80 Book No. 8020870 01.10 S/N E107240  
Air Filter System



**Air Filter System**

Item	Part number	Description	Q'ty	Chan.	Serial No.	Serv.	Remarks
	<b>3944347</b>	Air Filter System	1				
1	<b>2981099</b>	Air Filter	1				
	<b>2995357</b>	Housing	1				
2	<b>3929780</b>	Clamp	1				
4	<b>1307079</b>	Hex Head Screw A3C	2				
5	<b>1722787</b>	Serrated Nut	2				
6	<b>2481254</b>	Serrated Washer A3C	2				
7	<b>3944336</b>	Adapter	1				
8	<b>3931079</b>	Manifold	1				
9	<b>2997780</b>	Reducing Ring	1				
10	<b>1349886</b>	Clamp	1				
11	<b>3745379</b>	Clip Norma	1				
12	<b>2913166</b>	Low Pressure Indicator	1				
13	<b>2988212</b>	Angular Connection	1				
14	<b>2997326</b>	Repair Bracket	3				
15	<b>2969651</b>	Pipe	1				
16	<b>1349717</b>	Clamp	1				
17	<b>2992956</b>	Pipe Bend	1				
18	<b>2992967</b>	Pipe Bend	2				
21	<b>2981135</b>	Air Filter Valve	1				
22	<b>2984649</b>	Lid	1				
23	<b>2981113</b>	Filter Element	1				
24	<b>2981124</b>	Filter Element	1				

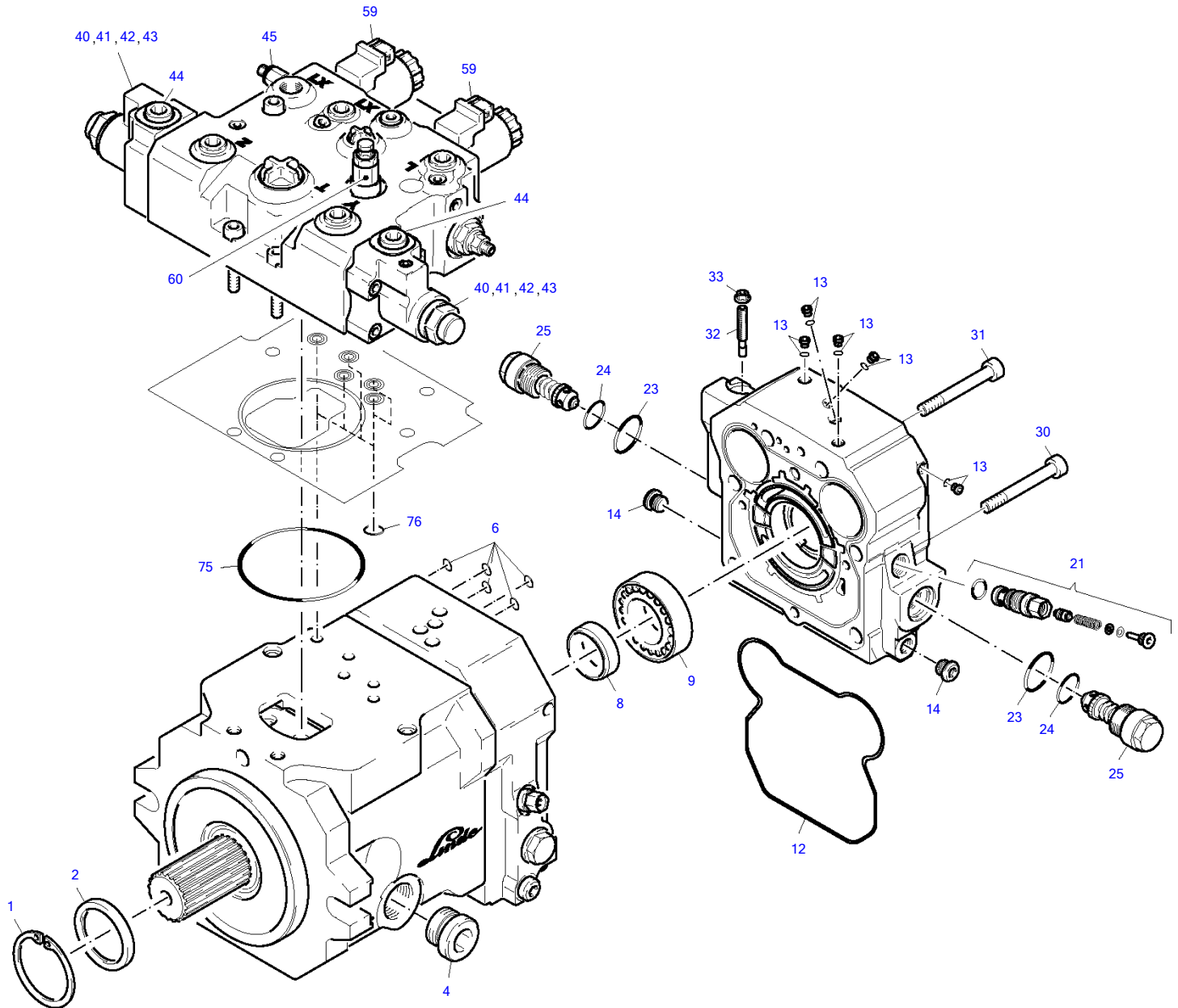
TW80 Book No. 8020870 01.10 S/N E107240  
Oil Pressure Pump Compl



**Oil Pressure Pump Compl**

Item	Part number	Description	Q'ty	Chan.	Serial No.	Serv.	Remarks
	<b>8017516</b>	Oil Pressure Pump Compl	1				
1	<b>8016961</b>	Oil Pressure Pump 12V	1				
2	<b>8018516</b>	Oil Pressure Pump	1				
3	<b>1655069</b>	O-Ring	1				
4	<b>8002165</b>	Serrated Hex Head Screw	2				
5	<b>8010564</b>	Priority Valve	1				
6	<b>0351219</b>	O-Ring	1				
7	<b>1658131</b>	Hex Head Cap Screw	4				
9	<b>2656664</b>	Screw Connection A3C	1				
10	<b>2481696</b>	Screw Connection A3C	1				
11	<b>1617450</b>	O-Ring	1				
12	<b>8010031</b>	Aspiration Mouth	1				
13	<b>0892962</b>	Hex Head Cap Screw	2				
14	<b>2980792</b>	Usit Ring U	1				
15	<b>8017417</b>	Non-Return Valve Cone	1				
16	<b>8017401</b>	Angular Connection Compl	1				
17	<b>8010032</b>	Distributor A3C	1				
18	<b>8006759</b>	LP Hose 300 MM	1				
20	<b>2479669</b>	Screw Coupling A3C	1				
22	<b>1686475</b>	Screw Connection A3C	1				
25	<b>0373588</b>	Usit Ring U	1				
26	<b>1749244</b>	Temperature Switch	1				
28	<b>2980792</b>	Usit Ring U	1				
29	<b>2989575</b>	Temperature Switch	1				

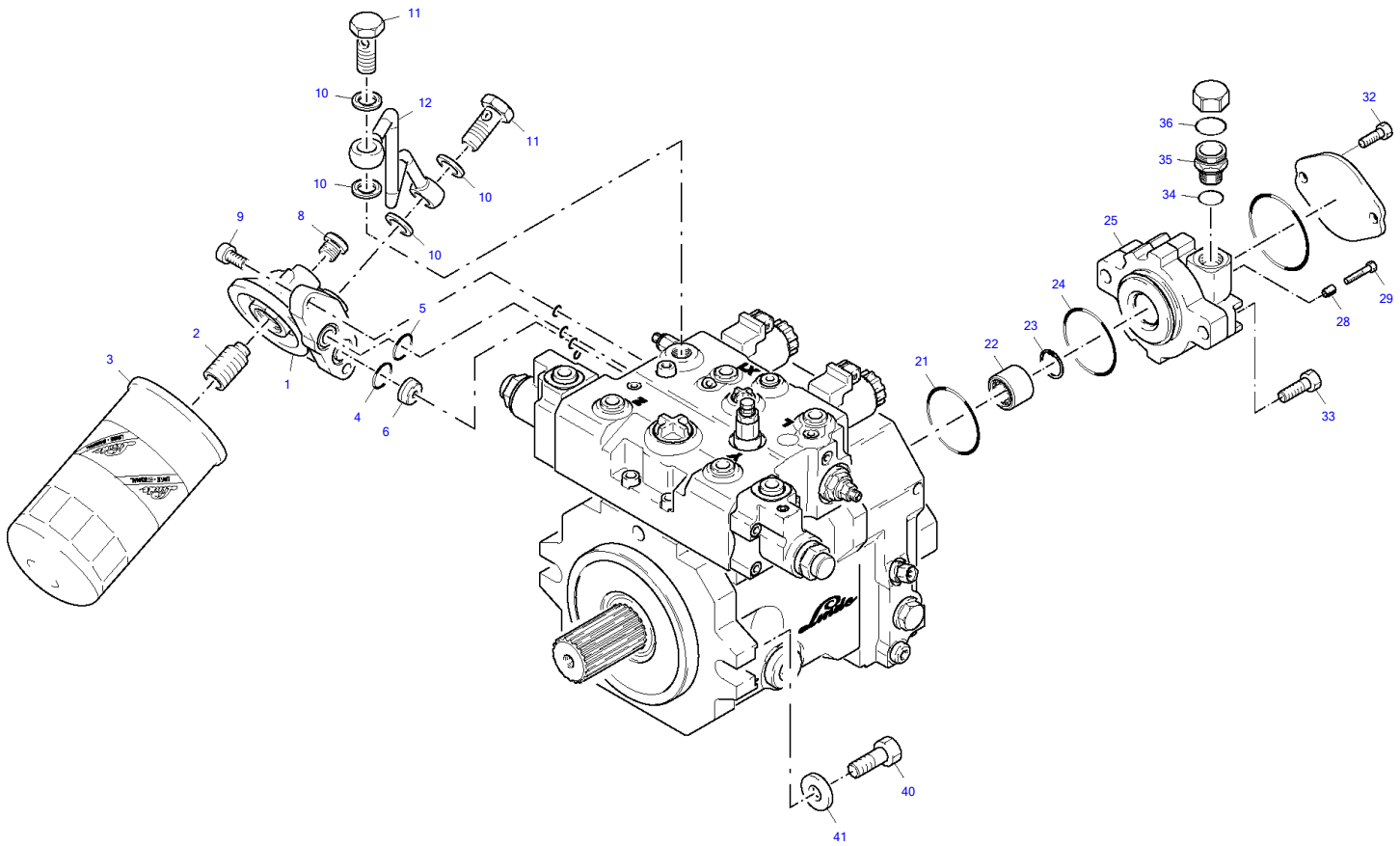
TW80 Book No. 8020870 01.10 S/N E107240  
Oil Pressure Pump 12V



**Oil Pressure Pump 12V**

Item	Part number	Description	Q'ty	Chan.	Serial No.	Serv.	Remarks
	<b>8016961</b>	Oil Pressure Pump 12V	1				
1	<b>0442786</b>	Circlip Tone 400	1				
2	<b>3987417</b>	Rotary Shaft Seal	1				
4	<b>0826100</b>	Screw Plug	1				
6	<b>0848366</b>	O-Ring	5				
8	<b>8011851</b>	Race Ball	1				
9	<b>1306443</b>	Conical Bearing	1				
		Porting Block					
12	<b>8019341</b>	Gasket	1				
13	<b>8006097</b>	Screw Plug	5				
14	<b>0864719</b>	Screw Plug	2				
21	<b>3986541</b>	Feed Pressure Valve	1				
23	<b>2990794</b>	O-Ring	2				
24	<b>8006058</b>	O-Ring	2				
25	<b>8011833</b>	Pressure Control Valve	2				
30	<b>1722163</b>	Hex Head Cap Screw	1				
31	<b>3845438</b>	Hex Head Cap Screw	1				
32	<b>8019296</b>	Threaded Pin	1				
33	<b>1619612</b>	Nut	1				
		Governor					
40	<b>8019288</b>	Lid	2				
41	<b>0848355</b>	O-Ring	2				
42	<b>0897003</b>	O-Ring	2				
43	<b>8006088</b>	Screw Plug	2				
44	<b>8006025</b>	Reinforcement	2				
45	<b>8006069</b>	Feed Pressure Valve	1				
59	<b>8017692</b>	Control Magnet	2				
60	<b>8019291</b>	Pressure Control Valve	1				
75	<b>0848582</b>	O-Ring	1				
76	<b>8006099</b>	O-Ring	5				

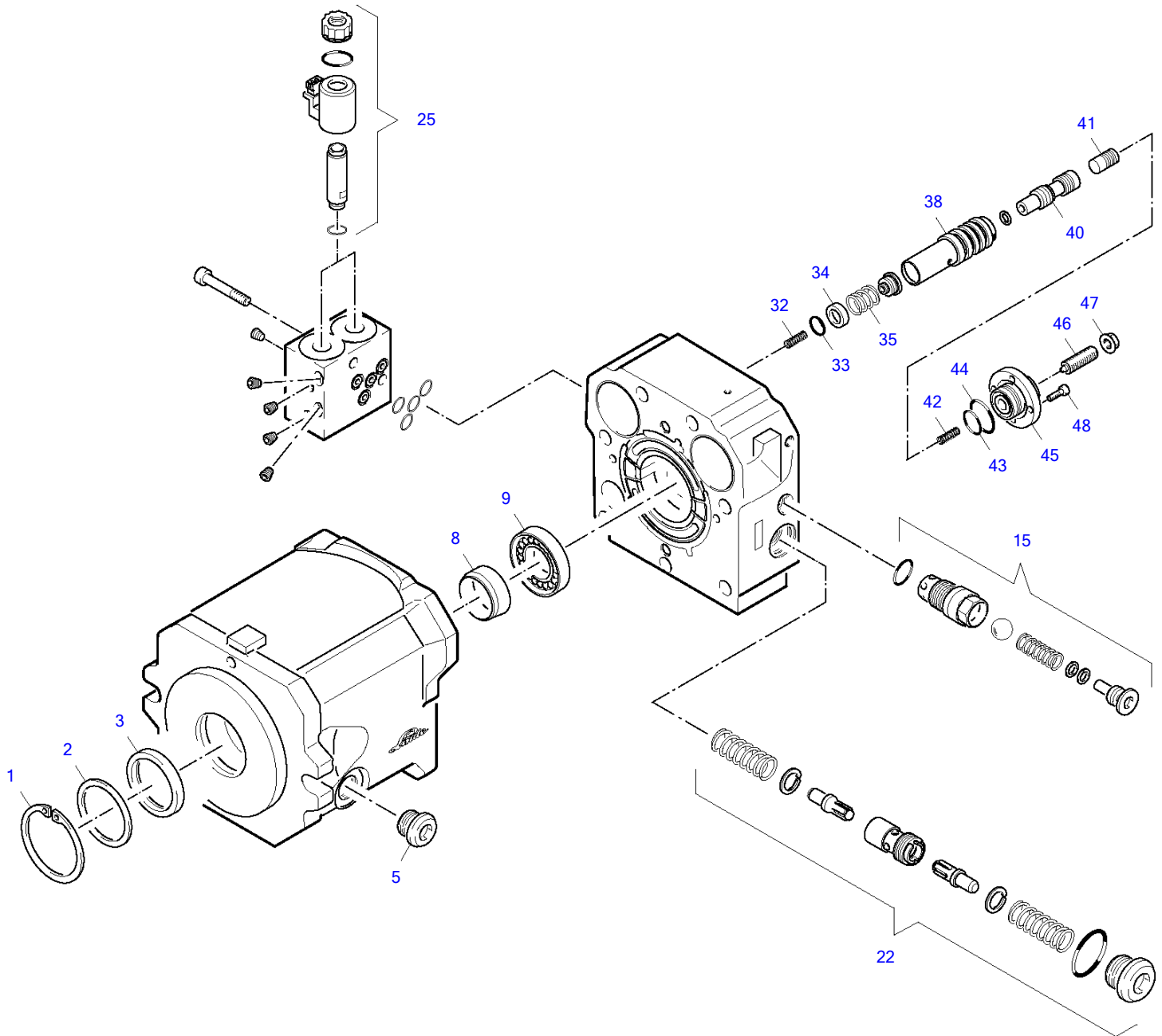
TW80 Book No. 8020870 01.10 S/N E107240  
Oil Pressure Pump 12V Sec 2



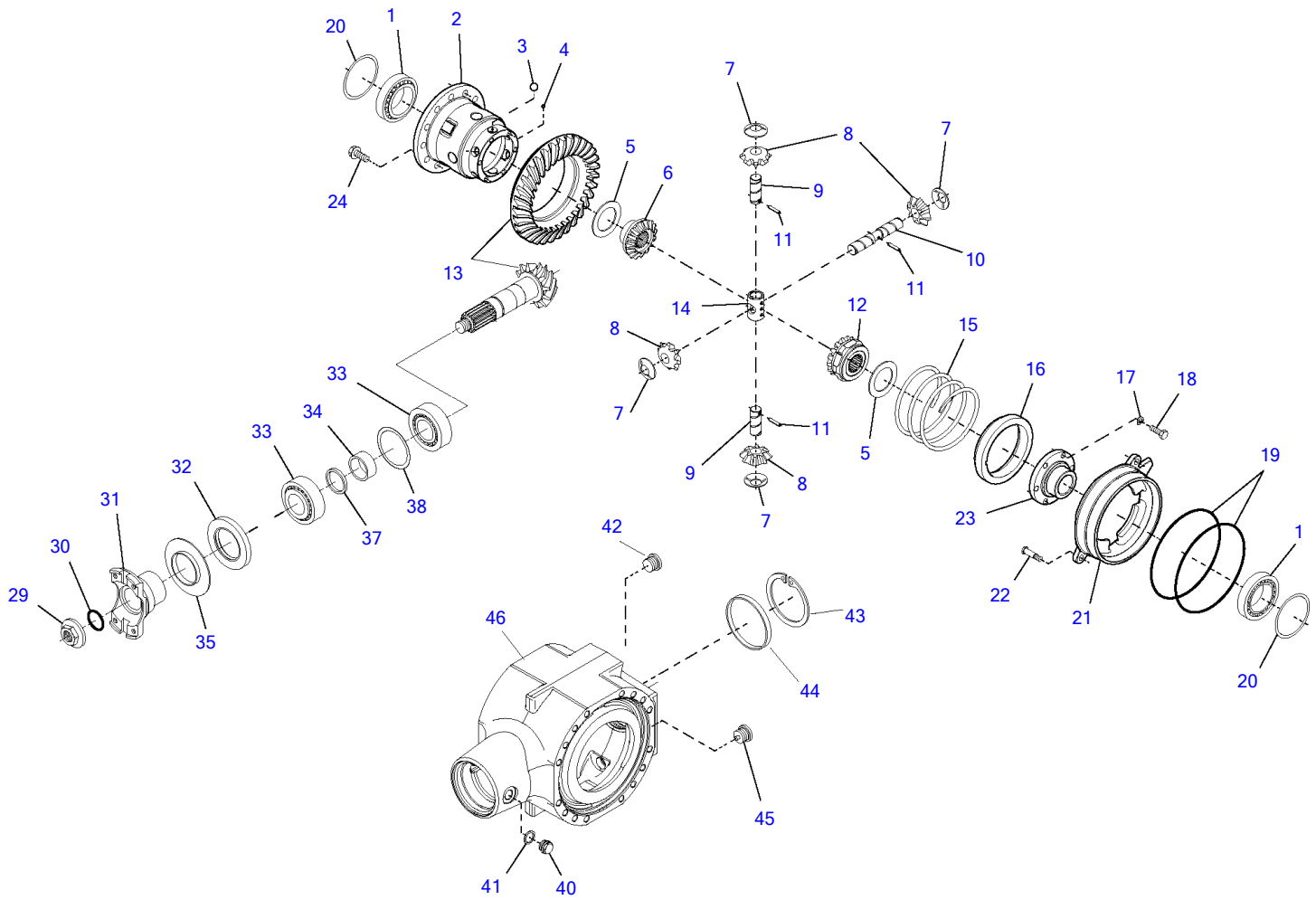


**Oil Pressure Pump 12V Sec 2**

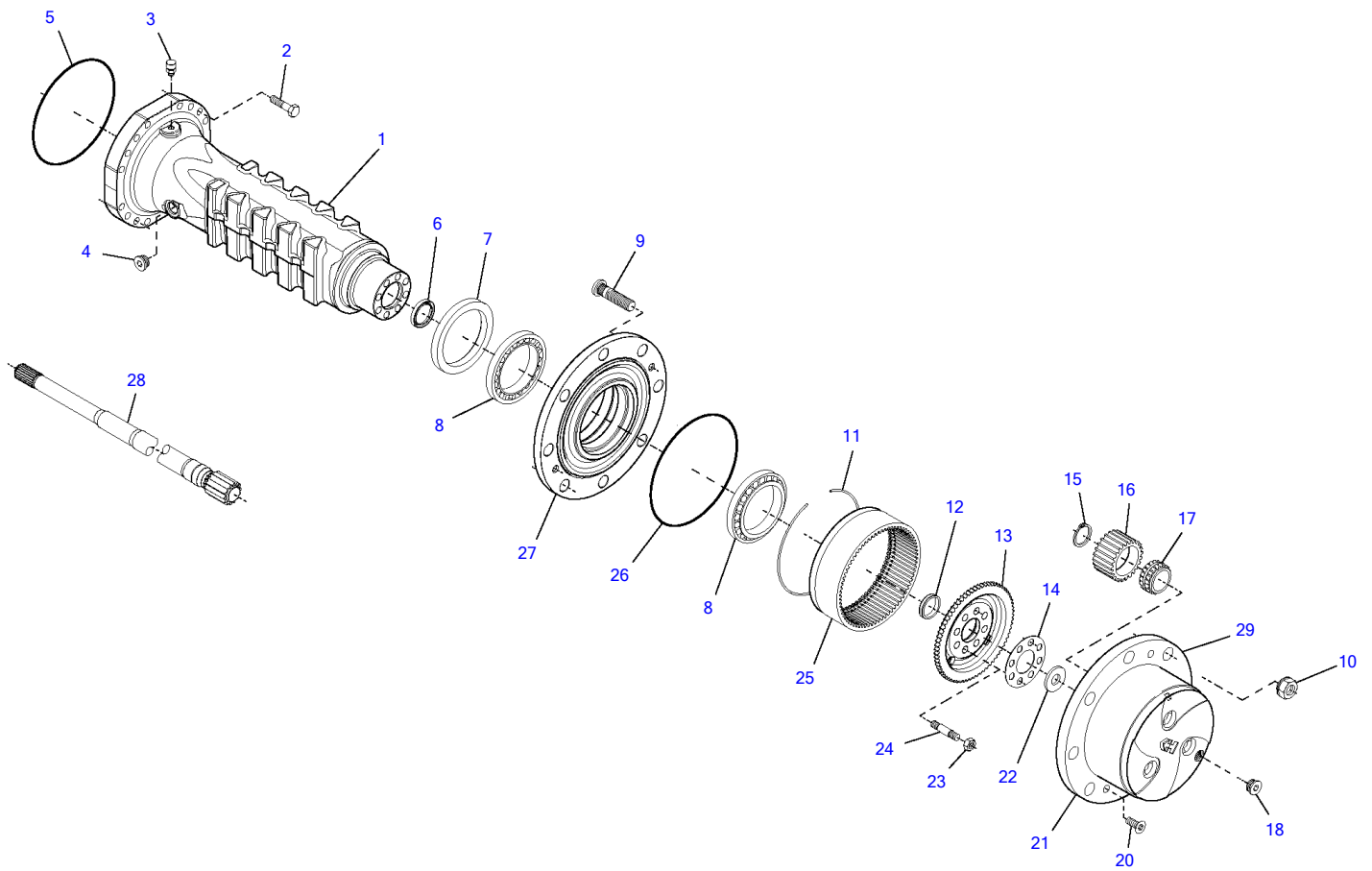
Item	Part number	Description	Q'ty	Chan.	Serial No.	Serv.	Remarks
	<b>8016961</b>	Oil Pressure Pump 12V	1				
1	<b>8019285</b>	Filter Flange	1				
2	<b>8011841</b>	Threaded Bush	1				
3	<b>8018979</b>	Filter	2				
4	<b>1011243</b>	O-Ring	1				
5	<b>8019297</b>	O-Ring	1				
6	<b>8019338</b>	Nozzle	1				
8	<b>0864719</b>	Screw Plug	1				
9	<b>0893009</b>	Hex Head Cap Screw	2				
10	<b>0373588</b>	Usit Ring U	4				
11	<b>0311528</b>	Female Screw A3C	2				
12	<b>8019340</b>	Conduit	1				
21	<b>8006076</b>	O-Ring	1				
22	<b>8019391</b>	Coupling Sleeve	1				
23	<b>1673367</b>	Circlip Tone 400	1				
24	<b>8019283</b>	O-Ring	1				
25	<b>8049400</b>	Feed Pump 11teeth	1				
	<b>8019401</b>	Feed Pump 13teeth	1				
28	<b>8019396</b>	Adaptor Sleeve	1				
29	<b>1658131</b>	Hex Head Cap Screw	1				
32	<b>0893338</b>	Hex Head Screw A3C	2				
33	<b>1306954</b>	Hex Head Cap Screw	2				
34	<b>3971942</b>	O-Ring	1				
35	<b>8019403</b>	Screw-in Piece	1				
36	<b>8019402</b>	O-Ring	1				
40	<b>3962372</b>	Hex Head V-Plus Screw	2				
41	<b>2905928</b>	Washer HV	2				
	<b>8019292</b>	Seal Kit Compl	1				



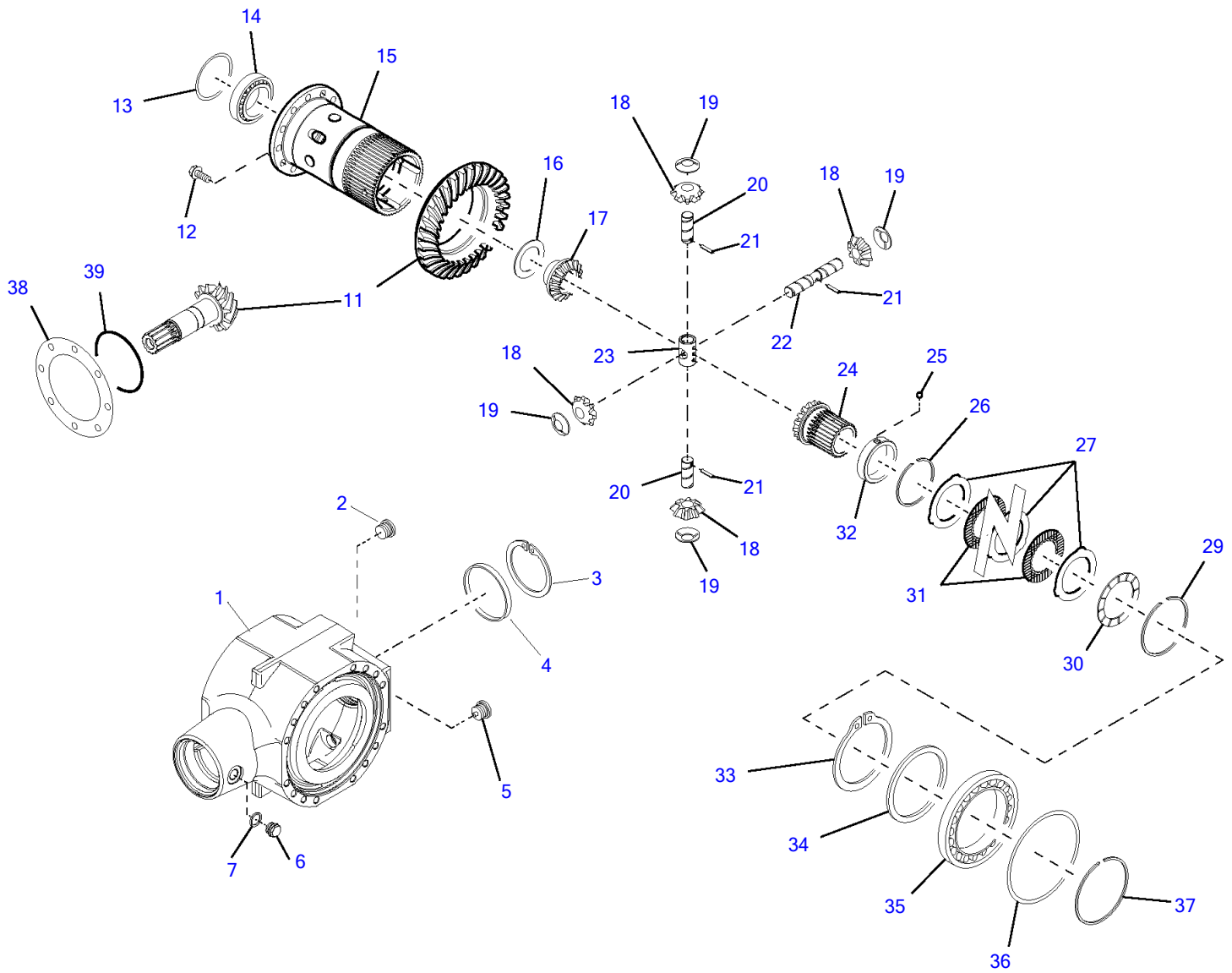
OilMotor 12V						
Item	Part number	Description	Q'ty	Chan.	Serial No.	Serv. Remarks
	<b>8016962</b>	Oilmotor 12V	1			
1	<b>1309377</b>	Circlip Tone 400	1			
2	<b>8019431</b>	Shim	1			
3	<b>8019433</b>	Oil Seal	1			
5	<b>1631389</b>	Screw Plug A3C	1			
8	<b>4607749</b>	Race Ball	1			
9	<b>4607750</b>	Conical Bearing	1			
15	<b>3963975</b>	Pressure Control Valve	1			
22	<b>1722856</b>	Switch-over Valve	1			
25	<b>8017692</b>	Control Magnet	2			
32	<b>3987428</b>	Pressure Spring	1			
33	<b>3987439</b>	Circlip	1			
34	<b>3987440</b>	Spring Plate	1			
35	<b>3987451</b>	Pressure Spring	1			
38	<b>3987473</b>	Bush	1			
40	<b>3987484</b>	Pilot	1			
41	<b>3987495</b>	Piston	1			
42	<b>3987508</b>	Pressure Spring	1			
43	<b>1617472</b>	O-Ring	1			
44	<b>3971942</b>	O-Ring	1			
45	<b>3988098</b>	Lid	1			
46	<b>3987519</b>	Threaded Pin	1			
47	<b>1619612</b>	Nut	1			
48	<b>2658031</b>	Hex Head Cap Screw	4			
	<b>8019436</b>	Seal Kit Compl	1			



							<b>Front Axle</b>
Item	Part number	Description	Q'ty	Chan.	Serial No.	Serv.	Remarks
	<b>8006764</b>	Front Axle	1				
1	<b>0358169</b>	Conical Bearing	2				
2	<b>8009243</b>	Differential Housing	1				
3	<b>3984118</b>	Ball	6				
4	<b>8009244</b>	Ball	1				
5	<b>2983273</b>	Washer	2				
6	<b>2983262</b>	Side Shaft Wheel	1				
7	<b>2915464</b>	Washer	4				
8	<b>2915475</b>	Planet Wheel	4				
9	<b>8009245</b>	Bolt	2				
10	<b>8009246</b>	Bolt	1				
11	<b>0443163</b>	Adaptor Sleeve	3				
12	<b>8009247</b>	Side Shaft Wheel	1				
13	<b>8009248</b>	Ring Gear & Pinion	1				
14	<b>8009249</b>	Cross Piece	1				
15	<b>8009250</b>	Spring	1				
16	<b>8009251</b>	Control Sleeve	1				
17	<b>8010316</b>	Washer	6				
18	<b>1092795</b>	Hex Head Screw	6				
19	<b>8010106</b>	O-Ring	2				
20	<b>8009252</b>	Shim	2				
	<b>8009253</b>	Shim	2				
	<b>8009254</b>	Shim	2				
	<b>8009255</b>	Shim	2				
21	<b>8009256</b>	Piston	1				
22	<b>8010255</b>	Adjusting Screw	2				
23	<b>8009257</b>	Lid	1				
24	<b>8010239</b>	V-Plus Bolt with Flange	12				
29	<b>2902754</b>	Nut	1				
30	<b>0342149</b>	O-Ring	1				
31	<b>8009664</b>	Flange	1				
33	<b>8009421</b>	Conical Bearing	2				
34	<b>8009265</b>	Spacer Ring	1				
35	<b>2902469</b>	Guard Plate	1				
37	<b>8009266</b>	Shim	1				
	<b>8009267</b>	Shim	1				
	<b>8009268</b>	Shim	1				
	<b>8009269</b>	Shim	1				
	<b>8009270</b>	Shim	1				
	<b>8009271</b>	Shim	1				
	<b>8009272</b>	Shim	1				
	<b>8009273</b>	Shim	1				
	<b>8009274</b>	Shim	1				
37	<b>8009275</b>	Shim	1				
	<b>8009276</b>	Shim	1				
	<b>8009277</b>	Shim	1				
	<b>8009278</b>	Shim	1				
	<b>8009279</b>	Shim	1				
	<b>8009280</b>	Shim	1				
38	<b>8009547</b>	Shim	1				
	<b>8009548</b>	Shim	1				
	<b>8009549</b>	Shim	1				
40	<b>8010371</b>	Screw Plug	1				
41	<b>3981922</b>	Gasket	1				
42	<b>2655505</b>	Screw Plug A3C	1				
43	<b>2401407</b>	Circlip	1				
44	<b>8009656</b>	Plug	1				
45	<b>0356178</b>	Screw Plug A3C	1				
46	<b>8009242</b>	Housing	1				



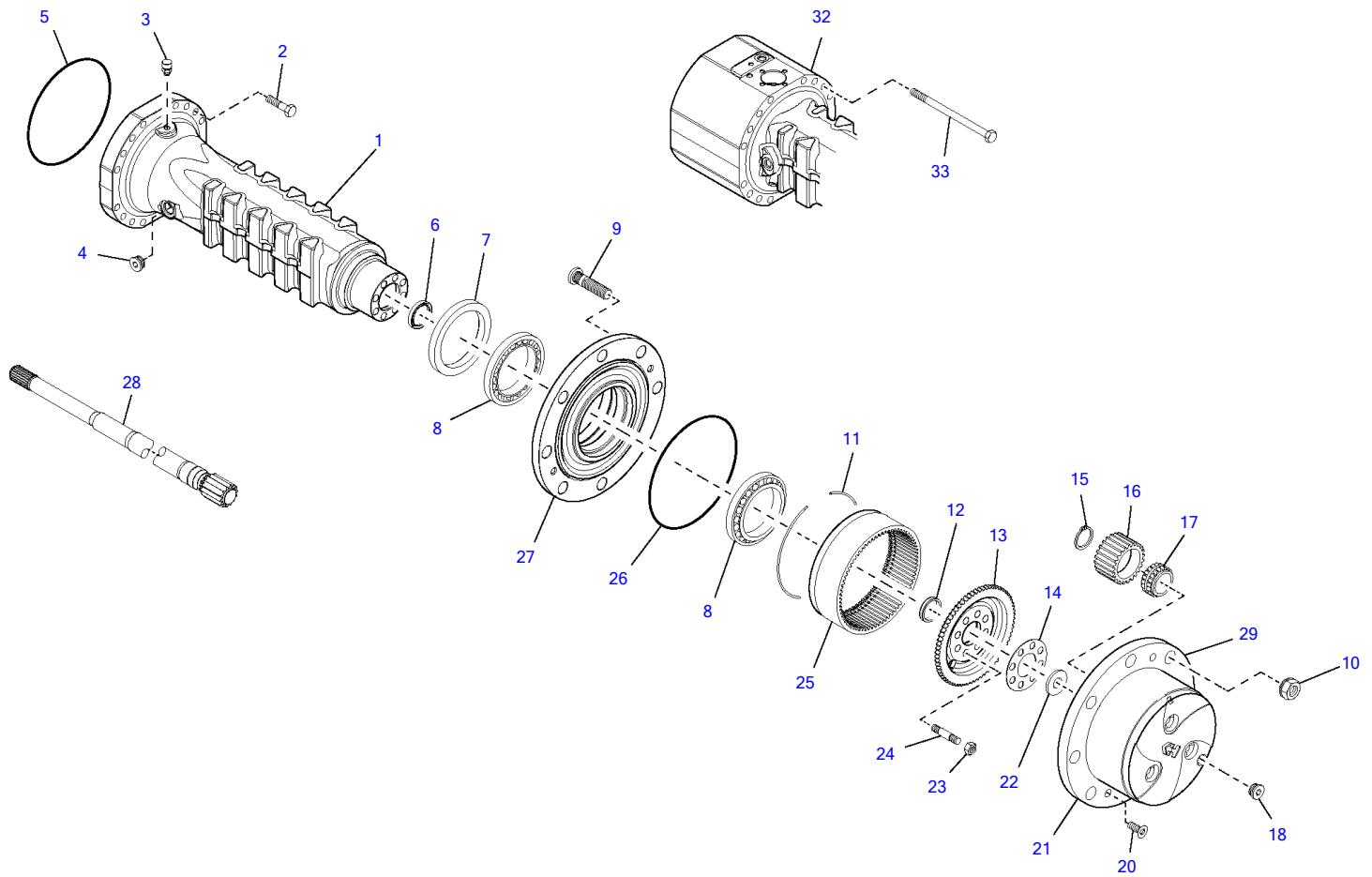
Item	Part number	Description	Axle Pipe				Remarks
			Q'ty	Chan.	Serial No.	Serv.	
1	8009258	Axle Pipe	2				
2	8010322	Hex Head Screw	32				
3	3968889	Breather	1				
4	2655505	Screw Plug A3C	2				
5	8010108	O-Ring	2				
6	2915782	Rotary Shaft Seal	2				
7	8010249	Rotary Shaft Seal	2				
8	8010027	Ext Part Bearing	4				
	8010028	Int. Prt Bearing	4				
9	8009470	Wheel Bolt	16				
10	8006827	Spherical Collar Nut	16				
11	8010257	Snap Ring	2				
12	8009457	Centering Ring	2				
13	8009259	Side Shaft Wheel	2				
14	8009260	Plate	2				
15	8010258	Circlip Tone 400	6				
16	3983742	Planet Wheel	6				
17	8010025	Roller Bearing	6				
18	8010263	Screw Plug A3C	2				
20	0482831	Countersunk Screw	4				
21	8009261	Planetary Housing	2				
22	3983764	Washer	2				
23	8010264	Nut	16				
24	8010303	Stud	16				
25	3983719	Gear Rim	2				
26	2902163	O-Ring	2				
27	8009262	Wheel Hub	2				
28	8009458	Axle Shaft	2				
29	8009264	Planetary Housing	2				



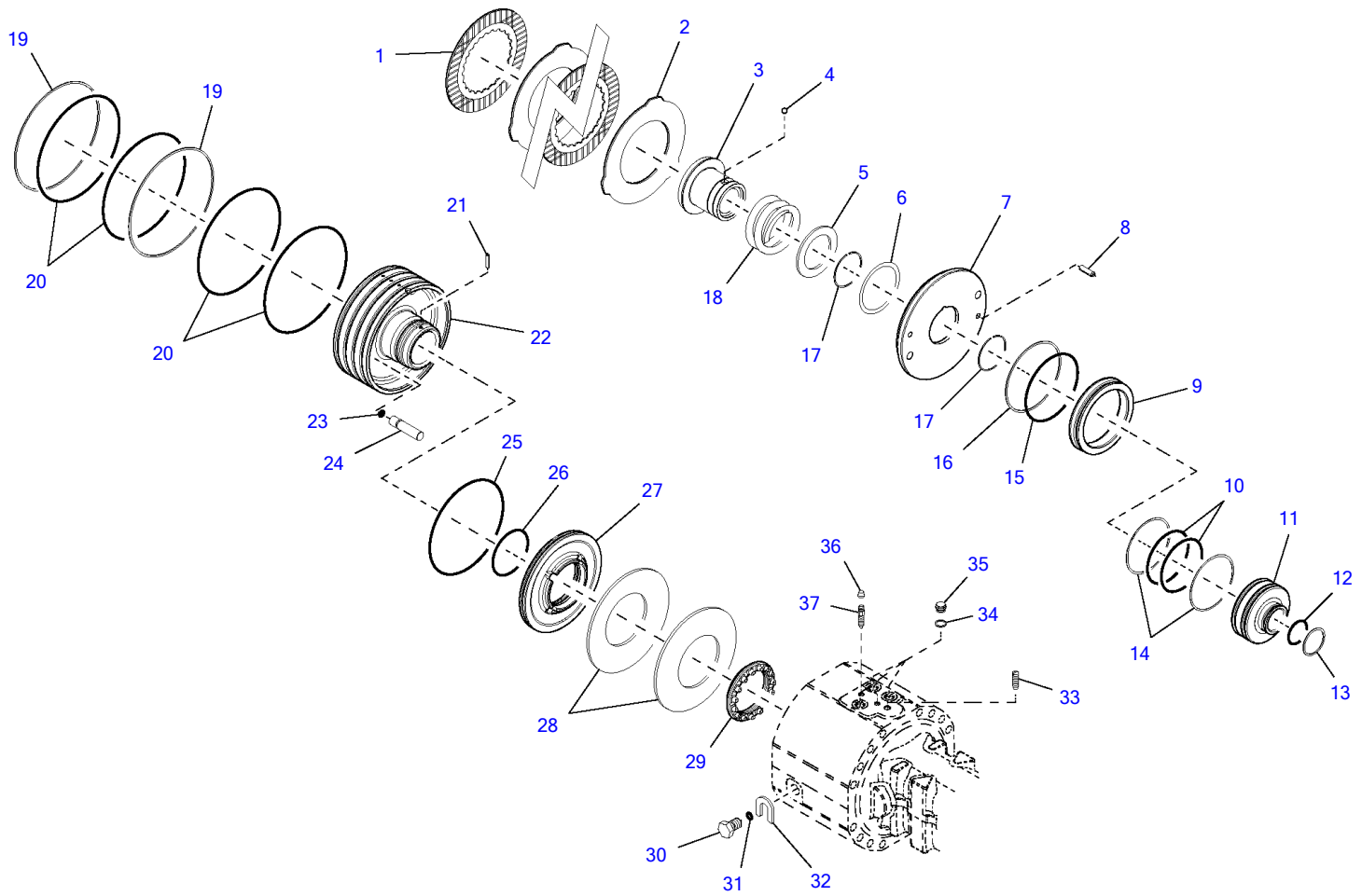


							<b>Rear Axle</b>
Item	Part number	Description	Q'ty	Chan.	Serial No.	Serv.	Remarks
	<b>8006765</b>	Rear Axle	1				
1	<b>8009285</b>	Housing	1				
2	<b>2655505</b>	Screw Plug A3C	1				
3	<b>2401407</b>	Circlip	1				
4	<b>8009656</b>	Plug	1				
5	<b>0356178</b>	Screw Plug A3C	1				
11	<b>8009394</b>	Ring Gear & Pinion	1				
12	<b>8010239</b>	V-Plus Bolt with Flange	12				
13	<b>8009252</b>	Shim	1				
	<b>8009253</b>	Shim	1				
	<b>8009254</b>	Shim	1				
	<b>8009255</b>	Shim	1				
14	<b>0358169</b>	Conical Bearing	1				
15	<b>8012024</b>	Differential Housing	1				
16	<b>2983273</b>	Washer	1				
17	<b>2983262</b>	Side Shaft Wheel	1				
18	<b>2915475</b>	Planet Wheel	4				
19	<b>2915464</b>	Washer	4				
20	<b>8009245</b>	Bolt	2				
21	<b>0443163</b>	Adaptor Sleeve	3				
22	<b>8009246</b>	Bolt	1				
23	<b>8009249</b>	Cross Piece	1				
24	<b>8009293</b>	Side Shaft Wheel	1				
25	<b>8009291</b>	Ball	1				
26	<b>8012025</b>	Ring	1				
27	<b>8009297</b>	Clutch Disc	8				
29	<b>8010328</b>	Snap Ring	1				
30	<b>8012026</b>	Bearing	1				
31	<b>8009300</b>	Clutch Disc	7				
32	<b>8012027</b>	Intermeddiate Bush	1				
33	<b>8010379</b>	Circlip	1				
34	<b>8009469</b>	Spacer Ring	1				
35	<b>3984301</b>	Ball Bearing	1				
36	<b>8009302</b>	Shim	1				
	<b>8009303</b>	Shim	1				
	<b>8009304</b>	Shim	1				
37	<b>8010329</b>	Snap Ring	1				
38	<b>2915748</b>	Shim	1				
	<b>2915737</b>	Shim	1				
	<b>2915726</b>	Shim	1				
	<b>2915317</b>	Shim	1				
39	<b>8010111</b>	O-Ring	1				

TW80 Book No. 8020870 01.10 S/N E107240  
Axle Pipe

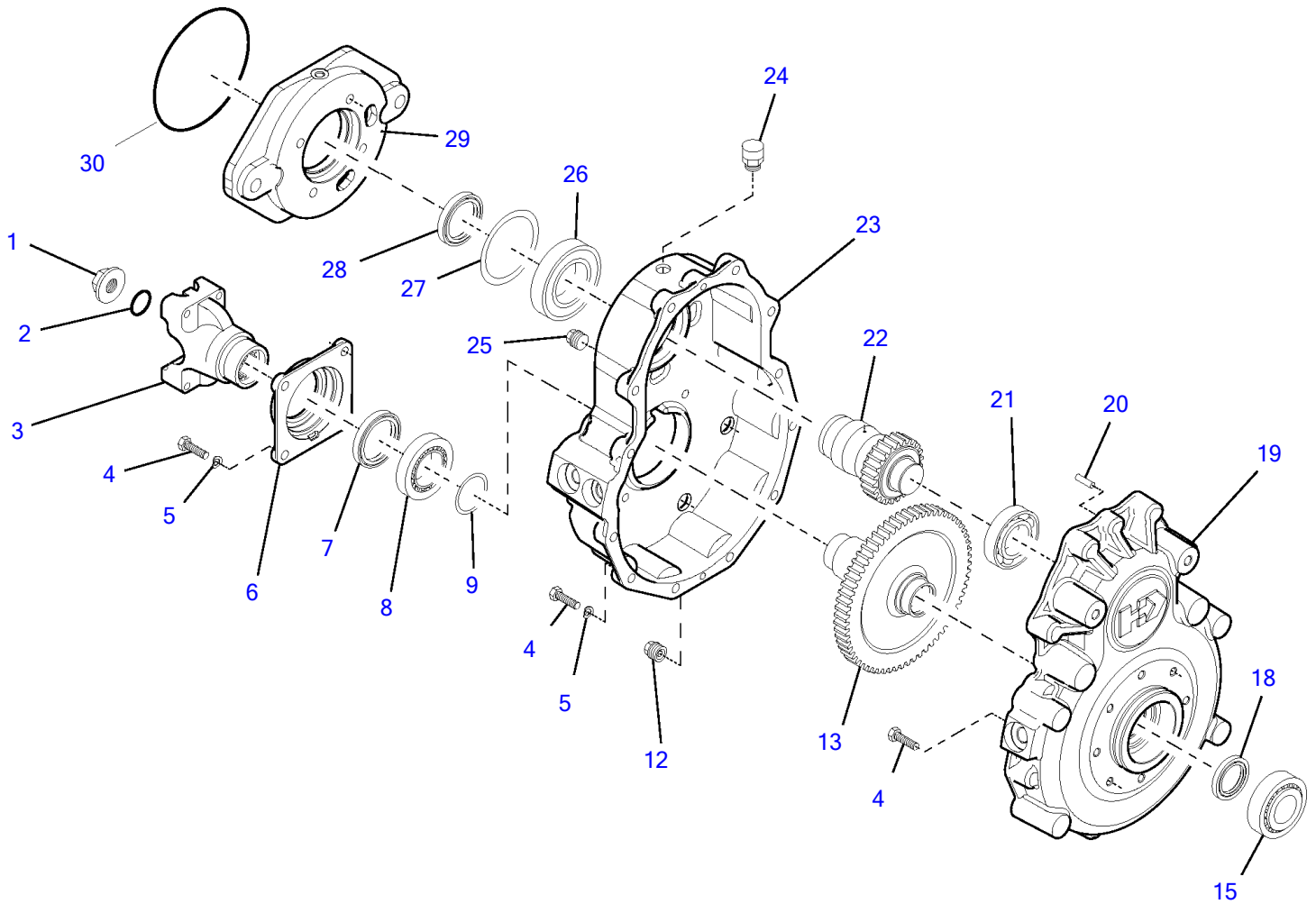


Item	Part number	Description	Axle Pipe			
			Q'ty	Chan.	Serial No.	Serv. Remarks
1	8009456	Axle Pipe	1			
2	8010322	Hex Head Screw	16			
3	3968889	Breather	1			
4	2655505	Screw Plug A3C	2			
5	8010108	O-Ring	2			
6	2915782	Rotary Shaft Seal	2			
7	8010249	Rotary Shaft Seal	2			
8	8010027	Ext Part Bearing	4			
	8010028	Int Part Bearing	4			
9	8009470	Wheel Bolt	16			
	8006827	Spherical Collar Nut	1			
11	8010257	Snap Ring	2			
12	8009457	Centering Ring	2			
13	8009259	Side Shaft Wheel	2			
14	8009260	Plate	2			
15	0827805	Circlip Tone 400	6			
16	3983742	Planet Wheel	6			
17	8010025	Roller Bearing	6			
18	8010263	Screw Plug A3C	2			
20	0482831	Countersunk Screw	4			
21	8009261	Planetary Housing	2			
22	3983764	Washer	2			
23	8010264	Nut	16			
24	8010303	Stud	16			
25	3983719	Gear Rim	2			
26	2902163	O-Ring	2			
27	8009262	Wheel Hub	2			
28	8009458	Axle Shaft	2			
29	8009264	Planetary Housing	2			
32	8009661	Axle Pipe	1			
33	8010334	Hex Head Screw	16			



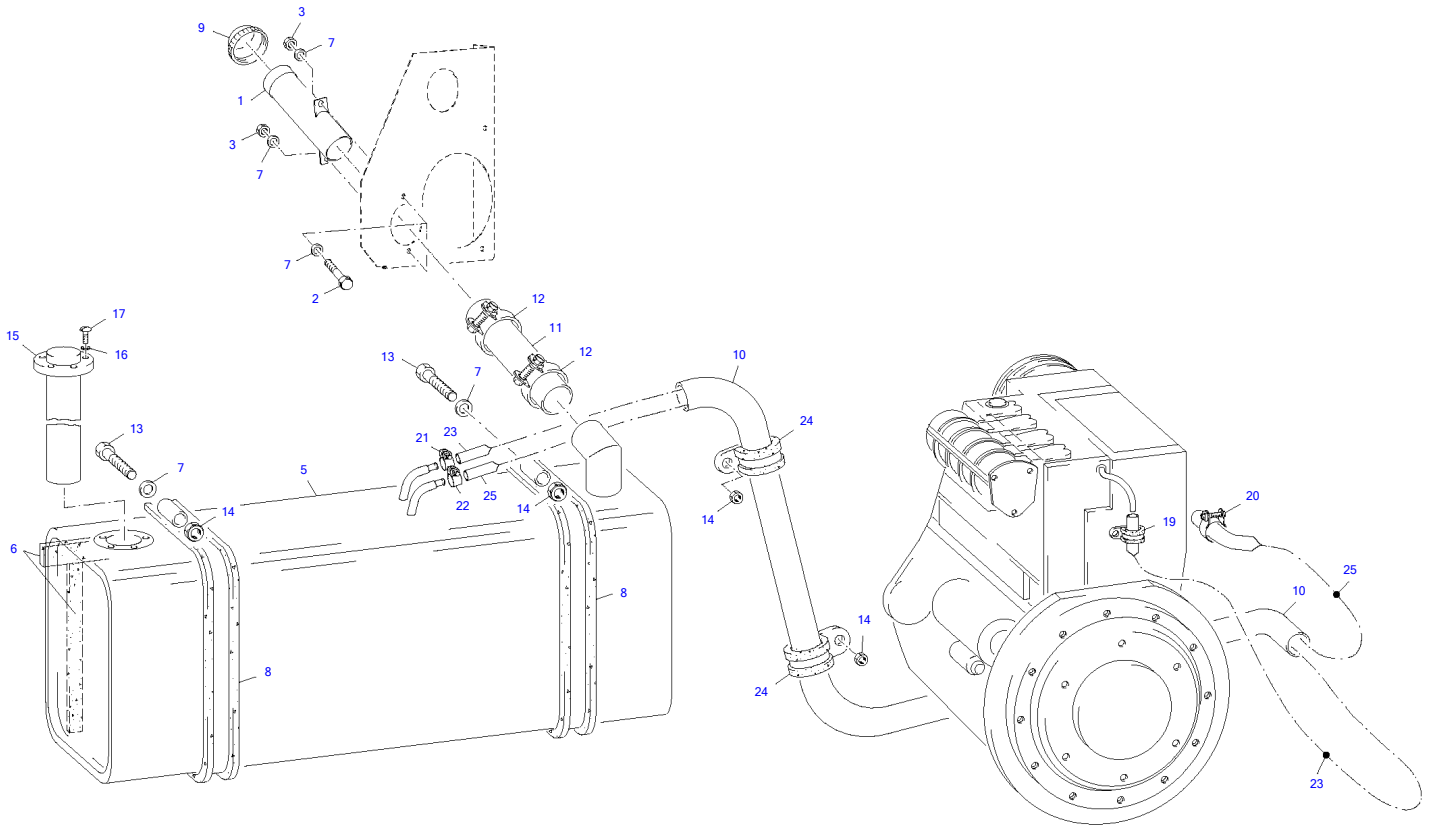
Brake Disk						
Item	Part number	Description	Q'ty	Chan.	Serial No.	Serv. Remarks
1	8000892	Brake Disk	6			
2	8012028	Seal	6			
3	8012029	Intermediate Bush	1			
4	8009291	Ball	1			
5	8009473	Spacer Ring	1			
6	2902561	Shim	2			
	2902549	Shim	2			
	8005811	Shim	2			
	3976425	Shim	2			
7	8012030	Seal	1			
8	8010338	Adaptor Sleeve	2			
9	8009308	Piston	1			
10	8010113	O-Ring	2			
11	8009309	Piston	1			
12	8010114	O-Ring	1			
13	8010347	Gasket	1			
14	8010348	Gasket	2			
15	3984674	O-Ring	1			
16	3984663	Ring	1			
17	8010349	Snap Ring	2			
18	8009475	Spring	1			
19	8000883	Antiextrusion Ring	2			
20	8010115	O-Ring	4			
21	0443163	Adaptor Sleeve	1			
22	8009310	Piston	1			
23	8010120	O-Ring	3			
24	8009311	Bolt	3			
25	8010117	O-Ring	1			
26	8010118	O-Ring	1			
27	8009312	Piston	1			
28	8009313	Spring	1			
29	8009314	Shaft Nut	1			
30	8010357	Hex Head Screw	2			
31	8010119	O-Ring	2			
32	8009315	Spacer Ring	2			
33	8010350	Threaded Pin A3C	1			
34	0303799	Gasket A	3			
35	8010381	Screw Plug	3			
36	3968265	Venting Screw	2			
37	0361562	Breather	2			

TW80 Book No. 8020870 01.10 S/N E107240  
Rear Axle Multiple Disk Brake



**Rear Axle Multiple Disk Brake**

Item	Part number	Description	Q'ty	Chan.	Serial No.	Serv.	Remarks
1	2902754	Nut	1				
2	0342149	O-ring	1				
3	8009395	Flange	1				
4	0893203	Hex Head Screw A3C	12				
5	1302881	Spring Washer	12				
6	3987213	Lid	1				
7	0455145	Rotary Shaft Seal	1				
8	3968743	Conicla Bearing	1				
9	8000953	Shim	1				
	8009567	Shim	1				
	800954	Shim	1				
	8009568	Shim	1				
	8000955	Shim	1				
12	0830242	Screw Plug A3C	1				
13	8009459	Gear Wheel	1				
15	8009421	Conical Bearing	1				
18	8010305	Rotary Shaft Seal	1				
19	8009420	Housing	1				
20	2479885	Dowel Pin	2				
21	0312085	Ball Bearing	1				
22	8011815	Drive Shaft	1				
23	8009460	Lid	1				
24	3968889	Breather	1				
25	0830253	Screw Plug	1				
26	8011807	Ball Bearing	1				
27	2902561	Shim	1				
	8005810	Shim	1				
	8005811	Shim	1				
	3976414	Shim	1				
	3976425	Shim	1				
28	8011806	Rotary Shaft Seal	1				
29	8011816	Lid	1				
30	2915793	O-Ring	1				





							<b>Fuel System</b>	
Item	Part number	Description	Q'ty	Chan.	Serial No.	Serv.	Remarks	
	<b>8008536</b>	Fuel System	1					
1	<b>8008810</b>	Filler Neck	1					
2	<b>0893214</b>	Hex Head Screw A3C	2					
3	<b>0893167</b>	Hex Nut A3C	2					
5	<b>8001221</b>	Fuel Tank	1					
6	<b>0909304</b>	Profile Rubber 3200 MM	1					
7	<b>2481254</b>	Serrated Washer A3C	6					
8	<b>0909224</b>	Profile Rubber 850 MM	2					
9	<b>8003285</b>	Tank Cap	1					
10	<b>0916665</b>	Hose 1450 MM	1					
11	<b>3930750</b>	Tube	1					
12	<b>0478539</b>	Clip Norma	2					
13	<b>0893076</b>	Washer A3C	2					
14	<b>0399760</b>	Hex Nut A3C	4					
15	<b>3925004</b>	Fuel Gauge	1					
	<b>0866722</b>	Cork Sealing	1					
16	<b>0893076</b>	Washer A3C	5					
17	<b>8007601</b>	Oval Head Screw	5					
19	<b>2966454</b>	Clip Norma	1					
20	<b>8012616</b>	Clip Norma	1					
21	<b>2985617</b>	Clip Norma	1					
22	<b>2983137</b>	Clip Norma	1					
23	<b>8009224</b>	Hose 2300 MM	1					
24	<b>1009352</b>	Clip Norma	2					
25	<b>8008515</b>	Fuel Hose 1850 MM	1					

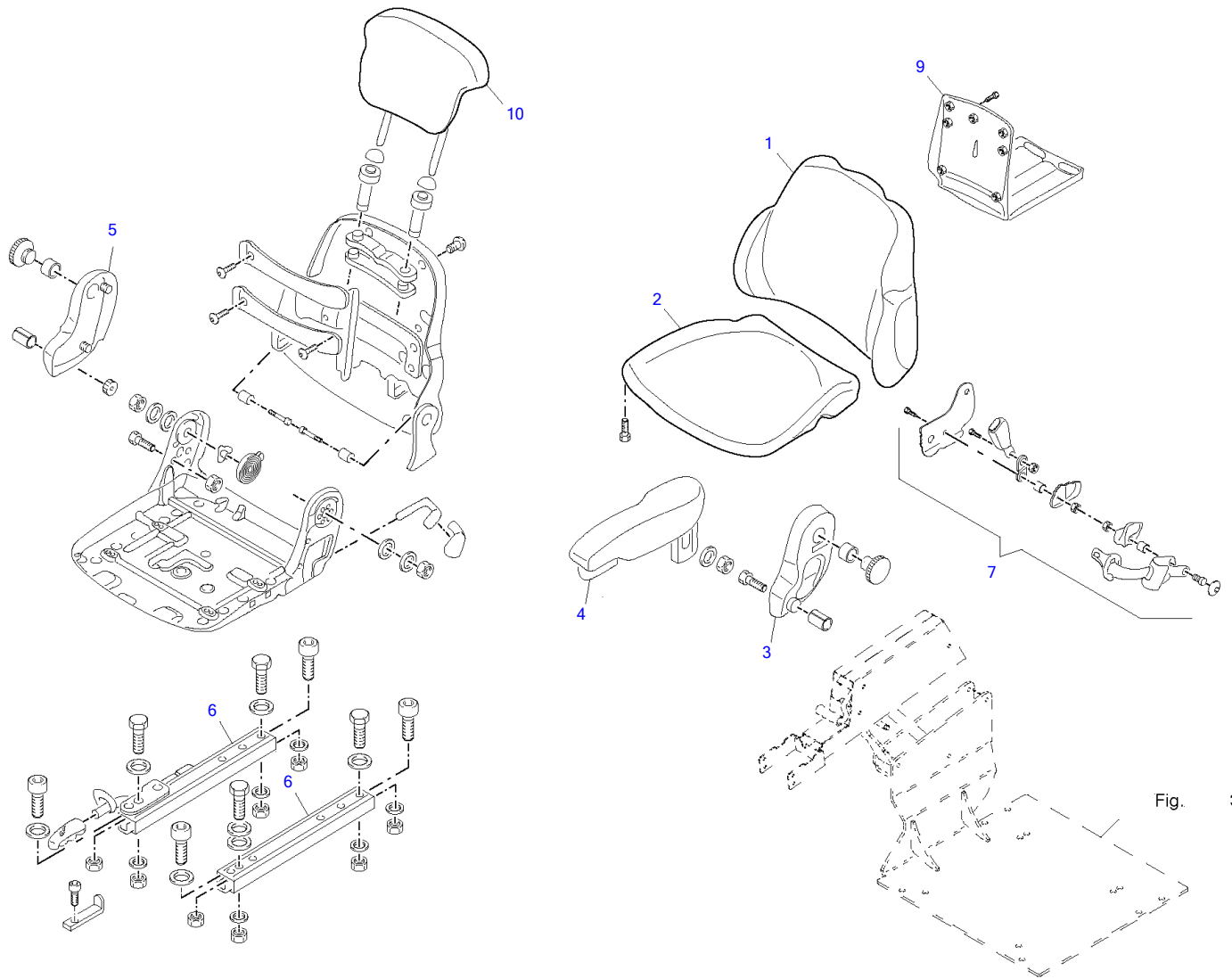
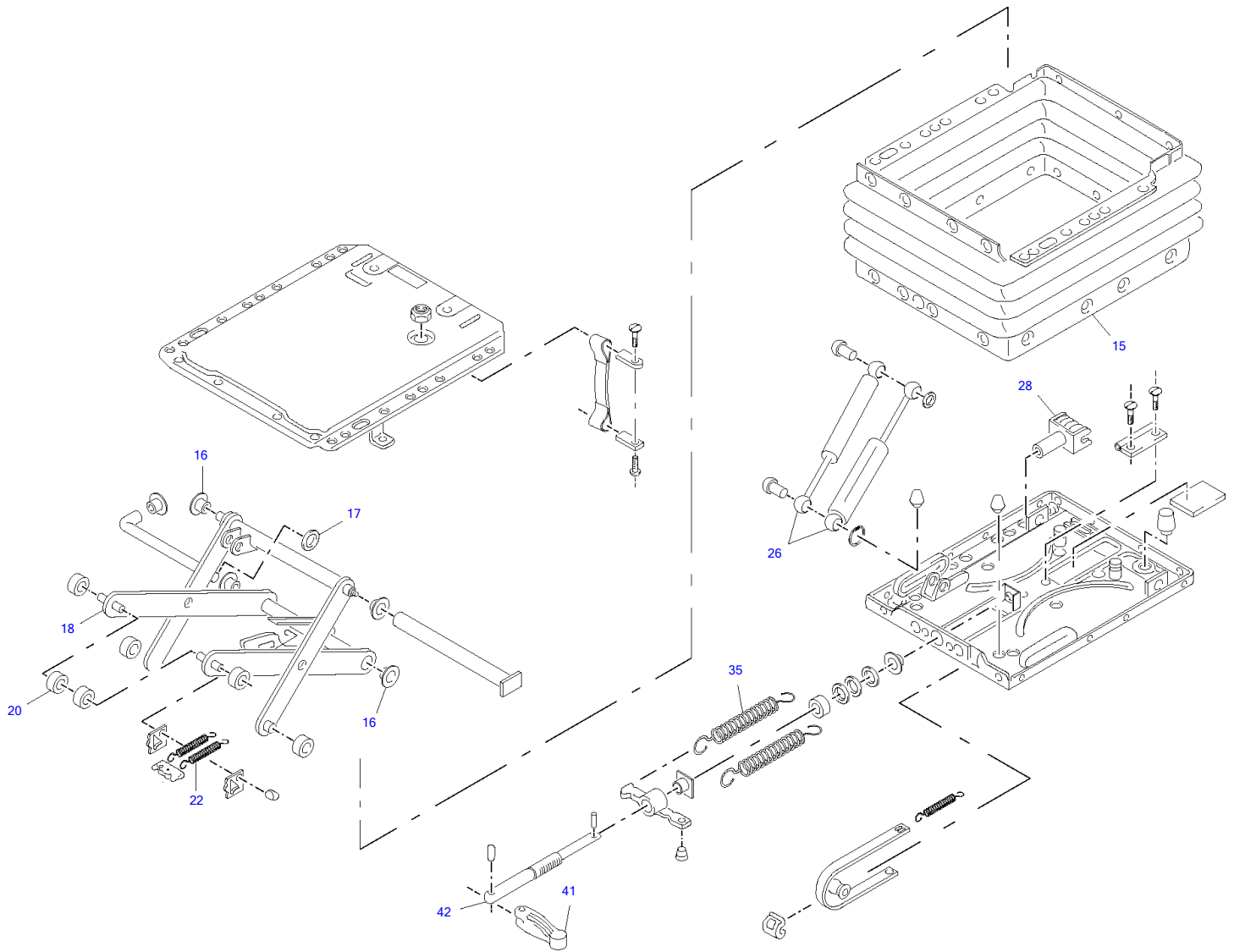


Fig. 321

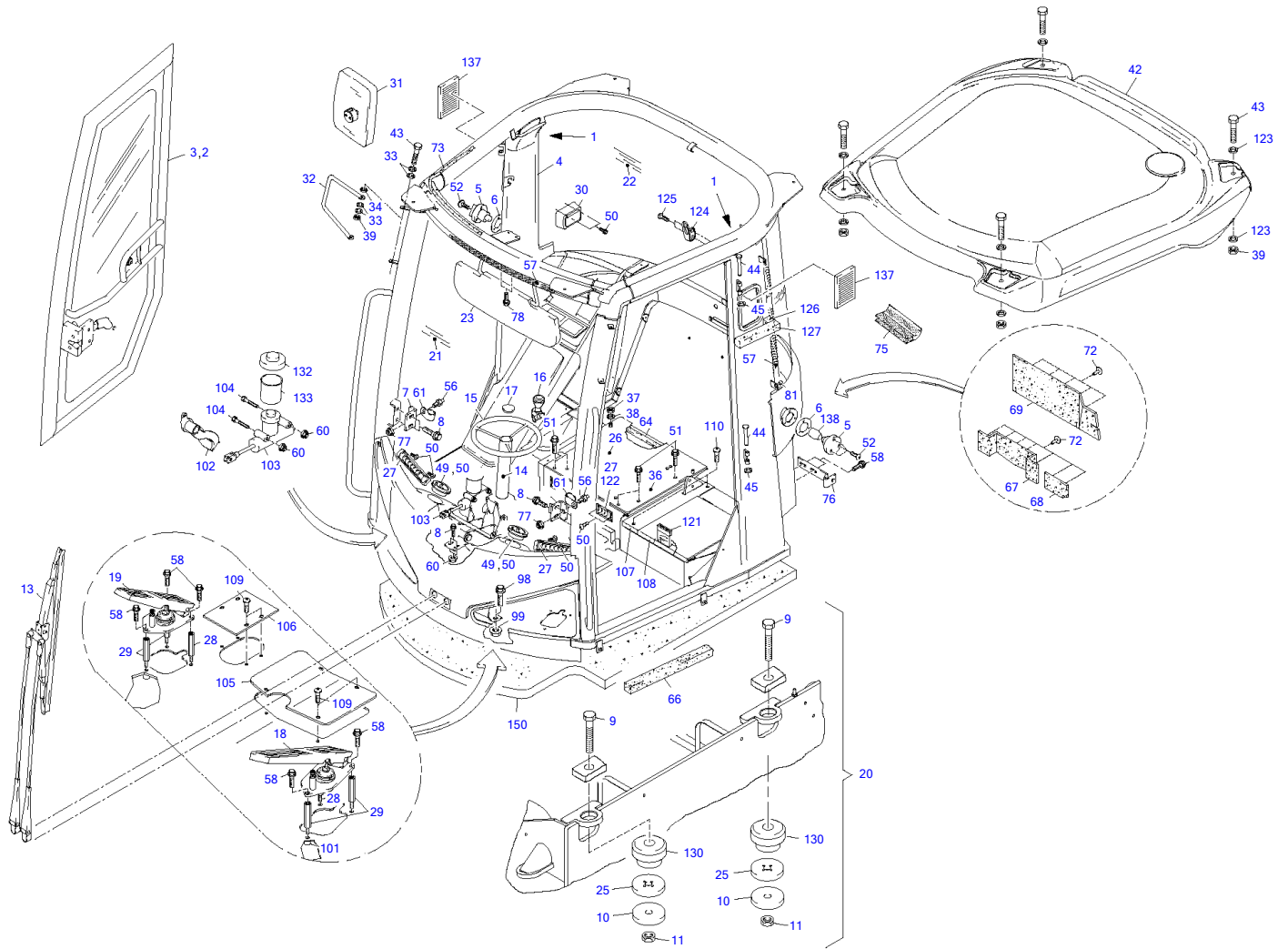
Item	Part number	Description	Driver's Seat			
			Q'ty	Chan.	Serial No.	Serv. Remarks
	<b>8008016</b>	Driver's Seat	1			
1	<b>8008452</b>	Backrest Upholstery	1			
2	<b>3986676</b>	Seat Upholstery	1			
3	<b>8010010</b>	Left Cover	1			
4	<b>3986665</b>	Left Armrest	1			
5	<b>8010011</b>	Right Cover	1			
6	<b>8010012</b>	Adjusting Rail Set	1			
7	<b>8008450</b>	Safety Belt	1			
	<b>3986734</b>	Safety Belt	1			

TW80 Book No. 8020870 01.10 S/N E107240  
Seat Bottom Part



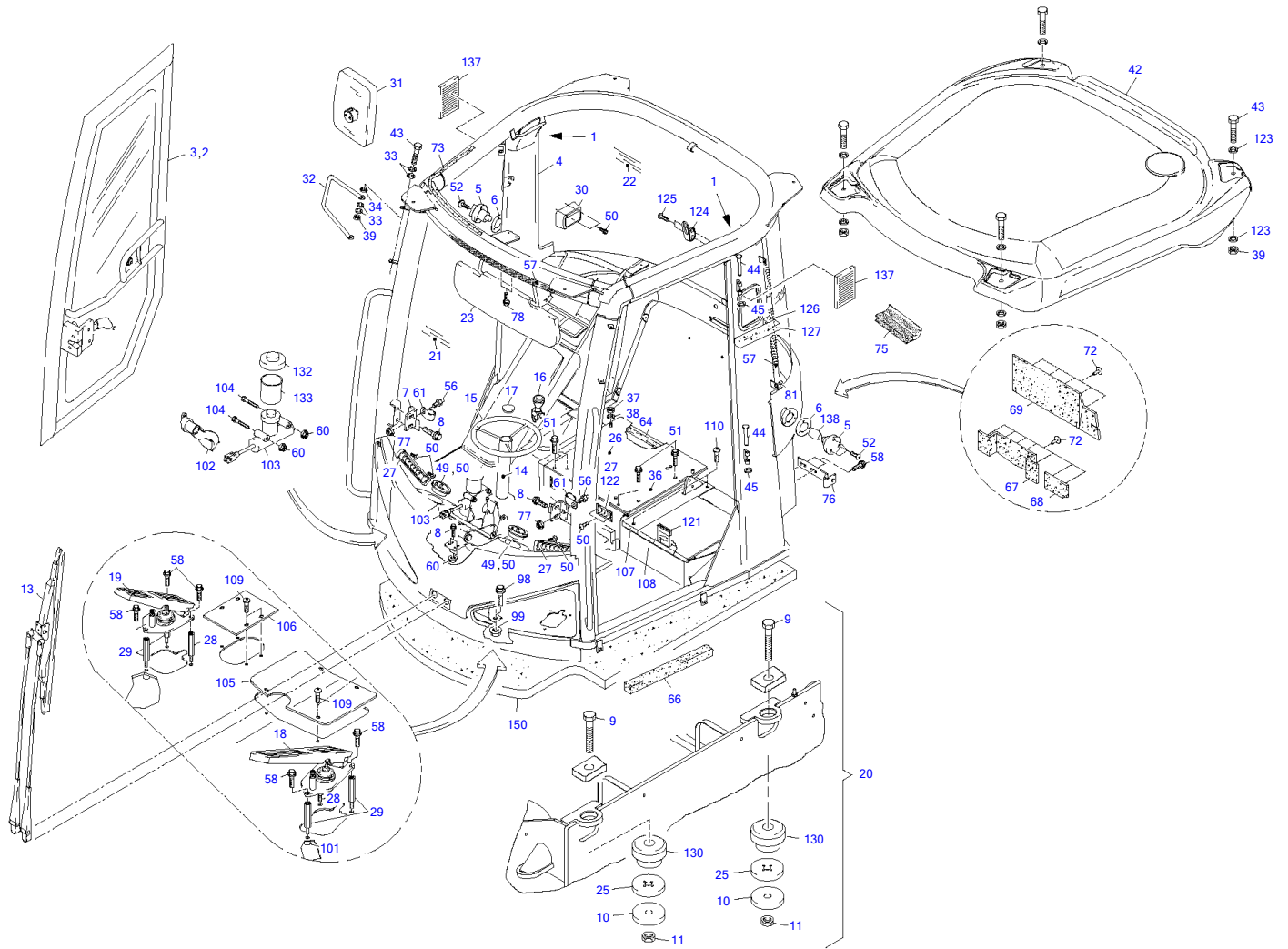
Item	Part number	Description	Seat Bottom Part				Remarks
			Q'ty	Chan.	Serial No.	Serv.	
	<b>8008626</b>	Seat Bottom Part	1				
15	<b>3986632</b>	Gaiter	1				
16	<b>3966956</b>	Bush	4				
17	<b>0851770</b>	Washer	1				
18	<b>2996449</b>	Rocker	1				
20	<b>3966967</b>	Roll	4				
22	<b>3981853</b>	Draw Spring	2				
26	<b>1689605</b>	Shock Absorber	1				
28	<b>8001235</b>	Fork Compl	1				
35	<b>1712116</b>	Draw Spring	2				
41	<b>4623976</b>	Toggle	1				
42	<b>2996450</b>	Adjustable Spindle	1				

TW80 Book No. 8020870 01.10 S/N E107240  
Cabin



Item	Part number	Description	Cabin Q'ty	Chan.	Serial No.	Serv.	Remarks
	<b>8003354</b>	Cabin	1				
1	<b>8016693</b>	Protecting Cap	2				
2	<b>8003297</b>	Left Cabin Door Compl	1				
3	<b>8003297</b>	Right Cabin Door Compl	1				
4	<b>8003340</b>	Lining	1				
5	<b>8007463</b>	Hold-Open Mechanism	2				
6	<b>3975833</b>	Washer	2				
7	<b>3947351</b>	Angle	2				
8	<b>2449607</b>	Serrated Hex Head Screw	10				
9	<b>3975695</b>	Hex Head Screw	4				
10	<b>2914645</b>	Washer	4				
11	<b>1663967</b>	Hex Nut A3C	4				
13	<b>8004889</b>	Wiper System	1				
14	<b>3930421</b>	Steering Column	1				
15	<b>8011948</b>	Steering Wheel	1				
16	<b>8012032</b>	Turning Handle	1				
17	<b>2912132</b>	Protecting Cap	1				
18	<b>8005490</b>	Inching Actuator	1				
19	<b>8005490</b>	Gas Control	1				
20	<b>8006546</b>	Cabin Mounting Compl	2				
21	<b>8001305</b>	Front Screen	1				
22	<b>8001329</b>	Rear Screen	1				
23	<b>3957422</b>	Sun Shield	1				
25	<b>8004343</b>	Rubber Washer	4				
26	<b>8003053</b>	Heating Circuit	1				
27	<b>3953973</b>	Nozzle	4				
28	<b>3929291</b>	Spacer	2				
29	<b>3928665</b>	Spacer	4				
30	<b>8005836</b>	Ashtray	1				
31	<b>3949091</b>	Mirror	2				
	<b>8002605</b>	Mirror	1				
	<b>8011230</b>	Mirror Kit	1				
32	<b>3945575</b>	Mirror Attachment	2				
33	<b>0885849</b>	Disk Spring	16				
34	<b>1042977</b>	Spring Washer	4				
36	<b>8007923</b>	Servo Control Bracket	1				
37	<b>0893156</b>	Hex Nut A3C	2				
38	<b>2481243</b>	Serrated Washer A3C	2				
39	<b>0399760</b>	Hex Nut A3C	8				
42	<b>8001196</b>	Cabin Roof	1				
43	<b>0893214</b>	Hex Head Screw A3C	8				
44	<b>0879192</b>	Bolt	4				
45	<b>0498748</b>	Locking Washer	4				
49	<b>3954429</b>	Ventilation Flap	2				
50	<b>0885236</b>	Raised Countersunk Screw	18				
51	<b>2997235</b>	Serrated Hex Head Screw	6				
52	<b>1780969</b>	Oval head Screw	6				
56	<b>1781302</b>	Pin	2				
57	<b>3976925</b>	Glue	3				
58	<b>3761119</b>	Serrated Hex Head Screw	10				
60	<b>1722787</b>	Serrated Nut	4				
61	<b>1781313</b>	Bracket	2				
64	<b>1898686</b>	Sealing Strip 1500 MM	1				
66	<b>0909291</b>	Profile Rubber 720 MM	2				
67	<b>8002334</b>	Insulating Mat	1				
68	<b>3943813</b>	Insulating Material	1				
69	<b>3943824</b>	Insulating Material	1				
72	<b>1786874</b>	Clip	19				
73	<b>3940774</b>	Sealing Strip 5000 MM	1				
75	<b>3930603</b>	Profile Rubber 350 MM	1				
76	<b>3936892</b>	Holder	2				
77	<b>2440675</b>	Serrated Nut	2				
78	<b>1309399</b>	Hex Head Screw A3C	2				
81	<b>3942436</b>	Spacer	5				
98	<b>3983399</b>	Self-Locking Screw	2				
99	<b>3960778</b>	Serrated Nut	2				
102	<b>3976447</b>	Pedal Coating	1				
103	<b>3945553</b>	Main Brake Cylinder	1				

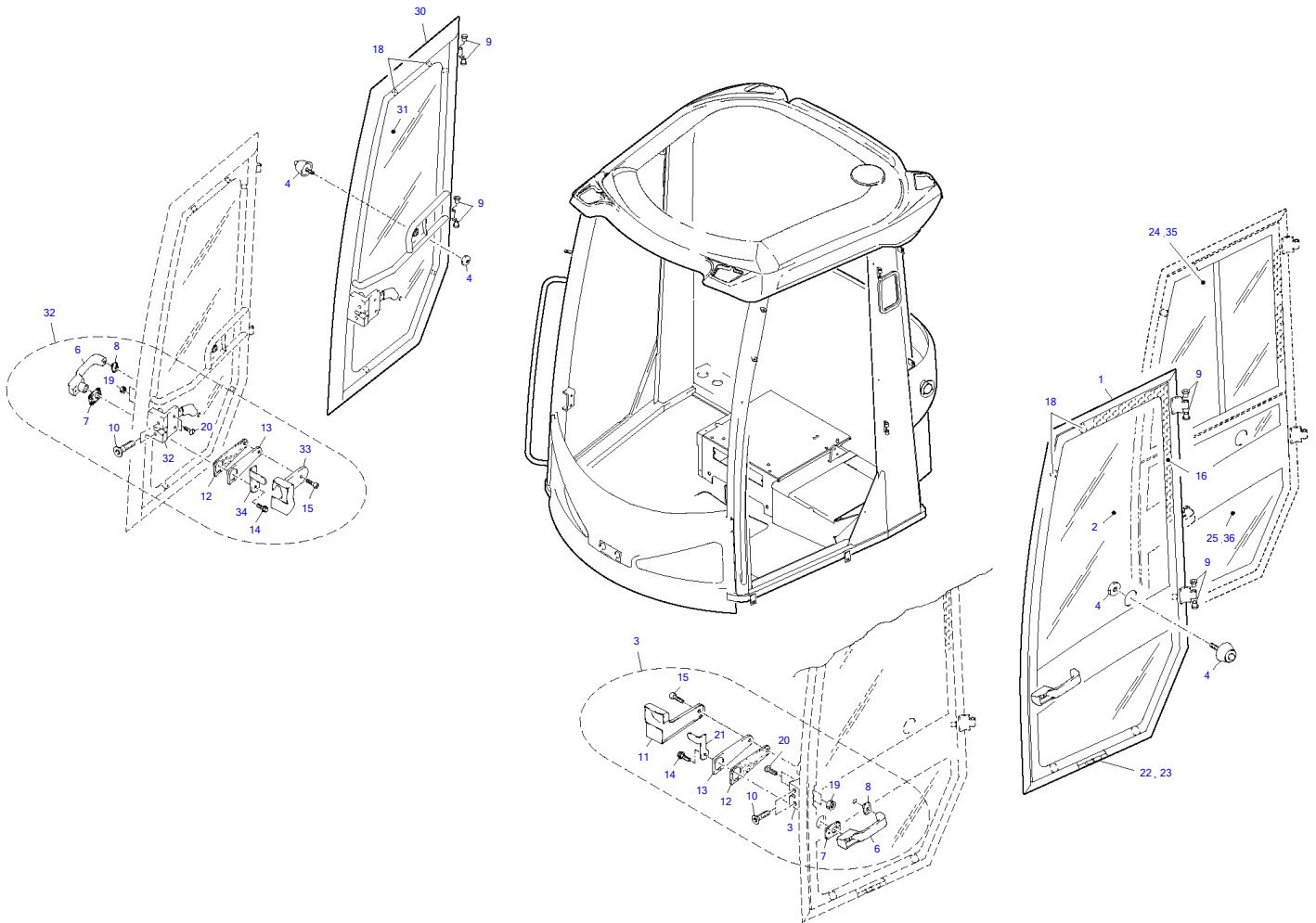
TW80 Book No. 8020870 01.10 S/N E107240  
Cabin





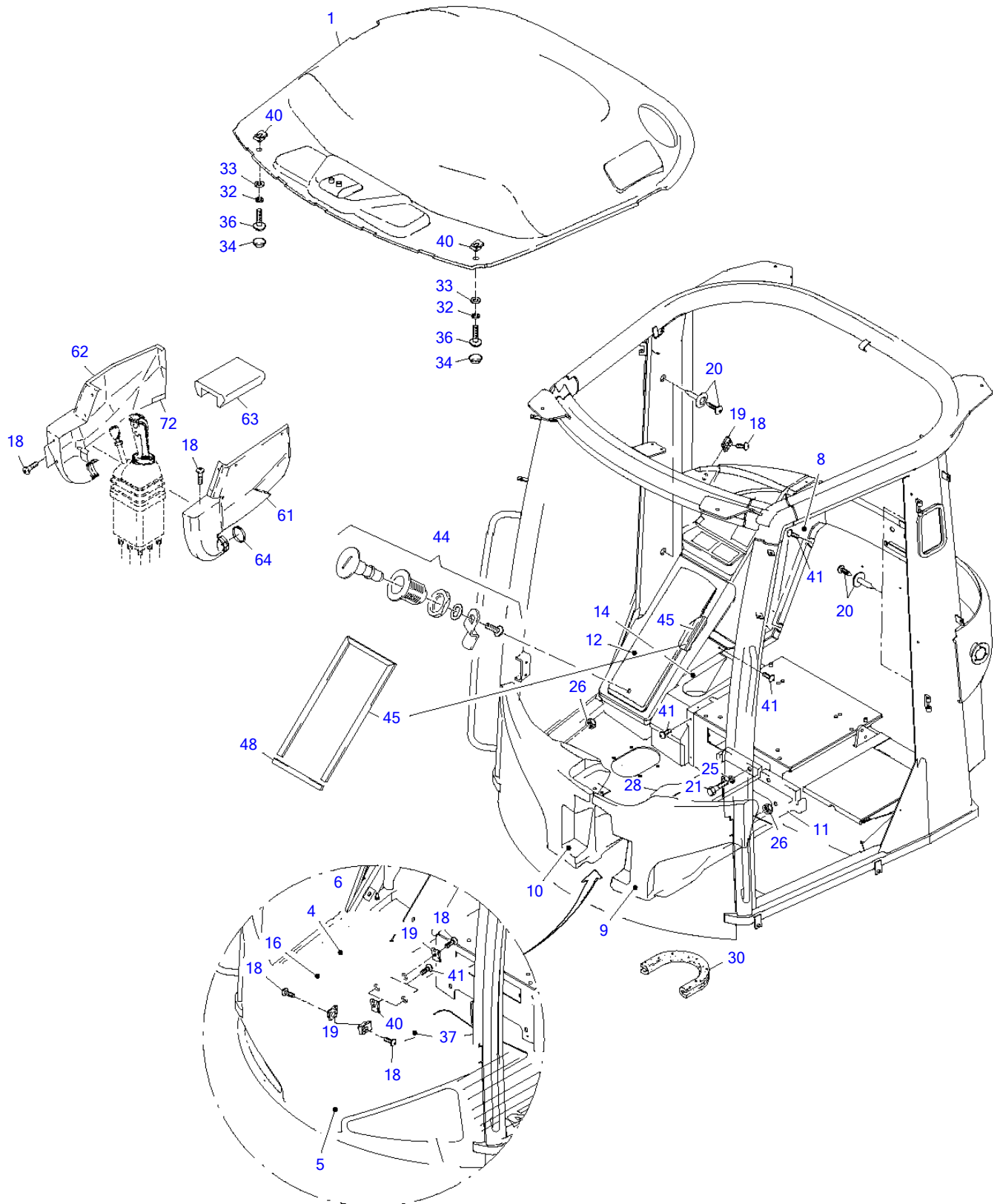
Item	Part number	Description	Cabin Q'ty	Chan.	Serial No.	Serv.	Remarks
104	<b>1307079</b>	Hex Head Screw A3C	2				
105	<b>8004858</b>	Bottom Lid	1				
106	<b>8009476</b>	Lid	1				
107	<b>8005287</b>	Cover Compl	1				
108	<b>8005511</b>	Lid Compl	1				
109	<b>3753595</b>	Oval Head Screw A3R	8				
110	<b>3934378</b>	Oval Head Screw A3R	6				
121	<b>8005547</b>	Holder Magnet	1				
122	<b>8013706</b>	Air Nozzle Kit	1				
123	<b>1356341</b>	Washer A3C	8				
124	<b>0879089</b>	Coat Hook	1				
125	<b>8008231</b>	Oval Head Screw	4				
126	<b>0909291</b>	Profile Rubber 40 MM	2				
127	<b>0909291</b>	Profile Rubber 170 MM	2				
130	<b>8006529</b>	Rubber Element	4				
132	<b>3981535</b>	Switch	1				
133	<b>3927700</b>	Compensator Reservoir	1				
137	<b>8007110</b>	Cabin Filter	2				
138	<b>8007495</b>	Cone Head	2				
140	<b>8021269</b>	Plate	1				
141	<b>0933860</b>	Edge Protection 220 MM	1				
142	<b>0933860</b>	Edge Protection 190 MM	1				
150	<b>8006166</b>	Insulating Material	1				

TW80 Book No. 8020870 01.10 S/N E107240  
Cabin Door Left



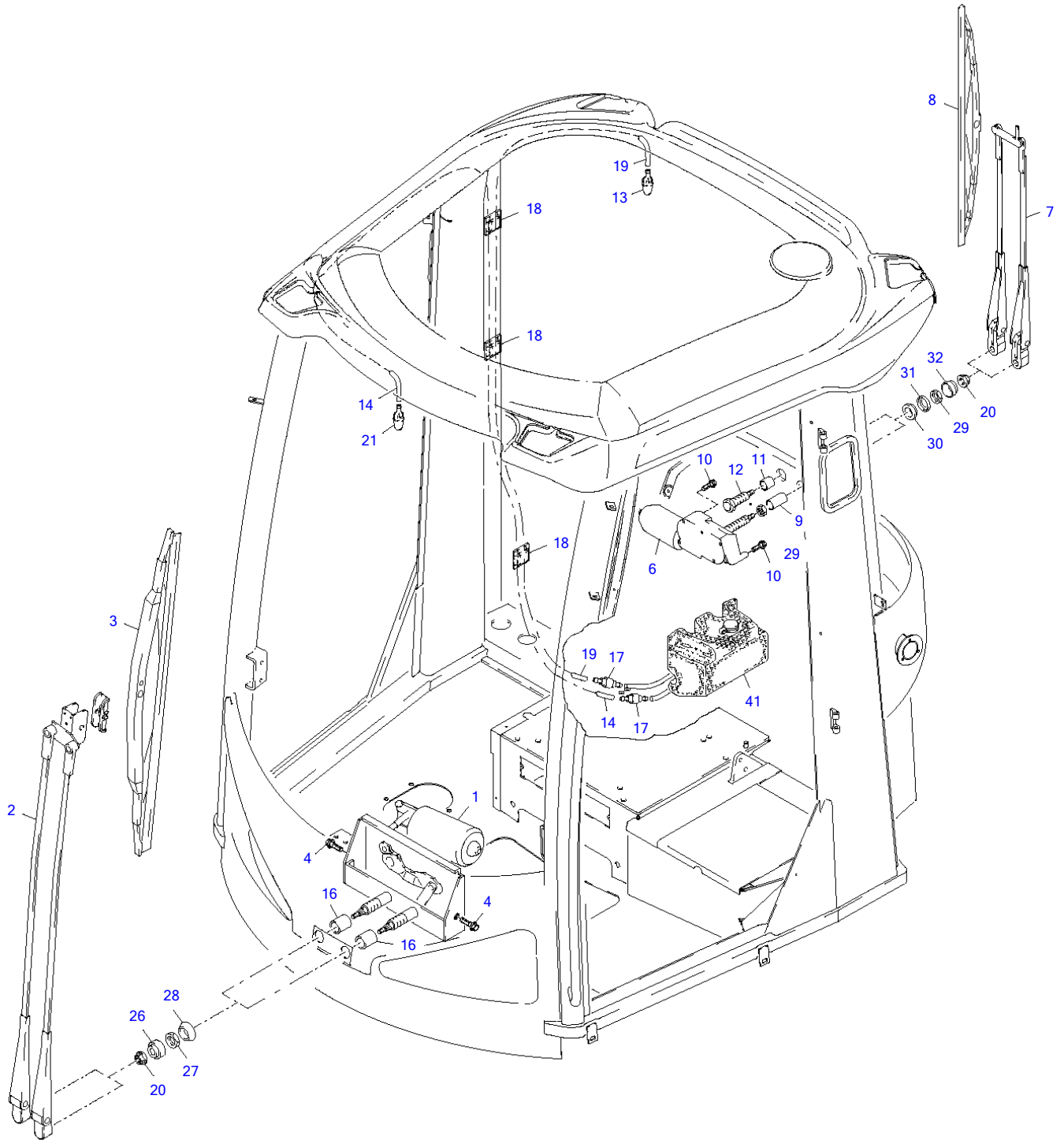
**Cabin Door Left**

Item	Part number	Description	Q'ty	Chan.	Serial No.	Serv.	Remarks
	<b>8003297</b>	Left Cabin Door	1				
	<b>8004376</b>	Left Cabin Door Sliding Window	1				
	<b>8003298</b>	Right Cabin Door	1				
	<b>8004377</b>	Right Cabin Door Sliding Window	1				
1	<b>8001984</b>	Left Cabin Door Frame	1				
2	<b>8002680</b>	Left Door Glass Pane	1				
3	<b>8012061</b>	Left Door Lock Compl	1				
	<b>3948943</b>	Left Door Lock	1				
	<b>3643912</b>	Ignition Key	1				
4	<b>8007057</b>	Pin	2				
6	<b>3975800</b>	Door Handle	2				
	<b>3643912</b>	Ignition Key	2				
7	<b>3975797</b>	Washer	2				
8	<b>3975786</b>	Washer	2				
9	<b>1749733</b>	Bush	8				
10	<b>1372589</b>	Countersunk Screw	4				
11	<b>3948954</b>	Left Cover	1				
12	<b>3929882</b>	Rubber Plate	2				
13	<b>3929826</b>	Plate	2				
14	<b>8009182</b>	Serrated Hex Head Screw	2				
15	<b>1631765</b>	Hex Head Cap Screw	2				
16	<b>3976925</b>	Glue	1				
18	<b>3942436</b>	Spacer	14				
19	<b>0487336</b>	Hex Nut A3C	4				
20	<b>1780969</b>	Oval Head Screw	4				
21	<b>3947511</b>	Left Button	1				
22	<b>3976754</b>	Profile Rubber 2 X 3820 MM	1				
23	<b>3935835</b>	Profile Rubber 2 X 60 MM	1				
24	<b>8007088</b>	Left Sliding Window	1				
	<b>8015770</b>	Locking Lever	1				
25	<b>8000610</b>	Left Bottom Door Glass Pane	1				
30	<b>8001985</b>	Right Cabin Door Frame	1				
31	<b>8002682</b>	Right Door Glass	1				
32	<b>8012062</b>	Right Door Lock Compl	1				
	<b>3948932</b>	Right Door Lock	1				
	<b>3643912</b>	Ignition Key	1				
33	<b>3948965</b>	Right Cover	1				
34	<b>3947522</b>	Right Button	1				
35	<b>8007089</b>	Right Sliding Window	1				
	<b>8015770</b>	Locking Lever	1				
36	<b>8001247</b>	Right Bottom Door Glass Pane	1				



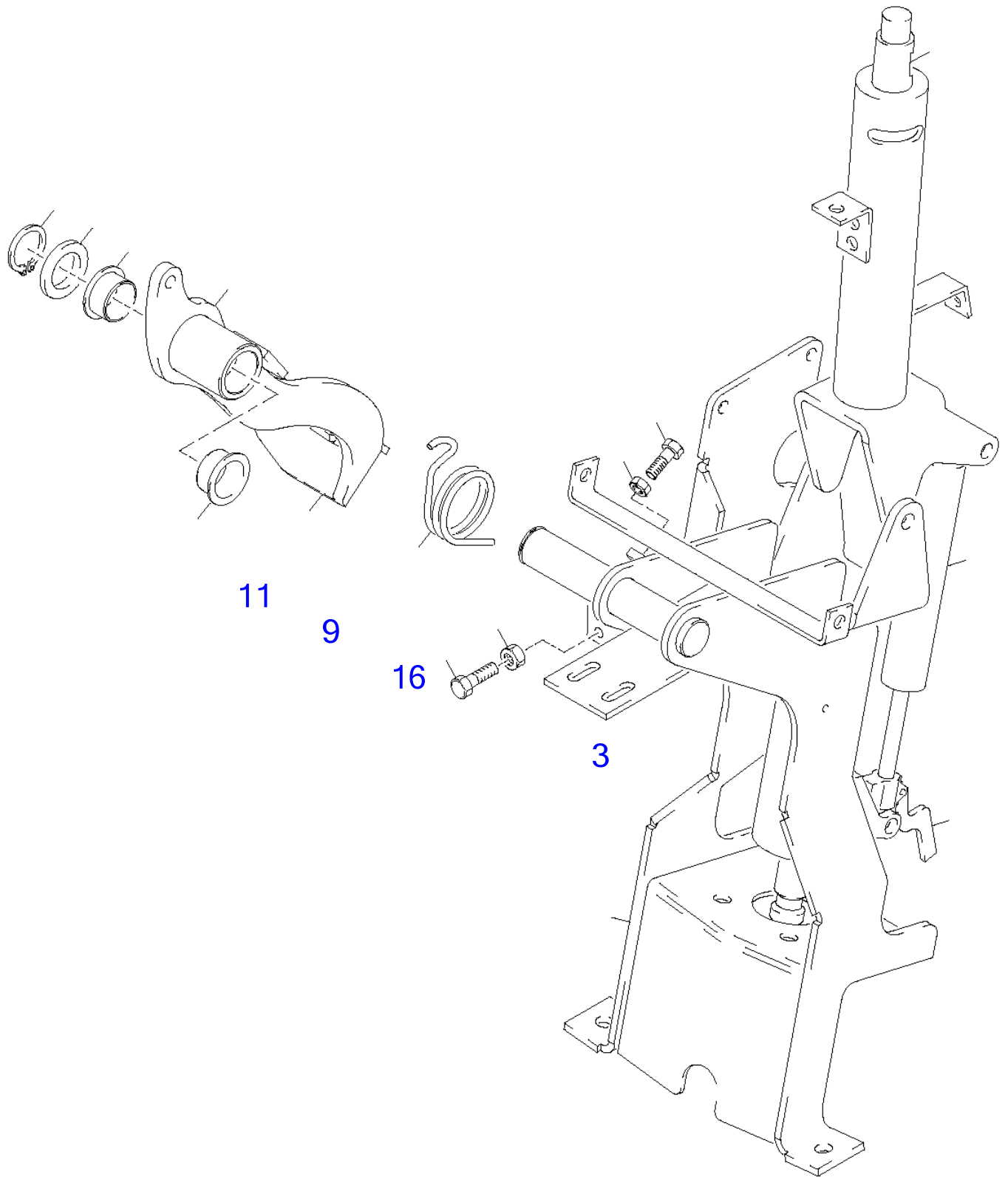
Item	Part number	Description	Lining Q'ty	Chan.	Serial No.	Serv.	Remarks
	<b>8003340</b>	Lining	1				
	<b>8006582</b>	Interior Lining	1				
1	<b>8002884</b>	Roof Lining	1				
4	<b>3949386</b>	Steering Column Covering	1				
5	<b>3949397</b>	Steering Column Covering	1				
6	<b>3949400</b>	Steering Column Covering	1				
8	<b>8004610</b>	Right Cover Top	1				
9	<b>3951971</b>	Left Air Diffuser	1				
10	<b>3951982</b>	Right Air Diffuser	1				
11	<b>8004427</b>	Bottom Left Air Duct	1				
12	<b>8004611</b>	Right Lid	1				
14	<b>8004612</b>	Bottom Right Cover	1				
16	<b>3949455</b>	Lid	1				
17	<b>3973784</b>	Mat	1				
18	<b>3753595</b>	Oval Head Screw A3R	12				
19	<b>0478675</b>	Nut Holder	4				
20	<b>8005554</b>	Blind Rivet	4				
21	<b>0893214</b>	Hex Head Screw A3C	4				
25	<b>2481254</b>	Serrated Washer A3C	4				
26	<b>0487336</b>	Hex Nut A3C	2				
28	<b>8003699</b>	Air Duct	1				
30	<b>0935113</b>	Profile Rubber 350 MM	1				
32	<b>3976583</b>	Washer	2				
33	<b>1356352</b>	Washer A3C	2				
34	<b>3938747</b>	Protecting Cap	2				
36	<b>3963340</b>	Oval Head Screw A3R	2				
37	<b>3949466</b>	Steering Column Covering	1				
40	<b>3933468</b>	Clip	2				
41	<b>3934378</b>	Oval Head Screw A3R	7				
44	<b>8011974</b>	Locking Bar Compl	1				
45	<b>8007356</b>	Profile Frame	1				
48	<b>8007431</b>	Profile Rubber 1360 MM	1				
61	<b>8011439</b>	Left Cover	1				
62	<b>8011440</b>	Right Cover	1				
63	<b>8010452</b>	Foam Overlay	1				
64	<b>0486039</b>	Clamp	1				
72	<b>0909304</b>	Profile Rubber 50 MM	1				

TW80 Book No. 8020870 01.10 S/N E107240  
Wiper System



**Wiper System**

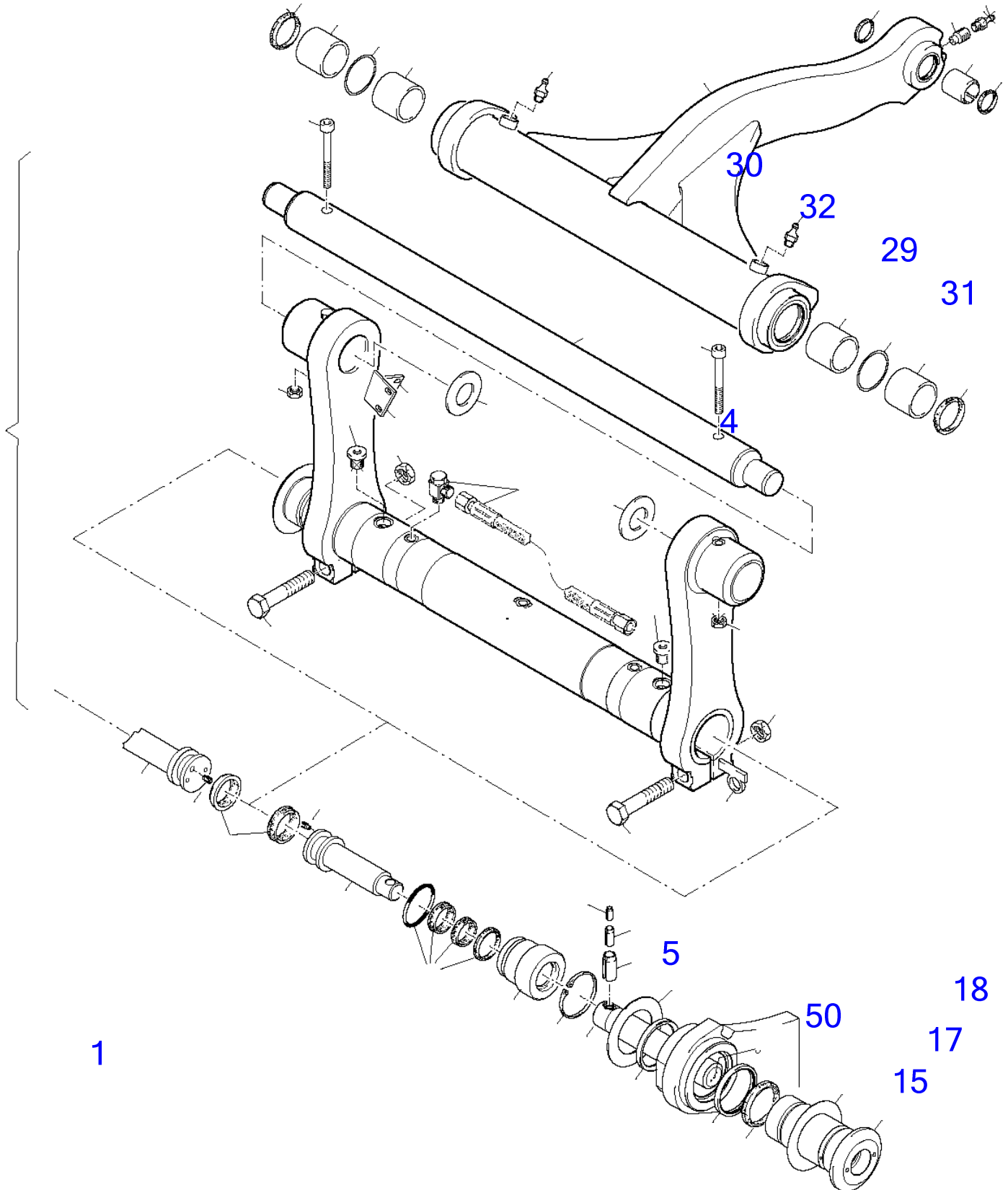
Item	Part number	Description	Q'ty	Chan.	Serial No.	Serv.	Remarks
	<b>8004889</b>	Wiper System	1				
1	<b>3942390</b>	Wiper Motor	1				
	<b>8005916</b>	Wiper Motor	1				
	<b>8005917</b>	Wiper Motor Rods	1				
2	<b>3925833</b>	Wiper Arm	1				
3	<b>3925844</b>	Wiper Blade	1				
4	<b>2449607</b>	Serrated Hex Head Screw	2				
6	<b>2986787</b>	Wiper Motor	1				
7	<b>2982921</b>	Wiper Arm	1				
8	<b>2982932</b>	Wiper Blade	1				
9	<b>3737664</b>	Pipe ZN	1				
10	<b>2440642</b>	Serrated Hex Head Screw	2				
11	<b>2965748</b>	Pipe ZN	1				
12	<b>2986425</b>	Bolt	1				
13	<b>3746392</b>	Double Nozzle	1				
14	<b>3746405</b>	Hose 3750 MM	1				
15	<b>3746405</b>	Hose 2750 MM	1				
16	<b>3932423</b>	Spacer Sleeve	2				
17	<b>1366865</b>	Check Valve	2				
18	<b>3977119</b>	Plate	3				
20	<b>1722787</b>	Serrated Nut	4				
21	<b>8006310</b>	Plain Nozzle	1				
26	<b>3979360</b>	Protecting Cap	2				
27	<b>3979359</b>	Hex Nut	2				
28	<b>3979348</b>	Spacer	2				
29	<b>1722787</b>	Serrated Nut	3				
30	<b>2986389</b>	Ring	2				
31	<b>2986390</b>	Ring	2				
32	<b>2986403</b>	Cover Cap	2				
41	<b>2995299</b>	Container with Pump	1				





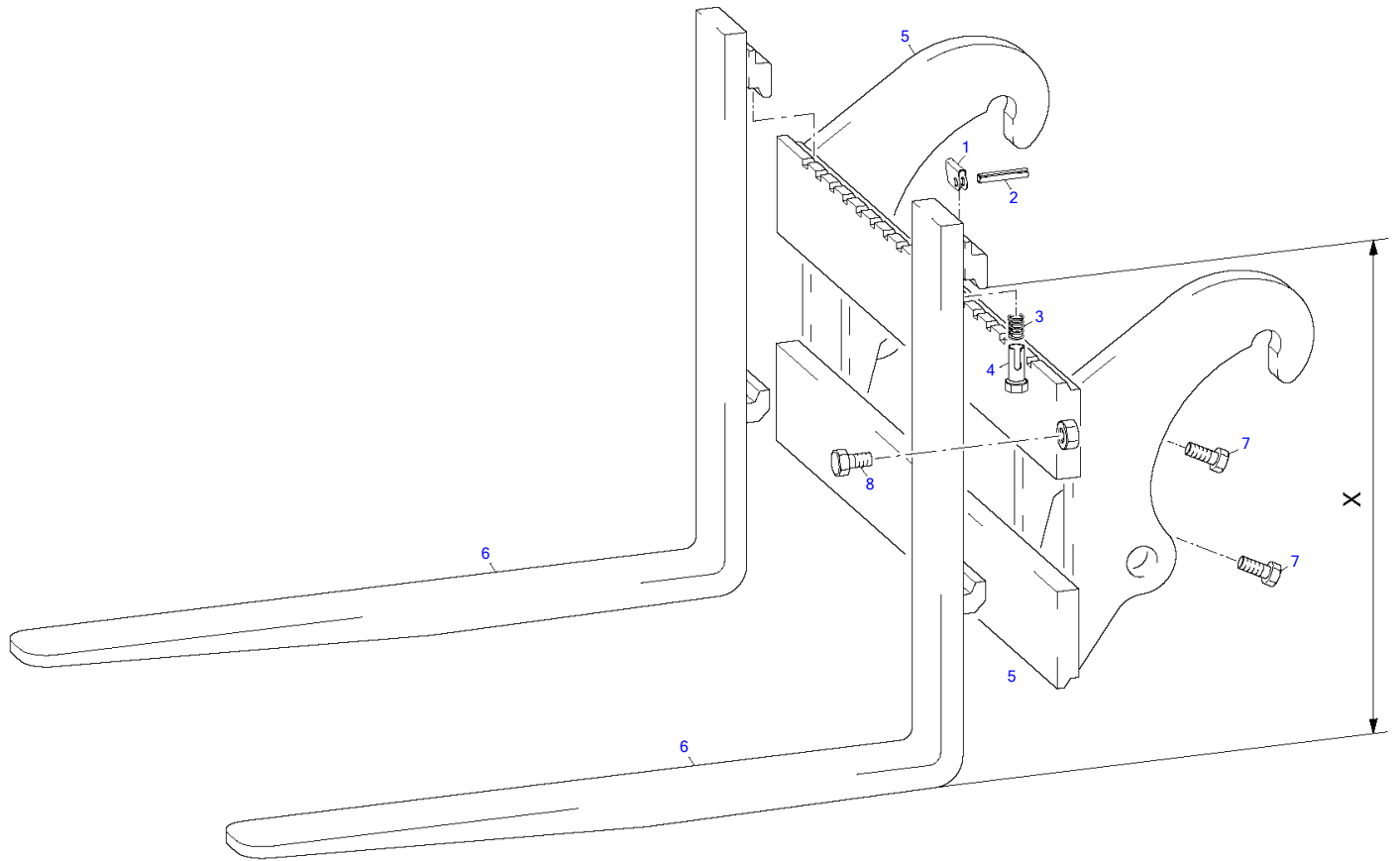
**Steering Column Compl**

Item	Part number	Description	Q'ty	Chan.	Serial No.	Serv.	Remarks
	<b>3930421</b>	Steering Column Compl	1				
1	<b>3928494</b>	Concole	1				
3	<b>3931637</b>	Brake Pedal Compl	1				
4	<b>0845841</b>	Retaining Spring	1				
7	<b>0893236</b>	Hex Head Screw A3C	2				
8	<b>0893167</b>	Hex Nut A3C	2				
9	<b>0899276</b>	Washer A3C	1				
11	<b>1398443</b>	Circlip Tone 400	1				
16	<b>3976436</b>	Bush	2				
20	<b>3937144</b>	Pneumatic Spring	1				
21	<b>3937155</b>	Release	1				
22	<b>0847172</b>	Woodruff Key	1				
23	<b>3976447</b>	Pedal Coating	1				



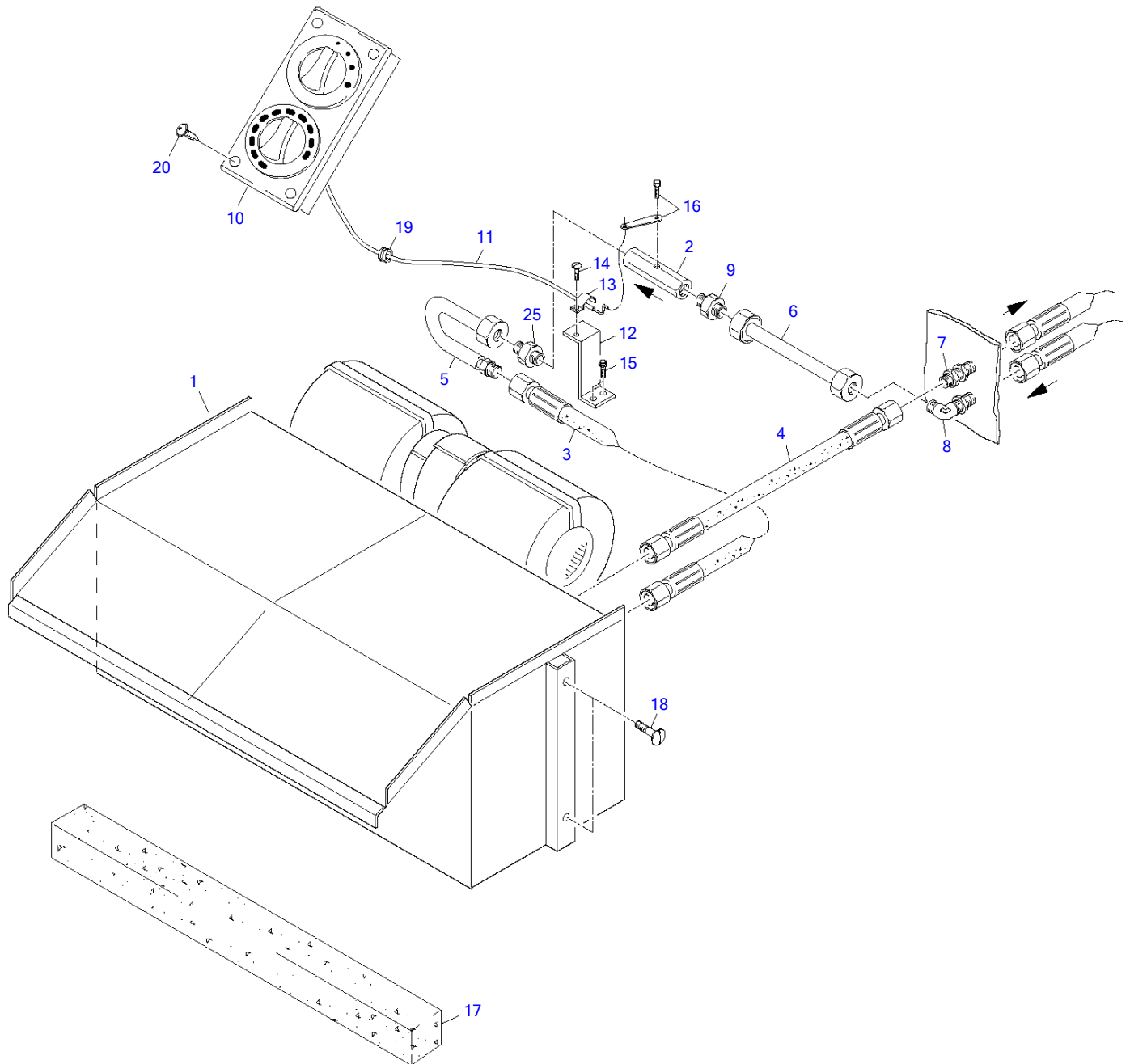
**Hydraulic Quick Release Eq**

Item	Part number	Description	Q'ty	Chan.	Serial No.	Serv.	Remarks
	<b>8007008</b>	Hydraulic Quick Release Compl	1				
1	<b>8006719</b>	Hydraulic Quick Release	1				
	<b>8004487</b>	Locking Cylinder	1				
2	<b>8006885</b>	Lever Compl	1				
3	<b>3746847</b>	Bolt	1				
4	<b>3981751</b>	Hex Head Cap Screw	2				
5	<b>0327297</b>	Hex Nut A3C	2				
10	<b>2909079</b>	Washer 1.0 MM	1				
	<b>2909091</b>	Washer 1.2 MM	1				
	<b>2909104</b>	Washer 1.5 MM	1				
	<b>2909080</b>	Washer 2.0 MM	1				
12	<b>8006971</b>	Locking Pin	2				
13	<b>8003068</b>	Bush	2				
14	<b>0871014</b>	Hex Head Screw	2				
15	<b>1007349</b>	Hex Nut A3C	2				
17	<b>8006970</b>	Plate	1				
18	<b>8002885</b>	Plate	1				
19	<b>8003224</b>	Gasket	2				
20	<b>2909137</b>	Washer	2				
21	<b>8002033</b>	Ring	4				
22	<b>2909137</b>	Washer 1.0 MM	1				
	<b>2909126</b>	Washer 1.2 MM	1				
	<b>2909115</b>	Washer 1.5 MM	1				
	<b>2900434</b>	Washer 2.0 MM	1				
26	<b>0324590</b>	Grease Nipple	3				
27	<b>8006774</b>	Split Bush	1				
28	<b>1673458</b>	Ring	2				
29	<b>2985537</b>	Threaded Pin	1				
30	<b>0809472</b>	Ring	2				
31	<b>0306689</b>	Split Bush	2				
32	<b>8003050</b>	Bush	2				
33	<b>2961437</b>	Circlip	2				
34	<b>8016623</b>	Hydraulic System	1				
40	<b>8007233</b>	Lip Seal	2				
41	<b>1666675</b>	Screw Plug A3C	2				
42	<b>8008026</b>	Dowel Pin	2				
43	<b>8008021</b>	Dowel Pin	2				
44	<b>3976674</b>	Circlip Tone 400	2				
45	<b>8007197</b>	Guide Ring	2				
46	<b>8006428</b>	Seal Kit	1				
48	<b>8007195</b>	Piston Rod Compl	2				
49	<b>8007209</b>	Nozzle	2				
50	<b>1629965</b>	Screw Plug A3C	2				
51	<b>8008020</b>	Dowel Pin	2				



**Pallet Forks Compl**

Item	Part number	Description	Q'ty	Chan.	Serial No.	Serv.	Remarks
	<b>3705791</b>	Pallet Forks Compl	1				
	<b>3705791</b>	Pallet Forks 1000LG 470 MM	1				
	<b>3705804</b>	Pallet Forks 1250LG 470 MM	1				
	<b>3705815</b>	Pallet Forks 1500LG 470 MM	1				
	<b>8000986</b>	Pallet Forks 1000LG 650 MM	1				
	<b>8000987</b>	Pallet Forks 1250LG 650 MM	1				
	<b>8000988</b>	Pallet Forks 1500LG 650 MM	1				
1	<b>1008737</b>	Lock	2				
2	<b>0324056</b>	Adaptor Sleeve	2				
3	<b>0844237</b>	Pressure Spring	2				
4	<b>0844226</b>	Pin	2				
5	<b>8003265</b>	Fork Carrier Compl	1				
6	<b>3738438</b>	Forktime 1000LG 470 MM	2				
	<b>3738518</b>	Forktime 1250LG 470 MM	2				
	<b>3738541</b>	Forktime 1500LG 470 MM	2				
	<b>1002399</b>	Forktime 1000LG 650 MM	2				
	<b>1718009</b>	Forktime 1250LG 650 MM	2				
	<b>1718010</b>	Forktime 1500LG 650 MM	2				
7	<b>2986765</b>	V-Plus Bolt	2				
8	<b>0398918</b>	Hex Head Screw A3C	2				



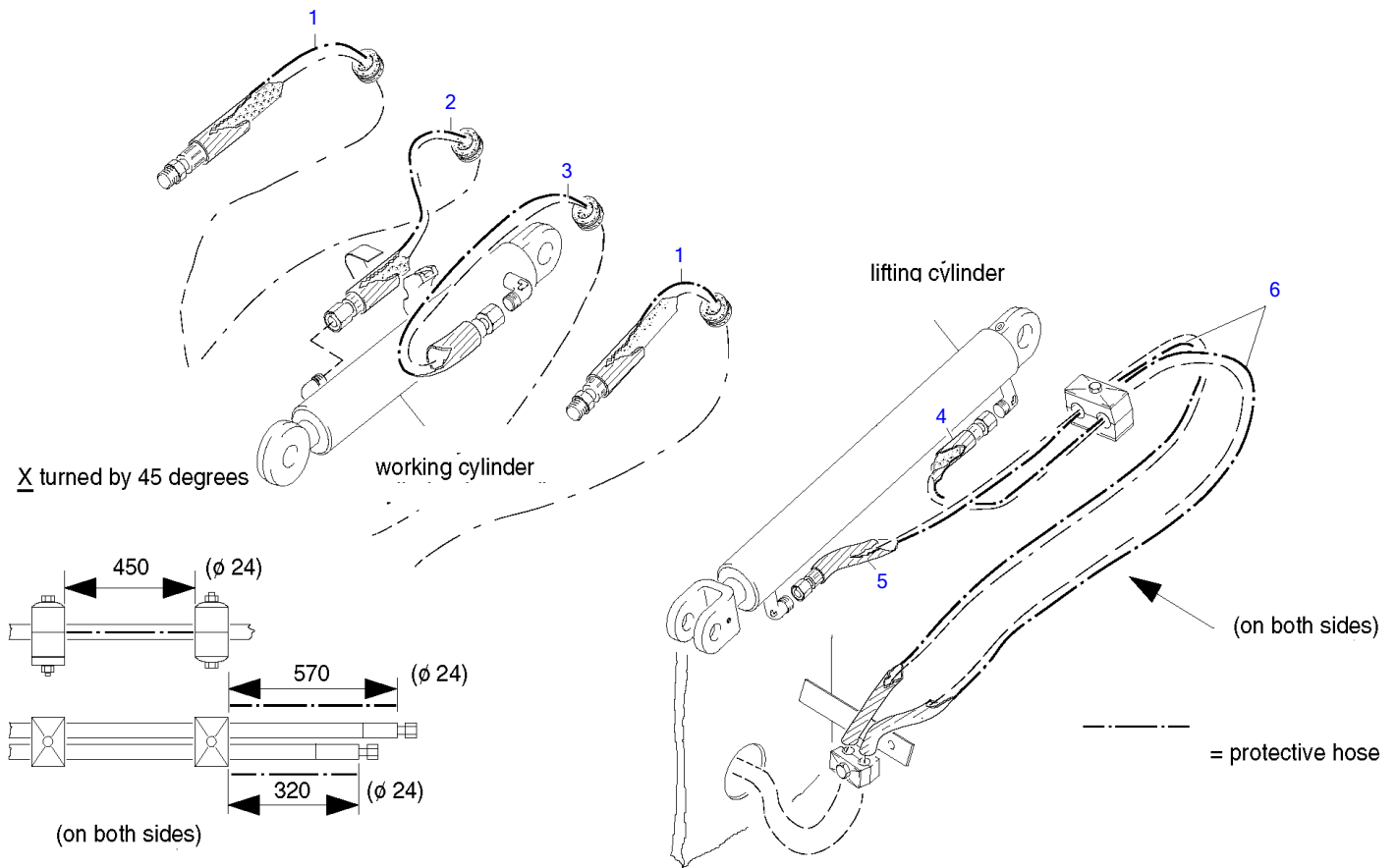
Heating Circuit						
Item	Part number	Description	Q'ty	Chan.	Serial No.	Serv. Remarks
	<b>8003053</b>	Heating Circuit	1			
1	<b>8004438</b>	Heating Unit	1			
	<b>8005815</b>	Heat Exchanger	1			
	<b>8000484</b>	Fan	1			
	<b>8005994</b>	Resistance	1			
2	<b>8004625</b>	Ball Valve	1			
3	<b>3932036</b>	LP Hose 13 X 425	1			
4	<b>8006257</b>	LP Hose 13 X 235	1			
5	<b>8004623</b>	Conduit	1			
6	<b>8004624</b>	Conduit	1			
7	<b>1355986</b>	Screw Connection A3C	1			
8	<b>0386210</b>	Screw Connection A3C	1			
9	<b>2980576</b>	Screw Connection A3C	1			
10	<b>8003163</b>	Heating Control	1			
11	<b>8004866</b>	Wire Puller	1			
12	<b>8004805</b>	Angle	1			
13	<b>0454600</b>	Clamp	1			
14	<b>1039369</b>	Oval Head Screw	1			
15	<b>3761119</b>	Serrated Hex Head Screw	2			
16	<b>8004846</b>	Lever	1			
17	<b>0909291</b>	Profile Rubber 445 MM	1			
18	<b>3934378</b>	Oval Head Screw A3R	4			
19	<b>0448760</b>	Grommet	1			
20	<b>2686762</b>	Oval Head Screw	4			
21	<b>1385062</b>	Washer A3C	1			
25	<b>8006398</b>	Special Coupling	1			





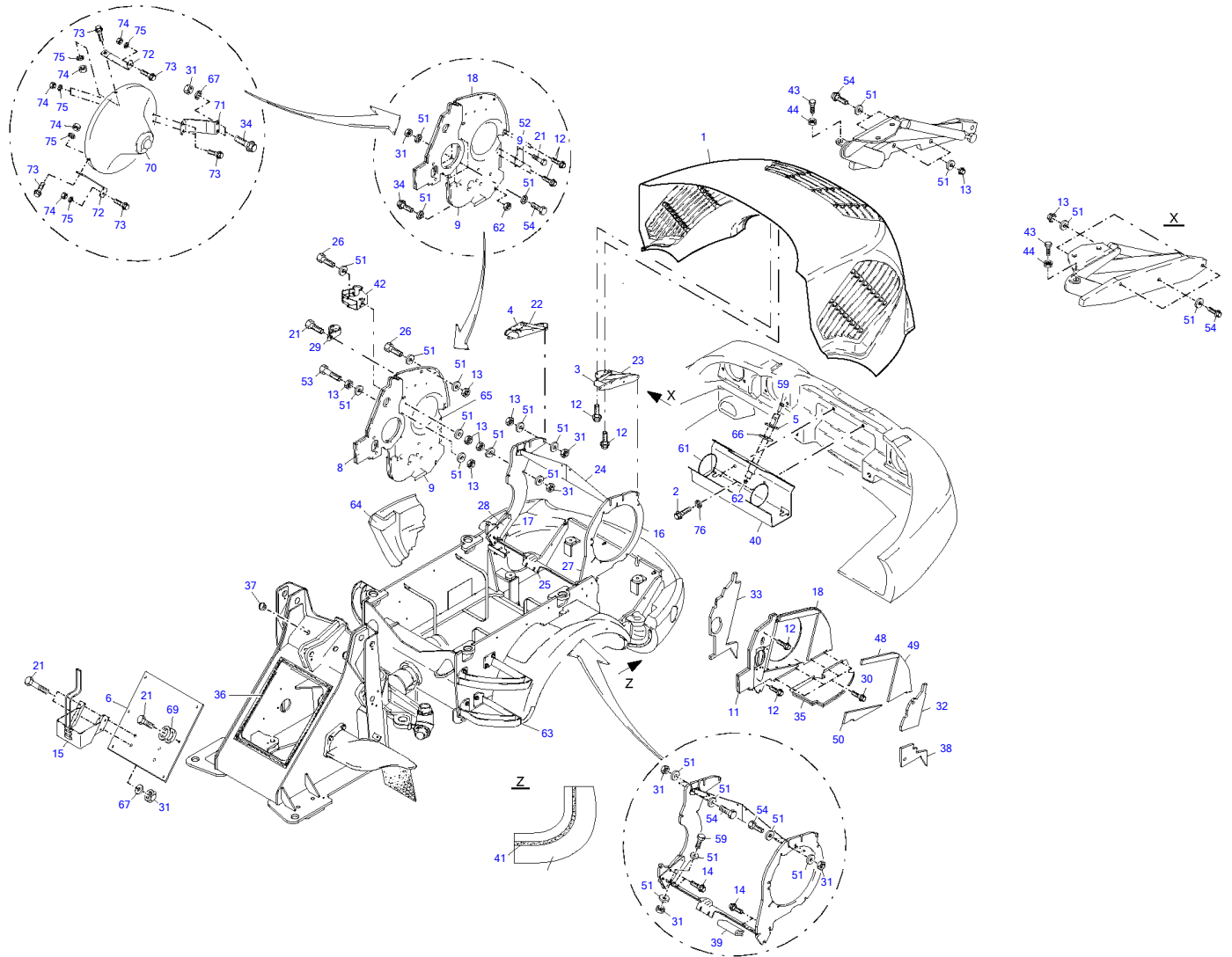
**Decals and Accessories**

Item	Part number	Description	Q'ty	Chan.	Serial No.	Serv.	Remarks
	<b>8016611</b>	Decals and Accessories	1				
1	<b>8006865</b>	Decal	2				
2	<b>8004895</b>	Decal	2				
3	<b>8006864</b>	Decal	1				
5	<b>8005341</b>	Decal	1				
7	<b>8005466</b>	Decal	1				
9	<b>8004896</b>	Decal	1				
10	<b>2983808</b>	Maintenance Air Filter	1				
11	<b>8004221</b>	Maintenance Engine	1				
12	<b>8004894</b>	Decal	1				
13	<b>2447967</b>	Decal	1				
14	<b>8005340</b>	Decal	1				
18	<b>2995200</b>	Decal	1				
19	<b>1746661</b>	Decal	1				
20	<b>8016844</b>	Decal	1				
	<b>8016845</b>	Decal	1				
21	<b>8007503</b>	Decal Acoustic Power	1				
	<b>8007505</b>	Decal Acoustic Power	1				
31	<b>8022030</b>	Decal	2				
32	<b>8022031</b>	Decal	1				
33	<b>8016484</b>	Decal	2				
34	<b>8016486</b>	Decal	1				
35	<b>8016487</b>	Decal	1				
36	<b>8016488</b>	Decal	1				
37	<b>8016489</b>	Decal	1				
38	<b>8016547</b>	Decal	1				
39	<b>8016548</b>	Decal	1				
40	<b>8016549</b>	Decal	1				
41	<b>8019506</b>	Decal	4				
42	<b>8019507</b>	Decal	4				
43	<b>8016552</b>	Decal	1				
45	<b>8016554</b>	Decal	2				
50	<b>8016490</b>	Decal	1				
51	<b>8016491</b>	Decal	1				
52	<b>8016493</b>	Decal	1				
53	<b>8016494</b>	Decal	4				
54	<b>8016505</b>	Decal	1				
	<b>8016506</b>	Decal	1				
55	<b>8016511</b>	Decal	1				
56	<b>8016512</b>	Decal	1				
57	<b>8016534</b>	Decal	1				
58	<b>8016537</b>	Decal	1				
59	<b>8016539</b>	Decal	1				
60	<b>8016541</b>	Decal	1				
61	<b>8016558</b>	Decal	1				
62	<b>8016559</b>	Decal	1				
63	<b>8016565</b>	Decal	1				
64	<b>8016566</b>	Decal	1				
65	<b>8016616</b>	Decal	1				
66	<b>8016617</b>	Decal	1				
70	<b>8016568</b>	Decal	1				
71	<b>8016570</b>	Decal	1				
80	<b>2983591</b>	Handle	1				
81	<b>0806253</b>	Wheel Chock	1				
82	<b>8005871</b>	Tool Box Compl	1				
83	<b>3766056</b>	Support Lifting Cylinder	1				
84	<b>8010770</b>	Wheel 405/70	4				
	<b>8010769</b>	Tire 405/70	4				
	<b>3933537</b>	Rim	4				
	<b>0874324</b>	Valve	4				



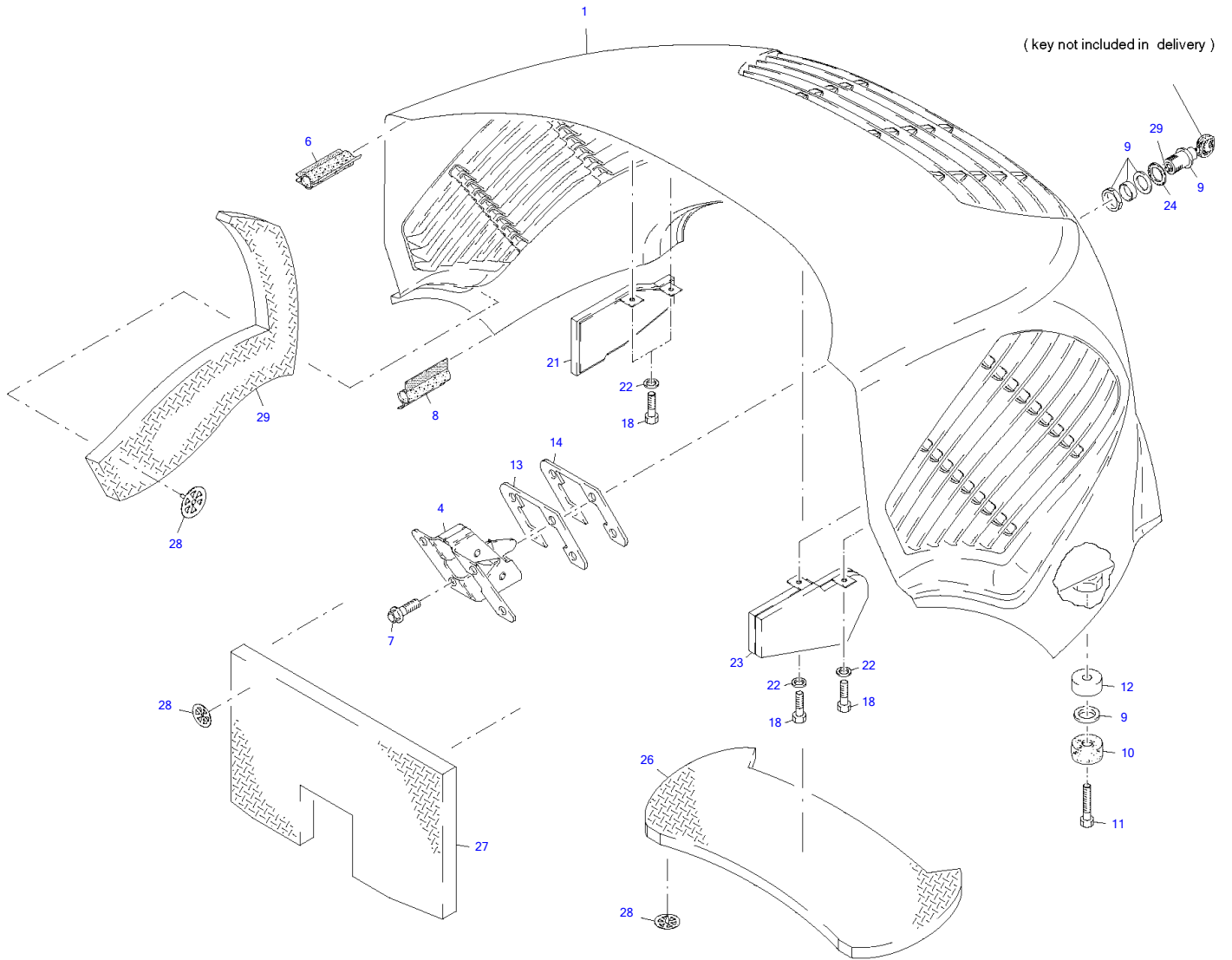
**Protective Hoses**

Item	Part number	Description	Q'ty	Chan.	Serial No.	Serv.	Remarks
	<b>8016645</b>	Protective Hoses	1				
1	<b>0931459</b>	Flex Insulation Tube 1000 MM	2				
2	<b>0931459</b>	Flex Insulation Tube 1050 MM	1				
3	<b>0931459</b>	Flex Insulation Tube 1100 MM	1				
4	<b>2065716</b>	Flex Insulation Tube 320 MM	2				
5	<b>2065716</b>	Flex Insulation Tube 570 MM	2				
6	<b>2065716</b>	Flex Insulation Tube 450 MM	4				



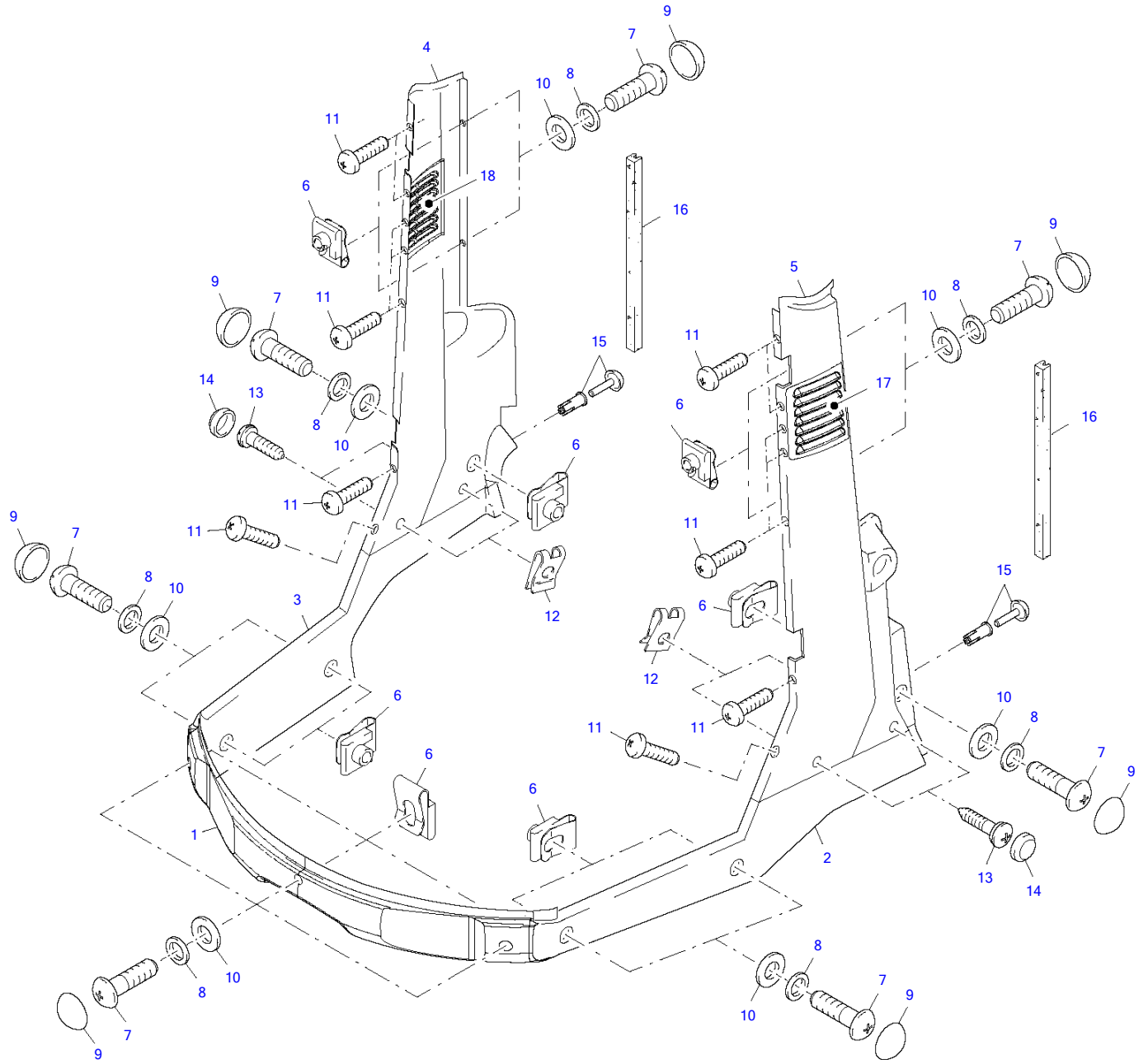
Item	Part number	Description	Covering Q'ty	Chan.	Serial No.	Serv.	Remarks
	<b>8006828</b>	Covering	1				
1	<b>8016810</b>	Engine Hood	1				
2	<b>1307104</b>	Hex Head Screw A3C	2				
3	<b>3930169</b>	Left Hinge	1				
4	<b>3930170</b>	Right Hinge	1				
5	<b>3975811</b>	Clamping Yoke	1				
6	<b>3940569</b>	Cover Front	1				
8	<b>8008866</b>	Plate Compl	1				
9	<b>8018605</b>	Seperating Plate	1				
11	<b>8008869</b>	Plate Compl	1				
12	<b>2449607</b>	Serrated Hex Head Screw	7				
13	<b>0893167</b>	Hex Nut A3C	9				
14	<b>0336185</b>	Self-Locking Screw	4				
15	<b>0806264</b>	Front Wheel Chock Holder	1				
16	<b>8008066</b>	Left Side Plate	1				
17	<b>8008096</b>	Right Side Plate	1				
18	<b>8015245</b>	Profile Rubber 890 MM	1				
	<b>8015245</b>	Profile Rubber 940 MM	1				
21	<b>0893236</b>	Hex Head Screw A3C	12				
22	<b>3946167</b>	Pneumatic Spring	1				
23	<b>3946112</b>	Pneumatic Spring	1				
24	<b>8008377</b>	Holder Compl	1				
25	<b>8008378</b>	Angle	1				
26	<b>0410073</b>	Hex Head Screw A3C	2				
27	<b>8008384</b>	Left Holding Plate	1				
28	<b>8008385</b>	Right Holding Plate	1				
29	<b>2443576</b>	Clip Norma	1				
30	<b>2440642</b>	Serrated Hex Head Screw	4				
31	<b>0399760</b>	Hex Nut A3C	17				
32	<b>8011577</b>	Insulating Board	1				
33	<b>8008774</b>	Insulating Board	1				
34	<b>8009775</b>	Serrated Hex Head Screw	4				
35	<b>8011459</b>	Plate Compl 300 MM	1				
	<b>8011444</b>	Insulating Board 300 MM	1				
	<b>8011445</b>	Insulating Board	1				
36	<b>1898686</b>	Sealing Strip 1900 MM	1				
37	<b>3935302</b>	Protecting Cap	2				
38	<b>8011576</b>	Insulating Board	1				
39	<b>0935113</b>	Profile Rubber 150 MM	1				
40	<b>3941173</b>	Plate ZN	1				
41	<b>0909291</b>	Profile Rubber 1000 MM	1				
42	<b>3955919</b>	Holder	1				
43	<b>1309399</b>	Hex Head Screw A3C	2				
44	<b>0893178</b>	Hex Nut A3C	2				
48	<b>8011447</b>	Insulating Board	1				
49	<b>8011448</b>	Insulating Board	1				
50	<b>8011446</b>	Insulating Board	1				
51	<b>2481254</b>	Serrated Washer A3C	35				
52	<b>8018659</b>	Plate	1				
53	<b>1645705</b>	Hex Head Screw A3C	1				
54	<b>1615232</b>	Hex Head Screw A3C	12				
59	<b>8009775</b>	Serrated Hex Head Screw	2				
61	<b>1784861</b>	Gasket	2				
62	<b>1722787</b>	Serrrated Nut	3				
63	<b>0909304</b>	Profile Rubber 2000 MM	1				
64	<b>0909291</b>	Profile Rubber 250 MM	1				
65	<b>0909291</b>	Profile Rubber 550 MM	1				
66	<b>3948885</b>	Plate	1				
67	<b>0863138</b>	Washer A3C	6				
69	<b>8016479</b>	Locking Washer	6				
70	<b>8019845</b>	Suction Hood	1				
71	<b>8019844</b>	Plate	1				
72	<b>8019843</b>	Plate	2				
73	<b>2982534</b>	Serrated Hex Head Screw	6				
74	<b>0487336</b>	Hex Nut A3C	6				
75	<b>0893043</b>	Washer A3C	6				
76	<b>2481243</b>	Serrated Washer A3C	2				

TW80 Book No. 8020870 01.10 S/N E107240  
Engine Hood Compl



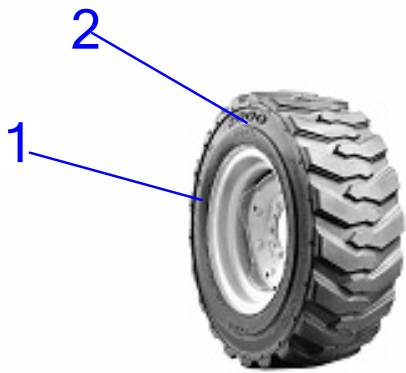
**Engine Hood Compl**

Item	Part number	Description	Q'ty	Chan.	Serial No.	Serv.	Remarks
	<b>8016810</b>	Engine Hood Compl	1				
1	<b>8016800</b>	Engine Hood	1				
4	<b>3975822</b>	Hood Lock	1				
5	<b>3975877</b>	Lock	1				
	<b>3643912</b>	Ignition Key	1				
6	<b>3930614</b>	Profile Rubber 1190 MM	1				
7	<b>8009775</b>	Serrated Hex Head Screw	4				
8	<b>8015919</b>	Profile Rubber 2375 MM	1				
9	<b>1629567</b>	Washer A3C	2				
10	<b>0466364</b>	Round Buffer	2				
11	<b>3934390</b>	Hex Head Screw	2				
12	<b>3946123</b>	Spacer Sleeve	2				
13	<b>3936405</b>	Plate	1				
14	<b>8011935</b>	Plate Compl	4				
18	<b>3926550</b>	Hex Head Screw	4				
21	<b>8009223</b>	Right Sheet Compl	1				
	<b>8008931</b>	Right Insulating Board	1				
22	<b>2992014</b>	Serrated Washer A3C	4				
23	<b>8009222</b>	Left Sheet Compl	1				
	<b>8008924</b>	Right Insulating Board	1				
	<b>8008925</b>	Left Insulating Board	1				
24	<b>3945757</b>	Washer	1				
25	<b>2997224</b>	Serrated Hex Head Screw	1				
26	<b>8015258</b>	Insulating Board	1				
27	<b>8015259</b>	Insulating Board	1				
28	<b>1786874</b>	Clip	23				





Item	Part number	Description	Exterior Covering				Remarks
			Q'ty	Chan.	Serial No.	Serv.	
	<b>8008759</b>	Lining	1				
1	<b>8005156</b>	Front Covering	1				
2	<b>3949648</b>	Left Covering	1				
3	<b>3949659</b>	Right Covering	1				
4	<b>8008756</b>	Right Cover	1				
5	<b>8008757</b>	Left Cover	1				
6	<b>3976618</b>	Holder Nut	13				
7	<b>0493447</b>	Oval Head Screw	13				
8	<b>3976583</b>	Washer	13				
9	<b>3976594</b>	Protecting Cap	13				
10	<b>3937224</b>	Washer	13				
11	<b>3934378</b>	Oval Head Screw A3R	14				
12	<b>3937382</b>	Speed Nut	6				
13	<b>3937360</b>	Screw	6				
14	<b>3937371</b>	Protecting Cap	6				
15	<b>2919742</b>	Blind Rivet	2				
16	<b>3976754</b>	Profile Rubber 600 MM	2				
17	<b>8008266</b>	Left Lid	1				
18	<b>8008267</b>	Right Lid	1				



TW WHEELHDFL  
TW 6580 TIREHD

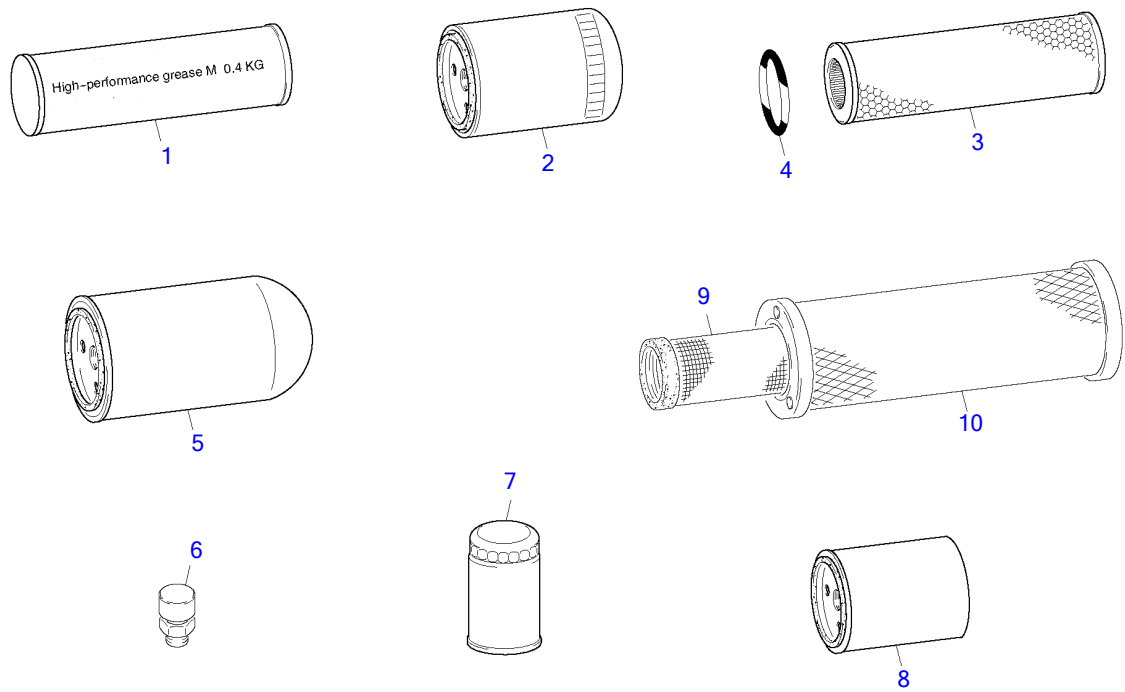
Set of 4 assy



TW 6580 WHEELFLOAT  
TW 6580 TIREFLOAT

Set of 4 assy

		<b>Wheels and Tires</b>						
Item	Part number	Description	Q'ty	Chan.	Serial No.	Serv.	Remarks	
1	<b>TWWHEELHDFL</b>	WHEEL 19.5X12.25 FOR TW50-60 FLOAT AND TW65-80 HD						
2	<b>TW6580TIREHD</b>	TIRE 15X19.5-12 HD CONSTRUCTION TYPE FOR TW65-80						
3	<b>TW6580WHEELFLOAT</b>	WHEEL 20X14 FULL WELD FOR FLOATATION TIRE TW65-80						
4	<b>TW6580TIREFLOAT</b>	TIRE 400/70X20 FLOATATION TYPE FOR TW65-80						
5	<b>BTW65TIREF</b>	Floatation Tire Assy TW65 / TW80 (4xTire Assy)						
6	<b>BTW65TIREHD</b>	Heavy Duty Construction Tire Assy TW65 / TW80(4xTire Asy)						



**Maintenance Filter Kits**

Item	Part number	Description	Q'ty	Chan.	Serial No.	Serv.	Remarks
	<b>8018988</b>	50 HOUR FILTER KIT TW80	1				
1	<b>0346905</b>	* GREASE CARTRIDGE	5				
2	<b>3960201</b>	* OIL FILTER	1				
3	<b>8012138</b>	* RETURN FILTER	1				
4	<b>2918263</b>	* O-RING	1				
5	<b>8018979</b>	* OIL PRESSURE PUMP FILTER	2				
6	<b>3929440</b>	* BREATHER CAP	1				
7	<b>3968889</b>	* AIR VENT	3				
8	<b>2610831</b>	* FUEL FILTER	1				
	<b>80189991</b>	500 HOUR FILTER KIT TW80	1				
1	<b>0346905</b>	* GREASE CARTRIDGE	5				
2	<b>3960201</b>	* OIL FILTER	1				
3	<b>8012138</b>	* RETURN FILTER	1				
4	<b>2918263</b>	* O-RING	1				
5	<b>8018979</b>	* OIL PRESSURE PUMP FILTER	1				
6	<b>3929440</b>	* BREATHER CAP	1				
7	<b>3968889</b>	* AIR VENT	3				
8	<b>2610831</b>	* FUEL FILTER	1				
9	<b>2981113</b>	* OUTER AIR FILTER	1				
10	<b>2981124</b>	* INNER AIR FILTER	1				
	<b>TW8029A</b>						