

HP81485U
404C-22

HP81485U
2006/09/12

The information given within this parts book was correct at the time of printing and is subject to change without notice. Always refer to your local Perkins outlet for the latest information. Only fully trained personnel should carry out servicing of engines. Before working on any engine always refer to the correct user service and maintenance manual.

Always refer to your local Perkins outlet before purchasing any parts

Subject to any existing rights of third parties, the information given in this document is the property of Perkins Engines Limited and should not be copied, in whole or part, without the prior written consent of the Company.

Contents

- | | | |
|----|-----------------------------|---------|
| 1. | Introduction | Pg. 4 |
| 2. | How To Use Your Parts Book | Pg. 4 |
| 3. | Engine Breakdown | Pg. 5 |
| 4. | Symbol Descriptions | Pg. 9 |
| 5. | Parts Lists & Illustrations | Pg. 11 |
| 6. | Parts Index | Pg. 124 |

Introduction

The build list of your engine, found on the front page of this parts book, provides a unique reference to the components fitted to your engine; therefore this parts book is only applicable to this particular engine

Always quote your build list and engine serial number when contacting your Perkins outlet.

How to use your Parts Book

This parts book has been designed to provide you with all the information you need to identify parts to service your engine. There are several features within the book to make it easy to find the parts you require.

Front Page

This lists your build list number and the date of publication of this book

Symbol Descriptions

Provides a quick reference guide to the symbols used within the book.

Engine Breakdown

Use this to identify all the major sections of your engine and the relevant pages within the book.

Parts Lists & Illustrations

This section shows each major section of your engine broken down into individual part numbers along with an associated illustration for identifying the parts you require.

The illustrations used in this parts book are representational only and should only be used for identification purposes.

For fitting instructions please refer to your engine Service Manual.

Parts Index

Using either the part number or description of the part you require this section will help you locate the page within the **Parts Lists & Illustrations** section where the part appears.

Section	Page
Long Engine ACEH0821	11
Cylinder Block A6AH	13
Crankshaft & Bearings A6AH	15
Connecting Rods A6AH	17
Pistons & Rings A6AH	19
Cylinder Head Assembly B6AH	21
Rocker Shaft Assembly B6AH	23
Timing Case C6AH	25
Timing Case C6AH	27
Timing Case C6AH	29
Stop Solenoid Control C6AH	31
Camshaft & Gears C6AH	33
Timing Case C6UH	35

Section	Page
Timing Case C6UH	37
Timing Case C6UH	39
Timing Case C6UH	41
Camshaft & Gears C6UH	43
Fuel Injection Pump D6AH	45
High Pressure Fuel Pipes D6AH	47
Atomisers D6AH	49
Fuel Injection Pump D6MH	51
High Pressure Fuel Pipes D6MH	53
Atomisers D6MH	55
Fuel Injection Pump D6QH	57
High Pressure Fuel Pipes D6QH	59
Atomisers D6QH	61

Engine Breakdown

Section	Page
Cold Start System E6AK	63
Fan Drive F4DK	65
Water Pump F6AH	67
Thermostat & Housing F6AH	69
Pulleys F8CH	71
Sump G6BH	73
Oil Filter G6BH	75
Oil Leak-Off Pipes G6BH	77
Rotor G6BH	79
Fuel Filter H6GK	81
Pipes H6GK	83
Lift Pump H7CK	85
Back End Group J6LK	87

Section	Page
Starter Group K6EK	89
Starter Group K6EK	91
Exhaust Manifold Group L6BK	93
Alternator N6GH	95
Engine Lifting O6AK	97
Auxiliary Drive P6AH	99
Instrumentation Q6AH	101
Instrumentation Q6QH	103
Cylinder Head Cover S6BH	105
Electrical Z3AH	107

Section	Page
Electrical Z3FH	109
Electrical Z5EK	111
Miscellaneous Z6AK	113
Miscellaneous Z6AK	115
Miscellaneous Z6CK	117
Miscellaneous Z6DK	119
Joints & Gaskets - Complete Service Kit SCKH0016	121
Joints & Gaskets - Complete Service Kit SCKH0017	123

Engine Breakdown

Symbols and Notes

Symbol	Description
	From Engine Number
	Upto Engine Number
	Repairs and Replaces
	See Appropriate Section - Reference Number
	Alternative
	Order
	Remanufactured Part
	New for Old Part
	Number of Teeth
	Thickness
	Bottom
	Top
	Left Hand
	Right Hand
	Reference for Detailed Breakdown
	Other Service Options Available
	Cylinder Number
	See History Section

ACEH0821

1

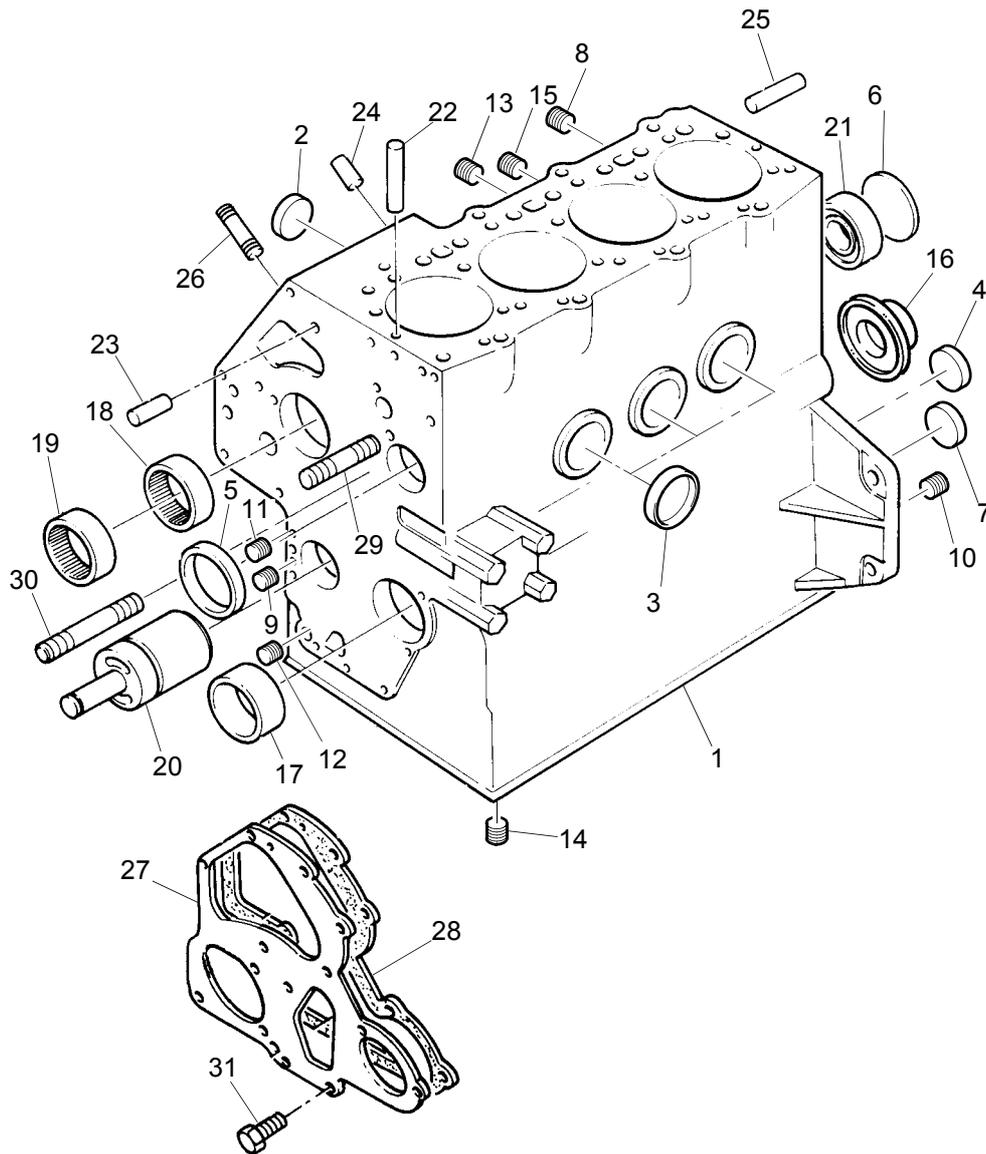
Long Engine
Moteur Long
Langer Motor
Motor Largo
Motore Completo

Long Engine	Plate A
	ACEH0821

Item	Part No.	References	Qty.	Description	Notes
1	HP30821U		1	LONG ENGINE - ASSEMBLY	(A)

Footnotes					
(A)	Order parts book HP30821UPB for details				

A6AH



A6AH

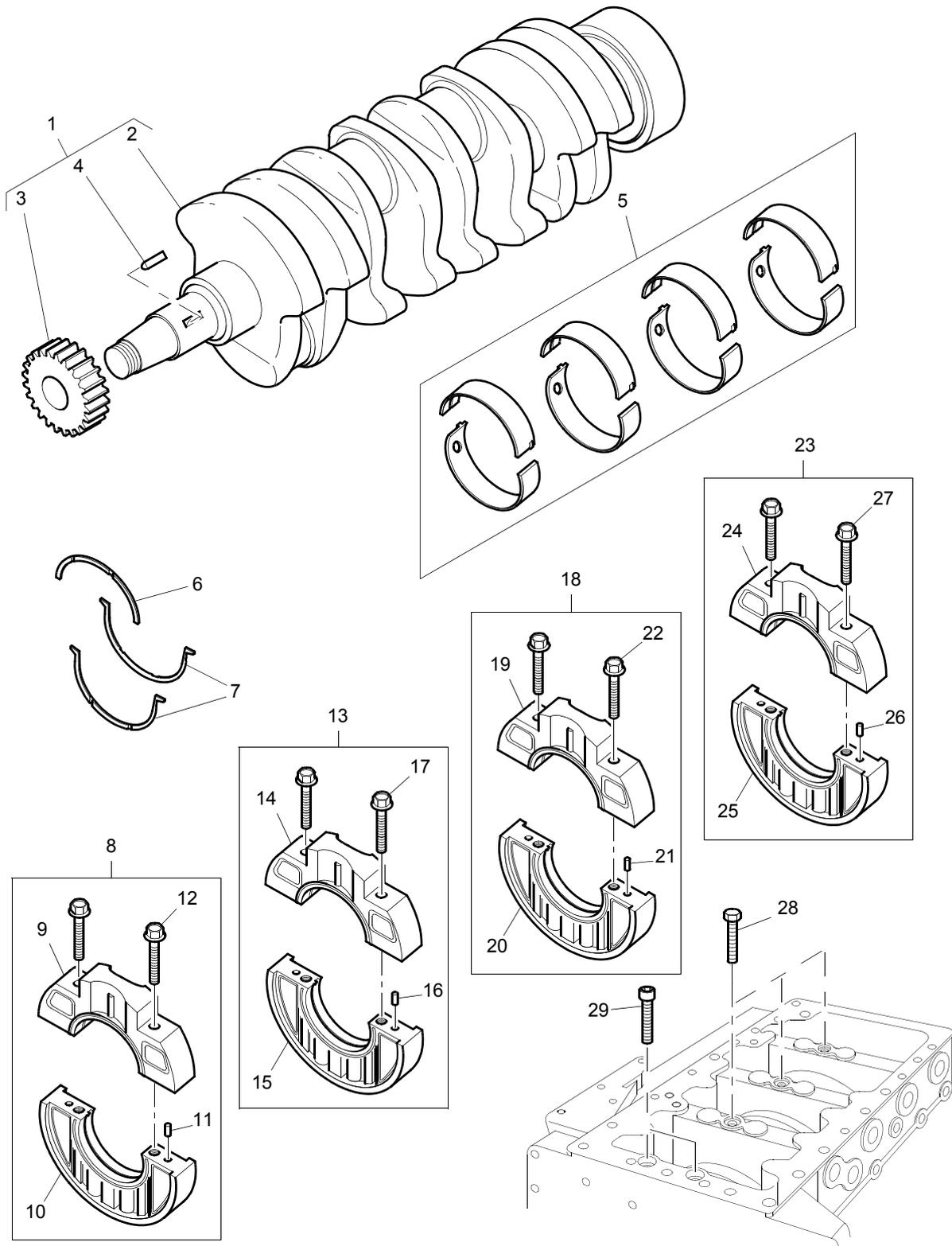
Item	Part No.	References	Qty.	Description	Notes
1	110103410	⇒ LONG ENGINE	1	BLOCK	
2	└064210025		2	PLUG	
3	└064210040		3	PLUG	
4	└064210040		1	PLUG	
5	└064210040		1	PLUG	
6	064100045		1	PLUG	
7	064400010		1	PLUG	
8	198466010		1	PLUG	
9	198466010		1	PLUG	
10	198466010		1	PLUG	
11	198466020		1	PLUG	
12	198466020		1	PLUG	
13	198466940		3	PLUG	
14	198466920		1	PLUG	
15	198466920		1	PLUG	
16	050209083		1	SEAL - REAR END OIL	
17	198517222	Ⓢ Ⓠ a.	1	BUSH	
18	042309017		1	NEEDLE BEARING	
19	042309018		1	NEEDLE BEARING	
20	165296132		1	SHAFT	
21	040106203		1	BALL BEARING	
22	030309005		2	PIN	
23	030500616		2	DOWEL	
24	030500612		2	DOWEL	
25	030501025		2	DOWEL	
26	010109441		3	STUD	
27	165166221		1	PLATE	
28	165996590		1	GASKET - TIMING CASE	
29	012110635		1	STUD	
30	012110660		1	STUD	
31	011310612		2	SCREW	
Service Options					
17	198517226	⅜ (-)0.25MM	1	BUSH	
17	198517229	⅜ (-)0.50MM	1	BUSH	

History

a.

17	198517550		1	BUSH	
----	-----------	--	---	------	--

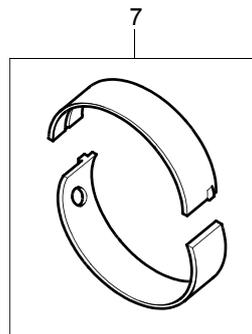
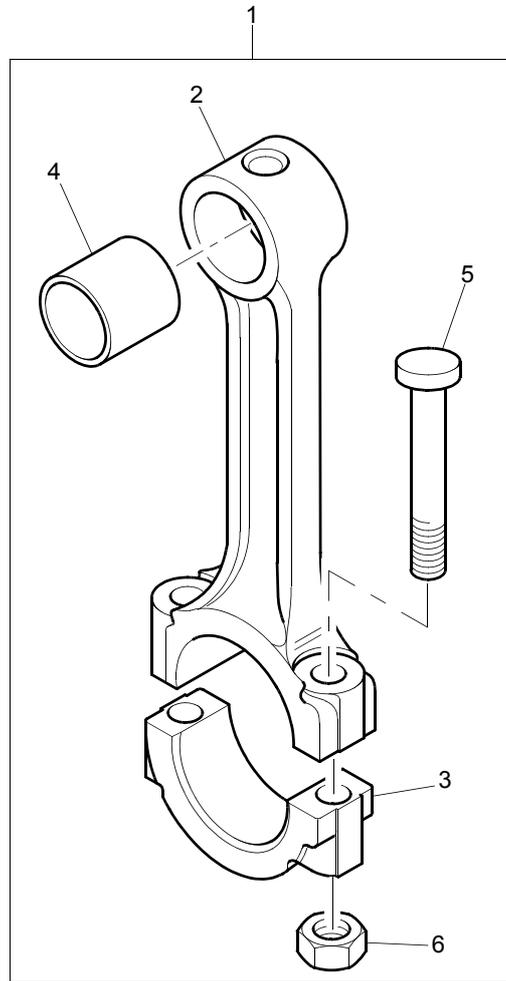
A6AH



A6AH

Item	Part No.	References	Qty.	Description	Notes
1	115256750		1	CRANKSHAFT KIT	
2		⇒ 115256750	1	CRANKSHAFT	
3	115276200		1	CRANKSHAFT GEAR	
4	030509020		1	KEY	
5	198586140		1	MAIN BEARING KIT	(A)
6	199266210		1	THRUST WASHER	
7	199266200		2	THRUST WASHER	
8	110156360	☐ 1	1	HOLDER	
9		⇒ 110156360	1	CAP	
10		⇒ 110156360	1	CAP	
11	030500612		2	DOWEL	
12	010109406		2	SCREW	
13	110156370	☐ 2	1	HOLDER	
14		⇒ 110156370	1	CAP	
15		⇒ 110156370	1	CAP	
16	030500612		2	DOWEL	
17	010109406		2	SCREW	
18	110156380	☐ 3	1	HOLDER	
19		⇒ 110156380	1	CAP	
20		⇒ 110156380	1	CAP	
21	030500612		2	DOWEL	
22	010109406		2	SCREW	
23	110156390	☐ 4	1	HOLDER	
24		⇒ 110156390	1	CAP	
25		⇒ 110156390	1	CAP	
26	030500612		2	DOWEL	
27	010109406		2	SCREW	
28	011511070		3	SCREW	
29	010700860		1	BOLT	
Service Options					
5	198586160	⅜ (-)0.50MM	1	MAIN BEARING KIT - O/S	(A)
5	198586150	⅜ (-)0.25MM	1	MAIN BEARING KIT - O/S	(A)
Footnotes					
(A)	BEARINGS ARE PRE-FINISHED				

A6AH



Connecting Rods

Plate A

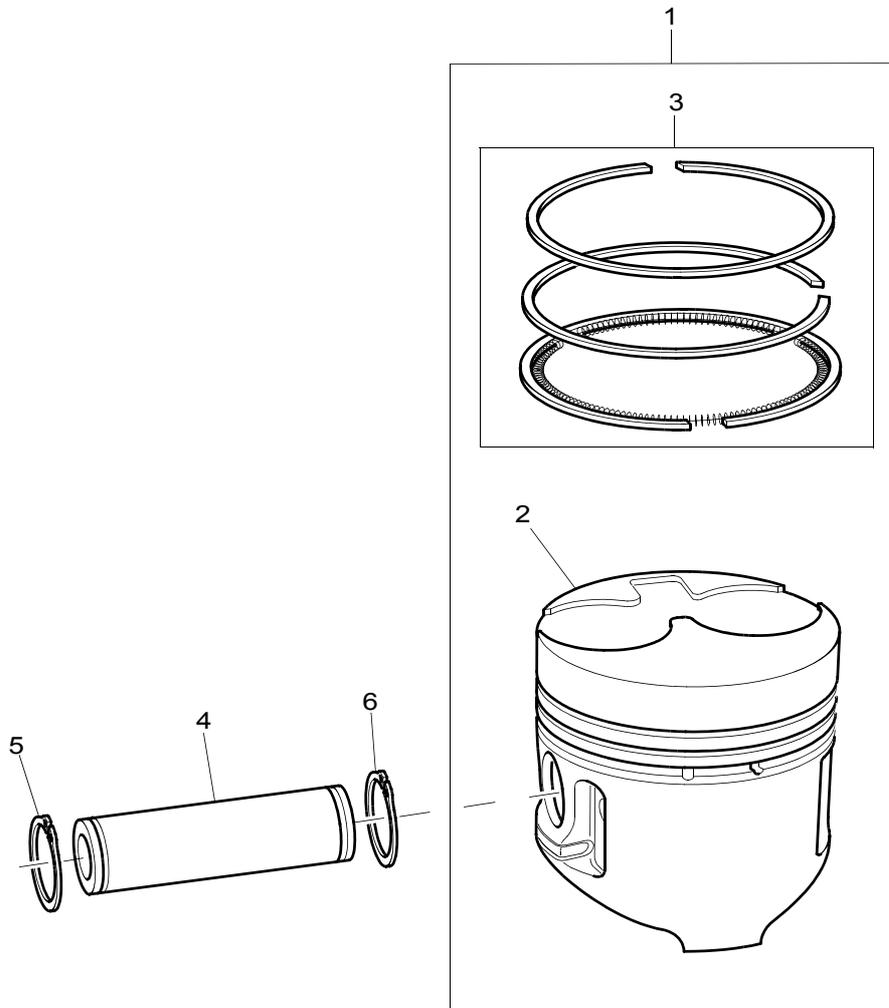
A6AH

Item	Part No.	References	Qty.	Description	Notes
1	115026330		4	CON ROD ASSEMBLY	
2		⇒ 115026330	1	ROD	
3		⇒ 115026330	1	CAP	
4	198517265		4	SMALL END BUSH	
5	115176140		2	CON ROD BOLT	
6	020109120		2	CON ROD NUT	
7	198586170		4	BIG END BEARING KIT	(A)

Footnotes

(A) BEARINGS ARE PRE-FINISHED

A6AH



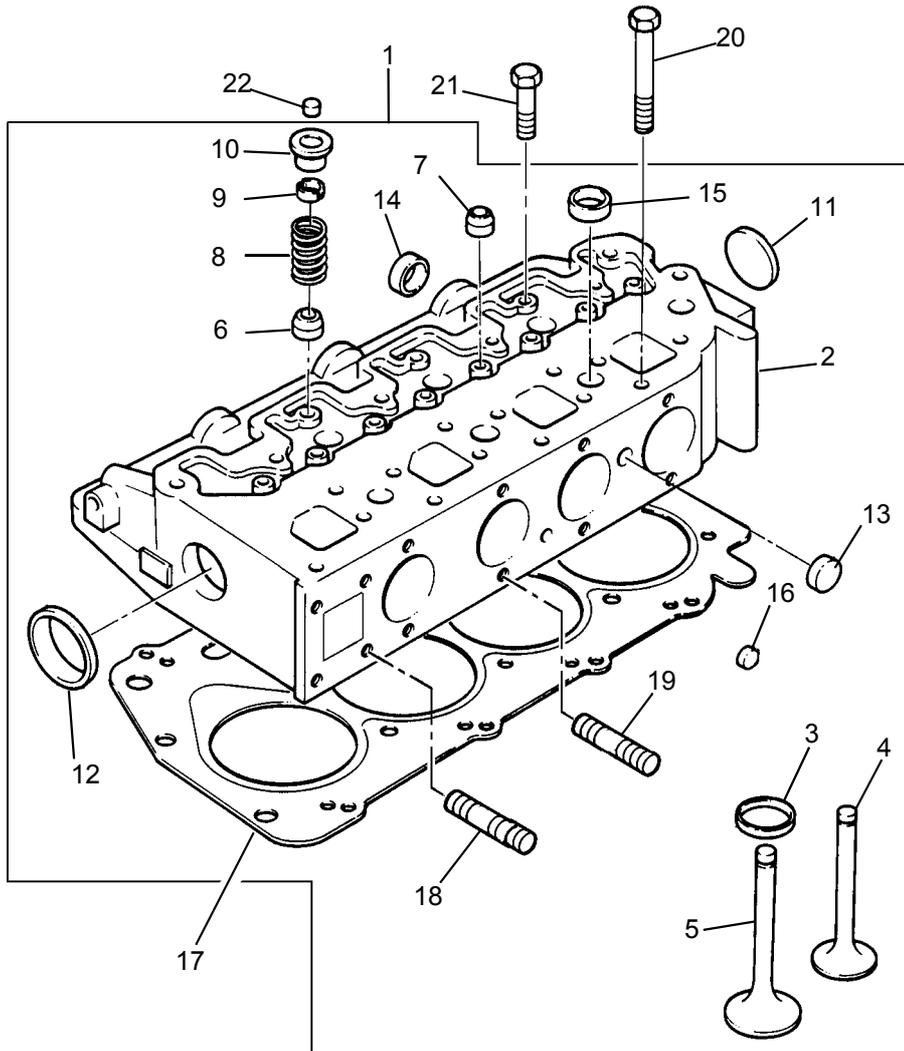
A6AH

Item	Part No.	References	Qty.	Description	Notes
1	115017491	 a.	1	PISTON AND RING KIT	
2		 115017491	1	PISTON	
3	115107970		1	PISTON RING KIT	
4	115326220		4	GUDGEON PIN	
5	036500028		4	CIRCLIP	
6	036500028		4	CIRCLIP	

History**a.**

1	115017490		4	PISTON AND RING KIT	
---	-----------	--	---	---------------------	--

B6AH



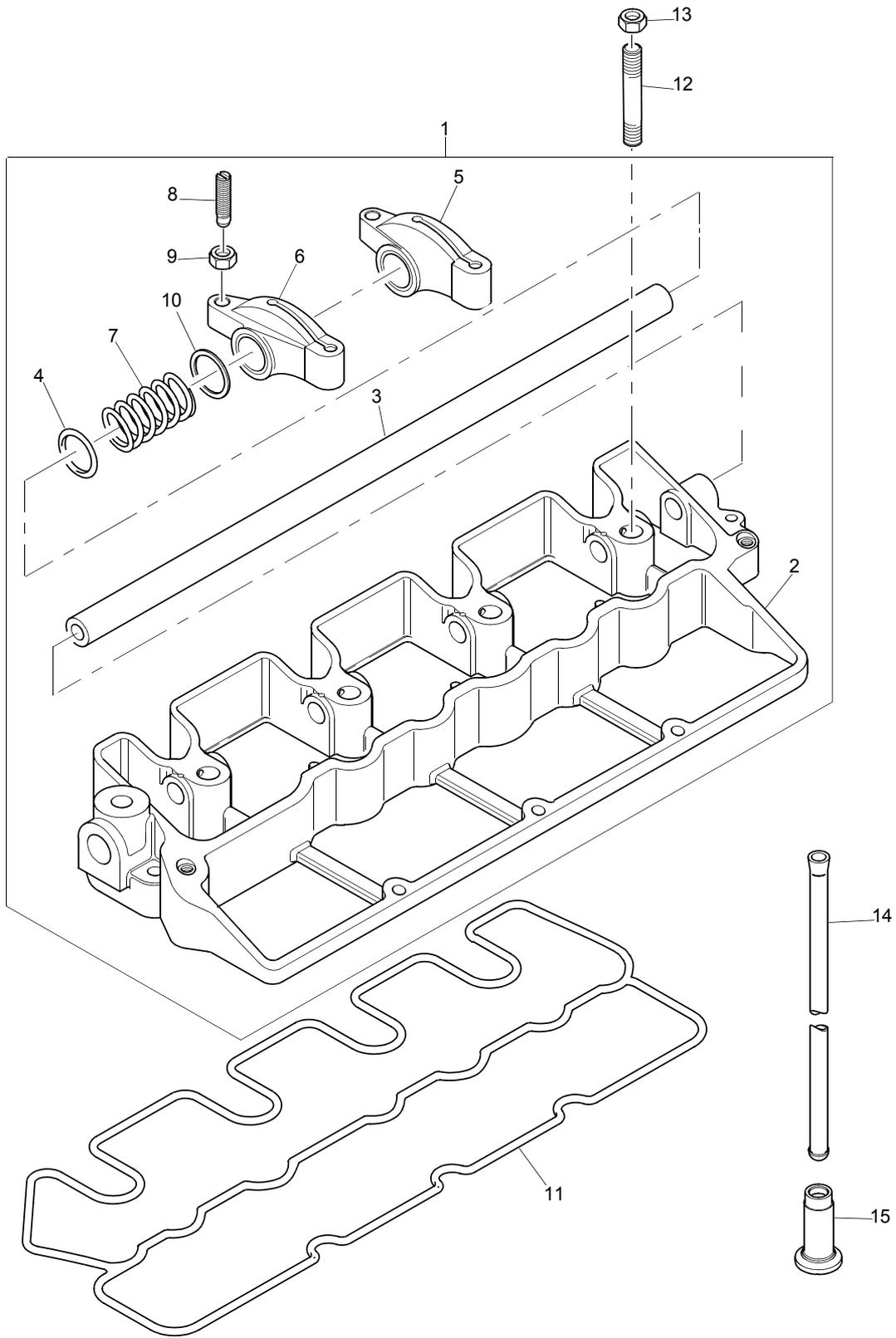
B6AH

Item	Part No.	References	Qty.	Description	Notes
1	111017930		1	CYLINDER HEAD ASSEMBLY	
2	—	⇒ 111017930	1	CYLINDER HEAD KIT	
3	└─┬ 110136390		4	INSERT	
4	└─┬ 120166350		4	INTAKE VALVE	
5	└─┬ 120176360		4	EXHAUST VALVE	
6	└─┬ 120406050		4	VALVE SPRING SEAT	(A)
7	└─┬ 120406070		4	SEAL - VALVE STEM	(B)
8	└─┬ 198216700		8	VALVE SPRING	
9	└─┬ 120226070		16	VALVE COLLET	
10	└─┬ 120186080		8	CAP	
11	└─┬ 064200030		3	PLUG	
12	└─┬ 064200030		3	PLUG	
13	└─┬ 064200025		3	PLUG	
14	└─┬ 064200025		3	PLUG	
15	└─┬ 064200018		7	PLUG	
16	└─┬ 064200010		3	PLUG	
17		⇒ SERVICE OPTION	1	GASKET - CYLINDER HEAD	
18	012110645		2	STUD	
19	012110860		2	STUD	
20	111136480		14	SCREW	
21	111136490		4	SCREW	
22	120216040		8	CAP	
Service Options					
17	111147590		1	GASKET - CYLINDER HEAD	0.5 MM
17	111147580		1	GASKET - CYLINDER HEAD	0.4 MM

Footnotes

(A)	EXHAUST
(B)	INLET

B6AH



B6AH

Item	Part No.	References	Qty.	Description	Notes
1	120036821	 a.	1	ROCKER BOX	
2	—	⇒ 120036821	1	ROCKER BOX	
3	—120316201		2	ROCKER SHAFT	
4	—052109076		2	SEAL - O RING	
5	—120356131		8	ROCKER ARM ASSEMBLY	INLET
6	—120356141		8	ROCKER ARM ASSEMBLY	EXHAUST
7	—198217170		6	ROCKER SHAFT SPRING	
8	—199486220		16	ADJUSTING SCREW	
9	—020109076		16	NUT	
10	—199280300		12	WASHER	
11	120996130		1	SEAL - ROCKER BOX	
12	012109044		4	STUD	
13	023100010		4	NUT	
14	120456310		8	PUSHROD	
15	120116160		8	TAPPET	

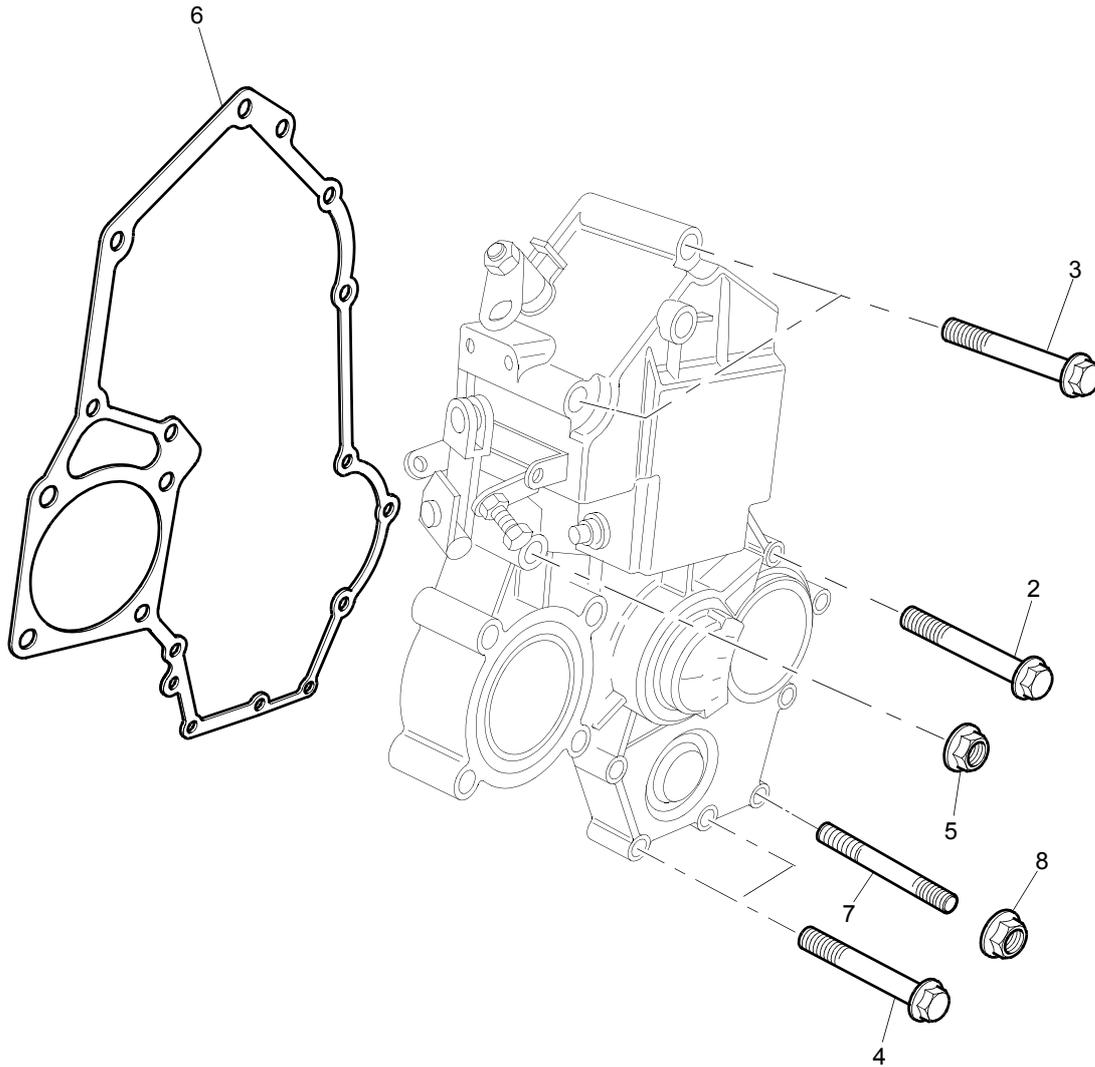
History

a.

1	120036830		1	ROCKER BOX ASSEMBLY	
---	-----------	--	---	---------------------	--

→ U909865L

C6AH



→ U909865L

C6AH

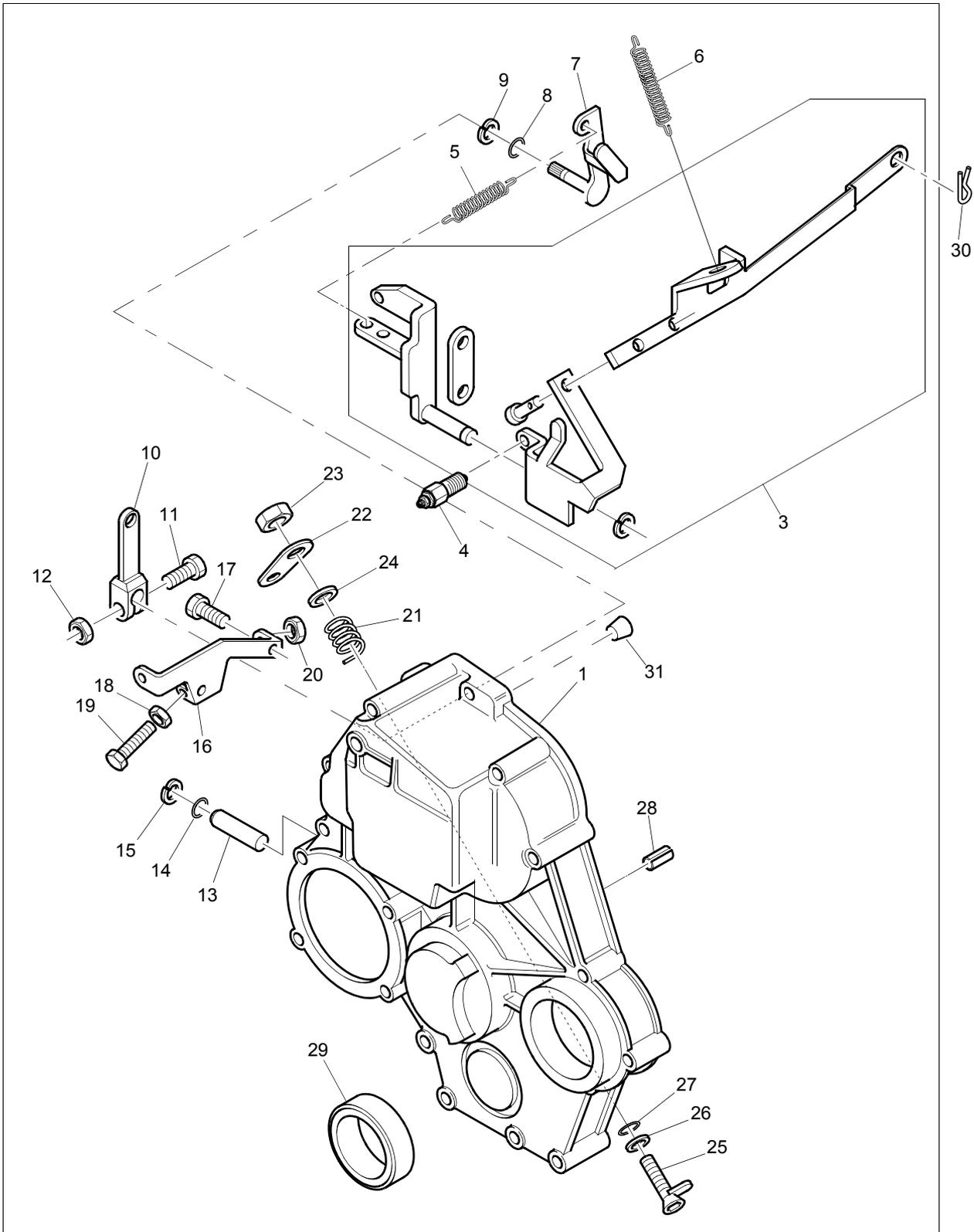
Item	Part No.	References	Qty.	Description	Notes
2	011310660		3	SCREW	
3	011310680		2	SCREW	
4	011310645		6	SCREW	
5	023100006		1	NUT	
6	165996600	 a.	1	GASKET - TIMING CASE COVER	
7	012110645		1	STUD	
8	023100006		1	NUT	

History**a.**

6	165996550		1	GASKET - TIMING COVER	
---	-----------	--	---	-----------------------	--

→ U909865L

C6AH



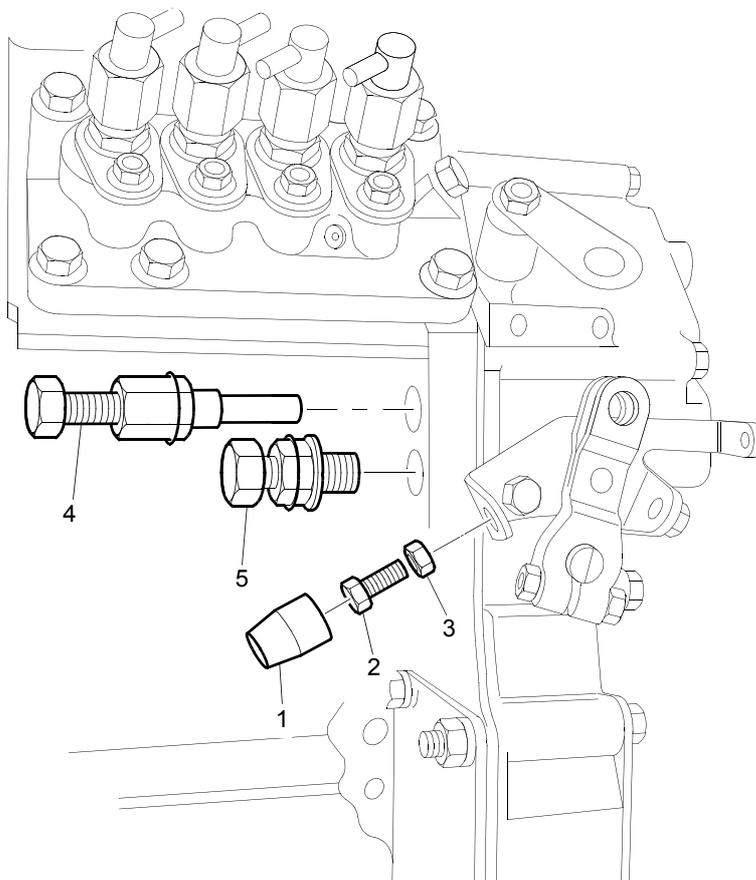
→ U909865L

C6AH

Item	Part No.	References	Qty.	Description	Notes
1	165106350		1	TIMING GEAR CASE	
2	L_030300414		1	PIN	
3	125046350		1	LEVER	
4	131046440		1	ANGLEICH SWITCH	
5	198217320		1	SPRING	
6	198216731		1	SPRING	
7	125156170		1	ARM	
8	052100070		1	SEAL - O RING	
9	036800008		1	SNAP RING	
10	125416020		1	LEVER	
11	010110630		1	SCREW	
12	023100006		1	NUT	
13	125116141		1	SHAFT	
14	052100030		2	SEAL - O RING	
15	036800005		1	CIRCLIP	
16	125976120		1	STAY	
17	011310616		2	SCREW	
18	2318A207		1	NUT	
19	2315C039	⊕ FOLLOWING	2	SCREW	
20	2648A120	⊕ FOLLOWING	1	NUT	
21	198216760		1	STOP SPRING	
22	125176150		1	STOP LEVER	
23	020700008		2	NUT	
24	026200008		1	WASHER	
25	125156180		1	ARM	
26	036800006		1	CIRCLIP	
27	052100050		1	SEAL - O RING	
28	030300414		1	PIN	
29	198636160		1	SEAL - FRONT END OIL	
30	031100004		1	PIN	
31	TPN830		1	PLUG	

→ U909865L

C6AH



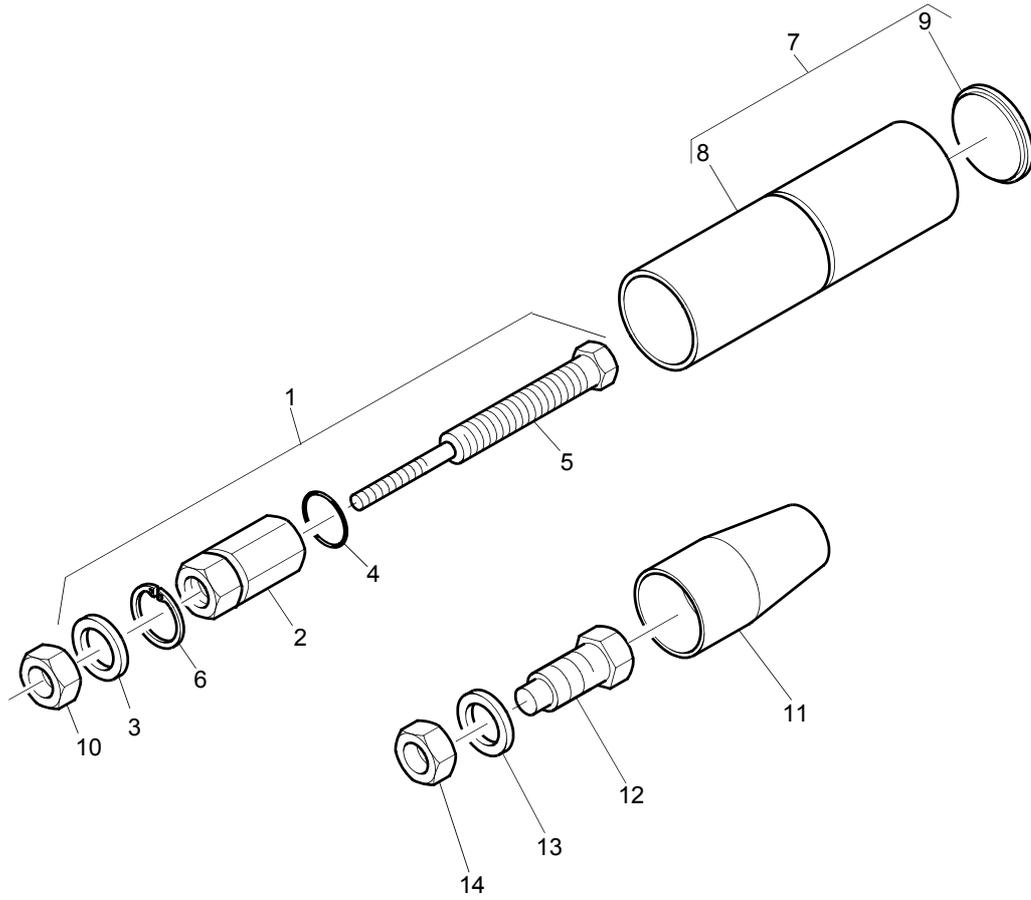
Timing Case	Plate D
→ U909865L	C6AH

Item	Part No.	References	Qty.	Description	Notes
1	26420462		1	ANTI-TAMPER CAP	
2	2315C039		1	SCREW	(A)
3	2648A120		1	NUT	
4		⊕ FOLLOWING	1	BOLT	
5		⊕ FOLLOWING	1	BOLT ASSEMBLY	

Footnotes	
(A)	HIGH IDLE SETTING

→ U909865L

C6AH



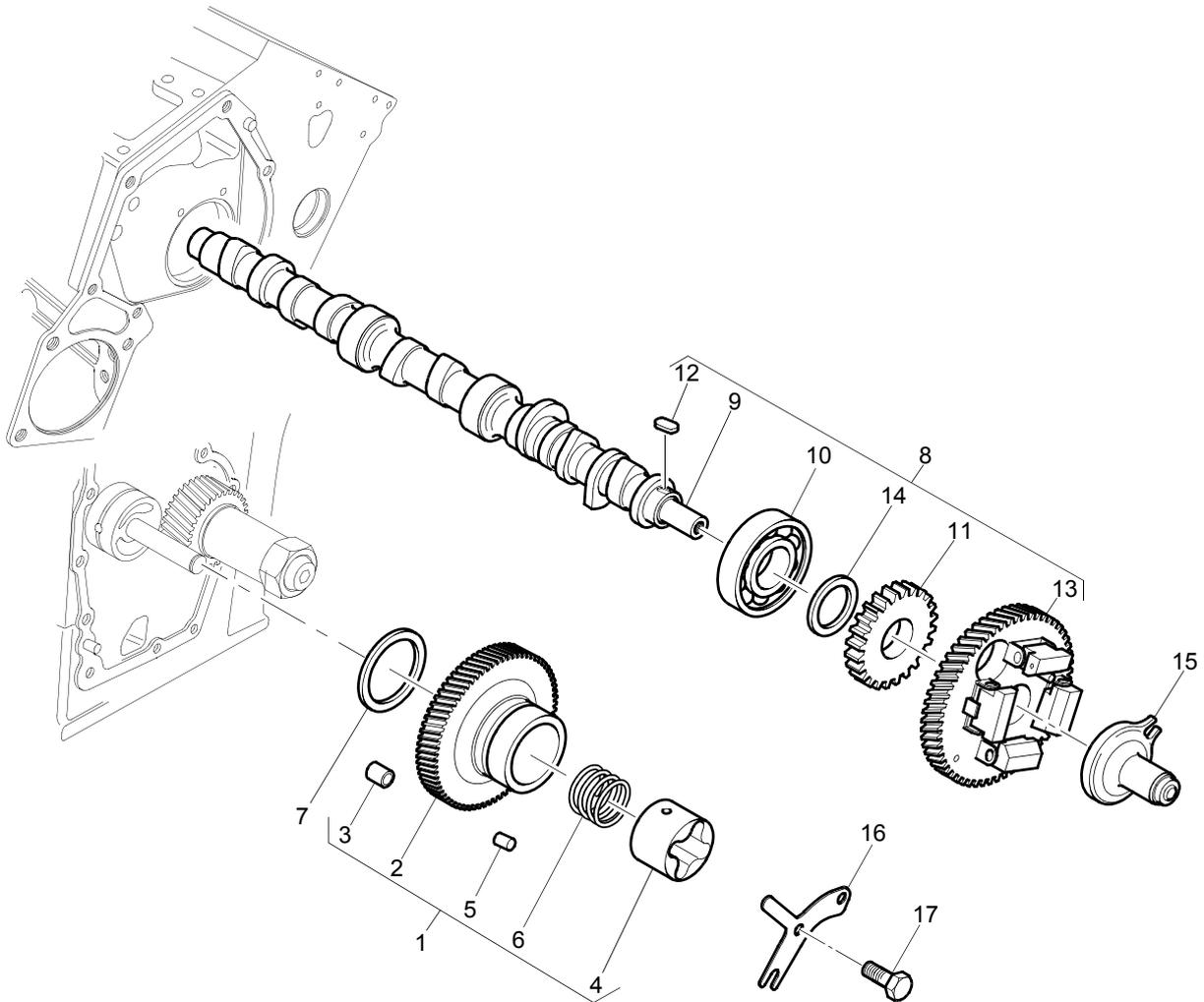
→ U909865L

C6AH

Item	Part No.	References	Qty.	Description	Notes
1	131046410		1	BOLT ASSEMBLY	
2	└020109176		1	NUT	
3	└025100010		1	WASHER	
4	└052109100		1	SEAL - O RING	
5	└131466210		1	BOLT	
6	└198346150		1	CIRCLIP	
7	U5MK0619		1	ANTI-TAMPER CAP	
8	└	⇒ U5MK0619	1	ANTI-TAMPER CAP	
9	└064209053		1	END CAP	
10	020109177		1	NUT	
11	131276440		1	ANTI-TAMPER CAP	
12	199486330		1	BOLT	
13	025100010		1	WASHER	
14	020109177		1	NUT	

→ U909865L

C6AH



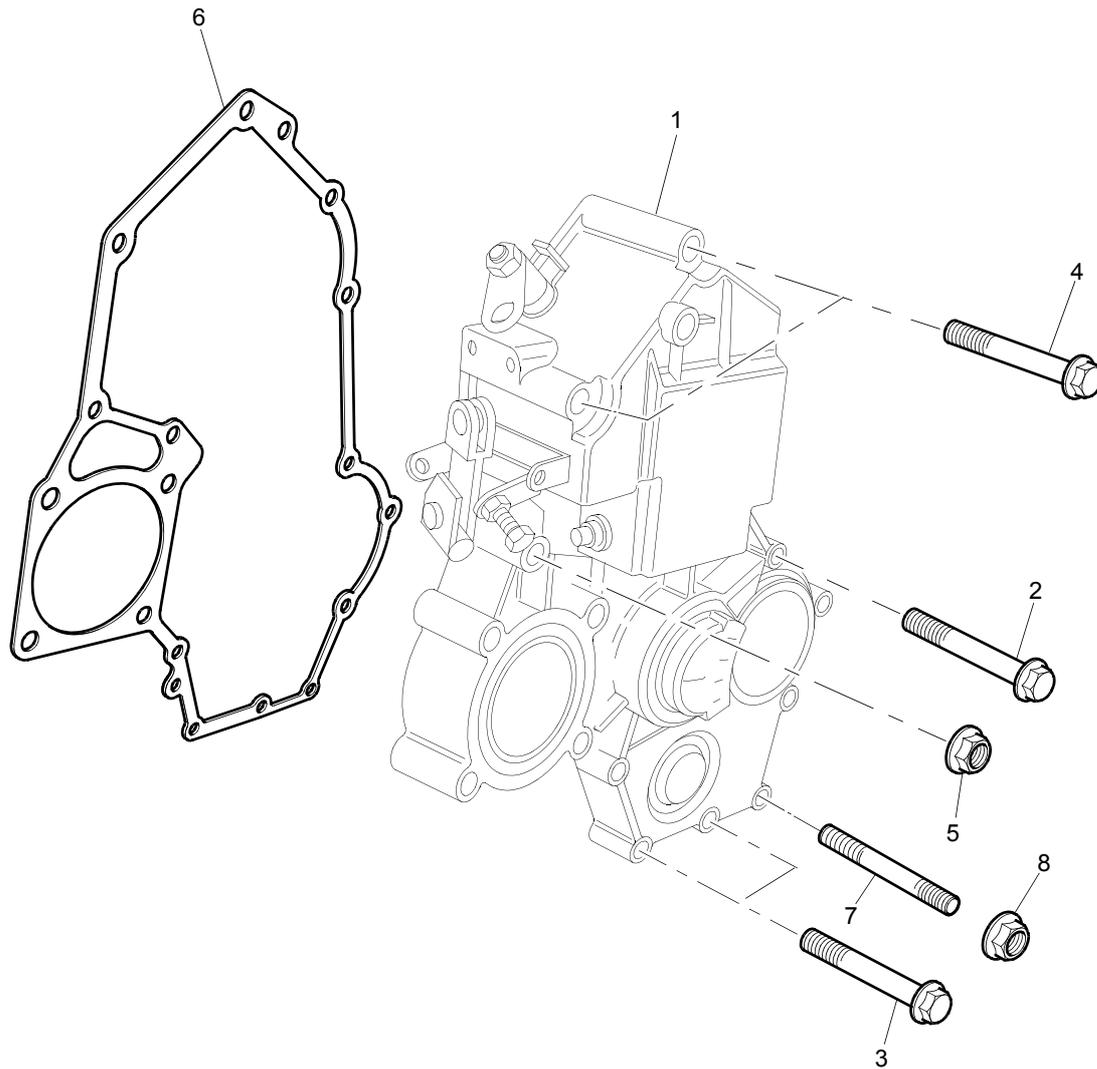
→ U909865L

C6AH

Item	Part No.	References	Qty.	Description	Notes
1	165026120		1	OIL PUMP IDLER GEAR	
2	—		1	GEAR	
3	—198517290		3	BUSH	
4	—140166170		1	ROTOR	
5	—030509018		3	DOWEL	
6	—198216821		1	SPRING	
7	199266180		1	WASHER	
8	120026550		1	CAMSHAFT ASSEMBLY	
9	—	⇒ 120026550	1	CAMSHAFT	
10	—040109057		1	BALL BEARING	
11	—120736081		1	CAMSHAFT GEAR	
12	—034100508		1	WOODRUFF KEY	
13	—120016050		1	CAMSHAFT GEAR	
14	—199216320		1	SPACER	
15	125256190		1	TAPPET	
16	199566750		1	PLATE	
17	011310612		2	SCREW	

↳ U909866L

C6UH



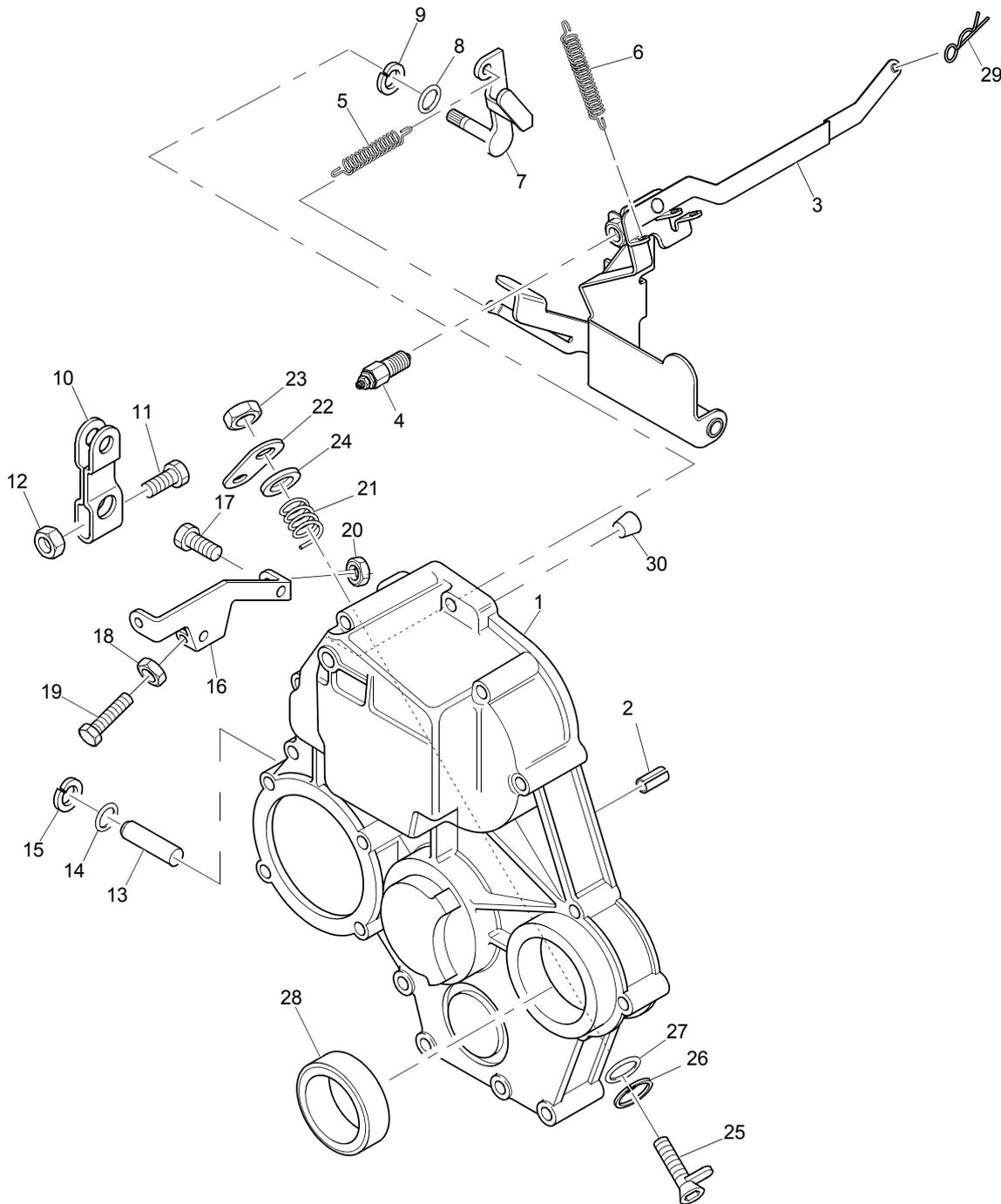
↳ U909866L

C6UH

Item	Part No.	References	Qty.	Description	Notes
1		☞ FOLLOWING	1	TIMING GEAR CASE	
2	011310660		1	SCREW	
3	011310680		1	SCREW	
4	011310645		1	SCREW	
5	023100006		1	NUT	
6	165996600		1	GASKET - TIMING CASE COVER	
7	012110645		1	STUD	
8	023100006		1	NUT	

↳ U909866L

C6UH



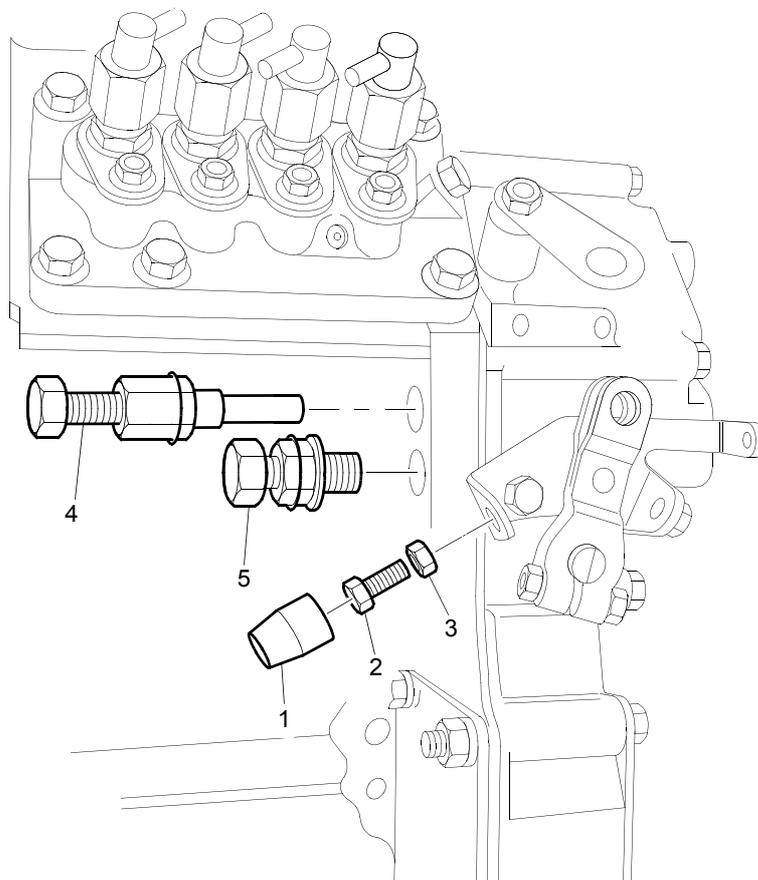
↳ U909866L

C6UH

Item	Part No.	References	Qty.	Description	Notes
1	165106350		1	TIMING GEAR CASE	
2	└030300414		1	PIN	
3	125046350		1	LEVER	
4	131046450		1	ANGLEICH SWITCH	
5	198217670		1	SPRING	
6	198217560		1	SPRING	
7	125156170		1	ARM	
8	052100070		1	SEAL - O RING	
9	036800008		1	SNAP RING	
10	125416020		1	LEVER	
11	010110630		1	SCREW	
12	023100006		1	NUT	
13	125116141		1	SHAFT	
14	052100030		1	SEAL - O RING	
15	036800005		1	CIRCLIP	
16	125976120		1	STAY	
17	010109600		1	SCREW	
18	2318A207		1	NUT	
19	2315C039	☞ FOLLOWING	2	SCREW	
20	2648A120	☞ FOLLOWING	1	NUT	
21	198216760		1	STOP SPRING	
23	020700008		1	NUT	
22	125176180		1	STOP LEVER	
24	026200008		1	WASHER	
25	125156180		1	ARM	
26	036800006		1	CIRCLIP	
27	052100050		1	SEAL - O RING	
28	198636160		1	SEAL - FRONT END OIL	
29	031100004		1	PIN	
30	TPN830		1	PLUG	

↳ U909866L

C6UH



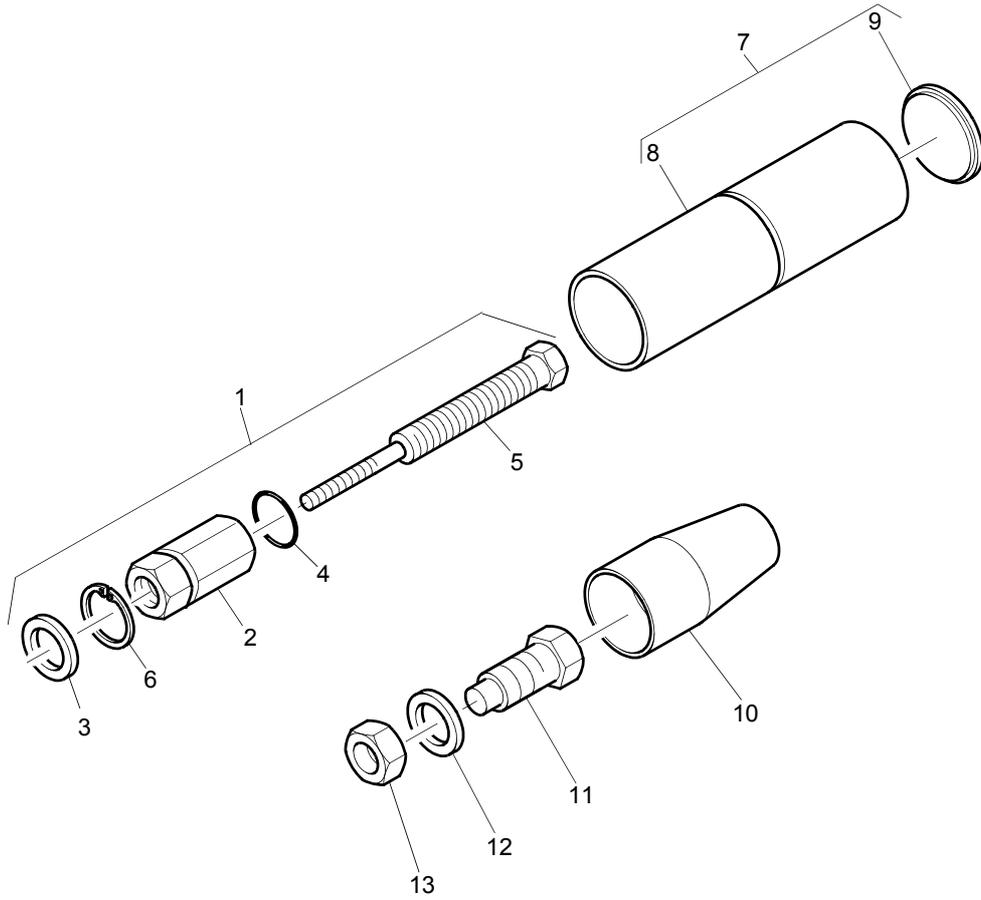
Timing Case	Plate C
↳ U909866L	C6UH

Item	Part No.	References	Qty.	Description	Notes
1	26420462		1	ANTI-TAMPER CAP	
2	2315C039		1	SCREW	(A)
3	2648A120		1	NUT	
4		⊕ FOLLOWING	1	BOLT	
5		⊕ FOLLOWING	1	BOLT ASSEMBLY	

Footnotes	
(A)	HIGH IDLE SETTING

↳ U909866L

C6UH



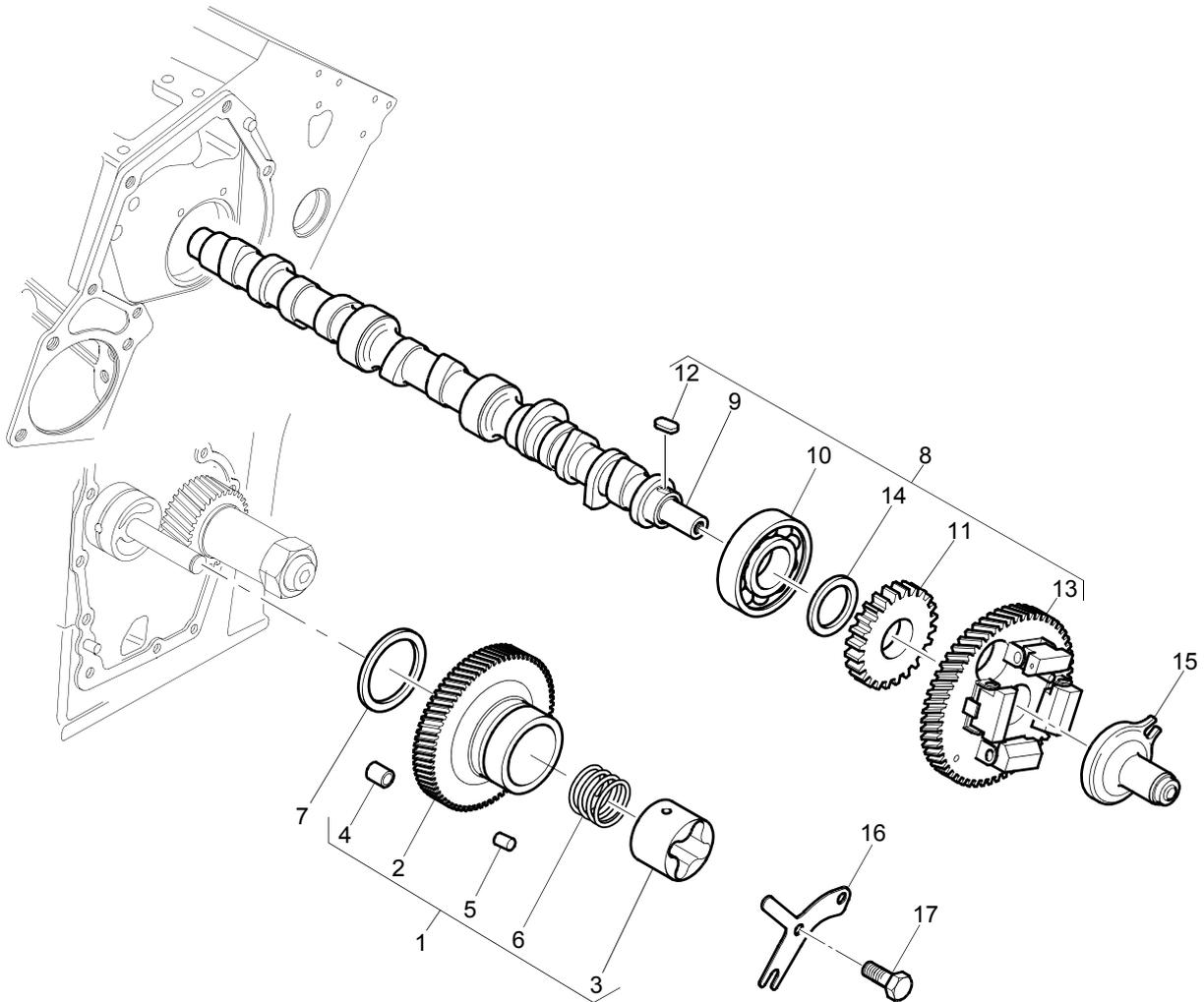
↳ U909866L

C6UH

Item	Part No.	References	Qty.	Description	Notes
1	131046410		1	BOLT ASSEMBLY	
2	└020109176		1	NUT	
3	└025100010		1	WASHER	
4	└052109100		1	SEAL - O RING	
5	└131466210		1	BOLT	
6	└198346150		1	CIRCLIP	
7	U5MK0619		1	ANTI-TAMPER CAP	
8	└	⇒ U5MK0619	1	ANTI-TAMPER CAP	
9	└064209053		1	END CAP	
10	131276440		1	ANTI-TAMPER CAP	
11	199486330		1	BOLT	
12	025100010		1	WASHER	
13	020109177		1	NUT	

↳ U909866L

C6UH



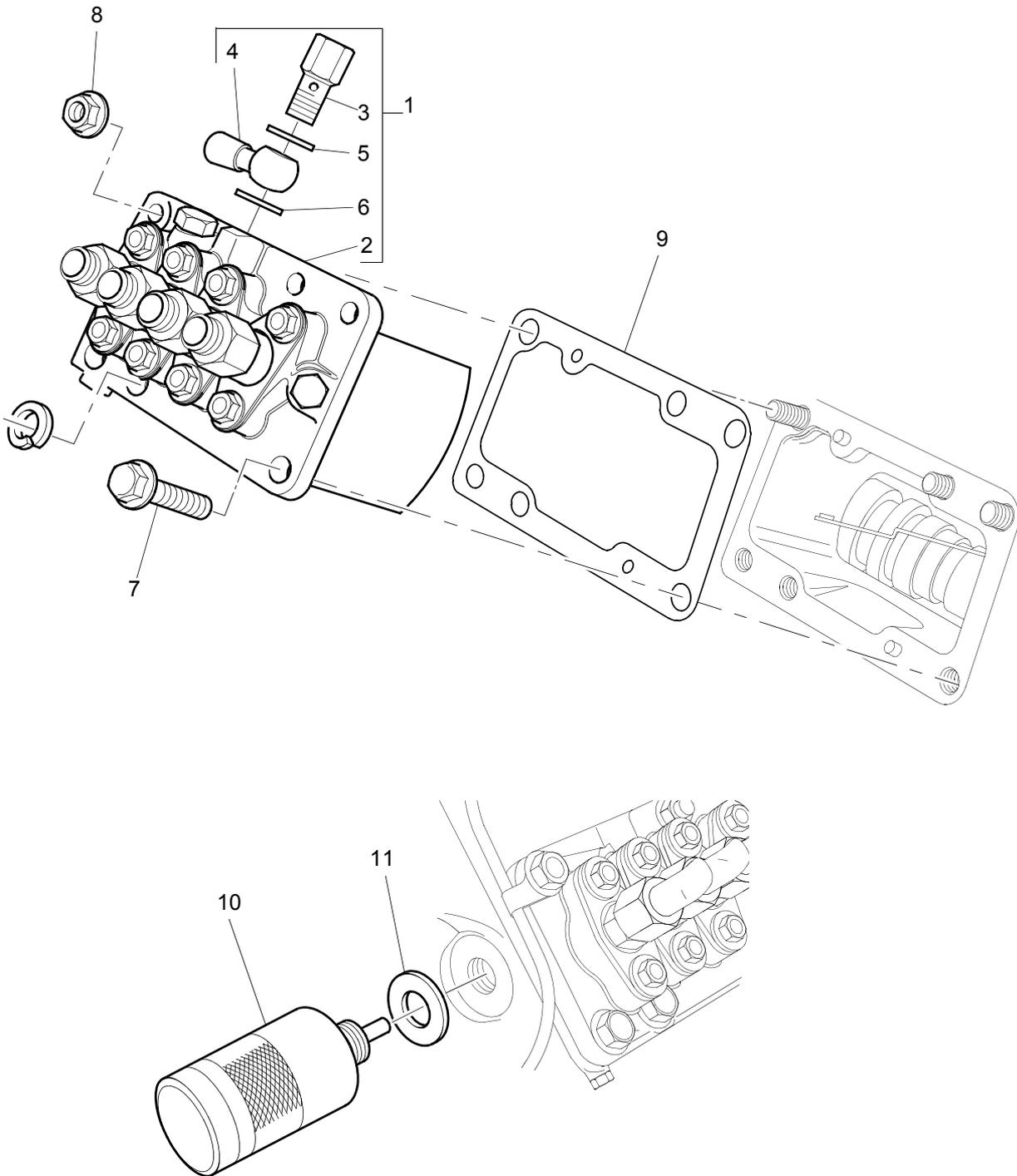
↳ U909866L

C6UH

Item	Part No.	References	Qty.	Description	Notes
1	165026120		1	OIL PUMP IDLER GEAR	
2	—	⇒ 165026120	1	OIL PUMP IDLER GEAR	
3	—140166170		1	ROTOR	
4	—198517290		1	BUSH	
5	—030509018		3	DOWEL	
6	—198216821		1	SPRING	
7	199266180		1	WASHER	
8	120026550		1	CAMSHAFT ASSEMBLY	
9	—	⇒ 120026550	1	CAMSHAFT	
10	—040109057		1	BALL BEARING	
11	—120736081		1	CAMSHAFT GEAR	
12	—034100508		1	WOODRUFF KEY	
13	—120016050		1	CAMSHAFT GEAR	
14	—199216320		1	SPACER	
15	125256190		1	TAPPET	
16	199566750		1	PLATE	
17	011310612		2	SCREW	

→ 526521M

D6AH



Fuel Injection Pump

Plate A

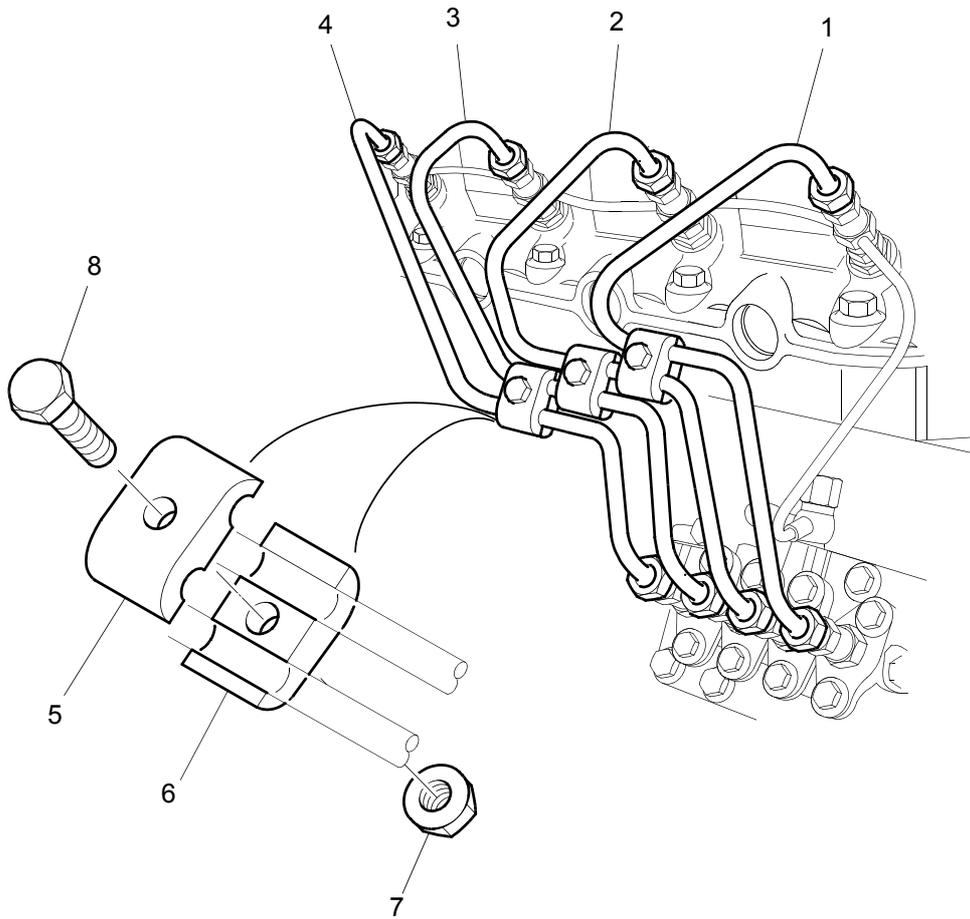
→ 526521M

D6AH

Item	Part No.	References	Qty.	Description	Notes
1	131010031	 a.	1	FUEL INJECTION PUMP	
2		⇒ 131010031	1	FUEL INJECTION PUMP	
3	131246170		1	BOLT	
4	131246010		1	CONNECTION	
5	131296255		1	WASHER	
6	131296255		1	WASHER	
7	010800820		3	SCREW	
8	023100008		3	NUT	
9		⇒ SERVICE OPTION 	1	SHIM	
10	185206420		1	SOLENOID	
11	025100016		1	WASHER	
Service Options					
9	131437490	 (+) 0.2MM	1	SHIM	
9	131437730	 (+) 0.25MM	1	SHIM	
9	131437500	 (+) 0.3MM	1	SHIM	
9	131437760	 (+) 0.35MM	1	SHIM	
9	131437510	 (+) 0.4MM	1	SHIM	
9	131437520	 (+) 0.5MM	1	SHIM	
9	131437530	 (+) 0.5MM	1	SHIM	(A)
History					
a.					
1	131017800		1	FUEL INJECTION PUMP	
Footnotes					
(A)	FLAT				

→ 526521M

D6AH



→ 526521M

D6AH

Item	Part No.	References	Qty.	Description	Notes
1	131507700	 1	1	PIPE - FUEL INJ NO 1 CYL	
2	131507710	 2	1	PIPE - FUEL INJ NO 2 CYL	
3	131507720	 3	1	PIPE - FUEL INJ NO 3 CYL	
4	131507730	 4	1	PIPE - FUEL INJ NO 4 CYL	
5	199106021	 a.	3	CLAMP	
6	199106021	 a.	3	CLAMP	
7	023100006		3	NUT	
8	010110625		3	SCREW	

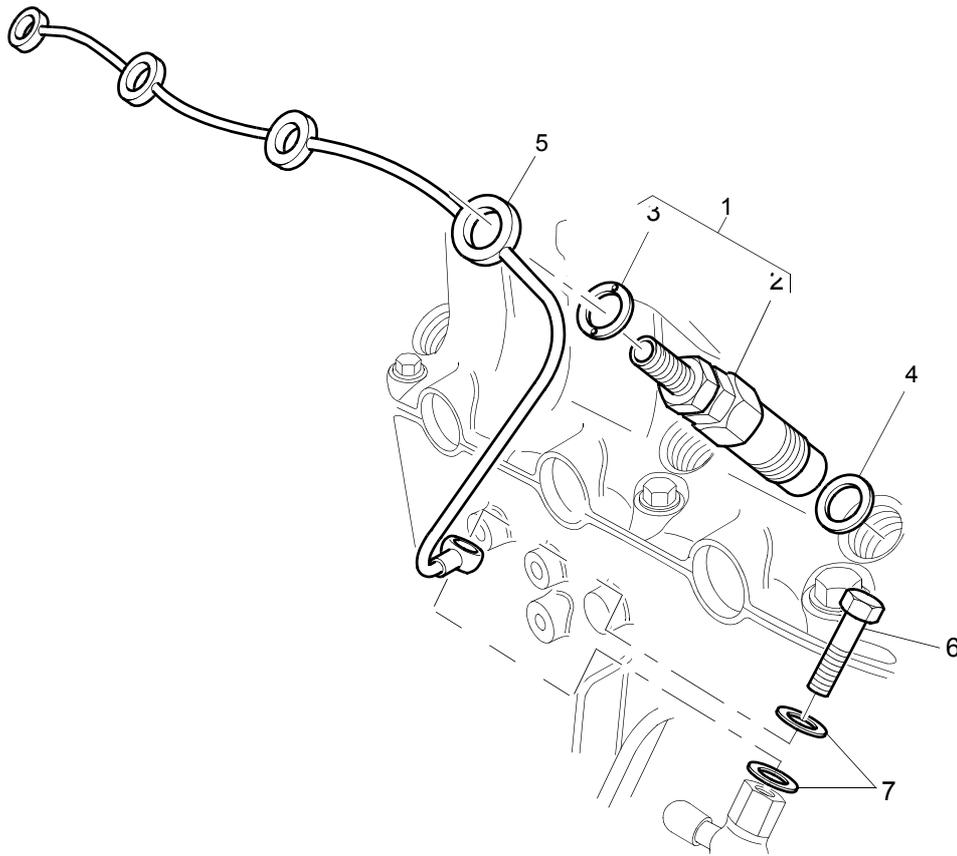
History

a.

5	199106020		3	DAMPER	
6	199106020		3	DAMPER	

→ 526521M

D6AH

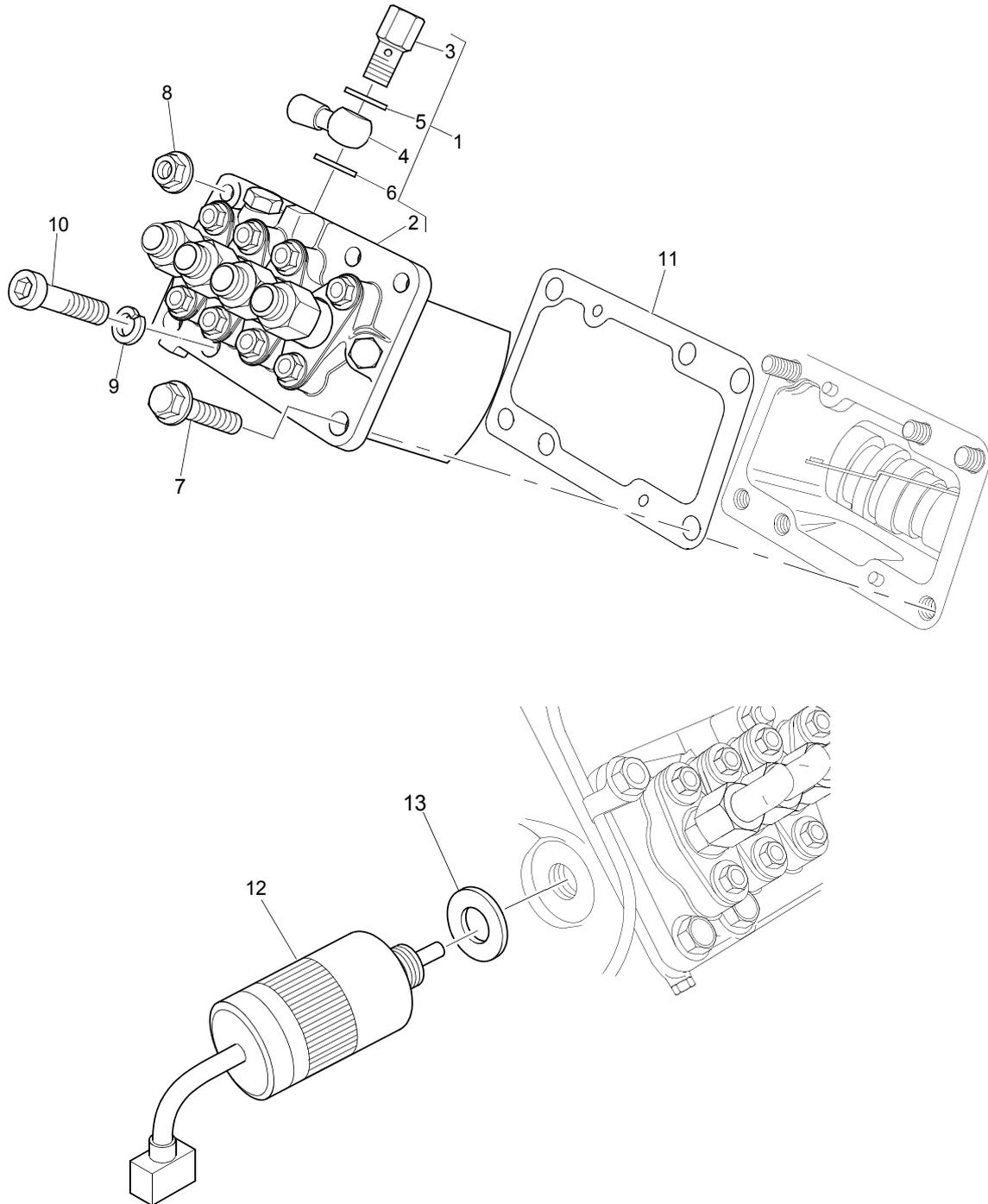


Atomisers	Plate A
→ 526521M	D6AH

Item	Part No.	References	Qty.	Description	Notes
1	131406490		4	ATOMISER	
2	└	⇒ 131406490	1	BODY	
3	└ 131426230		1	SEAL - INJECTOR	
4	131426200		4	SEAL - INJECTOR	
5	131606900		1	PIPE - LEAK OFF	
6	198487450		1	BOLT	
7	025100008		2	WASHER	

↳ 526522M ↳ U909865L

D6MH



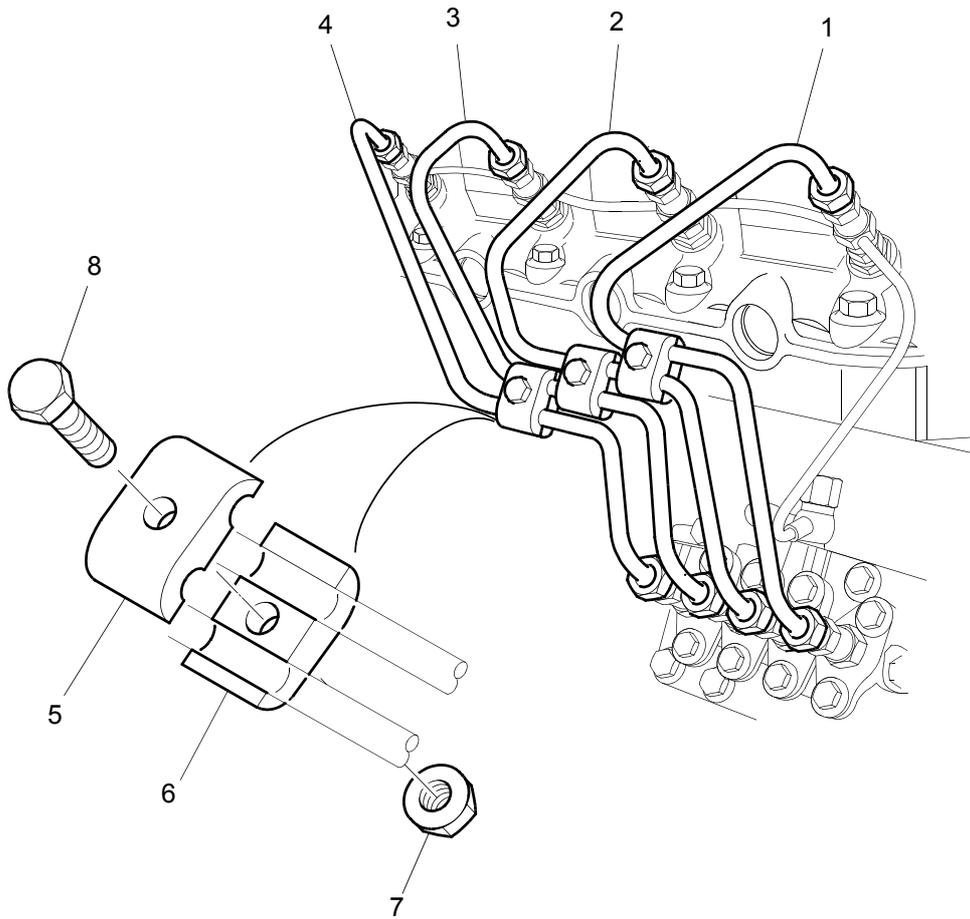
↳ 526522M ↳ U909865L

D6MH

Item	Part No.	References	Qty.	Description	Notes
1	131010031	 a.	1	FUEL INJECTION PUMP	
2		 131010031	1	FUEL INJECTION PUMP	
3	131246170		1	BOLT	
4	131246010		1	CONNECTION	
5	131296255		1	WASHER	
6	131296255		1	WASHER	
7	010800820		2	SCREW	
8	023100008		3	NUT	
9	027100008		1	WASHER	
10	010700820		1	SCREW	
11		 SERVICE OPTION	1	SHIM	
					
12	185206450		1	SOLENOID	
13	025100016		1	WASHER	
Service Options					
11	131437490	 (+) 0.2MM	1	SHIM	
11	131437730	 (+) 0.25MM	1	SHIM	
11	131437500	 (+) 0.3MM	1	SHIM	
11	131437760	 (+) 0.35MM	1	SHIM	
11	131437510	 (+) 0.4MM	1	SHIM	
11	131437520	 (+) 0.5MM	1	SHIM	
11	131437530	 (+) 0.5MM	1	SHIM	(A)
History					
a.					
1	131017800		1	FUEL INJECTION PUMP	
Footnotes					
(A)	FLAT				

↳ 526522M ↳ U909865L

D6MH



↳ 526522M ↳ U909865L

D6MH

Item	Part No.	References	Qty.	Description	Notes
1	131507700	 1	1	PIPE - FUEL INJ NO 1 CYL	
2	131507710	 2	1	PIPE - FUEL INJ NO 2 CYL	
3	131507720	 3	1	PIPE - FUEL INJ NO 3 CYL	
4	131507730	 4	1	PIPE - FUEL INJ NO 4 CYL	
5	199106021	 a.	3	CLAMP	
6	199106021	 a.	3	CLAMP	
7	023100006		3	NUT	
8	010110625		3	SCREW	

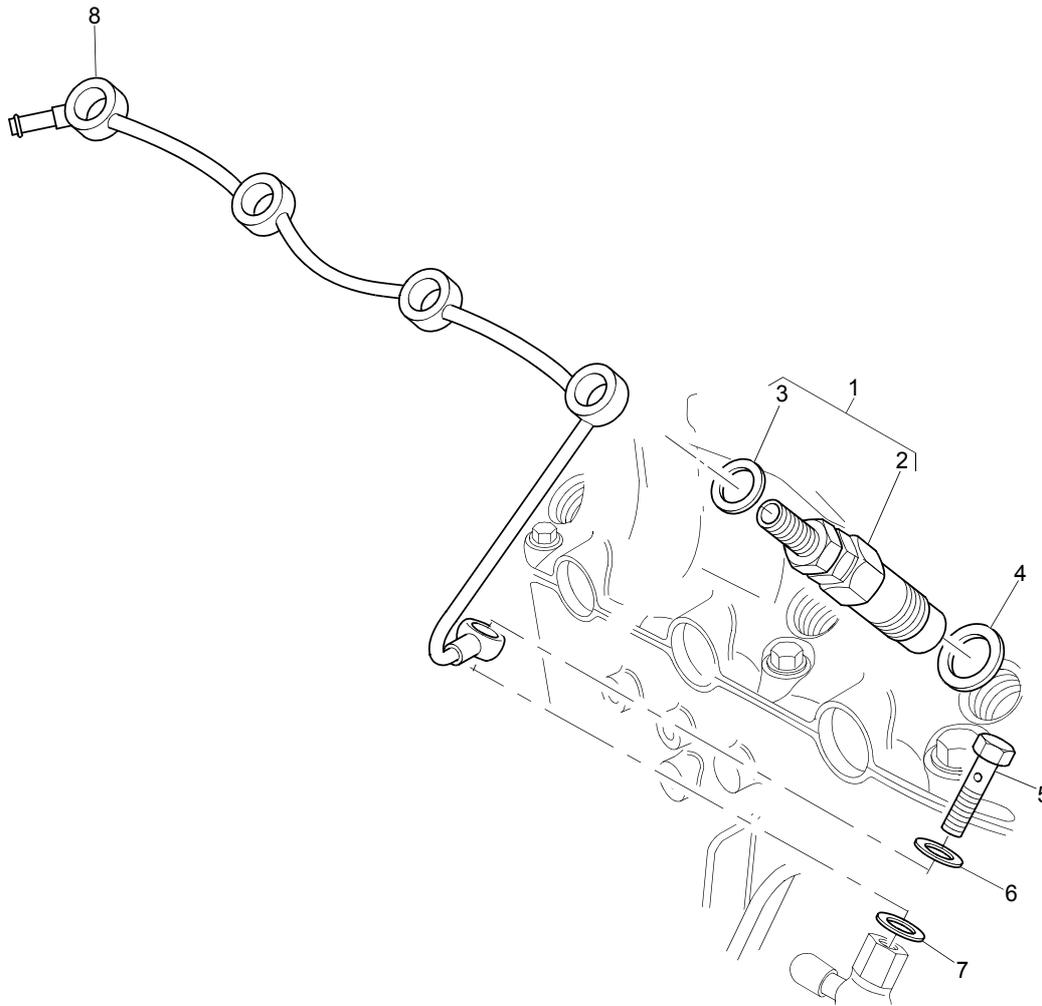
History

a.

5	199106020		3	DAMPER	
6	199106020		3	DAMPER	

↳ 526522M ↳ U909865L

D6MH

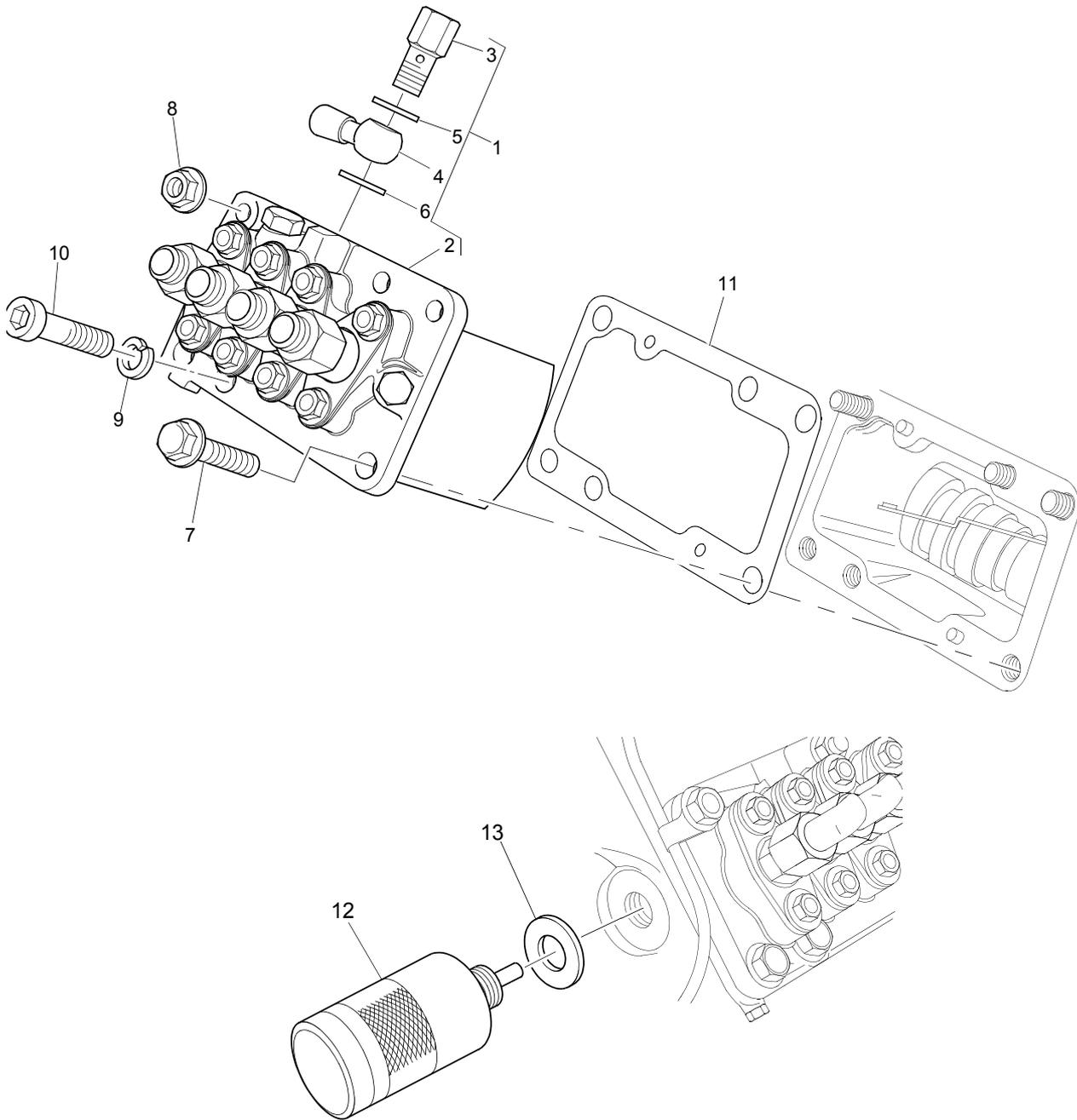


Atomisers	Plate A
↳ 526522M → U909865L	D6MH

Item	Part No.	References	Qty.	Description	Notes
1	131406490		4	ATOMISER	
2	└	⇒ 131406490	1	BODY	
3	└ 131426230		1	SEAL - INJECTOR	
4	131426200		4	SEAL - INJECTOR	
5	198487450		1	BOLT	
6	025100008		2	WASHER	
7	025100008		1	WASHER	
8	TPN711		1	PIPE - LEAK OFF	

↳ U909866L

D6QH



↳ U909866L

D6QH

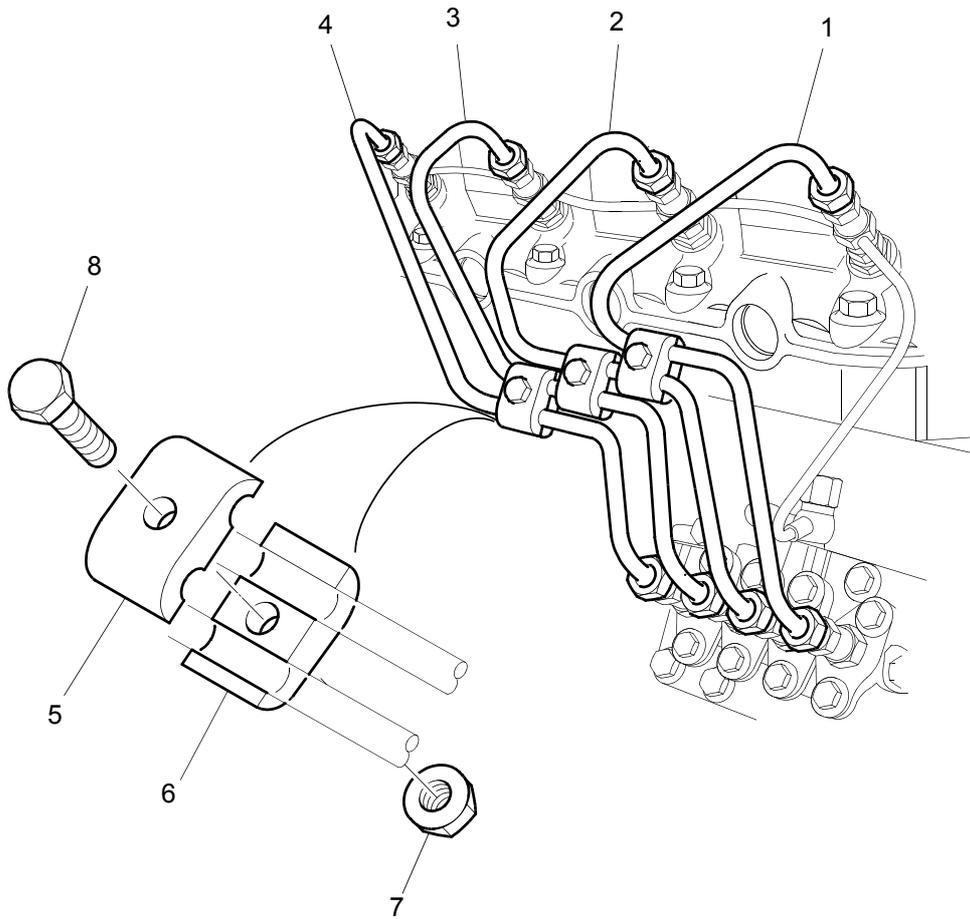
Item	Part No.	References	Qty.	Description	Notes
1	131010031		1	FUEL INJECTION PUMP	
2		⇒ 131010031	1	FUEL INJECTION PUMP	
3	131246170		1	BOLT	
4	131246010		1	CONNECTION	
5	131296255		1	WASHER	
6	131296255		1	WASHER	
7	010800820		2	SCREW	
8	023100008		3	NUT	
9	027100008		1	WASHER	
10	010700820		1	SCREW	
11		⇒ SERVICE OPTION Ⓢ	1	SHIM	
12	185206450		1	SOLENOID	
13	025100016		1	WASHER	
Service Options					
11	131437490	⅜ (+) 0.2MM	1	SHIM	
11	131437730	⅜ (+) 0.25MM	1	SHIM	
11	131437500	⅜ (+) 0.3MM	1	SHIM	
11	131437760	⅜ (+) 0.35MM	1	SHIM	
11	131437510	⅜ (+) 0.4MM	1	SHIM	
11	131437520	⅜ (+) 0.5MM	1	SHIM	
11	131437530	⅜ (+) 0.5MM	1	SHIM	(A)

Footnotes

(A) FLAT

↳ U909866L

D6QH



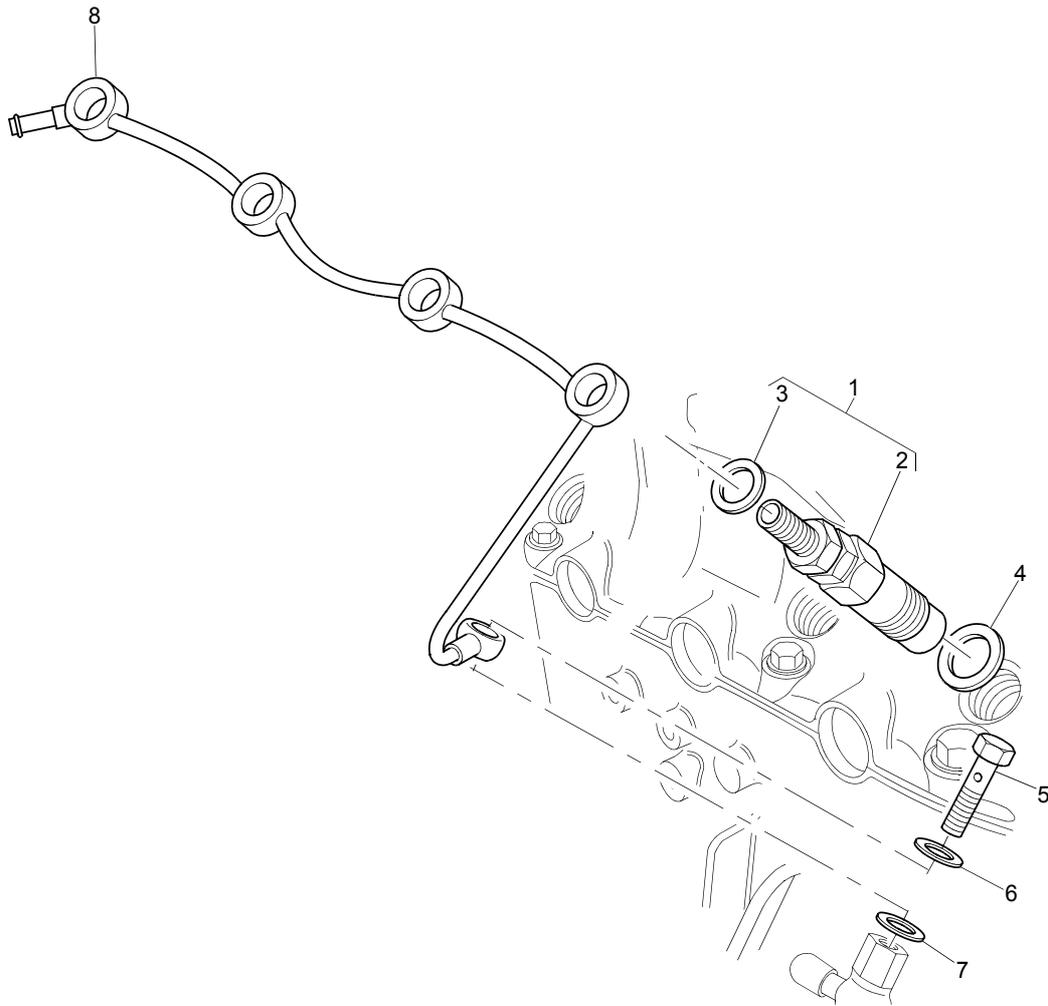
↳ U909866L

D6QH

Item	Part No.	References	Qty.	Description	Notes
1	131507700	 1	1	PIPE - FUEL INJ NO 1 CYL	
2	131507710	 2	1	PIPE - FUEL INJ NO 2 CYL	
3	131507720	 3	1	PIPE - FUEL INJ NO 3 CYL	
4	131507730	 4	1	PIPE - FUEL INJ NO 4 CYL	
5	199106021		1	CLAMP	
6	199106021		3	CLAMP	
7	023100006		3	NUT	
8	010110625		3	SCREW	

↳ U909866L

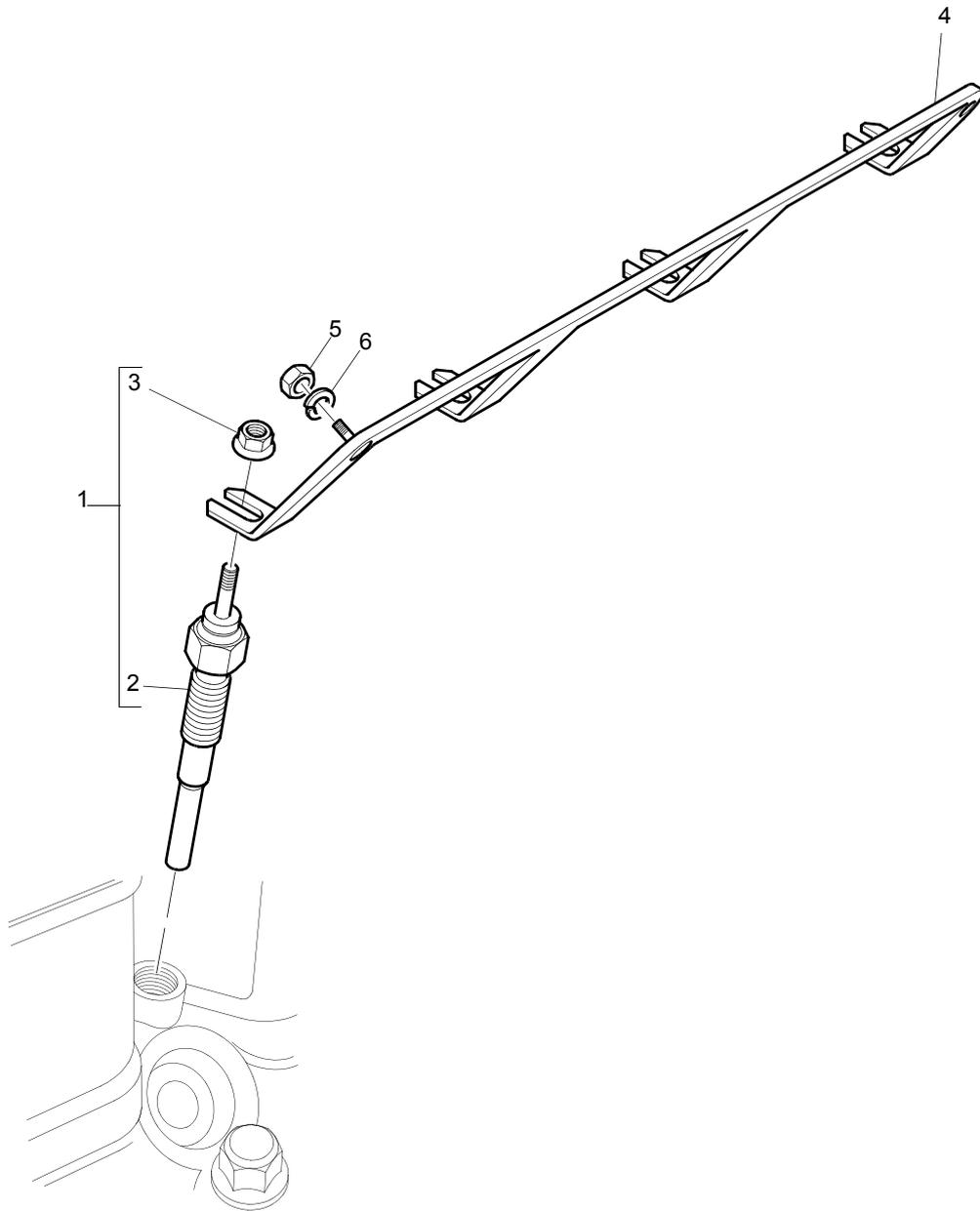
D6QH



Atomisers	Plate A
↳ U909866L	D6QH

Item	Part No.	References	Qty.	Description	Notes
1	131406490		4	ATOMISER	
2	└	⇒ 131406490	1	BODY	
3	└ 131426230		1	SEAL - INJECTOR	
4	131426200		4	SEAL - INJECTOR	
5	198487450		1	BOLT	
6	025100008		2	WASHER	
7	025100008		1	WASHER	
8	TPN711		1	PIPE - LEAK OFF	

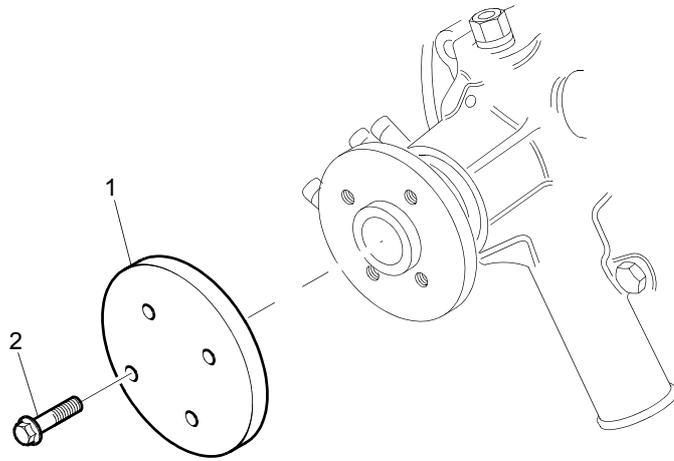
E6AK



E6AK

Item	Part No.	References	Qty.	Description	Notes
1	185366190		4	GLOWPLUG	
2	└	⇒ 185366190	1	GLOWPLUG	
3	└	⇒ 185366190	1	NUT	
4	185376150		1	BAR	
5	020100004		1	NUT	
6	027100004		1	WASHER	

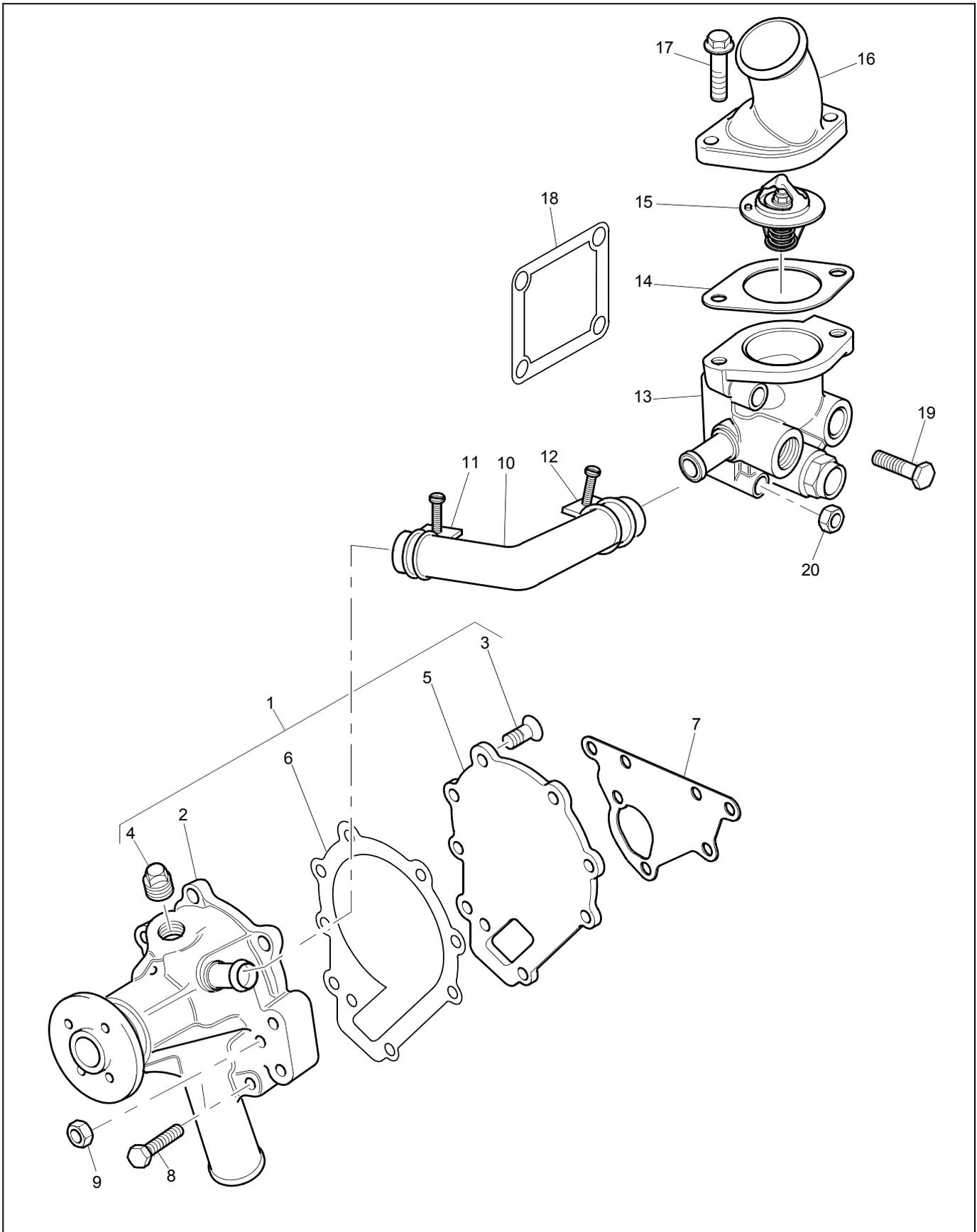
F4DK



Fan Drive	Plate A
	F4DK

Item	Part No.	References	Qty.	Description	Notes
1	145386390		1	PLATE	
2	011310620		4	SCREW	

F6AH



F6AH

Item	Part No.	References	Qty.	Description	Notes
1	145017950	 c.	1	WATER PUMP	
2		 145017950	1	WATER PUMP	
3	—015300614		3	SCREW	
4	—064500030		1	PLUG	
5	—145146320		1	PLATE	
6	—145996680		1	GASKET - WATER PUMP	
7	145996920	 b.	1	GASKET - WATER PUMP	
8	011310635		4	SCREW	
9	023100006		1	NUT	
10	145536051	 e.	1	HOSE	
11	067100022		1	CLIP	
12	067100022		1	CLIP	
13	145216380		1	THERMOSTAT HOUSING	
14	145996051		1	GASKET - THERMOSTAT HSG	
15	145206182		1	THERMOSTAT	
16	TPN377	 d.	1	CONNECTION	
17	011510825	 a.	2	SCREW	
18	145996930	 b.	1	GASKET - THERMOSTAT HSG	
19	011310645		2	SCREW	
20	023100006		2	NUT	

History**a.**

17	011510820	2	SCREW
----	-----------	---	-------

b.

7	145996670	1	JOINT
18	145996710	1	GASKET

c.

1	145017730	1	WATER PUMP
---	-----------	---	------------

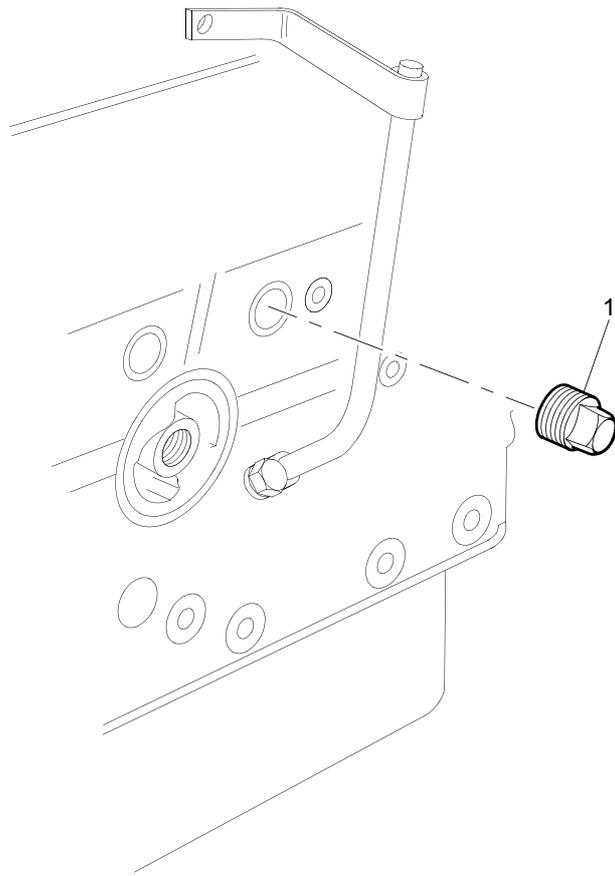
d.

16	145226340	1	CONNECTION
----	-----------	---	------------

e.

10	145536050	1	HOSE
----	-----------	---	------

F6AH



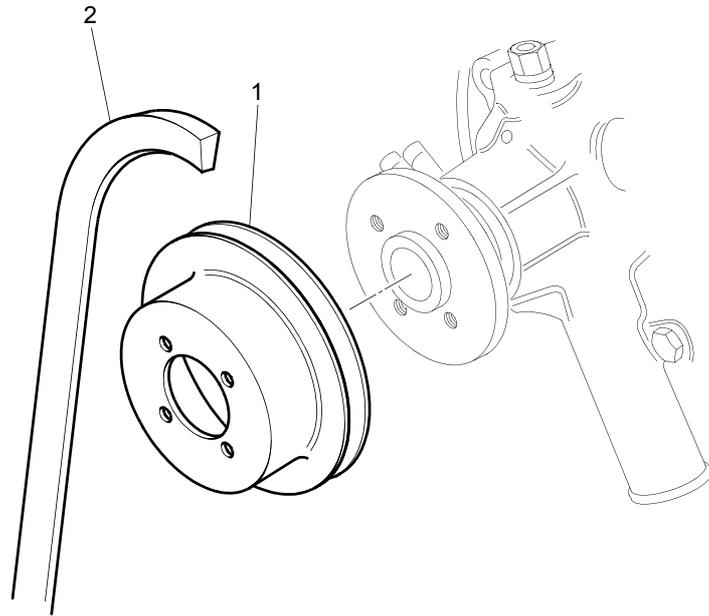
Thermostat & Housing

Plate A

F6AH

Item	Part No.	References	Qty.	Description	Notes
1	064510060		1	PLUG	

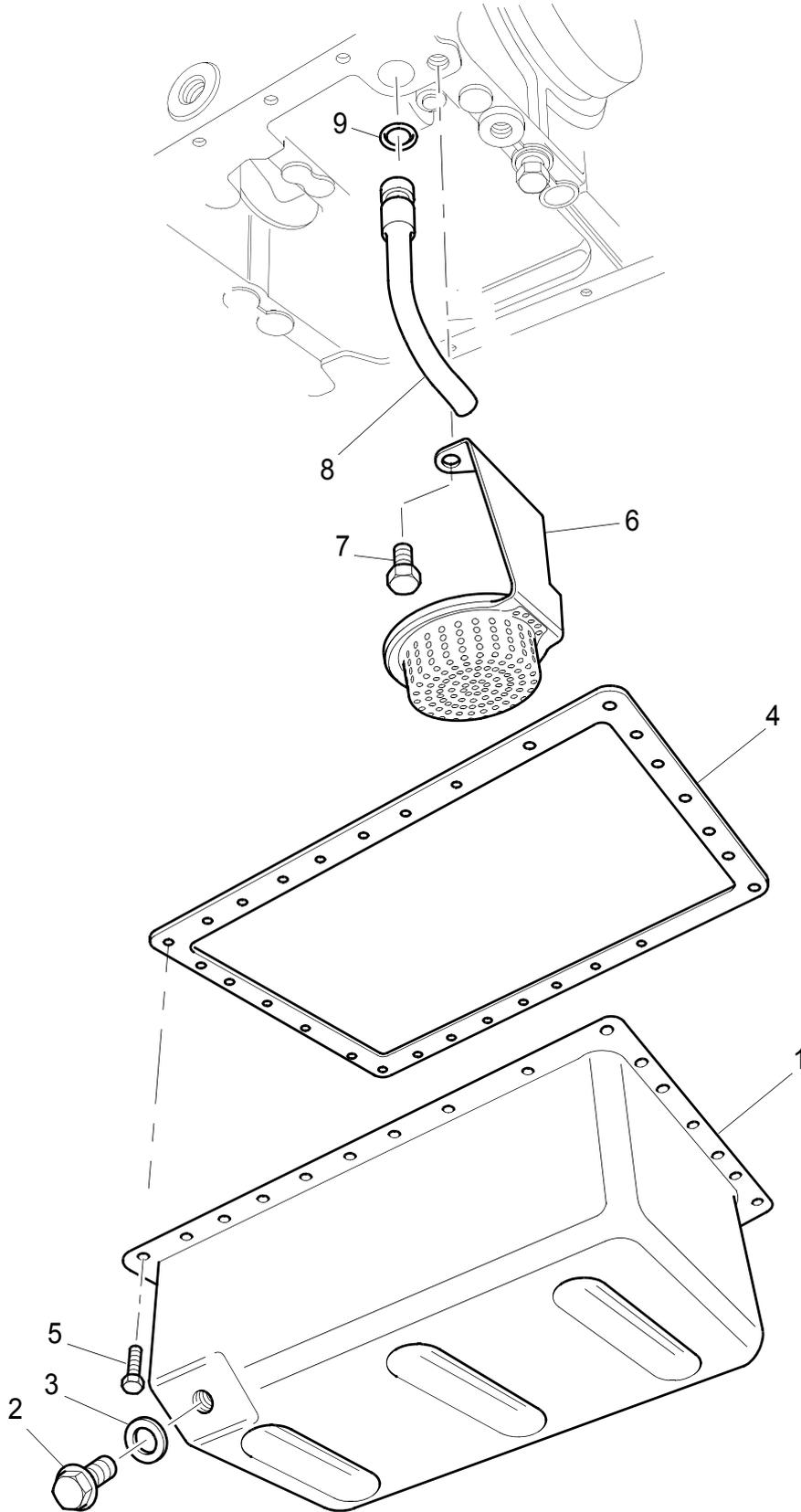
F8CH



Pulleys	Plate A
	F8CH

Item	Part No.	References	Qty.	Description	Notes
1	145337030		1	1 GROOVE WATERPUMP PULLEY	
2	080109109		1	V BELT	

G6BH

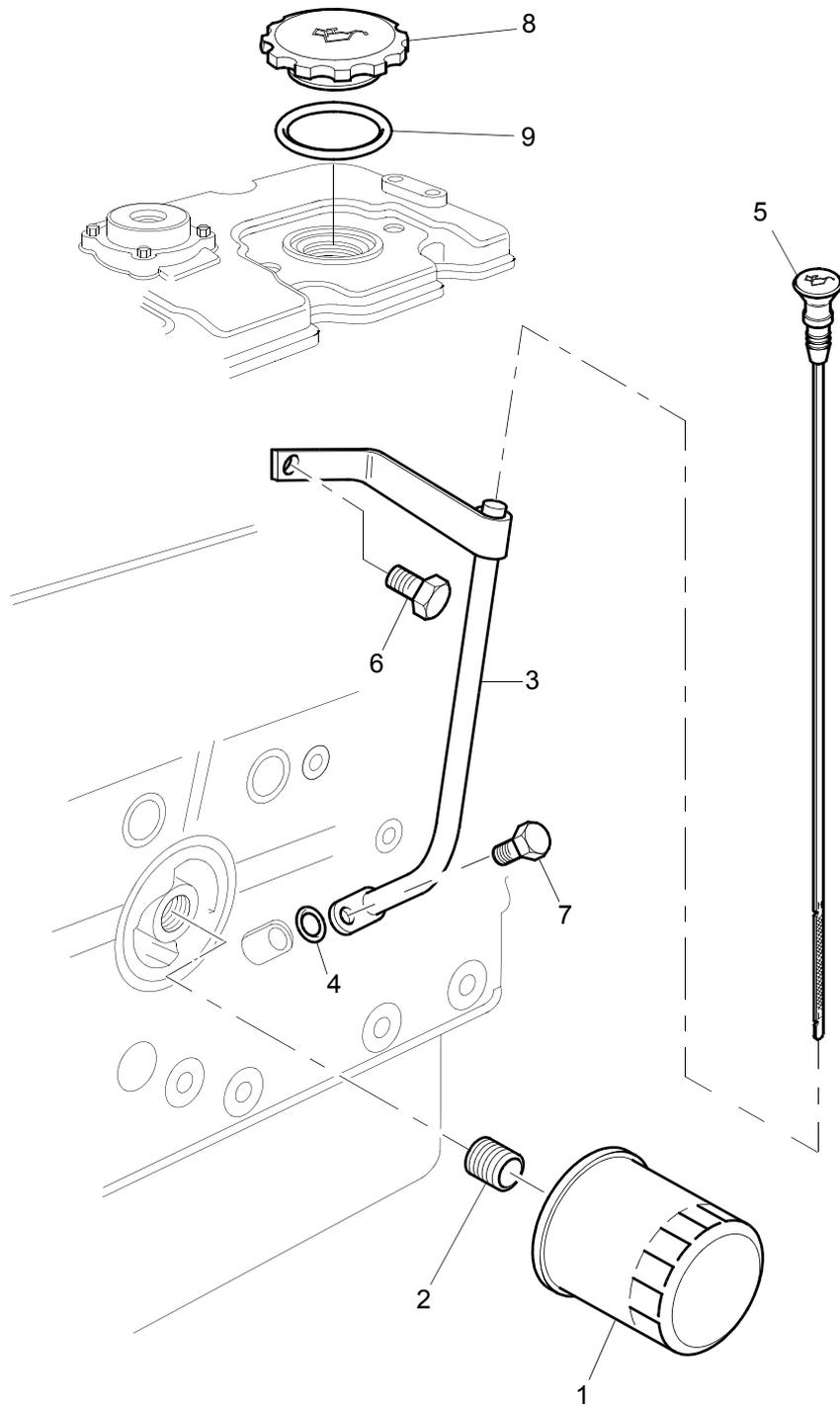


Sump	Plate A
	G6BH

Item	Part No.	References	Qty.	Description	Notes
1	110708390		1	SUMP	
2	010109238		2	SCREW	
3	025100016		2	WASHER	
4	110996920	 a.	1	GASKET - SUMP	
5	010109235		30	SCREW	
6	140406360		1	STRAINER	
7	011310612		2	SCREW	
8	140986630		1	OIL PIPE	
9	052109076		1	SEAL - O RING	

History					
a.					
4	110996860		1	GASKET - SUMP	

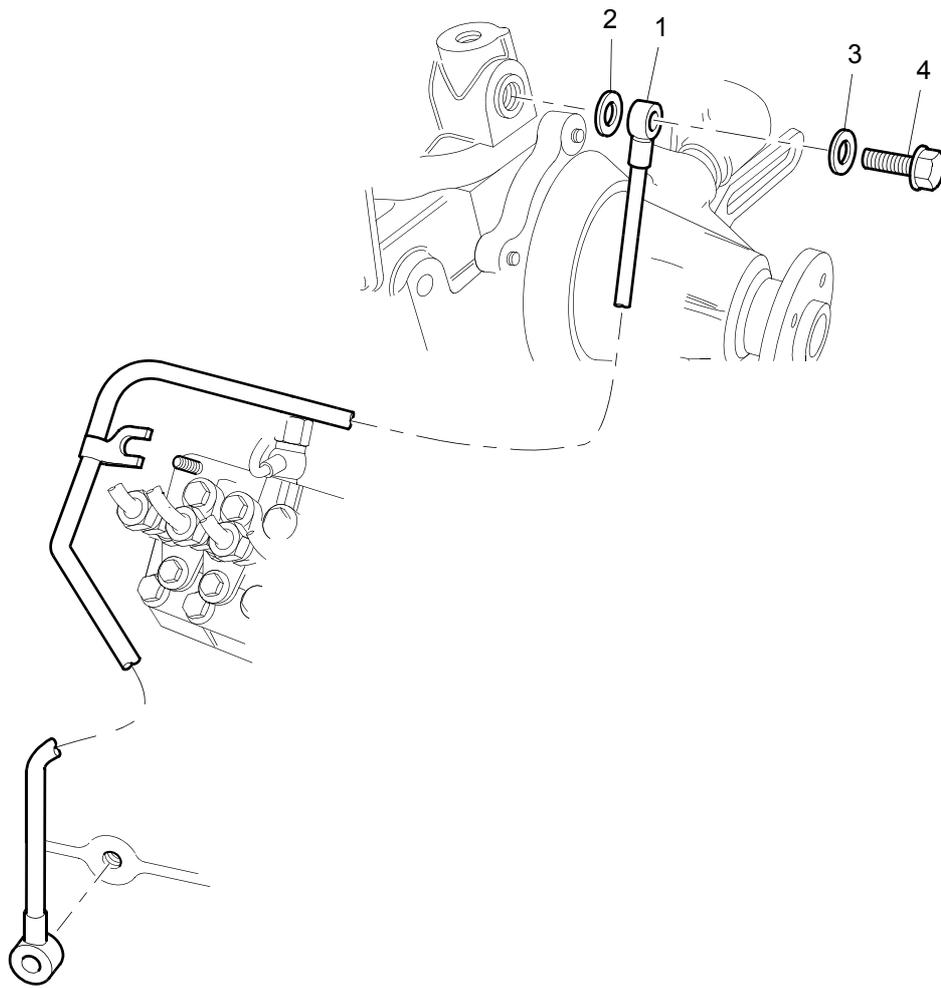
G6BH



Oil Filter	Plate A
	G6BH

Item	Part No.	References	Qty.	Description	Notes
1	140517050		1	OIL FILTER	
2	140546020		1	CONNECTION	
3	110756590		1	DIPSTICK TUBE	
4	052100100		2	SEAL - O RING	
5	198416710		1	DIPSTICK	429MM
6	011510812		1	SCREW	
7	011310612		1	SCREW	
8	198436350		1	OIL FILLER CAP	
9	052100400		1	SEAL - O RING	

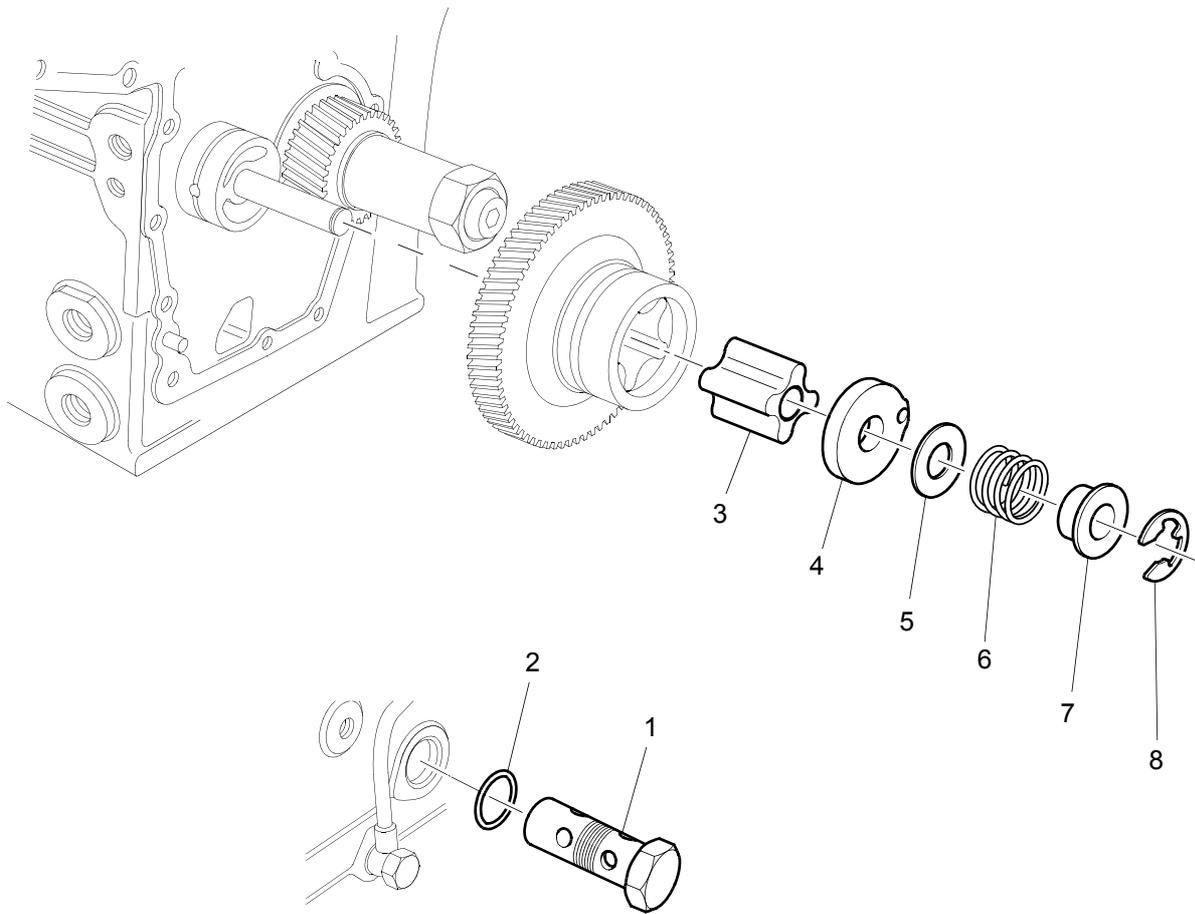
G6BH



G6BH

Item	Part No.	References	Qty.	Description	Notes
1	140607020		1	OIL PIPE	
2	140996260		1	WASHER	
3	140996260		1	WASHER	
4	198486780		1	BOLT	

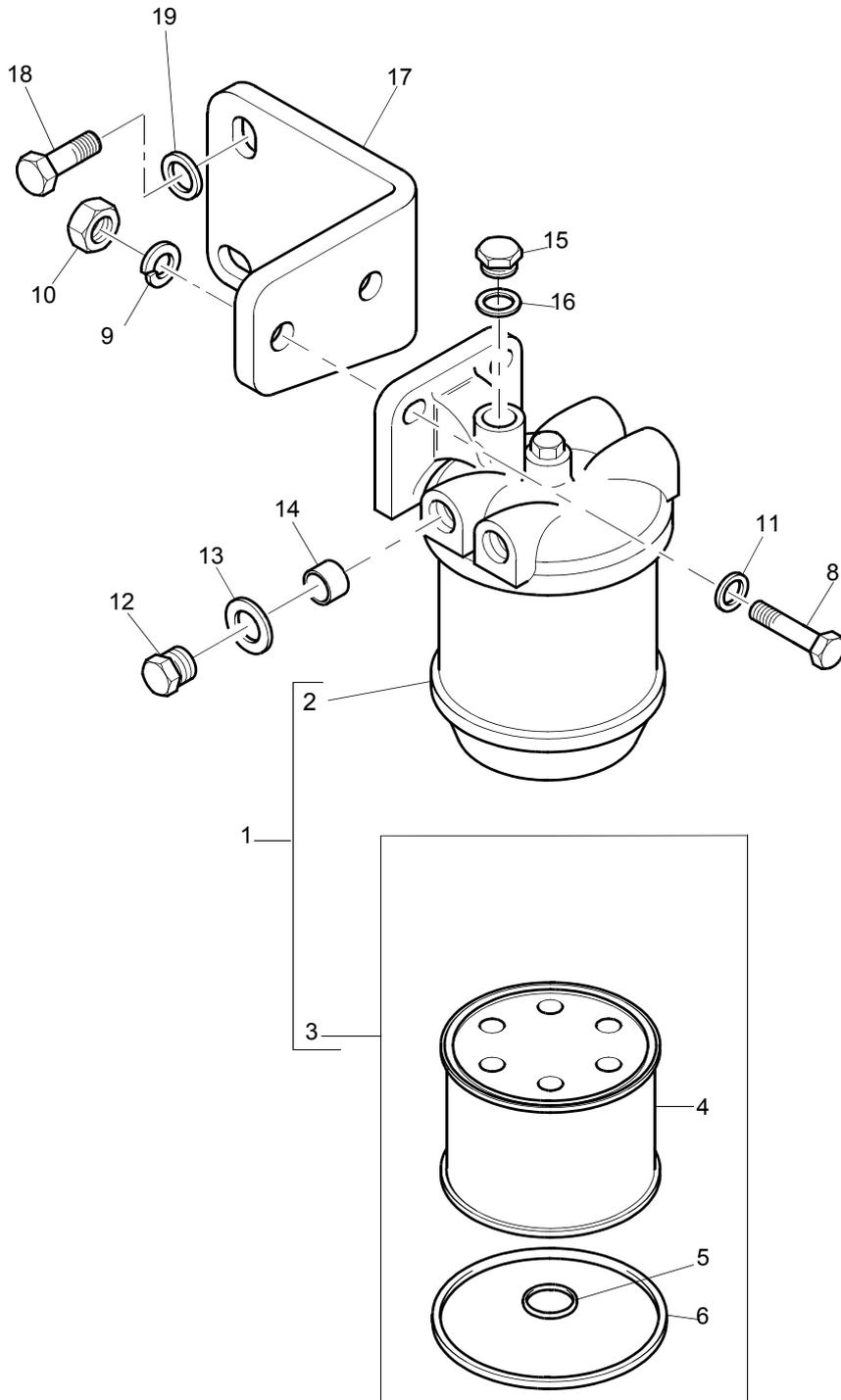
G6BH



Rotor	Plate A
	G6BH

Item	Part No.	References	Qty.	Description	Notes
1	140036220		1	RELIEF VALVE	
2	052109078		1	SEAL - O RING	
3	140166140		1	ROTOR	
4	140116140		1	COVER	
5		  SERVICE OPTION	1	SHIM	
6	198216720		1	SPRING	
7	199236540		1	COLLAR	
8	036800010		1	CIRCLIP	
Service Options					
5	199286150	 (+)0.10MM	1	SHIM	
5	199286160	 (+)0.15MM	1	SHIM	
5	199286170	 (+)0.20MM	1	SHIM	
5	199286180	 (+)0.50MM	1	SHIM	

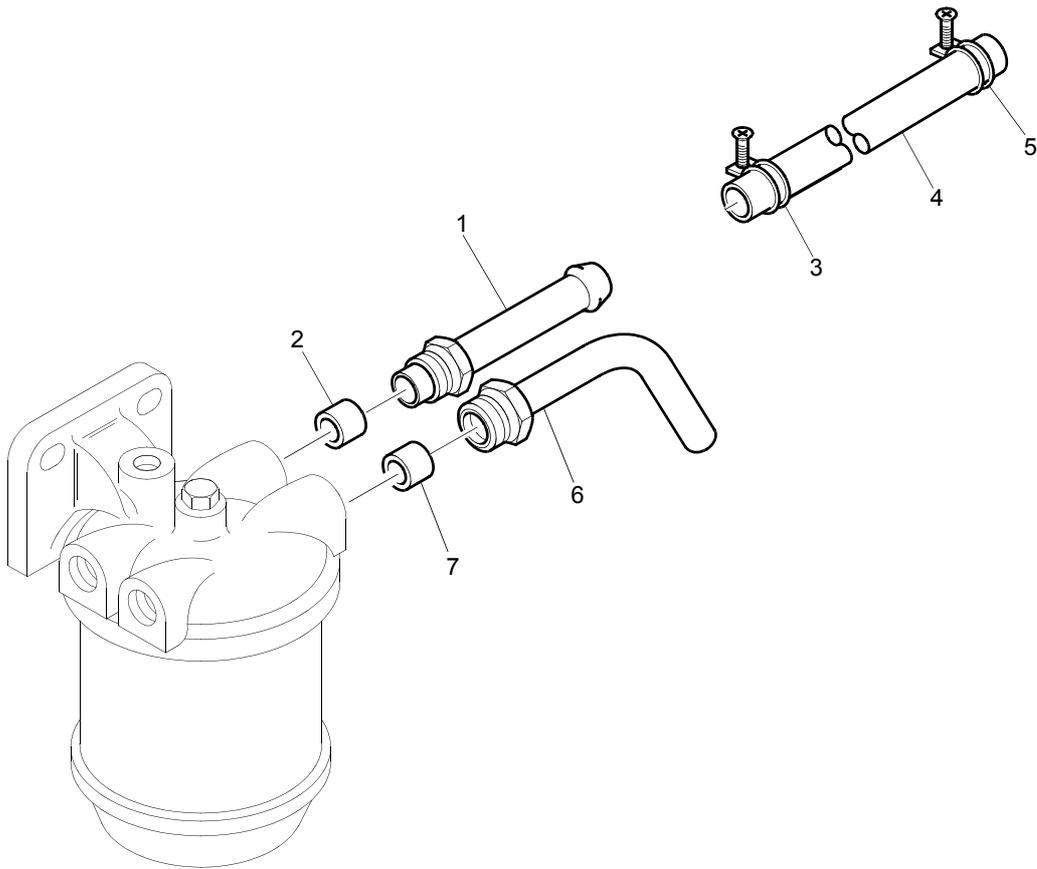
H6GK



H6GK

Item	Part No.	References	Qty.	Description	Notes
1	2656613		1	FUEL FILTER ASSEMBLY	
2	├──	⇒ 2656613	1	BOWL	
3	├── 26560017		1	FUEL FILTER KIT	
4	│ ├──	⇒ 26560017	1	ELEMENT	
5	│ └── 26560014		2	SEAL	
6	├── 0490786		1	SEAL - O RING	
7	└── 26560014		2	SEAL	
8	010111030		1	BOLT	
9	027100010		2	WASHER	
10	020900010		2	NUT	
11	026200010		2	WASHER	
12	0650204		2	PLUG	
13	0920154		2	WASHER	
14	2487F001		2	PLUG	
15	32184226		1	PLUG	
16	0920146		1	WASHER	
17	130976620		1	BRACKET	
18	011510820		2	SCREW	
19	026100008		2	WASHER	

H6GK

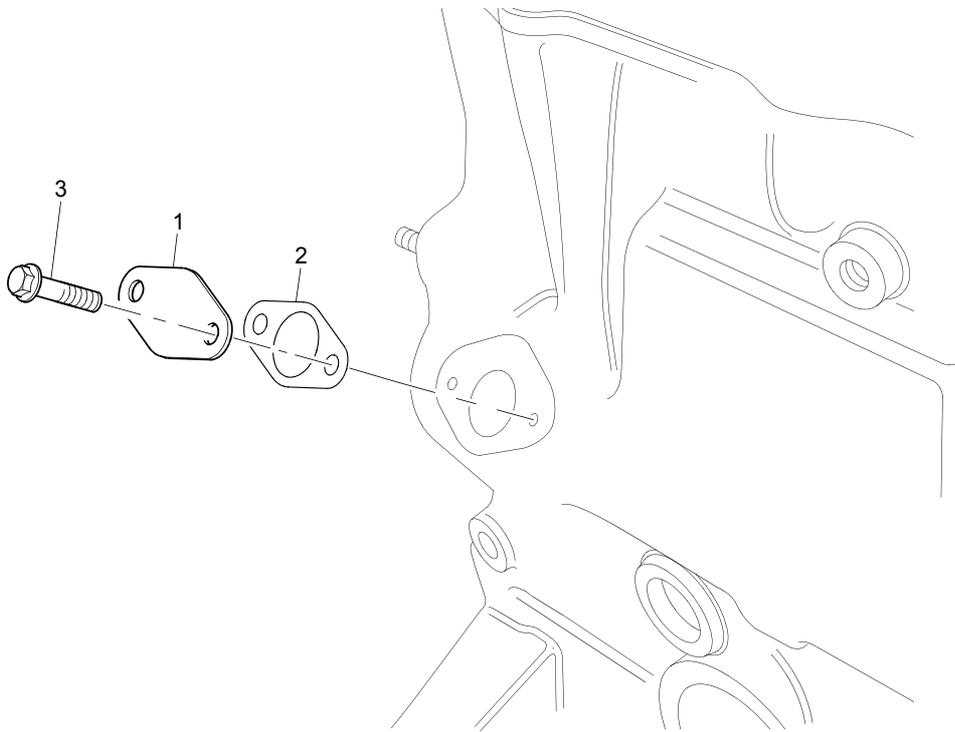


Pipes	Plate A
	H6GK

Item	Part No.	References	Qty.	Description	Notes
1	131246290	 a.	1	PIPE - LOW PRESSURE FUEL	
2	33811114		1	OLIVE	
3	067100015		1	CLIP	
4	068209227		1	FUEL PIPE	
5	067100015		1	CLIP	
6	131246270		1	FUEL PIPE	
7	33811114		1	OLIVE	

History					
a.					
1	TPN449		1	FUEL PIPE	

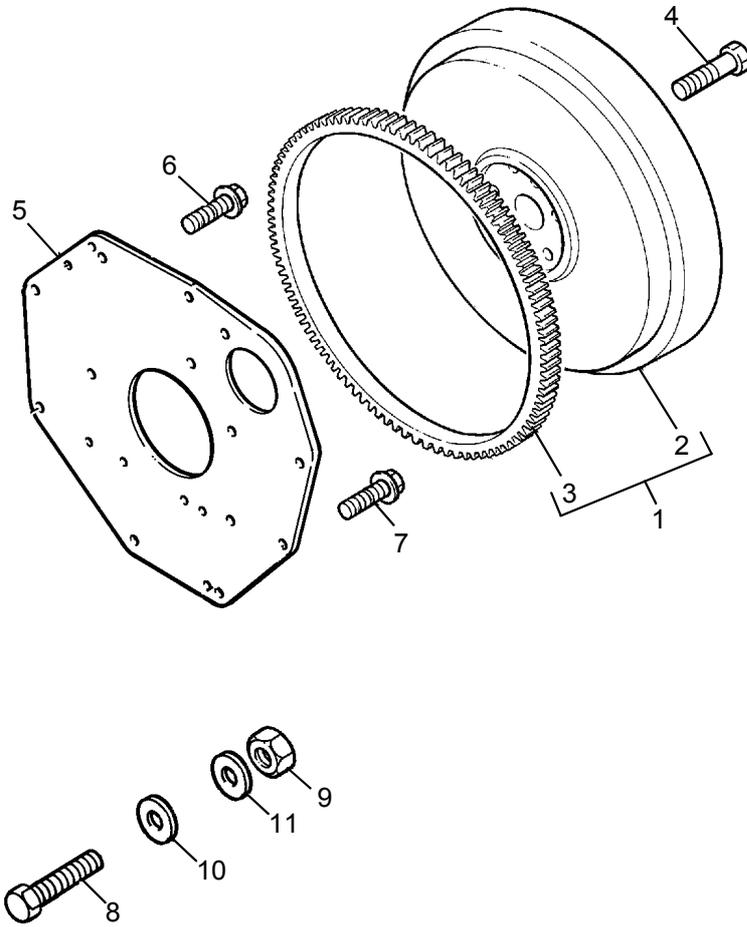
H7CK



Lift Pump	Plate A
	H7CK

Item	Part No.	References	Qty.	Description	Notes
1	165206340		1	COVER	
2	130996140		1	GASKET - LIFT PUMP	
3	011310612		2	SCREW	

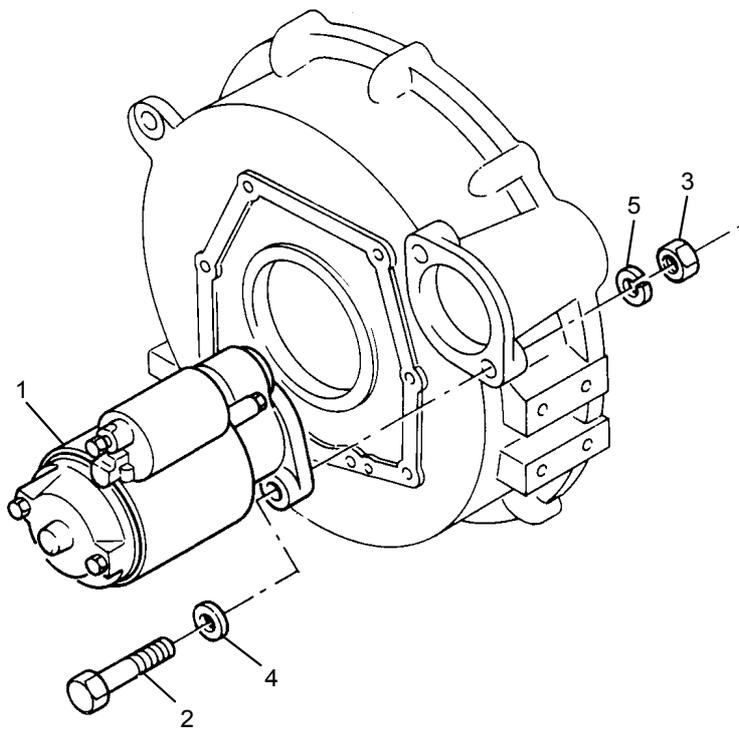
J6LK



J6LK

Item	Part No.	References	Qty.	Description	Notes
1	115357460		1	FLYWHEEL	
2		⇒ REF.1	1	FLYWHEEL	
3	115376160		1	STARTER RING	
4	010109341		6	BOLT	
5	110367580		1	PLATE	
6	011511220		2	SCREW	
7	011510816		10	SCREW	

K6EK

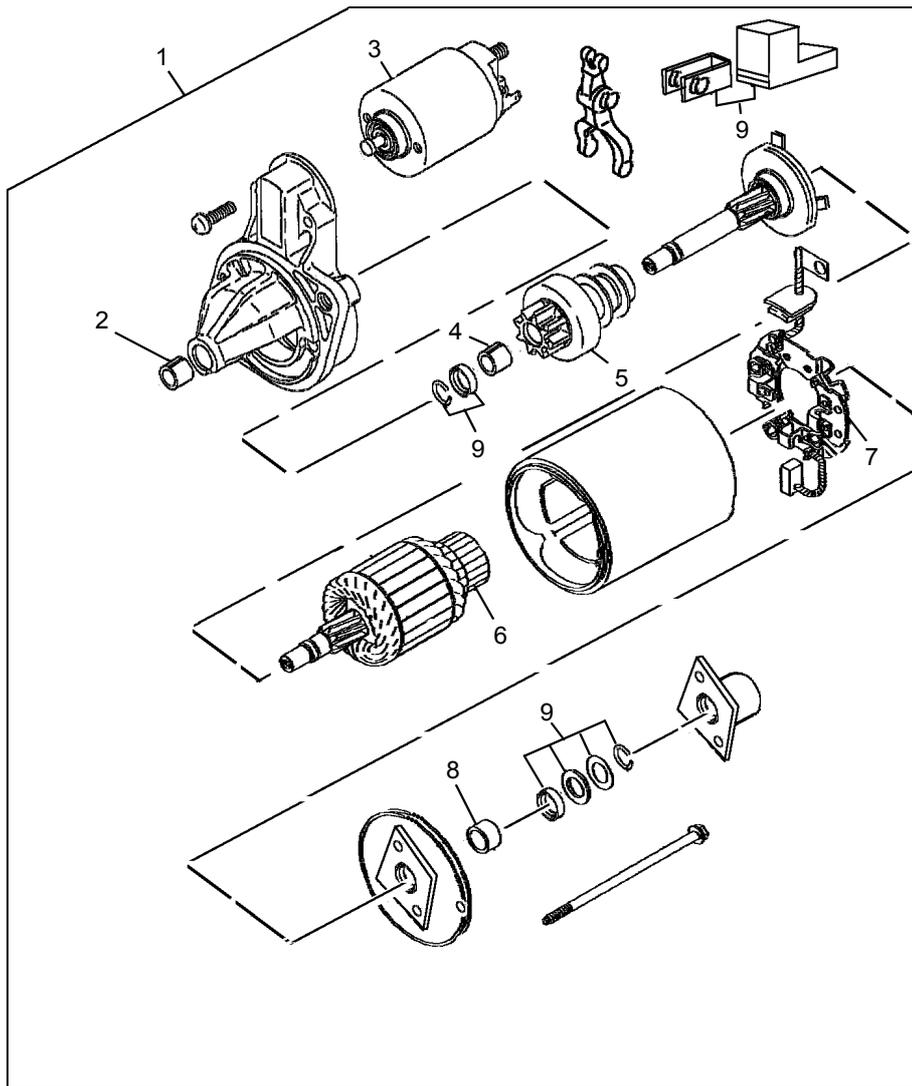


Starter Group	Plate B
	K6EK

Item	Part No.	References	Qty.	Description	Notes
1	185086600		1	STARTER MOTOR	(A)
2	010301030		2	SCREW	
3	020900010		2	NUT	
4	026200010		2	WASHER	
5	027100010		2	WASHER	

Footnotes	
(A)	FOR BREAKDOWN DETAILS SEE FOLLOWING PAGES

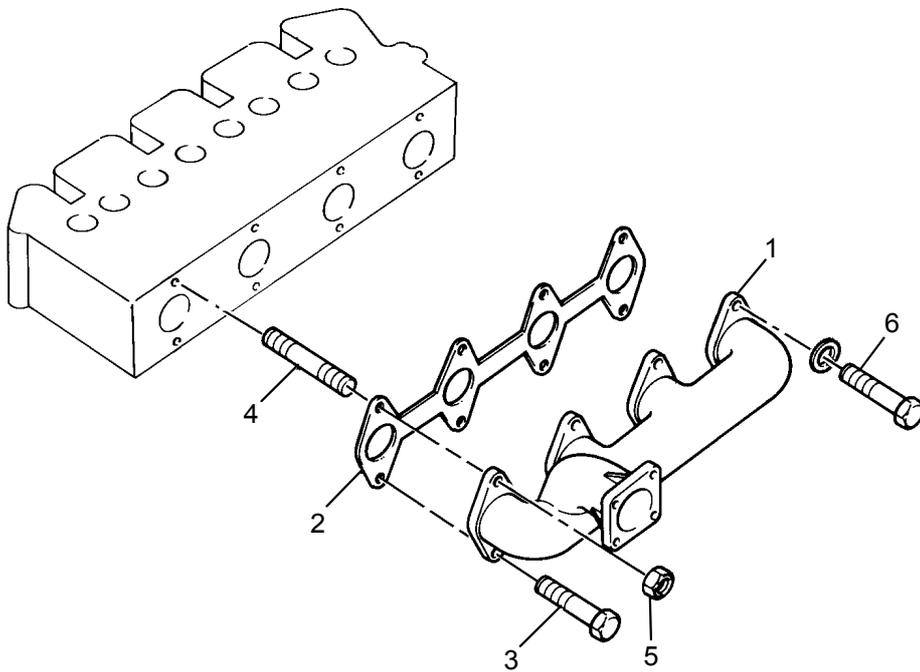
K6EK



Starter Group	Plate K
	K6EK

Item	Part No.	References	Qty.	Description	Notes
1	185086600		1	STARTER MOTOR	
2	└28730303		1	BUSH	
3	└28730304		1	SOLENOID	
4	└28730302		1	BUSH	
5	└28730301		1	DRIVE	
6	└28730305		1	ARMATURE	
7	└28730307		1	HOLDER	
8	└28730306		1	BUSH	
9	└28730308		1	KIT	

L6BK



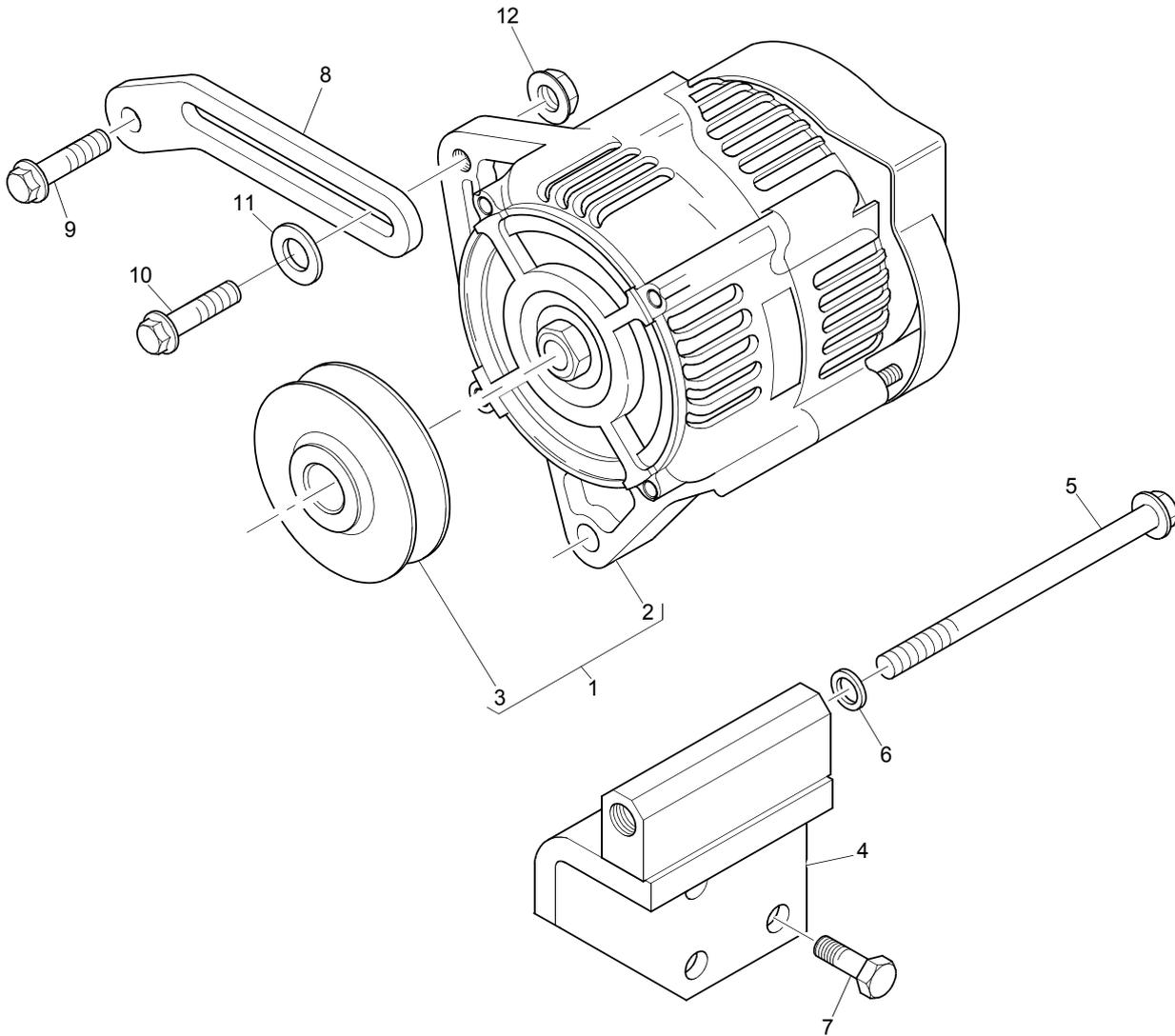
Exhaust Manifold Group**Plate B****L6BK**

Item	Part No.	References	Qty.	Description	Notes
1	135617150		1	EXHAUST MANIFOLD	
2	135996780		1	GASKET - EXHAUST MANIFOLD	
3	011510860		4	SCREW	
4			2	STUD	(A)
5	023100008		2	NUT	
6	011510880		2	SCREW	

Footnotes

(A) REFER TO CYLINDER HEAD SECTION

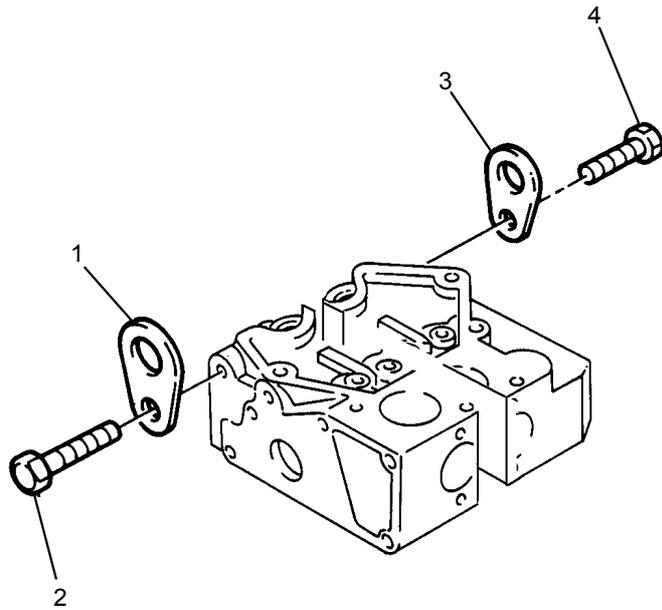
N6GH



Alternator	Plate A
	N6GH

Item	Part No.	References	Qty.	Description	Notes
1	TPN766		1	ALTERNATOR	
2	└	⇒ TPN766	1	ALTERNATOR	
3	└ 3113E031		1	ALTERNATOR PULLEY	
4	TPN744		1	ALTERNATOR BRACKET	
5	2314H052		1	SCREW	
6	026100008		1	WASHER	
7	011510820		3	SCREW	
8	185727130		1	LEVER	
9	011510825		1	SCREW	
10	011510825		1	SCREW	
11	026109017		1	WASHER	
12	023100008		1	NUT	

O6AK

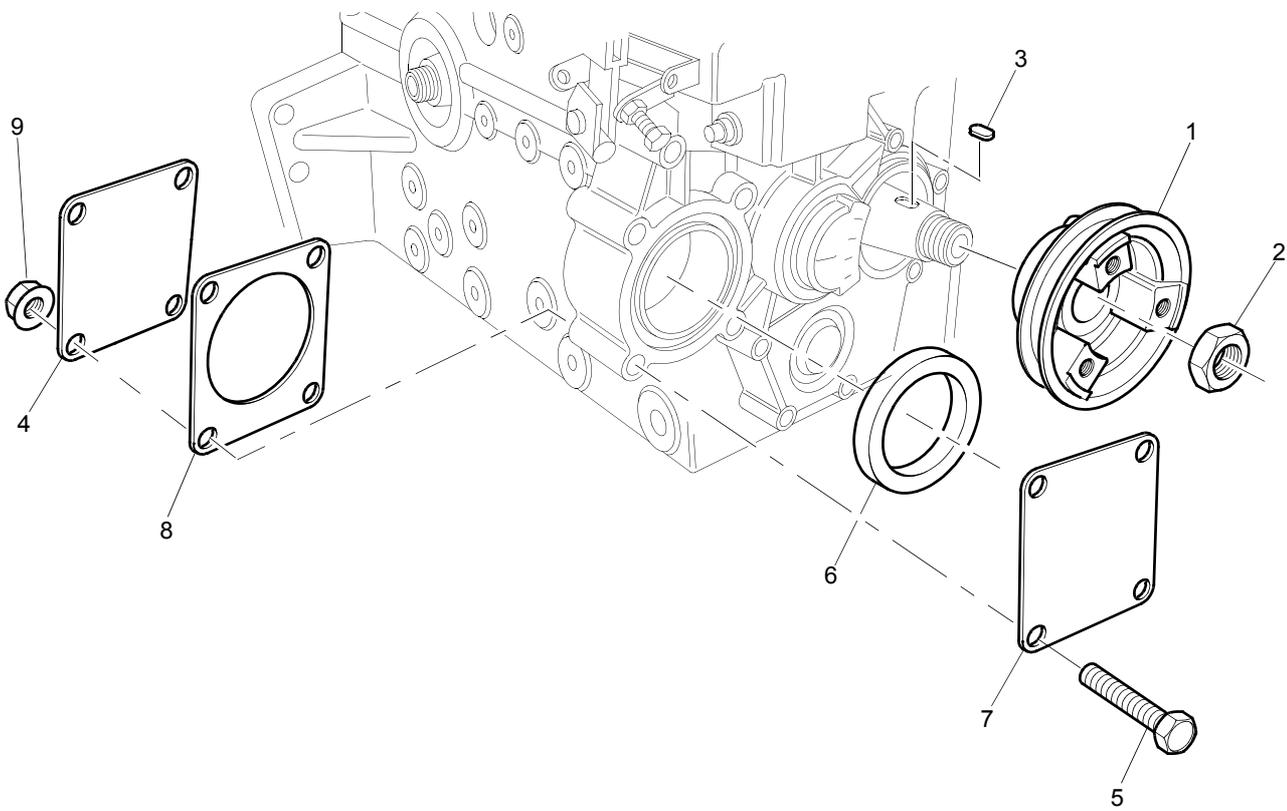


Engine Lifting	Plate A
	O6AK

Item	Part No.	References	Qty.	Description	Notes
1	195816550		1	LIFTING EYE	(A)
2	011510816		1	SCREW	
3	195816590		1	LIFTING EYE	
4	011510816		1	SCREW	

Footnotes	
(A)	FRONT BRACKET

P6AH

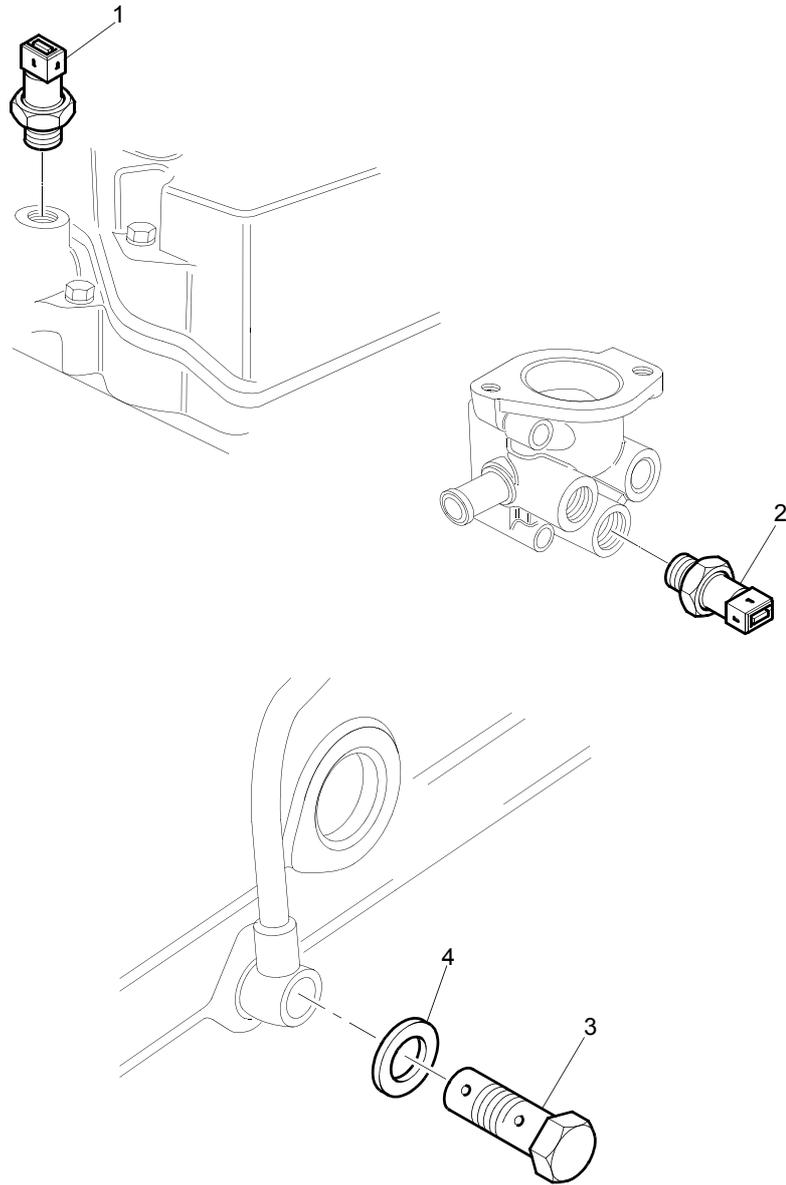


Auxiliary Drive	Plate A
	P6AH

Item	Part No.	References	Qty.	Description	Notes
1	115397400		1	CRANKSHAFT PULLEY	
2	020109086		1	NUT	
3	034100508		1	WOODRUFF KEY	
4	165206010		1	PLATE	
5	010310865		4	BOLT	
6	052300600		1	SEAL - O RING	
7	165206010		1	PLATE	
8	165996110		1	GASKET - OIL FILLER	
9	023100008		4	NUT	

→ 526521M

Q6AH

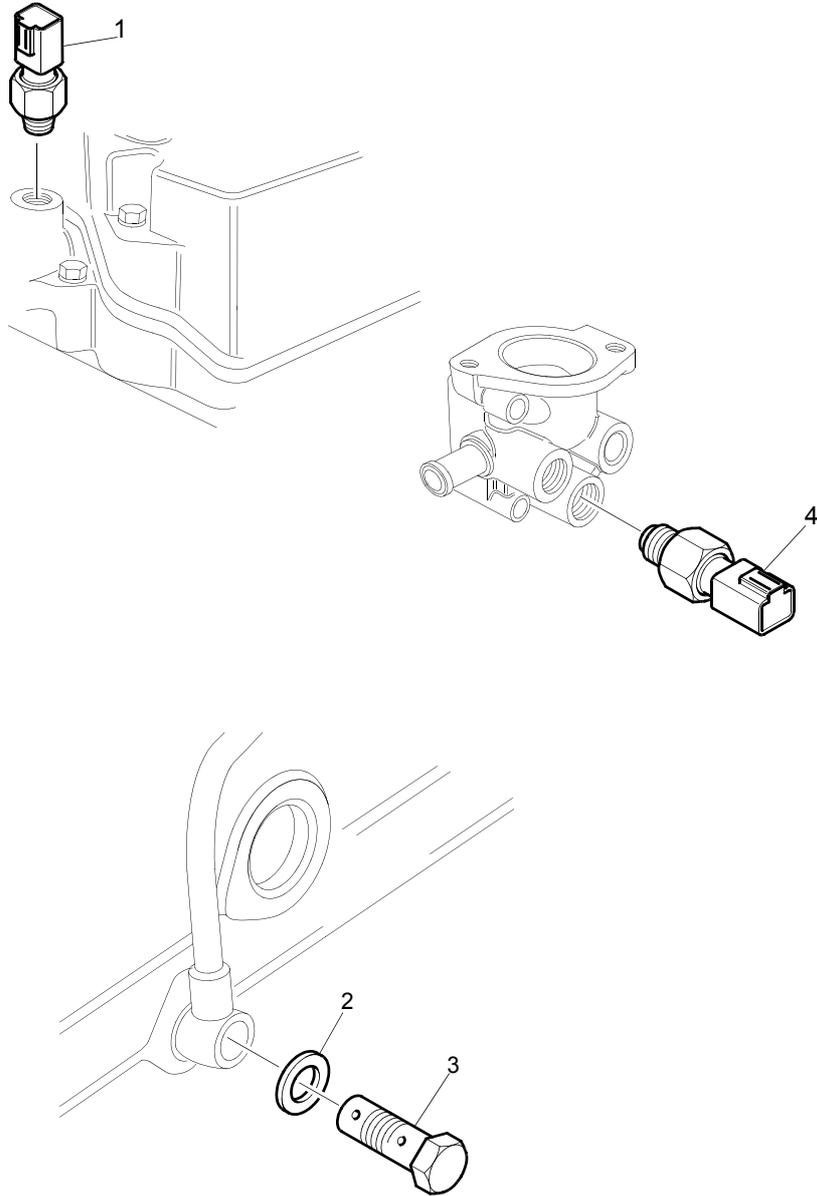


Instrumentation	Plate A
→ 526521M	Q6AH

Item	Part No.	References	Qty.	Description	Notes
1	185246170		1	OIL PRESSURE SWITCH	
2	385720480		1	WATER TEMPERATURE SWITCH	
3	198486780		1	BOLT	
4	140996260		1	WASHER	

↳ 526522M

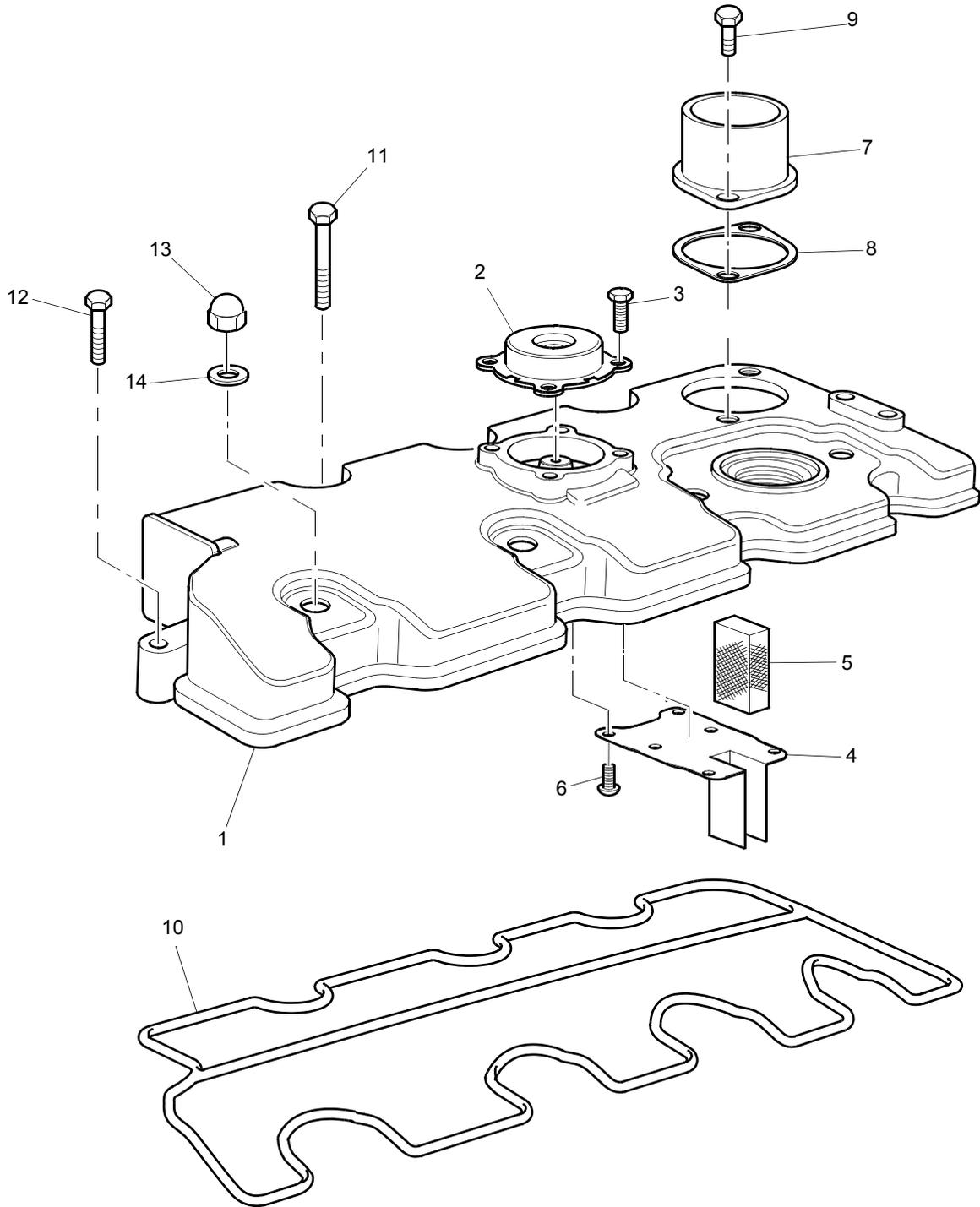
Q6QH



Instrumentation	Plate A
↳ 526522M	Q6QH

Item	Part No.	References	Qty.	Description	Notes
1	185246210		1	OIL PRESSURE SWITCH	
2	140996260		2	WASHER	
3	198486780		1	BOLT	
4	385720510		1	WATER TEMPERATURE SWITCH	

S6BH

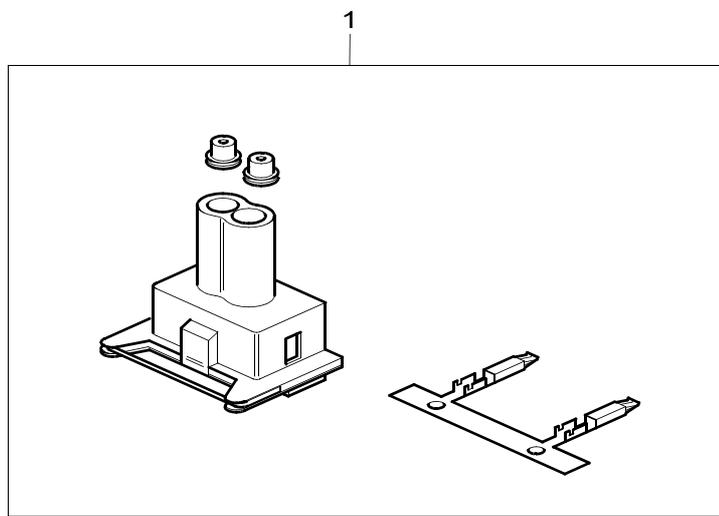


Cylinder Head Cover**Plate A****S6BH**

Item	Part No.	References	Qty.	Description	Notes
1	111217411		1	CYLINDER HEAD COVER	
2	110566080		1	BREATHER VALVE	
3	011100408		4	METRIC BOLT	
4	110666210		1	RETAINING PLATE	
5	110666060		1	GAUZE	
6	015600406		6	SCREW	
7	135566470		1	PIPE - AIR	
8	135996950		1	GASKET	
9	011310620		2	SCREW	
10	111996401		1	GASKET - CYL. HEAD COVER	
11	011310660		3	SCREW	
12	011310635		2	SCREW	
13	024600010		4	NUT	
14	140996270		4	WASHER	

→ 526521M

Z3AH



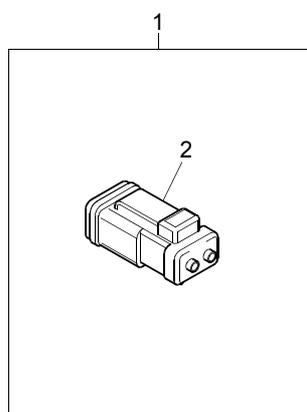
Electrical	Plate A
→ 526521M	Z3AH

Item	Part No.	References	Qty.	Description	Notes
1	4181V013		3	CONNECTOR	(A)

Footnotes					
(A)	SUPPLIED LOOSE.				

↳ 526522M

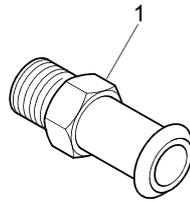
Z3FH



Electrical	Plate A
↳ 526522M	Z3FH

Item	Part No.	References	Qty.	Description	Notes
1	20195		1	CONNECTION KIT	
2	L	⇒ 20195	3	CONNECTION	

Z5EK



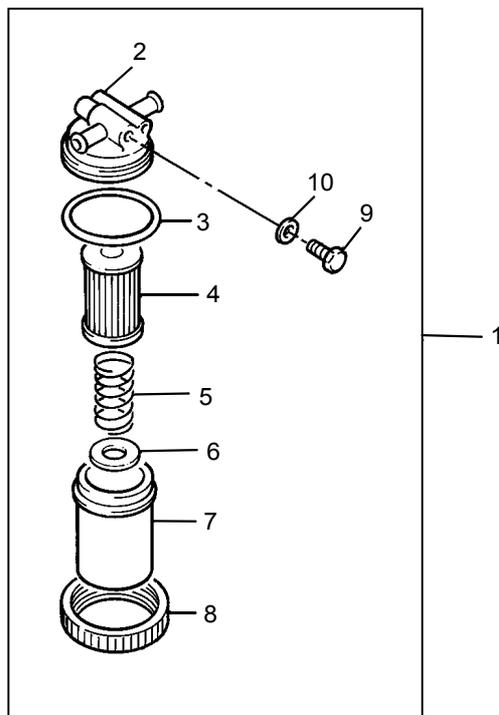
Electrical	Plate A
	Z5EK

Item	Part No.	References	Qty.	Description	Notes
1	3355A004		2	CONNECTION	(A)

Footnotes					
(A)	ADAPTOR CAB HEATER FEED PIPE				

→ 917067M

Z6AK

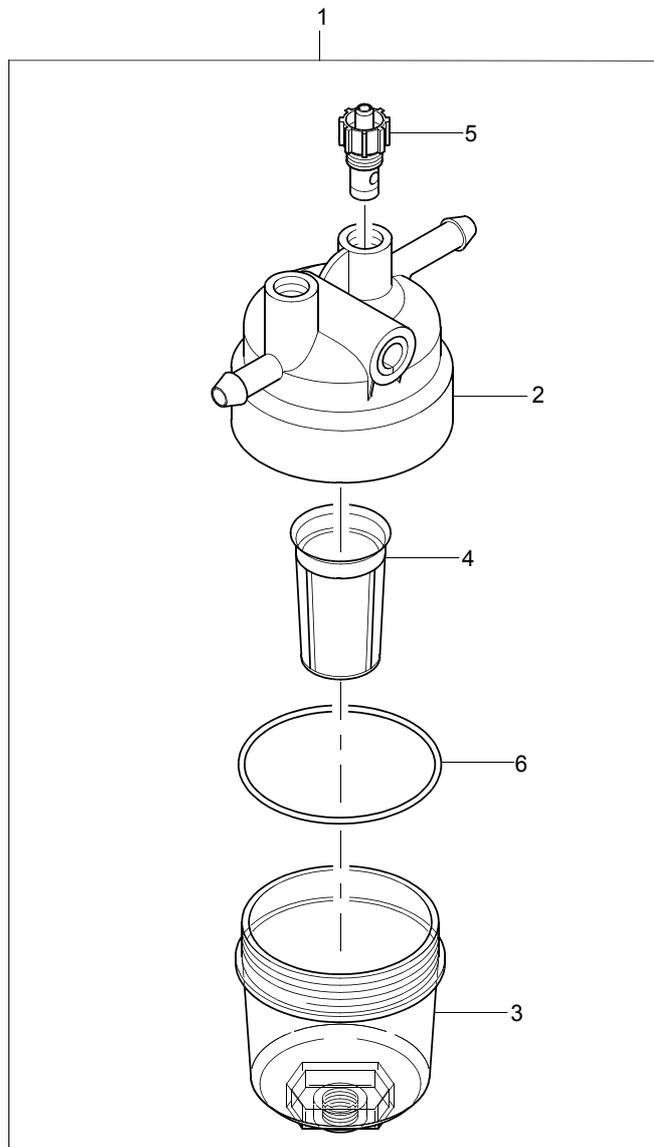


Miscellaneous	Plate C
→ 917067M	Z6AK

Item	Part No.	References	Qty.	Description	Notes
1	130306180		1	PRE-FUEL FILTER ASSY	
2	—	⇒ REF.1	1	HEAD	
3	—052100440		1	SEAL - O RING	
4	—130366110		1	PRE-FUEL FILTER	
5	—130446120		1	SPRING	
6	—130356010		1	FLOAT	
7	—130336070		1	CUP	
8	—130446090		1	RING	
9	—130446100		1	SCREW	
10	—130446110		1	WASHER	

↳ 917068M

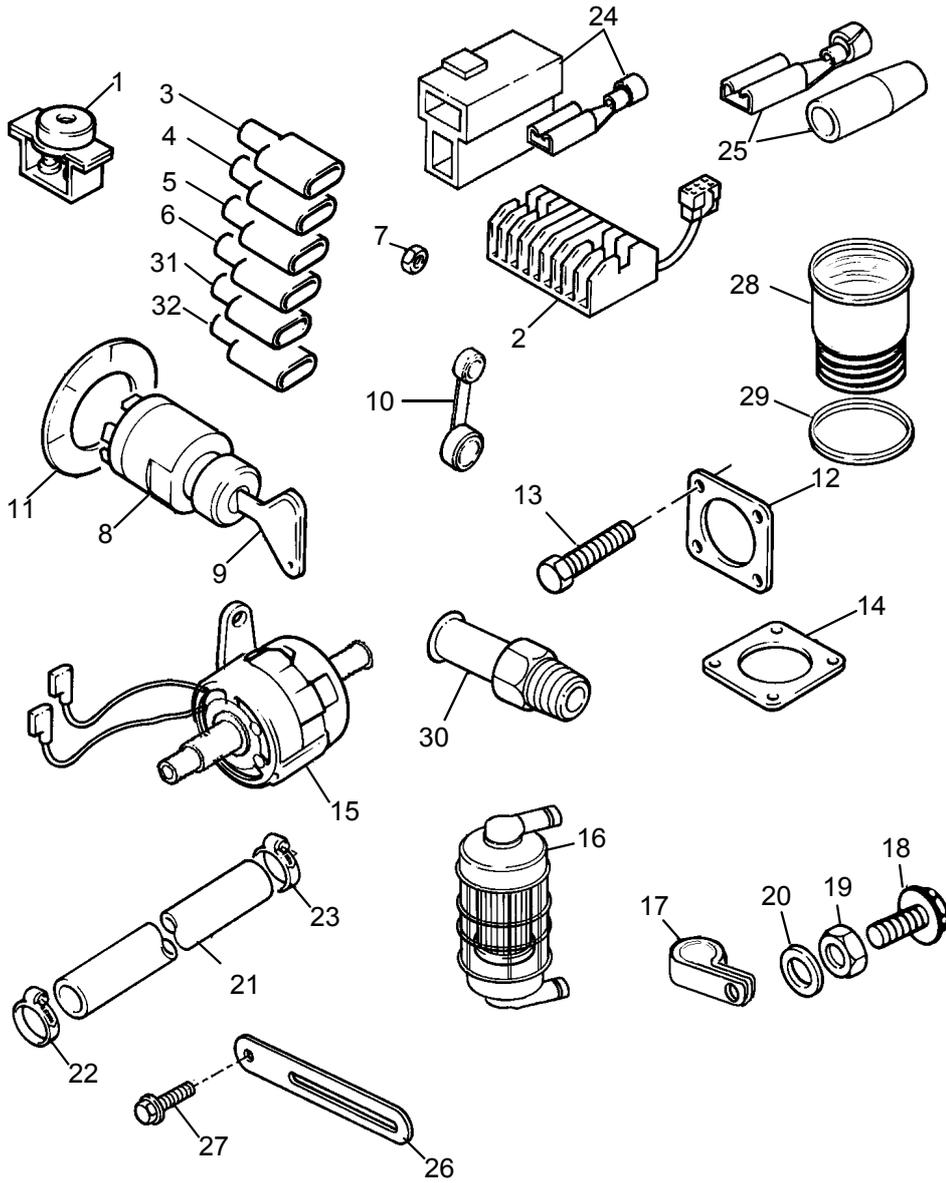
Z6AK



Miscellaneous	Plate C
↳ 917068M	Z6AK

Item	Part No.	References	Qty.	Description	Notes
1	130306380		1	PRE-FUEL FILTER ASSY	
2		⇒ 130306380	1	FUEL FILTER HEAD	
3	—26560182		1	FUEL FILTER BOWL	
5	—26560183		3	DRAIN PLUG	
4	—130306360		1	FUEL FILTER	
6	—26560184		1	SEAL - O RING	

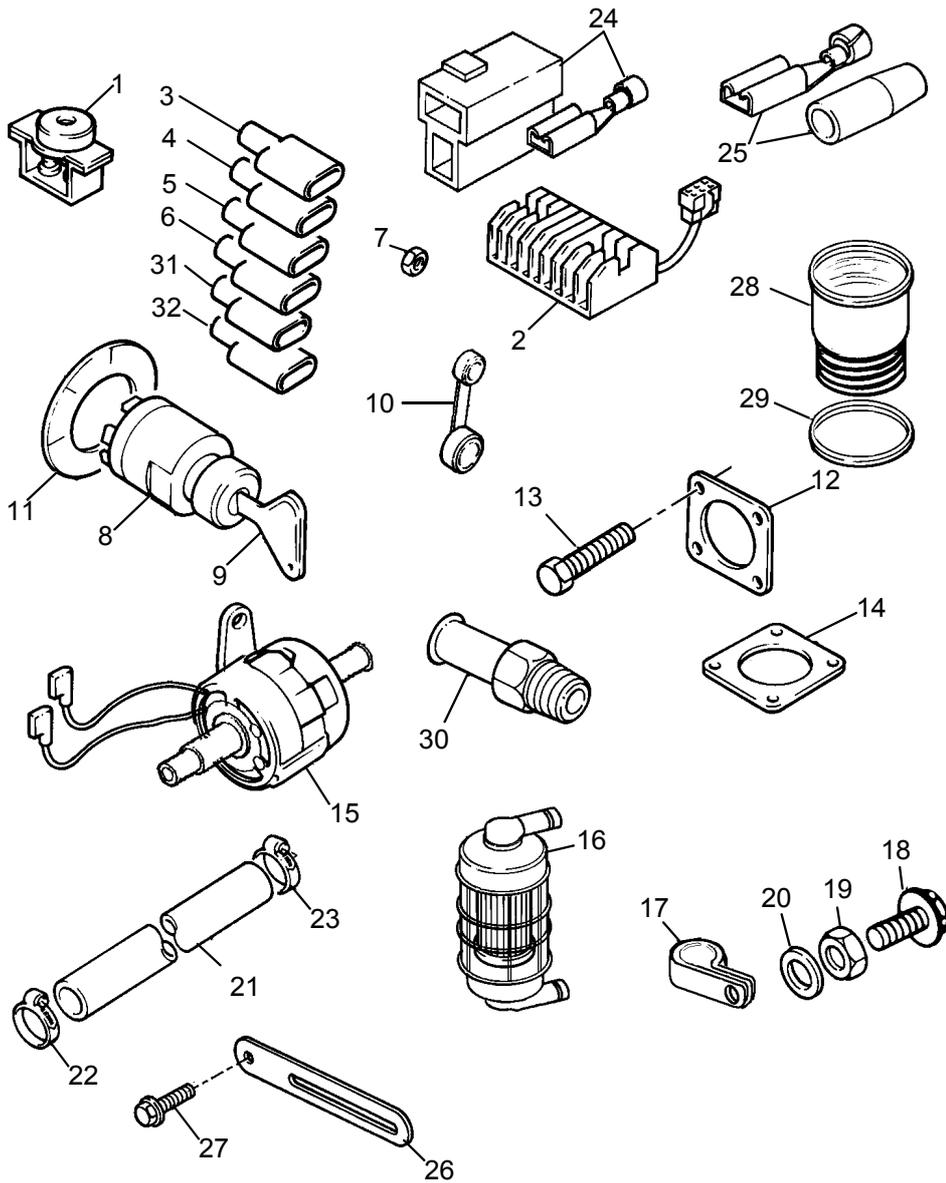
Z6CK



Miscellaneous		Plate A
		Z6CK

Item	Part No.	References	Qty.	Description	Notes
15	485510011		1	LIFT PUMP	

Z6DK



Miscellaneous	Plate A
	Z6DK

Item	Part No.	References	Qty.	Description	Notes
16	130306131		1	FUEL FILTER	
17	130976520		1	BRACKET	
18	011500820		1	SCREW	
19	023100008		1	NUT	
20	026100008		1	WASHER	
25	385620270		1	CONNECTION	(A)

Footnotes	
(A)	TEMP SENDER

SCKH0016

1

Complete Gasket Kit

Jeu Joints Plats

Dichtscheib.Satz

Kit Guarnizioni

Jgo.Empaquetad

SCKH0016

Item	Part No.	References	Qty.	Description	Notes
1	U5LC0016		1	GASKET KIT - COMPLETE ENG	
2	—050209083		1	SEAL - REAR END OIL	
3	—052100400		1	SEAL - O RING	
4	—052109076		2	SEAL - O RING	
5	—052109078		1	SEAL - O RING	
6	—2415A070		1	SEAL - O RING	
7	—052300600		1	SEAL - O RING	
8	—110996920		1	GASKET - SUMP	
9	—111996401		1	GASKET - CYL. HEAD COVER	
10	—120406050		4	VALVE SPRING SEAT	(A)
11	—120406070		4	SEAL - VALVE STEM	(B)
12	—120996130		1	SEAL - ROCKER BOX	
13	—131426200		4	SEAL - INJECTOR	
14	—131426230		4	SEAL - INJECTOR	
15	—135996780		1	GASKET - EXHAUST MANIFOLD	
16	—135996950		1	GASKET	
17	—140996260		4	WASHER	
18	—140996270		4	WASHER	
19	—145996051		1	GASKET - THERMOSTAT HSG	
20	—145996920		1	GASKET - WATER PUMP	
21	—145996930		1	GASKET - THERMOSTAT HSG	
22	—165996590		1	GASKET - TIMING CASE	
23	—165996600		1	GASKET - TIMING CASE COVER	
24	—198636160		1	SEAL - FRONT END OIL	
25	—314990013		1	GASKET - EXHAUST	
26	—165996110		1	GASKET - OIL FILLER	
27	—111147590		1	GASKET - CYLINDER HEAD	0.5 MM
28	—		1	LEAFLET	

Footnotes

(A)	EXHAUST
(B)	INLET

SCKH0017

1

Complete Gasket Kit

Jeu Joints Plats

Dichtscheib.Satz

Kit Guarnizioni

Jgo.Empaquetad

SCKH0017

Item	Part No.	References	Qty.	Description	Notes
1	U5LC0017		1	GASKET KIT - COMPLETE ENG	
2	—050209083		1	SEAL - REAR END OIL	
3	—052100400		1	SEAL - O RING	
4	—052109076		2	SEAL - O RING	
5	—052109078		1	SEAL - O RING	
6	—2415A070		1	SEAL - O RING	
7	—052300600		1	SEAL - O RING	
8	—110996920		1	GASKET - SUMP	
9	—111996401		1	GASKET - CYL. HEAD COVER	
10	—120406050		4	VALVE SPRING SEAT	(A)
11	—120406070		4	SEAL - VALVE STEM	(B)
12	—120996130		1	SEAL - ROCKER BOX	
13	—131426200		4	SEAL - INJECTOR	
14	—131426230		4	SEAL - INJECTOR	
15	—135996780		1	GASKET - EXHAUST MANIFOLD	
16	—135996950		1	GASKET	
17	—140996260		4	WASHER	
18	—140996270		4	WASHER	
19	—145996051		1	GASKET - THERMOSTAT HSG	
20	—145996920		1	GASKET - WATER PUMP	
21	—145996930		1	GASKET - THERMOSTAT HSG	
22	—165996590		1	GASKET - TIMING CASE	
23	—165996600		1	GASKET - TIMING CASE COVER	
24	—198636160		1	SEAL - FRONT END OIL	
25	—314990013		1	GASKET - EXHAUST	
26	—165996110		1	GASKET - OIL FILLER	
27	—111147580		1	GASKET - CYLINDER HEAD	0.4 MM
28	—		1	LEAFLET	

Footnotes

(A)	EXHAUST
(B)	INLET

Description	Part No.	Page
1 GROOVE WATERPUMP PULLEY	145337030	71
ADJUSTING SCREW	199486220	23
ALTERNATOR	TPN766	95
ALTERNATOR BRACKET	TPN744	95
ALTERNATOR PULLEY	3113E031	95
ANGLEICH SWITCH	131046440	27
	131046450	37
ANTI-TAMPER CAP	131276440	31, 41
	26420462	29, 39
	U5MK0619	31, 41
ARM	125156170	27, 37
	125156180	27, 37
ARMATURE	28730305	91
ATOMISER	131406490	49, 55, 61
BALL BEARING	040106203	13
	040109057	33, 43
BAR	185376150	63
BIG END BEARING KIT	198586170	17
BLOCK	110103410	13
BOLT	010109341	87
	010111030	81
	010310865	99
	010700860	15
	131246170	45, 51, 57
	131466210	31, 41

Description	Part No.	Page
	198486780	77, 101, 103
	198487450	49, 55, 61
	199486330	31, 41
BOLT ASSEMBLY	131046410	31, 41
BRACKET	130976520	119
	130976620	81
BREATHER VALVE	110566080	105
BUSH	198517222	13
	198517226	13
	198517229	13
	198517290	33, 43
	198517550	13
	28730302	91
CAMSHAFT ASSEMBLY	28730303	91
	28730306	91
CAMSHAFT ASSEMBLY	120026550	33, 43
CAMSHAFT GEAR	120016050	33, 43
	120736081	33, 43
CAP	120186080	21
	120216040	21
CIRCLIP	036500028	19, 19
	036800005	27, 37
	036800006	27, 37
	036800010	79
	198346150	31, 41

Parts Index

Description	Part No.	Page
CLAMP	199106021	47, 47, 53, 53, 59, 59
CLIP	067100015	83, 83
	067100022	67, 67
COLLAR	199236540	79
CON ROD ASSEMBLY	115026330	17
CON ROD BOLT	115176140	17
CON ROD NUT	020109120	17
CONNECTION	131246010	45, 51, 57
	140546020	75
	145226340	67
	3355A004	111
	385620270	119
	TPN377	67
CONNECTION KIT	20195	109
CONNECTOR	4181V013	107
COVER	140116140	79
	165206340	85
CRANKSHAFT GEAR	115276200	15
CRANKSHAFT KIT	115256750	15
CRANKSHAFT PULLEY	115397400	99
CUP	130336070	113
CYLINDER HEAD ASSEMBLY	111017930	21
CYLINDER HEAD COVER	111217411	105

Description	Part No.	Page
DAMPER	199106020	47, 47, 53, 53
DIPSTICK	198416710	75
DIPSTICK TUBE	110756590	75
DOWEL	030500612	13, 15, 15, 15, 15
	030500616	13
	030501025	13
	030509018	33, 43
DRAIN PLUG	26560183	115
DRIVE	28730301	91
END CAP	064209053	31, 41
EXHAUST MANIFOLD	135617150	93
EXHAUST VALVE	120176360	21
FLOAT	130356010	113
FLYWHEEL	115357460	87
FUEL FILTER	130306131	119
	130306360	115
FUEL FILTER ASSEMBLY	2656613	81
FUEL FILTER BOWL	26560182	115
FUEL FILTER KIT	26560017	81
FUEL INJECTION PUMP	131010031	45, 51, 57
	131017800	45, 51
FUEL PIPE	068209227	83
	131246270	83
	TPN449	83

Description	Part No.	Page
GASKET	135996950	105, 121, 123
	145996710	67
GASKET - CYL. HEAD COVER	111996401	105, 121, 123
GASKET - CYLINDER HEAD	111147580	21, 123
	111147590	21, 121
GASKET - EXHAUST	314990013	121, 123
GASKET - EXHAUST MANIFOLD	135996780	93, 121, 123
GASKET - LIFT PUMP	130996140	85
GASKET - OIL FILLER	165996110	99, 121, 123
GASKET - SUMP	110996860	73
	110996920	73, 121, 123
GASKET - THERMOSTAT HSG	145996051	67, 121, 123
	145996930	67, 121, 123
GASKET - TIMING CASE	165996590	13, 121, 123
GASKET - TIMING CASE COVER	165996600	25, 35, 121, 123
GASKET - TIMING COVER	165996550	25
GASKET - WATER PUMP	145996680	67
	145996920	67, 121, 123

Description	Part No.	Page
GASKET KIT - COMPLETE ENG	U5LC0016	121
	U5LC0017	123
GAUZE	110666060	105
GLOWPLUG	185366190	63
GUDGEON PIN	115326220	19
HOLDER	110156360	15
	110156370	15
	110156380	15
	110156390	15
	28730307	91
HOSE	145536050	67
	145536051	67
INSERT	110136390	21
INTAKE VALVE	120166350	21
JOINT	145996670	67
KEY	030509020	15
KIT	28730308	91
LEVER	125046350	27, 37
	125416020	27, 37
	185727130	95
LIFT PUMP	485510011	117
LIFTING EYE	195816550	97
	195816590	97
LONG ENGINE - ASSEMBLY	HP30821U	11
MAIN BEARING KIT	198586140	15
MAIN BEARING KIT - O/S	198586150	15

Parts Index

Description	Part No.	Page
	198586160	15
METRIC BOLT	011100408	105
NEEDLE BEARING	042309017	13
	042309018	13
NUT	020100004	63
	020109076	23
	020109086	99
	020109176	31, 41
	020109177	31, 31, 41
	020700008	27, 37
	020900010	81, 89
	023100006	25, 25, 27, 35, 35, 37, 47, 53, 59, 67, 67
	023100008	45, 51, 57, 93, 95, 99, 119
	023100010	23
	024600010	105
	2318A207	27, 37
2648A120	27, 29, 37, 39	
OIL FILLER CAP	198436350	75
OIL FILTER	140517050	75
OIL PIPE	140607020	77
	140986630	73
OIL PRESSURE SWITCH	185246170	101

Description	Part No.	Page
	185246210	103
OIL PUMP IDLER GEAR	165026120	33, 43
OLIVE	33811114	83, 83
PIN	030300414	27, 27, 37
	030309005	13
	031100004	27, 37
PIPE - AIR	135566470	105
PIPE - FUEL INJ NO 1 CYL	131507700	47, 53, 59
PIPE - FUEL INJ NO 2 CYL	131507710	47, 53, 59
PIPE - FUEL INJ NO 3 CYL	131507720	47, 53, 59
PIPE - FUEL INJ NO 4 CYL	131507730	47, 53, 59
PIPE - LEAK OFF	131606900	49
	TPN711	55, 61
PIPE - LOW PRESSURE FUEL	131246290	83
PISTON AND RING KIT	115017490	19
	115017491	19
PISTON RING KIT	115107970	19
PLATE	110367580	87
	145146320	67
	145386390	65
	165166221	13
	165206010	99, 99
	199566750	33, 43
PLUG	064100045	13

Description	Part No.	Page
	064200010	21
	064200018	21
	064200025	21, 21
	064200030	21, 21
	064210025	13
	064210040	13, 13, 13
	064400010	13
	064500030	67
	064510060	69
	0650204	81
	198466010	13, 13, 13
	198466020	13, 13
	198466920	13, 13
	198466940	13
	2487F001	81
	32184226	81
	TPN830	27, 37
PRE-FUEL FILTER	130366110	113
PRE-FUEL FILTER ASSY	130306180	113
	130306380	115
PUSHROD	120456310	23
RELIEF VALVE	140036220	79
RETAINING PLATE	110666210	105
RING	130446090	113
ROCKER ARM ASSEMBLY	120356131	23
	120356141	23

Description	Part No.	Page
ROCKER BOX	120036821	23
ROCKER BOX ASSEMBLY	120036830	23
ROCKER SHAFT	120316201	23
ROCKER SHAFT SPRING	198217170	23
ROTOR	140166140	79
	140166170	33, 43
SCREW	010109235	73
	010109238	73
	010109406	15, 15, 15, 15
	010109600	37
	010110625	47, 53, 59
	010110630	27, 37
	010301030	89
	010700820	51, 57
	010800820	45, 51, 57
	011310612	13, 33, 43, 73, 75, 85
	011310616	27
	011310620	65, 105
	011310635	67, 105
	011310645	25, 35, 67
	011310660	25, 35, 105
	011310680	25, 35
	011500820	119
011510812	75	

Parts Index

Description	Part No.	Page
	011510816	87, 97, 97
	011510820	67, 81, 95
	011510825	67, 95, 95
	011510860	93
	011510880	93
	011511070	15
	011511220	87
	015300614	67
	015600406	105
	111136480	21
	111136490	21
	130446100	113
	2314H052	95
	2315C039	27, 29, 37, 39
SEAL	26560014	81, 81
SEAL - FRONT END OIL	198636160	27, 37, 121, 123
SEAL - INJECTOR	131426200	49, 55, 61, 121, 123
	131426230	49, 55, 61, 121, 123
SEAL - O RING	0490786	81
	052100030	27, 37
	052100050	27, 37
	052100070	27, 37
	052100100	75
	052100400	75, 121, 123

Description	Part No.	Page
	052100440	113
	052109076	23, 73, 121, 123
	052109078	79, 121, 123
	052109100	31, 41
	052300600	99, 121, 123
	2415A070	121, 123
	26560184	115
SEAL - REAR END OIL	050209083	13, 121, 123
SEAL - ROCKER BOX	120996130	23, 121, 123
SEAL - VALVE STEM	120406070	21, 121, 123
SHAFT	125116141	27, 37
	165296132	13
SHIM	131437490	45, 51, 57
	131437500	45, 51, 57
	131437510	45, 51, 57
	131437520	45, 51, 57
	131437530	45, 51, 57
	131437730	45, 51, 57
	131437760	45, 51, 57
	199286150	79
	199286160	79
	199286170	79
	199286180	79
SMALL END BUSH	198517265	17

Description	Part No.	Page
SNAP RING	036800008	27, 37
SOLENOID	185206420	45
	185206450	51, 57
	28730304	91
SPACER	199216320	33, 43
SPRING	130446120	113
	198216720	79
	198216731	27
	198216821	33, 43
	198217320	27
	198217560	37
	198217670	37
STARTER MOTOR	185086600	89, 91
STARTER RING	115376160	87
STAY	125976120	27, 37
STOP LEVER	125176150	27
	125176180	37
STOP SPRING	198216760	27, 37
STRAINER	140406360	73
STUD	010109441	13
	012109044	23
	012110635	13
	012110645	21, 25, 35
	012110660	13
	012110860	21
SUMP	110708390	73
TAPPET	120116160	23

Description	Part No.	Page
	125256190	33, 43
THERMOSTAT	145206182	67
THERMOSTAT HOUSING	145216380	67
THRUST WASHER	199266200	15
	199266210	15
TIMING GEAR CASE	165106350	27, 37
V BELT	080109109	71
VALVE COLLET	120226070	21
VALVE SPRING	198216700	21
VALVE SPRING SEAT	120406050	21, 121, 123
WASHER	025100008	49, 55, 55, 61, 61
	025100010	31, 31, 41, 41
	025100016	45, 51, 57, 73
	026100008	81, 95, 119
	026109017	95
	026200008	27, 37
	026200010	81, 89
	027100004	63
	027100008	51, 57
	027100010	81, 89
	0920146	81
	0920154	81
130446110	113	

Parts Index

Description	Part No.	Page
	131296255	45, 45, 51, 51, 57, 57
	140996260	77, 77, 101, 103, 121, 123
	140996270	105, 121, 123
	199266180	33, 43
	199280300	23
WATER PUMP	145017730	67
	145017950	67
WATER TEMPERATURE SWITCH	385720480	101
	385720510	103
WOODRUFF KEY	034100508	33, 43, 99