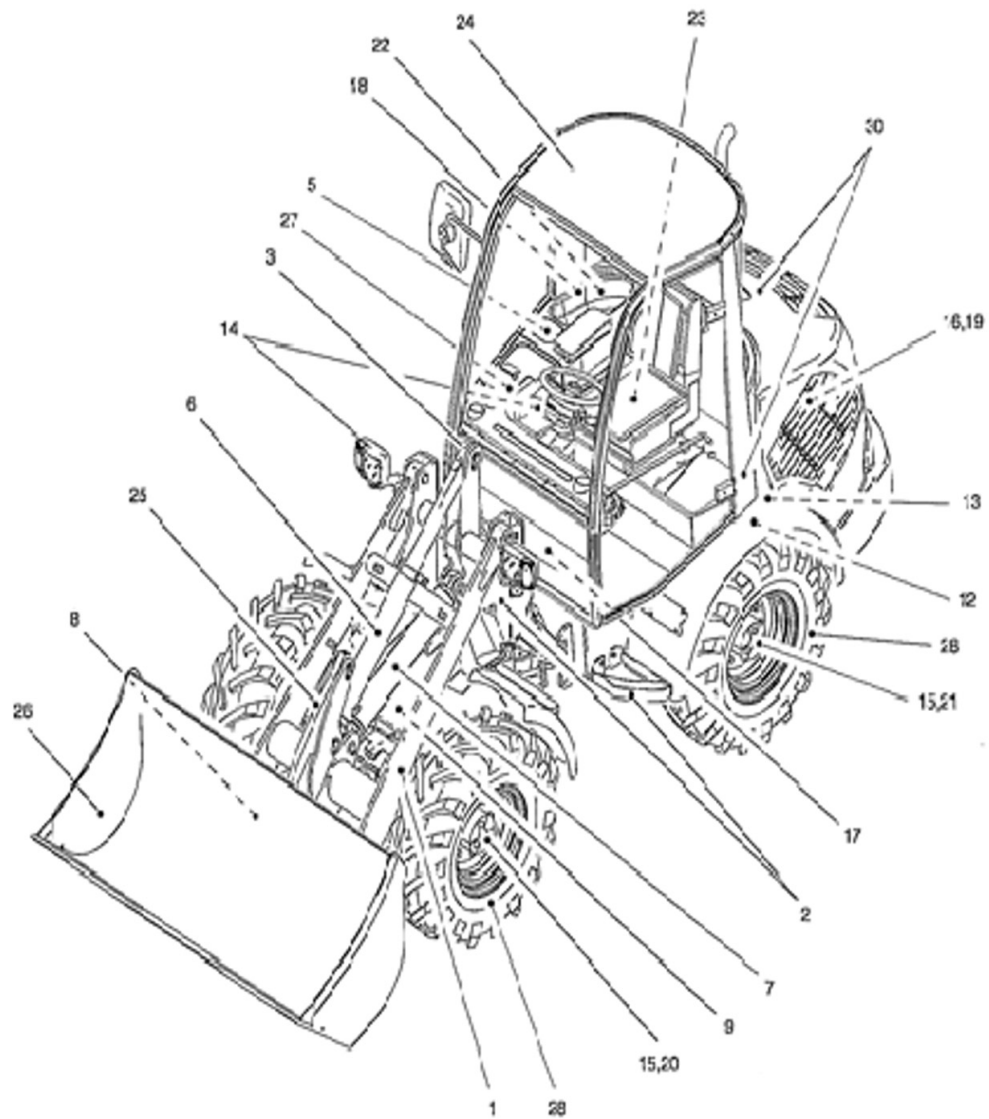


# TW50

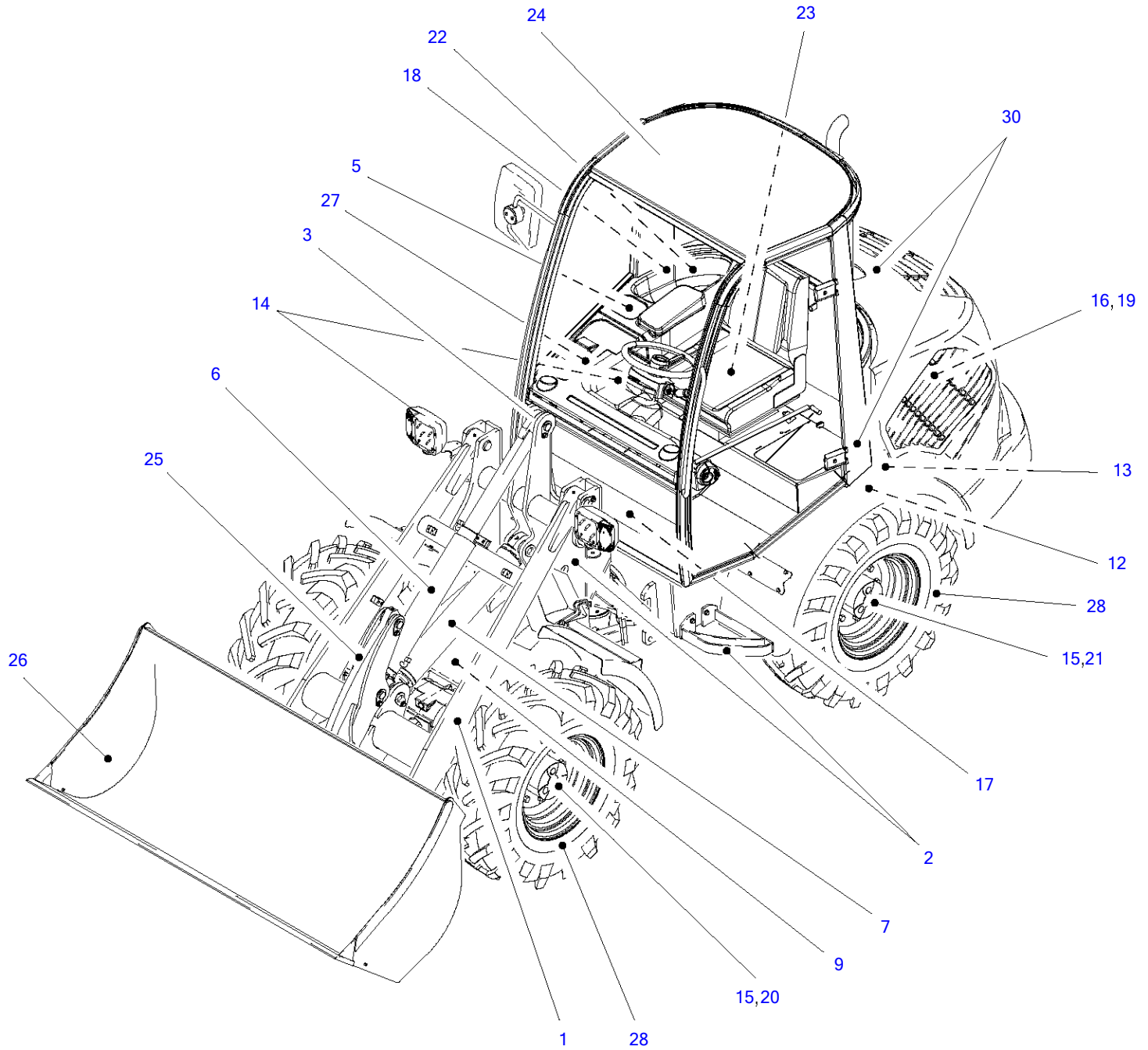
Book No. 8016563  
Serial No. E104063~



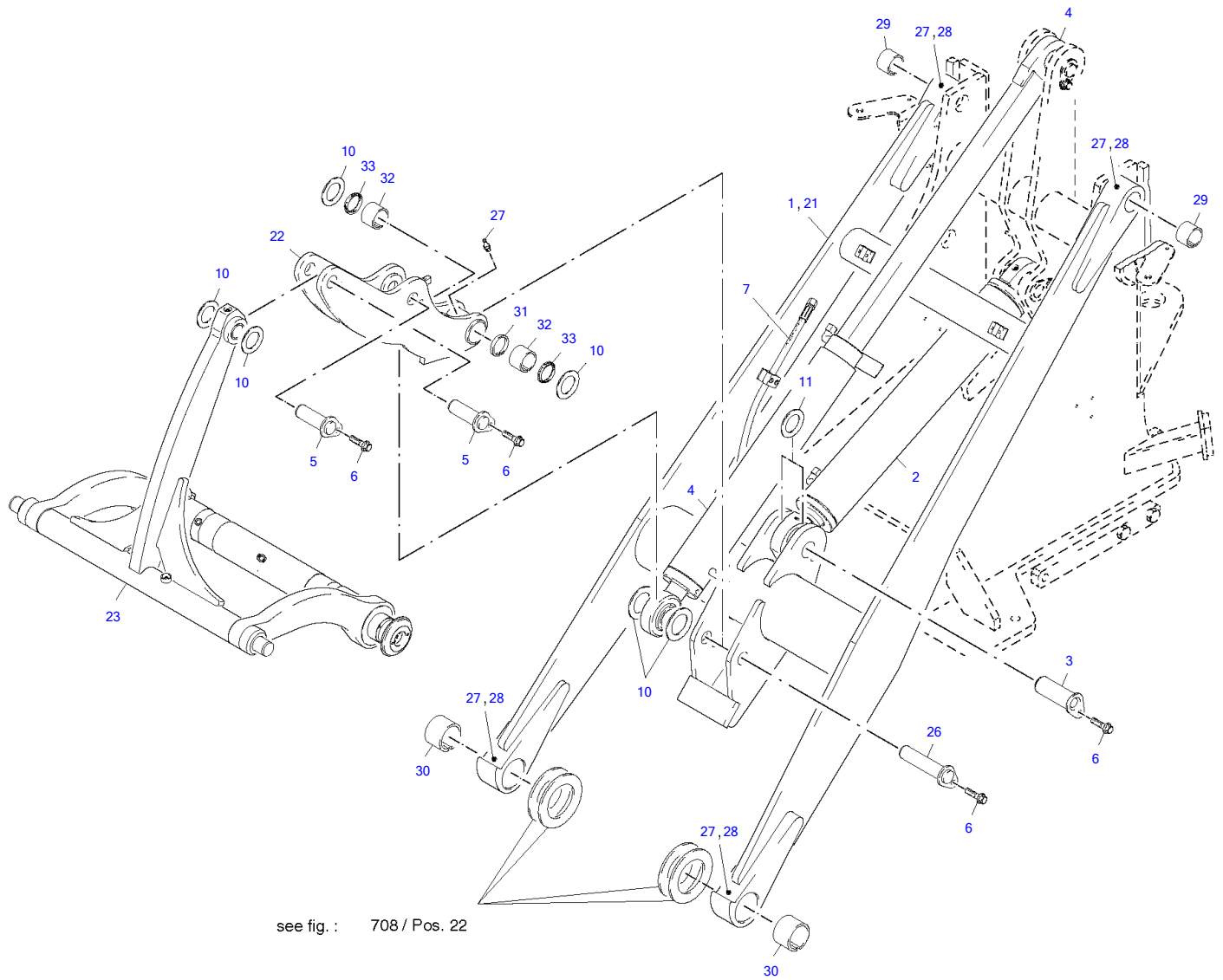
# TAKEUCHI





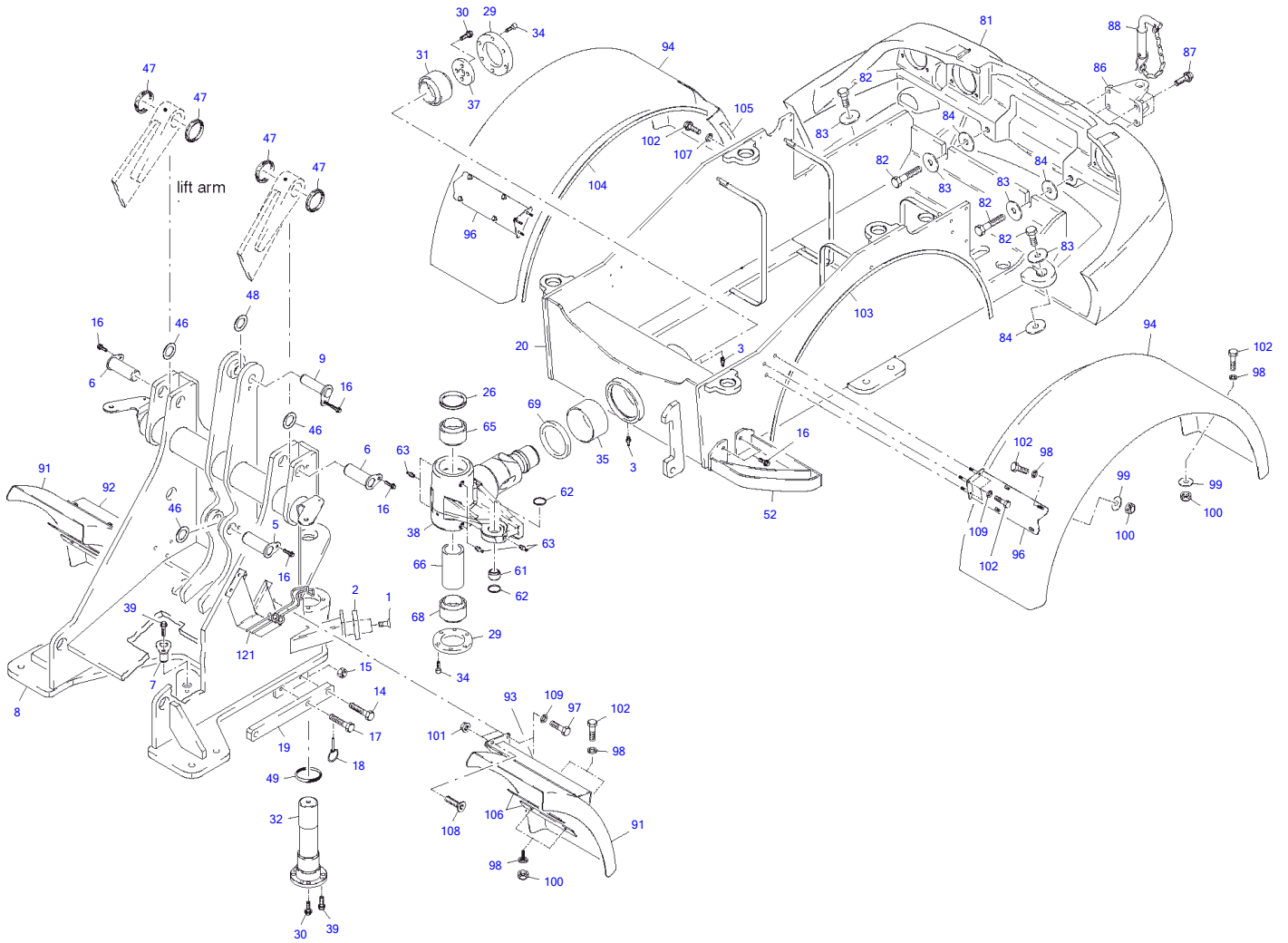


Item	Part number	Description	Main			
			Q'ty	Chan.	Serial No.	Serv. Remarks
1	8017301	Lifting Unit				
2	5820059	Base Frame				
3	5820072	Steering Hydraulics				
	5820069	Working Hydraulics				
	8016949	Return Hydraulics				
	5820070	Driving Hydraulics				
	8016629	Hydraulic System QRC				
	8012416	Locking Device				
5	5820138	Directional Valve				
	8002252	Brake Throttle Valve				
6	3762245	Working Ram				
7	8000638	Lifting Ram				
9	3959515	Steering Ram				
12	5820062	Hydraulic Tank Compl				
13	5820066	Retrun Filter				
14	5820074	Electric System				
	8016811	Electric System (Canopy)				
	8008597	Printed Circuit Compl				
	8012903	Working Headlights				
15	5820056	Drive Set				
16	8016801	Diesel Engine				
	8016950	Exhaust System				
17	8014176	Foot Pedal Mechanism				
18	8016941	Air Filter System				
19	5820115	Oil Pressure Pump Compl				
	8019516	Oil Pressure Pump 12V				
20	8019522	Oil Motor				
	5820057	Front Axle				
	8014145	Front Axle Pipe				
	5820058	Rear Axle				
21	8014145	Rear Axle Pipe				
	8009421	Rear Axle Multiple				
22	8019993	Fuel System				
23	8013032	Driver's Seat Compl				
24	8016507	Cabin Canopy				
	8012821	FOPS-Grating Compl				
	8020364	Window Panes Kit				
	8013842	Cabin Door Compl				
	8015598	Hinged Rear Side Window				
	8014357	Covering Canopy				
	8015046	Protective Canopy				
	8014185	Steering Column Compl				
25	8010455	Hyd Quick Release Eq				
26	3705155	Pallet Fork Compl				
27	8020453	Heating Kit				
28	8016620	Decals & Accessories				
	8016643	Protective Hoses				
	8018800	Filter Set				
	5820078	Covering Compl				
30	8016808	Engine Hood Compl				



Item	Part number	Description	Lifting Unit				Remarks
			Q'ty	Chan.	Serial No.	Serv.	
	<b>8016628</b>	Lifting Unit	1				
	<b>8016631</b>	Hydraulic Lifting Unit	1				
1	<b>5820015</b>	Lifting Unit	1				
2	<b>8000638</b>	Lifting Ram	1				
3	<b>5820013</b>	Bolt Compl	1				
4	<b>3762245</b>	Working Ram	1				
5	<b>1009385</b>	Bolt Compl	2				
6	<b>1783337</b>	Serrated Hex Head Screw	4				
7	<b>8016629</b>	Hydraulic QRC	1				
10	<b>4674104</b>	Shim 1.0 MM	1				
	<b>8001149</b>	Shim 1.5 MM	1				
	<b>4626253</b>	Shim 2.0 MM	1				
11	<b>8004668</b>	Disk 1.0 MM	1				
	<b>8004669</b>	Disk 1.2 MM	1				
	<b>8004670</b>	Disk 1.5 MM	1				
	<b>8004671</b>	Disk 2.0 MM	1				
21	<b>5820016</b>	Boom Compl	1				
22	<b>5820011</b>	Shift Lever Compl	1				
23	<b>8010455</b>	Hyd Quick Release Eq	1				
26	<b>5820290</b>	Pin Compl	1				
27	<b>0324590</b>	Grease Nipple	5				
28	<b>2985537</b>	Threaded Pin	4				
29	<b>8012304</b>	Split Bush	2				
30	<b>8004389</b>	Split Bush	2				
31	<b>1746752</b>	Split Bush	1				
32	<b>8012367</b>	Split Bush	2				
33	<b>8001980</b>	Wiper Seal	2				

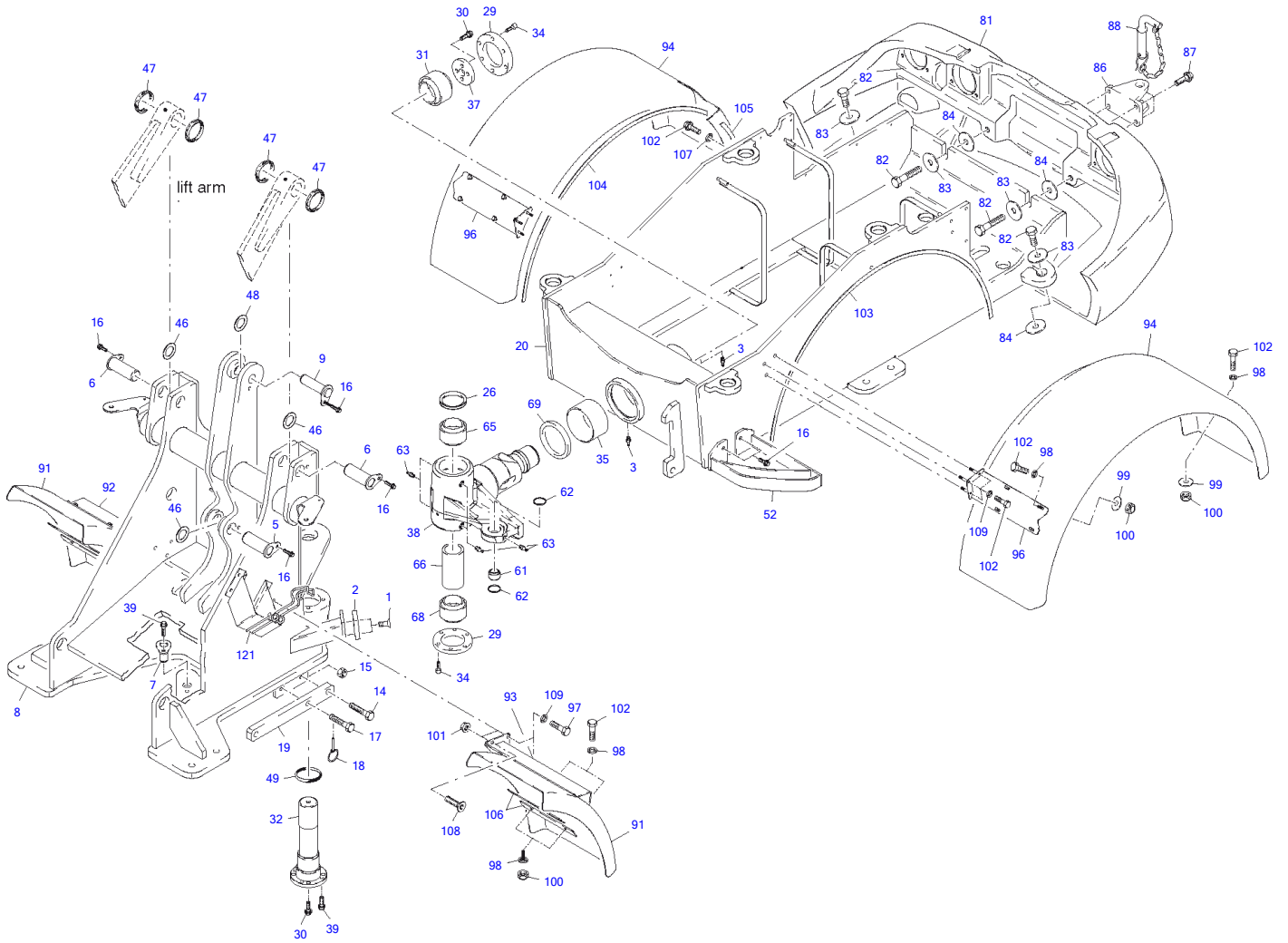
TW50 Book No. 8016563 08.06 S/N E104063  
Base Frame





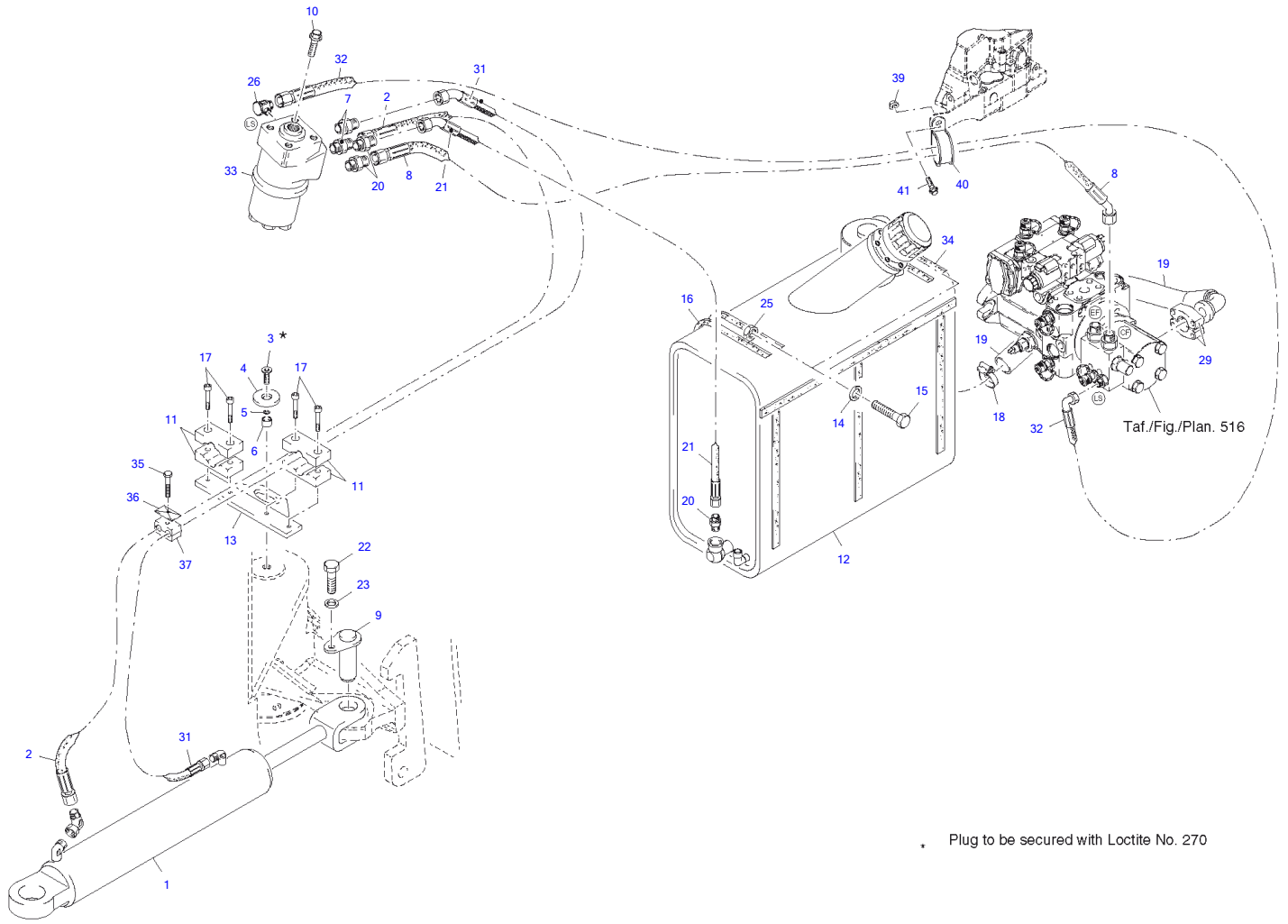
Item	Part number	Description	Base Frame Q'ty	Chan.	Serial No.	Serv.	Remarks
	<b>5820059</b>	Base Frame	1				
1	<b>1307171</b>	Countersunk Screw A3C	4				
2	<b>5820162</b>	Stop Plate	2				
3	<b>0324590</b>	Grease Nipple	2				
5	<b>8017591</b>	Bolt Compl	1				
6	<b>8017590</b>	Bolt Compl	2				
7	<b>8017579</b>	Bolt Compl	1				
8	<b>5820012</b>	Frame Front	1				
9	<b>8017583</b>	Bolt Compl	1				
14	<b>1627236</b>	Hex Head Screw A3C	1				
15	<b>0327322</b>	Nut A3C	1				
16	<b>1783337</b>	Serrated Hex Head Screw	6				
17	<b>1014053</b>	Special Screw	1				
18	<b>1011163</b>	Split Pin	1				
19	<b>5820128</b>	Safety Rod Compl	1				
20	<b>5820000</b>	Rear Frame Perkins	1				
	<b>8016927</b>	Rear Frame Deutz	1				
26	<b>0884177</b>	V-Ring	1				
29	<b>0896740</b>	Disk	2				
30	<b>0884166</b>	Self-Locking Bolt	8				
31	<b>2919388</b>	Spherical Bearing	1				
32	<b>3923820</b>	Pin	1				
34	<b>0321371</b>	Hex Head Cap Screw	12				
35	<b>2441632</b>	Bush	1				
37	<b>0896773</b>	Disk	1				
38	<b>3741477</b>	Artic Pend Joint	1				
39	<b>3762610</b>	Self-Locking Bolt	5				
46	<b>8004668</b>	Disk 1.0 MM	1				
	<b>8004669</b>	Disk 1.2 MM	1				
	<b>8004670</b>	Disk 1.5 MM	1				
	<b>8004671</b>	Disk 2.0 MM	1				
47	<b>1673458</b>	Wiper Seal	4				
48	<b>4674104</b>	Shim 1.0 MM	1				
	<b>8001149</b>	Shim 1.5 MM	1				
	<b>4626253</b>	Shim 2.0 MM	1				
49	<b>2916363</b>	O-Ring	1				
52	<b>8013759</b>	Left Climb Bracket	1				
61	<b>0447032</b>	Spherical Bearing	1				
62	<b>0318069</b>	Circlip Tone 40	2				
63	<b>0300569</b>	Grease Nipple	5				
65	<b>2919399</b>	Spherical Bearing	1				
66	<b>0896751</b>	Spacer	1				
68	<b>2919388</b>	Spherical Bearing	1				
69	<b>0896762</b>	Distance Ring	1				
81	<b>5820061</b>	Counter Weight	1				
82	<b>1618393</b>	Hex Head Screw A3C	4				
83	<b>1781813</b>	Disk	4				
84	<b>3930885</b>	Washer A3C 2.0 MM	1				
	<b>3930896</b>	Washer A3C 3.0 MM	1				
	<b>1781802</b>	Washer A3C 4.0 MM	1				
	<b>3930909</b>	Washer A3C 5.0 MM	1				
86	<b>3944949</b>	Draw Bar Coupling	1				
87	<b>2993151</b>	Serrated Hex Head Screw	4				
88	<b>3944574</b>	Pin	1				
91	<b>5820097</b>	Front Fender	2				
92	<b>8015855</b>	Right Holder Compl	1				
93	<b>8015858</b>	Left Holder Compl	1				
94	<b>5820099</b>	Right Rear Fender	1				
95	<b>5820100</b>	Left Rear Fender	1				
96	<b>5820101</b>	Holder Compl	2				
97	<b>0893189</b>	Hex Head Screw A3C	4				
98	<b>0863138</b>	Washer A3C	32				
99	<b>2481254</b>	Ripp Washer A3C	16				
100	<b>0399760</b>	Nut A3C	24				
101	<b>1722787</b>	Serrated Nut	6				
102	<b>0893214</b>	Hex Head Screw A3C	31				
103	<b>1898686</b>	Packing Strap 1710 MM	1				
104	<b>1898686</b>	Packing Strap 1280 MM	1				

TW50 Book No. 8016563 08.06 S/N E104063  
Base Frame



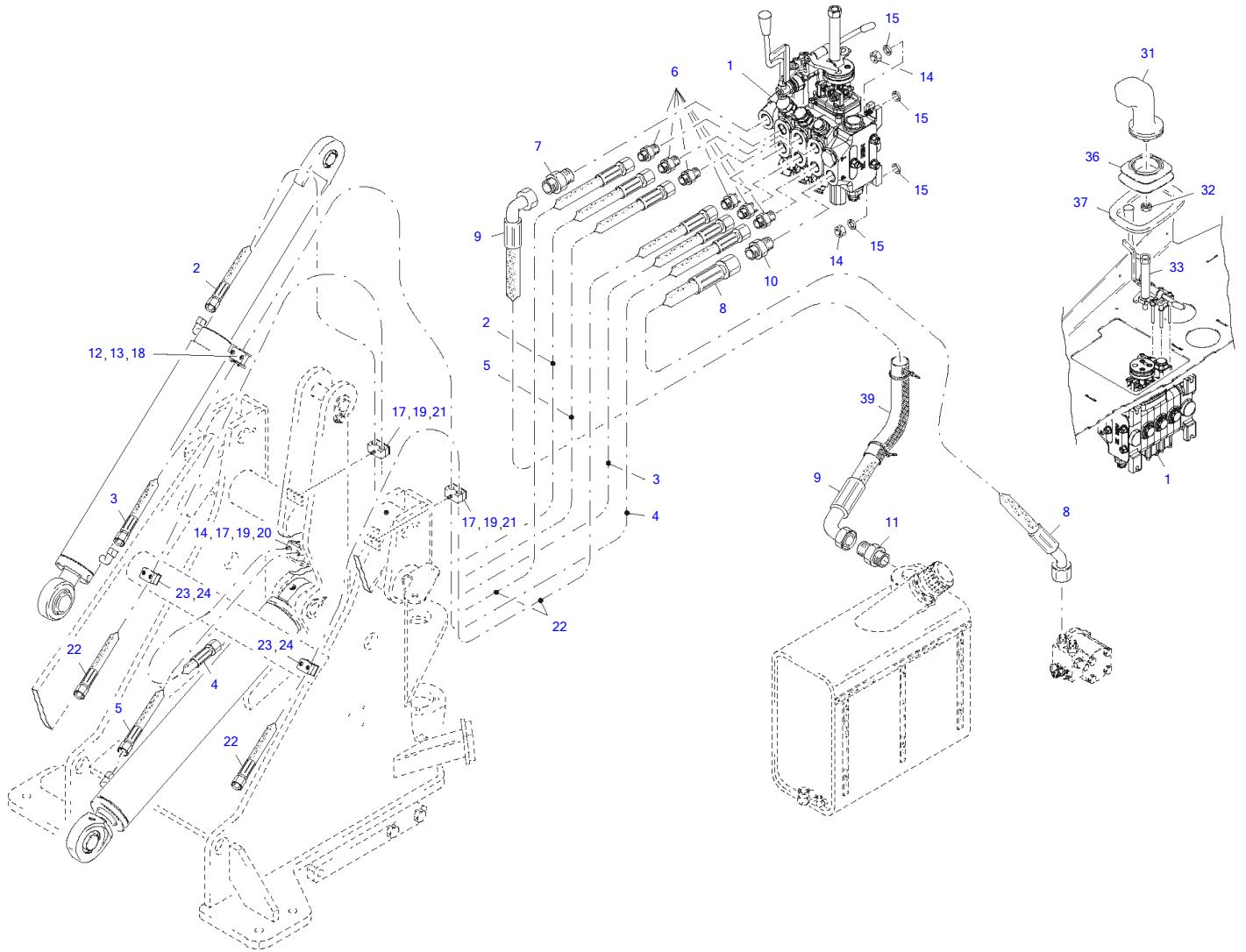
Item	Part number	Description	Base Frame Q'ty	Chan.	Serial No.	Serv.	Remarks
105	<b>1898686</b>	Packing Strap 320 MM	1				
106	<b>5820170</b>	Plate	4				
107	<b>2481254</b>	Ripp Washer A3C	1				
108	<b>1398385</b>	Countersunk Screw A3C	2				
109	<b>3939464</b>	Ripp Washer A3C	10				
121	<b>5820078</b>	Wedge Holder	1				

TW50 Book No. 8016563 08.06 S/N E104063  
Steering Hydraulics



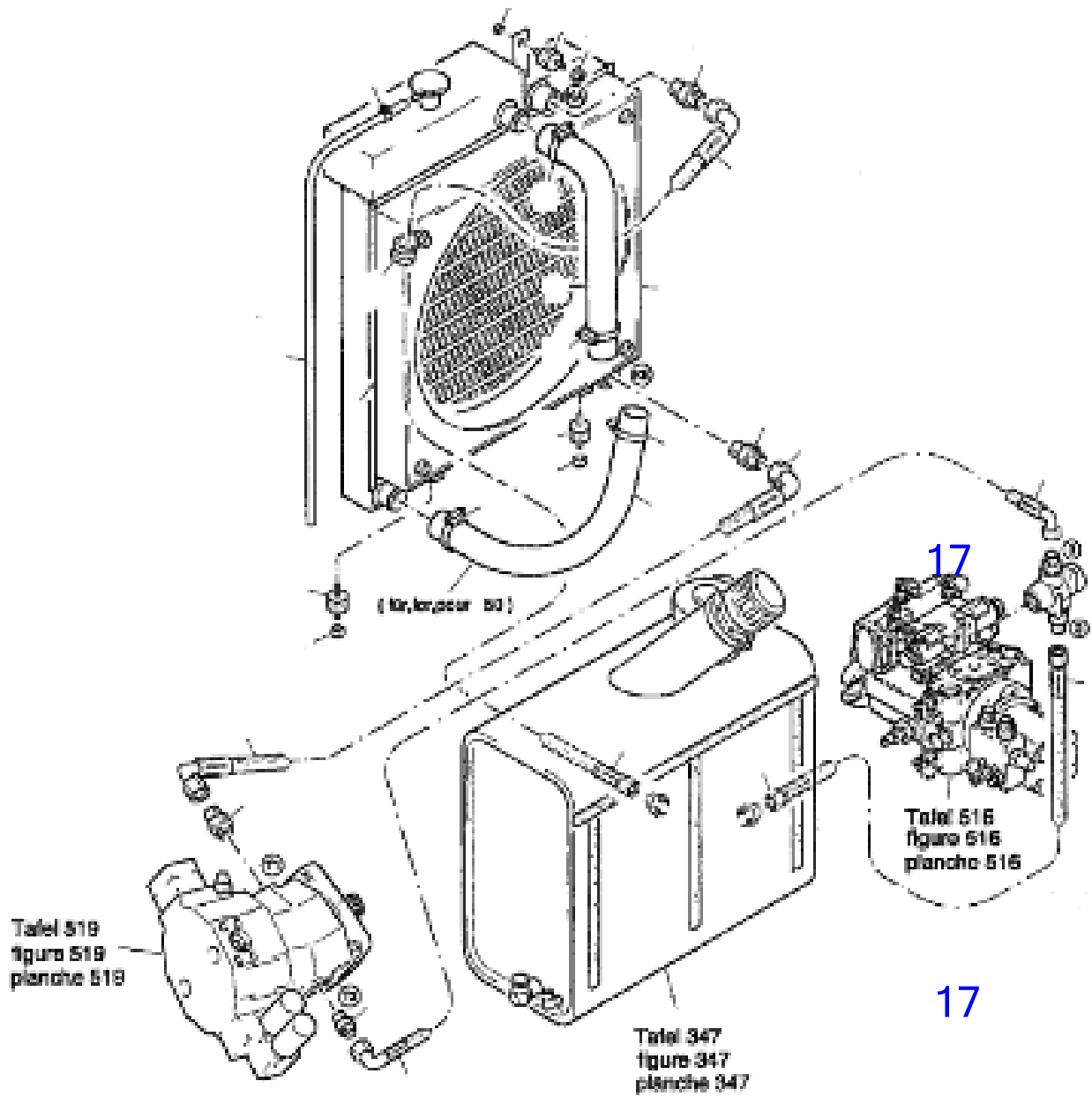
### Steering Hydraulics

Item	Part number	Description	Q'ty	Chan.	Serial No.	Serv.	Remarks
	<b>5820072</b>	Steering Hydraulics	1				
1	<b>3959515</b>	Steering Ram	1				
2	<b>2912052</b>	HP-Hose 10 X 1550	1				
3	<b>1002184</b>	Countersunk Screw A3C	1				
4	<b>1745591</b>	Disk	1				
5	<b>1388656</b>	Spring Washer A3C	1				
6	<b>0323624</b>	Split Bush	1				
7	<b>1666948</b>	Coupling A3C	2				
8	<b>8007438</b>	HP-Hose 13 X 1975	1				
9	<b>8017579</b>	Bolt Compl	1				
10	<b>2990216</b>	Self-Locking Bolt	4				
11	<b>3757840</b>	Block	4				
12	<b>5820062</b>	Hydraulic Tank Compl	1				
13	<b>5820175</b>	Plate Compl	1				
14	<b>2481254</b>	Ripp Washer A3C	2				
15	<b>0410073</b>	Hex Head Screw A3C	2				
16	<b>0909224</b>	Profile Rubber 800 MM	1				
17	<b>0893418</b>	Hex Head Screw A3C	4				
18	<b>5820274</b>	Clip Norma	1				
19	<b>5820151</b>	Suction Hose 32 X 750	1				
20	<b>2481696</b>	Coupling A3C	3				
21	<b>5820178</b>	LP-Hose 13 X 950	1				
22	<b>1307104</b>	Hex Head Screw A3C	1				
23	<b>2481243</b>	Ripp Washer A3C	1				
25	<b>0399760</b>	Nut A3C	2				
26	<b>2456833</b>	Coupling A3C	1				
29	<b>8013906</b>	Half Flange Compl	1				
31	<b>8012344</b>	HP-Hose 10 X 1600	1				
32	<b>3750412</b>	HP-Hose 8 X 2200	1				
33	<b>8011864</b>	Steering Valve	1				
34	<b>0909224</b>	Profile Rubber 650 MM	1				
35	<b>0893189</b>	Hex Head Screw A3C	1				
36	<b>0874960</b>	Cover Plate Galvanized	1				
37	<b>2912085</b>	Clip Body	1				
39	<b>1722787</b>	Serrated Nut	1				
40	<b>3698917</b>	Clip Norma	1				
41	<b>2449607</b>	Serrated Hex Head Screw	1				



**Working Hydraulics**

Item	Part number	Description	Q'ty	Chan.	Serial No.	Serv.	Remarks
	<b>5820069</b>	Working Hydraulics	1				
	<b>8015021</b>	Rear Working Hydraulics	1				
	<b>8015072</b>	Front Working Hydraulics	1				
1	<b>5820138</b>	Directional Valve	1				
2	<b>5820176</b>	HP-Hose 10 X 3150	1				
3	<b>5820153</b>	HP-Hose 10 X 3750	1				
4	<b>5820177</b>	HP-Hose 10 X 2600	1				
5	<b>5820152</b>	HP-Hose 10 X 2750	1				
6	<b>1666948</b>	Coupling A3C	6				
7	<b>1686395</b>	Coupling A3C	1				
8	<b>8012343</b>	HP-Hose 13 X 2500	1				
9	<b>5820192</b>	LP-Hose 20 X 1700	1				
10	<b>2481696</b>	Coupling A3C	1				
11	<b>1685612</b>	Coupling A3C	1				
12	<b>2997586</b>	Clip Body	1				
13	<b>2640735</b>	Lens Head Screw H A3C	2				
14	<b>0399760</b>	Nut A3C	4				
15	<b>2481254</b>	Ripp Washer A3C	6				
17	<b>2912085</b>	Clip Body	3				
18	<b>2014395</b>	Hose 30 MM	1				
19	<b>0874960</b>	Cover Plate Galvanized	3				
20	<b>1336869</b>	Hex Head Screw A3C	1				
21	<b>0893189</b>	Hex Head Screw A3C	2				
22	<b>3976232</b>	HP-Hose 10 X 3150	4				
23	<b>2912074</b>	Clip Body	2				
24	<b>1780969</b>	Lens Head Screw H A3C	4				
31	<b>8011878</b>	Joystick	1				
32	<b>8011932</b>	Nut A3C	1				
33	<b>8012416</b>	Locking Device	1				
36	<b>8012369</b>	Siphon	1				
37	<b>8012875</b>	Profile Rubber	1				
39	<b>0916665</b>	Hose 130 MM	1				





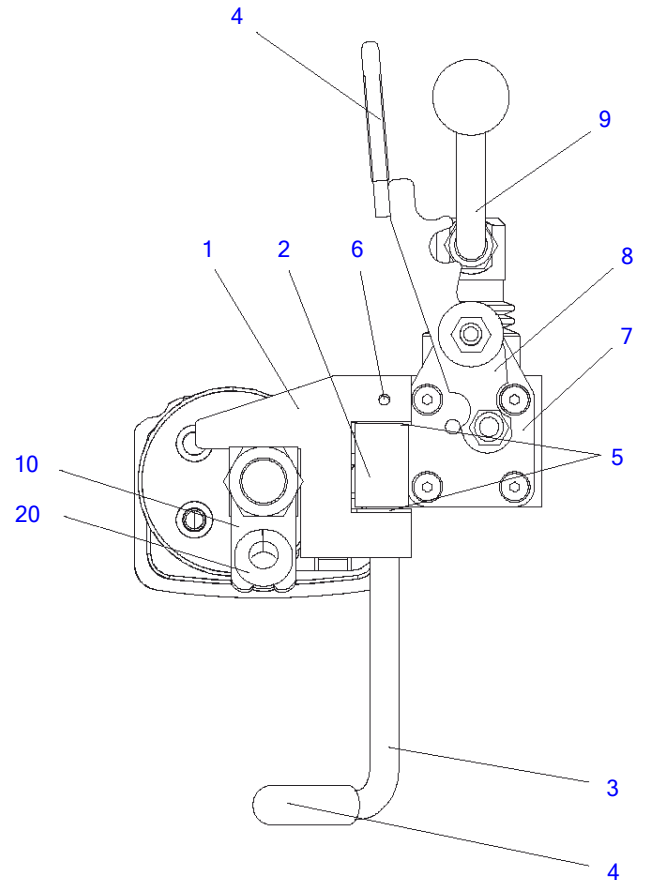
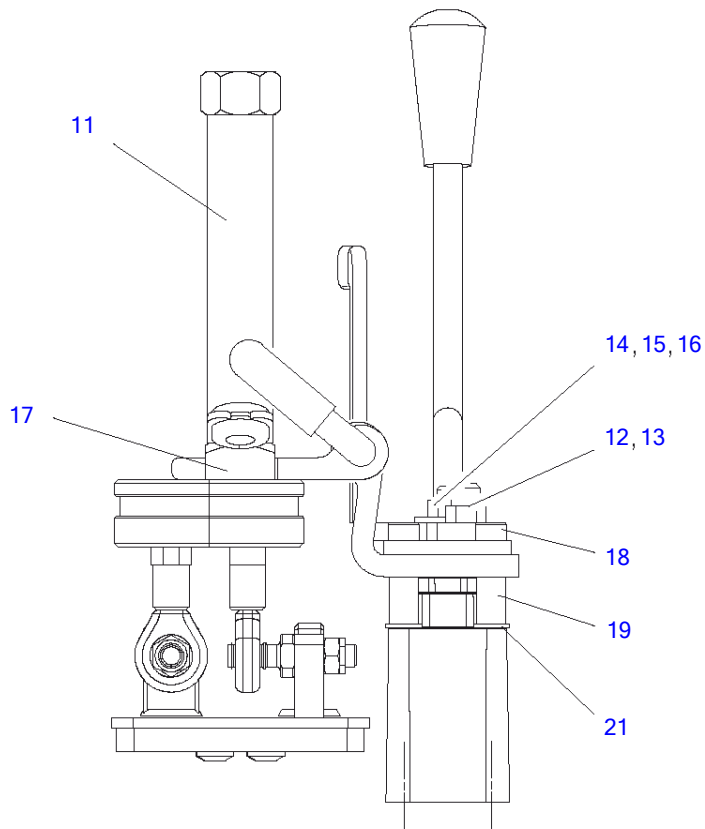
**Return Hydraulics**

Item	Part number	Description	Q'ty	Chan.	Serial No.	Serv.	Remarks
	<b>5820071</b>	Return Hydraulics	1				
1	<b>5820092</b>	Radiator	1				
2	<b>5820095</b>	Radiator Hose	1				
3	<b>5820096</b>	Radiator Hose	1				
4	<b>1722787</b>	Serrated Nut	4				
5	<b>0442106</b>	Rubber Buffer	3				
6	<b>0390158</b>	Clip	4				
7	<b>1898686</b>	Packing Strap 2070 MM	1				
8	<b>8012480</b>	LP-HOSE 16 X 1300mm					
9	<b>5820276</b>	LP-Hose 16 X 1550	1				
10	<b>5820164</b>	LP-Hose 16 X 625	1				
11	<b>8012347</b>	LP-Hose 16 X 1425	1				
12	<b>2904234</b>	Coupling A3C	1				
14	<b>2673234</b>	Coupling A3C	2				
15	<b>2443587</b>	Clip Norma	1				
16	<b>2986947</b>	Heating Hose 820 MM	1				
17	<b>2983137</b>	Clip Norma	1				
30	<b>8015987</b>	Protective Grid Kit	1				

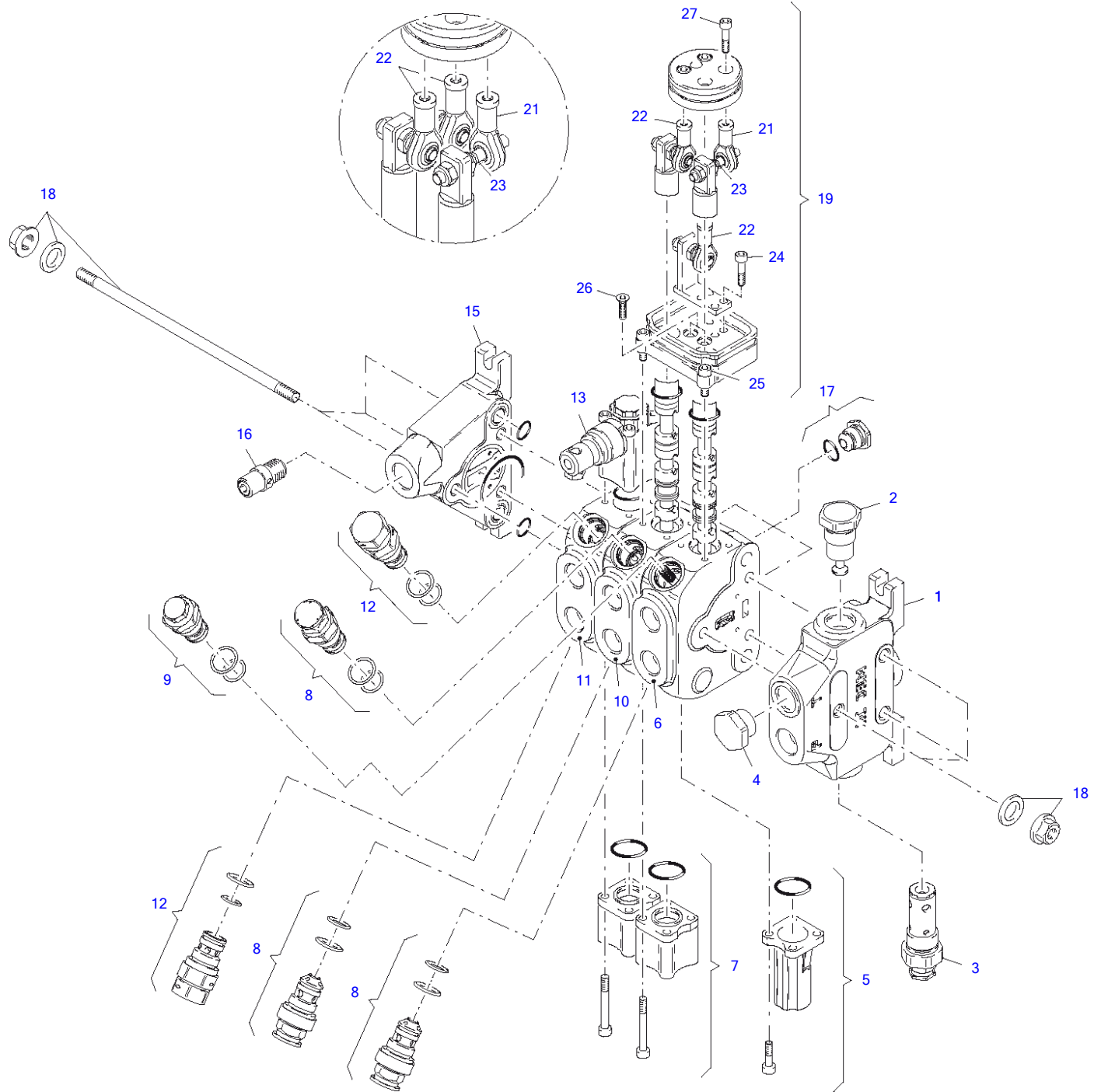


**Driving Hydraulics**

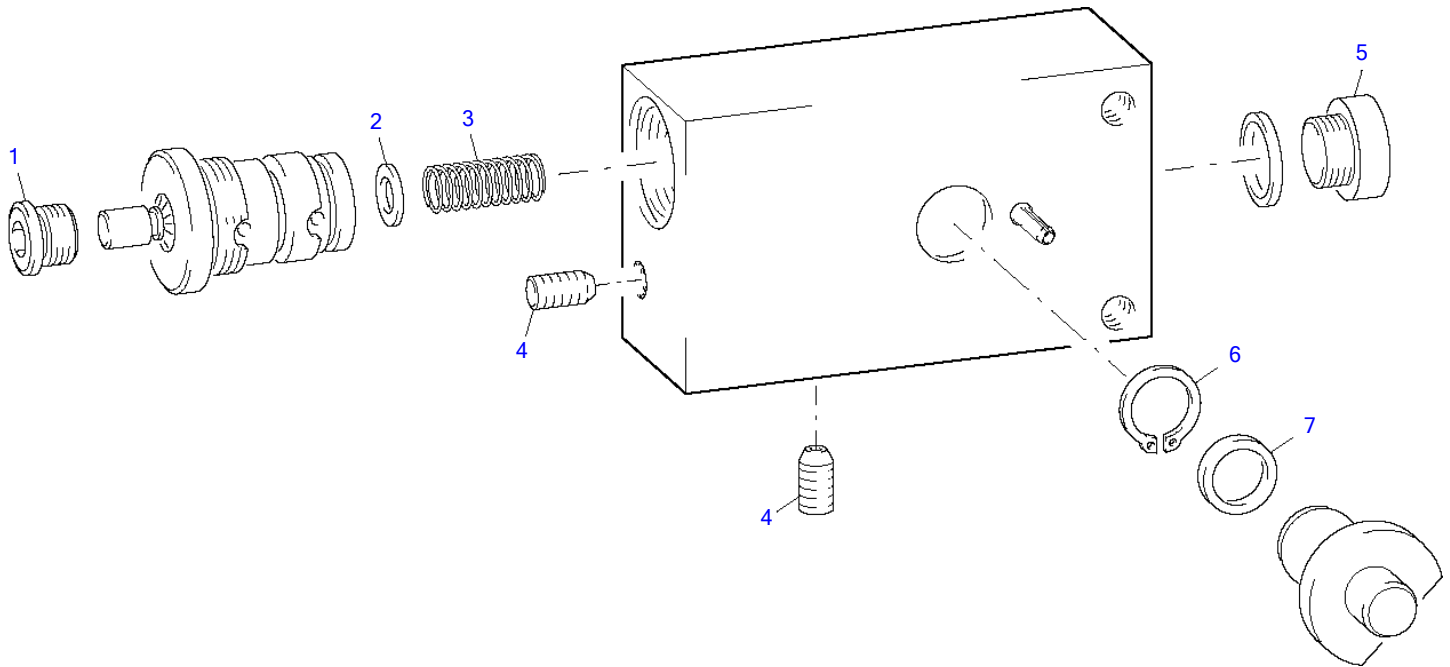
Item	Part number	Description	Q'ty	Chan.	Serial No.	Serv.	Remarks
	<b>5820070</b>	Driving Hydraulics	1				
1	<b>1616551</b>	Screw Coupling	1				
2	<b>8012839</b>	Half Flange Compl	2				
5	<b>1689194</b>	Coupling A3C	1				
6	<b>3763871</b>	Hose Line 6 X 925	1				
7	<b>5820159</b>	Hose Line	1				
8	<b>8011955</b>	Half Flange Compl	2				
11	<b>0350898</b>	Usit Ring U	7				
12	<b>0862944</b>	Female Screw a3C	1				
13	<b>5820156</b>	HP-Hose 20 X 1400	1				
14	<b>5820157</b>	HP-Hose 20 X 1850	1				
15	<b>2980827</b>	Female Screw A3C	2				
16	<b>2970916</b>	Coupling Compl	1				
17	<b>5820158</b>	Hose Line 6 X 1850	1				
18	<b>5820180</b>	Suction Hose 20 X 950	1				
19	<b>3765884</b>	Hose Line 6 X 550	1				
21	<b>0311528</b>	Female Screw A3C	3				
22	<b>0373588</b>	Usit Ring U	9				
23	<b>2960243</b>	Air Vent	1				
24	<b>3747100</b>	Hose Line 8 X 2200	1				
25	<b>2443850</b>	Female Screw S A3C	1				
26	<b>1009352</b>	Clip Norma	2				
27	<b>1615232</b>	Hex Head Screw A3C	1				
28	<b>0399760</b>	Nut A3C	1				
29	<b>3768296</b>	Gasket A3C	1				



Item	Part number	Description	Locking Device			Remarks
			Q'ty	Chan.	Serial No.	
	<b>8012416</b>	Locking Device	1			
1	<b>8012376</b>	Joint Part	1			
2	<b>8012810</b>	Joint Part	1			
3	<b>8012411</b>	Lever	1			
4	<b>1780709</b>	Red Protecting Cap	2			
5	<b>1749733</b>	Bsuh	2			
6	<b>3960063</b>	Adaptor Sleeve	1			
7	<b>8012812</b>	Plate	1			
8	<b>8012827</b>	Lever	1			
9	<b>8012825</b>	Lever	1			
10	<b>8012828</b>	Plate	1			
11	<b>8012412</b>	Pin	1			
12	<b>0845443</b>	Threaded Coupling	1			
13	<b>0893167</b>	Nut A3C	1			
14	<b>0487336</b>	Nut A3C	1			
15	<b>0447985</b>	Washer A3C	1			
16	<b>1059330</b>	Spacer	1			
17	<b>8012838</b>	Nut A3C	1			
18	<b>1389384</b>	Hex Head Cap Screw	4			
19	<b>8012841</b>	Spacer	4			
20	<b>0448760</b>	Duct Socket	1			
21	<b>3754427</b>	Washer A3C	4			



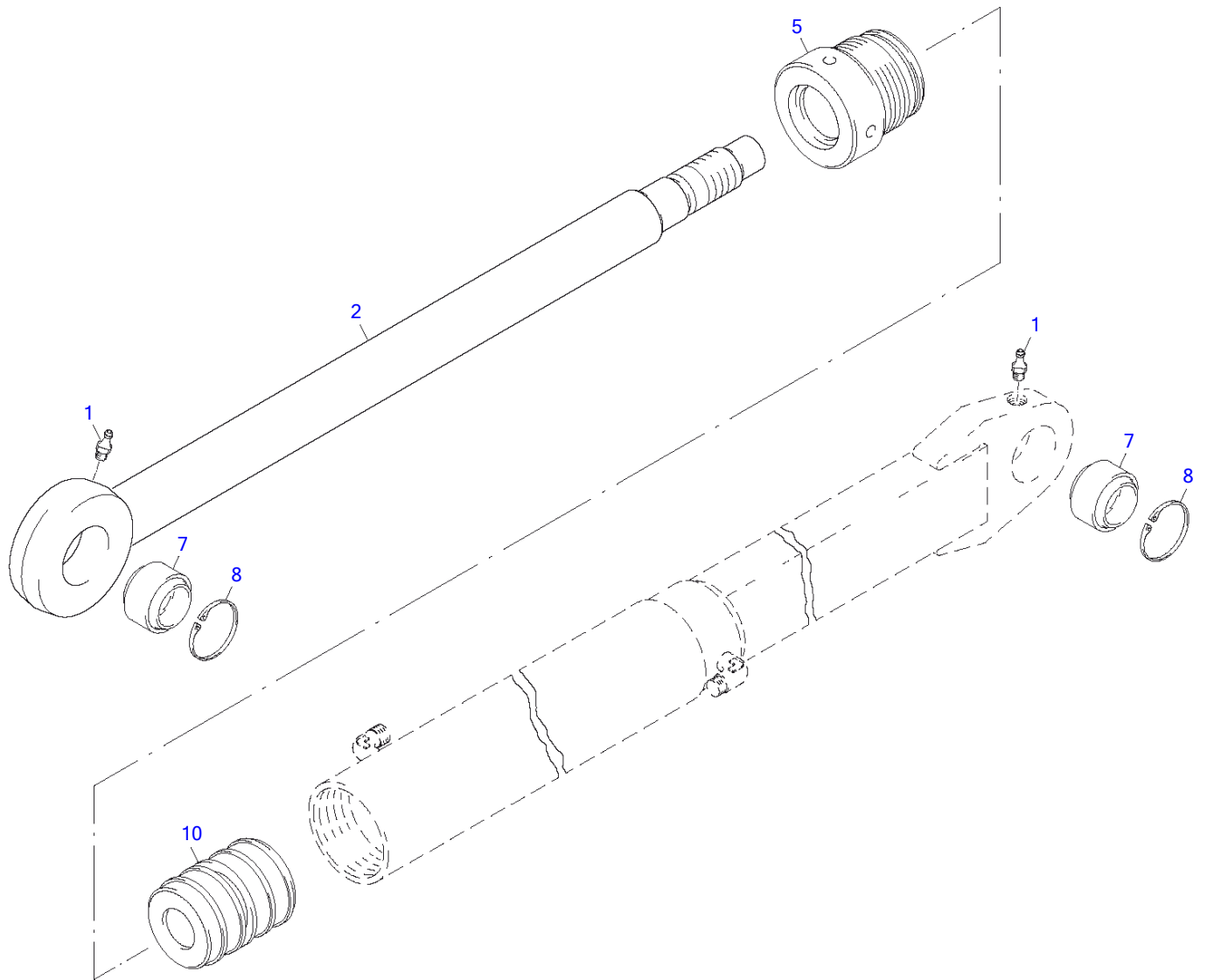
Directional Valve						
Item	Part number	Description	Q'ty	Chan.	Serial No.	Serv. Remarks
	<b>5820138</b>	Directional Valve	1			
1	<b>8014241</b>	Inlet Section	1			
2	<b>8014203</b>	Anti-Cavitation Valve	1			
3	<b>8014247</b>	Pressure Limit Valve	1			
4	<b>1309275</b>	Plug A3C	1			
5	<b>8014192</b>	Cap Compl	1			
6	<b>8014242</b>	Valve Section	1			
7	<b>8014193</b>	Cap Compl	2			
8	<b>8014198</b>	Pressure Limit Valve	3			
9	<b>8014199</b>	Anit-Cavitation Valve	1			
10	<b>8014243</b>	Valve Section	1			
11	<b>8014244</b>	Valve Section	1			
12	<b>8014200</b>	Pressure Limit Valve	2			
13	<b>8014205</b>	Hand Level Housing	1			
15	<b>8014245</b>	Outlet Section	1			
16	<b>8014201</b>	Pressurizing Valve	1			
17	<b>8014202</b>	Non Return Valve	3			
18	<b>8014246</b>	Tie Rod Set	3			
19	<b>8014248</b>	Joystick Acuator Compl	1			
21	<b>8014255</b>	Ball Joint Socket	1			
22	<b>8014256</b>	Pin Compl	2			
23	<b>8014257</b>	Pin	1			
24	<b>8014195</b>	Hex Head Cap Screw	4			
25	<b>0474568</b>	Hex Head Cap Screw	2			
26	<b>1319084</b>	Countersunk Screw A3C	2			
27	<b>1309764</b>	Hex Head Cap Screw	3			
	<b>8014249</b>	Packing Set Compl	1			



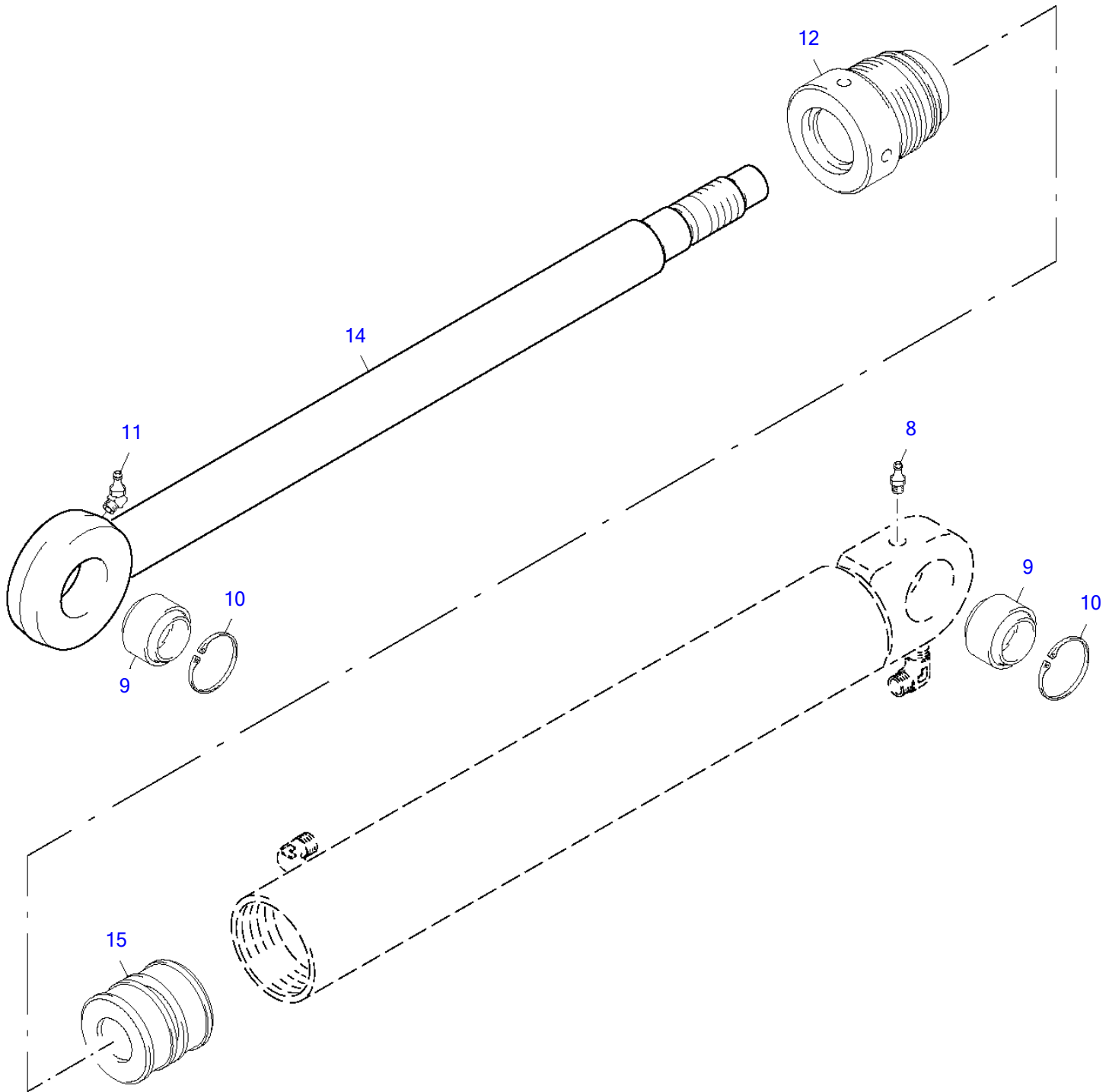


**Brake Throttle Valve**

Item	Part number	Description	Q'ty	Chan.	Serial No.	Serv.	Remarks
	<b>8002252</b>	Brake Throttle Valve	1				
1	<b>1694986</b>	Plug A3C	1				
2	<b>0893043</b>	Washer A3C	1				
3	<b>3960041</b>	Compression Spring	1				
4	<b>0442888</b>	Threaded Pin A3C	2				
5	<b>0357908</b>	Plug A3C	1				
6	<b>0314123</b>	Circlip	1				
7	<b>3960052</b>	Shim	1				
	<b>8011963</b>	Packing Set Compl	1				

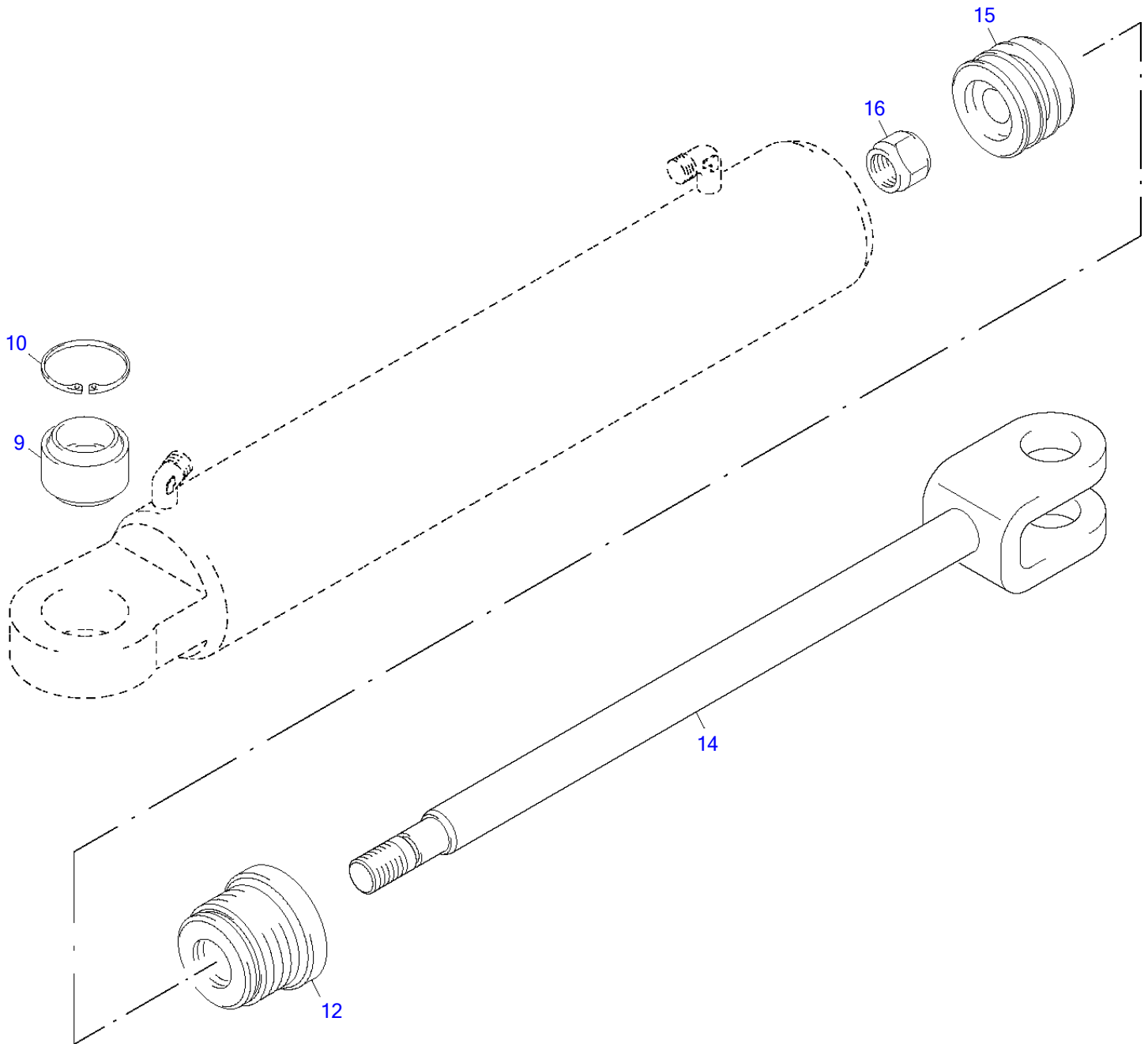


Item	Part number	Description	Working Ram			
			Q'ty	Chan.	Serial No.	Serv. Remarks
	<b>3762245</b>	Working Ram	1			
1	<b>0300569</b>	Grease Nipple	2			
2	<b>3762143</b>	Piston Rod Compl	1			
5	<b>1010275</b>	Cylinder Nut	1			
7	<b>0465830</b>	Spherical Bearing	2			
8	<b>0318069</b>	Circlip Tone 400	2			
10	<b>0884575</b>	Guide Piston Compl	1			
	<b>1010300</b>	Pack Set 90/50	1			



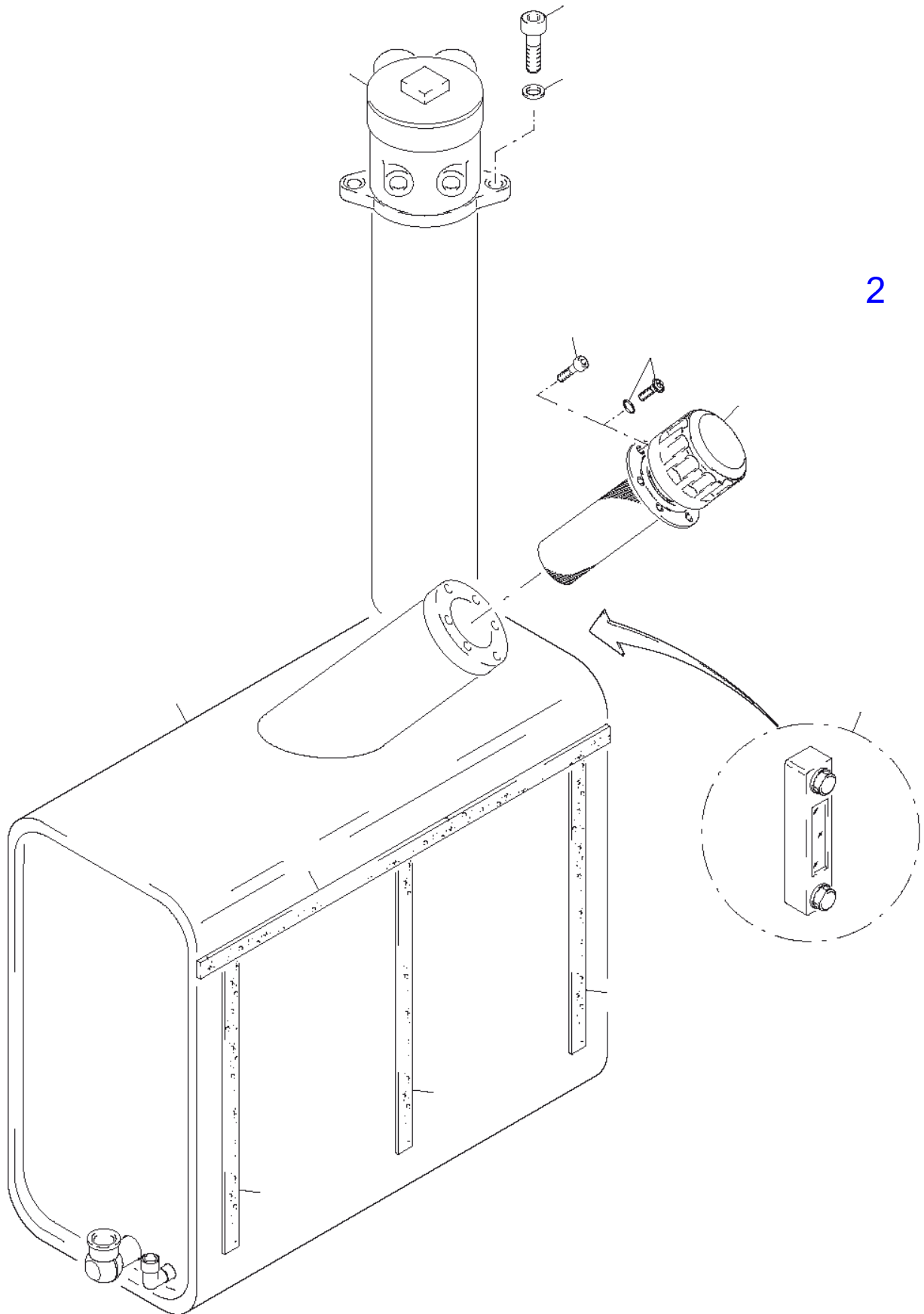
Item	Part number	Description	Lifting Ram			Remarks
			Q'ty	Chan.	Serial No.	
	<b>8000638</b>	Lifting Ram	1			
8	<b>0324590</b>	Grease Nipple	1			
9	<b>1050977</b>	Spherical Bearing	2			
10	<b>1627587</b>	Circlip Tone 400	2			
11	<b>0366772</b>	Grease Nipple	1			
12	<b>3932581</b>	Cylinder Nut	1			
14	<b>8000630</b>	Piston Rod Compl	1			
15	<b>3932616</b>	Guide Piston Compl	1			
	<b>3717604</b>	Circlip	1			
	<b>3932627</b>	Packing Set 100/60	1			

TW50 Book No. 8016563 08.06 S/N E104063  
Steering Ram



**Steering Ram**

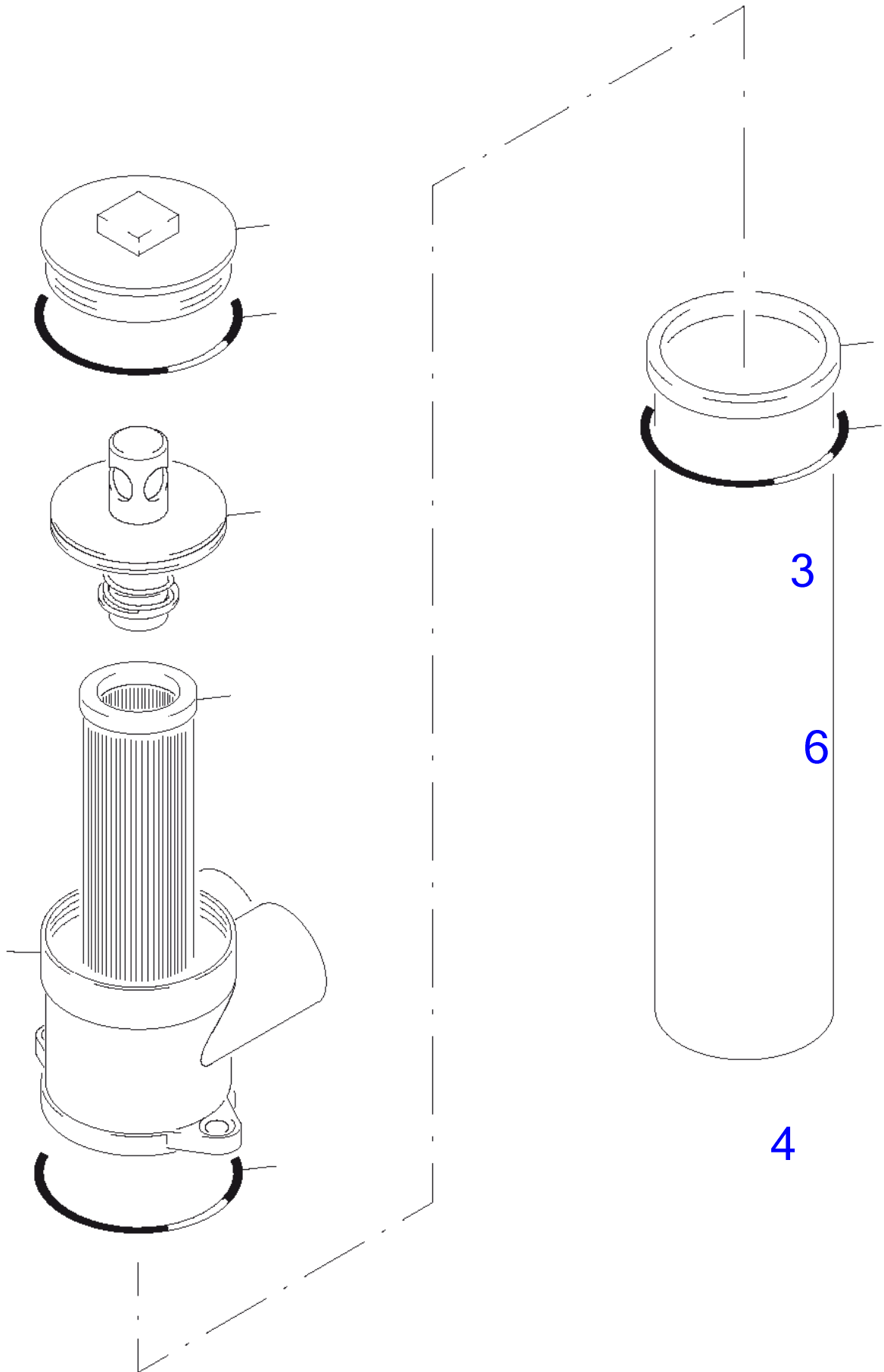
Item	Part number	Description	Q'ty	Chan.	Serial No.	Serv.	Remarks
	<b>3959515</b>	Steering Ram	1				
9	<b>0447032</b>	Spherical Bearing	1				
10	<b>0318069</b>	Circlip Tone 400	1				
12	<b>0897650</b>	Cylinder Nut	1				
14	<b>3925117</b>	Piston Rod Compl	1				
15	<b>0897638</b>	Piston Guide	1				
16	<b>0897627</b>	Nut	1				
	<b>0897672</b>	Pack Set 70/32	1				



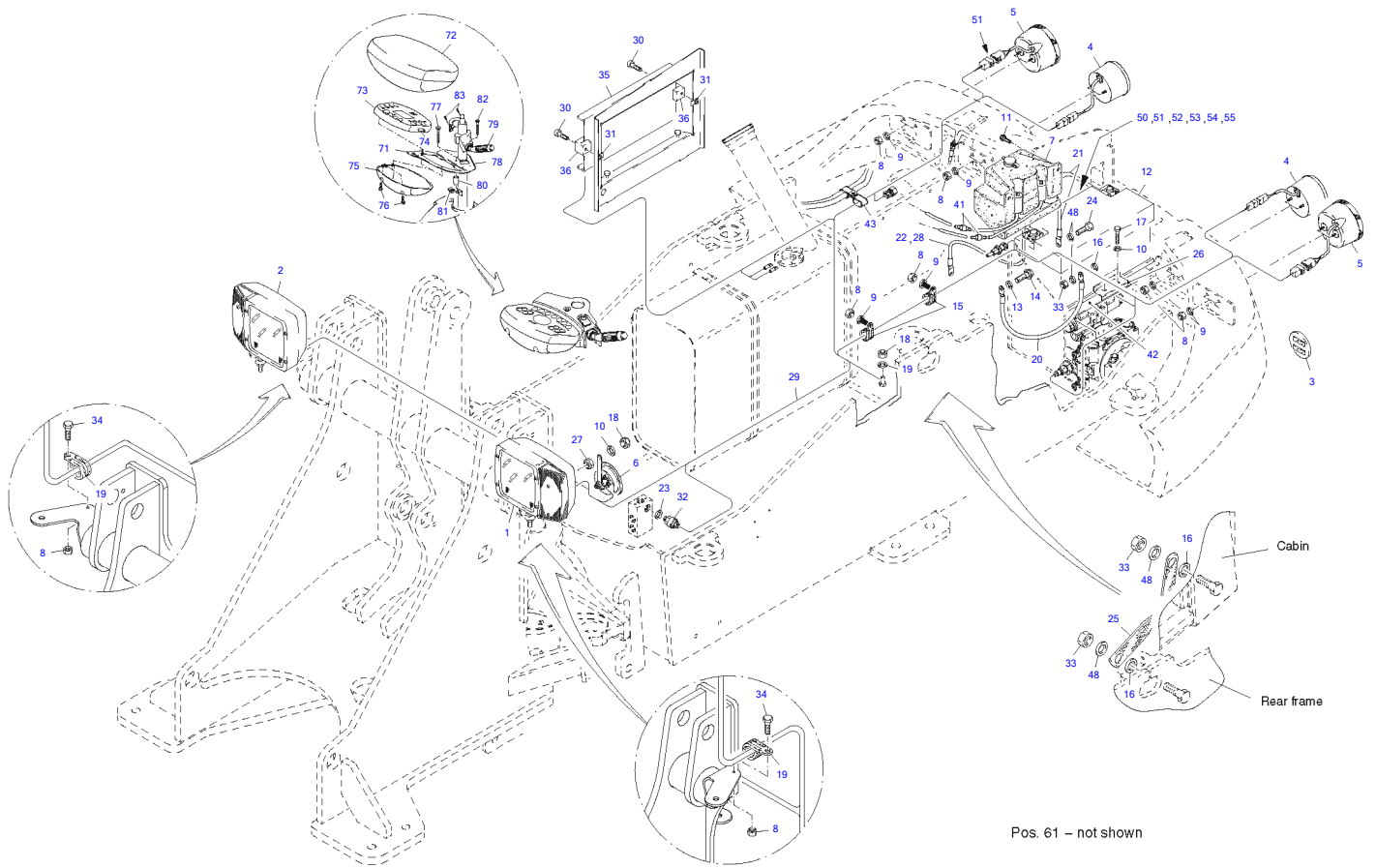


**Hydraulic Tank Compl**

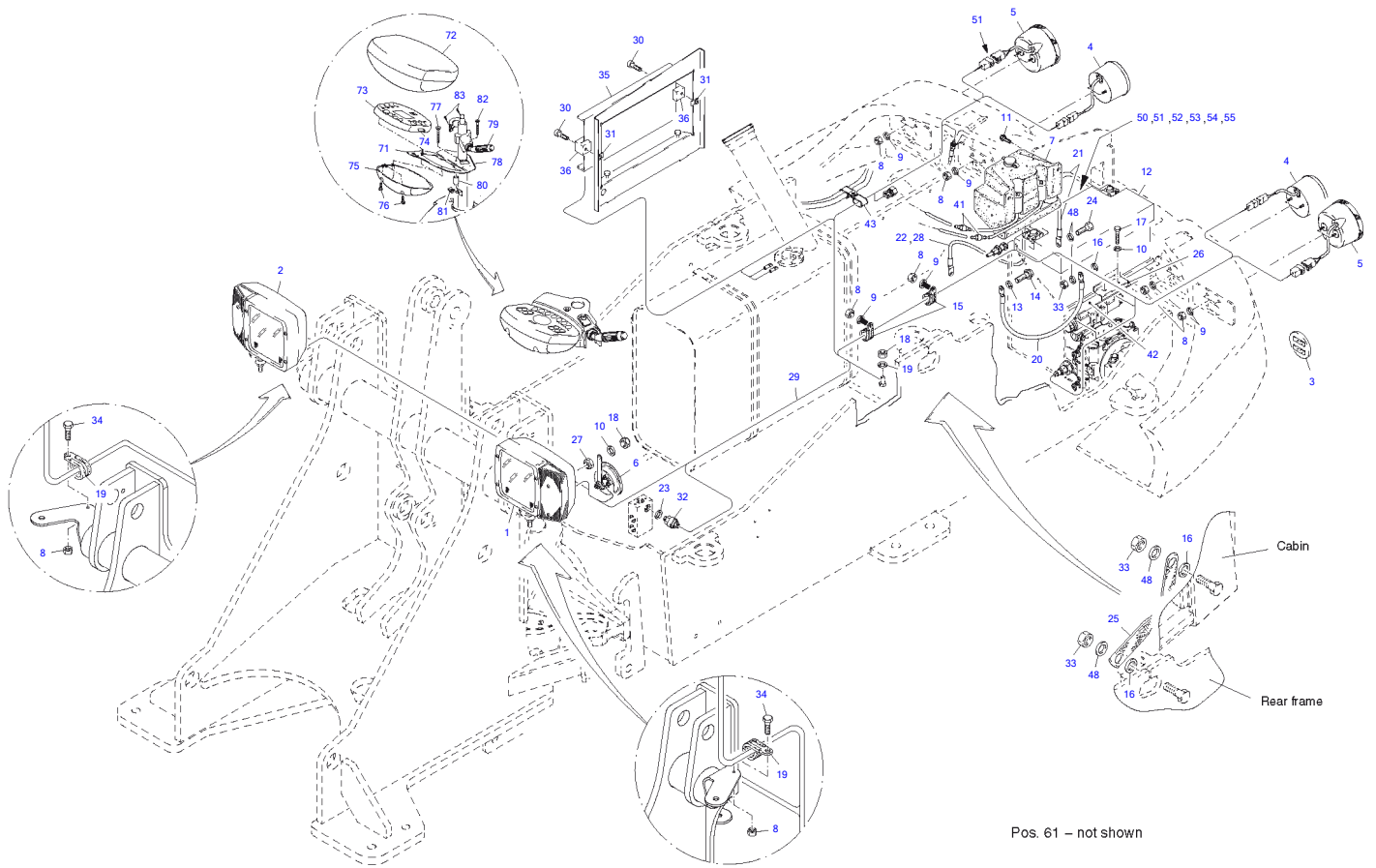
Item	Part number	Description	Q'ty	Chan.	Serial No.	Serv.	Remarks
	<b>5820062</b>	Hydraulic Tank Compl	1				
1	<b>5820063</b>	Hydraulic Tank	1				
2	<b>5820066</b>	Return Filter	1				
3	<b>5820136</b>	Filling Filter	1				
4	<b>3925322</b>	Sight Glass	1				
5	<b>0892984</b>	Hex Head Cap Screw	2				
6	<b>0909304</b>	Profile Rubber	1				
7	<b>0893054</b>	Washer A3C	1				
8	<b>8007607</b>	Flat Head Bolt	6				
	<b>0314952</b>	O-Ring	6				
	<b>1306830</b>	Fill Head Screw A3C	6				



Item	Part number	Description	Return Filter				Remarks
			Q'ty	Chan.	Serial No.	Serv.	
	<b>5820066</b>	Return Filter	1				
1	<b>8012354</b>	Filter Element	1				
2	<b>8013986</b>	Jacketed Barrel	1				
3	<b>8013987</b>	Cover	1				
4	<b>8013988</b>	Filter Holder Compl	1				
5	<b>8013989</b>	Housing	1				
6	<b>2917842</b>	O-Ring	1				
8	<b>8007687</b>	O-Ring	1				
9	<b>0382476</b>	O-Ring	1				

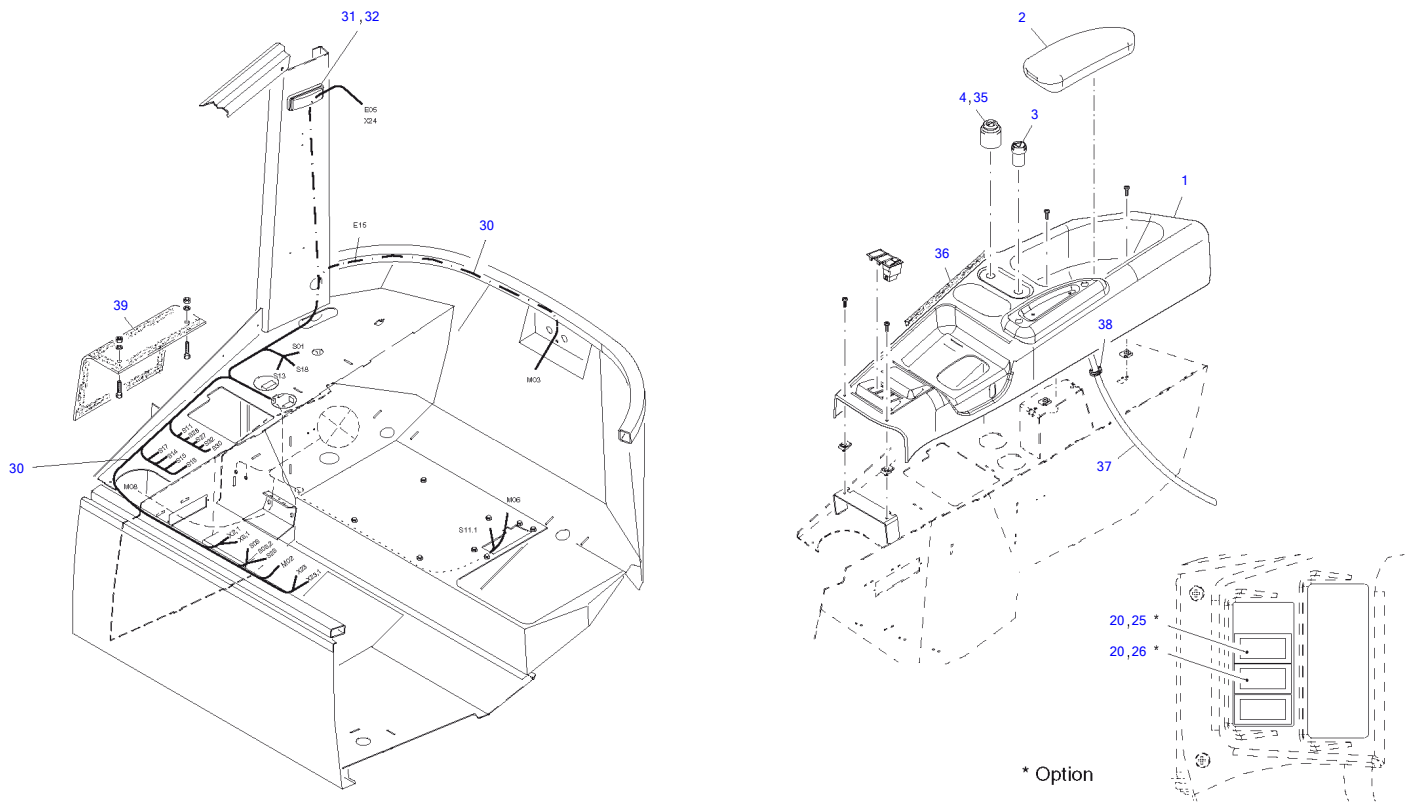


Electric System						
Item	Part number	Description	Q'ty	Chan.	Serial No.	Serv. Remarks
	<b>5820074</b>	Electric System	1			
1	<b>3928789</b>	Left Headlight	1			
2	<b>3928790</b>	Right Headlight	1			
3	<b>3931579</b>	Rear Reflector	2			
4	<b>3927197</b>	Rear Light 12V	2			
	<b>3986267</b>	Rear Ligth Glass	2			
	<b>0388450</b>	Incandescent Lamp 12V 21W	2			
5	<b>8012422</b>	Rear Reflector Compl	2			
	<b>8014405</b>	Rear Reflector Glass	2			
	<b>0335311</b>	Incandescent Lamp 12V 5W	2			
	<b>0388450</b>	Incandescent Lamp 12V 21W	2			
6	<b>4666308</b>	Signal Horn 12V	1			
7	<b>2995299</b>	2 Pump Container	1			
	<b>2995813</b>	Pump	2			
	<b>2995824</b>	Cover	1			
	<b>2995835</b>	Socket	2			
8	<b>0487336</b>	Nut A3C	12			
9	<b>2992014</b>	Washer A3C	10			
10	<b>2481254</b>	Ripp Washer A3C	4			
11	<b>8009782</b>	Serrated Hex Head Screw	2			
12	<b>0441752</b>	Battery	1			
13	<b>1316047</b>	Washer A3C	1			
14	<b>8010301</b>	Bolt	1			
15	<b>2443576</b>	Clip Norma	2			
16	<b>0492935</b>	Tooth Lock Washer A3C	2			
17	<b>1307079</b>	Hex Head Screw A3C	2			
18	<b>0399760</b>	Nut A3C	2			
19	<b>1078004</b>	Clip Norma	2			
20	<b>8012324</b>	Ground Strap	1			
21	<b>8012321</b>	Ground Strap	1			
22	<b>8012325</b>	Cable Compl	1			
23	<b>0321779</b>	Usit Ring U	1			
24	<b>8003057</b>	Serrated Hex Head Screw	1			
25	<b>8015870</b>	Ground Strap	1			
26	<b>1787217</b>	Battery Holding	1			
27	<b>0893167</b>	Nut A3C	1			
28	<b>0417069</b>	Starter Protect Cap	1			
29	<b>8012334</b>	Cable Set	2			
30	<b>1658131</b>	Hex Head Cap Screw	2			
31	<b>0478675</b>	Holder Nut	2			
32	<b>3963555</b>	Stop Light Switch	1			
33	<b>0327297</b>	Nut A3C	3			
34	<b>2982534</b>	Serrated Hex Head Screw	2			
35	<b>8008597</b>	Printed Circuit Compl	1			
36	<b>8000924</b>	Holder	2			
41	<b>1366865</b>	Non Return Valve	2			
42	<b>2457425</b>	Plate	1			
43	<b>2443587</b>	Clip Norma	1			
50	<b>3929586</b>	Relay	1			
51	<b>8007601</b>	Lens Head Screw	3			
52	<b>0327286</b>	Nut A3C	3			
53	<b>1719248</b>	Fuse 7.5 amp	1			
54	<b>2980769</b>	Fuse Holder	1			
55	<b>2980781</b>	Plate Fuse	1			
61	<b>8012901</b>	Kit Set	1			
71	<b>8012789</b>	Instrument Panel	1			
72	<b>8012803</b>	Covering	1			
	<b>8000174</b>	Lock	1			
	<b>8001887</b>	Key	1			
	<b>0909304</b>	Profile Rubber 200 MM	1			
73	<b>8008592</b>	Display Compl	1			
	<b>8013964</b>	Incandescent Lamp	1			
	<b>0335366</b>	Incandescent Lamp	1			
	<b>8013963</b>	Incandescent Lamp	1			
74	<b>3956250</b>	Round Cord 655 MM	1			
75	<b>8012786</b>	Instrument Panel	1			
76	<b>3754416</b>	Lens Head Screw A3R	4			
77	<b>3976607</b>	Countersunk Screw A3C	1			



**Electric System**

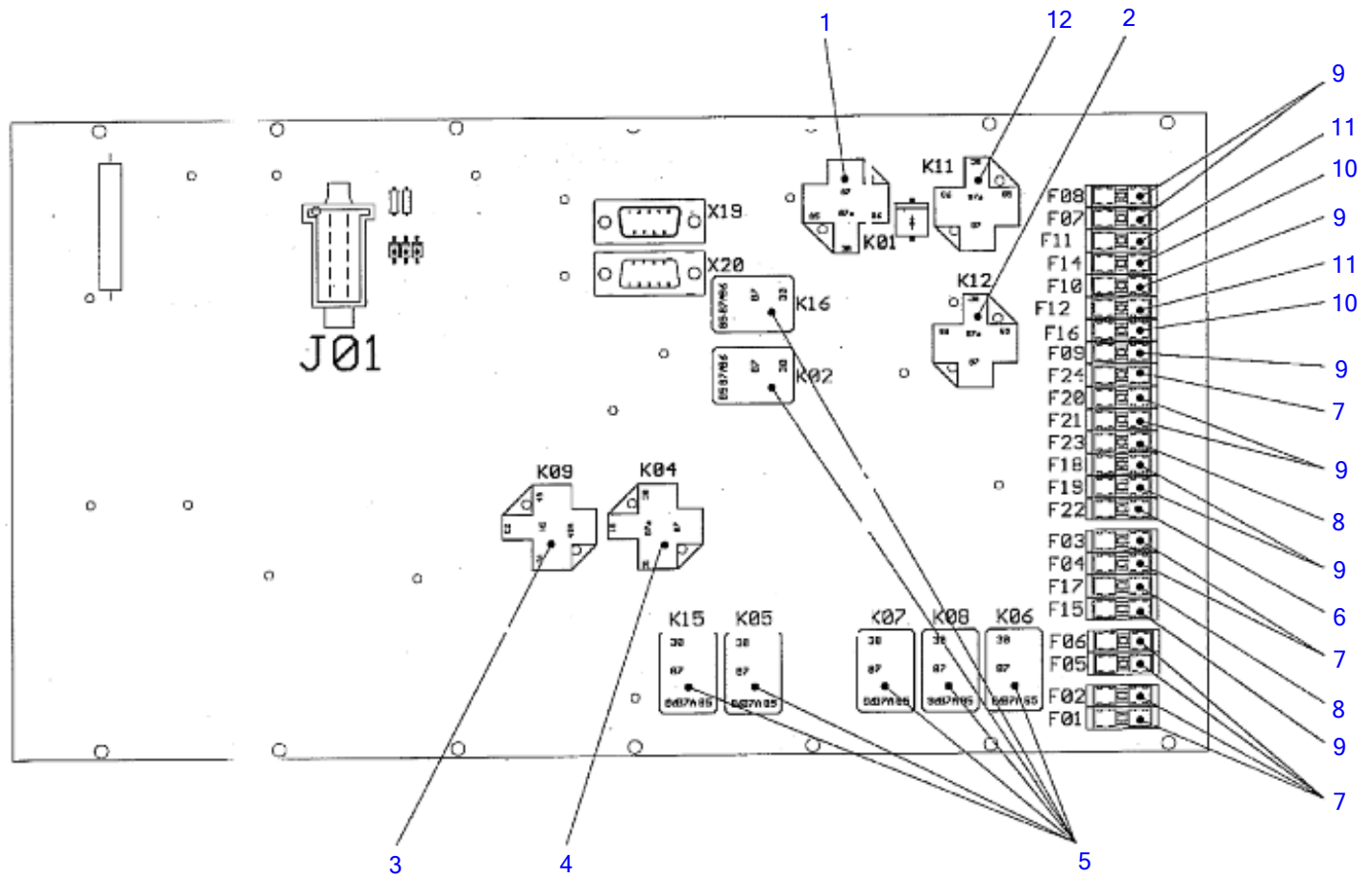
Item	Part number	Description	Q'ty	Chan.	Serial No.	Serv.	Remarks
78	<b>0935113</b>	Profile Rubber 900 MM	1				
79	<b>3938430</b>	Switch	1				
	<b>8013648</b>	Electric System	1				
80	<b>8016817</b>	Pipe	1				
81	<b>0478675</b>	Nut Holder	1				
82	<b>3952905</b>	Hex Head Cap Screw	4				
83	<b>2607358</b>	Hex Head Cap Screw	2				



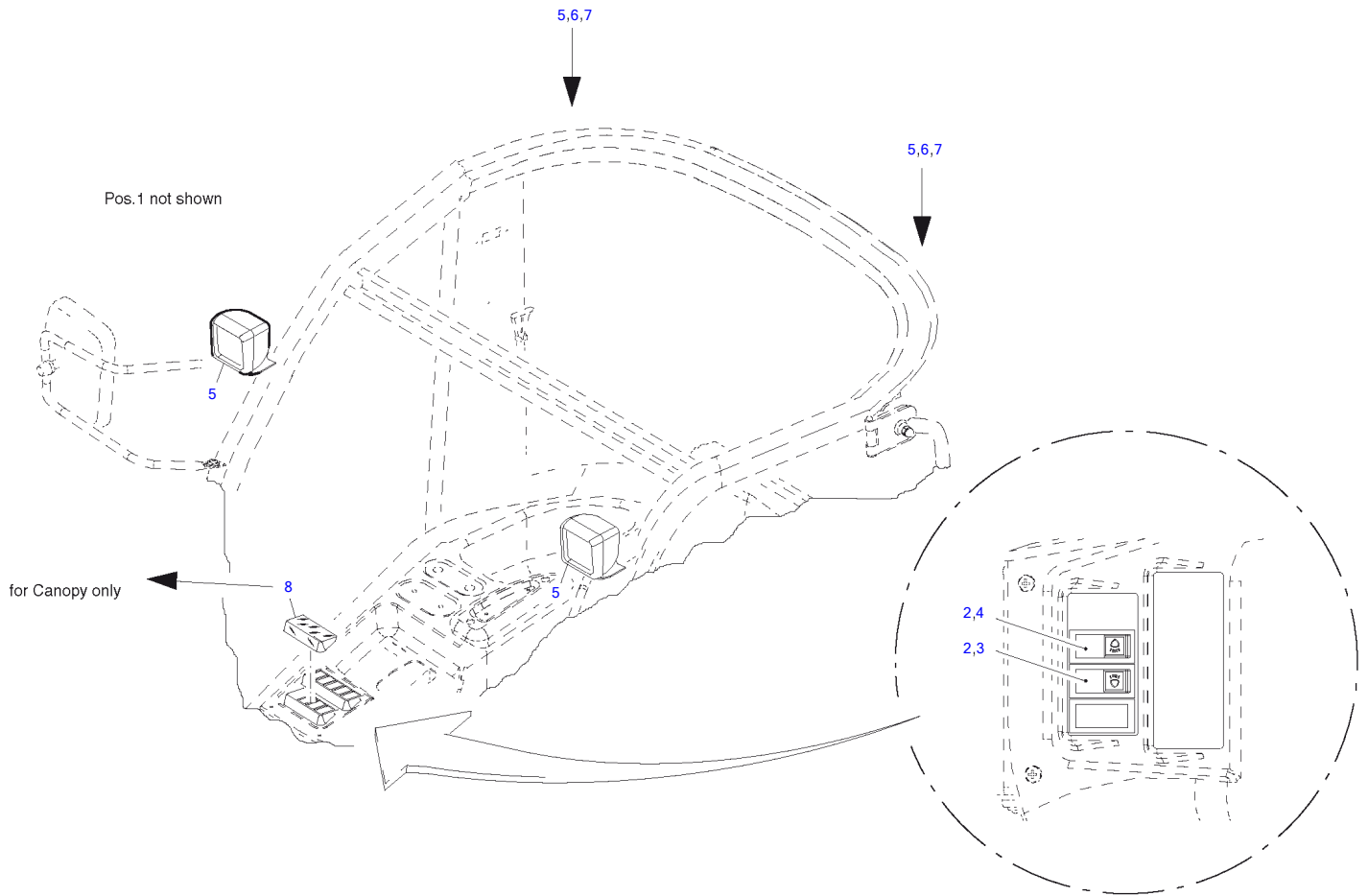


**Electric System Canopy**

Item	Part number	Description	Q'ty	Chan.	Serial No.	Serv.	Remarks
	<b>8016811</b>	Electric System Canopy	1				
1	<b>8016813</b>	Rear Instrument Panel Compl	1				
	<b>8016814</b>	Rear Instrument Panel	1				
2	<b>8013350</b>	Cabin Frame	1				
3	<b>3933128</b>	Switch 12V	1				
4	<b>7500775</b>	Ignition Lock	1				
	<b>7500201</b>	Key	1				
20	<b>4674353</b>	Switch 12V	2				
25	<b>1719000</b>	Decal	1				
26	<b>1718996</b>	Decal	1				
30	<b>8014378</b>	Harness	1				
31	<b>8014379</b>	Inside Light	1				
	<b>0448646</b>	Incandescent Lamp 12V 5W	1				
32	<b>8014371</b>	Lens Head Screw A3R	2				
35	<b>3953268</b>	Ignition Lock Covering	1				
36	<b>0909304</b>	Profile Rubber 600 MM	2				
37	<b>2986947</b>	Heating Hose 750 MM	1				
38	<b>8013589</b>	Duct Socket	1				
39	<b>8015103</b>	Cover Relay	1				

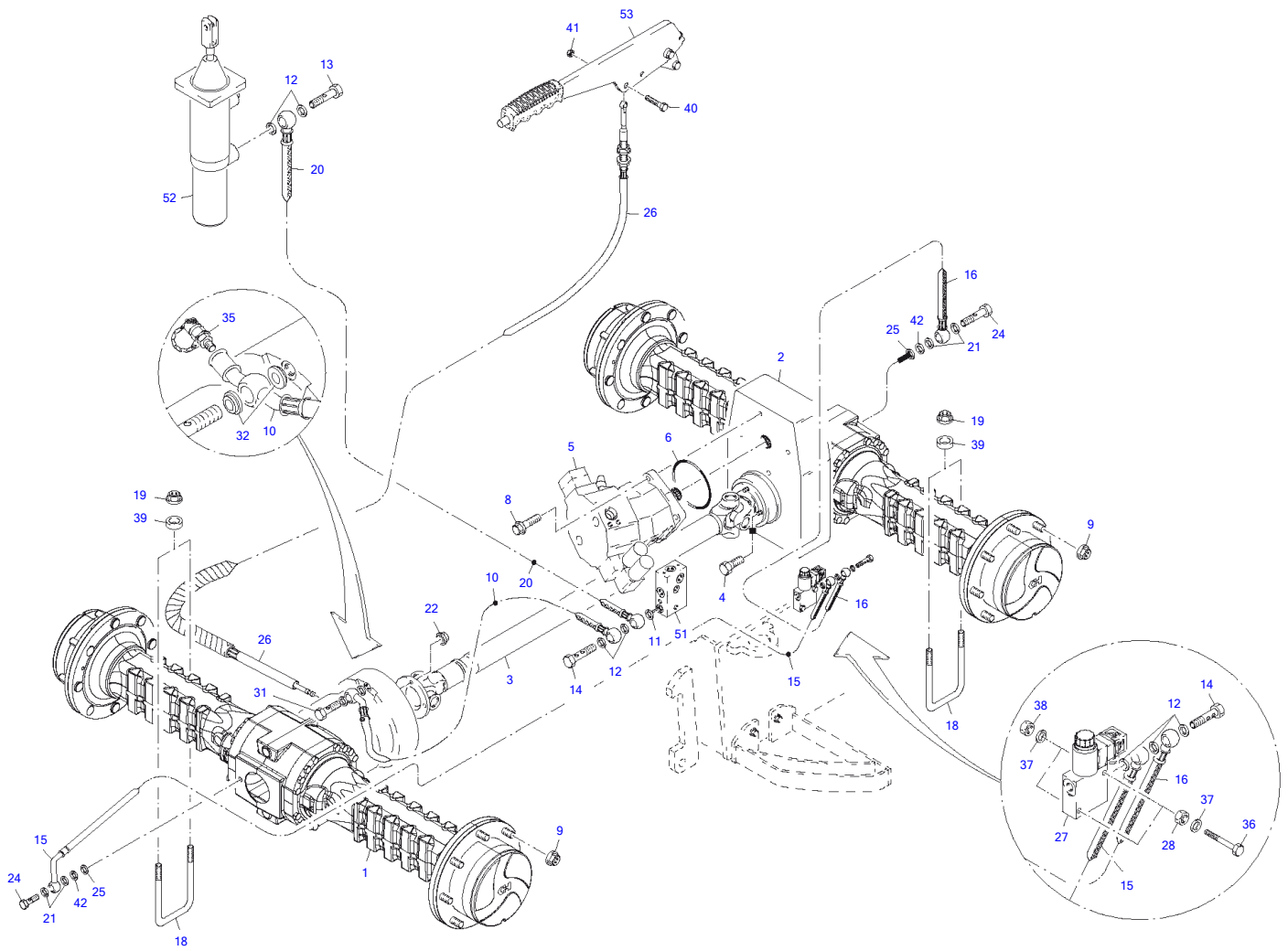


Printed Circuit Compl						
Item	Part number	Description	Q'ty	Chan.	Serial No.	Serv. Remarks
	<b>8008597</b>	Printed Circuit Compl	1			
1	<b>8009370</b>	Relay	1			
2	<b>8005320</b>	Time Control Unit	1			
3	<b>3935277</b>	Signal Transmitter	1			
4	<b>8008996</b>	Switch Relay 12V 10/15A	1			
5	<b>1724325</b>	Relay	7			
6	<b>1719237</b>	Fuse 5.0 amp	1			
7	<b>1719248</b>	Fuse 7.5 amp	7			
8	<b>1719259</b>	Fuse 10.0 amp	2			
9	<b>1719260</b>	Fuse 15.0 amp	9			
10	<b>1719464</b>	Fuse 25.0 amp	2			
11	<b>3933117</b>	Fuse 30.0 amp	2			
12	<b>8009368</b>	Relay 12V 20/30 A	1			



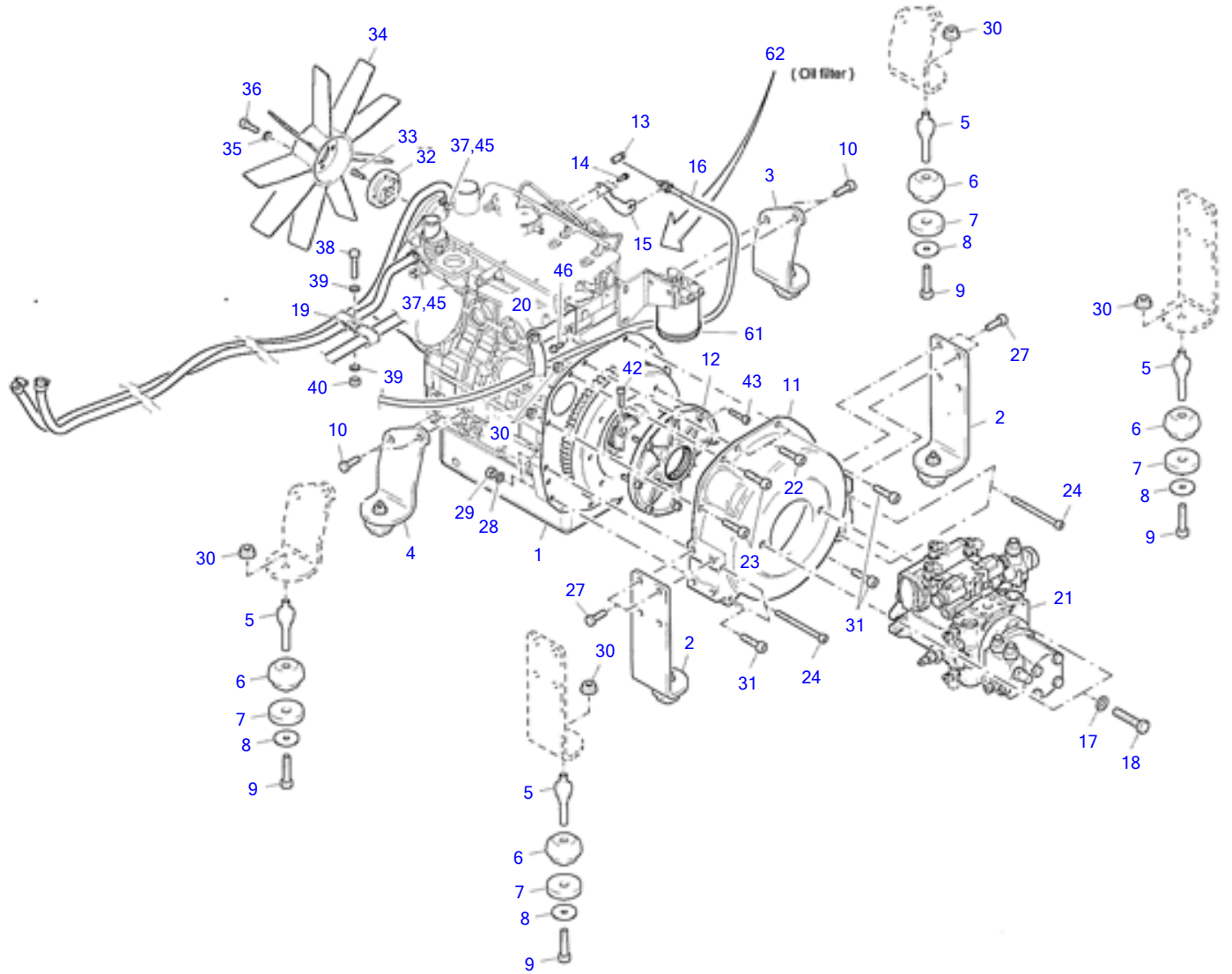
**Working Headlights**

Item	Part number	Description	Q'ty	Chan.	Serial No.	Serv.	Remarks
	<b>8012903</b>	Working Headlights	1				
1	<b>8012894</b>	Cable Set	1				
2	<b>4674353</b>	Switch 12V	2				
3	<b>1718996</b>	Decal	1				
4	<b>1719000</b>	Decal	1				
5	<b>8012513</b>	Working Headlight	4				
6	<b>8012891</b>	Holder	2				
7	<b>0893270</b>	Hex Head Screw A3C	4				
8	<b>8012808</b>	Protecting Cap	1				
	<b>8012816</b>	Working Headlights	1				
1	<b>8012893</b>	Cable Set	1				
2	<b>4674353</b>	Switch 12V	1				
3	<b>1718996</b>	Decal	1				
4	<b>8012513</b>	Working Headlight	2				
8	<b>8012808</b>	Protecting Cap	1				



Item	Part number	Description	Q'ty	Chan.	Serial No.	Serv.	Remarks
	<b>5820056</b>	Drive Set	1				
1	<b>5820057</b>	Front Axle	1				
2	<b>5820058</b>	Rear Axle	1				
3	<b>8012141</b>	Universal Joint Shaft	1				
4	<b>2997199</b>	Serrated Hex Head Screw	6				
5	<b>8019522</b>	Oil Motor	1				
6	<b>0330270</b>	O-Ring	1				
8	<b>2993151</b>	Serrated Hex Head Screw	4				
9	<b>1705651</b>	Flanged Ball Nut A3C	32				
10	<b>8006383</b>	HP-Hose 6 X 2000	1				
11	<b>3768296</b>	Gasket A3C	1				
12	<b>0350898</b>	Usit Ring U	8				
13	<b>0862944</b>	Female Screw A3C	1				
14	<b>2980827</b>	Female Screw A3C	2				
15	<b>5820150</b>	Hose Line 6 X 2400	1				
16	<b>2973453</b>	Hose Line 6 X 900	1				
18	<b>8002505</b>	Clamp Strap	4				
19	<b>0459547</b>	Nut	8				
20	<b>5820160</b>	HP-Hose 6 X 500	1				
21	<b>0373588</b>	Usit Ring U	4				
22	<b>2997202</b>	Serrated Nut	6				
24	<b>3929815</b>	Female Screw S A3C	2				
25	<b>0858506</b>	Usit Ring U	2				
26	<b>5820196</b>	Hand Brake Rope	1				
27	<b>3925526</b>	Directional Valve 3/2 12V	1				
	<b>2916625</b>	Magnet	1				
	<b>2983842</b>	Packing Set	1				
28	<b>0893167</b>	Nut A3C	2				
31	<b>8004251</b>	Female Screw A3C	1				
32	<b>8004852</b>	Gasket A3C	2				
35	<b>1722663</b>	Screw Coupling A3C	1				
36	<b>0893327</b>	Hex Head Screw A3C	2				
37	<b>2992014</b>	Ripp Washer A3C	4				
38	<b>0487336</b>	Nut A3C	2				
39	<b>5820171</b>	Spacer	8				
40	<b>0474648</b>	Kardan Bolt	1				
41	<b>0804897</b>	Nut A3C	1				
42	<b>3938849</b>	Washer A3C	2				
51	<b>8002252</b>	Brake Throttle Valve	1				
52	<b>8014176</b>	Main Brake Cylinder	1				
53	<b>8014176</b>	Hand Brake Lever	1				

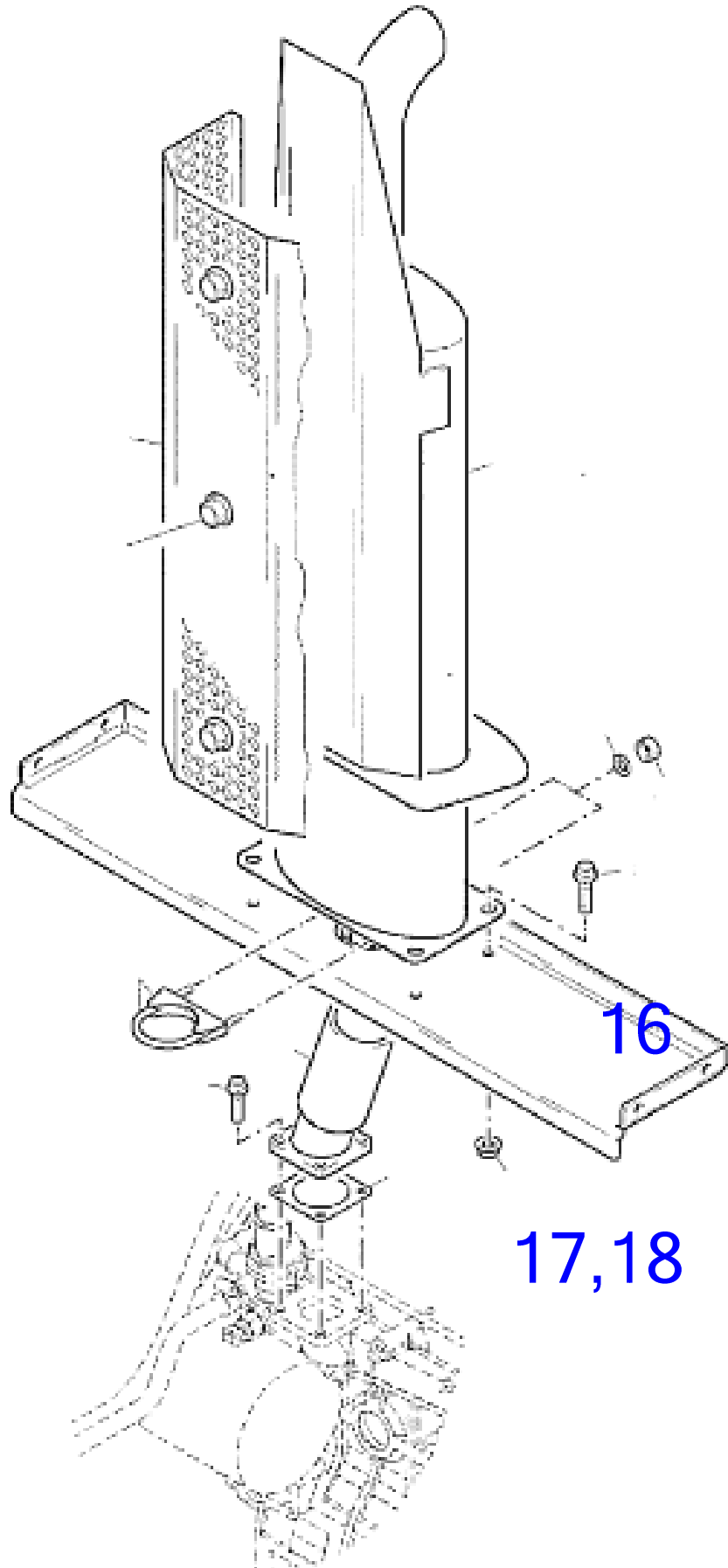
TW50 Book No. 8016563 08.06 S/N E104063  
Diesel Engine Compl





**Diesel Engine Compl**

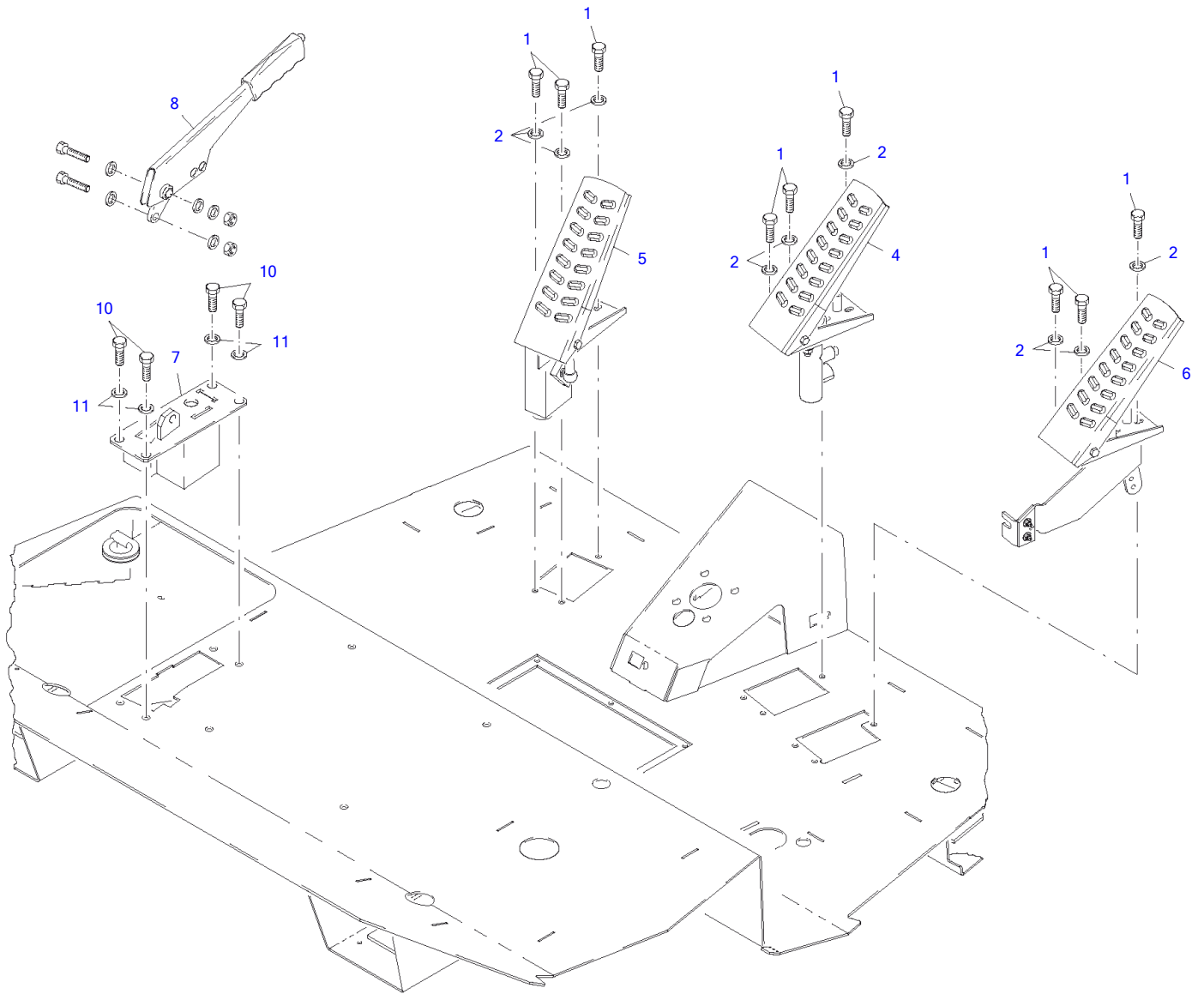
Item	Part number	Description	Q'ty	Chan.	Serial No.	Serv.	Remarks
	<b>5820020</b>	Diesel Engine Compl	1				
1	<b>5820109</b>	Deutz Engine D 12V	1				
2	<b>5820021</b>	Motor Bearing	1				
3	<b>5820144</b>	Motor Bearing	1				
4	<b>5820145</b>	Motor Bearing	1				
5	<b>8009129</b>	sleeve	4				
6	<b>8012143</b>	Rubber Element	4				
7	<b>3924241</b>	Rubber Washer	4				
8	<b>8012476</b>	Washer A3C	4				
9	<b>0395653</b>	Hex Head Screw	4				
10	<b>0439758</b>	Serrated Nut	4				
11	<b>5820025</b>	Pump Flange	1				
12	<b>5820134</b>	Coupling Bowex	1				
13	<b>8010182</b>	Yoke	1				
14	<b>2440642</b>	Serrated Hex Head Screw	2				
15	<b>5820024</b>	Holder	1				
16	<b>5820179</b>	Pull Cable	1				
17	<b>2905928</b>	Washer RV	2				
18	<b>3962372</b>	V-Plus Bolt	2				
19	<b>8000103</b>	Clip Norma	1				
20	<b>5820191</b>	Holder	1				
21	<b>5820115</b>	Oil Pressure Pump Compl	1				
22	<b>1384232</b>	Serrated Hex Head Screw	2				
23	<b>0892962</b>	Serrated Hex Head Screw	2				
24	<b>1631107</b>	Serrated Hex Head Screw	4				
27	<b>1050604</b>	Self-Locking Bolt	8				
28	<b>2481243</b>	Ripp Washer A3C	7				
29	<b>327297</b>	Nut A3C	7				
30	<b>2481652</b>	Serrated Nut	8				
31	<b>1307273</b>	Hex Head Cap Screw	3				
32	<b>5820161</b>	Adaptor	1				
33	<b>1631765</b>	Hex Head Cap Screw	4				
34	<b>5820172</b>	Ventilator Wheel	1				
35	<b>3939464</b>	Ripp Washer A3C	4				
36	<b>1309195</b>	Hex Head Cap Screw	4				
37	<b>8006226</b>	Clip Norma	2				
38	<b>0893214</b>	Hex Head Screw A3C	1				
39	<b>0863138</b>	Washer A3C	2				
40	<b>0399760</b>	Nut A3C	1				
42	<b>1625405</b>	Allen Screw	1				
43	<b>8009750</b>	Allen Screw	8				
45	<b>5820193</b>	Coupling	2				
46	<b>2449607</b>	Serrated Hex Head Screw	1				
61	<b>8010490</b>	Fuel Filter	1				
62	<b>8010489</b>	Oil Filter	1				



**Exhaust System**

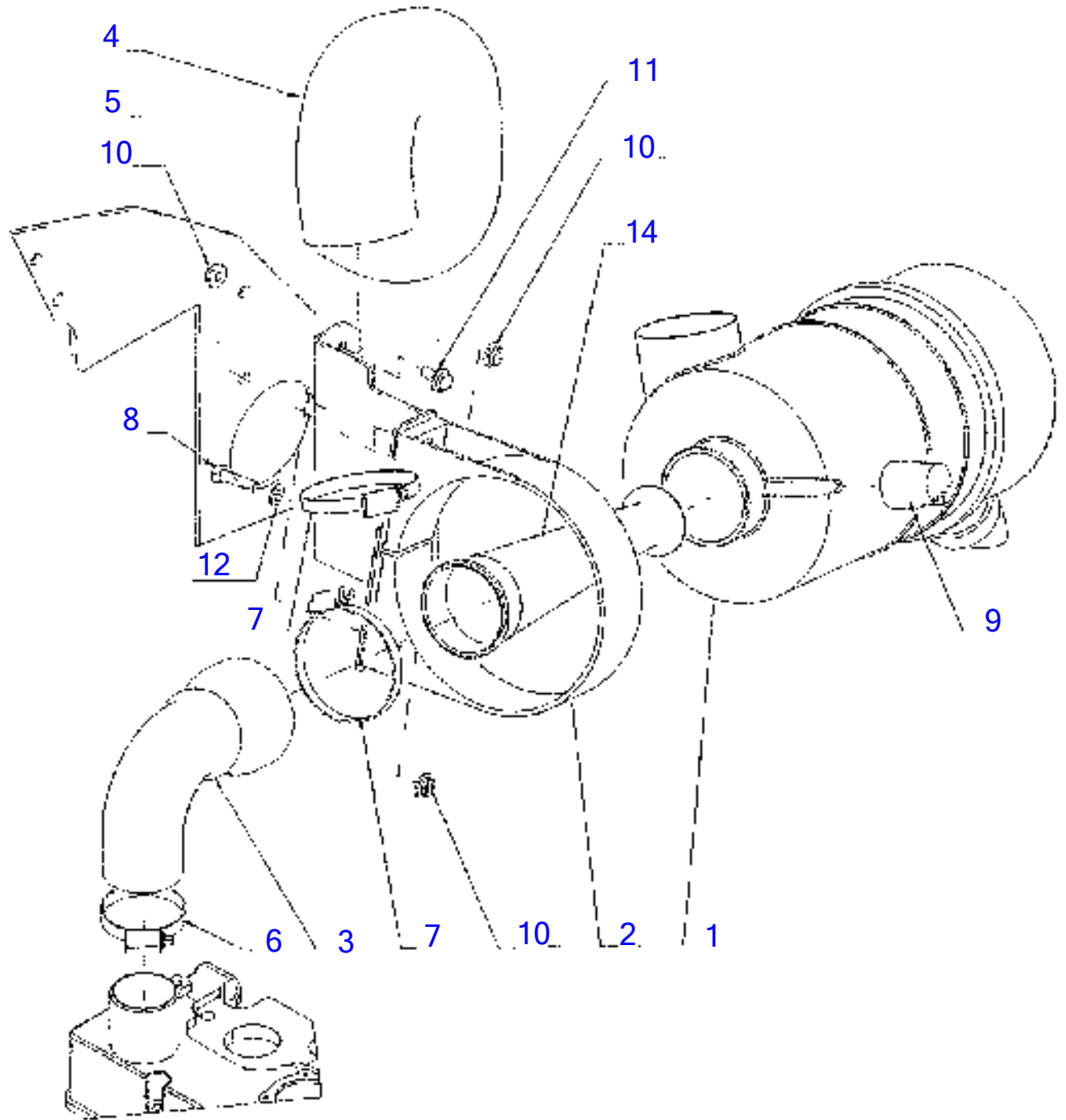
Item	Part number	Description	Q'ty	Chan.	Serial No.	Serv.	Remarks
	<b>5820076</b>	Exhaust Installation	1				
1	<b>8013758</b>	Sound Absorber	1				
2	<b>2981851</b>	Bracket Clip	1				
3	<b>8003057</b>	Serrated Hex Head Screw	4				
4	<b>3960778</b>	Serrated Nut	4				
5	<b>5820130</b>	Exhaust Pipe	1				
6	<b>3939464</b>	Ripp Washer A3C	2				
7	<b>2997199</b>	Serrated Hex Head Screw	4				
10	<b>8012392</b>	Packing	1				
15	<b>0893167</b>	Nut A3C	2				
16	<b>8013833</b>	Protective Plate Compl	1				
	<b>8013753</b>	Protective Plate	1				
17	<b>0893452</b>	Hex Head Screw A3C	12				
18	<b>2992014</b>	Ripp Washer A3C	12				

TW50 Book No. 8016563 08.06 S/N E104063  
Foot Pedal Mechanism



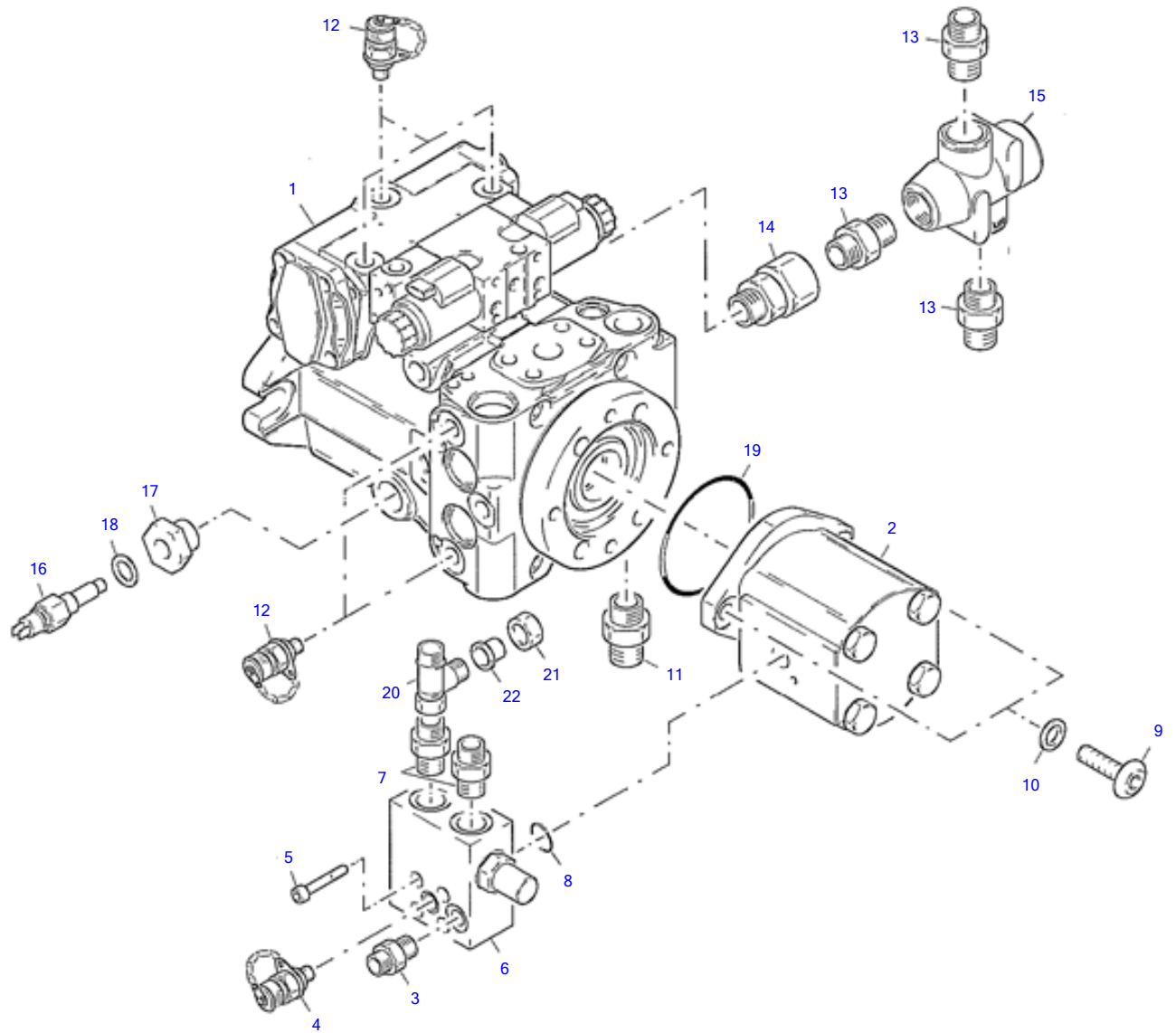
**Foot Pedal Mechanism**

Item	Part number	Description	Q'ty	Chan.	Serial No.	Serv.	Remarks
	<b>8014176</b>	Foot Pedal Mechanism	1				
1	<b>1368641</b>	Hex Head Screw A3C	9				
2	<b>0893043</b>	Washer A3C	9				
4	<b>8013450</b>	Brake Pedal Compl	1				
	<b>8013433</b>	Main Brake Cylinder	1				
5	<b>8013451</b>	Inch-Actuator Compl	1				
	<b>8002252</b>	Brake Throttle Valve	1				
6	<b>8013452</b>	Foot Pedal Mechanism	1				
7	<b>8014376</b>	Front Hand Brake Lever Bracket	1				
8	<b>3750503</b>	Hand Brake Lever	1				
	<b>3961622</b>	Switch	1				
10	<b>0893236</b>	Hex Head Screw A3C	4				
11	<b>8013871</b>	Washer	8				



**Air Filter System**

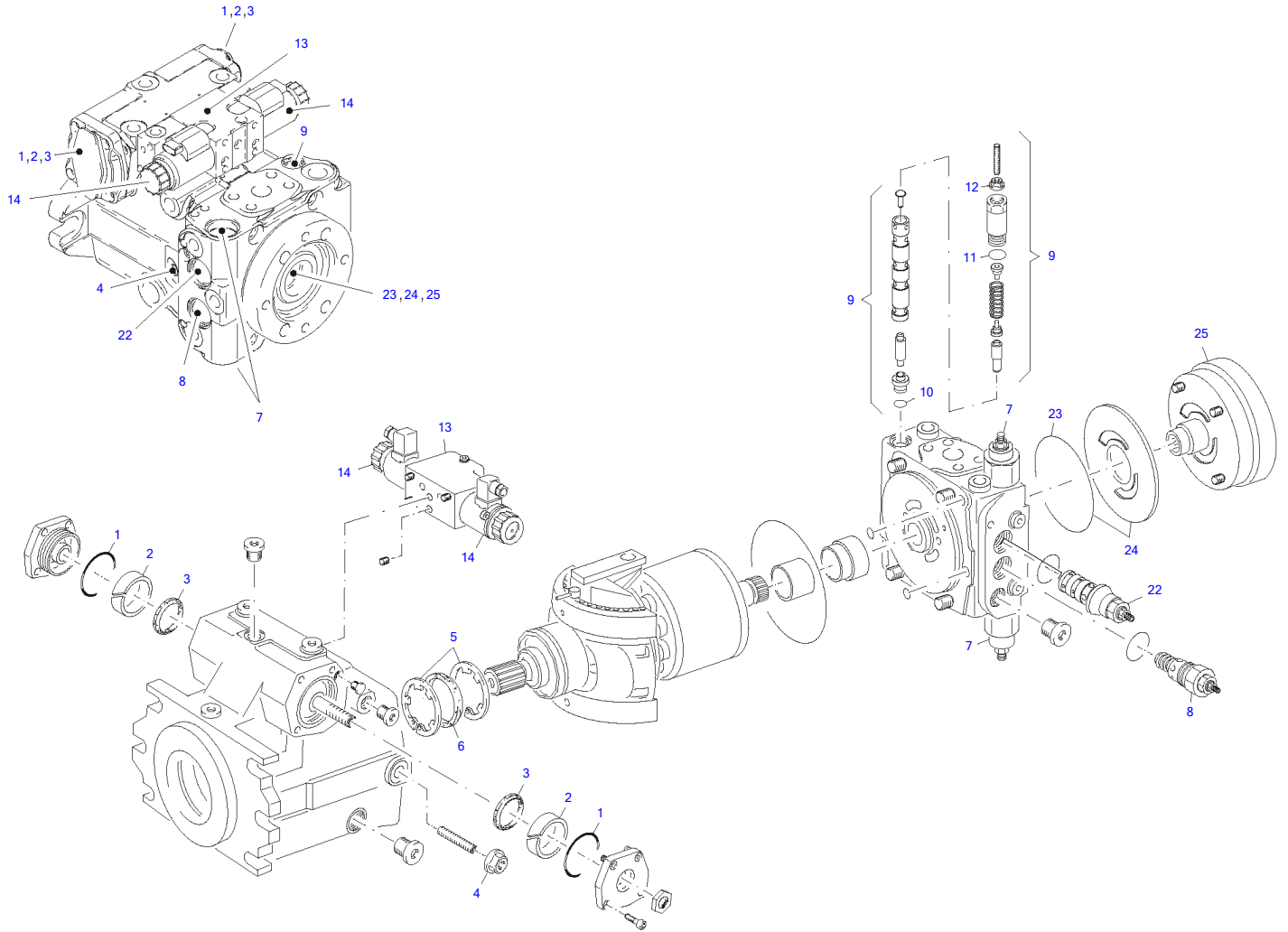
Item	Part number	Description	Q'ty	Chan.	Serial No.	Serv.	Remarks
	<b>5820075</b>	Air Filter System	1				
1	<b>2991524</b>	Air Filter	1				
	<b>2991546</b>	Filter Element	1				
	<b>2991557</b>	Filter Element	1				
	<b>2999726</b>	Housing	1				
	<b>2993208</b>	Cover	1				
	<b>2997326</b>	Repairing Bracket	3				
	<b>2911857</b>	Air Filter Valve	1				
2	<b>8008111</b>	Clip	1				
3	<b>5820112</b>	Hose	1				
4	<b>5820113</b>	Hose	1				
5	<b>5820114</b>	Holder	1				
6	<b>8005376</b>	Clip	1				
7	<b>0459149</b>	Clip	2				
8	<b>1307079</b>	Hex Head Screw A3C	2				
9	<b>2913166</b>	Low Pressure Indicator	1				
10	<b>1722787</b>	Serrated Nut	4				
11	<b>8009782</b>	Serrated Hex Head Screw	2				
12	<b>2481254</b>	Ripp Washer A3C	2				
14	<b>2969651</b>	Pipe	1				





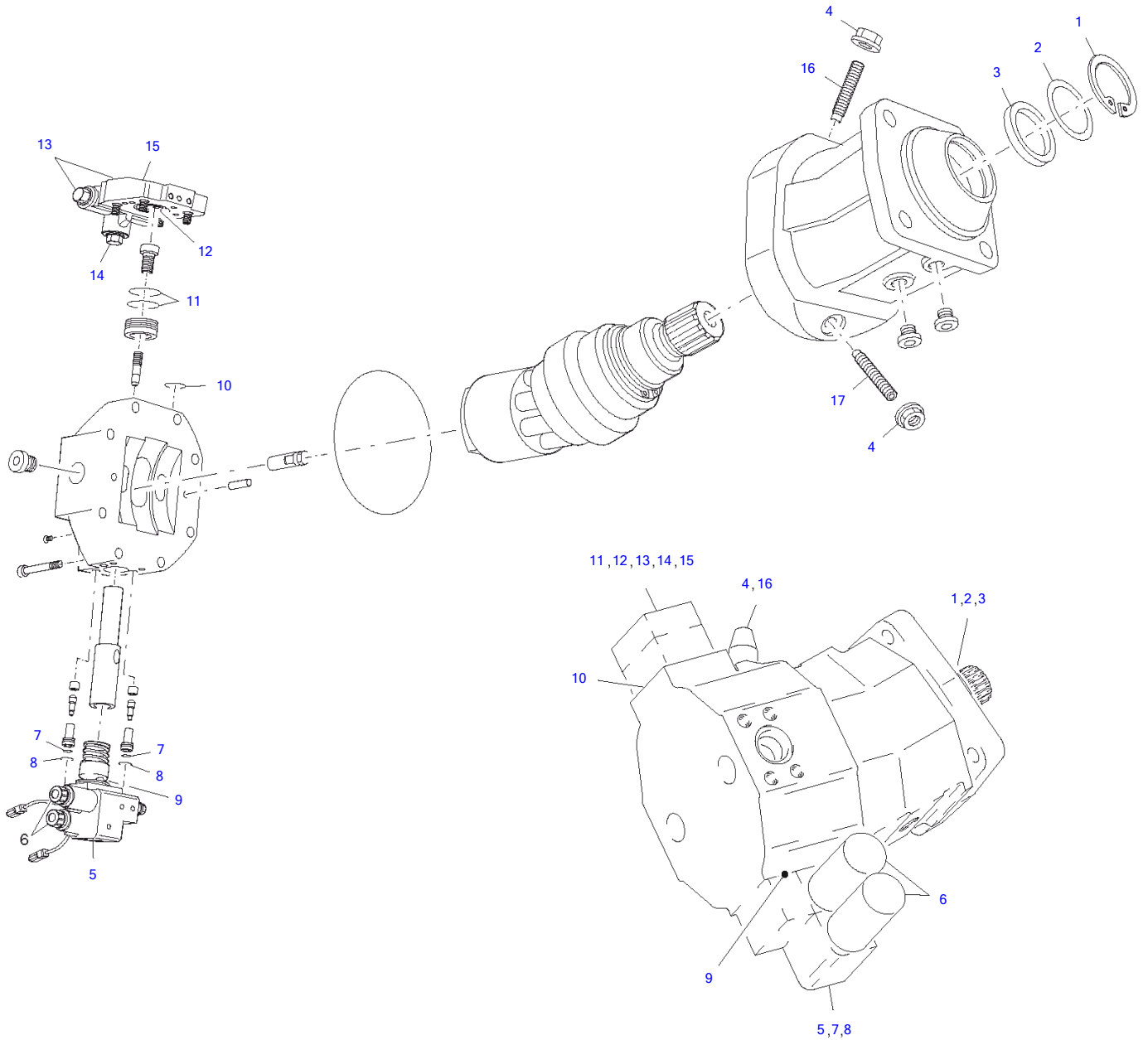
**Oil Pressure Pump Compl**

Item	Part number	Description	Q'ty	Chan.	Serial No.	Serv.	Remarks
	<b>5820115</b>	Oil Pressure Pump Compl	1				
1	<b>5820116</b>	Oil Pressure Pump 12V	1				
2	<b>5820117</b>	Oil Pressure Pump	1				
3	<b>2656664</b>	Coupling A3C	1				
4	<b>2479669</b>	Screw Coupling A3C	1				
5	<b>1389873</b>	Hex Head Cap Screw	4				
6	<b>8010564</b>	Priority Valve	1				
7	<b>2481696</b>	Coupling A3C	2				
8	<b>0351219</b>	O-Ring	1				
9	<b>8008054</b>	Lens Head Screw	2				
10	<b>2481243</b>	Ripp Washer A3C	2				
11	<b>2913213</b>	Coupling A3C	1				
12	<b>2906189</b>	Screw Coupling ED	5				
13	<b>1686475</b>	Coupling A3C	3				
14	<b>3952790</b>	Coupling A3C	1				
15	<b>8004537</b>	Oil Thermocouple Element	1				
16	<b>1749244</b>	Temperature Switch	1				
17	<b>3939248</b>	Coupling	1				
18	<b>0373588</b>	Usit Ring U	1				
19	<b>2651761</b>	O-Ring	1				
20	<b>2967682</b>	Coupling A3C	1				
21	<b>1631641</b>	Cap Nut A3C	1				
22	<b>2904723</b>	Locking Bunch A3C	1				



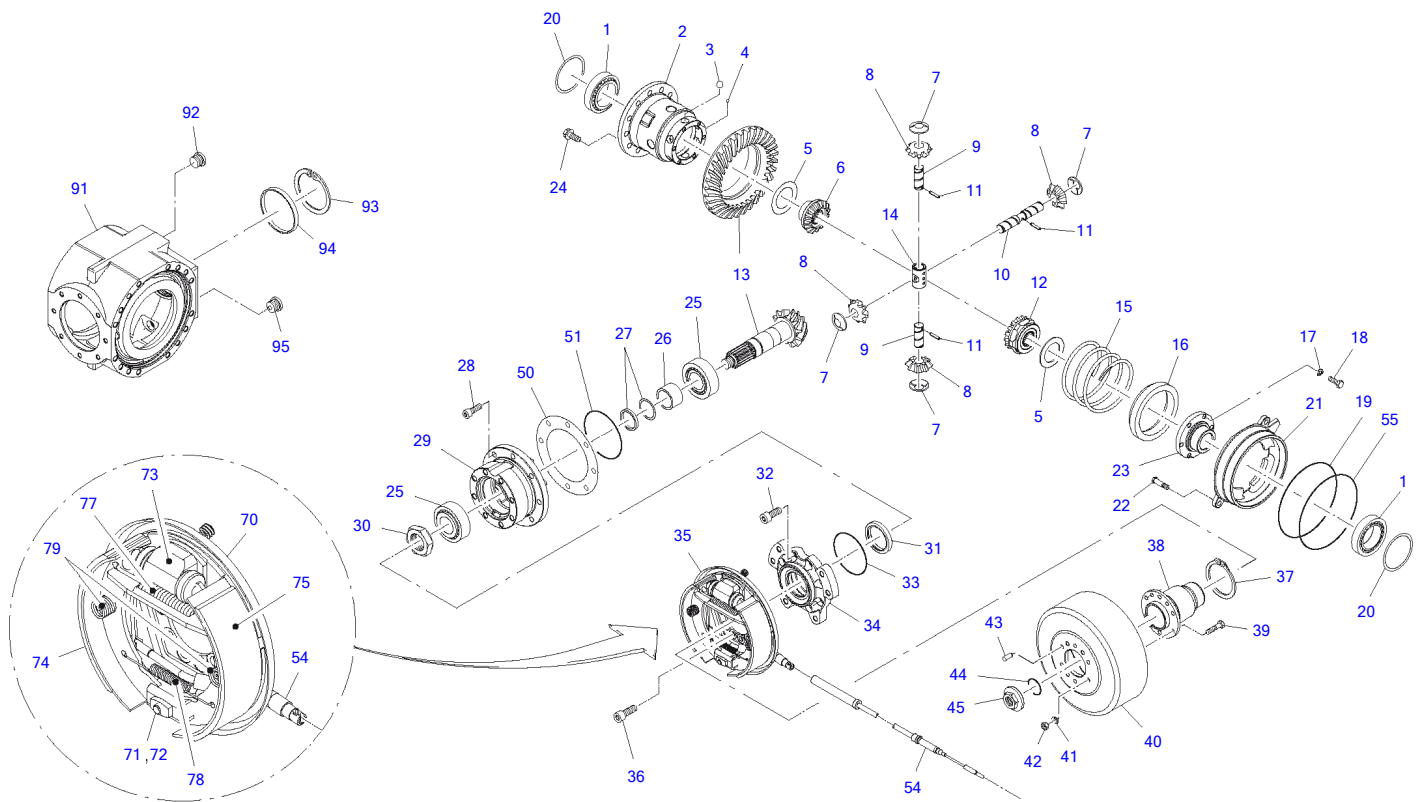
**Oil Pressure Pump 12V**

Item	Part number	Description	Q'ty	Chan.	Serial No.	Serv.	Remarks
	<b>5820116</b>	Oil Pressure Pump 12V	1				
1	<b>1394405</b>	O-Ring	2				
2	<b>8008730</b>	Piston Guide Ring	2				
3	<b>8008731</b>	Turcon Glyd Ring	2				
4	<b>1094219</b>	Nut	1				
5	<b>8014323</b>	Circlip	2				
6	<b>8014324</b>	Oil Seal	1				
7	<b>3985346</b>	Pressure Limit Valve	2				
	<b>8008734</b>	Threaded Pin	2				
	<b>1007269</b>	O-Ring	2				
	<b>0319775</b>	O-Ring	2				
	<b>1332069</b>	Nut	2				
	<b>8008735</b>	Thrust Ring	2				
8	<b>8008733</b>	Pressure Limit Valve	1				
	<b>1007269</b>	O-Ring	1				
9	<b>3961611</b>	Switch-Off Valve	1				
10	<b>0319775</b>	O-Ring	1				
11	<b>1007236</b>	O-Ring	1				
12	<b>1332069</b>	Nut	1				
13	<b>8014281</b>	Magnet Valve 12V	1				
14	<b>8014320</b>	Control Magnet	2				
22	<b>8008718</b>	Governor Cartridge	1				
	<b>1007269</b>	O-Ring	1				
	<b>1354112</b>	Nut	1				
23	<b>8008736</b>	Oil Seal	1				
24	<b>8014284</b>	Wearing Parts Set	1				
25	<b>8014285</b>	Feeding Pump Compl	1				
	<b>0315180</b>	Allen Screw	4				
	<b>8008736</b>	Oil Seal	1				
	<b>1721708</b>	O-Ring	1				
	<b>8014283</b>	Seal Kit Compl	1				



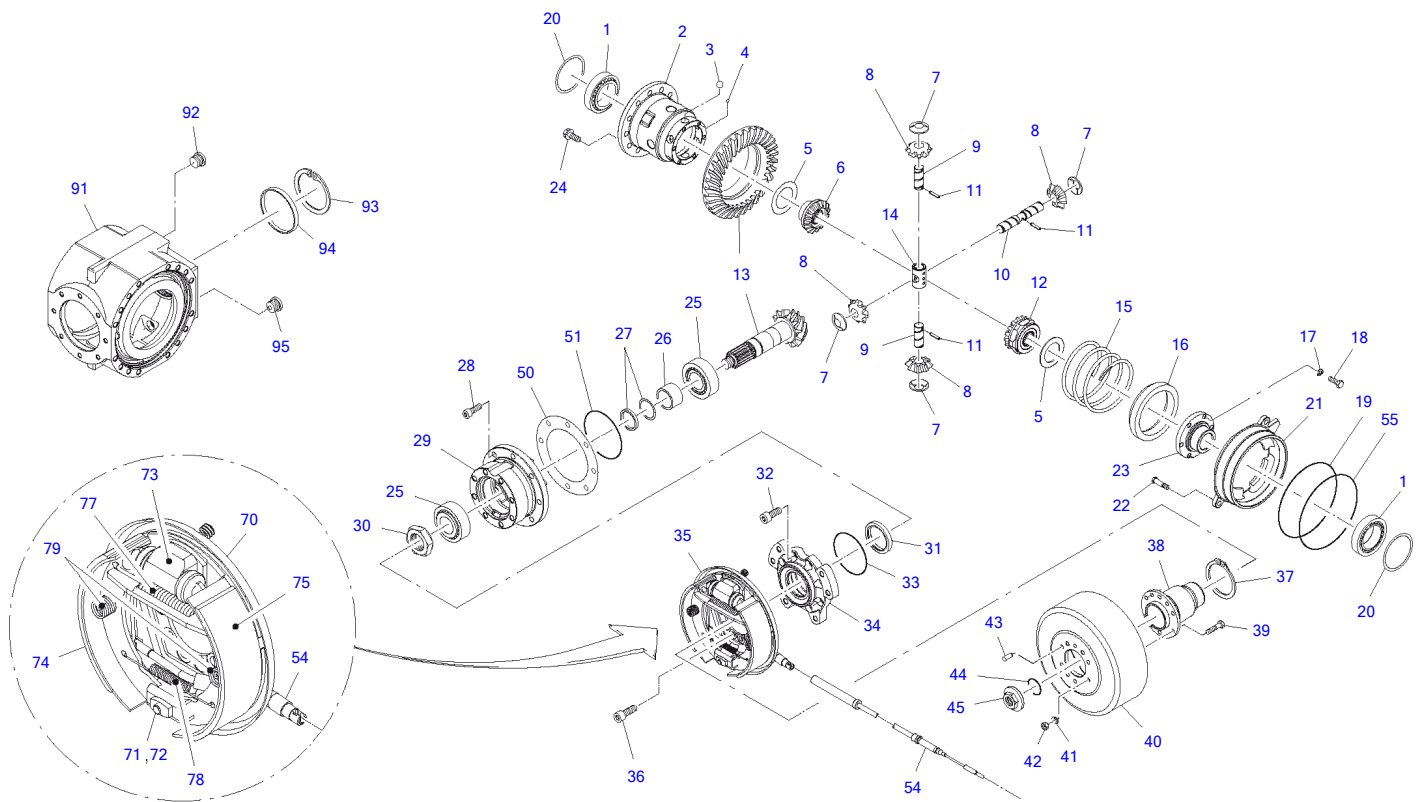
Item	Part number	Description	Oil Motor			Remarks
			Q'ty	Chan.	Serial No.	
	<b>5820125</b>	Oil Motor	1			
1	<b>1309377</b>	Circlip Tone 400	1			
2	<b>0831298</b>	Shim 10 MM	1			
	<b>0460197</b>	Shim 50 MM	1			
3	<b>8014316</b>	Oil Seal	1			
4	<b>0480895</b>	Nut	2			
5	<b>8014278</b>	Tax-Part	1			
6	<b>8014320</b>	Control Magnet	2			
7	<b>8006721</b>	O-Ring	2			
8	<b>8006720</b>	O-Ring	2			
9	<b>8014319</b>	O-Ring	1			
10	<b>8006722</b>	O-Ring	6			
11	<b>8014318</b>	Piston Ring	3			
12	<b>8006724</b>	O-Ring	1			
13	<b>8006725</b>	O-Ring	2			
14	<b>8006726</b>	O-Ring	1			
15	<b>8014279</b>	Feeding Press Valve	1			
16	<b>8006570</b>	Threaded Pin	2			
	<b>8014280</b>	Packing Set Compl	1			

TW50 Book No. 8016563 08.06 S/N E104063  
Front Axle



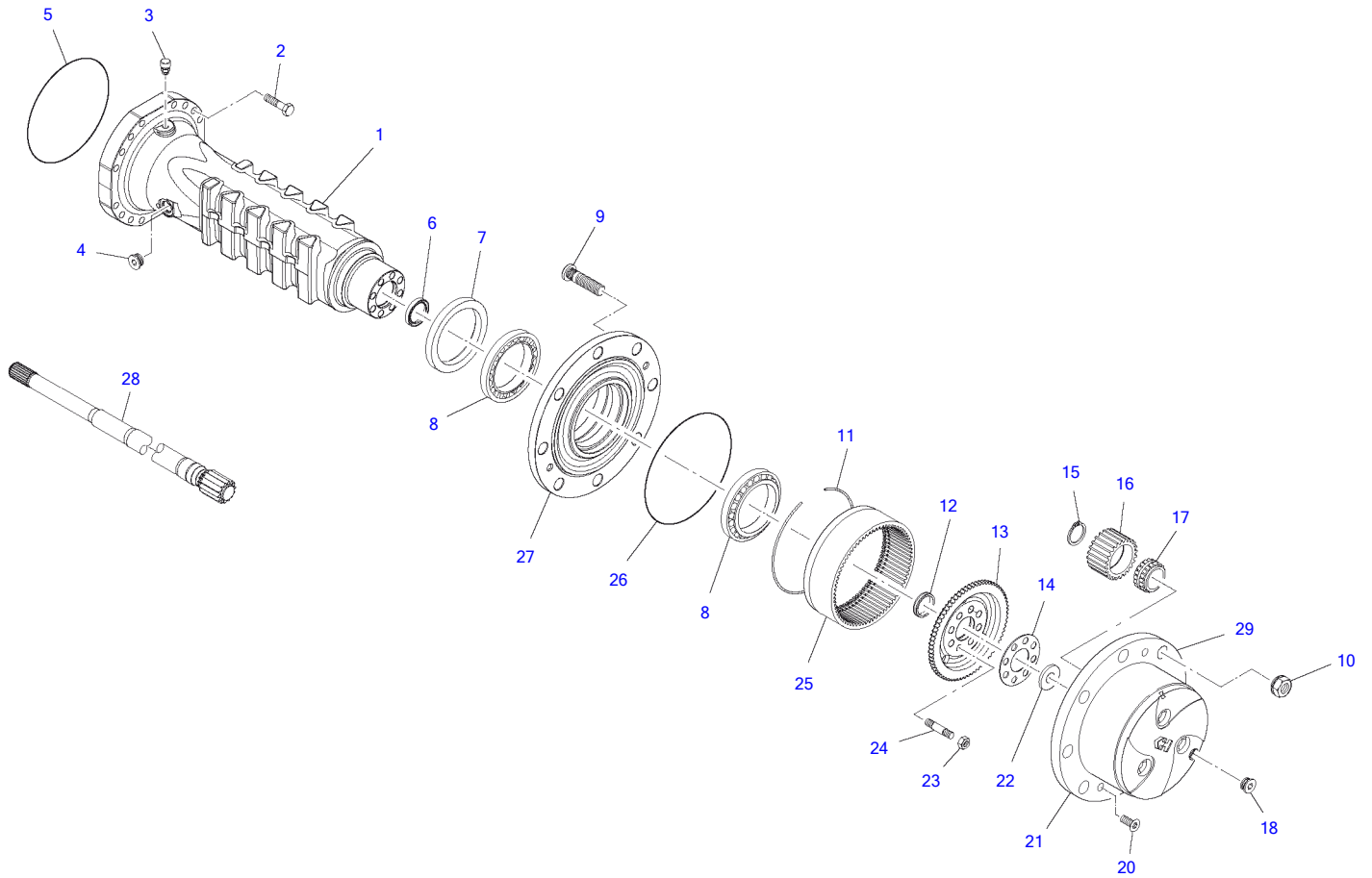
							<b>Front Axle</b>
Item	Part number	Description	Q'ty	Chan.	Serial No.	Serv.	Remarks
	<b>5820057</b>	Front Axle	1				
1	<b>0358169</b>	Conical Roller Bearing	2				
2	<b>8009243</b>	Differential Housing	1				
3	<b>3984118</b>	Ball	6				
4	<b>8009244</b>	Ball	1				
5	<b>2983273</b>	Disk	2				
6	<b>2983262</b>	Side Shaft Wheel	1				
7	<b>2915464</b>	Disk	4				
8	<b>2915475</b>	Planet Wheel	4				
9	<b>8009245</b>	Pin	2				
10	<b>8009246</b>	Pin	1				
11	<b>0443163</b>	Adaptor Sleeve	3				
12	<b>8009247</b>	Side Shaft Wheel	1				
13	<b>8009248</b>	Spur Bevel Gear	1				
14	<b>8014141</b>	Crossing Part	1				
15	<b>8009250</b>	Spring	1				
16	<b>8009251</b>	Control Sleeve	1				
17	<b>8010316</b>	Disk	6				
18	<b>1092795</b>	Black Bolt	6				
19	<b>8010106</b>	O-Ring	1				
20	<b>8009252</b>	Shim	2				
	<b>8009253</b>	Shim	2				
	<b>8009254</b>	Shim	2				
	<b>8009255</b>	Shim	2				
21	<b>8009256</b>	Piston	1				
22	<b>8010255</b>	Justier Screw	2				
23	<b>8009257</b>	Cover	1				
24	<b>8010239</b>	V-Plus Flanged Bolt	12				
25	<b>2480924</b>	Conical Roller Bearing	2				
26	<b>8014143</b>	Distance Ring	1				
27	<b>8009275</b>	Shim	1				
	<b>8009279</b>	Shim	1				
28	<b>0848684</b>	Bolt	8				
29	<b>8009593</b>	Cover	1				
30	<b>8010003</b>	Wave Nut	1				
31	<b>8010243</b>	Oil Seal	1				
32	<b>8010774</b>	Fillister Head Screw	8				
33	<b>8010109</b>	O-Ring	1				
34	<b>8009595</b>	Cover	1				
35	<b>8009594</b>	Servo Brake	1				
36	<b>8010775</b>	Fillister Head Screw	8				
37	<b>1366810</b>	Circlip Tone 400	1				
38	<b>8009596</b>	Flange	1				
39	<b>0893189</b>	Hex Head Screw A3C	6				
40	<b>8009597</b>	Brake Drum	1				
41	<b>8010373</b>	Spring Washer	6				
42	<b>0300285</b>	Nut	6				
43	<b>3802255</b>	Dowel Pin	6				
44	<b>8010110</b>	O-Ring	1				
45	<b>8010262</b>	Flanged Nut	1				
50	<b>2915748</b>	Shim	1				
	<b>2915737</b>	Shim	1				
	<b>2915726</b>	Shim	1				
	<b>2915317</b>	Shim	1				
51	<b>8010111</b>	O-Ring	1				
54	<b>5820196</b>	Hand Brake Rope	1				
55	<b>8014144</b>	O-Ring	1				
70	<b>8012215</b>	Brake Plate Compl	1				
71	<b>8012216</b>	Adjustment Compl	2				
72	<b>8012217</b>	Regulating Wedge	1				
73	<b>8012219</b>	Wheel Brake Cylinder	1				
74	<b>8012220</b>	Brake Shoe Lining	1				
75	<b>8012221</b>	Brake Shoe Lining	1				
77	<b>8012223</b>	Draw Spring	1				
78	<b>8012225</b>	Draw Spring	1				
79	<b>8012226</b>	Compression Spring	2				
91	<b>8009442</b>	Housing	1				
92	<b>2655505</b>	Plug A3C	1				

TW50 Book No. 8016563 08.06 S/N E104063  
Front Axle

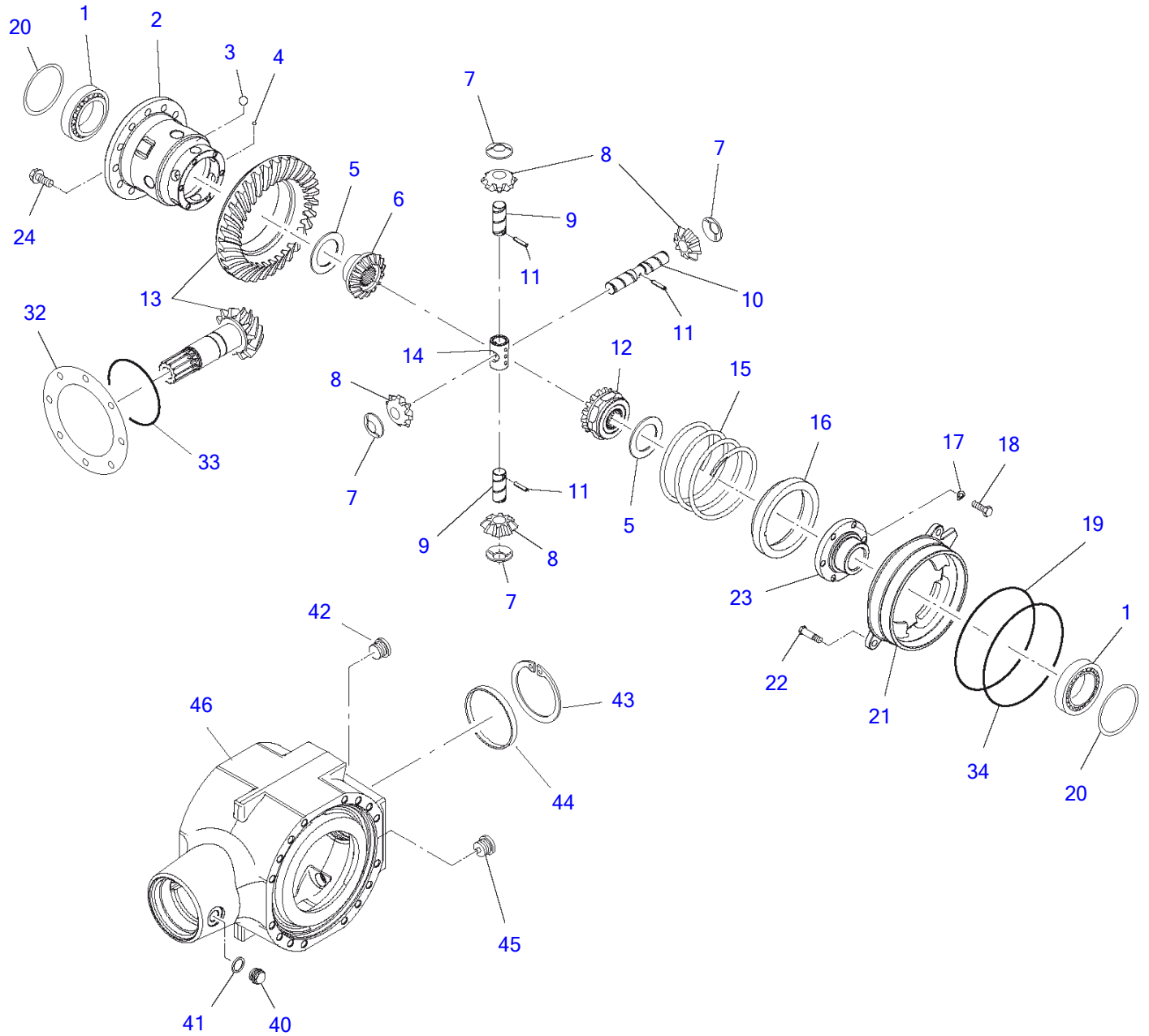




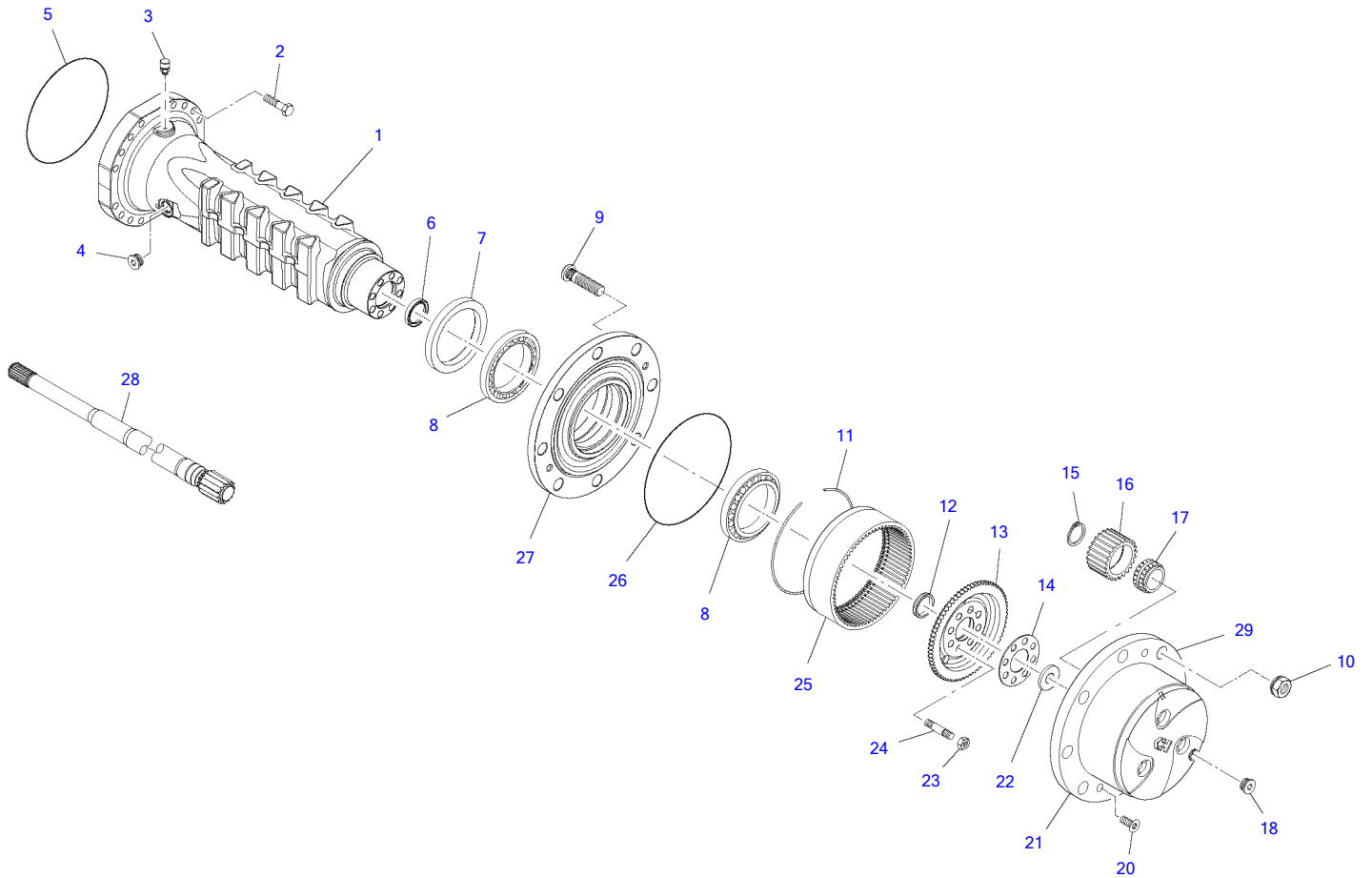
Item	Part number	Description	Front Axle				Remarks
			Q'ty	Chan.	Serial No.	Serv.	
93	<b>2401407</b>	Circlip	1				
94	<b>8009656</b>	Plug	1				
95	<b>0356178</b>	Plug A3C MG	1				



Item	Part number	Description	Axle Pipe			
			Q'ty	Chan.	Serial No.	Serv. Remarks
1	8014145	Axle Pipe	2			
2	8010322	Bolt	32			
3	3968889	Air Vent	1			
4	2655505	Plug A3C	2			
5	8010108	O-Ring	2			
6	2915782	Oil Seal	2			
7	8010249	Oil Seal	2			
8	8010027	Conical Roller Bearing	4			
	8010028	Conical Roller Bearing	4			
9	8009470	Wheel Pin	16			
10	5820056	Flanged Ball Nut A3C	16			
11	8010257	Snap Ring	2			
12	8009457	Centering Ring	2			
13	8009259	Side Shaft Wheel	2			
14	8009260	Plate	2			
15	8010258	Circlip Tone 400	6			
16	3983742	Planet Wheel	6			
17	8010025	Roller Bearing	6			
18	8010263	Plug A3C	2			
20	0482831	Countersunk Screw A3C	4			
21	8009261	Planetary Housing	2			
22	3983764	Disk	2			
23	8010264	Nut	16			
24	8010303	Stud	16			
25	3983719	Gear Rim	2			
26	2902163	O-Ring	2			
27	8009262	Wheel Hub	2			
28	8014146	Axle Shaft	2			
29	8009264	Housing Compl	2			

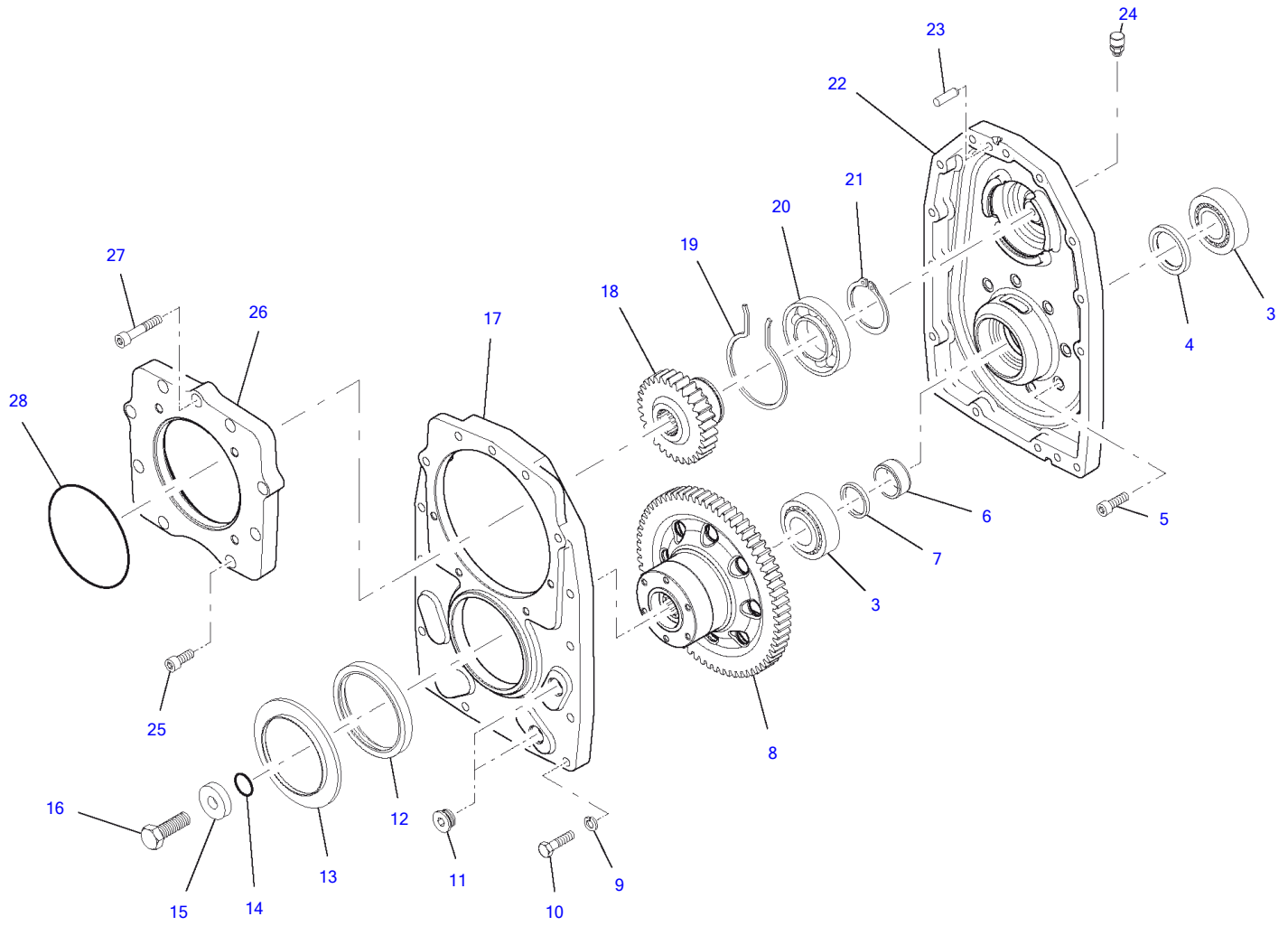


							<b>Rear Axle</b>
Item	Part number	Description	Q'ty	Chan.	Serial No.	Serv.	Remarks
	<b>5820058</b>	Rear Axle	1				
1	<b>0358169</b>	Conical Roller Bearing	2				
2	<b>8009243</b>	Differential Housing	1				
3	<b>3984118</b>	Ball	6				
4	<b>8009244</b>	Ball	1				
5	<b>2983273</b>	Disk	2				
6	<b>2983262</b>	Side Shaft Wheel	1				
7	<b>2915464</b>	Disk	4				
8	<b>2915475</b>	Planet Wheel	4				
9	<b>8009245</b>	Pin	2				
10	<b>8009246</b>	Pin	1				
11	<b>0443163</b>	Adaptor Sleeve	3				
12	<b>8009247</b>	Side Shaft Wheel	1				
13	<b>8014161</b>	Spur Bevel Gear	1				
14	<b>8014141</b>	Crossing Part	1				
15	<b>8009250</b>	Spring	1				
16	<b>8009251</b>	Control Sleeve	1				
17	<b>8010316</b>	Disk	6				
18	<b>1092795</b>	Black Bolt	6				
19	<b>8010106</b>	O-Ring	1				
20	<b>8009252</b>	Shim	2				
	<b>8009253</b>	Shim	2				
	<b>8009254</b>	Shim	2				
	<b>8009255</b>	Shim	2				
21	<b>8009256</b>	Piston	1				
22	<b>8010255</b>	Justier Screw	2				
23	<b>8009257</b>	Cover	1				
24	<b>8010239</b>	Flanged V-Plus Bolt	12				
32	<b>2915748</b>	Shim	1				
	<b>2915737</b>	Shim	1				
	<b>2915726</b>	Shim	1				
	<b>2915317</b>	Shim	1				
33	<b>8010111</b>	O-Ring	1				
34	<b>8014144</b>	O-Ring	1				
42	<b>2655505</b>	Plug A3C	1				
43	<b>2401407</b>	Circlip	1				
44	<b>8009656</b>	Plug	1				
45	<b>0356178</b>	Plug A3C MG	1				
46	<b>8009442</b>	Housing	1				



Item	Part number	Description	Axle Pipe			
			Q'ty	Chan.	Serial No.	Serv. Remarks
1	8014145	Axle Pipe	2			
2	8010322	Bolt	32			
3	3968889	Air Vent	1			
4	2655505	Plug A3C	2			
5	8010108	O-Ring	2			
6	2915782	Oil Seal	2			
7	8010249	Oil Seal	2			
8	8010027	Conical Roller Bearing	4			
	8010028	Conical Roller Bearing	4			
9	8009470	Wheel Pin	16			
10	5820056	Flanged Ball Nut A3C	16			
11	8010257	Snap Ring	2			
12	8009457	Centering Ring	2			
13	8009259	Side Shaft Wheel	2			
14	8009260	Plate	2			
15	8010258	Circlip Tone 400	6			
16	3983742	Planet Wheel	6			
17	8010025	Roller Bearing	6			
18	8010263	Plug A3C	2			
20	0482831	Countersunk Screw A3C	4			
21	8009261	Planetary Housing	2			
22	3983764	Disk	2			
23	8010264	Nut	16			
24	8010303	Stud	16			
25	3983719	Gear Rim	2			
26	2902163	O-Ring	2			
27	8009262	Wheel Hub	2			
28	8014146	Axle Shaft	2			
29	8009264	Housing Compl	2			

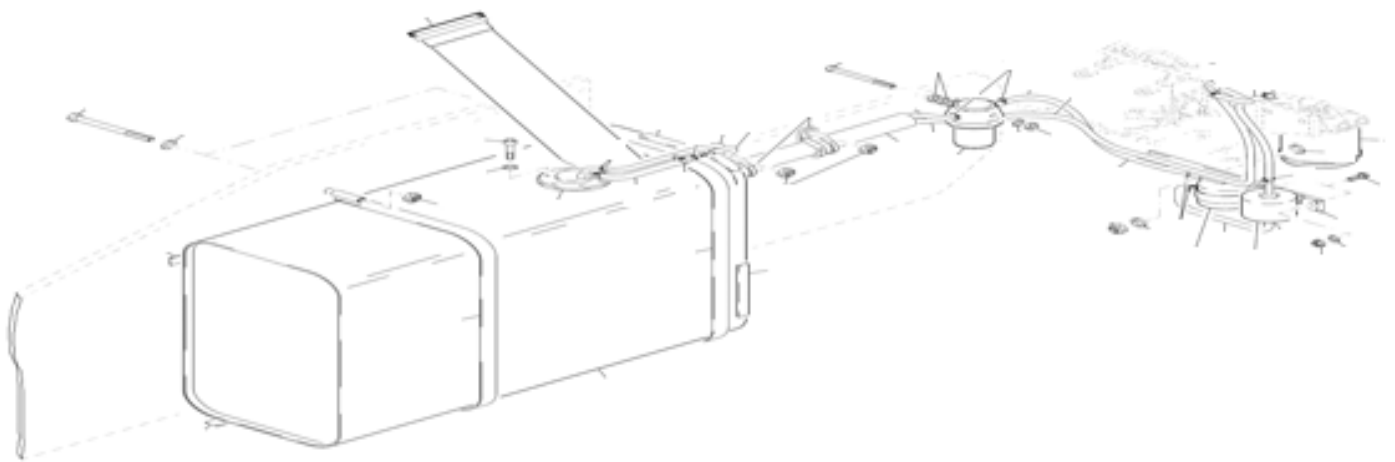
TW50 Book No. 8016563 08.06 S/N E104063  
Rear Axle Multiple





**Rear Axle Multiple**

Item	Part number	Description	Q'ty	Chan.	Serial No.	Serv.	Remarks
3	8009421	Conical Roller Bearing	2				
4	8010305	Oil Seal	1				
5	0395493	Allen Screw	8				
6	8009467	Distance Ring	1				
7	8009275	Shim	1				
	8009279	Shim	1				
8	8014148	Gear Wheel	1				
9	8010374	Spring Washer	10				
10	0893349	Hex Head Screw A3C	10				
11	2655505	Plug A3C	2				
12	8010375	Oil Seal	1				
13	8009468	Plate	1				
14	8010110	O-Ring	1				
15	8006123	Disk	1				
16	0443323	Hex Head Screw A3C	1				
17	8009317	Cover	1				
18	8014149	Gear Wheel	1				
19	8010327	Cirslip	1				
20	8009991	Ball Bearing	1				
21	1630708	Circlip Tone 400	1				
22	8009620	Housing	1				
23	0396245	Dowel Pin	2				
24	3968889	Air Vent	1				
25	0396245	Dowel Pin	4				
26	8014150	Cover	1				
27	1347624	Hex Head Cap Screw	5				
28	8014151	O-Ring	1				



40

4

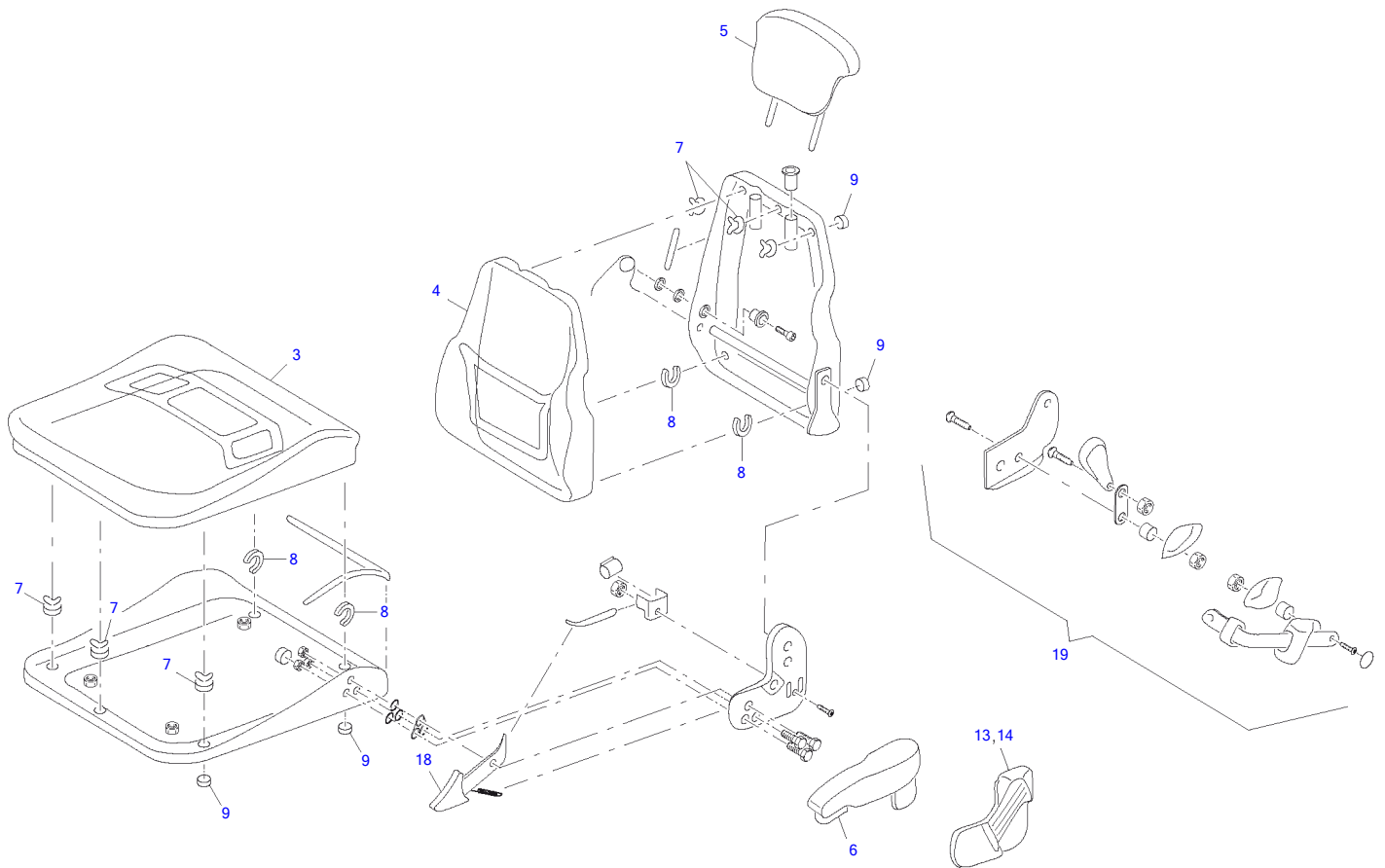
3

6

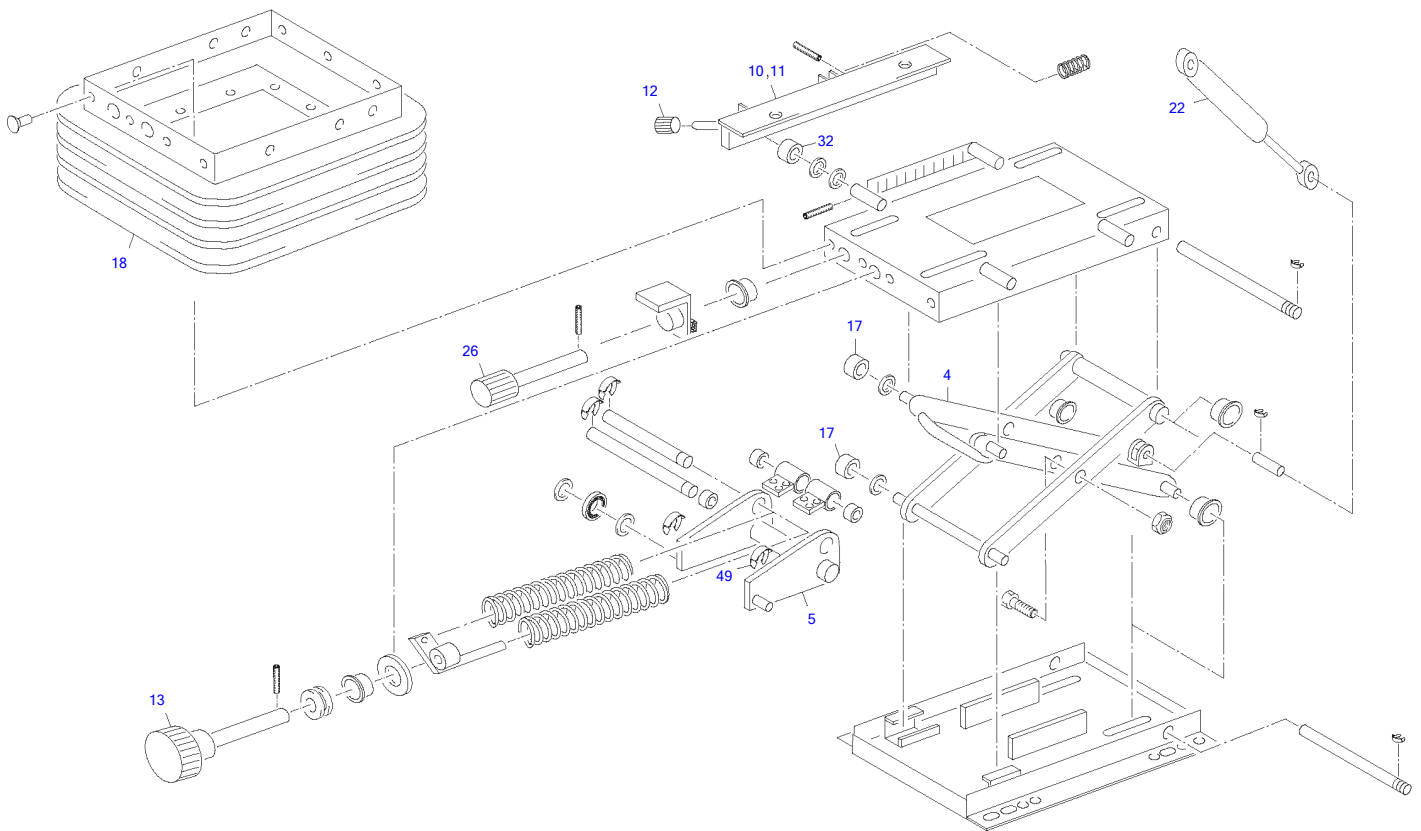
14

**Fuel Supply System**

Item	Part number	Description	Q'ty	Chan.	Serial No.	Serv.	Remarks
	<b>5820064</b>	Fuel System	1				
1	<b>5820065</b>	Gasoline Tank Compl	1				
2	<b>0909304</b>	Profile Rubber 615 MM	2				
	<b>0909304</b>	Profile Rubber 390 MM	3				
4	<b>0410073</b>	Hex Head Screw A3C	2				
5	<b>0909224</b>	Profile Rubber 820 MM	2				
6	<b>4657589</b>	Lens Head Screw H A3C	6				
7	<b>1386289</b>	Washer A3C	6				
8	<b>0399760</b>	Nut A3C	5				
9	<b>8009224</b>	Hose 1880 MM	1				
10	<b>8008515</b>	Fuel Hose 900 MM	1				
11	<b>1009352</b>	Clip Norma	2				
12	<b>0916665</b>	Hose 350 MM	1				
13	<b>2985617</b>	Clip Norma	1				
14	<b>8012616</b>	Clip Norma	10				
16	<b>2481243</b>	Ripp Washer A3C	2				
17	<b>8008515</b>	Fuel Hose	1				
18	<b>2982534</b>	Serrated Hex Head Screw	2				
19	<b>5820127</b>	Holder	1				
20	<b>2992014</b>	Ripp Washer A3C	2				
21	<b>0487336</b>	Nut A3C	2				
22	<b>8008515</b>	Fuel Hose 350 MM	1				
23	<b>0327297</b>	Nut A3C	1				
24	<b>8008515</b>	Fuel Hose	1				
25	<b>0863138</b>	Washer A3C	2				
26	<b>3750423</b>	Hex Head Screw A3C	1				
27	<b>5820068</b>	Immers Tube Contact	1				
	<b>8012396</b>	Rubber Seal	1				
28	<b>0935113</b>	Profile Rubber 100 MM	1				
29	<b>0935113</b>	Profile Rubber 150 MM	1				
30	<b>8008515</b>	Fuel Hose 120 MM	1				
31	<b>3748974</b>	Reducing Connection	1				
32	<b>0893156</b>	Nut A3C	2				
40	<b>0303744</b>	Tank Cap	1				
41	<b>8011091</b>	Water Seperator	1				
	<b>8014687</b>	Filter Element	1				
42	<b>8010490</b>	Filter	1				
43	<b>8011202</b>	Primary Diesel Filter	1				
44	<b>8011325</b>	Fuel Pump	1				

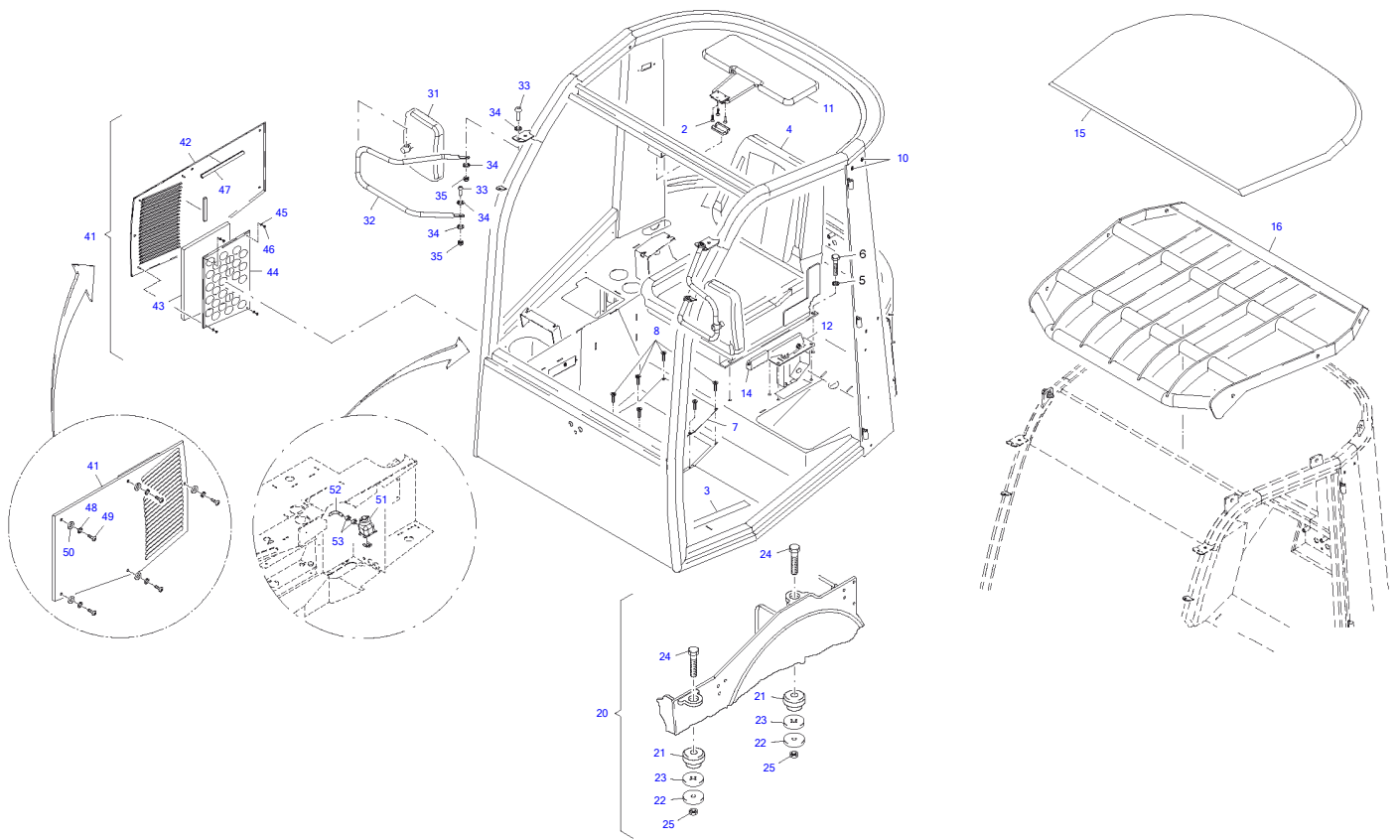


Item	Part number	Description	Driver's Seat			Remarks
			Q'ty	Chan.	Serial No.	
	<b>8013032</b>	Driver's Seat	1			
1	<b>8016776</b>	Seat Cushion	1			
2	<b>8016777</b>	Back Pad	1			
3	<b>8016778</b>	Backrest Extension	1			
6	<b>8014466</b>	Left Armrest	1			
	<b>8014467</b>	Hand Wheel	1			
7	<b>8014471</b>	Clips	6			
8	<b>8014472</b>	Hook	4			
9	<b>8014473</b>	Covering	10			
13	<b>8014469</b>	Left Covering	1			
14	<b>8014470</b>	Right Covering	1			
18	<b>8014468</b>	Side Pane Handle	1			
19	<b>8014589</b>	Safety Belt	1			



**Seat Lower Part Compl**

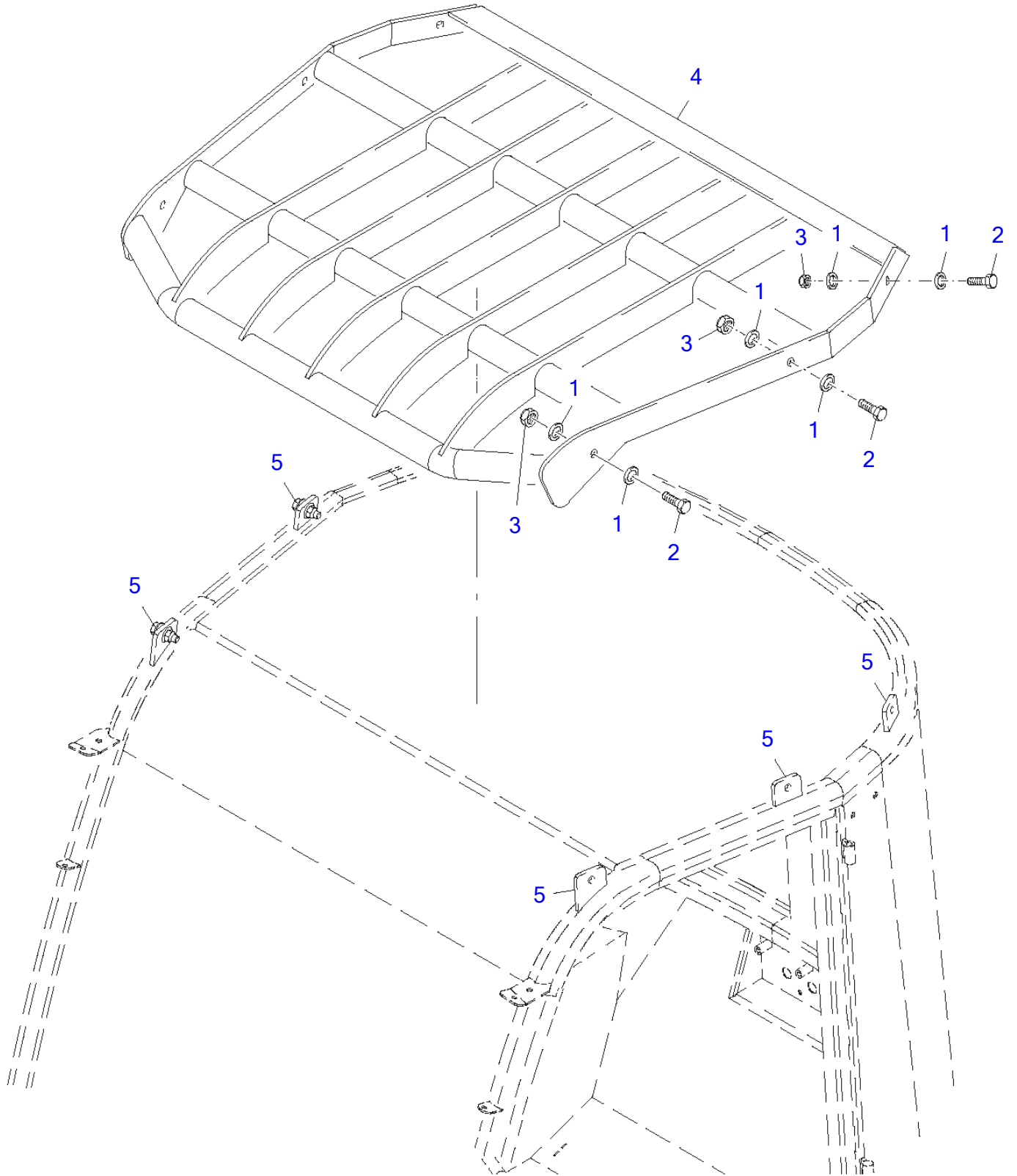
Item	Part number	Description	Q'ty	Chan.	Serial No.	Serv.	Remarks
	<b>8014478</b>	Seat Lower Part Compl	1				
4	<b>8014447</b>	Rocker Arm Compl	1				
5	<b>8014448</b>	Spring Support	1				
10	<b>8014449</b>	Right Adjustment	1				
11	<b>8014451</b>	Left Adjustment	1				
12	<b>8014456</b>	Hand Wheel	1				
13	<b>8014456</b>	Hand Wheel	1				
17	<b>8014458</b>	Guide Roller	1				
18	<b>8014460</b>	Siphon	1				
22	<b>8014462</b>	Shock Absorber	2				
26	<b>8014463</b>	Slewing Handle	1				
32	<b>8014464</b>	Guide Roller	1				





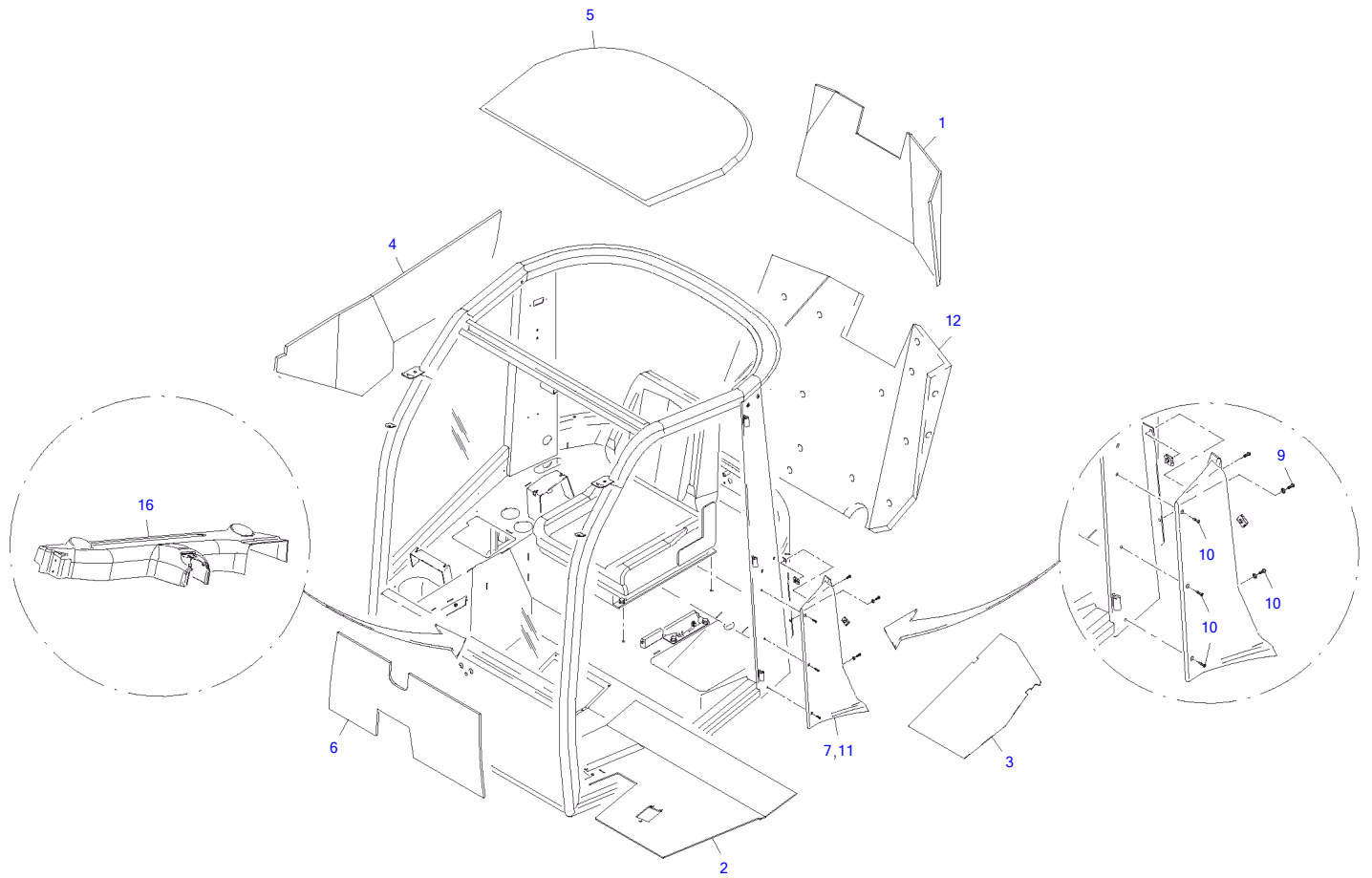
**Cabin Canopy**

Item	Part number	Description	Q'ty	Chan.	Serial No.	Serv.	Remarks
	<b>8016507</b>	Cabin Canopy	1				
2	<b>1319084</b>	Countersunk Screw A3C	3				
3	<b>8014364</b>	Nonskid Surfacing	1				
4	<b>8013032</b>	Driver Seat Compl	1				
5	<b>8013871</b>	Disk	5				
6	<b>0893236</b>	Hex Head Screw A3C	5				
7	<b>8013441</b>	Plate Cover	1				
8	<b>1039405</b>	Countersunk Screw Galvanized	8				
10	<b>8005554</b>	Blind Rivet	4				
11	<b>8013428</b>	Sun Shield	1				
12	<b>8014176</b>	Front Hand Brake Lever Bracket	1				
14	<b>8014176</b>	Hand Brake Lever	1				
15	<b>8013355</b>	Cabin Roof	1				
16	<b>8012821</b>	FOPS Grating Compl	1				
20	<b>8013154</b>	Cabin Bearing Compl	1				
21	<b>8012143</b>	Rubber Element	4				
22	<b>2914645</b>	Disk	4				
23	<b>3924241</b>	Rubber Washer	4				
24	<b>3975695</b>	Black Bolt	4				
25	<b>1663967</b>	Nut A3C	4				
31	<b>3949091</b>	Mirror	2				
32	<b>3945575</b>	Mirror Rod	2				
33	<b>0893214</b>	Hex Head Screw A3C	4				
34	<b>0885849</b>	Cup Spring	16				
35	<b>0399760</b>	Nut A3C	8				
41	<b>8016796</b>	Right Side Plate Compl	1				
42	<b>8016797</b>	Right Side Plate	1				
43	<b>8014410</b>	Air Filter	1				
44	<b>8014409</b>	Front Filter Plate	1				
45	<b>0893076</b>	Washer A3C	4				
46	<b>0327286</b>	Nut A3C	4				
47	<b>8014411</b>	Profiled Joint	1				
48	<b>0851554</b>	Washer	5				
49	<b>8014013</b>	Lens Head Screw A3C	5				
50	<b>8016340</b>	Rubber Washer	5				
51	<b>8014421</b>	Compensation Container	1				
52	<b>8014425</b>	Hose	1				
53	<b>8014426</b>	Clip	2				

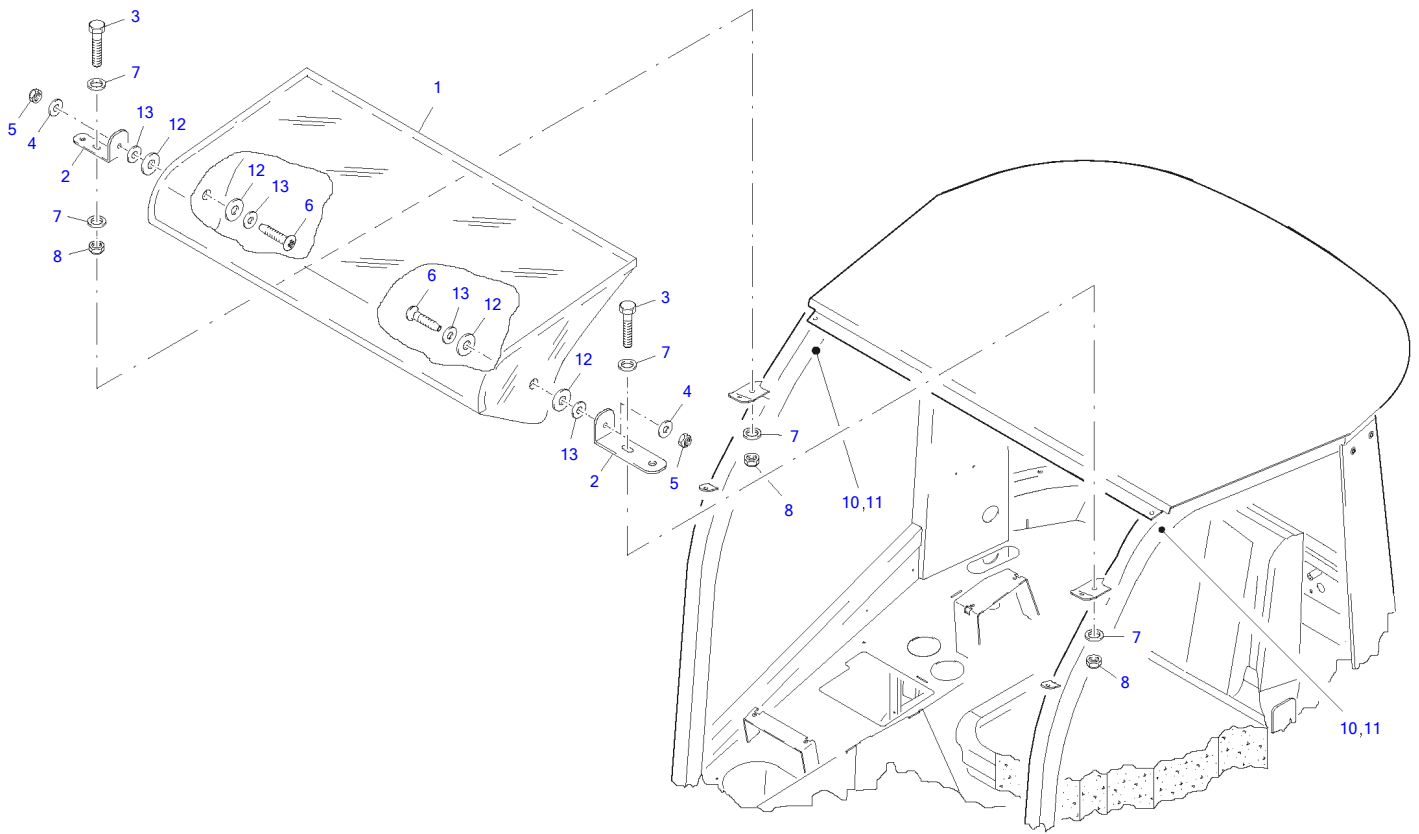


**FOPS Grating Compl**

Item	Part number	Description	Q'ty	Chan.	Serial No.	Serv.	Remarks
	<b>8012821</b>	FOPS Grating Compl	1				
1	<b>8016790</b>	Disk	10				
2	<b>1391275</b>	Hex Head Screw A3C	6				
3	<b>0362165</b>	Nut A3C	5				
4	<b>8014566</b>	FOPS grating	1				
5	<b>8014565</b>	Parts Set	1				

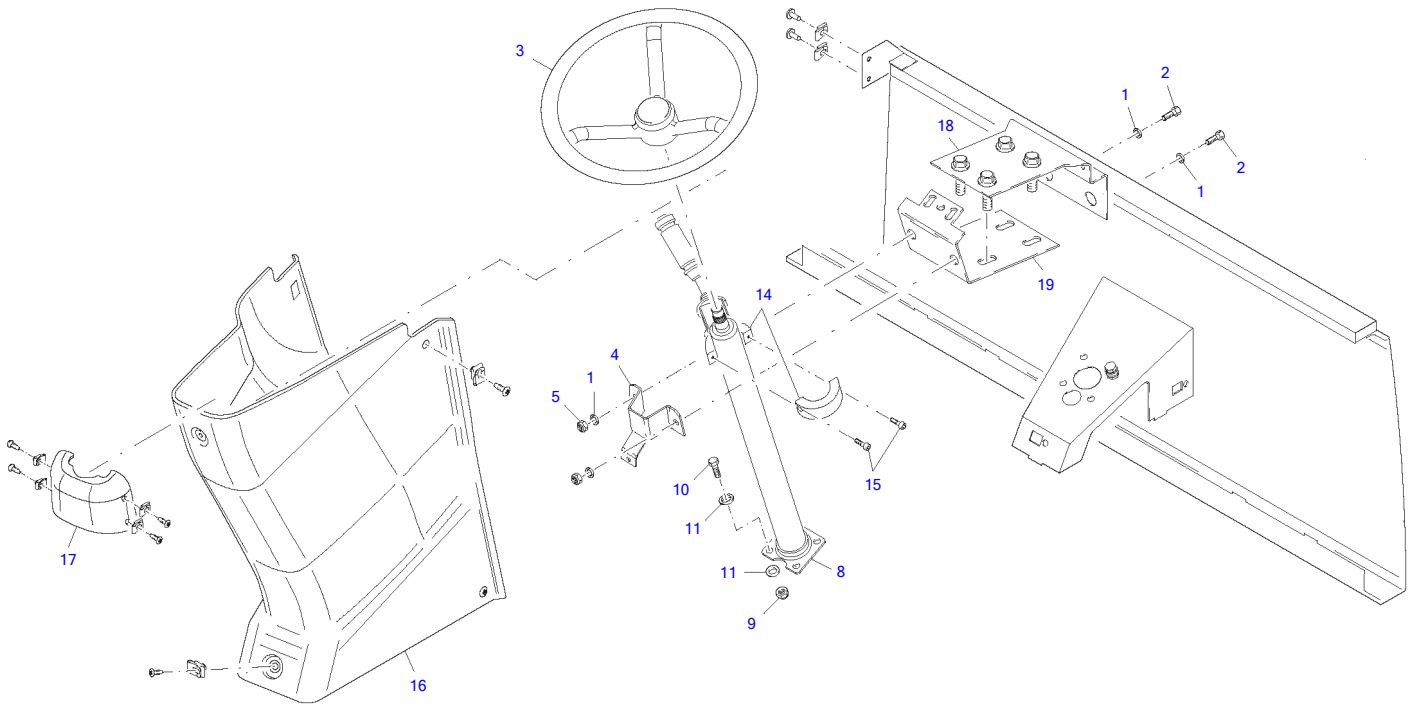


Item	Part number	Description	Covering				Remarks
			Q'ty	Chan.	Serial No.	Serv.	
	<b>8014357</b>	Covering	1				
1	<b>8016803</b>	Damping Material	1				
2	<b>8013339</b>	Mat	1				
3	<b>8013340</b>	Rubber Mat	1				
4	<b>8016802</b>	Damping Material	1				
5	<b>8013341</b>	Inside Roof Lining	1				
6	<b>8013426</b>	Damping Material	1				
7	<b>5820154</b>	Left Covering	1				
9	<b>1356352</b>	Washer A3C	4				
10	<b>8007601</b>	Lens Head Screw	12				
11	<b>5820155</b>	Right Covering	1				
12	<b>8013381</b>	Damping Material	1				
16	<b>8016804</b>	Front Instrument Panel	1				



**Protective Canopy**

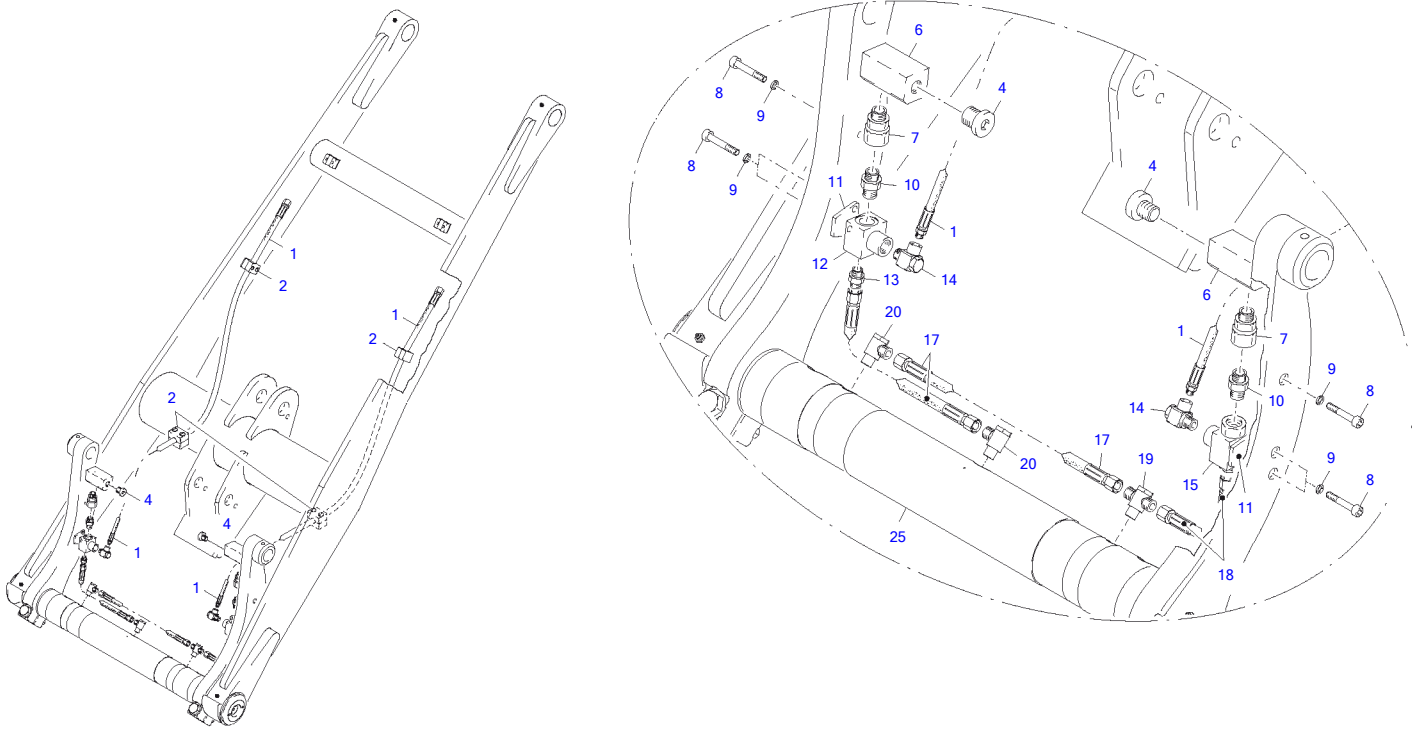
Item	Part number	Description	Q'ty	Chan.	Serial No.	Serv.	Remarks
	<b>8015046</b>	Protective Covering	1				
1	<b>8015043</b>	Protective Canopy	1				
2	<b>8015045</b>	Holder	2				
3	<b>0893214</b>	Hex Head Screw A3C	2				
4	<b>0447985</b>	Washer A3C	4				
5	<b>0487336</b>	Nut A3C	2				
6	<b>0487314</b>	Oval Head Screw	2				
7	<b>1356341</b>	Washer A3C	4				
8	<b>0399760</b>	Nut A3C	2				
10	<b>1749299</b>	Cleaner and Activator	1				
11	<b>2907022</b>	Black Terostate-93	1				





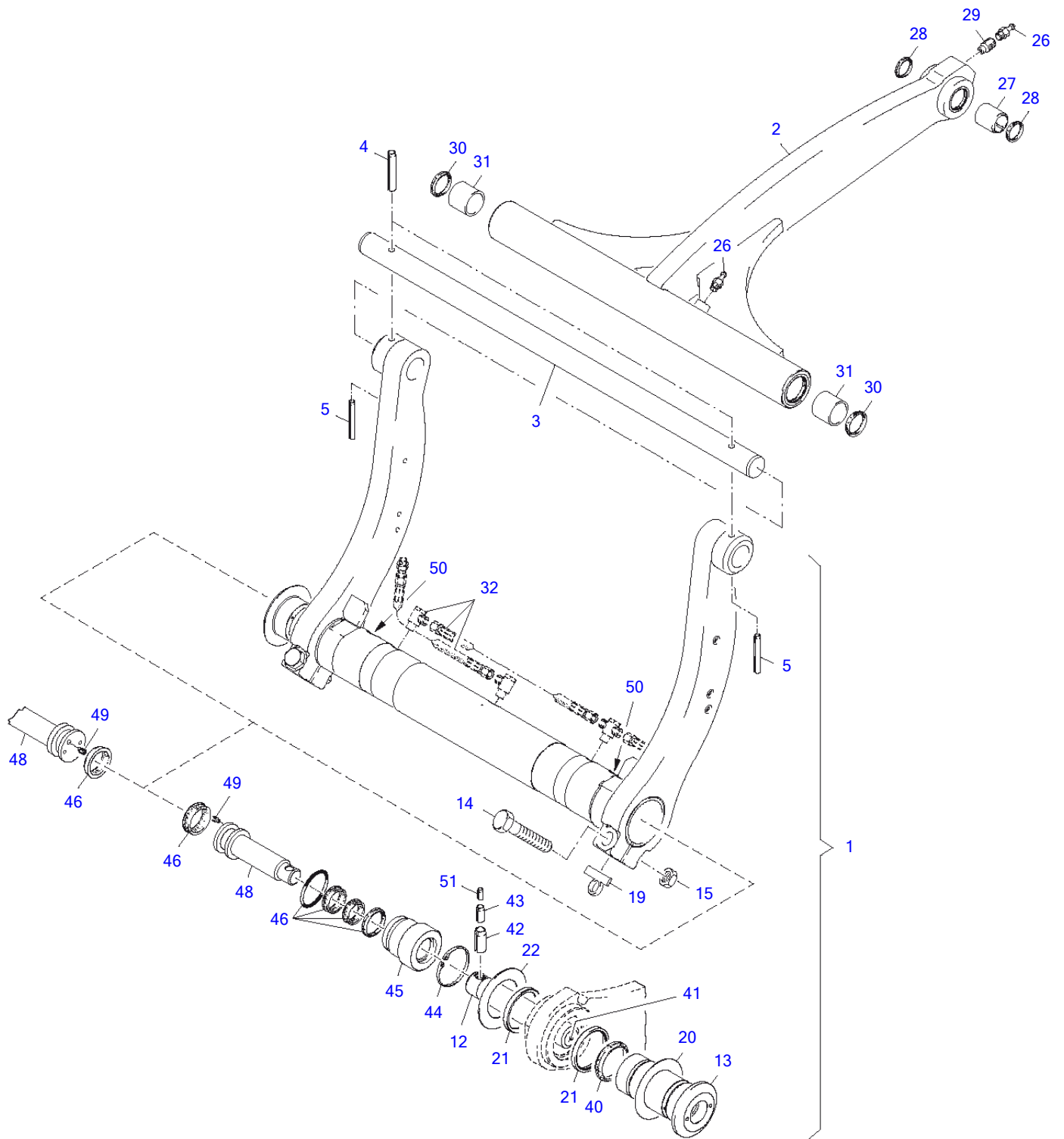
**Steering Column Compl**

Item	Part number	Description	Q'ty	Chan.	Serial No.	Serv.	Remarks
	<b>8014185</b>	Steering Column Compl	1				
1	<b>8013871</b>	Disk	6				
2	<b>0893236</b>	Hex Head Screw A3C	4				
3	<b>8015720</b>	Steering Wheel	1				
	<b>8012032</b>	Slewing Handle Compl	1				
4	<b>8014266</b>	Front Steering Column Holder	1				
5	<b>0876326</b>	Nut	2				
8	<b>8016818</b>	Steering Column Canopy	1				
9	<b>3977379</b>	Nut A3C	4				
10	<b>3983399</b>	Self-Locking Bolt	4				
11	<b>8014268</b>	Disk	4				
14	<b>3926787</b>	Bracket	1				
15	<b>1309184</b>	Hex Head Cap Screw	2				
16	<b>8013470</b>	Steering Column Covering	1				
17	<b>8013471</b>	Steering Column Covering	1				
18	<b>8013384</b>	Front Steering Column Holder	1				



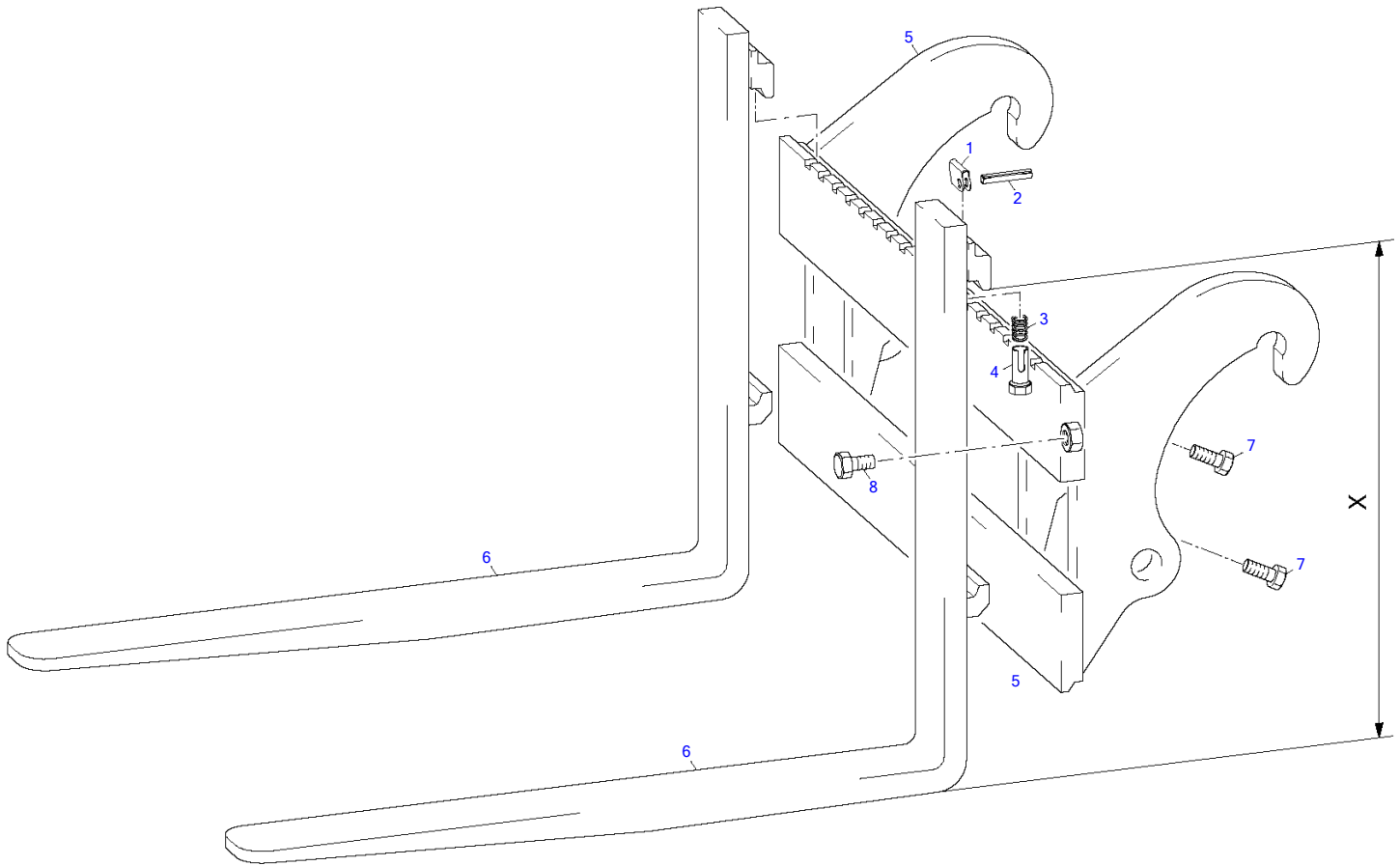
**Hyd Quick Release Eq Var 1**

Item	Part number	Description	Q'ty	Chan.	Serial No.	Serv.	Remarks
	<b>5820149</b>	Hydraulic System QRC	1				
1	<b>8012345</b>	HP-Hose 10 X 1650	2				
2	<b>8012614</b>	Clip Body Compl	4				
4	<b>3977437</b>	Screw Coupling	2				
5	<b>3977459</b>	Red Protecting Cap	2				
6	<b>3766647</b>	Special Coupling	2				
7	<b>2906032</b>	Coupling A3C	2				
8	<b>1389873</b>	Hex Head Cap Screw	6				
9	<b>0893043</b>	Washer A3C	6				
10	<b>2907657</b>	Coupling A3C	2				
11	<b>8010355</b>	Plate	2				
12	<b>2971746</b>	Square Steel Bar	1				
13	<b>2908501</b>	Coupling A3C	1				
14	<b>8013000</b>	Slewing Coupling	2				
	<b>1686179</b>	Slewing Coupling	2				
15	<b>2970905</b>	Shutoff Cock	1				
16	<b>0462780</b>	Usit Ring U	2				
17	<b>8003356</b>	HP-Hose 8 X 425	2				
18	<b>8003357</b>	HP-Hose 8 X 200	1				
19	<b>2456844</b>	Coupling A3C	1				
20	<b>2456822</b>	Coupling A3C	2				
25	<b>8010455</b>	Hyd Quick Release Eq Var2	1				



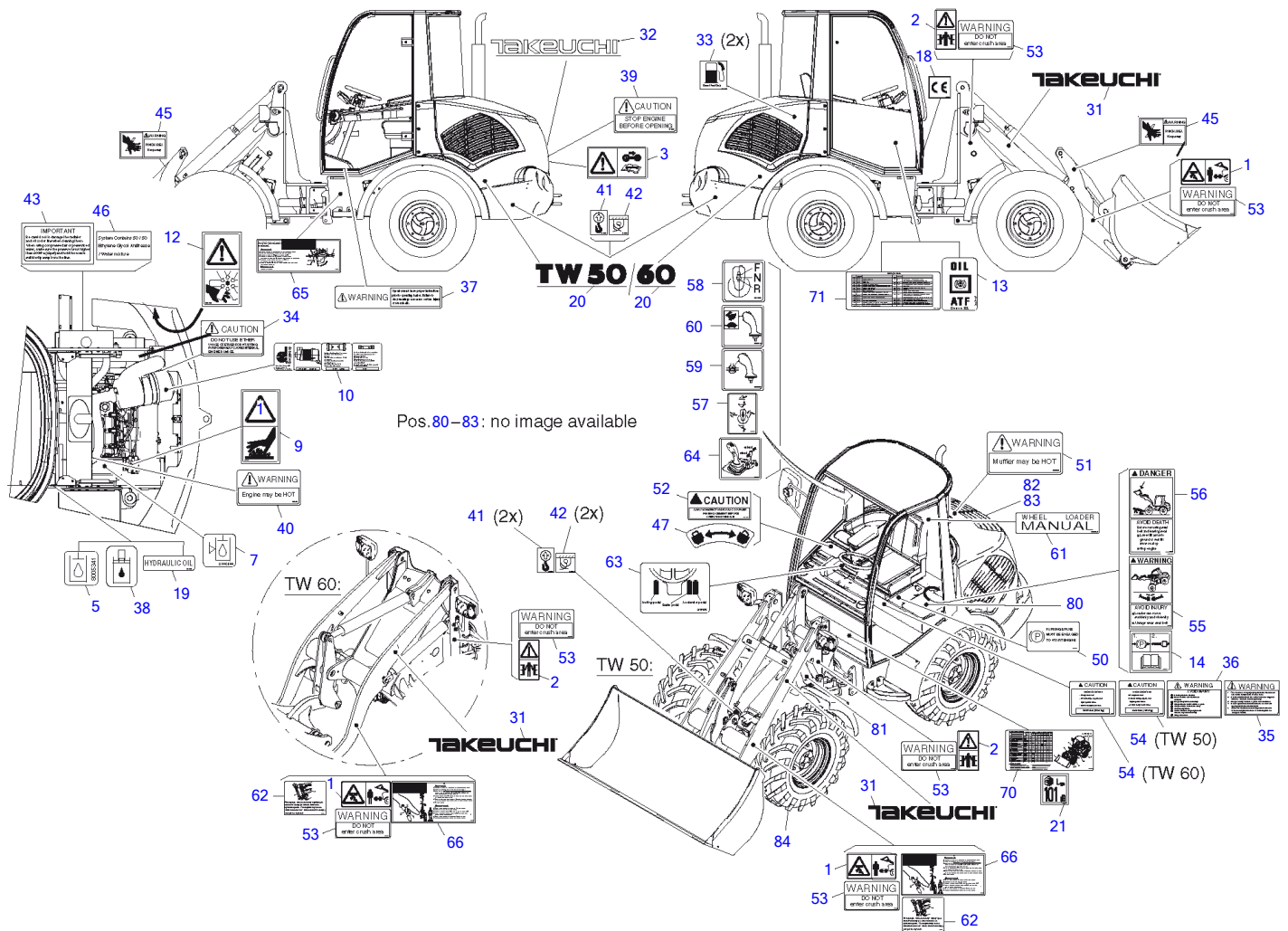
**Hyd Quick Release Eq**

Item	Part number	Description	Q'ty	Chan.	Serial No.	Serv.	Remarks
	<b>8010455</b>	Hyd Quick Release Eq	1				
1	<b>8010456</b>	Hyd Quick Release Eq welded	1				
	<b>8004487</b>	Locking Ram	1				
2	<b>5820237</b>	Lever Compl	1				
3	<b>3763848</b>	Pin	1				
4	<b>0443152</b>	Adaptor Sleeve	2				
5	<b>0440115</b>	Adaptor Sleeve	2				
12	<b>8006971</b>	Locking Pin	2				
13	<b>8003068</b>	Bush	2				
14	<b>0871014</b>	Bolt	2				
18	<b>8002713</b>	Right Holder	1				
19	<b>8003224</b>	Packing	2				
20	<b>2909137</b>	Disk	2				
21	<b>8002033</b>	Wiper Seal	4				
22	<b>2909137</b>	Disk 1.0 MM	1				
	<b>2909126</b>	Disk 1.2 MM	1				
	<b>2909115</b>	Disk 1.5 MM	1				
	<b>2900434</b>	Disk 2.0 MM	1				
26	<b>0324590</b>	Grease Nipple	2				
27	<b>2971042</b>	Split Bush	1				
28	<b>8001980</b>	Wiper Seal	2				
29	<b>2985537</b>	Threaded Pin	1				
30	<b>8002032</b>	Wiper Seal	2				
31	<b>8012303</b>	Split Bush	2				
32	<b>8016629</b>	Hydraulic	1				
40	<b>8007233</b>	U-Ring Zurcon L-Cup	2				
41	<b>1666675</b>	Plug A3C	2				
42	<b>8008026</b>	Clamping Pin	2				
43	<b>8008021</b>	Clamping Pin	2				
44	<b>3976674</b>	Circlip Tone 400	2				
45	<b>8007197</b>	Piston Guide Ring	2				
46	<b>8006428</b>	Packing Set 50/28	1				
48	<b>8007195</b>	Piston Rod Compl	2				
49	<b>8007209</b>	Nozzle	2				
50	<b>1629965</b>	Plug A3C	2				
51	<b>8008020</b>	Clamping Pin	2				



Pallet Fork Compl						
Item	Part number	Description	Q'ty	Chan.	Serial No.	Serv. Remarks
	<b>3705791</b>	Pallet Fork Compl	1			
	<b>3705155</b>	Pallet Fork 1000LG 470 MM	1			
	<b>3705804</b>	Pallet Fork 1250LG 470 MM	1			
	<b>3705815</b>	Pallet Fork 1500LG 470 MM	1			
	<b>8000986</b>	Pallet Fork 1000LG 650 MM	1			
	<b>8000987</b>	Pallet Fork 1250LG 650 MM	1			
	<b>8000988</b>	Pallet Fork 1500LG 650 MM	1			
1	<b>1008737</b>	Stop	2			
2	<b>0324056</b>	Adaptor Sleeve	2			
3	<b>0844237</b>	Compression Spring	2			
4	<b>0844226</b>	Pin	2			
5	<b>2976809</b>	Fork Carrier Compl	1			
6	<b>3738438</b>	Forktime 1000LG 470MM 45MM	2			
	<b>3738449</b>	Forktime 1000LG 470MM 50MM	2			
	<b>3738518</b>	Forktime 1250LG 470MM 45MM	2			
	<b>3738450</b>	Forktime 1250LG 470MM 50MM	2			
	<b>3738541</b>	Forktime 1500LG 470MM 45MM	2			
	<b>3738552</b>	Forktime 2000LG 470MM 45MM	2			
	<b>1002399</b>	Forktime 1000LG 650MM 45MM	2			
	<b>1718009</b>	Forktime 1250LG 650MM 45MM	2			
	<b>1718010</b>	Forktime 1500LG 650MM 40MM	2			
7	<b>2986765</b>	V-Plus Bolt	2			
8	<b>0398918</b>	Hex Head Screw A3C	2			

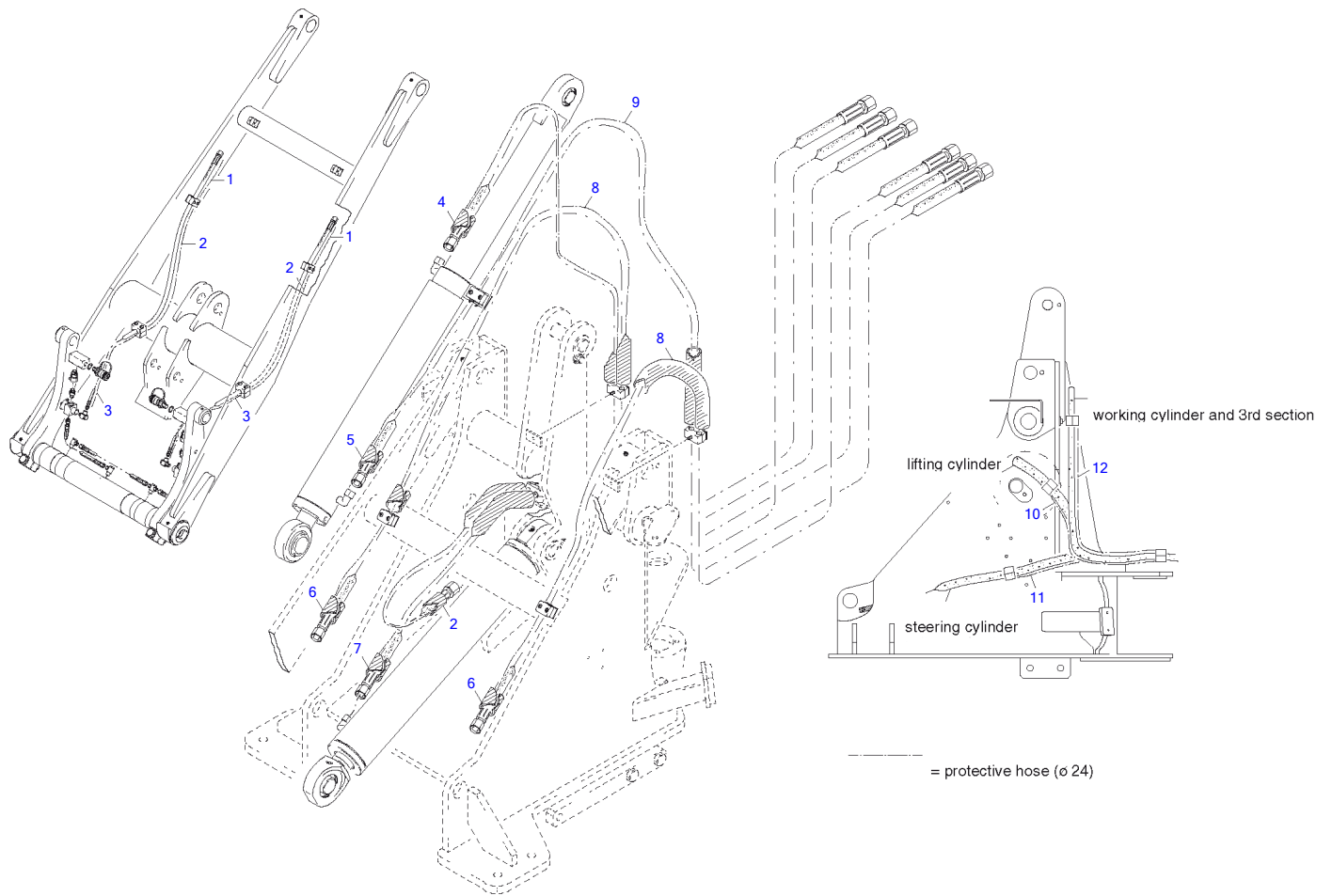
TW50 Book No. 8016563 08.06 S/N E104063  
 Decals & Accessories



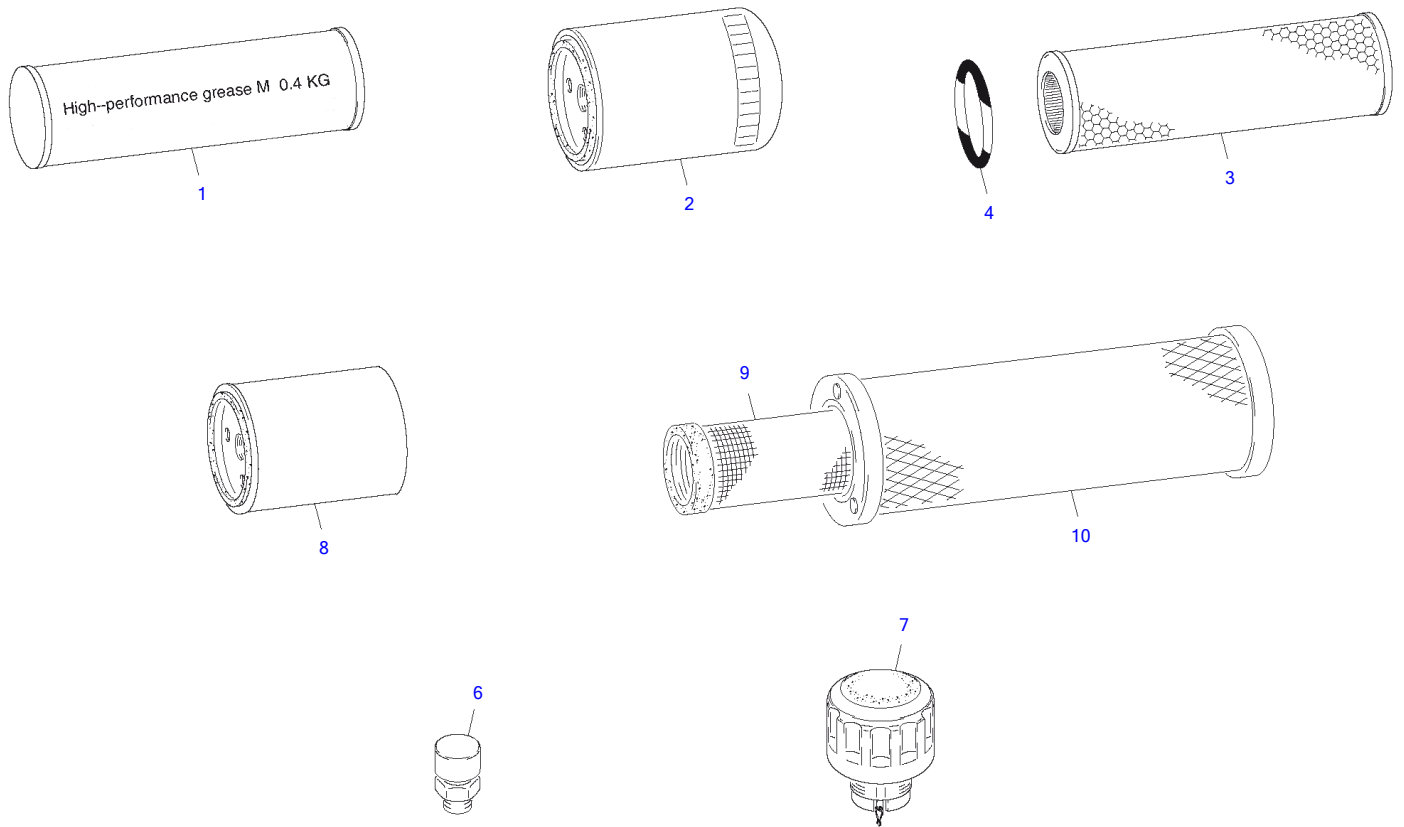


**Decals & Accessories**

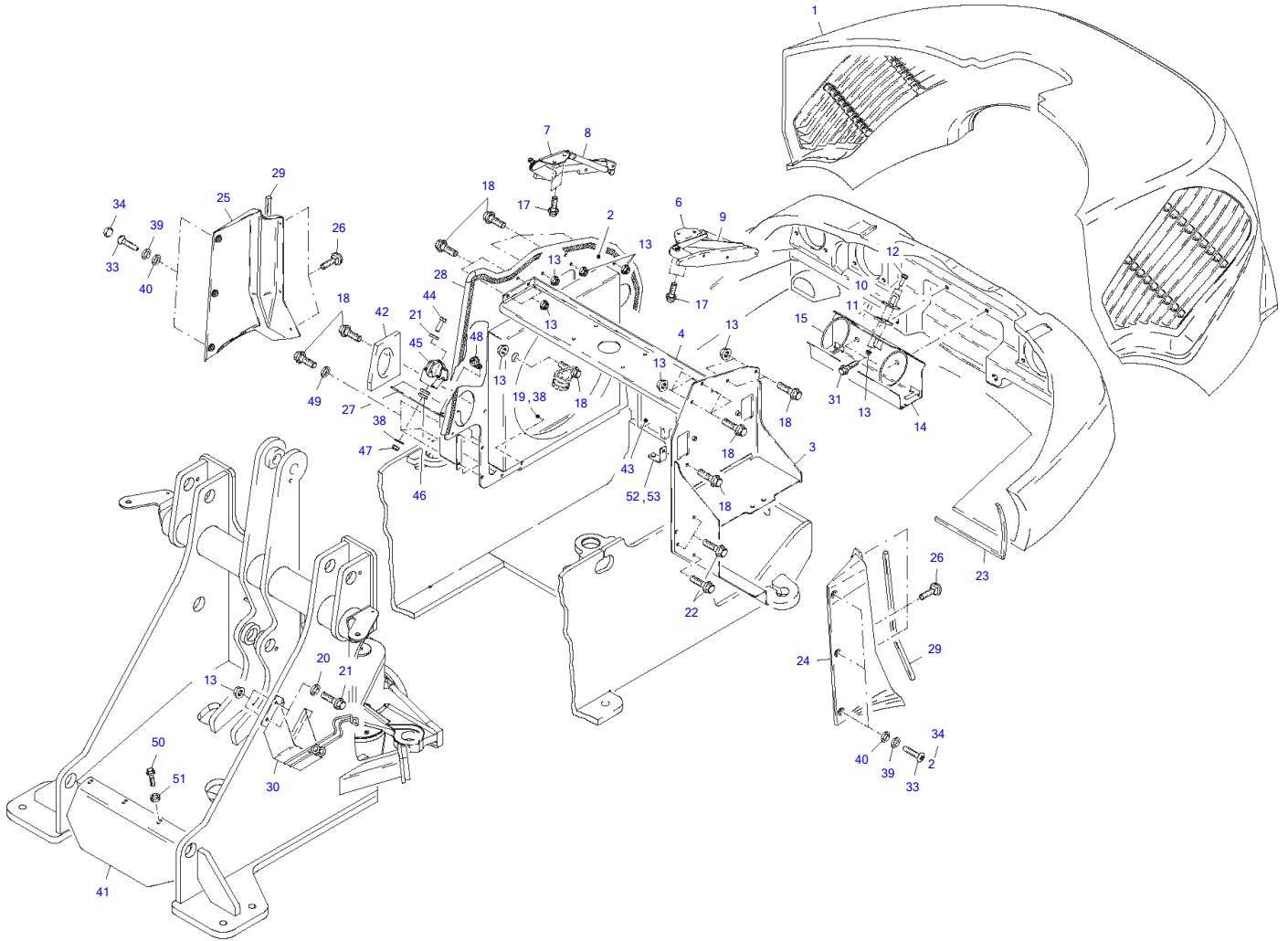
Item	Part number	Description	Q'ty	Chan.	Serial No.	Serv.	Remarks
	<b>8016620</b>	Decals & Accessories	1				
1	<b>8006865</b>	Decal	2				
2	<b>8004895</b>	Decal	2				
3	<b>8006864</b>	Decal	1				
5	<b>8005341</b>	Decal	1				
7	<b>8005466</b>	Decal	1				
9	<b>8004896</b>	Decal	1				
10	<b>2993037</b>	Air Filter Maintenance Plate	1				
12	<b>8004894</b>	Decal	1				
13	<b>2447967</b>	Decal	1				
14	<b>8005340</b>	Decal	1				
18	<b>2995200</b>	Decal	1				
19	<b>1746661</b>	Decal	1				
20	<b>8016842</b>	Decal	2				
	<b>8016843</b>	Decal	2				
21	<b>8007833</b>	Acoustic Power Decal	1				
31	<b>8016557</b>	Decal	2				
32	<b>8016556</b>	Decal	1				
33	<b>8016484</b>	Decal	2				
34	<b>8016486</b>	Decal	1				
35	<b>8016487</b>	Decal	1				
36	<b>8016488</b>	Decal	1				
37	<b>8016489</b>	Decal	1				
38	<b>8016547</b>	Decal	1				
39	<b>8016548</b>	Decal	1				
40	<b>8016549</b>	Decal	1				
41	<b>8019506</b>	Decal	4				
42	<b>8019507</b>	Decal	4				
43	<b>8016552</b>	Decal	1				
45	<b>8016554</b>	Decal	2				
46	<b>8016485</b>	Decal	1				
47	<b>8016555</b>	Decal	1				
50	<b>8016490</b>	Decal	1				
51	<b>8016491</b>	Decal	1				
52	<b>8016493</b>	Decal	1				
53	<b>8016494</b>	Decal	4				
54	<b>8016503</b>	Decal	1				
	<b>8016504</b>	Decal	1				
55	<b>8016511</b>	Decal	1				
56	<b>8016512</b>	Decal	1				
57	<b>8016533</b>	Decal	1				
58	<b>8016536</b>	Decal	1				
59	<b>8016538</b>	Decal	1				
60	<b>8016540</b>	Decal	1				
61	<b>8016558</b>	Decal	1				
62	<b>8016559</b>	Decal	1				
63	<b>8016565</b>	Decal	1				
64	<b>8016567</b>	Decal	1				
65	<b>8016616</b>	Decal	1				
66	<b>8016617</b>	Decal	1				
70	<b>8016502</b>	Decal	1				
71	<b>8016569</b>	Decal	1				
80	<b>2983591</b>	Handle	1				
81	<b>0806253</b>	Wedge	1				
82	<b>8005871</b>	Tool Box Compl	1				
83	<b>5820197</b>	Stabilizers	1				
	<b>3766056</b>	Stablizers	1				
84	<b>8012741</b>	Wheel 335/80 R20 Em01	4				
	<b>8012740</b>	Tire 405/70 R20 MT	4				
	<b>3933526</b>	Rim 11.0-20ET+ 10	4				
	<b>0874324</b>	Valve	4				



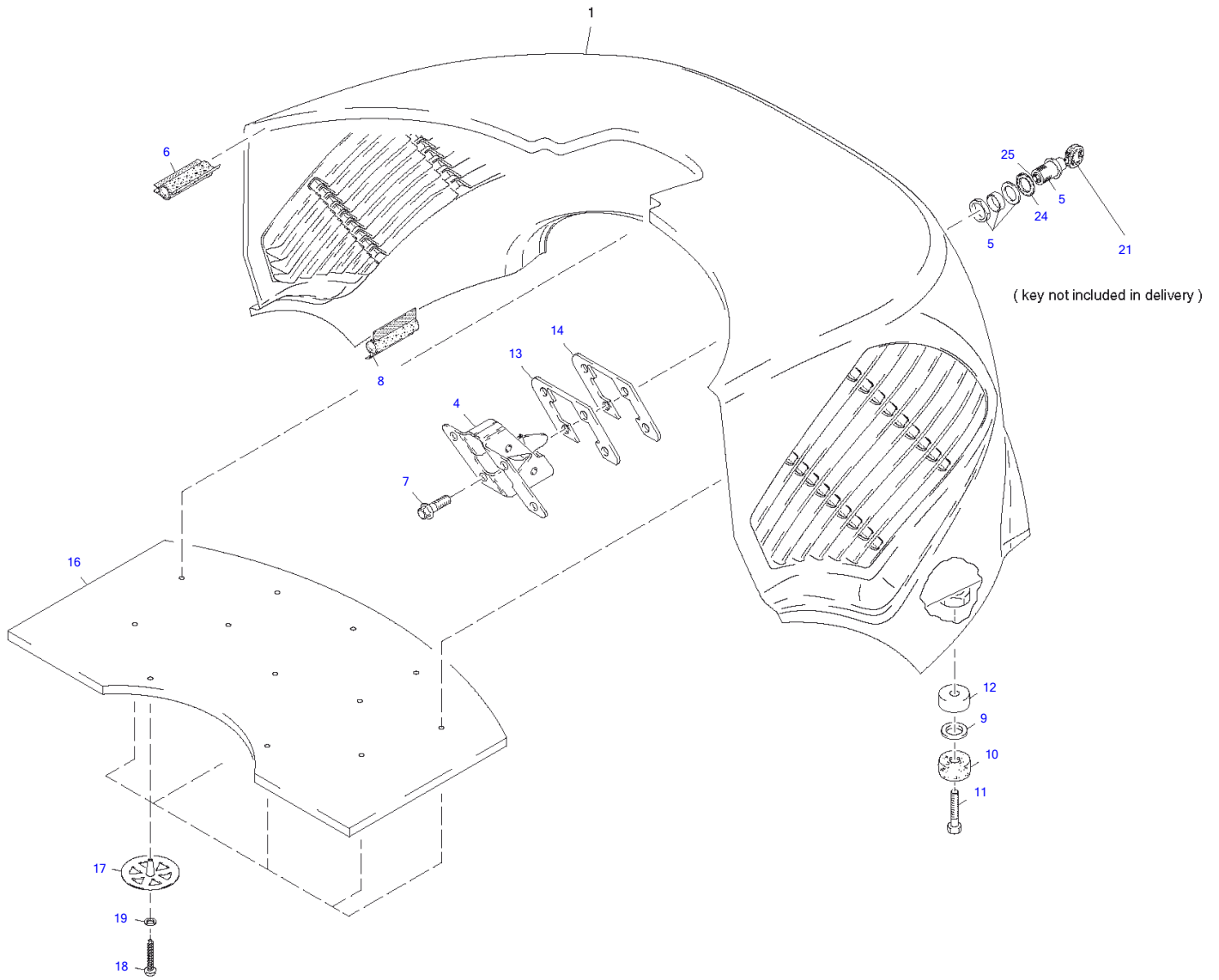
Item	Part number	Description	Protective Hoses				Remarks
			Q'ty	Chan.	Serial No.	Serv.	
	<b>8016643</b>	Protective Hoses	1				
1	<b>2065716</b>	Flex Tube 100 MM	2				
2	<b>2065716</b>	Flex Tube 550 MM	3				
3	<b>2065716</b>	Flex Tube 900 MM	2				
4	<b>2065716</b>	Flex Tube 950 MM	1				
5	<b>2065716</b>	Flex Tube 650 MM	1				
6	<b>2065716</b>	Flex Tube 250 MM	2				
7	<b>2065716</b>	Flex Tube 850 MM	1				
8	<b>2065716</b>	Flex Tube 750 MM	2				
9	<b>2065716</b>	Flex Tube 1000 MM	1				
10	<b>2065716</b>	Flex Tube 400 MM	2				
11	<b>2065716</b>	Flex Tube 350 MM	2				
12	<b>2065716</b>	Flex Tube 500 MM	4				



Item	Part number	Description	Filter Set				Remarks
			Q'ty	Chan.	Serial No.	Serv.	
	<b>5820279</b>	Filter Set A/B	1				
	<b>5820280</b>	Filter Set C	1				
1	<b>0346905</b>	Grease Cartridge	5				
2	<b>8010489</b>	Oil Filter	1				
3	<b>8012354</b>	Filter Element	1				
4	<b>2917842</b>	O-Ring	1				
6	<b>3968889</b>	Air Vent	2				
7	<b>5820136</b>	Filling Filter	1				
8	<b>8010490</b>	Fuel Filter	1				
9	<b>2991557</b>	Filter Element	1				
10	<b>2991546</b>	Filter Element	1				
11	<b>8011202</b>	Diesel Pre-Filters	1				



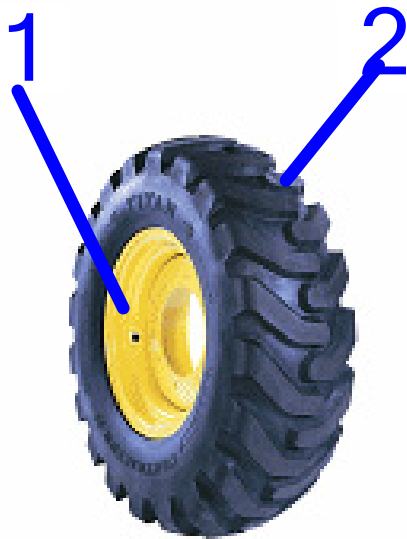
Item	Part number	Description	Covering Q'ty	Chan.	Serial No.	Serv.	Remarks
	<b>5820078</b>	Covering	1				
1	<b>8016808</b>	Engine Hood Compl	1				
2	<b>5820105</b>	Right Side Plate Compl	1				
3	<b>5820119</b>	Left Side Plate Compl	1				
4	<b>5820123</b>	Plate	1				
5	<b>5820118</b>	Plate	1				
6	<b>3930169</b>	Left Joint	1				
7	<b>3930170</b>	Right Joint	1				
8	<b>3946167</b>	Gas Spring	1				
9	<b>3946112</b>	Gas Spring	1				
10	<b>3975811</b>	Clamp Strap	1				
11	<b>3948885</b>	Plate	1				
12	<b>8009775</b>	Serrated Hex Head Screw	2				
13	<b>1722787</b>	Serrated Nut	20				
14	<b>3941173</b>	Plate ZN	1				
15	<b>1784861</b>	Gasket	2				
17	<b>2449607</b>	Serrated Hex Head Screw	7				
18	<b>8009782</b>	Serrated Hex Head Screw	14				
19	<b>1398307</b>	Hex Head Screw A3C	2				
20	<b>0893189</b>	Hex Head Screw A3C	4				
21	<b>0863138</b>	Washer A3C	4				
22	<b>2916794</b>	Self-Locking Bolt	3				
23	<b>0909304</b>	Profile Rubber 600 MM	2				
24	<b>5820154</b>	Left Covering White	1				
	<b>8012503</b>	Left Covering	1				
25	<b>5820155</b>	Right Covering White	1				
	<b>8012504</b>	Right Covering	1				
26	<b>3934378</b>	Oval Head Screw	6				
27	<b>5820163</b>	Holder Compl	1				
28	<b>5820077</b>	Profile Rubber 1700 MM	1				
29	<b>3976754</b>	Profile Rubber 530 MM	2				
30	<b>0806264</b>	Wedge Holder	1				
31	<b>8003057</b>	Serrated Hex Head Screw	2				
33	<b>0493447</b>	Lens Head Screw A3C	6				
34	<b>3976594</b>	Protecting Cap	6				
38	<b>2481254</b>	Ripp Washer A3C	2				
39	<b>3976583</b>	Disk	6				
40	<b>3937224</b>	Disk	6				
41	<b>5820275</b>	Plate	1				
42	<b>5820281</b>	Damping	1				
43	<b>5820282</b>	Damping	1				
44	<b>0893214</b>	Hex Head Screw A3C	1				
45	<b>3955919</b>	Holder	1				
46	<b>1356341</b>	Washer A3C	2				
47	<b>0399760</b>	Nut A3C	1				
48	<b>2443576</b>	Clip Norma	1				
49	<b>3939464</b>	Ripp Washer A3C	3				
50	<b>0893236</b>	Hex Head Screw A3C	4				
51	<b>8016479</b>	Locking Washer A3C	4				



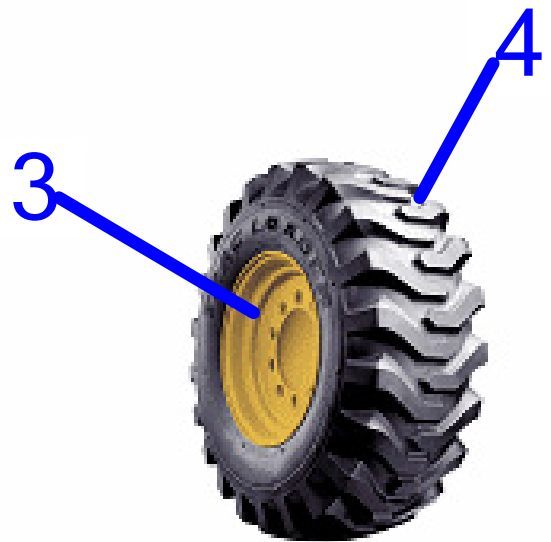


**Engine Hood Compl**

Item	Part number	Description	Q'ty	Chan.	Serial No.	Serv.	Remarks
	<b>8016808</b>	Engine Hood Compl	1				
1	<b>8016798</b>	Engine Hood	1				
4	<b>3975822</b>	Hood Lock	1				
5	<b>5820277</b>	Lock	1				
6	<b>3930614</b>	Profile Rubber 1190 MM	1				
7	<b>8009775</b>	Serrated Hex Head Screw	4				
8	<b>8015919</b>	Profile Rubber 2375 MM	1				
9	<b>1629567</b>	Washer A3C	2				
10	<b>0466364</b>	Round Buffer	2				
11	<b>3934390</b>	Bolt A3B	2				
12	<b>3946123</b>	Spacer	2				
13	<b>3936405</b>	Plate	1				
14	<b>8011935</b>	Plate Compl	1				
16	<b>8014434</b>	Damping	1				
17	<b>1786874</b>	Clip	11				
18	<b>3963340</b>	Lens Head Screw A3R	11				
19	<b>3754427</b>	Washer A3R	11				
21	<b>8008049</b>	Key	1				
24	<b>3945757</b>	Disk	1				
25	<b>2997224</b>	Serrated Hex Head Screw	1				



TW 5060 WHEEL HD  
TW 5060 TIRE HD



TW WHEEL HD FL  
TW 5060 TIRE FLOAT

Wheels & Tires						
Item	Part number	Description	Q'ty	Chan.	Serial No.	Serv. Remarks
1	<b>TW5060WHEELHD</b>	WHEEL 18X9 FOR HD CONSTRUCTION	4			
		TIRE TW50-60				
2	<b>TW5060TIREHD</b>	TIRE 12.5/80X18-10 HD CONSTRUCTION	4			
		TYPE FOR TW50-60				
3	<b>TWWHEELHDFL</b>	WHEEL 19.5X12.25 FOR TW50-60	4			
		FLOAT AND TW65-80 HD				
4	<b>TW5060TIREFLOAT</b>	TIRE 15X19.5-8 FLOTATION TYPE FOR	4			
		TW50-60				