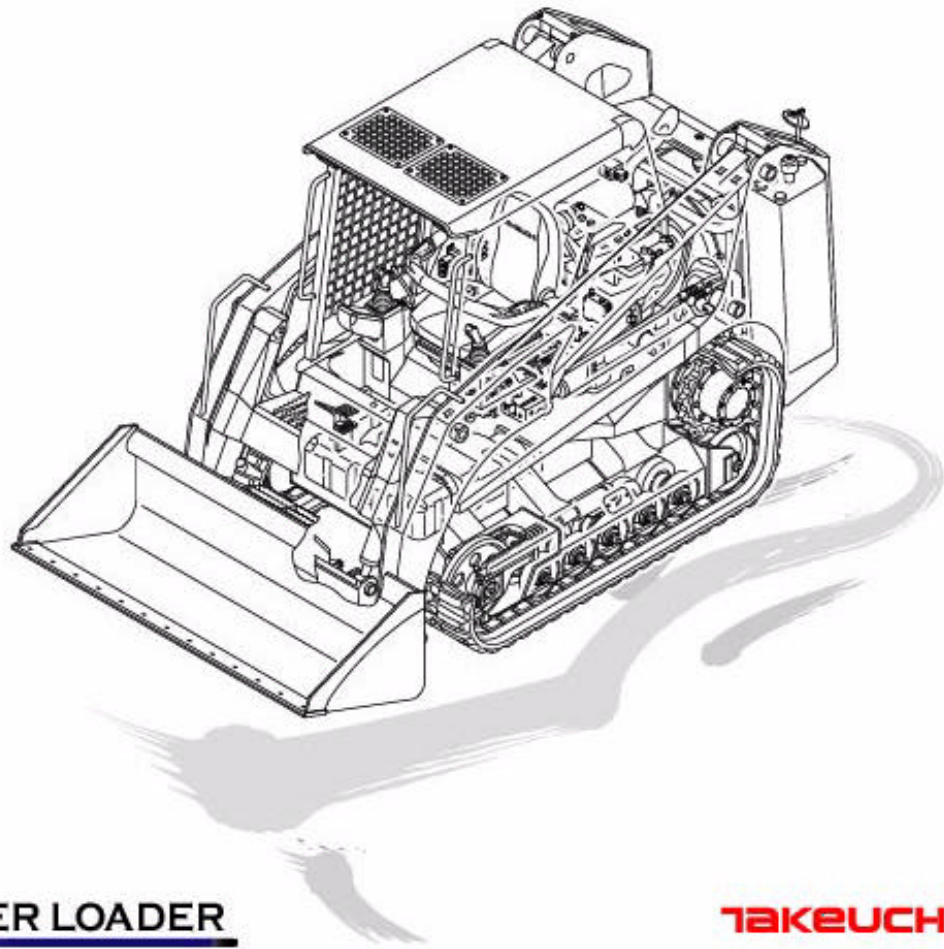


# PARTS MANUAL

**TL230**

Serial No. 223000001~

BU1Z004(P-TL230BAC)



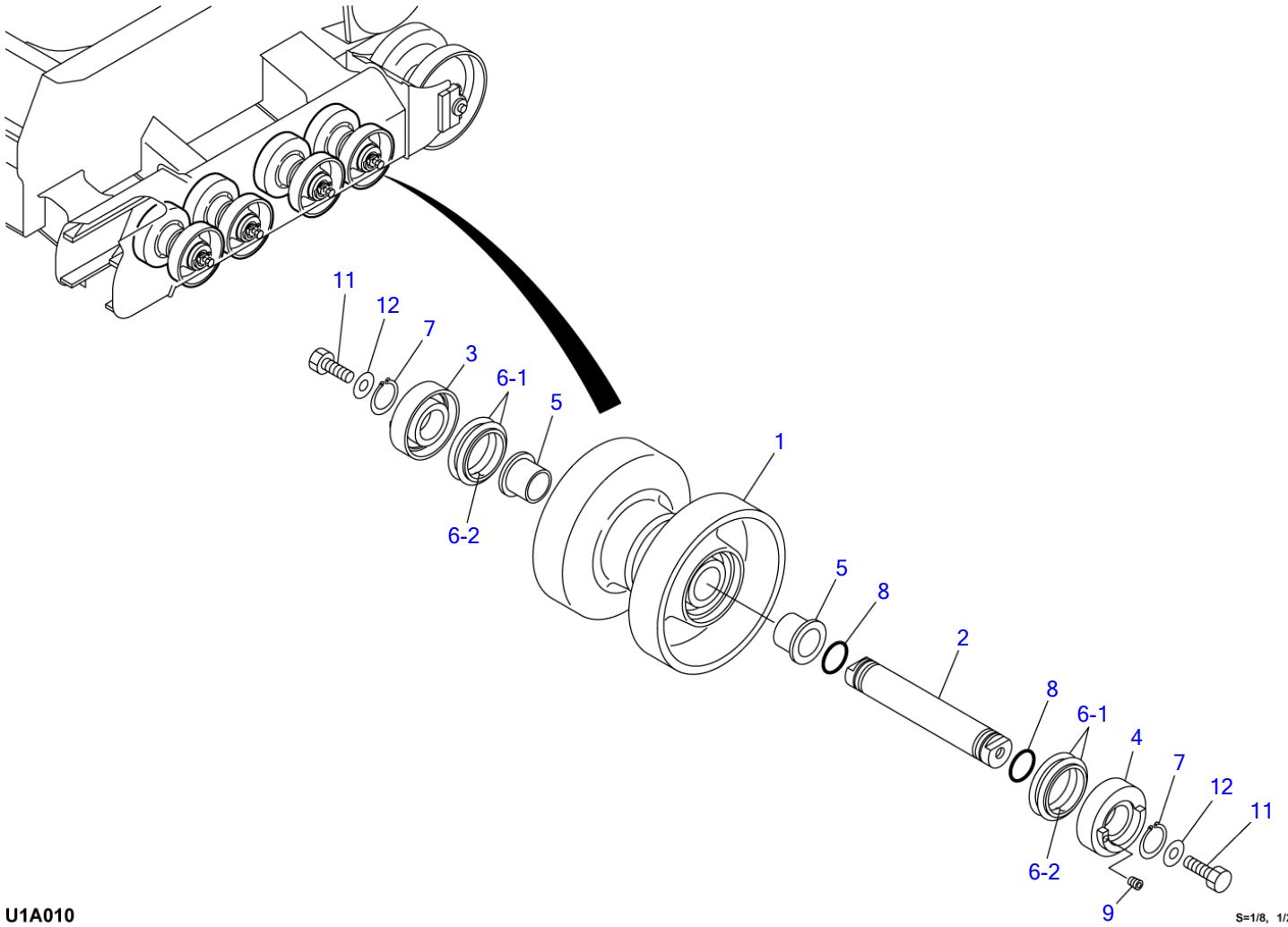
**CRAWLER LOADER**

**TAKEUCHI**



**INDEX**

Item	Part number	Description	Q'ty	Chan.	Serial No.	Serv.	Remarks
1		UNDERCARRIAGE					
2		MAIN FRAME & CONTROL LEVER					
3		ENGINE & ELECTRICAL SYSTEM					
4		HYDRAULIC PIPNG & TANK					
5		COVER & CAB					
6		ATTACHMENT					
7		DECAL & TOOL					
8		HYDRAULIC DEVICE					
10		ENGINE (4TNV98-ZNTBL)					
		2008.09.12 RV-1					
99		Kits, Attachments and Quick Reference					



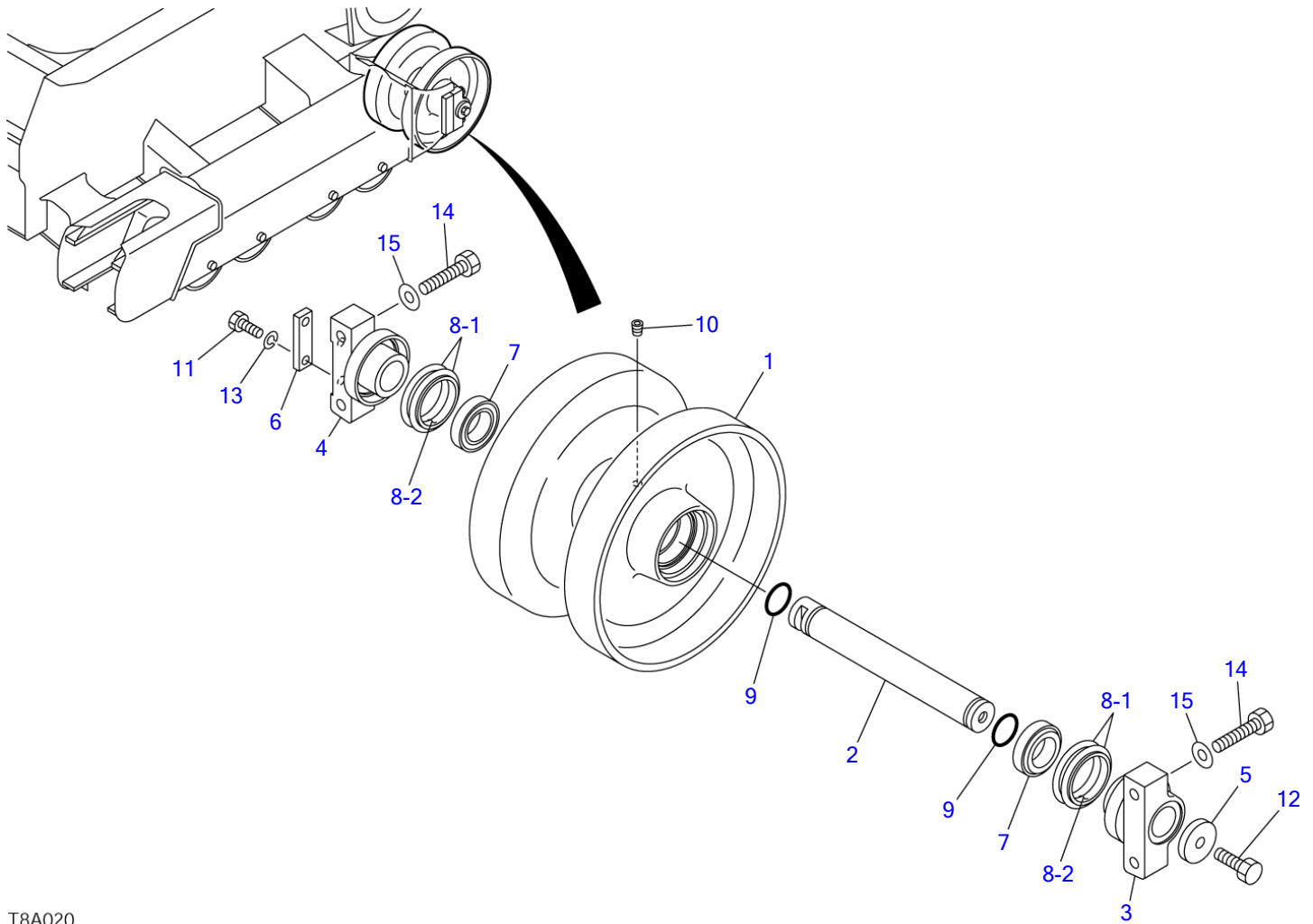
U1A010

S=1/8, 1/20



**TRACK ROLLER A**

Item	Part number	Description	Q'ty	Chan.	Serial No.	Serv.	Remarks
		ROLLER ASSY, track					
0-1	<b>0880130100</b>	ROLLER SUB ASSY, track	8				
1	<b>0880130010</b>	▪ ROLLER	1				
2	<b>0860134010</b>	▪ SHAFT	1				
3	<b>0221240400</b>	▪ COVER	1				
4	<b>0651300190</b>	▪ COVER	1				
5	<b>1333073535</b>	▪ BUSHING	2				
6	<b>1432500560</b>	▪ SEAL, floating	2				
6-1	<b>1432500561</b>	▪ ▪ O-RING	2				
6-2	<b>1432500562</b>	▪ ▪ RING, seal	2				
7	<b>1220000035</b>	▪ RING, snap	2				
8	<b>1420100300</b>	▪ O-RING	2				
9	<b>1501840000</b>	▪ PLUG	1				
11	<b>1100041645</b>	BOLT	16				
12	<b>1141550016</b>	WASHER	16				
	<b>U1a010</b>						



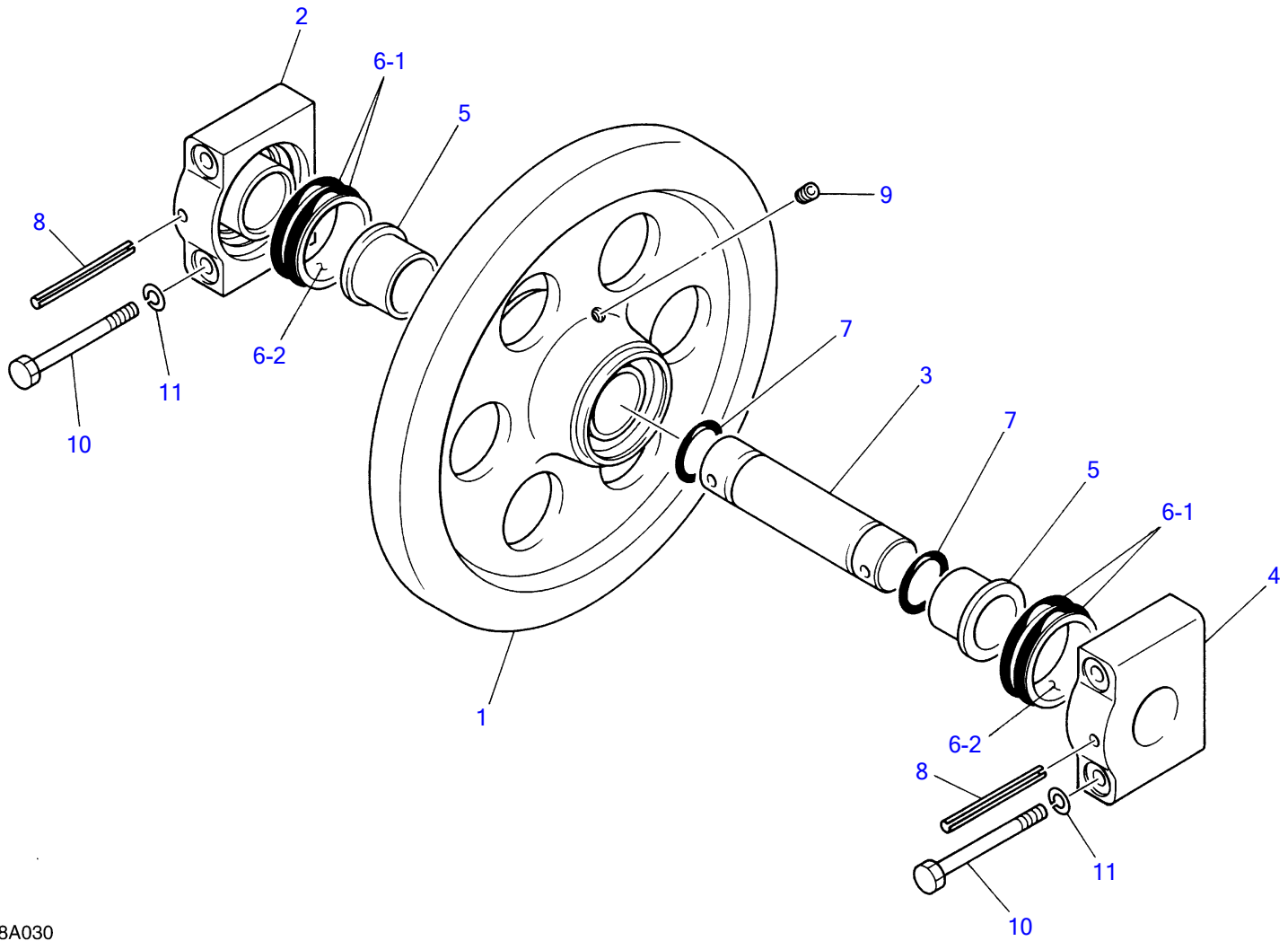
T8A020

S=1/8, 1/20

**TRACK ROLLER B**

Item	Part number	Description	Q'ty	Chan.	Serial No.	Serv.	Remarks
		ROLLER ASSY, track					
0-1	<b>0880135600</b>	ROLLER SUB ASSY, track	2				
1	<b>0880135610</b>	▪ ROLLER	1				
2	<b>0880135620</b>	▪ SHAFT	1				
3	<b>0881131330</b>	▪ COVER	1				
4	<b>0881131340</b>	▪ COVER	1				
5	<b>0881131350</b>	▪ PLATE	1				
6	<b>0881131360</b>	▪ PLATE	1				
7	<b>1305000004</b>	▪ BEARING	2				
8	<b>1432500640</b>	▪ SEAL, floating	2				
8-1	<b>1432500641</b>	▪ ▪ O-RING	2				
8-2	<b>1432500642</b>	▪ ▪ RING, seal	2				
9	<b>1420100350</b>	▪ O-RING	2				
10	<b>1501810001</b>	▪ PLUG	1				
11	<b>1100041030</b>	▪ BOLT	2				
12	<b>1106241440</b>	▪ BOLT	1				
13	<b>1140020010</b>	▪ WASHER, spring	2				
14	<b>1100041460</b>	BOLT	8				
15	<b>1141550014</b>	WASHER	8				
	<b>U1a030</b>						

TL230 Book No. BU1Z004 S/N 223000001-  
FRONT IDLER



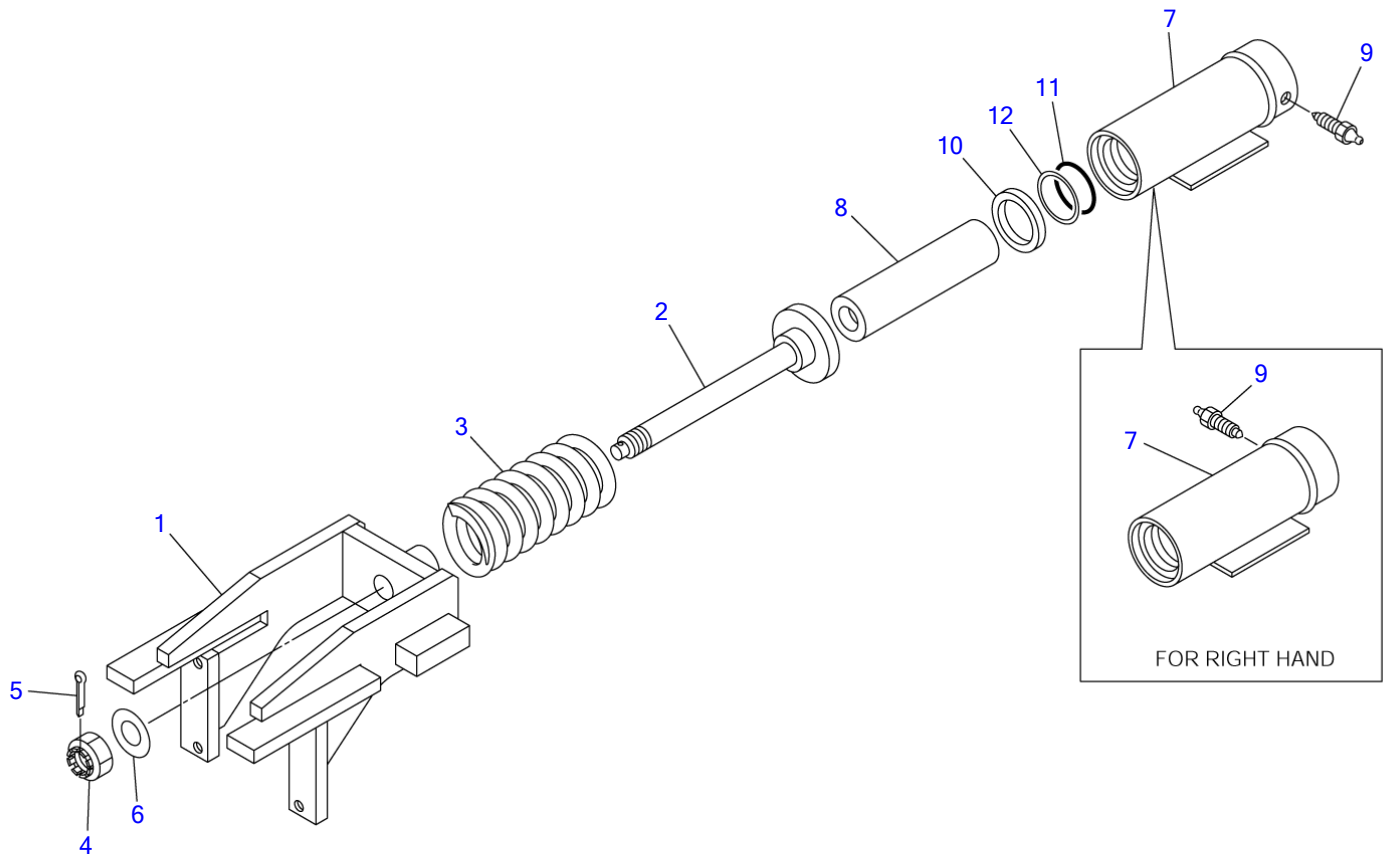
T8A030

S=1/5

**FRONT IDLER**

Item	Part number	Description	Q'ty	Chan.	Serial No.	Serv.	Remarks
0	<b>0880140000</b>	IDLER ASSY	2				
1	<b>0880140010</b>	▪ IDLER	1				
2	<b>0880140020</b>	▪ COVER (R.H.)	1				
3	<b>0871140030</b>	▪ SHAFT	1				
4	<b>0880140030</b>	▪ COVER (L.H.)	1				
5	<b>1333064540</b>	▪ BUSH	2				
6	<b>1432500640</b>	▪ SEAL, floating	2				
6-1	<b>1432500641</b>	▪ ▪ O-RING	2				
6-2	<b>1432500642</b>	▪ ▪ RING, seal	2				
7	<b>1420100400</b>	▪ O-RING	2				
8	<b>1213101000</b>	▪ PIN, spring	2				
9	<b>1501820001</b>	▪ PLUG	1				
10	<b>1101141215</b>	BOLT	8				
11	<b>1140020012</b>	WASHER, spring	8				
	<b>U1a041</b>						

TL230 Book No. BU1Z004 S/N 223000001-  
TRACK ADJUSTER

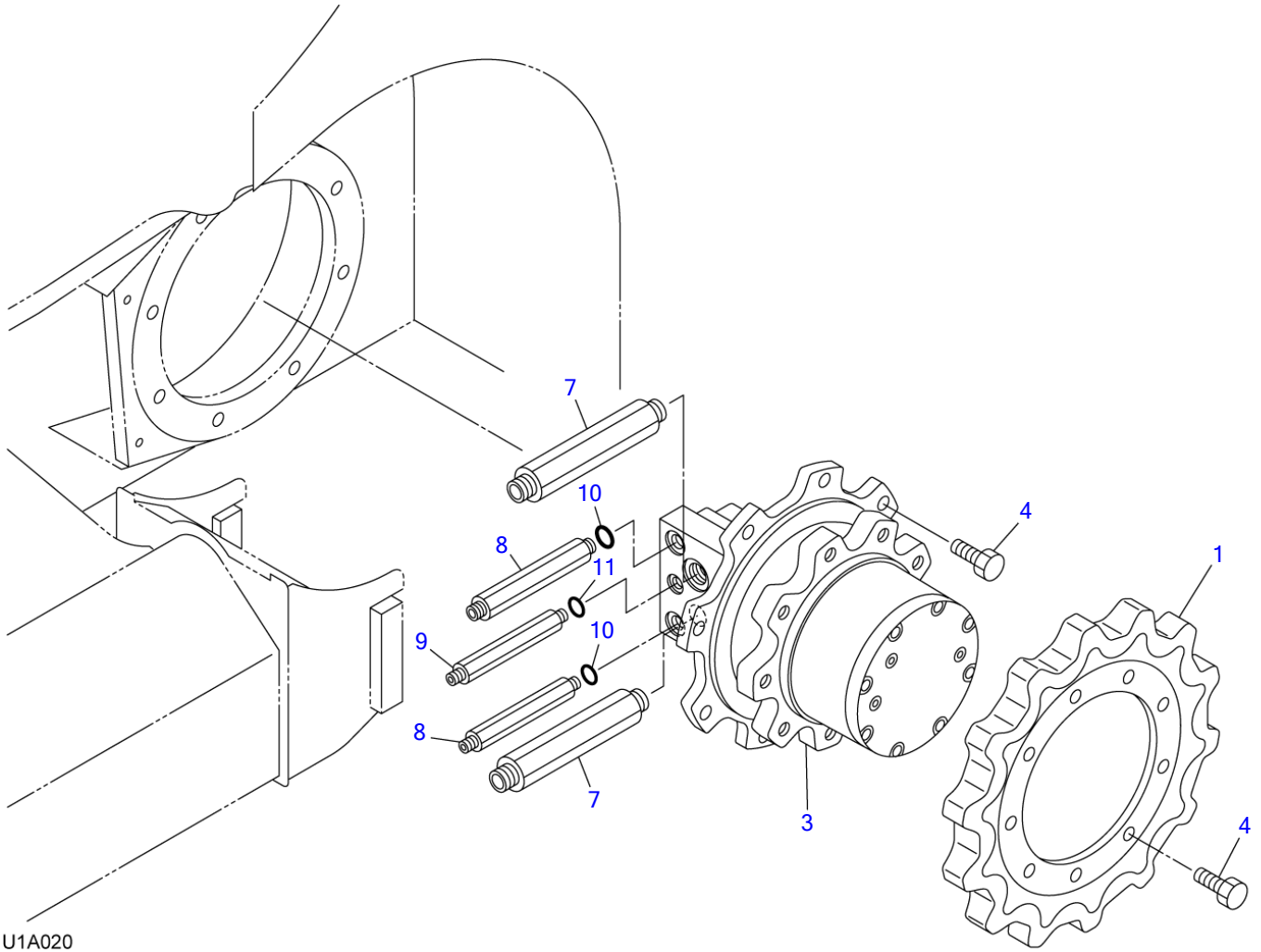


T8A040

S=1/8X110%

**TRACK ADJUSTER**

Item	Part number	Description	Q'ty	Chan.	Serial No.	Serv.	Remarks
0-1	<b>0880152000</b>	SPRING ASSY(L.H.)	1				
	<b>0880152300</b>	SPRING ASSY(R.H.)	1				
1	<b>0880152110</b>	• YOKE	1				
2	<b>0880152120</b>	• ROD	1				
3	<b>0007000004</b>	• SPRING	1				
4	<b>1132030024</b>	• NUT	1				
5	<b>1210000545</b>	• PIN, split	1				
6	<b>1141550024</b>	• WASHER	1				
0-1	<b>0880152200</b>	• CYLINDER ASSY (L.H.)	1				
	<b>0880152400</b>	• CYLINDER ASSY (R.H.)	1				
7	<b>0880152210</b>	• • CYLINDER, grease(L.H.)	1				
	<b>0880152410</b>	• • CYLINDER, grease(R.H.)	1				
8	<b>0880152220</b>	• • PISTON	1				
9	<b>1541300501</b>	• • VALVE ASSY, check	1				
10	<b>1400402835</b>	• • SEAL, oil	1				
11	<b>1422010500</b>	• • O-RING	1				
12	<b>1421020500</b>	• • RING, back-up	1				
	<b>U1a051</b>						



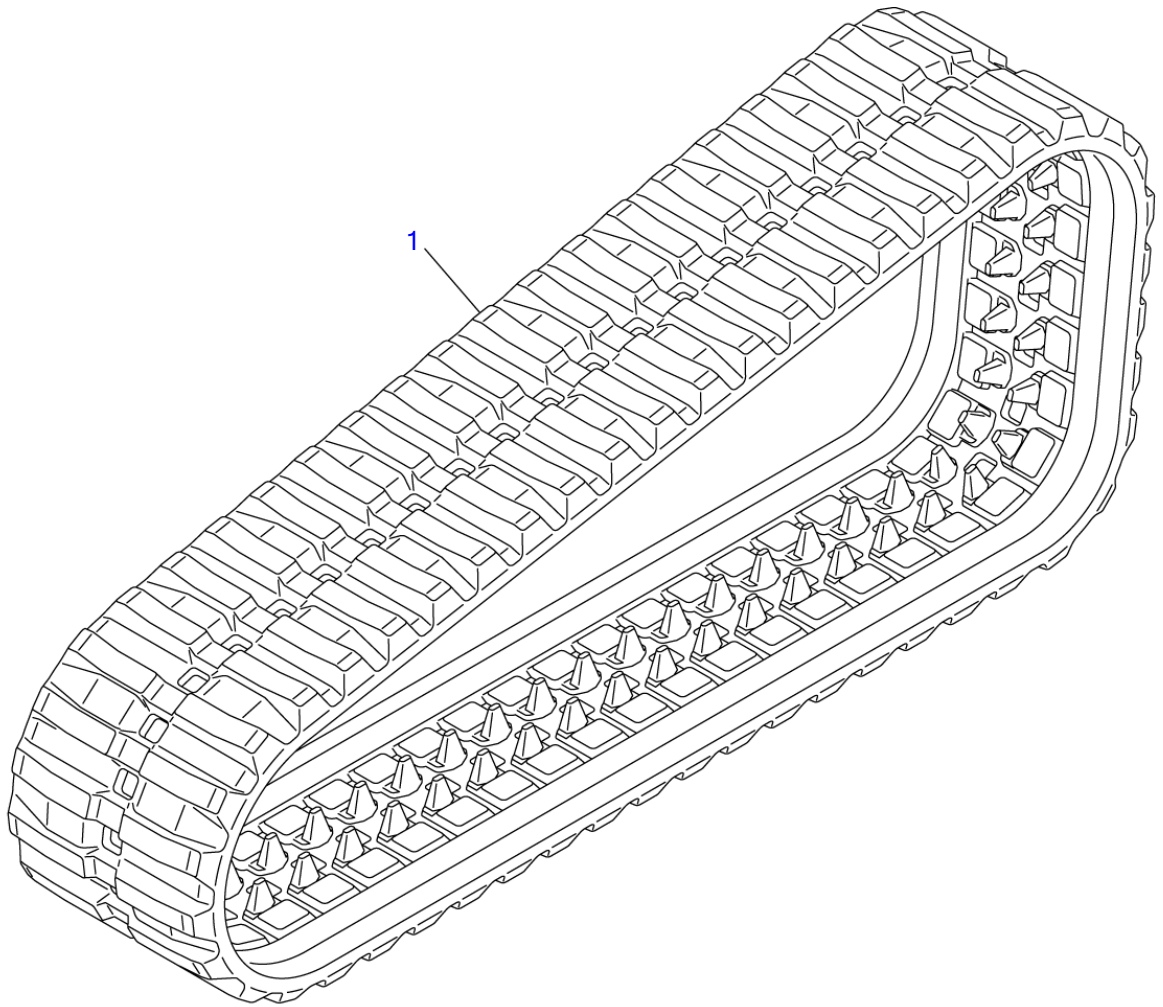
U1A020

S=17.5



**TRAVEL DEVICE**

Item	Part number	Description	Q'ty	Chan.	Serial No.	Serv.	Remarks
		MOTOR ASSY, travel					
1	<b>0880166210</b>	SPROCKET	2				
3	<b>1903126600</b>	MOTOR, travel	2				
4	<b>1100041635</b>	BOLT	34				
7	<b>0880166130</b>	ADAPTOR	4				
	<b>1420010240</b>	• O-RING	1				
8	<b>0007203069</b>	ADAPTOR	4				
9	<b>0007203073</b>	ADAPTOR	2				
10	<b>1420010110</b>	O-RING	4				
11	<b>1420010140</b>	O-RING	2				
	<b>U1a021</b>						



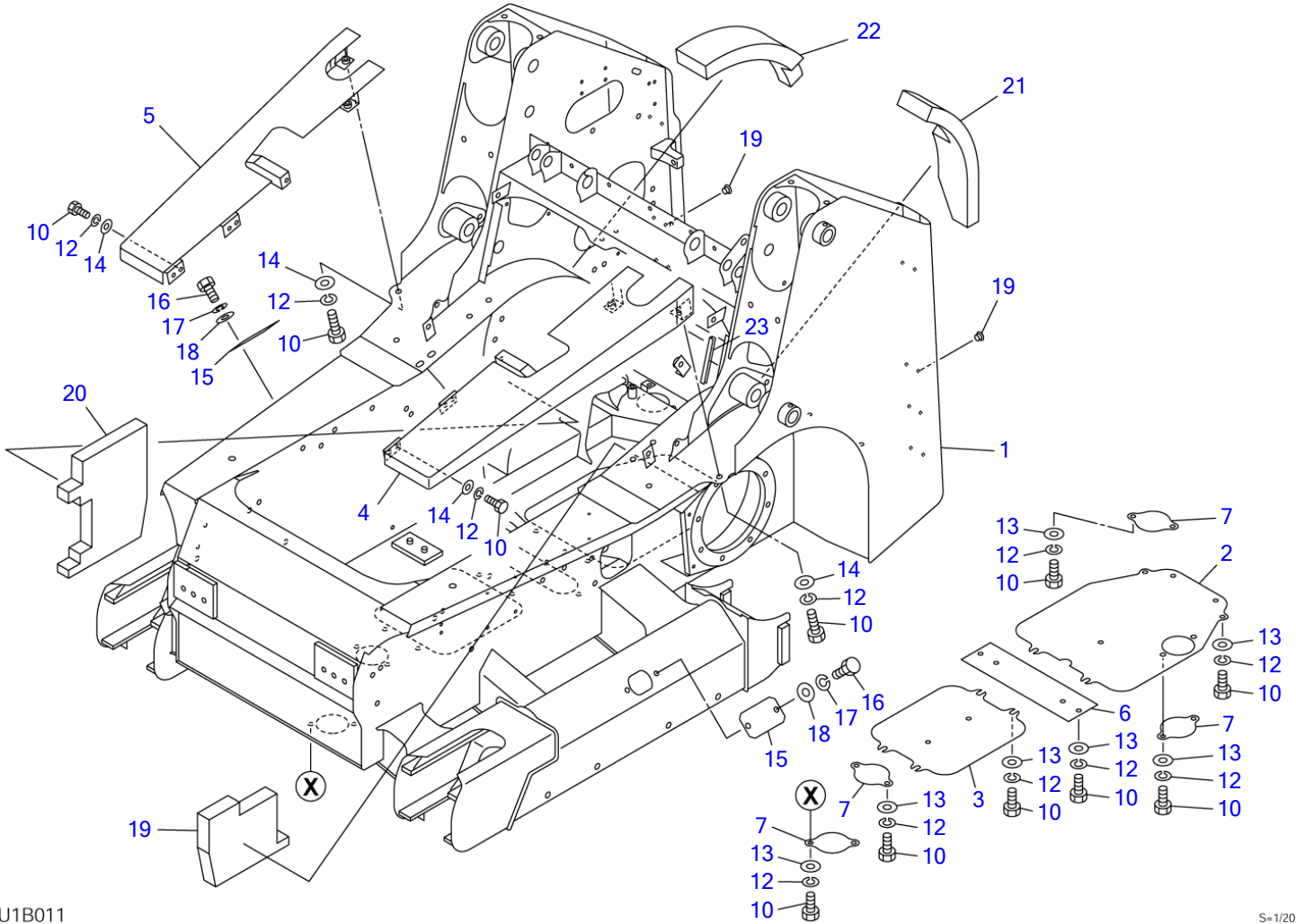
T7A060

S=1/12

**CRAWLER BELT**

Item	Part number	Description	Q'ty	Chan.	Serial No.	Serv.	Remarks
1	<b>1914061430</b>	BELT, rubber crawler	2				
	<b>1914061410</b>	BELT, RUBBER CRAWLER	2				
	<b>U1A060</b>						

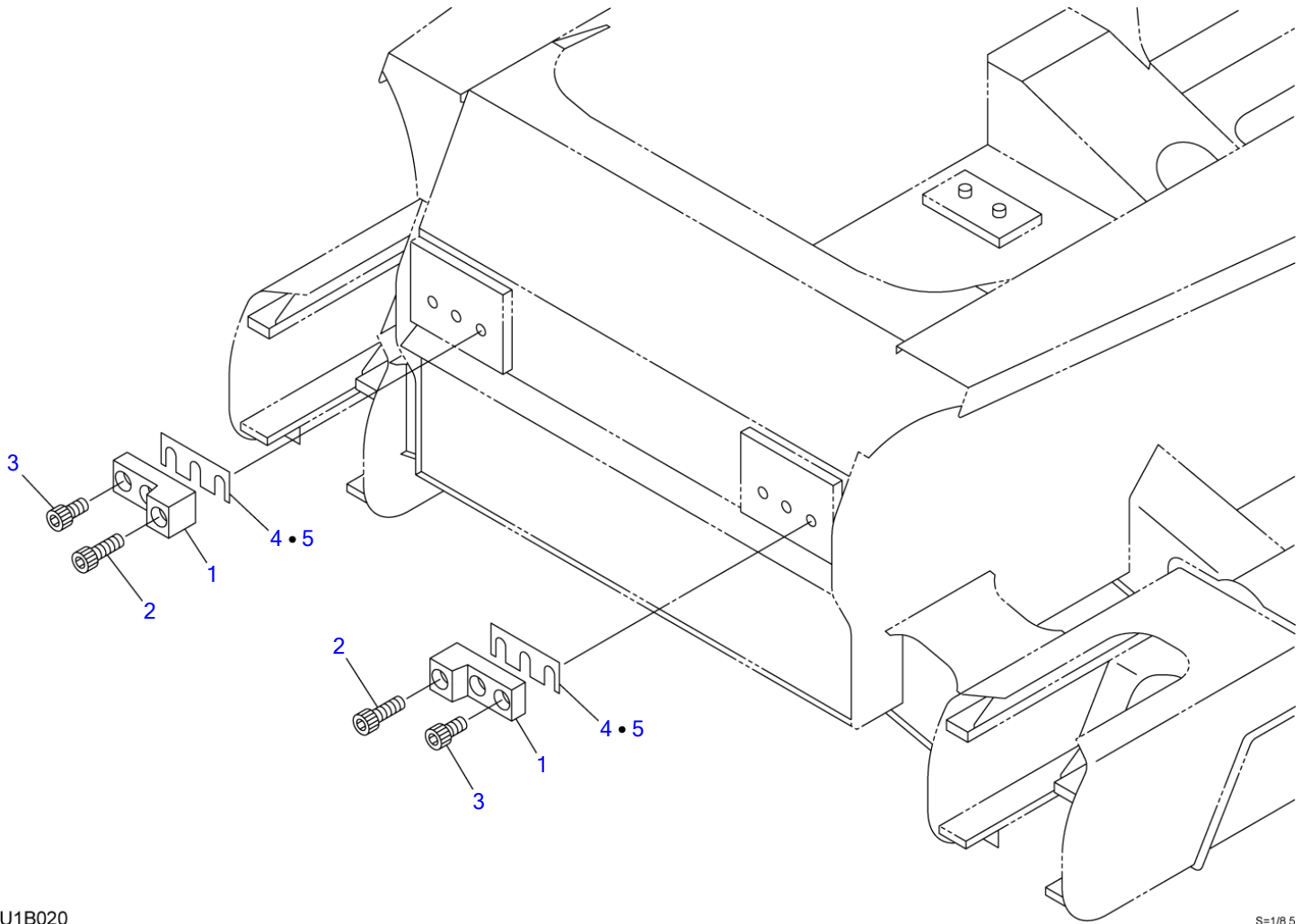
TL230 Book No. BU1Z004 S/N 223000001-  
FRAME



U1B011

S=1/20

Item	Part number	Description	FRAME Q'ty	Chan.	Serial No.	Serv.	Remarks
		FRAME ASSY					
		FRAME ASSY (for EU)					
1	X *****	FRAME	1				
2	0880308010	COVER	1				
3	0880308020	COVER	1				
4	0880309300	COVER(L.H.)	1				
5	0880309350	COVER(R.H.)	1				
6	0880305080	COVER	1				
7	0881302095	COVER	4				
10	1100041020	BOLT	28				
12	1140020010	WASHER, spring	32				
13	1141110010	WASHER	18				
14	0003600025	WASHER	14				
15	0331018600	COVER	2				
16	1100040816	BOLT	4				
17	1140020008	WASHER, spring	4				
18	1141110008	WASHER	4				
19	1652533021	CAP	16		223000051~	M	
	0880963990	ABSORBENT, noise	1				for EU
20	0880964000	ABSORBENT, noise	1				for EU
21	0880964010	ABSORBENT, noise	1				for EU
22	0663002050	ABSORBENT, noise	1				for EU
23	1653916015	TRIM (sold by the meter)	1				for EU
	U1b011						

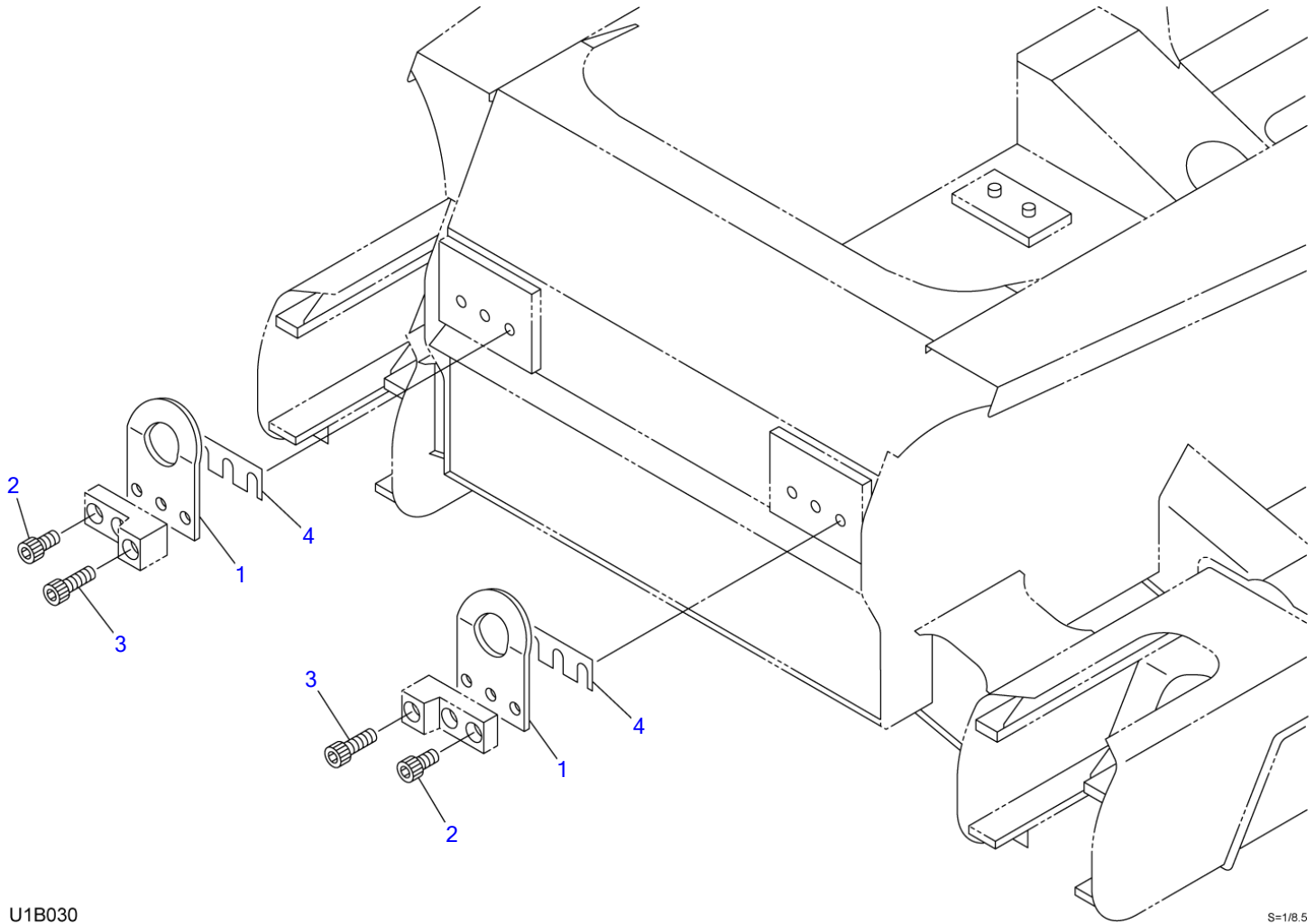


U1B020

S=1/8.5

**ARM STOPPER**

Item	Part number	Description	Q'ty	Chan.	Serial No.	Serv.	Remarks
		STOPPER ASSY					
1	<b>0880604910</b>	STOPPER	2				
2	<b>1110041645</b>	SCREW, cap	2				
3	<b>1110041625</b>	SCREW, cap	4				
4	<b>0880604950</b>	SHIM	AR				t=1.0mm
5	<b>0880606950</b>	SHIM	AR				t=0.5mm
	<b>T8b020</b>						



U1B030

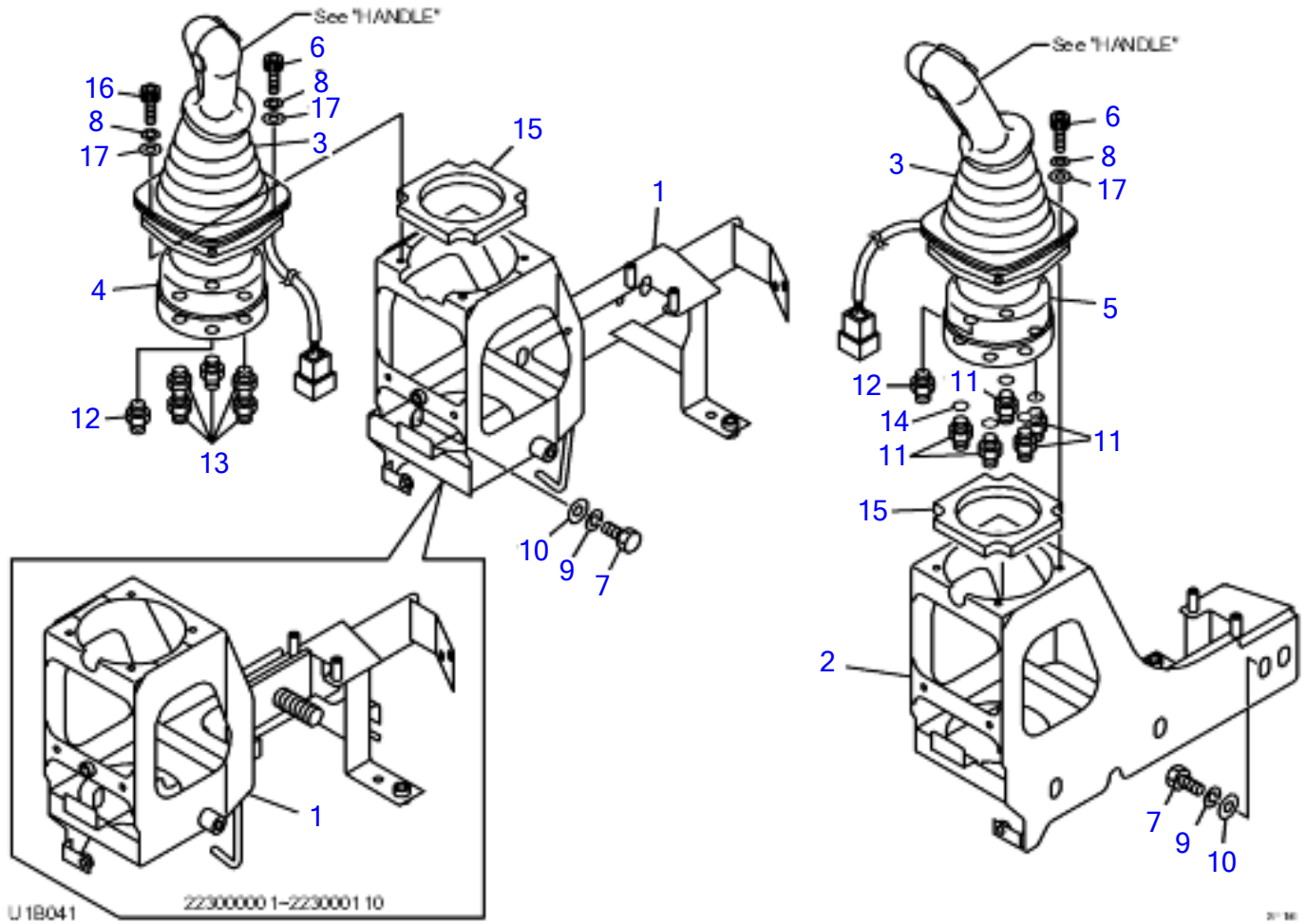
S=1/8.5



**HOOK**

Item	Part number	Description	Q'ty	Chan.	Serial No.	Serv.	Remarks
		HOOK ASSY					
1	<b>0880311020</b>	HOOK	2				
2	<b>1110041635</b>	SCREW, cap	4				
3	<b>1110041655</b>	SCREW, cap	2				
4	<b>0880604950</b>	SHIM	AR				t=1.0mm
	<b>0880606950</b>	SHIM	AR				t=0.5mm
	<b>U1b030</b>						

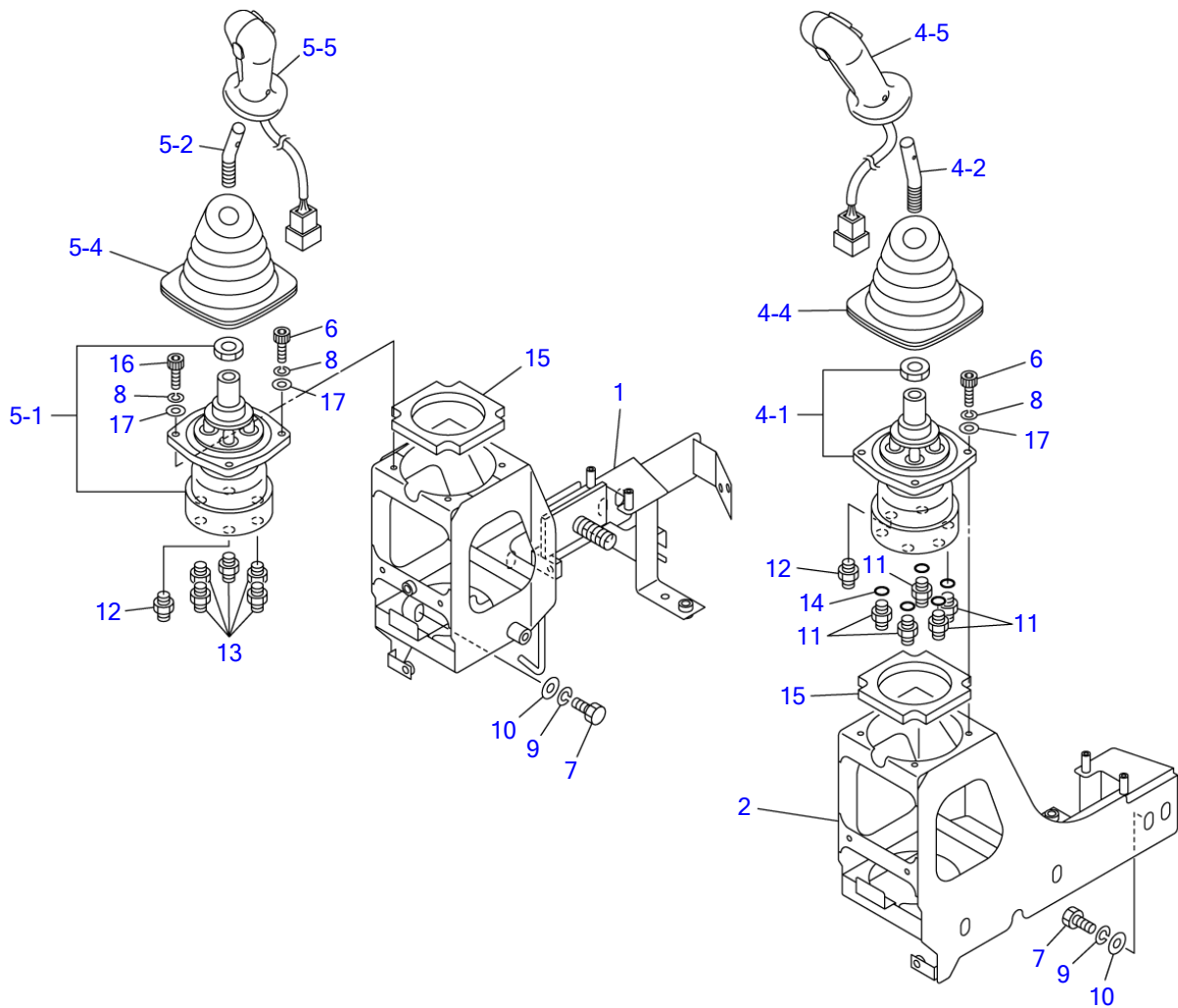
TL230 Book No. BU1Z004 S/N 22300001-  
OPERATION LEVER & STAND



**OPERATION LEVER & STAND**

Item	Part number	Description	Q'ty	Chan.	Serial No.	Serv.	Remarks
		VALVE ASSY					
1	<b>0665100100</b>	BRACKET(R.H.)	1				
	<b>0665100200</b>	RH BRACKET	1				
2	<b>0880512200</b>	BRACKET(L.H.)	1				
3	<b>0881510020</b>	BOOT	2				
4	<b>1901749800</b>	VALVE, pilot(R.H.)	1				3 switch
5	<b>1901749700</b>	VALVE, pilot(L.H.)	1				slide switch
6	<b>1110040620</b>	SCREW, cap	6				
7	<b>1100041020</b>	BOLT	6				
8	<b>1140420006</b>	WASHER, spring	8				
9	<b>1140020010</b>	WASHER, spring	6				
10	<b>0003600020</b>	WASHER	6				
11	<b>1515600571</b>	ADAPTOR	5				
	<b>1420010110</b>	• O-RING	1				
12	<b>1512370008</b>	ADAPTOR (wth filter)	2				
	<b>1420010110</b>	• O-RING	1				
13	<b>1515600200</b>	ADAPTOR	5				
	<b>1420010110</b>	• O-RING	1				
14	<b>1420010110</b>	O-RING	5				
15	<b>0881511150</b>	SPONGE	2				
16	<b>1110040625</b>	SCREW, cap	2				
17	<b>1141110006</b>	WASHER	8				
	<b>U1b041</b>						

TL230 Book No. BU1Z004 S/N 223000001-  
OPERATION LEVER & STAND (multi-functional grip type; for U.S. TAKEUCHI,  
GEHL & MUSTANG)



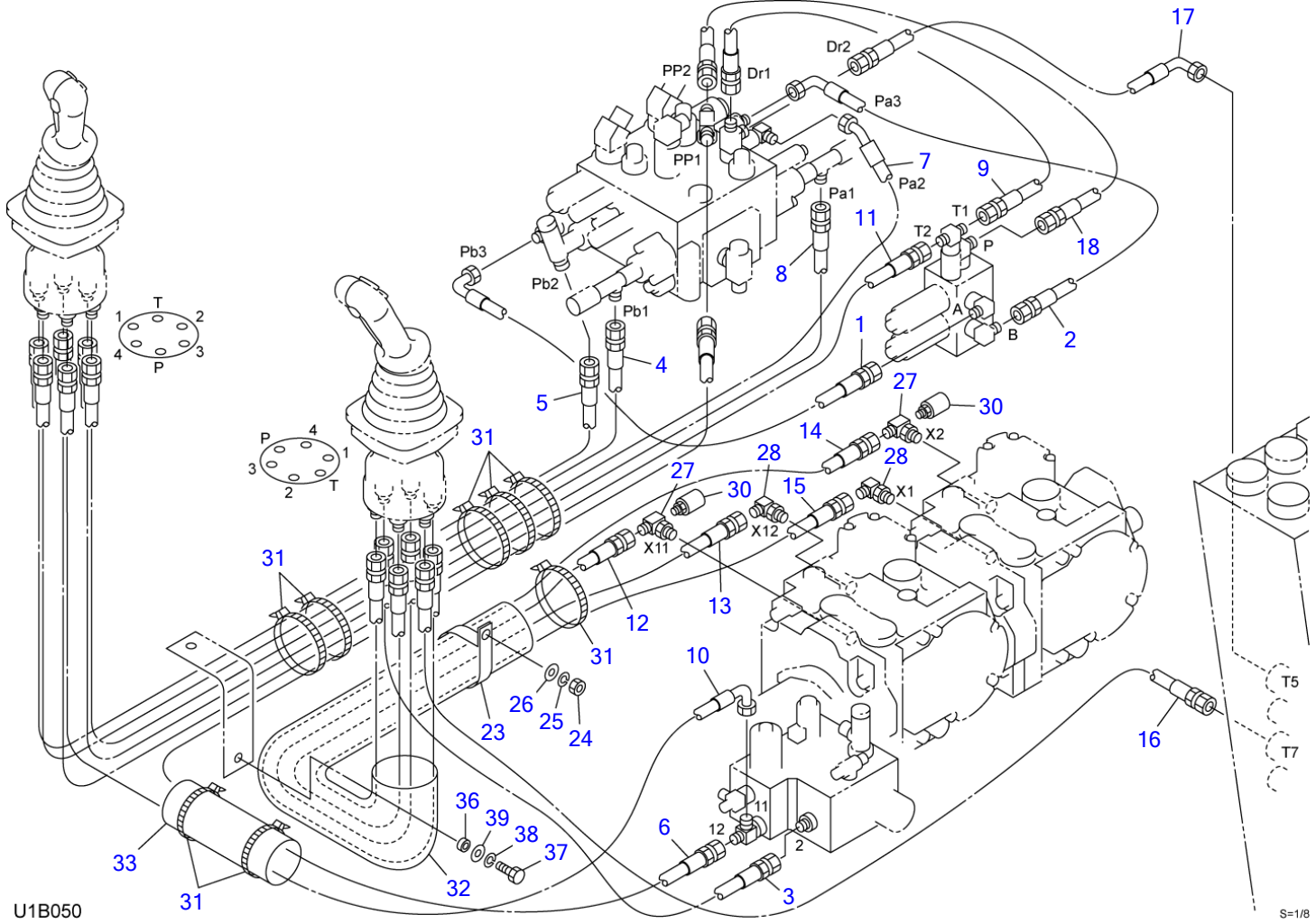
U1B060

S=1/8

**OPERATION LEVER & STAND (multi-functional grip type; for U.S. TAKEUCHI, GEHL & MUSTANG)**

Item	Part number	Description	Q'ty	Chan.	Serial No.	Serv.	Remarks
		VALVE ASSY					
1	0665100100	BRACKET (R.H.)	1			M	
	0665100200	BRACKET RH	1				
2	0880512200	BRACKET (L.H.)	1			M	
4	0665101100	VALVE ASSY (L.H.)	1			M	
4-1	1901753900	· VALVE, pilot (L.H.)	1			M	
4-2	0665101120	· LEVER	1			M	
4-4	0375109110	· BOOT	1			M	
4-5	1650205500	· GRIP (L.H.)	1			M	slide switch
5	0665101200	VALVE ASSY (R.H.)	1			M	
5-1	1901754000	· VALVE, pilot (R.H.)	1			M	
5-2	0665102120	· LEVER	1			M	
5-4	0375109110	· BOOT	1			M	
5-5	1650205600	· GRIP (R.H.)	1			M	5 switch
6	1110040620	SCREW, cap	6			M	
7	1100041020	BOLT	6			M	
8	1140420006	WASHER, spring	8			M	
9	1140020010	WASHER, spring	6			M	
10	0003600020	WASHER	6			M	
11	1515600571	ADAPTOR	5			M	
12	1512370008	ADAPTOR (with filter)	2			M	
	1420010110	· O-RING	1			M	
13	1515600200	ADAPTOR	5			M	
	1420010110	· O-RING	1			M	
14	1420010110	O-RING	5			M	
15	0881511150	SPONGE	2			M	
16	1110040625	SCREW, cap	2			M	
17	1141110006	WASHER	8			M	
	U1b060						

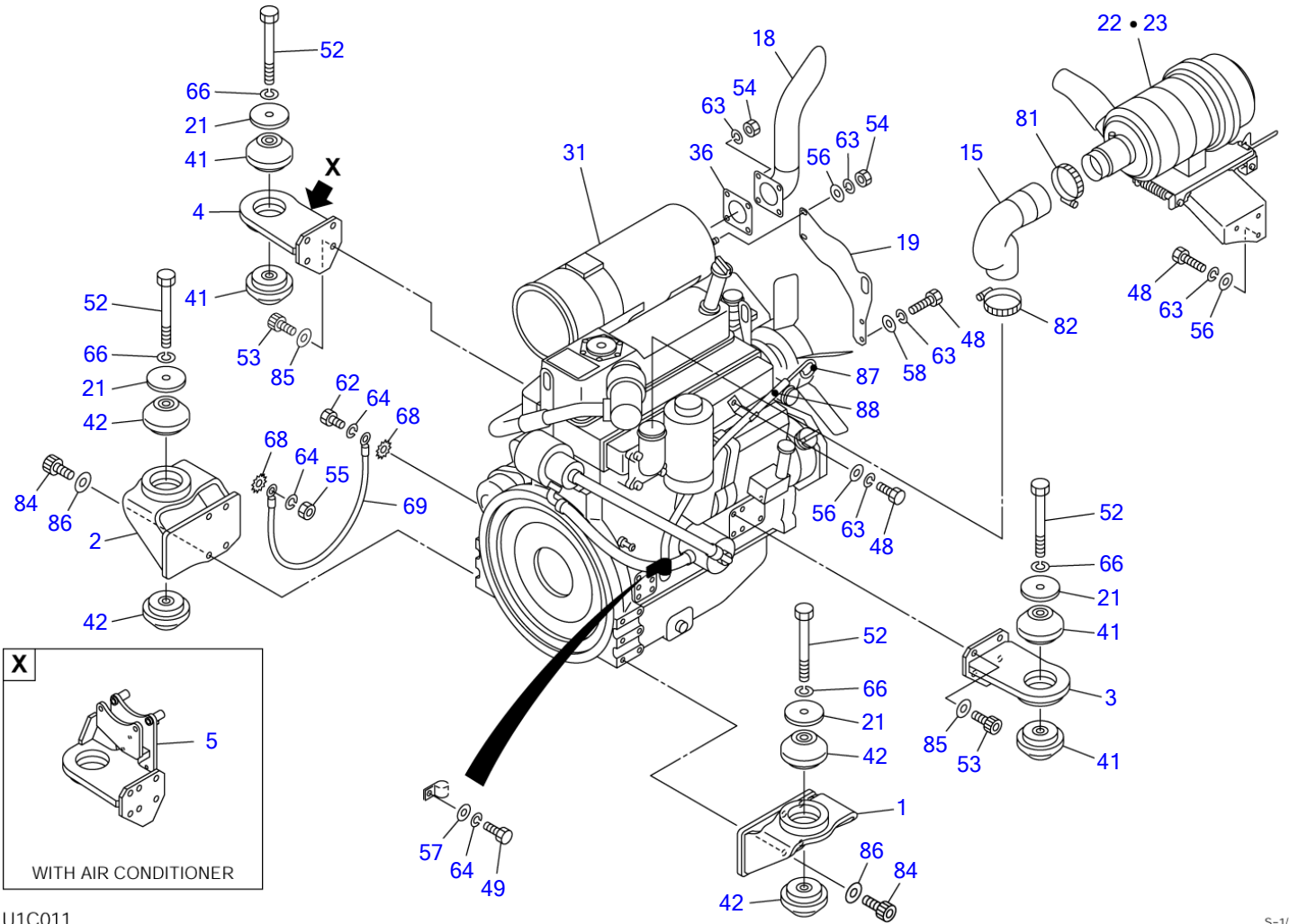
TL230 Book No. BU1Z004 S/N 223000001-  
 PIPING; OPERATION LEVER



**PIPING; OPERATION LEVER**

Item	Part number	Description	Q'ty	Chan.	Serial No.	Serv.	Remarks
		PIPING ASSY					
1	0667100010	HOSE ASSY	1				18010-52033
2	0667100020	HOSE ASSY	1				18010-52052
3	0667100030	HOSE ASSY	1				18010-22046
4	0667100040	HOSE ASSY	1				18010-22120
5	0667100050	HOSE ASSY	1				18010-22120
6	0667100060	HOSE ASSY	1				18010-22155
7	0667100070	HOSE ASSY	1				18010-79154
8	0667100080	HOSE ASSY	1				18010-22148
9	0667100090	HOSE ASSY	1				18010-22052
10	0667100100	HOSE ASSY	1				18010-52095
11	0667100110	HOSE ASSY	1				18010-22118
12	0667101120	HOSE ASSY	1				18010-23102
13	0667101130	HOSE ASSY	1				18010-23102
14	0667101140	HOSE ASSY	1				18010-23125
15	0667101150	HOSE ASSY	1				18010-23125
16	0667100160	HOSE ASSY	1				18010-23190
17	0667101170	HOSE ASSY	1				18010-52158
18	0667100180	HOSE ASSY	1				18010-22054
23	0007300044	CLAMP	1				
24	1130040008	NUT	1				
25	1140020008	WASHER, spring	1				
26	1141110008	WASHER	1				
27	1512330005	ELBOW	2				
	1420370906	• O-RING	1				
28	1512375006	ELBOW	2				
	1420370906	• O-RING	1				
30	1700100015	SWITCH, pressure	2				
31	1652241300	BAND	8				
32	1531645060	PROTECTOR	1				sold by the meter
33	0880717520	PROTECTOR	1				
36	0881711360	COLLAR	1				
37	1100040620	BOLT	1				
38	1140020006	WASHER, spring	1				
39	0003600043	WASHER	1				
	U1b050						

TL230 Book No. BU1Z004 S/N 223000001-  
ENGINE & ACCESSORIES (1/4)



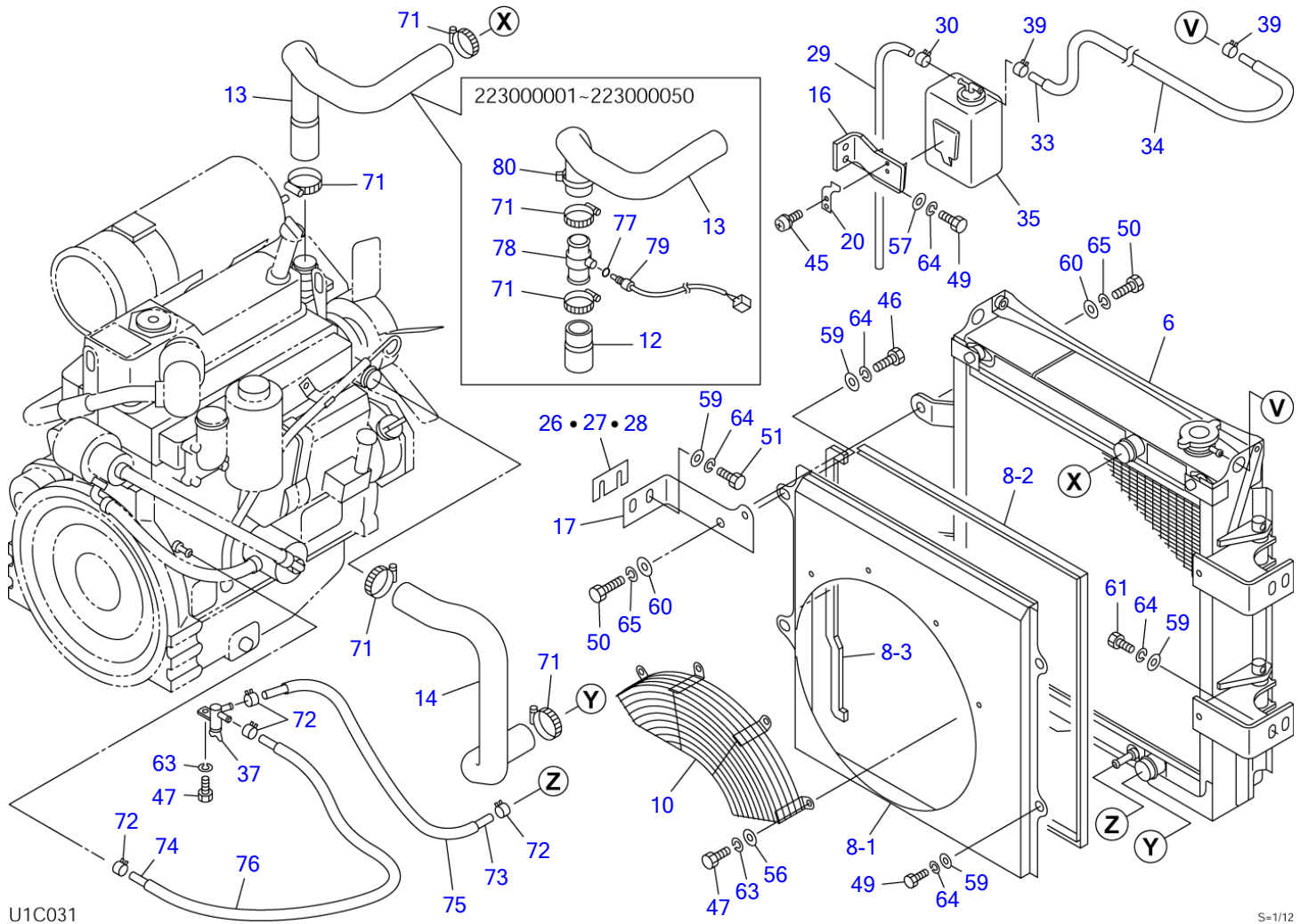
U1C011

S-1/14



ENGINE & ACCESSORIES (1/4)							
Item	Part number	Description	Q'ty	Chan.	Serial No.	Serv.	Remarks
		ENGINE ASSY (for US)					
		ENGINE ASSY (for EU)					
		ENGINE ASSY (for US, with air conditioner)					
		ENGINE ASSY (for EU, with air conditioner)					
1	0664001010	FOOT, engine (F.L.)	1				
2	0664001020	FOOT, engine (F.R.)	1				
3	0664001030	FOOT, engine (R.L.)	1				
4	0664001040	FOOT, engine (R.R.)	1				
5	0664001050	FOOT, engine (R.R.)	1				with air conditioner
15	0664000156	HOSE	1				
18	0880406890	PIPE	1				
19	0880407730	PLATE	1				
21	0881400210	WASHER	4				
22	0664001200	CLEANER ASSY, air (for EU)	1				see page (4/4)
23	0664001400	PRECLEANER ASSY (for US)	1				see page (4/4)
31	1910259001	ENGINE	1				4TNV98-ZNTBL
36	1910197023	GASKET	1				Y129930-13201
41	1651030004	RUBBER, cushion	4				
42	1651030005	RUBBER, cushion	4				
48	1100040820	BOLT	6				
49	1100041025	BOLT	1				
52	1101141640	BOLT	4				
53	1110021030	SCREW, cap	8				
	1110021030	SCREW, cap	10				with air conditioner
54	1130040008	NUT	6				
55	1130040010	NUT	1				
56	1141110008	WASHER	6				
57	1141110010	WASHER	1				
58	0003608252	WASHER	2				
62	1100041016	BOLT	1			M	
63	1140020008	WASHER, spring	12				
64	1140020010	WASHER, spring	3				
66	1140020016	WASHER, spring	4				
68	1140330010	WASHER	2				
69	1702402002	CABLE	1			M	
81	1533700080	BAND	1				
82	1533701300	BAND	1			M	
84	1110021230	SCREW, cap	8				
85	1141550010	WASHER	8				
	1141550010	WASHER	10				with air conditioner
86	1141550012	WASHER	8				
87	1910259051	STICK, oil dip	1				Y129951-34801
88	1910259052	GUIDE	1				Y129939-34810
	U1c011						

TL230 Book No. BU1Z004 S/N 223000001-  
ENGINE & ACCESSORIES (2/4)

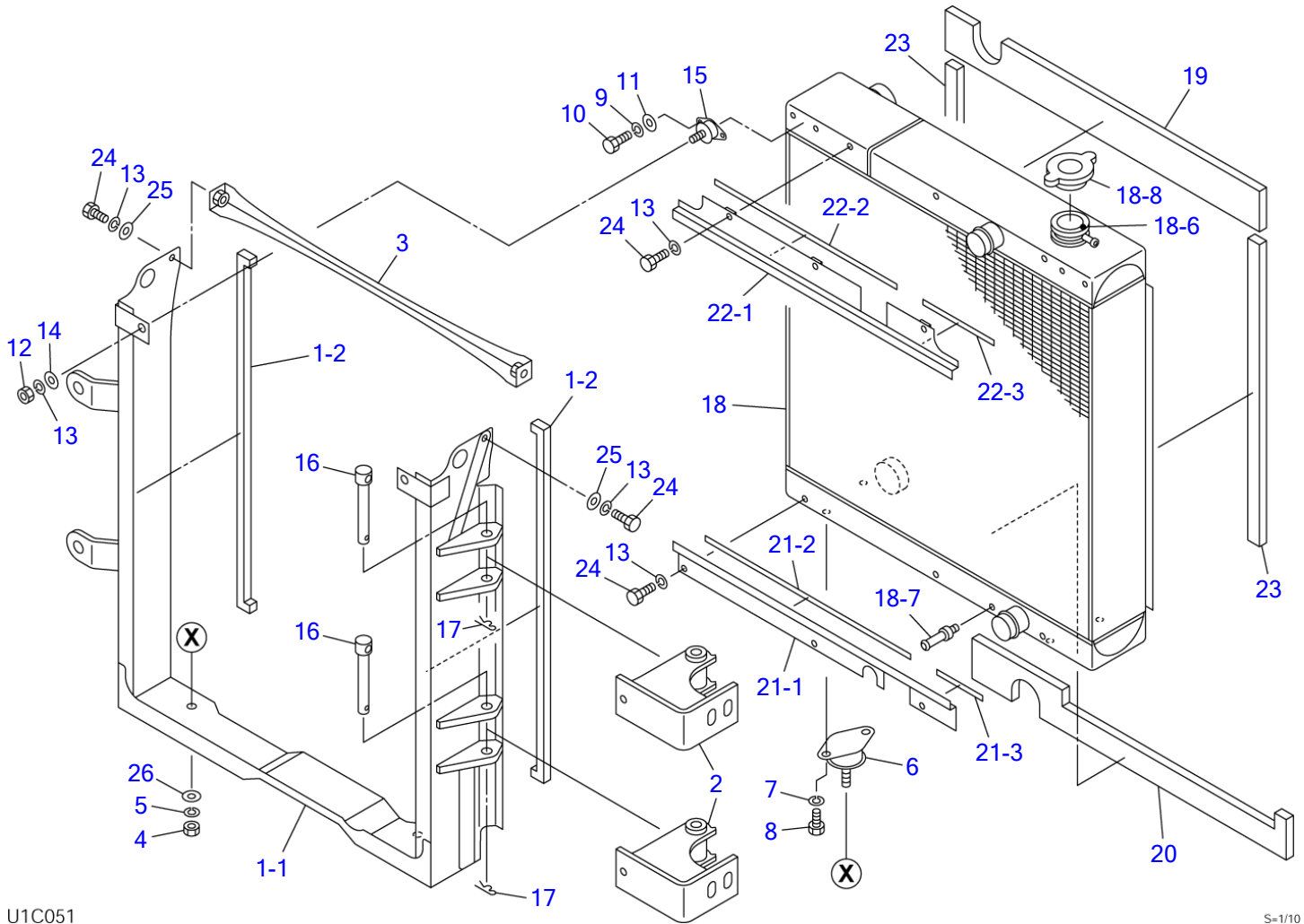


**ENGINE & ACCESSORIES (2/4)**

Item	Part number	Description	Q'ty	Chan.	Serial No.	Serv.	Remarks
		ENGINE ASSY (for US)					
		ENGINE ASSY (for EU)					
		ENGINE ASSY (for US, with air conditioner)					
		ENGINE ASSY (for EU, with air conditioner)					
6	0664001100	RADIATOR ASSY	1				see page (3/4)
8	0664001300	SHROUD ASSY	1				
8-1	0664001310	· SHROUD	1				
8-2	1654606175	· TRIM	1				sold by the meter
8-3	0664001330	· SPONGE	1				
10	0664001070	GUIDE	1				
12	0664001350	HOSE	1		223000001~223000050		
13	0664001360	HOSE	1		223000001~223000050		
	0664001370	HOSE	1		223000051~	M	
14	0880408030	HOSE	1				
16	0664001080	BRACKET	1				
17	0664001060	BRACKET	2				
20	0880406110	PLATE	1				
26	0880406610	SHIM	AR				t=1.6mm
27	0880406620	SHIM	AR				t=3.2mm
28	0880406630	SHIM	AR				t=4.5mm
29	1910161013	HOSE	1				Y105840-59100
30	1533120508	BAND	1			M	
33	1531407113	HOSE	1				sold by the meter
34	1531115110	PROTECTOR	1				sold by the meter
35	1910146020	TANK, sub	1				Y129466-44510
37	1910078037	COCK	1				Y129150-49100
39	1533120011	BAND	2			M	
45	1150120410	SCREW	2				
46	1100041020	BOLT	2				
47	1100040816	BOLT	5				
49	1100041025	BOLT	5				
50	1100041230	BOLT	2				
51	1100041035	BOLT	4				
56	1141110008	WASHER	4				
57	1141110010	WASHER	2				
59	0003600025	WASHER	12				
60	0003600136	SHIM	2				
61	1100041030	BOLT	4				
63	1140020008	WASHER, spring	5				
64	1140020010	WASHER, spring	12				
65	1140020012	WASHER, spring	2				
71	1533700057	BAND	6		223000001~223000050		
	1533700057	BAND	4		223000051~	M	
72	1533120012	BAND	4				
73	1530808068	HOSE	1				sold by the meter
74	1530808115	HOSE	1				sold by the meter
75	1531115030	PROTECTOR	2				sold by the meter
76	1531115055	PROTECTOR	2				sold by the meter
77	1420000100	O-RING	1		223000001~223000050		
78	0881402595	JOINT	1		223000001~223000050		
79	1700100046	SENSOR	1		223000001~223000050		
80	1652241200	BAND	1		223000001~223000050		

U1c032

TL230 Book No. BU1Z004 S/N 223000001-  
ENGINE & ACCESSORIES (3/4)

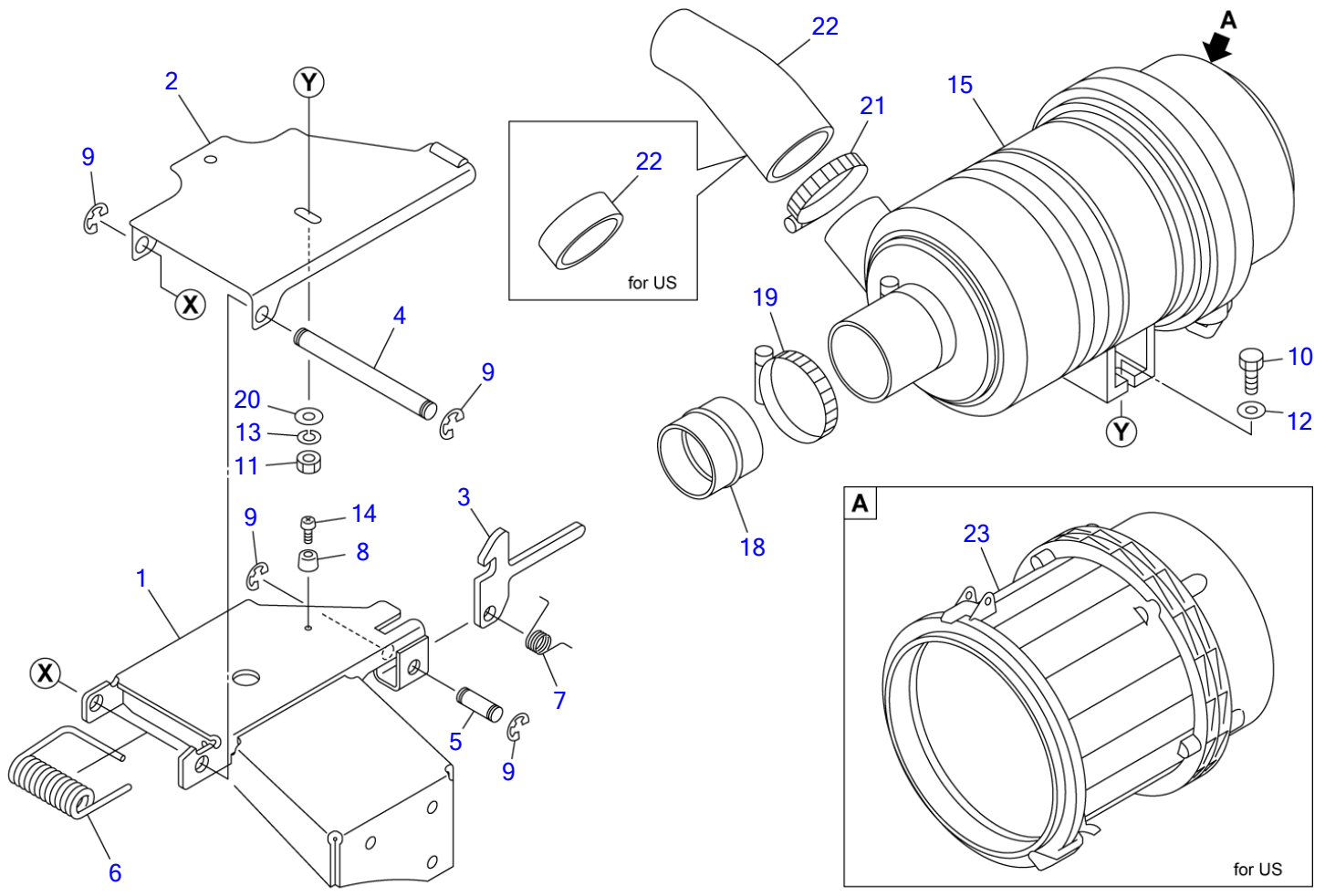


U1C051

S-1/10

**ENGINE & ACCESSORIES (3/4)**

Item	Part number	Description	Q'ty	Chan.	Serial No.	Serv.	Remarks
0-1	0664001100	RADIATOR ASSY	1				
1	0664001110	· FRAME ASSY	1				
1-1	0664001120	· · FRAME	1				
1-2	0664000520	· · SPONGE	2				
2	0880408590	· HINGE	2				
3	0880408150	· STAY	1				
4	1130040012	· NUT	2				
5	1140020012	· WASHER, spring	2				
6	0880408580	· RUBBER, cushion	2				
7	1140020010	· WASHER, spring	4				
8	1100041016	· BOLT	4				
9	1140020006	· WASHER, spring	4				
10	1100040612	· BOLT	4				
11	1141110006	· WASHER	4				
12	1130040008	· NUT	2				
13	1140020008	· WASHER, spring	10				
14	0003600025	· WASHER	2				
15	1651021030	· RUBBER, cushion	2				
16	0881402180	· PIN	2				
17	1214000016	· PIN, snap	2				
18	1911300310	· RADIATOR & COOLER, oil	1				AKG
18-6	1911300076	· · FITTING, hose	1				
18-7	1911300077	· · NIPPLE	1				
18-8	1911300078	· · CAP, radiator	1				
19	0664001130	· SPONGE	1				
20	0664001140	· SPONGE	1				
21	0880408500	· PLATE ASSY	1			M	
21-1	0880408510	· · PLATE	1			M	
21-2	1654355044	· · SPONGE	1				sold by the meter
21-3	1654355010	· · SPONGE	1				sold by the meter
22	0664000800	· PLATE ASSY	1				
22-1	0664000810	· · PLATE	1				
22-2	1654355039	· · SPONGE	1				sold by the meter
22-3	1654355015	· · SPONGE	1				sold by the meter
23	1654343056	· SPONGE	2				sold by the meter
24	1100040820	· BOLT	8				
25	1141110008	· WASHER	2				
26	0003600026	· WASHER	2			M	
	U1c051						



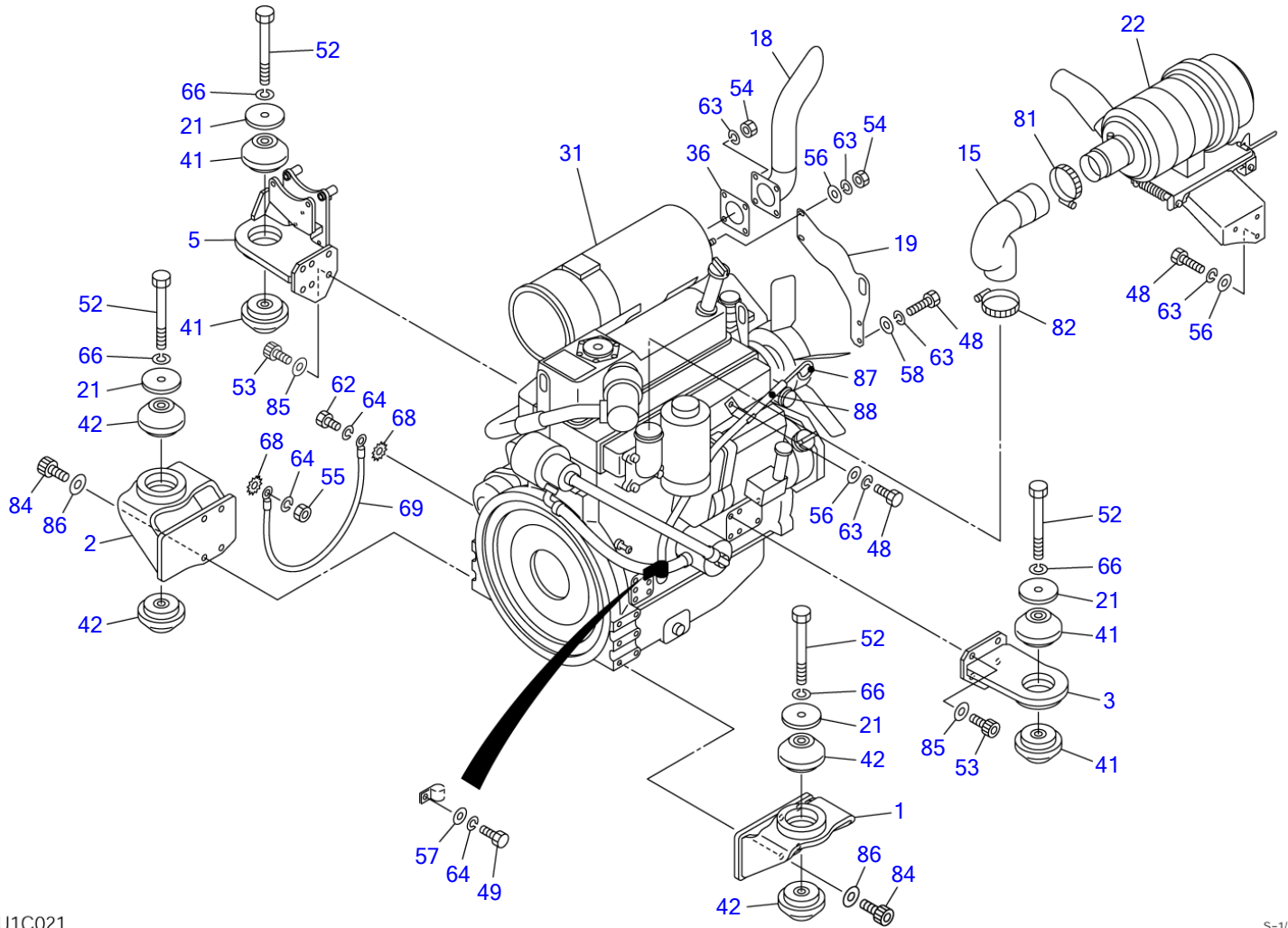
U1C060

S=1/5

**ENGINE & ACCESSORIES (4/4)**

Item	Part number	Description	Q'ty	Chan.	Serial No.	Serv.	Remarks
0-2	<b>0664001200</b>	CLEANER ASSY, air (for EU)	1				
	<b>0664001400</b>	PRECLEANER ASSY (for US)					
1	<b>0664001210</b>	▪ BRACKET	1				
2	<b>0664001220</b>	▪ PLATE	1				
3	<b>0664001250</b>	▪ PLATE	1				
4	<b>0664000704</b>	▪ PIN	1				
5	<b>0664000705</b>	▪ PIN	1				
6	<b>0664000706</b>	▪ SPRING	1				
7	<b>0664000707</b>	▪ SPRING	1				
8	<b>1652111610</b>	▪ RUBBER	1				
9	<b>1224010010</b>	▪ RING, retaining	4				
10	<b>1100240830</b>	▪ BOLT	2				
11	<b>1130040008</b>	▪ NUT	2				
12	<b>0003608252</b>	▪ WASHER	2				
13	<b>1140020008</b>	▪ WASHER, spring	2				
14	<b>1120530308</b>	▪ SCREW	1				
15	<b>1910259007</b>	▪ CLEANER, air	1				Y529939-12510
18	<b>0664001230</b>	▪ PIPE	1				
19	<b>1533700070</b>	▪ BAND	1				
20	<b>1141110008</b>	▪ WASHER	2				
21	<b>1533700080</b>	▪ BAND	1				
	<b>1911240131</b>	▪ BAND	1				for US
22	<b>0664001240</b>	▪ PIPE	1				
	<b>1901240130</b>	▪ CAP	1				for US
23	<b>1911240110</b>	▪ PRECLEANER	1				for US
	<b>U1c061</b>						

TL230 Book No. BU1Z004 S/N 223000001-  
ENGINE & ACCESSORIES (1/4) (for GEHL & MUSTANG)



U1C021

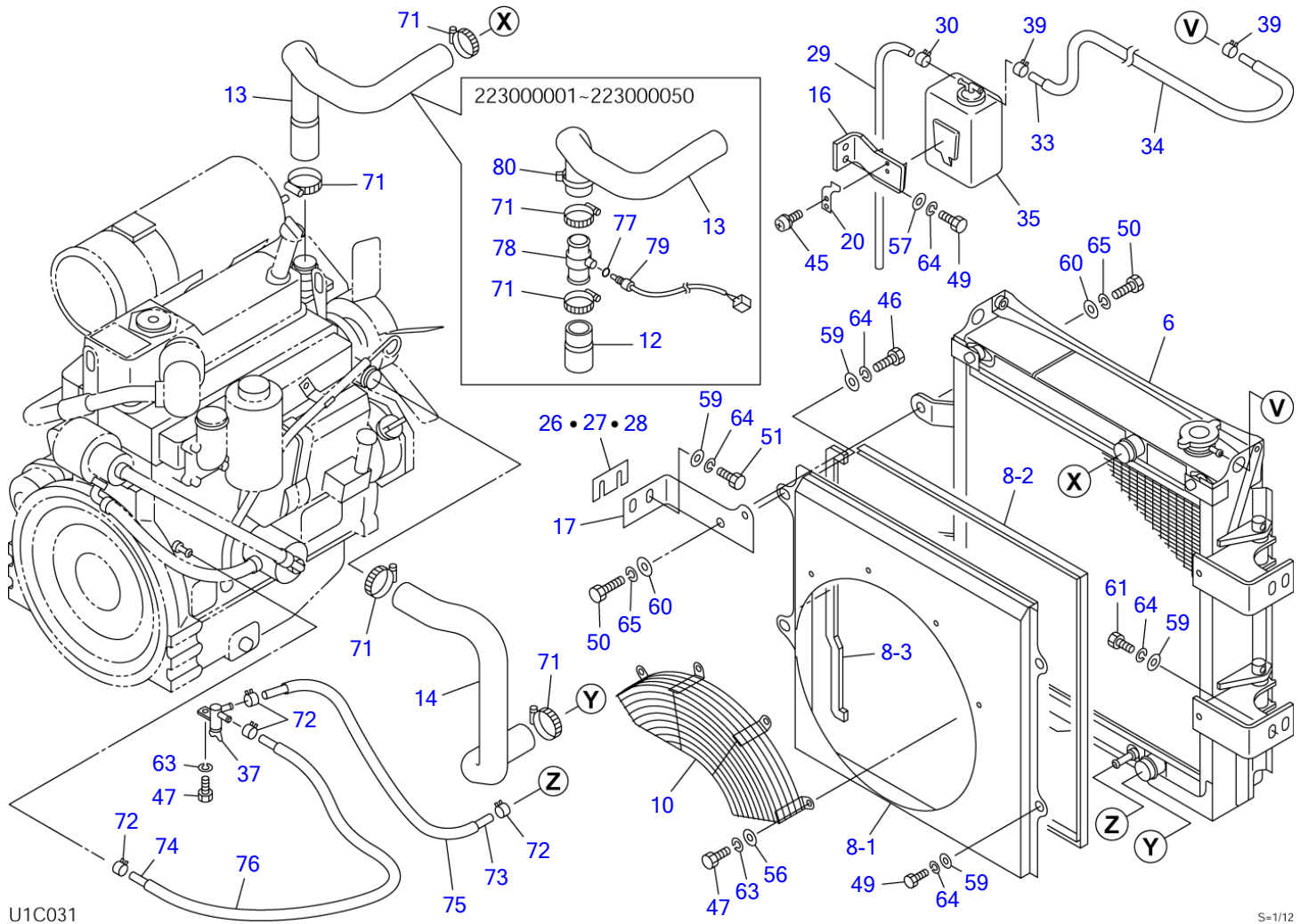
S-1/14



**ENGINE & ACCESSORIES (1/4) (for GEHL & MUSTANG)**

Item	Part number	Description	Q'ty	Chan.	Serial No.	Serv.	Remarks
		ENGINE ASSY					
1	0664001010	FOOT, engine (F.L.)	1				
2	0664001020	FOOT, engine (F.R.)	1				
3	0664001030	FOOT, engine (R.L.)	1				
5	0664001050	FOOT, engine (R.R.)	1				
15	0664000156	HOSE	1				
18	0880406890	PIPE	1				
19	0880407730	PLATE	1				
21	0881400210	WASHER	4				
22	0664001200	CLEANER ASSY	1				see page (4/4)
31	1910259001	ENGINE	1				4TNV98-ZNTBL
36	1910197023	GASKET	1				Y129930-13201
41	1651030004	RUBBER, cushion	4				
42	1651030005	RUBBER, cushion	4				
48	1100040820	BOLT	6				
49	1100041025	BOLT	1				
52	1101141640	BOLT	4				
53	1110021030	SCREW, cap	10				
54	1130040008	NUT	6				
55	1130040010	NUT	1				
56	1141110008	WASHER	6				
57	1141110010	WASHER	1				
58	0003608252	WASHER	2				
62	1100041016	BOLT	1				M
63	1140020008	WASHER, spring	12				
64	1140020010	WASHER, spring	3				
66	1140020016	WASHER, spring	4				
68	1140330010	WASHER	2				
69	1702402002	CABLE	1				M
81	1533700080	BAND	1				
82	1533701300	BAND	1				M
84	1110021230	SCREW, cap	8				
85	1141550010	WASHER	10				
86	1141550012	WASHER	8				
87	1910259051	STICK, oil dip	1				Y129951-34801
88	1910259052	GUIDE	1				Y129939-34810
	U1c022						

TL230 Book No. BU1Z004 S/N 223000001-  
 ENGINE & ACCESSORIES (2/4) (for GEHL & MUSTANG)

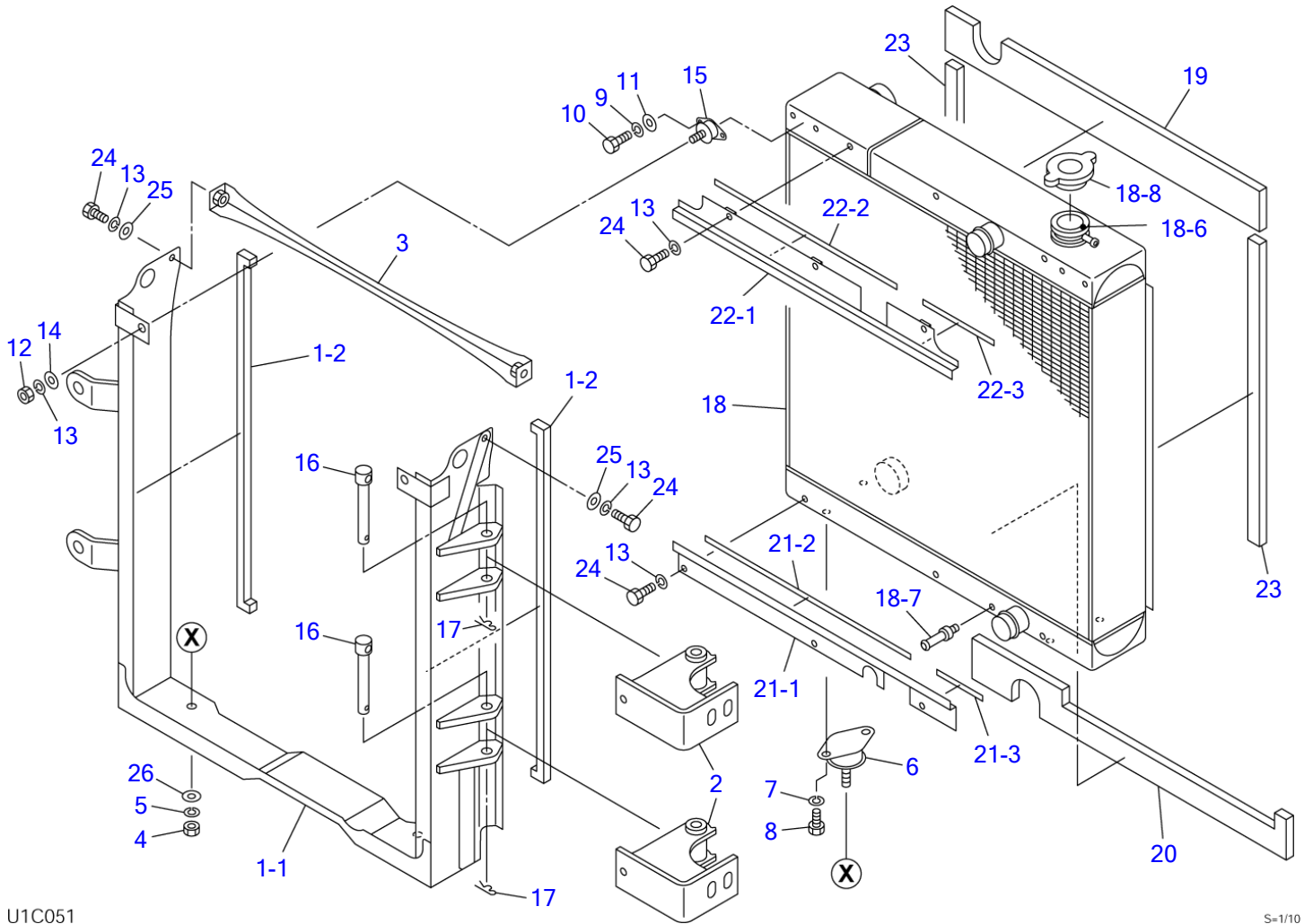


**ENGINE & ACCESSORIES (2/4) (for GEHL & MUSTANG)**

Item	Part number	Description	Q'ty	Chan.	Serial No.	Serv.	Remarks
		ENGINE ASSY					
6	0664001100	RADIATOR ASSY	1				see page (3/4)
8	0664001300	SHROUD ASSY	1				
8-1	0664001310	· SHROUD	1				
8-2	1654606175	· TRIM	1				sold by the meter
8-3	0664001330	· SPONGE	1				
10	0664001070	GUIDE	1				
12	0664001350	HOSE	1		223000001~223000050		
13	0664001360	HOSE	1		223000001~223000050		
	0664001370	HOSE	1		223000051~	M	
14	0880408030	HOSE	1				
16	0664001080	BRACKET	1				
17	0664001060	BRACKET	2				
20	0880406110	PLATE	1				
26	0880406610	SHIM	AR				t=1.6mm
27	0880406620	SHIM	AR				t=3.2mm
28	0880406630	SHIM	AR				t=4.5mm
29	1910161013	HOSE	1				Y105840-59100
30	1533120508	BAND	1			M	
33	1531407113	HOSE	1				sold by the meter
34	1531115110	PROTECTOR	1				sold by the meter
35	1910146020	TANK, sub	1				Y129466-44510
37	1910078037	COCK	1				Y129150-49100
39	1533120011	BAND	2			M	
45	1150120410	SCREW	2				
46	1100041020	BOLT	2				
47	1100040816	BOLT	5				
49	1100041025	BOLT	5				
50	1100041230	BOLT	2				
51	1100041035	BOLT	4				
56	1141110008	WASHER	4				
57	1141110010	WASHER	2				
59	0003600025	WASHER	12				
60	0003600136	SHIM	2				
61	1100041030	BOLT	4				
63	1140020008	WASHER, spring	5				
64	1140020010	WASHER, spring	12				
65	1140020012	WASHER, spring	2				
71	1533700057	BAND	6		223000001~223000050		
	1533700057	BAND	4		223000051~	M	
72	1533120012	BAND	4				
73	1530808068	HOSE	1				sold by the meter
74	1530808115	HOSE	1				sold by the meter
75	1531115030	PROTECTOR	2				sold by the meter
76	1531115055	PROTECTOR	2				sold by the meter
77	1420000100	O-RING	1		223000001~223000050		
78	0881402595	JOINT	1		223000001~223000050		
79	1700100046	SENSOR	1		223000001~223000050		
80	1652241200	BAND	1		223000001~223000050		

U1c042

TL230 Book No. BU1Z004 S/N 223000001-  
ENGINE & ACCESSORIES (3/4) (for GEHL & MUSTANG)

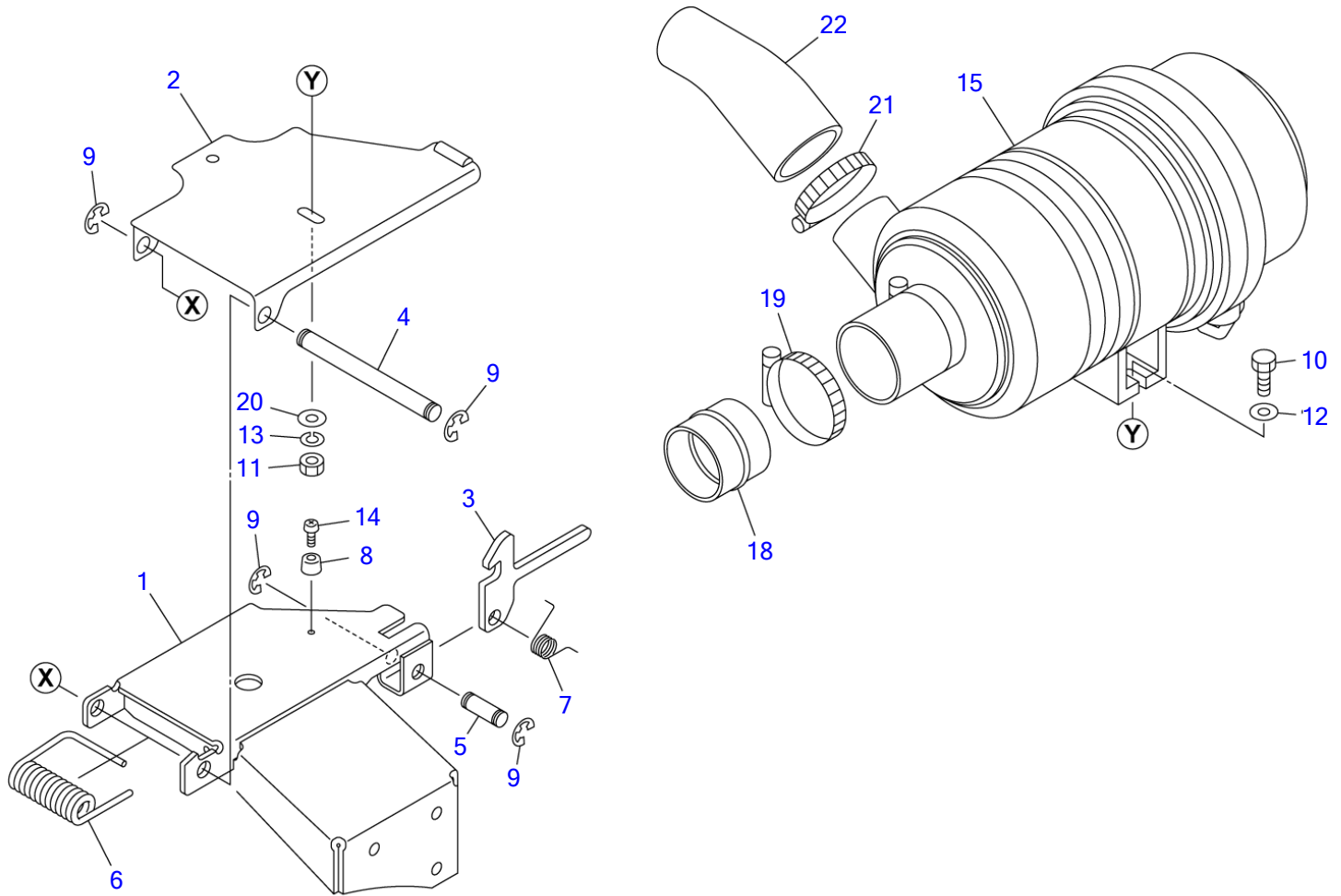


U1C051

S-1/10

**ENGINE & ACCESSORIES (3/4) (for GEHL & MUSTANG)**

Item	Part number	Description	Q'ty	Chan.	Serial No.	Serv.	Remarks
0-1	0664001100	RADIATOR ASSY	1				
1	0664001110	· FRAME ASSY	1				
1-1	0664001120	· · FRAME	1				
1-2	0664000520	· · SPONGE	2				
2	0880408590	· HINGE	2				
3	0880408150	· STAY	1				
4	1130040012	· NUT	2				
5	1140020012	· WASHER, spring	2				
6	0880408580	· RUBBER, cushion	2				
7	1140020010	· WASHER, spring	4				
8	1100041016	· BOLT	4				
9	1140020006	· WASHER, spring	4				
10	1100040612	· BOLT	4				
11	1141110006	· WASHER	4				
12	1130040008	· NUT	2				
13	1140020008	· WASHER, spring	10				
14	0003600025	· WASHER	2				
15	1651021030	· RUBBER, cushion	2				
16	0881402180	· PIN	2				
17	1214000016	· PIN, snap	2				
18	1911300310	· RADIATOR & COOLER, oil	1				AKG
18-6	1911300076	· · FITTING, hose	1				
18-7	1911300077	· · NIPPLE	1				
18-8	1911300078	· · CAP, radiator	1				
19	0664001130	· SPONGE	1				
20	0664001140	· SPONGE	1				
21	0880408500	· PLATE ASSY	1			M	
21-1	0880408510	· · PLATE	1			M	
21-2	1654355044	· · SPONGE	1				sold by the meter
21-3	1654355010	· · SPONGE	1				sold by the meter
22	0664000800	· PLATE ASSY	1				
22-1	0664000810	· · PLATE	1				
22-2	1654355039	· · SPONGE	1				sold by the meter
22-3	1654355015	· · SPONGE	1				sold by the meter
23	1654343056	· SPONGE	2				sold by the meter
24	1100040820	· BOLT	8				
25	1141110008	· WASHER	2				
26	0003600026	· WASHER	2			M	
	U1c051						

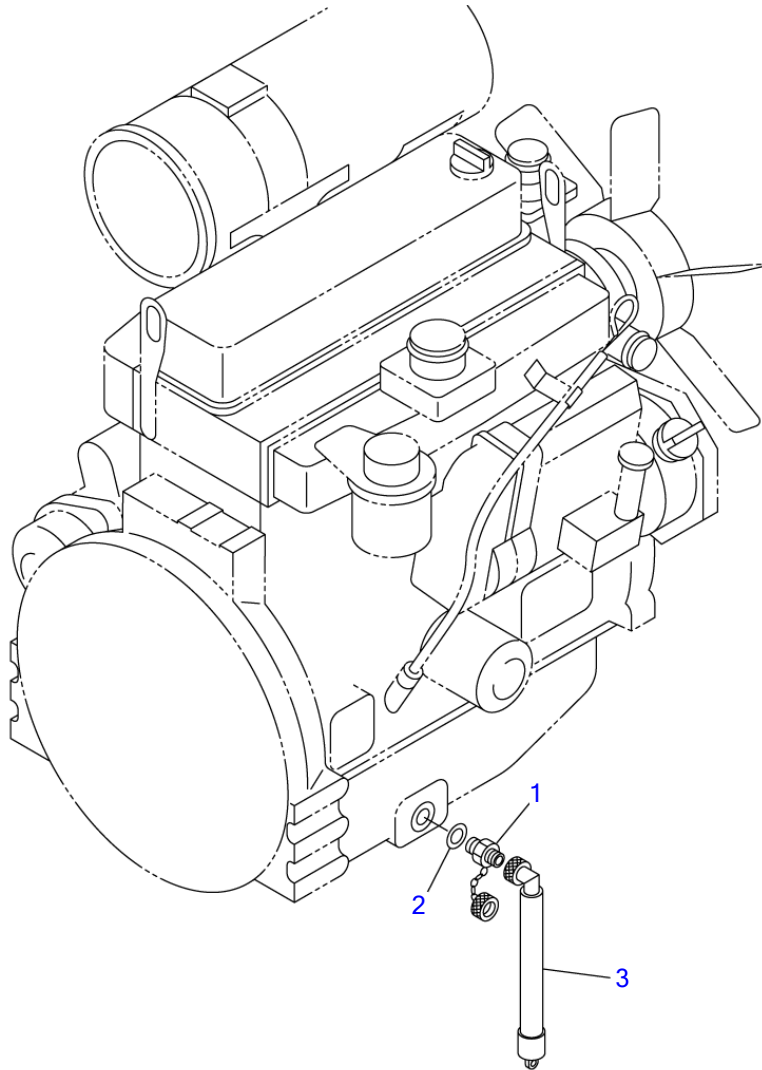


U1C070

S=1/5

**ENGINE & ACCESSORIES (4/4) (for GEHL & MUSTANG)**

Item	Part number	Description	Q'ty	Chan.	Serial No.	Serv.	Remarks
0-2	<b>0664001200</b>	CLEANER ASSY, air	1				
1	<b>0664001210</b>	▪ BRACKET	1				
2	<b>0664001220</b>	▪ PLATE	1				
3	<b>0664001250</b>	▪ PLATE	1				
4	<b>0664000704</b>	▪ PIN	1				
5	<b>0664000705</b>	▪ PIN	1				
6	<b>0664000706</b>	▪ SPRING	1				
7	<b>0664000707</b>	▪ SPRING	1				
8	<b>1652111610</b>	▪ RUBBER	1				
9	<b>1224010010</b>	▪ RING, retaining	4				
10	<b>1100240830</b>	▪ BOLT	2				
11	<b>1130040008</b>	▪ NUT	2				
12	<b>0003608252</b>	▪ WASHER	2				
13	<b>1140020008</b>	▪ WASHER, spring	2				
14	<b>1120530308</b>	▪ SCREW	1				
15	<b>1910259007</b>	▪ CLEANER, air	1				Y529939-12510
18	<b>0664001230</b>	▪ JOINT	1				
19	<b>1533700070</b>	▪ BAND	1				
20	<b>1141110008</b>	▪ WASHER	2				
21	<b>1533700080</b>	▪ BAND	1				
22	<b>0664001240</b>	▪ PIPE	1				
	<b>U1c071</b>						



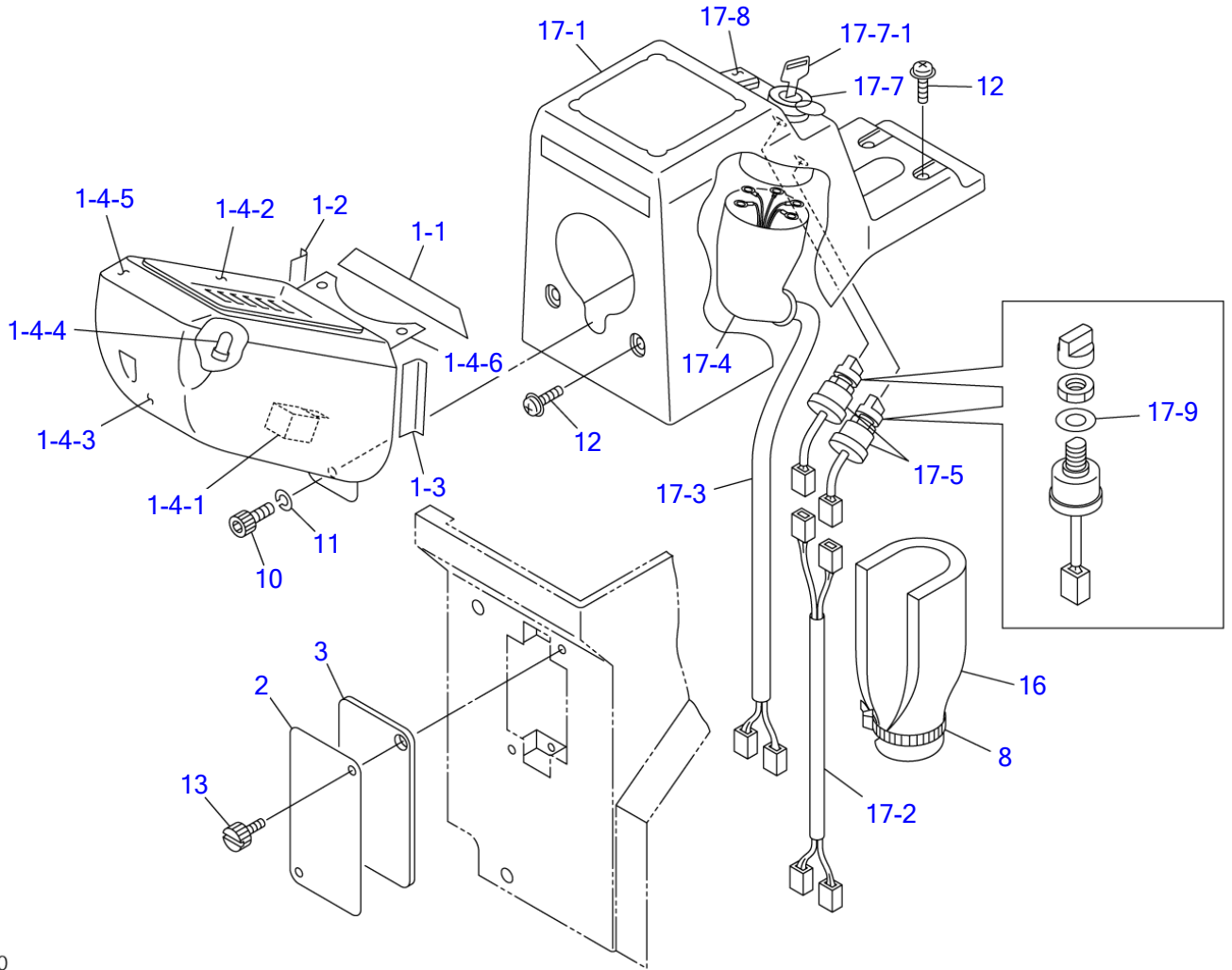
T8C030

S=1/8



**DRAIN PLUG**

Item	Part number	Description	Q'ty	Chan.	Serial No.	Serv.	Remarks
1	1554502250	PLUG ASSY, drain	1				
2	1432122032	PLUG	1				
3	1554512601	WASHER	1				
	T8c031	TUBE	1				



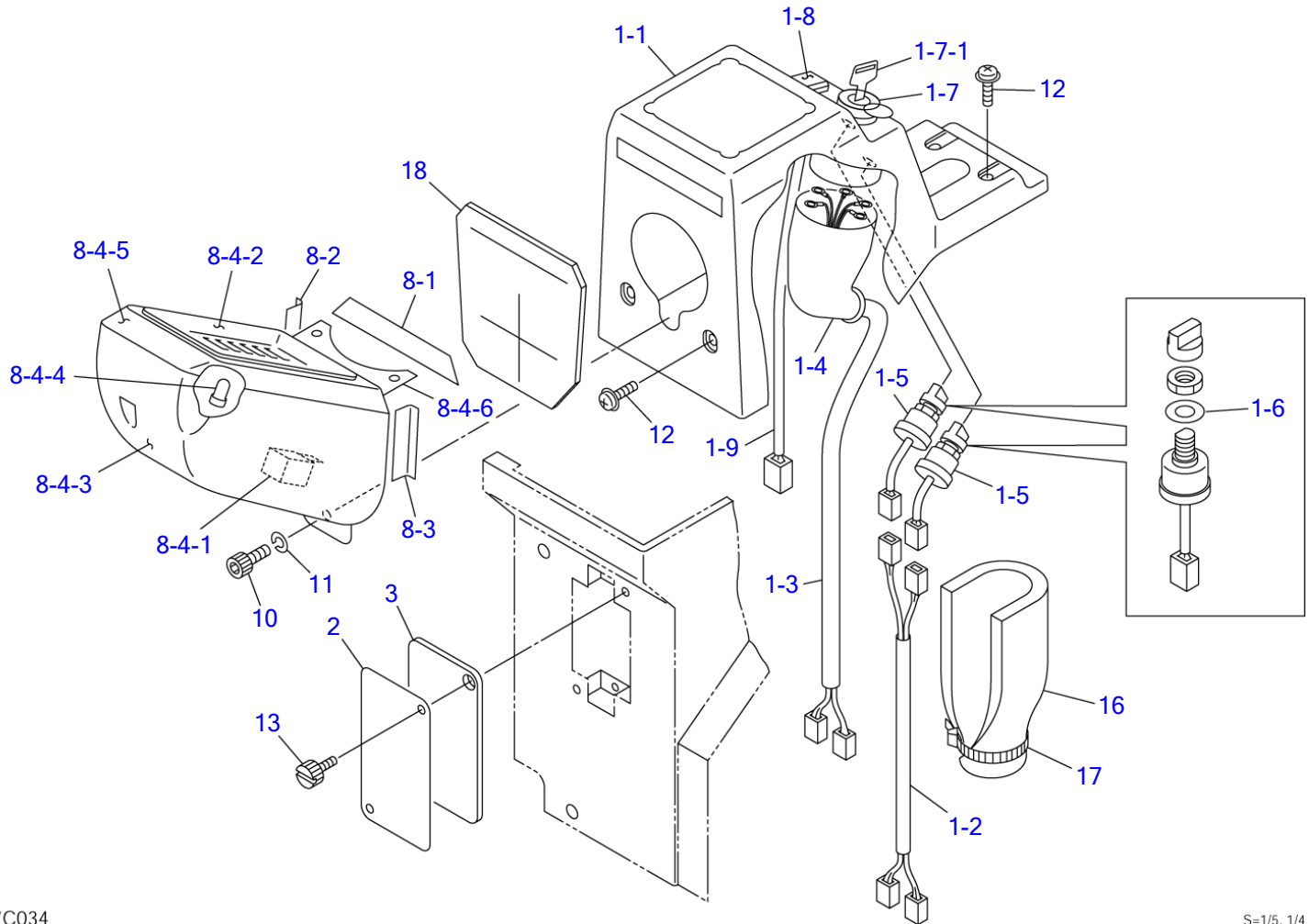
T8C190

S=1/5, 1/4

**CONTROL BOX; R.H. (223000001-223000050)**

Item	Part number	Description	Q'ty	Chan.	Serial No.	Serv.	Remarks
		COVER ASSY (R.H.)					
1	<b>0881430910</b>	GAUGE ASSY, cluster	1				
1-1	<b>0881430901</b>	• ABSORBENT, noise	1				
1-2	<b>0881430902</b>	• ABSORBENT, noise	1				
1-3	<b>0881430903</b>	• ABSORBENT, noise	1				
1-4	<b>1730140920</b>	• GAUGE, cluster	1		223000001~223000122		
1-4-1	<b>1730140691</b>	• • RELAY	1				12V
1-4-2	<b>1730140782</b>	• • GLASS	1				
1-4-3	<b>1730140785</b>	• • COVER	1				
1-4-4	<b>1730140696</b>	• • BULB	10				14V, 1.4W
1-4-5	<b>1730140788</b>	• • VISOR	1				
1-4-6	<b>1730140694</b>	• • BRACKET	1				
2	<b>0881430802</b>	COVER	1				
3	<b>0881430803</b>	INSULATOR	1				
8	<b>1652231250</b>	BAND	1				
10	<b>1110020820</b>	SCREW, cap	1				
11	<b>1140090008</b>	WASHER, spring	1				
12	<b>1150420614</b>	SCREW	4				
13	<b>1652711698</b>	SCREW	2				
16	<b>0881430805</b>	INSULATOR	1				
17	<b>0882430100</b>	COVER ASSY, sub (R.H.)	1				
17-1	<b>0881430870</b>	• COVER (R.H.)	1				
17-2	<b>0881430880</b>	• HARNESS, wiring	1				
17-3	<b>0881430960</b>	• HARNESS, wiring	1				
17-4	<b>0870431821</b>	• COVER	1				
17-5	<b>1700000010</b>	• SWITCH, lamp	2				
17-7	<b>1700100052</b>	• SWITCH, starter	1				
17-7-1	<b>1700100019</b>	• KEY	1				
17-8	<b>1700550024</b>	• ORNAMENT	1				
17-9	<b>1141810012</b>	• WASHER	2				
	<b>T8c190</b>						

TL230 Book No. BU1Z004 S/N 223000001-  
CONTROL BOX; R.H. (high flow; 223000001-223000050)

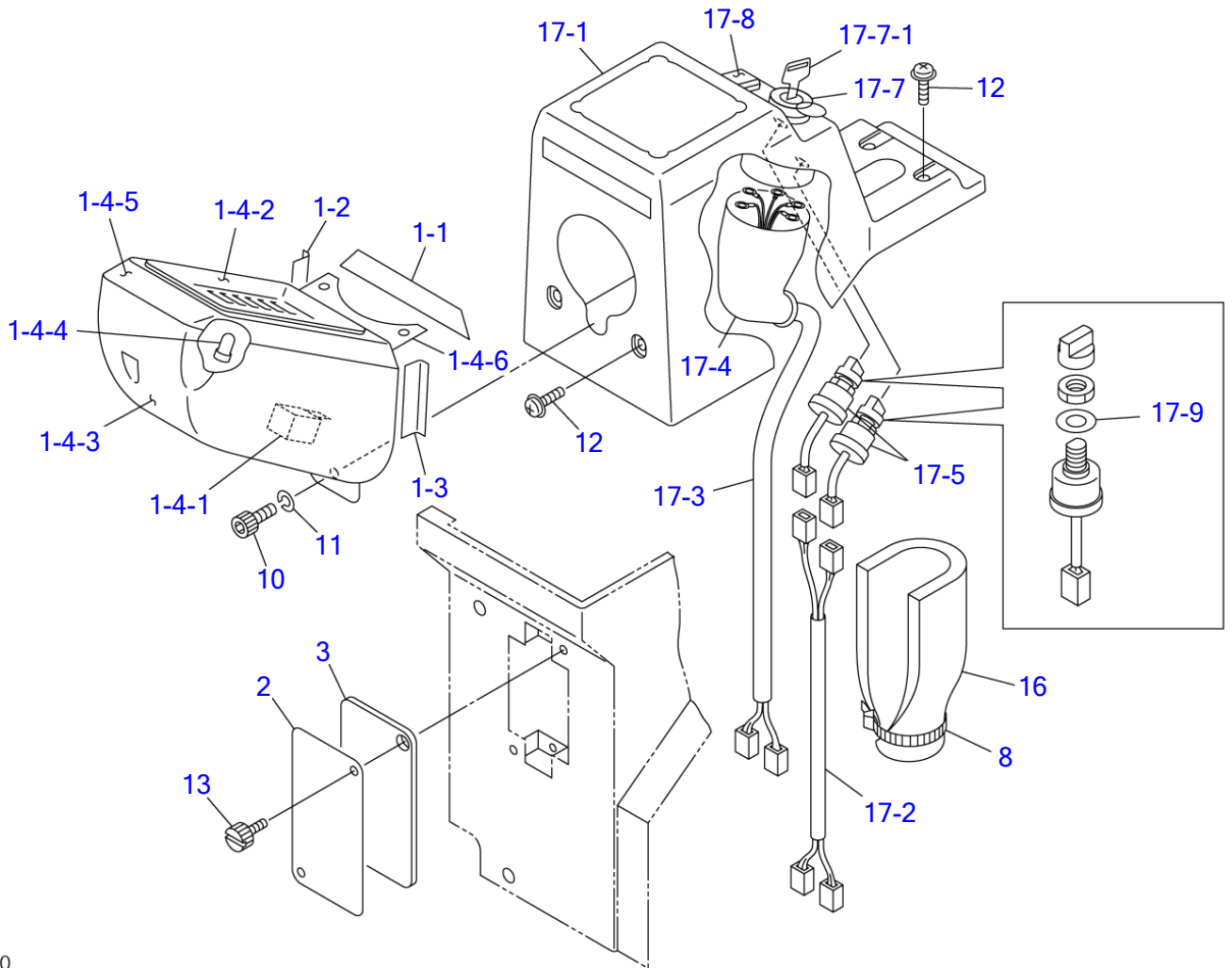


T7C034

S=1/5, 1/4

**CONTROL BOX; R.H. (high flow; 223000001-223000050)**

Item	Part number	Description	Q'ty	Chan.	Serial No.	Serv.	Remarks
		COVER ASSY (R.H.)					
1	0881430950	COVER ASSY	1				
1-1	0881430870	• COVER (R.H.)	1				
1-2	0881430880	• HARNESS, wiring	1				
1-3	0881430960	• HARNESS, wiring	1				
1-4	0870431821	• COVER	1				
1-5	1700000010	• SWITCH, lamp	2				
1-6	1141810012	• WASHER	2				
1-7	1700100052	• SWITCH, starter	1				
1-7-1	1700100019	• KEY	1				
1-8	1700000034	• SWITCH	1				
1-9	0881430970	• HARNESS, wiring	1				
2	0881430802	COVER	1				
3	0881430803	INSULATOR	1				
8	0881430910	GAUGE ASSY, cluster	1				
8-1	0881430901	• ABSORBENT, noise	1				
8-2	0881430902	• ABSORBENT, noise	1				
8-3	0881430903	• ABSORBENT, noise	1				
8-4	1730140920	• GAUGE, cluster	1		223000001~223000122		
8-4-1	1730140691	• • RELAY	1				12V
8-4-2	1730140782	• • GLASS	1				
8-4-3	1730140785	• • COVER	1				
8-4-4	1730140696	• • BULB	10				14V, 1.4W
8-4-5	1730140788	• • VISOR	1				
8-4-6	1730140694	• • BRACKET	1				
10	1110020820	SCREW, cap	1				
11	1140090008	WASHER, spring	1				
12	1150420614	SCREW, sems	4				
13	1652711698	SCREW	2				
16	0881430805	INSULATOR	1				
17	1652231250	BAND	1				
18	0881430801	ABSORBENT, noise	1				
	T8c270						



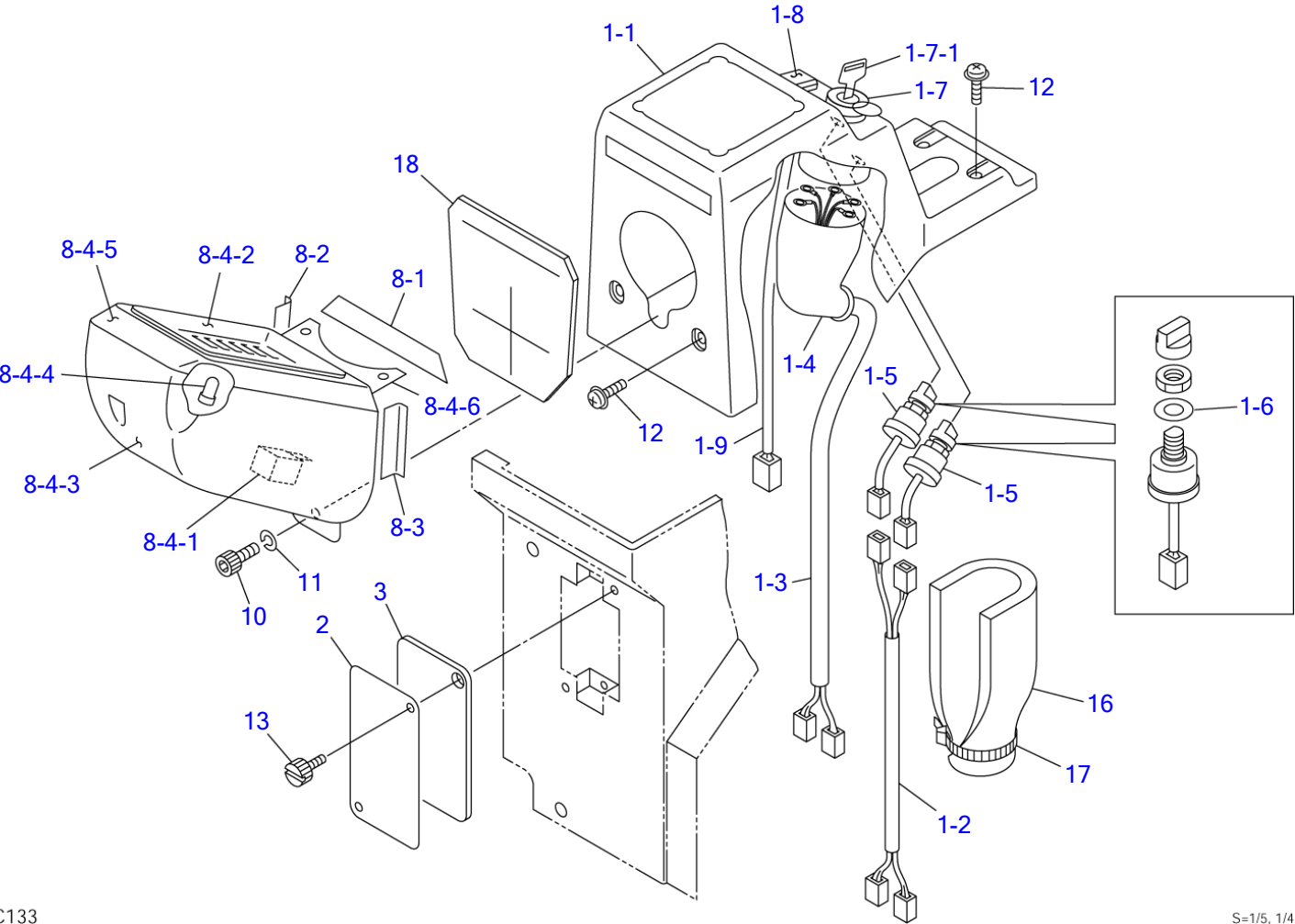
T8C190

S=1/5, 1/4

**CONTROL BOX; R.H. (for GEHL & MUSTANG; 223000001-223000050)**

Item	Part number	Description	Q'ty	Chan.	Serial No.	Serv.	Remarks
		COVER ASSY (R.H.)					
1	<b>0881431120</b>	GAUGE ASSY, cluster	1				
1-1	<b>0881430901</b>	• ABSORBENT, noise	1				
1-2	<b>0881430902</b>	• ABSORBENT, noise	1				
1-3	<b>0881430903</b>	• ABSORBENT, noise	1				
1-4	<b>1730140930</b>	• GAUGE, cluster	1		223000001~223000128		
1-4-1	<b>1730140691</b>	• • RELAY	1				12V
1-4-2	<b>1730140782</b>	• • GLASS	1				
1-4-3	<b>1730140785</b>	• • COVER	1				
1-4-4	<b>1730140696</b>	• • BULB	10				14V, 1.4W
1-4-5	<b>1730140788</b>	• • VISOR	1				
1-4-6	<b>1730140694</b>	• • BRACKET	1				
2	<b>0881430802</b>	COVER	1				
3	<b>0881430803</b>	INSULATOR	1				
8	<b>1652231250</b>	BAND	1				
10	<b>1110020820</b>	SCREW, cap	1				
11	<b>1140090008</b>	WASHER, spring	1				
12	<b>1150420614</b>	SCREW	4				
13	<b>1652711698</b>	SCREW	2				
16	<b>0881430805</b>	INSULATOR	1				
17	<b>0882430100</b>	COVER ASSY, sub (R.H.)	1				
17-1	<b>0881430870</b>	• COVER (R.H.)	1				
17-2	<b>0881430880</b>	• HARNESS, wiring	1				
17-3	<b>0881430960</b>	• HARNESS, wiring	1				
17-4	<b>0870431821</b>	• COVER	1				
17-5	<b>1700000010</b>	• SWITCH, lamp	2				
17-7	<b>1700100052</b>	• SWITCH, starter	1				
17-7-1	<b>1700100019</b>	• KEY	1				
17-8	<b>1700550024</b>	• ORNAMENT	1				
17-9	<b>1141810012</b>	• WASHER	2				
	<b>T8c200</b>						

TL230 Book No. BU1Z004 S/N 223000001-  
CONTROL BOX; R.H. (high flow, for GEHL & MUSTANG; 223000001-223000050)



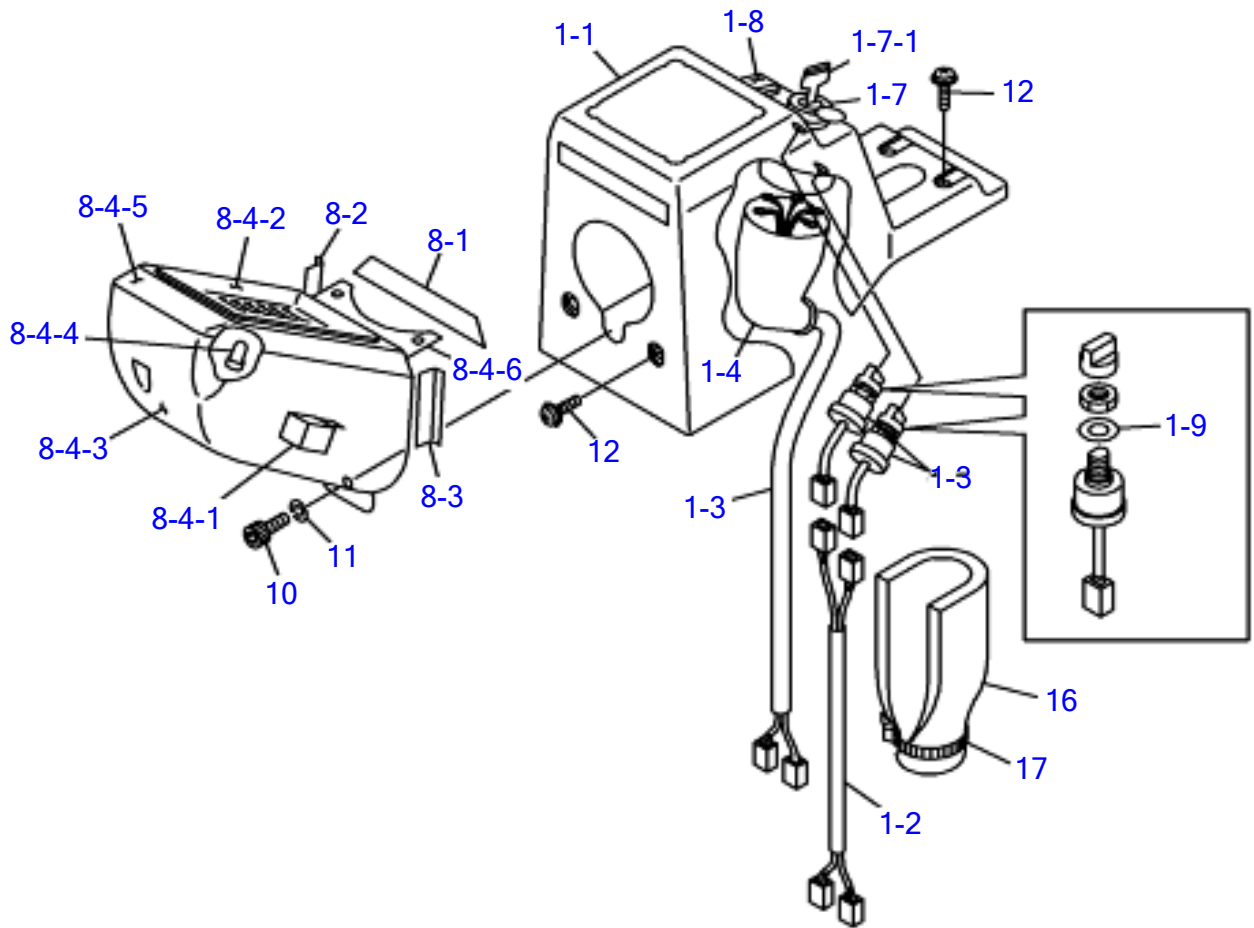
T7C133

S=1/5, 1/4



**CONTROL BOX; R.H. (high flow, for GEHL & MUSTANG; 223000001-223000050)**

Item	Part number	Description	Q'ty	Chan.	Serial No.	Serv.	Remarks
		COVER ASSY (R.H.) (for GEHL & MUSTANG)					
1	0881430950	COVER ASSY	1				
1-1	0881430870	• COVER (R.H.)	1				
1-2	0881430880	• HARNESS, wiring	1				
1-3	0881430960	• HARNESS, wiring	1				
1-4	0870431821	• COVER	1				
1-5	1700000010	• SWITCH, lamp	2				
1-6	1141810012	• WASHER	2				
1-7	1700100052	• SWITCH, starter	1				
1-7-1	1700100019	• KEY	1				
1-8	1700000034	• SWITCH	1				
1-9	0881430970	• HARNESS, wiring	1				
2	0881430802	COVER	1				
3	0881430803	INSULATOR	1				
8	0881431120	GAUGE ASSY, cluster	1				
8-1	0881430901	• ABSORBENT, noise	1				
8-2	0881430902	• ABSORBENT, noise	1				
8-3	0881430903	• ABSORBENT, noise	1				
8-4	1730140930	• GAUGE, cluster	1		223000001~223000128		
8-4-1	1730140691	• • RELAY	1				12V
8-4-2	1730140782	• • GLASS	1				
8-4-3	1730140785	• • COVER	1				
8-4-4	1730140696	• • BULB	10				14V, 1.4W
8-4-5	1730140788	• • VISOR	1				
8-4-6	1730140694	• • BRACKET	1				
10	1110020820	SCREW, cap	1				
11	1140090008	WASHER, spring	1				
12	1150420614	SCREW, sems	4				
13	1652711698	SCREW	2				
16	0881430805	INSULATOR	1				
17	1652231250	BAND	1				
18	0881430801	ABSORBENT, noise	1				
	T8c280						

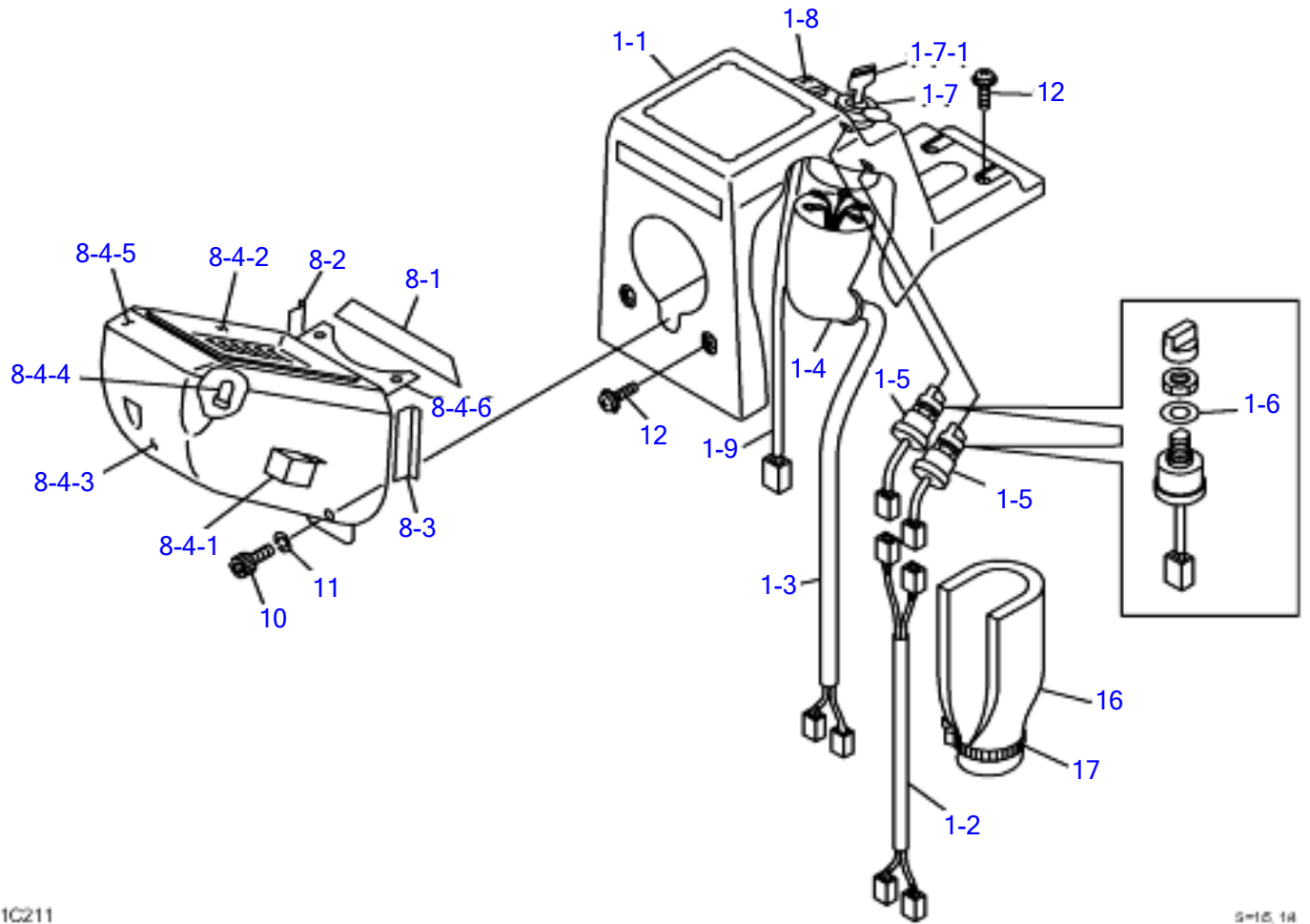


U1C201

9-13, 14

**CONTROL BOX; R.H. (223000051-)**

Item	Part number	Description	Qty	Chan.	Serial No.	Serv.	Remarks
		COVER ASSY (R.H.)					
1	<b>0882430100</b>	COVER ASSY, sub (R.H.)	1			M	
1-1	<b>0881430870</b>	• COVER (R.H.)	1			M	
1-2	<b>0881430880</b>	• HARNESS, wiring	1			M	
1-3	<b>0881430960</b>	• HARNESS, wiring	1			M	
1-4	<b>0870431821</b>	• COVER	1			M	
1-5	<b>1700000010</b>	• SWITCH, lamp	2			M	
1-7	<b>1700100052</b>	• SWITCH, starter	1			M	
1-7-1	<b>1700100019</b>	• KEY	1			M	
1-8	<b>1700550024</b>	• ORNAMENT	1			M	
1-9	<b>1141810012</b>	• WASHER	2			M	
8	<b>0664301010</b>	GAUGE ASSY, cluster	1			M	
8-1	<b>0881430901</b>	• ABSORBENT, noise	1			M	
8-2	<b>0881430902</b>	• ABSORBENT, noise	1			M	
8-3	<b>0881430903</b>	• ABSORBENT, noise	1			M	
8-4	<b>1730142110</b>	• GAUGE, cluster	1		223000123~	M	
8-4-1	<b>1730140691</b>	• • RELAY	1			M	12V
8-4-2	<b>1730140782</b>	• • GLASS	1			M	
8-4-3	<b>1730140785</b>	• • COVER	1			M	
8-4-4	<b>1730140696</b>	• • BULB	8			M	14V, 1.4W
8-4-5	<b>1730140788</b>	• • VISOR	1			M	
8-4-6	<b>1730140694</b>	• • BRACKET	1			M	
10	<b>1110020820</b>	SCREW, cap	1			M	
11	<b>1140090008</b>	WASHER, spring	1			M	
12	<b>1150420614</b>	SCREW	4			M	
16	<b>0881430805</b>	INSULATOR	1			M	
17	<b>1652231250</b>	BAND	1			M	
	<b>U1c201</b>						



U1C211

5-15, 18

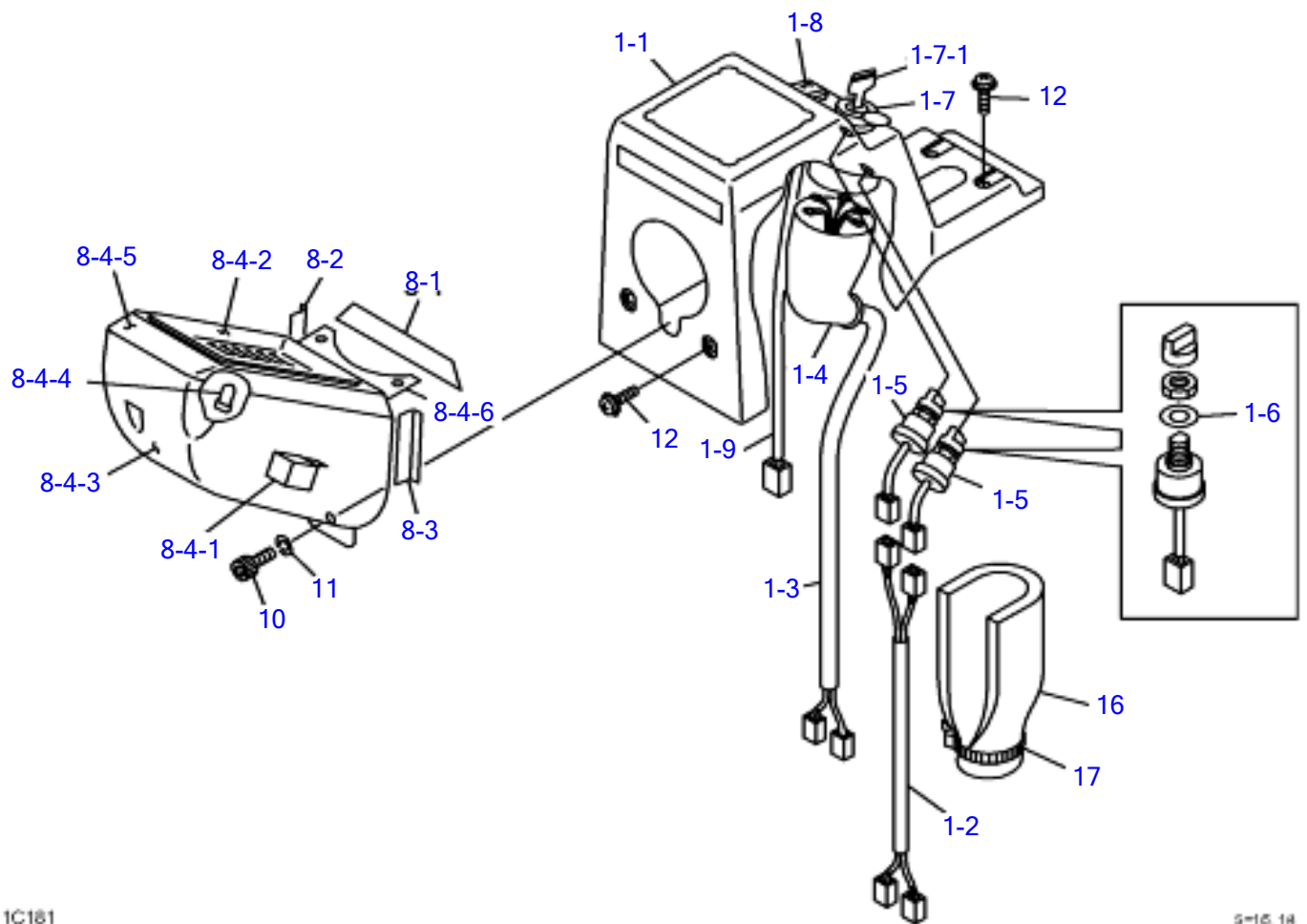
**CONTROL BOX; R.H. (high flow; 223000051-)**

Item	Part number	Description	Q'ty	Chan.	Serial No.	Serv.	Remarks
		COVER ASSY (R.H.)					
1	0881430950	COVER ASSY	1			M	
1-1	0881430870	• COVER (R.H.)	1			M	
1-2	0881430880	• HARNESS, wiring	1			M	
1-3	0881430960	• HARNESS, wiring	1			M	
1-4	0870431821	• COVER	1			M	
1-5	1700000010	• SWITCH, lamp	2			M	
1-6	1141810012	• WASHER	2			M	
1-7	1700100052	• SWITCH, starter	1			M	
1-7-1	1700100019	• KEY	1			M	
1-8	1700000034	• SWITCH	1			M	
1-9	0881430970	• HARNESS, wiring	1			M	
8	0664301010	GAUGE ASSY, cluster	1			M	
8-1	0881430901	• ABSORBENT, noise	1			M	
8-2	0881430902	• ABSORBENT, noise	1			M	
8-3	0881430903	• ABSORBENT, noise	1			M	
8-4	1730142110	• GAUGE, cluster	1		223000123~	M	
8-4-1	1730140691	• • RELAY	1			M	12V
8-4-2	1730140782	• • GLASS	1			M	
8-4-3	1730140785	• • COVER	1			M	
8-4-4	1730140696	• • BULB	8			M	14V, 1.4W
8-4-5	1730140788	• • VISOR	1			M	
8-4-6	1730140694	• • BRACKET	1			M	
10	1110020820	SCREW, cap	1			M	
11	1140090008	WASHER, spring	1			M	
12	1150420614	SCREW, sems	4			M	
16	0881430805	INSULATOR	1			M	
17	1652231250	BAND	1			M	
	U1c211						



**CONTROL BOX; R.H. (for GEHL & MUSTANG; 223000051-)**

Item	Part number	Description	Q'ty	Chan.	Serial No.	Serv.	Remarks
		COVER ASSY (R.H.)					
1	<b>0882430100</b>	COVER ASSY, sub (R.H.)	1			M	
1-1	<b>0881430870</b>	• COVER (R.H.)	1			M	
1-2	<b>0881430880</b>	• HARNESS, wiring	1			M	
1-3	<b>0881430960</b>	• HARNESS, wiring	1			M	
1-4	<b>0870431821</b>	• COVER	1			M	
1-5	<b>1700000010</b>	• SWITCH, lamp	2			M	
1-7	<b>1700100052</b>	• SWITCH, starter	1			M	
1-7-1	<b>1700100019</b>	• KEY	1			M	
1-8	<b>1700550024</b>	• ORNAMENT	1			M	
1-9	<b>1141810012</b>	• WASHER	2			M	
8	<b>0664301510</b>	GAUGE ASSY, cluster	1			M	
8-1	<b>0881430901</b>	• ABSORBENT, noise	1			M	
8-2	<b>0881430902</b>	• ABSORBENT, noise	1			M	
8-3	<b>0881430903</b>	• ABSORBENT, noise	1			M	
8-4	<b>1730142130</b>	• GAUGE, cluster	1		223000129~	M	
8-4-1	<b>1730140691</b>	• • RELAY	1			M	12V
8-4-2	<b>1730140782</b>	• • GLASS	1			M	
8-4-3	<b>1730140785</b>	• • COVER	1			M	
8-4-4	<b>1730140696</b>	• • BULB	8			M	14V, 1.4W
8-4-5	<b>1730140788</b>	• • VISOR	1			M	
8-4-6	<b>1730140694</b>	• • BRACKET	1			M	
10	<b>1110020820</b>	SCREW, cap	1			M	
11	<b>1140090008</b>	WASHER, spring	1			M	
12	<b>1150420614</b>	SCREW	4			M	
16	<b>0881430805</b>	INSULATOR	1			M	
17	<b>1652231250</b>	BAND	1			M	
	<b>U1c171</b>						



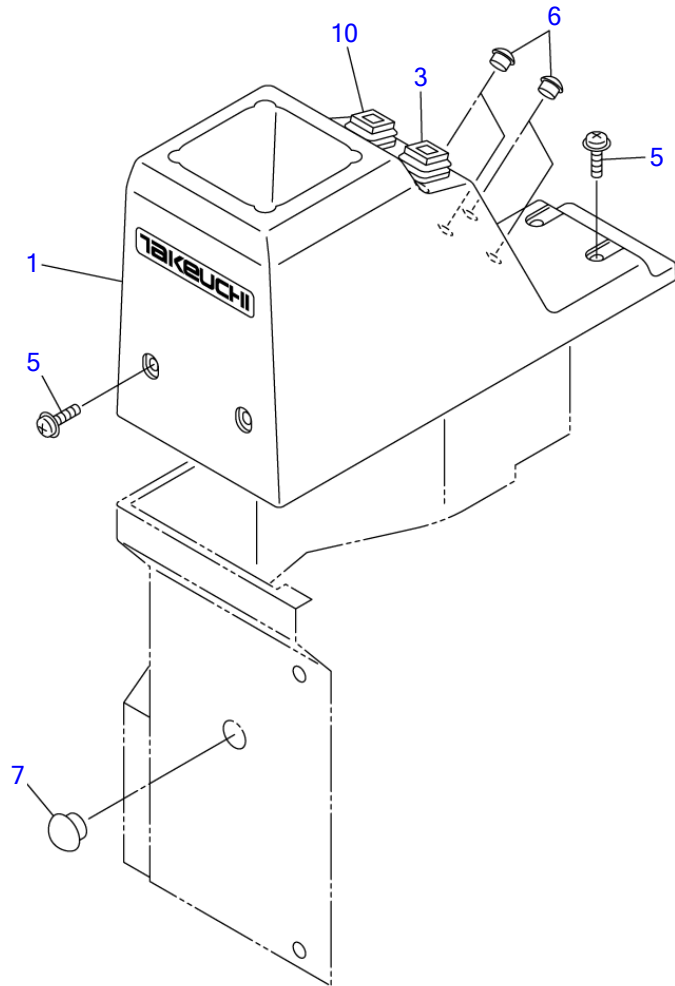
U1C181

S=15, 18



**CONTROL BOX; R.H. (high flow, for GEHL & MUSTANG; 223000051-)**

Item	Part number	Description	Q'ty	Chan.	Serial No.	Serv.	Remarks
		COVER ASSY (R.H.)					
1	0881430950	COVER ASSY	1			M	
1-1	0881430870	• COVER (R.H.)	1			M	
1-2	0881430880	• HARNESS, wiring	1			M	
1-3	0881430960	• HARNESS, wiring	1			M	
1-4	0870431821	• COVER	1			M	
1-5	1700000010	• SWITCH, lamp	2			M	
1-6	1141810012	• WASHER	2			M	
1-7	1700100052	• SWITCH, starter	1			M	
1-7-1	1700100019	• KEY	1			M	
1-8	1700000034	• SWITCH	1			M	
1-9	0881430970	• HARNESS, wiring	1			M	
8	0664301510	GAUGE ASSY, cluster	1			M	
8-1	0881430901	• ABSORBENT, noise	1			M	
8-2	0881430902	• ABSORBENT, noise	1			M	
8-3	0881430903	• ABSORBENT, noise	1			M	
8-4	1730142130	• GAUGE, cluster	1		223000129~	M	
8-4-1	1730140691	• • RELAY	1			M	12V
8-4-2	1730140782	• • GLASS	1			M	
8-4-3	1730140785	• • COVER	1			M	
8-4-4	1730140696	• • BULB	8			M	14V, 1.4W
8-4-5	1730140788	• • VISOR	1			M	
8-4-6	1730140694	• • BRACKET	1			M	
10	1110020820	SCREW, cap	1			M	
11	1140090008	WASHER, spring	1			M	
12	1150420614	SCREW, sems	4			M	
16	0881430805	INSULATOR	1			M	
17	1652231250	BAND	1			M	
	U1c181						

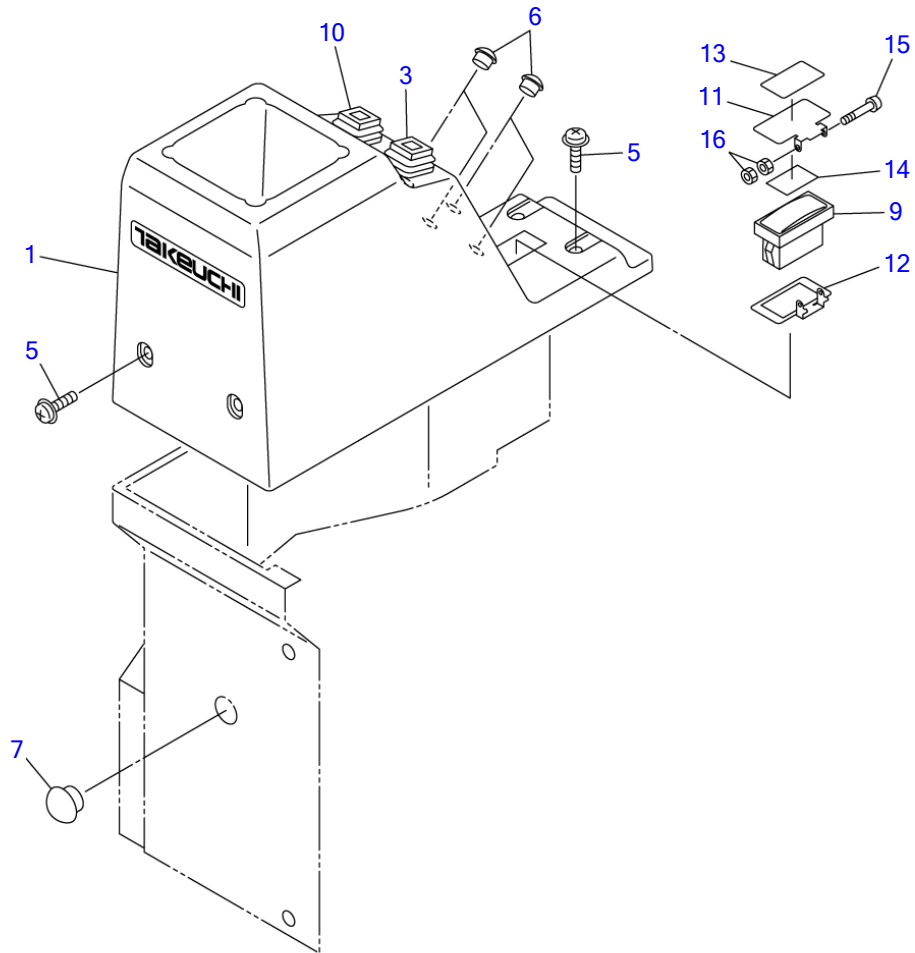


T7C040

S=1/5

**CONTROL BOX; L.H.**

Item	Part number	Description	Q'ty	Chan.	Serial No.	Serv.	Remarks
		COVER ASSY (L.H.)					
1	<b>0881430770</b>	COVER (L.H.)	1				
3	<b>1700000034</b>	SWITCH	1				
5	<b>1150420614</b>	SCREW, sems	4				
6	<b>1652533019</b>	CAP	4				
7	<b>1652533023</b>	CAP	1				
10	<b>1700000035</b>	SWITCH	1				
	<b>T7c041</b>						



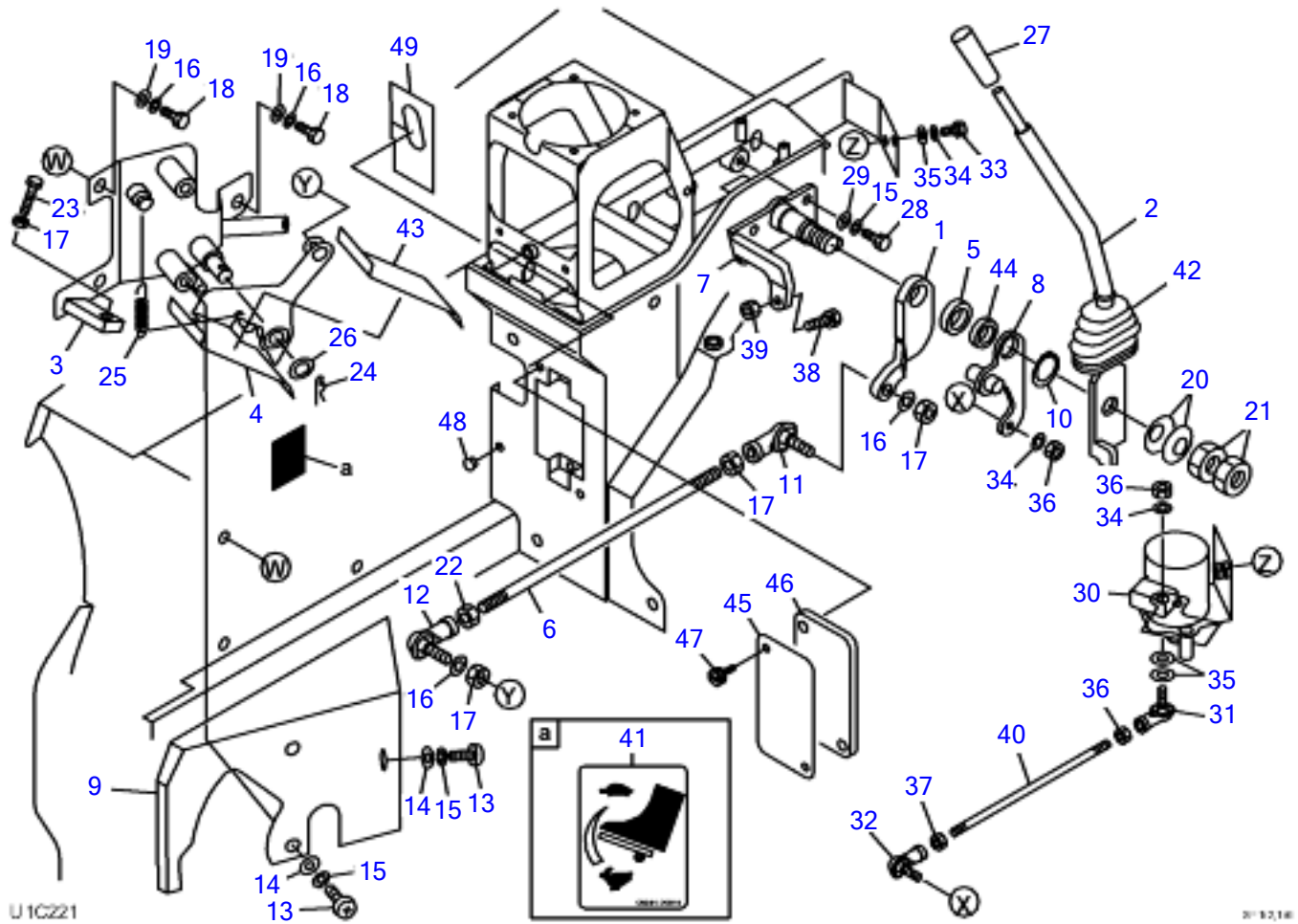
U1C081

S=1/5

**CONTROL BOX; L.H. (hydraulic attachment type)**

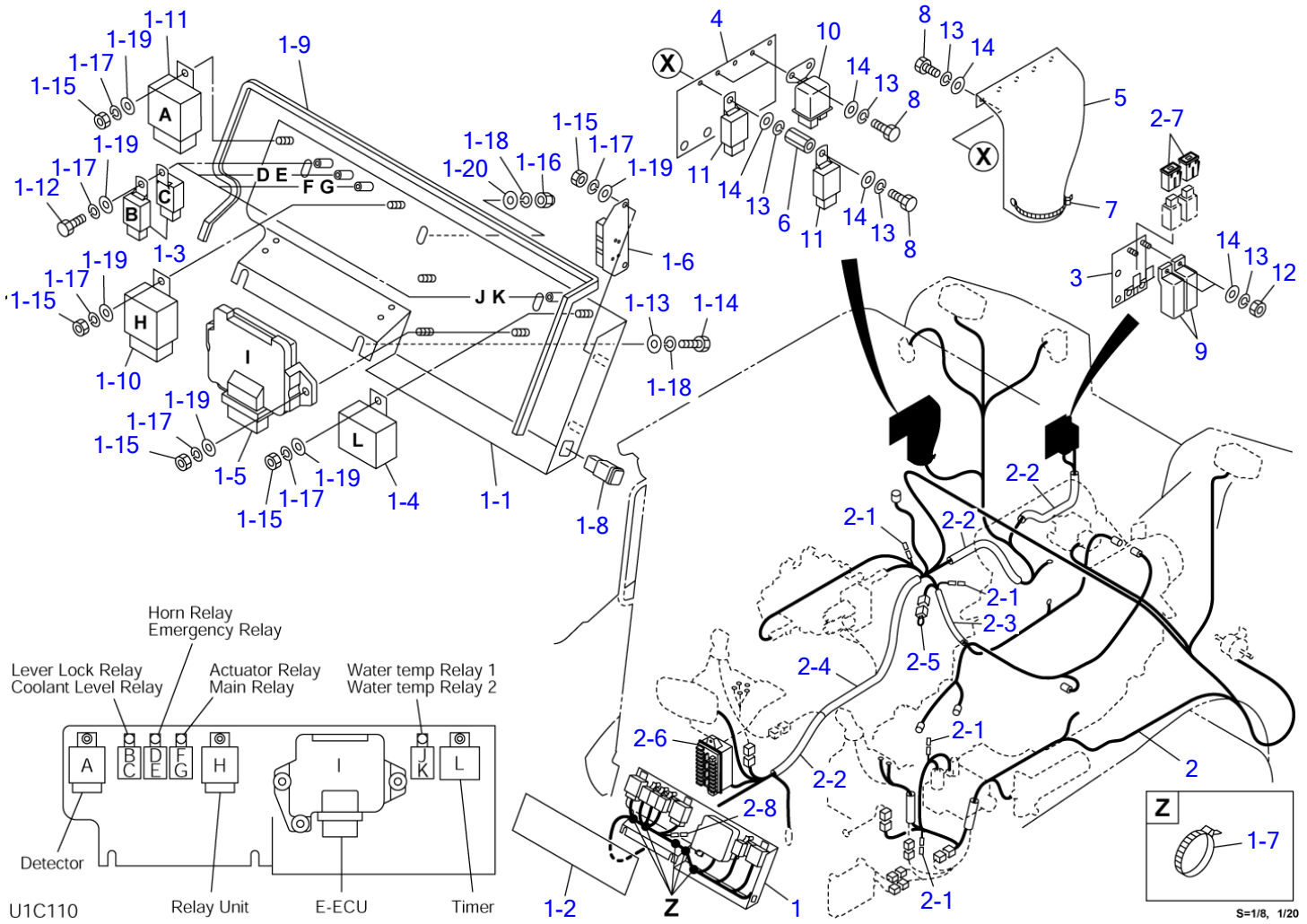
Item	Part number	Description	Q'ty	Chan.	Serial No.	Serv.	Remarks
		COVER ASSY (L.H.)					
1	0664300010	COVER (L.H.)	1				
3	1700000034	SWITCH	1				
5	1150420614	SCREW	4				
6	1652533019	CAP	4				
7	1652533023	CAP	1				
9	1700008080	SWITCH	1				
10	1700000035	SWITCH	1				
11	0664300110	COVER	1		223000051~		M
12	0664300120	COVER	1		223000051~		M
13	0664300130	DECAL	1		223000051~		M
14	0664300140	RUBBER	1		223000051~		M
15	1120530330	SCREW	1		223000051~		M
16	1130040003	NUT	2		223000051~		M
	U1c082						

TL230 Book No. BU1Z004 S/N 223000001-  
ENGINE CONTROL (throttle pedal type)



**ENGINE CONTROL (throttle pedal type)**

Item	Part number	Description	Q'ty	Chan.	Serial No.	Serv.	Remarks
		CONTROL ASSY, engine					
1	0664100550	PLATE	1			M	
2	0684100640	LEVER	1			M	
3	0664100710	FRAME	1			M	
4	0664100670	PEDAL	1			M	
5	0684100660	COLLAR	1			M	
6	0005010305	ROD	1			M	
7	0684100620	BASE	1			M	
8	0684100630	PLATE	1			M	
9	0664100650	COVER	1			M	
10	1220000022	RING, retaining	1			M	
11	1340000100	END, rod	1			M	
12	1340000105	END, rod	1			M	
13	1120940816	SCREW	3			M	
14	0003608252	WASHER	3			M	
15	1140020008	WASHER, spring	5			M	
16	1140020010	WASHER, spring	5			M	
17	1130040010	NUT	4			M	
18	1100041020	BOLT	3			M	
19	1141110010	WASHER	3			M	
20	1225110018	WASHER, conical	2			M	
21	0064111700	NUT	2			M	
22	1131540010	NUT	1			M	
23	1100241050	BOLT	1			M	
24	1214000014	PIN, snap	1			M	
25	0007000074	SPRING	1			M	
26	1141110014	WASHER	1			M	
27	1650132050	GRIP	1			M	
28	1100040820	BOLT	2			M	
29	1141110008	WASHER	2			M	
30	1910253126	SENSOR, accel	1			M	
31	1340010060	END, rod	1			M	
32	1340010065	END, rod	1			M	
33	1100040616	BOLT	2			M	
34	1140020006	WASHER, spring	4			M	
35	1141110006	WASHER	4			M	
36	1130040006	NUT	3			M	
37	1131540006	NUT	1			M	
38	1100240840	BOLT	1			M	
39	1130040008	NUT	1			M	
40	0005006100	ROD	1			M	
41	0664100044	DECAL	1			M	
42	0334120100	BOOT	1			M	
43	0684100670	SHEET	1			M	
44	0003600248	WASHER	1		223000387~	M	
45	0881430802	COVER	1		223000471~	M	
46	0664300020	INSULATOR	1		223000471~	M	
47	1652711698	SCREW	2		223000471~	M	
48	1652533015	CAP	1		223000471~	M	
49	0694101304	SHEET	1			M	
	U1c221						



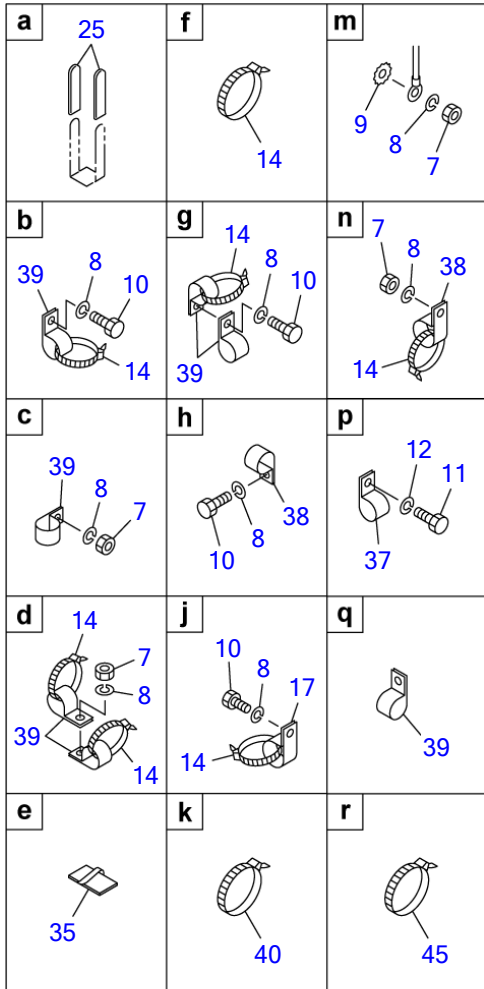
S=1/8, 1/20



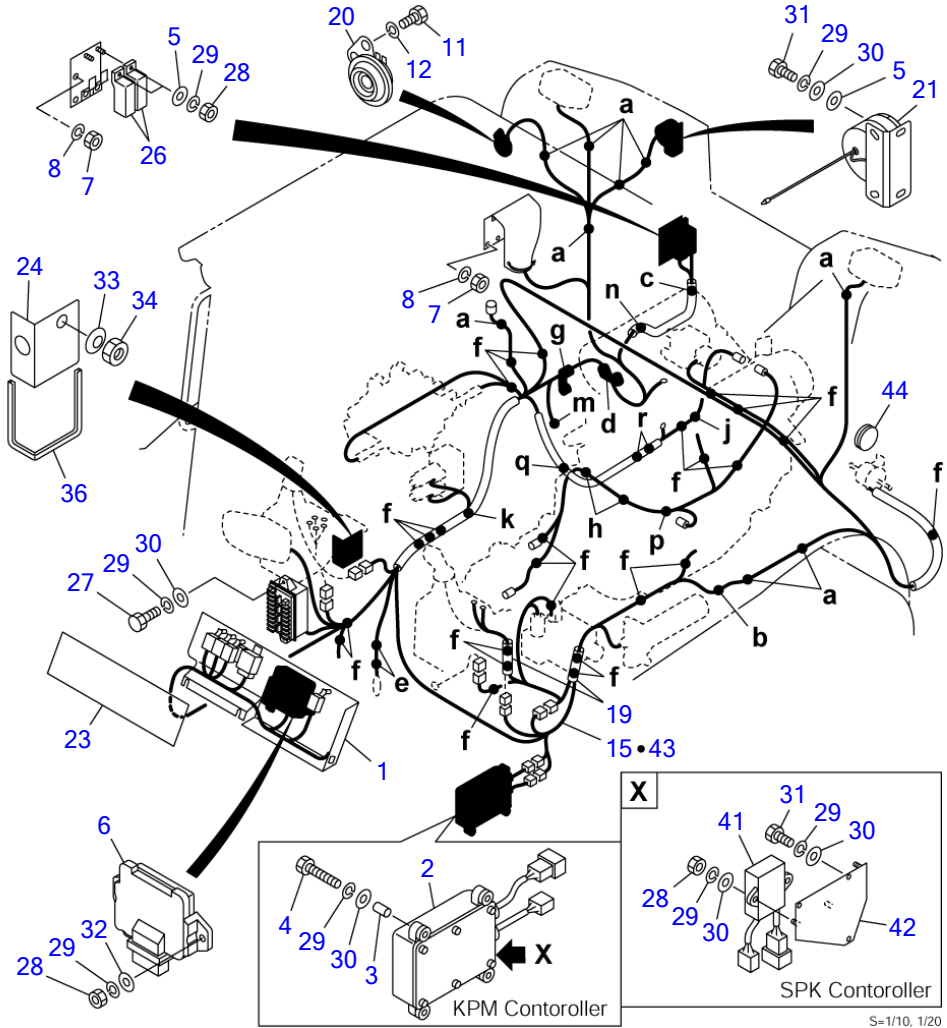
## ELECTRICAL (2/2) (223000001-223000050)

Item	Part number	Description	Q'ty	Chan.	Serial No.	Serv.	Remarks
0-1	0664201100	UNIT ASSY, relay	1				
1	0664201300	• RELAY UNIT	1				
1-1	0664201310	• • BOX	1				
1-2	0882420220	• • RUBBER	1				
1-3	1711900042	• • RELAY	8				
1-4	1711900140	• • UNIT, timer (30sec)	1				
1-5	1730142050	• • CONTROLLER	1				
1-6	0664201320	• • RESISTOR	1				
1-7	1652231250	• • BAND	5				
1-8	1700550024	• • ORNAMENT	1				
1-9	1654606100	• • TRIM	1				sold by the meter
1-10	1711900062	• • RELAY	1				
1-11	1711900131	• • DETECTOR	1				
1-12	1100040616	• • BOLT	4				
1-13	0003608252	• • WASHER	2				
1-14	1100040816	• • BOLT	2				
1-15	1130040006	• • NUT	8				
1-16	1134230008	• • NUT	2				
1-17	1140020006	• • WASHER, spring	12				
1-18	1140020008	• • WASHER, spring	4				
1-19	1141110006	• • WASHER	12				
1-20	1141110008	• • WASHER	2				
2	0664201200	• HARNESS ASSY, wiring	1				
2-1	1730500008	• • DIODE (3A yellow)	4				
2-2	1531325025	• • PROTECTOR	3				sold by the meter
2-3	1531525035	• • PROTECTOR	1				sold by the meter
2-4	1531525085	• • PROTECTOR	1				sold by the meter
2-5	0394221010	• • CONNECTOR, short	1				
2-6	1701204920	• • BOX, fuse	1				V716801-H100
2-7	1701330045	• • LINK, fusible	2				
2-8	1730500023	• • DIODE (3A)	1				
3	0664200060	• BRACKET	1				
4	0664200050	• BRACKET	1				
5	0880427010	• RUBBER	1				
6	1134830620	• NUT	1				
7	1652231250	• BAND	2				
8	1100040616	• BOLT	6				
9	1700100038	• COVER	2				
10	1711900099	• RELAY	2				Y119646-77900
11	1711900042	• RELAY	2				
12	1130040006	• NUT	4				
13	1140020006	• WASHER, spring	8				
14	0003600110	• WASHER	11				

U1c110



U1C101

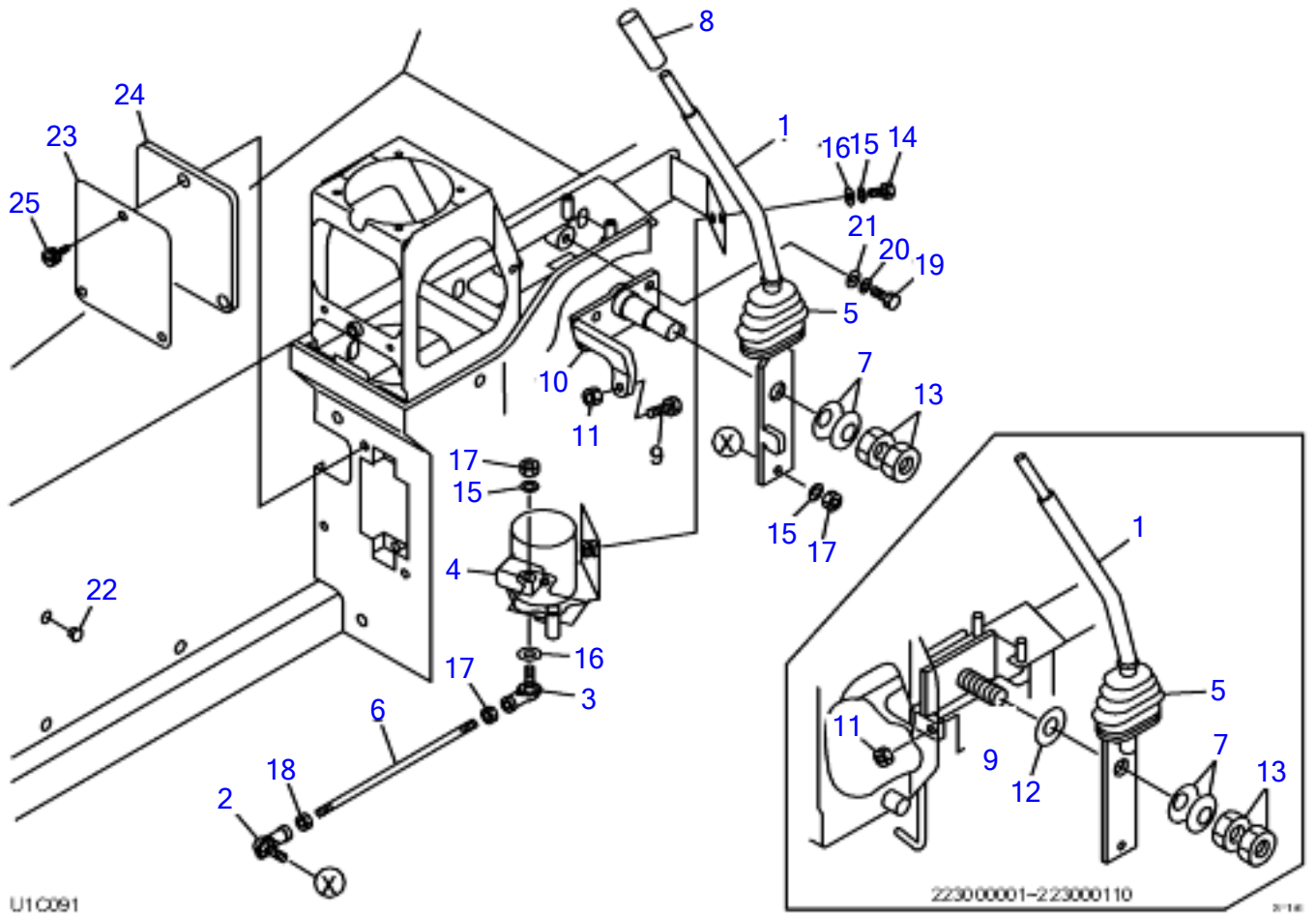


S-1/10, 1/20

**ELECTRICAL (1/2) (223000051-)**

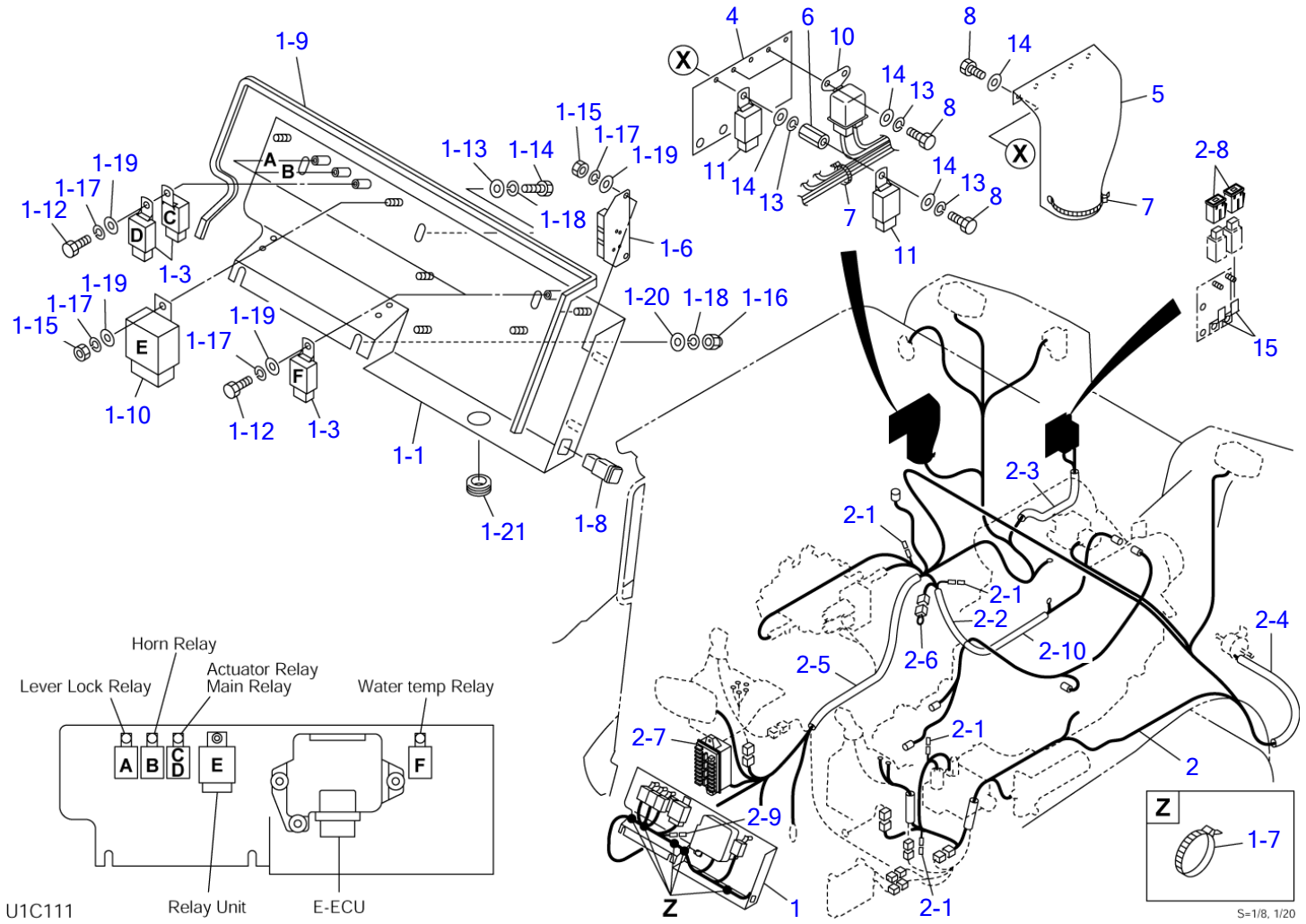
Item	Part number	Description	Q'ty	Chan.	Serial No.	Serv.	Remarks
		ELECTRICAL ASSY (with KPM Controller)					
		ELECTRICAL ASSY (with SPK Controller)					
1	0664202100	UNIT ASSY, relay	1			M	see page (2/2)
2	1730140730	CONTROLLER	1				with KPM Controller
3	1531007002	HOSE (sold by the meter)	4				with KPM Controller
4	1100040630	BOLT	4				with KPM Controller
5	0003600110	WASHER	4				
6	1730142050	CONTROLLER	1			M	
7	1130040010	NUT	8				
8	1140020010	WASHER, spring	12				
9	1140330010	WASHER	1				
10	1100041016	BOLT	4				
11	1100040812	BOLT	2				
12	1140020008	WASHER, spring	5				
14	1652231250	BAND	36				
15	0664201250	HARNESS, wiring	1				with KPM Controller
17	1711900105	CLAMP	1				
19	0880422080	PROTECTOR	2				
20	1703500712	HORN	1			M	
21	1703700013	BUZZER	1				
23	0882420220	RUBBER	1			M	
24	0880426020	COVER	1				
25	0872433150	TUBE	20				
26	1700100038	COVER	2			M	
27	1100040616	BOLT	2				
28	1130040006	NUT	7			M	
29	1140020006	WASHER, spring	18				
30	1141110006	WASHER	13				
31	1100040610	BOLT	5				
32	0003608252	WASHER	3			M	
33	1225000018	WASHER	1				
34	1130640018	NUT	1				
35	1711900074	DECAL	2				
36	1653916030	TRIM	1				sold by the meter
37	1711900127	CLAMP	1			M	
38	1711900071	CLAMP	4				
39	1711900072	CLAMP	11				
40	1652201007	BAND	1				
41	1730142090	CONTROLLER	1			M	with SPK Controller
42	0654203510	BRACKET	1			M	with SPK Controller
43	0664202400	HARNESS, wiring	1			M	with SPK Controller
44	1652060051	BUSHING	1			M	
45	1652251002	BAND	2			M	

U1c101



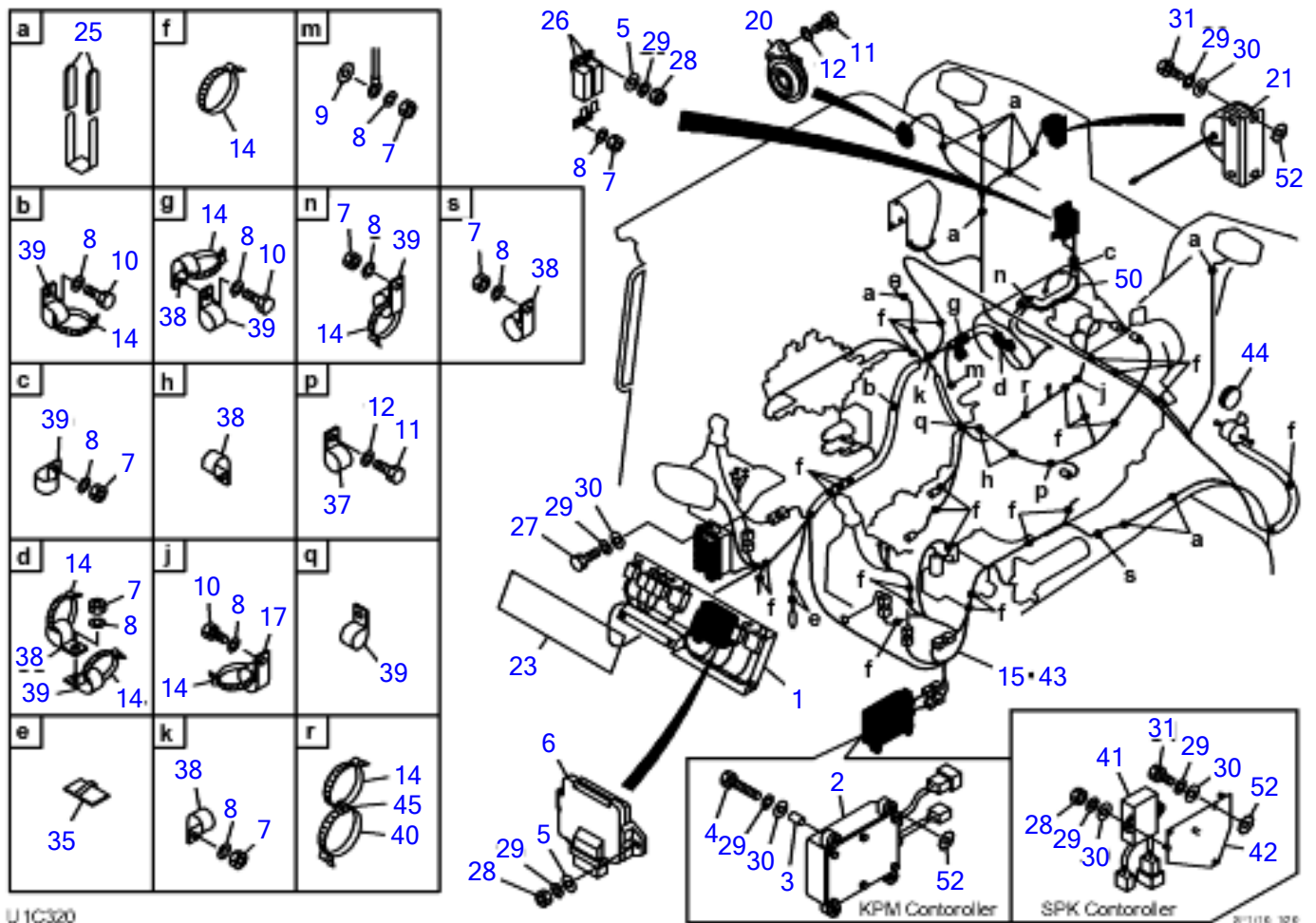
**ENGINE CONTROL**

Item	Part number	Description	Q'ty	Chan.	Serial No.	Serv.	Remarks
		CONTROL ASSY, engine					
1	0664100010	LEVER	1				
	0664100720	LEVER	1				
2	1340010065	END, rod	1				
3	1340010060	END, rod	1				
4	1910253126	SENSOR, accel.	1				Y129938-77800
5	0334120100	BOOT	1				
6	0005006100	ROD	1				
7	1225110018	WASHER, conical	2				
8	1650132050	GRIP	1				
9	1100040840	BOLT	1				
10	0684100620	BASE	1				
11	1130040008	NUT	1				
12	1141550018	WASHER	1				
13	0064111700	NUT	2				
14	1100040616	BOLT	2				
15	1140020006	WASHER, spring	4				
16	1141110006	WASHER	3				
17	1130040006	NUT	3				
18	1131540006	NUT	1				
19	1100040820	BOLT	2				
20	1140020008	SPRING WASHER	2				
21	1141110008	WASHER	2				
22	1652533017	CAP	3				
23	0664300040	COVER	1				
24	0664300030	INSULATOR	1				
25	1652711698	SCREW	3				
	U1c091						



**ELECTRICAL (2/2) (223000051-)**

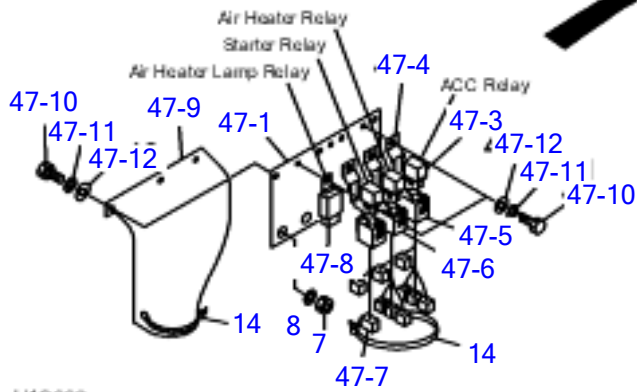
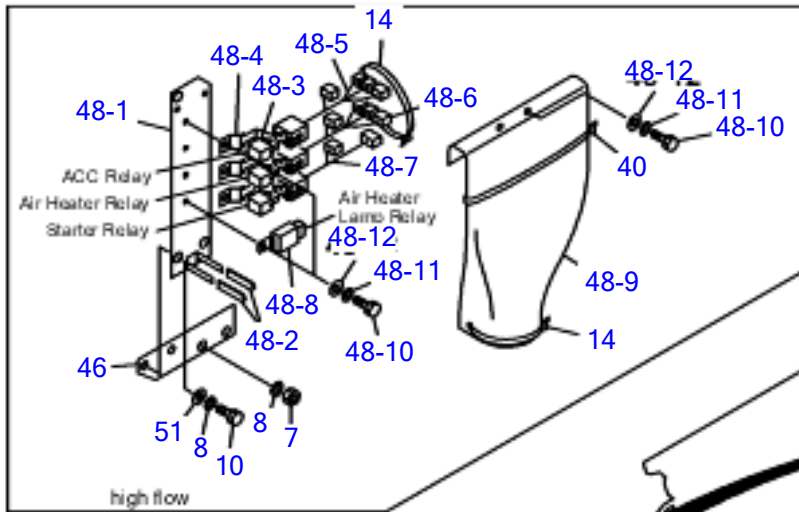
Item	Part number	Description	Q'ty	Chan.	Serial No.	Serv.	Remarks
0-1	<b>0664202100</b>	UNIT ASSY, relay	1			M	
1	<b>0664202300</b>	• RELAY UNIT	1			M	
1-1	<b>0664201310</b>	• • BOX	1				
1-3	<b>1711900042</b>	• • RELAY	5				
1-6	<b>0664201320</b>	• • RESISTOR	1				
1-7	<b>1652231250</b>	• • BAND	5				
1-8	<b>1700550017</b>	• • LAMP, pilot	1			M	
1-9	<b>1654606100</b>	• • TRIM	1				sold by the meter
1-10	<b>1711900062</b>	• • RELAY	1				
1-12	<b>1100040616</b>	• • BOLT	4				
1-13	<b>0003608252</b>	• • WASHER	3				
1-14	<b>1100040816</b>	• • BOLT	3				
1-15	<b>1130040006</b>	• • NUT	3				
1-16	<b>1134230008</b>	• • NUT	2				
1-17	<b>1140020006</b>	• • WASHER, spring	7				
1-18	<b>1140020008</b>	• • WASHER, spring	5				
1-19	<b>1141110006</b>	• • WASHER	7				
1-20	<b>1141110008</b>	• • WASHER	2				
1-21	<b>1652060035</b>	• • BUSHING	1			M	
2	<b>0664202200</b>	• HARNESS ASSY, wiring	1			M	
2-1	<b>1730500008</b>	• • DIODE (3A yellow)	4				
2-2	<b>1531325035</b>	• • PROTECTOR	1			M	sold by the meter
2-3	<b>1531325060</b>	• • PROTECTOR	1			M	sold by the meter
2-4	<b>1531312068</b>	• • PROTECTOR	1			M	sold by the meter
2-5	<b>1531325090</b>	• • PROTECTOR	1			M	sold by the meter
2-6	<b>0394221010</b>	• • CONNECTOR, short	1				
2-7	<b>1701204920</b>	• • BOX, fuse	1				V716801-H100
2-8	<b>1701330045</b>	• • LINK, fusible	2				
2-9	<b>1730500023</b>	• • DIODE (3A)	1				
2-10	<b>1531315040</b>	• • PROTECTOR	1			M	sold by the meter
4	<b>0664200050</b>	• BRACKET	1				
5	<b>0880427010</b>	• RUBBER	1				
6	<b>1134830620</b>	• NUT	1				
7	<b>1652231250</b>	• BAND	2				
8	<b>1100040616</b>	• BOLT	6				
10	<b>1711900099</b>	• RELAY	2				Y119646-77900
11	<b>1711900042</b>	• RELAY	2				
13	<b>1140020006</b>	• WASHER, spring	6				
14	<b>0003600110</b>	• WASHER	9				
15	<b>1711900064</b>	• CLAMP	2			M	
	<b>U1c111</b>						



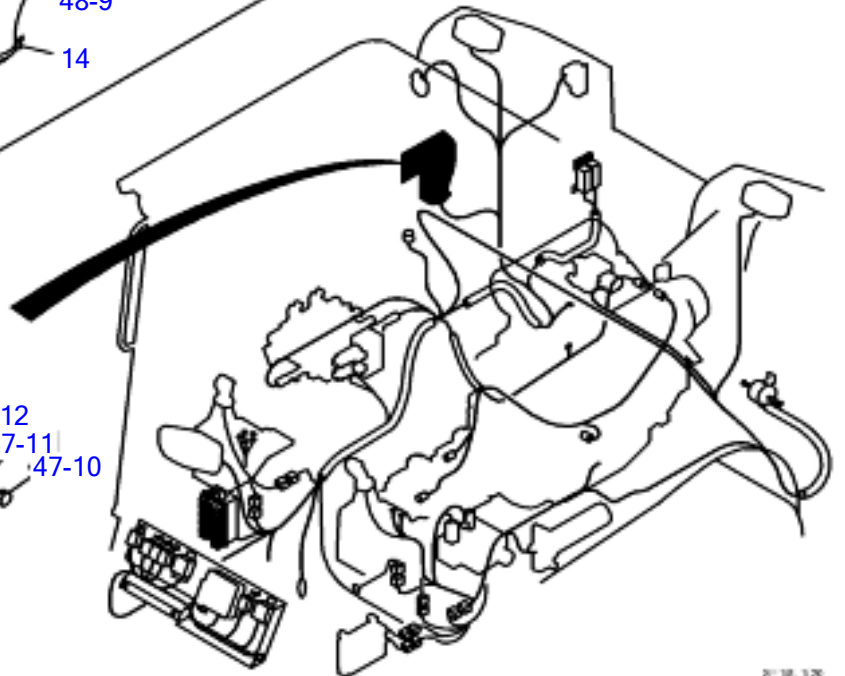
U1C320



Item	Part number	ELECTRICAL (1/3) Description	Q'ty	Chan.	Serial No.	Serv.	Remarks
		ELECTRICAL (1/3)					
		ELECTRICAL (1/3)					
		ELECTRICAL (1/3)					
		ELECTRICAL (1/3)					
		ELECTRICAL ASSY (KPM CONTROLLER TYPE)					
		ELECTRICAL ASSY (KPM CONTROLLER TYPE, HIGH FLOW)					
		ELECTRICAL ASSY (SPK CONTROLLER TYPE)					
		ELECTRICAL ASSY (SPK CONTROLLER TYPE, HIGH FLOW)					
1	0664210110	RELAY UNIT ASSY	1				
2	1730140730	CONTROLLER	1				
3	1531007002	HOSE 9SOLD BY THE METER)	4				
4	1100040630	BOLT	4				
5	0003600110	WASHER	5				
6	1910259127	E-ECU	1				
7	1130040010	NUT	8				
8	1140020010	SPRING WASHER	10				
9	1140330010	WASHER	1				
10	1100041016	BOLT	2				
11	1100040812	BOLT	2				
12	1140020008	SPRING WASHER	5				
14	1652231250	BAND	36				
15	0664201250	WIRING HARNESS	1				
17	1711900105	CLAMP	1				
20	1703500712	HORN	1				
21	1703700013	BUZZER	1				
23	0882420220	RUBBER	1				
25	0872433150	TUBE	20				
26	1700100038	COVER	2				
27	1100040616	BOLT	2				
28	1130040006	NUT	7				
29	1140020006	SPRING WASHER	18				
30	1141110006	WASHER	13				
31	1100040610	BOLT	5				
35	1711900074	STICKER	2				
37	1711900129	CLAMP	1				
38	1711900071	CLAMP	6				
39	1711900072	CLAMP	6				
40	1652201007	BAND	1				
41	1730142090	CONTROLLER	1				
42	0654203510	BRACKET	1				
43	0664202400	WIRING HARNESS	1				
44	1652060051	BUSHING	1				
45	1652200010	RING	1				
50	0664202810	EARTH CABLE	1				
52	1140330006	WASHER	2				
	U1C320						

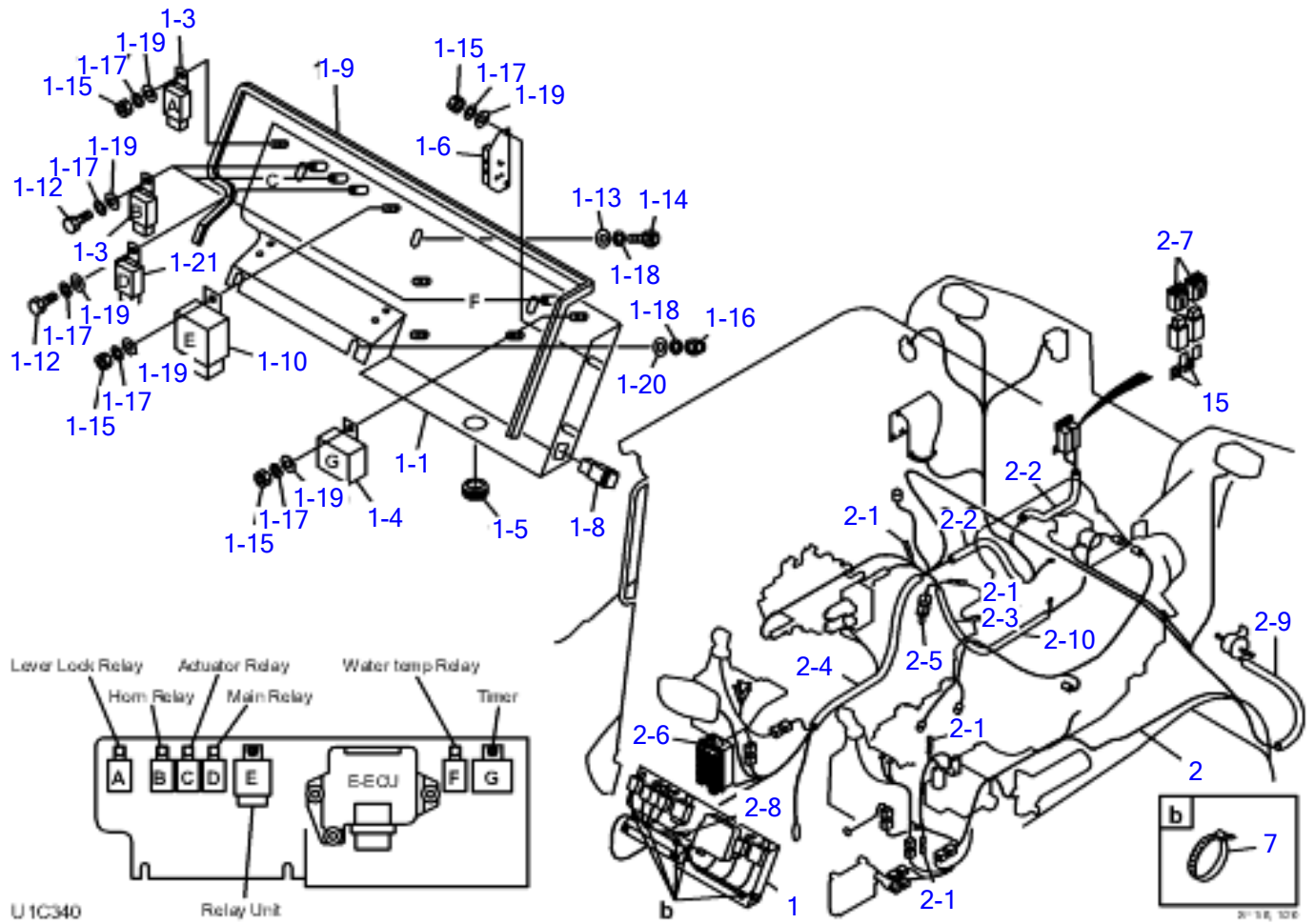


U1C330



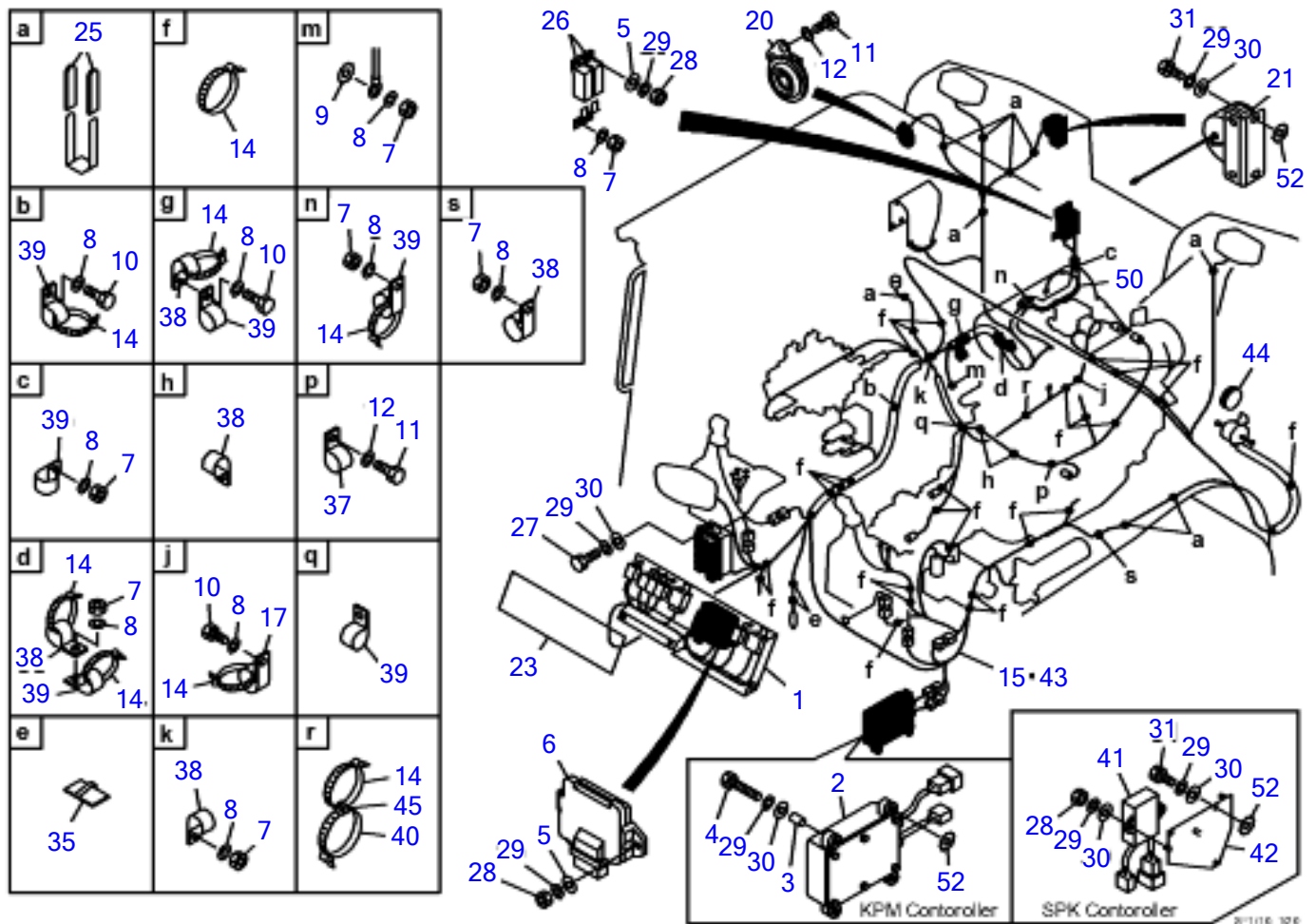
3/18, 1/20

Item	Part number	ELECTRICAL (2/3) Description	Q'ty	Chan.	Serial No.	Serv.	Remarks
		ELECTRICAL (2/3)					
		ELECTRICAL (2/3)					
		ELECTRICAL (2/3)					
		ELECTRICAL (2/3)					
		ELECTRICAL ASSY (KPM CONTROLLER TYPE)					
		ELECTRICAL ASSY (KPM CONTROLLER TYPE, HIGH FLOW)					
		ELECTRICAL ASSY (SPK CONTROLLER TYPE)					
		ELECTRICAL ASSY (SPK CONTROLLER TYPE, HIGH FLOW)					
7	1130040010	NUT	2				
8	1140020010	SPRING WASHER	4				
10	1100041016	BOLT	2				
14	1652231250	BAND	2				
40	1652201007	BAND	1				
46	0664202540	BRACKET	1				
47	0664202510	RELAY UNIT	1				
47-1	0664202520	* BRACKET	1				
47-3	1910245125	* RELAY	3				
47-4	1910245130	* BRACKET	3				
47-5	0654203740	* WIRING HARNESS	1				
47-6	0654203730	* WIRING HARNESS	1				
47-7	0654203720	* WIRING HARNESS	1				
47-8	1711900123	* RELAY	1				
47-9	0664202530	* RUBBER	1				
47-10	1100040612	* BOLT	7				
47-11	1140020006	* SPRING WASHER	7				
47-12	0003600110	* WASHER	7				
48	0654202660	HIGH FLOW RELAY UNIT	1				
48-1	0654202670	* BRACKET	1				
48-2	0872433150	* TUBE	2				
48-3	1910245125	* RELAY	3				
48-4	1910245130	* BRACKET	3				
48-5	0654203740	* WIRING HARNESS	1				
48-6	0654203730	* WIRING HARNESS	1				
48-7	0654203720	* WIRING HARNESS	1				
48-8	1711900123	* RELAY	1				
48-9	0882421001	* RUBBER	1				
48-10	1100040612	* BOLT	6				
48-11	1140020006	* SPRING WASHER	6				
48-12	0003600110	* WASHER	6				
51	1141110010	WASHER	2				
	U1C330						

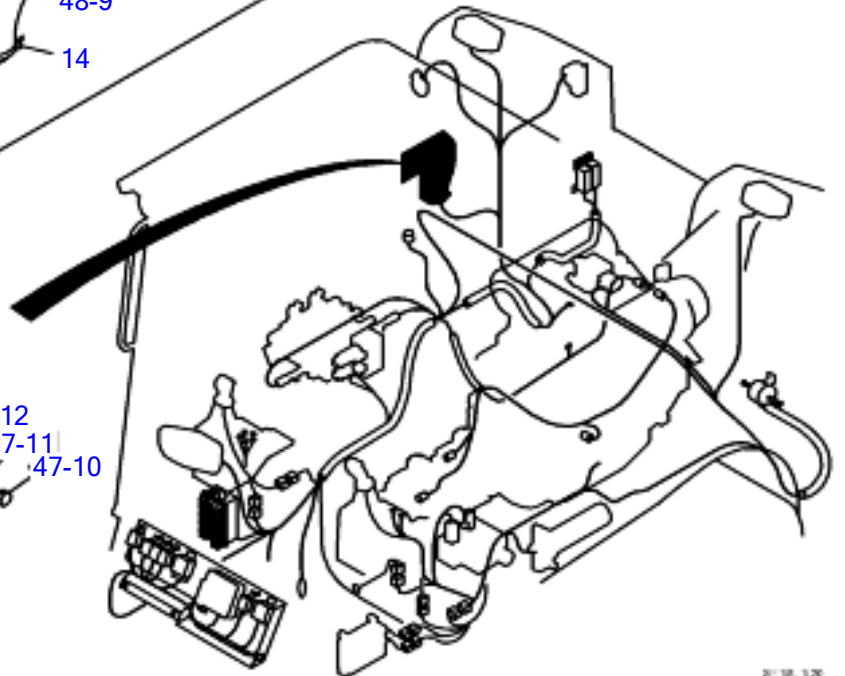
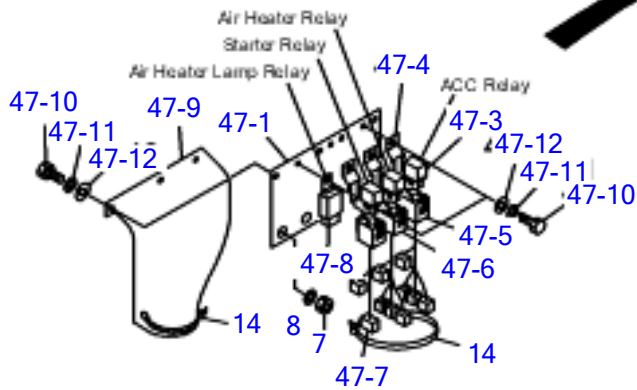
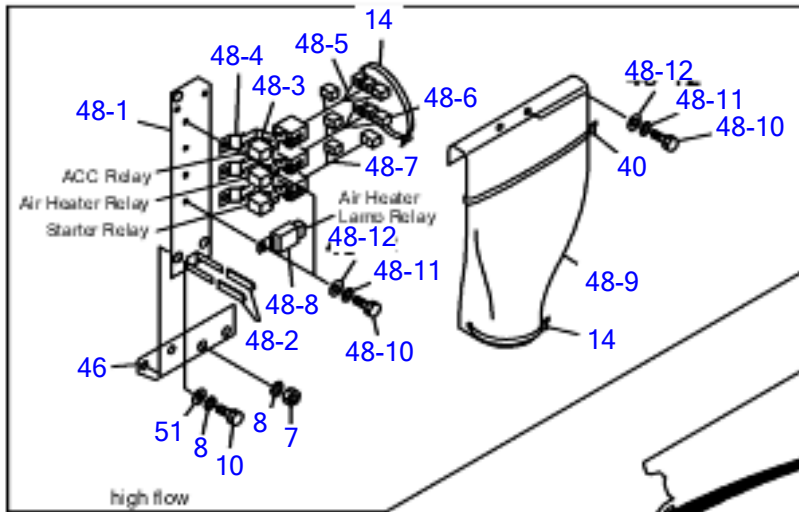


## ELECTRICAL (3/3)

Item	Part number	Description	Q'ty	Chan.	Serial No.	Serv.	Remarks
		ELECTRICAL (3/3)					
		ELECTRICAL (3/3)					
		ELECTRICAL (3/3)					
		ELECTRICAL (3/3)					
0-1	0664210110	RELAY UNIT ASSY	1				
1	0664210310	* RELAY UNIT	1				
1-1	0664201310	* * BOX	1				
1-3	1711900042	* * RELAY	4				
1-4	1711900140	* * TIMER UNIT	1				
1-5	1652060035	* * BUSHING	1				
1-6	0664201320	* * RESISTOR	1				
1-8	1700550017	* * PILOT LAMP	1				
1-9	1654606100	* * TRIM	1				
1-10	1711900062	* * RELAY	1				
1-12	1100040616	* * BOLT	4				
1-13	0003608252	* * WASHER	3				
1-14	1100040816	* * BOLT	3				
1-15	1130040006	* * NUT	5				
1-16	1134230008	* * NUT	2				
1-17	1140020006	* * SPRING WASHER	9				
1-18	1140020008	* * SPRING WASHER	5				
1-19	1141110006	* * WASHER	9				
1-20	1141110008	* * WASHER	2				
1-21	1910245135	* * RELAY	1				
2	0664201200	* WIRING HARNESS ASSY	1				
2-1	1730500008	* * DIODE 3A YELLOW	4				
2-2	1531325025	* * PROTECTOR	2				
2-3	1531325035	* * PROTECTOR	1				
2-4	1531325085	* * PROTECTOR	1				
2-5	0394221010	* * SHORT CONNECTOR	1				
2-6	1701204920	* * FUSE BOX	1				
	1701311005	* * * FUSE					
	1701311010	* * * FUSE					
	1701311015	* * * FUSE					
	1701311020	* * * FUSE					
	1701311030	* * * FUSE					
2-7	1701330045	FUSIBLE LINK	2				
2-8	1730500023	* * DIODE 3A	1				
2-9	1531312068	* * PROTECTOR	1				
2-10	1531315040	* * PROTECTOR	1				
7	1652231250	* BAND	5				
15	1711900064	* CLAMP	2				
	U1C340						



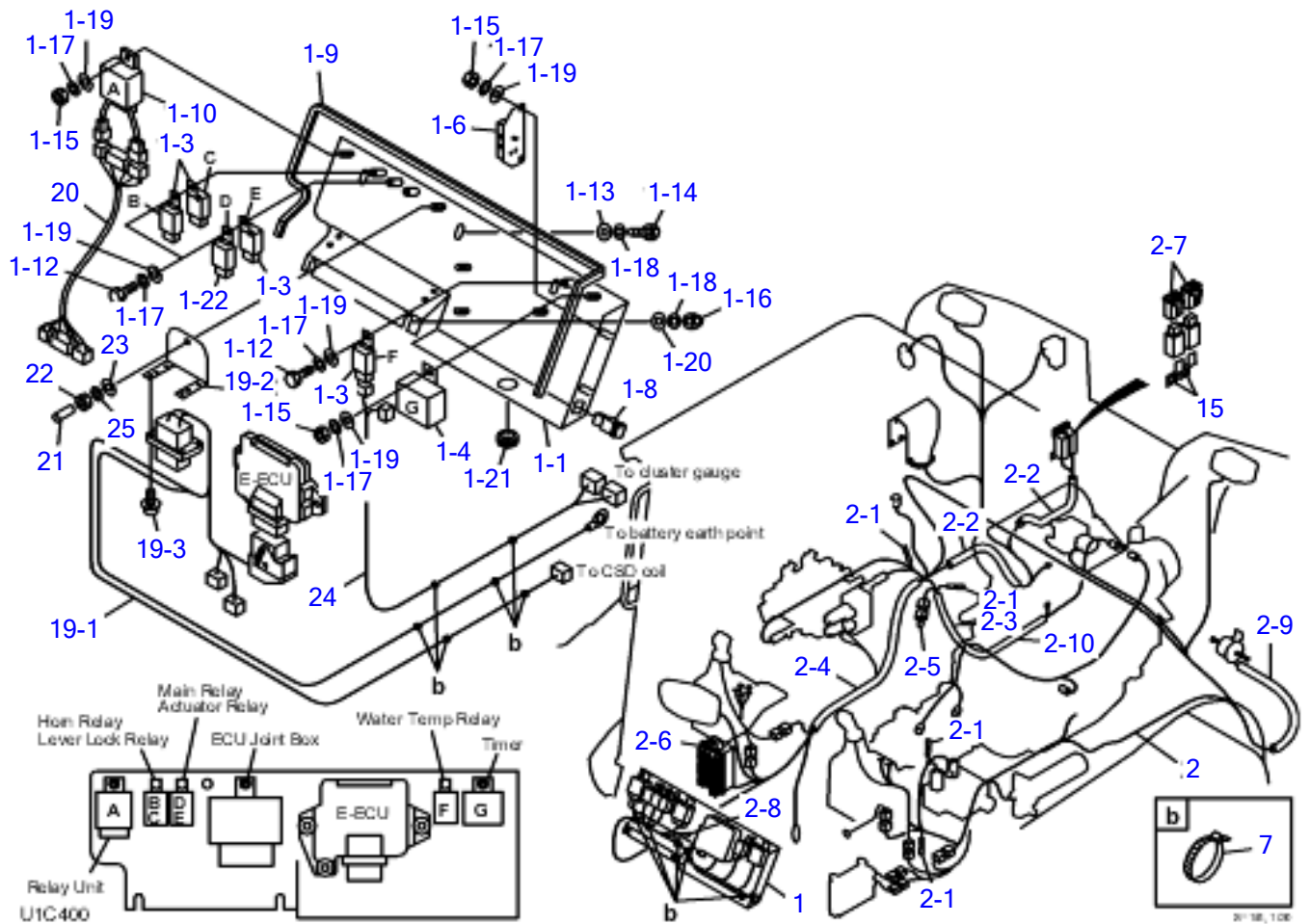
Item	Part number	ELECTRICAL (1/3) Description	Q'ty	Chan.	Serial No.	Serv.	Remarks
		ELECTRICAL (1/3)					
		ELECTRICAL (1/3)					
		ELECTRICAL (1/3)					
		ELECTRICAL ASSY (KPM CONTROLLER TYPE)					
		ELECTRICAL ASSY (KPM CONTROLLER TYPE, HIGH FLOW)					
		ELECTRICAL ASSY (SPK CONTROLLER TYPE)					
		ELECTRICAL ASSY (SPK CONTROLLER TYPE, HIGH FLOW)					
1	0664210130	RELAY UNIT ASSY	1				
2	1730140730	CONTROLLER	1				
3	1531007002	HOSE 9SOLD BY THE METER)	4				
4	1100040630	BOLT	4				
5	0003600110	WASHER	5				
6	1910259127	E-ECU	1				
7	1130040010	NUT	8				
8	1140020010	SPRING WASHER	10				
9	1140330010	WASHER	1				
10	1100041016	BOLT	2				
11	1100040812	BOLT	2				
12	1140020008	SPRING WASHER	5				
14	1652231250	BAND	36				
15	0664201250	WIRING HARNESS	1				
17	1711900105	CLAMP	1				
20	1703500712	HORN	1				
21	1703700013	BUZZER	1				
23	0882420220	RUBBER	1				
25	0872433150	TUBE	20				
26	1700100038	COVER	2				
27	1100040616	BOLT	2				
28	1130040006	NUT	7				
29	1140020006	SPRING WASHER	18				
30	1141110006	WASHER	13				
31	1100040610	BOLT	5				
35	1711900074	STICKER	2				
37	1711900129	CLAMP	1				
38	1711900071	CLAMP	6				
39	1711900072	CLAMP	6				
40	1652201007	BAND	1				
41	1730142090	CONTROLLER	1				
42	0654203510	BRACKET	1				
43	0664202400	WIRING HARNESS	1				
44	1652060051	BUSHING	1				
45	1652200010	RING	1				
50	0664202810	EARTH CABLE	1				
52	1140330006	WASHER	2				
	U1C380						



3/1/88, 1/20

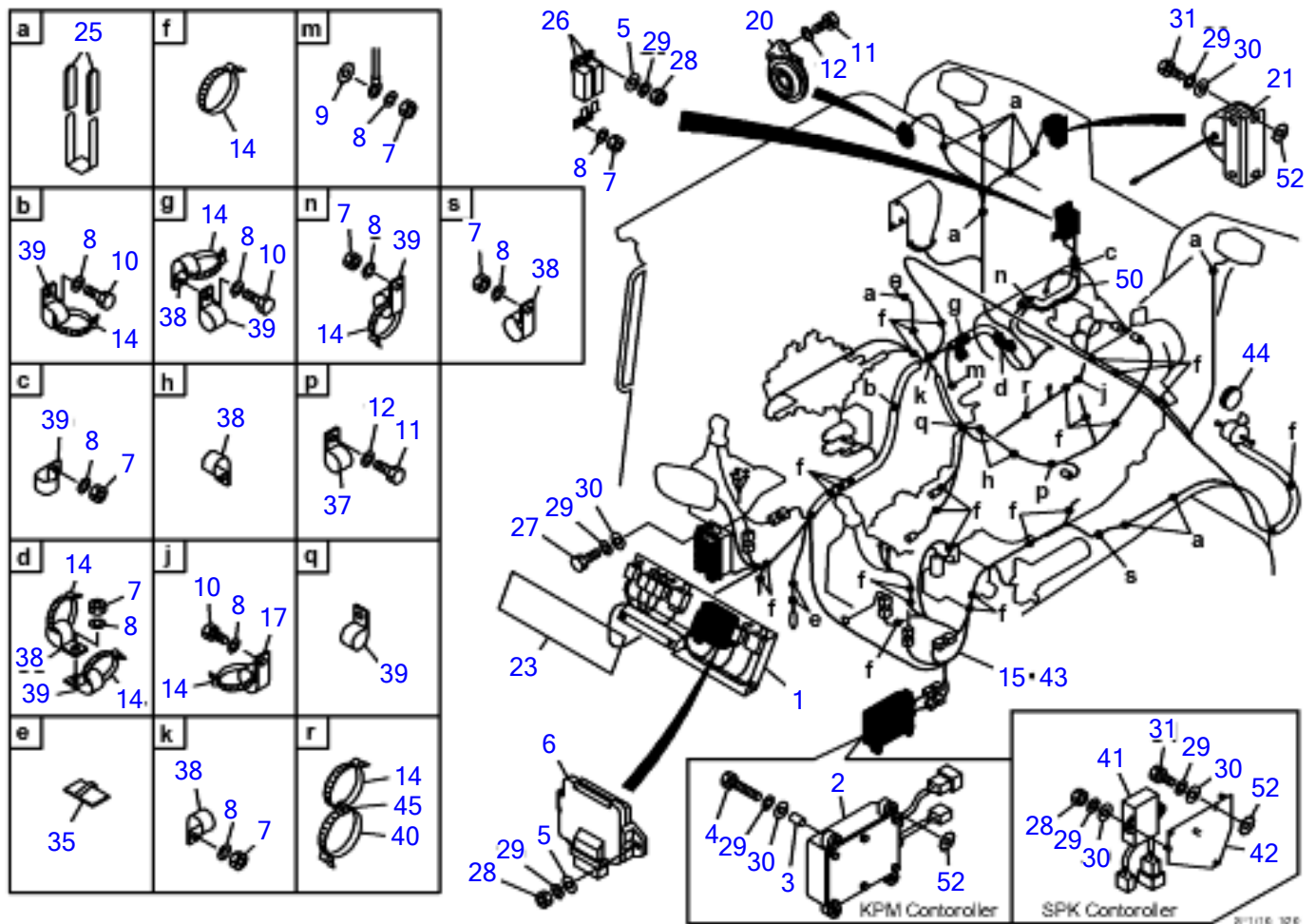


Item	Part number	ELECTRICAL (2/3) Description	Q'ty	Chan.	Serial No.	Serv.	Remarks
		ELECTRICAL (2/3)					
		ELECTRICAL (2/3)					
		ELECTRICAL (2/3)					
		ELECTRICAL ASSY (KPM CONTROLLER TYPE)					
		ELECTRICAL ASSY (KPM CONTROLLER TYPE, HIGH FLOW)					
		ELECTRICAL ASSY (SPK CONTROLLER TYPE)					
		ELECTRICAL ASSY (SPK CONTROLLER TYPE, HIGH FLOW)					
7	1130040010	NUT	2				
8	1140020010	SPRING WASHER	4				
10	1100041016	BOLT	2				
14	1652231250	BAND	2				
40	1652201007	BAND	1				
46	0664202540	BRACKET	1				
47	0664202510	RELAY UNIT	1				
47-1	0664202520	* BRACKET	1				
47-3	1910245125	* RELAY	3				
47-4	1910245130	* BRACKET	3				
47-5	0654203740	* WIRING HARNESS	1				
47-6	0654203730	* WIRING HARNESS	1				
47-7	0654203720	* WIRING HARNESS	1				
47-8	1711900123	* RELAY	1				
47-9	0664202530	* RUBBER	1				
47-10	1100040612	* BOLT	7				
47-11	1140020006	* SPRING WASHER	7				
47-12	0003600110	* WASHER	7				
48	0654202660	HIGH FLOW RELAY UNIT	1				
48-1	0654202670	* BRACKET	1				
48-2	0872433150	* TUBE	2				
48-3	1910245125	* RELAY	3				
48-4	1910245130	* BRACKET	3				
48-5	0654203740	* WIRING HARNESS	1				
48-6	0654203730	* WIRING HARNESS	1				
48-7	0654203720	* WIRING HARNESS	1				
48-8	1711900123	* RELAY	1				
48-9	0882421001	* RUBBER	1				
48-10	1100040612	* BOLT	6				
48-11	1140020006	* SPRING WASHER	6				
48-12	0003600110	* WASHER	6				
51	1141110010	WASHER	2				
	U1C390						

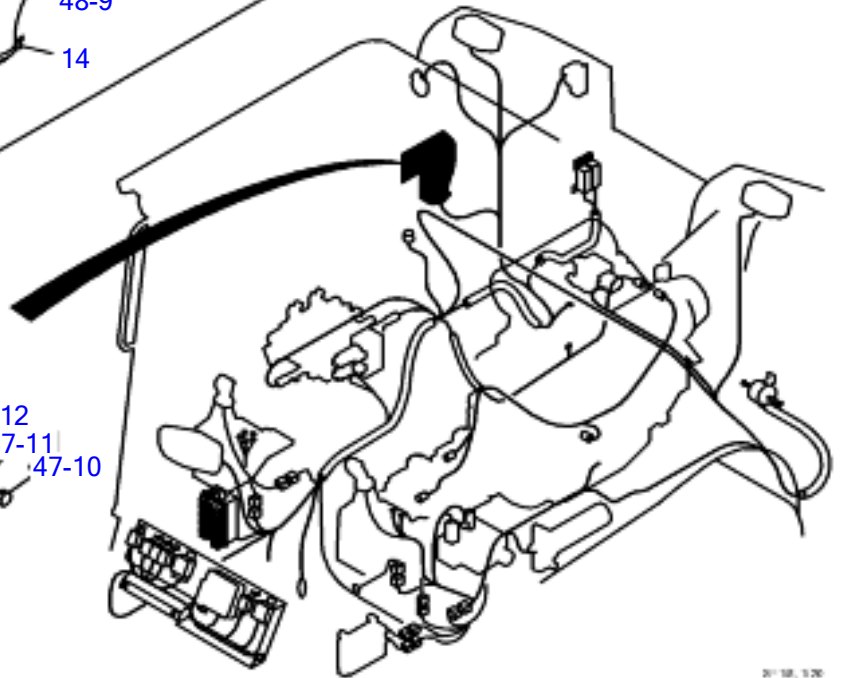
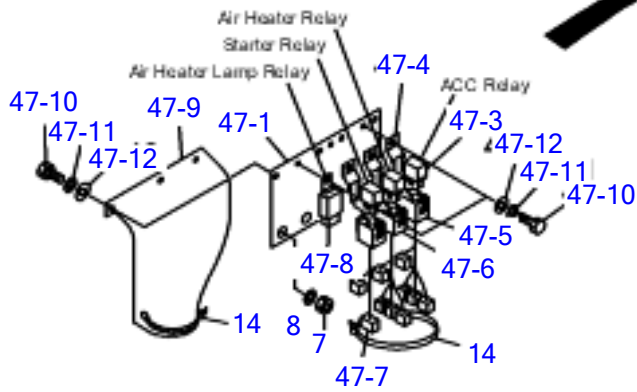
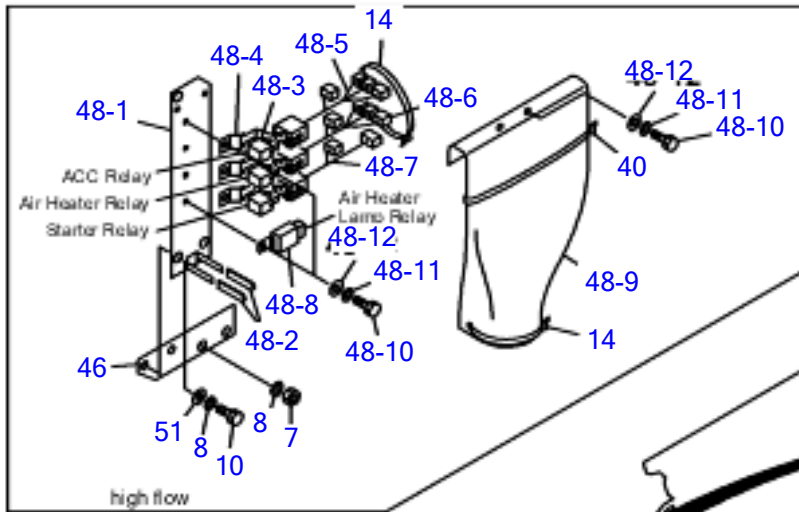


## ELECTRICAL (3/3)

Item	Part number	Description	Q'ty	Chan.	Serial No.	Serv.	Remarks
		ELECTRICAL (3/3)					
		ELECTRICAL (3/3)					
		ELECTRICAL (3/3)					
0-1	0664210130	RELAY UNIT ASSY	1				
1	0684210310	* RELAY UNIT	1				
1-1	0664201310	* * BOX	1				
1-3	1711900042	* * RELAY	4				
1-4	1711900140	* * TIMER UNIT	1				
1-6	0664201320	* * RESISTOR	1				
1-8	1700550017	* * PILOT LAMP	1				
1-9	1654606100	* * TRIM	1				
1-10	1711900062	* * RELAY	1				
1-12	1100040616	* * BOLT	3				
1-13	0003608252	* * WASHER	3				
1-14	1100040816	* * BOLT	3				
1-15	1130040006	* * NUT	4				
1-16	1134230008	* * NUT	2				
1-17	1140020006	* * SPRING WASHER	7				
1-18	1140020008	* * SPRING WASHER	5				
1-19	1141110006	* * WASHER	7				
1-20	1141110008	* * WASHER	2				
1-21	1652060035	* * BUSHING	1				
1-22	1910245135	* * RELAY	1				
2	0664201200	* WIRING HARNESS ASSY	1				
2-1	1730500008	* * DIODA 3A YELLOW	4				
2-2	1531325025	* * PROTECTOR	2				
2-3	1531325035	* * PROTECTOR	1				
2-4	1531325085	* * PROTECTOR	1				
2-5	0394221010	* * SHORT CONNECTOR	1				
2-6	1701204920	* * FUSE BOX	1				
	1701311005	* * * FUSE					
	1701311010	* * * FUSE					
	1703111015	* * * FUSE					
	1701311020	* * * FUSE					
	1701311030	* * * FUSE					
2-7	1701330045	* * FUSIBLE LINK	2				
2-8	1730500023	* * DIODE 3A	1				
2-9	1531312068	* * PROTECTOR	1				
2-10	1531315040	* * PROTECTOR	1				
7	1652231250	* BAND	7				
15	1711900064	* CLAMP	2				
19	0654203700	* JOINT HARNESS ASSY	1				
19-1	0654203790	* * JOINT HARNESS	1				
19-2	0654203791	* * BRACKET	1				
19-3	1150420310	* * SCREW	4				
20	0654203710	* WIRING HARNESS	1				
21	1650205700	* CAP	1				
22	1130040006	* NUT	1				
23	1141110006	* WASHER	1				
24	0664202610	* JOINT HARNESS	1				
25	1140020006	* SPRING WASHER	1				
	U1C400						

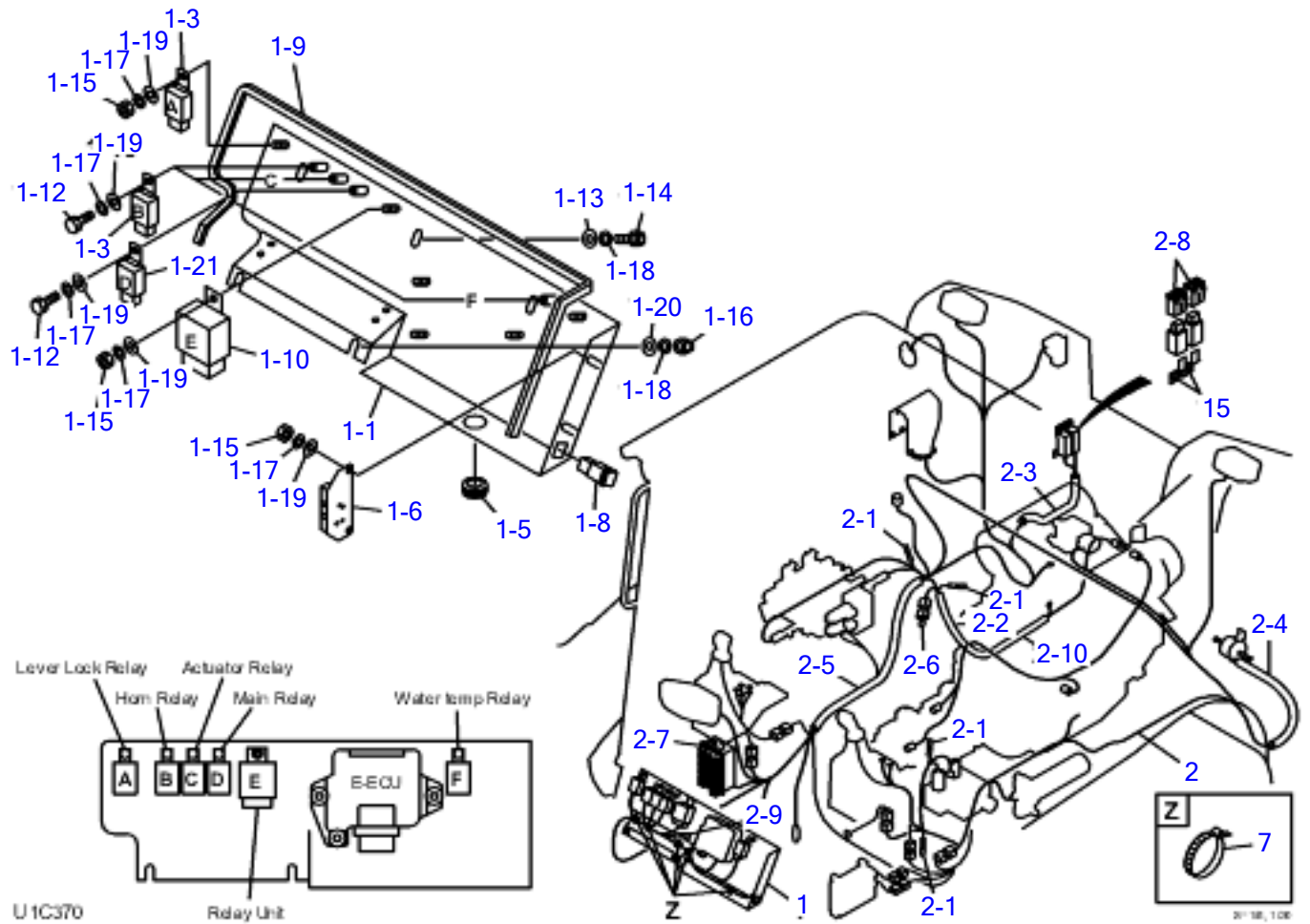


Item	Part number	ELECTRICAL (1/3) Description	Q'ty	Chan.	Serial No.	Serv.	Remarks
		ELECTRICAL (1/3)					
		ELECTRICAL ASSY (KPM CONTROLLER TYPE)					
		ELECTRICAL ASSY (KPM CONTROLLER TYPE, HIGH FLOW)					
		ELECTRICAL ASSY (SPK CONTROLLER TYPE)					
		ELECTRICAL ASSY (SPK CONTROLLER TYPE, HIGH FLOW)					
1	0664210120	RELAY UNIT ASSY	1				
2	1730140730	CONTROLLER	1				
3	1531007002	HOSE 9SOLD BY THE METER)	4				
4	1100040630	BOLT	4				
5	0003600110	WASHER	5				
6	1910259127	E-ECU	1				
7	1130040010	NUT	8				
8	1140020010	SPRING WASHER	10				
9	1140330010	WASHER	1				
10	1100041016	BOLT	2				
11	1100040812	BOLT	2				
12	1140020008	SPRING WASHER	5				
14	1652231250	BAND	36				
15	0664201250	WIRING HARNESS	1				
17	1711900105	CLAMP	1				
20	1703500712	HORN	1				
21	1703700013	BUZZER	1				
23	0882420220	RUBBER	1				
25	0872433150	TUBE	20				
26	1700100038	COVER	2				
27	1100040616	BOLT	2				
28	1130040006	NUT	7				
29	1140020006	SPRING WASHER	18				
30	1141110006	WASHER	13				
31	1100040610	BOLT	5				
35	1711900074	STICKER	2				
37	1711900129	CLAMP	1				
38	1711900071	CLAMP	6				
39	1711900072	CLAMP	6				
40	1652201007	BAND	1				
41	1730142090	CONTROLLER	1				
42	0654203510	BRACKET	1				
43	0664202400	WIRING HARNESS	1				
44	1652060051	BUSHING	1				
45	1652200010	RING	1				
50	0664202810	EARTH CABLE	1				
52	1140330006	WASHER	2				
	U1C350						



3/1/82, 1/20

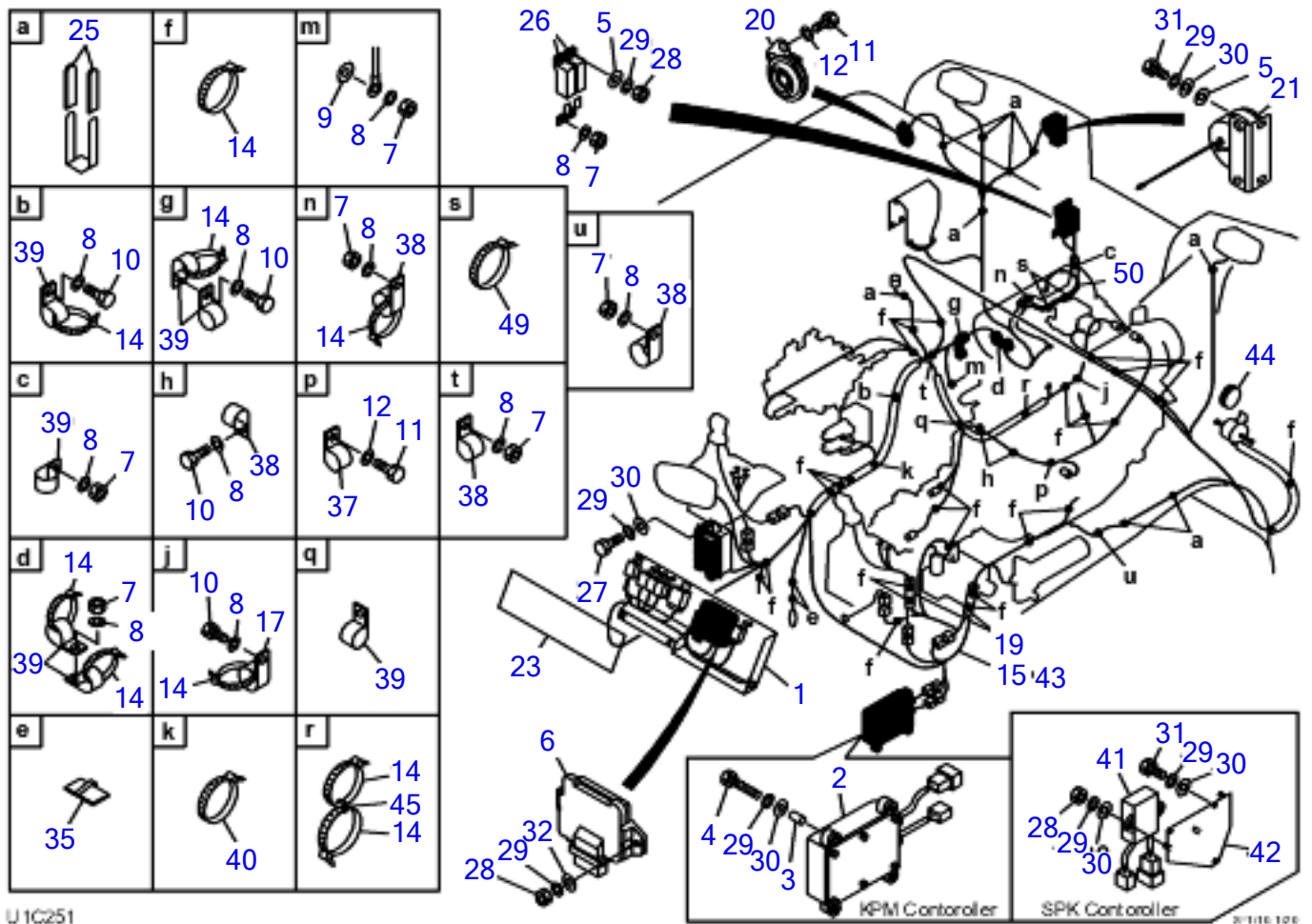
Item	Part number	ELECTRICAL (2/3) Description	Q'ty	Chan.	Serial No.	Serv.	Remarks
		ELECTRICAL (2/3)					
		ELECTRICAL ASSY (KPM CONTROLLER TYPE)					
		ELECTRICAL ASSY (KPM CONTROLLER TYPE, HIGH FLOW)					
		ELECTRICAL ASSY (SPK CONTROLLER TYPE)					
		ELECTRICAL ASSY (SPK CONTROLLER TYPE, HIGH FLOW)					
7	1130040010	NUT	2				
8	1140020010	SPRING WASHER	4				
10	1100041016	BOLT	2				
14	1652231250	BAND	2				
40	1652201007	BAND	1				
46	0664202540	BRACKET	1				
47	0664202510	RELAY UNIT	1				
47-1	0664202520	* BRACKET	1				
47-3	1910245125	* RELAY	3				
47-4	1910245130	* BRACKET	3				
47-5	0654203740	* WIRING HARNESS	1				
47-6	0654203730	* WIRING HARNESS	1				
47-7	0654203720	* WIRING HARNESS	1				
47-8	1711900123	* RELAY	1				
47-9	0664202530	* RUBBER	1				
47-10	1100040612	* BOLT	7				
47-11	1140020006	* SPRING WASHER	7				
47-12	0003600110	* WASHER	7				
48	0654202660	HIGH FLOW RELAY UNIT	1				
48-1	0654202670	* BRACKET	1				
48-2	0872433150	* TUBE	2				
48-3	1910245125	* RELAY	3				
48-4	1910245130	* BRACKET	3				
48-5	0654203740	* WIRING HARNESS	1				
48-6	0654203730	* WIRING HARNESS	1				
48-7	0654203720	* WIRING HARNESS	1				
48-8	1711900123	* RELAY	1				
48-9	0882421001	* RUBBER	1				
48-10	1100040612	* BOLT	6				
48-11	1140020006	* SPRING WASHER	6				
48-12	0003600110	* WASHER	6				
51	1141110010	WASHER	2				
	U1C360						





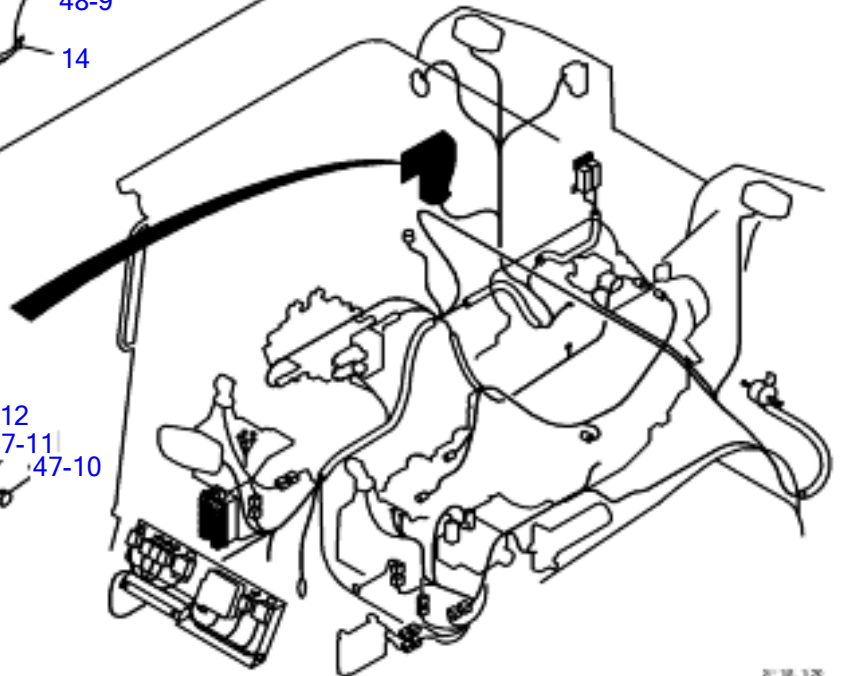
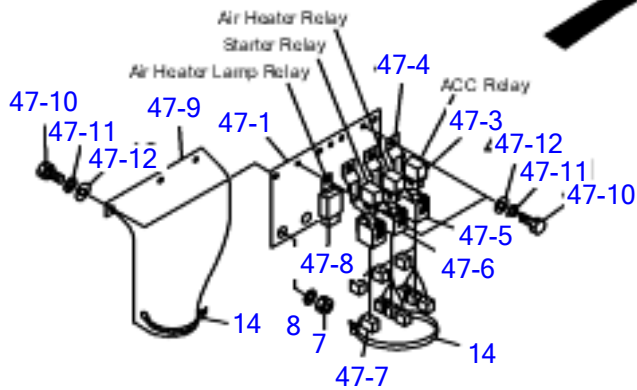
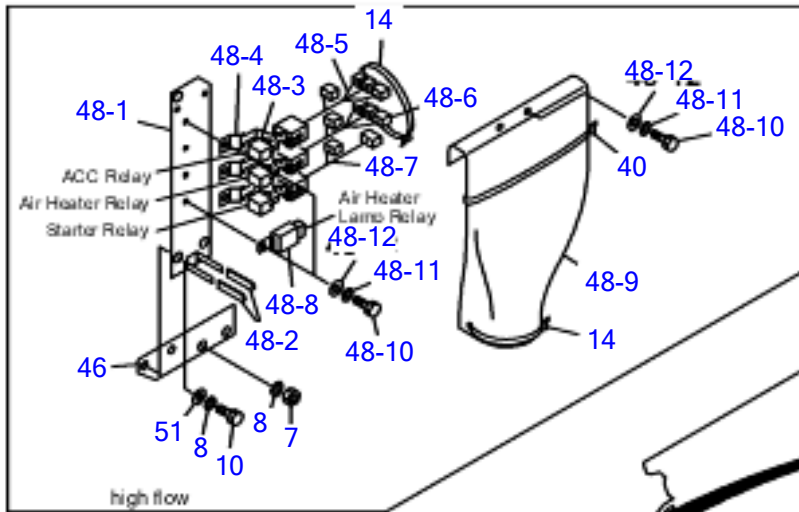
## ELECTRICAL (3/3)

Item	Part number	Description	Q'ty	Chan.	Serial No.	Serv.	Remarks
		ELECTRICAL (3/3)					
0-1	0664210120	RELAY UNIT ASSY	1				
1	0664210320	* RELAY UNIT	1				
1-1	0664201310	* * BOX	1				
1-3	1711900042	* * RELAY	4				
1-5	1652060035	* * BUSHING	1				
1-6	0664201320	* * RESISTOR	1				
1-8	1700550017	* * PILOT LAMP	1				
1-9	1654606100	* * TRIM	1				
1-10	1711900062	* * RELAY	1				
1-12	1100040616	* * BOLT	4				
1-13	0003608252	* * WASHER	3				
1-14	1100040816	* * BOLT	3				
1-15	1130040006	* * NUT	4				
1-16	1134230008	* * NUT	2				
1-17	1140020006	* * SPRING WASHER	8				
1-18	1140020008	* * SPRING WASHER	5				
1-19	1141110006	* * WASHER	8				
1-20	1141110008	* * WASHER	2				
1-21	1910245135	* * RELAY	1				
2	0664202200	* WIRING HARNESS ASSY	1				
2-1	1730500008	* * DIODE 3A YELLOW	4				
2-2	1531325035	* * PROTECTOR	1				
2-3	1531325060	* * PROTECTOR	1				
2-4	1531312068	* * PROTECTOR	1				
2-5	1531325090	* * PROTECTOR	1				
2-6	0394221010	* * SHORT CONNECTOR	1				
2-7	1701204920	* * FUSE BOX	1				
	1701311005	* * * FUSE					
	1701311010	* * * FUSE					
	1701311015	* * * FUSE					
	1701311020	* * * FUSE					
	1701311030	* * * FUSE					
2-8	1701330045	* * FUSIBLE LINK	2				
2-9	1730500023	* * DIODE 3A	1				
2-10	1531315040	* * PROTECTOR	1				
7	1652231250	* BAND	5				
15	1711900064	* CLAMP	2				
	U1C370						



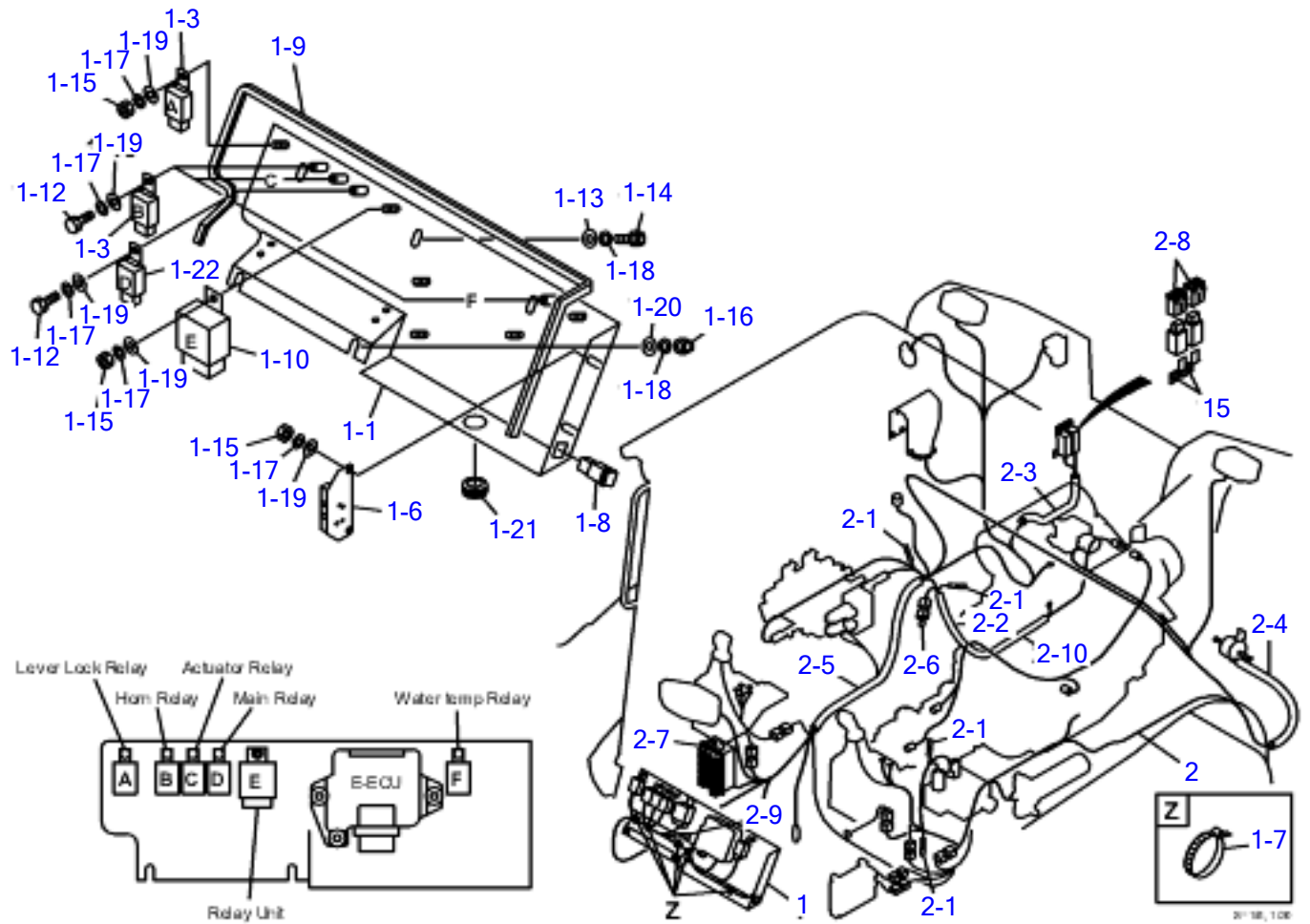
U1C251

Item	Part number	ELECTRICAL (1/3) Description	Q'ty	Chan.	Serial No.	Serv.	Remarks
		ELECTRICAL (1/3)					
		ELECTRICAL ASSY (KPM CONTROLLER TYPE)					
		ELECTRICAL ASSY (KPM CONTROLLER TYPE, HIGH FLOW)					
		ELECTRICAL ASSY (SPK CONTROLLER TYPE)					
		ELECTRICAL ASSY (SPK CONTROLLER TYPE, HIGH FLOW)					
1	0664206100	RELAY UNIT ASSY	1				
2	1730140730	CONTROLLER	1				
3	1531007002	HOSE 9SOLD BY THE METER)	4				
4	1100040630	BOLT	4				
5	0003600110	WASHER	5				
6	1910259127	E-ECU	1				
7	1130040010	NUT	8				
8	1140020010	SPRING WASHER	10				
9	1140330010	WASHER	1				
10	1100041016	BOLT	2				
11	1100040812	BOLT	2				
12	1140020008	SPRING WASHER	5				
14	1652231250	BAND	36				
15	0664201250	WIRING HARNESS	1				
17	1711900105	CLAMP	1				
19	0880422080	PROTECTOR	2				
20	1703500712	HORN	1				
21	1703700013	BUZZER	1				
23	0882420220	RUBBER	1				
25	0872433150	TUBE	20				
26	1700100038	COVER	2				
27	1100040616	BOLT	2				
28	1130040006	NUT	7				
29	1140020006	SPRING WASHER	18				
30	1141110006	WASHER	13				
31	1100040610	BOLT	5				
32	0003608252	WASHER	3				
35	1711900074	STICKER	2				
37	1711900129	CLAMP	1				
38	1711900071	CLAMP	6				
39	1711900072	CLAMP	6				
40	1652201007	BAND	1				
41	1730142090	CONTROLLER	1				
42	0654203510	BRACKET	1				
43	0664202400	WIRING HARNESS	1				
44	1652060051	BUSHING	1				
45	1652200010	RING	1				
50	0664202810	EARTH CABLE	1				
	U1C250						



3/1/88, 1/20

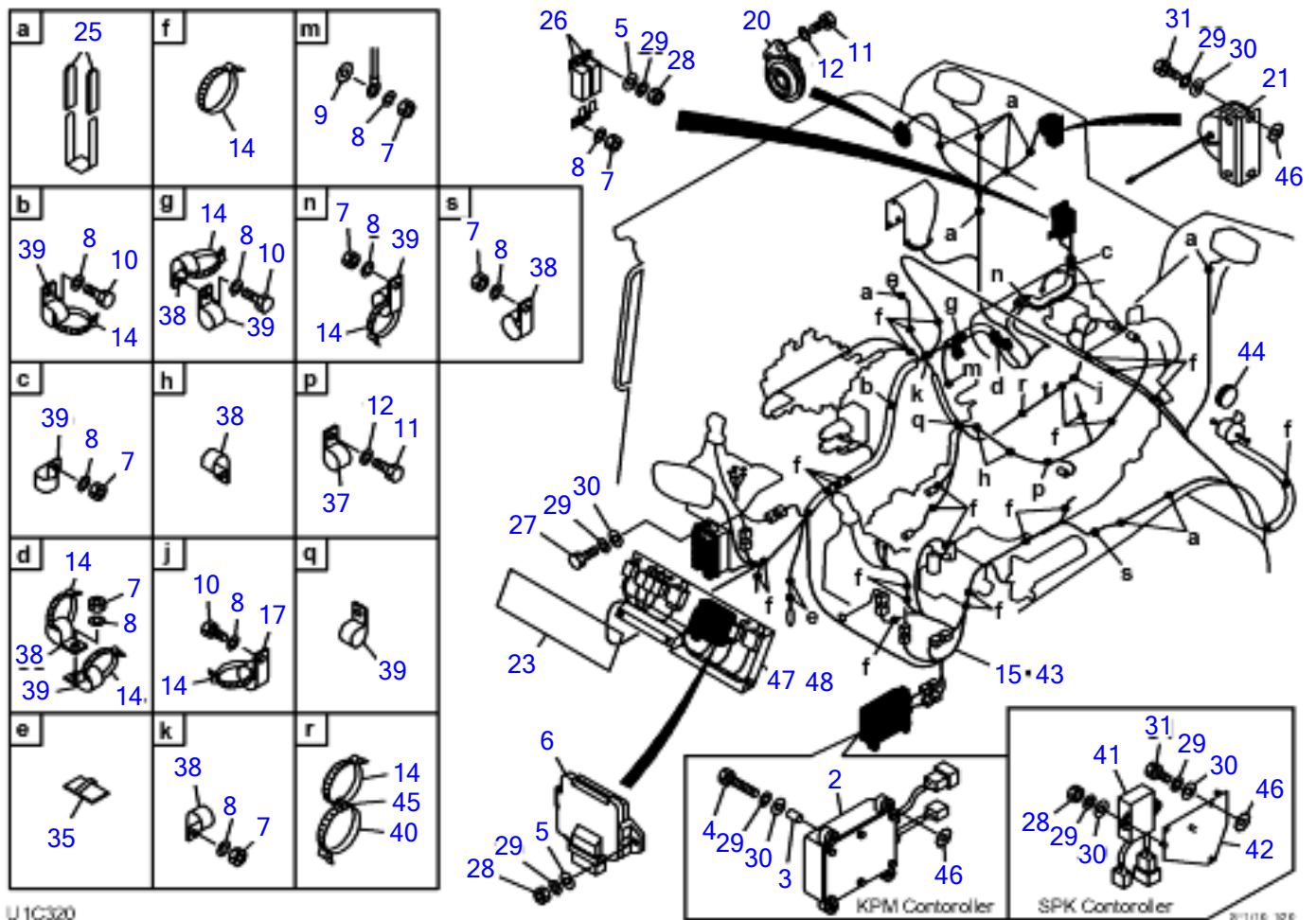
Item	Part number	ELECTRICAL (2/3) Description	Q'ty	Chan.	Serial No.	Serv.	Remarks
		ELECTRICAL (2/3)					
		ELECTRICAL ASSY (KPM CONTROLLER TYPE)					
		ELECTRICAL ASSY (KPM CONTROLLER TYPE, HIGH FLOW)					
		ELECTRICAL ASSY (SPK CONTROLLER TYPE)					
		ELECTRICAL ASSY (SPK CONTROLLER TYPE, HIGH FLOW)					
7	1130040010	NUT	2				
8	1140020010	SPRING WASHER	2				
	1140020010	SPRING WASHER	4				
10	1100041016	BOLT	2				
14	1652231250	BAND	2				
40	1652201007	BAND	1				
46	0664202540	BRACKET	1				
47	0664202510	RELAY UNIT	1				
47-1	0664202520	* BRACKET	1				
47-3	1910245125	* RELAY	3				
47-4	1910245130	* BRACKET	3				
47-5	0654203740	* WIRING HARNESS	1				
47-6	0654203730	* WIRING HARNESS	1				
47-7	0654203720	* WIRING HARNESS	1				
47-8	1711900123	* RELAY	1				
47-9	0664202530	* RUBBER	1				
47-10	1100040612	* BOLT	7				
47-11	1140020006	* SPRING WASHER	7				
47-12	0003600110	* WASHER	7				
48	0654202660	HIGH FLOW RELAY UNIT	1				
48-1	0654202670	* BRACKET	1				
48-2	0872433150	* TUBE	2				
48-3	1910245125	* RELAY	3				
48-4	1910245130	* BRACKET	3				
48-5	0654203740	* WIRING HARNESS	1				
48-6	0654203730	* WIRING HARNESS	1				
48-7	0654203720	* WIRING HARNESS	1				
48-8	1711900123	* RELAY	1				
48-9	0882421001	* RUBBER	1				
48-10	1100040612	* BOLT	6				
48-11	1140020006	* SPRING WASHER	6				
48-12	0003600110	* WASHER	6				
51	1141110010	WASHER	2				
	U1C260						



2/18, 1/08

## ELECTRICAL (3/3)

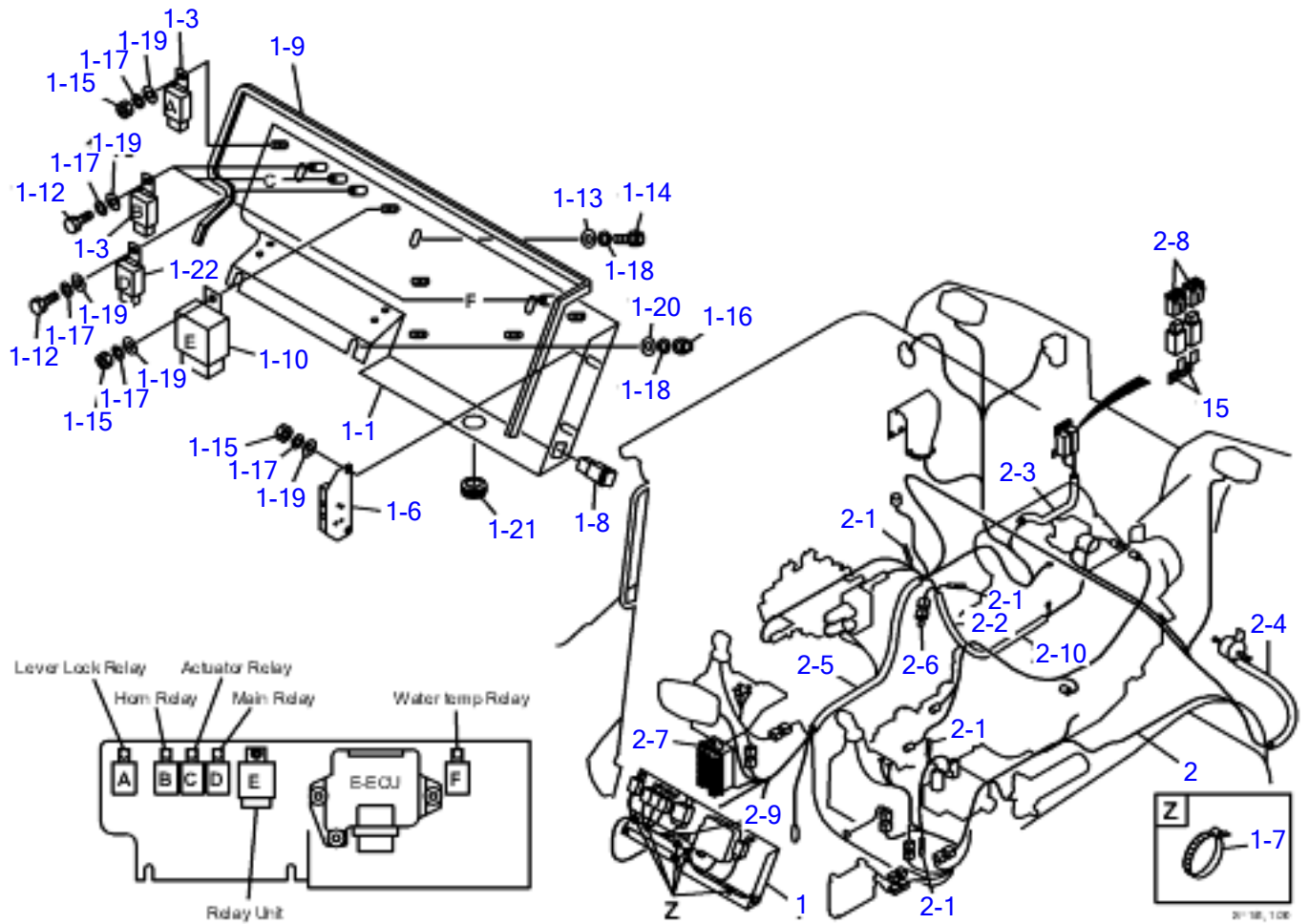
Item	Part number	Description	Q'ty	Chan.	Serial No.	Serv.	Remarks
		ELECTRICAL (3/3)					
0-1	0664206100	RELAY UNIT ASSY	1				
1	0664202300	* RELAY UNIT	1				
1-1	0664201310	* * BOX	1				
1-3	1711900042	* * RELAY	4				
1-6	0664201320	* * RESISTOR	1				
1-7	1652231250	* * BAND	5				
1-8	1700550017	* * PILOT LAMP	1				
1-9	1654606100	* * TRIM	1				
1-10	1711900062	* * RELAY	1				
1-12	1100040616	* * BOLT	4				
1-13	0003608252	* * WASHER	3				
1-14	1100040816	* * BOLT	3				
1-15	1130040006	* * NUT	4				
1-16	1134230008	* * NUT	2				
1-17	1140020006	* * SPRING WASHER	8				
1-18	1140020008	* * SPRING WASHER	5				
1-19	1141110006	* * WASHER	8				
1-20	1141110008	* * WASHER	2				
1-21	1910245135	* * RELAY	1				
1-22	1910245135	* * RELAY	1				
2	0664202200	* WIRING HARNESS ASSY	1				
2-1	1730500008	* * DIODE 3A YELLOW	4				
2-2	1531325035	* * PROTECTOR	1				
2-3	1531325060	* * PROTECTOR	1				
2-4	1531312068	* * PROTECTOR	1				
2-5	1531325090	* * PROTECTOR	1				
2-6	0394221010	* * SHORT CONNECTOR	1				
2-7	1701204920	* * FUSE BOX	1				
	1701311005	* * * FUSE					
	1701311010	* * * FUSE					
	1701311015	* * * FUSE					
	1701311020	* * * FUSE					
	1701311030	* * * FUSE					
2-8	1701330045	* * FUSIBLE LINK	2				
2-9	1730500023	* * DIODE 3A	1				
2-10	1531315040	* * PROTECTOR	1				
15	1711900064	* CLAMP	2				
	U1C271						



U1C320



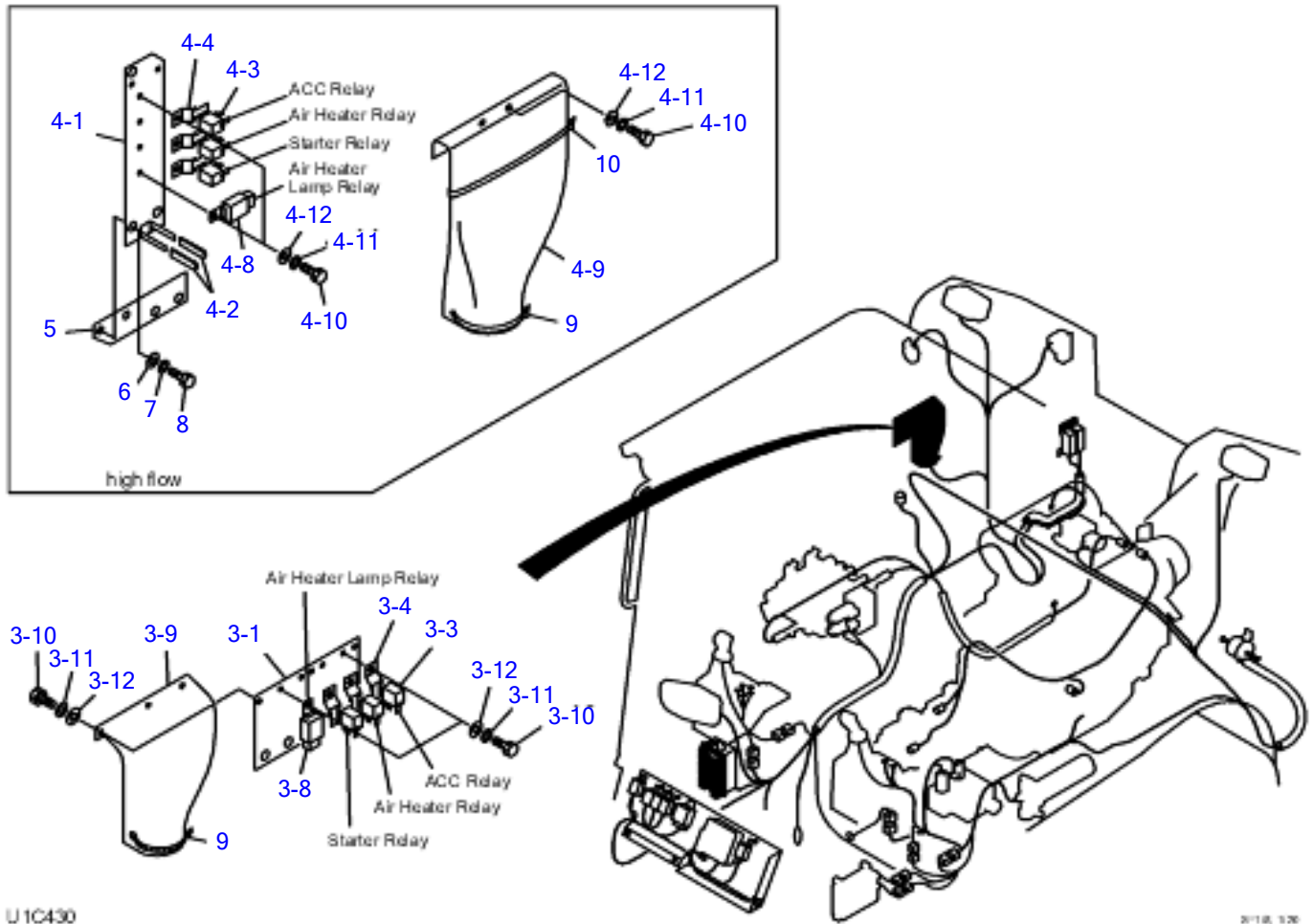
Item	Part number	ELECTRICAL (1/3) Description	Q'ty	Chan.	Serial No.	Serv.	Remarks
		ELECTRICAL (1/3)					
		ELECTRICAL ASSY (KPM CONTROLLER TYPE)					
		ELECTRICAL ASSY (KPM CONTROLLER TYPE, HIGH FLOW)					
		ELECTRICAL ASSY (SPK CONTROLLER TYPE)					
		ELECTRICAL ASSY (SPK CONTROLLER TYPE, HIGH FLOW)					
2	1730140730	CONTROLLER	1				
3	1531007002	HOSE 9SOLD BY THE METER)	4				
4	1100040630	BOLT	4				
5	0003600110	WASHER	5				
6	1910259127	E-ECU	1				
7	1130040010	NUT	8				
8	1140020010	SPRING WASHER	10				
9	1140330010	WASHER	1				
10	1100041016	BOLT	2				
11	1100040812	BOLT	2				
12	1140020008	SPRING WASHER	5				
14	1652231250	BAND	36				
15	0664201250	WIRING HARNESS	1				
17	1711900105	CLAMP	1				
20	1703500712	HORN	1				
21	1703700013	BUZZER	1				
23	0882420220	RUBBER	1				
25	0872433150	TUBE	20				
26	1700100038	COVER	2				
27	1100040616	BOLT	2				
28	1130040006	NUT	7				
29	1140020006	SPRING WASHER	18				
30	1141110006	WASHER	13				
31	1100040610	BOLT	5				
35	1711900074	STICKER	2				
37	1711900129	CLAMP	1				
38	1711900071	CLAMP	6				
39	1711900072	CLAMP	6				
40	1652201007	BAND	1				
41	1730142090	CONTROLLER	1				
42	0654203510	BRACKET	1				
43	0664202400	WIRING HARNESS	1				
44	1652060051	BUSHING	1				
45	1652200010	RING	1				
46	1140330006	WASHER	2				
47	0664206100	RELAY UNIT ASSY	1				
48	0664207100	RELAY UNIT ASSY	1				
	U1C410						



21-18, 1-08

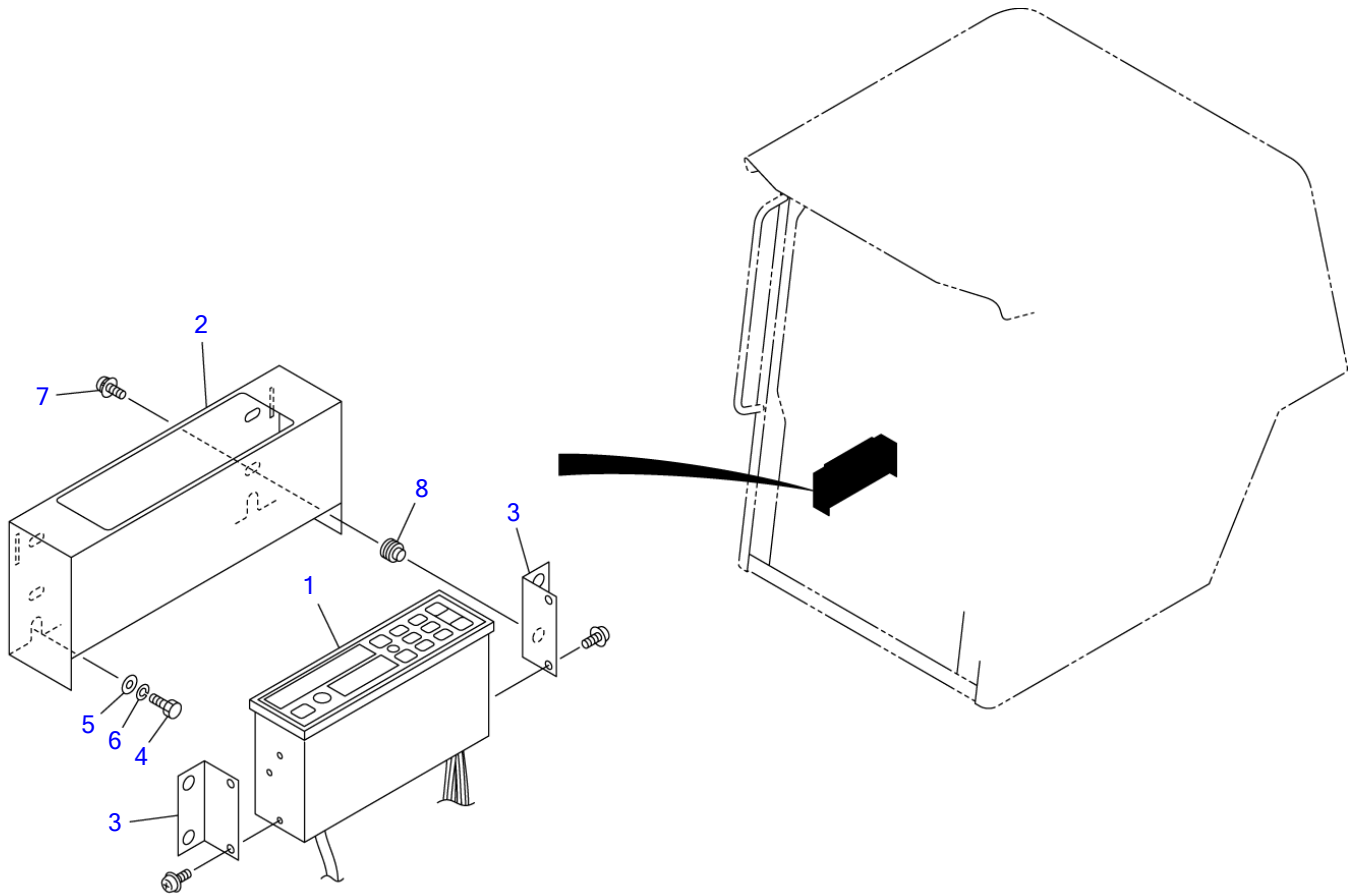
## ELECTRICAL (2/3)

Item	Part number	Description	Q'ty	Chan.	Serial No.	Serv.	Remarks
		ELECTRICAL (3/3)					
0-1	0664206100	RELAY UNIT ASSY	1				
	0664207100	RELAY UNIT ASSY					
1	0664202300	* RELAY UNIT	1				
1-1	0664201310	* * BOX	1				
1-3	1711900042	* * RELAY	4				
1-6	0664201320	* * RESISTOR	1				
1-7	1652231250	* * BAND	5				
1-8	1700550017	* * PILOT LAMP	1				
1-9	1654606100	* * TRIM	1				
1-10	1711900062	* * RELAY	1				
1-12	1100040616	* * BOLT	4				
1-13	0003608252	* * WASHER	3				
1-14	1100040816	* * BOLT	3				
1-15	1130040006	* * NUT	4				
1-16	1134230008	* * NUT	2				
1-17	1140020006	* * SPRING WASHER	8				
1-18	1140020008	* * SPRING WASHER	5				
1-19	1141110006	* * WASHER	8				
1-20	1141110008	* * WASHER	2				
1-21	1910245135	* * RELAY	1				
1-22	1910245135	* * RELAY	1				
2	0664207200	* WIRING HARNESS ASSY	1				
2-1	1730500008	* * DIODE 3A YELLOW	4				
2-2	1531325035	* * PROTECTOR	1				
2-3	1531325060	* * PROTECTOR	1				
2-4	1531312073	* * PROTECTOR	1				
2-5	1531325090	* * PROTECTOR	1				
2-6	0394221010	* * SHORT CONNECTOR	1				
2-7	1701204920	* * FUSE BOX	1				
	1701311005	* * * FUSE					
	1701311010	* * * FUSE					
	1701311015	* * * FUSE					
	1701311020	* * * FUSE					
	1701311030	* * * FUSE					
2-8	1701330045	* * FUSIBLE LINK	2				
2-9	1730500023	* * DIODE 3A	1				
2-10	1531315040	* * PROTECTOR	1				
15	1711900064	* CLAMP	2				
	U1C420						



**ELECTRICAL (3/3)**

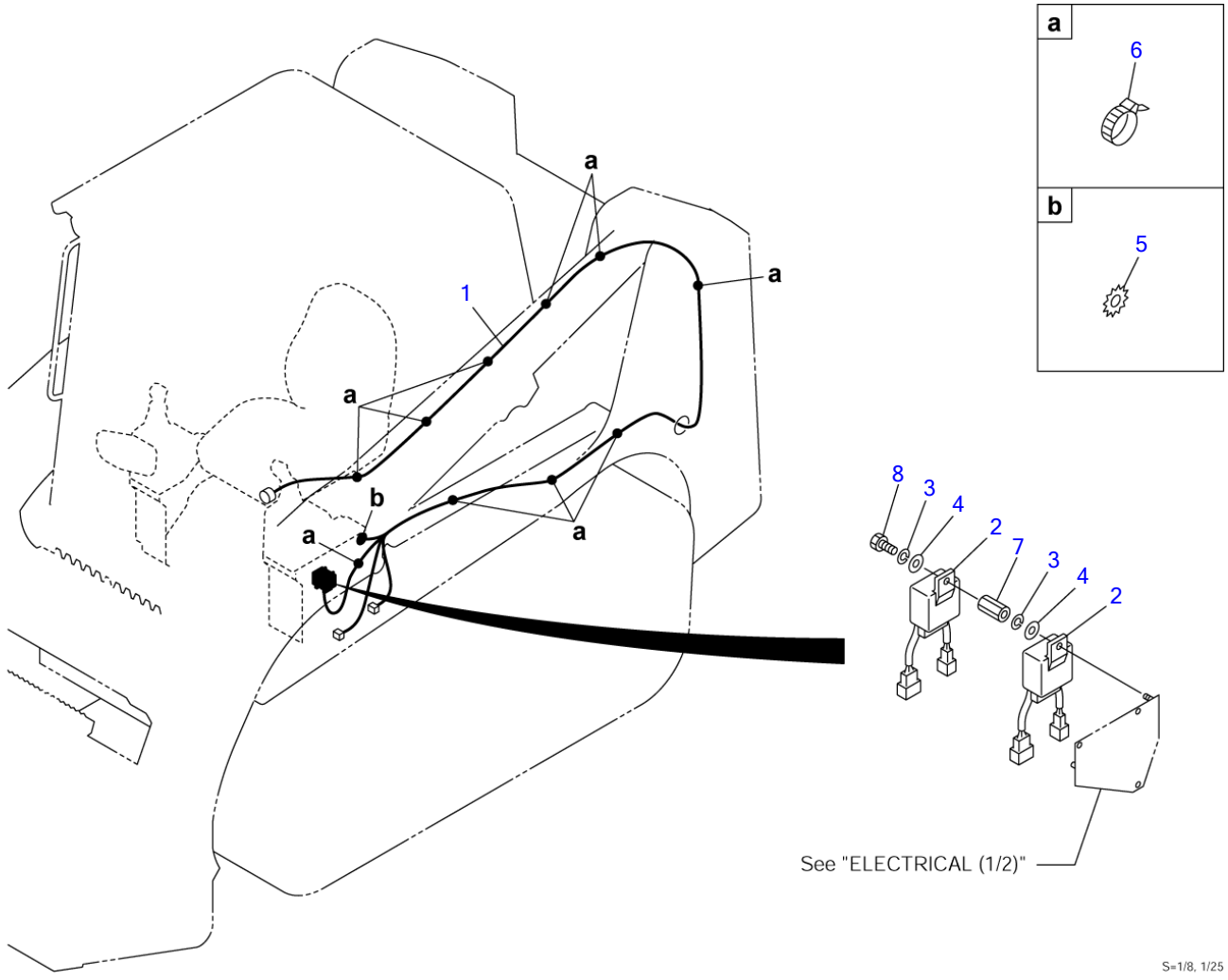
Item	Part number	Description	Q'ty	Chan.	Serial No.	Serv.	Remarks
		ELECTRICAL (3/3)					
0-1	0664206100	RELAY UNIT ASSY	1				
	0664207100	RELAY UNIT ASSY	1				
3	0664206110	* RELAY UNIT	1				
3-1	0664202520	* * BRACKET	1				
3-3	1910245125	* * RELAY	3				
3-4	1910245130	* * BRACKET	3				
3-8	1711900123	* * RELAY	1				
3-9	0664202530	* * RUBBER	1				
3-10	1100040612	* * BOLT	7				
3-11	1140020006	* * SPRING WASHER	7				
3-12	0003600110	* * WASHER	7				
4	0664207110	* RELAY UNIT	1				
4-1	0654202670	* * BRACKET	1				
4-2	0872433150	* * TUBE	2				
4-3	1910245125	* * RELAY	3				
4-4	1910245130	* * BRACKET	3				
4-8	1711900123	* * RELAY	1				
4-9	0882421001	* * RUBBER	1				
4-10	1100040612	* * BOLT	6				
4-11	1140020006	* * SPRING WASHER	6				
4-12	0003600110	* * WASHER	6				
5	0664202540	* BRACKET	1				
6	1141110010	* WASHER	2				
7	1140020010	* SPRING WASHER	2				
8	1100041016	* BOLT	2				
9	1652231250	* BAND	1				
10	1652201007	* BAND	1				
	U1C430						



U1C150

S=1/5, 1/20

<b>RADIO</b>						
Item	Part number	Description	Q'ty	Chan.	Serial No.	Serv. Remarks
		RADIO ASSY (for Europe, Asia, Oceania)				
		RADIO ASSY (for America)				
		RADIO ASSY (for Japan)				
1	<b>1705004660</b>	RADIO (for Europe, Asia, Oceania)	1			M
	<b>1705004670</b>	RADIO (for America)	1			M
	<b>1705004680</b>	RADIO (for Japan)	1			M
2	<b>0664700020</b>	CASE	1			M
3	<b>0664700030</b>	BRACKET	2			M
4	<b>1100040816</b>	BOLT	2			
5	<b>1141110008</b>	WASHER	2			
6	<b>1140020008</b>	WASHER, spring	2			
7	<b>1150410520</b>	SCREW	4			M
8	<b>1652520005</b>	RUBBER, cushion	4			M
	<b>U1c150</b>					

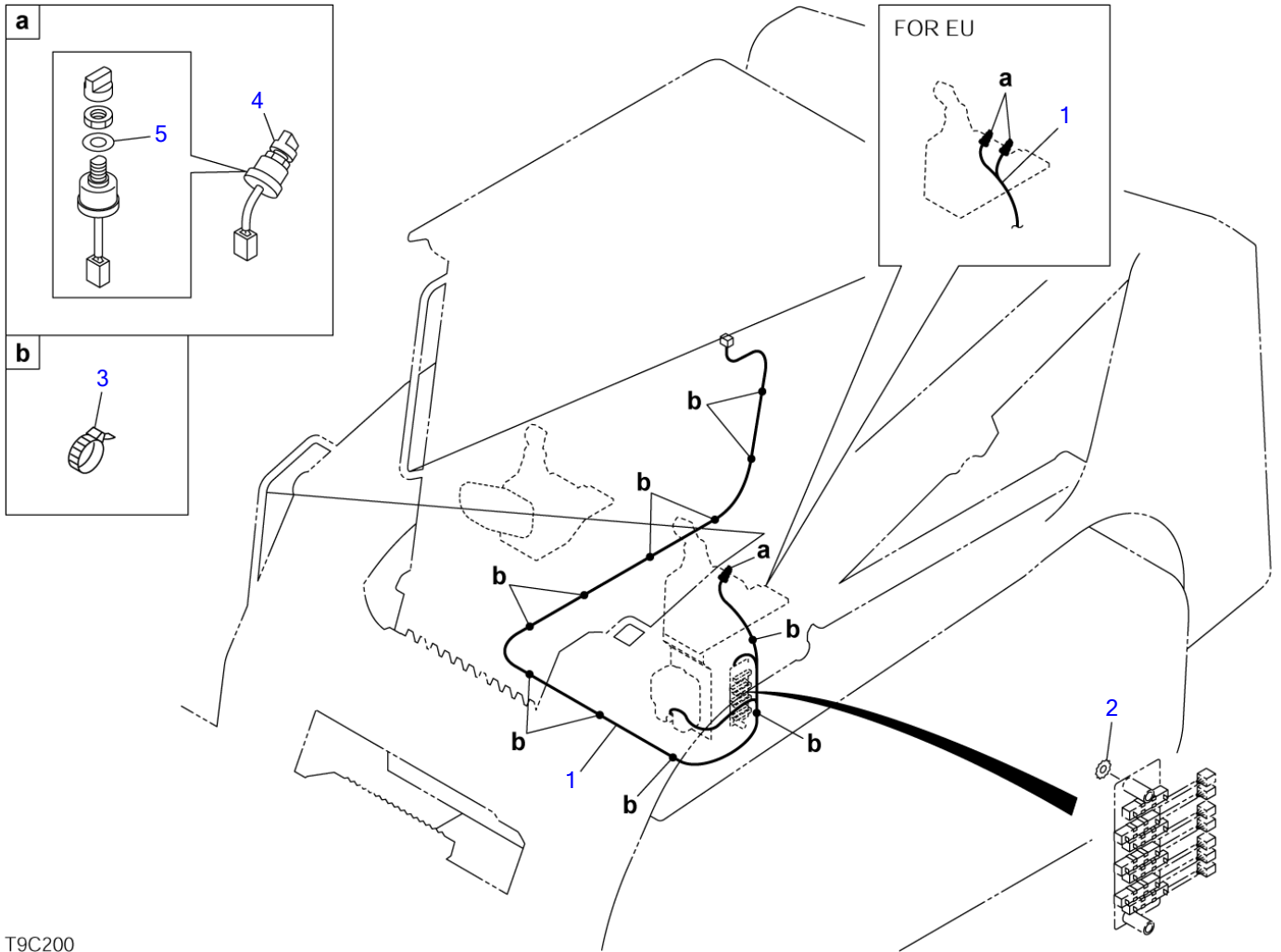


See "ELECTRICAL (1/2)"



**ELECTRICAL (multi-functional grip type)**

Item	Part number	Description	Q'ty	Chan.	Serial No.	Serv.	Remarks
		SWITCH ASSY, grip	1				
1	<b>0654202530</b>	HARNESS, wiring	1			M	
	<b>0664203600</b>	WIRING HARNESS	1				
2	<b>1711900062</b>	RELAY	2			M	
3	<b>1140020006</b>	WASHER, spring	2			M	
4	<b>1141110006</b>	WASHER	2			M	
5	<b>1140330010</b>	WASHER	1			M	
6	<b>1652231250</b>	BAND	11			M	
7	<b>1134830635</b>	NUT	1			M	
8	<b>1100040616</b>	BOLT	1			M	
	<b>U1c191</b>						

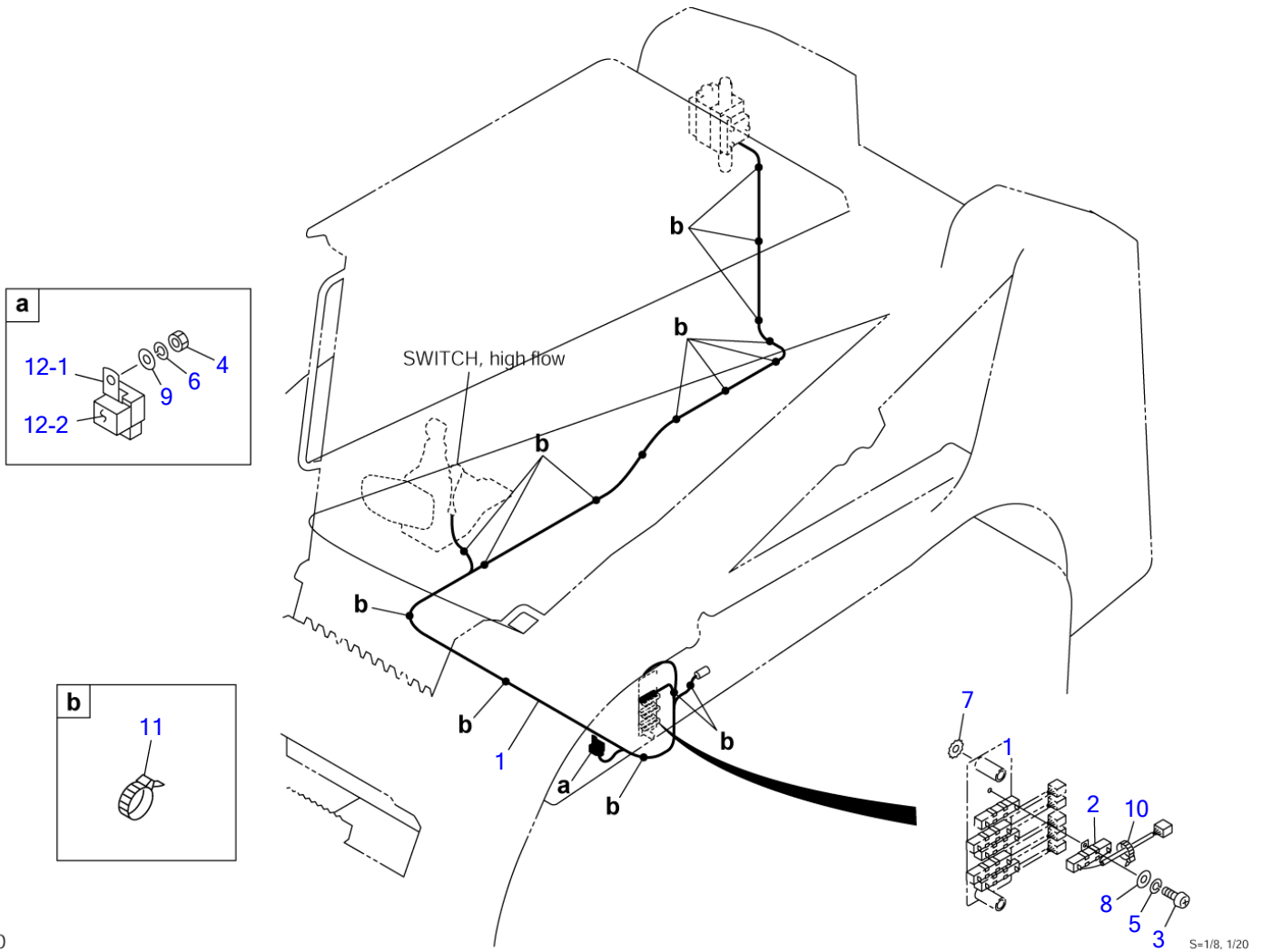


T9C200

S-1/5, 1/20

**ELECTRICAL (cab)**

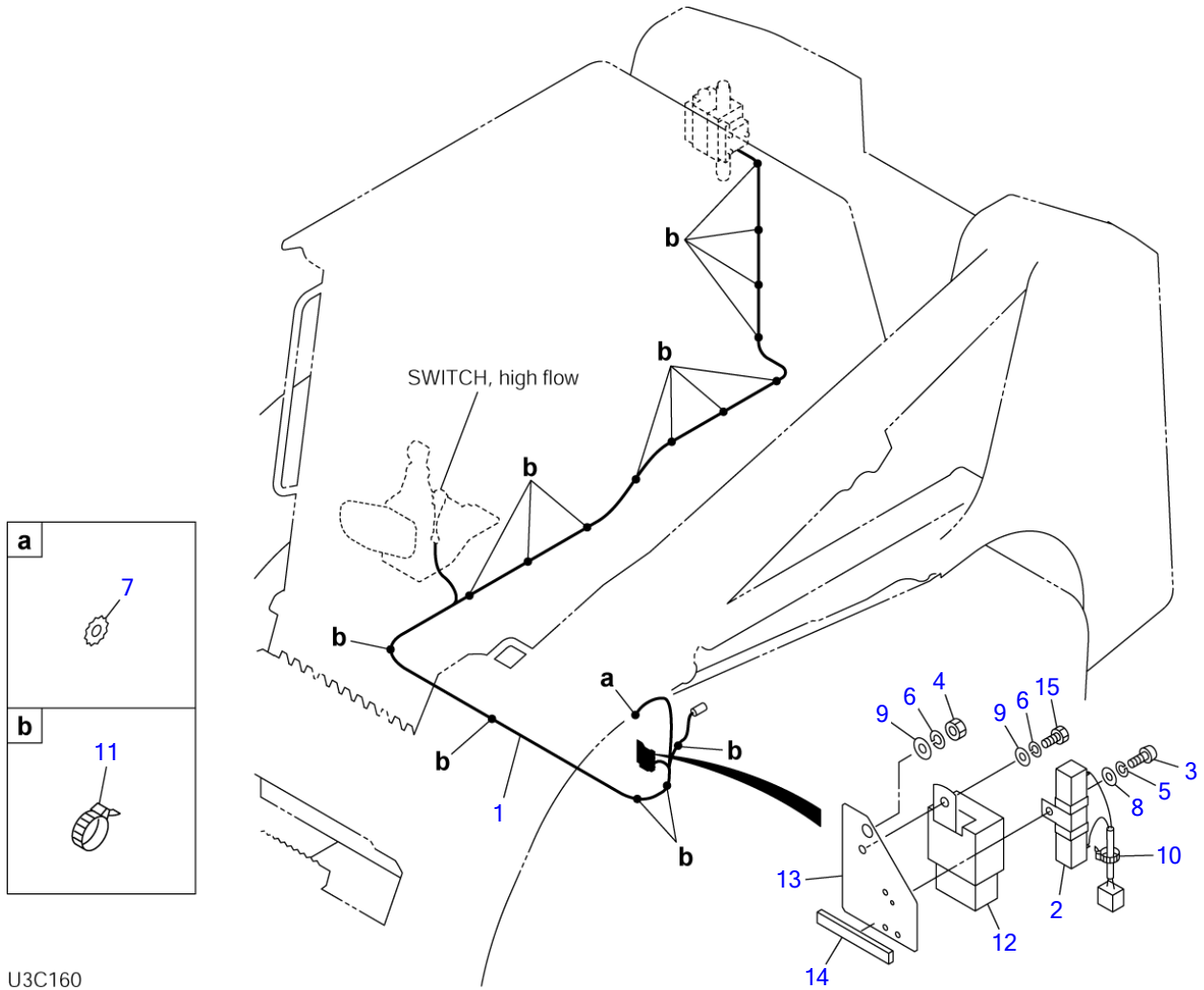
Item	Part number	Description	Q'ty	Chan.	Serial No.	Serv.	Remarks
		ELECTRICAL ASSY					
		ELECTRICAL ASSY (for EU)					
1	<b>0880427810</b>	HARNESS, wiring	1				
	<b>0882421410</b>	HARNESS, wiring	1				for EU
2	<b>1140330010</b>	WASHER	1				
3	<b>1652231250</b>	BAND	10				
4	<b>1704300007</b>	SWITCH, wiper	1				
	<b>1704300007</b>	SWITCH, wiper	2				for EU
5	<b>1141810012</b>	WASHER	1				
	<b>1141810012</b>	WASHER	2				for EU
	<b>U1c120</b>						



T8C260

**ELECTRICAL (high flow)**

Item	Part number	Description	Q'ty	Chan.	Serial No.	Serv.	Remarks
		ELECTRICAL ASSY					
1	0880426600	HARNES, wiring	1				
2	0881421710	RESISTOR	1				
3	1120530306	SCREW	1				
4	1130040006	NUT	1				
5	1140020003	WASHER, spring	1				
6	1140020006	WASHER, spring	1				
7	1140330010	WASHER	1				
8	1141110003	WASHER	1				
9	1141110006	WASHER	1				
10	1652200003	BAND	1				
11	1652231250	BAND	16				
12	0334230130	RELAY ASSY	1				
12-1	1711900042	· RELAY	1				
12-2	1654302003	· SPONGE	1				
	T8c260						

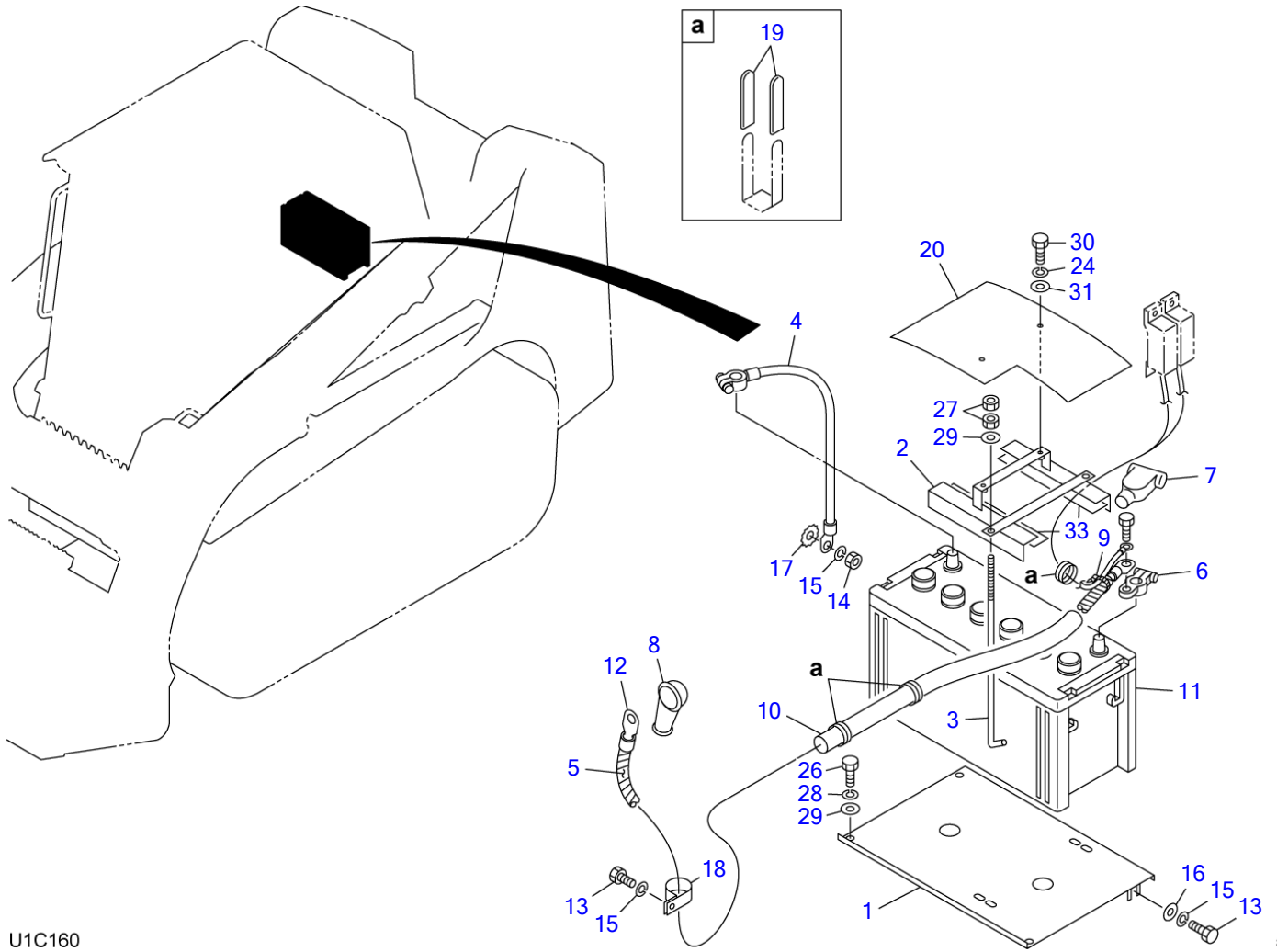


U3C160

S=1/4, 1/20

**ELECTRICAL (high flow)**

Item	Part number	Description	Q'ty	Chan.	Serial No.	Serv.	Remarks
		ELECTRICAL ASSY					
1	<b>0694200510</b>	HARNES, wiring	1				
1-1	<b>1730500008</b>	• DIODE (3A yellow)	1				
2	<b>0881421710</b>	RESISTOR	1				
3	<b>1120530306</b>	SCREW	1				
4	<b>1130040006</b>	NUT	1				
5	<b>1140020003</b>	WASHER, spring	1				
6	<b>1140020006</b>	WASHER, spring	2				
7	<b>1140330010</b>	WASHER	1				
8	<b>1141110003</b>	WASHER	1				
9	<b>1141110006</b>	WASHER	2				
10	<b>1652200003</b>	BAND	1				
11	<b>1652231250</b>	BAND	16				
12	<b>1711900042</b>	RELAY	1				
13	<b>0694200520</b>	BRACKET	1				
14	<b>1654301006</b>	SPONGE	1				sold by the meter
15	<b>1100040610</b>	BOLT	1				
	<b>U3c160</b>						



U1C160

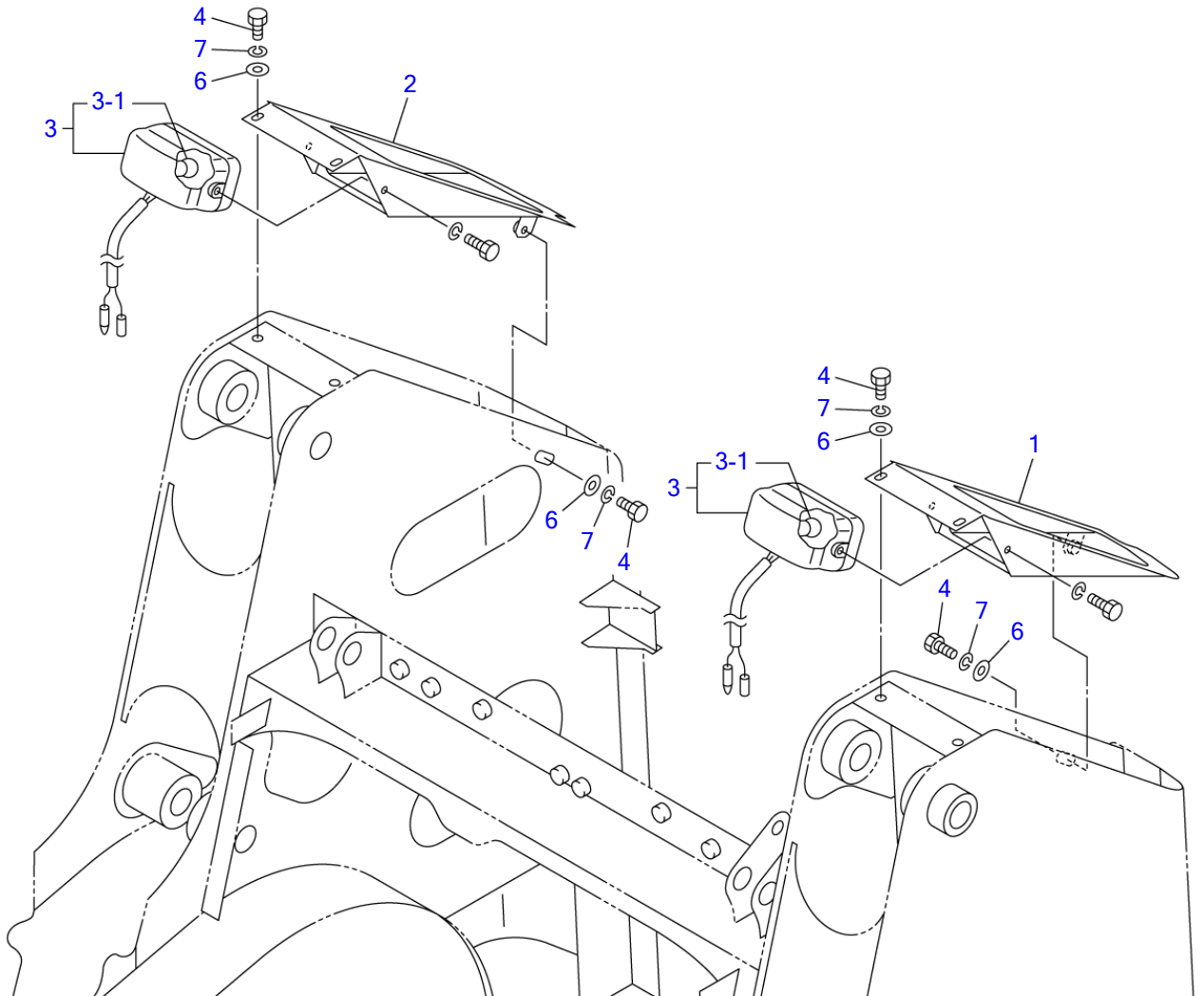
S=1/10, 30



**BATTERY**

Item	Part number	Description	Q'ty	Chan.	Serial No.	Serv.	Remarks
		BATTERY ASSY					
1	0880442060	PLATE	1				
2	0880442020	CLAMP	1				
3	1702108245	BOLT	2				
4	1702230030	CABLE, earth	1				
5	1703221330	PROTECTOR	1				sold by the meter
6	1702330000	TERMINAL	1				
7	1702920080	COVER	1				
8	1702901283	CAP	1				
9	1652231140	BAND	1				
10	1531325110	PROTECTOR	1				sold by the meter
11	1702050141	BATTERY	1				
12	1702530135	CABLE, battery	1				
13	1100041016	BOLT	2				
14	1130040010	NUT	1				
15	1140020010	WASHER, spring	3				
16	1141110010	WASHER	1				
17	1140330010	WASHER	1				
18	1711900072	CLAMP	1				
19	0872433150	TUBE	6				
20	0880442001	SHEET	1				
24	1140020006	WASHER, spring	2				
26	1100040816	BOLT	3				
27	1130040008	NUT	4				
28	1140020008	WASHER, spring	3				
29	1141110008	WASHER	5				
30	1100040616	BOLT	2				
31	0003606202	WASHER	2				
33	0880442050	RUBBER	2				
	U1c160						

TL230 Book No. BU1Z004 S/N 223000001-  
REAR LAMP



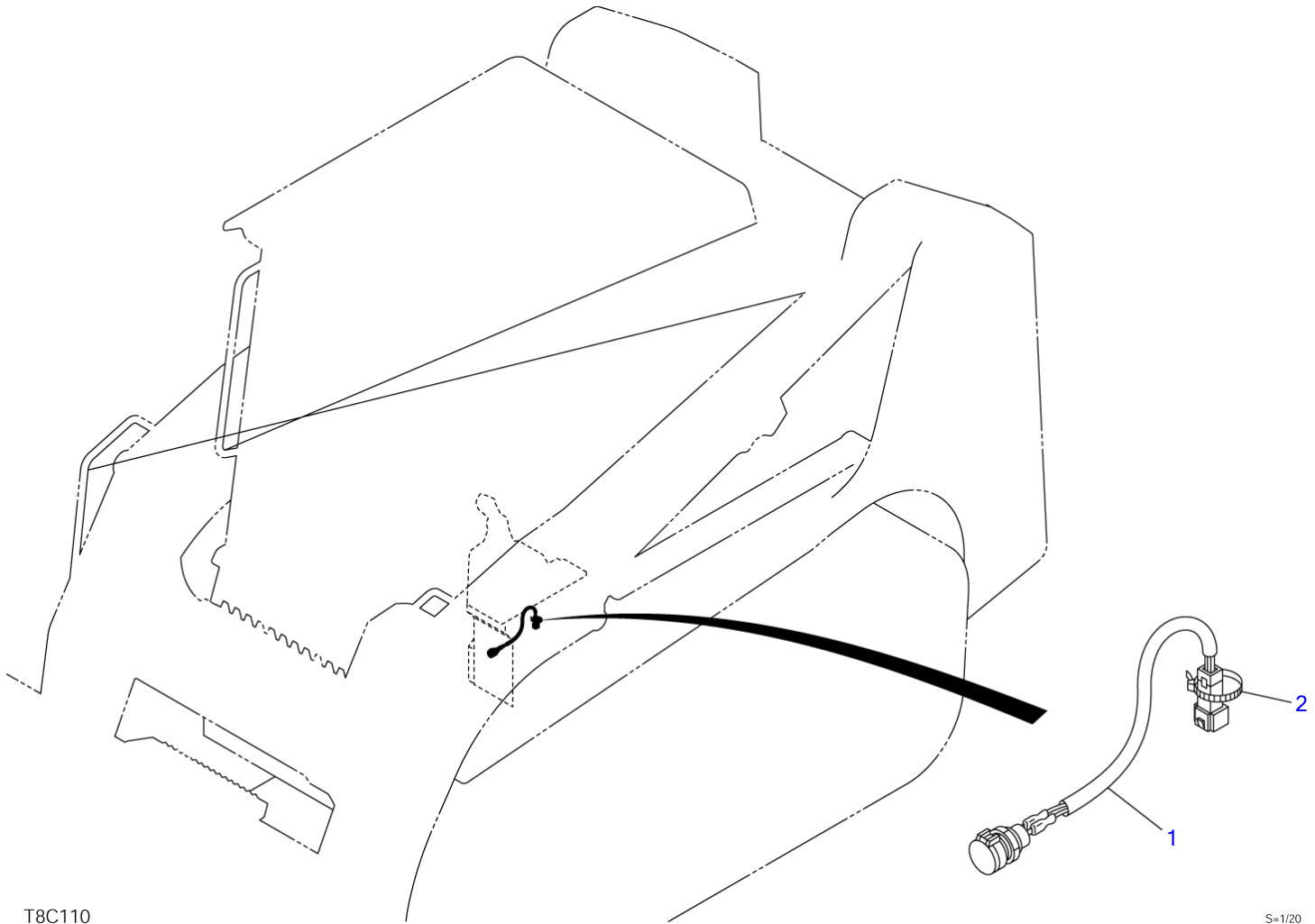
T8C100

S=1/10

**REAR LAMP**

Item	Part number	Description	Q'ty	Chan.	Serial No.	Serv.	Remarks
		LAMP ASSY, rear					
1	<b>0880491100</b>	COVER(L.H.)	1				
2	<b>0880491200</b>	COVER(R.H.)	1				
3	<b>1703006900</b>	LAMP	2				
3-1	<b>1703006902</b>	• BULB	1				12V, 55W
4	<b>1100040816</b>	BOLT	6				
6	<b>0003608252</b>	WASHER	6				
7	<b>1140020008</b>	WASHER, spring	6				
	<b>T8c101</b>						

TL230 Book No. BU1Z004 S/N 223000001-  
MAINTENANCE LIGHT SOCKET

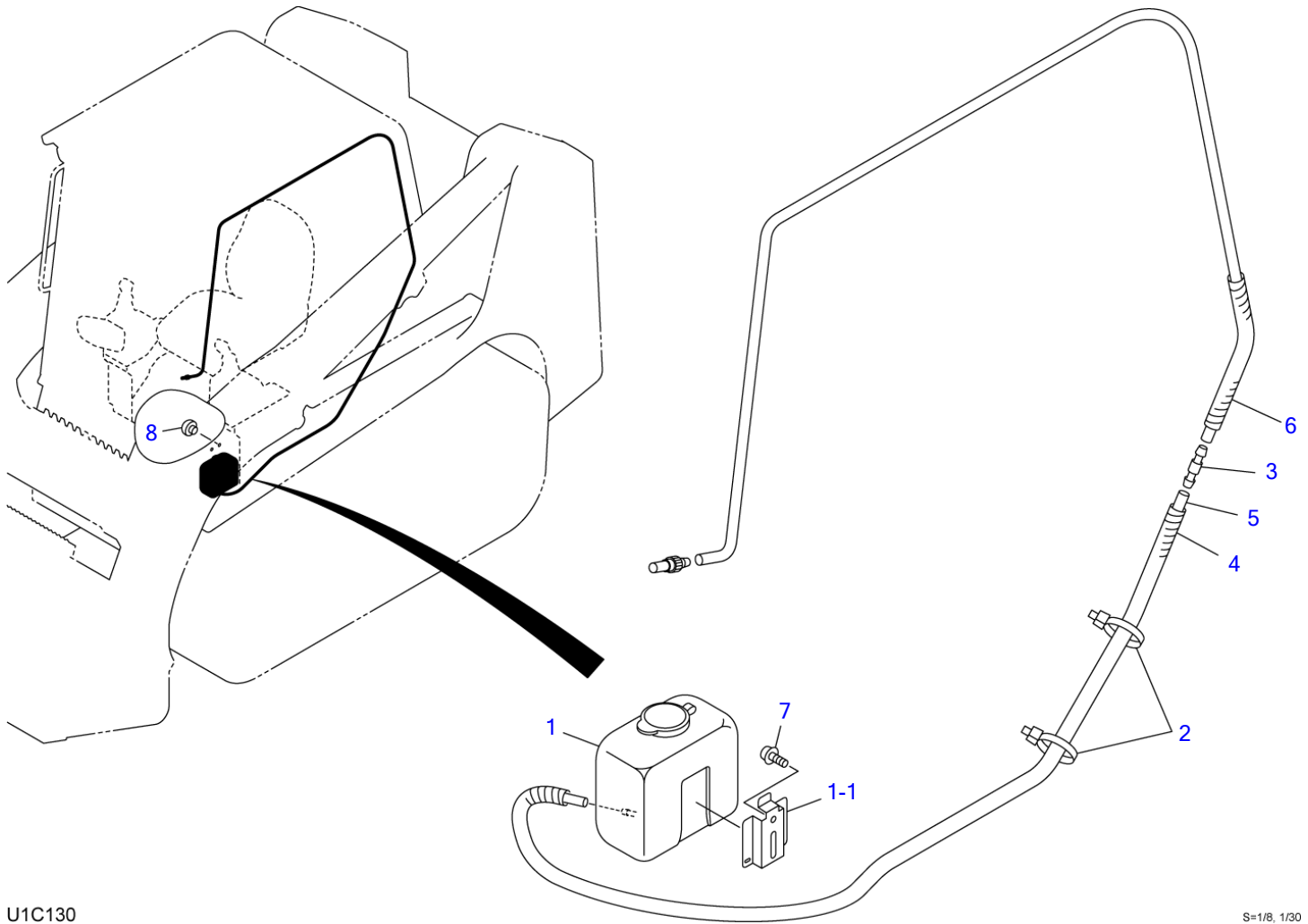


T8C110

S=1/20

**MAINTENANCE LIGHT SOCKET**

Item	Part number	Description	Q'ty	Chan.	Serial No.	Serv.	Remarks
1	<b>0394203100</b>	SOCKET ASSY, maintenance light	1				
2	<b>1652231250</b>	SOCKET ASSY	1				
	<b>T8c110</b>	BAND	1				

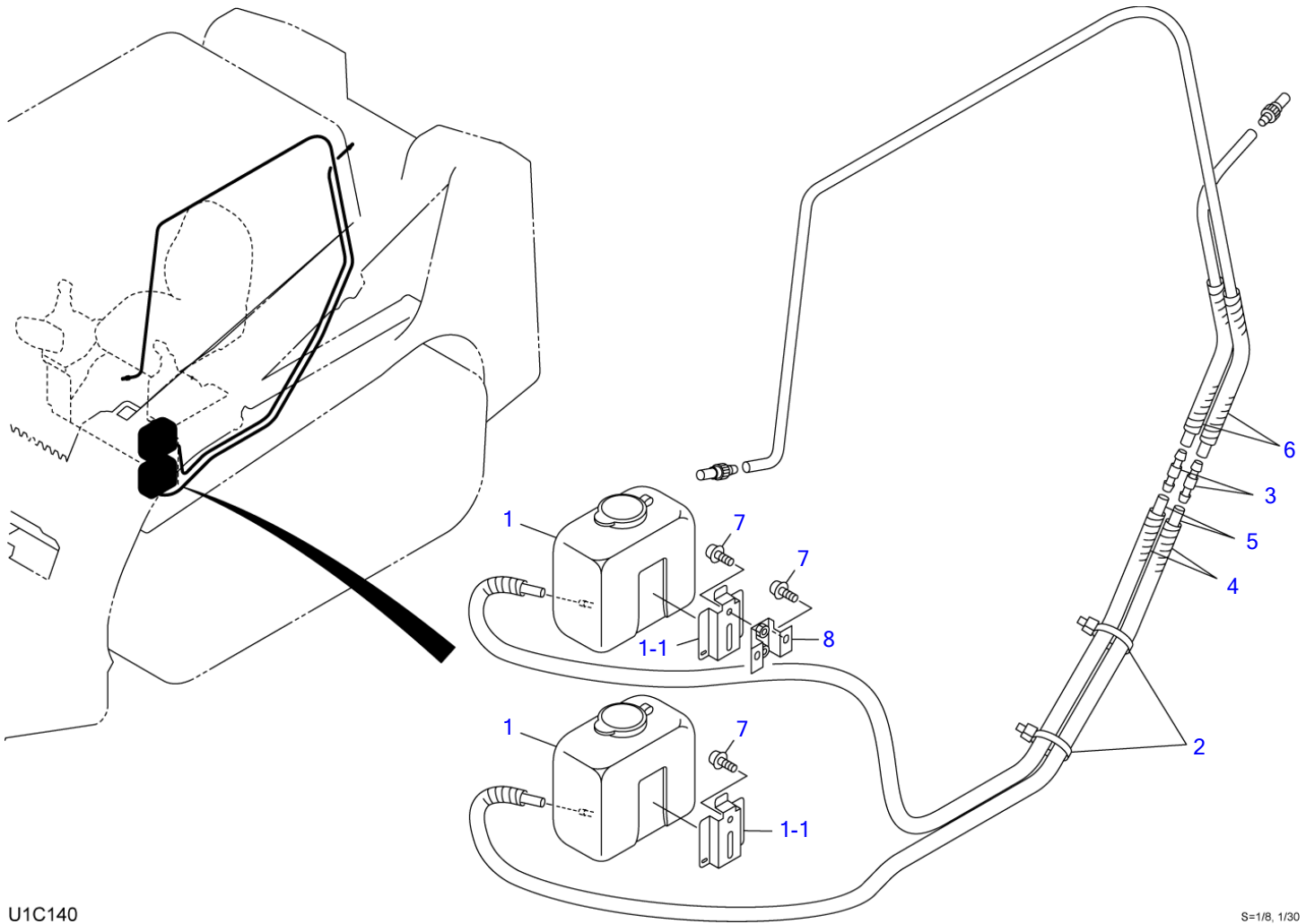


U1C130

S=1/8, 1/30

WINDOW WASHER

Item	Part number	Description	Q'ty	Chan.	Serial No.	Serv.	Remarks
		WASHER ASSY, window					
1	1711910290	TANK	1				
1-1	1711910291	• BRACKET	1				
2	1652231140	BAND	2				
3	1711910014	JOINT	1				
4	1703220750	PROTECTOR	1				sold by the meter
5	1711919150	HOSE	1				sold by the meter
6	1703210725	PROTECTOR	1				sold by the meter
7	1150410612	SCREW	2				
8	1652533015	CAP	2				
	U1c130						



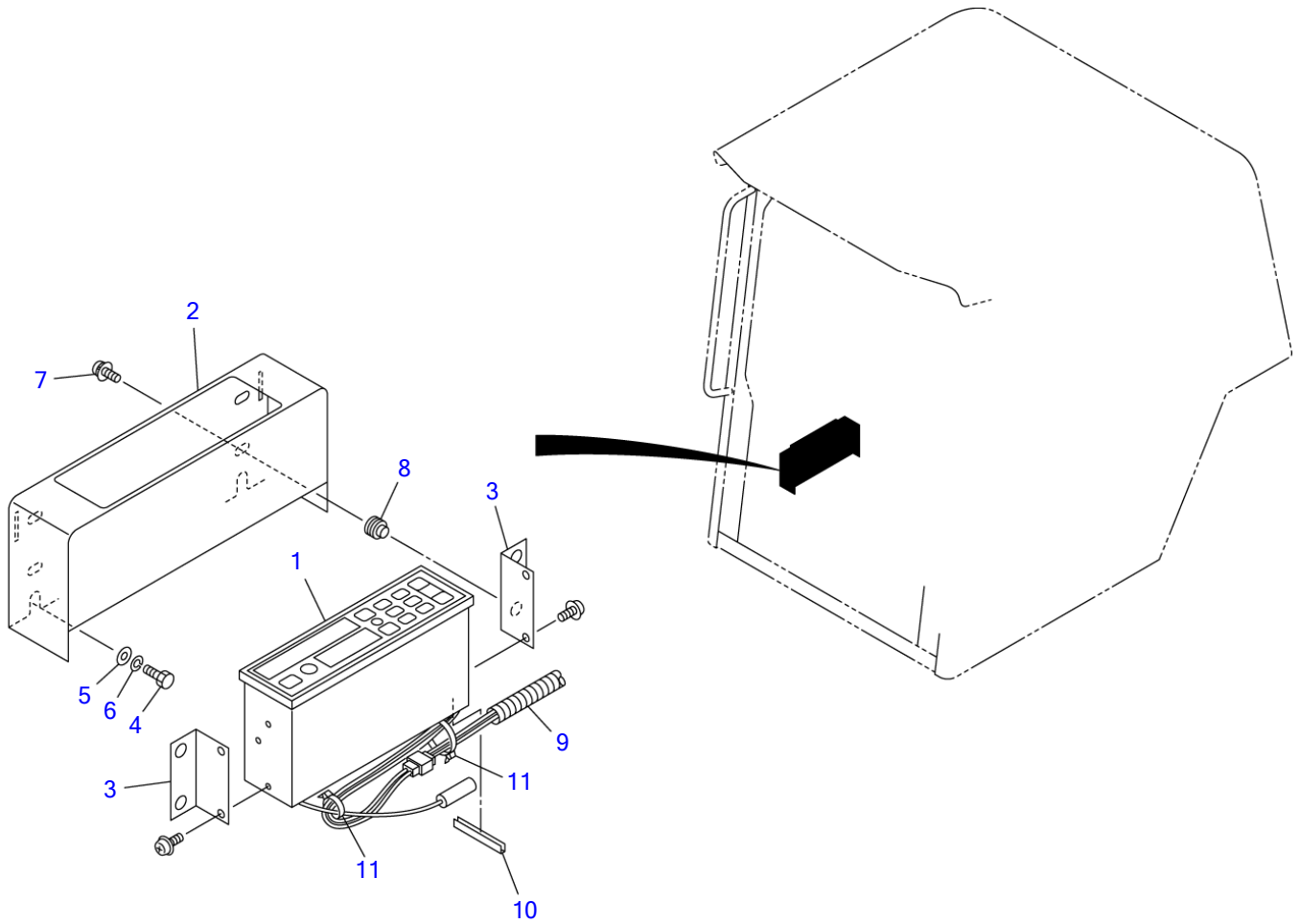
U1C140

S=1/8, 1/30



**WINDOW WASHER (for EU)**

Item	Part number	Description	Q'ty	Chan.	Serial No.	Serv.	Remarks
		WASHER ASSY, window					
1	<b>1711910290</b>	TANK	2				
1-1	<b>1711910291</b>	• BRACKET	2				
2	<b>1652231140</b>	BAND	2				
3	<b>1711910014</b>	JOINT	2				
4	<b>1703220750</b>	PROTECTOR	2				sold by the meter
5	<b>1711919150</b>	HOSE	2				sold by the meter
6	<b>1703210725</b>	PROTECTOR	2				sold by the meter
7	<b>1150410612</b>	SCREW	6				
8	<b>0668900180</b>	BRACKET	1				
	<b>U1c140</b>						

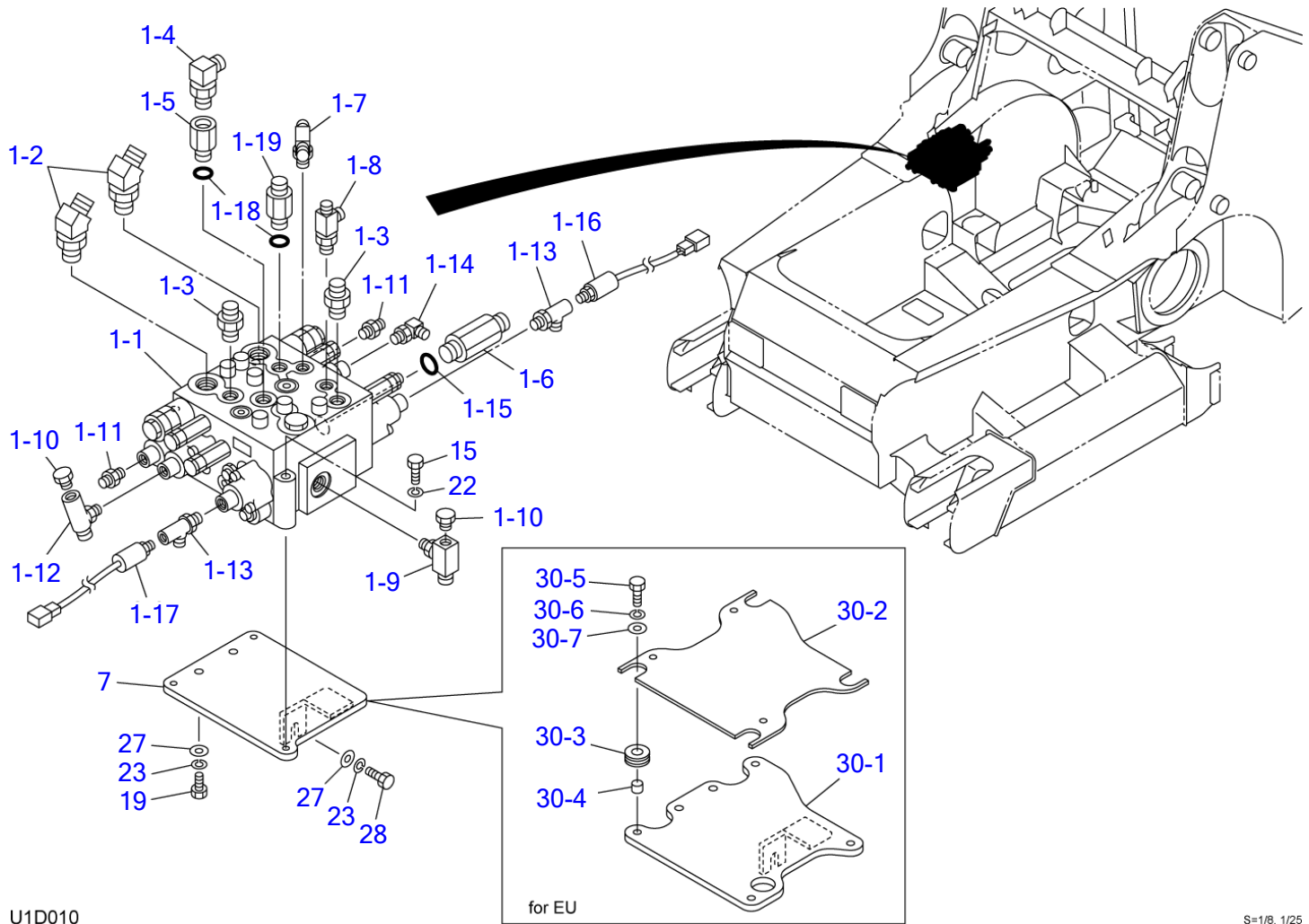


U3C210

S=1/5, 1/20

<b>RADIO</b>						
Item	Part number	Description	Q'ty	Chan.	Serial No.	Serv. Remarks
		RADIO ASSY (for Europe, Asia, Oceania)				
		RADIO ASSY (for America)				
		RADIO ASSY (for Japan)				
1	<b>1705004660</b>	RADIO (for Europe, Asia, Oceania)	1			M
	<b>1705004670</b>	RADIO (for America)	1			M
	<b>1705004680</b>	RADIO (for Japan)	1			M
2	<b>0694700025</b>	CASE	1			M
3	<b>0694700030</b>	BRACKET	2			M
4	<b>1100040816</b>	BOLT	2			M
5	<b>1141110008</b>	WASHER	2			M
6	<b>1140020008</b>	WASHER, spring	2			M
7	<b>1150410520</b>	SCREW	4			M
8	<b>1652520005</b>	RUBBER, cushion	4			M
9	<b>1703252240</b>	TUBE	1			M
10	<b>1653916005</b>	TRIM	1			M sold by the meter
11	<b>1652201003</b>	BAND	2			M
	<b>U3c210</b>					

TL230 Book No. BU1Z004 S/N 223000001-  
**VALVE & ACCESSORIES (1/2)**



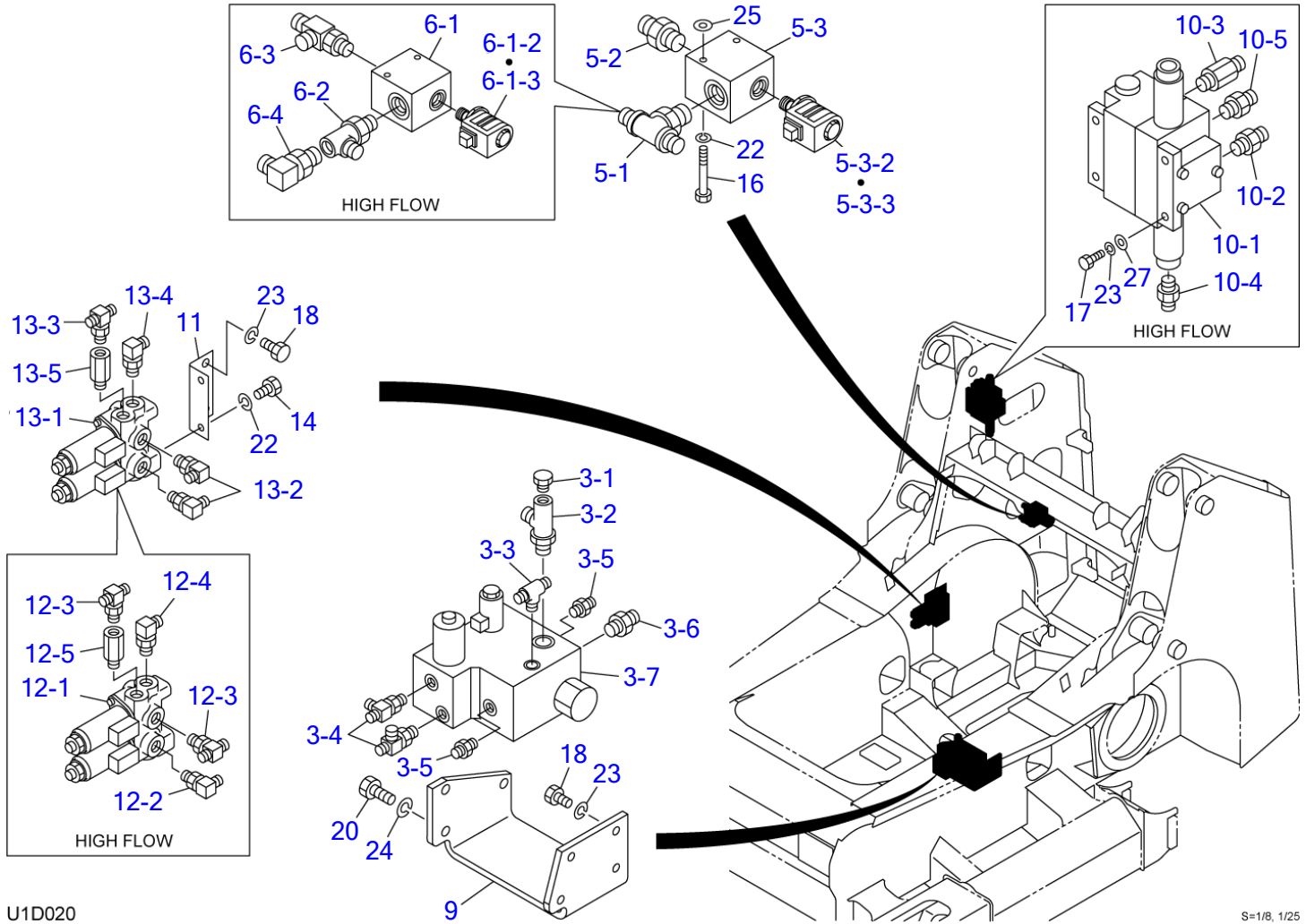
U1D010

S=1/8, 1/25

**VALVE & ACCESSORIES (1/2)**

Item	Part number	Description	Q'ty	Chan.	Serial No.	Serv.	Remarks
		VALVE ASSY, control					
		VALVE ASSY, control (high flow)					
		VALVE ASSY, control (for EU)					
		VALVE ASSY, control (for EU, high flow)					
1	X *****	VALVE ASSY, control	1				
1-1	1901045200	• VALVE, control	1				
1-2	1515100048	• ELBOW	2				
	1420010240	• • O-RING	1				
1-3	1515600202	• ADAPTOR	2				
	1420010180	• • O-RING	1				
1-4	1515010042	• ELBOW	1				
	1420010180	• • O-RING	1				
1-5	0007213010	• BUSHING	1				
1-6	0007203083	• ADAPTOR	1				
1-7	1512370002	• TEE (with filter)	1				
	1420010110	• • O-RING	1				
1-8	1512370011	• TEE	1				
	1420010110	• • O-RING	1				
1-9	1513390014	• TEE	1				
	1420010180	• • O-RING	1				
1-10	1501750002	• PLUG	2				
	1420010110	• • O-RING	1				
1-11	1515600200	• ADAPTOR	2				
	1420010110	• • O-RING	1				
1-12	1513390029	• TEE	1				
	1420010110	• • O-RING	1				
1-13	1512340001	• TEE	2				
	1420010110	• • O-RING	1				
1-14	1515012040	• ELBOW	1				
	1420010110	• • O-RING	1				
1-15	1420010240	• O-RING	1				
1-16	1700100041	• SWITCH, pressure	1				
	1420010110	• • O-RING	1				
1-17	1700100060	• SWITCH, pressure	1				
	1420010110	• • O-RING	1				
1-18	1420010180	• O-RING	2				
1-19	0007203033	• ADAPTOR	1				
7	0665001070	BRACKET	1				
15	1100040880	BOLT	3				
19	1100041030	BOLT	2				
22	1140020008	WASHER, spring	3				
23	1140020010	WASHER, spring	3				
27	0003600020	WASHER	3				
28	1100041025	BOLT	1				
30	0665001300	BRACKET ASSY	1				for EU
30-1	0665001310	• PLATE	1				for EU
30-2	0665001320	• PLATE	1				for EU
30-3	0882502130	• CUSHION	4				for EU
30-4	0882502140	• PIPE	4				for EU
30-5	1100040825	• BOLT	4				for EU
30-6	1140020008	• WASHER, spring	4				for EU
30-7	0003609003	• WASHER	4				for EU
	U1d011						

TL230 Book No. BU1Z004 S/N 223000001-  
**VALVE & ACCESSORIES (2/2)**



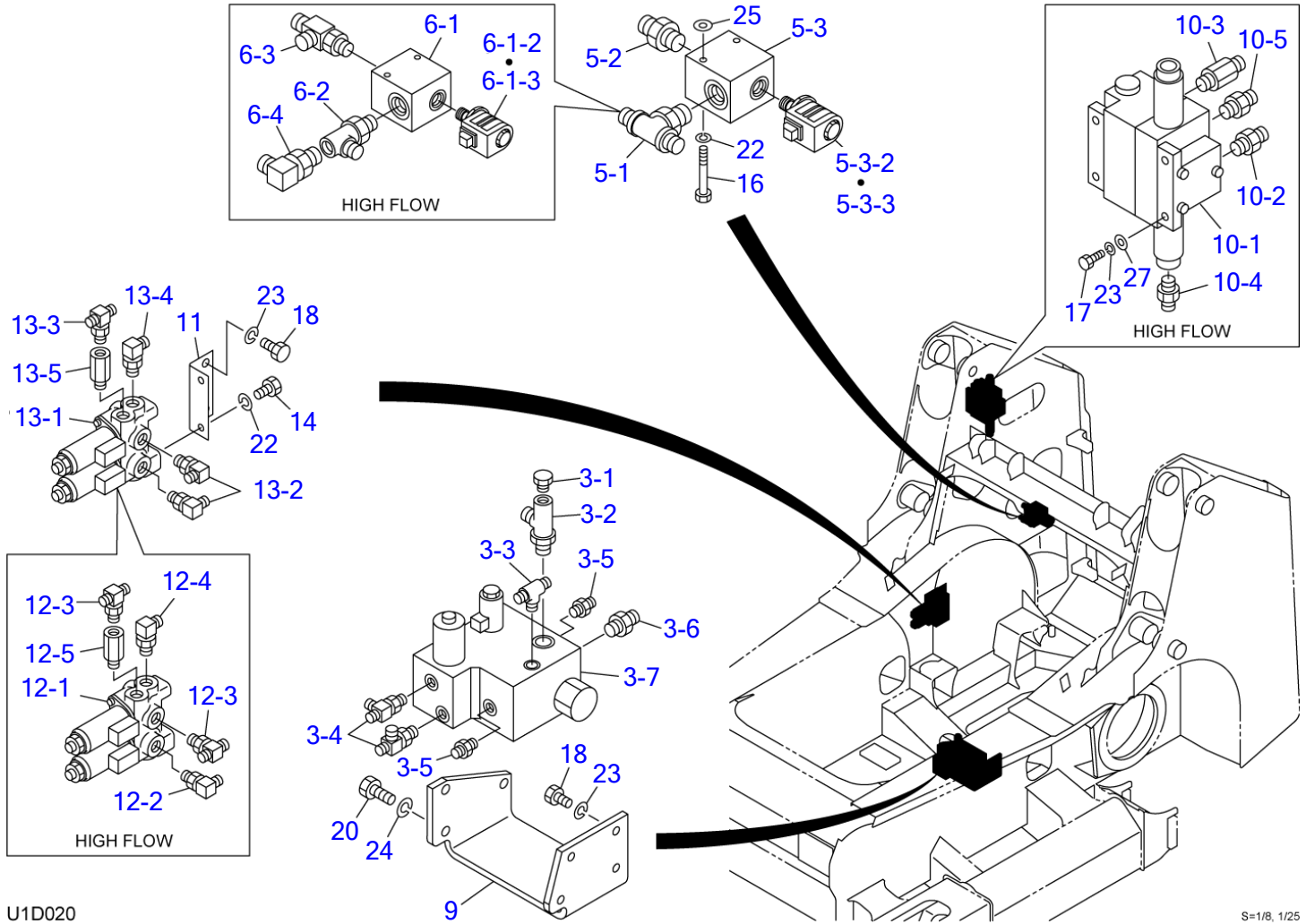
U1D020

S=1/8, 1/25

**VALVE & ACCESSORIES (2/2)**

Item	Part number	Description	Q'ty	Chan.	Serial No.	Serv.	Remarks
		VALVE ASSY, control					
		VALVE ASSY, control (high flow)					
		VALVE ASSY, control (for EU)					
		VALVE ASSY, control (for EU, high flow)					
3	X *****	VALVE ASSY, sub	1				
3-1	1501750002	• PLUG	1				
	1420010110	• • O-RING	1				
3-2	1512340004	• ELBOW	1				
	1420010180	• • O-RING	1				
3-3	1512370010	• TEE	1				
	1420010110	• • O-RING	1				
3-4	1512370011	• TEE	2				
	1420010110	• • O-RING	1				
3-5	1515600200	• ADAPTOR	2				
	1420010110	• • O-RING	1				
3-6	1515600202	• ADAPTOR	1				
	1420010180	• • O-RING	1				
3-7	1901748100	• VALVE, sub	1				
5	X *****	VALVE ASSY, solenoid	1				
5-1	1512374011	• TEE	1				
	1420010240	• • O-RING	1				
5-2	1515600203	• ADAPTOR	1				
	1420010240	• • O-RING	1				
5-3	1901753600	• VALVE, solenoid	1				
5-3-2	1901753602	• • SOLENOID	1				
5-3-3	1901753603	• • COIL	1				
6	X *****	VALVE ASSY, solenoid (high flow)	1				
6-1	1901753600	• VALVE, solenoid	1				high flow
6-1-2	1901753602	• • SOLENOID	1				high flow
6-1-3	1901753603	• • COIL	1				high flow
6-2	1512340019	• ELBOW	1				high flow
	1420010240	• • O-RING	1				high flow
6-3	0695000063	• TEE	1				high flow
6-4	1515010042	• ELBOW	1				high flow
	1420010180	• • O-RING	1				high flow
9	0665001090	BRACKET	1				
10	X *****	VALVE SUB ASSY (high flow)	1				
10-1	1901039500	• VALVE, control	1				high flow
10-2	0007203007	• ADAPTOR	1				high flow
	1420310908	• • O-RING	1				high flow
10-3	0007203058	• ADAPTOR	1				high flow
	1420010180	• • O-RING	1				high flow
10-4	0575002020	• ADAPTOR	1				high flow
	1420010110	• • O-RING	1				high flow
10-5	1515600202	• ADAPTOR	1				high flow
	1420010180	• • O-RING	1				high flow
11	0882500100	BRACKET	1				
12	X *****	VALVE SUB ASSY (high flow)	1				
12-1	1901752100	• VALVE, proportional control	1				high flow
12-2	1515012040	• ELBOW	1				high flow
	1420010110	• • O-RING	1				high flow
12-3	1512370010	• TEE	2				high flow
	1420010110	• • O-RING	1				high flow
12-4	1512375004	• ELBOW (with filter)	1				high flow
	1420010110	• • O-RING	1				high flow
12-5	0007213028	• BUSHING	1				high flow
	1420010110	• • O-RING	1				high flow
13	X *****	VALVE SUB ASSY	1				
13-1	1901752100	• VALVE, proportional control	1				
13-2	1515012040	• ELBOW	2				
	1420010110	• • O-RING	1				
13-3	1512370010	• TEE	1				
	1420010110	• • O-RING	1				
13-4	1512375004	• ELBOW (with filter)	1				
	1420010110	• • O-RING	1				
13-5	0007213028	• BUSHING	1				
	1420010110	• • O-RING	1				
14	1100040816	BOLT	2				

TL230 Book No. BU1Z004 S/N 223000001-  
**VALVE & ACCESSORIES (2/2)**



U1D020

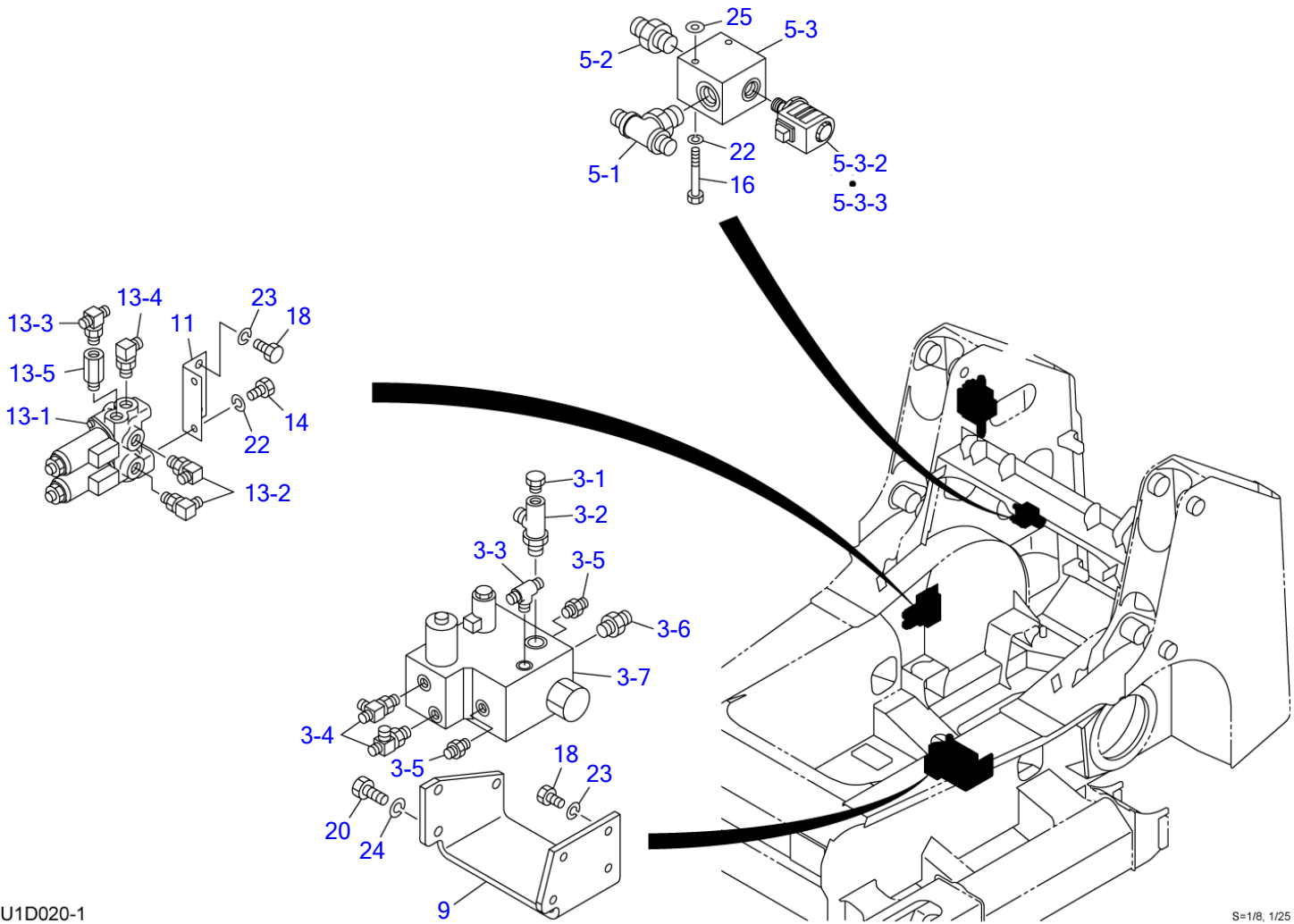
S=1/8, 1/25



**VALVE & ACCESSORIES (2/2)**

Item	Part number	Description	Q'ty	Chan.	Serial No.	Serv.	Remarks
16	<b>1100040870</b>	BOLT	2				
17	<b>1101041025</b>	BOLT	3				high flow
18	<b>1100041020</b>	BOLT	6				
20	<b>1100041225</b>	BOLT	3				
22	<b>1140020008</b>	WASHER, spring	4				
23	<b>1140020010</b>	WASHER, spring	6				
23	<b>1140020010</b>	WASHER, spring	9				high flow
24	<b>1140020012</b>	WASHER, spring	3				
25	<b>1141110008</b>	WASHER	2				
27	<b>0003600020</b>	WASHER	3				high flow
	<b>U1d020</b>						

TL230 Book No. BU1Z004 S/N 223000001-  
VALVE & ACCESSORIES (2/2) (for GEHL & MUSTANG)



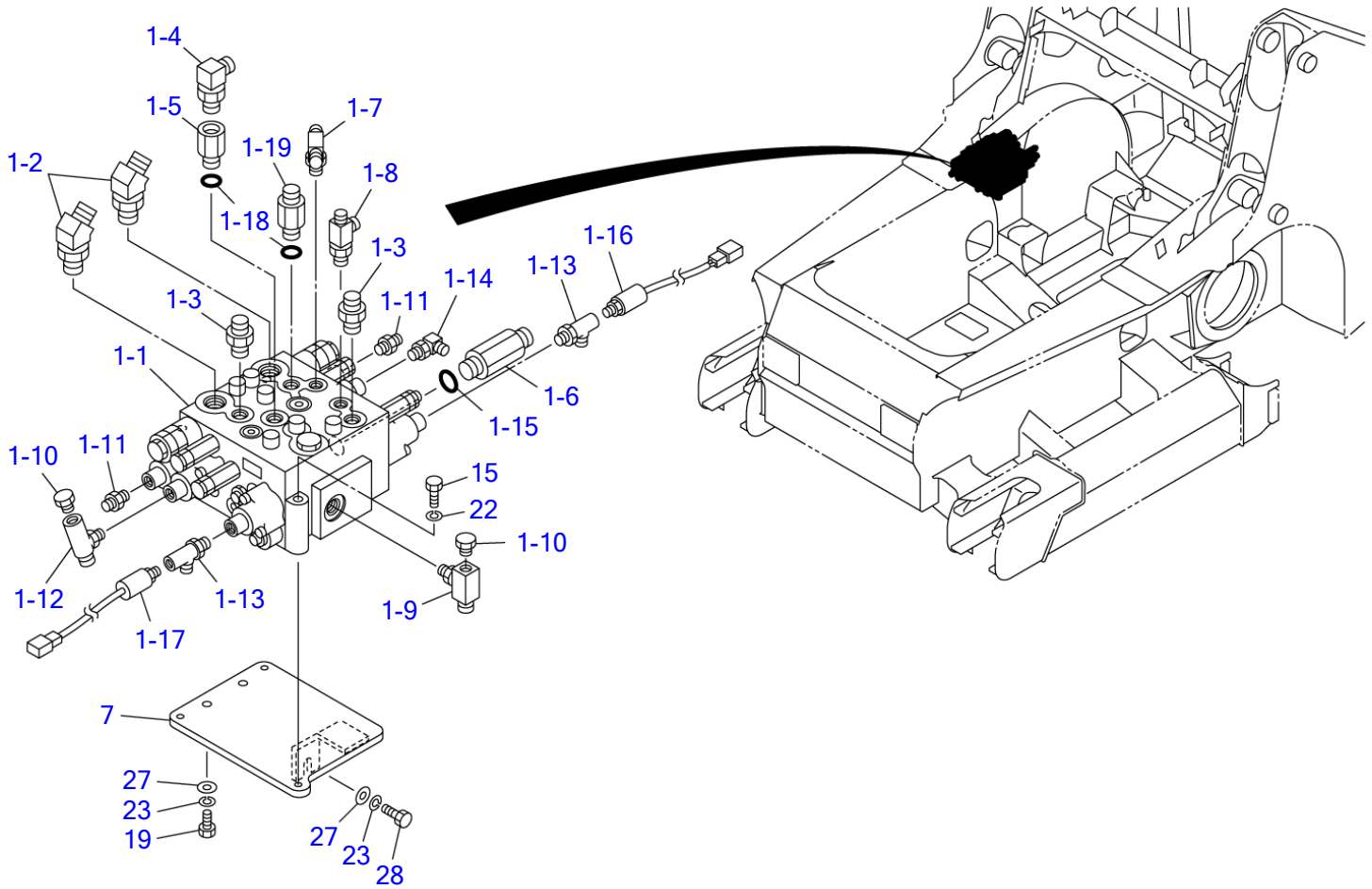
U1D020-1

S=1/8, 1/25

**VALVE & ACCESSORIES (2/2) (for GEHL & MUSTANG)**

Item	Part number	Description	Q'ty	Chan.	Serial No.	Serv.	Remarks
		VALVE ASSY, control					
		VALVE ASSY, control (for EU)					
3	X *****	VALVE ASSY, sub	1				
3-1	1501750002	• PLUG	1				
	1420010110	• • O-RING	1				
3-2	1512340004	• ELBOW	1				
	1420010180	• • O-RING	1				
3-3	1512370010	• TEE	1				
	1420010110	• • O-RING	1				
3-4	1512370011	• TEE	2				
	1420010110	• • O-RING	1				
3-5	1515600200	• ADAPTOR	2				
	1420010110	• • O-RING	1				
3-6	1515600202	• ADAPTOR	1				
	1420010180	• • O-RING	1				
3-7	1901748100	• VALVE, sub	1				M
5	X *****	VALVE ASSY, solenoid	1				
5-1	1512374011	• TEE	1				
	1420010240	• • O-RING	1				
5-2	1515600203	• ADAPTOR	1				
	1420010240	• • O-RING	1				
5-3	1901753600	• VALVE, solenoid	1				M
5-3-2	1901753602	• • SOLENOID	1				M
5-3-3	1901753603	• • COIL	1				M
9	0665001090	BRACKET	1				M
11	0882500100	BRACKET	1				M
13	X *****	VALVE SUB ASSY	1				
13-1	1901752100	• VALVE, proportional control	1				M
13-2	1515012040	• ELBOW	2				
	1420010110	• • O-RING	1				
13-3	1512370010	• TEE	1				
	1420010110	• • O-RING	1				
13-4	1512375004	• ELBOW (with filter)	1				M
	1420010110	• • O-RING	1				
13-5	0007213028	• BUSHING	1				M
	1420010110	• • O-RING	1				
14	1100040816	BOLT	2				
16	1100040870	BOLT	2				
18	1100041020	BOLT	6				
20	1100041225	BOLT	3				
22	1140020008	WASHER, spring	4				
23	1140020010	WASHER, spring	6				
24	1140020012	WASHER, spring	3				
25	1141110008	WASHER	2				
	U1d020-1						

TL230 Book No. BU1Z004 S/N 223000001-  
VALVE & ACCESSORIES (1/2) (for GEHL & MUSTANG)



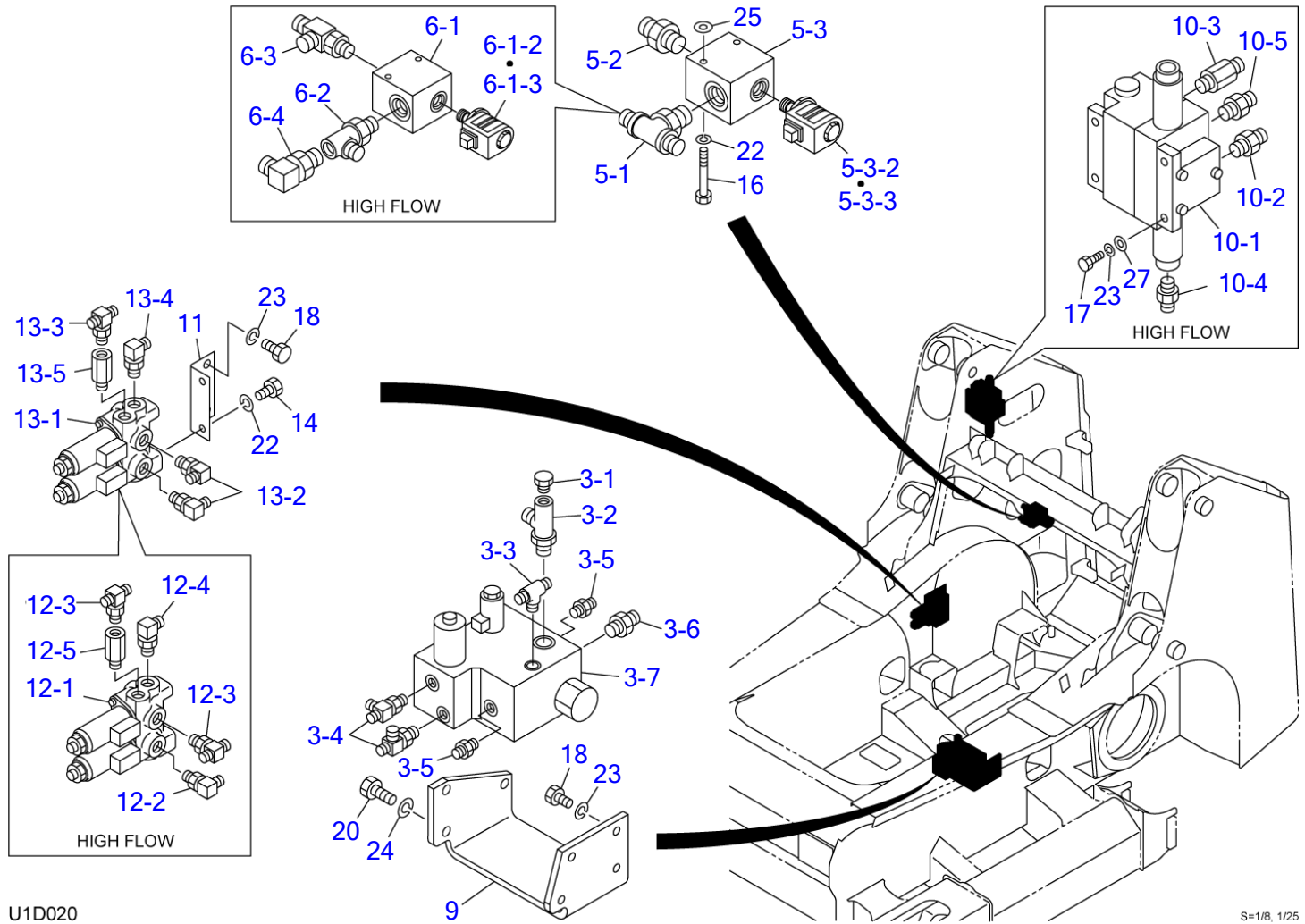
U1D100

S=1/8, 1/25

**VALVE & ACCESSORIES (1/2) (for GEHL & MUSTANG)**

Item	Part number	Description	Q'ty	Chan.	Serial No.	Serv.	Remarks
		VALVE ASSY, control					
		VALVE ASSY, control (high flow)					
1	X *****	VALVE ASSY, control	1				
1-1	1901045200	• VALVE, control	1				
1-2	1515100048	• ELBOW	2				
	1420010240	• • O-RING	1				
1-3	1515600202	• ADAPTOR	2				
	1420010180	• • O-RING	1				
1-4	1515010042	• ELBOW	1				
	1420010180	• • O-RING	1				
1-5	0007213010	• BUSHING	1				
1-6	0007203083	• ADAPTOR	1				
1-7	1512370002	• TEE (with filter)	1				
	1420010110	• • O-RING	1				
1-8	1512370011	• TEE	1				
	1420010110	• • O-RING	1				
1-9	1513390014	• TEE	1				
	1420010180	• • O-RING	1				
1-10	1501750002	• PLUG	2				
	1420010110	• • O-RING	1				
1-11	1515600200	• ADAPTOR	2				
	1420010110	• • O-RING	1				
1-12	1513390029	• TEE	1				
	1420010110	• • O-RING	1				
1-13	1512340001	• TEE	2				
	1420010110	• • O-RING	1				
1-14	1515010040	• ELBOW	1				
	1420010110	• • O-RING	1				
1-15	1420010240	• O-RING	1				
1-16	1700100041	• SWITCH, pressure	1				
	1420010110	• • O-RING	1				
1-17	1700100060	• SWITCH, pressure	1				
	1420010110	• • O-RING	1				
1-18	1420010180	• O-RING	2				
1-19	0007203033	• ADAPTOR	1				
7	0665001070	BRACKET	1				
15	1100040880	BOLT	3				
19	1100041030	BOLT	2				
22	1140020008	WASHER, spring	3				
23	1140020010	WASHER, spring	3				
27	0003600020	WASHER	3				
28	1100041025	BOLT	1				
	U1d101						

TL230 Book No. BU1Z004 S/N 223000001-  
**VALVE & ACCESSORIES (2/2) (for GEHL & MUSTANG)**



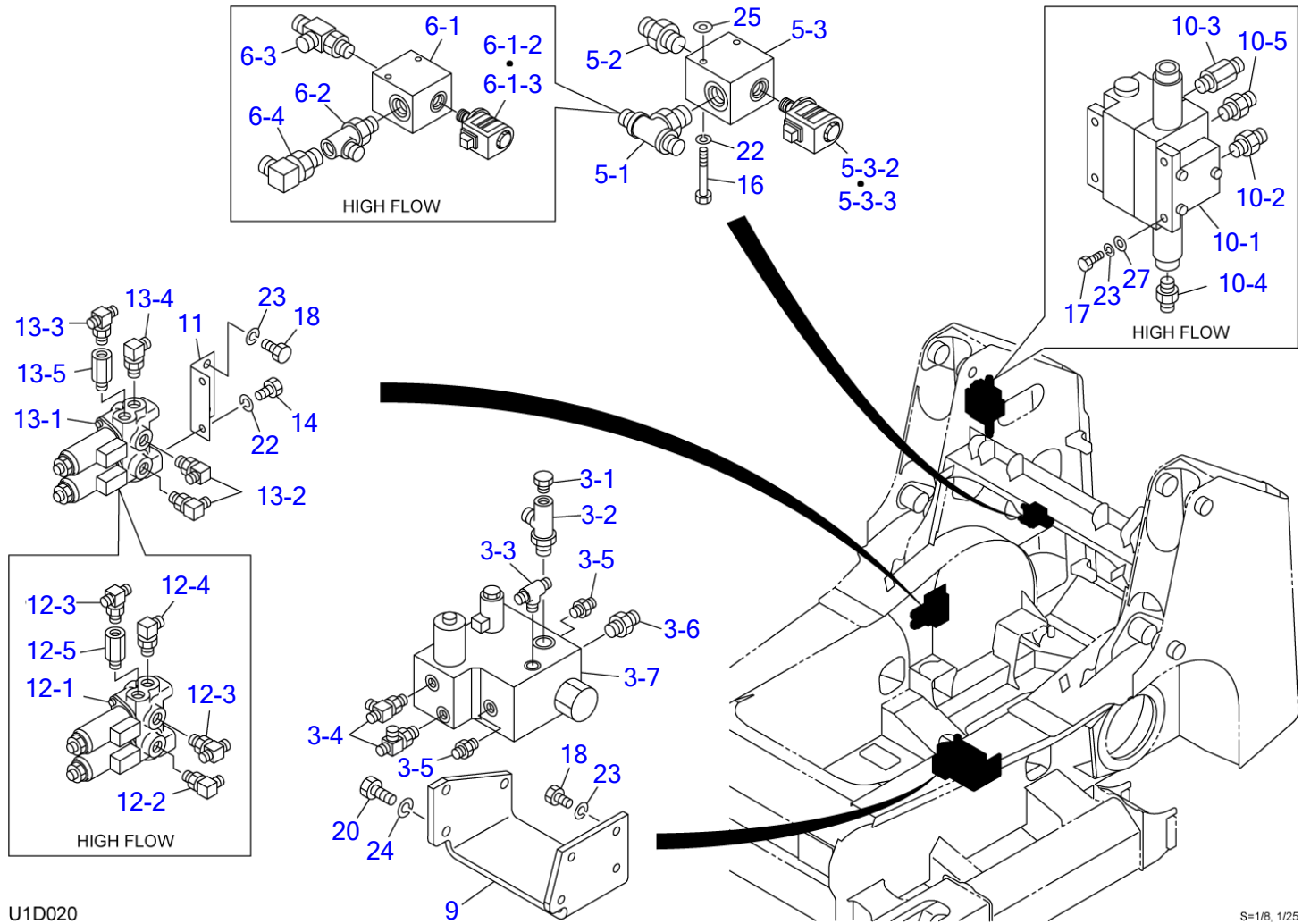
U1D020

S=1/8, 1/25

**VALVE & ACCESSORIES (2/2) (for GEHL & MUSTANG)**

Item	Part number	Description	Q'ty	Chan.	Serial No.	Serv.	Remarks
		VALVE ASSY, control					
		VALVE ASSY, control (high flow)					
3	X *****	VALVE ASSY, sub	1				
3-1	1501750002	• PLUG	1				
	1420010110	• • O-RING	1				
3-2	1512340004	• ELBOW	1				
	1420010180	• • O-RING	1				
3-3	1512370010	• TEE	1				
	1420010110	• • O-RING	1				
3-4	1512370011	• TEE	2				
	1420010110	• • O-RING	1				
3-5	1515600200	• ADAPTOR	2				
	1420010110	• • O-RING	1				
3-6	1515600202	• ADAPTOR	1				
	1420010180	• • O-RING	1				
3-7	1901748100	• VALVE, sub	1				
5	X *****	VALVE ASSY, solenoid	1				
5-1	1512374011	• TEE	1				
	1420010240	• • O-RING	1				
5-2	1515600203	• ADAPTOR	1				
	1420010240	• • O-RING	1				
5-3	1901753600	• VALVE, solenoid	1				
5-3-2	1901753602	• • SOLENOID	1				
5-3-3	1901753603	• • COIL	1				
6	X *****	VALVE ASSY, solenoid (high flow)	1				
6-1	1901753600	• VALVE, solenoid	1				high flow
6-1-2	1901753602	• • SOLENOID	1				high flow
6-1-3	1901753603	• • COIL	1				high flow
6-2	1512340019	• ELBOW	1				high flow
	1420010240	• • O-RING	1				high flow
6-3	0695000063	• TEE	1				high flow
6-4	1515010042	• ELBOW	1				high flow
	1420010180	• • O-RING	1				high flow
9	0665001090	BRACKET	1				
10	X *****	VALVE SUB ASSY (high flow)	1				
10-1	1901039500	• VALVE, control	1				high flow
10-2	0007203007	• ADAPTOR	1				high flow
	1420310908	• • O-RING	1				high flow
10-3	0007203058	• ADAPTOR	1				high flow
	1420010180	• • O-RING	1				high flow
10-4	0575002020	• ADAPTOR	1				high flow
	1420010110	• • O-RING	1				high flow
10-5	1515600202	• ADAPTOR	1				high flow
	1420010180	• • O-RING	1				high flow
11	0882500100	BRACKET	1				
12	X *****	VALVE SUB ASSY (high flow)	1				
12-1	1901752100	• VALVE, proportional control	1				high flow
12-2	1515012040	• ELBOW	1				high flow
	1420010110	• • O-RING	1				high flow
12-3	1512370010	• TEE	2				high flow
	1420010110	• • O-RING	1				high flow
12-4	1512375004	• ELBOW (with filter)	1				high flow
	1420010110	• • O-RING	1				high flow
12-5	0007213028	• BUSHING	1				high flow
	1420010110	• • O-RING	1				high flow
13	X *****	VALVE SUB ASSY	1				
13-1	1901752100	• VALVE, proportional control	1				
13-2	1515012040	• ELBOW	2				
	1420010110	• • O-RING	1				
13-3	1512370010	• TEE	1				
	1420010110	• • O-RING	1				
13-4	1512375004	• ELBOW (with filter)	1				
	1420010110	• • O-RING	1				
13-5	0007213028	• BUSHING	1				
	1420010110	• • O-RING	1				
14	1100040816	BOLT	2				
16	1100040870	BOLT	2				
17	1101041025	BOLT	3				high flow

TL230 Book No. BU1Z004 S/N 223000001-  
**VALVE & ACCESSORIES (2/2) (for GEHL & MUSTANG)**



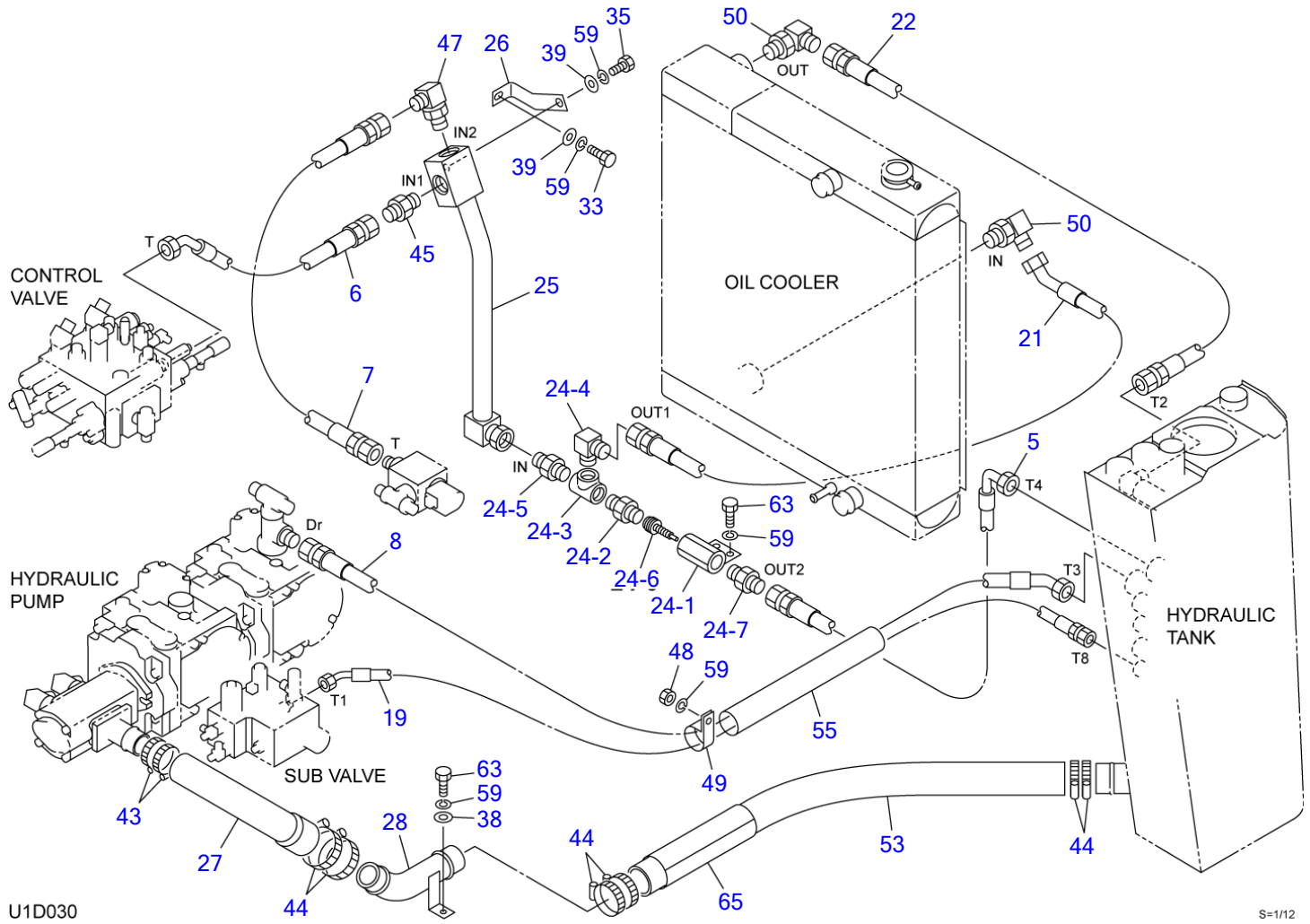
U1D020

S=1/8, 1/25



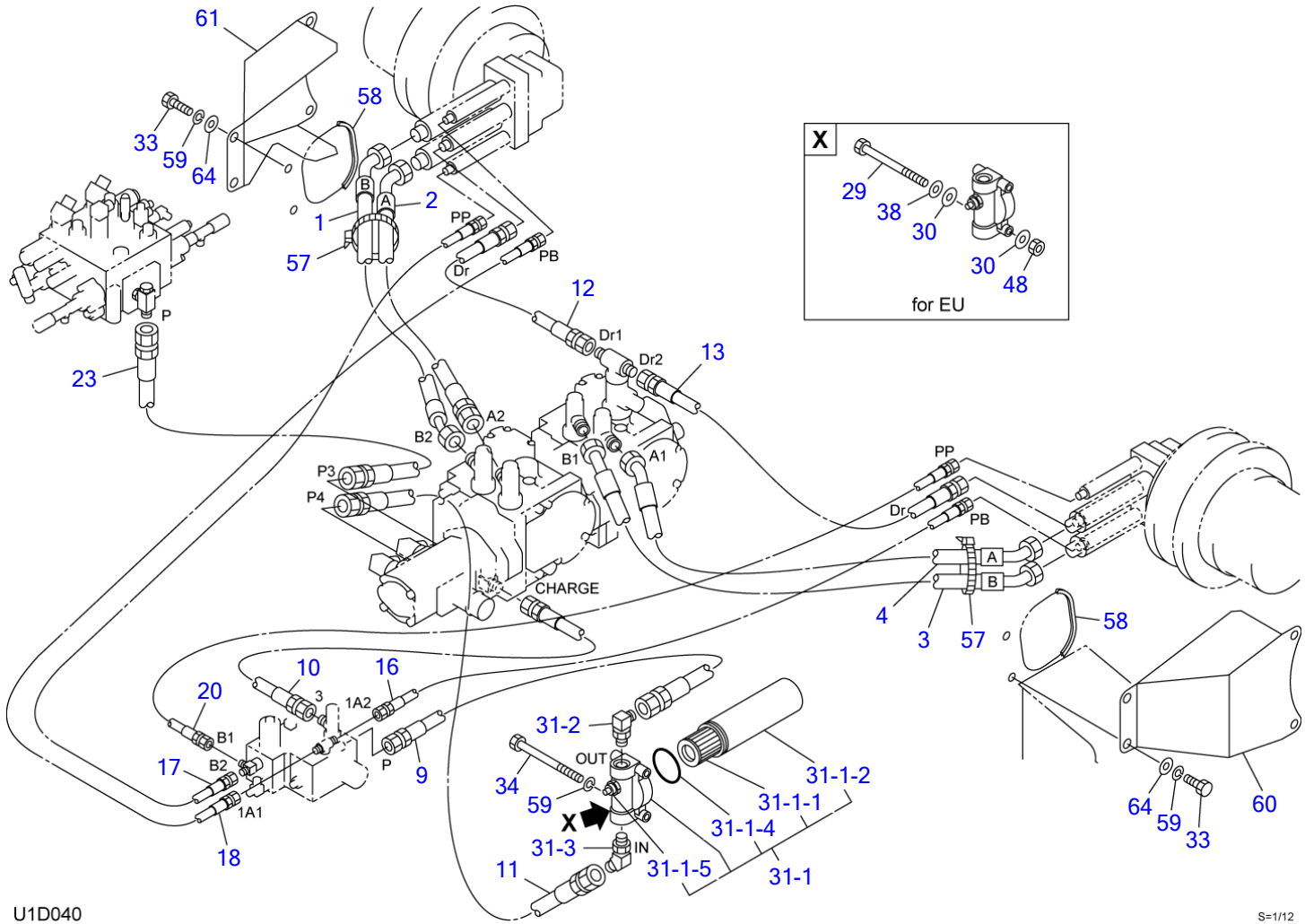
**VALVE & ACCESSORIES (2/2) (for GEHL & MUSTANG)**

Item	Part number	Description	Q'ty	Chan.	Serial No.	Serv.	Remarks
18	<b>1100041020</b>	BOLT	6				
20	<b>1100041225</b>	BOLT	3				
22	<b>1140020008</b>	WASHER, spring	4				
23	<b>1140020010</b>	WASHER, spring	6				
23	<b>1140020010</b>	WASHER, spring	9				high flow
24	<b>1140020012</b>	WASHER, spring	3				
25	<b>1141110008</b>	WASHER	2				
27	<b>0003600020</b>	WASHER	3				high flow
	<b>U1d110</b>						



PIPING (1/2)

Item	Part number	Description	Q'ty	Chan.	Serial No.	Serv.	Remarks
		PIPING ASSY, upper					
		PIPING ASSY, upper (for EU)					
5	0667001050	HOSE ASSY	1				18010-56086
6	0667000060	HOSE ASSY	1				
7	0667001070	HOSE ASSY	1				19346-26070
8	0667000080	HOSE ASSY	1				18010-26116
19	0667000190	HOSE ASSY	1				18010-79135
21	0667000210	HOSE ASSY	1				
22	0667000220	HOSE ASSY	1				
24	X *****	MANIFOLD ASSY	1				
24-1	0667001241	· JOINT	1				
24-2	1501501006	· ADAPTOR	1				
24-3	1508210006	· TEE	1				
24-4	1511151006	· ADAPTOR	1				
24-5	1511051006	· ADAPTOR	1				
24-6	1540140830	· VALVE, check	1				
24-7	1515600203	· ADAPTOR	1				
	1420010240	· · O-RING	1				
25	0667000250	PIPE	1				
26	0667001260	BRACKET	1				
27	0880705270	HOSE	1				
28	0880705280	PIPE	1				
33	1100041025	BOLT	1				
35	1100041030	BOLT	1				
38	1141110010	WASHER	2				
39	0003600025	WASHER	2				
43	1533700060	BAND	2				
44	1533700070	BAND	6				
45	1515600579	ADAPTOR	1				
47	1515010053	ELBOW	1				
	1420010290	· O-RING	1				
48	1130040010	NUT	1				
49	0007300030	CLAMP	1				
	1420010290	· O-RING	1				
50	1515010044	ELBOW	2				
	1420010290	· O-RING	1				
53	0880707530	HOSE	1				
55	1531350040	PROTECTOR	1				sold by the meter
59	1140020010	WASHER, spring	7				
63	1100041020	BOLT	4				
65	0881701670	PROTECTOR	1				
	U1d031						



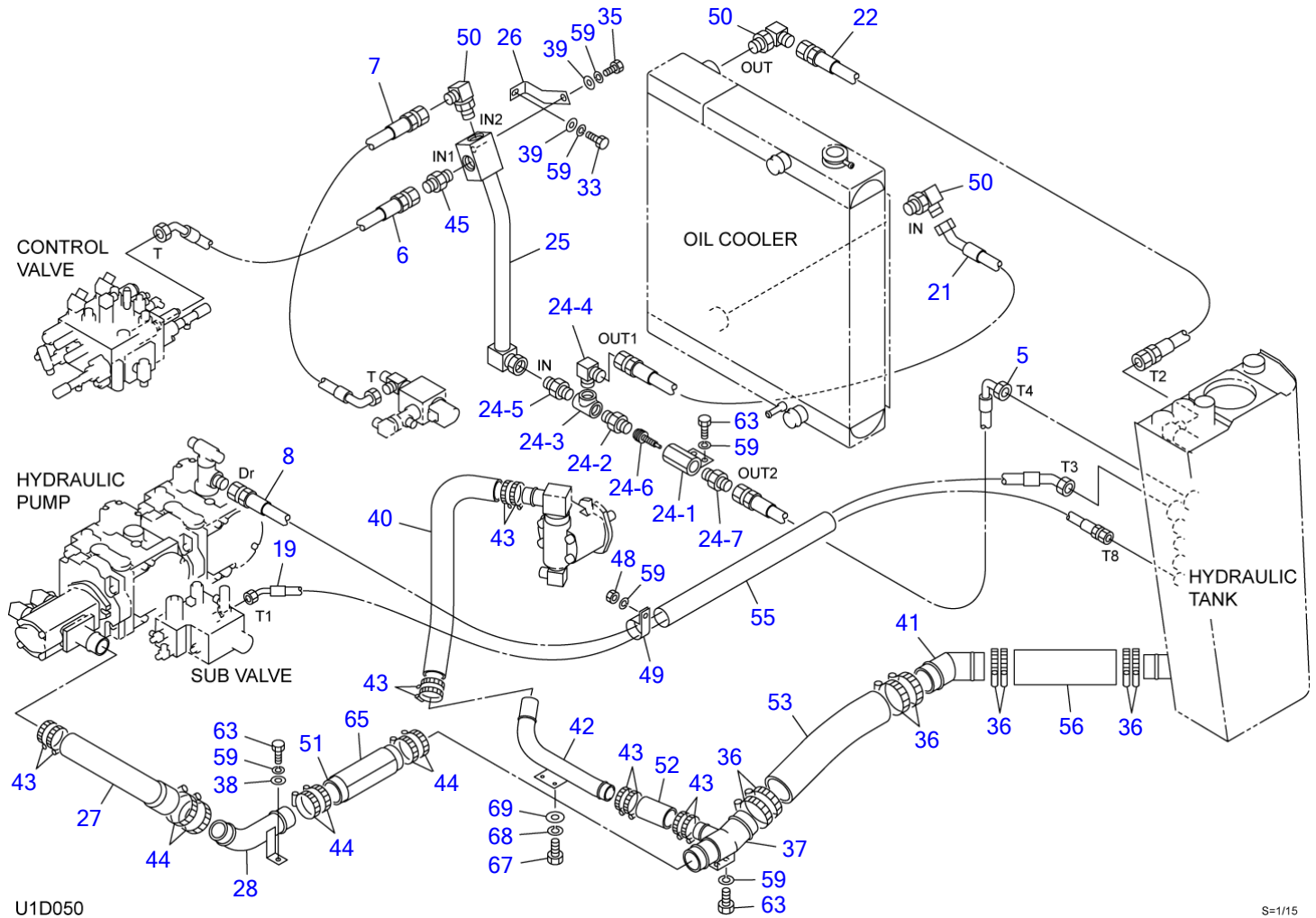
U1D040

S=1/12

PIPING (2/2)

Item	Part number	Description	Q'ty	Chan.	Serial No.	Serv.	Remarks
		PIPING ASSY, upper					
		PIPING ASSY, upper (for EU)					
1	0880707015	HOSE ASSY	1				
2	0880707020	HOSE ASSY	1				
3	0880707030	HOSE ASSY	1				
4	0880707040	HOSE ASSY	1				
9	0880707090	HOSE ASSY	1				
10	0880707100	HOSE ASSY	1				
11	0880707110	HOSE ASSY	1				
12	0880707120	HOSE ASSY	1				18010-23054
13	0880707130	HOSE ASSY	1				18010-23064
16	0667000160	HOSE ASSY	1				18010-22055
17	0880707170	HOSE ASSY	1				
18	0880707180	HOSE ASSY	1				
20	0880707200	HOSE ASSY	1				
23	0880707230	HOSE ASSY	1				
29	1100141005	BOLT	2				for EU
30	0882702480	RUBBER	4				for EU
31	X *****	FILTER ASSY	1				
31-1	1551102500	· FILTER, line	1				
31-1-1	1551101001	· · ELEMENT	1				
31-1-2	1551101003	· · CASE	1				
31-1-4	1420100600	· · O-RING	1				
31-1-5	1551102505	· · SWITCH, pressure	1				
31-2	1515010042	· ELBOW	1				
	1420010180	· · O-RING	1				
31-3	151500112	· ELBOW	1				
	1420010180	· · O-RING	1				
33	1100041025	BOLT	8				
34	1100041095	BOLT	2				
38	1141110010	WASHER	2				for EU
48	1130040010	NUT	2				for EU
57	1652241300	BAND	2				
58	1654601019	TRIM	2				sold by the meter
59	1140020010	WASHER, spring	10				
	1140020010	WASHER, spring	8				for EU
60	0880707600	COVER (L.H.)	1				
61	0880707610	COVER (R.H.)	1				
64	0003600020	WASHER	8				
	U1d041						

TL230 Book No. BU1Z004 S/N 223000001-  
 PIPING (1/2) (high flow)



U1D050

S=1/15

PIPING (1/2) (high flow)							
Item	Part number	Description	Q'ty	Chan.	Serial No.	Serv.	Remarks
		PIPING ASSY, upper					
		PIPING ASSY, upper (for EU)					
5	0667001050	HOSE ASSY	1				18010-56086
6	0667000060	HOSE ASSY	1				
7	0667000070	HOSE ASSY	1				
8	0667000080	HOSE ASSY	1				18010-26116
19	0667000190	HOSE ASSY	1				18010-79135
21	0667000210	HOSE ASSY	1				
22	0667000220	HOSE ASSY	1				
24	X *****	MANIFOLD ASSY	1				
24-1	0667001241	· JOINT	1				
24-2	1501501006	· ADAPTOR	1				
24-3	1508210006	· TEE	1				
24-4	1511151006	· ADAPTOR	1				
24-5	1511051006	· ADAPTOR	1				
24-6	1540140830	· VALVE, check	1				
24-7	1515600203	· ADAPTOR	1				
	1420010240	· · O-RING	1				
25	0667000250	PIPE	1				
26	0667001260	BRACKET	1				
27	0880705270	HOSE	1				
28	0880705280	PIPE	1				
33	1100041025	BOLT	1				
35	1100041030	BOLT	1				
36	1533700090	BAND	8				
37	0667003370	PIPE	1				
38	1141110010	WASHER	2				
39	0003600025	WASHER	2				
40	0880709600	HOSE	1				
41	0667000410	PIPE	1				
42	0880709610	PIPE	1				
43	1533700060	BAND	10				
44	1533700070	BAND	6				
45	1515600579	ADAPTOR	1				
48	1130040010	NUT	1				
49	0007300030	CLAMP	1				
50	1515010044	ELBOW	3				
	1420010290	· O-RING	1				
51	0880735090	HOSE	1				
52	1530538011	HOSE	1				sold by the meter
53	0880708240	HOSE	1				
55	1531350040	PROTECTOR	1				sold by the meter
56	0880708250	HOSE	1				
59	1140020010	WASHER, spring	9				
63	1100041020	BOLT	6				
65	0881701670	PROTECTOR	1				
67	1100040816	BOLT	2				
68	1140020008	WASHER, spring	2				
69	0003608003	WASHER	2				
	U1d051						

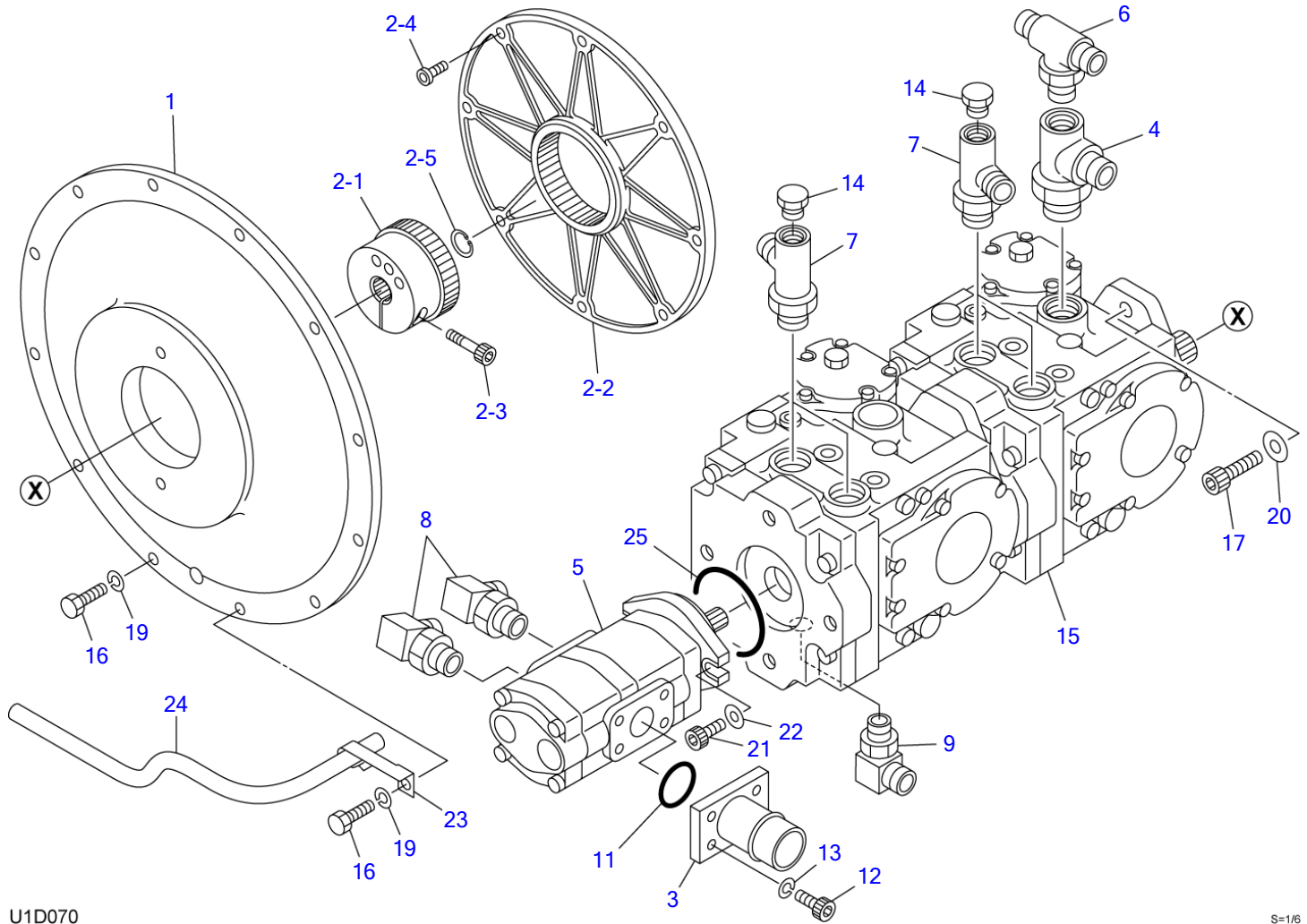




**PIPING (2/2) (high flow)**

Item	Part number	Description	Q'ty	Chan.	Serial No.	Serv.	Remarks
		PIPING ASSY, upper					
		PIPING ASSY, upper (for EU)					
1	0880707015	HOSE ASSY	1				
2	0880707020	HOSE ASSY	1				
3	0880707030	HOSE ASSY	1				
4	0880707040	HOSE ASSY	1				
9	0880707090	HOSE ASSY	1				
10	0880707100	HOSE ASSY	1				
11	0880707110	HOSE ASSY	1				
12	0880707120	HOSE ASSY	1				18010-23054
13	0880707130	HOSE ASSY	1				18010-23064
16	0667000160	HOSE ASSY	1				18010-22055
17	0880707170	HOSE ASSY	1				
18	0880707180	HOSE ASSY	1				
20	0880707200	HOSE ASSY	1				
23	0880707230	HOSE ASSY	1				
29	1100141005	BOLT	2				for EU
30	0882702480	RUBBER	4				for EU
31	X *****	FILTER ASSY	1				
31-1	1551102500	· FILTER, line	1				
31-1-1	1551101001	· · ELEMENT	1				
31-1-2	1551101003	· · CASE	1				
31-1-4	1420100600	· · O-RING	1				
31-1-5	1551102505	· · SWITCH, pressure	1				
31-2	1515010042	· ELBOW	1				
	1420010180	· · O-RING	1				
31-3	151500112	· ELBOW	1				
	1420010180	· · O-RING	1				
33	1100041025	BOLT	8				
34	1100041095	BOLT	2				
38	1141110010	WASHER	2				for EU
48	1130040010	NUT	2				for EU
57	1652241300	BAND	2				
58	1654601019	TRIM	2				sold by the meter
59	1140020010	WASHER, spring	10				
	1140020010	WASHER, spring	8				for EU
60	0880707600	COVER (L.H.)	1				
61	0880707610	COVER (R.H.)	1				
64	0003600020	WASHER	8				
	U1d061						

TL230 Book No. BU1Z004 S/N 223000001-  
PUMP DRIVE

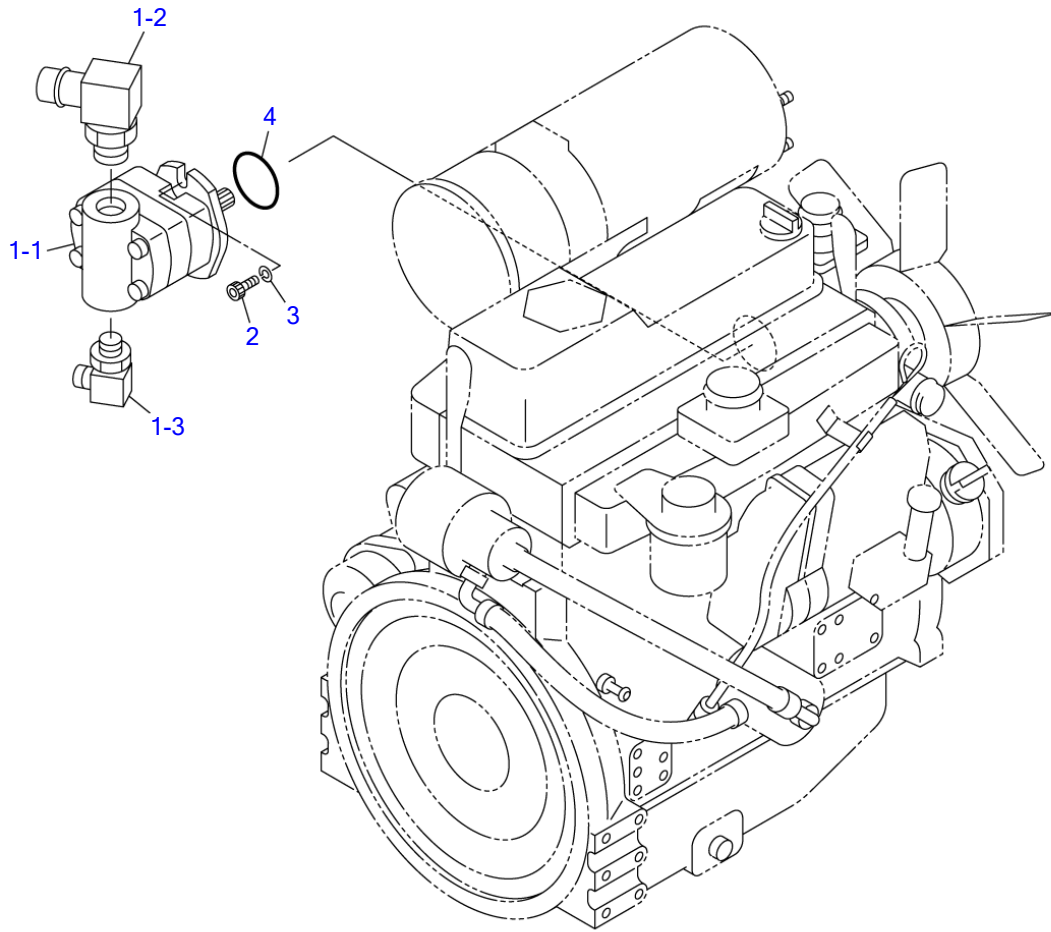


U1D070

S=1/6

Item	Part number	Description	PUMP DRIVE			Remarks
			Q'ty	Chan.	Serial No.	
		PUMP ASSY, drive				
1	0880523150	HOUSING	1			
2	1607000070	COUPLING ASSY	1			
2-1	1607000071	• HUB	1			
2-2	1607000072	• FLANGE	1			
2-3	1110021235	• SCREW, cap	1			
2-4	1106641025	• BOLT	8			
2-5	1221000023	• RING, snap	1			
3	0880523200	FLANGE	1			
4	0880522500	TEE	1			
	1420310912	• O-RING	1			
5	1902017900	PUMP, gear	1			
6	1512374014	TEE	1			
	1420010180	• O-RING	1			
7	0881521300	TEE	4			
	1420310912	• O-RING	1			
8	1515010042	ELBOW	2			
	1420010180	• O-RING	1			
9	1515200062	ELBOW	1			
	1420370910	• O-RING	1			
11	1420100400	O-RING	1			
12	1111041025	SCREW, cap	4			
13	1140420010	WASHER, spring	4			
14	1501750002	PLUG	4			
	1420010110	• O-RING	1			
15	1902020200	PUMP, hydraulic	1			
16	1100041030	BOLT	12			
17	1102720838	SCREW, cap	2			
19	1140020010	WASHER, spring	12			
20	1141450008	WASHER	2			
21	1102240632	SCREW, cap	2			
22	0003900039	WASHER	2			
23	0881521010	CLAMP	1			
24	1531010065	HOSE	1			sold by the meter
	U1d070					

TL230 Book No. BU1Z004 S/N 223000001-  
GEAR PUMP DRIVE (high flow)



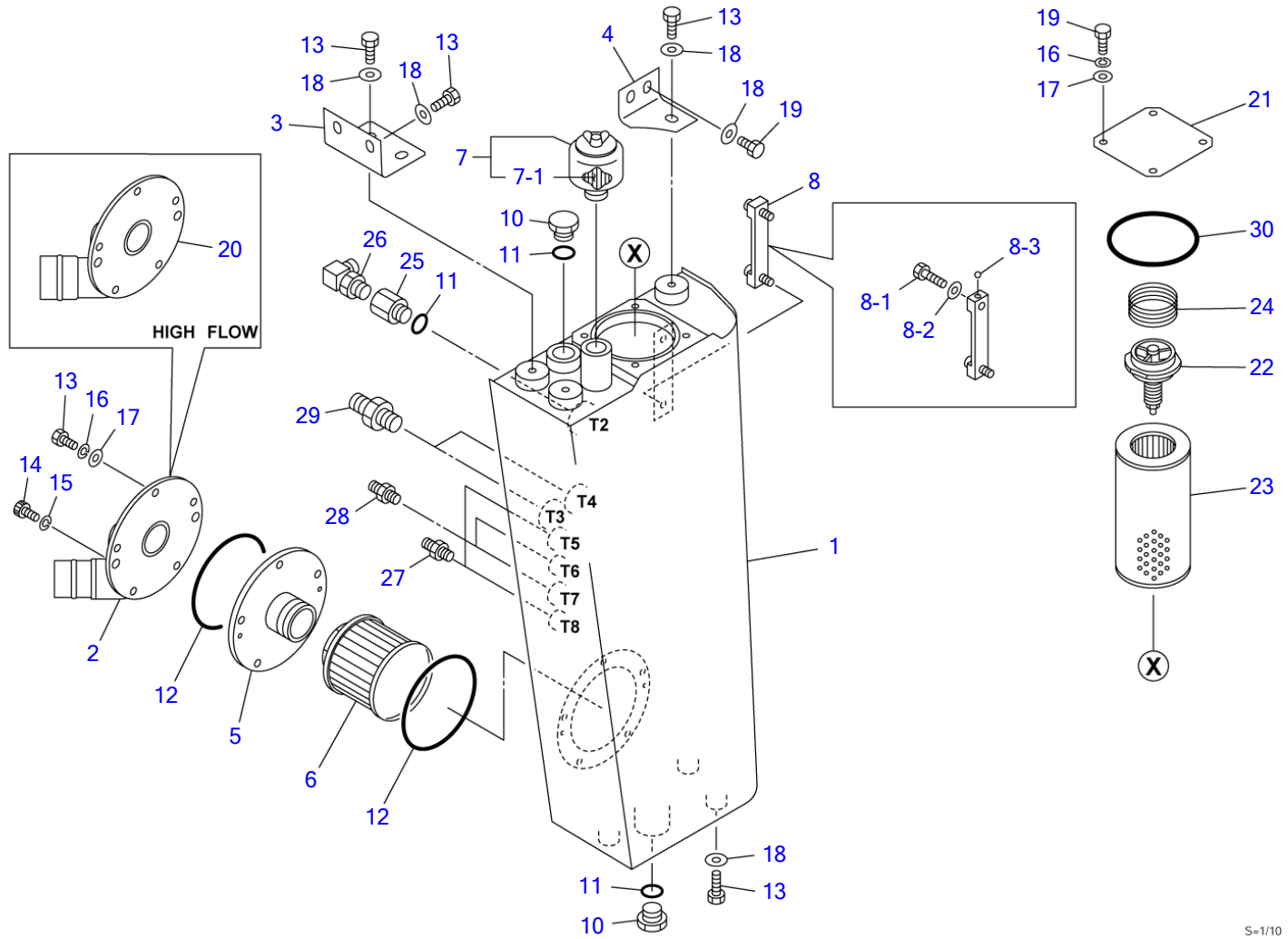
T8D140

S=1/8

**GEAR PUMP DRIVE (high flow)**

Item	Part number	Description	Q'ty	Chan.	Serial No.	Serv.	Remarks
		PUMP ASSY					
1	X *****	PUMP ASSY, gear	1				
1-1	<b>1902021100</b>	▪ PUMP, gear	1				
1-2	<b>0881732082</b>	▪ ELBOW	1				
	<b>1420010290</b>	▪ ▪ O-RING	1				
1-3	<b>1515010042</b>	▪ ELBOW	1				
	<b>1420010180</b>	▪ ▪ O-RING	1				
2	<b>1110041030</b>	BOLT	2				
3	<b>1141550010</b>	WASHER	2				
4	<b>1420110850</b>	O-RING	1				
	<b>T8d141</b>						

TL230 Book No. BU1Z004 S/N 223000001-  
HYDRAULIC TANK

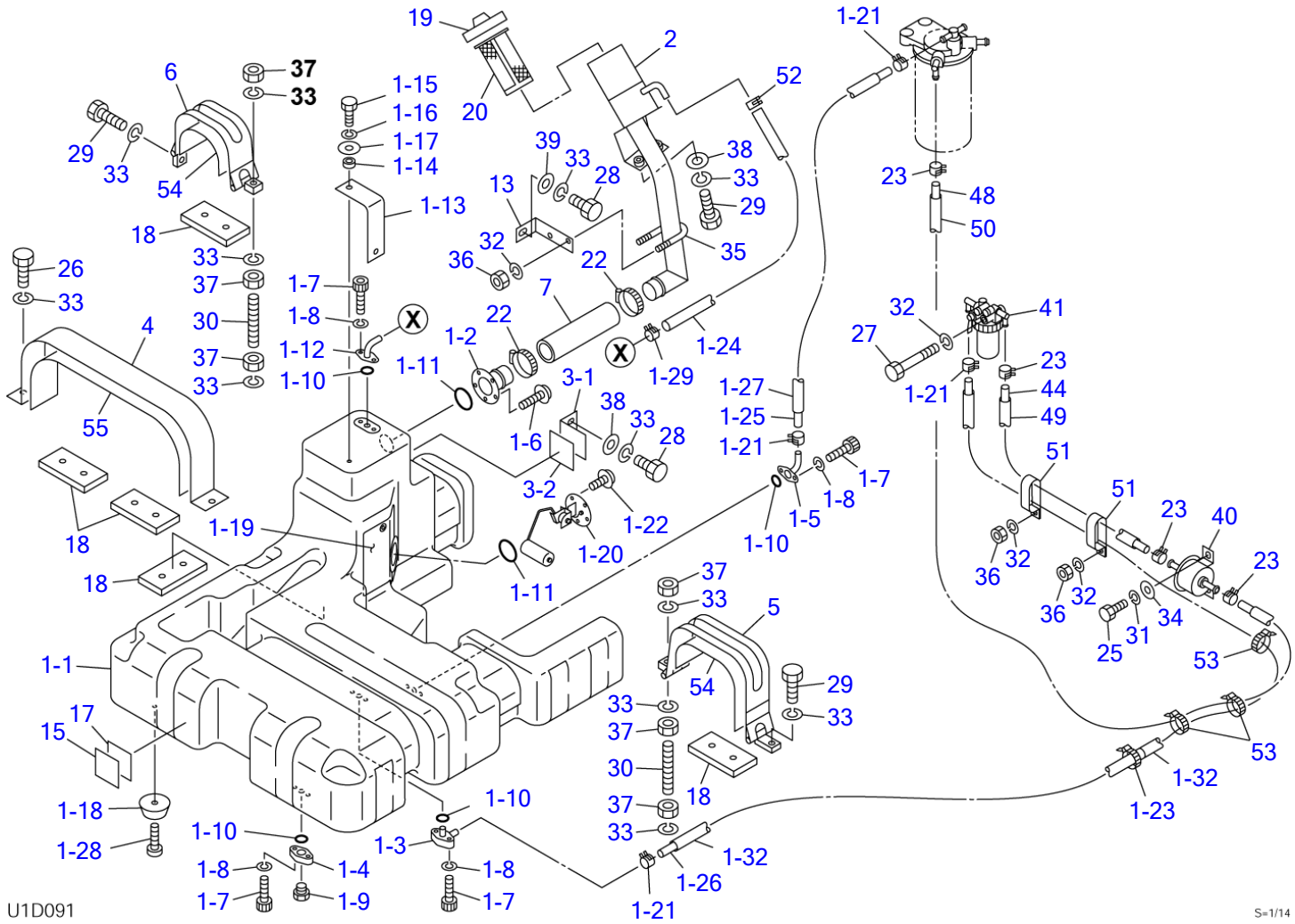


S-1/10

**HYDRAULIC TANK**

Item	Part number	Description	Q'ty	Chan.	Serial No.	Serv.	Remarks
		TANK ASSY, hydraulic					
		TANK ASSY, hydraulic (high flow)					
1	0668001100	TANK, hydraulic	1				
2	0880803300	PIPE	1				
3	0880804200	BRACKET	1				
4	0668001040	BRACKET	1				
5	0880804300	FLANGE	1				
6	1550020150	FILTER	1				
7	1552000800	BREATHER, air	1				
7-1	1552000830	• ELEMENT	1				
8	1553020612	GAUGE	1				
8-1	1553021650	• BOLT	2				
8-2	1553022650	• PACKING	2				
8-3	1553020603	• FLOAT	1				
10	1501750010	PLUG	2				
	1420010290	* O-RING	1				
11	1420010290	O-RING	2				
12	1420101450	O-RING	2				
13	1100041025	BOLT	13				
14	1110040616	SCREW, cap	2				
15	1140020006	WASHER, spring	2				
16	1140020010	WASHER, spring	9				
17	1141110010	WASHER	9				
18	0003600025	WASHER	10				
19	1100041020	BOLT	6				
20	0668002100	PIPE	1				high flow
21	0658000600	PLATE	1				
22	1551100300	VALVE ASSY	1				
23	1551102600	FILTER	1				
24	0007000031	SPRING	1				
25	0007213051	BUSHING	1				
26	1515010044	ELBOW	1				
	1420010290	• O-RING	1				
27	1515600200	ADAPTOR	2				
	1420010110	• O-RING	1				
28	1515600201	ADAPTOR	2				
	1420010140	• O-RING	1				
29	1515600203	ADAPTOR	2				
	1420010240	• O-RING	1				
30	1420101250	O-RING	1				
	U1d082						

TL230 Book No. BU1Z004 S/N 223000001-  
FUEL TANK & FUEL PIPING



U1D091

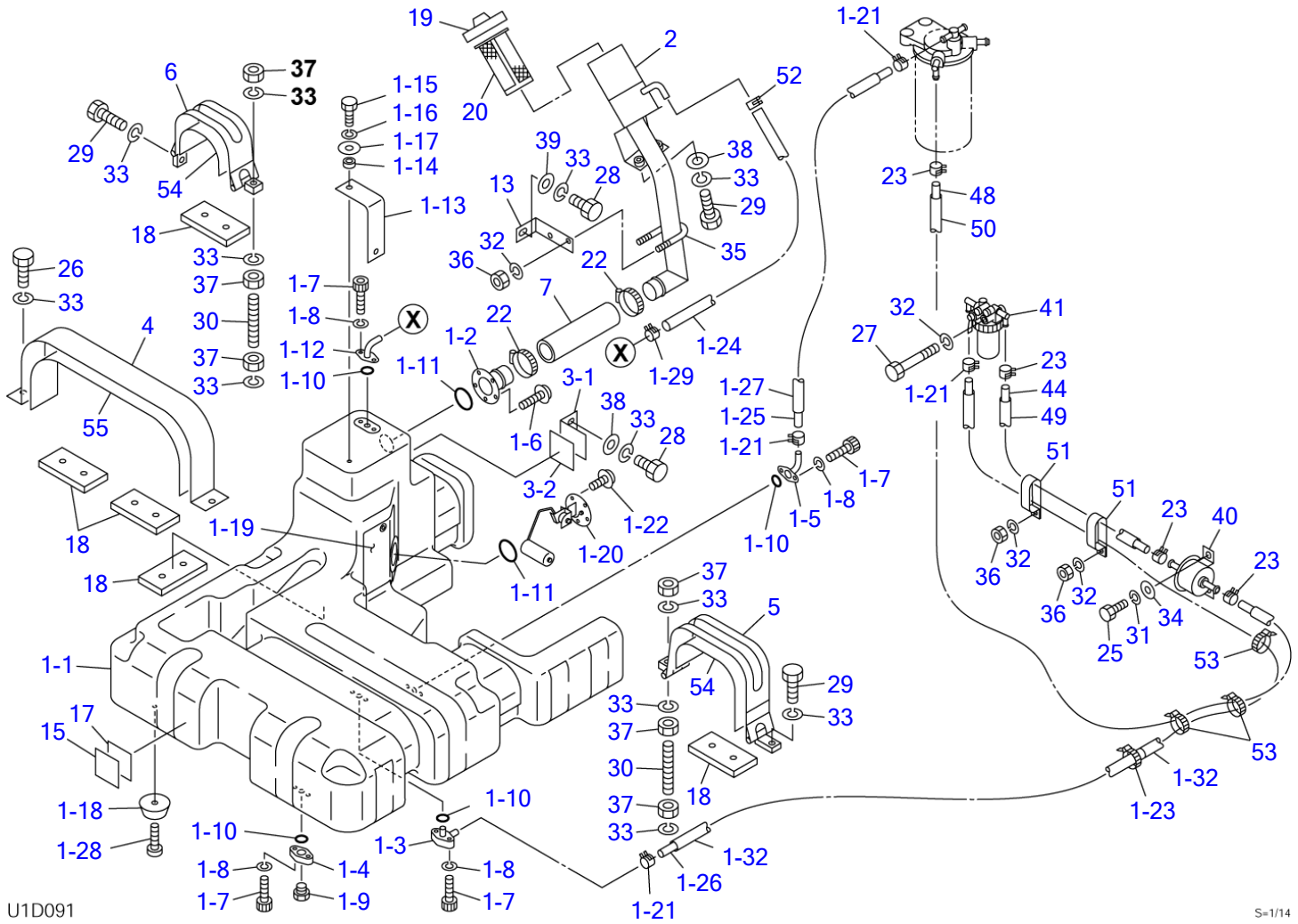
S-1/14



**FUEL TANK & FUEL PIPING**

Item	Part number	Description	Q'ty	Chan.	Serial No.	Serv.	Remarks
		TANK ASSY, fuel					
1	X *****	TANK SUB ASSY, fuel	1		223000001~223000008		
	X *****	TANK SUB ASSY, fuel	1		223000009~	M	
1-1	0880813010	• TANK, fuel	1				
1-2	0881811090	• FLANGE	1				
1-3	0881811100	• FLANGE	1				
1-4	0881811110	• VALVE, drain	1				
1-5	0881811120	• FLANGE	1				
1-6	1150110516	• SCREW	5				
1-7	1110040616	• SCREW, cap	8				
1-8	1140420006	• WASHER, spring	8				
1-9	1501750002	• PLUG	1				
	1420010110	• • O-RING	1				
1-10	1420010180	• O-RING	4				
1-11	1420010450	• O-RING	2				
1-12	0881811510	• FLANGE	1				
1-13	0881711350	• BAND	1				
1-14	0881711360	• COLLAR	1				
1-15	1100040620	• BOLT	1				
1-16	1140020006	• WASHER, spring	1				
1-17	0003600043	• WASHER	1				
1-18	0881812080	• RUBBER, cushion	4				
1-19	0880814090	• SHEET	1		223000001~223000008		
1-20	1553202100	• SENDER, fuel	1				
1-21	1533120511	• BAND	4				
1-22	1150110510	• SCREW	5				
1-23	1652201008	• BAND	1				
1-24	1530612063	• HOSE	1				sold by the meter
1-25	1531207160	• HOSE	1				sold by the meter
1-26	1531207320	• HOSE	1				sold by the meter
1-27	1531115150	• PROTECTOR	1				sold by the meter
1-28	1120530620	• SCREW	4				
1-29	1533700019	• BAND	1				
1-32	1531115158	• PROTECTOR	2				sold by the meter
2	0668101200	PORT, supply	1				
3	X *****	PLATE ASSY	1				
3-1	0880814031	• PLATE	1				
3-2	0880814170	• RUBBER	1				
4	0880813095	PLATE	1				
5	0880813050	BAND	1				
6	0880813060	BAND	1				
7	0880813070	HOSE	1				
13	0880814130	PLATE	1				
15	0880814175	RUBBER	1				t=2.0mm
17	0880814170	RUBBER	1				t=5.0mm
18	0880813180	RUBBER	5				
19	1552100500	CAP	1				
20	1552100320	STRAINER	1				
22	1533700060	BAND	2				
23	1533120511	BAND	4				
25	1100040616	BOLT	2				
26	1100041030	BOLT	2				
27	1100040865	BOLT	1				
28	1100041020	BOLT	3				
29	1100041025	BOLT	4				
30	0881812300	BOLT	2				
31	1140020006	WASHER, spring	2				
32	1140020008	WASHER, spring	6				
33	1140020010	WASHER, spring	15				
34	1141110006	WASHER	2				
35	1533201012	U-BOLT	1				
36	1130040008	NUT	5				
37	1130040010	NUT	6				
38	0003600025	WASHER	4				
39	1141110010	WASHER	1				
40	1910199034	PUMP, feed	1				Y129612-52100
41	1910186033	SEPARATOR, water	1				Y129906-55700
44	1531207078	HOSE	1				sold by the meter

TL230 Book No. BU1Z004 S/N 223000001-  
FUEL TANK & FUEL PIPING

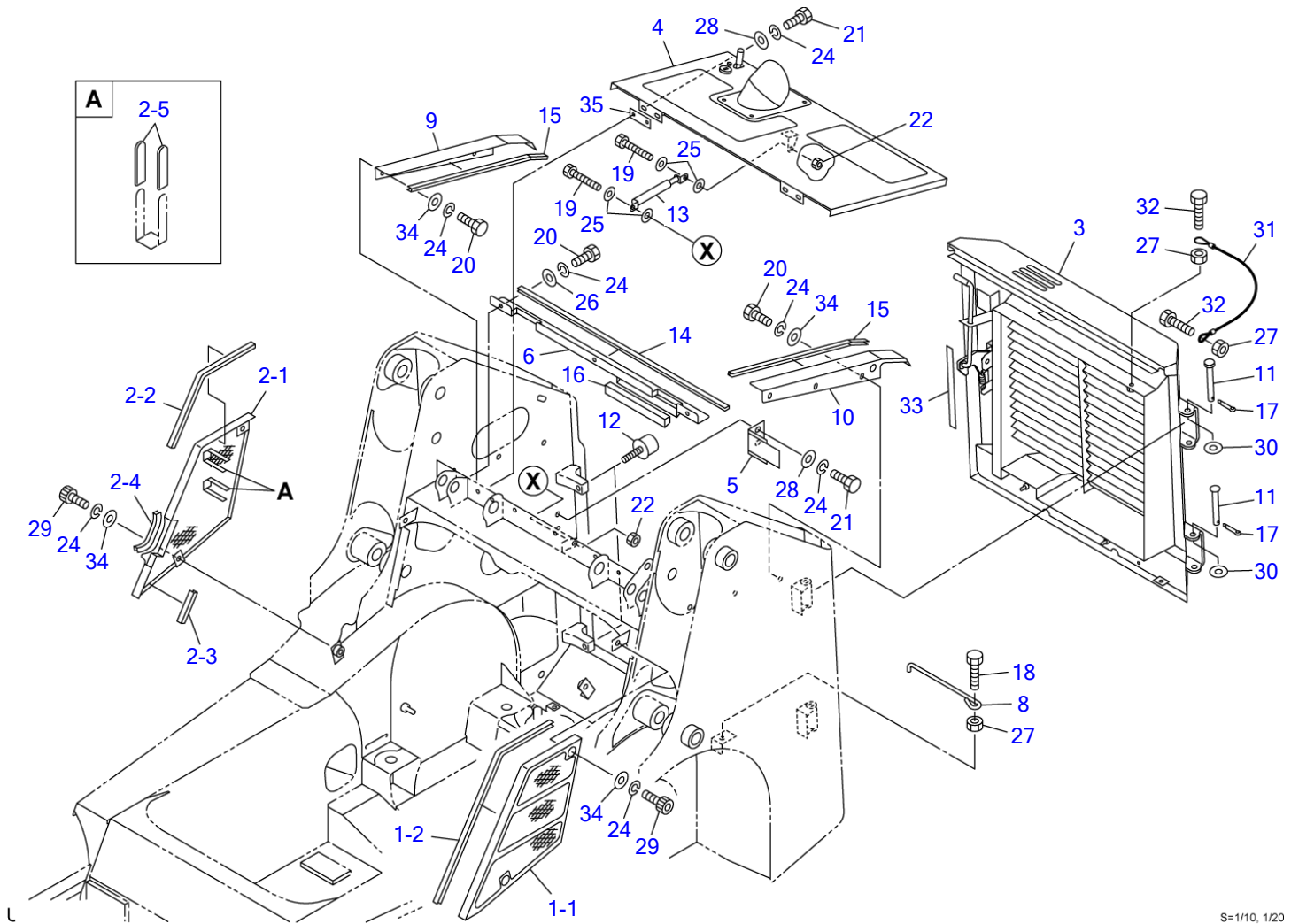


U1D091

S-1/14

**FUEL TANK & FUEL PIPING**

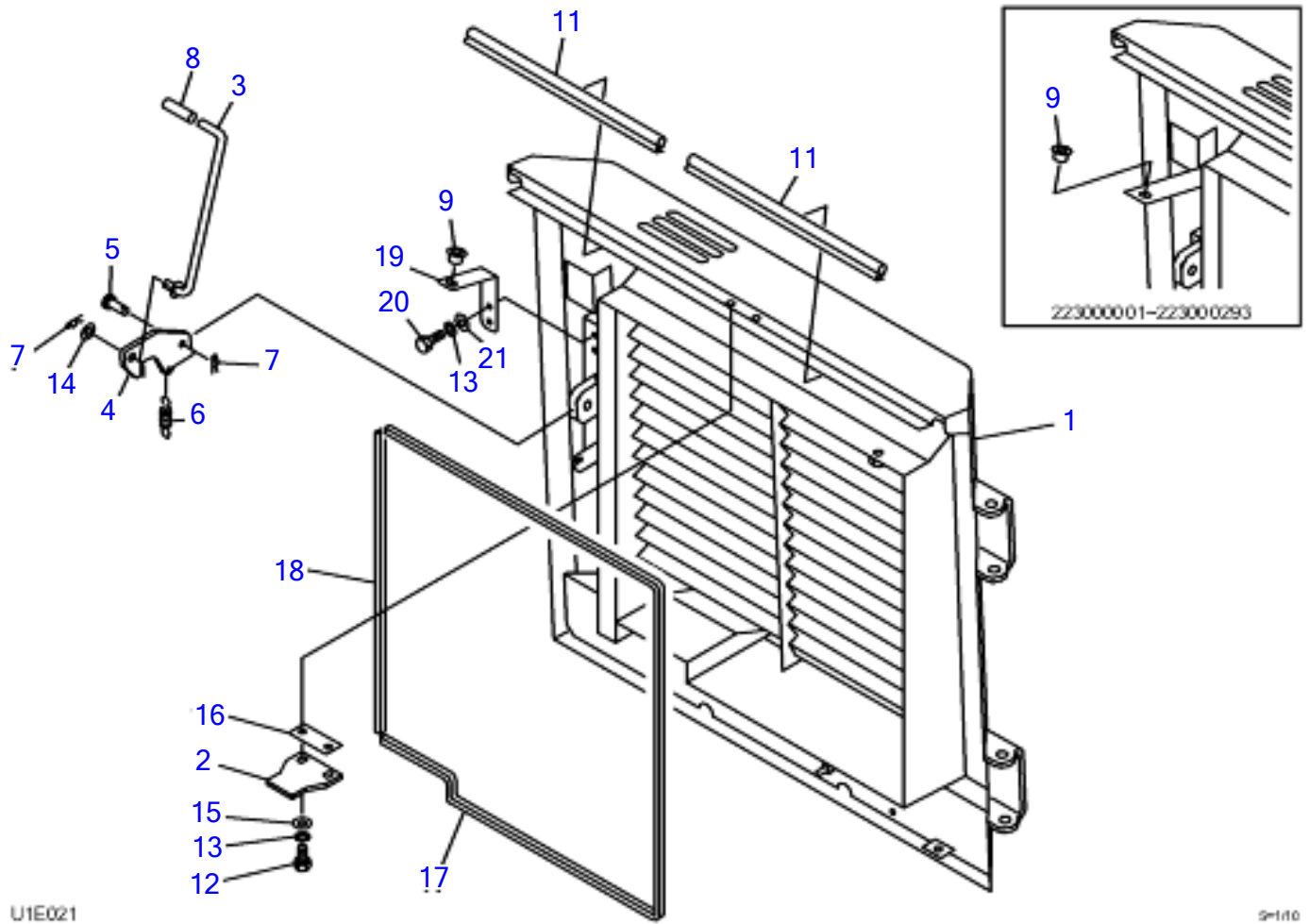
Item	Part number	Description	Q'ty	Chan.	Serial No.	Serv.	Remarks
48	<b>1531207140</b>	HOSE	1			M	sold by the meter
49	<b>1531115068</b>	PROTECTOR	1				sold by the meter
50	<b>1531115130</b>	PROTECTOR	1			M	sold by the meter
51	<b>0007300013</b>	CLAMP	2				
52	<b>1533700019</b>	BAND	1				
53	<b>1652231250</b>	BAND	3				
54	<b>0881812140</b>	RUBBER	2				
55	<b>0880814160</b>	RUBBER	1				
	<b>U1d091</b>						



S=1/10, 1/20

Item	Part number	Description	COVER (1/3)			Remarks
			Q'ty	Chan.	Serial No. Serv.	
		COVER ASSY				
1	0668201100	COVER ASSY, side(L.H.)	1			
1-1	0668201110	• COVER, side(L.H.)	1			
1-2	1654520070	• TRIM	1			sold by the meter
2	0668201200	COVER ASSY, side(R.H.)	1			
2-1	0668201210	• COVER, side(R.H.)	1			
2-2	1654520046	• TRIM	1			sold by the meter
2-3	1654520009	• TRIM	1			sold by the meter
2-4	1653916016	• TRIM	1			sold by the meter
2-5	0872433150	• TUBE	4			
3	0668201300	DOOR ASSY, rear	1			see page (2/3)
4	0668201500	HOOD, engine	1			see page (3/3)
5	0668200050	BRACKET	1			
6	0880826560	TABLE	1			
8	0658200110	ROD	1			
9	0880824820	PLATE(R.H.)	1			
10	0880824830	PLATE(L.H.)	1			
11	0881822020	PIN	2			
12	1651101050	STOPPER	2			
13	1653900057	SPRING, gas	1			
14	1654623088	TRIM	1			sold by the meter
15	1654623056	TRIM	2			sold by the meter
16	1654613028	SPONGE	1			sold by the meter
17	1210010425	PIN, split	2			
18	1100041035	BOLT	1			
19	1100040825	BOLT	2			
20	1100041020	BOLT	9			
21	1100041025	BOLT	6			
22	1130040008	NUT	2			
24	1140020010	WASHER, spring	19			
25	1141110008	WASHER	4			
26	1141110010	WASHER	3			
27	1130040010	NUT	3			
28	0003600025	WASHER	6			
29	1110041020	SCREW, cap	4			
30	1141110016	WASHER	AR			
31	1929900437	ROPE	1			
32	1100241050	BOLT	2			
33	0881823034	RUBBER	1			
34	0003600020	WASHER	10			
35	0003900040	SPACER	AR			t=1.6mm
	0003900041	SPACER	AR			t=2.3mm
	U1e011					

TL230 Book No. BU1Z004 S/N 223000001-  
COVER (2/3) REAR DOOR

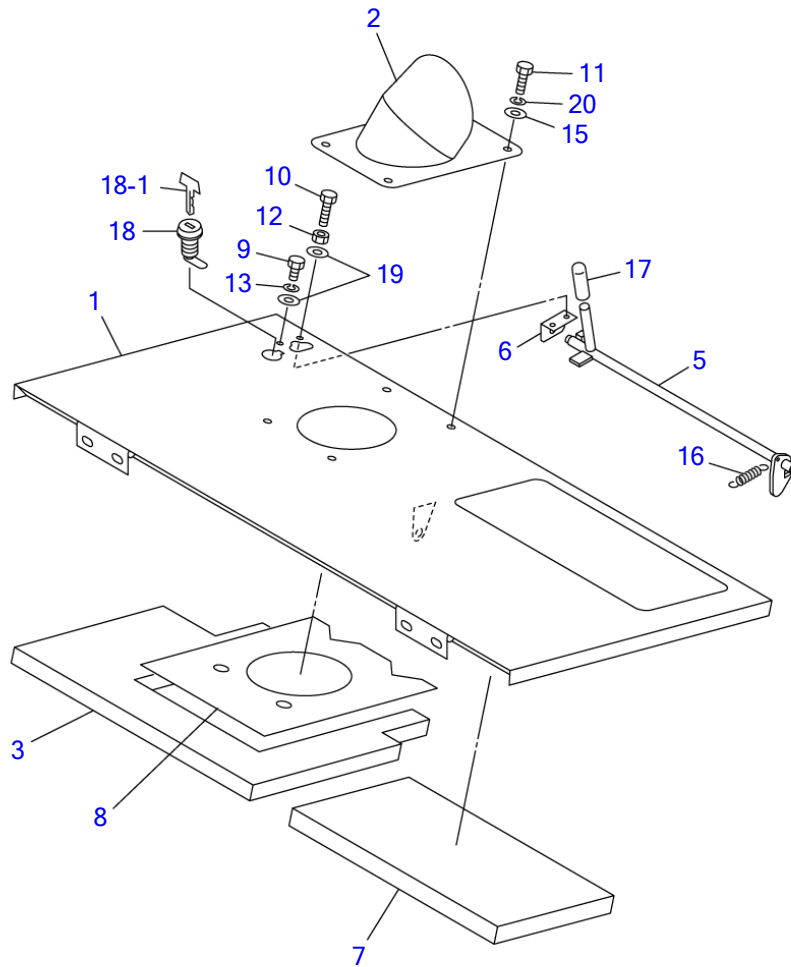


U1E021

5/110

## COVER (2/3) REAR DOOR

Item	Part number	Description	Q'ty	Chan.	Serial No.	Serv.	Remarks
		COVER (2/3) REAR DOOR					
0-1	0668201500	REAR DOOR ASSY	1				
1	0668201600	* REAR DOOR	1				
2	0880825650	* STRIKER	1				
3	0880826150	* ROD	1				
4	0880826160	* PLATE	1				
	0668201540	* PLATE	1				
5	0004015002	* PIN	1				
6	0007000112	* SPRING	1				
7	1214000012	* SNAP PIN	2				
8	1650202300	* CAP	1				
9	1652615200	* BUSHING	1				
11	1654605041	* TRIM	2				
12	1100040825	* BOLT	2				
13	1140020008	* SPRING WASHER	4				
14	1141110012	* WASHER	1				
15	0003608252	* WASHER	2				
16	0003900037	* SPACER					
17	1654606189	* TRIM	1				
18	1654605058	* TRIM	1				
19	0698201122	* PLATE	1				
20	1100040820	* BOLT	2				
21	1141110008	* WASHER	2				
	U1E022						



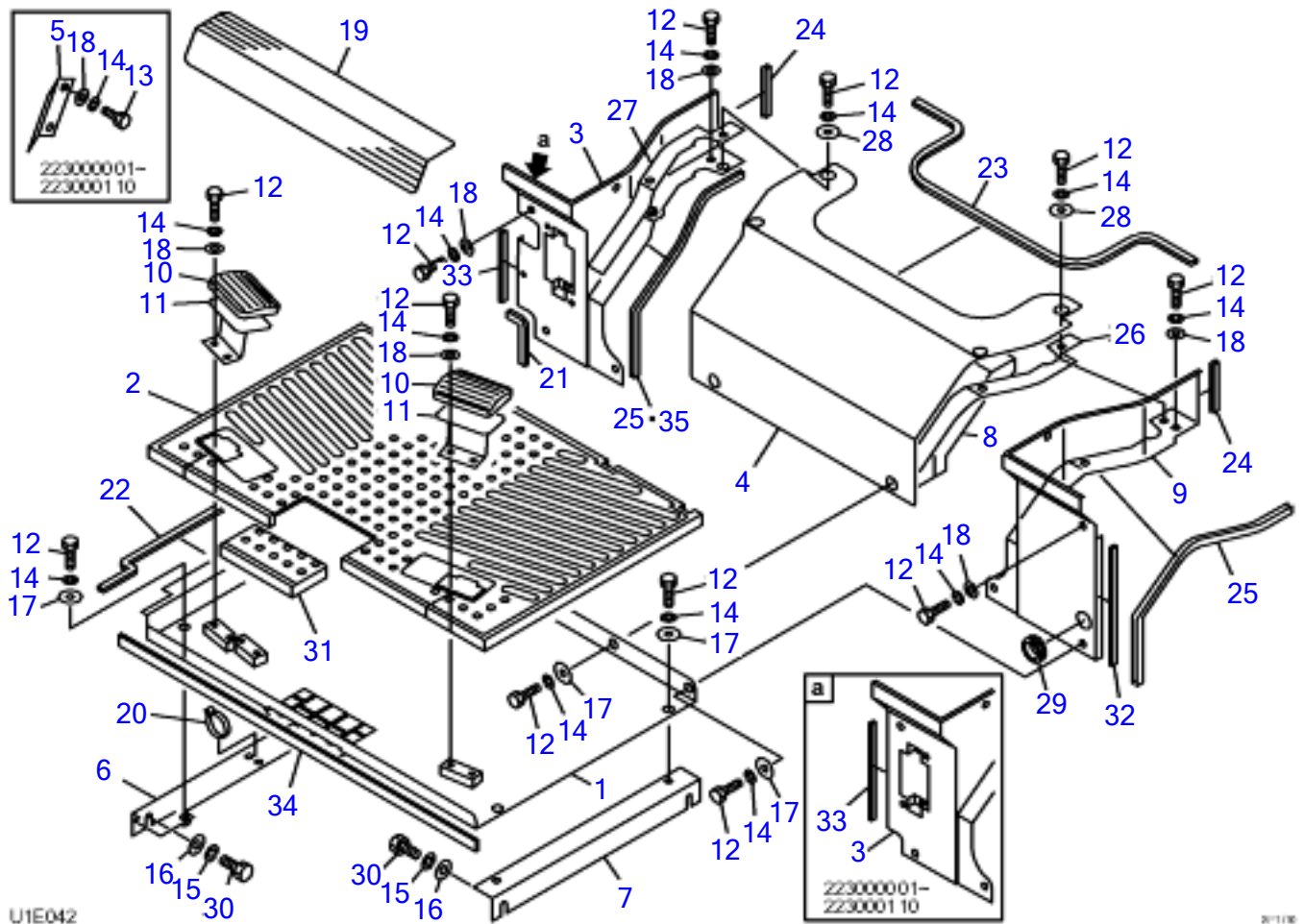
U1E031

S=1/10



## COVER (3/3) (engine hood)

Item	Part number	Description	Q'ty	Chan.	Serial No.	Serv.	Remarks
0-2	0668201300	HOOD ASSY, engine	1			M	
1	0668201310	▪ HOOD, engine	1				
2	0880825710	▪ NOZZLE	1				
3	0880825706	▪ ABSORBENT, noise	1			M	
5	0880823660	▪ LEVER	1				
6	0880820080	▪ ANGLE	1				
7	0668201370	▪ ABSORBENT, noise	1				
8	0880825708	▪ INSULATOR	1			M	
9	1100040612	▪ BOLT	1				
10	1100040620	▪ BOLT	1				
11	1100040816	▪ BOLT	4				
12	1130040006	▪ NUT	1				
13	1140020006	▪ WASHER, spring	1				
15	0003608252	▪ WASHER	4				
16	0007000070	▪ SPRING	1				
17	1650202300	▪ CAP	1				
18	1653601395	▪ LOCK	1				
18-1	1700100019	▪ KEY	1				
19	1141110006	▪ WASHER	2				
20	1140020008	▪ WASHER, spring	4				
	U1e031						

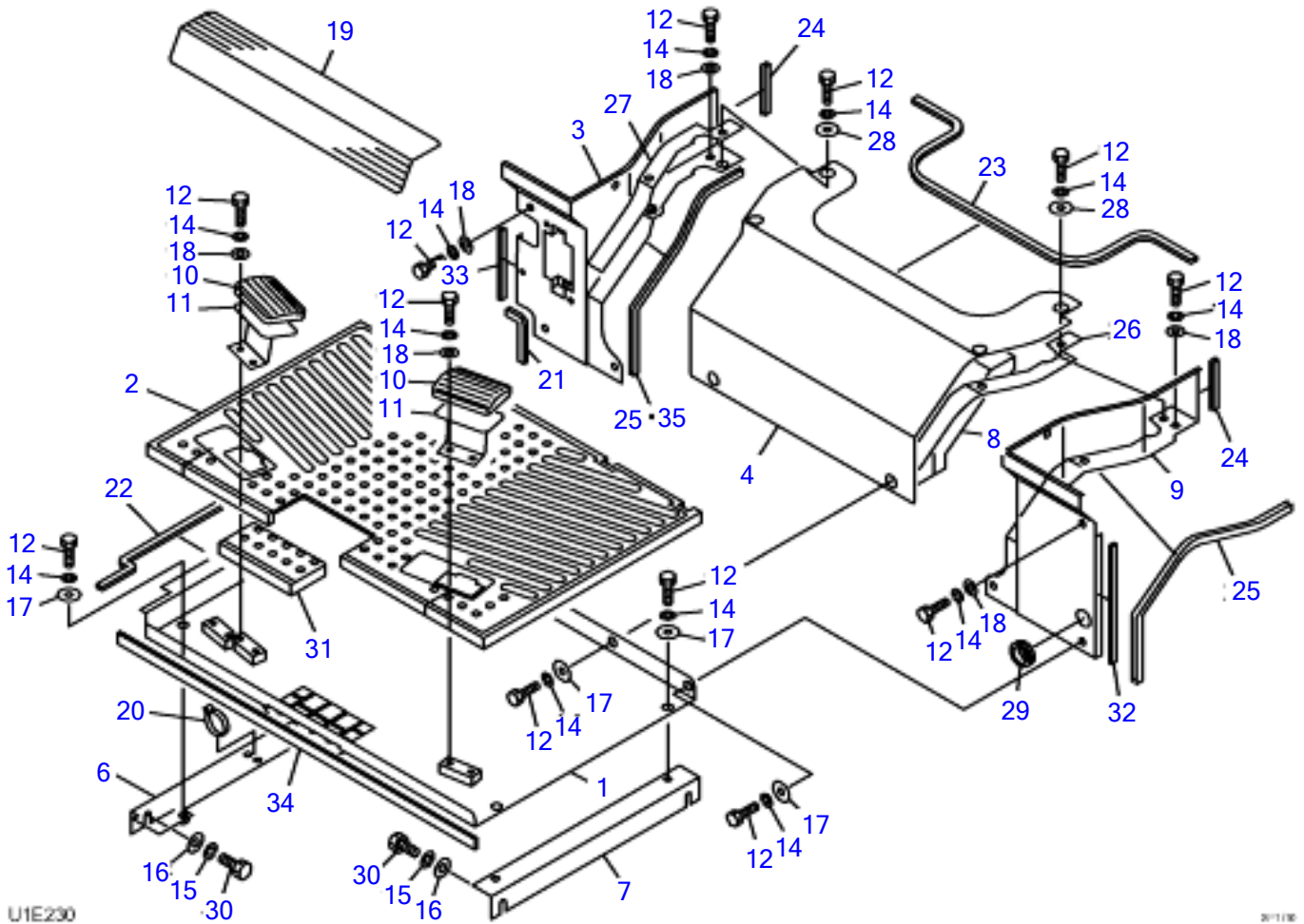


FLOOR FRAME

Item	Part number	Description	Q'ty	Chan.	Serial No.	Serv.	Remarks
		FLOOR ASSY					
1	0663500100	PLATE	1				
2	0663500020	MAT, floor	1				
3	0880354630	COVER (R.H.)	1		223000001~223000032		
	0880354670	COVER (R.H.)	1	(H)	223000033~	M	
	0663500250	COVER RH	1				
4	0663500400	COVER	1				
5	0880353050	COVER	1				
6	0881351500	STAY	1				
7	0881351010	STAY	1				
8	0663500080	ABSORBENT, noise	1				
9	0880354640	COVER (L.H.)	1				
10	0563218500	COVER	2				
11	0563219700	REST, foot	2				
12	1100040820	BOLT	22				
13	1100040812	BOLT	2				
14	1140020008	WASHER, spring	22				
15	1140020010	WASHER, spring	4				
16	1141110010	WASHER	4				
17	0003608252	WASHER	8				
18	1141110008	WASHER	10				
19	0880821355	SHEET	1				
20	1652231250	BAND	1				
21	1653916007	TRIM	1				sold by the meter
22	1654606048	TRIM	1				sold by the meter
23	1654623076	TRIM	1		223000001~223000032		sold by the meter
24	1654639009	TRIM	2		223000001~223000032		sold by the meter
	1654623010	TRIM	2		223000033~	M	sold by the meter
25	1653916043	TRIM	2		223000001~223000032		sold by the meter
	1653916043	TRIM	1		223000033~	M	sold by the meter
26	0880353526	SPONGE	1				
27	0880353527	SPONGE	1				
28	0003608003	WASHER	4				
29	1652053001	GROMMET	1		223000001~223000032		
	1652053600	GROMMET	1		223000033~	M	
30	1100041020	BOLT	4				
31	0881353080	MAT, floor	1				
32	1654355022	SPONGE	1				sold by the meter
33	1654355018	SPONGE	1				sold by the meter
	1654355013	SPONGE	1				
34	1654354071	SPONGE	1				sold by the meter
35	1653916036	TRIM	1		223000033~	M	sold by the meter

U1e042

TL230 Book No. BU1Z004 S/N 223000001-  
FLOOR FRAME (THROTTLE PEDAL TYPE)

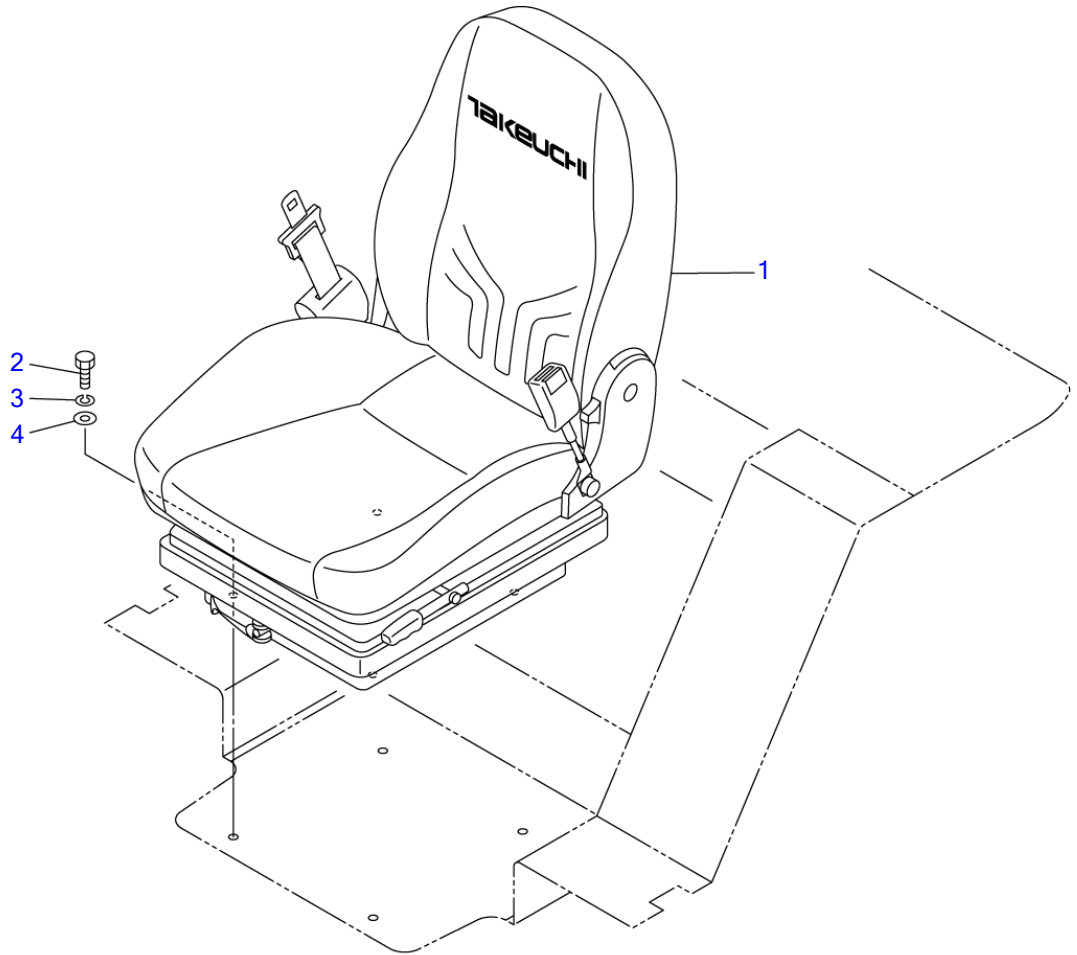


U1E230

201108

**FLOOR FRAME (THROTTLE PEDAL TYPE)**

Item	Part number	Description	Q'ty	Chan.	Serial No.	Serv.	Remarks
		FLOOR FRAME					
1	663500100	PLATE	1				
2	0663500030	FLOOR MAT	1				
3	0663500250	RH COVER	1				
4	0663500400	COVER	1				
6	0881351500	STAY	1				
7	0881351010	STAY	1				
8	0663500080	NOISE ABSORBENT	1				
9	0880354640	LH COVER	1				
10	0563218500	COVER	2				
11	0563219700	FOOT REST	2				
12	1100040820	BOLT	22				
14	1140020008	SPRING WASHER	22				
15	1140020010	SPRING WASHER	4				
16	1141110010	WASHER	4				
17	0003608252	WASHER	8				
18	1141110008	WASHER	10				
19	0880821355	SHEET	1				
20	1652231250	BAND	1				
21	1653916007	TRIM	1				
22	1654606048	TRIM	1				
23	1654623076	TRIM	1				
24	1654623010	TRIM	2				
25	1653916043	TRIM	1				
26	0880353526	SPONGE	1				
27	0880353527	SPONGE	1				
28	0003608003	WASHER	4				
29	1652053600	GROMMET	1				
30	1100041020	BOLT	4				
31	0881353080	FLOOR MAT	1				
32	1654355022	SPONGE	1				
33	1654355013	SPONGE	1				
34	1654354071	SPONGE	1				
35	1653916036	TRIM	1				
	UIE230						

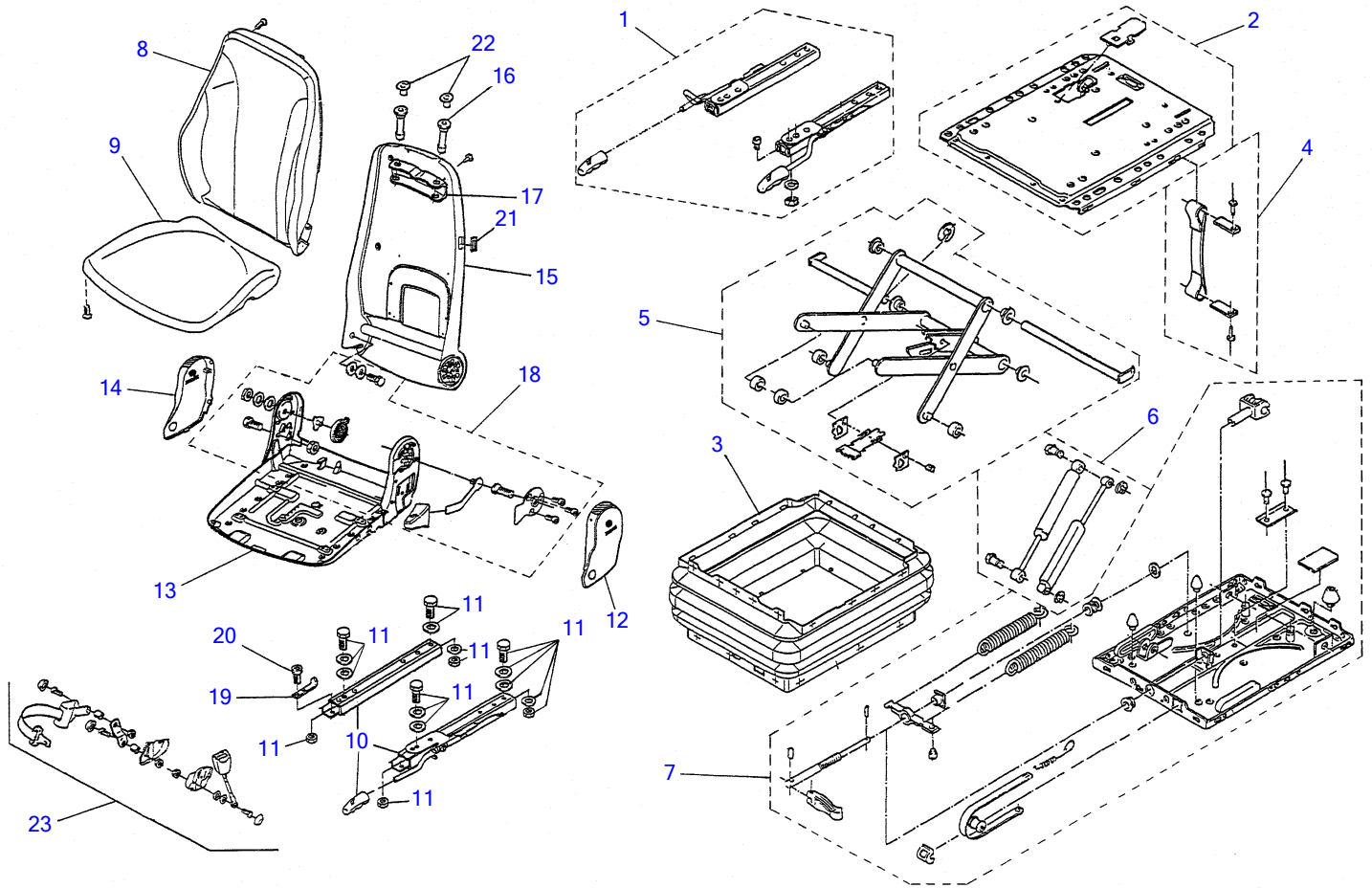


T7E050

S=1/10

**SEAT (1/2)**

Item	Part number	Description	Q'ty	Chan.	Serial No.	Serv.	Remarks
		SEAT ASSY					
1	1914100079	SEAT	1				see page (2/2)
2	1100040820	BOLT	4				
3	1140020008	WASHER, spring	4				
4	1141110008	WASHER	4				
	T7e051						

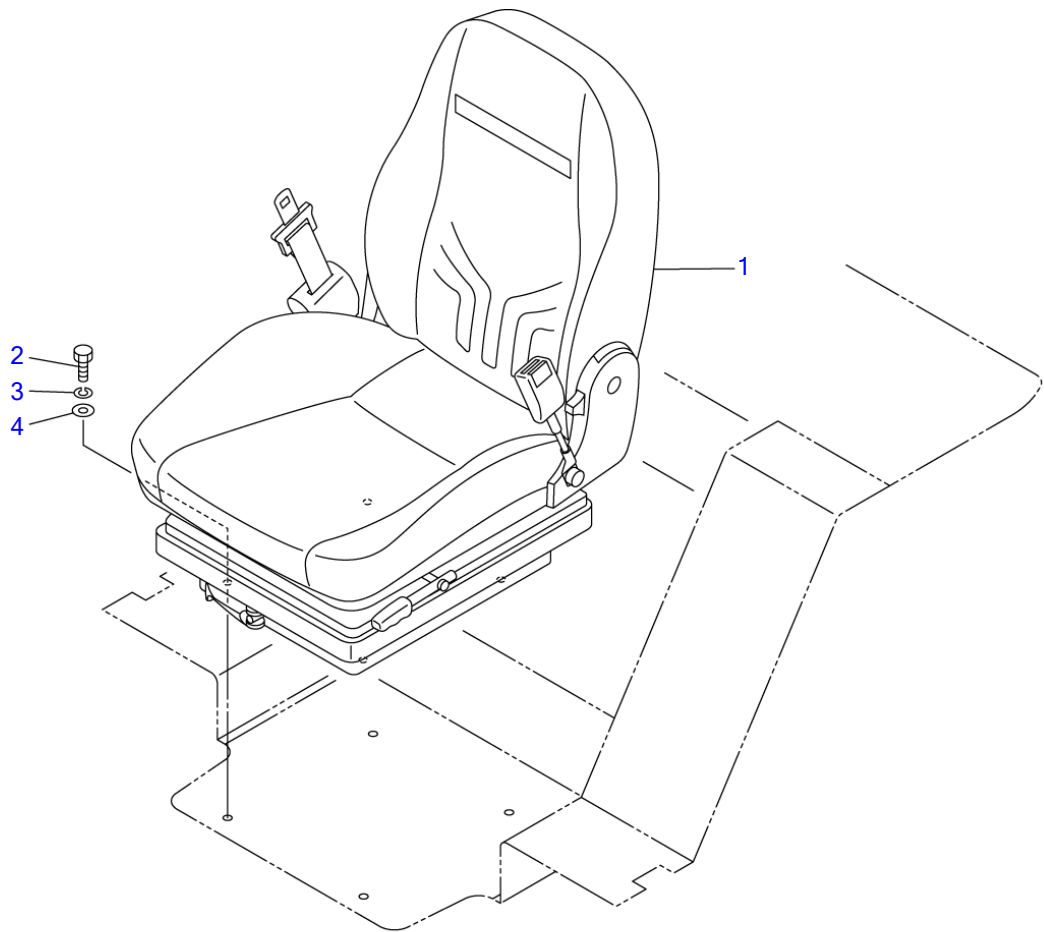


T7E060

S=Free



SEAT (2/2)						
Item	Part number	Description	Q'ty	Chan.	Serial No.	Serv. Remarks
0	1914100079	SEAT ASSY	1			PVC
1	1914101072	▪ RAIL ASSY	1			
2	1914102072	▪ PLATE ASSY	1			
3	1914103072	▪ BOOT	1			
4	1914104072	▪ ANGLE ASSY	1			
5	1914105072	▪ LINK ASSY	1			
6	1914106072	▪ DAMPER ASSY	1			
7	1914107072	▪ SPRING ASSY	1			
8	1914108072	▪ TRIM	1			
9	1914109072	▪ TRIM	1			
10	1914110072	▪ RAIL ASSY	1			
11	1914111072	▪ BOLT ASSY	1			
12	1914112072	▪ COVER (L.H.)	1			
13	1914113072	▪ FRAME	1			
14	1914114072	▪ COVER (R.H.)	1			
15	1914115072	▪ FRAME	1			
16	1914116072	▪ GUIDE	2			
17		▪ BRACKET	1			
18	1914118072	▪ JOINT ASSY	1			
19	1914119072	▪ PLATE	1			
20	1914120072	▪ SCREW, cap	1			
21	1914121072	▪ PLATE	1			
22	1914122072	▪ PLUG	2			
23	1914123072	▪ BELT ASSY, seat	1			
	T7e061					



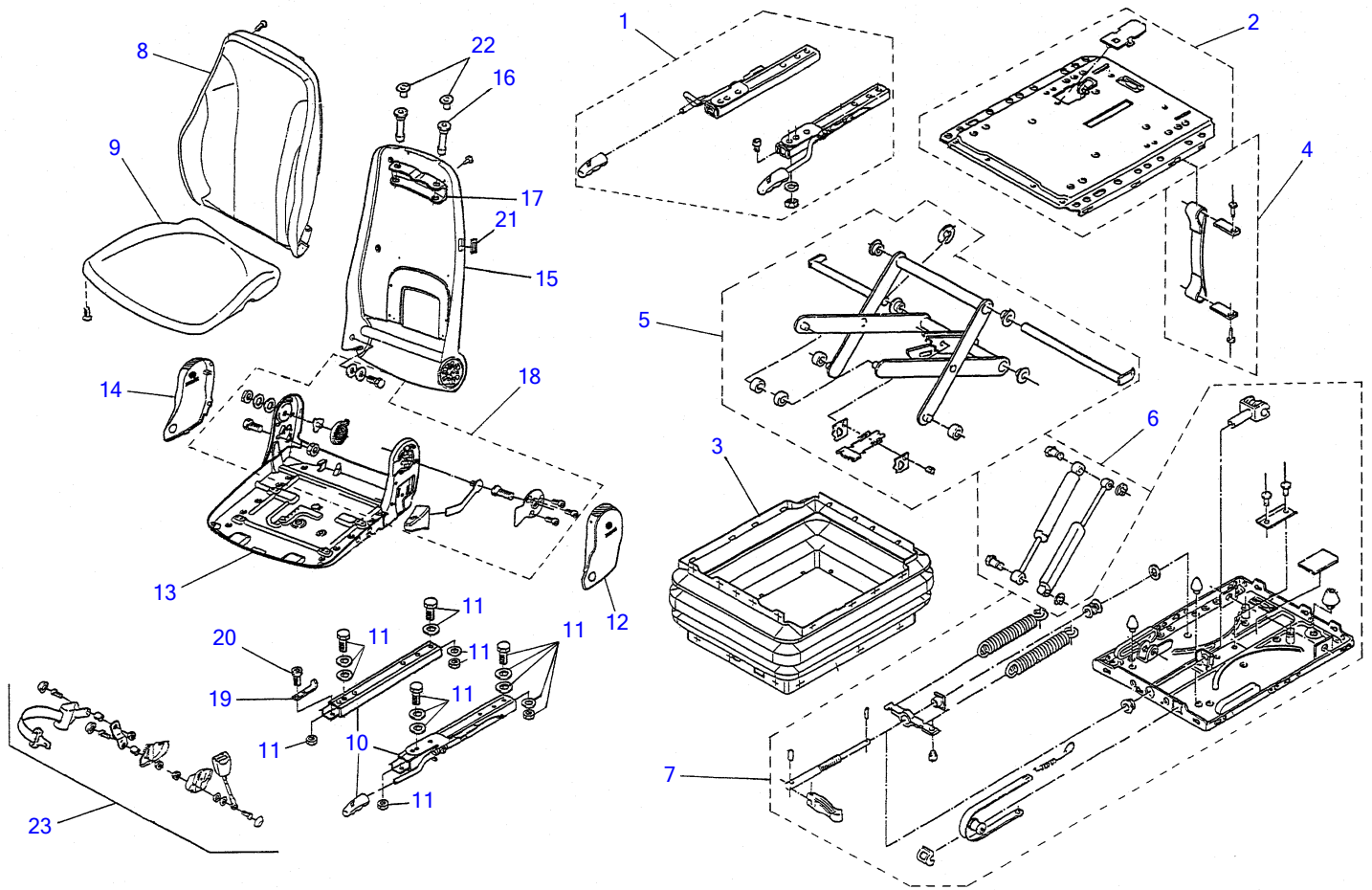
T7E170

S-1/10

**SEAT (1/2) (for GEHL & MUSTANG)**

Item	Part number	Description	Q'ty	Chan.	Serial No.	Serv.	Remarks
		SEAT ASSY					
1	<b>1914100090</b>	SEAT	1				see page (2/2)
2	<b>1100040820</b>	BOLT	4				
3	<b>1140020008</b>	WASHER, spring	4				
4	<b>1141110008</b>	WASHER	4				
	<b>T7e170</b>						

TL230 Book No. BU1Z004 S/N 223000001-  
SEAT (2/2) (for GEHL & MUSTANG)

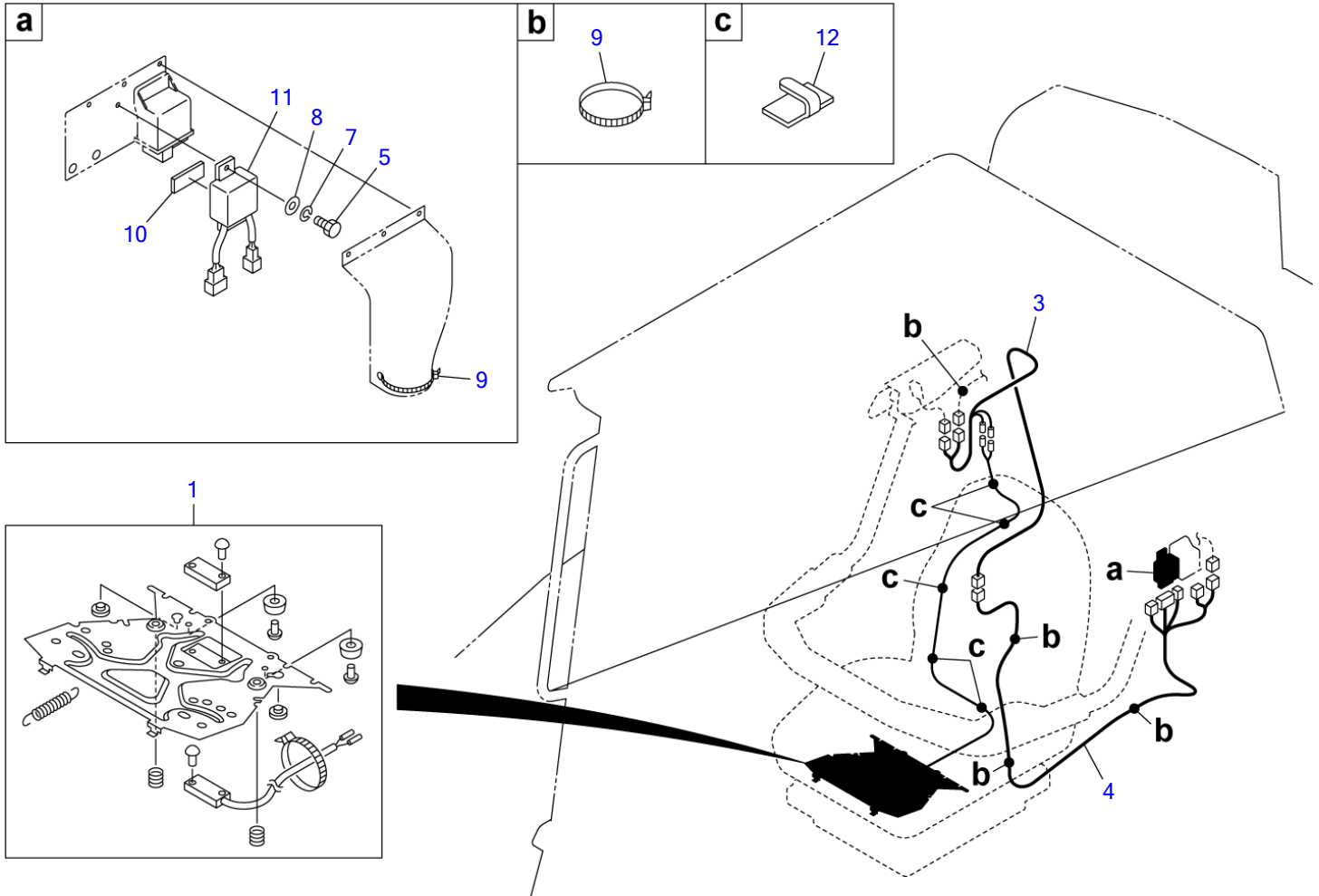


T7E180

S=Free

**SEAT (2/2) (for GEHL & MUSTANG)**

Item	Part number	Description	Q'ty	Chan.	Serial No.	Serv.	Remarks
0	<b>1914100090</b>	SEAT ASSY	1				PVC
1	<b>1914101072</b>	▪ RAIL ASSY	1				
2	<b>1914102072</b>	▪ PLATE ASSY	1				
3	<b>1914103072</b>	▪ BOOT	1				
4	<b>1914104072</b>	▪ ANGLE ASSY	1				
5	<b>1914105072</b>	▪ LINK ASSY	1				
6	<b>1914106072</b>	▪ DAMPER ASSY	1				
7	<b>1914107072</b>	▪ SPRING ASSY	1				
8	<b>1914108089</b>	▪ TRIM	1				
9	<b>1914109072</b>	▪ TRIM	1				
10	<b>1914110072</b>	▪ RAIL ASSY	1				
11	<b>1914111072</b>	▪ BOLT ASSY	1				
12	<b>1914112072</b>	▪ COVER (L.H.)	1				
13	<b>1914113072</b>	▪ FRAME	1				
14	<b>1914114072</b>	▪ COVER (R.H.)	1				
15	<b>1914115072</b>	▪ FRAME	1				
16	<b>1914116072</b>	▪ GUIDE	2				
17		▪ BRACKET	1				
18	<b>1914118072</b>	▪ JOINT ASSY	1				
19	<b>1914119072</b>	▪ PLATE	1				
20	<b>1914120072</b>	▪ SCREW, cap	1				
21	<b>1914121072</b>	▪ PLATE	1				
22	<b>1914122072</b>	▪ PLUG	2				
23	<b>1914123072</b>	▪ BELT ASSY, seat	1				
	<b>T7e181</b>						

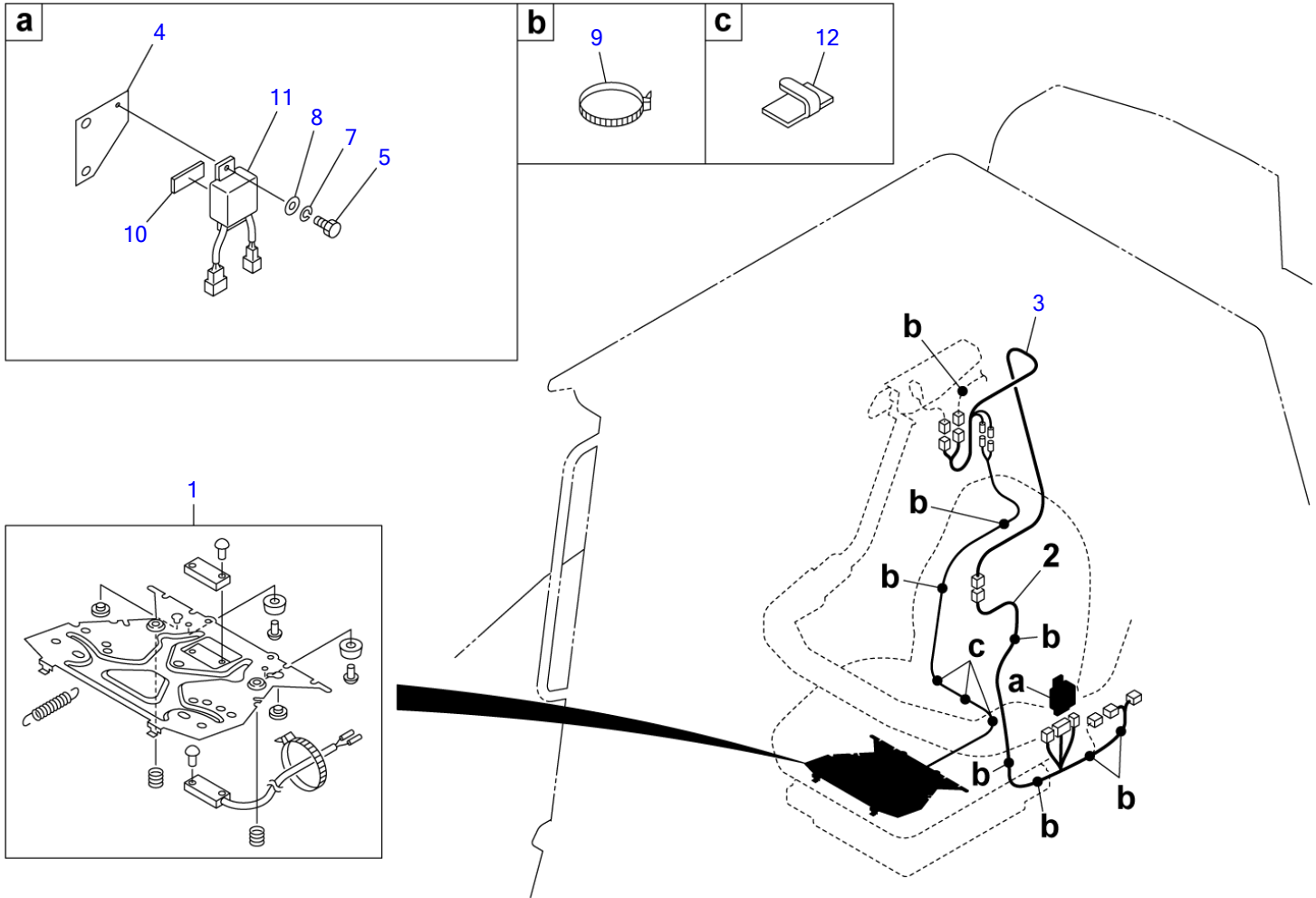


T8E500

S=1/8, 1/15

**SEAT SWITCH (223000001-223000182)**

Item	Part number	Description	Q'ty	Chan.	Serial No.	Serv.	Remarks
0	<b>0880348500</b>	SWITCH ASSY, seat	1				
1	<b>1914100086</b>	▪ SWITCH, seat	1				
3	<b>0881422540</b>	▪ HARNESS, wiring	1				
4	<b>0880348520</b>	▪ HARNESS, wiring	1				
5	<b>1100040616</b>	▪ BOLT	1				
7	<b>1140020006</b>	▪ WASHER, spring	1				
8	<b>1141110006</b>	▪ WASHER	1				
9	<b>1652231250</b>	▪ BAND	5				
10	<b>1654301005</b>	▪ SPONGE	1				sold by the meter
11	<b>1711900062</b>	▪ RELAY	1				
12	<b>1711900074</b>	▪ STICKER	5				
	<b>T8e500</b>						



U1E160

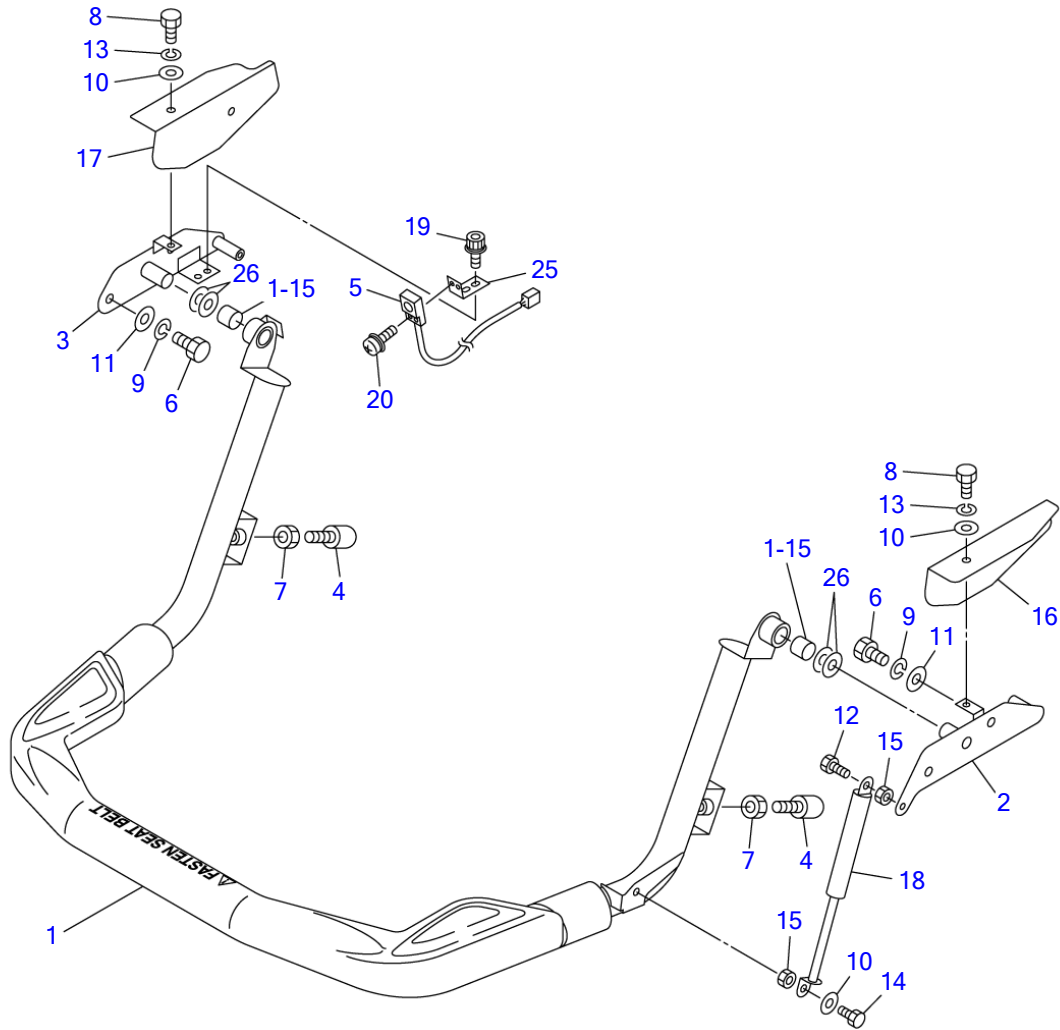
S=1/8, 1/15



**SEAT SWITCH (223000183-)**

Item	Part number	Description	Q'ty	Chan.	Serial No.	Serv.	Remarks
0	<b>0663400000</b>	SWITCH ASSY, seat	1			M	
1	<b>1914100086</b>	▪ SWITCH, seat	1			M	
2	<b>0663400010</b>	▪ HARNESS, wiring	1			M	
3	<b>0881422540</b>	▪ HARNESS, wiring	1			M	
4	<b>0663400020</b>	▪ BRACKET	1			M	
5	<b>1100040616</b>	▪ BOLT	1			M	
7	<b>1140020006</b>	▪ WASHER, spring	1			M	
8	<b>1141110006</b>	▪ WASHER	1			M	
9	<b>1652231250</b>	▪ BAND	8			M	
10	<b>1654301005</b>	▪ SPONGE	1			M	sold by the meter
11	<b>1711900062</b>	▪ RELAY	1			M	
12	<b>1711900074</b>	▪ STICKER	3			M	

**U1e160**

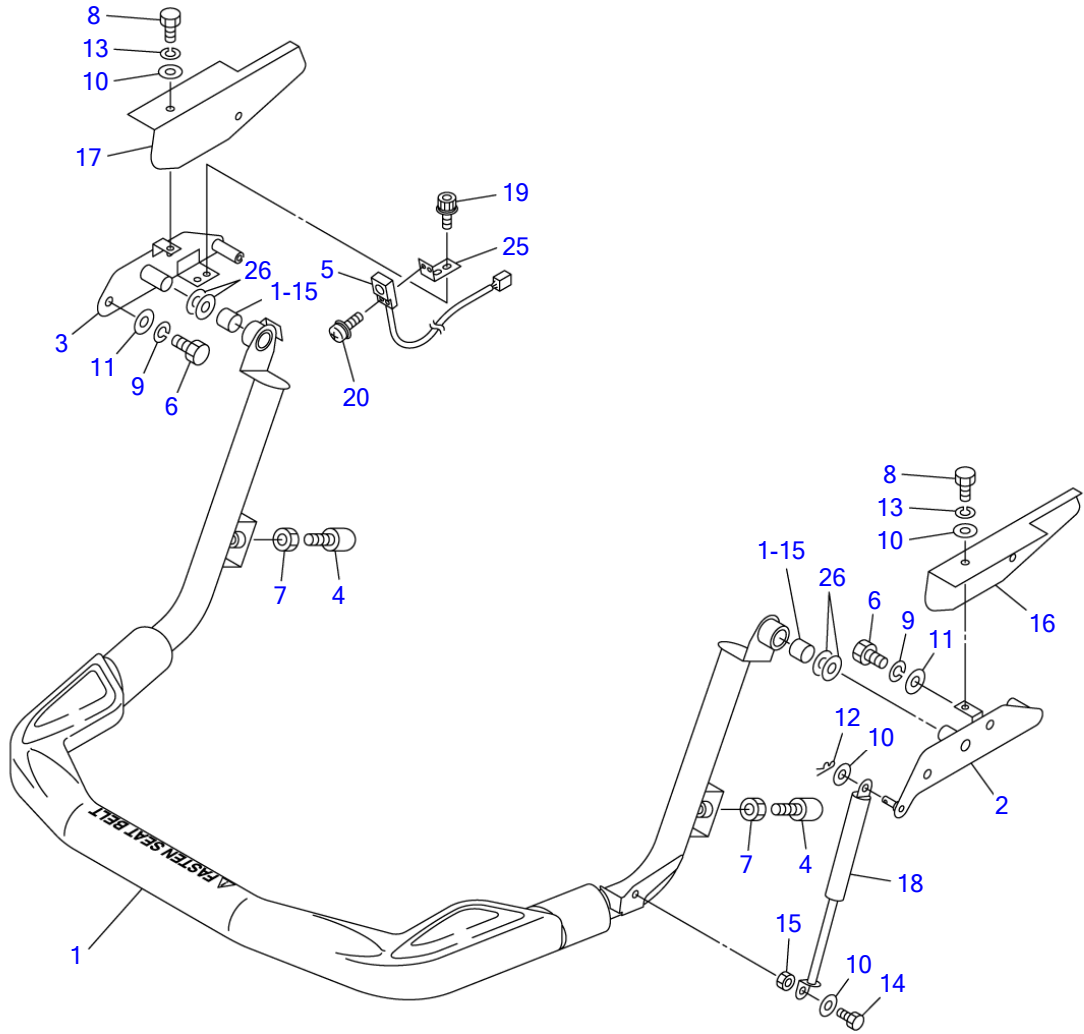


U1E050

S=1/9

**SAFETY BAR**

Item	Part number	Description	Q'ty	Chan.	Serial No.	Serv.	Remarks
		BAR ASSY, safety					
1	<b>0881463100</b>	BAR, safety	1				
1-15	<b>1333002020</b>	• BUSHING	2				
2	<b>0881463010</b>	BRACKET(L.H.)	1				
3	<b>0881463020</b>	BRACKET(R.H.)	1				
4	<b>1651101224</b>	STOPPER	2				
5	<b>1700009010</b>	SWITCH, proximity	1				
6	<b>1100041020</b>	BOLT	4				
7	<b>1130040012</b>	NUT	2				
8	<b>1100040816</b>	BOLT	4				
9	<b>1140020010</b>	WASHER, spring	4				
10	<b>1141110008</b>	WASHER	5				
11	<b>1141110010</b>	WASHER	4				
12	<b>1100040820</b>	BOLT	1				
13	<b>1140020008</b>	WASHER, spring	4				
14	<b>1100240825</b>	BOLT	1				
15	<b>1130040008</b>	NUT	2				
16	<b>0880464010</b>	COVER(L.H.)	1				
17	<b>0880464020</b>	COVER(R.H.)	1				
18	<b>1653900057</b>	SPRING, gas	1				
19	<b>1110540512</b>	SCREW, cap	2				
20	<b>1150410312</b>	SCREW	2				
25	<b>0881463050</b>	PLATE	1				
26	<b>0093208300</b>	WASHER	4				
	<b>U1e050</b>						

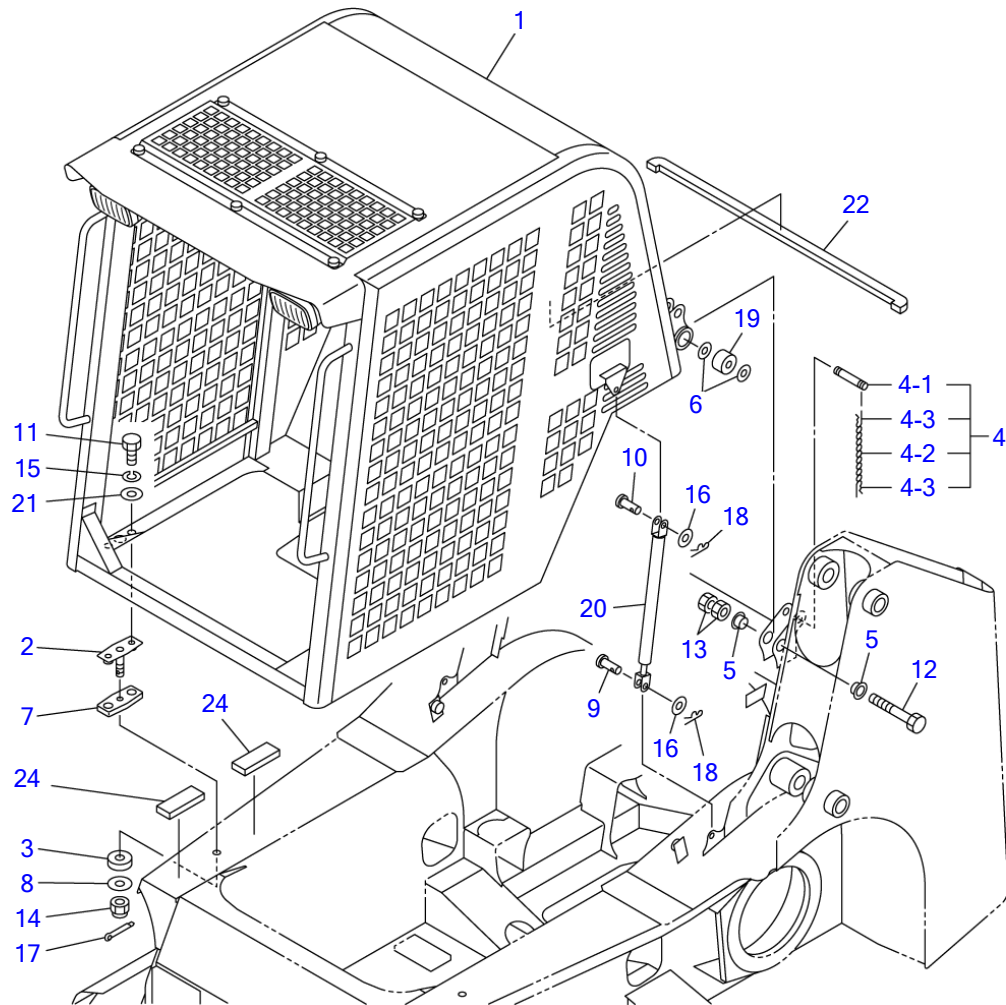


T8E511

S=1/9

**SAFETY BAR (for GEHL & MUSTANG)**

Item	Part number	Description	Q'ty	Chan.	Serial No.	Serv.	Remarks
		BAR ASSY, safety					
1	<b>0881463100</b>	BAR, safety	1				
1-15	<b>1333002020</b>	• BUSHING	2				
2	<b>0881461090</b>	BRACKET(L.H.)	1				
3	<b>0881461040</b>	BRACKET(R.H.)	1				
4	<b>1651101224</b>	STOPPER	2				
5	<b>1700009010</b>	SWITCH, proximity	1				
6	<b>1100041020</b>	BOLT	4				
7	<b>1130040012</b>	NUT	2				
8	<b>1100040816</b>	BOLT	4				
9	<b>1140020010</b>	WASHER, spring	4				
10	<b>1141110008</b>	WASHER	7				
11	<b>1141110010</b>	WASHER	4				
12	<b>1214000008</b>	PIN, snap	1				
13	<b>1140020008</b>	WASHER, spring	4				
14	<b>1100040830</b>	BOLT	1				
15	<b>1130040008</b>	NUT	1				
16	<b>0880463616</b>	COVER(L.H.)	1				
17	<b>0880463617</b>	COVER(R.H.)	1				
18	<b>1653900057</b>	SPRING, gas	1				
19	<b>1110540512</b>	SCREW, cap	2				
20	<b>1150410312</b>	SCREW	2				
25	<b>0881461025</b>	PLATE	1				
26	<b>0093208300</b>	WASHER	4				
	<b>T8e512</b>						



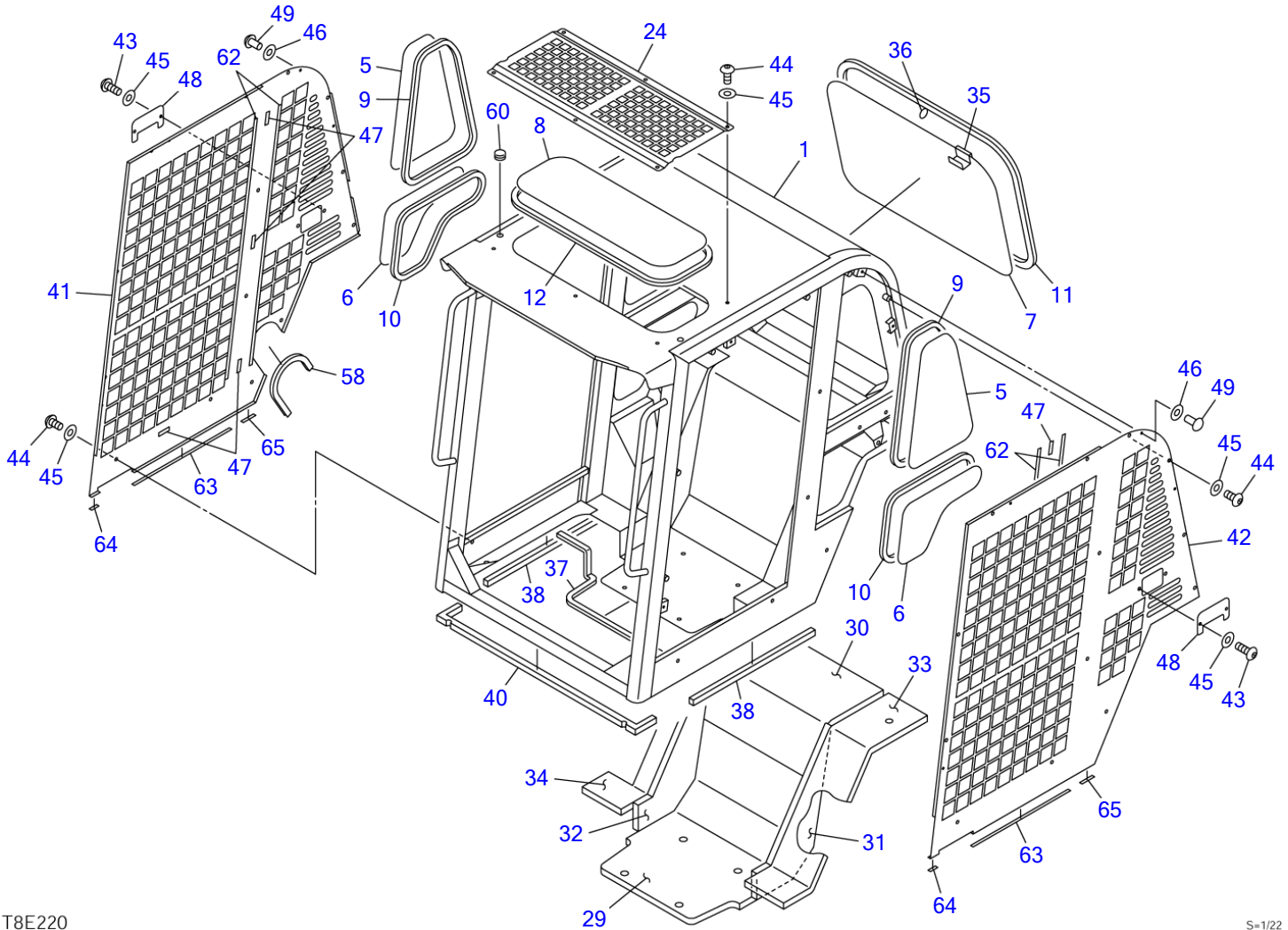
U1E060

S=1/20

**CANOPY MOUNT (for EU)**

Item	Part number	Description	Q'ty	Chan.	Serial No.	Serv.	Remarks
		CANOPY MOUNT					
1	0880845600	CANOPY ASSY	1				
2	0881842030	BOLT ASSY	2				
3	0881842050	RUBBER, cushion	2				
4	0881841060	PIN ASSY	1				
4-1	0881841061	· PIN	1				
4-2	1652735886	· CHAIN	1				
4-3	1214000016	· PIN, snap	2				
5	0881840008	COLLAR	4				
6	0880840070	WASHER	4				
7	0881842040	RUBBER, cushion	2				
8	0003900044	WASHER	2				
9	0343503200	PIN	2				
10	0004010025	PIN	2				
11	1100041225	BOLT	4				
12	1100141610	BOLT	2				
13	1130040016	NUT	4				
14	1132080016	NUT	2				
15	1140020012	WASHER, spring	4				
16	1141110010	WASHER	4				
17	1210010432	PIN, split	2				
18	1214000008	PIN, snap	4				
19	1651005030	RUBBER, cushion	2				
20	1653900059	SPRING, gas	2				
21	0003600165	WASHER	4				
22	0880866140	SPONGE	1				
24	1654306008	SPONGE	4				sold by the meter
	U1e060						

TL230 Book No. BU1Z004 S/N 223000001-  
CANOPY (1/3) (for EU)



T8E220

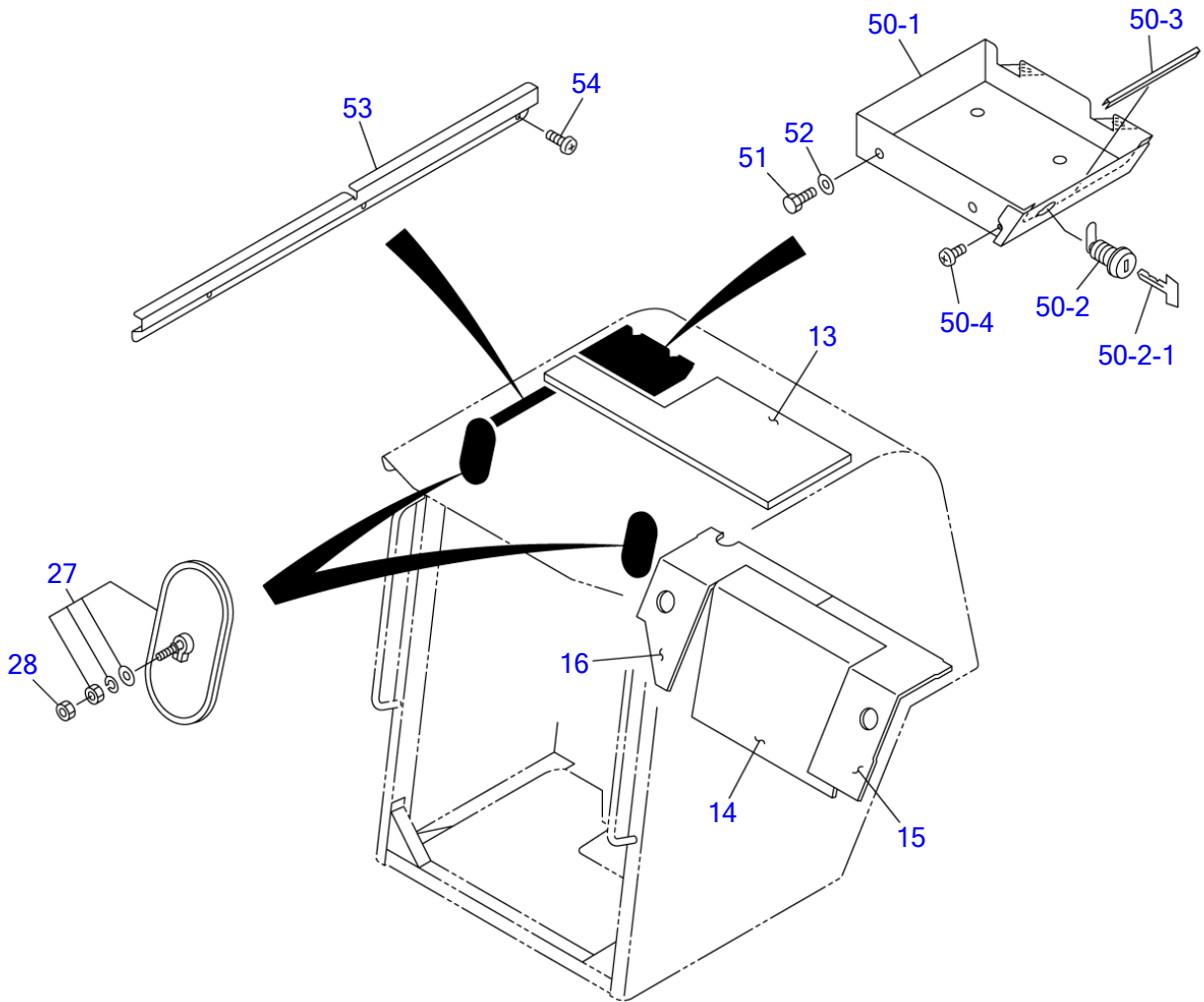
S=1/22



**CANOPY (1/3) (for EU)**

Item	Part number	Description	Q'ty	Chan.	Serial No.	Serv.	Remarks
0	<b>0880845600</b>	CANOPY ASSY	1				
1	<b>0880845700</b>	• CANOPY	1				
5	<b>0880865101</b>	• GLASS	2				
6	<b>0880865102</b>	• GLASS	2				
7	<b>0880865103</b>	• GLASS	1				
8	<b>0880865104</b>	• GLASS	1				
9	<b>1654231148</b>	• H-RUBBER	2				sold by the meter
10	<b>1654231120</b>	• H-RUBBER	2				sold by the meter
11	<b>1654231273</b>	• H-RUBBER	1				sold by the meter
12	<b>1654231195</b>	• H-RUBBER	1				sold by the meter
24	<b>0880865129</b>	• GUARD	1				
29	<b>0881842010</b>	• ABSORBENT, noise	1				
30	<b>0880845605</b>	• ABSORBENT, noise	1				
31	<b>0880865134</b>	• ABSORBENT, noise	1				
32	<b>0880865135</b>	• ABSORBENT, noise	1				
33	<b>0880865136</b>	• ABSORBENT, noise	1				
34	<b>0880865137</b>	• ABSORBENT, noise	1				
35	<b>0880865138</b>	• GRIP	1				
36	<b>0880865139</b>	• RING	1				
37	<b>1654623130</b>	• TRIM	1				sold by the meter
38	<b>0880865140</b>	• SEAL	2				
40	<b>0880865141</b>	• SEAL	1				
41	<b>0880865142</b>	• GUARD	1				
42	<b>0880865143</b>	• GUARD	1				
43	<b>1120990820</b>	• BOLT	4				
44	<b>1120990816</b>	• BOLT	33				
45	<b>1654011705</b>	• WASHER	37				
46	<b>0880865144</b>	• WASHER	8				
47	<b>0880865145</b>	• PLATE	8				
48	<b>0880865146</b>	• COVER	2				
49	<b>0880865150</b>	• RIVET	8				
58	<b>1653916037</b>	• TRIM	1				sold by the meter
60	<b>1653303010</b>	• SCREW, cap	2				
62	<b>0880845303</b>	• PLATE	4				
63	<b>0880845304</b>	• PLATE	2				
64	<b>0880845305</b>	• PLATE	2				
65	<b>0880845306</b>	• PLATE	2				

**T8e221**

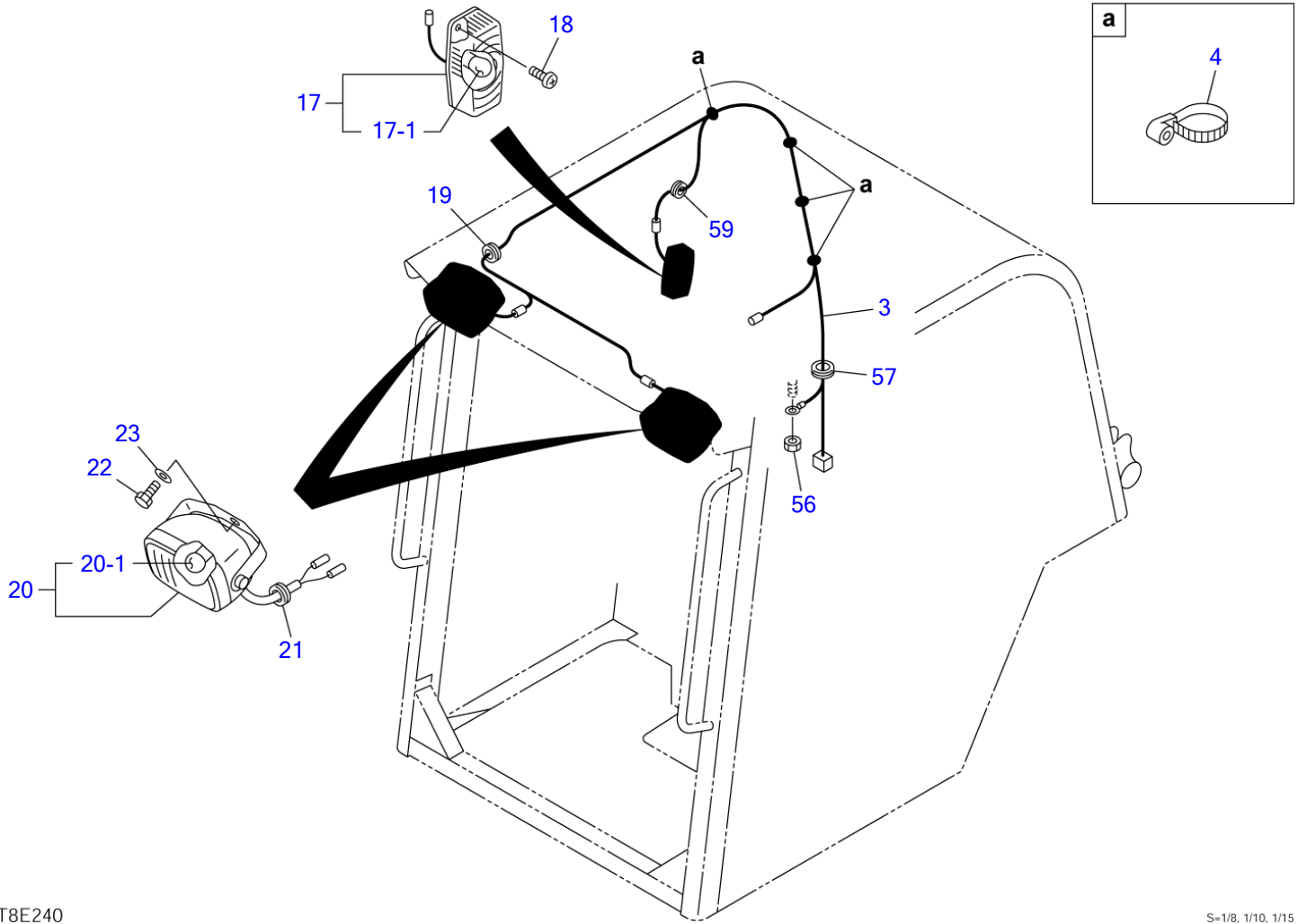


T8E230

S=1/8, 1/20

## CANOPY (2/3) (for EU)

Item	Part number	Description	Q'ty	Chan.	Serial No.	Serv.	Remarks
0	<b>0880845600</b>	CANOPY ASSY	1				
13	<b>0880845601</b>	• ABSORBENT, noise	1				
14	<b>0880845602</b>	• ABSORBENT, noise	1				
15	<b>0880845603</b>	• ABSORBENT, noise	1				
16	<b>0880845604</b>	• ABSORBENT, noise	1				
27	<b>0880865131</b>	• MIRROR, rearview	2				
28	<b>1130090008</b>	• NUT	2				
50	<b>0880845680</b>	• CASE ASSY	1				
50-1	<b>0880845681</b>	• • CASE	1				
50-2	<b>1653601395</b>	• • LOCK	1				
50-2-1	<b>1700100019</b>	• • KEY	1				
50-3	<b>1654520014</b>	• • TRIM	1				sold by the meter
50-4	<b>1150420610</b>	• • SCREW	1				
51	<b>1100090820</b>	• BOLT	4				
52	<b>1654011705</b>	• WASHER	4				
53	<b>0880845605</b>	• COVER	1				
54	<b>1150420512</b>	• SCREW	3				
	<b>T8e231</b>						

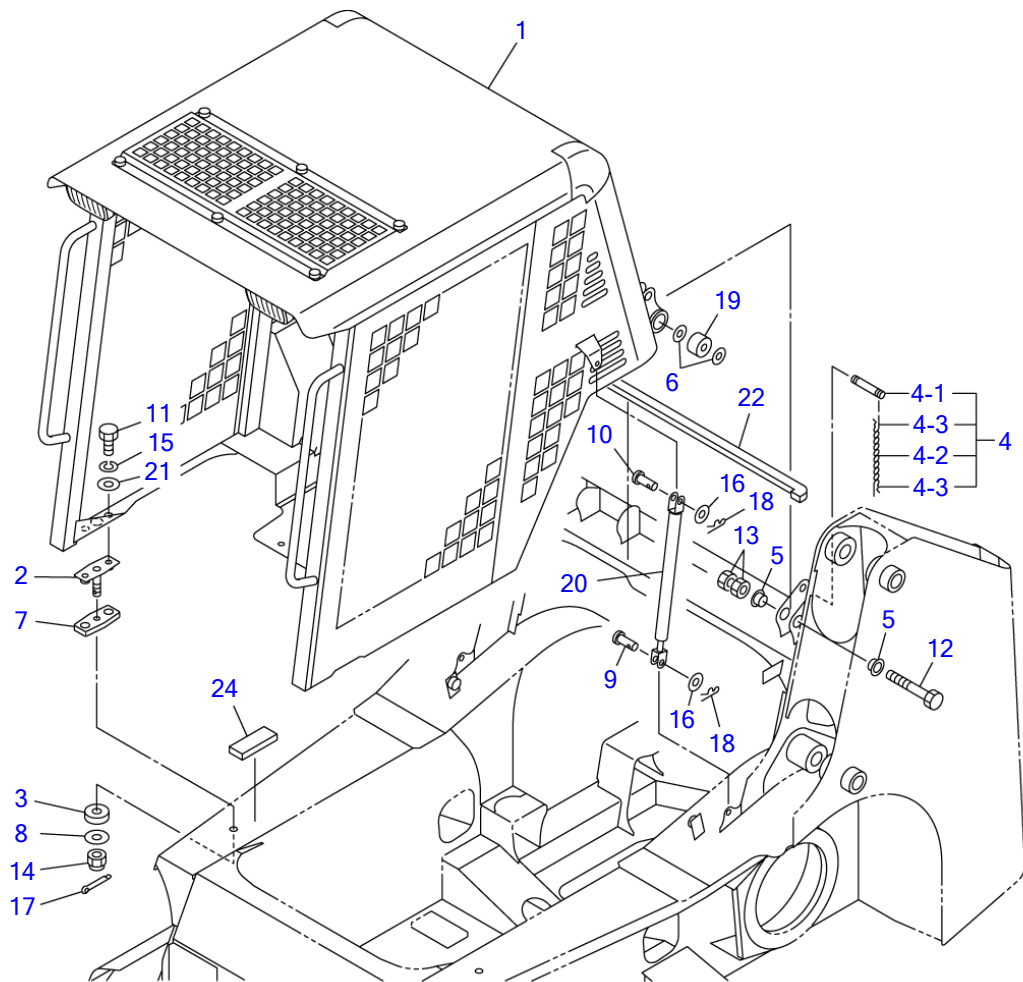


T8E240

S-1/8, 1/10, 1/15

**CANOPY (3/3) (for EU)**

Item	Part number	Description	Q'ty	Chan.	Serial No.	Serv.	Remarks
0	<b>0880845600</b>	CANOPY ASSY	1				
3	<b>0880845670</b>	▪ HARNESS, wiring	1				
4	<b>1652221050</b>	▪ CLIP	4				
17	<b>1703001700</b>	▪ LAMP, room	1				
17-1	<b>1703001701</b>	▪ ▪ BULB	1				
18	<b>1150410412</b>	▪ SCREW	2				
19	<b>1652042030</b>	▪ GROMMET	1				
20	<b>1703006600</b>	▪ LAMP, ASSY	2				
20-1	<b>1703006605</b>	▪ ▪ BULB	1				
21	<b>1652000602</b>	▪ GROMMET	2				
22	<b>1100091020</b>	▪ BOLT	2				
23	<b>1654011706</b>	▪ WASHER	2				
56	<b>1130040010</b>	▪ NUT	1				
57	<b>1654011702</b>	▪ GROMMET	1				
59	<b>1654011700</b>	▪ GROMMET	1				
	<b>T8e241</b>						

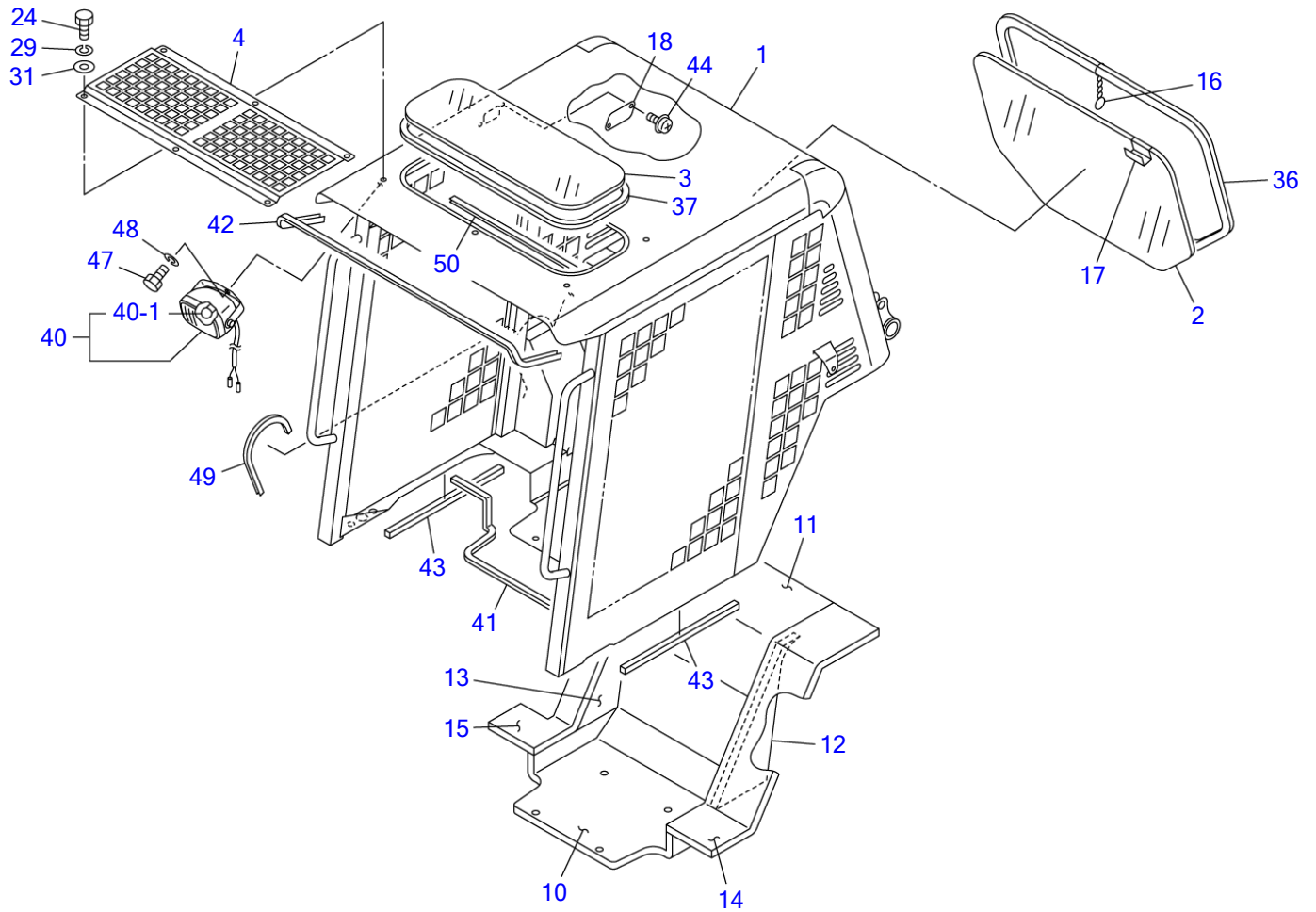


U1E070

S=1/20

**CANOPY MOUNT (for US)**

Item	Part number	Description	Q'ty	Chan.	Serial No.	Serv.	Remarks
		CANOPY MOUNT					
1	0880844000	CANOPY ASSY	1				
2	0881842030	BOLT	2				
3	0881842050	RUBBER, cushion	2				
4	0881841060	PIN ASSY	1				
4-1	0881841061	· PIN	1				
4-2	1652735886	· CHAIN	1				
4-3	1214000016	· PIN, snap	2				
5	0881840008	COLLAR	4				
6	0880840070	WASHER	4				
7	0881842040	RUBBER, cushion	2				
8	0003900044	WASHER	2				
9	0343503200	PIN	2				
10	0004010025	PIN	2				
11	1100041225	BOLT	4				
12	1100141610	BOLT	2				
13	1130040016	NUT	4				
14	1132080016	NUT	2				
15	1140020012	WASHER, spring	4				
16	1141110010	WASHER	4				
17	1210010432	PIN, split	2				
18	1214000008	PIN, snap	4				
19	1651005030	RUBBER, cushion	2				
20	1653900047	SPRING, gas	2				
21	0003600165	WASHER	4				
22	0880866140	SPONGE	1				
24	1654306008	SPONGE	2				sold by the meter
	U1e070						



T8E600

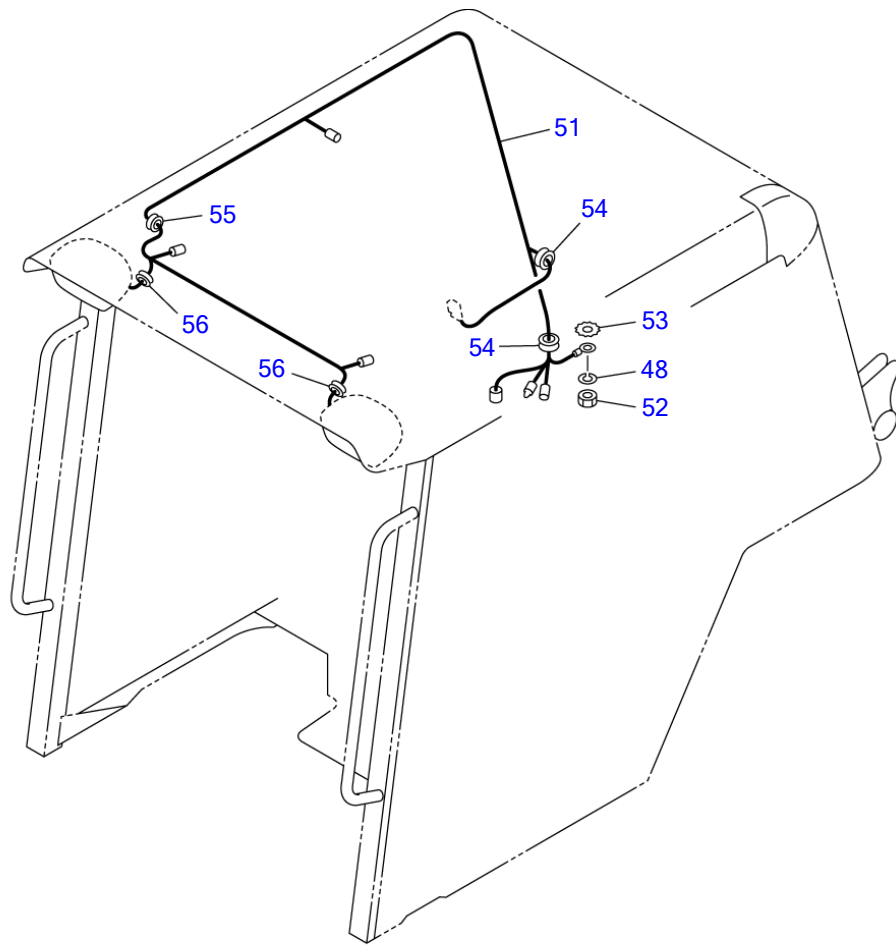
S=1/20



**CANOPY (1/2) (for US)**

Item	Part number	Description	Q'ty	Chan.	Serial No.	Serv.	Remarks
0	<b>0880844000</b>	CANOPY ASSY	1				
1	<b>0880844100</b>	• CANOPY	1				
2	<b>0881842002</b>	• GLASS	1				
3	<b>0880844003</b>	• GLASS	1				
4	<b>0880844004</b>	• PLATE	1				
10	<b>0881842010</b>	• ABSORBENT, noise	1				
11	<b>0880844011</b>	• ABSORBENT, noise	1				
12	<b>0881842012</b>	• ABSORBENT, noise (L.H.)	1				
13	<b>0881842013</b>	• ABSORBENT, noise (R.H.)	1				
14	<b>0880843514</b>	• ABSORBENT, noise	1				
15	<b>0880844015</b>	• ABSORBENT, noise	1				
16	<b>0880841040</b>	• RING, pull	1				
17	<b>0880841080</b>	• HANDLE	1				
18	<b>0881842017</b>	• PLATE	1				
24	<b>1100040816</b>	• BOLT	6				
29	<b>1140020008</b>	• WASHER, spring	6				
31	<b>1141110008</b>	• WASHER	6				
36	<b>1654252253</b>	• H-RUBBER	1				sold by the meter
37	<b>1654252200</b>	• H-RUBBER	1				sold by the meter
40	<b>1703006600</b>	• LAMP ASSY	2				
40-1	<b>1703006605</b>	• • BULB	1				12V, 55W
41	<b>1654639134</b>	• TRIM	1				sold by the meter
42	<b>1654601153</b>	• TRIM	1				sold by the meter
43	<b>1654350057</b>	• SPONGE	2				sold by the meter
44	<b>1150420412</b>	• SCREW	2				
47	<b>1100041020</b>	• BOLT	2				
48	<b>1140020010</b>	• WASHER, spring	2				
49	<b>1653916038</b>	• TRIM	1				sold by the meter
50	<b>1654601060</b>	• TRIM	1				sold by the meter

**U1E240**

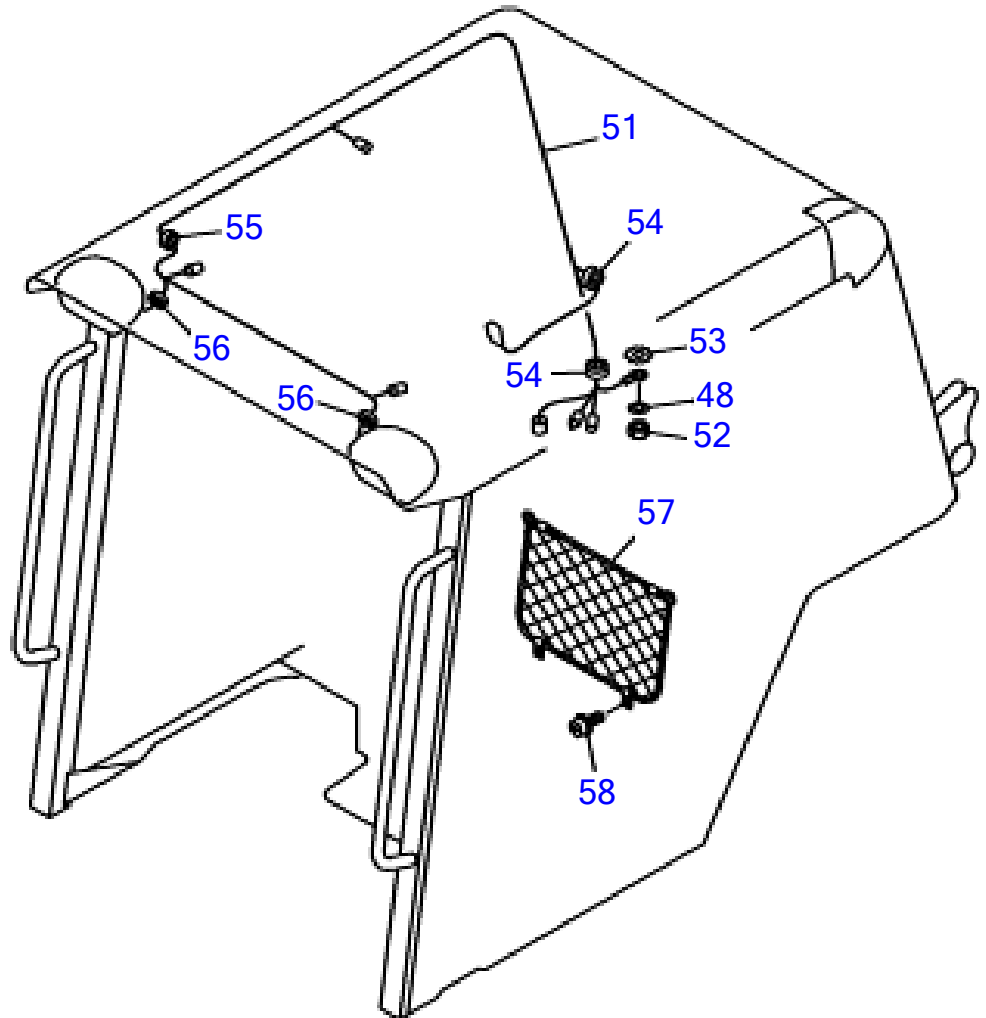


T8E530

S=1/15

**CANOPY (2/2) (for US)**

Item	Part number	Description	Q'ty	Chan.	Serial No.	Serv.	Remarks
0	<b>0880844000</b>	CANOPY ASSY	1				
48	<b>1140020010</b>	• WASHER, spring	1				
51	<b>0881842060</b>	• HARNESS, wiring	1				
52	<b>1130040010</b>	• NUT	1				
53	<b>1140330010</b>	• WASHER	1				
54	<b>1652052800</b>	• GROMMET	3				
55	<b>1652053600</b>	• GROMMET	1				
56	<b>1652040930</b>	• GROMMET	2				
	<b>T8e610</b>						

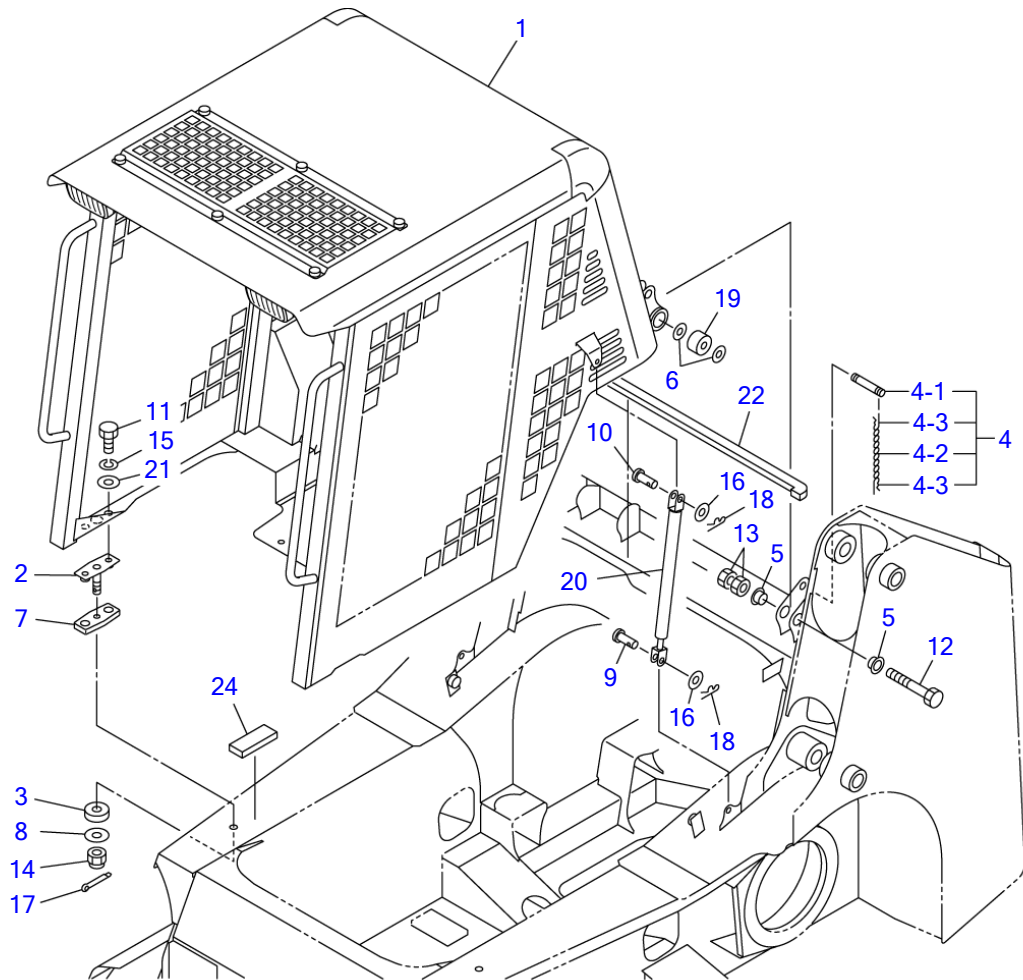


U1E250

**CANOPY (2/2) FOR US**

Item	Part number	Description	Q'ty	Chan.	Serial No.	Serv.	Remarks
		CANOPY (2/2) FOR US					
0	<b>0880844000</b>	CANOPY ASSY	1				
48	<b>1140020010</b>	* SPRING WASHER	1				
51	<b>0881842060</b>	* WIRING HARNESS	1				
52	<b>1130040010</b>	* NUT	1				
53	<b>1140330010</b>	* WASHER	1				
54	<b>1652052800</b>	* GROMMET	3				
55	<b>1652053600</b>	* GROMMET	1				
56	<b>1652040930</b>	* GROMMET	2				
57	<b>1653691350</b>	* POCKET	1				
58	<b>1150010514</b>	* SCREW	4				
	<b>U1E250</b>						

TL230 Book No. BU1Z004 S/N 223000001-  
CANOPY MOUNT (for GEHL & MUSTANG)



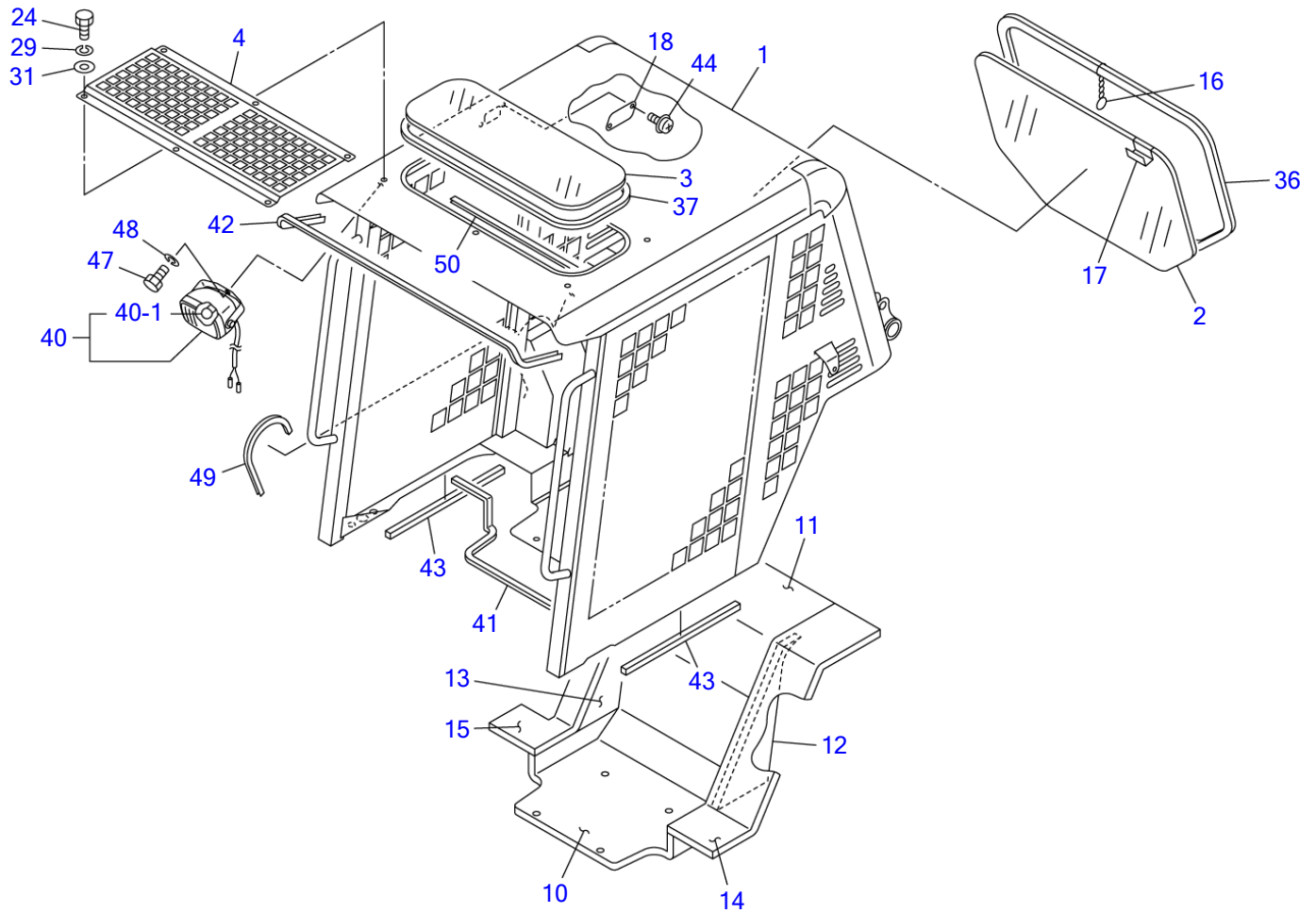
U1E070

S=1/20

**CANOPY MOUNT (for GEHL & MUSTANG)**

Item	Part number	Description	Q'ty	Chan.	Serial No.	Serv.	Remarks
		CANOPY MOUNT					
1	0880846600	CANOPY ASSY	1				
2	0881842030	BOLT	2				
3	0881842050	RUBBER, cushion	2				
4	0881841060	PIN ASSY	1				
4-1	0881841061	· PIN	1				
4-2	1652735886	· CHAIN	1				
4-3	1214000016	· PIN, snap	2				
5	0881840008	COLLAR	4				
6	0880840070	WASHER	4				
7	0881842040	RUBBER, cushion	2				
8	0003900044	WASHER	2				
9	0343503200	PIN	2				
10	0004010025	PIN	2				
11	1100041225	BOLT	4				
12	1100141610	BOLT	2				
13	1130040016	NUT	4				
14	1132080016	NUT	2				
15	1140020012	WASHER, spring	4				
16	1141110010	WASHER	4				
17	1210010432	PIN, split	2				
18	1214000008	PIN, snap	4				
19	1651005030	RUBBER, cushion	2				
20	1653900047	SPRING, gas	2				
21	0003600165	WASHER	4				
22	0880866140	SPONGE	1				
24	1654306008	SPONGE	2				sold by the meter
	U1e080						

TL230 Book No. BU1Z004 S/N 223000001-  
CANOPY (1/2) (for GEHL & MUSTANG)



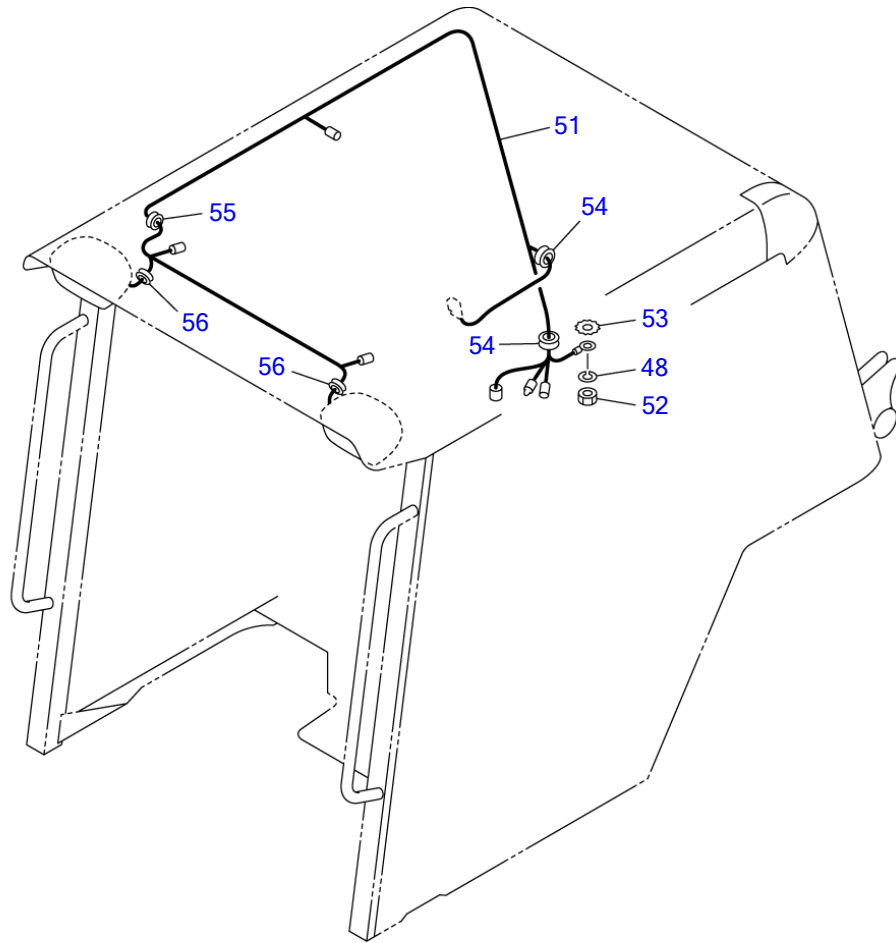
T8E600

S=1/20



**CANOPY (1/2) (for GEHL & MUSTANG)**

Item	Part number	Description	Q'ty	Chan.	Serial No.	Serv.	Remarks
0	<b>0880846600</b>	CANOPY ASSY	1				
1	<b>0880846700</b>	• CANOPY	1				
2	<b>0881842002</b>	• GLASS	1				
3	<b>0880844003</b>	• GLASS	1				
4	<b>0880844004</b>	• PLATE	1				
10	<b>0881842010</b>	• ABSORBENT, noise	1				
11	<b>0880844011</b>	• ABSORBENT, noise	1				
12	<b>0881842012</b>	• ABSORBENT, noise (L.H.)	1				
13	<b>0881842013</b>	• ABSORBENT, noise (R.H.)	1				
14	<b>0880843514</b>	• ABSORBENT, noise	1				
15	<b>0880844015</b>	• ABSORBENT, noise	1				
16	<b>0880841040</b>	• RING, pull	1				
17	<b>0880841080</b>	• HANDLE	1				
18	<b>0881842017</b>	• PLATE	1				
24	<b>1100040816</b>	• BOLT	6				
29	<b>1140020008</b>	• WASHER, spring	6				
31	<b>1141110008</b>	• WASHER	6				
36	<b>1654252253</b>	• H-RUBBER	1				sold by the meter
37	<b>1654252200</b>	• H-RUBBER	1				sold by the meter
40	<b>1703006600</b>	• LAMP ASSY	2				
40-1	<b>1703006605</b>	• • BULB	1				12V, 55W
41	<b>1654639134</b>	• TRIM	1				sold by the meter
42	<b>1654601153</b>	• TRIM	1				sold by the meter
43	<b>1654350057</b>	• SPONGE	2				sold by the meter
44	<b>1150420412</b>	• SCREW	2				
47	<b>1100041020</b>	• BOLT	2				
48	<b>1140020010</b>	• WASHER, spring	2				
49	<b>1653916038</b>	• TRIM	1				sold by the meter
50	<b>1654601060</b>	• TRIM	1				sold by the meter
	<b>U1e091</b>						

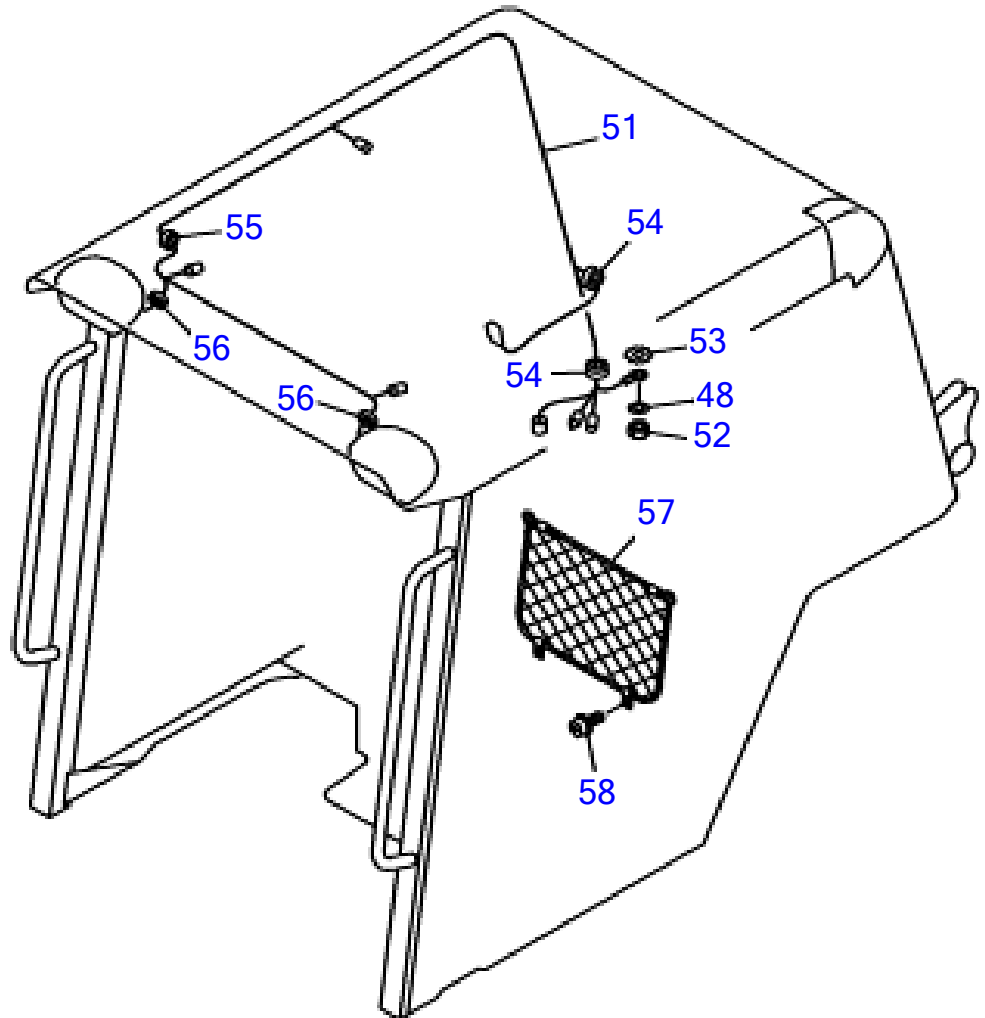


T8E530

S=1/15

**CANOPY (2/2) (for GEHL & MUSTANG)**

Item	Part number	Description	Q'ty	Chan.	Serial No.	Serv.	Remarks
0	<b>0880846600</b>	CANOPY ASSY	1				
48	<b>1140020010</b>	• WASHER, spring	1				
51	<b>0881842060</b>	• HARNESS, wiring	1				
52	<b>1130040010</b>	• NUT	1				
53	<b>1140330010</b>	• WASHER	1				
54	<b>1652052800</b>	• GROMMET	3				
55	<b>1652053600</b>	• GROMMET	1				
56	<b>1652040930</b>	• GROMMET	2				
	<b>U1e100</b>						

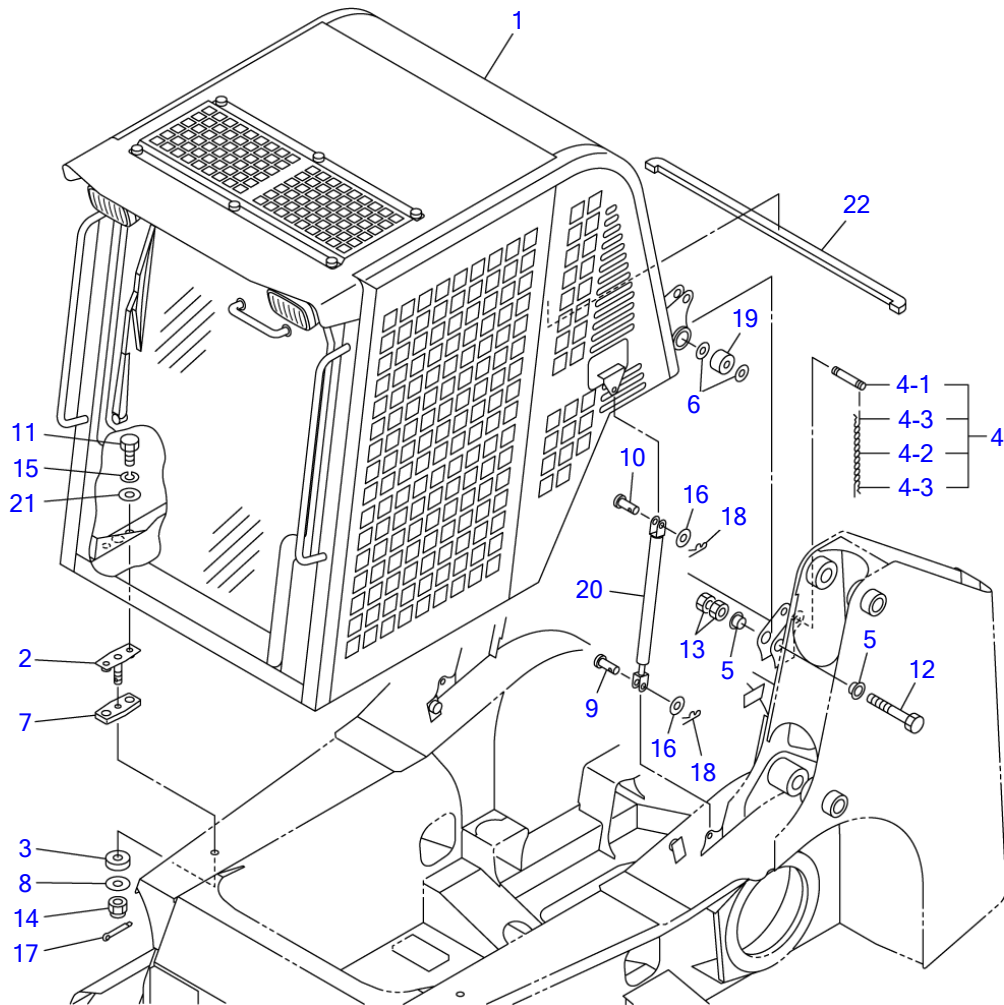


U1E250

**CANOPY (2/2) FOR GEHL & MUSTANG**

Item	Part number	Description	Q'ty	Chan.	Serial No.	Serv.	Remarks
		CANOPY (2/2) FOR GEHL & MUSTANG					
0	<b>0880846600</b>	CANOPY ASSY	1				
48	<b>1140020010</b>	* SPRING WASHER	1				
51	<b>0881842060</b>	* WIRING HARNESS	1				
52	<b>1130040010</b>	* NUT	1				
53	<b>1140330010</b>	* WASHER	1				
54	<b>1652052800</b>	* GROMMET	3				
55	<b>1652053600</b>	* GROMMET	1				
56	<b>1652040930</b>	* GROMMET	2				
57	<b>1653691350</b>	* POCKET	1				
58	<b>1150010514</b>	* SCREW	4				
	<b>U1E101</b>						

TL230 Book No. BU1Z004 S/N 223000001-  
CAB MOUNT

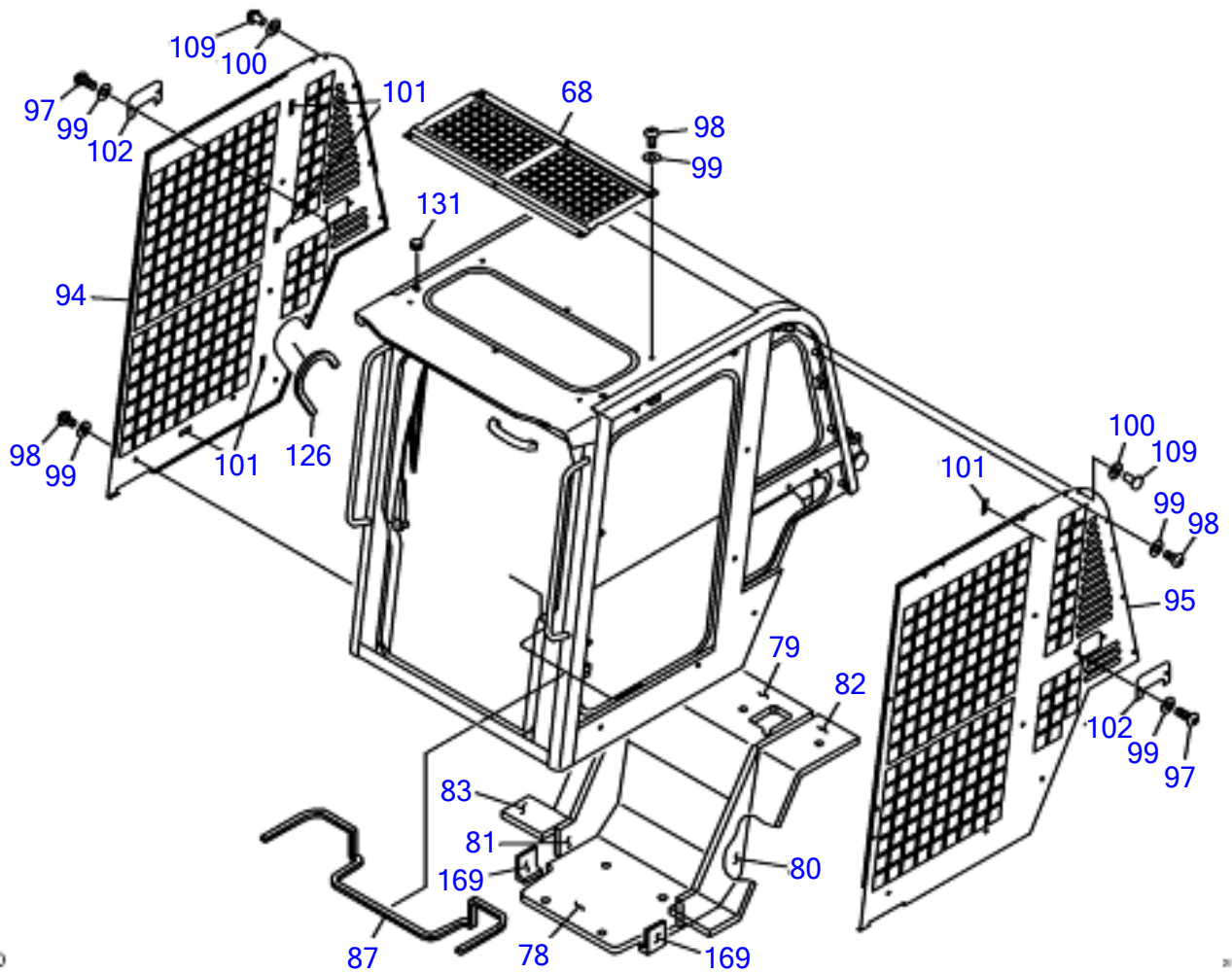


U1E150

S=1/20

**CAB MOUNT**

Item	Part number	Description	Q'ty	Chan.	Serial No.	Serv.	Remarks
		CAB MOUNT					
		CAB MOUNT (for EU)					
1	0668601000	CAB	1				
	0668602000	CAB	1				for EU
2	0881842030	BOLT ASSY	2				
3	0881842050	RUBBER, cushion	2				
4	0881841060	PIN ASSY	1				
4-1	0881841061	• PIN	1				
4-2	1652735886	• CHAIN	1				
4-3	1214000016	• PIN, snap	2				
5	0881840008	COLLAR	4				
6	0880840070	WASHER	4				
7	0881842040	RUBBER, cushion	2				
8	0003900044	WASHER	2				
9	0343503200	PIN	2				
10	0004010025	PIN	2				
11	1100041225	BOLT	4				
12	1100141610	BOLT	2				
13	1130040016	NUT	4				
14	1132080016	NUT	2				
15	1140020012	WASHER, spring	4				
16	1141110010	WASHER	4				
17	1210010432	PIN, split	2				
18	1214000008	PIN, snap	4				
19	1651005030	RUBBER, cushion	2				
20	1653900060	SPRING, gas	2				
21	0003600165	WASHER	4				
22	0880866140	SPONGE	1				
	<b>U1e150</b>						

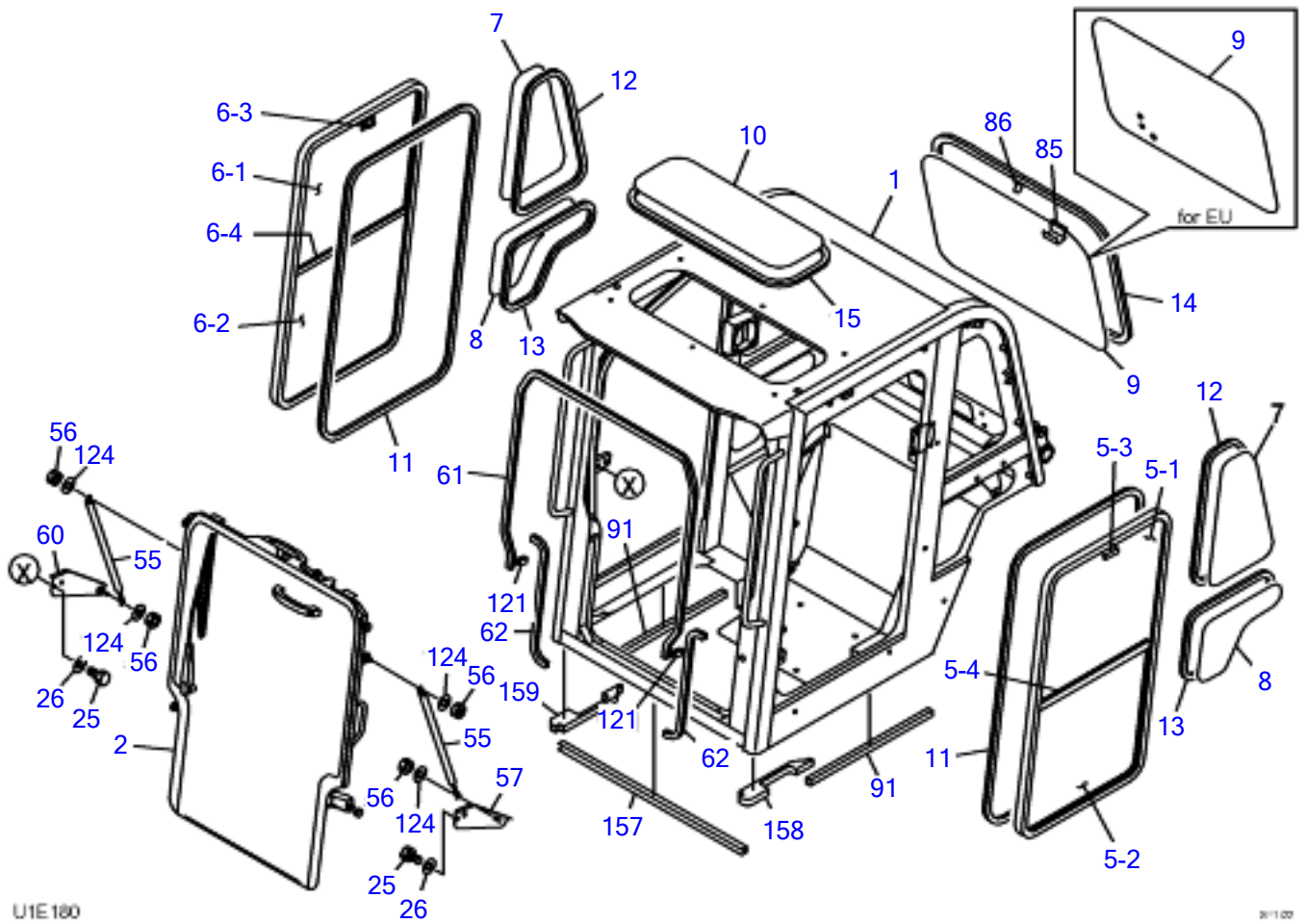


U1E170

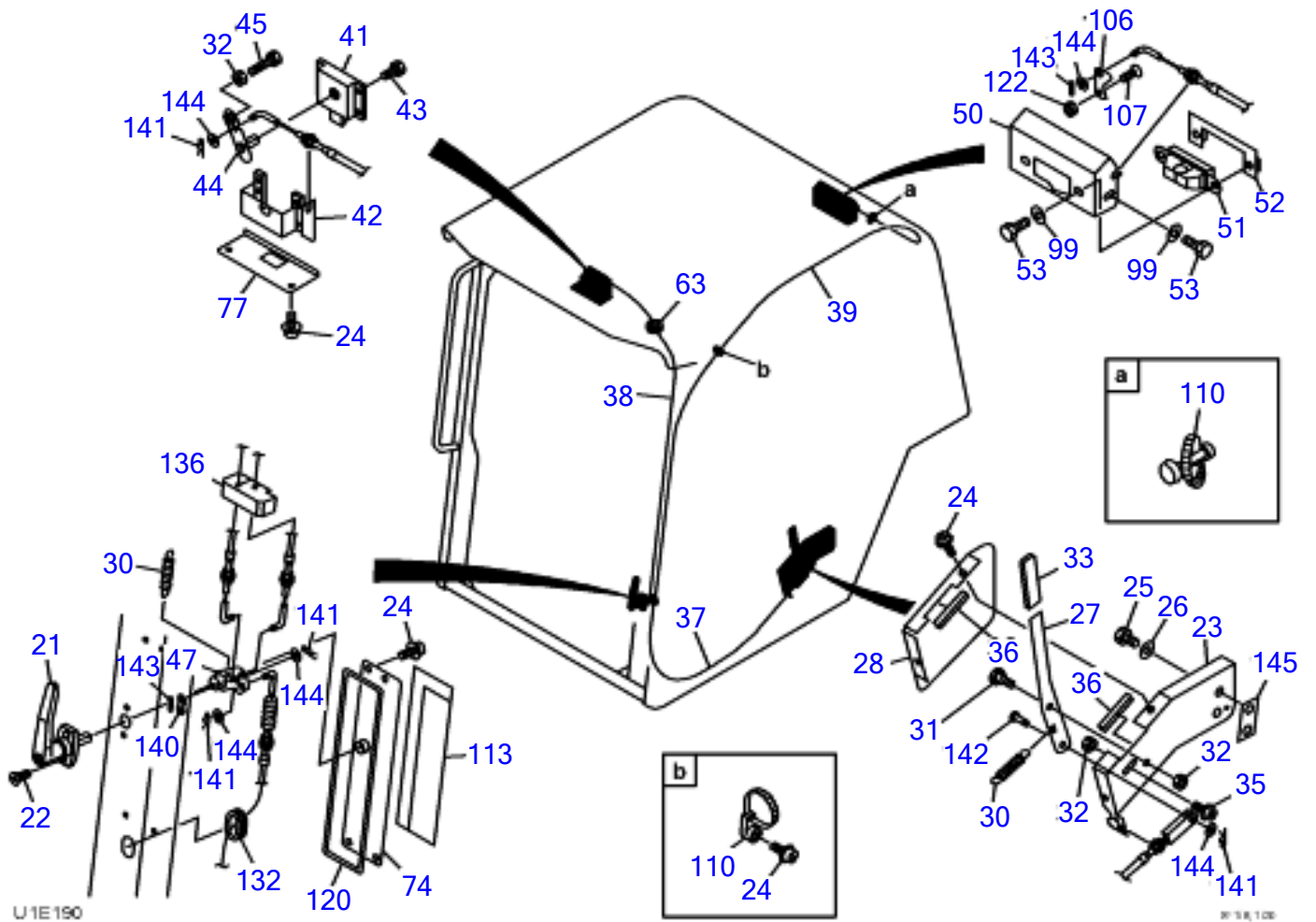
2/10



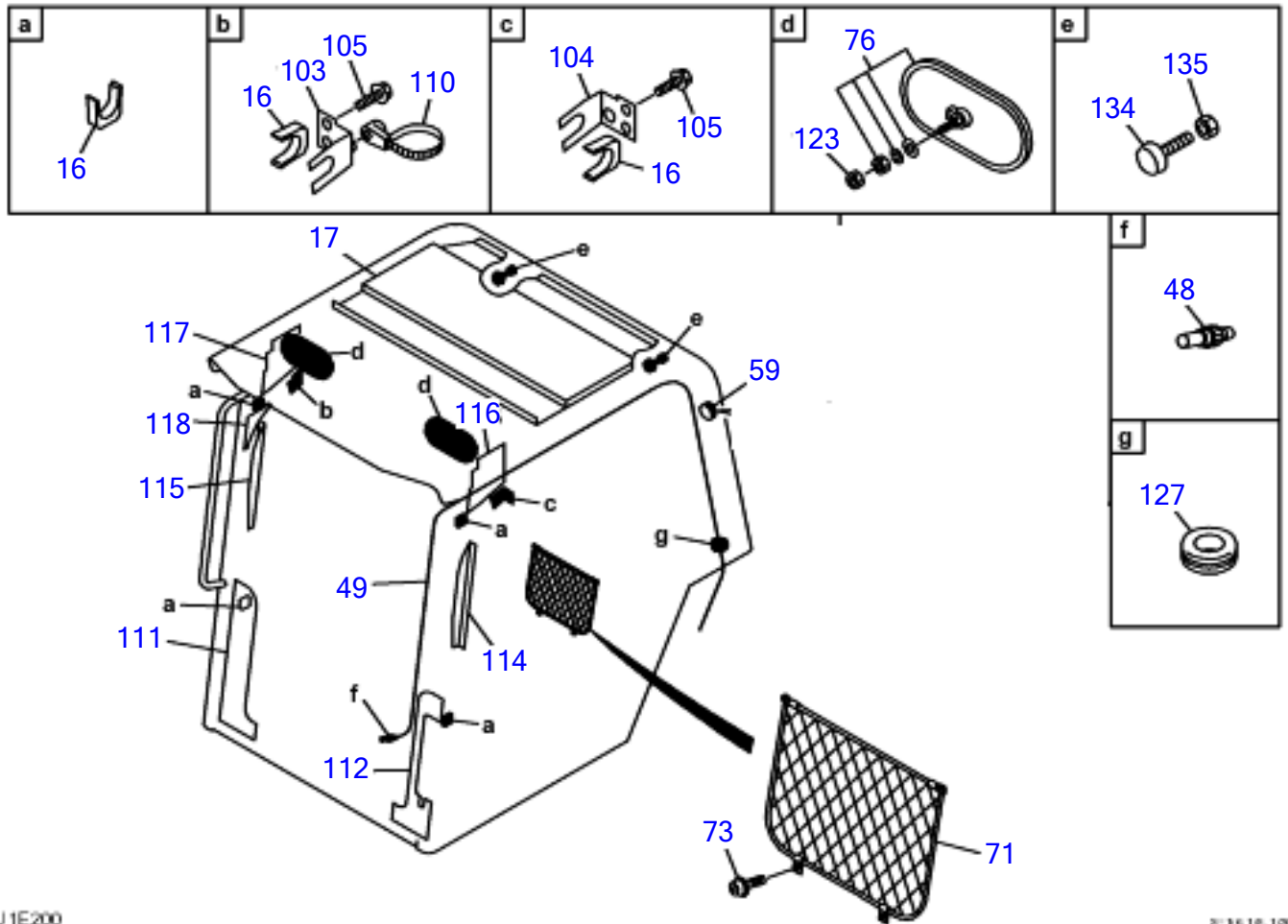
Item	Part number	Description	CAB (1/6) Q'ty	Chan.	Serial No.	Serv.	Remarks
		CAB (1/6)					
0	668601000	CAB ASSY	1				
68	0880865129	* GUARD	1				
78	0881842010	* NOISE ABSORBENT	1				
79	0880865133	* NOISE ABSORBENT	1				
80	0880865134	* NOISE ABSORBENT	1				
81	0880865135	* NOISE ABSORBENT	1				
82	0880865136	* NOISE ABSORBENT	1				
83	0880865137	* NOISE ABSORBENT	1				
87	1654639203	* TRIM	1				
94	0880865142	* GUARD	1				
95	0880865143	* GUARD	1				
97	1120990820	* BOLT	4				
98	1120990816	* BOLT	33				
99	1654011705	* WASHER	37				
100	0880865144	* WASHER	8				
101	0880865145	* PLATE	8				
102	0880865146	* COVER	2				
109	0880865150	* RIVET	8				
126	1653918037	* TRIM	1				
131	1653303010	* CAP	2				
169	0668601009	* SPONGE	2				
	U1E171						



CAB (2/6)						
Item	Part number	Description	Q'ty	Chan.	Serial No.	Serv. Remarks
		CAB (2/6)				
0	0668601000	CAB ASSY	1			
2	0668601200	* FRONT DORR ASSY	1			
5	0880865420	* LH SIDE SASH ASSY	1			
5-1	0880865422	* * GLASS	1			
5-2	0880865423	* * GLASS	1			
5-3	0880865424	* * LOCK ASSY	1			
5-4	0880865427	* * WEATHER STRIP	1			
6	0880865430	* RH SIDE SASH ASSY	1			
6-1	0880865422	* * GLASS	1			
6-2	0880865423	* * GLASS	1			
6-3	0880865424	* * LOCK ASSY	1			
6-4	0880865437	* * WEATHER STRIP	1			
7	0880865101	* GLASS	2			
8	0880865102	* GLASS	2			
9	0880865103	* GLASS	1			
10	0880865104	* GLASS	1			
11	1654253320	* H-RUBBER	2			
12	1654231148	* H-RUBBER	2			
13	1654231120	* H-RUBBER	2			
14	1654231265	* H-RUBBER	1			
15	1654231195	* H-RUBBER	1			
25	1100091020	* BOLT	4			
26	1654011706	* WASHER	4			
55	0880865124	* GAS SPRING	2			
56	1134090006	* NUT	4			
57	0880865125	* BRACKET	1			
60	0880865126	* BRACKET	1			
61	1654630240	* TRIM	1			
62	1654630060	* TRIM	2			
85	0880865138	* GRIP	1			
86	0880865139	* RING	1			
91	0880865140	* SEAL	2			
121	1654619003	* SEAL	2			
124	1141190008	* WASHER	4			
157	1654605088	* RUBBER	1			
158	0668600240	* SEAL	1			
159	0668600250	* SEAL	1			
	U1E181					



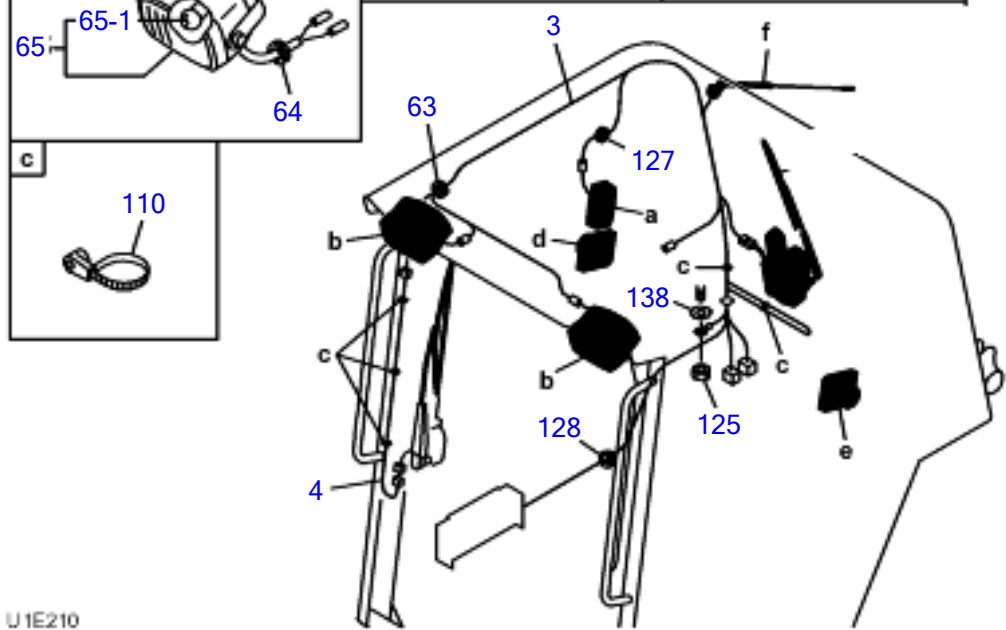
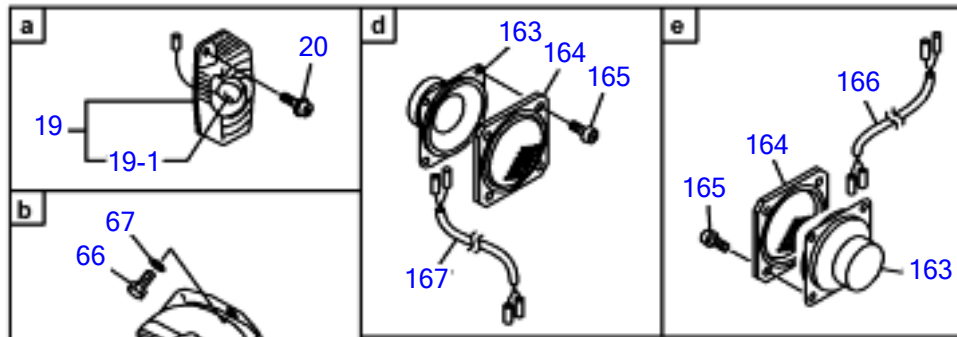
CAB (3/6)							
Item	Part number	Description	Q'ty	Chan.	Serial No.	Serv.	Remarks
		CAB (3.6)					
0	0668601000	CAB ASSY	1				
21	1654011520	* HANDLE	1				
22	1120690520	* SCREW	2				
23	0880865161	* BRACKET	1				
24	1150420512	* SCREW	9				
25	1100091020	* BOLT	2				
26	1654011706	* WASHER	2				
27	0880865162	* LEVER	1				
28	0880865110	* COVER	1				
30	0880865112	* SPRING	2				
31	1654010800	* PIN	1				
32	1131242006	* NUT	3				
33	0438601760	* COVER	1				
35	1150410612	* SEMS BOLT	1				
36	1653916005	* TRIM	2				
37	0880865163	* CABLE	1				
38	0880865164	* CABLE	1				
39	0880865165	* CABLE	1				
41	1654011740	* LATCH	1				
42	0880865118	* PLATE	1				
43	1100090616	* BOLT	4				
44	0880865166	* PLATE	1				
45	1100240630	* BOLT	1				
47	0880865167	* PLATE	1				
50	0880865121	* BRACKET	1				
51	1653384630	* LOCK	1				
52	0880865123	* PLATE	1				
53	1100090820	* BOLT	5				
63	1652042030	* GROMMET	1				
74	0880865130	* COVER	1				
77	0880865132	* COVER	1				
99	1654011705	* WASHER	5				
106	0880865171	* BRACKET	1				
107	1120630512	* SCREW	1				
110	1652221050	* BAND	2				
113	0880865153	* NOISE ABSORBENT	1				
120	0880865159	* SEAL	1				
122	1131242005	* NUT	1				
132	1654011701	* GROMMET	1				
136	0880865160	* PACKING	2				
140	0880865168	* PLATE	1				
141	1214000006	* PIN	4				
142	0880865170	* PIN	1				
143	1210002012	* PIN	2				
144	1654011711	* WASHER	4				
145	0880865169	* SHIM	1				
	U1E191						



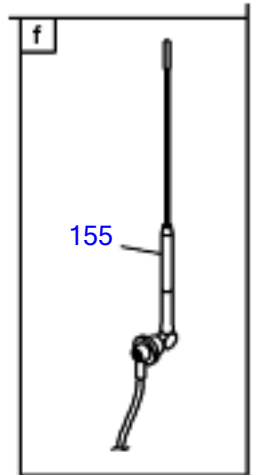
U1E200

2018, 10, 100

Item	Part number	Description	CAB (4/6)			Remarks
			Q'ty	Chan.	Serial No.	
0	0668601000	CAB ASSY	1			
16	0880865105	* STOPPER	6			
17	0880865106	* NOISE ABSORBENT	1			
48	1711910040	* WASHER NOZZLE	1			
49	1711919285	* HOSE	1			
59	1654011703	* CAP	1			
71	1654010600	* POCKET	1			
73	1150410416	* SCREW	4			
76	0880865131	* REARVIEW MIRROR	2			
103	0880865147	* BRACKET	1			
104	0880865148	* BRACKET	1			
105	1100090620	* BOLT	4			
110	1652221050	* BAND	1			
111	0880865151	* NOISE ABSORBENT	1			
112	0880865152	* NOISE ABSORBENT	1			
114	0880865154	* NOISE ABSORBENT	1			
115	0880865155	* NOISE ABSORBENT	1			
116	0880865156	* NOISE ABSORBENT	1			
117	0880865157	* NOISE ABSORBENT	1			
118	0880865158	* NOISE ABSORBENT	1			
123	1130040008	* NUT	2			
127	1654011700	* GROMMET	1			
134	1651101042	* STOPPER	2			
135	1130090010	* NUT	2			
	U1E201					



U1E210

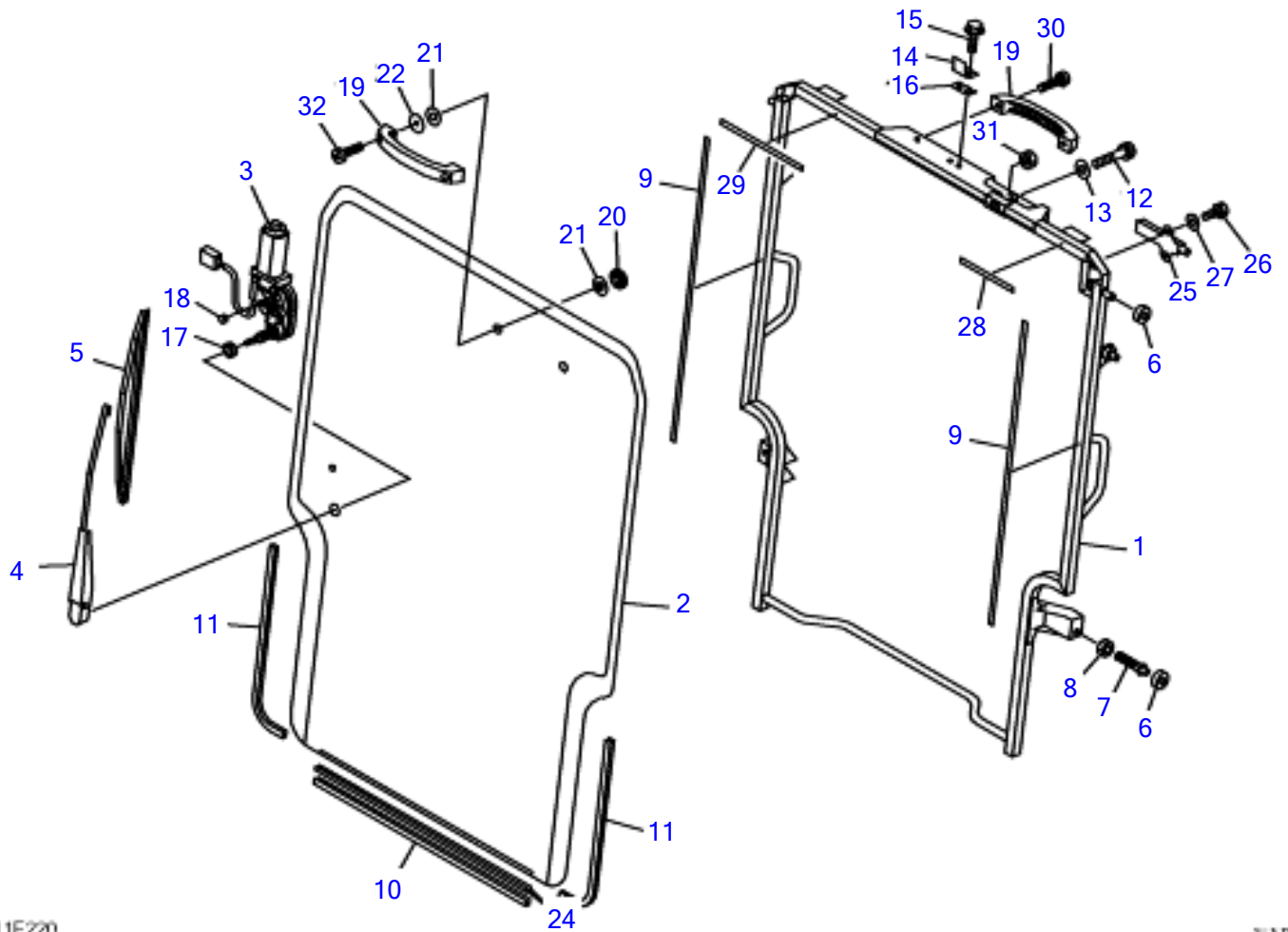


3/10, 3/11, 3/12



Item	Part number	Description	Q'ty	Chan.	Serial No.	Serv.	Remarks
		<b>CAB (5/6)</b>					
0	0668601000	CAB ASSY	1				
3	0668601010	* WIRING HARNESS	1				
4	0880865410	* WIRING HARNESS	1				
19	1703001700	* ROOM LAMP	1				
19-1	1703001701	** BULB	1				
20	1150410412	* SCREW	2				
63	1652042030	* GROMMET	1				
64	1652000602	* GROMMET	2				
65	1703006600	* LAMP ASSY	2				
65-1	1703006605	* * BULB	1				
66	1100041020	* BOLT	2				
67	1654011900	* WASHER	2				
110	1652221050	* BAND	5				
125	1130040010	* NUT	1				
127	1654011700	* GROMMET	1				
128	1652053600	* GROMMET	1				
138	1140330010	* WASHER	1				
155	1705003460	* ANTENNA	1				
163	1705003500	* SPEAKER	2				
164	1705003550	* GRILLE	2				
165	1150120412	* SCREW	8				
166	0668601006	* WIRING HARNESS	1				
167	0668601007	* WIRING HARNESS	1				
	U1E211						

TL230 Book No. BU1Z004 S/N 223000001-  
CAB (6/6) FRONT DOOR

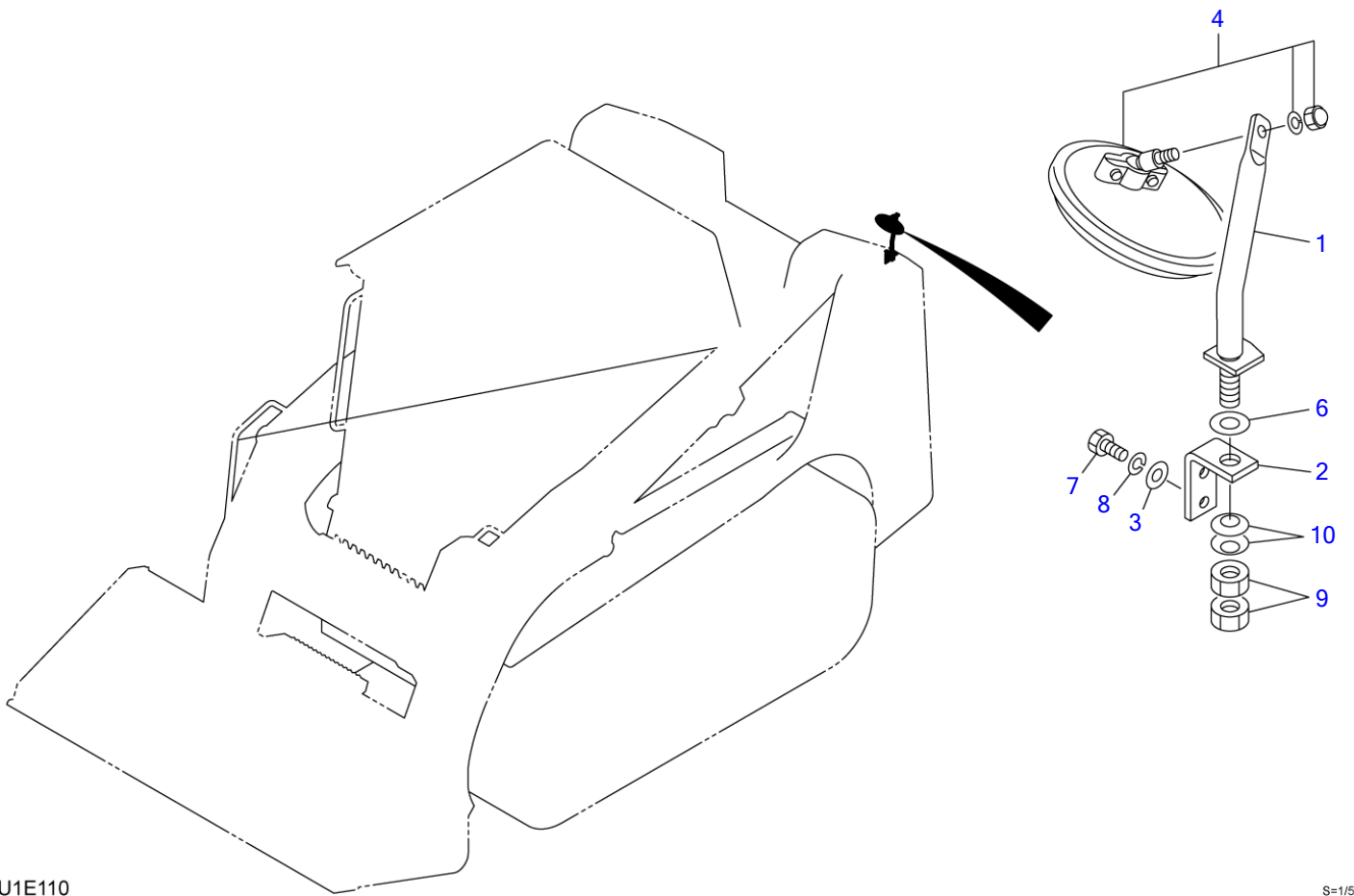


U1E220

20130

**CAB (6/6) FRONT DOOR**

Item	Part number	Description	Q'ty	Chan.	Serial No.	Serv.	Remarks
		CAB (6/6) FRONT DOOR					
0	<b>668601200</b>	FRONT DOOR ASSY	1				
1	<b>066861210</b>	* FRONT DOOR	1				
2	<b>0880865301</b>	* GLASS	1				
3	<b>0880865302</b>	* WIPER MOTOR	1				
4	<b>0880865303</b>	* WIPER ARM	1				
5	<b>0880865304</b>	* BLADE	1				
6	<b>0880865305</b>	* ROLLER	4				
7	<b>0880865306</b>	* BOLT	2				
8	<b>1130040012</b>	* NUT	2				
9	<b>1654615210</b>	* DAM	1				
10	<b>1654631054</b>	* SEAL	1				
11	<b>1653916045</b>	* TRIM	2				
12	<b>0880865307</b>	* BOLT	1				
13	<b>1654011707</b>	* WASHER	1				
14	<b>0880865308</b>	* PLATE	1				
15	<b>1100090620</b>	* BOLT	2				
16	<b>0880865309</b>	* SHIM	4				
17	<b>0880865310</b>	* COLLAR	1				
18	<b>0880865311</b>	* COLLAR	1				
19	<b>0880865312</b>	* HANDLE	2				
20	<b>08/80865313</b>	* NUT	2				
21	<b>0880865314</b>	* GROMMET	4				
22	<b>0880865315</b>	* WASHER	2				
24	<b>0880865316</b>	* SHEET	2				
25	<b>0880865317</b>	* LATCH	1				
26	<b>1100090820</b>	* BOLT	2				
27	<b>1654011705</b>	* washer	2				
28	<b>1654615013</b>	* DAM	1				
29	<b>1654615020</b>	* DAM	1				
30	<b>1150420620</b>	* SCREW	2				
31	<b>1130190012</b>	* NUT	1				
32	<b>1150410620</b>	* SCREW	2				
	<b>U1E220</b>						

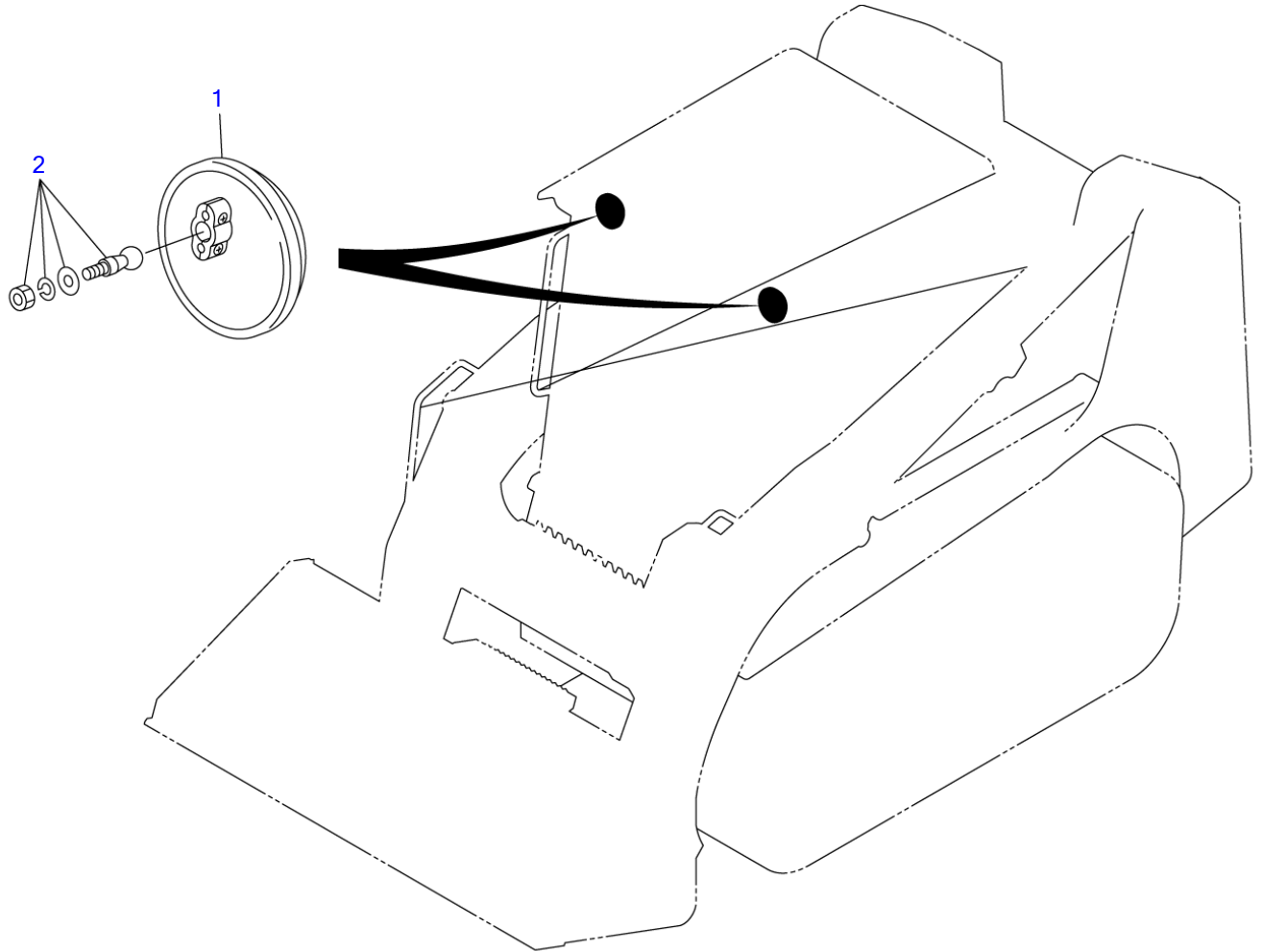


U1E110

S=1/5, 1/30

**REAR MIRROR**

Item	Part number	Description	Q'ty	Chan.	Serial No.	Serv.	Remarks
		MIRROR ASSY, rear					
1	0880870020	STAY	1				
2	0881870010	BRACKET	1				
3	0003608252	WASHER	2				
4	1656500130	MIRROR	1				
6	1141210014	WASHER	1				
7	1100040816	BOLT	2				
8	1140020008	WASHER, spring	2				
9	1130640014	NUT	2				
10	1225110014	WASHER, conical	2				
	U1e110						

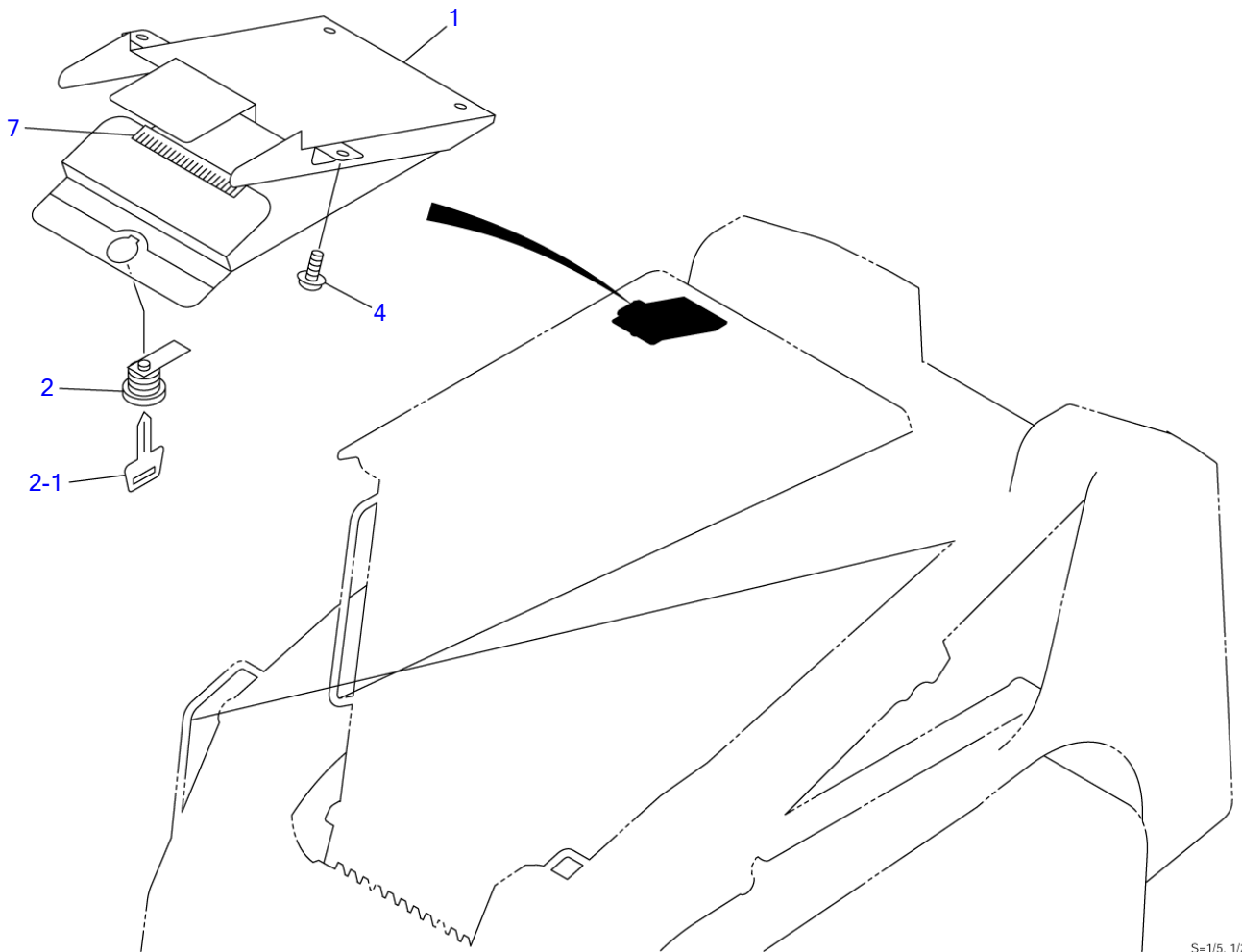


T7E100

S=1/5, 1/25

**REARVIEW MIRROR**

Item	Part number	Description	Q'ty	Chan.	Serial No.	Serv.	Remarks
1	<b>1656500110</b>	MIRROR ASSY, rearview	2				
2	<b>1654006000</b>	MIRROR	2				
	<b>T8e090</b>	PIVOT					



T8E101

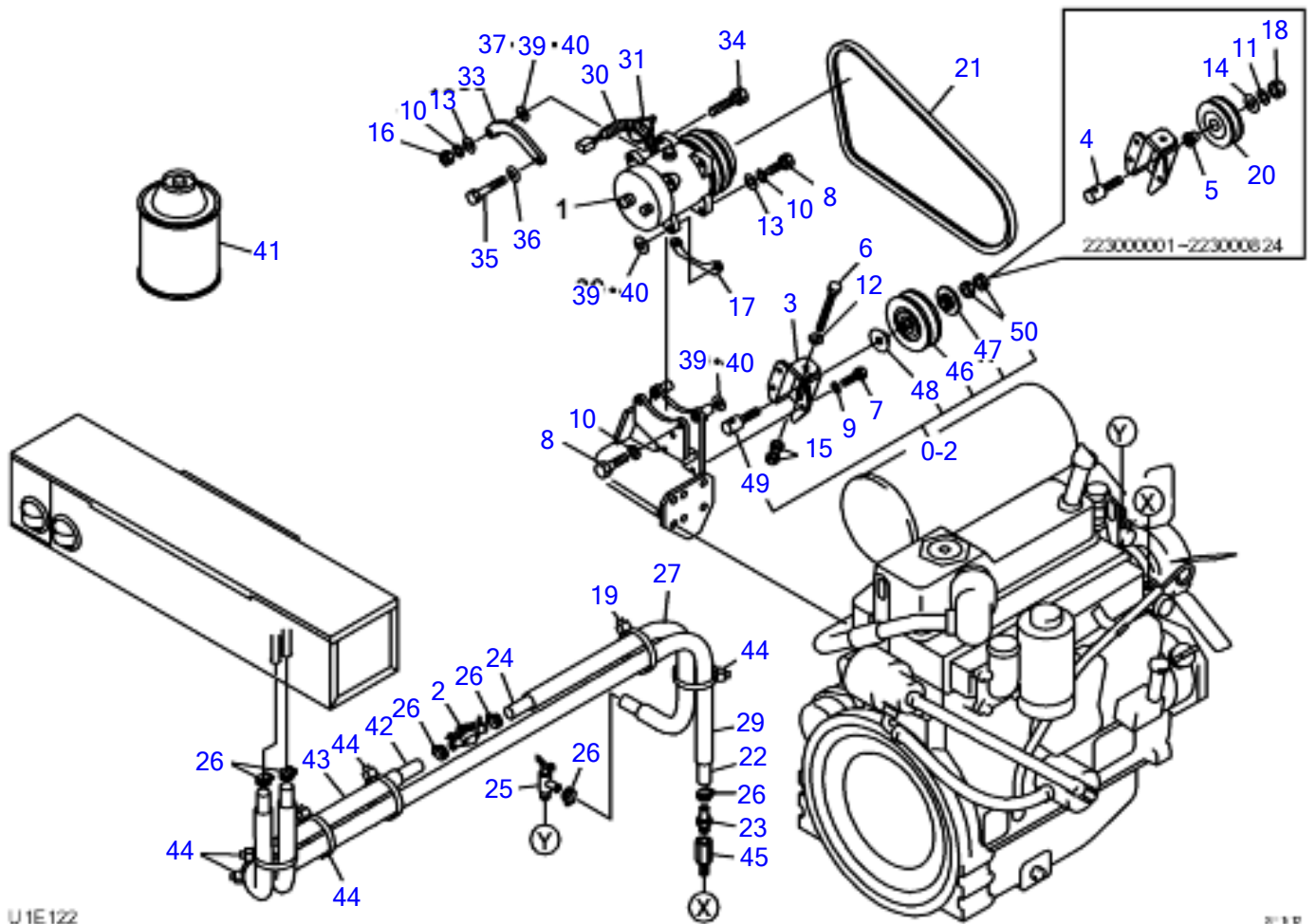
S-1/5, 1/20



**MANUAL STORAGE**

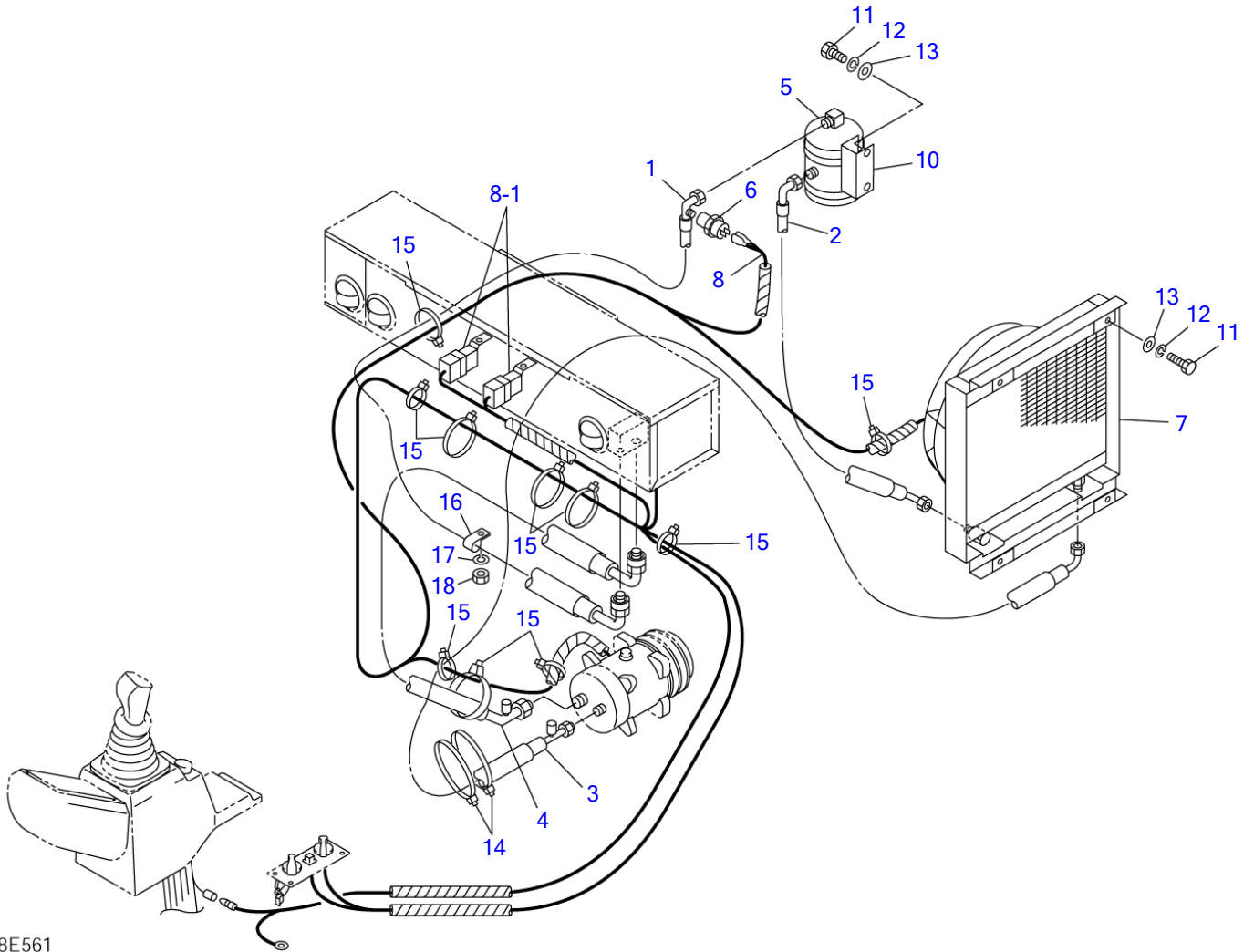
Item	Part number	Description	Q'ty	Chan.	Serial No.	Serv.	Remarks
		MANUAL STORAGE					
1	<b>0881841510</b>	BOX	1				
2	<b>1653601395</b>	LOCK	1				
2-1	<b>1700100019</b>	KEY	1				
4	<b>1150420612</b>	SCREW	4				
7	<b>1654605010</b>	RUBBER, sash	1				sold by the meter
	<b>T8e101</b>						

TL230 Book No. BU1Z004 S/N 223000001-  
AIR CONDITIONER (1/5) (compressor)



**AIR CONDITIONER (1/5) (compressor)**

Item	Part number	Description	Q'ty	Chan.	Serial No.	Serv.	Remarks
0	<b>0664600100</b>	COMPRESSOR ASSY	1			M	
1	<b>1911506010</b>	• COMPRESSOR	1				
2	<b>1911506008</b>	• VALVE	1				
3	<b>0564618790</b>	• BRACKET	1				
4		• SHAFT	1				
5		• COLLAR	1				
6	<b>1100440810</b>	• BOLT	1				
7	<b>1100040825</b>	• BOLT	3				
8	<b>1103041035</b>	• BOLT	4				
9	<b>1140020008</b>	• WASHER, spring	3				
10	<b>1140020010</b>	• WASHER, spring	3				
11	<b>1140020012</b>	• WASHER, spring	1				
12	<b>1141110008</b>	• WASHER	1				
13	<b>1141110010</b>	• WASHER	4				
14	<b>1141550012</b>	• WASHER	1			M	
15	<b>1130040008</b>	• NUT	2				
16	<b>1130240010</b>	• NUT	1				
17	<b>0880465520</b>	• PLATE	1				
18	<b>1130040012</b>	• NUT	1				
19	<b>1652201007</b>	• BAND	3				
20		• PULLEY	1				
21	<b>1911508406</b>	• V-BELT	1				A47
22	<b>1911511805</b>	• HOSE	1			M	sold by the meter
23	<b>0007224009</b>	• ADAPTOR	1				
24	<b>1911501845</b>	• HOSE	1			M	sold by the meter
25	<b>1911502100</b>	• VALVE	1				
26	<b>1911500500</b>	• CLAMP	6				
27	<b>1531325035</b>	• PROTECTOR	1			M	sold by the meter
29	<b>1531325095</b>	• PROTECTOR	1			M	sold by the meter
30	<b>1703210720</b>	• PROTECTOR	1				sold by the meter
31	<b>1652231100</b>	• BAND	1				
33	<b>0880465510</b>	• BRACKET	1				
34	<b>1100041055</b>	• BOLT	1				
35	<b>1103041050</b>	• BOLT	1				
36	<b>1225110010</b>	• WASHER	1				
37	<b>0003600047</b>	• SHIM	AR				
39	<b>0003600222</b>	• SHIM	AR				t=0.2mm
40	<b>0003600223</b>	• SHIM	AR				t=0.3mm
41	<b>1919055000</b>	• GAS, coolant	8				100g
42	<b>1911501855</b>	• HOSE	1			M	sold by the meter
43	<b>1531325045</b>	• PROTECTOR	1			M	sold by the meter
44	<b>1652201008</b>	• BAND	5			M	
45	<b>0007210029</b>	• BUSHING	1			M	
46	<b>0564634880</b>	* PULLEY ASSY	1				
47	<b>0564634890</b>	* COLLAR	1				
48	<b>0564634895</b>	* COLLAR	1				
49	<b>0564626010</b>	* SHAFT	1				
50	<b>1130140012</b>	* NUT	2				
0-2	<b>0569617280</b>	* PULLEY KIT	1				
	<b>U1e122</b>						



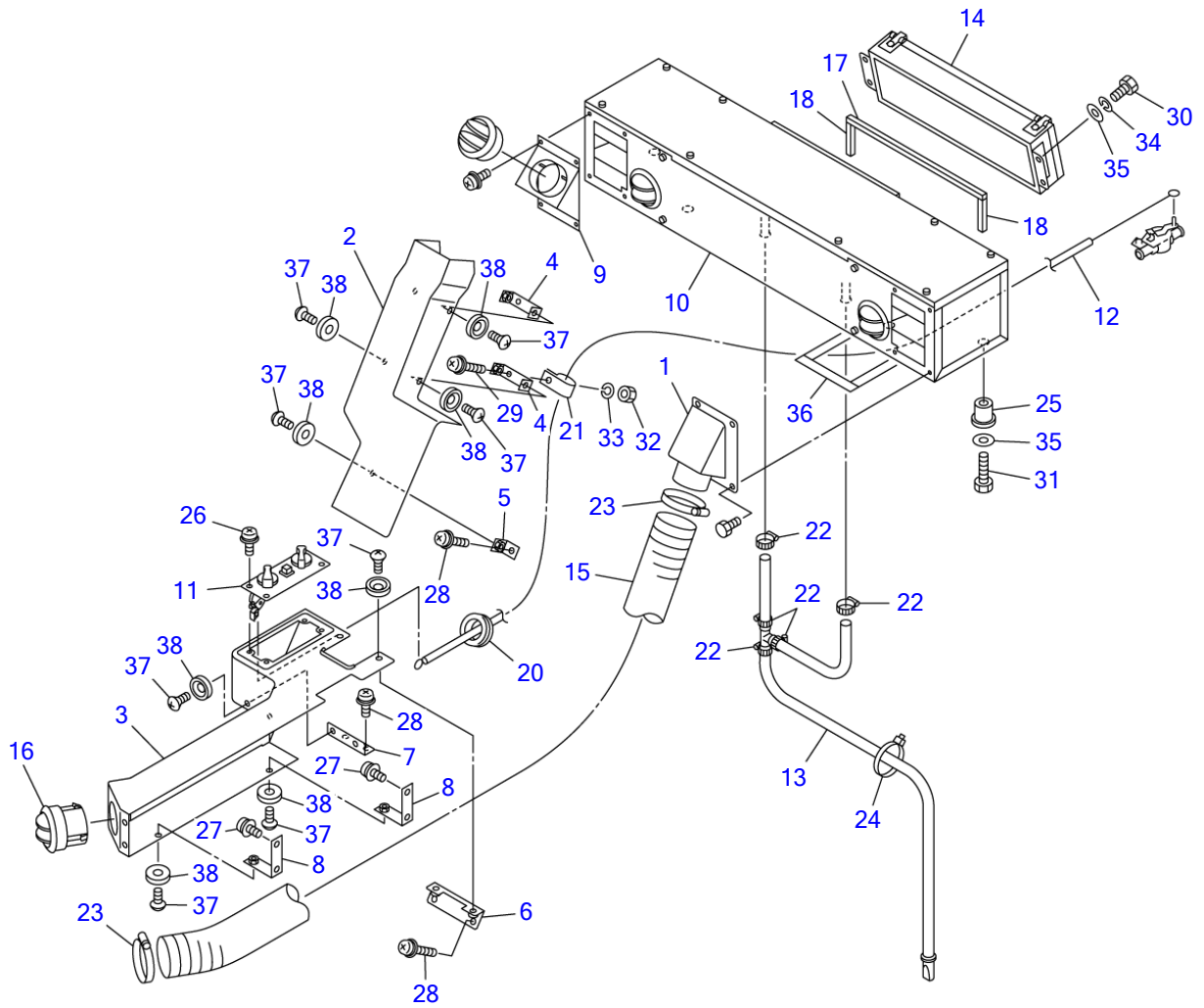
T8E561

S=1/12

**AIR CONDITIONER (2/5) (condenser)**

Item	Part number	Description	Q'ty	Chan.	Serial No.	Serv.	Remarks
0	<b>0664600200</b>	CONDENSER ASSY	1				
1	<b>1911508431</b>	• HOSE ASSY	1				
	<b>1911505601</b>	• • O-RING	1				
2	<b>1911508432</b>	• HOSE ASSY	1				
	<b>1911505601</b>	• • O-RING	1				
3	<b>1911505943</b>	• HOSE ASSY	1				
	<b>1911505602</b>	• • O-RING	1				
4	<b>1911508424</b>	• HOSE ASSY	1				
	<b>1911505603</b>	• • O-RING	1				
5	<b>1911508311</b>	• DRYER	1				
6	<b>1911505514</b>	• SWITCH, pressure	1				
7	<b>1911506080</b>	• CONDENSER ASSY	1				see page (4/5)
8	<b>1911508410</b>	• HARNESS, wiring	1				
8-1	<b>1911506041</b>	• • RELAY	2				
10	<b>0880465610</b>	• BRACKET	1				
11	<b>1100040820</b>	• BOLT	6				
12	<b>1140020008</b>	• WASHER, spring	6				
13	<b>1141110008</b>	• WASHER	6				
14	<b>1652201008</b>	• BAND	4				
15	<b>1652231250</b>	• BAND	10				
16	<b>1711900071</b>	• CLAMP	1				
17	<b>1140020010</b>	• WASHER, spring	1				
18	<b>1130040010</b>	• NUT	1				
	<b>U1e130</b>						

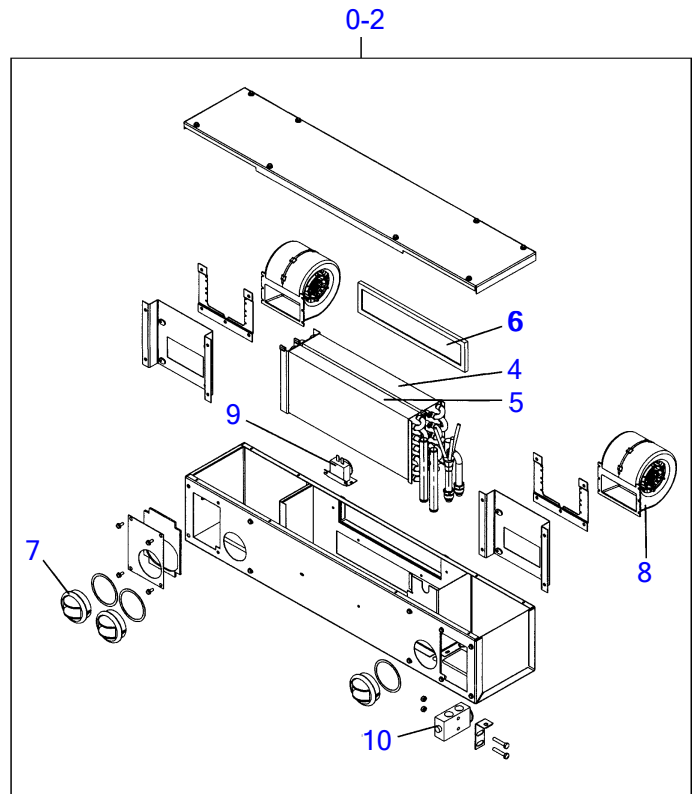
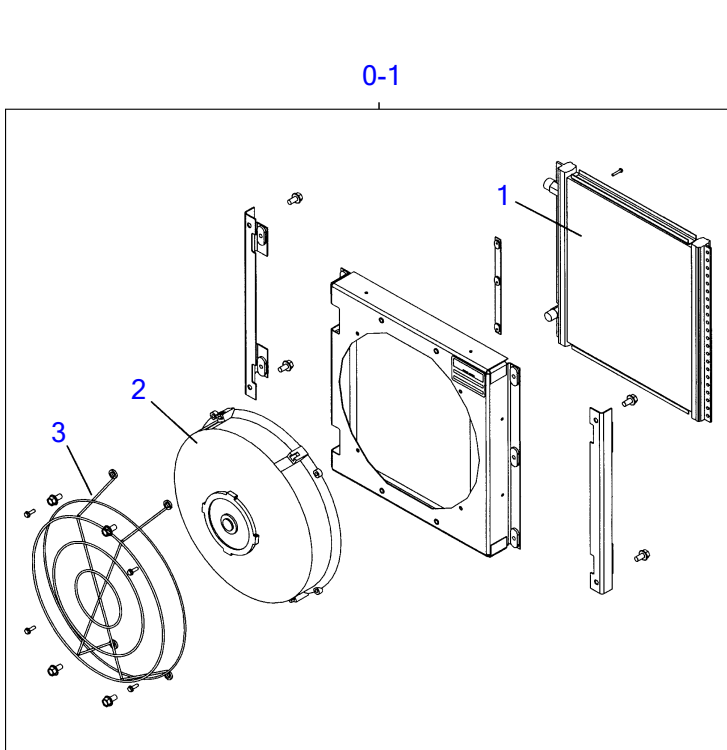
TL230 Book No. BU1Z004 S/N 223000001-  
AIR CONDITIONER (3/5) (air conditioner unit)



S-1/12, 1/25

**AIR CONDITIONER (3/5) (air conditioner unit)**

Item	Part number	Description	Q'ty	Chan.	Serial No.	Serv.	Remarks
0	<b>0664600300</b>	UNIT ASSY, air conditioner	1			M	
1	<b>0664601310</b>	▪ ADAPTOR	1				
2	<b>0664601320</b>	▪ COVER	1				
3	<b>0664601330</b>	▪ COVER	1				
4	<b>0664600340</b>	▪ BRACKET	2				
5	<b>0664600350</b>	▪ BRACKET	1				
6	<b>0694600360</b>	▪ BRACKET	1			M	
7	<b>0664600370</b>	▪ BRACKET	1				
8	<b>0694600380</b>	▪ BRACKET	2			M	
9	<b>1911505920</b>	▪ ADAPTOR	1				
10	<b>1911506090</b>	▪ UNIT, air conditioner	1				see page (4/5)
11	<b>1911506020</b>	▪ PANEL ASSY	1				see page (5/5)
12	<b>1911506006</b>	▪ CABLE, control	1				
13	<b>1911506030</b>	▪ TUBE ASSY	1				
14	<b>1911506050</b>	▪ BOX	1				see page (5/5)
15	<b>1911508559</b>	▪ HOSE	1				
16	<b>1911506060</b>	▪ LOUVER	1				
17	<b>0881464370</b>	▪ URETHANE	1				
18	<b>0881464380</b>	▪ URETHANE	2				
19	<b>1653916005</b>	▪ TRIM	1				sold by the meter
20	<b>1652053600</b>	▪ GROMMET	1				
21	<b>0007300010</b>	▪ CLAMP	1				
22	<b>1911500500</b>	▪ BAND	5				
23	<b>1533700076</b>	▪ BAND	2				
24	<b>1652231250</b>	▪ BAND	1				
25	<b>1652520008</b>	▪ GROMMET	4				
26	<b>1111810610</b>	▪ SCREW	4				
27	<b>1150420610</b>	▪ SCREW	4				
28	<b>1150420614</b>	▪ SCREW	8				
29	<b>1150420625</b>	▪ SCREW	1				
30	<b>1100040816</b>	▪ BOLT	4				
31	<b>1100040830</b>	▪ BOLT	4				
32	<b>1130040006</b>	▪ NUT	1				
33	<b>1140020006</b>	▪ WASHER, spring	1				
34	<b>1140020008</b>	▪ WASHER, spring	4				
35	<b>1141110008</b>	▪ WASHER	8				
36	<b>1654313013</b>	▪ SPONGE	4				sold by the meter
37	<b>1120790614</b>	▪ SCREW	11			M	
38	<b>1652900016</b>	▪ WASHER	11			M	
	<b>U1e141</b>						



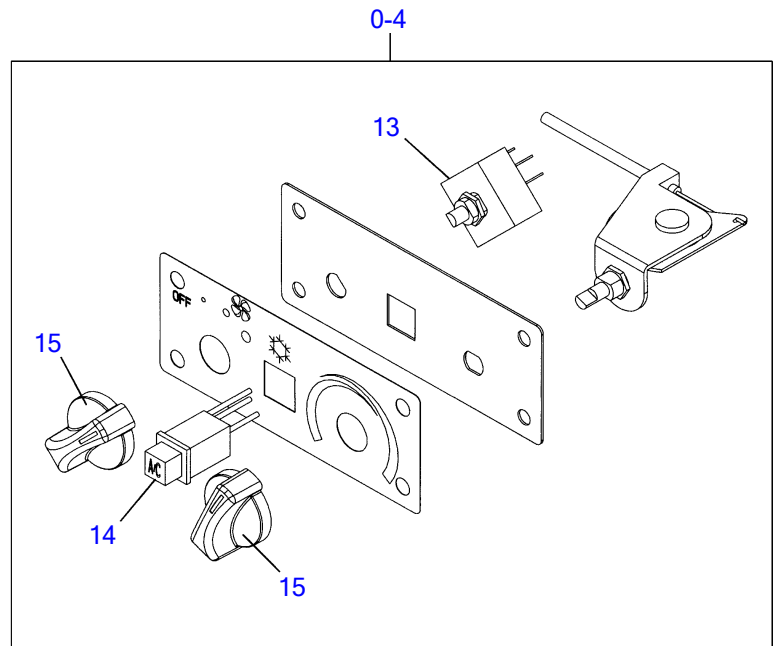
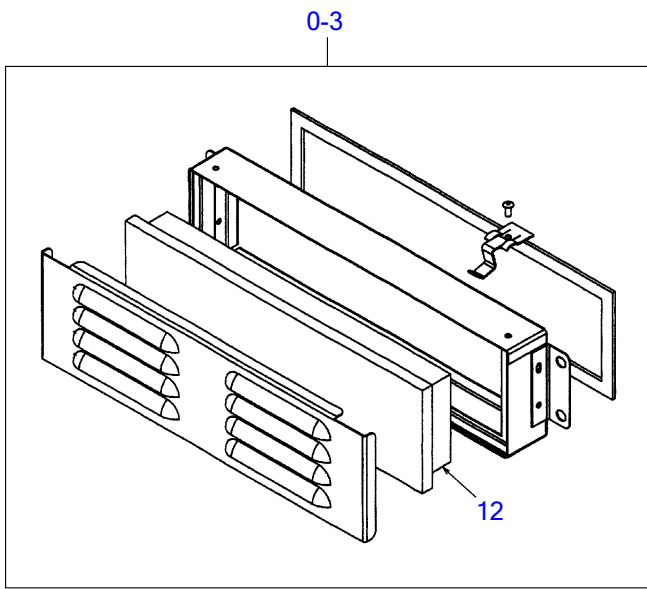
T8E401

S=free



**AIR CONDITIONER (4/5)**

Item	Part number	Description	Q'ty	Chan.	Serial No.	Serv.	Remarks
0-1	<b>1911506080</b>	CONDENSER ASSY	1				
1	<b>1911505503</b>	▪ CONDENSER	1				
2	<b>1911506083</b>	▪ MOTOR	1				
3	<b>1911505505</b>	▪ GURD	1				
0-2	<b>1911506090</b>	UNIT, air conditioner	1				
4	<b>1911506091</b>	▪ CORE	1				
5	<b>1911506092</b>	▪ CORE	1				
6	<b>1911506095</b>	▪ FILTER	1				
7	<b>1911506012</b>	▪ LOUVER	2				
8	<b>1911506096</b>	▪ MOTOR	2				
9	<b>1911505421</b>	▪ THERMOSTAT	1				
10	<b>1911505422</b>	▪ VALVE	1				
11	<b>1911506089</b>	▪ HARNESS ASSY, wiring	1				not shown
	<b>T8e401</b>						



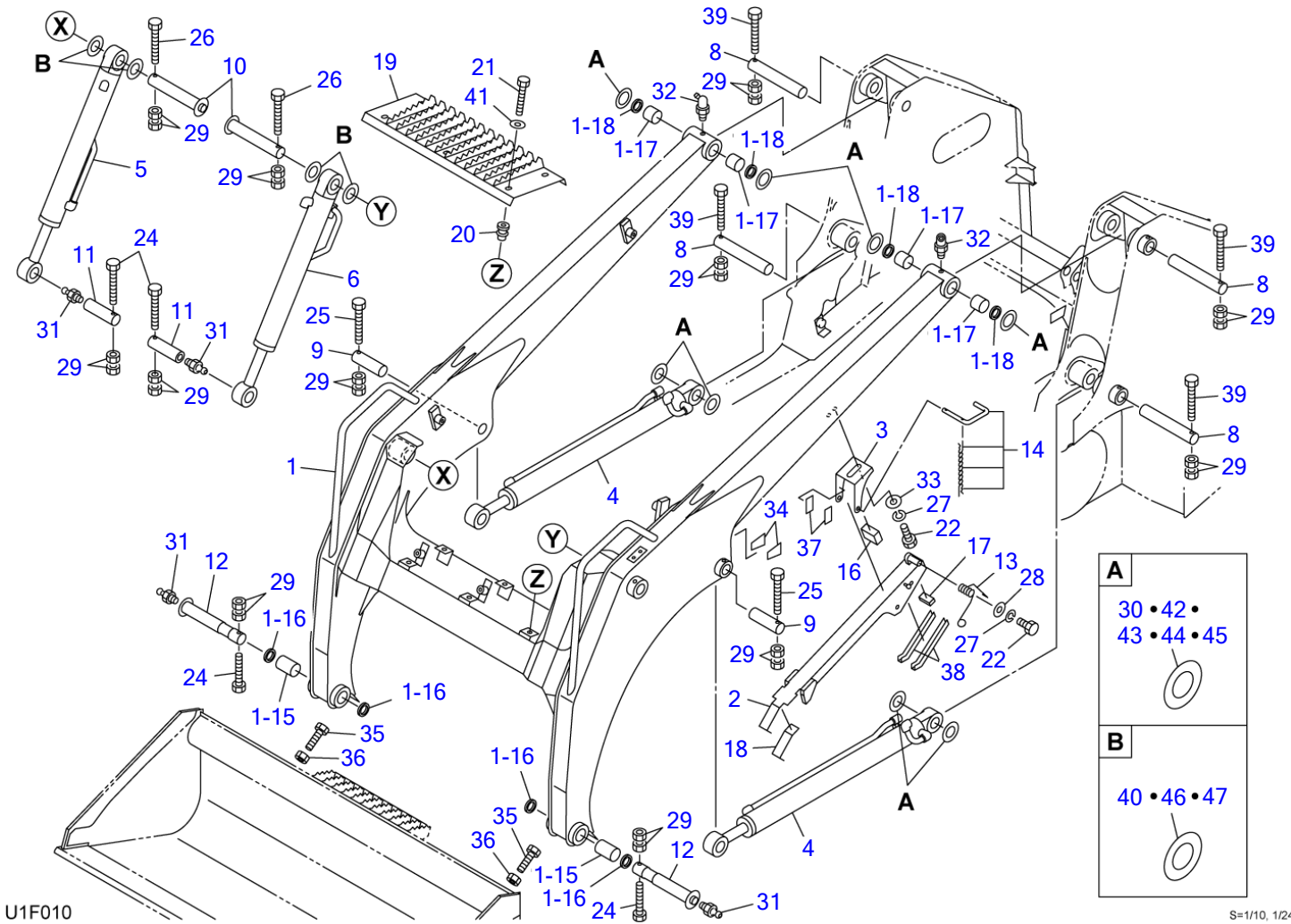
T8E410

S=free

**AIR CONDITIONER (5/5)**

Item	Part number	Description	Q'ty	Chan.	Serial No.	Serv.	Remarks
0-3	<b>1911506050</b>	BOX	1				
12	<b>1911506052</b>	• FILTER	1				
0-4	<b>1911506020</b>	PANEL ASSY	1				
13	<b>1911506027</b>	• SWITCH	1				
14	<b>1911505767</b>	• SWITCH	1				
15	<b>1911505763</b>	• KNOB	2				
	<b>T8e410</b>						

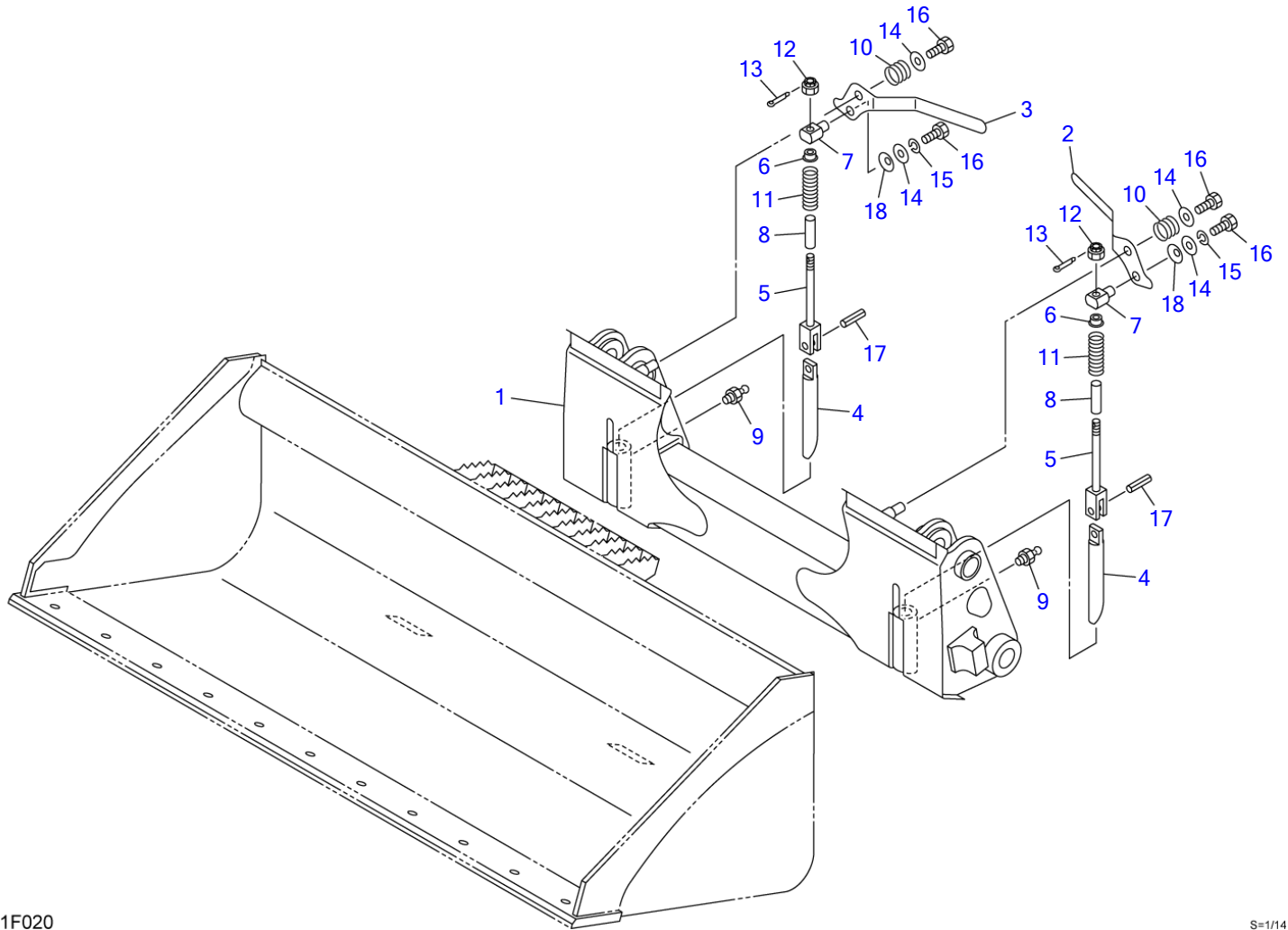
TL230 Book No. BU1Z004 S/N 223000001-  
**ARM**



U1F010

S=1/10, 1/24

Item	Part number	Description	Q'ty	Chan.	Serial No.	Serv.	Remarks
		ARM ASSY					
1	0666000100	ARM	1				
1-15	0002400066	• BUSHING	2				
1-16	1432200035	• SEAL, dust	4				
1-17	0002400060	• BUSHING	4				
1-18	1432200040	• SEAL, dust	4				
2	0880606550	LOCK	1				
3	0881604650	BRACKET	1				
4	1900081800	CYLINDER, arm	2				
5	1900081300	CYLINDER, bucket (R.H.)	1				
6	1900081400	CYLINDER, bucket (L.H.)	1				
8	0011503240	PIN	4				
9	0001603125	PIN	2				
10	0001090002	PIN	2				
11	0001672004	PIN	2				
12	0001323506	PIN	2				
13	0007000114	SPRING	1				
14	0881604670	PIN	1				
16	0881604580	RUBBER	1				
17	0881602017	RUBBER	1				
18	0880606018	RUBBER	1				
19	0880606800	STEP	1				
20	1652520008	BAND	6				
21	1100040830	BOLT	6				
22	1100040816	BOLT	3				
24	1103041070	BOLT	4				
25	1103041080	BOLT	2				
26	1103041090	BOLT	2				
27	1140020008	WASHER, spring	3				
28	0003608252	WASHER	1				
29	1130240010	NUT	24				
30	0003600176	SHIM	AR				t=1.0mm
31	1560001000	FITTING, grease	4				
32	1560000321	FITTING, grease	2				
33	1141110008	WASHER	6				
34	0880606034	RUBBER	2				
35	0881962656	BOLT	2				
36	0881604035	NUT	2				
37	0881604036	RUBBER	2				
38	1654629020	TRIM	2				sold by the meter
39	1103041095	BOLT	4				
40	0003600163	SHIM	AR				t=1.0mm
41	0003608003	WASHER	6				
42	0003600035	SHIM	AR				t=0.2mm
43	0003600036	SHIM	AR				t=0.5mm
44	0003600188	SHIM	AR				t=3.2mm
45	0003600189	SHIM	AR				t=4.5mm
46	0003600051	SHIM	AR				t=0.2mm
47	0003600052	SHIM	AR				t=0.5mm
	U1f010						



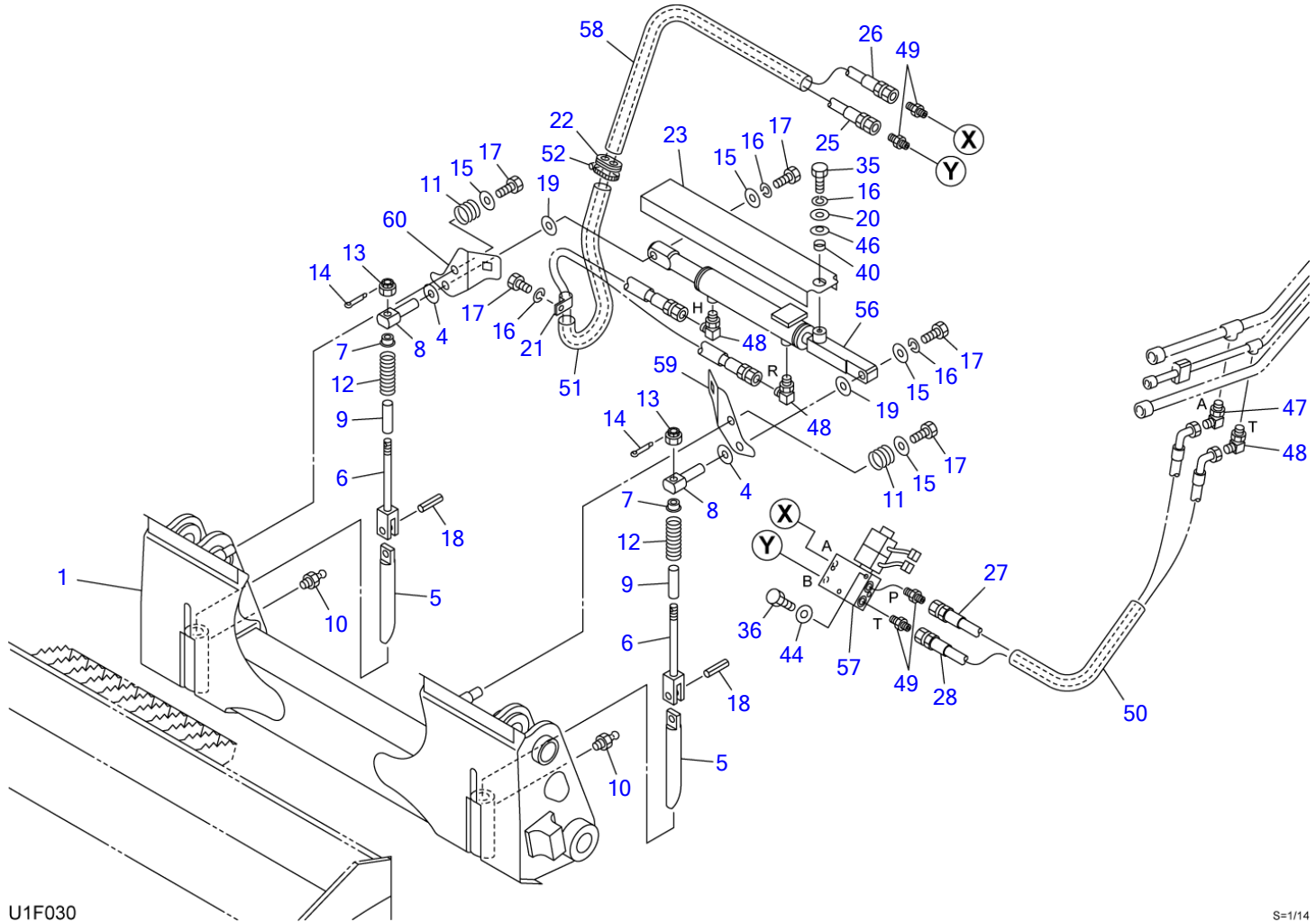
U1F020

S=1/14

**QUICK ATTACHMENT**

Item	Part number	Description	Q'ty	Chan.	Serial No.	Serv.	Remarks
0	<b>0666102000</b>	ATTACHMENT ASSY, quick (for EU)	1				
	<b>0666103000</b>	ATTACHMENT ASSY, quick (for US)	1				
1	<b>0666100100</b>	▪ BRACKET	1				for EU
	<b>0666100200</b>	▪ BRACKET	1				for US
2	<b>0881612040</b>	▪ LEVER(L.H.)	1				
3	<b>0881612050</b>	▪ LEVER(R.H.)	1				
4	<b>0881612150</b>	▪ PIN	2				
5	<b>0881612060</b>	▪ YOKE	2				
6	<b>0881612070</b>	▪ WASHER	2				
7	<b>0880612070</b>	▪ PIN	2				
8	<b>0881612160</b>	▪ PIPE	2				
9	<b>1560001000</b>	▪ FITTING, grease	2				
10	<b>0007000016</b>	▪ SPRING	2				
11	<b>0007000119</b>	▪ SPRING	2				
12	<b>1132630012</b>	▪ NUT	2				
13	<b>1210013225</b>	▪ PIN, split	2				
14	<b>0003600025</b>	▪ WASHER	4				
15	<b>1140120010</b>	▪ WASHER, spring	2				
16	<b>1100041020</b>	▪ BOLT	4				
17	<b>1213001250</b>	▪ PIN, spring	2				
18	<b>1225120018</b>	▪ WASHER, conical	2				
	<b>U1f020</b>						

TL230 Book No. BU1Z004 S/N 223000001-  
QUICK ATTACHMENT (1/2) (hydraulic type)



U1F030

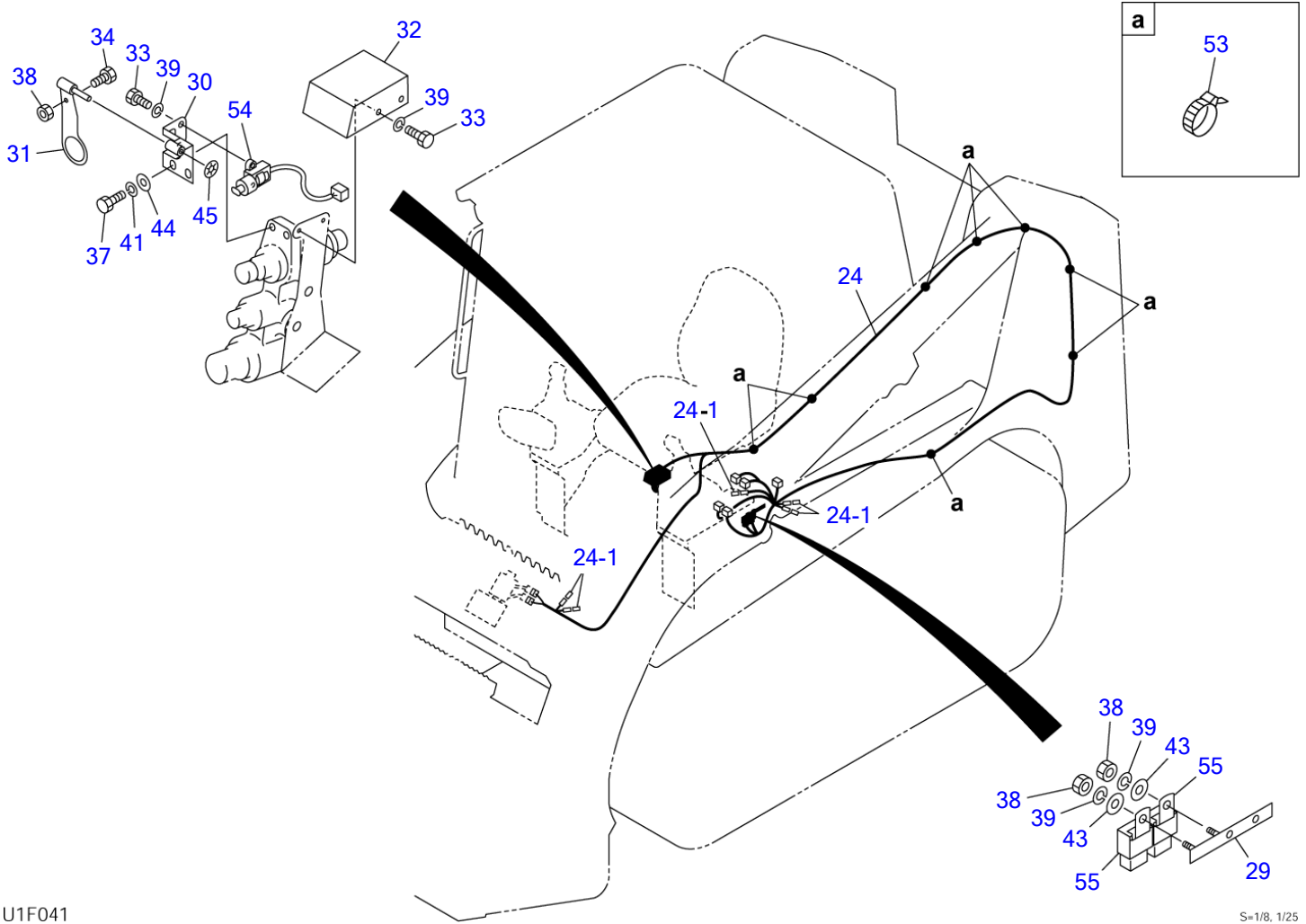
S=1/14



**QUICK ATTACHMENT (1/2) (hydraulic type)**

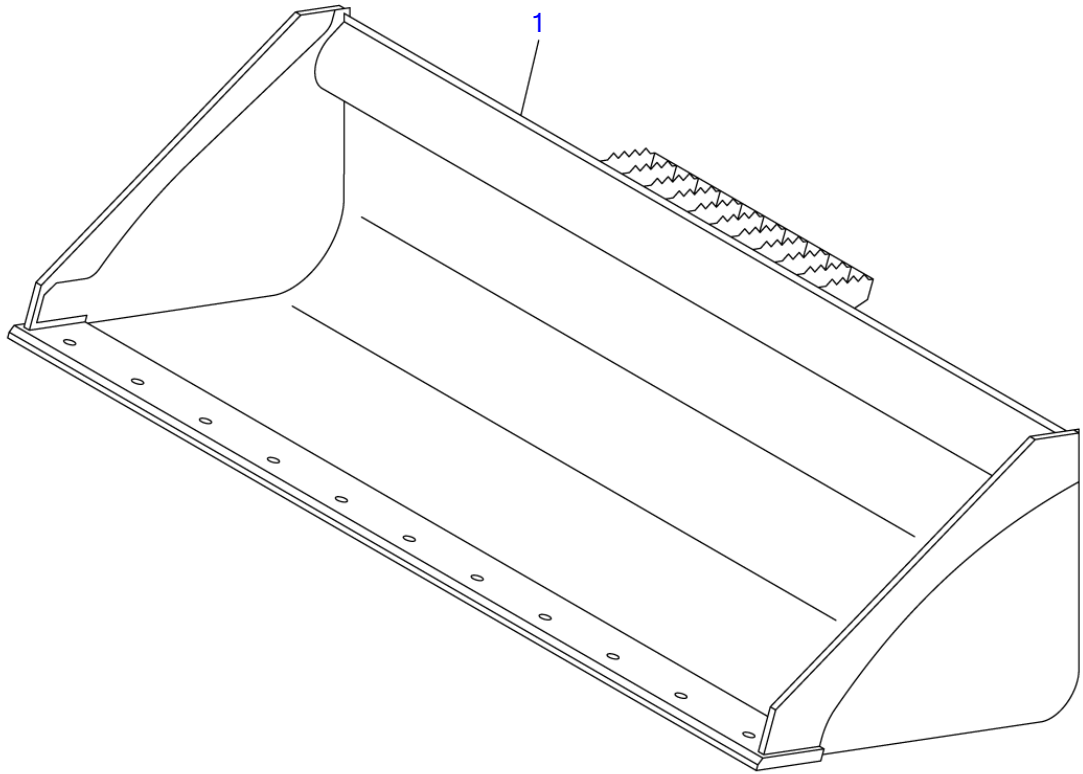
Item	Part number	Description	Q'ty	Chan.	Serial No.	Serv.	Remarks
0	<b>0666101000</b>	ATTACHMENT ASSY, quick (for EU)	1				
	<b>0666101500</b>	ATTACHMENT ASSY, quick (for US)	1				
1	<b>0666100100</b>	• BRACKET	1				for US
	<b>0666100200</b>	• BRACKET	1				for EU
4	<b>1225120018</b>	• WASHER, conical	2				
5	<b>0881612150</b>	• PIN	2				
6	<b>0881612060</b>	• YOKE	2				
7	<b>0881612070</b>	• WASHER	2				
8	<b>0666101080</b>	• PIN	2				
9	<b>0881612160</b>	• PIPE	2				
10	<b>1560001000</b>	• FITTING, grease	2				
11	<b>0007000016</b>	• SPRING	2				
12	<b>0007000119</b>	• SPRING	2				
13	<b>1132630012</b>	• NUT	2				
14	<b>1210013225</b>	• PIN, split	2				
15	<b>0003600025</b>	• WASHER	4				
16	<b>1140120010</b>	• WASHER, spring	4				
17	<b>1100041020</b>	• BOLT	5				
18	<b>1213001250</b>	• PIN, spring	2				
19	<b>0003600034</b>	• WASHER	2				
20	<b>0003610002</b>	• WASHER	1				
21	<b>0007300001</b>	• CLAMP	1				
22	<b>0097210300</b>	• GUARD	1				
23	<b>0666101230</b>	• COVER	1				
25	<b>0666101250</b>	• HOSE ASSY	1				18019-00170
26	<b>0666101260</b>	• HOSE ASSY	1				18019-00200
27	<b>0880617270</b>	• HOSE ASSY	1				18015-01100
28	<b>0880617280</b>	• HOSE ASSY	1				18010-22095
35	<b>1100041016</b>	• BOLT	1				
36	<b>1100040850</b>	• BOLT	2				
40	<b>0003600228</b>	• COLLAR	1				
44	<b>1141110008</b>	• WASHER	2				
46	<b>1225121018</b>	• WASHER, conical	1				
47	<b>1512375004</b>	• ELBOW	1				
	<b>1420010110</b>	• • O-RING	1				
48	<b>1515012040</b>	• ELBOW	3				
	<b>1420010110</b>	• • O-RING	1				
49	<b>1515600200</b>	• ADAPTOR	4				
	<b>1420010110</b>	• • O-RING	1				
50	<b>1531335085</b>	• PROTECTOR	1				sold by the meter
51	<b>1531516075</b>	• PROTECTOR	1				sold by the meter
52	<b>1533811065</b>	• BAND	1				
56	<b>1900100700</b>	• CYLINDER, quick	1				
57	<b>1901752000</b>	• VALVE, solenoid	1				
58	<b>1531335065</b>	• PROTECTOR	1				sold by the meter
59	<b>0666101590</b>	• PLATE (L.H.)	1				
60	<b>0666101600</b>	• PLATE (R.H.)	1				
	<b>U1f031</b>						

TL230 Book No. BU1Z004 S/N 223000001-  
QUICK ATTACHMENT (2/2) (hydraulic type)



**QUICK ATTACHMENT (2/2) (hydraulic type)**

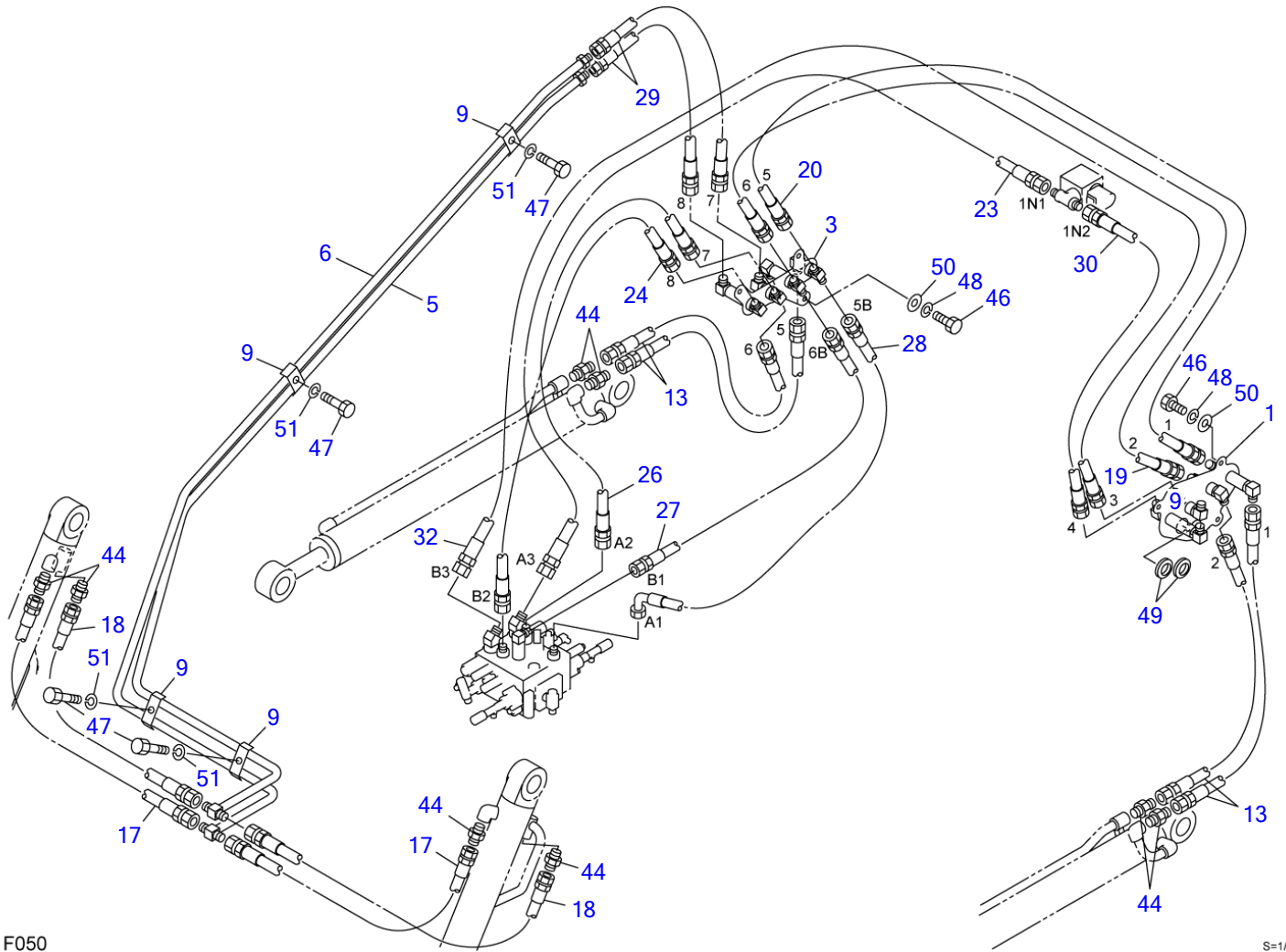
Item	Part number	Description	Q'ty	Chan.	Serial No.	Serv.	Remarks
0	<b>0666101000</b>	ATTACHMENT ASSY, quick (for EU)	1				
	<b>0666101500</b>	ATTACHMENT ASSY, quick (for US)	1				
24	<b>0666101240</b>	• HARNESS, wiring	1				
24-1	<b>1730500008</b>	• • DIODE (3A yellow)	5				
29	<b>0666100290</b>	• BRACKET	1				
30	<b>0880616970</b>	• PLATE	1				
31	<b>0880616980</b>	• PLATE	1				
32	<b>0880616990</b>	• COVER	1				
33	<b>1100040612</b>	• BOLT	4				
34	<b>1100040620</b>	• BOLT	1				
37	<b>1111840518</b>	• BOLT	2				
38	<b>1130040006</b>	• NUT	3				
39	<b>1140020006</b>	• WASHER, spring	6				
41	<b>1140020008</b>	• WASHER, spring	2				
43	<b>1141110006</b>	• WASHER	2				
44	<b>1141110008</b>	• WASHER	2				
45	<b>1224100009</b>	• NUT	1				
53	<b>1652201008</b>	• BAND	12				
54	<b>1700000043</b>	• SWITCH	1				
55	<b>1711900042</b>	• RELAY	2				
	<b>U1f042</b>						



T8F030

S=1/12

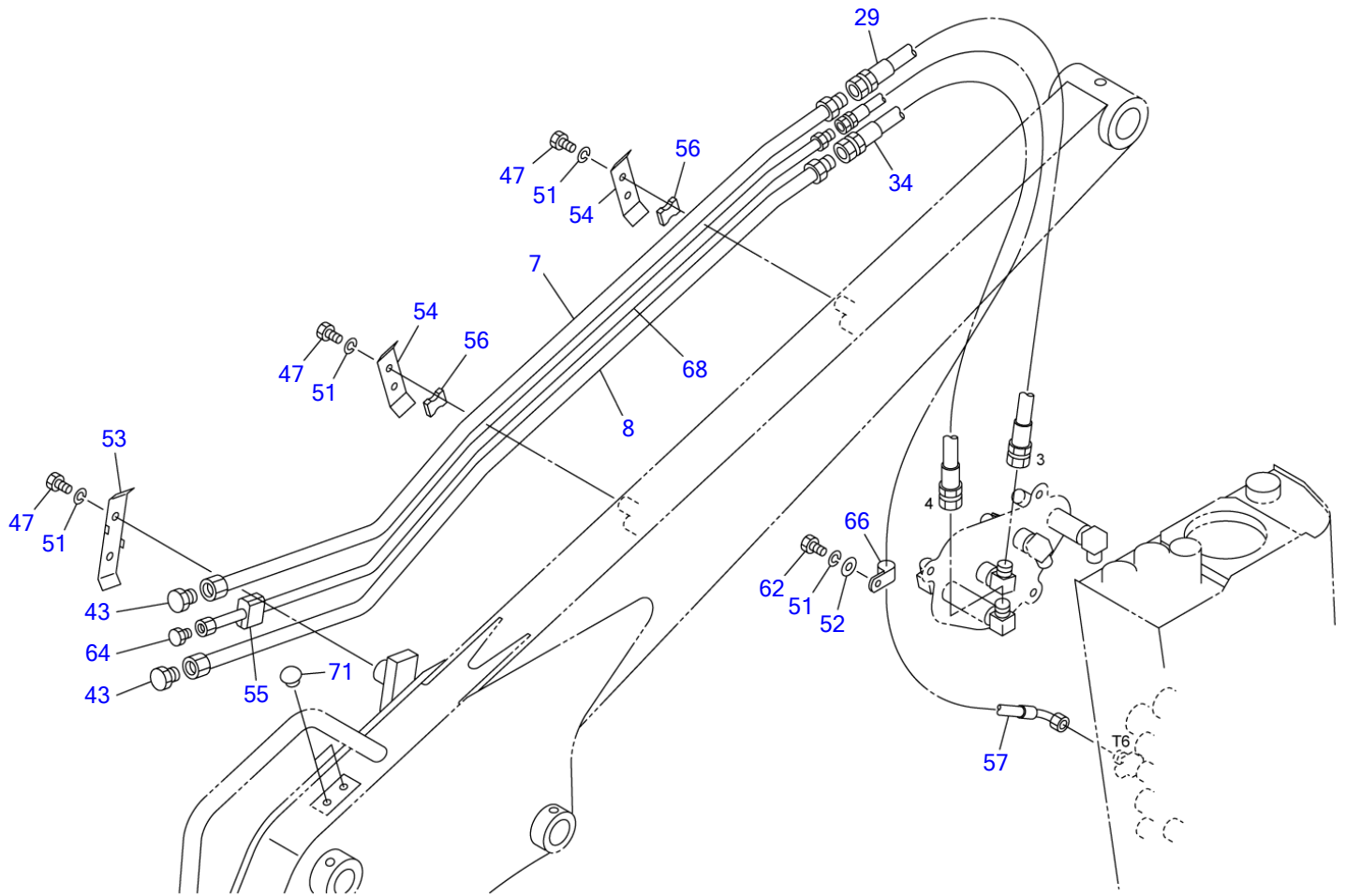
Item	Part number	Description	BUCKET				Remarks
			Q'ty	Chan.	Serial No.	Serv.	
1	0880624100 0880624600 T8f031	BUCKET ASSY (for EU)					
		BUCKET ASSY (for US)					
		BUCKET (for EU)	1				
		BUCKET (for US)	1				



U1F050

S-1/17

PIPING; ARM (1/2)						
Item	Part number	Description	Q'ty	Chan.	Serial No.	Serv. Remarks
		PIPING ASSY				
		PIPING ASSY (with coupler)				
		PIPING ASSY (hydraulic attachment type)				
		PIPING ASSY (for US)				
1	0667301010	BRACKET (L.H.)	1			
3	0667301030	BRACKET (R.H.)	1			
5	0880736050	PIPE	1			
6	0880736060	PIPE	1			
9	0880736090	CLAMP	4			
13	1801520050	HOSE ASSY	4			
17	0880737170	HOSE ASSY	2			18015-20060
18	0880737180	HOSE ASSY	2			18015-20064
19	0667300190	HOSE ASSY	1			18015-20120
20	0667300200	HOSE ASSY	1			18015-20120
23	0667301230	HOSE ASSY	1			18015-40047
24	0667300240	HOSE ASSY	1			18015-40054
26	0667301260	HOSE ASSY	1			18015-40047
27	0667300270	HOSE ASSY	1			18015-40079
28	0667300280	HOSE ASSY	1			18015-41086
29	0880737500	HOSE ASSY	2			18015-40068
30	0880737300	HOSE ASSY	1			18015-40064
32	0667300320	HOSE ASSY	1			18017-40130
44	1515600201	ADAPTOR	8			
	1420010140	• O-RING	1			
46	1100040816	BOLT	6			
47	1100041025	BOLT	4			
48	1140020008	WASHER, spring	6			
49	1652061035	BUSHING	2			
50	1141110008	WASHER	6			
51	1140020010	WASHER, spring	4			
	U1f051					



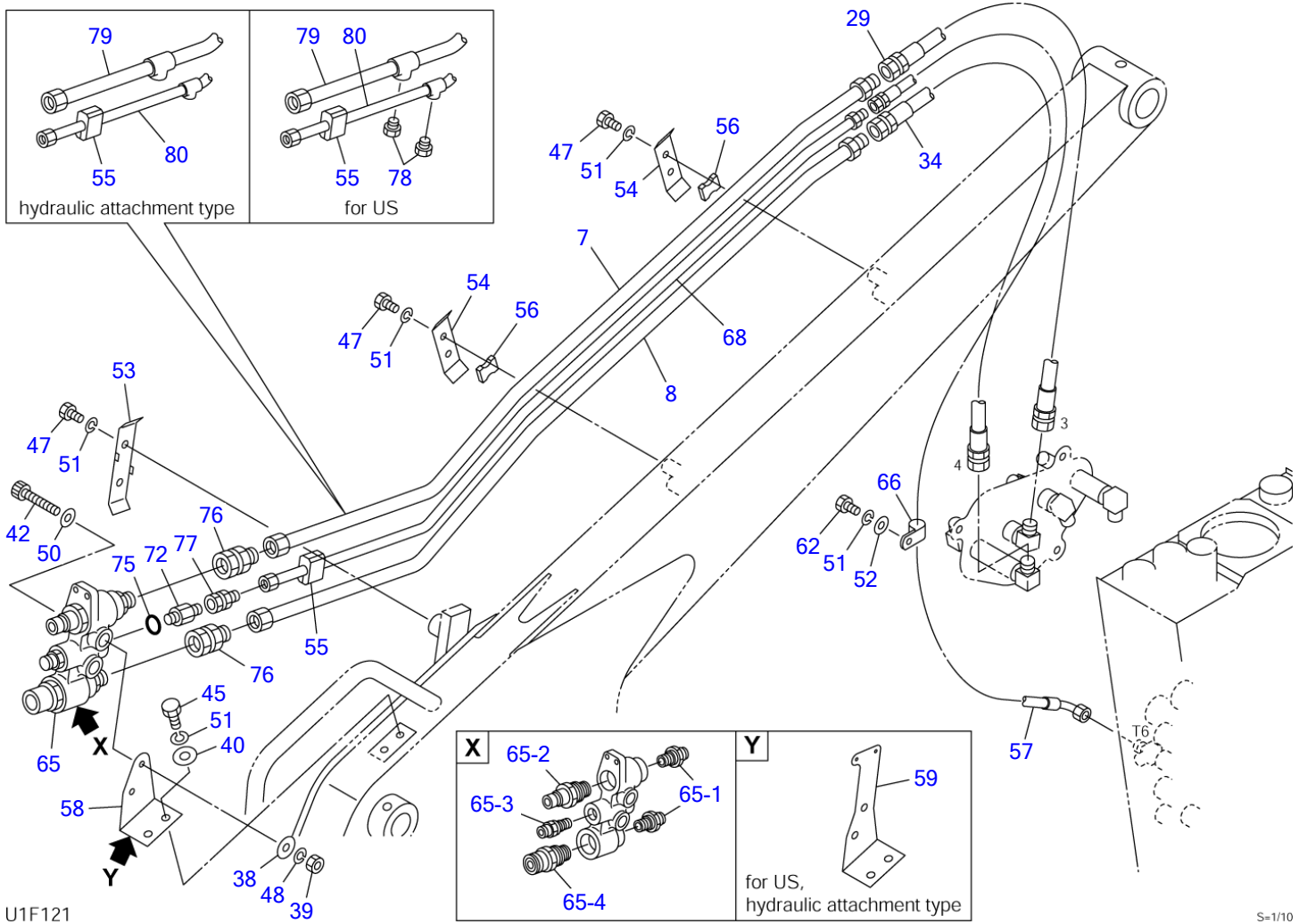
U1F060

S=1/10



PIPING; ARM (2/2)						
Item	Part number	Description	Q'ty	Chan.	Serial No.	Serv. Remarks
		PIPING ASSY				
7	0880738110	PIPE	1			
8	0880738120	PIPE	1			
29	0880737500	HOSE ASSY	1			18015-40068
34	0880738080	HOSE ASSY	1			18015-40070
43	1501750004	PLUG	2			
	1420010180	· O-RING	1			
47	1100041025	BOLT	6			
51	1140020010	WASHER, spring	7			
52	1141110010	WASHER	1			
53	0881733550	CLAMP	1			
54	0880738130	CLAMP	2			
55	0880738140	RUBBER	1			
56	0880738150	RUBBER	2			
57	0667301570	HOSE ASSY	1			18017-21128
62	1100041016	BOLT	1			
64	1501750003	PLUG	1			
	1420010140	· O-RING	1			
66	1711900071	CLAMP	1			
68	0880738100	PIPE	1			
71	1652533018	CAP	2			
	U1f061					

TL230 Book No. BU1Z004 S/N 223000001-  
 PIPING; ARM (2/2) (with coupler, hydraulic attachment type)



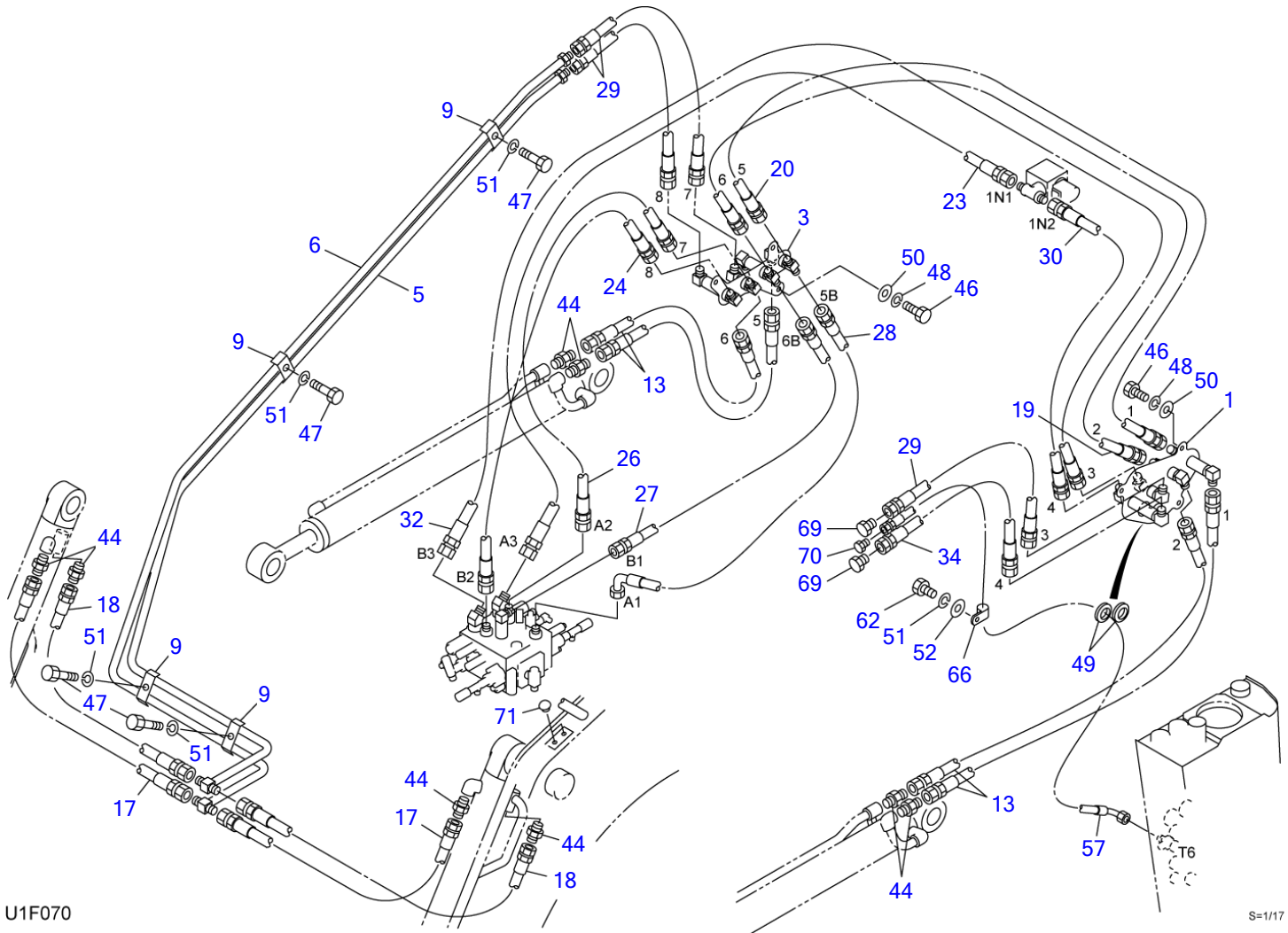
U1F121

S-1/10

PIPING; ARM (2/2) (with coupler, hydraulic attachment type)							
Item	Part number	Description	Q'ty	Chan.	Serial No.	Serv.	Remarks
		PIPING ASSY (with coupler)					
		PIPING ASSY (hydraulic attachment type)					
		PIPING ASSY (for US)					
7	0880738110	PIPE	1				with coupler
8	0880738120	PIPE	1				
29	0880737500	HOSE ASSY	1				18015-40068
34	0880738080	HOSE ASSY	1				18015-40070
38	0003608252	WASHER	2				
39	1130040008	NUT	2				
40	0003600020	WASHER	2				
42	1110040865	SCREW, cap	2				
45	1100041020	BOLT	2				
47	1100041025	BOLT	6				
48	1140020008	WASHER, spring	2				
50	1141110008	WASHER	2				
51	1140020010	WASHER, spring	9				
52	1141110010	WASHER	1				
53	0881733550	CLAMP	1				
54	0880738130	CLAMP	2				
55	0880738140	RUBBER	1				
56	0880738150	RUBBER	2				
57	0667301570	HOSE ASSY	1				18017-21128
58	0880738160	BRACKET	1				with coupler
59	0667300590	BRACKET	1				hydraulic attachment type, for US
62	1100041016	BOLT	1				
65	1901747000	COUPLER, block	1				
65-1	1901747001	· ADAPTOR	2				
65-2	1901747002	· ADAPTOR	1				
65-3	1901747003	· ADAPTOR	1				
65-4	1901747004	· ADAPTOR	1				
66	1711900071	CLAMP	1				
68	0880738100	PIPE	1				with coupler
72	0007203017	NIPPLE	1				
	1420310906	· O-RING	1				
75	1420310906	O-RING	1				
76	0007236045	ADAPTOR	2				
77	1511410003	ADAPTOR	1				
	1420010140	· O-RING	1				
78	1501750002	PLUG	2			M	for US
	1420010110	· O-RING	1			M	for US
79	0667303790	PIPE	1				hydraulic attachment type, for US
80	0667303800	PIPE	1				hydraulic attachment type, for US

U1f121

TL230 Book No. BU1Z004 S/N 223000001-  
PIPING; ARM (for GEHL & MUSTANG)



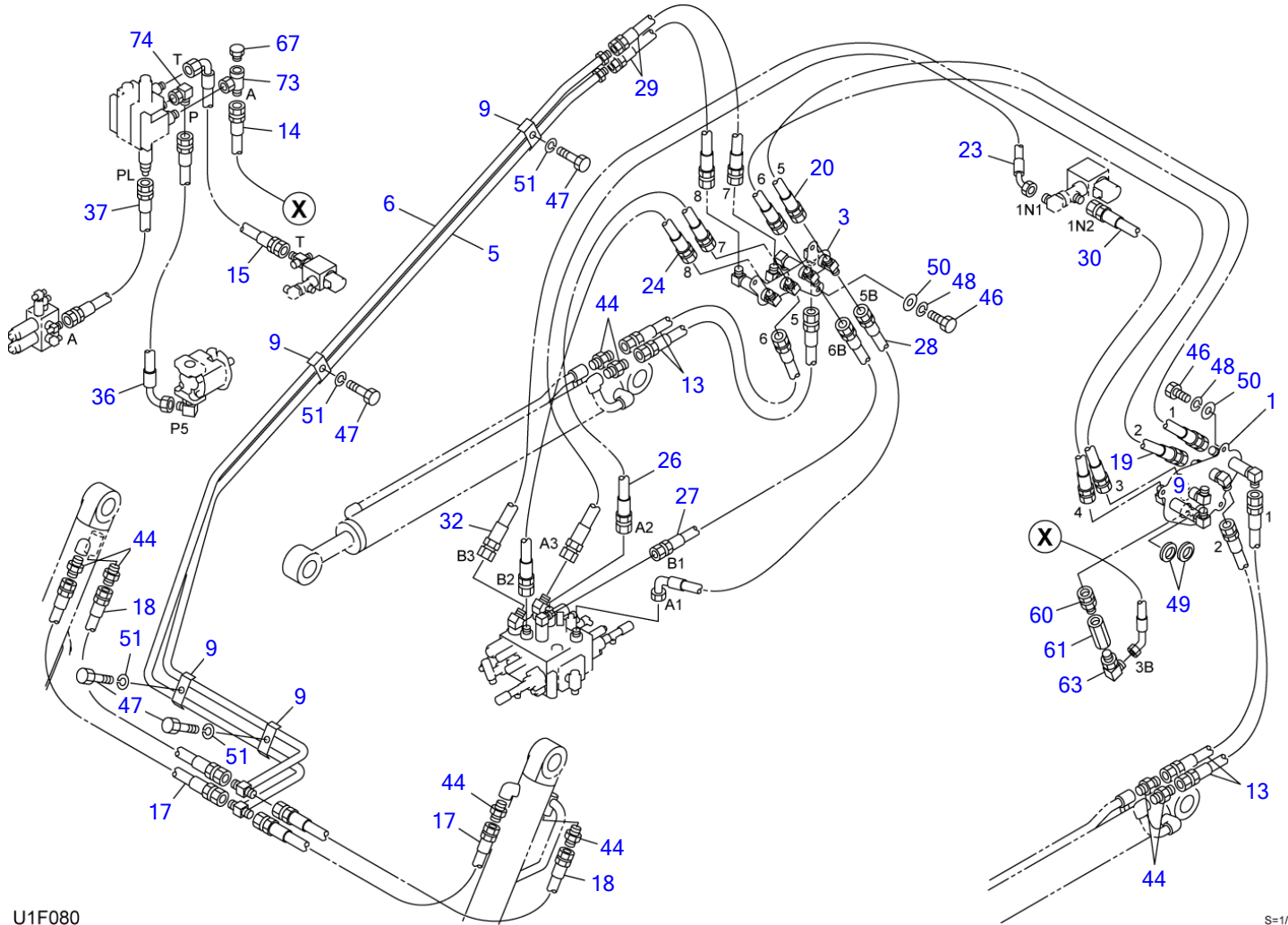
U1F070

S=1/17

**PIPING; ARM (for GEHL & MUSTANG)**

Item	Part number	Description	Q'ty	Chan.	Serial No.	Serv.	Remarks
		PIPING ASSY					
1	0667301010	BRACKET(L.H.)	1				
3	0667301030	BRACKET(R.H.)	1				
5	0880736050	PIPE	1				
6	0880736060	PIPE	1				
9	0880736090	CLAMP	4				
13	1801520050	HOSE ASSY	4				
17	0880737170	HOSE ASSY	2				18015-20060
18	0880737180	HOSE ASSY	2				18015-20064
19	0667300190	HOSE ASSY	1				18015-20120
20	0667300200	HOSE ASSY	1				18015-20120
23	0667301230	HOSE ASSY	1				18015-40047
24	0667300240	HOSE ASSY	1				18015-40054
26	0667301260	HOSE ASSY	1				18015-40047
27	0667300270	HOSE ASSY	1				18015-40079
28	0667300280	HOSE ASSY	1				18015-41086
29	0880737500	HOSE ASSY	3				18015-40068
30	0880737300	HOSE ASSY	1				18015-40064
32	0667300320	HOSE ASSY	1				18017-40130
34	0880738080	HOSE ASSY	1				18015-40070
44	1515600201	ADAPTOR	8				
	1420010140	· O-RING	1				
46	1100040816	BOLT	6				
47	1100041025	BOLT	4				
48	1140020008	WASHER, spring	6				
49	1652061035	BUSHING	2				
50	1141110008	WASHER	6				
51	1140020010	WASHER, spring	5				
52	1141110010	WASHER	1				
57	0667301570	HOSE ASSY	1				18017-21128
62	1100041016	BOLT	1				
66	1711900071	CLAMP	1				
69	1513940004	PLUG	2				
70	1513940003	PLUG	1				
71	1652533018	CAP	2				
	U1f071						

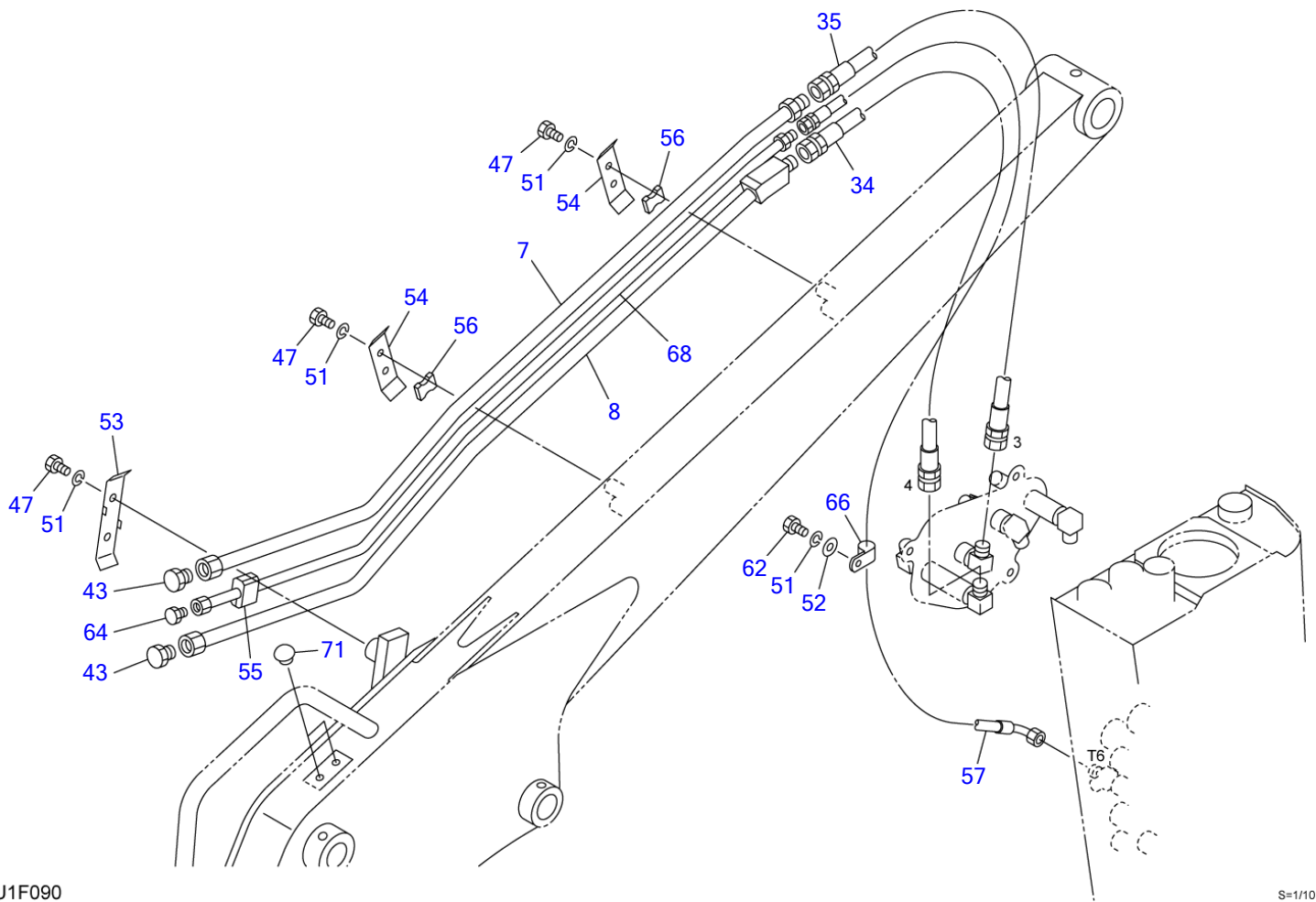
TL230 Book No. BU1Z004 S/N 223000001-  
PIPING; ARM (1/2) (high flow)



U1F080

S-1/17

Item	Part number	DESCRIPTION	Q'ty	Chan.	Serial No.	Serv.	Remarks
		PIPING; ARM (1/2) (high flow)					
		PIPING ASSY					
		PIPING ASSY (with coupler)					
		PIPING ASSY (hydraulic attachment type)					
		PIPING ASSY (for US)					
1	0667305010	BRACKET(L.H.)	1				
3	0667301030	BRACKET(R.H.)	1				
5	0880736050	PIPE	1				
6	0880736060	PIPE	1				
9	0880736090	CLAMP	4				
13	1801520050	HOSE ASSY	4				
14	0667305140	HOSE ASSY	1				18017-77188
15	0880735170	HOSE ASSY	1				
17	0880737170	HOSE ASSY	2				18015-20060
18	0880737180	HOSE ASSY	2				18015-20064
19	0667300190	HOSE ASSY	1				18015-20120
20	0667300200	HOSE ASSY	1				18015-20120
23	0667305230	HOSE ASSY	1				18015-47051
24	0667300240	HOSE ASSY	1				18015-40054
26	0667301260	HOSE ASSY	1				18015-40047
27	0667300270	HOSE ASSY	1				18015-40079
28	0667300280	HOSE ASSY	1				18015-41086
29	0880737500	HOSE ASSY	2				18015-40068
30	0667300300	HOSE ASSY	1				18015-50070
32	0667300320	HOSE ASSY	1				18017-40130
36	0667300360	HOSE ASSY	1				18017-71130
37	0667305370	HOSE ASSY	1				18010-22096
44	1515600201	ADAPTOR	8				
	1420010140	• O-RING	1				
46	1100040816	BOLT	6				
47	1100041025	BOLT	4				
48	1140020008	WASHER, spring	6				
49	1652061035	BUSHING	2				
50	1141110008	WASHER	6				
51	1140020010	WASHER, spring	4				
60	0007236041	ADAPTOR	1				
	1420010180	• O-RING	1				
61	1901743200	VALVE, check	1				
63	1515010042	ELBOW	1				
	1420010180	• O-RING	1				
67	1501750002	PLUG	1				
	1420010110	• O-RING	1				
73	1513390044	TEE	1				
74	1513390016	ELBOW	1				
	U1f081						



U1F090

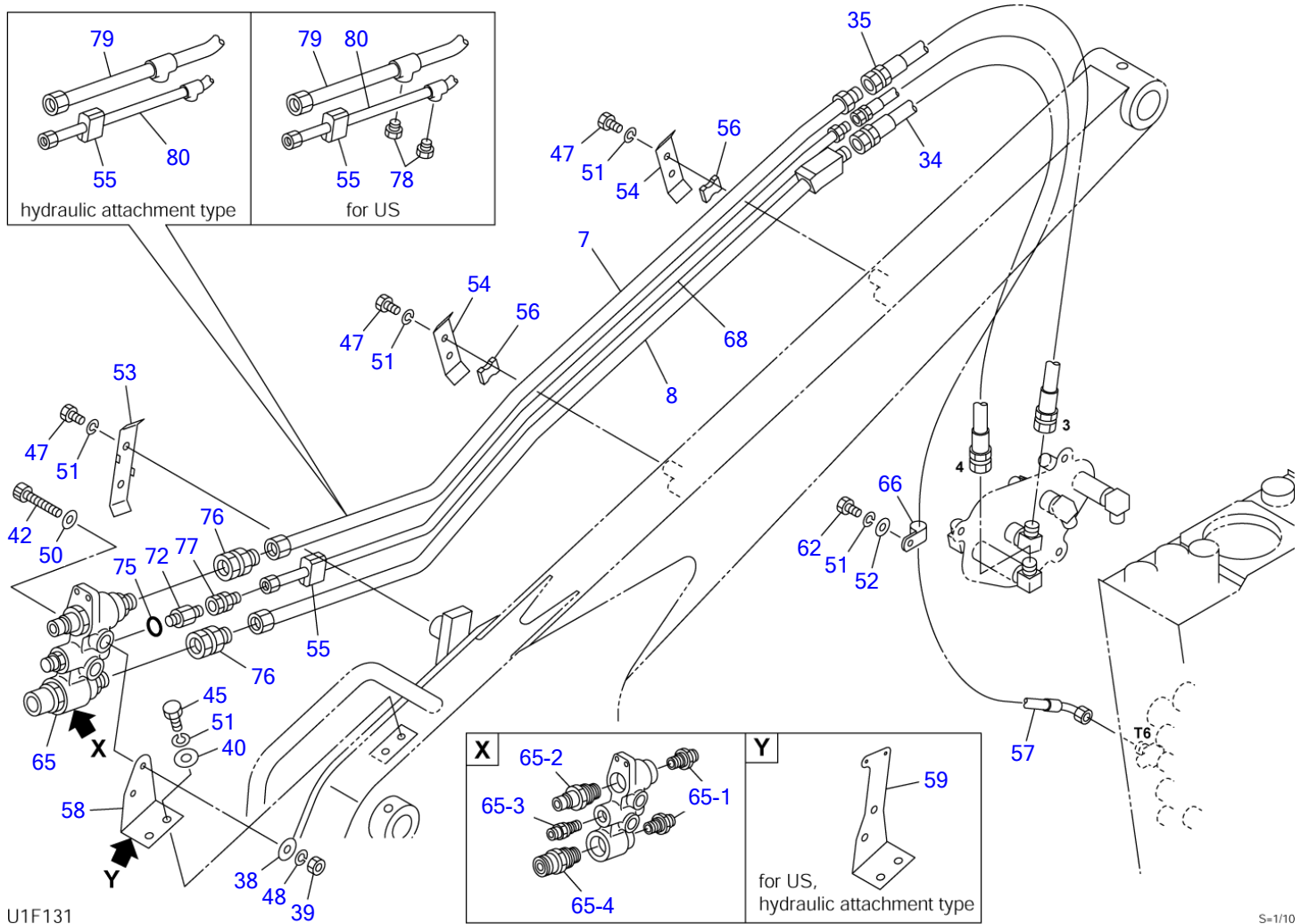
S=1/10



**PIPING; ARM (2/2) (high flow)**

Item	Part number	Description	Q'ty	Chan.	Serial No.	Serv.	Remarks
		PIPING ASSY					
7	0667305070	PIPE	1				
8	0667300080	PIPE	1				
34	0880737930	HOSE ASSY	1				18015-30072
35	0880737940	HOSE ASSY	1				18015-30072
43	1501750006	PLUG	2				
	1420010240	· O-RING	1				
47	1100041025	BOLT	6				
51	1140020010	WASHER, spring	7				
52	1141110010	WASHER	1				
53	0881733550	CLAMP	1				
54	0880738130	CLAMP	2				
55	0880738140	RUBBER	1				
56	0880738150	RUBBER	2				
57	0667301570	HOSE ASSY	1				18017-21128
62	1100041016	BOLT	1				
64	1501750003	PLUG	1				
	1420010140	· O-RING	1				
66	1711900071	CLAMP	1				
68	0880738100	PIPE	1				
71	1652533018	CAP	2				
	U1f091						

TL230 Book No. BU1Z004 S/N 223000001-  
**PIPING; ARM (2/2) (high flow, with coupler, hydraulic attachment type)**



**PIPING; ARM (2/2) (high flow, with coupler, hydraulic attachment type)**

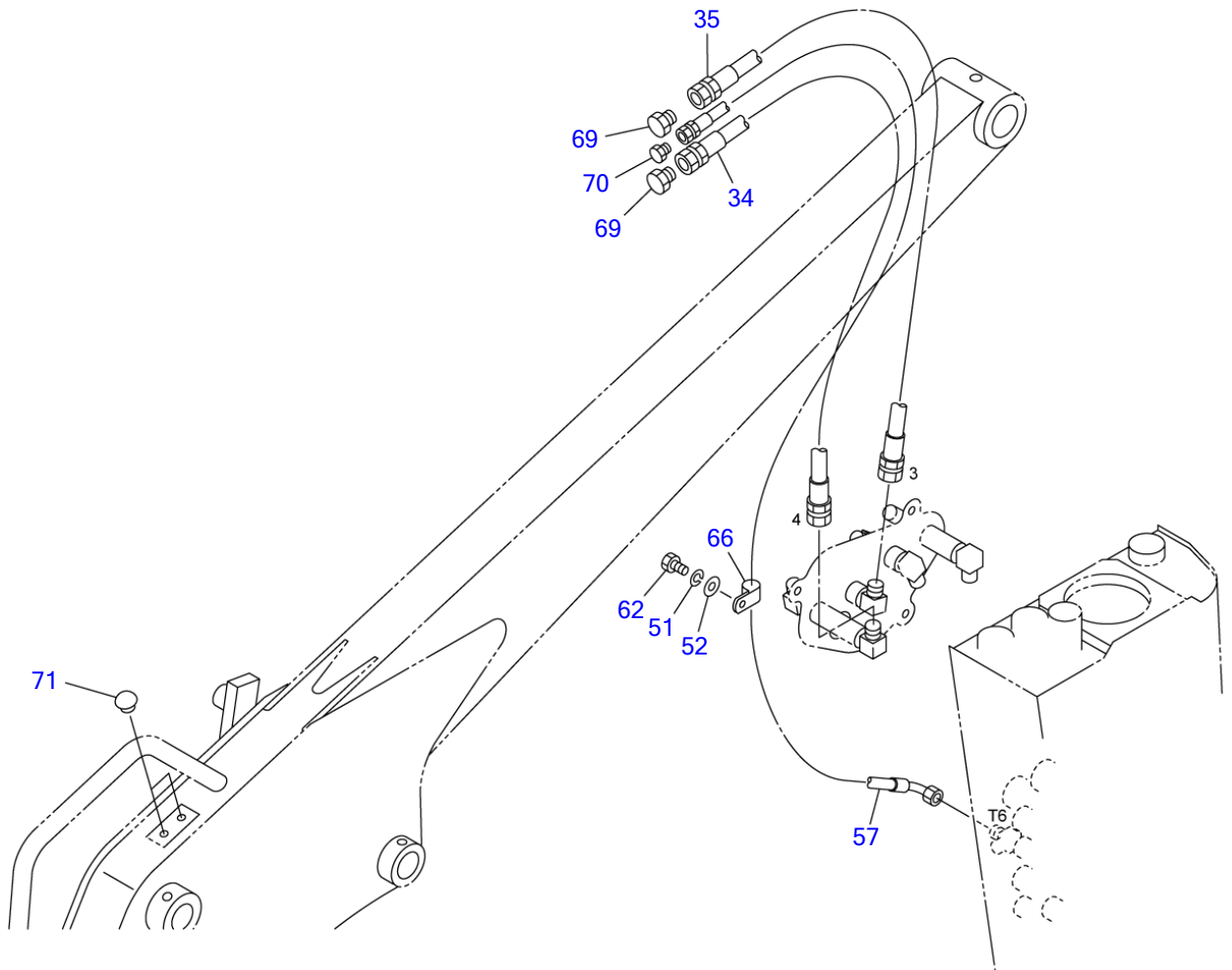
Item	Part number	Description	Q'ty	Chan.	Serial No.	Serv.	Remarks
		PIPING ASSY (with coupler)					
		PIPING ASSY (hydraulic attachment type)					
		PIPING ASSY (for US)					
7	0667305070	PIPE	1				with coupler
8	0667300080	PIPE	1				
34	0880737930	HOSE ASSY	1				18015-30072
35	0880737940	HOSE ASSY	1				18015-30072
38	0003608252	WASHER	2				
39	1130040008	NUT	2				
40	0003600020	WASHER	2				
42	1110040865	SCREW, cap	2				
45	1100041020	BOLT	2				
47	1100041025	BOLT	6				
48	1140020008	WASHER, spring	2				
50	1141110008	WASHER	2				
51	1140020010	WASHER, spring	9				
52	1141110010	WASHER	1				
53	0881733550	CLAMP	1				
54	0880738130	CLAMP	2				
55	0880738140	RUBBER	1				
56	0880738150	RUBBER	2				
57	0667301570	HOSE ASSY	1				18017-21128
58	0880738160	BRACKET	1				with coupler
59	0667300590	BRACKET	1				hydraulic attachment type, for US
62	1100041016	BOLT	1				
65	1901747000	COUPLER, block	1				
65-1	1901747001	· ADAPTOR	2				
65-2	1901747002	· ADAPTOR	1				
65-3	1901747003	· ADAPTOR	1				
65-4	1901747004	· ADAPTOR	1				
66	1711900071	CLAMP	1				
68	0880738100	PIPE	1				with coupler
72	0007203017	NIPPLE	1				
	1420310906	· O-RING	1				
75	1420310906	O-RING	1				
76	0007236044	ADAPTOR	2				
77	1511410003	ADAPTOR	1				
	1420010140	· O-RING	1				
78	1501750002	PLUG	2			M	for US
	1420010110	· O-RING	1			M	for US
79	0667300070	PIPE	1				hydraulic attachment type, for US
80	0667303800	PIPE	1				hydraulic attachment type, for US

U1f131



**PIPING; ARM (1/2) (high flow, for GEHL & MUSTANG)**

Item	Part number	Description	Q'ty	Chan.	Serial No.	Serv.	Remarks
		PIPING ASSY					
1	0667305010	BRACKET(L.H.)	1				
3	0667301030	BRACKET(R.H.)	1				
5	0880736050	PIPE	1				
6	0880736060	PIPE	1				
9	0880736090	CLAMP	4				
13	1801520050	HOSE ASSY	4				
14	0667305140	HOSE ASSY	1				18017-77188
15	0880735170	HOSE ASSY	1				
17	0880737170	HOSE ASSY	2				18015-20060
18	0880737180	HOSE ASSY	2				18015-20064
19	0667300190	HOSE ASSY	1				18015-20120
20	0667300200	HOSE ASSY	1				18015-20120
23	0667305230	HOSE ASSY	1				18015-47051
24	0667300240	HOSE ASSY	1				18015-40054
26	0667301260	HOSE ASSY	1				18015-40047
27	0667300270	HOSE ASSY	1				18015-40079
28	0667300280	HOSE ASSY	1				18015-41086
29	0880737500	HOSE ASSY	2				18015-40068
30	0667300300	HOSE ASSY	1				18015-50070
32	0667300320	HOSE ASSY	1				18017-40130
36	0667300360	HOSE ASSY	1				18017-71130
37	0667305370	HOSE ASSY	1				18010-22096
44	1515600201	ADAPTOR	8				
	1420010140	• O-RING	1				
46	1100040816	BOLT	6				
47	1100041025	BOLT	4				
48	1140020008	WASHER, spring	6				
49	1652061035	BUSHING	2				
50	1141110008	WASHER	6				
51	1140020010	WASHER, spring	4				
60	0007236041	ADAPTOR	1				
	1420010180	• O-RING	1				
61	1901743200	VALVE, check	1				
63	1515010042	ELBOW	1				
	1420010180	• O-RING	1				
67	1501750002	PLUG	1				
	1420010110	• O-RING	1				
73	1513390044	TEE	1				
74	1513390016	ELBOW	1				
	U1f101						

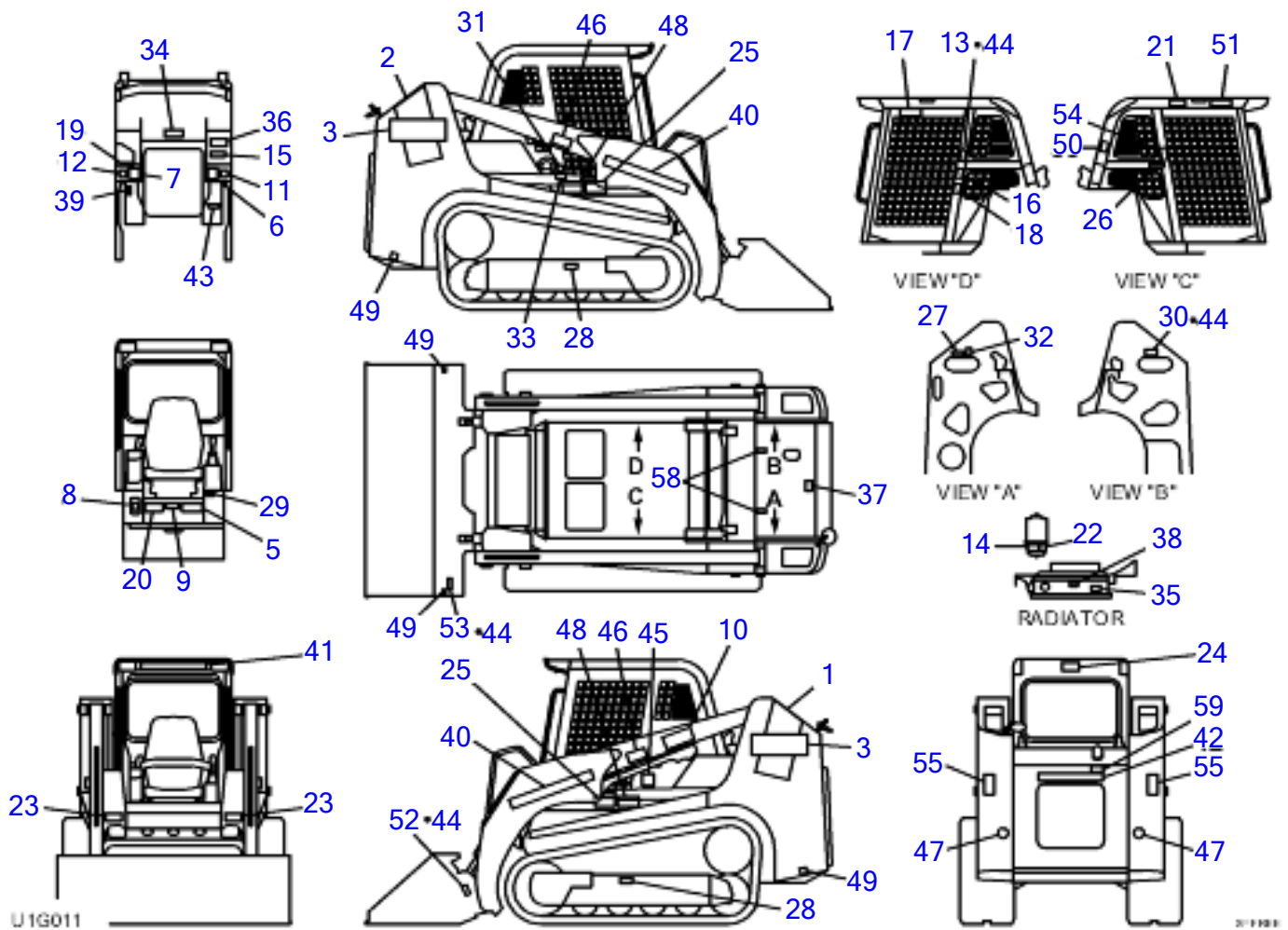


U1F110

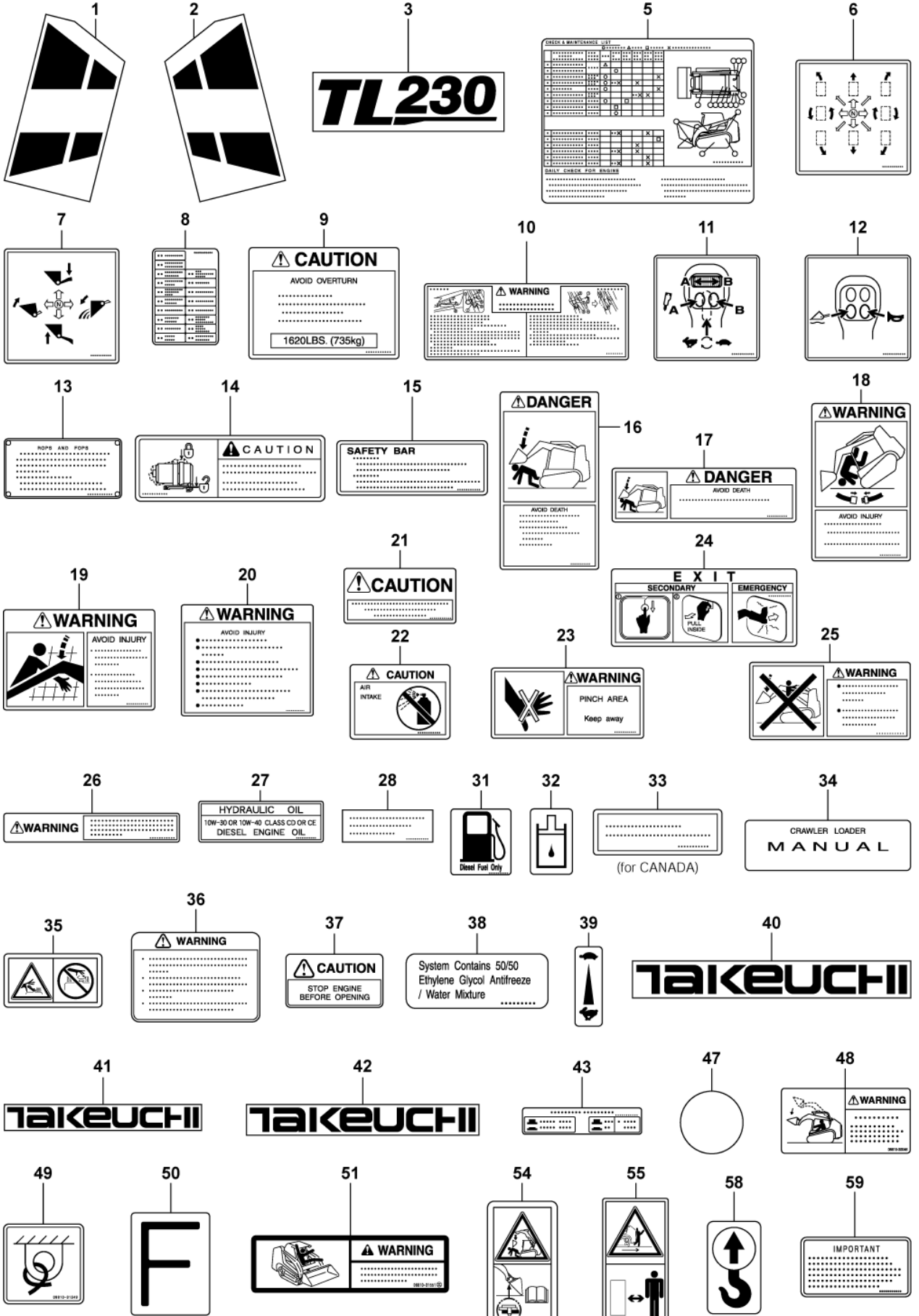
S=1/10

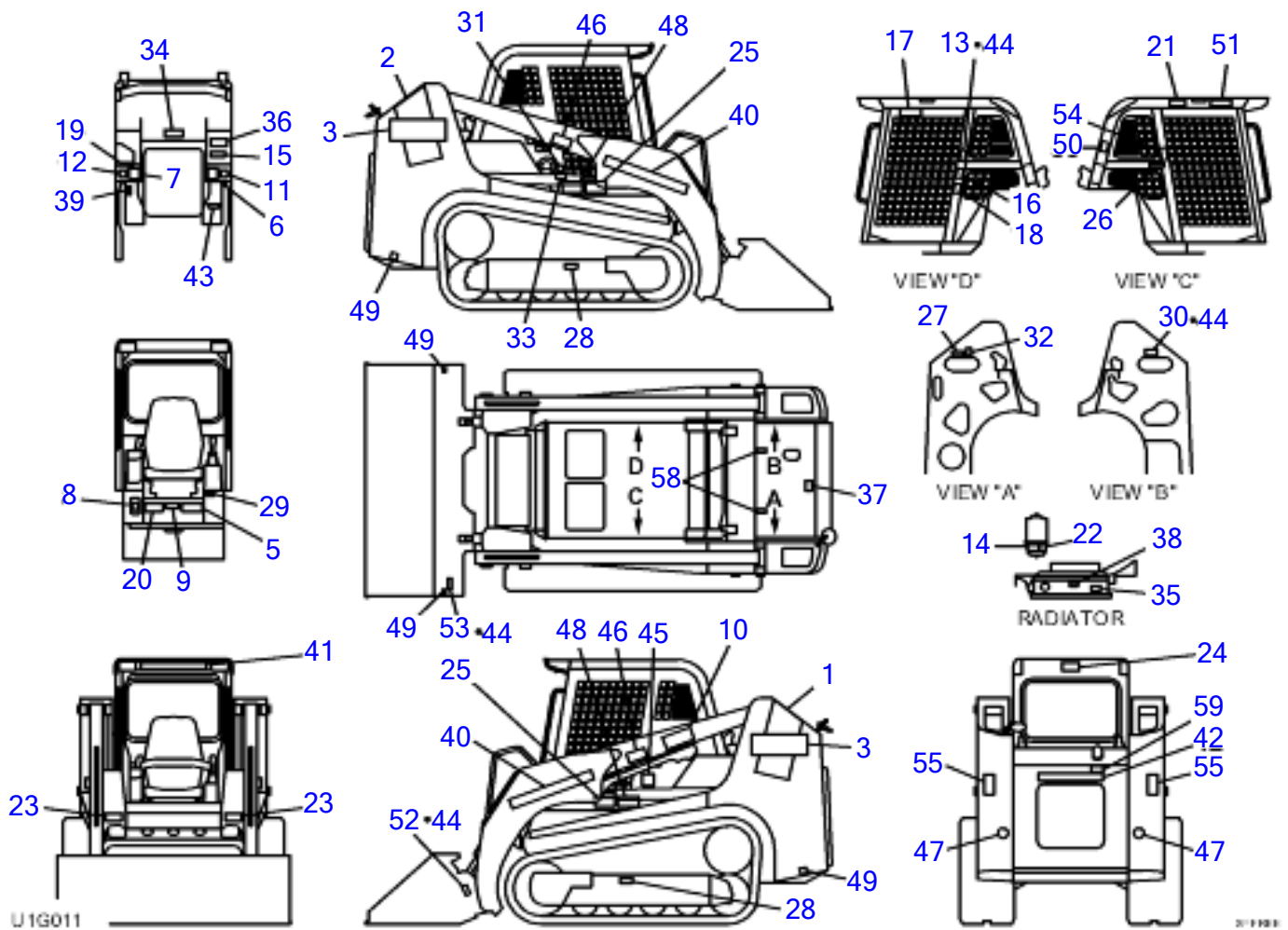
**PIPING; ARM (2/2) (high flow, for GEHL & MUSTANG)**

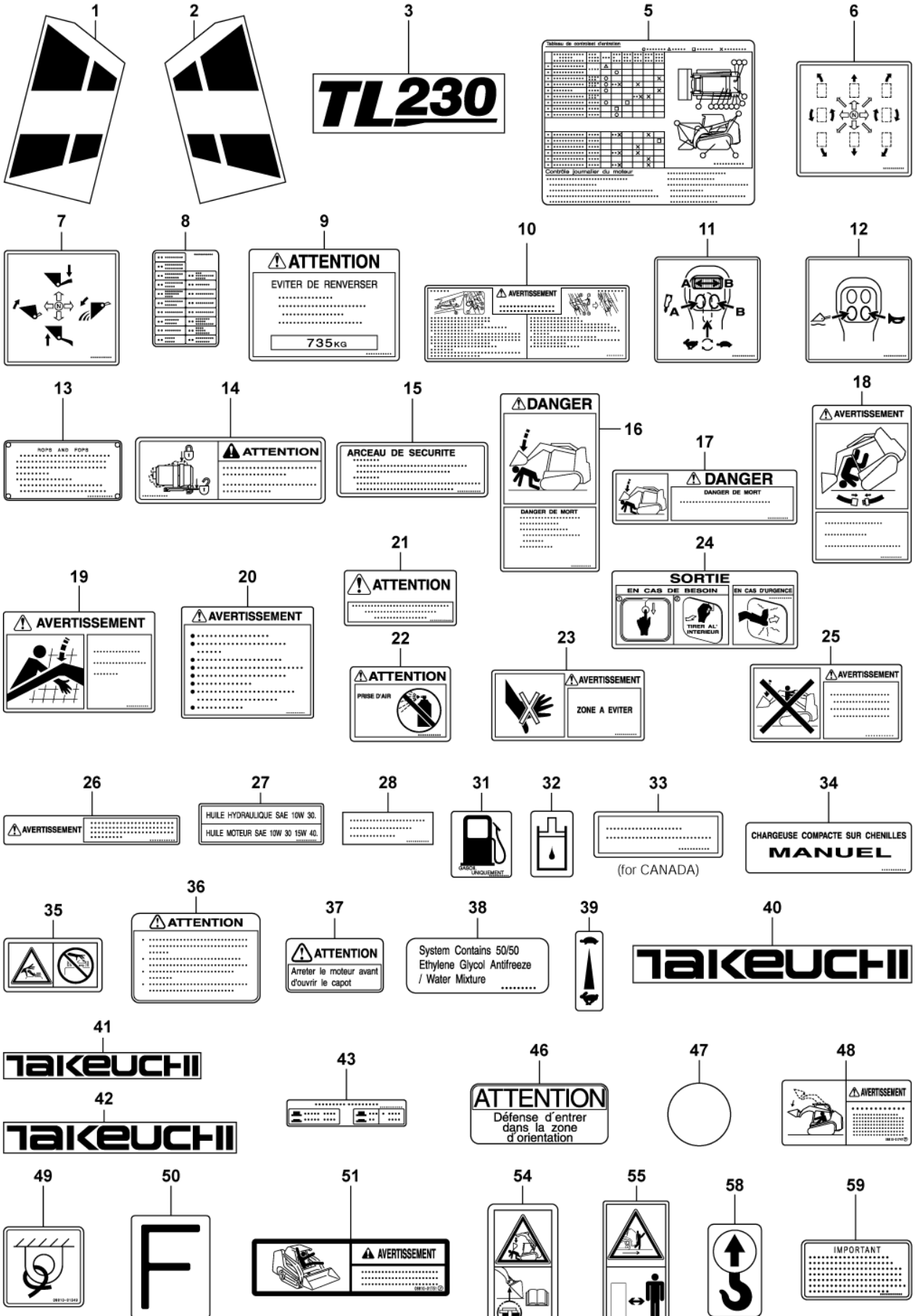
Item	Part number	Description	Q'ty	Chan.	Serial No.	Serv.	Remarks
		PIPING ASSY					
34	<b>0880737930</b>	HOSE ASSY	1				18015-30072
35	<b>0880737940</b>	HOSE ASSY	1				18015-30072
51	<b>1140020010</b>	WASHER, spring	1				
52	<b>1141110010</b>	WASHER	1				
57	<b>0667301570</b>	HOSE ASSY	1				18017-21128
62	<b>1100041016</b>	BOLT	1				
66	<b>1711900071</b>	CLAMP	1				
69	<b>1513940006</b>	PLUG	2				
70	<b>1513940003</b>	PLUG	1				
71	<b>1652533018</b>	CAP	2				
	<b>U1f111</b>						

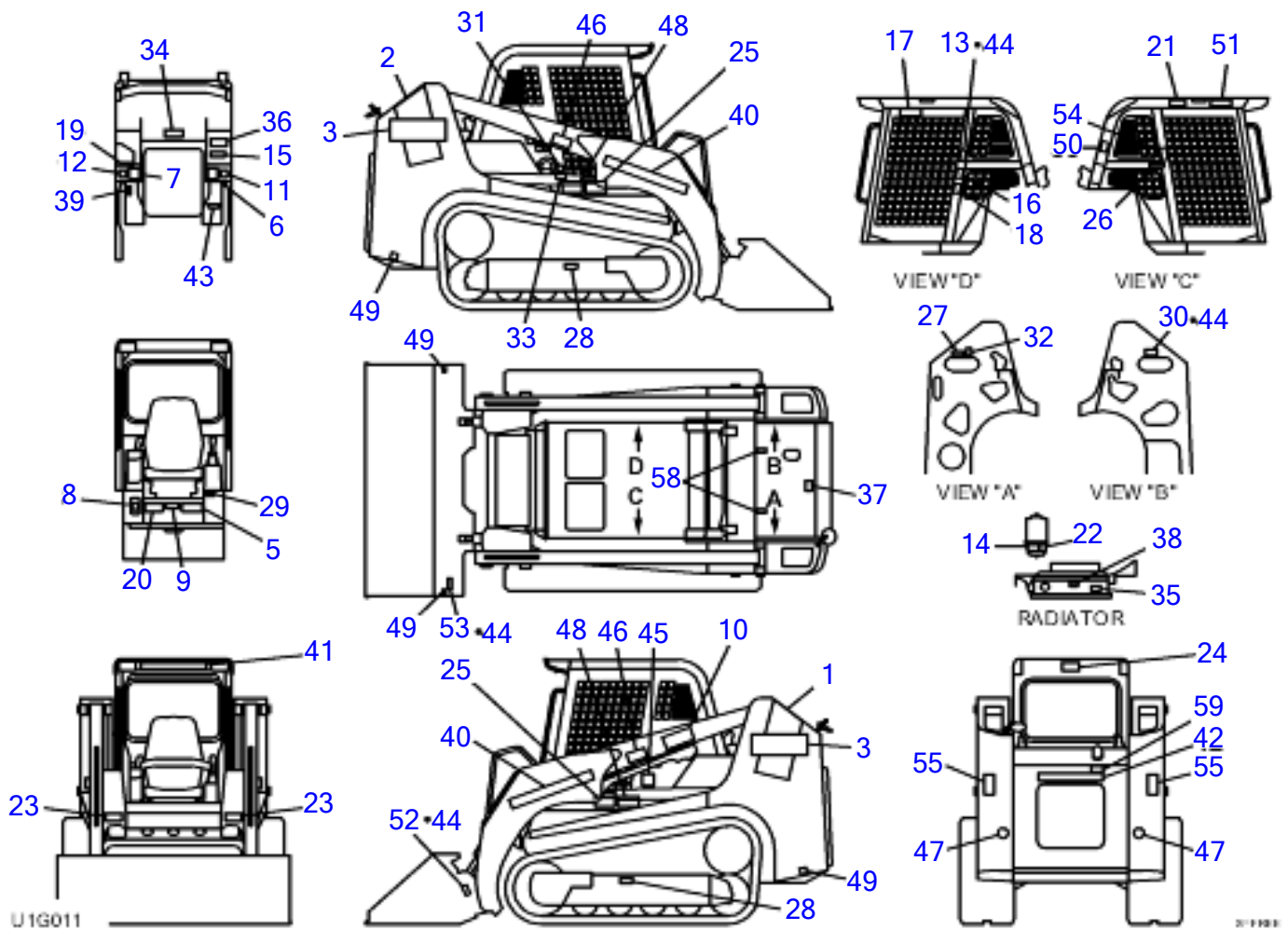




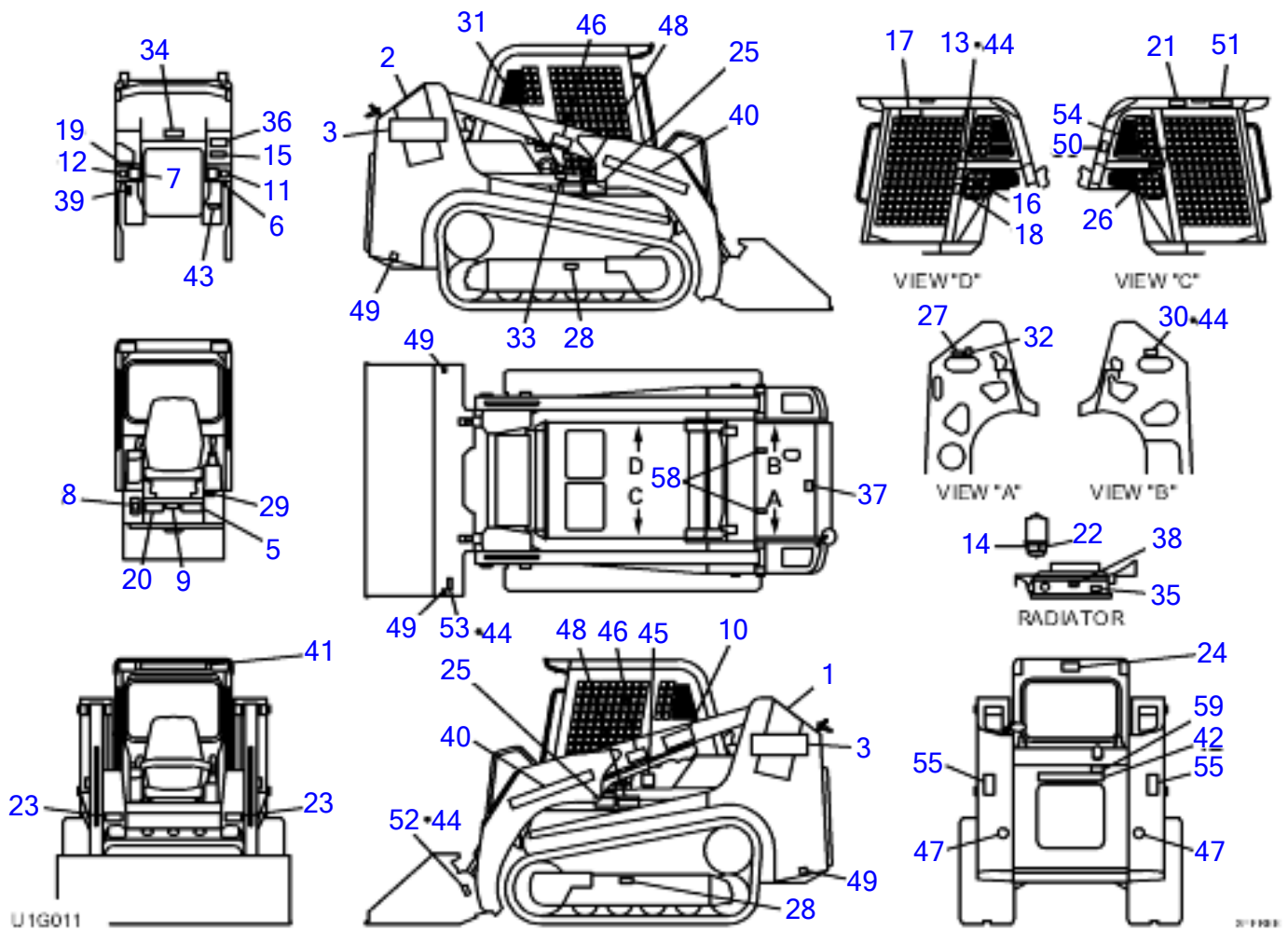




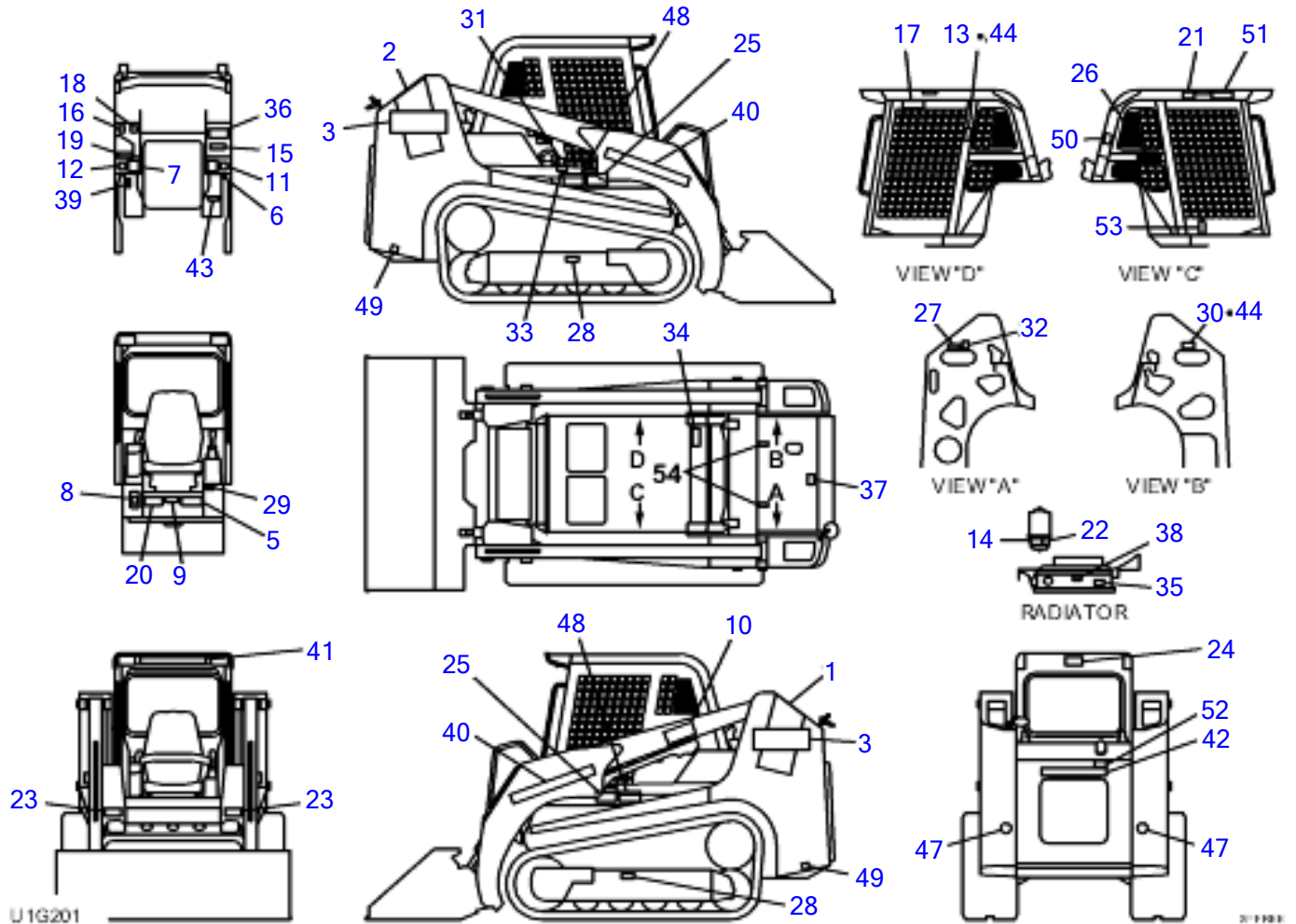




DECAL (canopy)							
Item	Part number	Description	Q'ty	Chan.	Serial No.	Serv.	Remarks
0	0669300000	DECAL SET (English, for E.U.)	1			M	
	0669302700	DECAL SET (CANADA; English)	1			M	
	0669302800	DECAL SET (CANADA; French)	1			M	
1	0669300001	• DECAL	1			M	
2	0669300002	• DECAL	1			M	
3	0669300003	• DECAL	2			M	
5	0669300005	• DECAL (English)	1			M	
	0669300105	• DECAL (French)	1			M	
6	0669300006	• DECAL	1			M	
7	0669300007	• DECAL	1			M	
8	0669300008	• DECAL (English, Dutch)	1			M	
	0669300108	• DECAL (French)	1			M	
9	0880038009	• DECAL (English)	1			M	
	0880038209	• DECAL (French)	1			M	
10	0881030110	• DECAL (English)	1			M	
	0881030260	• DECAL (French)	1			M	
11	0882030006	• DECAL	1			M	
12	0882030007	• DECAL	1			M	
13	X *****	• DECAL	1			M	
14	0669300014	• DECAL (English, Dutch)	1			M	
	0669300114	• DECAL (French)	1			M	
15	0880031001	• DECAL (English)	1			M	
	0880038607	• DECAL (French)	1			M	
16	0880030009	• DECAL (English)	1			M	
	0880038609	• DECAL (French)	1			M	
17	0880030010	• DECAL (English)	1			M	
	0880038610	• DECAL (French)	1			M	
18	0880030011	• DECAL (English)	1			M	
	0880038611	• DECAL (French)	1			M	
19	0880031003	• DECAL (English)	1			M	
	0880038612	• DECAL (French)	1			M	
20	0881030020	• DECAL (English)	1			M	
	0880038613	• DECAL (French)	1			M	
21	0880030015	• DECAL (English)	1			M	
	0880038615	• DECAL (French)	1			M	
22	0880030016	• DECAL (English)	1			M	
	0880038616	• DECAL (French)	1			M	
23	0880030017	• DECAL (English)	2			M	
	0880038617	• DECAL (French)	2			M	
24	0880031018	• DECAL (English)	1			M	
	0880038618	• DECAL (French)	1			M	
25	0880031005	• DECAL (English)	2			M	
	0880038620	• DECAL (French)	2			M	
26	0881030026	• DECAL (English)	1			M	
	0880038621	• DECAL (French)	1			M	
27	0880031017	• DECAL (English)	1			M	
	0880038623	• DECAL (French)	1			M	
28	0149362200	• DECAL (English)	2			M	
	0880038624	• DECAL (French)	2			M	
29	X *****	• DECAL	1			M	
30	X *****	• DECAL	1			M	
31	0359306600	• DECAL (English)	1			M	
	0339375460	• DECAL (French)	1			M	
32	0359306700	• DECAL	1			M	
33	0669300033	• DECAL (CANADA)	1			M	
34	0880031016	• DECAL (English)	1			M	
	0880038634	• DECAL (French)	1			M	
35	0882031135	• DECAL (English)	1			M	
36	0359313700	• DECAL (English)	1			M	
	0359315700	• DECAL (French)	1			M	
37	0359307400	• DECAL (English)	1			M	
	0359315400	• DECAL (French)	1			M	
38	0359313900	• DECAL	1			M	
39	0359317200	• DECAL	1			M	
40	0008500060	• DECAL	2			M	
41	0008500140	• DECAL	1			M	
42	0008500050	• DECAL	1			M	
43	0881030043	• DECAL (English)	1			M	

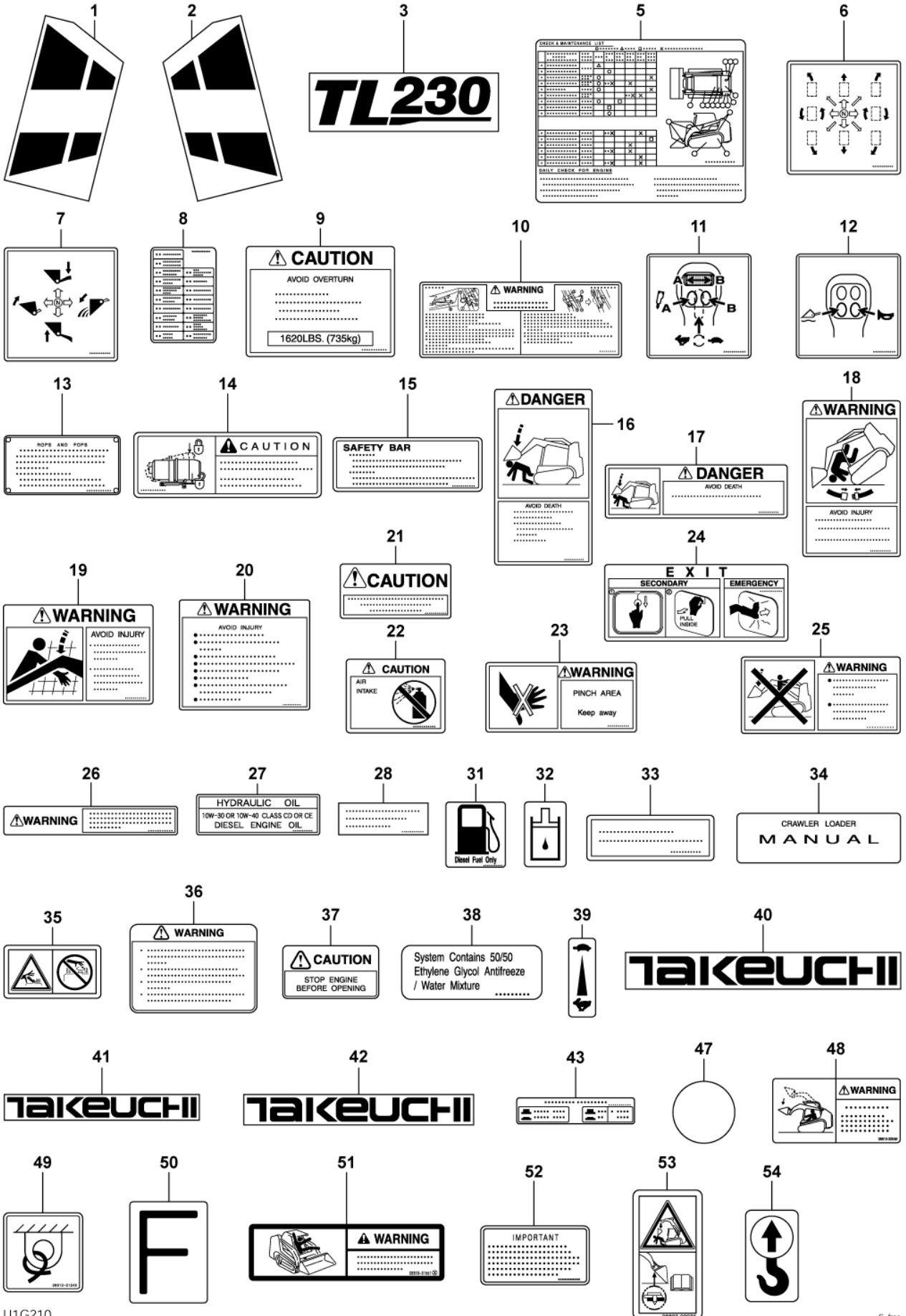


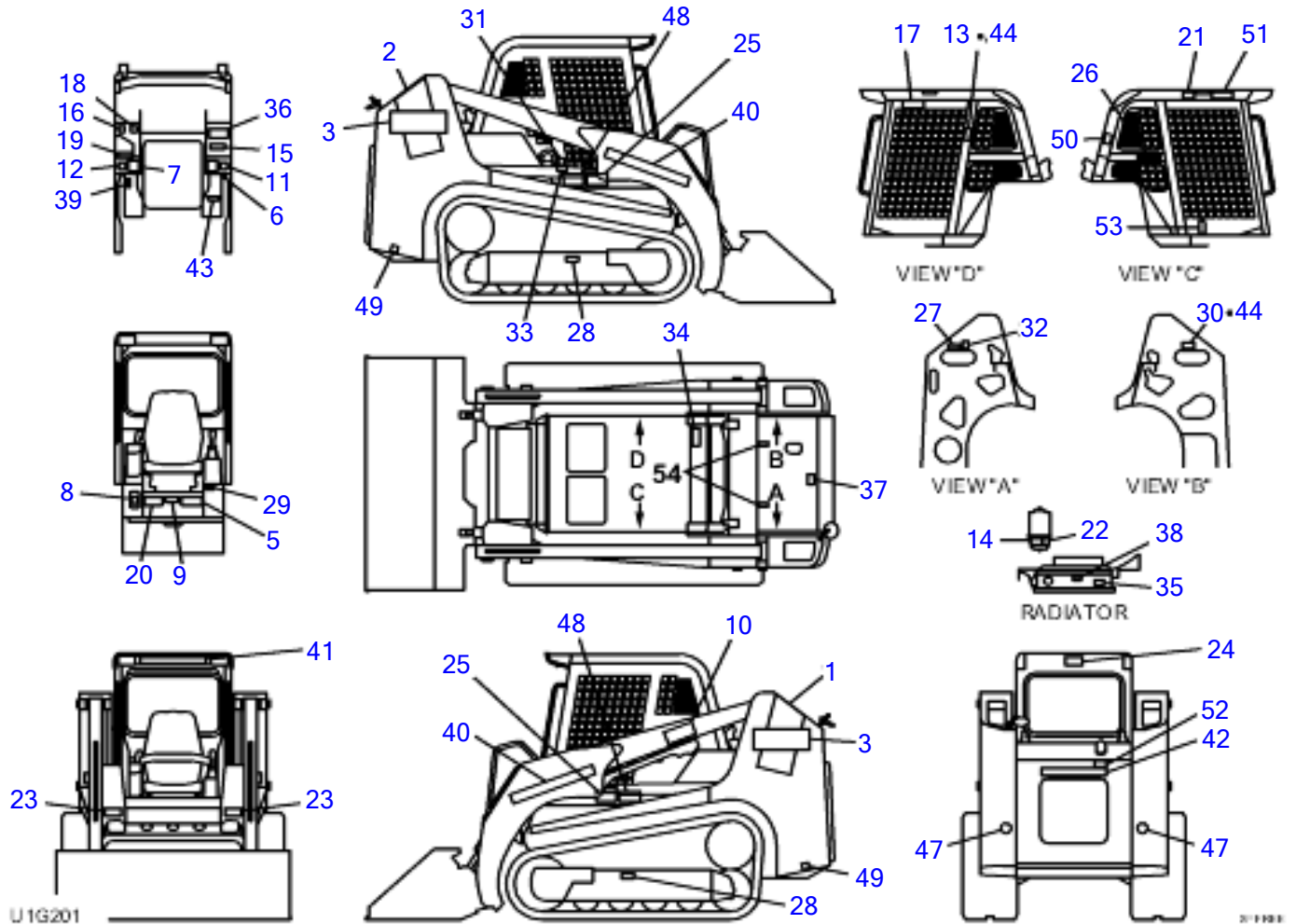
DECAL (canopy)							
Item	Part number	Description	Q'ty	Chan.	Serial No.	Serv.	Remarks
43	<b>0881030243</b>	• DECAL (French)	1			M	
44	X *****	• SCREW	16			M	
45	X *****	• DECAL	1			M	
46	<b>0359309100</b>	• DECAL (French)	2			M	
47	<b>0874030360</b>	• DECAL	2			M	
48	<b>0881030046</b>	• DECAL (English)	2			M	
48	<b>0881031747</b>	• DECAL (French)	2			M	
49	<b>0881031549</b>	• DECAL	4			M	
50	<b>0399300400</b>	• DECAL	1			M	
51	<b>0881031551</b>	• DECAL (English)	1			M	
51	<b>0881031751</b>	• DECAL (French)	1			M	
52	X *****	• DECAL	1			M	
53	X *****	• DECAL	1			M	
54	<b>0689300035</b>	• DECAL	1			M	
55	<b>0882031159</b>	• DECAL	2			M	
58	<b>0399300500</b>	• DECAL	2			M	
59	<b>0339376240</b>	• DECAL (English)	1			M	
59	<b>0339379440</b>	• DECAL (French)	1			M	
	<b>U1g011</b>						





TL230 Book No. BU1Z004 S/N 223000001-  
US TAKEUCHI



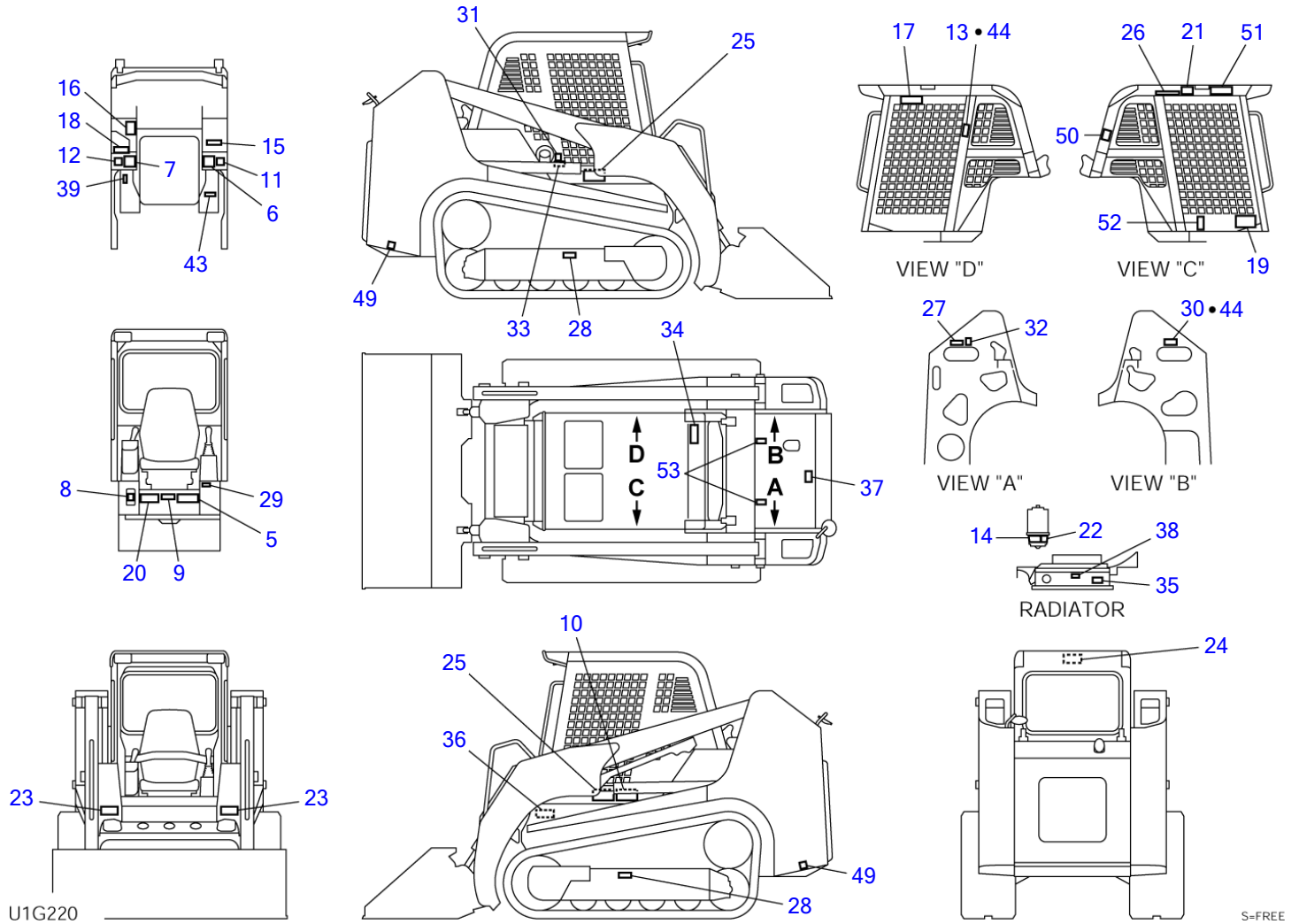


**DECAL (canopy) (U.S. TAKEUCHI)**

Item	Part number	Description	Q'ty	Chan.	Serial No.	Serv.	Remarks
0	0669300800	DECAL SET (U.S. TAKEUCHI)	1			M	
1	0669300001	• DECAL	1			M	
2	0669300002	• DECAL	1			M	
3	0669300003	• DECAL	2			M	
5	0669300005	• DECAL	1			M	
6	0669300006	• DECAL	1			M	
7	0669300007	• DECAL	1			M	
8	0669300008	• DECAL	1			M	
9	0880038009	• DECAL	1			M	
10	0881030110	• DECAL	1			M	
11	0882030006	• DECAL	1			M	
12	0882030007	• DECAL	1			M	
13	X *****	• DECAL	1			M	
14	0669300814	• DECAL	1			M	
15	0880031001	• DECAL	1			M	
16	0880030009	• DECAL	1			M	
17	0880030010	• DECAL	1			M	
18	0880030011	• DECAL	1			M	
19	0880031003	• DECAL	1			M	
20	0881030020	• DECAL	1			M	
21	0880030015	• DECAL	1			M	
22	0880030016	• DECAL	1			M	
23	0880030017	• DECAL	2			M	
24	0880031018	• DECAL	1			M	
25	0880031005	• DECAL	2			M	
26	0881030026	• DECAL	1			M	
27	0880031017	• DECAL	1			M	
28	0149362200	• DECAL	2			M	
29	X *****	• DECAL	1			M	
30	X *****	• DECAL	1			M	
31	0359306600	• DECAL	1			M	
32	0359306700	• DECAL	1			M	
33	0669300033	• DECAL	1			M	
34	0880031016	• DECAL	1			M	
35	0882031135	• DECAL	1			M	
36	0359313700	• DECAL	1			M	
37	0359307400	• DECAL	1			M	
38	0359313900	• DECAL	1			M	
39	0359317200	• DECAL	1			M	
40	0008500060	• DECAL	2			M	
41	0008500140	• DECAL	1			M	
42	0008500050	• DECAL	1			M	
43	0881030043	• DECAL	1			M	
44	X *****	• SCREW	8			M	
47	0874030360	• DECAL	2			M	
48	0881030046	• DECAL	2			M	
49	0881031549	• DECAL	2			M	
50	0399300400	• DECAL	1			M	
51	0881031551	• DECAL	1			M	
52	0339376240	• DECAL	1			M	
53	0689300035	• DECAL	1			M	
54	0399300500	• DECAL	2			M	

U1g201

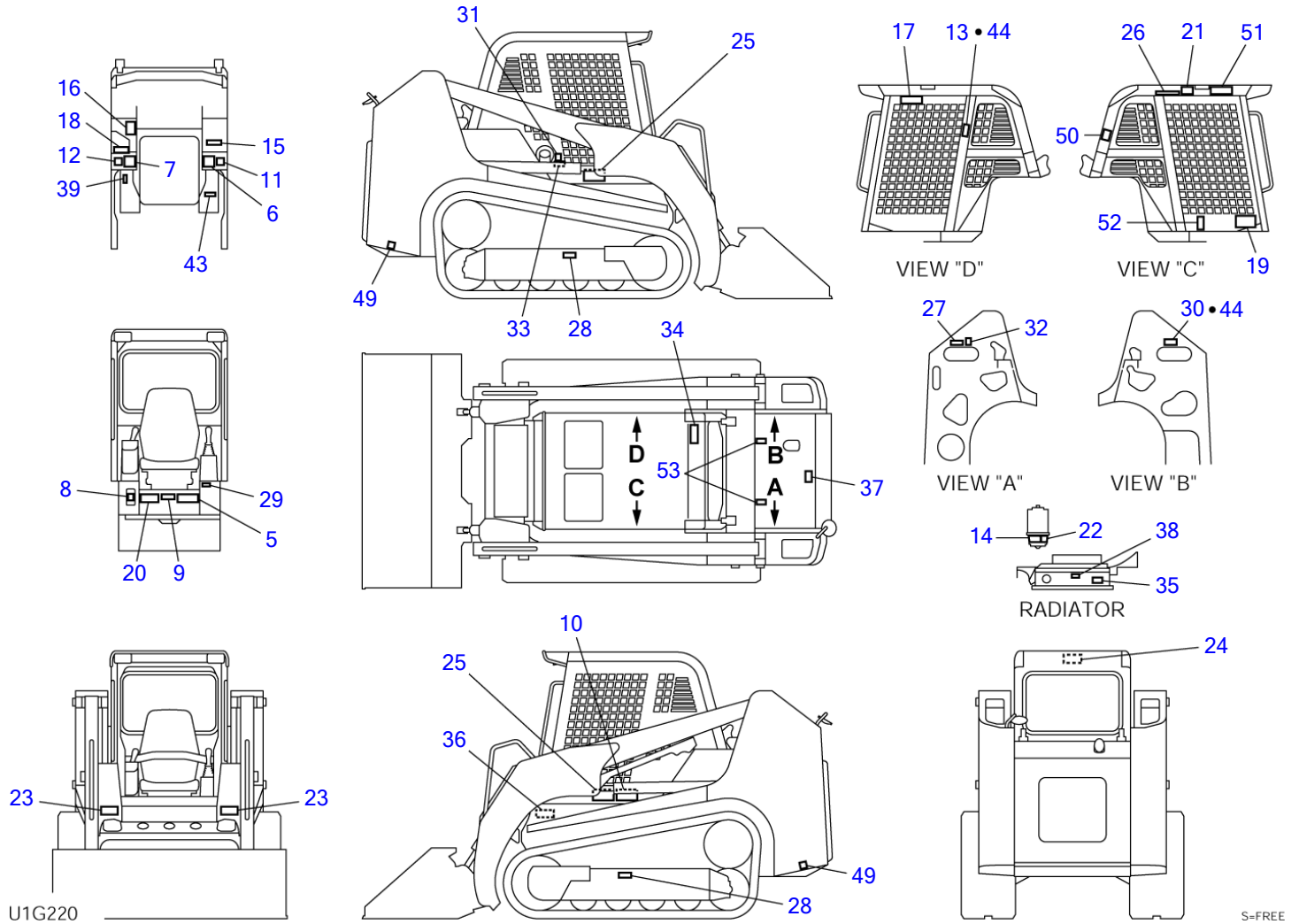
TL230 Book No. BU1Z004 S/N 223000001-  
 DECAL (canopy) (for GEHL & MUSTANG)



S=FREE



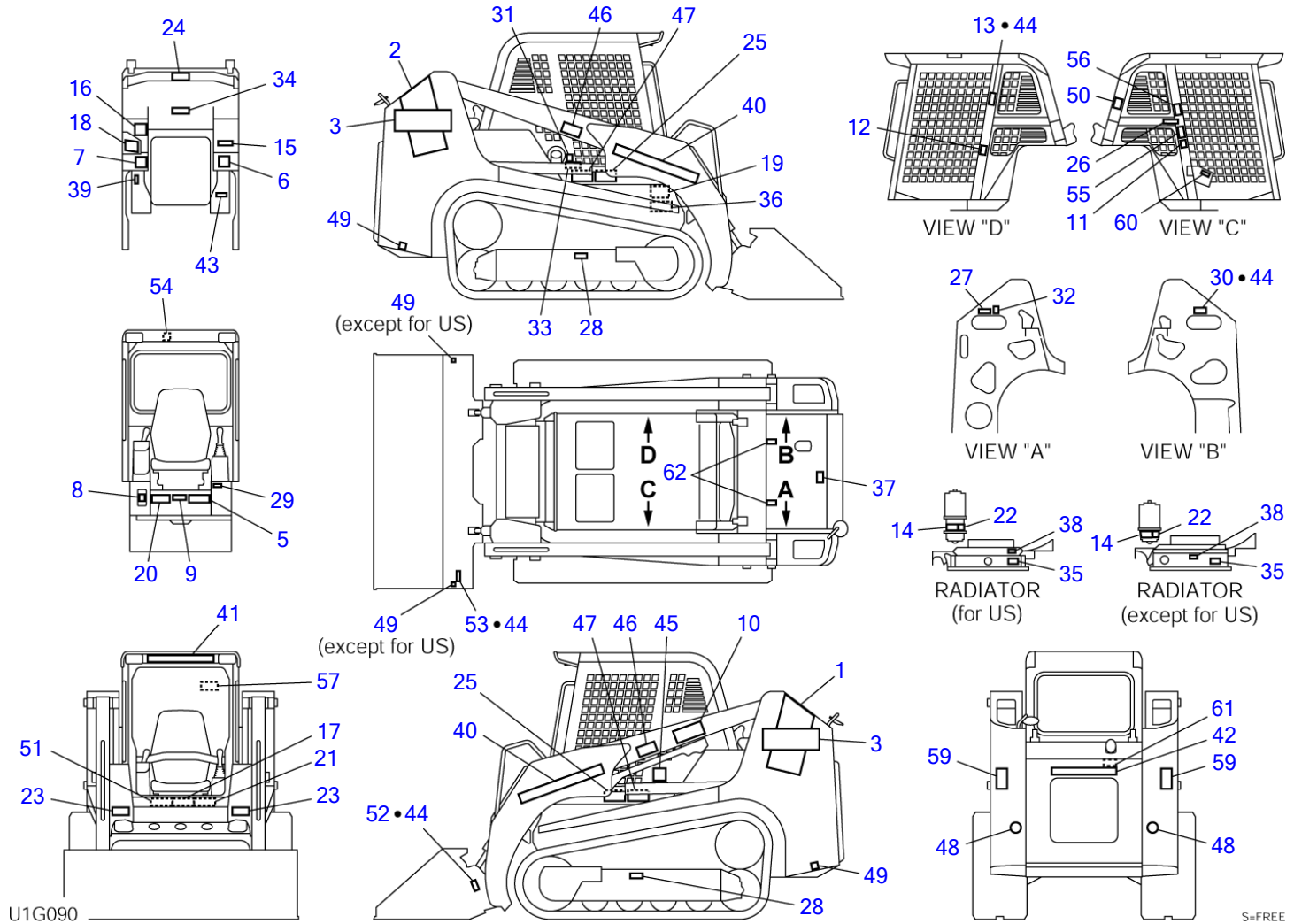
TL230 Book No. BU1Z004 S/N 223000001-  
 DECAL (canopy) (for GEHL & MUSTANG)



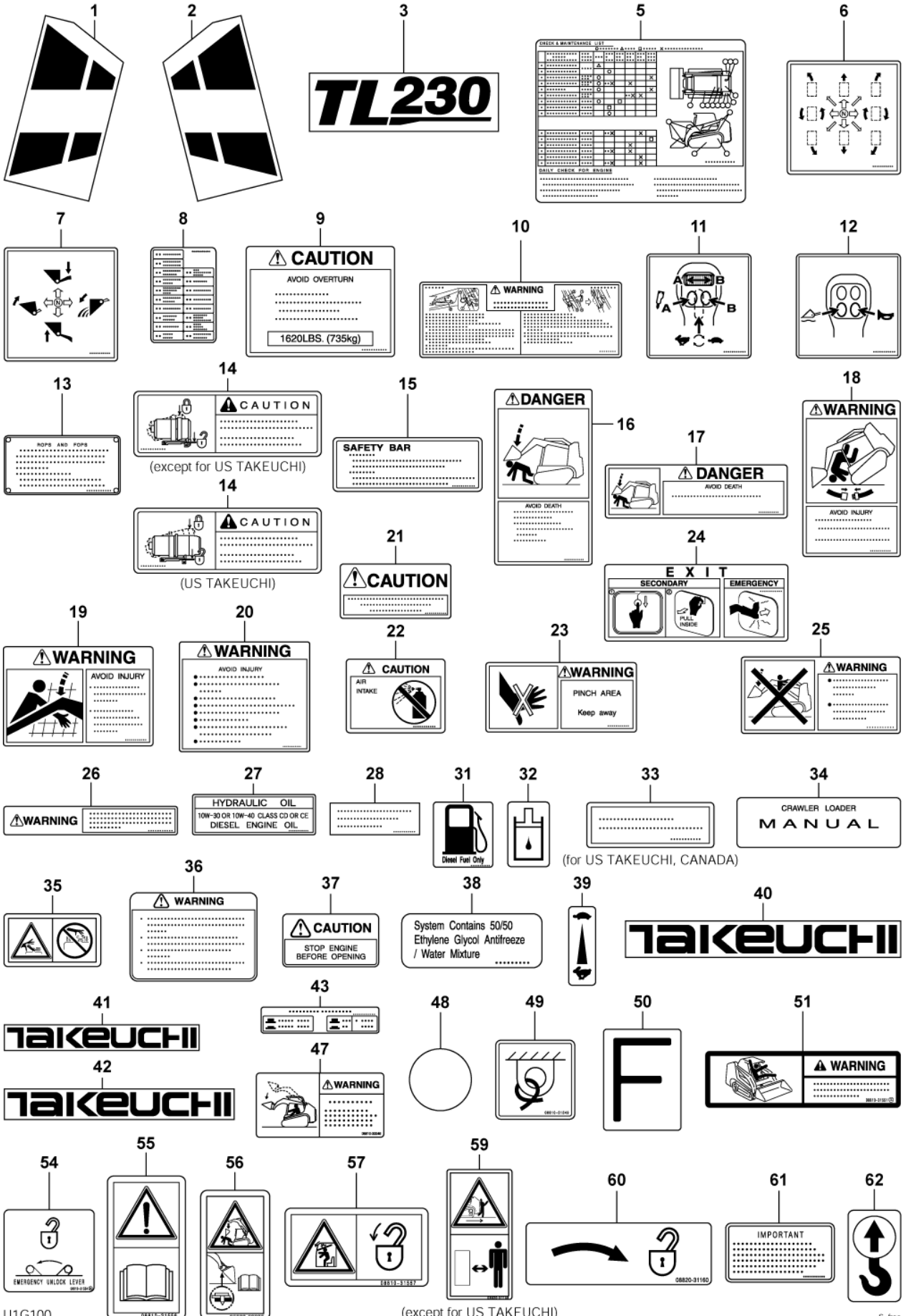
**DECAL (canopy) (for GEHL & MUSTANG)**

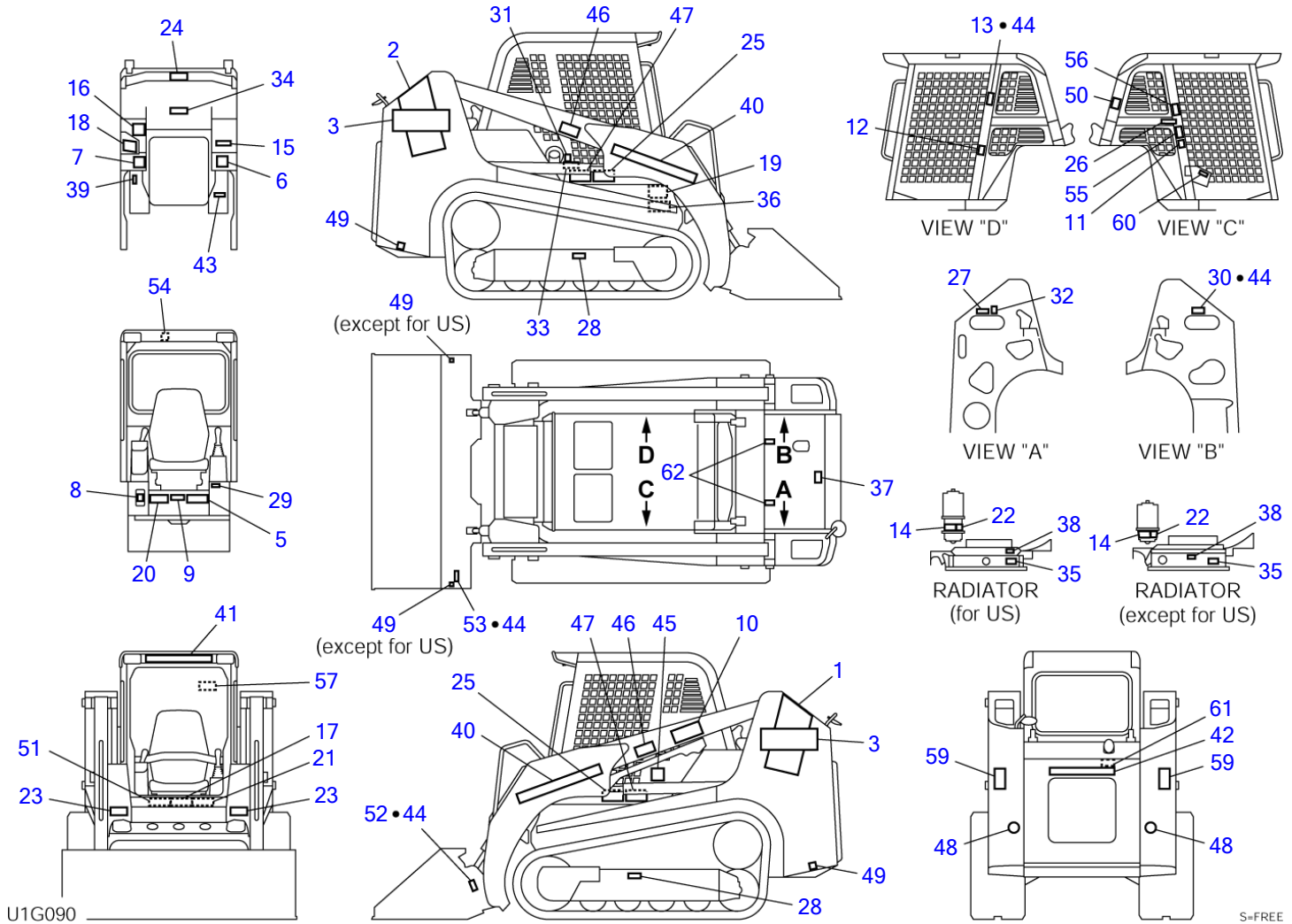
Item	Part number	Description	Q'ty	Chan.	Serial No.	Serv.	Remarks
0	0669300600	DECAL SET (GEHL & MUSTANG)	1			M	
5	0669300005	• DECAL	1			M	
6	0669300006	• DECAL	1			M	
7	0669300007	• DECAL	1			M	
8	0669300008	• DECAL	1			M	
9	0880038009	• DECAL	1			M	
10	0881030110	• DECAL	1			M	
11	0882030006	• DECAL	1			M	
12	0882030007	• DECAL	1			M	
13	X *****	• DECAL	1			M	
14	0669300014	• DECAL	1			M	
15	0880031001	• DECAL	1			M	
16	0880030009	• DECAL	1			M	
17	0880030010	• DECAL	1			M	
18	0880030011	• DECAL	1			M	
19	0880031003	• DECAL	1			M	
20	0881030020	• DECAL	1			M	
21	0880030015	• DECAL	1			M	
22	0880030016	• DECAL	1			M	
23	0880030017	• DECAL	2			M	
24	0880031018	• DECAL	1			M	
25	0880031005	• DECAL	2			M	
26	0881030026	• DECAL	1			M	
27	0880031017	• DECAL	1			M	
28	0149362200	• DECAL	2			M	
29	X *****	• DECAL	1			M	
30	X *****	• DECAL	1			M	
31	0359306600	• DECAL	1			M	
32	0359306700	• DECAL	1			M	
33	0669300033	• DECAL	1			M	
34	0880031016	• DECAL	1			M	
35	0882031135	• DECAL	1			M	
36	0359313700	• DECAL	1			M	
37	0359307400	• DECAL	1			M	
38	0359313900	• DECAL	1			M	
39	0359317200	• DECAL	1			M	
43	0881030043	• DECAL	1			M	
44	X *****	• SCREW	8			M	
49	0881031549	• DECAL	2			M	
50	0399300400	• DECAL	1			M	
51	0881031551	• DECAL	1			M	
52	0689300035	• DECAL	1			M	
53	0399300500	• DECAL	2			M	

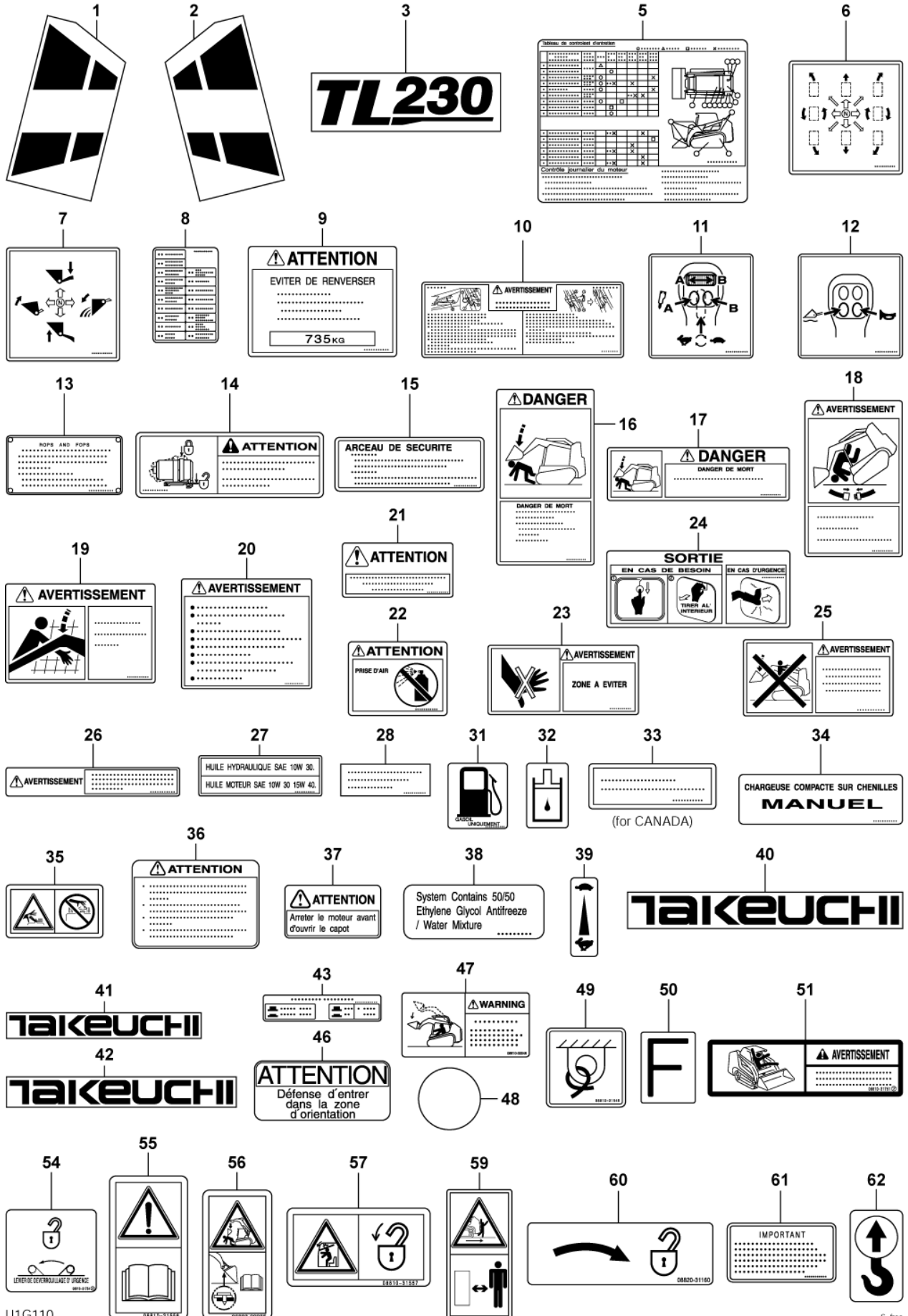
U1g220

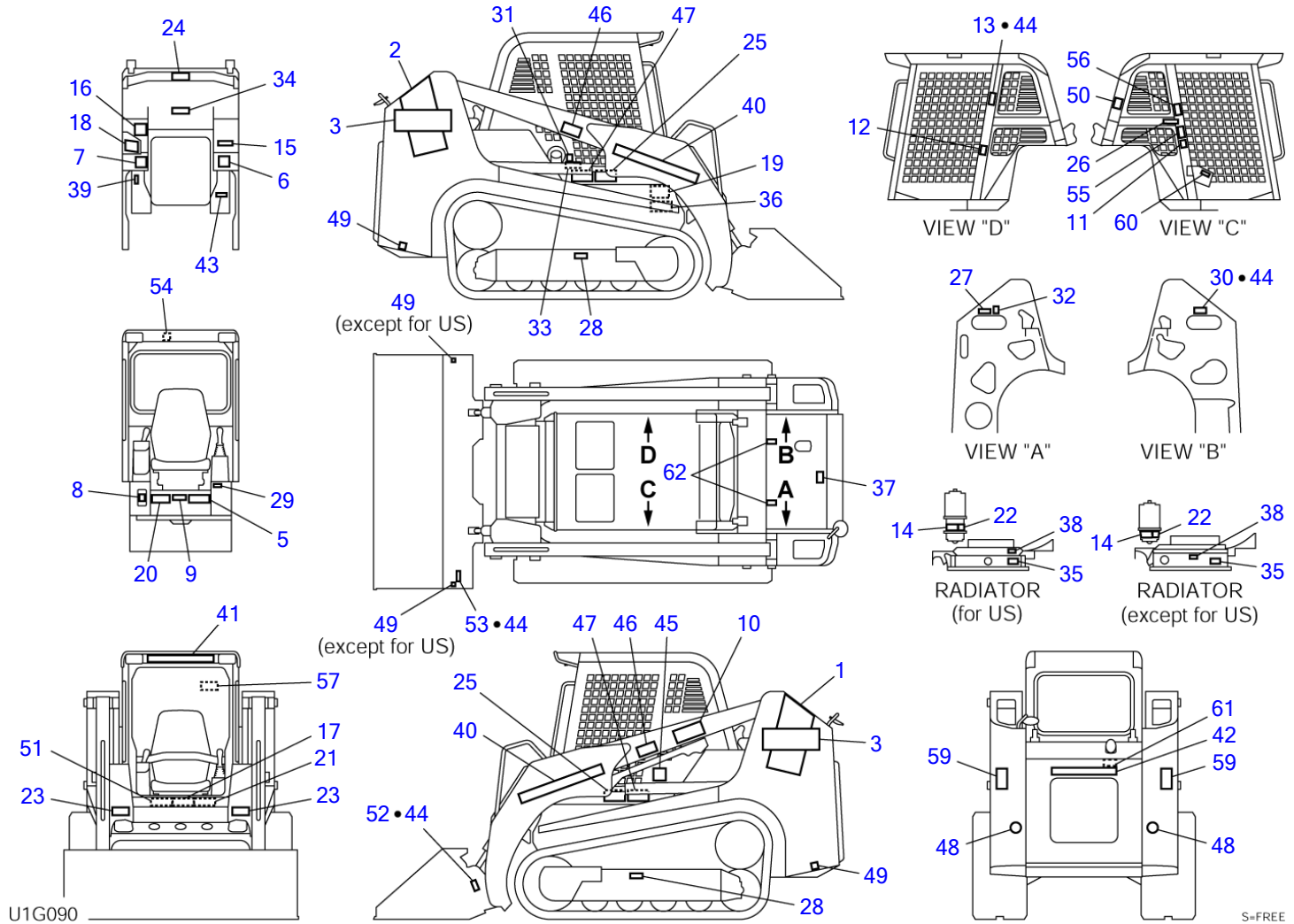






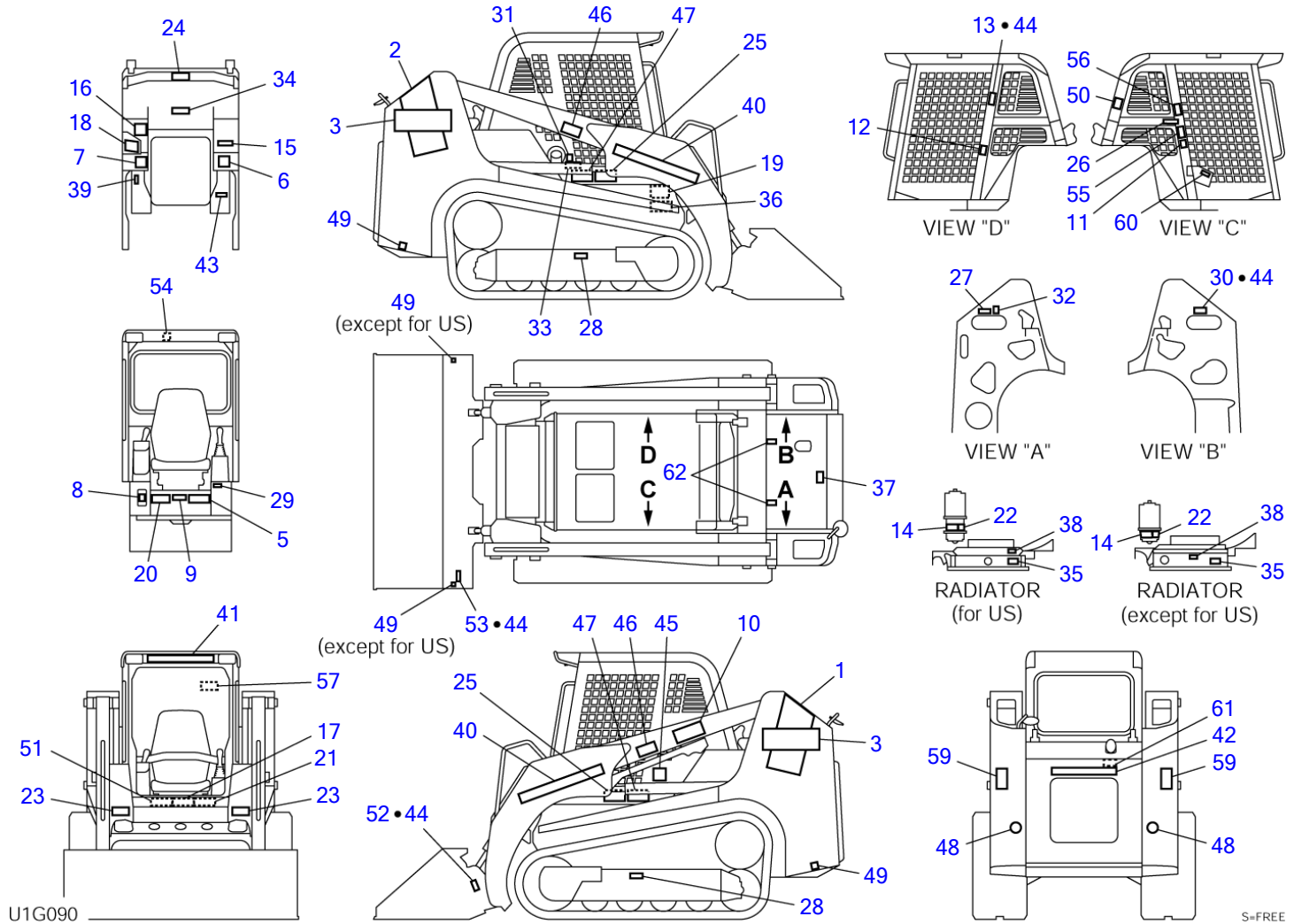




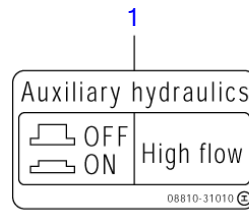
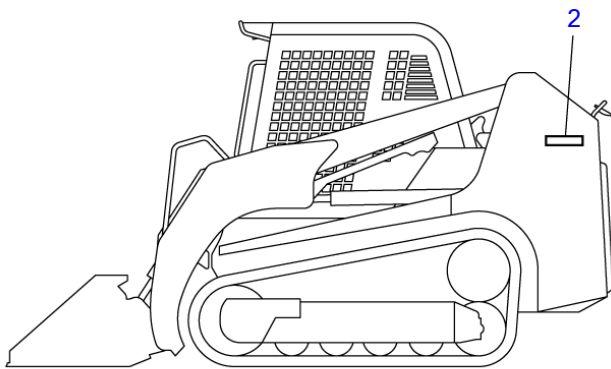
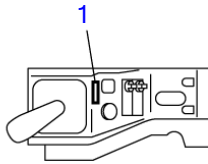


DECAL (cab)

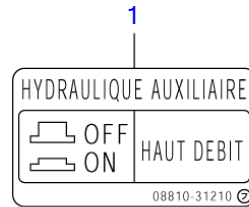
Item	Part number	Description	Q'ty	Chan.	Serial No.	Serv.	Remarks
0	0669300900	DECAL SET (English, for U.S.)	1			M	
	0669302900	DECAL SET (CANADA; English)	1			M	
	0669303000	DECAL SET (CANADA; French)	1			M	
1	0669300001	• DECAL	1			M	
2	0669300002	• DECAL	1			M	
3	0669300003	• DECAL	2			M	
5	0669300005	• DECAL (English)	1			M	
	0669300105	• DECAL (French)	1			M	
6	0669300006	• DECAL	1			M	
7	0669300007	• DECAL	1			M	
8	0669300008	• DECAL (English, Dutch)	1			M	
	0669300108	• DECAL (French)	1			M	
9	0880038009	• DECAL (English)	1			M	
	0880038209	• DECAL (French)	1			M	
10	0881030110	• DECAL (English)	1			M	
	0881030260	• DECAL (French)	1			M	
	0881030360	• DECAL (Italian)	1			M	
11	0882030006	• DECAL	1			M	
12	0882030007	• DECAL	1			M	
13	X *****	• DECAL	1			M	
14	0669300814	• DECAL (U.S. TAKEUCHI)	1			M	
	0669300014	• DECAL (English, Dutch)	1			M	except for US
	0669300114	• DECAL (French)	1			M	
15	0880031001	• DECAL (English)	1			M	
	0880038607	• DECAL (French)	1			M	
16	0880030009	• DECAL (English)	1			M	
	0880038609	• DECAL (French)	1			M	
17	0880030010	• DECAL (English)	1			M	
	0880038610	• DECAL (French)	1			M	
18	0880030011	• DECAL (English)	1			M	
	0880038611	• DECAL (French)	1			M	
19	0880031003	• DECAL (English)	1			M	
	0880038612	• DECAL (French)	1			M	
20	0881030020	• DECAL (English)	1			M	
	0880038613	• DECAL (French)	1			M	
21	0880030015	• DECAL (English)	1			M	
	0880038615	• DECAL (French)	1			M	
22	0880030016	• DECAL (English)	1			M	
	0880038616	• DECAL (French)	1			M	
23	0880030017	• DECAL (English)	2			M	
	0880038617	• DECAL (French)	2			M	
24	0880031018	• DECAL (English)	1			M	
	0880038618	• DECAL (French)	1			M	
25	0880031005	• DECAL (English)	2			M	
	0880038620	• DECAL (French)	2			M	
26	0881030026	• DECAL (English)	1			M	
	0880038621	• DECAL (French)	1			M	
27	0880031017	• DECAL (English)	1			M	
	0880038623	• DECAL (French)	1			M	
28	0149362200	• DECAL (English)	2			M	
	0880038624	• DECAL (French)	2			M	
29	X *****	• DECAL	1			M	
30	X *****	• DECAL	1			M	
31	0359306600	• DECAL (English)	1			M	
	0339375460	• DECAL (French)	1			M	
32	0359306700	• DECAL	1			M	
33	0669300033	• DECAL (U.S. TAKEUCHI, CANADA)	1			M	
34	0880031016	• DECAL (English)	1			M	
	0880038634	• DECAL (French)	1			M	
35	0882031135	• DECAL (English)	1			M	
36	0359313700	• DECAL (English)	1			M	
	0359315700	• DECAL (French)	1			M	
37	0359307400	• DECAL (English)	1			M	
	0359315400	• DECAL (French)	1			M	
38	0359313900	• DECAL	1			M	
39	0359317200	• DECAL	1			M	
40	0008500060	• DECAL	2			M	
41	0008500140	• DECAL	1			M	



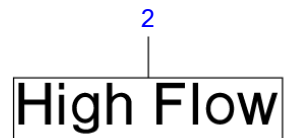
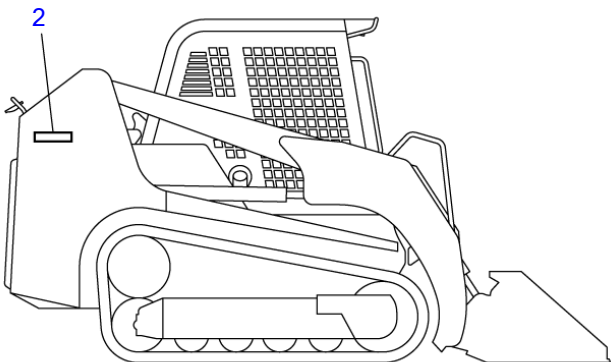
DECAL (cab)						
Item	Part number	Description	Q'ty	Chan.	Serial No.	Serv. Remarks
42	0008500050	• DECAL	1			M
43	0881030043	• DECAL (English)	1			M
43	0881030243	• DECAL (French)	1			M
44	X *****	• SCREW	16			M
45	X *****	• DECAL	1			M
46	0359309100	• DECAL (French)	2			M
47	0881030046	• DECAL (English)	2			M
47	0881031747	• DECAL (French)	2			M
48	0874030360	• DECAL	2			M
49	0881031549	• DECAL	4			M
50	0399300400	• DECAL	1			M
51	0881031551	• DECAL (English)	1			M
51	0881031751	• DECAL (French)	1			M
52	X *****	• DECAL	1			M except for US
53	X *****	• DECAL	1			M except for US
54	0881031554	• DECAL (English)	1			M
54	0881031754	• DECAL (French)	1			M
55	0881031556	• DECAL	1			M
56	0689300035	• DECAL	1			M
57	0881031557	• DECAL	1			M
59	0882031159	• DECAL	2			M except for US
60	0882031160	• DECAL	1			M
61	0339376240	• DECAL (English)	1			M
61	0339379440	• DECAL (French)	1			M
62	0399300500	• DECAL	2			M
	U1g091					



(English)



(French)



U1G180

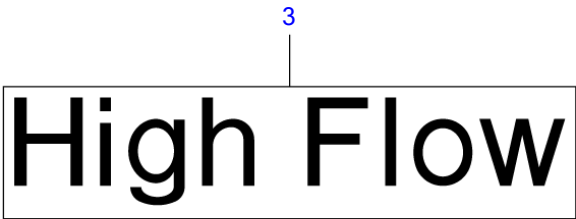
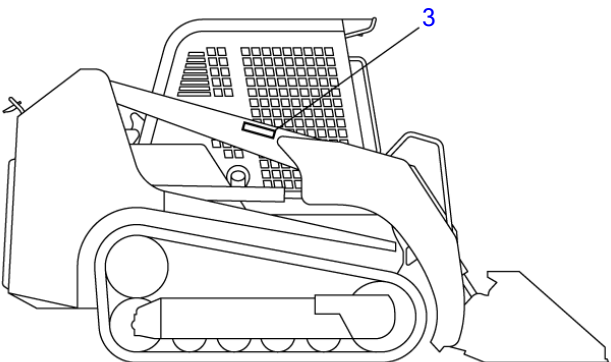
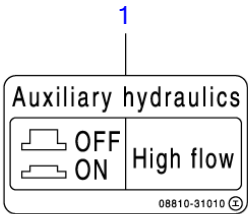
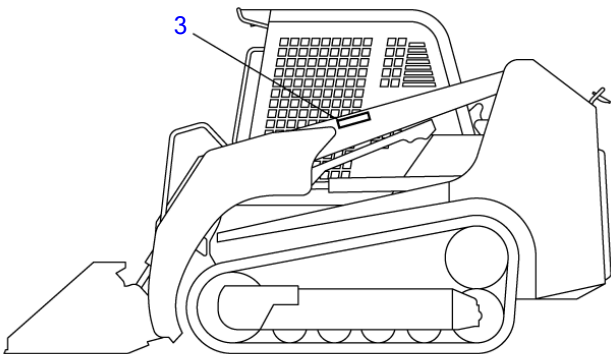
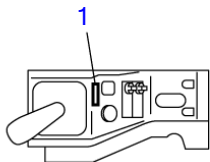
S=FREE



**DECAL (cab) (high flow)**

Item	Part number	Description	Q'ty	Chan.	Serial No.	Serv.	Remarks
0	<b>0669302000</b>	DECAL SET (English)	1			M	
	<b>0669302100</b>	DECAL SET (French)	1			M	
1	<b>0881031010</b>	DECAL (English)	1			M	
	<b>0881031210</b>	DECAL (French)	1			M	
2	<b>0669302002</b>	DECAL	2			M	
	<b>U1g180</b>						

TL230 Book No. BU1Z004 S/N 223000001-  
DECAL (cab) (high flow, for GEHL & MUSTANG)

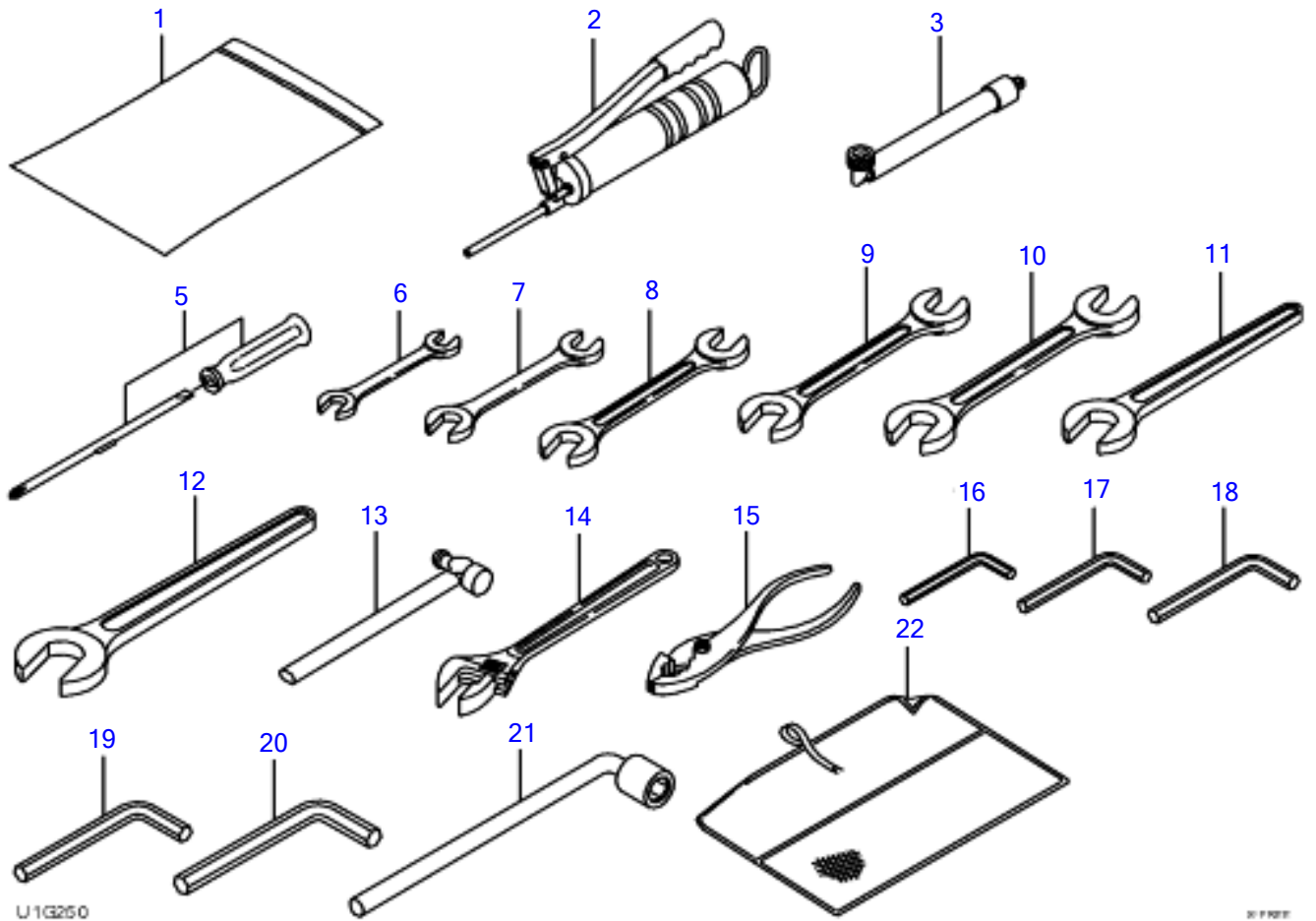


U1G190

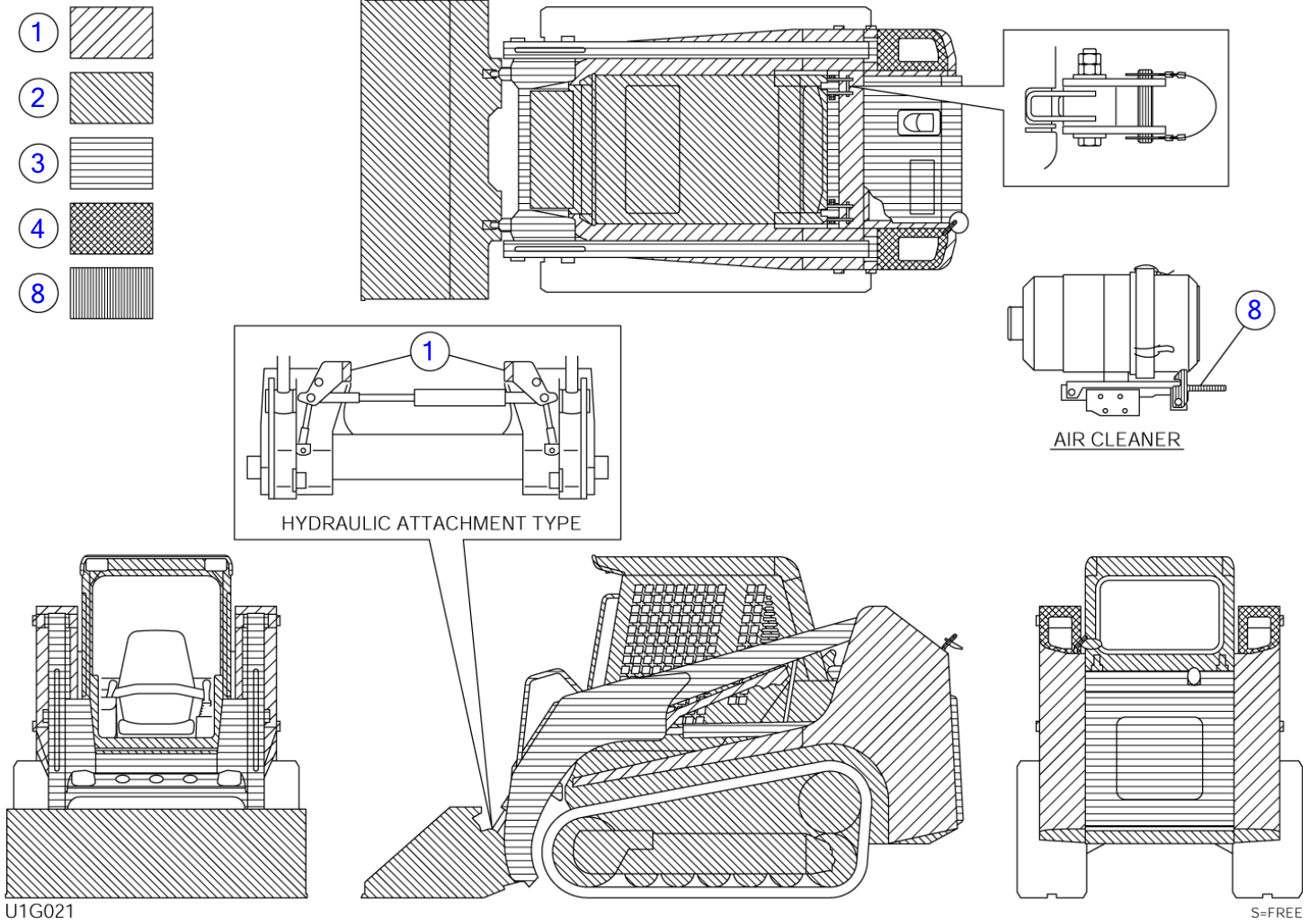
S=FREE

**DECAL (cab) (high flow, for GEHL & MUSTANG)**





Item	Part number	Description	Q'ty	Chan.	Serial No.	Serv.	Remarks
0	<b>0669302600</b>	DECAL SET (GEHL & MUSTANG)	1			M	
1	<b>0881031010</b>	· DECAL (English)	1			M	
2	<b>0881031030</b>	· DECAL	2			M	
	<b>U1g190</b>						

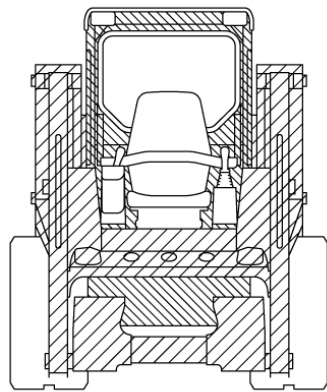
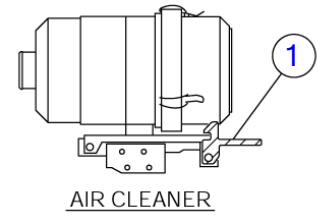
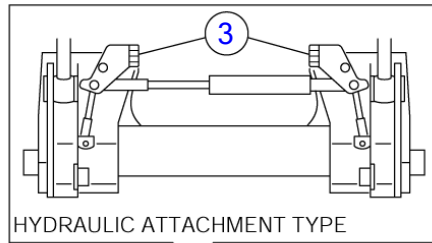
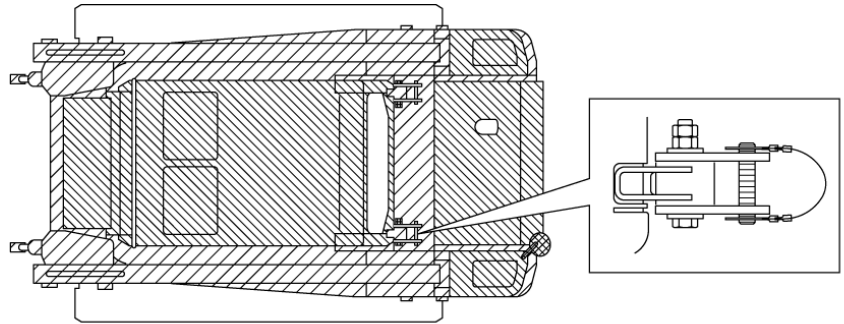


Item	Part number	Description	TOOL			
			Q'ty	Chan.	Serial No.	Serv. Remarks
		TOOL SET				
1	1691900001	CASE	1			
2	1691060600	GREASE GUN	1			
3	1554512601	TUBE	1			
0-1	0699200060	TOOL SET	1			
5	1690220205	* SCREW DRIVER	1			
6	1690001012	* SPANNER	1			
7	1690001113	* SPANNER	1			
8	1690001417	* SPANNER	1			
9	1690001922	* SPANNER	1			
10	1690002427	* SPANNER	1			
11	1690100030	* SPANNER	1			
12	1690100041	* SPANNER	1			
13	1690300330	* HAMMER	1			
14	1690400250	* MONKEY WRENCH	1			
15	1690500200	* PLIER	1			
16	1690600500	* HEX WRENCH	1			
17	1690600600	* HEX WRENCH	1			
18	1690600800	* HEX WRENCH	1			
19	1690601000	* HEX WRENCH	1			
20	1690601400	* HEX WRENCH	1			
21	1690830019	* HEX WRENCH	1			
22	1691400001	* TOOL CASE	1			
	U1G250					

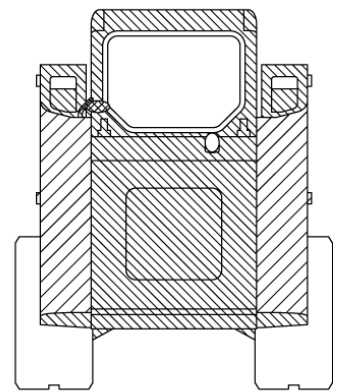
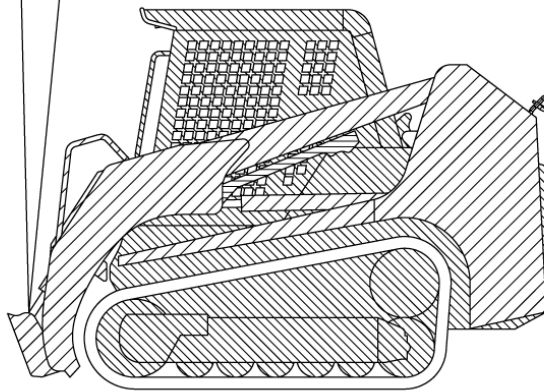


Item	Part number	Description	PAINTED COLOR			Remarks
			Q'ty	Chan.	Serial No.	
		PAINTED COLOR				
1	1919060105	RED	1			
	1919069105	RED	1			spray
2	1919060144	GRAY	1			
	1919069144	GRAY	1			spray
3	1919060142	LIGHT GRAY	1			
	1919069142	LIGHT GRAY	1			spray
4	1919060103	BLACK	1			
	1919069103	BLACK	1			spray
8	1919069175	YELLOW	1			spray
	U1g021					

- 1 
- 2 
- 3 
- 4 



U1G240

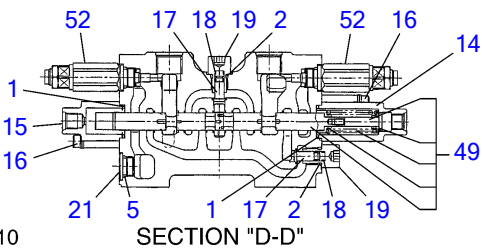
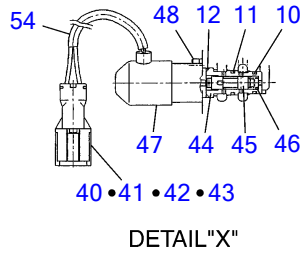
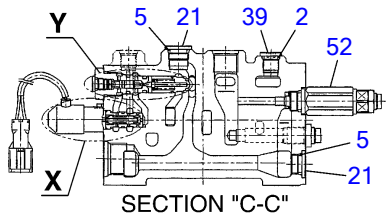
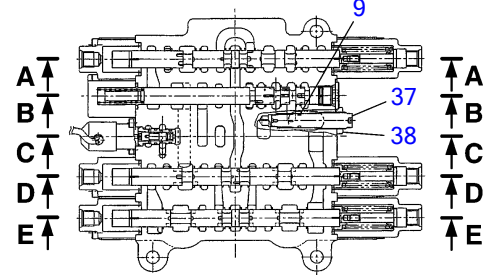
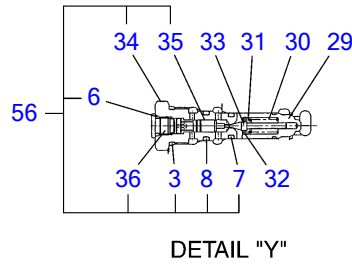
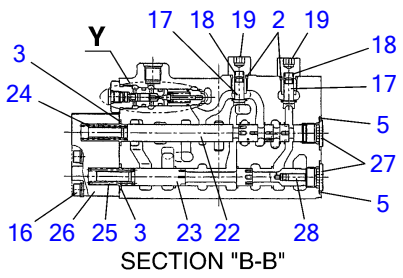
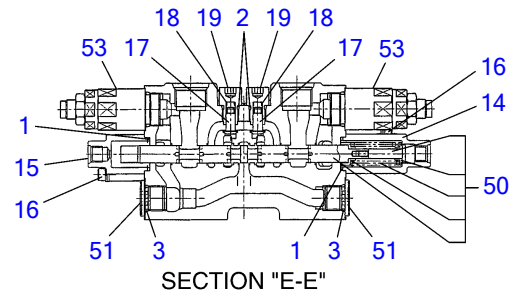
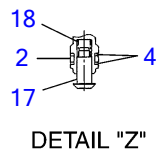
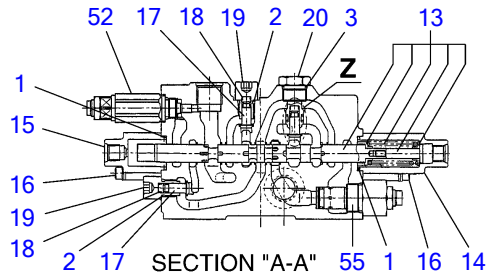


S=FREE



**PAINTED COLOR (for GEHL & MUSTANG)**

Item	Part number	Description	Q'ty	Chan.	Serial No.	Serv.	Remarks
		PAINTED COLOR					
1	<b>1919060177</b>	GEHL YELLOW	1			M	
	<b>1919069177</b>	GEHL YELLOW	1			M	spray
2	<b>1919060180</b>	GEHL GRAY	1			M	
	<b>1919069180</b>	GEHL GRAY	1			M	spray
3	<b>1919060105</b>	RED	1			M	
	<b>1919069105</b>	RED	1			M	spray
4	<b>1919060103</b>	BLACK	1			M	
	<b>1919069103</b>	BLACK	1			M	spray
	<b>U1G240</b>						



U1H010

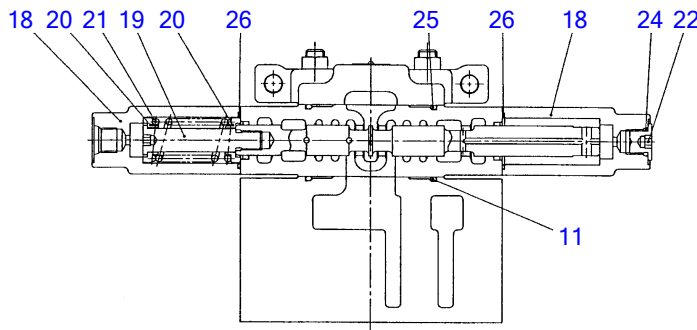
S=FREE

**CONTROL VALVE**

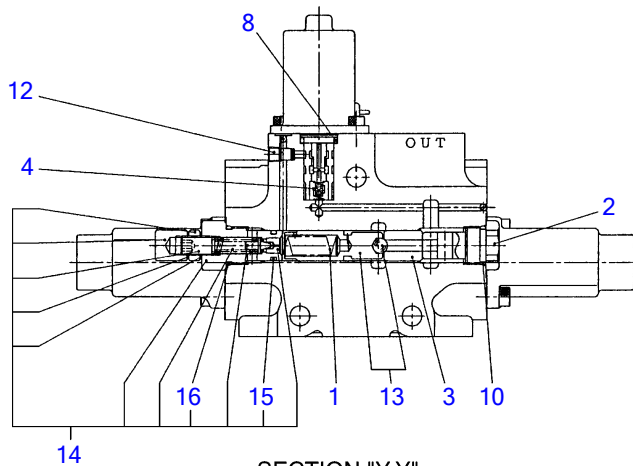
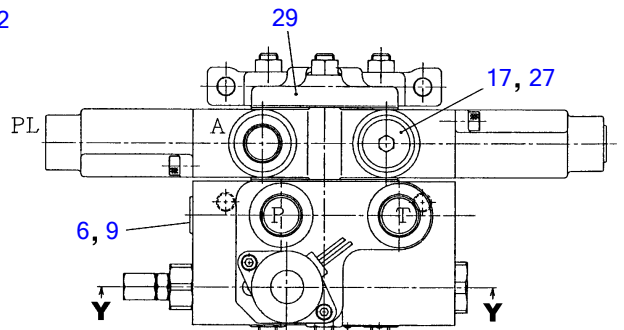
Item	Part number	Description	Q'ty	Chan.	Serial No.	Serv.	Remarks
0	1901045200	•• VALVE ASSY, control	1			M	
0-1	1901045299	•• KIT, seal	1			M	
1	X 1420300119	•• O-RING	6			M	
2	X 1420010110	•• O-RING	10			M	
3	X 1420010180	•• O-RING	7			M	
4	X 1421020110	•• RING, back-up	2			M	
5	X 1420010140	•• O-RING	5			M	
6	X 1420010080	•• O-RING	2			M	
7	X 1420010101	•• O-RING	2			M	
8	X 1420010120	•• O-RING	2			M	
9	X 1420010090	•• O-RING	1			M	
10	X 1420500100	•• O-RING	1			M	
11	X 1420500112	•• O-RING	1			M	
12	X 1420500140	•• O-RING	1			M	
13	1901045298	•• SPOOL ASSY	1			M	
14	1901045205	•• COVER	3			M	
15	1901045206	•• COVER	3			M	
16	1110540645	•• BOLT, sems	16			M	
17	1901039426	•• VALVE	9			M	
18	1901039456	•• SPRING	9			M	
19	1901045210	•• PLUG	8			M	
20	1901045212	•• PLUG	1			M	
21	1901030672	•• PLUG	3			M	
22	1901045217	•• SPOOL	1			M	
23	1901045218	•• SPOOL	1			M	
24	1901045219	•• SPRING	1			M	
25	1901045220	•• SPRING	1			M	
26	1901045221	•• HOLDER	1			M	
27	1901045222	•• PLUG	1			M	
28	1901045223	•• PISTON	1			M	
29	1901045224	•• VALVE, check	2			M	
30	1901045225	•• SPRING	2			M	
31	1901045226	•• HOLDER	2			M	
32	1221000009	•• RING, snap	2			M	
33	1901045228	•• VALVE	2			M	
34	1901045229	•• GUIDE	2			M	
35	1901045230	•• PISTON	2			M	
36	1901045232	•• PLUG	2			M	
37	1901045235	•• SLEEVE	1			M	
38	1901045237	•• NUT	1			M	
39	1901024795	•• PLUG	1			M	
40	1901045239	•• ADAPTOR	1			M	
41	1901045240	•• TERMINAL	2			M	
42	1901045241	•• SEAL	2			M	
43	1901045242	•• HOLDER	1			M	
44	1901045243	•• SOCKET	1			M	
45	1901045244	•• SPOOL	1			M	
46	1901045245	•• SPRING	1			M	
47	1901045249	•• SOLENOID	1			M	
48	1110040408	•• BOLT	2			M	
49	1901045297	•• SPOOL ASSY	1			M	
50	1901045296	•• SPOOL ASSY	1			M	
51	1901045253	•• PLUG	2			M	
52	1901045254	•• VALVE, relief	4			M	
	1420010180	••• O-RING	1			M	
53	1901045255	•• VALVE, relief	2			M	
	1420300119	••• O-RING	1			M	
54	1901045256	•• TUBE	1			M	
55	1901045202	•• VALVE, relief	1			M	
56	1901045295	•• GUIDE, piston	1			M	

U1h010

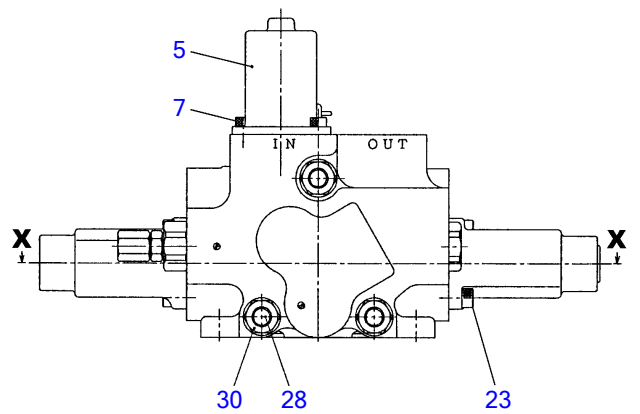
TL230 Book No. BU1Z004 S/N 223000001-  
CONTROL VALVE (high flow)



SECTION "X-X"



SECTION "Y-Y"

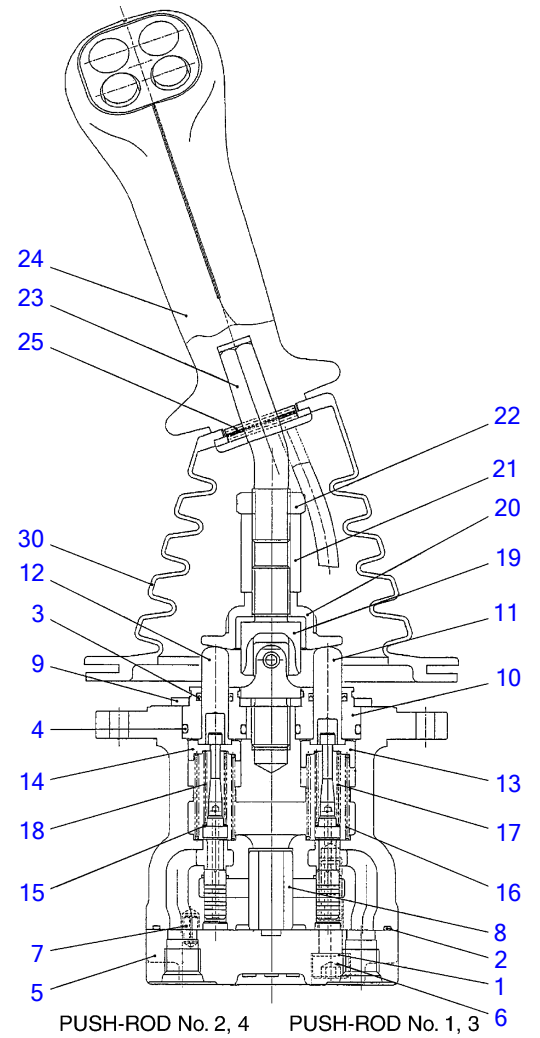
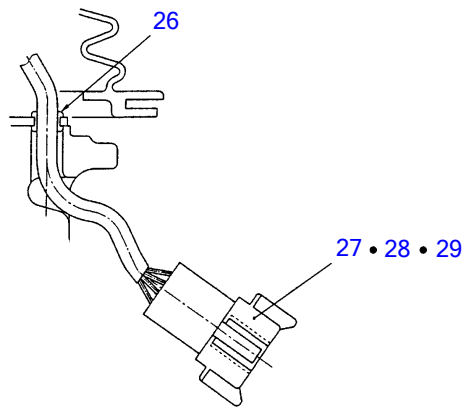
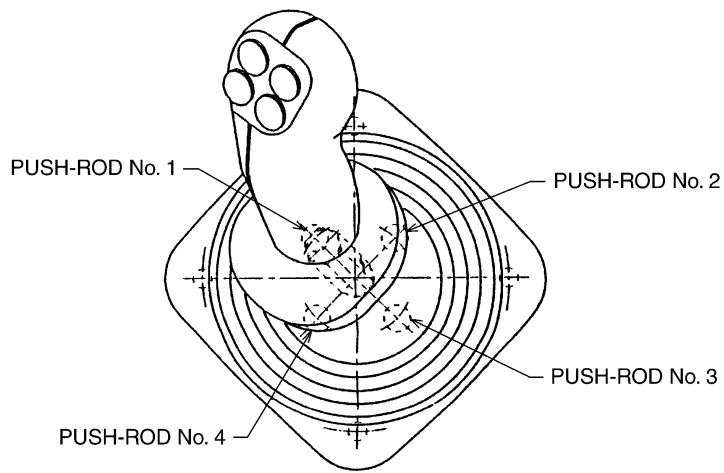


T7H260

S=free

**CONTROL VALVE (high flow)**

Item	Part number	Description	Q'ty	Chan.	Serial No.	Serv.	Remarks
0	<b>1901039500</b>	VALVE ASSY, control	1				
0-1	<b>1901039511</b>	▪ BLOCK ASSY, solenoid	1				
1	<b>1901039556</b>	▪ ▪ SPRING	1				
2	<b>1901039513</b>	▪ ▪ PLUG	1				
3	<b>1901039526</b>	▪ ▪ HOLDER, spring	1				
4	<b>1901039557</b>	▪ ▪ SPRING	1				
5	<b>1901039525</b>	▪ ▪ SOLENOID	1				
6	<b>1901720720</b>	▪ ▪ PLUG	1				
7	<b>1110040510</b>	▪ ▪ SCREW, cap	2				
8	<b>1420000160</b>	▪ ▪ O-RING	1				
9	<b>1420010110</b>	▪ ▪ O-RING	1				
10	<b>1420010160</b>	▪ ▪ O-RING	1				
11	<b>1420110650</b>	▪ ▪ O-RING	1				
12	<b>1501810000</b>	▪ ▪ PLUG	1				
13	<b>1901039527</b>	▪ ▪ PLUNGER	1				
14	<b>1901039521</b>	▪ ▪ VALVE, relief	1				
15	<b>1420010120</b>	▪ ▪ ▪ O-RING	1				
16	<b>1420010160</b>	▪ ▪ ▪ O-RING	1				
0-2	<b>1901039510</b>	▪ BLOCK ASSY	1				
17	<b>1513500008</b>	▪ ▪ PLUG	1				
18	<b>1901038166</b>	▪ ▪ COVER	2				
19	<b>1901038131</b>	▪ ▪ END, spool	1				
20	<b>1901035151</b>	▪ ▪ HOLDER, spring	2				
21	<b>1901038157</b>	▪ ▪ SPRING	1				
22	<b>1901720720</b>	▪ ▪ PLUG	1				
23	<b>1110020620</b>	▪ ▪ SCREW, cap	4				
24	<b>1420010110</b>	▪ ▪ O-RING	1				
25	<b>1420110650</b>	▪ ▪ O-RING	1				
26	<b>1420310023</b>	▪ ▪ O-RING	2				
27	<b>1420310908</b>	▪ ▪ O-RING	1				
28	<b>1901039507</b>	▪ ROD, tie	3				
29	<b>1901039504</b>	▪ HOUSING, inlet	1				
30	<b>1130050010</b>	▪ NUT	6				
	<b>T7h260</b>						



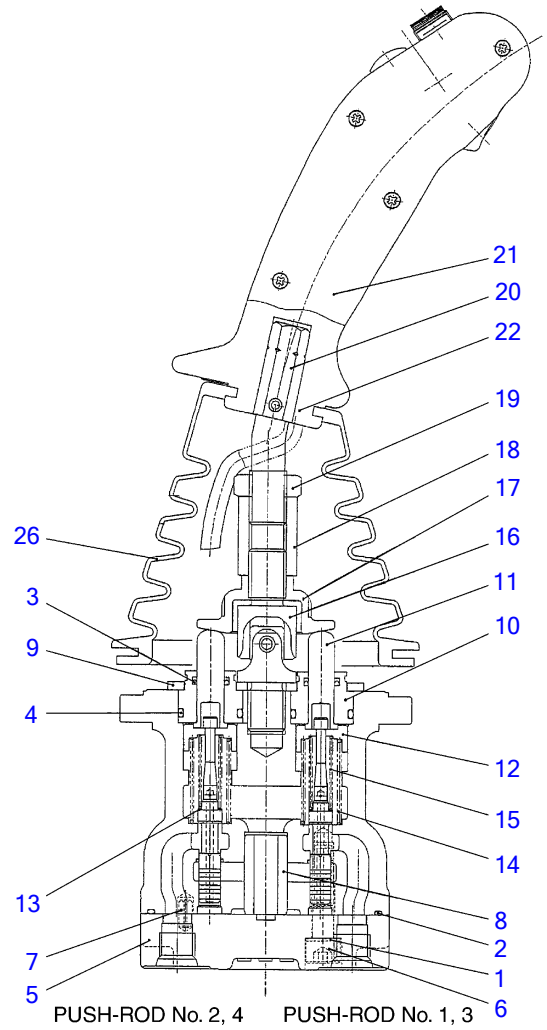
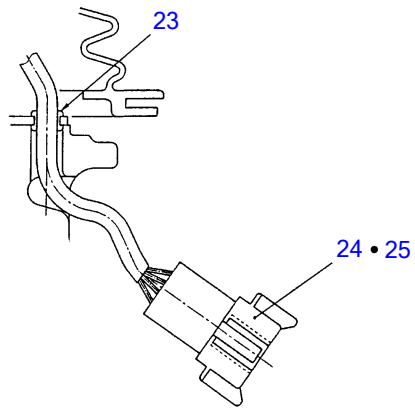
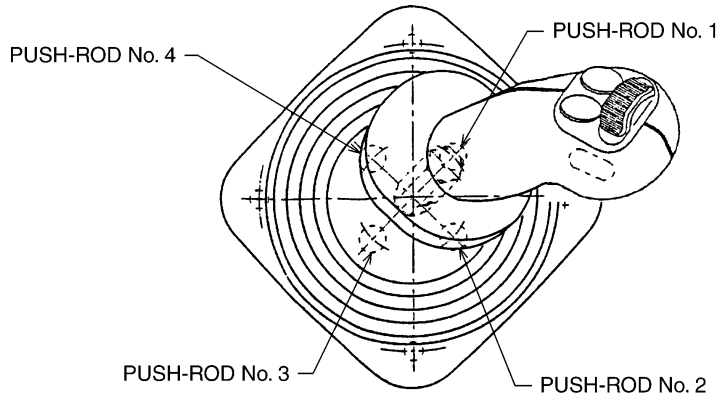
S-free

T9H220

**PILOT VALVE (R.H.)**

Item	Part number	Description	Q'ty	Chan.	Serial No.	Serv.	Remarks
0	<b>1901749800</b>	VALVE ASSY, pilot	1				right
0-1	<b>1901749599</b>	• KIT, seal	1				
1	X <b>1901715103</b>	• • WASHER	2				
2	X <b>1420510850</b>	• • O-RING	1				
3	X <b>1901710914</b>	• • SEAL	4				
4	X <b>1420010200</b>	• • O-RING	4				
5	<b>1901749511</b>	• PLATE	1				
6	<b>1110020835</b>	• SCREW, cap	2				
7	<b>1213000510</b>	• PIN, spring	1				
8	<b>1901743606</b>	• BUSHING	1				
9	<b>1901749551</b>	• PLATE	1				
10	<b>1901710912</b>	• PLUG	4				
11	<b>1901719011</b>	• ROD	2				
12	<b>1901719012</b>	• ROD	2				
13	<b>1901743614</b>	• HOLDER	2				
14	<b>1901743615</b>	• HOLDER	2				
15	<b>1901710917</b>	• WASHER	4				
16	<b>1901749521</b>	• SPRING	4				
17	<b>1901749541</b>	• SPRING	2				
18	<b>1901749542</b>	• SPRING	2				
19	<b>1901720232</b>	• JOINT	1				
20	<b>1901743620</b>	• PLATE	1				
21	<b>1901710922</b>	• NUT	1				
22	<b>1901719025</b>	• NUT	1				
23	<b>1901741526</b>	• LEVER	1				
24	<b>1901741210</b>	• HANDLE	1				
25	<b>1213000528</b>	• PIN, spring	1				
26	<b>1901735630</b>	• BUSHING	1				
27	<b>1901740446</b>	• RECEPTACLE	1				
28	<b>1901740447</b>	• WEDGE	1				
29	<b>1901741263</b>	• PLUG	3				
30	<b>1901735632</b>	• BOOT	1				
	<b>T9h220</b>						

TL230 Book No. BU1Z004 S/N 223000001-  
PILOT VALVE (L.H.)



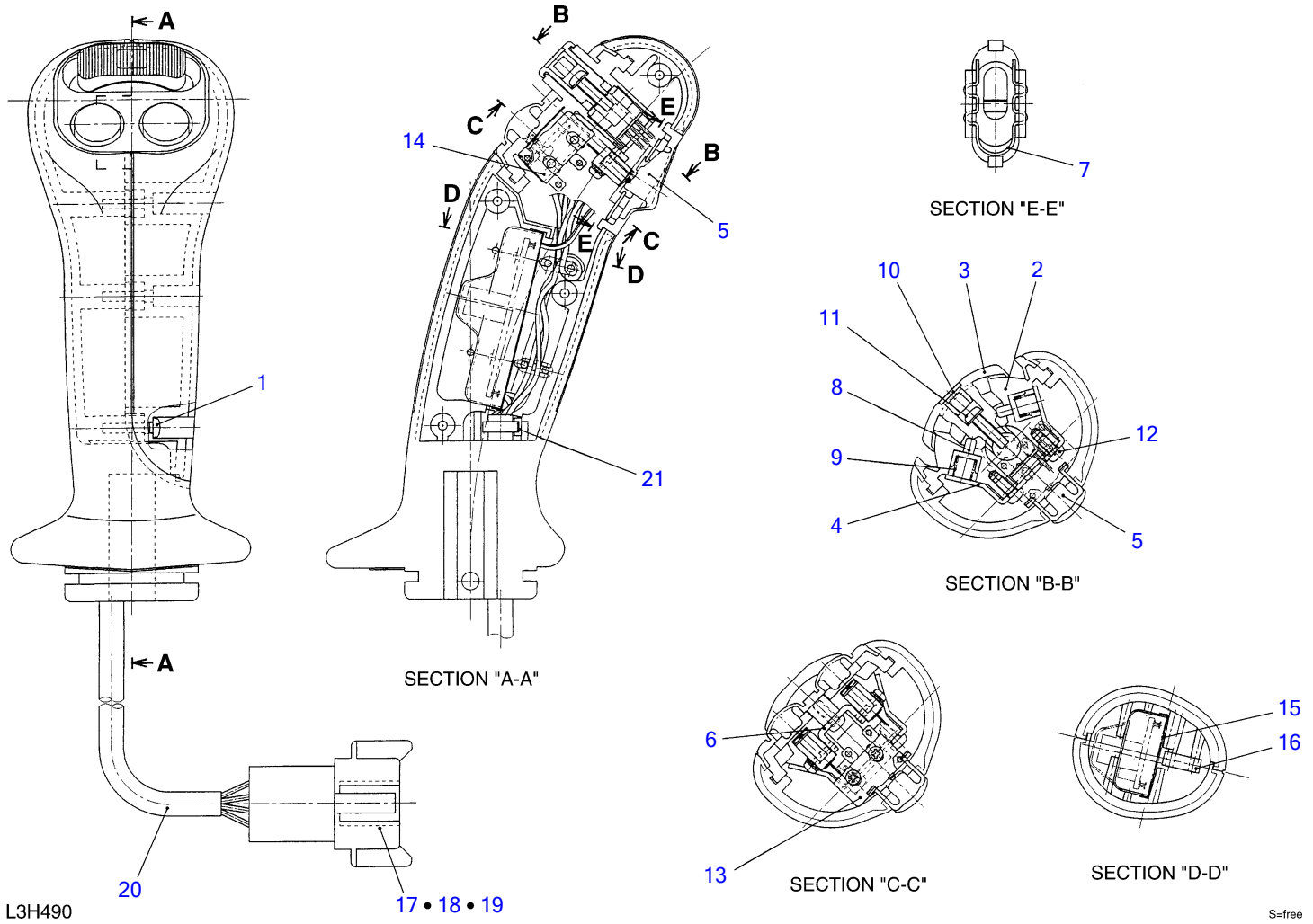
T9H230

S-free



**PILOT VALVE (L.H.)**

Item	Part number	Description	Q'ty	Chan.	Serial No.	Serv.	Remarks
0	<b>1901749700</b>	VALVE ASSY, pilot	1				left
0-1	<b>1901749599</b>	• KIT, seal	1				
1	X <b>1901715103</b>	• • WASHER	2				
2	X <b>1420510850</b>	• • O-RING	1				
3	X <b>1901710914</b>	• • SEAL	4				
4	X <b>1420010200</b>	• • O-RING	4				
5	<b>1901749511</b>	• PLATE	1				
6	<b>1110020835</b>	• SCREW, cap	2				
7	<b>1213000510</b>	• PIN, spring	1				
8	<b>1901743606</b>	• BUSHING	1				
9	<b>1901749551</b>	• PLATE	1				
10	<b>1901710912</b>	• PLUG	4				
11	<b>1901719011</b>	• ROD	4				
12	<b>1901743614</b>	• HOLDER	4				
13	<b>1901710917</b>	• WASHER	4				
14	<b>1901749521</b>	• SPRING	4				
15	<b>1901749641</b>	• SPRING	4				
16	<b>1901720232</b>	• JOINT	1				
17	<b>1901743620</b>	• PLATE	1				
18	<b>1901710922</b>	• NUT	1				
19	<b>1901719025</b>	• NUT	1				
20	<b>1901739923</b>	• LEVER	1				
21	<b>1901740410</b>	• HANDLE	1				
22	<b>1213000528</b>	• PIN, spring	1				
23	<b>1901735630</b>	• BUSHING	1				
24	<b>1901740446</b>	• RECEPTACLE	1				
25	<b>1901740447</b>	• WEDGE	1				
26	<b>1901735632</b>	• BOOT	1				
	<b>T9h230</b>						

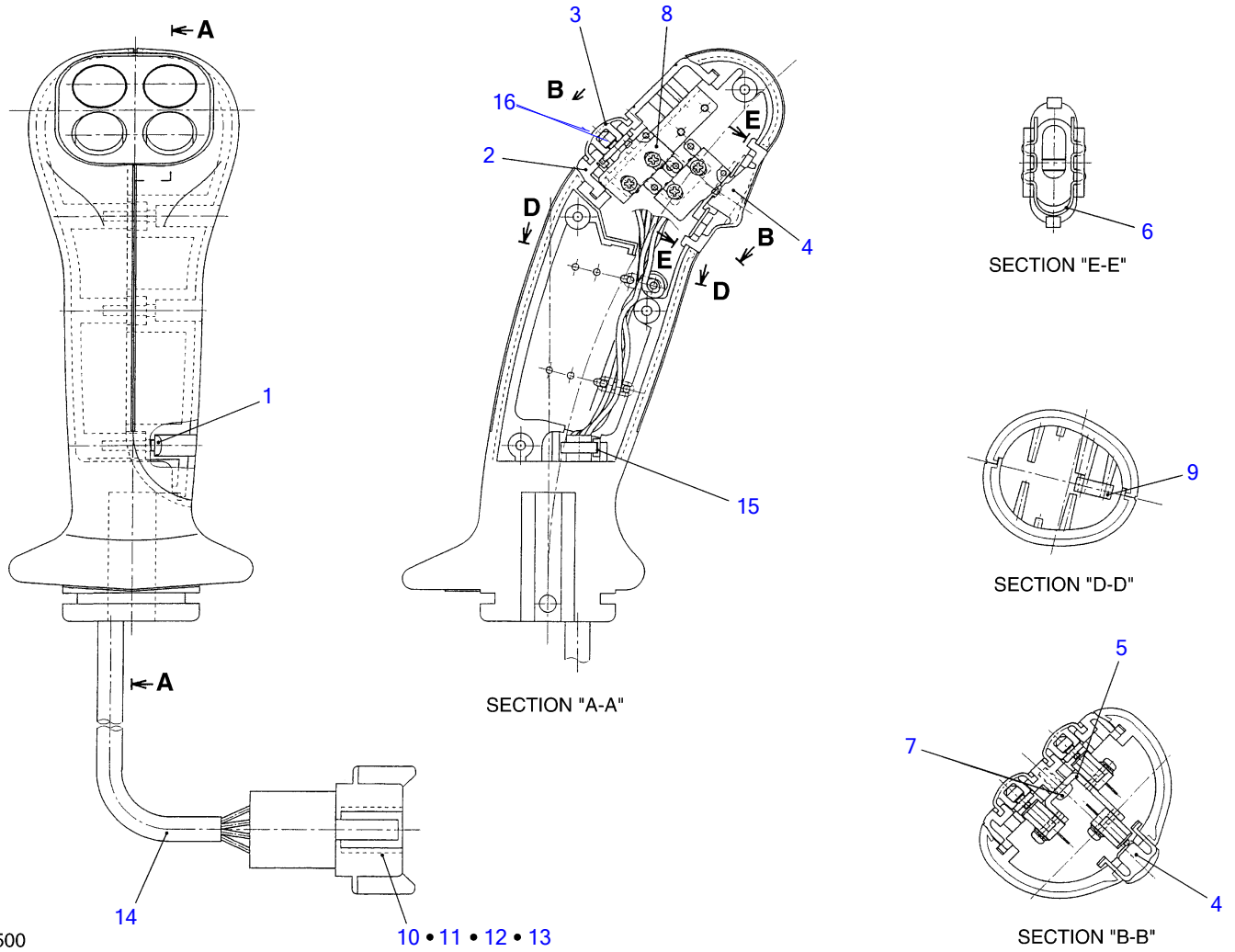


S-free

**HANDLE (with slide switch)**

Item	Part number	Description	Q'ty	Chan.	Serial No.	Serv.	Remarks
0	1901740410	HANDLE ASSY	1				
1	1122400312	• SCREW	4				
2	1901740417	• CASE	1				
3	1901740418	• CAM	1				
4	1901740401	• PLATE	1				
5	1901740402	• BUTTON	1				
6	1901740403	• BRACKET	1				
7	1901740404	• CLIP	1				
8	1901740405	• PISTON	2				
9	1901740406	• SPRING	2				
10	1901740407	• CAP	1				
11	1150010312	• SCREW	1				
12	1122400306	• SCREW	3				
13	1901740408	• SWITCH	1				
14	1901740409	• SWITCH	2				
15	1901740411	• COVER	1				
16	1901740412	• CAP	2				
17	1901740446	• RECEPTACLE	1				
18	1901740447	• WEDGE	1				
19	1901740413	• PIN	8				
20	1901740414	• PROTECTOR	1				
21	1901740415	• BAND	1				

L3h490



L3H500

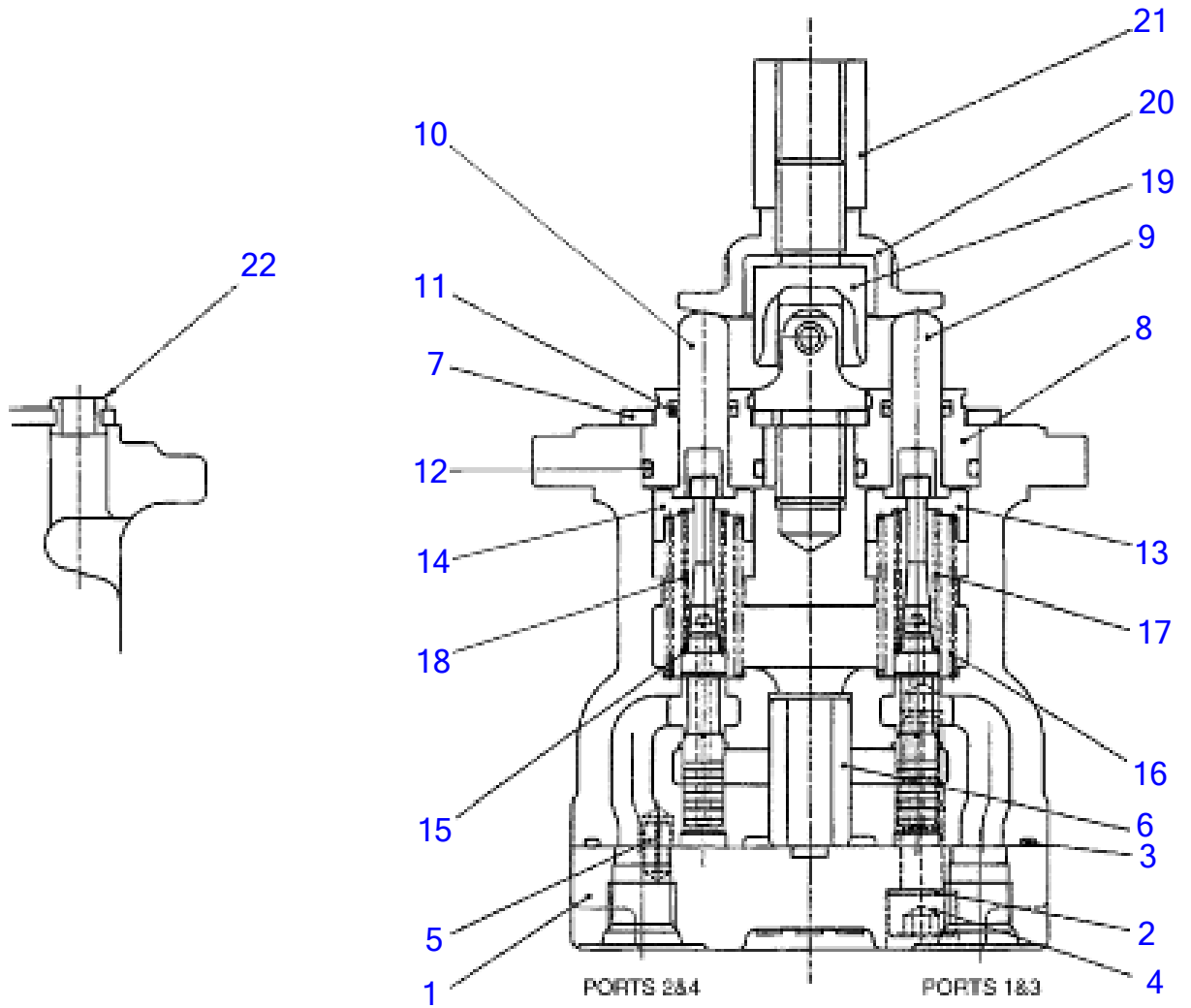
10 • 11 • 12 • 13

S-free

**HANDLE (with 3 switch)**

Item	Part number	Description	Q'ty	Chan.	Serial No.	Serv.	Remarks
0	<b>1901741210</b>	HANDLE ASSY	1				
1	<b>1122400312</b>	▪ SCREW	4				
2	<b>1901741211</b>	▪ CASE	1				
3	<b>1901741216</b>	▪ BUTTON	2				
4	<b>1901740402</b>	▪ BUTTON	1				
5	<b>1901741218</b>	▪ BRACKET	1				
6	<b>1901740404</b>	▪ CLIP	1				
7	<b>1122400306</b>	▪ SCREW	2				
8	<b>1901740408</b>	▪ SWITCH	3				
9	<b>1901740412</b>	▪ CAP	2				
10	<b>1901740446</b>	▪ RECEPTACLE	1				
11	<b>1901740447</b>	▪ WEDGE	1				
12	<b>1901740413</b>	▪ PIN	5				
13	<b>1901741263</b>	▪ PIN, BLANKING	3				
14	<b>1901740414</b>	▪ PROTECTOR	1				
15	<b>1901740415</b>	▪ BAND	1				
16	<b>1901741312</b>	* RETAINER	2				
	<b>L3h501</b>						

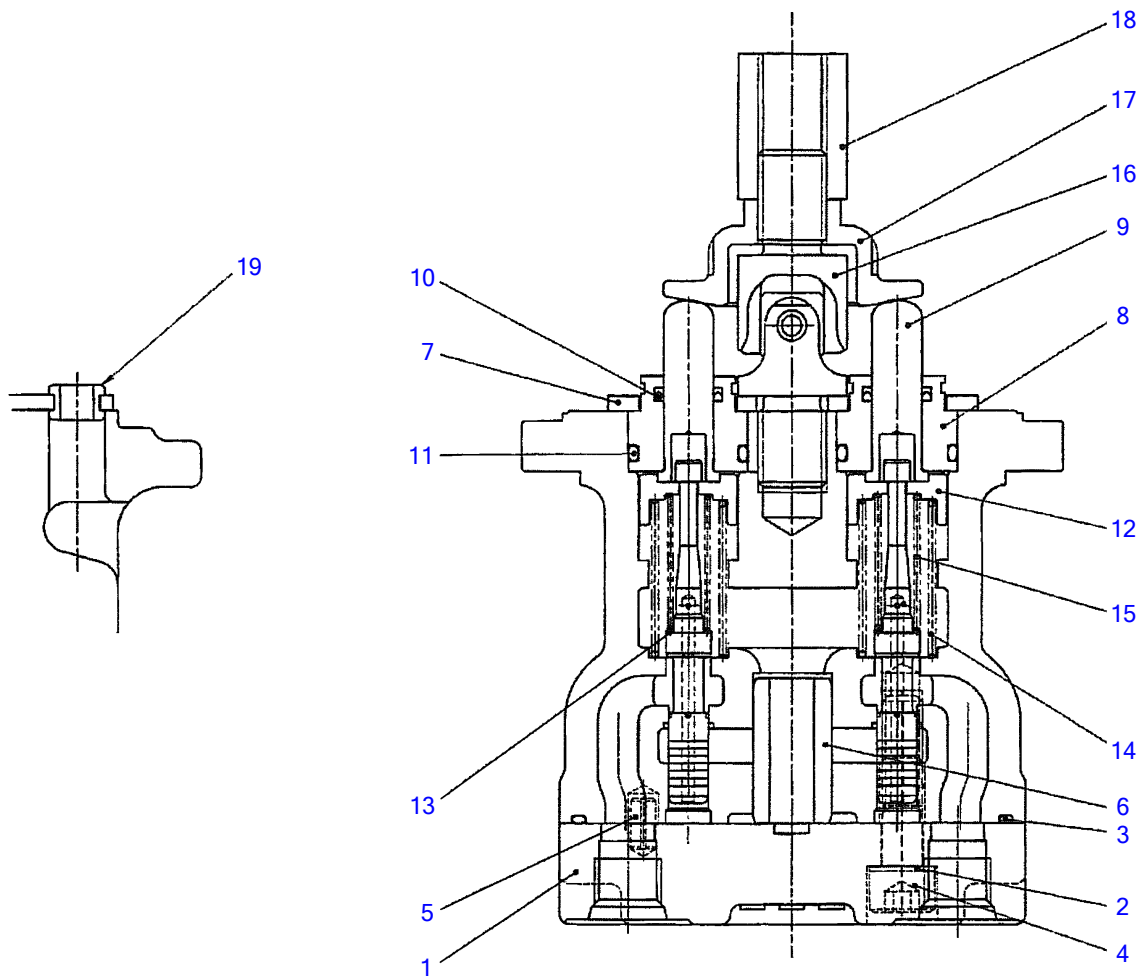
TL230 Book No. BU1Z004 S/N 223000001-  
PILOT VALVE (R.H.) (multi-functional grip type)



U3H090

PILOT VALVE (R.H.) (multi-functional grip type)						
Item	Part number	Description	Q'ty	Chan.	Serial No.	Serv. Remarks
0	1901754000	VALVE ASSY, pilot	1			Right
1	1901749511	• PLATE	1			
2	1901715103	• WASHER	2			
3	1420510850	• O-RING	1			
4	1110020835	• SCREW, cap	2			
5	1213000510	• PIN, spring	1			
6	1901743606	• BUSHING	1			
7	1901749551	• PLATE	1			
8	1901710912	• PLUG	4			
9	1901719011	• ROD	2			
10	1901719012	• ROD	2			
11	1901710914	• SEAL	4			
12	1420010200	• O-RING	4			
13	1901743614	• HOLDER	2			
14	1901743615	• HOLDER	2			
15	1901710917	• WASHER	4			
16	1901749521	• SPRING	4			
17	1901749541	• SPRING	2			
18	1901749542	• SPRING	2			
19	1901720232	• JOINT	1			
20	1901743620	• PLATE	1			
21	1901710922	• NUT	1			
22	1901735630	• BUSHING	1			
	U3h090					

TL230 Book No. BU1Z004 S/N 223000001-  
PILOT VALVE (L.H.) (multi-functional grip type)



U1h030

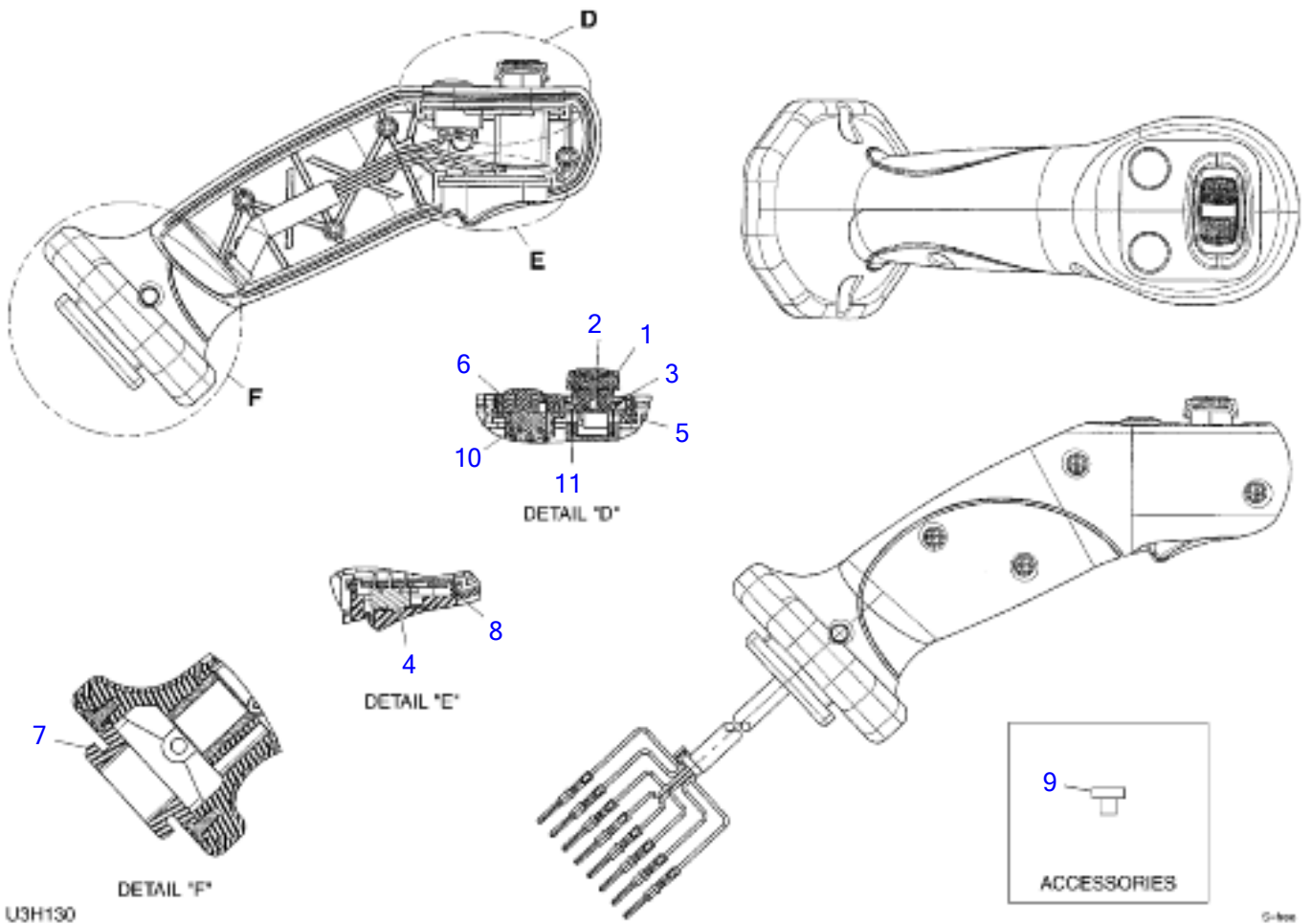
S=FREE



**PILOT VALVE (L.H.) (multi-functional grip type)**

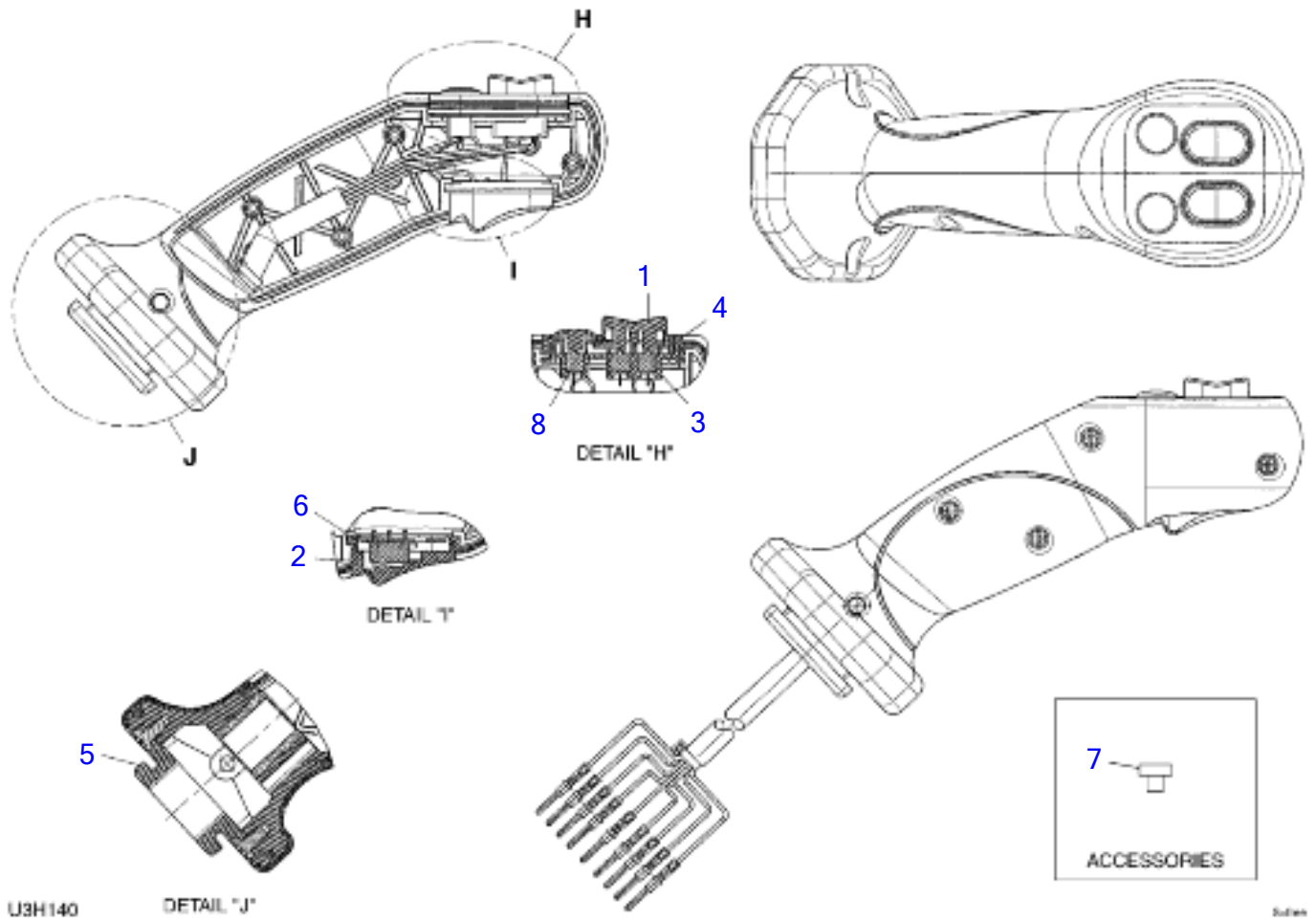
Item	Part number	Description	Q'ty	Chan.	Serial No.	Serv.	Remarks
0	<b>1901753900</b>	VALVE ASSY, pilot	1			M	Left
1	<b>1901749511</b>	· PLATE	1			M	
2	<b>1901715103</b>	· WASHER	2			M	
3	<b>1420510850</b>	· O-RING	1			M	
4	<b>1110040835</b>	· SCREW, cap	2			M	
5	<b>1213000510</b>	· PIN, spring	1			M	
6	<b>1901743606</b>	· BUSHING	1			M	
7	<b>1901749551</b>	· PLATE	1			M	
8	<b>1901710912</b>	· PLUG	4			M	
9	<b>1901719011</b>	· ROD	4			M	
10	<b>1901710914</b>	· SEAL	4			M	
11	<b>1420010200</b>	· O-RING	4			M	
12	<b>1901743614</b>	· HOLDER	4			M	
13	<b>1901710917</b>	· WASHER	4			M	
14	<b>1901749521</b>	· SPRING	4			M	
15	<b>1901749641</b>	· SPRING	4			M	
16	<b>1901720232</b>	· JOINT	1			M	
17	<b>1901743620</b>	· PLATE	1			M	
18	<b>1901710922</b>	· NUT	1			M	
19	<b>1901735630</b>	· BUSHING	1			M	
	<b>U1h030</b>						

TL230 Book No. BU1Z004 S/N 223000001-  
HANDLE (multi-functional grip type, with slide switch)



G-Rev

<b>HANDLE (multi-functional grip type, with slide switch)</b>							
Item	Part number	Description	Q'ty	Chan.	Serial No.	Serv.	Remarks
0	<b>1650205500</b>	HANDLE ASSY	1			M	
1	<b>1650205508</b>	▪ BAR, slide	1			M	
2	<b>1650205509</b>	▪ COVER, slide bar	1			M	
3	<b>1650205510</b>	▪ COVER, rubber	1			M	
4	<b>1650205610</b>	▪ COVER, switch	1			M	
5	<b>1650205505</b>	▪ PLATE, switch	1			M	
6	<b>1650205506</b>	▪ SPACER	1			M	
7	<b>1650205507</b>	▪ COVER, lower	1			M	
8	<b>1650205511</b>	▪ PLATE, switch	1			M	
9	<b>1650205516</b>	▪ PIN, blanking	1			M	
10	<b>1650205520</b>	▪ SWITCH, micro	2			M	
11	<b>1650205522</b>	▪ SWITCH, proportional control	1			M	
	<b>U3h130</b>						

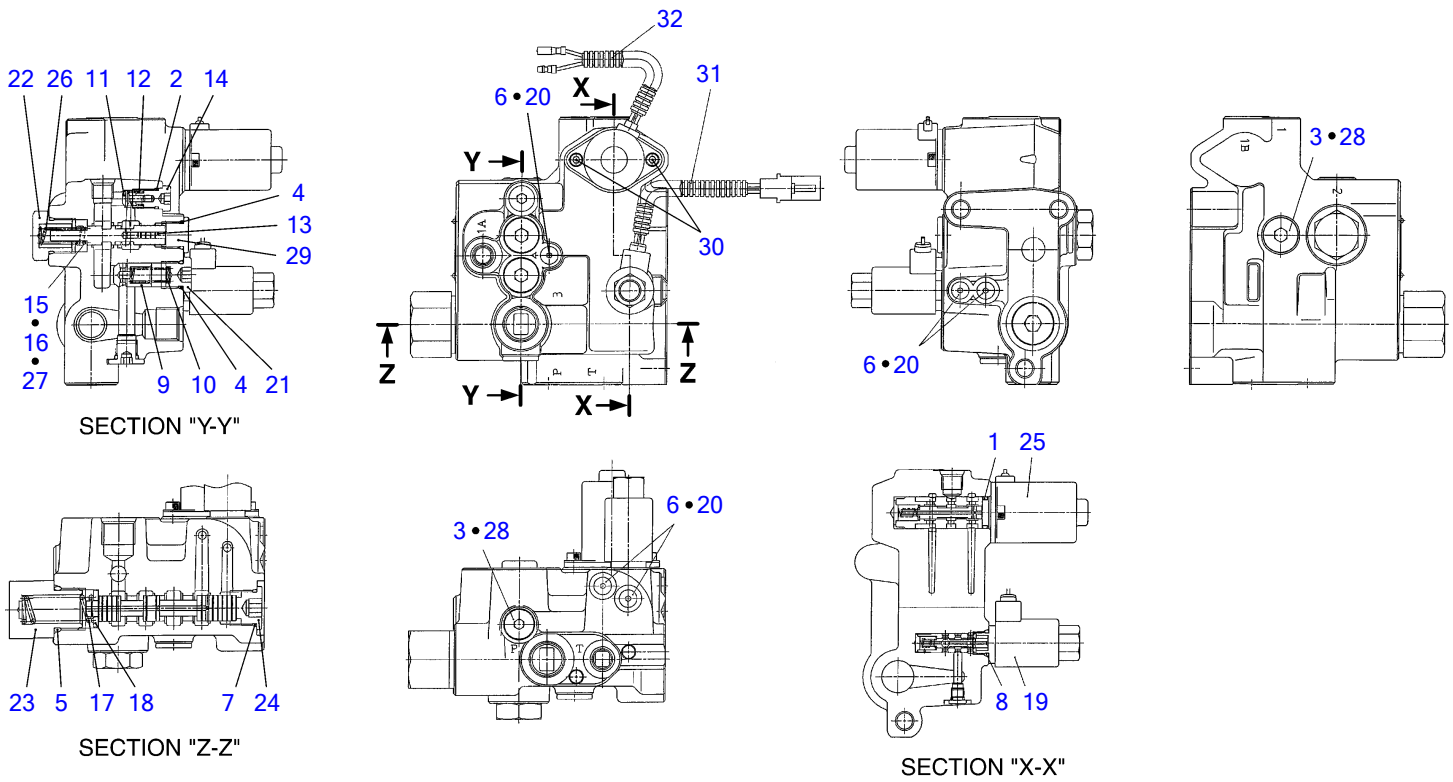


Suben

**HANDLE (multi-functional grip type, with 5 switch)**

Item	Part number	Description	Q'ty	Chan.	Serial No.	Serv.	Remarks
0	<b>1650205600</b>	HANDLE ASSY	1			M	
1	<b>1650205608</b>	▪ COVER, rubber	1			M	
2	<b>1650205610</b>	▪ COVER, switch	1			M	
3	<b>1650205605</b>	▪ PLATE, switch	1			M	
4	<b>1650205606</b>	▪ SPACER	1			M	
5	<b>1650205507</b>	▪ COVER, lower	1			M	
6	<b>1650205511</b>	▪ PLATE, switch	1			M	
7	<b>1650205516</b>	▪ PIN, blanking	1			M	
8	<b>1650205521</b>	▪ SWITCH, micro	6			M	
	<b>U3h140</b>						

TL230 Book No. BU1Z004 S/N 223000001-  
SUB VALVE

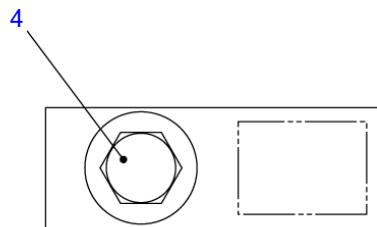
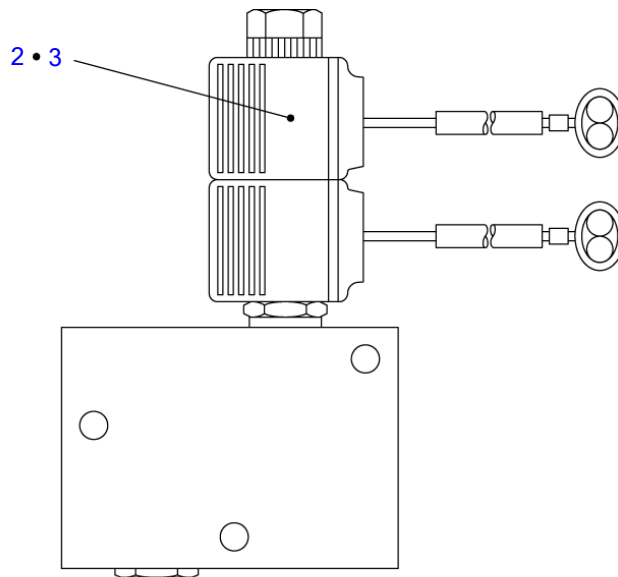


T3H010

S-FREE

**SUB VALVE**

Item	Part number	Description	Q'ty	Chan.	Serial No.	Serv.	Remarks
0	<b>1901748100</b>	VALVE, sub	1				
0-1	<b>1901748199</b>	· KIT, seal	1				
1	X <b>1420010160</b>	· · O-RING	1				
2	X <b>1420010100</b>	· · O-RING	1				
3	X <b>1420010110</b>	· · O-RING	2				
4	X <b>1420010140</b>	· · O-RING	2				
5	X <b>1420010240</b>	· · O-RING	1				
6	X <b>1420310902</b>	· · O-RING	5				
7	X <b>1420310910</b>	· · O-RING	1				
8	X <b>1420000125</b>	· · O-RING	1				
9	<b>1901731901</b>	· POPPET	1				
10	<b>1901731903</b>	· SPRING	1				
11	<b>1901035426</b>	· PLUNGER	1				
12	<b>1901004357</b>	· SPRING	1				
13	<b>1901730412</b>	· PISTON	1				
14	<b>1901035471</b>	· PLUG	1				
15	<b>1901729709</b>	· SHIM	1				t=0.1mm
16	<b>1901729710</b>	· SHIM	1				t=0.2mm
17	<b>1901731911</b>	· SPRING	1				
18	<b>1901731912</b>	· WASHER	1				
19	<b>1901748114</b>	· SOLENOID	1				
20	<b>1901748119</b>	· PLUG	5				
21	<b>1901748126</b>	· PLUG	1				
22	<b>1901748127</b>	· PLUG	1				
23	<b>1901748128</b>	· PLUG	1				
24	<b>1901748129</b>	· PLUG	1				
25	<b>1901748130</b>	· SOLENOID	1				
26	<b>1901748131</b>	· SPRING	1				
27	<b>1901748132</b>	· SHIM	1				t=0.1mm
28	<b>1901738312</b>	· PLUG	2				
29	<b>1501750002</b>	· PLUG	1				
	<b>1420010110</b>	· · O-RING	1				
30	<b>1110040512</b>	· SCREW, cap	2				
31	<b>1901044619</b>	· TUBE	1				
32	<b>1901748828</b>	· TUBE	1				
	<b>T3h010</b>						



U1H020

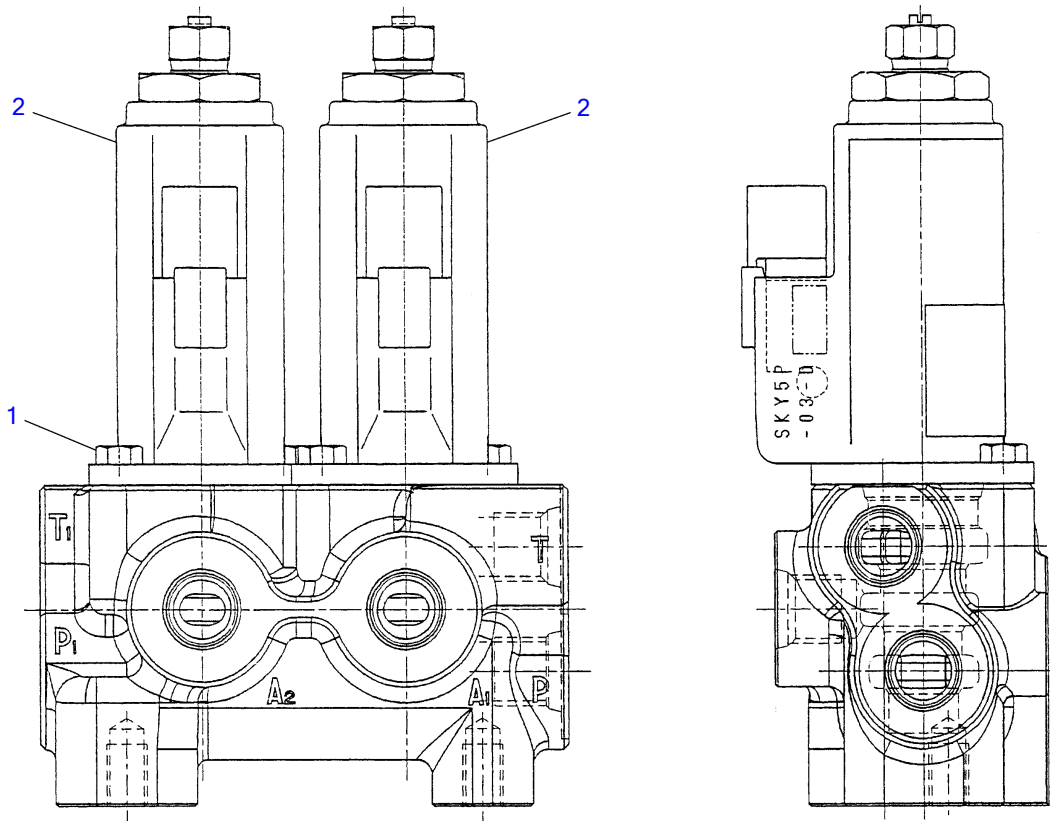
S=FREE



**SOLENOID VALVE; 1 BLOCK**

Item	Part number	Description	Q'ty	Chan.	Serial No.	Serv.	Remarks
0	<b>1901752000</b>	VALVE ASSY, solenoid	1				
2	<b>1901752002</b>	▪ VALVE, solenoid	1				
3	<b>1901752003</b>	▪ COIL	2				
4	<b>1901741704</b>	▪ PLUG	1				
	<b>U1h020</b>						

TL230 Book No. BU1Z004 S/N 223000001-  
ELECTRICAL PROPORTION VALVE



J3H020

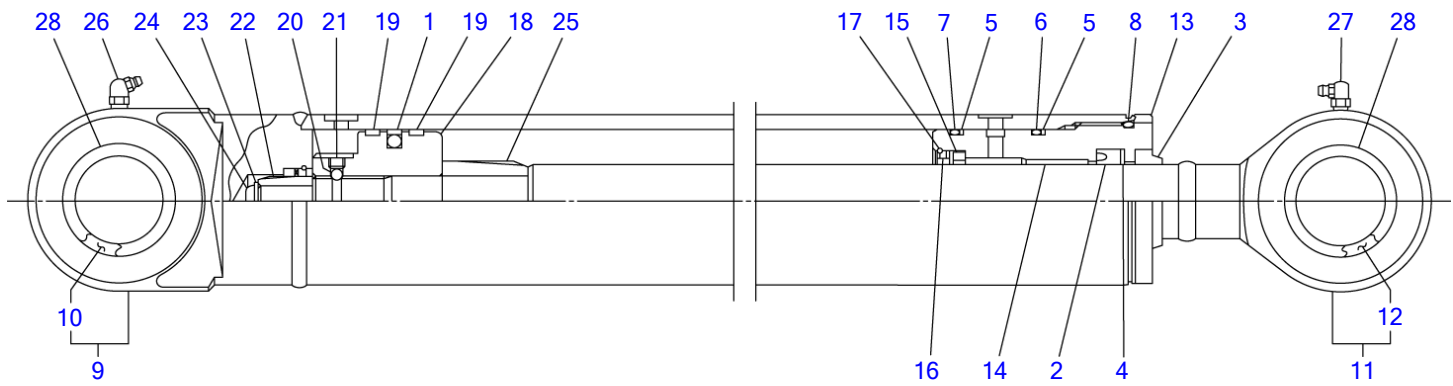
S=free

**ELECTRICAL PROPORTION VALVE**

Item	Part number	Description	Q'ty	Chan.	Serial No.	Serv.	Remarks
0	<b>1901752100</b>	VALVE ASSY, proportional	1				
1	<b>1110050512</b>	▪ BOLT	4				
2	<b>1901752103</b>	▪ VALVE, proportional	2				

**J3h020**

TL230 Book No. BU1Z004 S/N 223000001-  
ARM CYLINDER



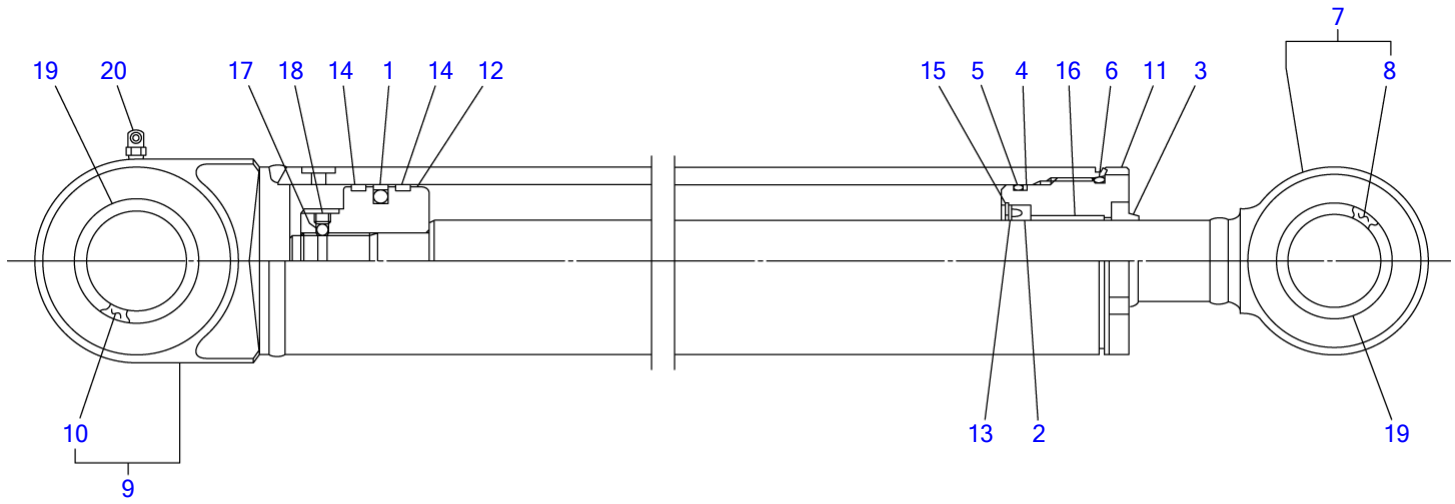
T8H040

S=FREE

**ARM CYLINDER**

Item	Part number	Description	Q'ty	Chan.	Serial No.	Serv.	Remarks
0	<b>1900081800</b>	CYLINDER ASSY	2				arm
0-1	<b>1900081899</b>	• KIT, seal	1				
1	X <b>1900048232</b>	• • PACKING, piston	1				
2	X <b>1410540508</b>	• • PACKING, rod	1				
3	X <b>1900073033</b>	• • SEAL, dust	1				
4	X <b>1411250402</b>	• • RING, back-up	1				
5	X <b>1421130600</b>	• • RING, back-up	2				
6	X <b>1420110600</b>	• • O-RING	1				
7	X <b>1420110550</b>	• • O-RING	1				
8	X <b>1420110650</b>	• • O-RING	1				
9	<b>1900081898</b>	• TUBE ASSY (L.H.)	1				
10	<b>1900015720</b>	• • BUSHING	1				
11	<b>1900081897</b>	• ROD ASSY, piston	1				
12	<b>1900015720</b>	• • BUSHING	1				
13	<b>1900058103</b>	• COVER, rod	1				
14	<b>1333004030</b>	• BUSHING	1				
15	<b>1900052016</b>	• RING, cushion	1				
16	<b>1900052015</b>	• SPACER	1				
17	<b>1900052026</b>	• STOPPER	1				
18	<b>1900058106</b>	• PISTON	1				
19	<b>1900064226</b>	• RING, wear	2				
20	<b>1390010250</b>	• BALL, steel	1				
21	<b>1121040608</b>	• SET-SCREW	1				
22	<b>1900081805</b>	• CUSHION, rod	1				
23	<b>1141190012</b>	• WASHER	1				
24	<b>1900081829</b>	• BOLT	1				
25	<b>1900081825</b>	• CUSHION, rod	1				
26	<b>1560001675</b>	• FITTING, grease	1				
27	<b>1560001900</b>	• FITTING, grease	1				
28	<b>1432200040</b>	• SEAL, dust	4				
	<b>T8h040</b>						

TL230 Book No. BU1Z004 S/N 223000001-  
BUCKET CYLINDER



T8H050

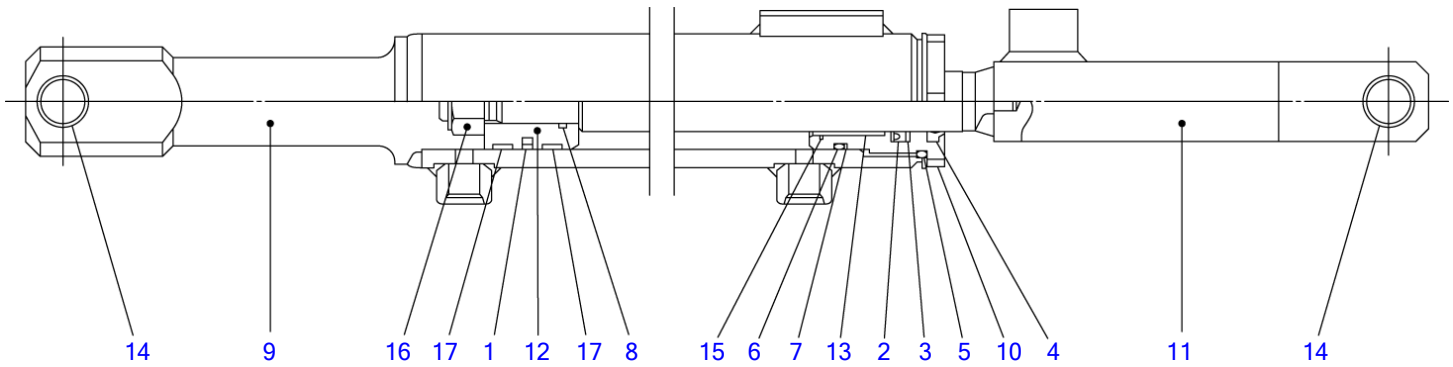
S=free

**BUCKET CYLINDER**

Item	Part number	Description	Q'ty	Chan.	Serial No.	Serv.	Remarks
0	<b>1900081300</b>	CYLINDER ASSY (R.H.)	1				bucket
	<b>1900081400</b>	CYLINDER ASSY (L.H.)	1				bucket
0-1	<b>1900081399</b>	• KIT, seal	1				
1	X <b>1900048232</b>	• • PACKING, piston	1				
2	X <b>1900051631</b>	• • PACKING, rod	1				
3	X <b>1900073533</b>	• • SEAL, dust	1				
4	X <b>1421130600</b>	• • RING, back-up	1				
5	X <b>1420110600</b>	• • O-RING	1				
6	X <b>1420110650</b>	• • O-RING	1				
7	<b>1900081397</b>	• ROD ASSY, piston	1				
8	<b>1900020302</b>	• • BUSHING	1				
9	<b>1900081398</b>	• TUBE ASSY (R.H.)	1				
	<b>1900081498</b>	• TUBE ASSY (L.H.)	1				
10	<b>1900058202</b>	• • BUSHING	1				
11	<b>1900054403</b>	• COVER, rod	1				
12	<b>1900051606</b>	• PISTON	1				
13	<b>1900054408</b>	• HOLDER, rod packing	1				
14	<b>1900064226</b>	• RING, wear	2				
15	<b>1221000050</b>	• RING, snap	1				
16	<b>1333003525</b>	• BUSHING	1				
17	<b>1390010250</b>	• BALL, steel	1				
18	<b>1121040607</b>	• SET-SCREW	1				
19	<b>1432200035</b>	• SEAL, dust	4				
20	<b>1560001900</b>	• FITTING, grease	1				
	<b>T8h050</b>						

TL230 Book No. BU1Z004 S/N 223000001-  
ATTACHMENT CYLINDER

---



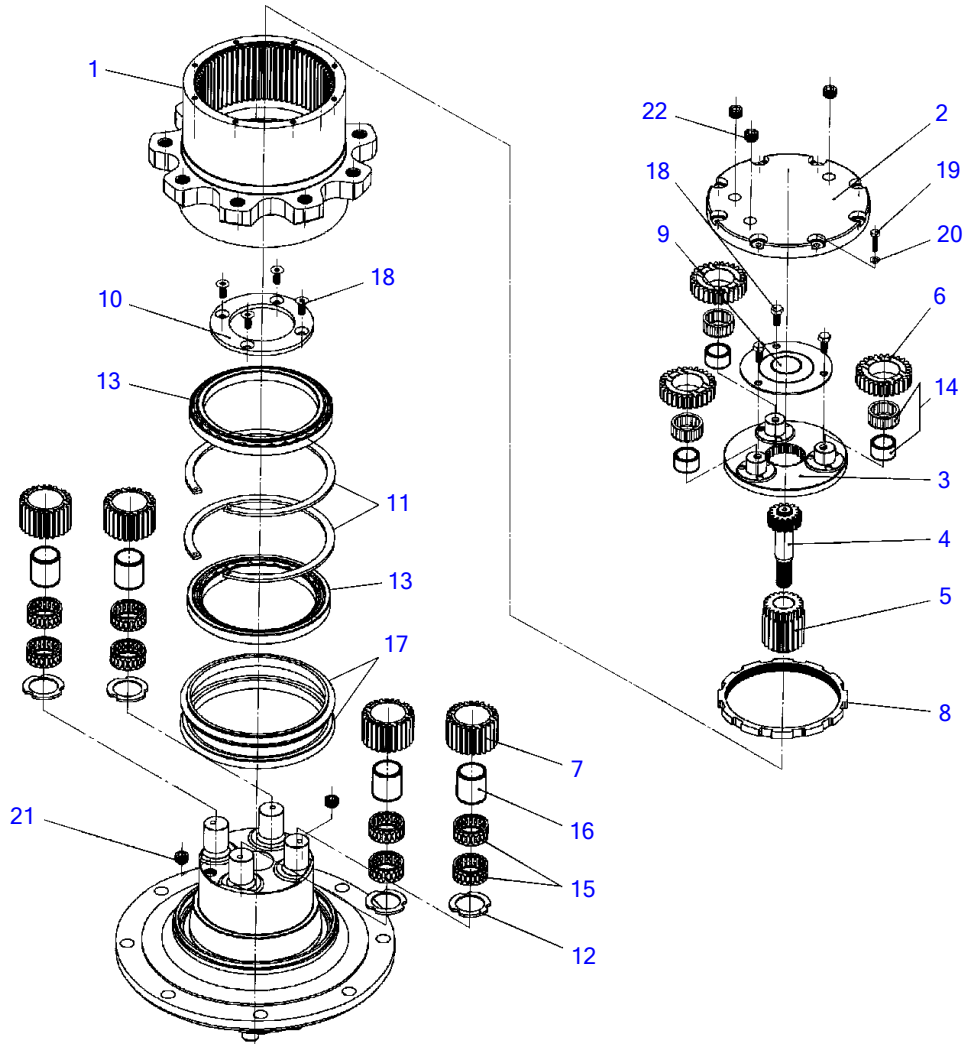
U1H050

S=FREE



**ATTACHMENT CYLINDER**

Item	Part number	Description	Q'ty	Chan.	Serial No.	Serv.	Remarks
	<b>1900100700</b>	CYLINDER ASSY	1				attachment
0-1	<b>1900100799</b>	· KIT, seal	1				
1	X <b>1410200400</b>	· · PACKING, piston	1				
2	X <b>1411140250</b>	· · PACKING, rod	1				
3	X <b>1411233252</b>	· · RING, back-up	1				
4	X <b>1411110250</b>	· · SEAL, dust	1				
5	X <b>1420110400</b>	· · O-RING	1				
6	X <b>1420110350</b>	· · O-RING	1				
7	X <b>1421130350</b>	· · RING, back-up	1				
8	X <b>1420010180</b>	· · O-RING	1				
9	<b>1900100707</b>	· TUBE ASSY	1				
10	<b>1900100706</b>	· COVER, rod	1				
11	<b>1900100701</b>	· ROD ASSY, piston	1				
12	<b>1900100705</b>	· PISTON	1				
13	<b>1333002525</b>	· BUSHING	1				
14	<b>1333001830</b>	· BUSHING	2				
15	<b>1225620029</b>	· RING, snap	1				
16	<b>1132711016</b>	· NUT	1				
17	<b>1410810400</b>	· RING, wear	2				
	<b>U1h050</b>						

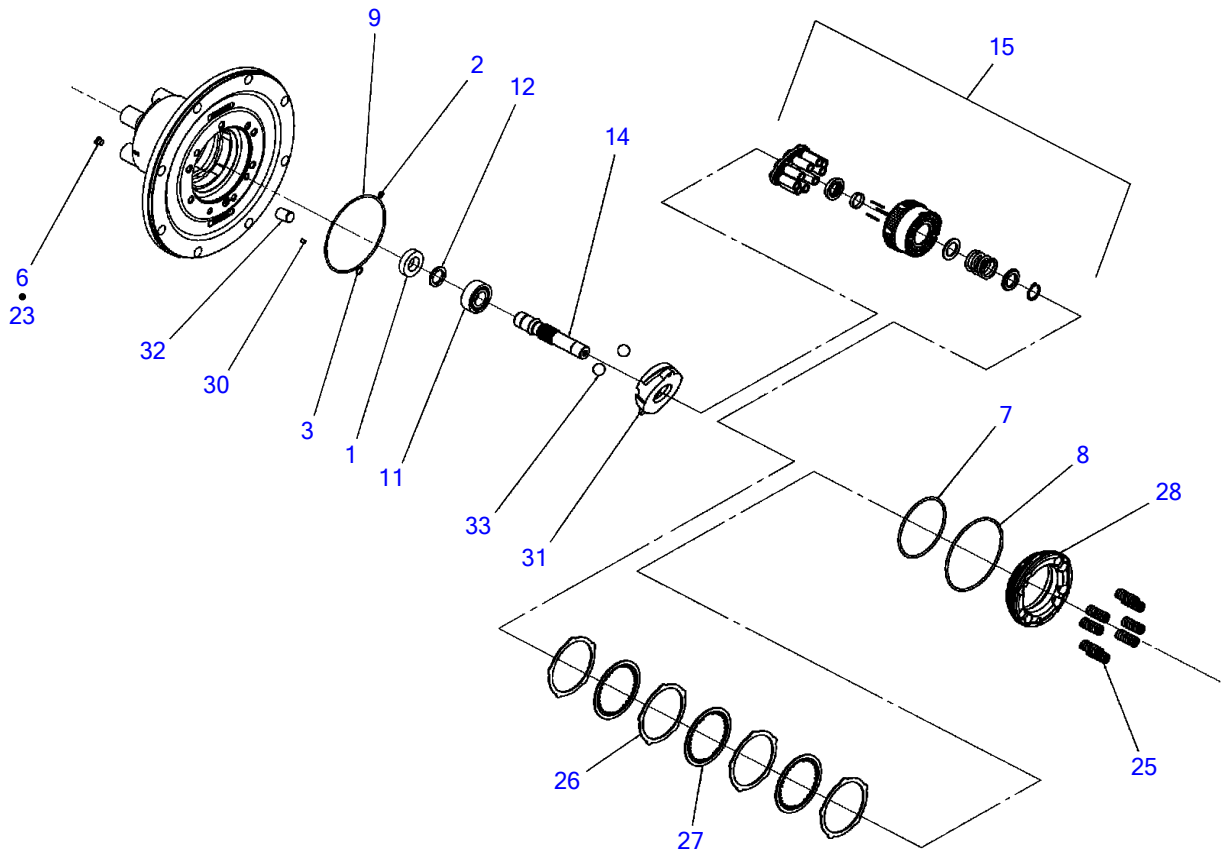


U0H020

S=free

TRAVEL MOTOR (1/3) (reduction sec.)						
Item	Part number	Description	Q'ty	Chan.	Serial No.	Serv. Remarks
0	<b>1903126600</b>	MOTOR ASSY, travel	2			M
0-1	X *****	• GEAR, reduction	1			M
1	<b>1912908702</b>	• • GEAR, ring	1			M
2	<b>1912908003</b>	• • COVER	1			M
3	<b>1912908704</b>	• • CARRIER	1			M
4	<b>1912908005</b>	• • GEAR	1			M
5	<b>1912908006</b>	• • GEAR	1			M
6	<b>1912908007</b>	• • GEAR	3			M
7	<b>1912908008</b>	• • GEAR	4			M
8	<b>1912908009</b>	• • NUT	1			M
9	<b>1912908010</b>	• • PLATE KIT, stopper	1			M
10	<b>1912908711</b>	• • PLAT, stopper	1			M
11	<b>1912908012</b>	• • RING, snap	2			M
12	<b>1912908013</b>	• • WASHER	4			M
13	<b>1912908014</b>	• • BEARING	2			M
14	<b>1912908015</b>	• • BEARING	3			M
15	<b>1912908016</b>	• • BEARING	8			M
16	<b>1912908017</b>	• • LACE, inner	4			M
17	<b>1912908018</b>	• • SEAL KIT, floating	1			M
18	<b>1912908019</b>	• • BOLT	7			M
19	<b>1100050625</b>	• • BOLT	8			M
20	<b>1140020006</b>	• • WASHER, spring	8			M
21	<b>1501810003</b>	• • PLUG	2			M
22	<b>1912908023</b>	• • PLUG	3			M
	<b>U1h060</b>					

TL230 Book No. BU1Z004 S/N 223000001-  
TRAVEL MOTOR (2/3) (motor sec.)

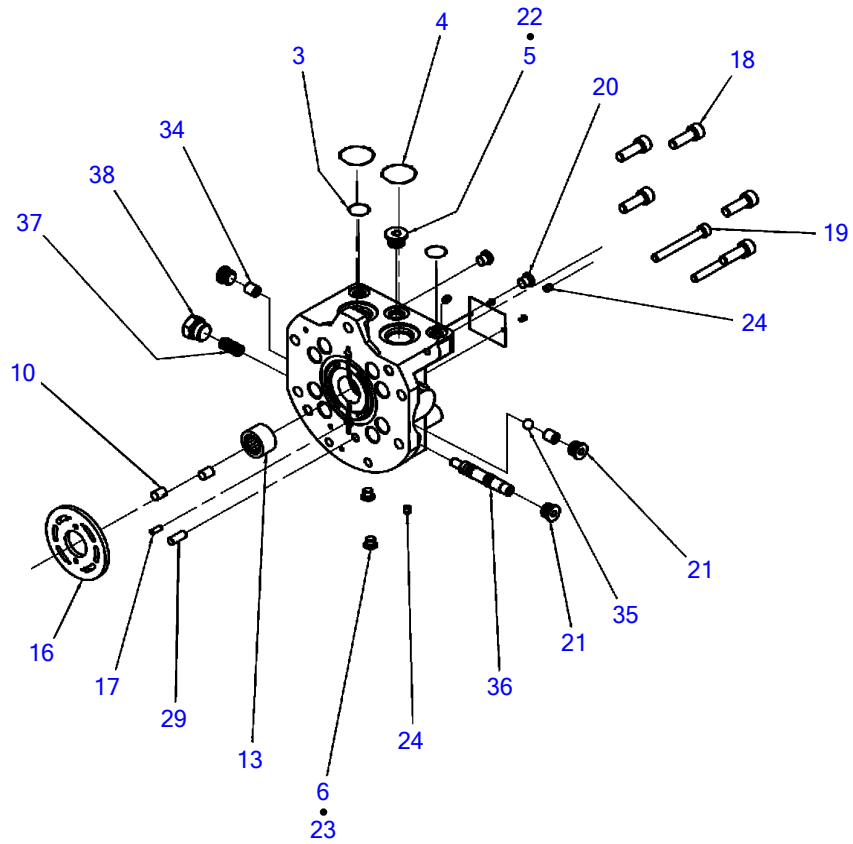


T8H150

S=free

**TRAVEL MOTOR (2/3) (motor sec.)**

Item	Part number	Description	Q'ty	Chan.	Serial No.	Serv.	Remarks
0	<b>1903126600</b>	MOTOR ASSY, travel	2			M	
0-2	X *****	• MOTOR ASSY (19039-08800)	1			M	incl. (3/3)
0-3	<b>1903907198</b>	• • KIT, seal	1			M	
1	X <b>1903907105</b>	• • • SEAL, oil	1			M	
2	X <b>1420010090</b>	• • • O-RING	1			M	
3	X <b>1420010110</b>	• • • O-RING	1			M	
6	X <b>1420300903</b>	• • • O-RING	1			M	
7	X <b>1420310244</b>	• • • O-RING	1			M	
8	X <b>1420310250</b>	• • • O-RING	1			M	
9	X <b>1420111350</b>	• • • O-RING	1			M	
11	<b>1903907102</b>	• • BEARING	1			M	
12	<b>1220000025</b>	• • RING, snap	1			M	
14	<b>1903907107</b>	• • SHAFT	1			M	
15	<b>1903907110</b>	• • CYLINDER BLOCK KIT	1			M	
23	<b>1903906427</b>	• • PLUG	1			M	
25	<b>1903907128</b>	• • SPRING	8			M	
26	<b>1903907129</b>	• • PLATE	4			M	
27	<b>1903907130</b>	• • PLATE	3			M	
28	<b>1903907131</b>	• • PISTON, brake	1			M	
30	<b>1903908036</b>	• • ORIFICE	1			M	
31	<b>1903908838</b>	• • PLATE, swash	1			M	
32	<b>1903907138</b>	• • PISTON	1			M	
33	<b>1390011600</b>	• • BALL, steel	2			M	
	<b>U1h070</b>						



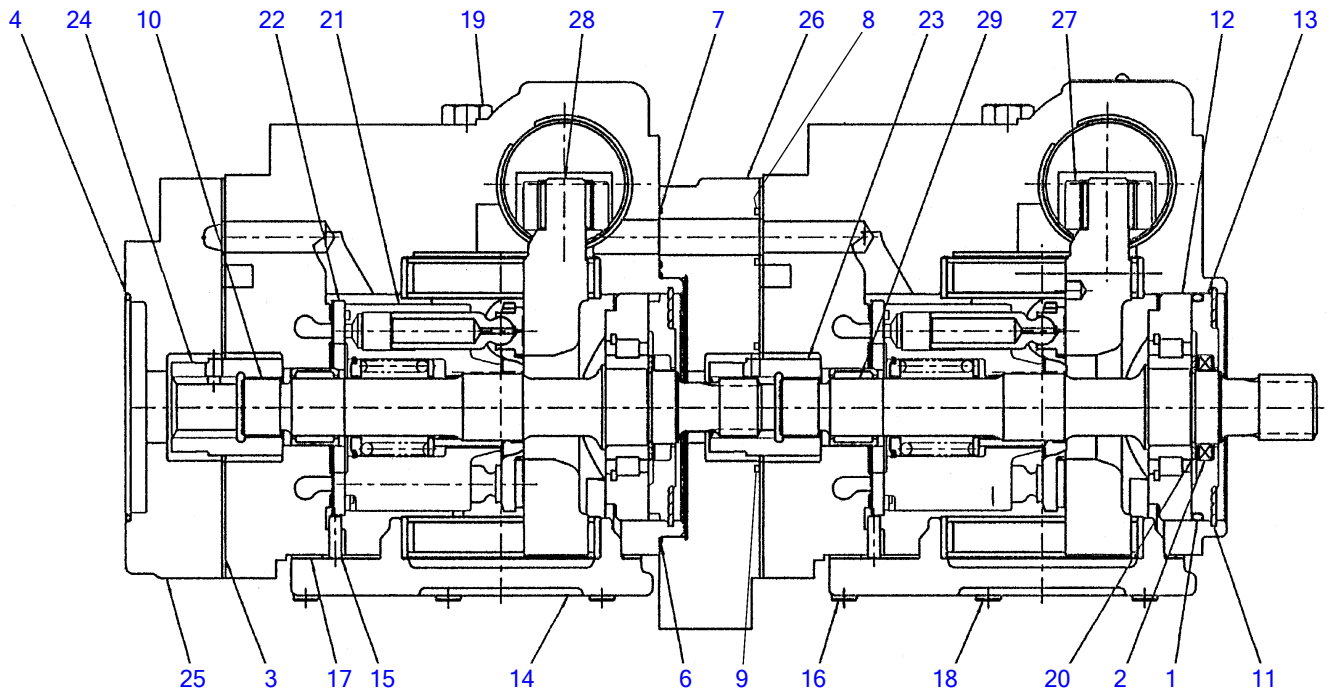
T8H160

S=free

**TRAVEL MOTOR (3/3) (valve sec.)**

Item	Part number	Description	Q'ty	Chan.	Serial No.	Serv.	Remarks
0	<b>1903126600</b>	MOTOR ASSY, travel	2			M	
0-2	X *****	• MOTOR ASSY (19039-08800)	1			M	incl. (2/3)
3	<b>1420010110</b>	• • O-RING	2			M	
4	<b>1420010224</b>	• • O-RING	4			M	
5	<b>1420010140</b>	• • O-RING	1			M	
6	<b>1420300903</b>	• • O-RING	2			M	
10	<b>1902006702</b>	• • PIN	2			M	
13	<b>1903907106</b>	• • BEARING	1			M	
16	<b>1903907111</b>	• • PLATE	1			M	
17	<b>1902007411</b>	• • PIN	1			M	
18	<b>1110021030</b>	• • SCREW, cap	5			M	
19	<b>1110020870</b>	• • SCREW, cap	2			M	
20	<b>1903007626</b>	• • PLUG ASSY	2			M	
21	<b>1901810214</b>	• • PLUG	3			M	
22	<b>1903907123</b>	• • PLUG	1			M	
23	<b>1903906427</b>	• • PLUG	2			M	
24	<b>1903906827</b>	• • PLUG	3			M	
29	<b>1903906832</b>	• • PIN	1			M	
34	<b>1903906840</b>	• • PLUG	2			M	
35	<b>1390010600</b>	• • BALL, steel	1			M	
36	<b>1903906842</b>	• • SPOOL	1			M	
37	<b>1903906843</b>	• • SPRING	1			M	
38	<b>1903007636</b>	• • PLUG ASSY	1			M	
	<b>U1h080</b>						

TL230 Book No. BU1Z004 S/N 223000001-  
HYDRAULIC PUMP (1/4)



U1H090

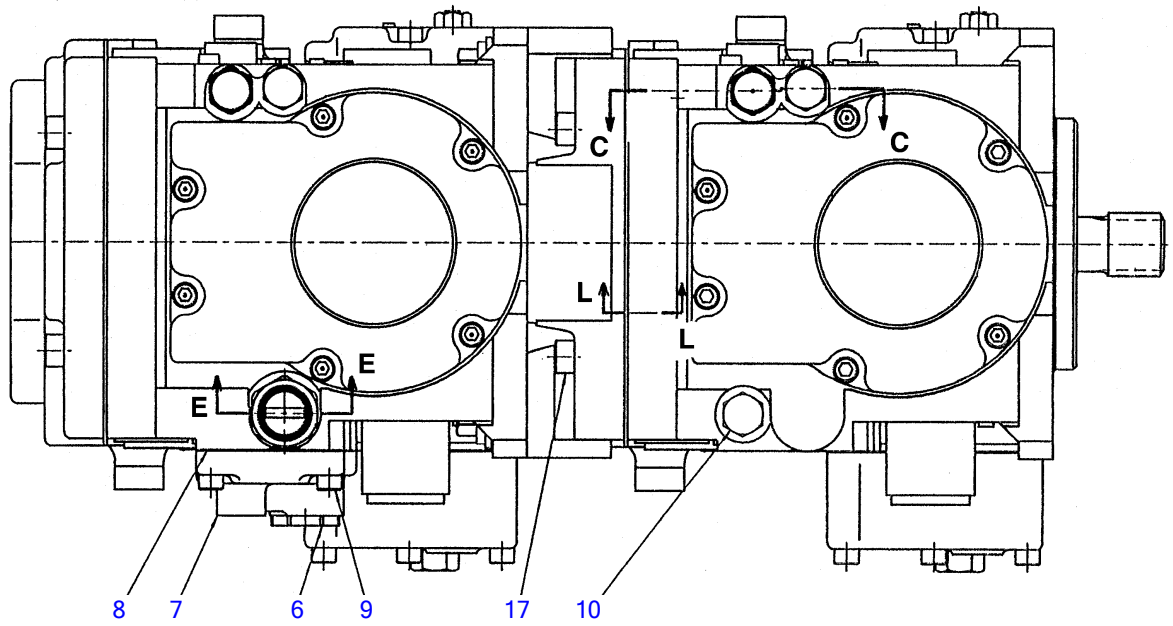
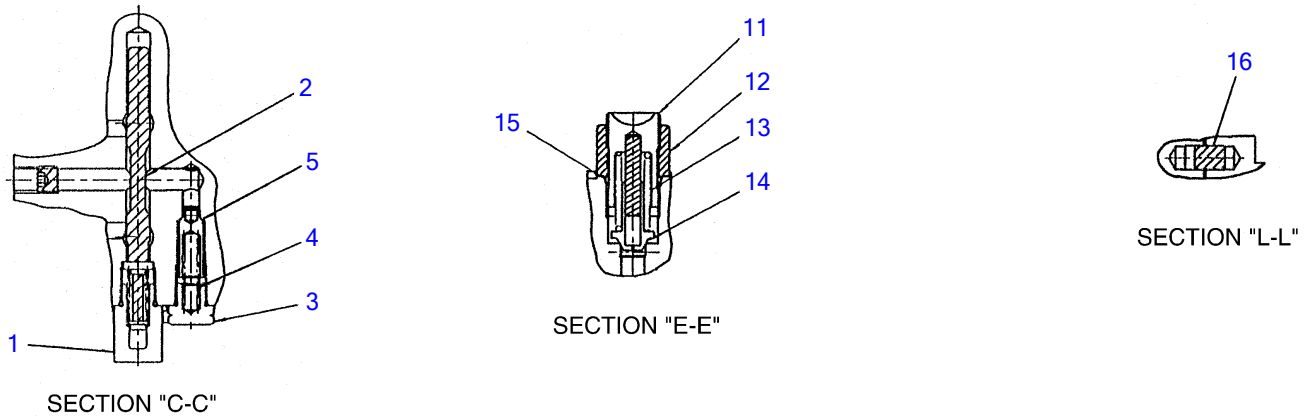
S=FREE



**HYDRAULIC PUMP (1/4)**

Item	Part number	Description	Q'ty	Chan.	Serial No.	Serv.	Remarks
0	<b>1902020200</b>	PUMP, hydraulic	1				
0-1	<b>1902020299</b>	• KIT, seal	1				
1	X <b>1902016507</b>	• • O-RING	1				
2	X <b>1902016508</b>	• • SEAL, lip	1				
3	X <b>1902020357</b>	• • GASKET	1				
4	X <b>1420300152</b>	• • O-RING	1				
6	X <b>1902016566</b>	• • O-RING	1				
7	X <b>1902016565</b>	• • O-RING	1				
8	X <b>1902019270</b>	• • O-RING	1				
9	X <b>1902019285</b>	• • O-RING	1				
10	<b>1902017404</b>	• SHAFT (13T)	1				
11	<b>1902016505</b>	• RING, retaining	2				
12	<b>1902016506</b>	• BEARING	2				
13	<b>1902017409</b>	• SEAL, carrier	2				
14	<b>1902017412</b>	• COVER ASSY	2				
15	<b>1902017413</b>	• PIN	2				
16	<b>1110020620</b>	• SCREW, cap	4				
17	<b>1902020215</b>	• GASKET	2				
18	<b>1110020630</b>	• SCREW, cap	8				
19	<b>1902019215</b>	• PLUG ASSY	4				
20	<b>1902016520</b>	• RING, retaining	2				
21	<b>1902017428</b>	• KIT, cylinder block	2				
22	<b>1902017429</b>	• PLATE, valve	2				
23	<b>1902016557</b>	• COUPLING	1				
24	<b>1902016558</b>	• COUPLING	1				
25	<b>1902017449</b>	• ADAPTOR, A pat	1				
26	<b>1902019271</b>	• ADAPTOR, B pat	1				
27	<b>1902017401</b>	• BEARING	2				
28	<b>1902017402</b>	• PLATE, swash	2				
29	<b>1902017403</b>	• SHAFT (15T)	1				
	<b>U1h090</b>						

TL230 Book No. BU1Z004 S/N 223000001-  
HYDRAULIC PUMP (2/4)

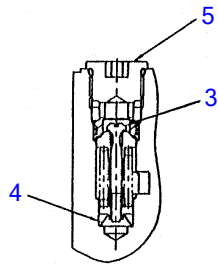


T8H100

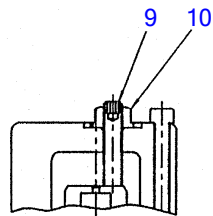
S=FREE

**HYDRAULIC PUMP (2/4)**

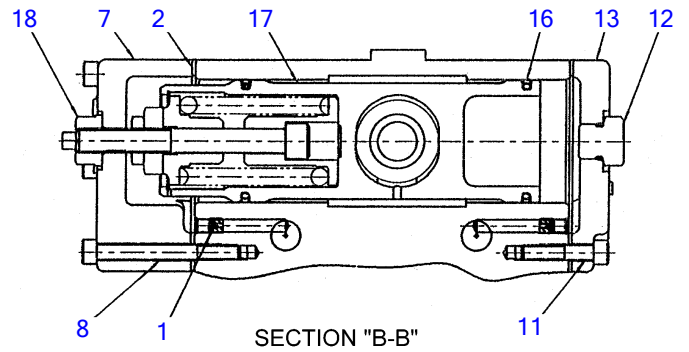
Item	Part number	Description	Q'ty	Chan.	Serial No.	Serv.	Remarks
0	<b>1902020200</b>	PUMP, hydraulic	1				
1	<b>1902017430</b>	▪ PLUG ASSY	2				
2	<b>1902020244</b>	▪ SPOOL ASSY	2				
3	<b>1902017432</b>	▪ PLUG ASSY	2				
4	<b>1902017433</b>	▪ SPRING	2				
5	<b>1902017434</b>	▪ POPPET	2				
6	<b>1902006725</b>	▪ PLUG	1				
7	<b>1902017436</b>	▪ ADAPTOR	1				
8	<b>1902016548</b>	▪ GASKET	1				
9	<b>1110040830</b>	▪ SCREW, cap	7				
10	<b>1902019215</b>	▪ PLUG ASSY	1				
11	<b>1902016551</b>	▪ PLUG ASSY	1				
12	<b>1902016552</b>	▪ NUT	1				
13	<b>1902016553</b>	▪ SPRING	1				
14	<b>1902016554</b>	▪ POPPET	1				
15	<b>1902018812</b>	▪ O-RING	1				
16	<b>1902006702</b>	▪ PIN	4				
17	<b>1902020358</b>	▪ SCREW, cap	8				
	<b>U1h100</b>						



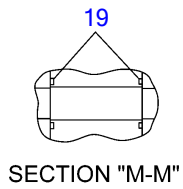
SECTION "D-D"



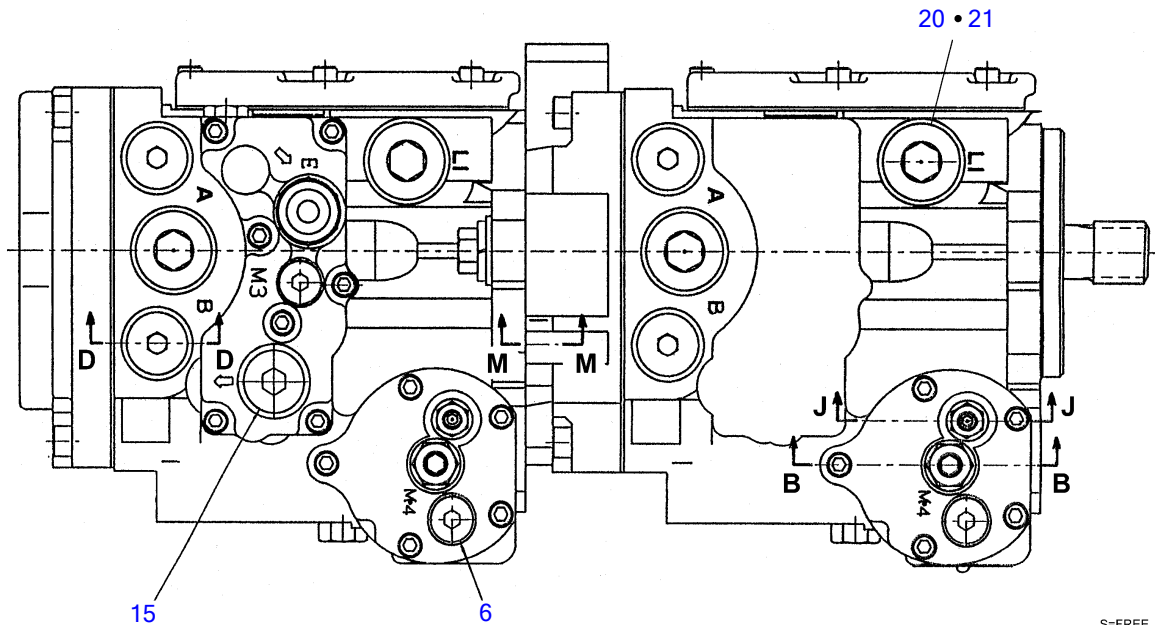
SECTION "J-J"



SECTION "B-B"



SECTION "M-M"

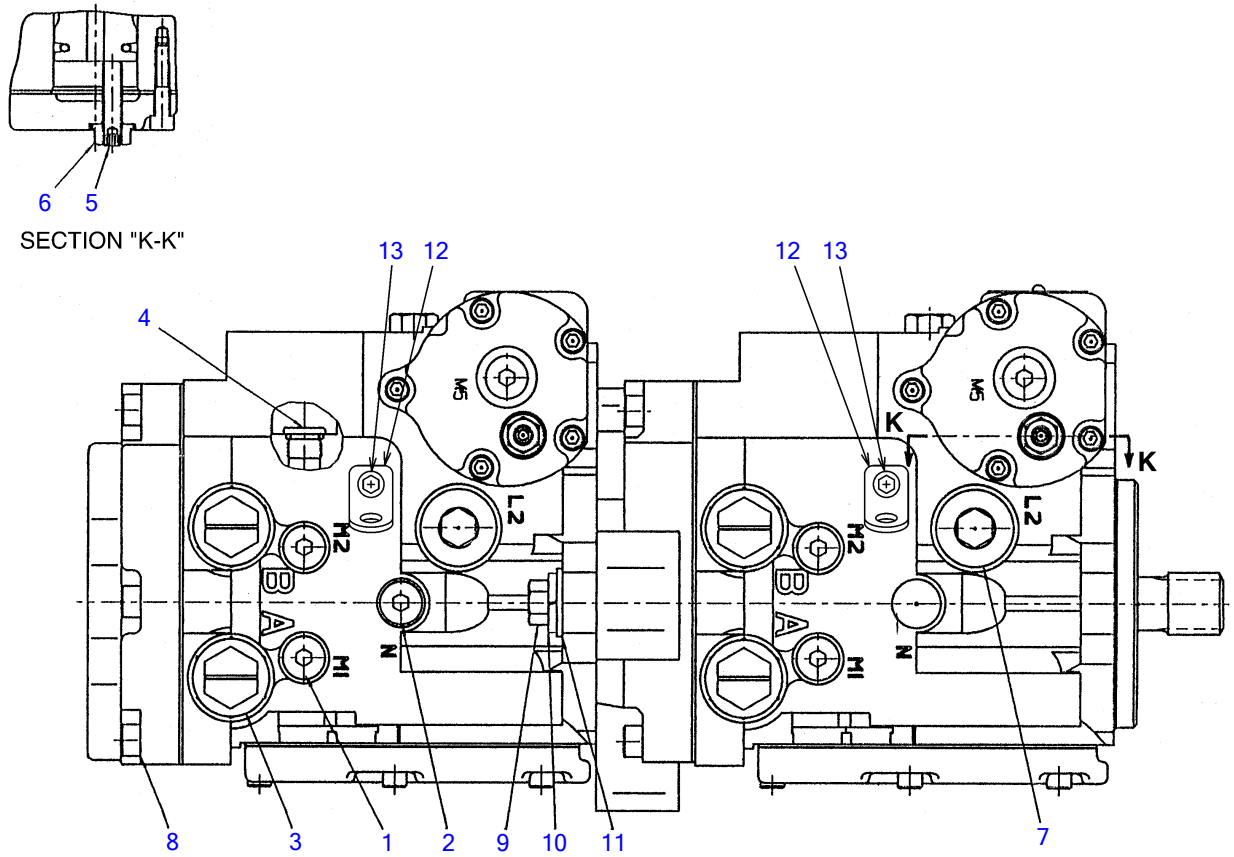


U1H110

S=FREE

**HYDRAULIC PUMP (3/4)**

Item	Part number	Description	Q'ty	Chan.	Serial No.	Serv.	Remarks
0	<b>1902020200</b>	PUMP, hydraulic	1				
1	<b>1902016511</b>	▪ ORIFICE	4				
2	<b>1902020216</b>	▪ GASKET	4				
3	<b>1902019229</b>	▪ VALVE	4				
4	<b>1902020736</b>	▪ SPRING	4				
5	<b>1902018817</b>	▪ PLUG ASSY	4				
6	<b>1902019215</b>	▪ PLUG ASSY	2				
7	<b>1902017424</b>	▪ COVER	2				
8	<b>1110040660</b>	▪ SCREW, cap	10				
9	<b>1902017425</b>	▪ SCREW	2				
10	<b>1902017119</b>	▪ NUT, seal	2				
11	<b>1110040630</b>	▪ SCREW, cap	10				
12	<b>1902017410</b>	▪ PLUG ASSY	2				
13	<b>1902020234</b>	▪ COVER	2				
15	<b>1902006768</b>	▪ PLUG	1				
16	<b>1902016555</b>	▪ RING, back-up	2				
17	<b>1902017444</b>	▪ PISTON ASSY	2				
18	<b>1902017729</b>	▪ NUT, seal	2				
19	<b>1902016564</b>	▪ O-RING	2				
20	<b>1902007412</b>	▪ PLUG	4				
21	<b>1902020223</b>	▪ O-RING	4				
	<b>U1h110</b>						



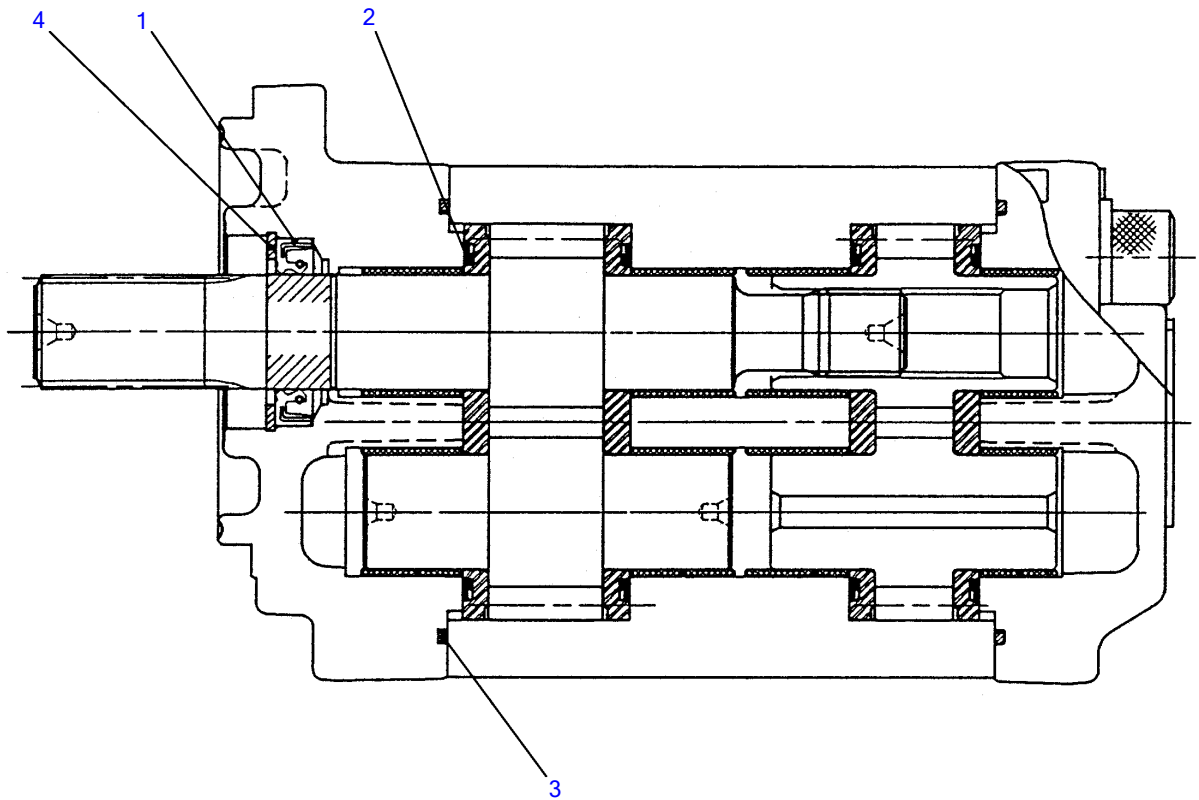
T8H121

S=FREE

**HYDRAULIC PUMP (4/4)**

Item	Part number	Description	Q'ty	Chan.	Serial No.	Serv.	Remarks
0	<b>1902020200</b>	PUMP, hydraulic	1				
1	<b>1902019215</b>	▪ PLUG ASSY	4				
2	<b>1902019215</b>	▪ PLUG ASSY	1				
3	<b>1902007451</b>	▪ PLUG ASSY	4				
4	<b>1902019215</b>	▪ PLUG ASSY	2				
5	<b>1902017425</b>	▪ SCREW	2				
6	<b>1902017719</b>	▪ NUT, seal	2				
7	<b>1902007412</b>	▪ PLUG	2				
8	<b>1902020358</b>	▪ SCREW, cap	7				
9	<b>1902010035</b>	▪ BOLT	2				
10	<b>1902016567</b>	▪ WASHER spring	2				
11	<b>1902010037</b>	▪ WASHER	2				
12	<b>1902020297</b>	▪ PLATE	2				
13	<b>1902020298</b>	▪ BOLT	2				
	<b>U1h120</b>						

TL230 Book No. BU1Z004 S/N 223000001-  
GEAR PUMP



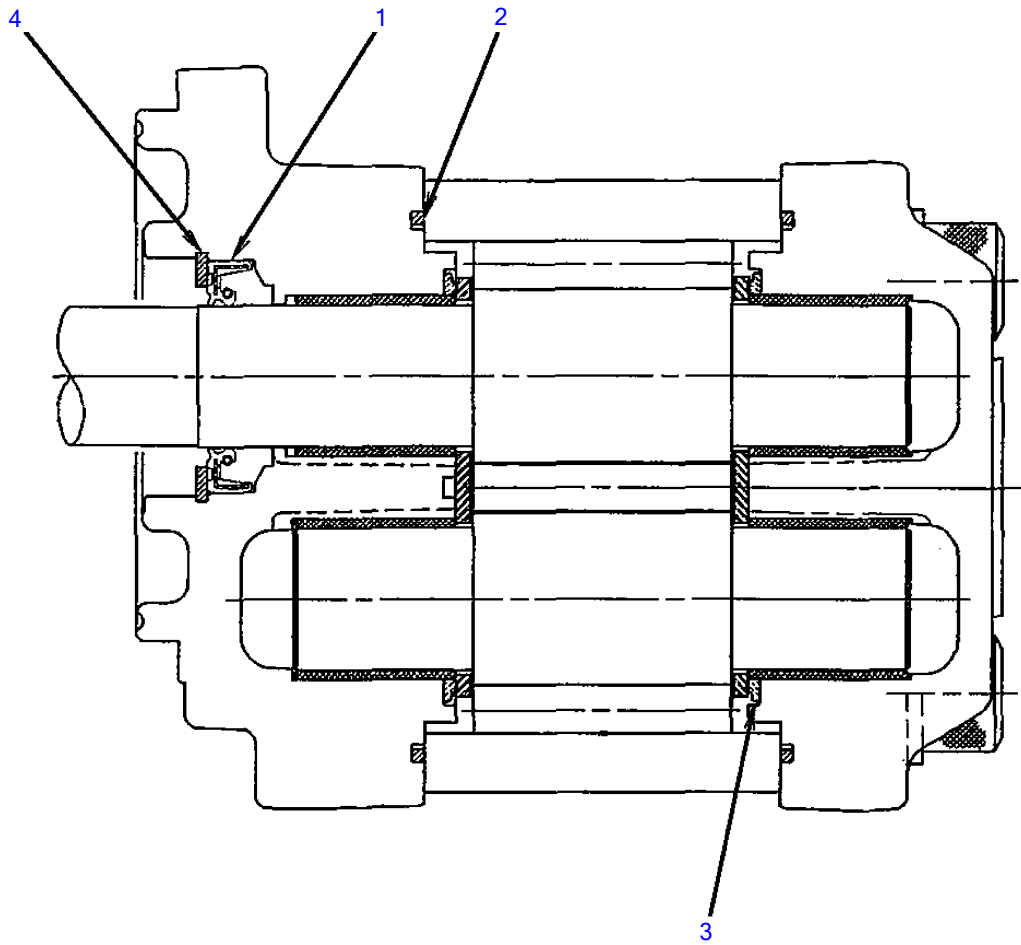
T8H130

S=FREE



**GEAR PUMP**

Item	Part number	Description	Q'ty	Chan.	Serial No.	Serv.	Remarks
0	<b>1902017900</b>	PUMP ASSY, gear	1				
0-1	<b>1902017999</b>	▪ KIT, seal	1				
1	X <b>1902017618</b>	▪ ▪ SEAL, oil	1				
2	X <b>1902017950</b>	▪ ▪ GASKET	4				
3	X <b>1902018151</b>	▪ ▪ GASKET	2				
4	X <b>1221000036</b>	▪ ▪ RING, snap	1				
	<b>T8h130</b>						



T8H170

S=free

**GEAR PUMP (high flow)**

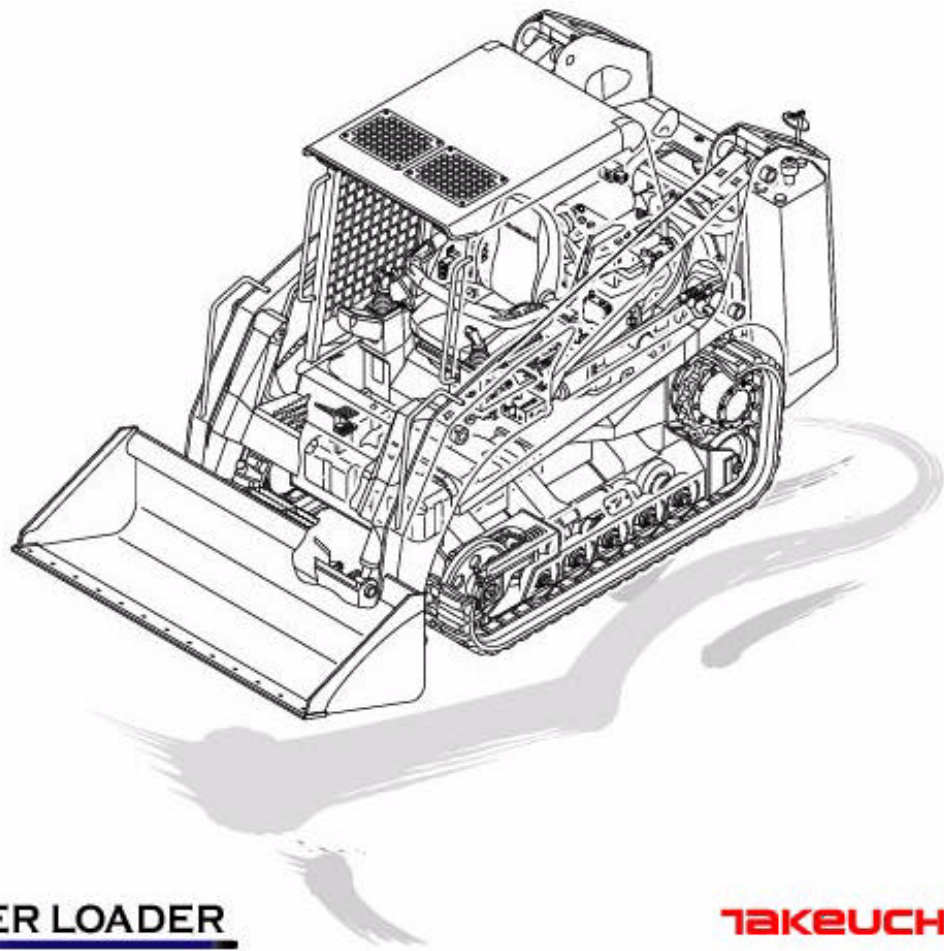
Item	Part number	Description	Q'ty	Chan.	Serial No.	Serv.	Remarks
0	<b>1902021100</b>	PUMP ASSY, gear	1				
0-1	<b>1902021199</b>	▪ KIT, seal	1				
1	X <b>1902017618</b>	▪ ▪ SEAL, oil	1				
2	X <b>1902018151</b>	▪ ▪ GASKET	2				
3	X <b>1902018150</b>	▪ ▪ GASKET	2				
4	X <b>1221000036</b>	▪ ▪ RING, snap	1				
	<b>T8h170</b>						

# PARTS MANUAL

**TL230**

Serial No. 223000001~

BU1Z004(P-TL230BAC)



**CRAWLER LOADER**

**TAKEUCHI**

**Recommended Stock List**

Item	Part number	Description	Q'ty	Chan.	Serial No.	Serv.	Remarks
		Recommended Stock List					
	1551101001	Hydraulic Filter Line	2				
	Y129939-12630	Inner Air Filter	2				
	Y129939-12621	Outer Air Filter	2				
	Y129150-35160	Engine Oil Filter	2				
	Y129004-55801	Fuel Filter	3				
	K28839901	250 Hour Filter Kit	1				
	K28839902	Annual Filter Kit	1				
	1900081399	Bucket Cylinder Seal Kit	2				
	1900081699	Arm Cylinder Seal Kit	2				
	1432500560	Floating Seal (2 pieces = 1 seal)	2				
	1432500640	Floating Seal (2 pieces = 1 seal)	2				
	1400402835	Oil Seal	2				
	1422010500	O-Ring P-45	2				
	1421020500	Backup Ring	2				
	1515600200	Adaptor	2				
	1501750002	Plug	2				
	1914200230	Tooth	10				
	1914200023	Lock	10				
	1914202300	Adaptor	10				
	0880612070	Pin	2				
	0007000070	Spring TL Series	2				
	1213001250	Spring Pin M12 X 50	1				
	0007000119	Spring	2				
	0881612040	LH Lever	2				
	0881512050	RH Lever	2				
	0881612060	Yoke	2				
	0881512150	Pin	2				
	0001323506	Pin	2				
	0001672004	Pin	2				
	0880612060	Washer	2				
	0880604910	Stopper	2				
	0880825650	Door Striker	1				
	1914061410	Rubber Track	2				
	0880168210	Sprocket	2				
	1552100500	Fuel Cap	1				
	1700100052	Starter Switch	1				
	1703006902	Bulb	1				
	1700100019	Key (qty 1 = 2 keys)	2				
	1703006605	Bulb	2				
	Y129940-42320	Fan Belt	1				
	1700000010	Light Switch	1				
	1919060104	Red Aerosol Paint	2				
	1919060139	Light Gray Aerosol Paint	2				
	1919060140	Medium Gray Aerosol Paint (070)	2				
	1560001000	Straight Grease Fitting	10				
	1560001675	Grease Fitting 45 degree	6				
	1560001900	Grease Fitting 90 degree	6				
	0664001370	Upper Radiator Hose	1				
	0880408030	Lower Radiator Hose	1				

Item	Part number	All TL230 Manuals		Q'ty	Chan.	Serial No.	Serv.	Remarks
		Description						
		TL230 Manuals						
	<b>LTL2300001SP</b>	Operators Manual TL1220/TL230/TL240/TL250 AU1S000 Spanish		1				
	<b>LTL2300001</b>	Operators Manual TL220/TL230/TL240/TL250 AU1E004		1				
	<b>LTL23000003</b>	Parts Manual TL230 BU1Z003 Interim Tier 4		1				
	<b>LTL23000004</b>	Service Manual TL230 CU1E001		1				

# PREFACE

1. This parts catalog is the 1st edition of 4TNV98-ZNTBL for Takeuchi Mfg. Co., Ltd.

Pub.No. : 000Y00D9780

Published : September,2007

2. Model name

Engine model	Vehicle		Vehicle made by
	Products	Model name	
4TNV98-ZNTBL	Track Loader	TL230	Takeuchi Mfg. Co., Ltd.

Engine for TL230 4TNV98-ZNTBL

0-1

Part No

ENGINE  
4TNV98-ZNTBL  
2008.7.11



# Engine for TL230 4TNV98-ZNTBL

## How to read this Parts Catalog.

1. Parts mentioned in Parts Catalog may not necessarily be standard equipping parts
2. Parts change may be made without prior notice.
3. Form of this Parts Catalog.

Y00F2161 29. FUEL INJECTION PUMP (W/BOOST)											
① REF.	② LEV.	PARTS No.	DESCRIPTION	QTY						I	R
				(A)	(B)	(C)	(D)	(E)	(F)		
1		729595-51390	FUEL INJECTION PUMP	1	1	1	1	1	1		④
1-1	1	729595-51391 (A=E00185) (B=E00200)	FUEL INJECTION PUMP	1	1	1	1	1	1	N	⑥
3	2	26022-060162	SCREW M 6X16	9	9	9	9	9	9		
1 3-1	2	26022-060162 (A=E00156) (B=E00156) (C=E00156) (D=E00156) (E=E00156)	SCREW M 6X16	4	4	4	4	4	4	K	
4	2	129470-51040	CAMSHFT	9	9	9	9	9	9		
5	2	122710-51050	BEARING. ROLLER	9	9	9	9	9	9		
6	2	129470-51060	RETAINER	9	9	9	9	9	9		

Remarks  
 (1) BOOST COMPENSATOR TYPE.  
 OPTIONAL PART. TO E#00155  
 (4JH-DT, 4JH-DTZ)

### ① Ref. No.

The Ref. No. in the list may not be in accordance with the Ref. No. on illustration.  
 (Ex.) illustration No. List heed No.

$\frac{1}{1}$  (Before change)  $\rightarrow$   $\frac{1}{1-1}$  (After change)

When interchangeable symbol N, and k, illustrations for the new parts are sometimes omitted.

### ② Lev. (Level)

Indication and Meaning of Level

Level Hereunder is given the relation among the number of number (1,2,3) the level and the nominal parent-child relationship.

- 1 ---- Parent parts (Assembly parts)
- 2 ---- Child parts included in " 1 " (Semi-Assembly parts, component parts of Assembly parts.)
- 3 ---- Child parts included in " 2 ", Grand-child parts in terms of " 1 ".  
 (Component parts of Semi-Assembly parts.)

Note) A parts of non-sale parts are illustrated but not listed.

### ③ Change Mark

Change Mark " I " is given to the part for which a design change was made at this time.  
 The design change was not shown in the last published Parts Catalog.

### ④ Interchangeability Mark

In the case where a part change took place, one of the following interchangeability marks is indicated for that part

Symbol	Interchangeability	Contents note
N	Old $\leftarrow \rightleftarrows$ New	New Part is interchangeable for Old Part but not interchangeable conversely.
Q	Old $\leftarrow \rightarrow$ New	New Part is not interchangeable for Old Part but interchangeable conversely.
R	Old $\leftarrow \rightleftarrows$ New	New Part is interchangeable for Old Part and vice versa.
S	Old $\leftarrow \rightarrow$ New	New Part is not interchangeable for Old Part and vice versa.
W		Part newly added.
Z		Part discontinued.
F		Not interchangeable single part but interchangeable by set of the related parts.
K		Changed only in quantity used.

### ⑤ Effective Machine No.

When a part is changed, Effective Machine No. of a Model for which the part is applicable is indication  
 In each column of (A)-(F).

Product Symbol	Product No.	Product Symbol	Product No.
C	Clutch No, Compressor No,	M	Machine No,
D	Drive No,	T	Tractor No,
E	Engine No,	Note 1)×	Date

Note 1) Date may follow the symbol in some cases.(Ex.) ×1996.01

Note 2) As far as engine models shown by " XXX " are concerned, the modification of the parts could not be Predicted or the engine models themselves could not be identified.

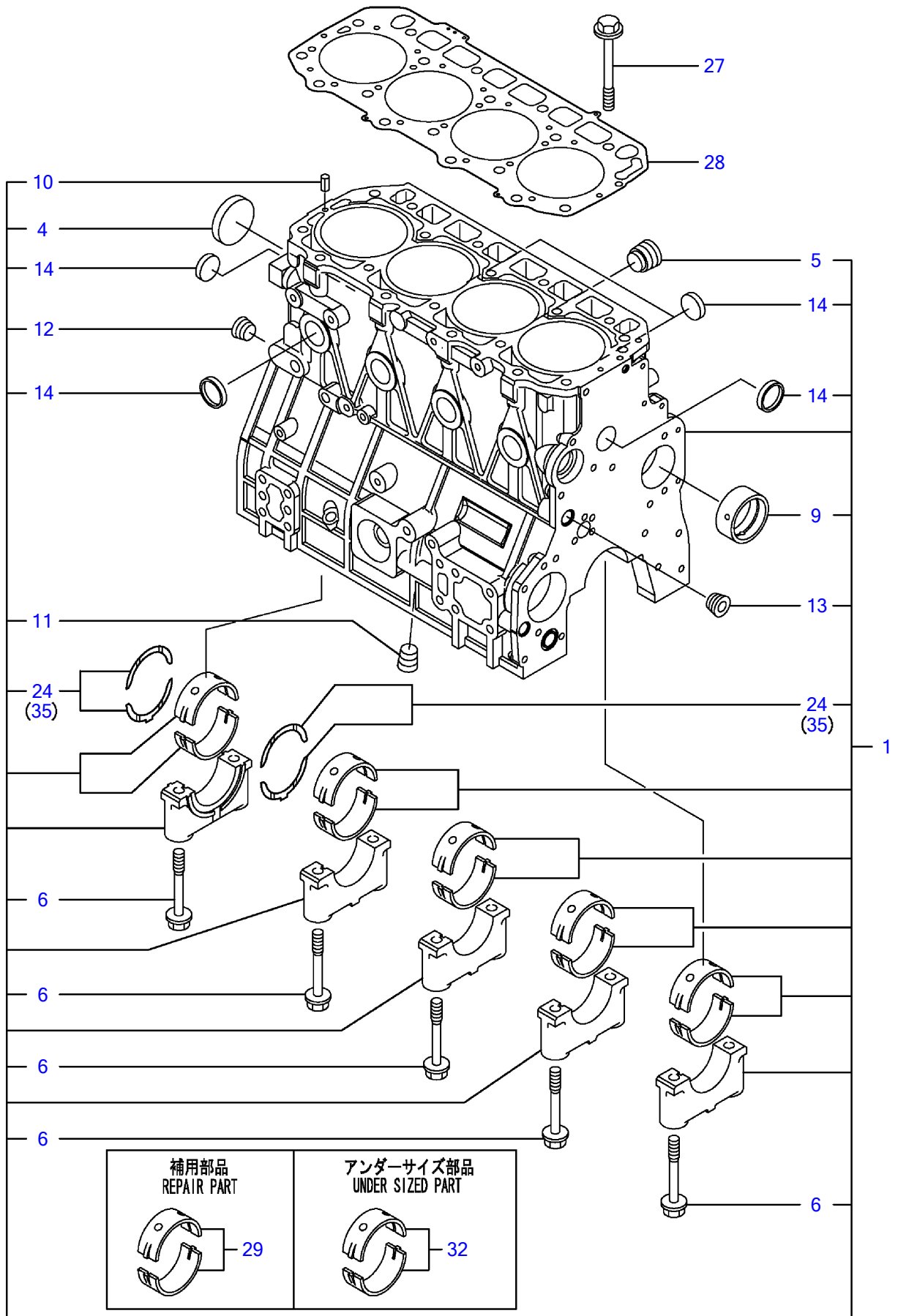
Note 3) (A=E/#00185) means that the design change on the part has been effective for the model at the, column (A) (in the case, for 4JH-DT) on and from E#(Engine Serial Number) 00185

### ⑥ Remarks Mark

Figures or alphabets (Symbols) are entered in the remark column.

The comments (remarks) on the pertinent parts are indicated in the lower part of the list by the same symbols a those stated above.

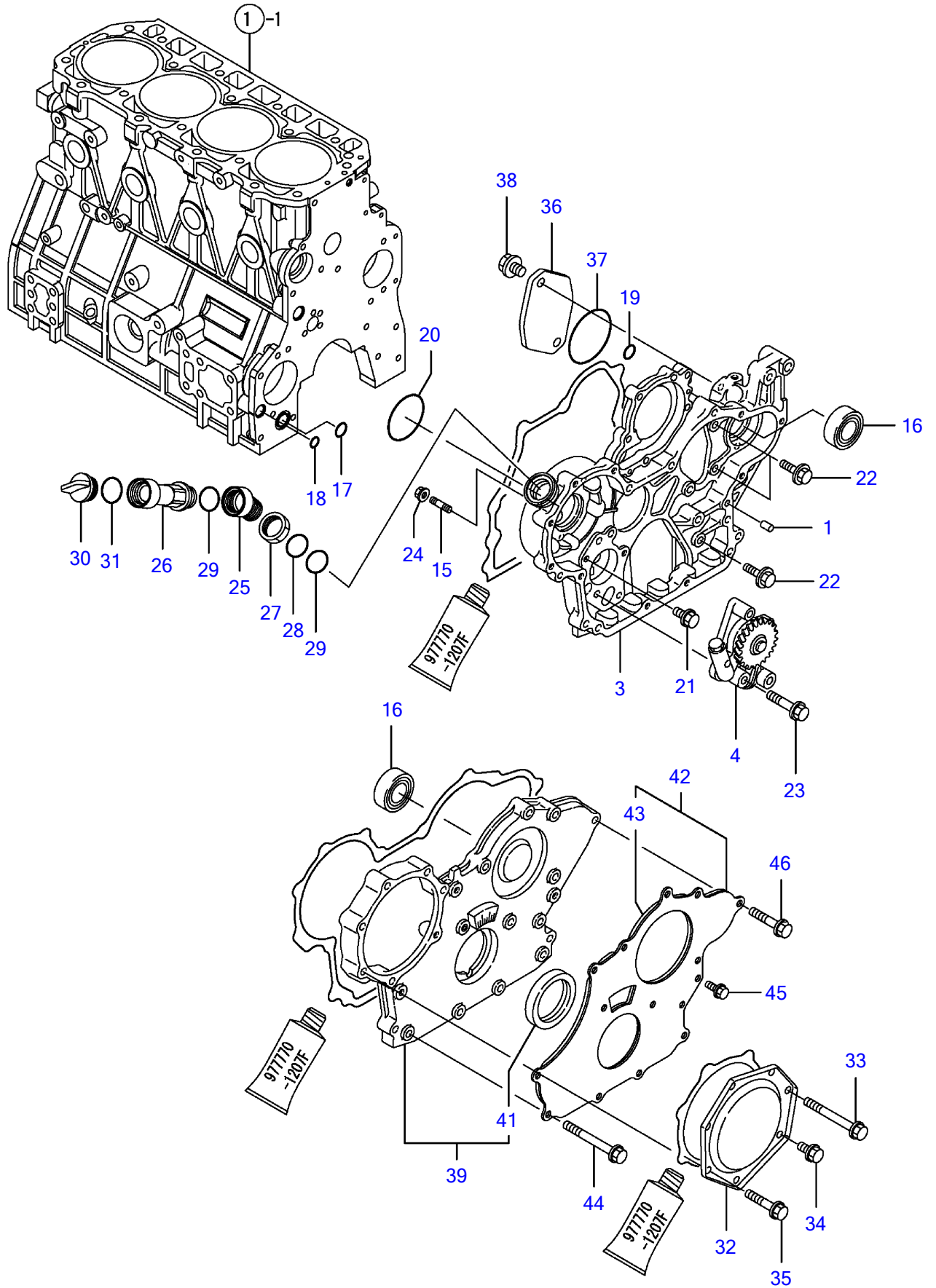
Engine for TL230 4TNV98-ZNTBL  
CYLINDER BLOCK



**Engine for TL230 4TNV98-ZNTBL  
CYLINDER BLOCK**

Item	Part No	Description	Qty
1	Y729927-01560	BLOCK ASSY, CYLINDER	1
4	Y129900-01250	• PLUG 55	1
5	Y171051-01921	• PLUG	1
6	Y129900-02020	• BOLT, METAL CAP	10
9	Y129900-02410	• BUSH, CAMSHAFT	1
10	Y22351-060012	• SPRING PIN 6X12	2
11	Y23876-030000	• PLUG PT3/8,SCREW	1
12	Y23876-030000	• PLUG PT3/8,SCREW	1
13	Y23876-030000	• PLUG PT3/8,SCREW	1
14	Y27241-300000	• PLUG 30	8
24	Y129900-02931	• BEARING ASSY, THRUST	2
27	Y129900-01200	BOLT, HEAD	18
28	Y129907-01331	GASKET,CYLINDER HEAD	1
29	Y729900-02801	MAIN BEARING SET	5
32	Y129900-02341	MAIN BEARING US=0.25	5
35	Y129900-02941	BEARING,THRUST .25OS	2

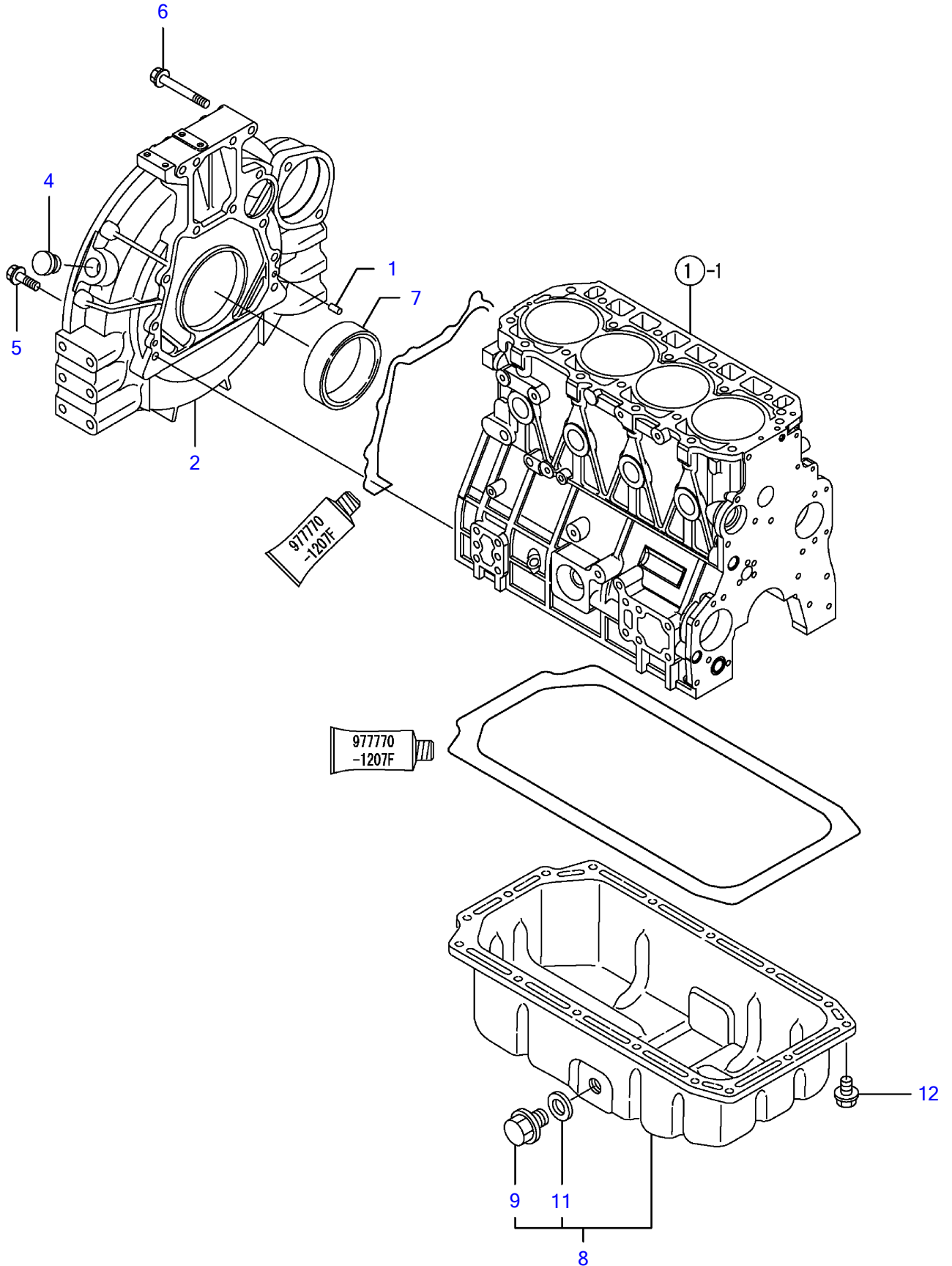
Engine for TL230 4TNV98-ZNTBL  
GEAR HOUSING



**Engine for TL230 4TNV98-ZNTBL  
GEAR HOUSING**

Item	Part No	Description	Qty
1	Y129100-01580	PARALLEL PIN 8X16	4
3	Y129962-01500	CASE, GEAR	1
4	Y129900-32001	PUMP ASSY, LUB.OIL	1
15	Y26216-100302	STUD BOLT	4
16	Y129900-26250	BALL BEARING	2
17	Y129900-32030	O-RING P20	1
18	Y129900-32040	O-RING P14	1
19	Y24311-000070	O-RING 1A P-7.0	1
20	Y24351-030750	PACKING, 3075	1
21	Y26106-080162	BOLT M 8X 16 PLATED	1
22	Y26106-080202	BOLT M 8X 20 PLATED	3
23	Y26106-080452	BOLT M 8X 45 PLATED	3
24	Y26306-100002	NUT	4
25	Y119225-11740	ADAPTOR, OIL FILLER	1
26	Y121027-11743	PIPE	1
27	Y119225-11750	NUT, OIL FILLER	1
28	Y24311-000300	O-RING 1A P-30.0	1
29	Y24311-000320	O-RING 1A P-32.0	2
30	Y124160-01751	COVER,FILLER	1
31	Y24311-000320	O-RING 1A P-32.0	1
32	Y129900-01740	COVER, F.I. PUMP	1
33	Y129001-91810	BOLT M8X70, AUTO	1
34	Y26106-080162	BOLT M 8X 16 PLATED	1
35	Y26106-080402	BOLT M 8X 40 PLATED	5
36	Y121023-26070	COVER, HO-P	1
37	Y24321-000850	O-RING 1A G-85.0	1
38	Y26106-100202	BOLT M10X 20 PLATED	2
39	Y729906-01550	HOUSING ASSY,COVER,G	1
41	Y129916-01800	· SEAL, OIL	1
42	Y129900-01850	COVER ASSY	1
43	Y129900-01870	· SPONGE	1
44	Y129001-91810	BOLT M8X70, AUTO	6
45	Y26106-080162	BOLT M 8X 16 PLATED	3
46	Y26106-080402	BOLT M 8X 40 PLATED	5

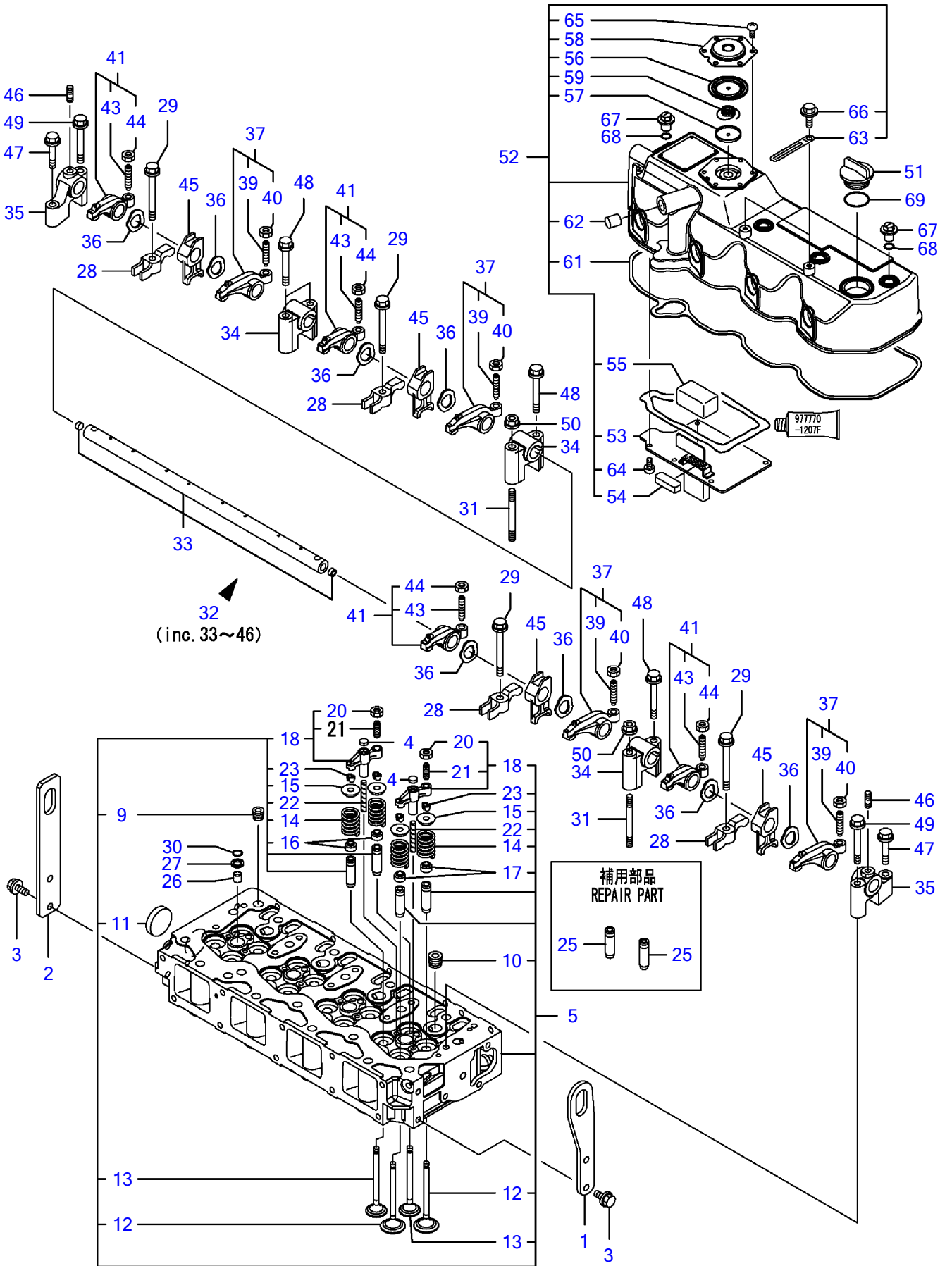
Engine for TL230 4TNV98-ZNTBL  
FLYWHEEL HOUSING & OIL SUMP



**Engine for TL230 4TNV98-ZNTBL  
FLYWHEEL HOUSING & OIL SUMP**

Item	Part No	Description	Qty
1	Y129100-01580	PARALLEL PIN 8X16	2
2	Y129953-01620	HOUSING, FLYWHEEL	1
4	Y119620-01750	CAP, FLYWHEEL COVER	1
5	Y26206-100352	BOLT M10X 35 PLATED	9
6	Y26206-100702	BOLT M10X 70 PLATED	4
7	Y129916-01790	SEAL, OIL	1
8	Y129902-01710	SUMP ASSY, OIL	1
9	Y119640-01640	· DRAIN PLUG M22	1
11	Y22190-220002	· SEAL WASHER 22S	1
12	Y26106-080122	BOLT M 8X 12 PLATED	16

# Engine for TL230 4TNV98-ZNTBL CYLINDER HEAD & BONNET

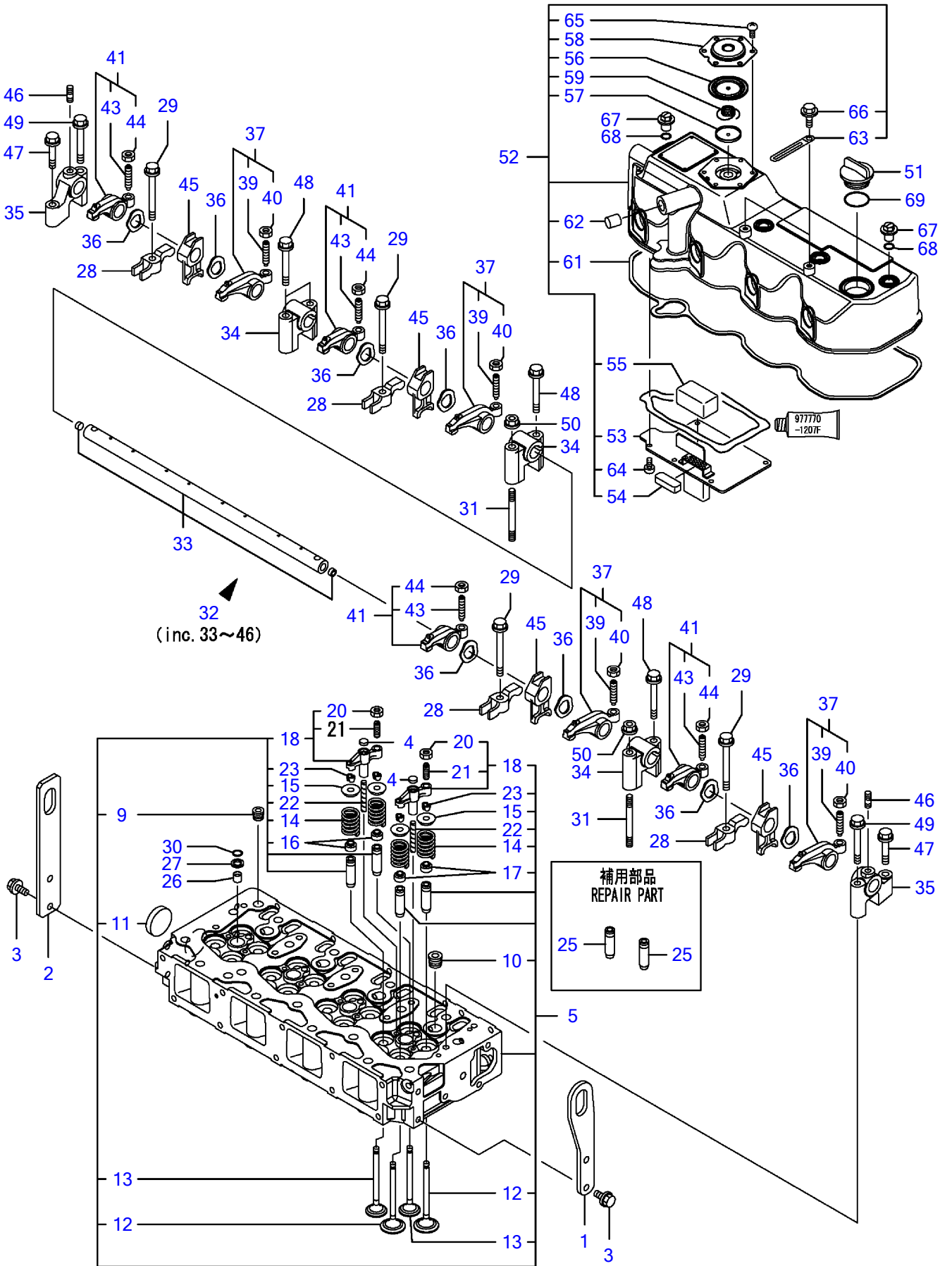




**Engine for TL230 4TNV98-ZNTBL  
CYLINDER HEAD & BONNET**

Item	Part No	Description	Qty
1	Y129907-07900	LIFTER, ENGINE	1
2	Y129944-07910	LIFTER, ENGINE	1
3	Y26106-080162	BOLT M 8X 16 PLATED	4
4	Y123907-11550	SEAT A, VALVE BRIDGE	8
5	Y129927-11700	HEAD ASSY, CYLINDER	1
9	Y23876-020000	· PLUG PT1/4, SCREW	1
10	Y23876-030000	· PLUG PT3/8, SCREW	4
11	Y27241-400000	· PLUG 40	1
12	Y129907-11100	· VALVE(INT	8
13	Y129907-11110	· VALVE(EXH	8
14	Y129907-11120	· VALVE SPRING	16
15	Y119620-11180	· RETAINER, SPRING	16
16	Y119803-11340	· SEAL, VALVE STEM(EXH	8
17	Y124160-11340	· SEAL, VALVE STEM(INT	8
18	Y129907-11510	· BRIDGE ASSY, VALVE	8
20	Y129150-11750	· · NUT M8XP1.0	8
21	Y123907-11830	· · SCRWE, VALVE BRIDGE	8
22	Y123907-11820	· GUIDE, VALVE BRIDGE	8
23	Y27310-070001	· COTTER ASSY	16
25	Y129907-11800	GUIDE, VALVE	16
26	Y119802-11870	PROTECTOR, NOZZLE	4
27	Y119625-11880	SEAT, NOZZLE	4
28	Y129907-11910	RETAINER, F.I. VALVE	4
29	Y129907-11950	FLANGE BOLT, RETAINER	4
30	Y24311-000120	O-RING 1A P 12.0	4
31	Y119593-11301	BOLT 8X80	2
32	Y129907-11341	SUPPORT CMP	1
33	Y129907-11250	· SHAFT, ROCKER ARM	1
34	Y129907-11260	· SUPPORT A	3
35	Y129907-11270	· SUPPORT B	2
36	Y123907-11280	· WAVE WASHER	8
37	Y129907-11650	· ARM ASSY, ROCKER	4
39	Y129150-11230	· · SCREW, VALVE	4
40	Y129150-11750	· · NUT M8XP1.0	4
41	Y129907-11660	· ARM ASSY, ROCKER	4
43	Y129150-11230	· · SCREW, VALVE	4
44	Y129150-11750	· · NUT M8XP1.0	4
45	Y129907-11920	· PEDESTAL, RETAINER	4
46	Y26226-080222	· STUD M 8X 22 PLATED	2
47	Y26106-080402	BOLT M 8X 40 PLATED	2
48	Y26106-080602	BOLT M 8X 60 PLATED	4
49	Y26106-080602	BOLT M 8X 60 PLATED	2
50	Y26306-080002	NUT	2
51	Y124160-01751	COVER, FILLER	1
52	Y129927-11320	BONNET ASSY	1
53	Y129907-03011	· BAFFLE PLATE	1
54	Y129907-03061	· BAFFLE	1
55	Y129907-03070	· BAFFLE	1
56	Y123907-03100	· DIAPHRAGM, BREATHER	1
57	Y123907-03110	· CENTER PLATE	1
58	Y123907-03120	· PLATE, BREATHER	1
59	Y123907-03140	· SPRING, DIAPHRAGM	1
61	Y129933-11310	· GASKET, BONNET	1
62	Y119640-61400	· PLUG	1
63	Y175339-79700	· CLIP	2
64	Y22857-500100	· SCREW 5X10, TAPPING	6
65	Y22857-500100	· SCREW 5X10, TAPPING	6
66	Y26106-060122	· BOLT M 6X 12 PLATED	2
67	Y124160-11360	KNOB	4
68	Y24311-000120	O-RING 1A P 12.0	4

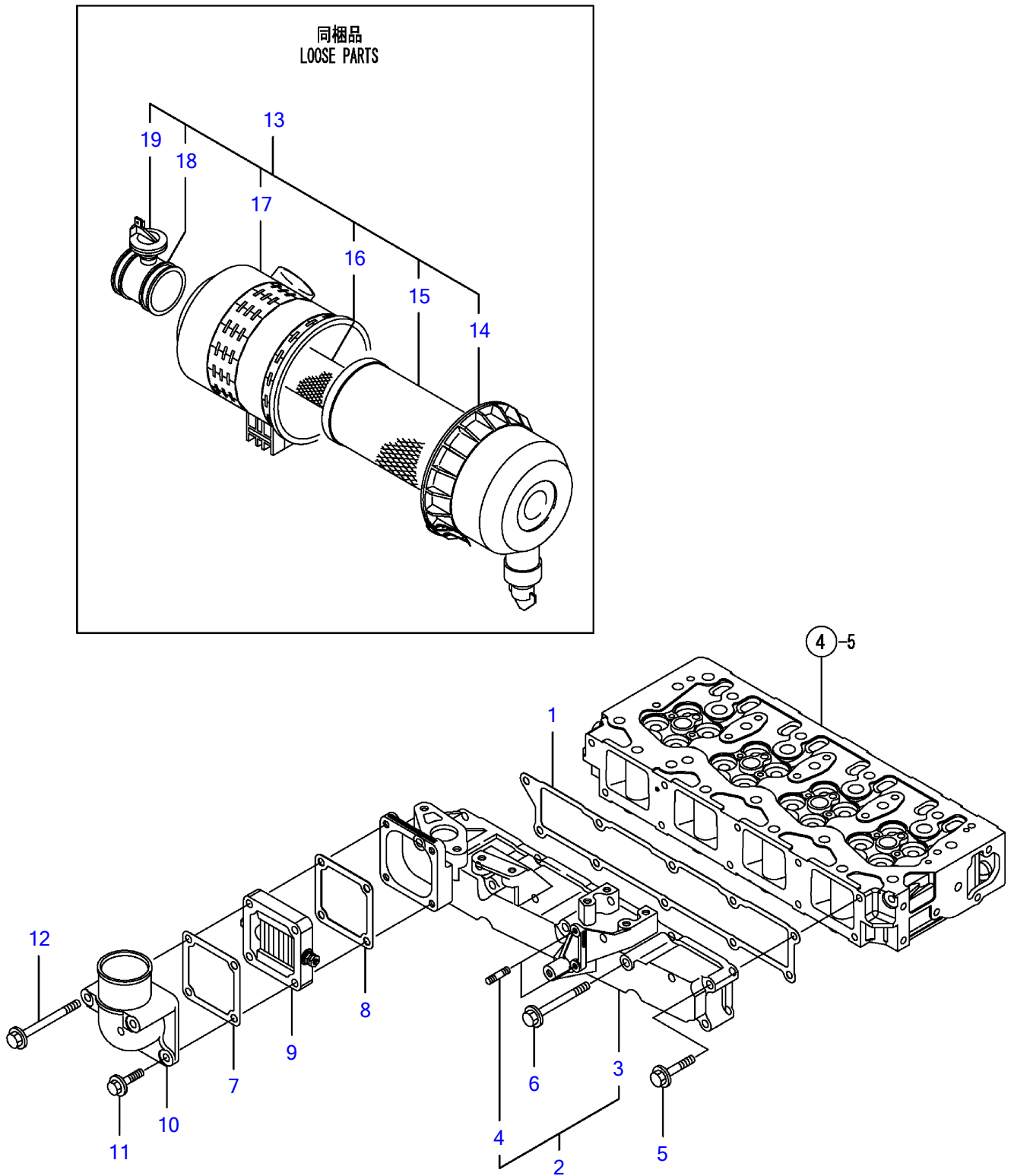
# Engine for TL230 4TNV98-ZNTBL CYLINDER HEAD & BONNET



Engine for TL230 4TNV98-ZNTBL  
CYLINDER HEAD & BONNET

Item	Part No	Description	Qty
69	Y24311-000320	O-RING 1A P-32.0	1

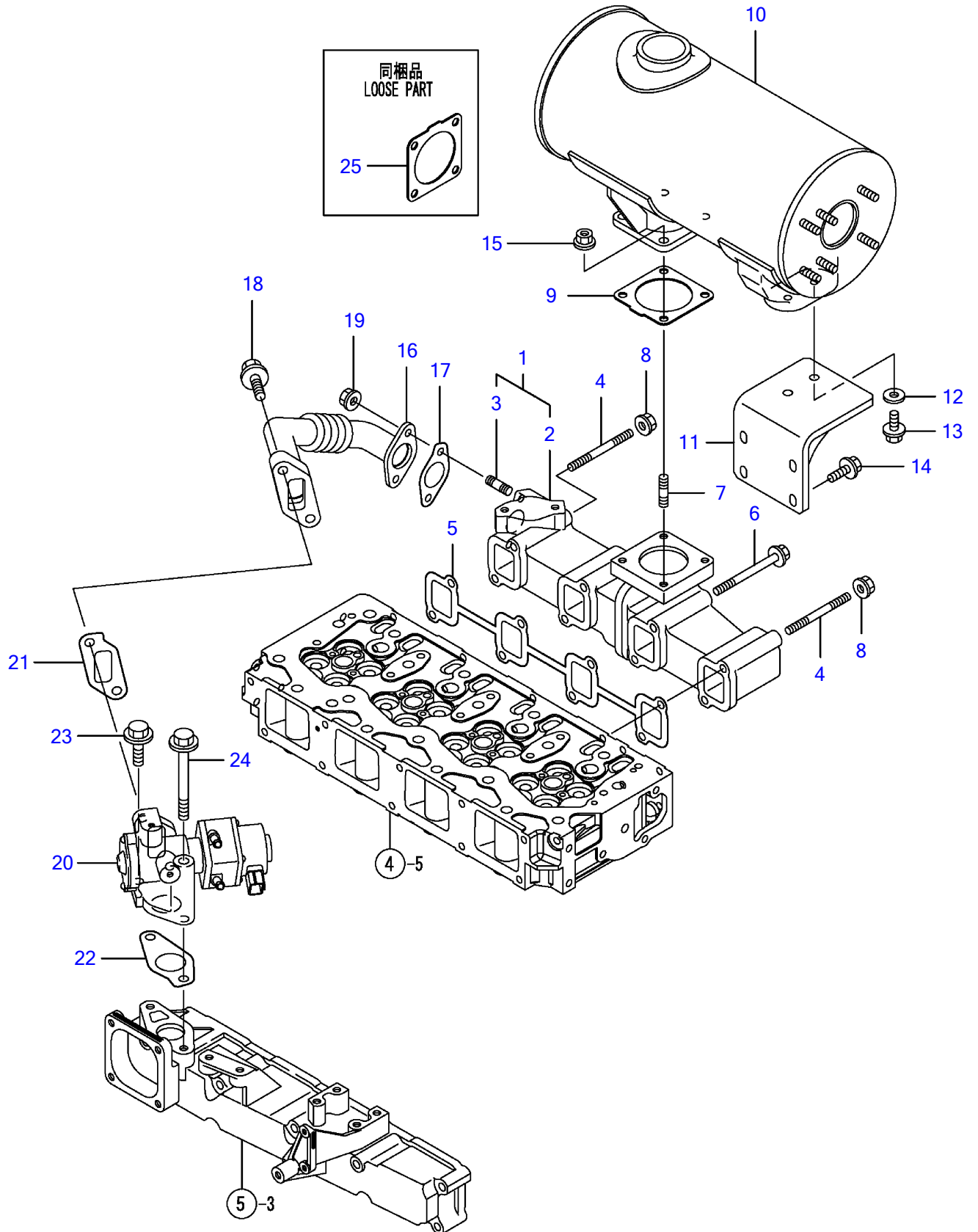
Engine for TL230 4TNV98-ZNTBL  
SUCTION MANIFOLD & AIR CLEANER



**Engine for TL230 4TNV98-ZNTBL**  
**SUCTION MANIFOLD & AIR CLEANER**

Item	Part No	Description	Qty
1	Y129907-12110	PACKING(INT.MANIFOLD	1
2	Y129927-12150	MANIFOLD CMP,INTAKE	1
3	Y129927-12100	· MANIFOLD,INTAKE	1
4	Y26216-060202	· STUD M 6X 20 PLATED	2
5	Y26106-080452	BOLT M 8X 45 PLATED	6
6	Y26106-080802	BOLT M 8X 80 PLATED	4
7	Y119129-77020	GASKET	1
8	Y121850-77021	GASKET, (NON-ASB.)	1
9	Y119005-77050	HEATER, AIR	1
10	Y119129-77520	BEND	1
11	Y26106-080402	BOLT M 8X 40 PLATED	2
12	Y26106-080902	BOLT M 8X 90 PLATED	2
13	Y129939-12510	CLEANER ASSY, AIR	1
14	Y129939-12610	· HOUSING BOTTOM	1
15	Y129939-12620	· MAIN ELEMENT	1
16	Y129939-12630	· SECONDARY ELEMENT	1
17	Y129939-12640	· BLACKET	1
18	Y129939-12650	· CONNECTINNG SOCKET	1
19	Y129948-12660	· SERVICE SWITCH	1

Engine for TL230 4TNV98-ZNTBL  
EXHAUST MANIFOLD & SILENCER



**Engine for TL230 4TNV98-ZNTBL  
EXHAUST MANIFOLD & SILENCER**

Item	Part No	Description	Qty
1	Y129927-13150	MANIFOLD ASSY,EXH	1
2	Y129927-13100	· MANIFOLD,EXHAUST	1
3	Y129418-18320	· STUD BOLT M8X20	2
4	Y129263-13210	BOLT, M8X100	2
5	Y129900-13251	GASKET	1
6	Y119802-13680	BOLT, M8X90	6
7	Y119131-18320	BOLT M 8X 22	4
8	Y26306-080002	NUT	2
9	Y129930-13201	GASKET, SILENCER	1
10	Y129944-13520	SILENCER	1
11	Y129944-13660	STAY, SILENCER	1
12	Y22157-080000	WASHER 8	2
13	Y26106-080162	BOLT M 8X 16 PLATED	2
14	Y26106-080202	BOLT M 8X 20 PLATED	4
15	Y26306-080002	NUT	4
16	Y129927-13800	PIPE(EGR CMP	1
17	Y129927-13810	GASKET, EGR PIPE	1
18	Y26106-100302	BOLT M10X 30 PLATED	2
19	Y26306-080002	NUT	2
20	Y129927-13900	EGR VALVE	1
21	Y129927-13910	GASKET(EGR-V IN	1
22	Y129927-13920	GASKET(EGR-V OUT	1
23	Y26106-100302	BOLT M10X 30 PLATED	1
24	Y26106-100952	BOLT M10X 95 PLATED	1
25	Y129930-13201	GASKET, SILENCER	1

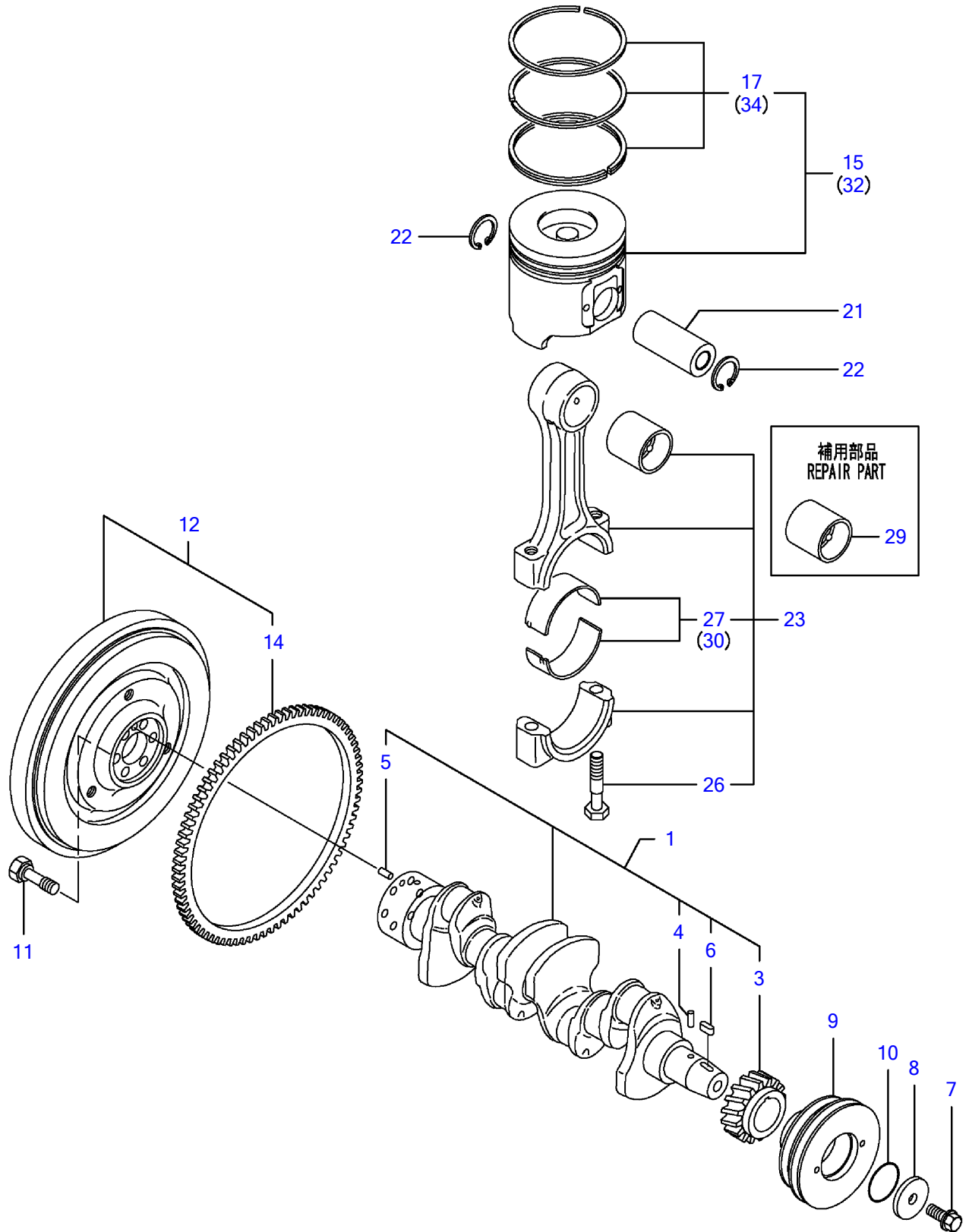




**Engine for TL230 4TNV98-ZNTBL  
CAMSHAFT & DRIVING GEAR**

Item	Part No	Description	Qty
1	Y129150-14200	TAPPET	8
2	Y129907-14400	PUSH ROD	8
3	Y129908-14590	CAMSHAFT ASSY	1
4	Y129150-02450	· METAL,THRUST(CAM	1
6	Y129900-14110	· GEAR, CAMSHAFT	1
7	Y22512-070140	· KEY 7X 14	1
8	Y26106-080162	BOLT M 8X 16 PLATED	2
9	Y123900-25060	SHAFT(GEAR,IDLE	1
10	Y129900-25110	GEAR ASSY, IDLE	1
13	Y129150-25920	BUSH, IDLE GEAR	1
14	Y26106-080552	BOLT M 8X 55 PLATED	3
15	Y129953-25300	BOLT	4
16	Y129907-25900	GEAR,F.I.PUMP	1
17	Y158563-51150	FLANGE	1
18	Y22217-180000	SPRING WASHER 18	1
19	Y26776-180002	NUT M18,LOCK	1
20	Y129900-26020	GEAR ASSY, HYDR.PUMP	1

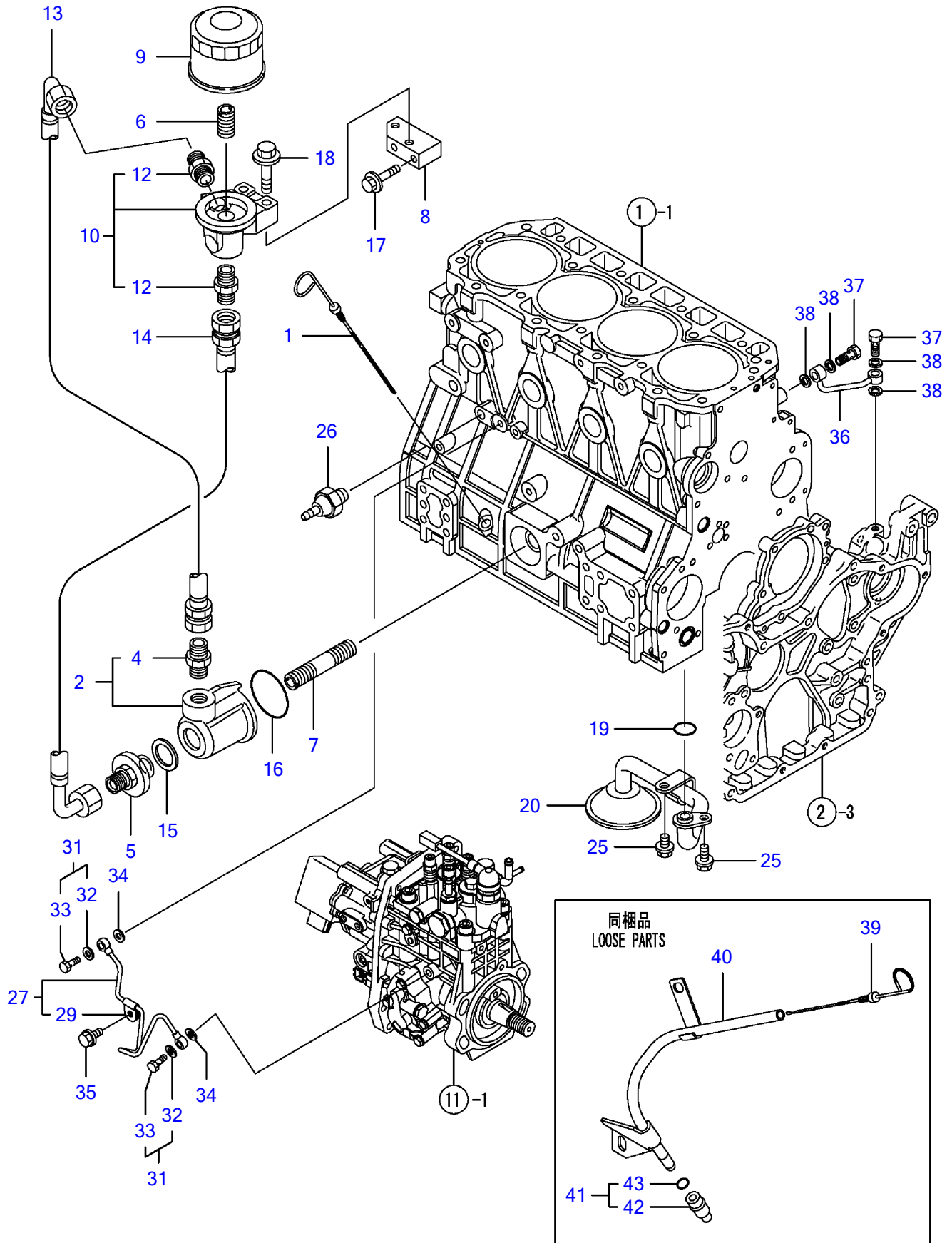
Engine for TL230 4TNV98-ZNTBL  
CRANKSHAFT & PISTON



**Engine for TL230 4TNV98-ZNTBL  
CRANKSHAFT & PISTON**

Item	Part No	Description	Qty
1	Y129902-21050	CRANKSHAFT COMP	1
3	Y129900-21220	• GEAR, CRANKSHAFT	1
4	Y121850-21290	• PARALLEL PIN	1
5	Y121850-21920	• PARALLEL PIN 10X22	1
6	Y22512-070140	• KEY 7X 14	1
7	Y129916-21610	BOLT, V-PULLEY	1
8	Y129960-21640	WASHER	1
9	Y129916-21680	V-PULLEY, CRANKSHAFT	1
10	Y24341-000530	O-RING 1A S-53.0	1
11	Y121850-21130	BOLT, FLYWHEEL	6
12	Y129953-21570	FLYWHEEL ASSY	1
14	Y129900-21600	• GEAR, RING	1
15	Y129927-22080	PISTON ASSY	4
17	Y129927-22050	• RING SET, PISTON	4
21	Y120130-22301	PIN, PISTON	4
22	Y22252-000300	CIRCLIP 30	8
23	Y129900-23001	ROD ASSY, CONNECTING	4
26	Y129900-23200	• BOLT, ROD	8
27	Y129900-23601	• METAL ASSY, CRANKPIN	4
29	Y129900-23911	BUSH, PISTON PIN	4
30	Y129900-23611	BEARING,PIN U.S=0.25	4
32	Y729927-22900	PISTON W/RING,0.25OS	4
34	Y729927-22950	• RING SET, 0.25OS	4

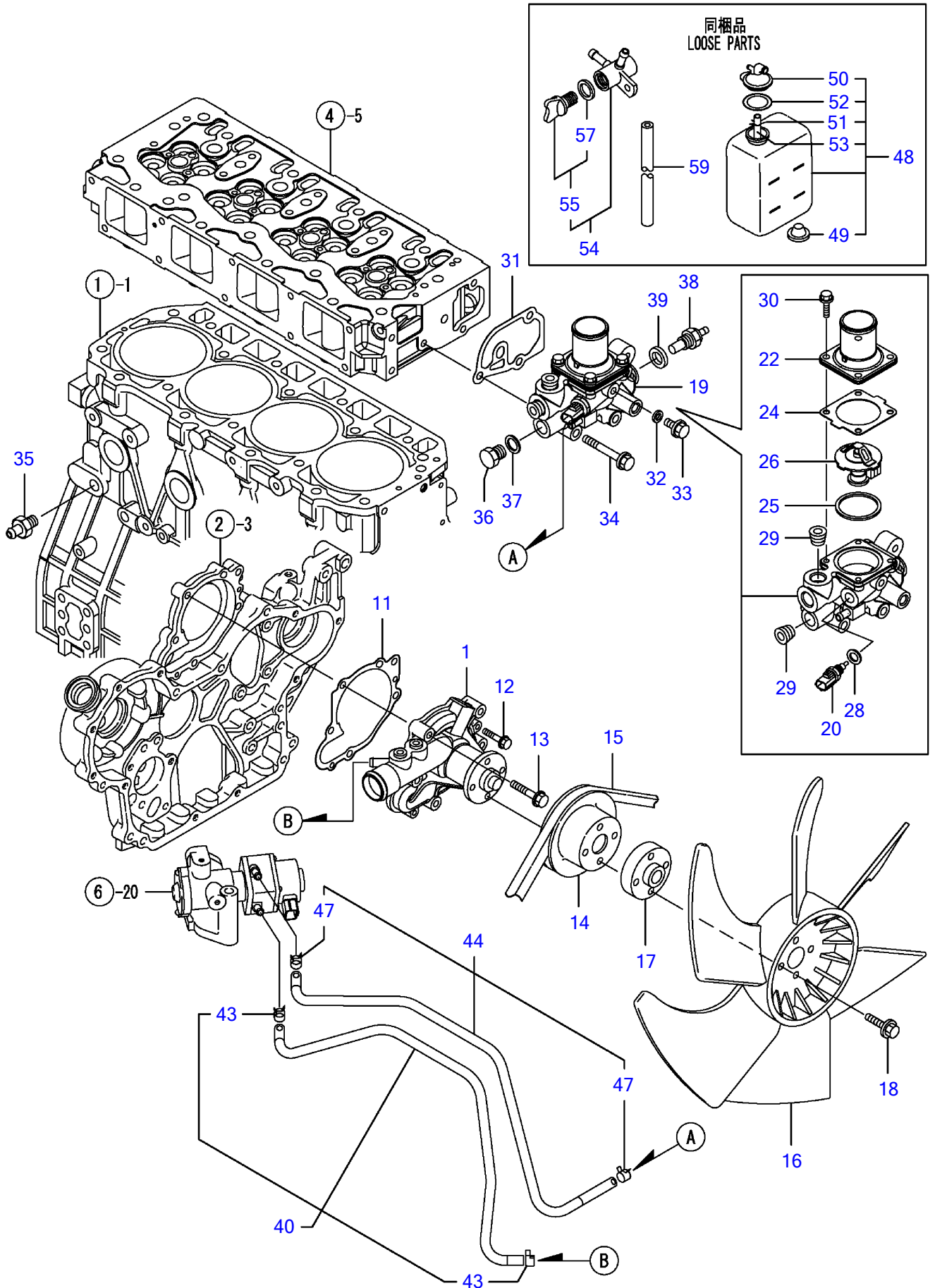
Engine for TL230 4TNV98-ZNTBL  
LUB.OIL SYSTEM



**Engine for TL230 4TNV98-ZNTBL  
LUB.OIL SYSTEM**

Item	Part No	Description	Qty
1	Y129907-34801	DIPSTICK	1
2	Y129944-35110	CASE ASSY, LUB.OIL	1
4	Y129953-39500	· ADAPTER	1
5	Y129953-35110	COVER	1
6	Y119000-35140	STUD, LUB.OIL FILTER	1
7	Y129970-35140	STUD, LUB.OIL FILTER	1
8	Y129944-35150	SPACER(LO,FILTER	1
9	Y129150-35160	FILTER 80X80L	1
10	Y129944-35210	BRACKET ASSY, LUB.OI	1
12	Y129953-39500	· ADAPTER	2
13	Y129944-39101	PIPE, LUB.OIL	1
14	Y129953-39101	PIPE, LUB.OIL	1
15	Y22190-300002	SEAL WASHER 30S	1
16	Y24321-000600	O-RING 1A G-60.0	1
17	Y26106-080502	BOLT M 8X 50 PLATED	2
18	Y26106-100452	BOLT M10X 45 PLATED	2
19	Y129900-32030	O-RING P20	1
20	Y129900-35000	PIPE ASSY, LUB. OIL	1
25	Y26106-080122	BOLT M 8X 12 PLATED	2
26	Y114250-39450	SWITCH,(0.5KG)L.O.	1
27	Y129927-39060	PIPE ASSY, LUB.OIL	1
29	Y123907-39500	· SUPPORT,PIPE	1
31	Y129005-59830	BOLT ASSY, JOINT	2
32	Y22190-080002	· SEAL WASHER 8S	2
33	Y23857-030000	· JOINT BOLT 3	2
34	Y22190-080002	SEAL WASHER 8S	2
35	Y26106-080122	BOLT M 8X 12 PLATED	1
36	Y129930-39050	PIPE	1
37	Y105010-39140	BOLT, PIPE JOINT	2
38	Y22190-080002	SEAL WASHER 8S	4
39	Y129951-34801	DIPSTICK	1
40	Y129939-34810	GUIDE, DIPSTICK	1
41	Y129939-34820	GUIDE,LO GAUGE,CMP	1
42	Y119260-34810	· GUIDE, DIPSTICK	1
43	Y24311-240100	· O-RING 1A P-10A	1

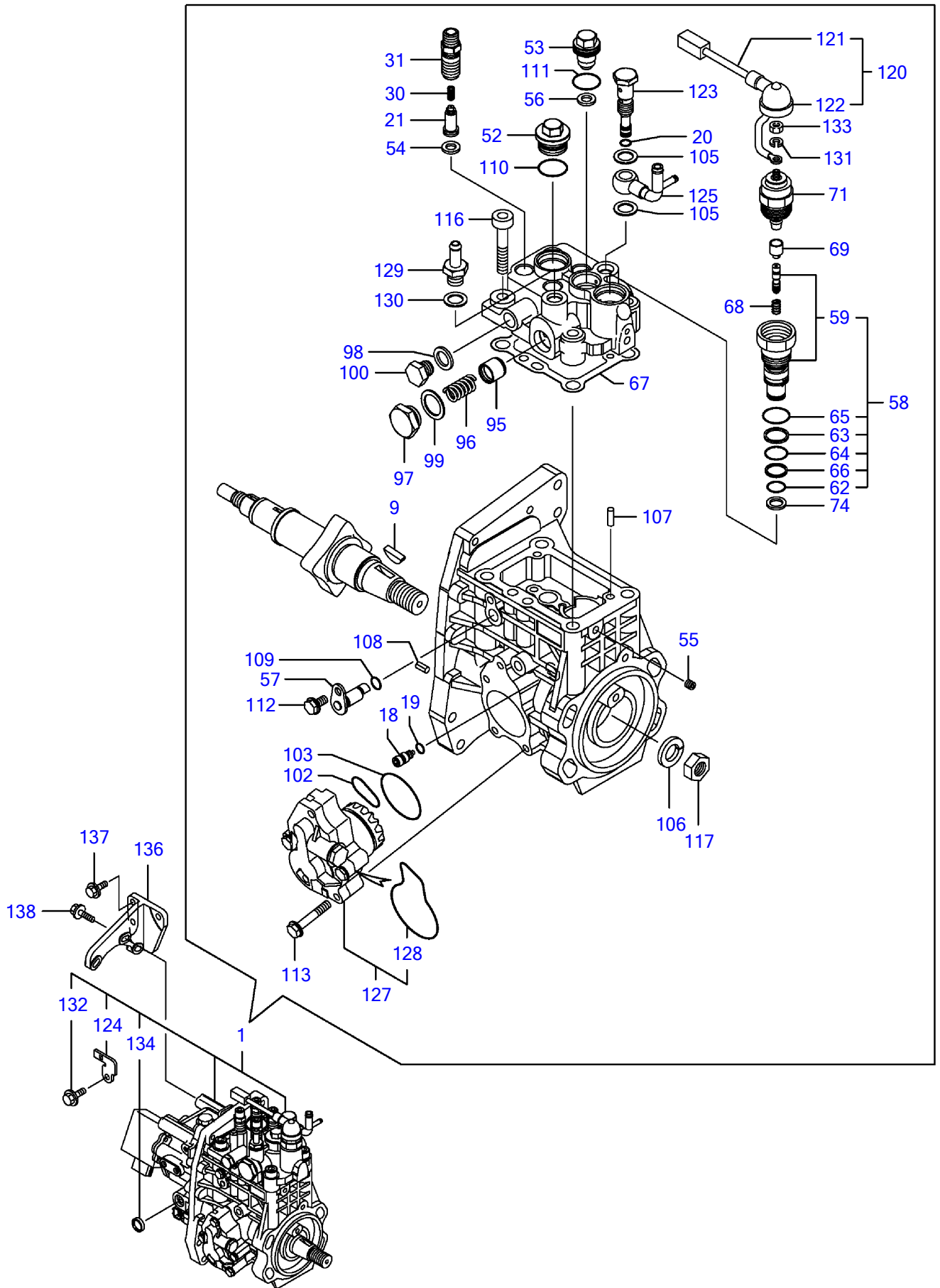
Engine for TL230 4TNV98-ZNTBL  
COOLING WATER SYSTEM



**Engine for TL230 4TNV98-ZNTBL  
COOLING WATER SYSTEM**

Item	Part No	Description	Qty
1	Y129927-42000	PUMP ASSY,WATER	1
11	Y129900-42020	GASKET, CW-P	1
12	Y26106-060302	BOLT M 6X 30 PLATED	2
13	Y26106-080552	BOLT M 8X 55 PLATED	5
14	Y129930-42450	PULLEY, C.W.PUMP	1
15	Y25152-004150	V-BELT	1
16	Y129916-44740	FAN	1
17	Y119130-44760	SPACER, FAN	1
18	Y26106-080352	BOLT M 8X 35 PLATED	4
19	Y129938-49800	CASE ASSY,THERMOSTAT	1
20	Y129927-44900	• THERMOMETER	1
22	Y129916-49530	• COVER, THERMOSTAT	1
24	Y121850-49540	• GASKET, THERMOSTAT	1
25	Y121850-49550	• GASKET, THERMOSTAT	1
26	Y121850-49800	• THERMOSTAT	1
28	Y22190-120002	• SEAL WASHER 12	1
29	Y23875-030000	• PLUG PT3/8,STEEL	2
30	Y26106-060202	• BOLT M 6X 20 PLATED	4
31	Y129900-49870	GASKET, CASE	1
32	Y23414-080000	GASKET 8, ROUND	1
33	Y26106-080122	BOLT M 8X 12 PLATED	1
34	Y26106-080602	BOLT M 8X 60 PLATED	3
35	Y121550-49111	JOINT PT1/4	1
36	Y121450-42450	PLUG M16	1
37	Y124465-44950	GASKET 16	1
38	Y119266-49350	SENSOR, THERMO.	1
39	Y129150-49360	GASKET 10	1
40	Y129927-49610	PIPE ASSY, WATER A	1
43	Y23080-012000	• CLAMP 12	2
44	Y129927-49620	PIPE ASSY, WATER B	1
47	Y23080-012000	• CLAMP 12	2
48	Y129466-44510	SUBTANK	1
49	Y121468-44540	• PLUG, SUB-TANK	1
50	Y121450-44531	• CAP	1
51	Y124450-44560	• CLAMP	1
52	Y121470-44581	• GASKET	1
53	Y121267-44590	• PIPE	1
54	Y129150-49100	COCK ASSY, 3-WAY	1
55	Y129150-49080	• COCK, DRAIN	1
57	Y119629-49080	• • GASKET	1
59	Y105840-59100	PIPE	1

Engine for TL230 4TNV98-ZNTBL  
**FUEL INJECTION PUMP**

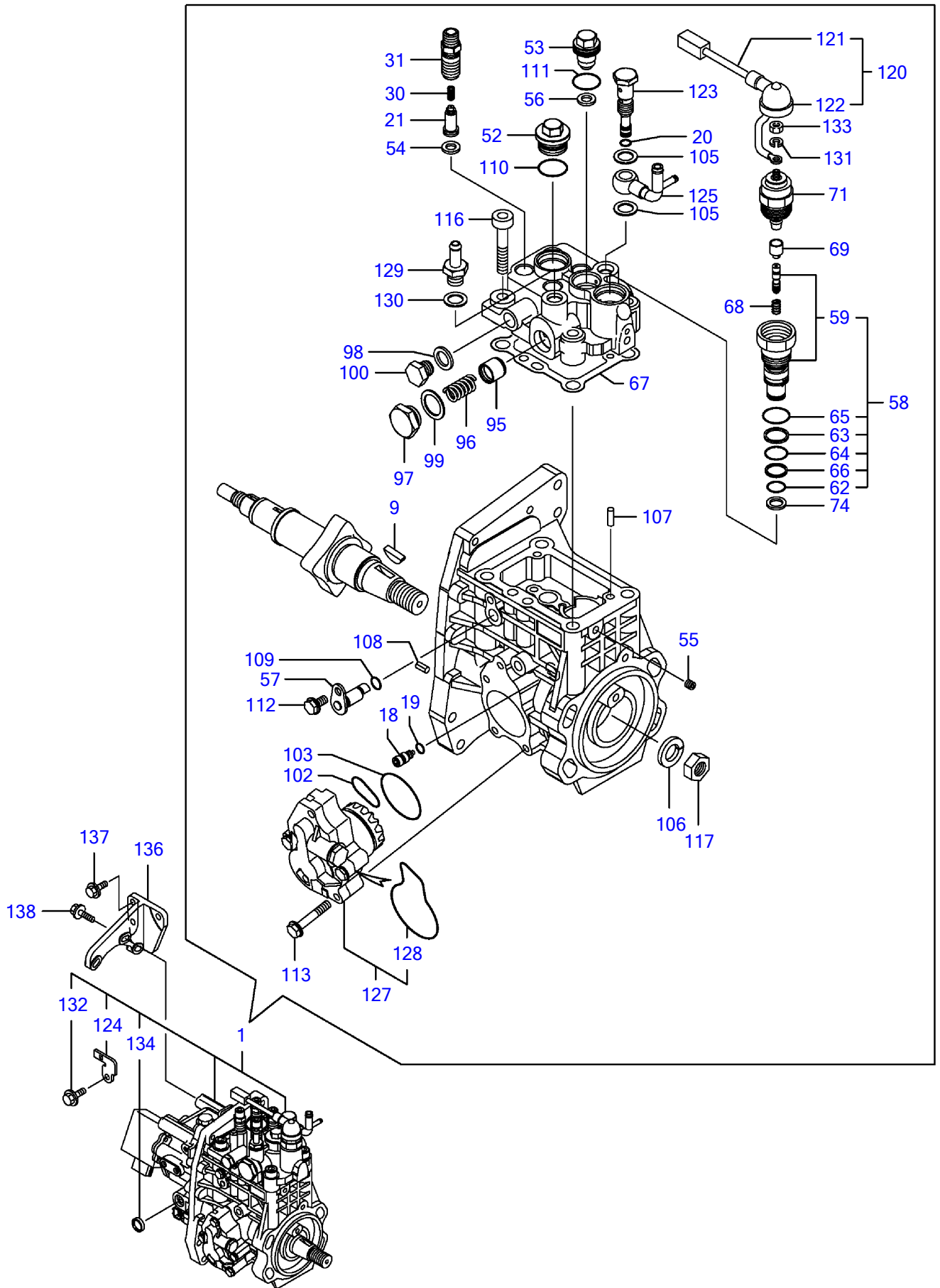




**Engine for TL230 4TNV98-ZNTBL  
FUEL INJECTION PUMP**

Item	Part No	Description	Qty
1	Y729939-51300	INJECTON PUMP ASSY	1
9	Y144626-51090	· KEY 5X19	1
18	Y158600-51270	· STOPPER	1
19	Y158563-51281	· O-RING	1
20	Y158563-51281	· O-RING	1
21	Y129927-51300	· VALVE ASSY, DILEVERY	4
30	Y158563-51330	· SPRING	4
31	Y129927-51340	· HOLDER,DELIVERY	4
52	Y158601-51550	· PLUG	1
53	Y129907-51560	· PLUG	1
54	Y158552-51570	· PK(BARREL PLUG	4
55	Y158557-51570	· PLUG	1
56	Y129906-51580	· PACKING, PLUG	1
57	Y158552-51580	· LIFTER	1
58	Y129657-51590	· TIMER SET	1
59	Y129657-51600	· · TIMER CMP	1
62	Y158553-51670	· · O-RING, 1011	1
63	Y119802-51680	· · BACKUP RING	1
64	Y119802-51690	· · O RING	1
65	Y24356-010200	· · PACKING, 1020	1
66	Y24372-000150	· · RING, BACKUP T2 P 15	1
67	Y158560-51600	· PACKING, HEAD	1
68	Y119852-51630	· SPRING,TIMER	1
69	Y119852-51640	· CAP,TIMER	1
71	Y119852-51650	· VALVE,SOLENOIDE	1
74	Y158553-51680	· PACKING,TIMER	1
95	Y158601-51770	· PISTON	1
96	Y158552-51781	· DAMPER ASSY	1
97	Y158601-51790	· PLUG	1
98	Y22190-120002	· SEAL WASHER 12	1
99	Y22190-180002	· SEAL WASHER 18	1
100	Y23887-120002	· PLUG M12,HEX.	1
102	Y158552-52310	· O-RING	1
103	Y158552-52400	· O-RING 4E S42	1
105	Y22190-120002	· SEAL WASHER 12	2
106	Y22217-180000	· SPRING WASHER 18	1
107	Y22312-050140	· PARALLEL PIN 5X14	2
108	Y22351-050010	· SPRING PIN 5X10	2
109	Y24311-000070	· O-RING 1A P-7.0	1
110	Y24356-010200	· PACKING, 1020	1
111	Y24356-020210	· O RING	1
112	Y26106-060102	· BOLT 6X 10 PLATED	1
113	Y26106-060352	· BOLT M 6X 35 PLATED	4
116	Y26450-100452	· BOLT M10X 45	4
117	Y26776-180002	· NUT M18,LOCK	1
120	Y129927-51650	· HARNESS CMP	1
121	Y129927-51660	· · HARNESS ,CSD	1
122	Y129263-77941	· · CAP ,RUBBER	1
123	Y158601-51650	· JOINT	1
124	Y129927-51670	· BRACKET ,CSD	1
125	Y158552-51670	· JOINT	1
127	Y158552-52100	· PUMP ASSY,FEED	1
128	Y158552-52500	· · O-RING(FEED P INNER	1
129	Y119934-59910	· JOINT,PIPE	1
130	Y22190-120002	· SEAL WASHER 12	1
131	Y22217-050000	· SPRING WASHER 5	1
132	Y26106-060122	· BOLT M 6X 12 PLATED	1
133	Y26716-050002	· NUT M 5	1
134	Y27241-160000	· PLUG 16	1
136	Y129927-51250	RETAINER(FOP	1

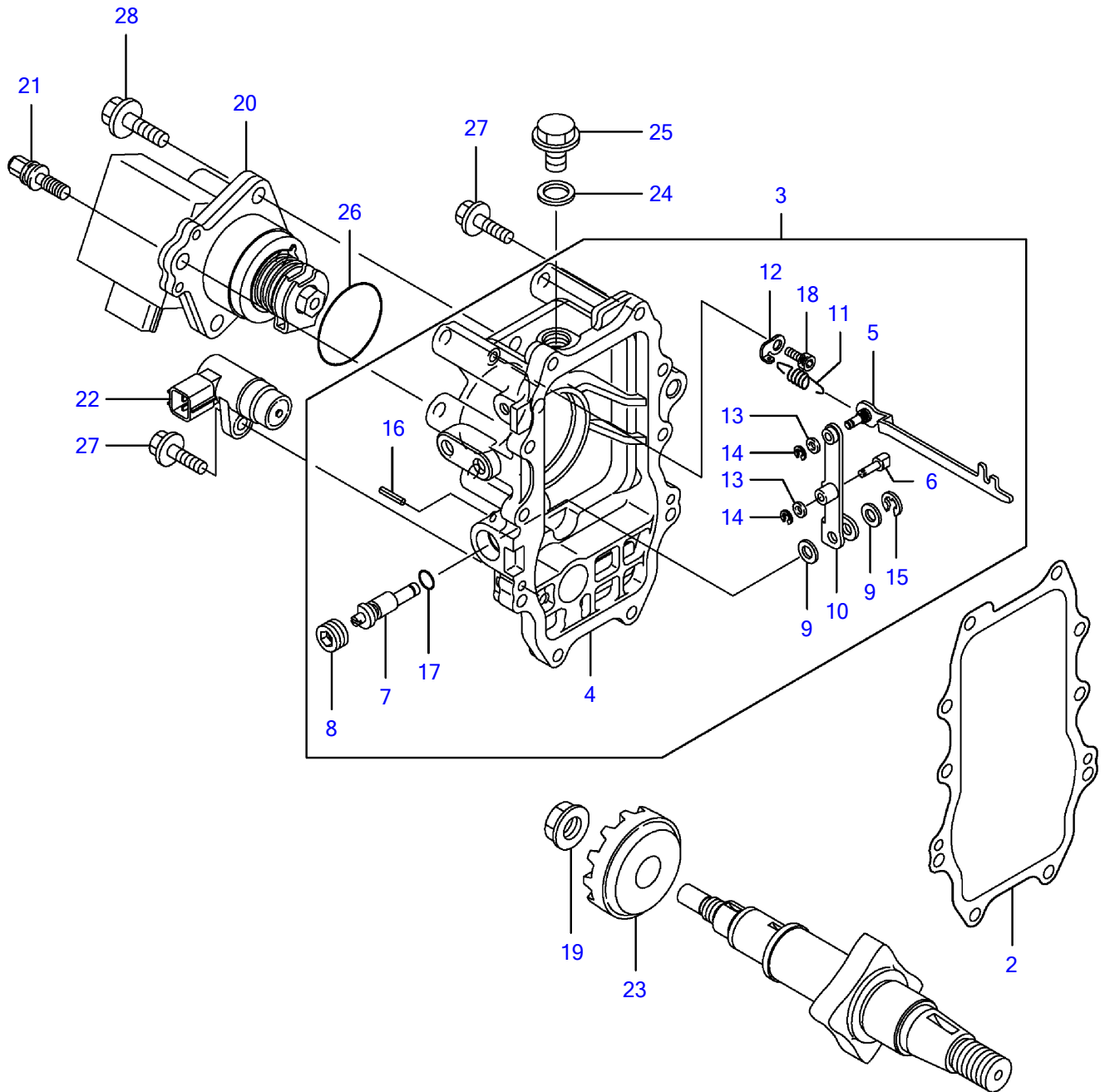
Engine for TL230 4TNV98-ZNTBL  
FUEL INJECTION PUMP



Engine for TL230 4TNV98-ZNTBL  
FUEL INJECTION PUMP

Item	Part No	Description	Qty
137	Y26106-080202	BOLT M 8X 20 PLATED	3
138	Y26106-080302	BOLT M 8X 30 PLATED	3

Engine for TL230 4TNV98-ZNTBL  
GOVERNOR



**Engine for TL230 4TNV98-ZNTBL  
GOVERNOR**

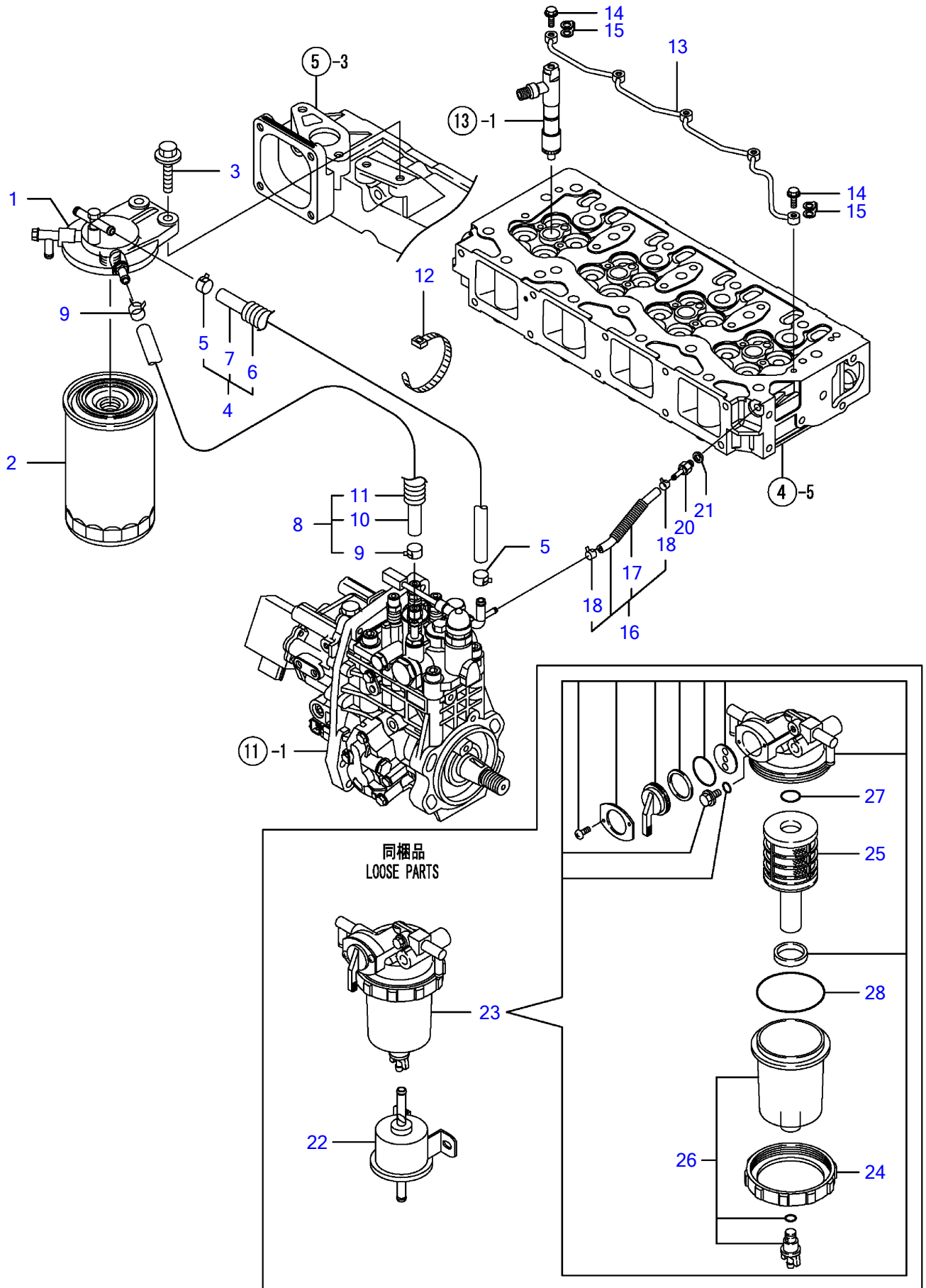
Item	Part No	Description	Qty
2	Y158560-61050	PACKING, CASE	1
3	Y129927-61100	CASE ASSY, GOVERNOR	1
4	Y129927-61010	• CASE, GOVERNOR	1
5	Y129927-61121	• LINK	1
6	Y129928-61130	• PIN,GOVERNOR LEVER	1
7	Y158557-61390	• SHAFT,GOV.LEVER	1
8	Y158557-61411	• SCREW	1
9	Y158557-61480	• SPACER,GOV.LEVER	2
10	Y129927-61521	• LEVER, GOVERNOR	1
11	Y158557-61640	• SPRING	1
12	Y158557-61650	• HOOK,SPRING	1
13	Y22117-040000	• WASHER 4	2
14	Y22272-000030	• CIRCLIP E- 3	2
15	Y22272-000040	• CIRCLIP E- 4	1
16	Y22351-020010	• SPRING PIN 2X10	1
17	Y24311-000060	• O-RING 1A P-6.0	1
18	Y26450-050102	• BOLT M 5X 10	1
19	Y119660-61300	NUT, GOVERNOR WEIGHT	1
20	Y129927-61600	ACTUATOR	1
21	Y129927-61610	BOLT,ECO	1
22	Y158557-61720	SENSOR	1
23	Y158553-61780	GEAR,SENSOR	1
24	Y23414-120000	GASKET 12, ROUND	1
25	Y23887-120002	PLUG M12,HEX.	1
26	Y24341-000480	O-RING 1A S-48.0	1
27	Y26106-060252	BOLT M 6X 25 PLATED	10
28	Y26106-080252	BOLT M 8X 25 PLATED	3
29			



**Engine for TL230 4TNV98-ZNTBL  
FUEL INJECTION VALVE**

Item	Part No	Description	Qty
1	Y729927-53100	FUEL INJECTOR(RDG	4
2	Y129927-53000	• NOZZLE ASSY	4
5	Y114250-53080	• NUT, NOZZLE CASE	4
6	Y129927-53100	• HOLDER ASSY, NOZZLE	4
9	Y114250-53120	• SPRING, NOZZLE	4
10	Y114250-53130	• SEAT, NOZZLE SPRING	4
11	Y114250-53140	• PLATE, STOP	4
12	Y114250-53210	• PIN	8
13	Y114250-53400	• SHIM PACK	4
25	Y123907-11601	PIPE SEAL	4
26	Y123472-59120	BRACKET	2
27	Y129150-59120	RETAINER, INJ. PIPE	1
30	Y129150-59131	• BOLT M4X14,HEX.SCKT.	2
32	Y129927-59810	PIPE ASSY, INJECTION	1
33	Y129927-59820	PIPE ASSY, INJECTION	1
34	Y129927-59830	PIPE ASSY, INJECTION	1
35	Y129927-59840	PIPE ASSY, INJECTION	1
36	Y26366-060002	NUT M 6	2

# Engine for TL230 4TNV98-ZNTBL FUEL LINE

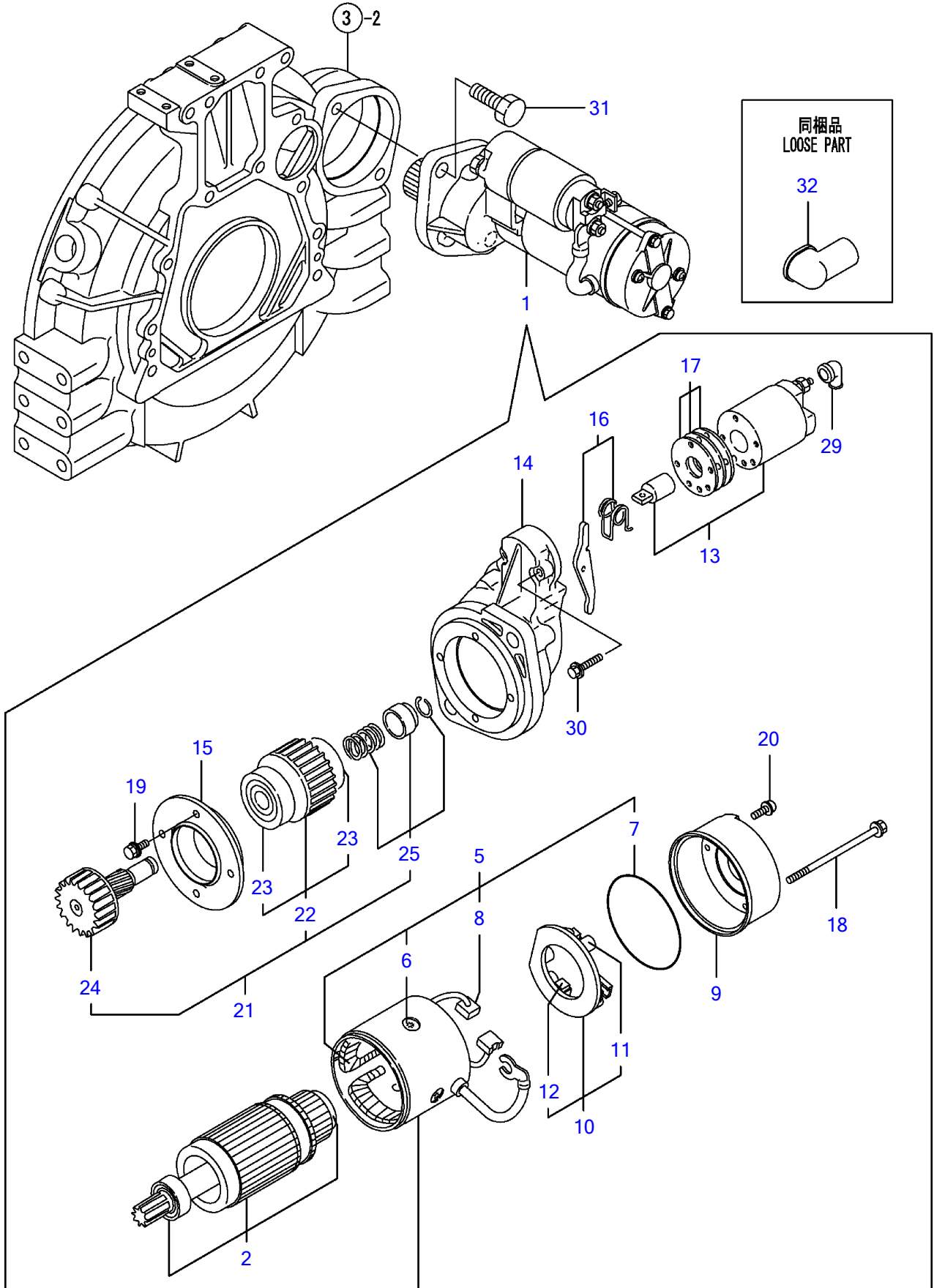




**Engine for TL230 4TNV98-ZNTBL  
FUEL LINE**

Item	Part No	Description	Qty
1	Y129004-55612	BRACKET,FUEL FILTER	1
2	Y129907-55801	FILTER, FUEL OIL	1
3	Y26106-080302	BOLT M 8X 30 PLATED	2
4	Y129457-59010	PIPE ASSY, FUEL	1
5	Y124766-59050	· CLAMP 12	2
6	Y129957-59120	· PROTECTOR, FUEL PIPE	1
7	Y105025-59750	· PIPE, FUEL OIL	1
8	Y129961-59310	PIPE ASSY, FUEL	1
9	Y124766-59050	· CLAMP 12	2
10	Y129136-59110	· PIPE, FUEL OIL	1
11	Y129961-59110	· TUBE	1
12	Y121750-59890	CLAMP 140	1
13	Y129907-59140	PIPE ASSY,F.O.RETURN	1
14	Y123907-59540	JOINT BOLT M6	5
15	Y123907-59550	PACKING,FUEL RETURN	5
16	Y129927-59550	PIPE, FUEL RETURN	1
17	Y129263-49750	· CORRUGATED TUBE	1
18	Y124722-59050	· CLAMP 9	2
20	Y123907-59560	HOSE JOINT 4	1
21	Y22190-080002	SEAL WASHER 8S	1
22	Y129612-52100	FUEL PUMP	1
23	Y129906-55700	SEPARATOR ASSY	1
24	Y129100-55690	· RING, RETAINING	1
25	Y119802-55710	· ELEMENT	1
26	Y119802-55730	· CUP ASSY(SERVICE PAR	1
27	Y24311-000160	· O-RING 1A P-16.0	1
28	Y24321-000650	· O-RING 1A G-65.0	1

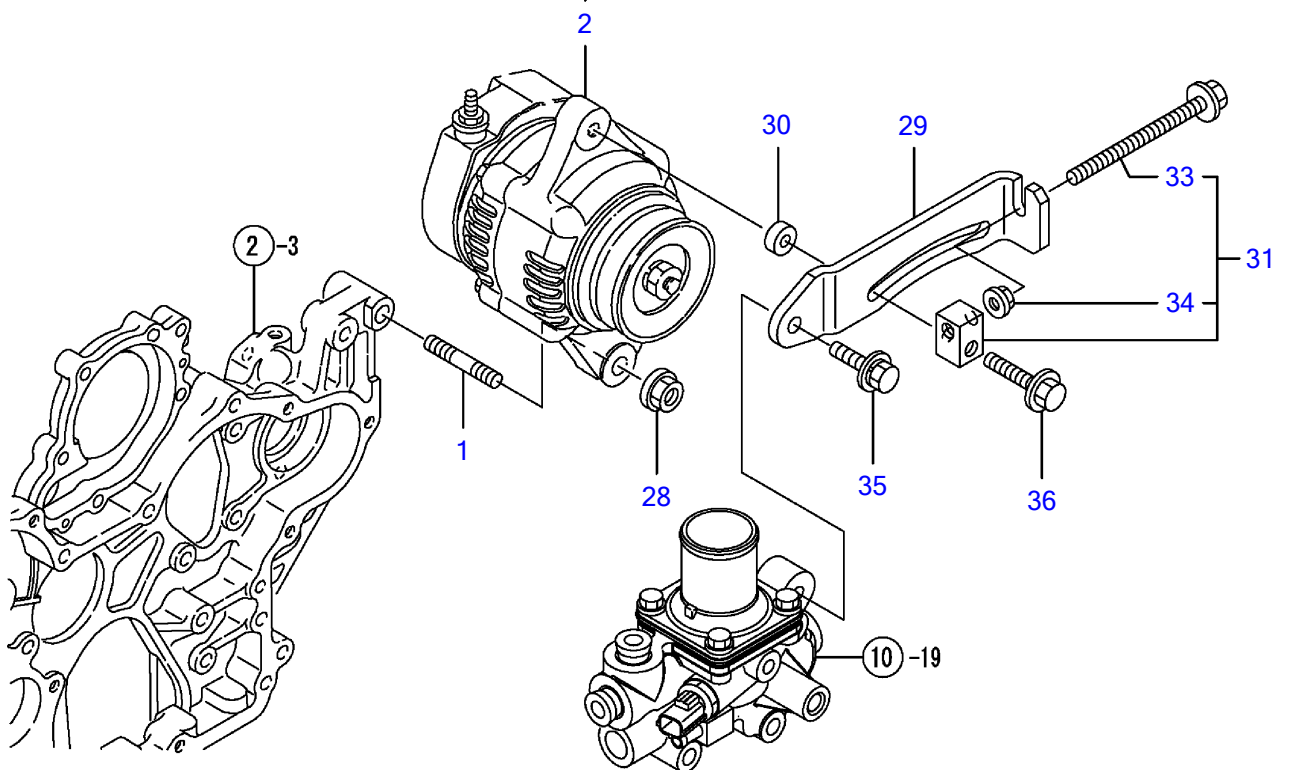
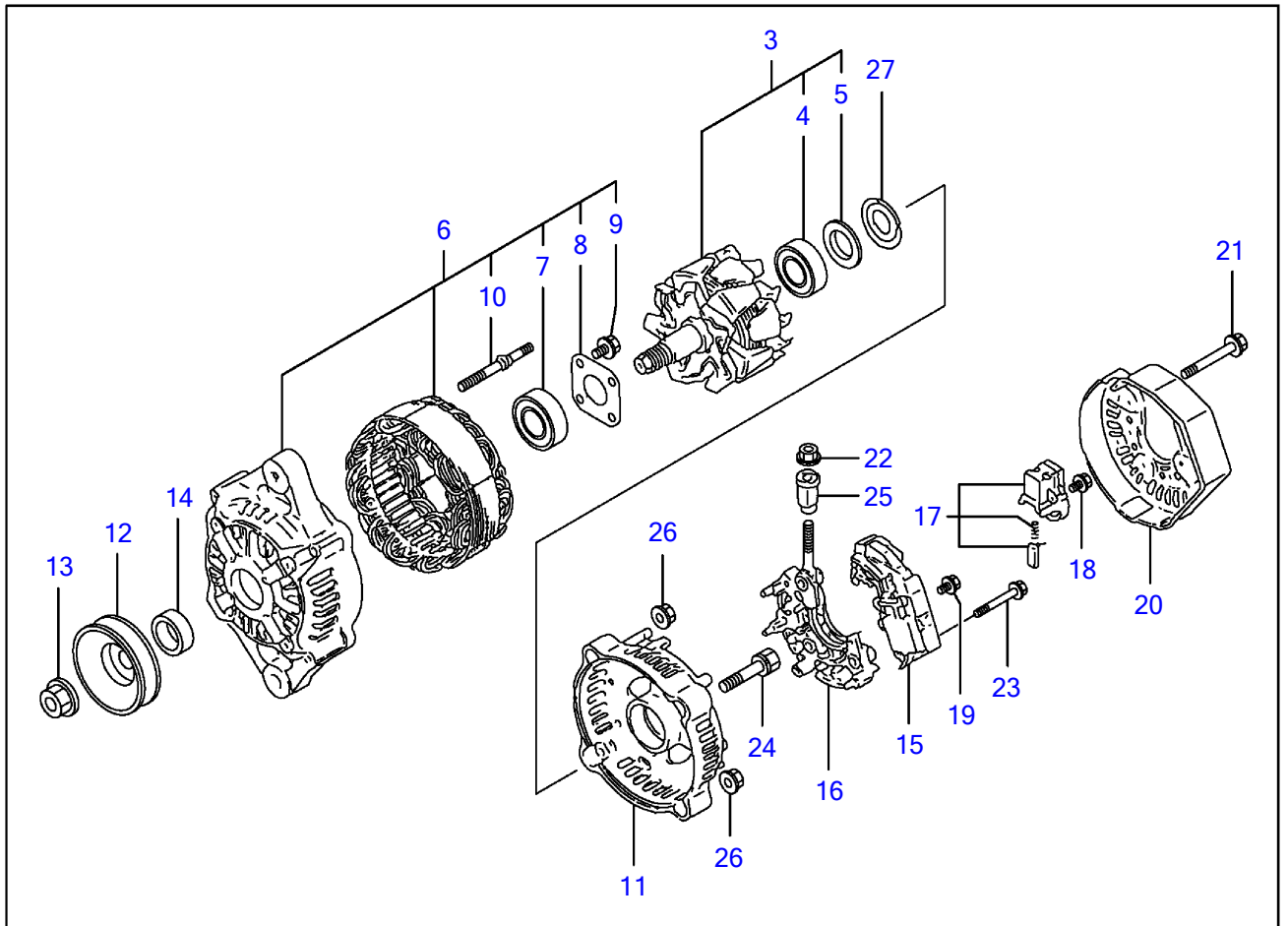
Engine for TL230 4TNV98-ZNTBL  
STARTING MOTOR



**Engine for TL230 4TNV98-ZNTBL  
STARTING MOTOR**

Item	Part No	Description	Qty
1	Y129940-77010	STARTER 12V,3KW	1
2	Y129940-77100	· ARMATURE ASSY	1
5	Y129940-77130	· COIL ASSY, FIELD	1
6	Y129940-77140	· · SCREW, POLE CORE SET	4
7	Y129940-77150	· · O-RING	1
8	Y129940-77160	· · BRUSH (+)	2
9	Y129940-77170	· COVER, REAR	1
10	Y129940-77180	· HOLDER, BRUSH	1
11	Y129940-77190	· · SPRING, BRUSH	1
12	Y129940-77200	· · BRUSH (-)	2
13	Y129940-77210	· SWITCH ASSY, MAGNETIC	1
14	Y129940-77220	· HOUSING, GEARS	1
15	Y129940-77230	· RETAINER, BEARING	1
16	Y129940-77240	· SHIFT LEVER SET	1
17	Y129940-77250	· COVER ASSY, DUST	1
18	Y129940-77260	· THROUGH BOLT	2
19	Y129940-77270	· BOLT M6X 20	4
20	Y129940-77280	· SCREW M4X 10	2
21	Y123900-77510	· PINION ASSY	1
22	Y123900-77520	· · CLUTCH ASSY	1
23	YX2240610100	· · · BALL BEARING (3	2
24	Y123900-77540	· · SHAFT, PINION	1
25	Y119131-77550	· · STOPPER KIT, PINION	1
29	Y121254-77810	· TERMINAL COVER	1
30	Y114371-79070	· BOLT M 6X 37	2
31	Y26116-120302	BOLT M12X 30 PLATED	2
32	Y124550-77030	COVER, TERMINAL	1

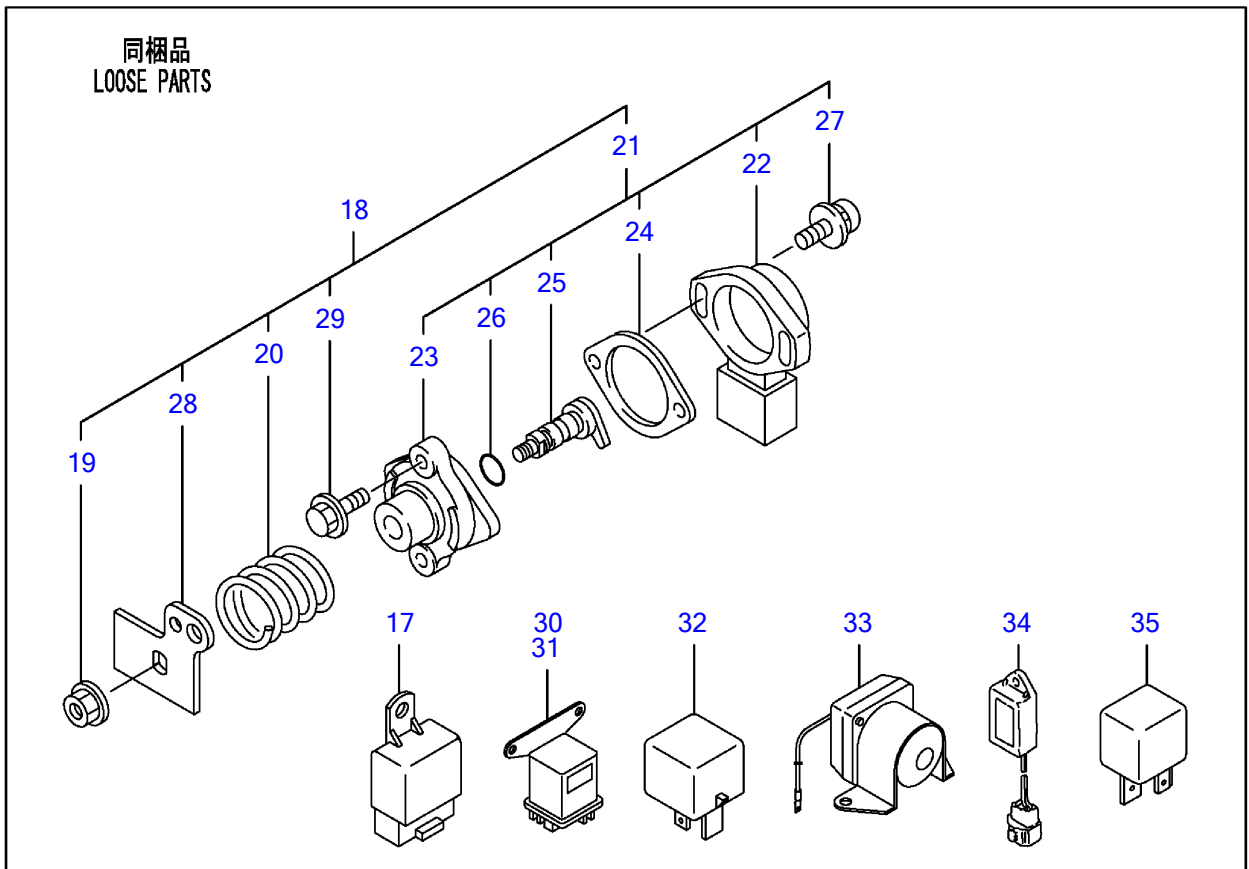
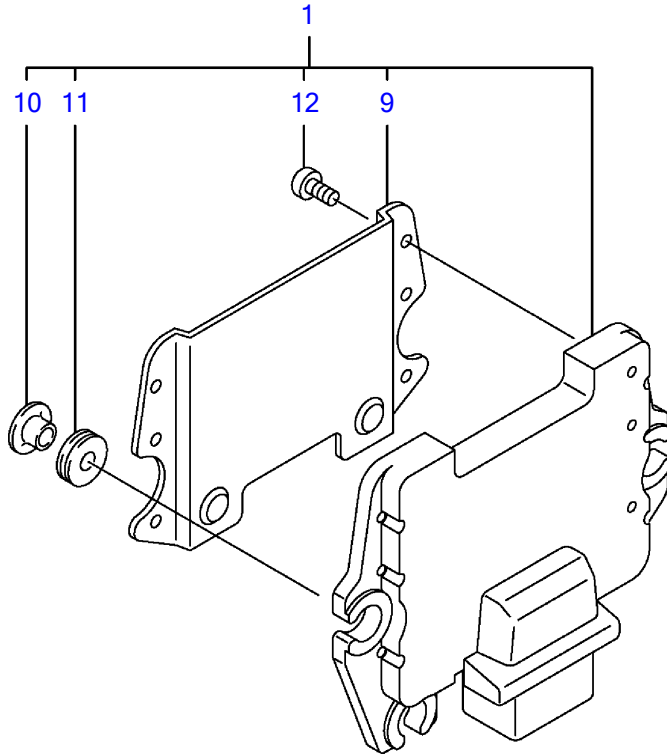
Engine for TL230 4TNV98-ZNTBL  
GENERATOR



**Engine for TL230 4TNV98-ZNTBL  
GENERATOR**

Item	Part No	Description	Qty
1	Y129795-01900	STUD	1
2	Y129240-77200	ALTERNATOR	1
3	Y119620-77380	· ROTOR ASSY	1
4	Y123501-79240	· · BEARING, BALL	1
5	Y119620-79250	· · COVER, BEARING	1
6	Y119620-77421	· FLAME ASSY, DRIVE	1
7	Y119620-79200	· · BALL BEARING	1
8	Y119620-79210	· · PLATE	1
9	Y119620-79220	· · SCREW	4
10	Y119620-79230	· · BOLT, STUD	2
11	Y119620-77440	· FLAME ASSY, REAR	1
12	Y119620-77461	· PULLEY	1
13	Y119620-77471	· NUT	1
14	Y119620-77490	· COLLAR	1
15	Y129240-77710	· REGULATOR	1
16	Y119620-79260	· HOLDER	1
17	Y129052-79270	· HOLDER, BRUSH	1
18	Y119620-79290	· SCREW	6
19	Y119620-79300	· SCREW	1
20	Y129240-79300	· COVER,END,RR	1
21	Y119620-79310	· BOLT	3
22	Y129240-79310	· NUT	1
23	Y119620-79320	· SCREW W/WASHER	2
24	Y119620-79330	· BOLT	2
25	Y119620-79340	· INSULATION BUSH	1
26	Y119620-79350	· NUT	2
27	Y119620-79360	· THRUST WASHER	1
28	Y26306-100002	NUT	1
29	Y129906-77300	ADJUSTER, BELT	1
30	Y121236-77340	SPACER	1
31	Y119624-77351	BROCK,GENERATOR CMP	1
33	Y26106-081004	· BOLT 8*100	1
34	Y26306-080002	· NUT	1
35	Y26014-080252	BOLT M 8X 25	1
36	Y26106-080552	BOLT M 8X 55 PLATED	1

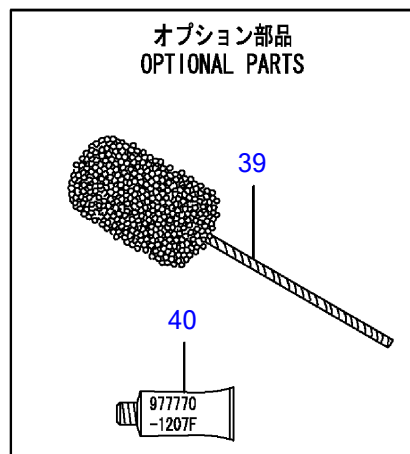
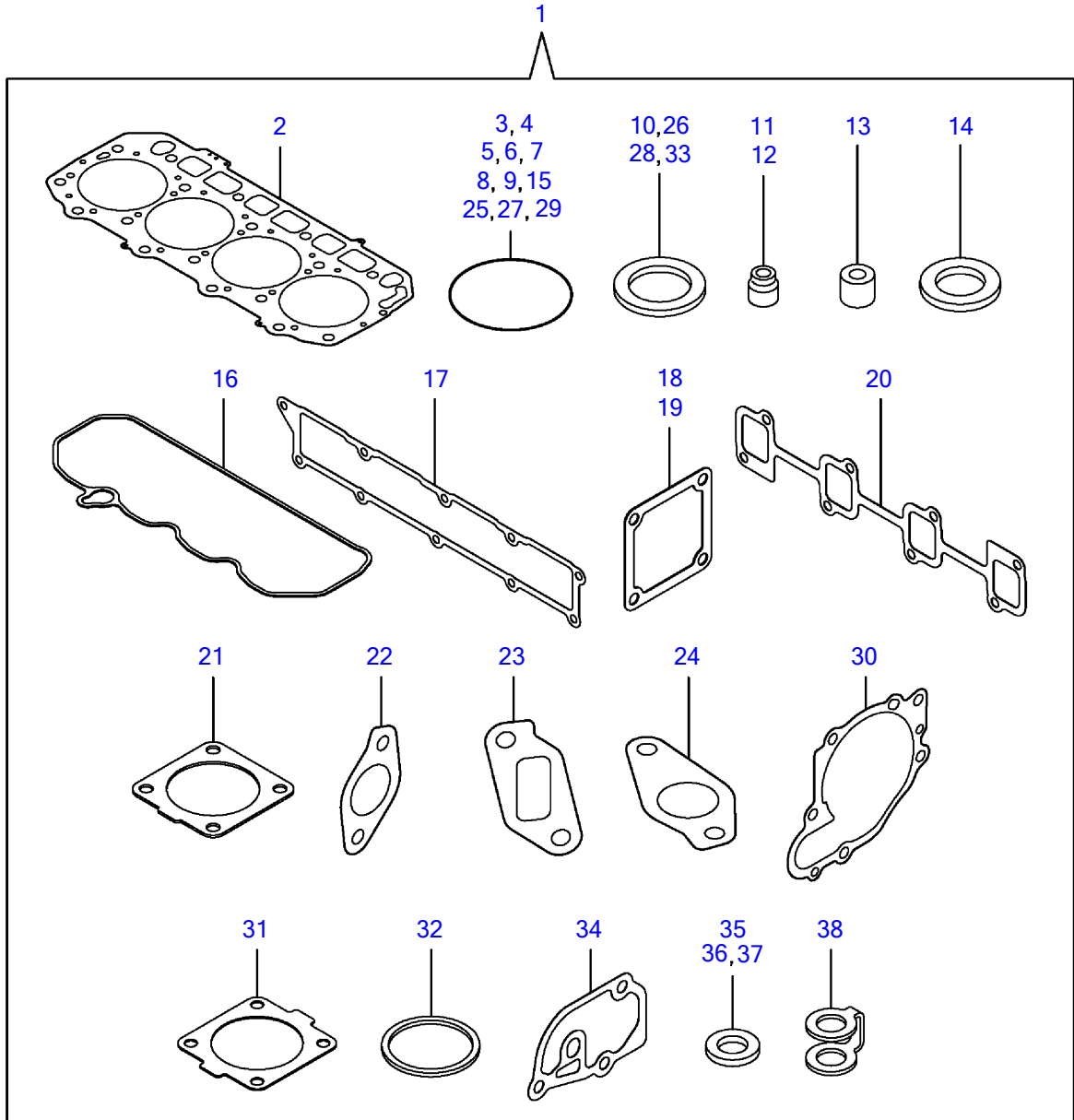
Engine for TL230 4TNV98-ZNTBL  
ELECTRIC PARTS



**Engine for TL230 4TNV98-ZNTBL  
ELECTRIC PARTS**

Item	Part No	Description	Qty
1	Y129939-75110	ECU CMP(4TNV98-ZNTBL	1
9	Y129927-77600	· SHIELD,ECU	1
10	Y129927-77680	· COLLAR, CONTROLLER	3
11	Y119578-91351	· RUBBER, CUSHION	3
12	Y22877-500080	· SCREW, 5.0 X 8	6
17	Y198461-52950	RELAY CA,TYPE C	2
18	Y129938-77800	ACCEL SENSOR ASSY	1
19	Y194990-22130	· NUT W/WASHER 6	1
20	Y119060-61990	· SPRING, RETURN	1
21	Y129054-77800	· SENSOR ASSY, ACCEL.	1
22	Y185100-50070	· · BODY	1
23	Y129054-77811	· · SUPPORT	1
24	Y129054-77820	· · GASKET, SUPPORT	1
25	Y129054-77830	· · SHAFT ASY	1
26	Y24311-000070	· · O-RING 1A P-7.0	1
27	Y26023-040202	· · SCREW M 4X 20	2
28	Y129938-77810	· ACCEL SENSOR LEVER	1
29	Y26106-060122	· BOLT M 6X 12 PLATED	2
30	Y119646-77900	RELAY, POWER	1
31	Y119646-77900	RELAY, POWER	1
32	Y129927-77900	RELAY(ISO.90A	1
33	Y129100-77910	RELAY, MAGNETIC	1
34	Y128300-77920	TIMER	1
35	Y129927-77920	RELAY(ISO,70A	1

Engine for TL230 4TNV98-ZNTBL  
GASKET SET





**Engine for TL230 4TNV98-ZNTBL  
GASKET SET**

Item	Part No	Description	Qty
1	Y729927-92600	GASKET SET(NON-ASB.)	1
2	Y129907-01331	· GASKET,CYLINDER HEAD	1
3	Y129900-32030	· O-RING P20	2
4	Y129900-32040	· O-RING P14	1
5	Y24311-000070	· O-RING 1A P-7.0	1
6	Y24351-030750	· PACKING, 3075	1
7	Y24311-000300	· O-RING 1A P-30.0	1
8	Y24311-000320	· O-RING 1A P-32.0	4
9	Y24321-000850	· O-RING 1A G-85.0	1
10	Y22190-220002	· SEAL WASHER 22S	1
11	Y119803-11340	· SEAL, VALVE STEM(EXH	8
12	Y124160-11340	· SEAL, VALVE STEM(INT	8
13	Y119802-11870	· PROTECTOR, NOZZLE	4
14	Y119625-11880	· SEAT, NOZZLE	4
15	Y24311-000120	· O-RING 1A P 12.0	8
16	Y129933-11310	· GASKET, BONNET	1
17	Y129907-12110	· PACKING(INT.MANIFOLD	1
18	Y119129-77020	· GASKET	1
19	Y121850-77021	· GASKET, (NON-ASB.)	1
20	Y129900-13251	· GASKET	1
21	Y129930-13201	· GASKET, SILENCER	2
22	Y129927-13810	· GASKET, EGR PIPE	1
23	Y129927-13910	· GASKET(EGR-V IN	1
24	Y129927-13920	· GASKET(EGR-V OUT	1
25	Y24341-000530	· O-RING 1A S-53.0	1
26	Y22190-300002	· SEAL WASHER 30S	1
27	Y24321-000600	· O-RING 1A G-60.0	1
28	Y22190-080002	· SEAL WASHER 8S	9
29	Y24311-240100	· O-RING 1A P-10A	1
30	Y129900-42020	· GASKET, CW-P	1
31	Y121850-49540	· GASKET, THERMOSTAT	1
32	Y121850-49550	· GASKET, THERMOSTAT	1
33	Y22190-120002	· SEAL WASHER 12	1
34	Y129900-49870	· GASKET, CASE	1
35	Y23414-080000	· GASKET 8, ROUND	1
36	Y124465-44950	· GASKET 16	1
37	Y129150-49360	· GASKET 10	1
38	Y123907-59550	· PACKING,FUEL RETURN	5
39	Y129400-92450	FLEX HONE	1
40	Y977770-1207F	GASKET.LIQUID	1