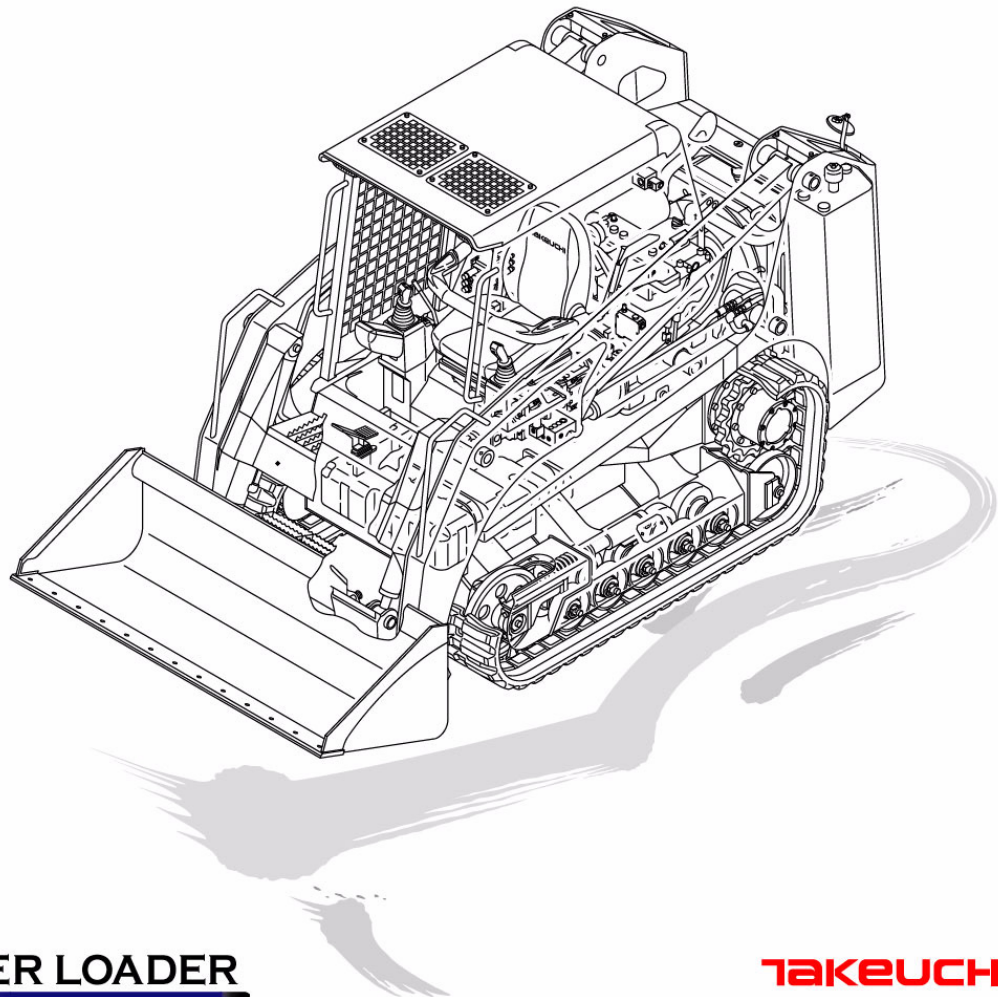


PARTS MANUAL

TL240

Serial No. 224000001~

BU2Z002-1(P-TL240BAB)



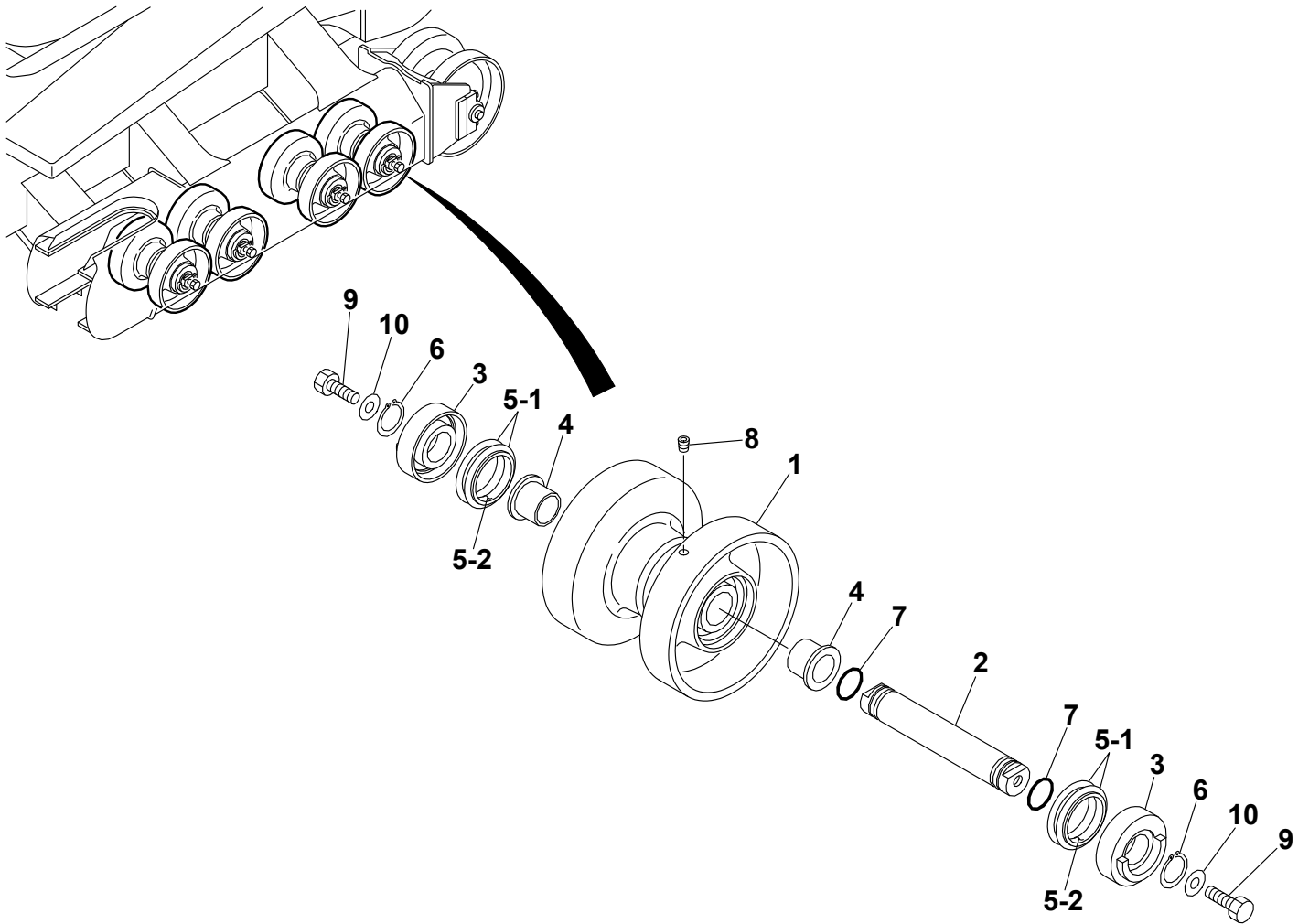
CRAWLER LOADER

TAKEUCHI

INDEX

Item	Part number	Description	Q'ty	Chan.	Serial No.	Serv.	Remarks
1		UNDERCARRIAGE					
2		MAIN FRAME & CONTROL LEVER					
3		ENGINE & ELECTRICAL SYSTEM					
4		HYDRAULIC PIPNG & TANK					
5		COVER & CAB					
6		ATTACHMENT					
7		DECAL & TOOL					
8		HYDRAULIC DEVICE					
10		ENGINE (4TNV98T-ZNTBL)					
		2009.01.22					

TL240 (P-TL240BAB) BU2Z002-1 S/N 22400001-
TRACK ROLLER A



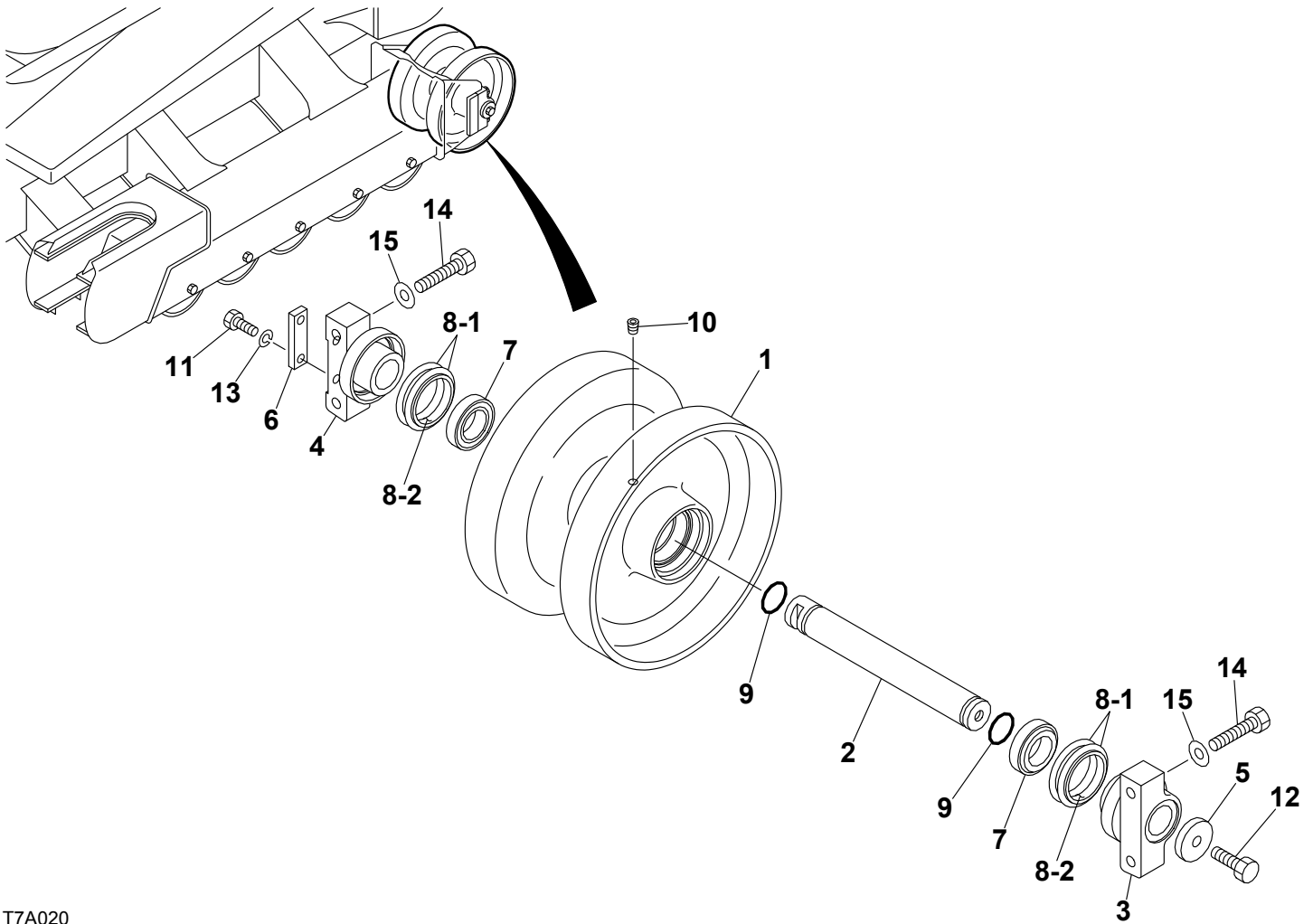
T9A040

S=1/8, 1/20

TRACK ROLLER A

Item	Part number	Description	Q'ty	Chan.	Serial No.	Serv.	Remarks
		ROLLER ASSY, track					
0-1	0881130500	ROLLER SUB ASSY, track	8				
1	0881130510	· ROLLER	1				
2	0881130520	· SHAFT	1				
3	0881130530	· COVER	2				
4	1333064039	· BUSHING	2				
5	1432500640	· SEAL, floating	2				
5-1	1432500641	· · O-RING	2				
5-2	1432500642	· · RING, seal	2				
6	1220000040	· RING, snap	2				
7	1420100350	· O-RING	2				
8	1501810001	· PLUG	1				
9	1100041645	BOLT	16				
10	1141550016	WASHER	16				
	U2a030						

TL240 (P-TL240BAB) BU2Z002-1 S/N 22400001-
TRACK ROLLER B



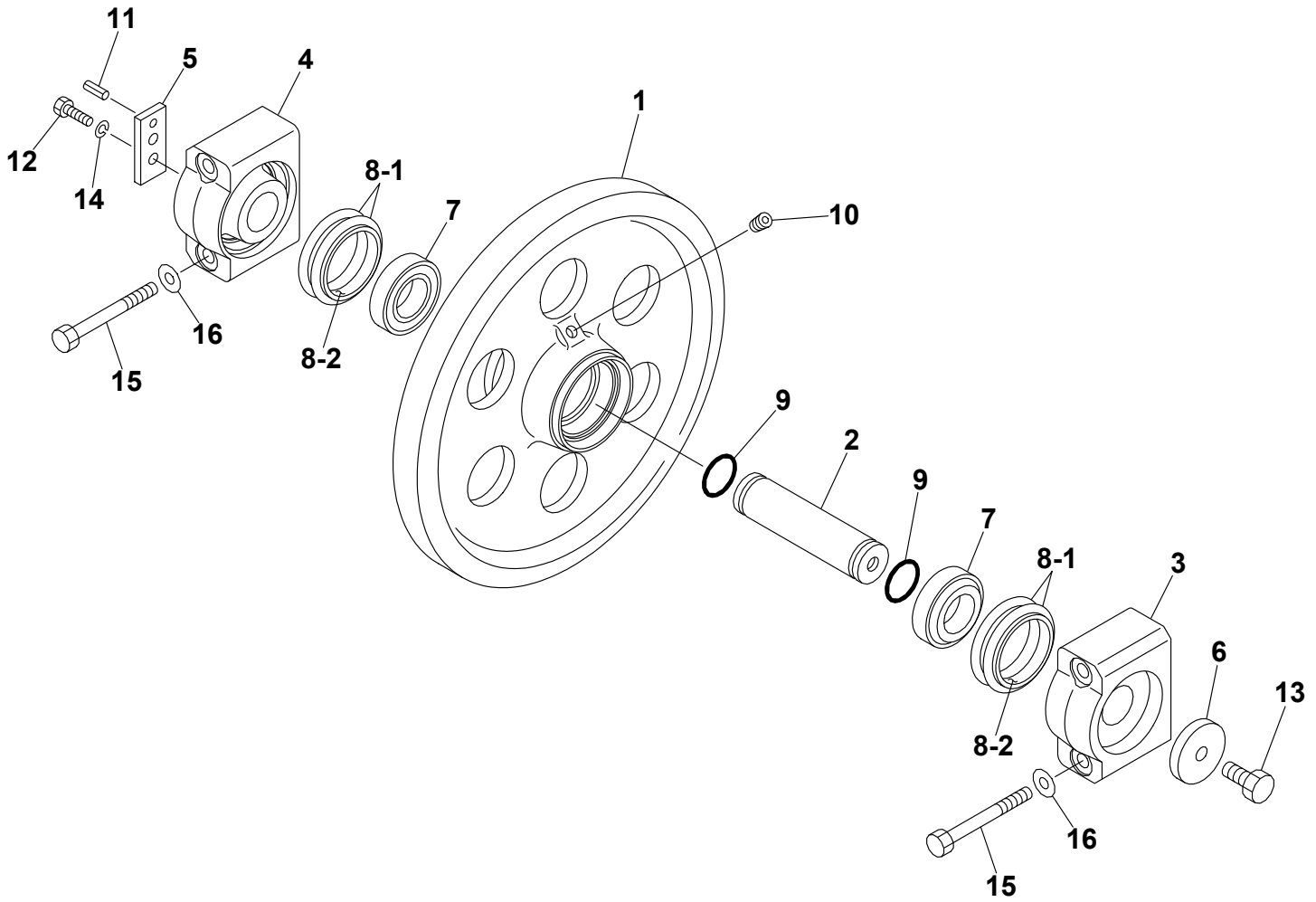
T7A020

S=1/8, 1/20

TRACK ROLLER B

Item	Part number	Description	Q'ty	Chan.	Serial No.	Serv.	Remarks
		ROLLER ASSY, track					
0-1	0881131300	ROLLER SUB ASSY, track	2				
1	0881131310	· ROLLER	1				
2	0881131320	· SHAFT	1				
3	0881131330	· COVER	1				
4	0881131340	· COVER	1				
5	0881131350	· PLATE	1				
6	0881131360	· PLATE	1				
7	1305000004	· BEARING	2				
8	1432500640	· SEAL, floating	2				
8-1	1432500641	· · O-RING	2				
8-2	1432500642	· · RING, seal	2				
9	1420100350	· O-RING	2				
10	1501810001	· PLUG	1				
11	1100041030	· BOLT	2				
12	1106241440	· BOLT	1				
13	1140020010	· WASHER, spring	2				
14	1100041460	BOLT	8				
15	1141550014	WASHER	8				
	U2a040						

TL240 (P-TL240BAB) BU2Z002-1 S/N 22400001-
FRONT IDLER



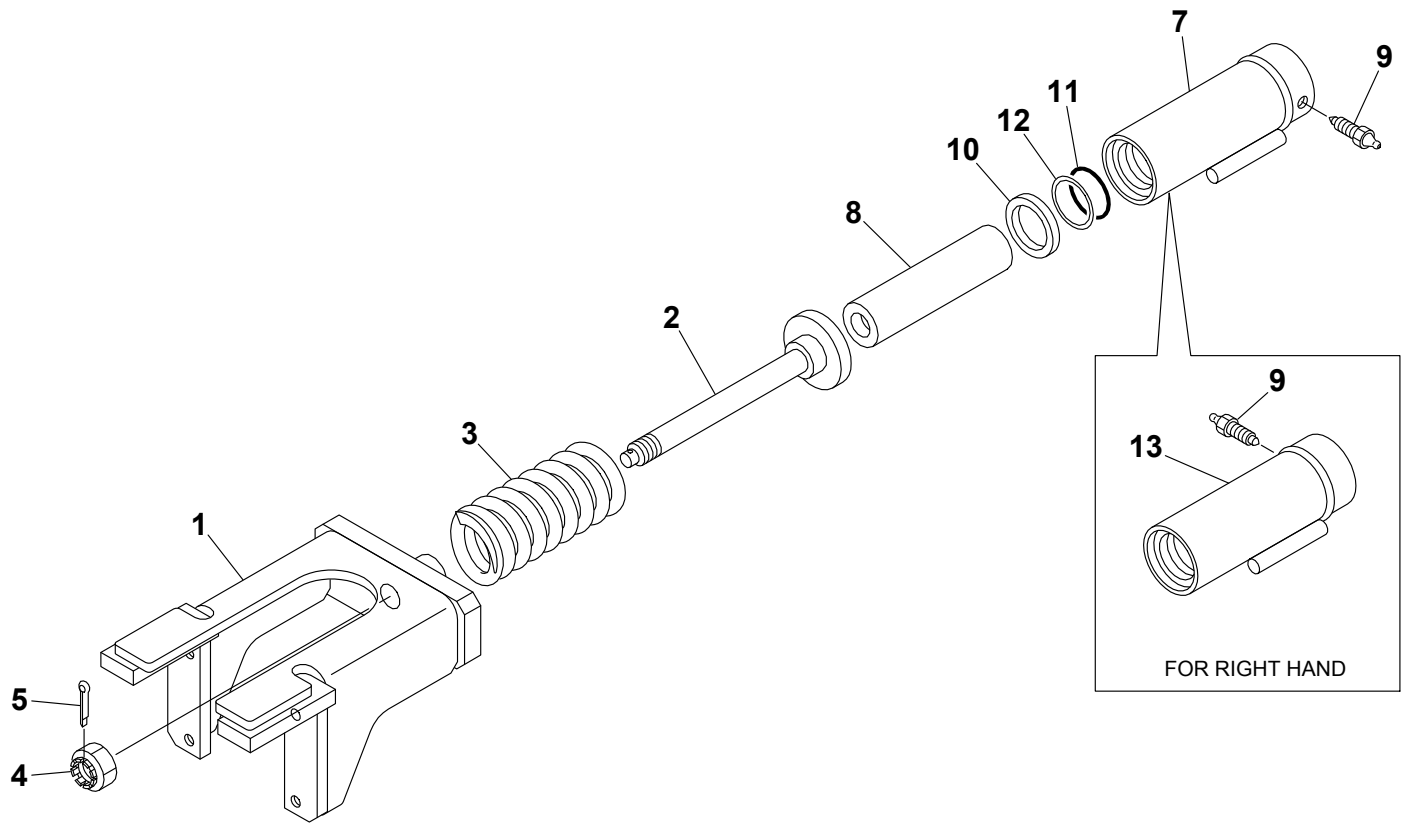
T7A030

S=1/7

FRONT IDLER

Item	Part number	Description	Q'ty	Chan.	Serial No.	Serv.	Remarks
		IDLER ASSY, front					
0-1	0881140300	IDLER SUB ASSY, front	2				
1	0881140310	· IDLER	1				
2	0881140320	· SHAFT	1				
3	0881140330	· COVER	1				
4	0881140340	· COVER	1				
5	0881140350	· PLATE	1				
6	0881140360	· PLATE	1				
7	1305000005	· BEARING	2				
8	1432500800	· SEAL, floating	2				
8-1	1432500801	· · O-RING	2				
8-2	1432500802	· · RING, seal	2				
9	1420100400	· O-RING	2				
10	1501810001	· PLUG	1				
11	1213001026	· PIN, spring	1				
12	1100041030	· BOLT	2				
13	1106041635	· BOLT	1				
14	1140020010	· WASHER, spring	2				
15	1101141420	BOLT	8				
16	1141550014	WASHER	8				
	U2a050						

TL240 (P-TL240BAB) BU2Z002-1 S/N 224000001-
TRACK ADJUSTER



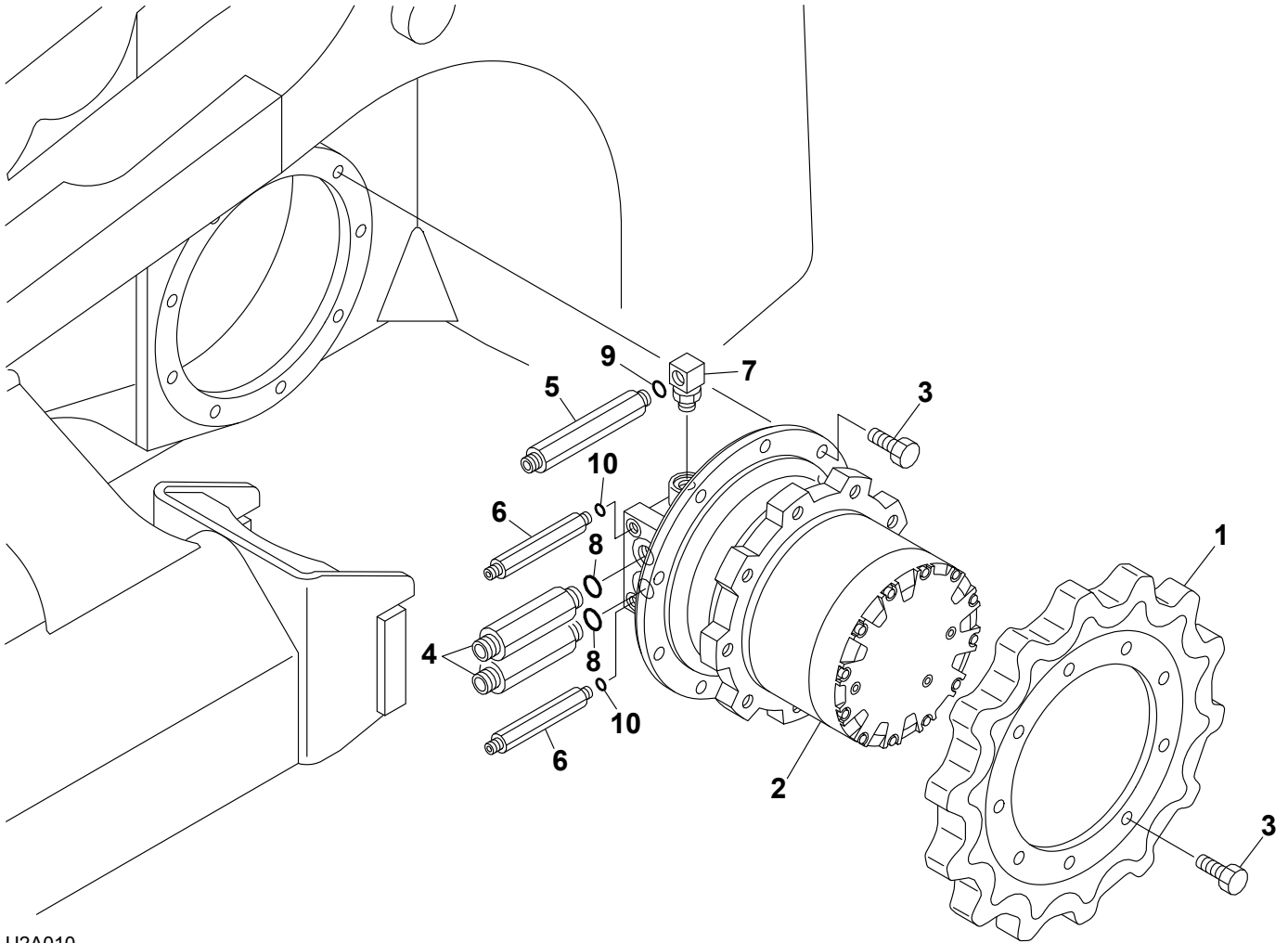
T9A010

S=1/8

TRACK ADJUSTER

Item	Part number	Description	Q'ty	Chan.	Serial No.	Serv.	Remarks
0	0882150000	SPRING ASSY (L.H.)	1				
	0882150100	SPRING ASSY (R.H.)	1				
1	0882150210	· YOKE	1				
2	0881151200	· ROD	1				
3	0007000002	· SPRING	1				
4	1132530027	· NUT	1				
5	1210000545	· PIN, split	1				
0-1	0881152400	· CYLINDER ASSY (L.H.)	1				
	0881152600	· CYLINDER ASSY (R.H.)	1				
7	0881152100	· · CYLINDER, grease (L.H.)	1				
8	0881152200	· · PISTON	1				
9	1541300501	· · VALVE ASSY, check	1				
10	1400403203	· · SEAL, oil	1				
11	1422010600	· · O-RING	1				
12	1421020600	· · RING, back-up	1				
13	0881152300	· · CYLINDER, grease (R.H.)	1				
	U2a060						

TL240 (P-TL240BAB) BU2Z002-1 S/N 22400001-
TRAVEL DEVICE



U2A010

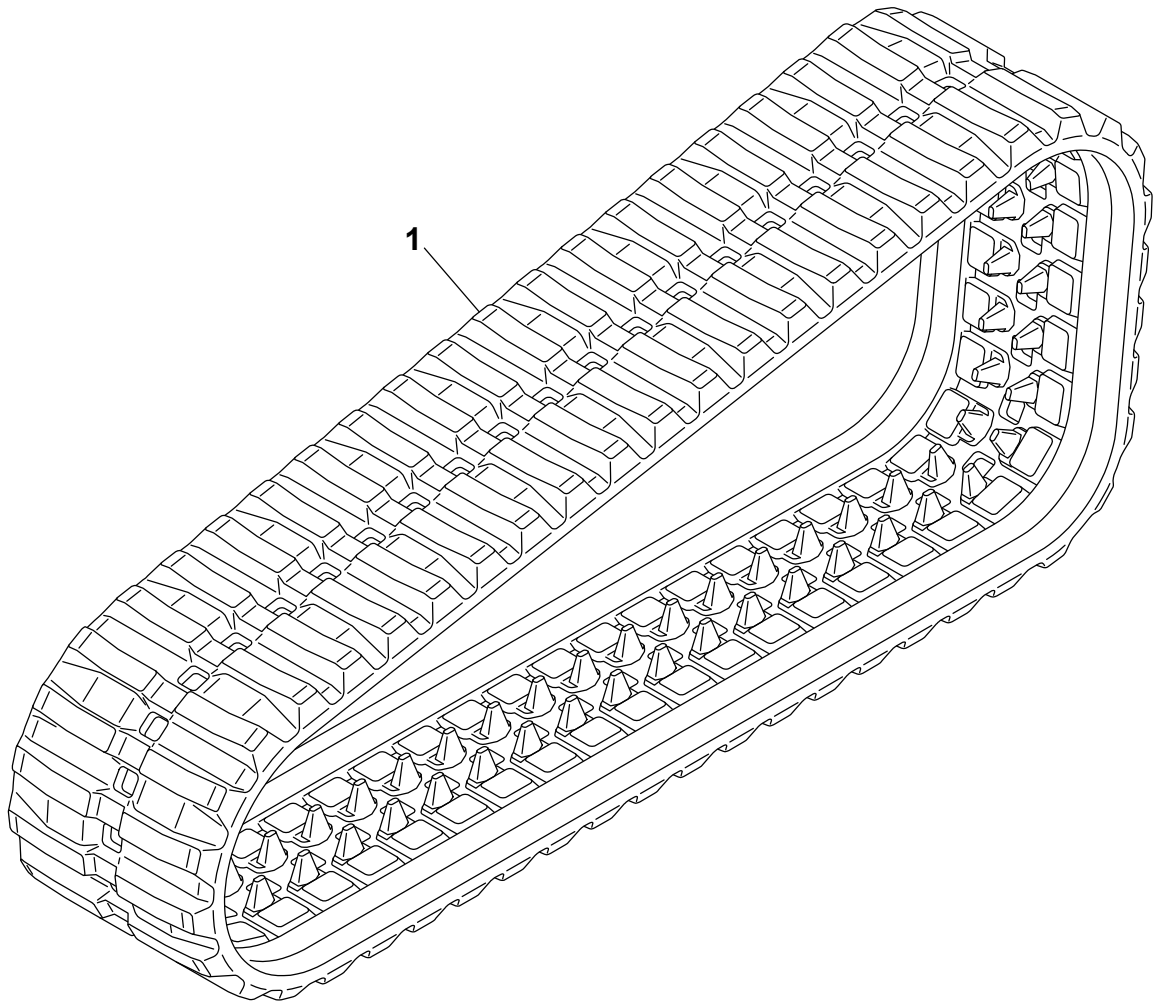
S=1/8

TRAVEL DEVICE

Item	Part number	Description	Q'ty	Chan.	Serial No.	Serv.	Remarks
		MOTOR ASSY, travel					
1	0881160110	SPROCKET	2				
2	1903126500	MOTOR, travel	2				
3	1100041635	BOLT	36				
4	0882160210	ADAPTOR	4				
5	0007203081	ADAPTOR	2				
6	0007203069	ADAPTOR	4				
7	1513300020	ELBOW	2				
	1420010240	· O-RING	1				
8	1420010240	O-RING	4				
9	1420010180	O-RING	2				
10	1420010110	O-RING	4				

U2a010

TL240 (P-TL240BAB) BU2Z002-1 S/N 22400001-
CRAWLER BELT



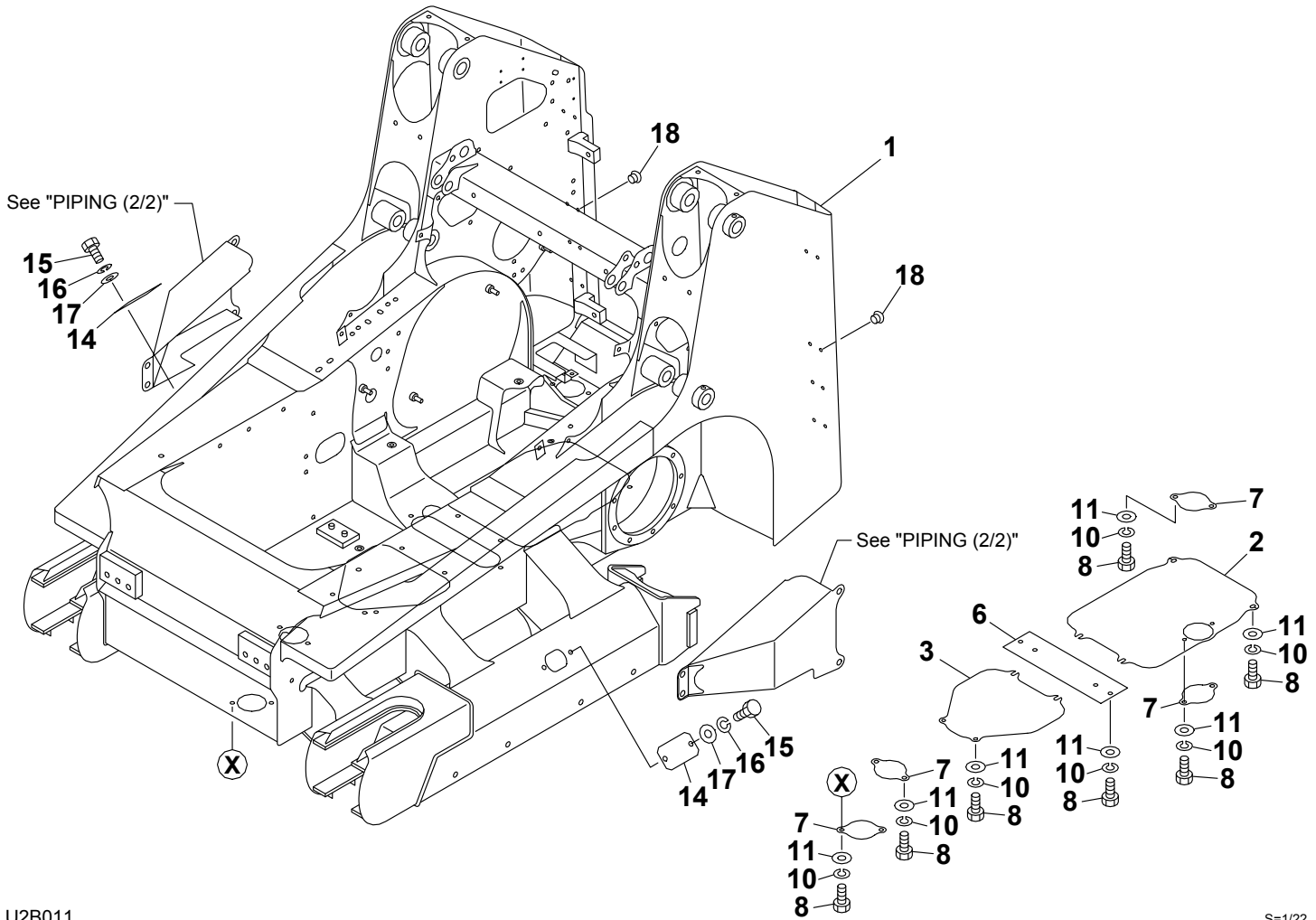
T7A060

S=1/12

CRAWLER BELT

Item	Part number	Description	Q'ty	Chan.	Serial No.	Serv.	Remarks
1	1914099520	BELT, rubber crawler	2				
	1914099540	BELT, rubber crawler (Aggressive lug type)	2				
	1914099610	BELT, rubber crawler (snow tread type)	2				
	U2a0201						

TL240 (P-TL240BAB) BU2Z002-1 S/N 22400001-
FRAME

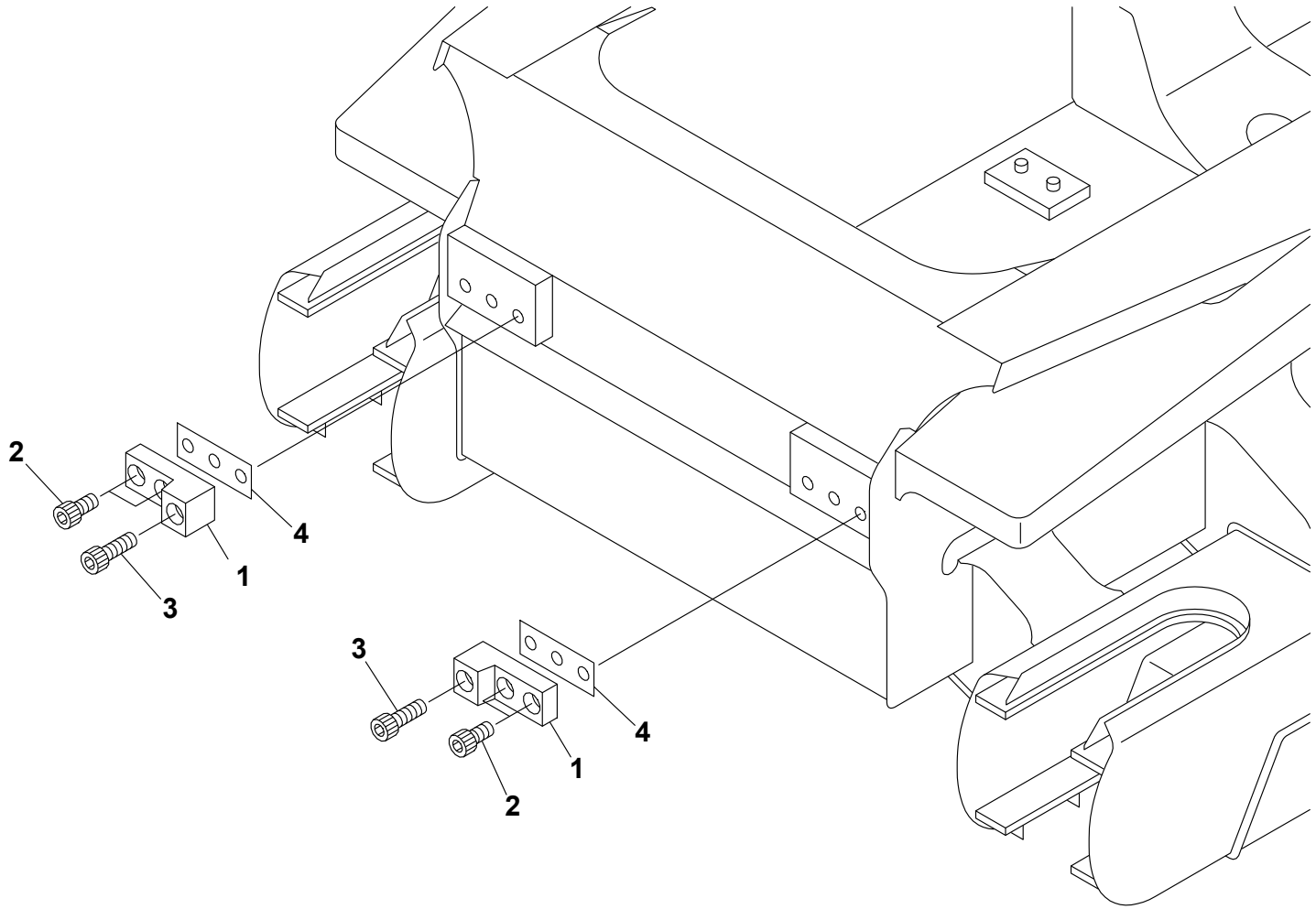


U2B011

S=1/22

FRAME							
Item	Part number	Description	Q'ty	Chan.	Serial No.	Serv.	Remarks
		FRAME ASSY					
1	X *****	FRAME	1				
2	0683010030	COVER	1				
3	0882300020	COVER	1				
6	0880305080	COVER	1				
7	0881302095	COVER	4				
8	1100041020	BOLT	16				
10	1140020010	WASHER, spring	18				
11	1141110010	WASHER	16				
14	0331018600	COVER	2				
15	1100040816	BOLT	4				
16	1140020008	WASHER, spring	4				
17	1141110008	WASHER	4				
18	1652533021	CAP	16				M
	U2b011						

TL240 (P-TL240BAB) BU2Z002-1 S/N 224000001-
ARM STOPPER



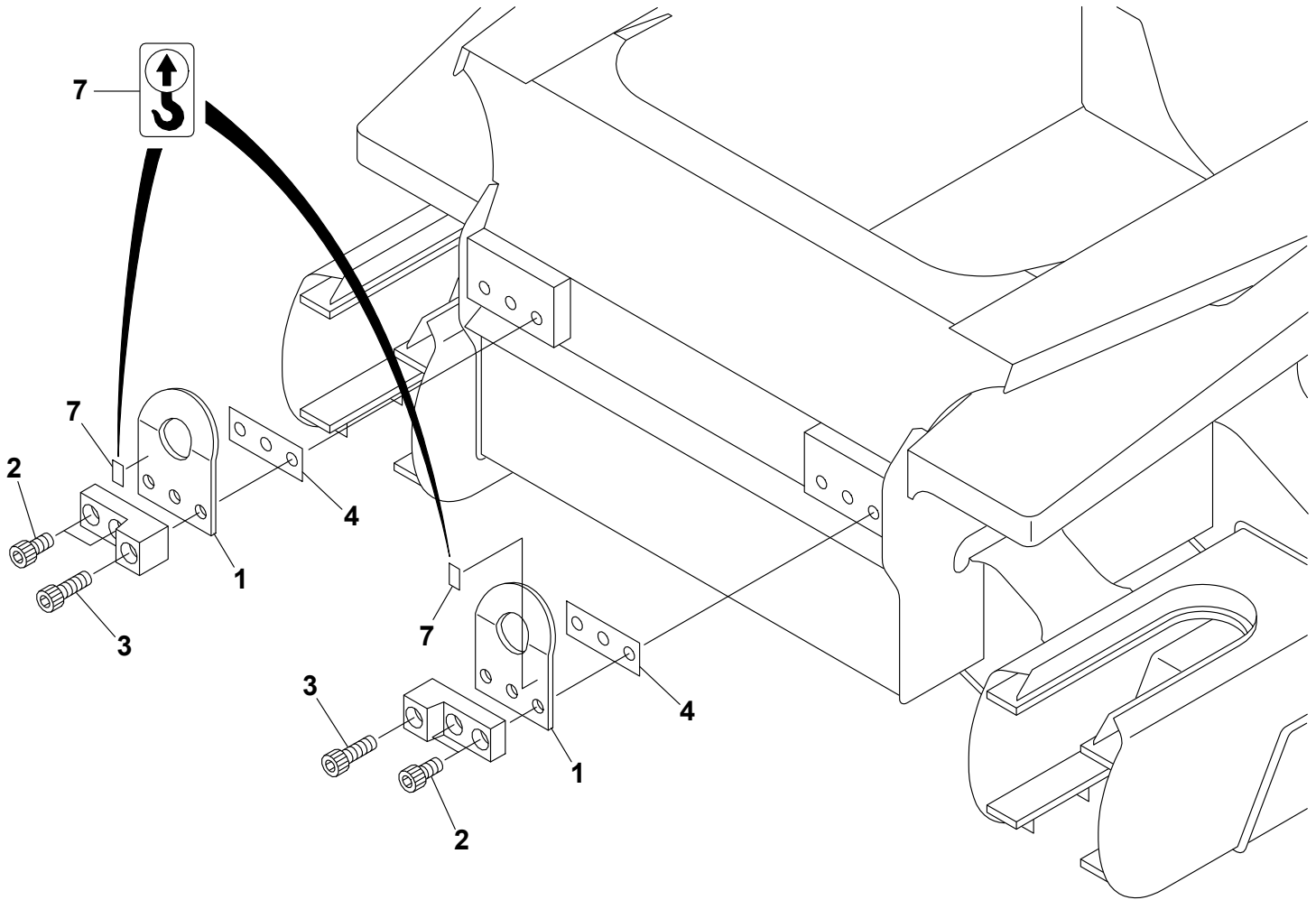
T9B020

S=1/9

ARM STOPPER

Item	Part number	Description	Q'ty	Chan.	Serial No.	Serv.	Remarks
		STOPPER ASSY, arm					
1	0881602910	STOPPER, arm	2				
2	1110042035	SCREW, cap	4				
3	1110042060	SCREW, cap	2				
4	0881602950	SHIM	AR				t=0.5mm
	0881600950	SHIM	AR				t=1.0mm
	0881602960	SHIM	AR				t=3.2mm
	T9b020						

TL240 (P-TL240BAB) BU2Z002-1 S/N 22400001-
HOOK



T9B051

S=1/9

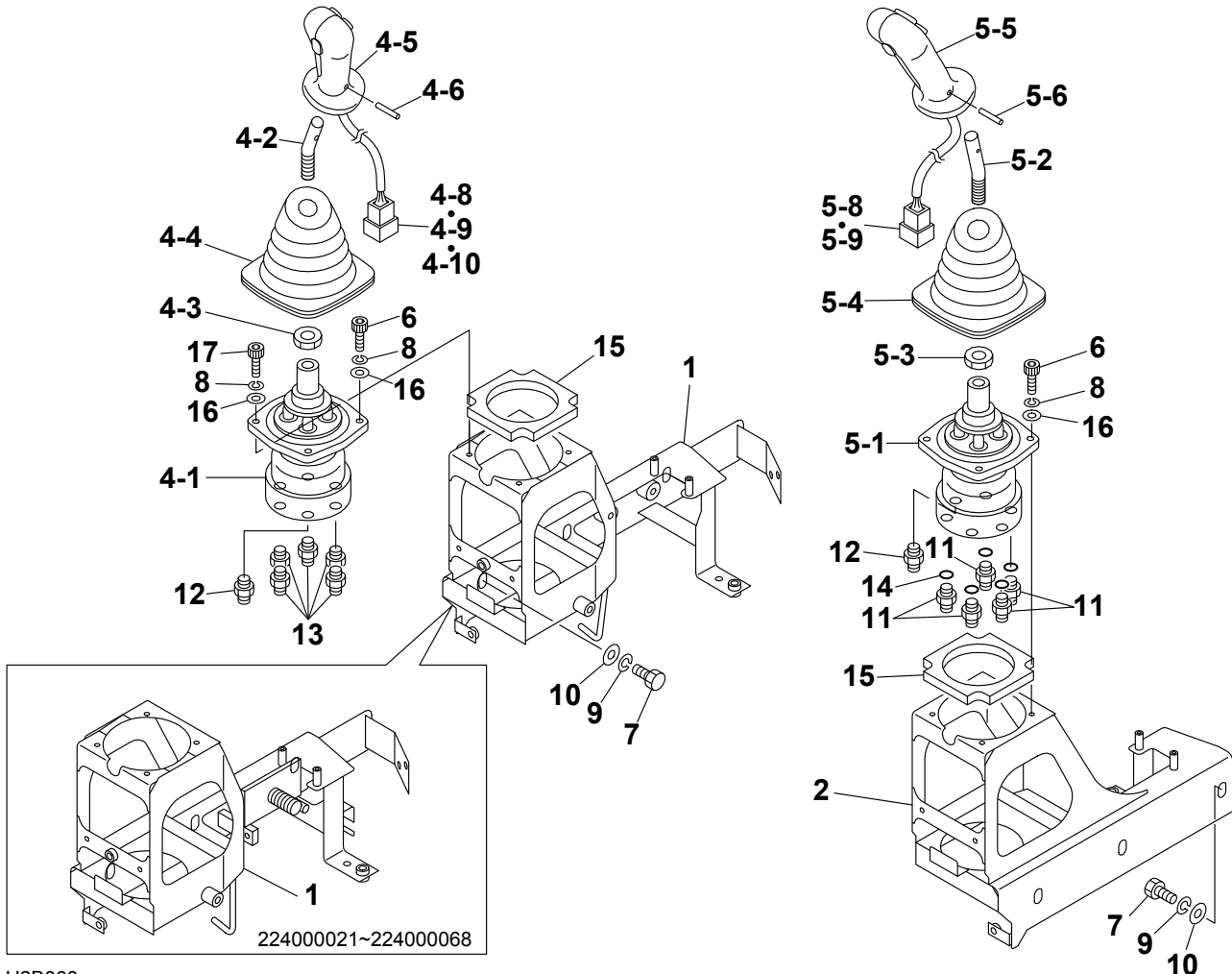
HOOK

Item	Part number	Description	Q'ty	Chan.	Serial No.	Serv.	Remarks
		HOOK ASSY					
1	0881304520	HOOK	2				
2	1110042040	SCREW, cap	4				
3	1110042070	SCREW, cap	2				
4	0881602950	SHIM	AR				t=0.5mm
7	0399300500	DECAL	2				
	T9b051						

OPERATION LEVER & STAND

Item	Part number	Description	Q'ty	Chan.	Serial No.	Serv.	Remarks
		VALVE ASSY					
1	0685100100	BRACKET (R.H.)	1		224000001~224000068		
	0685100450	BRACKET (R.H.)	1		224000069~	M	
2	0882510600	BRACKET (L.H.)	1				
3	0881510020	BOOT	2				
4	1901749800	VALVE ASSY (R.H.) (aluminum)	1				3 switch
5	1901749700	VALVE ASSY (L.H.) (aluminum)	1				slide switch
6	1110040620	SCREW, cap	6				
7	1100041020	BOLT	6				
8	1140420006	WASHER, spring	8				
9	1140020010	WASHER, spring	6				
10	0003600020	WASHER	6				
11	1515600571	ADAPTOR	5				
	1420010110	· O-RING	1				
12	1512370008	ADAPTOR (with filter)	2				
	1420010110	· O-RING	1				
13	1515600200	ADAPTOR	5				
	1420010110	· O-RING	1				
14	1420010110	O-RING	5				
15	0881511150	SPONGE	2				
16	1141110006	WASHER	8				
17	1110040625	SCREW, cap	2				
	U2b041						

TL240 (P-TL240BAB) BU2Z002-1 S/N 22400001-
OPERATION LEVER & STAND (multi-functional grip type)



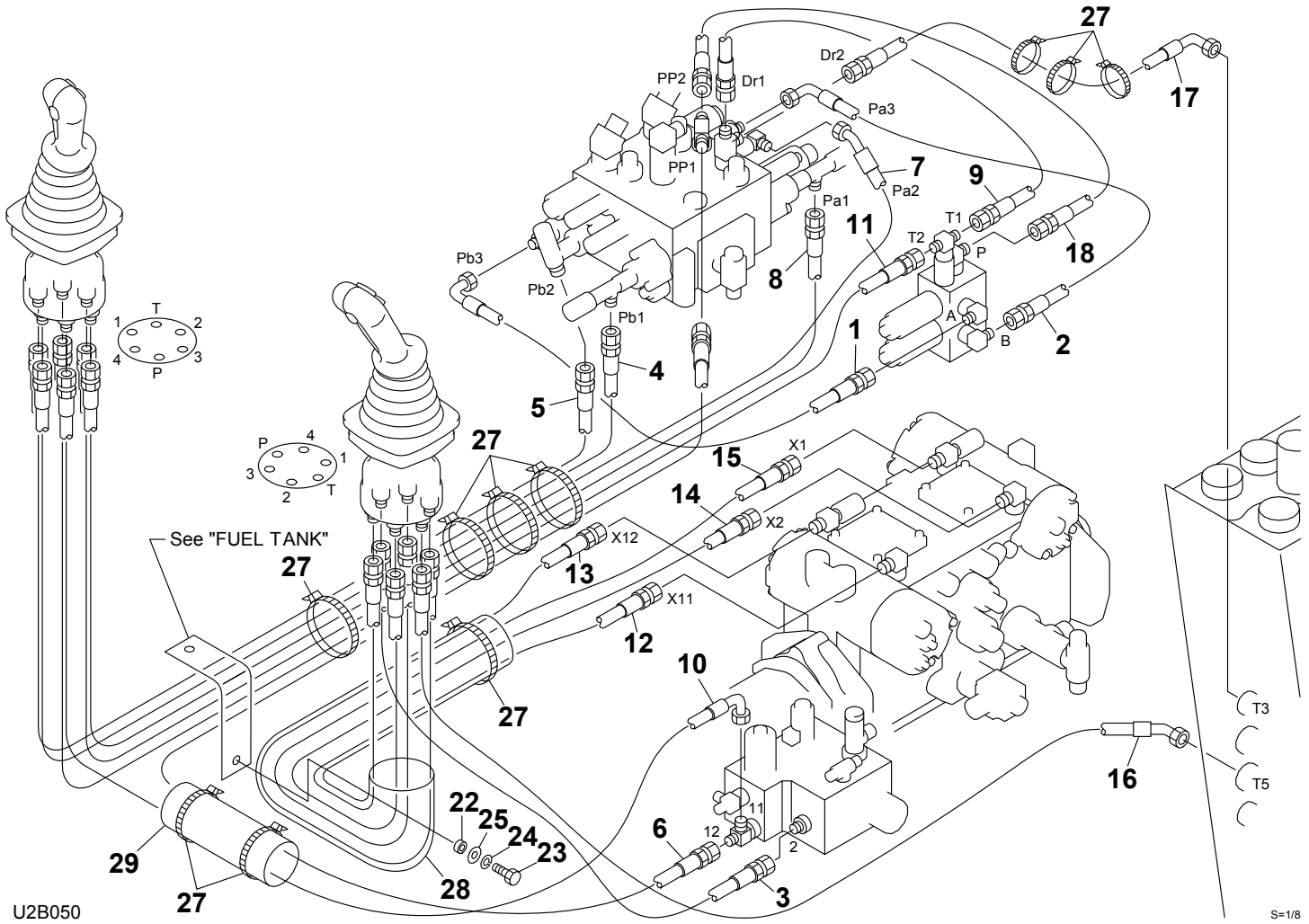
U2B060

S=1/8

OPERATION LEVER & STAND (multi-functional grip type)

Item	Part number	Description	Q'ty	Chan.	Serial No.	Serv.	Remarks
		VALVE ASSY					
1	0685100100	BRACKET (R.H.)	1		224000021~224000068		
	0685100450	BRACKET (R.H.)	1		224000069~	M	
2	0882510600	BRACKET (L.H.)	1				
4	0665101200	VALVE ASSY (R.H.)	1			M	
4-1	1901754000	· VALVE, pilot (R.H.)	1			M	
4-2	0665102120	· LEVER	1			M	
4-3	0665101203	· NUT	1			M	
4-4	0375109110	· BOOT	1			M	
4-5	1650205600	· GRIP (R.H.)	1			M	5 switch
4-6	1213000540	· PIN, spring	1			M	
4-8	0665101208	· RECEPTACLE	1			M	
4-9	0665101209	· WEDGE	1			M	
4-10	0665101210	· PLUG	3			M	
5	0665101100	VALVE ASSY (L.H.)	1			M	
5-1	1901753900	· VALVE, pilot (L.H.)	1			M	
5-2	0665101120	· LEVER	1			M	
5-3	0665101203	· NUT	1			M	
5-4	0375109110	· BOOT	1			M	
5-5	1650205500	· GRIP (L.H.)	1			M	slide switch
5-6	1213000540	· PIN, spring	1			M	
5-8	0665101108	· RECEPTACLE	1			M	
5-9	0665101109	· WEDGE	1			M	
6	1110040620	SCREW, cap	6				
7	1100041020	BOLT	6				
8	1140420006	WASHER, spring	8				
9	1140020010	WASHER, spring	6				
10	0003600020	WASHER	6				
11	1515600571	ADAPTOR	5				
12	1512370008	ADAPTOR (with filter)	2				
	1420010110	· O-RING	1				
13	1515600200	ADAPTOR	5				
	1420010110	· O-RING	1				
14	1420010110	O-RING	5				
15	0881511150	SPONGE	2				
16	1141110006	WASHER	8				
17	1110040625	SCREW, cap	2				
	U2b060						

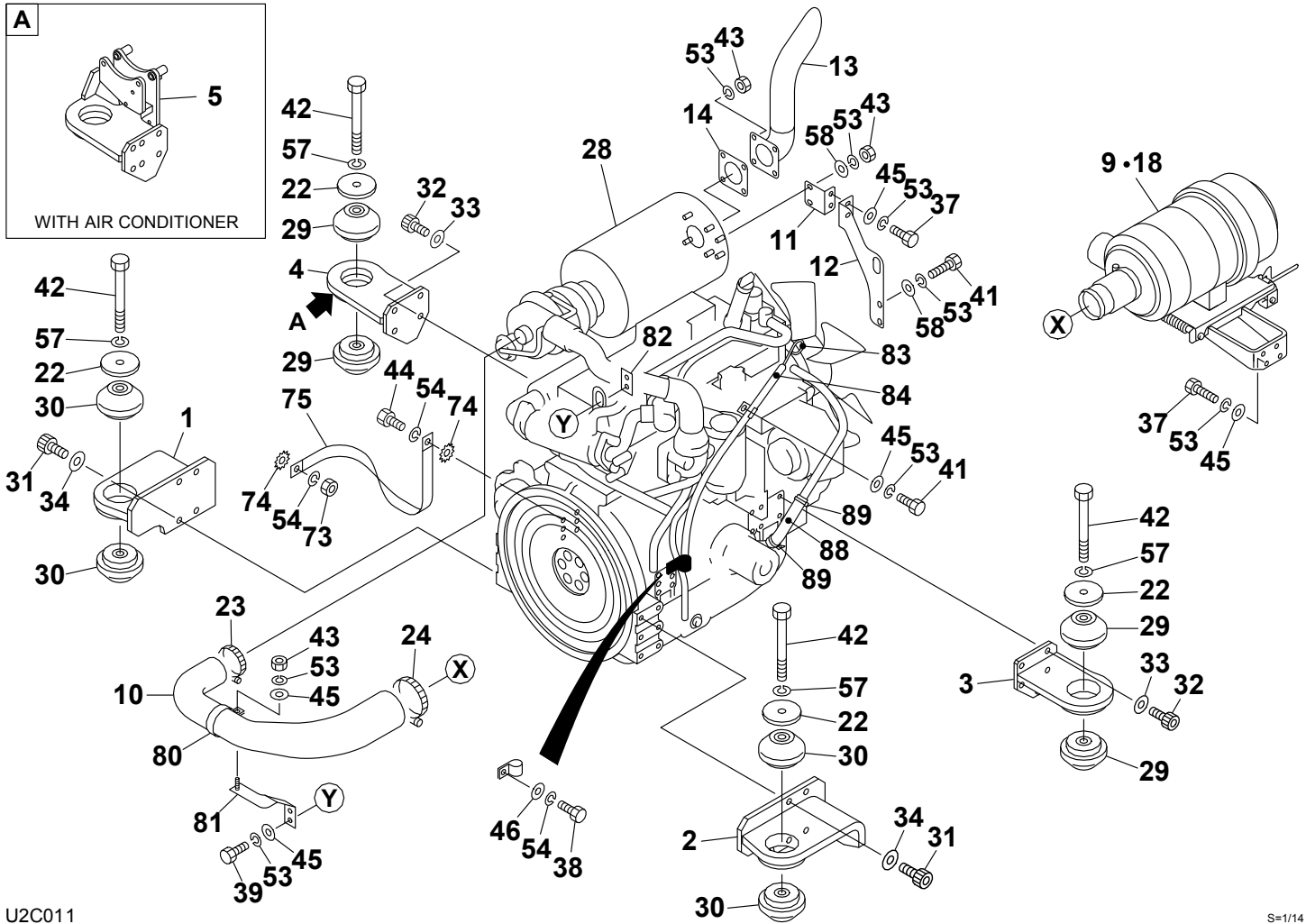
TL240 (P-TL240BAB) BU2Z002-1 S/N 22400001-
PIPING; OPERATION LEVER



PIPING; OPERATION LEVER

Item	Part number	Description	Q'ty	Chan.	Serial No.	Serv.	Remarks
		PIPING ASSY					
1	0687100010	HOSE ASSY	1				1801052033
2	0687100020	HOSE ASSY	1				1801052048
3	0687100030	HOSE ASSY	1				1801022050
4	0687101040	HOSE ASSY	1				1801022100
5	0687101050	HOSE ASSY	1				1801022110
6	0687101060	HOSE ASSY	1				1801022160
7	0687101070	HOSE ASSY	1				1801079136
8	0687101080	HOSE ASSY	1				1801022130
9	0687100090	HOSE ASSY	1				1801022048
10	0882710100	HOSE ASSY	1				1801052112
11	0882710110	HOSE ASSY	1				1801022104
12	0687100120	HOSE ASSY	1				1801023085
13	0687100130	HOSE ASSY	1				1801023085
14	0687100140	HOSE ASSY	1				1801023105
15	0687100150	HOSE ASSY	1				1801023105
16	0687101160	HOSE ASSY	1				1801089195
17	0687101170	HOSE ASSY	1				1801052170
18	0687100180	HOSE ASSY	1				1801022050
22	0881711360	COLLAR	1				
23	1100040620	BOLT	1				
24	1140020006	WASHER, spring	1				
25	0003600043	WASHER	1				
27	1652241300	BAND	10				
28	1531645060	PROTECTOR	1				sold by the meter
29	0880717520	PROTECTOR	1				
	U2b050						

TL240 (P-TL240BAB) BU2Z002-1 S/N 22400001-
ENGINE & ACCESSORIES (1/4)



U2C011

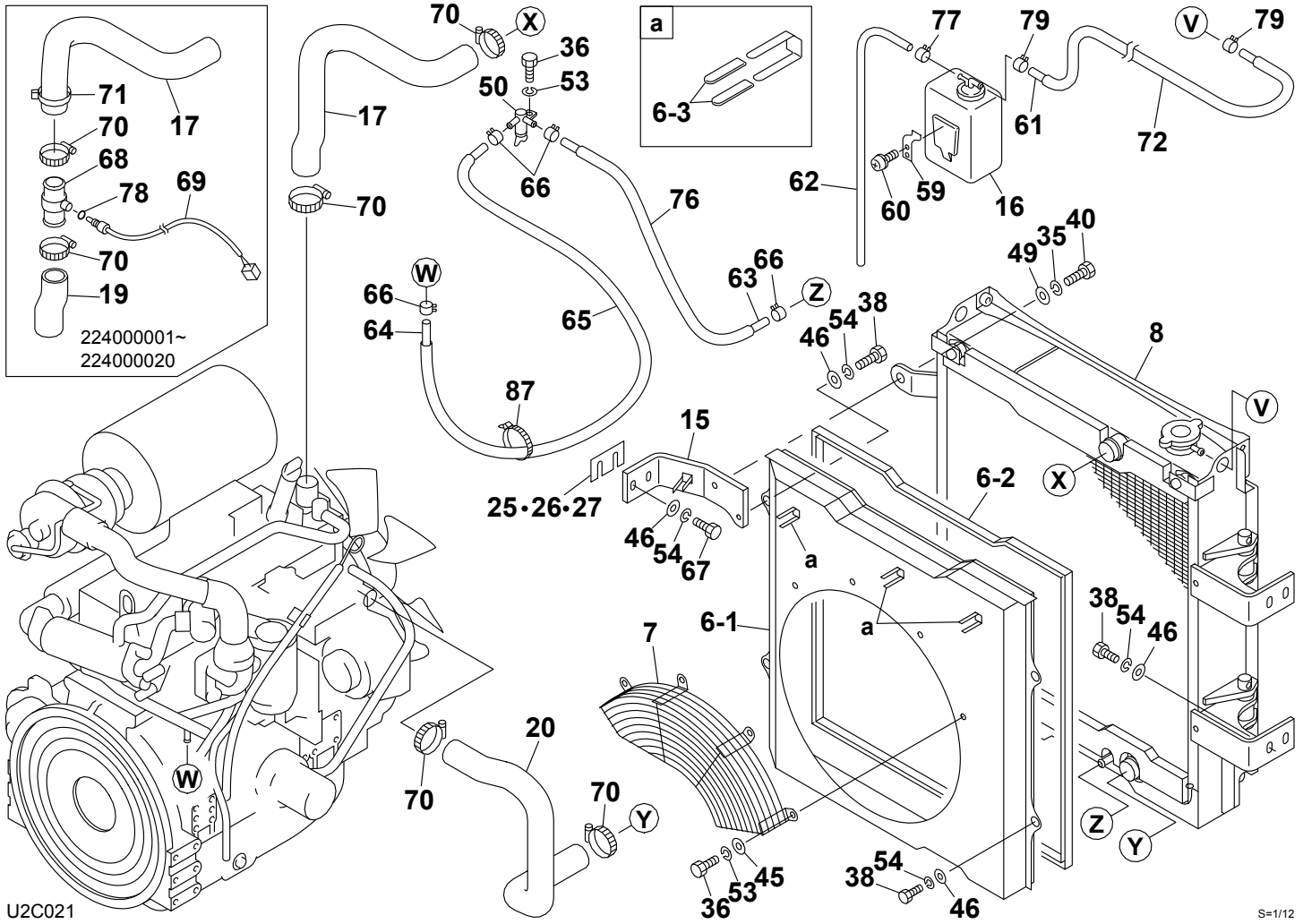
S=1/14

ENGINE & ACCESSORIES (1/4)

Item	Part number	Description	Q'ty	Chan.	Serial No.	Serv.	Remarks
		ENGINE ASSY (for US)					
		ENGINE ASSY (for EU)					
		ENGINE ASSY (for US, with air conditioner)					
		ENGINE ASSY (for EU, with air conditioner)					
1	0684001010	FOOT, engine (F.R.)	1				
2	0684001020	FOOT, engine (F.L.)	1				
3	0684001030	FOOT, engine (R.L.)	1				
4	0664001040	FOOT, engine (R.R.)	1				
5	0664001050	FOOT, engine (R.R.)	1				with air conditioner
9	0684001300	CLEANER ASSY, air (for EU)	1				see page (4/4)
10	0684001320	HOSE	1				
11	0684001280	PLATE	1				
12	0684001240	PLATE	1				
13	0880406890	PIPE	1				
14	1910197023	GASKET	1				Y12993013201
18	0684001350	PRECLEANER ASSY (for US)	1				see page (4/4)
22	0882400190	WASHER	4				
23	1533701250	BAND	1				
24	1533700090	BAND	1				
28	1911264001	ENGINE	1				4TNV98T-ZNTBL
29	1651030005	RUBBER, cushion	4			M	
30	1651030008	RUBBER, cushion	4				
31	1110021230	SCREW, cap	8				
32	1110021030	SCREW, cap	8				
	1110021030	SCREW, cap	10				with air conditioner
33	1141550010	WASHER	8				
	1141550010	WASHER	10				with air conditioner
34	1141550012	WASHER	8				
37	1100040825	BOLT	6				
38	1100041025	BOLT	1				
39	1100040830	BOLT	2				
41	1100040820	BOLT	3				
42	1101141640	BOLT	4				
43	1130040008	NUT	7				
44	1100041020	BOLT	1				
45	1141110008	WASHER	15				
46	1141110010	WASHER	1				
53	1140020008	WASHER, spring	18				
54	1140020010	WASHER, spring	3				
57	1140020016	WASHER, spring	4				
58	0003608252	WASHER	4				
73	1130040010	NUT	1				
74	1140330010	WASHER	2				
75	1702402002	CABLE, earth	1				
80	0881964241	CLAMP	1				
81	0684001290	PLATE	1				
82	0684000600	PLATE	1				
83	1910259051	STICK, oil dip	1				Y129951-34801
84	1910259052	GUIDE	1				Y129939-34810
88	0684001370	PROTECTOR	1				
89	1652241150	BAND	2				

U2c011

TL240 (P-TL240BAB) BU2Z002-1 S/N 22400001-
ENGINE & ACCESSORIES (2/4)



U2C021

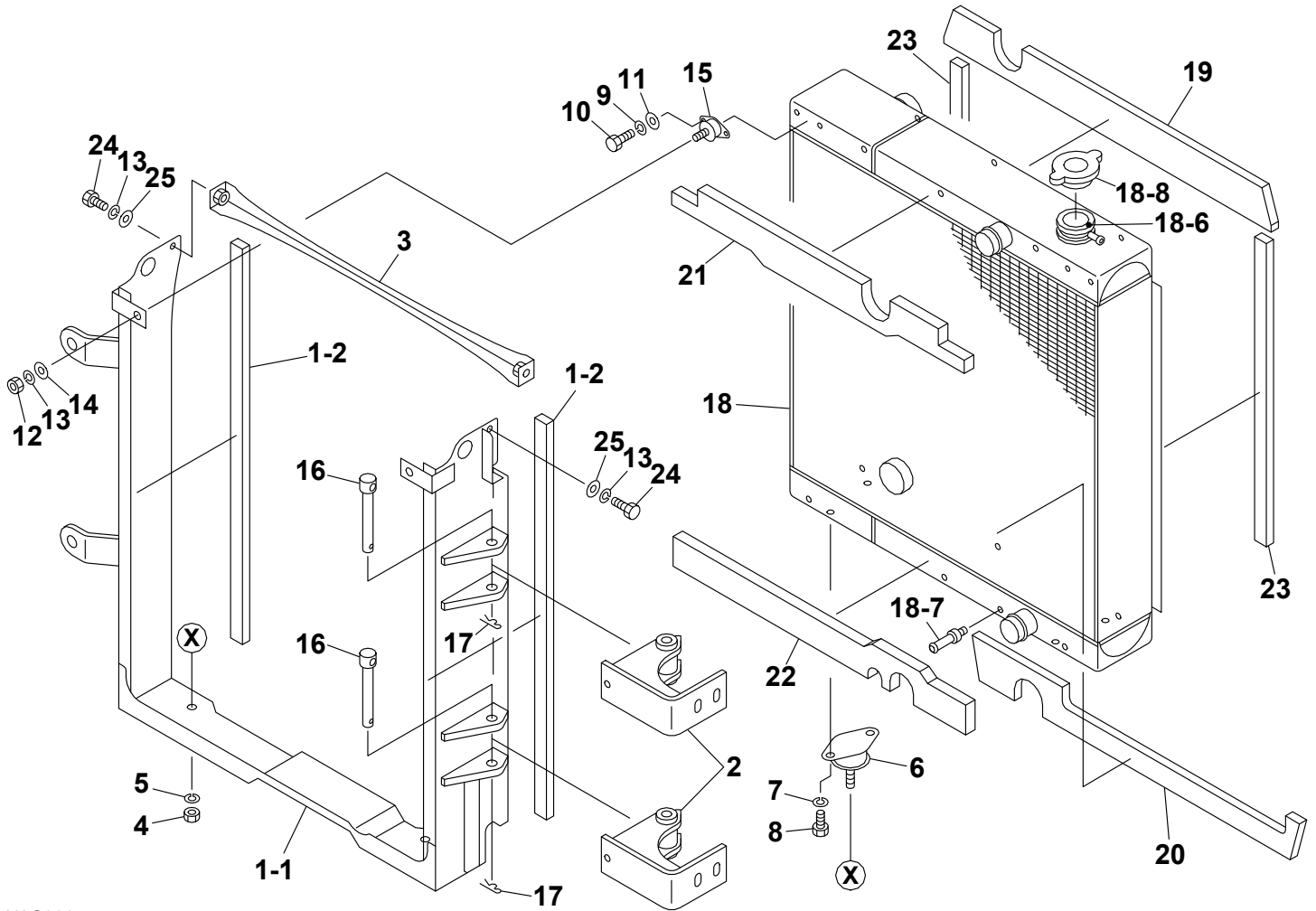
S=1/12

ENGINE & ACCESSORIES (2/4)

Item	Part number	Description	Q'ty	Chan.	Serial No.	Serv.	Remarks
		ENGINE ASSY (for US)					
		ENGINE ASSY (for EU)					
		ENGINE ASSY (for US, with air conditioner)					
		ENGINE ASSY (for EU, with air conditioner)					
6	0684001200	SHROUD ASSY	1				
6-1	0684001210	· SHROUD	1				
6-2	1654606260	· TRIM	1				sold by the meter
6-3	0872433150	· TUBE	6				
7	0664001070	GUARD	1				
8	0684001100	RADIATOR ASSY	1				see page (3/4)
15	0684001250	BRACKET	2				
16	1910146020	TANK, sub	1				Y129466-44510
17	0684001260	HOSE	1		224000001~224000020		
	0684001230	HOSE	1		224000021~	M	
19	0684001270	HOSE	1		224000001~224000020		
20	0684000550	HOSE	1				
25	0880406610	SHIM	AR				t=1.6mm
26	0880406620	SHIM	AR				t=3.2mm
27	0880406630	SHIM	AR				t=4.5mm
35	1140020012	WASHER, spring	2				
36	1100040816	BOLT	5				
38	1100041025	BOLT	8				
40	1100041230	BOLT	2				
45	1141110008	WASHER	4				
46	1141110010	WASHER	12				
49	0003600136	SHIM	2				
50	1910078037	COCK	1				Y129150-49100
53	1140020008	WASHER, spring	5				
54	1140020010	WASHER, spring	12				
59	0880406110	PLATE	1				
60	1150120410	SCREW	2				
61	1531407122	HOSE	1				sold by the meter
62	1910161013	HOSE	1				Y105840-59100
63	1530808072	HOSE	1				sold by the meter
64	1530808130	HOSE	1				sold by the meter
65	1531115064	HOSE	2				sold by the meter
66	1533120012	BAND	4				
67	1100041030	BOLT	4				
68	0881402595	JOINT	1		224000001~224000020		
69	1700100046	SENSOR	1		224000001~224000020		
70	1533700057	BAND	4				
71	1652241200	BAND	1		224000001~224000020		
72	1531115120	HOSE	1				sold by the meter
76	1531118035	HOSE	2			M	sold by the meter
77	1533120508	BAND	1			M	
78	1420000100	O-RING	1		224000001~224000020		
79	1533120011	BAND	2				
87	1652201008	BAND	1				

U2c021

TL240 (P-TL240BAB) BU2Z002-1 S/N 22400001-
ENGINE & ACCESSORIES (3/4)



U2C030

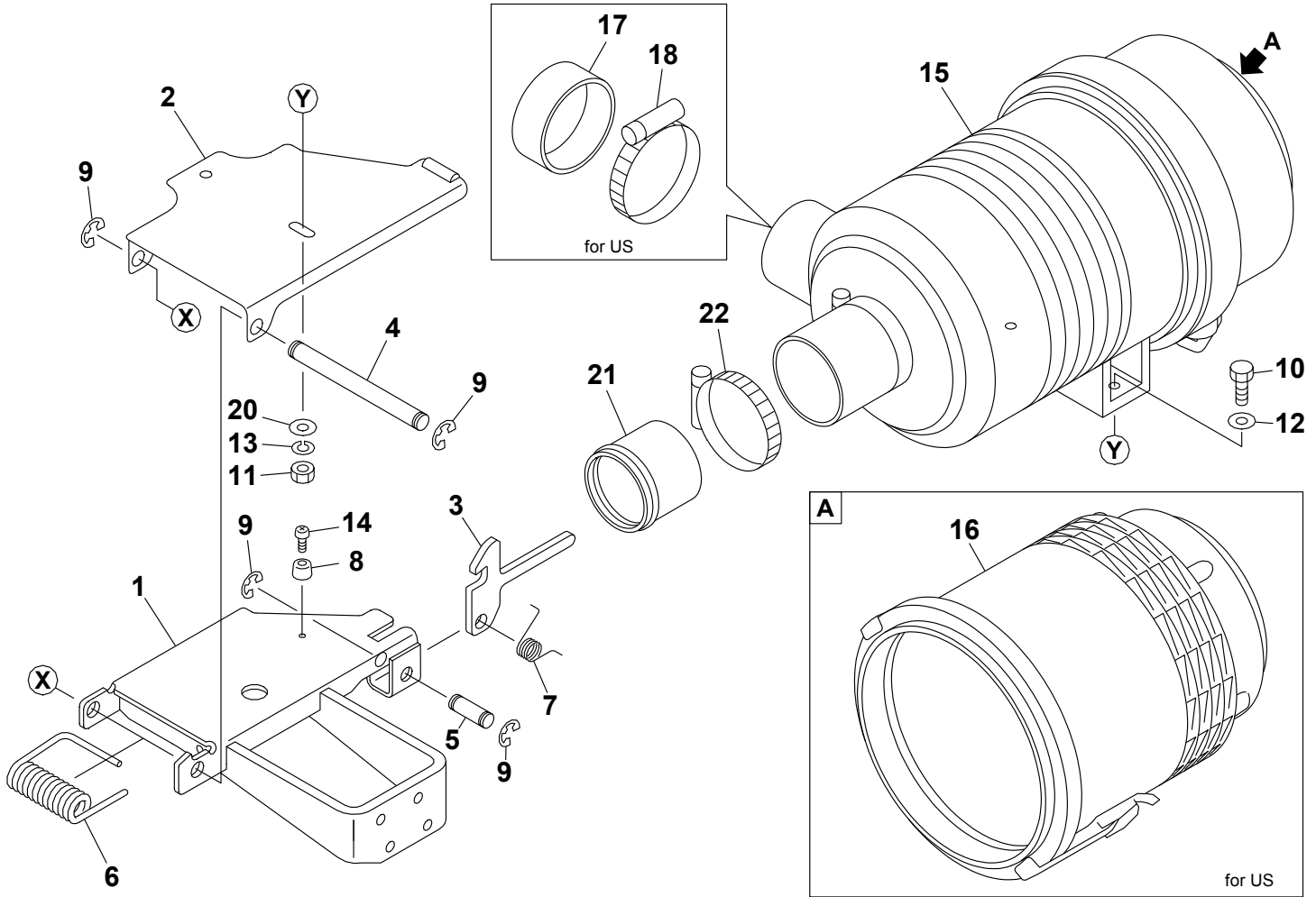
S=1/10

ENGINE & ACCESSORIES (3/4)

Item	Part number	Description	Q'ty	Chan.	Serial No.	Serv.	Remarks
0-1	0684001100	RADIATOR ASSY	1				
1	0684001110	· FRAME ASSY	1				
1-1	0684001120	· · FRAME	1				
1-2	1654343073	· · SPONGE	2				sold by the meter
2	0684001130	· HINGE	2				
3	0684000360	· STAY	1				
4	1130040012	· NUT	2				
5	1140020012	· WASHER, spring	2				
6	0880408580	· RUBBER, cushion	2				
7	1140020010	· WASHER, spring	4				
8	1100041016	· BOLT	4				
9	1140020006	· WASHER, spring	4				
10	1100040612	· BOLT	4				
11	1141110006	· WASHER	4				
12	1130040008	· NUT	2				
13	1140020008	· WASHER, spring	4				
14	0003600025	· WASHER	2				
15	1651021030	· RUBBER, cushion	2				
16	0881402180	· PIN	2				
17	1214000016	· PIN, snap	2				
18	1911300340	· RADIATOR & COOLER, oil	1				AKG
18-6	1911300076	· · FITTING, hose	1				
18-7	1911300077	· · NIPPLE	1				
18-8	1911300078	· · CAP, radiator	1				
19	0684000501	· SPONGE	1				
20	0684000502	· SPONGE	1				
21	0684001103	· SPONGE	1				
22	0684001104	· SPONGE	1				
23	1654343058	· SPONGE	2				sold by the meter
24	1100040820	· BOLT	2				
25	1141110008	· WASHER	2				

U2c030

TL240 (P-TL240BAB) BU2Z002-1 S/N 22400001-
ENGINE & ACCESSORIES (4/4)



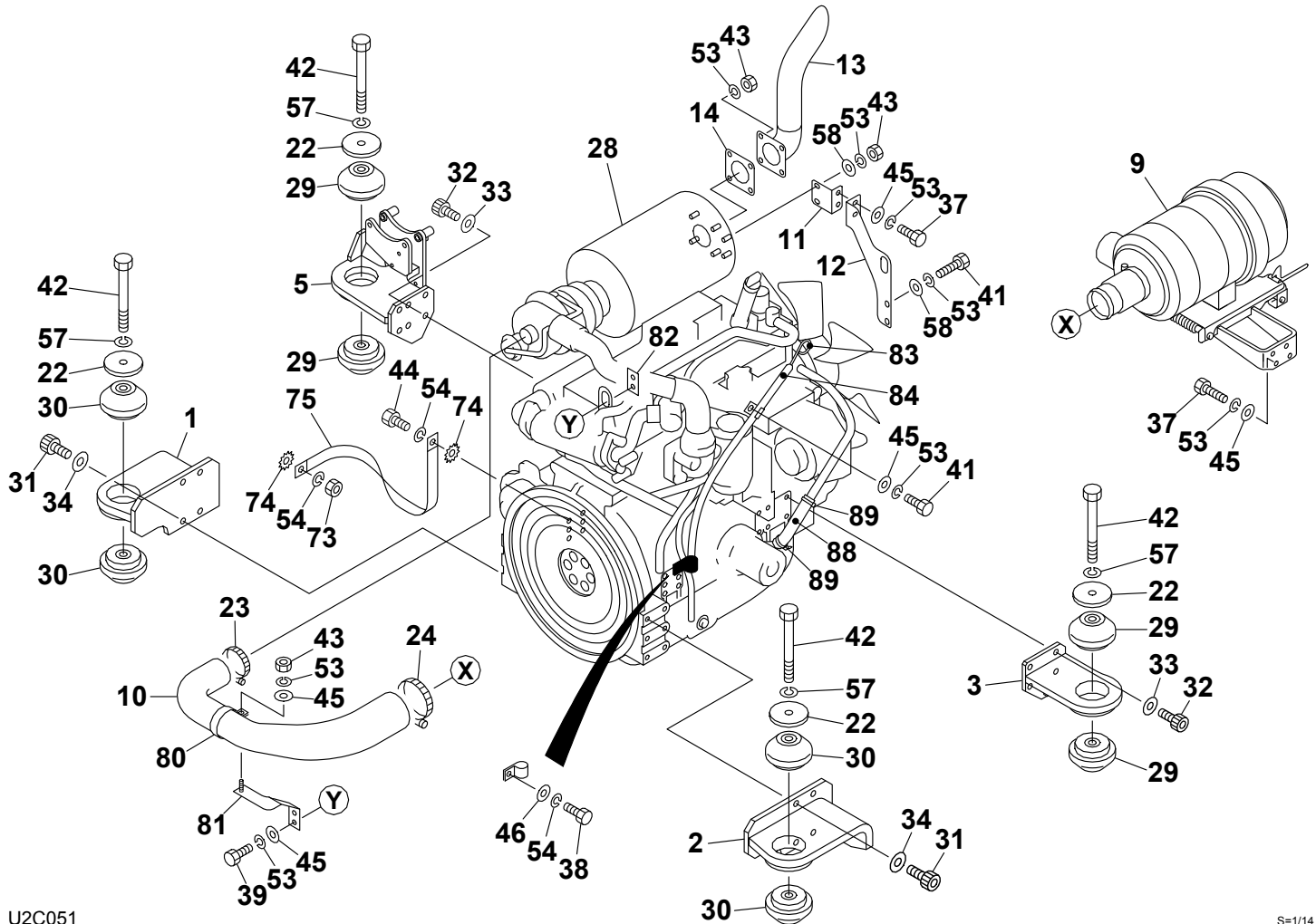
U2C040

S=1/5

ENGINE & ACCESSORIES (4/4)

Item	Part number	Description	Q'ty	Chan.	Serial No.	Serv.	Remarks
0-2	0684001300	CLEANER ASSY, air (for EU)	1				
	0684001350	PRECLEANER ASSY (for US)	1				
1	0684000710	· BRACKET	1				
2	0664001220	· PLATE	1				
3	0664001250	· PLATE	1				
4	0664000704	· PIN	1				
5	0664000705	· PIN	1				
6	0664000706	· SPRING	1				
7	0664000707	· SPRING	1				
8	1652111610	· RUBBER	1				
9	1224010010	· RING, retaining	4				
10	1100240830	· BOLT	2				
11	1130040008	· NUT	2				
12	0003608252	· WASHER	2				
13	1140020008	· WASHER, spring	2				
14	1120530308	· SCREW	1				
15	1910264007	· CLEANER, air	1				
16	1911240310	· PRECLEANER	1				for US
17	1911240230	· CAP	1				for US
18	1911240240	· BAND	1				for US
20	1141110008	· WASHER	2				
21	0684001360	· PIPE	1				
22	1533700090	· BAND	1				
	U2c040						

TL240 (P-TL240BAB) BU2Z002-1 S/N 22400001-
ENGINE & ACCESSORIES (1/4) (for GEHL & MUSTANG)



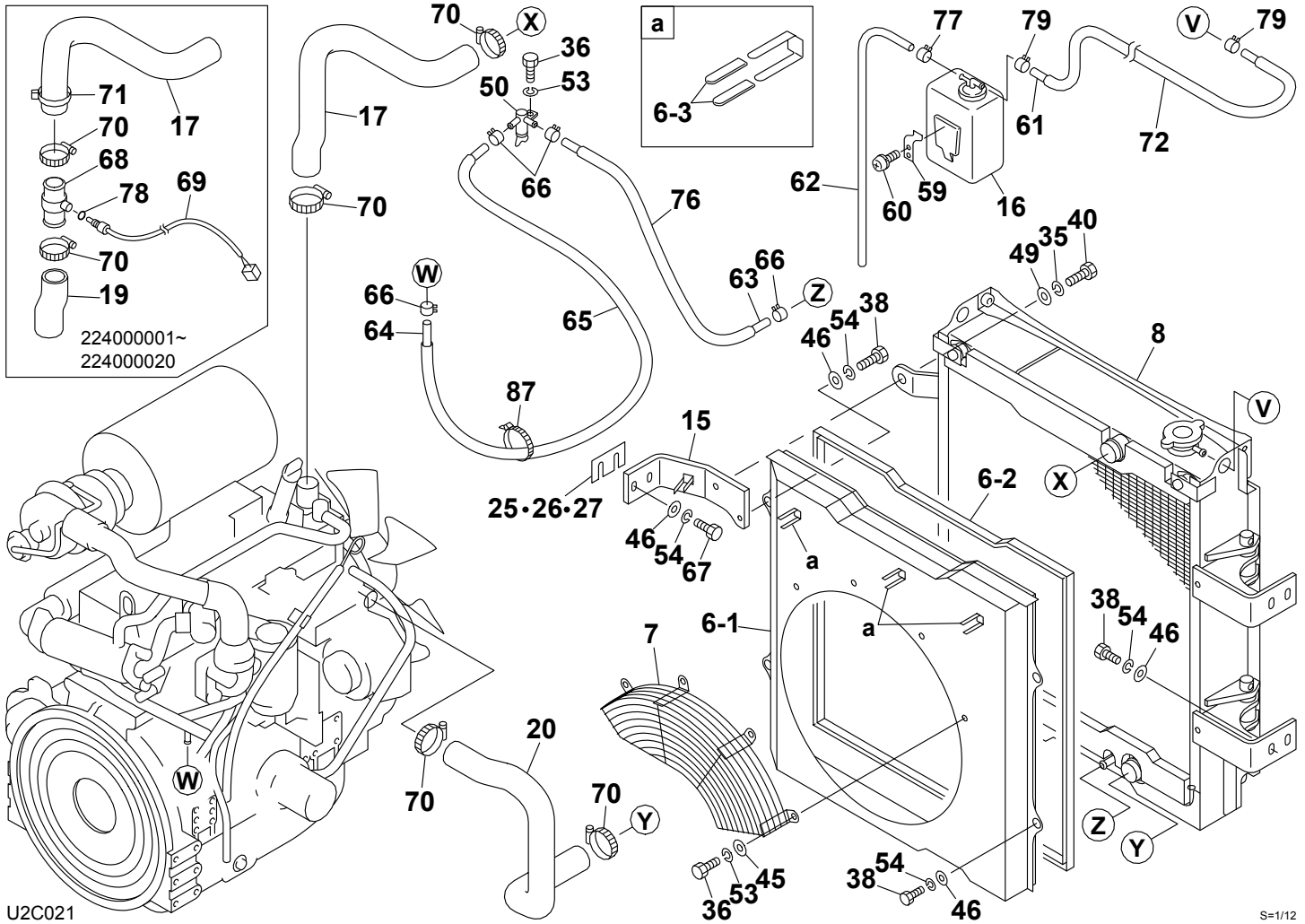
U2C051

S=1/14

ENGINE & ACCESSORIES (1/4) (for GEHL & MUSTANG)

Item	Part number	Description	Q'ty	Chan.	Serial No.	Serv.	Remarks
		ENGINE ASSY					
1	0684001010	FOOT, engine (F.R.)	1				
2	0684001020	FOOT, engine (F.L.)	1				
3	0684001030	FOOT, engine (R.L.)	1				
5	0664001050	FOOT, engine (R.R.)	1				
9	0684001300	CLEANER ASSY, air	1				see page (4/4)
10	0684001320	HOSE	1				
11	0684001280	PLATE	1				
12	0684001240	PLATE	1				
13	0880406890	PIPE	1				
14	1910197023	GASKET	1				Y129930-13201
22	0882400190	WASHER	4				
23	1533701250	BAND	1				
24	1533700090	BAND	1				
28	1911264001	ENGINE	1				4TNV98T-ZNTBL
29	1651030005	RUBBER, cushion	4			M	
30	1651030008	RUBBER, cushion	4				
31	1110021230	SCREW, cap	8				
32	1110021030	SCREW, cap	10				
33	1141550010	WASHER	10				
34	1141550012	WASHER	8				
37	1100040825	BOLT	6				
38	1100041025	BOLT	1				
39	1100040830	BOLT	2				
41	1100040820	BOLT	3				
42	1101141640	BOLT	4				
43	1130040008	NUT	7				
44	1100041020	BOLT	1				
45	1141110008	WASHER	15				
46	1141110010	WASHER	1				
53	1140020008	WASHER, spring	18				
54	1140020010	WASHER, spring	3				
57	1140020016	WASHER, spring	4				
58	0003608252	WASHER	4				
73	1130040010	NUT	1				
74	1140330010	WASHER	2				
75	1702402002	CABLE, earth	1				
80	0881964241	CLAMP	1				
81	0684001290	PLATE	1				
82	0684000600	PLATE	1				
83	1910259051	STICK, oil dip	1				Y129951-34801
84	1910259052	GUIDE	1				Y129939-34810
88	0684001370	PROTECTOR	1				
89	1652241150	BAND	2				
	U2c051						

TL240 (P-TL240BAB) BU2Z002-1 S/N 22400001-
ENGINE & ACCESSORIES (2/4) (for GEHL & MUSTANG)



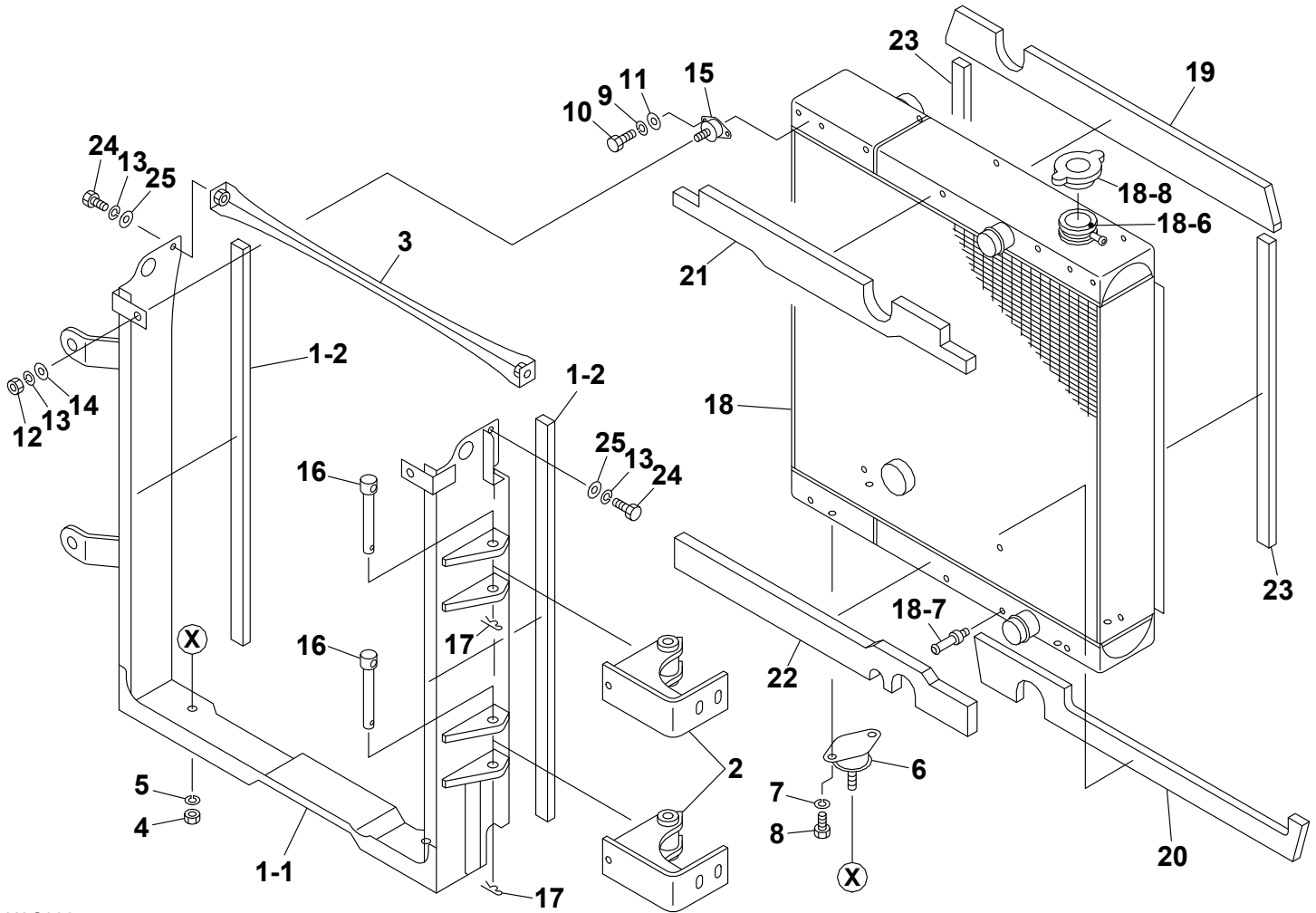
U2C021

S=1/12

ENGINE & ACCESSORIES (2/4) (for GEHL & MUSTANG)

Item	Part number	Description	Q'ty	Chan.	Serial No.	Serv.	Remarks
		ENGINE ASSY					
6	0684001200	SHROUD ASSY	1				
6-1	0684001210	· SHROUD	1				
6-2	1654606260	· TRIM	1				sold by the meter
6-3	0872433150	· TUBE	6				
7	0664001070	GUARD	1				
8	0684001100	RADIATOR ASSY	1				see page (3/4)
15	0684001250	BRACKET	2				
16	1910146020	TANK, sub	1				Y129466-44510
17	0684001260	HOSE	1		224000001~224000020		
	0684001230	HOSE	1		224000021~	M	
19	0684001270	HOSE	1		224000001~224000020		
20	0684000550	HOSE	1				
25	0880406610	SHIM	AR				t=1.6mm
26	0880406620	SHIM	AR				t=3.2mm
27	0880406630	SHIM	AR				t=4.5mm
35	1140020012	WASHER, spring	2				
36	1100040816	BOLT	5				
38	1100041025	BOLT	8				
40	1100041230	BOLT	2				
45	1141110008	WASHER	4				
46	1141110010	WASHER	12				
49	0003600136	SHIM	2				
50	1910078037	COCK	1				Y129150-49100
53	1140020008	WASHER, spring	5				
54	1140020010	WASHER, spring	12				
59	0880406110	PLATE	1				
60	1150120410	SCREW	2				
61	1531407122	HOSE	1				sold by the meter
62	1910161013	HOSE	1				Y105840-59100
63	1530808072	HOSE	1				sold by the meter
64	1530808130	HOSE	1				sold by the meter
65	1531115064	HOSE	2				sold by the meter
66	1533120012	BAND	4				
67	1100041030	BOLT	4				
68	0881402595	JOINT	1		224000001~224000020		
69	1700100046	SENSOR	1		224000001~224000020		
70	1533700057	BAND	4				
71	1652241200	BAND	1		224000001~224000020		
72	1531115120	HOSE	1				sold by the meter
76	1531118035	HOSE	2			M	sold by the meter
77	1533120508	BAND	1			M	
78	1420000100	O-RING	1		224000001~224000020		
79	1533120011	BAND	2				
87	1652201008	BAND	1				
	U2c061						

TL240 (P-TL240BAB) BU2Z002-1 S/N 22400001-
ENGINE & ACCESSORIES (3/4) (for GEHL & MUSTANG)



U2C030

S=1/10

ENGINE & ACCESSORIES (3/4) (for GEHL & MUSTANG)

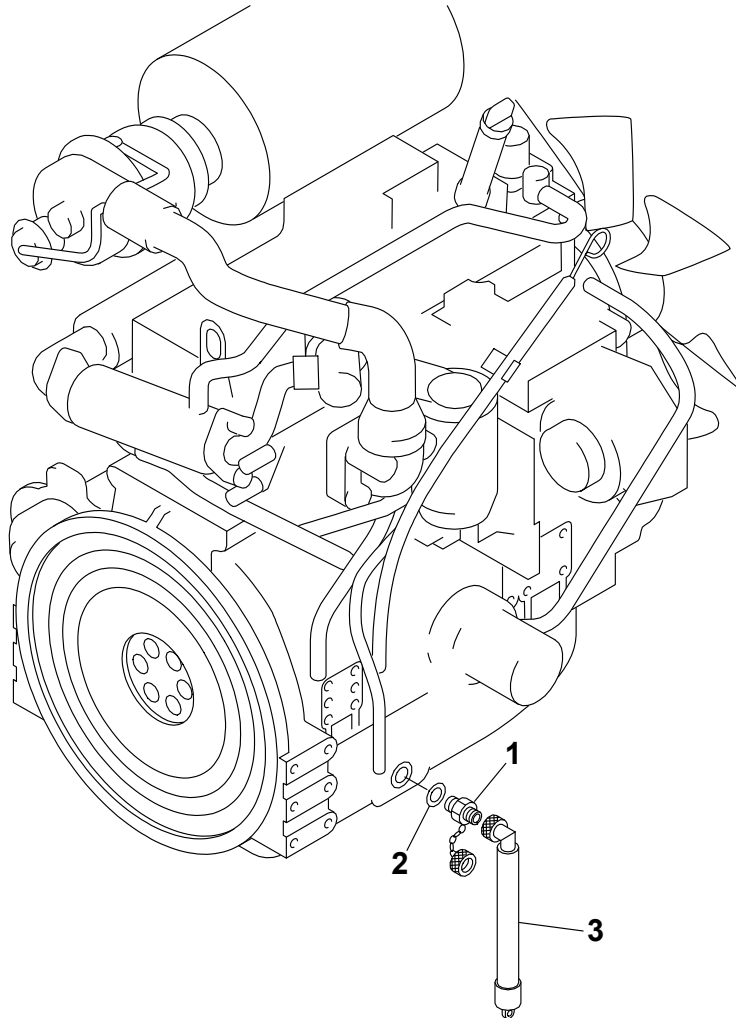
Item	Part number	Description	Q'ty	Chan.	Serial No.	Serv.	Remarks
0-1	0684001100	RADIATOR ASSY	1				
1	0684001110	· FRAME ASSY	1				
1-1	0684001120	· · FRAME	1				
1-2	1654343073	· · SPONGE	2				sold by the meter
2	0684001130	· HINGE	2				
3	0684000360	· STAY	1				
4	1130040012	· NUT	2				
5	1140020012	· WASHER, spring	2				
6	0880408580	· RUBBER, cushion	2				
7	1140020010	· WASHER, spring	4				
8	1100041016	· BOLT	4				
9	1140020006	· WASHER, spring	4				
10	1100040612	· BOLT	4				
11	1141110006	· WASHER	4				
12	1130040008	· NUT	2				
13	1140020008	· WASHER, spring	4				
14	0003600025	· WASHER	2				
15	1651021030	· RUBBER, cushion	2				
16	0881402180	· PIN	2				
17	1214000016	· PIN, snap	2				
18	1911300340	· RADIATOR & COOLER, oil	1				AKG
18-6	1911300076	· · FITTING, hose	1				
18-7	1911300077	· · NIPPLE	1				
18-8	1911300078	· · CAP, radiator	1				
19	0684000501	· SPONGE	1				
20	0684000502	· SPONGE	1				
21	0684001103	· SPONGE	1				
22	0684001104	· SPONGE	1				
23	1654343058	· SPONGE	2				sold by the meter
24	1100040820	· BOLT	2				
25	1141110008	· WASHER	2				

U2c030

ENGINE & ACCESSORIES (4/4) (for GEHL & MUSTANG)

Item	Part number	Description	Q'ty	Chan.	Serial No.	Serv.	Remarks
0-2	0684001300	CLEANER ASSY, air	1				
1	0684000710	· BRACKET	1				
2	0664001220	· PLATE	1				
3	0664001250	· PLATE	1				
4	0664000704	· PIN	1				
5	0664000705	· PIN	1				
6	0664000706	· SPRING	1				
7	0664000707	· SPRING	1				
8	1652111610	· RUBBER	1				
9	1224010010	· RING, retaining	4				
10	1100240830	· BOLT	2				
11	1130040008	· NUT	2				
12	0003608252	· WASHER	2				
13	1140020008	· WASHER, spring	2				
14	1120530308	· SCREW	1				
15	1910264007	· CLEANER, air	1				
20	1141110008	· WASHER	2				
21	0684001360	· PIPE	1				
22	1533700090	· BAND	1				
	U2c070						

TL240 (P-TL240BAB) BU2Z002-1 S/N 22400001-
DRAIN PLUG



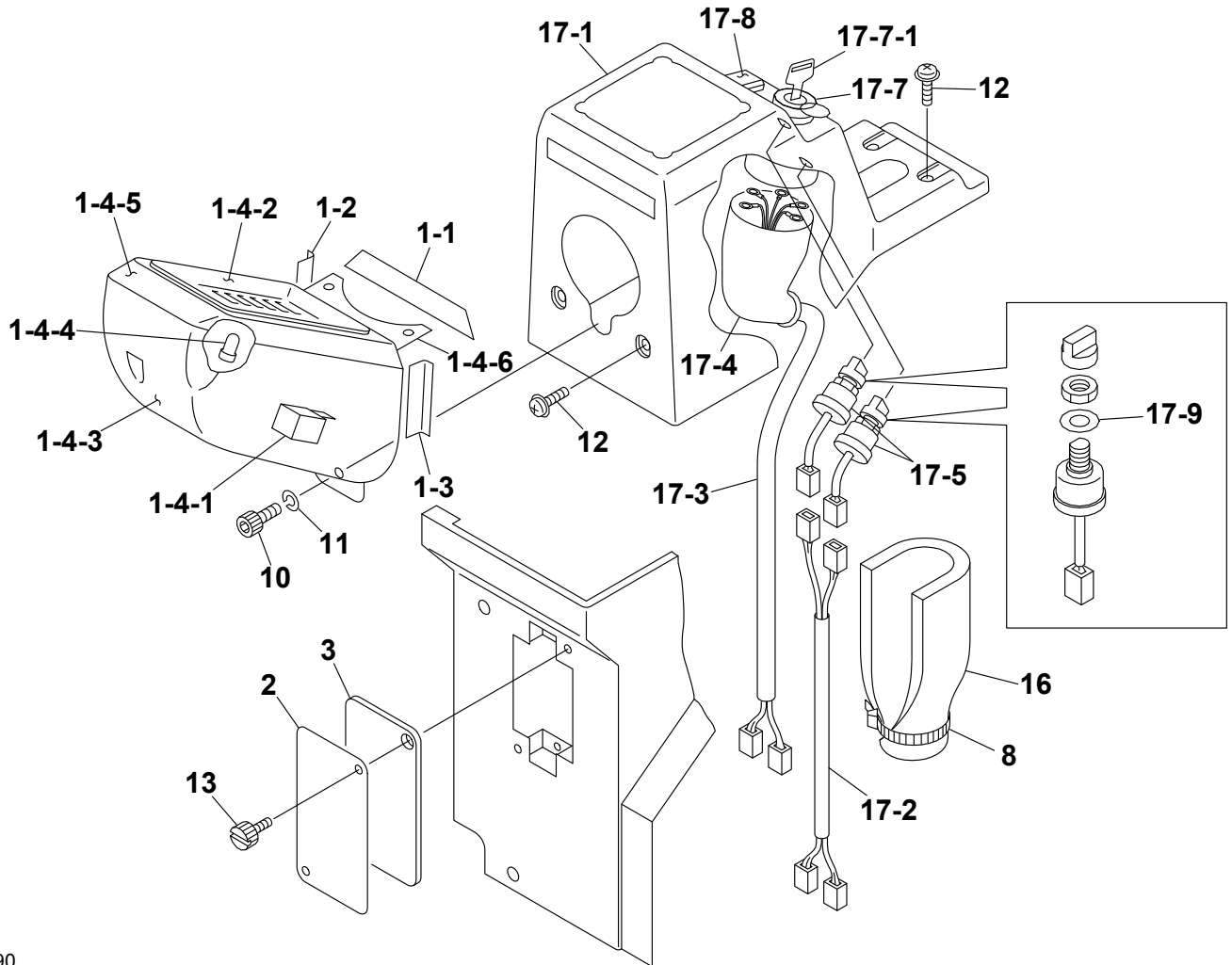
U2C080

S=1/8

DRAIN PLUG

Item	Part number	Description	Q'ty	Chan.	Serial No.	Serv.	Remarks
		PLUG ASSY, drain					
1	1554502250	PLUG	1				
2	1432122302	WASHER	1			M	
3	1554512601	TUBE	1				
	T8c031						

TL240 (P-TL240BAB) BU2Z002-1 S/N 22400001-
CONTROL BOX; R.H. (22400001-22400080)



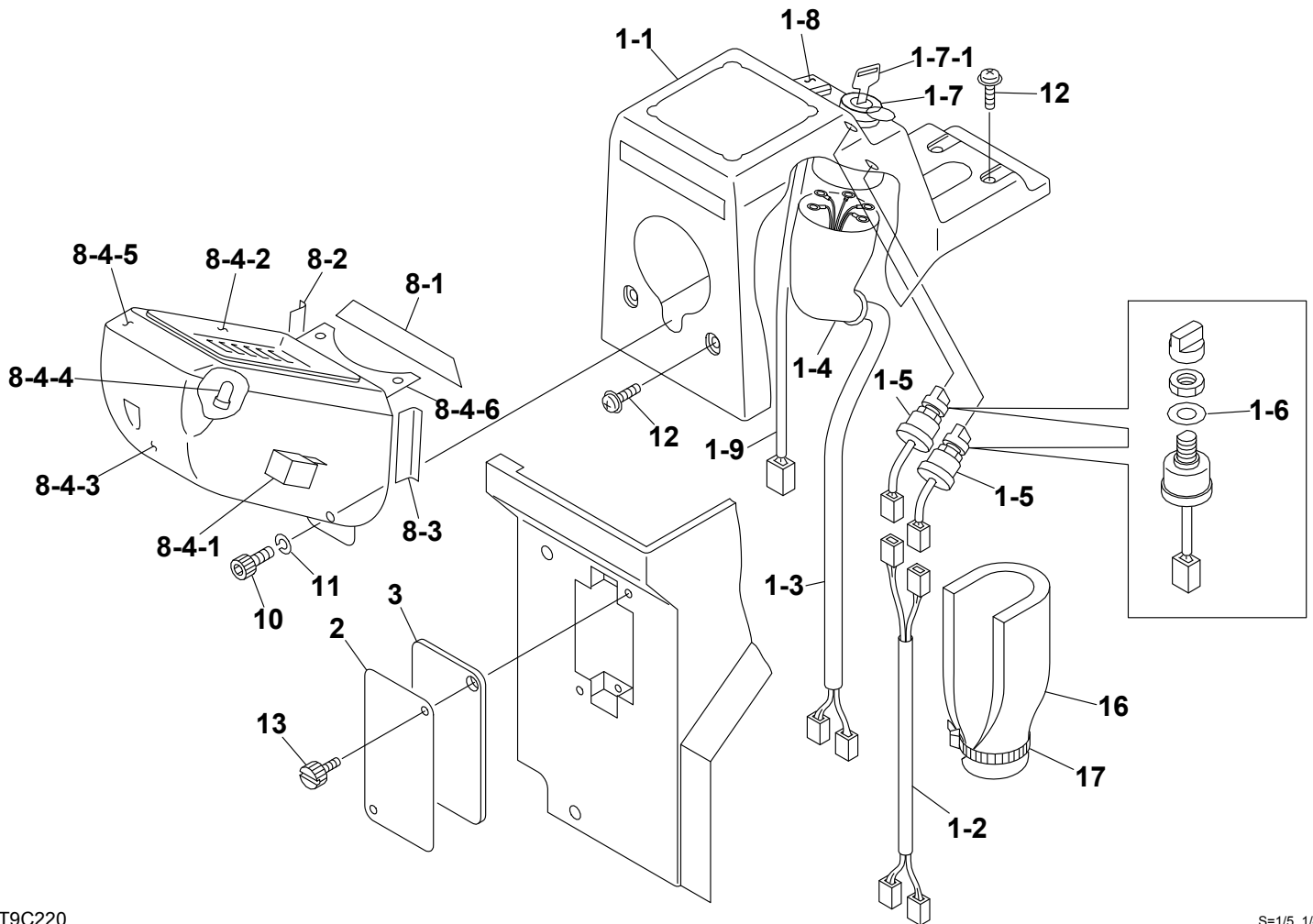
T8C190

S=1/5, 1/4

CONTROL BOX; R.H. (224000001-224000080)

Item	Part number	Description	Q'ty	Chan.	Serial No.	Serv.	Remarks
		COVER ASSY (R.H.)					
1	0881430910	GAUGE ASSY, cluster	1				
1-1	0881430901	· ABSORBENT, noise	1				
1-2	0881430902	· ABSORBENT, noise	1				
1-3	0881430903	· ABSORBENT, noise	1				
1-4	1730140920	· GAUGE, cluster	1				
1-4-1	1730140691	· · RELAY	1				12V
1-4-2	1730140782	· · GLASS	1				
1-4-3	1730140785	· · COVER	1				
1-4-4	1730140696	· · BULB	10				14V, 1.4W
1-4-5	1730140788	· · VISOR	1				
1-4-6	1730140694	· · BRACKET	1				
2	0881430802	COVER	1				
3	0881430803	INSULATOR	1				
8	1652231250	BAND	1				
10	1110020820	SCREW, cap	1				
11	1140090008	WASHER, spring	1				
12	1150420614	SCREW	4				
13	1652711698	SCREW	2				
16	0881430805	INSULATOR	1				
17	0882430100	COVER ASSY, sub (R.H.)	1				
17-1	0881430870	· COVER (R.H.)	1				
17-2	0881430880	· HARNESS, wiring	1				
17-3	0881430960	· HARNESS, wiring	1				
17-4	0870431821	· COVER	1				
17-5	1700000010	· SWITCH, lamp	2				
17-7	1700100052	· SWITCH, starter	1				
17-7-1	1700100019	· KEY	1				
17-8	1700550024	· ORNAMENT	1				
17-9	1141810012	· WASHER	2				
	T8c190						

TL240 (P-TL240BAB) BU2Z002-1 S/N 22400001-
CONTROL BOX; R.H. (high flow; 22400001-224000080)



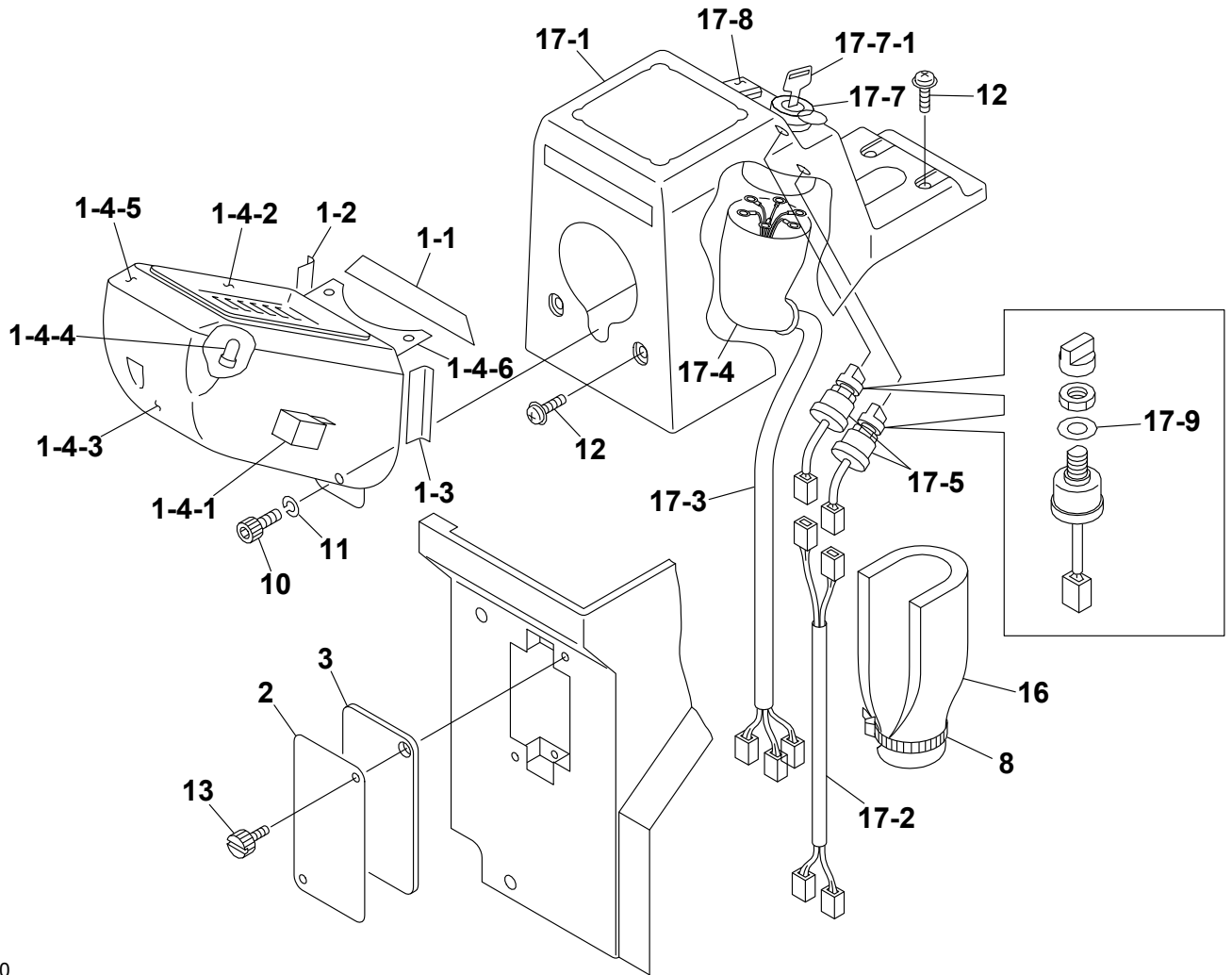
T9C220

S=1/5, 1/4

CONTROL BOX; R.H. (high flow; 224000001-224000080)

Item	Part number	Description	Q'ty	Chan.	Serial No.	Serv.	Remarks
		COVER ASSY (R.H.)					
1	0881430950	COVER ASSY	1				
1-1	0881430870	· COVER (R.H.)	1				
1-2	0881430880	· HARNESS, wiring	1				
1-3	0881430960	· HARNESS, wiring	1				
1-4	0870431821	· COVER	1				
1-5	1700000010	· SWITCH, lamp	2				
1-6	1141810012	· WASHER	2				
1-7	1700100052	· SWITCH, starter	1				
1-7-1	1700100019	· KEY	1				
1-8	1700000034	· SWITCH	1				
1-9	0881430970	· HARNESS, wiring	1				
2	0881430802	COVER	1				
3	0881430803	INSULATOR	1				
8	0881430910	GAUGE ASSY, cluster	1				
8-1	0881430901	· ABSORBENT, noise	1				
8-2	0881430902	· ABSORBENT, noise	1				
8-3	0881430903	· ABSORBENT, noise	1				
8-4	1730140920	· GAUGE, cluster	1				
8-4-1	1730140691	· · RELAY	1				12V
8-4-2	1730140782	· · GLASS	1				
8-4-3	1730140785	· · COVER	1				
8-4-4	1730140696	· · BULB	10				14V, 1.4W
8-4-5	1730140788	· · VISOR	1				
8-4-6	1730140694	· · BRACKET	1				
10	1110020820	SCREW, cap	1				
11	1140090008	WASHER, spring	1				
12	1150420614	SCREW, sems	4				
13	1652711698	SCREW	2				
16	0881430805	INSULATOR	1				
17	1652231250	BAND	1				
	T9c220						

TL240 (P-TL240BAB) BU2Z002-1 S/N 22400001-
CONTROL BOX; R.H. (for GEHL & MUSTANG; 224000001-224000092)



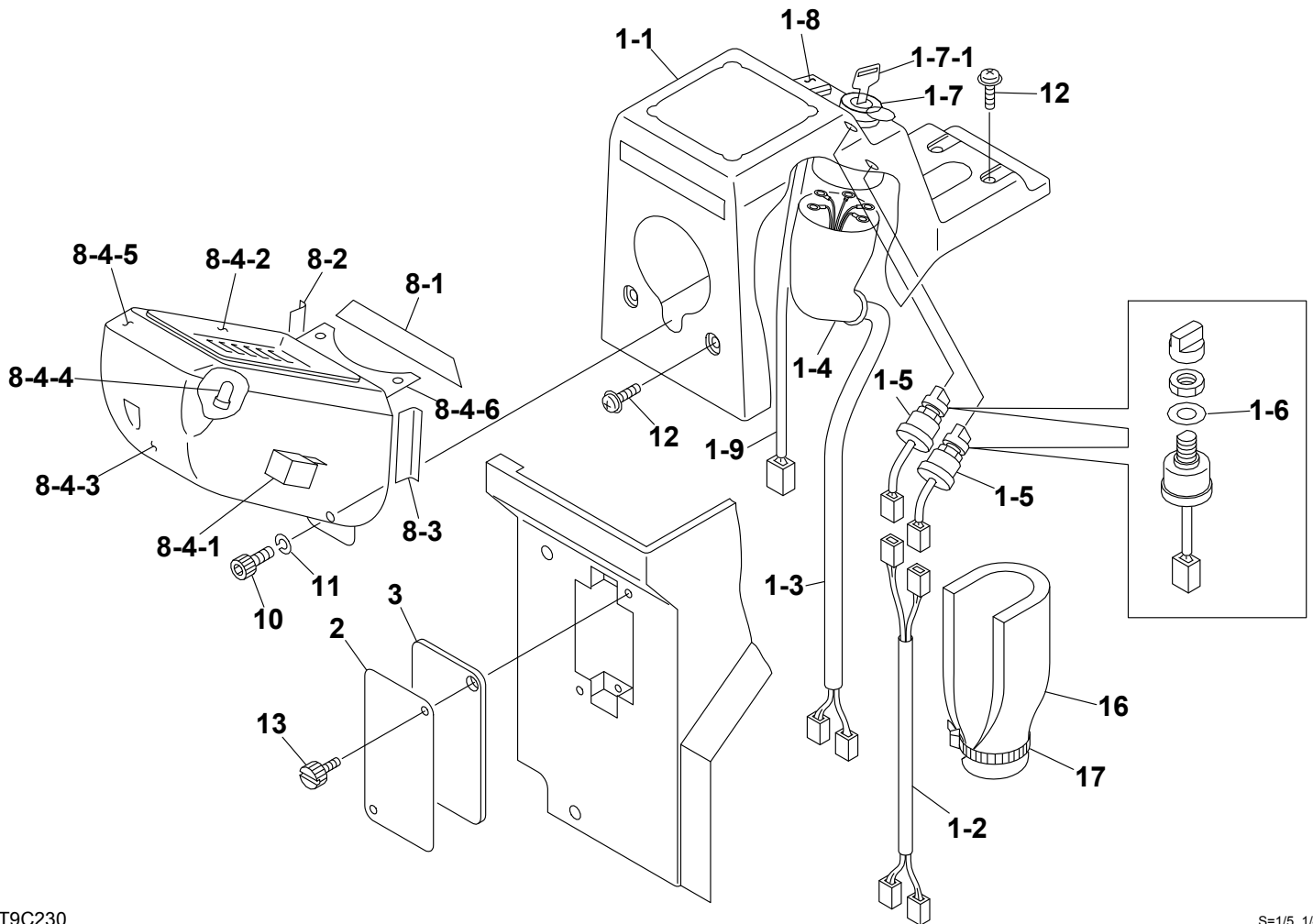
T9C150

S=1/5, 1/4

CONTROL BOX; R.H. (for GEHL & MUSTANG; 224000001-224000092)

Item	Part number	Description	Q'ty	Chan.	Serial No.	Serv.	Remarks
		COVER ASSY (R.H.)					
1	0881431120	GAUGE ASSY, cluster	1				
1-1	0881430901	· ABSORBENT, noise	1				
1-2	0881430902	· ABSORBENT, noise	1				
1-3	0881430903	· ABSORBENT, noise	1				
1-4	1730140930	· GAUGE, cluster	1				
1-4-1	1730140691	· · RELAY	1				12V
1-4-2	1730140782	· · GLASS	1				
1-4-3	1730140785	· · COVER	1				
1-4-4	1730140696	· · BULB	10				14V, 1.4W
1-4-5	1730140788	· · VISOR	1				
1-4-6	1730140694	· · BRACKET	1				
2	0881430802	COVER	1				
3	0881430803	INSULATOR	1				
8	1652231250	BAND	1				
10	1110020820	SCREW, cap	1				
11	1140090008	WASHER, spring	1				
12	1150420614	SCREW	4				
13	1652711698	SCREW	2				
16	0881430805	INSULATOR	1				
17	0882430100	COVER ASSY, sub (R.H.)	1				
17-1	0881430870	· COVER (R.H.)	1				
17-2	0881430880	· HARNESS, wiring	1				
17-3	0881422400	· HARNESS, wiring	1				
17-4	0870431821	· COVER	1				
17-5	1700000010	· SWITCH, lamp	2				
17-7	1700100052	· SWITCH, starter	1				
17-7-1	1700100019	· KEY	1				
17-8	1700550024	· ORNAMENT	1				
17-9	1141810012	· WASHER	2				
	U2c090						

TL240 (P-TL240BAB) BU2Z002-1 S/N 224000001-
CONTROL BOX; R.H. (high flow, for GEHL & MUSTANG; 224000001-224000092)



T9C230

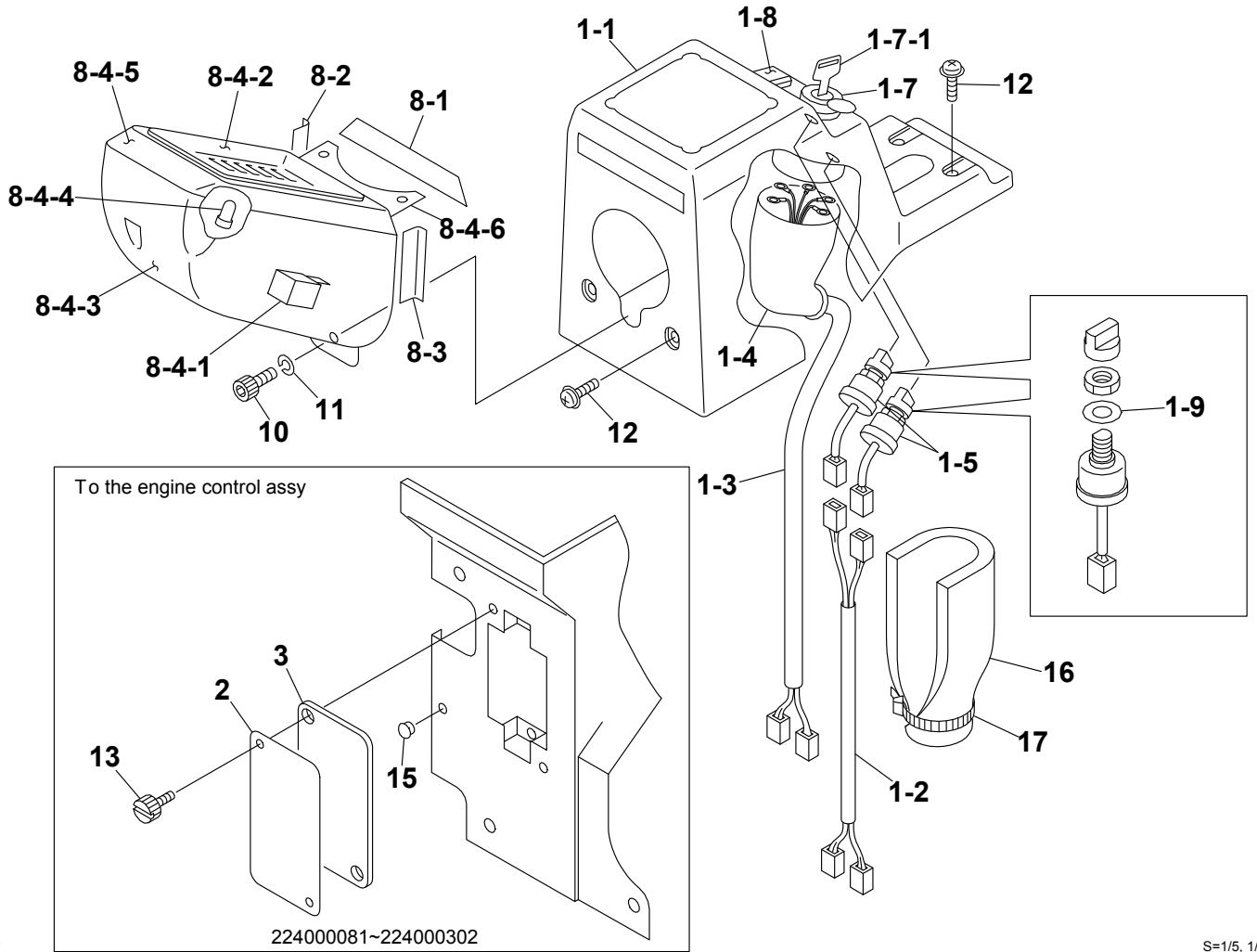
S=1/5, 1/4

CONTROL BOX; R.H. (high flow, for GEHL & MUSTANG; 22400001-22400092)

Item	Part number	Description	Q'ty	Chan.	Serial No.	Serv.	Remarks
		COVER ASSY (R.H.) (for GEHL & MUSTANG)					
1	0881430950	COVER ASSY	1				
1-1	0881430870	· COVER (R.H.)	1				
1-2	0881430880	· HARNESS, wiring	1				
1-3	0881430960	· HARNESS, wiring	1				
1-4	0870431821	· COVER	1				
1-5	1700000010	· SWITCH, lamp	2				
1-6	1141810012	· WASHER	2				
1-7	1700100052	· SWITCH, starter	1				
1-7-1	1700100019	· KEY	1				
1-8	1700000034	· SWITCH	1				
1-9	0881430970	· HARNESS, wiring	1				
2	0881430802	COVER	1				
3	0881430803	INSULATOR	1				
8	0881431120	GAUGE ASSY, cluster	1				
8-1	0881430901	· ABSORBENT, noise	1				
8-2	0881430902	· ABSORBENT, noise	1				
8-3	0881430903	· ABSORBENT, noise	1				
8-4	1730140930	· GAUGE, cluster	1				
8-4-1	1730140691	· · RELAY	1				12V
8-4-2	1730140782	· · GLASS	1				
8-4-3	1730140785	· · COVER	1				
8-4-4	1730140696	· · BULB	10				14V, 1.4W
8-4-5	1730140788	· · VISOR	1				
8-4-6	1730140694	· · BRACKET	1				
10	1110020820	SCREW, cap	1				
11	1140090008	WASHER, spring	1				
12	1150420614	SCREW, sems	4				
13	1652711698	SCREW	2				
16	0881430805	INSULATOR	1				
17	1652231250	BAND	1				

T9c230

TL240 (P-TL240BAB) BU2Z002-1 S/N 22400001-
CONTROL BOX; R.H. (224000081-)



U2C160

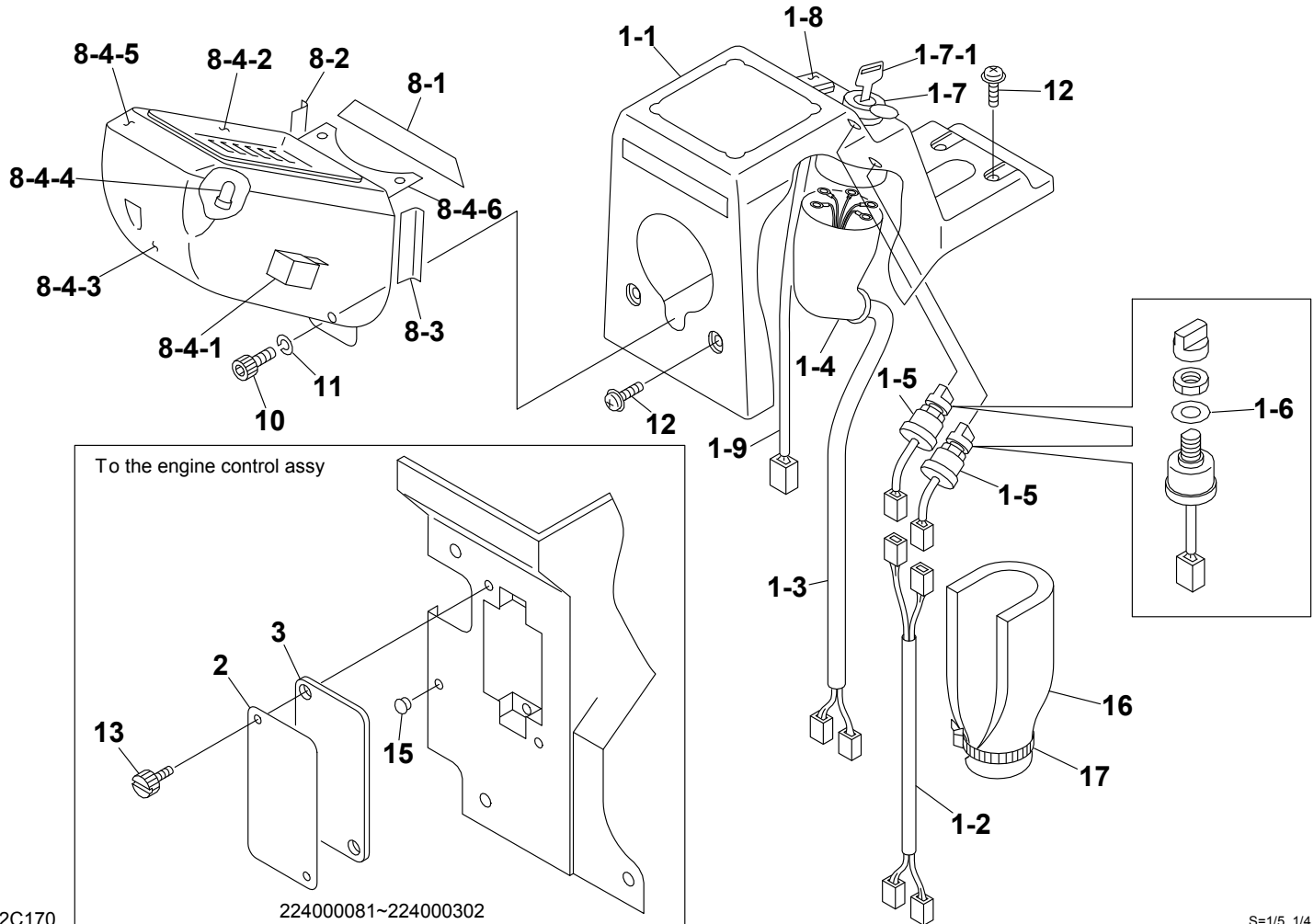
224000081~224000302

S=1/5, 1/4

CONTROL BOX; R.H. (224000081-)

Item	Part number	Description	Q'ty	Chan.	Serial No.	Serv.	Remarks
		COVER ASSY (R.H.)					
1	0882430100	COVER ASSY, sub (R.H.)	1				
1-1	0881430870	· COVER (R.H.)	1				
1-2	0881430880	· HARNESS, wiring	1				
1-3	0881430960	· HARNESS, wiring	1				
1-4	0870431821	· COVER	1				
1-5	1700000010	· SWITCH, lamp	2				
1-7	1700100052	· SWITCH, starter	1				
1-7-1	1700100019	· KEY	1				
1-8	1700550024	· ORNAMENT	1				
1-9	1141810012	· WASHER	2				
2	0881430802	COVER	1		224000081~224000302		
3	0881430803	INSULATOR	1		224000081~224000122		
	0664300020	INSULATOR	1		224000123~224000302	M	
8	0664301010	GAUGE ASSY, cluster	1			M	
8-1	0881430901	· ABSORBENT, noise	1				
8-2	0881430902	· ABSORBENT, noise	1				
8-3	0881430903	· ABSORBENT, noise	1				
8-4	1730142110	· GAUGE, cluster	1			M	
8-4-1	1730140691	· · RELAY	1				12V
8-4-2	1730140782	· · GLASS	1				
8-4-3	1730140785	· · COVER	1				
8-4-4	1730140696	· · BULB	8				14V, 1.4W
8-4-5	1730140788	· · VISOR	1				
8-4-6	1730140694	· · BRACKET	1				
10	1110020820	SCREW, cap	1				
11	1140090008	WASHER, spring	1				
12	1150420614	SCREW	4				
13	1652711698	SCREW	2		224000081~224000302		
15	1652533015	CAP	1		224000123~224000302		
16	0881430805	INSULATOR	1				
17	1652231250	BAND	1				
	U2c160						

TL240 (P-TL240BAB) BU2Z002-1 S/N 22400001-
CONTROL BOX; R.H. (high flow; 224000081-)



U2C170

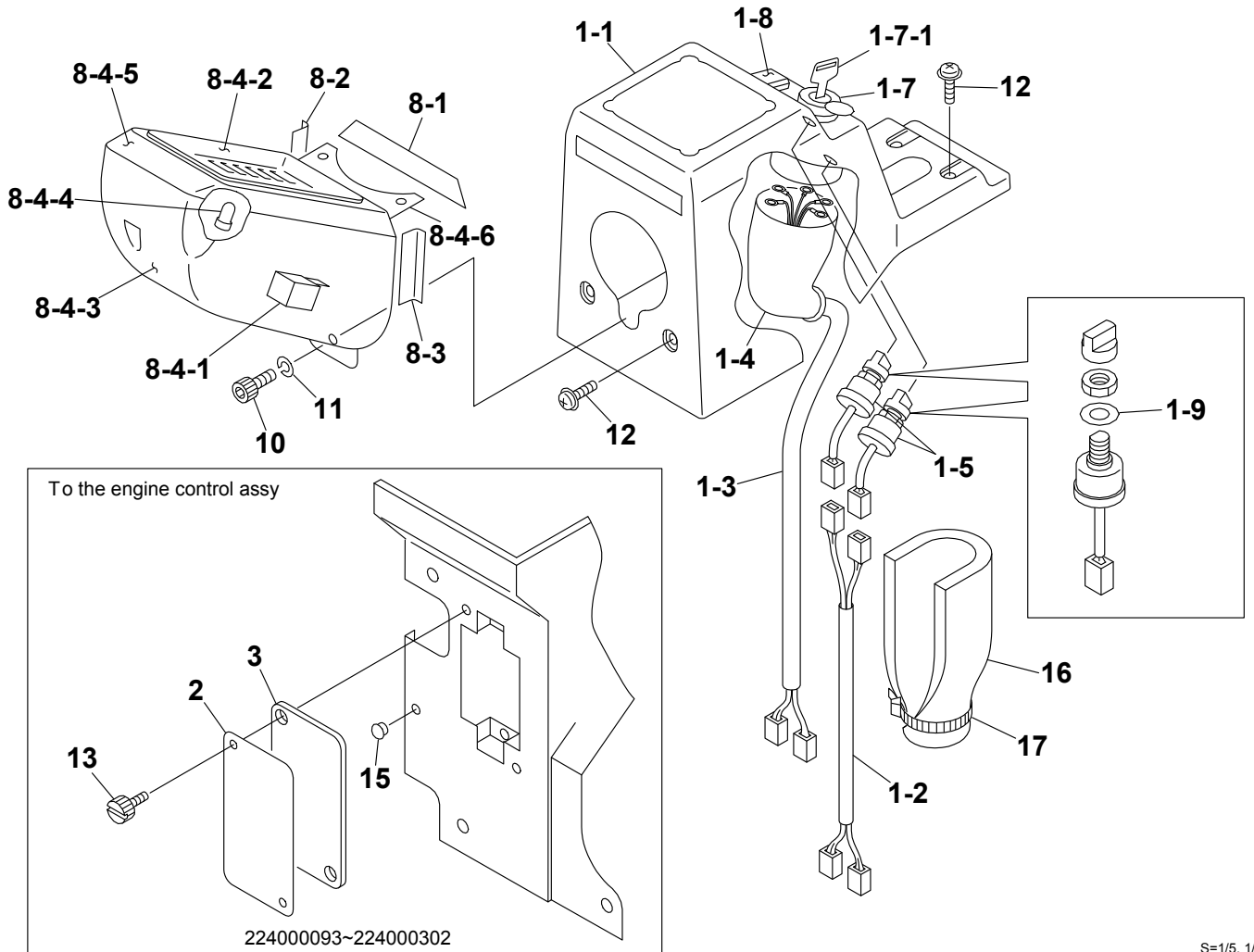
224000081~224000302

S=1/5, 1/4

CONTROL BOX; R.H. (high flow; 224000081-)

Item	Part number	Description	Q'ty	Chan.	Serial No.	Serv.	Remarks
		COVER ASSY (R.H.)					
1	0881430950	COVER ASSY	1				
1-1	0881430870	· COVER (R.H.)	1				
1-2	0881430880	· HARNESS, wiring	1				
1-3	0881430960	· HARNESS, wiring	1				
1-4	0870431821	· COVER	1				
1-5	1700000010	· SWITCH, lamp	2				
1-6	1141810012	· WASHER	2				
1-7	1700100052	· SWITCH, starter	1				
1-7-1	1700100019	· KEY	1				
1-8	1700000034	· SWITCH	1				
1-9	0881430970	· HARNESS, wiring	1				
2	0881430802	COVER	1		224000081~224000302		
3	0881430803	INSULATOR	1		224000081~224000122		
	0664300020	INSULATOR	1		224000123~224000302	M	
8	0664301010	GAUGE ASSY, cluster	1			M	
8-1	0881430901	· ABSORBENT, noise	1				
8-2	0881430902	· ABSORBENT, noise	1				
8-3	0881430903	· ABSORBENT, noise	1				
8-4	1730142110	· GAUGE, cluster	1			M	
8-4-1	1730140691	· · RELAY	1				12V
8-4-2	1730140782	· · GLASS	1				
8-4-3	1730140785	· · COVER	1				
8-4-4	1730140696	· · BULB	8				14V, 1.4W
8-4-5	1730140788	· · VISOR	1				
8-4-6	1730140694	· · BRACKET	1				
10	1110020820	SCREW, cap	1				
11	1140090008	WASHER, spring	1				
12	1150420614	SCREW, sems	4				
13	1652711698	SCREW	2		224000081~224000302		
15	1652533015	CAP	1		224000123~224000302		
16	0881430805	INSULATOR	1				
17	1652231250	BAND	1				
	U2c170						

TL240 (P-TL240BAB) BU2Z002-1 S/N 224000001-
CONTROL BOX; R.H. (for GEHL & MUSTANG; 224000093-)



U2C180

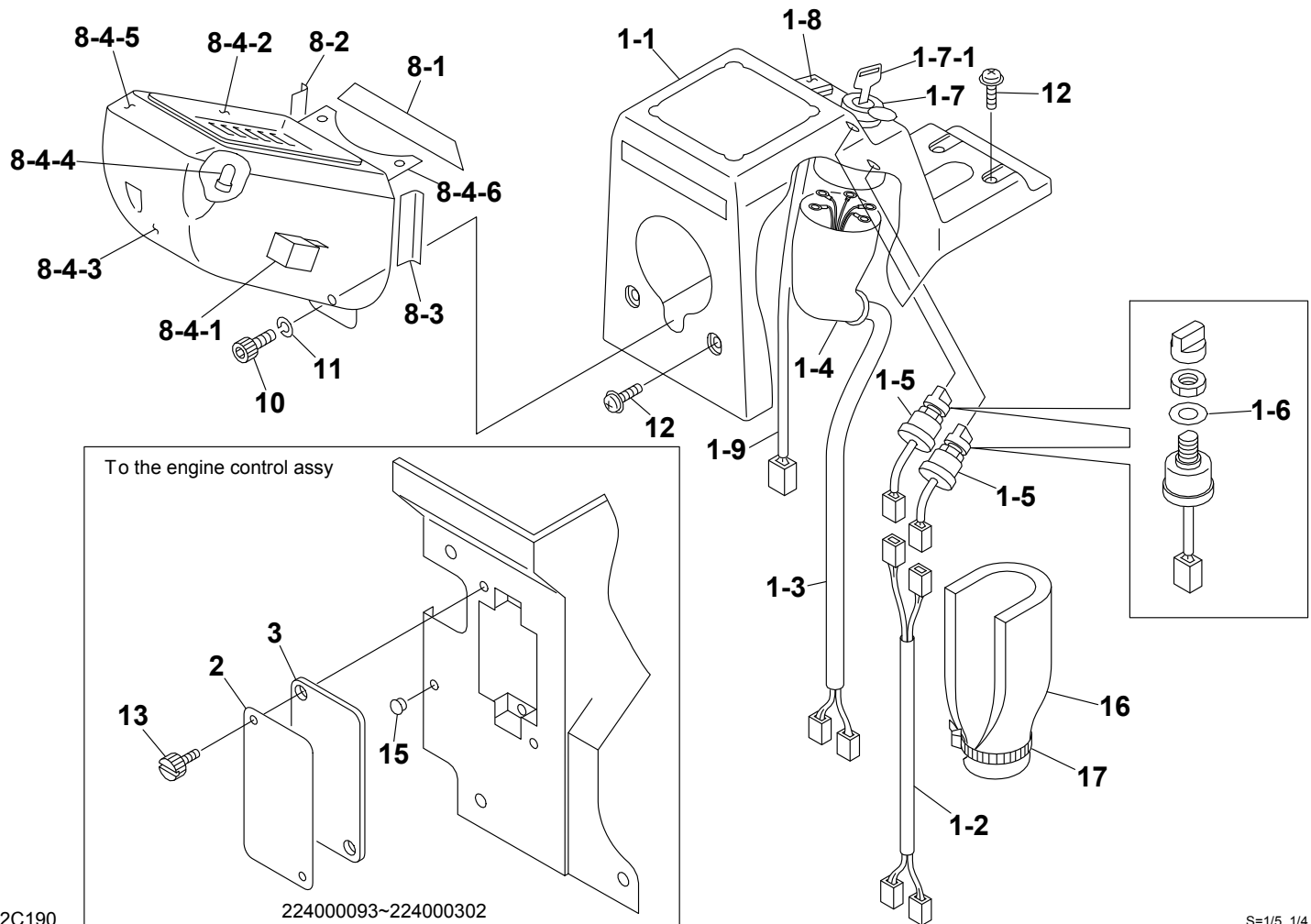
224000093~224000302

S=1/5, 1/4

CONTROL BOX; R.H. (for GEHL & MUSTANG; 224000093-)

Item	Part number	Description	Q'ty	Chan.	Serial No.	Serv.	Remarks
		COVER ASSY (R.H.)					
1	0882430100	COVER ASSY, sub (R.H.)	1				
1-1	0881430870	· COVER (R.H.)	1				
1-2	0881430880	· HARNESS, wiring	1				
1-3	0881430960	· HARNESS, wiring	1				
1-4	0870431821	· COVER	1				
1-5	1700000010	· SWITCH, lamp	2				
1-7	1700100052	· SWITCH, starter	1				
1-7-1	1700100019	· KEY	1				
1-8	1700550024	· ORNAMENT	1				
1-9	1141810012	· WASHER	2				
2	0881430802	COVER	1		224000093~224000302		
3	0881430803	INSULATOR	1		224000093~224000122		
	0664300020	INSULATOR	1		224000123~224000302	M	
8	0664301510	GAUGE ASSY, cluster	1			M	
8-1	0881430901	· ABSORBENT, noise	1				
8-2	0881430902	· ABSORBENT, noise	1				
8-3	0881430903	· ABSORBENT, noise	1				
8-4	1730142130	· GAUGE, cluster	1			M	
8-4-1	1730140691	· · RELAY	1				12V
8-4-2	1730140782	· · GLASS	1				
8-4-3	1730140785	· · COVER	1				
8-4-4	1730140696	· · BULB	8				14V, 1.4W
8-4-5	1730140788	· · VISOR	1				
8-4-6	1730140694	· · BRACKET	1				
10	1110020820	SCREW, cap	1				
11	1140090008	WASHER, spring	1				
12	1150420614	SCREW	4				
13	1652711698	SCREW	2		224000093~224000302		
15	1652533015	CAP	1		224000123~224000302		
16	0881430805	INSULATOR	1				
17	1652231250	BAND	1				
	U1c180						

**TL240 (P-TL240BAB) BU2Z002-1 S/N 22400001-
CONTROL BOX; R.H. (high flow, for GEHL & MUSTANG; 224000093-)**



U2C190

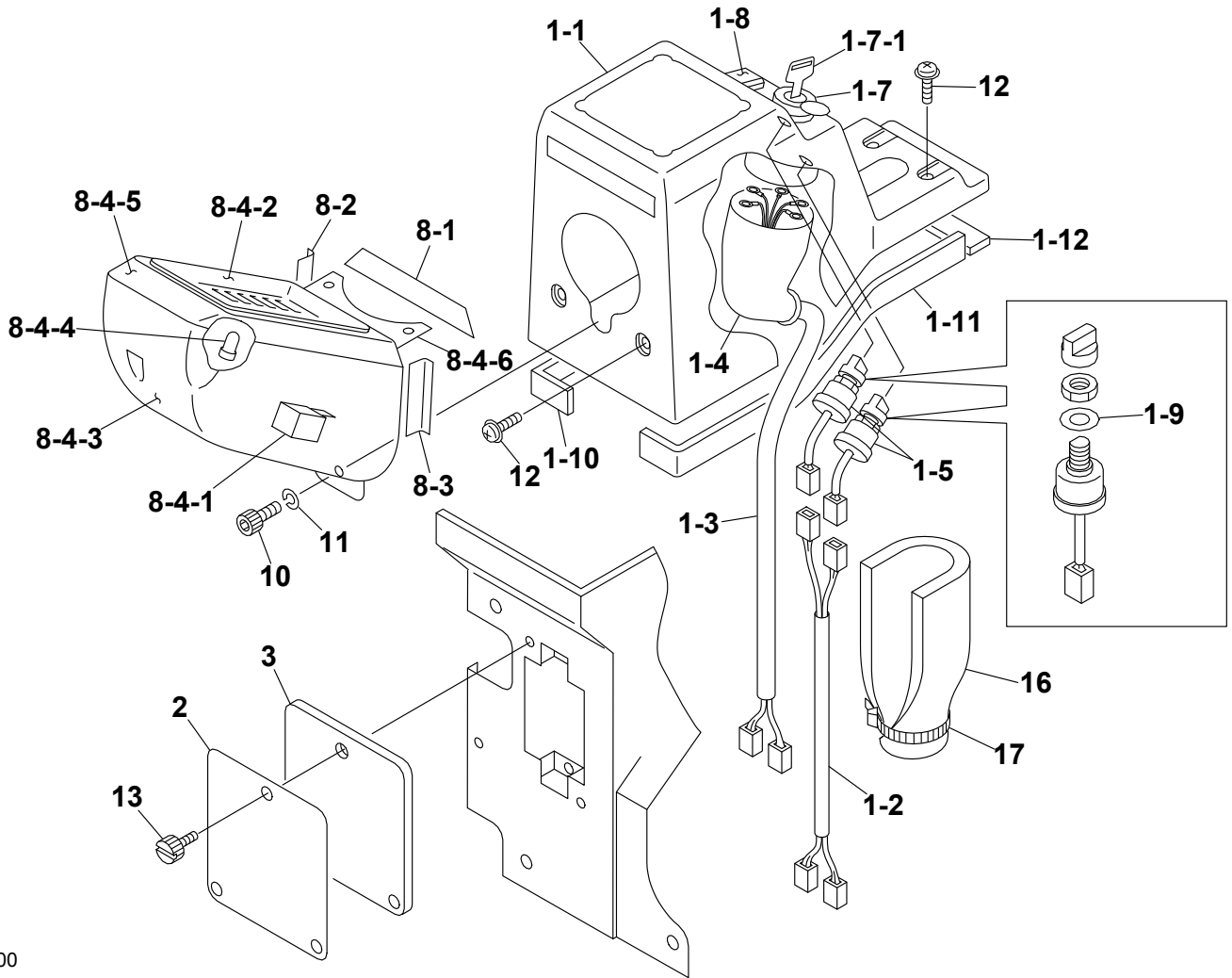
224000093~224000302

S=1/5, 1/4

CONTROL BOX; R.H. (high flow, for GEHL & MUSTANG; 22400093-)

Item	Part number	Description	Q'ty	Chan.	Serial No.	Serv.	Remarks
		COVER ASSY (R.H.)					
1	0881430950	COVER ASSY	1				
1-1	0881430870	· COVER (R.H.)	1				
1-2	0881430880	· HARNESS, wiring	1				
1-3	0881430960	· HARNESS, wiring	1				
1-4	0870431821	· COVER	1				
1-5	1700000010	· SWITCH, lamp	2				
1-6	1141810012	· WASHER	2				
1-7	1700100052	· SWITCH, starter	1				
1-7-1	1700100019	· KEY	1				
1-8	1700000034	· SWITCH	1				
1-9	0881430970	· HARNESS, wiring	1				
2	0881430802	COVER	1		224000093~224000302		
3	0881430803	INSULATOR	1		224000093~224000122		
	0664300020	INSULATOR	1		224000123~224000302	M	
8	0664301510	GAUGE ASSY, cluster	1			M	
8-1	0881430901	· ABSORBENT, noise	1				
8-2	0881430902	· ABSORBENT, noise	1				
8-3	0881430903	· ABSORBENT, noise	1				
8-4	1730142130	· GAUGE, cluster	1			M	
8-4-1	1730140691	· · RELAY	1				12V
8-4-2	1730140782	· · GLASS	1				
8-4-3	1730140785	· · COVER	1				
8-4-4	1730140696	· · BULB	8				14V, 1.4W
8-4-5	1730140788	· · VISOR	1				
8-4-6	1730140694	· · BRACKET	1				
10	1110020820	SCREW, cap	1				
11	1140090008	WASHER, spring	1				
12	1150420614	SCREW, sems	4				
13	1652711698	SCREW	2		224000093~224000302		
15	1652533015	CAP	1		224000123~224000302		
16	0881430805	INSULATOR	1				
17	1652231250	BAND	1				
	U2c190						

TL240 (P-TL240BAB) BU2Z002-1 S/N 224000001-
CONTROL BOX; R.H. (for EU; 224000123-224000302)



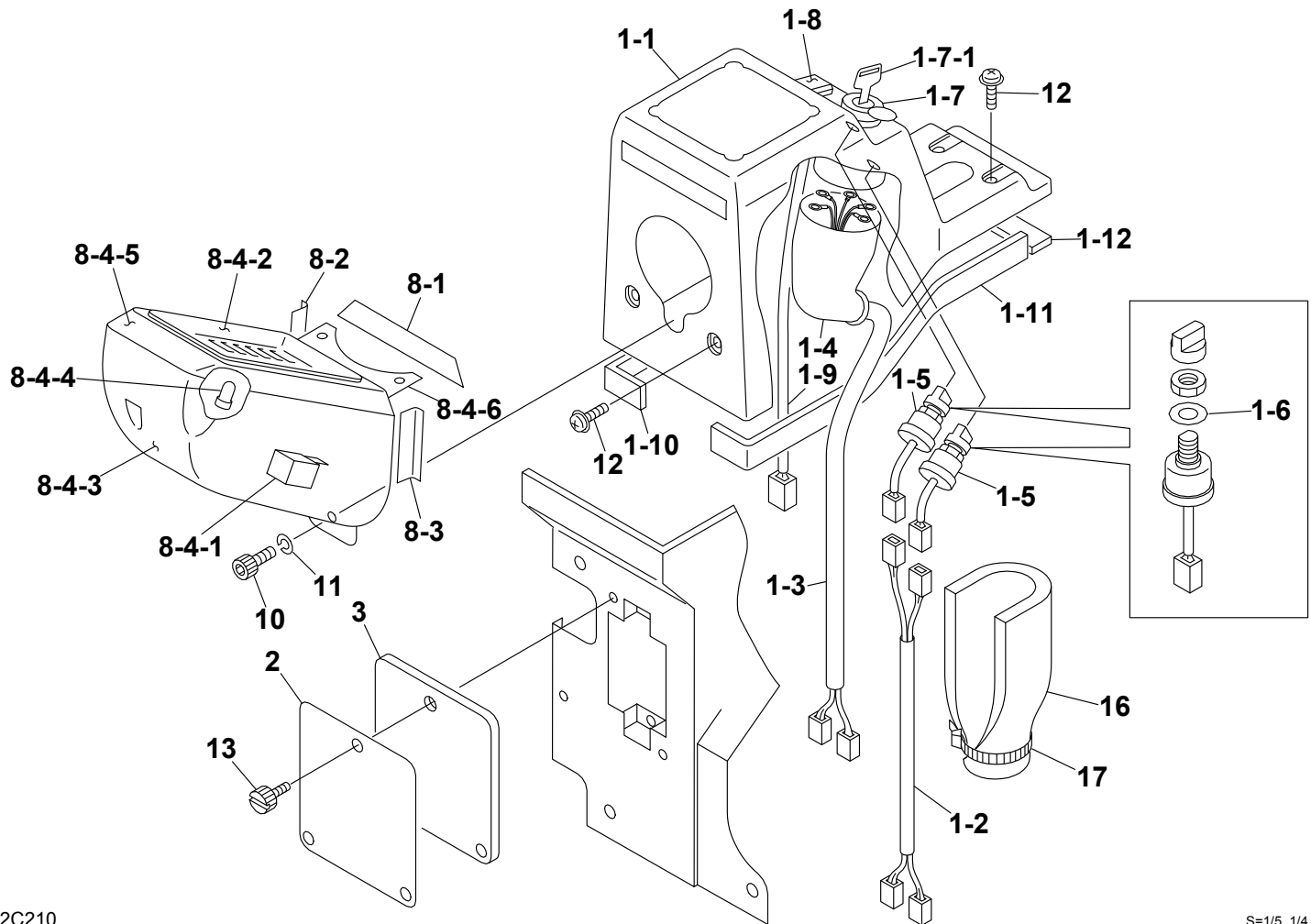
U2C200

S=1/5, 1/4

CONTROL BOX; R.H. (for EU; 224000123-224000302)

Item	Part number	Description	Q'ty	Chan.	Serial No.	Serv.	Remarks
		COVER ASSY (R.H.)					
1	0664301850	COVER ASSY, sub (R.H.)	1			M	
1-1	0881430870	· COVER (R.H.)	1				
1-2	0881430880	· HARNESS, wiring	1				
1-3	0881430960	· HARNESS, wiring	1				
1-4	0870431821	· COVER	1				
1-5	1700000010	· SWITCH, lamp	2				
1-7	1700100052	· SWITCH, starter	1				
1-7-1	1700100019	· KEY	1				
1-8	1700550024	· ORNAMENT	1				
1-9	1141810012	· WASHER	2				
1-10	1654354038	· SPONGE	1			M	sold by the meter
1-11	1654354039	· SPONGE	1			M	sold by the meter
1-12	1654354010	· SPONGE	1			M	sold by the meter
2	0664300040	COVER	1			M	
3	0664300030	INSULATOR	1			M	
8	0664301010	GAUGE ASSY, cluster	1			M	
8-1	0881430901	· ABSORBENT, noise	1				
8-2	0881430902	· ABSORBENT, noise	1				
8-3	0881430903	· ABSORBENT, noise	1				
8-4	1730142110	· GAUGE, cluster	1			M	
8-4-1	1730140691	· · RELAY	1				12V
8-4-2	1730140782	· · GLASS	1				
8-4-3	1730140785	· · COVER	1				
8-4-4	1730140696	· · BULB	8				14V, 1.4W
8-4-5	1730140788	· · VISOR	1				
8-4-6	1730140694	· · BRACKET	1				
10	1110020820	SCREW, cap	1				
11	1140090008	WASHER, spring	1				
12	1150420614	SCREW	4				
13	1652711698	SCREW	3				
16	0881430805	INSULATOR	1				
17	1652231250	BAND	1				
	U2c200						

TL240 (P-TL240BAB) BU2Z002-1 S/N 22400001-
CONTROL BOX; R.H. (high flow, for EU; 224000123-224000302)



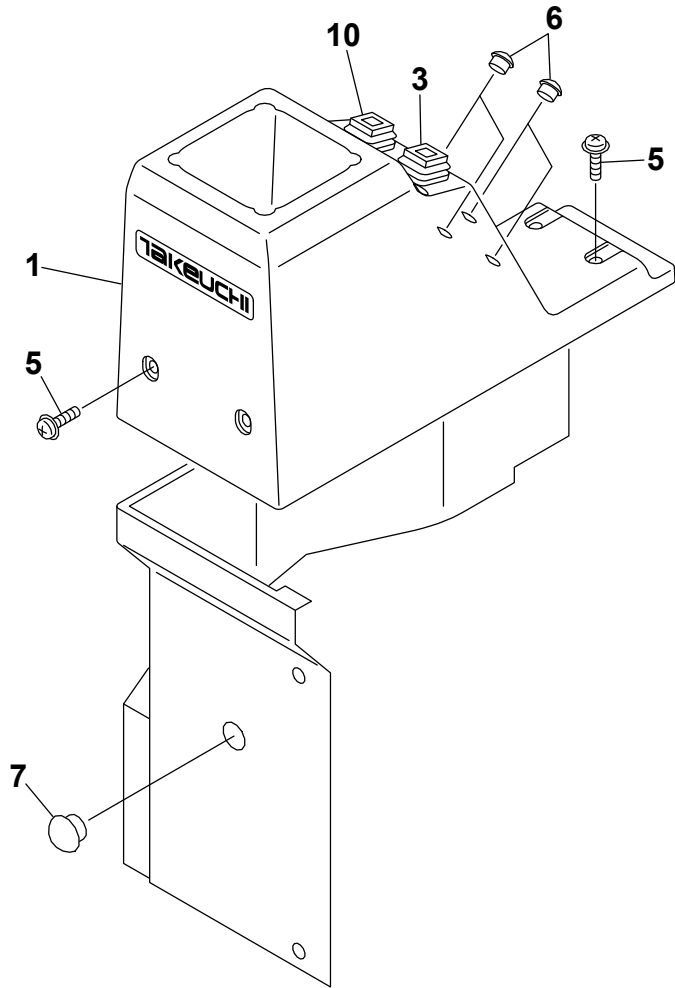
U2C210

S=1/5, 1/4

CONTROL BOX; R.H. (high flow, for EU; 224000123-224000302)

Item	Part number	Description	Q'ty	Chan.	Serial No.	Serv.	Remarks
		COVER ASSY (R.H.)					
1	0664301950	COVER ASSY	1			M	
1-1	0881430870	· COVER (R.H.)	1				
1-2	0881430880	· HARNESS, wiring	1				
1-3	0881430960	· HARNESS, wiring	1				
1-4	0870431821	· COVER	1				
1-5	1700000010	· SWITCH, lamp	2				
1-6	1141810012	· WASHER	2				
1-7	1700100052	· SWITCH, starter	1				
1-7-1	1700100019	· KEY	1				
1-8	1700000034	· SWITCH	1				
1-9	0881430970	· HARNESS, wiring	1				
1-10	1654354038	· SPONGE	1			M	sold by the meter
1-11	1654354039	· SPONGE	1			M	sold by the meter
1-12	1654354010	· SPONGE	1			M	sold by the meter
2	0664300040	COVER	1			M	
3	0664300030	INSULATOR	1			M	
8	0664301010	GAUGE ASSY, cluster	1			M	
8-1	0881430901	· ABSORBENT, noise	1				
8-2	0881430902	· ABSORBENT, noise	1				
8-3	0881430903	· ABSORBENT, noise	1				
8-4	1730142110	· GAUGE, cluster	1			M	
8-4-1	1730140691	· · RELAY	1				12V
8-4-2	1730140782	· · GLASS	1				
8-4-3	1730140785	· · COVER	1				
8-4-4	1730140696	· · BULB	8				14V, 1.4W
8-4-5	1730140788	· · VISOR	1				
8-4-6	1730140694	· · BRACKET	1				
10	1110020820	SCREW, cap	1				
11	1140090008	WASHER, spring	1				
12	1150420614	SCREW, sems	4				
13	1652711698	SCREW	3				
16	0881430805	INSULATOR	1				
17	1652231250	BAND	1				
	U2c210						

TL240 (P-TL240BAB) BU2Z002-1 S/N 22400001-
CONTROL BOX; L.H.



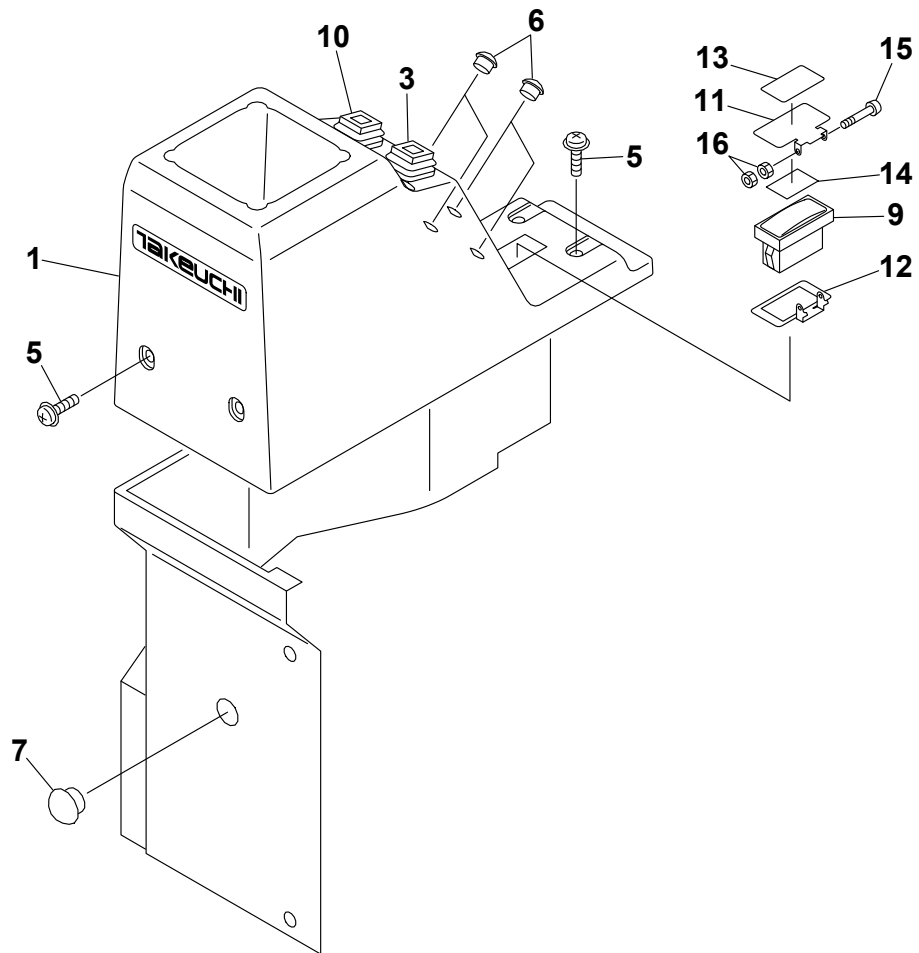
T7C040

S=1/5

CONTROL BOX; L.H.

Item	Part number	Description	Q'ty	Chan.	Serial No.	Serv.	Remarks
		COVER ASSY (L.H.)					
1	0881430770	COVER (L.H.)	1				
3	170000034	SWITCH	1				
5	1150420614	SCREW, sems	4				
6	1652533019	CAP	4				
7	1652533023	CAP	1				
10	170000035	SWITCH	1				
	T7c041						

TL240 (P-TL240BAB) BU2Z002-1 S/N 224000001-
CONTROL BOX; L.H. (hydraulic quick hitch type)



U1C081

S=1/5

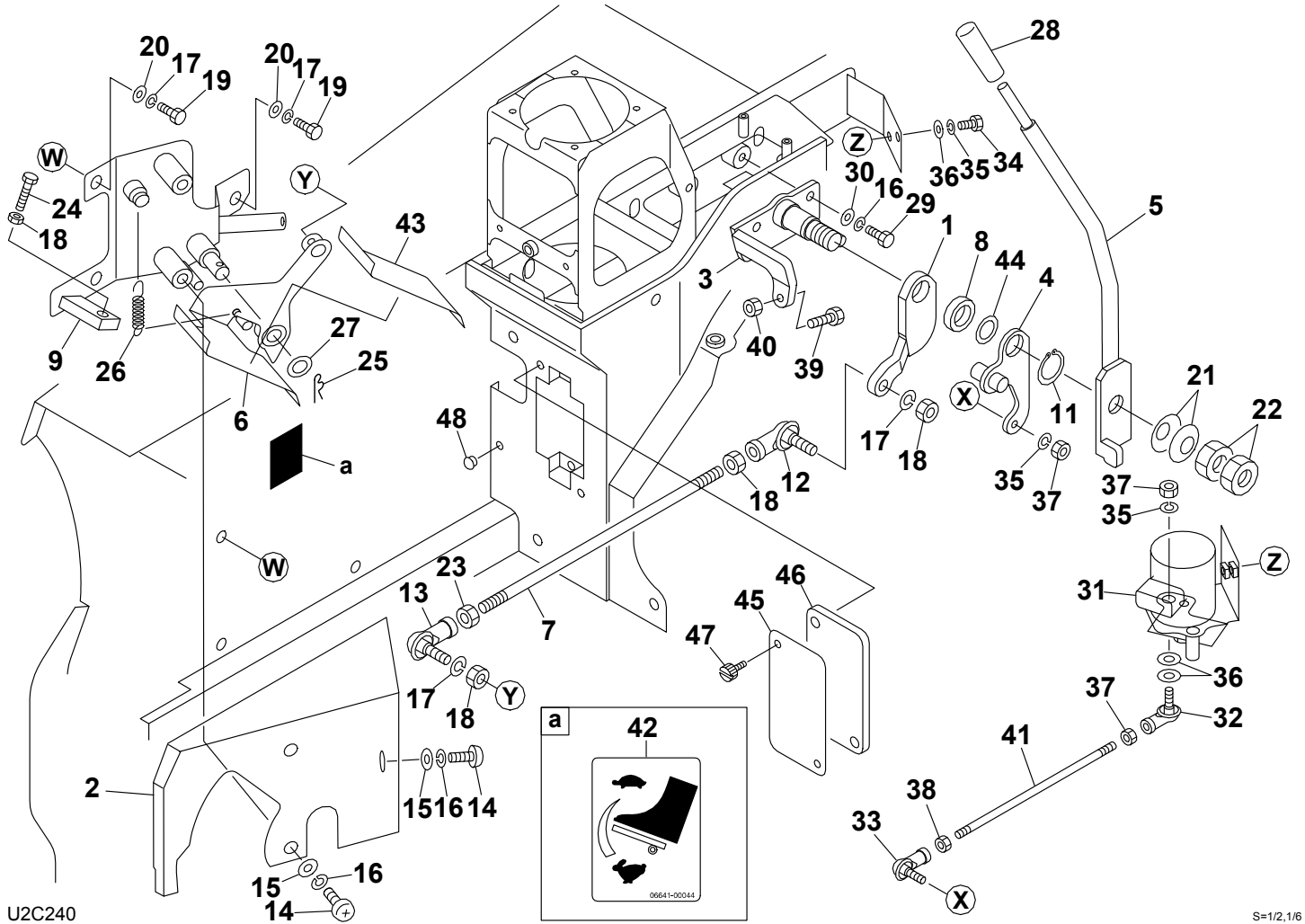
CONTROL BOX; L.H. (hydraulic quick hitch type)

Item	Part number	Description	Q'ty	Chan.	Serial No.	Serv.	Remarks
		COVER ASSY (L.H.)					
1	0664300010	COVER (L.H.)	1				
3	1700000034	SWITCH	1				
5	1150420614	SCREW	4				
6	1652533019	CAP	4				
7	1652533023	CAP	1				
9	1700008080	SWITCH	1				
10	1700000035	SWITCH	1				
11	0664300110	COVER	1		224000021~		M
12	0664300120	COVER	1		224000021~		M
13	0664300130	DECAL	1		224000021~		M
14	0664300140	RUBBER	1		224000021~		M
15	1120530330	SCREW	1		224000021~		M
16	1130040003	NUT	2		224000021~		M
	U2c220						

ENGINE CONTROL

Item	Part number	Description	Q'ty	Chan.	Serial No.	Serv.	Remarks
		CONTROL ASSY, engine					
1	0664100010	LEVER	1		224000001~224000068		
	0664100720	LEVER	1		224000069~	M	
2	1340010065	END, rod	1				
3	1340010060	END, rod	1				
4	1910253126	SENSOR, accel.	1				Y129938-77800
5	0334120100	BOOT	1				
6	0005006100	ROD	1				
7	1225110018	WASHER, conical	2				
8	1650132050	GRIP	1				
9	1100040840	BOLT	1			M	
10	0684100620	BASE	1		224000069~	M	
11	1130040008	NUT	1				
12	1141550018	WASHER	1		224000001~224000068		
13	0064111700	NUT	2				
14	1100040616	BOLT	2				
15	1140020006	WASHER, spring	4				
16	1141110006	WASHER	3				
17	1130040006	NUT	3				
18	1131540006	NUT	1				
19	1100040820	BOLT	2		224000069~		
20	1140020008	WASHER, spring	2		224000069~		
21	1141110008	WASHER	2		224000069~		
22	1652533017	CAP	3		224000069~	M	
23	0664300040	COVER	1		224000303~	M	
24	0664300030	INSULATOR	1		224000303~	M	
25	1652711698	SCREW	3		224000303~		
	U2c230						

TL240 (P-TL240BAB) BU2Z002-1 S/N 22400001-
ENGINE CONTROL (throttle pedal type)

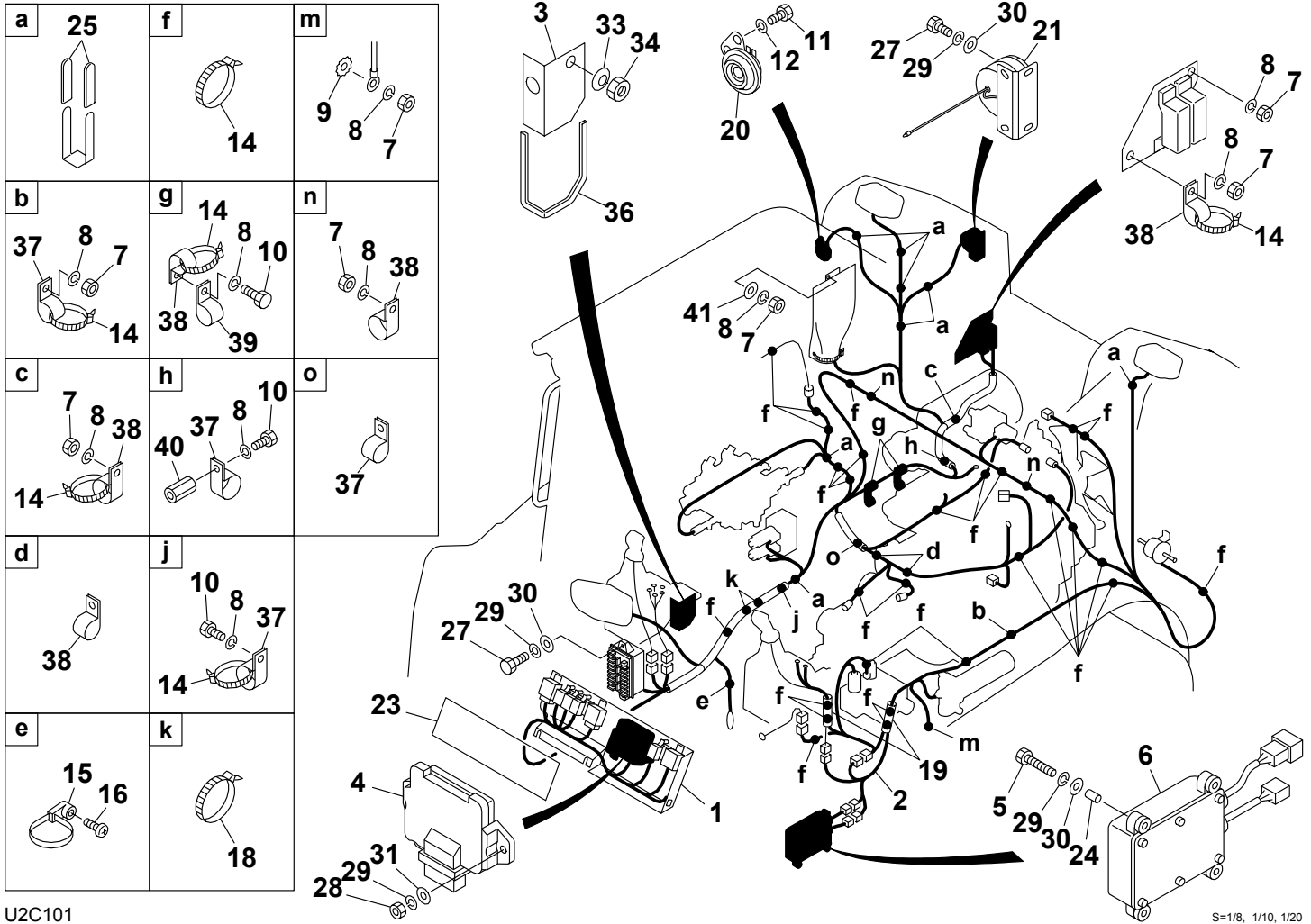


U2C240

S=1/2,1/6

ENGINE CONTROL (throttle pedal type)

Item	Part number	Description	Q'ty	Chan.	Serial No.	Serv.	Remarks
		CONTROL ASSY, engine					
1	0684100600	PLATE	1				M
2	0664100650	COVER	1				M
3	0684100620	BASE	1				M
4	0684100630	PLATE	1				M
5	0684100640	LEVER	1				M
6	0684100650	PEDAL	1				M
7	0005010305	ROD	1				M
8	0684100660	COLLAR	1				M
9	0664100710	FRAME	1				M
11	1220000022	RING, retaining	1				M
12	1340000100	END, rod	1				M
13	1340000105	END, rod	1				M
14	1120940816	SCREW	3				M
15	0003608252	WASHER	3				
16	1140020008	WASHER, spring	5				
17	1140020010	WASHER, spring	5				
18	1130040010	NUT	4				
19	1100041020	BOLT	3				
20	1141110010	WASHER	3				
21	1225110018	WASHER, conical	2				
22	0064111700	NUT	2				
23	1131540010	NUT	1				M
24	1100241050	BOLT	1				M
25	1214000014	PIN, snap	1				M
26	0007000074	SPRING	1				M
27	1141110014	WASHER	1				M
28	1650132050	GRIP	1				
29	1100040820	BOLT	2				
30	1141110008	WASHER	2				
31	1910253126	SENSOR, accel	1				
32	1340010060	END, rod	1				
33	1340010065	END, rod	1				
34	1100040616	BOLT	2				
35	1140020006	WASHER, spring	4				
36	1141110006	WASHER	4				
37	1130040006	NUT	3				
38	1131540006	NUT	1				
39	1100240840	BOLT	1				M
40	1130040008	NUT	1				
41	0005006100	ROD	1				
42	0664100044	DECAL	1				M
43	0684100670	SHEET	1				M
44	0003600248	WASHER	1		224000255~		M
45	0881430802	COVER	1		224000303~		
46	0664300020	INSULATOR	1		224000303~		M
47	1652711698	SCREW	2		224000303~		
48	1652533015	CAP	1		224000303~		
	U2c240						

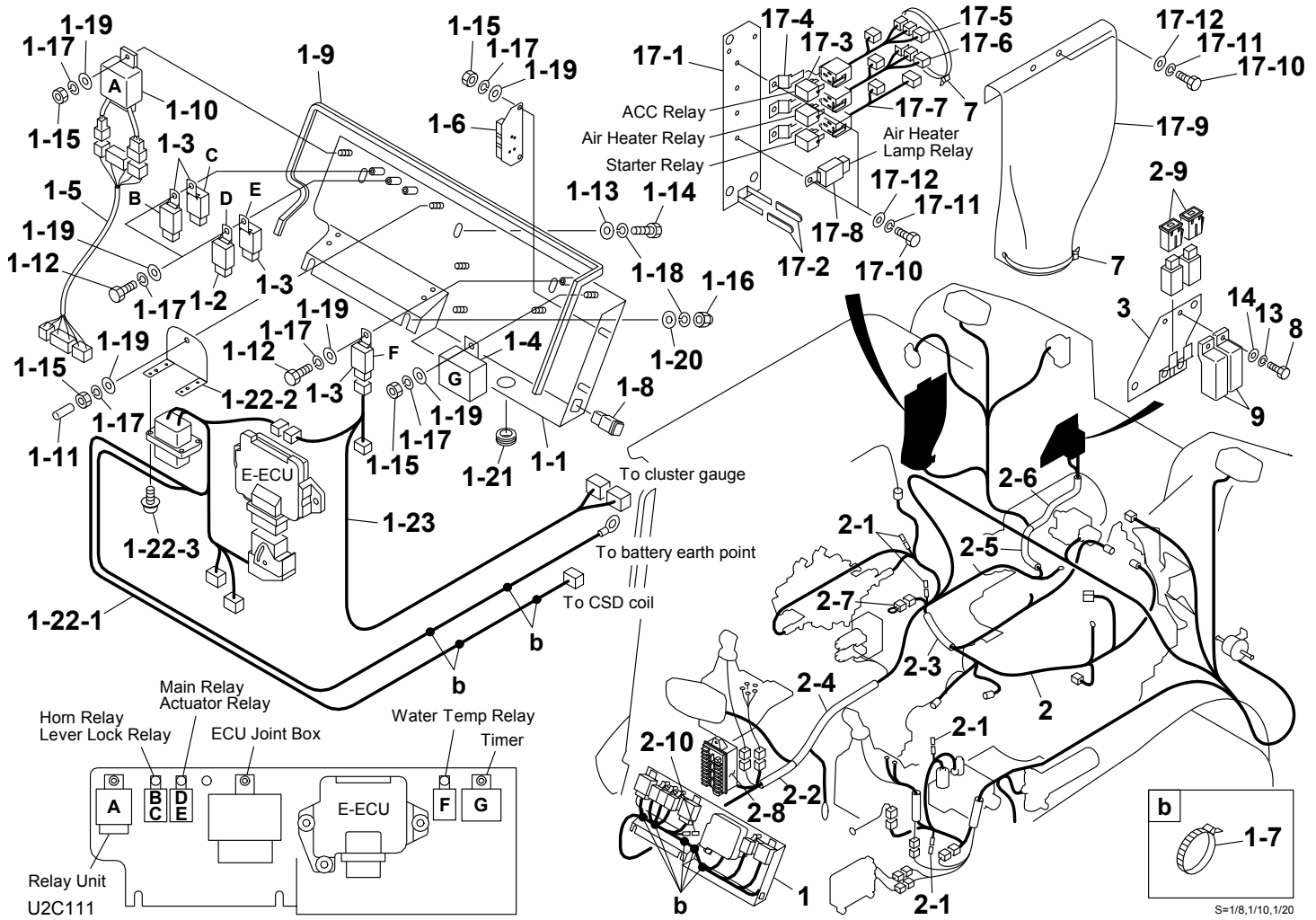


ELECTRICAL (1/2) (224000001-224000020)

Item	Part number	Description	Q'ty	Chan.	Serial No.	Serv.	Remarks
		ELECTRICAL ASSY					
1	X *****	UNIT ASSY, relay	1				see page (2/2)
2	0664201250	HARNESS, wiring	1				
3	0684200032	COVER	1				
4	1730142050	E-ECU	1				
5	1100040630	BOLT	4				
6	1730140730	CONTROLLER	1				
7	1130040010	NUT	9				
8	1140020010	WASHER, spring	12				
9	1140330010	WASHER	1				
10	1100041016	BOLT	3				
11	1100040812	BOLT	2				
12	1140020008	WASHER, spring	2				
14	1652231250	BAND	25				
15	1652261225	BAND	1				
16	1150420614	SCREW	1				
18	1652241400	BAND	3				
19	0880422080	PROTECTOR	2				
20	1703500712	HORN	1				
21	1703700013	BUZZER	1				
23	0882420220	RUBBER	1				
24	1531007002	HOSE	4				sold by the meter
25	0872433150	TUBE	10				
27	1100040610	BOLT	4				
28	1130040006	NUT	3				
29	1140020006	WASHER, spring	11				
30	0003600110	WASHER	8				
31	0003608252	WASHER	3				
33	1225000018	WASHER	1				
34	1130640018	NUT	1				
36	1653916037	TRIM	1				sold by the meter
37	1711900097	CLAMP	4				
38	1711900071	CLAMP	7				
39	1711900072	CLAMP	2				
40	1134831035	NUT	1				
41	1141110010	WASHER	2				

U2c101

TL240 (P-TL240BAB) BU2Z002-1 S/N 22400001-
ELECTRICAL (2/2) (22400001-22400020)

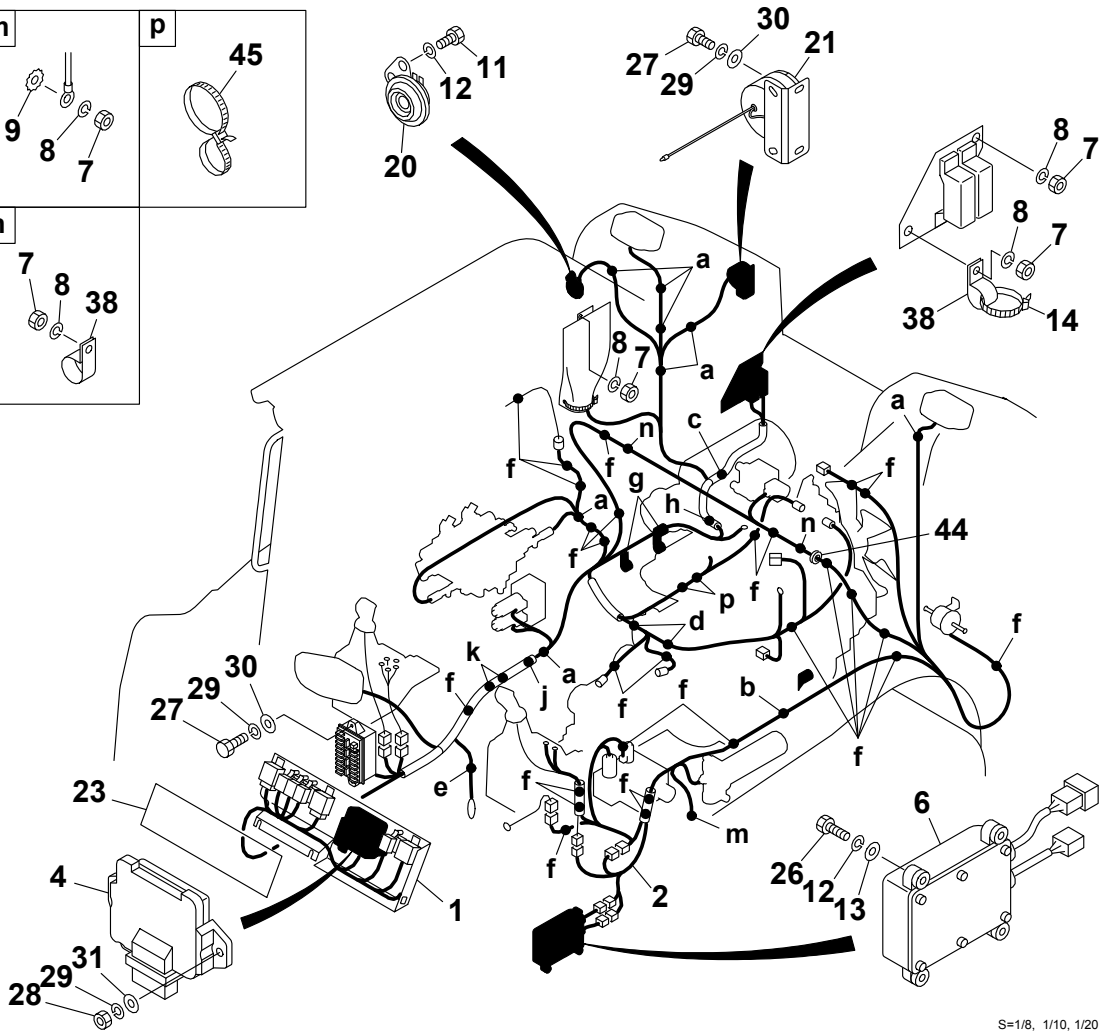
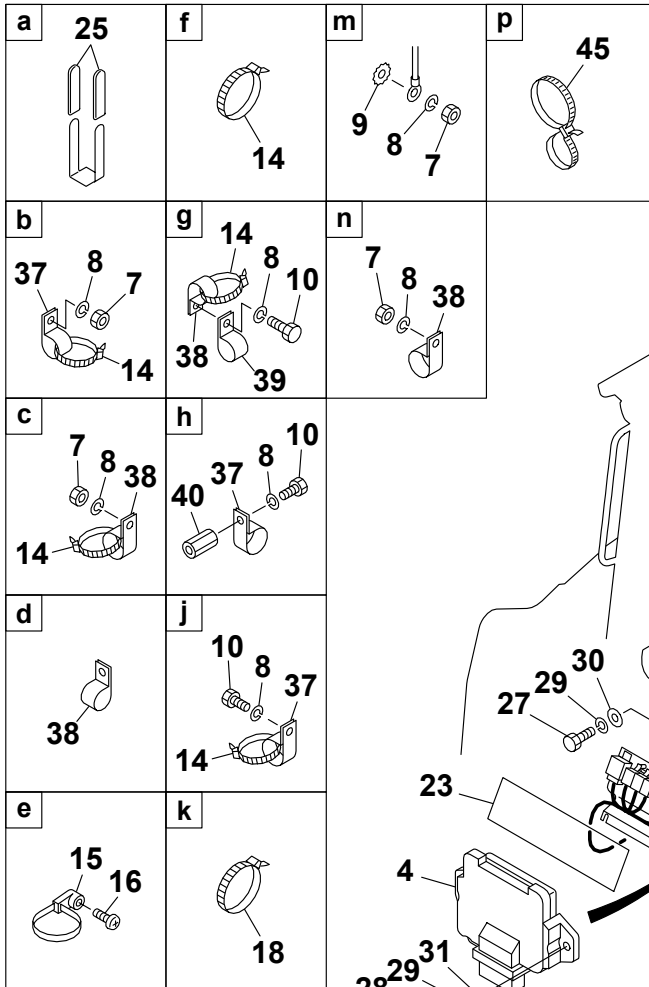


ELECTRICAL (2/2) (224000001-224000020)

Item	Part number	Description	Q'ty	Chan.	Serial No.	Serv.	Remarks
0-1	X *****	UNIT ASSY, relay	1				
1	X *****	· RELAY UNIT	1				
1-1	0664201310	· · BOX	1				
1-2	1910245135	· · RELAY	1			M	Y198461-52950
1-3	1711900042	· · RELAY	4				
1-4	1711900140	· · UNIT, timer (30sec)	1				
1-5	0654203710	· · HARNESS, wiring	1			M	
1-6	0664201320	· · RESISTOR	1				
1-7	1652231250	· · BAND	5				
1-8	1700550017	· · LAMP, pilot	1			M	
1-9	1654606100	· · TRIM	1				sold by the meter
1-10	1711900062	· · RELAY	1				
1-11	1650205700	· · CAP	1			M	
1-12	1100040616	· · BOLT	3				
1-13	0003608252	· · WASHER	2				
1-14	1100040816	· · BOLT	2				
1-15	1130040006	· · NUT	5				
1-16	1134230008	· · NUT	2				
1-17	1140020006	· · WASHER, spring	8				
1-18	1140020008	· · WASHER, spring	4				
1-19	1141110006	· · WASHER	8				
1-20	1141110008	· · WASHER	2				
1-21	1652060035	· · BUSHING	1			M	
1-22	0654203700	· · HARNESS ASSY, joint	1			M	
1-22-1	0654203790	· · · HARNESS, joint	1			M	
1-22-2	0654203791	· · · BRACKET	1			M	
1-22-3	1150420310	· · · SCREW	4			M	
1-23	0664202610	· · HARNESS ASSY, joint	1		224000002~224000017	M	
2	0684201200	· HARNESS ASSY, wiring	1				
2-1	1730500008	· · DIODE (3A yellow)	4				
2-2	1531325025	· · PROTECTOR	1				sold by the meter
2-3	1531325035	· · PROTECTOR	1				sold by the meter
2-4	1531325085	· · PROTECTOR	1				sold by the meter
2-5	1531325020	· · PROTECTOR	1				sold by the meter
2-6	1531325030	· · PROTECTOR	1				sold by the meter
2-7	0394221010	· · CONNECTOR, short	1				
2-8	X *****	· · BOX, fuse	1				V716801-H100
2-9	1701330045	· · LINK, fusible	2				45A
2-10	1730500023	· · DIODE (3A)	1				
3	0684200070	· BRACKET	1				
7	1652231250	· BAND	2				
8	1100040610	· BOLT	2				
9	1700100038	· COVER	2				
13	1140020006	· WASHER, spring	2				
14	0003600110	· WASHER	2				
17	0654202660	· RELAY UNIT	1			M	
17-1	0654202670	· · BRACKET	1			M	
17-2	0872433150	· · TUBE	2				
17-3	1910245125	· · RELAY	3			M	Y129927-77920
17-4	1910245130	· · BRACKET	3			M	Y129927-77910
17-5	0654203740	· · HARNESS, wiring	1			M	
17-6	0654203730	· · HARNESS, wiring	1			M	
17-7	0654203720	· · HARNESS, wiring	1			M	
17-8	1711900123	· · RELAY	1			M	
17-9	0882421001	· · RUBBER	1				
17-10	1100040612	· · BOLT	6				
17-11	1140020006	· · WASHER, spring	6				
17-12	0003600110	· · WASHER	6				

U2c111

TL240 (P-TL240BAB) BU2Z002-1 S/N 22400001-
ELECTRICAL (1/2) (KPM controller type; 224000021-224000229)



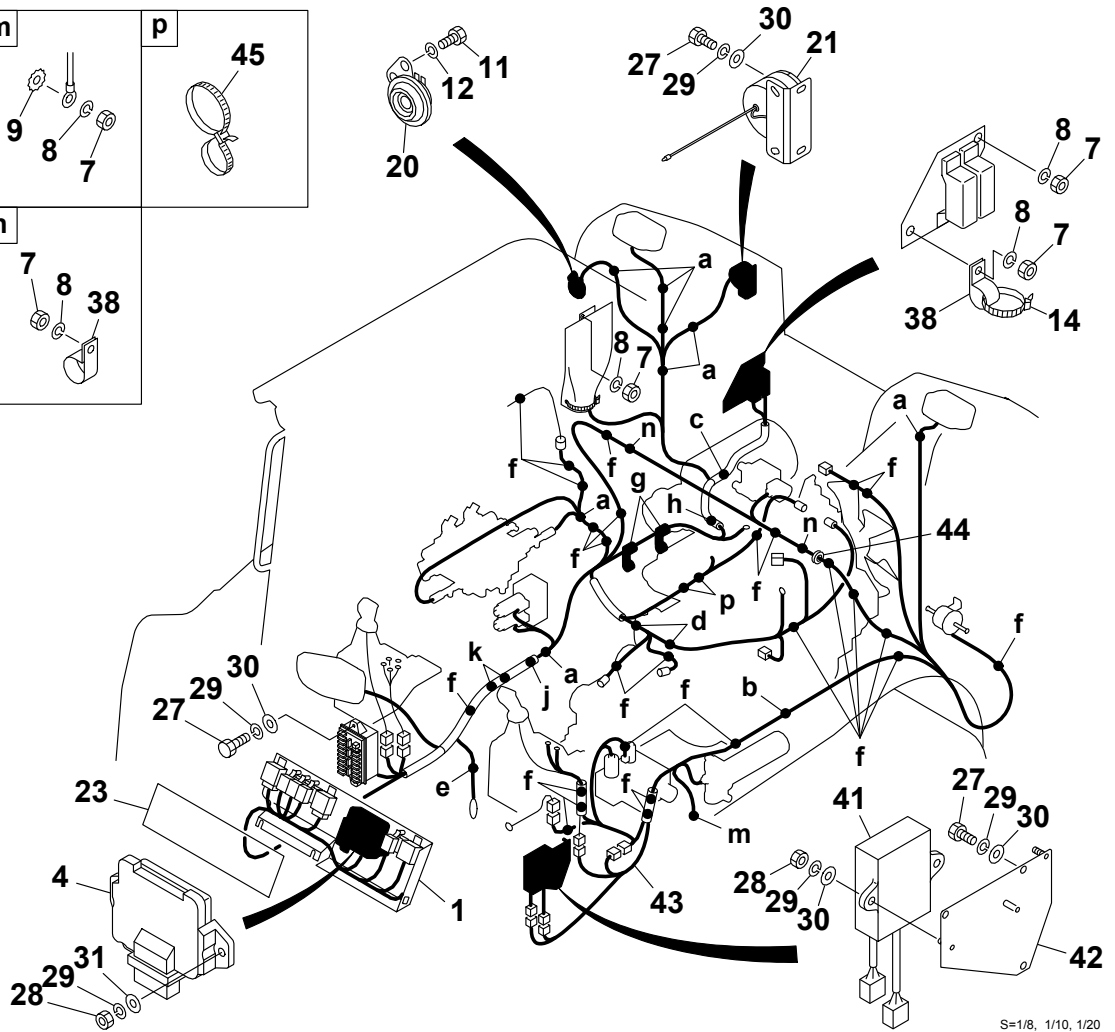
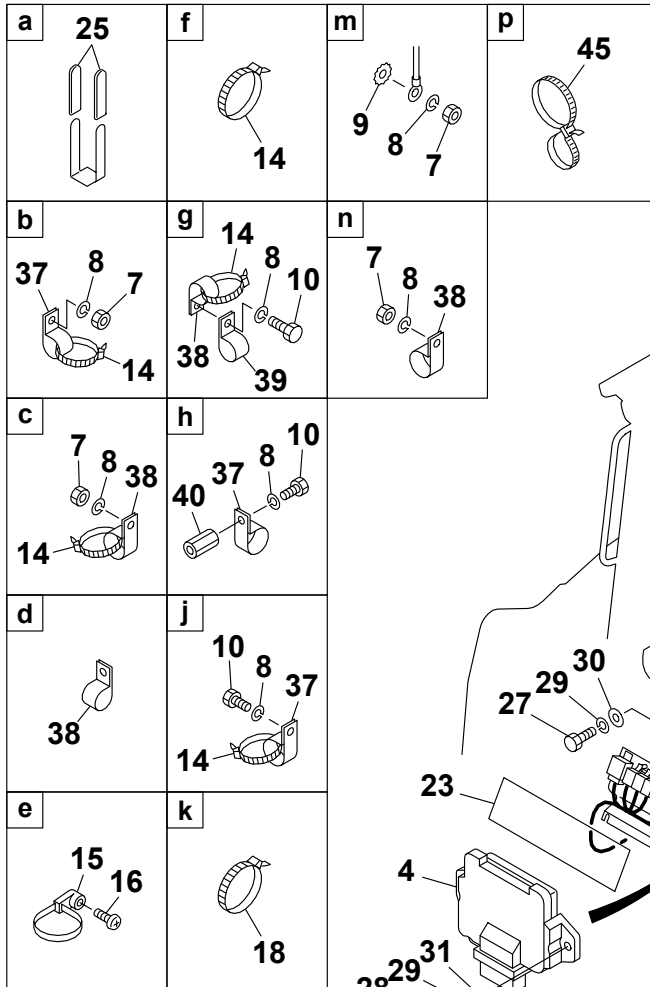
U2C250

S-1/8, 1/10, 1/20

ELECTRICAL (1/2) (KPM controller type; 224000021-224000229)

Item	Part number	Description	Q'ty	Chan.	Serial No.	Serv.	Remarks
		ELECTRICAL ASSY (KPM controller type)					
1	X *****	UNIT ASSY, relay	1				see page (2/2)
2	0664201250	HARNESS, wiring	1				
4	1910264127	E-ECU	1			M	Y129949-75540
6	1730140730	CONTROLLER	1				
7	1130040010	NUT	9				
8	1140020010	WASHER, spring	12				
9	1140330010	WASHER	1				
10	1100041016	BOLT	3				
11	1100040812	BOLT	2				
12	1140020008	WASHER, spring	6				
13	1141110008	WASHER	4				
14	1652231250	BAND	25				
15	1652261225	BAND	1				
16	1150420614	SCREW	1				
18	1652241400	BAND	3				
20	1703500712	HORN	1				
21	1703700013	BUZZER	1				
23	0882420220	RUBBER	1				
25	0872433150	TUBE	10				
26	1100040830	BOLT	4				
27	1100040610	BOLT	4				
28	1130040006	NUT	3				
29	1140020006	WASHER, spring	7				
30	0003600110	WASHER	4				
31	0003608252	WASHER	3				
37	1711900097	CLAMP	3				
38	1711900071	CLAMP	7				
39	1711900072	CLAMP	2				
40	1134831035	NUT	1				
44	1652060051	BUSHING	1			M	
45	1652251002	BAND	2			M	
	U2c250						

TL240 (P-TL240BAB) BU2Z002-1 S/N 22400001-
 ELECTRICAL (1/2) (SPK controller type; 224000021-224000229)



U2C260

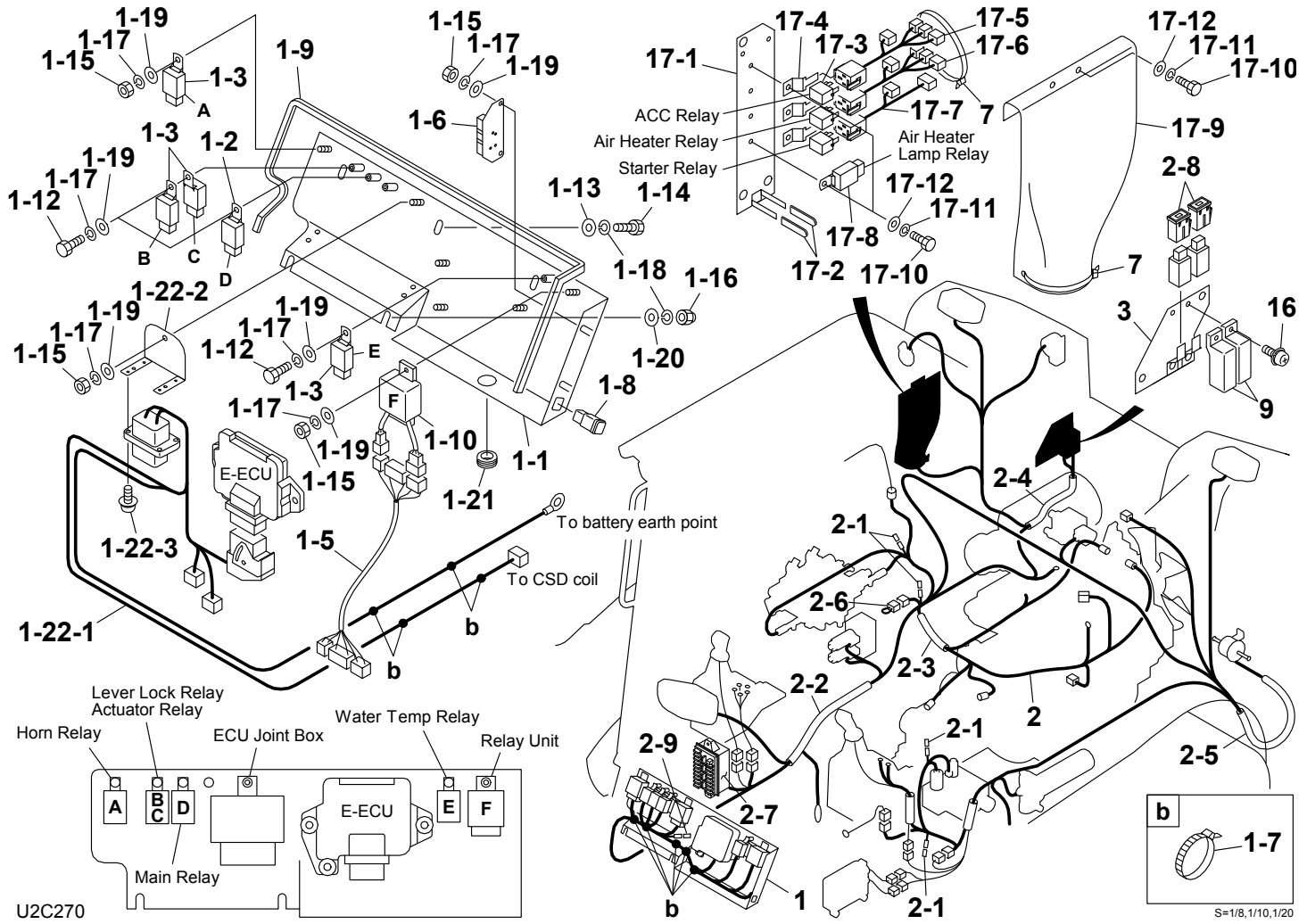
S-1/8, 1/10, 1/20

ELECTRICAL (1/2) (SPK controller type; 224000021-224000229)

Item	Part number	Description	Q'ty	Chan.	Serial No.	Serv.	Remarks
		ELECTRICAL ASSY (SPK controller type)					
1	X *****	UNIT ASSY, relay	1				see page (2/2)
4	1910264127	E-ECU	1			M	Y129949-75540
7	1130040010	NUT	9				
8	1140020010	WASHER, spring	12				
9	1140330010	WASHER	1				
10	1100041016	BOLT	3				
11	1100040812	BOLT	2				
12	1140020008	WASHER, spring	2				
14	1652231250	BAND	25				
15	1652261225	BAND	1				
16	1150420614	SCREW	1				
18	1652241400	BAND	3				
20	1703500712	HORN	1				
21	1703700013	BUZZER	1				
23	0882420220	RUBBER	1				
25	0872433150	TUBE	10				
27	1100040610	BOLT	7				
28	1130040006	NUT	5				
29	1140020006	WASHER, spring	12				
30	0003600110	WASHER	9				
31	0003608252	WASHER	3				
37	1711900097	CLAMP	3				
38	1711900071	CLAMP	7				
39	1711900072	CLAMP	2				
40	1134831035	NUT	1				
41	1730142090	CONTROLLER	1			M	
42	0654203510	BRACKET	1			M	
43	0664202400	HARNESS, wiring	1			M	
44	1652060051	BUSHING	1			M	
45	1652251002	BAND	2			M	

U2c260

TL240 (P-TL240BAB) BU2Z002-1 S/N 22400001-
ELECTRICAL (2/2) (224000021-224000229)



U2C270

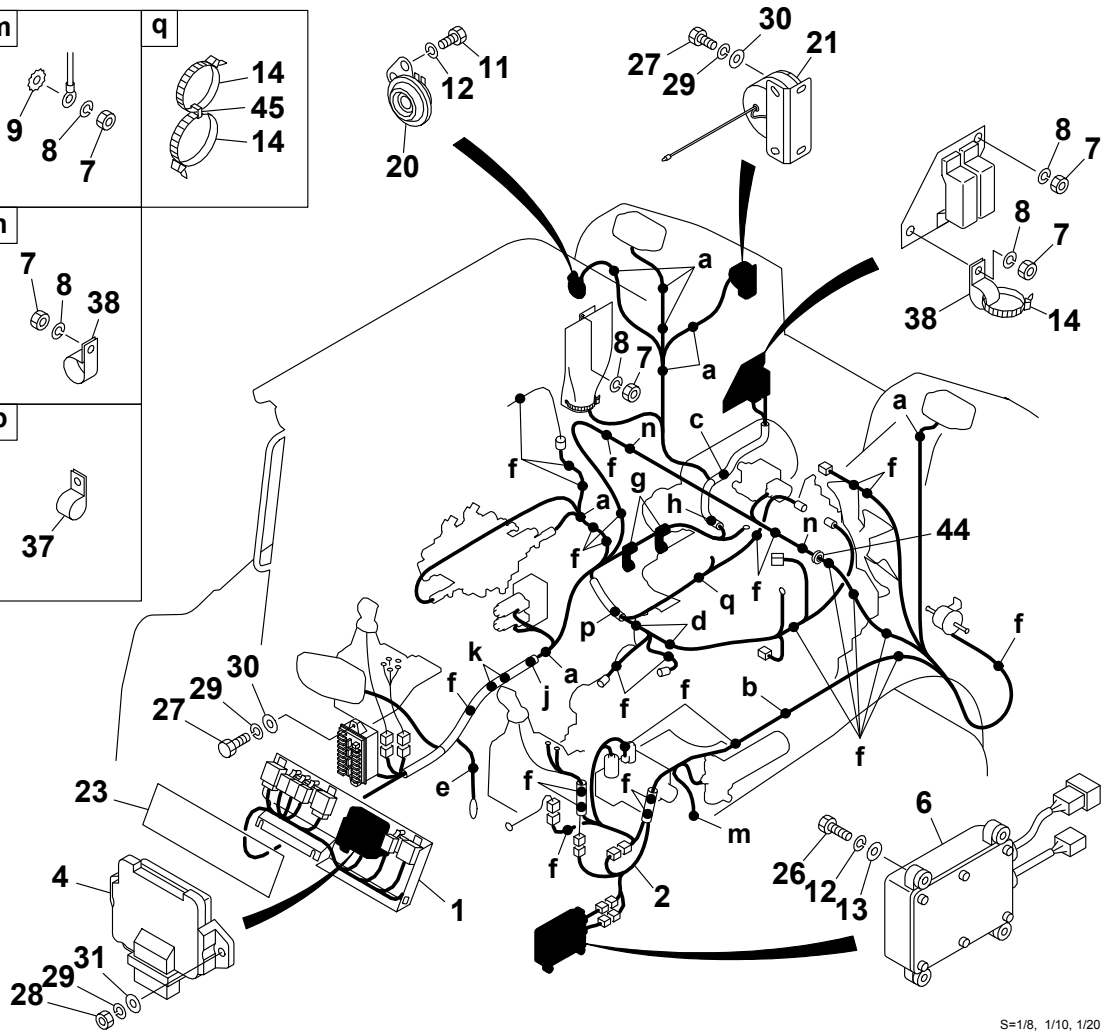
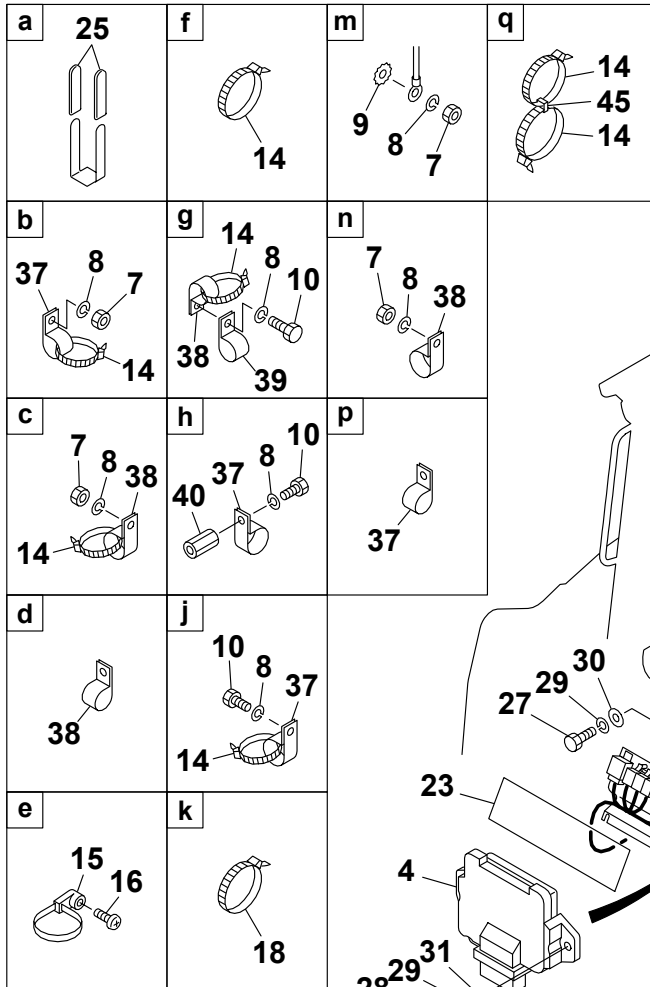
S=1/8, 1/10, 1/20

ELECTRICAL (2/2) (224000021-224000229)

Item	Part number	Description	Q'ty	Chan.	Serial No.	Serv.	Remarks
0-1	X *****	UNIT ASSY, relay	1				
1	X *****	· RELAY UNIT	1				
1-1	0664201310	· · BOX	1				
1-2	1910245135	· · RELAY	1			M	Y198461-52950
1-3	1711900042	· · RELAY	4				
1-5	0654203710	· · HARNESS, wiring	1			M	
1-6	0664201320	· · RESISTOR	1				
1-7	1652231250	· · BAND	5				
1-8	1700550017	· · LAMP, pilot	1			M	
1-9	1654606100	· · TRIM	1				sold by the meter
1-10	1711900062	· · RELAY	1				
1-12	1100040616	· · BOLT	3				
1-13	0003608252	· · WASHER	2				
1-14	1100040816	· · BOLT	2				
1-15	1130040006	· · NUT	5				
1-16	1134230008	· · NUT	2				
1-17	1140020006	· · WASHER, spring	8				
1-18	1140020008	· · WASHER, spring	4				
1-19	1141110006	· · WASHER	8				
1-20	1141110008	· · WASHER	2				
1-21	1652060035	· · BUSHING	1			M	
1-22	0654203700	· · HARNESS ASSY, joint	1			M	
1-22-1	0654203790	· · · HARNESS, joint	1			M	
1-22-2	0654203791	· · · BRACKET	1			M	
1-22-3	1150420310	· · · SCREW	4			M	
2	0664202200	· HARNESS ASSY, wiring	1			M	
2-1	1730500008	· · DIODE (3A yellow)	4				
2-2	1531325090	· · PROTECTOR	1			M	sold by the meter
2-3	1531325035	· · PROTECTOR	1				sold by the meter
2-4	1531325060	· · PROTECTOR	1			M	sold by the meter
2-5	1531325068	· · PROTECTOR	1			M	sold by the meter
2-6	0394221010	· · CONNECTOR, short	1				
2-7	X *****	· · BOX, fuse	1				V716801-H100
2-8	1701330045	· · LINK, fusible	2				45A
2-9	1730500023	· · DIODE (3A)	1				
3	0684200070	· BRACKET	1				
7	1652231250	· BAND	2				
9	1700100038	· COVER	2				
16	1150420612	· SCREW	2				
17	0654202660	· RELAY UNIT	1			M	
17-1	0654202670	· · BRACKET	1			M	
17-2	0872433150	· · TUBE	2				
17-3	1910245125	· · RELAY	3			M	Y129927-77920
17-4	1910245130	· · BRACKET	3			M	Y129927-77910
17-5	0654203740	· · HARNESS, wiring	1			M	
17-6	0654203730	· · HARNESS, wiring	1			M	
17-7	0654203720	· · HARNESS, wiring	1			M	
17-8	1711900123	· · RELAY	1			M	
17-9	0882421001	· · RUBBER	1				
17-10	1100040612	· · BOLT	6				
17-11	1140020006	· · WASHER, spring	6				
17-12	0003600110	· · WASHER	6				

U2c270

TL240 (P-TL240BAB) BU2Z002-1 S/N 22400001-
 ELECTRICAL (1/2) (KPM controller type; 224000230-)



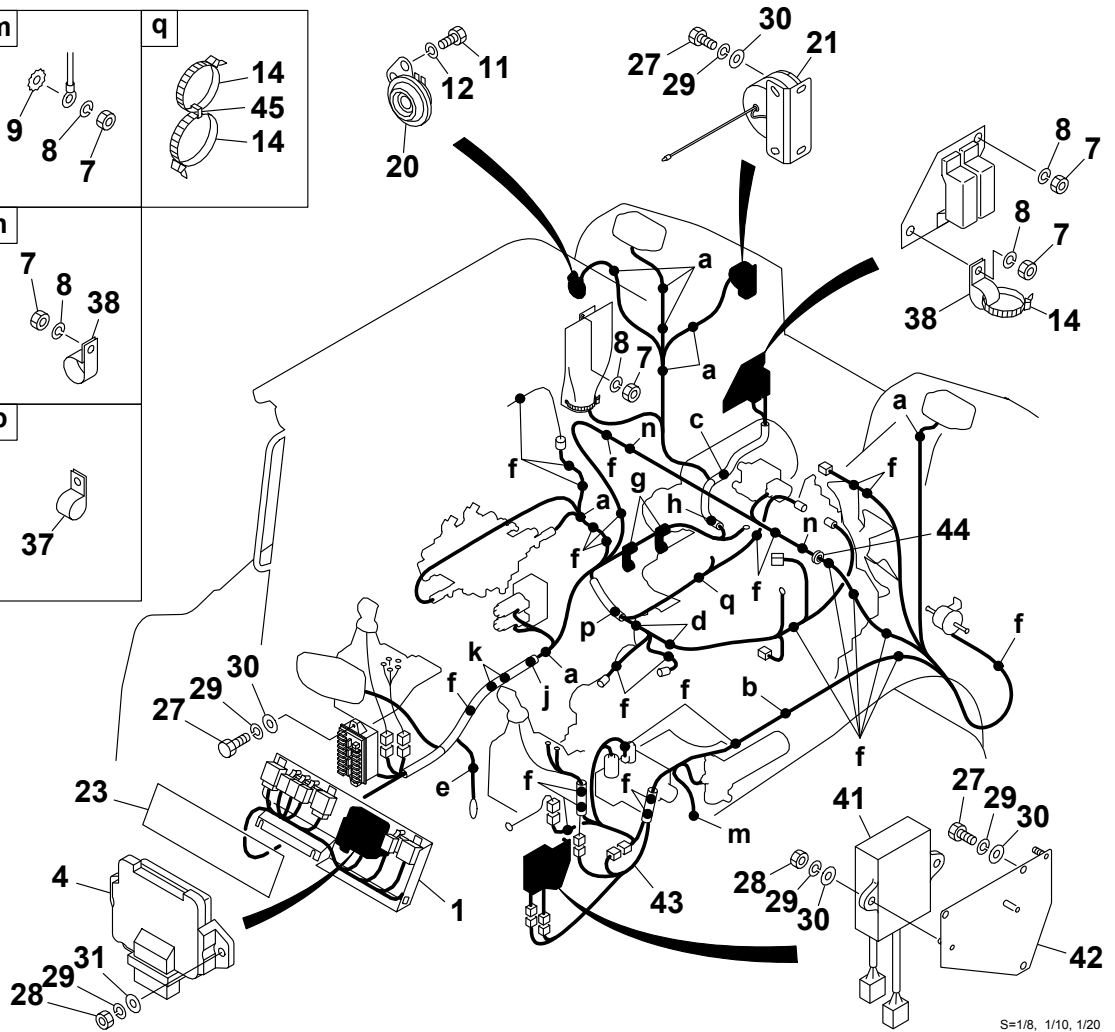
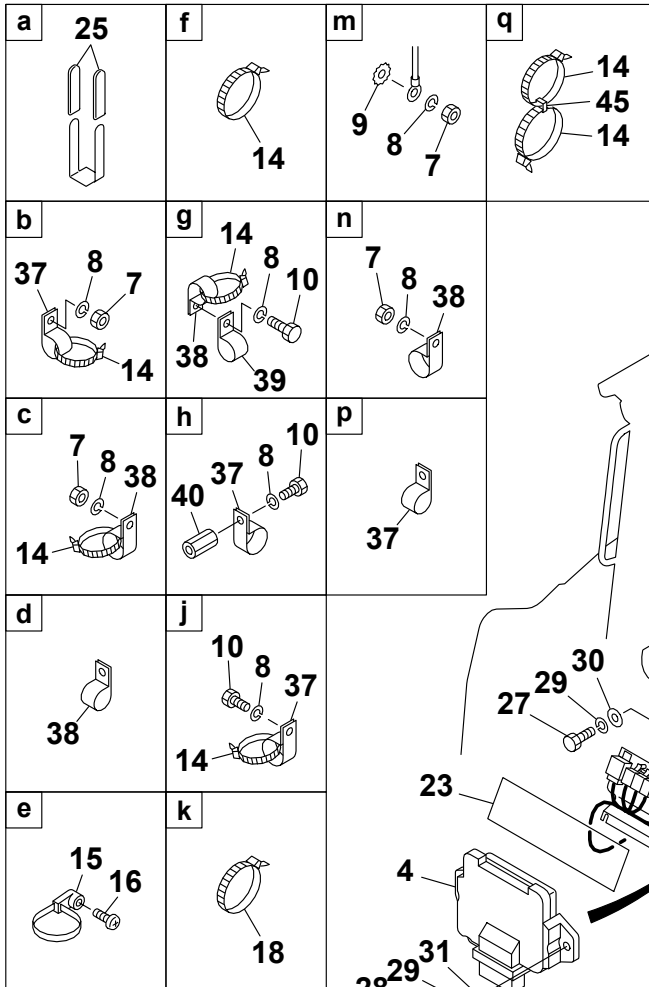
U2C280

S-1/8, 1/10, 1/20

ELECTRICAL (1/2) (KPM controller type; 224000230-)

Item	Part number	Description	Q'ty	Chan.	Serial No.	Serv.	Remarks
		ELECTRICAL ASSY (KPM controller type)					
1	0684206100	UNIT ASSY, relay	1			M	see page (2/2)
2	0664201250	HARNESS, wiring	1				
4	1910264127	E-ECU	1			M	Y129949-75540
6	1730140730	CONTROLLER	1				
7	1130040010	NUT	9				
8	1140020010	WASHER, spring	12				
9	1140330010	WASHER	1				
10	1100041016	BOLT	3				
11	1100040812	BOLT	2				
12	1140020008	WASHER, spring	6				
13	1141110008	WASHER	4				
14	1652231250	BAND	27				
15	1652261225	BAND	1				
16	1150420614	SCREW	1				
18	1652241400	BAND	3				
20	1703500712	HORN	1				
21	1703700013	BUZZER	1				
23	0882420220	RUBBER	1				
25	0872433150	TUBE	10				
26	1100040830	BOLT	4				
27	1100040610	BOLT	4				
28	1130040006	NUT	3				
29	1140020006	WASHER, spring	7				
30	0003600110	WASHER	4				
31	0003608252	WASHER	3				
37	1711900097	CLAMP	4				
38	1711900071	CLAMP	7				
39	1711900072	CLAMP	2				
40	1134831035	NUT	1				
44	1652060051	BUSHING	1			M	
45	1652200010	BAND	1			M	
	U2c280						

TL240 (P-TL240BAB) BU2Z002-1 S/N 224000001-
 ELECTRICAL (1/2) (SPK controller type; 224000230-)



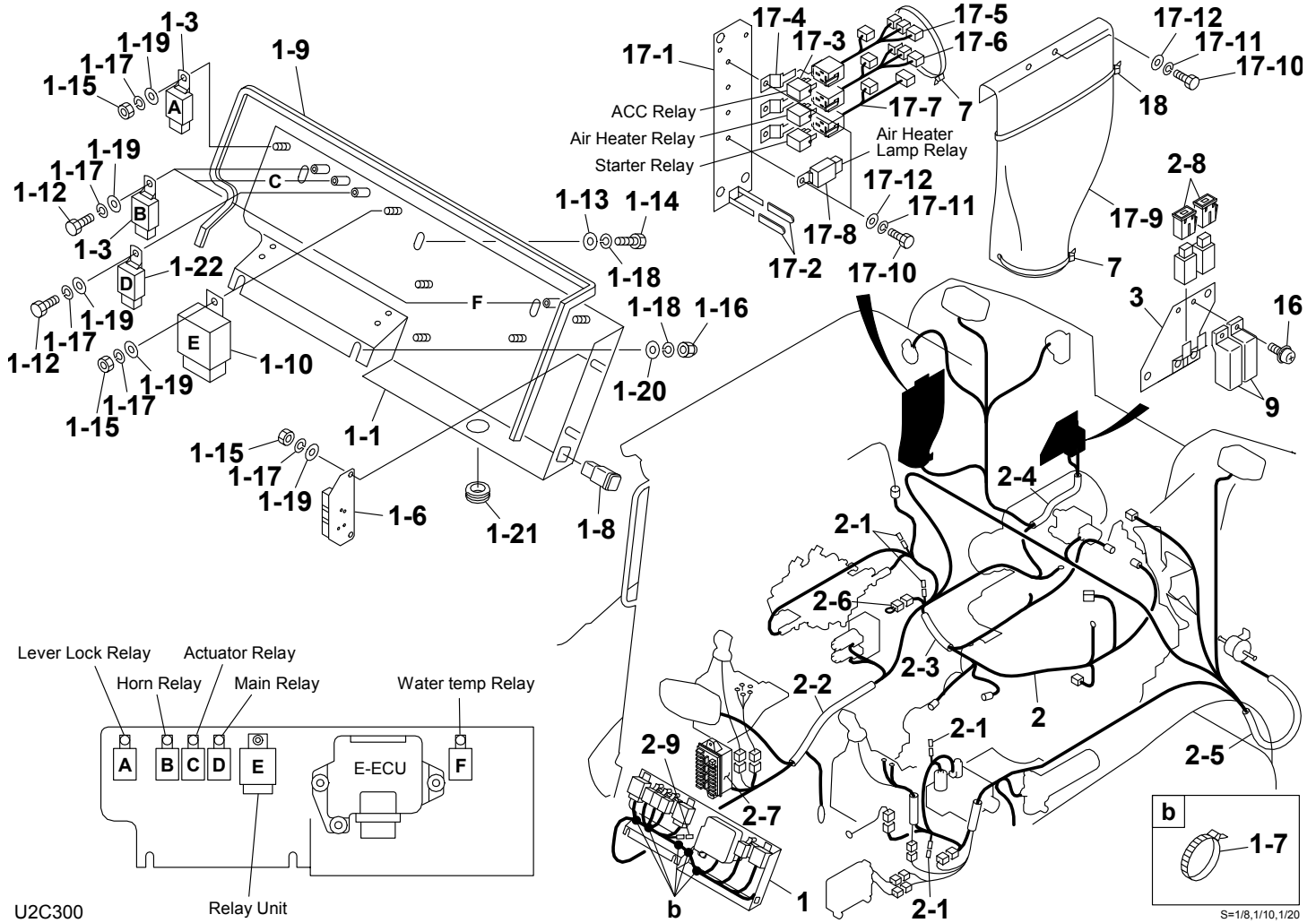
U2C290

S-1/8, 1/10, 1/20

ELECTRICAL (1/2) (SPK controller type; 224000230-)

Item	Part number	Description	Q'ty	Chan.	Serial No.	Serv.	Remarks
		ELECTRICAL ASSY (SPK controller type)					
1	0684206100	UNIT ASSY, relay	1			M	see page (2/2)
4	1910264127	E-ECU	1			M	Y129949-75540
7	1130040010	NUT	9				
8	1140020010	WASHER, spring	12				
9	1140330010	WASHER	1				
10	1100041016	BOLT	3				
11	1100040812	BOLT	2				
12	1140020008	WASHER, spring	2				
14	1652231250	BAND	27				
15	1652261225	BAND	1				
16	1150420614	SCREW	1				
18	1652241400	BAND	3				
20	1703500712	HORN	1				
21	1703700013	BUZZER	1				
23	0882420220	RUBBER	1				
25	0872433150	TUBE	10				
27	1100040610	BOLT	7				
28	1130040006	NUT	5				
29	1140020006	WASHER, spring	12				
30	0003600110	WASHER	9				
31	0003608252	WASHER	3				
37	1711900097	CLAMP	4				
38	1711900071	CLAMP	7				
39	1711900072	CLAMP	2				
40	1134831035	NUT	1				
41	1730142090	CONTROLLER	1			M	
42	0654203510	BRACKET	1			M	
43	0664202400	HARNESS, wiring	1			M	
44	1652060051	BUSHING	1			M	
45	1652200010	BAND	1			M	
	U2c290						

TL240 (P-TL240BAB) BU2Z002-1 S/N 22400001-
ELECTRICAL (2/2) (224000230-)

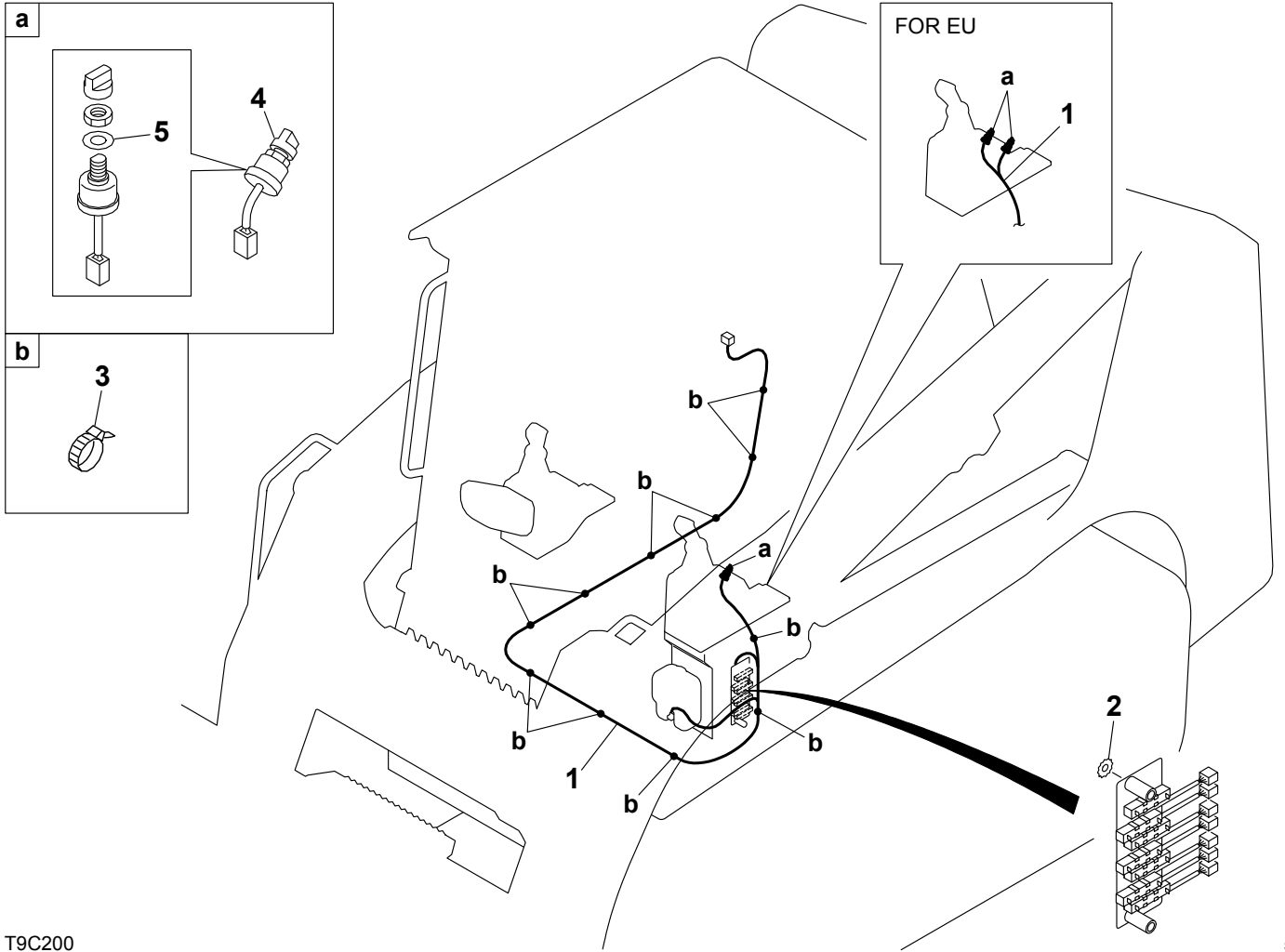


ELECTRICAL (2/2) (224000230-)

Item	Part number	Description	Q'ty	Chan.	Serial No.	Serv.	Remarks
0-1	0684206100	UNIT ASSY, relay	1			M	
1	0664202300	· RELAY UNIT	1			M	
1-1	0664201310	· · BOX	1				
1-3	1711900042	· · RELAY	4				
1-6	0664201320	· · RESISTOR	1				
1-7	1652231250	· · BAND	5				
1-8	1700550017	· · LAMP, pilot	1			M	
1-9	1654606100	· · TRIM	1				sold by the meter
1-10	1711900062	· · RELAY	1				
1-12	1100040616	· · BOLT	4				
1-13	0003608252	· · WASHER	2				
1-14	1100040816	· · BOLT	2				
1-15	1130040006	· · NUT	4				
1-16	1134230008	· · NUT	2				
1-17	1140020006	· · WASHER, spring	8				
1-18	1140020008	· · WASHER, spring	4				
1-19	1141110006	· · WASHER	8				
1-20	1141110008	· · WASHER	2				
1-21	1652060035	· · BUSHING	1			M	
1-22	1910245135	· · RELAY	1			M	Y198461-52950
2	0664202200	· HARNESS ASSY, wiring	1			M	
2-1	1730500008	· · DIODE (3A yellow)	4				
2-2	1531325090	· · PROTECTOR	1			M	sold by the meter
2-3	1531325035	· · PROTECTOR	1				sold by the meter
2-4	1531325060	· · PROTECTOR	1			M	sold by the meter
2-5	1531325068	· · PROTECTOR	1			M	sold by the meter
2-6	0394221010	· · CONNECTOR, short	1				
2-7	X *****	· · BOX, fuse	1				V716801-H100
2-8	1701330045	· · LINK, fusible	2				45A
2-9	1730500023	· · DIODE (3A)	1				
3	0684200070	· BRACKET	1				
7	1652231250	· BAND	2				
9	1700100038	· COVER	2				
16	1150420612	· SCREW	2				
17	0654202660	· RELAY UNIT	1			M	
17-1	0654202670	· · BRACKET	1			M	
17-2	0872433150	· · TUBE	2				
17-3	1910245125	· · RELAY	3			M	Y129927-77920
17-4	1910245130	· · BRACKET	3			M	Y129927-77910
17-5	0654203740	· · HARNESS, wiring	1			M	
17-6	0654203730	· · HARNESS, wiring	1			M	
17-7	0654203720	· · HARNESS, wiring	1			M	
17-8	1711900123	· · RELAY	1			M	
17-9	0882421001	· · RUBBER	1				
17-10	1100040612	· · BOLT	6				
17-11	1140020006	· · WASHER, spring	6				
17-12	0003600110	· · WASHER	6				
18	1652201007	· BAND	1				

U2c300

TL240 (P-TL240BAB) BU2Z002-1 S/N 22400001-
ELECTRICAL (cab)



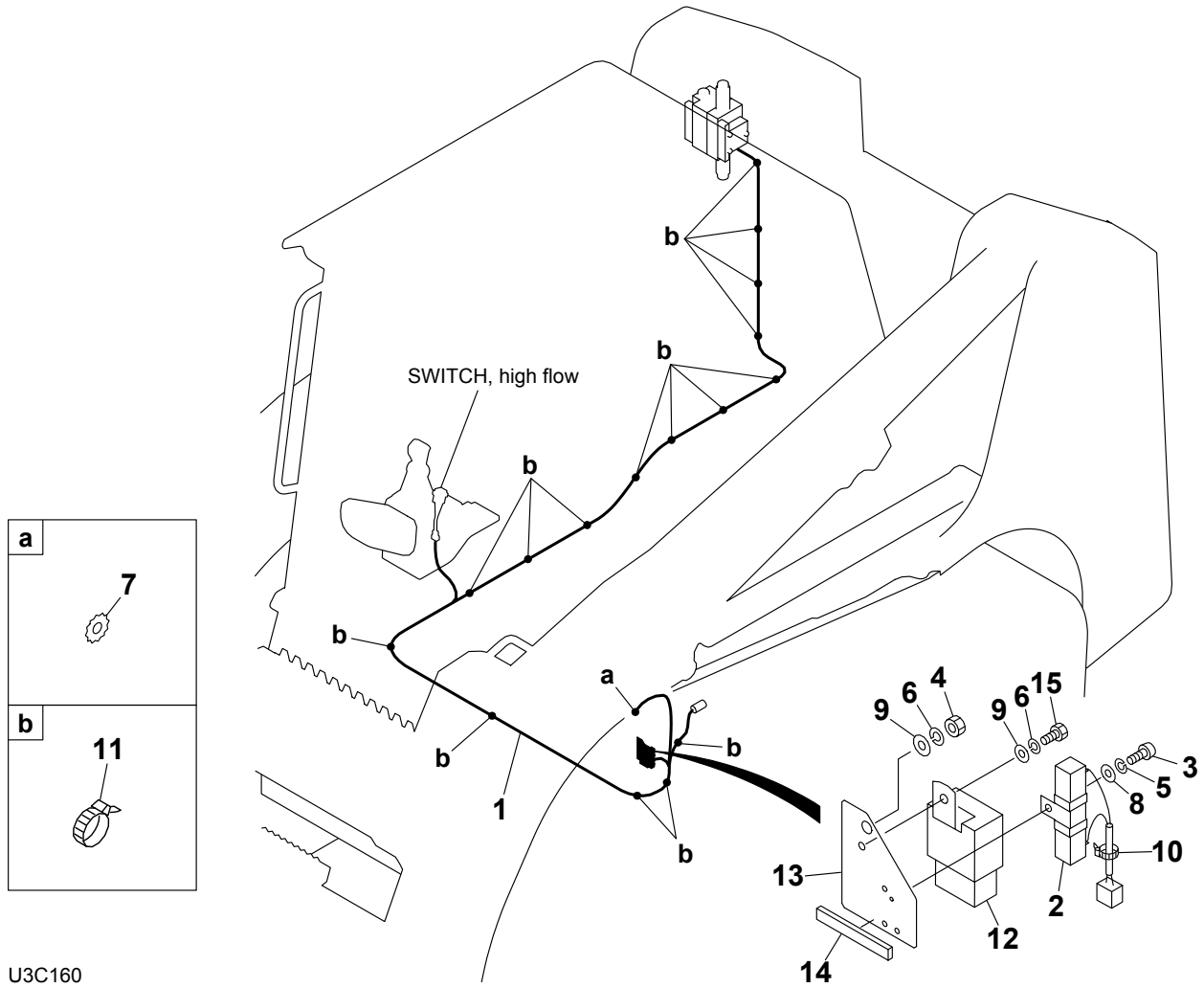
T9C200

S=1/5, 1/20

ELECTRICAL (cab)

Item	Part number	Description	Q'ty	Chan.	Serial No.	Serv.	Remarks
		ELECTRICAL ASSY					
		ELECTRICAL ASSY (for EU)					
1	0880427810	HARNESS, wiring	1				
	0882421410	HARNESS, wiring	1				for EU
2	1140330010	WASHER	1				
3	1652231250	BAND	10				
4	1704300007	SWITCH, wiper	1				
	1704300007	SWITCH, wiper	2				for EU
5	1141810012	WASHER	1				
	1141810012	WASHER	2				for EU
	U3c220						

TL240 (P-TL240BAB) BU2Z002-1 S/N 22400001-
ELECTRICAL (high flow)

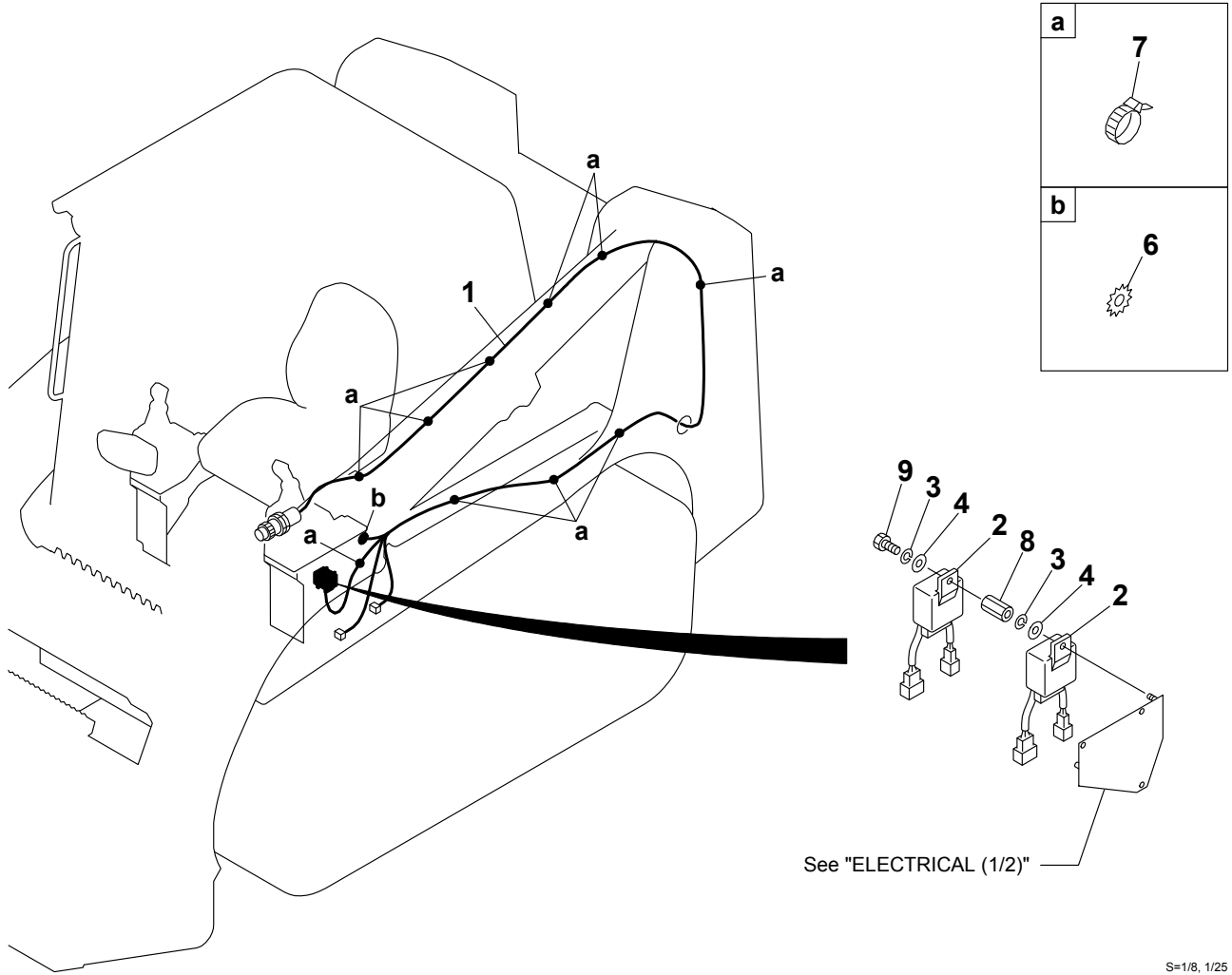


U3C160

S=1/4, 1/20

ELECTRICAL (high flow)							
Item	Part number	Description	Q'ty	Chan.	Serial No.	Serv.	Remarks
		ELECTRICAL ASSY					
1	0694200510	HARNESS, wiring	1				
1-1	1730500008	· DIODE (3A yellow)	1				
2	0881421710	RESISTOR	1				
3	1120530306	SCREW	1				
4	1130040006	NUT	1				
5	1140020003	WASHER, spring	1				
6	1140020006	WASHER, spring	2				
7	1140330010	WASHER	1				
8	1141110003	WASHER	1				
9	1141110006	WASHER	2				
10	1652200003	BAND	1				
11	1652231250	BAND	16				
12	1711900042	RELAY	1				
13	0694200520	BRACKET	1				
14	1654301006	SPONGE	1				sold by the meter
15	1100040610	BOLT	1				
	U3c160						

TL240 (P-TL240BAB) BU2Z002-1 S/N 22400001-
ELECTRICAL (multi-functional grip type)



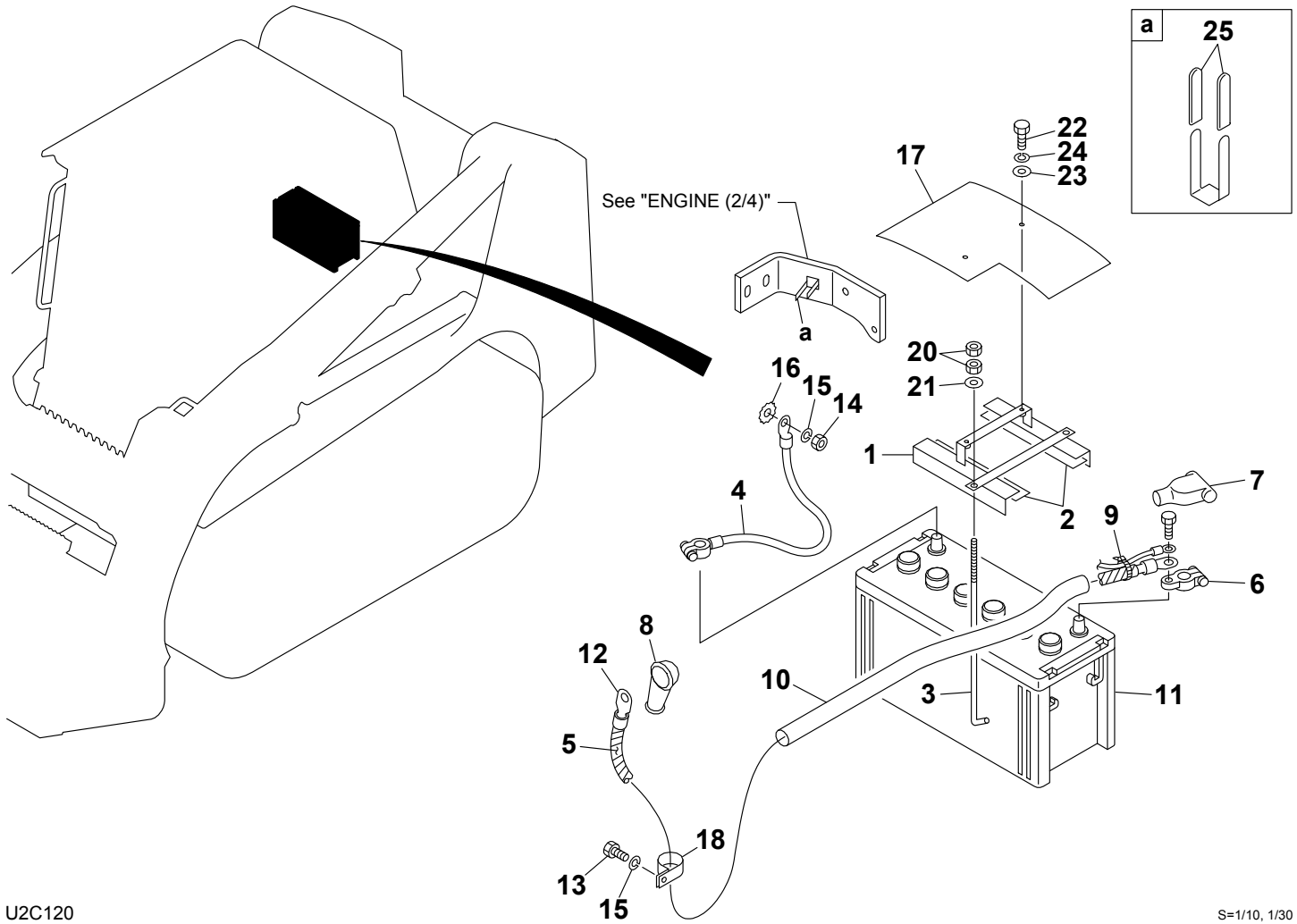
U1C190

S=1/8, 1/25

ELECTRICAL (multi-functional grip type)

Item	Part number	Description	Q'ty	Chan.	Serial No.	Serv.	Remarks
		SWITCH ASSY, grip	1				
1	0654202530	HARNES, wiring	1			M	
2	1711900062	RELAY	2				
3	1140020006	WASHER, spring	2				
4	1141110006	WASHER	2				
6	1140330010	WASHER	1				
7	1652231250	BAND	11				
8	1134830635	NUT	1			M	
9	1100040616	BOLT	1				
	U1c190						

TL240 (P-TL240BAB) BU2Z002-1 S/N 22400001-
BATTERY



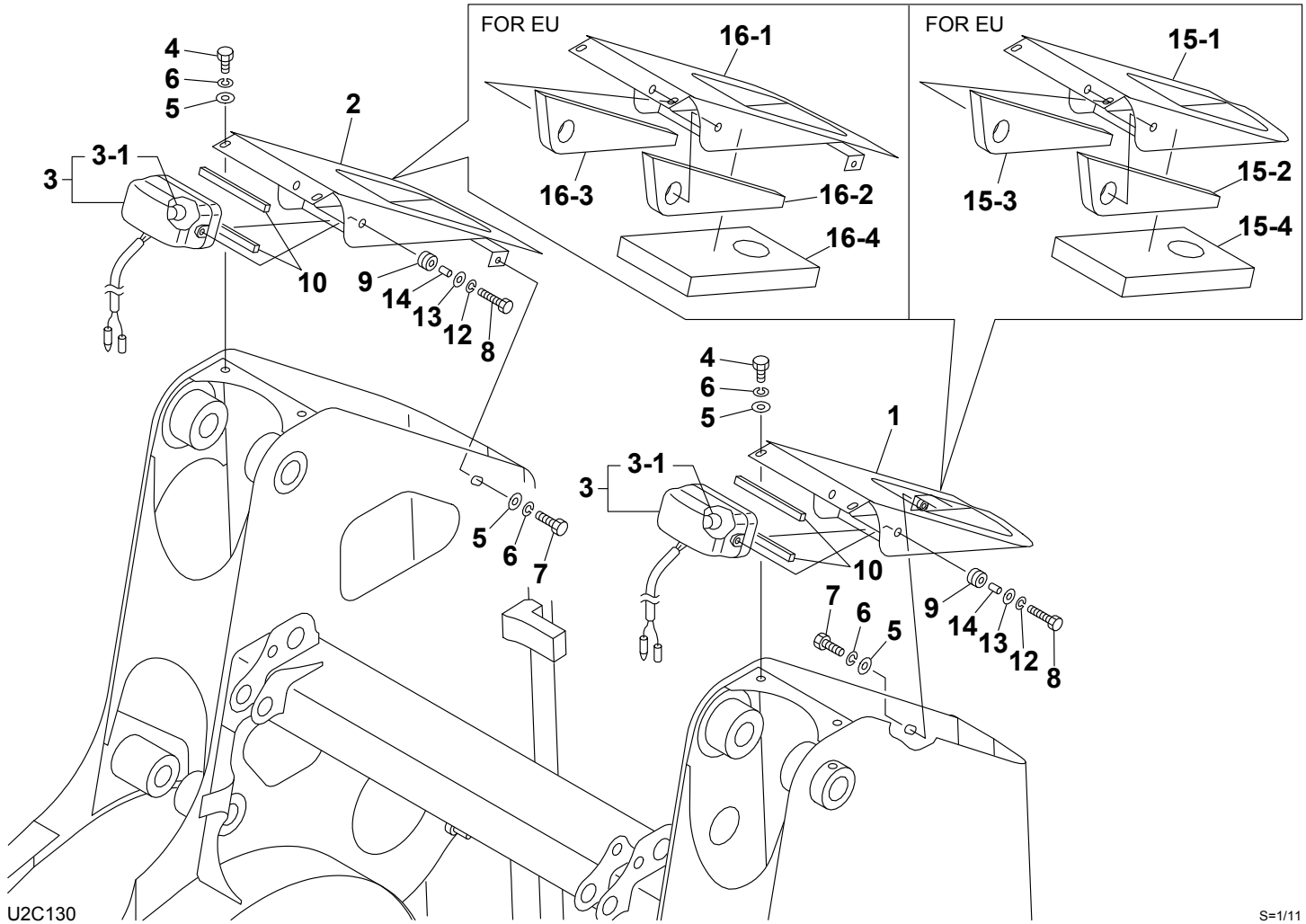
U2C120

S=1/10, 1/30

BATTERY

Item	Part number	Description	Q'ty	Chan.	Serial No.	Serv.	Remarks
		BATTERY ASSY					
1	0880442020	CLAMP	1				
2	0880442050	RUBBER	2				
3	1702108260	BOLT	2				
4	1702230020	CABLE, earth	1				
5	1703221327	PROTECTOR	1				sold by the meter
6	1702330000	TERMINAL	1				
7	1702920080	COVER	1				
8	1702901283	CAP	1				
9	1652231140	BAND	1				
10	1531325125	PROTECTOR	1				sold by the meter
11	1702053141	BATTERY	1			M	130E41R
12	1702530135	CABLE, battery	1				
13	1100041016	BOLT	1				
14	1130040010	NUT	1				
15	1140020010	WASHER, spring	2				
16	1140330010	WASHER	1				
17	0880442001	SHEET	1				
18	1711900072	CLAMP	1				
20	1130040008	NUT	4				
21	1141110008	WASHER	2				
22	1100040616	BOLT	2				
23	0003606202	WASHER	2				
24	1140020006	WASHER, spring	2				
25	0872433150	TUBE	6				
	U2c121						

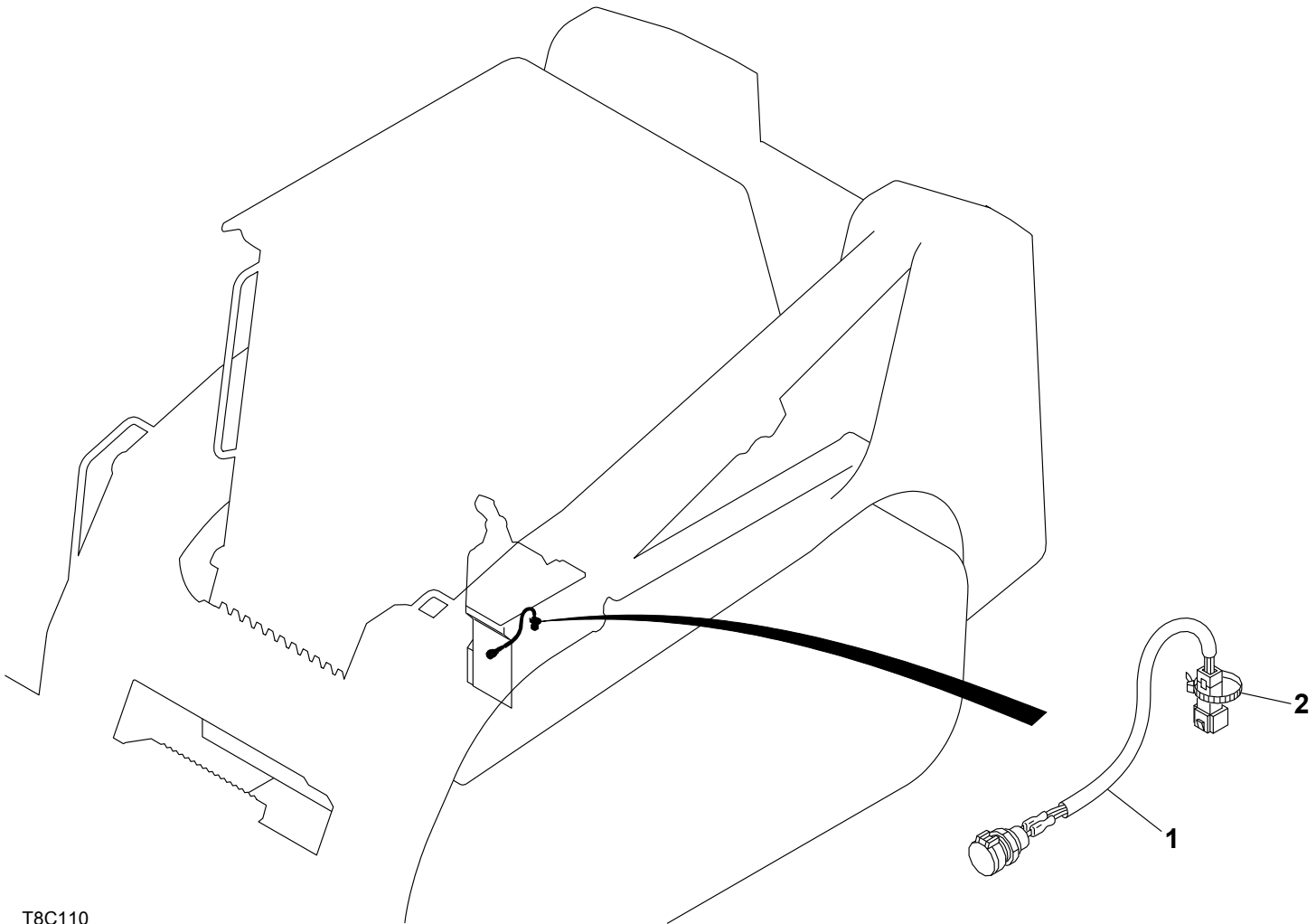
TL240 (P-TL240BAB) BU2Z002-1 S/N 224000001-
REAR LAMP



REAR LAMP

Item	Part number	Description	Q'ty	Chan.	Serial No.	Serv.	Remarks
		LIGHT ASSY, rear					
		LIGHT ASSY, rear (for EU)					
1	0882490300	COVER (L.H.)	1				
2	0882490400	COVER (R.H.)	1				
3	1703006900	LAMP ASSY	2				
3-1	1703006902	· BULB	1				12V, 55W
4	1100040816	BOLT	4				
5	0003608252	WASHER	6				
6	1140020008	WASHER, spring	6				
7	1100040825	BOLT	2				
8	1100040625	BOLT	4				
9	1651057052	GROMMET	4				
10	0882490001	SPONGE	4				
12	1140020006	WASHER, spring	4				
13	0003600110	WASHER	4				
14	0882490002	COLLAR	4				
15	0882491100	COVER (L.H.) ASSY (for EU)	1				
15-1	0882490300	· COVER (L.H.)	1				for EU
15-2	0882491050	· ABSORBENT, noise	1				for EU
15-3	0882491060	· ABSORBENT, noise	1				for EU
15-4	0882491070	· ABSORBENT, noise	1				for EU
16	0882491200	COVER (R.H.) ASSY (for EU)	1				
16-1	0882490400	· COVER (R.H.)	1				for EU
16-2	0882491050	· ABSORBENT, noise	1				for EU
16-3	0882491060	· ABSORBENT, noise	1				for EU
16-4	0882491070	· ABSORBENT, noise	1				for EU
	U2c130						

TL240 (P-TL240BAB) BU2Z002-1 S/N 22400001-
MAINTENANCE LIGHT SOCKET



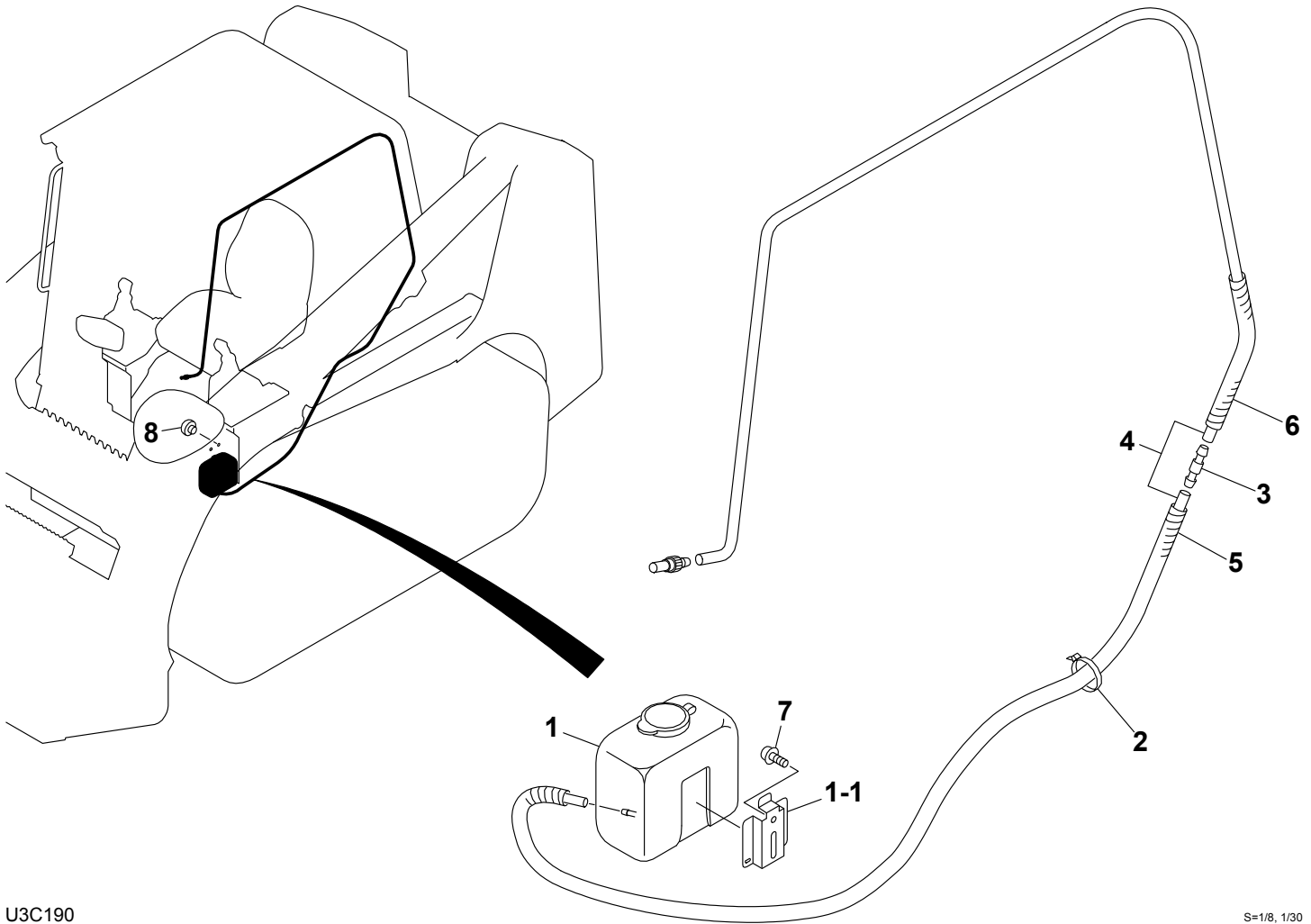
T8C110

S=1/20

MAINTENANCE LIGHT SOCKET

Item	Part number	Description	Q'ty	Chan.	Serial No.	Serv.	Remarks
		SOCKET ASSY, maintenance light					
1	0394203100	SOCKET ASSY	1				
2	1652231250	BAND	1				
	T8c110						

TL240 (P-TL240BAB) BU2Z002-1 S/N 22400001-
WINDOW WASHER



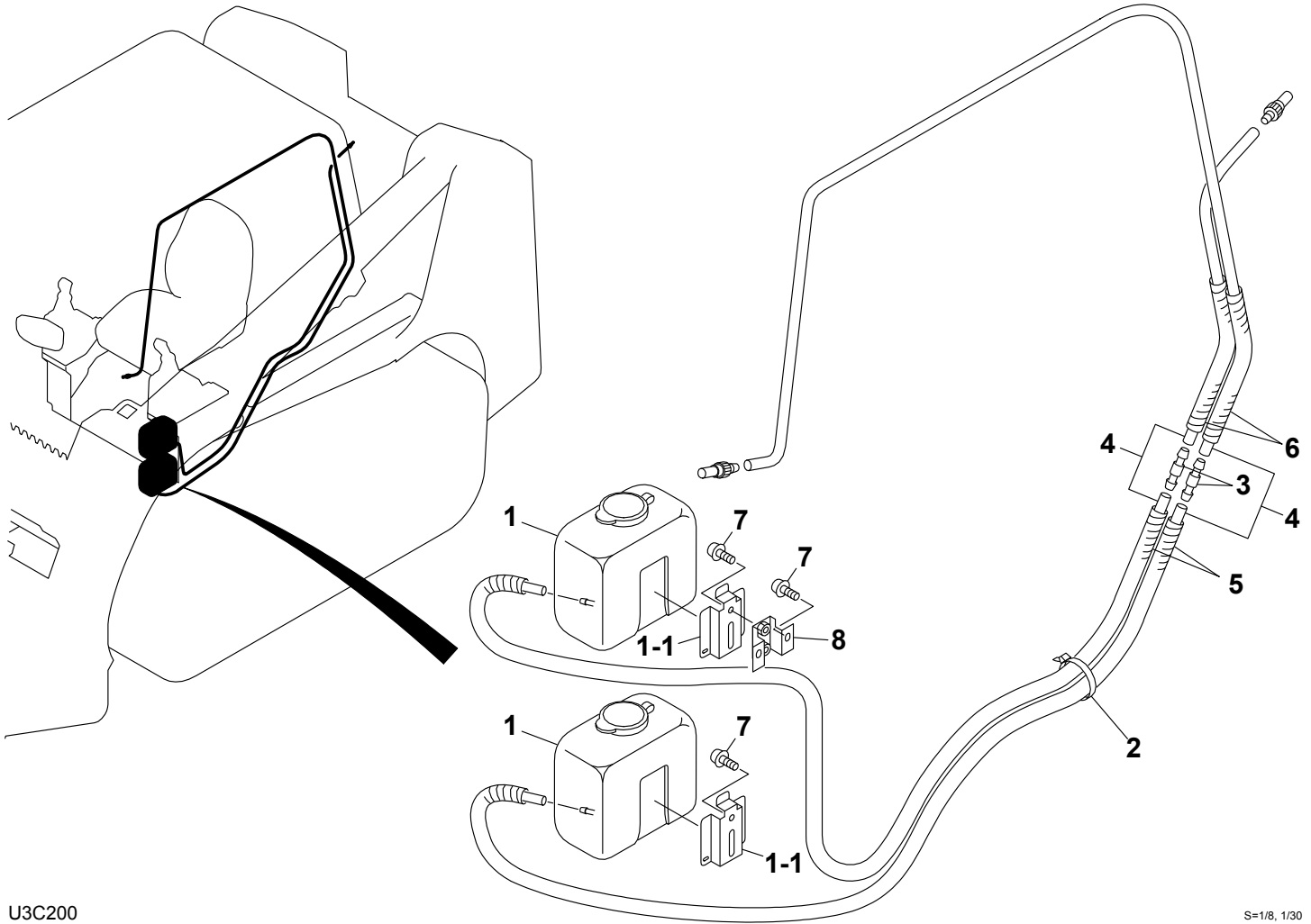
U3C190

S=1/8, 1/30

WINDOW WASHER

Item	Part number	Description	Q'ty	Chan.	Serial No.	Serv.	Remarks
		WASHER ASSY, window					
1	1711910290	TANK	1				
1-1	1711910291	· BRACKET	1				
2	1652231140	BAND	1				
3	1711910014	JOINT	1				
4	1711919150	HOSE	1				sold by the meter
5	1703220750	PROTECTOR	1				sold by the meter
6	1703210725	PROTECTOR	1				sold by the meter
7	1150410612	SCREW	2				
8	1652533015	CAP	2				
	U2c140						

TL240 (P-TL240BAB) BU2Z002-1 S/N 22400001-
WINDOW WASHER (for EU)

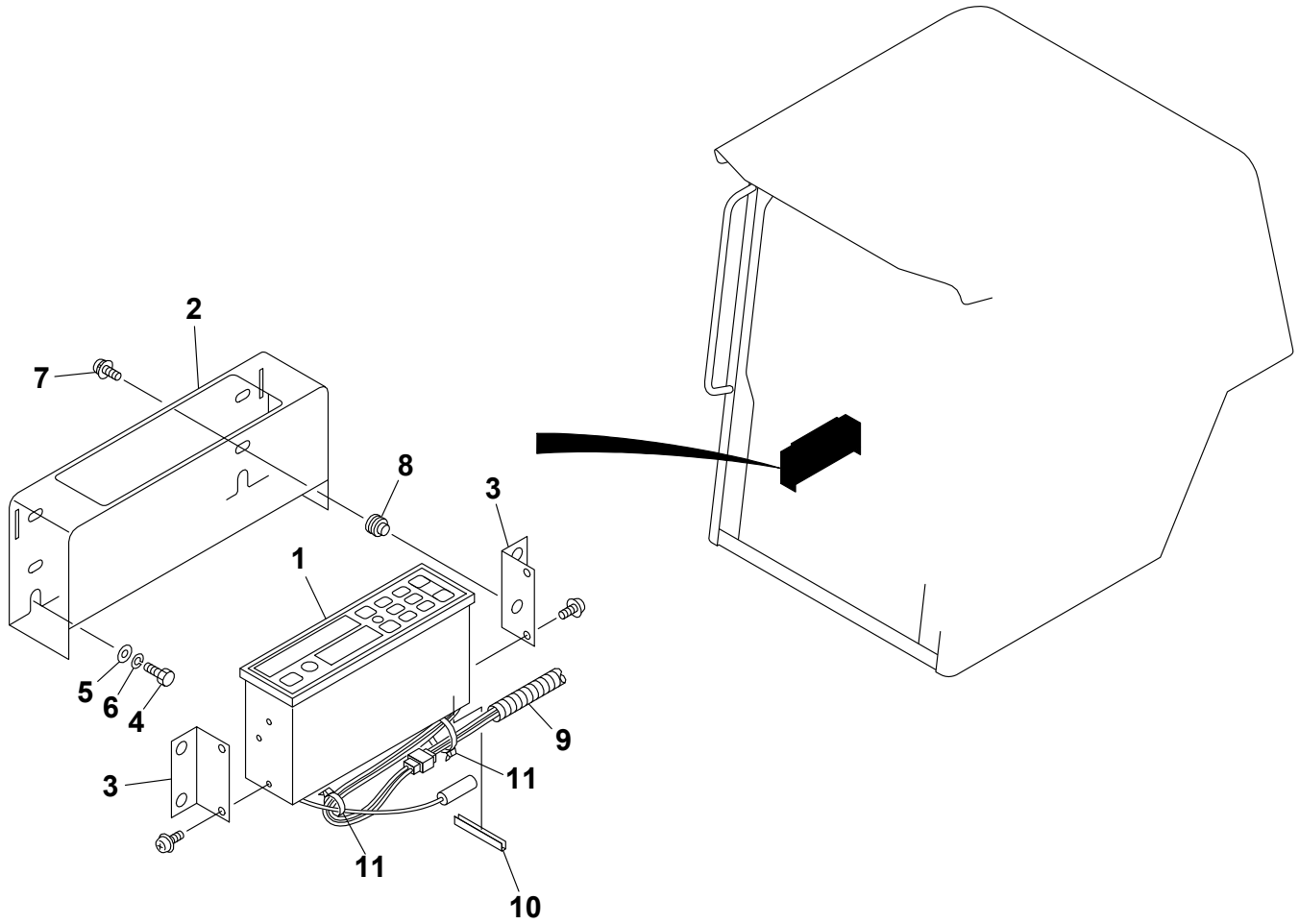


U3C200

S=1/8, 1/30

WINDOW WASHER (for EU)						
Item	Part number	Description	Q'ty	Chan.	Serial No.	Serv. Remarks
		WASHER ASSY, window				
1	1711910290	TANK	2			
1-1	1711910291	· BRACKET	2			
2	1652231140	BAND	1			
3	1711910014	JOINT	2			
4	1711919150	HOSE	2			sold by the meter
5	1703220750	PROTECTOR	2			sold by the meter
6	1703210725	PROTECTOR	2			sold by the meter
7	1150410612	SCREW	6			
8	0668900180	BRACKET	1			
	U2c150					

TL240 (P-TL240BAB) BU2Z002-1 S/N 22400001-
RADIO

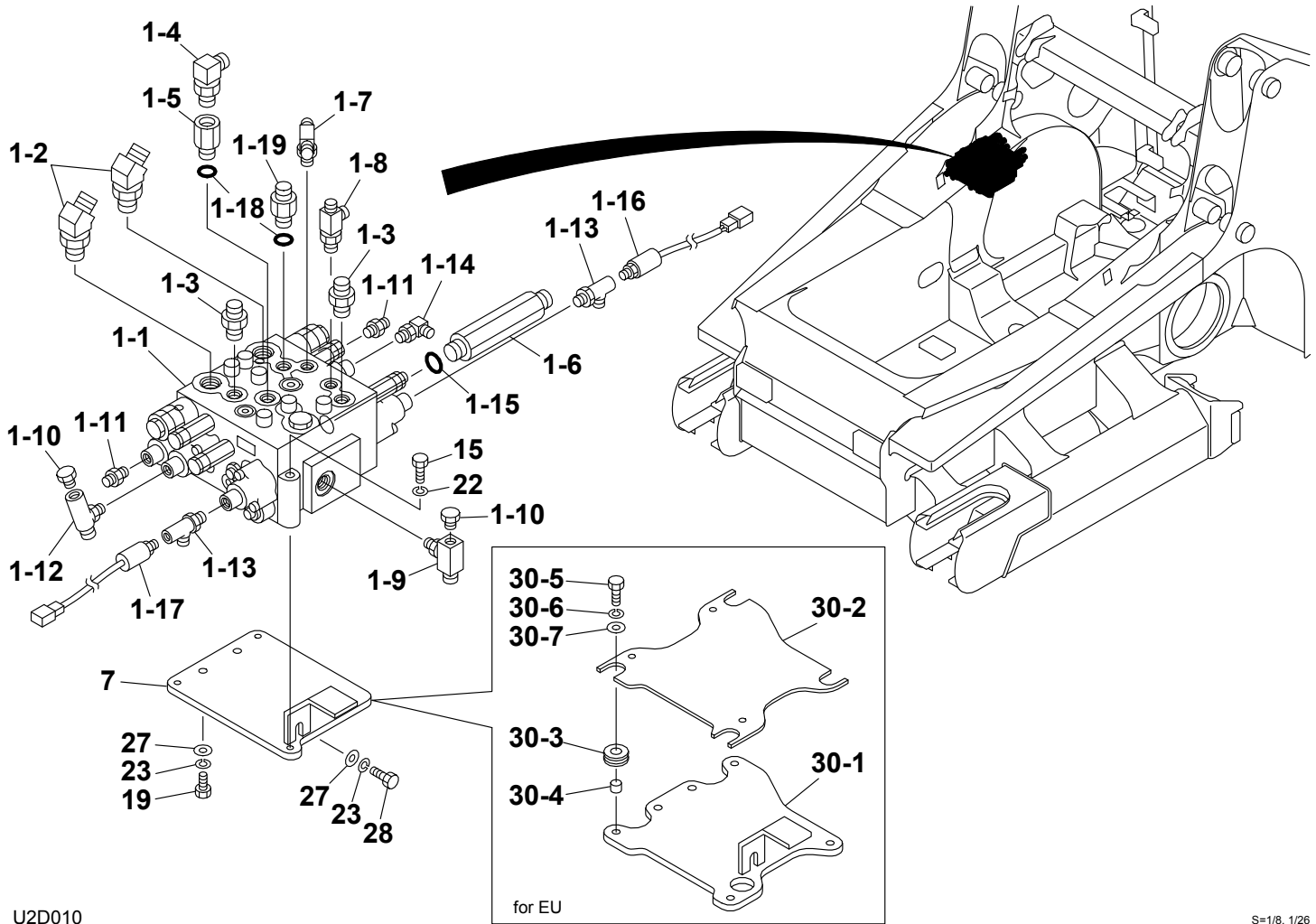


U3C210

S=1/5, 1/20

RADIO							
Item	Part number	Description	Q'ty	Chan.	Serial No.	Serv.	Remarks
		RADIO ASSY (for Europe, Asia, Oceania)					
		RADIO ASSY (for America)					
		RADIO ASSY (for Japan)					
1	1705004660	RADIO (for Europe, Asia, Oceania)	1				
	1705004670	RADIO (for America)	1				
	1705004680	RADIO (for Japan)	1				
2	0694700025	CASE	1				
3	0694700030	BRACKET	2				
4	1100040816	BOLT	2				
5	1141110008	WASHER	2				
6	1140020008	WASHER, spring	2				
7	1150410520	SCREW	4				
8	1652520005	RUBBER, cushion	4				
9	1703252240	PROTECTOR	1				
10	1653916005	TRIM	1				sold by the meter
11	1652201003	BAND	2				
	U3c210						

TL240 (P-TL240BAB) BU2Z002-1 S/N 22400001-
VALVE & ACCESSORIES (1/2)



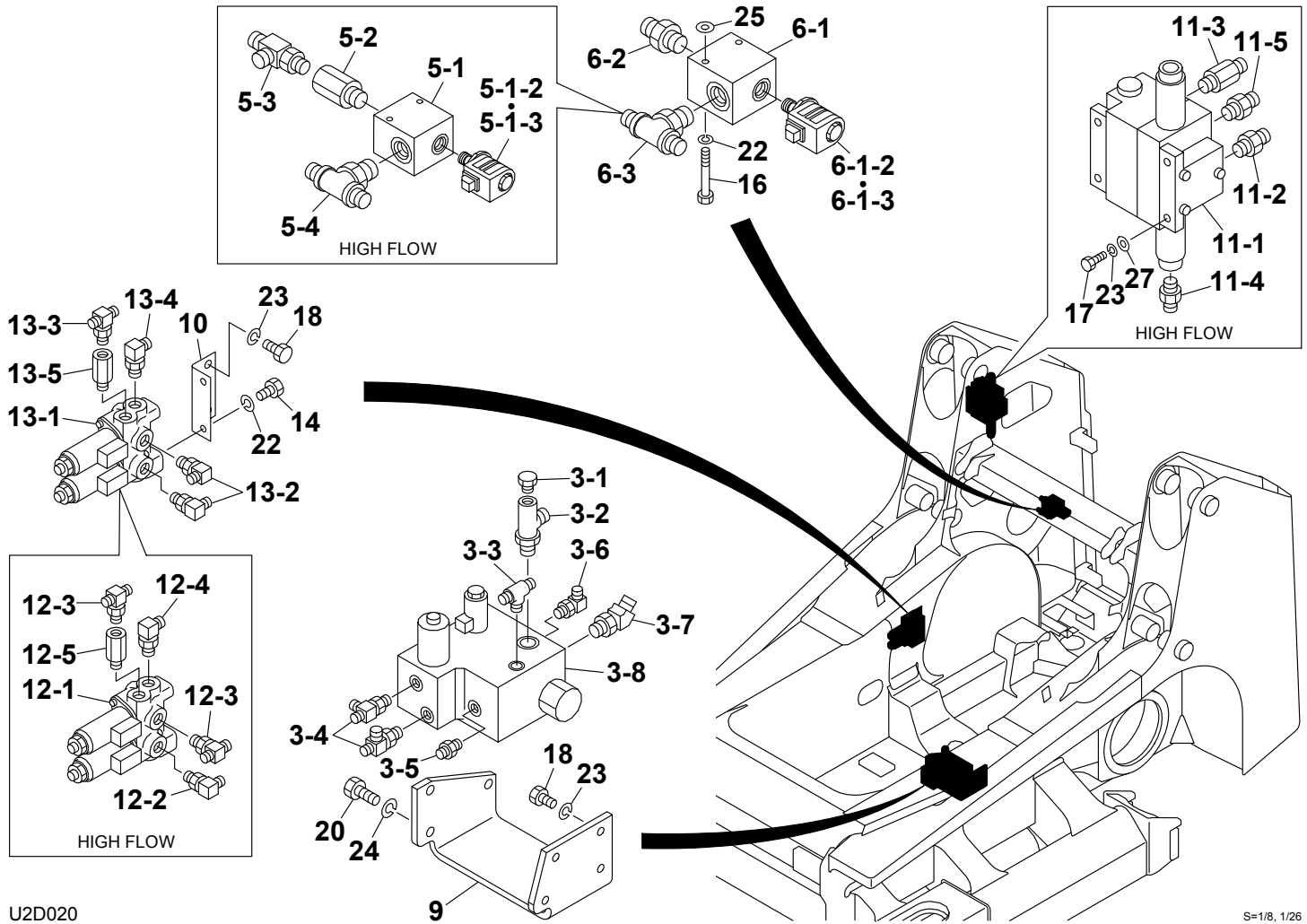
U2D010

S=1/8, 1/26

VALVE & ACCESSORIES (1/2)

Item	Part number	Description	Q'ty	Chan.	Serial No.	Serv.	Remarks
		VALVE ASSY, control					
		VALVE ASSY, control (high flow)					
		VALVE ASSY, control (for EU)					
		VALVE ASSY, control (for EU, high flow)					
1	0685001010	VALVE ASSY, control	1				
1-1	1901047000	· VALVE, control	1				
1-2	1515100048	· ELBOW	2				
	1420010240	· · O-RING	1				
1-3	1515600202	· ADAPTOR	2				
	1420010180	· · O-RING	1				
1-4	1515010042	· ELBOW	1				
	1420010180	· · O-RING	1				
1-5	0007213010	· BUSHING	1				
1-6	0007203082	· ADAPTOR	1				
1-7	1512370002	· TEE (with filter)	1				
	1420010110	· · O-RING	1				
1-8	1512370011	· TEE	1				
	1420010110	· · O-RING	1				
1-9	1513390014	· TEE	1				
	1420010180	· · O-RING	1				
1-10	1501750002	· PLUG	2				
	1420010110	· · O-RING	1				
1-11	1515600200	· ADAPTOR	2				
	1420010110	· · O-RING	1				
1-12	1513390029	· TEE	1				
	1420010110	· · O-RING	1				
1-13	1512340001	· ELBOW	2				
	1420010110	· · O-RING	1				
1-14	1515010040	· ELBOW	1				
	1420010110	· · O-RING	1				
1-15	1420010240	· O-RING	1				
1-16	1700100041	· SWITCH, pressure	1				
	1420010110	· · O-RING	1				
1-17	1700100060	· SWITCH, pressure	1				
	1420010110	· · O-RING	1				
1-18	1420010180	· O-RING	2				
1-19	0007203085	· ADAPTOR	1				
7	0685001070	BRACKET	1				except for EU
15	1100040880	BOLT	3				
19	1100041035	BOLT	2				
22	1140020008	WASHER, spring	3				
23	1140020010	WASHER, spring	3				
27	0003600020	WASHER	3				
28	1100041025	BOLT	1				
30	0685001300	BRACKET ASSY (for EU)	1				
30-1	0685001310	· BRACKET	1				for EU
30-2	0665001320	· PLATE	1				for EU
30-3	0882502130	· CUSHION	4				for EU
30-4	0882502140	· PIPE	4				for EU
30-5	1100040825	· BOLT	4				for EU
30-6	1140020008	· WASHER, spring	4				for EU
30-7	0003609003	· WASHER	4				for EU
	U2d010						

TL240 (P-TL240BAB) BU2Z002-1 S/N 224000001-
 VALVE & ACCESSORIES (2/2)



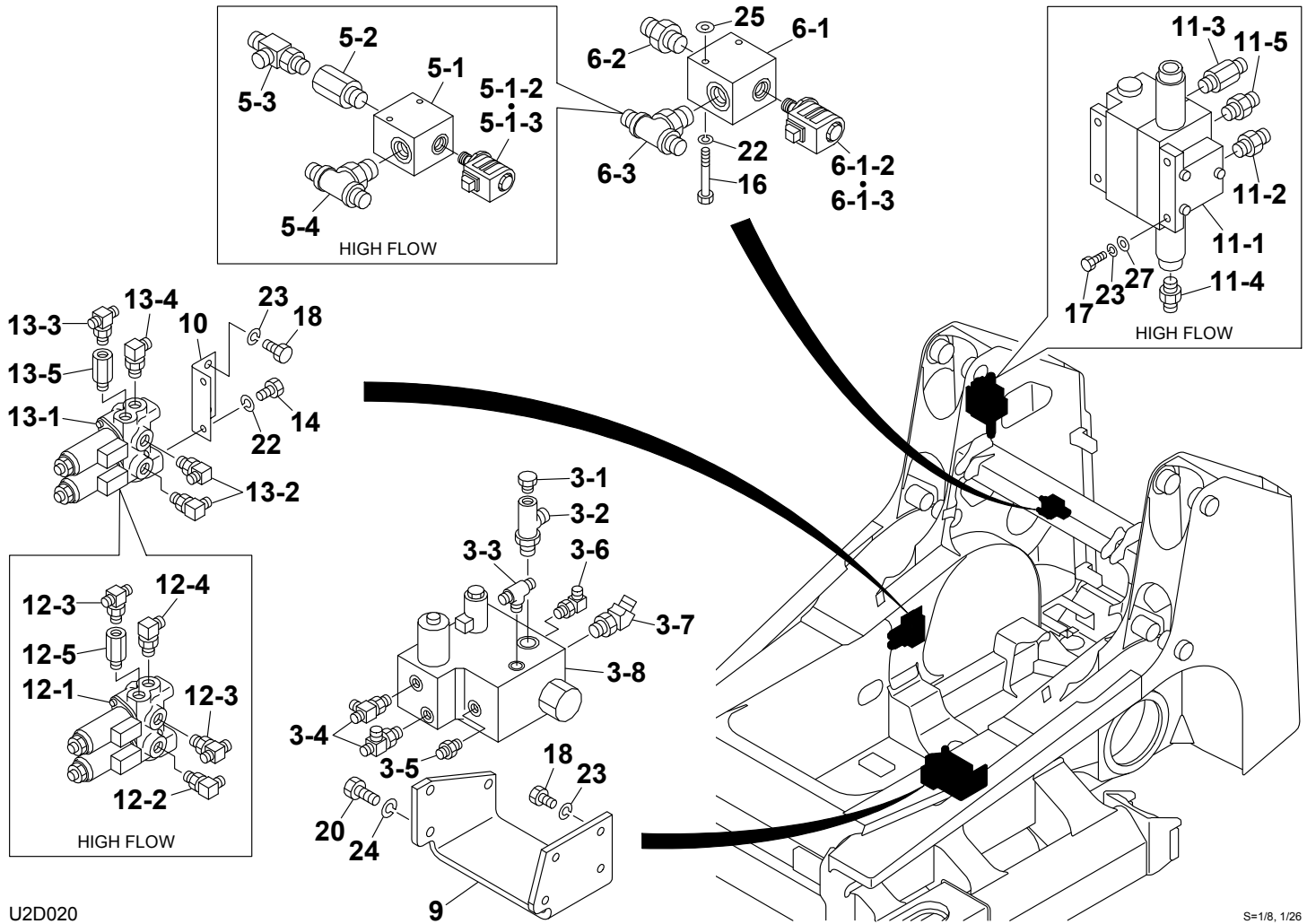
U2D020

S=1/8, 1/26

VALVE & ACCESSORIES (2/2)

Item	Part number	Description	Q'ty	Chan.	Serial No.	Serv.	Remarks
		VALVE ASSY, control					
		VALVE ASSY, control (high flow)					
		VALVE ASSY, control (for EU)					
		VALVE ASSY, control (for EU, high flow)					
3	X *****	VALVE SUB ASSY	1				
3-1	1501750002	· PLUG	1				
	1420010110	· · O-RING	1				
3-2	1512340004	· TEE	1				
	1420010180	· · O-RING	1				
3-3	1512370010	· TEE	1				
	1420010110	· · O-RING	1				
3-4	1512370011	· TEE	2				
	1420010110	· · O-RING	1				
3-5	1515600200	· ADAPTOR	1				
	1420010110	· · O-RING	1				
3-6	1515010040	· ELBOW	1				
	1420010110	· · O-RING	1				
3-7	1515100112	· ELBOW	1				
	1420010180	· · O-RING	1				
3-8	1901748100	· VALVE, sub	1				
5	X *****	VALVE ASSY, solenoid (high flow)	1				
5-1	1901753600	· VALVE, solenoid	1				high flow
5-1-2	1901753602	· · SOLENOID	1				high flow
5-1-3	1901753603	· · COIL	1				high flow
5-2	0007213050	· BUSHING	1				high flow
5-3	0695000063	· TEE	1				high flow
5-4	1512374012	· TEE	1				high flow
	1420010240	· · O-RING	1				
6	X *****	VALVE ASSY, solenoid	1				
6-1	1901753600	· VALVE, solenoid	1				
6-1-2	1901753602	· · SOLENOID	1				
6-1-3	1901753603	· · COIL	1				
6-2	1515600574	· ADAPTOR	1				
	1420010240	· · O-RING	1				
6-3	1512374011	· TEE	1				
	1420010240	· · O-RING	1				
9	0665001090	BRACKET	1				
10	0882500100	BRACKET	1				
11	X *****	VALVE SUB ASSY (high flow)	1				
11-1	1901039500	· VALVE, control	1				high flow
11-2	0007203007	· ADAPTOR	1				high flow
	1420310908	· · O-RING	1				high flow
11-3	0007203058	· ADAPTOR	1				high flow
	1420010180	· · O-RING	1				high flow
11-4	1515600200	· ADAPTOR	1				high flow
	1420010110	· · O-RING	1				high flow
11-5	1515600202	· ADAPTOR	1				high flow
	1420010180	· · O-RING	1				high flow
12	X *****	VALVE SUB ASSY (high flow)	1				
12-1	1901752100	· VALVE, proportional control	1				high flow
12-2	1515012040	· ELBOW	1				high flow
	1420010110	· · O-RING	1				high flow
12-3	1512370010	· TEE	2				high flow
	1420010110	· · O-RING	1				high flow
12-4	1512375004	· ELBOW (with filter)	1				high flow
	1420010110	· · O-RING	1				high flow
12-5	0007213028	· BUSHING	1				high flow
	1420010110	· · O-RING	1				high flow
13	X *****	VALVE SUB ASSY	1				
13-1	1901752100	· VALVE, proportional control	1				
13-2	1515012040	· ELBOW	2				
	1420010110	· · O-RING	1				
13-3	1512370010	· TEE	1				
	1420010110	· · O-RING	1				
13-4	1512375004	· ELBOW (with filter)	1				

TL240 (P-TL240BAB) BU2Z002-1 S/N 224000001-
VALVE & ACCESSORIES (2/2)



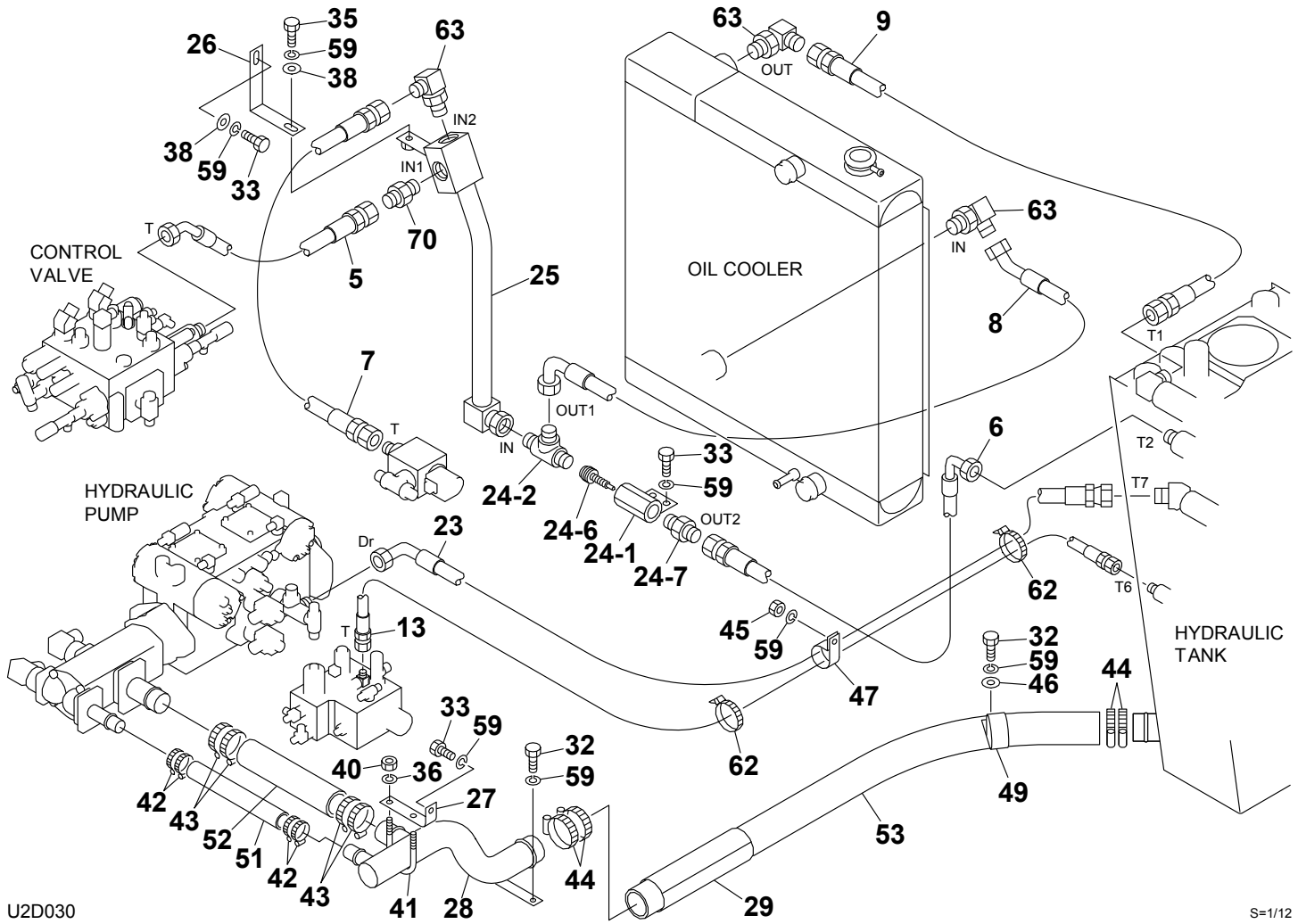
U2D020

S=1/8, 1/26

VALVE & ACCESSORIES (2/2)

Item	Part number	Description	Q'ty	Chan.	Serial No.	Serv.	Remarks
13-4	1420010110	· · O-RING	1				
13-5	0007213028	· BUSHING	1				
	1420010110	· · O-RING	1				
14	1100040816	BOLT	2				
16	1100040870	BOLT	2				
17	1101041025	BOLT	3				high flow
18	1100041020	BOLT	6				
20	1100041225	BOLT	3				
22	1140020008	WASHER, spring	4				
23	1140020010	WASHER, spring	6				
	1140020010	WASHER, spring	9				high flow
24	1140020012	WASHER, spring	3				
25	1141110008	WASHER	2				
27	0003600020	WASHER	3				high flow
	U2d020						

TL240 (P-TL240BAB) BU2Z002-1 S/N 22400001-
PIPING (1/2)

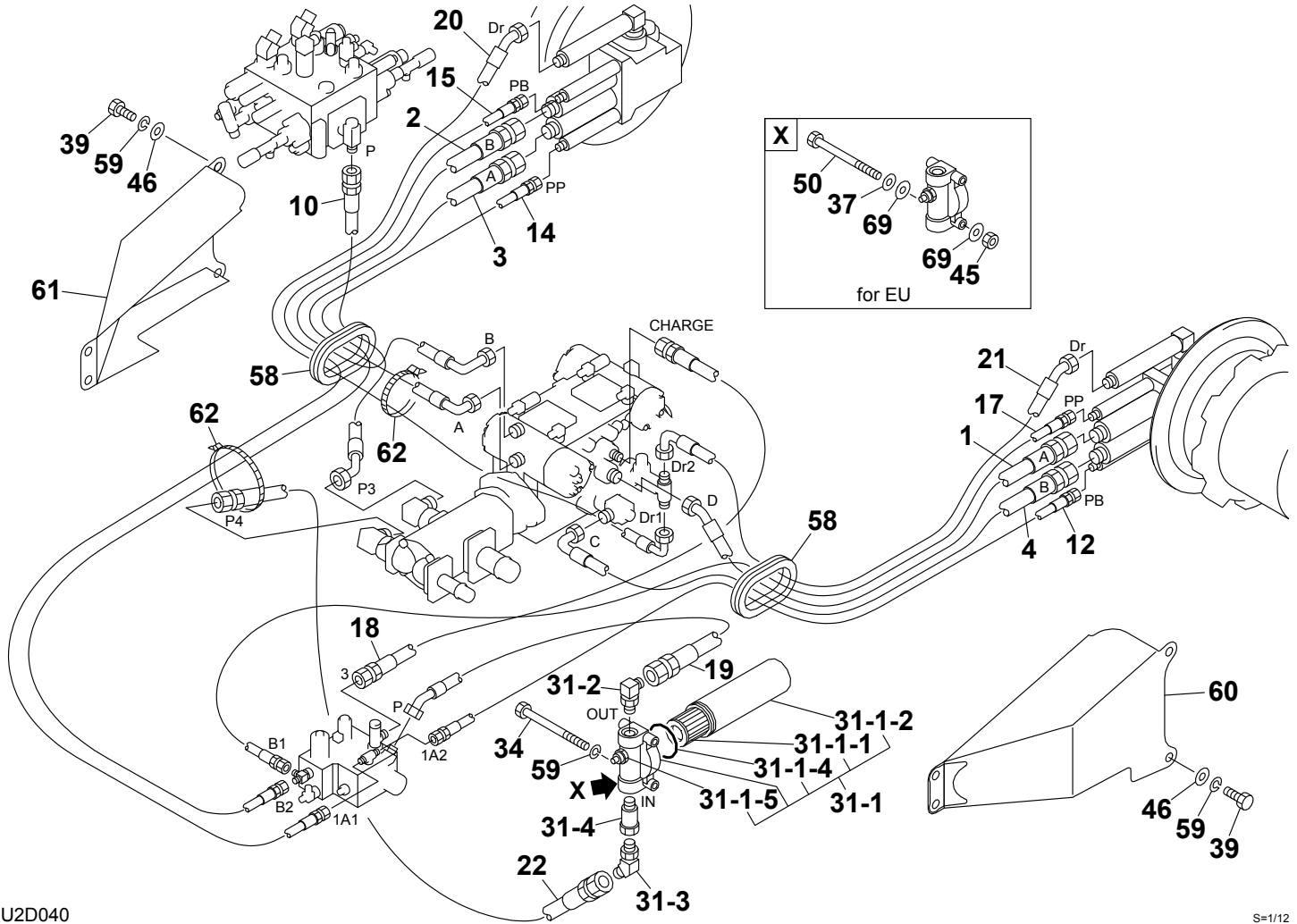


U2D030

S=1/12

PIPING (1/2)						
Item	Part number	Description	Q'ty	Chan.	Serial No.	Serv. Remarks
		PIPING ASSY, upper				
		PIPING ASSY, upper (for EU)				
5	0687001050	HOSE ASSY	1			
6	0687001060	HOSE ASSY	1			18010-56102
7	0687001070	HOSE ASSY	1			
8	0687000080	HOSE ASSY	1			
9	0687000090	HOSE ASSY	1			
13	0882700130	HOSE ASSY	1			18010-22150
23	0687001230	HOSE ASSY	1			18010-56119
24	X *****	MANIFOLD ASSY	1			
24-1	0667001241	· JOINT	1			
24-2	0882700242	· TEE	1			
24-6	1540140820	· VALVE, check	1			
24-7	1515600203	· ADAPTOR	1			
	1420010240	· · O-RING	1			
25	0687000250	PIPE	1			
26	0687001260	BRACKET	1			
27	0882700270	PLATE	1			
28	0687000280	PIPE	1			
29	0881701670	PROTECTOR	1			
32	1100041016	BOLT	2			
33	1100041020	BOLT	4			
35	1100041030	BOLT	1			
36	1140020008	WASHER, spring	2			
38	0003600025	WASHER	2			
40	1130020008	NUT	2			
41	1533201014	U-BOLT	1			
42	1533700041	BAND	4			
43	1533700054	BAND	4			
44	1533700070	BAND	4			
45	1130040010	NUT	1			
46	0003600020	WASHER	1			
47	0007300030	CLAMP	1			
49	0007300061	CLAMP	1			
51	0881701510	HOSE	1			
52	0881701520	HOSE	1			
53	0882700530	HOSE	1			
59	1140020010	WASHER, spring	8			
62	1652241300	BAND	2			
63	1515010044	ELBOW	3			
	1420010290	· O-RING	1			
70	1515600204	ADAPTOR	1			
	1420010290	· O-RING	1			
	U2d030					

TL240 (P-TL240BAB) BU2Z002-1 S/N 22400001-
PIPING (2/2)



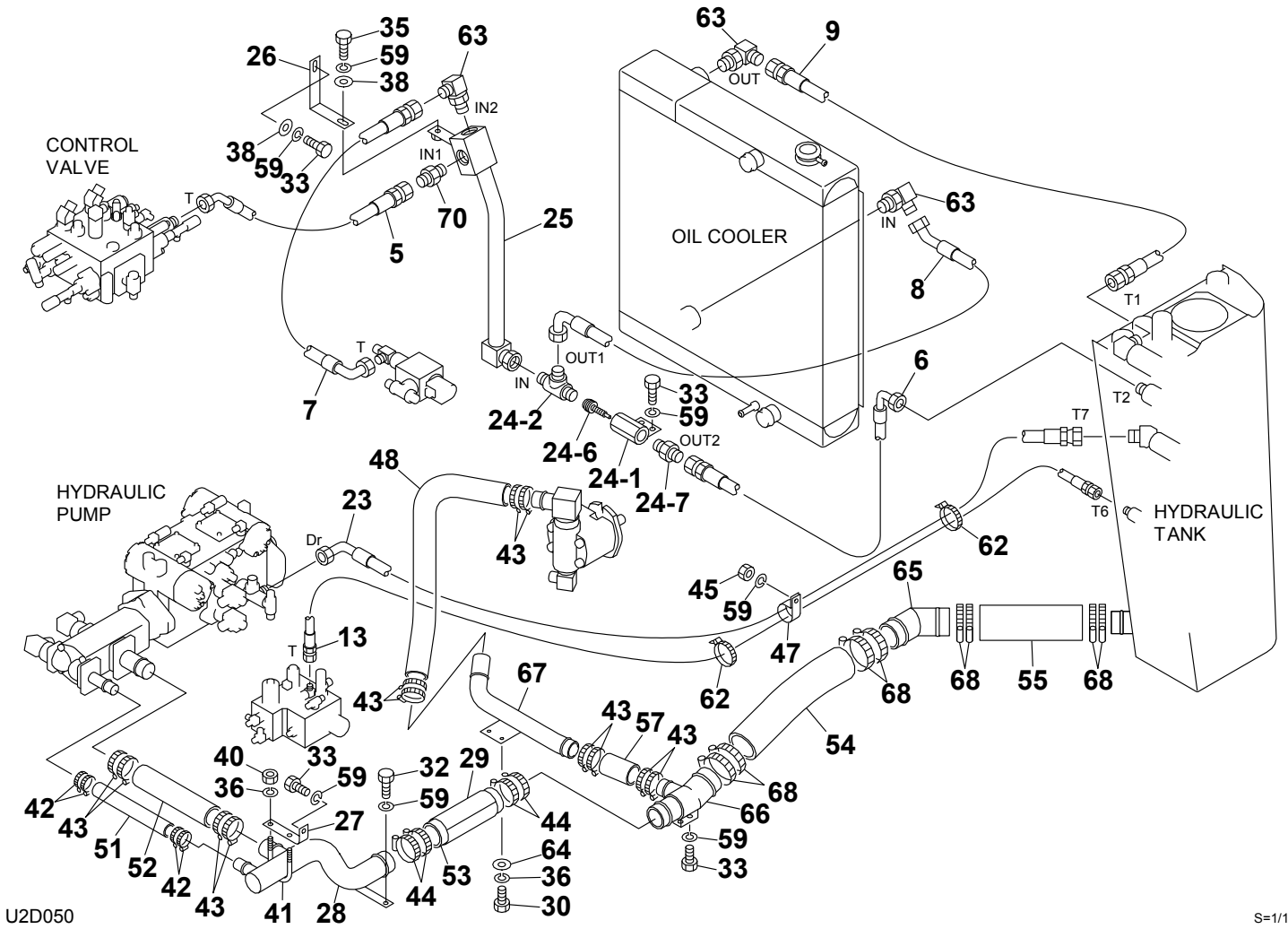
U2D040

S=1/12

PIPING (2/2)						
Item	Part number	Description	Q'ty	Chan.	Serial No.	Serv. Remarks
		PIPING ASSY, upper				
		PIPING ASSY, upper (for EU)				
1	0687000010	HOSE ASSY	1			
2	0687000020	HOSE ASSY	1			
3	0687000030	HOSE ASSY	1			
4	0687000040	HOSE ASSY	1			
10	0687001100	HOSE ASSY	1			18015-77072
12	0882700120	HOSE ASSY	1			18010-22070
14	0882700140	HOSE ASSY	1			18010-22148
15	0687001150	HOSE ASSY	1			18010-22163
17	0882700170	HOSE ASSY	1			18010-22094
18	0687001180	HOSE ASSY	1			18010-24035
19	0687001190	HOSE ASSY	1			18010-91046
20	0687001200	HOSE ASSY	1			
21	0687001210	HOSE ASSY	1			
22	0687000220	HOSE ASSY	1			18010-27074
31	X *****	FILTER ASSY	1			
31-1	1551102500	· FILTER	1			
31-1-1	1551101001	· · ELEMENT	1			
31-1-2	1551101003	· · CASE	1			
31-1-4	1420100600	· · O-RING	1			
31-1-5	1551102505	· · SWITCH, pressure	1			
31-2	1515010042	· ELBOW	1			
	1420010180	· · O-RING	1			
31-3	1515100112	· ELBOW	1			
	1420010180	· · O-RING	1			
31-4	0007213055	· BUSHING	1			
34	1100041095	BOLT	2			except for EU
37	1141110010	WASHER	2			for EU
39	1100041025	BOLT	8			
45	1130040010	NUT	2			for EU
46	0003600020	WASHER	8			
50	1100141005	BOLT	2			for EU
58	0697001580	GROMMET	2			
59	1140020010	WASHER, spring	10			
	1140020010	WASHER, spring	8			for EU
60	0687001600	COVER (L.H.)	1			
61	0687001610	COVER (R.H.)	1			
62	1652241300	BAND	2			
69	0882702480	RUBBER	4			for EU

U2d040

TL240 (P-TL240BAB) BU2Z002-1 S/N 22400001-
PIPING (1/2) (high flow)



U2D050

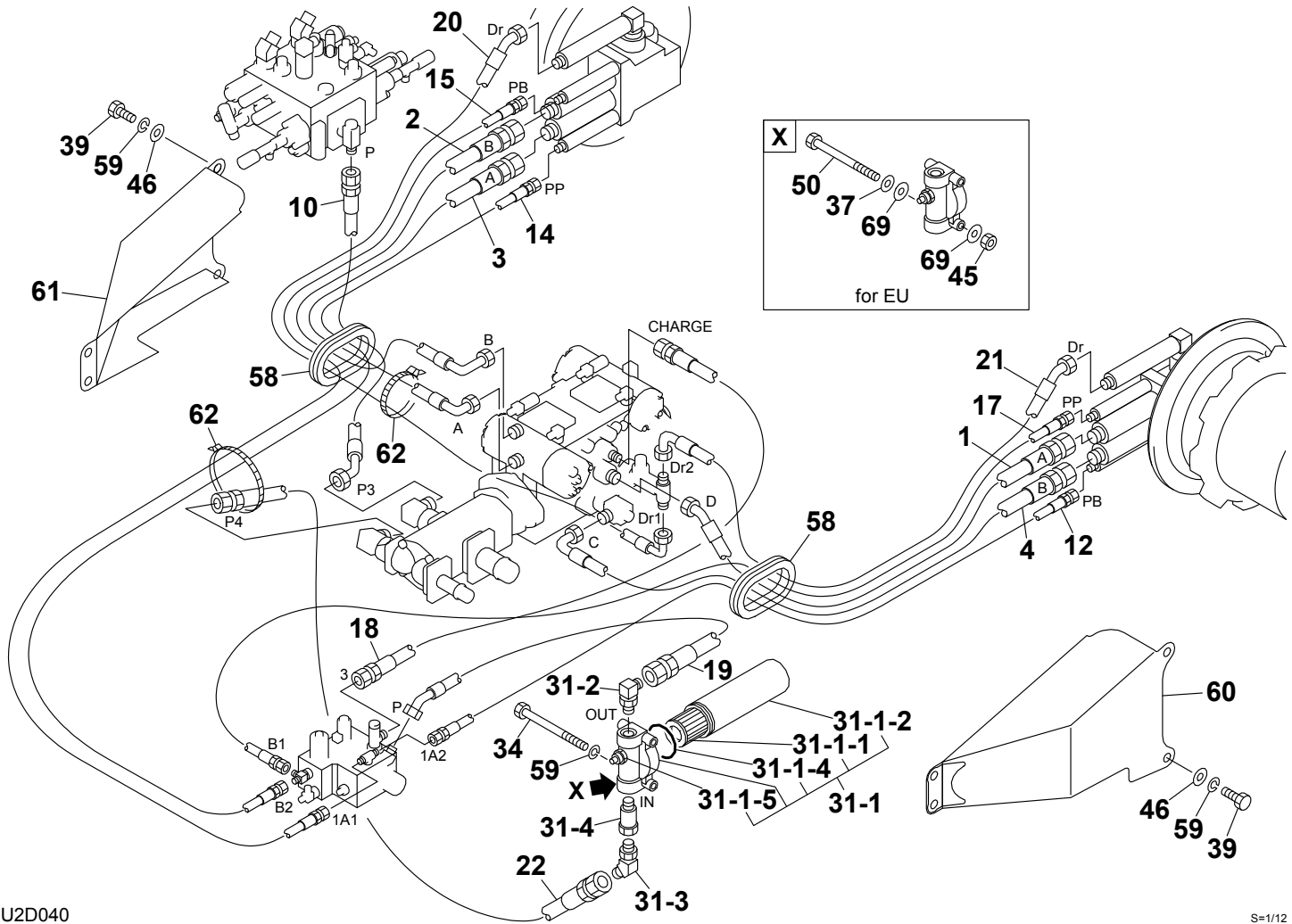
S=1/15

PIPING (1/2) (high flow)

Item	Part number	Description	Q'ty	Chan.	Serial No.	Serv.	Remarks
		PIPING ASSY, upper					
		PIPING ASSY, upper (for EU)					
5	0687001050	HOSE ASSY	1				
6	0687001060	HOSE ASSY	1				18010-56102
7	0687003070	HOSE ASSY	1				
8	0687000080	HOSE ASSY	1				
9	0687000090	HOSE ASSY	1				
13	0882700130	HOSE ASSY	1				18010-22150
23	0687001230	HOSE ASSY	1				18010-56119
24	X *****	MANIFOLD ASSY	1				
24-1	0667001241	· JOINT	1				
24-2	0882700242	· TEE	1				
24-6	1540140820	· VALVE, check	1				
24-7	1515600203	· ADAPTOR	1				
	1420010240	· · O-RING	1				
25	0687000250	PIPE	1				
26	0687001260	BRACKET	1				
27	0882700270	PLATE	1				
28	0687000280	PIPE	1				
29	0881701670	PROTECTOR	1				
30	1100040816	BOLT	2				
32	1100041016	BOLT	1				
33	1100041020	BOLT	6				
35	1100041030	BOLT	1				
36	1140020008	WASHER, spring	4				
38	0003600025	WASHER	2				
40	1130020008	NUT	2				
41	1533201014	U-BOLT	1				
42	1533700041	BAND	4				
43	1533700054	BAND	12				
44	1533700070	BAND	4				
45	1130040010	NUT	1				
47	0007300030	CLAMP	1				
48	0687000480	HOSE	1				
51	0881701510	HOSE	1				
52	0881701520	HOSE	1				
53	0882731090	HOSE	1				
54	0882700890	HOSE	1				
55	0881734170	HOSE	1				
57	1530538012	HOSE	1				sold by the meter
59	1140020010	WASHER, spring	9				
62	1652241300	BAND	2				
63	1515010044	ELBOW	3				
	1420010290	· O-RING	1				
64	0003608003	WASHER	2				
65	0667000410	PIPE	1				
66	0687003660	PIPE	1				
67	0687000670	PIPE	1				
68	1533700090	BAND	8				
70	1515600204	ADAPTOR	1				
	1420010290	· O-RING	1				

U2d050

TL240 (P-TL240BAB) BU2Z002-1 S/N 22400001-
PIPING (2/2) (high flow)



U2D040

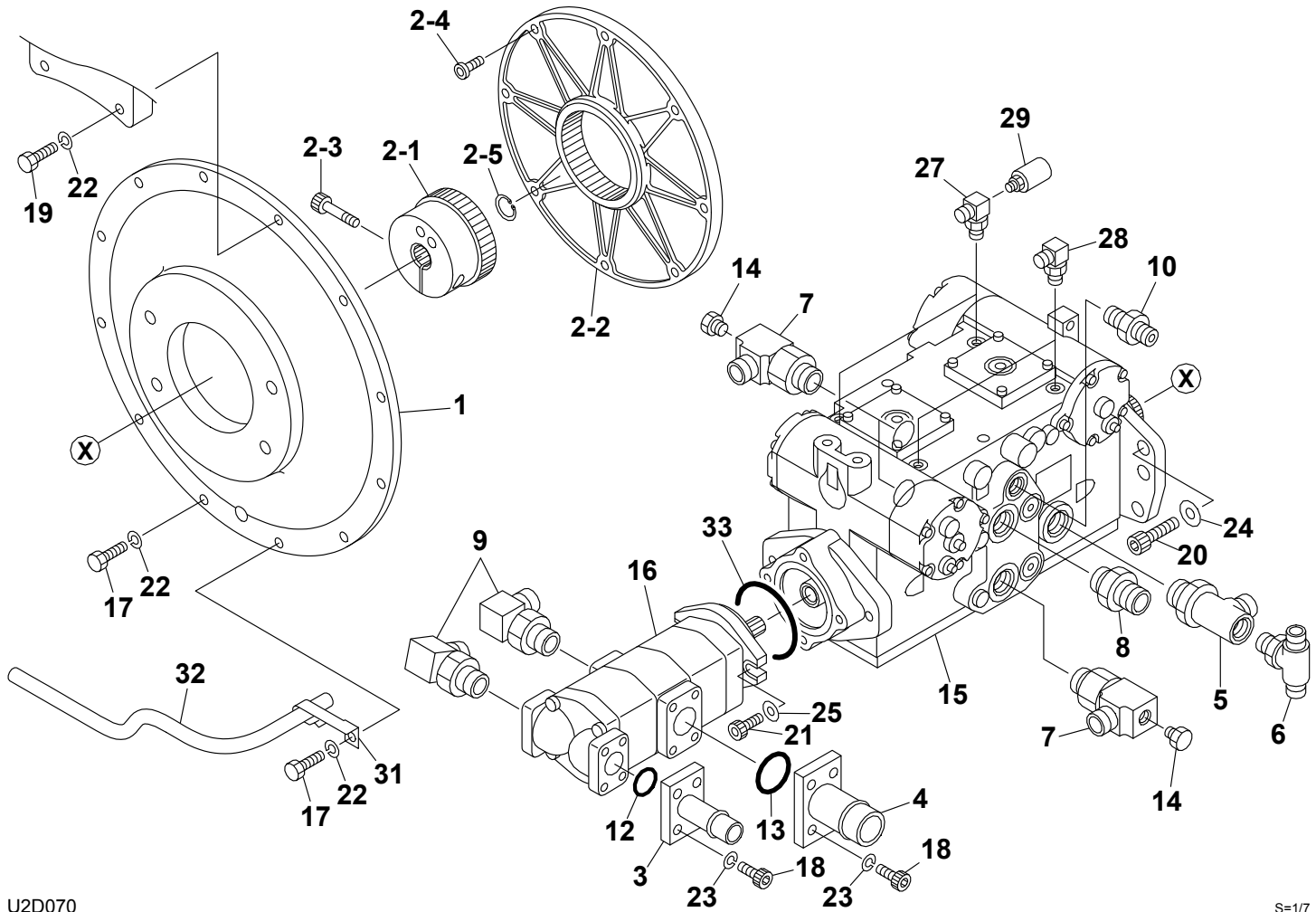
S=1/12

PIPING (2/2) (high flow)

Item	Part number	Description	Q'ty	Chan.	Serial No.	Serv.	Remarks
		PIPING ASSY, upper					
		PIPING ASSY, upper (for EU)					
1	0687000010	HOSE ASSY	1				
2	0687000020	HOSE ASSY	1				
3	0687000030	HOSE ASSY	1				
4	0687000040	HOSE ASSY	1				
10	0687001100	HOSE ASSY	1				18015-77072
12	0882700120	HOSE ASSY	1				18010-22070
14	0882700140	HOSE ASSY	1				18010-22148
15	0687001150	HOSE ASSY	1				18010-22163
17	0882700170	HOSE ASSY	1				18010-22094
18	0687001180	HOSE ASSY	1				18010-24035
19	0687001190	HOSE ASSY	1				18010-91046
20	0687001200	HOSE ASSY	1				
21	0687001210	HOSE ASSY	1				
22	0687000220	HOSE ASSY	1				18010-27074
31	X *****	FILTER ASSY	1				
31-1	1551102500	· FILTER	1				
31-1-1	1551101001	· · ELEMENT	1				
31-1-2	1551101003	· · CASE	1				
31-1-4	1420100600	· · O-RING	1				
31-1-5	1551102505	· · SWITCH, pressure	1				
31-2	1515010042	· ELBOW	1				
	1420010180	· · O-RING	1				
31-3	1515100112	· ELBOW	1				
	1420010180	· · O-RING	1				
31-4	0007213055	· BUSHING	1				
34	1100041095	BOLT	2				except for EU
37	1141110010	WASHER	2				for EU
39	1100041025	BOLT	8				
45	1130040010	NUT	2				for EU
46	0003600020	WASHER	8				
50	1100141005	BOLT	2				for EU
58	0697001580	GROMMET	2				
59	1140020010	WASHER, spring	10				
	1140020010	WASHER, spring	8				for EU
60	0687001600	COVER (L.H.)	1				
61	0687001610	COVER (R.H.)	1				
62	1652241300	BAND	2				
69	0882702480	RUBBER	4				for EU

U2d060

TL240 (P-TL240BAB) BU2Z002-1 S/N 22400001-
PUMP DRIVE



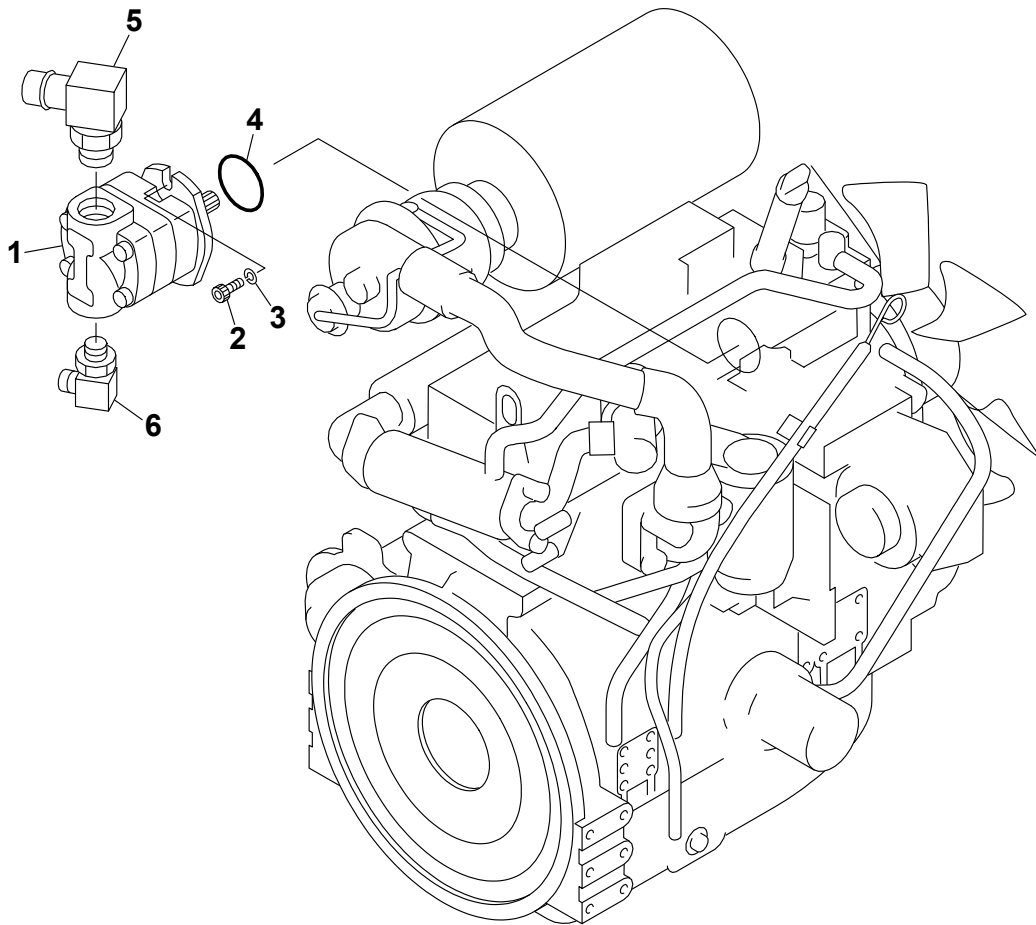
U2D070

S=1/7

PUMP DRIVE

Item	Part number	Description	Q'ty	Chan.	Serial No.	Serv.	Remarks
		PUMP ASSY, drive					
1	0685202100	HOUSING	1				
2	1607000100	COUPLING ASSY	1				
2-1	1607000101	· HUB	1				
2-2	1607000102	· FLANGE	1				
2-3	1110021235	· SCREW, cap	1				
2-4	1106641025	· BOLT	8				
2-5	1221000028	· RING, snap	1				
3	0881521100	FLANGE	1				
4	0881521250	FLANGE	1				
5	0881520700	TEE	1				
	1420310916	· O-RING	1				
6	1512374011	TEE	1				
	1420010240	· O-RING	1				
7	0695201010	TEE	3				
	1420310916	· O-RING	1				
8	0685200080	ADAPTOR	1				
	1420310916	· O-RING	1				
9	1515010052	ELBOW	2				
	1420010240	· O-RING	1				
10	1515600212	ADAPTOR	1				
	1420310910	· O-RING	1				
12	1420100300	O-RING	1				
13	1420100400	O-RING	1				
14	1501750002	PLUG	3				
	1420010110	· O-RING	1				
15	1902023200	PUMP, hydraulic	1				
16	1902023400	PUMP, gear	1				
17	1100041035	BOLT	10				
18	1111041025	SCREW, cap	8				
19	1100041055	BOLT	2				
20	1111041640	SCREW, cap	4				
21	1102240632	SCREW, cap	2				
22	1140020010	WASHER, spring	12				
23	1140490010	WASHER, spring	8				
24	0003900075	WASHER	4				
25	0003900039	WASHER	2				
27	1512330005	ELBOW	2				
	1420310906	· O-RING	1				
28	1512375006	ELBOW	2				
	1420310906	· O-RING	1				
29	1700100015	SWITCH, pressure	2				
31	0881521010	CLAMP	1				
32	1531010065	HOSE	1				sold by the meter
33	1420360152	O-RING	1				
	U2d070						

TL240 (P-TL240BAB) BU2Z002-1 S/N 22400001-
GEAR PUMP DRIVE (high flow)



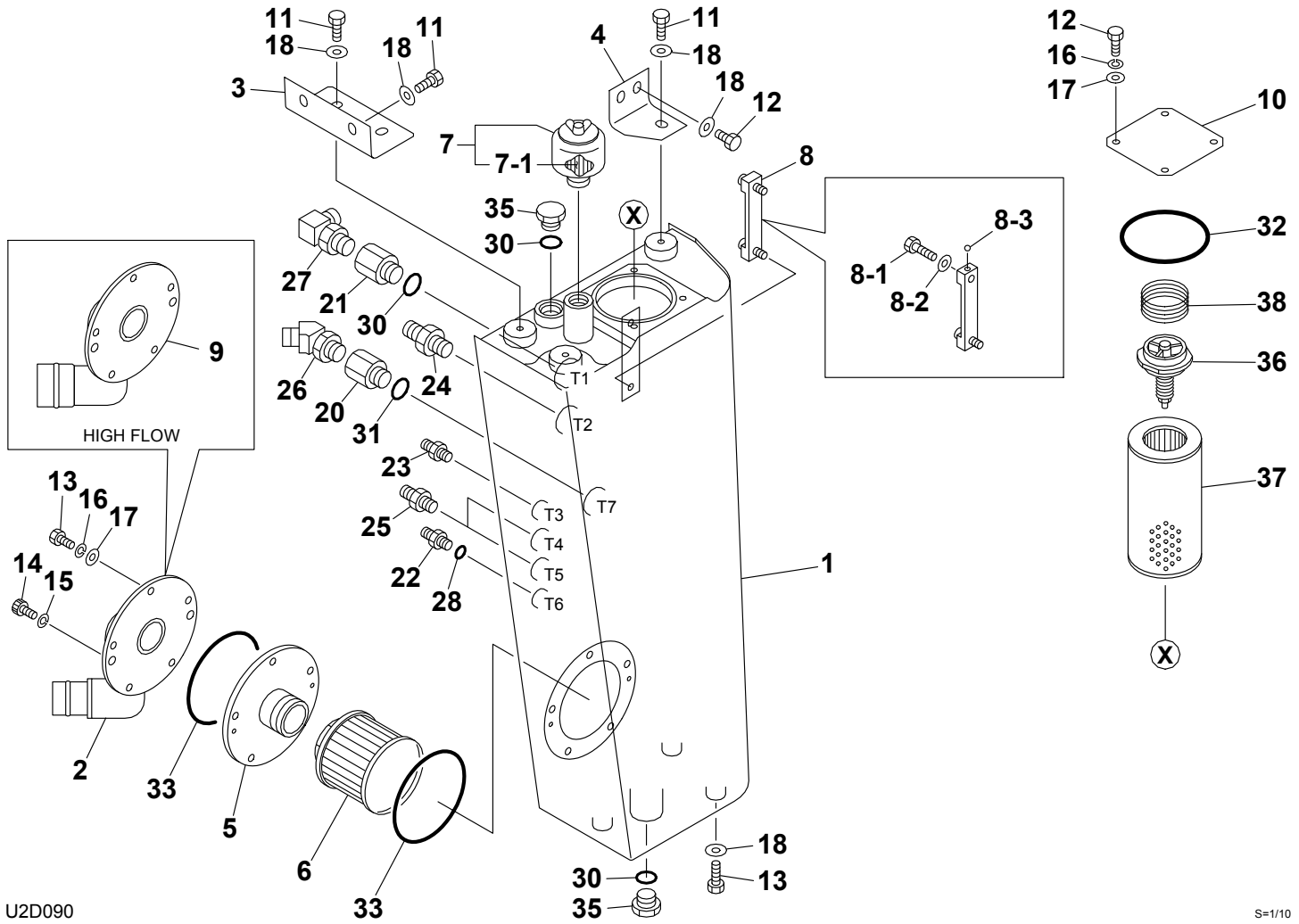
U2D080

S=1/8

GEAR PUMP DRIVE (high flow)

Item	Part number	Description	Q'ty	Chan.	Serial No.	Serv.	Remarks
		PUMP ASSY					
1	1902024400	PUMP, gear	1				
2	1110041030	SCREW, cap	2				
3	1141550010	WASHER	2				
4	1420110850	O-RING	1				
5	0881732082	ELBOW	1				
	1420010290	· O-RING	1				
6	1515010042	ELBOW	1				
	1420010180	· O-RING	1				
	U2d080						

TL240 (P-TL240BAB) BU2Z002-1 S/N 22400001-
HYDRAULIC TANK



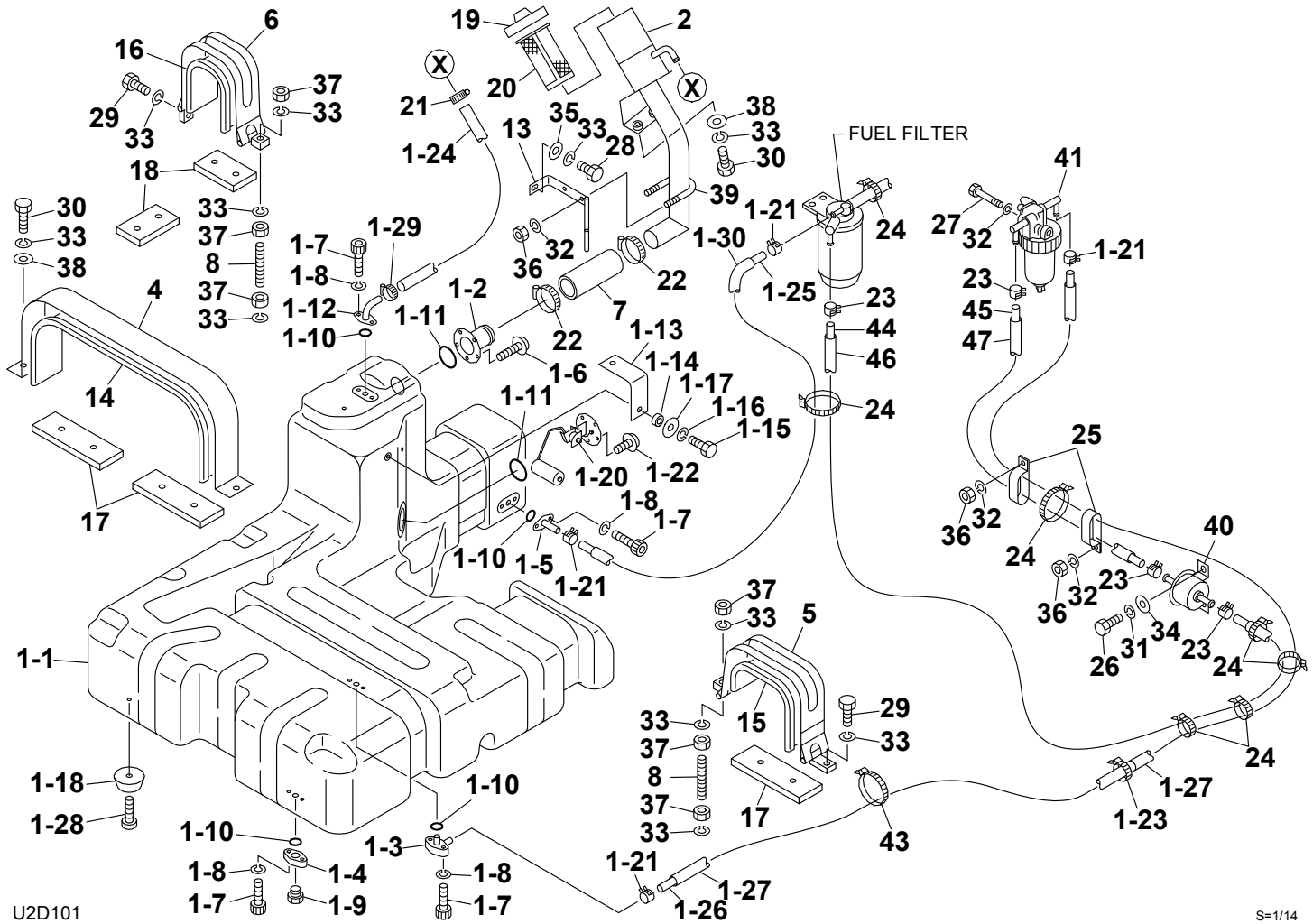
U2D090

S-1/10

HYDRAULIC TANK

Item	Part number	Description	Q'ty	Chan.	Serial No.	Serv.	Remarks
		TANK ASSY, hydraulic					
		TANK ASSY, hydraulic (high flow)					
1	0688001100	TANK, hydraulic	1				
2	0882800200	PIPE	1				
3	0882801410	BRACKET	1				
4	0882801420	BRACKET	1				
5	0881802400	FLANGE	1				
6	1550020150	STRAINER	1				
7	1552000800	BREATHER, air	1				
7-1	1552000830	· ELEMENT	1				
8	1553020612	GAUGE	1				
8-1	1553021650	· BOLT	2				
8-2	1553022650	· PACKING	2				
8-3	1553020603	· FLOAT	1				
9	0688002100	PIPE	1				high flow
10	0658000600	PLATE	1				
11	1100041025	BOLT	5				
12	1100041020	BOLT	6				
13	1100041030	BOLT	8				
14	1110040620	SCREW, cap	2				
15	1140420006	WASHER, spring	2				
16	1140020010	WASHER, spring	9				
17	1141110010	WASHER	9				
18	0003600025	WASHER	10				
20	0007213034	BUSHING	1				
21	0007213051	BUSHING	1				
22	0007203022	ADAPTOR	1				
23	1515600200	ADAPTOR	1				
	1420010110	· O-RING	1				
24	1515600203	ADAPTOR	1				
	1420010240	· O-RING	1				
25	1515600201	ADAPTOR	2				
	1420010140	· O-RING	1				
26	1515100113	ELBOW	1				
	1420010240	· O-RING	1				
27	1515010044	ELBOW	1				
	1420010290	· O-RING	1				
28	1420010110	O-RING	1				
30	1420010290	O-RING	3				
31	1420010240	O-RING	1				
32	1420101250	O-RING	1				
33	1420101450	O-RING	2				
35	0007256006	PLUG	2				
36	1551100300	VALVE ASSY	1				
37	1551102600	FILTER	1				
38	0007000031	SPRING	1				
	U2d090						

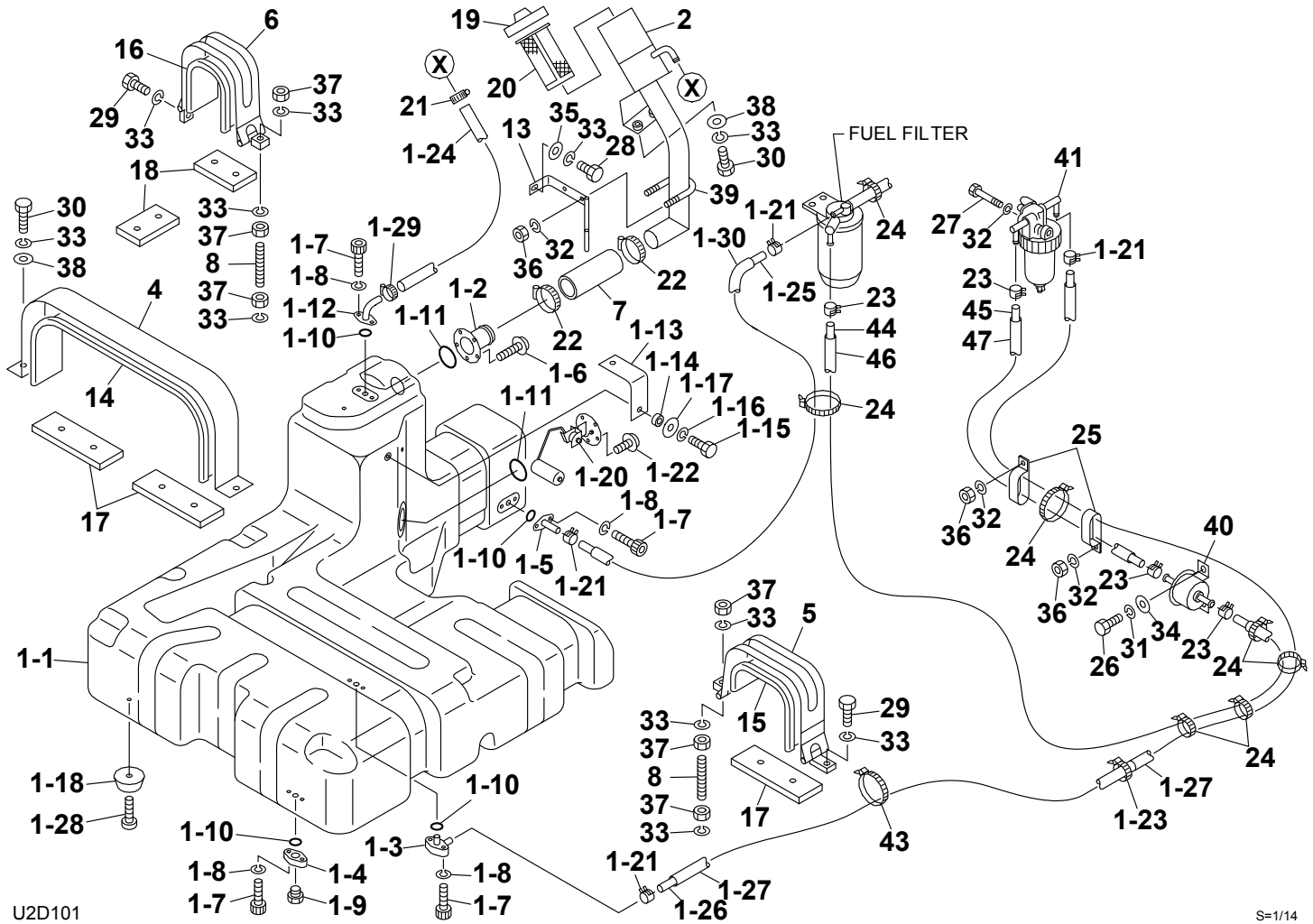
TL240 (P-TL240BAB) BU2Z002-1 S/N 22400001-
FUEL TANK & FUEL PIPING



FUEL TANK & FUEL PIPING

Item	Part number	Description	Q'ty	Chan.	Serial No.	Serv.	Remarks
		TANK ASSY, fuel					
1	X *****	TANK SUB ASSY, fuel	1				
1-1	0882810510	· TANK, fuel	1				
1-2	0881811090	· FLANGE	1				
1-3	0881811100	· FLANGE	1				
1-4	0881811110	· VALVE, drain	1				
1-5	0348103450	· FLANGE	1			M	
1-6	1150110516	· SCREW	5				
1-7	1110040616	· SCREW, cap	8				
1-8	1140420006	· WASHER, spring	8				
1-9	1501750002	· PLUG	1				
	1420010110	· · O-RING	1				
1-10	1420010180	· O-RING	4				
1-11	1420010450	· O-RING	2				
1-12	0881811510	· FLANGE	1				
1-13	0881711350	· BAND	1				
1-14	0881711360	· COLLAR	1				
1-15	1100040620	· BOLT	1				
1-16	1140020006	· WASHER, spring	1				
1-17	0003600043	· WASHER	1				
1-18	0881812080	· RUBBER	5				
1-20	1553202100	· SENDER, fuel	1				
1-21	1533120511	· BAND	4				
1-22	1150110510	· SCREW	5				
1-23	1652201008	· BAND	1				
1-24	1530612057	· HOSE	1				sold by the meter
1-25	1531207150	· HOSE	1				sold by the meter
1-26	1531207317	· HOSE	1				sold by the meter
1-27	1531115156	· PROTECTOR	2				sold by the meter
1-28	1120530620	· SCREW	5				
1-29	1533700019	· BAND	1				
1-30	1531115140	· PROTECTOR	1			M	sold by the meter
2	0882810650	PORT, supply	1				
4	0882810045	PLATE	1				
5	0882810050	CLAMP	1				
6	0882810060	CLAMP	1				
7	0882810070	HOSE	1				
8	0881812300	BOLT	2				
13	0882810135	PLATE	1				
14	0882810140	RUBBER	1				
15	0882810150	RUBBER	1				
16	0882810160	RUBBER	1				
17	0881811170	RUBBER	3				
18	0881811180	RUBBER	2				
19	1552100500	CAP	1				
20	1552100320	STRAINER	1				
21	1533700019	BAND	1				
22	1533700060	BAND	2				
23	1533120511	BAND	4				
24	1652231250	BAND	7				
25	0007300013	CLAMP	2				
26	1100040625	BOLT	2				
27	1100040870	BOLT	1				
28	1100041020	BOLT	1				
29	1100041025	BOLT	2				
30	1100041030	BOLT	4				
31	1140020006	WASHER, spring	2				
32	1140020008	WASHER, spring	5				
33	1140020010	WASHER, spring	13				
34	1141110006	WASHER	2				
35	1141110010	WASHER	1				
36	1130040008	NUT	4				
37	1130040010	NUT	6				
38	0003600025	WASHER	4				
39	1533201012	U-BOLT	1				

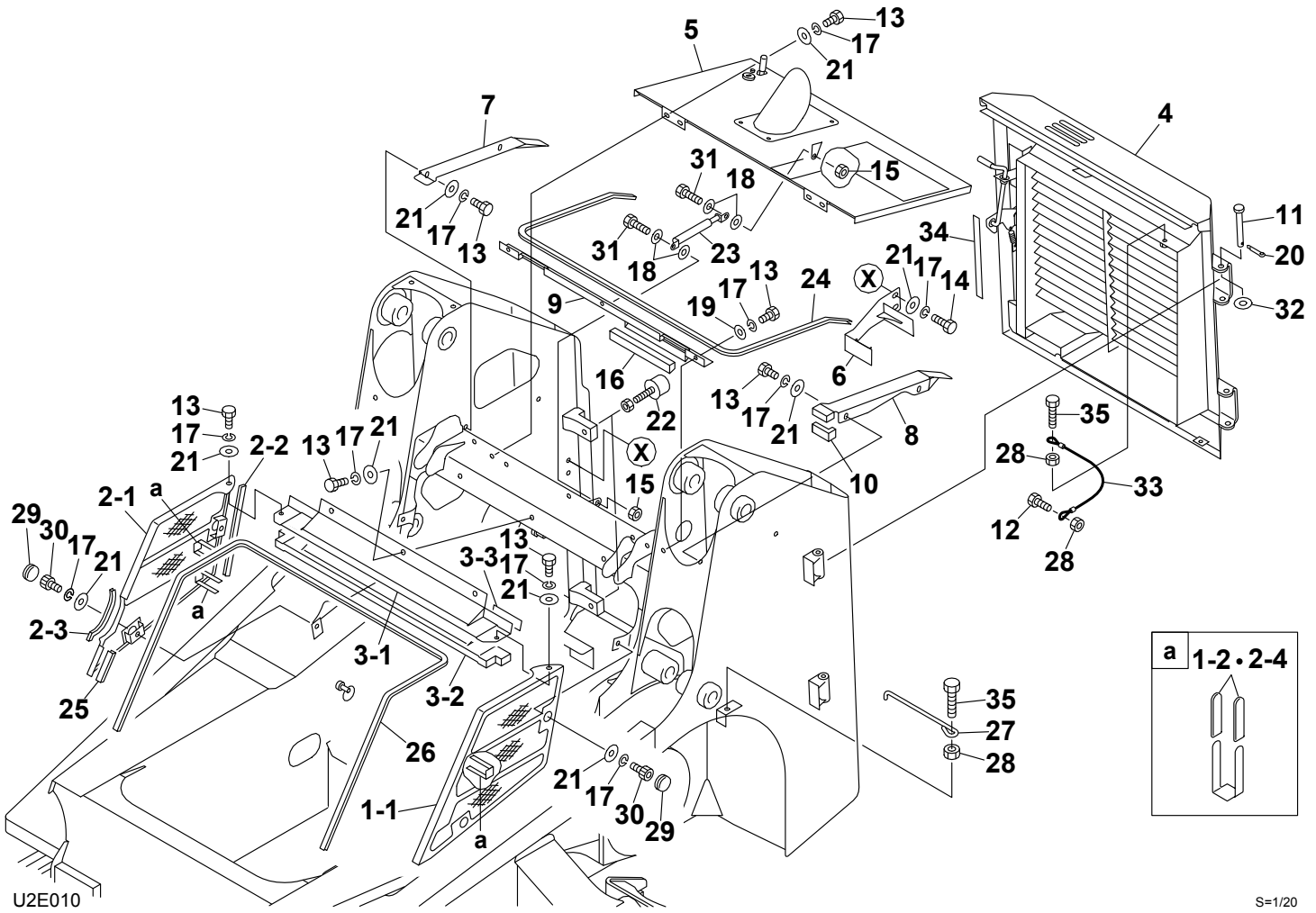
TL240 (P-TL240BAB) BU2Z002-1 S/N 22400001-
FUEL TANK & FUEL PIPING



FUEL TANK & FUEL PIPING

Item	Part number	Description	Q'ty	Chan.	Serial No.	Serv.	Remarks
40	1910199034	PUMP, feed	1				Y129612-52100
41	1910186033	SEPARATOR, water	1				Y129906-55700
43	1652201008	BAND	1				
44	1531207145	HOSE	1				sold by the meter
45	1531207084	HOSE	1				sold by the meter
46	1531115135	PROTECTOR	1				sold by the meter
47	1531115074	PROTECTOR	1				sold by the meter
	U2d101						

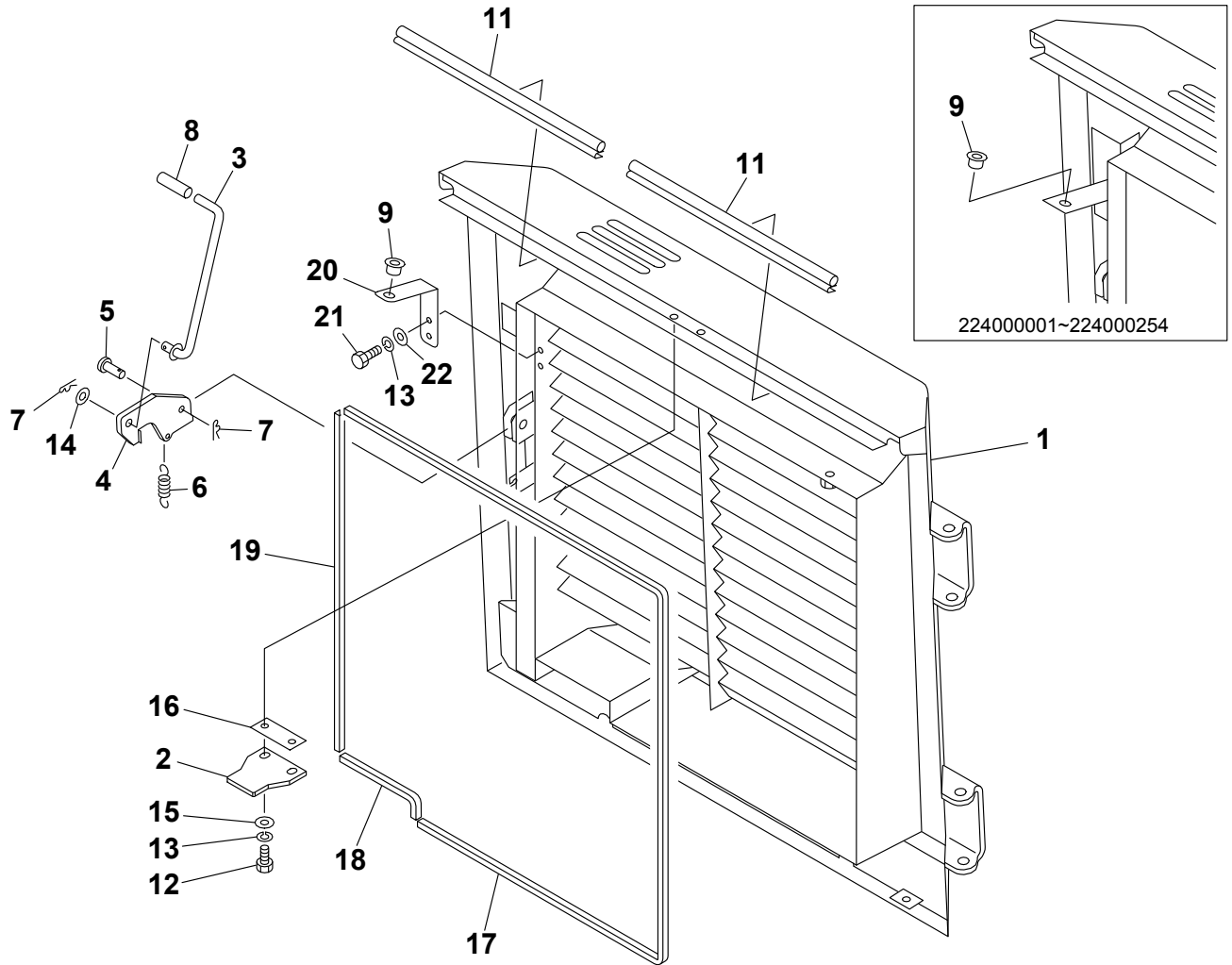
TL240 (P-TL240BAB) BU2Z002-1 S/N 22400001-
COVER (1/3)



S=1/20

COVER (1/3)						
Item	Part number	Description	Q'ty	Chan.	Serial No.	Serv. Remarks
		COVER ASSY				
1	0688201100	COVER ASSY, side (L.H.)	1			
1-1	0688201110	· COVER, side (L.H.)	1			
1-2	0872433150	· TUBE	2			
2	0688201200	COVER ASSY, side (R.H.)	1			
2-1	0688201210	· COVER, side (R.H.)	1			
2-2	1654311031	· SPONGE	1			sold by the meter
2-3	1653916020	· TRIM	1			sold by the meter
2-4	0872433150	· TUBE	4			
3	0882822960	COVER ASSY, center	1			
3-1	0882822970	· COVER	1			
3-2	0882820302	· ABSORBENT, noise	1			
3-3	1654301012	· SPONGE	1			sold by the meter
4	0688201300	DOOR ASSY, rear	1			see page (2/3)
5	0688202500	HOOD, engine	1			see page (3/3)
6	0688200160	BRACKET	1			
7	0882821007	PLATE (R.H.)	1			
8	0688200080	PLATE (L.H.)	1			
9	0882822860	TABLE	1			
10	1654356012	SPONGE	1			sold by the meter
11	0881822020	PIN	2			
12	1100041050	BOLT	1			
13	1100041020	BOLT	16			
14	1100041030	BOLT	2			
15	1130040008	NUT	2			
16	1654613022	PACKING	1			sold by the meter
17	1140020010	WASHER, spring	22			
18	1141110008	WASHER	4			
19	1141110010	WASHER	3			
20	1210010425	PIN, split	2			
21	0003600020	WASHER	19			
22	1651101050	RUBBER	2			
23	1653900057	SPRING, gas	1			
24	1654623200	TRIM	1			sold by the meter
25	1654520010	RUBBER	1			sold by the meter
26	1654520290	TRIM	1			sold by the meter
27	0658200110	ROD	1			
28	1130040010	NUT	3			
29	1652053400	GROMMET	4			
30	1110041020	SCREW, cap	4			
31	1100040825	BOLT	2			
32	1141110016	WASHER	2			
33	1929900437	ROPE	1			
34	0881823034	RUBBER	1			
35	1100041035	BOLT	2			
	U2e010					

TL240 (P-TL240BAB) BU2Z002-1 S/N 22400001-
COVER (2/3) (rear door)



U2E021

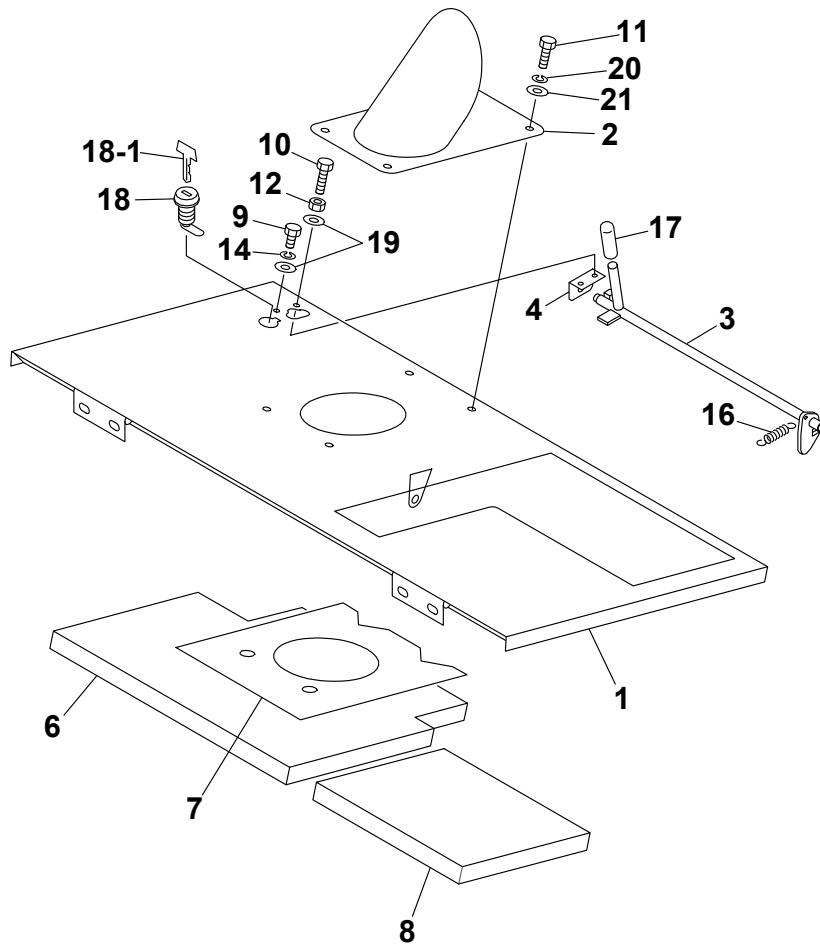
S=1/10

COVER (2/3) (rear door)

Item	Part number	Description	Q'ty	Chan.	Serial No.	Serv.	Remarks
0-1	0688201300	DOOR ASSY, rear	1				
1	0688201400	· DOOR, rear	1				
2	0880825650	· STRIKER	1				
3	0688201330	· ROD	1				
4	0668201540	· PLATE	1			M	
5	0004015002	· PIN	1				
6	0007000112	· SPRING	1				
7	1214000012	· PIN, snap	2				
8	1650202300	· CAP	1				
9	1652615200	· BUSHING	1				
11	1654605041	· TRIM	2				sold by the meter
12	1100040825	· BOLT	2				
13	1140020008	· WASHER, spring	4				
14	1141110012	· WASHER	1				
15	0003608252	· WASHER	2				
16	0003900037	· SPACER	AR				t=4.5mm
17	1654606180	· TRIM	1				sold by the meter
18	1654606018	· TRIM	1				sold by the meter
19	1654605059	· TRIM	1				sold by the meter
20	0698201122	· PLATE	1		224000255~	M	
21	1100040820	· BOLT	2		224000255~		
22	1141110008	· WASHER	2		224000255~		

U2e021

TL240 (P-TL240BAB) BU2Z002-1 S/N 22400001-
COVER (3/3) (engine hood)



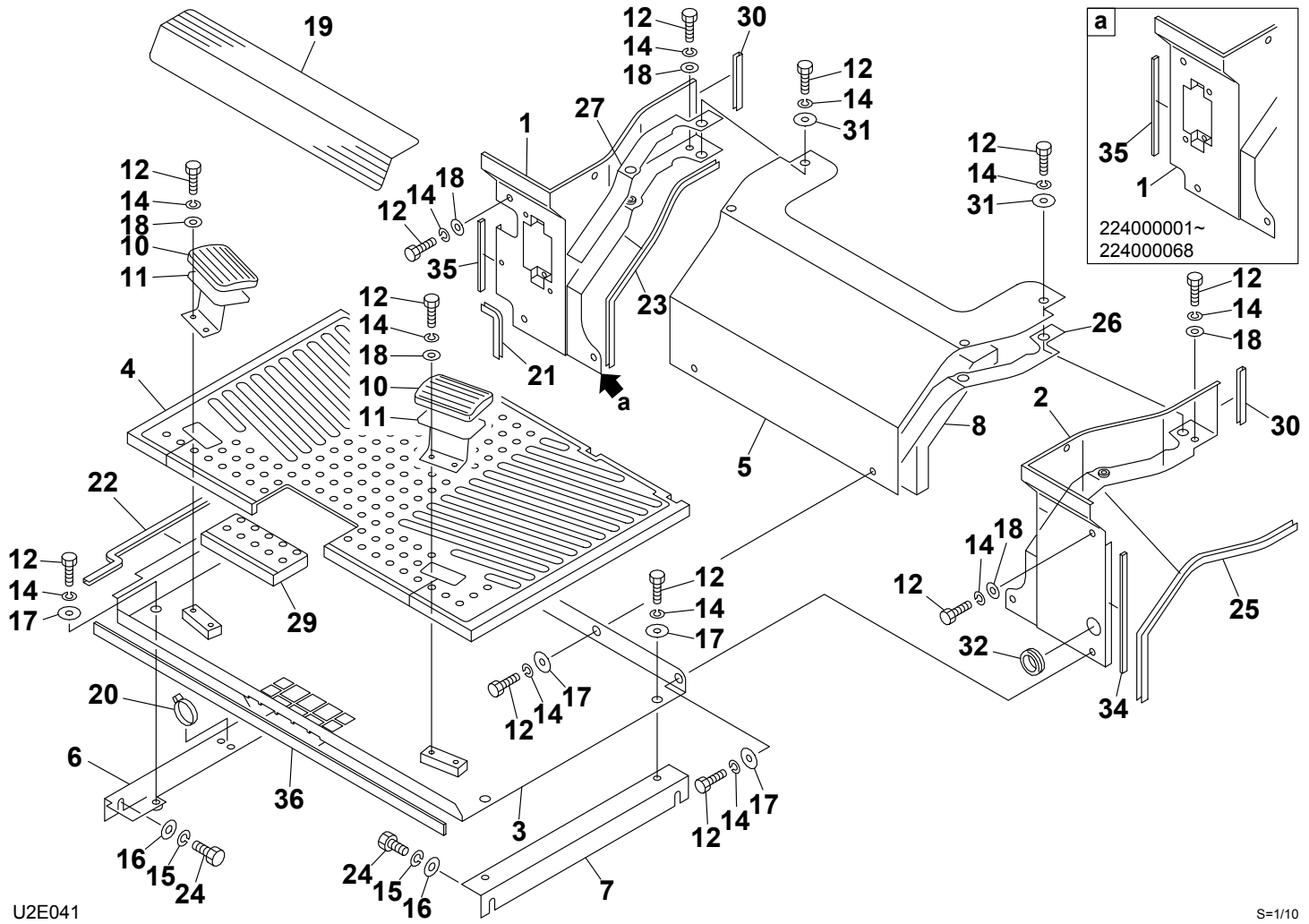
U2E030

S=1/10

COVER (3/3) (engine hood)

Item	Part number	Description	Q'ty	Chan.	Serial No.	Serv.	Remarks
0-2	0688202500	HOOD ASSY, engine	1				
1	0688202700	· HOOD, engine	1				
2	0688200520	· PIPE	1				
3	0880823660	· LEVER	1				
4	0880820080	· ANGLE	1				
6	0880825706	· ABSORBENT, noise	1				
7	0688202510	· INSULATOR	1				
8	0688201580	· ABSORBENT, noise	1				
9	1100040612	· BOLT	1				
10	1100040620	· BOLT	1				
11	1100040816	· BOLT	4				
12	1130040006	· NUT	1				
14	1140020006	· WASHER, spring	1				
16	0007000070	· SPRING	1				
17	1650202300	· CAP	1				
18	1653601395	· LOCK	1				
18-1	1700100019	· KEY	1				
19	1141110006	· WASHER	2				
20	1140020008	· WASHER, spring	4				
21	0003608252	· WASHER	4				
	U2e030						

TL240 (P-TL240BAB) BU2Z002-1 S/N 22400001-
FLOOR FRAME



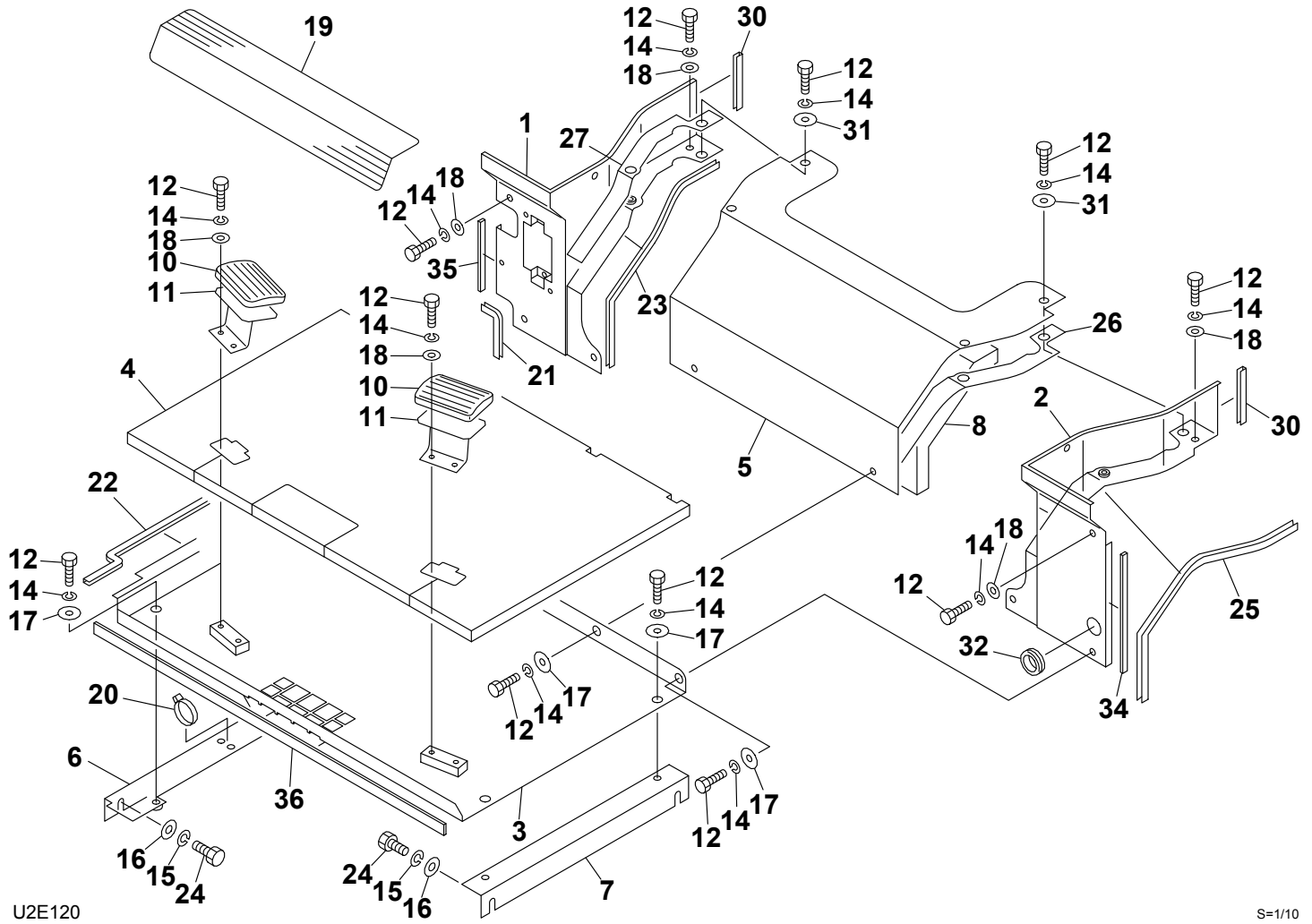
U2E041

S=1/10

FLOOR FRAME

Item	Part number	Description	Q'ty	Chan.	Serial No.	Serv.	Remarks
		FLOOR ASSY					
1	0882350750	COVER (R.H.)	1		224000001~224000068		
	0683500250	COVER (R.H.)	1		224000069~	M	
2	0882350740	COVER (L.H.)	1				
3	0882350710	PLATE	1				
4	0882351050	MAT, floor	1				
5	0880354650	COVER	1				
6	0881351500	STAY	1				
7	0881351010	STAY	1				
8	0881351020	ABSORBENT, noise	1				
10	0563218500	COVER	2				
11	0563219700	REST, foot	2				
12	1100040820	BOLT	22				
14	1140020008	WASHER, spring	22				
15	1140020010	WASHER, spring	4				
16	1141110010	WASHER	4				
17	0003608252	WASHER	8				
18	1141110008	WASHER	10				
19	0880821355	SHEET	1				
20	1652231250	BAND	1				
21	1653916007	TRIM	1				sold by the meter
22	1654606048	TRIM	1				sold by the meter
23	1653916036	TRIM	1				sold by the meter
24	1100041020	BOLT	4				
25	1653916043	TRIM	1				sold by the meter
26	0880353526	SPONGE	1				
27	0880353527	SPONGE	1				
29	0881353080	MAT	1				
30	1654623010	RUBBER	2				sold by the meter
31	0003608003	WASHER	4				
32	1652053600	GROMMET	1				
34	1654355022	SPONGE	1				sold by the meter
35	1654355013	SPONGE	1			M	sold by the meter
36	1654354074	SPONGE	1				sold by the meter
	U2e041						

TL240 (P-TL240BAB) BU2Z002-1 S/N 22400001-
FLOOR FRAME (throttle pedal type)



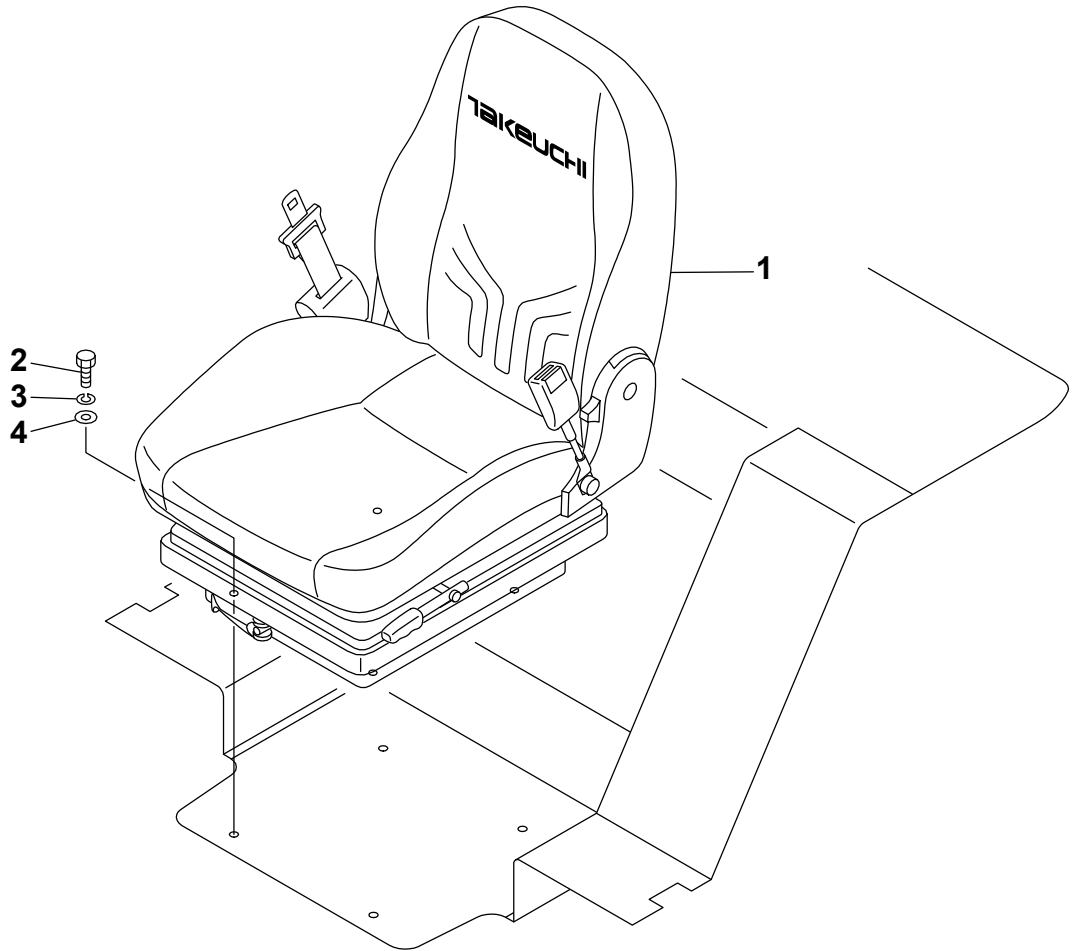
U2E120

S=1/10

FLOOR FRAME (throttle pedal type)						
Item	Part number	Description	Q'ty	Chan.	Serial No.	Serv. Remarks
		FLOOR ASSY				
1	0683500250	COVER (R.H.)	1			M
2	0882350740	COVER (L.H.)	1			
3	0683501030	PLATE	1			M
4	0683501040	MAT, floor	1			M
5	0880354650	COVER	1			
6	0881351500	STAY	1			
7	0881351010	STAY	1			
8	0881351020	ABSORBENT, noise	1			
10	0563218500	COVER	2			
11	0563219700	REST, foot	2			
12	1100040820	BOLT	22			
14	1140020008	WASHER, spring	22			
15	1140020010	WASHER, spring	4			
16	1141110010	WASHER	4			
17	0003608252	WASHER	8			
18	1141110008	WASHER	10			
19	0880821355	SHEET	1			
20	1652231250	BAND	1			
21	1653916007	TRIM	1			sold by the meter
22	1654606048	TRIM	1			sold by the meter
23	1653916036	TRIM	1			sold by the meter
24	1100041020	BOLT	4			
25	1653916043	TRIM	1			sold by the meter
26	0880353526	SPONGE	1			
27	0880353527	SPONGE	1			
30	1654623010	TRIM	2			sold by the meter
31	0003608003	WASHER	4			
32	1652053600	GROMMET	1			
34	1654355022	SPONGE	1			sold by the meter
35	1654355013	SPONGE	1			M sold by the meter
36	1654354074	SPONGE	1			sold by the meter

U2e120

TL240 (P-TL240BAB) BU2Z002-1 S/N 224000001-
SEAT (1/2)



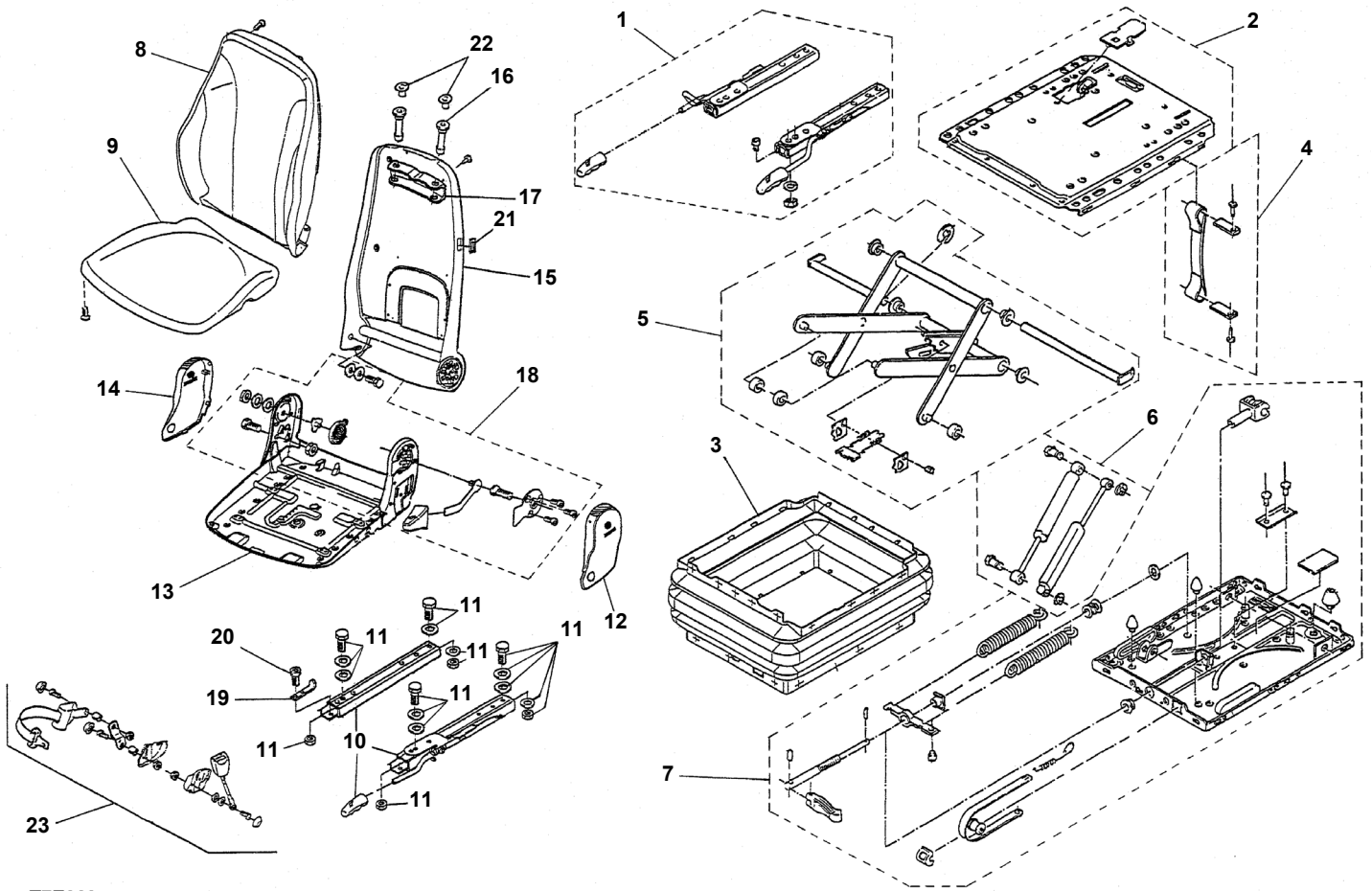
T7E050

S=1/10

SEAT (1/2)

Item	Part number	Description	Q'ty	Chan.	Serial No.	Serv.	Remarks
		SEAT ASSY					
1	1914100079	SEAT	1				see page (2/2)
2	1100040820	BOLT	4				
3	1140020008	WASHER, spring	4				
4	1141110008	WASHER	4				
	T7e051						

TL240 (P-TL240BAB) BU2Z002-1 S/N 22400001-
SEAT (2/2)



T7E060

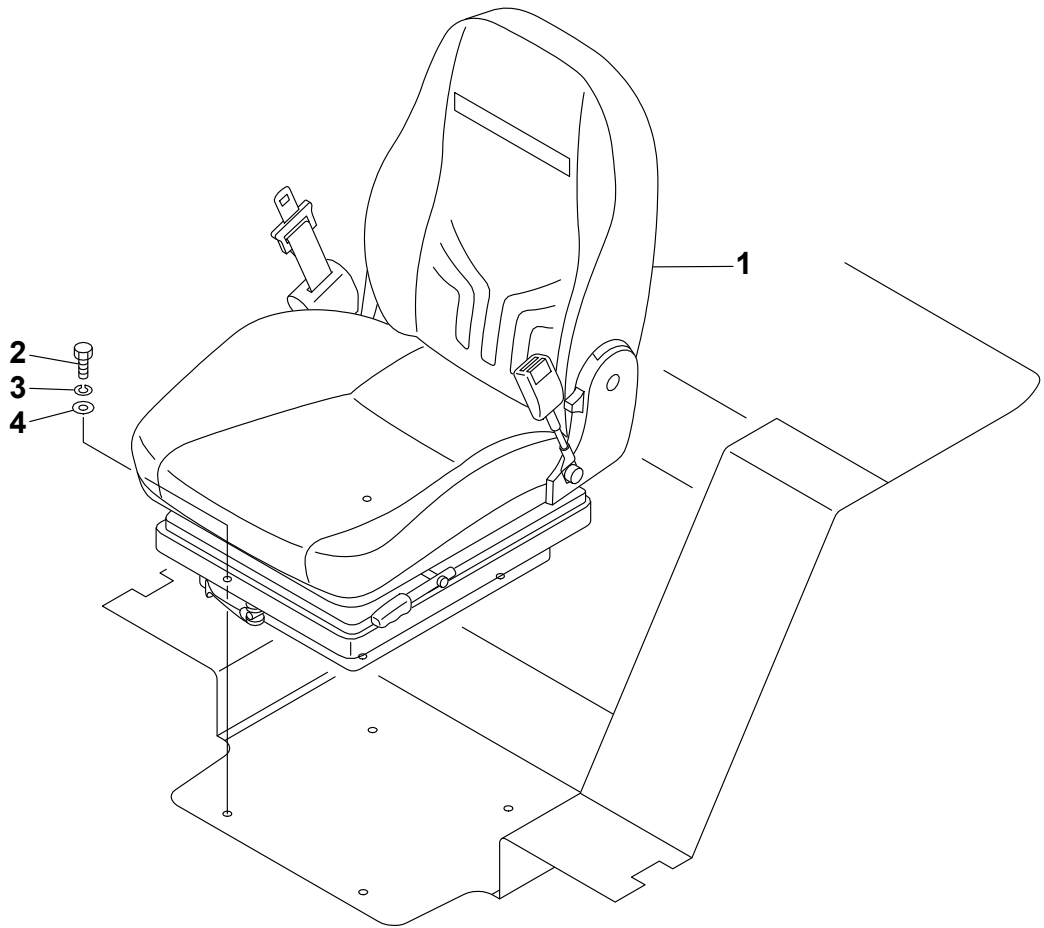
S-Free

SEAT (2/2)

Item	Part number	Description	Q'ty	Chan.	Serial No.	Serv.	Remarks
0	1914100079	SEAT ASSY	1				PVC
1	1914101072	· RAIL ASSY	1				
2	1914102072	· PLATE ASSY	1				
3	1914103072	· BOOT	1				
4	1914104072	· ANGLE ASSY	1				
5	1914105072	· LINK ASSY	1				
6	1914106072	· DAMPER ASSY	1				
7	1914107072	· SPRING ASSY	1				
8	1914108072	· TRIM	1				
9	1914109072	· TRIM	1				
10	1914110072	· RAIL ASSY	1				
11	1914111072	· BOLT ASSY	1				
12	1914112072	· COVER (L.H.)	1				
13	1914113072	· FRAME	1				
14	1914114072	· COVER (R.H.)	1				
15	1914115072	· FRAME	1				
16	1914116072	· GUIDE	2				
17	1914117072	· BRACKET	1				
18	1914118072	· JOINT ASSY	1				
19	1914119072	· PLATE	1				
20	1914120072	· SCREW, cap	1				
21	1914121072	· PLATE	1				
22	1914122072	· PLUG	2				
23	1914123072	· BELT ASSY, seat	1				

T7e060

TL240 (P-TL240BAB) BU2Z002-1 S/N 22400001-
SEAT (1/2) (for GEHL & MUSTANG)



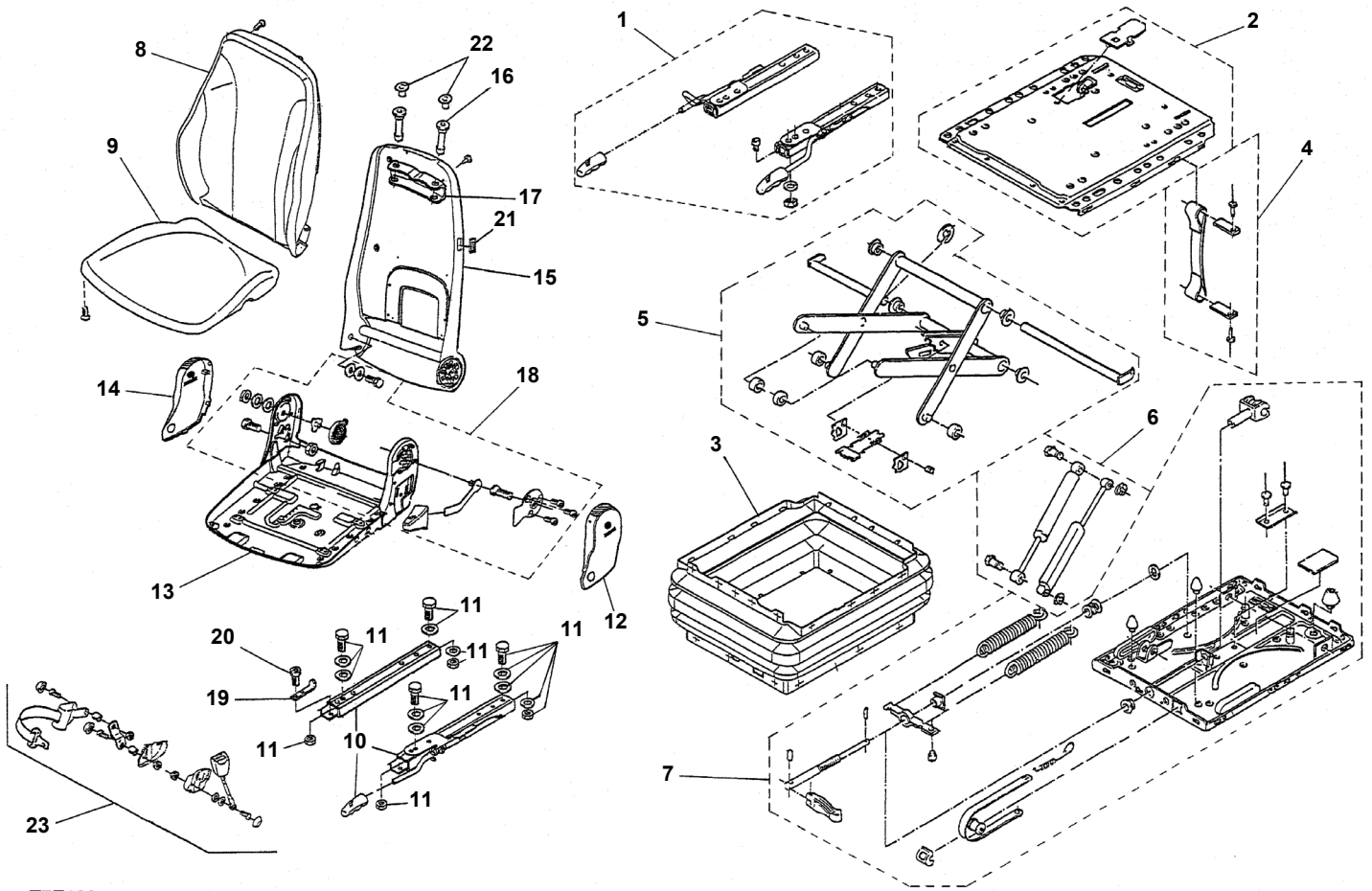
T7E170

S=1/10

SEAT (1/2) (for GEHL & MUSTANG)

Item	Part number	Description	Q'ty	Chan.	Serial No.	Serv.	Remarks
		SEAT ASSY					
1	1914100090	SEAT	1				see page (2/2)
2	1100040820	BOLT	4				
3	1140020008	WASHER, spring	4				
4	1141110008	WASHER	4				
	T7e170						

TL240 (P-TL240BAB) BU2Z002-1 S/N 22400001-
SEAT (2/2) (for GEHL & MUSTANG)



T7E180

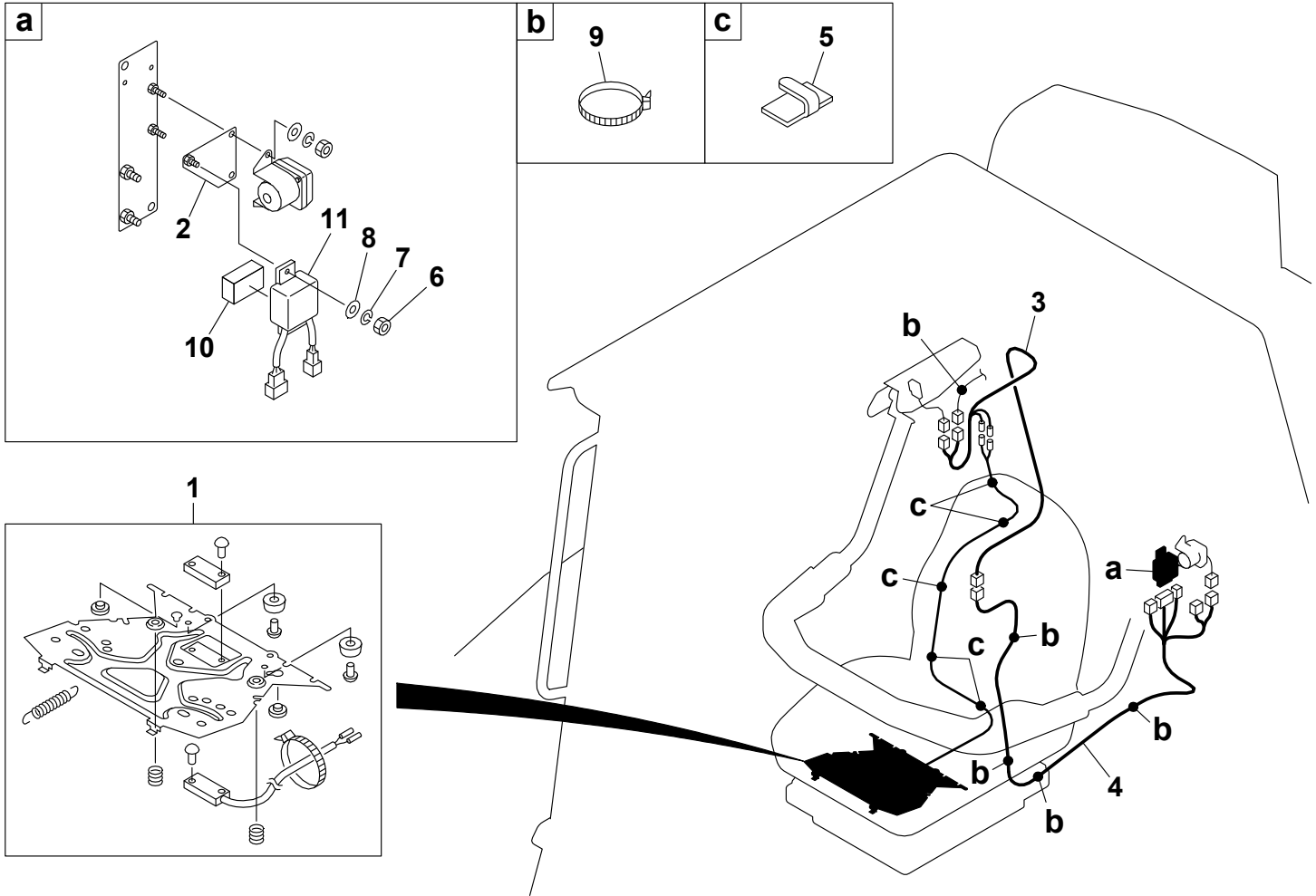
S-Free

SEAT (2/2) (for GEHL & MUSTANG)

Item	Part number	Description	Q'ty	Chan.	Serial No.	Serv.	Remarks
0	1914100090	SEAT ASSY	1				PVC
1	1914101072	· RAIL ASSY	1				
2	1914102072	· PLATE ASSY	1				
3	1914103072	· BOOT	1				
4	1914104072	· ANGLE ASSY	1				
5	1914105072	· LINK ASSY	1				
6	1914106072	· DAMPER ASSY	1				
7	1914107072	· SPRING ASSY	1				
8	1914108089	· TRIM	1				
9	1914109072	· TRIM	1				
10	1914110072	· RAIL ASSY	1				
11	1914111072	· BOLT ASSY	1				
12	1914112072	· COVER (L.H.)	1				
13	1914113072	· FRAME	1				
14	1914114072	· COVER (R.H.)	1				
15	1914115072	· FRAME	1				
16	1914116072	· GUIDE	2				
17	1914117072	· BRACKET	1				
18	1914118072	· JOINT ASSY	1				
19	1914119072	· PLATE	1				
20	1914120072	· SCREW, cap	1				
21	1914121072	· PLATE	1				
22	1914122072	· PLUG	2				
23	1914123072	· BELT ASSY, seat	1				

T7e180

TL240 (P-TL240BAB) BU2Z002-1 S/N 22400001-
SEAT SWITCH (22400001-224000122)



T9E120

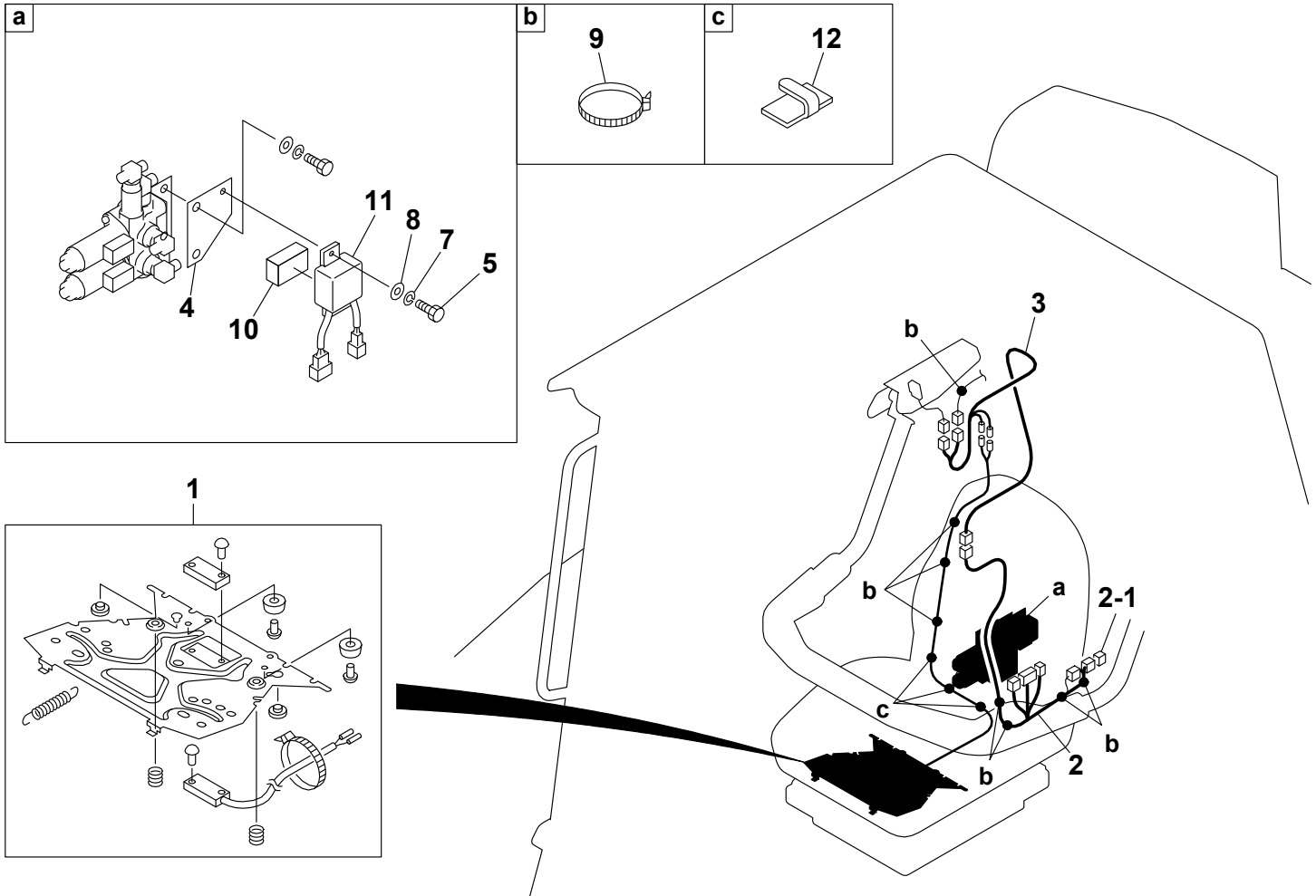
S=1/8, 1/15

SEAT SWITCH (224000001-224000122)

Item	Part number	Description	Q'ty	Chan.	Serial No.	Serv.	Remarks
0	0882340000	SWITCH ASSY, seat	1				
1	1914100086	· SWITCH KIT, seat	1				
2	0882340200	· BRACKET	1				
3	0881422540	· HARNESS, wiring	1				
4	0882340100	· HARNESS, wiring	1				
5	1711900074	· STICKER	5				
6	1130040006	· NUT	1				
7	1140020006	· WASHER, spring	1				
8	1141110006	· WASHER	1				
9	1652231250	· BAND	6				
10	1654314005	· SPONGE	1				sold by the meter
11	1711900062	· RELAY	1				

T9e120

TL240 (P-TL240BAB) BU2Z002-1 S/N 22400001-
SEAT SWITCH (224000123-)



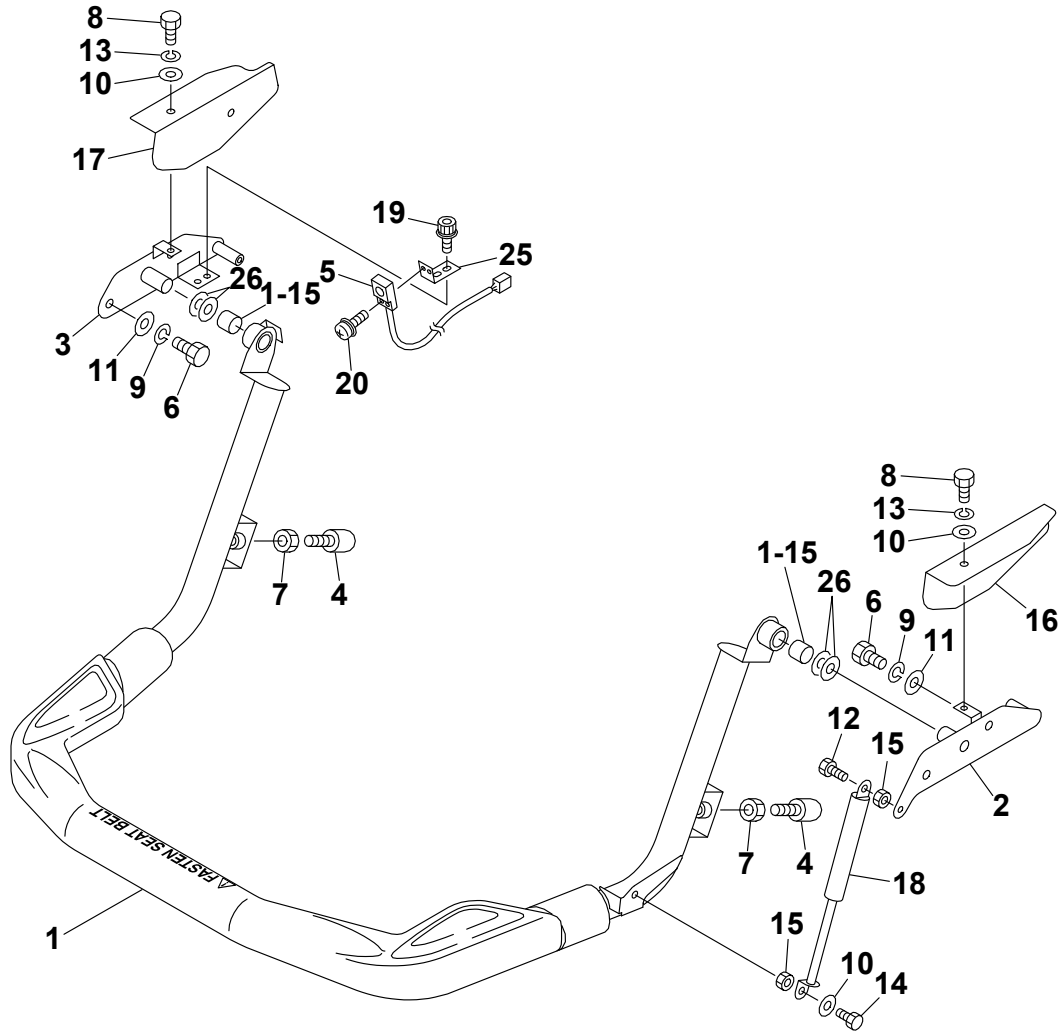
U2E130

S=1/8, 1/15

SEAT SWITCH (224000123-)							
Item	Part number	Description	Q'ty	Chan.	Serial No.	Serv.	Remarks
0	0663400000	SWITCH ASSY, seat	1			M	
1	1914100086	· SWITCH KIT, seat	1				
2	0663400010	· HARNESS, wiring	1			M	
2-1	0394221010	· · CONNECTOR, short	1				
3	0881422540	· HARNESS, wiring	1				
4	0663400020	· BRACKET	1			M	
5	1100040616	· BOLT	1				
7	1140020006	· WASHER, spring	1				
8	1141110006	· WASHER	1				
9	1652231250	· BAND	8				
10	1654301005	· SPONGE	1			M	sold by the meter
11	1711900062	· RELAY	1				
12	1711900074	· STICKER	3				

U2e130

TL240 (P-TL240BAB) BU2Z002-1 S/N 22400001-
SAFETY BAR



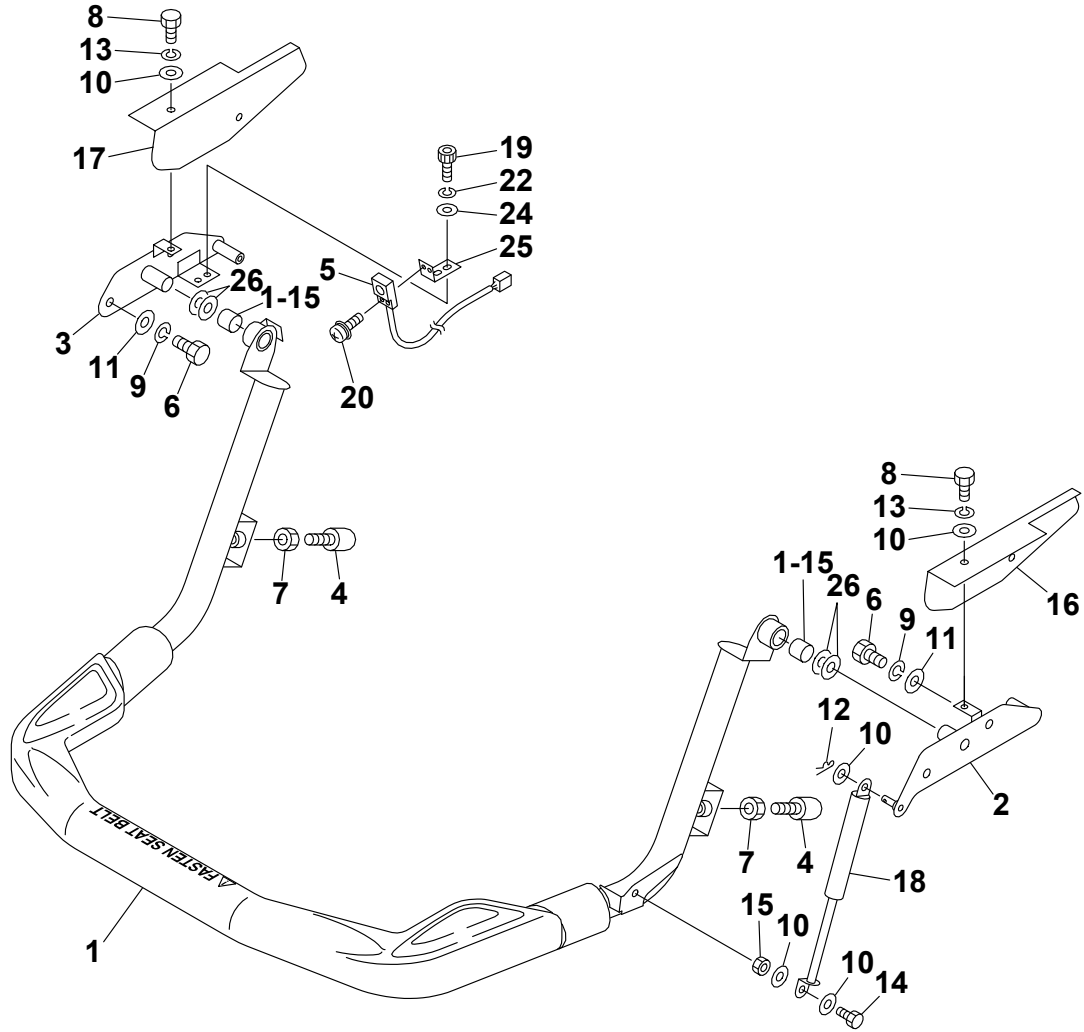
U2E140

S=1/9

SAFETY BAR

Item	Part number	Description	Q'ty	Chan.	Serial No.	Serv.	Remarks
		BAR ASSY, safety					X0880464000-2
1	0881463100	BAR, safety	1				
1-15	1333002020	· BUSHING	2				
2	0881463010	BRACKET(L.H.)	1			M	
3	0881463020	BRACKET(R.H.)	1			M	
4	1651101224	STOPPER	2				
5	1700009010	SWITCH, proximity	1				
6	1100041020	BOLT	4				
7	1130040012	NUT	2				
8	1100040816	BOLT	4				
9	1140020010	WASHER, spring	4				
10	1141110008	WASHER	5				
11	1141110010	WASHER	4				
12	1100040820	BOLT	1				
13	1140020008	WASHER, spring	4				
14	1100240825	BOLT	1			M	
15	1130040008	NUT	2				
16	0880464010	COVER(L.H.)	1			M	
17	0880464020	COVER(R.H.)	1			M	
18	1653900057	SPRING, gas	1				
19	1110540512	SCREW, cap	2			M	
20	1150410312	SCREW	2				
25	0881463050	PLATE	1			M	
26	0093208300	WASHER	4				
	U2e140						

TL240 (P-TL240BAB) BU2Z002-1 S/N 22400001-
SAFETY BAR (for GEHL & MUSTANG)



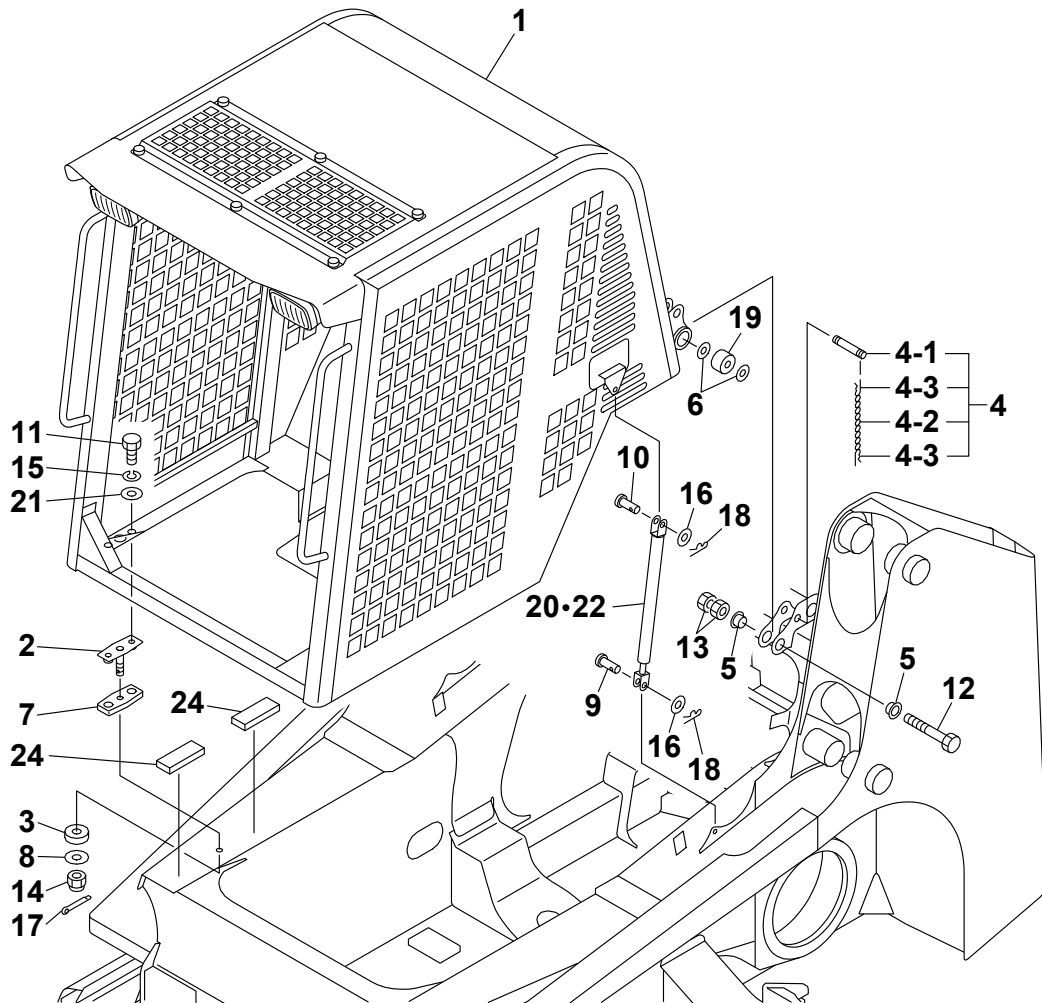
T9E132

S=1/9

SAFETY BAR (for GEHL & MUSTANG)

Item	Part number	Description	Q'ty	Chan.	Serial No.	Serv.	Remarks
		BAR ASSY, safety					
1	0881463100	BAR, safety	1				
1-15	1333002020	· BUSHING	2				
2	0881461090	BRACKET(L.H.)	1				
3	0881461040	BRACKET(R.H.)	1				
4	1651101224	STOPPER	2				
5	1700009010	SWITCH, proximity	1				
6	1100041020	BOLT	4				
7	1130040012	NUT	2				
8	1100040816	BOLT	4				
9	1140020010	WASHER, spring	4				
10	1141110008	WASHER	7				
11	1141110010	WASHER	4				
12	1214000008	PIN, snap	1				
13	1140020008	WASHER, spring	4				
14	1100040830	BOLT	1				
15	1130040008	NUT	1				
16	0880463616	COVER(L.H.)	1				
17	0880463617	COVER(R.H.)	1				
18	1653900057	SPRING, gas	1				
19	1110040512	SCREW, cap	2				
20	1150410312	SCREW	2				
22	1140020005	WASHER, spring	2				
24	1141110005	WASHER	2				
25	0881461025	PLATE	1				
26	0093208300	WASHER	4				
	T9e132						

TL240 (P-TL240BAB) BU2Z002-1 S/N 22400001-
CANOPY MOUNT



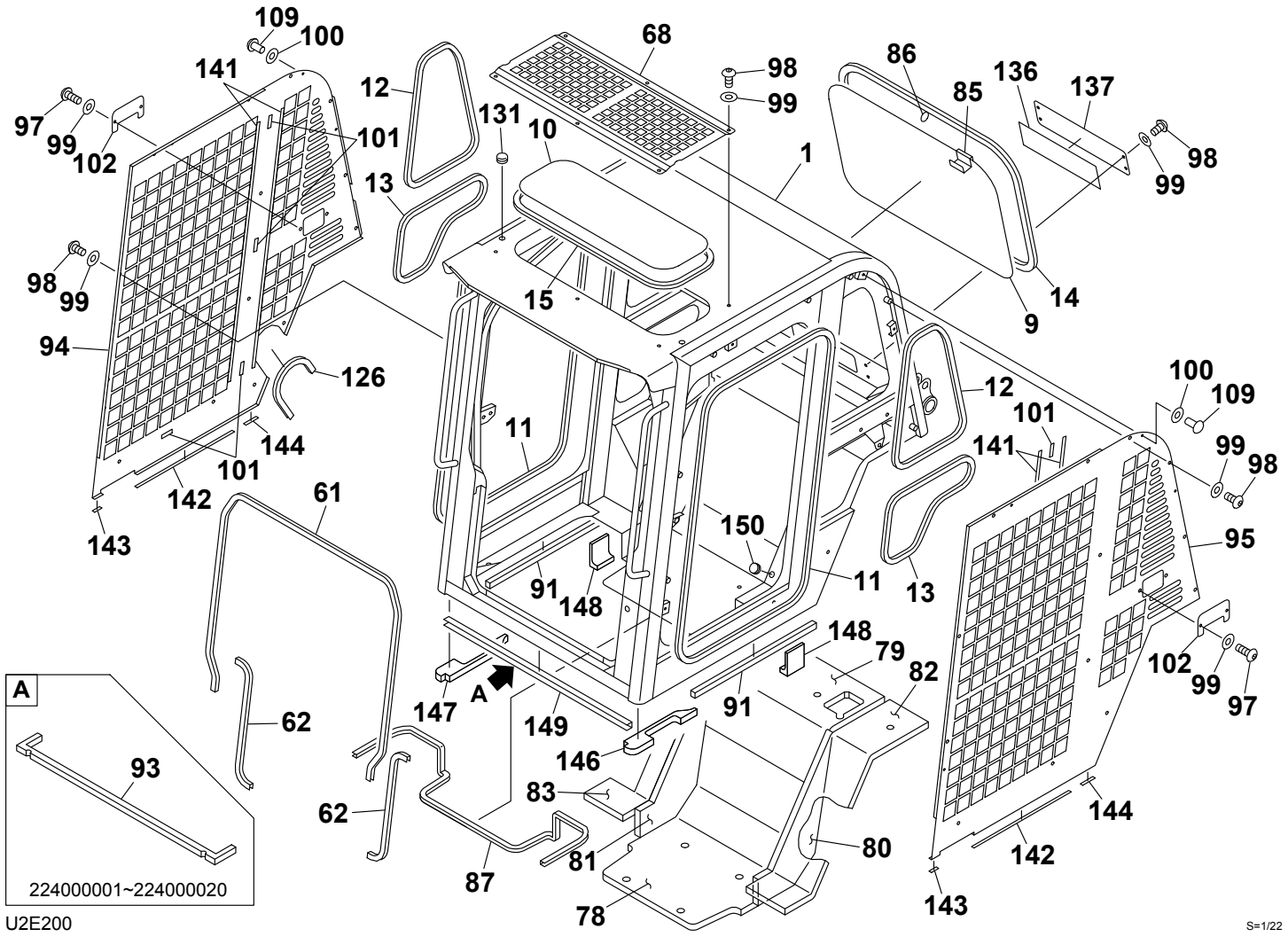
U2E050

S=1/20

CANOPY MOUNT

Item	Part number	Description	Q'ty	Chan.	Serial No.	Serv.	Remarks
		CANOPY MOUNT (for US)					
		CANOPY MOUNT (for EU)					
1	0880845300	CANOPY ASSY	1		224000001~224000020		for US
	0688401000	CANOPY ASSY	1		224000021~	M	for US
	0880845600	CANOPY ASSY	1				for EU
2	0881842030	BOLT ASSY	2				
3	0881842050	RUBBER, cushion	2				
4	0881841060	PIN ASSY	1				
4-1	0881841061	· PIN	1				
4-2	1652735886	· CHAIN	1				
4-3	1214000016	· PIN, snap	2				
5	0881840008	COLLAR	4				
6	0880840070	WASHER	4				
7	0881842040	RUBBER, cushion	2				
8	0003900044	WASHER	2				
9	0343503200	PIN	2				
10	0004010025	PIN	2				
11	1100041225	BOLT	4				
12	1100141610	BOLT	2				
13	1130040016	NUT	4				
14	1132080016	NUT	2				
15	1140020012	WASHER, spring	4				
16	1141110010	WASHER	4				
17	1210010432	PIN, split	2				
18	1214000008	PIN, snap	4				
19	1651005030	RUBBER, cushion	2				
20	1653900059	SPRING, gas	2				for EC
21	0003600165	WASHER	4				
22	1653900065	SPRING, gas	2				
24	1654306008	SPONGE (for US)	4		224000001~224000020		sold by the meter
	1654306008	SPONGE (for EU)	4				sold by the meter
	U2e051						

TL240 (P-TL240BAB) BU2Z002-1 S/N 22400001-
CANOPY (1/3) (for US)



U2E200

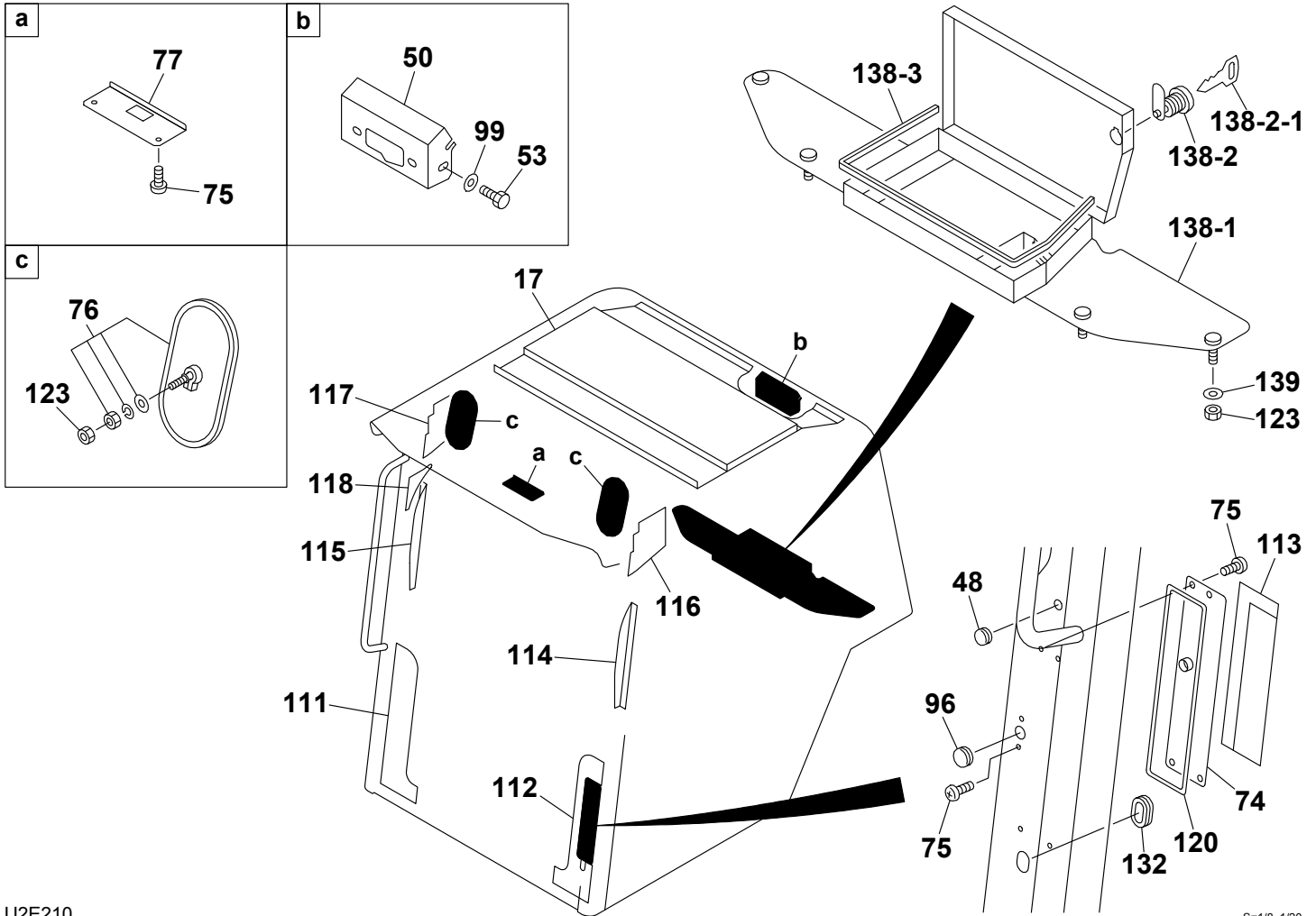
S=1/22

CANOPY (1/3) (for US)

Item	Part number	Description	Q'ty	Chan.	Serial No.	Serv.	Remarks
0	0880845300	CANOPY ASSY	1		224000001~224000020		
	0688401000	CANOPY ASSY	1		224000021~	M	
1	0880865200	· CANOPY	1		224000001~224000020		
	0688401100	· CANOPY	1		224000021~	M	
9	0880865103	· GLASS	1				
10	0880865104	· GLASS	1				
11	1653916320	· TRIM	2				sold by the meter
12	1653916148	· TRIM	2				sold by the meter
13	1653916120	· TRIM	2				sold by the meter
14	1654231273	· H-RUBBER	1				sold by the meter
15	1654231195	· H-RUBBER	1				sold by the meter
61	1654630240	· TRIM	1				sold by the meter
62	1654630060	· TRIM	2				sold by the meter
68	0880865129	· GUARD	1				
78	0881842010	· ABSORBENT, noise	1				
79	0880865133	· ABSORBENT, noise	1				
80	0880865134	· ABSORBENT, noise	1				
81	0880865135	· ABSORBENT, noise	1				
82	0880865136	· ABSORBENT, noise	1				
83	0880865137	· ABSORBENT, noise	1				
85	0880865138	· GRIP	1				
86	0880865139	· RING	1				
87	1654639203	· TRIM	1			M	sold by the meter
91	0880865140	· SEAL	2				
93	0880865141	· SEAL	1		224000001~224000020		
94	0880865142	· GUARD	1				
95	0880865143	· GUARD	1				
97	1120990820	· BOLT	4				
98	1120990816	· BOLT	37				
99	1654011705	· WASHER	41				
100	0880865144	· WASHER	8				
101	0880865145	· PLATE	8				
102	0880865146	· COVER	2				
109	0880865150	· RIVET	8				
126	1653916037	· TRIM	1				sold by the meter
131	1653303010	· CAP	2				
136	0880845301	· PACKING	1				
137	0880845302	· PLATE	1				
141	0880845303	· PLATE	4				
142	0880845304	· PLATE	2				
143	0880845305	· PLATE	2				
144	0880845306	· PLATE	2				
146	0668600240	· SPONGE	1		224000021~	M	
147	0668600250	· SPONGE	1		224000021~	M	
148	0668601009	· SPONGE	2		224000021~	M	
149	1654605088	· RUBBER	1		224000021~	M	sold by the meter
150	1654011966	· CAP	2		224000021~	M	

U2e200

TL240 (P-TL240BAB) BU2Z002-1 S/N 22400001-
CANOPY (2/3) (for US)



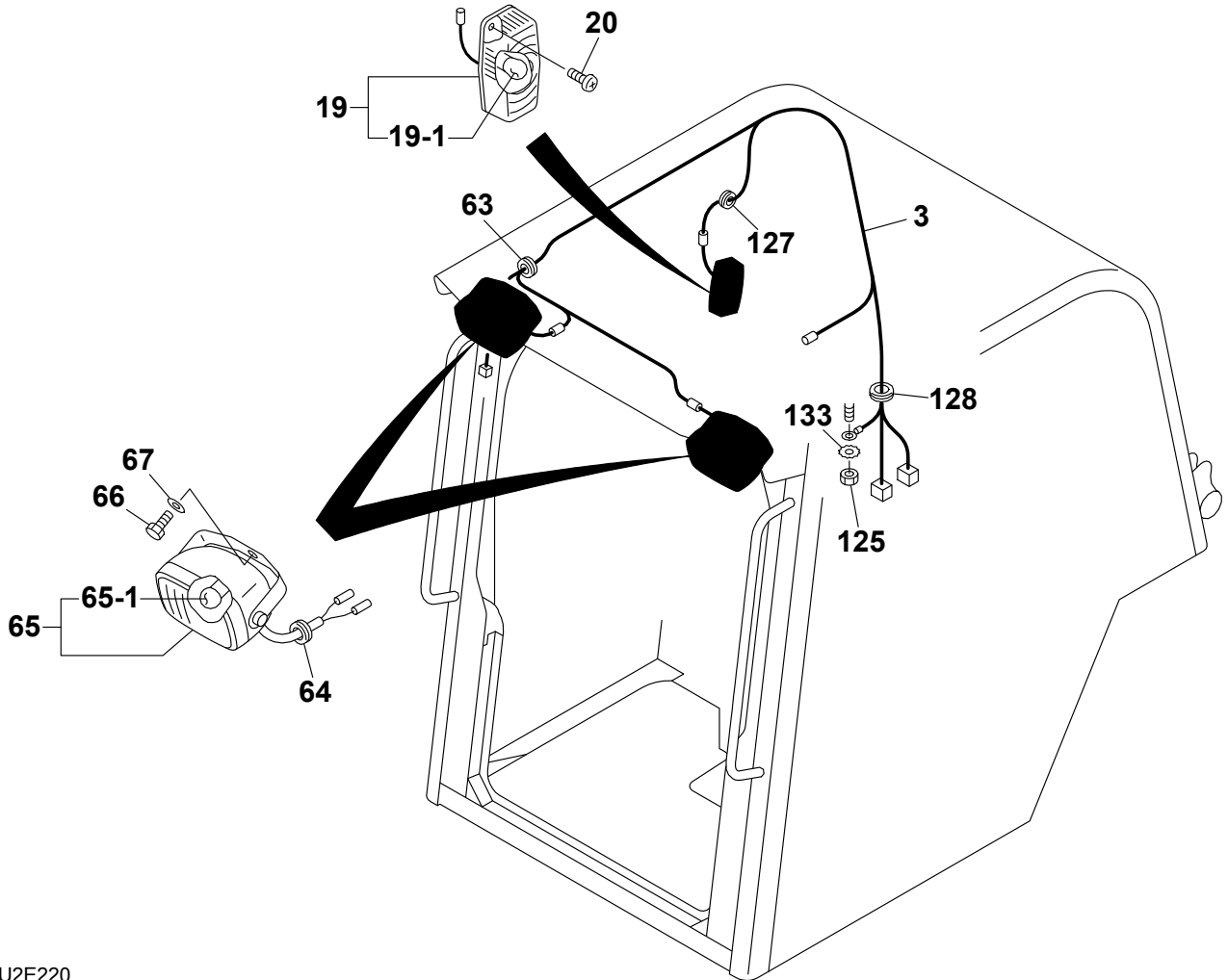
U2E210

S=1/8, 1/20

CANOPY (2/3) (for US)

Item	Part number	Description	Q'ty	Chan.	Serial No.	Serv.	Remarks
0	0880845300	CANOPY ASSY	1		224000001~224000020		
	0688401000	CANOPY ASSY	1		224000021~	M	
17	0880865106	· ABSORBENT, noise	1				
48	1654011703	· CAP	1				
50	0880865121	· BRACKET	1				
53	1100090820	· BOLT	3				
74	0880865130	· COVER	1				
75	1150420512	· SCREW	8				
76	0880865131	· MIRROR, rearview	2				
77	0880865132	· COVER	1				
96	1654011704	· CAP	1				
99	1654011705	· WASHER	3				
111	0880865151	· ABSORBENT, noise	1				
112	0880865152	· ABSORBENT, noise	1				
113	0880865153	· ABSORBENT, noise	1				
114	0880865154	· ABSORBENT, noise	1				
115	0880865155	· ABSORBENT, noise	1				
116	0880865156	· ABSORBENT, noise	1				
117	0880865157	· ABSORBENT, noise	1				
118	0880865158	· ABSORBENT, noise	1				
120	0880865159	· SEAL	1				
123	1130040008	· NUT	6				
132	1654011701	· GROMMET	1				
138	0880845320	· CASE ASSY	1				
138-1	0880845321	· · CASE	1				
138-2	1653601395	· · LOCK	1				
138-2-1	1700100019	· · KEY	1				
138-3	1653916058	· · TRIM	1				sold by the meter
139	1141550008	· WASHER	4				
	U2e210						

TL240 (P-TL240BAB) BU2Z002-1 S/N 224000001-
CANOPY (3/3) (for US)



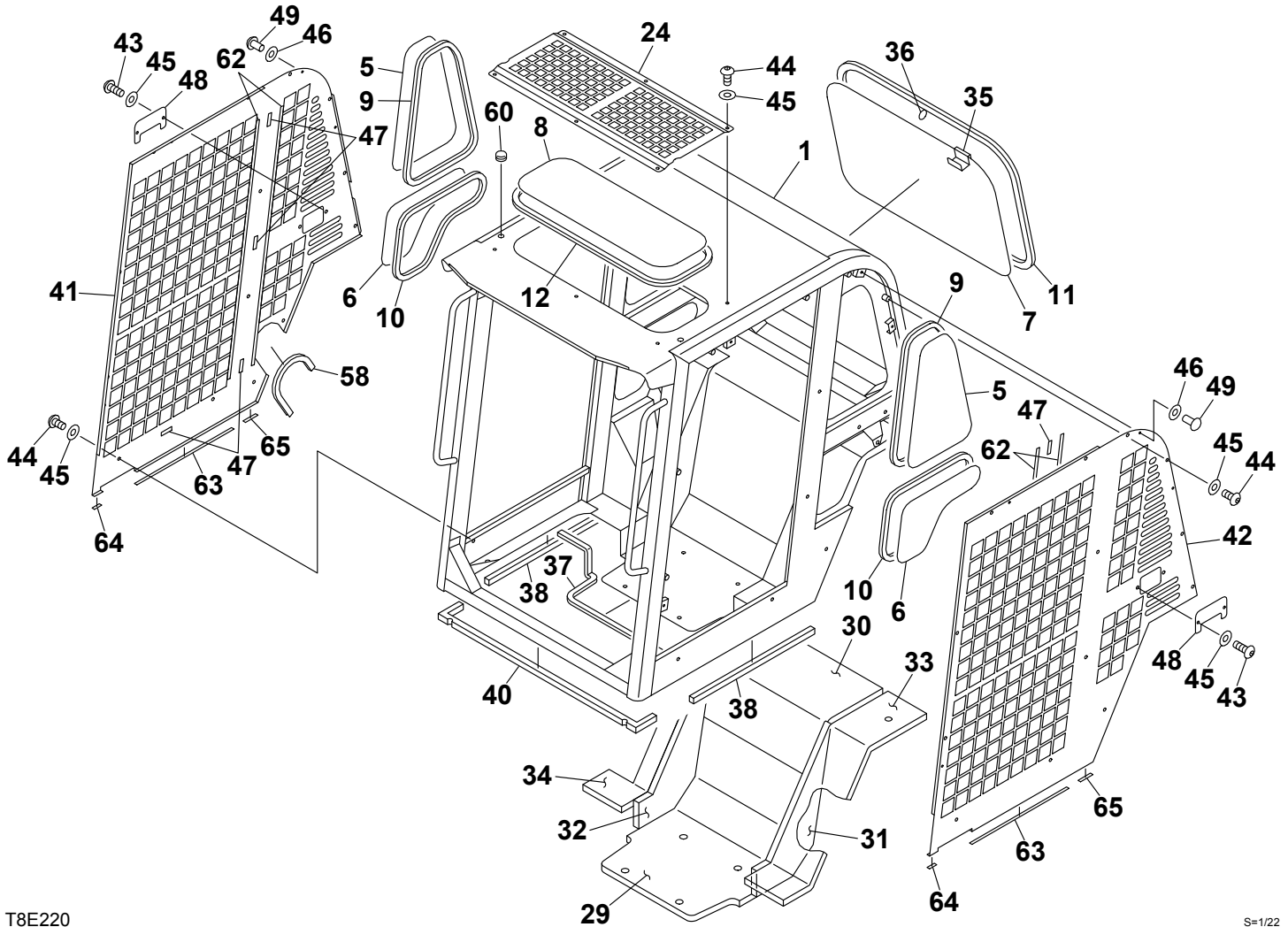
U2E220

S=1/8, 1/10, 1/15

CANOPY (3/3) (for US)

Item	Part number	Description	Q'ty	Chan.	Serial No.	Serv.	Remarks
0	0880845300	CANOPY ASSY	1		224000001~224000020		
	0688401000	CANOPY ASSY	1		224000021~	M	
3	0880865400	· HARNESS, wiring	1				
19	1703001700	· LAMP, room	1				
19-1	1703001701	· · BULB	1				
20	1150410412	· SCREW	2				
63	1652042030	· GROMMET	1				
64	1652000602	· GROMMET	2				
65	1703006600	· LAMP, ASSY	2				
65-1	1703006605	· · BULB	1				
66	1100091020	· BOLT	2				
67	1654011706	· WASHER	2				
125	1130040010	· NUT	1				
127	1654011700	· GROMMET	1				
128	1654011702	· GROMMET	1				
133	1140330010	· WASHER	1				
	U2e220						

TL240 (P-TL240BAB) BU2Z002-1 S/N 22400001-
CANOPY (1/3) (for EU)



T8E220

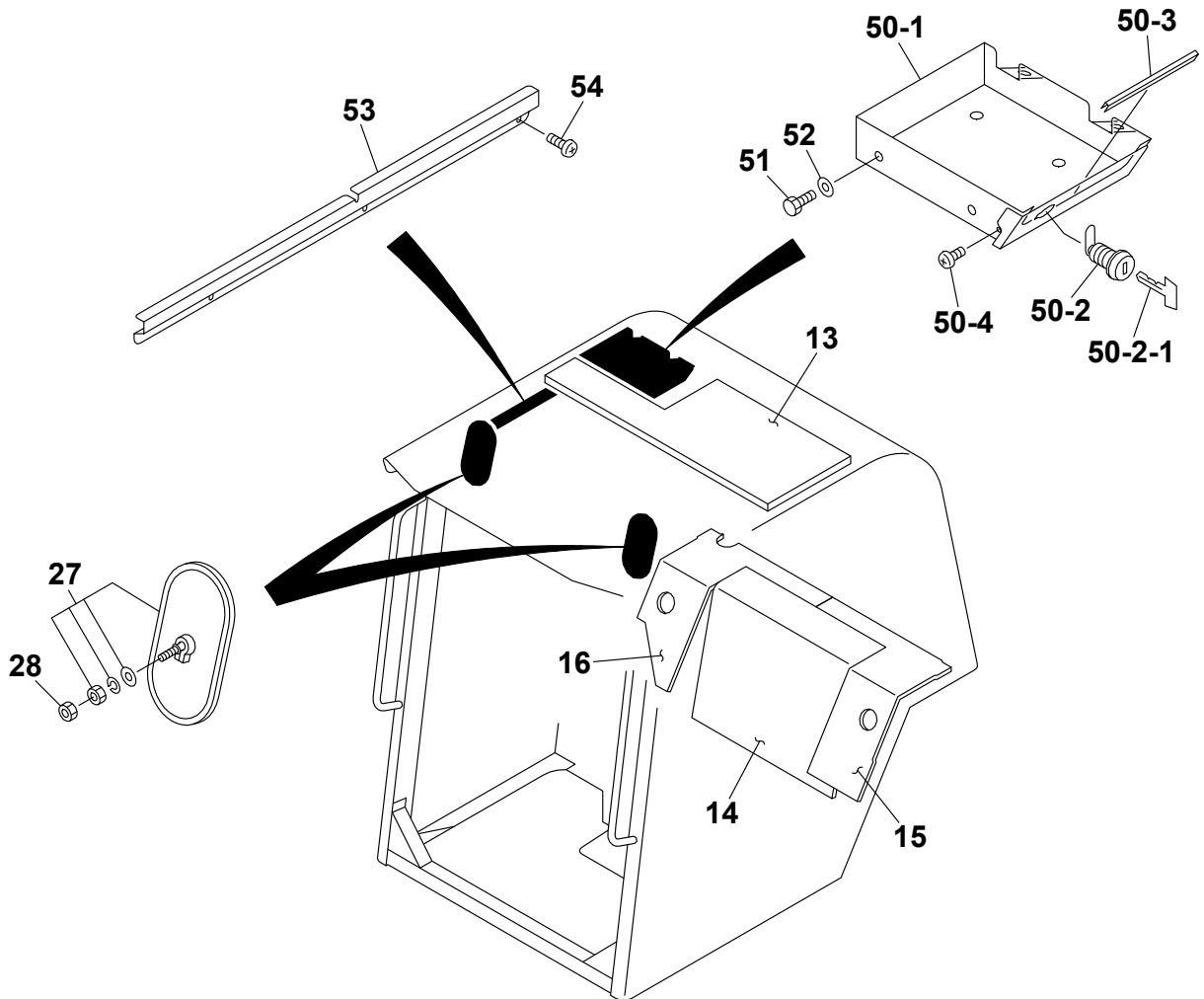
S=1/22

CANOPY (1/3) (for EU)

Item	Part number	Description	Q'ty	Chan.	Serial No.	Serv.	Remarks
0	0880845600	CANOPY ASSY	1				
1	0880845700	· CANOPY	1				
5	0880865101	· GLASS	2				
6	0880865102	· GLASS	2				
7	0880865103	· GLASS	1				
8	0880865104	· GLASS	1				
9	1654231148	· H-RUBBER	2				sold by the meter
10	1654231120	· H-RUBBER	2				sold by the meter
11	1654231273	· H-RUBBER	1				sold by the meter
12	1654231195	· H-RUBBER	1				sold by the meter
24	0880865129	· GUARD	1				
29	0881842010	· ABSORBENT, noise	1				
30	0880845605	· ABSORBENT, noise	1				
31	0880865134	· ABSORBENT, noise	1				
32	0880865135	· ABSORBENT, noise	1				
33	0880865136	· ABSORBENT, noise	1				
34	0880865137	· ABSORBENT, noise	1				
35	0880865138	· GRIP	1				
36	0880865139	· RING	1				
37	1654623130	· TRIM	1				sold by the meter
38	0880865140	· SEAL	2				
40	0880865141	· SEAL	1				
41	0880865142	· GUARD	1				
42	0880865143	· GUARD	1				
43	1120990820	· BOLT	4				
44	1120990816	· BOLT	33				
45	1654011705	· WASHER	37				
46	0880865144	· WASHER	8				
47	0880865145	· PLATE	8				
48	0880865146	· COVER	2				
49	0880865150	· RIVET	8				
58	1653916037	· TRIM	1				sold by the meter
60	1653303010	· SCREW, cap	2				
62	0880845303	· PLATE	4				
63	0880845304	· PLATE	2				
64	0880845305	· PLATE	2				
65	0880845306	· PLATE	2				

T8e221

TL240 (P-TL240BAB) BU2Z002-1 S/N 224000001-
CANOPY (2/3) (for EU)



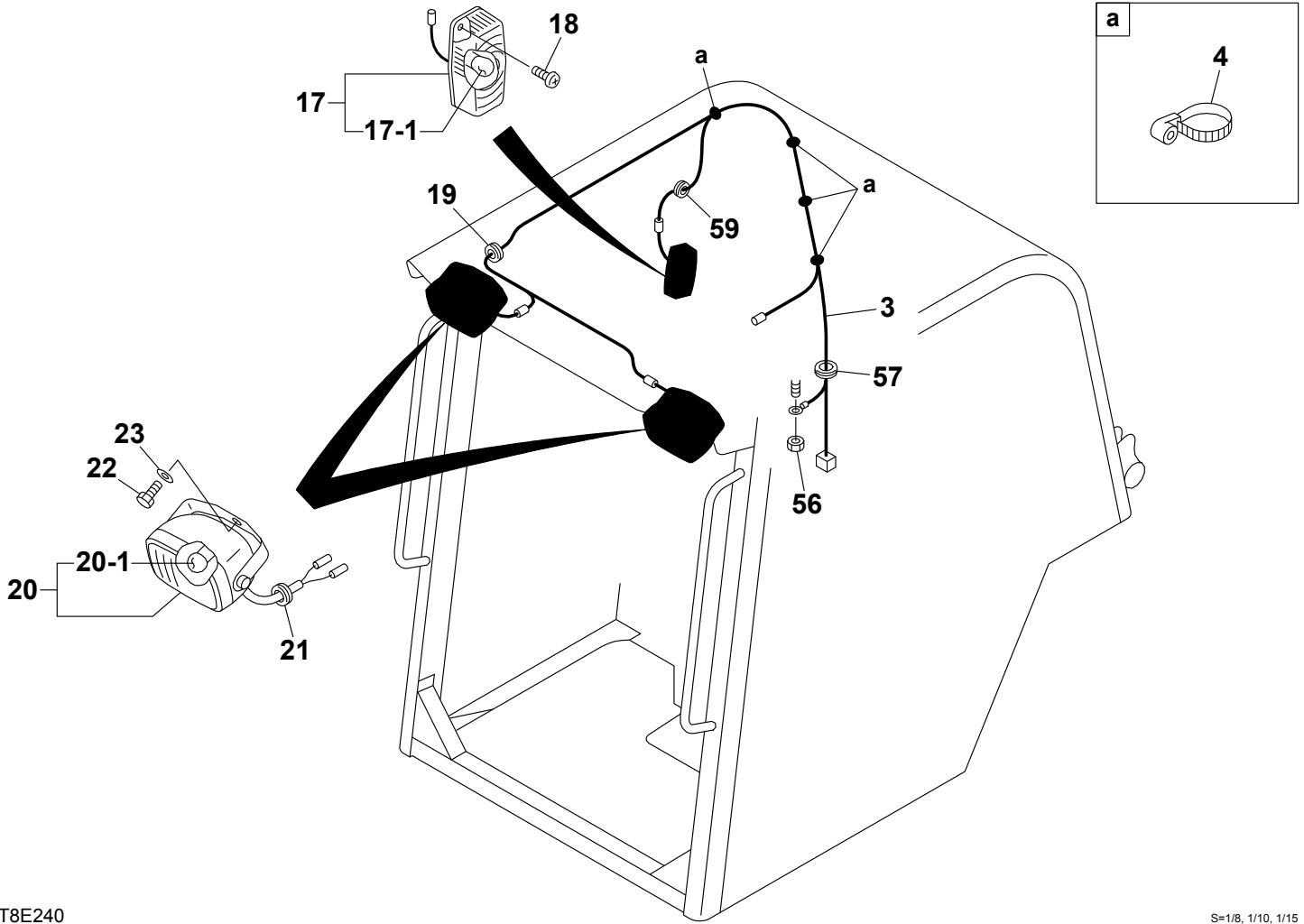
T8E230

S=1/8, 1/20

CANOPY (2/3) (for EU)

Item	Part number	Description	Q'ty	Chan.	Serial No.	Serv.	Remarks
0	0880845600	CANOPY ASSY	1				
13	0880845601	· ABSORBENT, noise	1				
14	0880845602	· ABSORBENT, noise	1				
15	0880845603	· ABSORBENT, noise	1				
16	0880845604	· ABSORBENT, noise	1				
27	0880865131	· MIRROR, rearview	2				
28	1130090008	· NUT	2				
50	0880845680	· CASE ASSY	1				
50-1	0880845681	· · CASE	1				
50-2	1653601395	· · LOCK	1				
50-2-1	1700100019	· · KEY	1				
50-3	1654520014	· · TRIM	1				sold by the meter
50-4	1150420610	· · SCREW	1				
51	1100090820	· BOLT	4				
52	1654011705	· WASHER	4				
53	0880845605	· COVER	1				
54	1150420512	· SCREW	3				
	T8e231						

TL240 (P-TL240BAB) BU2Z002-1 S/N 224000001-
CANOPY (3/3) (for EU)



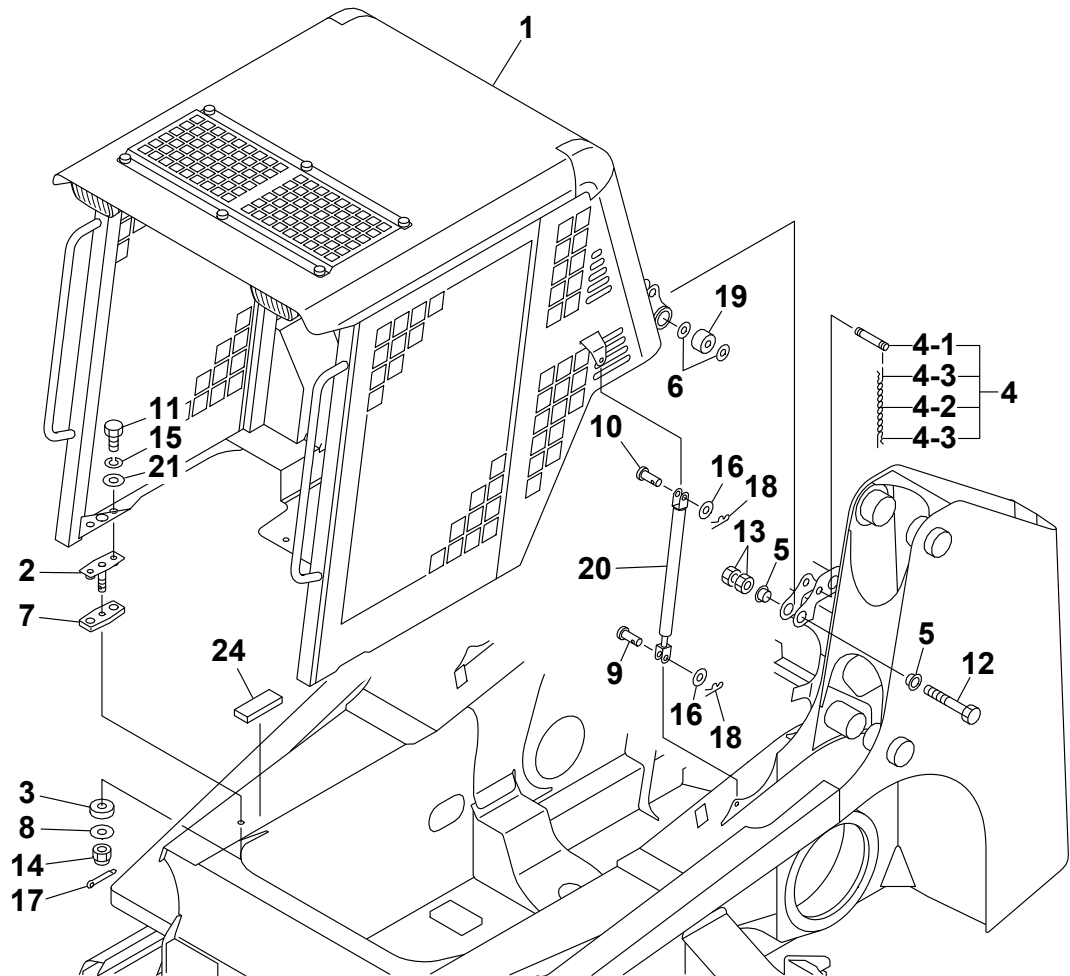
T8E240

S=1/8, 1/10, 1/15

CANOPY (3/3) (for EU)

Item	Part number	Description	Q'ty	Chan.	Serial No.	Serv.	Remarks
0	0880845600	CANOPY ASSY	1				
3	0880845670	· HARNESS, wiring	1				
4	1652221050	· CLIP	4				
17	1703001700	· LAMP, room	1				
17-1	1703001701	· · BULB	1				
18	1150410412	· SCREW	2				
19	1652042030	· GROMMET	1				
20	1703006600	· LAMP, ASSY	2				
20-1	1703006605	· · BULB	1				
21	1652000602	· GROMMET	2				
22	1100091020	· BOLT	2				
23	1654011706	· WASHER	2				
56	1130040010	· NUT	1				
57	1654011702	· GROMMET	1				
59	1654011700	· GROMMET	1				
	T8e241						

TL240 (P-TL240BAB) BU2Z002-1 S/N 224000001-
CANOPY MOUNT (for GEHL & MUSTANG)



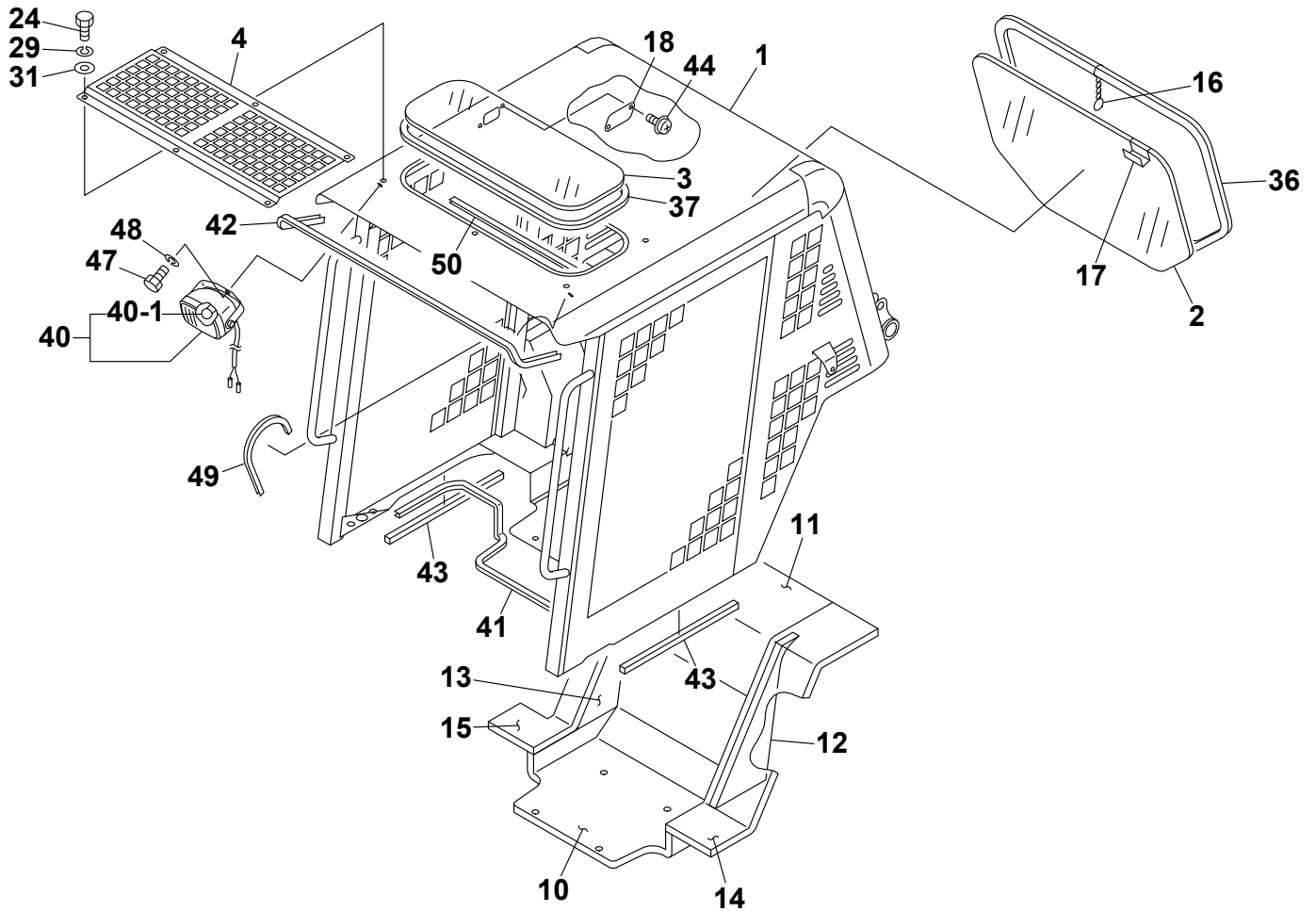
U2E060

S=1/20

CANOPY MOUNT (for GEHL & MUSTANG)

Item	Part number	Description	Q'ty	Chan.	Serial No.	Serv.	Remarks
		CANOPY MOUNT					
1	0880846600	CANOPY ASSY	1				
2	0881842030	BOLT	2				
3	0881842050	RUBBER, cushion	2				
4	0881841060	PIN ASSY	1				
4-1	0881841061	· PIN	1				
4-2	1652735886	· CHAIN	1				
4-3	1214000016	· PIN, snap	2				
5	0881840008	COLLAR	4				
6	0880840070	WASHER	4				
7	0881842040	RUBBER, cushion	2				
8	0003900044	WASHER	2				
9	0343503200	PIN	2				
10	0004010025	PIN	2				
11	1100041225	BOLT	4				
12	1100141610	BOLT	2				
13	1130040016	NUT	4				
14	1132080016	NUT	2				
15	1140020012	WASHER, spring	4				
16	1141110010	WASHER	4				
17	1210010432	PIN, split	2				
18	1214000008	PIN, snap	4				
19	1651005030	RUBBER, cushion	2				
20	1653900047	SPRING, gas	2				
21	0003600165	WASHER	4				
24	1654306008	SPONGE	2				sold by the meter
	U2e060						

TL240 (P-TL240BAB) BU2Z002-1 S/N 22400001-
CANOPY (1/2) (for GEHL & MUSTANG)



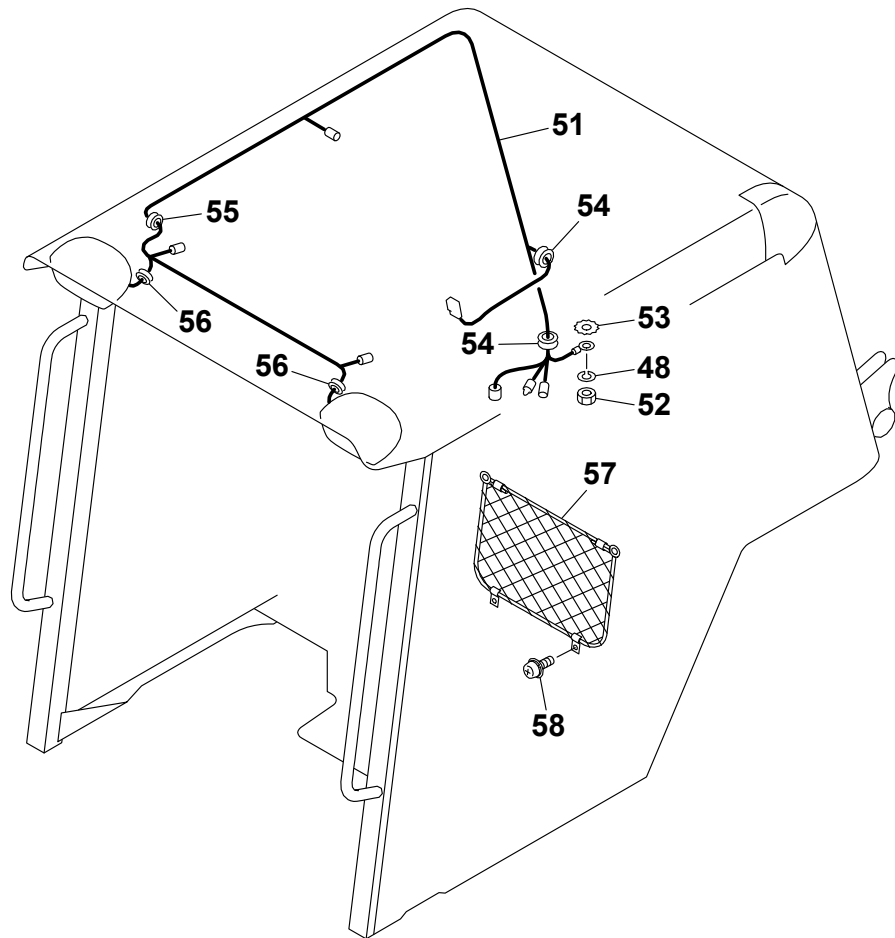
U2E070

S=1/20

CANOPY (1/2) (for GEHL & MUSTANG)

Item	Part number	Description	Q'ty	Chan.	Serial No.	Serv.	Remarks
0	0880846600	CANOPY ASSY	1				
1	0880846700	· CANOPY	1				
2	0881842002	· GLASS	1				
3	0880844003	· GLASS	1				
4	0880844004	· PLATE	1				
10	0881842010	· ABSORBENT, noise	1				
11	0880844011	· ABSORBENT, noise	1				
12	0881842012	· ABSORBENT, noise (L.H.)	1				
13	0881842013	· ABSORBENT, noise (R.H.)	1				
14	0880843514	· ABSORBENT, noise	1				
15	0880844015	· ABSORBENT, noise	1				
16	0880841040	· RING, pull	1				
17	0880841080	· HANDLE	1				
18	0881842017	· PLATE	1				
24	1100040816	· BOLT	6				
29	1140020008	· WASHER, spring	6				
31	1141110008	· WASHER	6				
36	1654252253	· H-RUBBER	1				sold by the meter
37	1654252200	· H-RUBBER	1				sold by the meter
40	1703006600	· LAMP ASSY	2				
40-1	1703006605	· · BULB	1				12V, 55W
41	1654639134	· TRIM	1			M	sold by the meter
42	1654601153	· TRIM	1				sold by the meter
43	1654350057	· SPONGE	2				sold by the meter
44	1150420412	· SCREW	2				
47	1100041020	· BOLT	2				
48	1140020010	· WASHER, spring	2				
49	1653916038	· TRIM	1				sold by the meter
50	1654601060	· TRIM	1				sold by the meter
	U2e071						

TL240 (P-TL240BAB) BU2Z002-1 S/N 22400001-
CANOPY (2/2) (for GEHL & MUSTANG)



U2E080

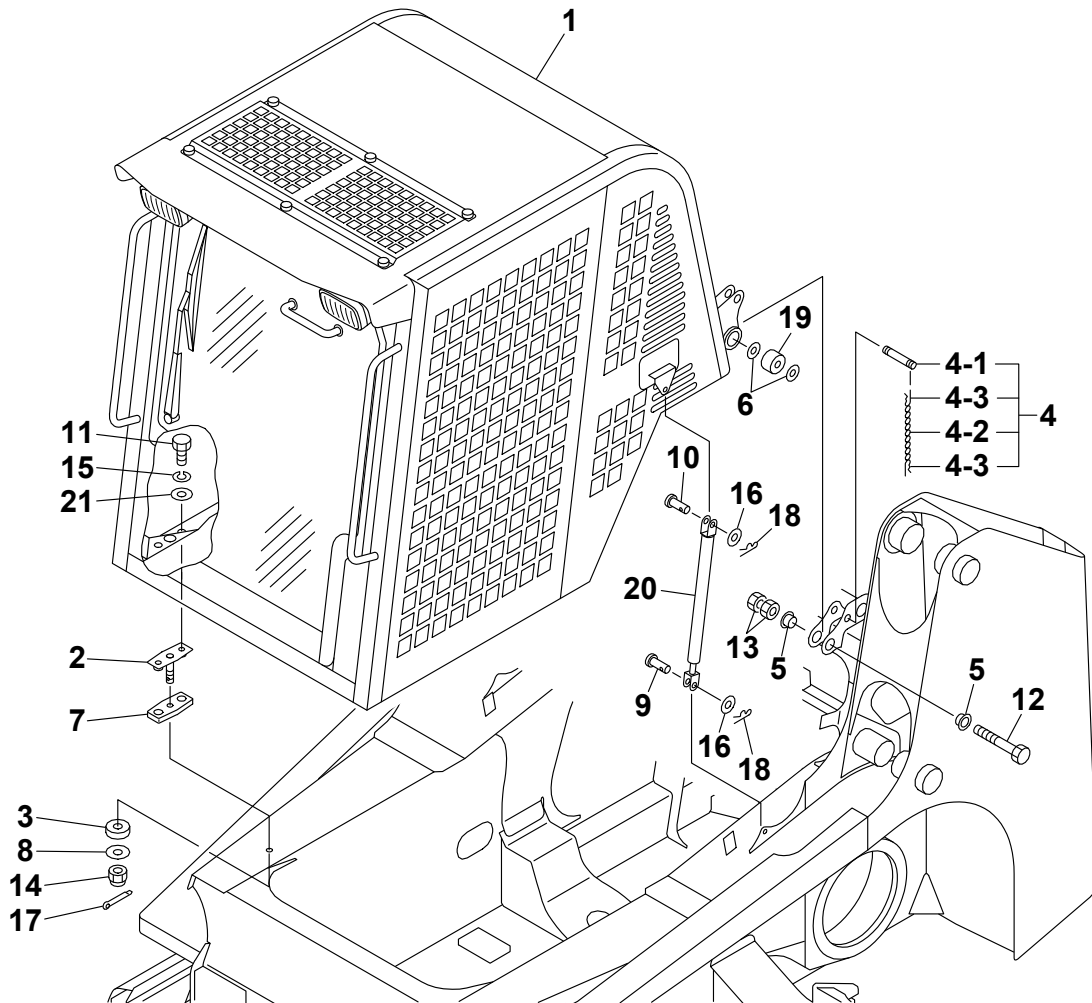
S=1/15

CANOPY (2/2) (for GEHL & MUSTANG)

Item	Part number	Description	Q'ty	Chan.	Serial No.	Serv.	Remarks
0	0880846600	CANOPY ASSY	1				
48	1140020010	· WASHER, spring	1				
51	0881842060	· HARNESS, wiring	1				
52	1130040010	· NUT	1				
53	1140330010	· WASHER	1				
54	1652052800	· GROMMET	3				
55	1652053600	· GROMMET	1				
56	1652040930	· GROMMET	2				
57	1653691350	· POCKET	1				M
58	1150010514	· SCREW	4				M

U2e081

TL240 (P-TL240BAB) BU2Z002-1 S/N 22400001-
CAB MOUNT



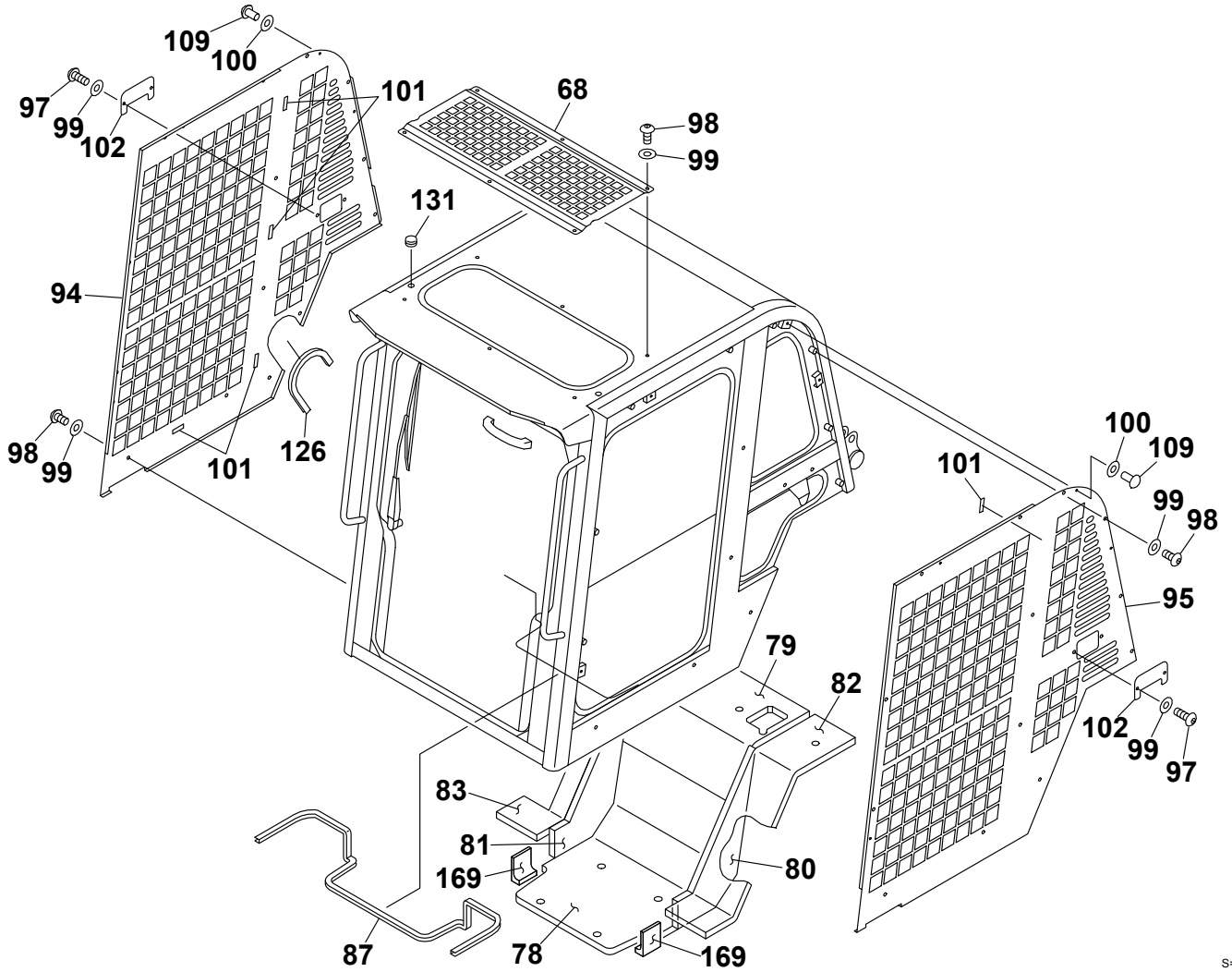
U2E090

S=1/20

CAB MOUNT

Item	Part number	Description	Q'ty	Chan.	Serial No.	Serv.	Remarks
		CAB MOUNT					
		CAB MOUNT (for EU)					
1	0668601000	CAB	1				
	0668602000	CAB	1				for EU
2	0881842030	BOLT ASSY	2				
3	0881842050	RUBBER, cushion	2				
4	0881841060	PIN ASSY	1				
4-1	0881841061	· PIN	1				
4-2	1652735886	· CHAIN	1				
4-3	1214000016	· PIN, snap	2				
5	0881840008	COLLAR	4				
6	0880840070	WASHER	4				
7	0881842040	RUBBER, cushion	2				
8	0003900044	WASHER	2				
9	0343503200	PIN	2				
10	0004010025	PIN	2				
11	1100041225	BOLT	4				
12	1100141610	BOLT	2				
13	1130040016	NUT	4				
14	1132080016	NUT	2				
15	1140020012	WASHER, spring	4				
16	1141110010	WASHER	4				
17	1210010432	PIN, split	2				
18	1214000008	PIN, snap	4				
19	1651005030	RUBBER, cushion	2				
20	1653900060	SPRING, gas	2				
21	0003600165	WASHER	4				
	U2e090						

TL240 (P-TL240BAB) BU2Z002-1 S/N 22400001-
CAB (1/6)

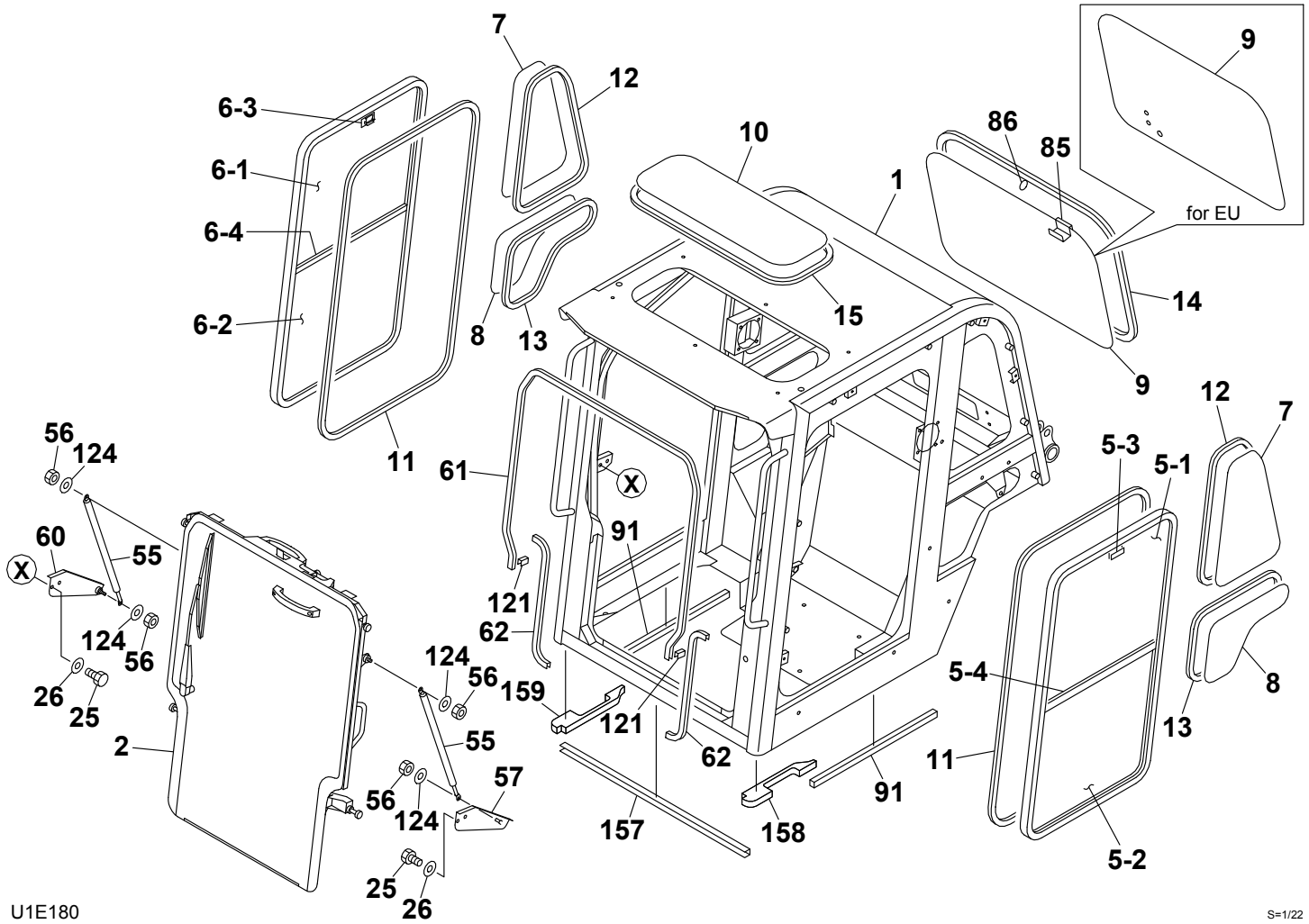


U1E170

S=1/22

CAB (1/6)						
Item	Part number	Description	Q'ty	Chan.	Serial No.	Serv. Remarks
0	0668601000	CAB ASSY	1			
	0668602000	CAB ASSY (for EU)	1			
68	0880865129	· GUARD	1			
78	0881842010	· ABSORBENT, noise	1			
79	0880865133	· ABSORBENT, noise	1			
80	0880865134	· ABSORBENT, noise	1			
81	0880865135	· ABSORBENT, noise	1			
82	0880865136	· ABSORBENT, noise	1			
83	0880865137	· ABSORBENT, noise	1			
87	1654639203	· TRIM	1			M sold by the meter
94	0880865142	· GUARD	1			
95	0880865143	· GUARD	1			
97	1120990820	· SCREW	4			
98	1120990816	· SCREW	33			
99	1654011705	· WASHER	37			
100	0880865144	· WASHER	8			
101	0880865145	· PLATE	8			
102	0880865146	· COVER	2			
109	0880865150	· RIVET	8			
126	1653918037	· TRIM	1			M sold by the meter
131	1653303010	· CAP	2			
169	0668601009	· SPONGE	2			M
	U1e170					

TL240 (P-TL240BAB) BU2Z002-1 S/N 22400001-
CAB (2/6)



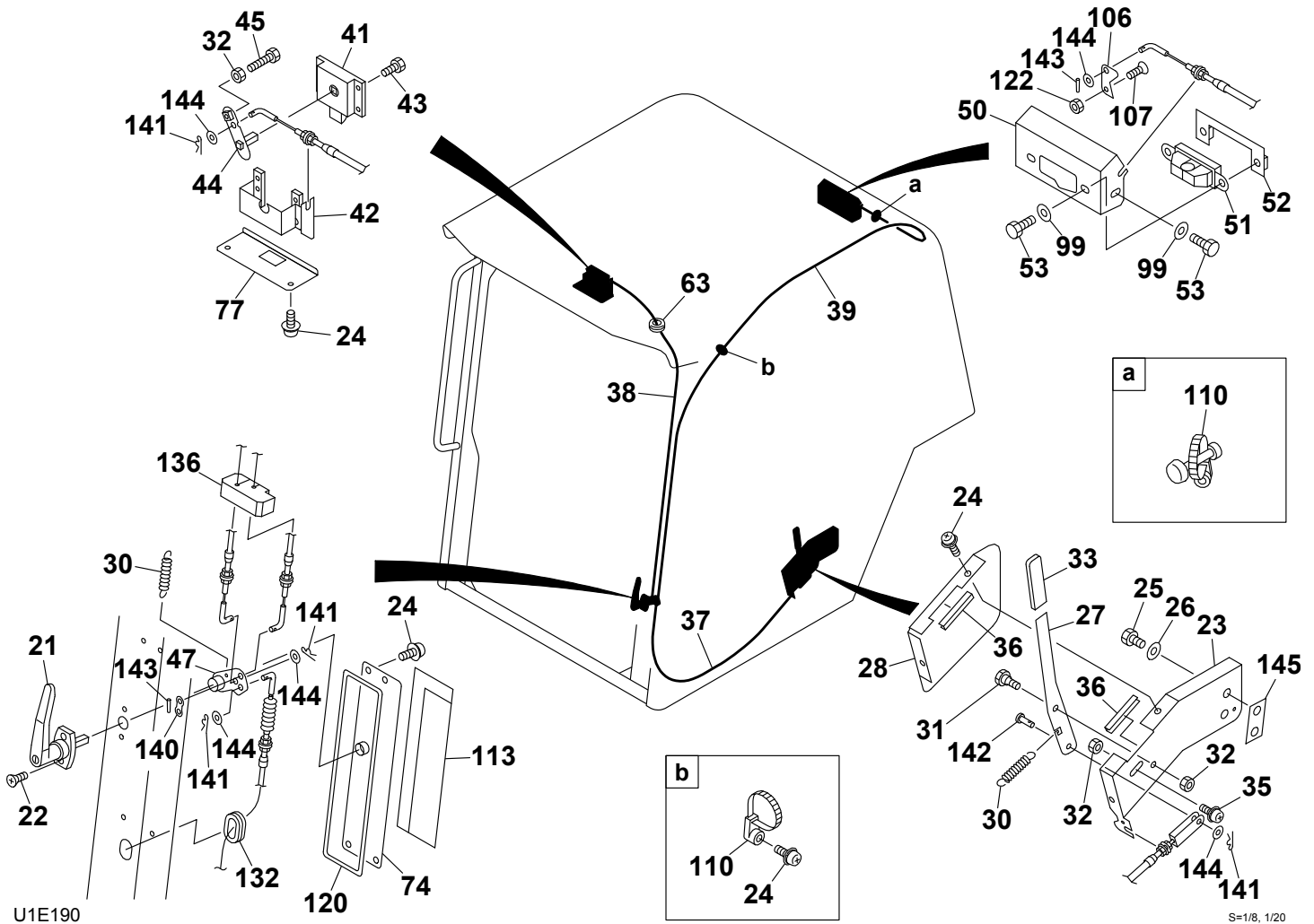
U1E180

S=1/22

CAB (2/6)							
Item	Part number	Description	Q'ty	Chan.	Serial No.	Serv.	Remarks
0	0668601000	CAB ASSY	1				
	0668602000	CAB ASSY (for EU)	1				
1	X *****	· CAB	1				
2	0668601200	· DOOR ASSY, front	1			M	see page (6/6)
5	0880865420	· SIDE SASH ASSY (L.H.)	1			M	
5-1	0880865422	· · GLASS	1			M	
5-2	0880865423	· · GLASS	1			M	
5-3	0880865424	· · LOCK ASSY	1			M	
5-4	0880865427	· · STRIP, weather	1			M	
6	0880865430	· SIDE SASH ASSY (R.H.)	1			M	
6-1	0880865422	· · GLASS	1			M	
6-2	0880865423	· · GLASS	1			M	
6-3	0880865424	· · LOCK ASSY	1			M	
6-4	0880865437	· · STRIP, weather	1			M	
7	0880865101	· GLASS	2				
8	0880865102	· GLASS	2				
9	0880865103	· GLASS	1				
	0882861109	· GLASS	1			M	for EU
10	0880865104	· GLASS	1				
11	1654253320	· H-RUBBER	2			M	sold by the meter
12	1654231148	· H-RUBBER	2				sold by the meter
13	1654231120	· H-RUBBER	2				sold by the meter
14	1654231265	· H-RUBBER	1			M	sold by the meter
	1654253265	· H-RUBBER (for EU)	1			M	sold by the meter
15	1654231195	· H-RUBBER	1				sold by the meter
25	1100091020	· BOLT	4				
26	1654011706	· WASHER	4				
55	0880865124	· SPRING, gas	2			M	
56	1134090006	· NUT	4			M	
57	0880865125	· BRACKET	1			M	
60	0880865126	· BRACKET	1			M	
61	1654630240	· TRIM	1				sold by the meter
62	1654630060	· TRIM	2				sold by the meter
85	0880865138	· GRIP	1				
	0882861185	· GRIP	1			M	for EU
86	0880865139	· RING	1				
91	0880865140	· SEAL	2				
121	1654619003	· SEAL	2			M	sold by the meter
124	1141190008	· WASHER	4			M	
157	1654605088	· RUBBER	1			M	sold by the meter
158	0668600240	· SEAL	1			M	
159	0668600250	· SEAL	1			M	

U1e180

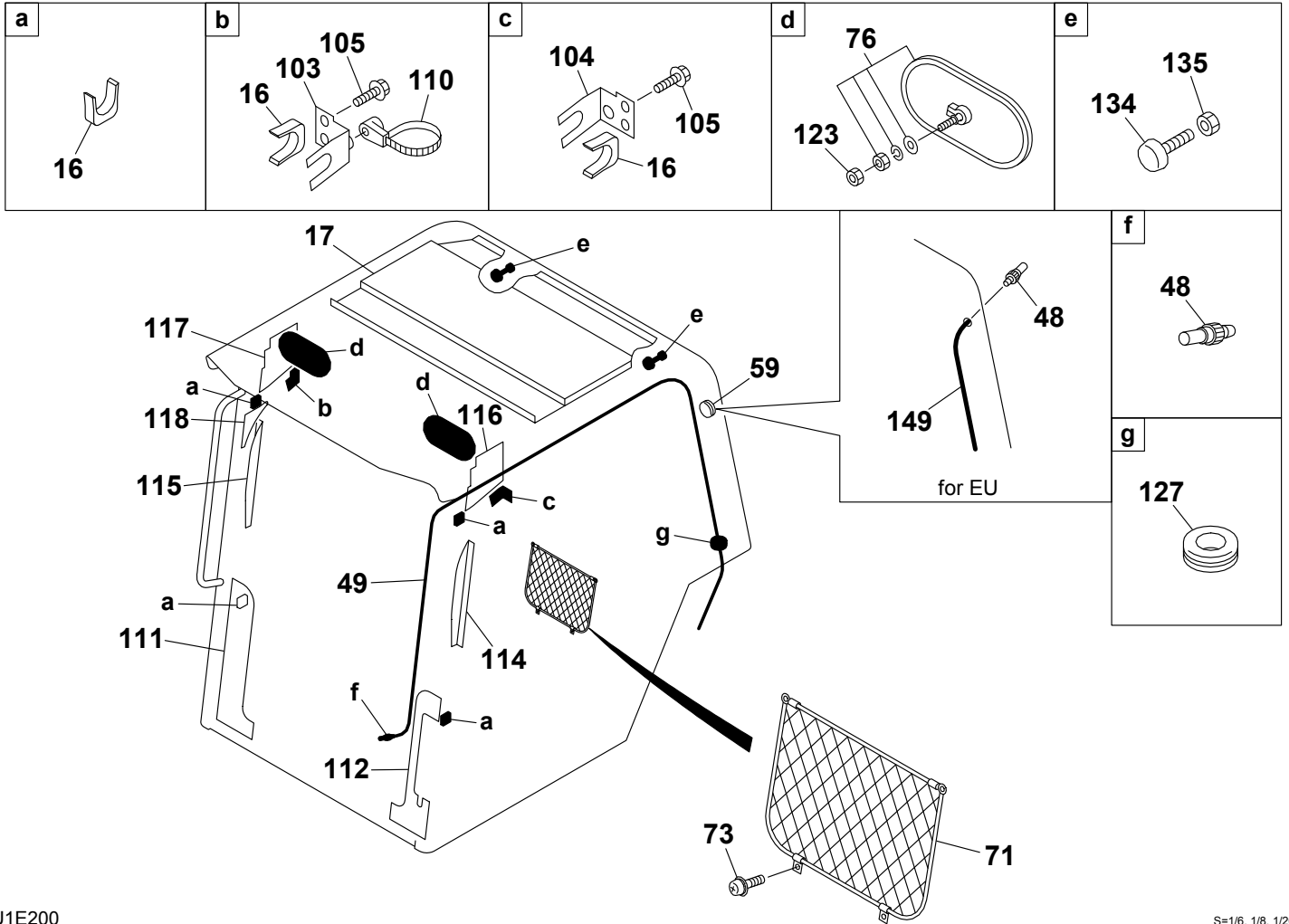
TL240 (P-TL240BAB) BU2Z002-1 S/N 22400001-
CAB (3/6)



CAB (3/6)							
Item	Part number	Description	Q'ty	Chan.	Serial No.	Serv.	Remarks
0	0668601000	CAB ASSY	1				
	0668602000	CAB ASSY (for EU)	1				
21	1654011500	· HANDLE	1			M	
22	1120690520	· SCREW	2			M	
23	0880865161	· BRACKET	1			M	
24	1150420512	· SCREW, sems	9				
25	1100091020	· BOLT	2				
26	1654011706	· WASHER	2				
27	0880865162	· LEVER	1			M	
28	0880865110	· COVER	1			M	
30	0880865112	· SPRING	2			M	
31	1654010800	· PIN	1			M	
32	1131242006	· NUT	3			M	
33	0438601760	· COVER	1			M	
35	1150410612	· SCREW, sems	1				
36	1653916005	· TRIM	2				sold by the meter
37	0880865163	· CABLE	1			M	
38	0880865164	· CABLE	1			M	
39	0880865165	· CABLE	1			M	
41	1654011740	· LATCH	1			M	
42	0880865118	· PLATE	1			M	
43	1100090616	· BOLT	4			M	
44	0880865166	· PLATE	1			M	
45	1100240630	· BOLT	1			M	
47	0880865167	· PLATE	1			M	
50	0880865121	· BRACKET	1				
51	1653384630	· LOCK	1			M	
52	0880865123	· PLATE	1			M	
53	1100090820	· BOLT	5				
63	1652042030	· GROMMET	1				
74	0880865130	· COVER	1				
77	0880865132	· COVER	1				
99	1654011705	· WASHER	5				
106	0880865171	· BRACKET	1			M	
107	1120630512	· SCREW	1			M	
110	1652221050	· BAND	2				
113	0880865153	· ABSORBENT, noise	1				
120	0880865159	· SEAL	1				
122	1131242005	· NUT	1			M	
132	1654011701	· GROMMET	1				
136	0880865160	· PACKING	2			M	
140	0880865168	· PLATE	1			M	
141	1214000006	· PIN	4			M	
142	0880865170	· PIN	1			M	
143	1210002012	· PIN	2			M	
144	1654011711	· WASHER	4			M	
145	0880865169	· SHIM	1			M	

U1e190

TL240 (P-TL240BAB) BU2Z002-1 S/N 22400001-
CAB (4/6)

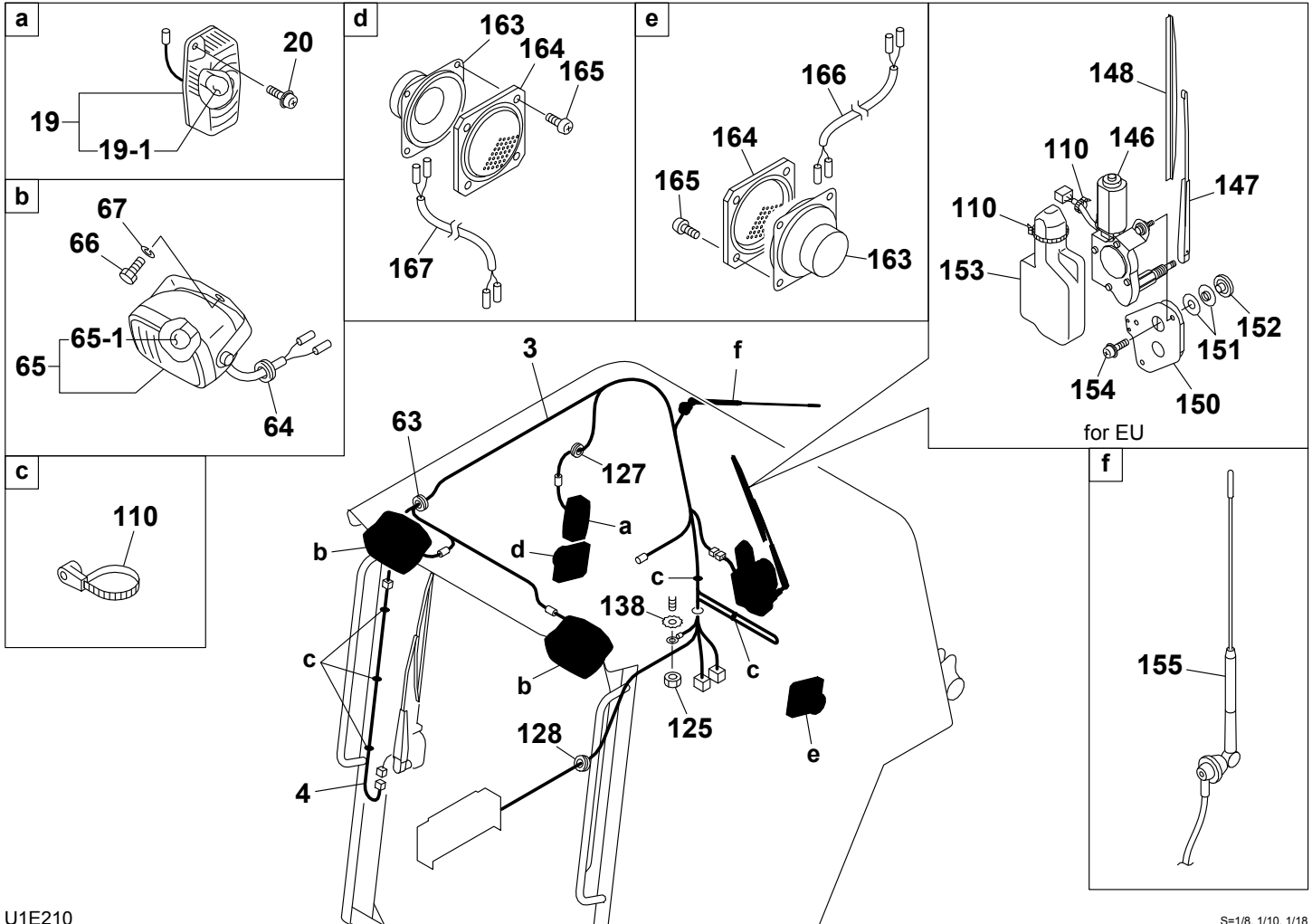


U1E200

S=1/6, 1/8, 1/20

CAB (4/6)							
Item	Part number	Description	Q'ty	Chan.	Serial No.	Serv.	Remarks
0	0668601000	CAB ASSY	1				
	0668602000	CAB ASSY (for EU)	1				
16	0880865105	· STOPPER	6			M	
17	0880865106	· ABSORBENT, noise	1				
48	1711910040	· PIPE	1			M	
	1711910040	· PIPE	2			M	for EU
49	1711919285	· HOSE	1			M	sold by the meter
59	1654011703	· CAP	1				
71	1654010600	· POCKET	1			M	
73	1150410416	· SCREW, sems	4			M	
76	0880865131	· MIRROR, rearview	2				
103	0880865147	· BRACKET	1			M	
104	0880865148	· BRACKET	1			M	
105	110090620	· BOLT	4			M	
110	1652221050	· BAND	1				
111	0880865151	· ABSORBENT, noise	1				
112	0880865152	· ABSORBENT, noise	1				
114	0880865154	· ABSORBENT, noise	1				
115	0880865155	· ABSORBENT, noise	1				
116	0880865156	· ABSORBENT, noise	1				
117	0880865157	· ABSORBENT, noise	1				
118	0880865158	· ABSORBENT, noise	1				
123	1130040008	· NUT	2				
127	1654011700	· GROMMET	1				sold by the meter
134	1651101042	· STOPPER	2			M	
135	1130090010	· NUT	2			M	
149	1711919135	· HOSE(for EU)	1			M	sold by the meter
	U1e200						

TL240 (P-TL240BAB) BU2Z002-1 S/N 22400001-
CAB (5/6)



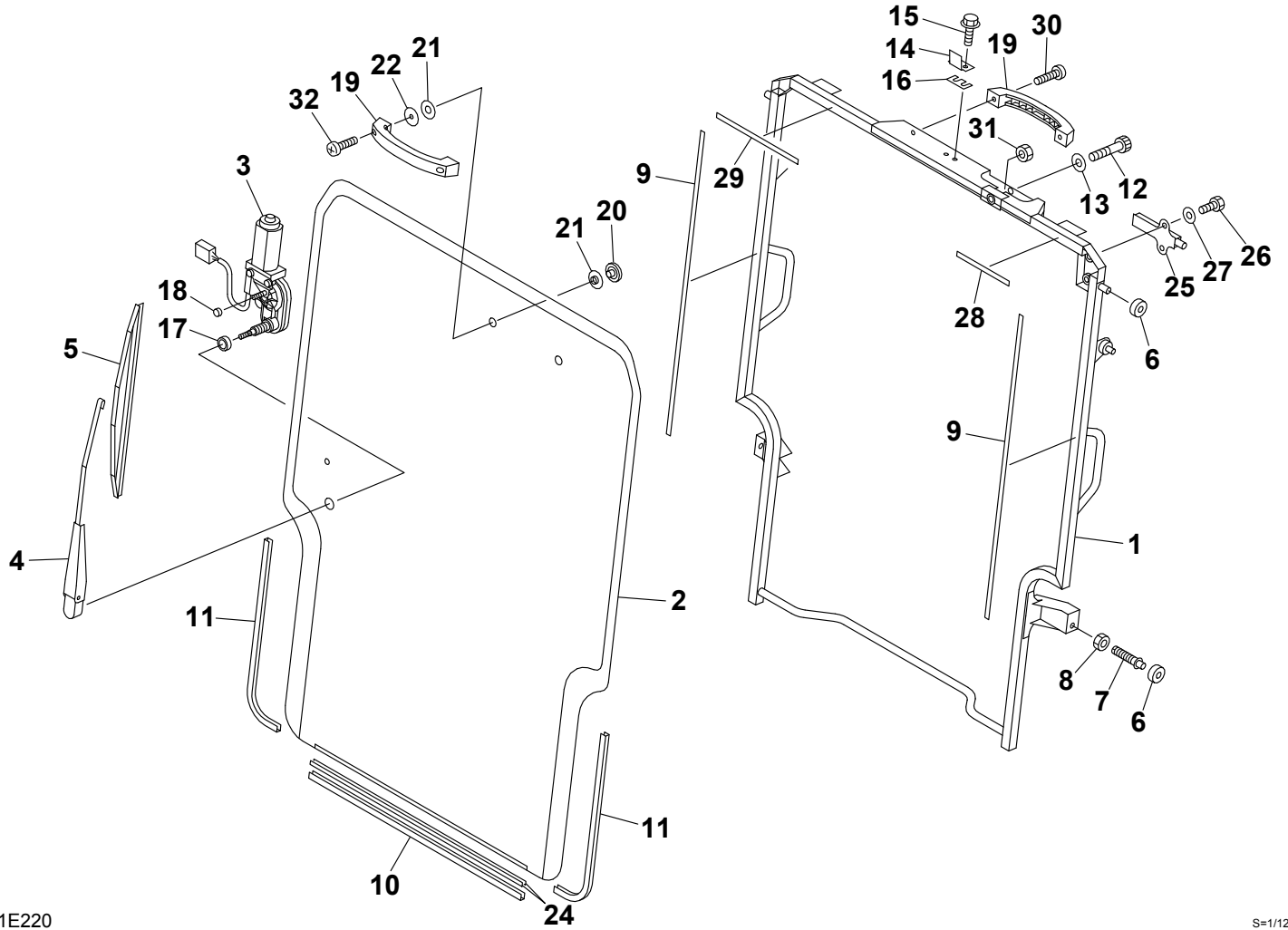
U1E210

S=1/8, 1/10, 1/18

CAB (5/6)

Item	Part number	Description	Q'ty	Chan.	Serial No.	Serv.	Remarks
0	0668601000	CAB ASSY	1				
	0668602000	CAB ASSY (for EU)	1				
3	0668601010	· HARNESS, wiring	1			M	
4	0880865410	· HARNESS, wiring	1			M	
19	1703001700	· LAMP, room	1				
19-1	1703001701	· · BULB	1				
20	1150410412	· SCREW, sems	2				
63	1652042030	· GROMMET	1				
64	1652000602	· GROMMET	2				
65	1703006600	· LAMP, ASSY	2				
65-1	1703006605	· · BULB	1				
66	1100041020	· BOLT	2				
67	1654011900	· WASHER	2			M	
110	1652221050	· BAND	5				
	1652221050	· BAND	7				for EU
125	1130040010	· NUT	1				
127	1654011700	· GROMMET	1				
128	1652053600	· GROMMET	1				
138	1140330010	· WASHER	1				
146	1704051212	· MOTOR, wiper	1			M	for EU
147	1704120300	· ARM, wiper	1			M	for EU
148	1704201330	· BLADE	1			M	for EU
150	0882861250	· BRACKET	1			M	for EU
151	0880865314	· PACKING	4			M	for EU
152	0880865313	· NUT	2			M	for EU
153	1704400001	· COVER	1			M	for EU
154	1150420616	· SCREW	2			M	for EU
155	1705003460	· ANTENNA	1			M	
163	1705003500	· SPEAKER	2			M	
164	1705003550	· GRILLE	2			M	
165	1150120412	· SCREW	8			M	
166	0668601006	· HARNESS, wiring	1			M	
167	0668601007	· HARNESS, wiring	1			M	
	U1e210						

TL240 (P-TL240BAB) BU2Z002-1 S/N 22400001-
CAB (6/6) (front door)



U1E220

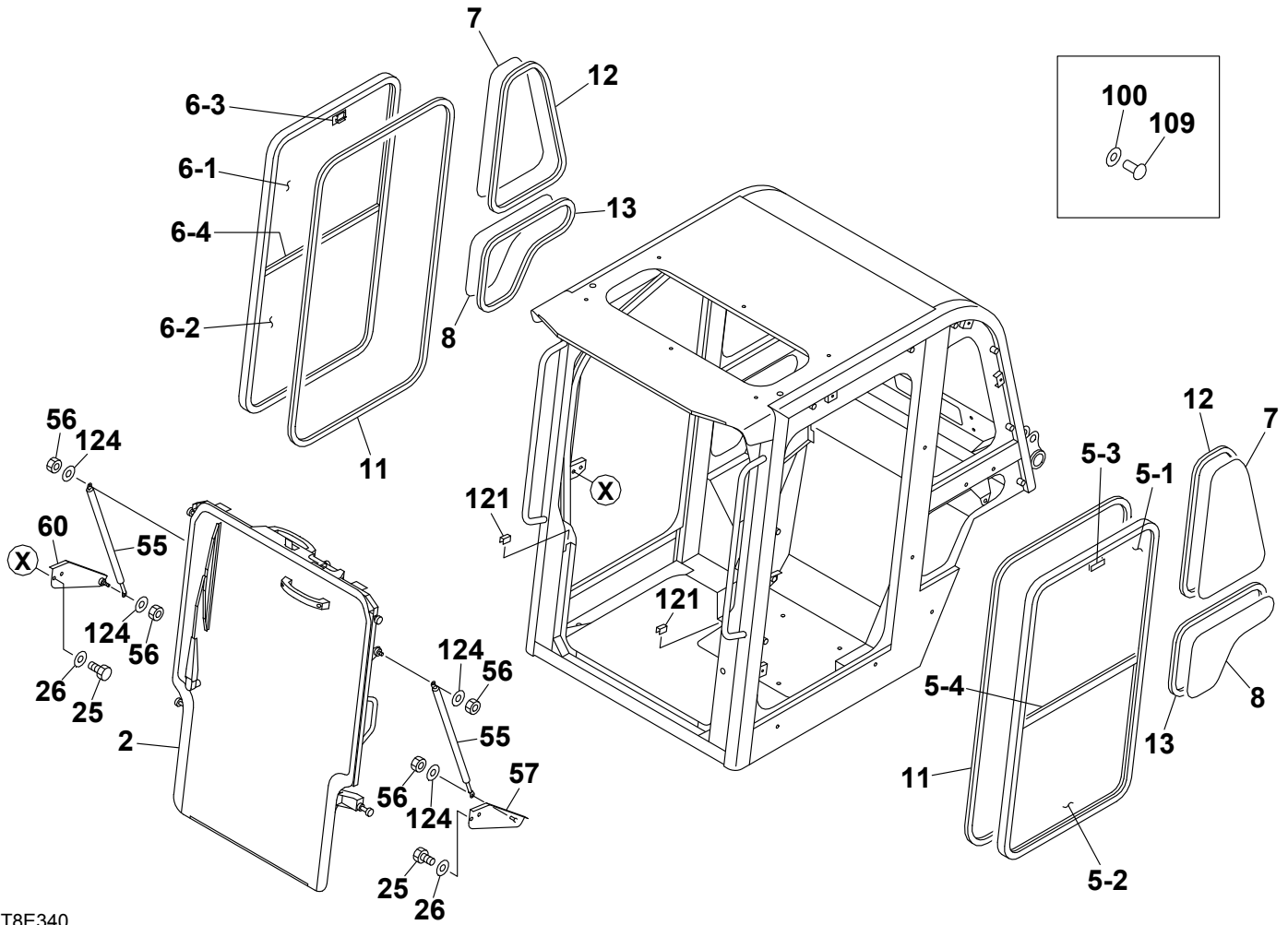
S=1/12

CAB (6/6) (front door)

Item	Part number	Description	Q'ty	Chan.	Serial No.	Serv.	Remarks
0	0668601200	DOOR ASSY, front	1			M	
1	0668601210	· DOOR, front	1			M	
2	0880865301	· GLASS	1			M	
3	0880865302	· MOTOR, wiper	1			M	
4	0880865303	· ARM, wiper	1			M	
5	0880865304	· BLADE	1			M	
6	0880865305	· ROLLER	4			M	
7	0880865306	· BOLT	2			M	
8	1130040012	· NUT	2				
9	1654615210	· DAM	2			M	sold by the meter
10	1654631054	· SEAL	1			M	sold by the meter
11	1653916045	· TRIM	2			M	sold by the meter
12	0880865307	· BOLT	1			M	
13	1654011707	· WASHER	1			M	
14	0880865308	· PLATE	1			M	
15	1100090620	· BOLT	2			M	
16	0880865309	· SHIM	4			M	
17	0880865310	· COLLAR	1			M	
18	0880865311	· COLLAR	1			M	
19	0880865312	· HANDLE	2			M	
20	0880865313	· NUT	2			M	
21	0880865314	· PACKING	4			M	
22	0880865315	· WASHER	2			M	
24	0880865316	· SHEET	2			M	
25	0880865317	· LATCH	1			M	
26	1100090820	· BOLT	2				
27	1654011705	· WASHER	2				
28	1654615013	· DAM	1			M	sold by the meter
29	1654615020	· DAM	1			M	sold by the meter
30	1150420620	· SCREW	2			M	
31	1130190012	· NUT	1			M	
32	1150410620	· SCREW	2			M	

U1e220

TL240 (P-TL240BAB) BU2Z002-1 S/N 22400001-
 CAB KIT (1/5) (224000021-)



T8E340

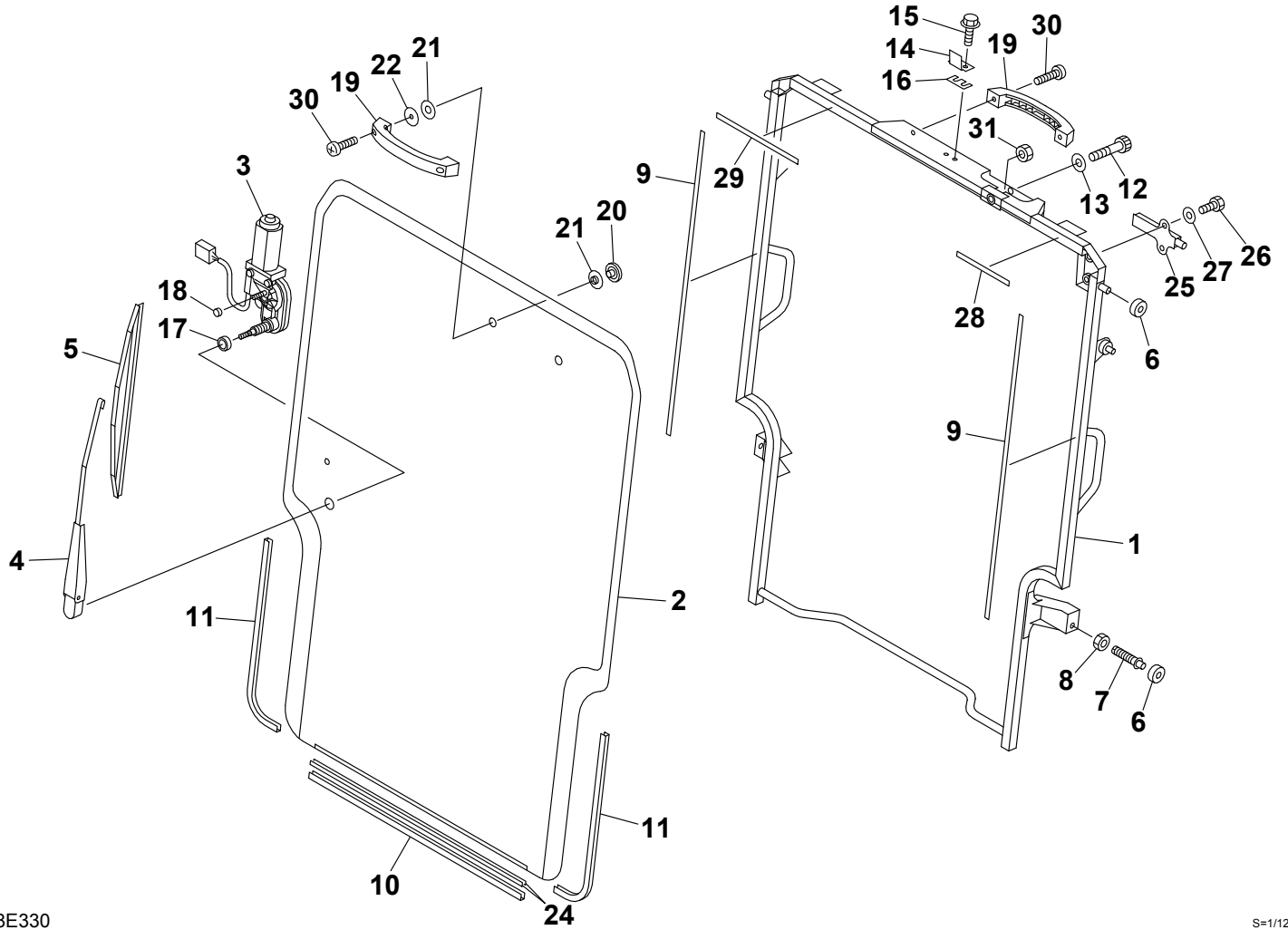
S=1/22

CAB KIT (1/5) (224000021-)

Item	Part number	Description	Q'ty	Chan.	Serial No.	Serv.	Remarks
0	0882860500	CAB KIT	1			M	
0-1	0882860600	· SUB CAB KIT (1/5)~(4/5)	1			M	
2	0880865300	· · DOOR ASSY, front	1			M	see page (2/5)
5	0880865420	· · SIDE SASH ASSY (L.H.)	1			M	
5-1	0880865422	· · · GLASS	1			M	
5-2	0880865423	· · · GLASS	1			M	
5-3	0880865424	· · · LOCK ASSY	1			M	
5-4	0880865427	· · · STRIP, weather	1			M	
6	0880865430	· · SIDE SASH ASSY (R.H.)	1			M	
6-1	0880865422	· · · GLASS	1			M	
6-2	0880865423	· · · GLASS	1			M	
6-3	0880865424	· · · LOCK ASSY	1			M	
6-4	0880865437	· · · STRIP, weather	1			M	
7	0880865101	· · GLASS	2				
8	0880865102	· · GLASS	2				
11	1654253320	· · H-RUBBER	2			M	sold by the meter
12	1654231148	· · H-RUBBER	2				sold by the meter
13	1654231120	· · H-RUBBER	2				sold by the meter
25	1100091020	· · BOLT	4				
26	1654011706	· · WASHER	4				
55	0880865124	· · SPRING, gas	2			M	
56	1134090006	· · NUT	4			M	
57	0880865125	· · BRACKET	1			M	
60	0880865126	· · BRACKET	1			M	
100	0880865144	· · WASHER	8				
109	0880865150	· · RIVET	8				
121	1654619003	· · SEAL	2			M	sold by the meter
124	1141190008	· · WASHER	4			M	

U2e150

TL240 (P-TL240BAB) BU2Z002-1 S/N 22400001-
CAB KIT (2/5) (front door; 224000021-)



T8E330

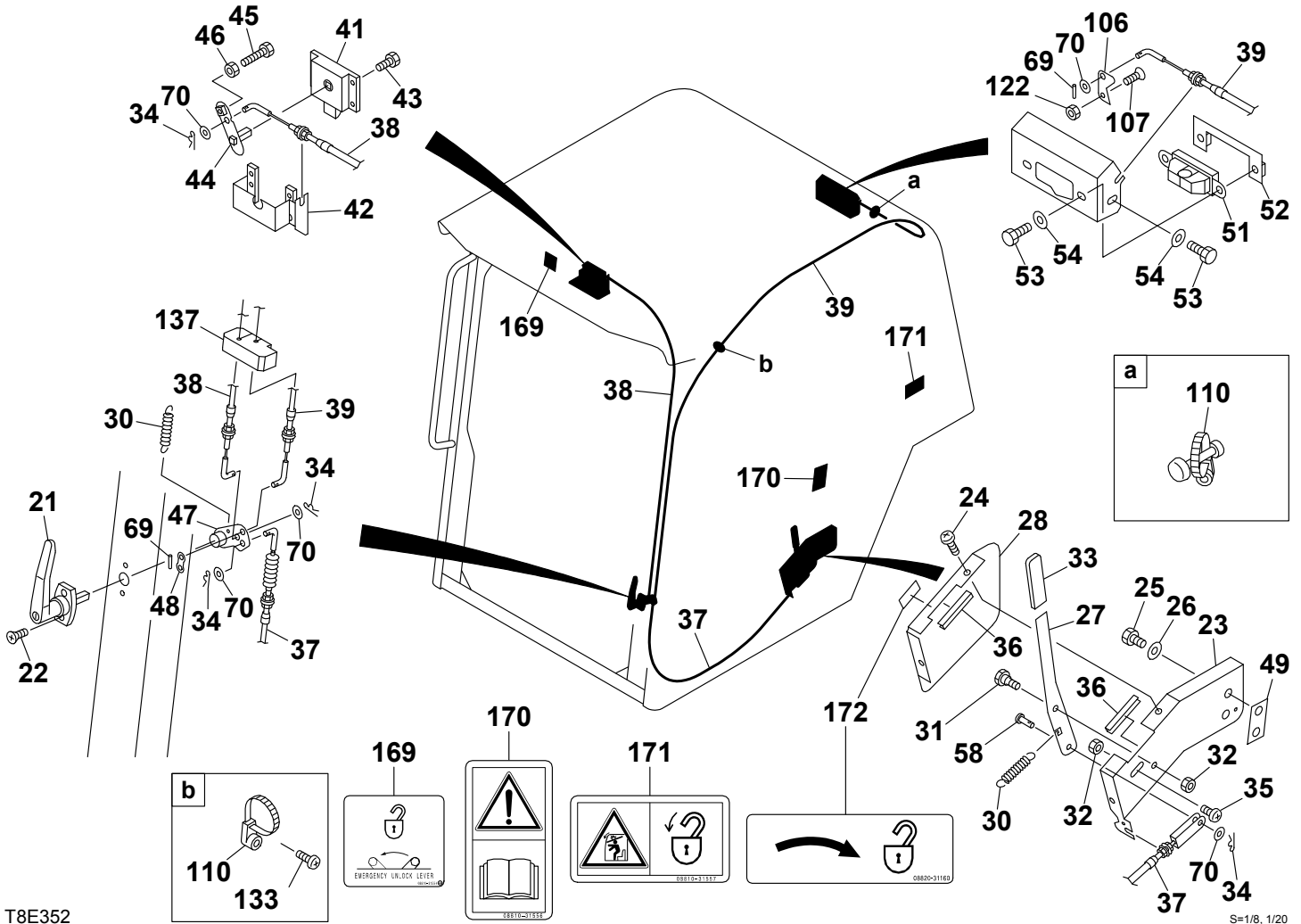
S=1/12

CAB KIT (2/5) (front door; 22400021-)

Item	Part number	Description	Q'ty	Chan.	Serial No.	Serv.	Remarks
0	0882860500	CAB KIT	1			M	
0-1	0882860600	· SUB CAB KIT (1/5)~(4/5)	1			M	
0-2	0880865300	· · DOOR ASSY, front	1			M	
1	0880865340	· · · DOOR, front	1			M	
2	0880865301	· · · GLASS	1			M	
3	0880865302	· · · MOTOR, wiper	1			M	
4	0880865303	· · · ARM, wiper	1			M	
5	0880865304	· · · BLADE	1			M	
6	0880865305	· · · ROLLER	4			M	
7	0880865306	· · · BOLT	2			M	
8	1130040012	· · · NUT	2				
9	1654615210	· · · DAM	2			M	sold by the meter
10	1654631054	· · · SEAL	1			M	sold by the meter
11	1653916045	· · · TRIM	2			M	sold by the meter
12	0880865307	· · · BOLT	1			M	
13	1654011707	· · · WASHER	1			M	
14	0880865308	· · · PLATE	1			M	
15	1100090620	· · · BOLT	2			M	
16	0880865309	· · · SHIM	4			M	
17	0880865310	· · · COLLAR	1			M	
18	0880865311	· · · COLLAR	1			M	
19	0880865312	· · · HANDLE	2			M	
20	0880865313	· · · NUT	2			M	
21	0880865314	· · · GROMMET	4			M	
22	0880865315	· · · WASHER	2			M	
24	0880865316	· · · SHEET	2			M	
25	0880865317	· · · LATCH	1			M	
26	1100090820	· · · BOLT	2				
27	1654011705	· · · WASHER	2				
28	1654615013	· · · DAM	1			M	sold by the meter
29	1654615020	· · · DAM	1			M	sold by the meter
30	1150420620	· · · SCREW	4			M	
31	1130190012	· · · NUT	1			M	

U2e160

TL240 (P-TL240BAB) BU2Z002-1 S/N 22400001-
 CAB KIT (3/5) (224000021-)



T8E352

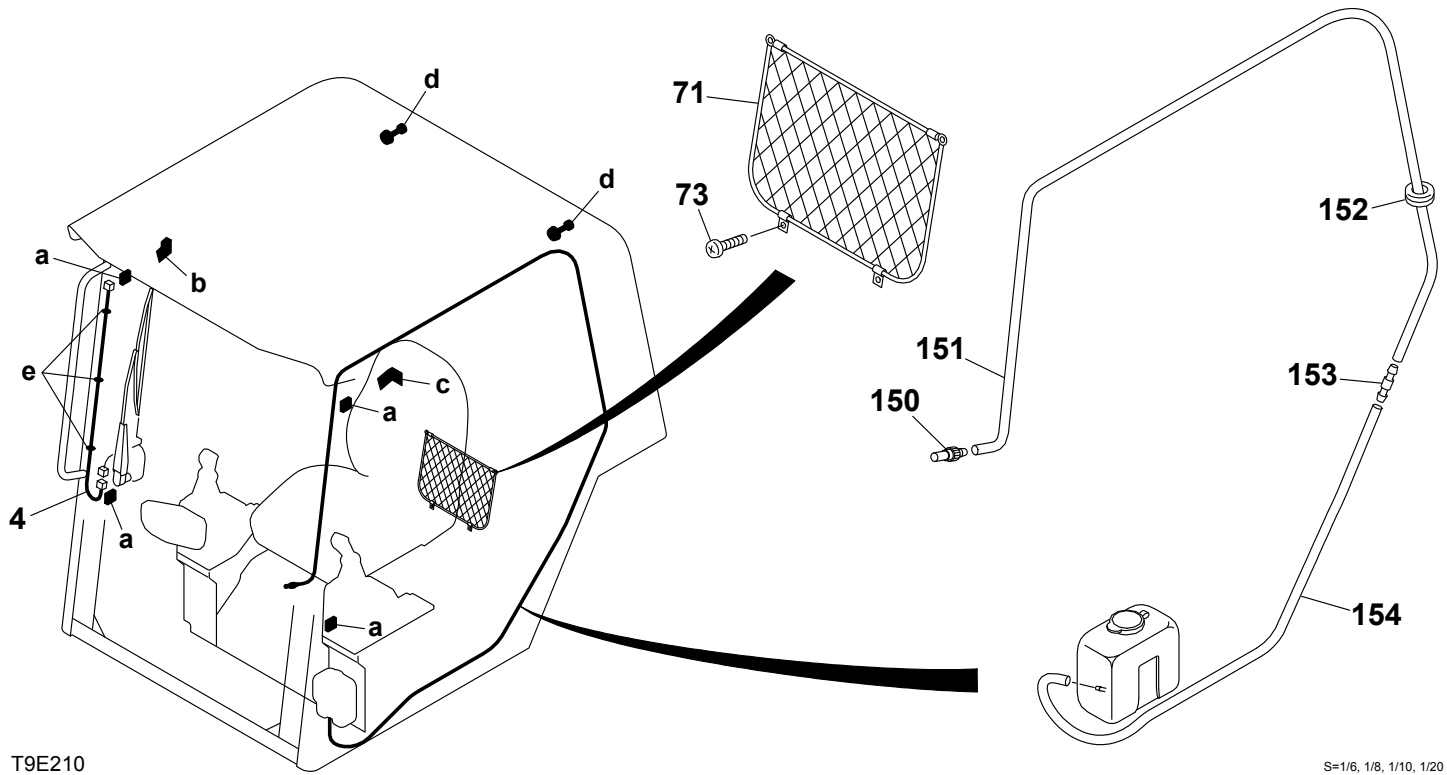
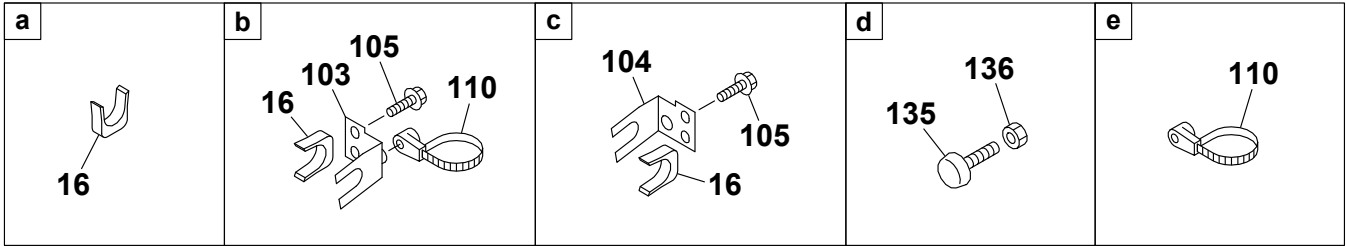
S=1/8, 1/20

CAB KIT (3/5) (22400021-)

Item	Part number	Description	Q'ty	Chan.	Serial No.	Serv.	Remarks
0	0882860500	CAB KIT	1			M	
0-1	0882860600	· SUB CAB KIT (1/5)~(4/5)	1			M	
21	1654011500	· · HANDLE	1			M	
22	1120690520	· · SCREW	2			M	
23	0880865161	· · BRACKET	1			M	
24	1150420512	· · SCREW	2				
25	1100091020	· · BOLT	2				
26	1654011706	· · WASHER	2				
27	0880865162	· · LEVER	1			M	
28	0880865110	· · COVER	1			M	
30	0880865112	· · SPRING	2			M	
31	1654010800	· · PIN	1			M	
32	1131242006	· · NUT	2			M	
33	0438601760	· · COVER	1			M	
34	1214000006	· · PIN, snap	4			M	
35	1150410612	· · BOLT, sems	1				
36	1653916005	· · TRIM	2				sold by the meter
37	0880865163	· · CABLE	1			M	
38	0880865164	· · CABLE	1			M	
39	0880865165	· · CABLE	1			M	
41	1654011740	· · LATCH	1			M	
42	0880865118	· · PLATE	1			M	
43	1100090616	· · BOLT	4			M	
44	0880865166	· · PLATE	1			M	
45	1100240630	· · BOLT	1			M	
46	1131242006	· · NUT	1			M	
47	0880865167	· · PLATE	1			M	
48	0880865168	· · PLATE	1			M	
49	0880865169	· · SHIM	1			M	
51	1653384630	· · LOCK	1			M	
52	0880865123	· · PLATE	1			M	
53	1100090820	· · BOLT	2				
54	1654011705	· · WASHER	2				
58	0880865170	· · PIN	1			M	
69	1211000212	· · PIN	2			M	
70	1654011711	· · WASHER	4			M	
106	0880865171	· · BRACKET	1			M	
107	1120630512	· · SCREW	1			M	
110	1652221050	· · BAND	2				
122	1131242005	· · NUT	1			M	
133	1150420512	· · SCREW	1				
137	0880865160	· · PACKING	2			M	
169	0881031554	· · DECAL	1			M	
170	0881031556	· · DECAL	1			M	
171	0881031557	· · DECAL	1			M	
172	0882031160	· · DECAL	1			M	

U2e170

TL240 (P-TL240BAB) BU2Z002-1 S/N 22400001-
 CAB KIT (4/5) (224000021-)



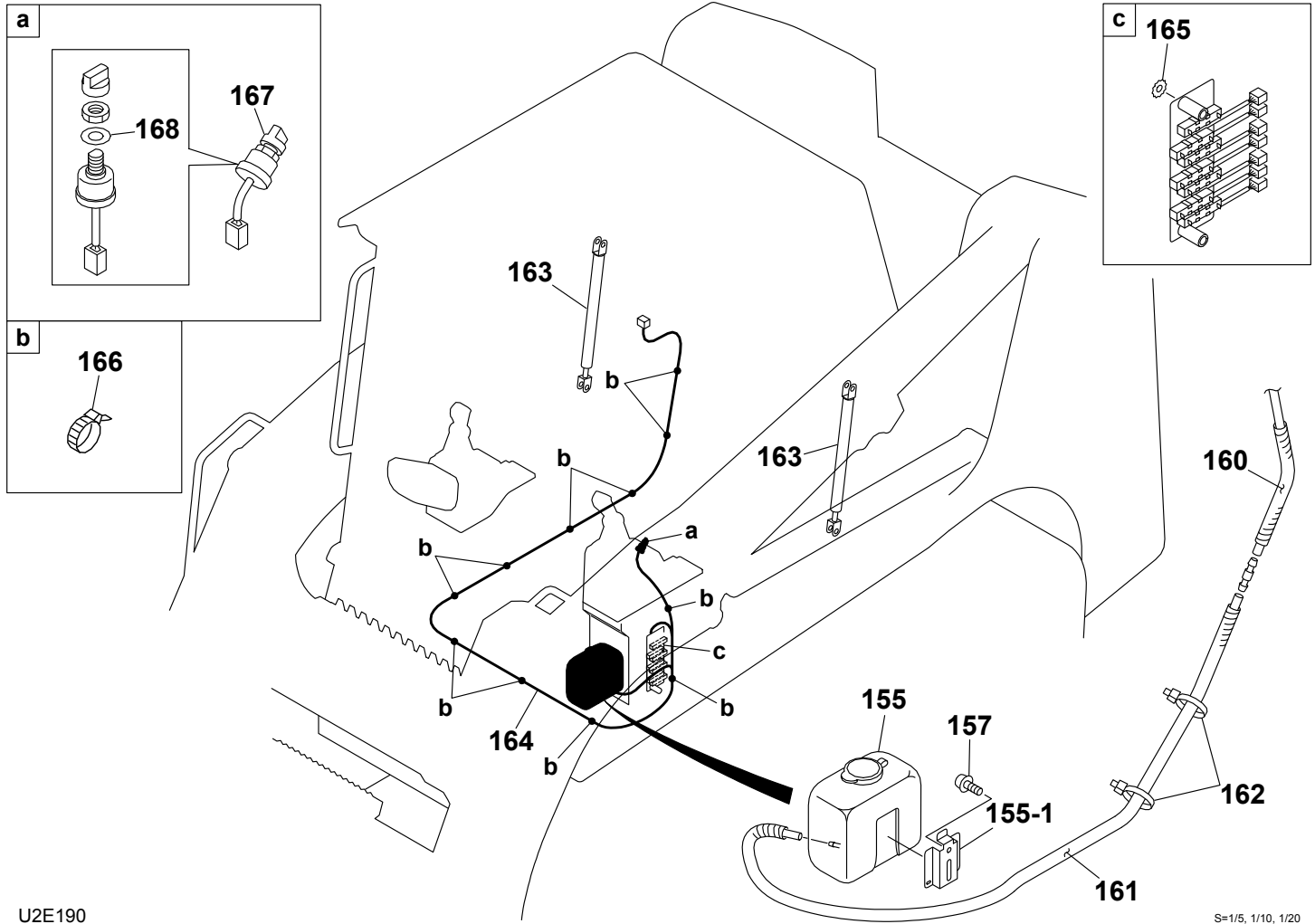
T9E210

S=1/6, 1/8, 1/10, 1/20

CAB KIT (4/5) (224000021-)

Item	Part number	Description	Q'ty	Chan.	Serial No.	Serv.	Remarks
0	0882860500	CAB KIT	1			M	
0-1	0882860600	· SUB CAB KIT (1/5)~(4/5)	1			M	
4	0880865410	· · HARNESS, wiring	1			M	
16	0880865105	· · STOPPER	6			M	
71	1654010600	· · POCKET	1			M	
73	1150410416	· · SCREW	4			M	
103	0880865147	· · BRACKET	1			M	
104	0880865148	· · BRACKET	1			M	
105	1100090620	· · BOLT	4			M	
110	1652221050	· · BAND	4				
135	1651101042	· · STOPPER	2			M	
136	1130090010	· · NUT	2			M	
150	1711910040	· · NOZZLE	1			M	
151	1711919300	· · HOSE	1			M	sold by the meter
152	1654011700	· · GROMMET	1				
153	1711910014	· · JOINT	1				
154	1711919150	· · HOSE	1				sold by the meter
	U2e180						

TL240 (P-TL240BAB) BU2Z002-1 S/N 22400001-
CAB KIT (5/5) (224000021-)



U2E190

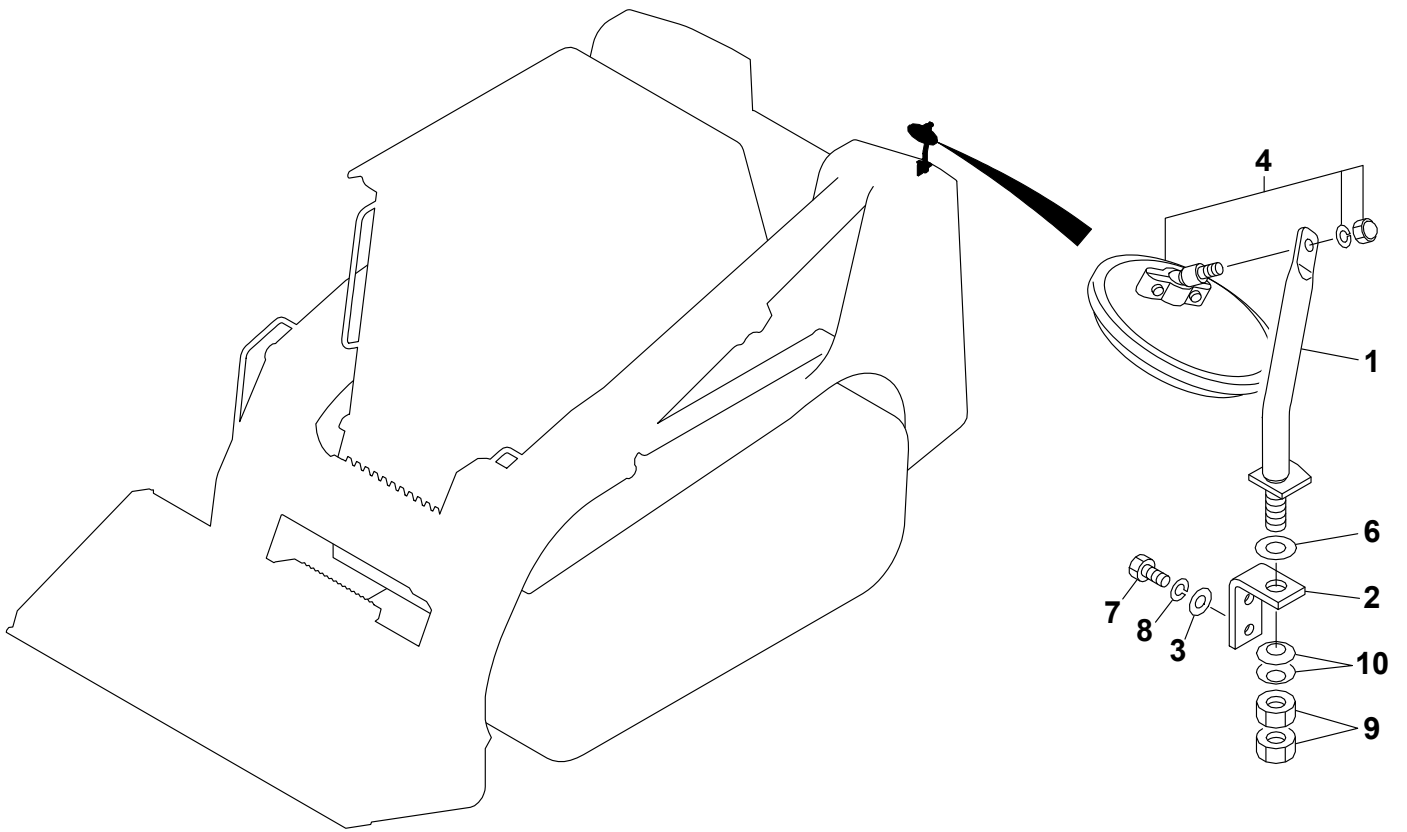
S=1/5, 1/10, 1/20

CAB KIT (5/5) (224000021-)

Item	Part number	Description	Q'ty	Chan.	Serial No.	Serv.	Remarks
0	0882860500	CAB KIT	1			M	
155	1711910290	· TANK	1				
155-1	1711910291	· · BRACKET	1				
157	1150410612	· SCREW	2				
160	1703210770	· PROTECTOR	1			M	
161	1703220750	· PROTECTOR	1				sold by the meter
162	1652231140	· BAND	2				
163	1653900060	· SPRING, gas	2				
164	0880427810	· HARNESS, wiring	1				
165	1140330010	· WASHER	1				
166	1652231250	· BAND	10				
167	1704300007	· SWITCH, wiper	1				
168	1141810012	· WASHER	1				

U2e190

TL240 (P-TL240BAB) BU2Z002-1 S/N 22400001-
REAR MIRROR



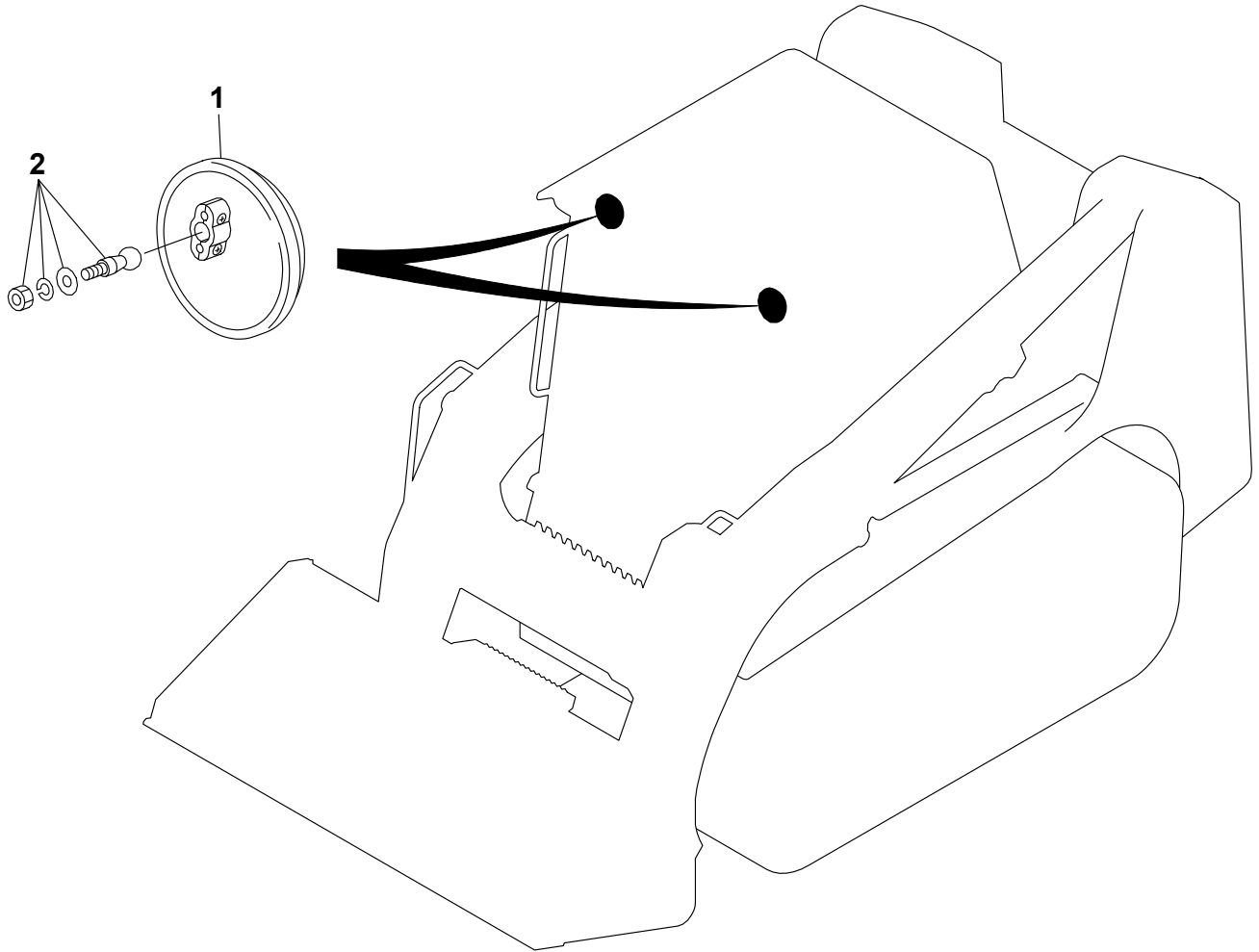
U2E100

S=1/5, 1/30

REAR MIRROR

Item	Part number	Description	Q'ty	Chan.	Serial No.	Serv.	Remarks
		MIRROR ASSY, rear					
1	0880870020	STAY	1				
2	0881870010	BRACKET	1				
3	0003608252	WASHER	2				
4	1656500130	MIRROR	1				
6	1141210014	WASHER	1				
7	1100040816	BOLT	2				
8	1140020008	WASHER, spring	2				
9	1130640014	NUT	2				
10	1225110014	WASHER, conical	2				
	U2e100						

TL240 (P-TL240BAB) BU2Z002-1 S/N 22400001-
REARVIEW MIRROR



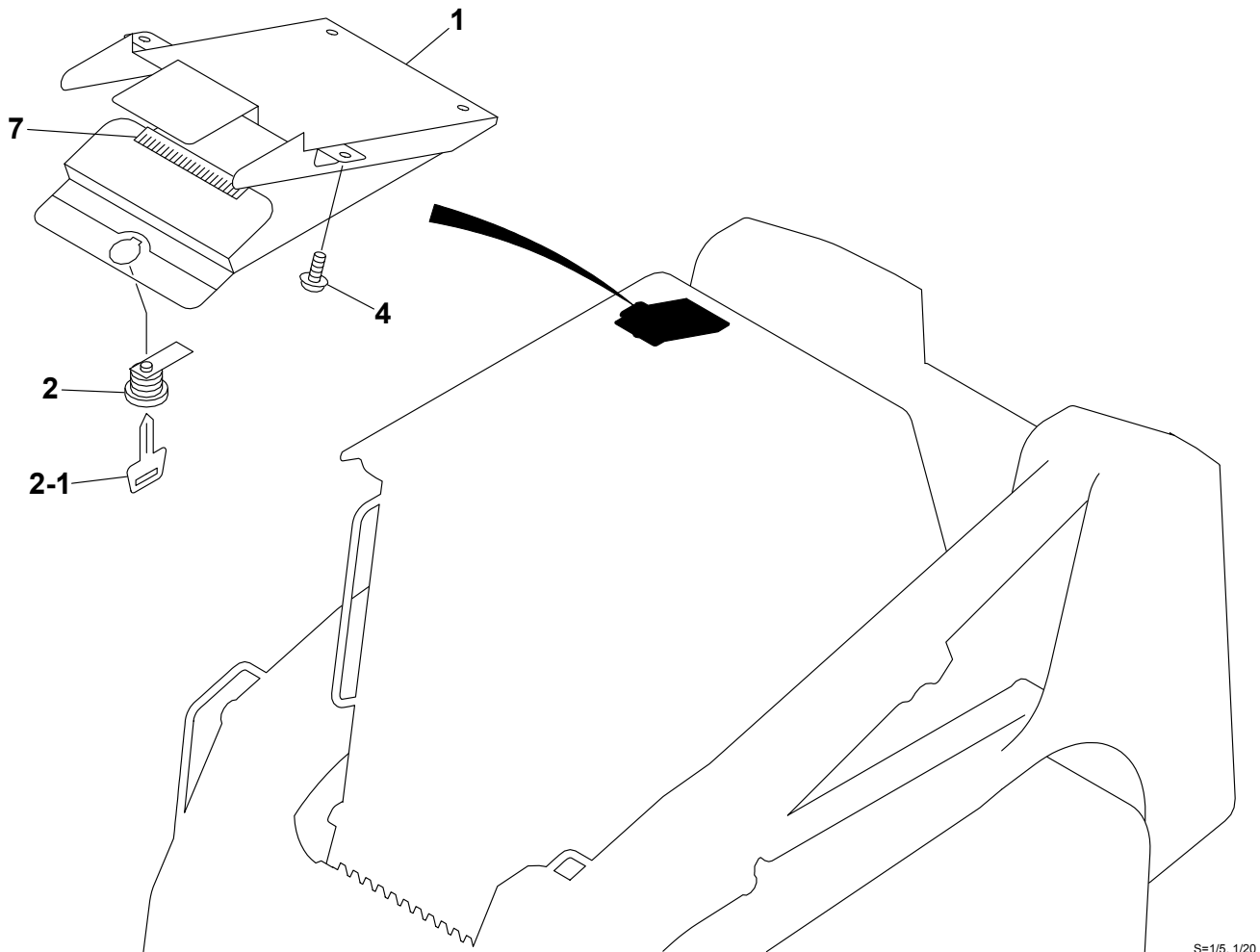
T7E100

S=1/5, 1/25

REARVIEW MIRROR

Item	Part number	Description	Q'ty	Chan.	Serial No.	Serv.	Remarks
1	1656500110	MIRROR ASSY, rearview	2				
2	1654006000	MIRROR	2				
	T7e100	PIVOT					

TL240 (P-TL240BAB) BU2Z002-1 S/N 22400001-
MANUAL STORAGE



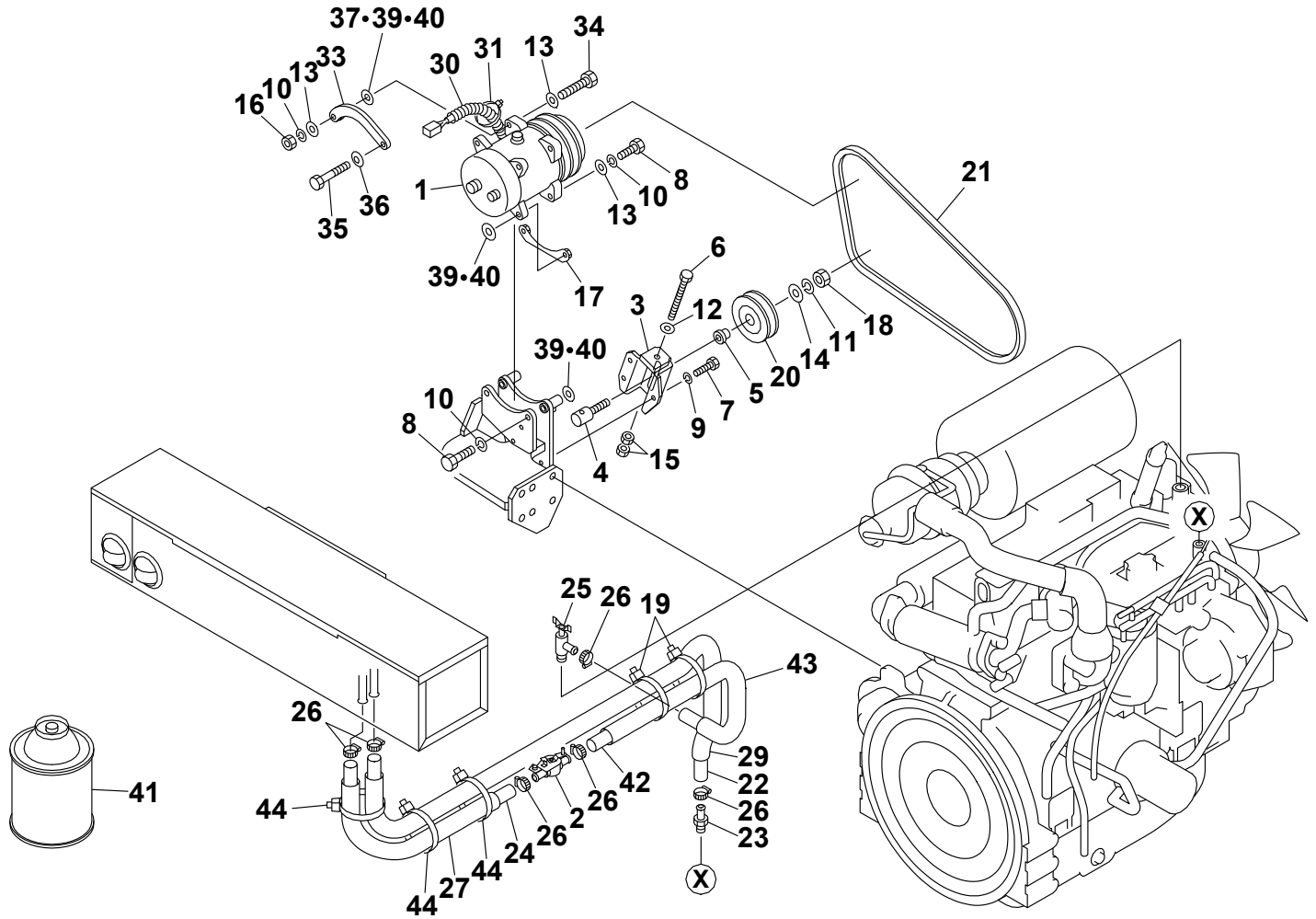
T8E101

S=1/5, 1/20

MANUAL STORAGE

Item	Part number	Description	Q'ty	Chan.	Serial No.	Serv.	Remarks
		MANUAL STORAGE					
1	0881841510	BOX	1				
2	1653601395	LOCK	1				
2-1	1700100019	KEY	1				
4	1150420612	SCREW	4				
7	1654605010	RUBBER, sash	1				sold by the meter
	T8e101						

TL240 (P-TL240BAB) BU2Z002-1 S/N 22400001-
AIR CONDITIONER (1/5) (compressor)



U2E111

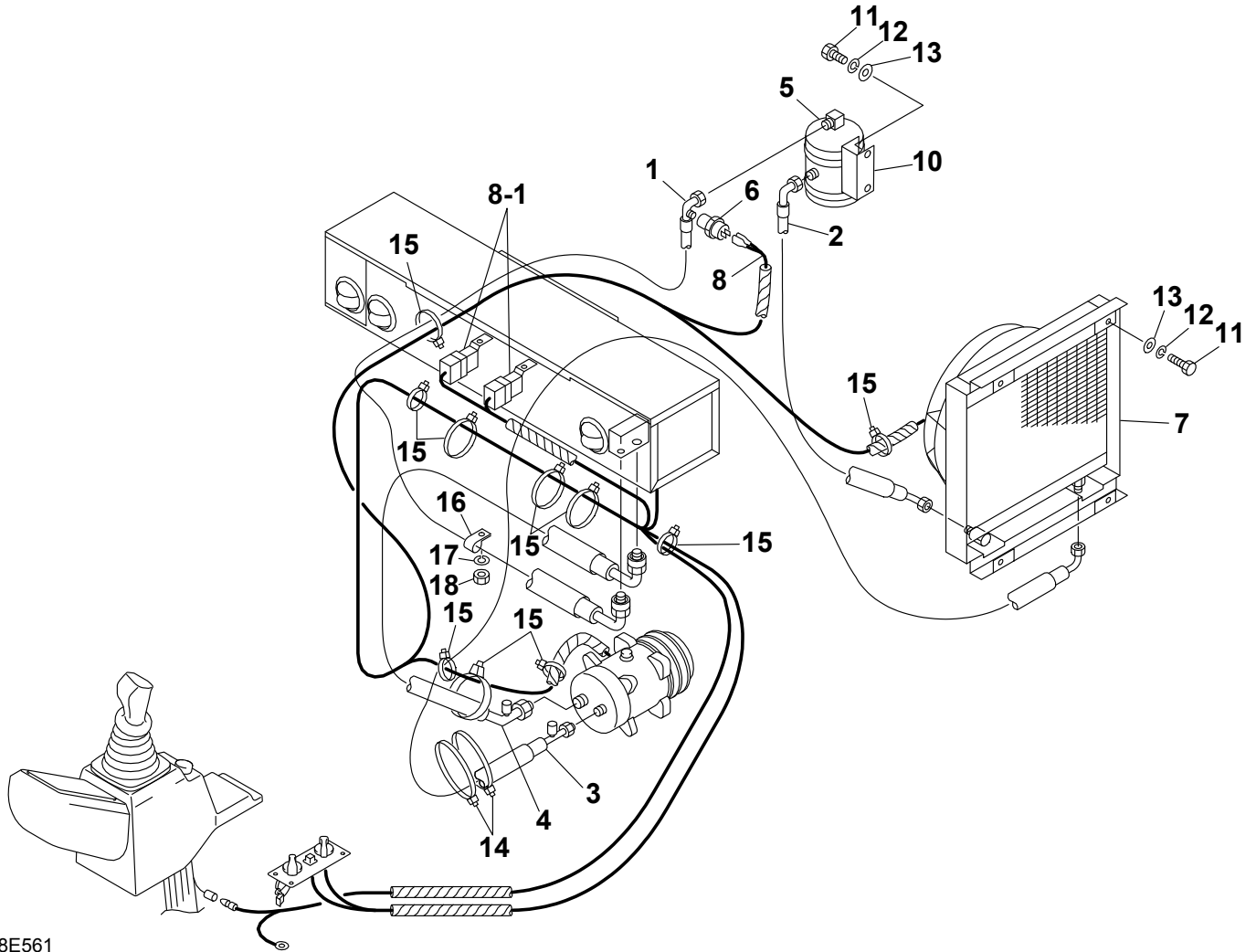
S-1/12

AIR CONDITIONER (1/5) (compressor)

Item	Part number	Description	Q'ty	Chan.	Serial No.	Serv.	Remarks
0	0684601100	COMPRESSOR ASSY	1				
1	1911506010	· COMPRESSOR	1				
2	1911506008	· VALVE	1				
3	0564618790	· BRACKET	1				
4	0564619210	· SHAFT	1				
5	0564619240	· COLLAR	1				
6	1100440810	· BOLT	1				
7	1100040816	· BOLT	3				
8	1103041035	· BOLT	4				
9	1141110008	· WASHER, spring	3				
10	1140020010	· WASHER, spring	5				
11	1140020012	· WASHER, spring	1				
12	1140020008	· WASHER	1				
13	1141110010	· WASHER	4				
14	1141550012	· WASHER	1				
15	1130040008	· NUT	2				
16	1130240010	· NUT	1				
17	0880465520	· PLATE	1				
18	1130040012	· NUT	1				
19	1652201007	· BAND	2				
20	1911505700	· PULLEY	1				
21	1911508406	· V-BELT	1				A47
22	1911511800	· HOSE	1			M	sold by the meter
23	0007224009	· ADAPTOR	1				
24	1911501850	· HOSE	1			M	sold by the meter
25	1911502100	· VALVE	1				
26	1911500500	· BAND	6				
27	1531325040	· PROTECTOR	1			M	sold by the meter
29	1531325090	· PROTECTOR	1			M	sold by the meter
30	1703210720	· PROTECTOR	1				sold by the meter
31	1652231100	· BAND	1				
33	0880465510	· BRACKET	1				
34	1100041055	· BOLT	1				
35	1103041050	· BOLT	1				
36	1225110010	· WASHER	1				
37	0003600047	· SHIM	AR				
39	0003600222	· SHIM	AR				t=0.2mm
40	0003600223	· SHIM	AR				t=0.3mm
41	1919055000	· GAS, coolant	8				100g
42	1911501840	· HOSE	1			M	sold by the meter
43	1531325030	· PROTECTOR	1				sold by the meter
44	1652201008	· BAND	4				

U2e111

TL240 (P-TL240BAB) BU2Z002-1 S/N 22400001-
AIR CONDITIONER (2/5) (condenser)



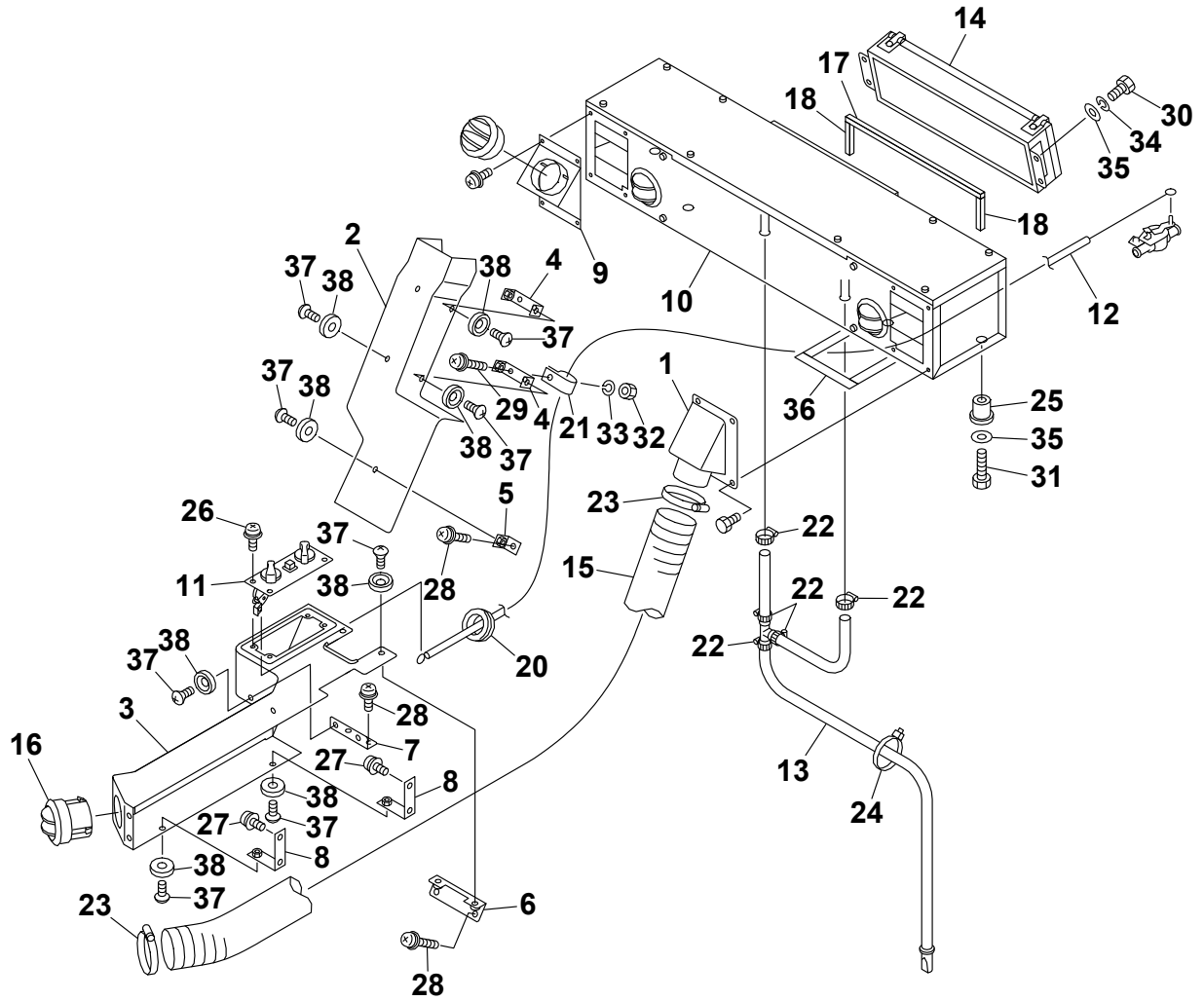
T8E561

S=1/12

AIR CONDITIONER (2/5) (condenser)

Item	Part number	Description	Q'ty	Chan.	Serial No.	Serv.	Remarks
0	0664600200	CONDENSER ASSY	1				
1	1911508431	· HOSE ASSY	1				
	1911505601	· · O-RING	1				
2	1911508432	· HOSE ASSY	1				
	1911505601	· · O-RING	1				
3	1911505943	· HOSE ASSY	1				
	1911505602	· · O-RING	1				
4	1911508424	· HOSE ASSY	1				
	1911505603	· · O-RING	1				
5	1911508311	· DRYER	1				
6	1911505514	· SWITCH, pressure	1				
7	1911506080	· CONDENSER ASSY	1				see page (4/5)
8	1911508410	· HARNESS, wiring	1				
8-1	1911506041	· · RELAY	2				
10	0880465610	· BRACKET	1				
11	1100040820	· BOLT	6				
12	1140020008	· WASHER, spring	6				
13	1141110008	· WASHER	6				
14	1652201008	· BAND	4				
15	1652231250	· BAND	10				
16	1711900071	· CLAMP	1				
17	1140020010	· WASHER, spring	1				
18	1130040010	· NUT	1				
	U1e130						

TL240 (P-TL240BAB) BU2Z002-1 S/N 22400001-
AIR CONDITIONER (3/5) (air conditioner unit)



U1E141

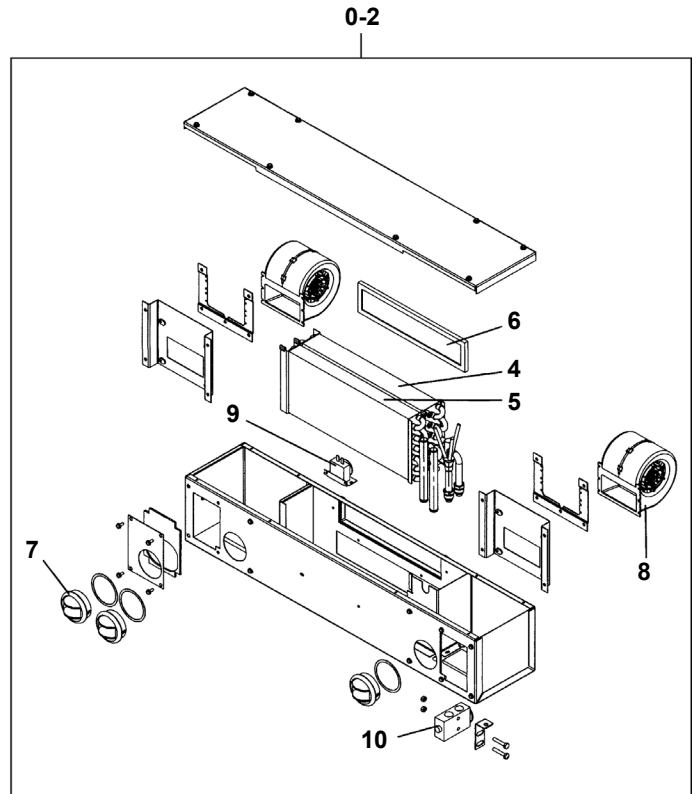
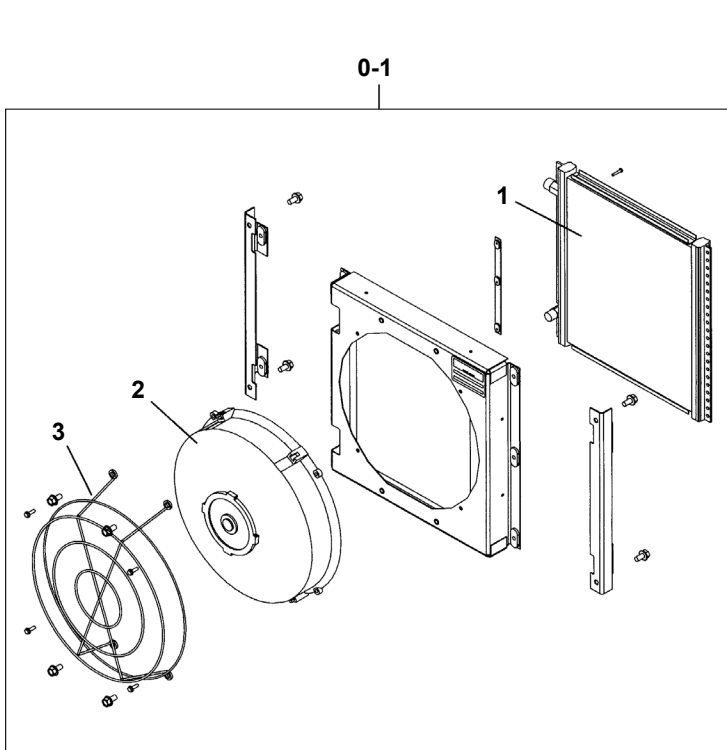
S=1/12, 1/25

AIR CONDITIONER (3/5) (air conditioner unit)

Item	Part number	Description	Q'ty	Chan.	Serial No.	Serv.	Remarks
0	0664600300	UNIT ASSY, air conditioner	1				
1	0664601310	· ADAPTOR	1				
2	0664601320	· COVER	1				
3	0664601330	· COVER	1				
4	0664600340	· BRACKET	2				
5	0664600350	· BRACKET	1				
6	0694600360	· BRACKET	1			M	
7	0664600370	· BRACKET	1				
8	0694600380	· BRACKET	2			M	
9	1911505920	· ADAPTOR	1				
10	1911506090	· UNIT, air conditioner	1				see page (4/5)
11	1911506020	· PANEL ASSY	1				see page (5/5)
12	1911506006	· CABLE, control	1				
13	1911506030	· TUBE ASSY	1				
14	1911506050	· BOX	1				see page (5/5)
15	1911508559	· HOSE	1				
16	1911506060	· LOUVER	1				
17	0881464370	· URETHANE	1				
18	0881464380	· URETHANE	2				
20	1652053600	· GROMMET	1				
21	0007300010	· CLAMP	1				
22	1911500500	· BAND	5				
23	1533700076	· BAND	2				
24	1652231250	· BAND	1				
25	1652520008	· GROMMET	4				
26	1111810610	· SCREW	4				
27	1150420610	· SCREW	4				
28	1150420614	· SCREW	8				
29	1150420625	· SCREW	1				
30	1100040816	· BOLT	4				
31	1100040830	· BOLT	4				
32	1130040006	· NUT	1				
33	1140020006	· WASHER, spring	1				
34	1140020008	· WASHER, spring	4				
35	1141110008	· WASHER	8				
36	1654313013	· SPONGE	4				sold by the meter
37	1120790614	· SCREW	11			M	
38	1652900016	· WASHER	11			M	

U1e141

TL240 (P-TL240BAB) BU2Z002-1 S/N 22400001-
AIR CONDITIONER (4/5)



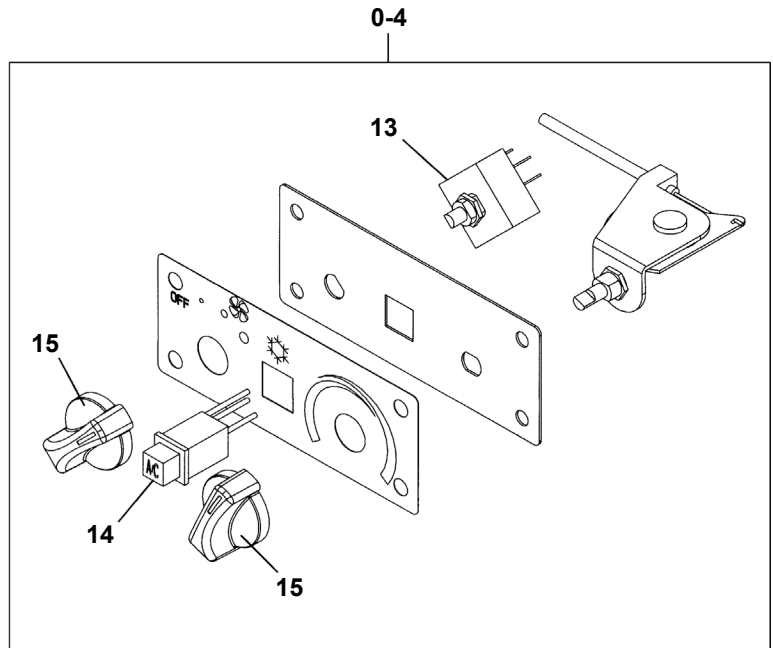
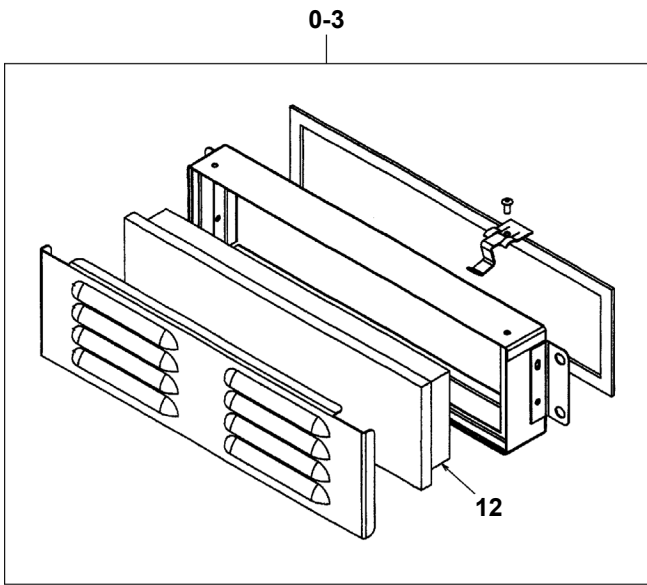
T8E401

S=free

AIR CONDITIONER (4/5)

Item	Part number	Description	Q'ty	Chan.	Serial No.	Serv.	Remarks
0-1	1911506080	CONDENSER ASSY	1				
1	1911505503	· CONDENSER	1				
2	1911506083	· MOTOR	1				
3	1911505505	· GUARD	1				
0-2	1911506090	UNIT, air conditioner	1				
4	1911506091	· CORE	1				
5	1911506092	· CORE	1				
6	1911506095	· FILTER	1				
7	1911506012	· LOUVER	2				
8	1911506096	· MOTOR	2				
9	1911505421	· THERMOSTAT	1				
10	1911505422	· VALVE	1				
11	1911506089	· HARNESS ASSY, wiring	1				not shown
	T8e401						

TL240 (P-TL240BAB) BU2Z002-1 S/N 22400001-
AIR CONDITIONER (5/5)



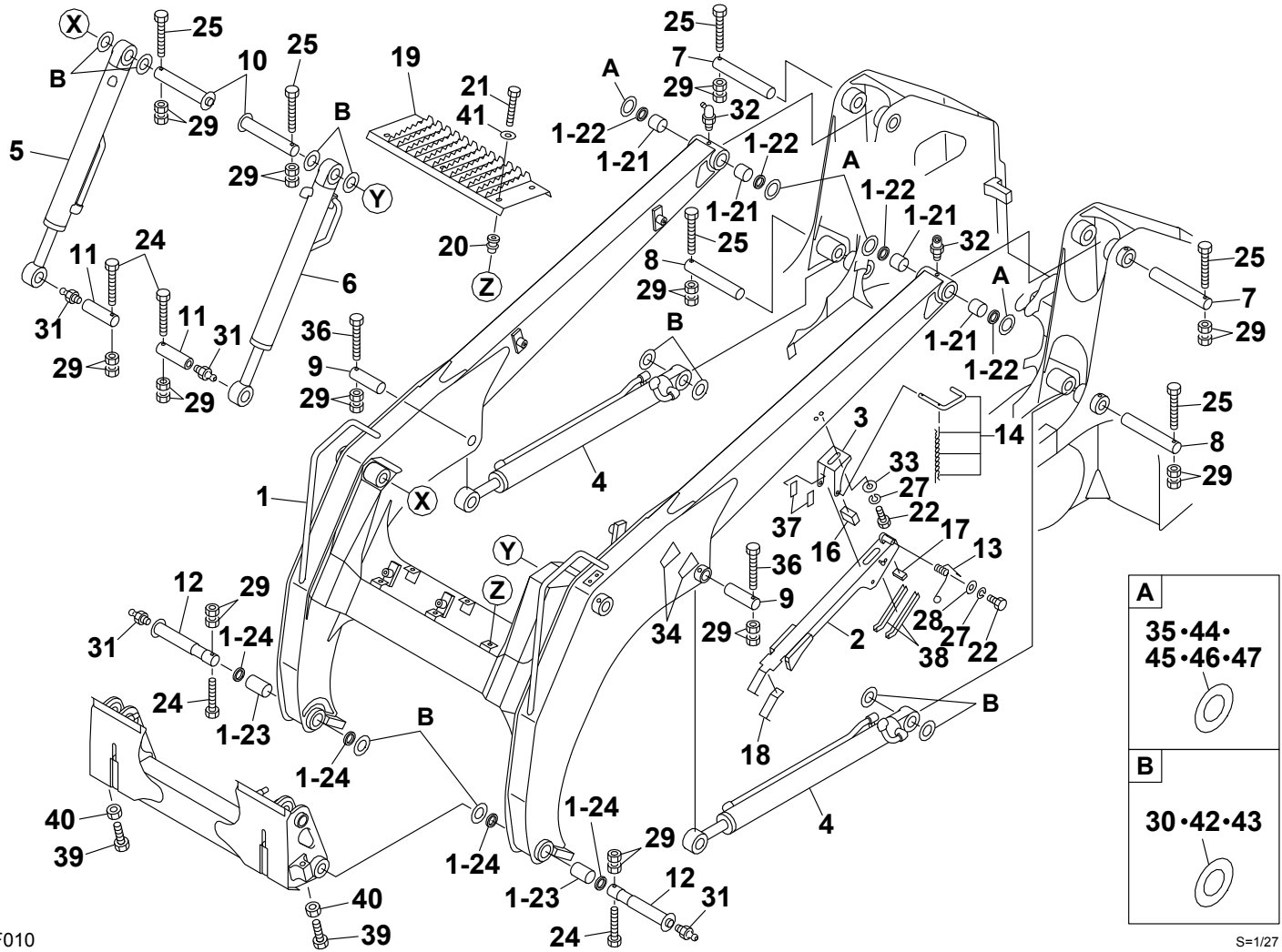
T8E410

S=free

AIR CONDITIONER (5/5)

Item	Part number	Description	Q'ty	Chan.	Serial No.	Serv.	Remarks
0-3	1911506050	BOX	1				
12	1911506052	· FILTER	1				
0-4	1911506020	PANEL ASSY	1				
13	1911506027	· SWITCH	1				
14	1911505767	· SWITCH	1				
15	1911505763	· KNOB	2				
	T8e410						

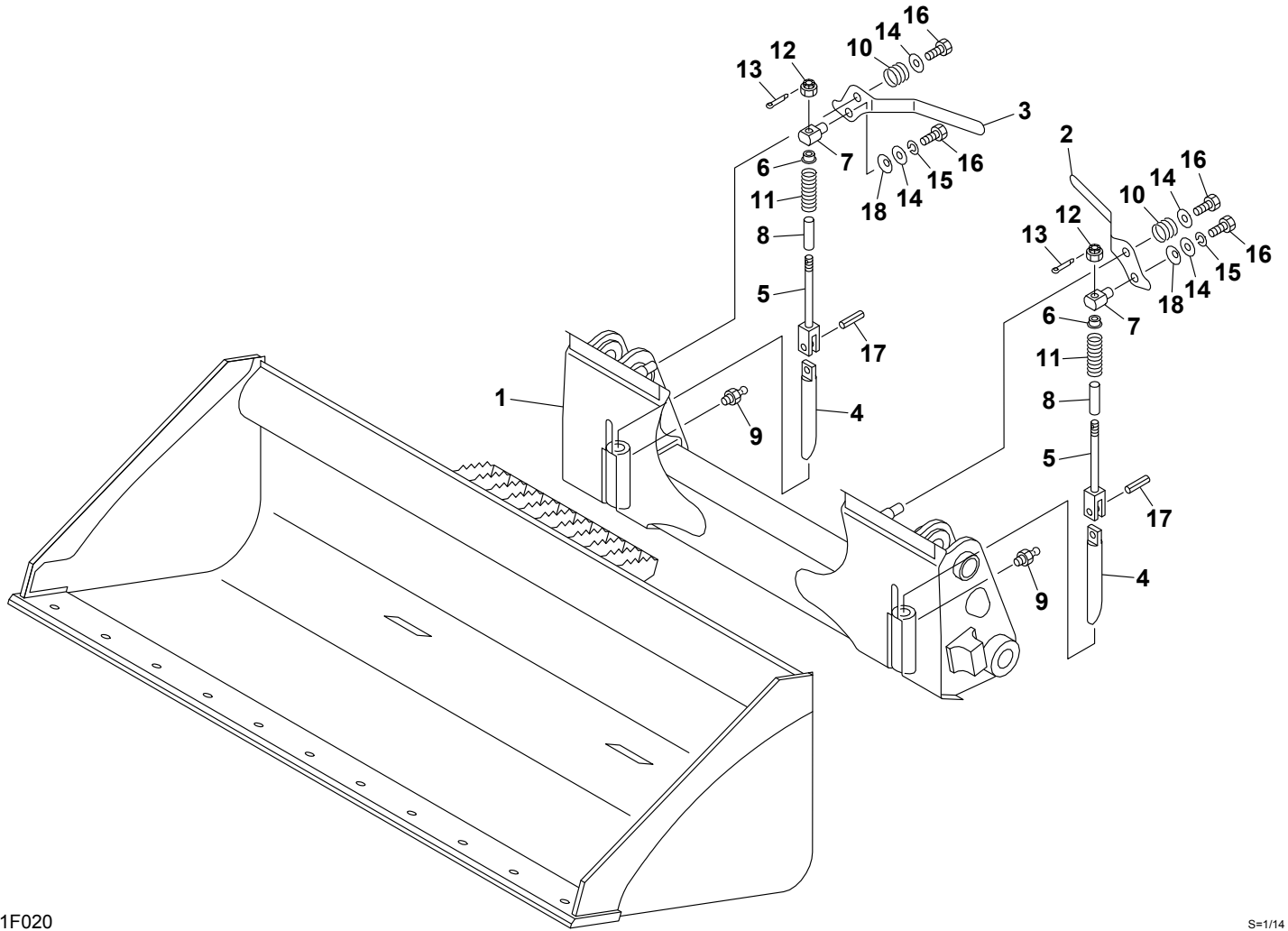
TL240 (P-TL240BAB) BU2Z002-1 S/N 22400001-
ARM



ARM

Item	Part number	Description	Q'ty	Chan.	Serial No.	Serv.	Remarks
		ARM ASSY					
1	0686000100	ARM	1				
1-21	0002400040	· BUSHING	4				
1-22	1432200045	· SEAL, dust	4				
1-23	0002400068	· BUSHING	2				
1-24	1432200040	· SEAL, dust	4				
2	0882601550	LOCK	1				
3	0881604650	BRACKET	1				
4	1900085600	CYLINDER, arm	2				
5	1900085700	CYLINDER, bucket (R.H.)	1				
6	1900085800	CYLINDER, bucket (L.H.)	1				
7	0011504275	PIN	2				
8	0001603270	PIN	2				
9	0001603135	PIN	2				
10	0001090003	PIN	2				
11	0001673002	PIN	2				
12	0011904008	PIN	2				
13	0007000114	SPRING	1				
14	0881604670	PIN ASSY	1				
16	0881604580	URETHANE	1				
17	0881602017	RUBBER	1				
18	0880606018	RUBBER	1				
19	0880606800	STEP	1				
20	1652520008	BAND	6				
21	1100040830	BOLT	6				
22	1100040816	BOLT	3				
24	1103041075	BOLT	4				
25	1103041095	BOLT	6				
27	1140020008	WASHER, spring	3				
28	0003608252	WASHER	1				
29	1130240010	NUT	24				
30	0003600176	SHIM	AR				t=1.0mm
31	1560001000	FITTING, grease	4				
32	1560001675	FITTING, grease	2				
33	1141110008	WASHER	2				
34	0880606034	RUBBER	2				
35	0003600172	SHIM	AR				t=1.0mm
36	1103041080	BOLT	2				
37	0881604036	RUBBER	2				
38	1654629020	TRIM	2				sold by the meter
39	0881962656	BOLT	2				
40	0881604035	NUT	2				
41	0003608003	WASHER	6				
42	0003600035	SHIM	AR				t=0.2mm
43	0003600036	SHIM	AR				t=0.5mm
44	0003600171	SHIM	AR				t=0.2mm
45	0003600091	SHIM	AR				t=0.5mm
46	0003600184	SHIM	AR				t=3.2mm
47	0003600185	SHIM	AR				t=4.5mm
	U2f010						

TL240 (P-TL240BAB) BU2Z002-1 S/N 22400001-
QUICK HITCH



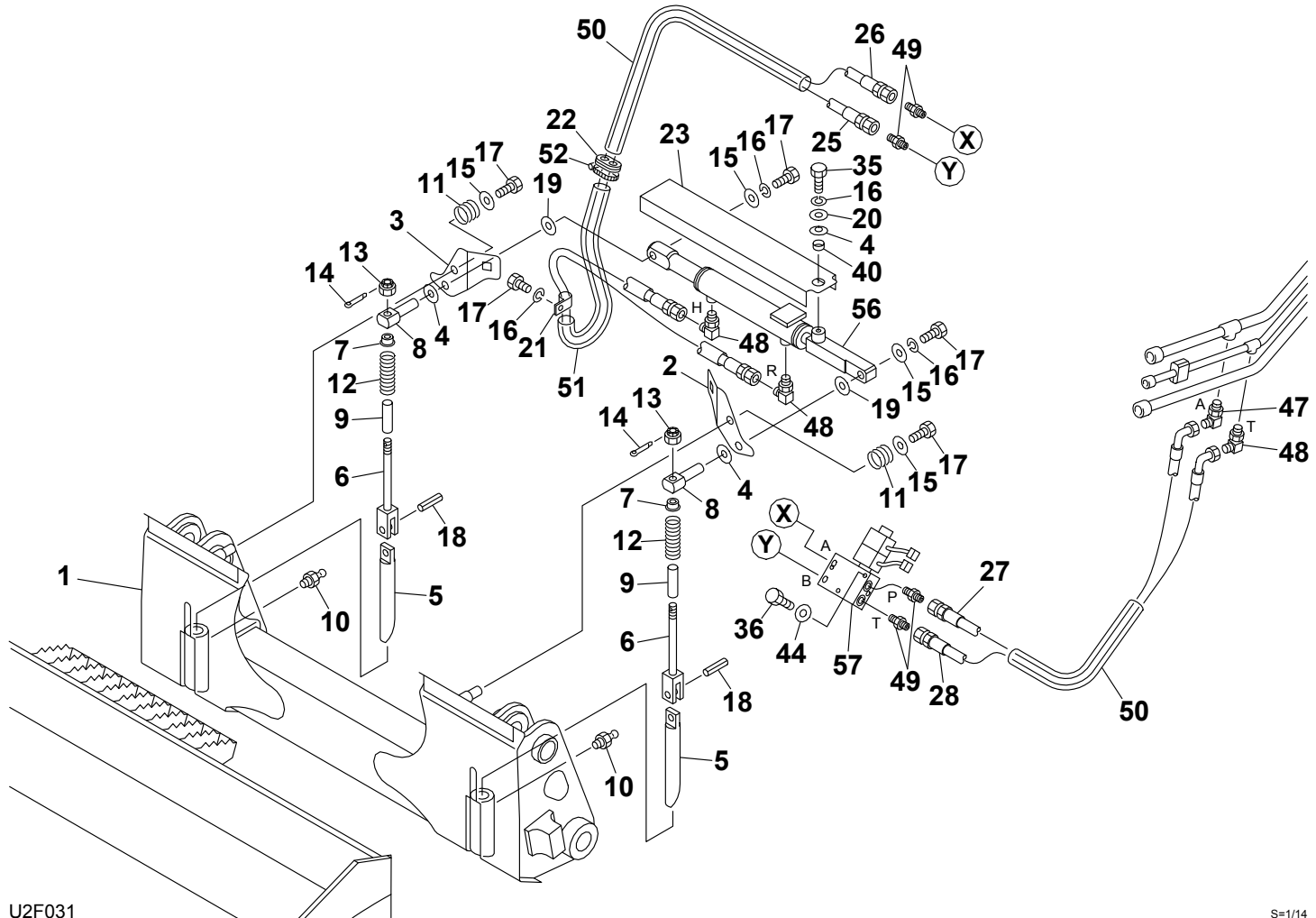
U1F020

S-1/14

QUICK HITCH

Item	Part number	Description	Q'ty	Chan.	Serial No.	Serv.	Remarks
0	0686100000	HITCH, quick (for EU)	1				
	0686101000	HITCH, quick (for US)	1				
1	0686100100	· BRACKET	1				for EU
	0686100200	· BRACKET	1				for US
2	0881612040	· LEVER(L.H.)	1				
3	0881612050	· LEVER(R.H.)	1				
4	0881612150	· PIN	2				
5	0881612060	· YOKE	2				
6	0881612070	· WASHER	2				
7	0880612070	· PIN	2				
8	0881612160	· PIPE	2				
9	1560001000	· FITTING, grease	2				
10	0007000016	· SPRING	2				
11	0007000119	· SPRING	2				
12	1132630012	· NUT	2				
13	1210013225	· PIN, split	2				
14	0003600025	· WASHER	4				
15	1140120010	· WASHER, spring	2				
16	1100041020	· BOLT	4				
17	1213001250	· PIN, spring	2				
18	1225120018	· WASHER, conical	2				
	U2f021						

TL240 (P-TL240BAB) BU2Z002-1 S/N 22400001-
QUICK HITCH (1/2) (hydraulic type)



U2F031

S=1/14

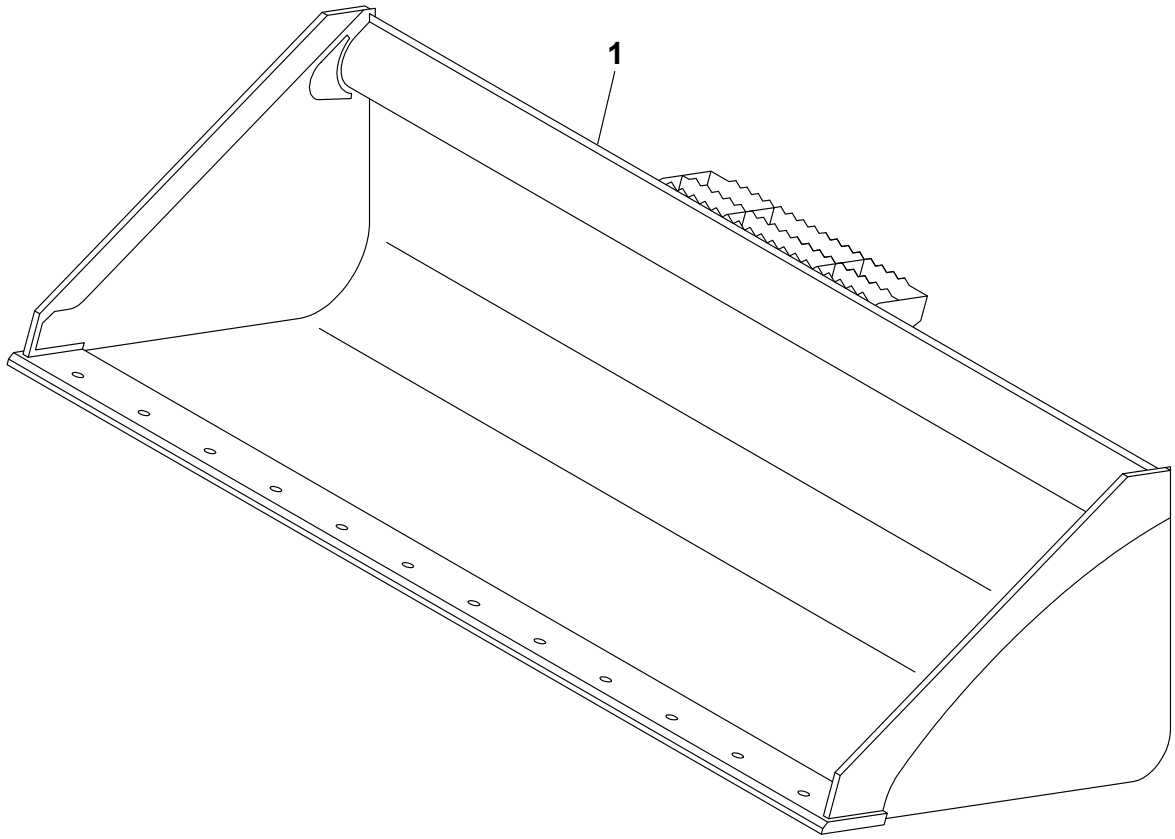
QUICK HITCH (1/2) (hydraulic type)

Item	Part number	Description	Q'ty	Chan.	Serial No.	Serv.	Remarks
0	0686102000	HITCH, quick (for EU)	1				
	0686103000	HITCH, quick (for US)	1				
1	0686100100	· BRACKET	1				for EU
	0686100200	· BRACKET	1				for US
2	0666101590	· PLATE (L.H.)	1				
3	0666101600	· PLATE (R.H.)	1				
4	1225120018	· WASHER, conical	3				
5	0881612150	· PIN	2				
6	0881612060	· YOKE	2				
7	0881612070	· WASHER	2				
8	0666101080	· PIN	2				
9	0881612160	· PIPE	2				
10	1560001000	· FITTING, grease	2				
11	0007000016	· SPRING	2				
12	0007000119	· SPRING	2				
13	1132630012	· NUT	2				
14	1210013225	· PIN, split	2				
15	0003600025	· WASHER	4				
16	1140120010	· WASHER, spring	4				
17	1100041020	· BOLT	5				
18	1213001250	· PIN, spring	2				
19	0003600034	· WASHER	2				
20	0003610002	· WASHER	1				
21	0007300001	· CLAMP	1				
22	0097210300	· GUARD	1				
23	0666101230	· COVER	1				
25	0686102250	· HOSE ASSY	1			M	18019-00175
26	0686102260	· HOSE ASSY	1			M	18019-00205
27	0686102270	· HOSE ASSY	1			M	18015-01095
28	0666101280	· HOSE ASSY	1				18010-22095
35	1100041016	· BOLT	1				
36	1100040850	· BOLT	2				
40	0003600228	· COLLAR	1				
44	1141110008	· WASHER	2				
47	1512375004	· ELBOW	1				
	1420010110	· · O-RING	1				
48	1515012040	· ELBOW	3				
	1420010110	· · O-RING	1				
49	1515600200	· ADAPTOR	4				
	1420010110	· · O-RING	1				
50	1531335070	· PROTECTOR	2			M	sold by the meter
51	1531520072	· PROTECTOR	1			M	
52	1533811065	· BAND	1				
56	1900100700	· CYLINDER, quick hitch	1				
57	1901752000	· VALVE, solenoid	1				
	U2f031						

QUICK HITCH (2/2) (hydraulic type)

Item	Part number	Description	Q'ty	Chan.	Serial No.	Serv.	Remarks
0	0686102000	HITCH, quick (for EU)	1				
	0686103000	HITCH, quick (for US)	1				
24	0666101240	· HARNESS, wiring	1				
24-1	1730500008	· · DIODE (3A yellow)	4				
29	0666100290	· BRACKET	1				
30	0666101300	· PLATE	1				
31	0666101310	· PLATE	1				
32	0666101320	· COVER	1				
33	1100040612	· BOLT	4				
34	1100040620	· BOLT	1				
37	1111840518	· BOLT	2				
38	1130040006	· NUT	3				
39	1140020006	· WASHER, spring	6				
41	1140020008	· WASHER, spring	2				
43	1141110006	· WASHER	2				
44	1141110008	· WASHER	2				
45	1224100009	· NUT	1				
53	1652201008	· BAND	12				
54	1700000043	· SWITCH	1				
55	1711900042	· RELAY	2				
	U2f041						

TL240 (P-TL240BAB) BU2Z002-1 S/N 224000001-
BUCKET



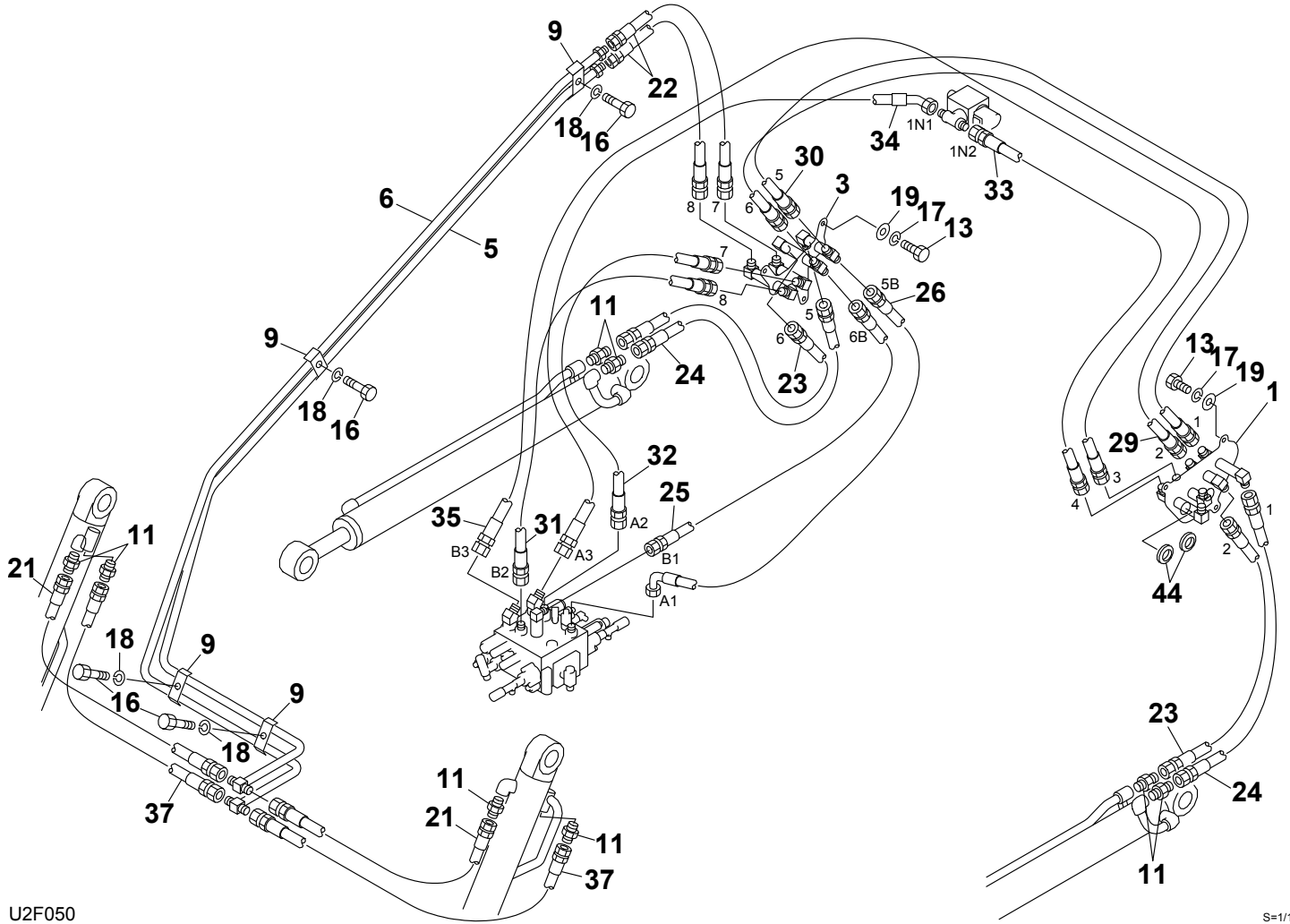
T9F030

S=free

BUCKET

Item	Part number	Description	Q'ty	Chan.	Serial No.	Serv.	Remarks
		BUCKET ASSY (for EU)					
		BUCKET ASSY (for US)					
1	0882620100	BUCKET	1				for EU
	0882620600	BUCKET	1				for US
	T9f031						

TL240 (P-TL240BAB) BU2Z002-1 S/N 22400001-
PIPING; ARM (1/2)



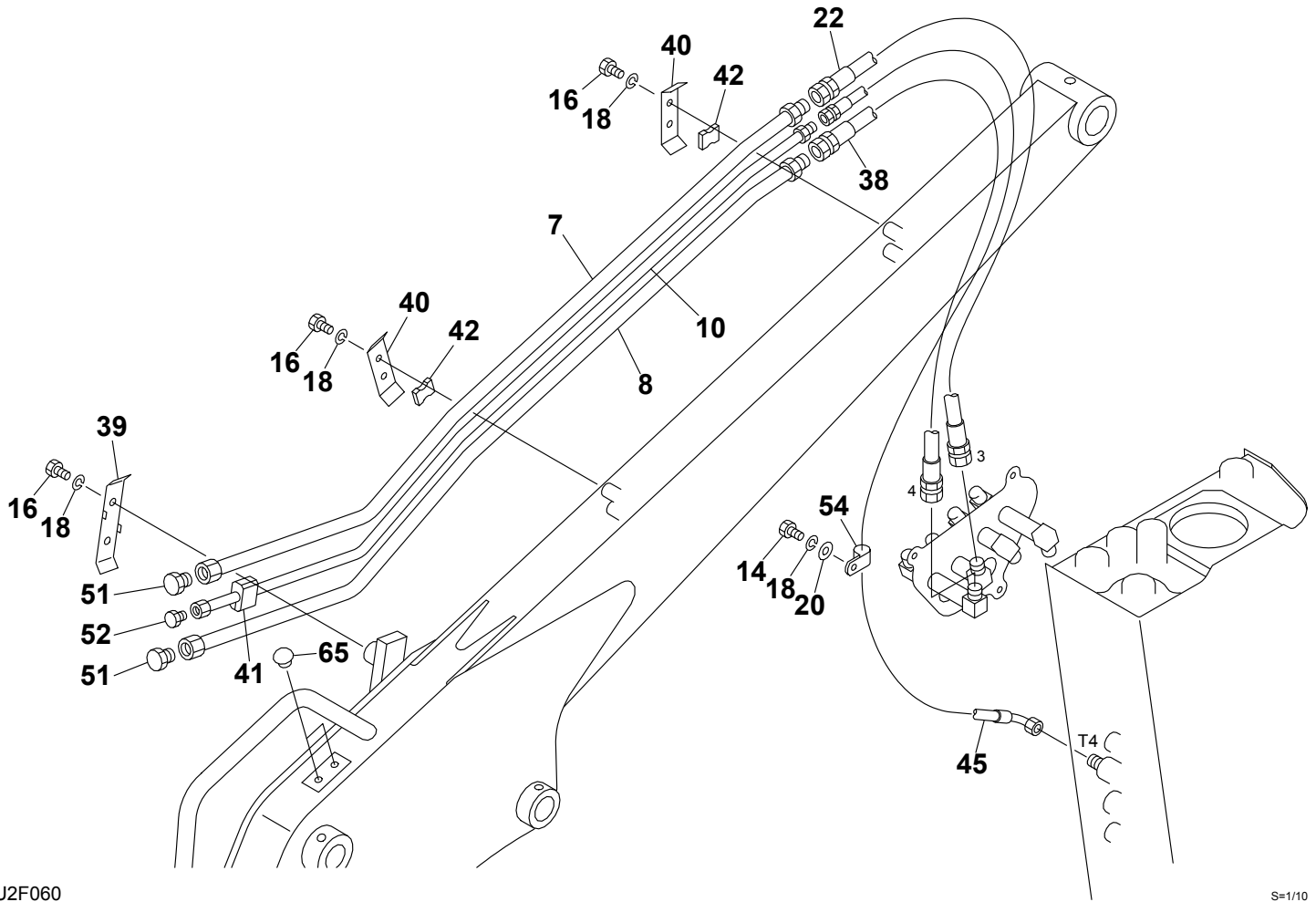
U2F050

S-1/17

PIPING; ARM (1/2)

Item	Part number	Description	Q'ty	Chan.	Serial No.	Serv.	Remarks
		PIPING ASSY					
		PIPING ASSY (with coupler)					
		PIPING ASSY (hydraulic quick hitch type)					
		PIPING ASSY (for US)					
1	0687301010	BRACKET (L.H.)	1				
3	0687300030	BRACKET (R.H.)	1				
5	0882730700	PIPE	1				
6	0882730750	PIPE	1				
9	0880736090	CLAMP	4				
11	1515600202	ADAPTOR	8				
	1420010180	- O-RING	1				
13	1100040820	BOLT	6				
16	1100041025	BOLT	4				
17	1140020008	WASHER, spring	6				
18	1140020010	WASHER, spring	4				
19	1141110008	WASHER	6				
21	0882730210	HOSE ASSY	2				18017-40062
22	0882730220	HOSE ASSY	2				18015-70070
23	1801540064	HOSE ASSY	2				
24	1801540058	HOSE ASSY	2				
25	0687300250	HOSE ASSY	1				18015-40086
26	0687300260	HOSE ASSY	1				18015-41092
29	0882730290	HOSE ASSY	1				18015-40123
30	0882730300	HOSE ASSY	1				18015-40123
31	0687301310	HOSE ASSY	1				18015-40065
32	0687301320	HOSE ASSY	1				18015-40061
33	0882730330	HOSE ASSY	1				18015-70061
34	0687300340	HOSE ASSY	1				18015-47056
35	0687300350	HOSE ASSY	1				18015-40135
37	0882730370	HOSE ASSY	2				18017-40064
44	1652061035	BUSHING	2				
	U2f051						

TL240 (P-TL240BAB) BU2Z002-1 S/N 224000001-
PIPING; ARM (2/2)



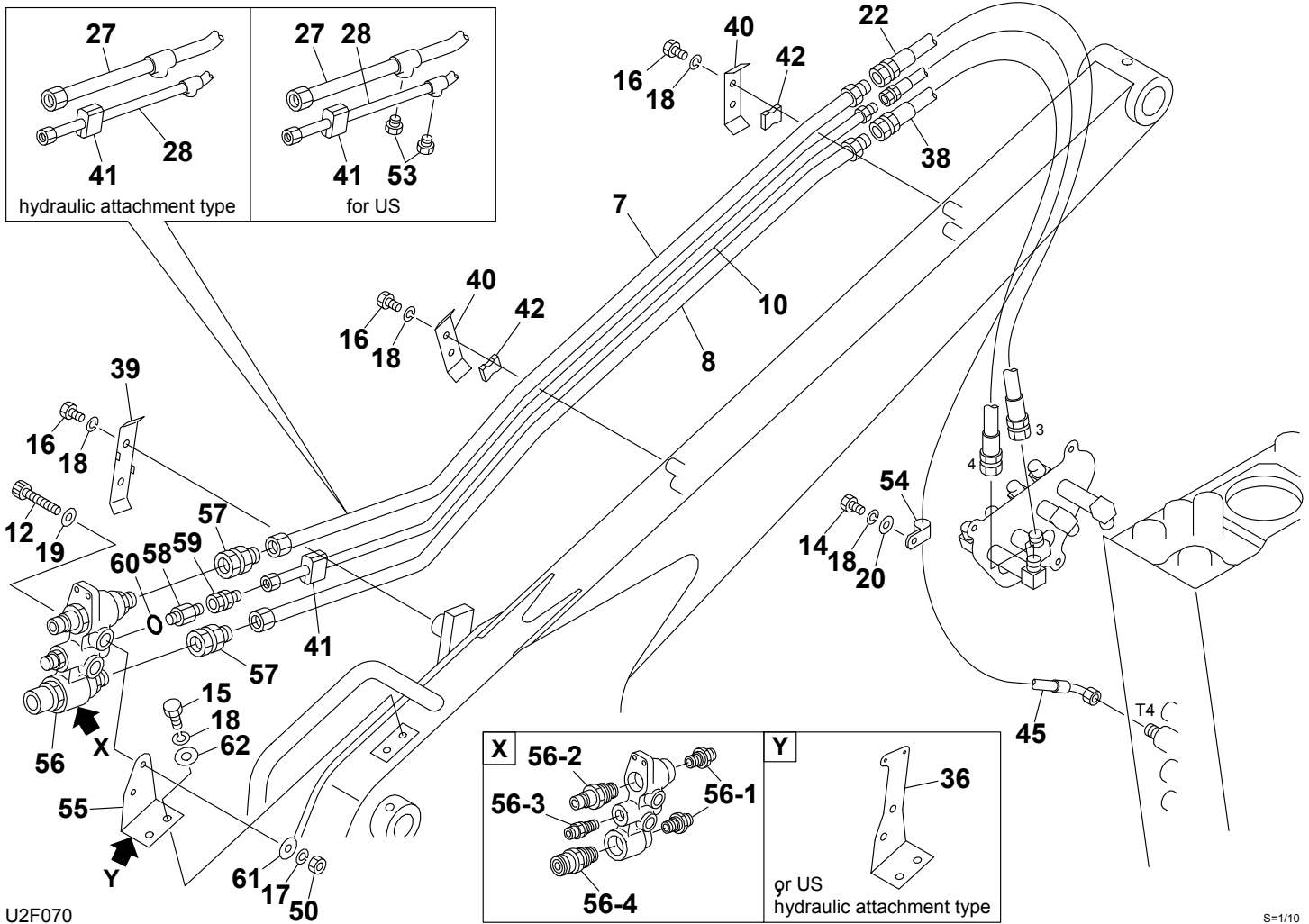
U2F060

S=1/10

PIPING; ARM (2/2)

Item	Part number	Description	Q'ty	Chan.	Serial No.	Serv.	Remarks
		PIPING ASSY					
7	0882732010	PIPE	1				
8	0882732020	PIPE	1				
10	0882732030	PIPE	1				
14	1100041016	BOLT	1				
16	1100041025	BOLT	6				
18	1140020010	WASHER, spring	7				
20	1141110010	WASHER	1				
22	0882730220	HOSE ASSY	1				18015-70070
38	0882732040	HOSE ASSY	1				
39	0881733550	CLAMP	1			M	
40	0880738130	CLAMP	2			M	
41	0880738140	RUBBER	1				
42	0880738150	RUBBER	2				
45	0687301450	HOSE ASSY	1				18010-23122
51	1501750004	PLUG	2				
	1420010180	· O-RING	1				
52	1501750003	PLUG	1				
	1420010140	· O-RING	1				
54	1711900071	CLAMP	1				
65	1652533018	CAP	2				
	U2f061						

**TL240 (P-TL240BAB) BU2Z002-1 S/N 22400001-
PIPING; ARM (2/2) (with coupler, hydraulic quick hitch type)**



U2F070

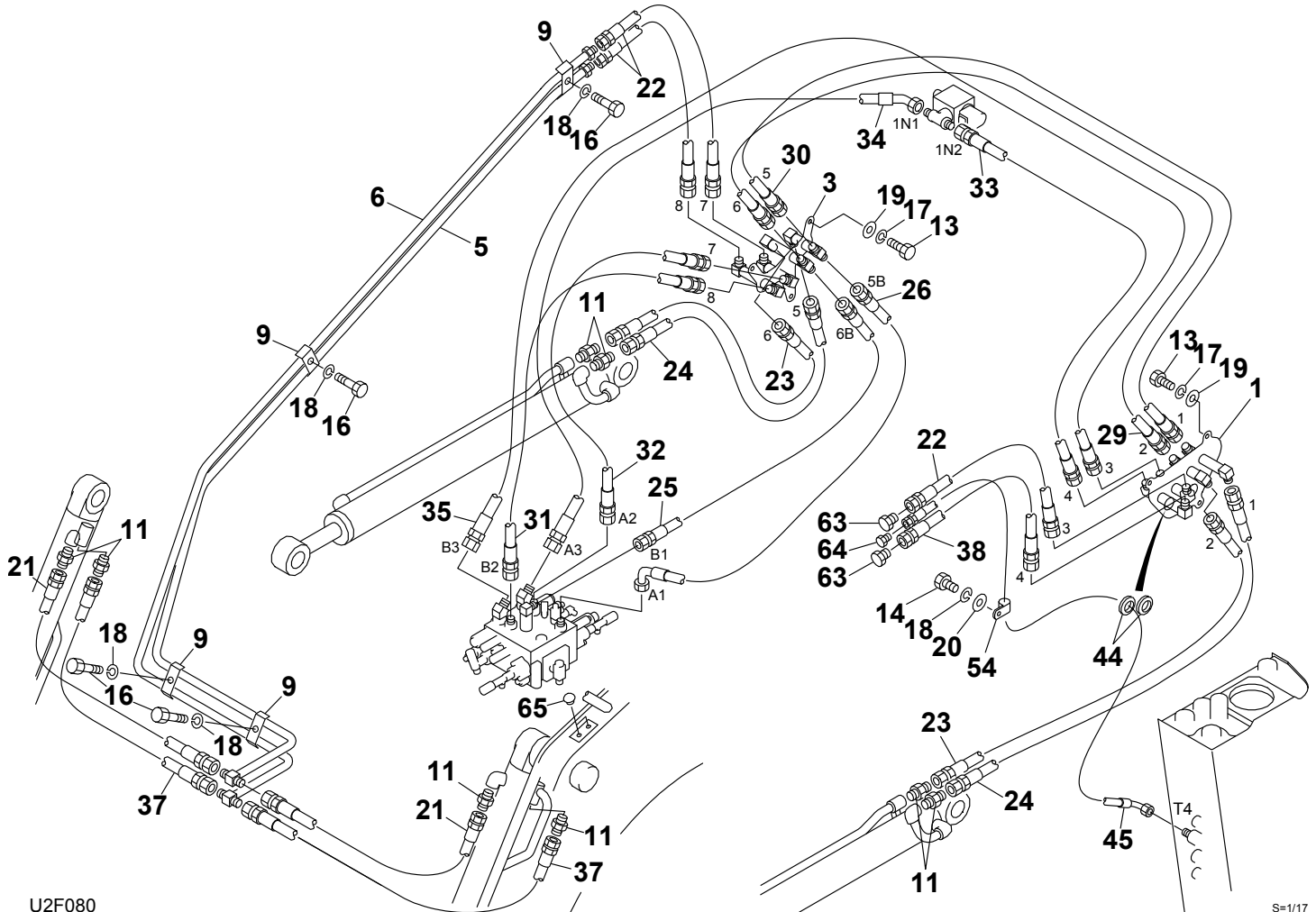
S=1/10

PIPING; ARM (2/2) (with coupler, hydraulic quick hitch type)

Item	Part number	Description	Q'ty	Chan.	Serial No.	Serv.	Remarks
		PIPING ASSY (with coupler)					
		PIPING ASSY (hydraulic quick hitch type)					
		PIPING ASSY (for US)					
7	0882732010	PIPE	1				with coupler
8	0882732020	PIPE	1				
10	0882732030	PIPE	1				with coupler
12	1110040865	SCREW, cap	2				
14	1100041016	BOLT	1				
15	1100041020	BOLT	2				
16	1100041025	BOLT	6				
17	1140020008	WASHER, spring	2				
18	1140020010	WASHER, spring	9				
19	1141110008	WASHER	2				
20	1141110010	WASHER	1				
22	0882730220	HOSE	1				
27	0687303270	PIPE (hydraulic quick hitch type)	1				for US
28	0687307280	PIPE (hydraulic quick hitch type)	1				for US
36	0667300590	BRACKET (hydraulic quick hitch type)	1				for US
38	0882732040	HOSE ASSY	1				
39	0881733550	CLAMP	1			M	
40	0880738130	CLAMP	2			M	
41	0880738140	RUBBER	1				
42	0880738150	RUBBER	2				
45	0687301450	HOSE ASSY	1				18010-23122
50	1130040008	NUT	2				
53	1501750002	PLUG	2				for US
	1420010110	· O-RING	1				
54	1711900071	CLAMP	1				
55	0880738160	BRACKET	1				with coupler
56	1901747000	COUPLER, block	1				
56-1	1901747001	· ADAPTOR	2				
56-2	1901747002	· ADAPTOR	1				
56-3	1901747003	· ADAPTOR	1				
56-4	1901747004	· ADAPTOR	1				
57	0007236045	ADAPTOR	2				
58	0007203017	NIPPLE	1				
	1420310906	· O-RING	1				
59	1511410003	ADAPTOR	1				
	1420010140	· O-RING	1				
60	1420310906	O-RING	1				
61	0003608252	WASHER	2				
62	0003600020	WASHER	2				

U2f071

TL240 (P-TL240BAB) BU2Z002-1 S/N 22400001-
PIPING; ARM (for GEHL & MUSTANG)



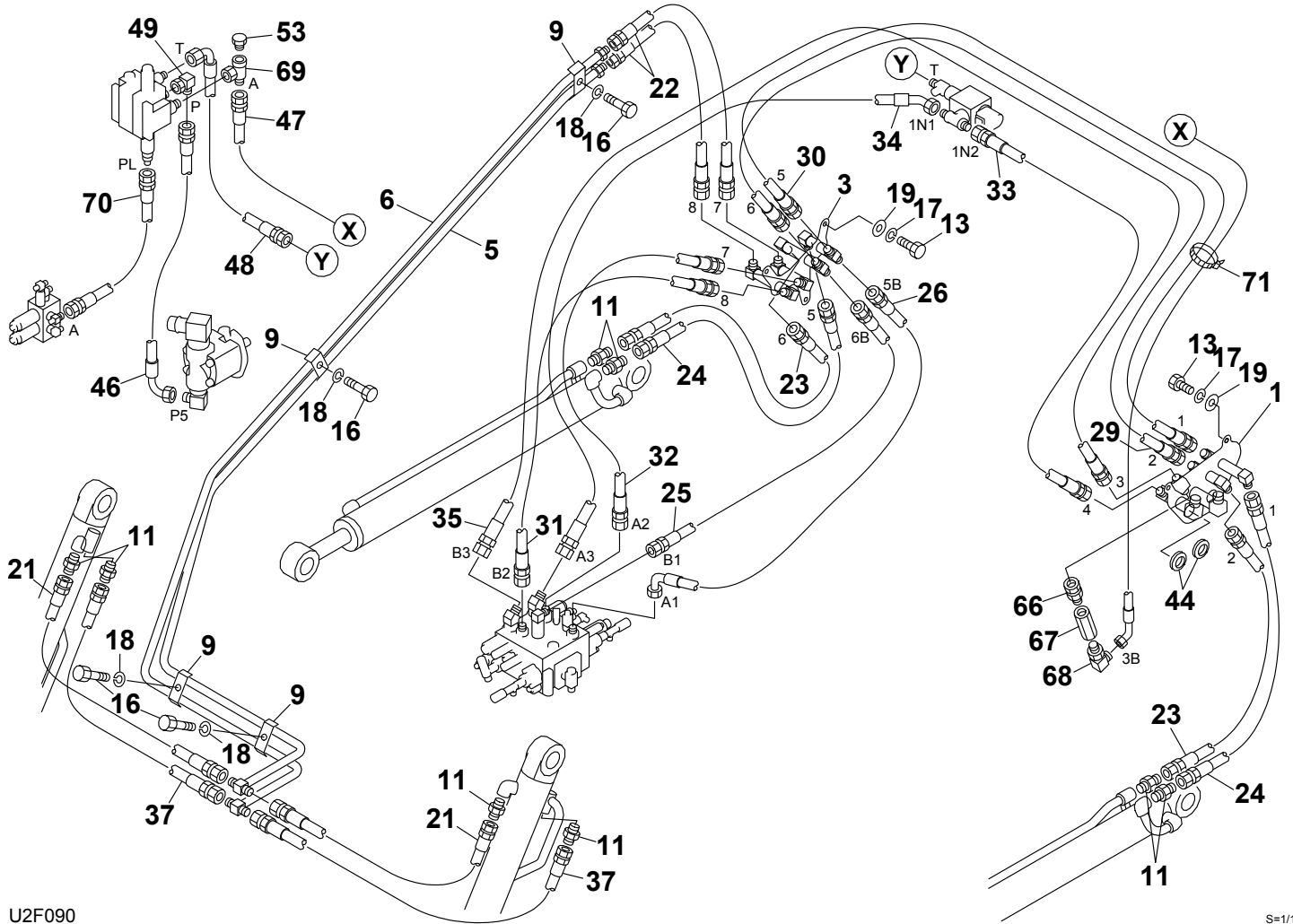
U2F080

S=1/17

PIPING; ARM (for GEHL & MUSTANG)

Item	Part number	Description	Q'ty	Chan.	Serial No.	Serv.	Remarks
		PIPING ASSY					
1	0687301010	BRACKET (L.H.)	1				
3	0687300030	BRACKET (R.H.)	1				
5	0882730700	PIPE	1				
6	0882730750	PIPE	1				
9	0880736090	CLAMP	4				
11	1515600202	ADAPTOR	8				
	1420010180	· O-RING	1				
13	1100040820	BOLT	6				
14	1100041016	BOLT	1				
16	1100041025	BOLT	4				
17	1140020008	WASHER, spring	6				
18	1140020010	WASHER, spring	5				
19	1141110008	WASHER	6				
20	1141110010	WASHER	1				
21	0882730210	HOSE ASSY	2				18017-40062
22	0882730220	HOSE ASSY	3				18015-70070
23	1801540064	HOSE ASSY	2				
24	1801540058	HOSE ASSY	2				
25	0687300250	HOSE ASSY	1				18015-40086
26	0687300260	HOSE ASSY	1				18015-41092
29	0882730290	HOSE ASSY	1				18015-40123
30	0882730300	HOSE ASSY	1				18015-40123
31	0687301310	HOSE ASSY	1				18015-40065
32	0687301320	HOSE ASSY	1				18015-40061
33	0882730330	HOSE ASSY	1				18015-70061
34	0687300340	HOSE ASSY	1				18015-47056
35	0687300350	HOSE ASSY	1				18015-40135
37	0882730370	HOSE ASSY	2				18017-40064
38	0882732040	HOSE ASSY	1				
44	1652061035	BUSHING	2				
45	0687301450	HOSE ASSY	1				18010-23122
54	1711900071	CLAMP	1				
63	1513940004	PLUG	2				
64	1513940003	PLUG	1				
65	1652533018	CAP	2				
	U2f081						

TL240 (P-TL240BAB) BU2Z002-1 S/N 22400001-
 PIPING; ARM (1/2) (high flow)



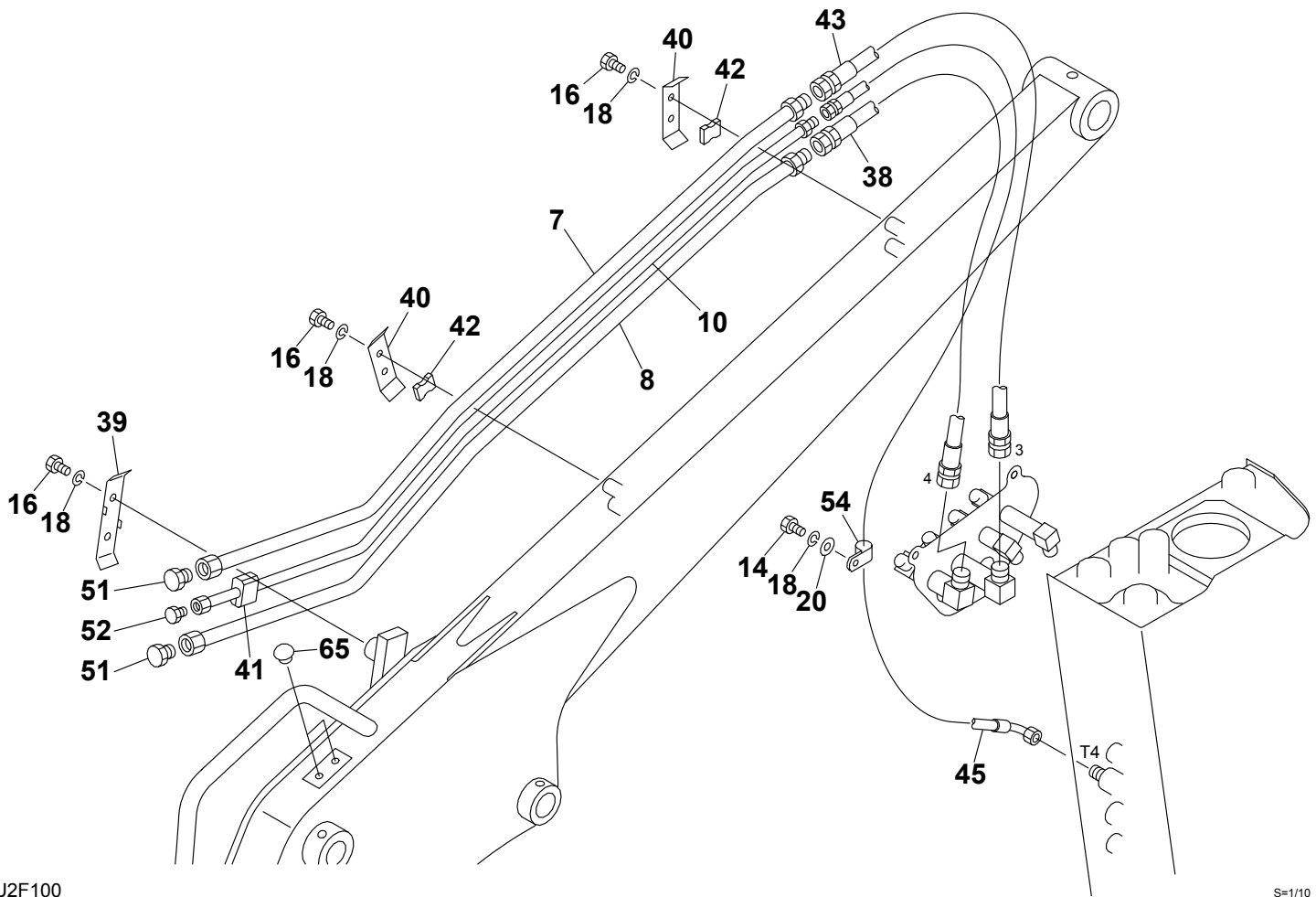
U2F090

S-1/17

PIPING; ARM (1/2) (high flow)

Item	Part number	Description	Q'ty	Chan.	Serial No.	Serv.	Remarks
		PIPING ASSY					
		PIPING ASSY (with coupler)					
		PIPING ASSY (hydraulic quick hitch type)					
		PIPING ASSY (for US)					
1	0687305010	BRACKET (L.H.)	1				
3	0687300030	BRACKET (R.H.)	1				
5	0882730700	PIPE	1				
6	0882730750	PIPE	1				
9	0880736090	CLAMP	4				
11	1515600202	ADAPTOR	8				
	1420010180	· O-RING	1				
13	1100040820	BOLT	6				
16	1100041025	BOLT	4				
17	1140020008	WASHER, spring	6				
18	1140020010	WASHER, spring	4				
19	1141110008	WASHER	6				
21	0882730210	HOSE ASSY	2				18017-40062
22	0882730220	HOSE ASSY	2				18015-70070
23	1801540064	HOSE ASSY	2				
24	1801540058	HOSE ASSY	2				
25	0687300250	HOSE ASSY	1				18015-40086
26	0687300260	HOSE ASSY	1				18015-41092
29	0882730290	HOSE ASSY	1				18015-40123
30	0882730300	HOSE ASSY	1				18015-40123
31	0687301310	HOSE ASSY	1				18015-40065
32	0687301320	HOSE ASSY	1				18015-40061
33	0882733330	HOSE ASSY	1				18015-50065
34	0687300340	HOSE ASSY	1				18015-47056
35	0687300350	HOSE ASSY	1				18015-40135
37	0882730370	HOSE ASSY	2				18017-40064
44	1652061035	BUSHING	2				
46	0687300460	HOSE ASSY	1				18015-41110
47	0687305470	HOSE ASSY	1				18015-47200
48	0882733480	HOSE ASSY	1				18010-56107
49	1513390016	ELBOW	1				
53	1501750002	PLUG	1				
	1420010110	· O-RING	1				
66	0007236041	ADAPTOR	1				
	1420010180	· O-RING	1				
67	1901743200	VALVE, check	1				
68	1515010042	ELBOW	1				
	1420010180	· O-RING	1				
69	1513390044	TEE	1				
70	0687305700	HOSE ASSY	1				18010-22125
71	1652241300	BAND	1				
	U2f091						

TL240 (P-TL240BAB) BU2Z002-1 S/N 224000001-
PIPING; ARM (2/2) (high flow)



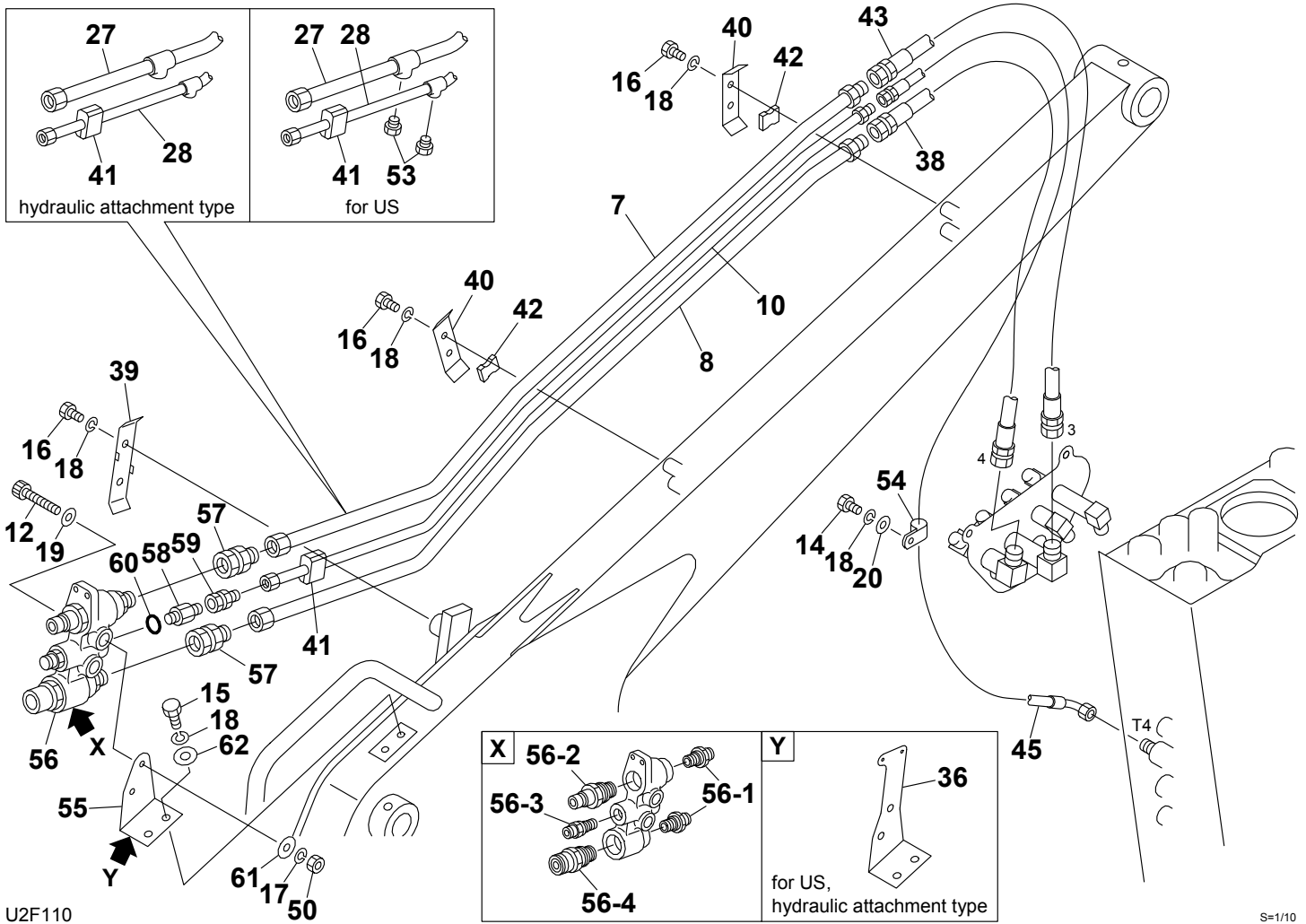
U2F100

S=1/10

PIPING; ARM (2/2) (high flow)

Item	Part number	Description	Q'ty	Chan.	Serial No.	Serv.	Remarks
		PIPING ASSY					
7	0687300070	PIPE	1				
8	0687300080	PIPE	1				
10	0882732030	PIPE	1				
14	1100041016	BOLT	1				
16	1100041025	BOLT	6				
18	1140020010	WASHER, spring	7				
20	1141110010	WASHER	1				
38	0882733380	HOSE ASSY	1				18015-50069
39	0881733550	CLAMP	1			M	
40	0880738130	CLAMP	2			M	
41	0880738140	RUBBER	1				
42	0880738150	RUBBER	2				
43	0882733430	HOSE ASSY	1				18015-50069
45	0687301450	HOSE ASSY	1				18010-23122
51	1501750006	PLUG	2				
	1420010240	· O-RING	1				
52	1501750003	PLUG	1				
	1420010140	· O-RING	1				
54	1711900071	CLAMP	1				
65	1652533018	CAP	2				
	U2f101						

**TL240 (P-TL240BAB) BU2Z002-1 S/N 22400001-
 PIPING; ARM (2/2) (high flow, with coupler, hydraulic quick hitch type)**

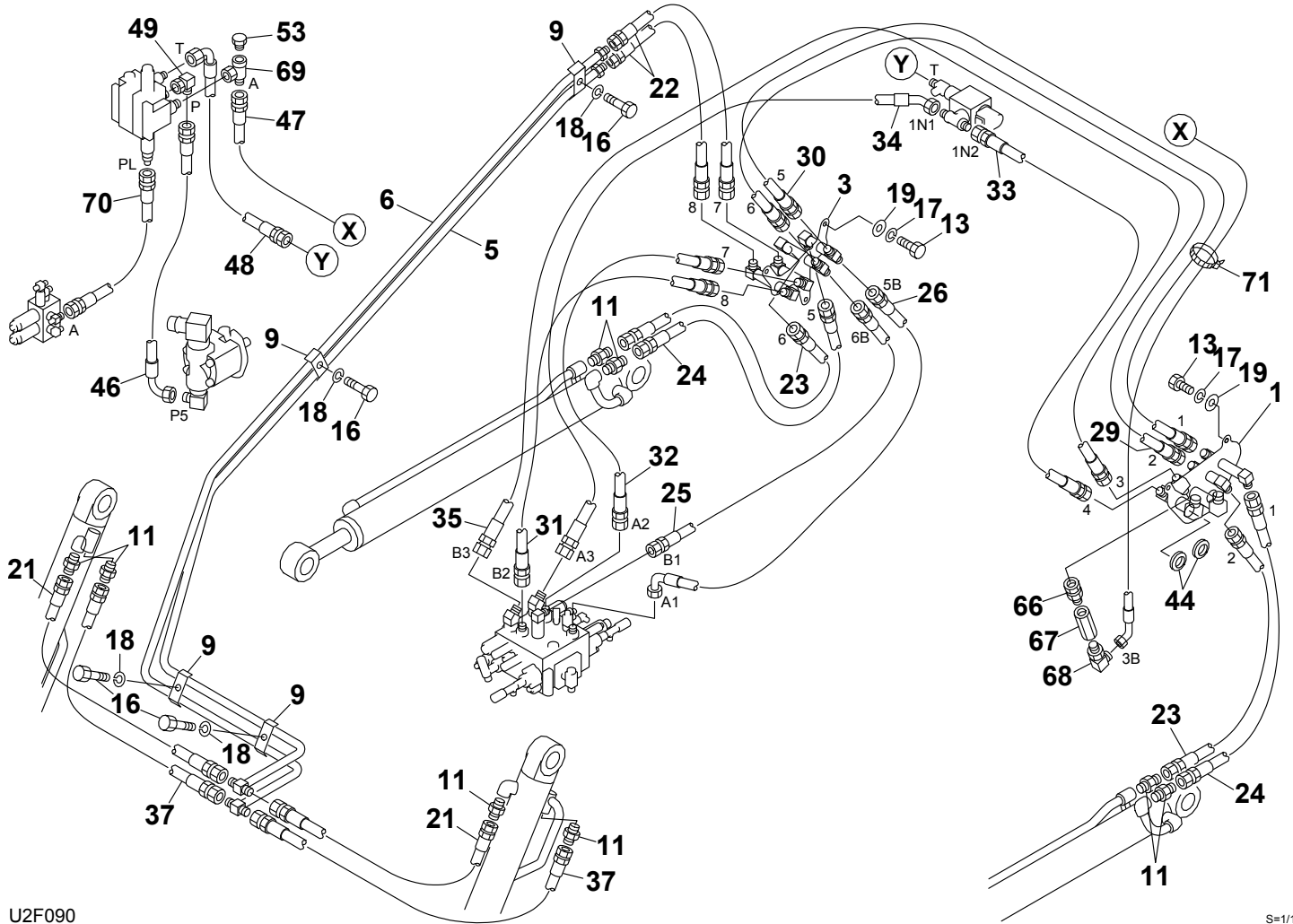


PIPING; ARM (2/2) (high flow, with coupler, hydraulic quick hitch type)

Item	Part number	Description	Q'ty	Chan.	Serial No.	Serv.	Remarks
		PIPING ASSY (with coupler)					
		PIPING ASSY (hydraulic quick hitch type)					
		PIPING ASSY (for US)					
7	0687300070	PIPE	1				with coupler
8	0687300080	PIPE	1				
10	0882732030	PIPE	1				with coupler
12	1110040865	SCREW, cap	2				
14	1100041016	BOLT	1				
15	1100041020	BOLT	2				
16	1100041025	BOLT	6				
17	1140020008	WASHER, spring	2				
18	1140020010	WASHER, spring	9				
19	1141110008	WASHER	2				
20	1141110010	WASHER	1				
27	0687307270	PIPE (hydraulic quick hitch type)	1				for US
28	0687307280	PIPE (hydraulic quick hitch type)	1				for US
36	0667300590	BRACKET (hydraulic quick hitch type)	1				for US
38	0882733380	HOSE ASSY	1				18015-50069
39	0881733550	CLAMP	1			M	
40	0880738130	CLAMP	2			M	
41	0880738140	RUBBER	1				
42	0880738150	RUBBER	2				
43	0882733430	HOSE ASSY	1				18015-50069
45	0687301450	HOSE ASSY	1				18010-23122
50	1130040008	NUT	2				
53	1501750002	PLUG	2				for US
	1420010110	· O-RING	1				
54	1711900071	CLAMP	1				
55	0880738160	BRACKET	1				with coupler
56	1901747000	COUPLER, block	1				
56-1	1901747001	· ADAPTOR	2				
56-2	1901747002	· ADAPTOR	1				
56-3	1901747003	· ADAPTOR	1				
56-4	1901747004	· ADAPTOR	1				
57	0007236044	ADAPTOR	2				
58	0007203017	NIPPLE	1				
	1420310906	· O-RING	1				
59	1511410003	ADAPTOR	1				
	1420010140	· O-RING	1				
60	1420310906	O-RING	1				
61	0003608252	WASHER	2				
62	0003600020	WASHER	2				

U2f111

TL240 (P-TL240BAB) BU2Z002-1 S/N 22400001-
PIPING; ARM (1/2) (high flow, for GEHL & MUSTANG)



U2F090

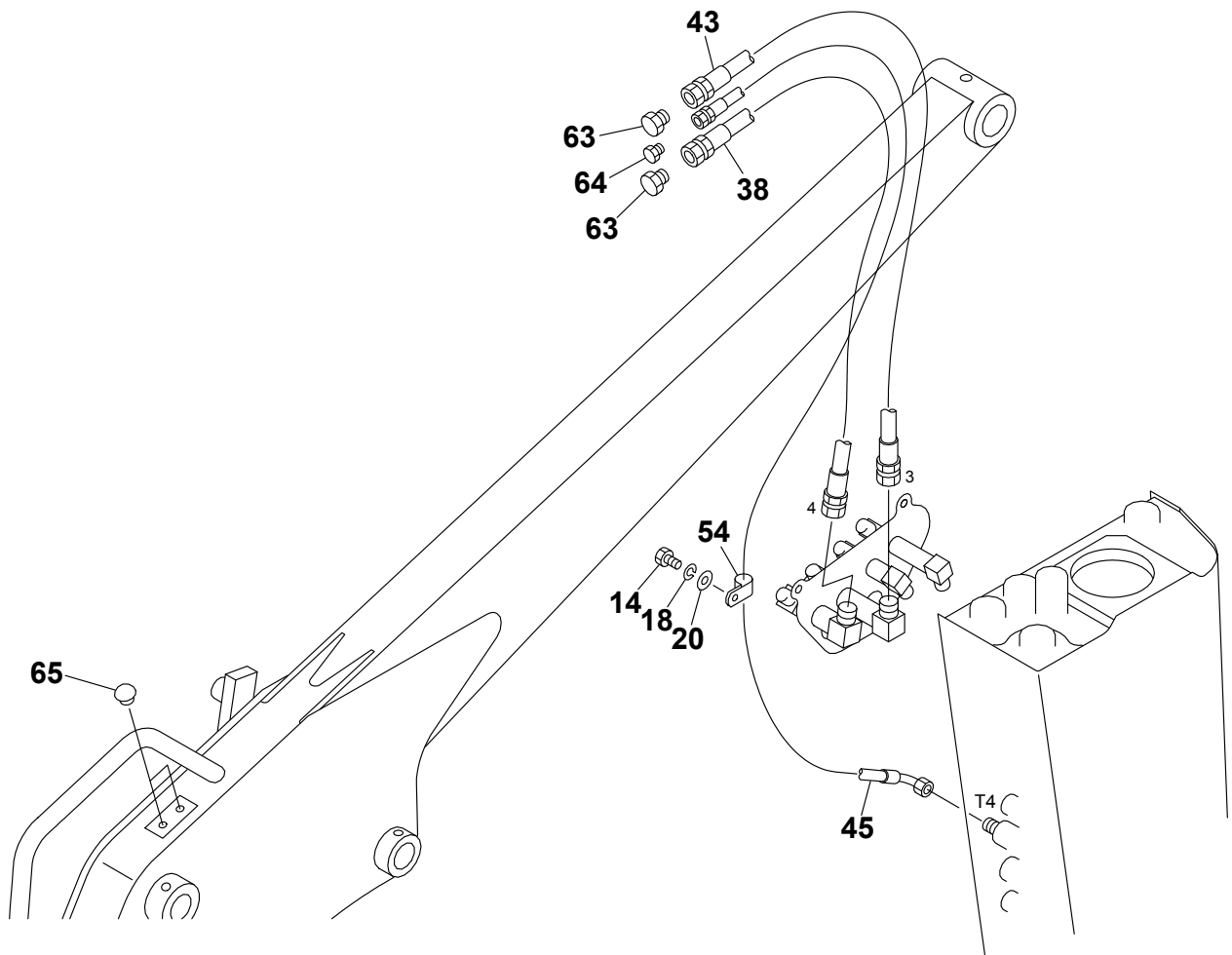
S-1/17

PIPING; ARM (1/2) (high flow, for GEHL & MUSTANG)

Item	Part number	Description	Q'ty	Chan.	Serial No.	Serv.	Remarks
		PIPING ASSY					
1	0687305010	BRACKET (L.H.)	1				
3	0687300030	BRACKET (R.H.)	1				
5	0882730700	PIPE	1				
6	0882730750	PIPE	1				
9	0880736090	CLAMP	4				
11	1515600202	ADAPTOR	8				
	1420010180	· O-RING	1				
13	1100040820	BOLT	6				
16	1100041025	BOLT	4				
17	1140020008	WASHER, spring	6				
18	1140020010	WASHER, spring	4				
19	1141110008	WASHER	6				
21	0882730210	HOSE ASSY	2				18017-40062
22	0882730220	HOSE ASSY	2				18015-70070
23	1801540064	HOSE ASSY	2				
24	1801540058	HOSE ASSY	2				
25	0687300250	HOSE ASSY	1				18015-40086
26	0687300260	HOSE ASSY	1				18015-41092
29	0882730290	HOSE ASSY	1				18015-40123
30	0882730300	HOSE ASSY	1				18015-40123
31	0687301310	HOSE ASSY	1				18015-40065
32	0687301320	HOSE ASSY	1				18015-40061
33	0882733330	HOSE ASSY	1				18015-50065
34	0687300340	HOSE ASSY	1				18015-47056
35	0687300350	HOSE ASSY	1				18015-40135
37	0882730370	HOSE ASSY	2				18017-40064
44	1652061035	BUSHING	2				
46	0687300460	HOSE ASSY	1				18015-41110
47	0687305470	HOSE ASSY	1				18015-47200
48	0882733480	HOSE ASSY	1				18010-56107
49	1513390016	ELBOW	1				
53	1501750002	PLUG	1				
	1420010110	· O-RING	1				
66	0007236041	ADAPTOR	1				
	1420010180	· O-RING	1				
67	1901743200	VALVE, check	1				
68	1515010042	ELBOW	1				
	1420010180	· O-RING	1				
69	1513390044	TEE	1				
70	0687305700	HOSE ASSY	1				18010-22125
71	1652241300	BAND	1				

U2f121

TL240 (P-TL240BAB) BU2Z002-1 S/N 224000001-
PIPING; ARM (2/2) (high flow, for GEHL & MUSTANG)



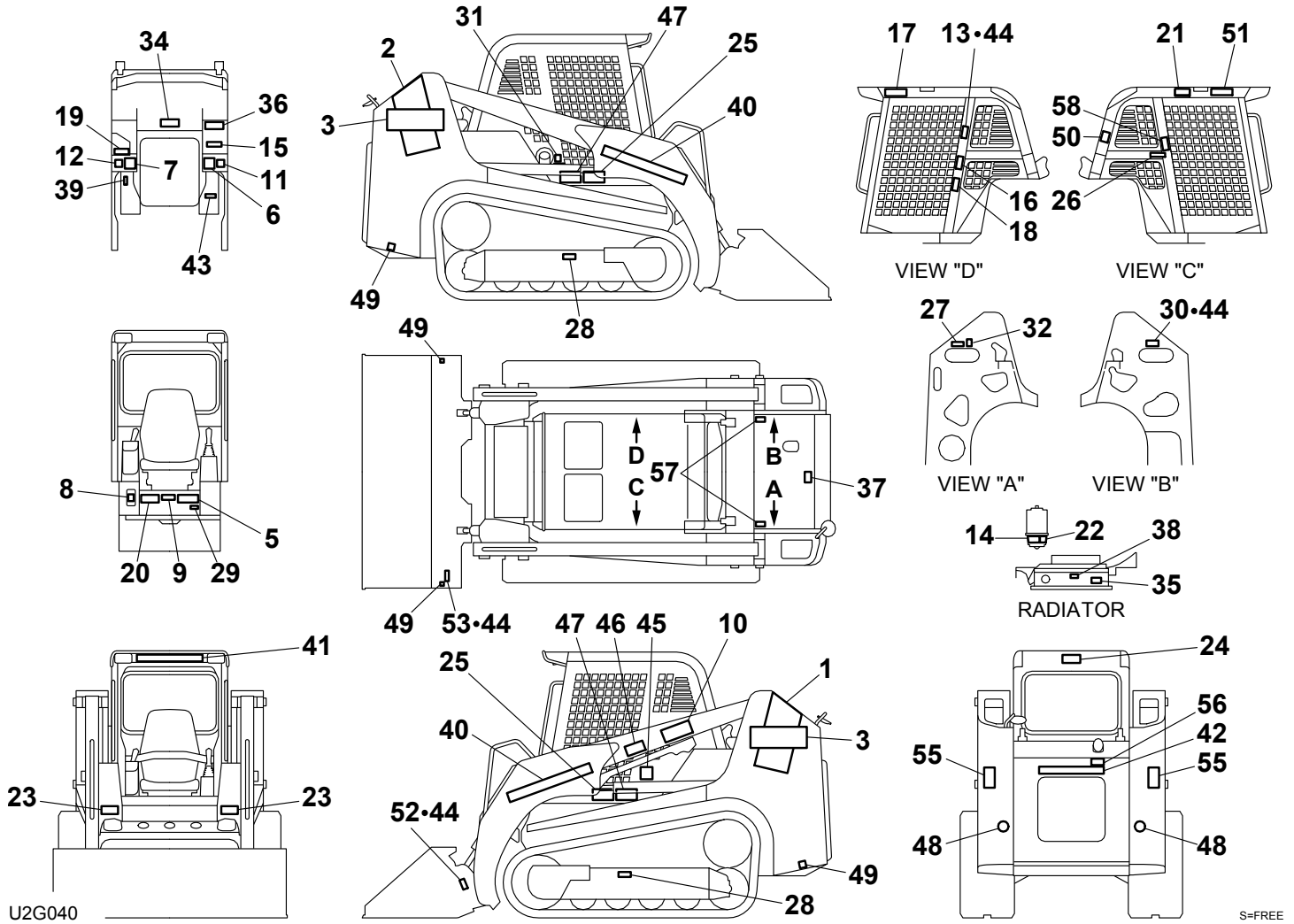
U2F130

S=1/10

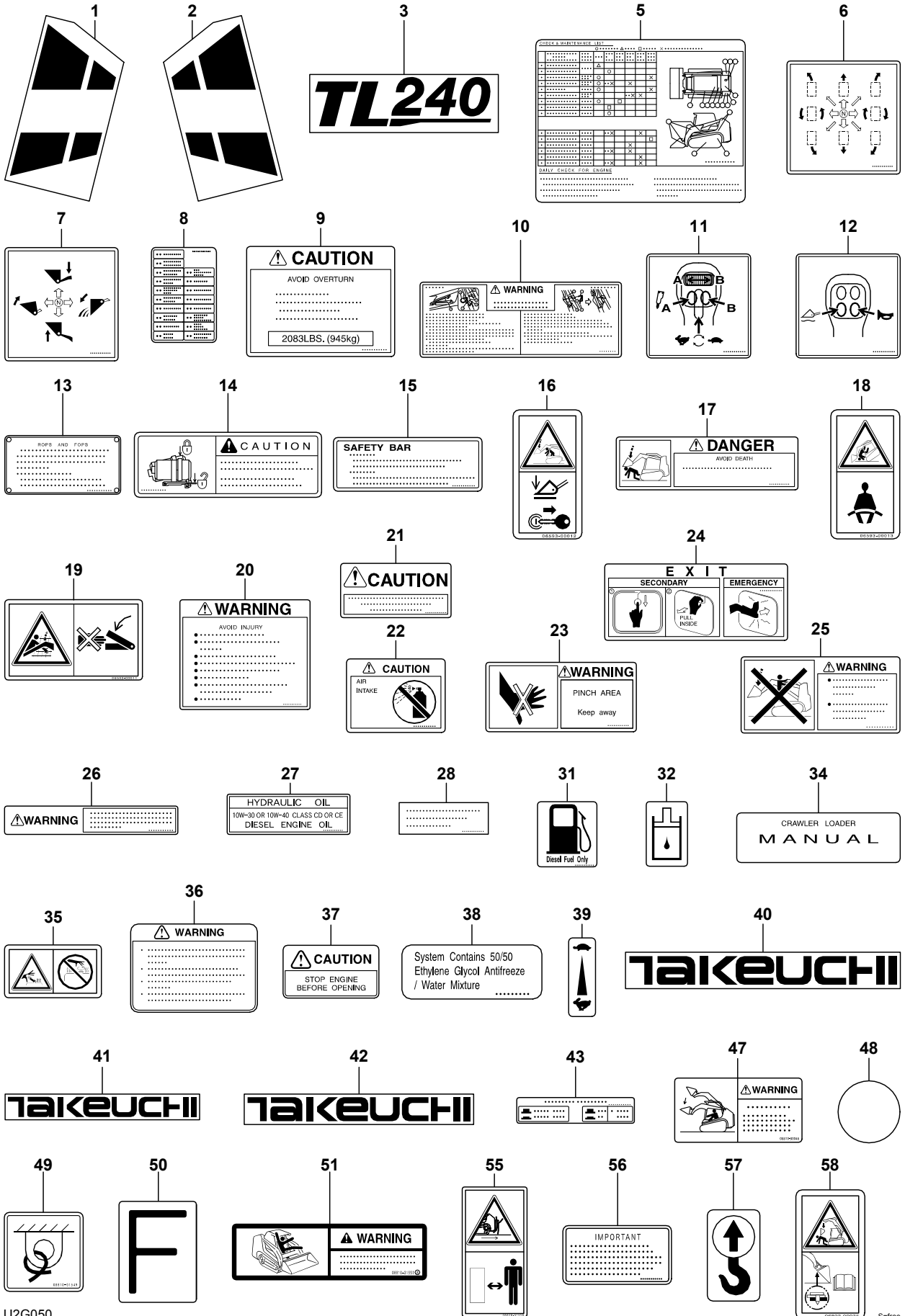
PIPING; ARM (2/2) (high flow, for GEHL & MUSTANG)

Item	Part number	Description	Q'ty	Chan.	Serial No.	Serv.	Remarks
		PIPING ASSY					
14	1100041016	BOLT	1				
18	1140020010	WASHER, spring	1				
20	1141110010	WASHER	1				
38	0882733380	HOSE ASSY	1				18015-50069
43	0882733430	HOSE ASSY	1				18015-50069
45	0687301450	HOSE ASSY	1				18010-23122
54	1711900071	CLAMP	1				
63	1513940006	PLUG	2				
64	1513940003	PLUG	1				
65	1652533018	CAP	2				
	U2f131						

TL240 (P-TL240BAB) BU2Z002-1 S/N 22400001-
DECAL (canopy)

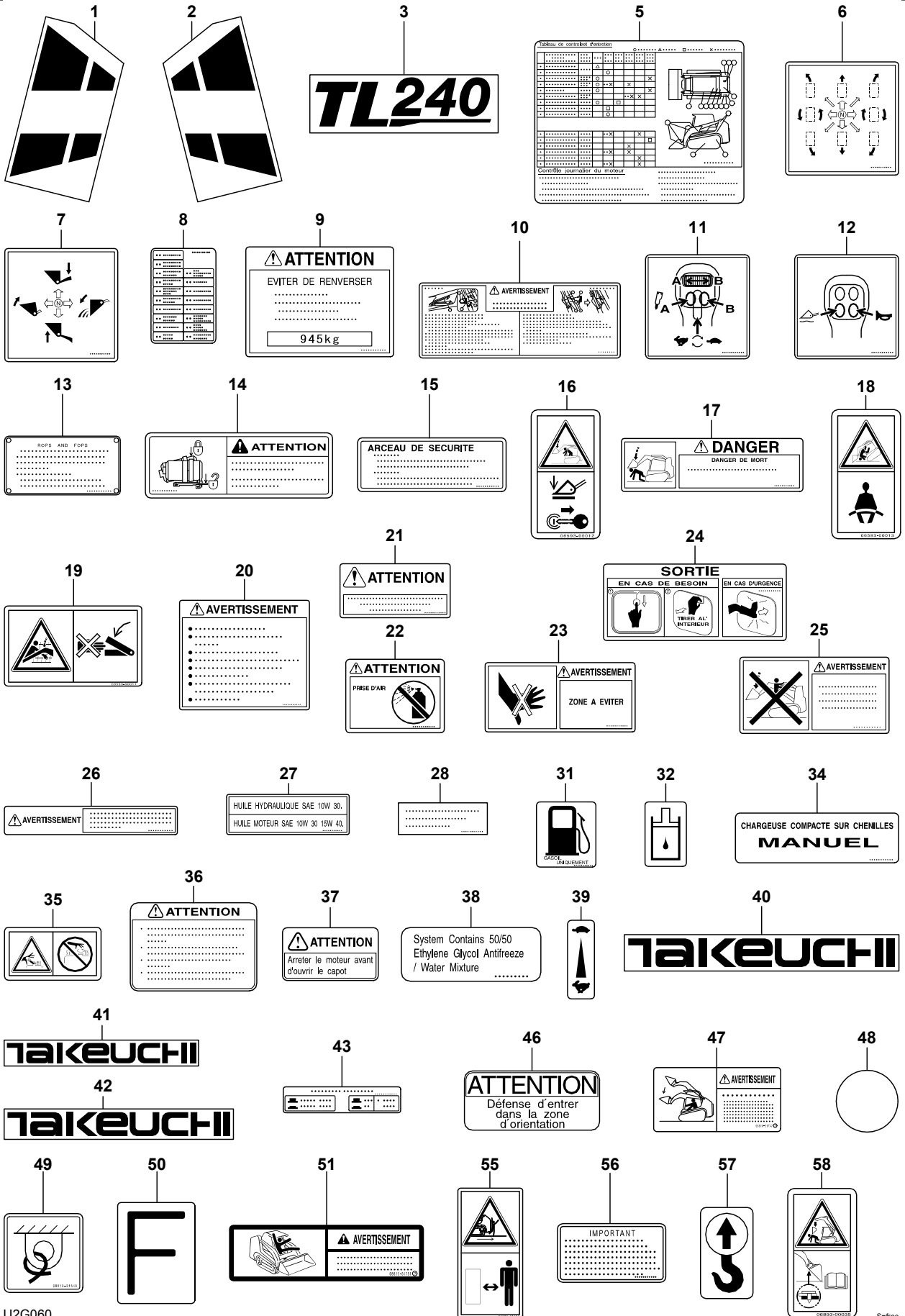


TL240 (P-TL240BAB) BU2Z002-1 S/N 22400001-
English

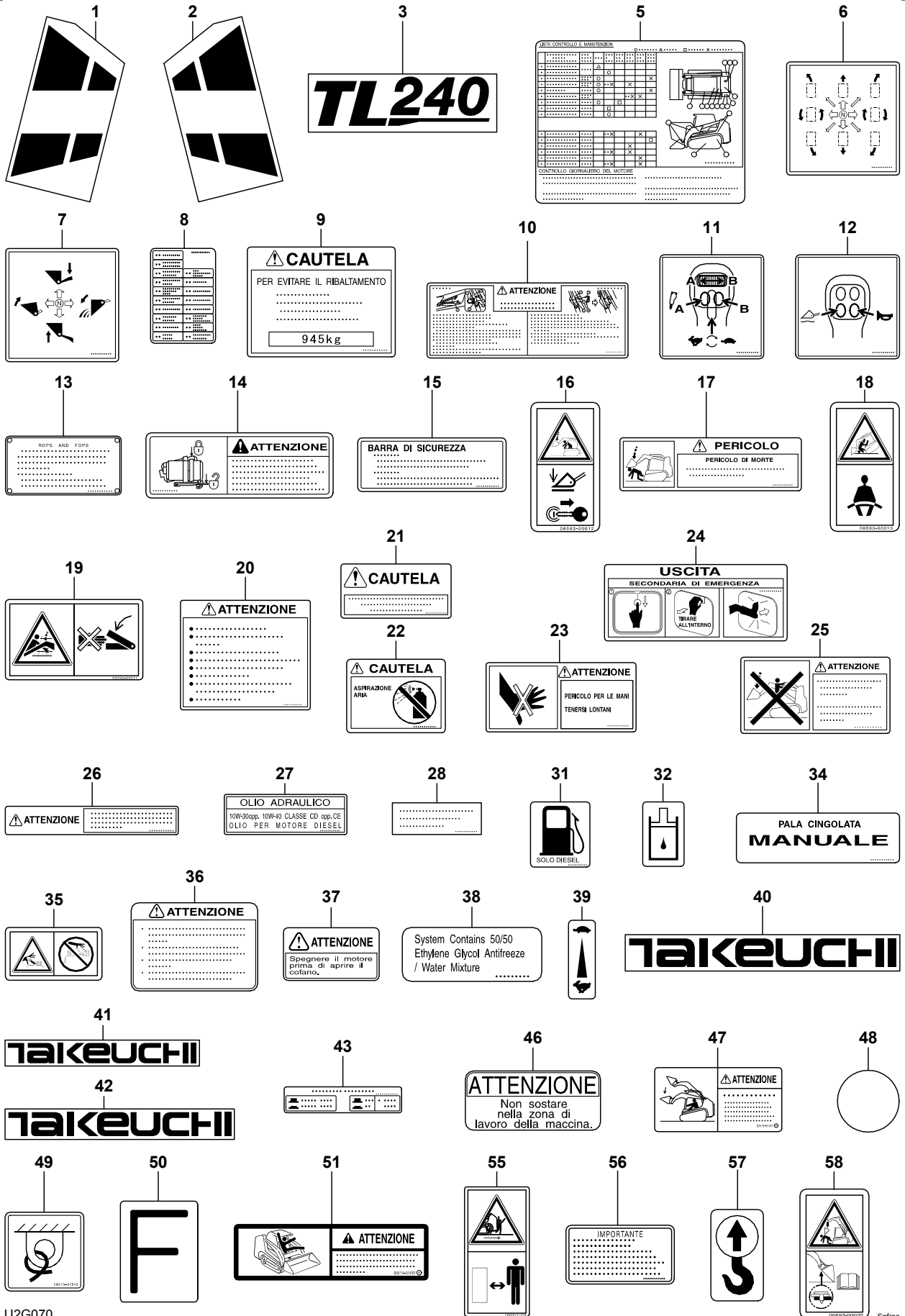


U2G050

TL240 (P-TL240BAB) BU2Z002-1 S/N 22400001-
French

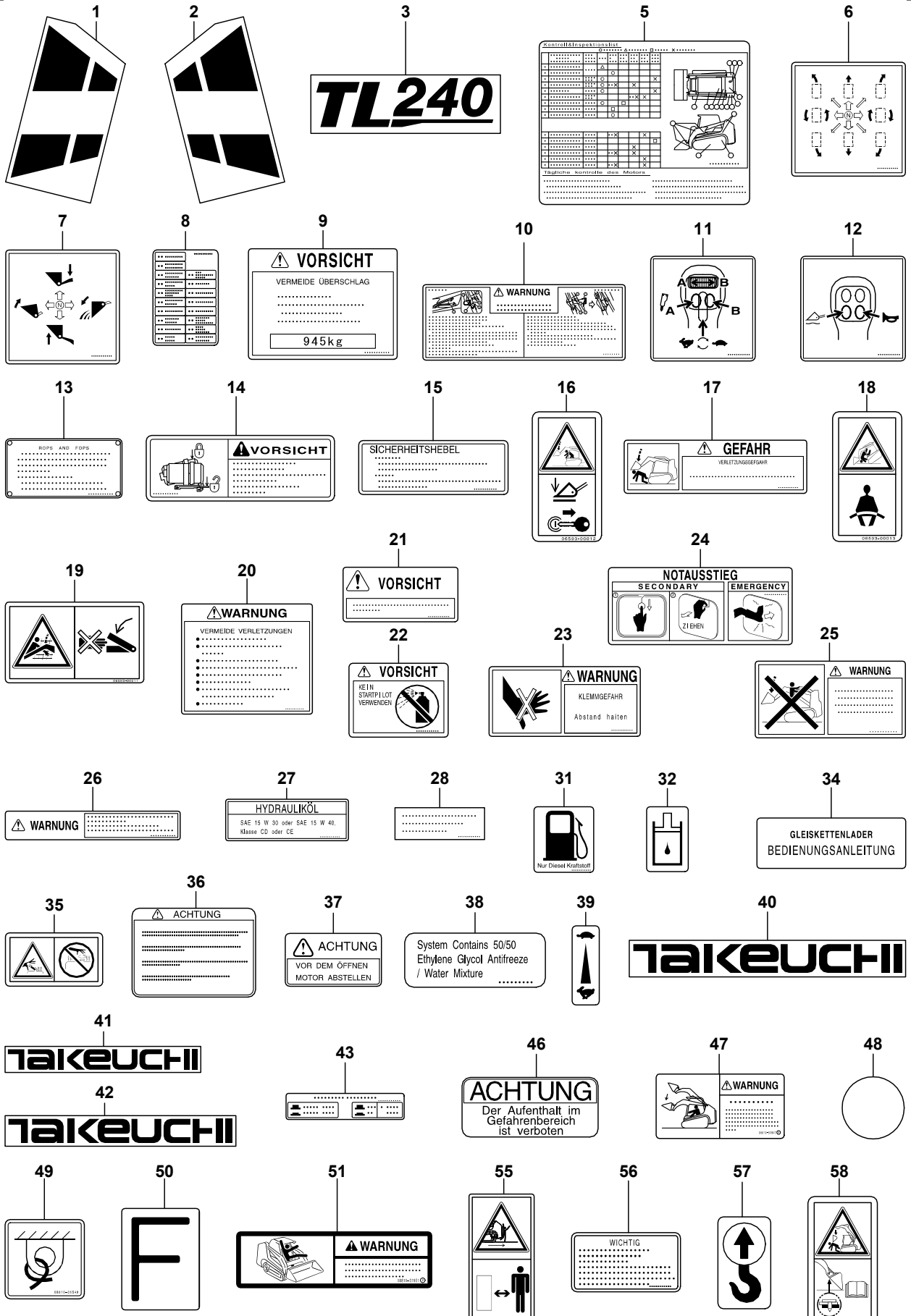


TL240 (P-TL240BAB) BU2Z002-1 S/N 22400001-
Italian



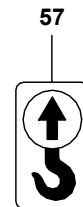
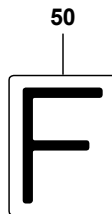
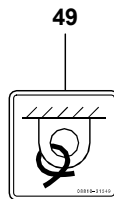
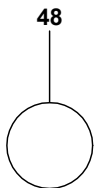
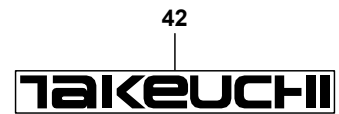
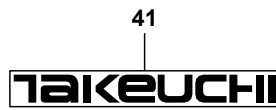
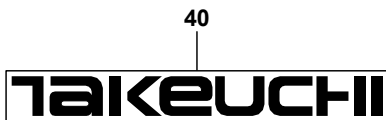
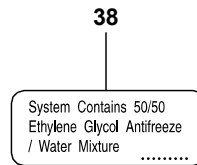
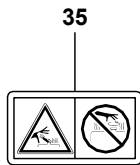
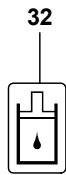
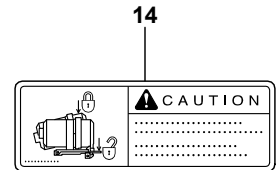
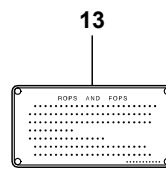
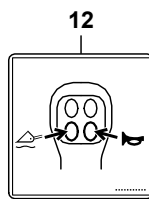
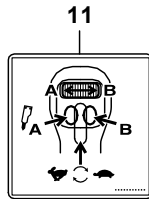
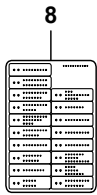
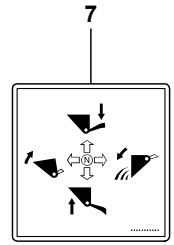
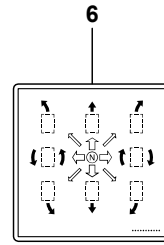
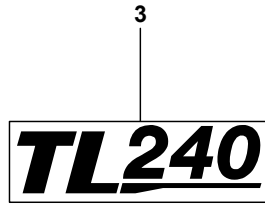
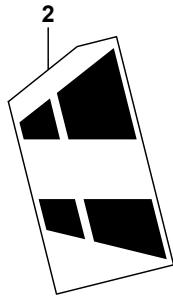
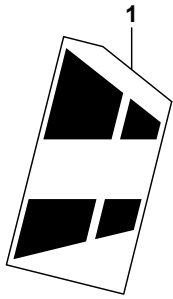
U2G070

TL240 (P-TL240BAB) BU2Z002-1 S/N 22400001-
 German

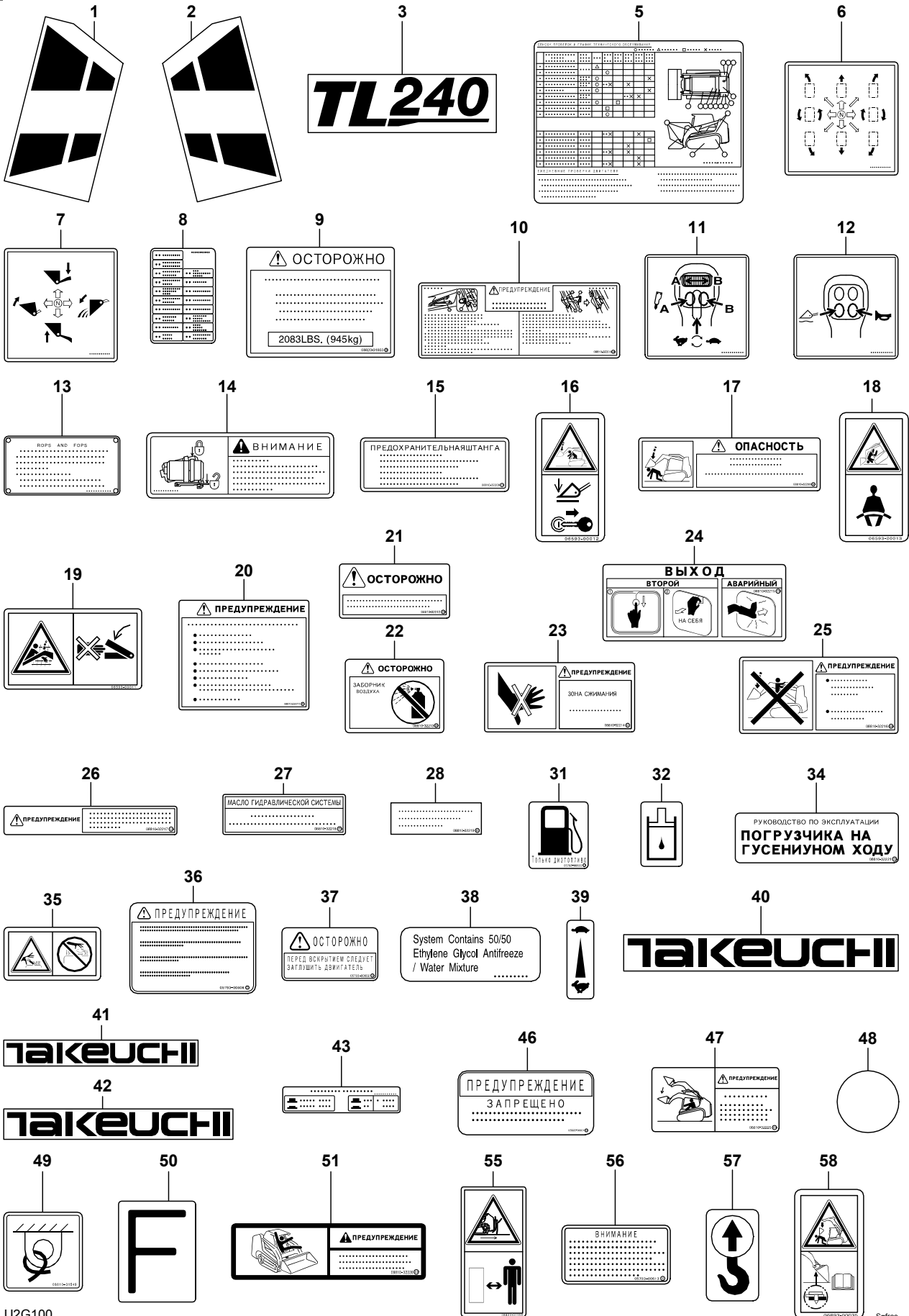


U2G080

TL240 (P-TL240BAB) BU2Z002-1 S/N 22400001-
Dutch

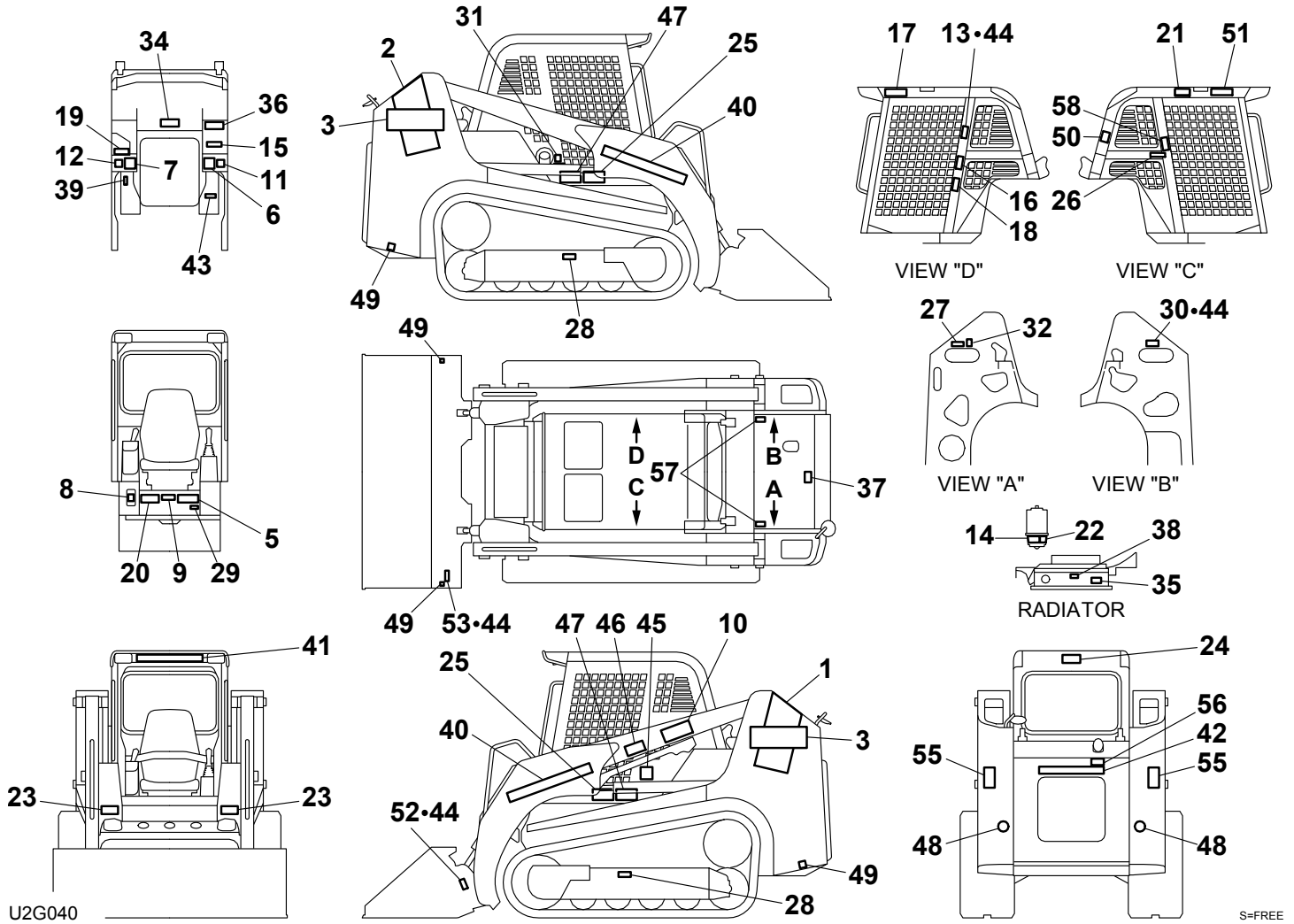


TL240 (P-TL240BAB) BU2Z002-1 S/N 22400001-
Russian



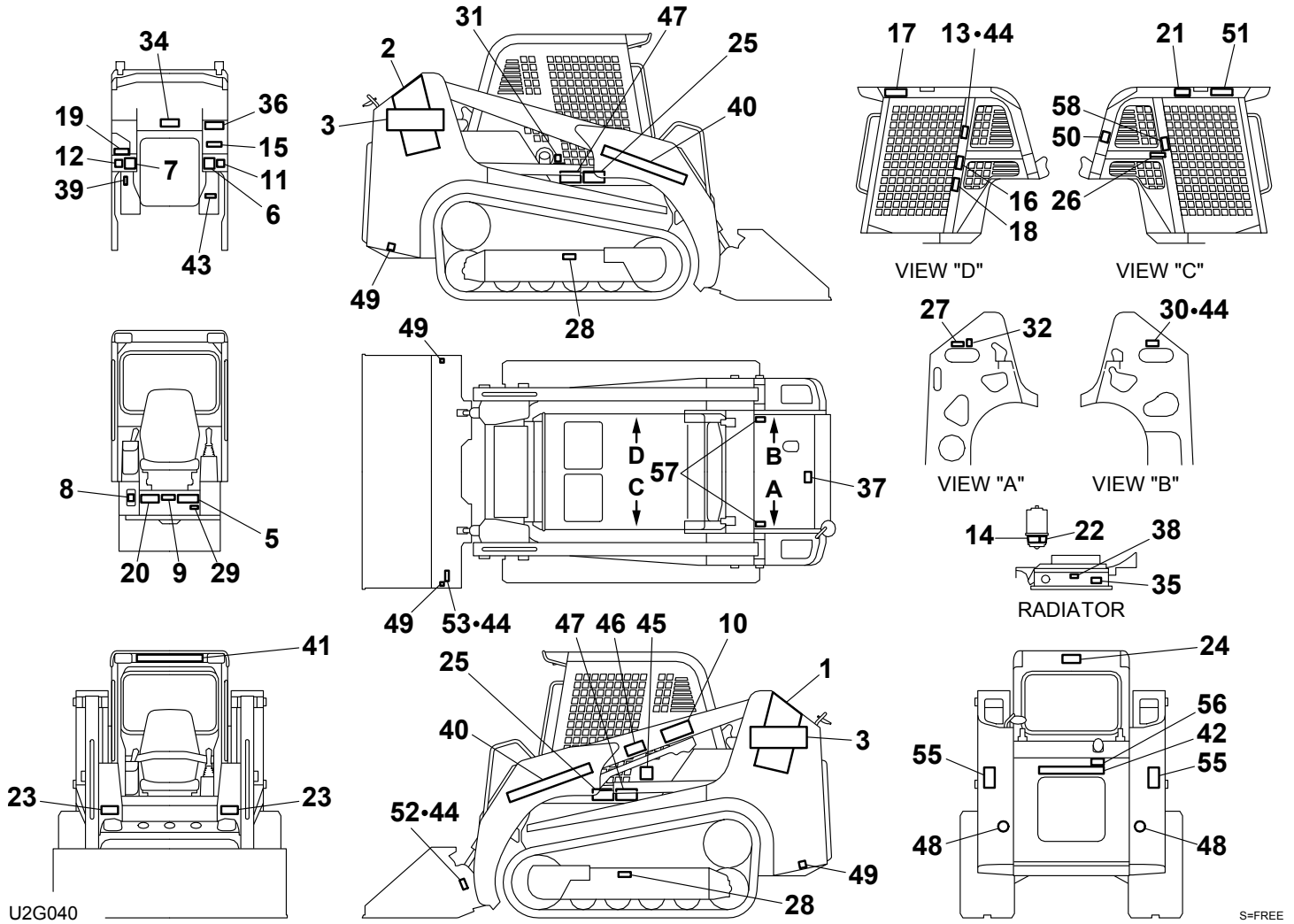
U2G100

TL240 (P-TL240BAB) BU2Z002-1 S/N 22400001-
DECAL (canopy)



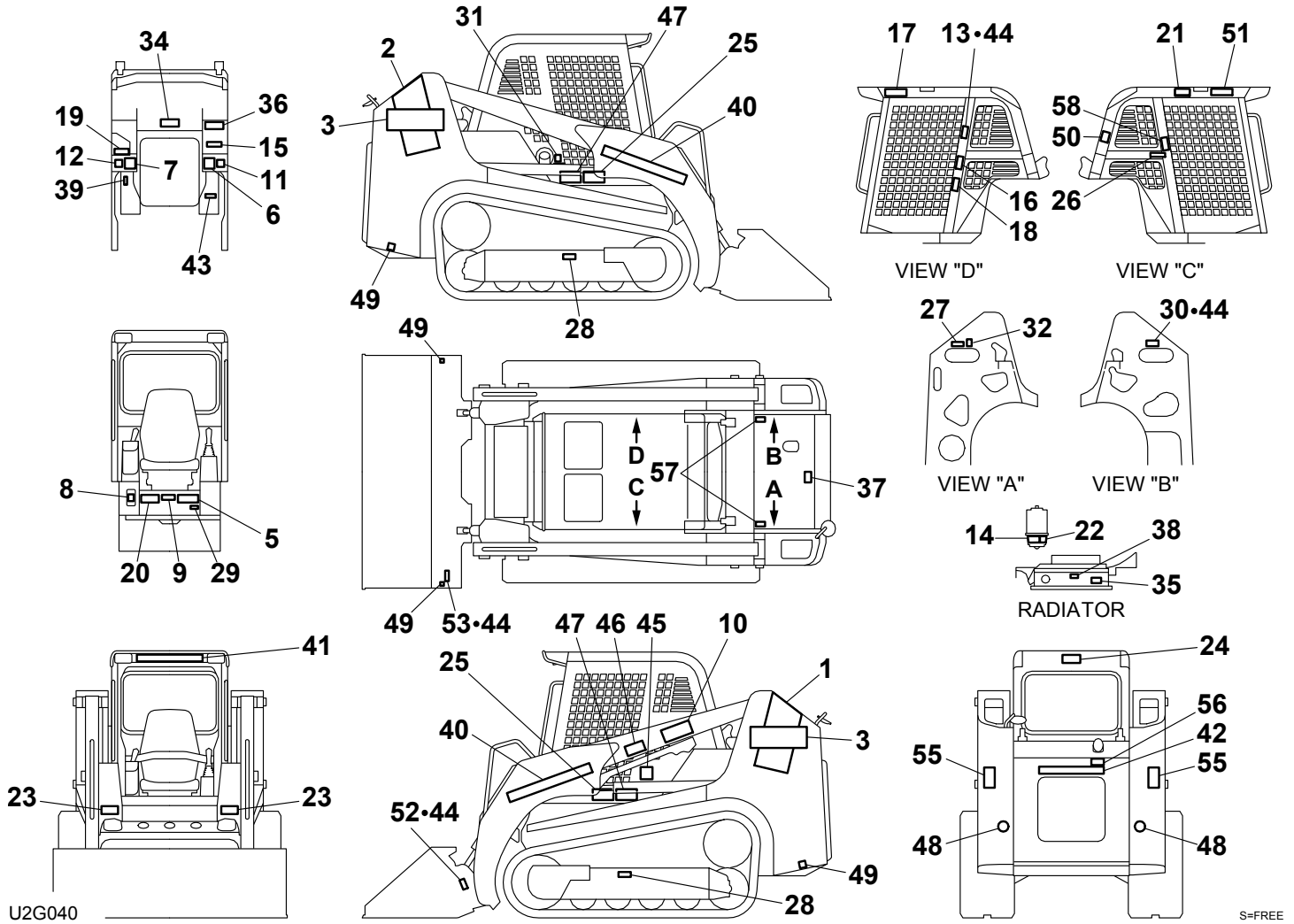
DECAL (canopy)							
Item	Part number	Description	Q'ty	Chan.	Serial No.	Serv.	Remarks
0	0689300000	DECAL SET (English)	1			M	
	0689300100	DECAL SET (French)	1			M	
	0689300200	DECAL SET (Italian)	1			M	
	0689300300	DECAL SET (German)	1			M	
	0689300400	DECAL SET (Dutch)	1			M	
	0689300500	DECAL SET (Russian)	1			M	
1	0689300001	· DECAL	1			M	
2	0689300002	· DECAL	1			M	
3	0689300003	· DECAL	2			M	
5	0669300005	· DECAL (English)	1			M	
	0669300105	· DECAL (French)	1			M	
	0669300205	· DECAL (Italian)	1			M	
	0669300305	· DECAL (German)	1			M	
	0669300505	· DECAL (Russian)	1			M	
6	0669300006	· DECAL	1			M	
7	0669300007	· DECAL	1			M	
8	0669300008	· DECAL (English, Dutch)	1			M	
	0669300108	· DECAL (French)	1			M	
	0669300208	· DECAL (Italian)	1			M	
	0669300308	· DECAL (German)	1			M	
	0669300508	· DECAL (Russian)	1			M	
9	0882030009	· DECAL (English)	1			M	
	0882030209	· DECAL (French)	1			M	
	0882030309	· DECAL (Italian)	1			M	
	0882030409	· DECAL (German)	1			M	
	0882031603	· DECAL (Russian)	1			M	
10	0881030110	· DECAL (English)	1			M	
	0881030260	· DECAL (French)	1			M	
	0881030360	· DECAL (Italian)	1			M	
	0881030560	· DECAL (German)	1			M	
	0881032204	· DECAL (Russian)	1			M	
11	0882030006	· DECAL	1			M	
12	0882030007	· DECAL	1			M	
13	X *****	· DECAL	1				
14	0669300014	· DECAL (English, Dutch)	1			M	
	0669300114	· DECAL (French)	1			M	
	0669300214	· DECAL (Italian)	1			M	
	0669300314	· DECAL (German)	1			M	
	0669300514	· DECAL (Russian)	1			M	
15	0880031001	· DECAL (English)	1			M	
	0880038607	· DECAL (French)	1			M	
	0881030315	· DECAL (Italian)	1			M	
	0880034007	· DECAL (German)	1			M	
	0881032206	· DECAL (Russian)	1			M	
16	0659300012	· DECAL	1			M	
17	0880030010	· DECAL (English)	1			M	
	0880038610	· DECAL (French)	1			M	
	0881030317	· DECAL (Italian)	1			M	
	0880034010	· DECAL (German)	1			M	
	0881032208	· DECAL (Russian)	1			M	
18	0659300013	· DECAL	1			M	
19	0659300011	· DECAL	1			M	
20	0881030020	· DECAL (English)	1			M	
	0880038613	· DECAL (French)	1			M	
	0881030320	· DECAL (Italian)	1			M	
	0881030520	· DECAL (German)	1			M	
	0881032211	· DECAL (Russian)	1			M	
21	0880030015	· DECAL (English)	1			M	
	0880038615	· DECAL (French)	1			M	
	0881030321	· DECAL (Italian)	1			M	
	0880034015	· DECAL (German)	1			M	
	0881032212	· DECAL (Russian)	1			M	
22	0880030016	· DECAL (English)	1			M	
	0880038616	· DECAL (French)	1			M	
	0881030322	· DECAL (Italian)	1			M	

TL240 (P-TL240BAB) BU2Z002-1 S/N 22400001-
DECAL (canopy)



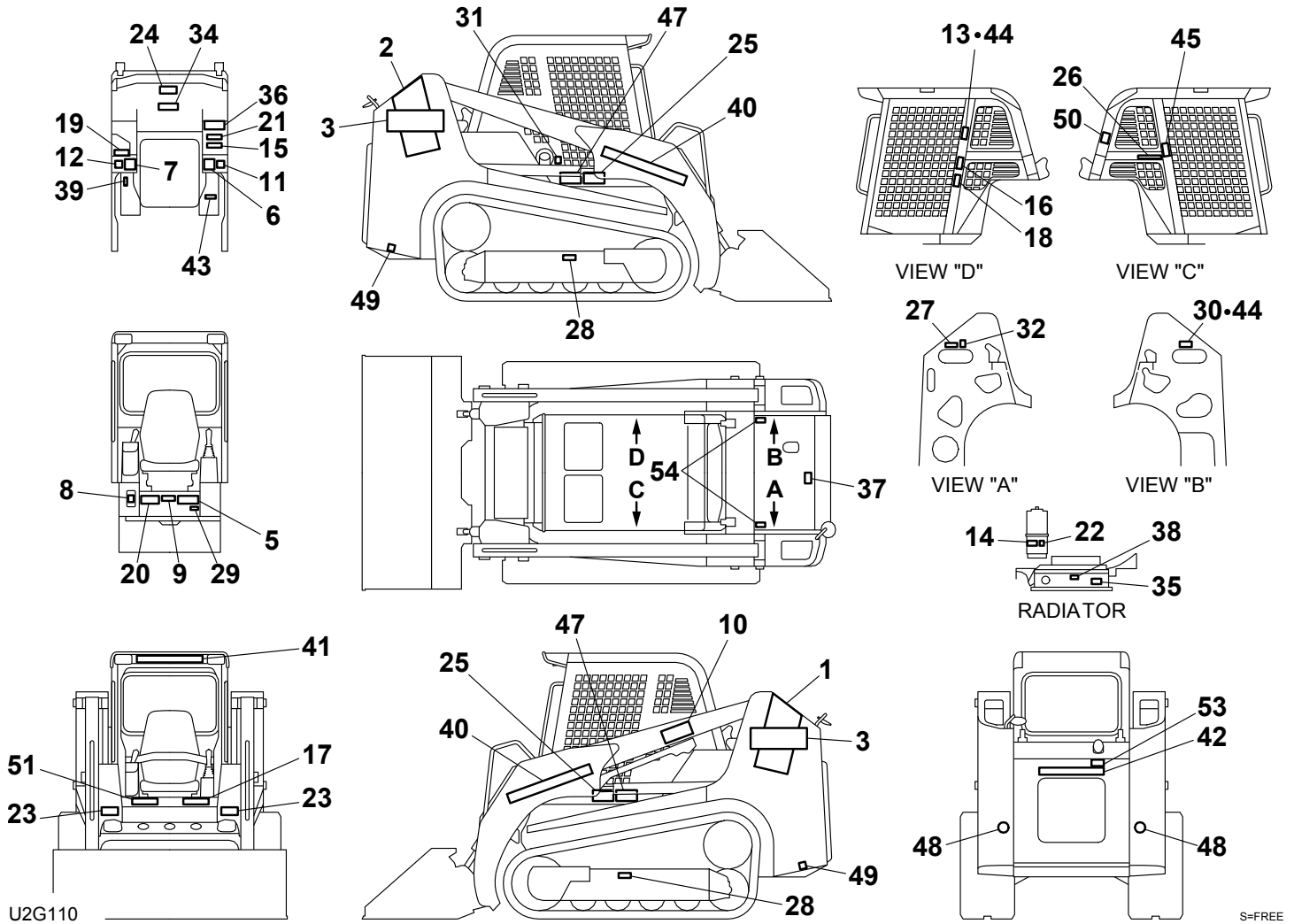
DECAL (canopy)							
Item	Part number	Description	Q'ty	Chan.	Serial No.	Serv.	Remarks
22	0880034016	· DECAL (German)	1			M	
	0881032213	· DECAL (Russian)	1			M	
23	0880030017	· DECAL (English)	2			M	
	0880038617	· DECAL (French)	2			M	
	0881030323	· DECAL (Italian)	2			M	
	0880034017	· DECAL (German)	2			M	
	0881032214	· DECAL (Russian)	2			M	
24	0880031018	· DECAL (English)	1			M	
	0880038618	· DECAL (French)	1			M	
	0881030324	· DECAL (Italian)	1			M	
	0880034018	· DECAL (German)	1			M	
	0881032215	· DECAL (Russian)	1			M	
25	0880031005	· DECAL (English)	2			M	
	0880038620	· DECAL (French)	2			M	
	0881030325	· DECAL (Italian)	2			M	
	0880034019	· DECAL (German)	2			M	
	0881032216	· DECAL (Russian)	2			M	
26	0881030026	· DECAL (English)	1			M	
	0880038621	· DECAL (French)	1			M	
	0881030326	· DECAL (Italian)	1			M	
	0881030526	· DECAL (German)	1			M	
	0881032217	· DECAL (Russian)	1			M	
27	0880031017	· DECAL (English)	1			M	
	0880038623	· DECAL (French)	1			M	
	0881030327	· DECAL (Italian)	1			M	
	0880034022	· DECAL (German)	1			M	
	0881032218	· DECAL (Russian)	1			M	
28	0149362200	· DECAL (English)	2			M	
	0880038624	· DECAL (French)	2			M	
	0881030328	· DECAL (Italian)	2			M	
	0880034023	· DECAL (German)	2			M	
	0881032219	· DECAL (Russian)	2			M	
29	X *****	· DECAL	1				
30	X *****	· DECAL	1				except for Russian
	X *****	· DECAL	1				for Russian
31	0359306600	· DECAL (English)	1			M	
	0339375460	· DECAL (French)	1			M	
	0339375660	· DECAL (Italian)	1			M	
	0339375260	· DECAL (German)	1			M	
	0579300603	· DECAL (Russian)	1			M	
32	0359306700	· DECAL	1			M	
34	0880031016	· DECAL (English)	1			M	
	0880038634	· DECAL (French)	1			M	
	0881030334	· DECAL (Italian)	1			M	
	0880034027	· DECAL (German)	1			M	
	0881032221	· DECAL (Russian)	1			M	
35	0882031135	· DECAL	1			M	
36	0359313700	· DECAL (English)	1			M	
	0359315700	· DECAL (French)	1			M	
	0359316700	· DECAL (Italian)	1			M	
	0359314700	· DECAL (German)	1			M	
	0579300606	· DECAL (Russian)	1			M	
37	0359307400	· DECAL (English)	1			M	
	0359315400	· DECAL (French)	1			M	
	0359316400	· DECAL (Italian)	1			M	
	0359314400	· DECAL (German)	1			M	
	0579300602	· DECAL (Russian)	1			M	
38	0359313900	· DECAL	1			M	
39	0359317200	· DECAL	1			M	
40	0008500073	· DECAL	2			M	
41	0008500140	· DECAL	1			M	
42	0008500050	· DECAL	1			M	
43	0881030043	· DECAL (English)	1			M	
	0881030243	· DECAL (French)	1			M	
	0881030343	· DECAL (Italian)	1			M	

TL240 (P-TL240BAB) BU2Z002-1 S/N 22400001-
DECAL (canopy)



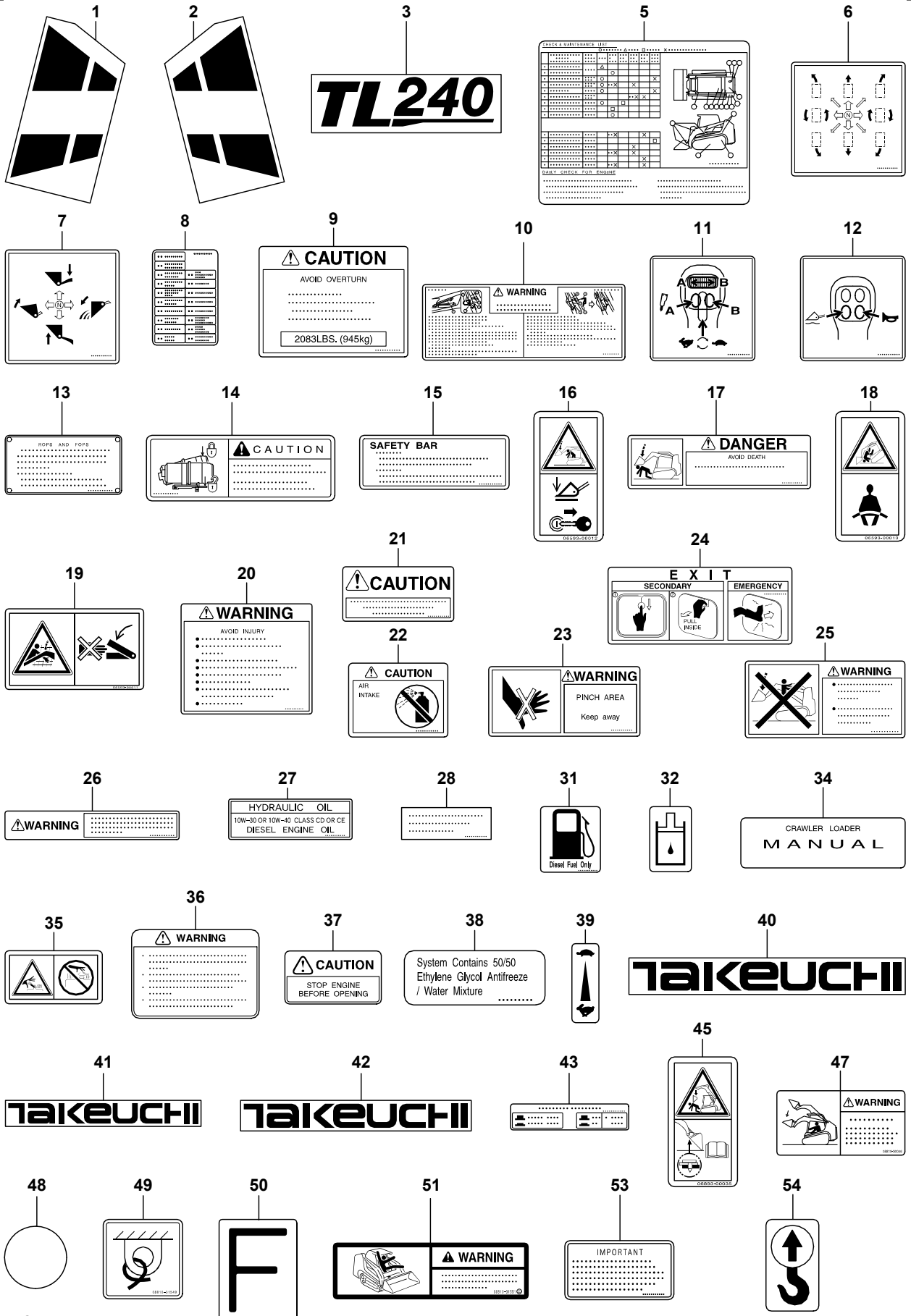
DECAL (canopy)							
Item	Part number	Description	Q'ty	Chan.	Serial No.	Serv.	Remarks
43	0881030543	· DECAL (German)	1			M	
	0881032224	· DECAL (Russian)	1			M	
44	X *****	· SCREW	16				
45	X *****	· DECAL	1				except for Russian
46	0359309100	· DECAL (French)	1			M	
	0359310100	· DECAL (Italian)	1			M	
	0359308100	· DECAL (German)	1			M	
	0399356001	· DECAL (Russian)	1			M	
47	0881030046	· DECAL (English)	2			M	
	0881031748	· DECAL (French)	2			M	
	0881031848	· DECAL (Italian)	2			M	
	0881031948	· DECAL (German)	2			M	
	0881032225	· DECAL (Russian)	2			M	
48	0874030360	· DECAL	2			M	
49	0881031549	· DECAL	4			M	
50	0399300400	· DECAL	1			M	
51	0881031551	· DECAL (English)	1			M	
	0881031751	· DECAL (French)	1			M	
	0881031851	· DECAL (Italian)	1			M	
	0881031951	· DECAL (German)	1			M	
	0881032226	· DECAL (Russian)	1			M	
52	X *****	· DECAL	1				
53	X *****	· DECAL	1				
55	0882031159	· DECAL	2			M	
56	0339376240	· DECAL (English)	1			M	
	0339379440	· DECAL (French)	1			M	
	0339379540	· DECAL (Italian)	1			M	
	0339376340	· DECAL (German)	1			M	
	0579300613	· DECAL (Russian)	1			M	
57	0399300500	· DECAL	2				
58	0689300035	· DECAL	1			M	
	U2g040						

TL240 (P-TL240BAB) BU2Z002-1 S/N 22400001-
 DECAL (canopy) (for U.S.)



S=FREE

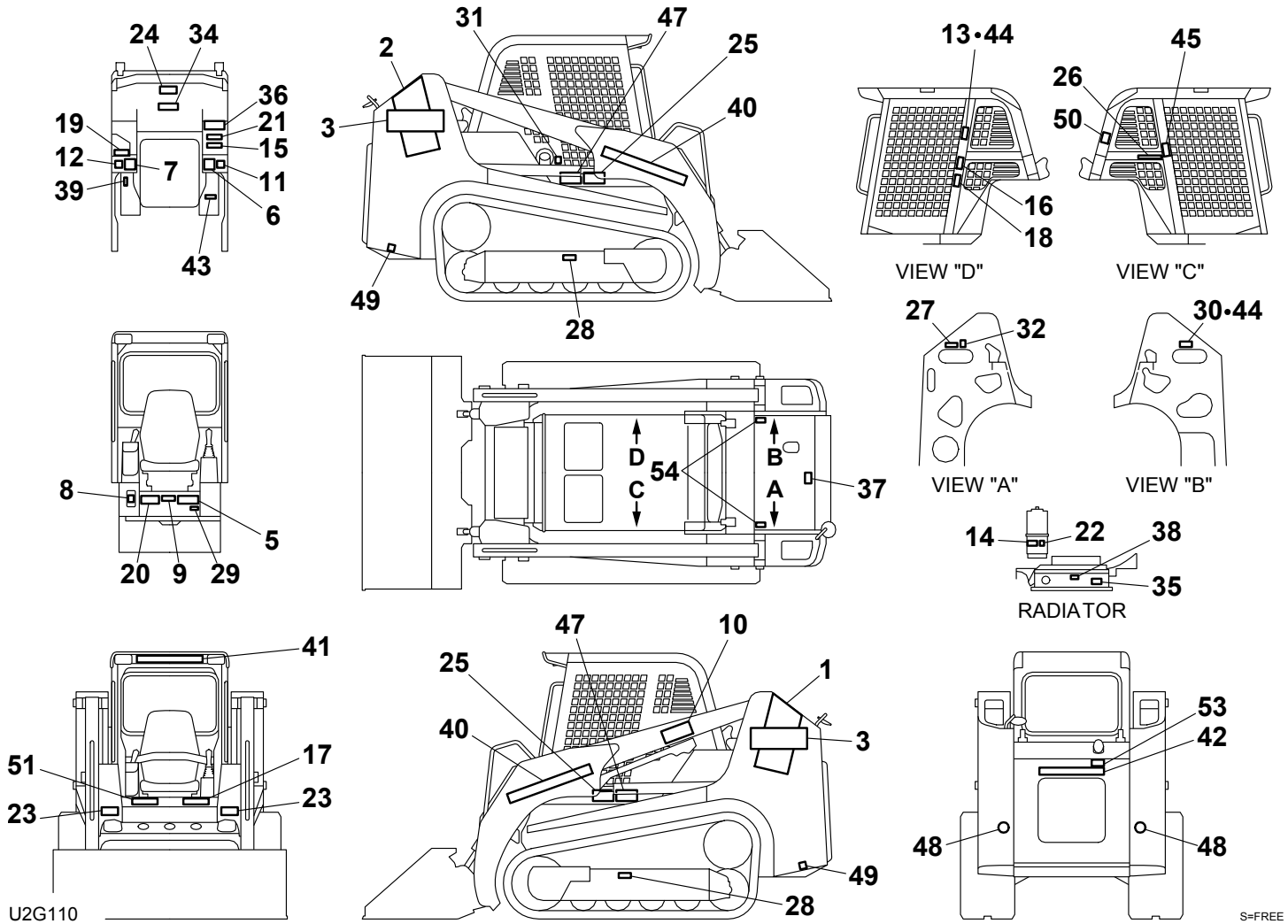
TL240 (P-TL240BAB) BU2Z002-1 S/N 22400001-
for US



U2G120

S=free

TL240 (P-TL240BAB) BU2Z002-1 S/N 22400001-
 DECAL (canopy) (for U.S.)

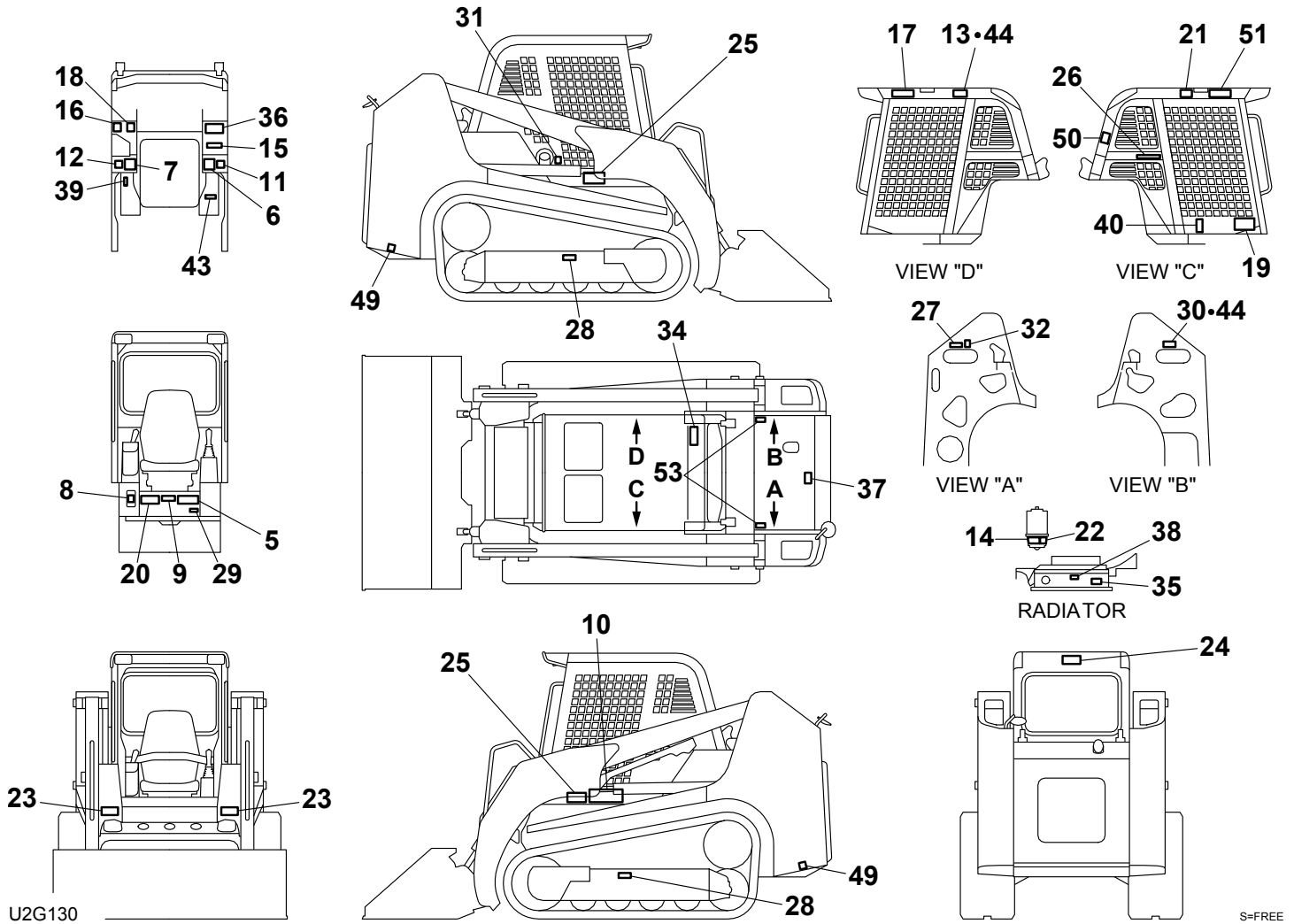


DECAL (canopy) (for U.S.)

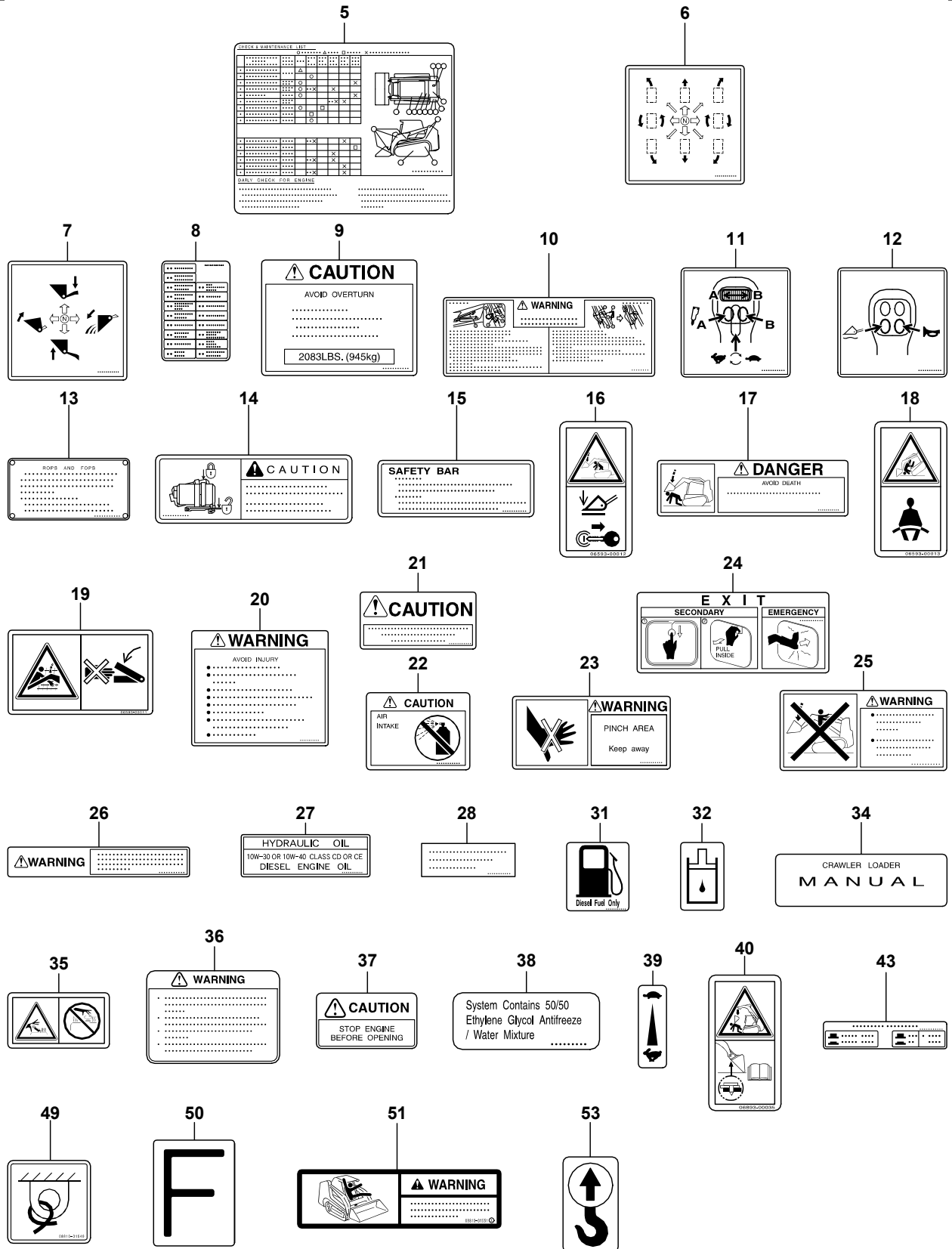
Item	Part number	Description	Q'ty	Chan.	Serial No.	Serv.	Remarks
0	0689300800	DECAL SET (U.S. TAKEUCHI)	1			M	
1	0689300001	· DECAL	1			M	
2	0689300002	· DECAL	1			M	
3	0689300003	· DECAL	2			M	
5	0669300005	· DECAL	1			M	
6	0669300006	· DECAL	1			M	
7	0669300007	· DECAL	1			M	
8	0669300008	· DECAL	1			M	
9	0882030009	· DECAL	1			M	
10	0881030110	· DECAL	1			M	
11	0882030006	· DECAL	1			M	
12	0882030007	· DECAL	1			M	
13	X *****	· DECAL	1				
14	0669300814	· DECAL	1			M	
15	0880031001	· DECAL	1			M	
16	0659300012	· DECAL	1			M	
17	0880030010	· DECAL	1			M	
18	0659300013	· DECAL	1			M	
19	0659300011	· DECAL	1			M	
20	0881030020	· DECAL	1			M	
21	0880030015	· DECAL	1			M	
22	0880030016	· DECAL	1			M	
23	0880030017	· DECAL	2			M	
24	0880031018	· DECAL	1			M	
25	0880031005	· DECAL	2			M	
26	0881030026	· DECAL	1			M	
27	0880031017	· DECAL	1			M	
28	0149362200	· DECAL	2			M	
29	X *****	· DECAL	1				
30	X *****	· DECAL	1				
31	0359306600	· DECAL	1			M	
32	0359306700	· DECAL	1			M	
34	0880031016	· DECAL	1			M	
35	0882031135	· DECAL	1			M	
36	0359313700	· DECAL	1			M	
37	0359307400	· DECAL	1			M	
38	0359313900	· DECAL	1			M	
39	0359317200	· DECAL	1			M	
40	0008500073	· DECAL	2			M	
41	0008500140	· DECAL	1			M	
42	0008500050	· DECAL	1			M	
43	0881030043	· DECAL	1			M	
44	X *****	· SCREW	8				
45	0689300035	· DECAL	1			M	
47	0881030046	· DECAL	2			M	
48	0874030360	· DECAL	2			M	
49	0881031549	· DECAL	2			M	
50	0399300400	· DECAL	1			M	
51	0881031551	· DECAL	1			M	
53	0339376240	· DECAL	1			M	
54	0399300500	· DECAL	2				

U2g110

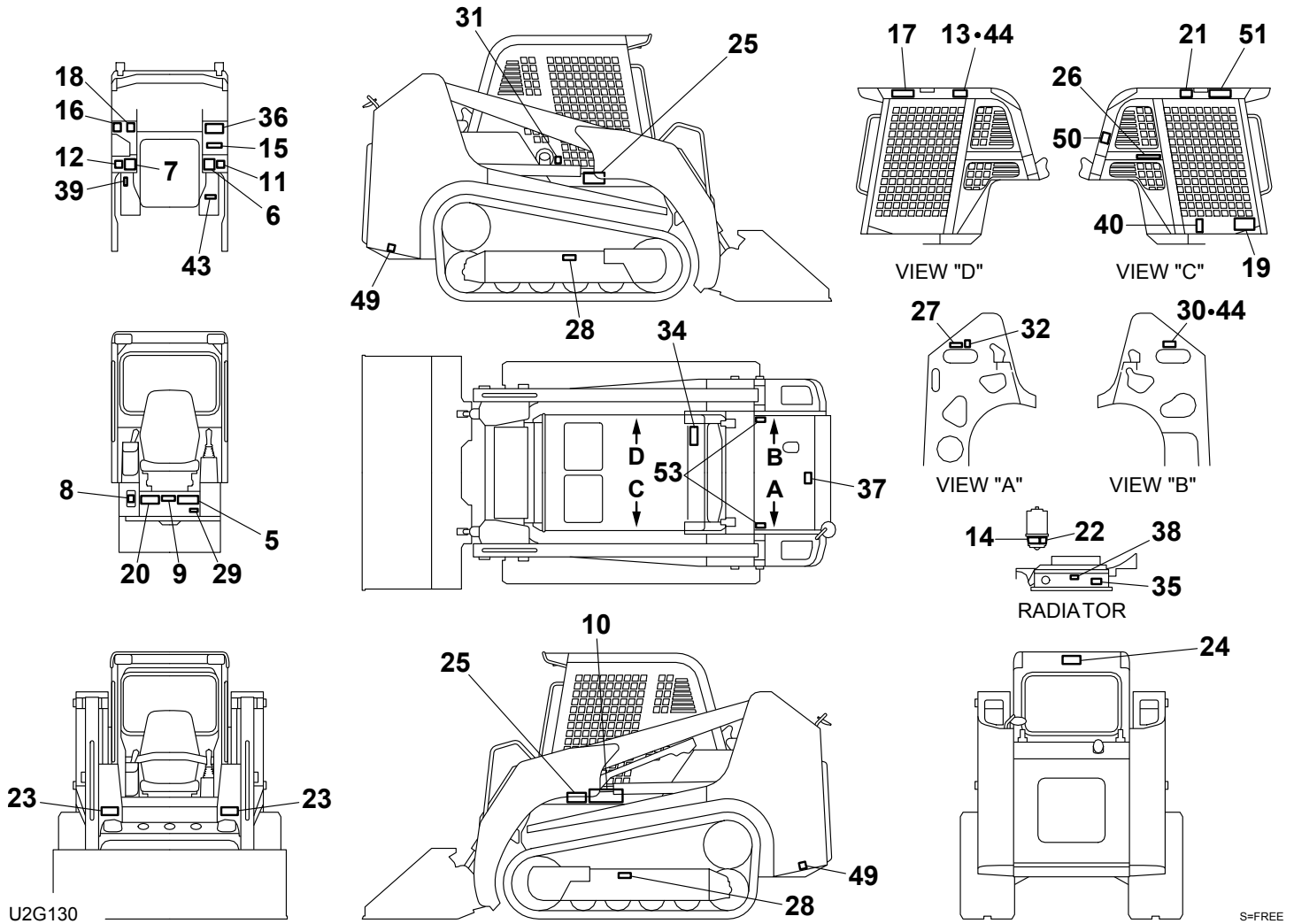
**TL240 (P-TL240BAB) BU2Z002-1 S/N 22400001-
DECAL (canopy) (for GEHL & MUSTANG)**



TL240 (P-TL240BAB) BU2Z002-1 S/N 22400001- for GEHL & MUSTANG



**TL240 (P-TL240BAB) BU2Z002-1 S/N 22400001-
DECAL (canopy) (for GEHL & MUSTANG)**

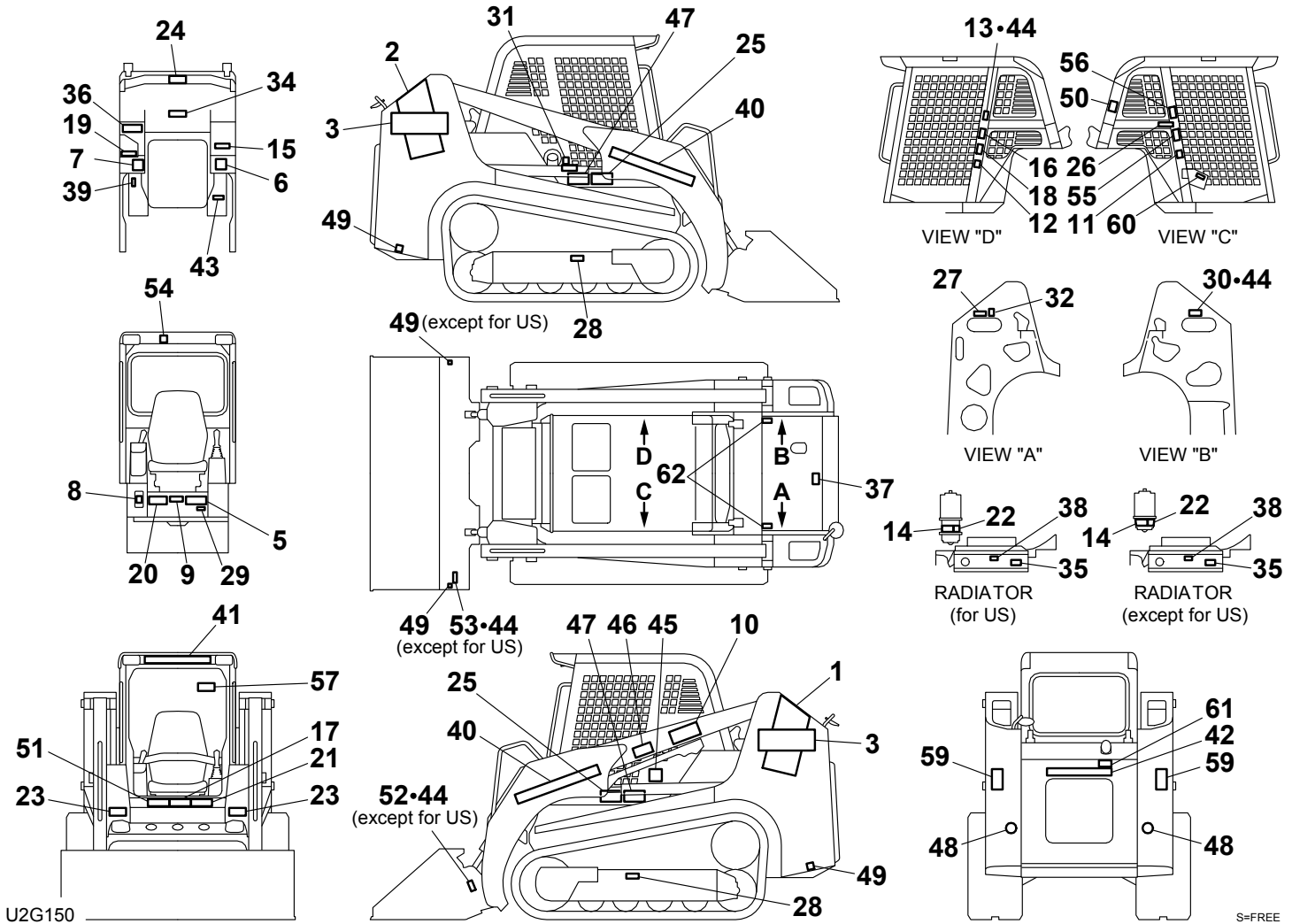


DECAL (canopy) (for GEHL & MUSTANG)

Item	Part number	Description	Q'ty	Chan.	Serial No.	Serv.	Remarks
0	0689300600	DECAL SET (GEHL & MUSTANG)	1			M	
5	0669300005	· DECAL	1			M	
6	0669300006	· DECAL	1			M	
7	0669300007	· DECAL	1			M	
8	0669300008	· DECAL	1			M	
9	0882030009	· DECAL	1			M	
10	0881030110	· DECAL	1			M	
11	0882030006	· DECAL	1			M	
12	0882030007	· DECAL	1			M	
13	X *****	· DECAL	1				
14	0669300014	· DECAL	1			M	
15	0880031001	· DECAL	1			M	
16	0659300012	· DECAL	1			M	
17	0880030010	· DECAL	1			M	
18	0659300013	· DECAL	1			M	
19	0659300011	· DECAL	1			M	
20	0881030020	· DECAL	1			M	
21	0880030015	· DECAL	1			M	
22	0880030016	· DECAL	1			M	
23	0880030017	· DECAL	2			M	
24	0880031018	· DECAL	1			M	
25	0880031005	· DECAL	2			M	
26	0881030026	· DECAL	1			M	
27	0880031017	· DECAL	1			M	
28	0149362200	· DECAL	2			M	
29	X *****	· DECAL	1				
30	X *****	· DECAL	1				
31	0359306600	· DECAL	1			M	
32	0359306700	· DECAL	1			M	
34	0880031016	· DECAL	1			M	
35	0882031135	· DECAL	1			M	
36	0359313700	· DECAL	1			M	
37	0359307400	· DECAL	1			M	
38	0359313900	· DECAL	1			M	
39	0359317200	· DECAL	1			M	
40	0689300035	· DECAL	1			M	
43	0881030043	· DECAL	1			M	
44	X *****	· SCREW	8				
49	0881031549	· DECAL	2			M	
50	0399300400	· DECAL	1			M	
51	0881031551	· DECAL	1			M	
53	0399300500	· DECAL	2				

U2g130

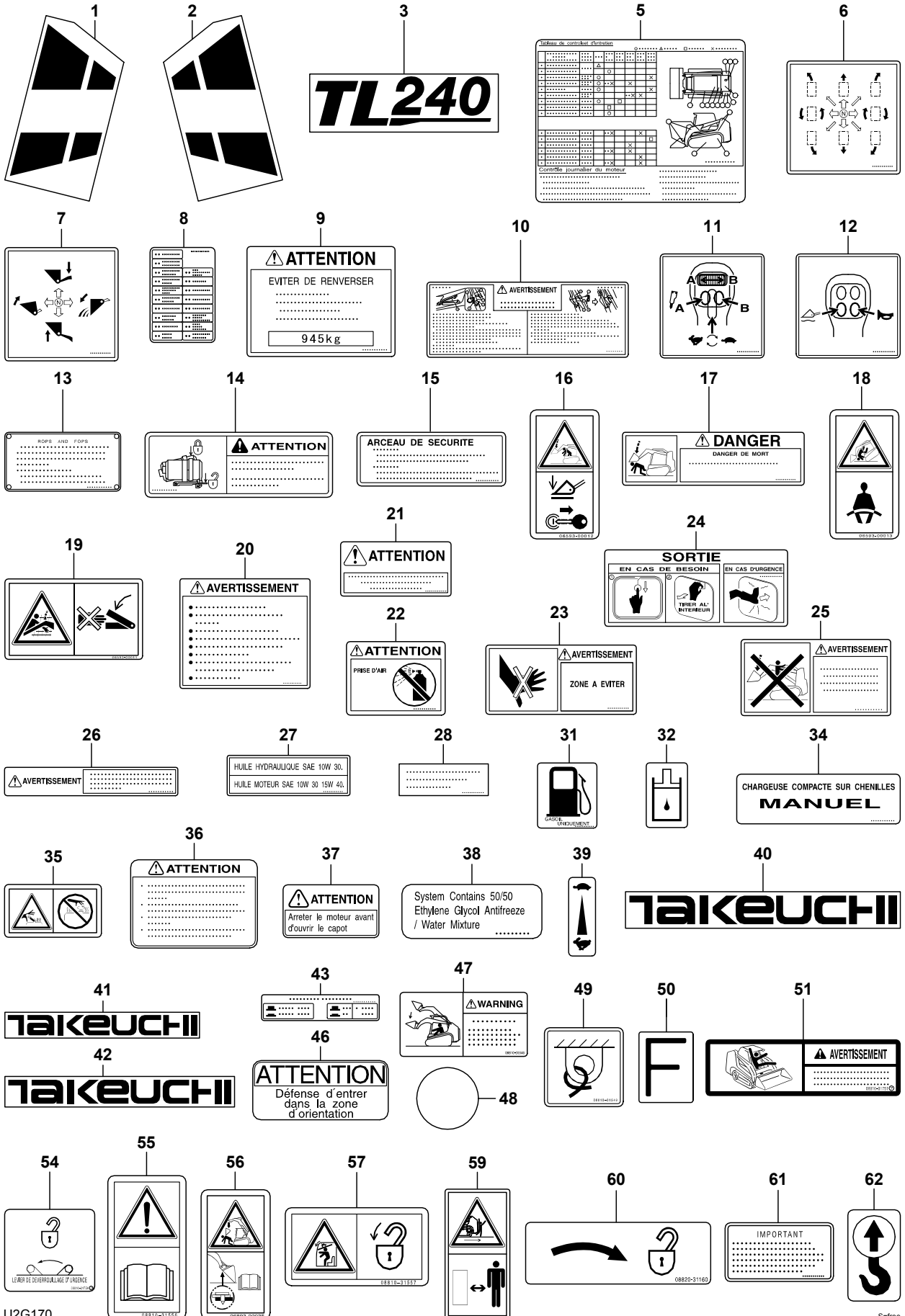
TL240 (P-TL240BAB) BU2Z002-1 S/N 22400001-
DECAL (cab)



U2G150

S=FREE

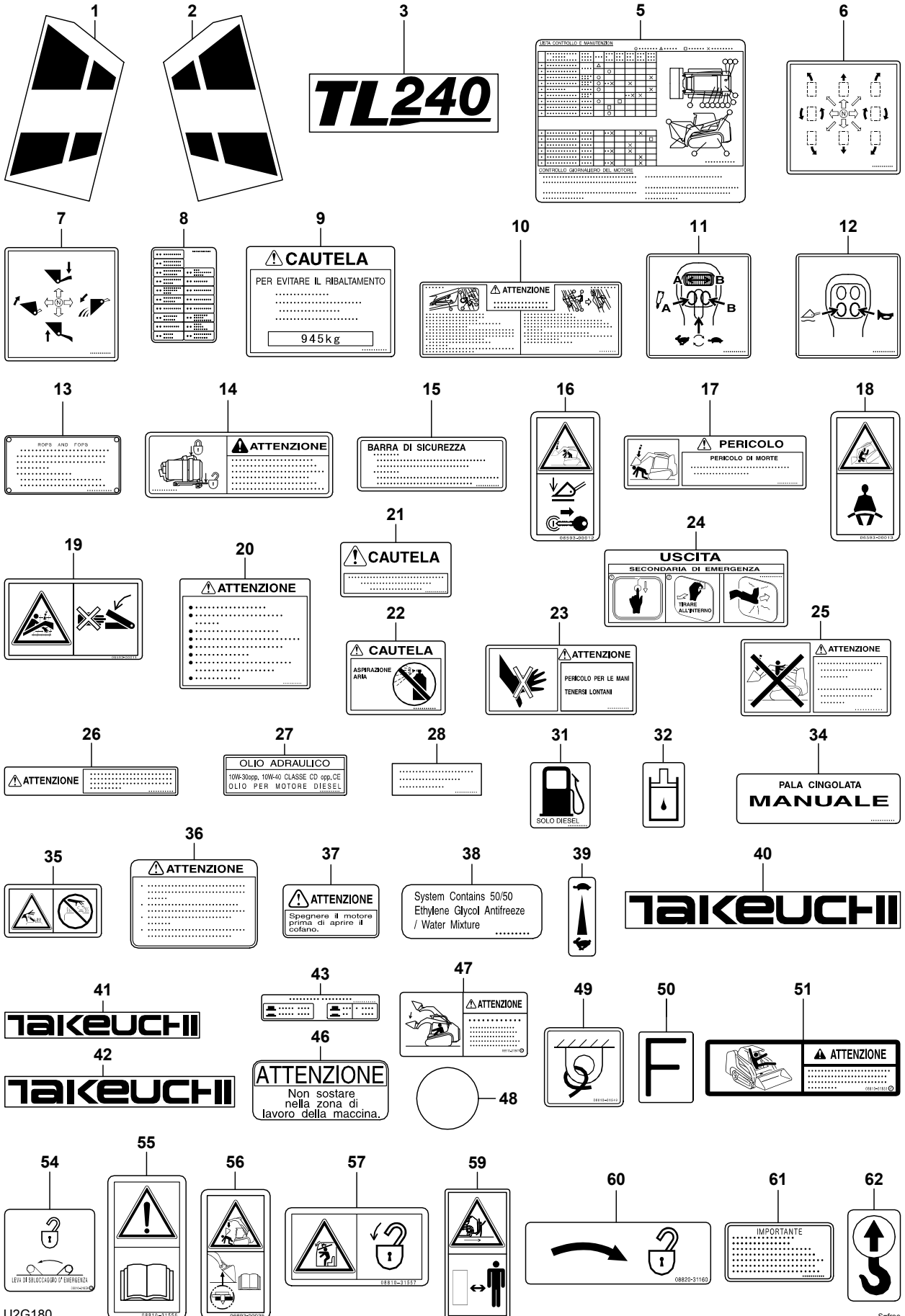
TL240 (P-TL240BAB) BU2Z002-1 S/N 22400001-
French



U2G170

S=free

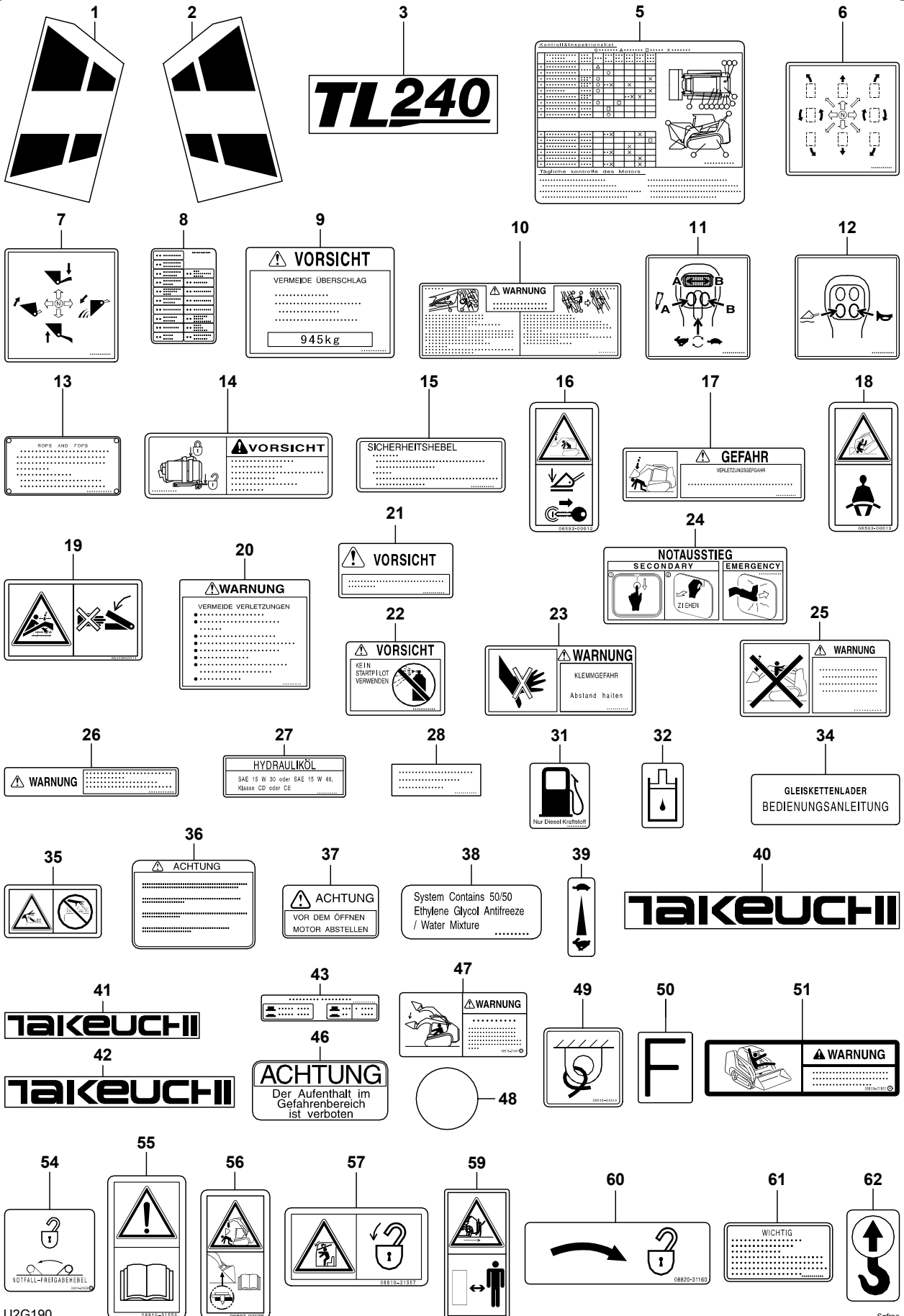
TL240 (P-TL240BAB) BU2Z002-1 S/N 22400001-
Italian



U2G180

S=free

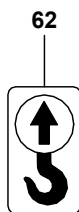
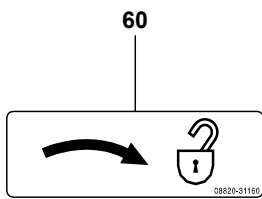
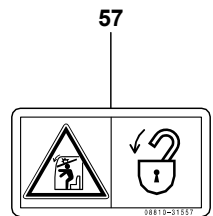
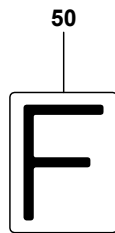
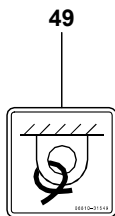
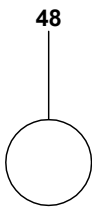
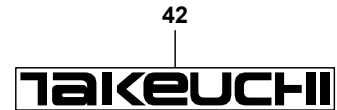
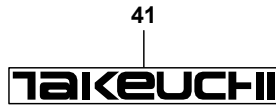
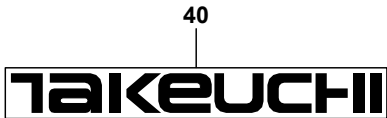
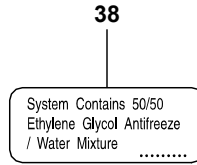
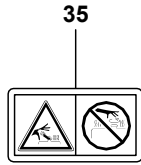
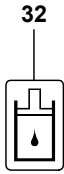
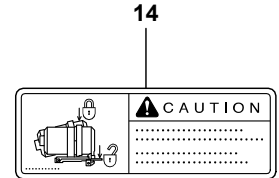
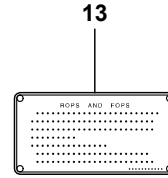
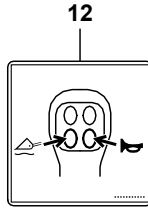
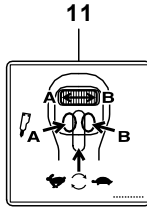
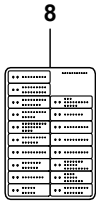
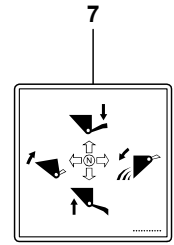
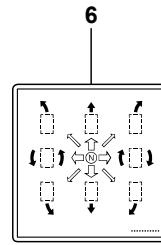
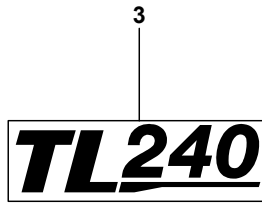
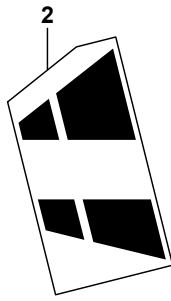
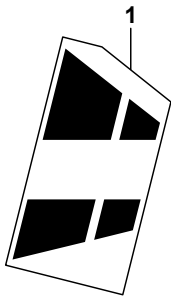
TL240 (P-TL240BAB) BU2Z002-1 S/N 22400001-
German



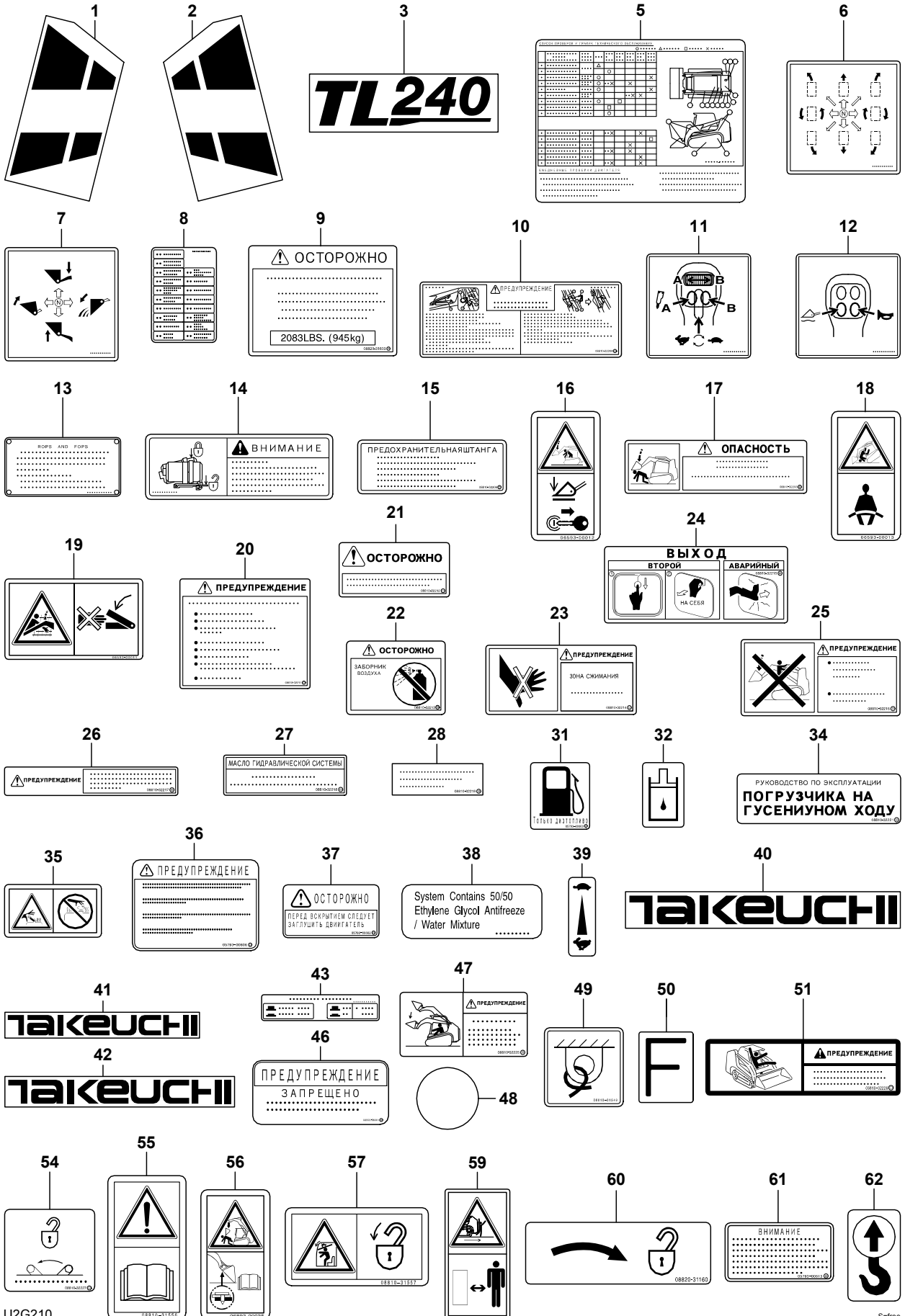
U2G190

S=free

TL240 (P-TL240BAB) BU2Z002-1 S/N 22400001-
Dutch

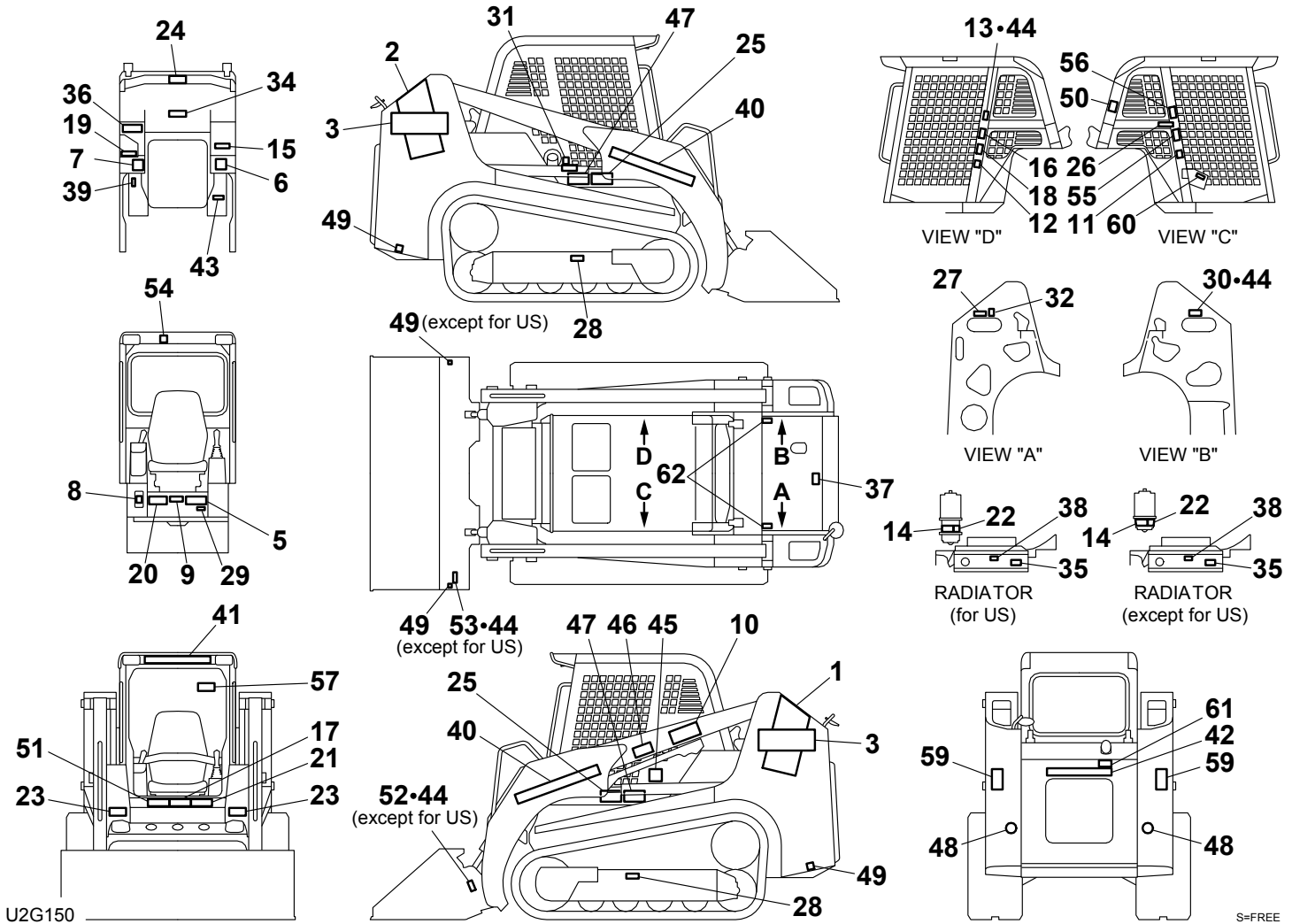


TL240 (P-TL240BAB) BU2Z002-1 S/N 22400001-
Russian



U2G210

TL240 (P-TL240BAB) BU2Z002-1 S/N 22400001-
DECAL (cab)

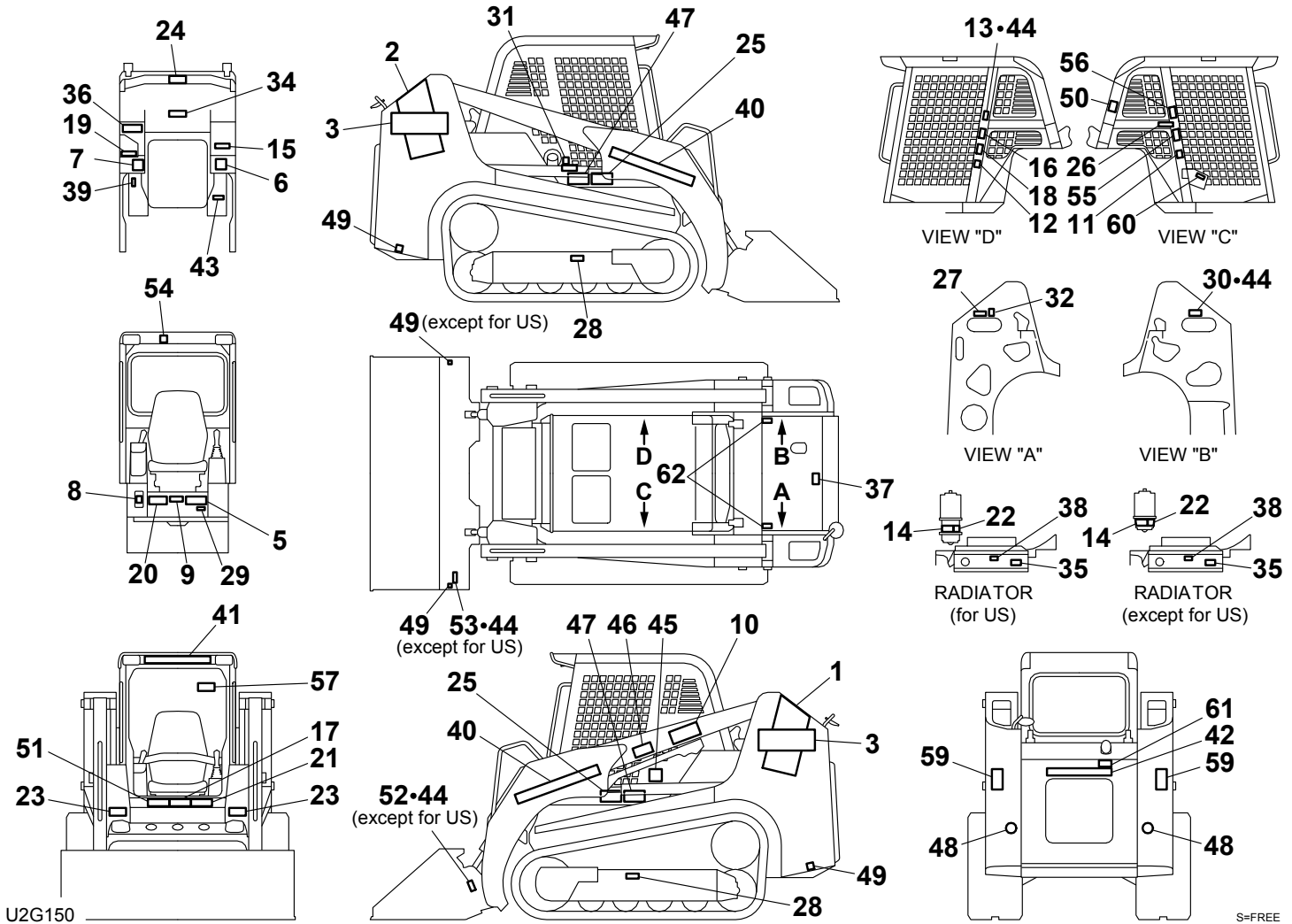


U2G150

S=FREE

Item	Part number	Description	DECAL (cab)			Remarks	
			Q'ty	Chan.	Serial No.		Serv.
0	0689300900	DECAL SET (English, for U.S.)	1			M	
	0689301000	DECAL SET (English, for E.U.)	1			M	
	0689301100	DECAL SET (French)	1			M	
	0689301200	DECAL SET (Italian)	1			M	
	0689301300	DECAL SET (German)	1			M	
	0689301400	DECAL SET (Dutch)	1			M	
	0689301500	DECAL SET (Russian)	1			M	
1	0689300001	· DECAL	1			M	
2	0689300002	· DECAL	1			M	
3	0689300003	· DECAL	2			M	
5	0669300005	· DECAL (English)	1			M	
	0669300105	· DECAL (French)	1			M	
	0669300205	· DECAL (Italian)	1			M	
	0669300305	· DECAL (German)	1			M	
	0669300505	· DECAL (Russian)	1			M	
6	0669300006	· DECAL	1			M	
7	0669300007	· DECAL	1			M	
8	0669300008	· DECAL (English, Dutch)	1			M	
	0669300108	· DECAL (French)	1			M	
	0669300208	· DECAL (Italian)	1			M	
	0669300308	· DECAL (German)	1			M	
	0669300508	· DECAL (Russian)	1			M	
9	0882030009	· DECAL (English)	1			M	
	0882030209	· DECAL (French)	1			M	
	0882030309	· DECAL (Italian)	1			M	
	0882030409	· DECAL (German)	1			M	
	0882031603	· DECAL (Russian)	1			M	
10	0881030110	· DECAL (English)	1			M	
	0881030260	· DECAL (French)	1			M	
	0881030360	· DECAL (Italian)	1			M	
	0881030560	· DECAL (German)	1			M	
	0881032204	· DECAL (Russian)	1			M	
11	0882030006	· DECAL	1			M	
12	0882030007	· DECAL	1			M	
13	X *****	· DECAL	1			M	
14	0669300814	· DECAL (U.S. TAKEUCHI)	1			M	
	0669300014	· DECAL (English, Dutch)	1			M	except for US
	0669300114	· DECAL (French)	1			M	
	0669300214	· DECAL (Italian)	1			M	
	0669300314	· DECAL (German)	1			M	
	0669300514	· DECAL (Russian)	1			M	
15	0880031001	· DECAL (English)	1			M	
	0880038607	· DECAL (French)	1			M	
	0881030315	· DECAL (Italian)	1			M	
	0880034007	· DECAL (German)	1			M	
	0881032206	· DECAL (Russian)	1			M	
16	0659300012	· DECAL	1			M	
17	0880030010	· DECAL (English)	1			M	
	0880038610	· DECAL (French)	1			M	
	0881030317	· DECAL (Italian)	1			M	
	0880034010	· DECAL (German)	1			M	
	0881032208	· DECAL (Russian)	1			M	
18	0659300013	· DECAL	1			M	
19	0659300011	· DECAL	1			M	
20	0881030020	· DECAL (English)	1			M	
	0880038613	· DECAL (French)	1			M	
	0881030320	· DECAL (Italian)	1			M	
	0881030520	· DECAL (German)	1			M	
	0881032211	· DECAL (Russian)	1			M	
21	0880030015	· DECAL (English)	1			M	
	0880038615	· DECAL (French)	1			M	
	0881030321	· DECAL (Italian)	1			M	
	0880034015	· DECAL (German)	1			M	
	0881032212	· DECAL (Russian)	1			M	
22	0880030016	· DECAL (English)	1			M	

**TL240 (P-TL240BAB) BU2Z002-1 S/N 22400001-
DECAL (cab)**

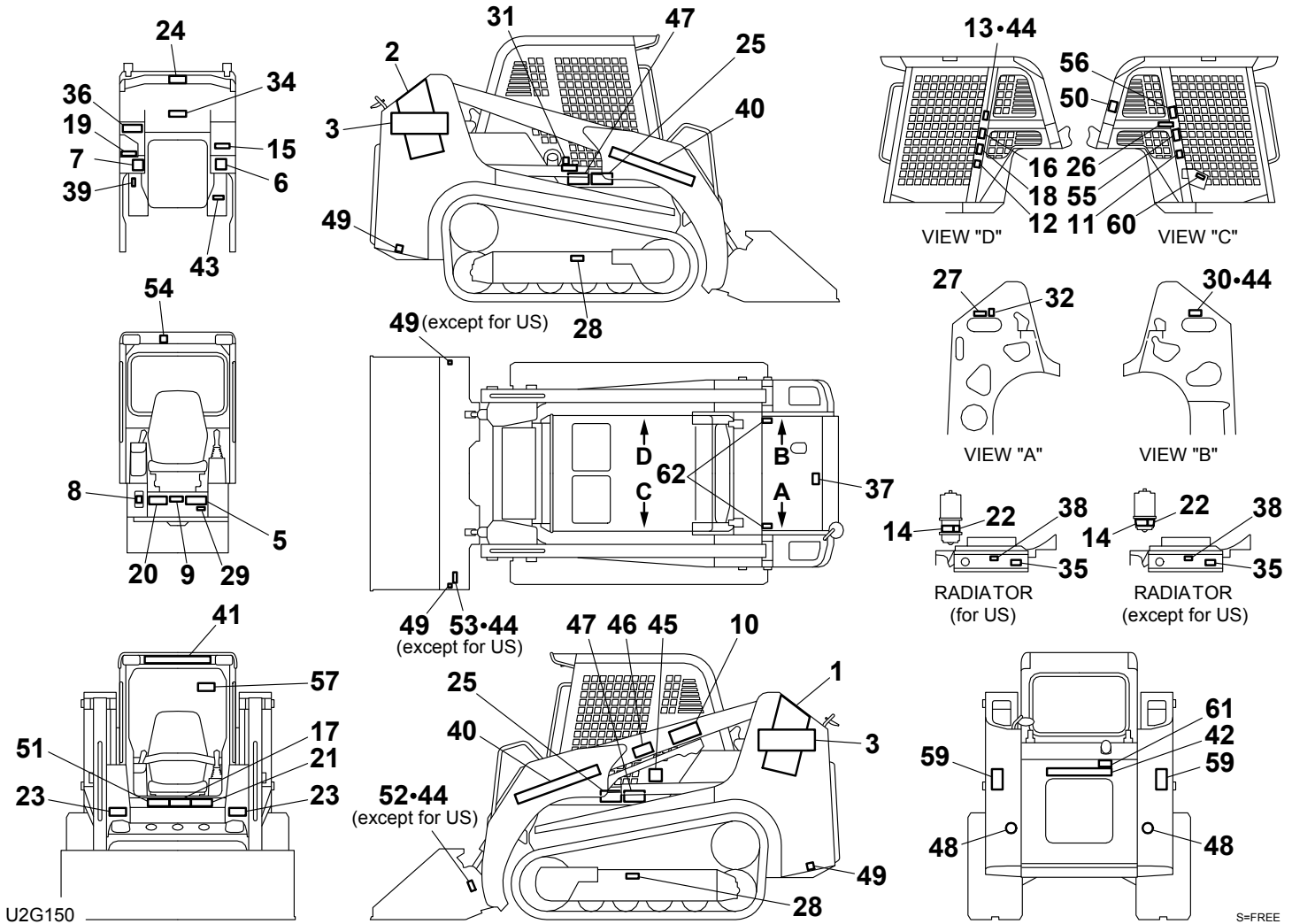


U2G150

S=FREE

DECAL (cab)							
Item	Part number	Description	Q'ty	Chan.	Serial No.	Serv.	Remarks
22	0880038616	· DECAL (French)	1			M	
	0881030322	· DECAL (Italian)	1			M	
	0880034016	· DECAL (German)	1			M	
	0881032213	· DECAL (Russian)	1			M	
23	0880030017	· DECAL (English)	2			M	
	0880038617	· DECAL (French)	2			M	
	0881030323	· DECAL (Italian)	2			M	
	0880034017	· DECAL (German)	2			M	
	0881032214	· DECAL (Russian)	2			M	
24	0880031018	· DECAL (English)	1			M	
	0880038618	· DECAL (French)	1			M	
	0881030324	· DECAL (Italian)	1			M	
	0880034018	· DECAL (German)	1			M	
	0881032215	· DECAL (Russian)	1			M	
25	0880031005	· DECAL (English)	2			M	
	0880038620	· DECAL (French)	2			M	
	0881030325	· DECAL (Italian)	2			M	
	0880034019	· DECAL (German)	2			M	
	0881032216	· DECAL (Russian)	2			M	
26	0881030026	· DECAL (English)	1			M	
	0880038621	· DECAL (French)	1			M	
	0881030326	· DECAL (Italian)	1			M	
	0881030526	· DECAL (German)	1			M	
	0881032217	· DECAL (Russian)	1			M	
27	0880031017	· DECAL (English)	1			M	
	0880038623	· DECAL (French)	1			M	
	0881030327	· DECAL (Italian)	1			M	
	0880034022	· DECAL (German)	1			M	
	0881032218	· DECAL (Russian)	1			M	
28	0149362200	· DECAL (English)	2			M	
	0880038624	· DECAL (French)	2			M	
	0881030328	· DECAL (Italian)	2			M	
	0880034023	· DECAL (German)	2			M	
	0881032219	· DECAL (Russian)	2			M	
29	X *****	· DECAL	1				
30	X *****	· DECAL	1				except for US, Russian
	X *****	· DECAL	1				for US, Russian
31	0359306600	· DECAL (English)	1			M	
	0339375460	· DECAL (French)	1			M	
	0339375660	· DECAL (Italian)	1			M	
	0339375260	· DECAL (German)	1			M	
	0579300603	· DECAL (Russian)	1			M	
32	0359306700	· DECAL	1			M	
34	0880031016	· DECAL (English)	1			M	
	0880038634	· DECAL (French)	1			M	
	0881030334	· DECAL (Italian)	1			M	
	0880034027	· DECAL (German)	1			M	
	0881032221	· DECAL (Russian)	1			M	
35	0882031135	· DECAL (English)	1			M	
36	0359313700	· DECAL (English)	1			M	
	0359315700	· DECAL (French)	1			M	
	0359316700	· DECAL (Italian)	1			M	
	0359314700	· DECAL (German)	1			M	
	0579300606	· DECAL (Russian)	1			M	
37	0359307400	· DECAL (English)	1			M	
	0359315400	· DECAL (French)	1			M	
	0359316400	· DECAL (Italian)	1			M	
	0359314400	· DECAL (German)	1			M	
	0579300602	· DECAL (Russian)	1			M	
38	0359313900	· DECAL	1			M	
39	0359317200	· DECAL	1			M	
40	0008500073	· DECAL	2			M	
41	0008500140	· DECAL	1			M	
42	0008500050	· DECAL	1			M	
43	0881030043	· DECAL (English)	1			M	

**TL240 (P-TL240BAB) BU2Z002-1 S/N 22400001-
DECAL (cab)**

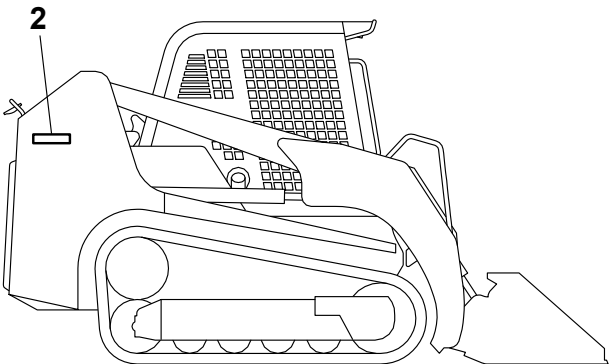
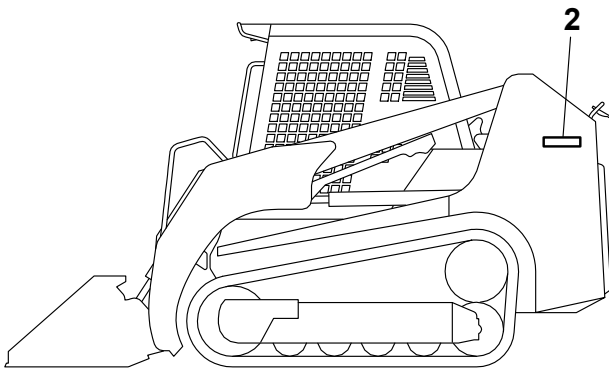
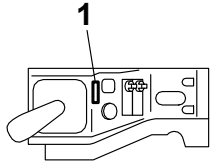


U2G150

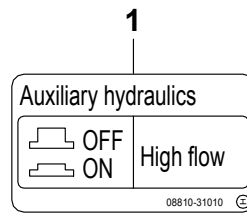
S=FREE

DECAL (cab)							
Item	Part number	Description	Q'ty	Chan.	Serial No.	Serv.	Remarks
43	0881030243	· DECAL (French)	1			M	
	0881030343	· DECAL (Italian)	1			M	
	0881030543	· DECAL (German)	1			M	
	0881032224	· DECAL (Russian)	1			M	
44	X *****	· SCREW	16				
45	X *****	· DECAL	1				except for US, Russian
46	0359309100	· DECAL (French)	1			M	
	0359310100	· DECAL (Italian)	1			M	
	0359308100	· DECAL (German)	1			M	
	0399356001	· DECAL (Russian)	1			M	
47	0881030046	· DECAL (English)	2			M	
	0881031747	· DECAL (French)	2			M	
	0881031847	· DECAL (Italian)	2			M	
	0881031947	· DECAL (German)	2			M	
	0881032225	· DECAL (Russian)	2			M	
48	0874030360	· DECAL	2			M	
49	0881031549	· DECAL	4			M	
50	0399300400	· DECAL	1			M	
51	0881031551	· DECAL (English)	1			M	
	0881031751	· DECAL (French)	1			M	
	0881031851	· DECAL (Italian)	1			M	
	0881031951	· DECAL (German)	1			M	
	0881032226	· DECAL (Russian)	1			M	
52	X *****	· DECAL	1				except for US
53	X *****	· DECAL	1				except for US
54	0881031554	· DECAL (English)	1			M	
	0881031754	· DECAL (French)	1			M	
	0881031854	· DECAL (Italian)	1			M	
	0881031954	· DECAL (German)	1			M	
	0881032227	· DECAL (Russian)	1			M	
55	0881031556	· DECAL	1			M	
56	0689300035	· DECAL	1			M	
57	0881031557	· DECAL	1			M	
59	0882031159	· DECAL	2			M	except for US
60	0882031160	· DECAL	1			M	
61	0339376240	· DECAL (English)	1			M	
	0339379440	· DECAL (French)	1			M	
	0339379540	· DECAL (Italian)	1			M	
	0339376340	· DECAL (German)	1			M	
	0579300613	· DECAL (Russian)	1			M	
62	0399300500	· DECAL	2				
	U2g150						

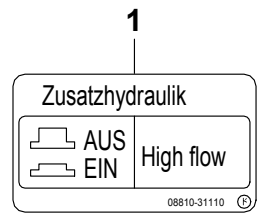
TL240 (P-TL240BAB) BU2Z002-1 S/N 22400001-
DECAL (cab) (high flow)



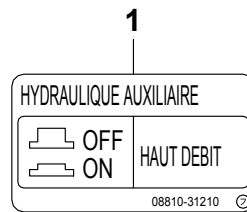
U1G180



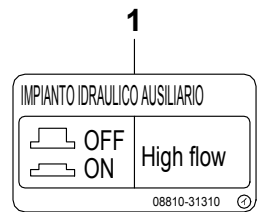
(English)



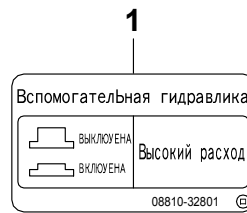
(German)



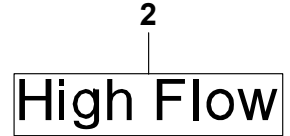
(French)



(Italian)



(Russian)

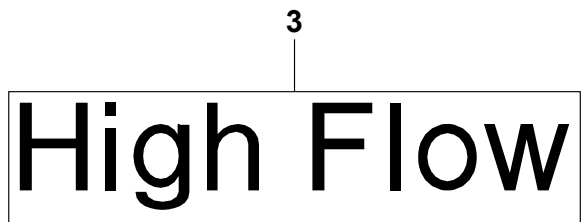
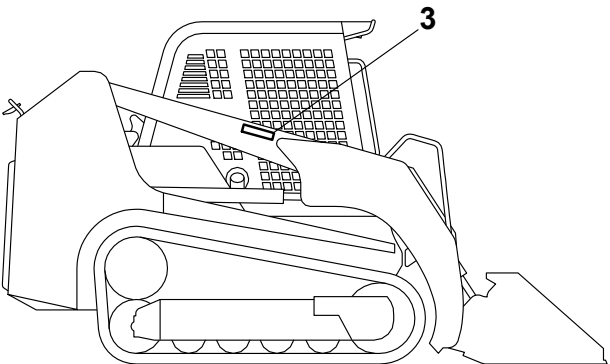
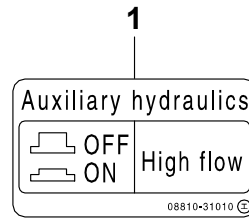
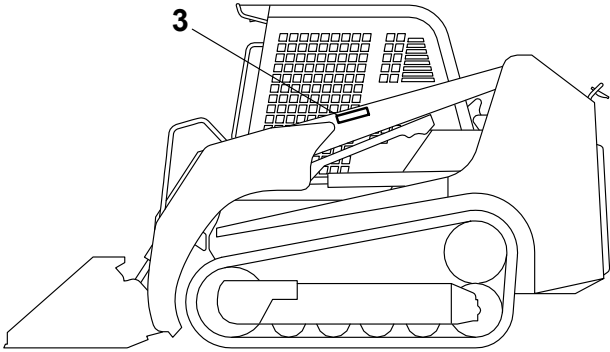
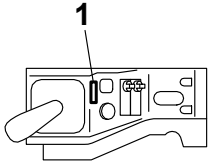


S=FREE

DECAL (cab) (high flow)

Item	Part number	Description	Q'ty	Chan.	Serial No.	Serv.	Remarks
0	0689302000	DECAL SET (English)	1			M	
	0689302100	DECAL SET (French)	1			M	
	0689302200	DECAL SET (Italian)	1			M	
	0689302300	DECAL SET (German)	1			M	
	0689302400	DECAL SET (Dutch)	1			M	
	0689302500	DECAL SET (Russian)	1			M	
1	0881031010	· DECAL (English)	1			M	
	0881031110	· DECAL (German)	1			M	
	0881031210	· DECAL (French)	1			M	
	0881031310	· DECAL (Italian)	1			M	
	0881032801	· DECAL (Russian)	1			M	
2	0669302002	· DECAL	2			M	
	U2g220						

TL240 (P-TL240BAB) BU2Z002-1 S/N 224000001-
DECAL (cab) (high flow, for GEHL & MUSTANG)



U1G190

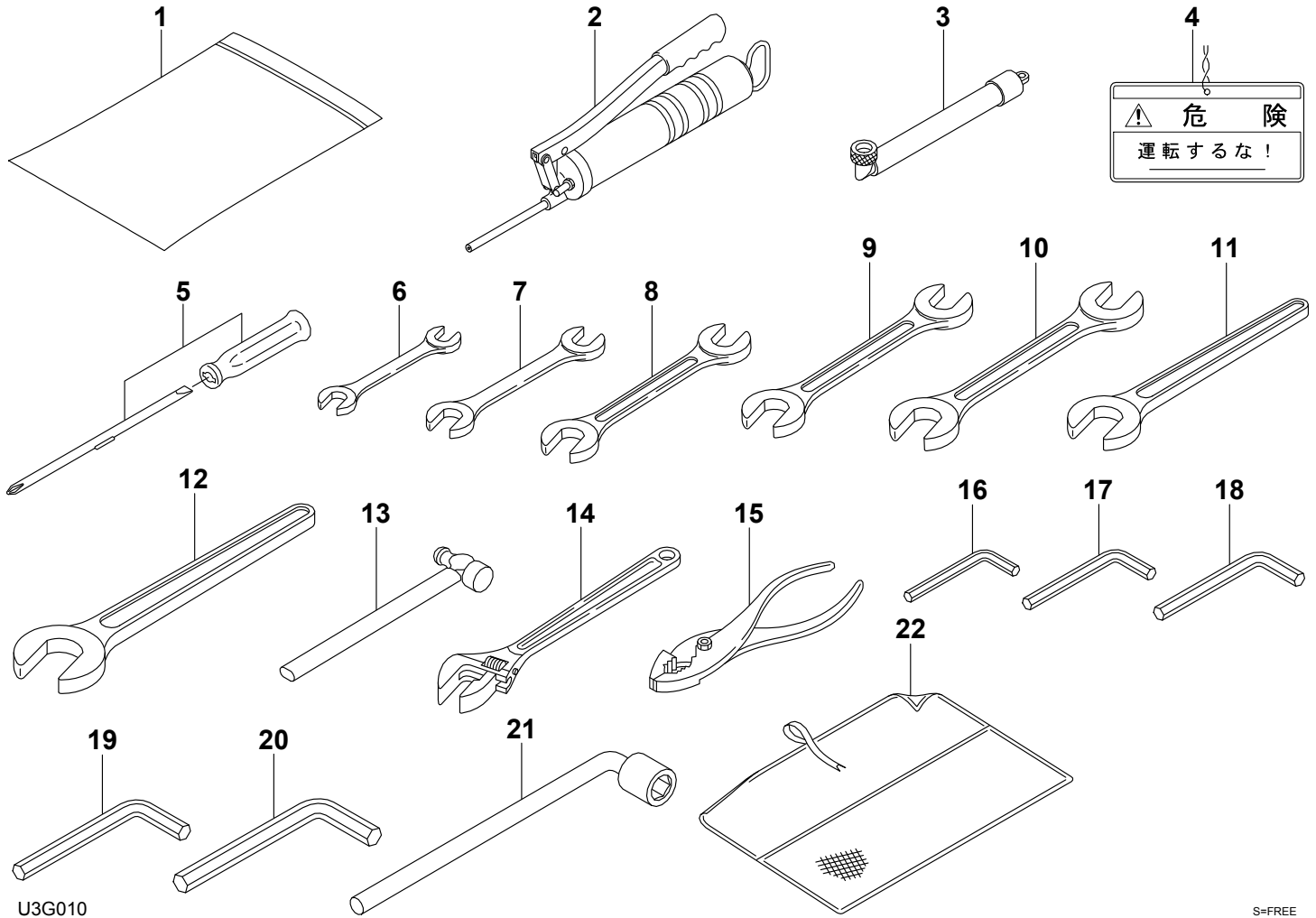
S=FREE

DECAL (cab) (high flow, for GEHL & MUSTANG)

Item	Part number	Description	Q'ty	Chan.	Serial No.	Serv.	Remarks
0	0689302600	DECAL SET (GEHL & MUSTANG)	1			M	
1	0881031010	· DECAL (English)	1			M	
3	0881031030	· DECAL	2			M	

U2g230

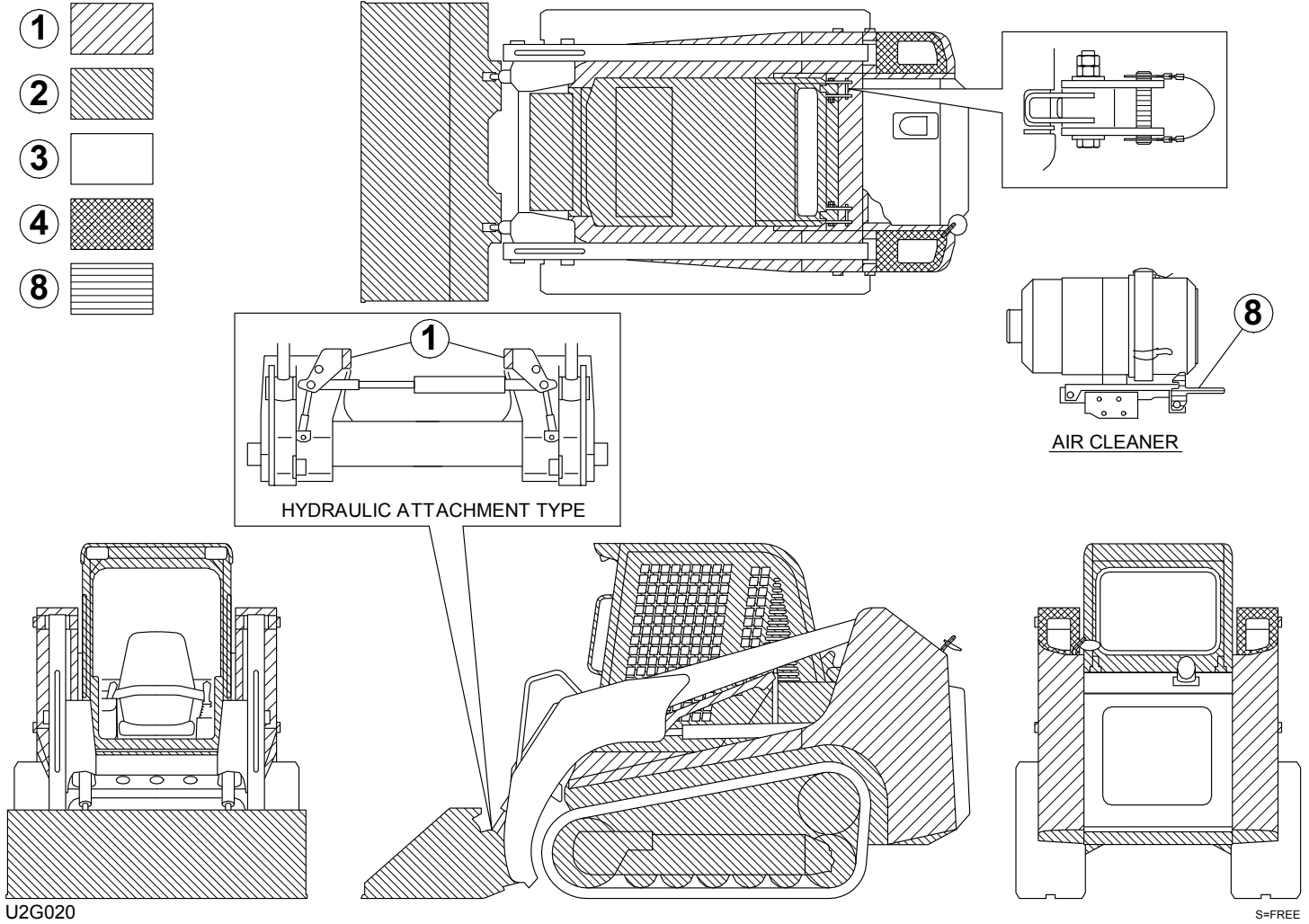
TL240 (P-TL240BAB) BU2Z002-1 S/N 22400001-
TOOL



TOOL

Item	Part number	Description	Q'ty	Chan.	Serial No.	Serv.	Remarks
		TOOL SET	1				
1	1691900001	CASE	1				
2	1691060600	GUN, grease	1				
	1691010800	GUN, grease	1				for JAPAN
3	1554512601	TUBE	1				
4	0359325160	PLATE	1				for JAPAN
0-1	0699200060	TOOL SET	1				
5	1690220205	· SCREWDRIVER	1				
6	1690001012	· SPANNER	1				
7	1690001113	· SPANNER	1				
8	1690001417	· SPANNER	1				
9	1690001922	· SPANNER	1				
10	1690002427	· SPANNER	1				
11	1690100030	· SPANNER	1				
12	1690100041	· SPANNER	1				
13	1690300330	· HAMMER	1				
14	1690400250	· WRENCH, monkey	1				
15	1690500200	· PLIER	1				
16	1690600500	· WRENCH, hex	1				
17	1690600600	· WRENCH, hex	1				
18	1690600800	· WRENCH, hex	1				
19	1690601000	· WRENCH, hex	1				
20	1690601400	· WRENCH, hex	1				
21	1690830019	· WRENCH, hex	1				
22	1691400001	· CASE, tool	1				
	U2g010						

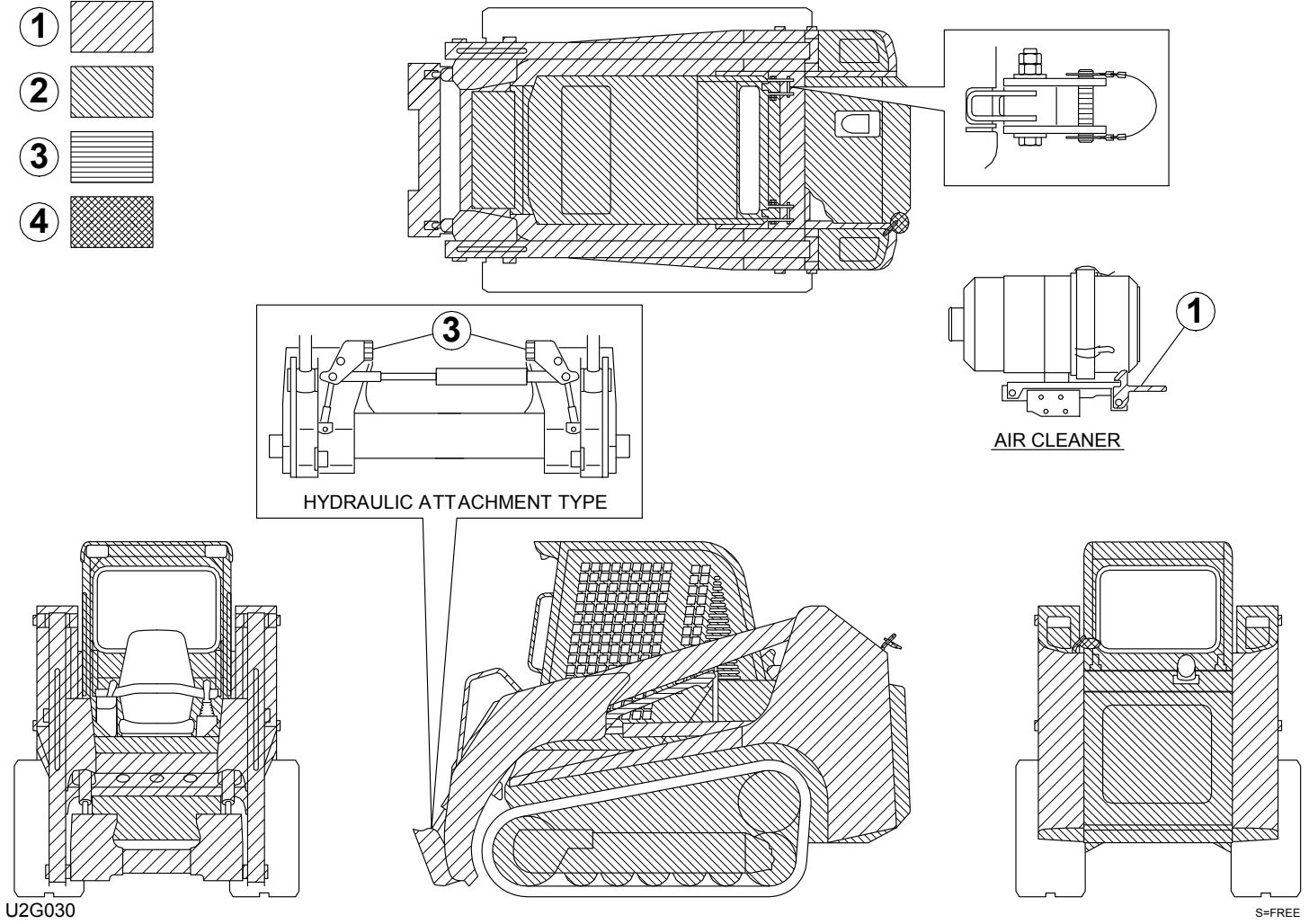
TL240 (P-TL240BAB) BU2Z002-1 S/N 22400001-
PAINTED COLOR



PAINTED COLOR

Item	Part number	Description	Q'ty	Chan.	Serial No.	Serv.	Remarks
		PAINTED COLOR					
1	1919060105	RED	1				
	1919069105	RED	1				spray
2	1919060144	GRAY	1				
	1919069144	GRAY	1				spray
3	1919060142	LIGHT GRAY	1				
	1919069142	LIGHT GRAY	1				spray
4	1919060103	BLACK	1				
	1919069103	BLACK	1				spray
8	1919060175	YELLOW	1				
	U2g020						

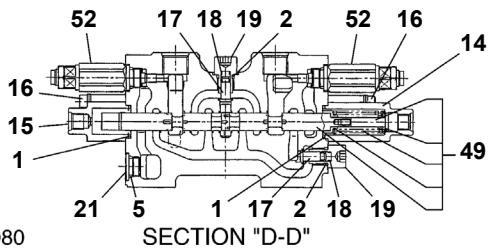
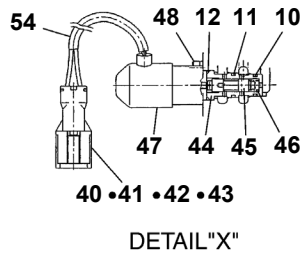
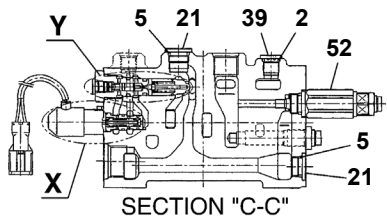
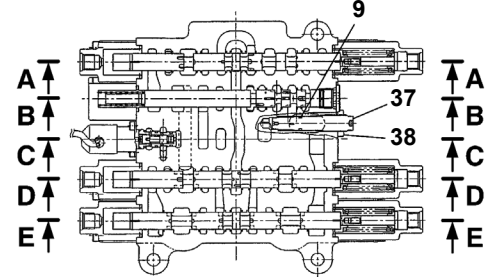
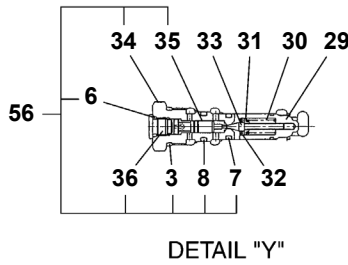
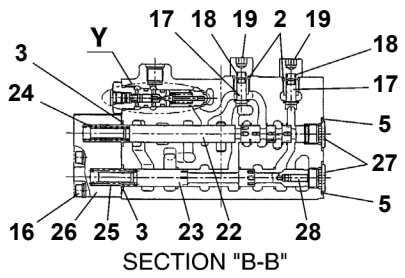
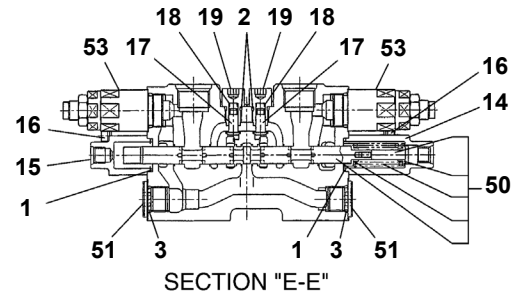
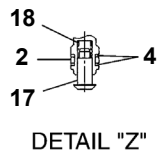
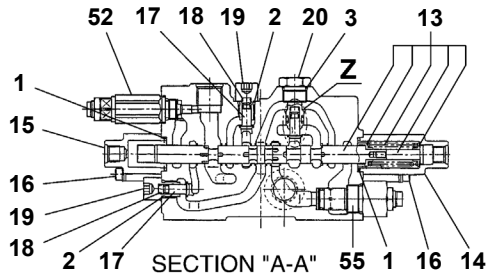
TL240 (P-TL240BAB) BU2Z002-1 S/N 22400001-
PAINTED COLOR (for GEHL & MUSTANG)



PAINTED COLOR (for GEHL & MUSTANG)

Item	Part number	Description	Q'ty	Chan.	Serial No.	Serv.	Remarks
		PAINTED COLOR					
1	1919060177	GEHL YELLOW	1				
	1919069177	GEHL YELLOW	1				spray
2	1919060180	GEHL GRAY	1				
	1919069180	GEHL GRAY	1				spray
3	1919060105	RED	1				
	1919069105	RED	1				spray
4	1919060103	BLACK	1				
	1919069103	BLACK	1				spray
	U2g030						

TL240 (P-TL240BAB) BU2Z002-1 S/N 22400001-
CONTROL VALVE



U2H080

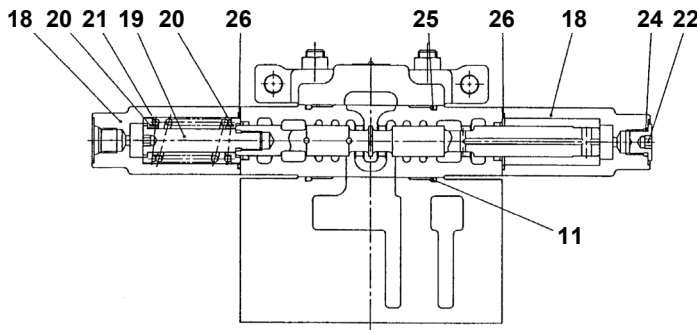
S=FREE

CONTROL VALVE

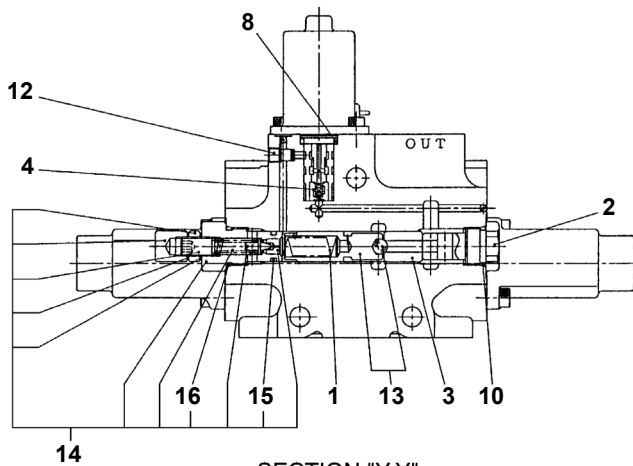
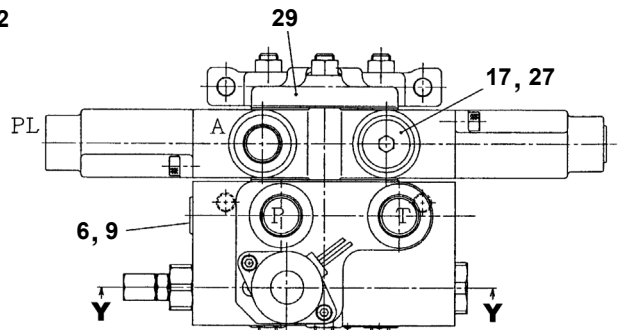
Item	Part number	Description	Q'ty	Chan.	Serial No.	Serv.	Remarks
0	1901047000	· · VALVE ASSY, control	1				
0-1	1901045299	· · KIT, seal	1			M	
1	X 1420300119	· · · O-RING	6			M	
2	X 1420010110	· · · O-RING	10				
3	X 1420010180	· · · O-RING	7				
4	X 1421020110	· · · RING, back-up	2			M	
5	X 1420010140	· · · O-RING	5				
6	X 1420010080	· · · O-RING	2			M	
7	X 1420010101	· · · O-RING	2			M	
8	X 1420010120	· · · O-RING	2			M	
9	X 1420010090	· · · O-RING	1				
10	X 1420500100	· · · O-RING	1			M	
11	X 1420500112	· · · O-RING	1			M	
12	X 1420500140	· · · O-RING	1			M	
13	1901047096	· · SPOOL ASSY	1			M	
14	1901045205	· · COVER	3			M	
15	1901045206	· · COVER	3			M	
16	1110540645	· · BOLT, sems	16			M	
17	1901039426	· · VALVE	9			M	
18	1901039456	· · SPRING	9			M	
19	1901045210	· · PLUG	8			M	
20	1901045212	· · PLUG	1			M	
21	1901030672	· · PLUG	3			M	
22	1901045217	· · SPOOL	1			M	
23	1901045218	· · SPOOL	1			M	
24	1901045219	· · SPRING	1			M	
25	1901045220	· · SPRING	1			M	
26	1901045221	· · HOLDER	1			M	
27	1901045222	· · PLUG	1			M	
28	1901045223	· · PISTON	1			M	
29	1901045224	· · VALVE, check	2			M	
30	1901045225	· · SPRING	2			M	
31	1901045226	· · HOLDER	2			M	
32	1221000009	· · RING, snap	2			M	
33	1901045228	· · VALVE	2			M	
34	1901045229	· · GUIDE	2			M	
35	1901045230	· · PISTON	2			M	
36	1901045232	· · PLUG	2			M	
37	1901045235	· · SLEEVE	1			M	
38	1901045237	· · NUT	1			M	
39	1901024795	· · · PLUG	1			M	
40	1901045239	· · · ADAPTOR	1			M	
41	1901045240	· · · TERMINAL	2			M	
42	1901045241	· · · SEAL	2			M	
43	1901045242	· · · HOLDER	1			M	
44	1901045243	· · · SOCKET	1			M	
45	1901045244	· · · SPOOL	1			M	
46	1901045245	· · · SPRING	1			M	
47	1901045249	· · · SOLENOID	1			M	
48	1110040408	· · · BOLT	2			M	
49	1901047097	· · · SPOOL ASSY	1			M	
50	1901045296	· · · SPOOL ASSY	1			M	
51	1901045253	· · · PLUG	2			M	
52	1901045254	· · · VALVE, relief	4			M	
	1420010180	· · · O-RING	1				
53	1901047055	· · · VALVE, relief	2			M	
	1420300119	· · · O-RING	1			M	
54	1901045256	· · · TUBE	1			M	
55	1901047098	· · · VALVE, relief	1			M	
56	1901045295	· · · GUIDE, piston	1			M	

U2h080

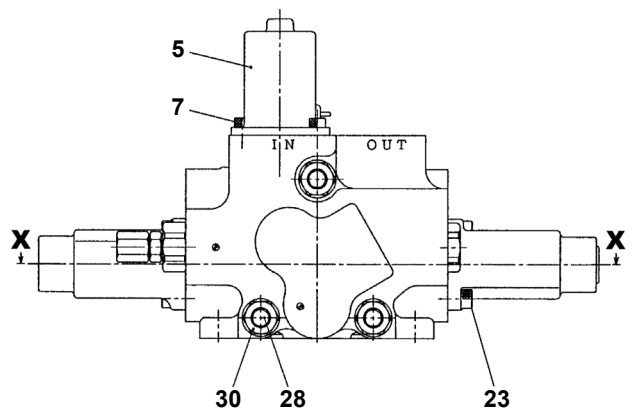
TL240 (P-TL240BAB) BU2Z002-1 S/N 22400001-
CONTROL VALVE (high flow)



SECTION "X-X"



SECTION "Y-Y"



T7H260

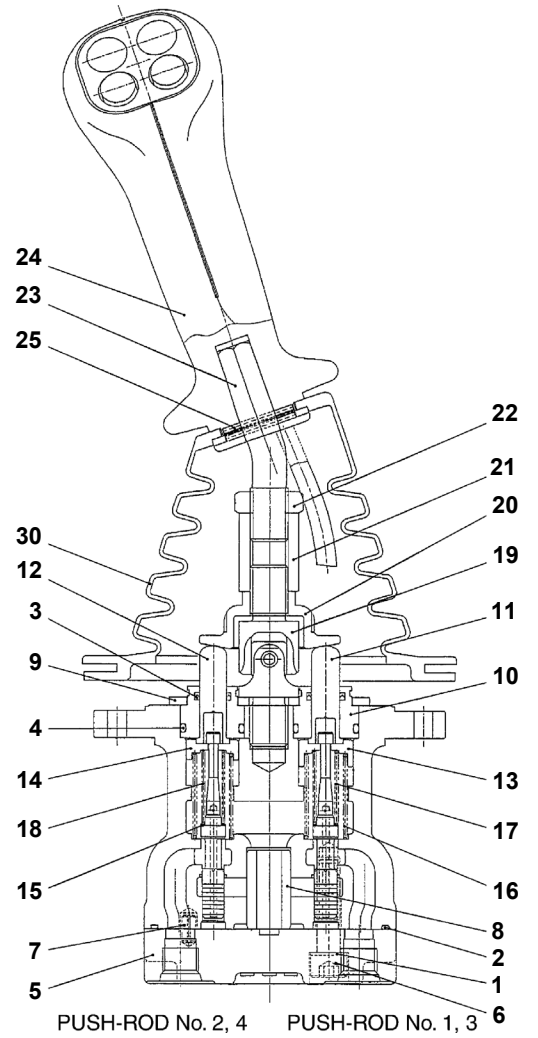
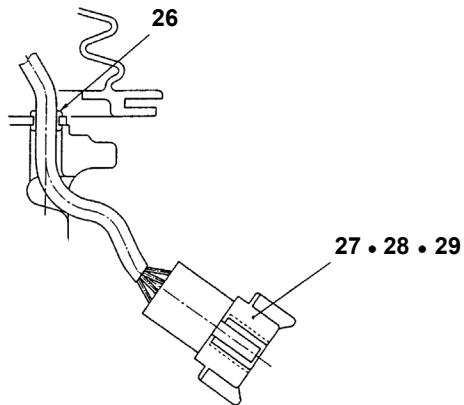
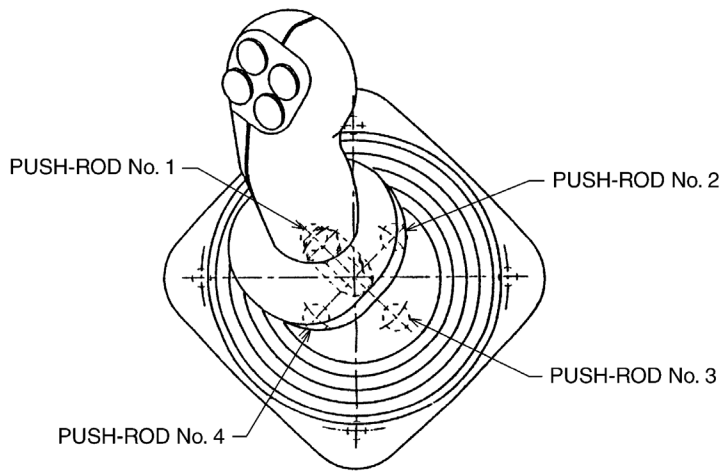
S=free

CONTROL VALVE (high flow)

Item	Part number	Description	Q'ty	Chan.	Serial No.	Serv.	Remarks
0	1901039500	VALVE ASSY, control	1				
0-1	1901039511	· BLOCK ASSY, solenoid	1				
1	1901039556	· · SPRING	1				
2	1901039513	· · PLUG	1				
3	1901039526	· · HOLDER, spring	1				
4	1901039557	· · SPRING	1				
5	1901039525	· · SOLENOID	1				
6	1901720720	· · PLUG	1				
7	1110040510	· · SCREW, cap	2				
8	1420000160	· · O-RING	1				
9	1420010110	· · O-RING	1				
10	1420010160	· · O-RING	1				
11	1420110650	· · O-RING	1				
12	1501810000	· · PLUG	1				
13	1901039527	· · PLUNGER	1				
14	1901039521	· · VALVE.relief	1				
15	1420010120	· · · O-RING	1				
16	1420010160	· · · O-RING	1				
0-2	1901039510	· BLOCK ASSY	1				
17	1513500008	· · PLUG	1				
18	1901038166	· · COVER	2				
19	1901038131	· · END, spool	1				
20	1901035151	· · HOLDER, spring	2				
21	1901038157	· · SPRING	1				
22	1901720720	· · PLUG	1				
23	1110020620	· · SCREW, cap	4				
24	1420010110	· · O-RING	1				
25	1420110650	· · O-RING	1				
26	1420310023	· · O-RING	2				
27	1420310908	· · O-RING	1				
28	1901039507	· ROD, tie	3				
29	1901039504	· HOUSING, inlet	1				
30	1130050010	· NUT	6				

T7h260

TL240 (P-TL240BAB) BU2Z002-1 S/N 224000001-
PILOT VALVE (R.H.)



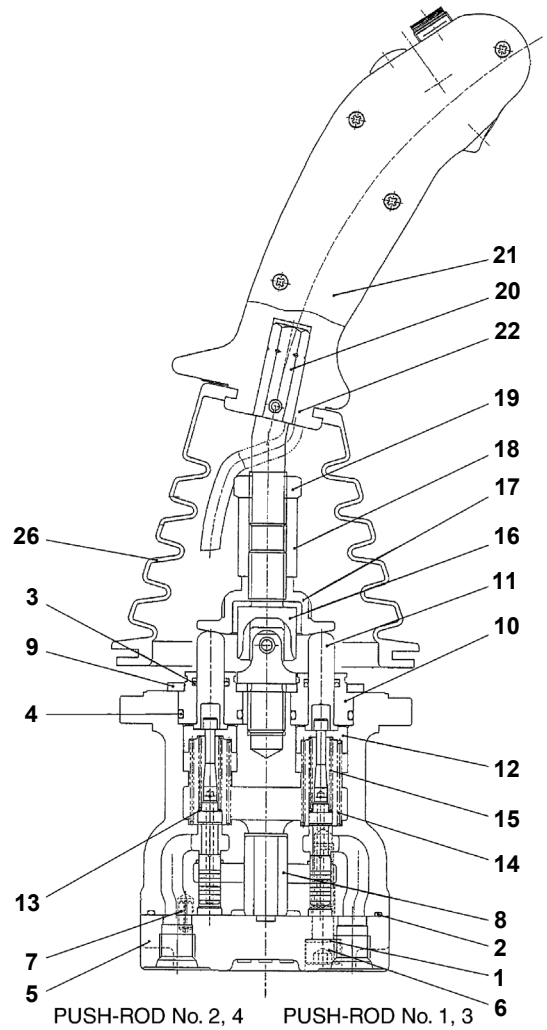
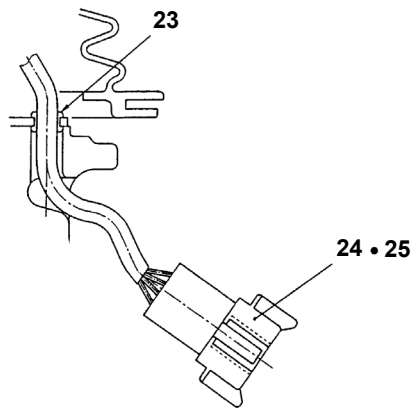
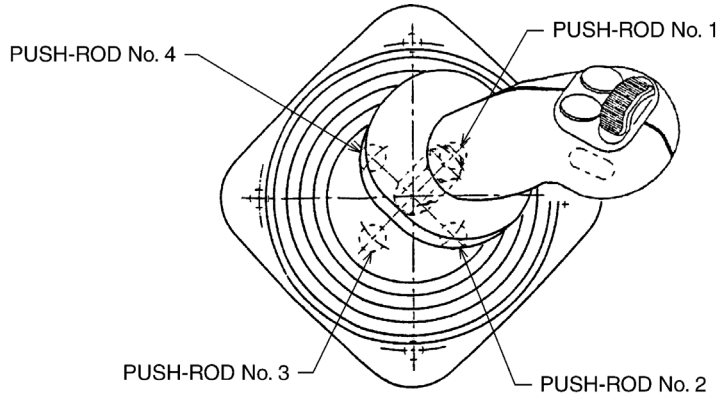
S=free

T9H220

PILOT VALVE (R.H.)

Item	Part number	Description	Q'ty	Chan.	Serial No.	Serv.	Remarks
0	1901749800	VALVE ASSY, pilot	1				Right
0-1	1901749599	· KIT, seal	1				
1	X 1901715103	· · WASHER	2				
2	X 1420510850	· · O-RING	1				
3	X 1901710914	· · SEAL	4				
4	X 1420010200	· · O-RING	4				
5	1901749511	· PLATE	1				
6	1110020835	· SCREW, cap	2				
7	1213000510	· PIN, spring	1				
8	1901743606	· BUSHING	1				
9	1901749551	· PLATE	1				
10	1901710912	· PLUG	4				
11	1901719011	· ROD	2				
12	1901719012	· ROD	2				
13	1901743614	· HOLDER	2				
14	1901743615	· HOLDER	2				
15	1901710917	· WASHER	4				
16	1901749521	· SPRING	4				
17	1901749541	· SPRING	2				
18	1901749542	· SPRING	2				
19	1901720232	· JOINT	1				
20	1901743620	· PLATE	1				
21	1901710922	· NUT	1				
22	1901719025	· NUT	1				
23	1901741526	· LEVER	1				
24	1901741210	· HANDLE	1				
25	1213000528	· PIN, spring	1				
26	1901735630	· BUSHING	1				
27	1901740446	· RECEPTACLE	1				
28	1901740447	· WEDGE	1				
29	1901741263	· PLUG	3				
30	1901735632	· BOOT	1				
	T9h220						

TL240 (P-TL240BAB) BU2Z002-1 S/N 224000001-
PILOT VALVE (L.H.)



S-free

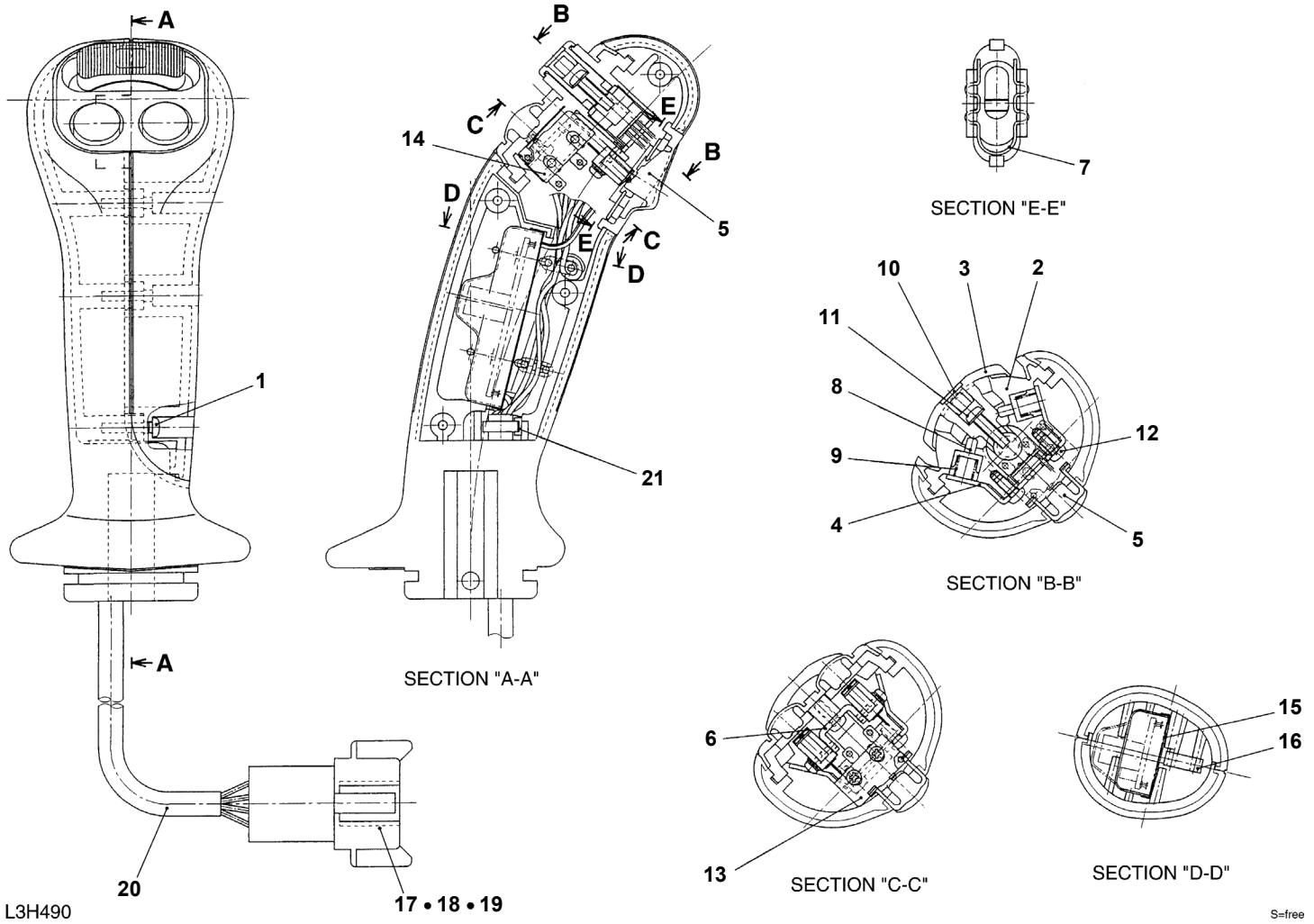
T9H230

PILOT VALVE (L.H.)

Item	Part number	Description	Q'ty	Chan.	Serial No.	Serv.	Remarks
0	1901749700	VALVE ASSY, pilot	1				Left
0-1	1901749599	· KIT, seal	1				
1	X 1901715103	· · WASHER	2				
2	X 1420510850	· · O-RING	1				
3	X 1901710914	· · SEAL	4				
4	X 1420010200	· · O-RING	4				
5	1901749511	· PLATE	1				
6	1110020835	· SCREW, cap	2				
7	1213000510	· PIN, spring	1				
8	1901743606	· BUSHING	1				
9	1901749551	· PLATE	1				
10	1901710912	· PLUG	4				
11	1901719011	· ROD	4				
12	1901743614	· HOLDER	4				
13	1901710917	· WASHER	4				
14	1901749521	· SPRING	4				
15	1901749641	· SPRING	4				
16	1901720232	· JOINT	1				
17	1901743620	· PLATE	1				
18	1901710922	· NUT	1				
19	1901719025	· NUT	1				
20	1901739923	· LEVER	1				
21	1901740410	· HANDLE	1				
22	1213000528	· PIN, spring	1				
23	1901735630	· BUSHING	1				
24	1901740446	· RECEPTACLE	1				
25	1901740447	· WEDGE	1				
26	1901735632	· BOOT	1				

T9h230

TL240 (P-TL240BAB) BU2Z002-1 S/N 22400001-
HANDLE (with slide switch)

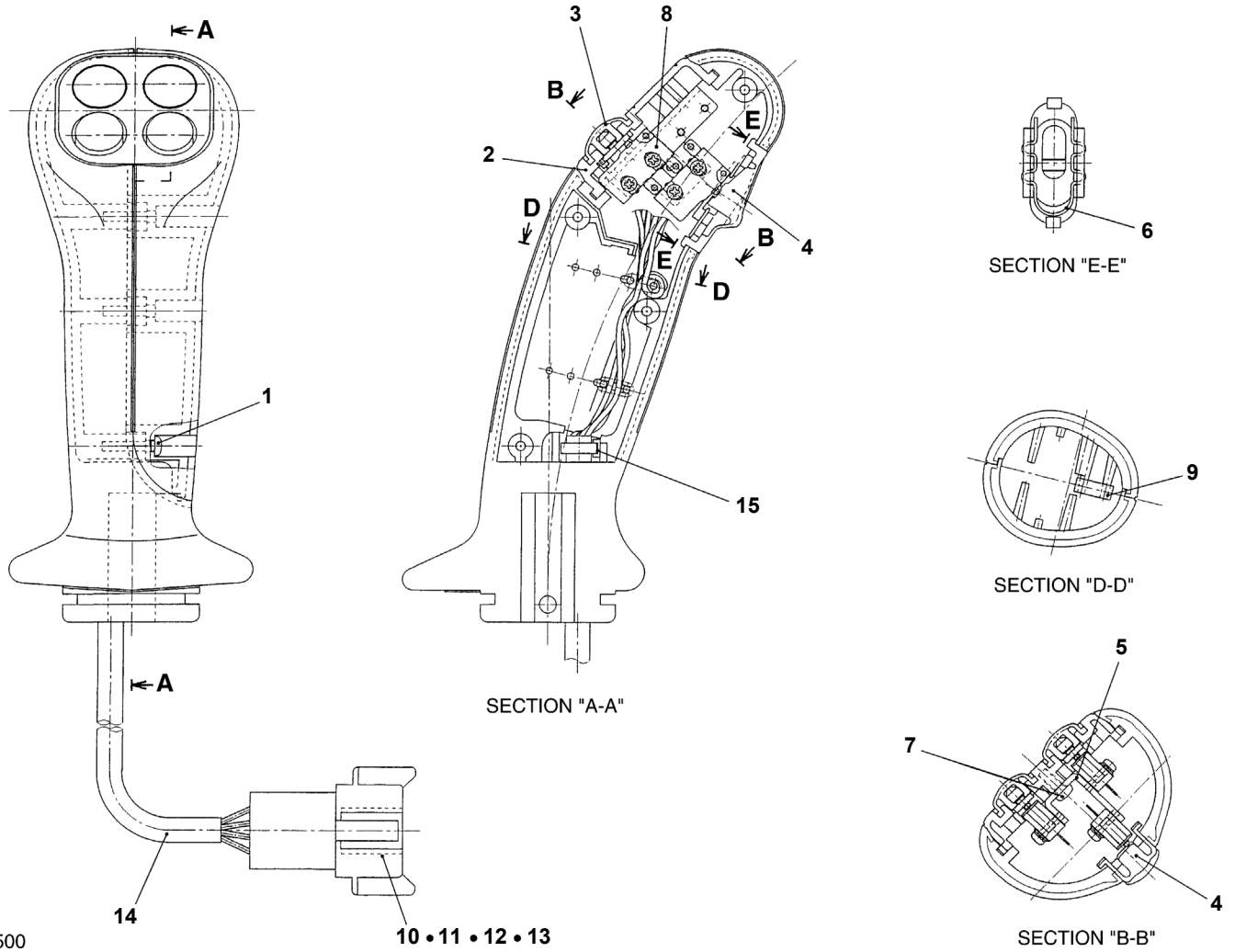


HANDLE (with slide switch)

Item	Part number	Description	Q'ty	Chan.	Serial No.	Serv.	Remarks
0	1901740410	HANDLE ASSY	1				
1	1122400312	· SCREW	4				
2	1901740417	· CASE	1				
3	1901740418	· CAM	1				
4	1901740401	· PLATE	1				
5	1901740402	· BUTTON	1				
6	1901740403	· BRACKET	1				
7	1901740404	· CLIP	1				
8	1901740405	· PISTON	2				
9	1901740406	· SPRING	2				
10	1901740407	· CAP	1				
11	1150010312	· SCREW	1				
12	1122400306	· SCREW	3				
13	1901740408	· SWITCH	1				
14	1901740409	· SWITCH	2				
15	1901740411	· COVER	1				
16	1901740412	· CAP	2				
17	1901740446	· RECEPTACLE	1				
18	1901740447	· WEDGE	1				
19	1901740413	· PIN	8				
20	1901740414	· PROTECTOR	1				
21	1901740415	· BAND	1				

L3h490

TL240 (P-TL240BAB) BU2Z002-1 S/N 22400001-
HANDLE (with 3 switch)

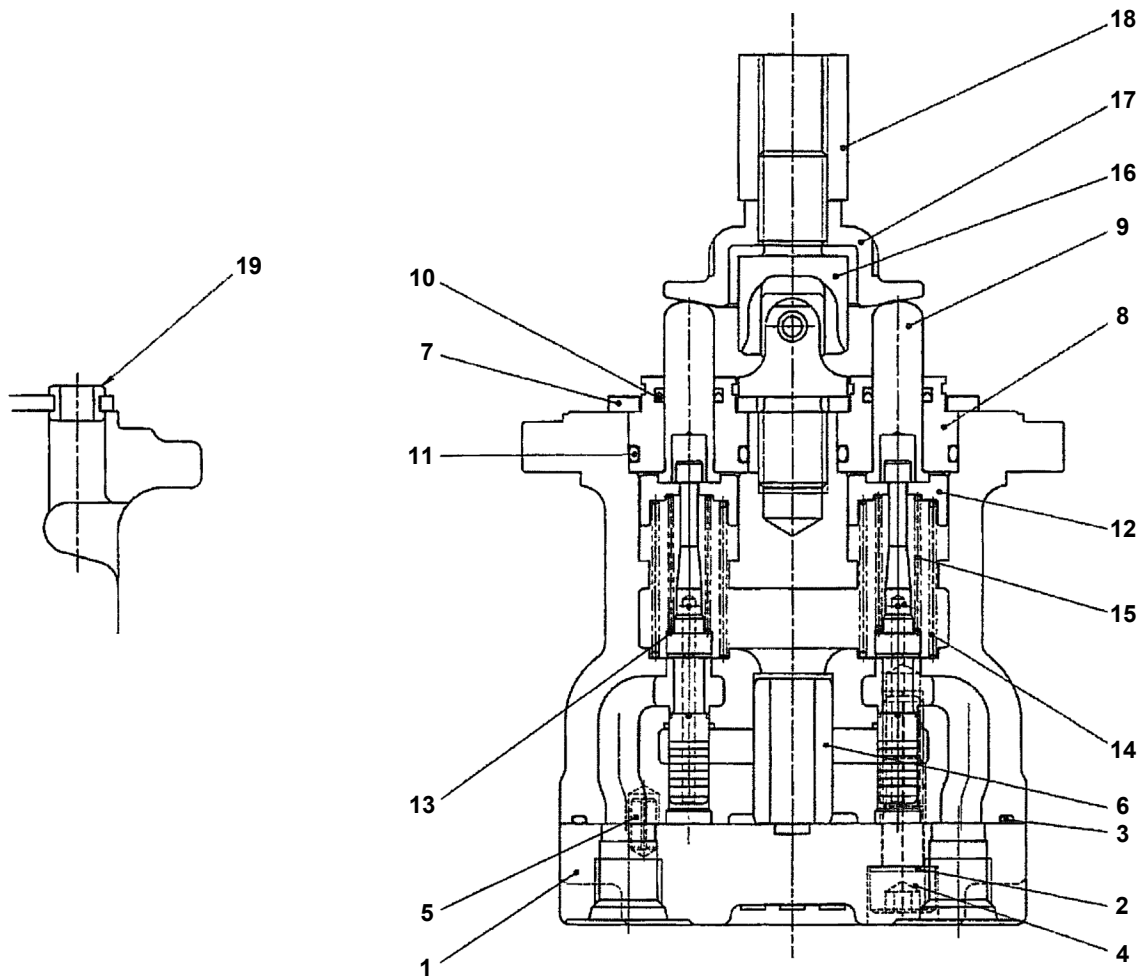


S=free

HANDLE (with 3 switch)

Item	Part number	Description	Q'ty	Chan.	Serial No.	Serv.	Remarks
0	1901741210	HANDLE ASSY	1				
1	1122400312	· SCREW	4				
2	1901741211	· CASE	1				
3	1901741216	· BUTTON	2				
4	1901740402	· BUTTON	1				
5	1901741218	· BRACKET	1				
6	1901740404	· CLIP	1				
7	1122400306	· SCREW	2				
8	1901740408	· SWITCH	3				
9	1901740412	· CAP	2				
10	1901740446	· RECEPTACLE	1				
11	1901740447	· WEDGE	1				
12	1901740413	· PIN	5				
13	1901741263	· PIN, BLANKING	3				
14	1901740414	· PROTECTOR	1				
15	1901740415	· BAND	1				
	L3h500						

TL240 (P-TL240BAB) BU2Z002-1 S/N 22400001-
PILOT VALVE (L.H.) (multi-functional grip type)



U1h030

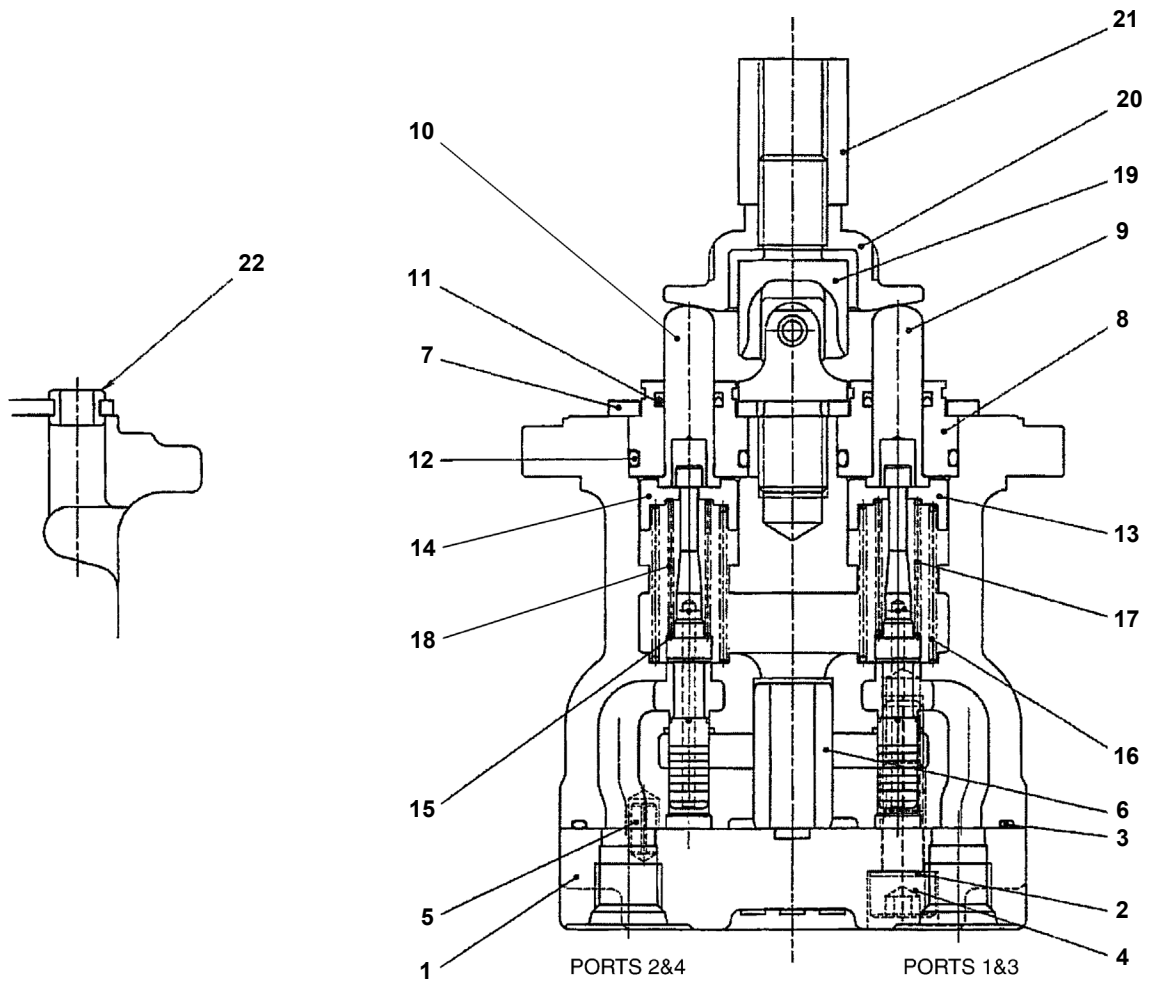
S=FREE

PILOT VALVE (L.H.) (multi-functional grip type)

Item	Part number	Description	Q'ty	Chan.	Serial No.	Serv.	Remarks
0	1901753900	VALVE ASSY, pilot	1			M	Left
1	1901749511	· PLATE	1				
2	1901715103	· WASHER	2				
3	1420510850	· O-RING	1				
4	1110040835	· SCREW, cap	2			M	
5	1213000510	· PIN, spring	1				
6	1901743606	· BUSHING	1				
7	1901749551	· PLATE	1				
8	1901710912	· PLUG	4				
9	1901719011	· ROD	4				
10	1901710914	· SEAL	4				
11	1420010200	· O-RING	4				
12	1901743614	· HOLDER	4				
13	1901710917	· WASHER	4				
14	1901749521	· SPRING	4				
15	1901749641	· SPRING	4				
16	1901720232	· JOINT	1				
17	1901743620	· PLATE	1				
18	1901710922	· NUT	1				
19	1901735630	· BUSHING	1				

U1h030

TL240 (P-TL240BAB) BU2Z002-1 S/N 224000001-
PILOT VALVE (R.H.) (multi-functional grip type)



U3H090

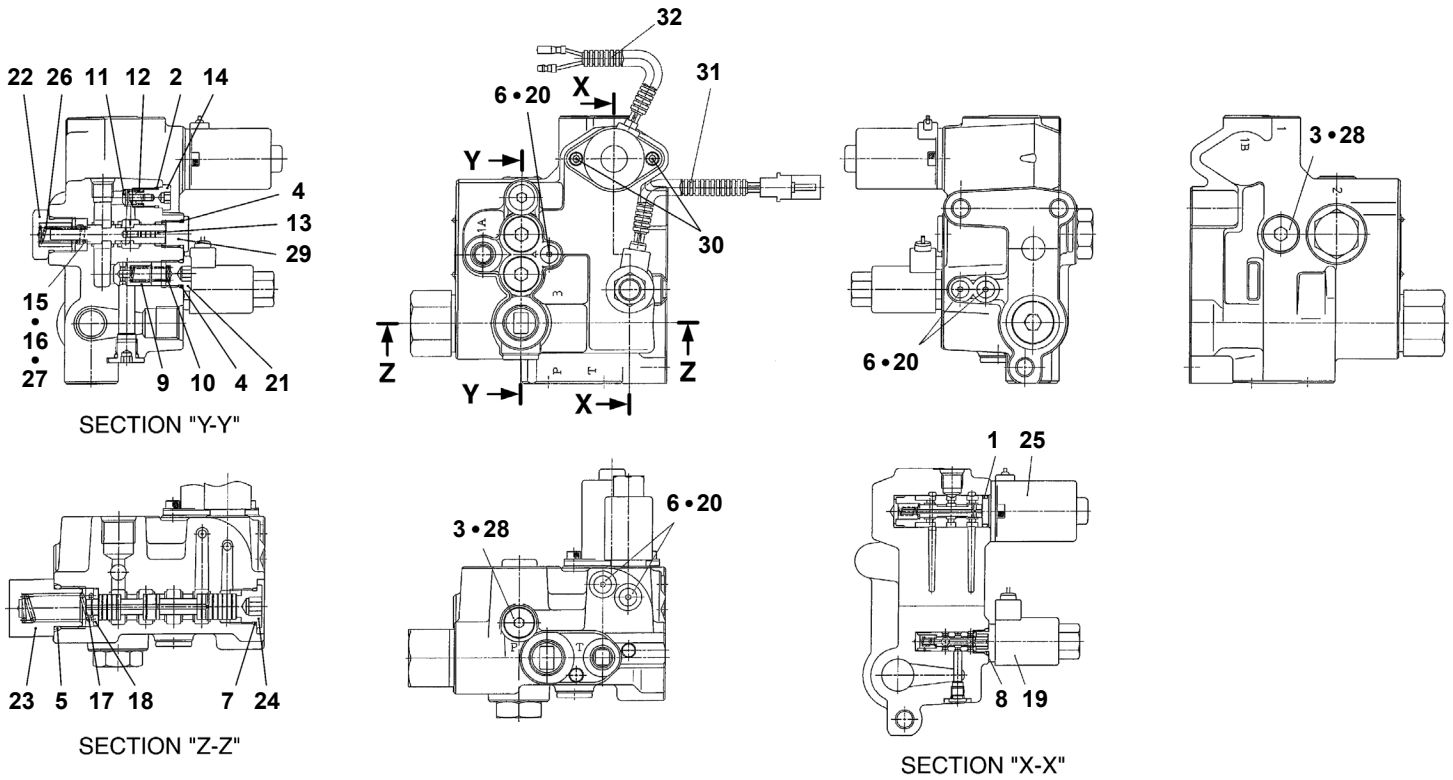
S=FREE

PILOT VALVE (R.H.) (multi-functional grip type)

Item	Part number	Description	Q'ty	Chan.	Serial No.	Serv.	Remarks
0	1901754000	VALVE ASSY, pilot	1				Right
1	1901749511	· PLATE	1				
2	1901715103	· WASHER	2				
3	1420510850	· O-RING	1				
4	1110020835	· SCREW, cap	2				
5	1213000510	· PIN, spring	1				
6	1901743606	· BUSHING	1				
7	1901749551	· PLATE	1				
8	1901710912	· PLUG	4				
9	1901719011	· ROD	2				
10	1901719012	· ROD	2				
11	1901710914	· SEAL	4				
12	1420010200	· O-RING	4				
13	1901743614	· HOLDER	2				
14	1901743615	· HOLDER	2				
15	1901710917	· WASHER	4				
16	1901749521	· SPRING	4				
17	1901749541	· SPRING	2				
18	1901749542	· SPRING	2				
19	1901720232	· JOINT	1				
20	1901743620	· PLATE	1				
21	1901710922	· NUT	1				
22	1901735630	· BUSHING	1				

U3h090

TL240 (P-TL240BAB) BU2Z002-1 S/N 22400001-
SUB VALVE



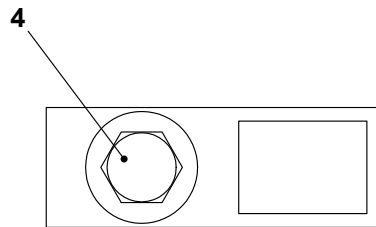
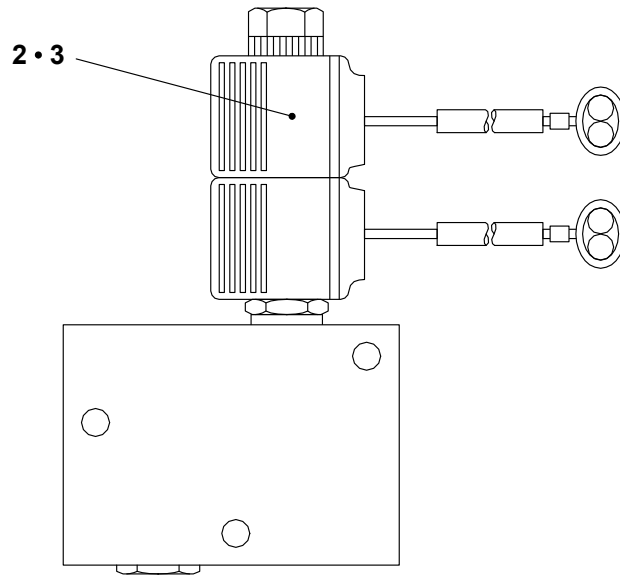
T3H010

S-FREE

SUB VALVE

Item	Part number	Description	Q'ty	Chan.	Serial No.	Serv.	Remarks
0	1901748100	VALVE, sub	1				
0-1	1901748199	· KIT, seal	1				
1	X 1420010160	· · O-RING	1				
2	X 1420010100	· · O-RING	1				
3	X 1420010110	· · O-RING	2				
4	X 1420010140	· · O-RING	2				
5	X 1420010240	· · O-RING	1				
6	X 1420310902	· · O-RING	5				
7	X 1420310910	· · O-RING	1				
8	X 1420000125	· · O-RING	1				
9	1901731901	· POPPET	1				
10	1901731903	· SPRING	1				
11	1901035426	· PLUNGER	1				
12	1901004357	· SPRING	1				
13	1901730412	· PISTON	1				
14	1901035471	· PLUG	1				
15	1901729709	· SHIM	1				t=0.1mm
16	1901729710	· SHIM	1				t=0.2mm
17	1901731911	· SPRING	1				
18	1901731912	· WASHER	1				
19	1901748114	· SOLENOID	1				
20	1901748119	· PLUG	5				
21	1901748126	· PLUG	1				
22	1901748127	· PLUG	1				
23	1901748128	· PLUG	1				
24	1901748129	· PLUG	1				
25	1901748130	· SOLENOID	1				
26	1901748131	· SPRING	1				
27	1901748132	· SHIM	1				t=0.1mm
28	1901738312	· PLUG	2				
29	1501750002	· PLUG	1				
	1420010110	· · O-RING	1				
30	1110040512	· SCREW, cap	2				
31	1901044619	· TUBE	1				
32	1901748828	· TUBE	1				
	T3h010						

TL240 (P-TL240BAB) BU2Z002-1 S/N 224000001-
SOLENOID VALVE; 1 BLOCK



U1H020

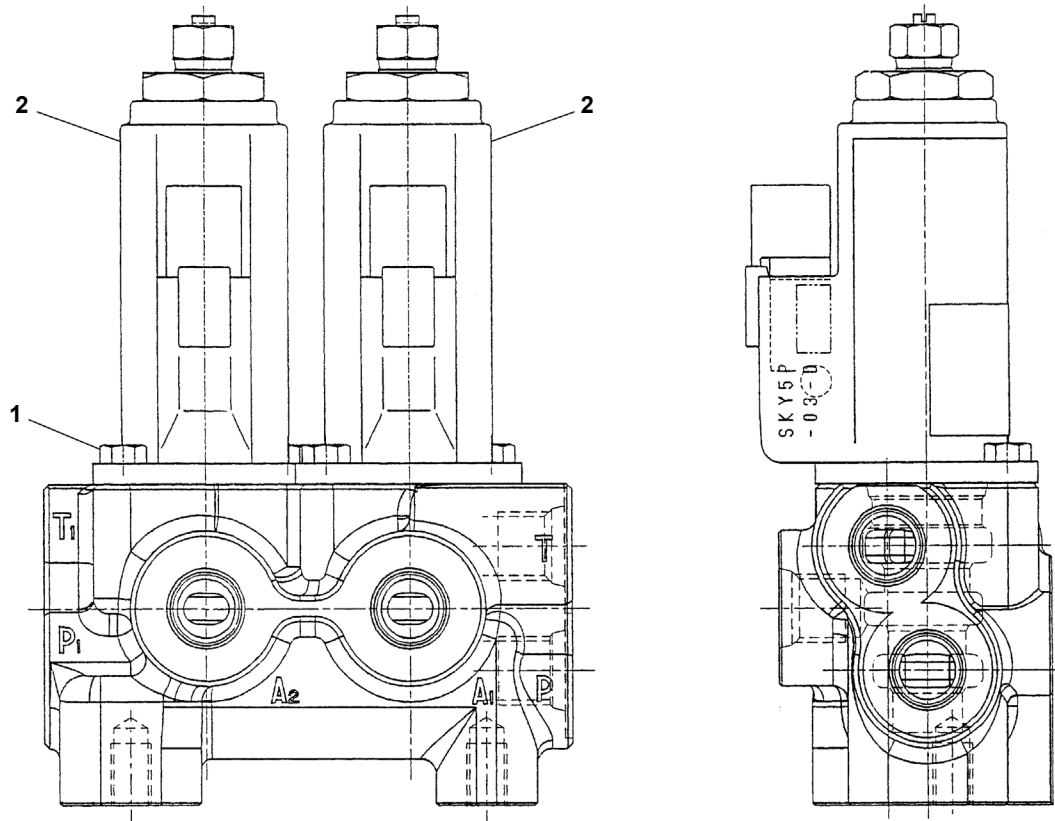
S=FREE

SOLENOID VALVE; 1 BLOCK

Item	Part number	Description	Q'ty	Chan.	Serial No.	Serv.	Remarks
0	1901752000	VALVE ASSY, solenoid	1				
2	1901752002	· VALVE, solenoid	1				
3	1901752003	· COIL	2				
4	1901741704	· PLUG	1				

U1h020

TL240 (P-TL240BAB) BU2Z002-1 S/N 22400001-
ELECTRICAL PROPORTION VALVE



J3H020

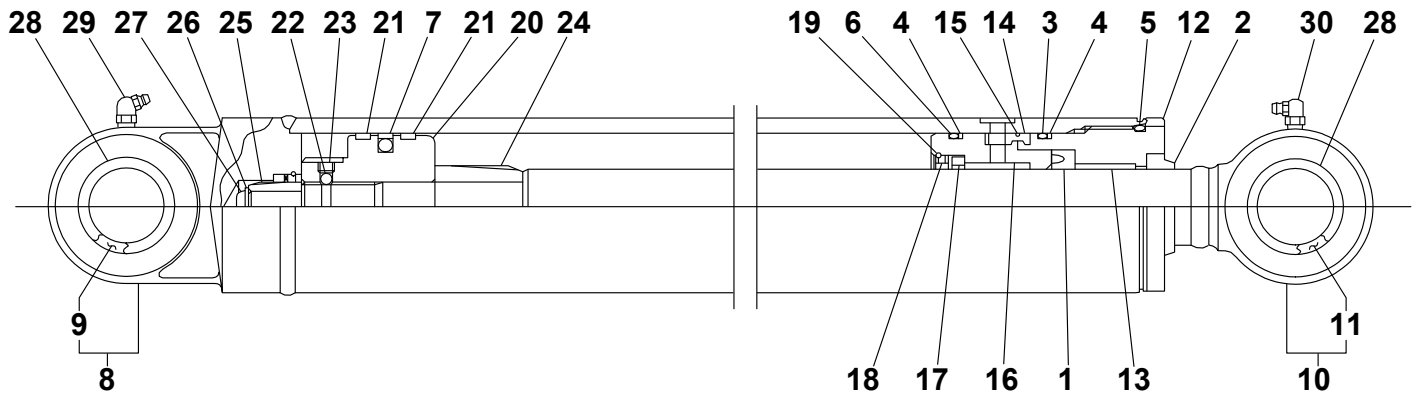
S=free

ELECTRICAL PROPORTION VALVE

Item	Part number	Description	Q'ty	Chan.	Serial No.	Serv.	Remarks
0	1901752100	VALVE ASSY, proportional	1				
1	1110050512	· BOLT	4				
2	1901752103	· VALVE, proportional	2				

J3h020

TL240 (P-TL240BAB) BU2Z002-1 S/N 224000001-
LIFT ARM CYLINDER



T9H090

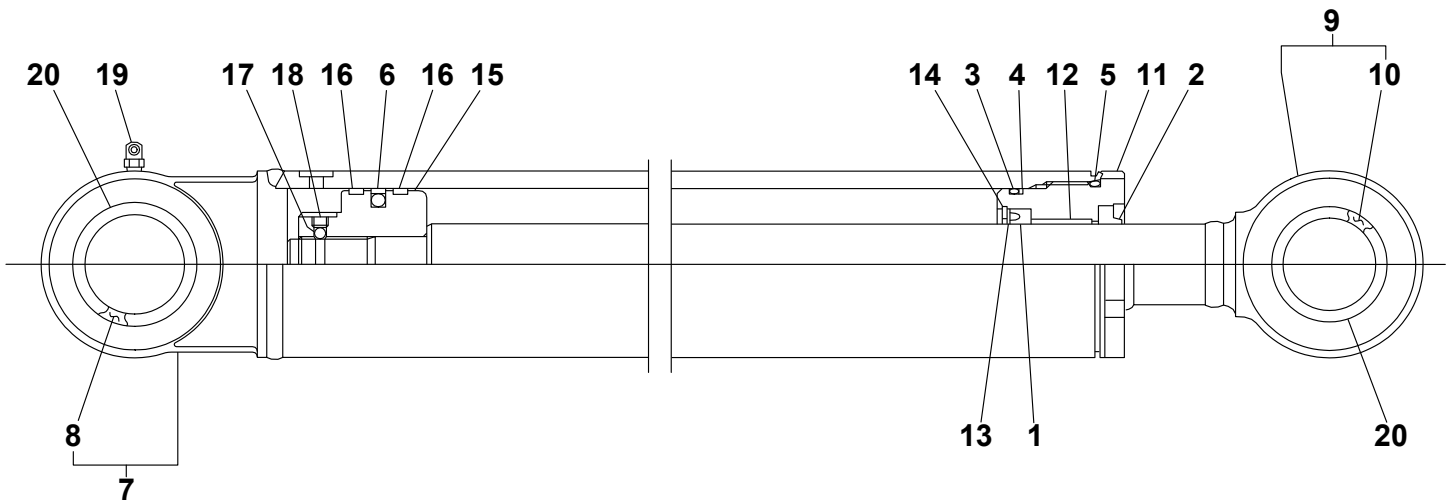
S=FREE

LIFT ARM CYLINDER

Item	Part number	Description	Q'ty	Chan.	Serial No.	Serv.	Remarks
0	1900085600	CYLINDER ASSY	2				lift arm
0-1	1900085699	· KIT, seal	1				
1	X 1900080808	· · PACKING, rod	1				
2	X 1900073033	· · SEAL, dust	1				
3	X 1420110650	· · O-RING	1				
4	X 1421130650	· · RING, back-up	2				
5	X 1420110700	· · O-RING	1				
6	X 1420110600	· · O-RING	1				
7	X 1900051132	· · PACKING, piston	1				
8	1900085698	· TUBE ASSY	1				
9	1900016002	· · BUSHING	1				
10	1900085697	· ROD ASSY, piston	1				
11	1900016002	· · BUSHING	1				
12	1900052003	· COVER, rod	1				
13	1333004030	· BUSHING	1				
14	1900052027	· CONNCTOR	1				
15	1900064426	· STOPPER	1				
16	1900085604	· RETAINER	1				
17	1900052016	· RING, cushion	1				
18	1900052015	· SPACER	1				
19	1900052026	· STOPPER	1				
20	1900085606	· PISTON	1				
21	1900051131	· RING, wear	2				
22	1390020250	· BALL, steel	1				
23	1121050608	· SET-SCREW	1				
24	1900085616	· BEARING, cushion	1				
25	1900085628	· BEARING, cushion	1				
26	1900064428	· WASHER	1				
27	1900064429	· BOLT	1				
28	1432200040	· SEAL, dust	4				
29	1560001675	· FITTING, grease	1				
30	1560001900	· FITTING, grease	1				

T9h090

TL240 (P-TL240BAB) BU2Z002-1 S/N 224000001-
BUCKET CYLINDER



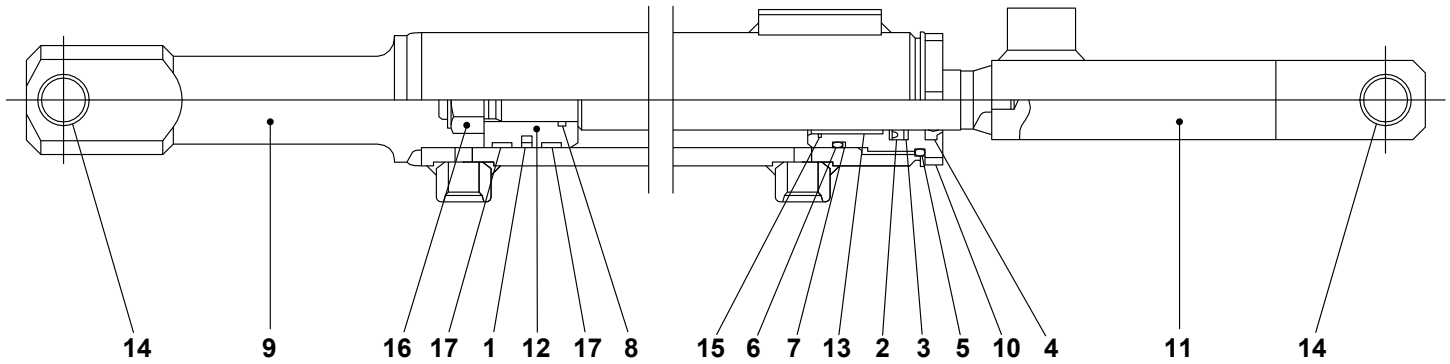
T9H100

S=free

BUCKET CYLINDER

Item	Part number	Description	Q'ty	Chan.	Serial No.	Serv.	Remarks
0	1900085700	CYLINDER ASSY (R.H.)	1				bucket
	1900085800	CYLINDER ASSY (L.H.)	1				bucket
0-1	1900077499	· KIT, seal	1				
1	X 1410540559	· · PACKING, rod	1				
2	X 1900073033	· · SEAL, dust	1				
3	X 1420110650	· · O-RING	1				
4	X 1421130650	· · RING, back-up	1				
5	X 1420110700	· · O-RING	1				
6	X 1900051132	· · PACKING, piston	1				
7	1900085798	· TUBE ASSY (R.H.)	1				
	1900085898	· TUBE ASSY (L.H.)	1				
8	1900015902	· · BUSHING	1				
9	1900085797	· ROD ASSY, piston	1				
10	1900015902	· · BUSHING	1				
11	1900085703	· COVER, rod	1				
12	1333004030	· BUSHING	1				
13	1900056308	· HOLDER, rod packing	1				
14	1221000055	· RING, snap	1				
15	1900085606	· PISTON	1				
16	1900051131	· RING, wear	2				
17	1390020250	· BALL, steel	1				
18	1121050608	· SET-SCREW	1				
19	1560001900	· FITTING, grease	1				
20	1432200040	· SEAL, dust	4				
	T9h100						

TL240 (P-TL240BAB) BU2Z002-1 S/N 224000001-
QUICK HITCH CYLINDER



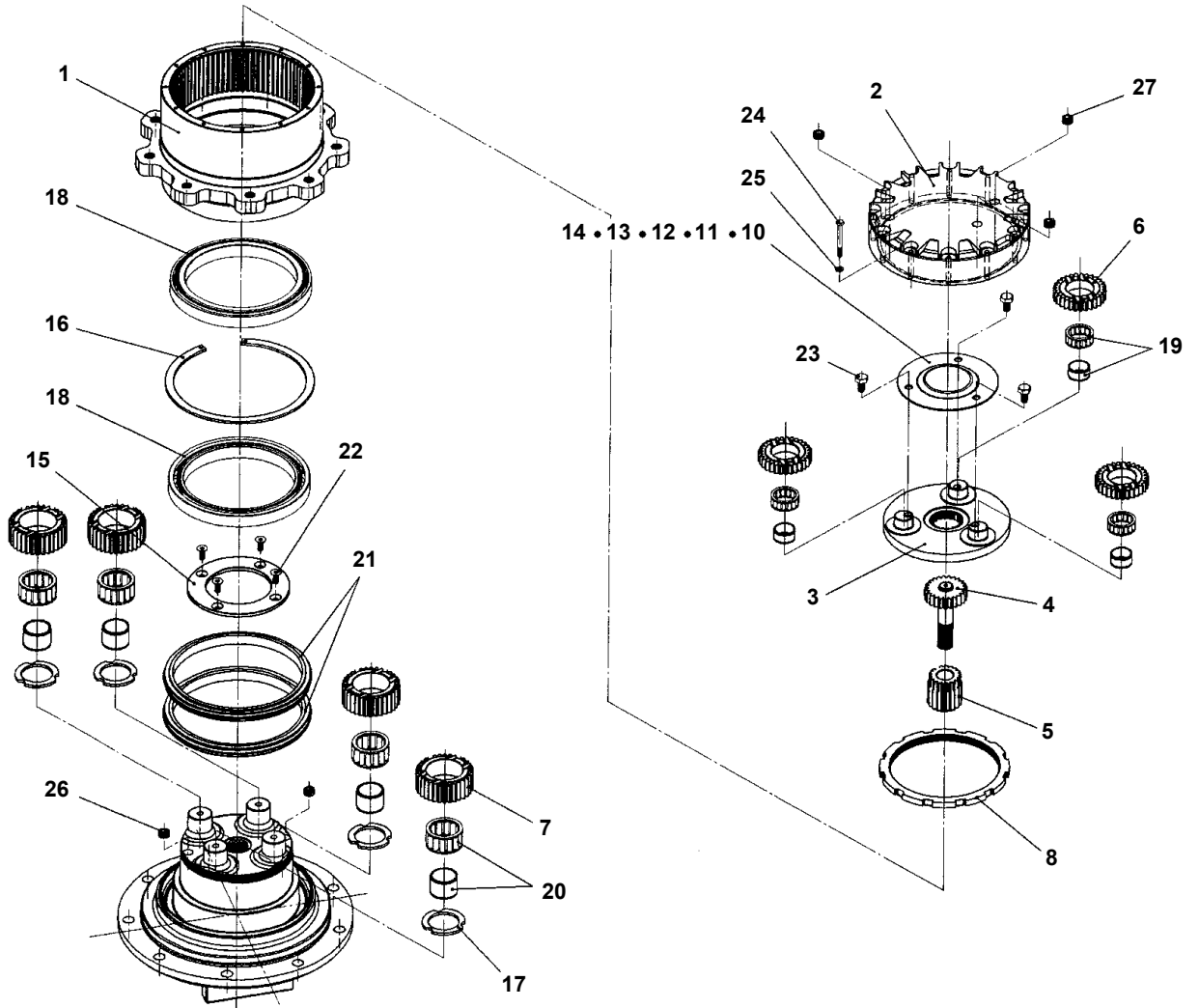
U1H050

S=FREE

QUICK HITCH CYLINDER

Item	Part number	Description	Q'ty	Chan.	Serial No.	Serv.	Remarks
	1900100700	CYLINDER ASSY	1				quick hitch
0-1	1900100799	· KIT, seal	1				
1	X 1410200400	· · PACKING, piston	1				
2	X 1411140250	· · PACKING, rod	1				
3	X 1411233252	· · RING, back-up	1				
4	X 1411110250	· · SEAL, dust	1				
5	X 1420110400	· · O-RING	1				
6	X 1420110350	· · O-RING	1				
7	X 1421130350	· · RING, back-up	1				
8	X 1420010180	· · O-RING	1				
9	1900100707	· TUBE ASSY	1				
10	1900100706	· COVER, rod	1				
11	1900100701	· ROD ASSY, piston	1				
12	1900100705	· PISTON	1				
13	1333002525	· BUSHING	1				
14	1333001830	· BUSHING	2				
15	1225620029	· RING, snap	1				
16	1132711016	· NUT	1				
17	1410810400	· RING, wear	2				
	U1h050						

TL240 (P-TL240BAB) BU2Z002-1 S/N 22400001-
TRAVEL MOTOR (1/3) (reduction sec.)



T7H282

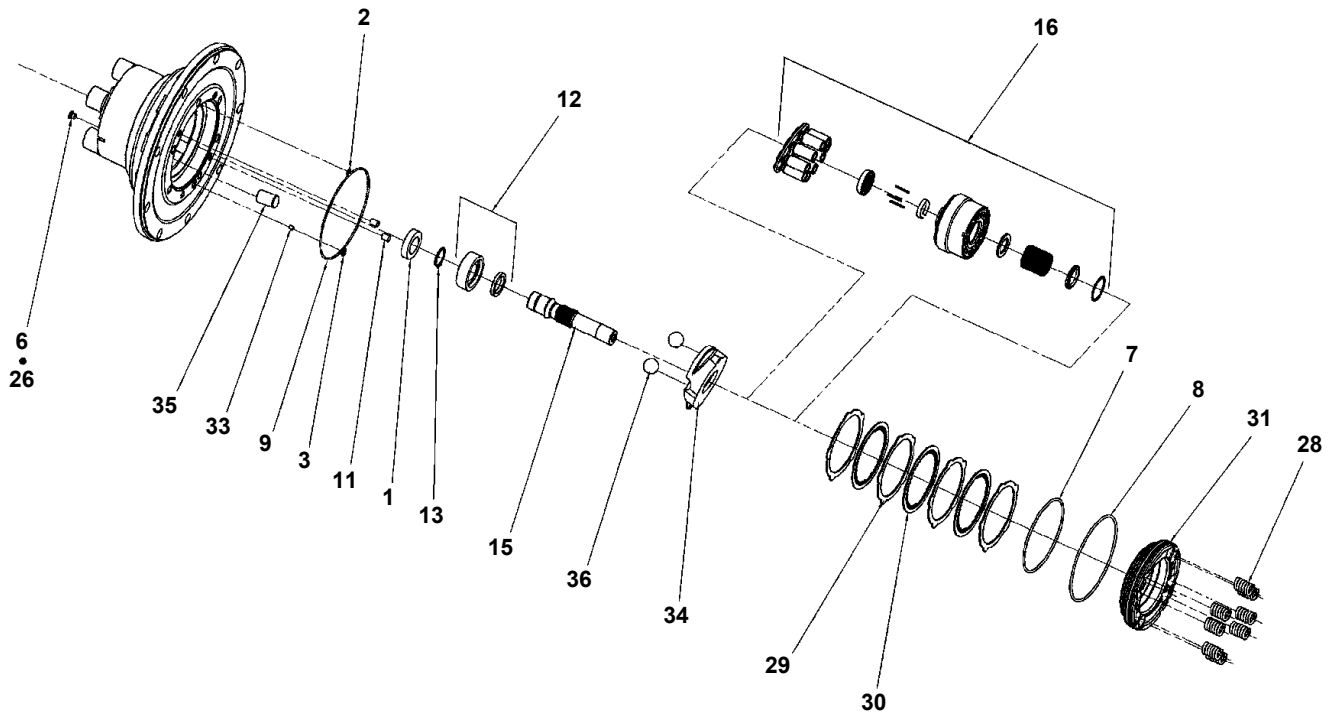
S=free

TRAVEL MOTOR (1/3) (reduction sec.)

Item	Part number	Description	Q'ty	Chan.	Serial No.	Serv.	Remarks
0	1903126500	MOTOR ASSY, travel	1				
0-1	X *****	· GEAR, reduction	1				X1912908800
1	1912907801	· · GEAR, ring	1				
2	1912907802	· · COVER	1				
3	1912907803	· · CARRIER	1				
4	1912907804	· · GEAR	1				
5	1912907805	· · GEAR	1				
6	1912907806	· · GEAR	3				
7	1912907807	· · GEAR	4				
8	1912907809	· · NUT	1				
9	1912907810	· · PLATE KIT, stopper	1				
10	1912907811	· · · PLAT, stopper	1				t=6.4mm
11	1912907812	· · · PLAT, stopper	1				t=6.8mm
12	1912907813	· · · PLAT, stopper	1				t=6.8mm
13	1912907814	· · · PLAT, stopper	1				t=7.0mm
14	1912907815	· · · PLAT, stopper	1				t=7.2mm
15	1912907818	· · PLAT, stopper	1				
16	1912907819	· · RING, snap	1				
17	1912907820	· · WASHER	4				
18	1912907821	· · BEARING	2				
19	1912907822	· · BEARING	3				
20	1912907824	· · BEARING	4				
21	1912907826	· · SEAL KIT, floating	1				
22	1912907827	· · SCREW, cap	4				
23	1912907828	· · BOLT	3				
24	1100040625	· · BOLT	12				
25	1141120006	· · WASHER	12				
26	1501810003	· · PLUG	2				
27	1912907830	· · PLUG	3				

U2h010

TL240 (P-TL240BAB) BU2Z002-1 S/N 22400001-
TRAVEL MOTOR (2/3) (motor sec.)



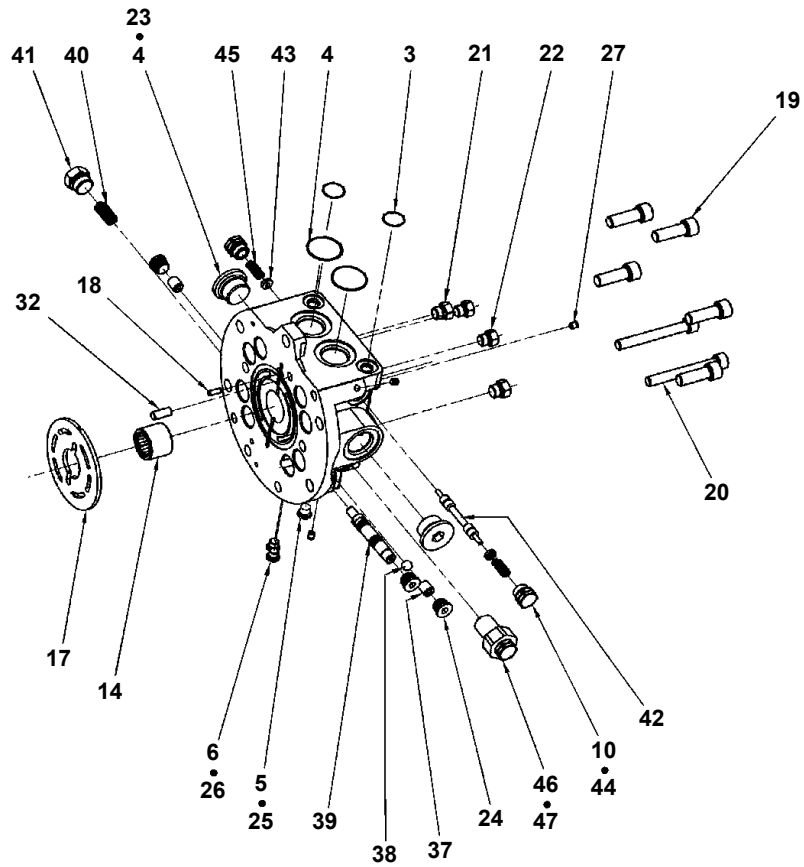
T7H291

S=free

TRAVEL MOTOR (2/3) (motor sec.)

Item	Part number	Description	Q'ty	Chan.	Serial No.	Serv.	Remarks
0	1903126500	MOTOR ASSY, travel	1				
0-2	X *****	· MOTOR ASSY (19039-08500)	1				incl. (3/3)
0-3	1903906898	· · KIT, seal	1				
1	X 1903906406	· · · SEAL, oil	1				
2	X 1420010090	· · · O-RING	1				
3	X 1420010110	· · · O-RING	1				
6	X 1420310903	· · · O-RING	1				
7	X 1420300250	· · · O-RING	1				
8	X 1420300257	· · · O-RING	1				
9	X 1420300164	· · · O-RING	1				
11	1902006702	· · PIN	2				
12	1903906803	· · BEARING	1				
13	1220000030	· · RING, snap	1				
15	1903906807	· · SHAFT	1				
16	1903906910	· · CYLINDER BLOCK KIT	1				
26	1501750003	· · PLUG	1				
	1420010140	· · · O-RING	1				
28	1903906828	· · SPRING	8				
29	1903906829	· · PLATE	4				
30	1903906830	· · PLATE	3				
31	1903906831	· · PISTON, brake	1				
33	1903908036	· · ORIFICE	1				
34	1903908437	· · PLATE, swash	1				
35	1903906838	· · PISTON	1				
36	1390021600	· · BALL, steel	2				
	U2h020						

TL240 (P-TL240BAB) BU2Z002-1 S/N 22400001-
TRAVEL MOTOR (3/3) (valve sec.)



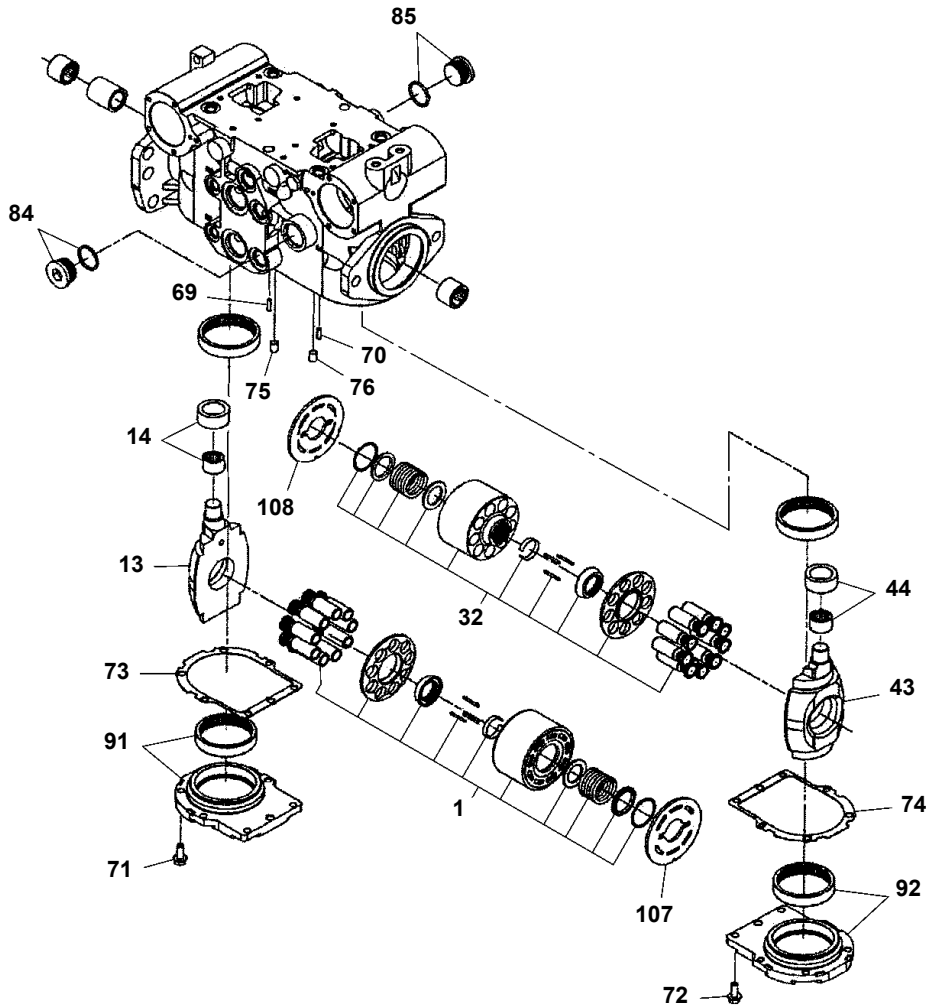
T7H300

S=free

TRAVEL MOTOR (3/3) (valve sec.)

Item	Part number	Description	Q'ty	Chan.	Serial No.	Serv.	Remarks
0	1903126500	MOTOR ASSY, travel	1				
0-2	X *****	· MOTOR ASSY (19039-08500)	1				incl. (2/3)
3	1420010110	· · O-RING	2				
4	1420010224	· · O-RING	1				
5	1420310904	· · O-RING	1				
6	1420310903	· · O-RING	2				
10	1420310906	· · O-RING	2				
14	1903908406	· · BEARING	1				
17	1903908411	· · PLATE	1				
18	1902007411	· · PIN	1				
19	1110041235	· · SCREW, cap	5				
20	1110041080	· · SCREW, cap	2				
21	1902007455	· · PLUG ASSY	2				
	1420310906	· · · O-RING	1				
22	1903007626	· · PLUG ASSY	2				
	1420310904	· · · O-RING	1				
23	1903908620	· · PLUG	2				
24	1901810214	· · PLUG	3				
	1420310906	· · · O-RING	1				
25	1902010033	· · PLUG	1				
26	1501750003	· · PLUG	2				
	1420010140	· · · O-RING	1				
27	1903906827	· · PLUG	3				
32	1903906832	· · PIN	1				
37	1903906840	· · PLUG	2				
38	1390020600	· · BALL, steel	1				
39	1903906842	· · SPOOL	1				
40	1903906843	· · SPRING	1				
41	1903007636	· · PLUG ASSY	1				
	1420310908	· · · O-RING	1				
42	1901810212	· · SPOOL	1				
43	1901810211	· · GUIDE	2				
44	1901810202	· · PLUG	2				
45	1901810203	· · SPRING	2				
46	1903908550	· · VALVE, relief	1				
47	1903906851	· · SPRING	1				
	U2h030						

TL240 (P-TL240BAB) BU2Z002-1 S/N 22400001-
HYDRAULIC PUMP (1/5)



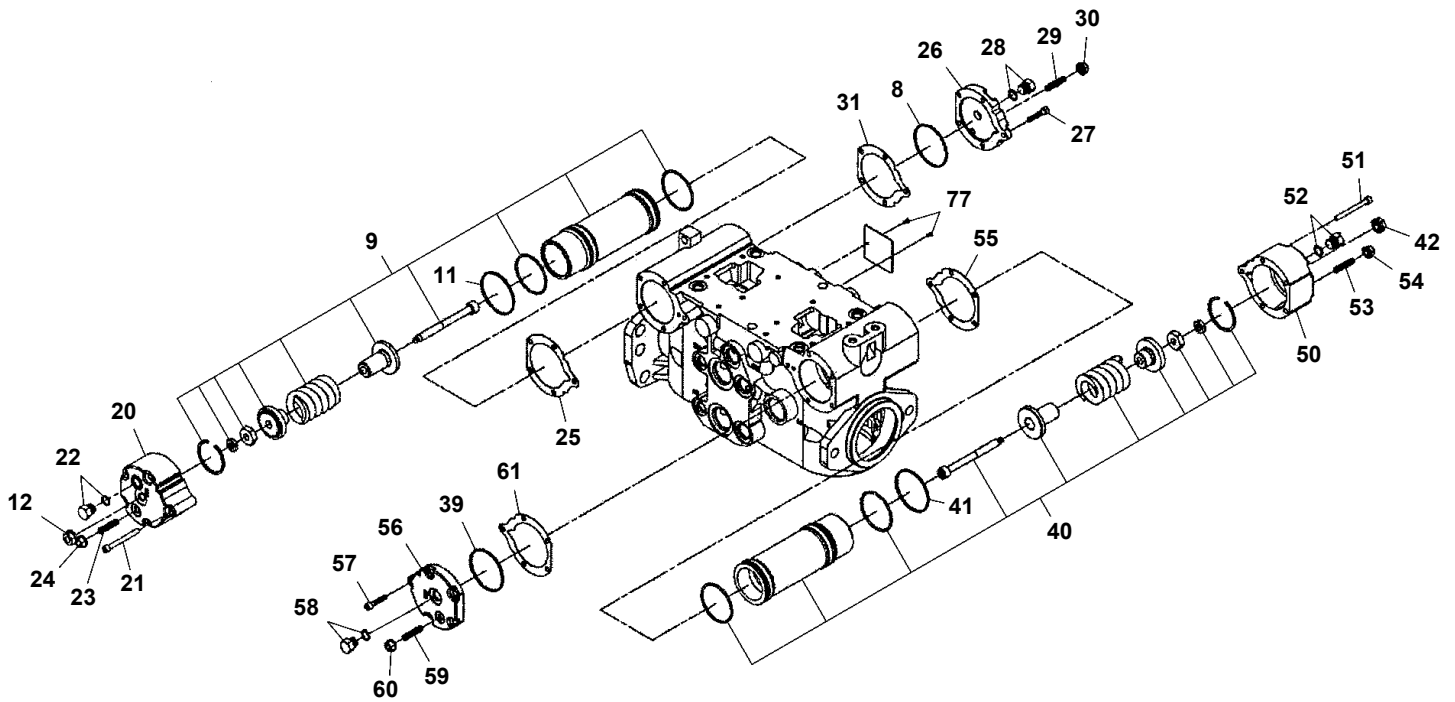
U2H040

S=free

HYDRAULIC PUMP (1/5)

Item	Part number	Description	Q'ty	Chan.	Serial No.	Serv.	Remarks
0	1902023200	PUMP, hydraulic	1				
1	1902019247	· BLOCK KIT, cylinder	1				
13	1902023203	· PLATE, swash	1				
14	1902017701	· BEARING ASSY	1				
32	1902019247	· BLOCK KIT, cylinder	1				
43	1902023203	· PLATE, swash	1				
44	1902023209	· BEARING ASSY	1				
69	1902018809	· PIN	1				
70	1902018809	· PIN	1				
71	1902020746	· SCREW	6				
72	1902020746	· SCREW	6				
73	1902020721	· GASKET	1				
74	1902020721	· GASKET	1				
75	1902006702	· PIN	1				
76	1902006702	· PIN	1				
84	1902017724	· PLUG ASSY	1				
85	1902017724	· PLUG ASSY	1				
91	1902020723	· COVER ASSY	1				
92	1902020723	· COVER ASSY	1				
107	1902017725	· PLATE	1				
108	1902020714	· PLATE	1				
	U2h040						

TL240 (P-TL240BAB) BU2Z002-1 S/N 22400001-
HYDRAULIC PUMP (2/5)



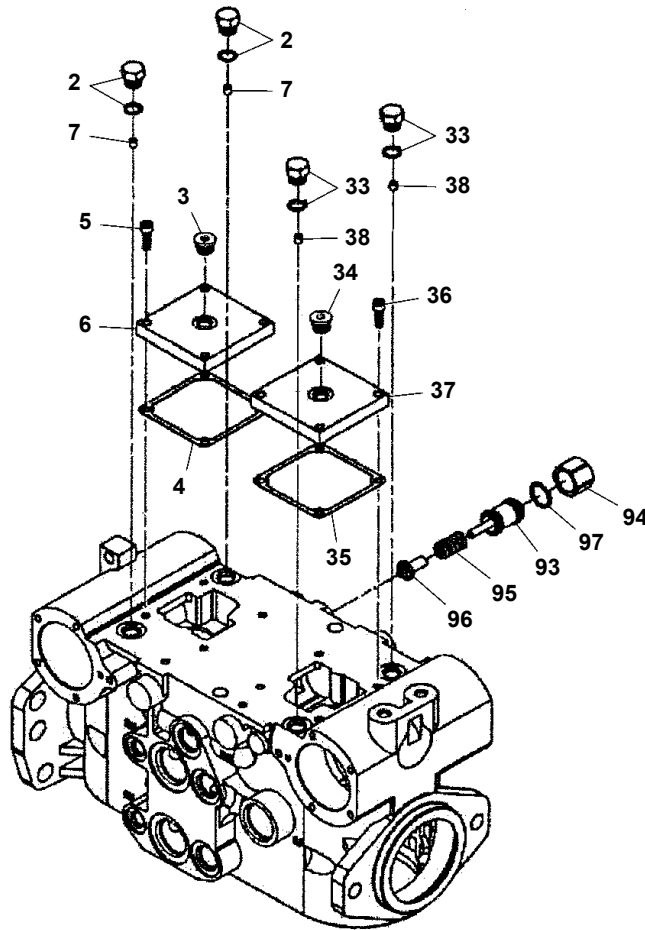
U2H050

S-free

HYDRAULIC PUMP (2/5)

Item	Part number	Description	Q'ty	Chan.	Serial No.	Serv.	Remarks
0	1902023200	PUMP, hydraulic	1				
8	1902017727	· RING, back-up	1				
9	1902023201	· PISTON ASSY	1				
11	1902017727	· RING, back-up	1				
12	1902018825	· NUT	1				
20	1902018818	· COVER	1				
21	1110040660	· SCREW, cap	5				
22	1902016531	· PLUG ASSY	1				
23	1902017425	· SCREW	1				
24	1902020751	· NUT	1				
25	1902017713	· GASKET	1				
26	1902018820	· COVER	1				
27	1110040630	· SCREW, cap	5				
28	1902016531	· PLUG ASSY	1				
29	1902017425	· SCREW	1				
30	1902020751	· NUT	1				
31	1902017713	· GASKET	1				
39	1902017727	· RING, back-up	1				
40	1902023207	· PISTON ASSY	1				
41	1902017727	· RING, back-up	1				
42	1902018825	· NUT	1				
50	1902018818	· COVER	1				
51	1110040660	· SCREW, cap	5				
52	1902016531	· PLUG ASSY	1				
53	1902017425	· SCREW	1				
54	1902020751	· NUT	1				
55	1902017713	· GASKET	1				
56	1902018820	· COVER	1				
57	1110040630	· SCREW, cap	5				
58	1902016531	· PLUG ASSY	1				
59	1902017425	· SCREW	1				
60	1902020751	· NUT	1				
61	1902017713	· GASKET	1				
77	1903906468	· RIVET	2				
	U2h050						

TL240 (P-TL240BAB) BU2Z002-1 S/N 224000001-
HYDRAULIC PUMP (3/5)



U2H060

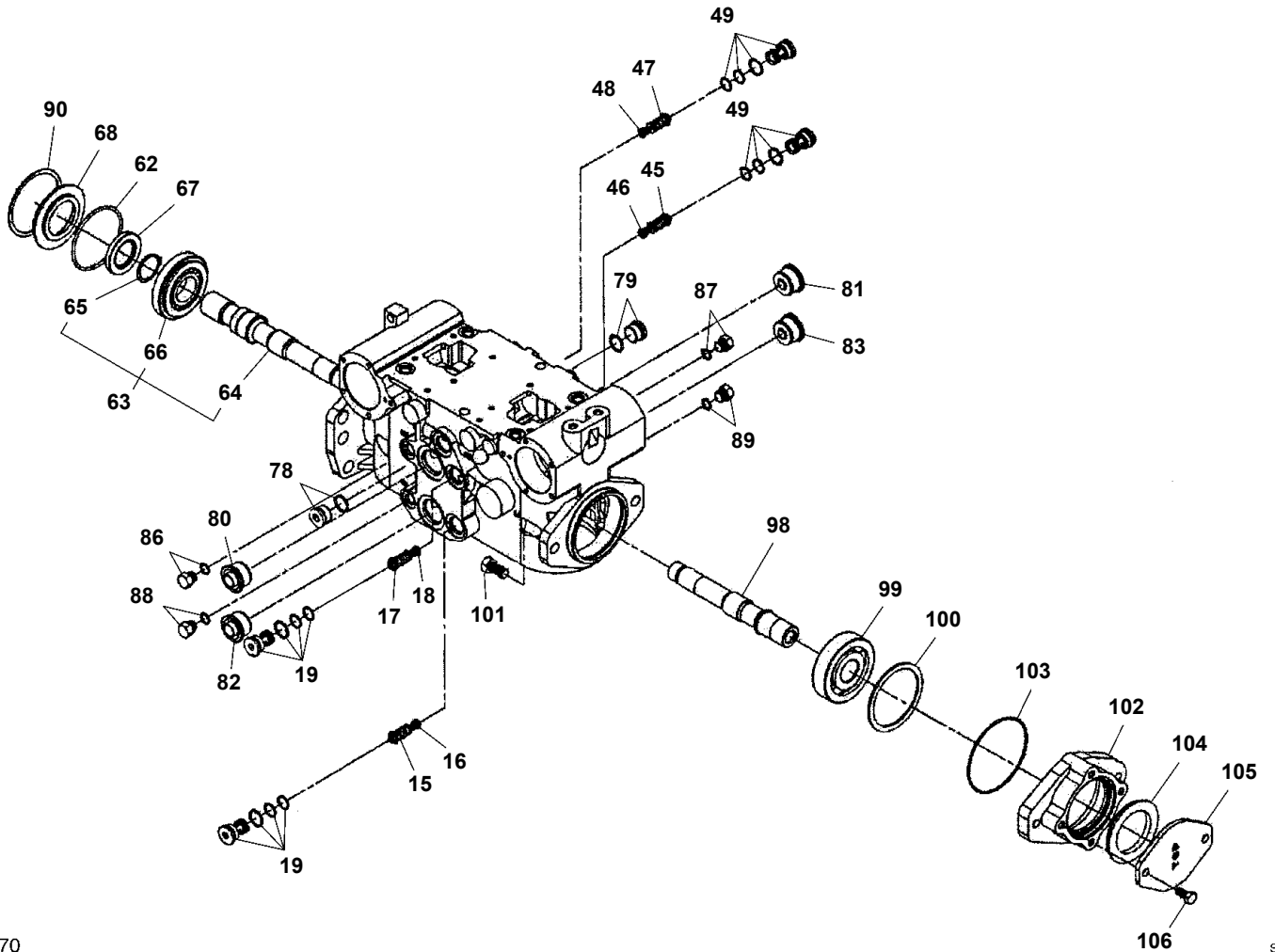
S-free

HYDRAULIC PUMP (3/5)

Item	Part number	Description	Q'ty	Chan.	Serial No.	Serv.	Remarks
0	1902023200	PUMP, hydraulic	1				
2	1902016531	· PLUG ASSY	2				
3	1902010033	· PLUG ASSY	1				
4	1902020733	· GASKET	1				
5	1110040620	· SCREW, cap	4				
6	1902023220	· COVER	1				
7	1902018807	· ORIFICE	2				
33	1902016531	· PLUG ASSY	2				
34	1902010033	· PLUG ASSY	1				
35	1902020733	· GASKET	1				
36	1110040620	· SCREW, cap	4				
37	1902023220	· COVER	1				
38	1902018807	· ORIFICE	2				
93	1902017736	· ADJUSTER	1				
94	1902016552	· NUT	1				
95	1902016553	· SPRING	1				
96	1902016554	· POPPET	1				
97	1902018812	· O-RING	1				

U2h060

TL240 (P-TL240BAB) BU2Z002-1 S/N 22400001-
HYDRAULIC PUMP (4/5)



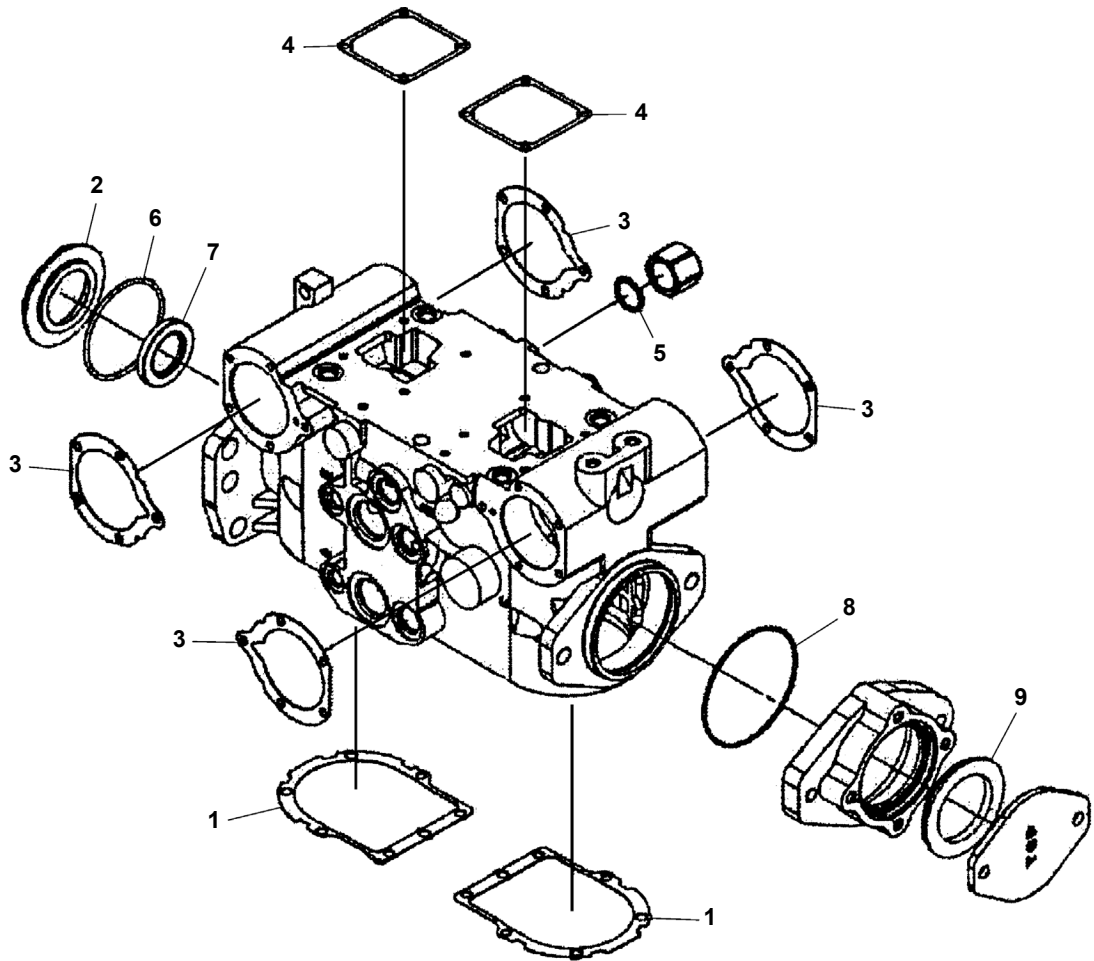
U2H070

S=free

HYDRAULIC PUMP (4/5)

Item	Part number	Description	Q'ty	Chan.	Serial No.	Serv.	Remarks
0	1902023200	PUMP, hydraulic	1				
15	1902023204	· SCR VALVE ASSY, A (FRONT)	1				
16	1902020736	· SPRING	1				
17	1902023205	· SCR VALVE ASSY, B (FRONT)	1				
18	1902020736	· SPRING	1				
19	1902017716	· PLUG ASSY	2				
45	1902023210	· SCR VALVE ASSY, C (REAR)	1				
46	1902020736	· SPRING	1				
47	1902023211	· SCR VALVE ASSY, D (REAR)	1				
48	1902020736	· SPRING	1				
49	1902017716	· PLUG ASSY	2				
62	1902016507	· O-RING	1				
63	1902020712	· SHAFT ASSY	1				
64	1902023212	· SHAFT	1				
65	1902017704	· RING, snap	1				
66	1902023213	· BEARING ASSY	1				
67	1902017707	· SEAL, oil	1				
68	1902023214	· SEAL, carrier	1				
78	1912003106	· PLUG	1				
79	1912003106	· PLUG	1				
80	1902019129	· PLUG	1				
81	1902019129	· PLUG	1				
82	1902019129	· PLUG	1				
83	1902019129	· PLUG	1				
86	1902016531	· PLUG ASSY	1				
87	1902016531	· PLUG ASSY	1				
88	1902016531	· PLUG ASSY	1				
89	1902016531	· PLUG ASSY	1				
90	1902016520	· RING, snap	1				
98	1902023215	· SHAFT	1				
99	1902023216	· BEARING ASSY	1				
100	1902020761	· RING, snap	1				
101	1902016572	· SCREW, cap	2				
102	1902023217	· ADAPTER	1				
103	1901023218	· O-RING	1				
104	1902017735	· SEAL	1				
105	1902023219	· PLATE	1				
106	1902009365	· SCREW, cap	2				
109	1902018827	· O-RING	1				not shown
	U2h070						

TL240 (P-TL240BAB) BU2Z002-1 S/N 22400001-
HYDRAULIC PUMP (5/5)



U2H110

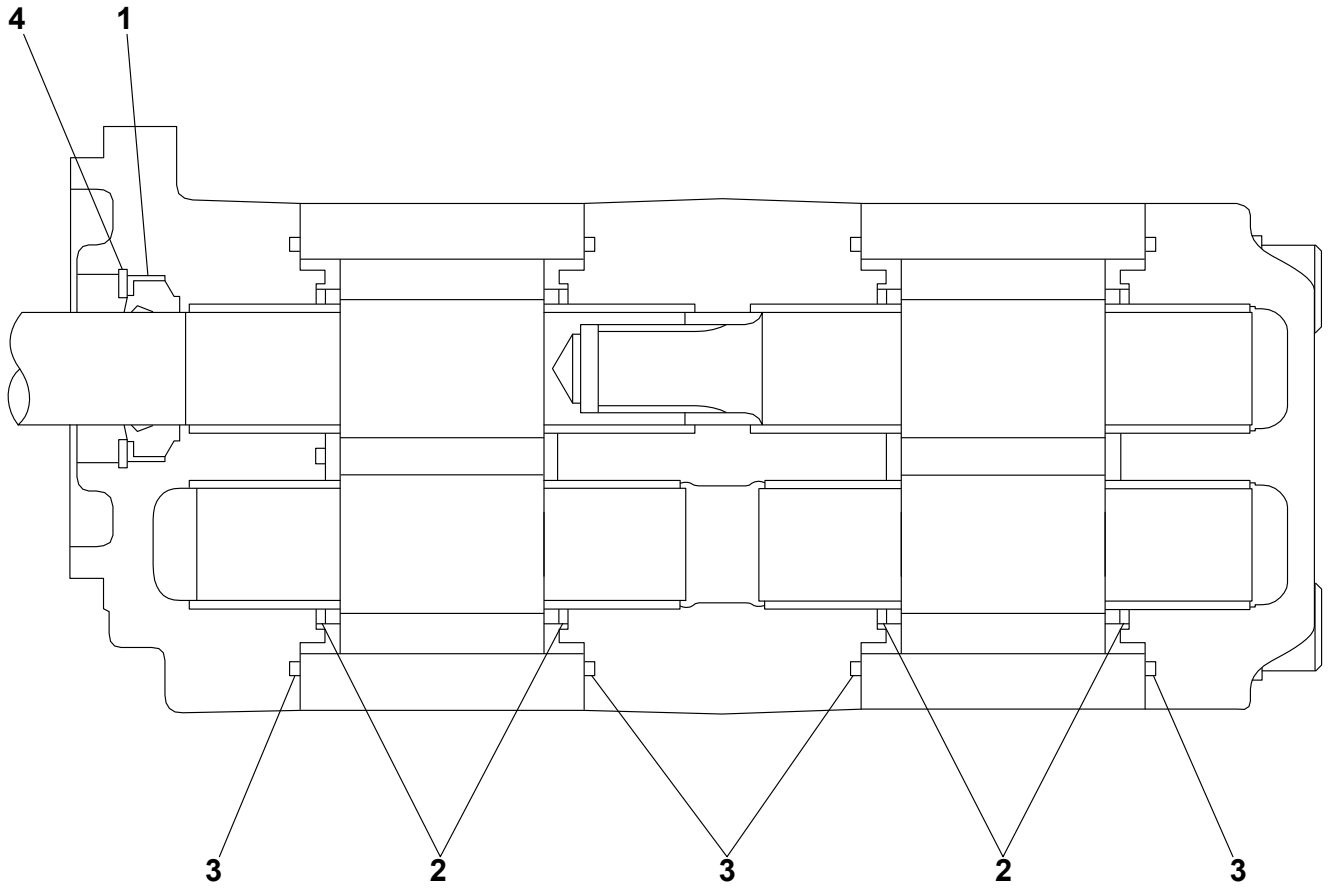
S=FREE

HYDRAULIC PUMP (5/5)

Item	Part number	Description	Q'ty	Chan.	Serial No.	Serv.	Remarks
0	1902023200	PUMP, hydraulic	1				
0-1	1902023199	· KIT, seal	1				M
1	X 1902020721	· · GASKET	2				M
2	X 1902023214	· · SEAL, carrier	1				M
3	X 1902017713	· · GASKET	4				M
4	X 1902020733	· · GASKET	2				M
5	X 1902018812	· · O-RING	1				M
6	X 1902016507	· · O-RING	1				M
7	X 1902017707	· · SEAL, oil	1				M
8	X 1901023218	· · O-RING	1				M
9	X 1902017735	· · SEAL	1				M

U2h110

TL240 (P-TL240BAB) BU2Z002-1 S/N 22400001-
GEAR PUMP



T7H200

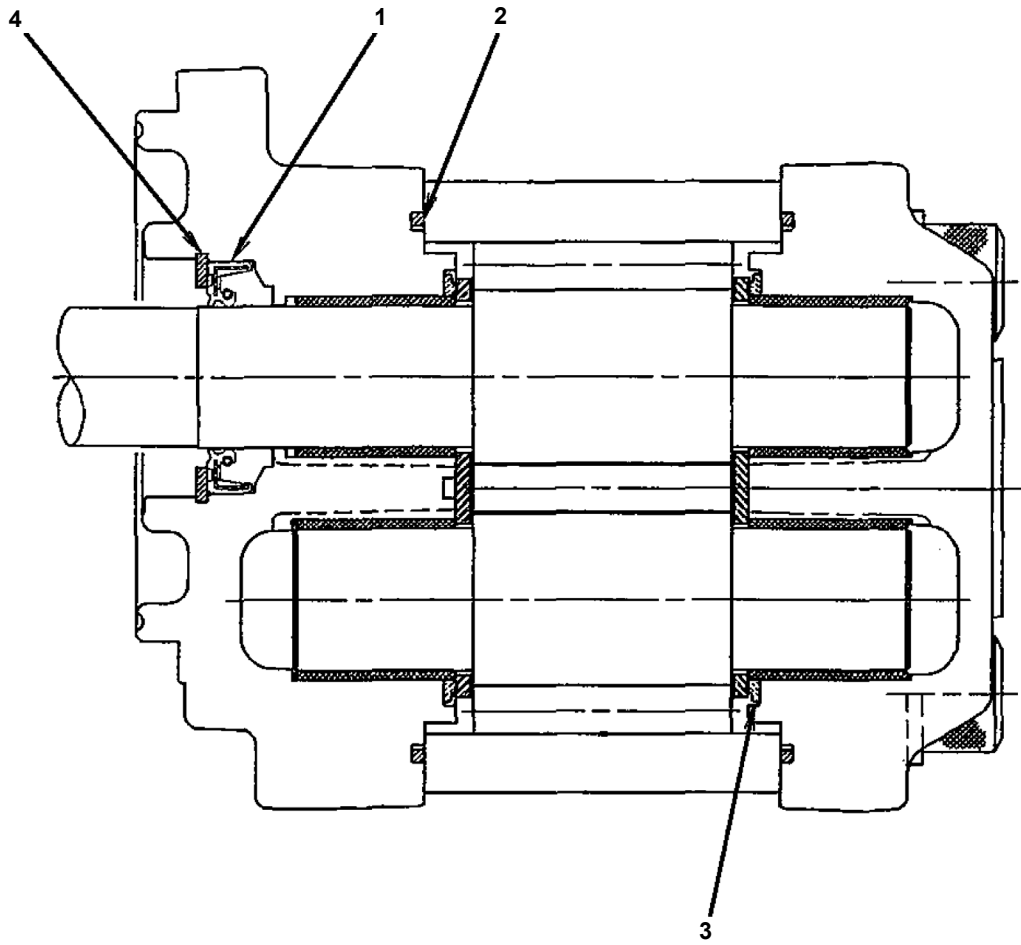
S=free

GEAR PUMP

Item	Part number	Description	Q'ty	Chan.	Serial No.	Serv.	Remarks
0	1902023400	PUMP ASSY, gear	1				
0-1	1902018199	· KIT, seal	1				M
1	X 1902018154	· · SEAL, oil	1				M
2	X 1902018150	· · GASKET	4				M
3	X 1902018151	· · GASKET	4				M
4	X 1221000036	· · RING, snap	1				M

U2h090

TL240 (P-TL240BAB) BU2Z002-1 S/N 22400001-
GEAR PUMP (high flow)



T8H170

S=free

GEAR PUMP (high flow)

Item	Part number	Description	Q'ty	Chan.	Serial No.	Serv.	Remarks
0	1902024400	PUMP ASSY, gear	1				
0-1	1902021199	· KIT, seal	1			M	
1	X 1902017618	· · SEAL, oil	1			M	
2	X 1902018151	· · GASKET	2			M	
3	X 1902018150	· · GASKET	2			M	
4	X 1221000036	· · RING, snap	1			M	

U2h100

How to read this Parts Catalog.

1. Parts mentioned in this Parts Catalog may not necessarily be standard equipping parts.
2. Parts change may be made without prior notice.
3. Form of this Parts Catalog.

Y00F2161 (1997.09.01)

Fig. 29 燃料噴射ポンプ(ブーコン用)
FUEL INJECTION PUMP (W/BOOST)

A= 4JH-DT		D= 4JH-DTZA	
B= 4JH-DTZ		E= 4JH-DTZY	
C= 4JH-DTZP		F=	

見出 REF.No.	レベル LEV.	部品番号 PARTS No.	部品名	DESCRIPTION	個数 (Qty)						備考
					A	B	C	D	E	F	
1	.	729595-51390	FOポンプ ASY(7-コック)	FULE INJECTION PUMP	1	1	1	1	1	1	
1-1	.	729595-51391	FOポンプ ASY(7-コック)	FULE INJECTION PUMP	1	1	1	1	1	1	
		(A=E/#00185)(B=E/#00200)									
3	..	26022-060162	ナメネジ M 6X 16	SCREW M 6X 16	9	9	9	9	9		
I 3-1	..	26022-060162	ナメネジ M 6X 16	SCREW M 6X 16	4	4	4	4	4	K	
		(A=E/#00185)(B=E/#00200)(C=E/#00156)(D=E/#00156)(E=E/#00156)									
4	..	129470-51040	カムシャフト	CAMSHAFT	1	1	1	1	1		
5	..	122710-51050	ベアリングローラ	BEARING, ROLLER	2	2	2	2	2		
6	..	129470-51060	ベアリングホルダ	RETAINER	1	1	1	1	1		

備考	Remarks
(1) ブーストコンペンセータ付き。4JH-DT, 4JH-DTZとも E/# 00155 までは、特別注文仕様とします	(1) BOOST COMPENSATOR TYPE. OPTIONAL PART, TO E/# 00155. (4JH - DT, 4JH - DTZ)

① Ref. No.

The Ref. No. in the list may not be accord with the Ref. No. on illustration.
(Ex.) Illustration No. List head No.

1 1 (Befor change) → 1 -1 (After change)

When interchangeable symbol N, R, and K, illustrations for new parts are sometimes omitted.

② Lev.(Level)

Indication and Meaning of Level

Level : Hereunder is given the relation among the number of dots(•), the level and the nominal parent- child relationship.

-Parent parts(Assembly parts)
-Child parts included in "••" (Semi- Assembly parts, component parts of Assembly parts.)
-Child parts included in "•••", Grand- child parts in terms of "••".
(Component parts of Semi- Assembly parts.)

Note) A parts of non- sale parts are illustrated but not listed.

③ Change Mark

Change Mark "I" is given to the part for which a design change was made at this time.
The design change was not shown in the last published Parts Catalog.

④ Interchangeability Mark

In the case where a part change took place, one of the following interchangeability marks is indicated for that part.

Symbol	interchangeability	Contents note
N	Old \longleftrightarrow New	New Part is interchangeable for Old Part but not interchangeable conversely.
Q	Old \longleftrightarrow New	New Part is not interchangeable for Old Part but interchangeable conversely.
R	Old \longleftrightarrow New	New Part is interchangeable for Old Part and vice versa.
S	Old \longleftrightarrow New	New Part is not interchangeable for Old Part and vice versa.
W		Part newly added.
Z		Part discontinued.
F		Not interchangeable single part but interchangeable by set of the related parts.
K		Changed only in quantity used.

⑤ Effective Machine No.

When a part is changed, Effective Machine No. of a Model for which the part is applicable is indication in each column of (A)- (F).

Product Symbol	Product No.	Product Symbol	Product No.
C	Clutch No. Compressor No.	M	Machine No.
D	Drive No.	T	Tractor No.
E	Engine No.	Note1) ※	Date

Note1) Date may follow the symbol in some cases. (Ex.) ※ 1996.01

Note2) As far as engine models shown by "XXX" are concerned, the modification of the parts could not be predicted or the engine models themselves could not be identified.

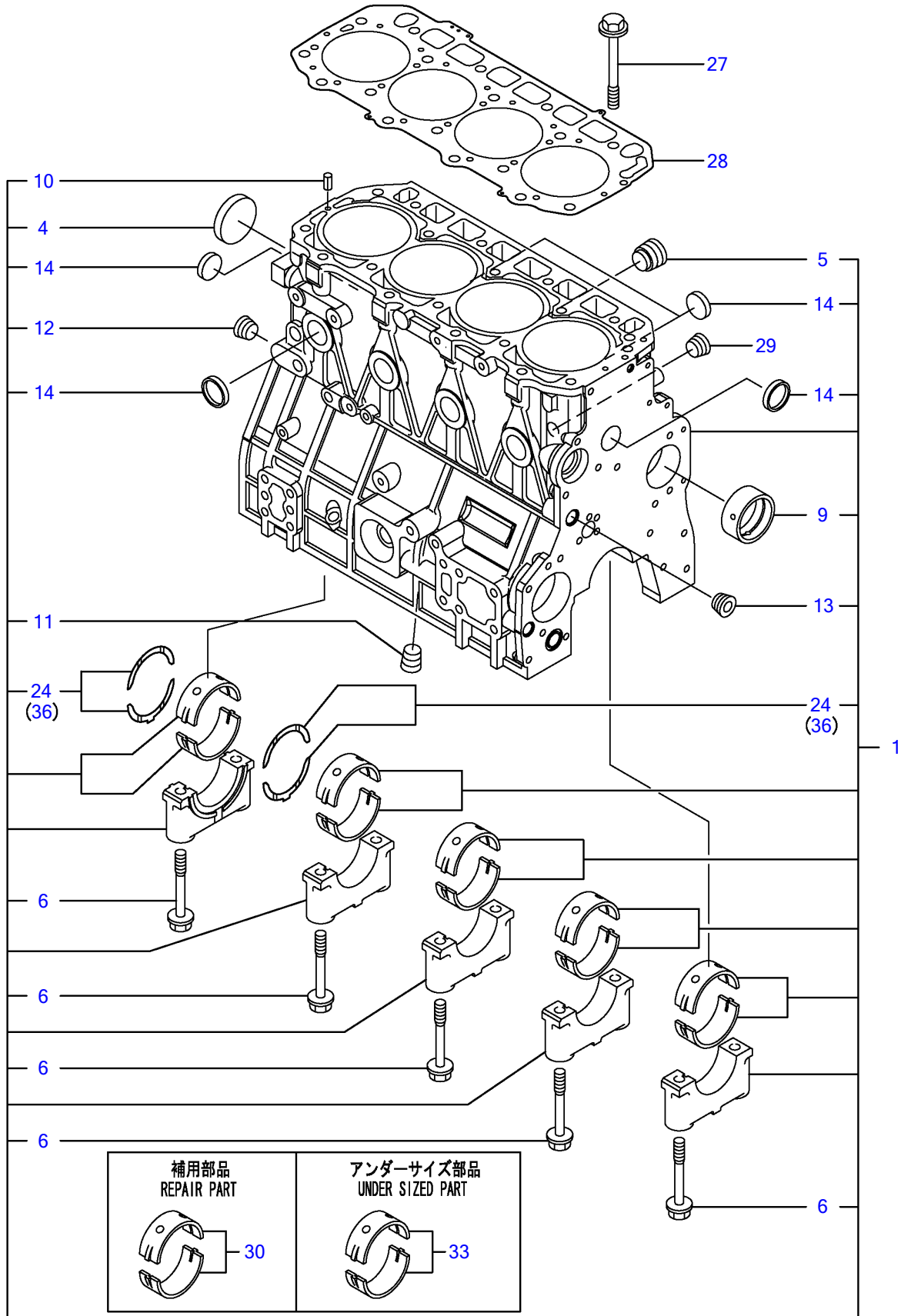
Note3) (A=E/#00185) means that the design change on the part has been effective for the model at the column (A)(in this case, for 4JH- DT) on and from E/#(Engine Serial Number) 00185.

⑥ Remarks Mark

Figures or alphabets (Symbols) are entered in the remark column.

The comments(remarks)on the pertinent parts are indicated in the lower part of the list by the same symbols as those stated above.

Engine for TL240 4TNV98T-ZNTBL CYLINDER BLOCK

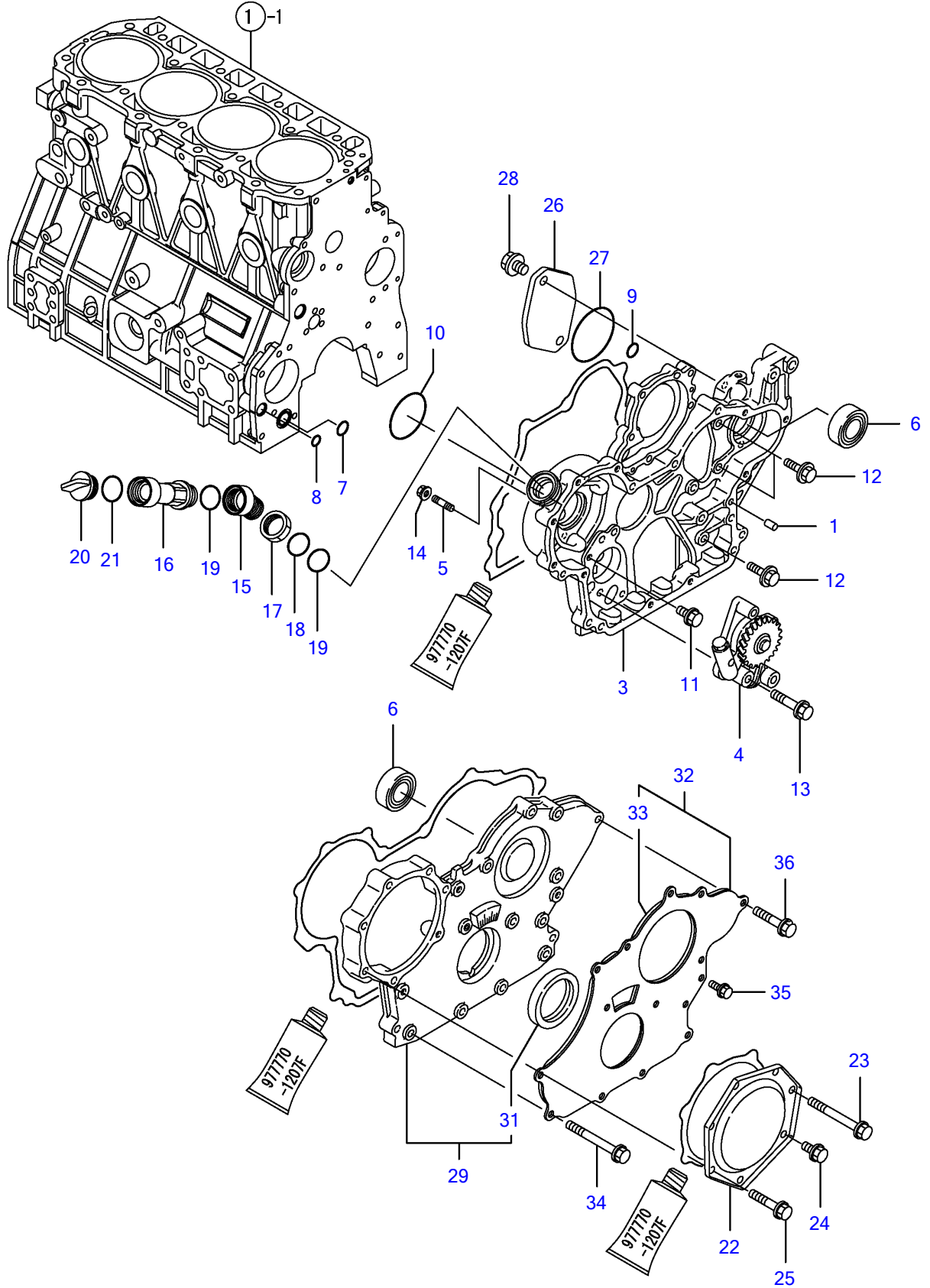


Y00D9990	1, シリンダブロック			
4TNV98T-ZNTBL		1, 08/01	2	3 PLUS

**Engine for TL240 4TNV98T-ZNTBL
CYLINDER BLOCK**

Item	Part No	Description	Qty
1	Y729928-01560	BLOCK ASSY, CYLINDER	1
4	Y129900-01250	• PLUG 55	1
5	Y171051-01921	• PLUG	1
6	Y129900-02020	• BOLT, METAL CAP	10
9	Y129900-02410	• BUSH, CAMSHAFT	1
10	Y22351-060012	• SPRING PIN 6X12	2
11	Y23876-030000	• PLUG PT3/8,SCREW	1
12	Y23876-030000	• PLUG PT3/8,SCREW	1
13	Y23876-030000	• PLUG PT3/8,SCREW	1
14	Y27241-300000	• PLUG 30	8
24	Y129900-02931	• BEARING ASSY, THRUST	2
27	Y129900-01200	BOLT, HEAD	18
28	Y129907-01331	GASKET,CYLINDER HEAD	1
29	Y23876-030000	PLUG PT3/8,SCREW	1
30	Y729900-02801	MAIN BEARING SET	5
33	Y129900-02341	MAIN BEARING US=0.25	5
36	Y129900-02941	BEARING,THRUST .25OS	2

Engine for TL240 4TNV98T-ZNTBL
GEAR HOUSING

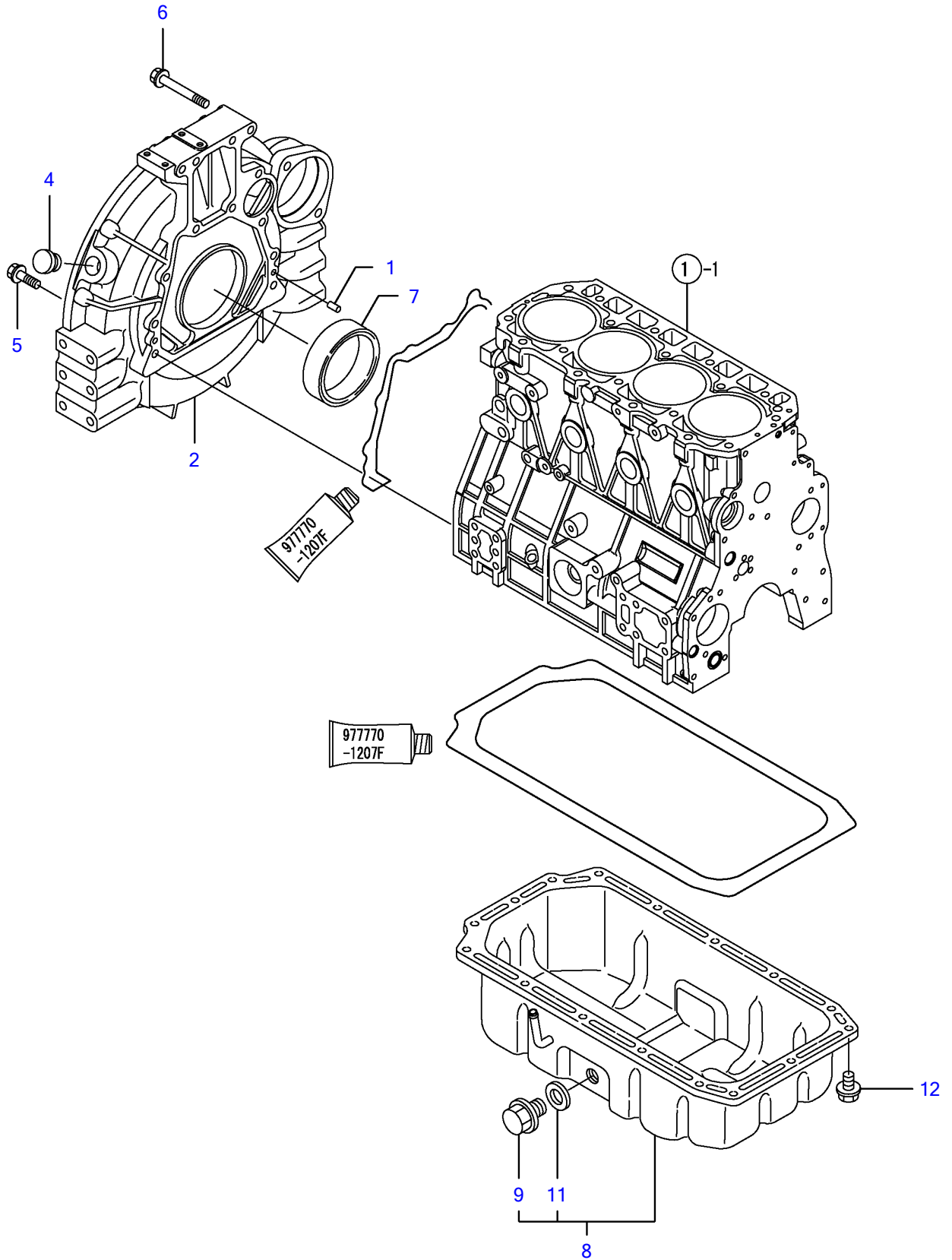


Y00D9990	2. ギヤケース			
4TNV98T-ZNTBL		1, 08/01	2	3 PLUS

**Engine for TL240 4TNV98T-ZNTBL
GEAR HOUSING**

Item	Part No	Description	Qty
1	Y129100-01580	PARALLEL PIN 8X16	4
3	Y129933-01500	HOUSING,GEARS	1
4	Y129908-32060	PUMP ASSY, LUB.OIL	1
5	Y26216-100302	STUD BOLT	4
6	Y129900-26250	BALL BEARING	2
7	Y129900-32030	O-RING P20	1
8	Y129900-32040	O-RING P14	1
9	Y24311-000070	O-RING 1A P-7.0	1
10	Y24351-030750	PACKING, 3075	1
11	Y26106-080162	BOLT M 8X 16 PLATED	1
12	Y26106-080202	BOLT M 8X 20 PLATED	3
13	Y26106-080452	BOLT M 8X 45 PLATED	3
14	Y26306-100002	NUT	4
15	Y119225-11740	ADAPTOR, OIL FILLER	1
16	Y121027-11743	PIPE	1
17	Y119225-11750	NUT, OIL FILLER	1
18	Y24311-000300	O-RING 1A P-30.0	1
19	Y24311-000320	O-RING 1A P-32.0	2
20	Y124160-01751	COVER,FILLER	1
21	Y24311-000320	O-RING 1A P-32.0	1
22	Y129900-01740	COVER, F.I. PUMP	1
23	Y129001-91810	BOLT M 8X 70 PLATED	1
24	Y26106-080162	BOLT M 8X 16 PLATED	1
25	Y26106-080402	BOLT M 8X 40 PLATED	5
26	Y121023-26070	COVER, HO-P	1
27	Y24321-000850	O-RING 1A G-85.0	1
28	Y26106-100202	BOLT M10X 20 PLATED	2
29	Y729906-01550	HOUSING ASSY,COVER,G	1
31	Y129916-01800	· SEAL, OIL	1
32	Y129900-01850	COVER ASSY	1
33	Y129900-01870	· SPONGE	1
34	Y129001-91810	BOLT M 8X 70 PLATED	6
35	Y26106-080162	BOLT M 8X 16 PLATED	3
36	Y26106-080402	BOLT M 8X 40 PLATED	5

Engine for TL240 4TNV98T-ZNTBL
 FLYWHEEL HOUSING & OIL SUMP

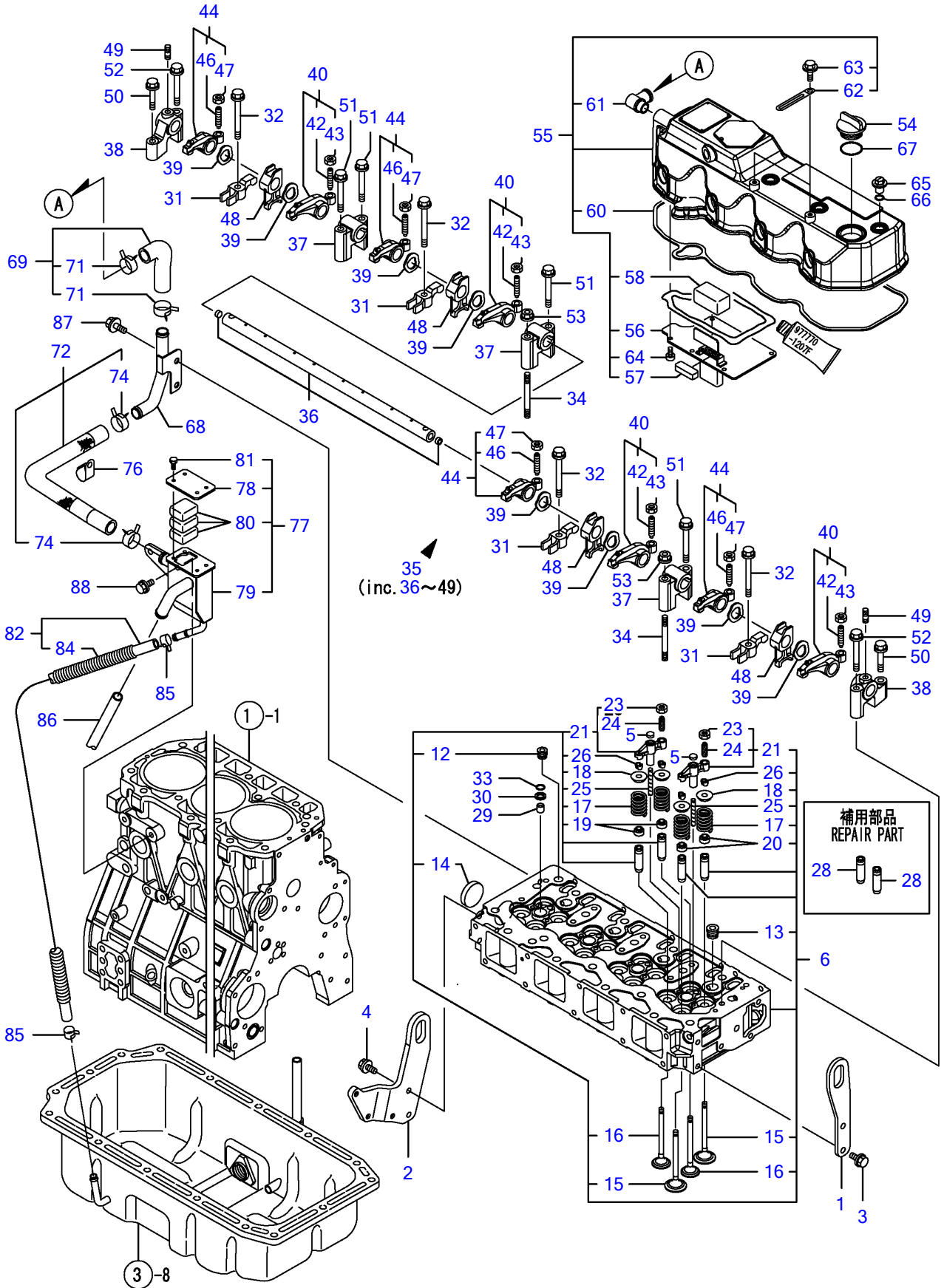


Y00D9990	3, フライホイハウジング & オイルパン			
4TNV98T-ZNTBL		1, 08/01	2	3 PLUS

**Engine for TL240 4TNV98T-ZNTBL
FLYWHEEL HOUSING & OIL SUMP**

Item	Part No	Description	Qty
1	Y129100-01580	PARALLEL PIN 8X16	2
2	Y129953-01620	HOUSING, FLYWHEEL	1
4	Y119620-01750	CAP, FLYWHEEL COVER	1
5	Y26206-100352	BOLT M10X 35 PLATED	9
6	Y26206-100702	BOLT M10X 70 PLATED	4
7	Y129916-01790	SEAL, OIL	1
8	Y129928-01710	SUMP ASSY, LUB.OIL	1
9	Y119640-01640	· DRAIN PLUG M22	1
11	Y22190-220002	· SEAL WASHER 22S	1
12	Y26106-080122	BOLT M 8X 12 PLATED	16

Engine for TL240 4TNV98T-ZNTBL CYLINDER HEAD & BONNET

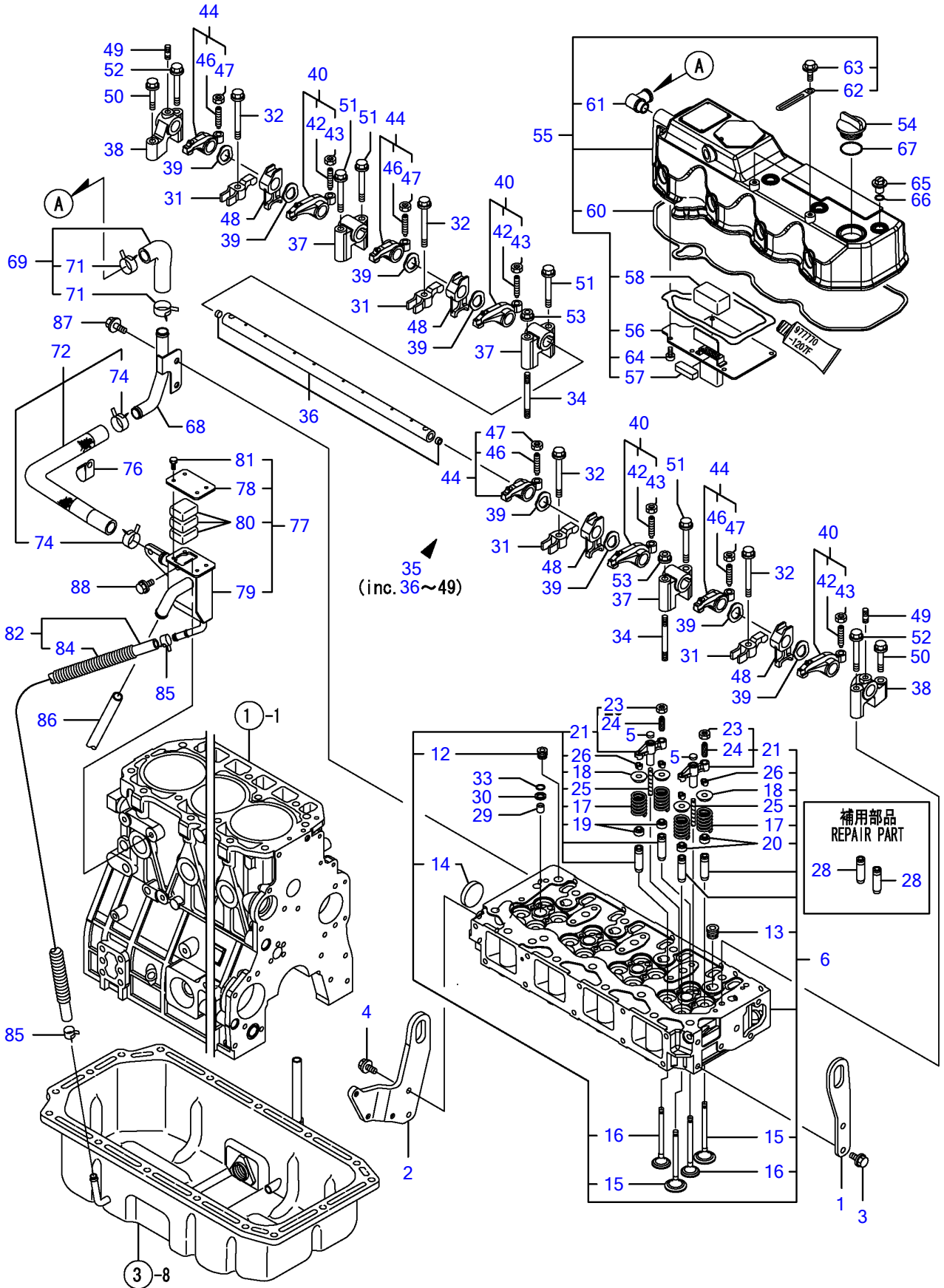


Y00D9990 4, シリンダヘッド & ボンネット				
4TNV98T-ZNTBL	1, 08/01	2	3	PLUS

**Engine for TL240 4TNV98T-ZNTBL
CYLINDER HEAD & BONNET**

Item	Part No	Description	Qty
1	Y129907-07900	LIFTER, ENGINE	1
2	Y129928-07900	LIFTER, ENGINE	1
3	Y26106-080162	BOLT M 8X 16 PLATED	2
4	Y26106-080202	BOLT M 8X 20 PLATED	2
5	Y123907-11550	SEAT A,VALVE BRIDGE	8
6	Y129928-11700	HEAD ASSY, CYLINDER	1
12	Y23876-020000	· PLUG PT1/4,SCREW	1
13	Y23876-030000	· PLUG PT3/8,SCREW	4
14	Y27241-400000	· PLUG 40	1
15	Y129907-11100	· VALVE(INT	8
16	Y129907-11110	· VALVE(EXH	8
17	Y129907-11120	· VALVE SPRING	16
18	Y119620-11180	· RETAINER, SPRING	16
19	Y119803-11340	· SEAL, VALVE STEM(EXH	8
20	Y124160-11340	· SEAL, VALVE STEM(INT	8
21	Y129907-11510	· BRIDGE ASSY,VALVE	8
23	Y129150-11750	· · NUT M8XP1.0	8
24	Y123907-11830	· · SCRWE,VALVE BRIDGE	8
25	Y123907-11820	· GUIDE,VALVE BRIDGE	8
26	Y27310-070001	· COTTER ASSY	16
28	Y129907-11800	GUIDE, VALVE	16
29	Y119802-11870	PROTECTOR, NOZZLE	4
30	Y119625-11880	SEAT, NOZZLE	4
31	Y129907-11910	RETAINER,F.I.VALVE	4
32	Y129907-11950	FLANGE BOLT,RETAINER	4
33	Y24311-000120	O-RING 1A P 12.0	4
34	Y119593-11301	BOLT 8X80	2
35	Y129907-11341	SUPPORT CMP	1
36	Y129907-11250	· SHAFT,ROCKER ARM	1
37	Y129907-11260	· SUPPORT A	3
38	Y129907-11270	· SUPPORT B	2
39	Y123907-11280	· WAVE WASHER	8
40	Y129907-11650	· ARM ASSY, ROCKER	4
42	Y129150-11230	· · SCREW, VALVE	4
43	Y129150-11750	· · NUT M8XP1.0	4
44	Y129907-11660	· ARM ASSY, ROCKER	4
46	Y129150-11230	· · SCREW, VALVE	4
47	Y129150-11750	· · NUT M8XP1.0	4
48	Y129907-11920	· PEDESTAL,RETAINER	4
49	Y26226-080222	· STUD M 8X 22 PLATED	2
50	Y26106-080402	BOLT M 8X 40 PLATED	2
51	Y26106-080602	BOLT M 8X 60 PLATED	4
52	Y26106-080602	BOLT M 8X 60 PLATED	2
53	Y26306-080002	NUT	2
54	Y124160-01751	COVER,FILLER	1
55	Y129928-11320	BONNET ASSY	1
56	Y129907-03011	· BAFFLE PLATE	1
57	Y129907-03061	· BAFFLE	1
58	Y129907-03070	· BAFFLE	1
60	Y129933-11310	· GASKET, BONNET	1
61	Y119100-11330	· JOINT, BREATHER	1
62	Y129509-79700	· CLIP	2
63	Y26106-060122	· BOLT M 6X 12 PLATED	2
64	Y22857-500100	· SCREW 5X10,TAPPING	6
65	Y124160-11360	KNOB	4
66	Y24311-000120	O-RING 1A P 12.0	4
67	Y24311-000320	O-RING 1A P-32.0	1
68	Y129928-03050	PIPE, BREATHER	1
69	Y129928-03060	HOSE CMP, BREATHER	1
71	Y129410-03990	· CLAMP 22	2

Engine for TL240 4TNV98T-ZNTBL CYLINDER HEAD & BONNET

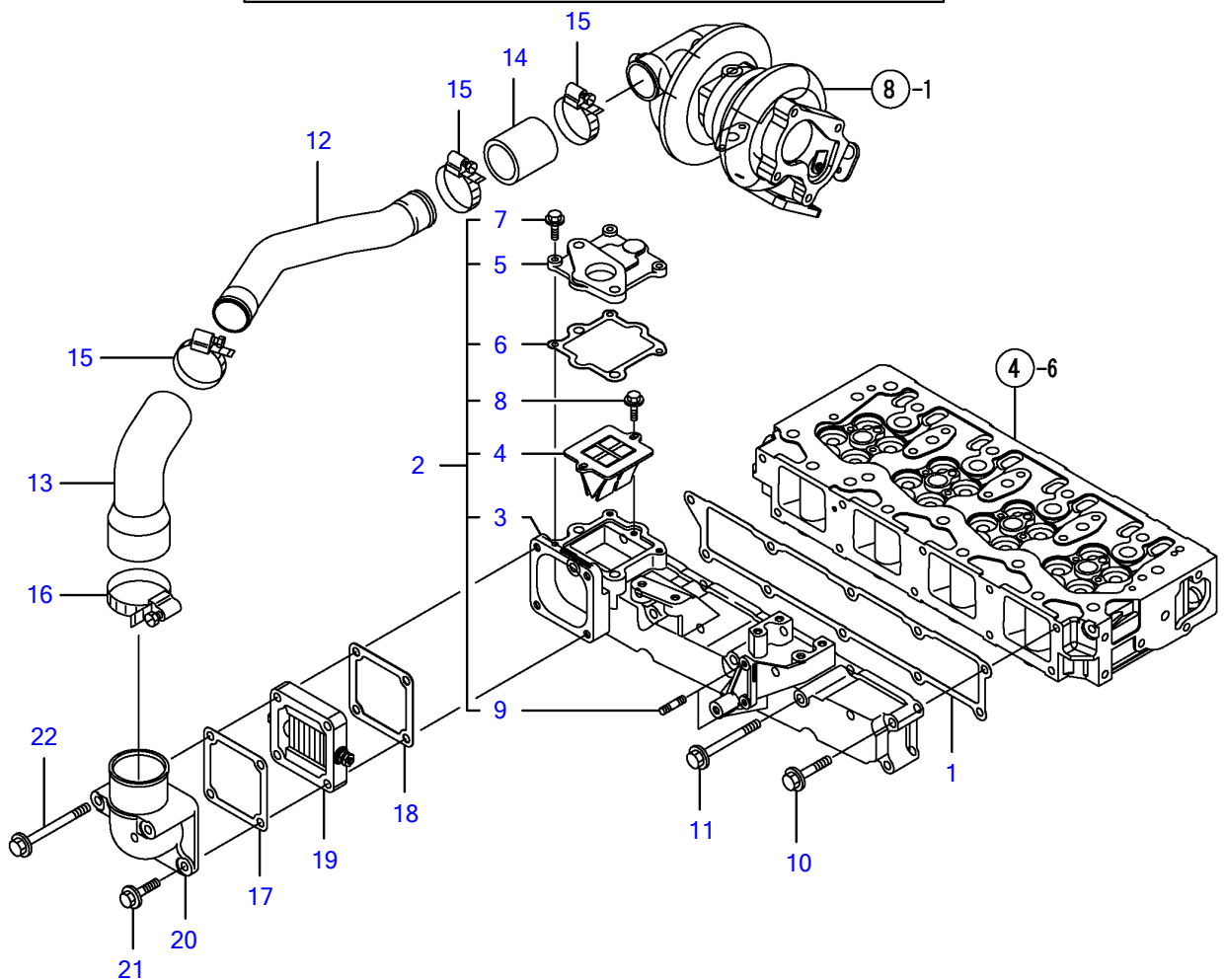
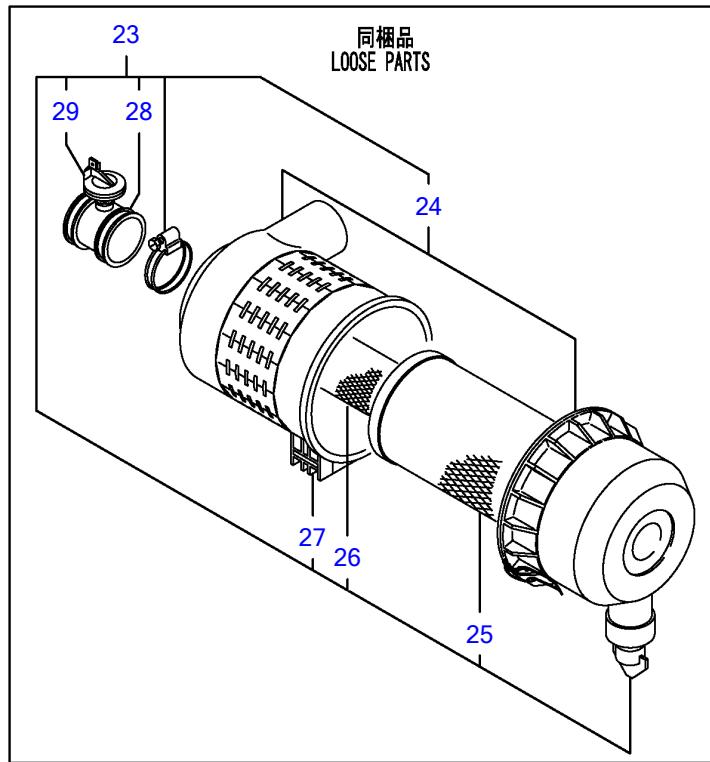


Y00D9990	4, シリンダヘッド & ボンネット		
4TNV98T-ZNTBL	1, 08/01	2	3 PLUS

**Engine for TL240 4TNV98T-ZNTBL
CYLINDER HEAD & BONNET**

Item	Part No	Description	Qty
72	Y129928-03080	HOSE CMP, BREATHER	1
74	Y129410-03990	· CLAMP 22	2
76	Y129150-03100	RETAINER	1
77	Y129972-03240	MISTSEPARATOR ASSY	1
78	Y129972-03220	· COVER,SEPARATOR	1
79	Y129972-03230	· MISTSEPARATOR	1
80	Y123901-03240	· WOOL, STEAL	3
81	Y26116-050102	· BOLT M 5X 10 PLATED	4
82	Y129928-03300	HOSE ASSY,BREAZER	1
84	Y129928-59130	· PROTECTOR, PIPE 19	1
85	Y23000-019000	CLAMP 19	2
86	Y23065-160250	HOSE, 16 X 250	1
87	Y26106-080122	BOLT M 8X 12 PLATED	2
88	Y26106-080142	BOLT 8X 14 PLATED	2

Engine for TL240 4TNV98T-ZNTBL
 SUCTION MANIFOLD & AIR CLEANER

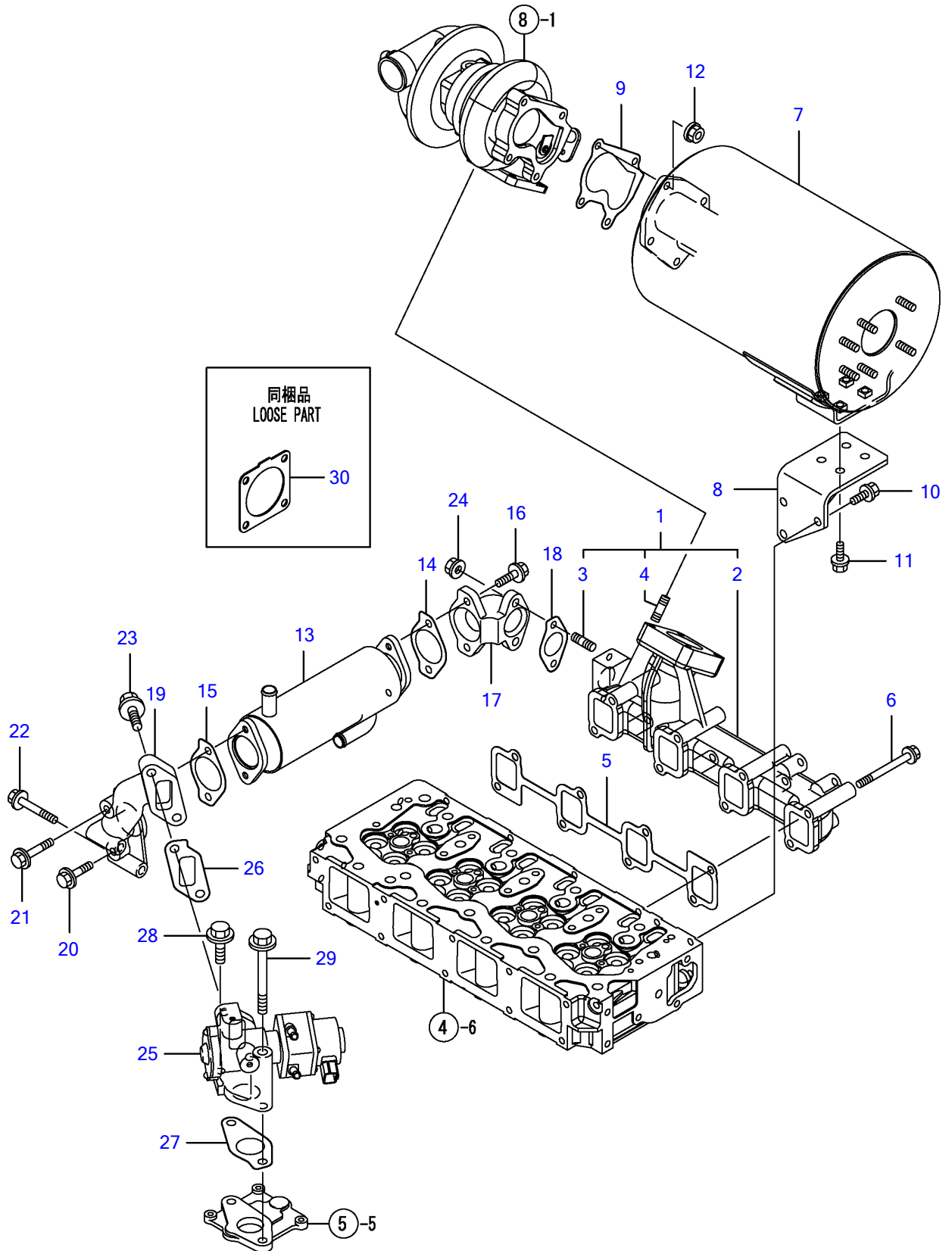


Y00D9990	5. キュウキマニホールド & エアクリーナ		
4TNV98T-ZNTBL	1, 08/01	2	3 PLUS

**Engine for TL240 4TNV98T-ZNTBL
SUCTION MANIFOLD & AIR CLEANER**

Item	Part No	Description	Qty
1	Y129907-12110	PACKING(INT.MANIFOLD	1
2	Y129928-12150	MANIFOLD CMP,INTAKE	1
3	Y129928-12100	• MANIFOLD,INTAKE	1
4	Y129928-13700	• REEDVALVE	1
5	Y129928-13710	• SPACER(EGR VALVE	1
6	Y129928-13720	• GASKET(EGR-V SPACER	1
7	Y26106-060202	• BOLT M 6X 20 PLATED	3
8	Y26106-060202	• BOLT M 6X 20 PLATED	2
9	Y26216-060202	• STUD M 6X 20 PLATED	2
10	Y26106-080452	BOLT M 8X 45 PLATED	6
11	Y26106-080802	BOLT M 8X 80 PLATED	4
12	Y129928-18200	DUCT,SUCTION	1
13	Y129974-18210	RUBBER HOSE	1
14	Y123951-18220	JOINT B	1
15	Y23000-054000	CLAMP 54	3
16	Y23000-070000	CLAMP 70	1
17	Y119129-77020	GASKET	1
18	Y121850-77021	GASKET, (NON-ASB.)	1
19	Y119005-77051	HEATER, AIR	1
20	Y119129-77520	BEND	1
21	Y26106-080402	BOLT M 8X 40 PLATED	2
22	Y26106-080902	BOLT M 8X 90 PLATED	2
23	Y129949-12510	CLEANER, AIR	1
24	Y129949-12610	• HOUSING BOTTOM	1
25	Y129948-12621	• MAIN ELEMENT	1
26	Y129948-12630	• SECONDARY ELEMENT	1
27	Y129948-12640	• BLACKET	1
28	Y129948-12650	• CONNECTINNG SOCKET	1
29	Y129948-12660	• SERVICE SWITCH	1

Engine for TL240 4TNV98T-ZNTBL EXHAUST MANIFOLD & SILENCER

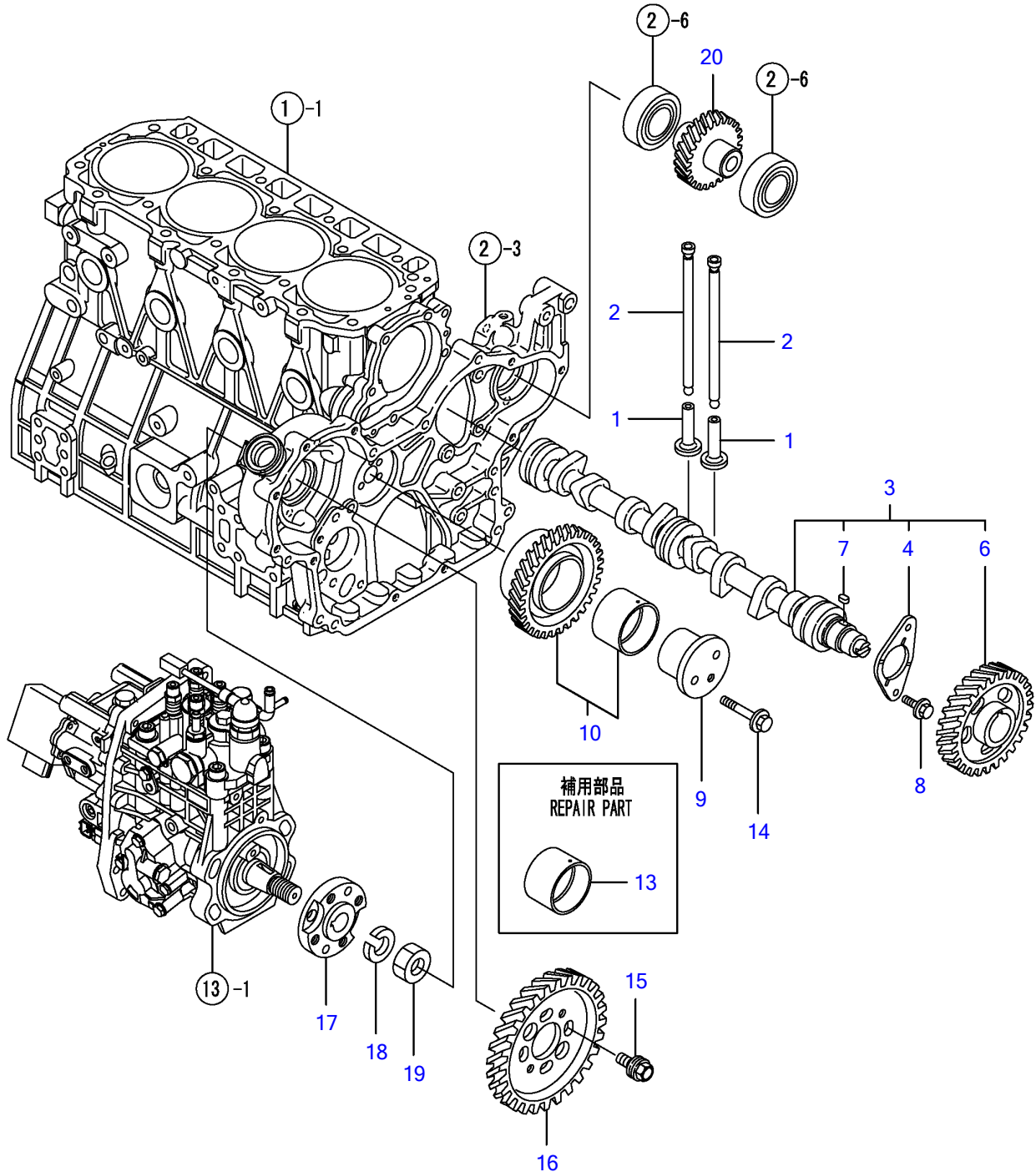


Y00D9990	6, ハイキマニホールド & サイレンサ		
4TNV98T-ZNTBL	1, 08/01	2	3 PLUS

**Engine for TL240 4TNV98T-ZNTBL
EXHAUST MANIFOLD & SILENCER**

Item	Part No	Description	Qty
1	Y129928-13150	MANIFOLD ASSY,EXH	1
2	Y129928-13100	· MANIFOLD, EXHAUST	1
3	Y129418-18320	· STUD BOLT M8X20	2
4	Y129418-18320	· STUD BOLT M8X20	4
5	Y129900-13251	GASKET	1
6	Y123900-13630	BOLT 8X80	8
7	Y129908-13510	SILENCER	1
8	Y129935-13600	STAY, SILENCER	1
9	Y123901-18080	PK(T/C OUT	1
10	Y26106-080162	BOLT M 8X 16 PLATED	3
11	Y26106-080202	BOLT M 8X 20 PLATED	4
12	Y26306-080002	NUT	4
13	Y129928-13400	EGR COOLER	1
14	Y129928-13410	GASKET, EGR COOLER	1
15	Y129928-13410	GASKET, EGR COOLER	1
16	Y119802-13790	BOLT, M8X25	2
17	Y129928-13800	PIPE(EGR IN	1
18	Y129927-13810	GASKET, EGR PIPE	1
19	Y129928-13810	PIPE(EGR OUT	1
20	Y26106-080352	BOLT M 8X 35 PLATED	1
21	Y26106-080452	BOLT M 8X 45 PLATED	1
22	Y26106-080552	BOLT M 8X 55 PLATED	2
23	Y26106-100252	BOLT M10X 25 PLATED	2
24	Y26306-080002	NUT	2
25	Y129927-13900	EGR VALVE	1
26	Y129927-13910	GASKET(EGR-V IN	1
27	Y129927-13920	GASKET(EGR-V OUT	1
28	Y26106-100402	BOLT M10X 40 PLATED	1
29	Y26106-101052	BOLT M10X105 PLATED	1
30	Y129930-13201	GASKET, SILENCER	1

Engine for TL240 4TNV98T-ZNTBL
CAMSHAFT & DRIVING GEAR

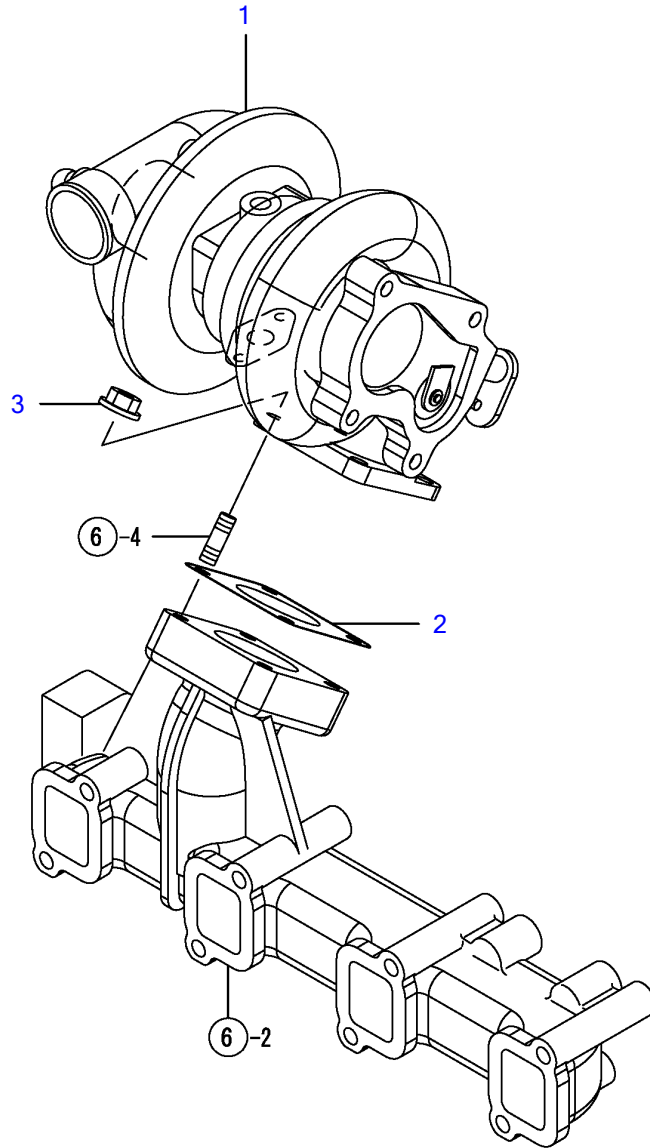


Y00D9990	7, カムシャフト & クドウギヤ			
4TNV98T-ZNTBL		1, 08/01	2	3 PLUS

**Engine for TL240 4TNV98T-ZNTBL
CAMSHAFT & DRIVING GEAR**

Item	Part No	Description	Qty
1	Y129150-14200	TAPPET	8
2	Y129907-14400	PUSH ROD	8
3	Y129908-14590	CAMSHAFT ASSY	1
4	Y129150-02450	· METAL,THRUST(CAM	1
6	Y129900-14110	· GEAR, CAMSHAFT	1
7	Y22512-070140	· KEY 7X 14	1
8	Y26106-080162	BOLT M 8X 16 PLATED	2
9	Y123900-25060	SHAFT(GEAR,IDLE	1
10	Y129900-25110	GEAR ASSY, IDLE	1
13	Y129150-25920	BUSH, IDLE GEAR	1
14	Y26106-080552	BOLT M 8X 55 PLATED	3
15	Y129953-25300	BOLT	4
16	Y129907-25900	GEAR,F.I.PUMP	1
17	Y158563-51150	FLANGE	1
18	Y22217-180000	SPRING WASHER 18	1
19	Y26776-180002	NUT M18,LOCK	1
20	Y129900-26020	GEAR ASSY, HYDR.PUMP	1

Engine for TL240 4TNV98T-ZNTBL
TURBINE

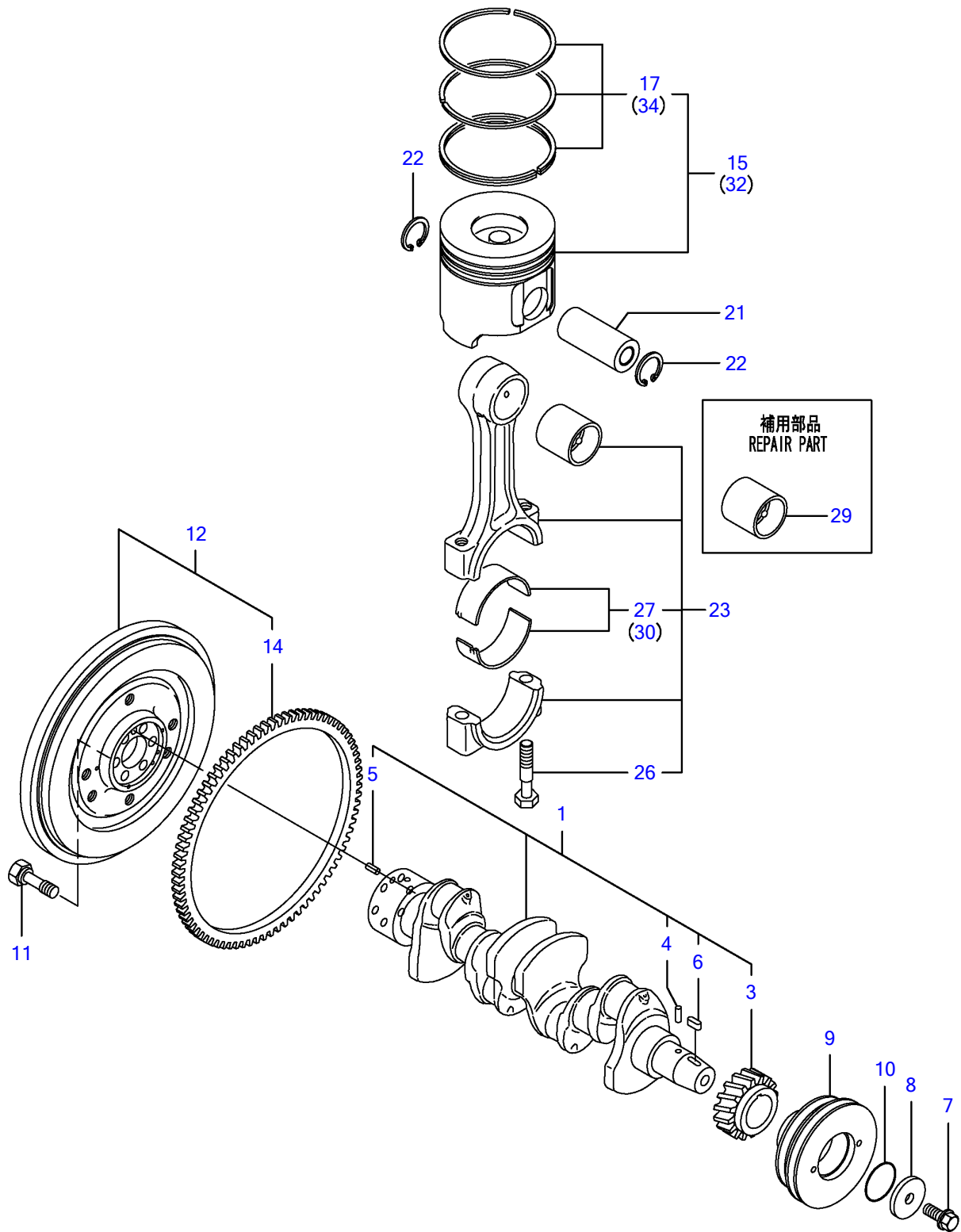


Y00D9990	8, タービン			
4TNV98T-ZNTBL		1, 08/01	2	3 PLUS

Engine for TL240 4TNV98T-ZNTBL
TURBINE

Item	Part No	Description	Qty
1	Y129935-18010	TURBINE, RHF5	1
2	Y129472-18090	GASKET	1
3	Y26306-080002	NUT	4

Engine for TL240 4TNV98T-ZNTBL CRANKSHAFT & PISTON

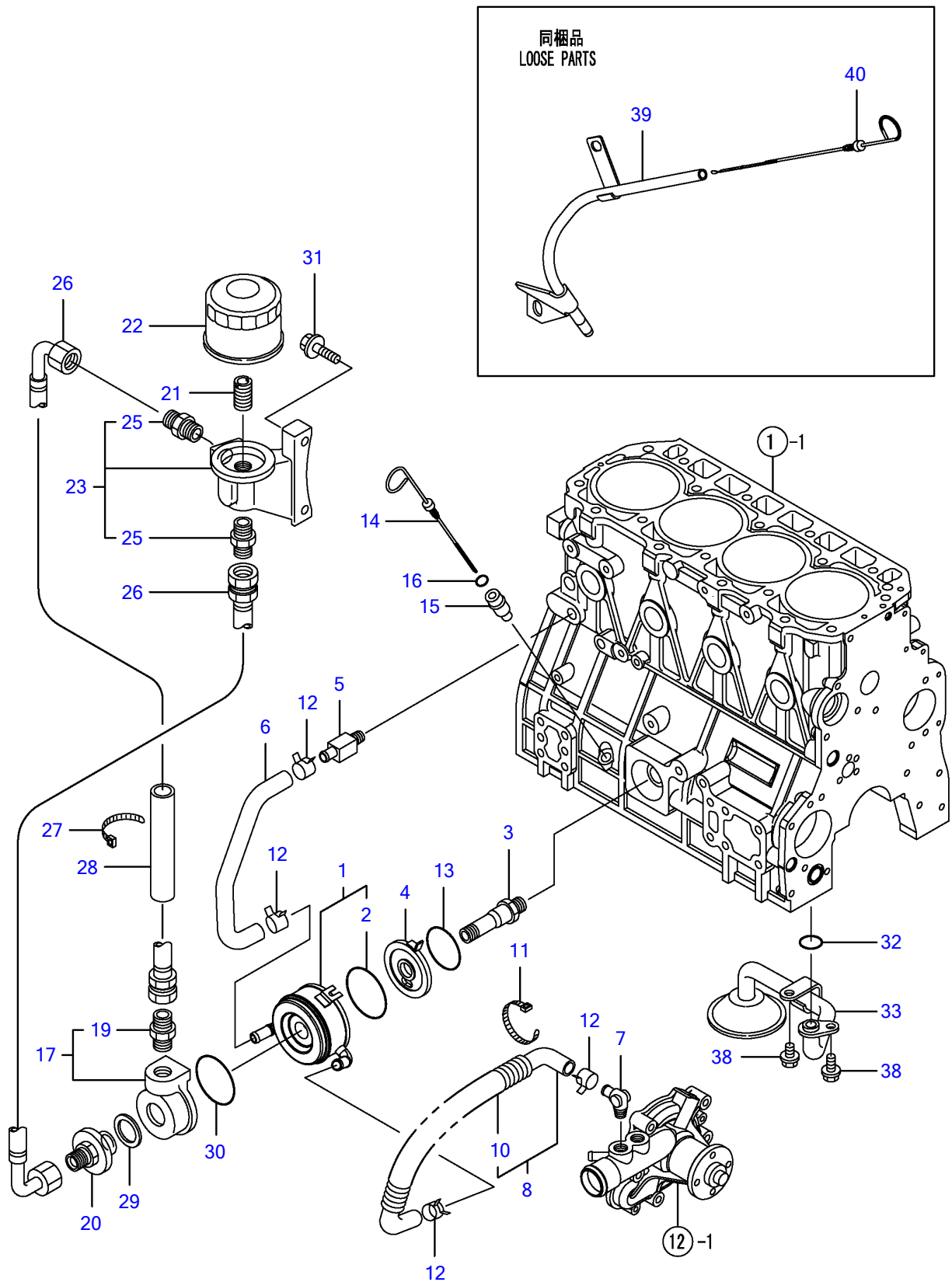


Y00D9990	9, クランクシャフト & ピストン			
4TNV98T-ZNTBL	1, 08/01	2	3	PLUS

**Engine for TL240 4TNV98T-ZNTBL
CRANKSHAFT & PISTON**

Item	Part No	Description	Qty
1	Y129908-21100	CRANKSHAFT ASSY	1
3	Y129900-21220	• GEAR, CRANKSHAFT	1
4	Y121850-21290	• PARALLEL PIN	1
5	Y121850-21920	• PARALLEL PIN 10X22	1
6	Y22512-070140	• KEY 7X 14	1
7	Y129916-21610	BOLT, V-PULLEY	1
8	Y129960-21640	WASHER	1
9	Y129916-21680	V-PULLEY, CRANKSHAFT	1
10	Y24341-000530	O-RING 1A S-53.0	1
11	Y121850-21130	BOLT, FLYWHEEL	6
12	Y129949-21560	FLYWHEEL ASSY	1
14	Y129900-21600	• GEAR, RING	1
15	Y129928-22080	PISTON ASSY	4
17	Y129927-22050	• RING SET, PISTON	4
21	Y120130-22301	PIN, PISTON	4
22	Y22252-000300	CIRCLIP 30	8
23	Y129900-23001	ROD ASSY, CONNECTING	4
26	Y129900-23200	• BOLT, ROD	8
27	Y129900-23601	• METAL ASSY, CRANKPIN	4
29	Y129900-23911	BUSH, PISTON PIN	4
30	Y129900-23611	BEARING,PIN U.S=0.25	4
32	Y729928-22900	PISTON W/RING,0.25OS	4
34	Y729927-22950	• RING SET, 0.25OS	4

Engine for TL240 4TNV98T-ZNTBL
LUB.OIL SYSTEM

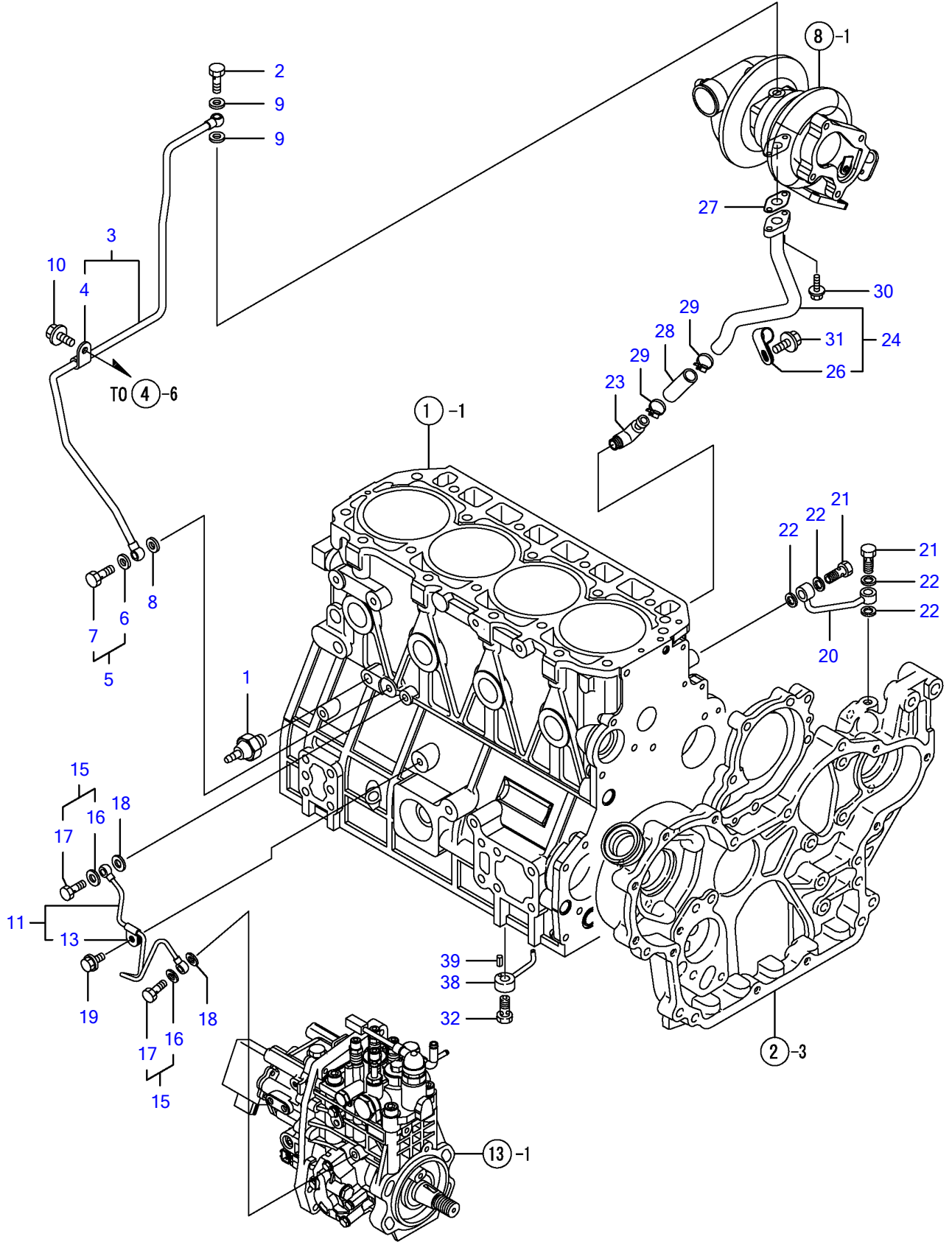


Y00D9990	10, L0システム			
4TNV98T-ZNTBL		1, 08/01	2	3 PLUS

**Engine for TL240 4TNV98T-ZNTBL
LUB.OIL SYSTEM**

Item	Part No	Description	Qty
1	Y129908-33010	COOLER ASSY, OIL	1
2	Y123912-33050	· O-RING	1
3	Y123912-33100	BOLT, L.O.COOLER	1
4	Y129908-33101	BRACKET,OIL COOLER	1
5	Y129006-44480	JOINT	1
6	Y129908-49060	PIPE, COOLING WATER	1
7	Y129466-49300	ELBOW PT3/8	1
8	Y123910-49600	PIPE, C.W.	1
10	Y123910-49610	· PROTECTOR,CW-T	1
11	Y121750-59890	CLAMP 140	1
12	Y23000-025000	CLAMP 25	4
13	Y24321-000600	O-RING 1A G-60.0	1
14	Y129939-34800	OIL,DIPSTICK	1
15	Y119260-34810	GUIDE, DIPSTICK	1
16	Y24311-240100	O-RING 1A P-10A	1
17	Y123945-35110	CASE(LO.CMP	1
19	Y129953-39500	· ADAPTER	1
20	Y129953-35110	COVER	1
21	Y119000-35140	STUD, LUB.OIL FILTER	1
22	Y129150-35160	FILTER 80X80L	1
23	Y129949-35210	BRACKET ASSY, LUB.OI	1
25	Y129953-39500	· ADAPTER	2
26	Y123945-39101	LO-T	2
27	Y198220-51870	CLAMP 200	1
28	Y119595-59300	PROTECTOR (FOT	1
29	Y22190-300002	SEAL WASHER 30S	1
30	Y24321-000700	O-RING 1A G70.0,NBR	1
31	Y26106-100452	BOLT M10X 45 PLATED	2
32	Y129900-32030	O-RING P20	1
33	Y129900-35000	PIPE ASSY, LUB. OIL	1
38	Y26106-080122	BOLT M 8X 12 PLATED	2
39	Y129939-34810	GUIDE, DIPSTICK	1
40	Y129939-34830	OIL,DIPSTICK	1

Engine for TL240 4TNV98T-ZNTBL
LUB.OIL LINE

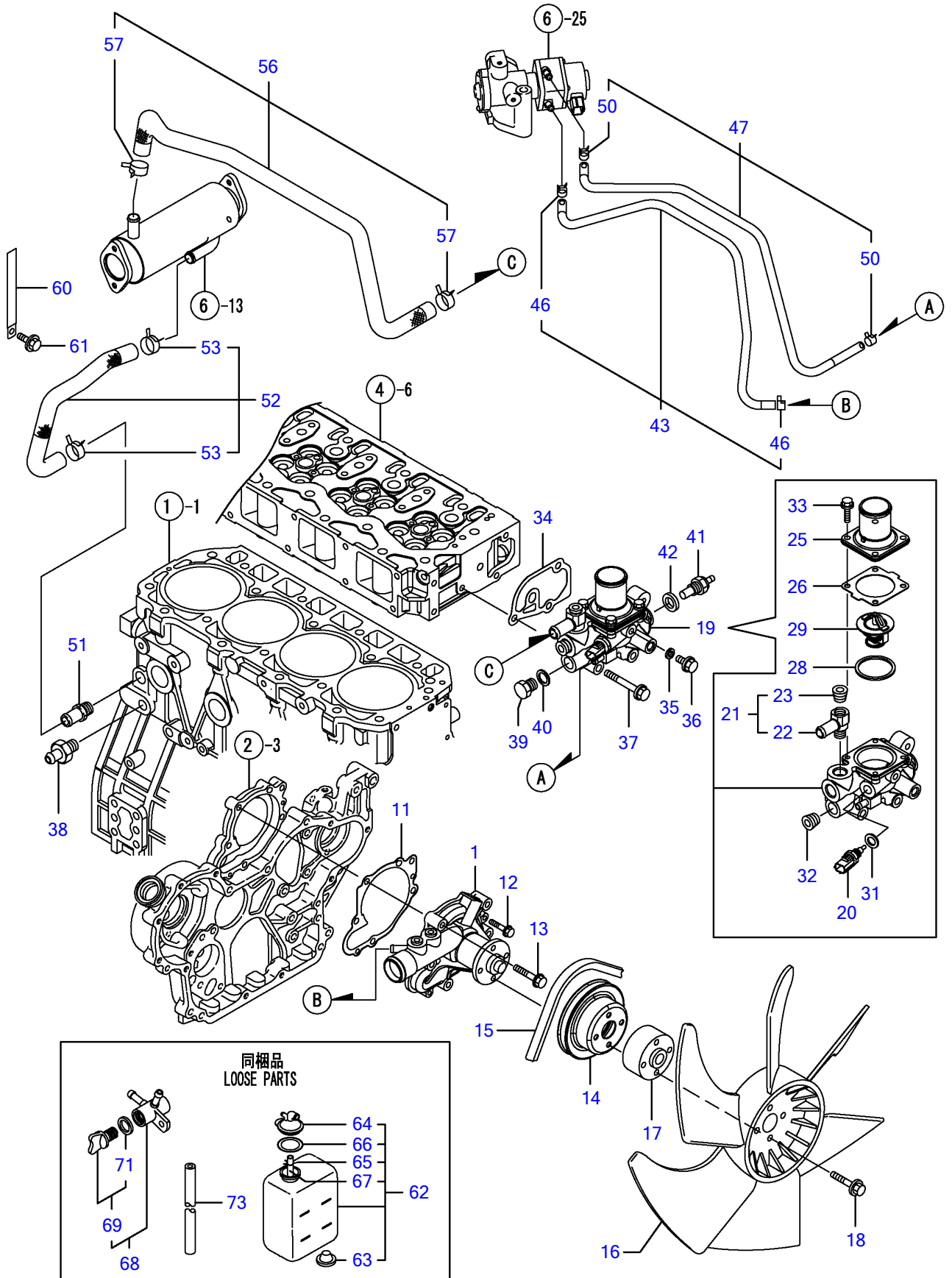


Y00D9990	11, LOパイプ			
4TNV98T-ZNTBL		1, 08/01	2	3 PLUS

**Engine for TL240 4TNV98T-ZNTBL
LUB.OIL LINE**

Item	Part No	Description	Qty
1	Y114250-39450	SWITCH,(0.5KG)L.O.	1
2	Y121252-39150	BOLT, PIPE JOINT	1
3	Y129928-39450	PIPE ASSY,LUB OIL	1
4	Y124223-39900	· RETAINER	1
5	Y129005-59830	BOLT ASSY, JOINT	1
6	Y22190-080002	· SEAL WASHER 8S	1
7	Y23857-030000	· JOINT BOLT 3	1
8	Y22190-080002	SEAL WASHER 8S	1
9	Y23414-100000	GASKET 10, ROUND	2
10	Y26106-080122	BOLT M 8X 12 PLATED	1
11	Y129927-39060	PIPE ASSY, LUB.OIL	1
13	Y123907-39500	· SUPPORT,PIPE	1
15	Y129005-59830	BOLT ASSY, JOINT	2
16	Y22190-080002	· SEAL WASHER 8S	2
17	Y23857-030000	· JOINT BOLT 3	2
18	Y22190-080002	SEAL WASHER 8S	2
19	Y26106-080122	BOLT M 8X 12 PLATED	1
20	Y129930-39050	PIPE	1
21	Y105010-39140	BOLT, PIPE JOINT	2
22	Y22190-080002	SEAL WASHER 8S	4
23	Y124070-13300	ELBOW (PT3/8)	1
24	Y129935-39610	PIPE,LUB.OIL	1
26	Y123910-39850	· RETAINER	1
27	Y129908-39690	GASKET,LO-T RETURN	1
28	Y123901-39820	HOSE	1
29	Y23000-025000	CLAMP 25	2
30	Y26106-060162	BOLT M 6X 16 PLATED	2
31	Y26106-080122	BOLT M 8X 12 PLATED	1
32	Y129908-39410	VALVE ASSY, CHECK	4
38	Y119000-39650	NOZZLE, PISTON JET	4
39	Y22351-030010	SPRING PIN 3X10	4

Engine for TL240 4TNV98T-ZNTBL COOLING WATER SYSTEM

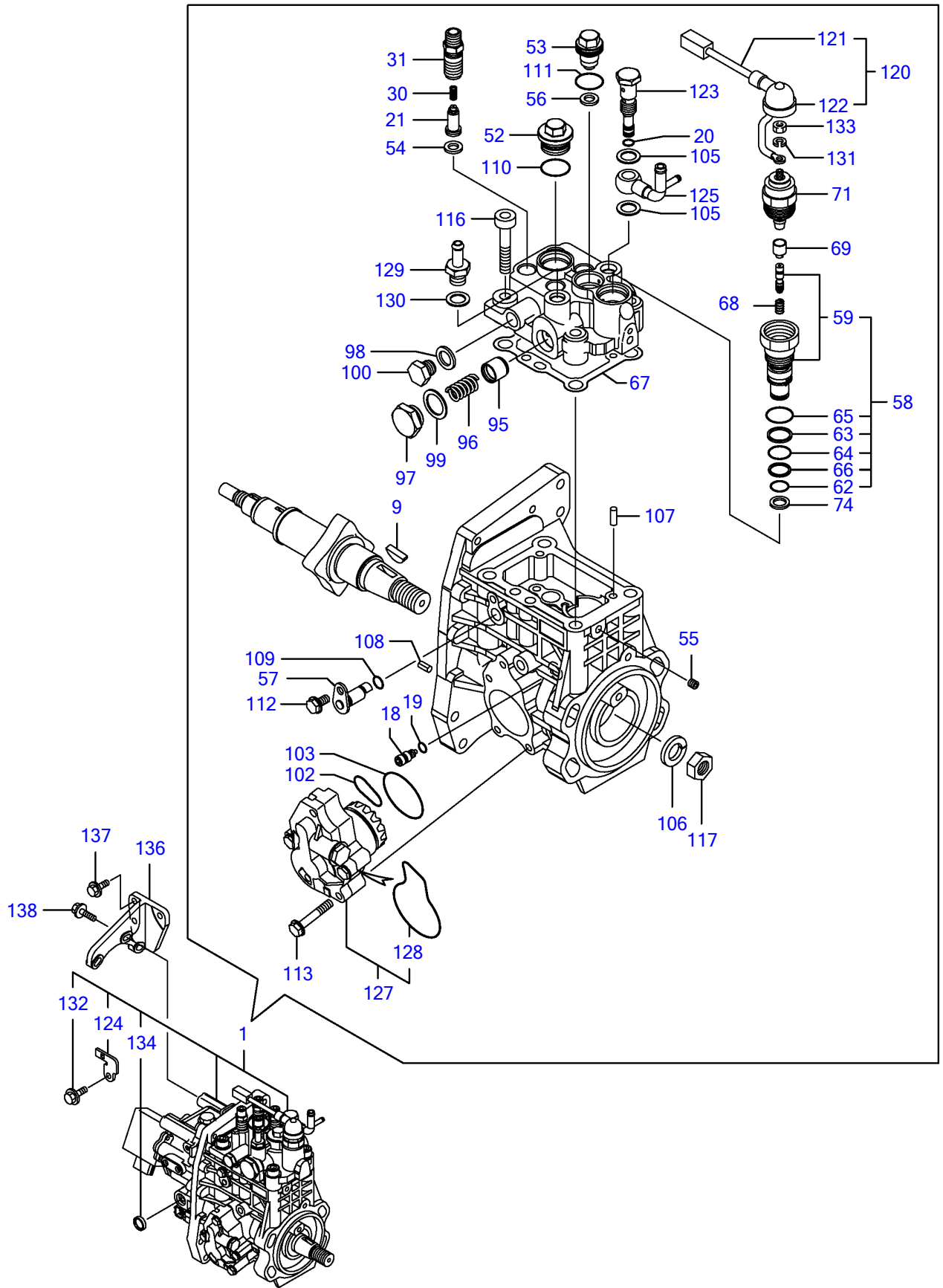


Y00D9990	12. CWシステム			
4TNV98T-ZNTBL	1, 08/01	2	3	PLUS

**Engine for TL240 4TNV98T-ZNTBL
COOLING WATER SYSTEM**

Item	Part No	Description	Qty
1	Y129927-42000	PUMP ASSY,WATER	1
11	Y129900-42020	GASKET, CW-P	1
12	Y26106-060302	BOLT M 6X 30 PLATED	2
13	Y26106-080552	BOLT M 8X 55 PLATED	5
14	Y129900-42461	PULLEY	1
15	Y129940-42320	V-BELT A41	1
16	Y129916-44740	FAN	1
17	Y119005-44761	SPACER	1
18	Y26106-080452	BOLT M 8X 45 PLATED	4
19	Y129949-49810	CASE ASSY,THERMOSTAT	1
20	Y129927-44900	· THERMOMETER	1
21	Y129928-49400	· JOINT CMP	1
22	Y129928-49410	· · JOINT	1
23	Y23875-030000	· · PLUG PT3/8,STEEL	1
25	Y129916-49530	· COVER, THERMOSTAT	1
26	Y121850-49540	· GASKET, THERMOSTAT	1
28	Y121850-49550	· GASKET, THERMOSTAT	1
29	Y121850-49800	· THERMOSTAT,82	1
31	Y22190-120002	· SEAL WASHER 12	1
32	Y23875-030000	· PLUG PT3/8,STEEL	1
33	Y26106-060202	· BOLT M 6X 20 PLATED	4
34	Y129900-49870	GASKET, CASE	1
35	Y23414-080000	GASKET 8, ROUND	1
36	Y26106-080122	BOLT M 8X 12 PLATED	1
37	Y26106-080602	BOLT M 8X 60 PLATED	3
38	Y121550-49111	JOINT PT1/4	1
39	Y121450-42450	PLUG M16	1
40	Y124465-44950	GASKET 16	1
41	Y119266-49350	SENSOR, THERMO.	1
42	Y129150-49360	GASKET 10	1
43	Y129927-49610	PIPE ASSY, WATER A	1
46	Y23080-012000	· CLAMP 12	2
47	Y129927-49620	PIPE ASSY, WATER B	1
50	Y23080-012000	· CLAMP 12	2
51	Y129928-49420	JOINT	1
52	Y129948-49610	PIPE ASSY, WATER IN	1
53	Y129960-03990	· HOSE CLIP 22	2
56	Y129928-49620	PIPE ASSY, WATER OUT	1
57	Y129960-03990	· HOSE CLIP 22	2
60	Y129928-79700	CRIP150-M8	1
61	Y26106-080122	BOLT M 8X 12 PLATED	1
62	Y129466-44510	SUBTANK	1
63	Y121468-44540	· PLUG, SUB-TANK	1
64	Y121450-44531	· CAP	1
65	Y124450-44560	· CLAMP	1
66	Y121470-44581	· GASKET	1
67	Y121267-44590	· PIPE	1
68	Y129150-49100	COCK ASSY, 3-WAY	1
69	Y129150-49080	· COCK, DRAIN	1
71	Y119629-49080	· · GASKET	1
73	Y105840-59100	PIPE, FUEL	1

Engine for TL240 4TNV98T-ZNTBL FUEL INJECTION PUMP

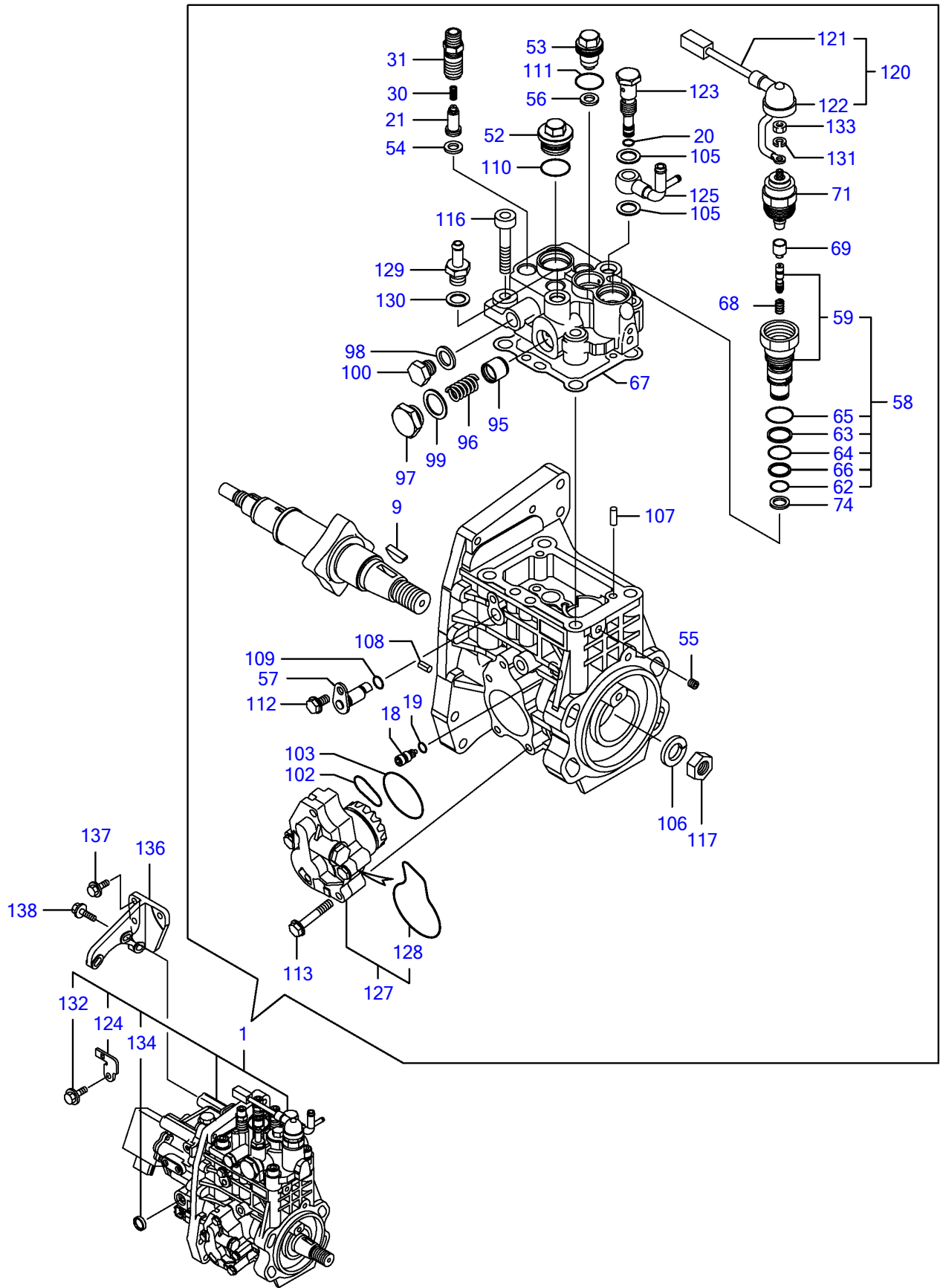


Y00D9990	13, F07ンシャポンプ			
4TNV98T-ZNTBL		1, 08/01	2	3 PLUS

**Engine for TL240 4TNV98T-ZNTBL
FUEL INJECTION PUMP**

Item	Part No	Description	Qty
1	Y729949-51300	INJECTON PUMP ASSY	1
9	Y144626-51090	• KEY 5X19	1
18	Y158600-51270	• STOPPER	1
19	Y158563-51281	• O-RING	1
20	Y158563-51281	• O-RING	1
21	Y129927-51300	• VALVE ASSY, DILEVERY	4
30	Y158563-51330	• SPRING	4
31	Y129928-51340	• HOLDER,DELIVERY	4
52	Y158601-51550	• PLUG	1
53	Y129907-51560	• PLUG	1
54	Y158552-51570	• PK(BARREL PLUG	4
55	Y158557-51570	• PLUG	1
56	Y129906-51580	• PACKING, PLUG	1
57	Y158552-51580	• LIFTER	1
58	Y129657-51590	• TIMER SET	1
59	Y129657-51600	• • TIMER CMP	1
62	Y158553-51670	• • O-RING, 1011	1
63	Y119802-51680	• • BACKUP RING	1
64	Y119802-51690	• • O RING	1
65	Y24356-010200	• • PACKING, 1020	1
66	Y24372-000150	• • RING, BACKUP T2 P 15	1
67	Y158560-51600	• PACKING, HEAD	1
68	Y119852-51630	• SPRING,TIMER	1
69	Y119852-51640	• CAP,TIMER	1
71	Y119852-51650	• VALVE,SOLENOIDE	1
74	Y158553-51680	• PACKING,TIMER	1
95	Y158601-51770	• PISTON	1
96	Y158552-51781	• SPRING	1
97	Y158601-51790	• PLUG	1
98	Y22190-120002	• SEAL WASHER 12	1
99	Y22190-180002	• SEAL WASHER 18	1
100	Y23887-120002	• PLUG M12,HEX.	1
102	Y158552-52310	• O-RING	1
103	Y158552-52400	• O-RING 4E S42	1
105	Y22190-120002	• SEAL WASHER 12	2
106	Y22217-180000	• SPRING WASHER 18	1
107	Y22312-050140	• PARALLEL PIN 5X14	2
108	Y22351-050010	• SPRING PIN 5X10	2
109	Y24311-000070	• O-RING 1A P-7.0	1
110	Y24356-010200	• PACKING, 1020	1
111	Y24356-020210	• O RING	1
112	Y26106-060102	• BOLT 6X 10 PLATED	1
113	Y26106-060352	• BOLT M 6X 35 PLATED	4
116	Y26450-100452	• BOLT M10X 45	4
117	Y26776-180002	• NUT M18,LOCK	1
120	Y129927-51650	• HARNESS CMP	1
121	Y129927-51660	• • HARNESS ,CSD	1
122	Y129263-77941	• • CAP,RUBBER	1
123	Y158601-51650	• JOINT	1
124	Y129927-51670	• BRACKET ,CSD	1
125	Y158552-51670	• JOINT	1
127	Y158552-52100	• PUMP ASSY,FEED	1
128	Y158552-52500	• • O-RING(FEED P INNER	1
129	Y119934-59910	• JOINT,PIPE	1
130	Y22190-120002	• SEAL WASHER 12	1
131	Y22217-050000	• SPRING WASHER 5	1
132	Y26106-060122	• BOLT M 6X 12 PLATED	1
133	Y26716-050002	• NUT M 5	1
134	Y27241-160000	• PLUG 16	1
136	Y129927-51250	RETAINER(FOP	1

Engine for TL240 4TNV98T-ZNTBL FUEL INJECTION PUMP

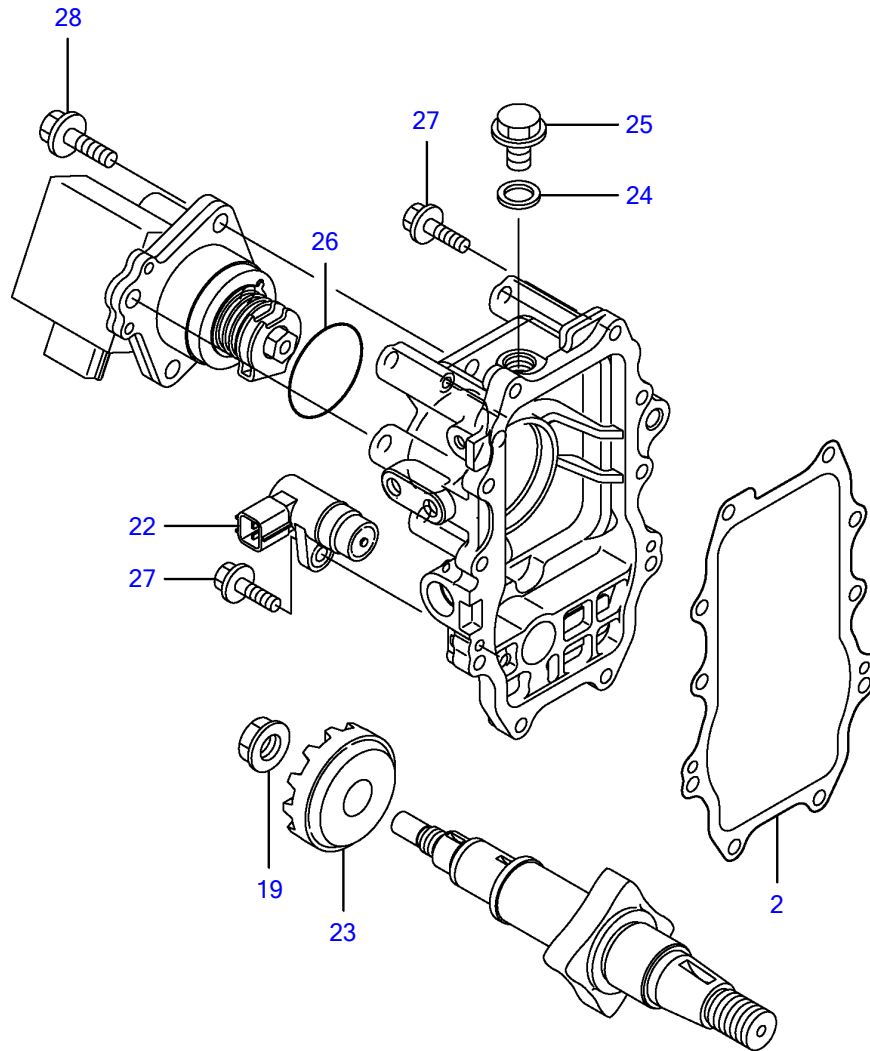


Y00D9990	13, F07ンシャポン			
4TNV98T-ZNTBL		1, 08/01	2	3 PLUS

Engine for TL240 4TNV98T-ZNTBL
FUEL INJECTION PUMP

Item	Part No	Description	Qty
137	Y26106-080202	BOLT M 8X 20 PLATED	3
138	Y26106-080302	BOLT M 8X 30 PLATED	3

Engine for TL240 4TNV98T-ZNTBL
GOVERNOR



Y00D9990	14. ガバ			
4TNV98T-ZNTBL		1, 08/01	2	3 PLUS

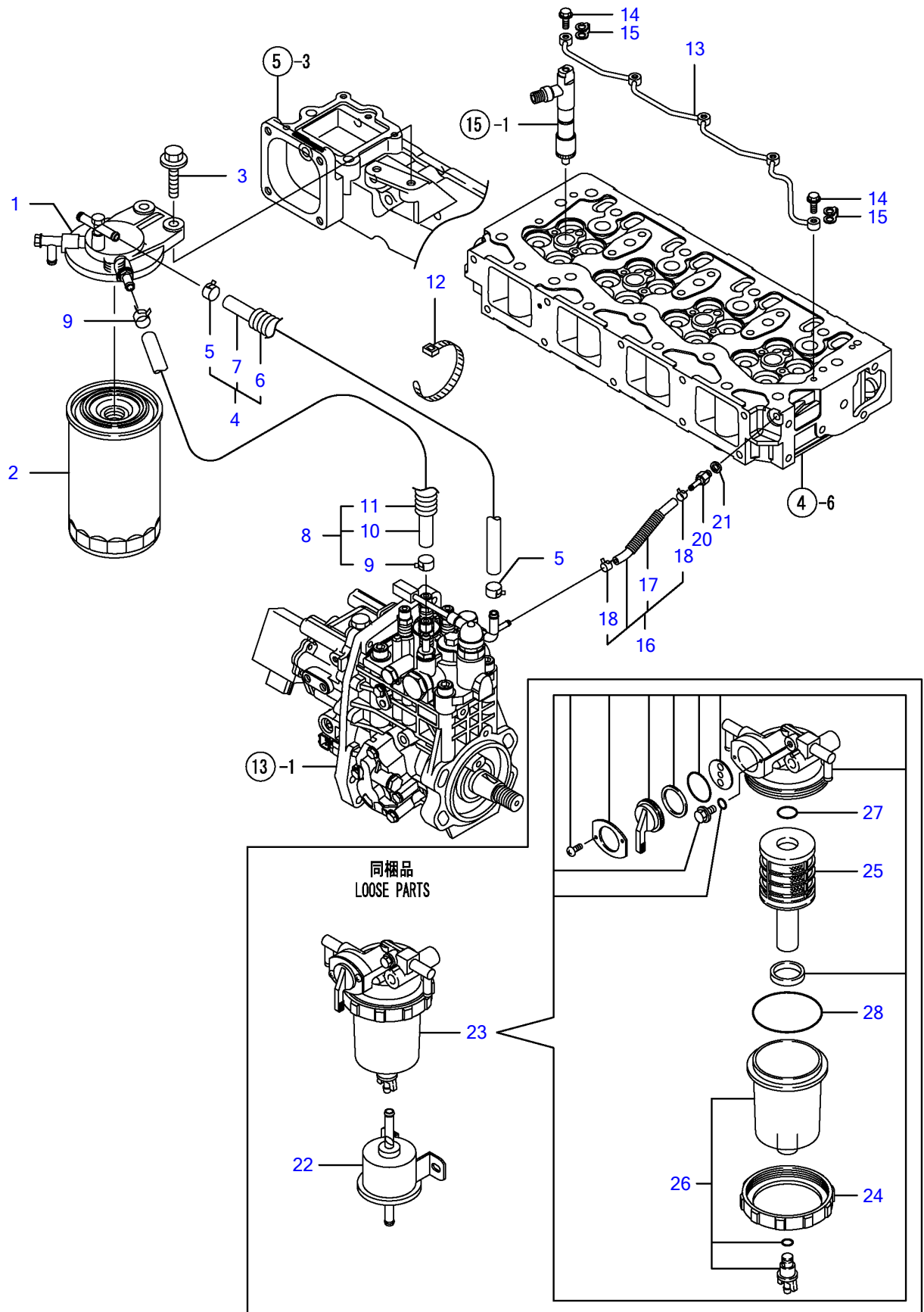
**Engine for TL240 4TNV98T-ZNTBL
GOVERNOR**

Item	Part No	Description	Qty
2	Y158560-61050	PACKING, CASE	1
19	Y129008-61301	NUT, GOVERNOR WEIGHT	1
22	Y158557-61720	SENSOR	1
23	Y158553-61780	GEAR,SENSOR	1
24	Y23414-120000	GASKET 12, ROUND	1
25	Y23887-120002	PLUG M12,HEX.	1
26	Y24341-000480	O-RING 1A S-48.0	1
27	Y26106-060252	BOLT M 6X 25 PLATED	10
28	Y26106-080252	BOLT M 8X 25 PLATED	3

**Engine for TL240 4TNV98T-ZNTBL
FUEL INJECTION VALVE**

Item	Part No	Description	Qty
1	Y729928-53100	FUEL INJECTOR(RDN	4
2	Y129928-53000	• NOZZLE ASSY	4
5	Y114250-53080	• NUT, NOZZLE CASE	4
6	Y129907-53100	• HOLDER ASSY, NOZZLE	4
9	Y114250-53120	• SPRING, NOZZLE	4
10	Y114250-53130	• SEAT, NOZZLE SPRING	4
11	Y114250-53140	• PLATE, STOP	4
12	Y114250-53210	• PIN	8
13	Y114250-53400	• SHIM PACK	4
25	Y123907-11601	PIPE SEAL	4
26	Y123472-59120	BRACKET	2
27	Y129150-59120	RETAINER, INJ. PIPE	1
30	Y129150-59131	• BOLT M4X14,HEX.SCKT.	2
32	Y129927-59810	PIPE ASSY, INJECTION	1
33	Y129927-59820	PIPE ASSY, INJECTION	1
34	Y129927-59830	PIPE ASSY, INJECTION	1
35	Y129927-59840	PIPE ASSY, INJECTION	1
36	Y26366-060002	NUT M 6	2

Engine for TL240 4TNV98T-ZNTBL FUEL LINE



Y00D9990	16, FOパイプ			
4TNV98T-ZNTBL	1, 08/01	2	3	PLUS

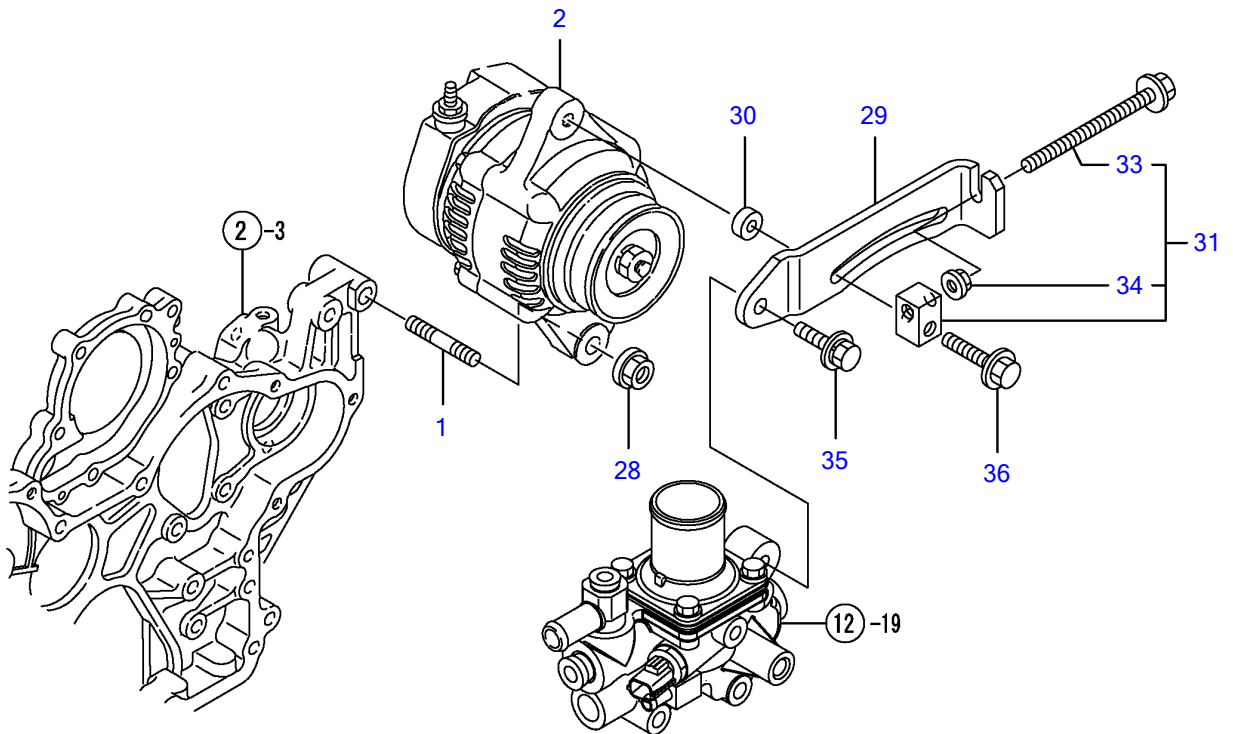
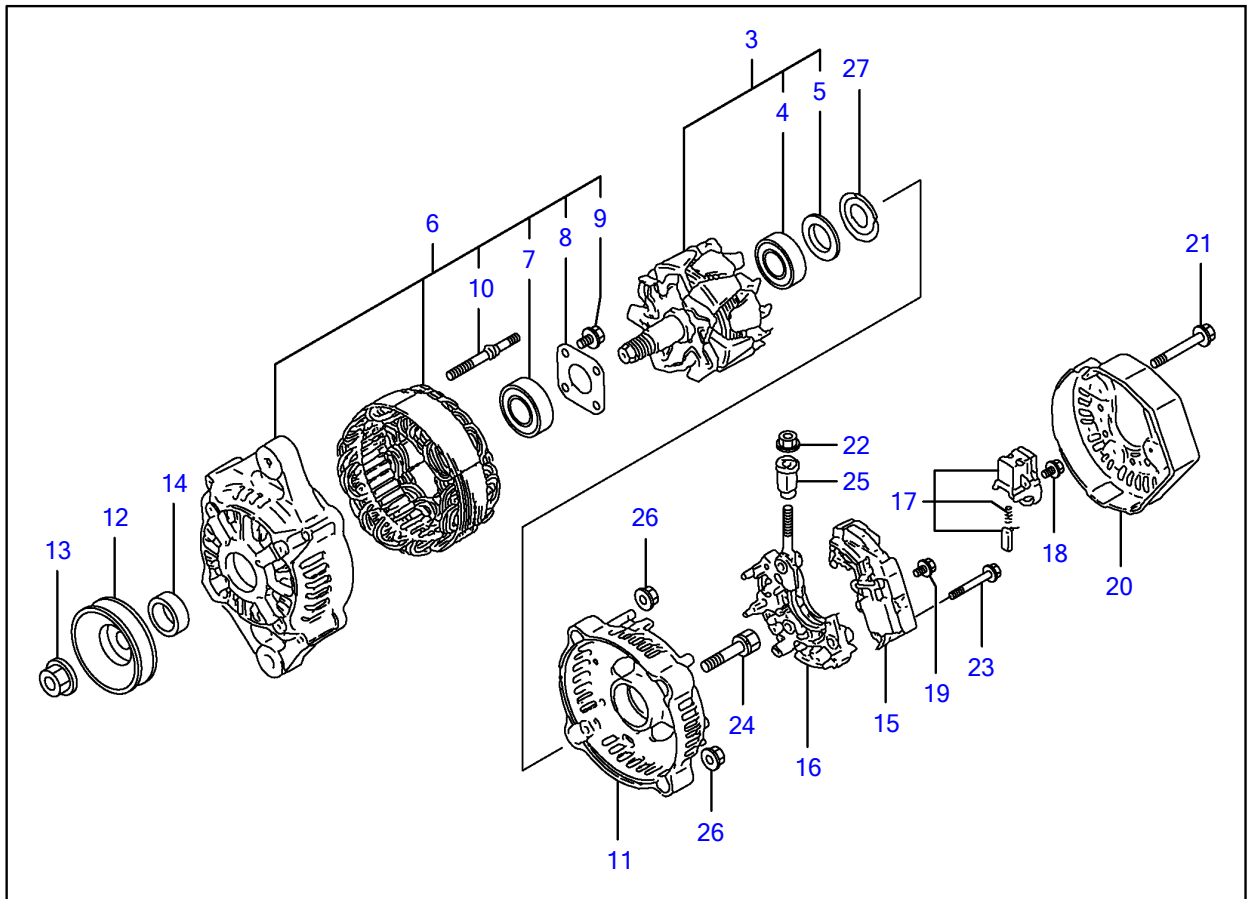
**Engine for TL240 4TNV98T-ZNTBL
FUEL LINE**

Item	Part No	Description	Qty
1	Y129004-55612	BRACKET,FUEL FILTER	1
2	Y129907-55801	FILTER, FUEL OIL	1
3	Y26106-080302	BOLT M 8X 30 PLATED	2
4	Y129457-59010	PIPE ASSY, FUEL	1
5	Y124766-59050	· CLAMP 12	2
6	Y129957-59120	· PROTECTOR, FUEL PIPE	1
7	Y105025-59750	· PIPE, FUEL OIL	1
8	Y129961-59310	PIPE ASSY, FUEL	1
9	Y124766-59050	· CLAMP 12	2
10	Y129136-59110	· PIPE, FUEL OIL	1
11	Y129961-59110	· TUBE	1
12	Y121750-59890	CLAMP 140	1
13	Y129907-59140	PIPE ASSY,F.O.RETURN	1
14	Y123907-59540	JOINT BOLT M6	5
15	Y123907-59550	PACKING,FUEL RETURN	5
16	Y129927-59550	PIPE, FUEL RETURN	1
17	Y129263-49750	· CORRUGATED TUBE	1
18	Y124722-59050	· CLAMP 9	2
20	Y123907-59560	HOSE JOINT 4	1
21	Y22190-080002	SEAL WASHER 8S	1
22	Y129612-52100	FUEL PUMP	1
23	Y129906-55700	SEPARATOR ASSY	1
24	Y129100-55690	· RING, RETAINING	1
25	Y119802-55710	· ELEMENT	1
26	Y119802-55730	· CUP ASSY(SERVICE PAR	1
27	Y24311-000160	· O-RING 1A P-16.0	1
28	Y24321-000650	· O-RING 1A G-65.0	1

**Engine for TL240 4TNV98T-ZNTBL
STARTING MOTOR**

Item	Part No	Description	Qty
1	Y129940-77010	STARTER 12V,3KW	1
2	Y129940-77100	· ARMATURE ASSY	1
5	Y129940-77130	· COIL ASSY, FIELD	1
6	Y129940-77140	· · SCREW, POLE CORE SET	4
7	Y129940-77150	· · O-RING	1
8	Y129940-77160	· · BRUSH (+)	2
9	Y129940-77170	· COVER, REAR	1
10	Y129940-77180	· HOLDER, BRUSH	1
11	Y129940-77190	· · SPRING, BRUSH	1
12	Y129940-77200	· · BRUSH (-)	2
13	Y129940-77210	· SWITCH ASSY, MAGNETIC	1
14	Y129940-77220	· HOUSING, GEARS	1
15	Y129940-77230	· RETAINER, BEARING	1
16	Y129940-77240	· SHIFT LEVER SET	1
17	Y129940-77250	· COVER ASSY, DUST	1
18	Y129940-77260	· THROUGH BOLT	2
19	Y129940-77270	· BOLT M6X 20	4
20	Y129940-77280	· SCREW M4X 10	2
21	Y123900-77510	· PINION ASSY	1
22	Y123900-77520	· · CLUTCH ASSY	1
23	YX2240610100	· · · BALL BEARING (3	2
24	Y123900-77540	· · SHAFT, PINION	1
25	Y119131-77550	· · STOPPER KIT, PINION	1
29	Y121254-77810	· TERMINAL COVER	1
30	Y114371-79070	· BOLT M 6X 37	2
31	Y26116-120302	BOLT M12X 30 PLATED	2

Engine for TL240 4TNV98T-ZNTBL GENERATOR

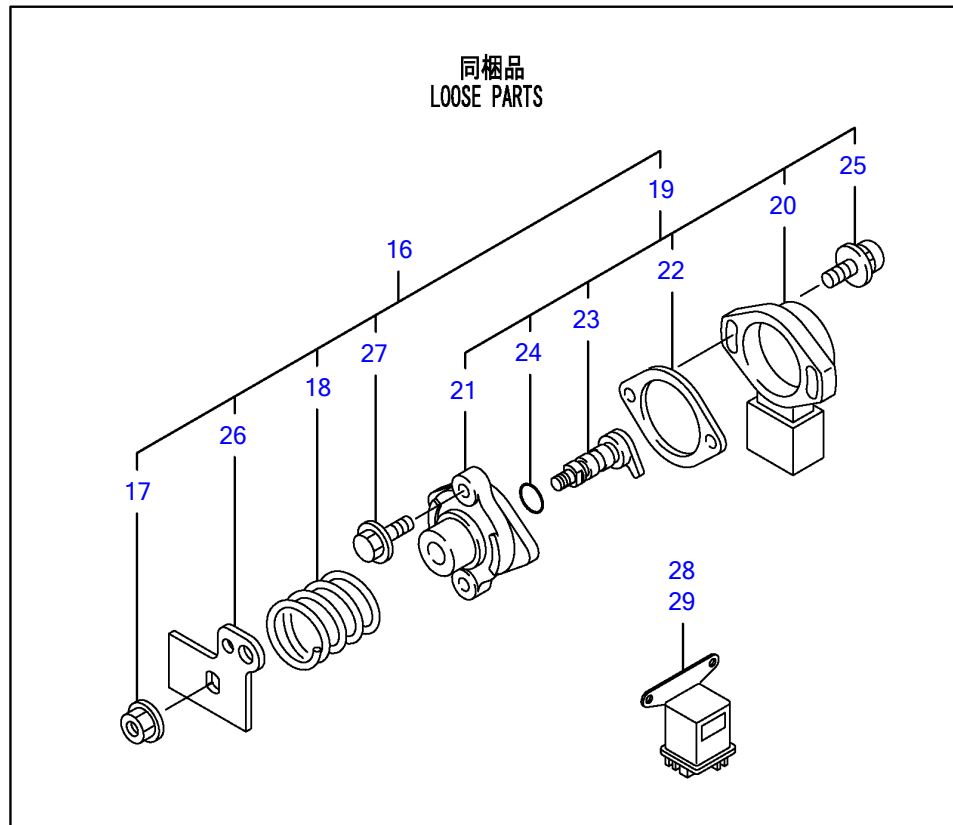
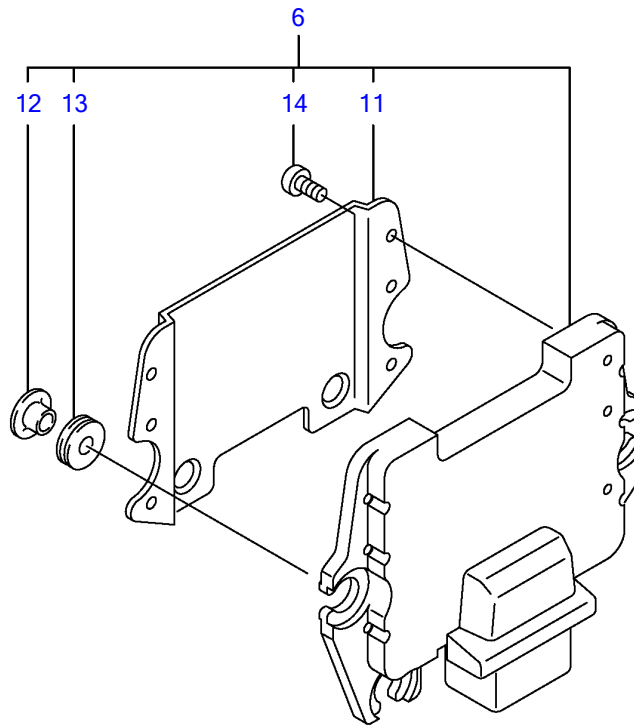


Y00D9990	18, ジェネレータ			
4TNV98T-ZNTBL		1, 08/01	2	3 PLUS

**Engine for TL240 4TNV98T-ZNTBL
GENERATOR**

Item	Part No	Description	Qty
1	Y129795-01900	STUD	1
2	Y129240-77200	ALTERNATOR	1
3	Y119620-77380	· ROTOR ASSY	1
4	Y123501-79240	· · BEARING, BALL	1
5	Y119620-79250	· · COVER, BEARING	1
6	Y119620-77421	· FLAME ASSY, DRIVE	1
7	Y119620-79200	· · BALL BEARING	1
8	Y119620-79210	· · PLATE	1
9	Y119620-79220	· · SCREW	4
10	Y119620-79230	· · BOLT, STUD	2
11	Y119620-77440	· FLAME ASSY, REAR	1
12	Y119620-77461	· PULLEY	1
13	Y119620-77471	· NUT	1
14	Y119620-77490	· COLLAR	1
15	Y129240-77710	· REGULATOR ASSY	1
16	Y119620-79260	· HOLDER	1
17	Y129052-79270	· HOLDER, BRUSH	1
18	Y119620-79290	· SCREW	6
19	Y119620-79300	· SCREW	1
20	Y129240-79300	· COVER	1
21	Y119620-79310	· BOLT	3
22	Y129240-79310	· NUT	1
23	Y119620-79320	· SCREW W/WASHER	2
24	Y119620-79330	· BOLT	2
25	Y119620-79340	· INSULATION BUSH	1
26	Y119620-79350	· NUT	2
27	Y119620-79360	· THRUST WASHER	1
28	Y26306-100002	NUT	1
29	Y129906-77300	ADJUSTER, BELT	1
30	Y121236-77340	SPACER	1
31	Y119624-77351	BROCK,GENERATOR CMP	1
33	Y26106-081004	· BOLT 8*100	1
34	Y26306-080002	· NUT	1
35	Y26014-080252	BOLT M 8X 25	1
36	Y26106-080552	BOLT M 8X 55 PLATED	1

Engine for TL240 4TNV98T-ZNTBL
ELECTRIC PARTS

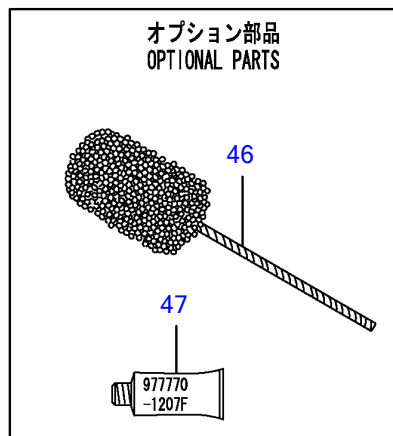
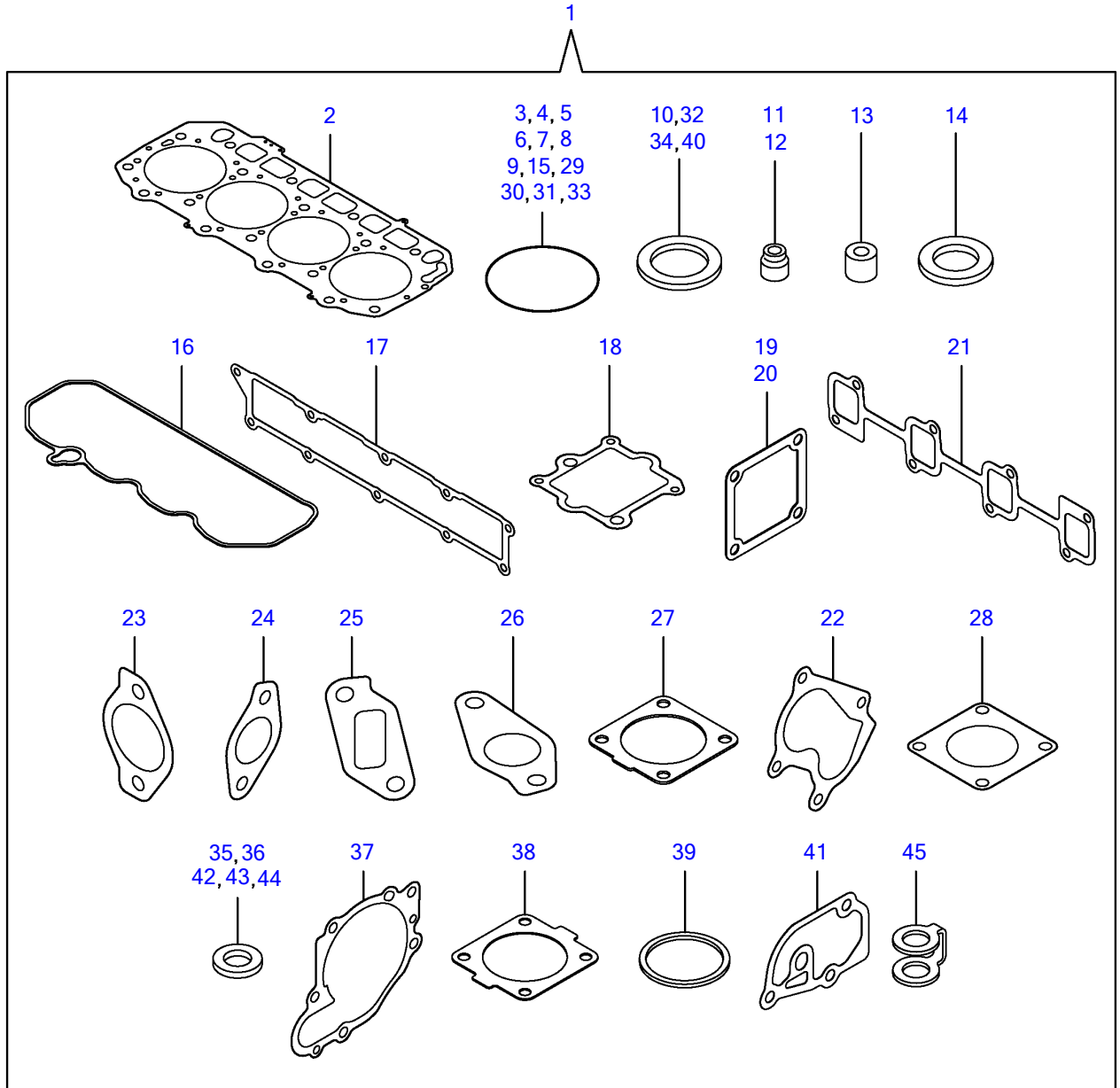


Y00D9990	19, デンソウセン			
4TNV98T-ZNTBL		1, 08/01	2	3 PLUS

**Engine for TL240 4TNV98T-ZNTBL
ELECTRIC PARTS**

Item	Part No	Description	Qty
6	Y129949-75040	CONTROLLER CMP	1
11	Y129927-77600	· SHIELD,ECU	1
12	Y129927-77680	· COLLAR, CONTROLLER	3
13	Y119578-91351	· RUBBER, CUSHION	3
14	Y22877-500080	· SCREW, 5.0 X 8	6
16	Y129938-77800	ACCEL SENSOR ASSY	1
17	Y194990-22130	· NUT W/WASHER 6	1
18	Y119060-61990	· SPRING, RETURN	1
19	Y129054-77800	· SENSOR COMP.,ACCEL	1
20	Y185100-50070	· · BODY	1
21	Y129054-77811	· · SUPPORT	1
22	Y129054-77820	· · GASKET, SUPPORT	1
23	Y129054-77830	· · SHAFT ASY	1
24	Y24311-000070	· · O-RING 1A P-7.0	1
25	Y26023-040202	· · SCREW M 4X 20	2
26	Y129938-77810	· ACCEL SENSOR LEVER	1
27	Y26106-060122	· BOLT M 6X 12 PLATED	2
28	Y119646-77900	RELAY, POWER	1
29	Y119646-77900	RELAY, POWER	1

Engine for TL240 4TNV98T-ZNTBL
GASKET SET



Y00D9990	20, パッキンセット			
4TNV98T-ZNTBL		1, 08/01	2	3 PLUS

**Engine for TL240 4TNV98T-ZNTBL
GASKET SET**

Item	Part No	Description	Qty
1	Y729928-92650	GASKET SET(NON-ASB.)	1
2	Y129907-01331	· GASKET,CYLINDER HEAD	1
3	Y129900-32030	· O-RING P20	2
4	Y129900-32040	· O-RING P14	1
5	Y24311-000070	· O-RING 1A P-7.0	1
6	Y24351-030750	· PACKING, 3075	1
7	Y24311-000300	· O-RING 1A P-30.0	1
8	Y24311-000320	· O-RING 1A P-32.0	4
9	Y24321-000850	· O-RING 1A G-85.0	1
10	Y22190-220002	· SEAL WASHER 22S	1
11	Y119803-11340	· SEAL, VALVE STEM(EXH	8
12	Y124160-11340	· SEAL, VALVE STEM(INT	8
13	Y119802-11870	· PROTECTOR, NOZZLE	4
14	Y119625-11880	· SEAT, NOZZLE	4
15	Y24311-000120	· O-RING 1A P 12.0	8
16	Y129933-11310	· GASKET, BONNET	1
17	Y129907-12110	· PACKING(INT.MANIFOLD	1
18	Y129928-13720	· GASKET(EGR-V SPACER	1
19	Y119129-77020	· GASKET	1
20	Y121850-77021	· GASKET, (NON-ASB.)	1
21	Y129900-13251	· GASKET	1
22	Y123901-18080	· PK(T/C OUT	1
23	Y129928-13410	· GASKET, EGR COOLER	2
24	Y129927-13810	· GASKET, EGR PIPE	1
25	Y129927-13910	· GASKET(EGR-V IN	1
26	Y129927-13920	· GASKET(EGR-V OUT	1
27	Y129930-13201	· GASKET, SILENCER	1
28	Y129472-18090	· GASKET	1
29	Y24341-000530	· O-RING 1A S-53.0	1
30	Y24321-000600	· O-RING 1A G-60.0	1
31	Y24311-240100	· O-RING 1A P-10A	1
32	Y22190-300002	· SEAL WASHER 30S	1
33	Y24321-000700	· O-RING 1A G70.0,NBR	1
34	Y22190-080002	· SEAL WASHER 8S	11
35	Y23414-100000	· GASKET 10, ROUND	2
36	Y129908-39690	· GASKET,LO-T RETURN	1
37	Y129900-42020	· GASKET, CW-P	1
38	Y121850-49540	· GASKET, THERMOSTAT	1
39	Y121850-49550	· GASKET, THERMOSTAT	1
40	Y22190-120002	· SEAL WASHER 12	1
41	Y129900-49870	· GASKET, CASE	1
42	Y23414-080000	· GASKET 8, ROUND	1
43	Y124465-44950	· GASKET 16	1
44	Y129150-49360	· GASKET 10	1
45	Y123907-59550	· PACKING,FUEL RETURN	5
46	Y129400-92450	FLEX HONE	1
47	Y977770-1207F	GASKET.LIQUID	1