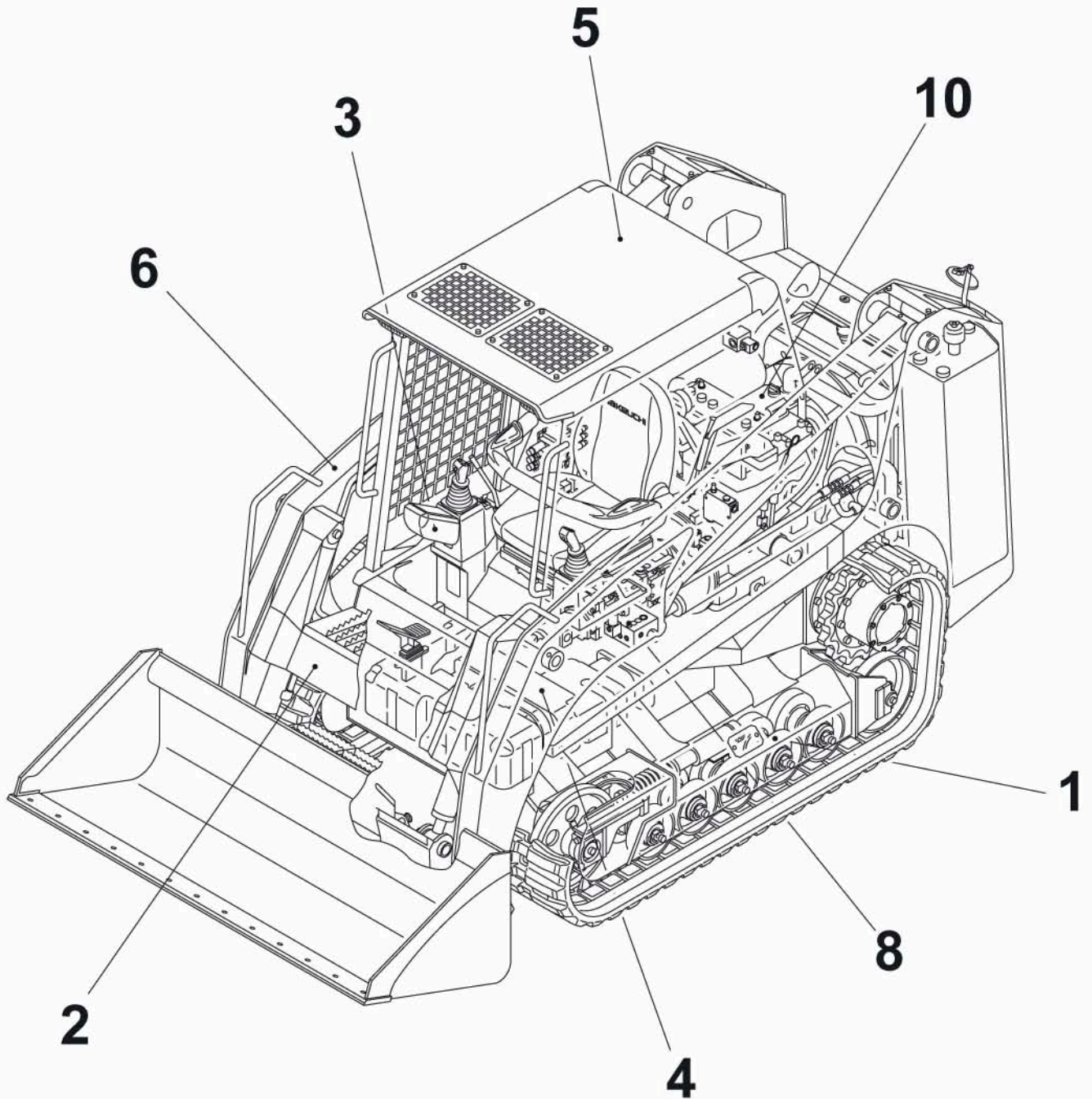


# TL150

Book No.BT7Z011-2

Serial No.21500004-

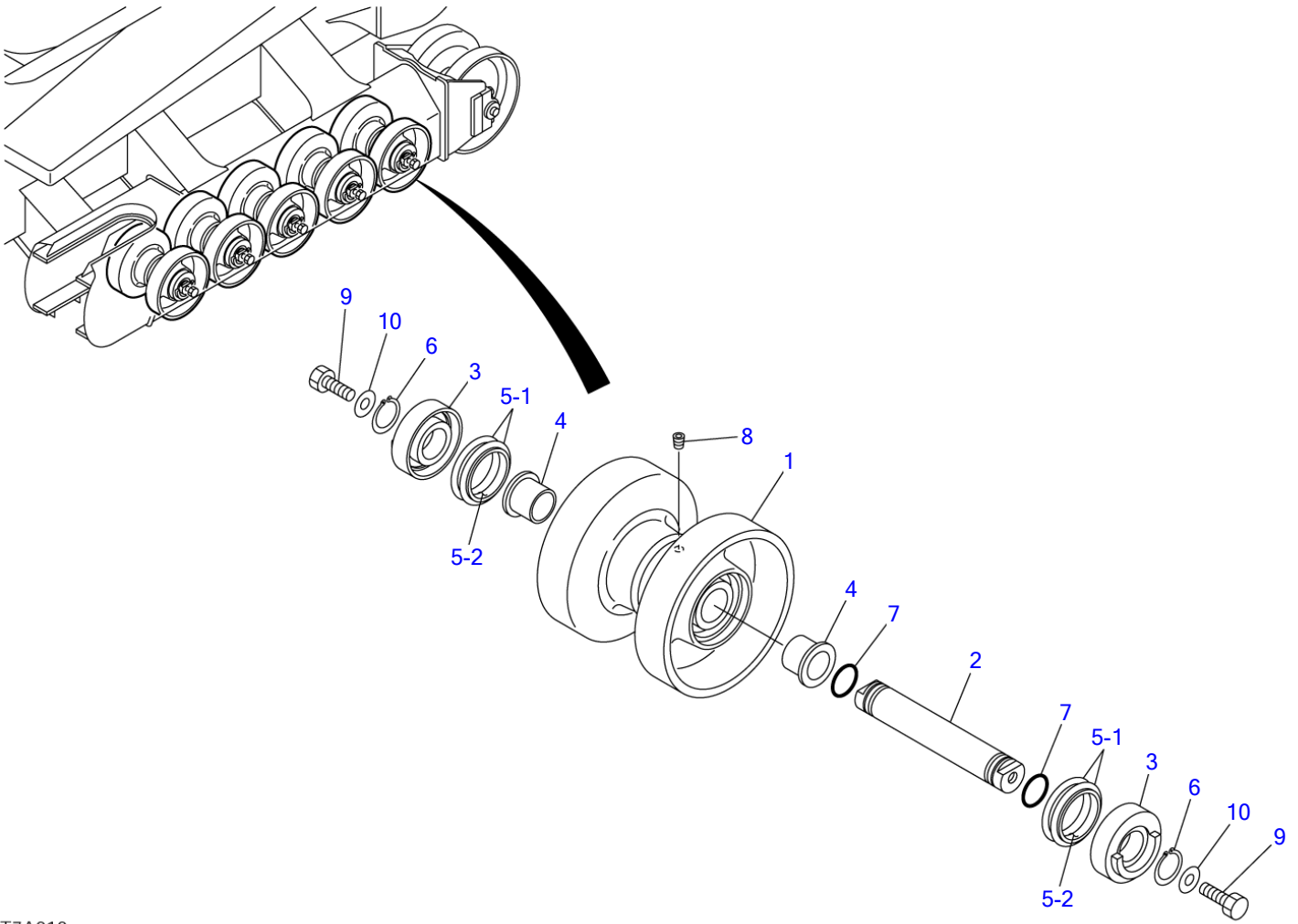


# TAKEUCHI



**INDEX**

Item	Part number	Description	Q'ty	Chan.	Serial No.	Serv.	Remarks
1		UNDERCARRIAGE					
2		MAIN FRAME & CONTROL LEVER					
3		ENGINE & ELECTRICAL SYSTEM					
4		HYDRAULIC PIPNG & TANK					
5		COVER & CAB					
6		ATTACHMENT					
7		DECAL & TOOL					
8		HYDRAULIC DEVICE					
10		ENGINE(4TNE106T-TBL)					
		ENGINE(4TNV106T-XTBL)					
		ENGINE(4TNV106T-XTBL1,for high flow)					
		2007.4.20					
99		Kits, Attachments and Quick Reference					

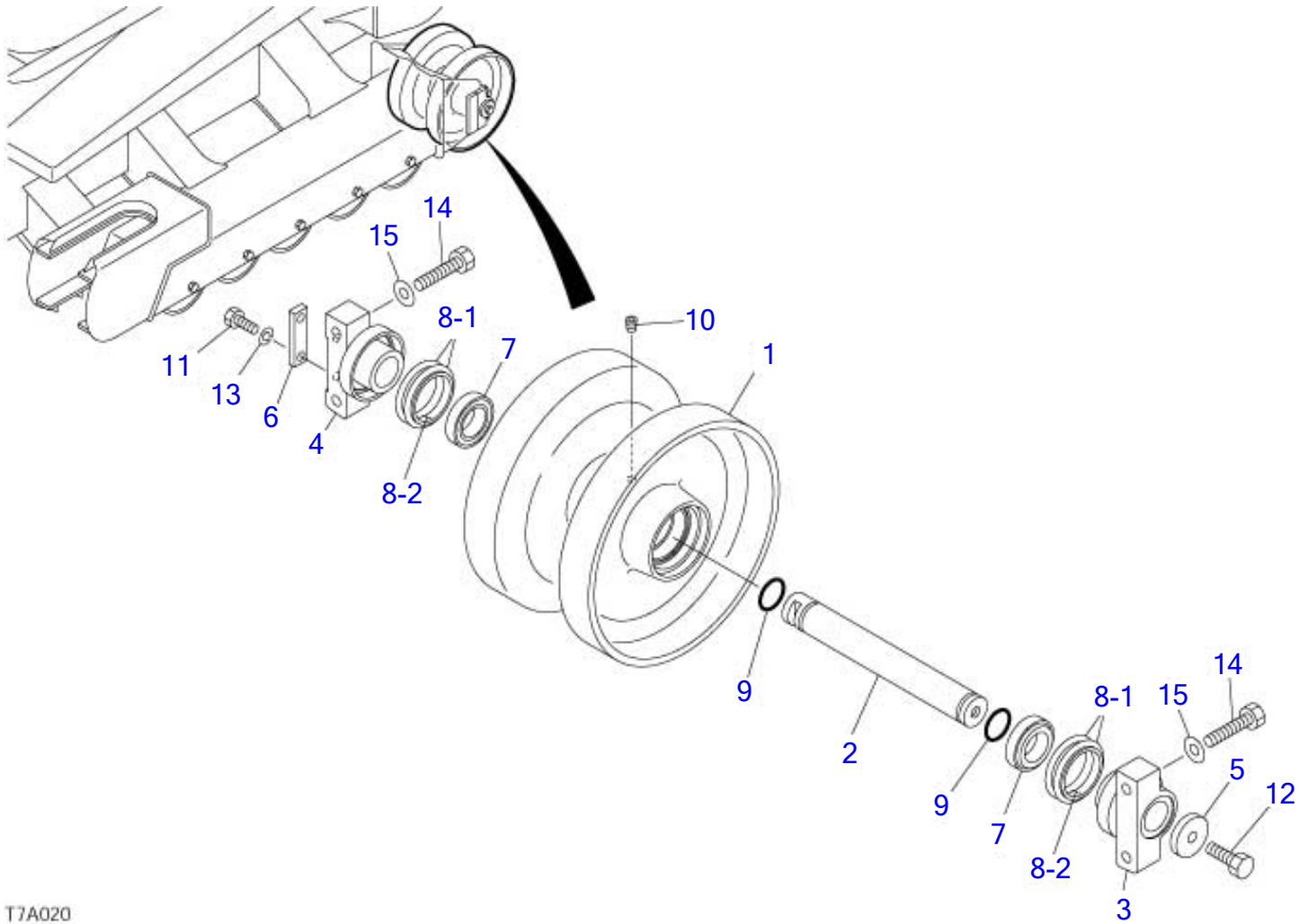


T7A010

S=1/8, 1/20

**TRACK ROLLER A**

Item	Part number	Description	Q'ty	Chan.	Serial No.	Serv.	Remarks
		ROLLER ASSY, track					X08811-30400-2
0-1	<b>0881130500</b>	ROLLER SUB ASSY, track	10				
1	<b>0881130510</b>	▪ ROLLER	1				
2	<b>0881130520</b>	▪ SHAFT	1				
3	<b>0881130530</b>	▪ COVER	2				
4	<b>1333064039</b>	▪ BUSHING	2				
5	<b>1432500640</b>	▪ SEAL, floating	2				
5-1	<b>1432500641</b>	▪ ▪ O-RING	2				
5-2	<b>1432500642</b>	▪ ▪ RING, seal	2				
6	<b>1220000040</b>	▪ RING, snap	2				
7	<b>1420100350</b>	▪ O-RING	2				
8	<b>1501810001</b>	▪ PLUG	1				
9	<b>1100041645</b>	BOLT	20				
10	<b>1141550016</b>	WASHER	20				
	<b>T7a012</b>						



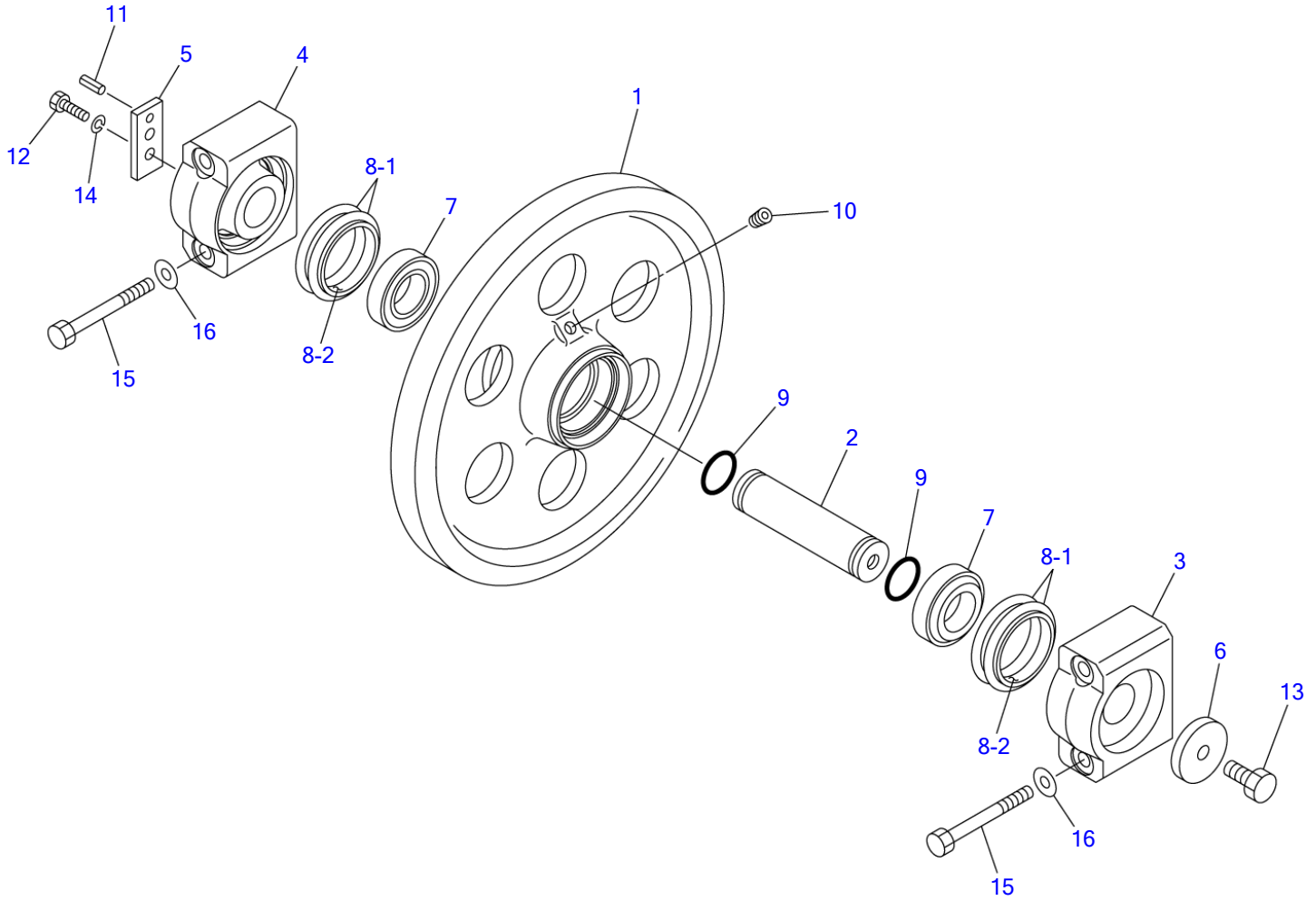
T7A020

S=1/8, 1/20

**TRACK ROLLER B**

Item	Part number	Description	Q'ty	Chan.	Serial No.	Serv.	Remarks
		ROLLER ASSY, track					X08811-31200-5
0-1	<b>0881131300</b>	ROLLER SUB ASSY, track	2				
1	<b>0881131310</b>	▪ ROLLER	1				
2	<b>0881131320</b>	▪ SHAFT	1				
3	<b>0881131330</b>	▪ COVER	1				
4	<b>0881131340</b>	▪ COVER	1				
5	<b>0881131350</b>	▪ PLATE	1				
6	<b>0881131360</b>	▪ PLATE	1				
7	<b>1305000004</b>	▪ BEARING	2				
8	<b>1432500640</b>	▪ SEAL, floating	2				
8-1	<b>1432500641</b>	▪ ▪ O-RING	2				
8-2	<b>1432500642</b>	▪ ▪ RING, seal	2				
9	<b>1420100350</b>	▪ O-RING	2				
10	<b>1501810001</b>	▪ PLUG	1				
11	<b>1100041030</b>	▪ BOLT	2				
12	<b>1106241440</b>	▪ BOLT	1				
13	<b>1140020010</b>	▪ WASHER, spring	2				
14	<b>1100041460</b>	BOLT	8				
15	<b>1141550014</b>	WASHER	8				
	<b>T7a024</b>						

TL150 Book No. BT7Z011 S/N 21500004-  
FRONT IDLER



T7A030

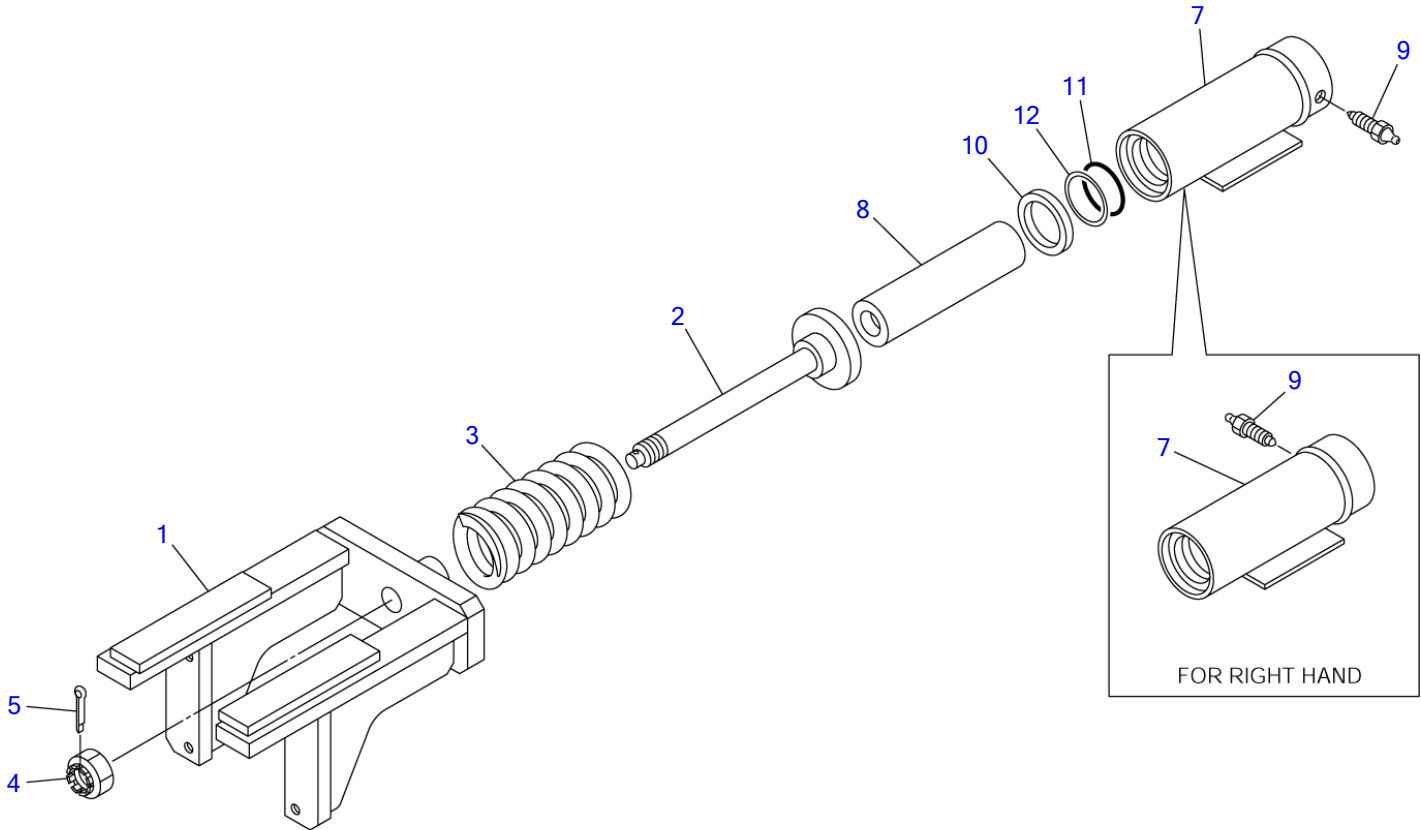
S=1/7



**FRONT IDLER**

Item	Part number	Description	Q'ty	Chan.	Serial No.	Serv.	Remarks
		IDLER ASSY, front					X08811-40200-2
0-1	<b>0881140300</b>	IDLER SUB ASSY, front	2				
1	<b>0881140310</b>	· IDLER	1				
2	<b>0881140320</b>	· SHAFT	1				
3	<b>0881140330</b>	· COVER	1				
4	<b>0881140340</b>	· COVER	1				
5	<b>0881140350</b>	· PLATE	1				
6	<b>0881140360</b>	· PLATE	1				
7	<b>1305000005</b>	· BEARING	2				
8	<b>1432500800</b>	· SEAL, floating	2				
8-1	<b>1432500801</b>	· · O-RING	2				
8-2	<b>1432500802</b>	· · RING, seal	2				
9	<b>1420100400</b>	· O-RING	2				
10	<b>1501810001</b>	· PLUG	1				
11	<b>1213001026</b>	· PIN, spring	1				
12	<b>1100041030</b>	· BOLT	2				
13	<b>1106041635</b>	· BOLT	1				
14	<b>1140020010</b>	· WASHER, spring	2				
15	<b>1101141420</b>	BOLT	8				
16	<b>1141550014</b>	WASHER	8				
	<b>T7a031</b>						

TL150 Book No. BT7Z011 S/N 21500004-  
TRACK ADJUSTER (21500004-21500273)



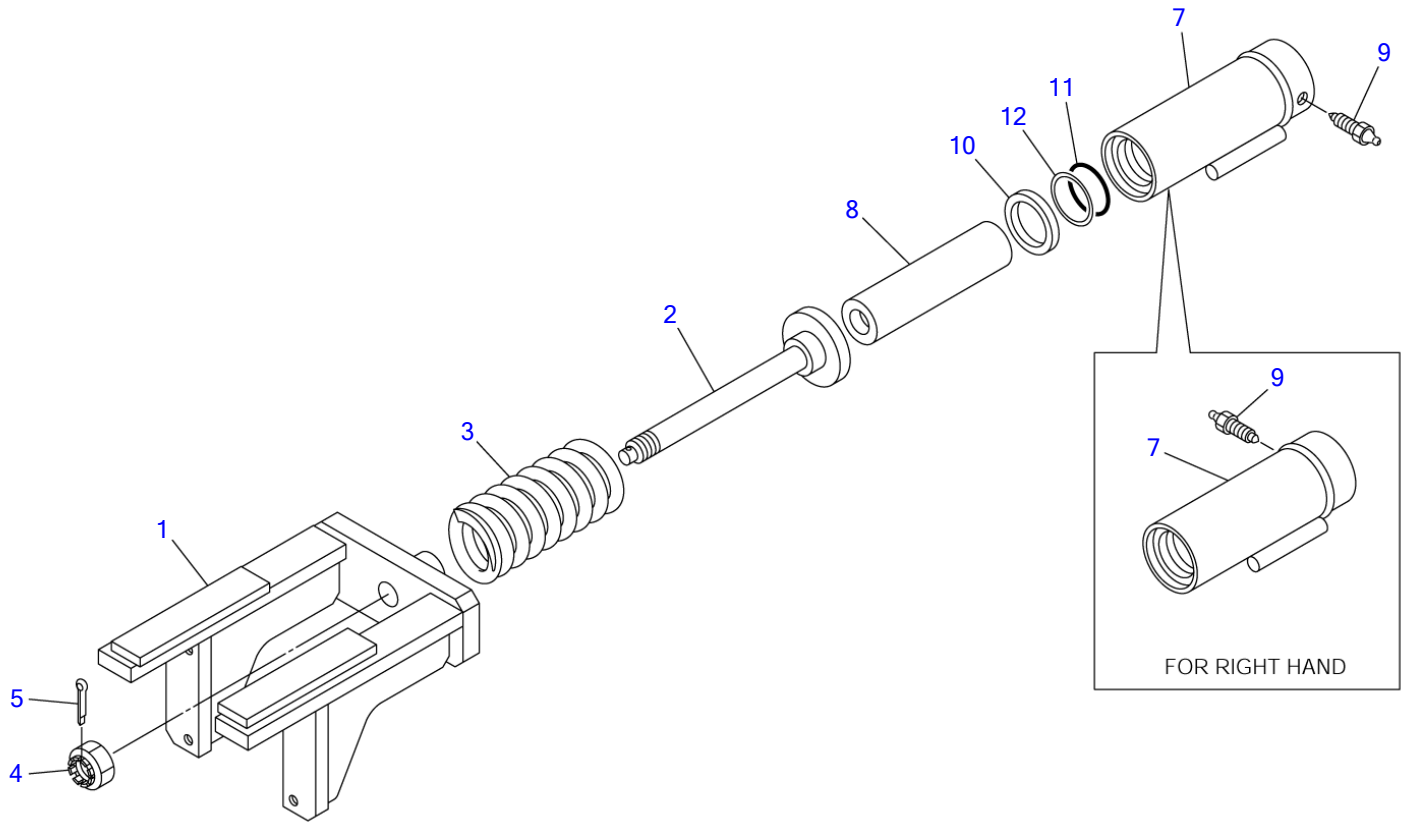
T7A040

S=1/8

**TRACK ADJUSTER (21500004-21500273)**

Item	Part number	Description	Q'ty	Chan.	Serial No.	Serv.	Remarks
	<b>0881151900</b>	SPRING ASSY (L.H.)	1				X08811-51900-1
	<b>0881151950</b>	SPRING ASSY (R.H.)	1				X08811-51950-1
1	<b>0881151600</b>	▪ YOKE	1				
2	<b>0881151200</b>	▪ ROD	1				
3	<b>0007000002</b>	▪ SPRING	1				
4	<b>1132530027</b>	▪ NUT	1				
5	<b>1210000545</b>	▪ PIN, split	1				
7	<b>0881151300</b>	▪ CYLINDER, grease (L.H.)	1				
	<b>0881151500</b>	▪ CYLINDER, grease (R.H.)	1				
8	<b>0881151400</b>	▪ PISTON	1				
9	<b>1541300501</b>	▪ VALVE ASSY, check	1				
10	<b>1400403038</b>	▪ SEAL, oil	1				
11	<b>1420010550</b>	▪ O-RING	1				
12	<b>1421020550</b>	▪ RING, back-up	1				
	<b>T7a040</b>						

TL150 Book No. BT7Z011 S/N 21500004-  
TRACK ADJUSTER (21500274-)

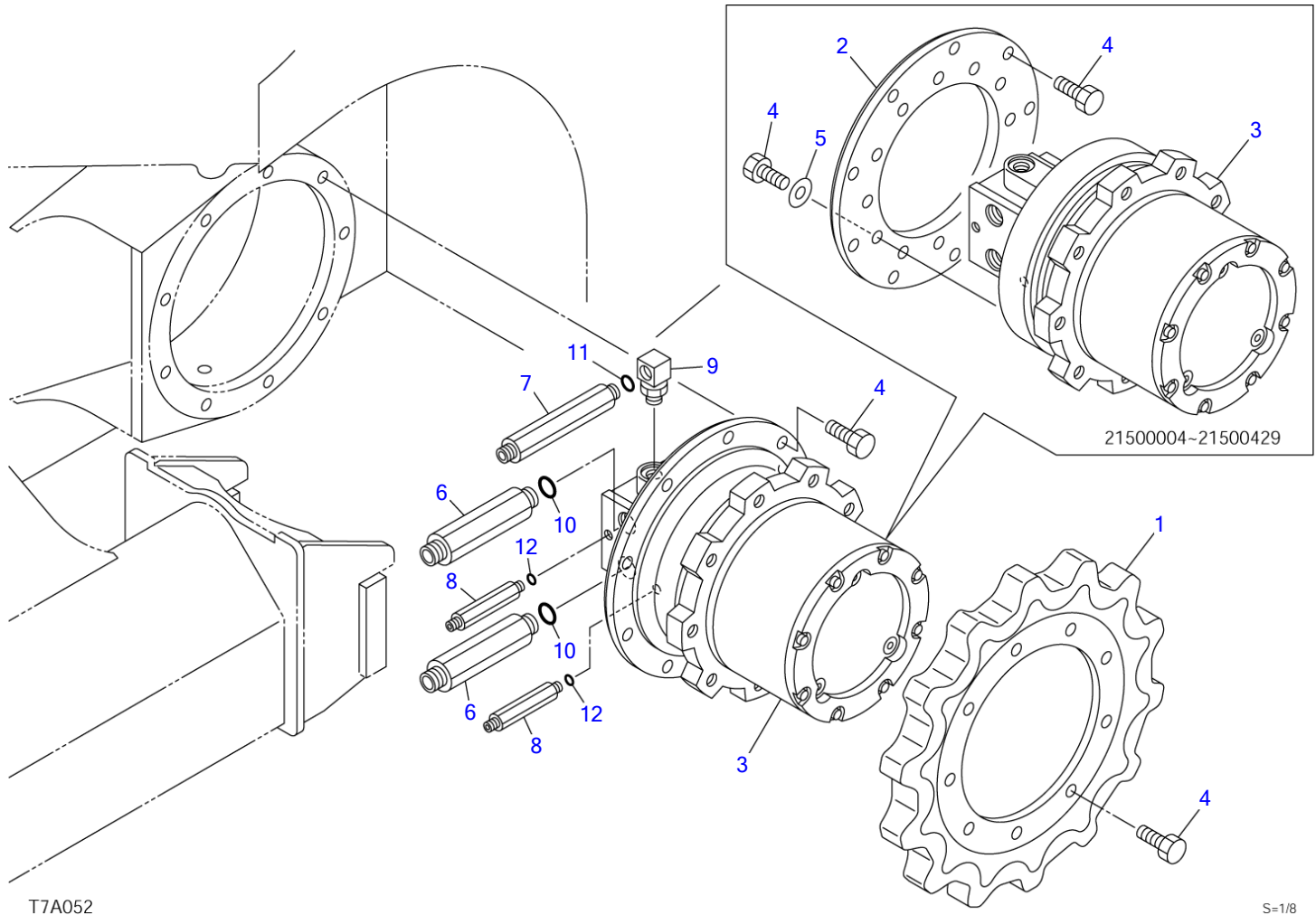


T7A042

S=1/8

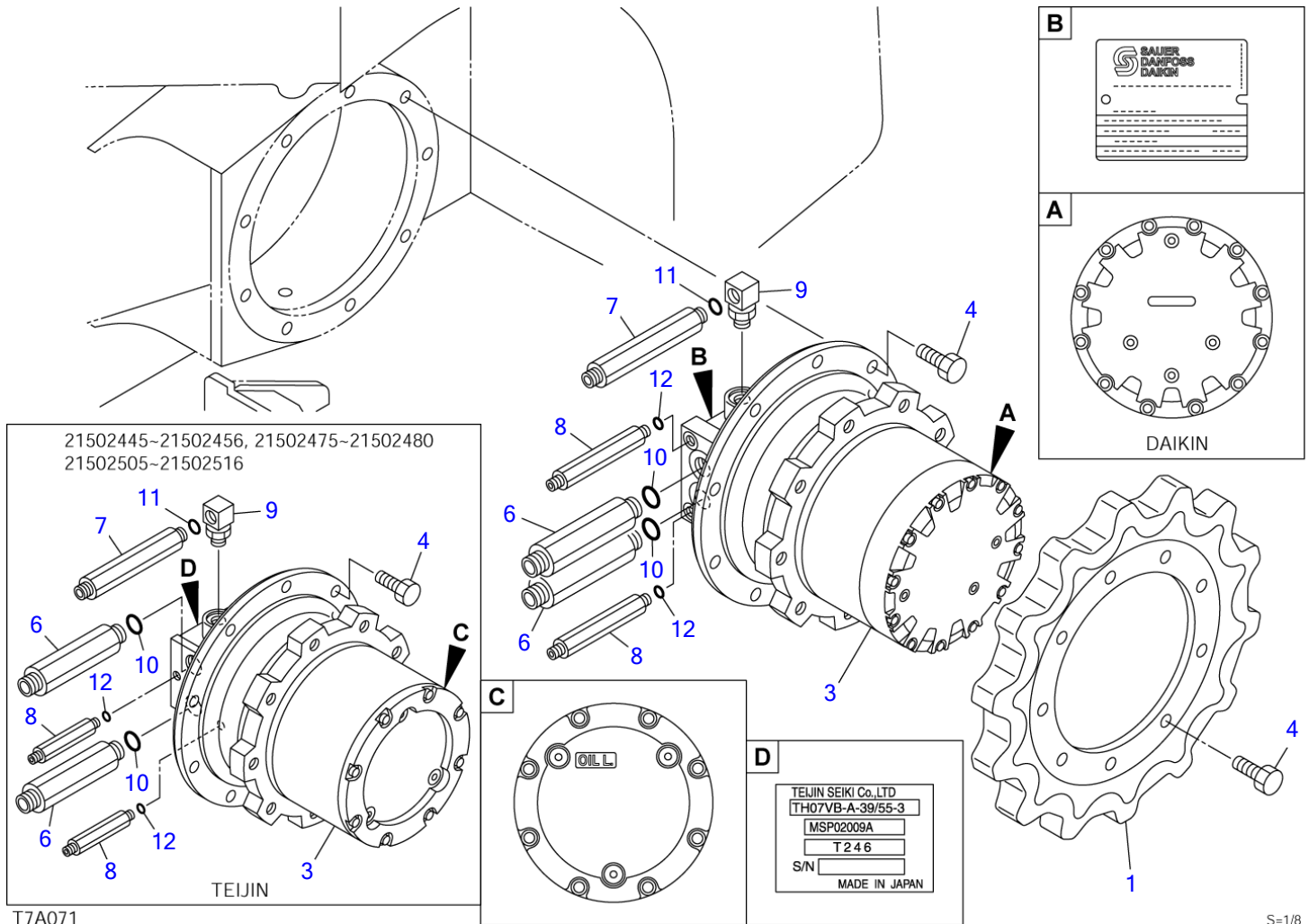
**TRACK ADJUSTER (21500274-)**

Item	Part number	Description	Q'ty	Chan.	Serial No.	Serv.	Remarks
	<b>0881152000</b>	SPRING ASSY (L.H.)	1				X08811-52000-2
	<b>0881152500</b>	SPRING ASSY (R.H.)	1				X08811-52500-2
1	<b>0881151600</b>	• YOKE	1				
2	<b>0881151200</b>	• ROD	1				
3	<b>0007000002</b>	• SPRING	1				
4	<b>1132530027</b>	• NUT	1				
5	<b>1210000545</b>	• PIN, split	1				
0-1	<b>0881152400</b>	• CYLINDER ASSY (L.H.)	1				
	<b>0881152600</b>	• CYLINDER ASSY (R.H.)	1				
7	<b>0881152100</b>	• • CYLINDER, grease (L.H.)	1				
	<b>0881152300</b>	• • CYLINDER, grease (R.H.)	1				
8	<b>0881152200</b>	• • PISTON	1				
9	<b>1541300501</b>	• • VALVE ASSY, check	1				
10	<b>1400403203</b>	• • SEAL, oil	1				
11	<b>1422010600</b>	• • O-RING	1				
12	<b>1421020600</b>	• • RING, back-up	1				
	<b>T7a042</b>						



**TRAVEL DEVICE (21500004-21501995)**

Item	Part number	Description	Q'ty	Chan.	Serial No.	Serv.	Remarks
		MOTOR ASSY, travel					X08811-61000-2
1	<b>0881160110</b>	SPROCKET	2				
2	<b>0881160120</b>	RING	2		21500004~21500429		
3	<b>1903121000</b>	MOTOR, travel	2		21500004~21500011		TEIJIN
	<b>1903122100</b>	MOTOR, travel	2		21500012~21500429		TEIJIN
	<b>1903123900</b>	MOTOR, travel	2	(H)	21500430~21500765		TEIJIN
	<b>1903124600</b>	MOTOR, travel	2	(H)	21500766~		TEIJIN
4	<b>1100041640</b>	BOLT	60		21500004~21500429		
	<b>1100041640</b>	BOLT	36		21500430~		
5	<b>1141550016</b>	WASHER	42		21500004~21500429		
6	<b>0881160030</b>	ADAPTOR	4				
7	<b>0007203068</b>	ADAPTOR	2				
8	<b>0007203069</b>	ADAPTOR	4				
9	<b>1513300016</b>	ELBOW	2				
	<b>1420010180</b>	· O-RING	1				
10	<b>1420010240</b>	O-RING	4				
11	<b>1420010180</b>	O-RING	2				
12	<b>1420010110</b>	O-RING	4				
	<b>T7a054</b>						

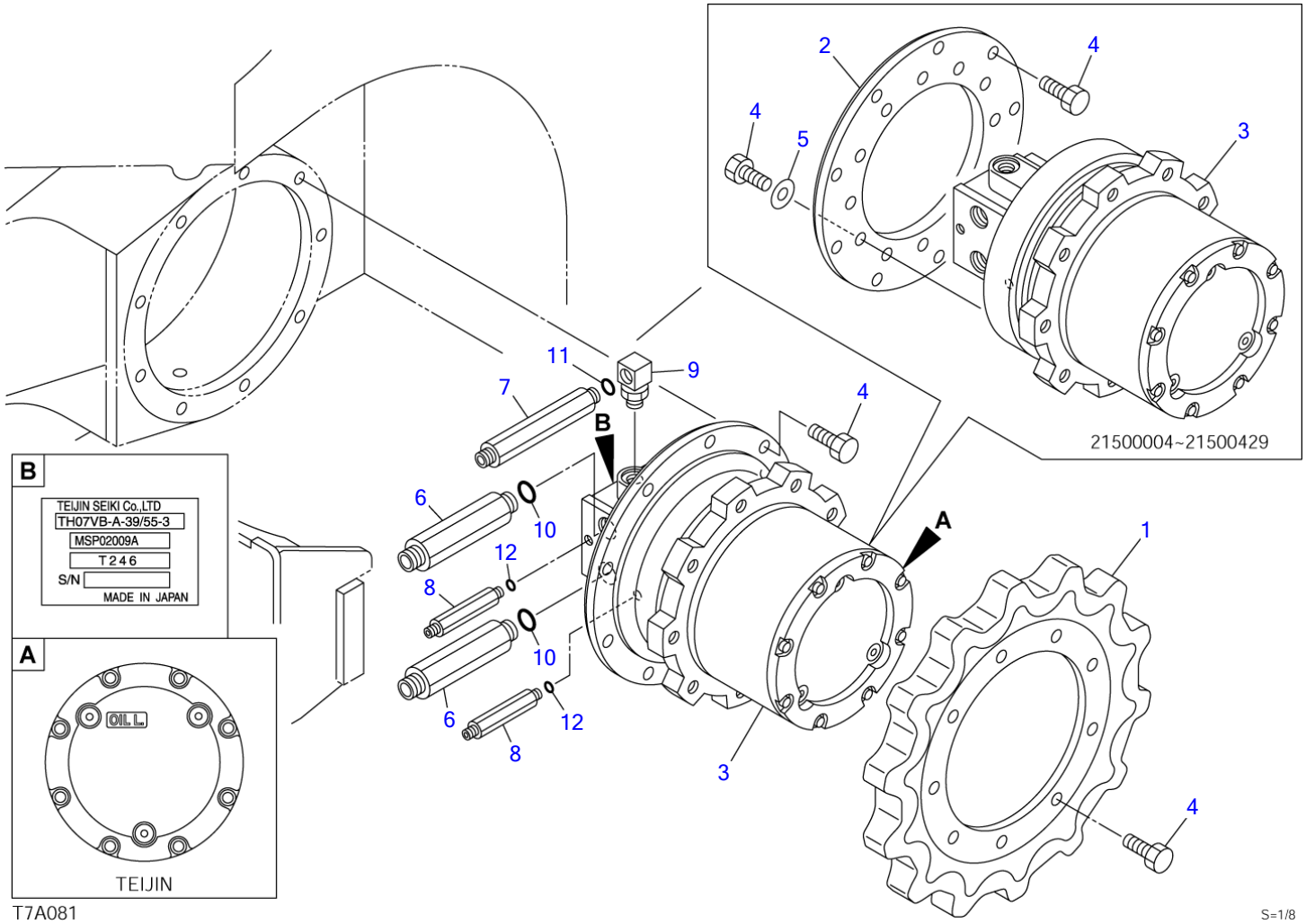




**TRAVEL DEVICE (21502001-)**

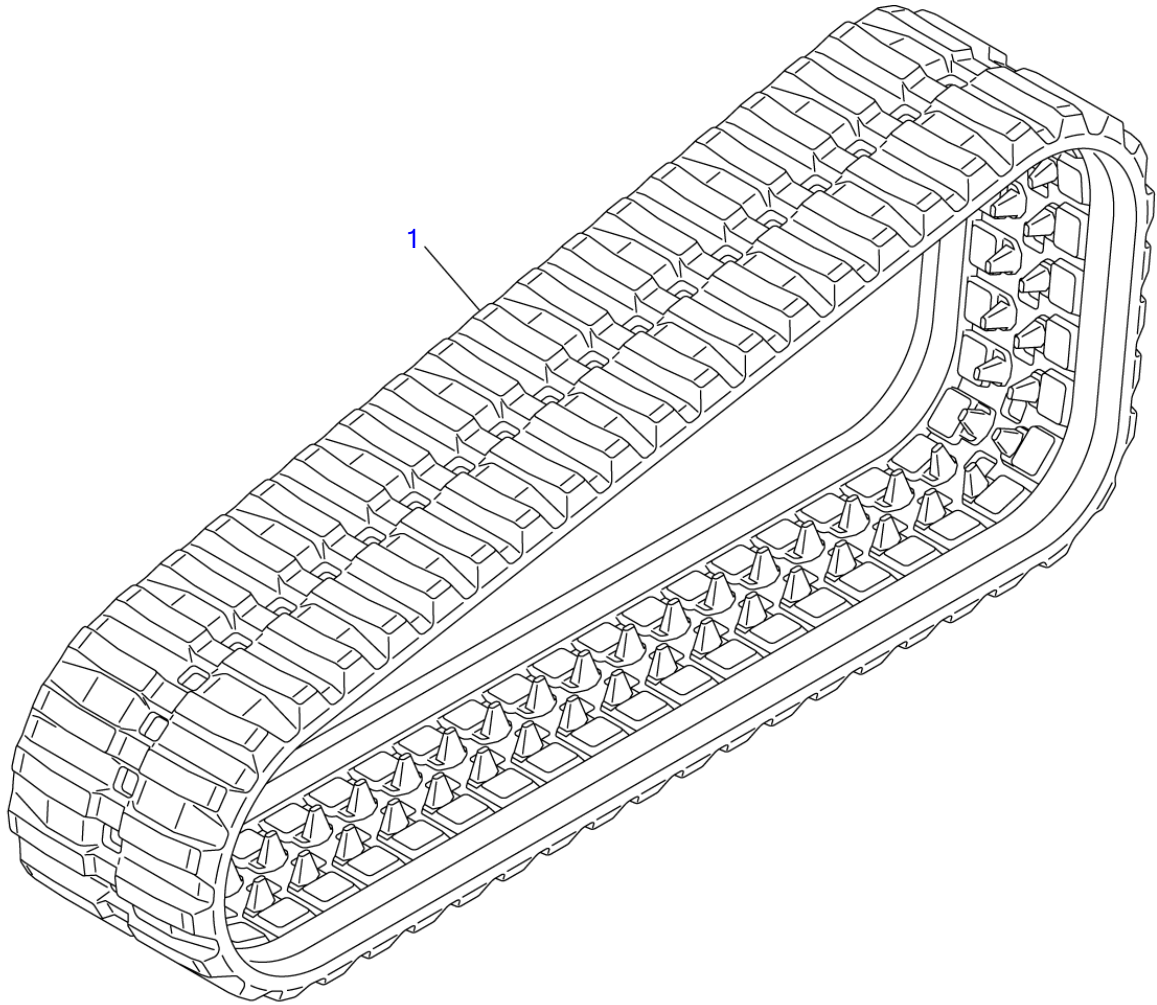
Item	Part number	Description	Q'ty	Chan.	Serial No.	Serv.	Remarks
		MOTOR ASSY, travel					X08811-61500-0
1	<b>0881160110</b>	SPROCKET	2				
3	<b>1903122200</b>	MOTOR, travel	2		21502001~21502444		DAIKIN
	<b>1903124600</b>	MOTOR, travel	2		21502445~21502456		TEIJIN
	<b>1903122200</b>	MOTOR, travel	2		21502457~21502474	M	DAIKIN
	<b>1903124600</b>	MOTOR, travel	2		21502475~21502480		TEIJIN
	<b>1903122200</b>	MOTOR, travel	2		21502481~21502504	M	DAIKIN
	<b>1903124600</b>	MOTOR, travel	2		21502505~21502516		TEIJIN
	<b>1903122200</b>	MOTOR, travel	2		21502517~	M	DAIKIN
	<b>1903128200</b>	MOTOR, TRAVEL	2				
4	<b>1100041635</b>	BOLT	36				DAIKIN
	<b>1100041640</b>	BOLT	36				TEIJIN
6	<b>0881160030</b>	ADAPTOR	4				
7	<b>0007203081</b>	ADAPTOR	2				DAIKIN
	<b>0007203068</b>	ADAPTOR	2				TEIJIN
8	<b>0007203069</b>	ADAPTOR	4				
9	<b>1513300020</b>	ELBOW	2				DAIKIN
	<b>1513300016</b>	ELBOW	2				TEIJIN
	<b>1420010240</b>	· O-RING	1				DAIKIN
	<b>1420010180</b>	· O-RING	1				TEIJIN
10	<b>1420010240</b>	O-RING	4				
11	<b>1420010180</b>	O-RING	2				
12	<b>1420010110</b>	O-RING	4				
	<b>T7a073-1</b>						

TL150 Book No. BT7Z011 S/N 21500004-  
 TRAVEL DEVICE (for GEHL & MUSTANG; 21501852-)



**TRAVEL DEVICE (for GEHL & MUSTANG; 21501852-)**

Item	Part number	Description	Q'ty	Chan.	Serial No.	Serv.	Remarks
		MOTOR ASSY, travel					X08811-61000-2
1	<b>0881160110</b>	SPROCKET	2				
2	<b>0881160120</b>	RING	2		21500004~21500429		
3	<b>1903121000</b>	MOTOR, travel	2		21500004~21500011		TEIJIN
	<b>1903122100</b>	MOTOR, travel	2		21500012~21500429		TEIJIN
	<b>1903123900</b>	MOTOR, travel	2	(H)	21500430~21500765		TEIJIN
	<b>1903124600</b>	MOTOR, travel	2	(H)	21500766~		TEIJIN
4	<b>1100041640</b>	BOLT	60		21500004~21500429		
	<b>1100041640</b>	BOLT	36		21500430~		
5	<b>1141550016</b>	WASHER	42		21500004~21500429		
6	<b>0881160030</b>	ADAPTOR	4				
7	<b>0007203068</b>	ADAPTOR	2				
8	<b>0007203069</b>	ADAPTOR	4				
9	<b>1513300016</b>	ELBOW	2				
	<b>1420010180</b>	· O-RING	1				
10	<b>1420010240</b>	O-RING	4				
11	<b>1420010180</b>	O-RING	2				
12	<b>1420010110</b>	O-RING	4				
	<b>T7a082</b>						

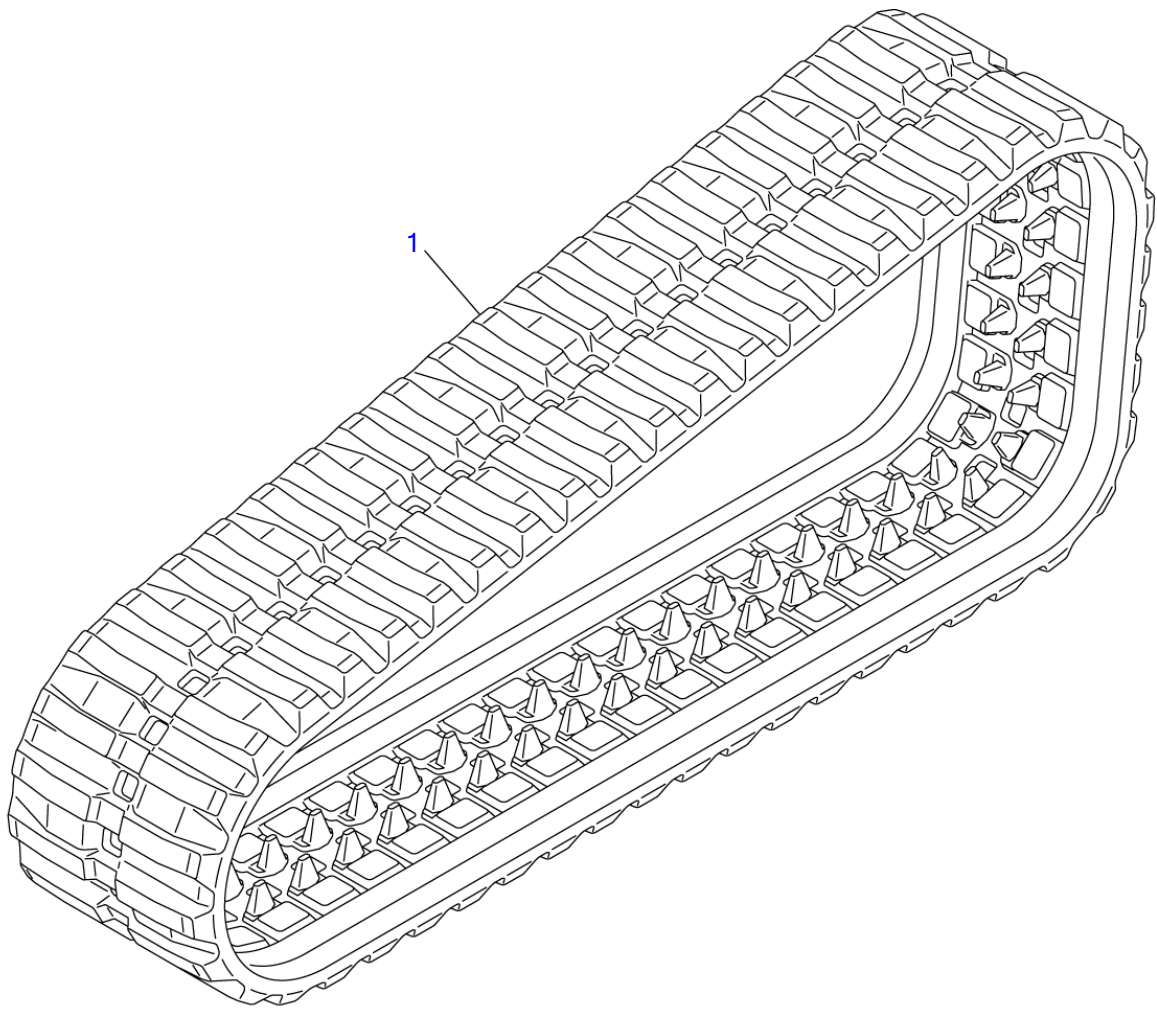


T7A060

S=1/12

**CRAWLER BELT**

Item	Part number	Description	Q'ty	Chan.	Serial No.	Serv.	Remarks
1	<b>1914099320</b> <b>T7a063</b>	BELT, rubber crawler	2				X19140-99320-0



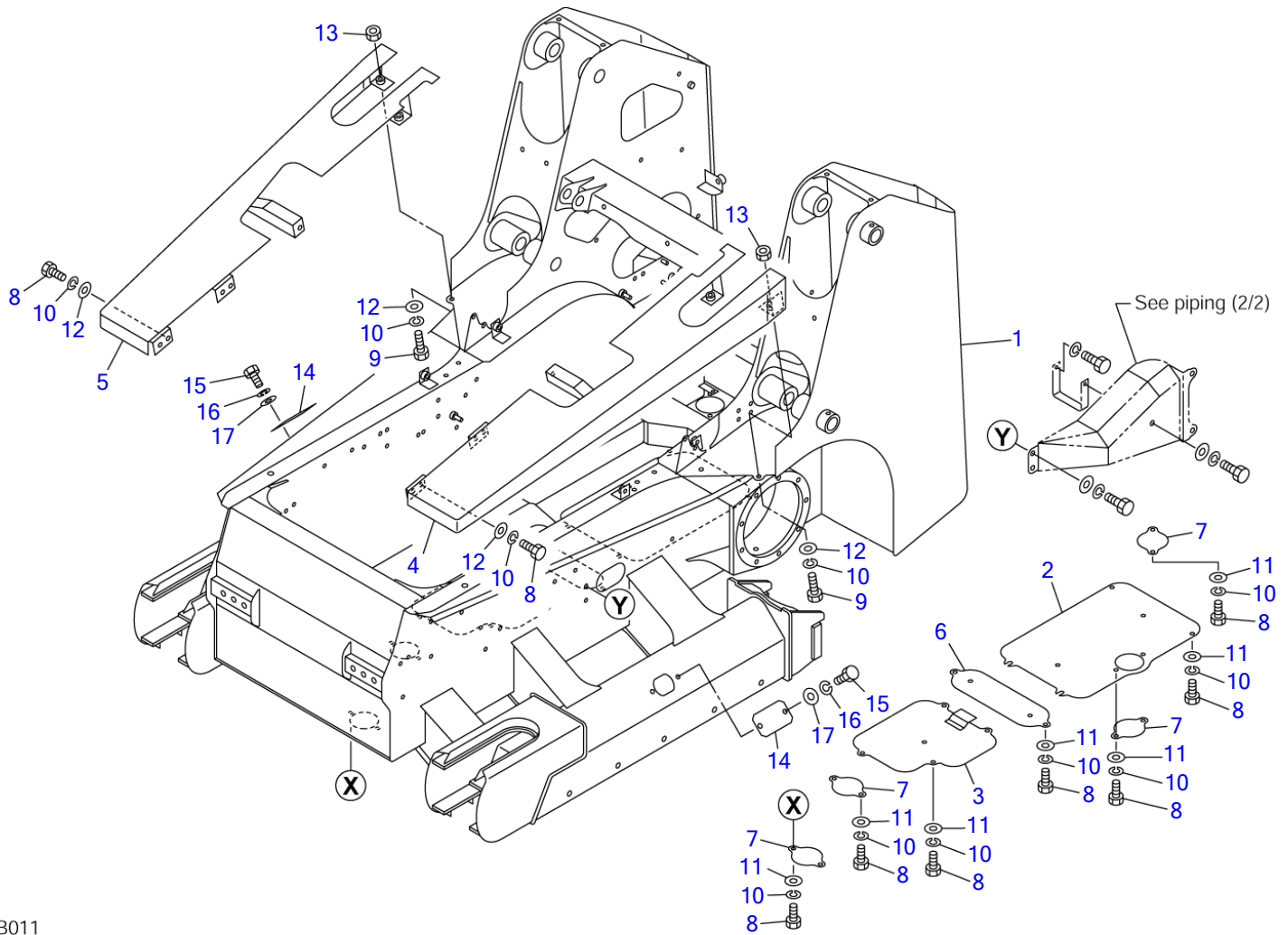
T7A060

S=1/12

**CRAWLER BELT (for GEHL & MUSTANG)**

Item	Part number	Description	Q'ty	Chan.	Serial No.	Serv.	Remarks
1	<b>1914099330</b> <b>T7a090</b>	BELT, rubber crawler	2				X19140-99330-0

TL150 Book No. BT7Z011 S/N 21500004-  
FRAME (1/2)

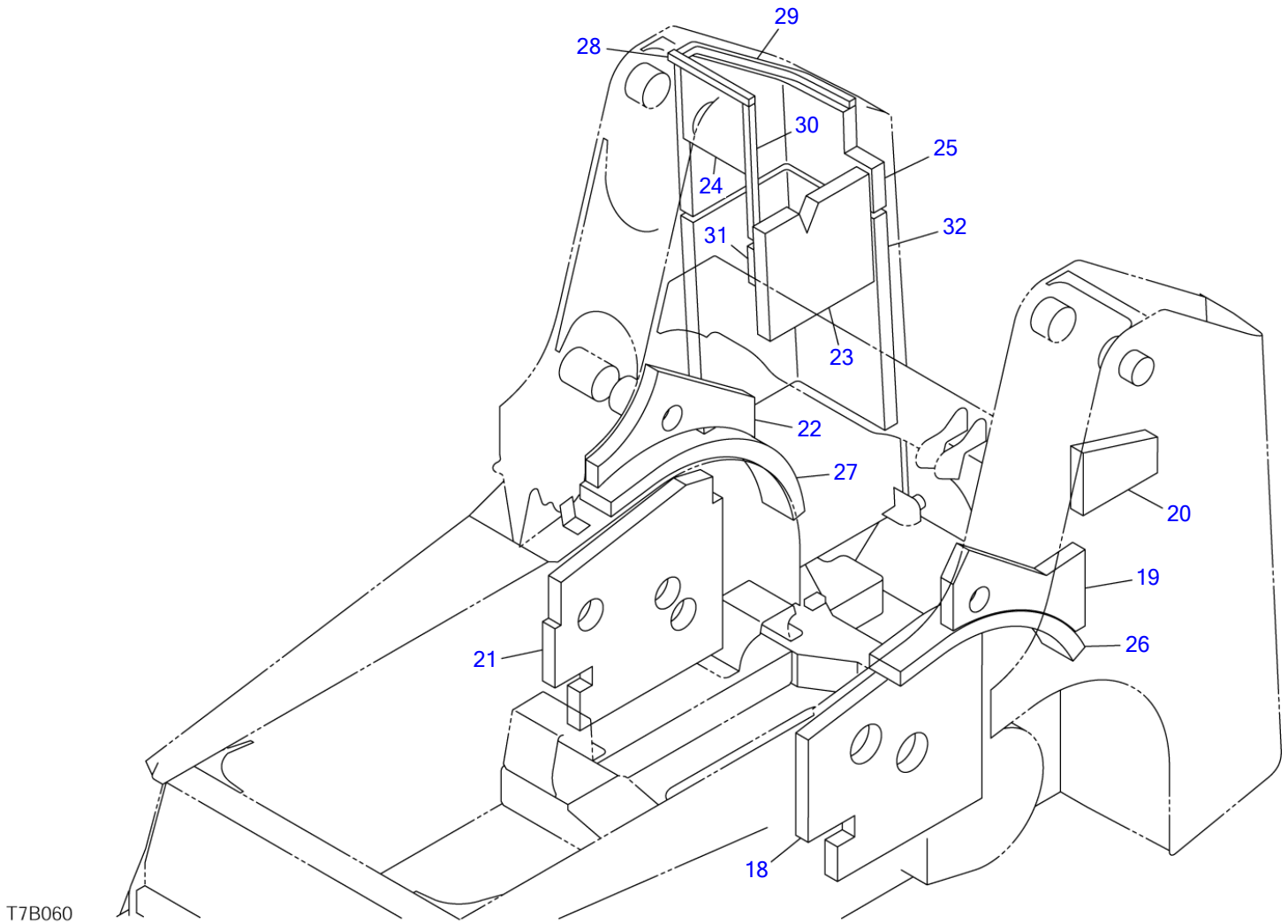


T7B011

S=1/23



FRAME (1/2)						
Item	Part number	Description	Q'ty	Chan.	Serial No.	Serv. Remarks
		FRAME ASSY				X08813-03000-2
		FRAME ASSY (for EC)				X08813-04000-2
1	X *****	FRAME	1			
2	0881302010	COVER	1			
3	0881302020	COVER	1			
4	0881303700	COVER (L.H.)	1			
5	0881303750	COVER (R.H.)	1			
6	0881302070	COVER	1			
7	0881302095	COVER	4			
8	1100041020	BOLT	28			
9	1100041035	BOLT	4			
10	1140020010	WASHER, spring	32			
11	1141110010	WASHER	20			
12	0003600025	WASHER	12			
13	1130040010	NUT	4			
14	0331018600	COVER	2		21500007~	
15	1100040816	BOLT	4		21500007~	
16	1140020008	WASHER, spring	4		21500007~	
17	1141110008	WASHER	4		21500007~	
	T7b012					

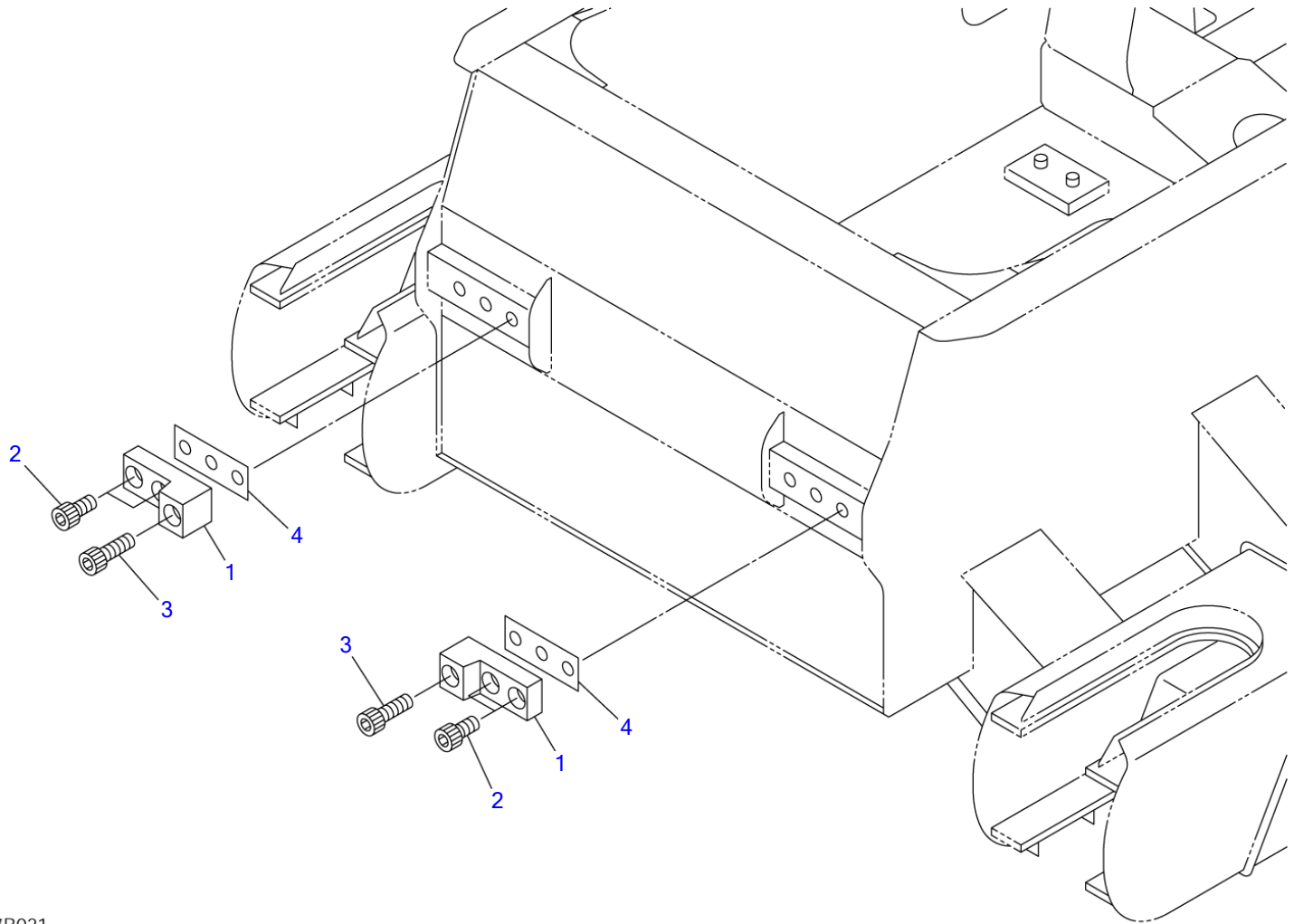


T7B060

S=1/15

**FRAME (2/2) (for EU)**

Item	Part number	Description	Q'ty	Chan.	Serial No.	Serv.	Remarks
		FRAME ASSY (for EC)					X08813-04000-2
18	<b>0881304001</b>	ABSORBENT, noise	1				
19	<b>0881304002</b>	ABSORBENT, noise	1				
20	<b>0881304003</b>	ABSORBENT, noise	1				
21	<b>0881304004</b>	ABSORBENT, noise	1				
22	<b>0881304005</b>	ABSORBENT, noise	1				
23	<b>0881304006</b>	ABSORBENT, noise	1				
24	<b>0881304007</b>	ABSORBENT, noise	1				
25	<b>0881304008</b>	ABSORBENT, noise	1				
26	<b>0881304009</b>	ABSORBENT, noise	1				
27	<b>0881304010</b>	ABSORBENT, noise	1				
28	<b>1654306026</b>	SPONGE	1				
29	<b>1654306080</b>	SPONGE	1				
30	<b>1654306037</b>	SPONGE	1				
31	<b>1654306010</b>	SPONGE	1				
32	<b>0881304011</b>	ABSORBENT, noise	1				
	<b>T7b061</b>						

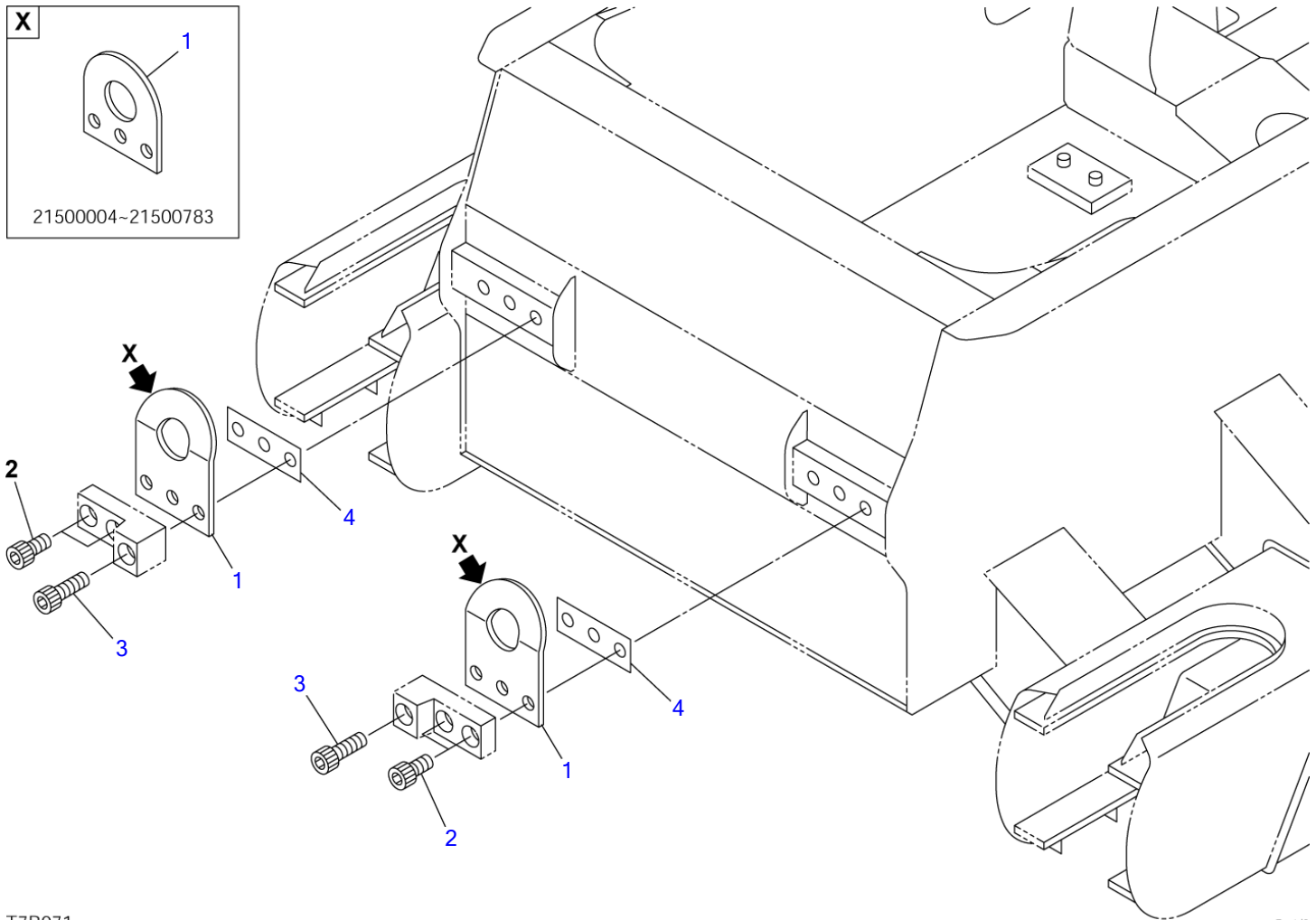
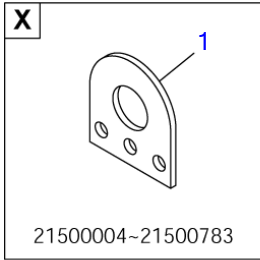


T7B021

S=1/9

**ARM STOPPER**

Item	Part number	Description	Q'ty	Chan.	Serial No.	Serv.	Remarks
		STOPPER ASSY, arm					X08816-02900-2
1	<b>0881602910</b>	STOPPER, arm	2				
2	<b>1110042035</b>	SCREW, cap	4				
3	<b>1110042060</b>	SCREW, cap	2				
4	<b>0881602950</b>	SHIM	AR				t=0.5mm
	<b>0881600950</b>	SHIM	AR				t=1.0mm
	<b>0881602960</b>	SHIM	AR				t=3.2mm
	<b>T7b021</b>						

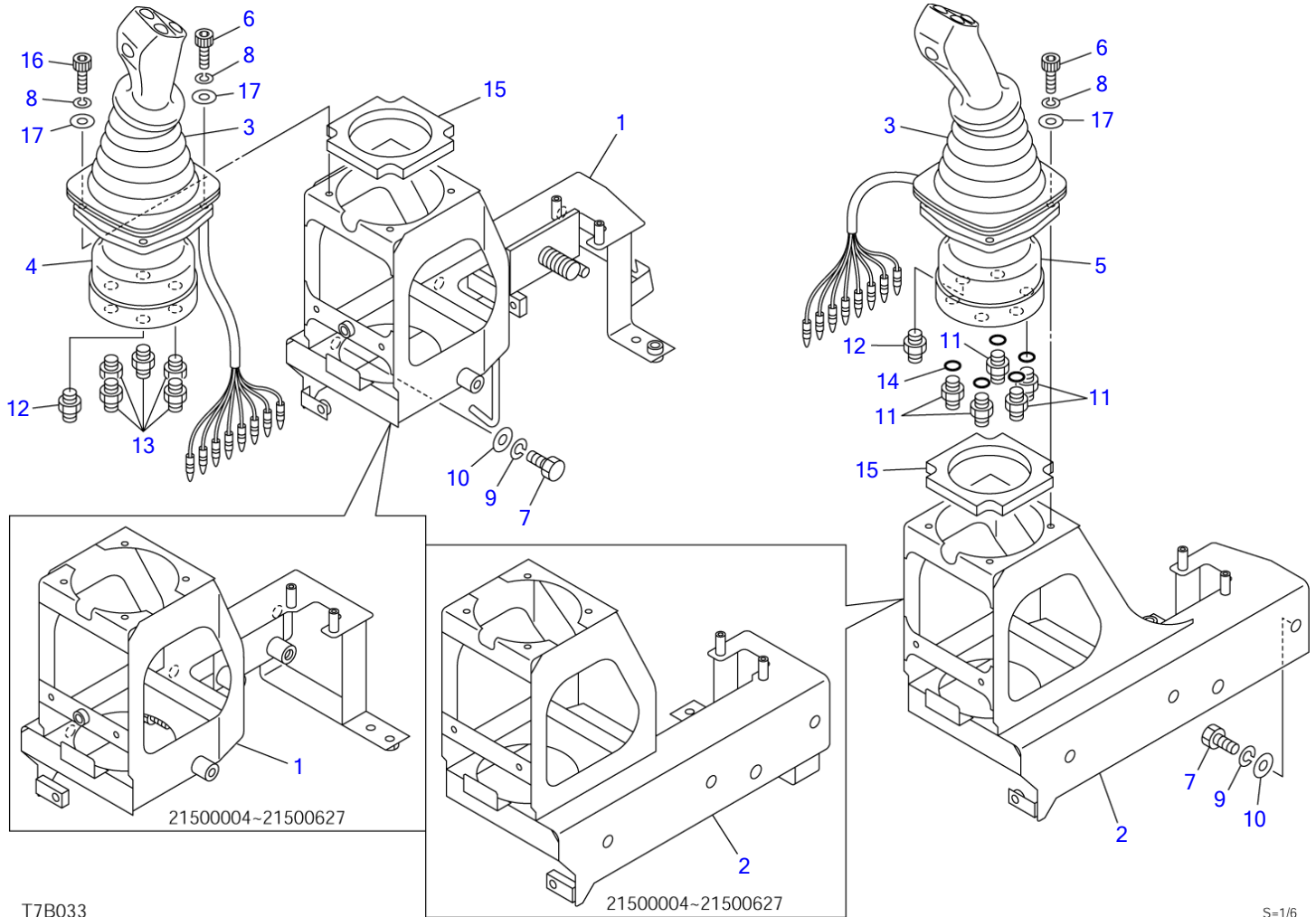


T7B071

S=1/9



TL150 Book No. BT7Z011 S/N 21500004-  
OPERATION LEVER & STAND

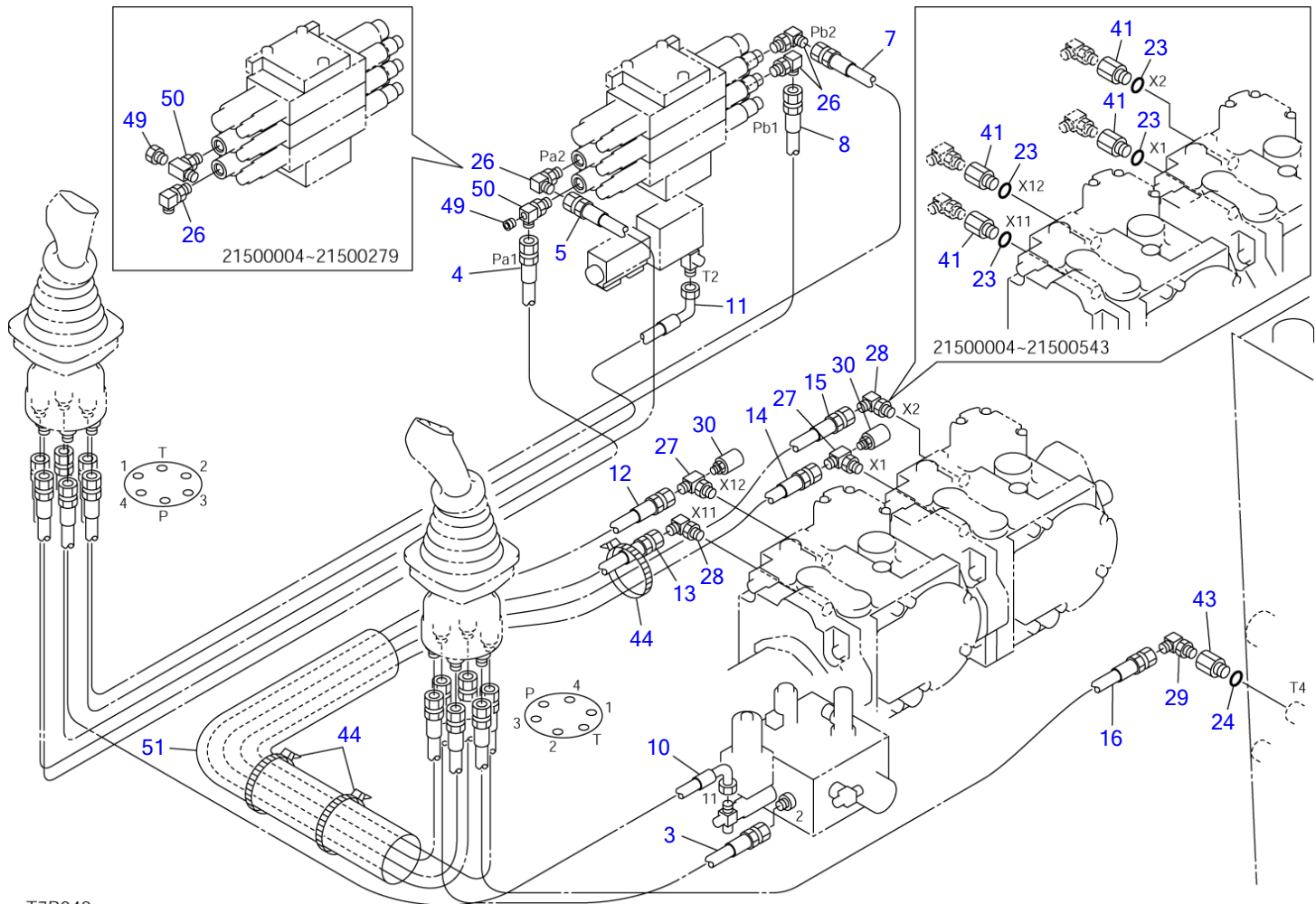




**OPERATION LEVER & STAND**

Item	Part number	Description	Q'ty	Chan.	Serial No.	Serv.	Remarks
		VALVE ASSY					X08815-12000-0
1	<b>0881510300</b>	BRACKET (R.H.)	1		21500004~21500627		
	<b>0881511600</b>	BRACKET (R.H.)	1		21500628~		
2	<b>0881510400</b>	BRACKET (L.H.)	1		21500004~21500627		
	<b>0881511700</b>	BRACKET (L.H.)	1		21500628~		
3	<b>0881510020</b>	BOOT	2				
4	<b>1901734000</b>	VALVE, pilot (R.H.)	1		21500004~21503485		
	<b>1901749500</b>	VALVE, pilot (R.H.)	1	(H)	21503486~		aluminum
5	<b>1901734100</b>	VALVE, pilot (L.H.)	1		21500004~21500178		
	<b>1901738600</b>	VALVE, pilot (L.H.)	1	(H)	21500179~21500261		
	<b>1901734100</b>	VALVE, pilot (L.H.)	1	(H)	21500262~21503485		
	<b>1901749600</b>	VALVE, pilot (L.H.)	1	(H)	21503486~		aluminum
6	<b>1110040620</b>	SCREW, cap	6				
7	<b>1100041020</b>	BOLT	6				
8	<b>1140020006</b>	WASHER, spring	8				
9	<b>1140020010</b>	WASHER, spring	6				
10	<b>0003600020</b>	WASHER	6				
11	<b>1515600571</b>	ADAPTOR	5				
	<b>1420010110</b>	• O-RING	1				
12	<b>1512370008</b>	ADAPTOR (with filter)	2				
	<b>1420010110</b>	• O-RING	1				
13	<b>1515600200</b>	ADAPTOR	5				
	<b>1420010110</b>	• O-RING	1				
14	<b>1420010110</b>	O-RING	5				
15	<b>0881511150</b>	SPONGE	2				
16	<b>1110040625</b>	SCREW, cap	2				
17	<b>1141110006</b>	WASHER	8				
	<b>T7b034</b>						

TL150 Book No. BT7Z011 S/N 21500004-  
 PIPING; OPERATION LEVER (1/2) (21500004-21502000)



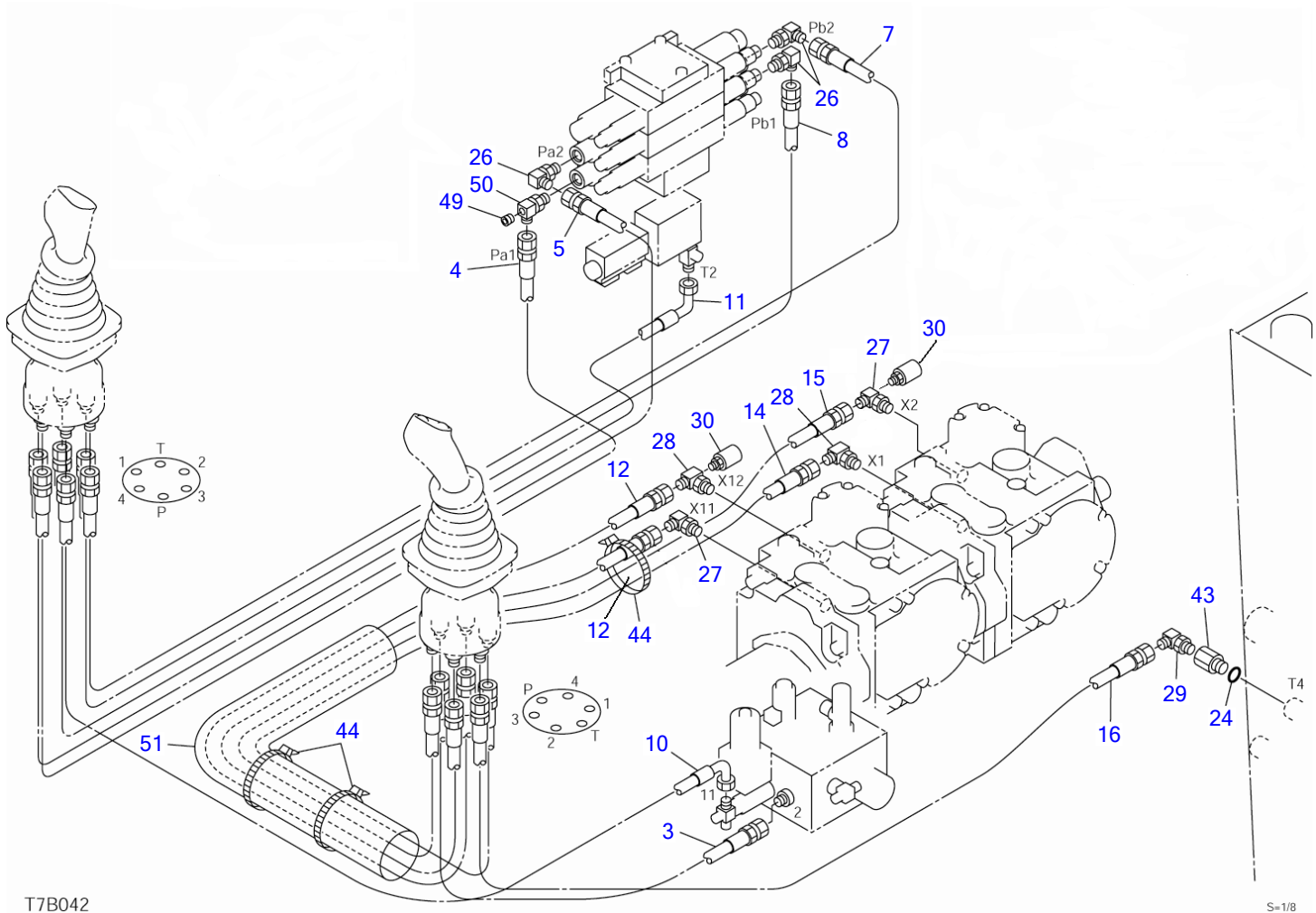
T7B042

S=1/8

PIPING; OPERATION LEVER (1/2) (21500004-21502000)

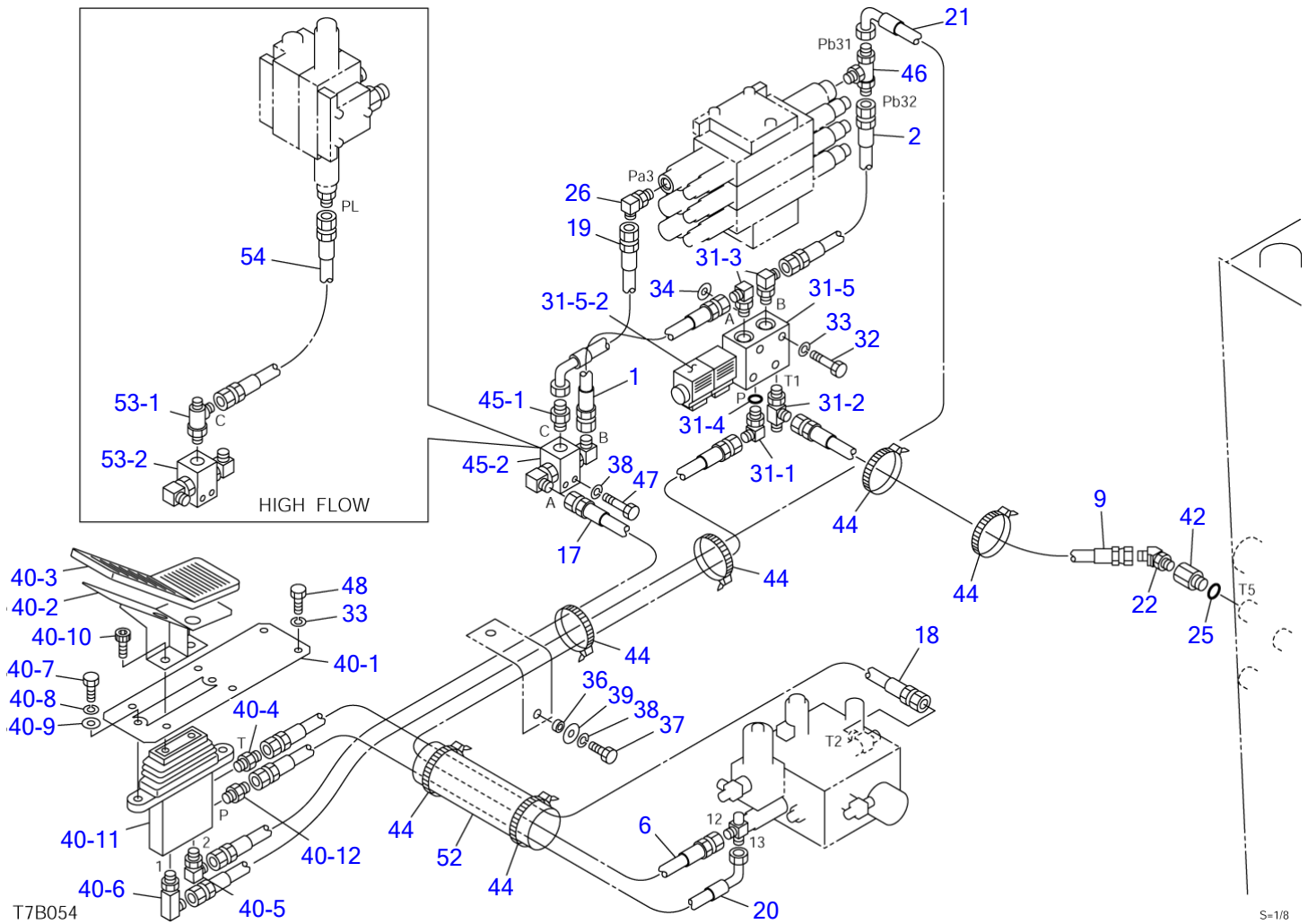
Item	Part number	Description	Q'ty	Chan.	Serial No.	Serv.	Remarks
		PIPING ASSY	1				X08817-12000-10
		PIPING ASSY (high flow)	1				X08817-13000-10
3	0881711030	HOSE ASSY	1				4-500L
4	0881711040	HOSE ASSY	1				4-1100L
5	0881711050	HOSE ASSY	1				4-1100L
7	0881711070	HOSE ASSY	1				4-1280L
8	0881711080	HOSE ASSY	1				4-1280L
10	0881711100	HOSE ASSY	1				4-1120L
11	0881711110	HOSE ASSY	1				4-1020L
12	0881711120	HOSE ASSY	1				8-1200L
13	0881711130	HOSE ASSY	1				8-1200L
14	0881711140	HOSE ASSY	1				8-1440L
15	0881711150	HOSE ASSY	1				8-1440L
16	0881711160	HOSE ASSY	1				8-2000L
23	1420370906	O-RING	4		21500004~21500543		
24	1420010110	O-RING	1				
26	1515012040	ELBOW	3				
	1420010110	• O-RING	1				
27	1512330005	ELBOW	2				
	1420370906	• O-RING	1				
28	1512375006	ELBOW	2				
	1420370906	• O-RING	1				
29	1515010041	ELBOW	1				
	1420010140	• O-RING	1				
30	1700100015	SWITCH, pressure	2				
41	0007213043	BUSHING	4		21500004~21500543		
43	0007213016	BUSHING	1				
44	1652241300	BAND	3				
49	1501750002	PLUG	1				
	1420010110	• O-RING	1				
50	1513390029	TEE	1		21500004~21500279		
	1420010110	• O-RING	1				
	1512340001	TEE	1	(H)	21500280~		
	1420010110	• O-RING	1				
51	1531645087	PROTECTOR	1		21500346~		
	T7b043						

TL150 Book No. BT7Z011 S/N 21500004-  
PIPING; OPERATION LEVER (1/2) (21502001-)



**PIPING; OPERATION LEVER (1/2) (21502001-)**

Item	Part number	Description	Q'ty	Chan.	Serial No.	Serv.	Remarks
		PIPING ASSY	1				X08817-13500-1
		PIPING ASSY (high flow)	1				X08817-13700-1
3	<b>0881711030</b>	HOSE ASSY	1				4-500L
4	<b>0881711040</b>	HOSE ASSY	1				4-1100L
5	<b>0881711050</b>	HOSE ASSY	1				4-1100L
7	<b>0881711070</b>	HOSE ASSY	1				4-1280L
8	<b>0881711080</b>	HOSE ASSY	1				4-1280L
10	<b>0881711100</b>	HOSE ASSY	1				4-1120L
11	<b>0881711110</b>	HOSE ASSY	1				4-1020L
12	<b>0881713510</b>	HOSE ASSY	1				18010-23120
13	<b>0881713520</b>	HOSE ASSY	1				18010-23120
14	<b>0881713550</b>	HOSE ASSY	1				18010-23144
15	<b>0881713540</b>	HOSE ASSY	1				18010-23144
16	<b>0881711160</b>	HOSE ASSY	1				8-2000L
24	<b>1420010110</b>	O-RING	1				
26	<b>1515012040</b>	ELBOW	3				
	<b>1420010110</b>	• O-RING	1				
27	<b>1512330005</b>	ELBOW	2				
	<b>1420370906</b>	• O-RING	1				
28	<b>1512375006</b>	ELBOW	2				
	<b>1420370906</b>	• O-RING	1				
29	<b>1515010041</b>	ELBOW	1				
	<b>1420010140</b>	• O-RING	1				
30	<b>1700100015</b>	SWITCH, pressure	2				
43	<b>0007213016</b>	BUSHING	1				
44	<b>1652241300</b>	BAND	3				
49	<b>1501750002</b>	PLUG	1				
	<b>1420010110</b>	• O-RING	1				
50	<b>1512340001</b>	TEE	1				
	<b>1420010110</b>	• O-RING	1				
51	<b>1531645087</b>	PROTECTOR	1				
	<b>T7b081</b>						

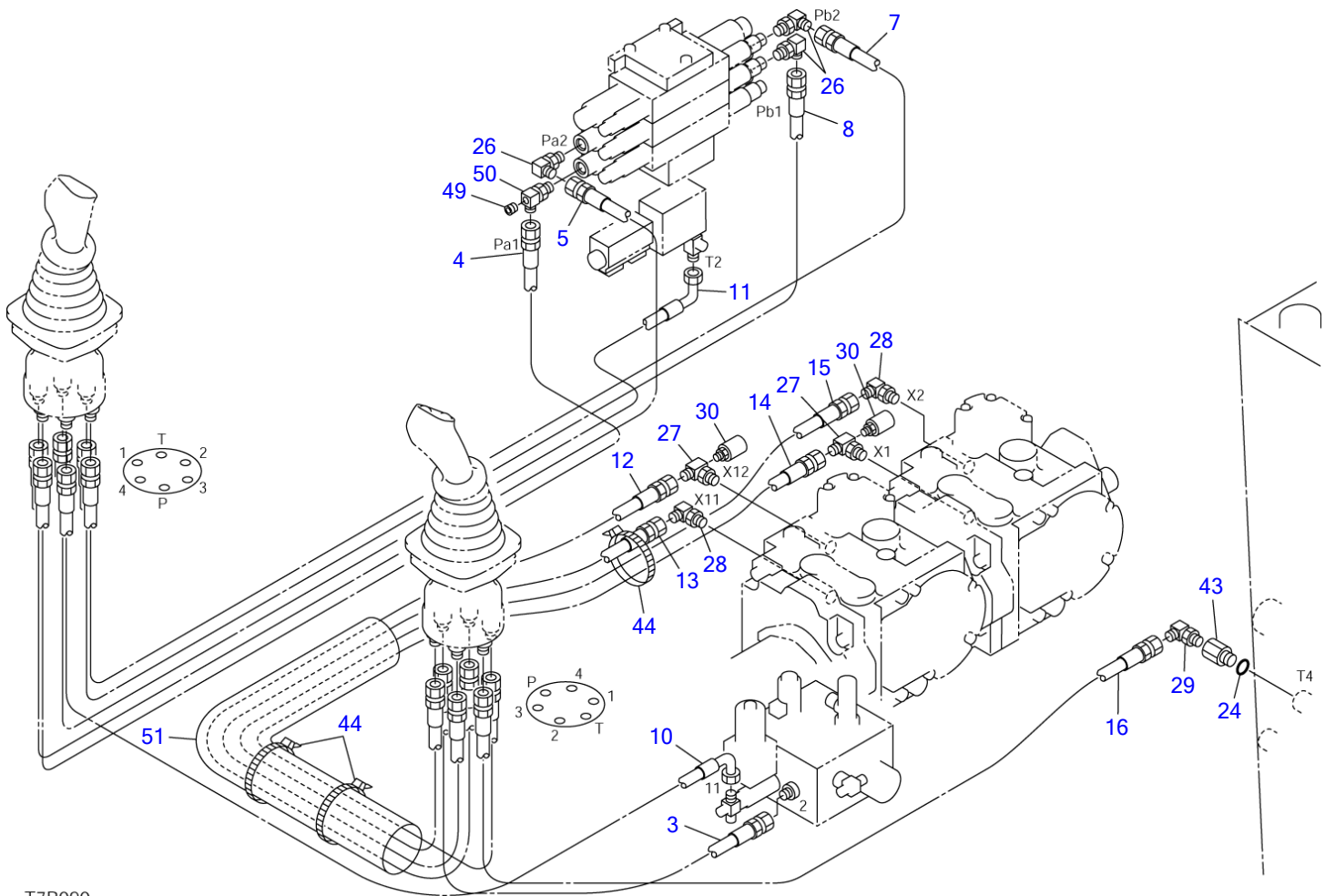


**PIPING; OPERATION LEVER (2/2)**

Item	Part number	Description	Q'ty	Chan.	Serial No.	Serv.	Remarks
		PIPING ASSY	1				X08817-13500-1
		PIPING ASSY (high flow)	1				X08817-13700-1
1	<b>0881711010</b>	HOSE ASSY	1				4-260L
2	<b>0881711020</b>	HOSE ASSY	1				4-300L
6	<b>0881711060</b>	HOSE ASSY	1				4-1400L
9	<b>0881711090</b>	HOSE ASSY	1				4-1900L
17	<b>0881712170</b>	HOSE ASSY	1				4-1000L
18	<b>0881712180</b>	HOSE ASSY	1				4-1180L
19	<b>0881712190</b>	HOSE ASSY	1				4-280L
20	<b>0881712200</b>	HOSE ASSY	1				4-940L
21	<b>0881712210</b>	HOSE ASSY	1				4-1800L
22	<b>1515100110</b>	ELBOW	1				
	<b>1420010110</b>	• O-RING	1				
25	<b>1420010140</b>	O-RING	1				
26	<b>1515012040</b>	ELBOW	1				
	<b>1420010110</b>	• O-RING	1				
31	<b>0881710310</b>	SOLENOID VALVE ASSY	1				
31-1	<b>0881710311</b>	• ELBOW	1				
31-2	<b>1512370011</b>	• TEE	1				
	<b>1420010110</b>	• • O-RING	1				
31-3	<b>1515010040</b>	• ELBOW	2				
	<b>1420010110</b>	• • O-RING	1				
31-4	<b>1420010110</b>	• O-RING	1				
31-5	<b>1901731500</b>	• VALVE, solenoid	1				
31-5-2	<b>1901731502</b>	• • SOLENOID	1				
32	<b>1100040855</b>	BOLT	2				
33	<b>1140020008</b>	WASHER, spring	8				
34	<b>1141110008</b>	WASHER	2				
36	<b>0881711360</b>	COLLAR	1				
37	<b>1100040620</b>	BOLT	1				
38	<b>1140020006</b>	WASHER, spring	3				
39	<b>0003600043</b>	WASHER	1				
40	<b>0881712400</b>	PEDAL ASSY, service	1				
40-1	<b>0881712410</b>	• PLATE	1				
40-2	<b>0881712420</b>	• PEDAL, service	1				
40-3	<b>0363214600</b>	• COVER	1				
40-4	<b>1515600200</b>	• ADAPTOR	1				
	<b>1420010110</b>	• • O-RING	1				
40-5	<b>1515010040</b>	• ELBOW	1				
	<b>1420010110</b>	• • O-RING	1				
40-6	<b>1515010510</b>	• ELBOW	1				
	<b>1420010110</b>	• • O-RING	1				
40-7	<b>1100040814</b>	• BOLT	2				
40-8	<b>1140020008</b>	• WASHER, spring	2				
40-9	<b>1141110008</b>	• WASHER	2				
40-10	<b>1110040812</b>	• SCREW, cap	2				
40-11	<b>1901735000</b>	• VALVE, remote control	1				
40-12	<b>1512370008</b>	• FILTER	1				
	<b>1420010110</b>	• • O-RING	1				
42	<b>0007213028</b>	BUSHING	1				
44	<b>1652241300</b>	BAND	6				
45	<b>0881712450</b>	VALVE ASSY, shuttle	1				
45-1	<b>1515600200</b>	• ADAPTOR	1				
	<b>1420010110</b>	• • O-RING	1				
45-2	<b>1901736600</b>	• VALVE, shuttle	1				
46	<b>1901735200</b>	VALVE, shuttle	1				
47	<b>1100040640</b>	BOLT	2				
48	<b>1100040816</b>	BOLT	6				
52	<b>0881712520</b>	PROTECTOR	1		21500346~		
53	<b>0881713530</b>	VALVE ASSY, shuttle	1				high flow
53-1	<b>1512370011</b>	• TEE	1				high flow
	<b>1420010110</b>	• • O-RING	1				
53-2	<b>1901736600</b>	• VALVE, shuttle	1				high flow
54	<b>0881734350</b>	HOSE ASSY (high flow)	1				4-1700L

T7b055

TL150 Book No. BT7Z011 S/N 21500004-  
PIPING; OPERATION LEVER (1/2) (for GEHL & MUSTANG; 21501852-)



T7B090

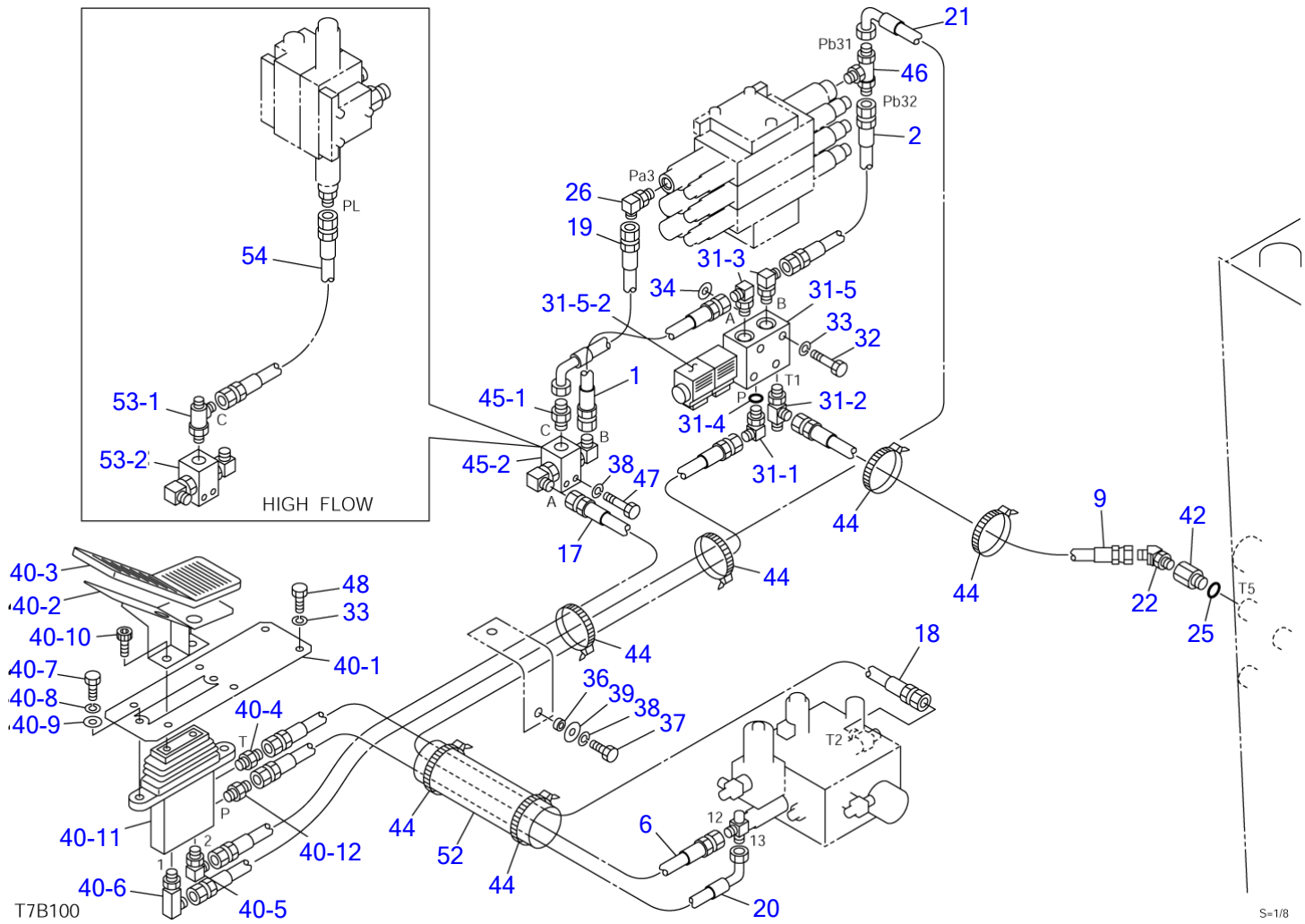
S=1/8



**PIPING; OPERATION LEVER (1/2) (for GEHL & MUSTANG; 21501852-)**

Item	Part number	Description	Q'ty	Chan.	Serial No.	Serv.	Remarks
		PIPING ASSY	1				X08817-12000-11
		PIPING ASSY (high flow)	1				X08817-13000-11
3	<b>0881711030</b>	HOSE ASSY	1				4-500L
4	<b>0881711040</b>	HOSE ASSY	1				4-1100L
5	<b>0881711050</b>	HOSE ASSY	1				4-1100L
7	<b>0881711070</b>	HOSE ASSY	1				4-1280L
8	<b>0881711080</b>	HOSE ASSY	1				4-1280L
10	<b>0881711100</b>	HOSE ASSY	1				4-1120L
11	<b>0881711110</b>	HOSE ASSY	1				4-1020L
12	<b>0881711120</b>	HOSE ASSY	1				8-1200L
13	<b>0881711130</b>	HOSE ASSY	1				8-1200L
14	<b>0881711140</b>	HOSE ASSY	1				8-1440L
15	<b>0881711150</b>	HOSE ASSY	1				8-1440L
16	<b>0881711160</b>	HOSE ASSY	1				8-2000L
24	<b>1420010110</b>	O-RING	1				
26	<b>1515012040</b>	ELBOW	3				
	<b>1420010110</b>	• O-RING	1				
27	<b>1512330005</b>	ELBOW	2				
	<b>1420370906</b>	• O-RING	1				
28	<b>1512375006</b>	ELBOW	2				
	<b>1420370906</b>	• O-RING	1				
29	<b>1515010041</b>	ELBOW	1				
	<b>1420010140</b>	• O-RING	1				
30	<b>1700100015</b>	SWITCH, pressure	2				
43	<b>0007213016</b>	BUSHING	1				
44	<b>1652241300</b>	BAND	3				
49	<b>1501750002</b>	PLUG	1				
	<b>1420010110</b>	• O-RING	1				
50	<b>1512340001</b>	TEE	1				
	<b>1420010110</b>	• O-RING	1				
51	<b>1531645087</b>	PROTECTOR	1				
	<b>T7b090</b>						

TL150 Book No. BT7Z011 S/N 21500004-  
 PIPING; OPERATION LEVER (2/2) (for GEHL & MUSTANG; 21501852-)

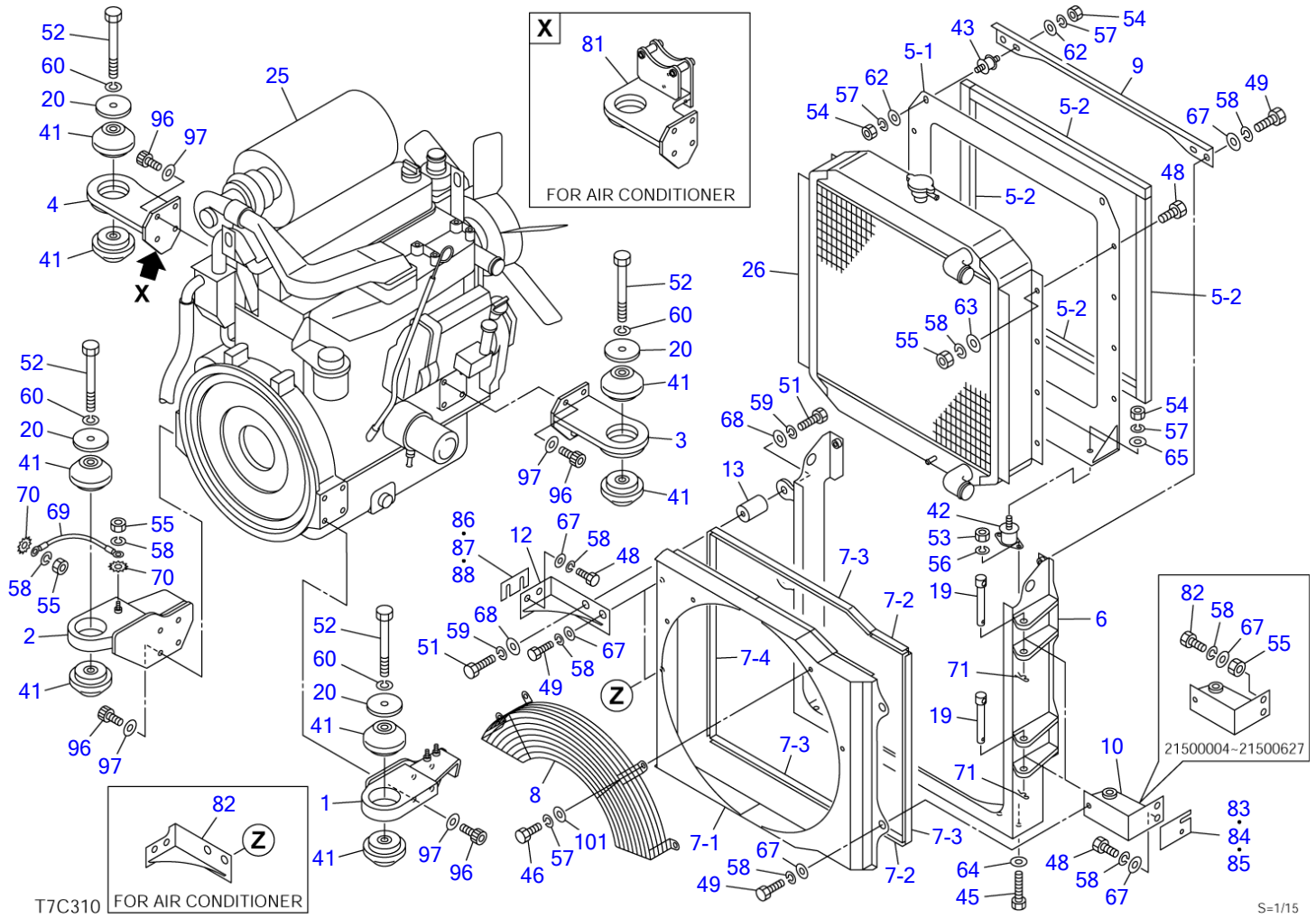


**PIPING; OPERATION LEVER (2/2) (for GEHL & MUSTANG; 21501852-)**

Item	Part number	Description	Q'ty	Chan.	Serial No.	Serv.	Remarks
		PIPING ASSY	1				X08817-12000-11
		PIPING ASSY (high flow)	1				X08817-13000-11
1	<b>0881711010</b>	HOSE ASSY	1				4-260L
2	<b>0881711020</b>	HOSE ASSY	1				4-300L
6	<b>0881711060</b>	HOSE ASSY	1				4-1400L
9	<b>0881711090</b>	HOSE ASSY	1				4-1900L
17	<b>0881712170</b>	HOSE ASSY	1				4-1000L
18	<b>0881712180</b>	HOSE ASSY	1				4-1180L
19	<b>0881712190</b>	HOSE ASSY	1				4-280L
20	<b>0881712200</b>	HOSE ASSY	1				4-940L
21	<b>0881712210</b>	HOSE ASSY	1				4-1800L
22	<b>1515100110</b>	ELBOW	1				
	<b>1420010110</b>	• O-RING	1				
25	<b>1420010140</b>	O-RING	1				
26	<b>1515012040</b>	ELBOW	1				
	<b>1420010110</b>	• O-RING	1				
31	<b>0881710310</b>	SOLENOID VALVE ASSY	1				
31-1	<b>0881710311</b>	• ELBOW	1				
31-2	<b>1512370011</b>	• TEE	1				
	<b>1420010110</b>	• • O-RING	1				
31-3	<b>1515010040</b>	• ELBOW	2				
	<b>1420010110</b>	• • O-RING	1				
31-4	<b>1420010110</b>	• O-RING	1				
31-5	<b>1901731500</b>	• VALVE, solenoid	1				
31-5-2	<b>1901731502</b>	• • SOLENOID	1				
32	<b>1100040855</b>	BOLT	2				
33	<b>1140020008</b>	WASHER, spring	8				
34	<b>1141110008</b>	WASHER	2				
36	<b>0881711360</b>	COLLAR	1				
37	<b>1100040620</b>	BOLT	1				
38	<b>1140020006</b>	WASHER, spring	3				
39	<b>0003600043</b>	WASHER	1				
40	<b>0881712400</b>	PEDAL ASSY, service	1				
40-1	<b>0881712410</b>	• PLATE	1				
40-2	<b>0881712420</b>	• PEDAL, service	1				
40-3	<b>0363214600</b>	• COVER	1				
40-4	<b>1515600200</b>	• ADAPTOR	1				
	<b>1420010110</b>	• • O-RING	1				
40-5	<b>1515010040</b>	• ELBOW	1				
	<b>1420010110</b>	• • O-RING	1				
40-6	<b>1515010510</b>	• ELBOW	1				
	<b>1420010110</b>	• • O-RING	1				
40-7	<b>1100040814</b>	• BOLT	2				
40-8	<b>1140020008</b>	• WASHER, spring	2				
40-9	<b>1141110008</b>	• WASHER	2				
40-10	<b>1110040812</b>	• SCREW, cap	2				
40-11	<b>1901735000</b>	• VALVE, remote control	1				
40-12	<b>1512370008</b>	• FILTER	1				
	<b>1420010110</b>	• • O-RING	1				
42	<b>0007213028</b>	BUSHING	1				
44	<b>1652241300</b>	BAND	6				
45	<b>0881712450</b>	VALVE ASSY, shuttle	1				
45-1	<b>1515600200</b>	• ADAPTOR	1				
	<b>1420010110</b>	• • O-RING	1				
45-2	<b>1901736600</b>	• VALVE, shuttle	1				
46	<b>1901735200</b>	VALVE, shuttle	1				
47	<b>1100040640</b>	BOLT	2				
48	<b>1100040816</b>	BOLT	6				
52	<b>0881712520</b>	PROTECTOR	1				
53	<b>0881713530</b>	VALVE ASSY, shuttle	1				high flow
53-1	<b>1512370011</b>	• TEE	1				high flow
	<b>1420010110</b>	• • O-RING	1				
53-2	<b>1901736600</b>	• VALVE, shuttle	1				high flow
54	<b>0881734350</b>	HOSE ASSY (high flow)	1				4-1700L

T7b100

TL150 Book No. BT7Z011 S/N 21500004-  
ENGINE & ACCESSORIES (1/2)

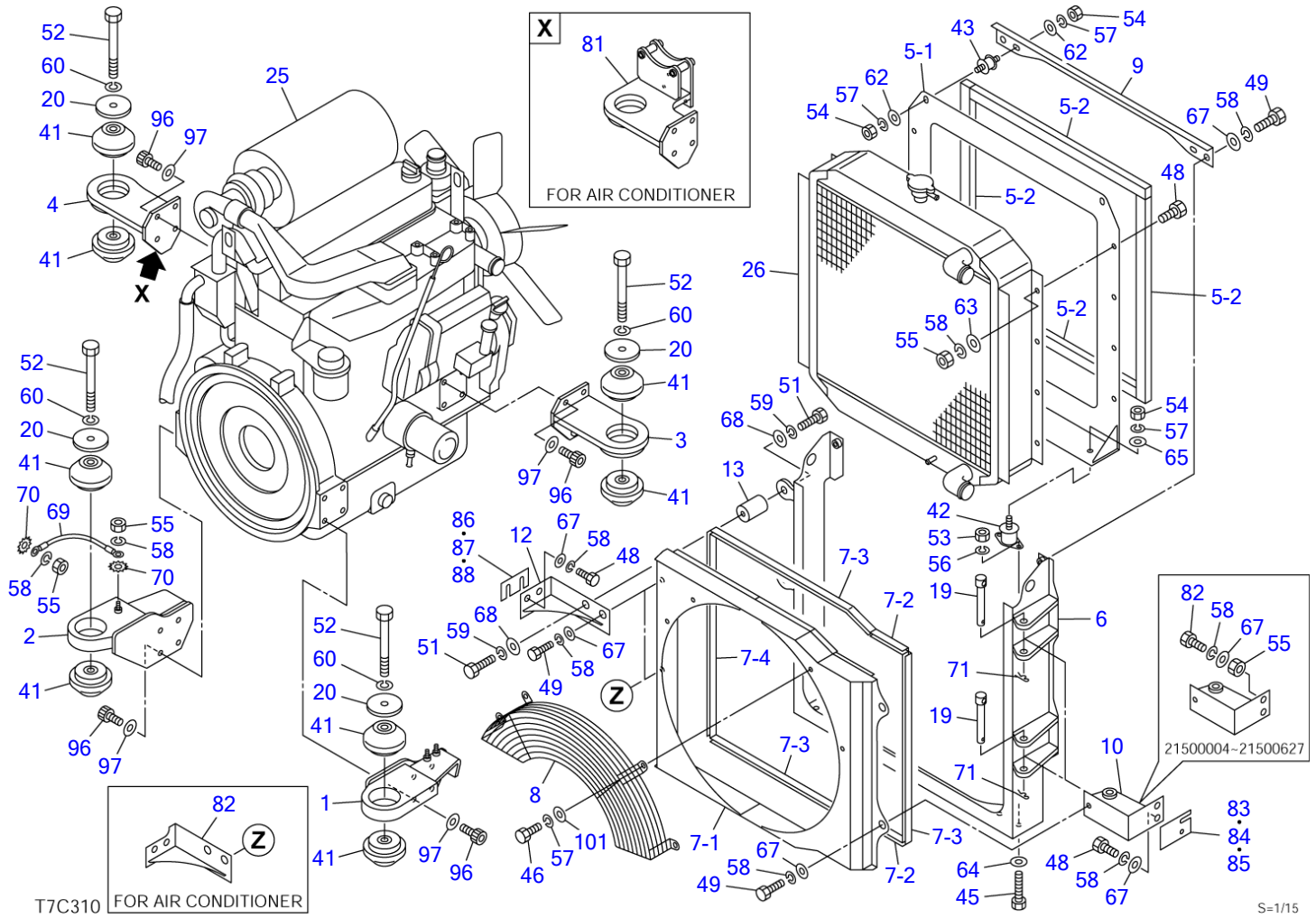


S=1/15

**ENGINE & ACCESSORIES (1/2)**

Item	Part number	Description	Q'ty	Chan.	Serial No.	Serv.	Remarks
		ENGINE ASSY					X08814-04000-17
		ENGINE ASSY (air con.)					X08814-05600-17
1	0881402010	FOOT, engine (F.L.)	1		21500004~21500759		
	0881404110	FOOT, engine (F.L.)	1	(H)	21500760~		
2	0881402020	FOOT, engine (F.R.)	1				
3	0881402030	FOOT, engine (R.L.)	1				
4	0881402040	FOOT, engine (R.R.)	1				
5	0881402300	BRACKET ASSY	1				X08814-02300-1
5-1	0881402310	· BRACKET	1				
5-2	1654342058	· SPONGE	4				sold by the meter
6	0881402350	FRAME	1				
7	0881402400	SHROUD ASSY	1				
7-1	0881402410	· SHROUD	1				
7-2	1654606013	· SEAL	2				sold by the meter
7-3	1654606053	· TRIM	3				sold by the meter
7-4	1654606058	· TRIM	1				sold by the meter
8	0881402060	GUARD	1		21500004~21500267		
	0881402460	GUARD	1	(H)	21500268~		
9	0881402070	PLATE	1				
10	0881402080	HINGE	2				
12	0881402110	BRACKET	2				
	0881402110	BRACKET	1				for air conditioner
13	0881401260	BOSS	2				
19	0881402180	PIN	2				
20	0881400210	WASHER	4				
25	1910150001	ENGINE	1		21500004~21500627		4TNE106T-TBL
	1910186001	ENGINE	1		21500628~		4TNV106T-XTBL
	1910187001	ENGINE (high flow)	1		21500628~21501586		4TNV106T-XTBL (1)
26	1910150002	RADIATOR	1				Y123912-44500
	1910185002	RADIATOR (high flow)	1		21500004~21501586		
41	1651030009	MOUNT, engine	8				
42	1651024006	RUBBER, cushion	2				
43	1651014003	RUBBER, cushion	2				
45	1100040625	BOLT	4				
46	1100040816	BOLT	4				
48	1100041020	BOLT	16				
49	1100041025	BOLT	6				
50	1100041225	BOLT	16				
51	1100041235	BOLT	4				
52	1101141640	BOLT	4				
53	1130040006	NUT	4				
54	1130040008	NUT	6				
55	1130040010	NUT	10				
56	1140020006	WASHER, spring	4				
57	1140020008	WASHER, spring	10				
58	1140020010	WASHER, spring	24				
59	1140020012	WASHER, spring	4				
60	1140020016	WASHER, spring	4				
62	1141110008	WASHER	4				
63	1141110010	WASHER	8				
64	0003606202	WASHER	4				
65	0003608252	WASHER	2				
67	0003600025	WASHER	14				
68	0003600136	SHIM	4				
69	1702402001	CABLE, earth	1				
70	1140330010	WASHER	2				
71	1214000016	PIN, snap	2				
81	0881405660	FOOT, engine (R.R.)	1		21500004~21501257		for air conditioner
	0881405690	FOOT, engine (R.R.)	1	(H)	21501258~		for air conditioner
82	1100241040	BOLT	1		21500004~21500627		
	0881405160	BRACKET	1				for air conditioner
83	0881402470	SHIM	AR				t=1.6mm
84	0881402480	SHIM	AR				t=3.2mm
85	0881402490	SHIM	AR				t=4.5mm
86	0880406610	SHIM	AR				t=1.6mm
87	0880406620	SHIM	AR				t=3.2mm
88	0880406630	SHIM	AR				t=4.5mm
96	1110021230	SCREW, cap	16				

TL150 Book No. BT7Z011 S/N 21500004-  
ENGINE & ACCESSORIES (1/2)

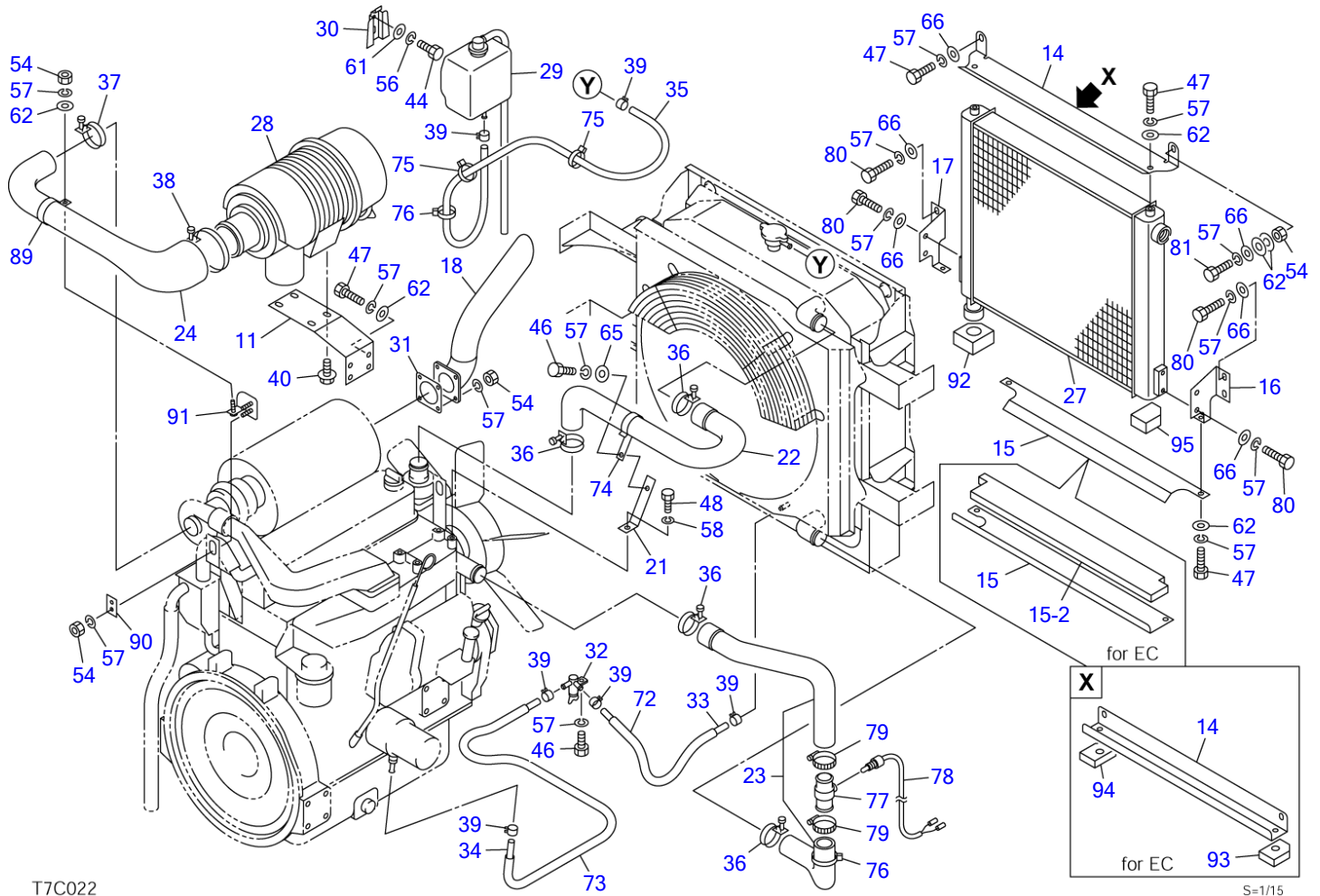


S=1/15

ENGINE & ACCESSORIES (1/2)

Item	Part number	Description	Q'ty	Chan.	Serial No.	Serv.	Remarks
97	<b>1141550012</b>	WASHER	16				
101	<b>0003600011</b>	WASHER	4				
	<b>T7c310</b>						

TL150 Book No. BT7Z011 S/N 21500004-  
**ENGINE & ACCESSORIES (2/2) (21500004-21500627)**



T7C022

S=1/15

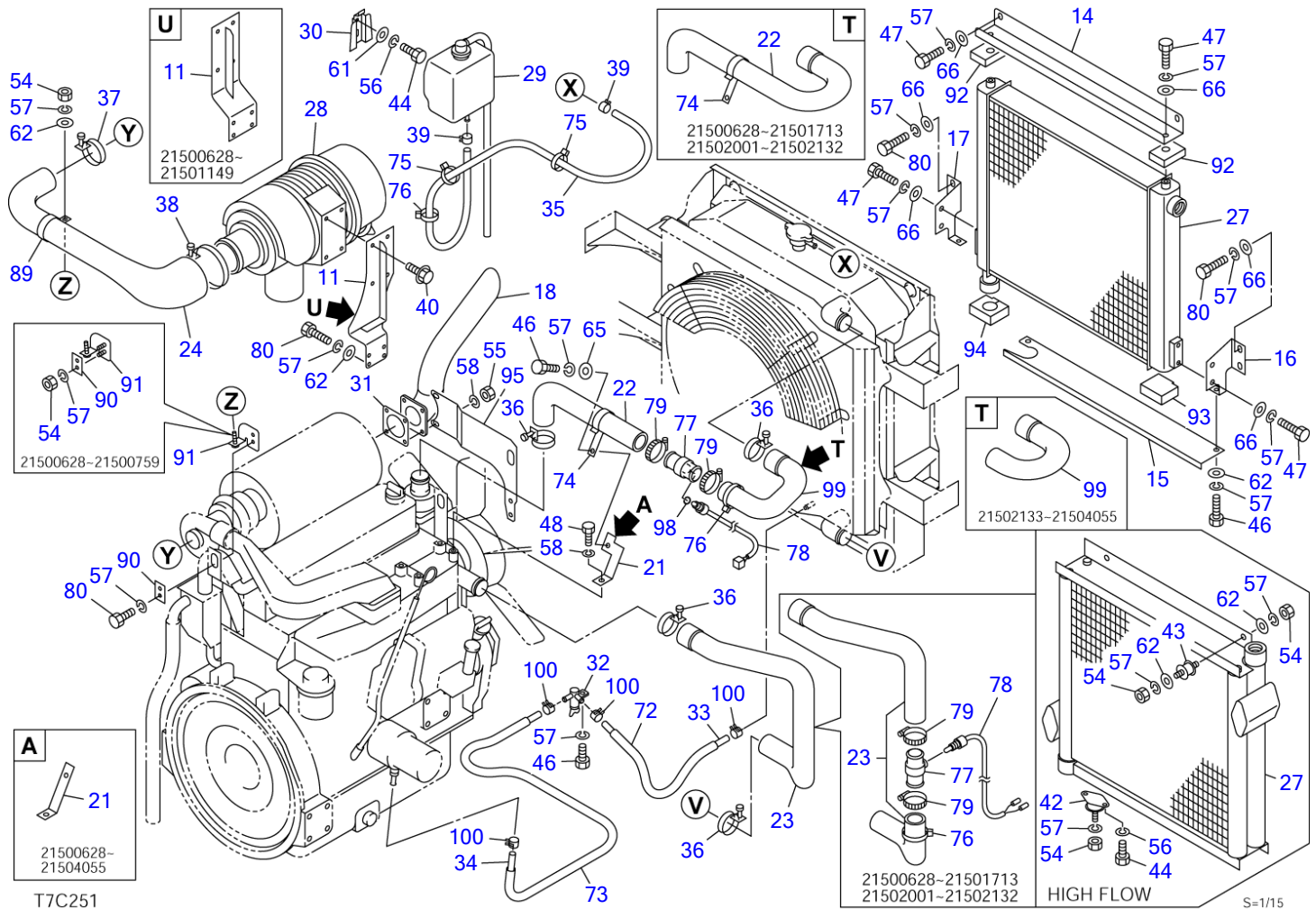


**ENGINE & ACCESSORIES (2/2) (21500004-21500627)**

Item	Part number	Description	Q'ty	Chan.	Serial No.	Serv.	Remarks
		ENGINE ASSY					X08814-02000-14
		ENGINE ASSY (for EC)					X08814-03000-3
11	0881401090	BRACKET	1				
14	0881402120	BRACKET	1				
	0881403010	BRACKET	1				for EU
15	0881402130	PLATE	1				
	0881403020	PLATE	1				for EU
15-2	0881403022	- ABSORBENT, noise	1				for EU
16	0881402150	BRACKET (L.H.)	1				
	0881403030	BRACKET (L.H.)	1				for EU
17	0881402250	BRACKET (R.H.)	1				
	0881403040	BRACKET (R.H.)	1				for EU
18	0881402170	PIPE	1		21500004~21500507		
	0881403110	PIPE	1		21500508~		
	0881403110	PIPE	1				for EU
21	0881402280	BRACKET	1				
22	0881402220	HOSE	1				
23	0881402230	HOSE	1				
24	0881402240	HOSE	1				
27	1910150003	COOLER, oil	1				Y123912-44900
28	1910143007	CLEANER, air	1				Y123912-12501
29	1910150020	TANK, sub	1				Y121850-44800
30	1910143052	BRACKET	1				Y120147-44810
31	1910070022	GASKET	1				Y129400-13201
32	1910078037	VALVE, drain	1				Y129150-49100
33	1910150013	HOSE	1				Y124520-59080
34	1910150014	HOSE	1				Y121137-59080
35	1910150019	HOSE	1				Y121522-59080
36	1910150015	BAND	4				Y23000-060000
37	0881402550	BAND	1				
38	0881402560	BAND	1				
39	1910150018	BAND	6				Y124722-59050
40	1910146053	BOLT	4				Y26106-080162
44	1100040616	BOLT	2				
46	1100040816	BOLT	2				
47	1100040820	BOLT	9				
48	1100041020	BOLT	1				
54	1130040008	NUT	8				
56	1140020006	WASHER, spring	2				
57	1140020008	WASHER, spring	26				
58	1140020010	WASHER, spring	1				
61	1141110006	WASHER	2				
62	1141110008	WASHER	11				
65	0003608252	WASHER	1				
66	0003609003	WASHER	10				
72	1531115028	HOSE	2				sold by the meter
73	1531115055	HOSE	2				sold by the meter
74	0007300026	CLAMP	1				
75	1652241150	BAND	2				
76	1652241200	BAND	2				
77	0881402590	JOINT	1				
78	1700100046	SENSOR	1				
79	1533700057	CLAMP	2				
80	1100040825	BOLT	8				
81	1100240845	BOLT	1				
89	0881964241	CLAMP	1		21500464~		
90	0881964245	PLATE	1		21500464~		
91	0881964250	BRACKET	1		21500464~		
92	0881403090	SEAL	1				for EU
93	0881403060	SEAL	1				for EU
94	0881403070	SEAL	1				for EU
95	0881403080	SEAL	1				for EU

T7c023

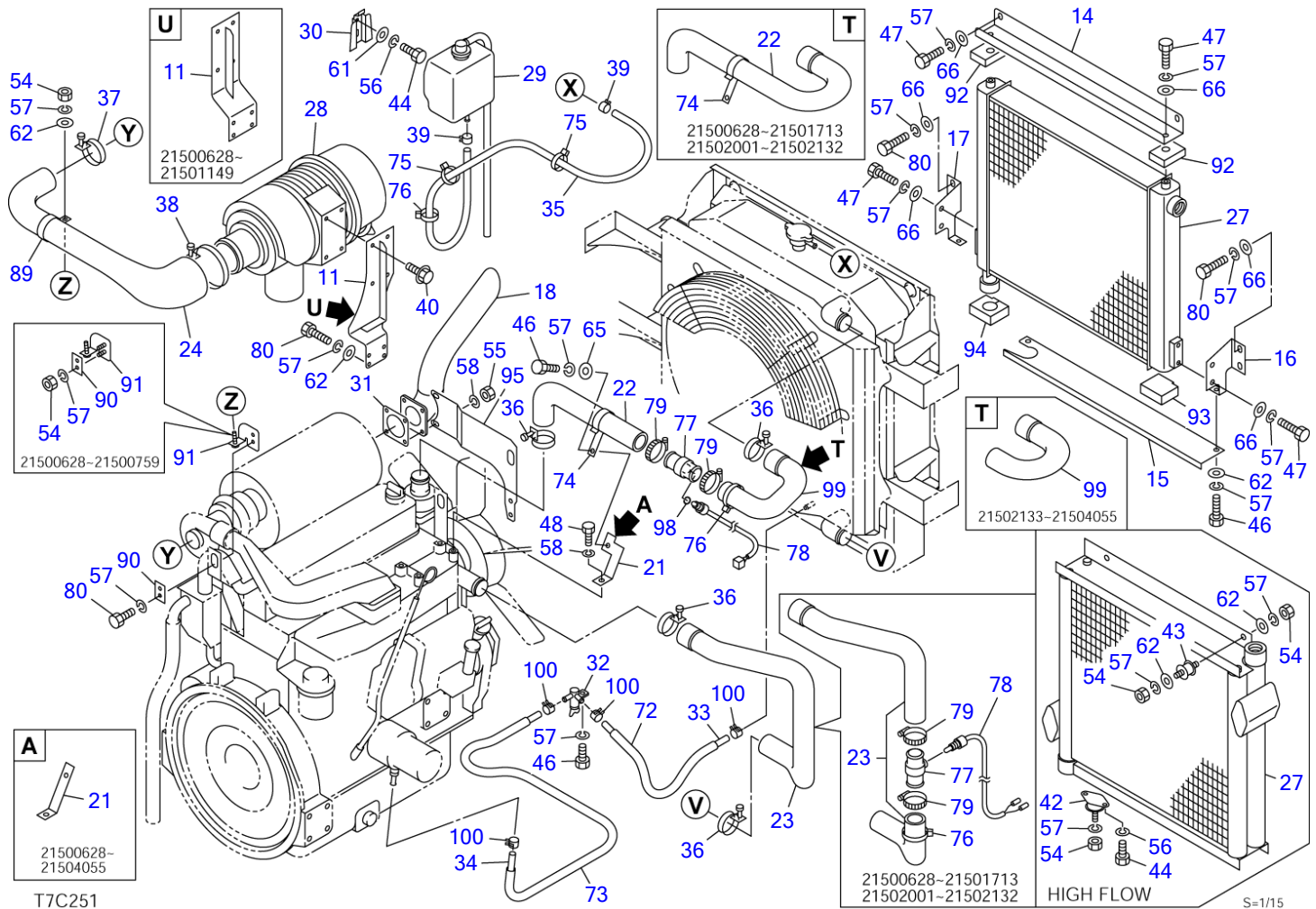
TL150 Book No. BT7Z011 S/N 21500004-  
 ENGINE & ACCESSORIES (2/2) (21500628-)



**ENGINE & ACCESSORIES (2/2) (21500628-)**

Item	Part number	Description	Q'ty	Chan.	Serial No.	Serv.	Remarks
		ENGINE ASSY					X08814-04000-17
		ENGINE ASSY (air con.)					X08814-05600-17
11	0881404010	BRACKET	1		21500628~21501149		
	0881404160	BRACKET	1		21501150~		
14	0881404040	BRACKET	1				
15	0881404050	PLATE	1				
16	0881404060	BRACKET (L.H.)	1				
17	0881404070	BRACKET (R.H.)	1				
18	0881404020	PIPE	1		21500628~21500999		
	0881404150	PIPE	1		21501000~		
21	0881404030	BRACKET	1	A	21500628~21504055		
	0881404170	BRACKET	1	a(H)	21504056~		
22	0881402220	HOSE	1		21500628~21501713		
	0881402220	HOSE	1		21502001~21502132		
	0881402221	HOSE	1		21501714~21501999		
	0881402221	HOSE	1	A	21502133~21504055		
	0881404180	HOSE	1	a(H)	21504056~		
23	0881402230	HOSE	1		21500628~21501713		
	0881402230	HOSE	1		21502001~21502132		
	0881402235	HOSE	1		21501714~21501999		
	0881402235	HOSE	1		21502133~		
24	0881402240	HOSE	1				
27	1910150003	COOLER, oil	1				Y123912-44900
	1910185003	COOLER, oil (high flow)	1		21500628~21501586		
28	1910186007	CLEANER, air	1				Y123945-12500
29	1910150020	TANK, sub	1				Y121820-44800
30	1910143052	BRACKET	1				Y120147-44810
31	1910186022	GASKET	1				Y128300-13230
32	1910078037	VALVE, drain	1				Y129150-49100
33	1531211058	HOSE	1		21500628~21501713		sold by the meter
	1531211058	HOSE	1		21502001~21502132		sold by the meter
	1530808058	HOSE	1		21501714~21501999		sold by the meter
	1530808058	HOSE	1		21502133~		sold by the meter
34	1531211115	HOSE	1		21500628~21501713		sold by the meter
	1531211115	HOSE	1		21502001~21502132		sold by the meter
	1530808115	HOSE	1		21501714~21501999		sold by the meter
	1530808115	HOSE	1		21502133~		sold by the meter
35	1910150019	HOSE	1			M	Y121522-59080
36	1910150015	BAND	4				Y23000-060000
37	0881402550	BAND	1				
38	0881402560	BAND	1				
39	1533120011	BAND	2				
40	1910132029	BOLT	4				Y26106-080202
42	1651024006	RUBBER, cushion	2				
43	1651014003	RUBBER, cushion	2				
44	1100040616	BOLT	2				high flow
	1100040616	BOLT	6				
46	1100040816	BOLT	4				
47	1100040820	BOLT	8				
48	1100041020	BOLT	1				
54	1130040008	NUT	1				
	1130040008	NUT	7				high flow
55	1130040010	NUT	4				
56	1140020006	WASHER, spring	2				
	1140020006	WASHER, spring	6				high flow
57	1140020008	WASHER, spring	23				
	1140020008	WASHER, spring	19				high flow
58	1140020010	WASHER, spring	5				
61	1141110006	WASHER	2				
62	1141110008	WASHER	7				
	1141110008	WASHER	11				high flow
65	0003608252	WASHER	1				
66	0003609003	WASHER	12				
72	1531115028	HOSE	2				sold by the meter
73	1531115055	HOSE	2				sold by the meter
74	0007300026	CLAMP	1				
75	1652241150	BAND	2				
76	1652241200	BAND	2				

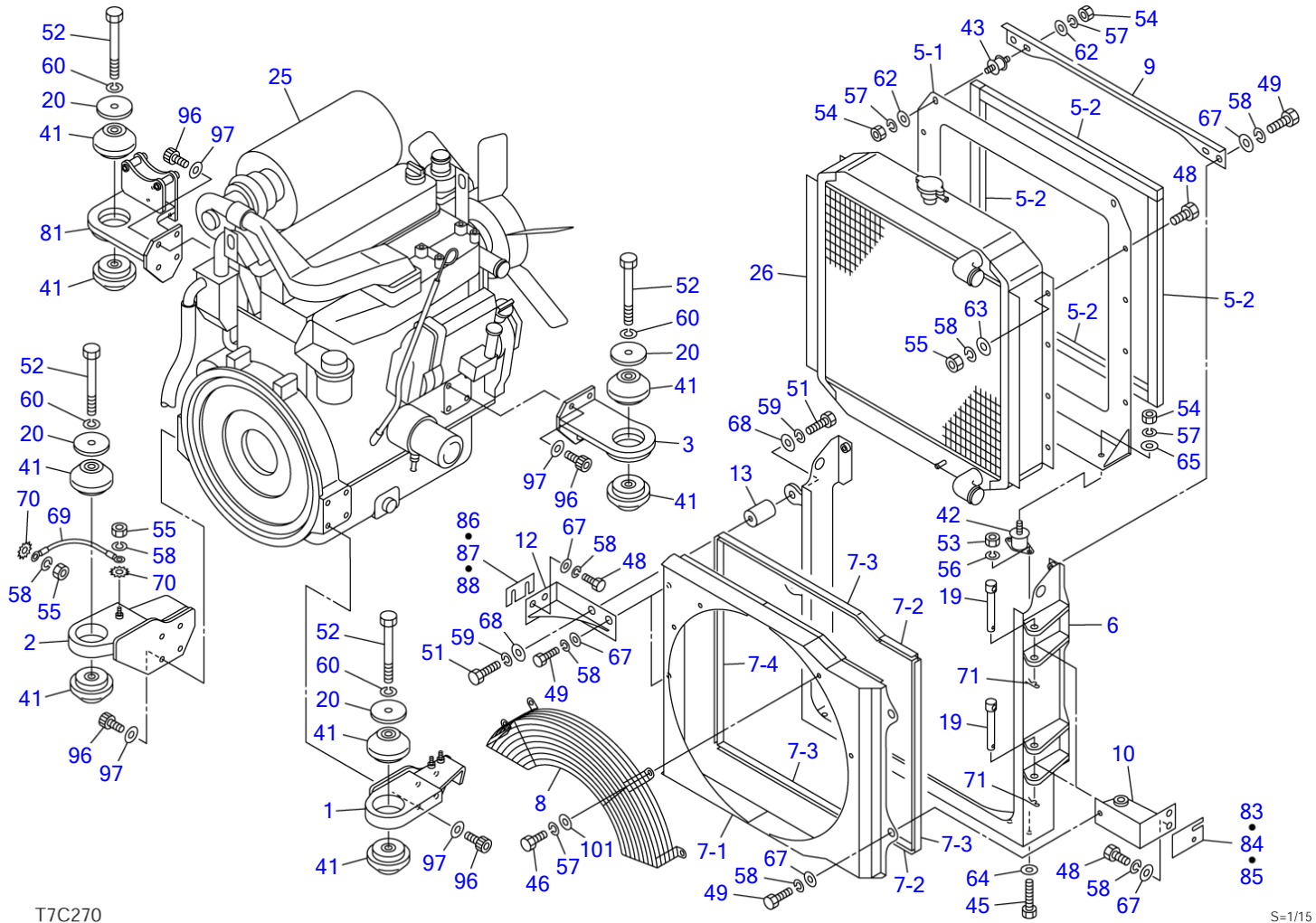
TL150 Book No. BT7Z011 S/N 21500004-  
ENGINE & ACCESSORIES (2/2) (21500628-)



**ENGINE & ACCESSORIES (2/2) (21500628-)**

Item	Part number	Description	Q'ty	Chan.	Serial No.	Serv.	Remarks
77	<b>0881402590</b>	JOINT	1		21500628~21501713		
77	<b>0881402590</b>	JOINT	1		21502001~21502132		
77	<b>0881402595</b>	JOINT	1		21501714~21501999		
77	<b>0881402595</b>	JOINT	1		21502133~		
78	<b>1700100046</b>	SENSOR	1				
79	<b>1533700057</b>	CLAMP	2				
80	<b>1100040825</b>	BOLT	10				
80	<b>1100040825</b>	BOLT	6				high flow
89	<b>0881964241</b>	CLAMP	1				
90	<b>0881964245</b>	PLATE	1				
91	<b>0881964250</b>	BRACKET	1		21500628~21500759		
91	<b>0881404130</b>	BRACKET	1		21500760~		
92	<b>0881404080</b>	SEAL	2				
93	<b>0881404090</b>	SEAL	1				
94	<b>0881404095</b>	SEAL	1				
95	<b>0881404140</b>	BRACKET	1		21500760~		
98	<b>1420000100</b>	O-RING	1		21501714~21501999		
98	<b>1420000100</b>	O-RING	1		21502133~		
99	<b>0881402222</b>	HOSE	1		21501714~21501999		
99	<b>0881402222</b>	HOSE	1	A	21502133~21504055		
99	<b>0881404190</b>	HOSE	1	a(H)	21504056~		
100	<b>1533120012</b>	BAND	4		21501714~21501999		
100	<b>1533120012</b>	BAND	4		21502133~		
100		<<NOTE>>					
100		item18 and item2,8					
		(COVER 1/3)					
100		has interchangeability in a					
		set.					
100		SET "A" is interchangeable					
		with SET "a".					
	<b>T7c251</b>						

TL150 Book No. BT7Z011 S/N 21500004-  
ENGINE & ACCESSORIES (1/2) (for GEHL; 21504188-)



T7C270

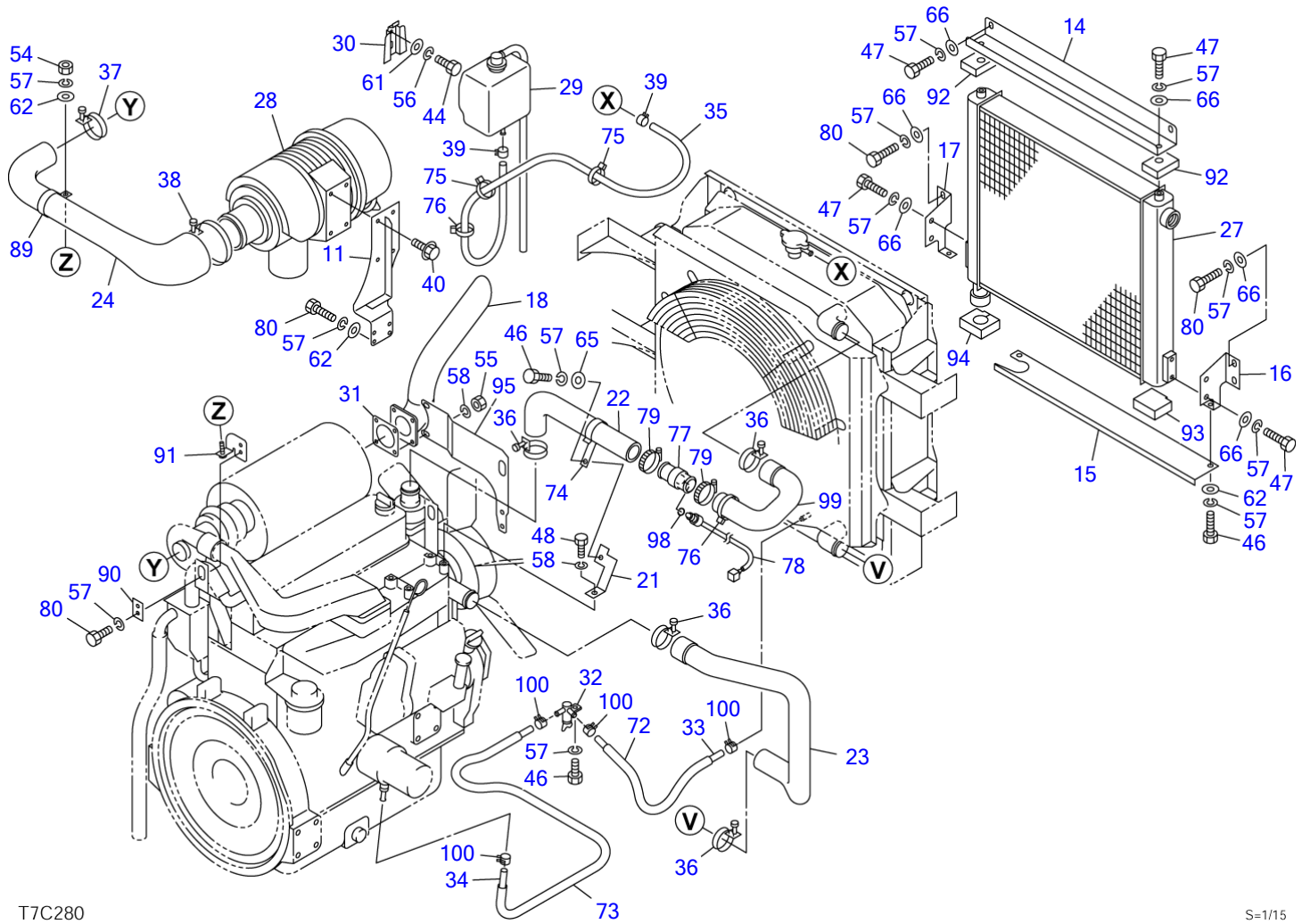
S=1/15

**ENGINE & ACCESSORIES (1/2) (for GEHL; 21504188-)**

Item	Part number	Description	Q'ty	Chan.	Serial No.	Serv.	Remarks
		ENGINE ASSY					X08814-08000-17
1	0881404110	FOOT, engine (F.L.)	1			M	
2	0881402020	FOOT, engine (F.R.)	1			M	
3	0881402030	FOOT, engine (R.L.)	1			M	
5	0881402300	BRACKET ASSY	1			M	X08814-02300-1
5-1	0881402310	· BRACKET	1			M	
5-2	1654342058	· SPONGE	4			M	sold by the meter
6	0881402350	FRAME	1			M	
7	0881402400	SHROUD ASSY	1			M	
7-1	0881402410	· SHROUD	1			M	
7-2	1654606013	· SEAL	2			M	sold by the meter
7-3	1654606053	· TRIM	3			M	sold by the meter
7-4	1654606058	· TRIM	1			M	sold by the meter
8	0881402460	GUARD	1			M	
9	0881402070	PLATE	1			M	
10	0881402080	HINGE	2			M	
12	0881402110	BRACKET	2			M	
13	0881401260	BOSS	2			M	
19	0881402180	PIN	2			M	
20	0881400210	WASHER	4			M	
25	1910186001	ENGINE	1			M	4TNV106T-XTBL
26	1910150002	RADIATOR	1			M	Y123912-44500
41	1651030009	MOUNT, engine	8			M	
42	1651024006	RUBBER, cushion	2			M	
43	1651014003	RUBBER, cushion	2			M	
45	1100040625	BOLT	4			M	
46	1100040816	BOLT	4			M	
48	1100041020	BOLT	16			M	
49	1100041025	BOLT	6			M	
51	1100041235	BOLT	4			M	
52	1101141640	BOLT	4			M	
53	1130040006	NUT	4			M	
54	1130040008	NUT	6			M	
55	1130040010	NUT	10			M	
56	1140020006	WASHER, spring	4			M	
57	1140020008	WASHER, spring	10			M	
58	1140020010	WASHER, spring	24			M	
59	1140020012	WASHER, spring	4			M	
60	1140020016	WASHER, spring	4			M	
62	1141110008	WASHER	4			M	
63	1141110010	WASHER	8			M	
64	0003606202	WASHER	4			M	
65	0003608252	WASHER	2			M	
67	0003600025	WASHER	14			M	
68	0003600136	SHIM	4			M	
69	1702402001	CABLE, earth	1			M	
70	1140330010	WASHER	2			M	
71	1214000016	PIN, snap	2			M	
81	0881405690	FOOT, engine (R.R.)	1			M	
83	0881402470	SHIM	AR			M	t=1.6mm
84	0881402480	SHIM	AR			M	t=3.2mm
85	0881402490	SHIM	AR			M	t=4.5mm
86	0880406610	SHIM	AR			M	t=1.6mm
87	0880406620	SHIM	AR			M	t=3.2mm
88	0880406630	SHIM	AR			M	t=4.5mm
96	1110021230	SCREW, cap	16			M	
97	1141550012	WASHER	16			M	
101	0003600011	WASHER	4			M	

T7c270

TL150 Book No. BT7Z011 S/N 21500004-  
ENGINE & ACCESSORIES (2/2) (for GEHL; 21504188-)





**ENGINE & ACCESSORIES (2/2) (for GEHL; 21504188-)**

Item	Part number	Description	Q'ty	Chan.	Serial No.	Serv.	Remarks
		ENGINE ASSY					X08814-08000-17
11	0881404160	BRACKET	1			M	
14	0881404040	BRACKET	1			M	
15	0881404050	PLATE	1			M	
16	0881404060	BRACKET (L.H.)	1			M	
17	0881404070	BRACKET (R.H.)	1			M	
18	0881404150	PIPE	1			M	
21	0881404170	BRACKET	1			M	
22	0881404180	HOSE	1			M	
23	0881402235	HOSE	1			M	
24	0881402240	HOSE	1			M	
27	1910150003	COOLER, oil	1			M	Y123912-44900
28	1910186007	CLEANER, air	1			M	Y123945-12500
29	1910150020	TANK, sub	1			M	Y121820-44800
30	1910143052	BRACKET	1			M	Y120147-44810
31	1910186022	GASKET	1			M	Y128300-13230
32	1910078037	VALVE, drain	1			M	Y129150-49100
33	1530808058	HOSE	1			M	sold by the meter
34	1530808115	HOSE	1			M	sold by the meter
35	1910150019	HOSE	1			M	Y121522-59080
36	1910150015	BAND	4			M	Y23000-060000
37	0881402550	BAND	1			M	
38	0881402560	BAND	1			M	
39	1533120011	BAND	2			M	
40	1910132029	BOLT	4			M	Y26106-080202
44	1100040616	BOLT	2			M	
46	1100040816	BOLT	4			M	
47	1100040820	BOLT	8			M	
48	1100041020	BOLT	1			M	
54	1130040008	NUT	1			M	
55	1130040010	NUT	4			M	
56	1140020006	WASHER, spring	2			M	
57	1140020008	WASHER, spring	23			M	
58	1140020010	WASHER, spring	5			M	
61	1141110006	WASHER	2			M	
62	1141110008	WASHER	7			M	
65	0003608252	WASHER	1			M	
66	0003609003	WASHER	12			M	
72	1531115028	HOSE	2			M	sold by the meter
73	1531115055	HOSE	2			M	sold by the meter
74	0007300026	CLAMP	1			M	
75	1652241150	BAND	2			M	
76	1652241200	BAND	2			M	
77	0881402595	JOINT	1			M	
78	1700100046	SENSOR	1			M	
79	1533700057	CLAMP	2			M	
80	1100040825	BOLT	10			M	
89	0881964241	CLAMP	1			M	
90	0881964245	PLATE	1			M	
91	0881404130	BRACKET	1			M	
92	0881404080	SEAL	2			M	
93	0881404090	SEAL	1			M	
94	0881404095	SEAL	1			M	
95	0881404140	BRACKET	1			M	
98	1420000100	O-RING	1			M	
99	0881404190	HOSE	1			M	
100	1533120012	BAND	4			M	

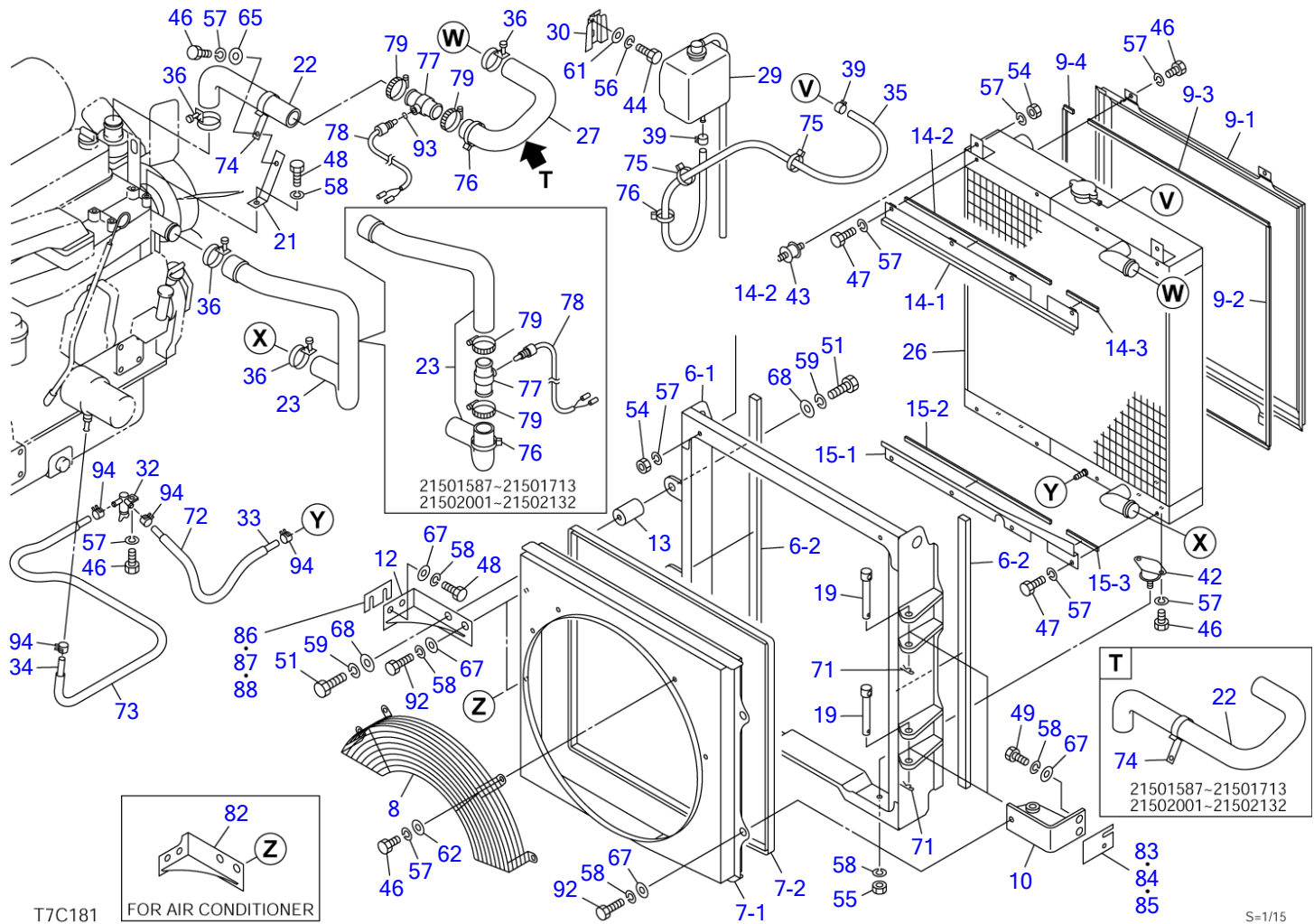
T7c280



**ENGINE & ACCESSORIES (1/2) (high flow; 21501587-)**

Item	Part number	Description	Q'ty	Chan.	Serial No.	Serv.	Remarks
		ENGINE ASSY (for EU)			21501587~21502750		X08814-06900-5
		ENGINE ASSY (for EU, with air conditioner)			21501587~21502750		X08814-06950-5
		ENGINE ASSY					X08814-06000-11
		ENGINE ASSY (with air conditioner)					X08814-06800-11
1	<b>0881404110</b>	FOOT, engine (F.L.)	1				
2	<b>0881402020</b>	FOOT, engine (F.R.)	1				
3	<b>0881402030</b>	FOOT, engine (R.L.)	1				
4	<b>0881402040</b>	FOOT, engine (R.R.)	1				without air con.
11	<b>0881404160</b>	BRACKET	1				
16	<b>0881406910</b>	PULLEY	1		21501587~21502750		
17	<b>0881406920</b>	BELT	1		21501587~21502750		
18	<b>0881406010</b>	PIPE	1				
20	<b>0881400210</b>	WASHER	4				
24	<b>0881402240</b>	HOSE	1				
25	<b>1910205001</b>	ENGINE	1				4TNV106T-XTBL1
28	<b>1910186007</b>	CLEANER, air	1				Y123945-12500
31	<b>1910186022</b>	GASKET	1				Y128300-13230
37	<b>0881402550</b>	CLAMP	1				
38	<b>0881402560</b>	CLAMP	1				
40	<b>1910132029</b>	BOLT	4				Y26106-080202
41	<b>1651030009</b>	RUBBER, cushion	8				
52	<b>1101141640</b>	BOLT	4				
54	<b>1130040008</b>	NUT	1				
55	<b>1130040010</b>	NUT	6				
57	<b>1140020008</b>	WASHER, spring	7				
58	<b>1140020010</b>	WASHER, spring	6				
60	<b>1140020016</b>	WASHER, spring	4				
62	<b>1141110008</b>	WASHER	5				
69	<b>1702402001</b>	CABLE	1				
70	<b>1140330010</b>	WASHER	2				
80	<b>1100040825</b>	BOLT	6				
81	<b>0881405690</b>	FOOT, engine (R.R.)	1				with air con.
89	<b>0881964241</b>	CLAMP	1				
90	<b>0881964245</b>	PLATE	1				
91	<b>0881404130</b>	BRACKET	1				
95	<b>0881404140</b>	STAY	1				
96	<b>1110021230</b>	SCREW, cap	16				
97	<b>1141550012</b>	WASHER	16				
	<b>T7c177</b>						

TL150 Book No. BT7Z011 S/N 21500004-  
**ENGINE & ACCESSORIES (2/2) (high flow; 21501587-21501772)**

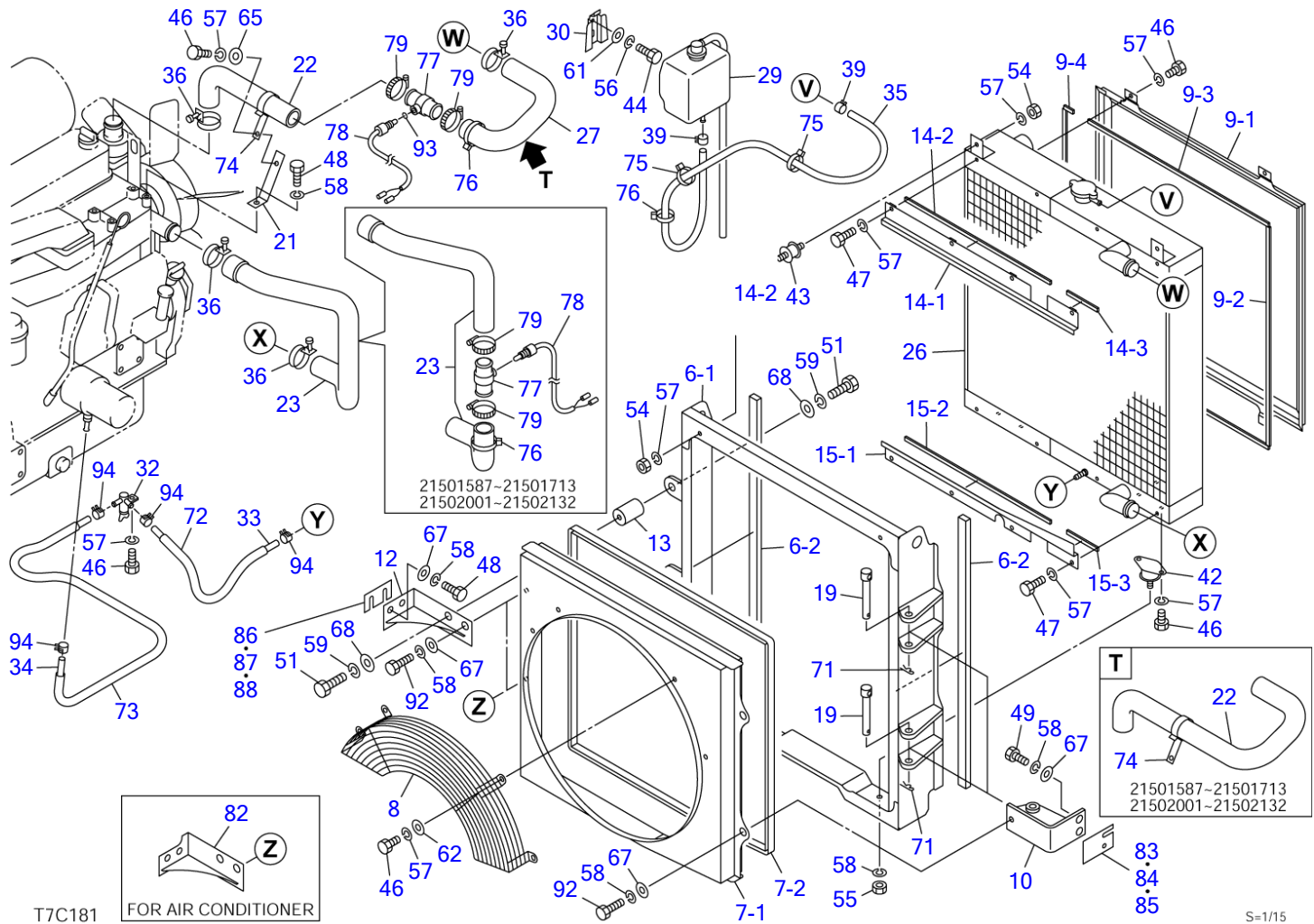


S=1/15

**ENGINE & ACCESSORIES (2/2) (high flow; 21501587-21501772)**

Item	Part number	Description	Q'ty	Chan.	Serial No.	Serv.	Remarks
		ENGINE ASSY (for EU)			21501587~21502750		X08814-06900-5
		ENGINE ASSY (for EU, with air conditioner)			21501587~21502750		X08814-06950-5
		ENGINE ASSY					X08814-06000-2
		ENGINE ASSY (with air conditioner)					X08814-06800-2
6	0881406200	FRAME ASSY	1				
6-1	0881406210	• FRAME	1				
6-2	1654343077	• SPONGE	2				sold by the meter
7	0881406100	SHROUD ASSY	1				
7-1	0881406110	• SHROUD	1				
7-2	1654606259	• TRIM	1				sold by the meter
8	0881402460	GUARD	1				
9	0881406300	PLATE ASSY	1				
9-1	0881406310	• PLATE	1				
9-2	1654307063	• SPONGE	2				sold by the meter
9-3	1654307060	• SPONGE	2				sold by the meter
9-4	1654307003	• SPONGE	2				sold by the meter
10	0881406020	HINGE	2				
12	0881402110	BRACKET	2				
13	0881401260	BOSS	2				
14	0881406400	PLATE ASSY	1				
14-1	0881406410	• PLATE	1				
14-2	1654307010	• SPONGE	1				sold by the meter
14-3	1654307048	• SPONGE	1				sold by the meter
15	0881406500	PLATE ASSY	1				
15-1	0881406510	• PLATE	1				
15-2	1654307010	• SPONGE	1				sold by the meter
15-3	1654307048	• SPONGE	1				sold by the meter
19	0881402180	PIN	2				
21	0881404030	BRACKET	1				
22	0881406030	HOSE	1		21501587~21501713		
	0881406030	HOSE	1		21502001~21502132		
	0881406031	HOSE	1		21501714~21501999		
	0881406031	HOSE	1		21502133~		
23	0881406040	HOSE	1		21501587~21501713		
	0881406040	HOSE	1		21502001~21502132		
	0881406045	HOSE	1		21501714~21501999		
	0881406045	HOSE	1		21502133~		
26	1911300070	RADIATOR	1				
27	0881406032	HOSE	1				
29	1910150020	TANK, sub	1				Y121850-44800
30	1910143052	BRACKET	1				Y120147-44810
32	1910078037	VALVE, drain	1				Y129150-49100
33	1910150013	HOSE	1		21501587~21501713		Y124520-59080
	1910150013	HOSE	1		21502001~21502132		Y124520-59080
	1530808058	HOSE	1		21501714~21501999		sold by the meter
	1530808058	HOSE	1		21502133~		sold by the meter
34	1910150014	HOSE	1		21501587~21501713		Y121137-59080
	1910150014	HOSE	1		21502001~21502132		Y121137-59080
	1530808115	HOSE	1		21501714~21501999		sold by the meter
	1530808115	HOSE	1		21502133~		sold by the meter
35	1910150019	HOSE	1				Y121522-59080
36	1910150015	BAND	4				Y23000-060000
39	1533120011	CLAMP	2				
42	0881406050	RUBBER, cushion	2				
43	1651014003	RUBBER, cushion	2				
44	1100040616	BOLT	2				
46	1100040816	BOLT	14				
47	1100040820	BOLT	8				
48	1100041020	BOLT	5				
49	1100041025	BOLT	4				
51	1100041235	BOLT	4				
54	1130040008	NUT	4				
55	1130040010	NUT	2				
56	1140020006	WASHER, spring	2				
57	1140020008	WASHER, spring	26				
58	1140020010	WASHER, spring	15				

TL150 Book No. BT7Z011 S/N 21500004-  
**ENGINE & ACCESSORIES (2/2) (high flow; 21501587-21501772)**

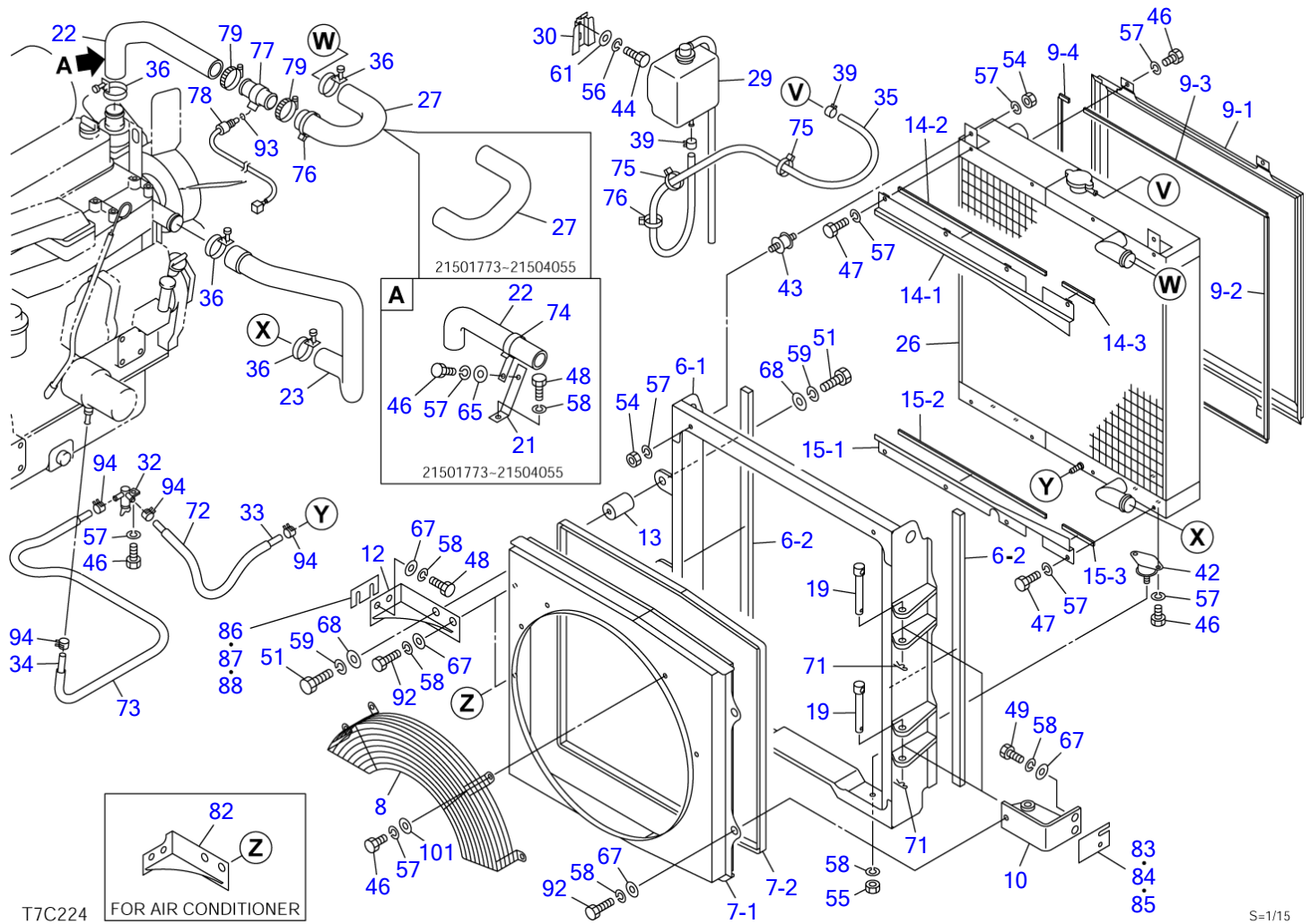


**ENGINE & ACCESSORIES (2/2) (high flow; 21501587-21501772)**

Item	Part number	Description	Q'ty	Chan.	Serial No.	Serv.	Remarks
59	1140020012	WASHER, spring	4				
61	1141110006	WASHER	2				
62	1141110008	WASHER	4				
65	0003608252	WASHER	1				
67	0003600003	WASHER	12				
68	0003600136	SHIM	AR				
71	1214000016	PIN, snap	2				
72	1531115028	HOSE	2				sold by the meter
73	1531115055	HOSE	2				sold by the meter
74	0007300026	CLAMP	1				
75	1652241150	BAND	2				
76	1652241200	BAND	2				
77	0564026360	JOINT	1		21501587~21501713		
77	0564026360	JOINT	1		21502001~21502132		
77	0881402595	JOINT	1		21501714~21501999		
77	0881402595	JOINT	1		21502133~		
78	1700100046	SENSOR	1				
79	1533700057	CLAMP	2				
82	0881405610	BRACKET	1				with air con.
83	0881402470	SHIM	AR				t=1.6mm
84	0881402480	SHIM	AR				t=3.2mm
85	0881402490	SHIM	AR				t=4.5mm
86	0880406610	SHIM	AR				t=1.6mm
87	0880406620	SHIM	AR				t=3.2mm
88	0880406630	SHIM	AR				t=4.5mm
92	1100041030	BOLT	4				
93	1420000100	O-RING	1		21501714~21501999		
93	1420000100	O-RING	1		21502133~		
94	1533120012	BAND	4		21501714~21501999		
94	1533120012	BAND	4		21502133~		

T7c182

TL150 Book No. BT7Z011 S/N 21500004-  
**ENGINE & ACCESSORIES (2/2) (high flow; 21501773-)**



S=1/15



**ENGINE & ACCESSORIES (2/2) (high flow; 21501773-)**

Item	Part number	Description	Q'ty	Chan.	Serial No.	Serv.	Remarks
		ENGINE ASSY					X08814-06000-11
		ENGINE ASSY (with air conditioner)					X08814-06800-11
6	0881406200	FRAME ASSY	1				
6-1	0881406210	• FRAME	1				
6-2	1654343077	• SPONGE	2				sold by the meter
7	0881406150	SHROUD ASSY	1				
7-1	0881406160	• SHROUD	1				
7-2	1654606256	• TRIM	1				sold by the meter
8	0881402460	GUARD	1				
9	0881406300	PLATE ASSY	1				
9-1	0881406310	• PLATE	1				
9-2	1654307063	• SPONGE	2				sold by the meter
9-3	1654307060	• SPONGE	2				sold by the meter
9-4	1654307003	• SPONGE	2				sold by the meter
10	0881406020	HINGE	2				
12	0881402110	BRACKET	2				
13	0881401260	BOSS	2				
14	0881406450	PLATE ASSY	1				
14-1	0881406460	• PLATE	1				
14-2	1654307010	• SPONGE	1				sold by the meter
14-3	1654307048	• SPONGE	1				sold by the meter
15	0881406500	PLATE ASSY	1				
15-1	0881406510	• PLATE	1				
15-2	1654307010	• SPONGE	1				sold by the meter
15-3	1654307048	• SPONGE	1				sold by the meter
19	0881402180	PIN	2				
21	0881404030	BRACKET	1		21501773~21504055		
22	0881406031	HOSE	1				
	0881406061	HOSE	1	a(H)	21504056~		
23	0881406045	HOSE	1				
26	1911300070	RADIATOR	1				
27	0881406032	HOSE	1	A	21501773~21504055		
	0881406062	HOSE	1	a(H)	21504056~		
29	1910150020	TANK, sub	1				Y121850-44800
30	1910143052	BRACKET	1				Y120147-44810
32	1910078037	VALVE, drain	1				Y129150-49100
33	1530808058	HOSE	1				sold by the meter
34	1530808115	HOSE	1				sold by the meter
35	1910150019	HOSE	1				Y121522-59080
36	1910150015	BAND	4				Y23000-060000
39	1533120011	CLAMP	2				
42	0881406050	RUBBER, cushion	2				
43	1651014003	RUBBER, cushion	2				
44	1100040616	BOLT	2				
46	1100040816	BOLT	13				
47	1100040820	BOLT	8				
48	1100041020	BOLT	4				
49	1100041025	BOLT	4				
51	1100041235	BOLT	4				
54	1130040008	NUT	4				
55	1130040010	NUT	2				
56	1140020006	WASHER, spring	2				
57	1140020008	WASHER, spring	25				
58	1140020010	WASHER, spring	14				
59	1140020012	WASHER, spring	4				
61	1141110006	WASHER	2				
65	0003608252	WASHER	1		21501773~21504055		
67	0003600025	WASHER	12				
68	0003600136	SHIM	AR				
71	1214000016	PIN, snap	2				
72	1531115028	HOSE	2				sold by the meter
73	1531115055	HOSE	2				sold by the meter
74	0007300026	CLAMP	1		21501773~21504055		
75	1652241150	BAND	2				
76	1652241200	BAND	2				
77	0881402595	JOINT	1				
78	1700100046	SENSOR	1				



**ENGINE & ACCESSORIES (2/2) (high flow; 21501773-)**

Item	Part number	Description	Q'ty	Chan.	Serial No.	Serv.	Remarks
79	1533700057	CLAMP	2				
82	0881405610	BRACKET	1				with air con.
83	0881402470	SHIM	AR				t=1.6mm
84	0881402480	SHIM	AR				t=3.2mm
85	0881402490	SHIM	AR				t=4.5mm
86	0880406610	SHIM	AR				t=1.6mm
87	0880406620	SHIM	AR				t=3.2mm
88	0880406630	SHIM	AR				t=4.5mm
92	1100041030	BOLT	4				
93	1420000100	O-RING	1				
94	1533120012	BAND	4				
101	0003600011	WASHER	4				
101		<<NOTE>>					
101		SET "A" is interchangeable with SET "a".					

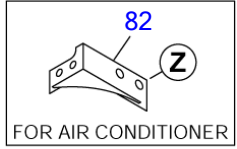
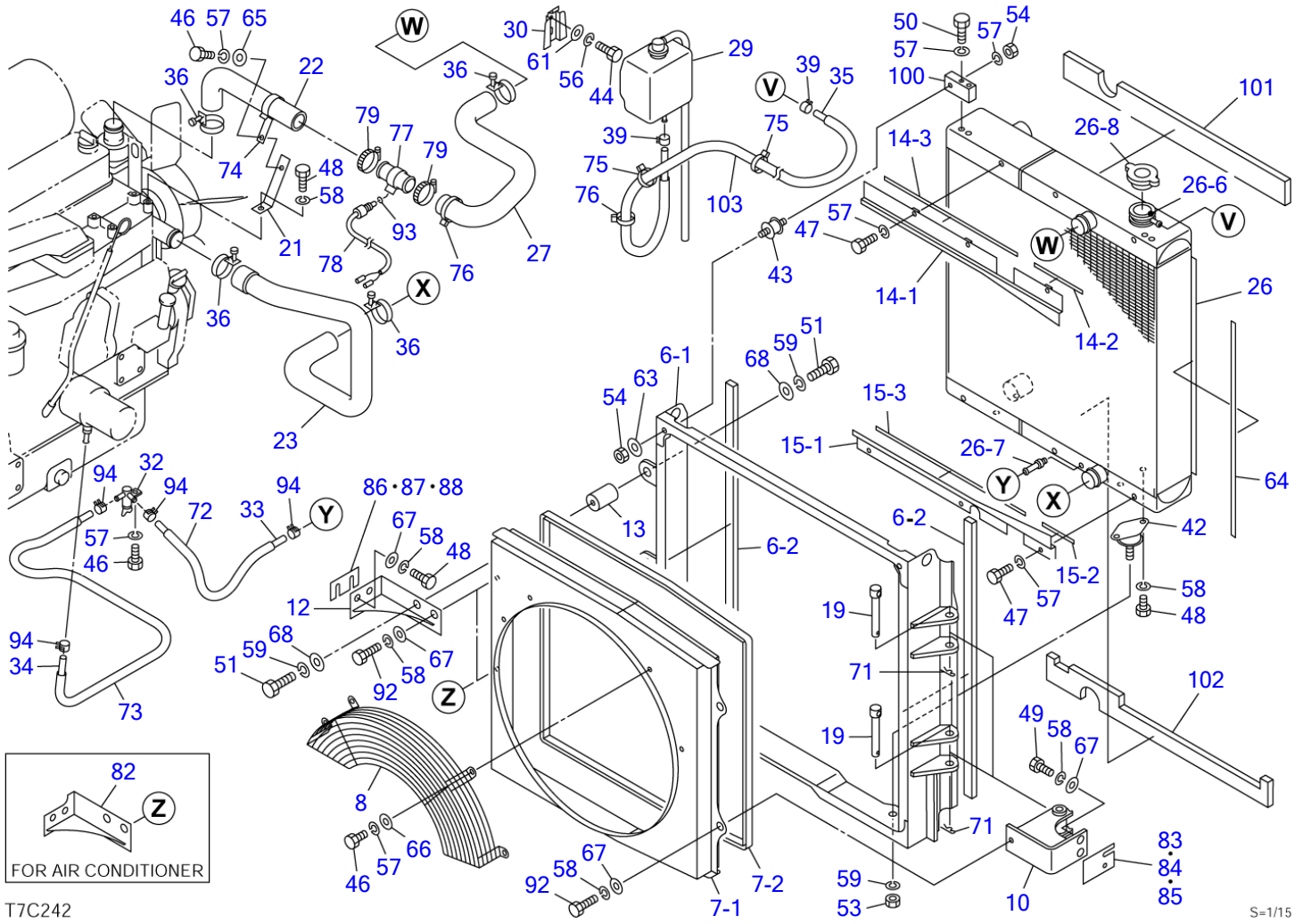
**T7c225**



**ENGINE & ACCESSORIES (1/2) (high flow, for EU; 21502751-)**

Item	Part number	Description	Q'ty	Chan.	Serial No.	Serv.	Remarks
		ENGINE ASSY					X08814-07000-6
		ENGINE ASSY (with air conditioner)					X08814-07800-6
1	0881404110	FOOT, engine (F.L.)	1				
2	0881402020	FOOT, engine (F.R.)	1				
3	0881402030	FOOT, engine (R.L.)	1				
4	0881402040	FOOT, engine (R.R.)	1				without air con.
11	0881404160	BRACKET	1				
16	0881407600	PULLEY	1				Y123900-42460
17	0881407610	BELT	1				B-49H
18	0881406010	PIPE	1				
20	0881400210	WASHER	4				
24	0881402240	HOSE	1				
25	1910205001	ENGINE	1				4TNV106T-XTBL1
28	1910186007	CLEANER, air	1				Y123945-12500
31	1910186022	GASKET	1				Y128300-13230
37	0881402550	CLAMP	1				
38	0881402560	CLAMP	1				
40	1910132029	BOLT	4				Y26106-080202
41	1651030009	RUBBER, cushion	8				
52	1101141640	BOLT	4				
54	1130040008	NUT	1				
55	1130040010	NUT	6				
57	1140020008	WASHER, spring	7				
58	1140020010	WASHER, spring	6				
60	1140020016	WASHER, spring	4				
62	1141110008	WASHER	5				
69	1702402001	CABLE	1				
70	1140330010	WASHER	2				
80	1100040825	BOLT	6				
81	0881405690	FOOT, engine (R.R.)	1				with air con.
89	0881964241	CLAMP	1				
90	0881964245	PLATE	1				
91	0881404130	BRACKET	1				
95	0881404140	STAY	1				
96	1110021230	SCREW, cap	16				
97	1141550012	WASHER	16				
	T7c233						

TL150 Book No. BT7Z011 S/N 21500004-  
 ENGINE & ACCESSORIES (2/2) (high flow, for EU; 21502751-21504055)



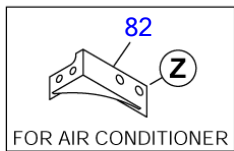
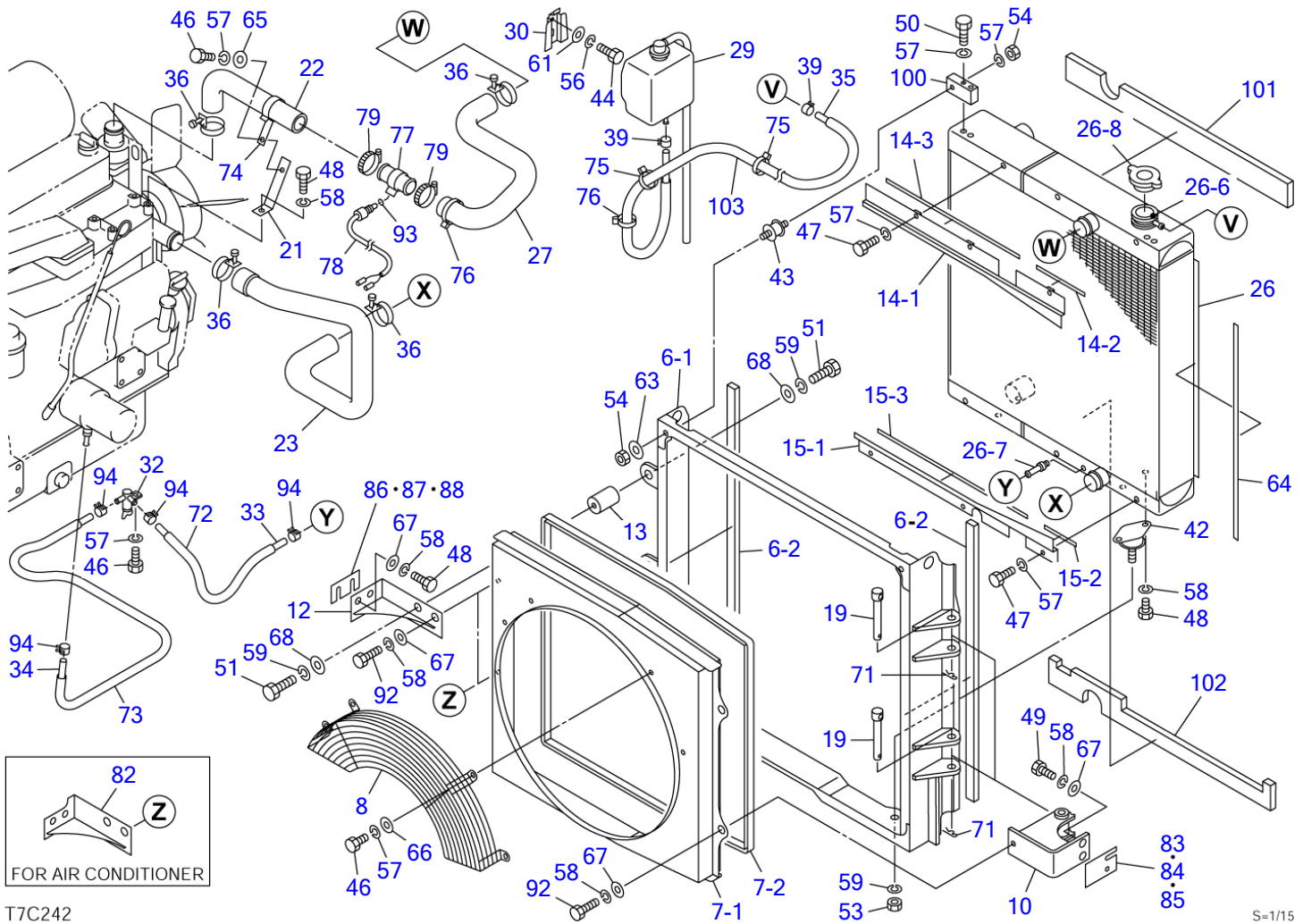
T7C242

S-1/15

**ENGINE & ACCESSORIES (2/2) (high flow, for EU; 21502751-21504055)**

Item	Part number	Description	Q'ty	Chan.	Serial No.	Serv.	Remarks
		ENGINE ASSY					X08814-07000-5
		ENGINE ASSY (with air conditioner)					X08814-07800-5
6	0881407200	FRAME ASSY	1				
6-1	0881407210	· FRAME	1				
6-2	1654343069	· SPONGE	2				sold by the meter
7	0881407250	SHROUD ASSY	1				
7-1	0881407260	· SHROUD	1				
7-2	1654606256	· TRIM	1				sold by the meter
8	0881407280	GUARD	1				
10	0881407300	HINGE	2				
12	0881402110	BRACKET	2				
13	0881401260	BOSS	2				
14	0881407350	PLATE ASSY	1				
14-1	0881407360	· PLATE	1				
14-2	1654355016	· SPONGE	1				sold by the meter
14-3	1654355043	· SPONGE	1				sold by the meter
15	0881407400	PLATE ASSY	1				
15-1	0881407410	· PLATE	1				
15-2	1654355011	· SPONGE	1				sold by the meter
15-3	1654355049	· SPONGE	1				sold by the meter
19	0881402180	PIN	2				
21	0881404030	BRACKET	1				
22	0881407450	HOSE	1				
23	0881407470	HOSE	1				
26	1911300100	RADIATOR & COOLER, oil	1				
26-6	1911300076	· FITTING, hose	1				
26-7	1911300077	· NIPPLE	1				
26-8	1911300078	· CAP, radiator	1				
27	0881407460	HOSE	1				
29	1910150020	TANK, sub	1				Y121850-44800
30	1910143052	BRACKET	1				Y120147-44810
32	1910078037	VALVE, drain	1				Y129150-49100
33	1530808058	HOSE	1				sold by the meter
34	1530808115	HOSE	1				sold by the meter
35	1531407159	HOSE	1				sold by the meter
36	1910150015	BAND	4				Y23000-060000
39	1533120011	CLAMP	2				
42	0880408580	RUBBER, cushion	2				
43	1651014003	RUBBER, cushion	2				
44	1100040616	BOLT	2				
46	1100040816	BOLT	6				
47	1100040820	BOLT	6				
48	1100041020	BOLT	9				
49	1100041025	BOLT	4				
50	1100040850	BOLT	4				
51	1100041235	BOLT	4				
53	1130040012	NUT	2				
54	1130040008	NUT	4				
56	1140020006	WASHER, spring	2				
57	1140020008	WASHER, spring	18				
58	1140020010	WASHER, spring	17				
59	1140020012	WASHER, spring	6				
61	1141110006	WASHER	2				
63	0003608252	WASHER	2				
64	1654343060	SPONGE	2				sold by the meter
65	0003608252	WASHER	1				
66	0003600011	WASHER	4				
67	0003600025	WASHER	12				
68	0003600136	SHIM	AR				
71	1214000016	PIN, snap	2				
72	1531115026	PROTECTOR	2				sold by the meter
73	1531115055	PROTECTOR	2				sold by the meter
74	0007300026	CLAMP	1				
75	1652241150	BAND	2				
76	1652241200	BAND	2				
77	0881402595	JOINT	1				
78	1700100046	SENSOR	1				
79	1533700057	CLAMP	2				

TL150 Book No. BT7Z011 S/N 21500004-  
 ENGINE & ACCESSORIES (2/2) (high flow, for EU; 21502751-21504055)



T7C242

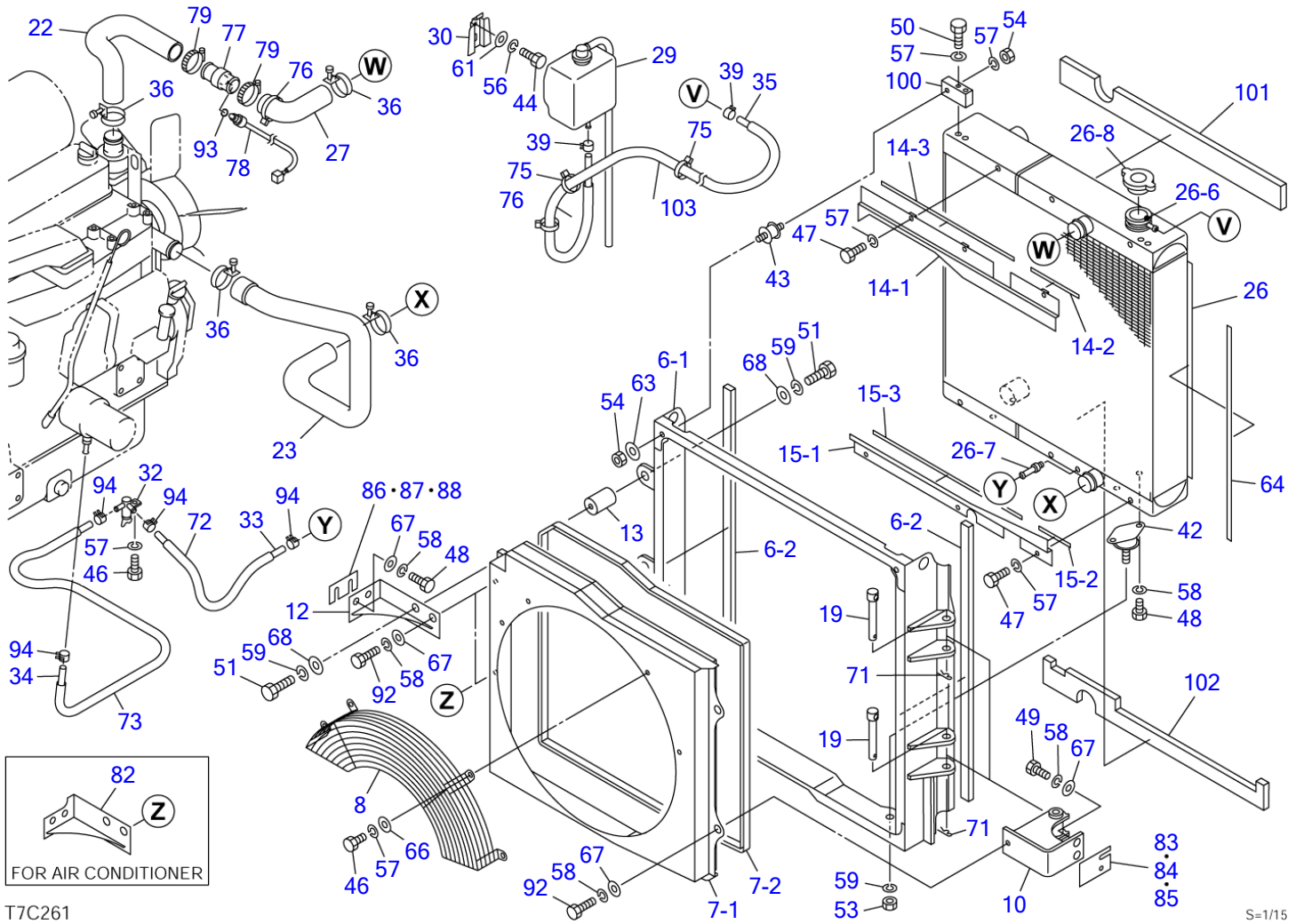
S-1/15



**ENGINE & ACCESSORIES (2/2) (high flow, for EU; 21502751-21504055)**

Item	Part number	Description	Q'ty	Chan.	Serial No.	Serv.	Remarks
82	<b>0881405610</b>	BRACKET	1				with air con.
83	<b>0881402470</b>	SHIM	AR				t=1.6mm
84	<b>0881402480</b>	SHIM	AR				t=3.2mm
85	<b>0881402490</b>	SHIM	AR				t=4.5mm
86	<b>0880406610</b>	SHIM	AR				t=1.6mm
87	<b>0880406620</b>	SHIM	AR				t=3.2mm
88	<b>0880406630</b>	SHIM	AR				t=4.5mm
92	<b>1100041030</b>	BOLT	4				
93	<b>1420000100</b>	O-RING	1				
94	<b>1533120012</b>	BAND	4				
100	<b>0880408550</b>	STAY	2				
101	<b>0881407620</b>	SPONGE	1				
102	<b>0881407630</b>	SPONGE	1				
103	<b>1531115153</b>	PROTECTOR	1		21502859~		sold by the meter
	<b>T7c243</b>						

TL150 Book No. BT7Z011 S/N 21500004-  
**ENGINE & ACCESSORIES (2/2) (high flow, for EU; 21504056-)**



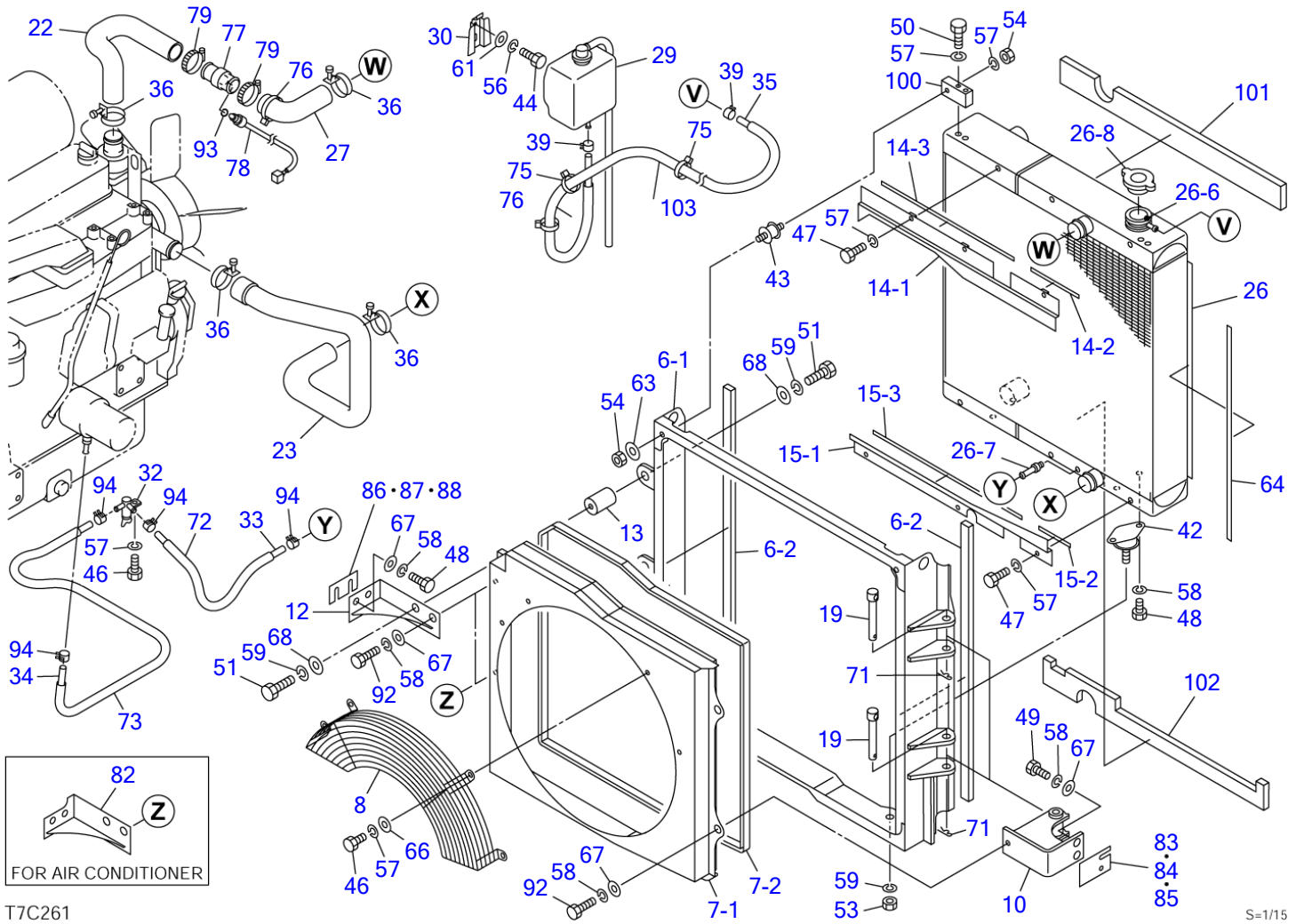
T7C261

S=1/15

**ENGINE & ACCESSORIES (2/2) (high flow, for EU; 21504056-)**

Item	Part number	Description	Q'ty	Chan.	Serial No.	Serv.	Remarks
		ENGINE ASSY					X08814-07000-6
		ENGINE ASSY (with air conditioner)					X08814-07800-6
6	0881407200	FRAME ASSY	1				
6-1	0881407210	· FRAME	1				
6-2	1654343069	· SPONGE	2				sold by the meter
7	0881407700	SHROUD ASSY	1				
7-1	0881407710	· SHROUD	1				
7-2	1654606256	· TRIM	1				sold by the meter
8	0881407280	GUARD	1				
10	0881407300	HINGE	2				
12	0881402110	BRACKET	2				
13	0881401260	BOSS	2				
14	0881407750	PLATE ASSY	1				
14-1	0881407760	· PLATE	1				
14-2	1654355016	· SPONGE	1				sold by the meter
14-3	1654355043	· SPONGE	1				sold by the meter
15	0881407400	PLATE ASSY	1				
15-1	0881407410	· PLATE	1				
15-2	1654355011	· SPONGE	1				sold by the meter
15-3	1654355049	· SPONGE	1				sold by the meter
19	0881402180	PIN	2				
22	0881407770	HOSE	1				
23	0881407470	HOSE	1				
26	1911300100	RADIATOR & COOLER, oil	1				
26-6	1911300076	· FITTING, hose	1				
26-7	1911300077	· NIPPLE	1				
26-8	1911300078	· CAP, radiator	1				
27	0881407780	HOSE	1				
29	1910150020	TANK, sub	1				Y121850-44800
30	1910143052	BRACKET	1				Y120147-44810
32	1910078037	VALVE, drain	1				Y129150-49100
33	1530808058	HOSE	1				sold by the meter
34	1530808115	HOSE	1				sold by the meter
35	1531407159	HOSE	1				sold by the meter
36	1910150015	BAND	4				Y23000-060000
39	1533120011	CLAMP	2				
42	0880408580	RUBBER, cushion	2				
43	1651014003	RUBBER, cushion	2				
44	1100040616	BOLT	2				
46	1100040816	BOLT	5				
47	1100040820	BOLT	6				
48	1100041020	BOLT	8				
49	1100041025	BOLT	4				
50	1100040850	BOLT	4				
51	1100041235	BOLT	4				
53	1130040012	NUT	2				
54	1130040008	NUT	4				
56	1140020006	WASHER, spring	2				
57	1140020008	WASHER, spring	17				
58	1140020010	WASHER, spring	16				
59	1140020012	WASHER, spring	6				
61	1141110006	WASHER	2				
63	0003608252	WASHER	2				
64	1654343060	SPONGE	2				sold by the meter
66	0003600011	WASHER	4				
67	0003600025	WASHER	12				
68	0003600136	SHIM	AR				
71	1214000016	PIN, snap	2				
72	1531115026	PROTECTOR	2				sold by the meter
73	1531115055	PROTECTOR	2				sold by the meter
74	0007300026	CLAMP	1				
75	1652241150	BAND	2				
76	1652241200	BAND	2				
78	1700100046	SENSOR	1				
79	1533700057	CLAMP	2				
82	0881405610	BRACKET	1				with air con.
83	0881402470	SHIM	AR				t=1.6mm
84	0881402480	SHIM	AR				t=3.2mm

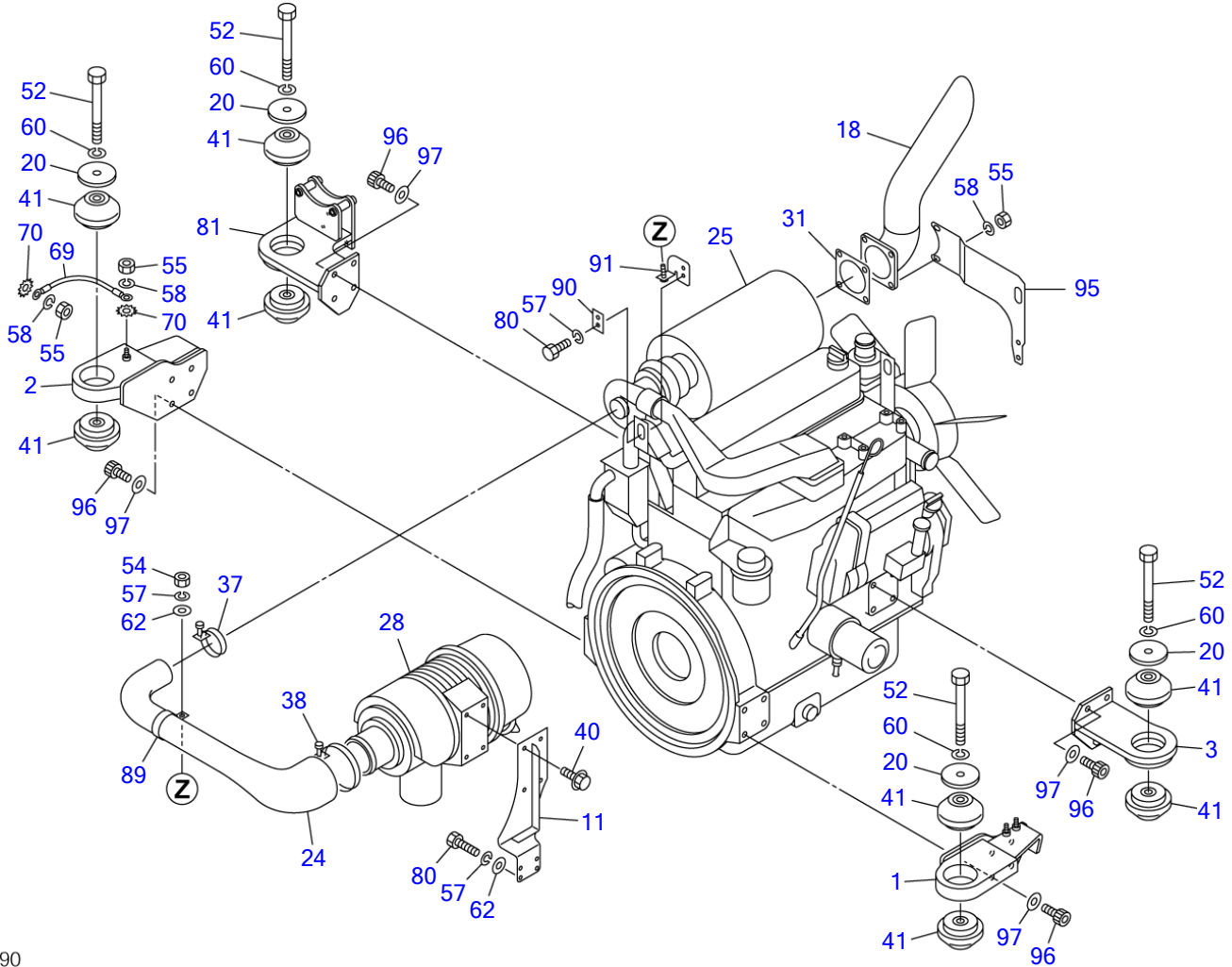
TL150 Book No. BT7Z011 S/N 21500004-  
**ENGINE & ACCESSORIES (2/2) (high flow, for EU; 21504056-)**



**ENGINE & ACCESSORIES (2/2) (high flow, for EU; 21504056-)**

Item	Part number	Description	Q'ty	Chan.	Serial No.	Serv.	Remarks
85	<b>0881402490</b>	SHIM	AR				t=4.5mm
86	<b>0880406610</b>	SHIM	AR				t=1.6mm
87	<b>0880406620</b>	SHIM	AR				t=3.2mm
88	<b>0880406630</b>	SHIM	AR				t=4.5mm
92	<b>1100041030</b>	BOLT	4				
93	<b>1420000100</b>	O-RING	1				
94	<b>1533120012</b>	BAND	4				
100	<b>0880408550</b>	STAY	2				
101	<b>0881407620</b>	SPONGE	1				
102	<b>0881407630</b>	SPONGE	1				
103	<b>1531115153</b>	PROTECTOR	1				sold by the meter
	<b>T7c260</b>						

TL150 Book No. BT7Z011 S/N 21500004-  
ENGINE & ACCESSORIES (1/2) (high flow, for GEHL; 21504188-)



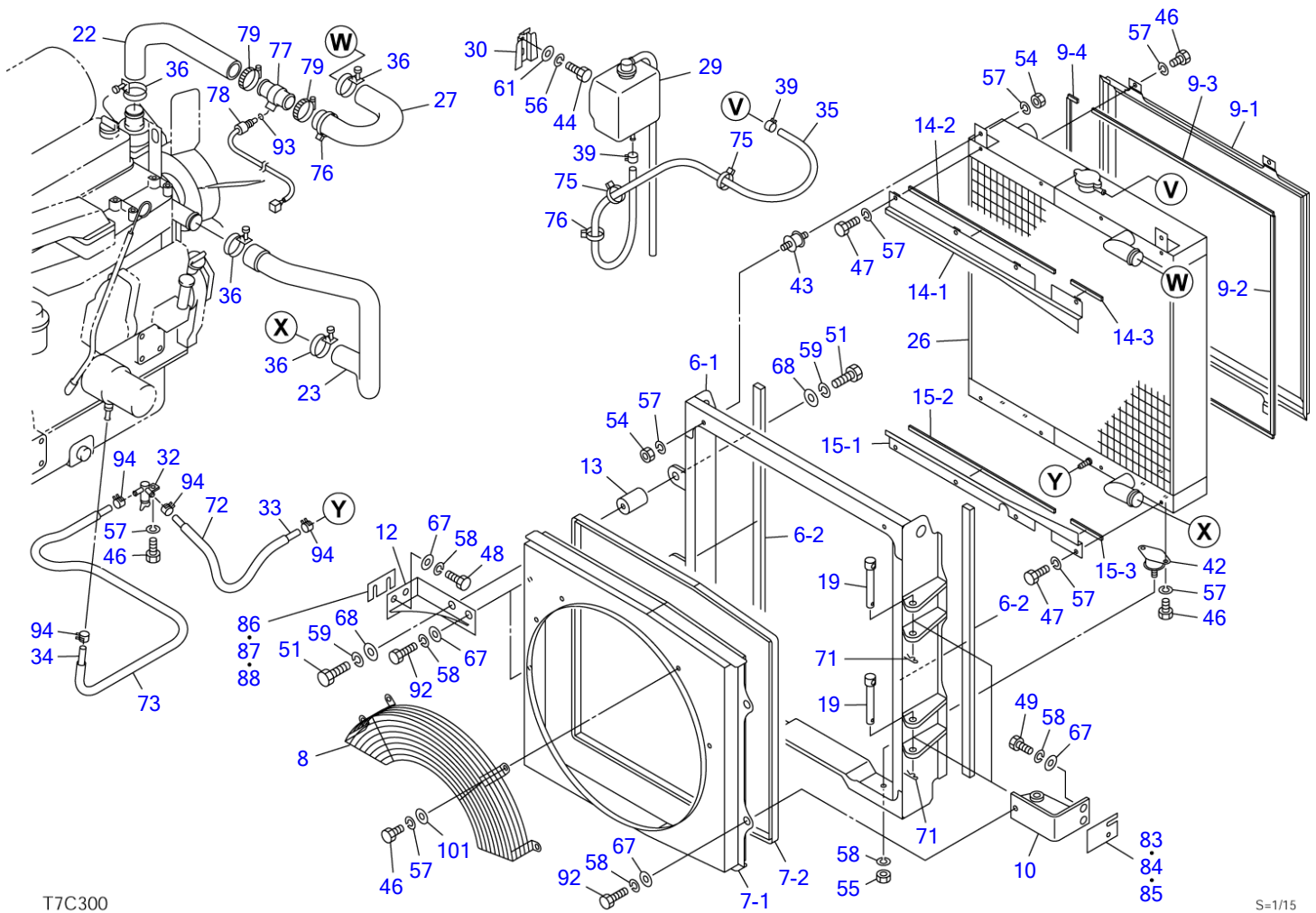
T7C290

S=1/15

**ENGINE & ACCESSORIES (1/2) (high flow, for GEHL; 21504188-)**

Item	Part number	Description	Q'ty	Chan.	Serial No.	Serv.	Remarks
		ENGINE ASSY					X08814-08500-11
1	0881404110	FOOT, engine (F.L.)	1			M	
2	0881402020	FOOT, engine (F.R.)	1			M	
3	0881402030	FOOT, engine (R.L.)	1			M	
11	0881404160	BRACKET	1			M	
18	0881406010	PIPE	1			M	
20	0881400210	WASHER	4			M	
24	0881402240	HOSE	1			M	
25	1910205001	ENGINE	1			M	4TNV106T-XTBL1
28	1910186007	CLEANER, air	1			M	Y123945-12500
31	1910186022	GASKET	1			M	Y128300-13230
37	0881402550	CLAMP	1			M	
38	0881402560	CLAMP	1			M	
40	1910132029	BOLT	4			M	Y26106-080202
41	1651030009	RUBBER, cushion	8			M	
52	1101141640	BOLT	4			M	
54	1130040008	NUT	1			M	
55	1130040010	NUT	6			M	
57	1140020008	WASHER, spring	7			M	
58	1140020010	WASHER, spring	6			M	
60	1140020016	WASHER, spring	4			M	
62	1141110008	WASHER	5			M	
69	1702402001	CABLE	1			M	
70	1140330010	WASHER	2			M	
80	1100040825	BOLT	6			M	
81	0881405690	FOOT, engine (R.R.)	1			M	
89	0881964241	CLAMP	1			M	
90	0881964245	PLATE	1			M	
91	0881404130	BRACKET	1			M	
95	0881404140	STAY	1			M	
96	1110021230	SCREW, cap	16			M	
97	1141550012	WASHER	16			M	
	T7c290						

TL150 Book No. BT7Z011 S/N 21500004-  
**ENGINE & ACCESSORIES (2/2) (high flow, for GEHL; 21504188-)**



T7C300

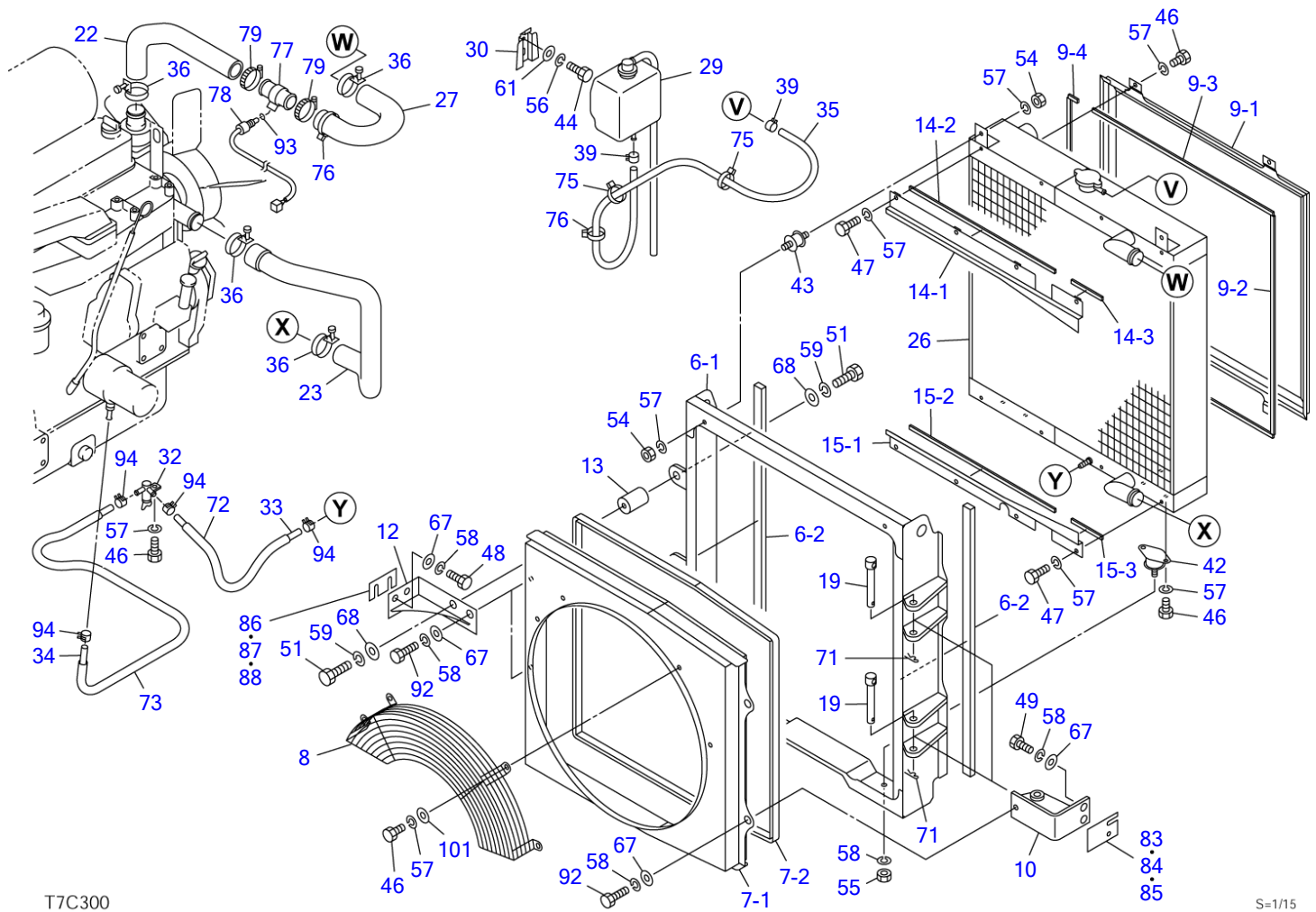
S=1/15



**ENGINE & ACCESSORIES (2/2) (high flow, for GEHL; 21504188-)**

Item	Part number	Description	Q'ty	Chan.	Serial No.	Serv.	Remarks
		ENGINE ASSY					X08814-08500-11
6	0881406200	FRAME ASSY	1			M	
6-1	0881406210	· FRAME	1			M	
6-2	1654343077	· SPONGE	2			M	sold by the meter
7	0881406150	SHROUD ASSY	1			M	
7-1	0881406160	· SHROUD	1			M	
7-2	1654606256	· TRIM	1			M	sold by the meter
8	0881402460	GUARD	1			M	
9	0881406300	PLATE ASSY	1			M	
9-1	0881406310	· PLATE	1			M	
9-2	1654307063	· SPONGE	2			M	sold by the meter
9-3	1654307060	· SPONGE	2			M	sold by the meter
9-4	1654307003	· SPONGE	2			M	sold by the meter
10	0881406020	HINGE	2			M	
12	0881402110	BRACKET	2			M	
13	0881401260	BOSS	2			M	
14	0881406450	PLATE ASSY	1			M	
14-1	0881406460	· PLATE	1			M	
14-2	1654307010	· SPONGE	1			M	sold by the meter
14-3	1654307048	· SPONGE	1			M	sold by the meter
15	0881406500	PLATE ASSY	1			M	
15-1	0881406510	· PLATE	1			M	
15-2	1654307010	· SPONGE	1			M	sold by the meter
15-3	1654307048	· SPONGE	1			M	sold by the meter
19	0881402180	PIN	2			M	
22	0881406061	HOSE	1			M	
23	0881406045	HOSE	1			M	
26	1911300070	RADIATOR	1			M	
27	0881406062	HOSE	1			M	
29	1910150020	TANK, sub	1			M	Y121850-44800
30	1910143052	BRACKET	1			M	Y120147-44810
32	1910078037	VALVE, drain	1			M	Y129150-49100
33	1530808058	HOSE	1			M	sold by the meter
34	1530808115	HOSE	1			M	sold by the meter
35	1910150019	HOSE	1			M	Y121522-59080
36	1910150015	BAND	4			M	Y23000-060000
39	1533120011	CLAMP	2			M	
42	0881406050	RUBBER, cushion	2			M	
43	1651014003	RUBBER, cushion	2			M	
44	1100040616	BOLT	2			M	
46	1100040816	BOLT	13			M	
47	1100040820	BOLT	8			M	
48	1100041020	BOLT	4			M	
49	1100041025	BOLT	4			M	
51	1100041235	BOLT	4			M	
54	1130040008	NUT	4			M	
55	1130040010	NUT	2			M	
56	1140020006	WASHER, spring	2			M	
57	1140020008	WASHER, spring	25			M	
58	1140020010	WASHER, spring	14			M	
59	1140020012	WASHER, spring	4			M	
61	1141110006	WASHER	2			M	
67	0003600025	WASHER	12			M	
68	0003600136	SHIM	AR			M	
71	1214000016	PIN, snap	2			M	
72	1531115028	HOSE	2			M	sold by the meter
73	1531115055	HOSE	2			M	sold by the meter
75	1652241150	BAND	2			M	
76	1652241200	BAND	2			M	
77	0881402595	JOINT	1			M	
78	1700100046	SENSOR	1			M	
79	1533700057	CLAMP	2			M	
83	0881402470	SHIM	AR			M	t=1.6mm
84	0881402480	SHIM	AR			M	t=3.2mm
85	0881402490	SHIM	AR			M	t=4.5mm
86	0880406610	SHIM	AR			M	t=1.6mm
87	0880406620	SHIM	AR			M	t=3.2mm
88	0880406630	SHIM	AR			M	t=4.5mm

TL150 Book No. BT7Z011 S/N 21500004-  
ENGINE & ACCESSORIES (2/2) (high flow, for GEHL; 21504188-)

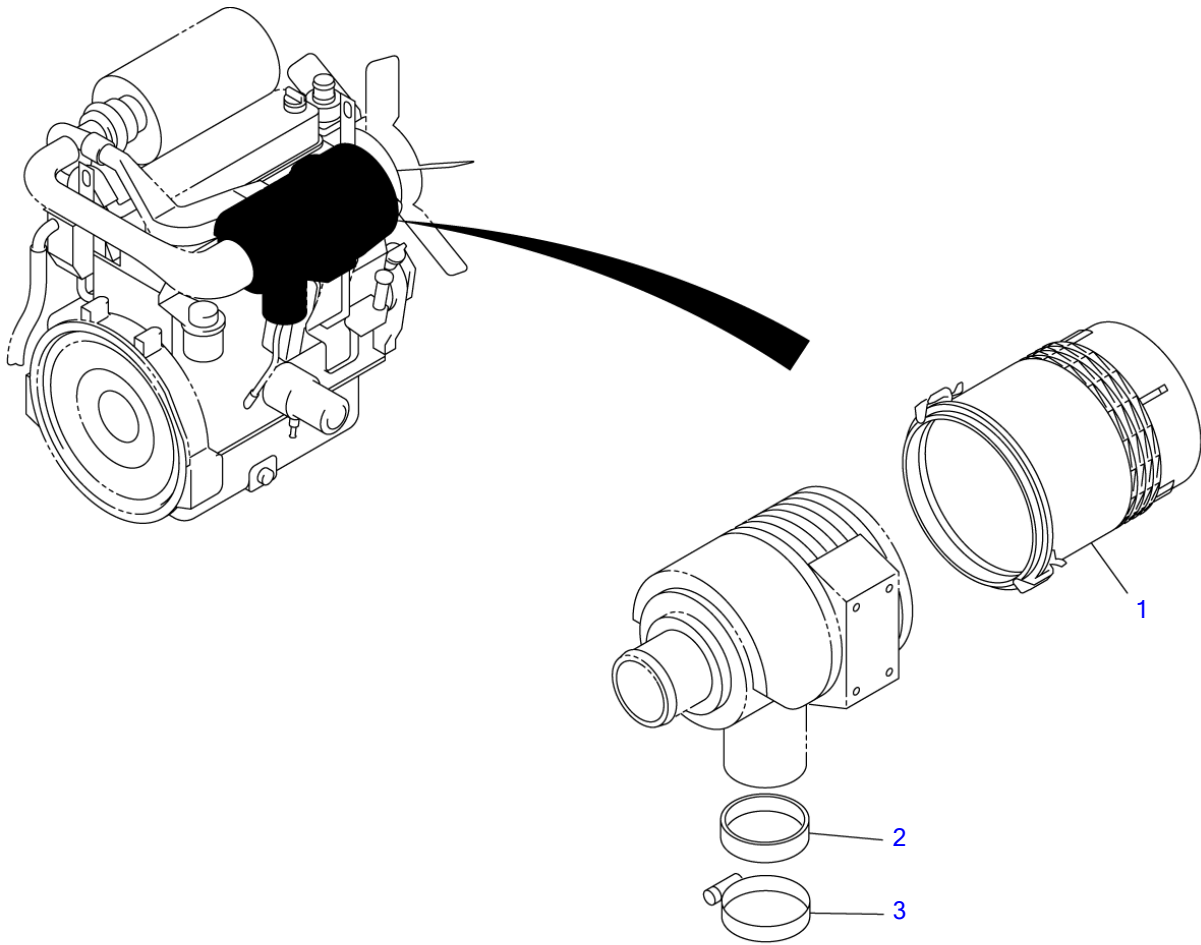


T7C300

S=1/15

**ENGINE & ACCESSORIES (2/2) (high flow, for GEHL; 21504188-)**

Item	Part number	Description	Q'ty	Chan.	Serial No.	Serv.	Remarks
92	<b>1100041030</b>	BOLT	4			M	
93	<b>1420000100</b>	O-RING	1			M	
94	<b>1533120012</b>	BAND	4			M	
101	<b>0003600011</b>	WASHER	4			M	
	<b>T7c300</b>						

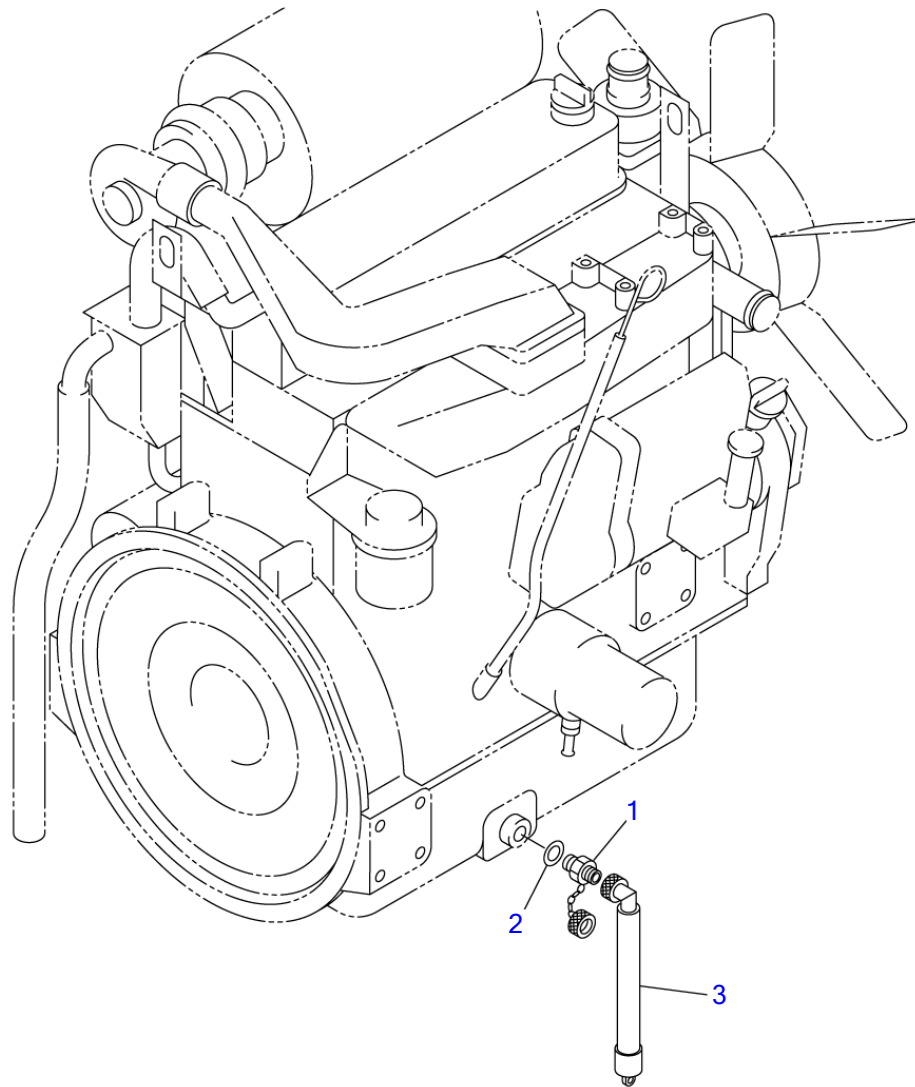


T7C320

S=1/8,1/15

**PRECLEANER (for US)**

Item	Part number	Description	Q'ty	Chan.	Serial No.	Serv.	Remarks
		PRECLEANER ASSY					08814-04200-0
1	<b>1911240040</b>	PRECLEANER	1			M	
2	<b>1911240060</b>	CAP	1			M	
3	<b>1911240061</b>	CLIP	1			M	
	<b>T7c320</b>						

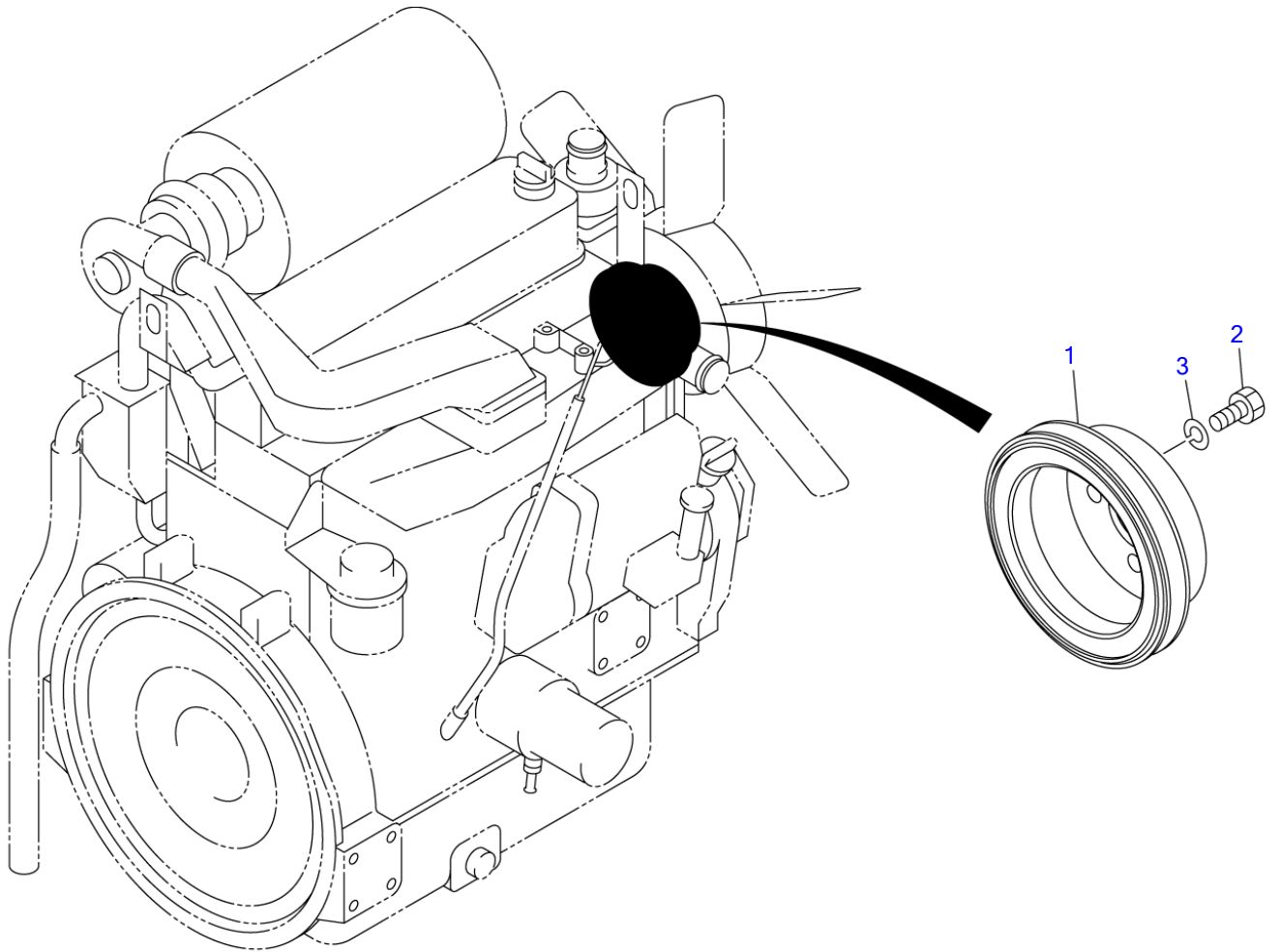


T7C100

S=1/8

**DRAIN PLUG**

Item	Part number	Description	Q'ty	Chan.	Serial No.	Serv.	Remarks
		PLUG ASSY, drain					X03340-13000-2
1	1554502250	PLUG	1				
2	1432122302	WASHER	1				
3	1554512601	TUBE	1				
	T8c031						



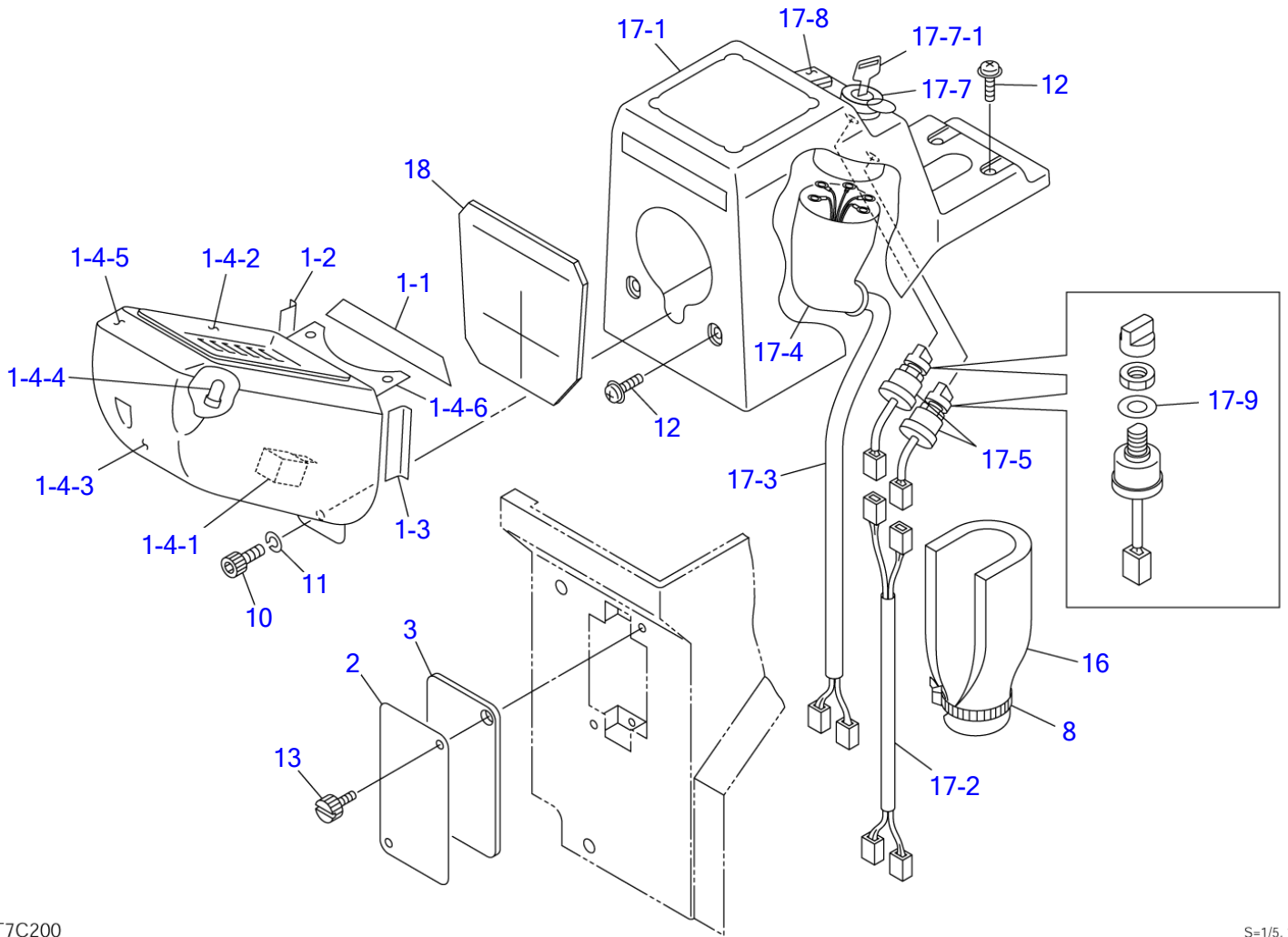
T7C110

S=1/4, 1/8



**PULLEY (for air conditioner)**

Item	Part number	Description	Q'ty	Chan.	Serial No.	Serv.	Remarks
		PULLEY ASSY					X08814-02500-0
1	<b>0881462100</b>	PULLEY	1				
2	<b>1100041050</b>	BOLT	4				
3	<b>1140020010</b>	WASHER, spring	4				
	<b>T7c110</b>						



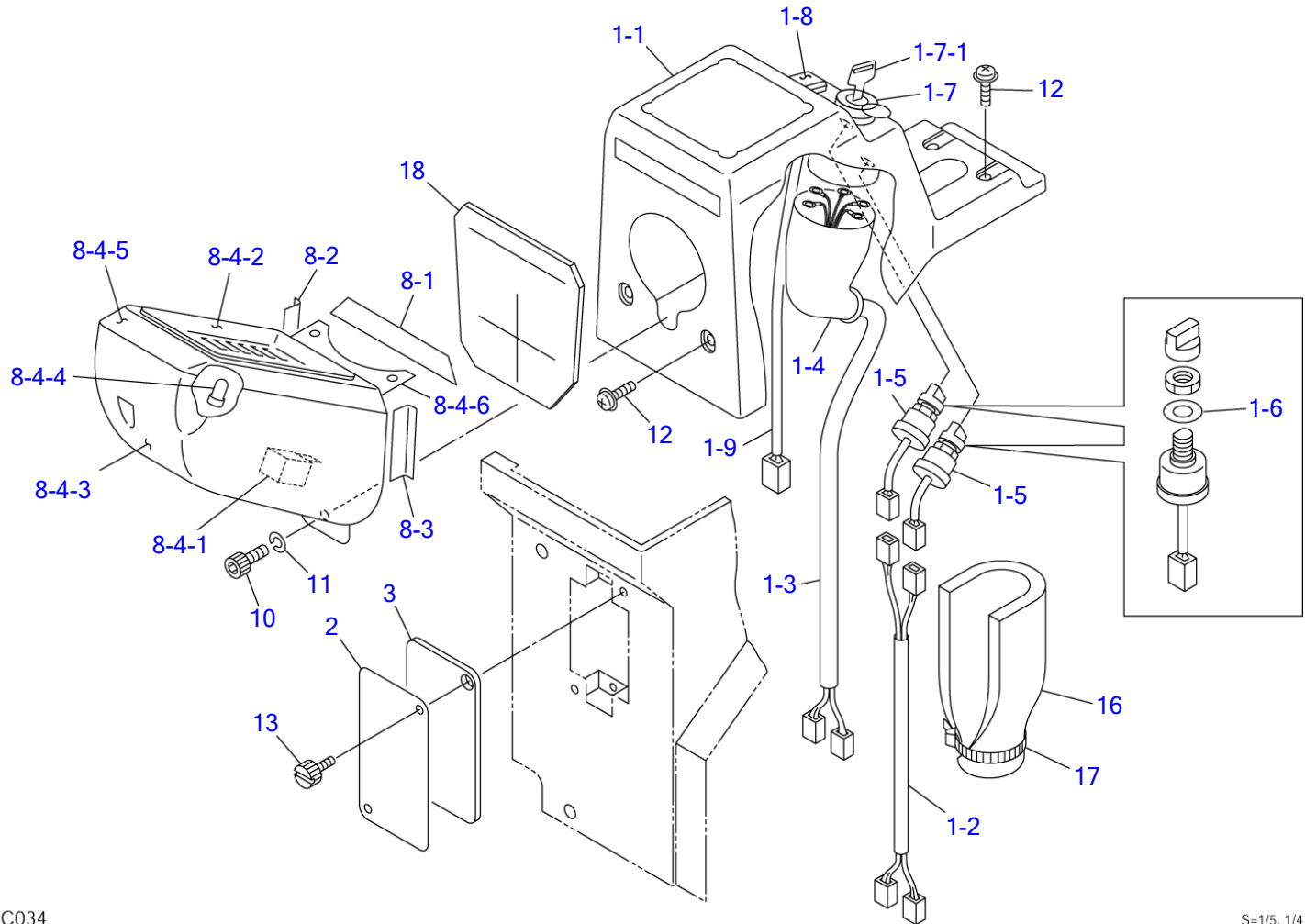
T7C200

S=1/5, 1/4

**CONTROL BOX; R.H.**

Item	Part number	Description	Q'ty	Chan.	Serial No.	Serv.	Remarks
		COVER ASSY (R.H.)					X08824-30000-2
1	<b>0881430900</b>	GAUGE ASSY, cluster	1		21500004~21501194		
	<b>0881430910</b>	GAUGE ASSY, cluster	1		21501195~		
1-1	<b>0881430901</b>	• ABSORBENT, noise	1				
1-2	<b>0881430902</b>	• ABSORBENT, noise	1				
1-3	<b>0881430903</b>	• ABSORBENT, noise	1				
1-4	<b>1730140690</b>	• GAUGE, cluster	1		21500004~21501197		
	<b>1730140920</b>	• GAUGE, cluster	1		21501198~		
1-4-1	<b>1730140691</b>	• • RELAY	1				12V
1-4-2	<b>1730140782</b>	• • GLASS	1				
1-4-3	<b>1730140785</b>	• • COVER	1				
1-4-4	<b>1730140696</b>	• • BULB	10				14V, 1.4W
1-4-5	<b>1730140788</b>	• • VISOR	1				
1-4-6	<b>1730140694</b>	• • BRACKET	1				
2	<b>0881430802</b>	COVER	1				
3	<b>0881430803</b>	INSULATOR	1				
8	<b>1652231250</b>	BAND	1				
10	<b>1110020820</b>	SCREW, cap	1				
11	<b>1140090008</b>	WASHER, spring	1				
12	<b>1150420614</b>	SCREW	4				
13	<b>1652711698</b>	SCREW	2				
16	<b>0881430805</b>	INSULATOR	1				
17	<b>0882430100</b>	COVER ASSY, sub (R.H.)	1				
17-1	<b>0881430870</b>	• COVER (R.H.)	1				
17-2	<b>0881430880</b>	• HARNESS, wiring	1				
17-3	<b>0881422400</b>	• HARNESS, wiring	1		21500004~21501713		
	<b>0881422400</b>	• HARNESS, wiring	1		21502001~21502132		
	<b>0881430960</b>	• HARNESS, wiring	1		21501714~21501999		
	<b>0881430960</b>	• HARNESS, wiring	1		21502133~		
17-4	<b>0870431821</b>	• COVER	1				
17-5	<b>1700000010</b>	• SWITCH, lamp	2				
17-7	<b>1700100023</b>	• SWITCH, starter	1		21500004~21501713		
	<b>1700100023</b>	• SWITCH, starter	1		21502001~21502132		
	<b>1700100052</b>	• SWITCH, starter	1	(H)	21501714~21501999		
	<b>1700100052</b>	• SWITCH, starter	1		21502133~		
17-7-1	<b>1700100019</b>	• KEY	1				
17-8	<b>1700550024</b>	• ORNAMENT	1				
17-9	<b>1141810012</b>	• WASHER	2				
18	<b>0881430801</b>	ABSORBENT, noise	1		21500004~21500201		
	<b>T7c200</b>						

TL150 Book No. BT7Z011 S/N 21500004-  
CONTROL BOX; R.H. (high flow)



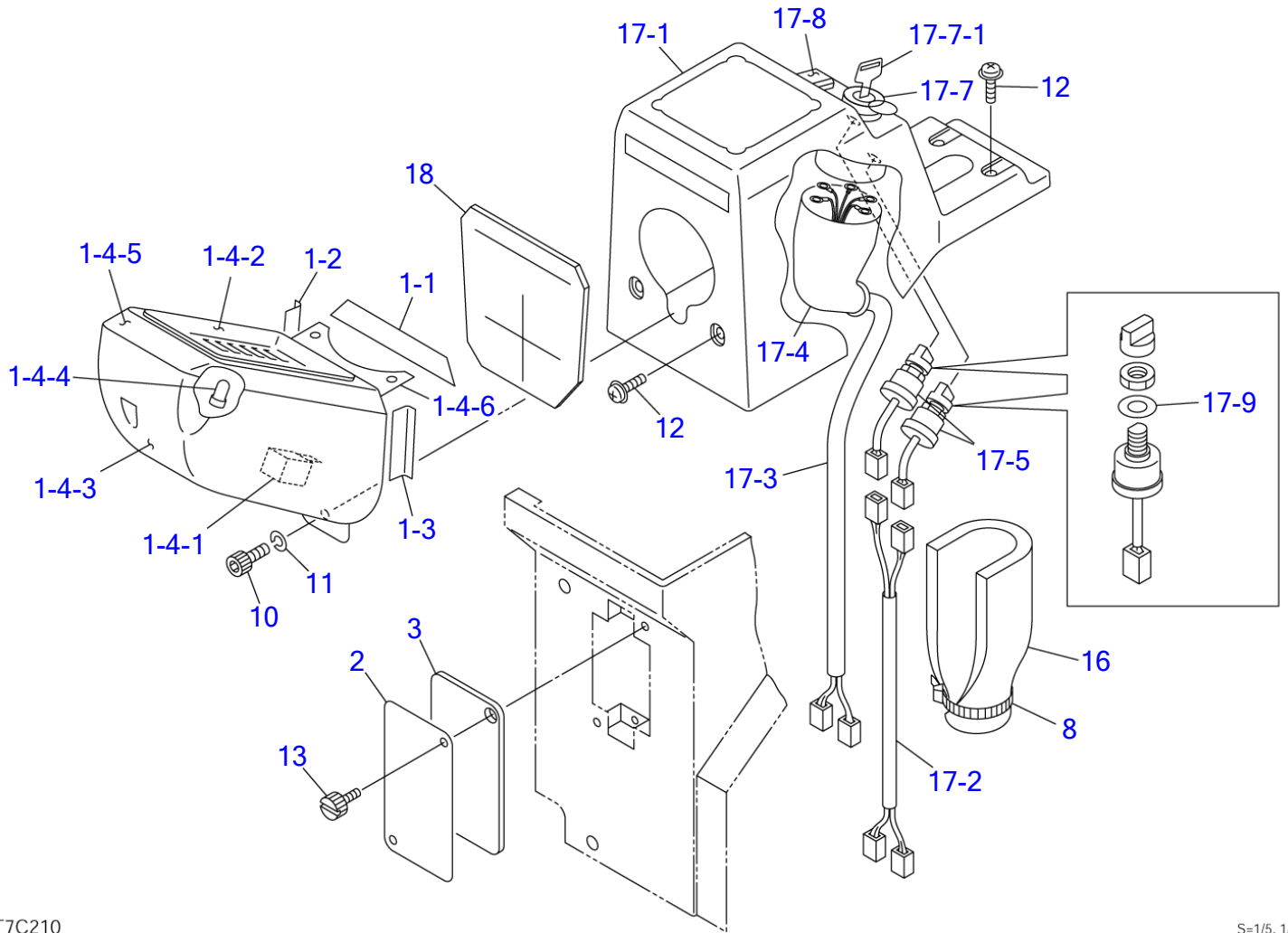
T7C034

S=1/5, 1/4

**CONTROL BOX; R.H. (high flow)**

Item	Part number	Description	Q'ty	Chan.	Serial No.	Serv.	Remarks
		COVER ASSY (R.H.)					X08814-31200-7
1	0881430950	COVER ASSY	1				
1-1	0881430870	• COVER (R.H.)	1				
1-2	0881430880	• HARNESS, wiring	1				
1-3	0881422400	• HARNESS, wiring	1		21500004~21501713		
	0881422400	• HARNESS, wiring	1		21502001~21502132		
	0881430960	• HARNESS, wiring	1		21501714~21501999		
	0881430960	• HARNESS, wiring	1		21502133~		
1-4	0870431821	• COVER	1				
1-5	1700000010	• SWITCH, lamp	2				
1-6	1141810012	• WASHER	2				
1-7	1700100023	• SWITCH, starter	1		21500004~21501713		
	1700100023	• SWITCH, starter	1		21502001~21502132		
	1700100052	• SWITCH, starter	1	(H)	21501714~21501999		
	1700100052	• SWITCH, starter	1		21502133~		
1-7-1	1700100019	• KEY	1				
1-8	1700000034	• SWITCH	1				
1-9	0881430970	• HARNESS, wiring	1				
2	0881430802	COVER	1				
3	0881430803	INSULATOR	1				
8	0881430900	GAUGE ASSY, cluster	1		21500004~21501194		
	0881430910	GAUGE ASSY, cluster	1	(H)	21501195~		
8-1	0881430901	• ABSORBENT, noise	1				
8-2	0881430902	• ABSORBENT, noise	1				
8-3	0881430903	• ABSORBENT, noise	1				
8-4	1730140690	• GAUGE, cluster	1		21500004~21501197		
	1730140920	• GAUGE, cluster	1	(H)	21501198~		
8-4-1	1730140691	• • RELAY	1				12V
8-4-2	1730140782	• • GLASS	1				
8-4-3	1730140785	• • COVER	1				
8-4-4	1730140696	• • BULB	10				14V, 1.4W
8-4-5	1730140788	• • VISOR	1				
8-4-6	1730140694	• • BRACKET	1				
10	1110020820	SCREW, cap	1				
11	1140090008	WASHER, spring	1				
12	1150420614	SCREW, sems	4				
13	1652711698	SCREW	2				
16	0881430805	INSULATOR	1				
17	1652231250	BAND	1				
18	0881430801	ABSORBENT, noise	1		21500004~21500201		
	T7c036						

TL150 Book No. BT7Z011 S/N 21500004-  
CONTROL BOX; R.H. (for GEHL & MUSTANG)



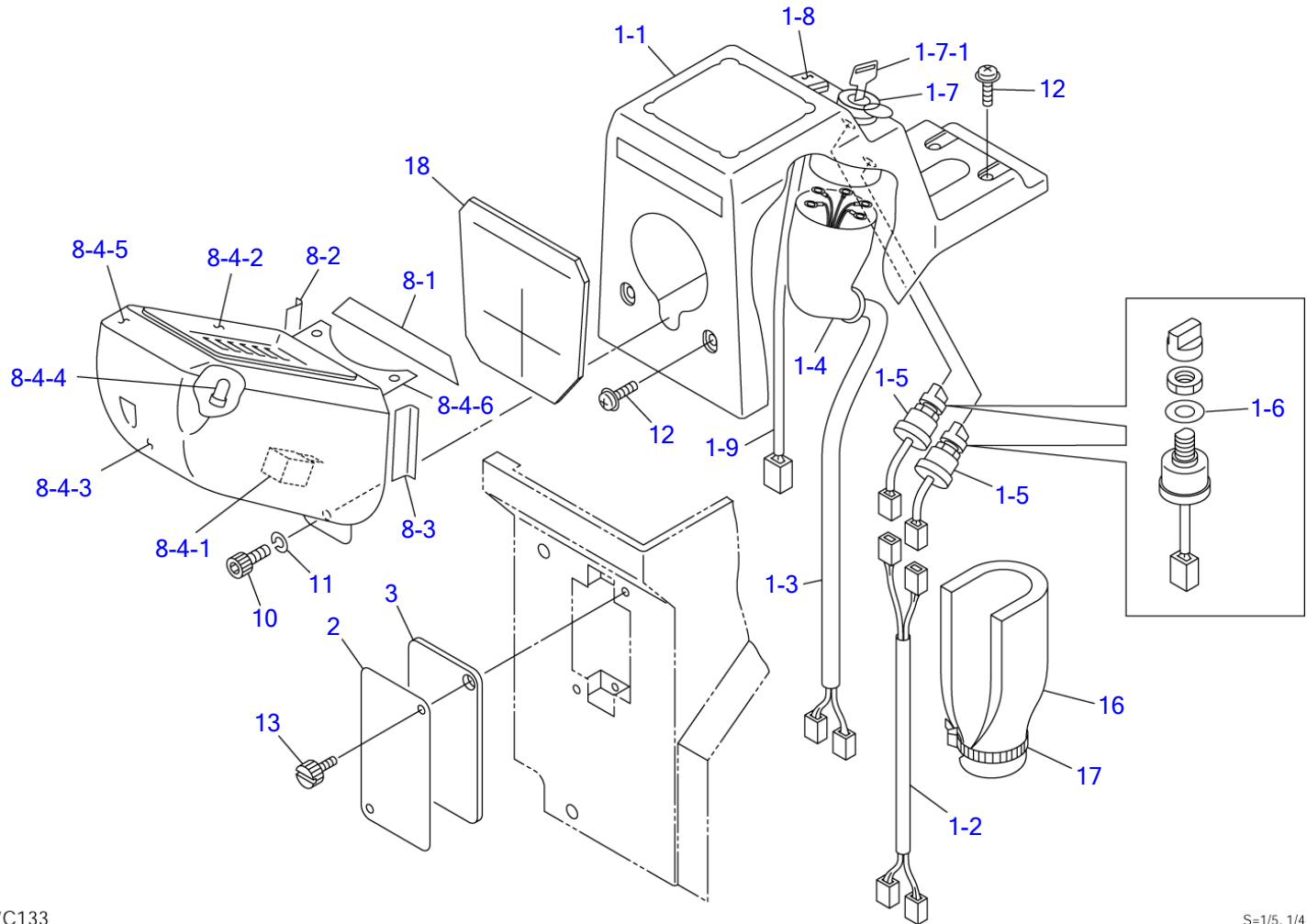
T7C210

S=1/5, 1/4

**CONTROL BOX; R.H. (for GEHL & MUSTANG)**

Item	Part number	Description	Q'ty	Chan.	Serial No.	Serv.	Remarks
		COVER ASSY (R.H.)					X08824-31000-2
1	<b>0881431110</b>	GAUGE ASSY, cluster	1		21500004~21501194		
	<b>0881431120</b>	GAUGE ASSY, cluster	1		21501195~		
1-1	<b>0881430901</b>	• ABSORBENT, noise	1				
1-2	<b>0881430902</b>	• ABSORBENT, noise	1				
1-3	<b>0881430903</b>	• ABSORBENT, noise	1				
1-4	<b>1730140770</b>	• GAUGE, cluster	1		21500004~21501197		
	<b>1730140930</b>	• GAUGE, cluster	1		21501198~		
1-4-1	<b>1730140691</b>	• • RELAY	1				12V
1-4-2	<b>1730140782</b>	• • GLASS	1				
1-4-3	<b>1730140785</b>	• • COVER	1				
1-4-4	<b>1730140696</b>	• • BULB	10				14V, 1.4W
1-4-5	<b>1730140788</b>	• • VISOR	1				
1-4-6	<b>1730140694</b>	• • BRACKET	1				
2	<b>0881430802</b>	COVER	1				
3	<b>0881430803</b>	INSULATOR	1				
8	<b>1652231250</b>	BAND	1				
10	<b>1110020820</b>	SCREW, cap	1				
11	<b>1140090008</b>	WASHER, spring	1				
12	<b>1150420614</b>	SCREW	4				
13	<b>1652711698</b>	SCREW	2				
16	<b>0881430805</b>	INSULATOR	1				
17	<b>0882430100</b>	COVER ASSY, sub (R.H.)	1				
17-1	<b>0881430870</b>	• COVER (R.H.)	1				
17-2	<b>0881430880</b>	• HARNESS, wiring	1				
17-3	<b>0881422400</b>	• HARNESS, wiring	1		21500004~21501713		
	<b>0881422400</b>	• HARNESS, wiring	1		21502001~21502132		
	<b>0881430960</b>	• HARNESS, wiring	1		21501714~21501999		
	<b>0881430960</b>	• HARNESS, wiring	1		21502133~		
17-4	<b>0870431821</b>	• COVER	1				
17-5	<b>1700000010</b>	• SWITCH, lamp	2				
17-7	<b>1700100023</b>	• SWITCH, starter	1		21500004~21501713		
	<b>1700100023</b>	• SWITCH, starter	1		21502001~21502132		
	<b>1700100052</b>	• SWITCH, starter	1	(H)	21501714~21501999		
	<b>1700100052</b>	• SWITCH, starter	1		21502133~		
17-7-1	<b>1700100019</b>	• KEY	1				
17-8	<b>1700550024</b>	• ORNAMENT	1				
17-9	<b>1141810012</b>	• WASHER	2				
18	<b>0881430801</b>	ABSORBENT, noise	1		21500004~21500201		
	<b>T7c210</b>						

TL150 Book No. BT7Z011 S/N 21500004-  
CONTROL BOX; R.H. (high flow, for GEHL & MUSTANG)

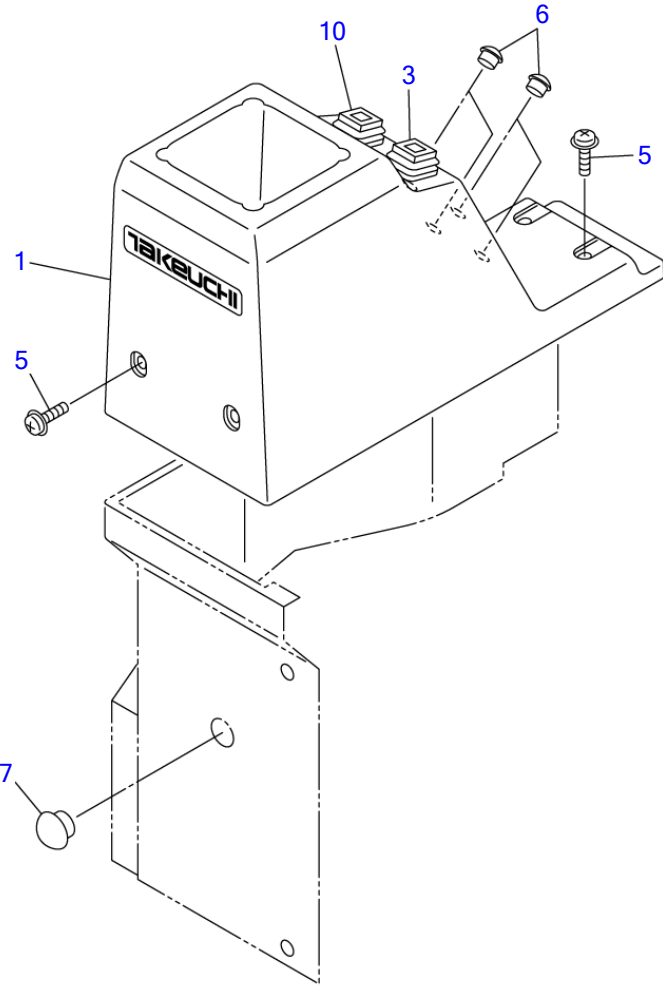


T7C133

S=1/5, 1/4



<b>CONTROL BOX; R.H. (high flow, for GEHL &amp; MUSTANG)</b>							
Item	Part number	Description	Q'ty	Chan.	Serial No.	Serv.	Remarks
		COVER ASSY (R.H.) (for GEHL & MUSTANG)					X08814-31300-7
1	0881430950	COVER ASSY	1				
1-1	0881430870	• COVER (R.H.)	1				
1-2	0881430880	• HARNESS, wiring	1				
1-3	0881422400	• HARNESS, wiring	1		21500004~21501713		
	0881422400	• HARNESS, wiring	1		21502001~21502132		
	0881430960	• HARNESS, wiring	1		21501714~21501999		
	0881430960	• HARNESS, wiring	1		21502133~		
1-4	0870431821	• COVER	1				
1-5	1700000010	• SWITCH, lamp	2				
1-6	1141810012	• WASHER	2				
1-7	1700100023	• SWITCH, starter	1		21500004~21501713		
	1700100023	• SWITCH, starter	1		21502001~21502132		
	1700100052	• SWITCH, starter	1	(H)	21501714~21501999		
	1700100052	• SWITCH, starter	1		21502133~		
1-7-1	1700100019	• KEY	1				
1-8	1700000034	• SWITCH	1				
1-9	0881430970	• HARNESS, wiring	1				
2	0881430802	COVER	1				
3	0881430803	INSULATOR	1				
8	0881431110	GAUGE ASSY, cluster	1		21500004~21501194		
	0881431120	GAUGE ASSY, cluster	1	(H)	21501195~		
8-1	0881430901	• ABSORBENT, noise	1				
8-2	0881430902	• ABSORBENT, noise	1				
8-3	0881430903	• ABSORBENT, noise	1				
8-4	1730140770	• GAUGE, cluster	1		21500004~21501197		
	1730140930	• GAUGE, cluster	1	(H)	21501198~		
8-4-1	1730140691	• • RELAY	1				12V
8-4-2	1730140782	• • GLASS	1				
8-4-3	1730140785	• • COVER	1				
8-4-4	1730140696	• • BULB	10				14V, 1.4W
8-4-5	1730140788	• • VISOR	1				
8-4-6	1730140694	• • BRACKET	1				
10	1110020820	SCREW, cap	1				
11	1140090008	WASHER, spring	1				
12	1150420614	SCREW, sems	4				
13	1652711698	SCREW	2				
16	0881430805	INSULATOR	1				
17	1652231250	BAND	1				
18	0881430801	ABSORBENT, noise	1		21500004~21500201		
	T7c134						

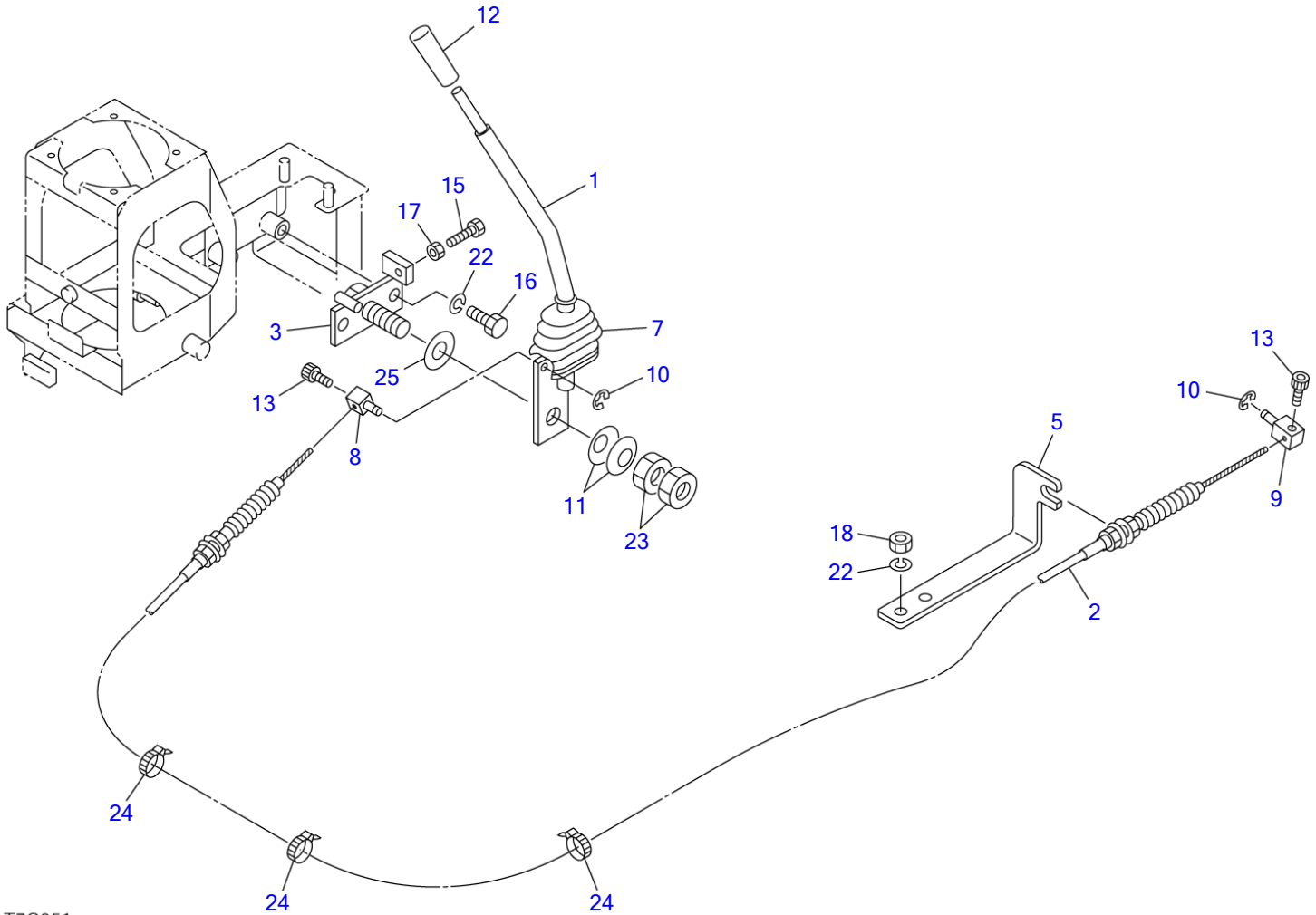


T7C040

S=1/5

**CONTROL BOX; L.H.**

Item	Part number	Description	Q'ty	Chan.	Serial No.	Serv.	Remarks
		COVER ASSY (L.H.)					X08814-30700-2
1	<b>0881430770</b>	COVER (L.H.)	1				
3	<b>1700000034</b>	SWITCH	1				
5	<b>1150420614</b>	SCREW, sems	4				
6	<b>1652533019</b>	CAP	4				
7	<b>1652533023</b>	CAP	1				
10	<b>1700000035</b>	SWITCH	1				
	<b>T7c041</b>						

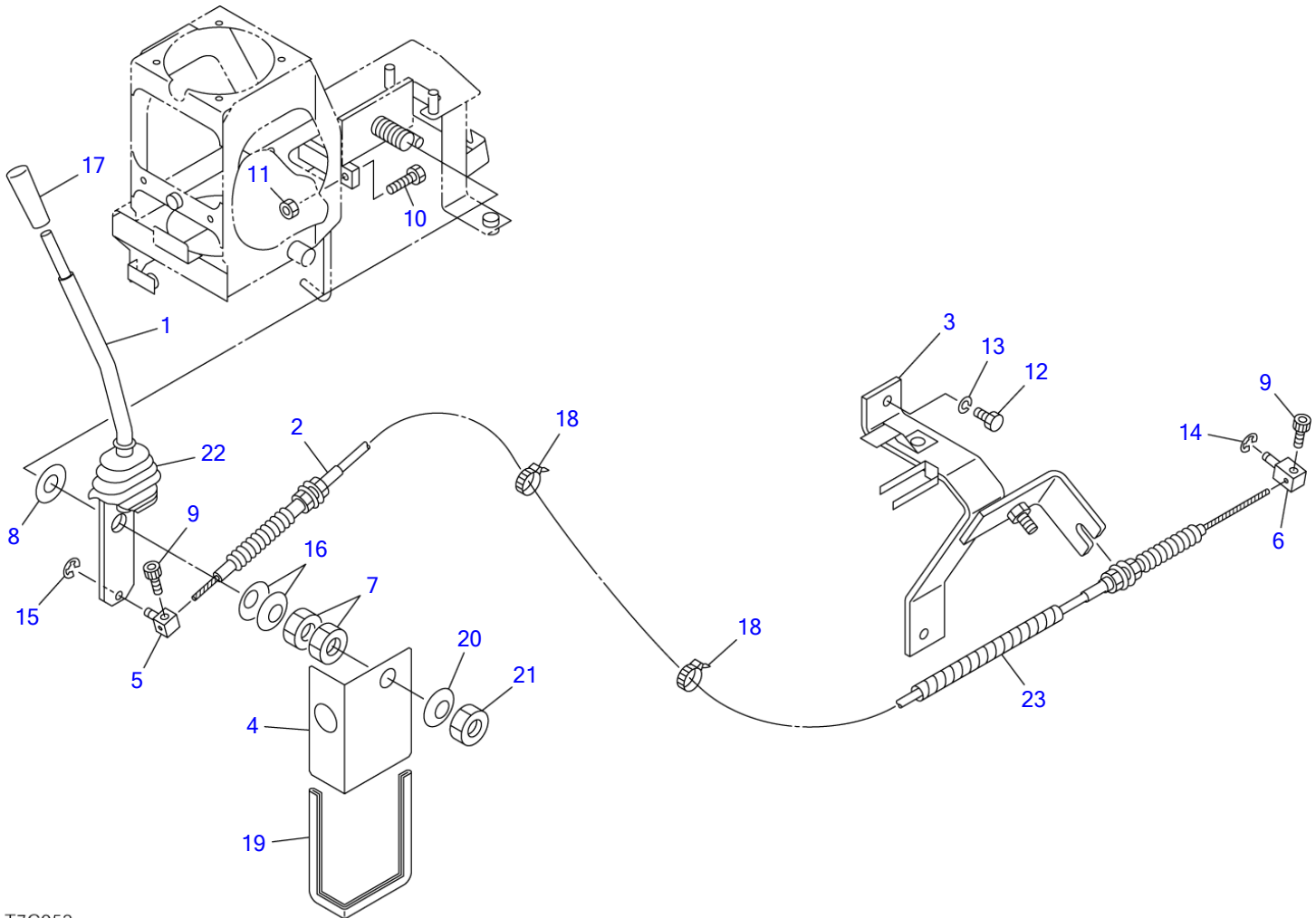


T7C051

S=1/6

**ENGINE CONTROL (21500004-21500627)**

Item	Part number	Description	Q'ty	Chan.	Serial No.	Serv.	Remarks
		CONTROL ASSY, engine					X08814-11500-2
1	0881411510	LEVER	1				
2	0881411520	WIRE	1				
3	0881410020	PLATE	1				
5	0881411001	BRACKET	1				
7	0334120100	BOOT	1				
8	0007900010	PIN	1				
9	0007900020	PIN	1				
10	1224010006	E-RING	2				
11	1225120018	WASHER, conical	2				
12	1650132050	GRIP	1				
13	1110040510	SCREW, cap	2				
15	1100040825	BOLT	1				
16	1100041020	BOLT	2				
17	1130040008	NUT	1				
18	1130040010	NUT	2				
22	1140020010	WASHER, spring	4				
23	0064111700	NUT	2				
24	1652231250	BAND	3				
25	1141550018	WASHER	1				
	T7c051						



T7C052

S=1/6

**ENGINE CONTROL (21500628-)**

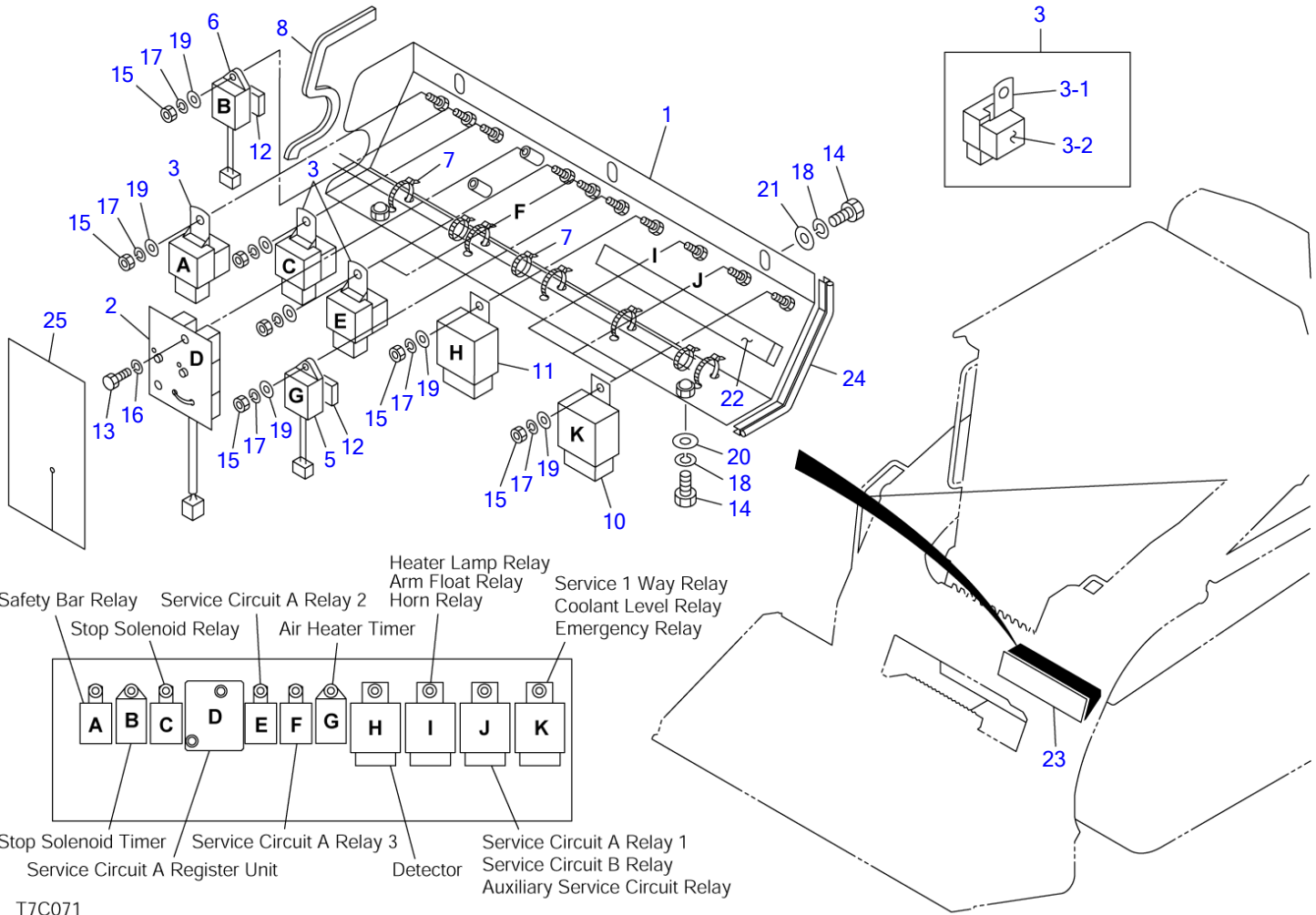
Item	Part number	Description	Q'ty	Chan.	Serial No.	Serv.	Remarks
	<b>0881412000</b>	CONTROL ASSY, engine	1				X08814-12000-1
1	<b>0881412010</b>	LEVER	1				
2	<b>0881412020</b>	WIRE	1				
3	<b>0881412030</b>	BRACKET	1				
4	<b>0881412040</b>	COVER	1				
5	<b>0007900020</b>	PIN	1				
6	<b>0007900023</b>	PIN	1				
7	<b>0064111700</b>	NUT	2				
8	<b>1141550018</b>	WASHER	1				
9	<b>1110040510</b>	SCREW, cap	2				
10	<b>1100040825</b>	BOLT	1				
11	<b>1130040008</b>	NUT	1				
12	<b>1100040816</b>	BOLT	2				
13	<b>1140020008</b>	WASHER, spring	2				
14	<b>1224010004</b>	RING, retaining	1				
15	<b>1224010006</b>	RING, retaining	1				
16	<b>1225110018</b>	WASHER, conical	2				
17	<b>1650132050</b>	GRIP	1				
18	<b>1652231250</b>	STRAP	2				
19	<b>1653916037</b>	TRIM	1				
20	<b>1225000018</b>	WASHER	1				
21	<b>1130640018</b>	NUT	1				
22	<b>0334120100</b>	BOOT	1				
23	<b>1532208020</b>	TUBE	1				sold by the meter
	<b>T7c052</b>						





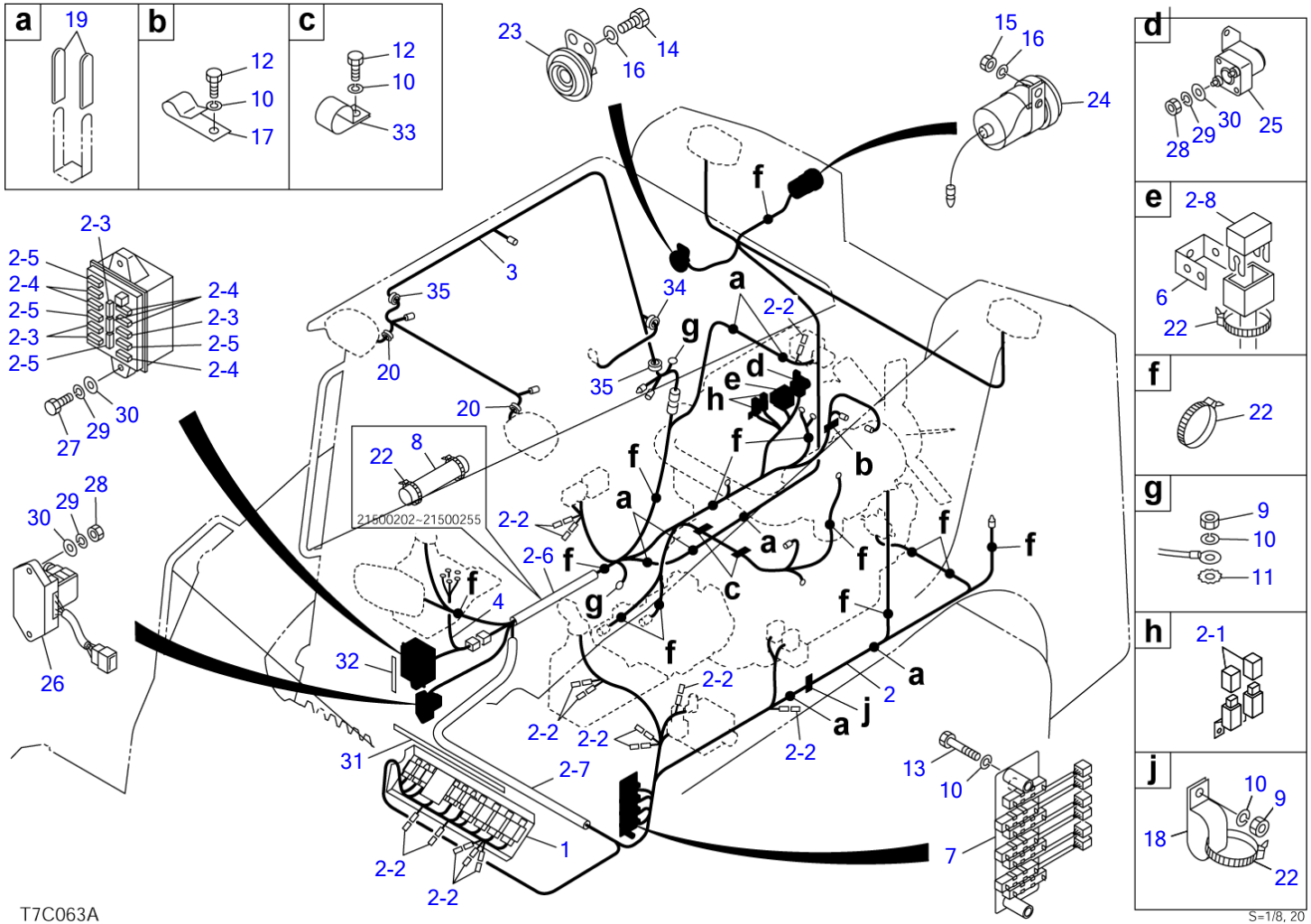
**ELECTRICAL (1/2) (21500004-21500201)**

Item	Part number	Description	Q'ty	Chan.	Serial No.	Serv.	Remarks
		ELECTRICAL ASSY					X08814-21500-2
1	X *****	RELAY ASSY	1				see page (2/2)
2	<b>0881421250</b>	HARNESS ASSY, wiring	1				
2-1	<b>1701330065</b>	· LINK, fusible	1				65A
2-2	<b>1730500008</b>	· DIODE (3A yellow)	13				
2-3	<b>1701310010</b>	· FUSE	4				10A
2-4	<b>1701310020</b>	· FUSE	6				20A
2-5	<b>1701310030</b>	· FUSE	4				30A
2-6	<b>1701340080</b>	· FUSE	1				80A
4	<b>0881420020</b>	PLATE	1				
5	<b>0881421600</b>	HARNESS, wiring	1				
6	<b>0881421700</b>	RESISTOR	1				
7	<b>0881421800</b>	HARNESS, wiring	1				
8	<b>0881421501</b>	PROTECTOR	1				
9	<b>1130040010</b>	NUT	1				
10	<b>1140020010</b>	WASHER, spring	6				
11	<b>1140330010</b>	WASHER	1				
12	<b>1100041016</b>	BOLT	3				
13	<b>1100041050</b>	BOLT	2				
14	<b>1100040816</b>	BOLT	1				
15	<b>1130040008</b>	NUT	1				
16	<b>1140020008</b>	WASHER, spring	2				
17	<b>0007300035</b>	CLAMP	1				
18	<b>0007300041</b>	CLAMP	2				
19	<b>0872433150</b>	TUBE	10				
20	<b>1652040930</b>	GROMMET	2				
21	<b>1652052400</b>	GROMMET	3				
22	<b>1652231250</b>	BAND	25				
23	<b>1703500612</b>	HORN	1				
24	<b>0354211050</b>	BUZZER	1				
25	<b>1910050116</b>	RELAY, heater	1				Y129100-77910
26	<b>1910143106</b>	RELAY, safety	1				Y129136-77200
27	<b>1100040616</b>	BOLT	2				
28	<b>1130040006</b>	NUT	4				
29	<b>1140020006</b>	WASHER, spring	6				
30	<b>1141110006</b>	WASHER	6				
	<b>T7c061B</b>						



## ELECTRICAL (2/2) (21500004-21500201)

Item	Part number	Description	Q'ty	Chan.	Serial No.	Serv.	Remarks
0-1	X *****	RELAY ASSY	1				
1	0881962630	• BOX	1				
2	0334230120	• RESISTOR	1				
3	0334230130	• RELAY ASSY	4				
3-1	1711900042	• • RELAY	1				
3-2	1654302003	• • SPONGE	1				
5	1910074016	• UNIIT, timer	1				Y128300-77920
6	1910150118	• UNIIT, timer	1				Y129211-77920
7	1652231250	• BAND	9				
8	1653917023	• TRIM	1				sold by the meter
10	1711900062	• RELAY	3				
11	1711900068	• DETECTOR	1				
12	1654301003	• SPONGE	2				sold by the meter
13	1100040510	• BOLT	2				
14	1100040816	• BOLT	5				
15	1130040006	• NUT	10				
16	1140020005	• WASHER, spring	2				
17	1140020006	• WASHER, spring	10				
18	1140020008	• WASHER, spring	5				
19	1141110006	• WASHER	10				
20	1141110008	• WASHER	2				
21	0003608252	• WASHER	3				
22	1654302020	• SPONGE	1				sold by the meter
23	0881422130	• PLATE, rubber	1				
24	1654606018	• TRIM	1				sold by the meter
25	0881422140	• RUBBER	1				
	T7c071						



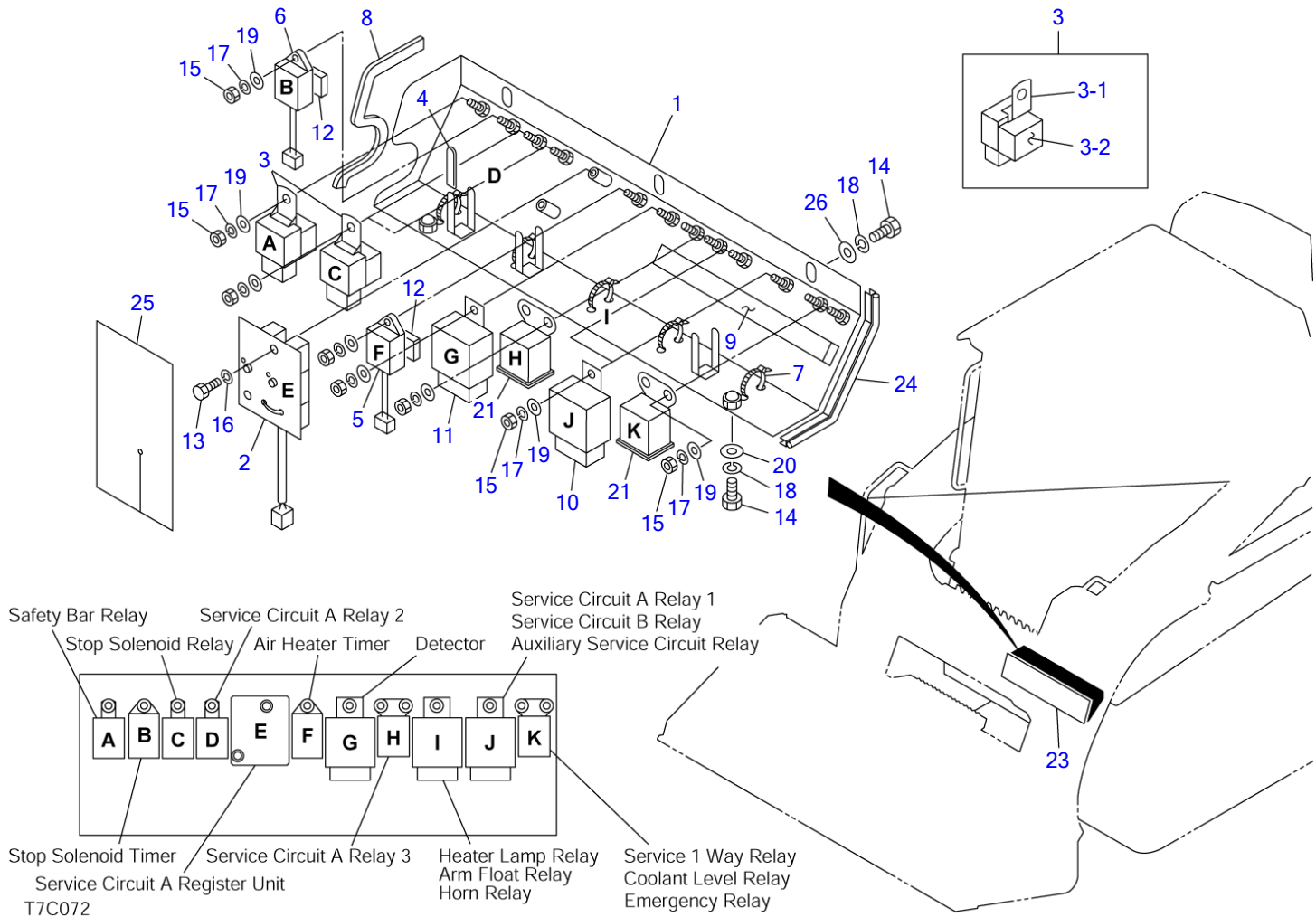
T7C063A

S=1/8, 20

**ELECTRICAL (1/2) (21500202-21500471)**

Item	Part number	Description	Q'ty	Chan.	Serial No.	Serv.	Remarks
		ELECTRICAL ASSY					X08814-22000-5
1	0881422100	RELAY ASSY	1				see page (2/2)
2	0881422200	HARNASS ASSY, wiring	1				
2-1	1701330045	· LINK, fusible	2				45A
2-2	1730500008	· DIODE (3A yellow)	14				
2-3	1701310010	· FUSE	4				10A
2-4	1701310020	· FUSE	6				20A
2-5	1701310030	· FUSE	4				30A
2-6	1531325040	· PROTECTOR	1		21500346~		sold by the meter
2-7	1531325080	· PROTECTOR	1		21500346~		sold by the meter
2-8	1701340080	· FUSE	1				80A
3	0881422300	HARNASS, wiring	1				
4	0881422400	HARNASS, wiring	1				
6	0881420020	PLATE	1				
7	0881421700	RESISTOR	1				
8	0881421501	PROTECTOR	1		21500202~21500255		
9	1130040010	NUT	3				
10	1140020010	WASHER, spring	8				
11	1140330010	WASHER	2				
12	1100041016	BOLT	3				
13	1100041050	BOLT	2				
14	1100040816	BOLT	2				
15	1130040008	NUT	1				
16	1140020008	WASHER, spring	3				
17	0007300035	CLAMP	1				
18	1711900072	CLAMP	1				
19	0872433150	TUBE	36				
20	1652040930	GROMMET	2				
22	1652231250	BAND	32				
23	1703500612	HORN	1				
24	0354211050	BUZZER	1				
25	1910050116	RELAY, heater	1				Y129100-77910
26	1910143106	RELAY, safety	1				Y129136-77200
27	1100040616	BOLT	2				
28	1130040006	NUT	4				
29	1140020006	WASHER, spring	6				
30	1141110006	WASHER	6				
31	1654606048	TRIM	1				sold by the meter
32	1653916013	TRIM	1				sold by the meter
33	1711900071	CLAMP	2				
34	1652052800	GROMMET	1				
35	1652053600	GROMMET	2				

**T7c063B**



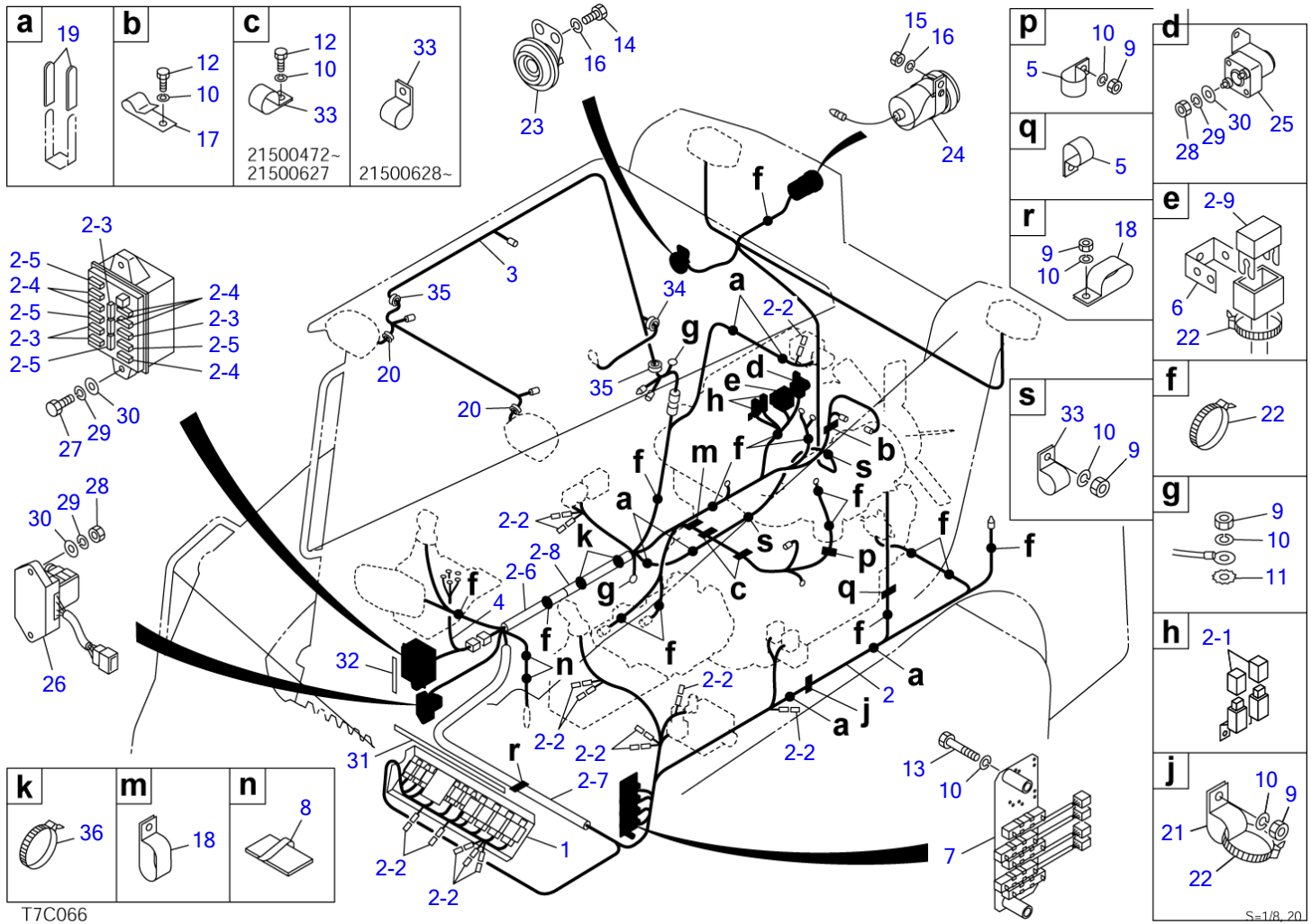
S=1/6

**ELECTRICAL (2/2) (21500202-21500471)**

Item	Part number	Description	Q'ty	Chan.	Serial No.	Serv.	Remarks
0-1	<b>0881422100</b>	RELAY ASSY	1				X08814-22100-3
1	<b>0881422110</b>	• BOX	1				
2	<b>0334230120</b>	• RESISTOR	1				
3	<b>0334230130</b>	• RELAY ASSY	3				
3-1	<b>1711900042</b>	• • RELAY	1				
3-2	<b>1654302003</b>	• • SPONGE	1				
4	<b>0872433150</b>	• TUBE	6		21500202~21500248		
5	<b>1910074016</b>	• UNIIT, timer	1				Y128300-77920
6	<b>1910150118</b>	• UNIIT, timer	1				Y129211-77920
7	<b>1652231250</b>	• BAND	9				
8	<b>1653917023</b>	• TRIM	1				sold by the meter
9	<b>1654302025</b>	• SPONGE	1				sold by the meter
10	<b>1711900062</b>	• RELAY	2				
11	<b>1711900068</b>	• DETECTOR	1				
12	<b>1654301003</b>	• SPONGE	2				sold by the meter
13	<b>1100040510</b>	• BOLT	2				
14	<b>1100040816</b>	• BOLT	5				
15	<b>1130040006</b>	• NUT	12				
16	<b>1140020005</b>	• WASHER, spring	2				
17	<b>1140020006</b>	• WASHER, spring	12				
18	<b>1140020008</b>	• WASHER, spring	5				
19	<b>1141110006</b>	• WASHER	12				
20	<b>1141110008</b>	• WASHER	2				
21	<b>1910161119</b>	• RELAY	2				
23	<b>0881422130</b>	• RUBBER	1				
24	<b>1654606018</b>	• TRIM	1				sold by the meter
25	<b>0881422140</b>	• RUBBER	1				
26	<b>0003608252</b>	• WASHER	3				

**T7c073**

TL150 Book No. BT7Z011 S/N 21500004-  
ELECTRICAL (1/2) (21500472-21501227)



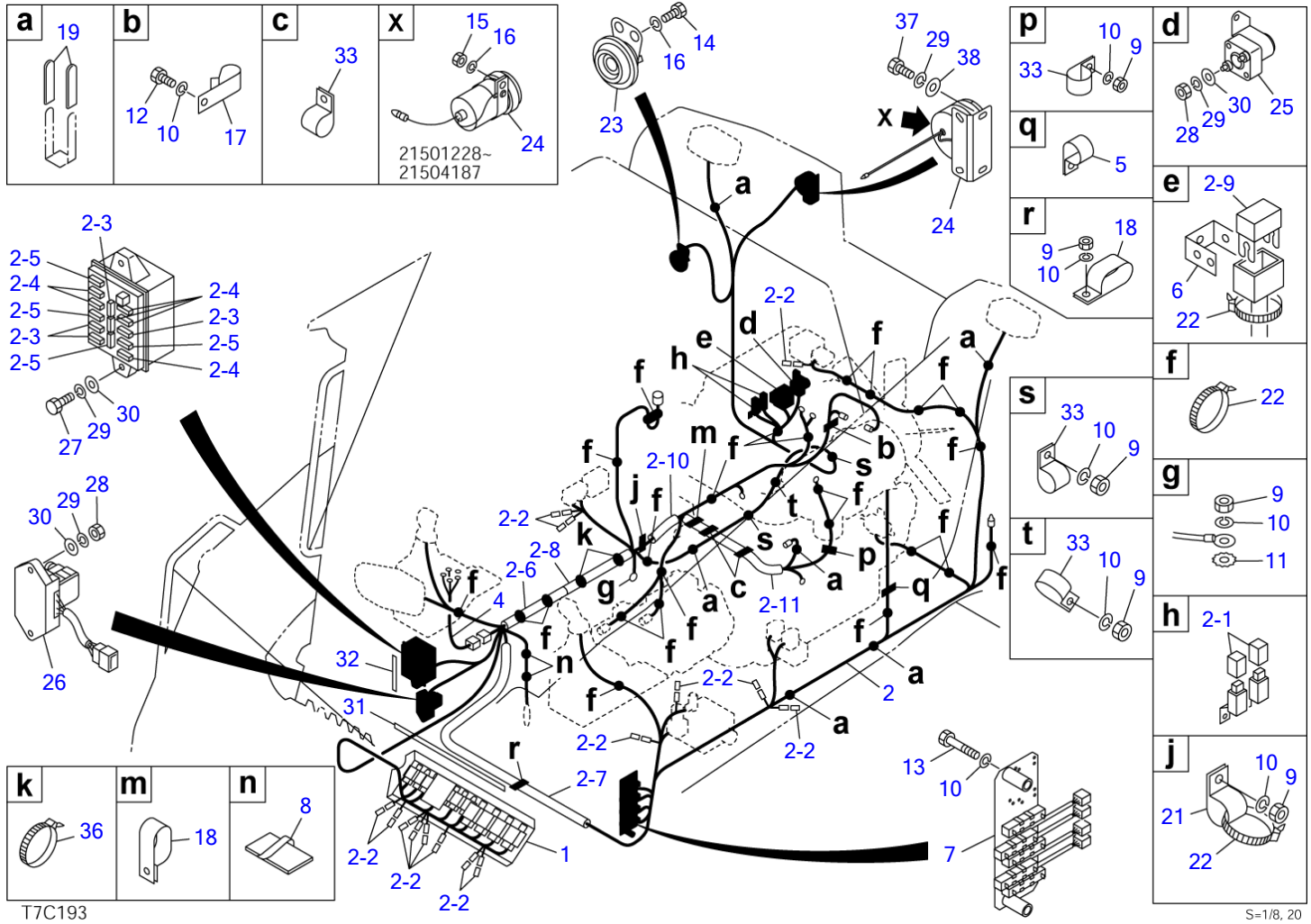
T7C066

S=1/R, 20



**ELECTRICAL (1/2) (21500472-21501227)**

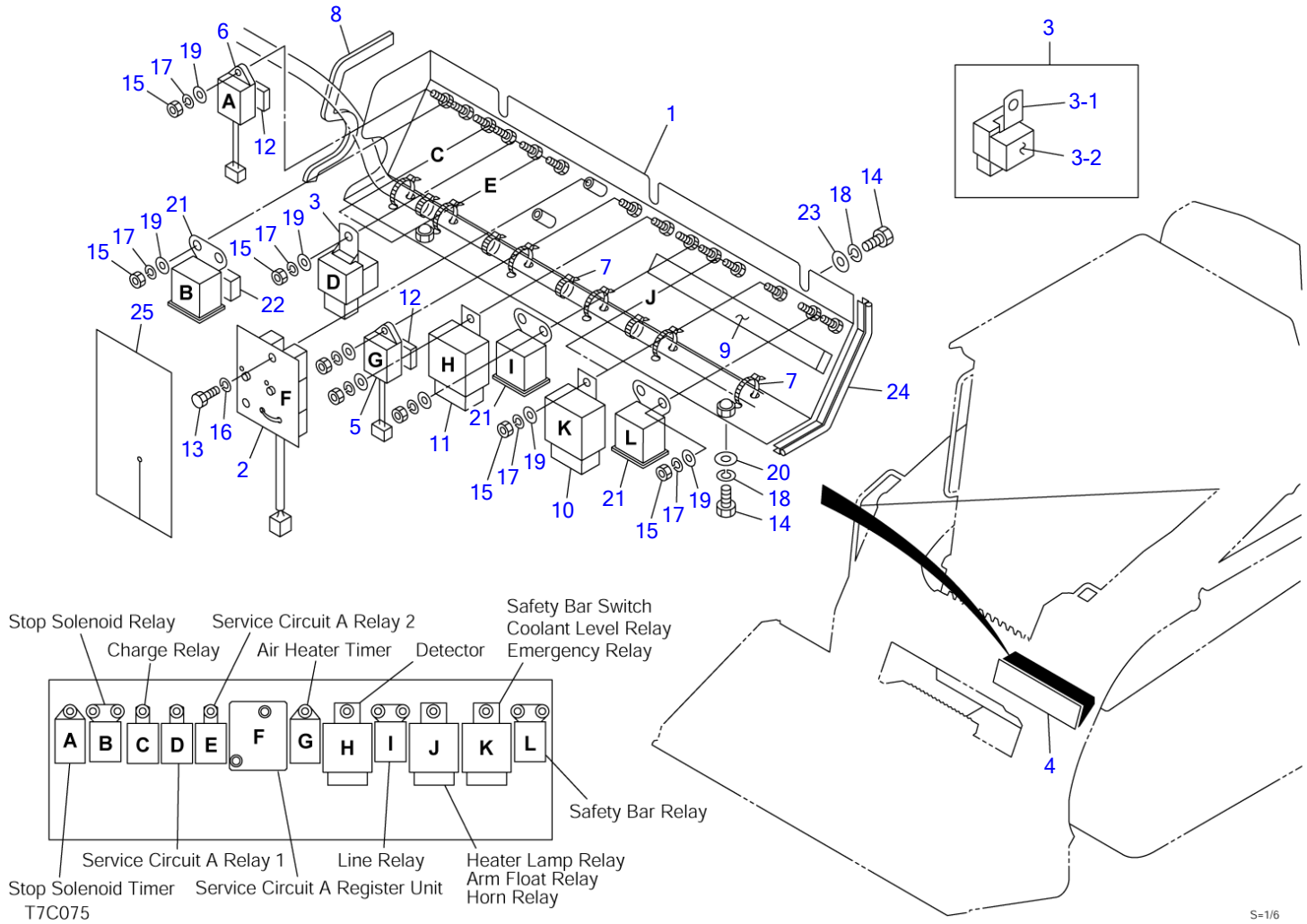
Item	Part number	Description	Q'ty	Chan.	Serial No.	Serv.	Remarks
		ELECTRICAL ASSY					X08814-24000-3
1	<b>0881423100</b>	RELAY ASSY	1		21500472~21500783		see page (2/2)
	<b>0881424300</b>	RELAY ASSY	1		21500784~		see page (2/2)
2	<b>0881423200</b>	HARNESS ASSY, wiring	1				
2-1	<b>1701330045</b>	· LINK, fusible	2				45A
2-2	<b>1730500008</b>	· DIODE (3A yellow)	14				
2-3	<b>1701310010</b>	· FUSE	4				10A
2-4	<b>1701310020</b>	· FUSE	6				20A
2-5	<b>1701310030</b>	· FUSE	4				30A
2-6	<b>1531325040</b>	· PROTECTOR	1				sold by the meter
2-7	<b>1531325080</b>	· PROTECTOR	1				sold by the meter
2-8	<b>1531325070</b>	· PROTECTOR	1		21500484~		sold by the meter
2-9	<b>1701340080</b>	· FUSE	1				80A
3	<b>0881422300</b>	HARNESS, wiring	1				
4	<b>0881422400</b>	HARNESS, wiring	1				
5	<b>1711900076</b>	CLAMP	2		21500784~		
6	<b>0881420020</b>	PLATE	1				
7	<b>0881423300</b>	RESISTOR	1				
8	<b>1711900074</b>	CLAMP	2				
9	<b>1130040010</b>	NUT	7				
10	<b>1140020010</b>	WASHER, spring	10				
11	<b>1140330010</b>	WASHER	2				
12	<b>1100041016</b>	BOLT	1				
13	<b>1100041050</b>	BOLT	2				
14	<b>1100040816</b>	BOLT	2				
15	<b>1130040008</b>	NUT	1				
16	<b>1140020008</b>	WASHER, spring	3				
17	<b>0007300035</b>	CLAMP	1				
18	<b>1711900072</b>	CLAMP	2				
19	<b>0872433150</b>	TUBE	38				
20	<b>1652040930</b>	GROMMET	2				
21	<b>0007300003</b>	CLAMP	1		21500495~		
22	<b>1652231250</b>	BAND	35				
23	<b>1703500612</b>	HORN	1				
24	<b>0354211050</b>	BUZZER	1				
25	<b>1910050116</b>	RELAY, heater	1				Y129100-77910
26	<b>1910143106</b>	RELAY, safety	1				Y129136-77200
27	<b>1100040616</b>	BOLT	2				
28	<b>1130040006</b>	NUT	4				
29	<b>1140020006</b>	WASHER, spring	6				
30	<b>1141110006</b>	WASHER	6				
31	<b>1654606048</b>	TRIM	1				sold by the meter
32	<b>1653916013</b>	TRIM	1				sold by the meter
33	<b>1711900071</b>	CLAMP	4				
34	<b>1652052800</b>	GROMMET	1				
35	<b>1652053600</b>	GROMMET	2				
36	<b>1652201007</b>	BAND	2		21500484~		
	<b>T7c067</b>						



**ELECTRICAL (1/2) (21501228-)**

Item	Part number	Description	Q'ty	Chan.	Serial No.	Serv.	Remarks
		ELECTRICAL ASSY					X08814-24000-7
1	0881424300	RELAY ASSY	1				see page (2/2)
2	0881424400	HARNESS ASSY, wiring	1				
2-1	1701330045	• LINK, fusible	2				45A
2-2	1730500008	• DIODE (3A yellow)	14				
2-3	1701310010	• FUSE	4				10A
2-4	1701310020	• FUSE	6				20A
2-5	1701310030	• FUSE	4				30A
2-6	1531325040	• PROTECTOR	1				sold by the meter
2-7	1531325080	• PROTECTOR	1				sold by the meter
2-8	1531325070	• PROTECTOR	1				sold by the meter
2-9	1701340080	• FUSE	1				80A
2-10	1531325033	• PROTECTOR	1				sold by the meter
2-11	1531315080	• PROTECTOR	1				sold by the meter
2-12	1701200002	• BOX, fuse	1				
4	0881422400	HARNESS ASSY, wiring	1		21500004~21501713		
	0881422400	HARNESS ASSY, wiring	1		21502001~21502132		
5	1711900076	CLAMP	2				
6	0881420020	PLATE	1				
7	0881423300	RESISTOR	1				
8	1711900074	CLAMP	2				
9	1130040010	NUT	8				
10	1140020010	WASHER, spring	11				
11	1140330010	WASHER	2				
12	1100041016	BOLT	1				
13	1100041050	BOLT	2				
14	1100040816	BOLT	2				
15	1130040008	NUT	1		21501228~21504187	M	
16	1140020008	WASHER, spring	2				
17	1711900105	CLAMP	1				
18	1711900072	CLAMP	2				
19	0872433150	TUBE	38				
21	0007300003	CLAMP	1				
22	1652231250	BAND	36				
23	1703500612	HORN	1				
24	0354211050	BUZZER	1		21501228~21504187		
	1703700013	BUZZER	1		21504188~	M	
25	1910050116	RELAY, heater	1				Y129100-77910
26	1910143106	RELAY, safety	1				Y129136-77200
27	1100040616	BOLT	2				
28	1130040006	NUT	4				
29	1140020006	WASHER, spring	8				
30	1141110006	WASHER	6				
31	1654606048	TRIM	1				sold by the meter
32	1653916013	TRIM	1				sold by the meter
33	1711900071	CLAMP	6				
36	1652201007	BAND	2				
37	1100040610	BOLT	2		21504188~	M	
38	0003600110	WASHER	2		21504188~	M	

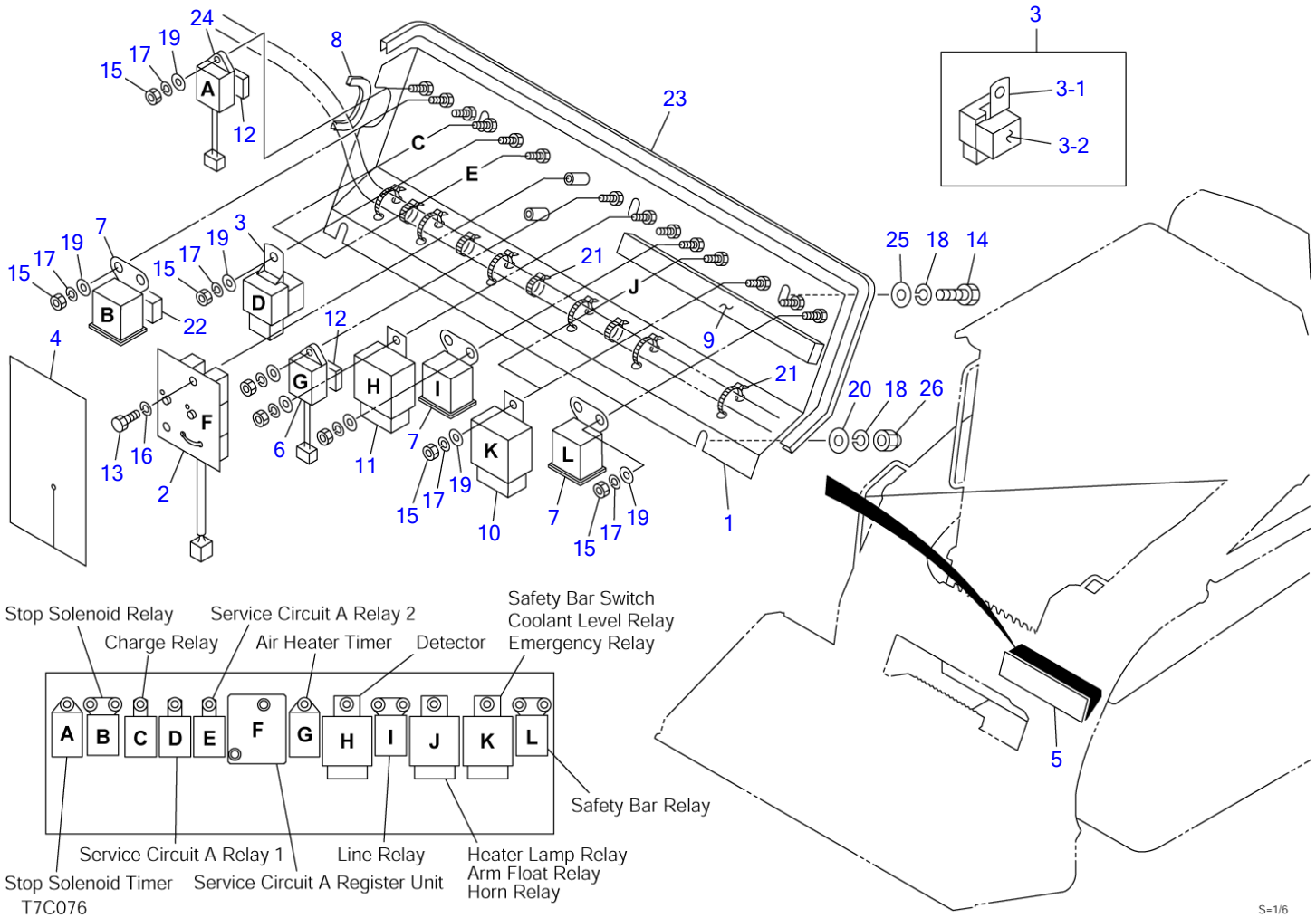
T7c193



**ELECTRICAL (2/2) (21500472-21500783)**

Item	Part number	Description	Q'ty	Chan.	Serial No.	Serv.	Remarks
0-1	<b>0881423100</b>	RELAY ASSY	1				X08814-23100-2
1	<b>0881423110</b>	• BOX	1				
2	<b>0334230120</b>	• RESISTOR	1				
3	<b>0334230130</b>	• RELAY ASSY	3				
3-1	<b>1711900042</b>	• • RELAY	1				
3-2	<b>1654302003</b>	• • SPONGE	1				
4	<b>0881423120</b>	• PLATE, rubber	1				
5	<b>1910074016</b>	• UNIIT, timer	1				Y128300-77920
6	<b>1910150118</b>	• UNIIT, timer	1				Y129211-77920
7	<b>1652231250</b>	• BAND	10				
8	<b>1653917023</b>	• TRIM	1				sold by the meter
9	<b>1654302025</b>	• SPONGE	1				sold by the meter
10	<b>1711900062</b>	• RELAY	2				
11	<b>1711900068</b>	• DETECTOR	1				
12	<b>1654301003</b>	• SPONGE	2				sold by the meter
13	<b>1100040510</b>	• BOLT	2				
14	<b>1100040816</b>	• BOLT	5				
15	<b>1130040006</b>	• NUT	14				
16	<b>1140020005</b>	• WASHER, spring	2				
17	<b>1140020006</b>	• WASHER, spring	14				
18	<b>1140020008</b>	• WASHER, spring	5				
19	<b>1141110006</b>	• WASHER	14				
20	<b>1141110008</b>	• WASHER	2				
21	<b>1910161119</b>	• RELAY	3				
22	<b>1654302003</b>	• SPONGE	1				sold by the meter
23	<b>0003608252</b>	• WASHER	3				
24	<b>1654606018</b>	• TRIM	1				sold by the meter
25	<b>0881422140</b>	• RUBBER	1				

**T7c075**

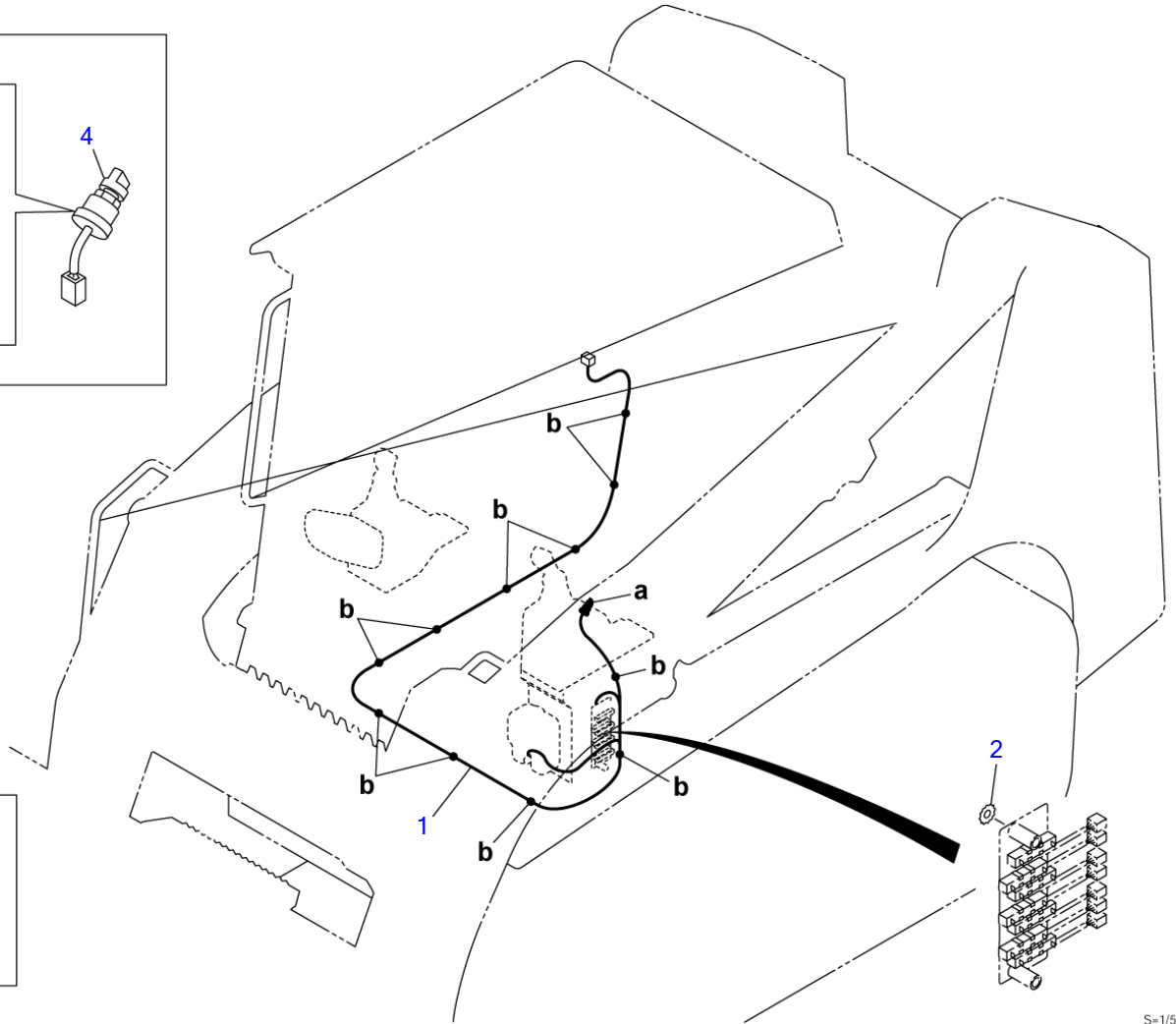
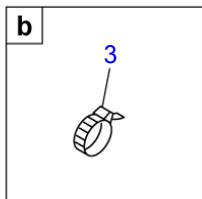
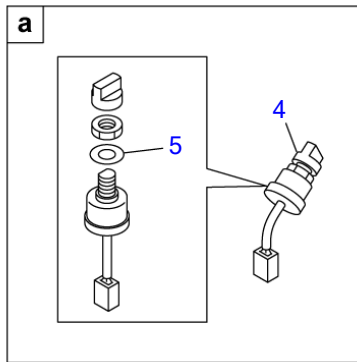


S=1/6

## ELECTRICAL (2/2) (21500784-)

Item	Part number	Description	Q'ty	Chan.	Serial No.	Serv.	Remarks
0-1	<b>0881424300</b>	RELAY ASSY	1				X08814-24300-1
1	<b>0881424310</b>	• BOX	1				
2	<b>0334230120</b>	• RESISTOR	1				
3	<b>0334230130</b>	• RELAY ASSY	3				
3-1	<b>1711900042</b>	• • RELAY	1				
3-2	<b>1654302003</b>	• • SPONGE	1				
4	<b>0881422140</b>	• RUBBER	1				
5	<b>0881423120</b>	• PLATE, rubber	1				
6	<b>1910074016</b>	• UNIIT, timer	1				Y128300-77920
7	<b>1910161119</b>	• RELAY	3				
8	<b>1653916010</b>	• TRIM	1				sold by the meter
9	<b>1654302025</b>	• SPONGE	1				sold by the meter
10	<b>1711900062</b>	• RELAY	2				
11	<b>1711900131</b>	• DETECTOR	1				
12	<b>1654301003</b>	• SPONGE	2				sold by the meter
13	<b>1100040510</b>	• BOLT	2				
14	<b>1100040816</b>	• BOLT	3				
15	<b>1130040006</b>	• NUT	14				
16	<b>1140020005</b>	• WASHER, spring	2				
17	<b>1140020006</b>	• WASHER, spring	14				
18	<b>1140020008</b>	• WASHER, spring	5				
19	<b>1141110006</b>	• WASHER	14				
20	<b>1141110008</b>	• WASHER	2				
21	<b>1652231250</b>	• BAND	10				
22	<b>1654302003</b>	• SPONGE	1				sold by the meter
23	<b>1654606085</b>	• TRIM	1				sold by the meter
24	<b>1910150118</b>	• UNIIT, timer	1				Y129211-77920
25	<b>0003608252</b>	• WASHER	3				
26	<b>1134230008</b>	• NUT	2				

T7c078



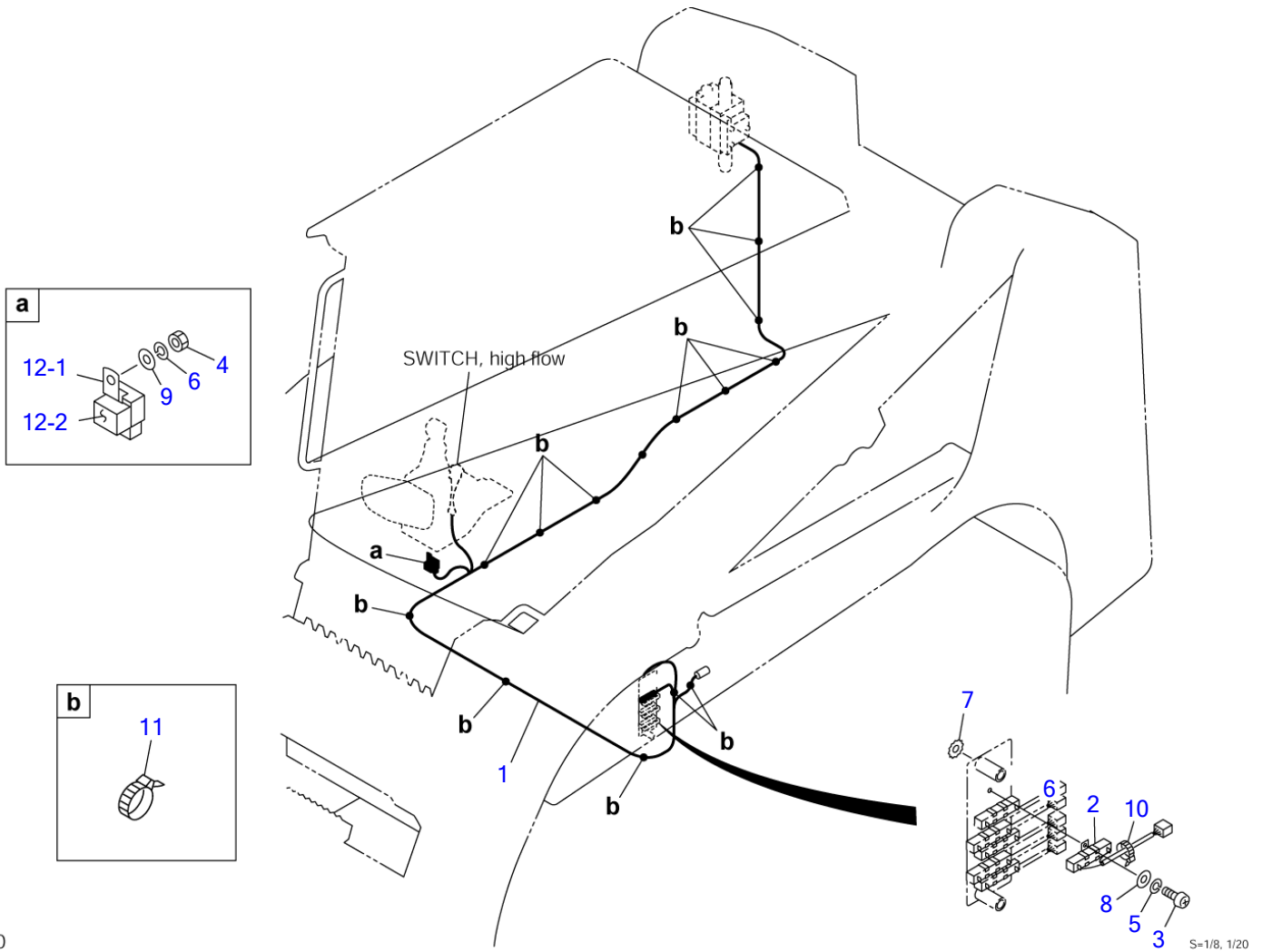
T7C140

S=1/5, 1/20



**ELECTRICAL (cab)**

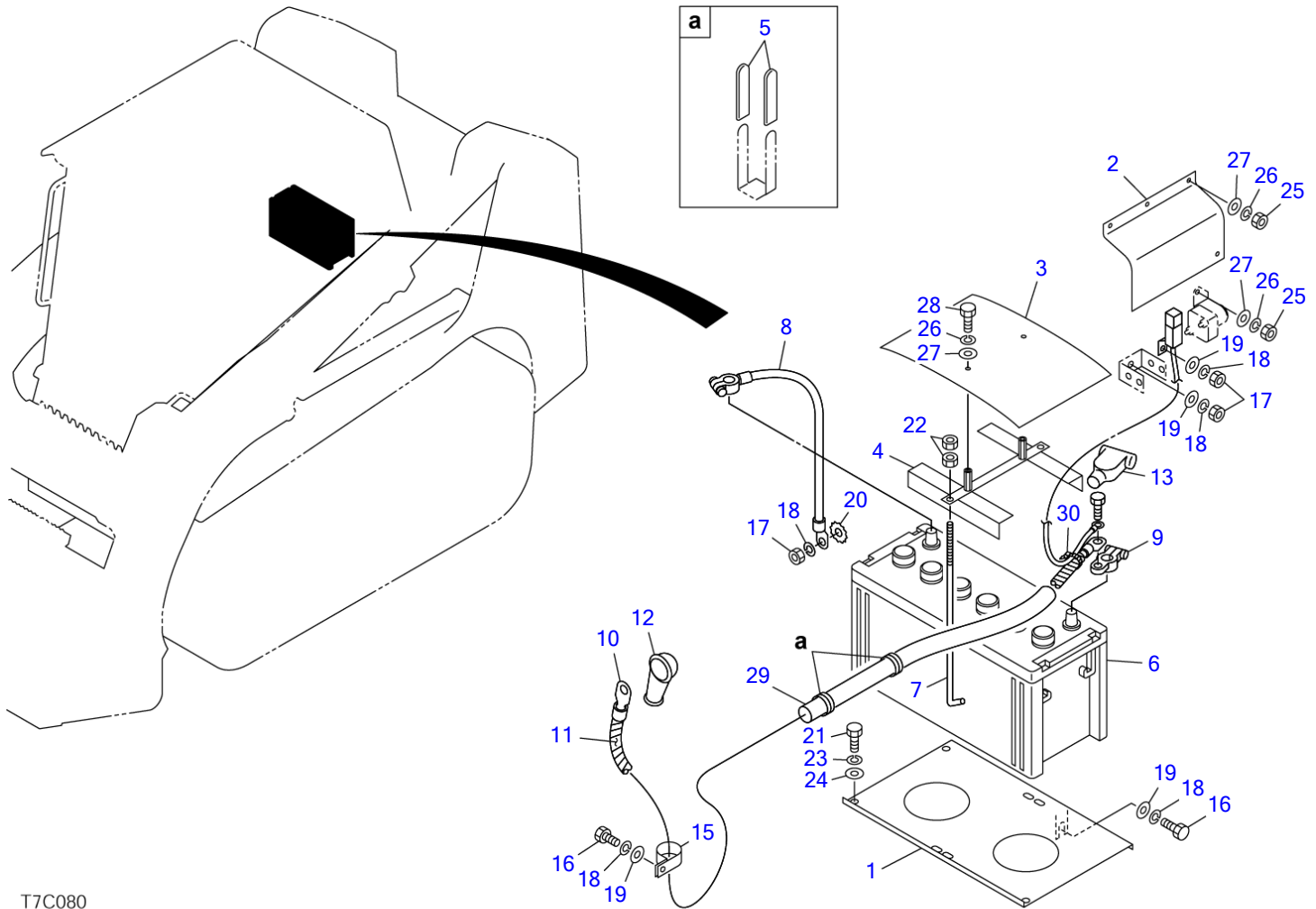
Item	Part number	Description	Q'ty	Chan.	Serial No.	Serv.	Remarks
		ELECTRICAL ASSY					X08804-27800-1
1	<b>0880427810</b>	HARNESS, wiring	1				
2	<b>1140330010</b>	WASHER	1				
3	<b>1652231250</b>	BAND	10				
4	<b>1704300007</b>	SWITCH, wiper	1				
5	<b>1141810012</b>	WASHER	1				
	<b>T7c140</b>						



T7C150

**ELECTRICAL (high flow)**

Item	Part number	Description	Q'ty	Chan.	Serial No.	Serv.	Remarks
		ELECTRICAL ASSY					X08814-23500-1
1	0881734250	HARNES, wiring	1				
2	0881421710	RESISTOR	1				
3	1120530306	SCREW	1				
4	1130040006	NUT	1				
5	1140020003	WASHER, spring	1				
6	1140020006	WASHER, spring	1				
7	1140330010	WASHER	1				
8	1141110003	WASHER	1				
9	1141110006	WASHER	1				
10	1652200003	BAND	1				
11	1652231250	BAND	17				
12	0334230130	RELAY ASSY	1				
12-1	1711900042	· RELAY	1				
12-2	1654302003	· SPONGE	1				
	T7c151						



T7C080

S=1/10, 30

**BATTERY (21500004-21500201)**

Item	Part number	Description	Q'ty	Chan.	Serial No.	Serv.	Remarks
		BATTERY ASSY					X08814-41500-1
1	0881441510	PLATE	1				
2	0881441020	RUBBER	1				
3	0881441030	SHEET	1				
4	0881441040	BRACKET	1				
5	0872433150	TUBE	6				
6	1702053141	BATTERY	1				
7	1702108250	BOLT	2				
8	1702260030	CABLE, earth	1				
9	1702330000	TERMINAL	1				
10	1702560125	CABLE, battery	1				
11	1703221517	TUBE	1				
12	1702901282	CAP	1				
13	1702920080	COVER	1				
15	0007300001	CLAMP	1				
16	1100041016	BOLT	2				
17	1130040010	NUT	3				
18	1140020010	WASHER, spring	5				
19	1141110010	WASHER	4				
20	1140330010	WASHER	1				
21	1100040816	BOLT	3				
22	1130040008	NUT	4				
23	1140020008	WASHER, spring	3				
24	1141110008	WASHER	3				
25	1130040006	NUT	5				
26	1140020006	WASHER, spring	7				
27	1141110006	WASHER	7				
28	1100040616	BOLT	2				
29	1531325050	PROTECTOR	1				sold by the meter
30	1652231140	BAND	1				
	T7c080						

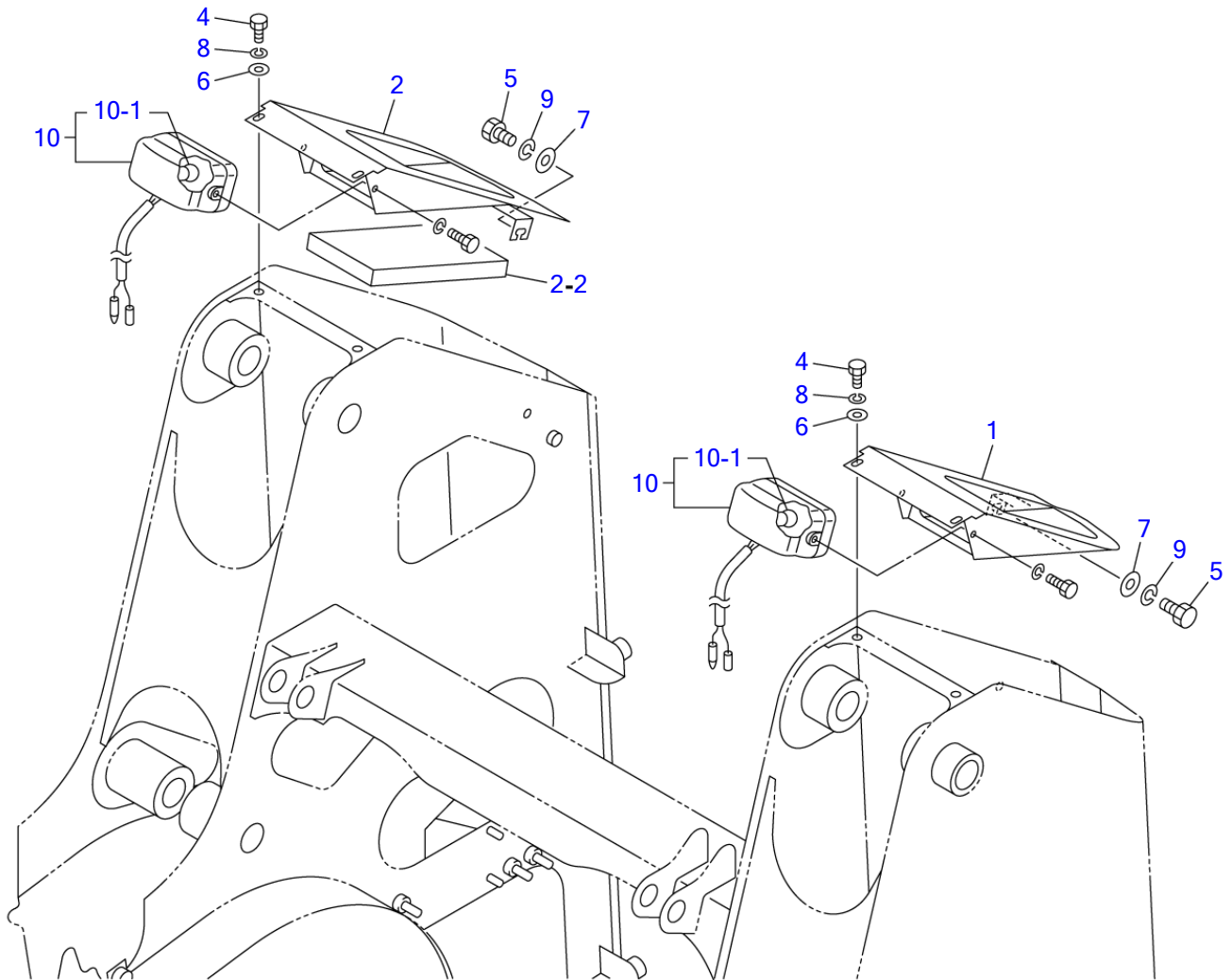


**BATTERY (21500202-)**

Item	Part number	Description	Q'ty	Chan.	Serial No.	Serv.	Remarks
		BATTERY ASSY					X08814-42000-7
1	0881442010	PLATE	1				
2	0881442020	RUBBER	1				
3	0880442001	SHEET	1				
4	0881441040	BRACKET	1				
5	0872433150	TUBE	8				
6	1702053141	BATTERY	1				
7	1702108245	BOLT	2				
8	1702260030	CABLE, earth	1				
9	1702330000	TERMINAL	1				
10	1702560125	CABLE, battery	1		21500202~21500849		
	1702560140	CABLE, battery	1		21500850~		
11	1703221517	TUBE	1		21500202~21500849		sold by the meter
	1703221532	TUBE	1		21500850~		sold by the meter
12	1702901282	CAP	1				
13	1702920080	COVER	1				
14	1700100038	COVER	2				
15	1711900072	CLAMP	2		21500202~21500849		
	1711900072	CLAMP	3		21500850~		
16	1100041016	BOLT	2				
17	1130040010	NUT	5				
18	1140020010	WASHER, spring	7				
19	1141110010	WASHER	4				
20	1140330010	WASHER	1				
21	1100040816	BOLT	2				
22	1130040008	NUT	6				
23	1140020008	WASHER, spring	4				
24	1141110008	WASHER	7				
25	1130040006	NUT	8				
26	1140020006	WASHER, spring	10				
27	1141110006	WASHER	8				
28	1100040616	BOLT	2				
29	1531325110	PROTECTOR	1		21500202~21500849		sold by the meter
	1531325135	PROTECTOR	1		21500850~		sold by the meter
30	1652231140	BAND	1				
31	0003606202	WASHER	2				
32	0880442050	PLATE, rubber	2				
33	1711900071	CLAMP	1		21500202~21500849		
34	0881442001	PROTECTOR	1		21500850~		
35	1652231250	BAND	1		21500850~		
36	1121040850	SET-SCREW	1				

T7c086

TL150 Book No. BT7Z011 S/N 21500004-  
REAR LAMP

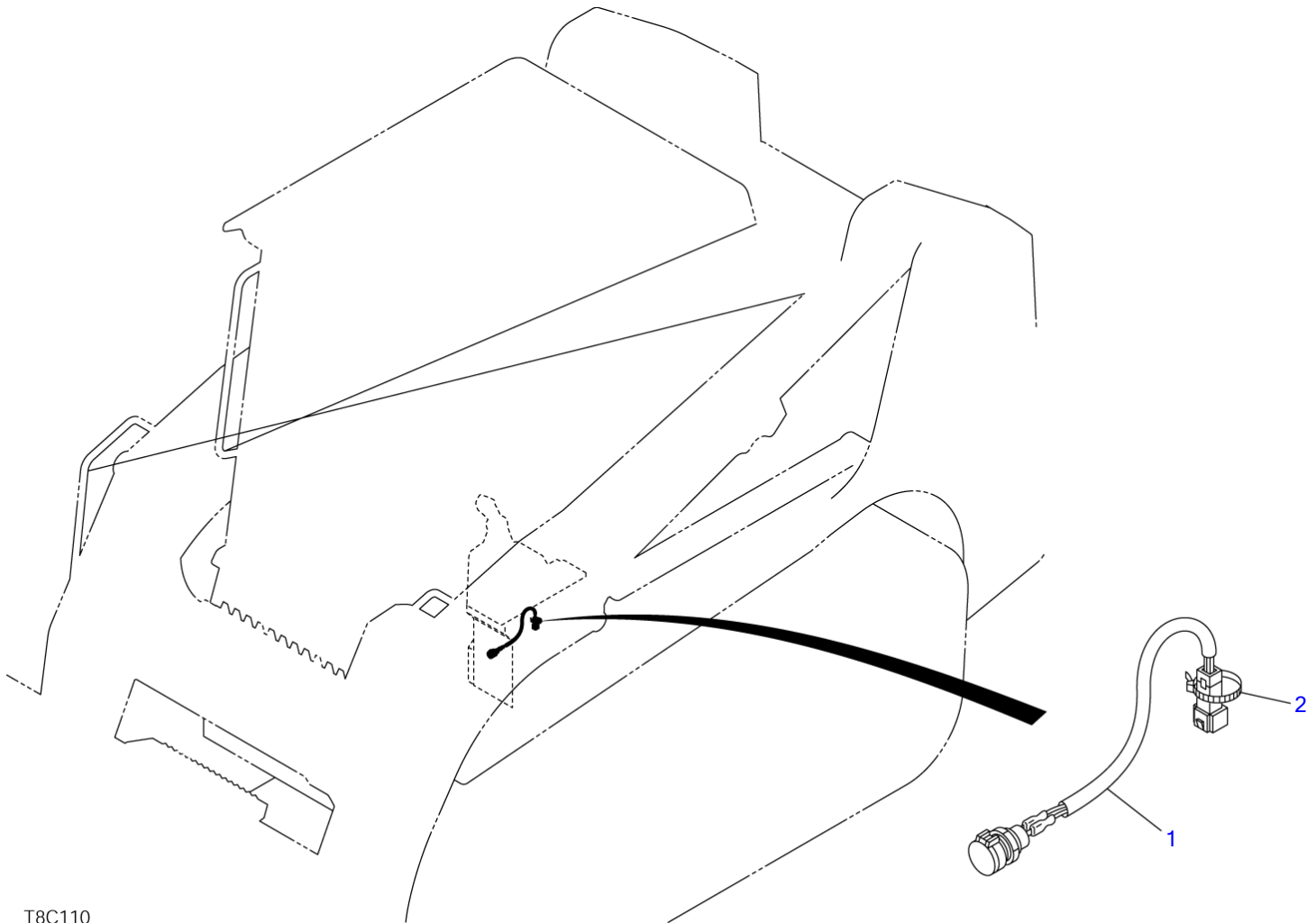


T7C091

S=1/11



REAR LAMP						
Item	Part number	Description	Q'ty	Chan.	Serial No.	Serv. Remarks
		LAMP ASSY, rear				X08814-91000-1
		LAMP ASSY, rear (for EC)				X08814-93000-0
1	<b>0881491100</b>	COVER (L.H.)	1			
2	<b>0881491200</b>	COVER (R.H.)	1			
	<b>0881493200</b>	COVER (R.H.)	1			for EU
2-2	<b>0881493202</b>	• ABSORBENT, noise	1			for EU
4	<b>1100040816</b>	BOLT	4			
5	<b>1100041016</b>	BOLT	2			
6	<b>0003608252</b>	WASHER	4			
7	<b>1141110010</b>	WASHER	2			
8	<b>1140020008</b>	WASHER, spring	4			
9	<b>1140020010</b>	WASHER, spring	2			
10	<b>1703006900</b>	LAMP	2			
10-1	<b>1703006902</b>	• BULB	1			12V, 55W
	<b>T7c091</b>					

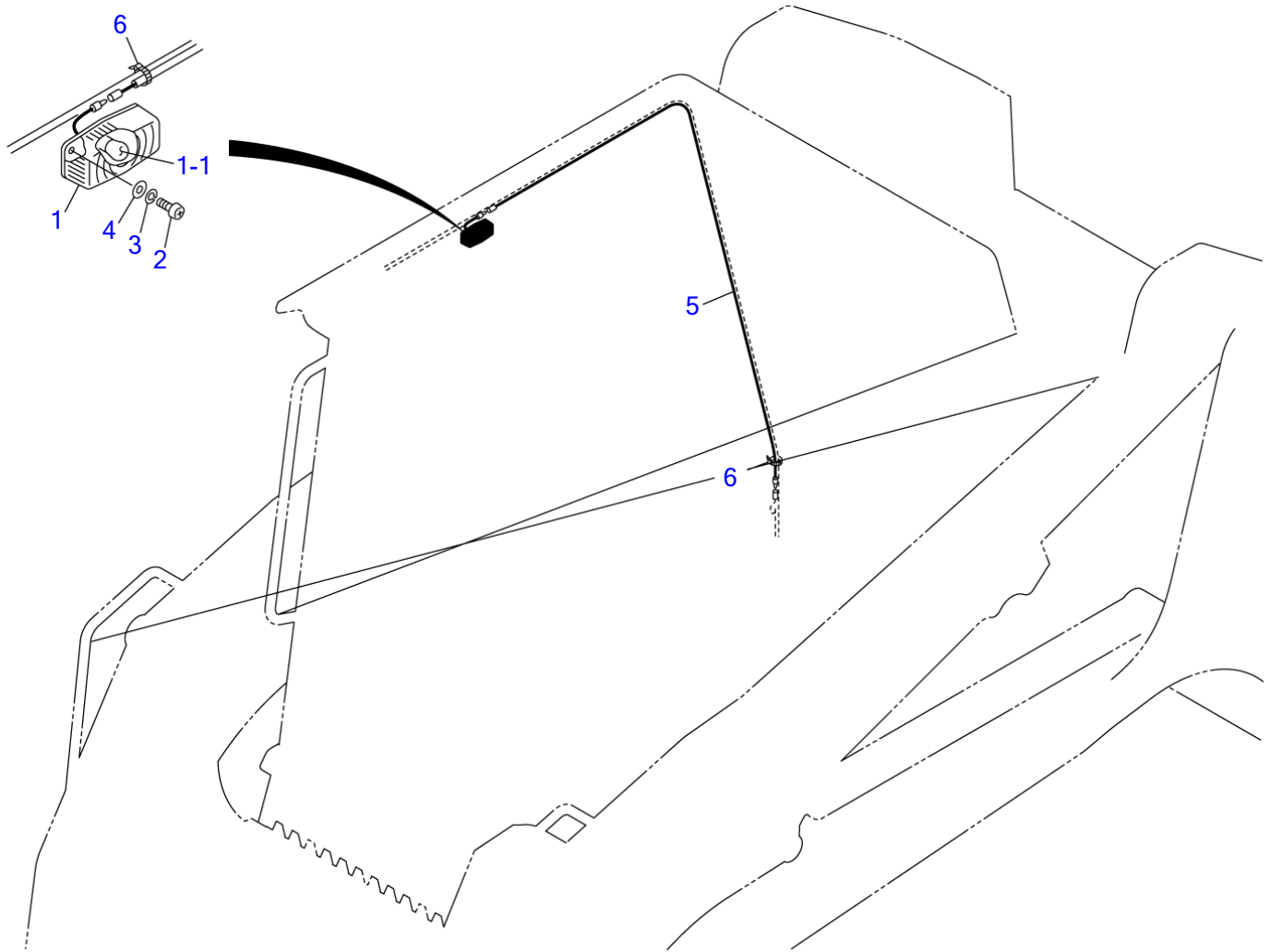


T8C110

S=1/20

**MAINTENANCE LIGHT SOCKET**

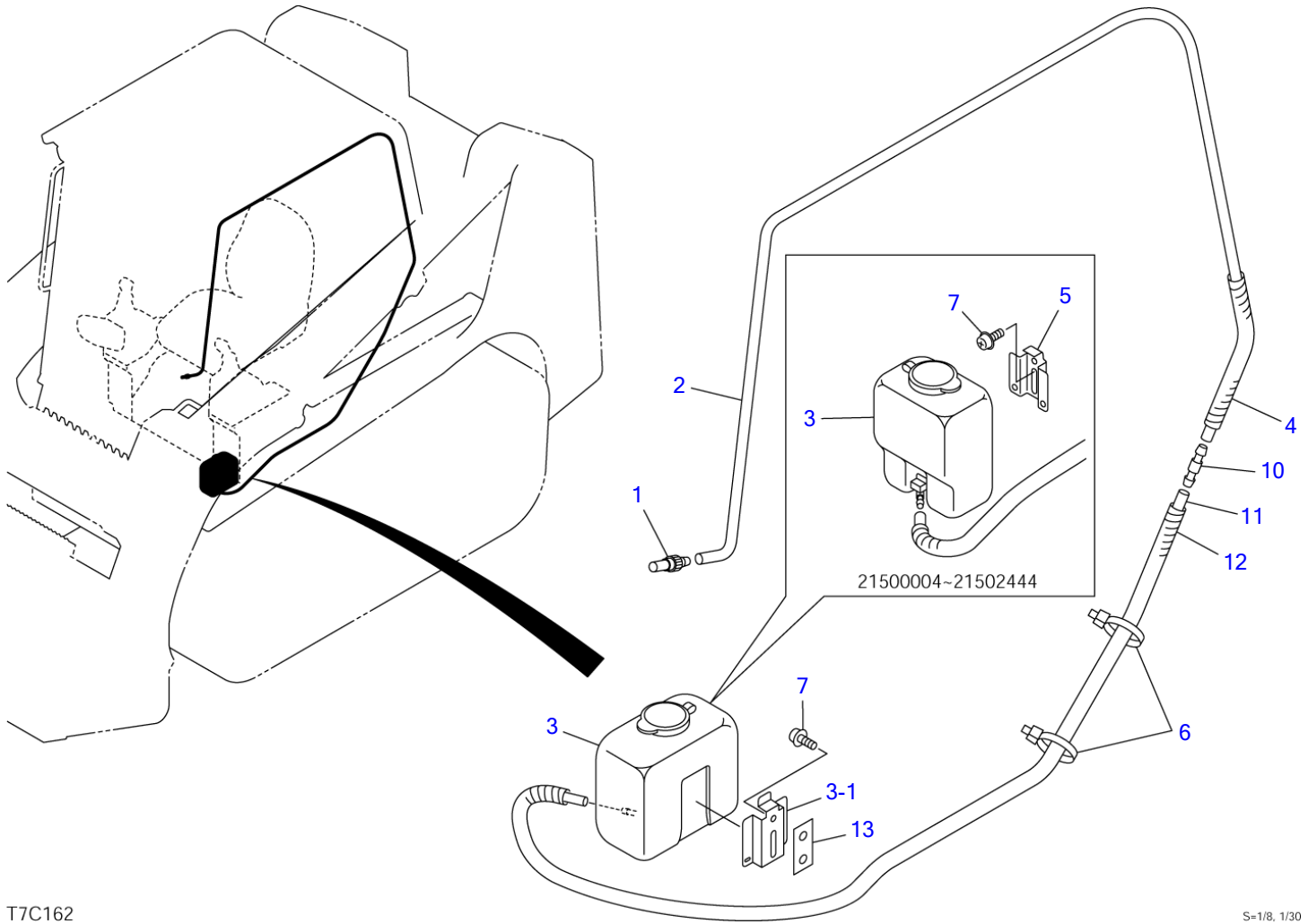
Item	Part number	Description	Q'ty	Chan.	Serial No.	Serv.	Remarks
		SOCKET ASSY, maintenance light					X08814-21900-0
1	<b>0394203100</b>	SOCKET ASSY	1				
2	<b>1652231250</b>	BAND	1				
	<b>T8c110</b>						



T7C120

S=1/5, 1/15

ROOM LAMP						
Item	Part number	Description	Q'ty	Chan.	Serial No.	Serv. Remarks
		LAMP ASSY, room				X08814-93500-1
1	1703001700	LAMP, room	1			
1-1	1703001701	• BULB	1			
2	1120530412	SCREW	2			
3	1140020004	WASHER, spring	2			
4	1141110004	WASHER	2			
5	0881963170	HARNESS, wiring	1			
6	1652231140	BAND	2			
	T7c120					



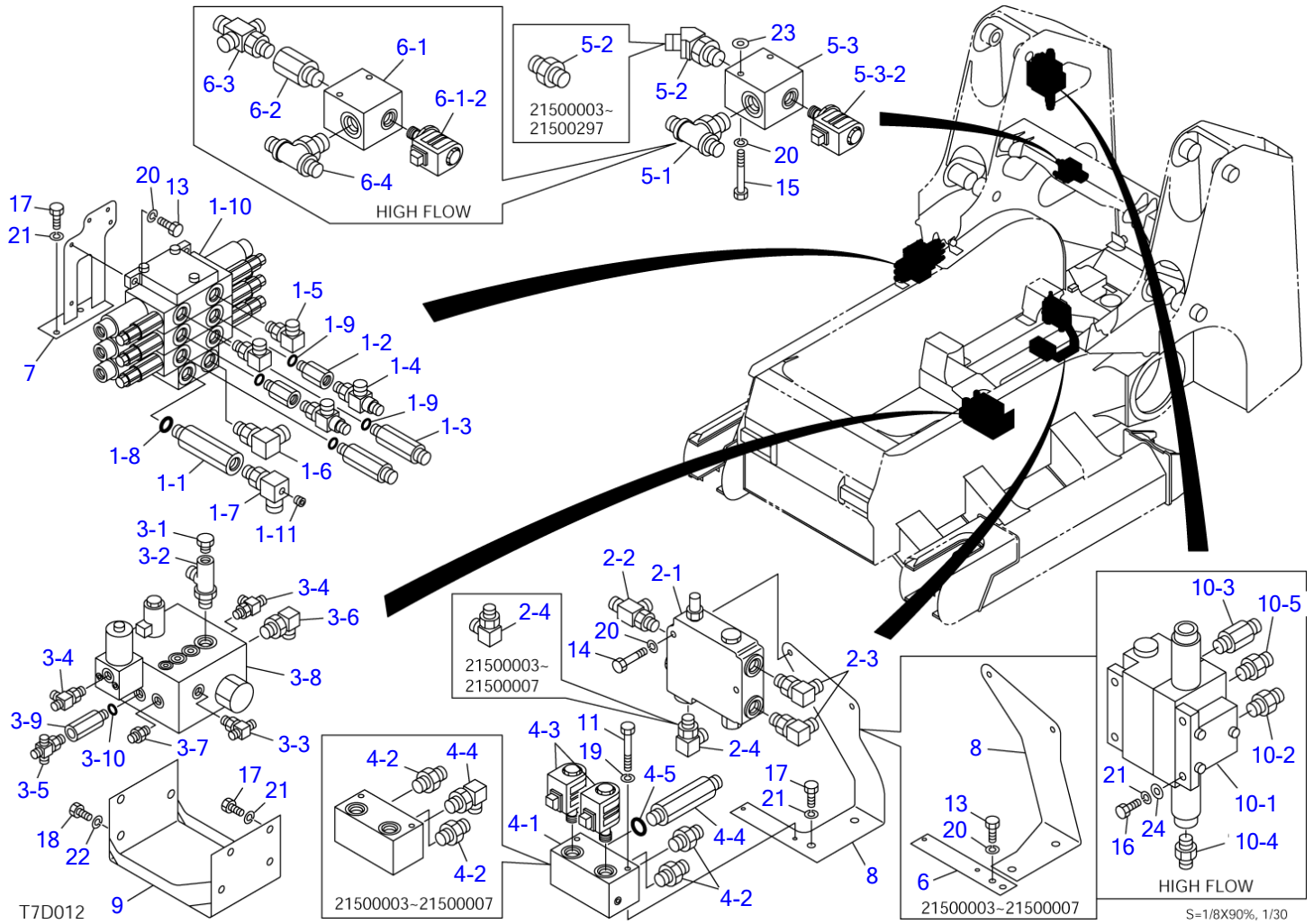
T7C162

S=1/8, 1/30

**WINDOW WASHER**

Item	Part number	Description	Q'ty	Chan.	Serial No.	Serv.	Remarks
		WASHER ASSY, window					X08818-90000-1
1	1711910040	NOZZLE	1				
2	1711919300	HOSE	1				sold by the meter
3	1711910101	TANK	1		21500004~21502444		
	1711910290	TANK	1		21502445~		
3-1	1711910291	• BRACKET	1		21502445~		
4	1703210770	PROTECTOR	1				sold by the meter
5	1711910062	BRACKET	1		21500004~21502444		
6	1652231140	BAND	2				
7	1150410616	SCREW	2				
10	1711910014	JOINT	1				
11	1711919150	HOSE	1				sold by the meter
12	1703220750	PROTECTOR	1				sold by the meter
13	0003900027	SPACER	1		21502445~		
	T7c162						

TL150 Book No. BT7Z011 S/N 21500004-  
**VALVE & ACCESSORIES**

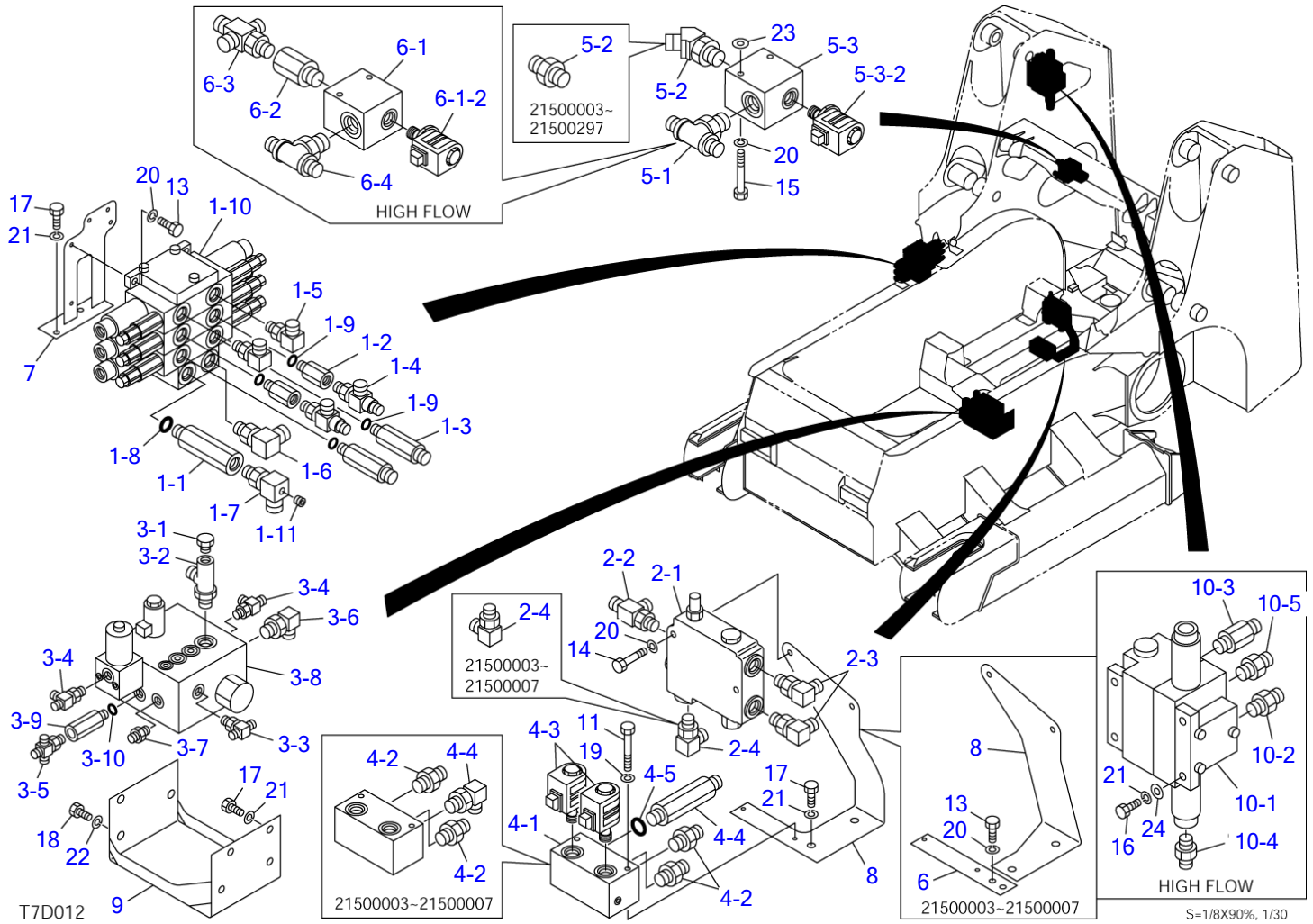




**VALVE & ACCESSORIES**

Item	Part number	Description	Q'ty	Chan.	Serial No.	Serv.	Remarks
		VALVE ASSY, control					X08815-02000-3
		VALVE ASSY, control (high flow)					X08815-03000-3
1	X *****	VALVE SUB ASSY	1				
1-1	0007213059	· BUSHING	1				
1-2	0007213049	· BUSHING	2				
1-3	0007203072	· ADAPTOR	2				
1-4	1512373010	· TEE	2				
	1420010180	· · O-RING	1				
1-5	1515200067	· ELBOW	2				
	1420370908	· · O-RING	1				
1-6	1512375003	· ELBOW	1				
	1420370910	· · O-RING	1				
1-7	1512340015	· ELBOW	1				
	1420010240	· · O-RING	1				
1-8	1420370910	· O-RING	1				
1-9	1420370908	· O-RING	4				
1-10	1901038100	· VALVE, control	1				
1-11	1501750002	· PLUG	1				
	1420010110	· · O-RING	1				
2	X *****	VALVE SUB ASSY	1		21500003~21500007		
	X *****	VALVE SUB ASSY	1		21500008~		
2-1	1901736400	· VALVE, self-level	1				
2-2	1512373011	· TEE	1				
	1420370910	· · O-RING	1				
2-3	1515200106	· ELBOW	2				
	1420370910	· · O-RING	1				
2-4	1515200062	· ELBOW	1				
	1420370910	· · O-RING	1				
3	X *****	VALVE SUB ASSY	1				
3-1	1501750002	· PLUG	1				
	1420010110	· · O-RING	1				
3-2	1512340004	· ELBOW	1				
	1420010180	· · O-RING	1				
3-3	1512370010	· TEE	1				
	1420010110	· · O-RING	1				
3-4	1512370011	· TEE	2				
	1420010110	· · O-RING	1				
3-5	1513390027	· CROSS	1				
	1420010110	· · O-RING	1				
3-6	1515010042	· ELBOW	1				
	1420010180	· · O-RING	1				
3-7	1515600200	· ADAPTOR	1				
	1420010110	· · O-RING	1				
3-8	1901735500	· VALVE, sub	1				
3-9	0007213061	· BUSHING	1				
3-10	1420010110	· O-RING	1				
4	X *****	VALVE SUB ASSY	1		21500003~21500007		
	X *****	VALVE SUB ASSY	1		21500008~		
4-1	0881501100	· BLOCK, valve	1				
4-2	1515600202	· ADAPTOR	2				
	1420010180	· · O-RING	1				
4-3	1901723200	· VALVE, solenoid	2				
4-4	1515010042	· ELBOW	1		21500003~21500007		
	1420010180	· · O-RING	1				
	0007203077	· ADAPTOR	1		21500008~		
4-5	1420010180	· O-RING	1		21500008~		
5	X *****	VALVE SUB ASSY	1				
5-1	1512374011	· TEE	1				
	1420010240	· · O-RING	1				
5-2	1515600574	· ADAPTOR	1		21500003~21500297		
	1420010240	· · O-RING	1				
	1515100139	· ELBOW	1		21500298~		
	1420010240	· · O-RING	1				
5-3	1901734500	· VALVE, solenoid	1				
5-3-2	1901734502	· · SOLENOID	1				
6	0881501060	PLATE	1		21500003~21500007		
	X *****	VALVE SUB ASSY	1				high flow

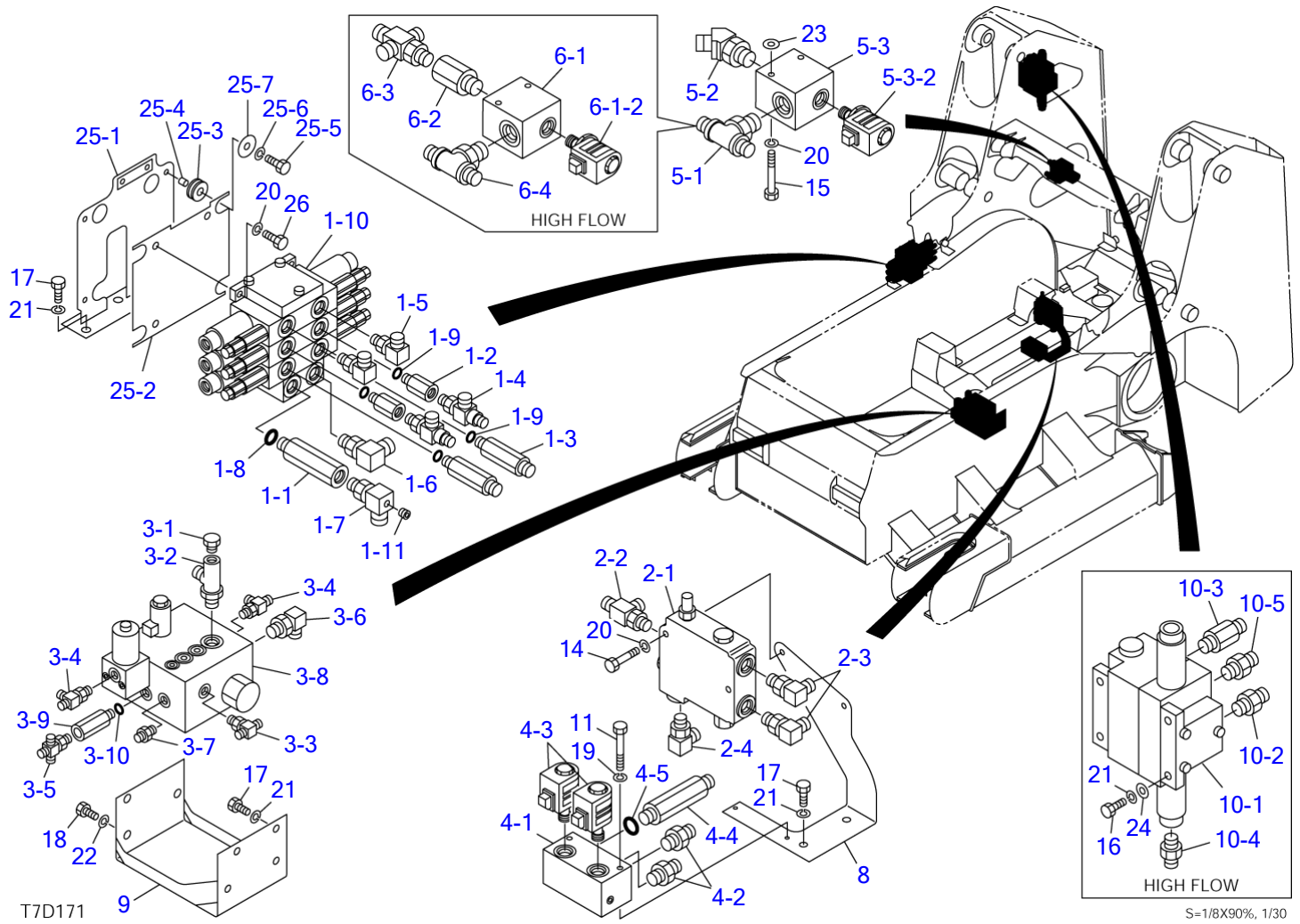
TL150 Book No. BT7Z011 S/N 21500004-  
**VALVE & ACCESSORIES**



**VALVE & ACCESSORIES**

Item	Part number	Description	Q'ty	Chan.	Serial No.	Serv.	Remarks
6-1	1901734500	• VALVE, solenoid	1				high flow
6-1-2	1901734502	• • SOLENOID	1				high flow
6-2	0007213050	• BUSHING	1				high flow
6-3	0881732610	• CROSS	1				high flow
6-4	1512374012	• TEE	1				high flow
6-4	1420010240	• • O-RING	1				
7	0881501070	BRACKET	1				
8	0881501085	BRACKET	1		21500003~21500007		
8	0881502080	BRACKET	1		21500008~		
9	0881501090	BRACKET	1				
10	X *****	VALVE SUB ASSY	1				high flow
10-1	1901039500	• VALVE, control	1				high flow
10-2	0007203007	• ADAPTOR	1				high flow
10-2	1420310908	• • O-RING	1				
10-3	0007203058	• ADAPTOR	1				high flow
10-3	1420010180	• • O-RING	1				
10-4	1515600200	• ADAPTOR	1				high flow
10-4	1420010110	• • O-RING	1				
10-5	1515600202	• ADAPTOR	1				high flow
10-5	1420010180	• • O-RING	1				
11	1100040665	BOLT	2				
13	1100040820	BOLT	3				
14	1100040855	BOLT	2				
15	1100040870	BOLT	2				
16	1101041025	BOLT	3				high flow
17	1100041020	BOLT	8				
18	1100041220	BOLT	3				
19	1140020006	WASHER, spring	2				
20	1140020008	WASHER, spring	7				
21	1140020010	WASHER, spring	8				
21	1140020010	WASHER, spring	11				high flow
22	1140020012	WASHER, spring	3				
23	1141110008	WASHER	2		21500008~		
24	0003600020	WASHER	3				high flow
	T7d015						

TL150 Book No. BT7Z011 S/N 21500004-  
**VALVE & ACCESSORIES (for EU; 21503876-)**

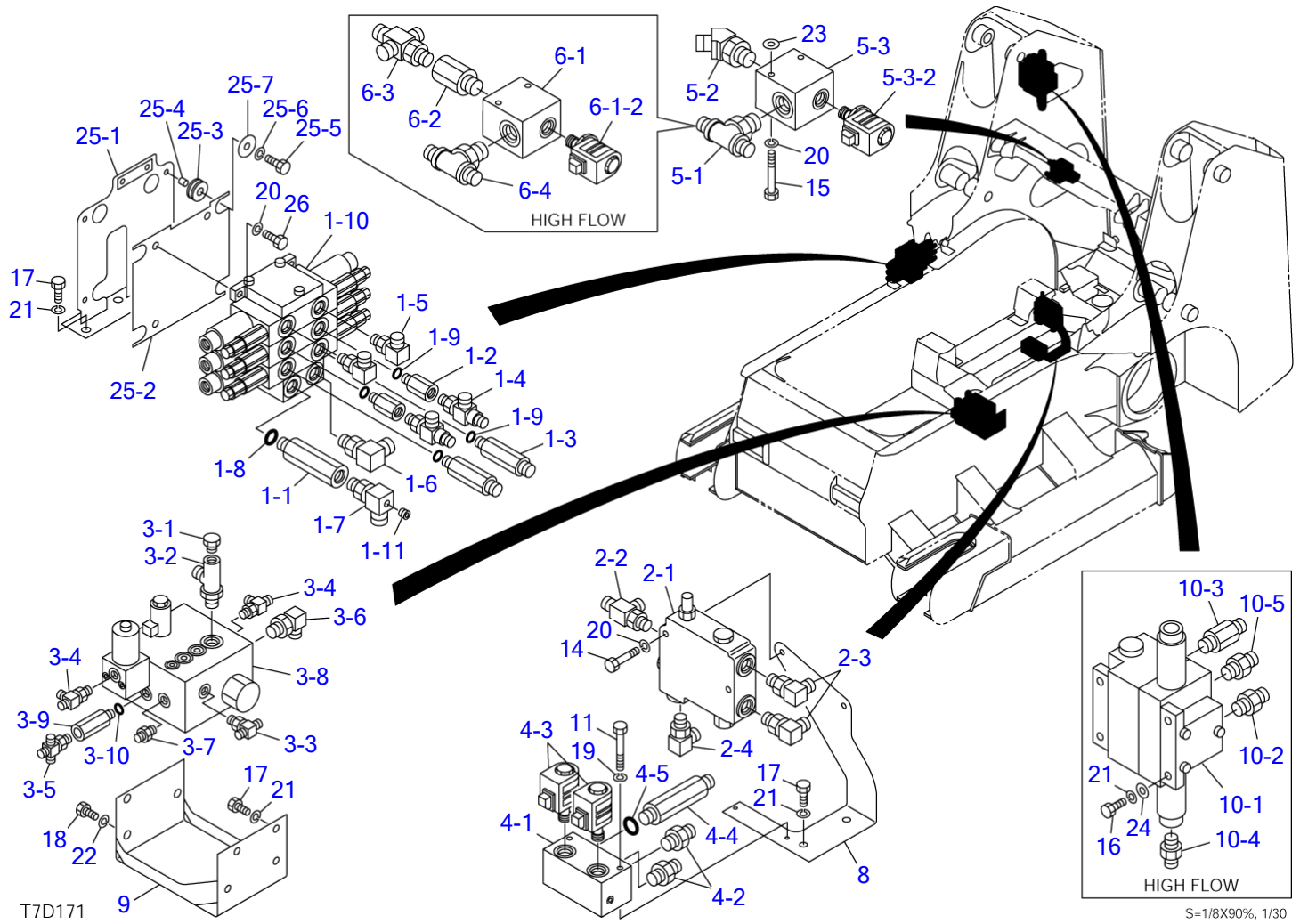


S=1/8X90%, 1/30

**VALVE & ACCESSORIES (for EU; 21503876-)**

Item	Part number	Description	Q'ty	Chan.	Serial No.	Serv.	Remarks
		VALVE ASSY, control					X08815-04000-3
		VALVE ASSY, control (high flow)					X08815-05000-3
1	X *****	VALVE SUB ASSY	1				X08815-01010
1-1	0007213059	• BUSHING	1				
1-2	0007213049	• BUSHING	2				
1-3	0007203072	• ADAPTOR	2				
1-4	1512373010	• TEE	2				
	1420010180	• • O-RING	1				
1-5	1515200067	• ELBOW	2				
	1420370908	• • O-RING	1				
1-6	1512375003	• ELBOW	1				
	1420370910	• • O-RING	1				
1-7	1512340015	• ELBOW	1				
	1420010240	• • O-RING	1				
1-8	1420370910	• O-RING	1				
1-9	1420370908	• O-RING	4				
1-10	1901038100	• VALVE, control	1				
1-11	1501750002	• PLUG	1				
	1420010110	• • O-RING	1				
2	X *****	VALVE SUB ASSY	1				X08815-02020
2-1	1901736400	• VALVE, self-level	1				
2-2	1512373011	• TEE	1				
	1420370910	• • O-RING	1				
2-3	1515200106	• ELBOW	2				
	1420370910	• • O-RING	1				
2-4	1515200062	• ELBOW	1				
	1420370910	• • O-RING	1				
3	X *****	VALVE SUB ASSY	1				X08815-01030
3-1	1501750002	• PLUG	1				
	1420010110	• • O-RING	1				
3-2	1512340004	• ELBOW	1				
	1420010180	• • O-RING	1				
3-3	1512370010	• TEE	1				
	1420010110	• • O-RING	1				
3-4	1512370011	• TEE	2				
	1420010110	• • O-RING	1				
3-5	1513390027	• CROSS	1				
	1420010110	• • O-RING	1				
3-6	1515010042	• ELBOW	1				
	1420010180	• • O-RING	1				
3-7	1515600200	• ADAPTOR	1				
	1420010110	• • O-RING	1				
3-8	1901735500	• VALVE, sub	1				
3-9	0007213061	• BUSHING	1				
3-10	1420010110	• O-RING	1				
4	X *****	VALVE SUB ASSY	1				X08815-02500
4-1	0881501100	• BLOCK, valve	1				
4-2	1515600202	• ADAPTOR	2				
	1420010180	• • O-RING	1				
4-3	1901723200	• VALVE, solenoid	2				
4-4	0007203077	• ADAPTOR	1				
4-5	1420010180	• O-RING	1				
5	X *****	VALVE SUB ASSY	1				X08815-00050
5-1	1512374011	• TEE	1				
	1420010240	• • O-RING	1				
5-2	1515100139	• ELBOW	1				
	1420010240	• • O-RING	1				
5-3	1901734500	• VALVE, solenoid	1				
5-3-2	1901734502	• • SOLENOID	1				
6	X *****	VALVE SUB ASSY (high flow)	1				X08815-03060
6-1	1901734500	• VALVE, solenoid	1				high flow
6-1-2	1901734502	• • SOLENOID	1				high flow
6-2	0007213050	• BUSHING	1				high flow
6-3	0881732610	• CROSS	1				high flow
6-4	1512374012	• TEE	1				high flow
	1420010240	• • O-RING	1				
8	0881502080	BRACKET	1				
9	0881501090	BRACKET	1				

TL150 Book No. BT7Z011 S/N 21500004-  
**VALVE & ACCESSORIES (for EU; 21503876-)**

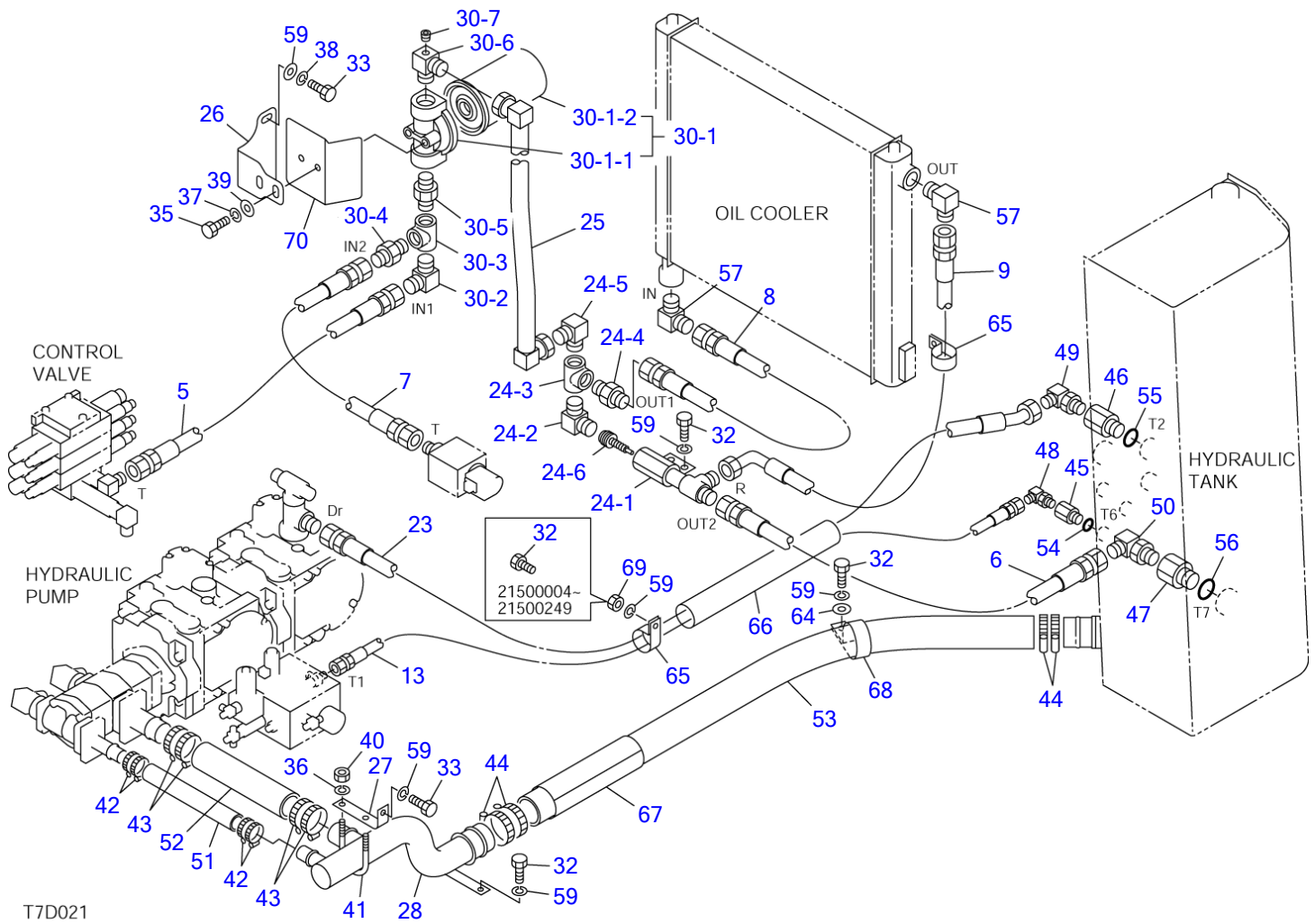


T7D171

S=1/8X90%, 1/30

**VALVE & ACCESSORIES (for EU; 21503876-)**

Item	Part number	Description	Q'ty	Chan.	Serial No.	Serv.	Remarks
10	X *****	VALVE SUB ASSY (high flow)	1				X08815-03100
10-1	1901039500	• VALVE, control	1				high flow
10-2	0007203007	• ADAPTOR	1				high flow
10-2	1420310908	• • O-RING	1				
10-3	0007203058	• ADAPTOR	1				high flow
10-3	1420010180	• • O-RING	1				
10-4	1515600200	• ADAPTOR	1				high flow
10-4	1420010110	• • O-RING	1				
10-5	1515600202	• ADAPTOR	1				high flow
10-5	1420010180	• • O-RING	1				
11	1100040665	BOLT	2				
14	1100040855	BOLT	2				
15	1100040870	BOLT	2				
16	1101041025	BOLT	3				high flow
17	1100041020	BOLT	8				
18	1100041220	BOLT	3				
19	1140020006	WASHER, spring	2				
20	1140020008	WASHER, spring	7				
21	1140020010	WASHER, spring	8				
21	1140020010	WASHER, spring	11				high flow
22	1140020012	WASHER, spring	3				
23	1141110008	WASHER	2				
24	0003600020	WASHER	3				high flow
25	X *****	BRACKET ASSY	1				X08815-04100-0
25-1	0881504110	• BRACKET	1				
25-2	0882502120	• PLATE	1				
25-3	0882502130	• CUSHION	4				
25-4	0882502140	• PIPE	4				
25-5	1100040825	• BOLT	4				
25-6	1140020008	• WASHER, spring	4				
25-7	0003609003	• WASHER	4				
26	1100040825	BOLT	3				M
	T7d171						



T7D021

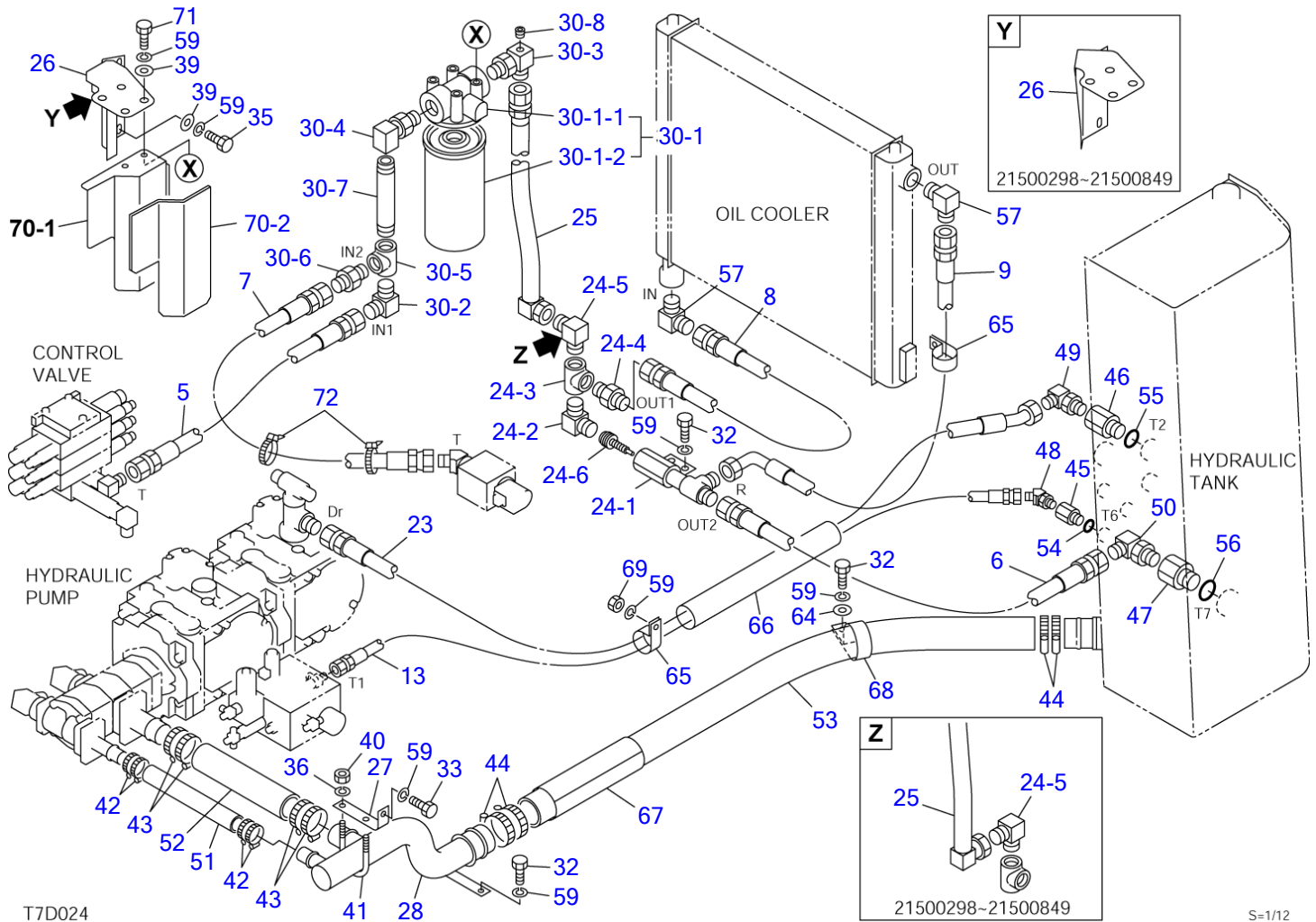
S=1/12



**PIPING (1/2) (21500004-21500297)**

Item	Part number	Description	Q'ty	Chan.	Serial No.	Serv.	Remarks
		PIPING ASSY					X08817-01000-5
5	0881963190	HOSE ASSY	1				4-820
6	0881701060	HOSE ASSY	1				SF-SF 1-750
7	0881701070	HOSE ASSY	1				SF-SF 1-620
8	0881701080	HOSE ASSY	1				SF-SF 1-1340
9	0881701090	HOSE ASSY	1				SF-AF90 1-1200
13	0881701130	HOSE ASSY	1				4-1320
23	0881701230	HOSE ASSY	1				4-1340
24	X *****	MANIFOLD ASSY	1				
24-1	0881701241	• JOINT	1				
24-2	0881700242	• ELBOW	1				
24-3	1508200010	• TEE	1				
24-4	1511050010	• ADAPTOR	1				
24-5	1511150010	• ELBOW	1				
24-6	1540140830	• VALVE, check	1				
25	0881700250	PIPE	1				
26	0881701260	PLATE	1				
27	0881701270	PLATE	1				
28	0881701280	PIPE	1				
30	X *****	FILTER ASSY	1				
30-1	1551000200	• FILTER	1				
30-1-1	1551000210	• • COVER	1				
30-1-2	1551000220	• • CARTRIDGE	1				
30-2	1511150010	• ELBOW	1				
30-3	1508200010	• TEE	1				
30-4	1511050010	• ADAPTOR	1				
30-5	1508510010	• ADAPTOR	1				
30-6	1513400026	• ELBOW	1				
30-7	1501810001	• PLUG	1				
32	1100041016	BOLT	4				
33	1100041020	BOLT	3				
35	1100041225	BOLT	2				
36	1140020008	WASHER, spring	2				
37	1140020012	WASHER, spring	2				
38	1141110010	WASHER	2				
39	1141110012	WASHER	2				
40	1130020008	NUT	2				
41	1533201014	U-BOLT	1				
42	1533700041	CLAMP	4				
43	1533700054	CLAMP	4				
44	1533700080	CLAMP	4				
45	0007213028	BUSHING	1				
46	0007213050	BUSHING	1				
47	0007213051	BUSHING	1				
48	1515010040	ELBOW	1				
	1420010110	• O-RING	1				
49	1515010043	ELBOW	1				
	1420010240	• O-RING	1				
50	1515010044	ELBOW	1				
	1420010290	• O-RING	1				
51	0881701510	HOSE	1				
52	0881701520	HOSE	1				
53	0881701530	HOSE	1				
54	1420010110	O-RING	1				
55	1420010240	O-RING	1				
56	1420010290	O-RING	1				
57	1511150010	ELBOW	2				
59	1140020010	WASHER, spring	8				
65	0007300030	CLAMP	2				
64	0003600020	WASHER	1				
66	1531354025	PROTECTOR	1				sold by the meter
67	0881701670	PROTECTOR	1				
68	0007300061	CLAMP	1				
69	1130040010	NUT	1		21500250~		
70	0881701680	COVER	1				
	T7d021						

TL150 Book No. BT7Z011 S/N 2150004-  
 PIPING (1/2) (21500298-)

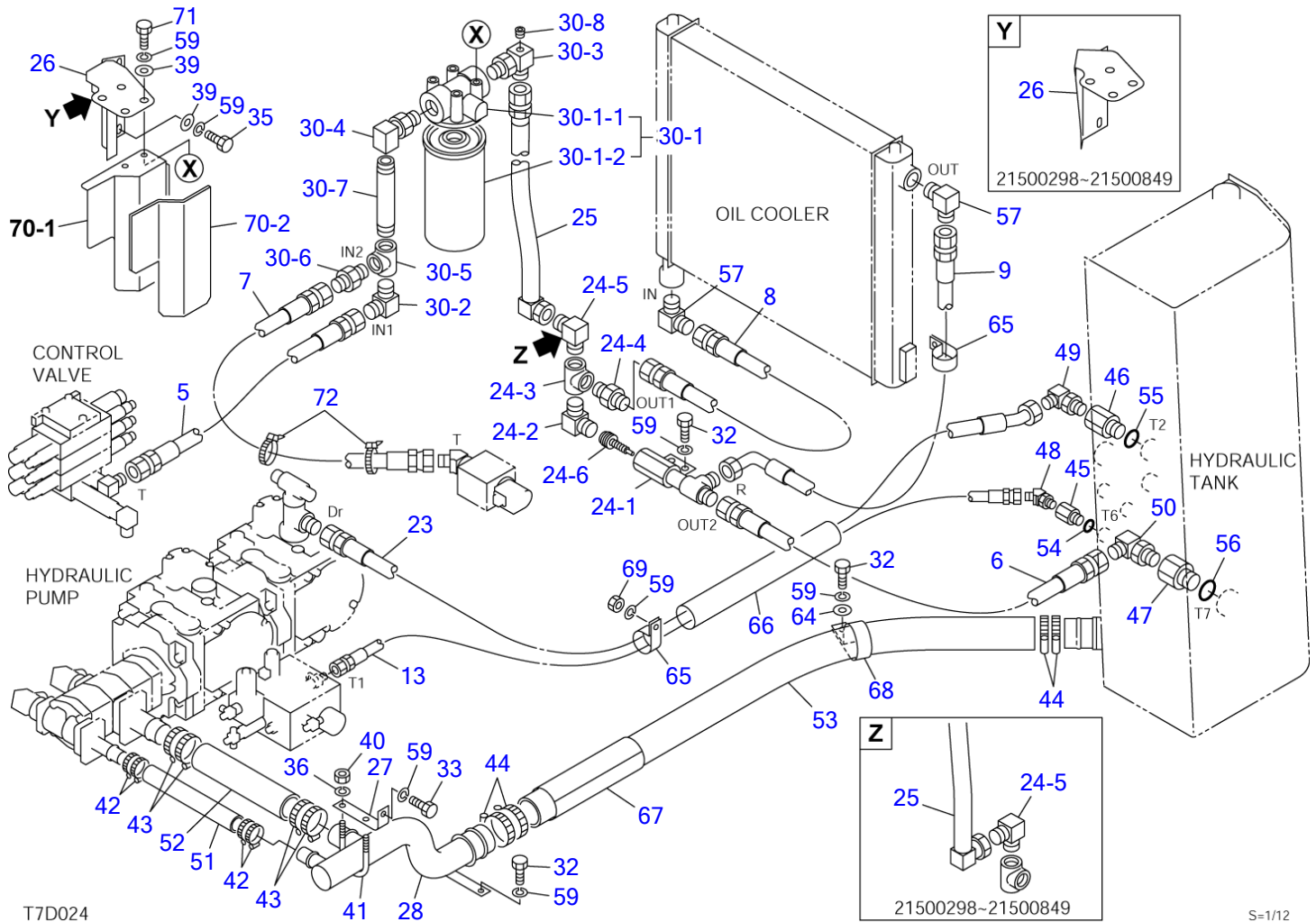


S=1/12

PIPING (1/2) (21500298-)

Item	Part number	Description	Q'ty	Chan.	Serial No.	Serv.	Remarks
		PIPING ASSY					X08817-02500-2
5	0881702010	HOSE ASSY	1				SF-SF 1-640
6	0881701060	HOSE ASSY	1		21500298~21500849		SF-SF 1-750
	0881964730	HOSE ASSY	1		21500850~		SF-SF 1-700
7	0881702020	HOSE ASSY	1				SF-SF 1-880
8	0881701080	HOSE ASSY	1		21500298~21500849		SF-SF 1-1340
	0881965390	HOSE ASSY	1		21500850~		SF-SF 1-1290
9	0881701090	HOSE ASSY	1		21500298~21500849		SF-AF90 1-1200
	0881702090	HOSE ASSY	1		21500850~		SF-AF90 1-1150
13	0881701130	HOSE ASSY	1				4-1320
23	0881701230	HOSE ASSY	1				4-1340
24	0881701240	MANIFOLD ASSY	1				X08817-01240-1
24-1	0881701241	· JOINT	1				
24-2	0881700242	· ELBOW	1				
24-3	1508210010	· TEE	1				
24-4	1511050010	· ADAPTOR	1				
24-5	1511150010	· ELBOW	1				
24-6	1540140830	· VALVE, check	1				
25	0881702030	PIPE	1		21500298~21500849		
	0881965420	PIPE	1		21500850~		
26	0881702040	PLATE	1		21500298~21500849		
	0881462180	PLATE	1		21500850~		
27	0881701270	PLATE	1				
28	0881701280	PIPE	1	A	21500004~21500375		
	0881702280	PIPE	1	a(H)	21500376~21500735		
	0881702290	PIPE	1		21500736~		
30	0881702050	FILTER ASSY	1				
30-1	1551000500	· FILTER	1				
30-1-1	1551000510	· · COVER	1				
30-1-2	1551000520	· · CARTRIDGE	1				
30-2	1511150010	· ELBOW	1				
30-3	1512375005	· ELBOW	1				
	1420010290	· · O-RING	1				
30-4	1513300025	· ELBOW	1				
	1420010290	· · O-RING	1				
30-5	1508210010	· TEE	1				
30-6	1511050010	· ADAPTOR	1				
30-7	0009110220	· NIPPLE	1				
30-8	1501810001	· PLUG	1				
32	1100041016	BOLT	4				
33	1100041020	BOLT	1				
35	1100041025	BOLT	2				
36	1140020008	WASHER, spring	2				
39	0003600025	WASHER	6				
40	1130020008	NUT	2				
41	1533201014	U-BOLT	1				
42	1533700041	BAND	4				
43	1533700054	BAND	4				
44	1533700080	BAND	4				
45	0007213028	BUSHING	1				
46	0007213050	BUSHING	1				
47	0007213051	BUSHING	1				
48	1515100110	ELBOW	1				
	1420010110	· O-RING	1				
49	1515010043	ELBOW	1				
	1420010240	· O-RING	1				
50	1515010044	ELBOW	1				
	1420010290	· O-RING	1				
51	0881701510	HOSE	1				
52	0881701520	HOSE	1	a			
53	0881701530	HOSE	1				
54	1420010110	O-RING	1				
55	1420010240	O-RING	1				
56	1420010290	O-RING	1				
57	1511150010	ELBOW	2				
59	1140020010	WASHER, spring	12				
64	0003600020	WASHER	1				
65	0007300030	CLAMP	2				

TL150 Book No. BT7Z011 S/N 2150004-  
 PIPING (1/2) (21500298-)

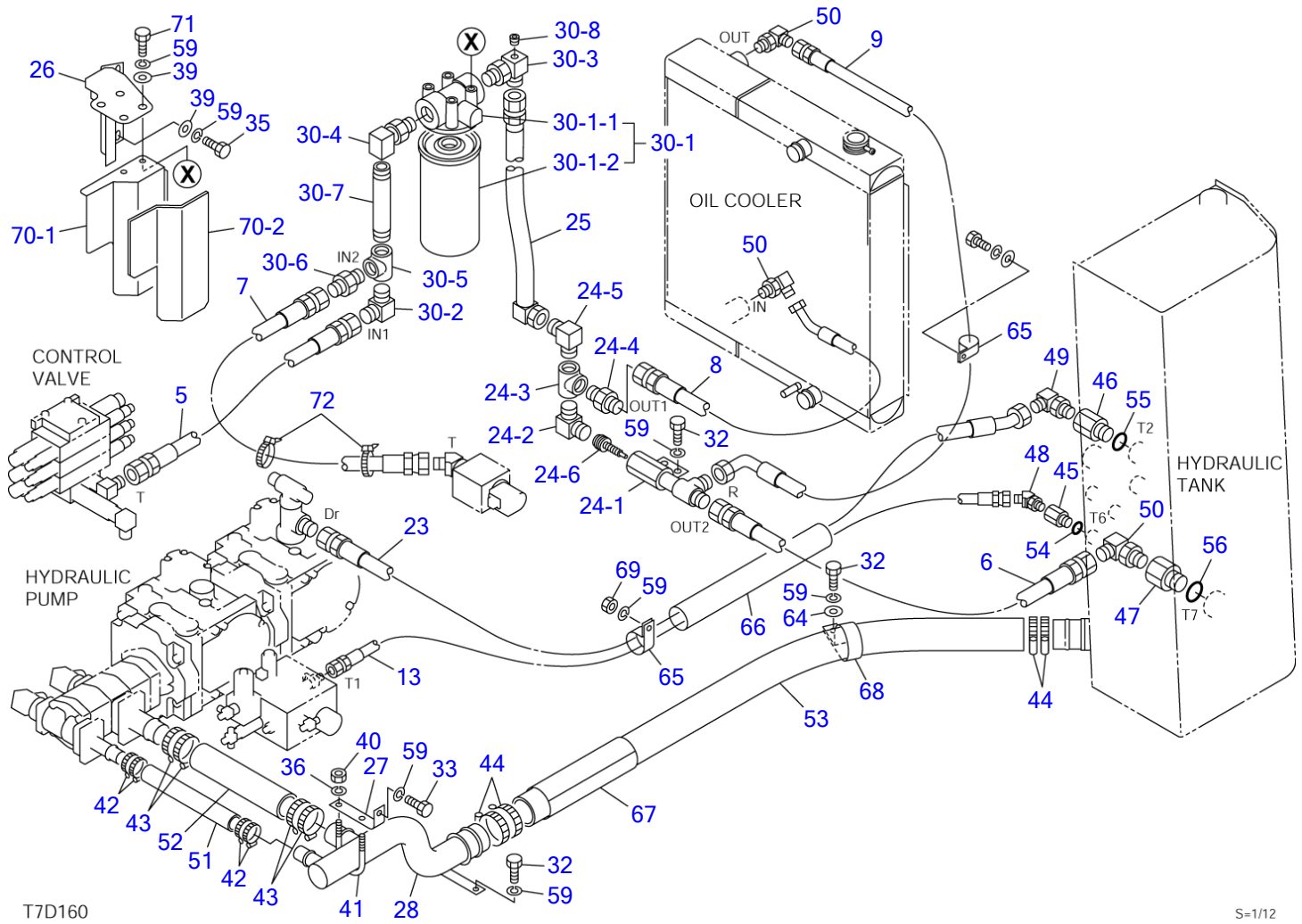


S=1/12

PIPING (1/2) (21500298-)

Item	Part number	Description	Q'ty	Chan.	Serial No.	Serv.	Remarks
66	1531354025	PROTECTOR	1				
67	0881701670	PROTECTOR	1				
68	0007300061	CLAMP	1				
69	1130040010	NUT	1				
70	X *****	COVER ASSY	1				
70-1	0881702070	· COVER	1				
70-2	0881702062	· ABSORBENT, noise	1				
71	1100041030	BOLT	4				
72	1652241300	BAND	2				
72		<<NOTE>>					
72		SET "A" is interchangeable with SET "a".					
	T7d028						

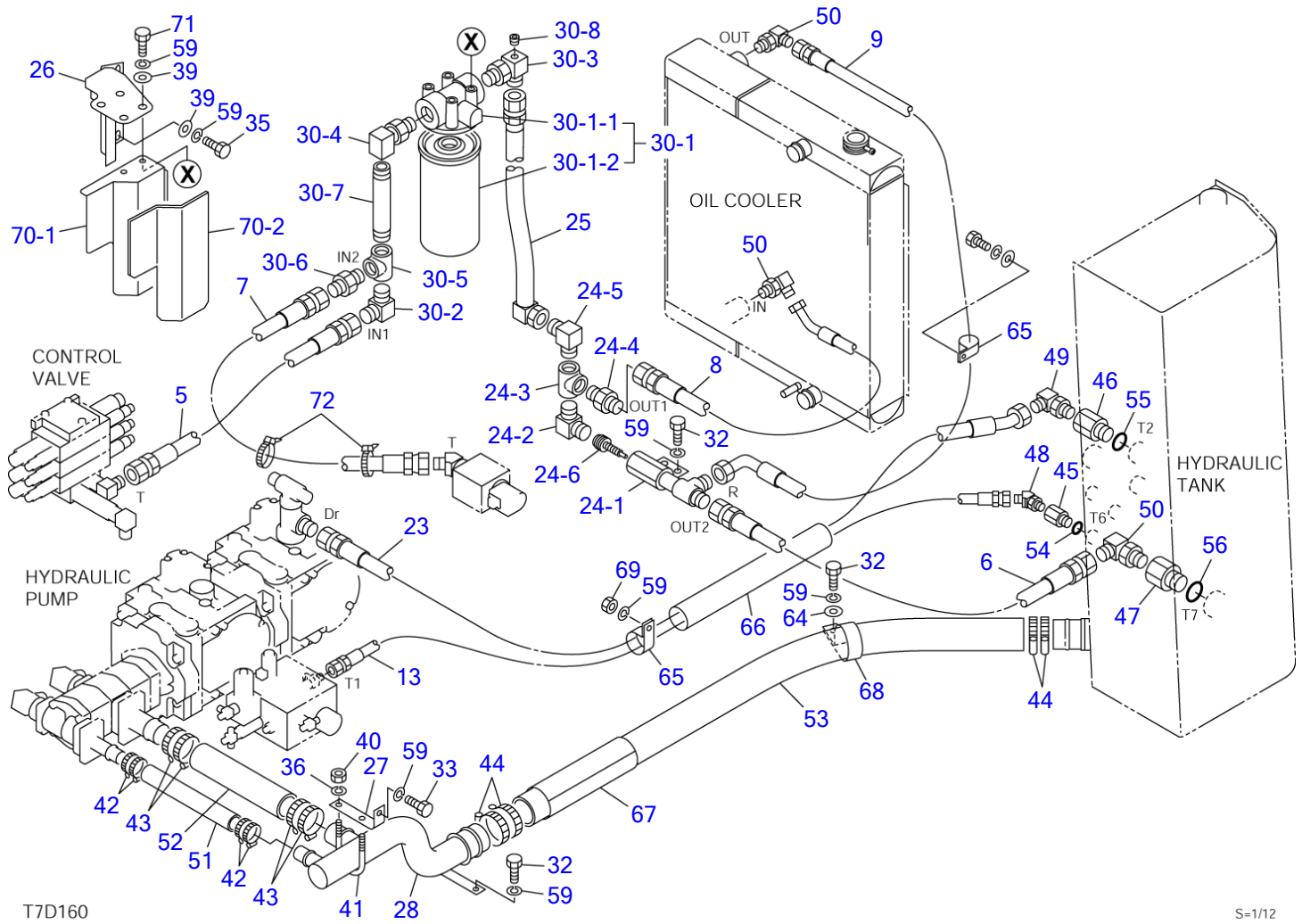
TL150 Book No. BT7Z011 S/N 21500004-  
 PIPING (1/2) (for EU; 21502751-)



PIPING (1/2) (for EU; 21502751-)

Item	Part number	Description	Q'ty	Chan.	Serial No.	Serv.	Remarks
		PIPING ASSY					X08817-04700-3
5	0881702010	HOSE ASSY	1				SF-SF 1-640
6	0881964730	HOSE ASSY	1				SF-SF 1-700
7	0881702020	HOSE ASSY	1				SF-SF 1-880
8	0881704610	HOSE ASSY	1				AF45-SF 1-840
9	0881704620	HOSE ASSY	1				SF-AF90 1-1740
13	0881701130	HOSE ASSY	1				4-1320
23	0881701230	HOSE ASSY	1				4-1340
24	0881701240	MANIFOLD ASSY	1				X08817-01240-1
24-1	0881701241	· JOINT	1				
24-2	0881700242	· ELBOW	1				
24-3	1508210010	· TEE	1				
24-4	1511050010	· ADAPTOR	1				
24-5	1511150010	· ELBOW	1				
24-6	1540140830	· VALVE, check	1				
25	0881965420	PIPE	1				
26	0881462180	PLATE	1				
27	0881701270	PLATE	1				
28	0881702290	PIPE	1				
30	0881702050	FILTER ASSY	1				
30-1	1551000500	· FILTER	1				
30-1-1	1551000510	· · COVER	1				
30-1-2	1551000520	· · CARTRIDGE	1				
30-2	1511150010	· ELBOW	1				
30-3	1512375005	· ELBOW	1				
	1420010290	· · O-RING	1				
30-4	1513300025	· ELBOW	1				
	1420010290	· · O-RING	1				
30-5	1508210010	· TEE	1				
30-6	1511050010	· ADAPTOR	1				
30-7	0009110220	· NIPPLE	1				
30-8	1501810001	· PLUG	1				
32	1100041016	BOLT	4				
33	1100041020	BOLT	1				
35	1100041025	BOLT	2				
36	1140020008	WASHER, spring	2				
39	0003600025	WASHER	6				
40	1130020008	NUT	2				
41	1533201014	U-BOLT	1				
42	1533700041	BAND	4				
43	1533700054	BAND	4				
44	1533700080	BAND	4				
45	0007213028	BUSHING	1				
46	0007213050	BUSHING	1				
47	0007213051	BUSHING	1				
48	1515100110	ELBOW	1				
	1420010110	· O-RING	1				
49	1515010043	ELBOW	1				
	1420010240	· O-RING	1				
50	1515010044	ELBOW	1				
	1420010290	· O-RING	1				
51	0881701510	HOSE	1				
52	0881701520	HOSE	1				
53	0881701530	HOSE	1				
54	1420010110	O-RING	1				
55	1420010240	O-RING	1				
56	1420010290	O-RING	1				
59	1140020010	WASHER, spring	12				
64	0003600020	WASHER	1				
65	0007300030	CLAMP	2				
66	1531354025	PROTECTOR	1				sold by the meter
67	0881701670	PROTECTOR	1				
68	0007300061	CLAMP	1				
69	1130040010	NUT	1				
70	X *****	COVER ASSY	1				
70-1	0881702070	· COVER	1				
70-2	0881702062	· ABSORBENT, noise	1				
71	1100041030	BOLT	4				

TL150 Book No. BT7Z011 S/N 21500004-  
 PIPING (1/2) (for EU; 21502751-)



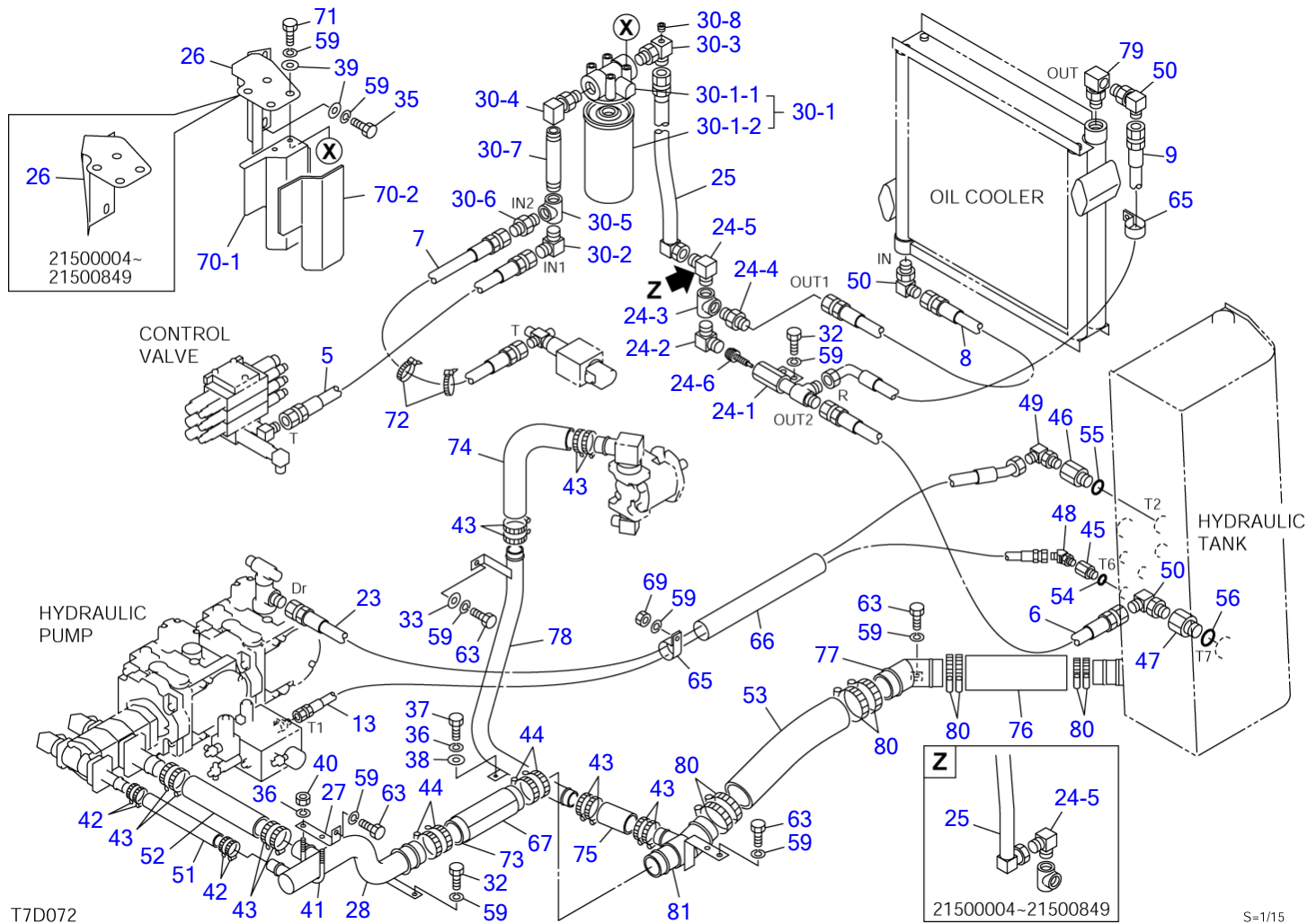
S=1/12



PIPING (1/2) (for EU; 21502751-)

Item	Part number	Description	Q'ty	Chan.	Serial No.	Serv.	Remarks
72	1652241300 T7d162	BAND	2				

TL150 Book No. BT7Z011 S/N 21500004-  
 PIPING (1/2) (high flow; 21500004-21501586)

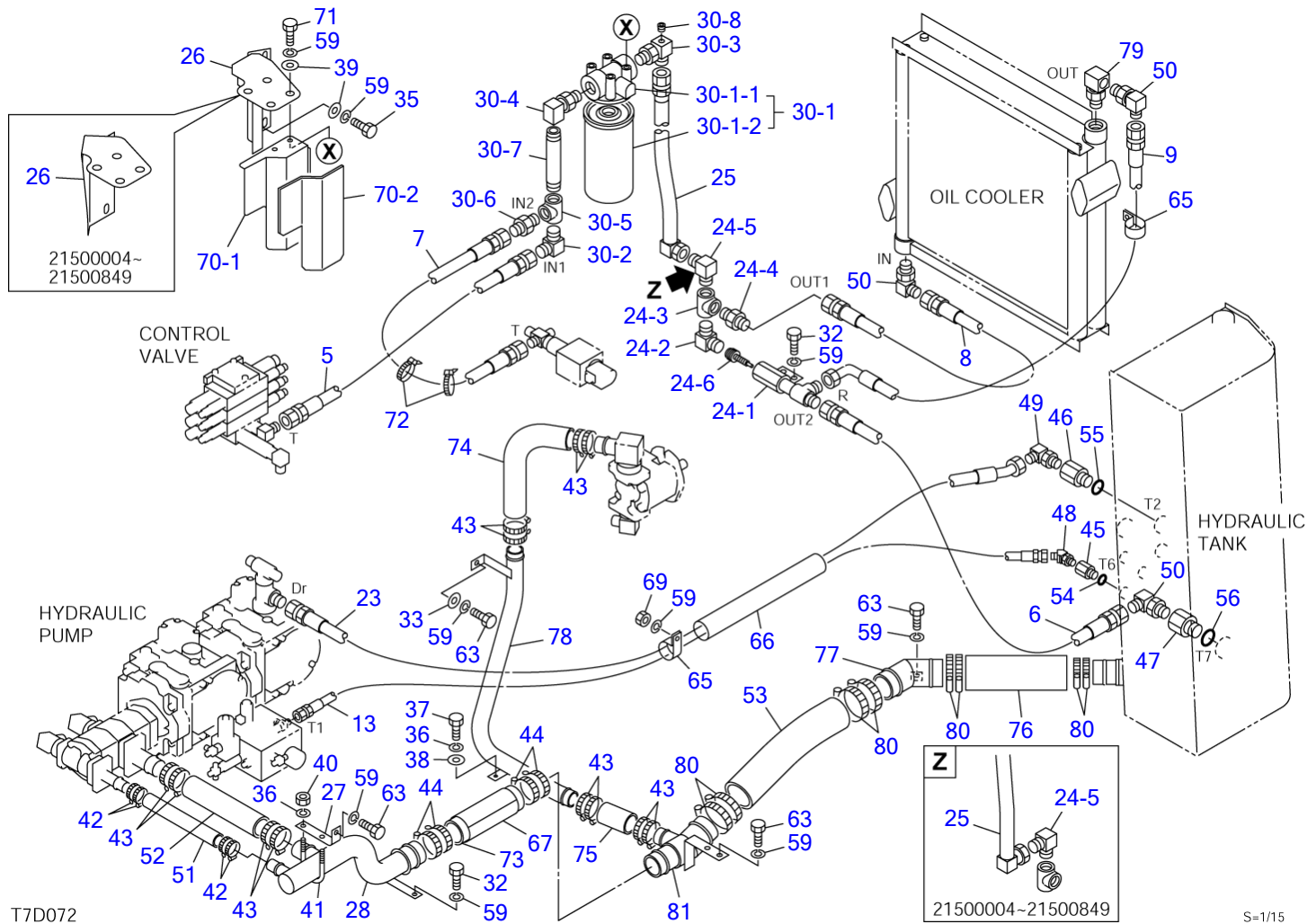


S=1/15

**PIPING (1/2) (high flow; 2150004-21501586)**

Item	Part number	Description	Q'ty	Chan.	Serial No.	Serv.	Remarks
		PIPING ASSY					X08817-03000-5
5	0881702010	HOSE ASSY	1				SF-SF 1-640
6	0881701060	HOSE ASSY	1		21500004~21500849		SF-SF 1-750
	0881964730	HOSE ASSY	1		21500850~		SF-SF 1-700
7	0881702020	HOSE ASSY	1				SF-SF 1-880
8	0881701080	HOSE ASSY	1		21500004~21500849		SF-SF 1-1340
	0881965390	HOSE ASSY	1		21500850~		SF-SF 1-1290
9	0881703090	HOSE ASSY	1		21500004~21500849		SF-AF90 1-1300
	0881965400	HOSE ASSY	1		21500850~		SF-AF90 1-1250
13	0881701130	HOSE ASSY	1				4-1320
23	0881701230	HOSE ASSY	1				4-1340
24	0881701240	MANIFOLD ASSY	1				X08817-01240-1
24-1	0881701241	· JOINT	1				
24-2	0881700242	· ELBOW	1				
24-3	1508200010	· TEE	1				
24-4	1511050010	· ADAPTOR	1				
24-5	1511150010	· ELBOW	1				
24-6	1540140830	· VALVE, check	1				
25	0881702030	PIPE	1		21500004~21500849		
	0881965420	PIPE	1		21500850~		
26	0881702040	PLATE	1		21500004~21500849		
	0881462180	PLATE	1		21500850~		
27	0881701270	PLATE	1				
28	0881702280	PIPE	1		21500004~21500735		
	0881702290	PIPE	1		21500736~		
30	0881703050	FILTER ASSY	1				
30-1	1551000500	· FILTER	1				
30-1-1	1551000510	· · COVER	1				
30-1-2	1551000520	· · CARTRIDGE	1				
30-2	1511150010	· ELBOW	1				
30-3	1512375005	· ELBOW	1				
	1420010290	· · O-RING	1				
30-4	1513300025	· ELBOW	1				
	1420010290	· · O-RING	1				
30-5	1508200010	· TEE	1				
30-6	1511050010	· ADAPTOR	1				
30-7	0009110170	· NIPPLE	1				
30-8	1501810001	· PLUG	1				
32	1100041016	BOLT	3				
33	1141110010	WASHER	1				
35	1100041025	BOLT	2				
36	1140020008	WASHER, spring	3				
37	1100040820	BOLT	1				
38	1141110008	WASHER	1				
39	0003600003	WASHER	6				
40	1130020008	NUT	2				
41	1533201014	U-BOLT	1				
42	1533700041	BAND	4				
43	1533700054	BAND	12				
44	1533700080	BAND	4				
45	0007213028	BUSHING	1				
46	0007213050	BUSHING	1				
47	0007213051	BUSHING	1				
48	1515100110	ELBOW	1				
	1420010110	· O-RING	1				
49	1515010043	ELBOW	1				
	1420010240	· O-RING	1				
50	1515010044	ELBOW	3				
	1420010290	· O-RING	1				
51	0881701510	HOSE	1				
52	0881701520	HOSE	1				
53	0881734290	HOSE	1				
54	1420010110	O-RING	1				
55	1420010240	O-RING	1				
56	1420010290	O-RING	1				
59	1140020010	WASHER, spring	15				
63	1100041020	BOLT	5				
65	0007300030	CLAMP	2				

TL150 Book No. BT7Z011 S/N 21500004-  
 PIPING (1/2) (high flow; 21500004-21501586)



T7D072

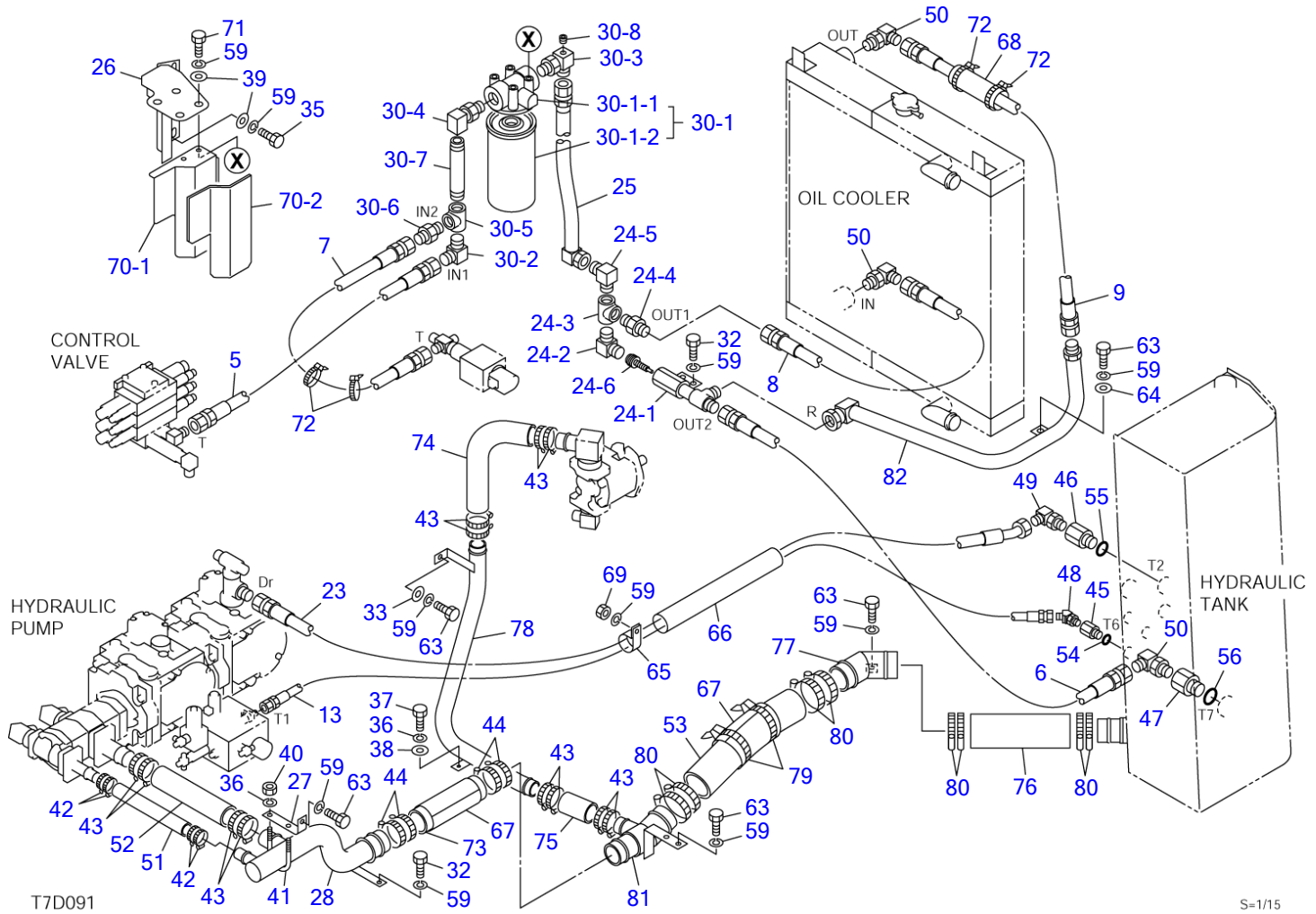
S=1/15

**PIPING (1/2) (high flow; 21500004-21501586)**

Item	Part number	Description	Q'ty	Chan.	Serial No.	Serv.	Remarks
66	1531354025	PROTECTOR	1				sold by the meter
67	0881701670	PROTECTOR	1				
69	1130040010	NUT	1				
70	X *****	COVER ASSY	1				
70-1	0881702070	• COVER	1				
70-2	0881702062	• ABSORBENT, noise	1				
71	1100041030	BOLT	4				
72	1652241300	BAND	2				
73	0881734310	HOSE	1				
74	0881731220	HOSE	1				
75	1530538011	HOSE	1				sold by the meter
76	0881734170	HOSE	1				
77	0881703770	PIPE	1				
78	0881734270	PIPE	1		21500004~21500735		
78	0881702310	PIPE	1		21500736~		
79	1513300026	ELBOW	1				
79	1420010290	• O-RING	1				
80	1533700090	BAND	8				
81	0881734260	PIPE	1		21500004~21500735		
81	0881702300	PIPE	1		21500736~		

T7d072

TL150 Book No. BT7Z011 S/N 21500004-  
 PIPING (1/2) (high flow; 21501587-)



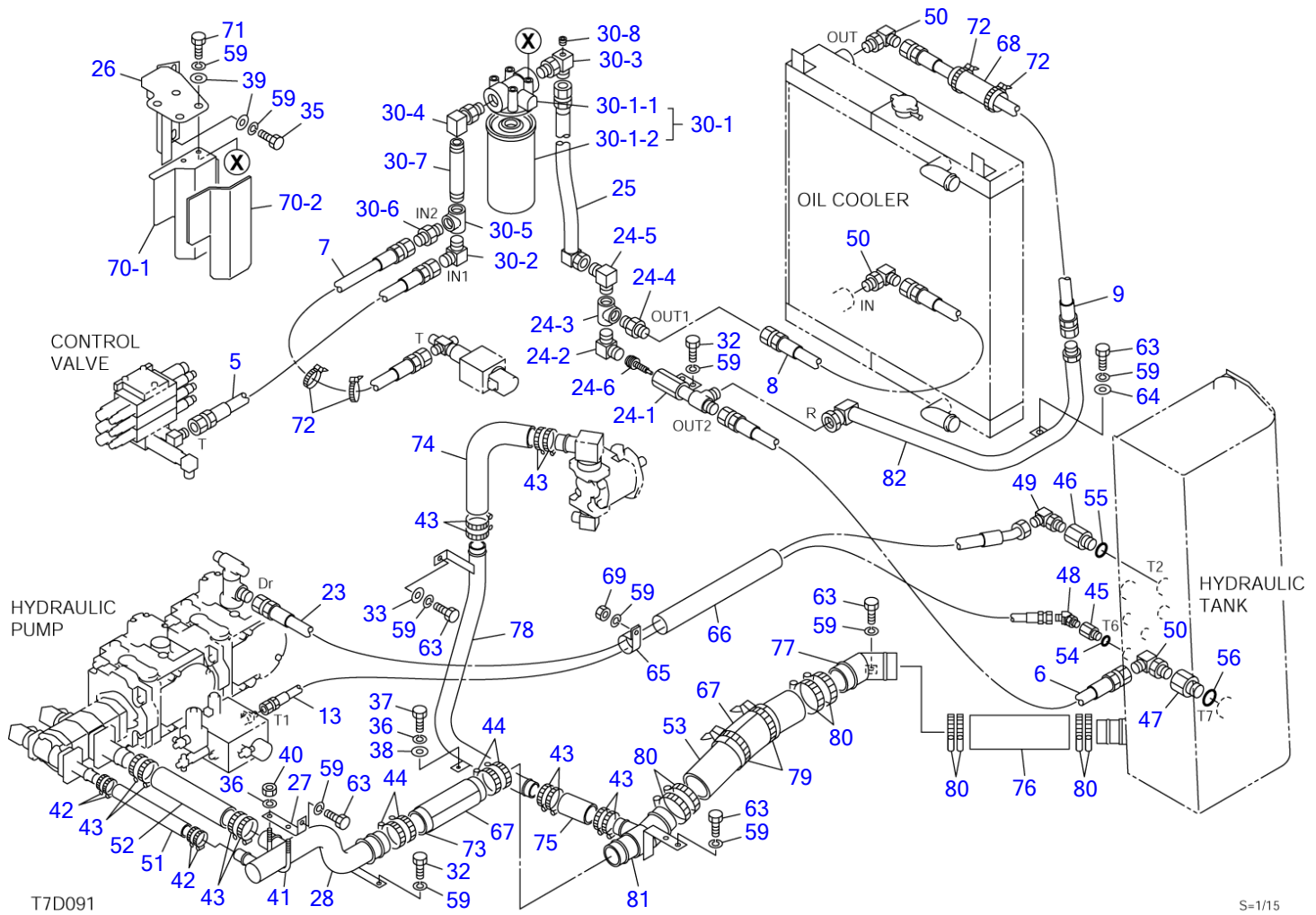
T7D091

S=1/15

**PIPING (1/2) (high flow; 21501587-)**

Item	Part number	Description	Q'ty	Chan.	Serial No.	Serv.	Remarks
		PIPING ASSY					X08817-04500-2
5	0881702010	HOSE ASSY	1				SF-SF 1-640
6	0881964730	HOSE ASSY	1				SF-SF 1-700
7	0881702020	HOSE ASSY	1				SF-SF 1-880
8	0881704010	HOSE ASSY	1				SF-SF 1-910
9	0881704020	HOSE ASSY	1				SF-SF 1-1260
13	0881701130	HOSE ASSY	1				4-1320
23	0881701230	HOSE ASSY	1				4-1340
24	0881701240	MANIFOLD ASSY	1				X08817-01240-1
24-1	0881701241	· JOINT	1				
24-2	0881700242	· ELBOW	1				
24-3	1508210010	· TEE	1				
24-4	1511050010	· ADAPTOR	1				
24-5	1511150010	· ELBOW	1				
24-6	1540140830	· VALVE, check	1				
25	0881965420	PIPE	1				
26	0881462180	PLATE	1				
27	0881701270	PLATE	1				
28	0881702290	PIPE	1				
30	0881703050	FILTER ASSY	1				
30-1	1551000500	· FILTER	1				
30-1-1	1551000510	· · COVER	1				
30-1-2	1551000520	· · CARTRIDGE	1				
30-2	1511150010	· ELBOW	1				
30-3	1512375005	· ELBOW	1				
	1420010290	· · O-RING	1				
30-4	1513300025	· ELBOW	1				
	1420010290	· · O-RING	1				
30-5	1508210010	· TEE	1				
30-6	1511050010	· ADAPTOR	1				
30-7	0009110170	· NIPPLE	1				
30-8	1501810001	· PLUG	1				
32	1100041016	BOLT	3				
33	1141110010	WASHER	1				
35	1100041025	BOLT	2				
36	1140020008	WASHER, spring	3				
37	1100040820	BOLT	1				
38	1141110008	WASHER	1				
39	0003600025	WASHER	6				
40	1130020008	NUT	2				
41	1533201014	U-BOLT	1				
42	1533700041	BAND	4				
43	1533700054	BAND	12				
44	1533700080	BAND	4				
45	0007213028	BUSHING	1				
46	0007213050	BUSHING	1				
47	0007213051	BUSHING	1				
48	1515100110	ELBOW	1				
	1420010110	· O-RING	1				
49	1515010043	ELBOW	1				
	1420010240	· O-RING	1				
50	1515010044	ELBOW	3				
	1420010290	· O-RING	1				
51	0881701510	HOSE	1				
52	0881701520	HOSE	1				
53	0881734290	HOSE	1				
54	1420010110	O-RING	1				
55	1420010240	O-RING	1				
56	1420010290	O-RING	1				
59	1140020010	WASHER, spring	16				
63	1100041020	BOLT	6				
64	0003600020	WASHER	1				
65	0007300030	CLAMP	1				
66	1531354025	PROTECTOR	1				sold by the meter
67	0881701670	PROTECTOR	2				
68	0881704040	PROTECTOR	1				
69	1130040010	NUT	1				
70	X *****	COVER ASSY	1				

TL150 Book No. BT7Z011 S/N 21500004-  
 PIPING (1/2) (high flow; 21501587-)



T7D091

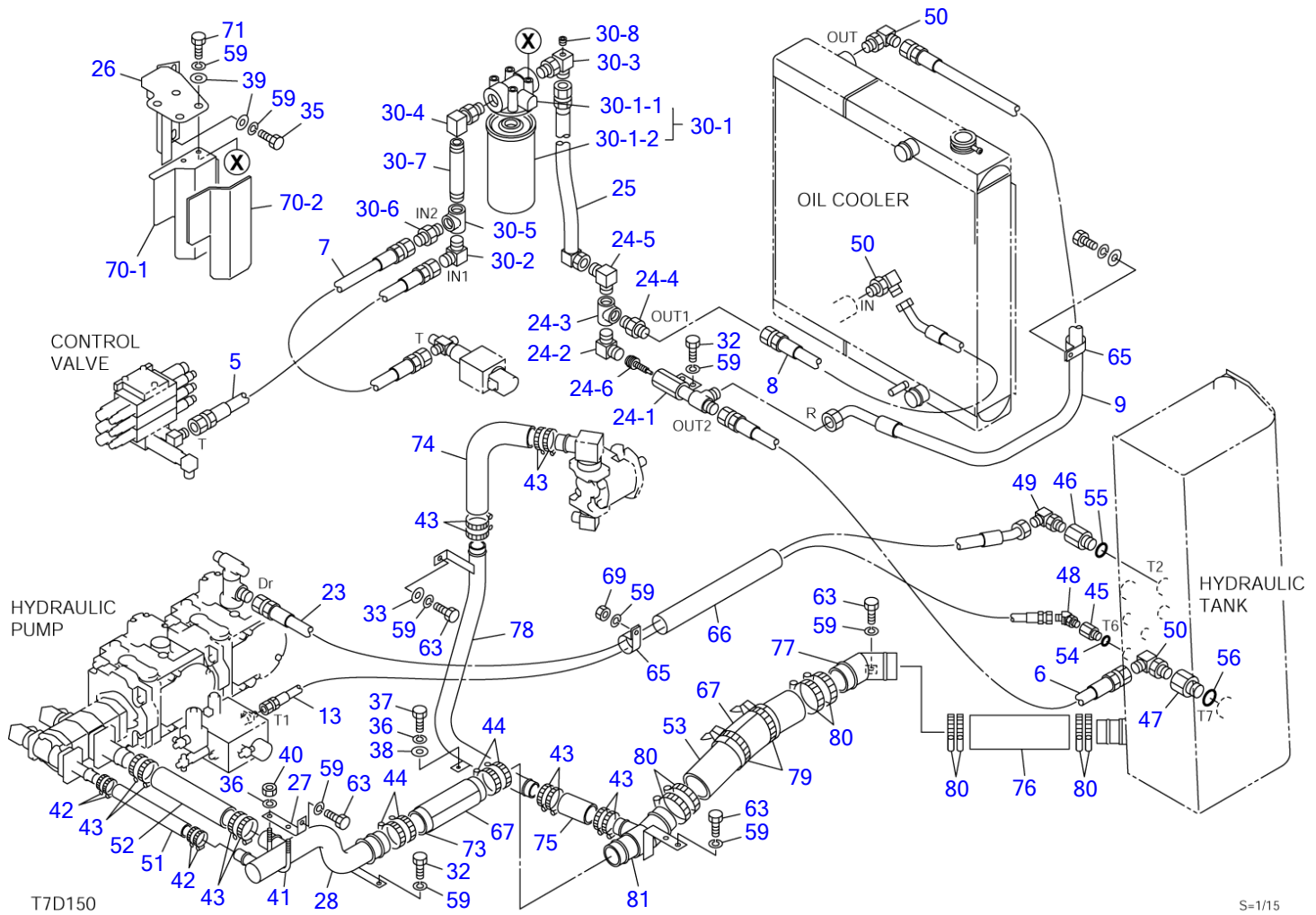
S=1/15



**PIPING (1/2) (high flow; 21501587-)**

Item	Part number	Description	Q'ty	Chan.	Serial No.	Serv.	Remarks
70-1	0881702070	• COVER	1				
70-2	0881702062	• ABSORBENT, noise	1				
71	1100041030	BOLT	4				
72	1652241300	BAND	4				
73	0881734310	HOSE	1				
74	0881731220	HOSE	1				
75	1530538011	HOSE	1				sold by the meter
76	0881734170	HOSE	1				
77	0881703770	PIPE	1				
78	0881702310	PIPE	1				
79	1652241400	BAND	2				
80	1533700090	BAND	8				
81	0881702300	PIPE	1				
82	0881704030	PIPE	1				
	T7d092						

TL150 Book No. BT7Z011 S/N 21500004-  
 PIPING (1/2) (high flow, for EU; 21502751-)



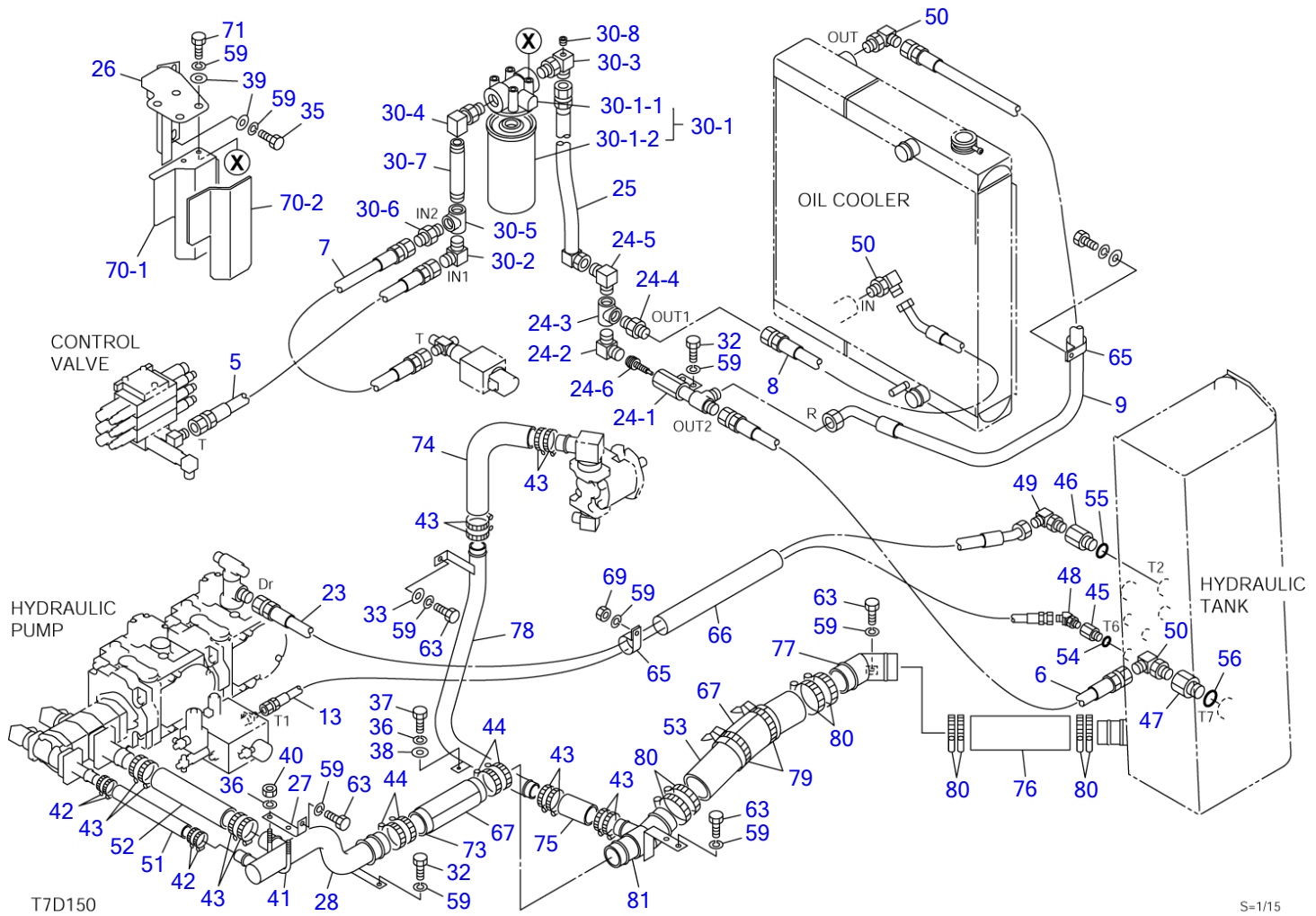
T7D150

S=1/15

**PIPING (1/2) (high flow, for EU; 21502751-)**

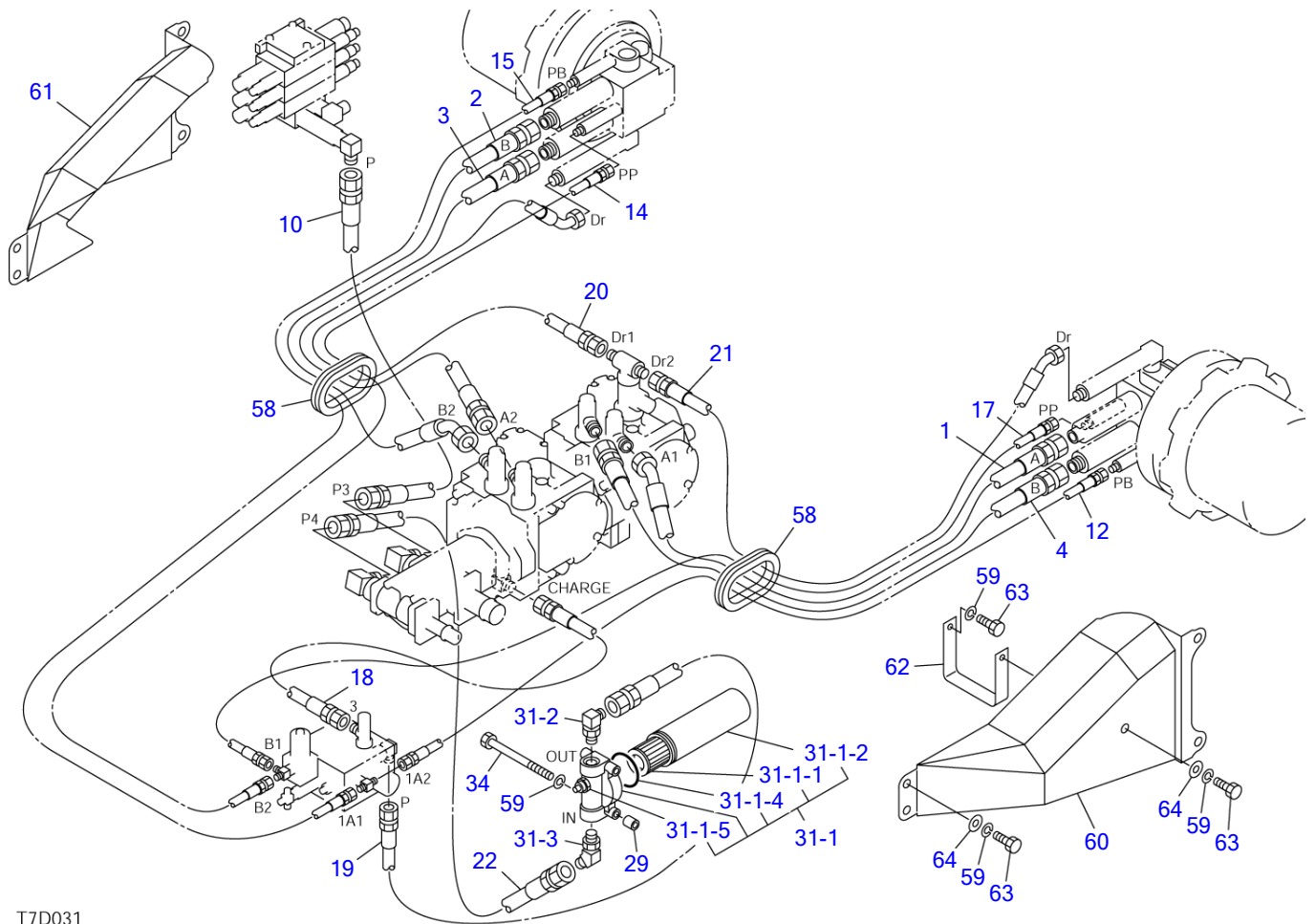
Item	Part number	Description	Q'ty	Chan.	Serial No.	Serv.	Remarks
		PIPING ASSY					X08817-04600-3
5	0881702010	HOSE ASSY	1				SF-SF 1-640
6	0881964730	HOSE ASSY	1				SF-SF 1-700
7	0881702020	HOSE ASSY	1				SF-SF 1-880
8	0881704610	HOSE ASSY	1				AF45-SF 1-840
9	0881704620	HOSE ASSY	1				SF-AF90 1-1740
13	0881701130	HOSE ASSY	1				4-1320
23	0881701230	HOSE ASSY	1				4-1340
24	0881701240	MANIFOLD ASSY	1				X08817-01240-1
24-1	0881701241	· JOINT	1				
24-2	0881700242	· ELBOW	1				
24-3	1508210010	· TEE	1				
24-4	1511050010	· ADAPTOR	1				
24-5	1511150010	· ELBOW	1				
24-6	1540140830	· VALVE, check	1				
25	0881965420	PIPE	1				
26	0881462180	PLATE	1				
27	0881701270	PLATE	1				
28	0881702290	PIPE	1				
30	0881703050	FILTER ASSY	1				
30-1	1551000500	· FILTER	1				
30-1-1	1551000510	· · COVER	1				
30-1-2	1551000520	· · CARTRIDGE	1				
30-2	1511150010	· ELBOW	1				
30-3	1512375005	· ELBOW	1				
	1420010290	· · O-RING	1				
30-4	1513300025	· ELBOW	1				
	1420010290	· · O-RING	1				
30-5	1508210010	· TEE	1				
30-6	1511050010	· ADAPTOR	1				
30-7	0009110170	· NIPPLE	1				
30-8	1501810001	· PLUG	1				
32	1100041016	BOLT	3				
33	1141110010	WASHER	1				
35	1100041025	BOLT	2				
36	1140020008	WASHER, spring	3				
37	1100040820	BOLT	1				
38	1141110008	WASHER	1				
39	0003600025	WASHER	6				
40	1130020008	NUT	2				
41	1533201014	U-BOLT	1				
42	1533700041	BAND	4				
43	1533700054	BAND	12				
44	1533700080	BAND	4				
45	0007213028	BUSHING	1				
46	0007213050	BUSHING	1				
47	0007213051	BUSHING	1				
48	1515100110	ELBOW	1				
	1420010110	· O-RING	1				
49	1515010043	ELBOW	1				
	1420010240	· O-RING	1				
50	1515010044	ELBOW	3				
	1420010290	· O-RING	1				
51	0881701510	HOSE	1				
52	0881701520	HOSE	1				
53	0881734290	HOSE	1				
54	1420010110	O-RING	1				
55	1420010240	O-RING	1				
56	1420010290	O-RING	1				
59	1140020010	WASHER, spring	15				
63	1100041020	BOLT	5				
65	0007300030	CLAMP	2				
66	1531354025	PROTECTOR	1				sold by the meter
67	0881701670	PROTECTOR	2				
69	1130040010	NUT	1				
70	X *****	COVER ASSY	1				
70-1	0881702070	· COVER	1				
70-2	0881702062	· ABSORBENT, noise	1				

TL150 Book No. BT7Z011 S/N 21500004-  
 PIPING (1/2) (high flow, for EU; 21502751-)



**PIPING (1/2) (high flow, for EU; 21502751-)**

Item	Part number	Description	Q'ty	Chan.	Serial No.	Serv.	Remarks
71	<b>1100041030</b>	BOLT	4				
73	<b>0881734310</b>	HOSE	1				
74	<b>0881731220</b>	HOSE	1				
75	<b>1530538011</b>	HOSE	1				sold by the meter
76	<b>0881734170</b>	HOSE	1				
77	<b>0881703770</b>	PIPE	1				
78	<b>0881702310</b>	PIPE	1				
79	<b>1652241400</b>	BAND	2				
80	<b>1533700090</b>	BAND	8				
81	<b>0881702300</b>	PIPE	1				
	<b>T7d152</b>						



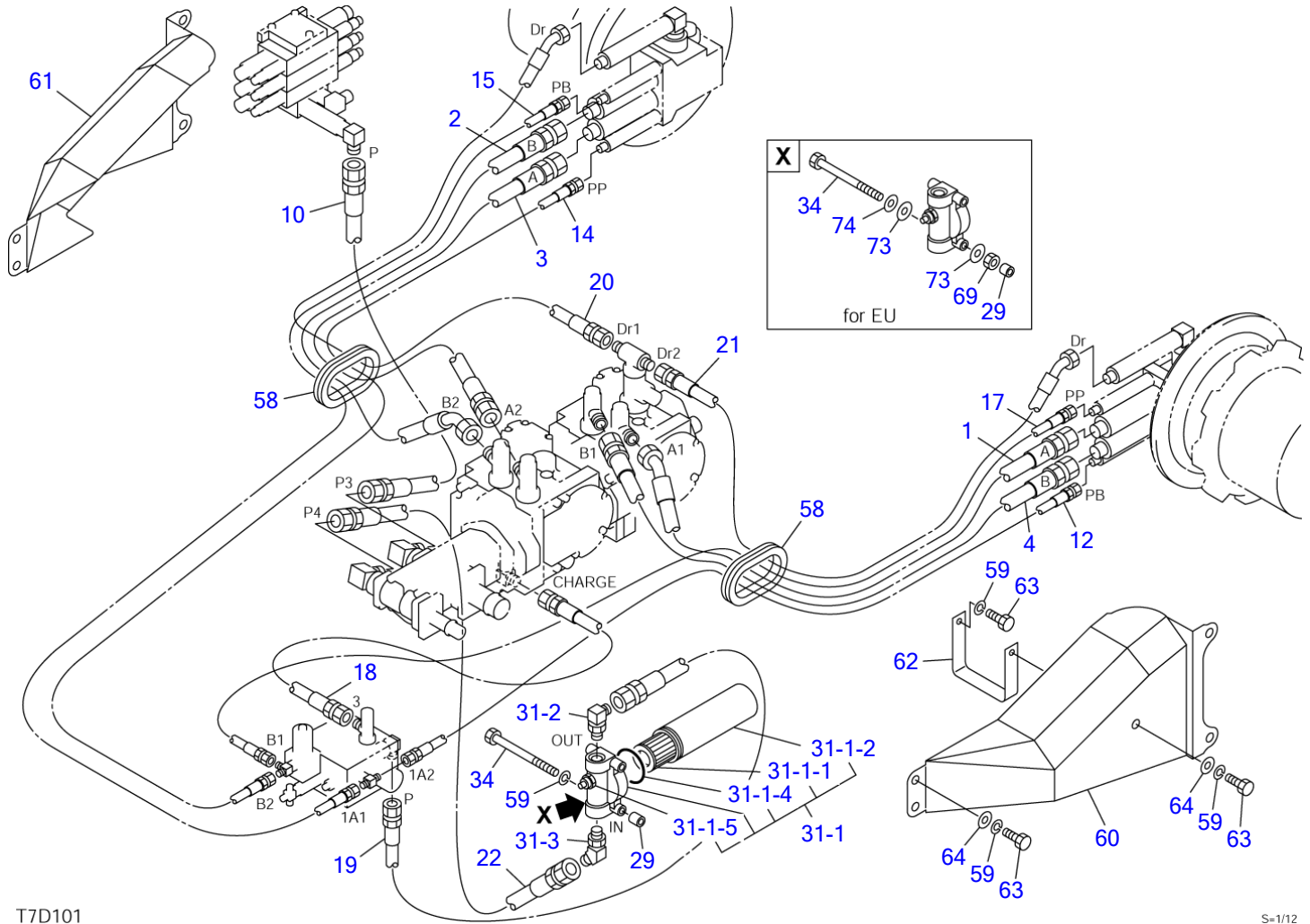
T7D031

S=1/12

**PIPING (2/2) (21500004-21502000)**

Item	Part number	Description	Q'ty	Chan.	Serial No.	Serv.	Remarks
		PIPING ASSY					X08817-02000-6
		PIPING ASSY (high flow)					X08817-04000-0
1	<b>0881701010</b>	HOSE ASSY	1				4-820
2	<b>0881701020</b>	HOSE ASSY	1				4-880
3	<b>0881701030</b>	HOSE ASSY	1				4-940
4	<b>0881701040</b>	HOSE ASSY	1				4-970
10	<b>0881701100</b>	HOSE ASSY	1				8-920
12	<b>0881701120</b>	HOSE ASSY	1				4-840
14	<b>0881701140</b>	HOSE ASSY	1				4-1580
15	<b>0881701150</b>	HOSE ASSY	1				4-1780
17	<b>0881701170</b>	HOSE ASSY	1				4-1050
18	<b>0881701180</b>	HOSE ASSY	1				2-560
19	<b>0881701190</b>	HOSE ASSY	1				8-740
20	<b>0881701200</b>	HOSE ASSY	1				8-1020
21	<b>0881701210</b>	HOSE ASSY	1				8-1020
22	<b>0881701220</b>	HOSE ASSY	1				8-820
29	<b>0881700290</b>	SPACER	2				
31	<b>0881701310</b>	FILTER ASSY	1				
31-1	<b>1551102500</b>	· FILTER, line	1				
31-1-1	<b>1551101001</b>	· · ELEMENT	1				
31-1-2	<b>1551101003</b>	· · CASE	1				
31-1-4	<b>1420100600</b>	· · O-RING	1				
31-1-5	<b>1551102505</b>	· · SWITCH, pressure	1				
31-2	<b>1515010042</b>	· ELBOW	1				
	<b>1420010180</b>	· · O-RING	1				
31-3	<b>1515100112</b>	· ELBOW	1				
	<b>1420010180</b>	· · O-RING	1				
34	<b>1100141015</b>	BOLT	2				
58	<b>0881701580</b>	GROMMET	2				
59	<b>1140020010</b>	WASHER, spring	14				
60	<b>0881701600</b>	COVER (L.H.)	1				
61	<b>0881701610</b>	COVER (R.H.)	1				
62	<b>0881701620</b>	PLATE	2				
63	<b>1100041020</b>	BOLT	12				
64	<b>0003600020</b>	WASHER	10				
	<b>T7d035</b>						

TL150 Book No. BT7Z011 S/N 21500004-  
 PIPING (2/2) (21502001-)



T7D101

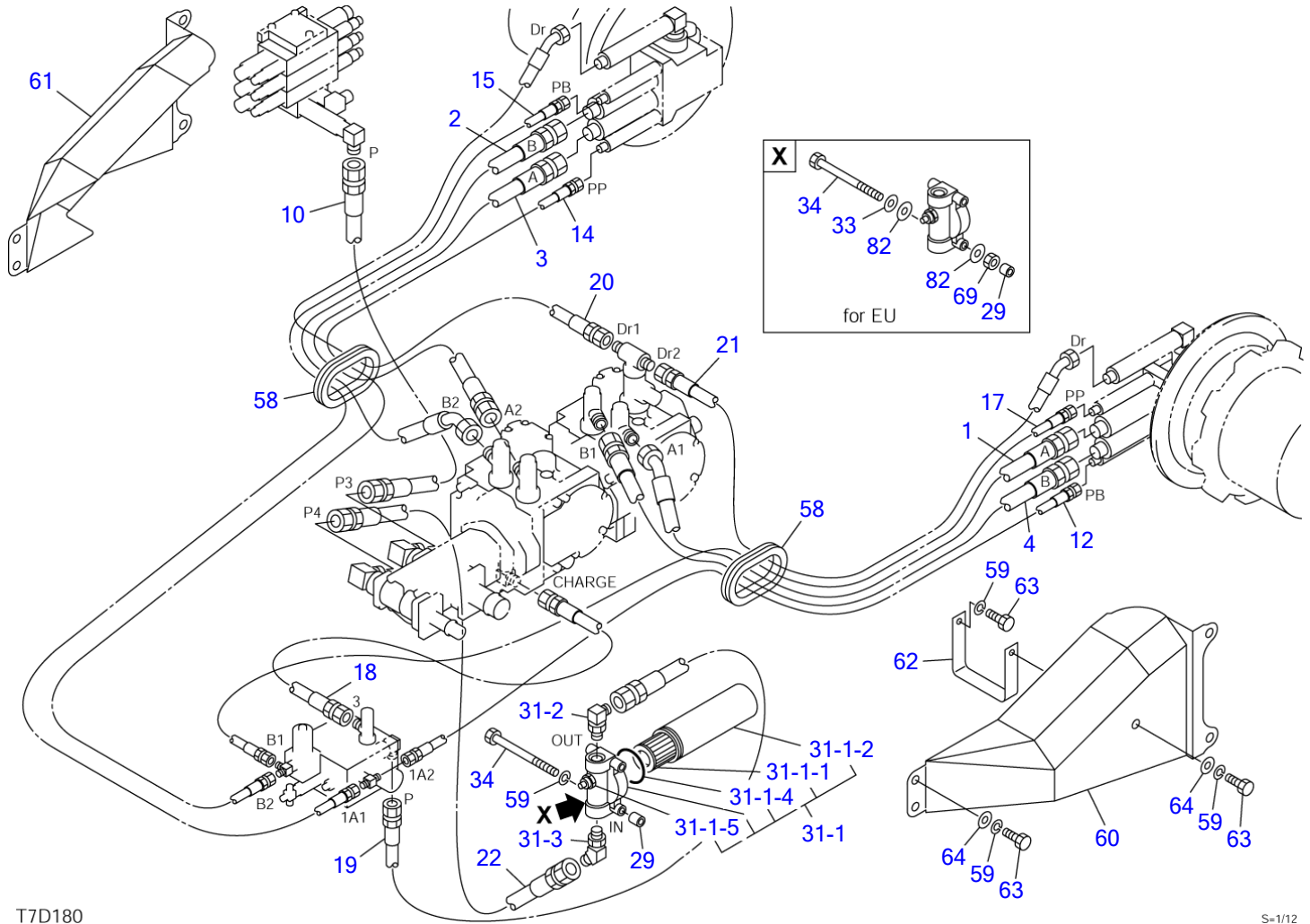
S=1/12



**PIPING (2/2) (21502001-)**

Item	Part number	Description	Qty	Chan.	Serial No.	Serv.	Remarks
		PIPING ASSY					X08817-02500-2
		PIPING ASSY (EU)					X08817-04700-3
1	0881701010	HOSE ASSY	1				4-820
2	0881701020	HOSE ASSY	1				4-880
3	0881701030	HOSE ASSY	1				4-940
4	0881701040	HOSE ASSY	1				4-970
10	0881701100	HOSE ASSY	1				8-920
12	0881701120	HOSE ASSY	1				4-840
14	0881701140	HOSE ASSY	1				4-1580
15	0881701150	HOSE ASSY	1				4-1780
17	0881701170	HOSE ASSY	1				4-1050
18	0881701180	HOSE ASSY	1				2-560
19	0881701190	HOSE ASSY	1				8-740
20	0881701200	HOSE ASSY	1				8-1020
21	0881701210	HOSE ASSY	1				8-1020
22	0881701220	HOSE ASSY	1				8-820
29	0881700290	SPACER	2				
	0881704710	SPACER	2				for EU
31	0881701310	FILTER ASSY	1				
31-1	1551102500	· FILTER, line	1				
31-1-1	1551101001	· · ELEMENT	1				
31-1-2	1551101003	· · CASE	1				
31-1-4	1420100600	· · O-RING	1				
31-1-5	1551102505	· · SWITCH, pressure	1				
31-2	1515010042	· ELBOW	1				
	1420010180	· · O-RING	1				
31-3	1515001112	· ELBOW	1				
	1420010180	· · O-RING	1				
34	1100141015	BOLT	2				
58	0881701580	GROMMET	2				
59	1140020010	WASHER, spring	14				
	1140020010	WASHER, spring	12				for EU
60	0881701600	COVER (L.H.)	1				
61	0881701610	COVER (R.H.)	1				
62	0881701620	PLATE	2				
63	1100041020	BOLT	12				
64	0003600020	WASHER	10				
69	1130040010	NUT	2				for EU
73	0882702480	RUBBER	4				for EU
74	1141110010	WASHER	2				for EU

T7d104



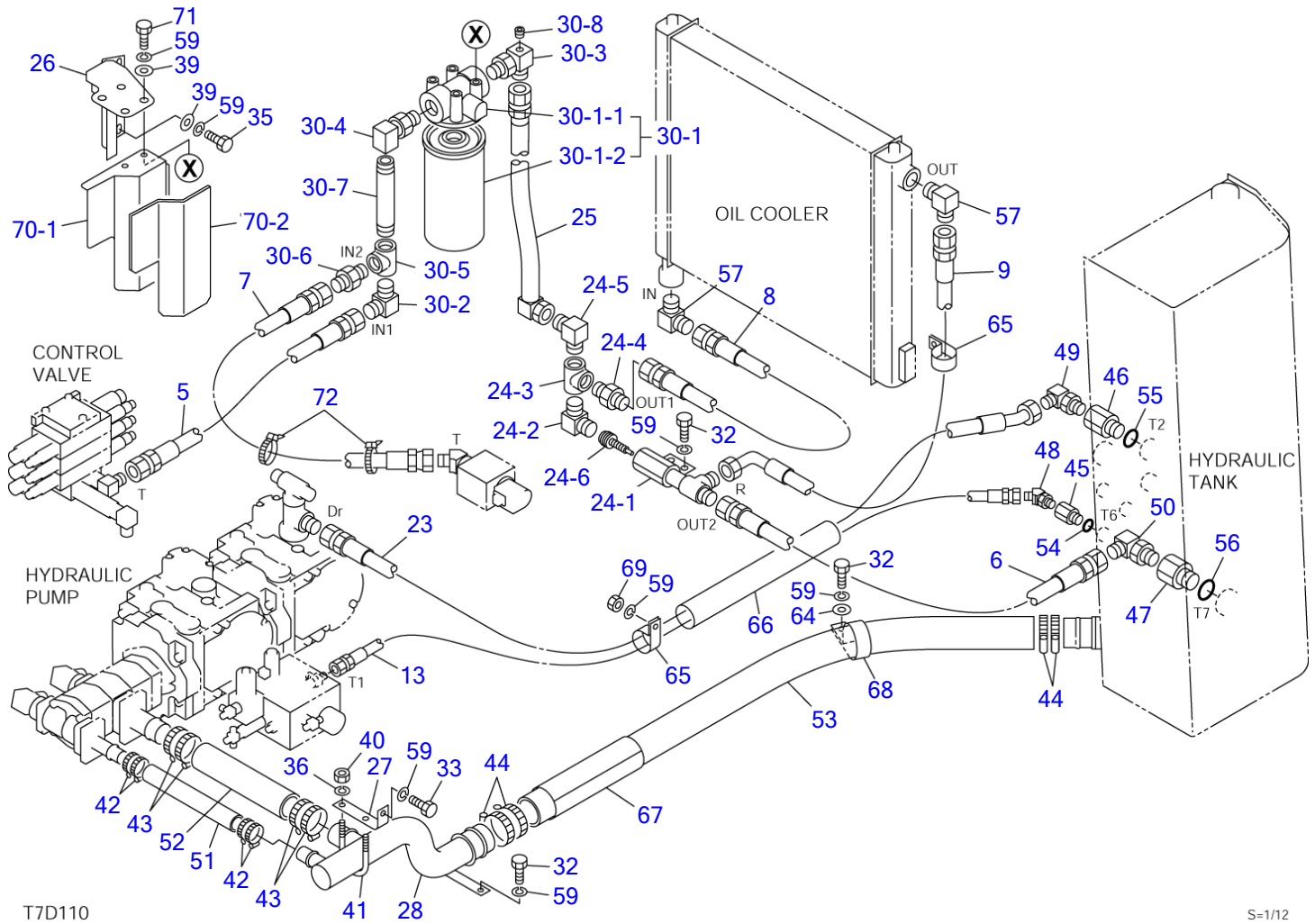
T7D180

S=1/12

**PIPING (2/2) (high flow; 21502001-)**

Item	Part number	Description	Q'ty	Chan.	Serial No.	Serv.	Remarks
		PIPING ASSY					X08817-04500-2
		PIPING ASSY (EU)					X08817-04600-3
1	0881701010	HOSE ASSY	1				4-820
2	0881701020	HOSE ASSY	1				4-880
3	0881701030	HOSE ASSY	1				4-940
4	0881701040	HOSE ASSY	1				4-970
10	0881701100	HOSE ASSY	1				8-920
12	0881701120	HOSE ASSY	1				4-840
14	0881701140	HOSE ASSY	1				4-1580
15	0881701150	HOSE ASSY	1				4-1780
17	0881701170	HOSE ASSY	1				4-1050
18	0881701180	HOSE ASSY	1				2-560
19	0881701190	HOSE ASSY	1				8-740
20	0881701200	HOSE ASSY	1				8-1020
21	0881701210	HOSE ASSY	1				8-1020
22	0881701220	HOSE ASSY	1				8-820
29	0881700290	SPACER	2				
	0881704710	SPACER	2				for EU
31	0881701310	FILTER ASSY	1				
31-1	1551102500	· FILTER, line	1				
31-1-1	1551101001	· · ELEMENT	1				
31-1-2	1551101003	· · CASE	1				
31-1-4	1420100600	· · O-RING	1				
31-1-5	1551102505	· · SWITCH, pressure	1				
31-2	1515010042	· ELBOW	1				
	1420010180	· · O-RING	1				
31-3	151500112	· ELBOW	1				
	1420010180	· · O-RING	1				
33	1141110010	WASHER	2				
34	1100141015	BOLT	2				
58	0881701580	GROMMET	2				
59	1140020010	WASHER, spring	14				
	1140020010	WASHER, spring	12				for EU
60	0881701600	COVER (L.H.)	1				
61	0881701610	COVER (R.H.)	1				
62	0881701620	PLATE	2				
63	1100041020	BOLT	12				
64	0003600020	WASHER	10				
69	1130040010	NUT	2				for EU
82	0882702480	RUBBER	4				for EU
	T7d180						

TL150 Book No. BT7Z011 S/N 21500004-  
 PIPING (1/2) (for GEHL & MUSTANG; 21501852-)



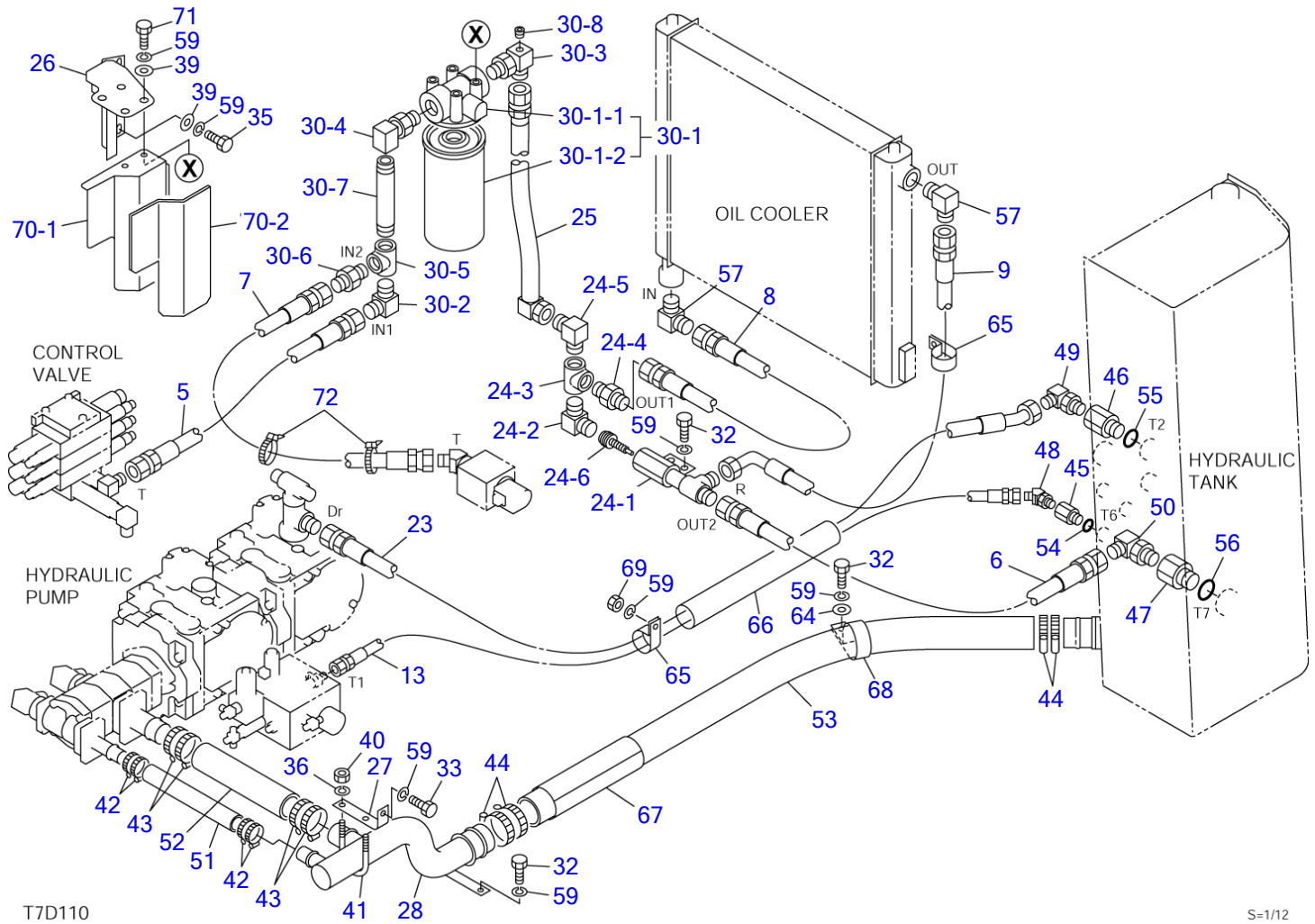
T7D110

S=1/12

**PIPING (1/2) (for GEHL & MUSTANG; 21501852-)**

Item	Part number	Description	Q'ty	Chan.	Serial No.	Serv.	Remarks
		PIPING ASSY					X08817-02000-7
5	0881702010	HOSE ASSY	1				SF-SF 1-640
6	0881964730	HOSE ASSY	1				SF-SF 1-700
7	0881702020	HOSE ASSY	1				SF-SF 1-880
8	0881965390	HOSE ASSY	1				SF-SF 1-1290
9	0881702090	HOSE ASSY	1				SF-AF90 1-1150
13	0881701130	HOSE ASSY	1				4-1320
23	0881701230	HOSE ASSY	1				4-1340
24	0881701240	MANIFOLD ASSY	1				X08817-01240-1
24-1	0881701241	· JOINT	1				
24-2	0881700242	· ELBOW	1				
24-3	1508210010	· TEE	1				
24-4	1511050010	· ADAPTOR	1				
24-5	1511150010	· ELBOW	1				
24-6	1540140830	· VALVE, check	1				
25	0881965420	PIPE	1				
26	0881462180	PLATE	1				
27	0881701270	PLATE	1				
28	0881702290	PIPE	1				
30	0881702050	FILTER ASSY	1				
30-1	1551000500	· FILTER	1				
30-1-1	1551000510	· · COVER	1				
30-1-2	1551000520	· · CARTRIDGE	1				
30-2	1511150010	· ELBOW	1				
30-3	1512375005	· ELBOW	1				
	1420010290	· · O-RING	1				
30-4	1513300025	· ELBOW	1				
	1420010290	· · O-RING	1				
30-5	1508210010	· TEE	1				
30-6	1511050010	· ADAPTOR	1				
30-7	0009110220	· NIPPLE	1				
30-8	1501810001	· PLUG	1				
32	1100041016	BOLT	4				
33	1100041020	BOLT	1				
35	1100041025	BOLT	2				
36	1140020008	WASHER, spring	2				
39	0003600003	WASHER	6				
40	1130020008	NUT	2				
41	1533201014	U-BOLT	1				
42	1533700041	BAND	4				
43	1533700054	BAND	4				
44	1533700080	BAND	4				
45	0007213028	BUSHING	1				
46	0007213050	BUSHING	1				
47	0007213051	BUSHING	1				
48	1515100110	ELBOW	1				
	1420010110	· O-RING	1				
49	1515010043	ELBOW	1				
	1420010240	· O-RING	1				
50	1515010044	ELBOW	1				
	1420010290	· O-RING	1				
51	0881701510	HOSE	1				
52	0881701520	HOSE	1				
53	0881701530	HOSE	1				
54	1420010110	O-RING	1				
55	1420010240	O-RING	1				
56	1420010290	O-RING	1				
57	1511150010	ELBOW	2				
59	1140020010	WASHER, spring	12				
64	0003600020	WASHER	1				
65	0007300030	CLAMP	2				
66	1531354025	PROTECTOR	1				sold by the meter
67	0881701670	PROTECTOR	1				
68	0007300061	CLAMP	1				
69	1130040010	NUT	1				
70	X *****	COVER ASSY	1				
70-1	0881702070	· COVER	1				
70-2	0881702062	· ABSORBENT, noise	1				

TL150 Book No. BT7Z011 S/N 21500004-  
 PIPING (1/2) (for GEHL & MUSTANG; 21501852-)



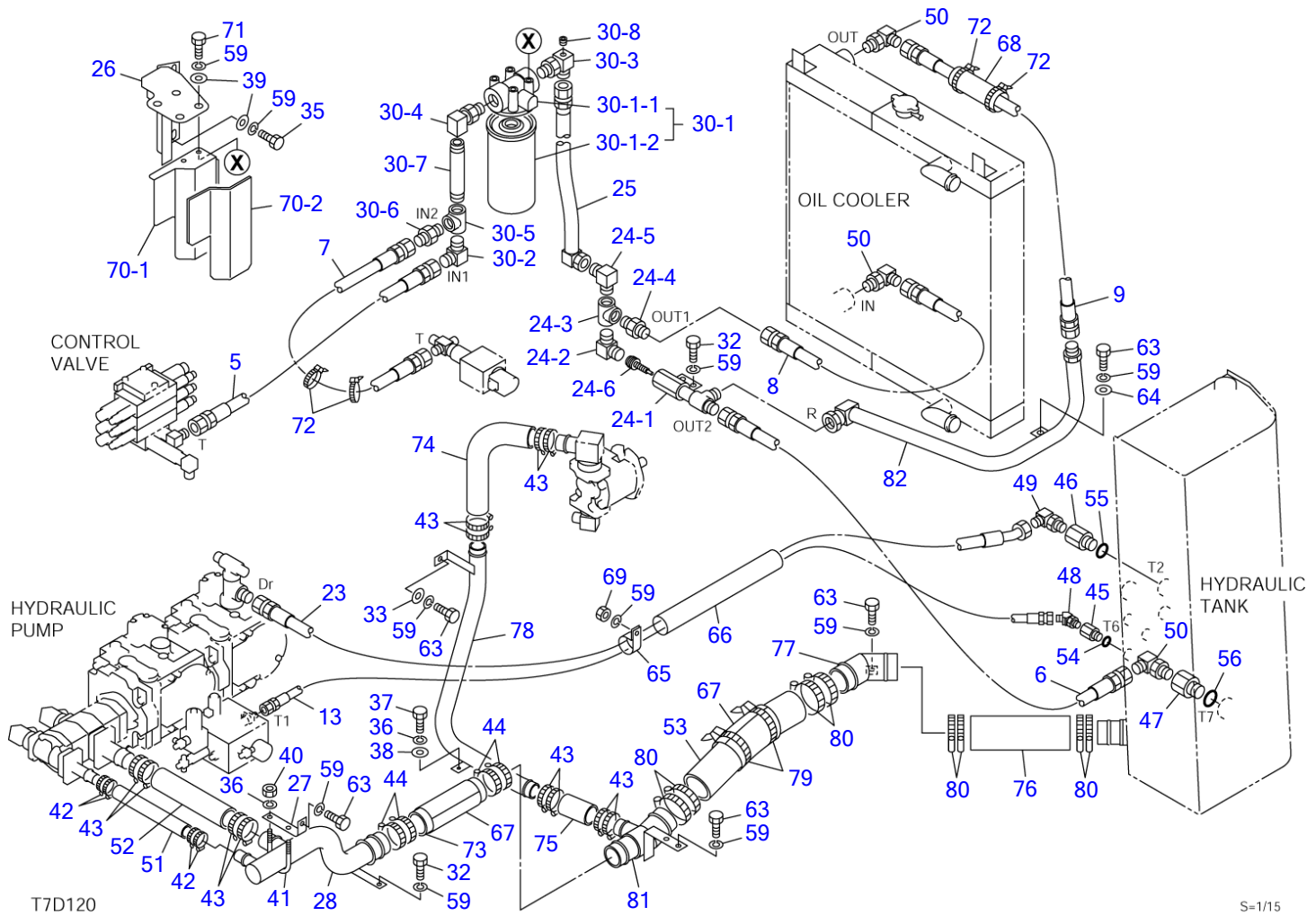
T7D110

S=1/12

PIPING (1/2) (for GEHL & MUSTANG; 21501852-)

Item	Part number	Description	Q'ty	Chan.	Serial No.	Serv.	Remarks
71	<b>1100041030</b>	BOLT	4				
72	<b>1652241300</b>	BAND	2				
	<b>T7d110</b>						

TL150 Book No. BT7Z011 S/N 21500004-  
 PIPING (1/2) (high flow, for GEHL & MUSTANG; 21501852-)



T7D120

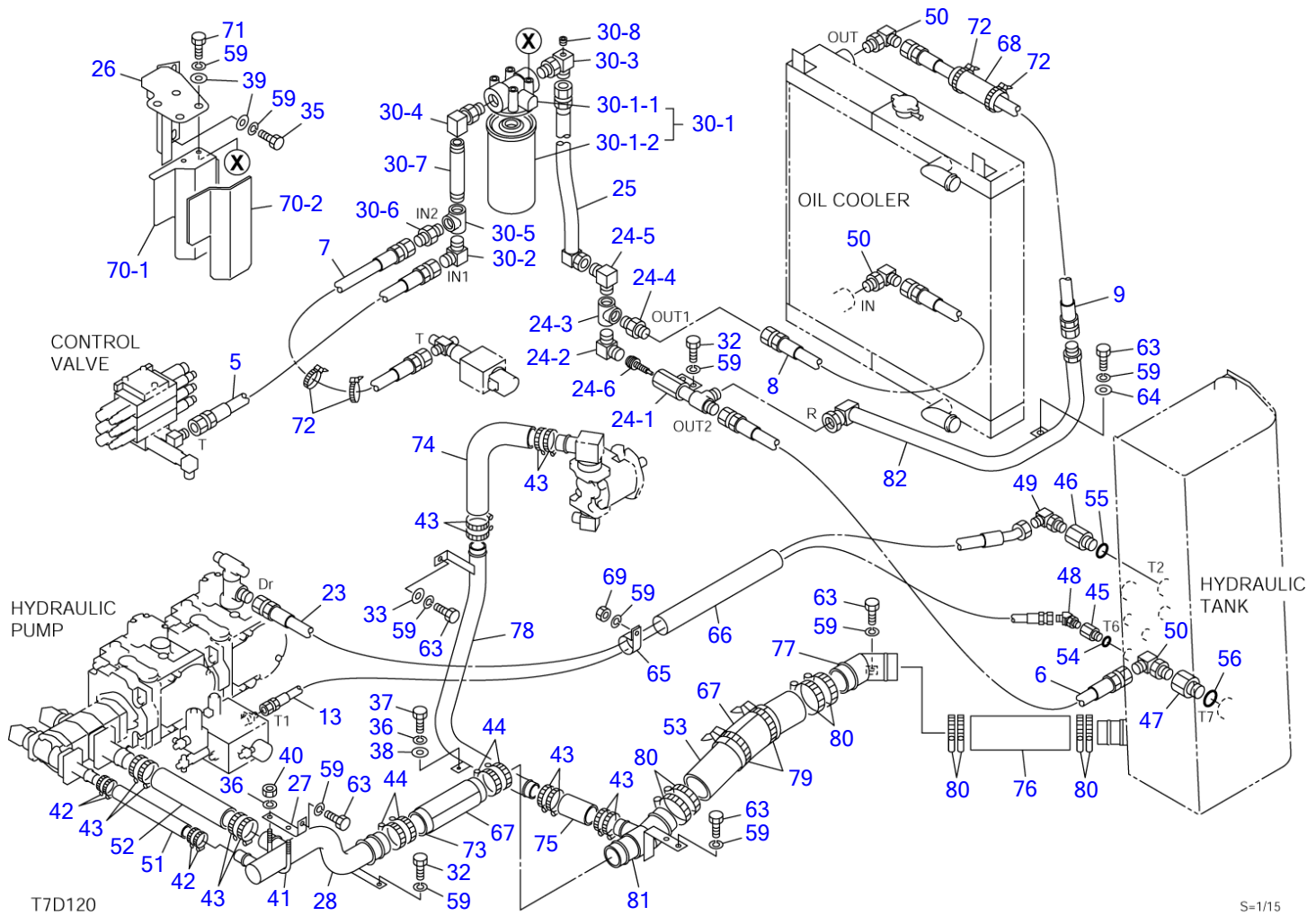
S=1/15



**PIPING (1/2) (high flow, for GEHL & MUSTANG; 21501852-)**

Item	Part number	Description	Q'ty	Chan.	Serial No.	Serv.	Remarks
		PIPING ASSY					X08817-04000-1
5	0881702010	HOSE ASSY	1				SF-SF 1-640
6	0881964730	HOSE ASSY	1				SF-SF 1-700
7	0881702020	HOSE ASSY	1				SF-SF 1-880
8	0881704010	HOSE ASSY	1				SF-SF 1-910
9	0881704020	HOSE ASSY	1				SF-SF 1-1260
13	0881701130	HOSE ASSY	1				4-1320
23	0881701230	HOSE ASSY	1				4-1340
24	0881701240	MANIFOLD ASSY	1				X08817-01240-1
24-1	0881701241	• JOINT	1				
24-2	0881700242	• ELBOW	1				
24-3	1508210010	• TEE	1				
24-4	1511050010	• ADAPTOR	1				
24-5	1511150010	• ELBOW	1				
24-6	1540140830	• VALVE, check	1				
25	0881965420	PIPE	1				
26	0881462180	PLATE	1				
27	0881701270	PLATE	1				
28	0881702290	PIPE	1				
30	0881703050	FILTER ASSY	1				
30-1	1551000500	• FILTER	1				
30-1-1	1551000510	• • COVER	1				
30-1-2	1551000520	• • CARTRIDGE	1				
30-2	1511150010	• ELBOW	1				
30-3	1512375005	• ELBOW	1				
	1420010290	• • O-RING	1				
30-4	1513300025	• ELBOW	1				
	1420010290	• • O-RING	1				
30-5	1508210010	• TEE	1				
30-6	1511050010	• ADAPTOR	1				
30-7	0009110170	• NIPPLE	1				
30-8	1501810001	• PLUG	1				
32	1100041016	BOLT	3				
33	1141110010	WASHER	1				
35	1100041025	BOLT	2				
36	1140020008	WASHER, spring	3				
37	1100040820	BOLT	1				
38	1141110008	WASHER	1				
39	0003600003	WASHER	6				
40	1130020008	NUT	2				
41	1533201014	U-BOLT	1				
42	1533700041	BAND	4				
43	1533700054	BAND	12				
44	1533700080	BAND	4				
45	0007213028	BUSHING	1				
46	0007213050	BUSHING	1				
47	0007213051	BUSHING	1				
48	1515100110	ELBOW	1				
	1420010110	• O-RING	1				
49	1515010043	ELBOW	1				
	1420010240	• O-RING	1				
50	1515010044	ELBOW	3				
	1420010290	• O-RING	1				
51	0881701510	HOSE	1				
52	0881701520	HOSE	1				
53	0881734290	HOSE	1				
54	1420010110	O-RING	1				
55	1420010240	O-RING	1				
56	1420010290	O-RING	1				
59	1140020010	WASHER, spring	16				
63	1100041020	BOLT	6				
64	0003600020	WASHER	1				
65	0007300030	CLAMP	1				
66	1531354025	PROTECTOR	1				sold by the meter
67	0881701670	PROTECTOR	2				
68	0881704040	PROTECTOR	1				
69	1130040010	NUT	1				
70	X *****	COVER ASSY	1				

TL150 Book No. BT7Z011 S/N 21500004-  
 PIPING (1/2) (high flow, for GEHL & MUSTANG; 21501852-)

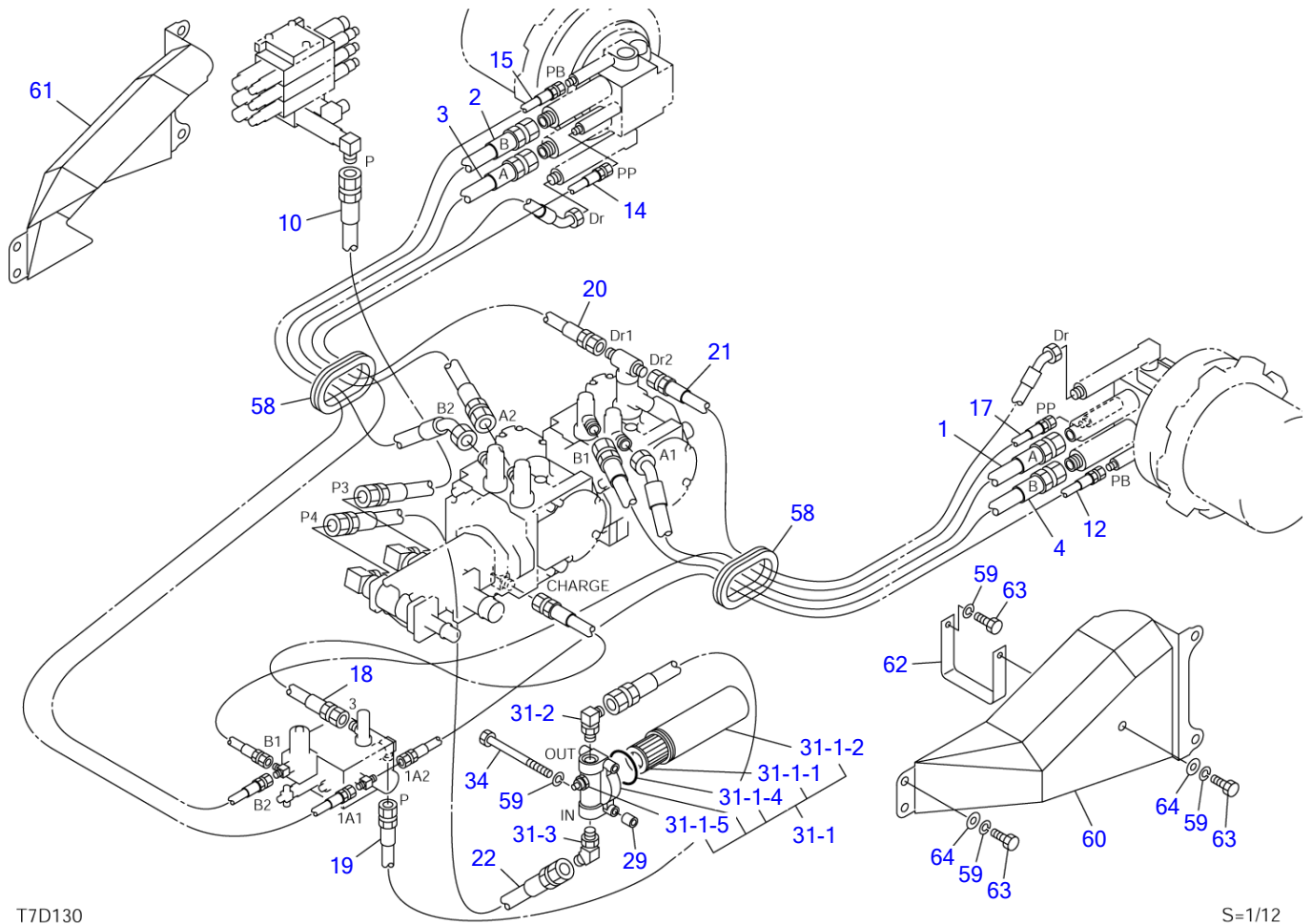


S=1/15

**PIPING (1/2) (high flow, for GEHL & MUSTANG; 21501852-)**

Item	Part number	Description	Q'ty	Chan.	Serial No.	Serv.	Remarks
70-1	0881702070	· COVER	1				
70-2	0881702062	· ABSORBENT, noise	1				
71	1100041030	BOLT	4				
72	1652241300	BAND	4				
73	0881734310	HOSE	1				
74	0881731220	HOSE	1				
75	1530538011	HOSE	1				sold by the meter
76	0881734170	HOSE	1				
77	0881703770	PIPE	1				
78	0881702310	PIPE	1				
79	1652241400	BAND	2				
80	1533700090	BAND	8				
81	0881702300	PIPE	1				
82	0881704030	PIPE	1				
	T7d120						

TL150 Book No. BT7Z011 S/N 21500004-  
 PIPING (2/2) (for GEHL & MUSTANG; 21501852-)



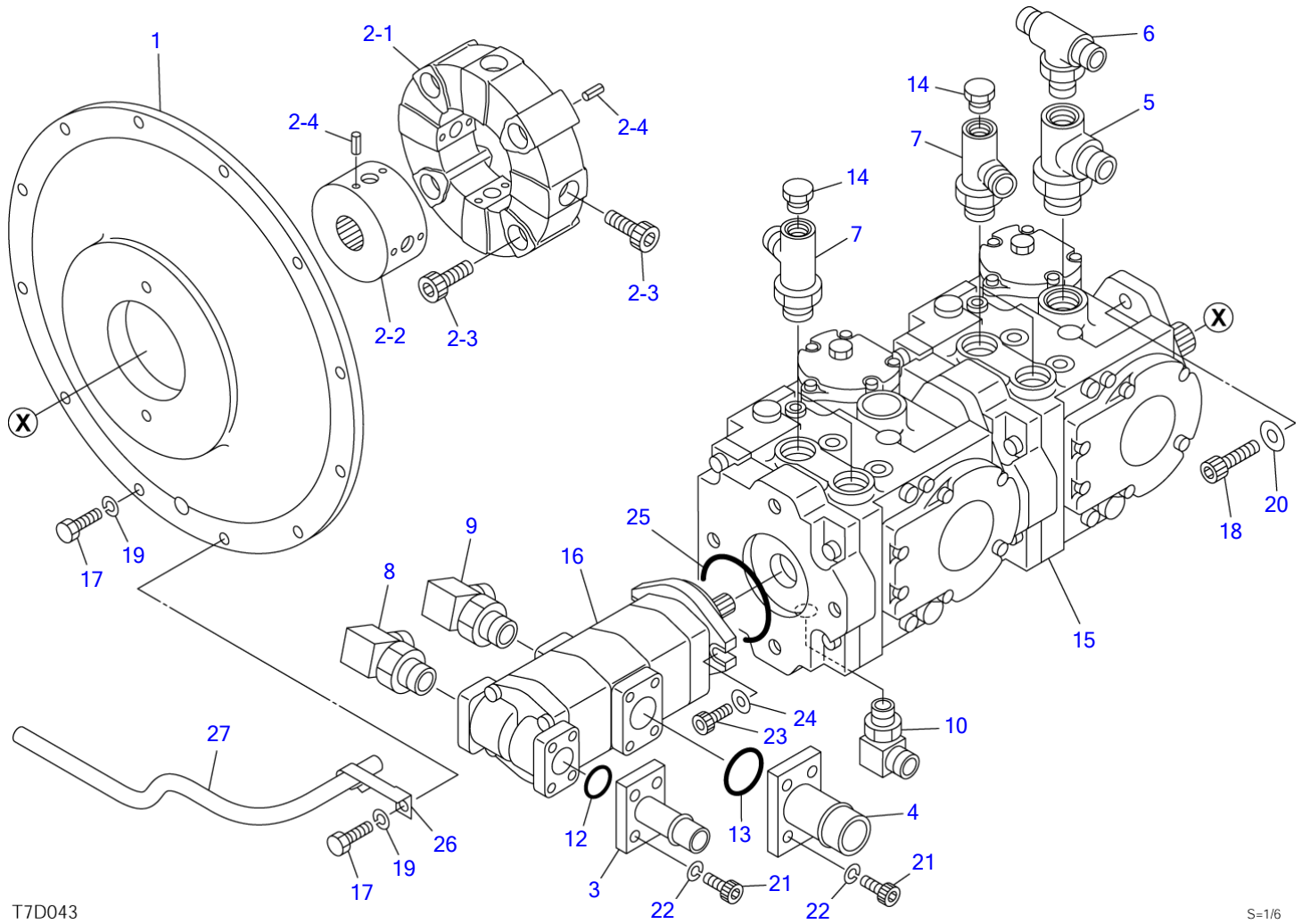
T7D130

S=1/12

**PIPING (2/2) (for GEHL & MUSTANG; 21501852-)**

Item	Part number	Description	Q'ty	Chan.	Serial No.	Serv.	Remarks
		PIPING ASSY					X08817-02000-7
		PIPING ASSY (high flow)					X08817-04000-1
1	0881701010	HOSE ASSY	1				4-820
2	0881701020	HOSE ASSY	1				4-880
3	0881701030	HOSE ASSY	1				4-940
4	0881701040	HOSE ASSY	1				4-970
10	0881701100	HOSE ASSY	1				8-920
12	0881701120	HOSE ASSY	1				4-840
14	0881701140	HOSE ASSY	1				4-1580
15	0881701150	HOSE ASSY	1				4-1780
17	0881701170	HOSE ASSY	1				4-1050
18	0881701180	HOSE ASSY	1				2-560
19	0881701190	HOSE ASSY	1				8-740
20	0881701200	HOSE ASSY	1				8-1020
21	0881701210	HOSE ASSY	1				8-1020
22	0881701220	HOSE ASSY	1				8-820
29	0881700290	SPACER	2				
31	0881701310	FILTER ASSY	1				
31-1	1551102500	· FILTER, line	1				
31-1-1	1551101001	· · ELEMENT	1				
31-1-2	1551101003	· · CASE	1				
31-1-4	1420100600	· · O-RING	1				
31-1-5	1551102505	· · SWITCH, pressure	1				
31-2	1515010042	· ELBOW	1				
	1420010180	· · O-RING	1				
31-3	1515100112	· ELBOW	1				
	1420010180	· · O-RING	1				
34	1100141015	BOLT	2				
58	0881701580	GROMMET	2				
59	1140020010	WASHER, spring	14				
60	0881701600	COVER (L.H.)	1				
61	0881701610	COVER (R.H.)	1				
62	0881701620	PLATE	2				
63	1100041020	BOLT	12				
64	0003600020	WASHER	10				
	T7d130						

TL150 Book No. BT7Z011 S/N 21500004-  
PUMP DRIVE

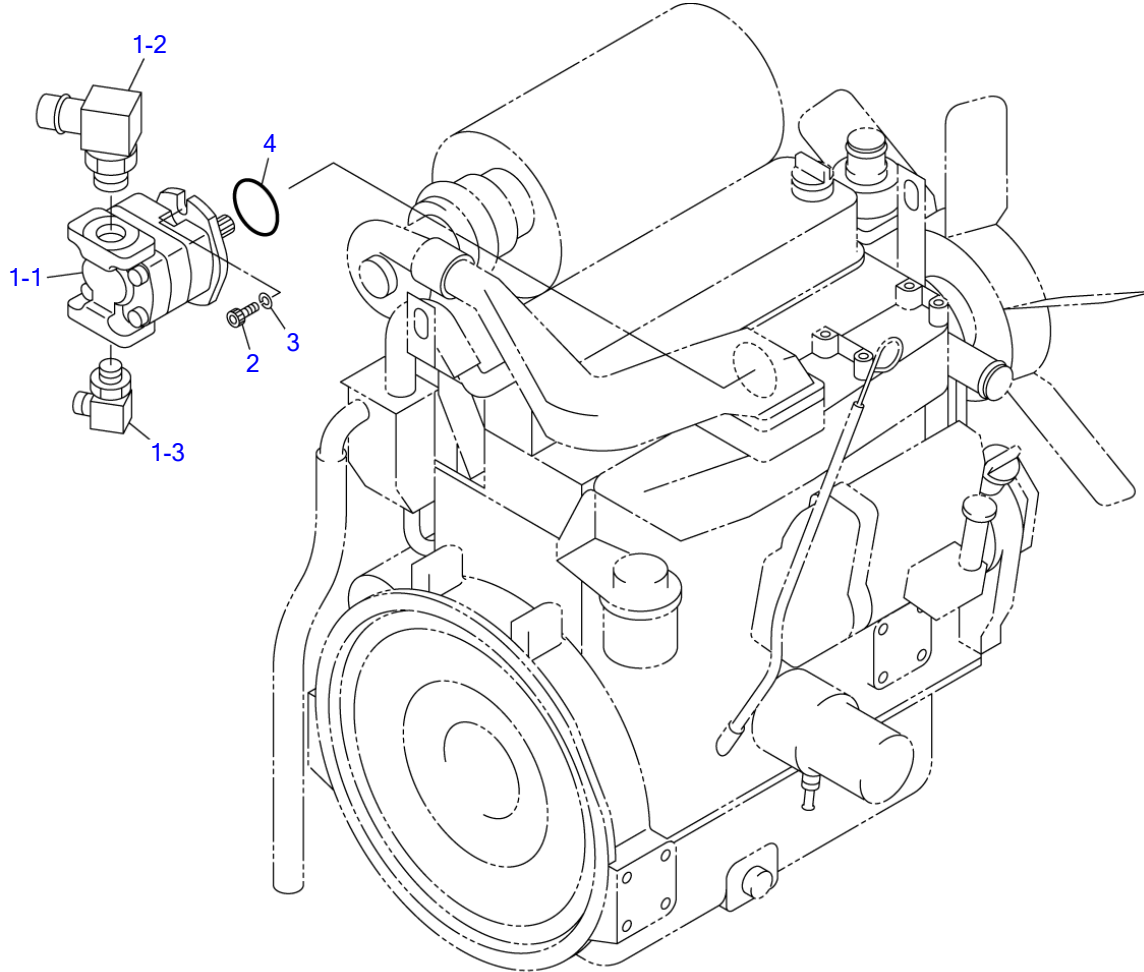


T7D043

S=1/6

PUMP DRIVE							
Item	Part number	Description	Q'ty	Chan.	Serial No.	Serv.	Remarks
		PUMP ASSY					X08815-21000-12
1	0881520100	HOUSING	1		21500004~21501245		
	0881521400	HOUSING	1	A(H)	21501246~21502546		not service
	0881521450	HOUSING	1	a(H)	21502547~		
2	0881520200	COUPLING ASSY	1				
2-1	0881520201	• COUPLING, frex	1				
2-2	0881520202	• COUPLING	1				
2-3	1110051650	• SCREW, cap	8				
2-4	1213000510	• PIN, spring	12				
3	0881521100	FLANGE	1				
4	0881521200	FLANGE	1		21500004~21500375		
	0881521250	FLANGE	1		21500376~		
5	0881520700	TEE	1				
	1420310912	• O-RING	1				
6	1512374011	TEE	1				
	1420010240	• O-RING	1				
7	0881521300	TEE	4				
	1420310912	• O-RING	1				
8	1515010052	ELBOW	1				
	1420010240	• O-RING	1				
9	1515010043	ELBOW	1				
	1420010240	• O-RING	1				
10	1515200067	ELBOW	1				
	1420370908	• O-RING	1				
12	1420100300	O-RING	1				
13	1420100400	O-RING	1				
14	1501750002	PLUG	4				
	1420010110	• O-RING	1				
15	1902017700	PUMP, hydraulic	1		21500004~21500184		
	1902018800	PUMP, hydraulic	1		21500185~21500467		
	1902020300	PUMP, hydraulic	1	(H)	21500468~		
16	1902018100	PUMP, gear	1				
17	1100041030	BOLT	12				
18	1111021240	SCREW, cap	2	A	21500004~21502546		not service
	1102720838	SCREW, cap	2	a(H)	21502547~		
19	1140020010	WASHER, spring	12				
20	1141550012	WASHER	2	A	21500004~21502546		not service
	1141450008	WASHER	2	a(H)	21502547~		
21	1111041025	SCREW, cap	8				
22	1140490010	WASHER, spring	8				
23	1102240632	SCREW, cap	2				
24	0003900039	WASHER	2				
25	1420360152	O-RING	1		21500004~21500184		
26	0881521010	CLAMP	1		21504494~	M	
27	1531010067	HOSE	1		21504494~	M	sold by the meter
		<<NOTE>>					
		SET "A" is interchangeable					
		with SET "a".					

T7d047



T7D080

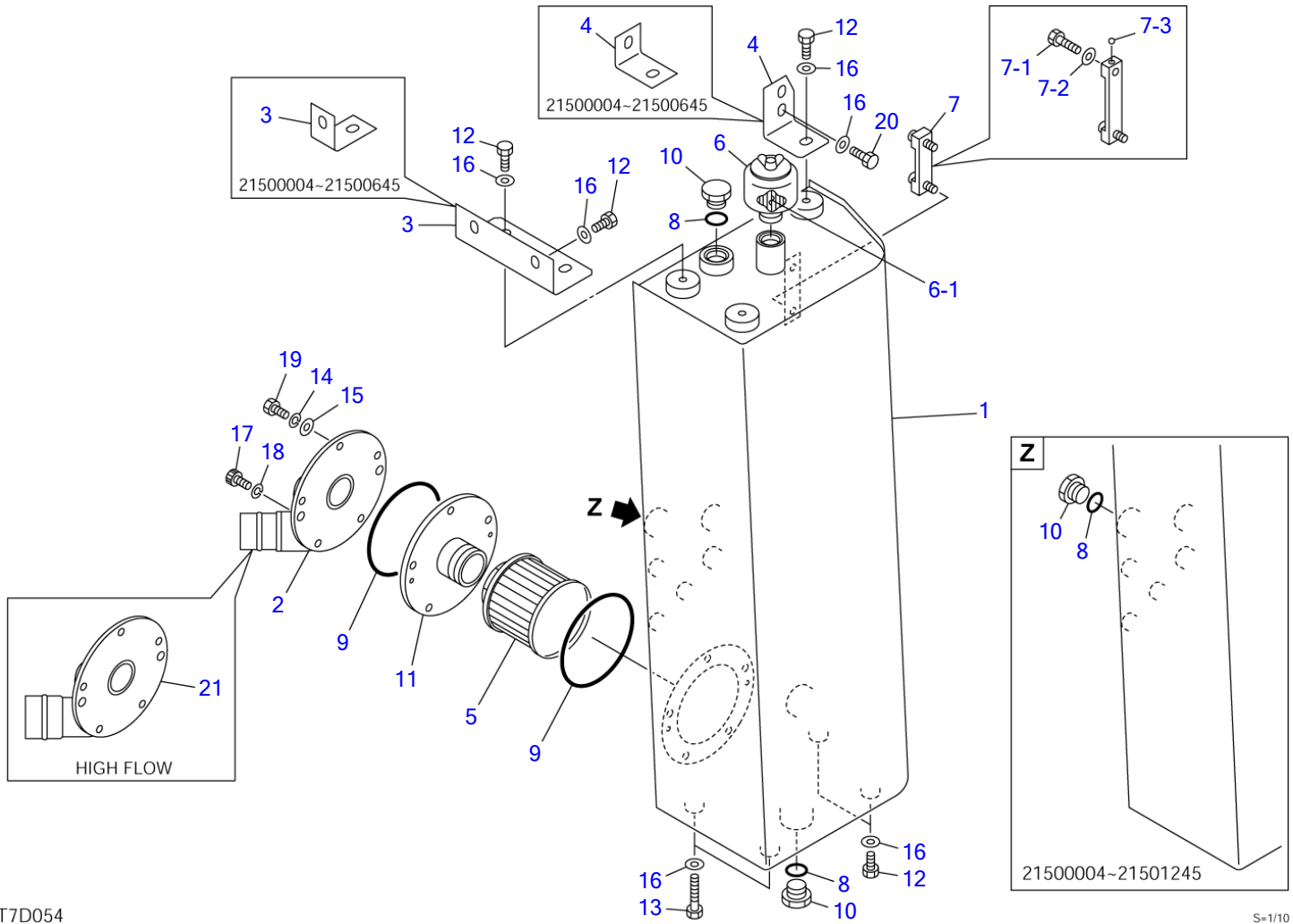
S=1/8



**PUMP DRIVE (high flow)**

Item	Part number	Description	Q'ty	Chan.	Serial No.	Serv.	Remarks
		PUMP ASSY					X08815-22000-1
1	X *****	PUMP ASSY, gear	1				X08817-32080
1-1	<b>1902017800</b>	▪ PUMP, gear	1				
1-2	<b>0881732082</b>	▪ ELBOW	1				
	<b>1420010290</b>	▪ ▪ O-RING	1				
1-3	<b>1515010042</b>	▪ ELBOW	1				
	<b>1420010180</b>	▪ ▪ O-RING	1				
2	<b>1110041030</b>	SCREW, cap	2				
3	<b>1141550010</b>	WASHER	2				
4	<b>1420110850</b>	O-RING	1				
	<b>T7d081</b>						

TL150 Book No. BT7Z011 S/N 21500004-  
HYDRAULIC TANK



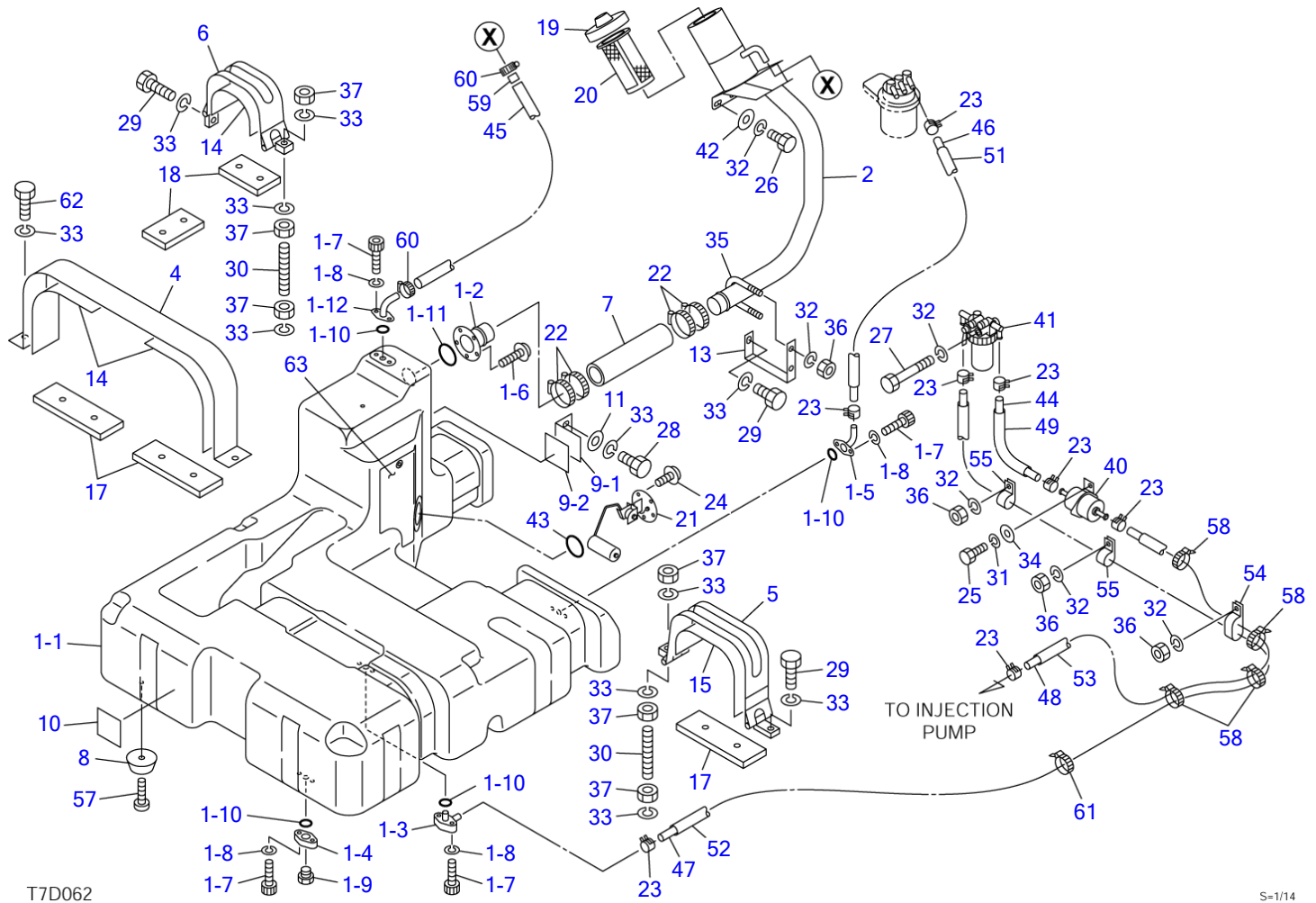
T7D054

S=1/10

**HYDRAULIC TANK**

Item	Part number	Description	Q'ty	Chan.	Serial No.	Serv.	Remarks
		TANK ASSY, hydraulic					X08818-03000-7
		TANK ASSY, hydraulic (high flow)					X08818-04000-7
1	<b>0881802100</b>	TANK, hydraulic	1		21500004~21500131		
	<b>0881803100</b>	TANK, hydraulic	1		21500132~		
2	<b>0881802200</b>	FLANGE	1				
3	<b>0881800250</b>	BRACKET	2		21500004~21500645		
	<b>0881803200</b>	BRACKET	1		21500646~		
4	<b>0881802050</b>	BRACKET	1		21500004~21500645		
	<b>0881803210</b>	BRACKET	1		21500646~		
5	<b>1550020150</b>	STRAINER	1				
6	<b>1552000800</b>	BREATHER, air	1				
6-1	<b>1552000830</b>	· ELEMENT	1				
7	<b>1553020685</b>	GAUGE	1		21500004~21500131		
	<b>1553020612</b>	GAUGE	1		21500132~		
7-1	<b>1553021650</b>	· BOLT	2				
7-2	<b>1553022650</b>	· PACKING	2				
7-3	<b>1553020603</b>	· FLOAT	1				
8	<b>1420010290</b>	O-RING	3		21500004~21501245		
	<b>1420010290</b>	O-RING	2		21501246~		
9	<b>1420101450</b>	O-RING	2				
10	<b>0007256006</b>	PLUG	3		21500004~21501245		
	<b>0007256006</b>	PLUG	2		21501246~		
11	<b>0881802400</b>	FLANGE	1				
12	<b>1100041025</b>	BOLT	7				
13	<b>1100041060</b>	BOLT	2				
14	<b>1140020010</b>	WASHER, spring	5				
15	<b>1141110010</b>	WASHER	5				
16	<b>0003600025</b>	WASHER	11				
17	<b>1110040620</b>	SCREW, cap	2				
18	<b>1140420006</b>	WASHER, spring	2		21500004~21500381		
	<b>1140020006</b>	WASHER, spring	2	(H)	21500382~		
19	<b>1100041030</b>	BOLT	5				
20	<b>1100041020</b>	BOLT	2				
21	<b>0881734280</b>	FLANGE	1				high flow
	<b>T7d055</b>						

TL150 Book No. BT7Z011 S/N 21500004-  
FUEL TANK & FUEL PIPING (21500004-21500627)



T7D062

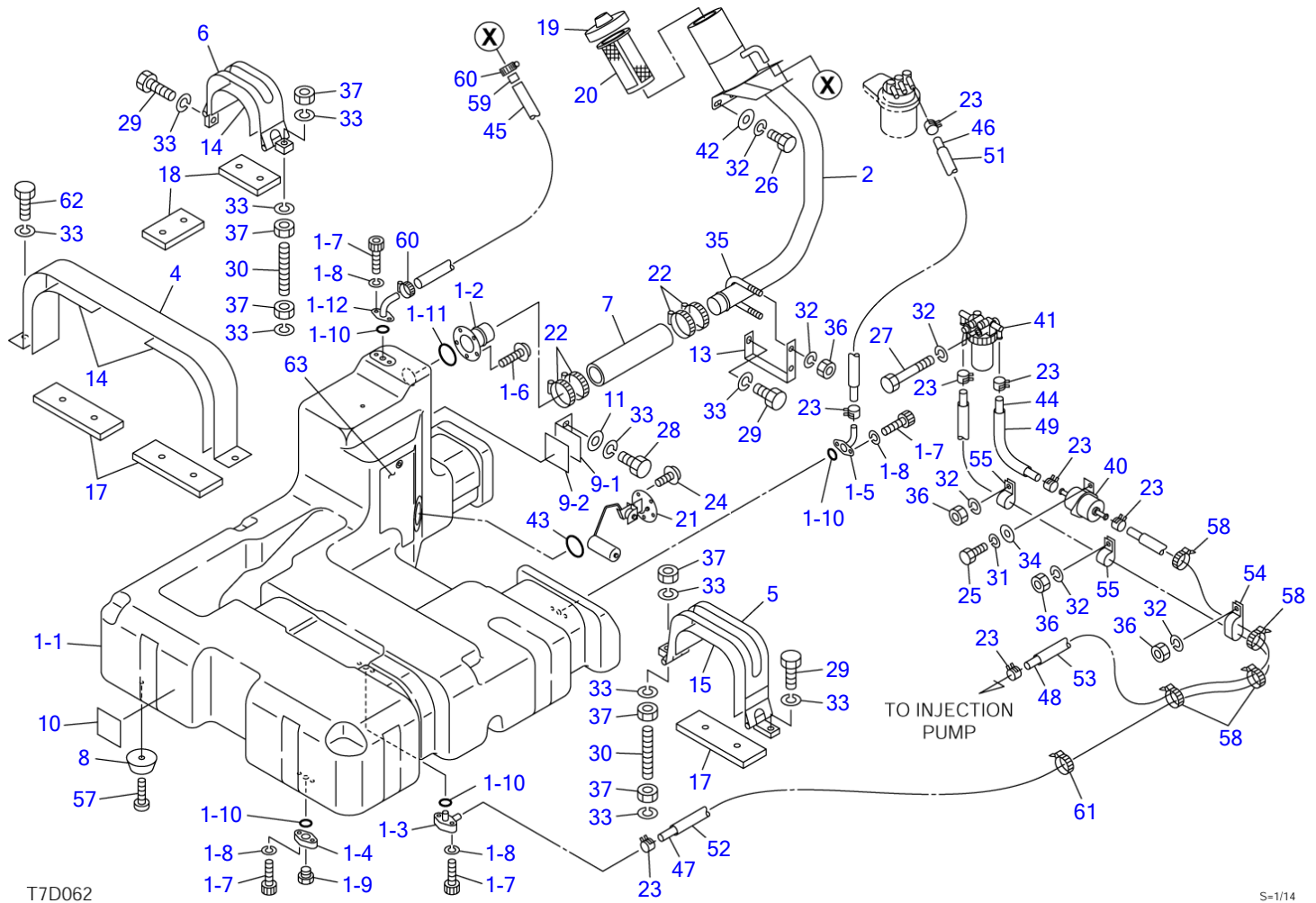
S=1/14

**FUEL TANK & FUEL PIPING (21500004-21500627)**

Item	Part number	Description	Q'ty	Chan.	Serial No.	Serv.	Remarks
		TANK ASSY, fuel					X08818-12000-9
1	X *****	TANK SUB ASSY, fuel	1				X08818-11500
1-1	0881811010	• TANK, fuel	1				
1-2	0881811090	• FLANGE	1				
1-3	0881811100	• FLANGE	1				
1-4	0881811110	• FLANGE	1				
1-5	0881811120	• FLANGE	1				
1-6	1150110516	• SCREW	5				
1-7	1110040616	• SCREW, cap	8				
1-8	1140420006	• WASHER, spring	8				
1-9	1501750002	• PLUG	1				
	1420010110	• • O-RING	1				
1-10	1420000180	• O-RING	4				
1-11	1420000450	• O-RING	1				
1-12	0881811510	• FLANGE	1				
2	0881811020	PORT, supply	1				
4	0881812045	PLATE	1				
5	0881812050	BAND	1				
6	0881812060	BAND	1				
7	0881811070	HOSE	1				
8	0881812080	RUBBER, cushion	5				
9	X *****	PLATE	1				
9-1	0880814031	• PLATE	1				
9-2	0880814170	• RUBBER	1				
10	0880814170	RUBBER	1				
11	1141110010	WASHER	3				
13	0881811130	PLATE	1				
14	0881812140	RUBBER	3				
15	0881812150	RUBBER	1				
17	0881811170	RUBBER	3				
18	0881811180	RUBBER	2				
19	1552100500	CAP	1				
20	1552100320	STRAINER	1				
21	1553202100	SENDER, fuel	1				
22	1533700060	CLIP	4				
23	1533120012	BAND	8				
24	1150110510	SCREW	5				
25	1100040616	BOLT	2				
26	1100040816	BOLT	2				
27	1100040865	BOLT	1				
28	1100041020	BOLT	2				
29	1100041025	BOLT	3				
30	0881812300	BOLT	2				
31	1140020006	WASHER, spring	2				
32	1140020008	WASHER, spring	8				
33	1140020010	WASHER, spring	13				
34	1141110006	WASHER	2				
35	1533201012	U-BOLT	1				
36	1130040008	NUT	5				
37	1130040010	NUT	6				
40	1910047033	PUMP, feed	1				Y129322-77401
41	1910030033	SEPARATOR, water	1				Y129335-55700
42	1141110008	WASHER	2				
43	1420000450	O-RING	1				
44	1531207020	HOSE	1				sold by the meter
45	0881812450	HOSE	1				sold by the meter
46	1531207120	HOSE	1				sold by the meter
47	1531207320	HOSE	1				sold by the meter
48	1531207140	HOSE	1				sold by the meter
49	1531115014	HOSE	1				sold by the meter
51	1531115110	HOSE	1				sold by the meter
52	1531115160	HOSE	2				sold by the meter
53	1531115132	HOSE	1				sold by the meter
54	0007300013	CLAMP	1				
55	0007300050	CLAMP	2				
57	1120530620	SCREW	5				
58	1652231250	BAND	4				
59	1531807002	HOSE	1				

21500004~21500041

TL150 Book No. BT7Z011 S/N 21500004-  
FUEL TANK & FUEL PIPING (21500004-21500627)



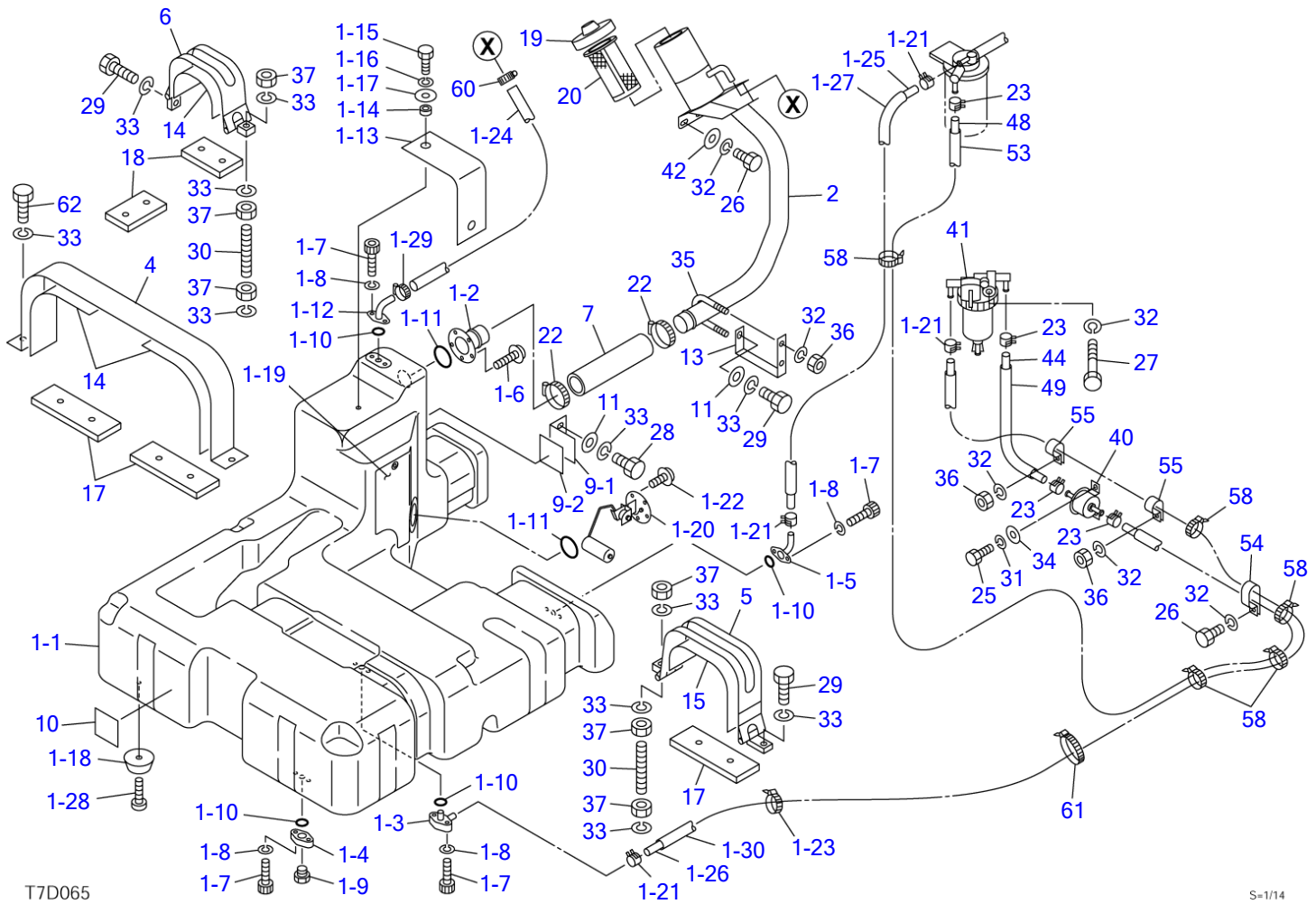
T7D062

S=1/14

FUEL TANK & FUEL PIPING (21500004-21500627)

Item	Part number	Description	Q'ty	Chan.	Serial No.	Serv.	Remarks
60	1533700019	BAND	2				
61	1652201008	BAND	1				
62	1100041030	BOLT	2				
63	0881812630 T7d062A	SHEET	1		21500508~		

TL150 Book No. BT7Z011 S/N 21500004-  
FUEL TANK & FUEL PIPING (21500628-)

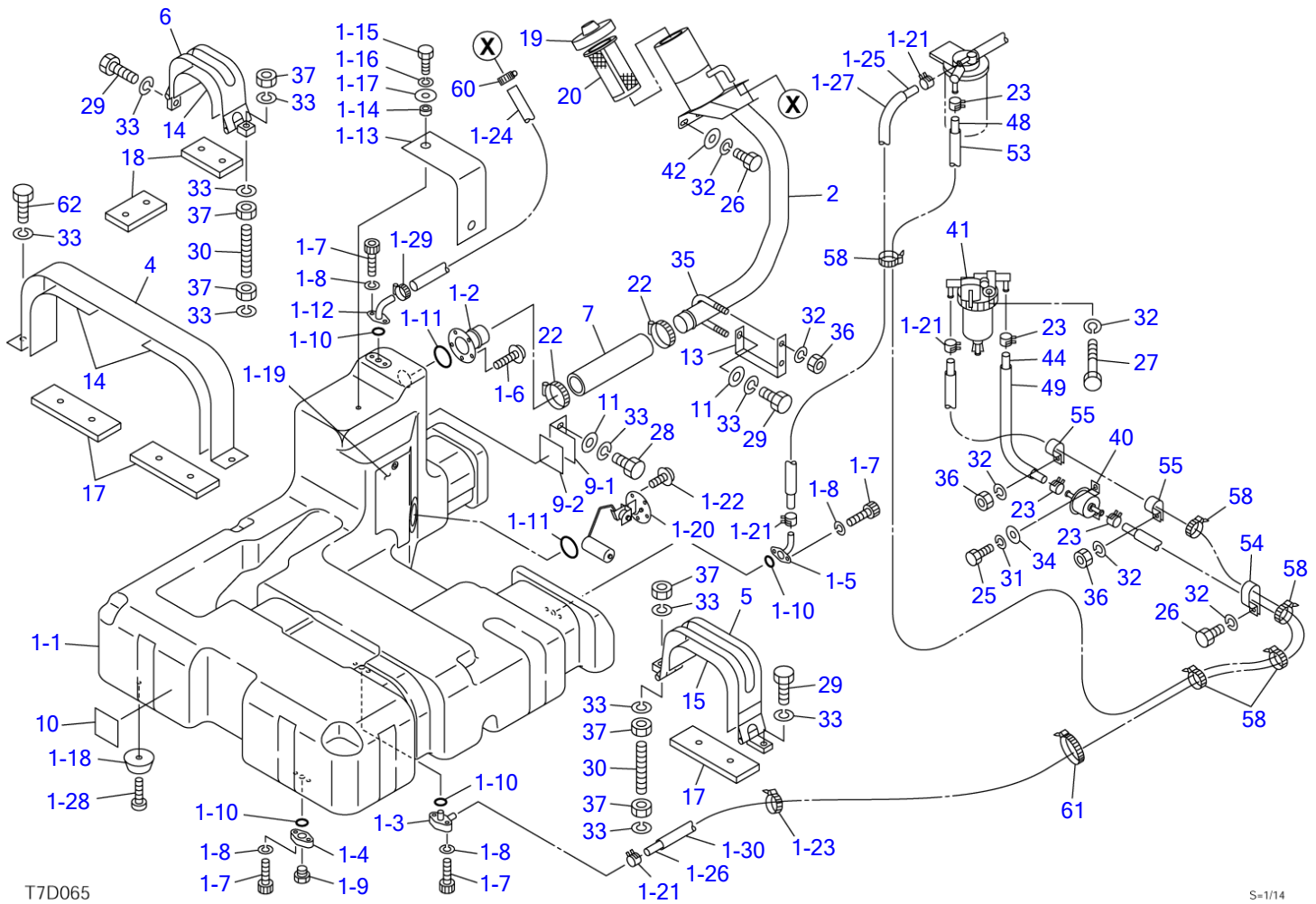




FUEL TANK & FUEL PIPING (21500628-)

Item	Part number	Description	Q'ty	Chan.	Serial No.	Serv.	Remarks
		TANK ASSY, fuel					X08818-13000-5
1	X *****	TANK SUB ASSY, fuel	1				X08818-11500-2
1-1	0881811010	• TANK, fuel	1				
1-2	0881811090	• FLANGE	1				
1-3	0881811100	• FLANGE	1				
1-4	0881811110	• FLANGE	1				
1-5	0881811120	• FLANGE	1				
1-6	1150110516	• SCREW	5				
1-7	1110040616	• SCREW, cap	8				
1-8	1140420006	• WASHER, spring	8				
1-9	1501750002	• PLUG	1				
	1420010110	• • O-RING	1				
1-10	1420000180	• O-RING	4				
1-11	1420000450	• O-RING	2				
1-12	0881811510	• FLANGE	1				
1-13	0881711350	• BAND	1				
1-14	0881711360	• COLLAR	1				
1-15	1100040620	• BOLT	1				
1-16	1140020006	• WASHER, spring	1				
1-17	0003600043	• WASHER	1				
1-18	0881812080	• RUBBER, cushion	5				
1-19	0881812630	• SHEET	1				
1-20	1553202100	• SENDER, fuel	1				
1-21	1533120511	• BAND	4				
1-22	1150110510	• SCREW	5				
1-23	1652201008	• BAND	1				
1-24	0881812450	• HOSE	1				sold by the meter
1-25	1531207120	• HOSE	1				sold by the meter
1-26	1531207332	• HOSE	1				sold by the meter
1-27	1531115110	• HOSE	1				sold by the meter
1-28	1120530620	• SCREW	5				
1-29	1533700019	• BAND	1				
1-30	1531115163	• HOSE	2				sold by the meter
2	0881811020	PORT, supply	1				
4	0881812045	PLATE	1				
5	0881812050	BAND	1				
6	0881812060	BAND	1				
7	0881811070	HOSE	1				
9	X *****	PLATE	1				
9-1	0880814031	• PLATE	1				
9-2	0880814170	• RUBBER	1				
10	0880814170	RUBBER	1				
11	1141110010	WASHER	3				
13	0881811130	PLATE	1				
14	0881812140	RUBBER	3				
15	0881812150	RUBBER	1				
17	0881811170	RUBBER	3				
18	0881811180	RUBBER	2				
19	1552100500	CAP	1				
20	1552100320	STRAINER	1				
22	1533700060	CLIP	2				
23	1533120511	BAND	4				
25	1100040616	BOLT	2				
26	1100040816	BOLT	3				
27	1100040865	BOLT	1				
28	1100041020	BOLT	2				
29	1100041025	BOLT	3				
30	0881812300	BOLT	2				
31	1140020006	WASHER, spring	6				
32	1140020008	WASHER, spring	8				
33	1140020010	WASHER, spring	13				
34	1141110006	WASHER	2				
35	1533201012	U-BOLT	1				
36	1130040008	NUT	4				
37	1130040010	NUT	6				
40	1910065051	PUMP, feed	1				Y119225-52102
41	1910186033	SEPARATOR, water	1				Y129906-55700
42	1141110008	WASHER	2				

TL150 Book No. BT7Z011 S/N 21500004-  
FUEL TANK & FUEL PIPING (21500628-)



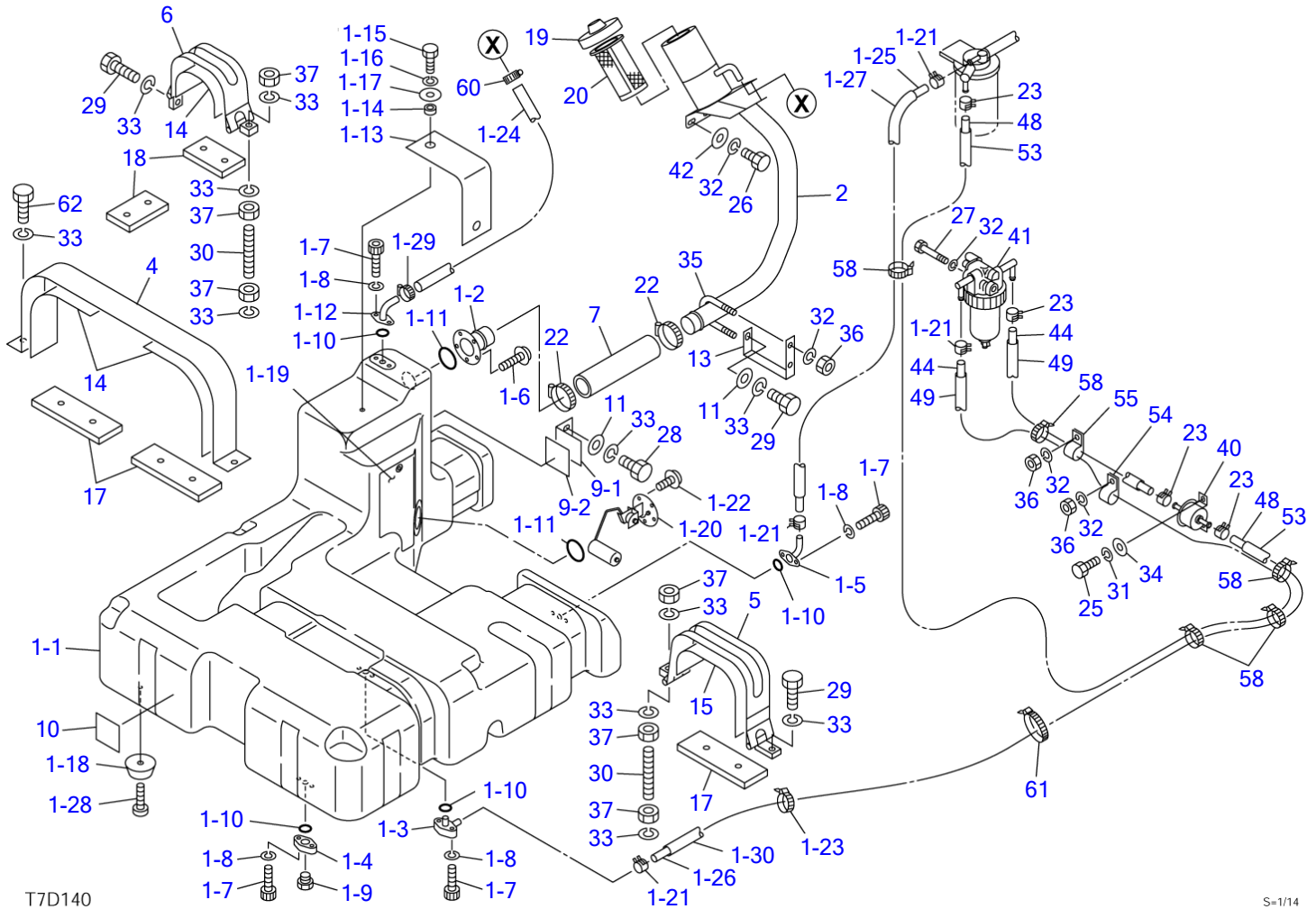
T7D065

S=1/14

**FUEL TANK & FUEL PIPING (21500628-)**

Item	Part number	Description	Q'ty	Chan.	Serial No.	Serv.	Remarks
43	<b>1420000450</b>	O-RING	1				
44	<b>1531207037</b>	HOSE	1				sold by the meter
48	<b>1531207210</b>	HOSE	1				sold by the meter
49	<b>1531115027</b>	HOSE	1				sold by the meter
53	<b>1531115202</b>	HOSE	1				sold by the meter
54	<b>0007300013</b>	CLAMP	1				
55	<b>0007300050</b>	CLAMP	2				
58	<b>1652231250</b>	BAND	5				
60	<b>1533700019</b>	BAND	1				
61	<b>1652201008</b>	BAND	1				
62	<b>1100041030</b>	BOLT	2				
	<b>T7d066</b>						

TL150 Book No. BT7Z011 S/N 21500004-  
FUEL TANK & FUEL PIPING (high flow; 21502751-)



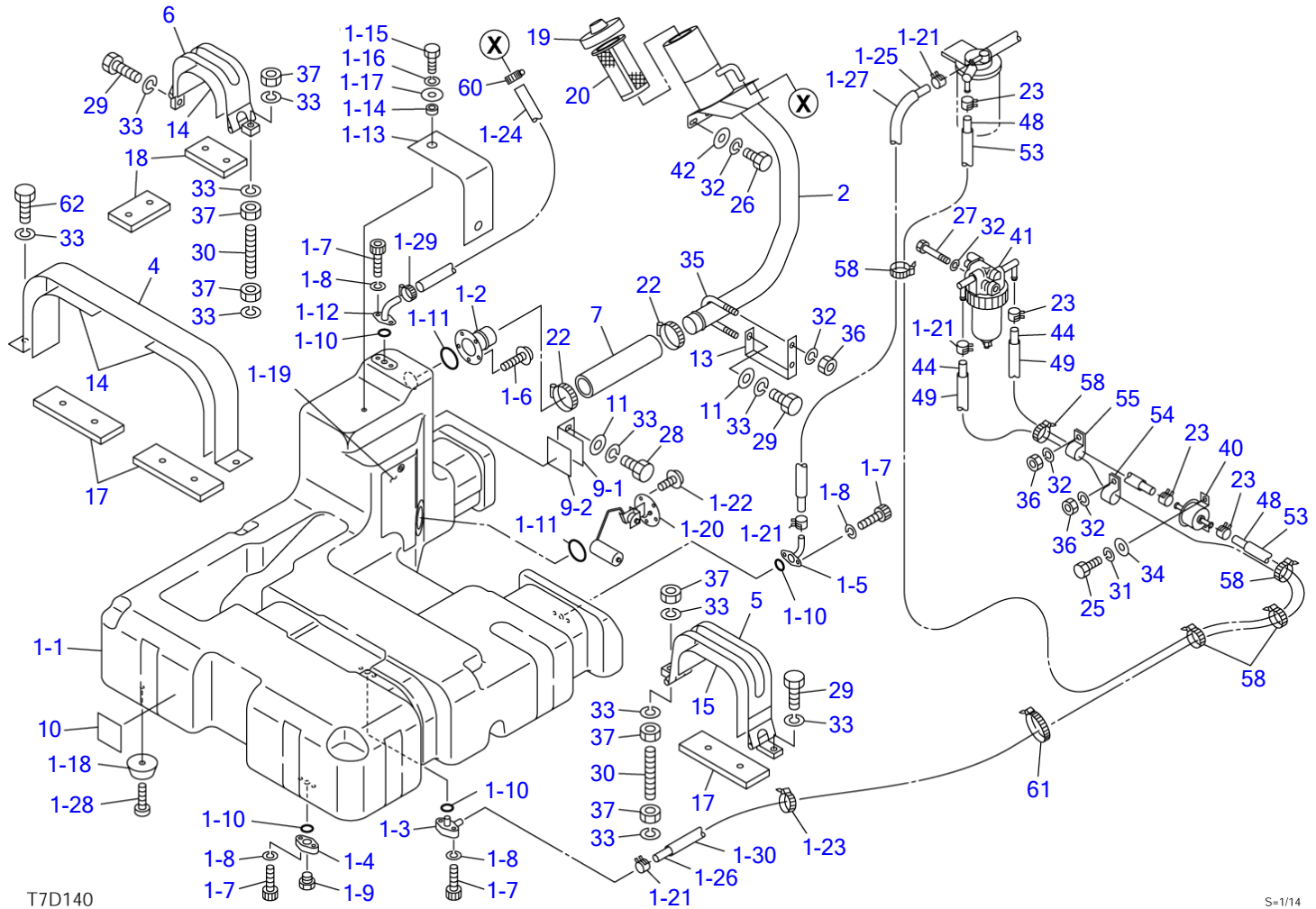
T7D140

S=1/14

**FUEL TANK & FUEL PIPING (high flow; 21502751-)**

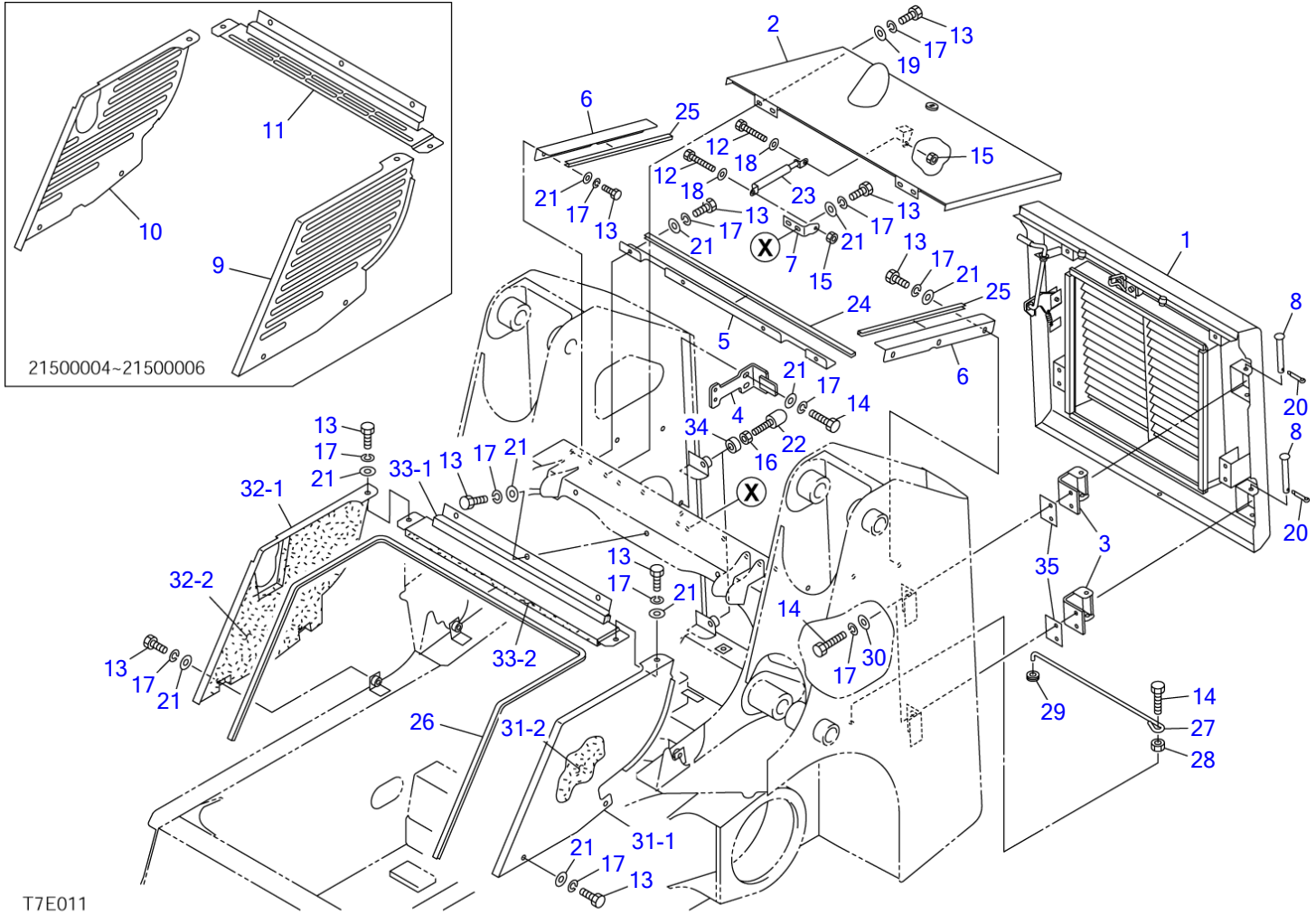
Item	Part number	Description	Q'ty	Chan.	Serial No.	Serv.	Remarks
		TANK ASSY, fuel					X08818-14000-1
1	X *****	TANK SUB ASSY, fuel	1				X08818-11500-2
1-1	0881811010	• TANK, fuel	1				
1-2	0881811090	• FLANGE	1				
1-3	0881811100	• FLANGE	1				
1-4	0881811110	• FLANGE	1				
1-5	0881811120	• FLANGE	1				
1-6	1150110516	• SCREW	5				
1-7	1110040616	• SCREW, cap	8				
1-8	1140420006	• WASHER, spring	8				
1-9	1501750002	• PLUG	1				
	1420010110	• • O-RING	1				
1-10	1420000180	• O-RING	4				
1-11	1420000450	• O-RING	2				
1-12	0881811510	• FLANGE	1				
1-13	0881711350	• BAND	1				
1-14	0881711360	• COLLAR	1				
1-15	1100040620	• BOLT	1				
1-16	1140020006	• WASHER, spring	1				
1-17	0003600043	• WASHER	1				
1-18	0881812080	• RUBBER, cushion	5				
1-19	0881812630	• SHEET	1				
1-20	1553202100	• SENDER, fuel	1				
1-21	1533120511	• BAND	4				
1-22	1150110510	• SCREW	5				
1-23	1652201008	• BAND	1				
1-24	0881812450	• HOSE	1				sold by the meter
1-25	1531207120	• HOSE	1				sold by the meter
1-26	1531207332	• HOSE	1				sold by the meter
1-27	1531115110	• HOSE	1				sold by the meter
1-28	1120530620	• SCREW	5				
1-29	1533700019	• BAND	1				
1-30	1531115163	• HOSE	2				sold by the meter
2	0881811020	PORT, supply	1				
4	0881812045	PLATE	1				
5	0881812050	BAND	1				
6	0881812060	BAND	1				
7	0881811070	HOSE	1				
9	X *****	PLATE	1				
9-1	0880814031	• PLATE	1				
9-2	0880814170	• RUBBER	1				
10	0880814170	RUBBER	1				
11	1141110010	WASHER	3				
13	0881811130	PLATE	1				
14	0881812140	RUBBER	3				
15	0881812150	RUBBER	1				
17	0881811170	RUBBER	3				
18	0881811180	RUBBER	2				
19	1552100500	CAP	1				
20	1552100320	STRAINER	1				
22	1533700060	CLIP	2				
23	1533120011	BAND	4				
25	1100040616	BOLT	2				
26	1100040816	BOLT	2				
27	1100040865	BOLT	1				
28	1100041020	BOLT	2				
29	1100041025	BOLT	3				
30	0881812300	BOLT	2				
31	1140020006	WASHER, spring	6				
32	1140020008	WASHER, spring	8				
33	1140020010	WASHER, spring	13				
34	1141110006	WASHER	2				
35	1533201012	U-BOLT	1				
36	1130040008	NUT	5				
37	1130040010	NUT	6				
40	1910065051	PUMP, feed	1				Y119225-52102
41	1910186033	SEPARATOR, water	1				Y129906-55700
42	1141110008	WASHER	2				

TL150 Book No. BT7Z011 S/N 21500004-  
FUEL TANK & FUEL PIPING (high flow; 21502751-)



**FUEL TANK & FUEL PIPING (high flow; 21502751-)**

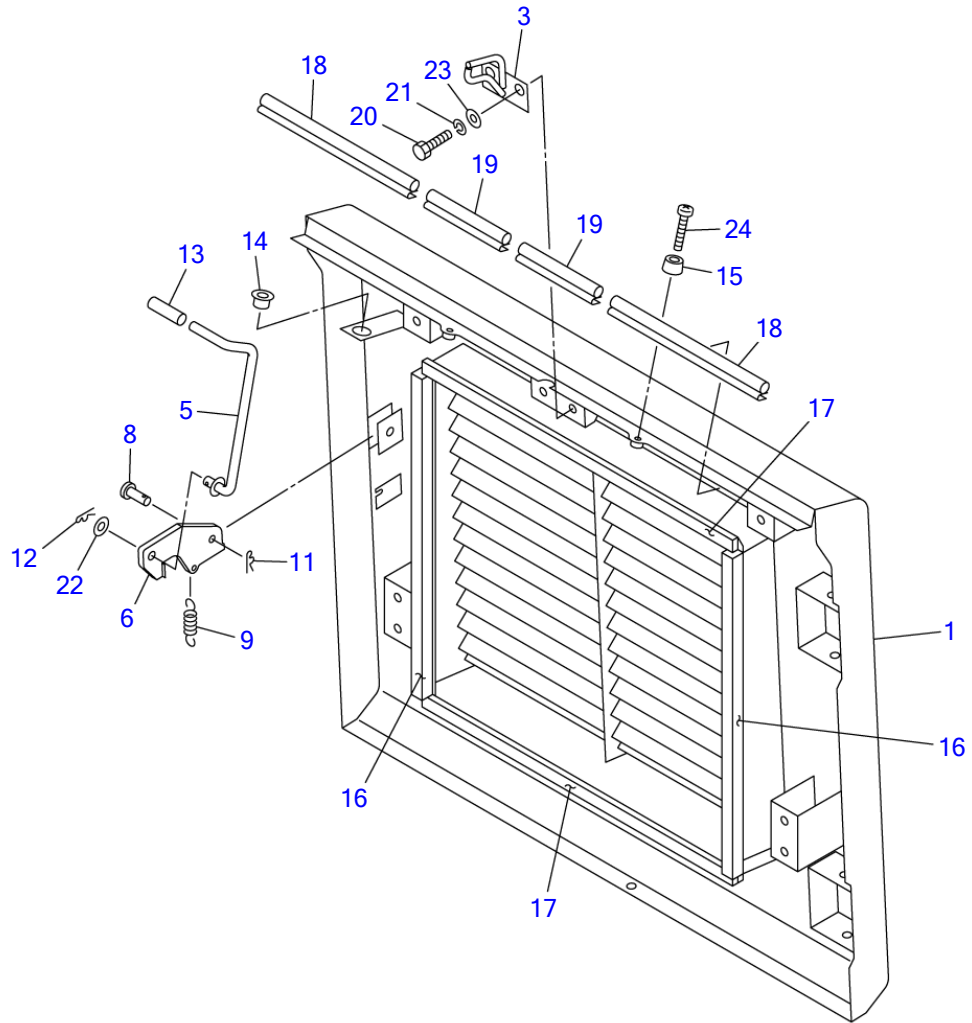
Item	Part number	Description	Q'ty	Chan.	Serial No.	Serv.	Remarks
44	<b>1531207087</b>	HOSE	1				sold by the meter
48	<b>1531207162</b>	HOSE	1				sold by the meter
49	<b>1531115077</b>	HOSE	1				sold by the meter
53	<b>1531115157</b>	HOSE	1				sold by the meter
54	<b>0007300013</b>	CLAMP	1				
55	<b>0007300050</b>	CLAMP	1				
58	<b>1652231250</b>	BAND	5				
60	<b>1533700019</b>	BAND	1				
61	<b>1652201008</b>	BAND	1				
62	<b>1100041030</b>	BOLT	2				
	<b>T7d141</b>						





**COVER (1/3) (21500004-21500131)**

Item	Part number	Description	Q'ty	Chan.	Serial No.	Serv.	Remarks
		COVER ASSY					X08818-22000-4
1	0881822100	DOOR, rear	1				see page (2/3)
2	0881822300	HOOD, engine	1				see page (3/3)
3	0881822040	HINGE	2				
4	0881821050	BRACKET	1				
5	0881822005	PLATE	1				
6	0881822006	PLATE	2				
7	0881822007	PLATE	1				
8	0881821060	PIN	2				
9	0881822400	COVER, side (L.H.)	1		21500004~21500006		
10	0881822410	COVER, side (R.H.)	1		21500004~21500006		
11	0881822420	COVER, center	1		21500004~21500006		
12	1100040830	BOLT	2				
13	1100041020	BOLT	24				
14	1100041030	BOLT	7				
15	1130040008	NUT	2				
16	1130040012	NUT	2				
17	1140020010	WASHER, spring	30				
18	1141110008	WASHER	2				
19	1141110010	WASHER	4				
20	1210003220	PIN, split	2				
21	0003600003	WASHER	23				
22	1651101225	STOPPER	2				
23	1653900036	SPRING, gas	1				
24	1654623090	TRIM	1				sold by the meter
25	1654623047	TRIM	2				sold by the meter
26	1654520290	TRIM	1				sold by the meter
27	0881822027	ROD	1				
28	1130040010	NUT	1				
29	1652041130	GROMMET	1				
30	0003900032	WASHER	2		21500007~		
31	0881822440	COVER ASSY, side	1		21500007~		
31-1	0881822450	• COVER, side	1		21500007~		
31-2	0881822442	• ABSORBENT, noise	1		21500007~		
32	0881822460	COVER ASSY, side	1		21500007~		
32-1	0881822470	• COVER, side	1		21500007~		
32-2	0881822462	• ABSORBENT, noise	1		21500007~		
33	0881822480	COVER ASSY, center	1		21500007~		
33-1	0881822490	• COVER, center	1		21500007~		
33-2	0881822482	• ABSORBENT, noise	1		21500007~		
34	0881822034	COLLAR	2				
35	0003900030	SPACER	AR		21500007~21500081		t=3mm
	0003900033	SPACER	AR		21500082~		t=3mm
	0003900031	SPACER	AR		21500007~21500081		t=4.5mm
	0003900034	SPACER	AR		21500082~		t=4.5mm
	T7e011						

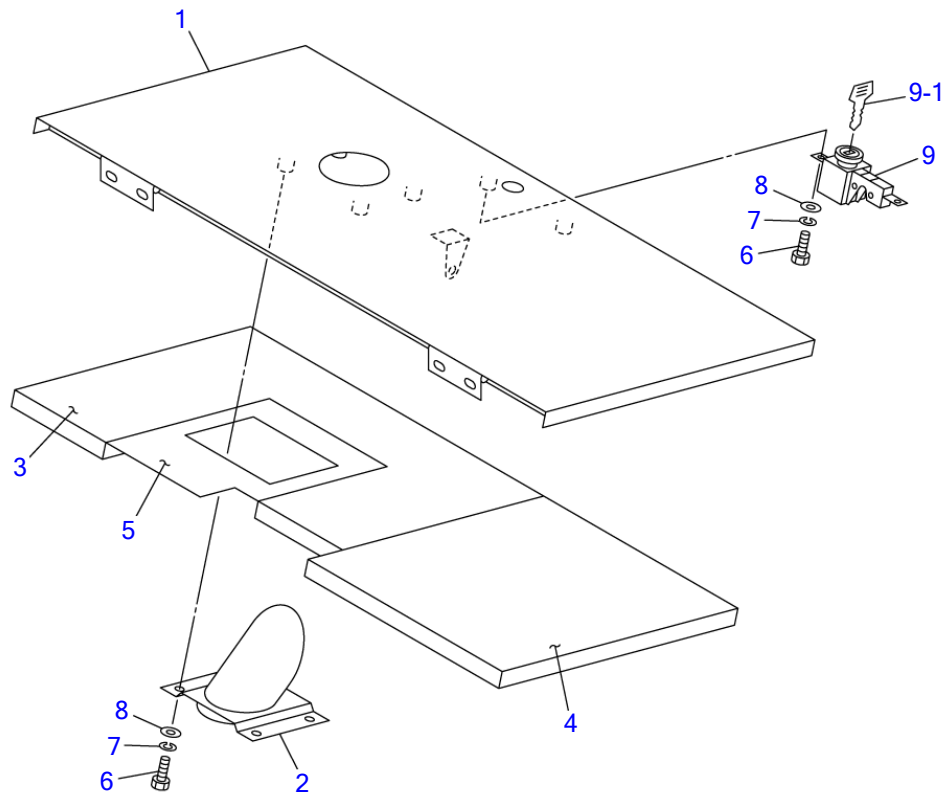


T7E020

S=1/10

**COVER (2/3) (rear door; 21500004-21500131)**

Item	Part number	Description	Q'ty	Chan.	Serial No.	Serv.	Remarks
0-1	<b>0881822100</b>	DOOR ASSY, rear	1				
1	<b>0881822200</b>	• DOOR, rear	1				
3	<b>0881822130</b>	• STRIKER	1				
5	<b>0881822140</b>	• ROD	1				
6	<b>0881822150</b>	• PLATE	1				
8	<b>0004010025</b>	• PIN	1				
9	<b>0007000070</b>	• SPRING	1				
11	<b>1214000008</b>	• PIN, snap	1				
12	<b>1214000012</b>	• PIN, snap	1				
13	<b>1650202300</b>	• CAP	1				
14	<b>1652615200</b>	• BUSHING	1				
15	<b>1652102314</b>	• RUBBER	2				
16	<b>1654306052</b>	• SPONGE	2				sold by the meter
17	<b>1654303058</b>	• SPONGE	2				sold by the meter
18	<b>1654605028</b>	• TRIM	2				sold by the meter
19	<b>1654605015</b>	• TRIM	2				sold by the meter
20	<b>1100040825</b>	• BOLT	2				
21	<b>1140020008</b>	• WASHER, spring	2				
22	<b>1141110012</b>	• WASHER	1				
23	<b>0003608252</b>	• WASHER	2				
24	<b>1120530416</b>	• SCREW	2				
	<b>T7e020</b>						



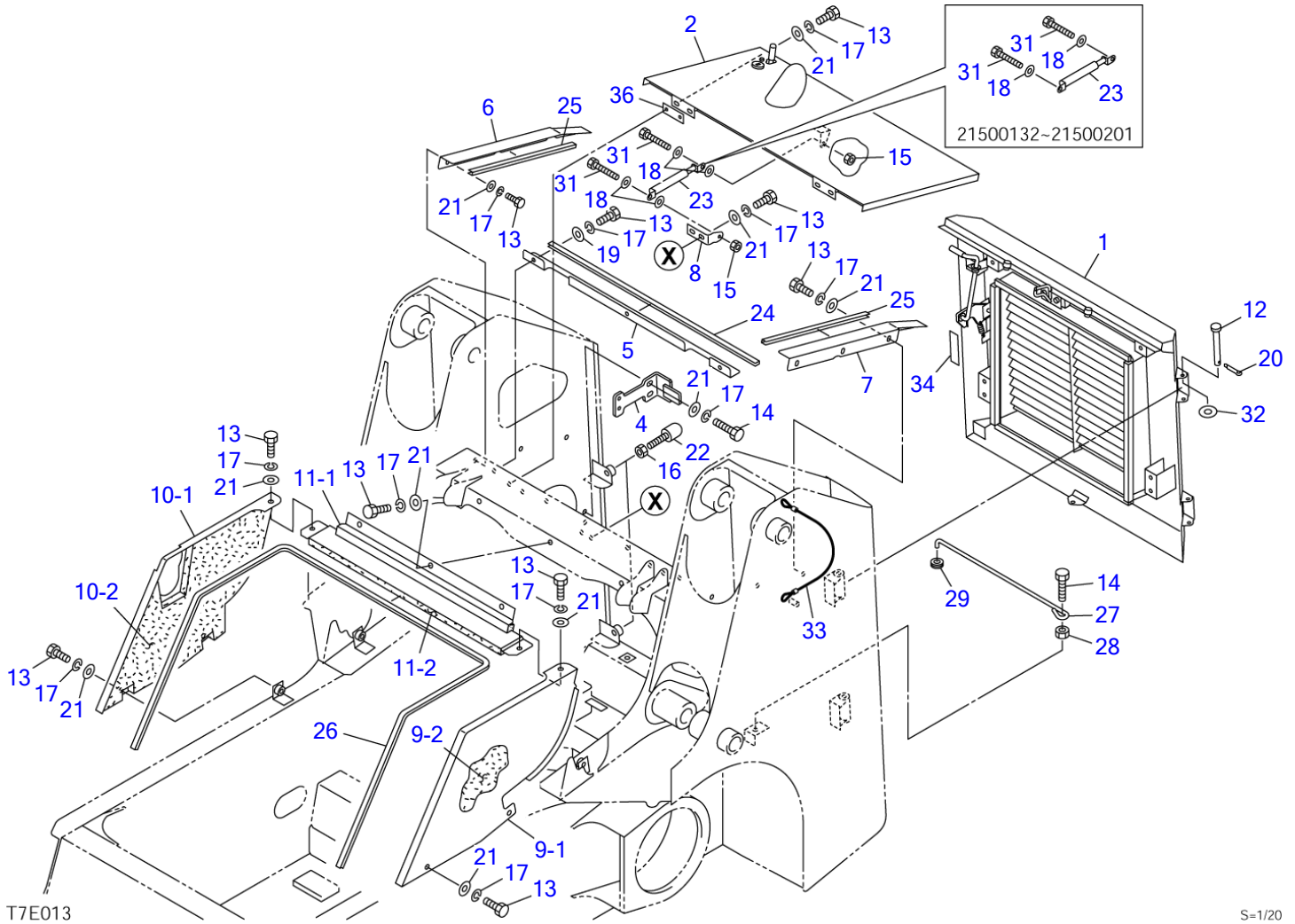
T7E030

S=1/10

**COVER (3/3) (engine hood; 21500004-21500131)**

Item	Part number	Description	Q'ty	Chan.	Serial No.	Serv.	Remarks
0-2	<b>0881822300</b>	HOOD ASSY, engine	1				
1	<b>0881822320</b>	▪ HOOD, engine	1				
2	<b>0881821330</b>	▪ NOZZLE	1				
3	<b>0881822303</b>	▪ ABSORBENT, noise	1				
4	<b>0881822304</b>	▪ ABSORBENT, noise	1				
5	<b>0881822305</b>	▪ INSULATOR	1				
6	<b>1100040816</b>	▪ BOLT	6				
7	<b>1140020008</b>	▪ WASHER, spring	6				
8	<b>1141110008</b>	▪ WASHER	6				
9	<b>1653611798</b>	▪ LOCK	1				
9-1	<b>1700100019</b>	▪ KEY	1				
	<b>T7e030</b>						

TL150 Book No. BT7Z011 S/N 21500004-  
COVER (1/3) (21500132-21500627)

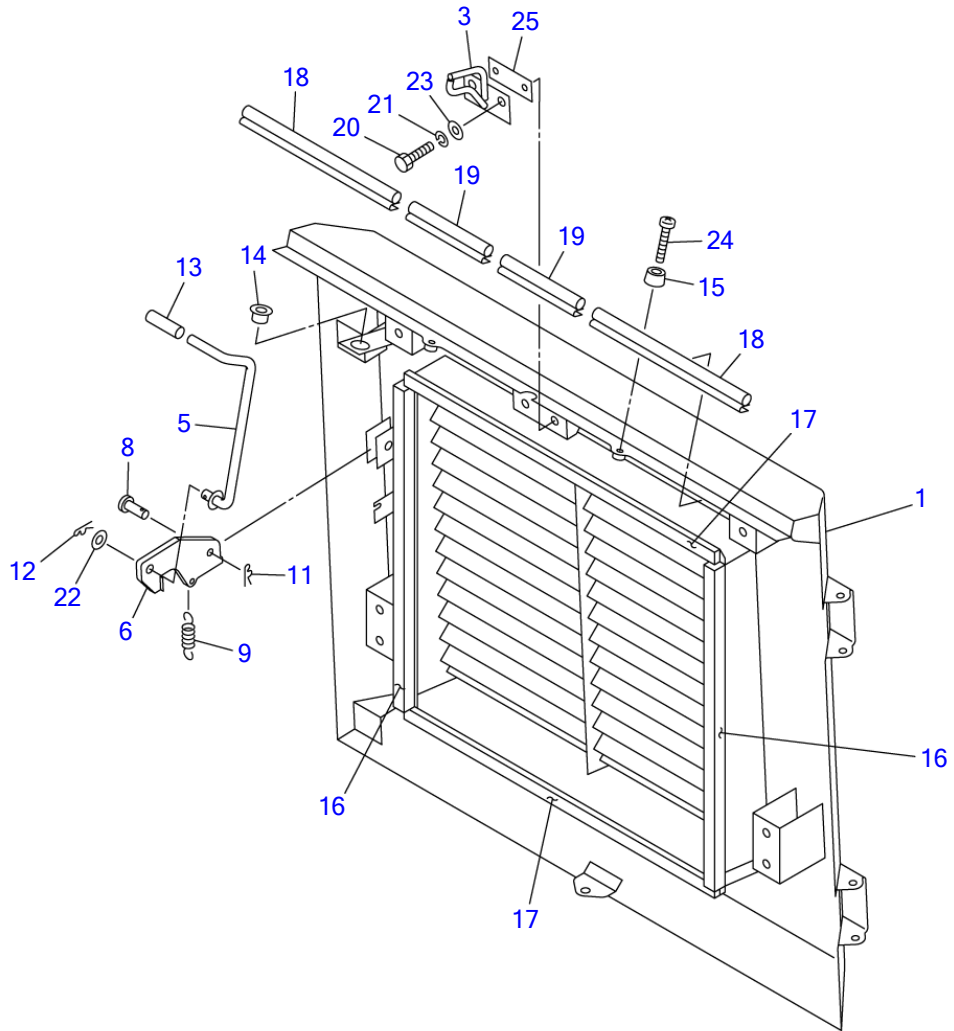


**COVER (1/3) (21500132-21500627)**

Item	Part number	Description	Q'ty	Chan.	Serial No.	Serv.	Remarks
		COVER ASSY					X08818-23000-10
1	0881823100	DOOR, rear	1				see page (2/3)
2	0880823500	HOOD, engine	1		21500132~21500257		see page (3/3)
	0880823700	HOOD, engine	1		21500258~21500507		see page (3/3)
	0881823300	HOOD, engine	1		21500508~		see page (3/3)
4	0881823040	BRACKET	1				
5	0881822005	PLATE	1		21500132~21500417		
	0881823005	PLATE	1	(H)	21500418~		
6	0881823060	PLATE	1				
7	0881823070	PLATE	1				
8	0881822007	PLATE	1				
9	0881822440	COVER ASSY, side (L.H.)	1				
9-1	0881822450	• COVER, side	1				
9-2	0881822442	• ABSORBENT, noise	1				
10	0881822460	COVER ASSY, side (R.H.)	1				
10-1	0881822470	• COVER, side	1				
10-2	0881822462	• ABSORBENT, noise	1		21500132~21500495		
	0881822463	• ABSORBENT, noise	1	(H)	21500496~		
11	0881822480	COVER ASSY, center	1				
11-1	0881822490	• COVER, center	1				
11-2	0881822482	• ABSORBENT, noise	1				
12	0880823011	PIN	2				
13	1100041020	BOLT	24				
14	1100041030	BOLT	3				
15	1130040008	NUT	2				
16	1130040012	NUT	2				
17	1140020010	WASHER, spring	26				
18	1141110008	WASHER	2	A	21500132~21500201		
	1141110008	WASHER	4	a(H)	21500202~		
19	1141110010	WASHER	3				
20	1210013220	PIN, split	2				
21	0003600003	WASHER	23				
22	1651101224	STOPPER	2				
23	1653900036	SPRING, gas	1	A	21500132~21500201		
	1653900050	SPRING, gas	1	a(H)	21500202~		
24	1654623090	TRIM	1				sold by the meter
25	1654623045	TRIM	2				sold by the meter
26	1654520290	TRIM	1				sold by the meter
27	0881822027	ROD	1				
28	1130040010	NUT	1				
29	1652041130	GROMMET	1		21500004~21500417		
31	1100040830	BOLT	2	A	21500132~21500201		
	1100040825	BOLT	2	a(H)	21500202~		
32	1141110012	WASHER	2				
33	1929900237	ROPE	2		21500132~21500201		
	1929900437	ROPE	1	(H)	21500202~		
34	0881823034	RUBBER	1				
36	0003900040	SPACER	AR				t=1.6mm
	0003900041	SPACER	AR				t=2.3mm

<<NOTE>>  
 SET "A" is interchangeable  
 with SET "a".

**T7e013**



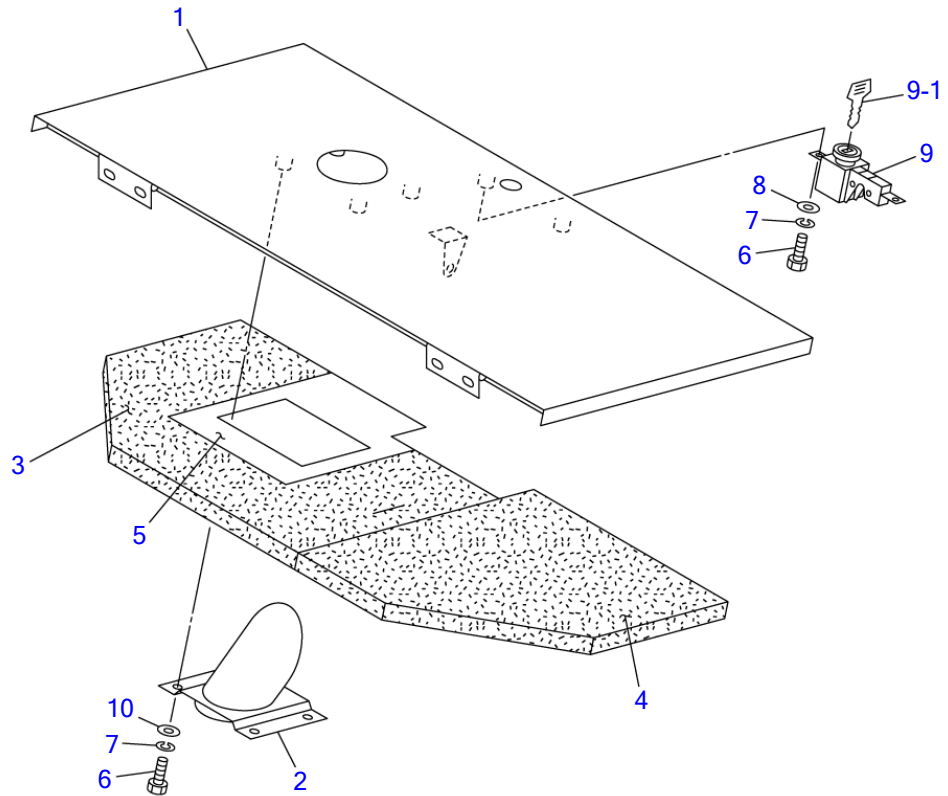
T7E021

S=1/10



**COVER (2/3) (rear door; 21500132-21500627)**

Item	Part number	Description	Q'ty	Chan.	Serial No.	Serv.	Remarks
0-1	<b>0881823100</b>	DOOR ASSY, rear	1				
1	<b>0881823200</b>	• DOOR, rear	1				
3	<b>0881822130</b>	• STRIKER	1		21500132~21500257		
	<b>0880823670</b>	• STRIKER	1		21500258~		
5	<b>0881822140</b>	• ROD	1				
6	<b>0881823150</b>	• PLATE	1				
8	<b>0004010025</b>	• PIN	1				
9	<b>0007000070</b>	• SPRING	1				
11	<b>1214000008</b>	• PIN, snap	1				
12	<b>1214000012</b>	• PIN, snap	1				
13	<b>1650202300</b>	• CAP	1				
14	<b>1652615200</b>	• BUSHING	1				
15	<b>1652102314</b>	• RUBBER	2				
16	<b>1654306052</b>	• SPONGE	2				sold by the meter
17	<b>1654303058</b>	• SPONGE	2				sold by the meter
18	<b>1654605028</b>	• TRIM	2				sold by the meter
19	<b>1654605015</b>	• TRIM	2		21500132~21500257		sold by the meter
	<b>1654605013</b>	• TRIM	2		21500258~		sold by the meter
20	<b>1100040825</b>	• BOLT	2		21500132~21500257		
	<b>1100040830</b>	• BOLT	2		21500258~		
21	<b>1140020008</b>	• WASHER, spring	2				
22	<b>1141110012</b>	• WASHER	1				
23	<b>0003608252</b>	• WASHER	2				
24	<b>1120530416</b>	• SCREW	2				
25	<b>0003900037</b>	• SPACER	AR				t=4.5mm
	<b>0003900038</b>	• SPACER	AR				t=1.6mm
	<b>T7e022</b>						

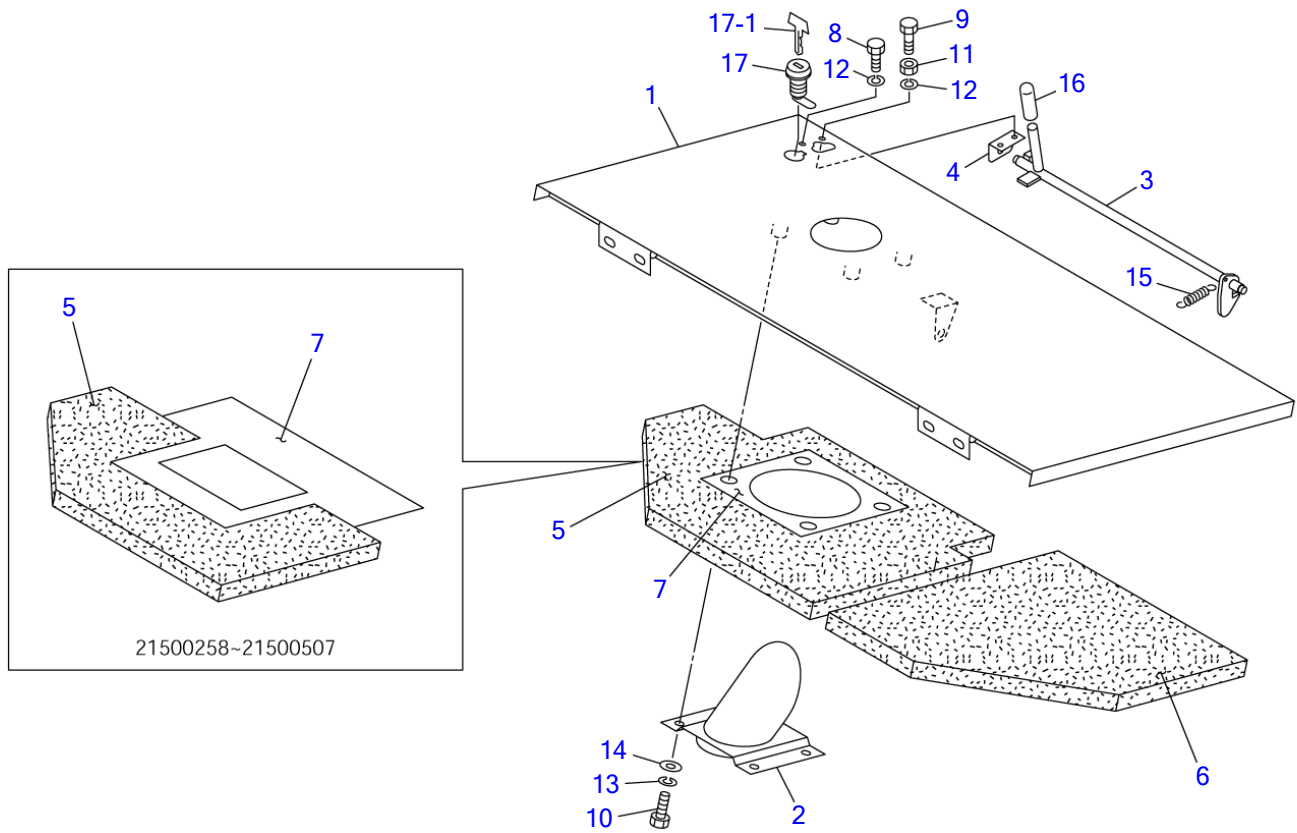


T7E031

S=1/10

**COVER (3/3) (engine hood; 21500132-21500257)**

Item	Part number	Description	Q'ty	Chan.	Serial No.	Serv.	Remarks
0-2	<b>0880823500</b>	HOOD ASSY, engine	1				X08808-23500-1
1	<b>0880823520</b>	▪ HOOD, engine	1				
2	<b>0881821330</b>	▪ NOZZLE	1				
3	<b>0880823503</b>	▪ ABSORBENT, noise	1				
4	<b>0880823504</b>	▪ ABSORBENT, noise	1				
5	<b>0881822305</b>	▪ INSULATOR	1				
6	<b>1100040816</b>	▪ BOLT	6				
7	<b>1140020008</b>	▪ WASHER, spring	6				
8	<b>1141110008</b>	▪ WASHER	2				
9	<b>1653611798</b>	▪ LOCK	1				
9-1	<b>1700100019</b>	▪ KEY	1				
10	<b>0003608252</b>	▪ WASHER	4				
	<b>T7e031</b>						



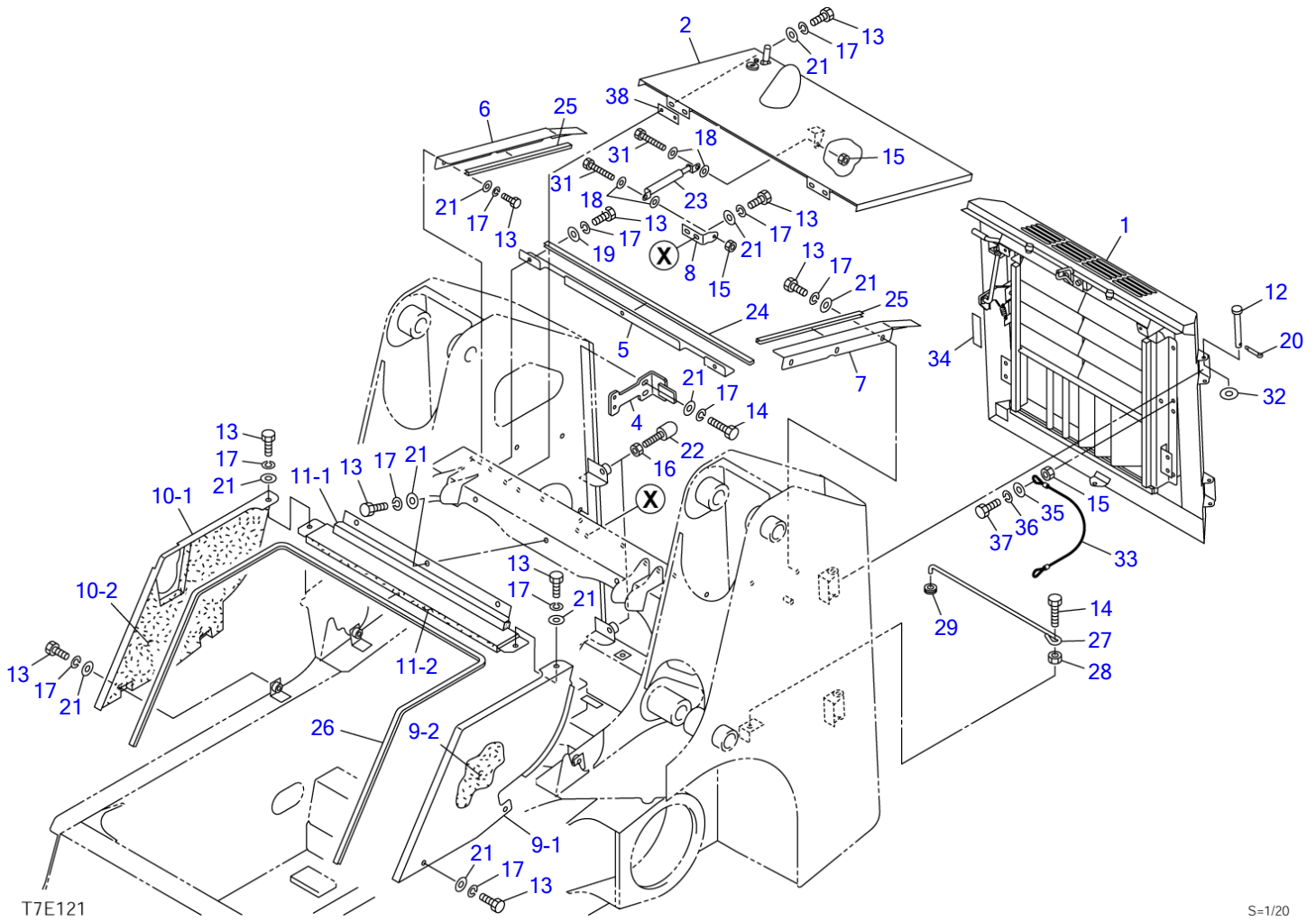
T7E033

S=1/10

**COVER (3/3) (engine hood; 21500258-21500627)**

Item	Part number	Description	Q'ty	Chan.	Serial No.	Serv.	Remarks
0-2	<b>0880823700</b>	HOOD ASSY, engine	1		21500258~21500507		X08808-23700-0
	<b>0881823300</b>	HOOD ASSY, engine	1		21500508~		X08818-23300-0
1	<b>0880823720</b>	▪ HOOD, engine	1		21500258~21500507		
	<b>0881823320</b>	▪ HOOD, engine	1		21500508~		
2	<b>0881821330</b>	▪ NOZZLE	1		21500258~21500507		
	<b>0881825520</b>	▪ NOZZLE	1		21500508~		
3	<b>0880823660</b>	▪ LEVER	1				
4	<b>0880820080</b>	▪ ANGLE	1				
5	<b>0880823605</b>	▪ ABSORBENT, noise	1		21500258~21500507		
	<b>0881823305</b>	▪ ABSORBENT, noise	1		21500508~		
6	<b>0880823606</b>	▪ ABSORBENT, noise	1				
7	<b>0880823607</b>	▪ INSULATOR	1		21500258~21500507		
	<b>0881825504</b>	▪ INSULATOR	1		21500508~		
8	<b>1100040616</b>	▪ BOLT	1				
9	<b>1100040620</b>	▪ BOLT	1				
10	<b>1100040816</b>	▪ BOLT	4				
11	<b>1130040006</b>	▪ NUT	1				
12	<b>1140020006</b>	▪ WASHER, spring	2				
13	<b>1140020008</b>	▪ WASHER, spring	4				
14	<b>1141110008</b>	▪ WASHER	4				
15	<b>0007000070</b>	▪ SPRING	1				
16	<b>1650202300</b>	▪ CAP	1				
17	<b>1653601395</b>	▪ LOCK	1				
17-1	<b>1700100019</b>	▪ KEY	1				
	<b>T7e033</b>						

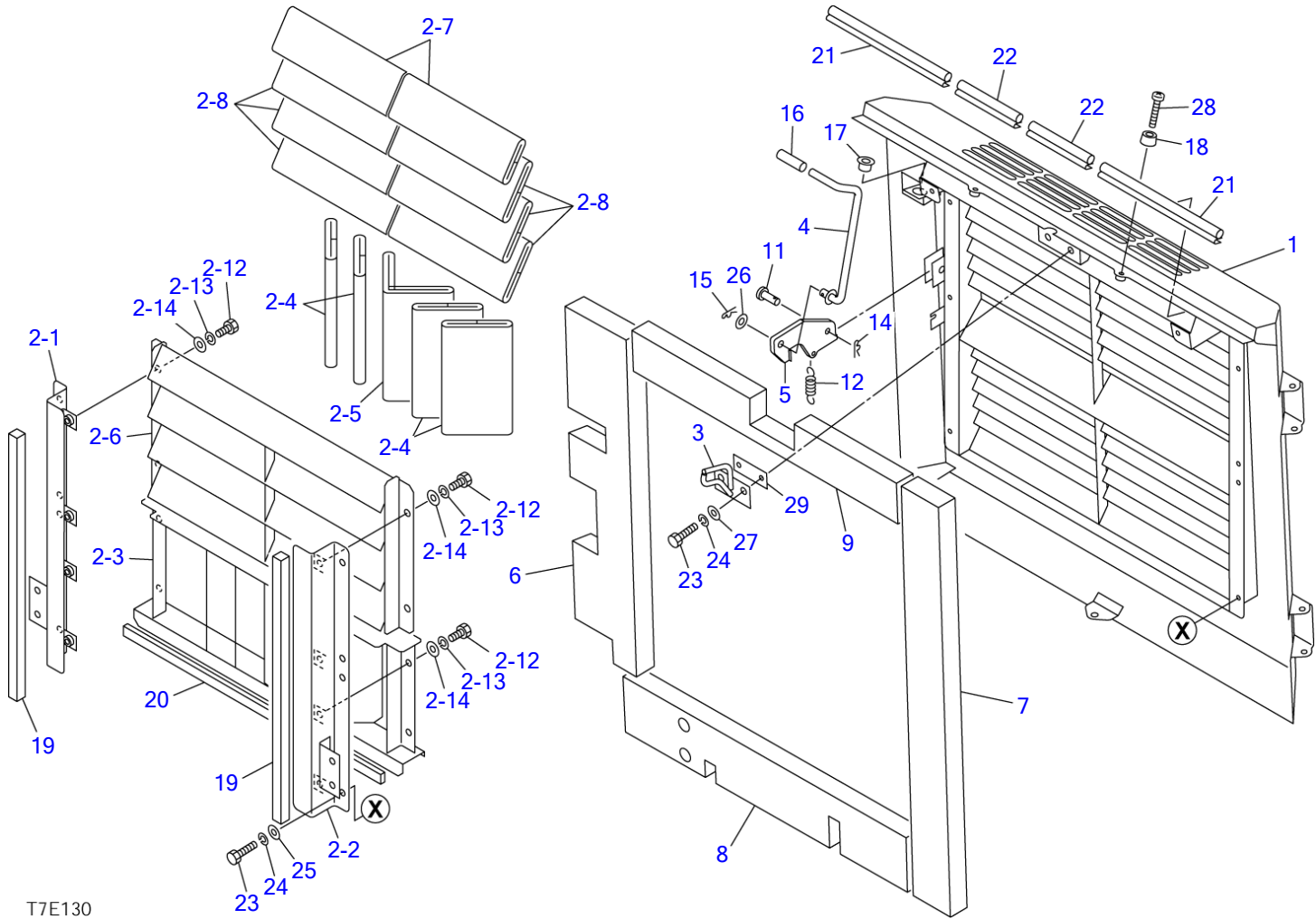
TL150 Book No. BT7Z011 S/N 21500004-  
COVER (1/3) (for EU; 21500132-21500627)



**COVER (1/3) (for EU; 21500132-21500627)**

Item	Part number	Description	Q'ty	Chan.	Serial No.	Serv.	Remarks
		COVER ASSY					X08818-25000-4
1	0881825100	DOOR, rear	1				see page (2/3)
2	0881825500	HOOD, engine	1				see page (3/3)
4	0881823040	BRACKET	1				
5	0881822005	PLATE	1		21500004~21500417		
	0881823005	PLATE	1	(H)	21500418~		
6	0881823060	PLATE	1				
7	0881823070	PLATE	1				
8	0881822007	PLATE	1				
9	0881822440	COVER ASSY, side (L.H.)	1				
9-1	0881822450	· COVER, side	1				
9-2	0881822442	· ABSORBENT, noise	1				
10	0881822460	COVER ASSY, side (R.H.)	1				
10-1	0881822470	· COVER, side	1				
10-2	0881822462	· ABSORBENT, noise	1				
11	0881822480	COVER ASSY, center	1				
11-1	0881822490	· COVER, center	1				
11-2	0881822482	· ABSORBENT, noise	1				
12	0880823011	PIN	2				
13	1100041020	BOLT	24				
14	1100041030	BOLT	3				
15	1130040008	NUT	3				
16	1130040012	NUT	2				
17	1140020010	WASHER, spring	26				
18	1141110008	WASHER	4				
19	1141110010	WASHER	3				
20	1210013220	PIN, split	2				
21	0003600003	WASHER	23				
22	1651101224	STOPPER	2				
23	1653900050	SPRING, gas	1				
24	1654623090	TRIM	1				sold by the meter
25	1654623045	TRIM	2				sold by the meter
26	1654520290	TRIM	1				sold by the meter
27	0881822027	ROD	1				
28	1130040010	NUT	1				
29	1652041130	GROMMET	1		21500004~21500417		
31	1100040825	BOLT	2				
32	1141110012	WASHER	2				
33	1929900437	ROPE	1				
34	0881823034	RUBBER	1				
35	0003608252	WASHER	1				
36	1140020008	WASHER, spring	1				
37	1100240840	BOLT	1				
38	0003900040	SPACER	AR				t=1.6mm
	0003900041	SPACER	AR				t=2.3mm
	T7e121						

TL150 Book No. BT7Z011 S/N 21500004-  
COVER (2/3) (for EU, rear door; 21500132-21500627)



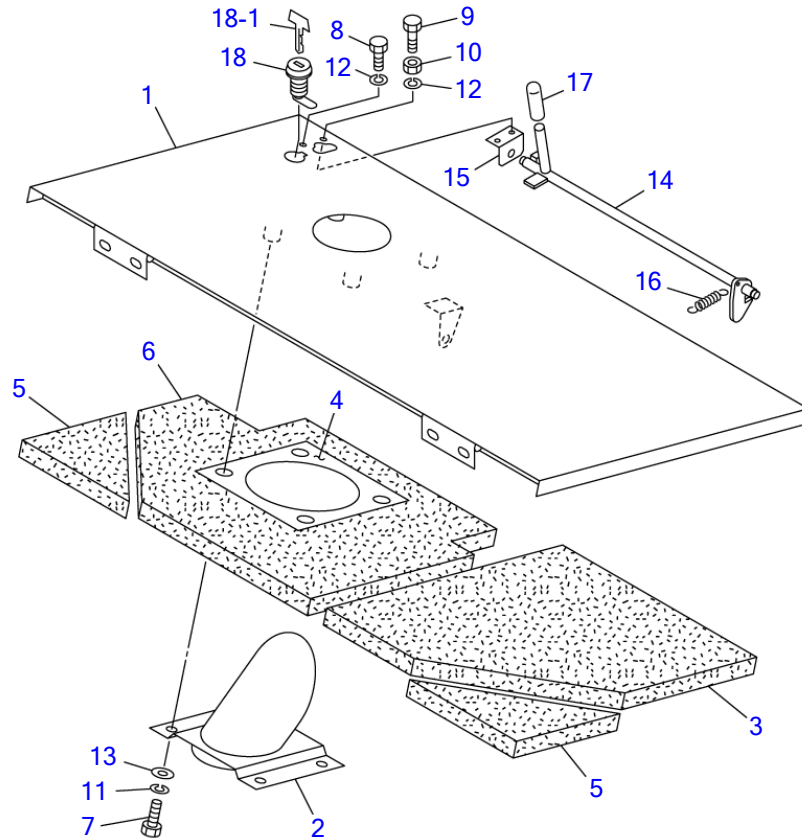
T7E130

S=1/11



## COVER (2/3) (for EU, rear door; 21500132-21500627)

Item	Part number	Description	Qty	Chan.	Serial No.	Serv.	Remarks
0-1	0881825100	DOOR ASSY, rear	1				X08818-25100-0
1	0881825200	• DOOR, rear	1				
2	0881825400	• BRACKET ASSY, louver	1				
2-1	0881825410	• • BRACKET (R.H.)	1				
2-2	0881825420	• • BRACKET (L.H.)	1				
2-3	0881824450	• • BRACKET, louver (A)	1				
2-4	0881825455	• • ABSORBENT, noise	4				
2-5	0881825456	• • ABSORBENT, noise	1				
2-6	0881824460	• • BRACKET, louver (B)	1				
2-7	0881825467	• • ABSORBENT, noise	2				
2-8	0881825468	• • ABSORBENT, noise	6				
2-12	1100040820	• • BOLT	8				
2-13	1140020008	• • WASHER, spring	8				
2-14	1141110008	• • WASHER	8				
3	0880823670	• STRIKER	1				
4	0881822140	• ROD	1				
5	0881823150	• PLATE	1				
6	0881824106	• ABSORBENT, noise	1				
7	0881824107	• ABSORBENT, noise	1				
8	0881824108	• ABSORBENT, noise	1				
9	0881824109	• ABSORBENT, noise	1				
11	0004010025	• PIN	1				
12	0007000070	• SPRING	1				
14	1214000008	• PIN, snap	1				
15	1214000012	• PIN, snap	1				
16	1650202300	• CAP	1				
17	1652615200	• BUSHING	1				
18	1652102314	• RUBBER	2				
19	1654314055	• SPONGE	2				sold by the meter
20	1654305080	• SPONGE	1				sold by the meter
21	1654605028	• TRIM	2				sold by the meter
22	1654605013	• TRIM	2				sold by the meter
23	1100040830	• BOLT	8				
24	1140020008	• WASHER, spring	8				
25	1141110008	• WASHER	6				
26	1141110012	• WASHER	1				
27	0003608252	• WASHER	2				
28	1120530416	• SCREW	2				
29	0003900038	• SPACER	AR				t=1.6mm
	0003900037	• SPACER	AR				t=4.5mm
	T7e131						



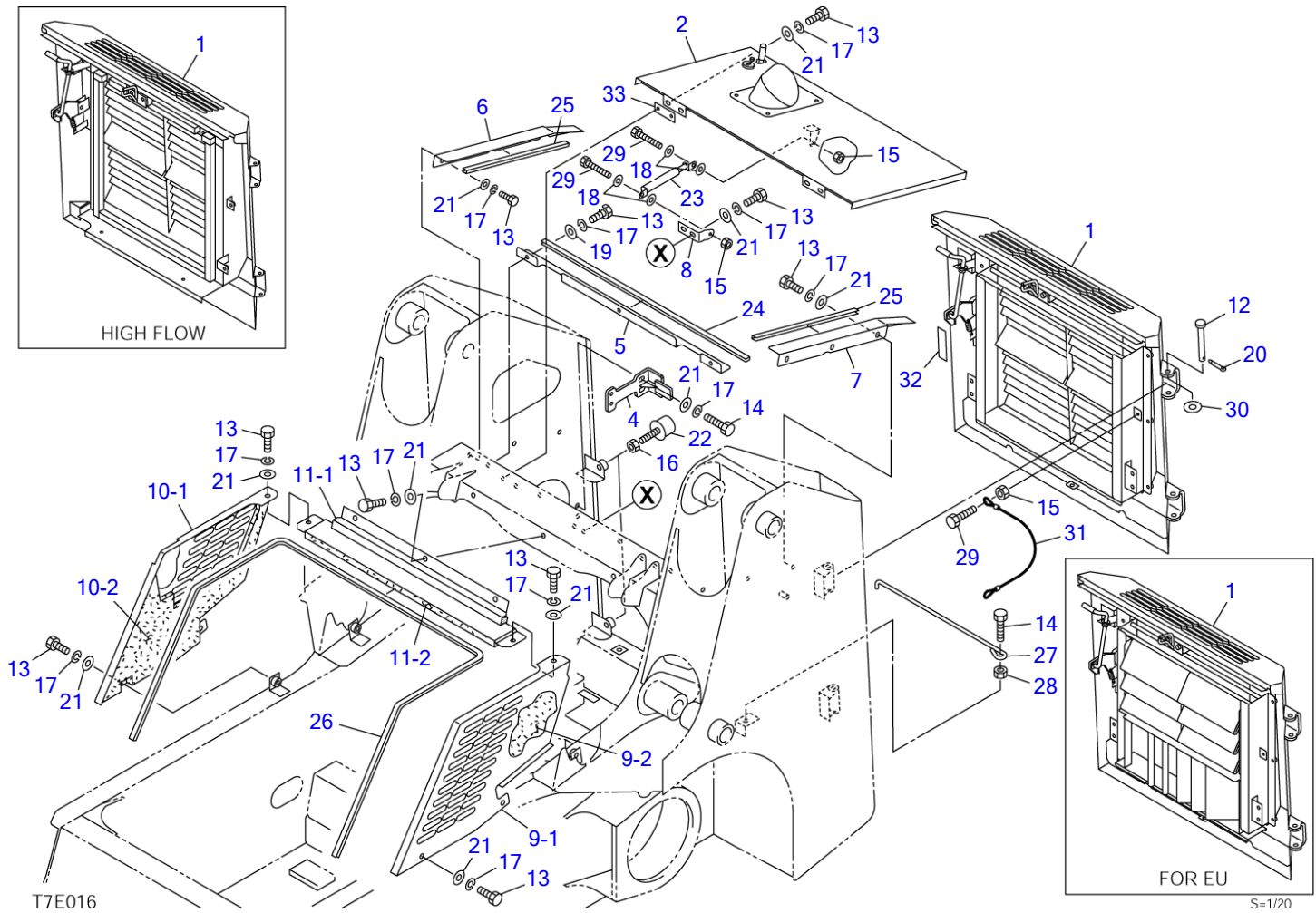
T7E140

S=1/10

**COVER (3/3) (for EU, engine hood; 21500132-21500627)**

Item	Part number	Description	Q'ty	Chan.	Serial No.	Serv.	Remarks
0-2	<b>0881825500</b>	HOOD ASSY, engine	1				X08818-25500-0
1	<b>0881825510</b>	▪ HOOD, engine	1				
2	<b>0881825520</b>	▪ NOZZLE	1				
3	<b>0881825503</b>	▪ ABSORBENT, noise	1				
4	<b>0881825504</b>	▪ ABSORBENT, noise	1				
5	<b>0881824305</b>	▪ ABSORBENT, noise	2				
6	<b>0881825506</b>	▪ ABSORBENT, noise	1				
7	<b>1100040816</b>	▪ BOLT	4				
8	<b>1100040616</b>	▪ BOLT	1				
9	<b>1100040620</b>	▪ BOLT	1				
10	<b>1130040006</b>	▪ NUT	1				
11	<b>1140020008</b>	▪ WASHER, spring	4				
12	<b>1140020006</b>	▪ WASHER, spring	2				
13	<b>1141110008</b>	▪ WASHER	4				
14	<b>0880823660</b>	▪ LEVER	1				
15	<b>0880820080</b>	▪ ANGLE	1				
16	<b>0007000070</b>	▪ SPRING	1				
17	<b>1650202300</b>	▪ CAP	1				
18	<b>1653601395</b>	▪ LOCK	1				
18-1	<b>1700100019</b>	▪ KEY	1				
	<b>T7e140</b>						

TL150 Book No. BT7Z011 S/N 21500004-  
COVER (1/3) (21500628-21504103)



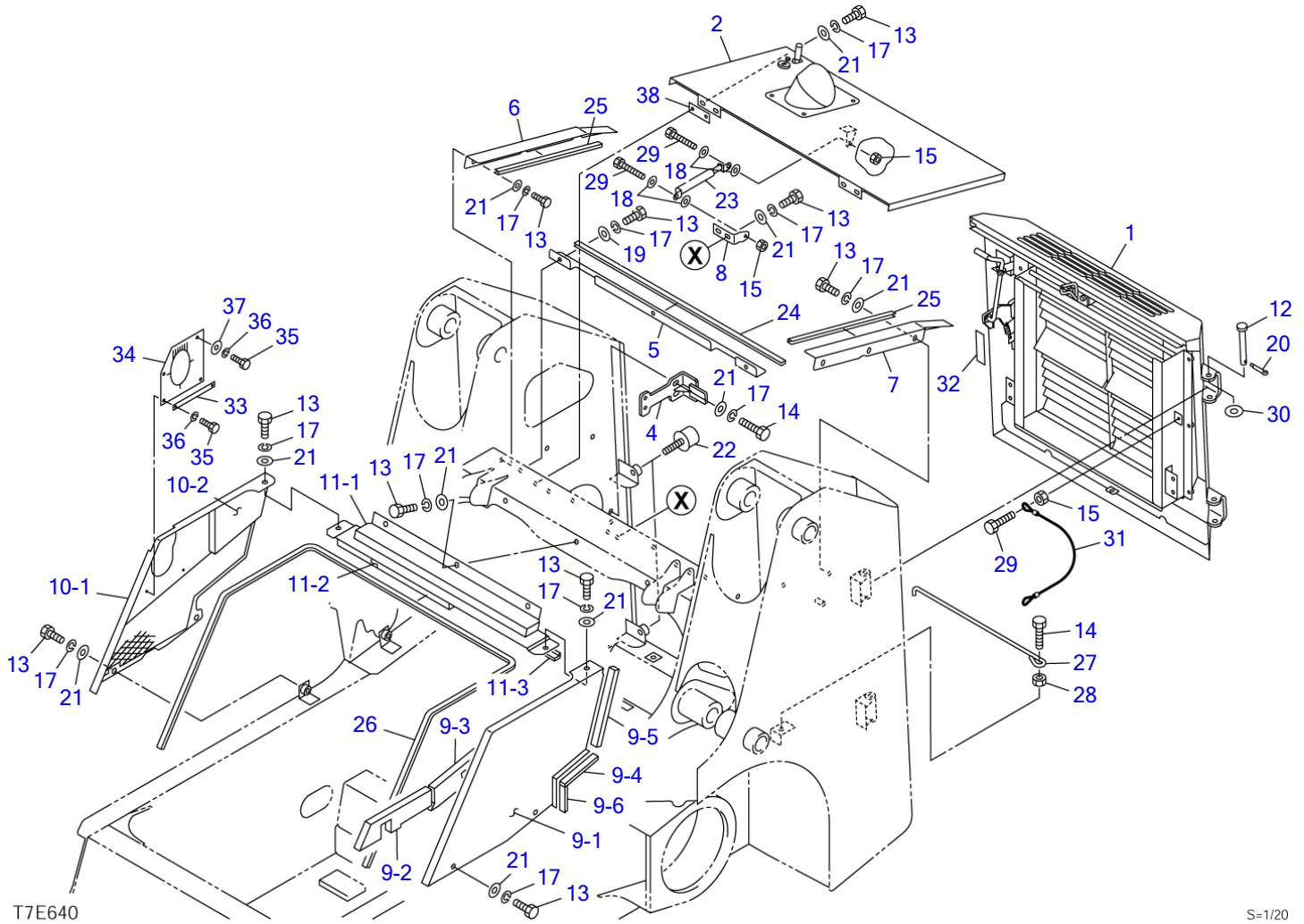
**COVER (1/3) (21500628-21504103)**

Item	Part number	Description	Q'ty	Chan.	Serial No.	Serv.	Remarks
		COVER ASSY					X08818-27000-3
		COVER ASSY (for EU)			21500628~21502750		X08818-27500-3
		COVER ASSY (high flow)			21500628~21501586		X08818-28000-2
1	0881827100	DOOR, rear	1				see page (2/3)
	0881827600	DOOR, rear (for EU)	1		21500628~21502750		see page (2/3)
	0881828100	DOOR, rear (high flow)	1		21500628~21501586		see page (2/3)
2	0881827400	HOOD, engine	1		21500628~21500999		see page (3/3)
	0881827800	HOOD, engine	1		21501000~		see page (3/3)
4	0881822030	BRACKET	1				
5	0881823005	PLATE	1				
6	0881823060	PLATE	1				
7	0881823070	PLATE	1				
8	0881822007	PLATE	1		21500628~21500999		
	0881827008	PLATE	1		21501000~		
9	0881826440	COVER ASSY, side (L.H.)	1		21500628~21500999		
	0881827880	COVER ASSY, side (L.H.)	1		21501000~		
9-1	0881826450	• COVER, side	1		21500628~21500999		
	0881827890	• COVER, side	1		21501000~		
9-2	0881826442	• ABSORBENT, noise	1		21500628~21500999		
	0881827882	• ABSORBENT, noise	1		21501000~		
10	0881826460	COVER ASSY, side (R.H.)	1		21500628~21500999		
	0881827910	COVER ASSY, side (R.H.)	1		21501000~		
10-1	0881826470	• COVER, side	1		21500628~21500999		
	0881827920	• COVER, side	1		21501000~		
10-2	0881826462	• ABSORBENT, noise	1		21500628~21500999		
	0881827912	• ABSORBENT, noise	1		21501000~		
11	0881822480	COVER ASSY, center	1				
11-1	0881822490	• COVER, center	1				
11-2	0881822482	• ABSORBENT, noise	1				
12	0881822020	PIN	2				
13	1100041020	BOLT	24				
14	1100041030	BOLT	3				
15	1130040008	NUT	3				
16	1130040012	NUT	2				
17	1140020010	WASHER, spring	26				
18	1141110008	WASHER	4				
19	1141110010	WASHER	3				
20	1210010425	PIN, split	2				
21	0003600025	WASHER	23				
22	1651101050	STOPPER	2				
23	1653900057	SPRING, gas	1				
24	1654623090	TRIM	1				sold by the meter
25	1654623045	TRIM	2				sold by the meter
26	1654520290	TRIM	1				sold by the meter
27	0881822027	ROD	1				
28	1130040010	NUT	1				
29	1100040825	BOLT	3				
30	1141110016	WASHER	2				
31	1929900437	ROPE	1				
32	0881823034	RUBBER	1				
33	0003900040	SPACER	AR				t=1.6mm
	0003900041	SPACER	AR				t=2.3mm

<<NOTE>>  
 item2,8 and item18 (ENGINE  
 & ACCESSORIES 2/2)  
 has interchangeability in a  
 set.

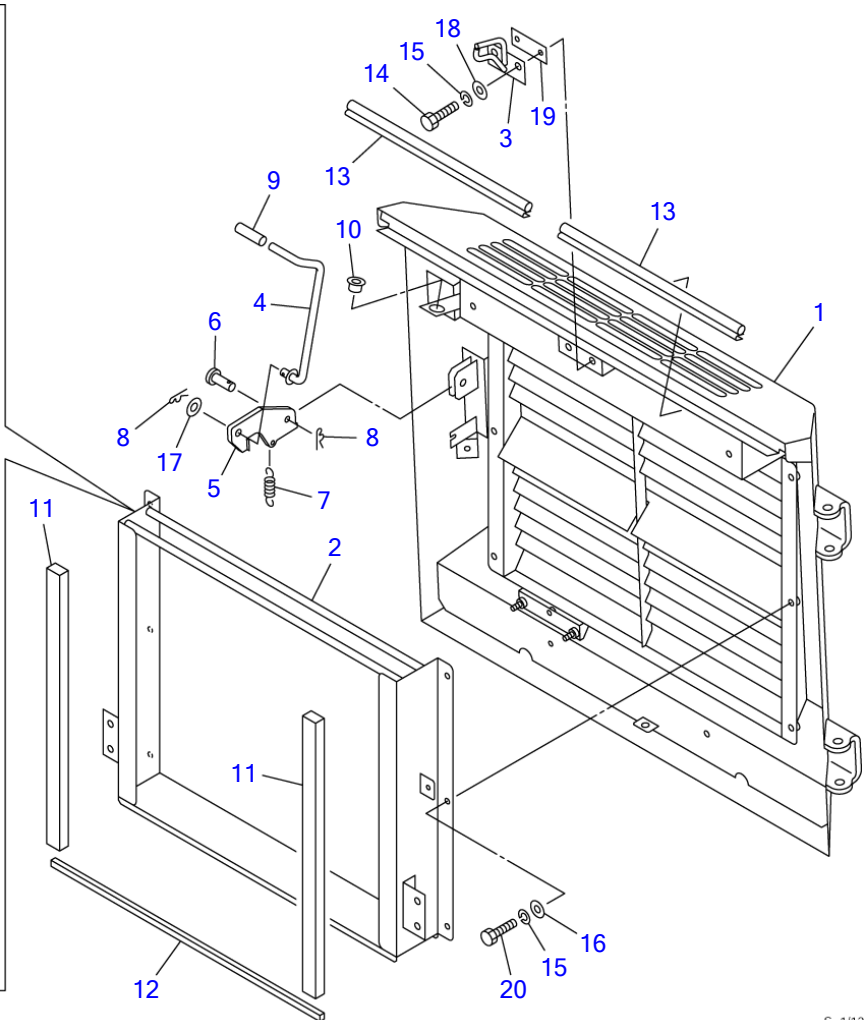
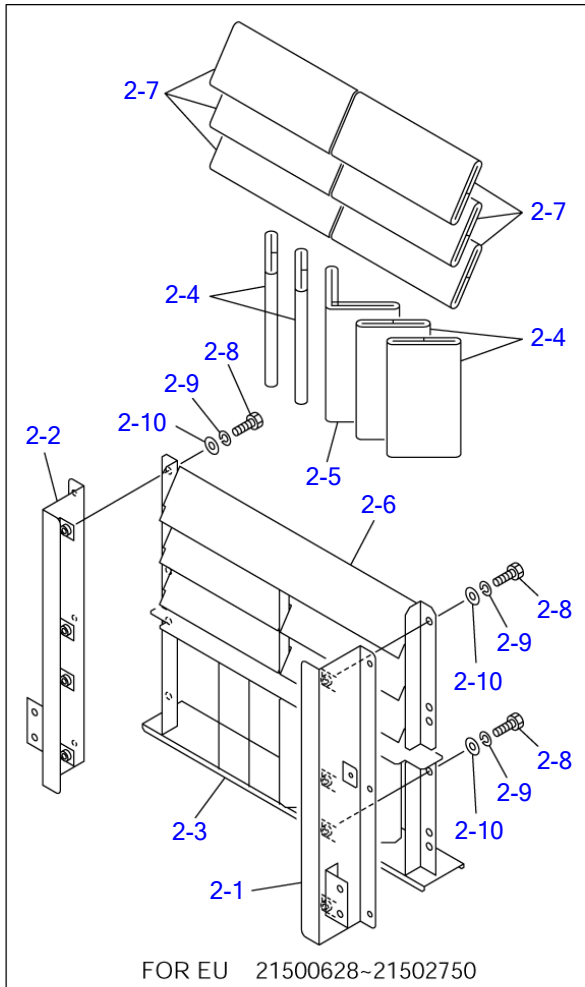
**T7e018**

TL150 Book No. BT7Z011 S/N 21500004-  
COVER (1/3) (21504104-)



## COVER (1/3) (21504104-)

Item	Part number	Description	Q'ty	Chan.	Serial No.	Serv.	Remarks
		COVER ASSY					X08818-27000-4
1	0881827100	DOOR, rear	1				see page (2/3)
2	0881827800	HOOD, engine	1				see page (3/3)
4	0881822030	BRACKET	1				
5	0881823005	PLATE	1				
6	0881823060	PLATE	1				
7	0881823070	PLATE	1				
8	0881827008	PLATE	1				
9	0881827930	COVER ASSY, side (L.H.)	1				
9-1	0881827940	• COVER, side	1				
9-2	0881827932	• SPONGE	1				
9-3	0881827933	• SPONGE	1				
9-4	0881827934	• SPONGE	1				
9-5	1654304030	• SPONGE	1				sold by the meter
9-6	1654325011	• SPONGE	1				sold by the meter
10	0881827950	COVER ASSY, side (R.H.)	1				
10-1	0881827960	• COVER, side	1				
10-2	0881827952	• SPONGE	1				
11	0881827970	COVER ASSY, center	1				
11-1	0881827980	• COVER, center	1				
11-2	0881822482	• ABSORBENT, noise	1				
11-3	0881827972	• SPONGE	1				
12	0881822020	PIN	2				
13	1100041020	BOLT	24				
14	1100041030	BOLT	3				
15	1130040008	NUT	3				
17	1140020010	WASHER, spring	26				
18	1141110008	WASHER	4				
19	1141110010	WASHER	3				
20	1210010425	PIN, split	2				
21	0003600025	WASHER	23				
22	1651101050	STOPPER	2				
23	1653900057	SPRING, gas	1				
24	1654623090	TRIM	1				sold by the meter
25	1654623045	TRIM	2				sold by the meter
26	1654520290	TRIM	1				sold by the meter
27	0881822027	ROD	1				
28	1130040010	NUT	1				
29	1100040825	BOLT	3				
30	1141110016	WASHER	2				
31	1929900437	ROPE	1				
32	0881823034	RUBBER	1				
33	0881827990	PLATE	1				
34	0881827995	RUBBER	1				
35	1100040612	BOLT	4				
36	1140020006	WASHER, spring	4				
37	0003606301	WASHER	2				
38	0003900040	SPACER	AR				t=1.6mm
	0003900041	SPACER	AR				t=2.3mm
	T7e640						



T7E025

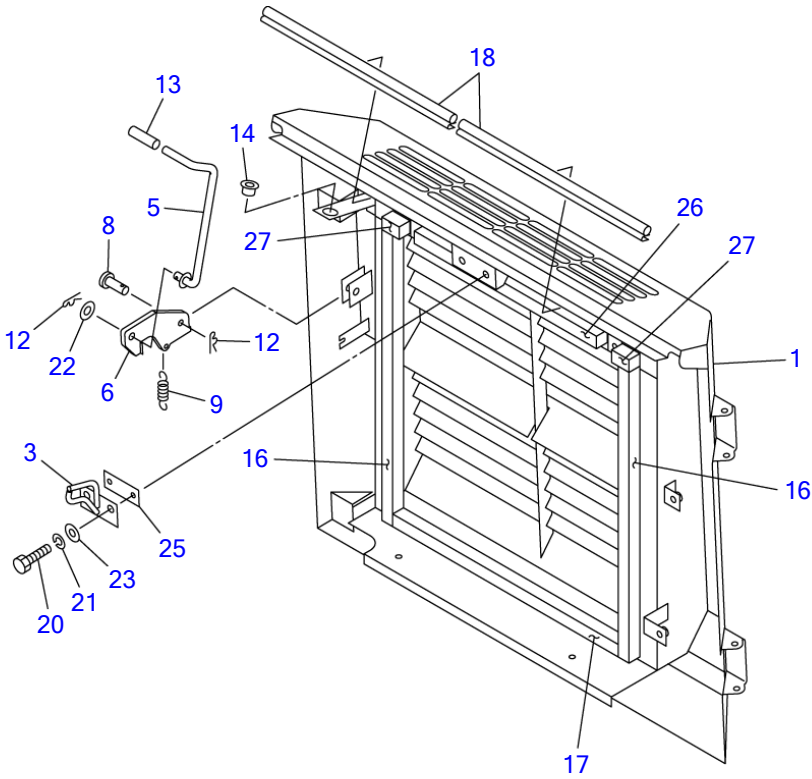
S-1/12



**COVER (2/3) (rear door; 21500628-)**

Item	Part number	Description	Q'ty	Chan.	Serial No.	Serv.	Remarks
0-1	<b>0881827100</b>	DOOR ASSY, rear	1				X08818-27100-1
	<b>0881827600</b>	DOOR ASSY, rear (for EU)	1		21500628~21502750		X08818-27600-1
1	<b>0881827200</b>	• DOOR, rear	1				
2	<b>0881827350</b>	• PLATE	1				
	<b>0881827700</b>	• BRACKET ASSY, louver	1		21500628~21502750		for EU
2-1	<b>0881827710</b>	• • BRACKET (L.H.)	1		21500628~21502378		for EU
	<b>0881827730</b>	• • BRACKET (L.H.)	1		21502379~		for EU
2-2	<b>0881827720</b>	• • BRACKET (R.H.)	1		21500628~21502750		for EU
2-3	<b>0881827750</b>	• • BRACKET, louver (A)	1		21500628~21502750		for EU
2-4	<b>0881825455</b>	• • ABSORBENT, noise	4		21500628~21502750		for EU
2-5	<b>0881825456</b>	• • ABSORBENT, noise	1		21500628~21502750		for EU
2-6	<b>0881827760</b>	• • BRACKET, louver (B)	1		21500628~21502750		for EU
2-7	<b>0881825468</b>	• • ABSORBENT, noise	6		21500628~21502750		for EU
2-8	<b>1100040820</b>	• • BOLT	8		21500628~21502750		for EU
2-9	<b>1140020008</b>	• • WASHER, spring	8		21500628~21502750		for EU
2-10	<b>1141110008</b>	• • WASHER	8		21500628~21502750		for EU
3	<b>0880823670</b>	• STRIKER	1				
4	<b>0881822540</b>	• ROD	1				
5	<b>0881822550</b>	• PLATE	1				
6	<b>0004015002</b>	• PIN	1				
7	<b>0007000112</b>	• SPRING	1				
8	<b>1214000012</b>	• PIN, snap	2				
9	<b>1650202300</b>	• CAP	1				
10	<b>1652615200</b>	• BUSHING	1				
11	<b>1654314055</b>	• SPONGE	2				sold by the meter
12	<b>1654307062</b>	• SPONGE	1				sold by the meter
13	<b>1654605041</b>	• TRIM	2				sold by the meter
14	<b>1100040830</b>	• BOLT	2				
15	<b>1140020008</b>	• WASHER, spring	8				
16	<b>1141110008</b>	• WASHER	6				
17	<b>1141110012</b>	• WASHER	1				
18	<b>0003608252</b>	• WASHER	2				
19	<b>0003900038</b>	• SPACER	AR				t=1.6mm
	<b>0003900037</b>	• SPACER	AR				t=4.5mm
20	<b>1100040825</b>	• BOLT	6				
	<b>T7e025</b>						

TL150 Book No. BT7Z011 S/N 21500004-  
COVER (2/3) (high flow, rear door; 21500628-21501586)



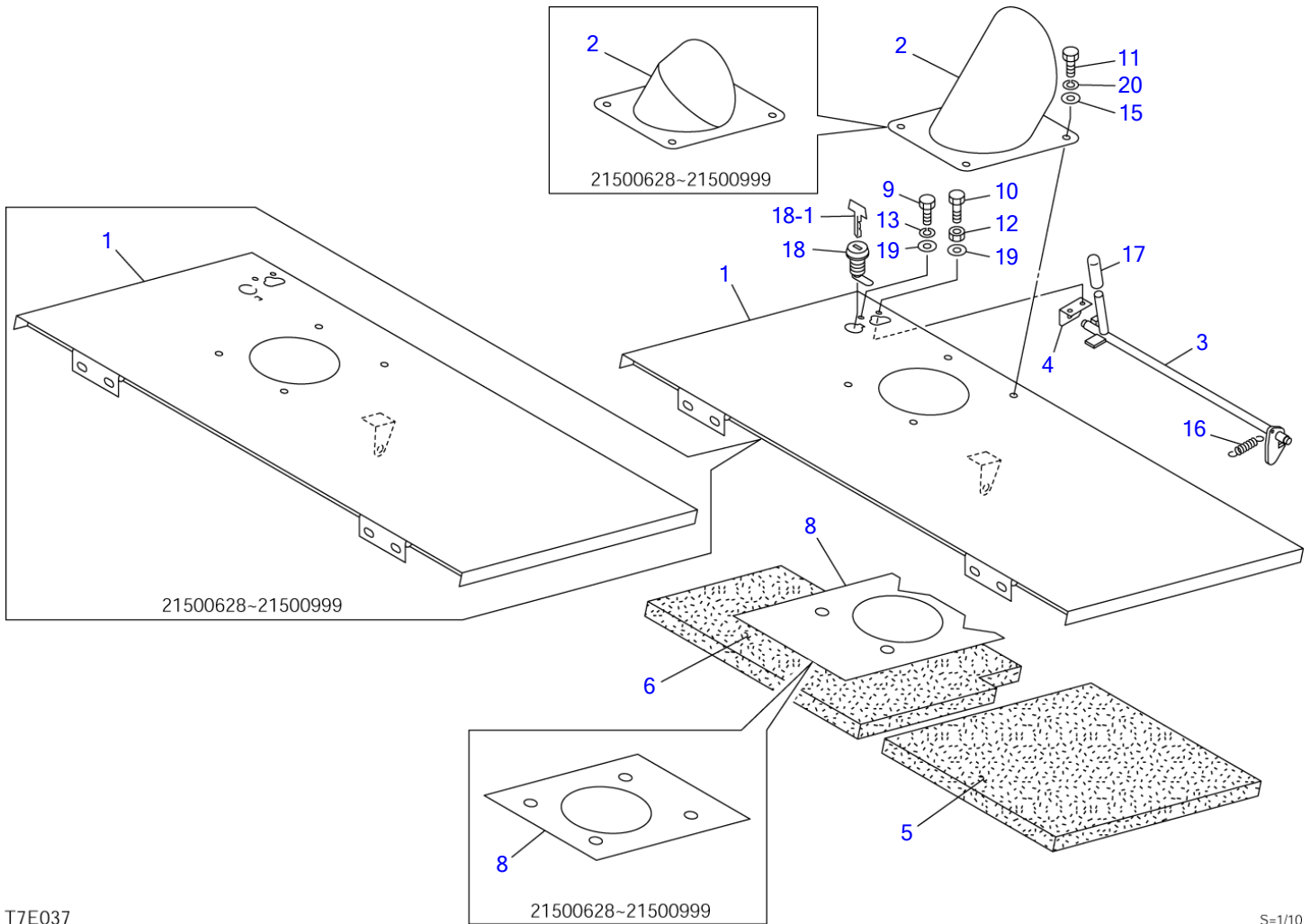
T7E200

S-1/12

**COVER (2/3) (high flow, rear door; 21500628-21501586)**

Item	Part number	Description	Q'ty	Chan.	Serial No.	Serv.	Remarks
0-1	<b>0881828100</b>	DOOR ASSY, rear	1				X08818-28100-1
1	<b>0881828200</b>	• DOOR, rear	1				
3	<b>0880823670</b>	• STRIKER	1				
5	<b>0881822540</b>	• ROD	1				
6	<b>0881822550</b>	• PLATE	1				
8	<b>0004015002</b>	• PIN	1				
9	<b>0007000112</b>	• SPRING	1				
12	<b>1214000012</b>	• PIN, snap	2				
13	<b>1650202300</b>	• CAP	1				
14	<b>1652615200</b>	• BUSHING	1				
16	<b>1654310058</b>	• SPONGE	2				sold by the meter
17	<b>1654310052</b>	• SPONGE	1				sold by the meter
18	<b>1654605041</b>	• TRIM	2				sold by the meter
20	<b>1100040830</b>	• BOLT	2				
21	<b>1140020008</b>	• WASHER, spring	2				
22	<b>1141110012</b>	• WASHER	1				
23	<b>0003608252</b>	• WASHER	2				
25	<b>0003900037</b>	• SPACER	AR				t=4.5mm
	<b>0003900038</b>	• SPACER	AR				t=1.6mm
26	<b>1654310042</b>	• SPONGE	1				sold by the meter
27	<b>1654310004</b>	• SPONGE	2				sold by the meter
	<b>T7e200</b>						

TL150 Book No. BT7Z011 S/N 21500004-  
COVER (3/3) (engine hood; 21500628-)



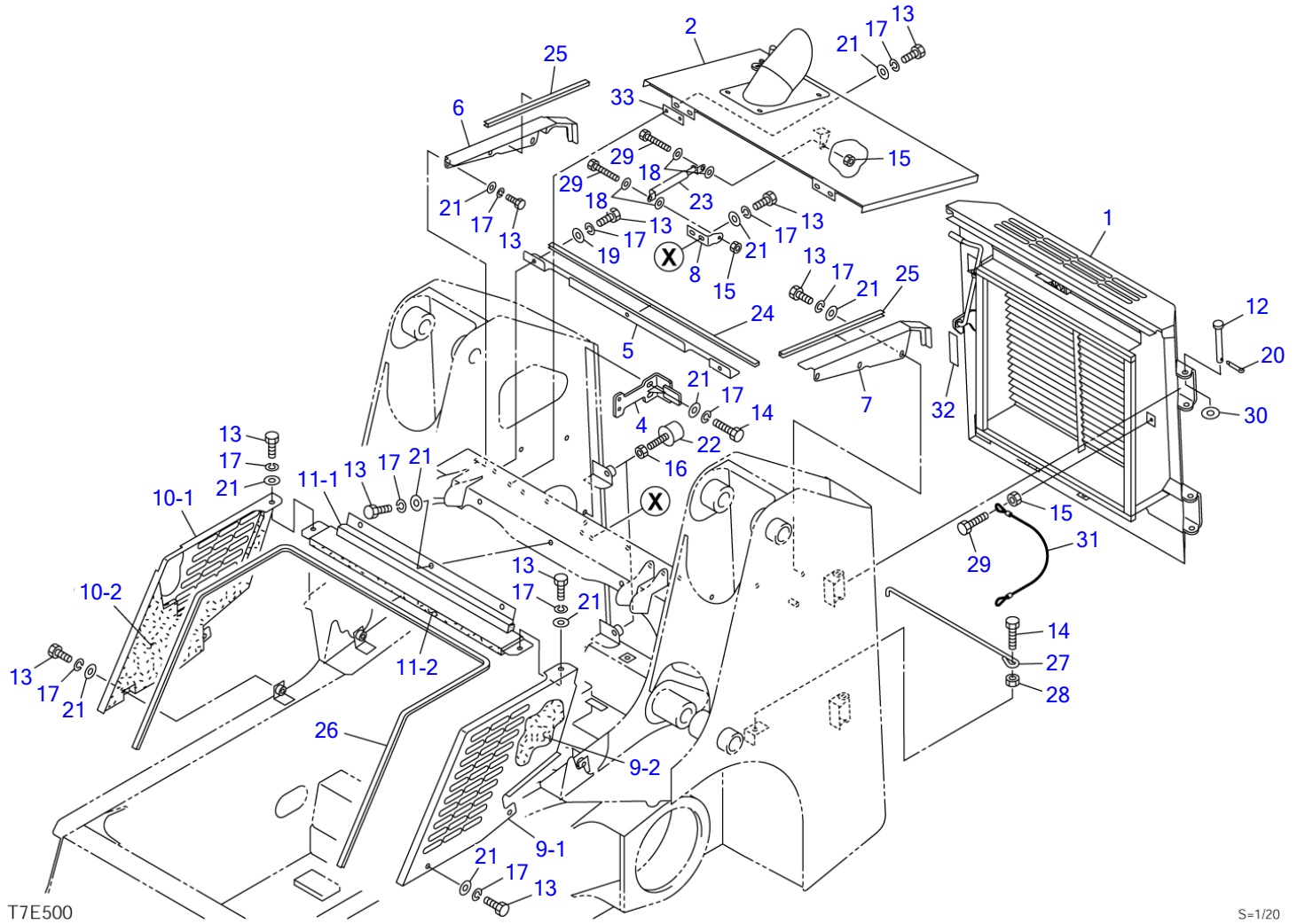
T7E037

S=1/10

**COVER (3/3) (engine hood; 21500628-)**

Item	Part number	Description	Q'ty	Chan.	Serial No.	Serv.	Remarks
0-2	<b>0881827400</b>	HOOD ASSY, engine	1		21500628~21500999		X08818-27400-0
	<b>0881827800</b>	HOOD ASSY, engine	1		21501000~		X08818-27800-2
1	<b>0881827450</b>	▪ HOOD, engine	1		21500628~21500999		
	<b>0881827850</b>	▪ HOOD, engine	1		21501000~		
2	<b>0881827470</b>	▪ NOZZLE	1		21500628~21500999		
	<b>0881827870</b>	▪ NOZZLE	1		21501000~		
3	<b>0880823660</b>	▪ LEVER	1				
4	<b>0880820080</b>	▪ ANGLE	1				
5	<b>0882820905</b>	▪ ABSORBENT, noise	1				
6	<b>0881827406</b>	▪ ABSORBENT, noise	1				
8	<b>0881827408</b>	▪ INSULATOR	1		21500628~21500999		
	<b>0881827808</b>	▪ INSULATOR	1		21501000~		
9	<b>1100040612</b>	▪ BOLT	1				
10	<b>1100040620</b>	▪ BOLT	1				
11	<b>1100040816</b>	▪ BOLT	4				
12	<b>1130040006</b>	▪ NUT	1				
13	<b>1140020006</b>	▪ WASHER, spring	1				
15	<b>0003608252</b>	▪ WASHER	4				
16	<b>0007000070</b>	▪ SPRING	1				
17	<b>1650202300</b>	▪ CAP	1				
18	<b>1653601395</b>	▪ LOCK	1				
18-1	<b>1700100019</b>	▪ KEY	1				
19	<b>1141110006</b>	▪ WASHER	2				
20	<b>1140020008</b>	▪ WASHER, spring	4				
	<b>T7e037</b>						

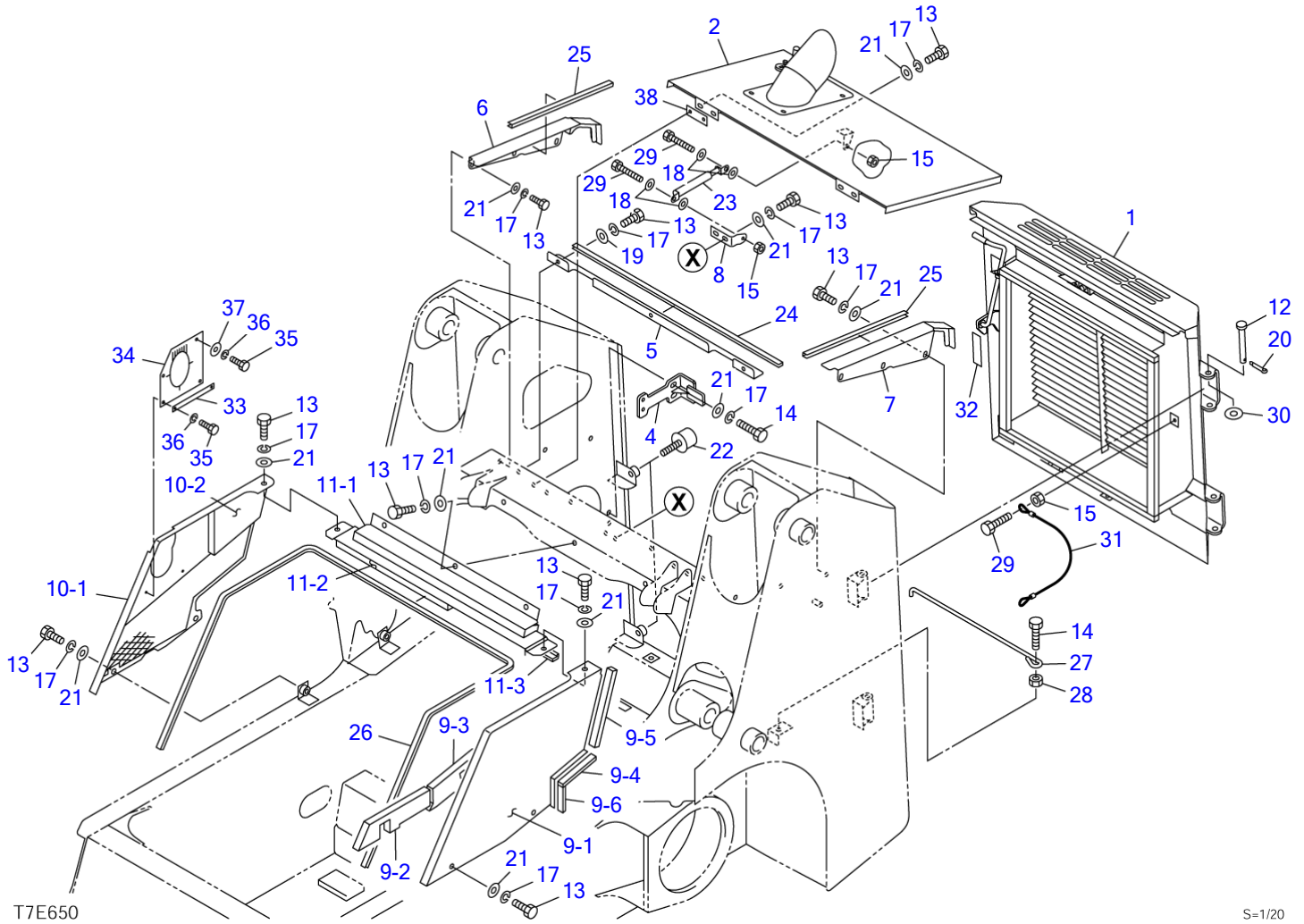
TL150 Book No. BT7Z011 S/N 21500004-  
COVER (1/3) (high flow; 21501587-21504103)



**COVER (1/3) (high flow; 21501587-21504103)**

Item	Part number	Description	Q'ty	Chan.	Serial No.	Serv.	Remarks
		COVER ASSY (for US)					X08818-28500-3
		COVER ASSY (for EU)			21501587~21502750		X08818-28900-1
1	<b>0881828600</b>	DOOR, rear (for US)	1				see page (2/3)
	<b>0881828950</b>	DOOR, rear (for EU)	1		21501587~21502750		see page (2/3)
2	<b>0881828800</b>	HOOD, engine	1				see page (3/3)
4	<b>0881822030</b>	BRACKET	1				
5	<b>0881823005</b>	PLATE	1				
6	<b>0881828540</b>	PLATE	1				
7	<b>0881828550</b>	PLATE	1				
8	<b>0881827008</b>	PLATE	1				
9	<b>0881827880</b>	COVER ASSY, side (L.H.)	1				
9-1	<b>0881827890</b>	· COVER, side	1				
9-2	<b>0881827882</b>	· ABSORBENT, noise	1				
10	<b>0881827910</b>	COVER ASSY, side (R.H.)	1				
10-1	<b>0881827920</b>	· COVER, side	1				
10-2	<b>0881827912</b>	· ABSORBENT, noise	1				
11	<b>0881822480</b>	COVER ASSY, center	1				
11-1	<b>0881822490</b>	· COVER, center	1				
11-2	<b>0881822482</b>	· ABSORBENT, noise	1				
12	<b>0881822020</b>	PIN	2				
13	<b>1100041020</b>	BOLT	24				
14	<b>1100041030</b>	BOLT	3				
15	<b>1130040008</b>	NUT	3				
16	<b>1130040012</b>	NUT	2				
17	<b>1140020010</b>	WASHER, spring	26				
18	<b>1141110008</b>	WASHER	4				
19	<b>1141110010</b>	WASHER	3				
20	<b>1210010425</b>	PIN, split	2				
21	<b>0003600025</b>	WASHER	23				
22	<b>1651101050</b>	STOPPER	2				
23	<b>1653900057</b>	SPRING, gas	1				
24	<b>1654623090</b>	TRIM	1				sold by the meter
25	<b>1654623045</b>	TRIM	2				sold by the meter
26	<b>1654520290</b>	TRIM	1				sold by the meter
27	<b>0881822027</b>	ROD	1				
28	<b>1130040010</b>	NUT	1				
29	<b>1100040825</b>	BOLT	3				
30	<b>1141110016</b>	WASHER	2				
31	<b>1929900437</b>	ROPE	1				
32	<b>0881823034</b>	RUBBER	1				
33	<b>0003900040</b>	SPACER	AR				t=1.6mm
	<b>0003900041</b>	SPACER	AR				t=2.3mm
	<b>T7e503</b>						

TL150 Book No. BT7Z011 S/N 21500004-  
COVER (1/3) (high flow, for US; 21504104-)

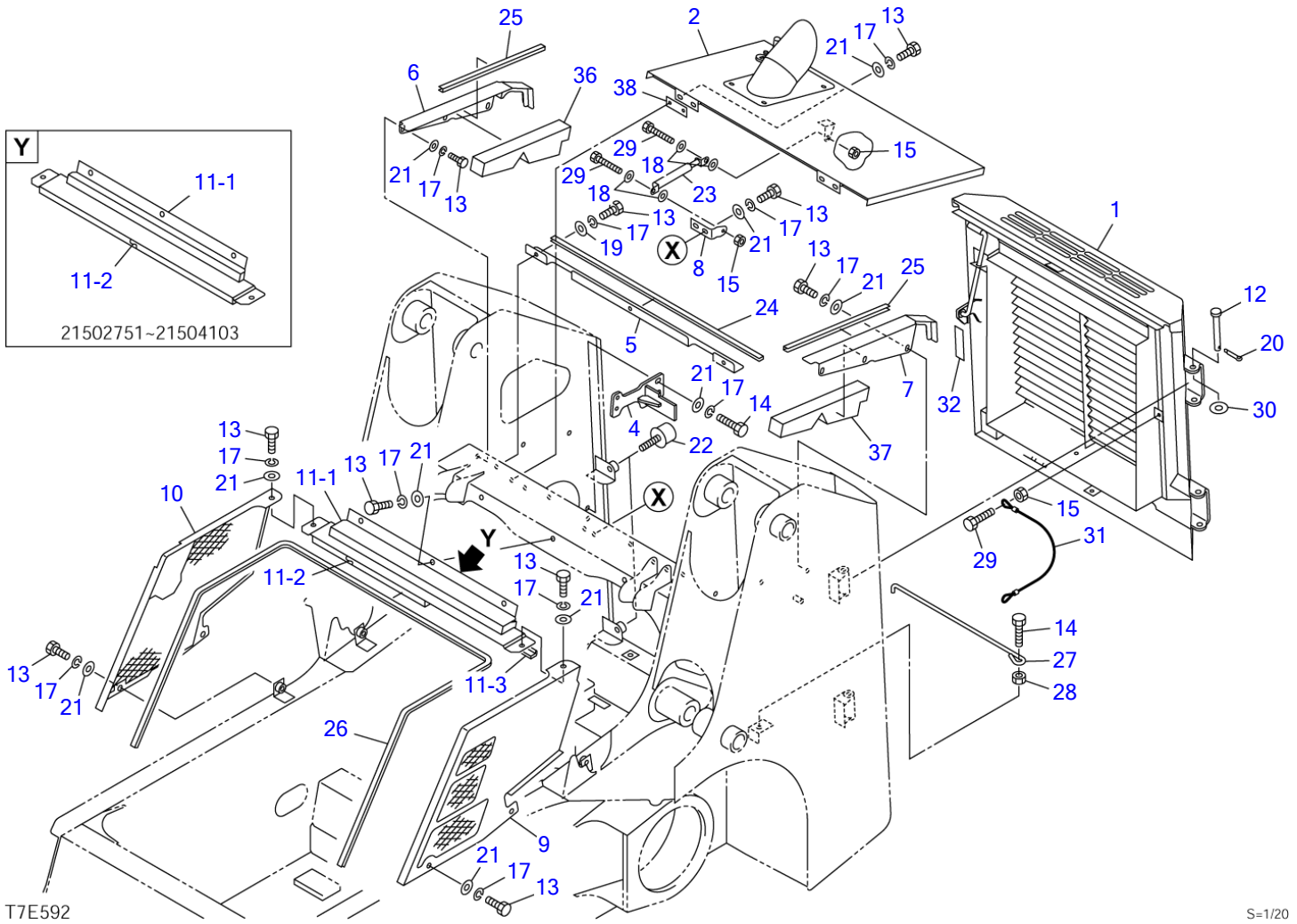




**COVER (1/3) (high flow, for US; 21504104-)**

Item	Part number	Description	Q'ty	Chan.	Serial No.	Serv.	Remarks
		COVER ASSY (for US)					X08818-28500-4
1	0881828600	DOOR, rear (for US)	1				see page (2/3)
2	0881828800	HOOD, engine	1				see page (3/3)
4	0881822030	BRACKET	1				
5	0881823005	PLATE	1				
6	0881828540	PLATE	1				
7	0881828550	PLATE	1				
8	0881827008	PLATE	1				
9	0881827930	COVER ASSY, side (L.H.)	1				
9-1	0881827940	· COVER, side	1				
9-2	0881827932	· SPONGE	1				
9-3	0881827933	· SPONGE	1				
9-4	0881827934	· SPONGE	1				
9-5	1654304030	· SPONGE	1				sold by the meter
9-6	1654325011	· SPONGE	1				sold by the meter
10	0881827950	COVER ASSY, side (R.H.)	1				
10-1	0881827960	· COVER, side	1				
10-2	0881827952	· SPONGE	1				
11	0881827970	COVER ASSY, center	1				
11-1	0881827980	· COVER, center	1				
11-2	0881822482	· ABSORBENT, noise	1				
11-3	0881827972	· SPONGE	1				
12	0881822020	PIN	2				
13	1100041020	BOLT	24				
14	1100041030	BOLT	3				
15	1130040008	NUT	3				
17	1140020010	WASHER, spring	26				
18	1141110008	WASHER	4				
19	1141110010	WASHER	3				
20	1210010425	PIN, split	2				
21	0003600025	WASHER	23				
22	1651101050	STOPPER	2				
23	1653900057	SPRING, gas	1				
24	1654623090	TRIM	1				sold by the meter
25	1654623045	TRIM	2				sold by the meter
26	1654520290	TRIM	1				sold by the meter
27	0881822027	ROD	1				
28	1130040010	NUT	1				
29	1100040825	BOLT	3				
30	1141110016	WASHER	2				
31	1929900437	ROPE	1				
32	0881823034	RUBBER	1				
33	0881827990	PLATE	1				
34	0881827995	RUBBER	1				
35	1100040612	BOLT	4				
36	1140020006	WASHER, spring	4				
37	0003606301	WASHER	2				
38	0003900040	SPACER	AR				t=1.6mm
	0003900041	SPACER	AR				t=2.3mm
	<b>T7e650</b>						

TL150 Book No. BT7Z011 S/N 21500004-  
COVER (1/3) (high flow, for EU; 21502751-)

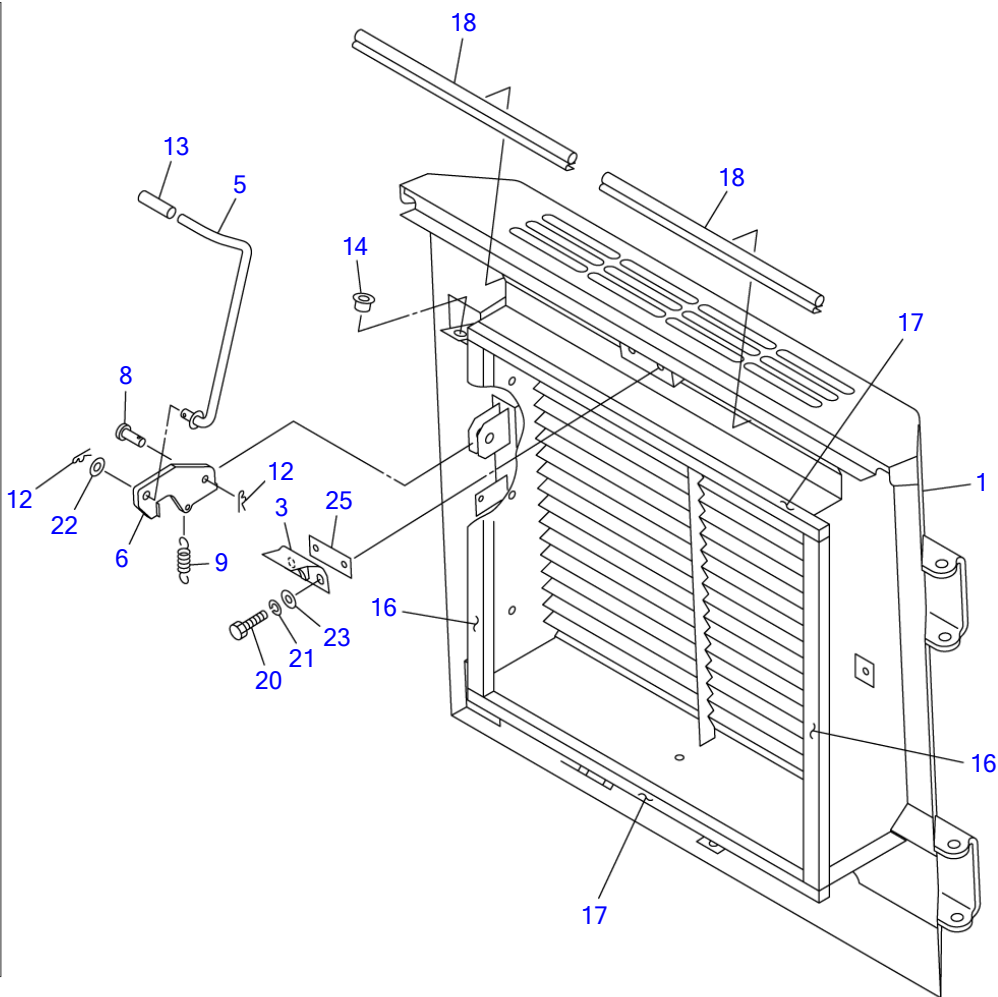
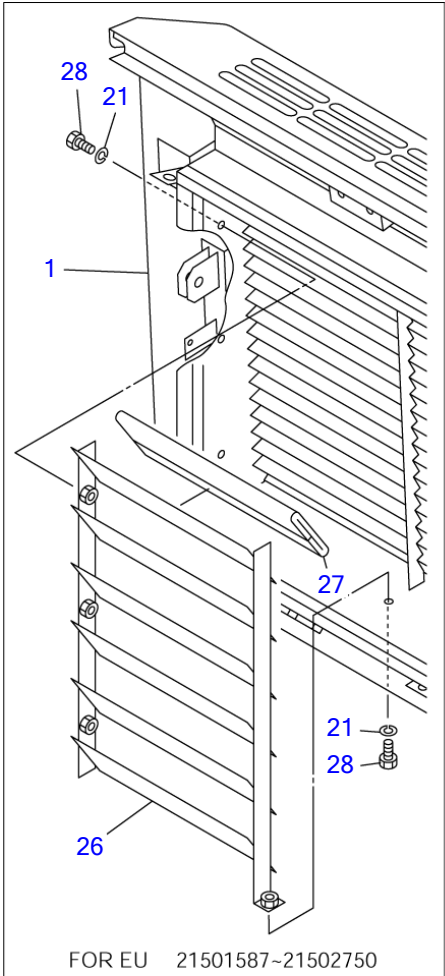


S=1/20

**COVER (1/3) (high flow, for EU; 21502751-)**

Item	Part number	Description	Q'ty	Chan.	Serial No.	Serv.	Remarks
		COVER ASSY (for EU)					X08818-29000-6
1	0881829100	DOOR, rear	1				see page (2/3)
2	0881829400	HOOD, engine	1				see page (3/3)
4	0881829050	BRACKET	1				
5	0881823005	PLATE	1				
6	0881828540	PLATE	1				
7	0881828550	PLATE	1				
8	0881827008	PLATE	1				
9	0881829060	COVER, side (L.H.)	1				
10	0881829070	COVER, side (R.H.)	1				
11	0881822480	COVER ASSY, center	1		21502751~21504103		
	0881827970	COVER ASSY, center	1	(H)	21504104~		
11-1	0881822490	• COVER, center	1		21502751~21504103		
	0881827980	• COVER, center	1	(H)	21504104~		
11-2	0881822482	• ABSORBENT, noise	1				
11-3	0881827972	• SPONGE	1		21504104~		
12	0881822020	PIN	2				
13	1100041020	BOLT	24				
14	1100041030	BOLT	3				
15	1130040008	NUT	3				
17	1140020010	WASHER, spring	26				
18	1141110008	WASHER	4				
19	1141110010	WASHER	3				
20	1210010425	PIN, split	2				
21	0003600025	WASHER	23				
22	1651101050	STOPPER	2				
23	1653900057	SPRING, gas	1				
24	1654623090	TRIM	1				sold by the meter
25	1654623045	TRIM	2				sold by the meter
26	1654520290	TRIM	1				sold by the meter
27	0881822027	ROD	1				
28	1130040010	NUT	1				
29	1100040825	BOLT	3				
30	1141110016	WASHER	2				
31	1929900437	ROPE	1				
32	0881823034	RUBBER	1				
36	0881829350	ABSORBENT, noise	1				
37	0881829360	ABSORBENT, noise	1				
38	0003900040	SPACER	AR				t=1.6mm
	0003900041	SPACER	AR				t=2.3mm
	T7e592						

TL150 Book No. BT7Z011 S/N 21500004-  
COVER (2/3) (high flow, rear door; 21501587-)

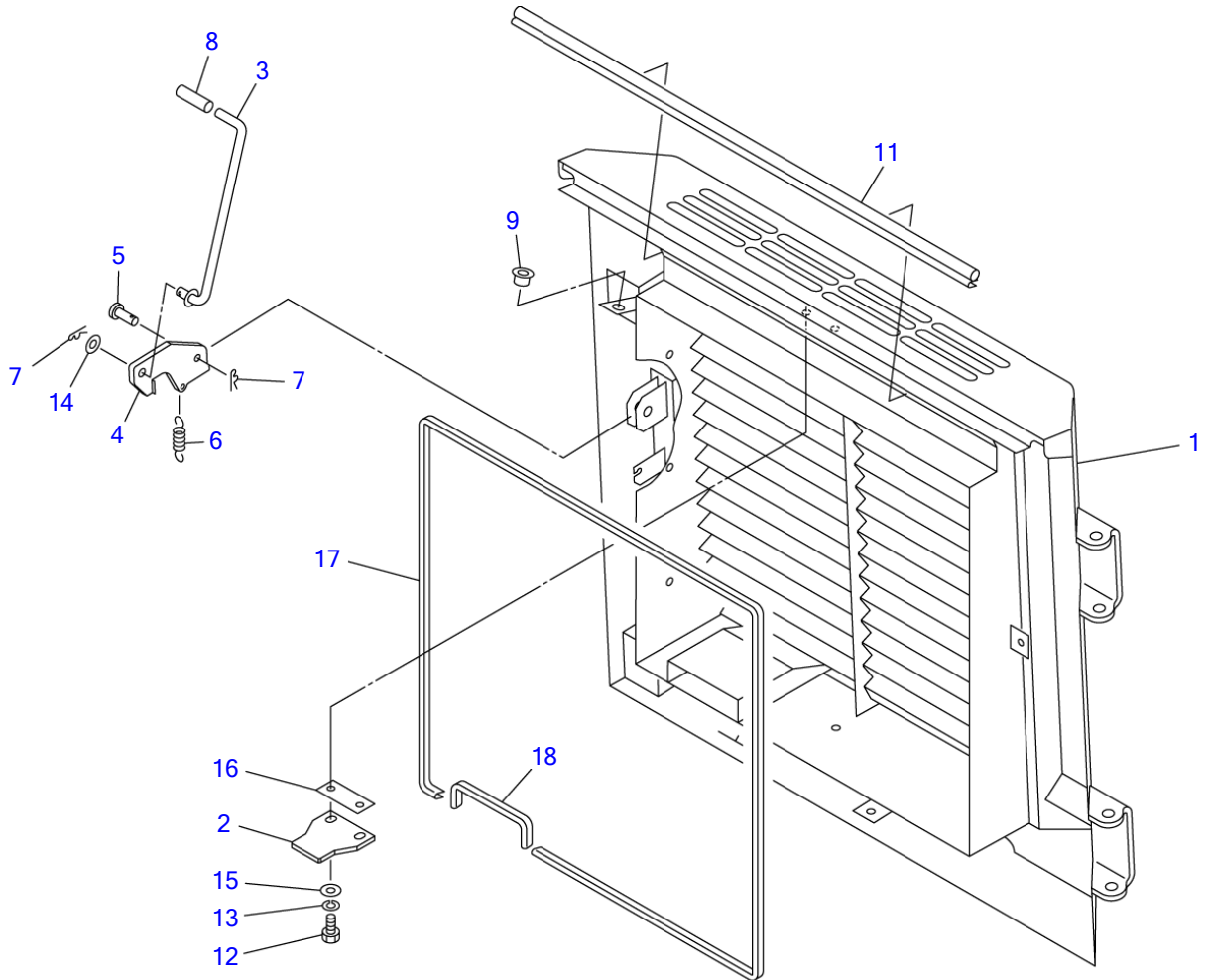


T7E512

S=1/10

**COVER (2/3) (high flow, rear door; 21501587-)**

Item	Part number	Description	Q'ty	Chan.	Serial No.	Serv.	Remarks
0-1	<b>0881828600</b>	DOOR ASSY, rear (for US)	1				X08818-28600-1
	<b>0881828950</b>	DOOR ASSY, rear (for EU)	1		21501587~21502750		X08818-28950-1
1	<b>0881828700</b>	• DOOR, rear	1				
3	<b>0880823670</b>	• STRIKER	1				
5	<b>0881828630</b>	• ROD	1				
6	<b>0881822550</b>	• PLATE	1				
8	<b>0004015002</b>	• PIN	1				
9	<b>0007000112</b>	• SPRING	1				
12	<b>1214000012</b>	• PIN, snap	2				
13	<b>1650202300</b>	• CAP	1				
14	<b>1652615200</b>	• BUSHING	1				
16	<b>1654345058</b>	• SPONGE	2				sold by the meter
17	<b>1654349068</b>	• SPONGE	1				sold by the meter
18	<b>1654605041</b>	• TRIM	2				sold by the meter
20	<b>1100040830</b>	• BOLT	2				
21	<b>1140020008</b>	• WASHER, spring	6				
22	<b>1141110012</b>	• WASHER	1				
23	<b>0003608252</b>	• WASHER	2				
25	<b>0003900037</b>	• SPACER	AR				t=4.5mm
	<b>0003900038</b>	• SPACER	AR				t=1.6mm
26	<b>0881828960</b>	• LOUVER	1		21501587~21502750		for EU
27	<b>0881828970</b>	• ABSORBENT, noise	6		21501587~21502750		for EU
28	<b>1100040816</b>	• BOLT	4		21501587~21502750		for EU
	<b>T7e512</b>						

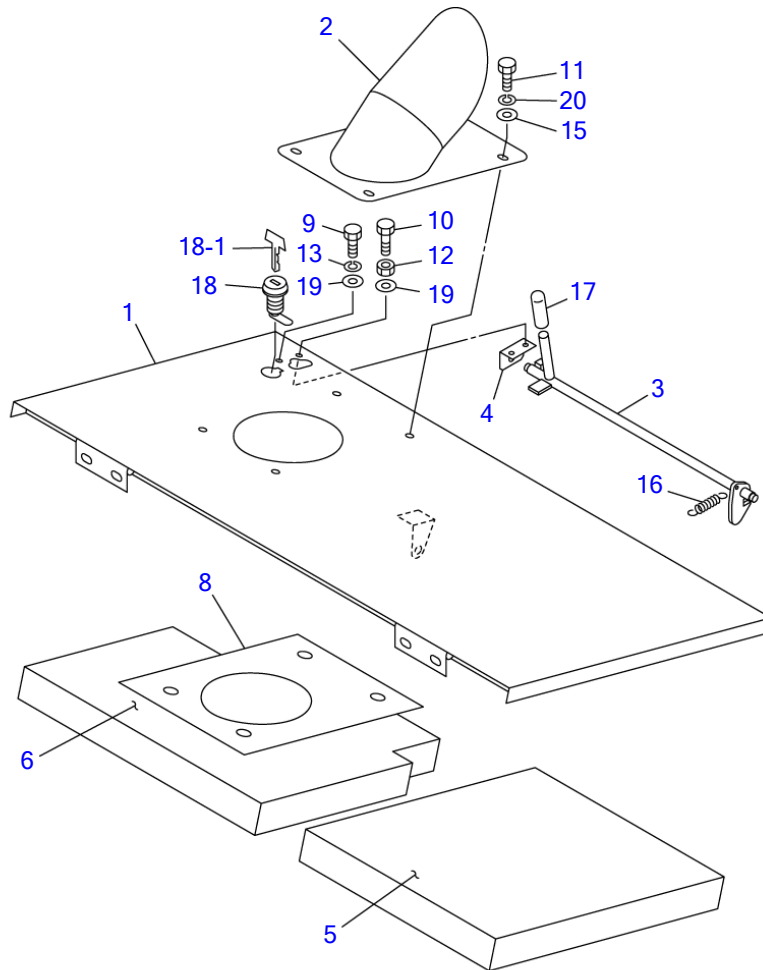


T7E601

S=1/10

**COVER (2/3) (high flow, rear door, for EU; 21502751-)**

Item	Part number	Description	Q'ty	Chan.	Serial No.	Serv.	Remarks
0-1	<b>0881829100</b>	DOOR ASSY, rear (high flow) (for EU)	1				X08818-29100-1
1	<b>0881829200</b>	▪ DOOR, rear	1				
2	<b>0880825650</b>	▪ STRIKER	1				
3	<b>0881829150</b>	▪ ROD	1				
4	<b>0880826160</b>	▪ PLATE	1				
5	<b>0004015002</b>	▪ PIN	1				
6	<b>0007000112</b>	▪ SPRING	1				
7	<b>1214000012</b>	▪ PIN, snap	2				
8	<b>1650202300</b>	▪ CAP	1				
9	<b>1652615200</b>	▪ BUSHING	1				
11	<b>1654605088</b>	▪ TRIM	1				sold by the meter
12	<b>1100040825</b>	▪ BOLT	2				
13	<b>1140020008</b>	▪ WASHER, spring	2				
14	<b>1141110012</b>	▪ WASHER	1				
15	<b>0003608252</b>	▪ WASHER	2				
16	<b>0003900037</b>	▪ SPACER	AR				t=4.5mm
17	<b>1654606232</b>	▪ TRIM	1				sold by the meter
18	<b>1654606019</b>	▪ TRIM	1				sold by the meter
	<b>T7e601</b>						



T7E522

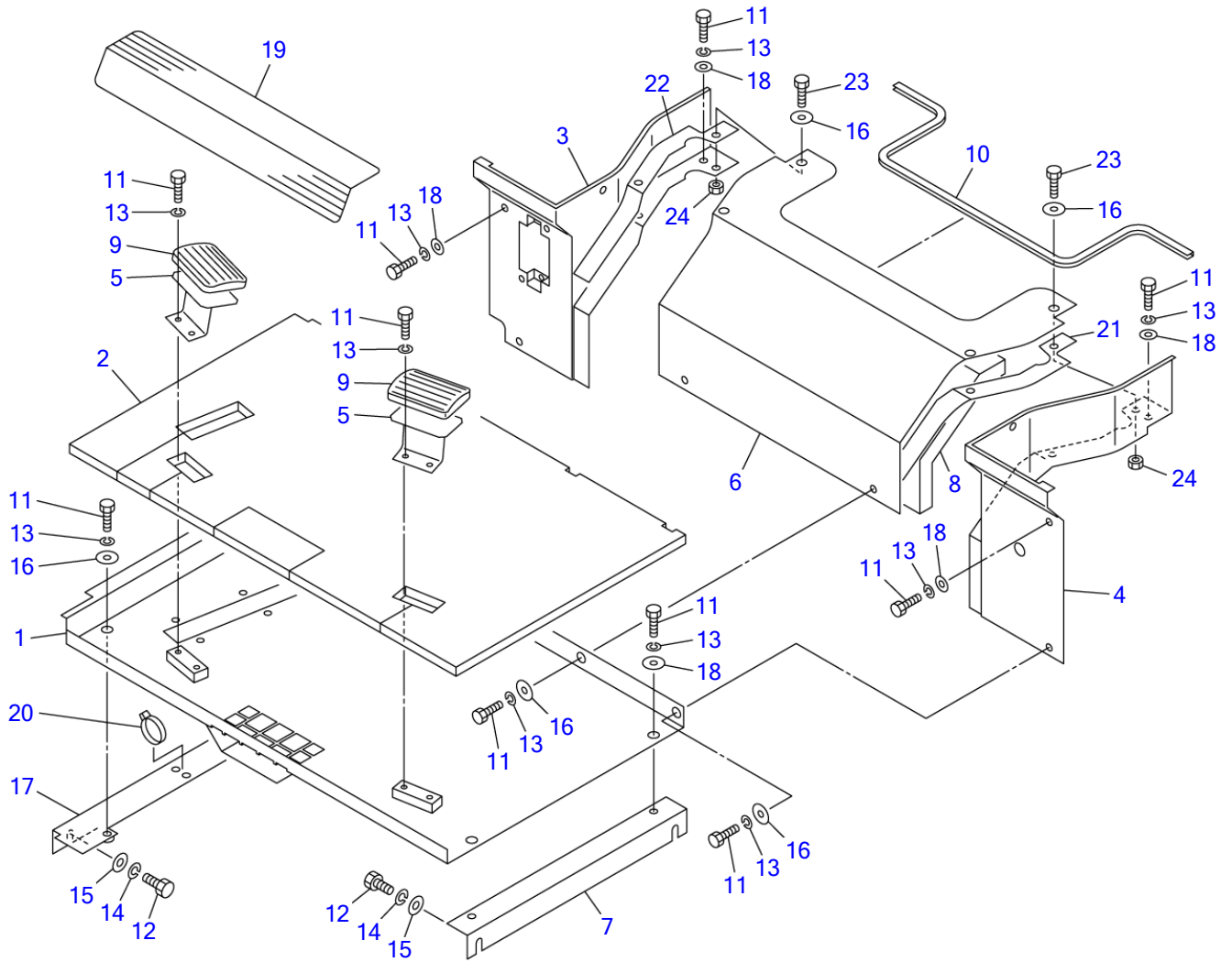
S=1/10



**COVER (3/3) (high flow, engine hood; 21501587-)**

Item	Part number	Description	Q'ty	Chan.	Serial No.	Serv.	Remarks
0-2	<b>0881829400</b>	HOOD ASSY, engine	1				X08818-29400-1
1	<b>0881828850</b>	▪ HOOD, engine	1				
2	<b>0881828870</b>	▪ NOZZLE	1				
3	<b>0880823660</b>	▪ LEVER	1				
4	<b>0880820080</b>	▪ ANGLE	1				
5	<b>0881829430</b>	▪ ABSORBENT, noise	1				
6	<b>0881829440</b>	▪ ABSORBENT, noise	1				
8	<b>0881828808</b>	▪ INSULATOR	1				
9	<b>1100040612</b>	▪ BOLT	1				
10	<b>1100040620</b>	▪ BOLT	1				
11	<b>1100040816</b>	▪ BOLT	4				
12	<b>1130040006</b>	▪ NUT	1				
13	<b>1140020006</b>	▪ WASHER, spring	1				
15	<b>0003608252</b>	▪ WASHER	4				
16	<b>0007000070</b>	▪ SPRING	1				
17	<b>1650202300</b>	▪ CAP	1				
18	<b>1653601395</b>	▪ LOCK	1				
18-1	<b>1700100019</b>	▪ KEY	1				
19	<b>1141110006</b>	▪ WASHER	2				
20	<b>1140020008</b>	▪ WASHER, spring	4				
	<b>T7e522</b>						

TL150 Book No. BT7Z011 S/N 21500004-  
FLOOR FRAME (21500004-21500627)



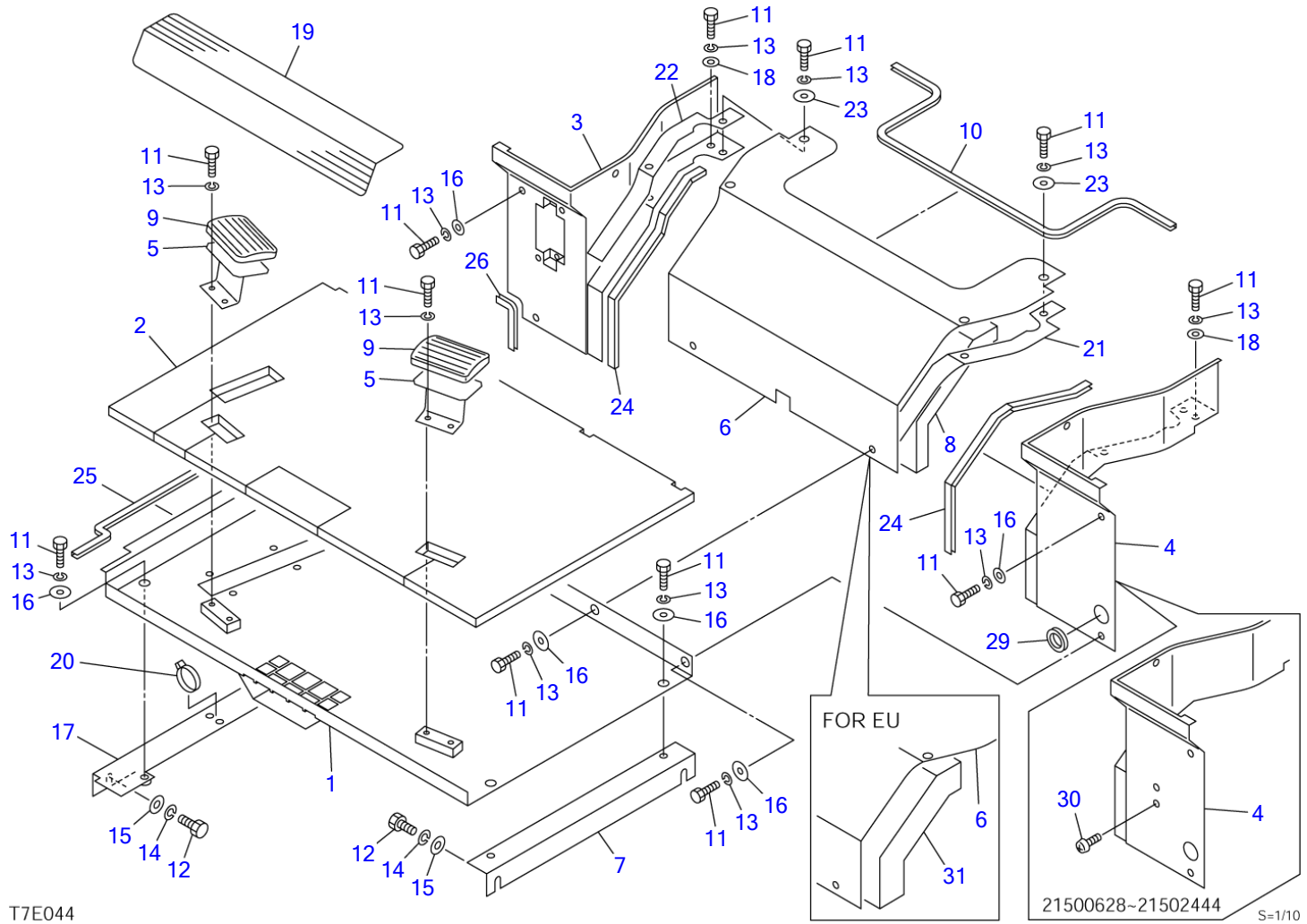
T7E041

S=1/10

**FLOOR FRAME (21500004-21500627)**

Item	Part number	Description	Q'ty	Chan.	Serial No.	Serv.	Remarks
		FLOOR ASSY					X08813-51000-4
1	0881351150	PLATE	1				
2	0881351250	MAT	1				
3	0881351700	COVER (R.H.)	1				
4	0881351800	COVER (L.H.)	1				
5	0563219700	REST, foot	2				
6	0881351600	COVER	1				
7	0881351010	STAY	1				
8	0881351020	ABSORBENT, noise	1				
9	0563218500	COVER	2				
10	1654623080	TRIM	1		21500004~21500006		
	1654520105	TRIM	1		21500007~		sold by the meter
11	1100040820	BOLT	18				
12	1100041016	BOLT	4				
13	1140020008	WASHER, spring	18				
14	1140020010	WASHER, spring	4				
15	1141110010	WASHER	4				
16	0003608252	WASHER	12				
17	0881351500	STAY	1				
18	1141110008	WASHER	6				
19	0880821355	SHEET	1				
20	1652231250	BAND	1		21500007~		
21	0881351021	SPONGE	1				
22	0881351022	SPONGE	1				
23	1100240830	BOLT	4				
24	1130040008	NUT	4				
	T7e041						

TL150 Book No. BT7Z011 S/N 21500004-  
FLOOR FRAME (21500628-21503755)

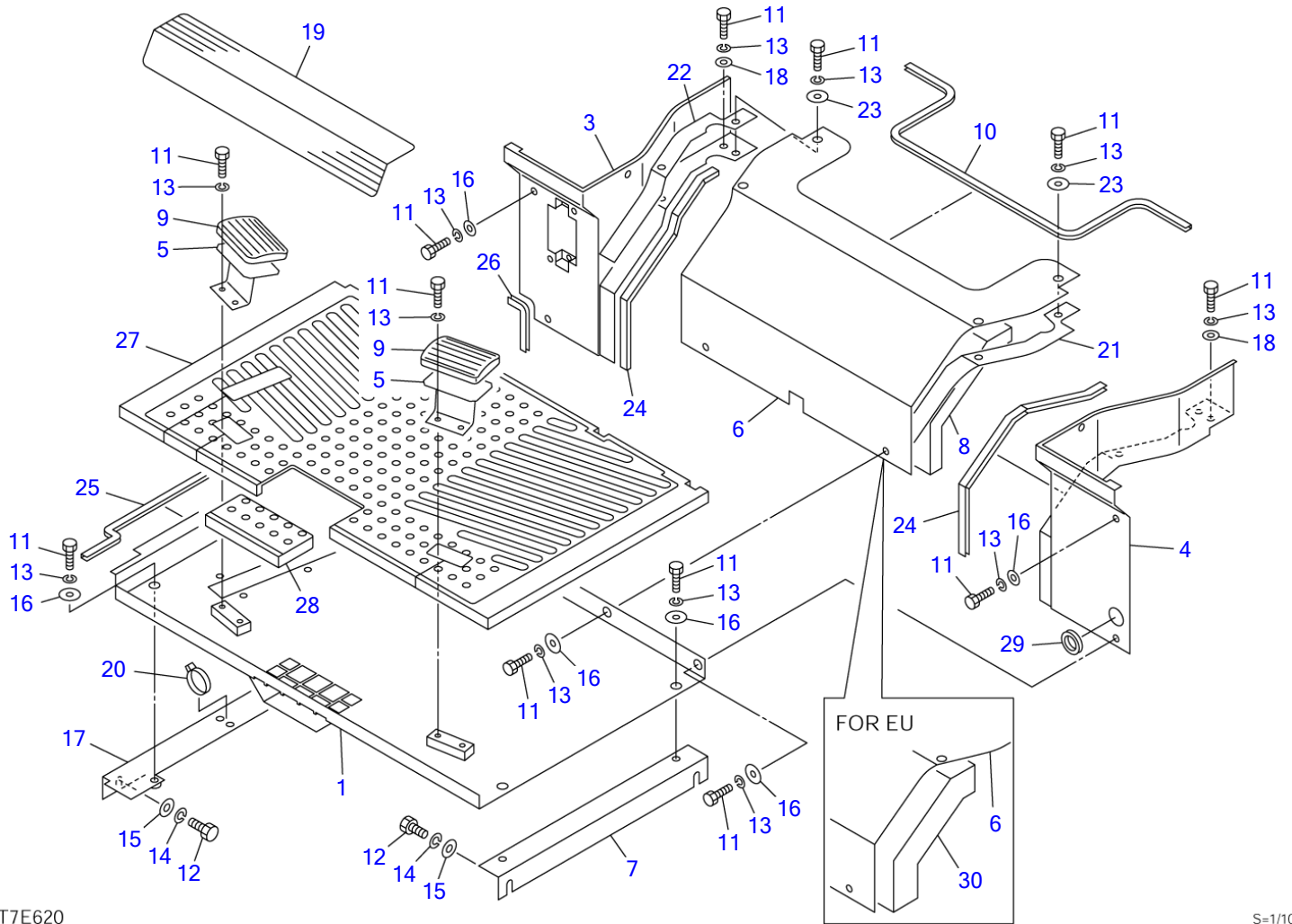


T7E044

**FLOOR FRAME (21500628-21503755)**

Item	Part number	Description	Q'ty	Chan.	Serial No.	Serv.	Remarks
		FLOOR ASSY					X08813-53000-1
		FLOOR ASSY (for EU)					X08813-53500-1
1	0881352010	PLATE	1				
2	0881351250	MAT	1				
3	0881352030	COVER (R.H.)	1				
4	0881352040	COVER (L.H.)	1		21500628~21502444		
	0881353050	COVER (L.H.)	1		21502445~		
5	0563219700	REST, foot	2				
6	0880353550	COVER	1				
7	0881351010	STAY	1				
8	0881351020	ABSORBENT, noise	1				
9	0563218500	COVER	2				
10	1654520105	TRIM	1				sold by the meter
11	1100040820	BOLT	22				
12	1100041016	BOLT	4				
13	1140020008	WASHER, spring	22				
14	1140020010	WASHER, spring	4				
15	1141110010	WASHER	4				
16	0003608252	WASHER	8				
17	0881351500	STAY	1				
18	1141110008	WASHER	4				
19	0880821355	SHEET	1				
20	1652231250	BAND	1				
21	0880353526	SPONGE	1				
22	0880353527	SPONGE	1				
23	0003608003	WASHER	4				
24	1653916043	TRIM	2				sold by the meter
25	1654606048	TRIM	1				sold by the meter
26	1653916007	TRIM	1				sold by the meter
29	1652053001	GROMMET	1				
30	1120530612	SCREW	2		21500628~21502444		
31	0881353540	ABSORBENT, noise	1		21502751~		for EU
	<b>T7e044</b>						

TL150 Book No. BT7Z011 S/N 21500004-  
FLOOR FRAME (21503756-21503875)



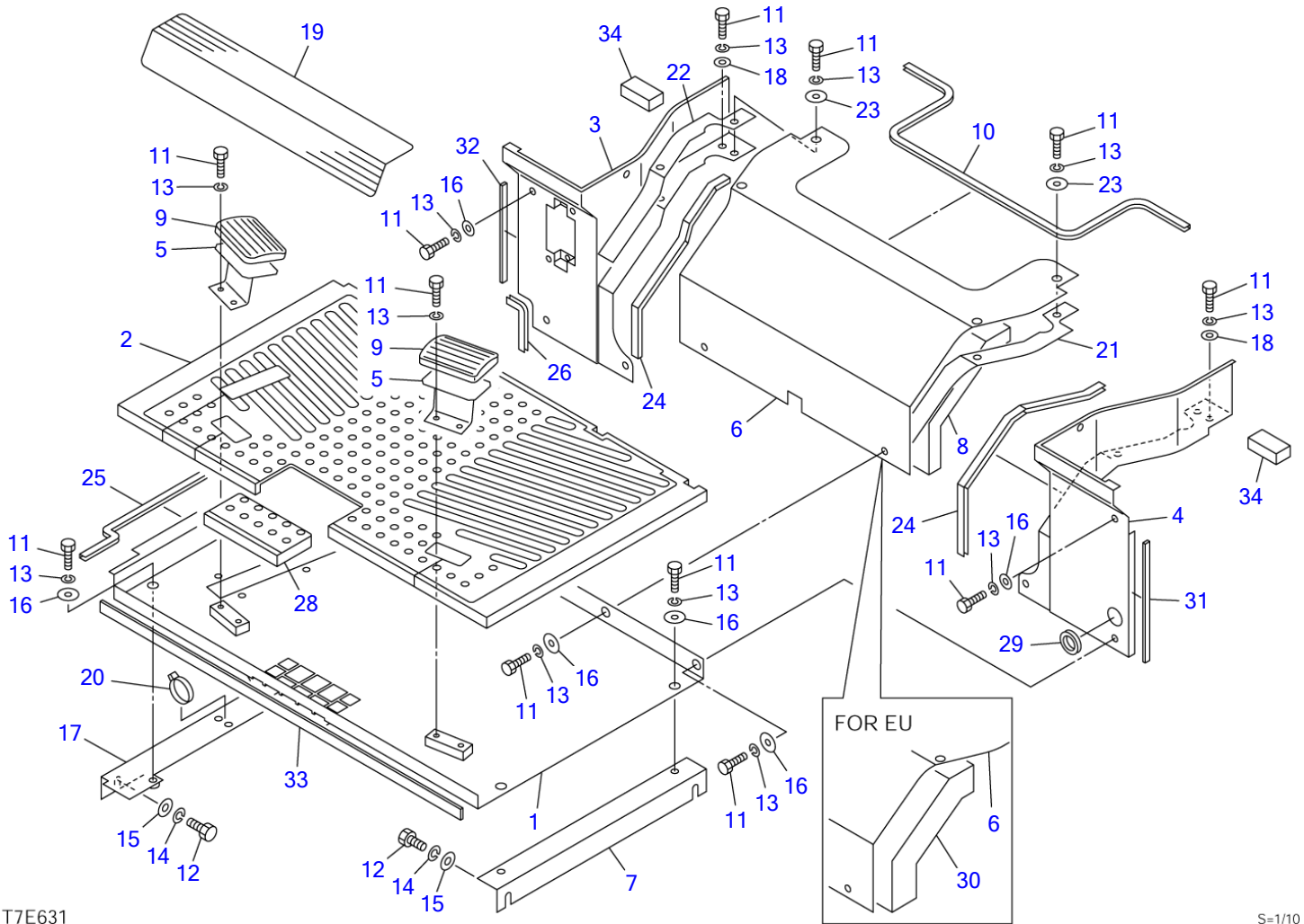
T7E620

S-1/10

**FLOOR FRAME (21503756-21503875)**

Item	Part number	Description	Q'ty	Chan.	Serial No.	Serv.	Remarks
		FLOOR ASSY					X08813-53000-2
		FLOOR ASSY (for EU)					X08813-53500-2
1	0881352010	PLATE	1				
3	0881352030	COVER (R.H.)	1				
4	0881353050	COVER (L.H.)	1				
5	0563219700	REST, foot	2				
6	0880353550	COVER	1				
7	0881351010	STAY	1				
8	0881351020	ABSORBENT, noise	1				
9	0563218500	COVER	2				
10	1654520105	TRIM	1				sold by the meter
11	1100040820	BOLT	22				
12	1100041016	BOLT	4				
13	1140020008	WASHER, spring	22				
14	1140020010	WASHER, spring	4				
15	1141110010	WASHER	4				
16	0003608252	WASHER	8				
17	0881351500	STAY	1				
18	1141110008	WASHER	4				
19	0880821355	SHEET	1				
20	1652231250	BAND	1				
21	0880353526	SPONGE	1				
22	0880353527	SPONGE	1				
23	0003608003	WASHER	4				
24	1653916043	TRIM	2				sold by the meter
25	1654606048	TRIM	1				sold by the meter
26	1653916007	TRIM	1				sold by the meter
27	0881353070	MAT	1				
28	0881353080	MAT	1				
29	1652053001	GROMMET	1				
30	0881353540	ABSORBENT, noise	1				for EU
	T7e620						

TL150 Book No. BT7Z011 S/N 21500004-  
FLOOR FRAME (21503876-)



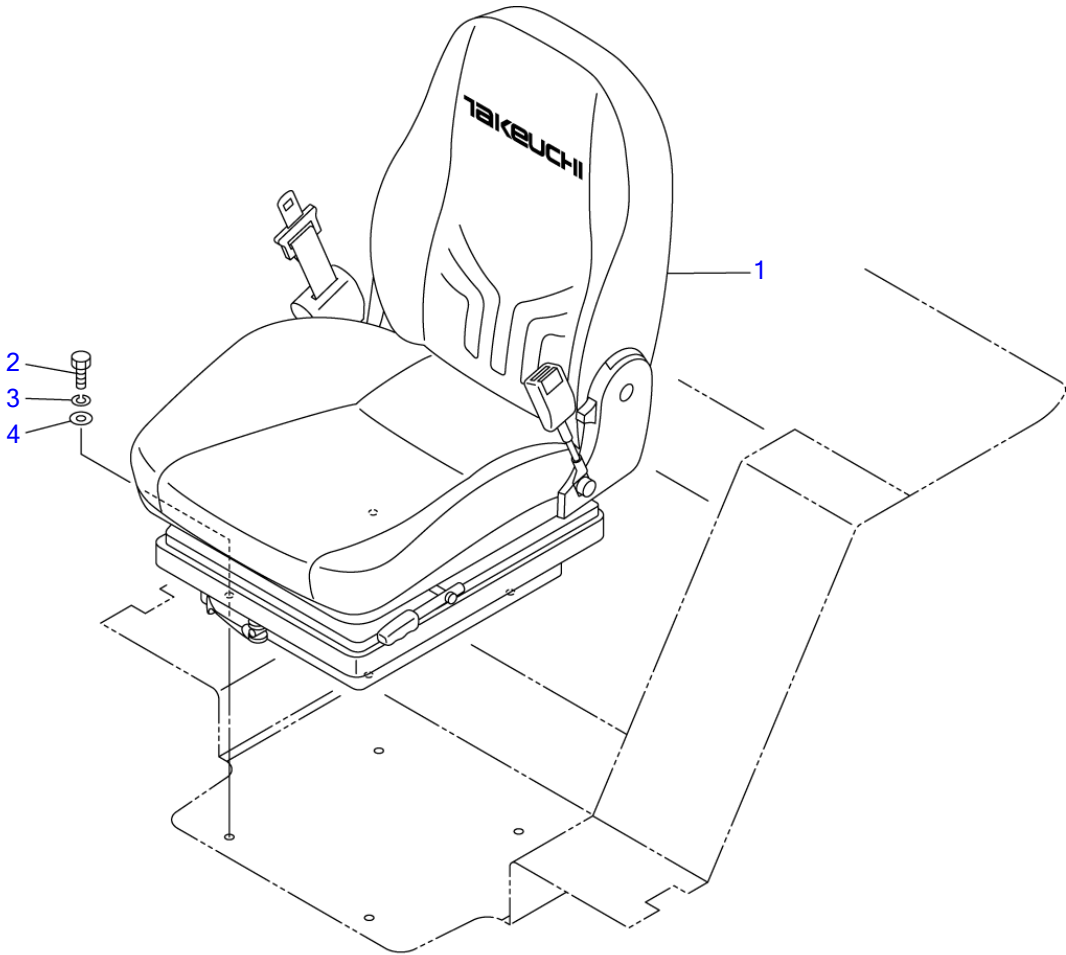
T7E631

S-1/10



**FLOOR FRAME (21503876-)**

Item	Part number	Description	Q'ty	Chan.	Serial No.	Serv.	Remarks
		FLOOR ASSY					X08813-54000-0
		FLOOR ASSY (for EU)					X08813-54500-0
1	0881353510	PLATE	1				
2	0881351250	MAT, floor	1	A	21503876~21504397	M	
	0881354050	MAT, floor	1	a	21504398~	M	
3	0881353520	COVER (R.H.)	1				
4	0881353530	COVER (L.H.)	1				
5	0563219700	REST, foot	2				
6	0880354650	COVER	1				
7	0881351010	STAY	1				
8	0881351020	ABSORBENT, noise	1			M	except for EU
9	0563218500	COVER	2				
10	1654520105	TRIM	1				sold by the meter
11	1100040820	BOLT	22				
12	1100041016	BOLT	4				
13	1140020008	WASHER, spring	22				
14	1140020010	WASHER, spring	4				
15	1141110010	WASHER	4				
16	0003608252	WASHER	8				
17	0881351500	STAY	1				
18	1141110008	WASHER	4				
19	0880821355	SHEET	1				
20	1652231250	BAND	1				
21	0880353526	SPONGE	1				
22	0880353527	SPONGE	1				
23	0003608003	WASHER	4				
24	1653916043	TRIM	2				sold by the meter
25	1654606048	TRIM	1				sold by the meter
26	1653916007	TRIM	1				sold by the meter
28	0881353080	MAT	1	a	21504398~	M	
29	1652053001	GROMMET	1				
30	0881353540	ABSORBENT, noise	1				for EU
31	1654355022	SPONGE	1				sold by the meter
32	1654355018	SPONGE	1				sold by the meter
33	1654354077	SPONGE	1				sold by the meter
34	1654342006	SPONGE	2				sold by the meter
		<<NOTE>>				M	
		"A" is interchangeable with				M	
		SET "a".					
	<b>T7e631</b>						



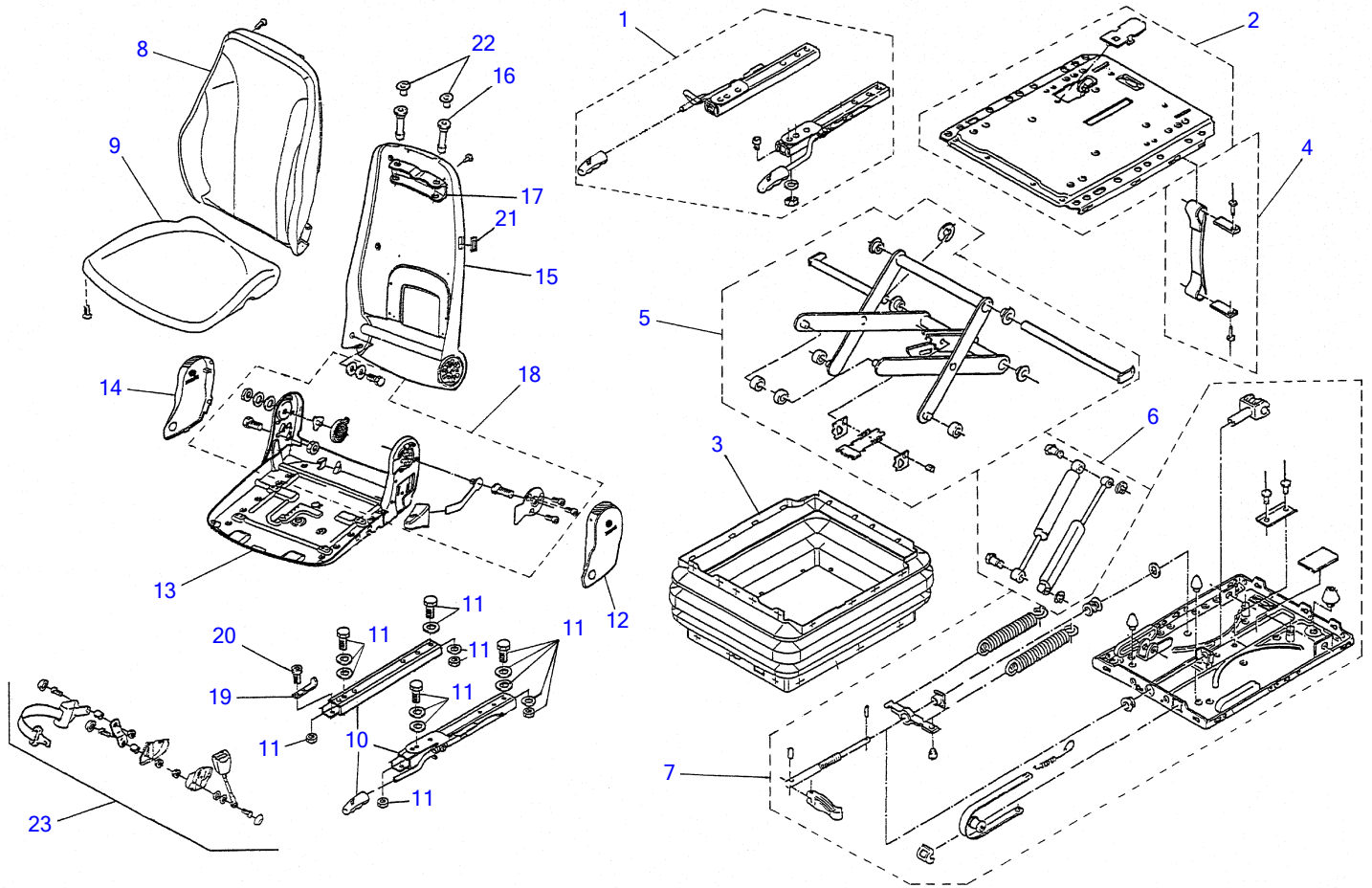
T7E050

S=1/10

**SEAT (1/2)**

Item	Part number	Description	Q'ty	Chan.	Serial No.	Serv.	Remarks
		SEAT ASSY					X08813-40000-2
1	<b>1914100079</b>	SEAT	1				see page (2/2)
2	<b>1100040820</b>	BOLT	4				
3	<b>1140020008</b>	WASHER, spring	4				
4	<b>1141110008</b>	WASHER	4				
	<b>T7e051</b>						

TL150 Book No. BT7Z011 S/N 21500004-  
SEAT (2/2)

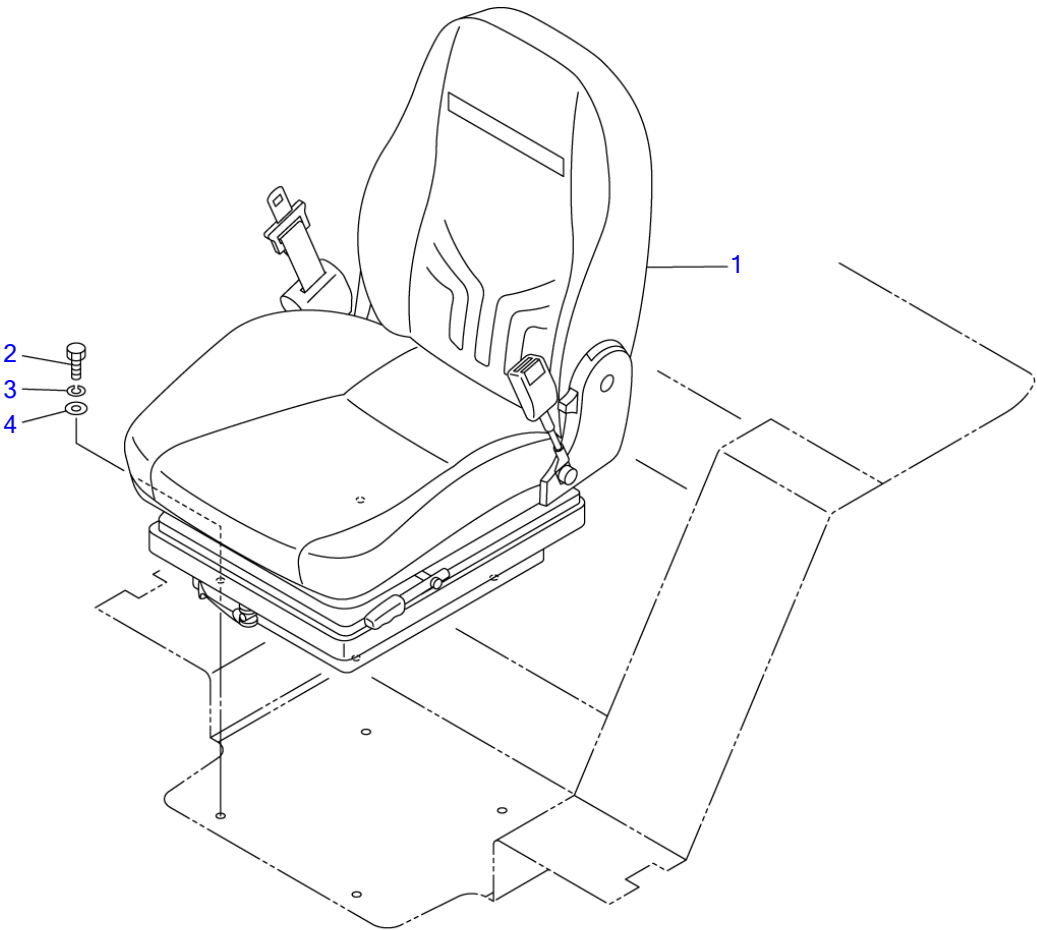


T7E060

S=Free

SEAT (2/2)						
Item	Part number	Description	Q'ty	Chan.	Serial No.	Serv. Remarks
0	1914100079	SEAT ASSY	1			PVC
1	1914101072	▪ RAIL ASSY	1			
2	1914102072	▪ PLATE ASSY	1			
3	1914103072	▪ BOOT	1			
4	1914104072	▪ ANGLE ASSY	1			
5	1914105072	▪ LINK ASSY	1			
6	1914106072	▪ DAMPER ASSY	1			
7	1914107072	▪ SPRING ASSY	1			
8	1914108072	▪ TRIM	1			
9	1914109072	▪ TRIM	1			
10	1914110072	▪ RAIL ASSY	1			
11	1914111072	▪ BOLT ASSY	1			
12	1914112072	▪ COVER (L.H.)	1			
13	1914113072	▪ FRAME	1			
14	1914114072	▪ COVER (R.H.)	1			
15	1914115072	▪ FRAME	1			
16	1914116072	▪ GUIDE	2			
17	1914117072	▪ BRACKET	1			
18	1914118072	▪ JOINT ASSY	1			
19	1914119072	▪ PLATE	1			
20	1914120072	▪ SCREW, cap	1			
21	1914121072	▪ PLATE	1			
22	1914122072	▪ PLUG	2			
23	1914123072	▪ BELT ASSY, seat	1			

T7e060

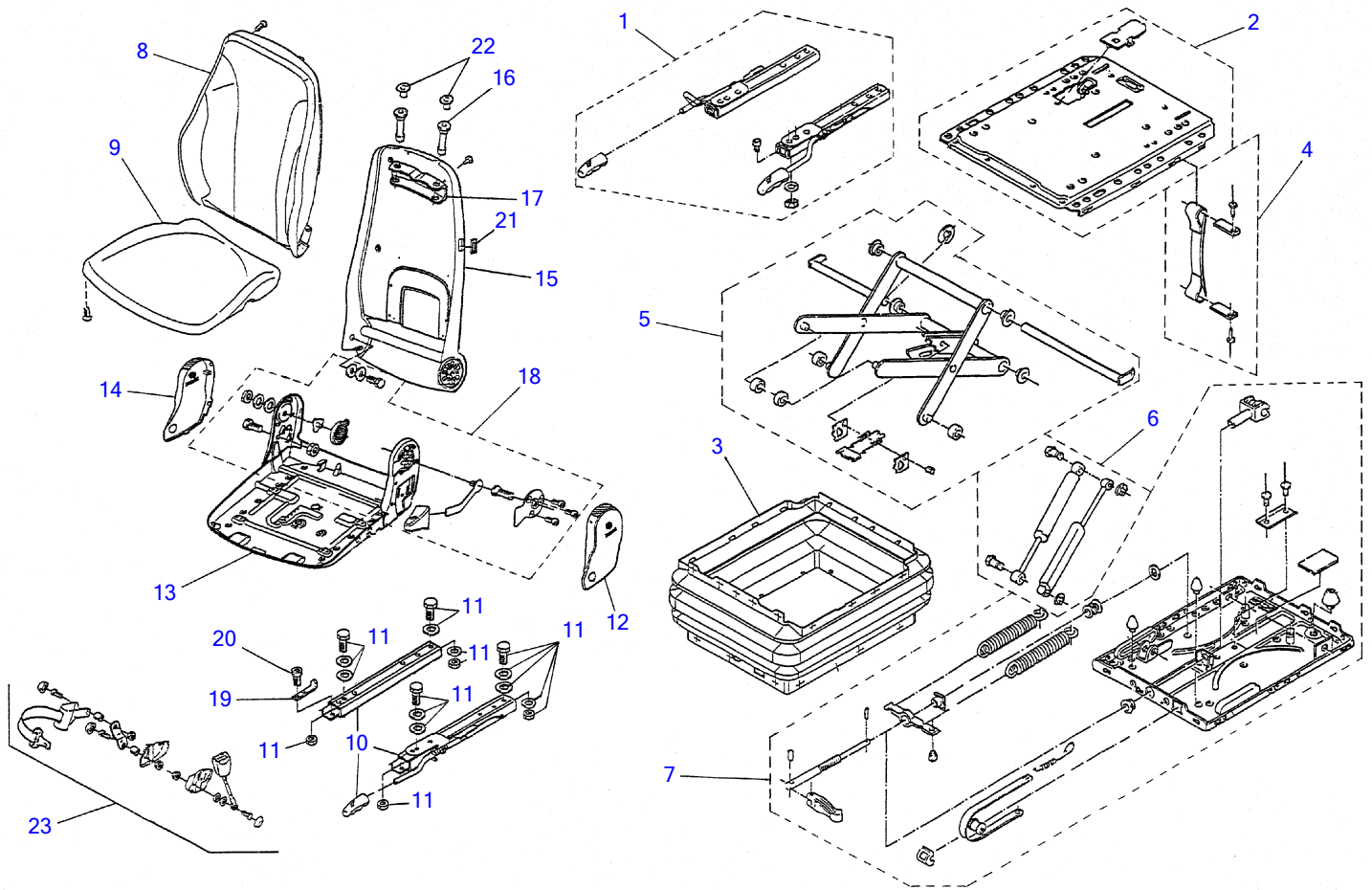


T7E170

S-1/10

**SEAT (1/2) (for GEHL & MUSTANG)**

Item	Part number	Description	Q'ty	Chan.	Serial No.	Serv.	Remarks
		SEAT ASSY (for GEHL & MUSTANG)					X08813-41000-2
1	1914100090	SEAT	1				see page (2/2)
2	1100040820	BOLT	4				
3	1140020008	WASHER, spring	4				
4	1141110008	WASHER	4				
	T7e170						



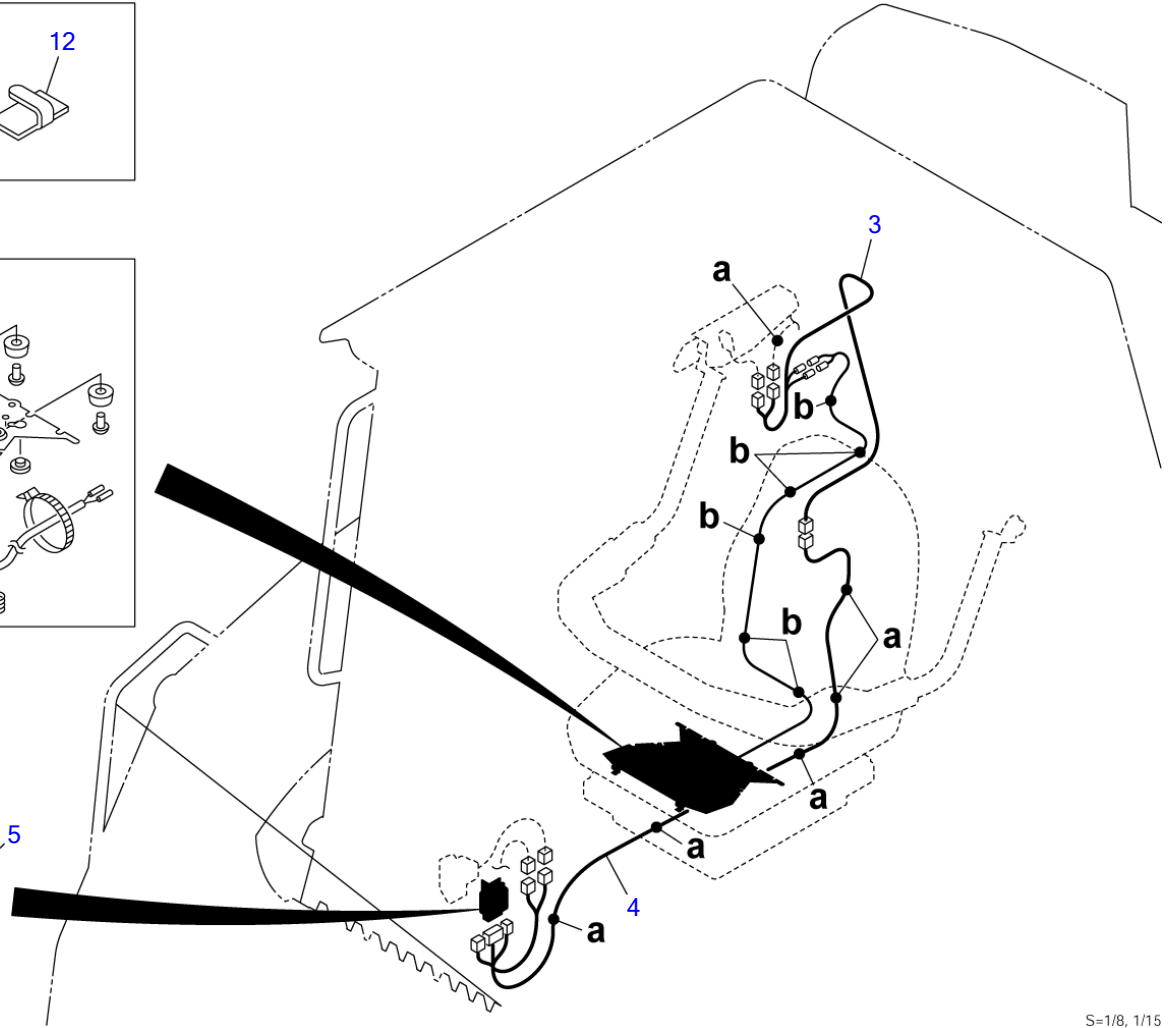
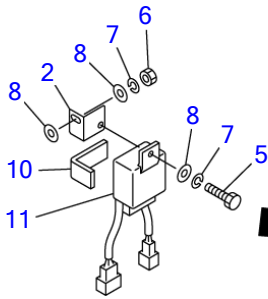
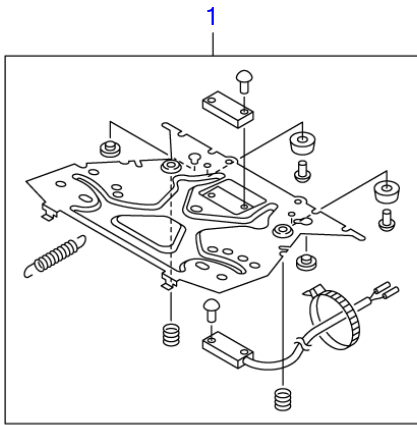
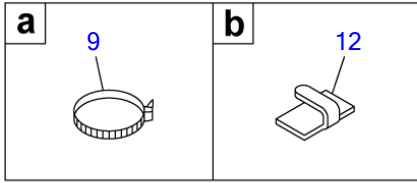
T7E180

S=Free



**SEAT (2/2) (for GEHL & MUSTANG)**

Item	Part number	Description	Q'ty	Chan.	Serial No.	Serv.	Remarks
0	<b>1914100090</b>	SEAT ASSY (for GEHL & MUSTANG)	1				PVC
1	<b>1914101072</b>	▪ RAIL ASSY	1				
2	<b>1914102072</b>	▪ PLATE ASSY	1				
3	<b>1914103072</b>	▪ BOOT	1				
4	<b>1914104072</b>	▪ ANGLE ASSY	1				
5	<b>1914105072</b>	▪ LINK ASSY	1				
6	<b>1914106072</b>	▪ DAMPER ASSY	1				
7	<b>1914107072</b>	▪ SPRING ASSY	1				
8	<b>1914108089</b>	▪ TRIM	1				
9	<b>1914109072</b>	▪ TRIM	1				
10	<b>1914110072</b>	▪ RAIL ASSY	1				
11	<b>1914111072</b>	▪ BOLT ASSY	1				
12	<b>1914112072</b>	▪ COVER (L.H.)	1				
13	<b>1914113072</b>	▪ FRAME	1				
14	<b>1914114072</b>	▪ COVER (R.H.)	1				
15	<b>1914115072</b>	▪ FRAME	1				
16	<b>1914116072</b>	▪ GUIDE	2				
17	<b>1914117072</b>	▪ BRACKET	1				
18	<b>1914118072</b>	▪ JOINT ASSY	1				
19	<b>1914119072</b>	▪ PLATE	1				
20	<b>1914120072</b>	▪ SCREW, cap	1				
21	<b>1914121072</b>	▪ PLATE	1				
22	<b>1914122072</b>	▪ PLUG	2				
23	<b>1914123072</b>	▪ BELT ASSY, seat	1				
	<b>T7e180</b>						

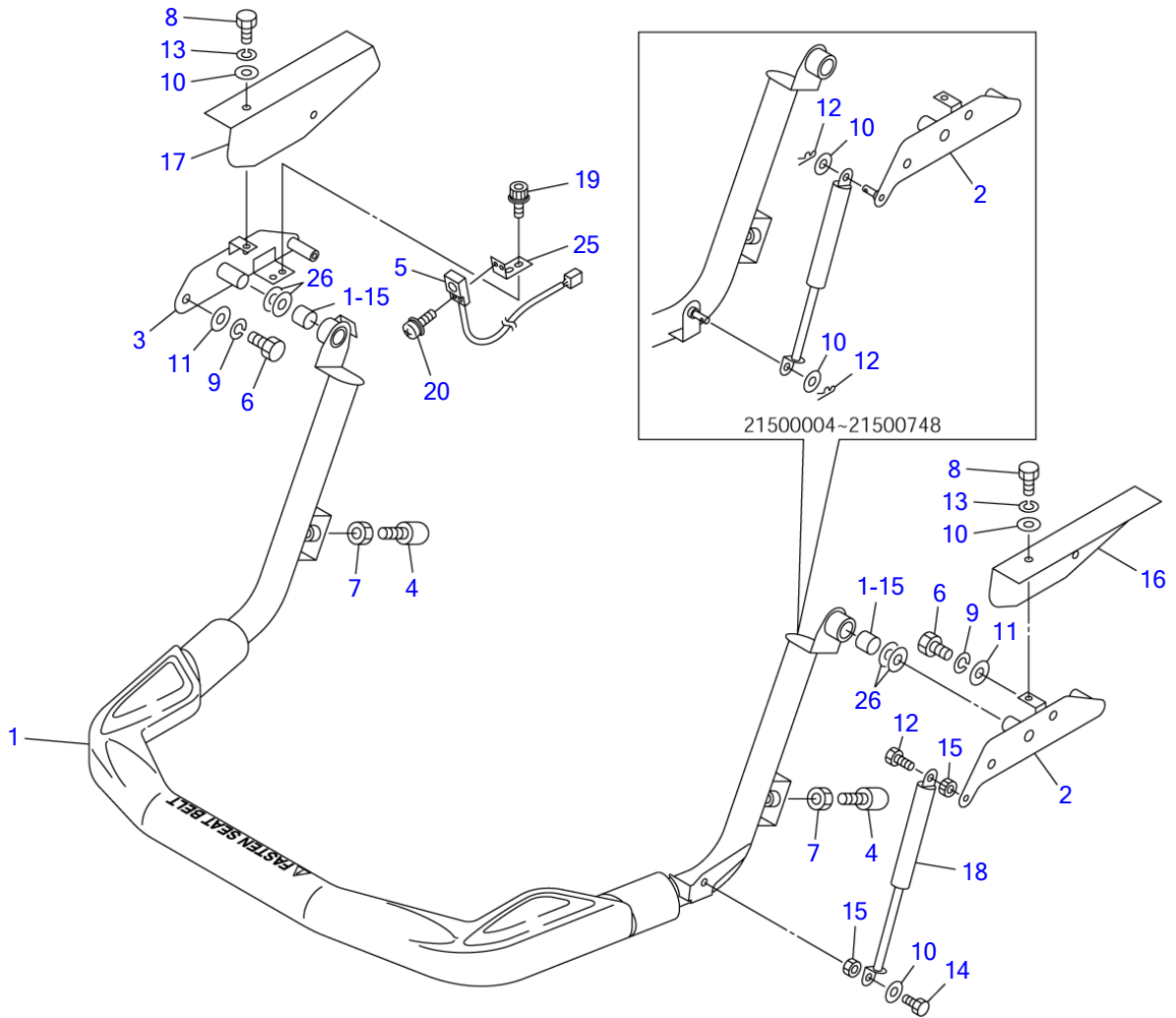


T7E160

S=1/8, 1/15

**SEAT SWITCH**

Item	Part number	Description	Q'ty	Chan.	Serial No.	Serv.	Remarks
	<b>0881341500</b>	SWITCH ASSY, seat	1				X08813-41500-0
1	<b>1914100086</b>	▪ SWITCH KIT, seat	1				
2	<b>0881422530</b>	▪ BUCKET	1				
3	<b>0881422540</b>	▪ HARNESS, wiring	1				
4	<b>0881422550</b>	▪ HARNESS, wiring	1				
5	<b>1100040620</b>	▪ BOLT	1				
6	<b>1130040006</b>	▪ NUT	1				
7	<b>1140020006</b>	▪ WASHER, spring	2				
8	<b>1141110006</b>	▪ WASHER	3				
9	<b>1652231250</b>	▪ STRAP	6				
10	<b>1654310007</b>	▪ SPONGE	1				
11	<b>1711900062</b>	▪ RELAY	1				
12	<b>1711900075</b>	▪ STICKER, wire	6				
	<b>T7e160</b>						



T7E073

S=1/9

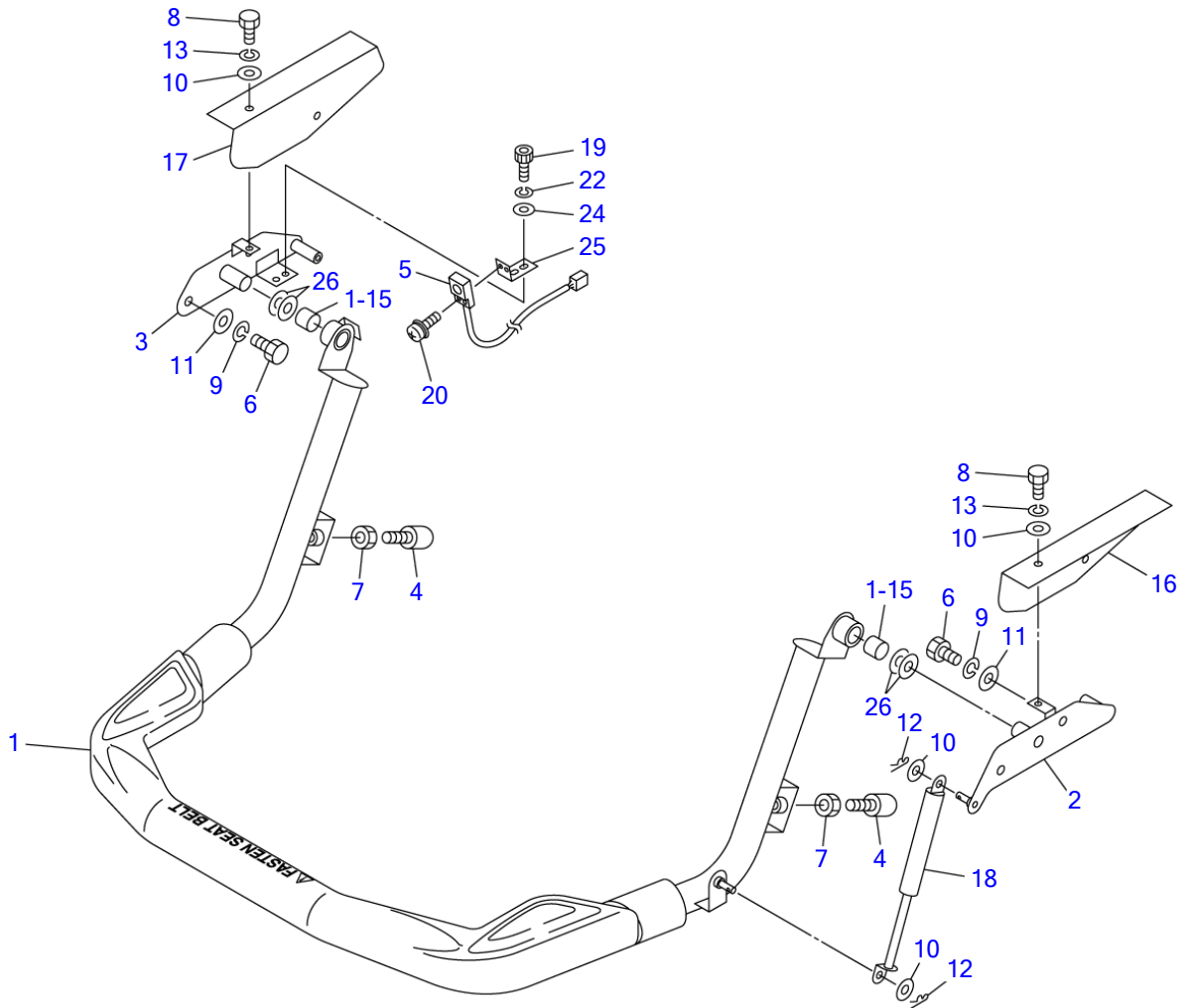
**SAFETY BAR**

Item	Part number	Description	Q'ty	Chan.	Serial No.	Serv.	Remarks
		BAR ASSY, safety					X08814-63000-2
1	<b>0881461600</b>	BAR, safety	1	A	21500004~21500219		
	<b>0881463100</b>	BAR, safety	1	a(H)	21500220~		
1-15	<b>1333002020</b>	- BUSHING	2				
2	<b>0881461030</b>	BRACKET (L.H.)	1	A	21500004~21500219		
	<b>0881461090</b>	BRACKET (L.H.)	1	a(H)	21500220~21500748		
	<b>0881463010</b>	BRACKET (L.H.)	1		21500749~		
3	<b>0881461040</b>	BRACKET (R.H.)	1		21500004~21500748		
	<b>0881463020</b>	BRACKET (R.H.)	1		21500749~		
4	<b>1651101224</b>	STOPPER	2				
5	<b>1700009010</b>	SWITCH	1				
6	<b>1100041020</b>	BOLT	4				
7	<b>1130040012</b>	NUT	2				
8	<b>1100040816</b>	BOLT	4				
9	<b>1140020010</b>	WASHER, spring	4				
10	<b>1141110008</b>	WASHER	7		21500004~21500748		
	<b>1141110008</b>	WASHER	5		21500749~		
11	<b>1141110010</b>	WASHER	4				
12	<b>1214000008</b>	PIN, snap	2		21500004~21500748		
	<b>1100040820</b>	BOLT	1		21500749~		
13	<b>1140020008</b>	WASHER, spring	4				
14	<b>1100240825</b>	BOLT	1		21500749~		
15	<b>1130040008</b>	NUT	2		21500749~		
16	<b>0881461070</b>	COVER (L.H.)	1		21500004~21500748		
	<b>0881463030</b>	COVER (L.H.)	1		21500749~		
17	<b>0881461071</b>	COVER (R.H.)	1		21500004~21500748		
	<b>0881463040</b>	COVER (R.H.)	1		21500749~		
18	<b>1653900036</b>	SPRING, gas	1	A	21500004~21500219		
	<b>1653900057</b>	SPRING, gas	1	a(H)	21500220~		
19	<b>1110540512</b>	SCREW, cap	2				
20	<b>1150410312</b>	SCREW	2				
25	<b>0881461025</b>	PLATE	1		21500004~21500748		
	<b>0881463050</b>	PLATE	1		21500749~		
26	<b>0093208300</b>	WASHER	4				

<<NOTE>>  
 SET "A" is interchangeable  
 with SET "a".

**T7e075**

TL150 Book No. BT7Z011 S/N 21500004-  
SAFETY BAR (for GEHL & MUSTANG; 21501330-)



T7E532

S=1/9

**SAFETY BAR (for GEHL & MUSTANG; 21501330-)**

Item	Part number	Description	Q'ty	Chan.	Serial No.	Serv.	Remarks
		BAR ASSY, safety (for GEHL & MUSTANG)					X08814-61000-6
1	<b>0881463100</b>	BAR, safety	1				
1-15	<b>1333002020</b>	- BUSHING	2				
2	<b>0881461090</b>	BRACKET (L.H.)	1				
3	<b>0881461040</b>	BRACKET (R.H.)	1				
4	<b>1651101224</b>	STOPPER	2				
5	<b>1700009010</b>	SWITCH	1				
6	<b>1100041020</b>	BOLT	4				
7	<b>1130040012</b>	NUT	2				
8	<b>1100040816</b>	BOLT	4				
9	<b>1140020010</b>	WASHER, spring	4				
10	<b>1141110008</b>	WASHER	7				
11	<b>1141110010</b>	WASHER	4				
12	<b>1214000008</b>	PIN, snap	2				
13	<b>1140020008</b>	WASHER, spring	4				
16	<b>0881461070</b>	COVER (L.H.)	1				
17	<b>0881461071</b>	COVER (R.H.)	1				
18	<b>1653900057</b>	SPRING, gas	1				
19	<b>1110540512</b>	SCREW, cap	2				
20	<b>1150410312</b>	SCREW	2				
22	<b>1140020005</b>	WASHER, spring	2				
24	<b>1141110005</b>	WASHER	2				
25	<b>0881461025</b>	PLATE	1				
26	<b>0093208300</b>	WASHER	4				
	<b>T7e532</b>						



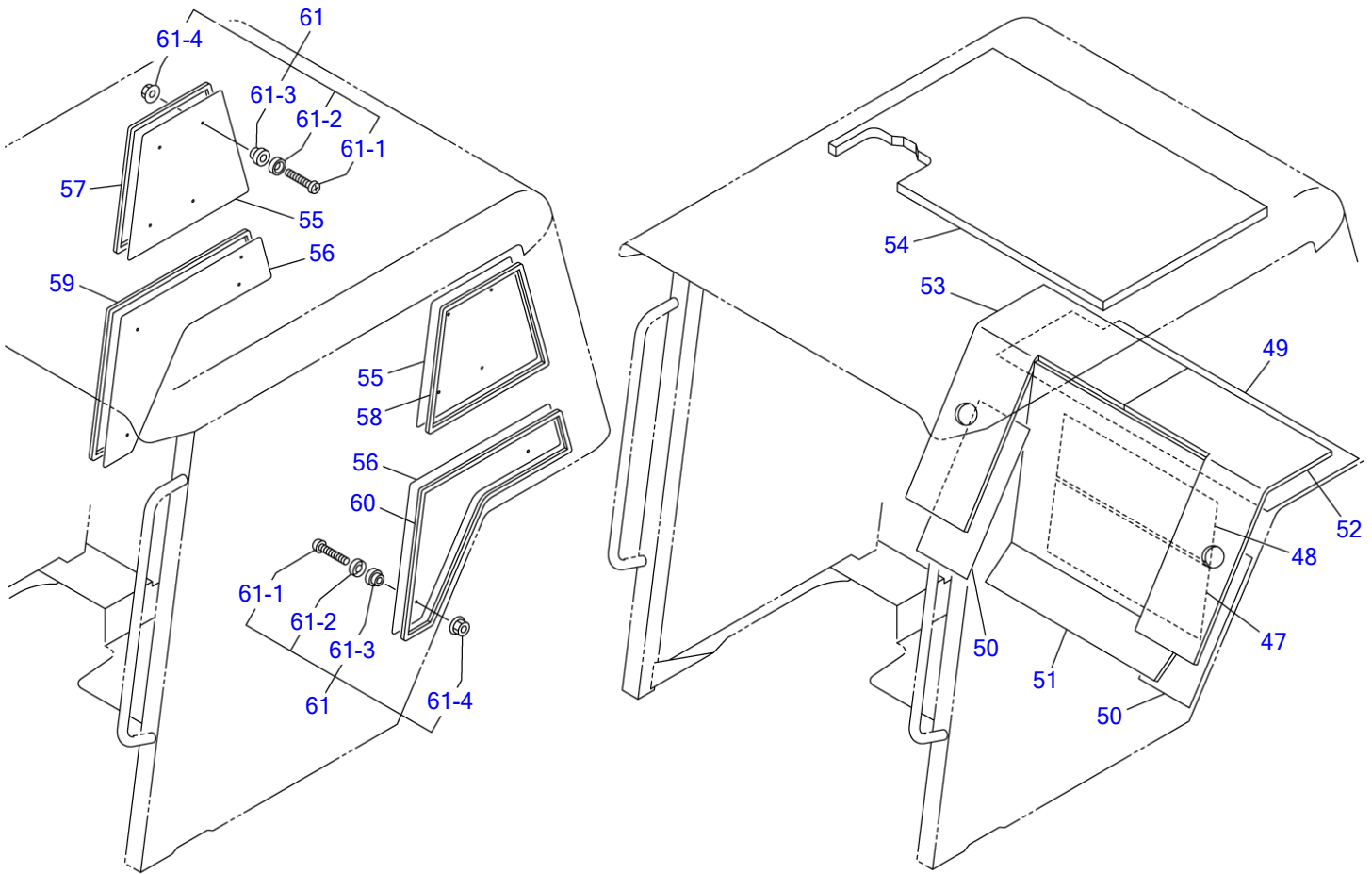


**CANOPY (1/2) (21500004-21500749)**

Item	Part number	Description	Q'ty	Chan.	Serial No.	Serv.	Remarks
		CANOPY ASSY					X08818-42000-8
		CANOPY ASSY (for EC)					X08818-43000-5
1	0881842100	CANOPY	1	A	21500004~21500201		
	0881842400	CANOPY	1	a(H)	21500202~		
	0881843100	CANOPY (for EC)	1				
2	0881842002	GLASS	1				
3	0881841003	GLASS	1	A	21500004~21500201		
	0880844003	GLASS	1	a(H)	21500202~		
4	0881841004	PLATE	2	A	21500004~21500201		
	0880844004	PLATE	2	a(H)	21500202~		
5	0881841050	BOLT ASSY	2		21500004~21500627		
	0881842030	BOLT ASSY	2		21500628~		
6	0881842006	RUBBER, cushion	4		21500004~21500627		
	0881842050	RUBBER, cushion	2		21500628~		
7	0881841060	PIN ASSY	1				
7-1	0881841061	• PIN	1				
7-2	1652735886	• CHAIN	1				
7-3	1214000016	• PIN, snap	2				
8	0881840008	COLLAR	4				
9	0880840070	WASHER	4				
10	0881842010	ABSORBENT, noise	1				
11	0881843011	ABSORBENT, noise	1				
12	0881842012	ABSORBENT, noise	1				
13	0881842013	ABSORBENT, noise	1				
14	0881841014	ABSORBENT, noise	2				
15	0880841040	RING, pull	1				
16	0880841080	HANDLE	1				
17	0881842017	PLATE	1		21500012~		
20	0881842040	RUBBER, cushion	2		21500628~		
21	0003000010	WASHER	2		21500004~21500627		
	0003900044	WASHER	2		21500628~		
22	0343503200	PIN	4				
23	0004010025	PIN	4				
24	1100040816	BOLT	8	A	21500004~21500201		
	1100040816	BOLT	6	a(H)	21500202~		
25	1100041230	BOLT	4		21500004~21500627		
	1100041225	BOLT	4		21500628~		
26	1100141610	BOLT	2				
27	1130040016	NUT	4				
28	1132030016	NUT	2				
29	1140020008	WASHER, spring	8	A	21500004~21500201		
	1140020008	WASHER, spring	6	a(H)	21500202~		
30	1140020012	WASHER, spring	4				
31	1141110008	WASHER	8	A	21500004~21500201		
	1141110008	WASHER	6	a(H)	21500202~		
32	1141110010	WASHER	8				
33	1210010432	PIN, split	2				
34	1214000008	PIN, snap	8				
35	1651005030	RUBBER, cushion	2				
36	1654252253	H-RUBBER	1				sold by the meter
37	1654252200	H-RUBBER	1				sold by the meter
38	1653900043	SPRING, gas	4				
39	0003600165	WASHER	4				
40	1703006600	LAMP ASSY	2				
40-1	1703006605	• BULB	1				12V, 55W
41	1654623120	TRIM	1				sold by the meter
42	1654601153	TRIM	1				sold by the meter
43	1654306057	SPONGE	2				sold by the meter
44	1100041020	BOLT	2		21500012~		
45	1140020010	WASHER, spring	2		21500012~		
46	1150420412	SCREW	2		21500012~		
47	1654601060	TRIM	1				sold by the meter
63	1654601060	TRIM (for EC)	1				sold by the meter

<<NOTE>>  
 SET "A" is interchangeable  
 with SET "a".

**T7e083**



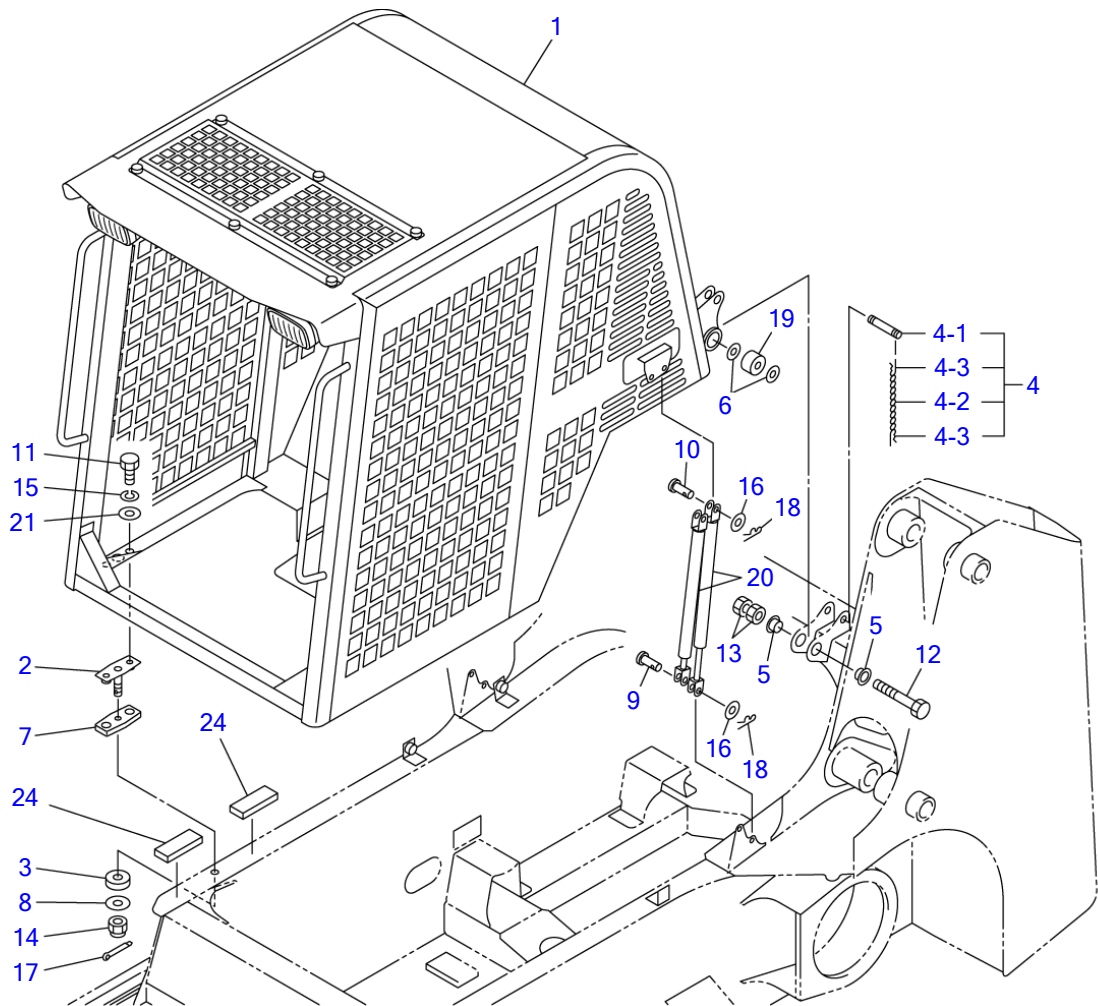
T7E151

S-1/15

**CANOPY (2/2) (for EU; 21500004-21500749)**

Item	Part number	Description	Q'ty	Chan.	Serial No.	Serv.	Remarks
		CANOPY ASSY (for EC)					X08818-43000-5
47	<b>0881843047</b>	ABSORBENT, noise	1				
48	<b>0881843048</b>	ABSORBENT, noise	1				
49	<b>0881843049</b>	ABSORBENT, noise	1				
50	<b>0881843050</b>	ABSORBENT, noise	2				
51	<b>0881842020</b>	ABSORBENT, noise	1				
52	<b>0881843052</b>	ABSORBENT	1				
53	<b>0881843053</b>	ABSORBENT	1				
54	<b>0881843054</b>	ABSORBENT	1				
55	<b>0881860550</b>	GLASS	2				
56	<b>0881860551</b>	GLASS	2				
57	<b>0881860552</b>	SEAL	1				
58	<b>0881860553</b>	SEAL	1				
59	<b>0881860554</b>	SEAL	1				
60	<b>0881860555</b>	SEAL	1				
61	<b>0881860560</b>	BOLT ASSY	16				
61-1	<b>1120590525</b>	· SCREW	1				
61-2	<b>1141910005</b>	· WASHER	1				
61-3	<b>1654100360</b>	· BUSHING	1				
61-4	<b>1135100105</b>	· NUT	1				
	<b>T7e151</b>						

TL150 Book No. BT7Z011 S/N 21500004-  
CANOPY MOUNT (21500750-)



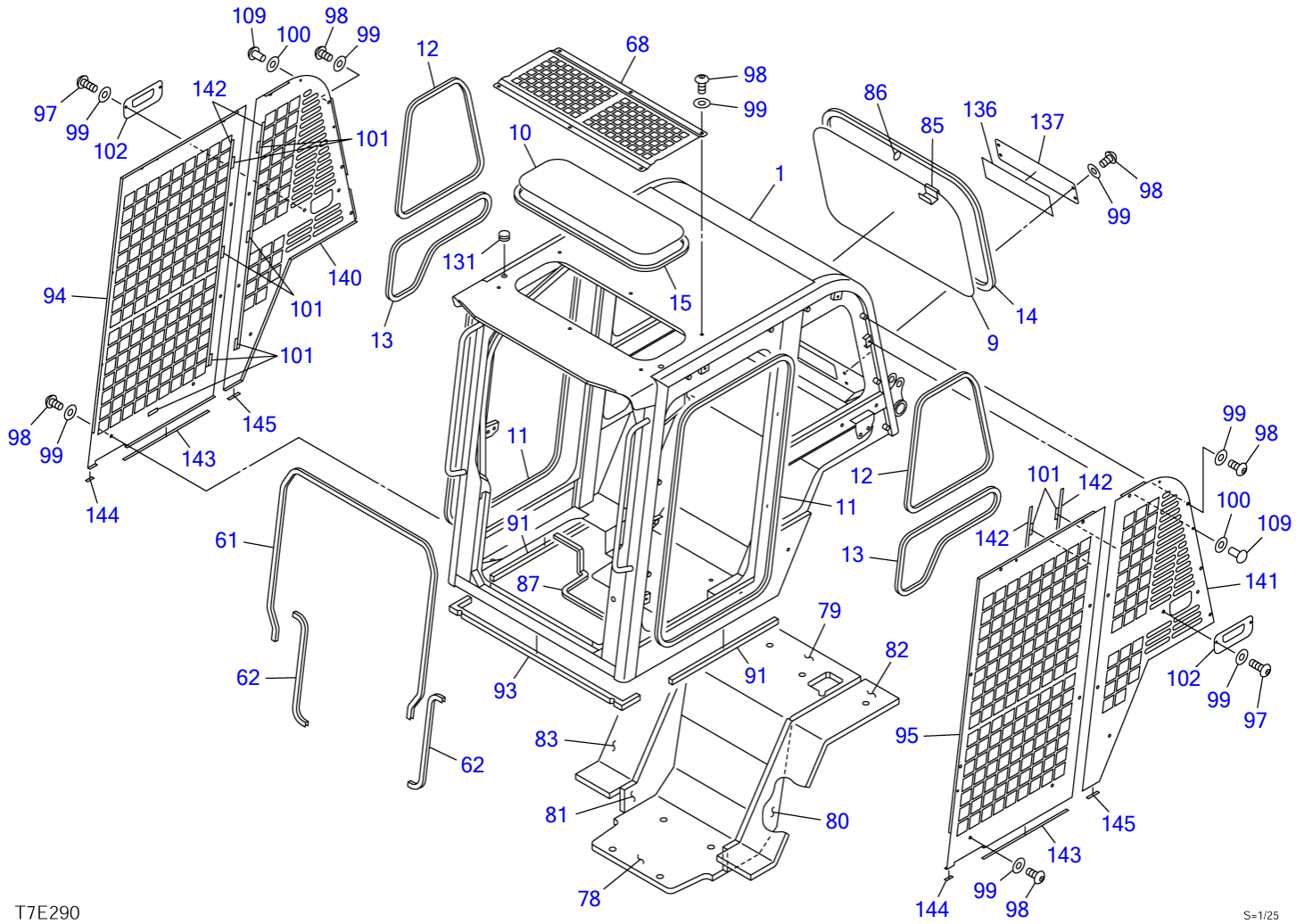
T7E086

S=1/20

**CANOPY MOUNT (21500750-)**

Item	Part number	Description	Q'ty	Chan.	Serial No.	Serv.	Remarks
		CANOPY MOUNT					X08818-44000-4
		CANOPY MOUNT (for EC)					X08818-44500-4
1	0881844300	CANOPY	1				
	0881844600	CANOPY (for EC)	1				
2	0881842030	BOLT ASSY	2				
3	0881842050	RUBBER, cushion	2				
4	0881841060	PIN ASSY	1				
4-1	0881841061	• PIN	1				
4-2	1652735886	• CHAIN	1				
4-3	1214000016	• PIN, snap	2				
5	0881840008	COLLAR	4				
6	0880840070	WASHER	4				
7	0881842040	RUBBER, cushion	2				
8	0003900044	WASHER	2				
9	0343503200	PIN	4				
10	0004010025	PIN	4				
11	1100041225	BOLT	4				
12	1100141610	BOLT	2				
13	1130040016	NUT	4				
14	1132080016	NUT	2				
15	1140020012	WASHER, spring	4				
16	1141110010	WASHER	8				
17	1210010432	PIN, split	2				
18	1214000008	PIN, snap	8				
19	1651005030	RUBBER, cushion	2				
20	1653900047	SPRING, gas	4				
21	0003600165	WASHER	4				
24	1654306008	SPONGE	4		21502547~		sold by the meter
	T7e087						

TL150 Book No. BT7Z011 S/N 21500004-  
CANOPY (1/3) (21500750-)



T7E290

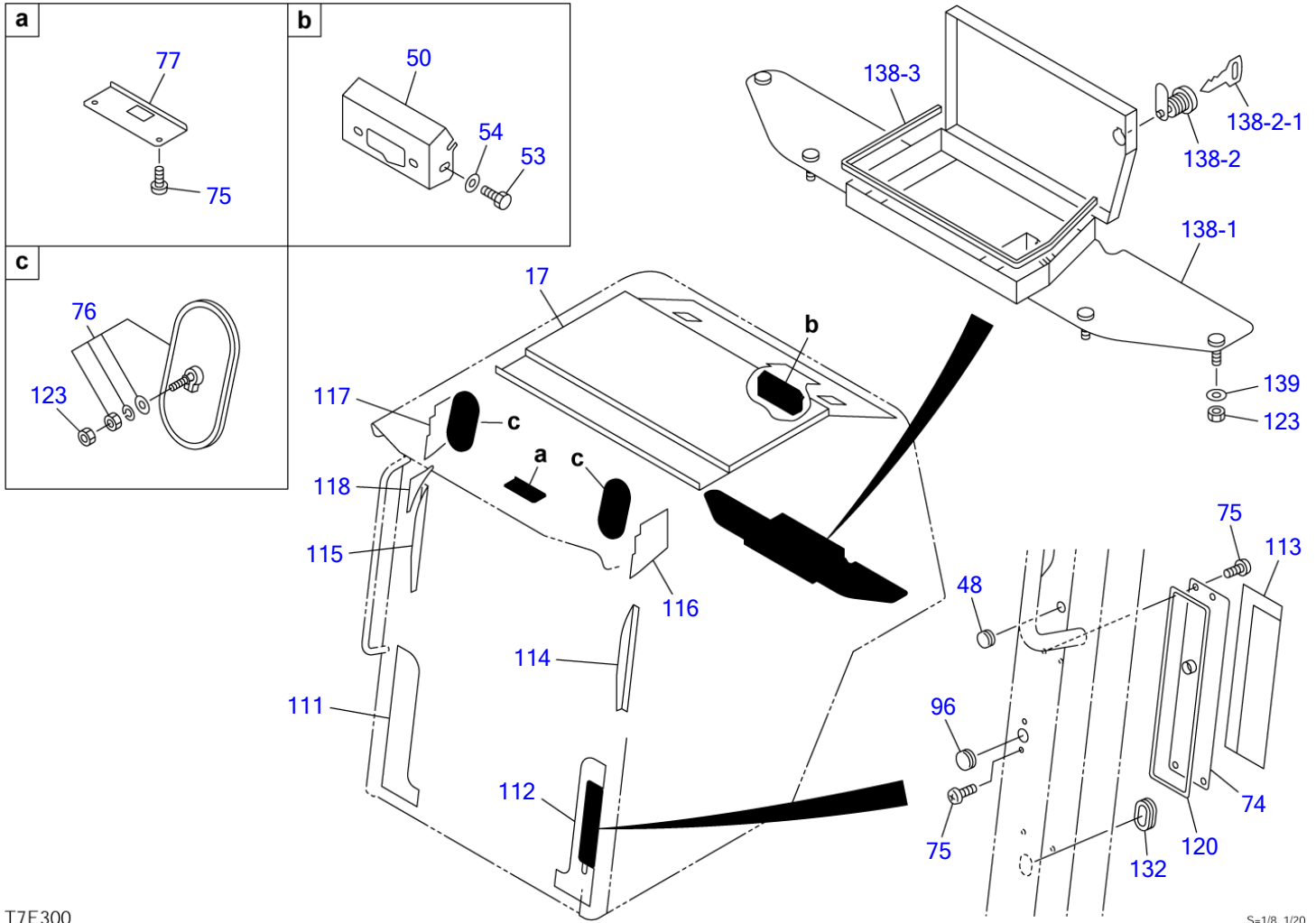
S-1/25

## CANOPY (1/3) (21500750-)

Item	Part number	Description	Q'ty	Chan.	Serial No.	Serv.	Remarks
0	0881844300	CANOPY ASSY	1				X08818-44300-2
1	0881861200	• CANOPY	1				
9	0880865103	• GLASS	1				
10	0880865104	• GLASS	1				
11	1653916320	• TRIM	2				sold by the meter
12	1653916175	• TRIM	2				sold by the meter
13	1653916147	• TRIM	2				sold by the meter
14	1654231273	• H-RUBBER	1				sold by the meter
15	1654231195	• H-RUBBER	1				sold by the meter
61	1654630240	• TRIM	1				sold by the meter
62	1654630060	• TRIM	2				sold by the meter
68	0880865129	• GUARD	1				
78	0881842010	• ABSORBENT, noise	1				
79	0881861104	• ABSORBENT, noise	1				
80	0880865134	• ABSORBENT, noise	1				
81	0880865135	• ABSORBENT, noise	1				
82	0881861105	• ABSORBENT, noise	1				
83	0881861106	• ABSORBENT, noise	1				
85	0880865138	• GRIP	1				
86	0880865139	• RING	1				
87	1654623130	• TRIM	1				sold by the meter
91	0880865140	• SEAL	2				
93	0880865141	• SEAL	1				
94	0881861107	• GUARD	1				
95	0881861108	• GUARD	1				
97	1120990820	• BOLT	4				
98	1120990816	• BOLT	40				
99	1654011705	• WASHER	44				
100	0880865144	• WASHER	8				
101	0880865145	• PLATE	14				
102	0881861109	• COVER	2				
109	0880865150	• RIVET	8				
131	1653303010	• CAP	2				
136	0880845301	• PACKING	1				
137	0880845302	• PLATE	1				
140	0881861110	• GUARD	1				
141	0881861111	• GUARD	1				
142	0880845303	• PLATE	4				
143	0880845304	• PLATE	2				
144	0880845305	• PLATE	2				
145	0880845306	• PLATE	2				

T7e291

TL150 Book No. BT7Z011 S/N 2150004-  
CANOPY (2/3) (21500750-)



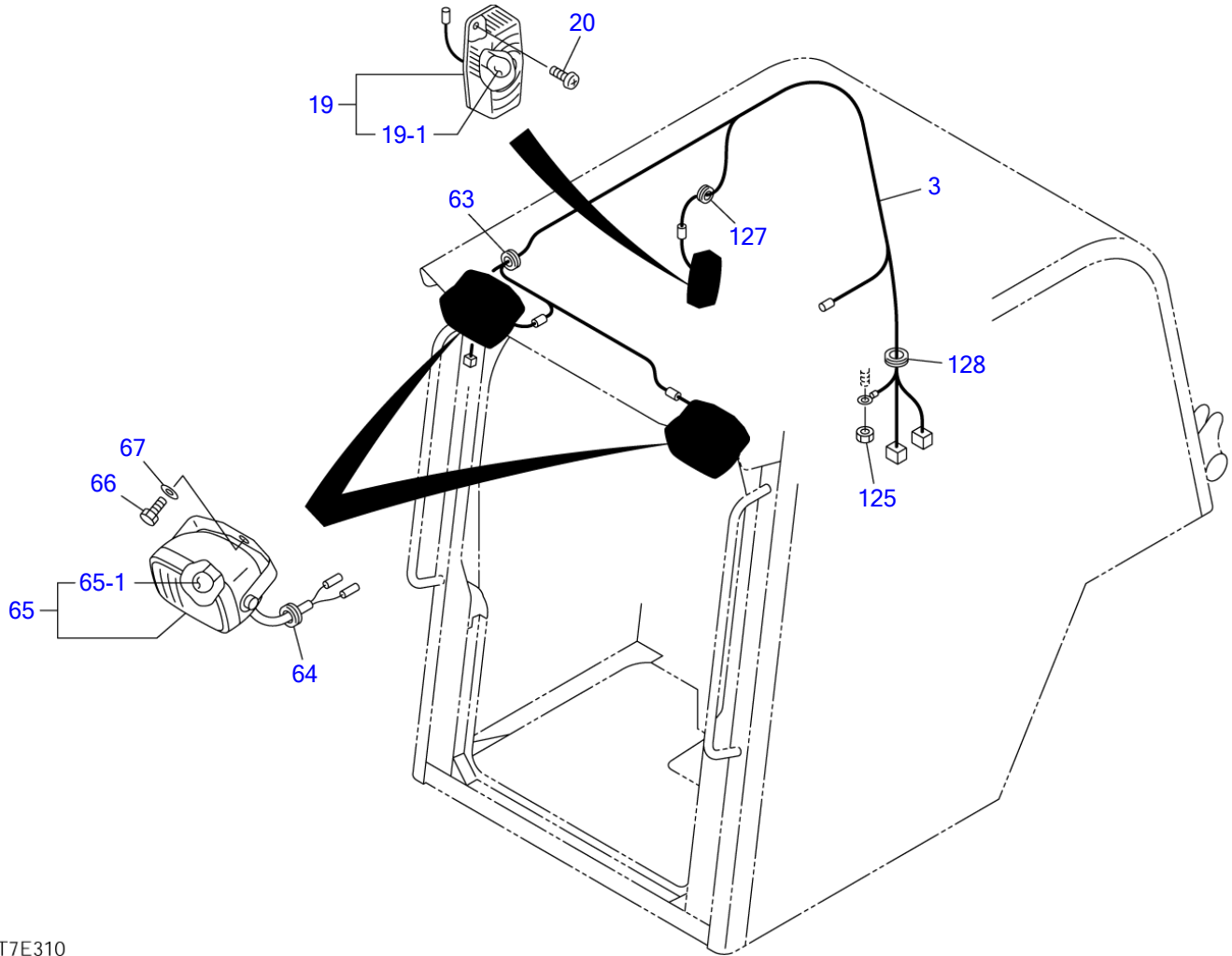
T7E300

S=1/8, 1/20



**CANOPY (2/3) (21500750-)**

Item	Part number	Description	Q'ty	Chan.	Serial No.	Serv.	Remarks
0	<b>0881844300</b>	CANOPY ASSY	1				X08818-44300-2
17	<b>0881861103</b>	· ABSORBENT, noise	1				
48	<b>1654011703</b>	· CAP	1				
50	<b>0880865121</b>	· BRACKET	1				
53	<b>1100090820</b>	· BOLT	3				
54	<b>1654011705</b>	· WASHER	3				
74	<b>0880865130</b>	· COVER	1				
75	<b>1150420512</b>	· SCREW	8				
76	<b>0880865131</b>	· MIRROR, rearview	2				
77	<b>0880865132</b>	· COVER	1				
96	<b>1654011704</b>	· CAP	1				
111	<b>0880865151</b>	· ABSORBENT, noise	1				
112	<b>0880865152</b>	· ABSORBENT, noise	1				
113	<b>0880865153</b>	· ABSORBENT, noise	1				
114	<b>0880865154</b>	· ABSORBENT, noise	1				
115	<b>0880865155</b>	· ABSORBENT, noise	1				
116	<b>0880865156</b>	· ABSORBENT, noise	1				
117	<b>0880865157</b>	· ABSORBENT, noise	1				
118	<b>0880865158</b>	· ABSORBENT, noise	1				
120	<b>0880865159</b>	· SEAL	1				
123	<b>1130040008</b>	· NUT	6				
132	<b>1654011701</b>	· GROMMET	1				
138	<b>0880845320</b>	· CASE ASSY	1				
138-1	<b>0880845321</b>	· · CASE	1				
138-2	<b>1653601395</b>	· · LOCK	1				
138-2-1	<b>1700100019</b>	· · KEY	1				
138-3	<b>1653916058</b>	· · TRIM	1				sold by the meter
139	<b>1141550008</b>	· WASHER	4				
	<b>T7e301</b>						



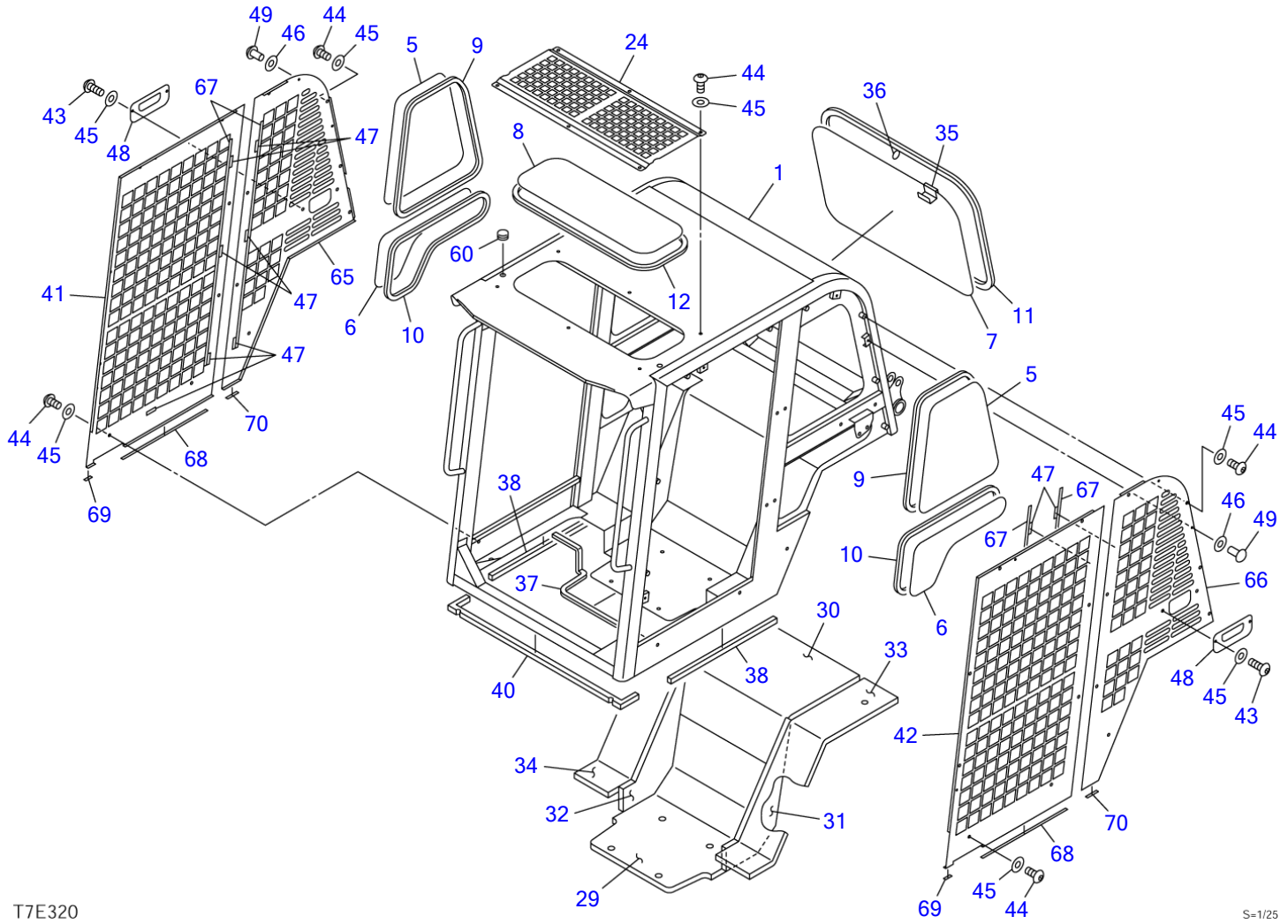
T7E310

S=1/8, 1/10, 1/15

## CANOPY (3/3) (21500750-)

Item	Part number	Description	Q'ty	Chan.	Serial No.	Serv.	Remarks
0	<b>0881844300</b>	CANOPY ASSY	1				X08818-44300-2
3	<b>0881861400</b>	• HARNESS, wiring	1				
19	<b>1703001700</b>	• LAMP, room	1				
19-1	<b>1703001701</b>	• • BULB	1				
20	<b>1150410412</b>	• SCREW	2				
63	<b>1652042030</b>	• GROMMET	1				
64	<b>1652000602</b>	• GROMMET	2				
65	<b>1703006600</b>	• LAMP, ASSY	2				
65-1	<b>1703006605</b>	• • BULB	1				
66	<b>1100041020</b>	• BOLT	2				
67	<b>1141110010</b>	• WASHER	2				
125	<b>1130040010</b>	• NUT	1				
127	<b>1654011700</b>	• GROMMET	1				
128	<b>1654011702</b>	• GROMMET	1				
	<b>T7e311</b>						

TL150 Book No. BT7Z011 S/N 21500004-  
CANOPY (1/3) (for EU; 21500750-)

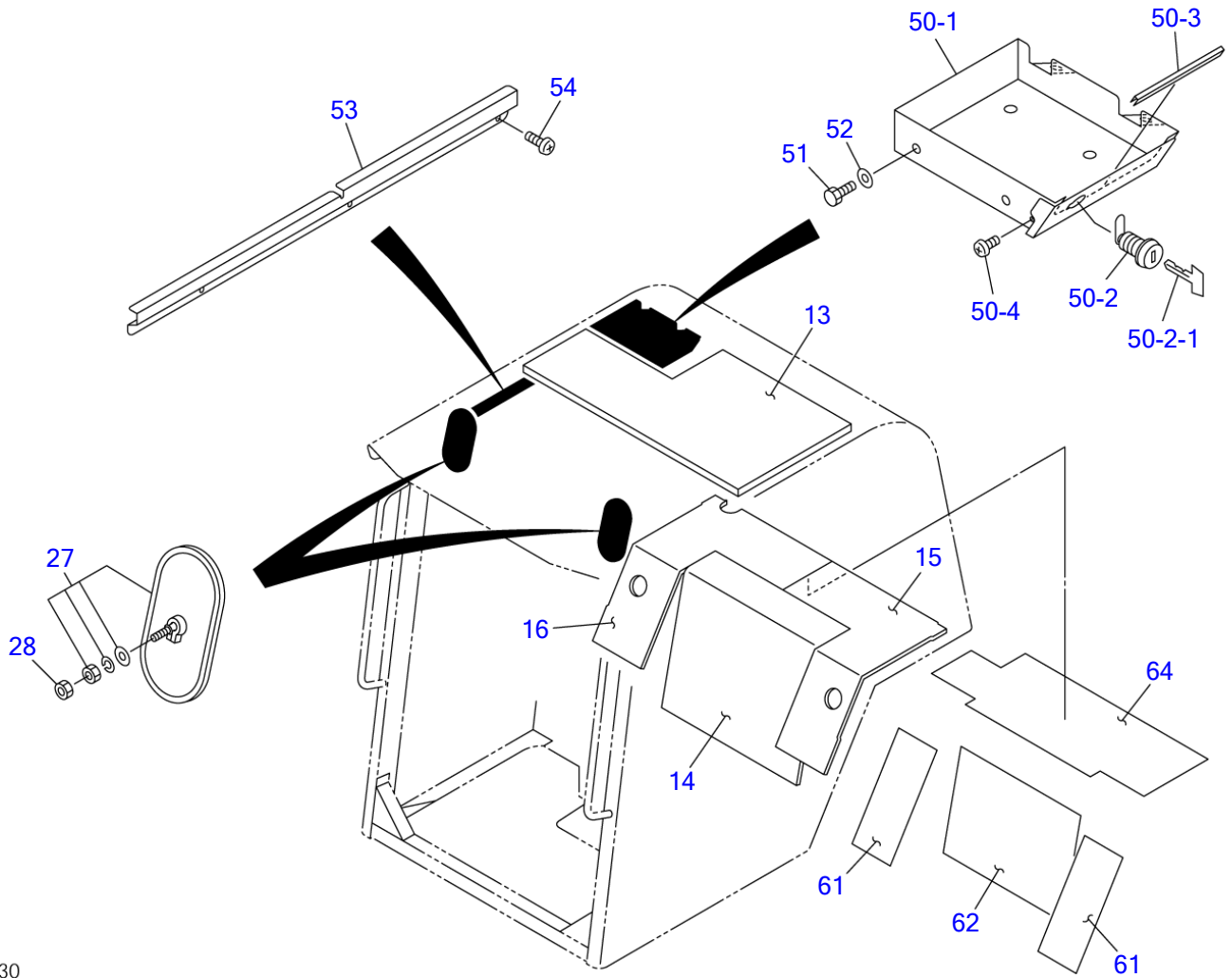


T7E320

S=1/25

**CANOPY (1/3) (for EU; 21500750-)**

Item	Part number	Description	Q'ty	Chan.	Serial No.	Serv.	Remarks
0	<b>0881844600</b>	CANOPY ASSY	1				X08818-44600-2
1	<b>0881844700</b>	• CANOPY	1				
5	<b>0881861101</b>	• GLASS	2				
6	<b>0881861102</b>	• GLASS	2				
7	<b>0880865103</b>	• GLASS	1				
8	<b>0880865104</b>	• GLASS	1				
9	<b>1654231175</b>	• H-RUBBER	2				sold by the meter
10	<b>1654231147</b>	• H-RUBBER	2				sold by the meter
11	<b>1654231273</b>	• H-RUBBER	1				sold by the meter
12	<b>1654231195</b>	• H-RUBBER	1				sold by the meter
24	<b>0880865129</b>	• GUARD	1				
29	<b>0881842010</b>	• ABSORBENT, noise	1				
30	<b>0881845605</b>	• ABSORBENT, noise	1				
31	<b>0880865134</b>	• ABSORBENT, noise	1				
32	<b>0880865135</b>	• ABSORBENT, noise	1				
33	<b>0881861105</b>	• ABSORBENT, noise	1				
34	<b>0881861106</b>	• ABSORBENT, noise	1				
35	<b>0880865138</b>	• GRIP	1				
36	<b>0880865139</b>	• RING	1				
37	<b>1654623130</b>	• TRIM	1				sold by the meter
38	<b>0880865140</b>	• SEAL	2				
40	<b>0880865141</b>	• SEAL	1				
41	<b>0881861107</b>	• GUARD	1				
42	<b>0881861108</b>	• GUARD	1				
43	<b>1120990820</b>	• BOLT	4				
44	<b>1120990816</b>	• BOLT	36				
45	<b>1654011705</b>	• WASHER	40				
46	<b>0880865144</b>	• WASHER	8				
47	<b>0880865145</b>	• PLATE	14				
48	<b>0881861109</b>	• COVER	2				
49	<b>0880865150</b>	• RIVET	8				
60	<b>1653303010</b>	• SCREW, cap	2				
65	<b>0881861110</b>	• GUARD	1				
66	<b>0881861111</b>	• GUARD	1				
67	<b>0880845303</b>	• PLATE	4				
68	<b>0880845304</b>	• PLATE	2				
69	<b>0880845305</b>	• PLATE	2				
70	<b>0880845306</b>	• PLATE	2				
	<b>T7e321</b>						

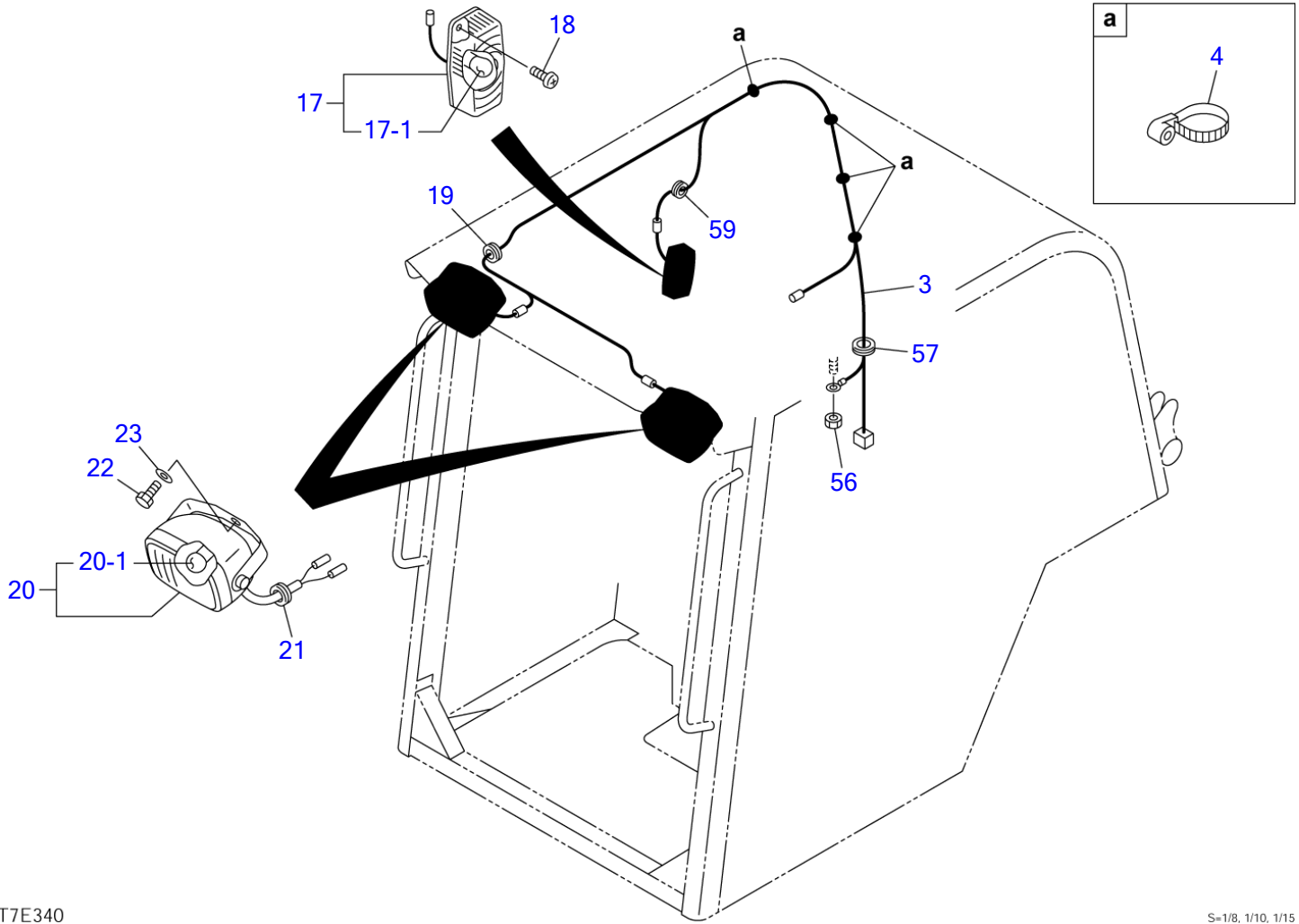


T7E330

S=1/8, 1/20

**CANOPY (2/3) (for EU; 21500750-)**

Item	Part number	Description	Q'ty	Chan.	Serial No.	Serv.	Remarks
0	<b>0881844600</b>	CANOPY ASSY	1				X08818-44600-2
13	<b>0881844601</b>	· ABSORBENT, noise	1				
14	<b>0881844602</b>	· ABSORBENT, noise	1				
15	<b>0881844603</b>	· ABSORBENT, noise	1				
16	<b>0881844604</b>	· ABSORBENT, noise	1				
27	<b>0880865131</b>	· MIRROR, rearview	2				
28	<b>1130090008</b>	· NUT	2				
50	<b>0880845680</b>	· CASE ASSY	1				
50-1	<b>0880845681</b>	· · CASE	1				
50-2	<b>1653601395</b>	· · LOCK	1				
50-2-1	<b>1700100019</b>	· · KEY	1				
50-3	<b>1654520014</b>	· · TRIM	1				sold by the meter
50-4	<b>1150420610</b>	· · SCREW	1				
51	<b>1100090820</b>	· BOLT	4				
52	<b>1654011705</b>	· WASHER	4				
53	<b>0880845605</b>	· COVER	1				
54	<b>1150420512</b>	· SCREW	3				
61	<b>0881843050</b>	· ABSORBENT, noise	2				
62	<b>0881844606</b>	· ABSORBENT, noise	1				
64	<b>0881844607</b>	· ABSORBENT, noise	1				
	<b>T7e331</b>						



T7E340

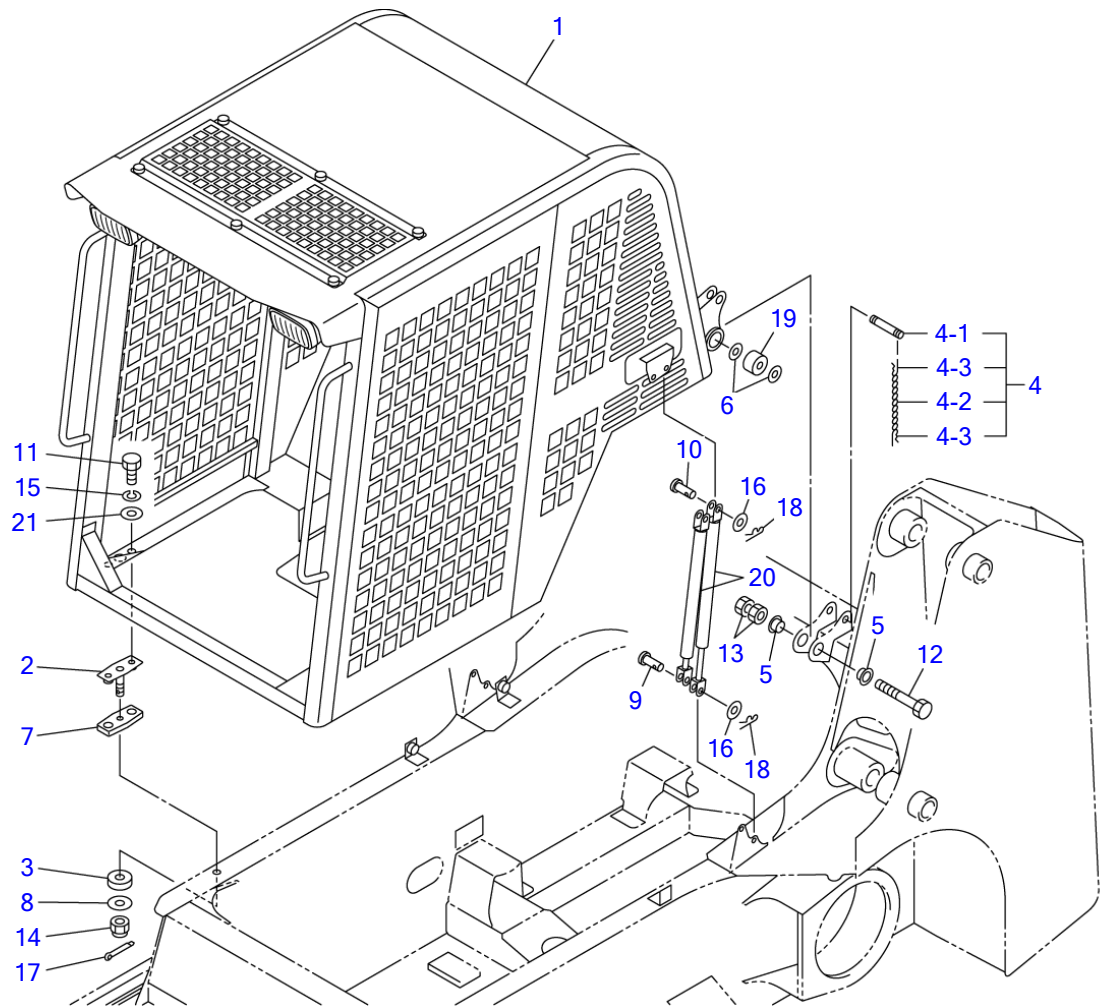
S=1/8, 1/10, 1/15



**CANOPY (3/3) (for EU; 21500750-)**

Item	Part number	Description	Q'ty	Chan.	Serial No.	Serv.	Remarks
0	<b>0881844600</b>	CANOPY ASSY	1				X08818-44600-2
3	<b>0881844670</b>	▪ HARNESS, wiring	1				
4	<b>1652221050</b>	▪ CLIP	4				
17	<b>1703001700</b>	▪ LAMP, room	1				
17-1	<b>1703001701</b>	▪ ▪ BULB	1				
18	<b>1150410412</b>	▪ SCREW	2				
19	<b>1652042030</b>	▪ GROMMET	1				
20	<b>1703006600</b>	▪ LAMP, ASSY	2				
20-1	<b>1703006605</b>	▪ ▪ BULB	1				
21	<b>1652000602</b>	▪ GROMMET	2				
22	<b>1100041020</b>	▪ BOLT	2				
23	<b>1141110010</b>	▪ WASHER	2				
56	<b>1130040010</b>	▪ NUT	1				
57	<b>1654011702</b>	▪ GROMMET	1				
59	<b>1654011700</b>	▪ GROMMET	1				
	<b>T7e341</b>						

TL150 Book No. BT7Z011 S/N 21500004-  
CANOPY MOUNT (for GEHL & MUSTANG; 21500750-21501329)



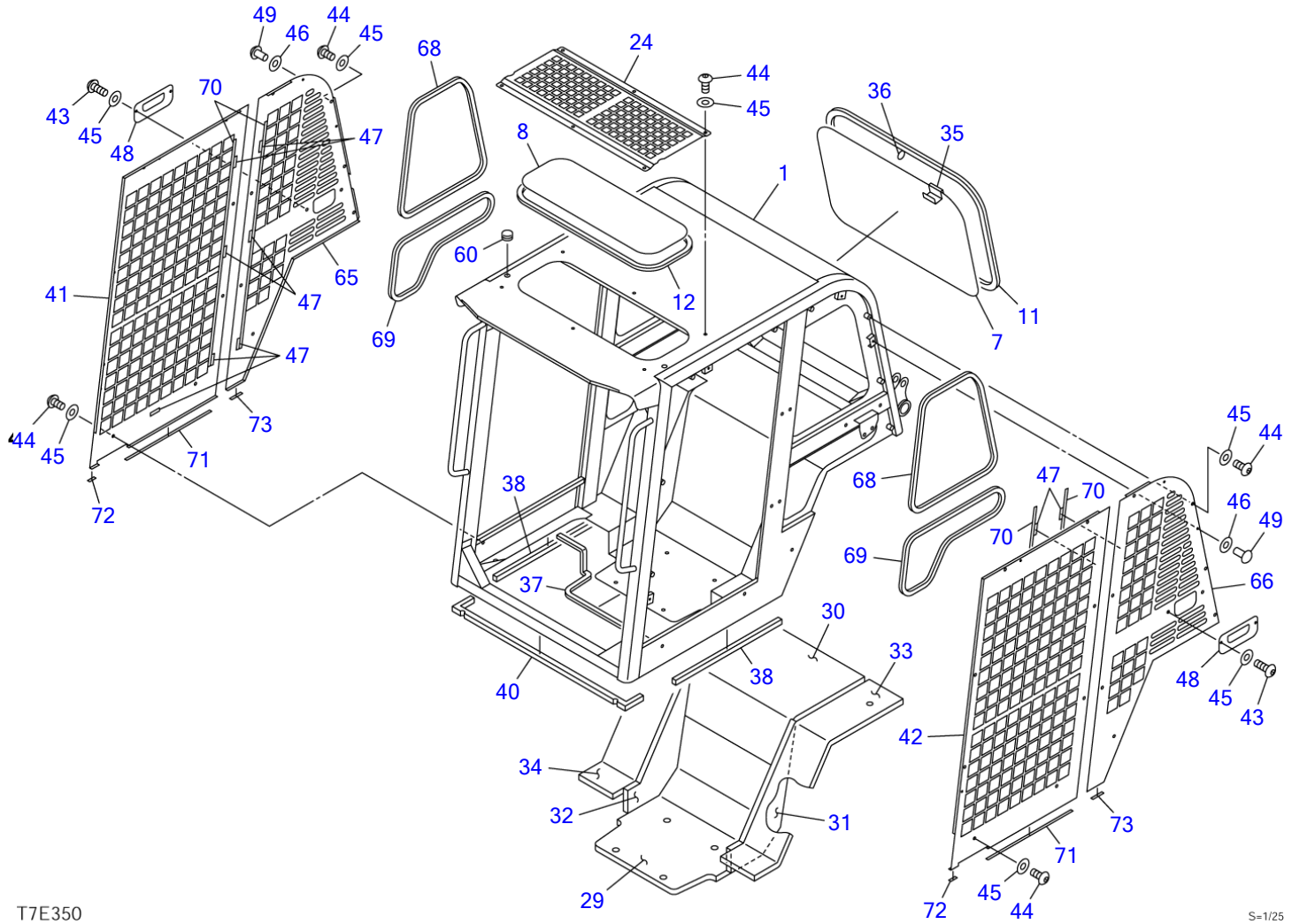
T7E280

S=1/20

**CANOPY MOUNT (for GEHL & MUSTANG; 21500750-21501329)**

Item	Part number	Description	Q'ty	Chan.	Serial No.	Serv.	Remarks
		CANOPY MOUNT (for GEHL & MUSTANG)					X08818-45000-3
1	0881844400	CANOPY	1				
2	0881842030	BOLT ASSY	2				
3	0881842050	RUBBER, cushion	2				
4	0881841060	PIN ASSY	1				
4-1	0881841061	· PIN	1				
4-2	1652735886	· CHAIN	1				
4-3	1214000016	· PIN, snap	2				
5	0881840008	COLLAR	4				
6	0880840070	WASHER	4				
7	0881842040	RUBBER, cushion	2				
8	0003900044	WASHER	2				
9	0343503200	PIN	4				
10	0004010025	PIN	4				
11	1100041225	BOLT	4				
12	1100141610	BOLT	2				
13	1130040016	NUT	4				
14	1132080016	NUT	2				
15	1140020012	WASHER, spring	4				
16	1141110010	WASHER	8				
17	1210010432	PIN, split	2				
18	1214000008	PIN, snap	8				
19	1651005030	RUBBER, cushion	2				
20	1653900047	SPRING, gas	4				
21	0003600165	WASHER	4				
	T7e281						

TL150 Book No. BT7Z011 S/N 21500004-  
CANOPY (1/3) (for GEHL & MUSTANG; 21500750-21501329)

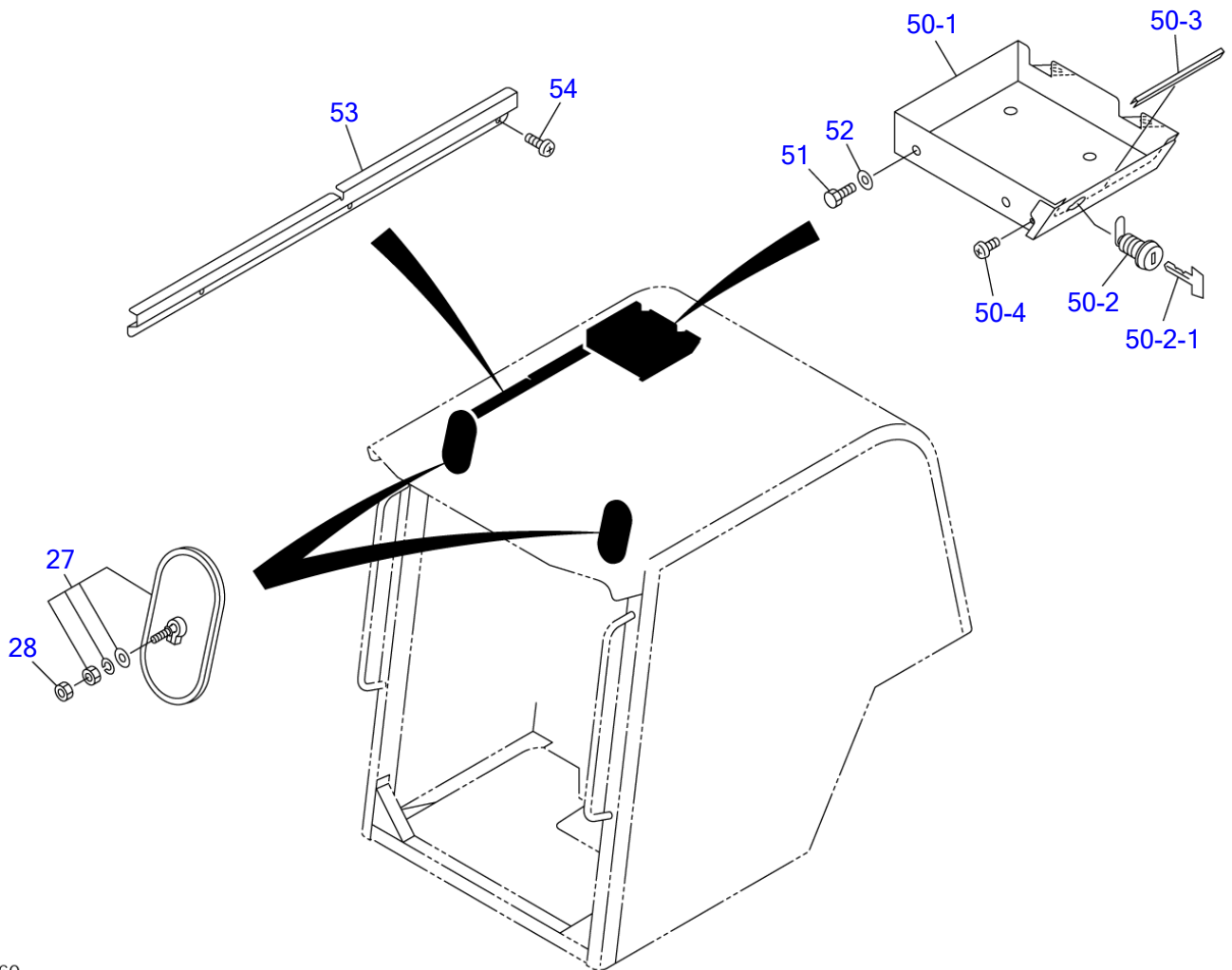


T7E350

S=1/25

**CANOPY (1/3) (for GEHL & MUSTANG; 21500750-21501329)**

Item	Part number	Description	Q'ty	Chan.	Serial No.	Serv.	Remarks
0	<b>0881844400</b>	CANOPY ASSY	1				X08818-44400-2
1	X *****	• CANOPY	1				
7	<b>0880865103</b>	• GLASS	1				
8	<b>0880865104</b>	• GLASS	1				
11	<b>1654231273</b>	• H-RUBBER	1				sold by the meter
12	<b>1654231195</b>	• H-RUBBER	1				sold by the meter
24	<b>0880865129</b>	• GUARD	1				
29	<b>0881842010</b>	• ABSORBENT, noise	1				
30	<b>0881844605</b>	• ABSORBENT, noise	1				
31	<b>0880865134</b>	• ABSORBENT, noise	1				
32	<b>0880865135</b>	• ABSORBENT, noise	1				
33	<b>0881861105</b>	• ABSORBENT, noise	1				
34	<b>0881861106</b>	• ABSORBENT, noise	1				
35	<b>0880865138</b>	• GRIP	1				
36	<b>0880865139</b>	• RING	1				
37	<b>1654623130</b>	• TRIM	1				sold by the meter
38	<b>0880865140</b>	• SEAL	2				
40	<b>0880865141</b>	• SEAL	1				
41	<b>0881861107</b>	• GUARD	1				
42	<b>0881861108</b>	• GUARD	1				
43	<b>1120990820</b>	• BOLT	4				
44	<b>1120990816</b>	• BOLT	36				
45	<b>1654011705</b>	• WASHER	40				
46	<b>0880865144</b>	• WASHER	8				
47	<b>0880865145</b>	• PLATE	14				
48	<b>0881861109</b>	• COVER	2				
49	<b>0880865150</b>	• RIVET	8				
60	<b>1653303010</b>	• SCREW, cap	2				
65	<b>0881861110</b>	• GUARD	1				
66	<b>0881861111</b>	• GUARD	1				
68	<b>1653916175</b>	• TRIM	2				
69	<b>1653916147</b>	• TRIM	2				
70	<b>0880845303</b>	• PLATE	4				
71	<b>0880845304</b>	• PLATE	2				
72	<b>0880845305</b>	• PLATE	2				
73	<b>0880845306</b>	• PLATE	2				
	<b>T7e351</b>						



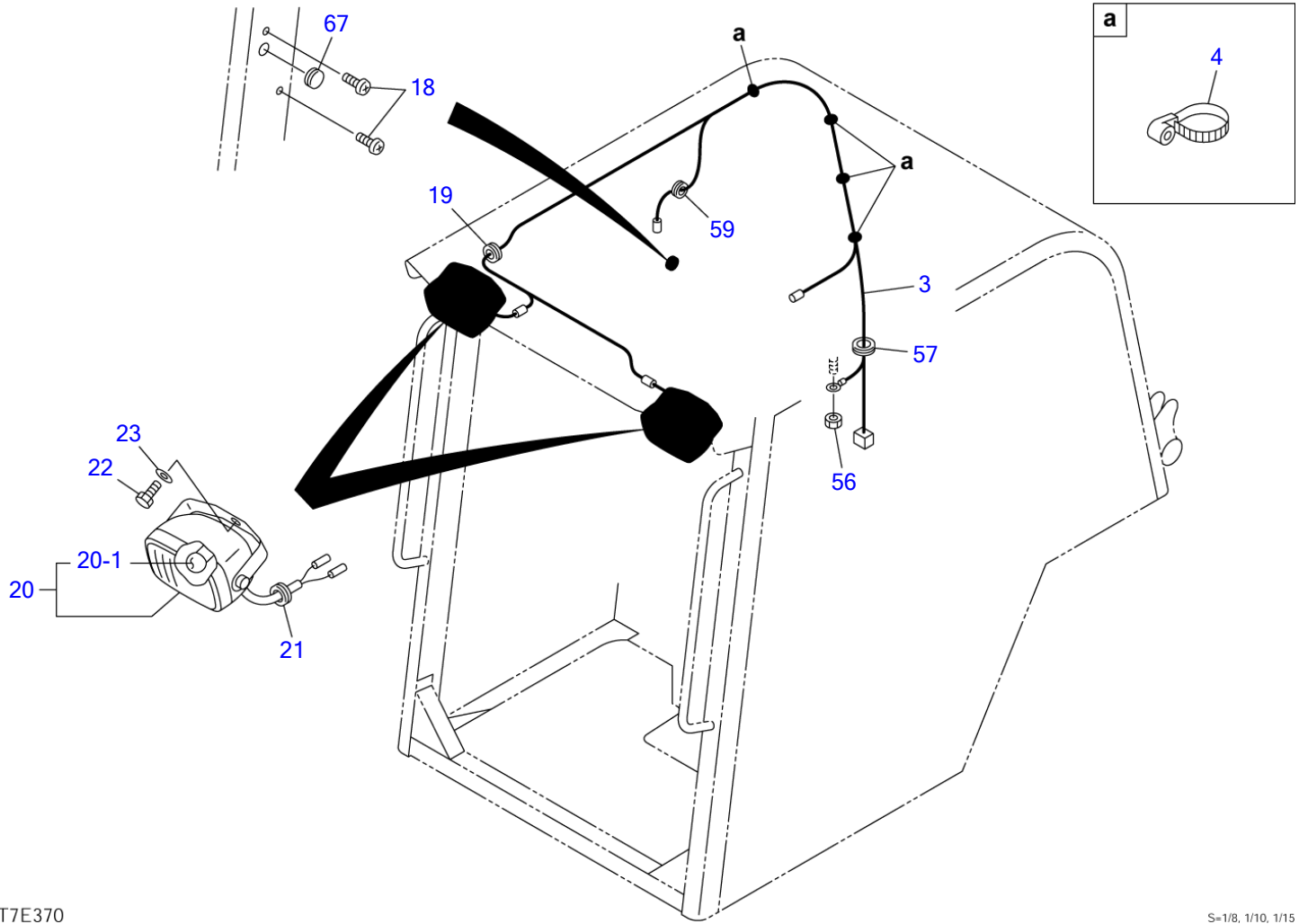
T7E360

S=1/8, 1/20

**CANOPY (2/3) (for GEHL & MUSTANG; 21500750-21501329)**

Item	Part number	Description	Q'ty	Chan.	Serial No.	Serv.	Remarks
0	<b>0881844400</b>	CANOPY ASSY	1				X08818-44400-2
27	<b>0880865131</b>	· MIRROR, rearview	2				
28	<b>1130090008</b>	· NUT	2				
50	<b>0880845680</b>	· CASE ASSY	1				
50-1	<b>0880845681</b>	· · CASE	1				
50-2	<b>1653601395</b>	· · LOCK	1				
50-2-1	<b>1700100019</b>	· · KEY	1				
50-3	<b>1654520014</b>	· · TRIM	1				sold by the meter
50-4	<b>1150420610</b>	· · SCREW	1				
51	<b>1100090820</b>	· BOLT	4				
52	<b>1654011705</b>	· WASHER	4				
53	<b>0880845605</b>	· COVER	1				
54	<b>1150420512</b>	· SCREW	3				
	<b>T7e361</b>						

TL150 Book No. BT7Z011 S/N 21500004-  
CANOPY (3/3) (for GEHL & MUSTANG; 21500750-21501329)



T7E370

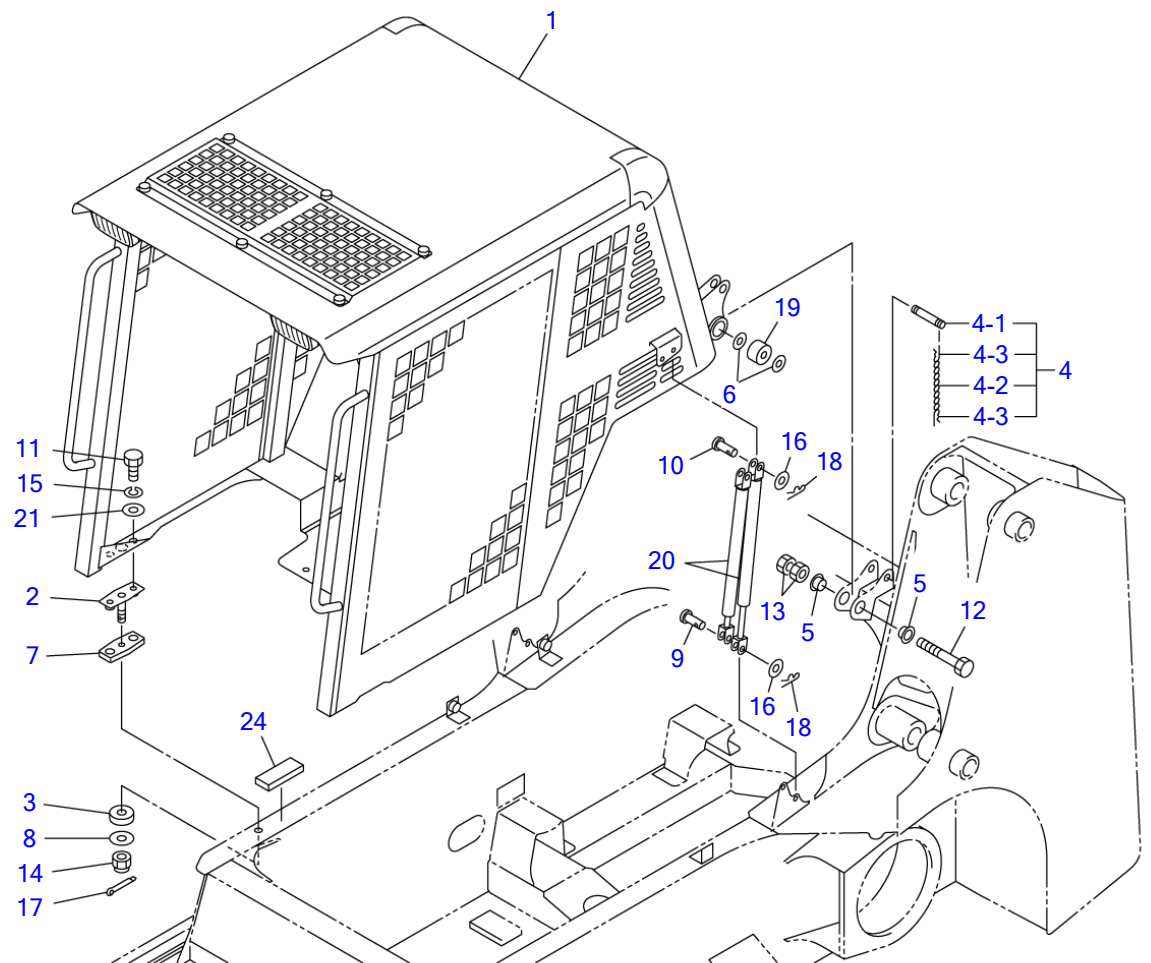
S-1/8, 1/10, 1/15



**CANOPY (3/3) (for GEHL & MUSTANG; 21500750-21501329)**

Item	Part number	Description	Q'ty	Chan.	Serial No.	Serv.	Remarks
0	<b>0881844400</b>	CANOPY ASSY	1				X08818-44400-2
3	<b>0881844670</b>	▪ HARNESS, wiring	1				
4	<b>1652221050</b>	▪ CLIP	4				
18	<b>1150410412</b>	▪ SCREW	2				
19	<b>1652042030</b>	▪ GROMMET	1				
20	<b>1703006600</b>	▪ LAMP, ASSY	2				
20-1	<b>1703006605</b>	▪ ▪ BULB	1				
21	<b>1652000602</b>	▪ GROMMET	2				
22	<b>1100041020</b>	▪ BOLT	2				
23	<b>1141110010</b>	▪ WASHER	2				
56	<b>1130040010</b>	▪ NUT	1				
57	<b>1654011702</b>	▪ GROMMET	1				
59	<b>1654011700</b>	▪ GROMMET	1				
67	<b>1654011704</b>	▪ CAP	1				
	<b>T7e371</b>						

TL150 Book No. BT7Z011 S/N 21500004-  
CANOPY MOUNT (for GEHL & MUSTANG; 21501330-)



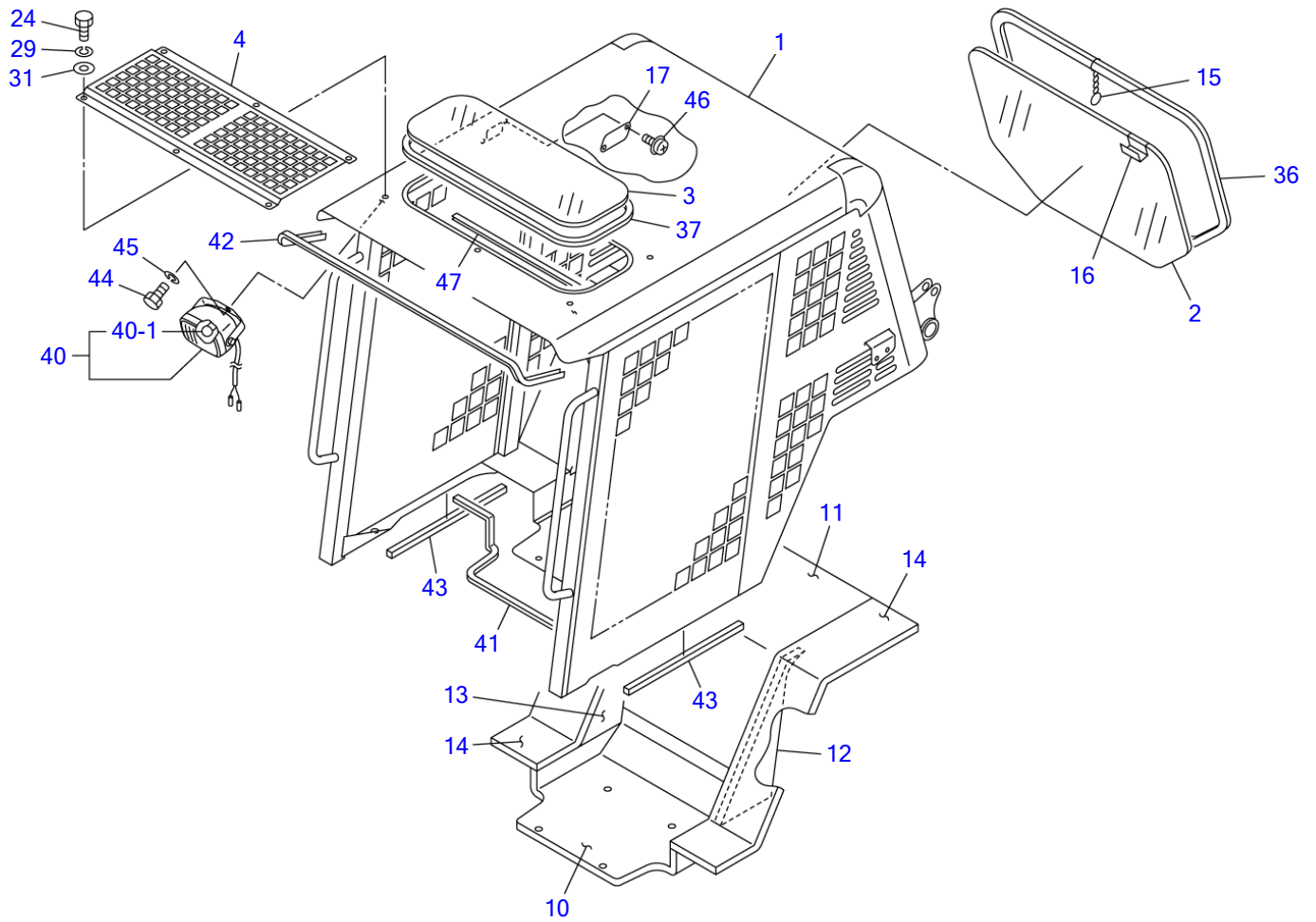
T7E660

S-1/20

**CANOPY MOUNT (for GEHL & MUSTANG; 21501330-)**

Item	Part number	Description	Q'ty	Chan.	Serial No.	Serv.	Remarks
		CANOPY MOUNT (for GEHL & MUSTANG)				M	X08818-45500-0
1	<b>0881842000</b>	CANOPY ASSY	1		21501330~21504493	M	
	<b>0881845600</b>	CANOPY ASSY	1	(H)	21504494~	M	
2	<b>0881842030</b>	BOLT ASSY	2			M	
3	<b>0881842050</b>	RUBBER, cushion	2			M	
4	<b>0881841060</b>	PIN ASSY	1			M	
4-1	<b>0881841061</b>	· PIN	1			M	
4-2	<b>1652735886</b>	· CHAIN	1			M	
4-3	<b>1214000016</b>	· PIN, snap	2			M	
5	<b>0881840008</b>	COLLAR	4			M	
6	<b>0880840070</b>	WASHER	4			M	
7	<b>0881842040</b>	RUBBER, cushion	2			M	
8	<b>0003900044</b>	WASHER	2			M	
9	<b>0343503200</b>	PIN	4			M	
10	<b>0004010025</b>	PIN	4			M	
11	<b>1100041225</b>	BOLT	4			M	
12	<b>1100141610</b>	BOLT	2			M	
13	<b>1130040016</b>	NUT	4			M	
14	<b>1132080016</b>	NUT	2			M	
15	<b>1140020012</b>	WASHER, spring	4			M	
16	<b>1141110010</b>	WASHER	8			M	
17	<b>1210010432</b>	PIN, split	2			M	
18	<b>1214000008</b>	PIN, snap	8			M	
19	<b>1651005030</b>	RUBBER, cushion	2			M	
20	<b>1653900043</b>	SPRING, gas	4			M	
21	<b>0003600165</b>	WASHER	4			M	
24	<b>1654306008</b>	SPONGE	2			M	sold by the meter
	<b>T7e660</b>						

TL150 Book No. BT7Z011 S/N 21500004-  
CANOPY (1/2) (for GEHL & MUSTANG; 21501330-)



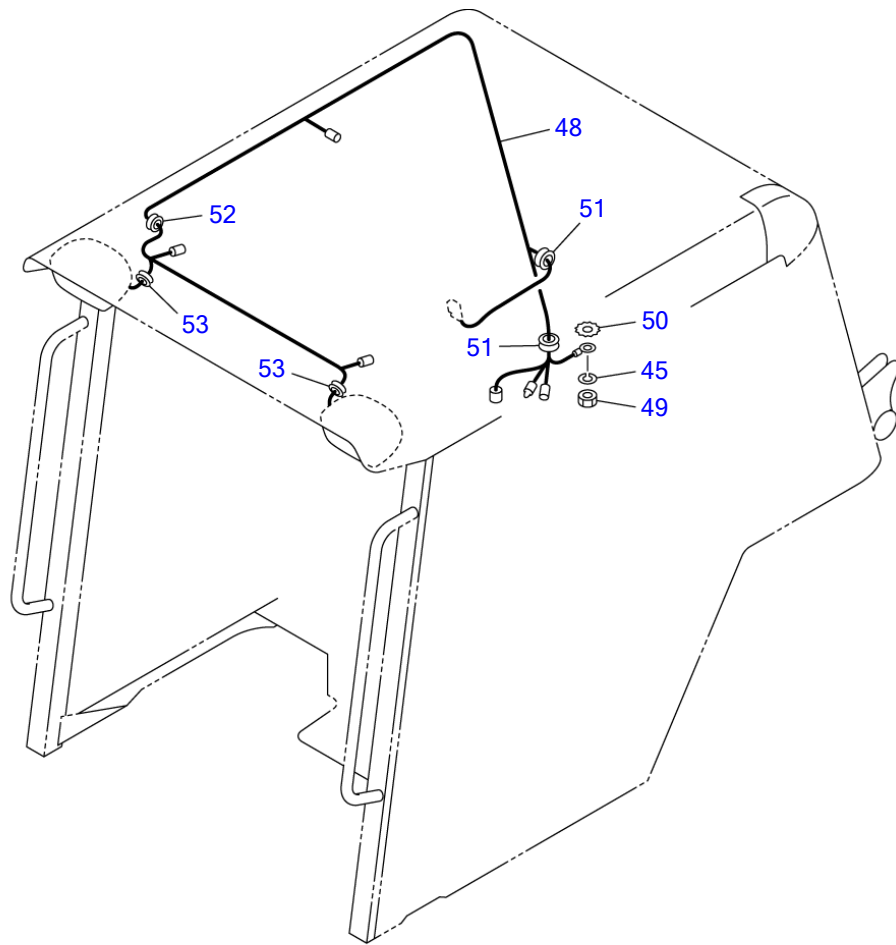
T7E670

S-1/20

**CANOPY (1/2) (for GEHL & MUSTANG; 21501330-)**

Item	Part number	Description	Q'ty	Chan.	Serial No.	Serv.	Remarks
0	<b>0881842000</b>	CANOPY ASSY	1		21501330~21504493	M	X08818-42000-12
	<b>0881845600</b>	CANOPY ASSY	1	(H)	21504494~	M	X08818-45600-0
1	<b>0881842400</b>	• CANOPY	1		21501330~21504493	M	
	<b>0881845700</b>	• CANOPY	1	(H)	21504494~	M	
2	<b>0881842002</b>	• GLASS	1			M	
3	<b>0880844003</b>	• GLASS	1			M	
4	<b>0880844004</b>	• PLATE	1			M	
10	<b>0881842010</b>	• ABSORBENT, noise	1			M	
11	<b>0881843011</b>	• ABSORBENT, noise	1			M	
12	<b>0881842012</b>	• ABSORBENT, noise	1			M	
13	<b>0881842013</b>	• ABSORBENT, noise	1			M	
14	<b>0881841014</b>	• ABSORBENT, noise	2			M	
15	<b>0880841040</b>	• RING, pull	1			M	
16	<b>0880841080</b>	• HANDLE	1			M	
17	<b>0881842017</b>	• PLATE	1			M	
24	<b>1100040816</b>	• BOLT	6			M	
29	<b>1140020008</b>	• WASHER, spring	6			M	
31	<b>1141110008</b>	• WASHER	6			M	
36	<b>1654252253</b>	• H-RUBBER	1			M	sold by the meter
37	<b>1654252200</b>	• H-RUBBER	1			M	sold by the meter
40	<b>1703006600</b>	• LAMP ASSY	2			M	
40-1	<b>1703006605</b>	• • BULB	1			M	12V, 55W
41	<b>1654623120</b>	• TRIM	1			M	sold by the meter
42	<b>1654601153</b>	• TRIM	1			M	sold by the meter
43	<b>1654350057</b>	• SPONGE	2			M	sold by the meter
44	<b>1100041020</b>	• BOLT	2			M	
45	<b>1140020010</b>	• WASHER, spring	2			M	
46	<b>1150420412</b>	• SCREW	2			M	
47	<b>1654601060</b>	• TRIM	1			M	sold by the meter

**T7e670**

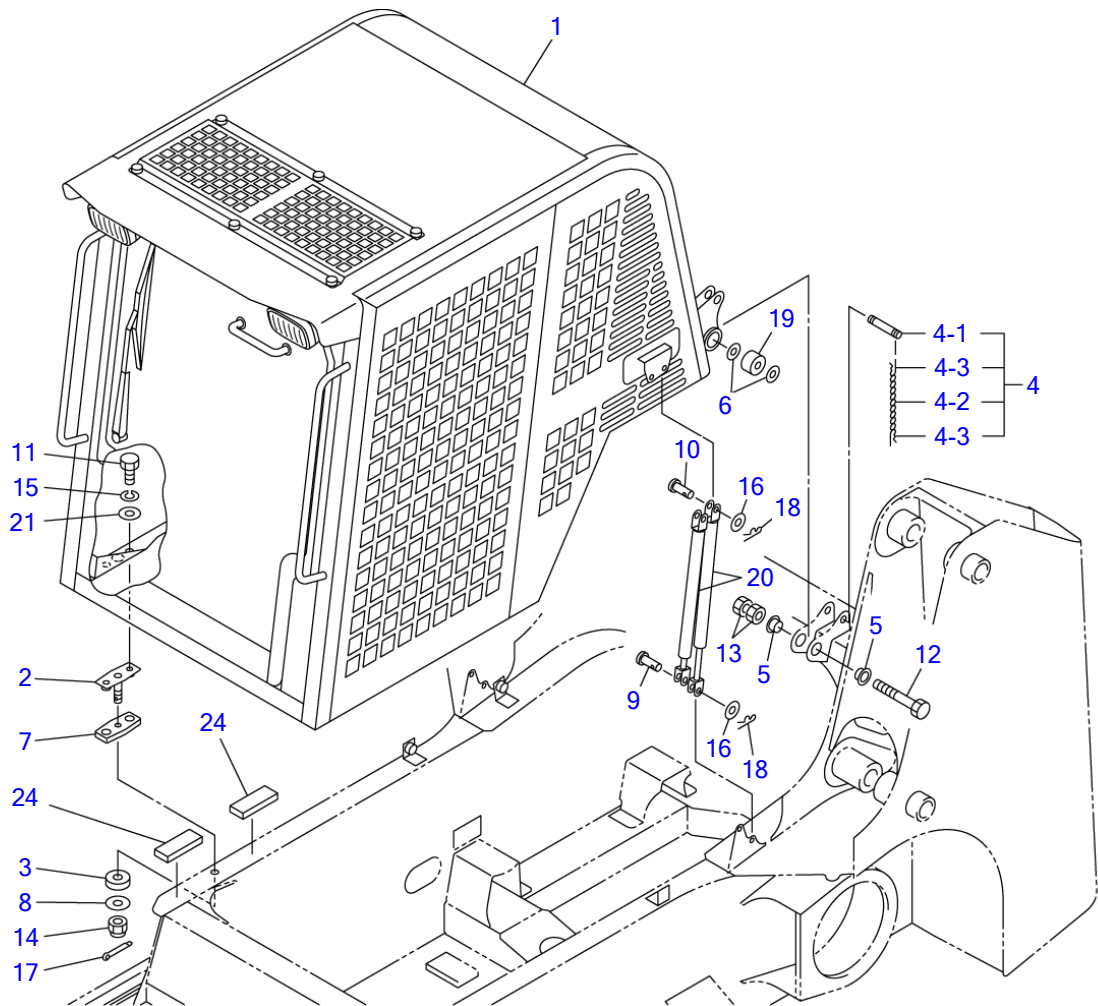


T7E550

S=1/15

**CANOPY (2/2) (for GEHL & MUSTANG; 21501330-)**

Item	Part number	Description	Q'ty	Chan.	Serial No.	Serv.	Remarks
0	<b>0881842000</b>	CANOPY ASSY	1		21501330~21504493	M	X08818-42000-12
	<b>0881845600</b>	CANOPY ASSY	1	(H)	21504494~	M	X08818-45600-0
45	<b>1140020010</b>	• WASHER, spring	1				
48	<b>0881842060</b>	• HARNESS, wiring	1				
49	<b>1130040010</b>	• NUT	1				
50	<b>1140330010</b>	• WASHER	1				
51	<b>1652052800</b>	• GROMMET	3				
52	<b>1652053600</b>	• GROMMET	1				
53	<b>1652040930</b>	• GROMMET	2				
	<b>T7e552</b>						



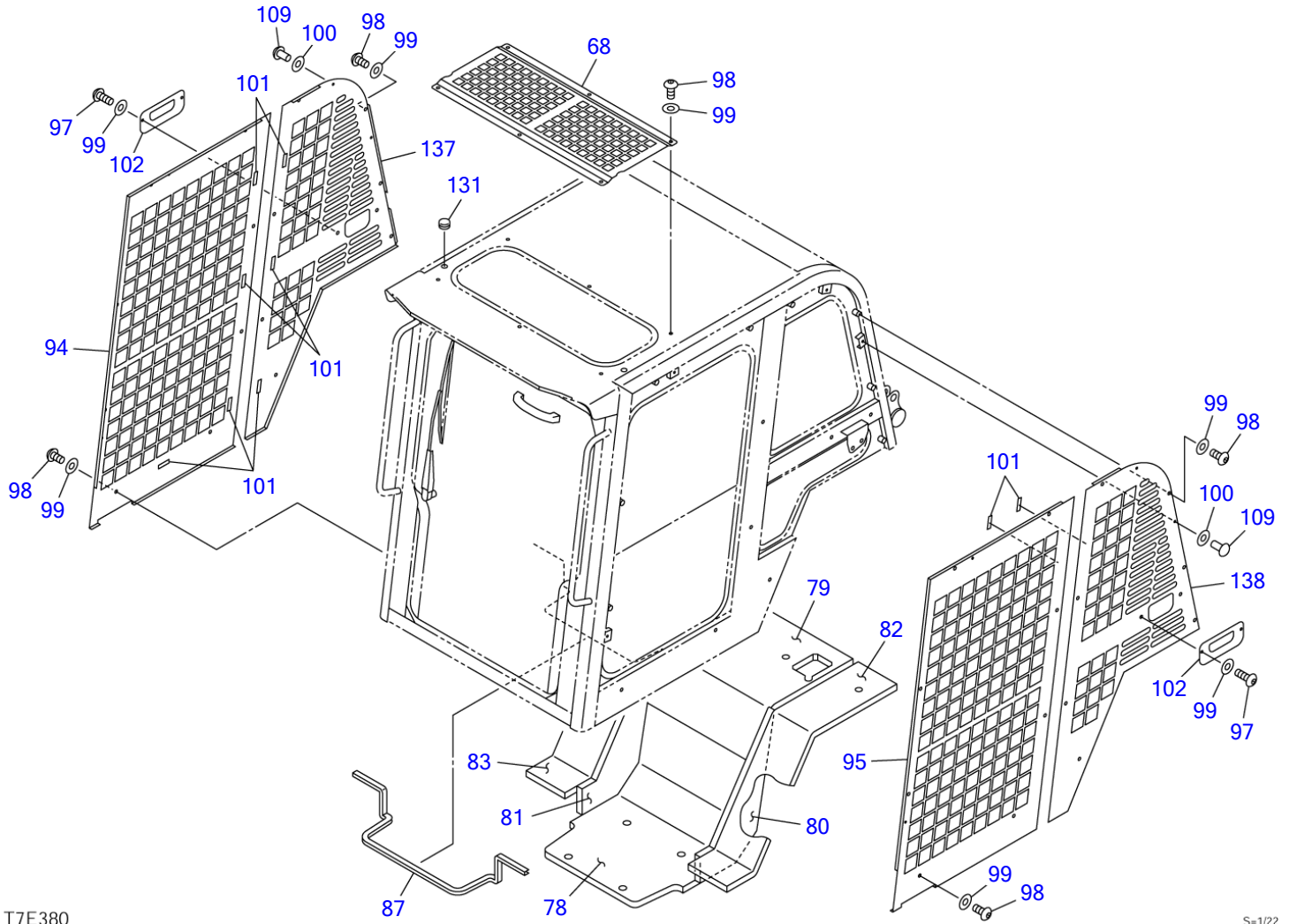
T7E241

S=1/20



**CAB MOUNT (21500750-)**

Item	Part number	Description	Q'ty	Chan.	Serial No.	Serv.	Remarks
		CAB MOUNT					X08818-61000-2
1	0881861100	CAB	1				
2	0881842030	BOLT ASSY	2				
3	0881842050	RUBBER, cushion	2				
4	0881841060	PIN ASSY	1				
4-1	0881841061	· PIN	1				
4-2	1652735886	· CHAIN	1				
4-3	1214000016	· PIN, snap	2				
5	0881840008	COLLAR	4				
6	0880840070	WASHER	4				
7	0881842040	RUBBER, cushion	2				
8	0003900044	WASHER	2				
9	0343503200	PIN	4				
10	0004010025	PIN	4				
11	1100041225	BOLT	4				
12	1100141610	BOLT	2				
13	1130040016	NUT	4				
14	1132080016	NUT	2				
15	1140020012	WASHER, spring	4				
16	1141110010	WASHER	8				
17	1210010432	PIN, split	2				
18	1214000008	PIN, snap	8				
19	1651005030	RUBBER, cushion	2				
20	1653900059	SPRING, gas	4				
21	0003600165	WASHER	4				
24	1654306008	SPONGE	4		21502547~		sold by the meter
	T7e243						

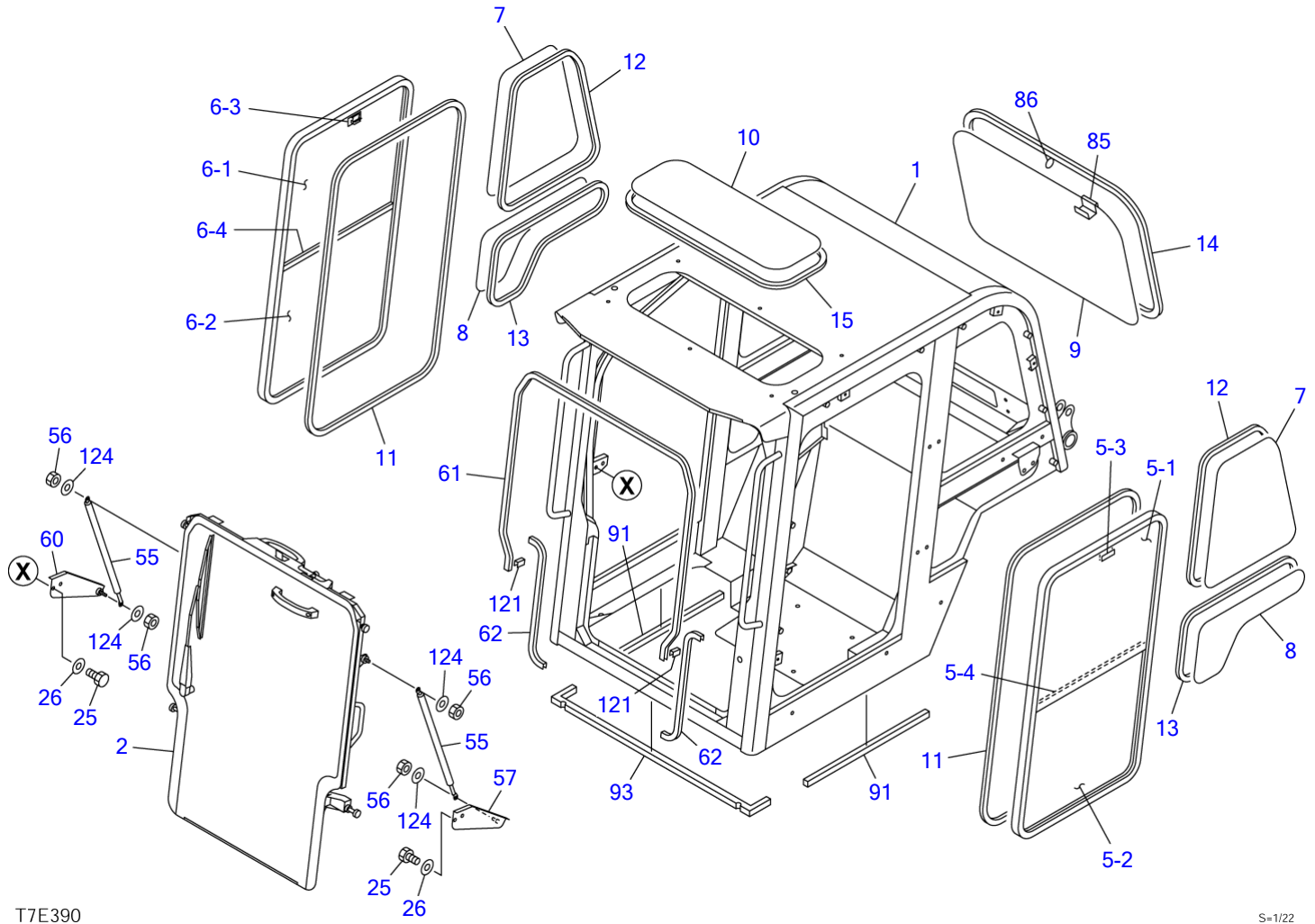


T7E380

S=1/22

**CAB (1/6) (21500750-)**

Item	Part number	Description	Q'ty	Chan.	Serial No.	Serv.	Remarks
0	<b>0881861100</b>	CAB ASSY	1				X08818-61100-4
68	<b>0880865129</b>	· GUARD	1				
78	<b>0881842010</b>	· ABSORBENT, noise	1				
79	<b>0881861104</b>	· ABSORBENT, noise	1				
80	<b>0880865134</b>	· ABSORBENT, noise	1				
81	<b>0880865135</b>	· ABSORBENT, noise	1				
82	<b>0881861105</b>	· ABSORBENT, noise	1				
83	<b>0881861106</b>	· ABSORBENT, noise	1				
87	<b>1654623130</b>	· TRIM	1				sold by the meter
94	<b>0881861107</b>	· GUARD	1				
95	<b>0881861108</b>	· GUARD	1				
97	<b>1120990820</b>	· BOLT	4				
98	<b>1120990816</b>	· BOLT	36				
99	<b>1654011705</b>	· WASHER	40				
100	<b>0880865144</b>	· WASHER	8				
101	<b>0880865145</b>	· PLATE	14				
102	<b>0881861109</b>	· COVER	2				
109	<b>0880865150</b>	· RIVET	8				
131	<b>1653303010</b>	· CAP	2				
137	<b>0881861110</b>	· GUARD	1				
138	<b>0881861111</b>	· GUARD	1				
	<b>T7e382</b>						



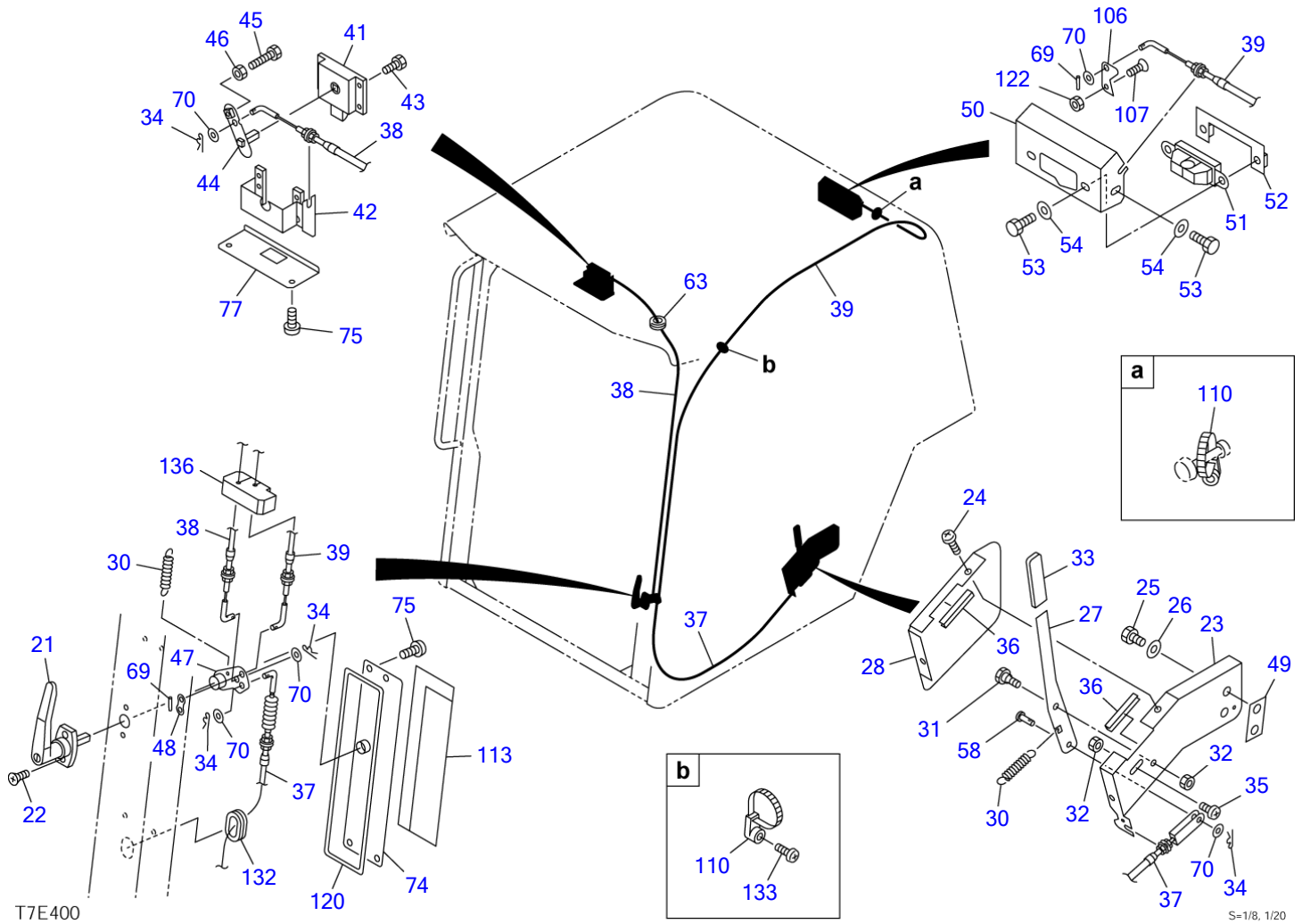
T7E390

S-1/22

**CAB (2/6) (21500750-)**

Item	Part number	Description	Q'ty	Chan.	Serial No.	Serv.	Remarks
0	<b>0881861100</b>	CAB ASSY	1				X08818-61100-4
1	X *****	• CAB	1				
2	<b>0880865300</b>	• DOOR ASSY, front	1				see page (6/6)
5	<b>0880865420</b>	• SIDE SASH ASSY (L.H.)	1				
5-1	<b>0880865422</b>	• • GLASS	1				
5-2	<b>0880865423</b>	• • GLASS	1				
5-3	<b>0880865424</b>	• • LOCK ASSY	1				
5-4	<b>0880865427</b>	• • STRIP, weather	1				
6	<b>0880865430</b>	• SIDE SASH ASSY (R.H.)	1				
6-1	<b>0880865422</b>	• • GLASS	1				
6-2	<b>0880865423</b>	• • GLASS	1				
6-3	<b>0880865424</b>	• • LOCK ASSY	1				
6-4	<b>0880865437</b>	• • STRIP, weather	1				
7	<b>0881861101</b>	• GLASS	2				
8	<b>0881861102</b>	• GLASS	2				
9	<b>0880865103</b>	• GLASS	1				
10	<b>0880865104</b>	• GLASS	1				
11	<b>1654253320</b>	• H-RUBBER	2				sold by the meter
12	<b>1654231175</b>	• H-RUBBER	2				sold by the meter
13	<b>1654231147</b>	• H-RUBBER	2				sold by the meter
14	<b>1654231273</b>	• H-RUBBER	1				sold by the meter
15	<b>1654231195</b>	• H-RUBBER	1				sold by the meter
25	<b>1100091020</b>	• BOLT	4				
26	<b>1654011706</b>	• WASHER	4				
55	<b>0880865124</b>	• SPRING, gas	2				
56	<b>1134090006</b>	• NUT	4				
57	<b>0880865125</b>	• BRACKET	1				
60	<b>0880865126</b>	• BRACKET	1				
61	<b>1654630240</b>	• TRIM	1				sold by the meter
62	<b>1654630060</b>	• TRIM	2				sold by the meter
85	<b>0880865138</b>	• GRIP	1				
86	<b>0880865139</b>	• RING	1				
91	<b>0880865140</b>	• SEAL	2				
93	<b>0880865141</b>	• SEAL	1				
121	<b>1654619003</b>	• SEAL	2				sold by the meter
124	<b>1141190008</b>	• WASHER	4				

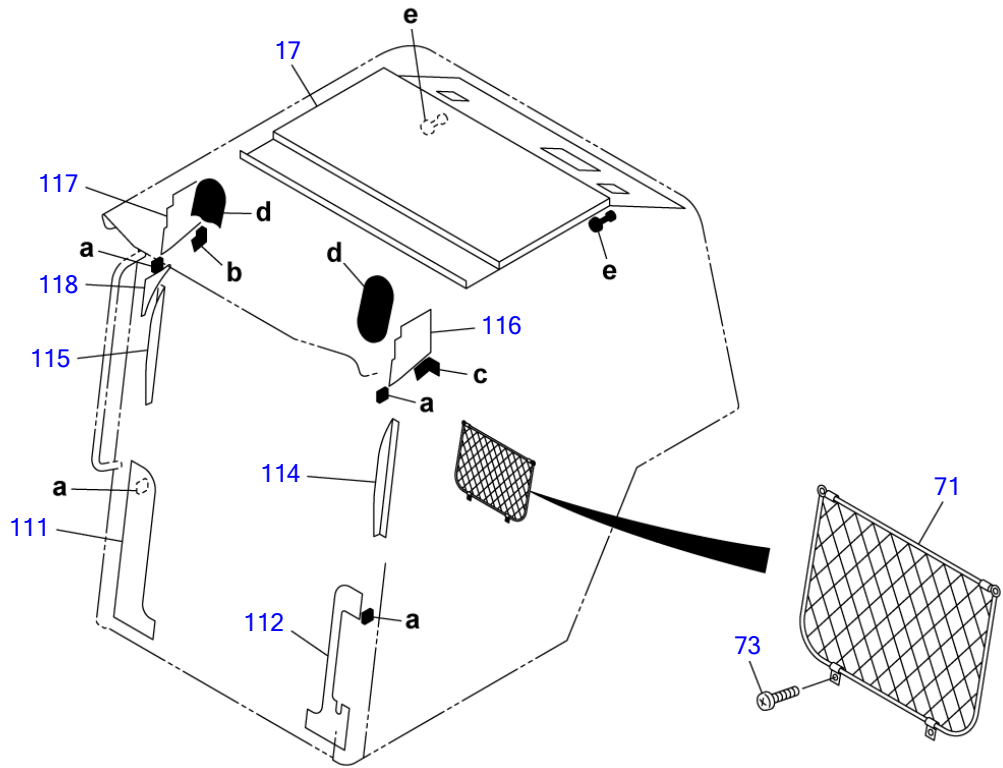
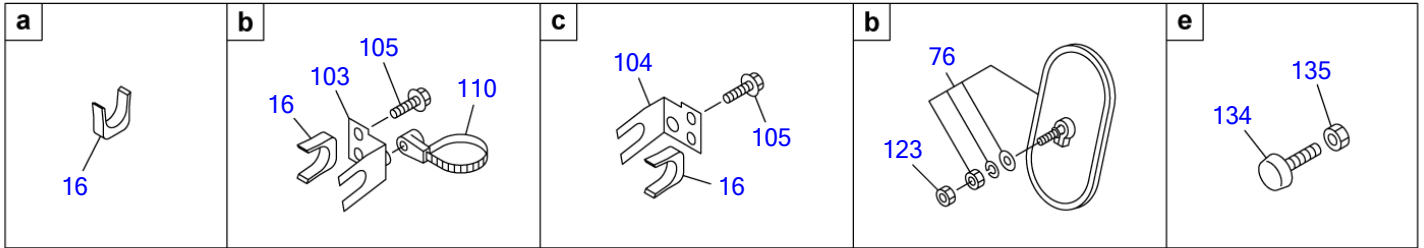
**T7e392**



CAB (3/6) (21500750-)

Item	Part number	Description	Q'ty	Chan.	Serial No.	Serv.	Remarks
0	0881861100	CAB ASSY	1				X08818-61100-4
21	1654011500	• HANDLE	1				
22	1120690520	• SCREW	2				
23	0880865161	• BRACKET	1				
24	1150420512	• SCREW	2				
25	1100091020	• BOLT	2				
26	1654011706	• WASHER	2				
27	0880865162	• LEVER	1				
28	0880865110	• COVER	1				
30	0880865112	• SPRING	2				
31	1654010800	• PIN	1				
32	1131242006	• NUT	2				
33	0438601760	• COVER	1				
34	1214000006	• PIN, snap	4				
35	1150410612	• BOLT, sems	1				
36	1653916005	• TRIM	2				sold by the meter
37	0880865163	• CABLE	1				
38	0880865164	• CABLE	1				
39	0880865165	• CABLE	1				
41	1654011740	• LATCH	1				
42	0880865118	• PLATE	1				
43	1100090616	• BOLT	4				
44	0880865166	• PLATE	1				
45	1100240630	• BOLT	1				
46	1131242006	• NUT	1				
47	0880865167	• PLATE	1				
48	0880865168	• PLATE	1				
49	0880865169	• SHIM	1				
50	0880865121	• BRACKET	1				
51	1653384630	• LOCK	1				
52	0880865123	• PLATE	1				
53	1100090820	• BOLT	5				
54	1654011705	• WASHER	5				
58	0880865170	• PIN	1				
63	1652042030	• GROMMET	1				
69	1211000212	• PIN	2				
70	1654011711	• WASHER	4				
74	0880865130	• COVER	1				
75	1150420512	• SCREW	8				
77	0880865132	• COVER	1				
106	0880865171	• BRACKET	1				
107	1120630512	• SCREW	1				
110	1652221050	• BAND	2				
113	0880865153	• ABSORBENT, noise	1				
120	0880865159	• SEAL	1				
122	1131242005	• NUT	1				
132	1654011701	• GROMMET	1				
133	1150420512	• SCREW	1				
136	0880865160	• PACKING	2				

T7e402



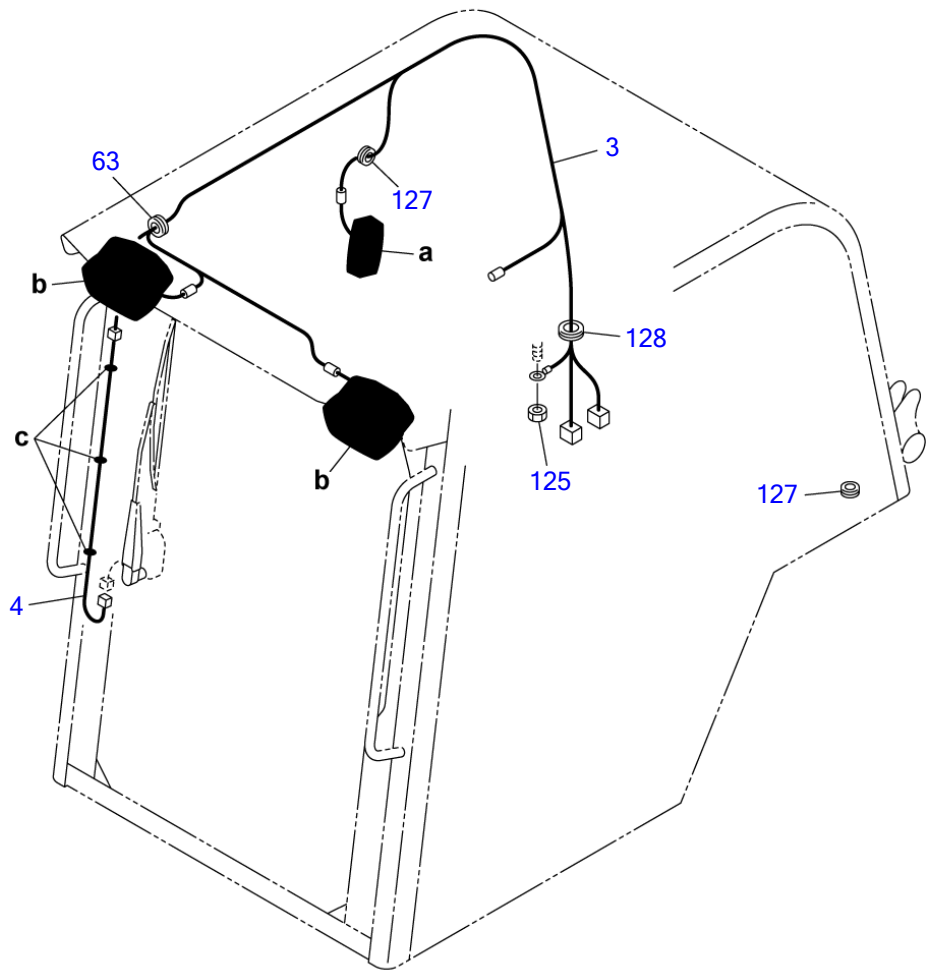
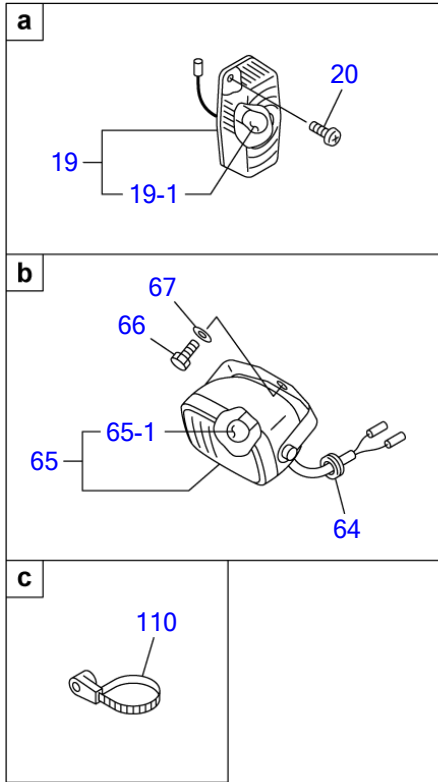
T7E410

S-1/6, 1/8, 1/20



**CAB (4/6) (21500750-)**

Item	Part number	Description	Qty	Chan.	Serial No.	Serv.	Remarks
0	<b>0881861100</b>	CAB ASSY	1				X08818-61100-4
16	<b>0880865105</b>	· STOPPER	6				
17	<b>0881861103</b>	· ABSORBENT, noise	1				
71	<b>1654010600</b>	· POCKET	1				
73	<b>1150410416</b>	· SCREW	4				
76	<b>0880865131</b>	· MIRROR, rearview	2				
103	<b>0880865147</b>	· BRACKET	1				
104	<b>0880865148</b>	· BRACKET	1				
105	<b>1100090620</b>	· BOLT	4				
110	<b>1652221050</b>	· BAND	1				
111	<b>0880865151</b>	· ABSORBENT, noise	1				
112	<b>0880865152</b>	· ABSORBENT, noise	1				
114	<b>0880865154</b>	· ABSORBENT, noise	1				
115	<b>0880865155</b>	· ABSORBENT, noise	1				
116	<b>0880865156</b>	· ABSORBENT, noise	1				
117	<b>0880865157</b>	· ABSORBENT, noise	1				
118	<b>0880865158</b>	· ABSORBENT, noise	1				
123	<b>1130040008</b>	· NUT	2				
134	<b>1651101042</b>	· STOPPER	2				
135	<b>1130090010</b>	· NUT	2				
	<b>T7e412</b>						



T7E420

S=1/8, 1/10, 1/15

**CAB (5/6) (21500750-)**

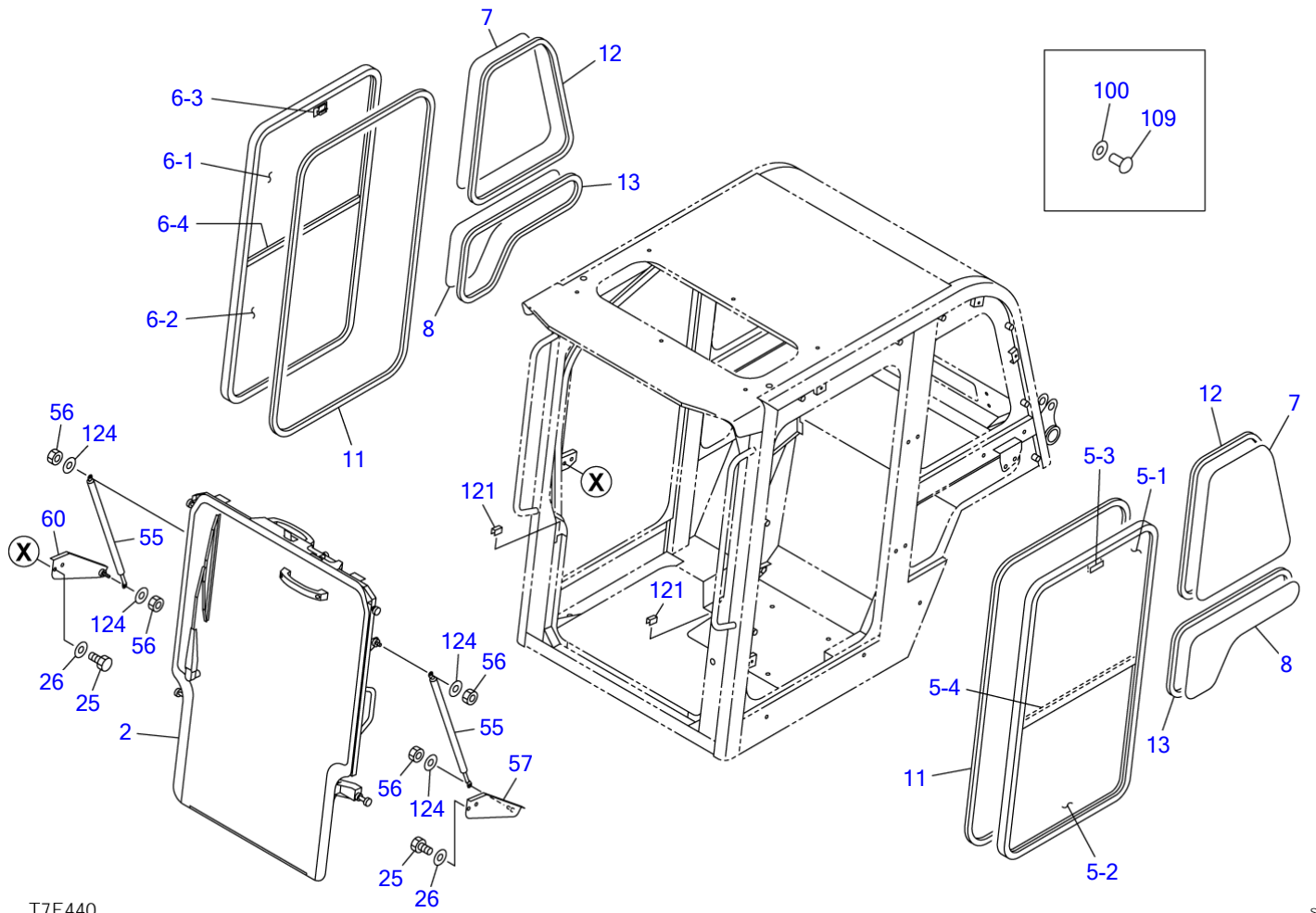
Item	Part number	Description	Q'ty	Chan.	Serial No.	Serv.	Remarks
0	<b>0881861100</b>	CAB ASSY	1				X08818-61100-4
3	<b>0881861400</b>	• HARNESS, wiring	1				
4	<b>0880865410</b>	• HARNESS, wiring	1				
19	<b>1703001700</b>	• LAMP, room	1				
19-1	<b>1703001701</b>	• • BULB	1				
20	<b>1150410412</b>	• SCREW	2				
63	<b>1652042030</b>	• GROMMET	1				
64	<b>1652000602</b>	• GROMMET	2				
65	<b>1703006600</b>	• LAMP, ASSY	2				
65-1	<b>1703006605</b>	• • BULB	1				
66	<b>1100041020</b>	• BOLT	2				
67	<b>1141110010</b>	• WASHER	2				
110	<b>1652221050</b>	• BAND	3				
125	<b>1130040010</b>	• NUT	1				
127	<b>1654011700</b>	• GROMMET	2				
128	<b>1654011702</b>	• GROMMET	1				
	<b>T7e422</b>						



**CAB (6/6) (front door; 21500750-)**

Item	Part number	Description	Q'ty	Chan.	Serial No.	Serv.	Remarks
0	<b>0880865300</b>	DOOR ASSY, front	1				
1	<b>0880865340</b>	▪ DOOR, front	1				
2	<b>0880865301</b>	▪ GLASS	1				
3	<b>0880865302</b>	▪ MOTOR, wiper	1				
4	<b>0880865303</b>	▪ ARM, wiper	1				
5	<b>0880865304</b>	▪ BLADE	1				
6	<b>0880865305</b>	▪ ROLLER	4				
7	<b>0880865306</b>	▪ BOLT	2				
8	<b>1130040012</b>	▪ NUT	2				
9	<b>1654615210</b>	▪ DAM	2				sold by the meter
10	<b>1654631054</b>	▪ SEAL	1				sold by the meter
11	<b>1653916045</b>	▪ TRIM	2				sold by the meter
12	<b>0880865307</b>	▪ BOLT	1				
13	<b>1654011707</b>	▪ WASHER	1				
14	<b>0880865308</b>	▪ PLATE	1				
15	<b>1100090620</b>	▪ BOLT	2				
16	<b>0880865309</b>	▪ SHIM	4				
17	<b>0880865310</b>	▪ COLLAR	1				
18	<b>0880865311</b>	▪ COLLAR	1				
19	<b>0880865312</b>	▪ HANDLE	2				
20	<b>0880865313</b>	▪ NUT	2				
21	<b>0880865314</b>	▪ GROMMET	4				
22	<b>0880865315</b>	▪ WASHER	2				
24	<b>0880865316</b>	▪ SHEET	2				
25	<b>0880865317</b>	▪ LATCH	1				
26	<b>1100090820</b>	▪ BOLT	2				
27	<b>1654011705</b>	▪ WASHER	2				
28	<b>1654615013</b>	▪ DAM	1				sold by the meter
29	<b>1654615020</b>	▪ DAM	1				sold by the meter
30	<b>1150420620</b>	▪ SCREW	4				
31	<b>1130190012</b>	▪ NUT	1				
	<b>T7e432</b>						

TL150 Book No. BT7Z011 S/N 21500004-  
CAB KIT (1/5) (for US; 21500750-)



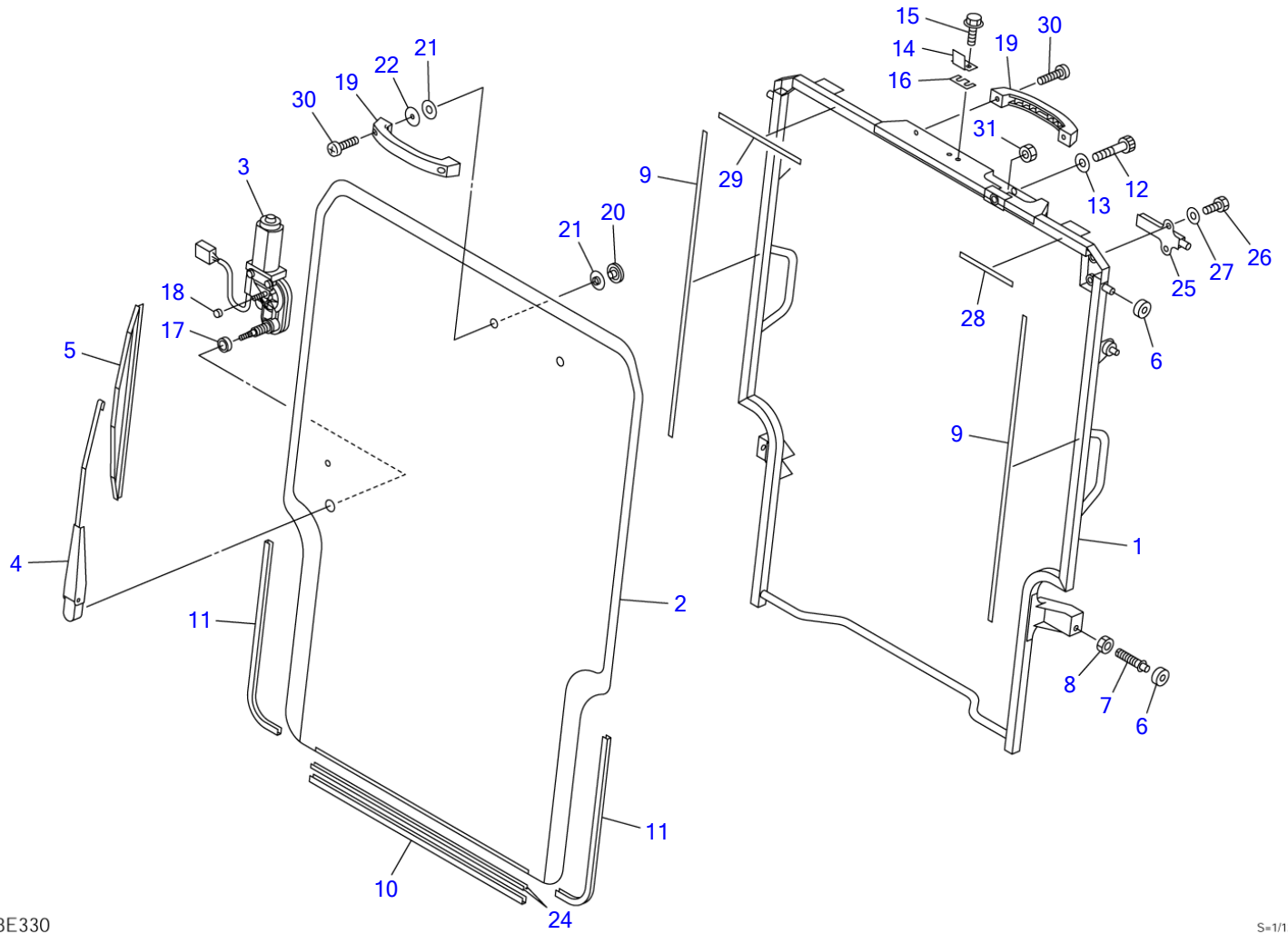
T7E440

S=1/22

**CAB KIT (1/5) (for US; 21500750-)**

Item	Part number	Description	Q'ty	Chan.	Serial No.	Serv.	Remarks
0	<b>0881861500</b>	CAB KIT	1		21500750~21502444		X08818-61500-8
	<b>0881861800</b>	CAB KIT	1		21502445~		X08818-61800-1
0-1	<b>0881861600</b>	· SUB CAB KIT (1/5)~(4/5)	1		21500750~21502444		
	<b>0881861900</b>	· SUB CAB KIT (1/5)~(4/5)	1	(H)	21502445~		
2	<b>0880865300</b>	· · DOOR ASSY, front	1				see page (2/5)
5	<b>0880865420</b>	· · · SIDE SASH ASSY (L.H.)	1				
5-1	<b>0880865422</b>	· · · · GLASS	1				
5-2	<b>0880865423</b>	· · · · GLASS	1				
5-3	<b>0880865424</b>	· · · · LOCK ASSY	1				
5-4	<b>0880865427</b>	· · · · STRIP, weather	1				
6	<b>0880865430</b>	· · SIDE SASH ASSY (R.H.)	1				
6-1	<b>0880865422</b>	· · · · GLASS	1				
6-2	<b>0880865423</b>	· · · · GLASS	1				
6-3	<b>0880865424</b>	· · · · LOCK ASSY	1				
6-4	<b>0880865437</b>	· · · · STRIP, weather	1				
7	<b>0881861101</b>	· · GLASS	2				
8	<b>0881861102</b>	· · GLASS	2				
11	<b>1654253320</b>	· · H-RUBBER	2				sold by the meter
12	<b>1654231175</b>	· · H-RUBBER	2				sold by the meter
13	<b>1654231147</b>	· · H-RUBBER	2				sold by the meter
25	<b>1100091020</b>	· · BOLT	4				
26	<b>1654011706</b>	· · WASHER	4				
55	<b>0880865124</b>	· · SPRING, gas	2				
56	<b>1134090006</b>	· · NUT	4				
57	<b>0880865125</b>	· · BRACKET	1				
60	<b>0880865126</b>	· · BRACKET	1				
100	<b>0880865144</b>	· · WASHER	8				
109	<b>0880865150</b>	· · RIVET	8				
121	<b>1654619003</b>	· · SEAL	2				sold by the meter
124	<b>1141190008</b>	· · WASHER	4				
	<b>T7e444</b>						

TL150 Book No. BT7Z011 S/N 21500004-  
CAB KIT (2/5) (for US, front door; 21500750-)



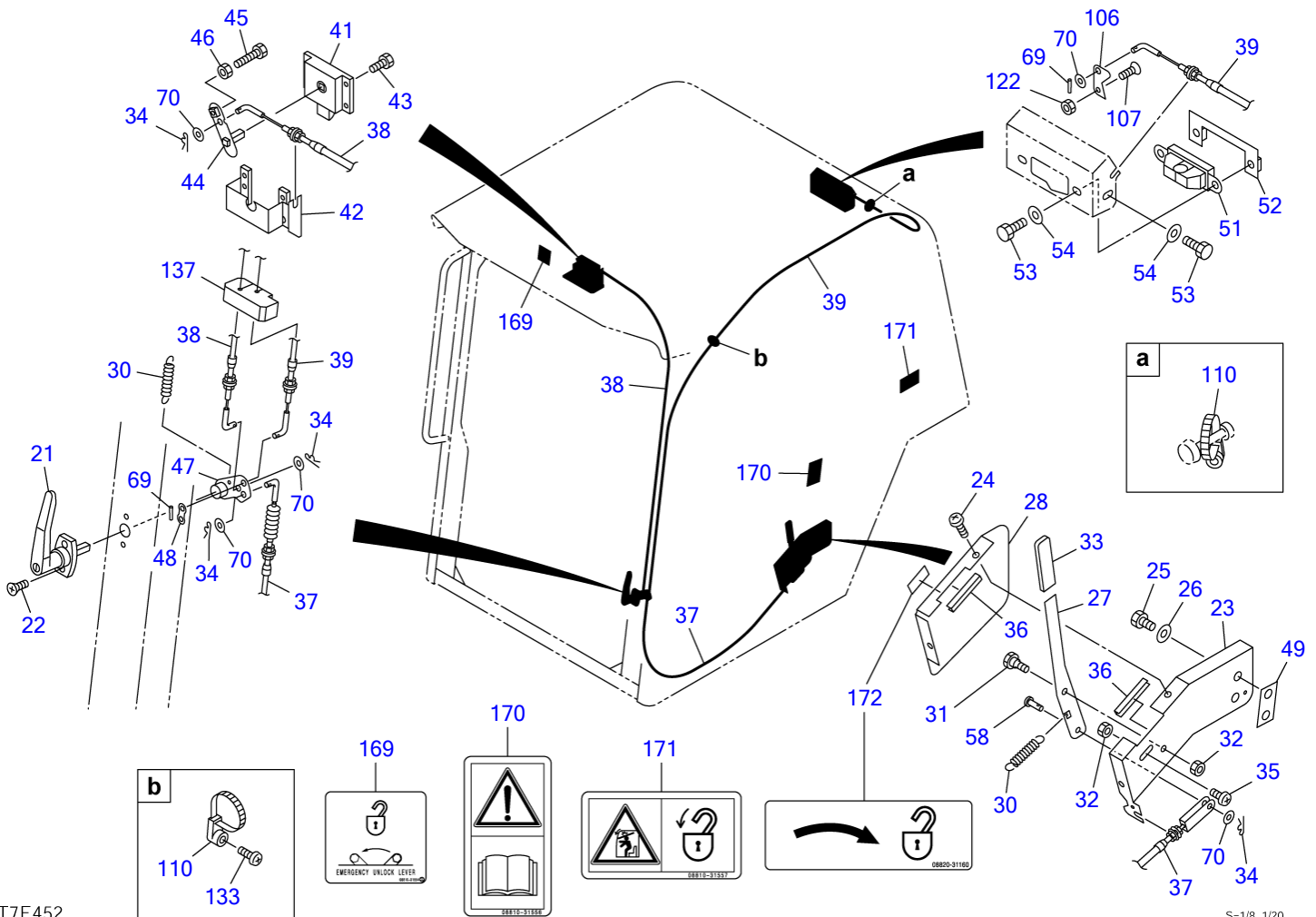
T8E330

S-1/12



**CAB KIT (2/5) (for US, front door; 21500750-)**

Item	Part number	Description	Q'ty	Chan.	Serial No.	Serv.	Remarks
0	<b>0881861500</b>	CAB KIT	1		21500750~21502444		X08818-61500-8
	<b>0881861800</b>	CAB KIT	1		21502445~		X08818-61800-1
0-1	<b>0881861600</b>	· SUB CAB KIT (1/5)~(4/5)	1		21500750~21502444		
	<b>0881861900</b>	· SUB CAB KIT (1/5)~(4/5)	1	(H)	21502445~		
0-2	<b>0880865300</b>	·· DOOR ASSY, front	1				
1	<b>0880865340</b>	··· DOOR, front	1				
2	<b>0880865301</b>	··· GLASS	1				
3	<b>0880865302</b>	··· MOTOR, wiper	1				
4	<b>0880865303</b>	··· ARM, wiper	1				
5	<b>0880865304</b>	··· BLADE	1				
6	<b>0880865305</b>	··· ROLLER	4				
7	<b>0880865306</b>	··· BOLT	2				
8	<b>1130040012</b>	··· NUT	2				
9	<b>1654615210</b>	··· DAM	2				sold by the meter
10	<b>1654631054</b>	··· SEAL	1				sold by the meter
11	<b>1653916045</b>	··· TRIM	2				sold by the meter
12	<b>0880865307</b>	··· BOLT	1				
13	<b>1654011707</b>	··· WASHER	1				
14	<b>0880865308</b>	··· PLATE	1				
15	<b>1100090620</b>	··· BOLT	2				
16	<b>0880865309</b>	··· SHIM	4				
17	<b>0880865310</b>	··· COLLAR	1				
18	<b>0880865311</b>	··· COLLAR	1				
19	<b>0880865312</b>	··· HANDLE	2				
20	<b>0880865313</b>	··· NUT	2				
21	<b>0880865314</b>	··· GROMMET	4				
22	<b>0880865315</b>	··· WASHER	2				
24	<b>0880865316</b>	··· SHEET	2				
25	<b>0880865317</b>	··· LATCH	1				
26	<b>1100090820</b>	··· BOLT	2				
27	<b>1654011705</b>	··· WASHER	2				
28	<b>1654615013</b>	··· DAM	1				sold by the meter
29	<b>1654615020</b>	··· DAM	1				sold by the meter
30	<b>1150420620</b>	··· SCREW	4				
31	<b>1130190012</b>	··· NUT	1				
	<b>T7e494</b>						



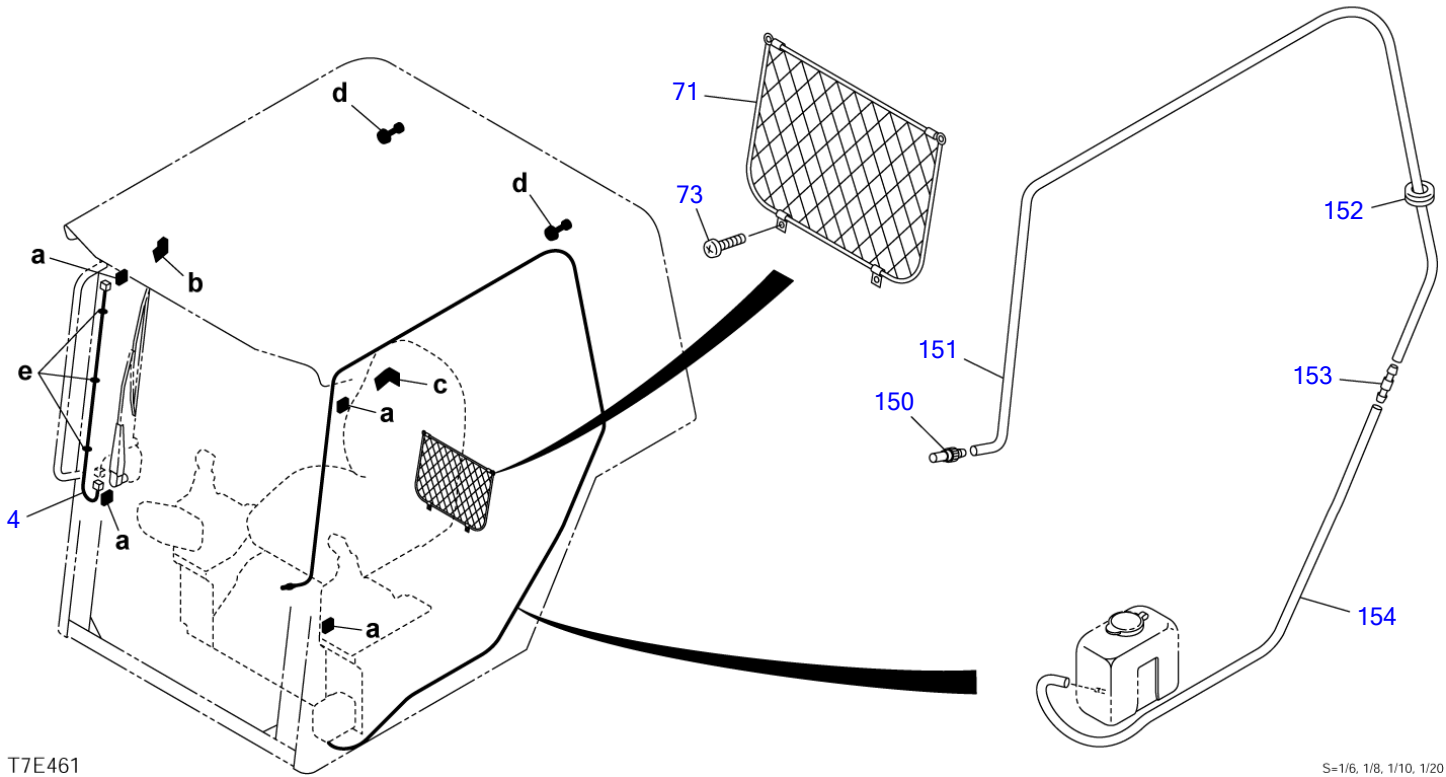
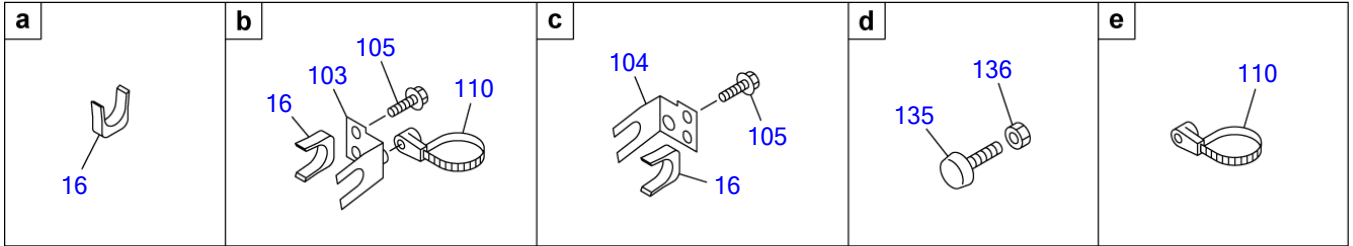
T7E452

S=1/8, 1/20

**CAB KIT (3/5) (for US; 21500750-)**

Item	Part number	Description	Q'ty	Chan.	Serial No.	Serv.	Remarks
0	<b>0881861500</b>	CAB KIT	1		21500750~21502444		X08818-61500-8
	<b>0881861800</b>	CAB KIT	1		21502445~		X08818-61800-1
0-1	<b>0881861600</b>	• SUB CAB KIT (1/5)~(4/5)	1		21500750~21502444		
	<b>0881861900</b>	• SUB CAB KIT (1/5)~(4/5)	1	(H)	21502445~		
21	<b>1654011500</b>	• • HANDLE	1				
22	<b>1120690520</b>	• • SCREW	2				
23	<b>0880865161</b>	• • BRACKET	1				
24	<b>1150420512</b>	• • SCREW	2				
25	<b>1100091020</b>	• • BOLT	2				
26	<b>1654011706</b>	• • WASHER	2				
27	<b>0880865162</b>	• • LEVER	1				
28	<b>0880865110</b>	• • COVER	1				
30	<b>0880865112</b>	• • SPRING	2				
31	<b>1654010800</b>	• • PIN	1				
32	<b>1131242006</b>	• • NUT	2				
33	<b>0438601760</b>	• • COVER	1				
34	<b>1214000006</b>	• • PIN, snap	4				
35	<b>1150410612</b>	• • BOLT, sems	1				
36	<b>1653916005</b>	• • TRIM	2				sold by the meter
37	<b>0880865163</b>	• • CABLE	1				
38	<b>0880865164</b>	• • CABLE	1				
39	<b>0880865165</b>	• • CABLE	1				
41	<b>1654011740</b>	• • LATCH	1				
42	<b>0880865118</b>	• • PLATE	1				
43	<b>1100090616</b>	• • BOLT	4				
44	<b>0880865166</b>	• • PLATE	1				
45	<b>1100240630</b>	• • BOLT	1				
46	<b>1131242006</b>	• • NUT	1				
47	<b>0880865167</b>	• • PLATE	1				
48	<b>0880865168</b>	• • PLATE	1				
49	<b>0880865169</b>	• • SHIM	1				
51	<b>1653384630</b>	• • LOCK	1				
52	<b>0880865123</b>	• • PLATE	1				
53	<b>1100090820</b>	• • BOLT	2				
54	<b>1654011705</b>	• • WASHER	2				
58	<b>0880865170</b>	• • PIN	1				
69	<b>1211000212</b>	• • PIN	2				
70	<b>1654011711</b>	• • WASHER	4				
106	<b>0880865171</b>	• • BRACKET	1				
107	<b>1120630512</b>	• • SCREW	1				
110	<b>1652221050</b>	• • BAND	2				
122	<b>1131242005</b>	• • NUT	1				
133	<b>1150420512</b>	• • SCREW	1				
137	<b>0880865160</b>	• • PACKING	2				
169	<b>0881031554</b>	• • DECAL	1				
170	<b>0881031556</b>	• • DECAL	1				
171	<b>0881031557</b>	• • DECAL	1				
172	<b>0882031160</b>	• • DECAL	1				

**T7e454**

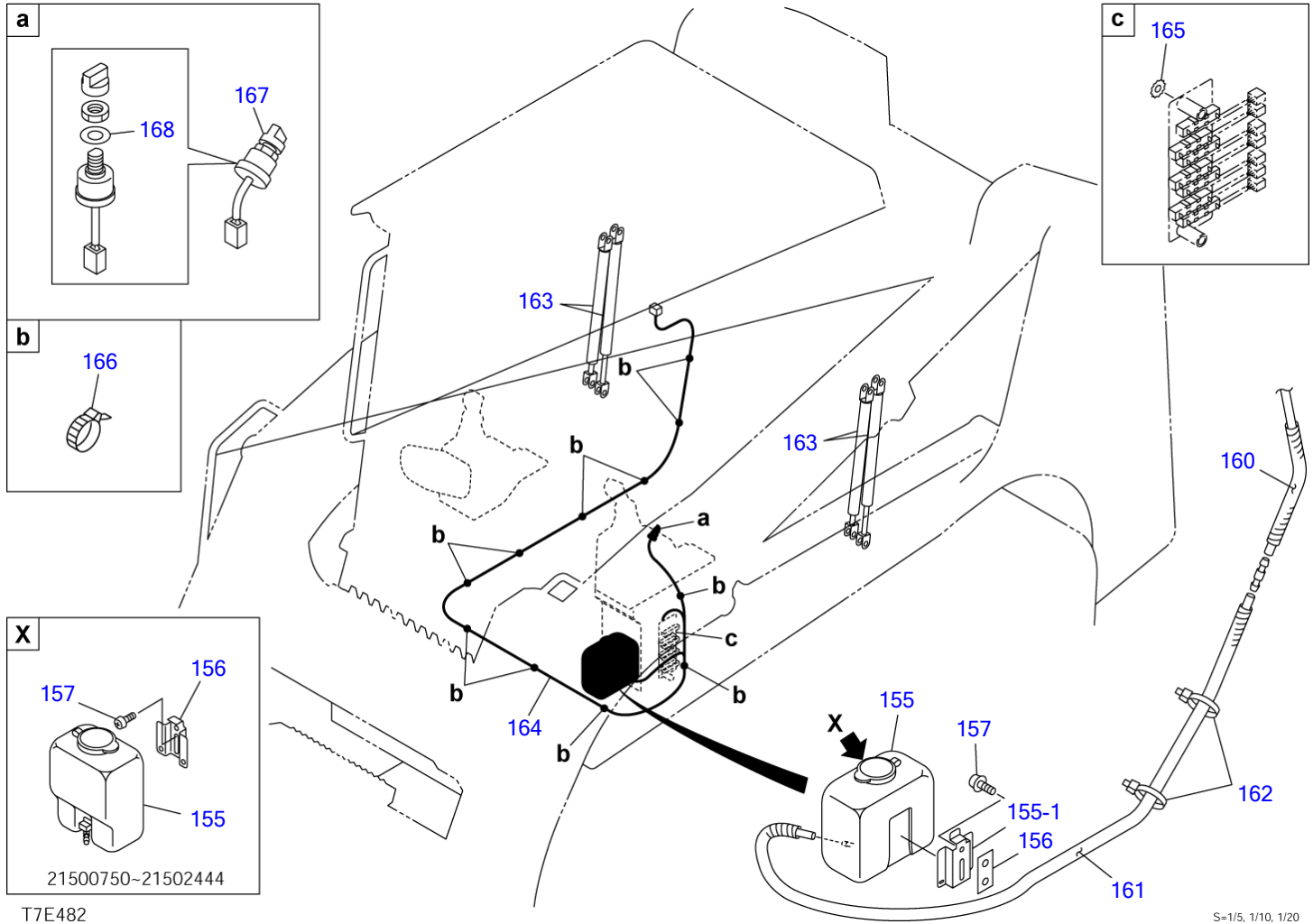


T7E461

S=1/6, 1/8, 1/10, 1/20

**CAB KIT (4/5) (for US; 21500750-)**

Item	Part number	Description	Q'ty	Chan.	Serial No.	Serv.	Remarks
0	<b>0881861500</b>	CAB KIT	1		21500750~21502444		X08818-61500-8
	<b>0881861800</b>	CAB KIT	1		21502445~		X08818-61800-1
0-1	<b>0881861600</b>	• SUB CAB KIT (1/5)~(4/5)	1		21500750~21502444		
	<b>0881861900</b>	• SUB CAB KIT (1/5)~(4/5)	1	(H)	21502445~		
4	<b>0880865410</b>	• • HARNESS, wiring	1				
16	<b>0880865105</b>	• • STOPPER	6				
71	<b>1654010600</b>	• • POCKET	1				
73	<b>1150410416</b>	• • SCREW	4				
103	<b>0880865147</b>	• • BRACKET	1				
104	<b>0880865148</b>	• • BRACKET	1				
105	<b>1100090620</b>	• • BOLT	4				
110	<b>1652221050</b>	• • BAND	4				
135	<b>1651101042</b>	• • STOPPER	2				
136	<b>1130090010</b>	• • NUT	2				
150	<b>1711910040</b>	• • NOZZLE	1				
151	<b>1711919300</b>	• • HOSE	1				sold by the meter
152	<b>1654011700</b>	• • GROMMET	1				
153	<b>1711910014</b>	• • JOINT	1				
154	<b>1711919150</b>	• • HOSE	1				sold by the meter
	<b>T7e464</b>						

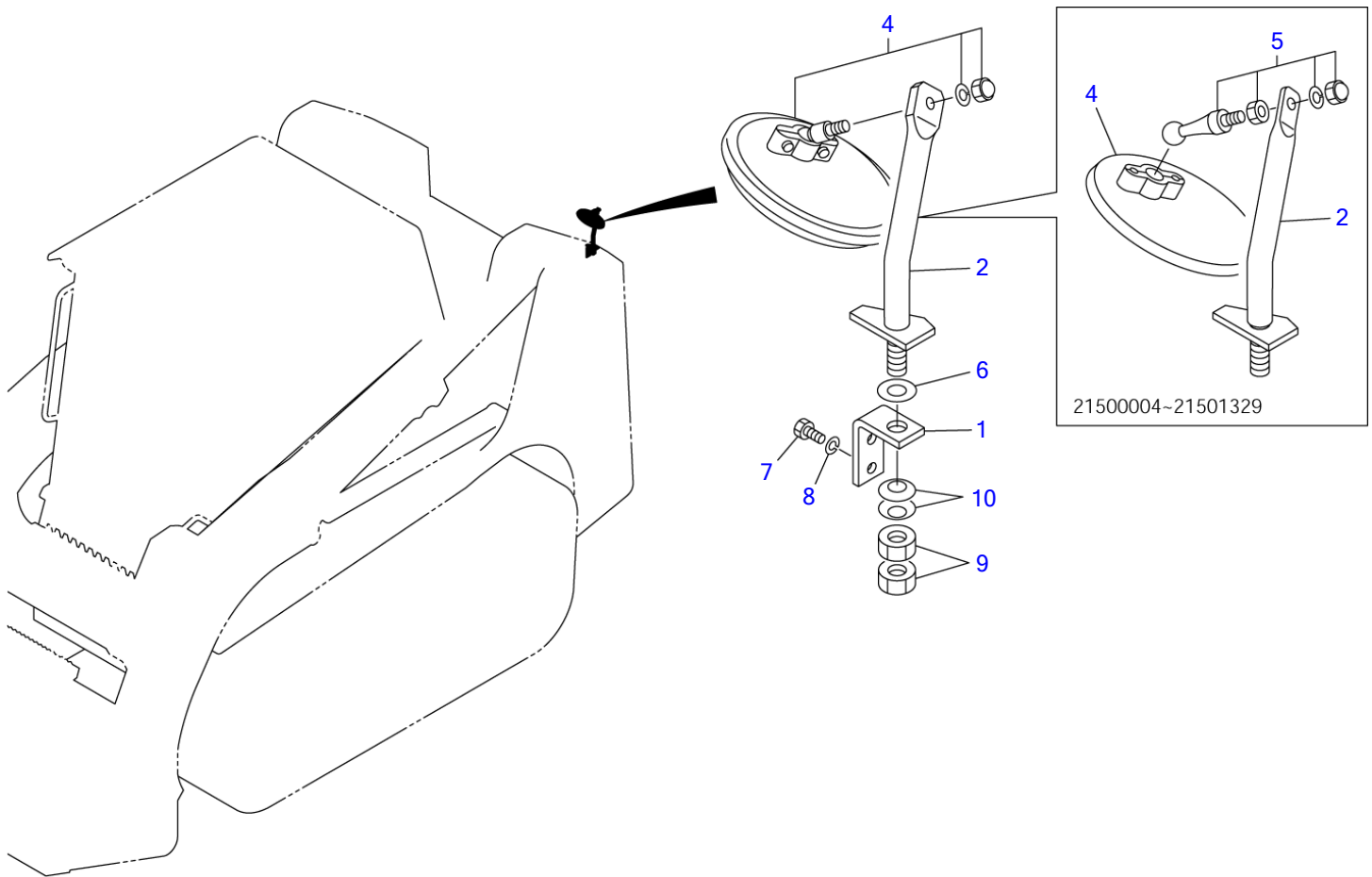


T7E482

S=1/5, 1/10, 1/20

**CAB KIT (5/5) (for US; 21500750-)**

Item	Part number	Description	Q'ty	Chan.	Serial No.	Serv.	Remarks
0	<b>0881861500</b>	CAB KIT	1		21500750~21502444		X08818-61500-8
	<b>0881861800</b>	CAB KIT	1		21502445~		X08818-61800-1
155	<b>1711910101</b>	• TANK	1		21500750~21502444		
	<b>1711910290</b>	• TANK	1		21502445~		
155-1	<b>1711910291</b>	• • BRACKET	1		21502445~		
156	<b>1711910062</b>	• BRACKET	1		21500750~21502444		
	<b>0003900027</b>	• SPACER	1		21502445~		
157	<b>1150410616</b>	• SCREW	2				
160	<b>1703210770</b>	• PROTECTOR	1				sold by the meter
161	<b>1703220750</b>	• PROTECTOR	1				sold by the meter
162	<b>1652231140</b>	• BAND	2				
163	<b>1653900059</b>	• SPRING, gas	4				
164	<b>0880427810</b>	• HARNESS, wiring	1				
165	<b>1140330010</b>	• WASHER	1				
166	<b>1652231250</b>	• BAND	10				
167	<b>1704300007</b>	• SWITCH, wiper	1				
168	<b>1141810012</b>	• WASHER	1				
	<b>T7e484</b>						

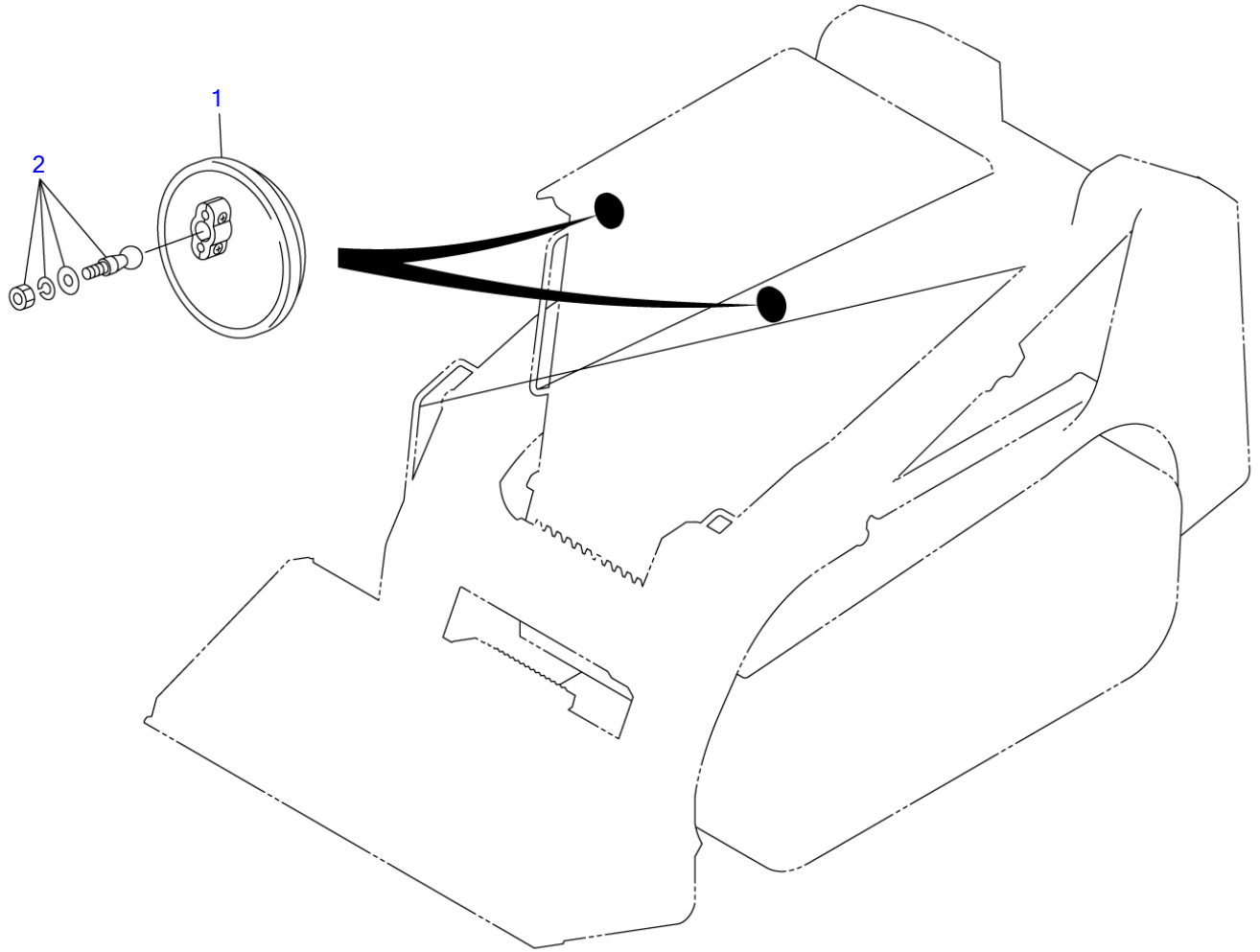


T7E091

S=1/5, 1/30



REAR MIRROR						
Item	Part number	Description	Q'ty	Chan.	Serial No.	Serv. Remarks
		MIRROR ASSY, rear				X08818-71000-1
1	0881870010	BRACKET	1			
2	0881871100	STAY	1		21500004~21501329	
	0881871200	STAY	1	(H)	21501330~	
4	1656500110	MIRROR	1		21500004~21501329	
	1656500130	MIRROR	1	(H)	21501330~	
5	1654006100	PIVOT	1		21500004~21501329	
6	1141210014	WASHER	1			
7	1100040816	BOLT	2			
8	1140020008	WASHER, spring	2			
9	1130640014	NUT	2			
10	1225110014	WASHER, conical	2			
	T7e091					

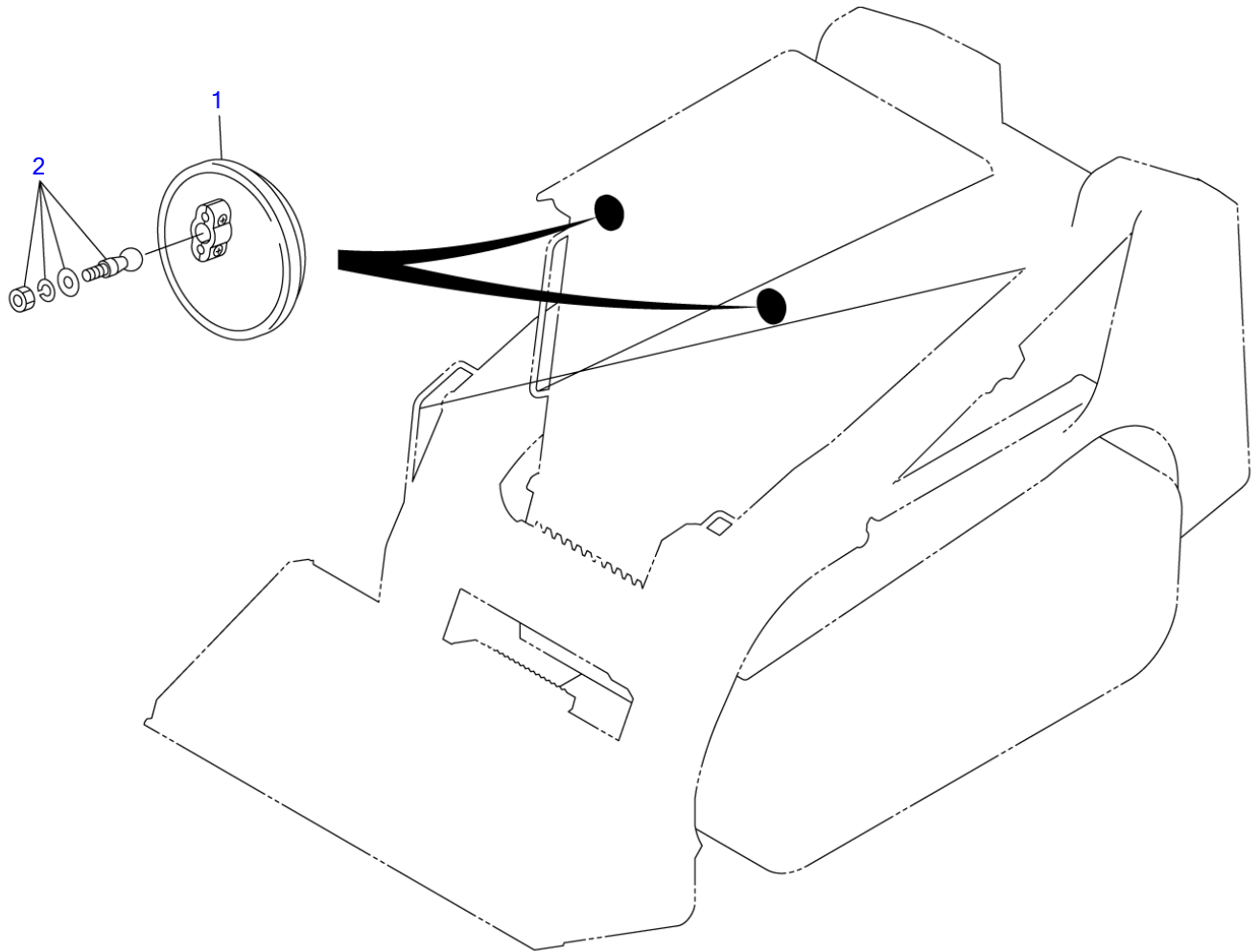


T7E100

S=1/5, 1/25

**REARVIEW MIRROR (21500004-21500749)**

Item	Part number	Description	Q'ty	Chan.	Serial No.	Serv.	Remarks
		MIRROR ASSY, rearview					X08818-72000-0
1	<b>1656500110</b>	MIRROR	2				
2	<b>1654006000</b>	PIVOT	2				
	<b>T7e100</b>						

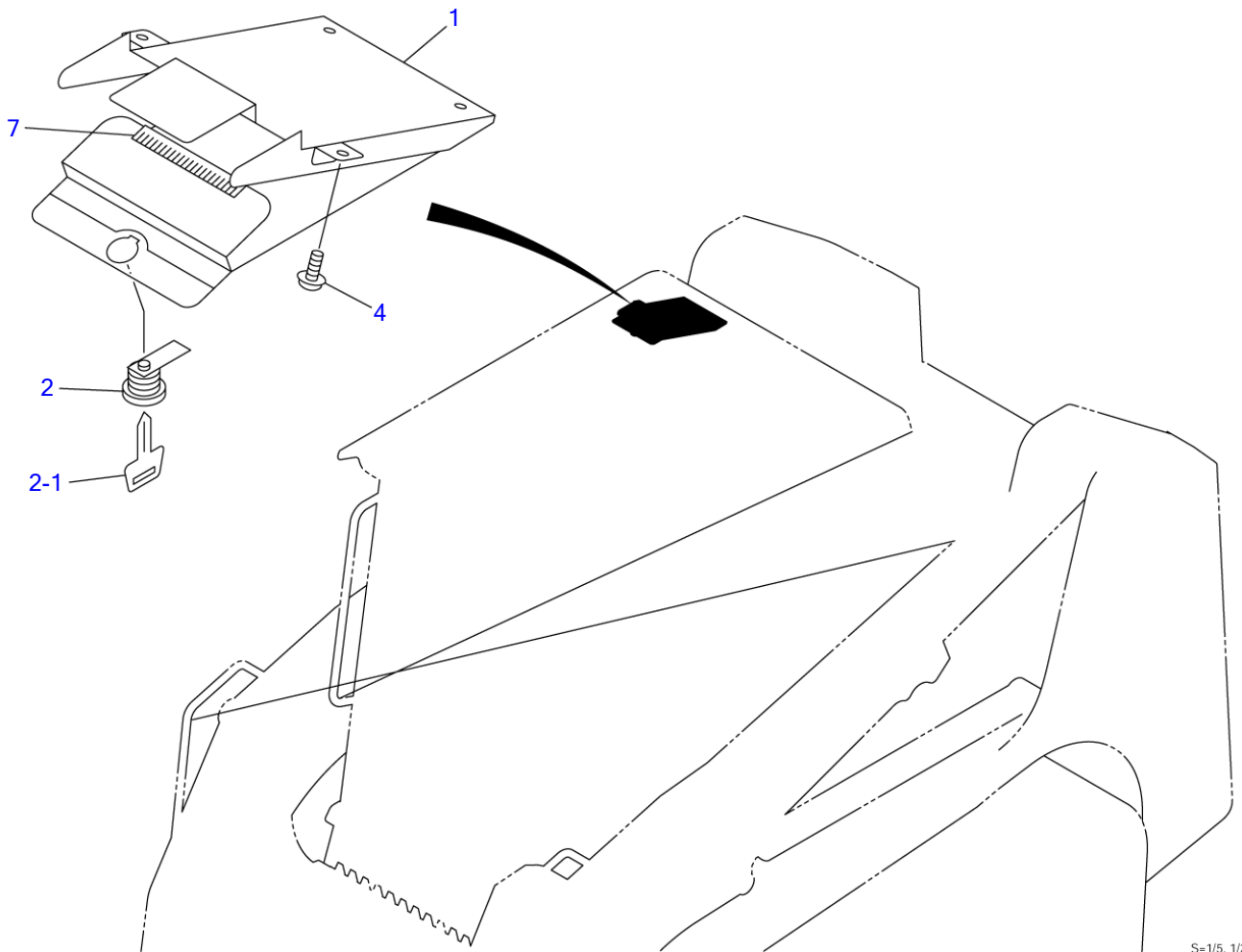


T7E100

S=1/5, 1/25

**REARVIEW MIRROR (for GEHL & MUSTANG; 21501330-)**

Item	Part number	Description	Q'ty	Chan.	Serial No.	Serv.	Remarks
		MIRROR ASSY, rearview (for GEHL & MUSTANG)					X08818-72000-0
1	<b>1656500110</b>	MIRROR	2				
2	<b>1654006000</b>	PIVOT	2				
	<b>T7e560</b>						

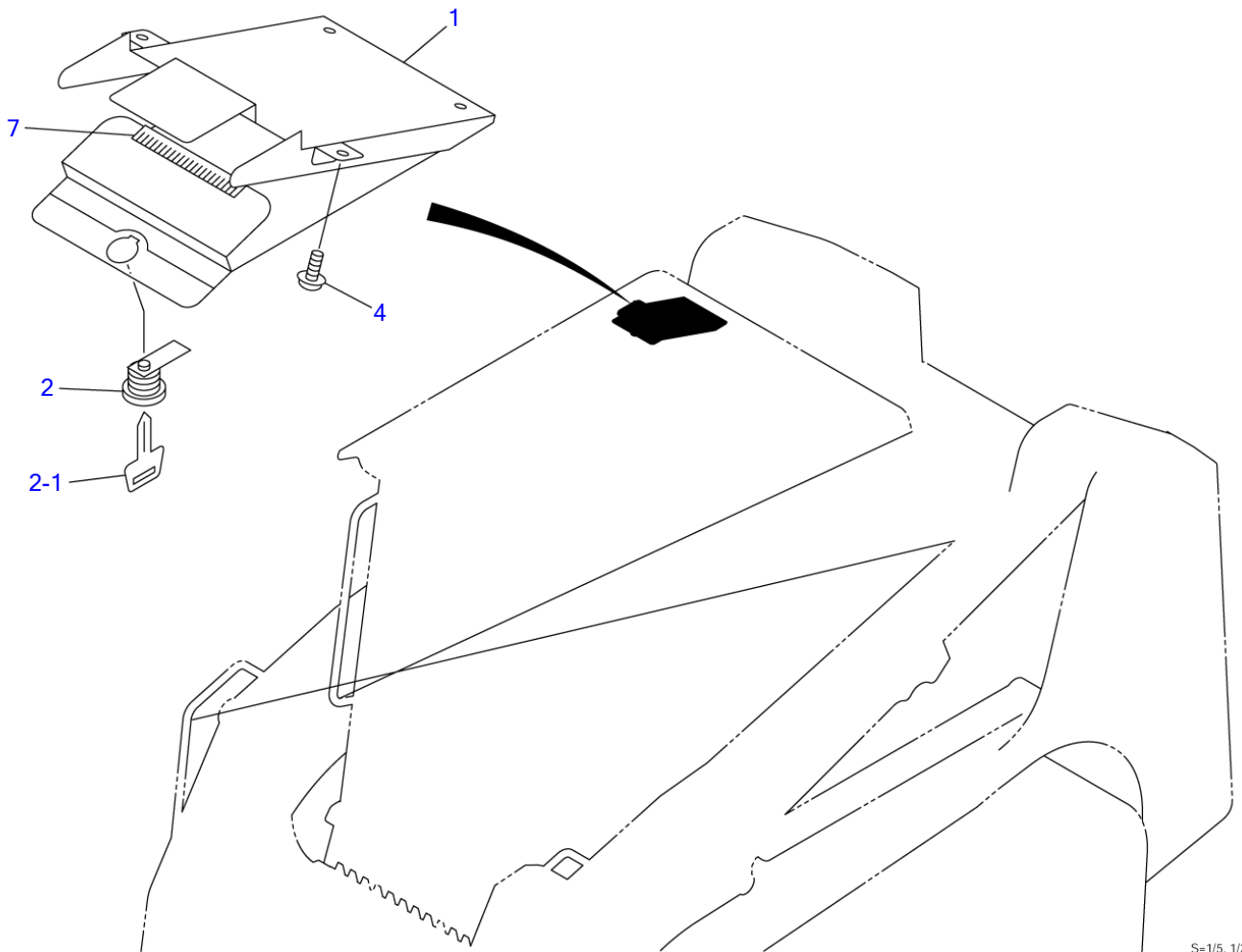


T8E101

S-1/5, 1/20

**MANUAL STORAGE (21500004-21500749, 21502751-)**

Item	Part number	Description	Q'ty	Chan.	Serial No.	Serv.	Remarks
		MANUAL STORAGE					X08818-41500-2
1	<b>0881841510</b>	BOX	1				
2	<b>1653601395</b>	LOCK	1				
2-1	<b>1700100019</b>	KEY	1				
4	<b>1150420612</b>	SCREW	4				
7	<b>1654605010</b>	RUBBER, sash	1				sold by the meter
	<b>T8e101</b>						



T8E101

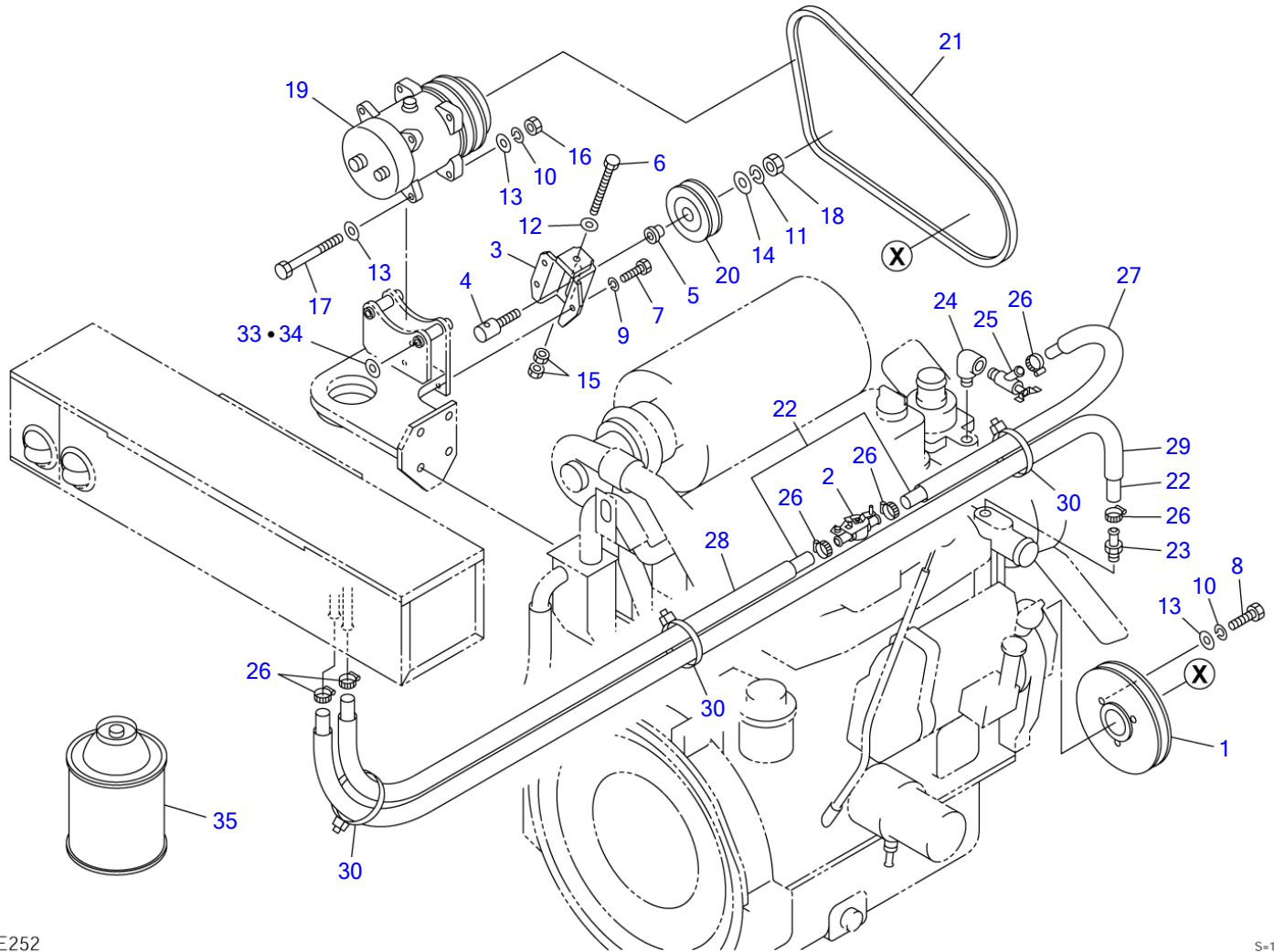
S-1/5, 1/20



**MANUAL STORAGE (for GEHL & MUSTANG; 21501330-)**

Item	Part number	Description	Q'ty	Chan.	Serial No.	Serv.	Remarks
		MANUAL STORAGE (for GEHL & MUSTANG)					X08818-41500-2
1	<b>0881841510</b>	BOX	1				
2	<b>1653601395</b>	LOCK	1				
2-1	<b>1700100019</b>	KEY	1				
4	<b>1150420612</b>	SCREW	4				
7	<b>1654605010</b>	RUBBER, sash	1				sold by the meter
	<b>T7e571</b>						

TL150 Book No. BT7Z011 S/N 21500004-  
AIR CONDITIONER (1/5) (compressor)



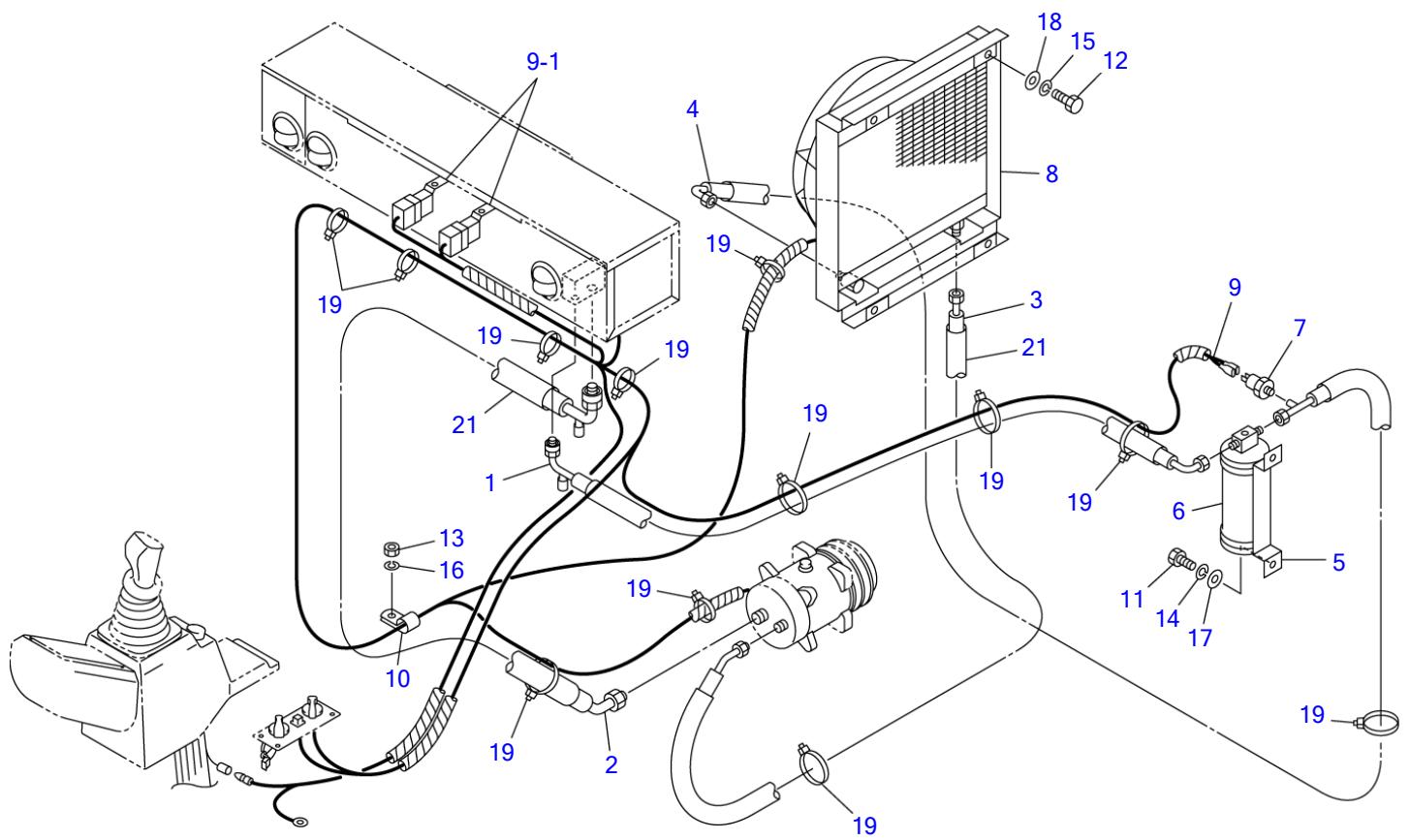
T7E252

S=1/10

**AIR CONDITIONER (1/5) (compressor)**

Item	Part number	Description	Q'ty	Chan.	Serial No.	Serv.	Remarks
0	<b>0881464100</b>	COMPRESSOR ASSY	1				X08814-64100-4
1	<b>0881462170</b>	▪ PULLEY	1				
2	<b>1911506008</b>	▪ VALVE	1				
3	<b>0564618790</b>	▪ BRACKET	1				
4	<b>0564619210</b>	▪ SHAFT	1				
5	<b>0564619240</b>	▪ COLLAR	1				
6	<b>1100440810</b>	▪ BOLT	1				
7	<b>1100040825</b>	▪ BOLT	3				
8	<b>1100041035</b>	▪ BOLT	3				
9	<b>1140020008</b>	▪ WASHER, spring	3				
10	<b>1140020010</b>	▪ WASHER, spring	5				
11	<b>1140020012</b>	▪ WASHER, spring	1				
12	<b>1141110008</b>	▪ WASHER	1				
13	<b>1141110010</b>	▪ WASHER	7				
14	<b>1141110012</b>	▪ WASHER	1				
15	<b>1130040008</b>	▪ NUT	2				
16	<b>1130040010</b>	▪ NUT	2				
17	<b>1100141005</b>	▪ BOLT	2				
18	<b>1130040012</b>	▪ NUT	1				
19	<b>1911506010</b>	▪ COMPRESSOR	1				
20	<b>1911505700</b>	▪ PULLEY	1				
21	<b>1911506007</b>	▪ V-BELT	1				
22	<b>1911531800</b>	▪ HOSE	1			M	sold by the meter
23	<b>0007224009</b>	▪ ADAPTOR	1				
24	<b>1501986526</b>	▪ ELBOW	1				
25	<b>1911502300</b>	▪ VALVE	1				
26	<b>1911500500</b>	▪ BAND	4				
27	<b>1531325035</b>	▪ PROTECTOR	1				sold by the meter
28	<b>1531325055</b>	▪ PROTECTOR	1				sold by the meter
29	<b>1531325100</b>	▪ PROTECTOR	1				sold by the meter
30	<b>1652201007</b>	▪ BAND	3				
33	<b>0003600222</b>	▪ SHIM	AR				t=0.2mm
34	<b>0003600223</b>	▪ SHIM	AR				t=0.3mm
35	<b>1919055000</b>	▪ GAS, coolant	8				100g
	<b>T7e254</b>						

TL150 Book No. BT7Z011 S/N 21500004-  
AIR CONDITIONER (2/5) (condenser; 21500004-21503623)



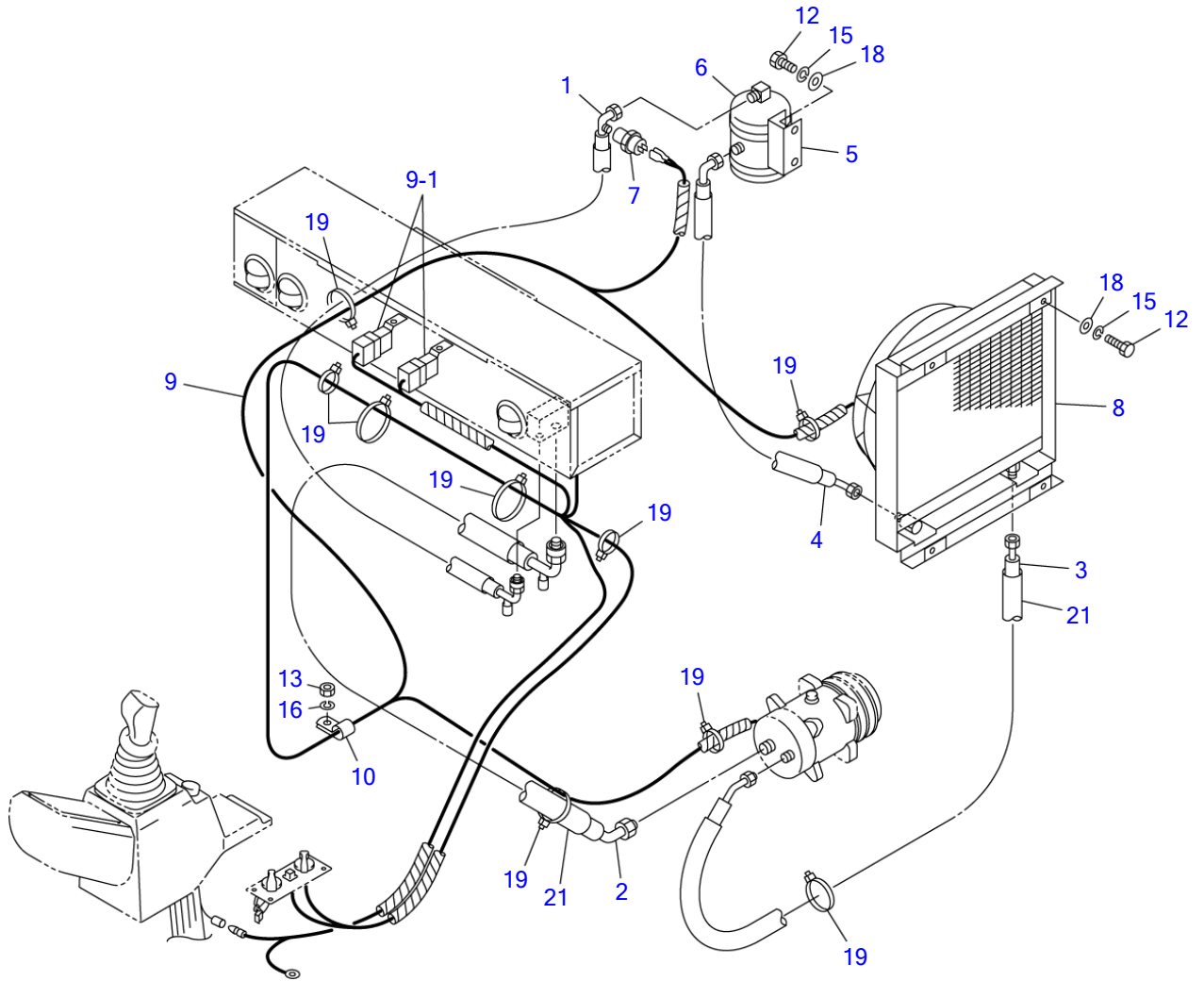
T7E263

S=1/12

**AIR CONDITIONER (2/5) (condenser; 21500004-21503623)**

Item	Part number	Description	Q'ty	Chan.	Serial No.	Serv.	Remarks
0	<b>0881464200</b>	CONDENSER ASSY	1				X08814-64200-3
1	<b>1911506001</b>	• HOSE ASSY	1				
	<b>1911505601</b>	• • O-RING	1				RD-5-4017-011
2	<b>1911506002</b>	• HOSE ASSY	1				
	<b>1911505603</b>	• • O-RING	1				RD-5-4017-015
3	<b>1911506003</b>	• HOSE ASSY	1				
	<b>1911505602</b>	• • O-RING	1				RD-5-4017-013
4	<b>1911506004</b>	• HOSE ASSY	1				
	<b>1911505601</b>	• • O-RING	1				RD-5-4017-011
5	<b>1911506005</b>	• BRACKET	1				
6	<b>1911505511</b>	• DRYER	1				
7	<b>1911505514</b>	• SWITCH	1				
8	<b>1911506080</b>	• CONDENSER ASSY	1				see page (4/5)
9	<b>1911506040</b>	• HARNESS, wiring	1				
9-1	<b>1911506041</b>	• • RELAY	2				
10	<b>1711900076</b>	• CLAMP	1				
11	<b>1100040616</b>	• BOLT	2				
12	<b>1100040825</b>	• BOLT	4				
13	<b>1130040010</b>	• NUT	1				
14	<b>1140020006</b>	• WASHER, spring	2				
15	<b>1140020008</b>	• WASHER, spring	4				
16	<b>1140020010</b>	• WASHER, spring	1				
17	<b>1141110006</b>	• WASHER	2				
18	<b>1141110008</b>	• WASHER	4				
19	<b>1652231250</b>	• BAND	11				
21	<b>1531330100</b>	• PROTECTOR	2				sold by the meter
	<b>T7e264</b>						

TL150 Book No. BT7Z011 S/N 21500004-  
AIR CONDITIONER (2/5) (condenser; 21503624-)



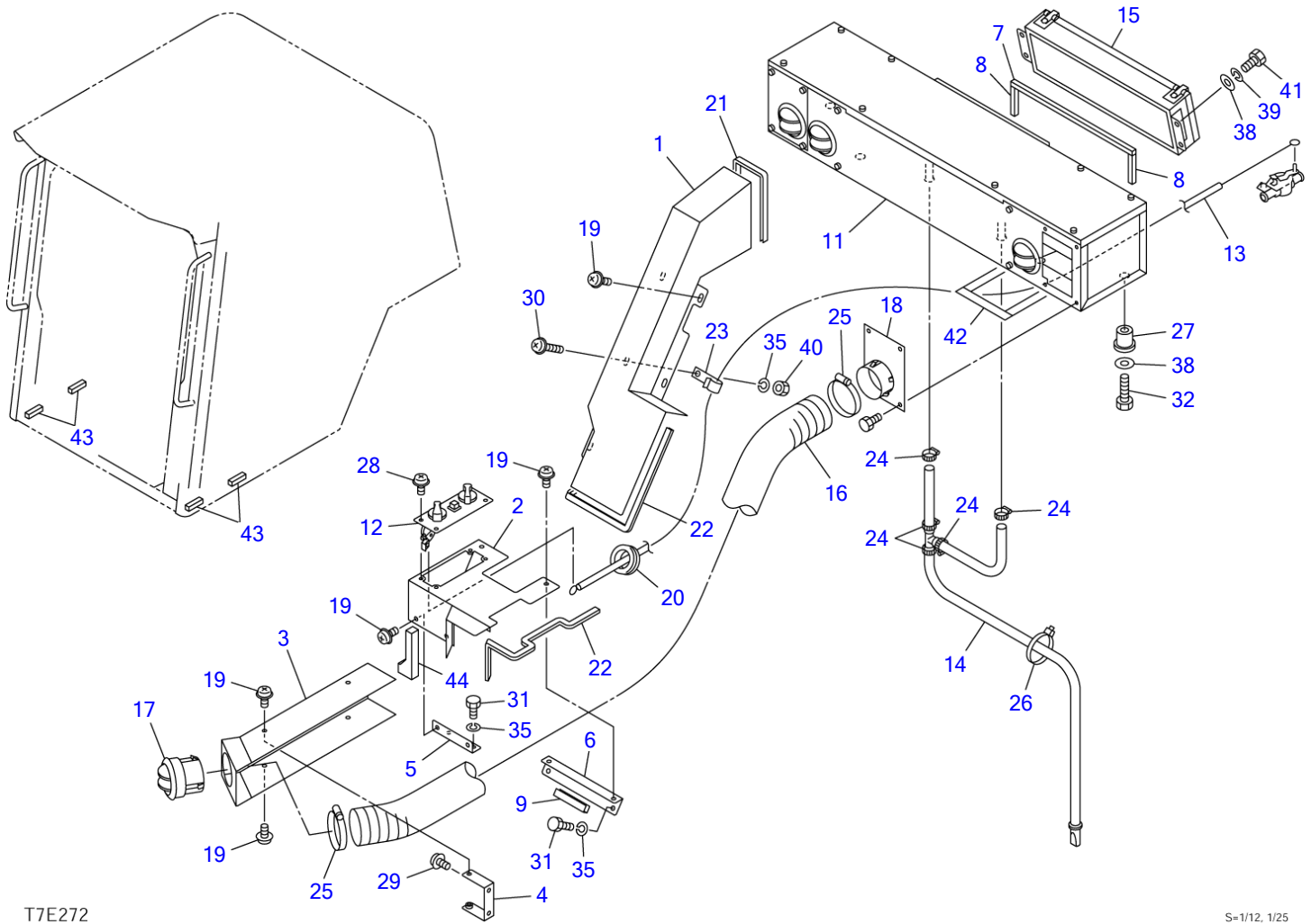
T7E610

S=1/12

**AIR CONDITIONER (2/5) (condenser; 21503624-)**

Item	Part number	Description	Q'ty	Chan.	Serial No.	Serv.	Remarks
0	<b>0881464700</b>	CONDENSER ASSY	1			M	X08814-64700-1
1	<b>1911508421</b>	· HOSE ASSY	1				
	<b>1911505601</b>	· · O-RING	1				RD-5-4017-011
2	<b>1911506002</b>	· HOSE ASSY	1				
	<b>1911505603</b>	· · O-RING	1				RD-5-4017-015
3	<b>1911506003</b>	· HOSE ASSY	1				
	<b>1911505602</b>	· · O-RING	1				RD-5-4017-013
4	<b>1911508432</b>	· HOSE ASSY	1				
	<b>1911505601</b>	· · O-RING	1				RD-5-4017-011
5	<b>0880465610</b>	· BRACKET	1				
6	<b>1911508311</b>	· DRYER	1				
7	<b>1911505514</b>	· SWITCH	1				
8	<b>1911506080</b>	· CONDENSER ASSY	1				see page (4/5)
9	<b>1911509010</b>	· HARNESS, wiring	1				
9-1	<b>1911506041</b>	· · RELAY	2				
10	<b>1711900076</b>	· CLAMP	1				
12	<b>1100040825</b>	· BOLT	6				
13	<b>1130040010</b>	· NUT	1				
15	<b>1140020008</b>	· WASHER, spring	6				
16	<b>1140020010</b>	· WASHER, spring	1				
18	<b>1141110008</b>	· WASHER	6				
19	<b>1652231250</b>	· BAND	11				
21	<b>1531335100</b>	· PROTECTOR	2				sold by the meter
	<b>T7e611</b>						

TL150 Book No. BT7Z011 S/N 21500004-  
AIR CONDITIONER (3/5) (air conditioner unit)



T7E272

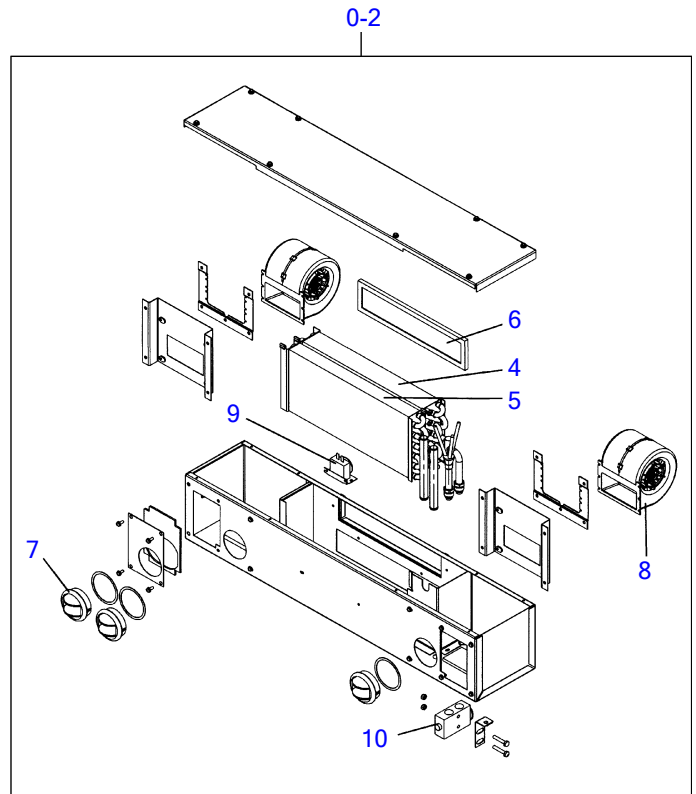
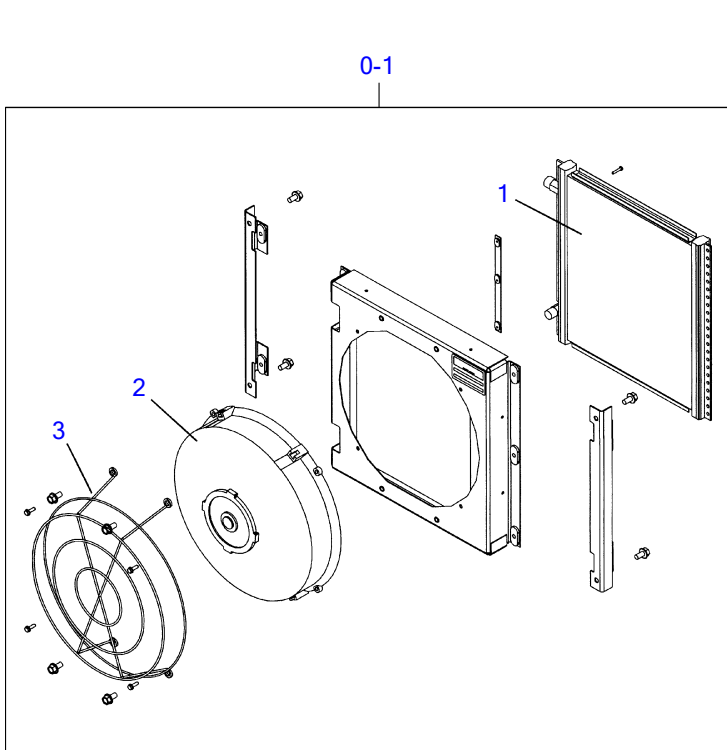
S-1/12, 1/25



**AIR CONDITIONER (3/5) (air conditioner unit)**

Item	Part number	Description	Q'ty	Chan.	Serial No.	Serv.	Remarks
0	<b>0881464300</b>	UNIT ASSY, air conditioner	1				X08814-64300-4
1	<b>0881464310</b>	• COVER	1				
2	<b>0881464320</b>	• COVER	1				
3	<b>0881464330</b>	• COVER	1				
4	<b>0881464340</b>	• BRACKET	2				
5	<b>0881464350</b>	• BRACKET	1				
6	<b>0881464360</b>	• BRACKET	1				
7	<b>0881464370</b>	• URETHANE	1				
8	<b>0881464380</b>	• URETHANE	2				
9	<b>1653916008</b>	• TRIM	1				sold by the meter
11	<b>1911506090</b>	• UNIT, air conditioner	1				see page (4/5)
12	<b>1911506020</b>	• PANEL ASSY	1				see page (5/5)
13	<b>1911506006</b>	• CABLE, control	1				
14	<b>1911506030</b>	• TUBE ASSY	1				
15	<b>1911506050</b>	• BOX	1				see page (5/5)
16	<b>1911508559</b>	• HOSE	1				
17	<b>1911506060</b>	• LOUVER	1				
18	<b>1911506070</b>	• ADAPTOR	1				
19	<b>1150420614</b>	• SCREW	12				
20	<b>1652053600</b>	• GROMMET	1				
21	<b>1653916037</b>	• TRIM	1				sold by the meter
22	<b>1653916043</b>	• TRIM	2				sold by the meter
23	<b>0007300010</b>	• CLAMP	1				
24	<b>1911500500</b>	• BAND	5				
25	<b>1533700076</b>	• BAND	2				
26	<b>1652231250</b>	• BAND	1				
27	<b>1652520008</b>	• RUBBER, cushion	4				
28	<b>1150420510</b>	• SCREW	4				
29	<b>1150420610</b>	• SCREW	4				
30	<b>1150420625</b>	• SCREW	1				
31	<b>1100040610</b>	• BOLT	4				
32	<b>1100040830</b>	• BOLT	4				
35	<b>1140020006</b>	• WASHER, spring	5				
38	<b>1141110008</b>	• WASHER	8				
39	<b>1140020008</b>	• WASHER, spring	4				
40	<b>1130040006</b>	• NUT	1				
41	<b>1100040816</b>	• BOLT	4				
42	<b>1654313013</b>	• SPONGE	4				sold by the meter
43	<b>1654306008</b>	• SPONGE	4		21500004~21502546		sold by the meter
44	<b>0880465344</b>	• INSULATOR	2				

**T7e275**

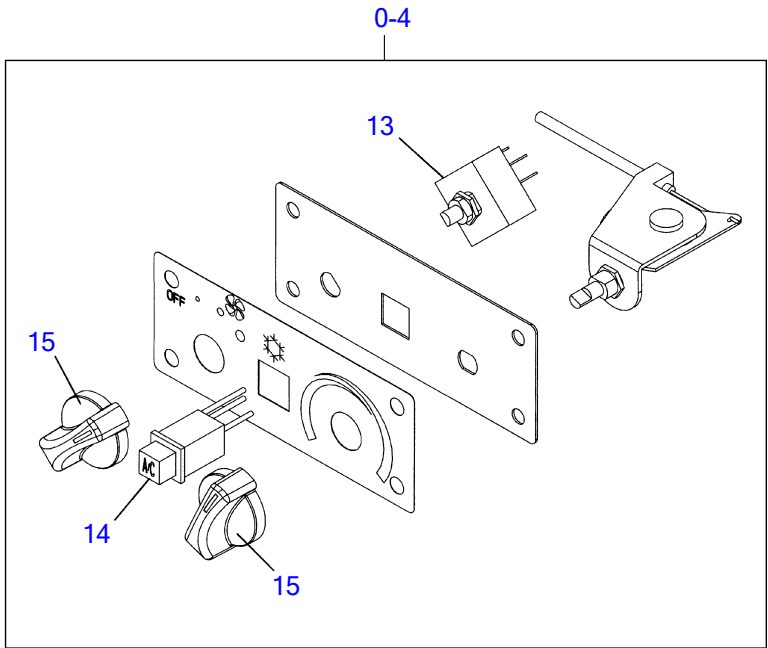
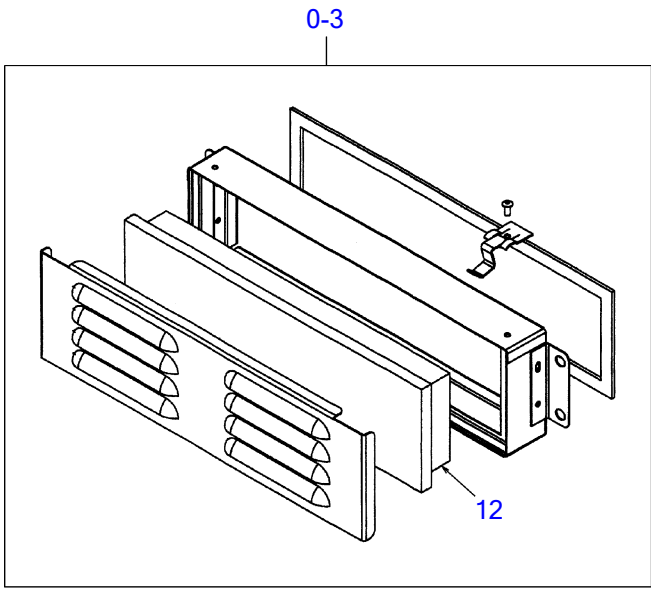


T8E401

S=free

**AIR CONDITIONER (4/5)**

Item	Part number	Description	Q'ty	Chan.	Serial No.	Serv.	Remarks
0-1	<b>1911506080</b>	CONDENSER ASSY	1				
1	<b>1911505503</b>	▪ CONDENSER	1				
2	<b>1911506083</b>	▪ MOTOR	1				
3	<b>1911505505</b>	▪ GURD	1				
0-2	<b>1911506090</b>	UNIT, air conditioner	1				
4	<b>1911506091</b>	▪ CORE	1				
5	<b>1911506092</b>	▪ CORE	1				
6	<b>1911506095</b>	▪ FILTER	1				
7	<b>1911506012</b>	▪ LOUVER	2				
8	<b>1911506096</b>	▪ MOTOR	2				
9	<b>1911505421</b>	▪ THERMOSTAT	1				
10	<b>1911505422</b>	▪ VALVE	1				
11	<b>1911506089</b>	▪ HARNESS ASSY, wiring	1				not shown
	<b>T8e401</b>						



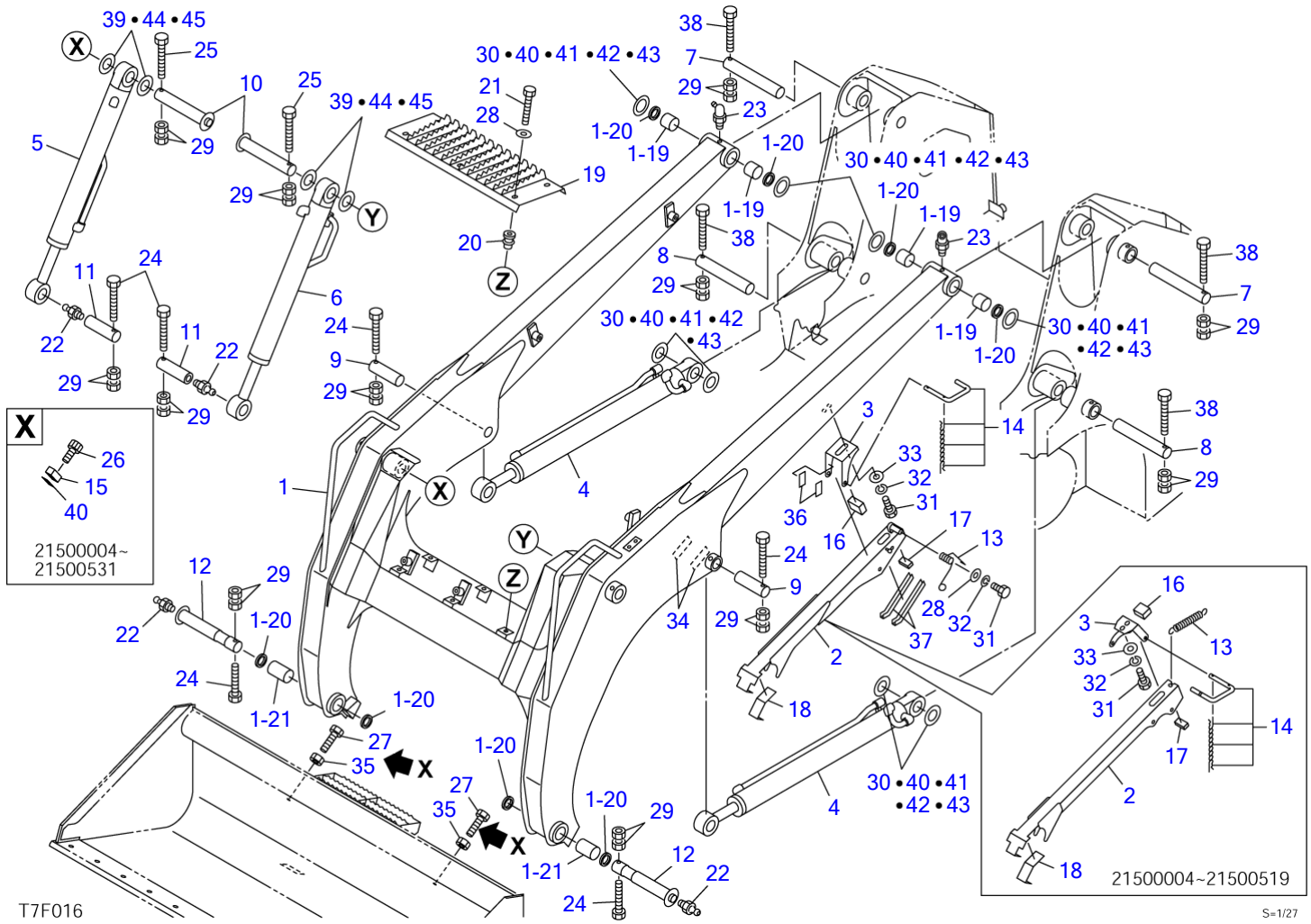
T8E410

S-free

**AIR CONDITIONER (5/5)**

Item	Part number	Description	Q'ty	Chan.	Serial No.	Serv.	Remarks
0-3	<b>1911506050</b>	BOX	1				
12	<b>1911506052</b>	• FILTER	1				
0-4	<b>1911506020</b>	PANEL ASSY	1				
13	<b>1911506027</b>	• SWITCH	1				
14	<b>1911505767</b>	• SWITCH	1				
15	<b>1911505763</b>	• KNOB	2				
	<b>T8e410</b>						

TL150 Book No. BT7Z011 S/N 21500004-  
ARM

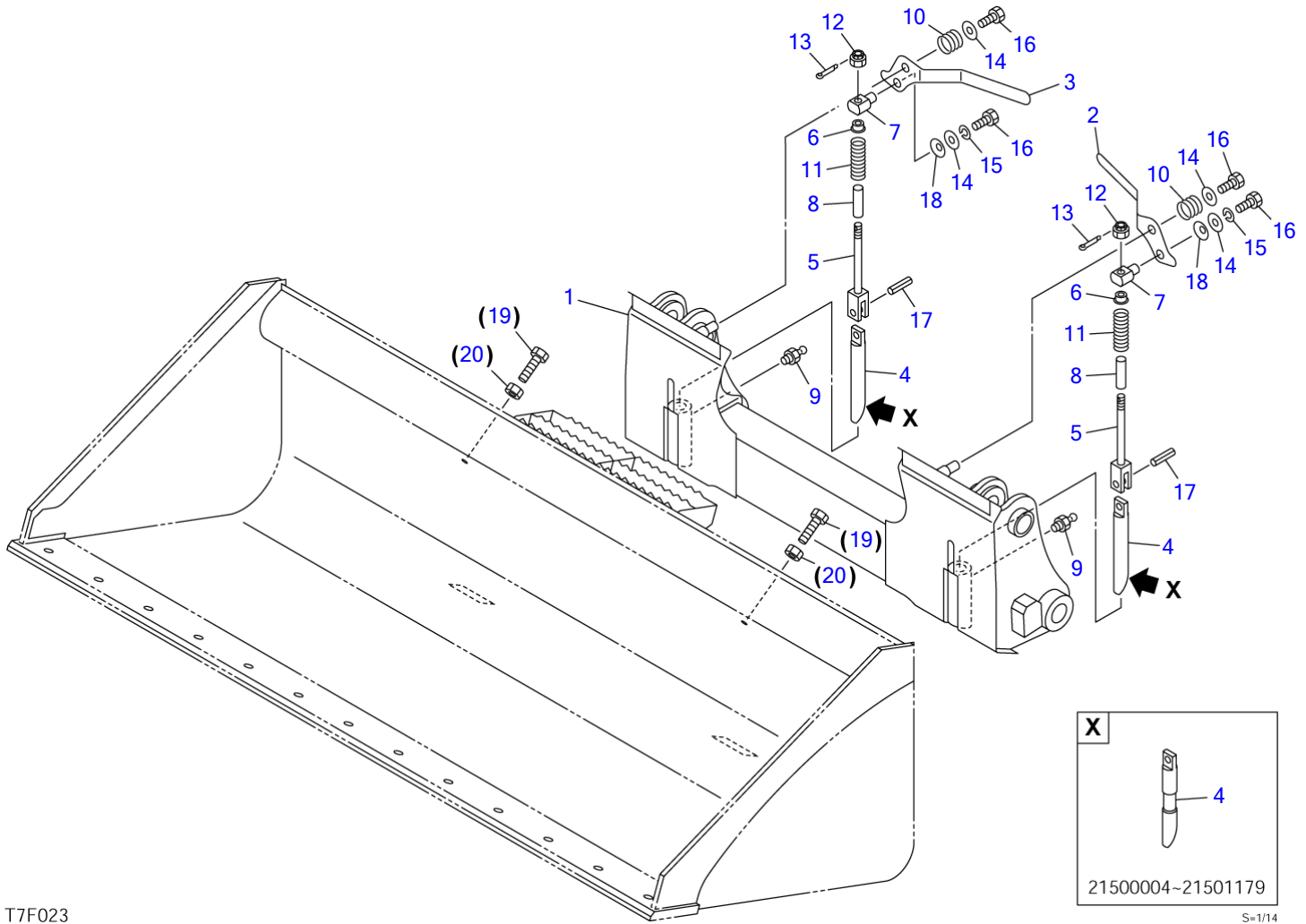


Item	Part number	Description	ARM	Q'ty	Chan.	Serial No.	Serv.	Remarks
		ARM ASSY						X08816-04000-17
1	0881603100	ARM		1		21500004~21501245		
	0881603150	ARM		1		21501246~		
	0881606100	ARM		1				high flow
1-19	0002400040	· BUSHING		4				
1-20	1432200045	· SEAL, dust		8				
1-21	0002400065	· BUSHING		2				
2	0881602500	LOCK, arm		1		21500004~21500171		
	0881604500	LOCK, arm		1	A	21500172~21500519		
	0881604600	LOCK, arm		1	a(H)	21500520~21501353		No.21084
	0881604750	LOCK, arm		1	(H)	21501354~		
3	0881603030	BRACKET		1		21500004~21500171		
	0881604030	BRACKET		1	A	21500172~21500519		
	0881604650	BRACKET		1	a(H)	21500520~		
4	1900079600	CYLINDER, arm		2		21500004~21500171		
	1900080700	CYLINDER, arm		2		21500172~		
5	1900080800	CYLINDER, bucket		1		21500004~21500171		
	1900079700	CYLINDER, bucket		1		21500172~		
6	1900080900	CYLINDER, bucket		1		21500004~21500171		
	1900079800	CYLINDER, bucket		1		21500172~		
7	0001504310	PIN		2				
8	0001604290	PIN		2				
9	0001604145	PIN		2				
10	0001090001	PIN		2				
11	0001674002	PIN		2				
12	0001324501	PIN		2				
13	0007000104	SPRING		1	A	21500004~21500519		
	0007000114	SPRING		1	a(H)	21500520~		
14	0881602700	PIN		1	A	21500004~21500519		
	0881604670	PIN		1	a(H)	21500520~		
15	0881601015	STOPPER		2		21500004~21500531		
16	0881600016	RUBBER		1	A	21500004~21500519		
	0881604580	RUBBER		1	a(H)	21500520~		
17	0881602017	RUBBER		1		21500004~21500171		
	0881604017	RUBBER		1		21500172~		
18	0881603018	RUBBER		1				
19	0881603800	STEP		1				
20	1652520008	BAND		6				
21	1100040830	BOLT		6				
22	1560001000	FITTING, grease		2				
23	1560000321	FITTING, grease		2				
24	1103041085	BOLT		6				
25	1103141005	BOLT		2				
26	1110041020	SCREW, cap		4		21500004~21500531		
27	0881962656	BOLT		2		21500532~		
28	0003608252	WASHER		7	a			
29	1130240010	NUT		24				
30	0003600172	SHIM		AR				t=1.0mm
31	1100040816	BOLT		3	a			
32	1140020008	WASHER, spring		3	a			
33	1141110008	WASHER		2				
34	0881603034	RUBBER		2	(L)	21500004~2150#		No.21084
	0880606034	RUBBER		2	(H)	2150#~		
35	0881604035	NUT		2		21500532~		
36	0881604036	PLATE, rubber		2	a	21500520~		
37	1654629020	TRIM		2	a	21500520~		sold by the meter
38	1103141010	BOLT		4		21500520~		
39	0003600161	SHIM		AR				t=1.0mm
40	0003600171	SHIM		AR				t=0.2mm
41	0003600091	SHIM		AR				t=0.5mm
42	0003600184	SHIM		AR				t=3.2mm
43	0003600185	SHIM		AR				t=4.5mm
44	0003600055	SHIM		AR				t=0.2mm
45	0003600056	SHIM		AR				t=0.5mm

<<NOTE>>  
SET "A" is interchangeable  
with SET "a".

T7f017

TL150 Book No. BT7Z011 S/N 21500004-  
QUICK ATTACHMENT



T7F023

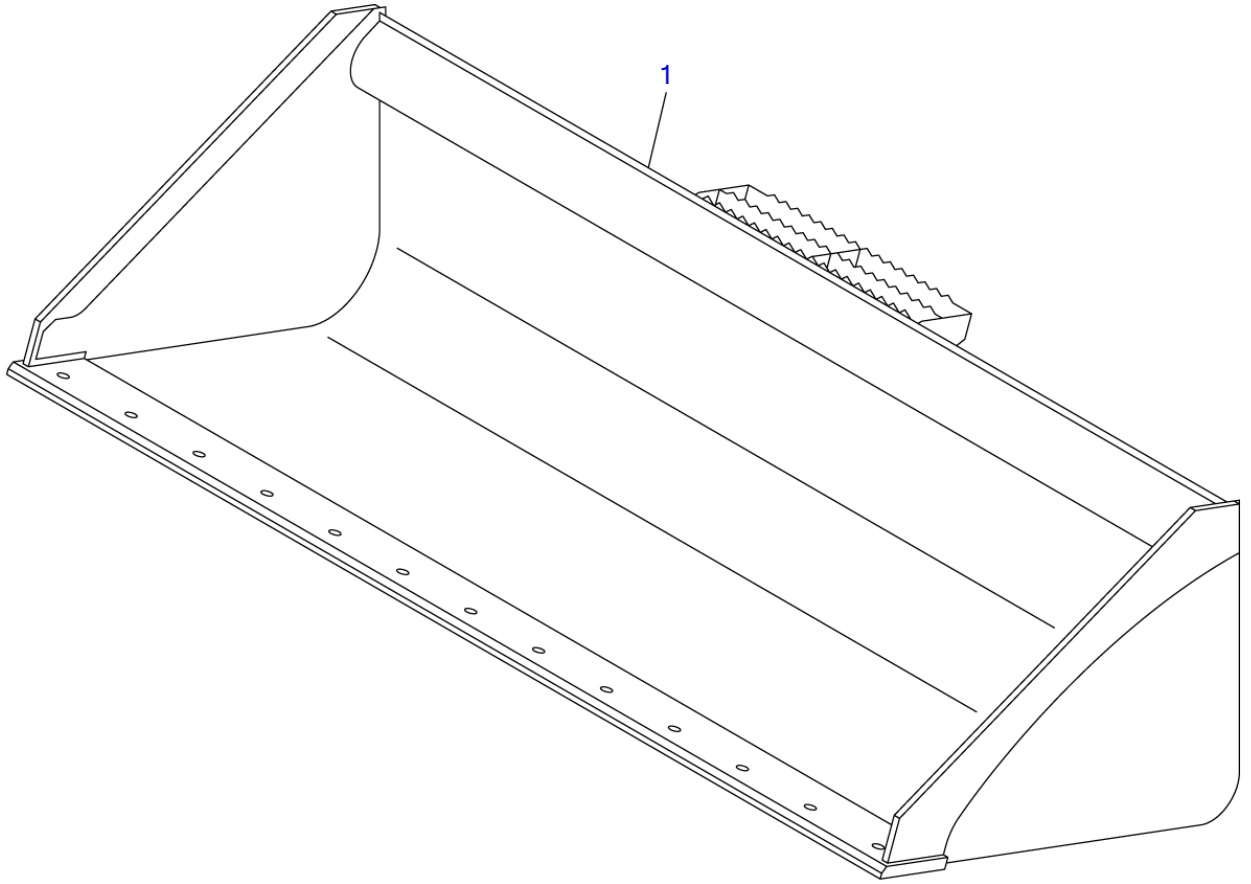


**QUICK ATTACHMENT**

Item	Part number	Description	Q'ty	Chan.	Serial No.	Serv.	Remarks
	<b>0881612000</b>	ATTACHMENT ASSY, quick (for EU)	1				X08816-12000-10
	<b>0881615000</b>	ATTACHMENT ASSY, quick (for US)	1				X08816-15000-10
1	<b>0881612100</b>	• BRACKET	1	B	21500004~21500531		for EU
	<b>0881613200</b>	• BRACKET	1	b(H)	21500532~		for EU
	<b>0881615100</b>	• BRACKET	1				for US
2	<b>0881612020</b>	• LEVER (L.H.)	1	A	21500004~21500555		
	<b>0881612040</b>	• LEVER (L.H.)	1	a(H)	21500556~		
3	<b>0881612030</b>	• LEVER (R.H.)	1	A	21500004~21500555		
	<b>0881612050</b>	• LEVER (R.H.)	1	a(H)	21500556~		
4	<b>0881611040</b>	• PIN	2	B	21500004~21500531		
	<b>0880612040</b>	• PIN	2	b(H)	21500532~21501179		
	<b>0881612150</b>	• PIN	2	(H)	21501180~		
5	<b>0880612050</b>	• YOKE	2	A	21500004~21500555		
	<b>0881612060</b>	• YOKE	2	a(H)	21500556~		
6	<b>0880612060</b>	• WASHER	2	A	21500004~21500555		
	<b>0881612070</b>	• WASHER	2	a(H)	21500556~		
7	<b>0880612070</b>	• PIN	2				
8	<b>0880612080</b>	• PIPE	2		21500004~21501149		
	<b>0881612160</b>	• PIPE	2	(H)	21501150~		
9	<b>1560001000</b>	• FITTING, grease	2	b			
10	<b>0007000016</b>	• SPRING	2				
11	<b>0007000076</b>	• SPRING	2		21500004~21501149		
	<b>0007000119</b>	• SPRING	2	(H)	21501150~		
12	<b>1132530012</b>	• NUT	2	A	21500004~21500555		
	<b>1132630012</b>	• NUT	2	a(H)	21500556~		
13	<b>1210013225</b>	• PIN, split	2				
14	<b>0003600025</b>	• WASHER	4				
15	<b>1140120010</b>	• WASHER, spring	2				
16	<b>1100041020</b>	• BOLT	4				
17	<b>1213001250</b>	• PIN, spring	2				
18	<b>1225120018</b>	• WASHER, conical	2				M
(19)	<b>0881962656</b>	BOLT	2	b	21500532~		
(20)	<b>0881604035</b>	NUT	2	b	21500532~		M

<<NOTE>>  
 SET "A" is interchangeable  
 with SET "a".  
 SET "B" is interchangeable  
 with SET "b".

**T7f026**

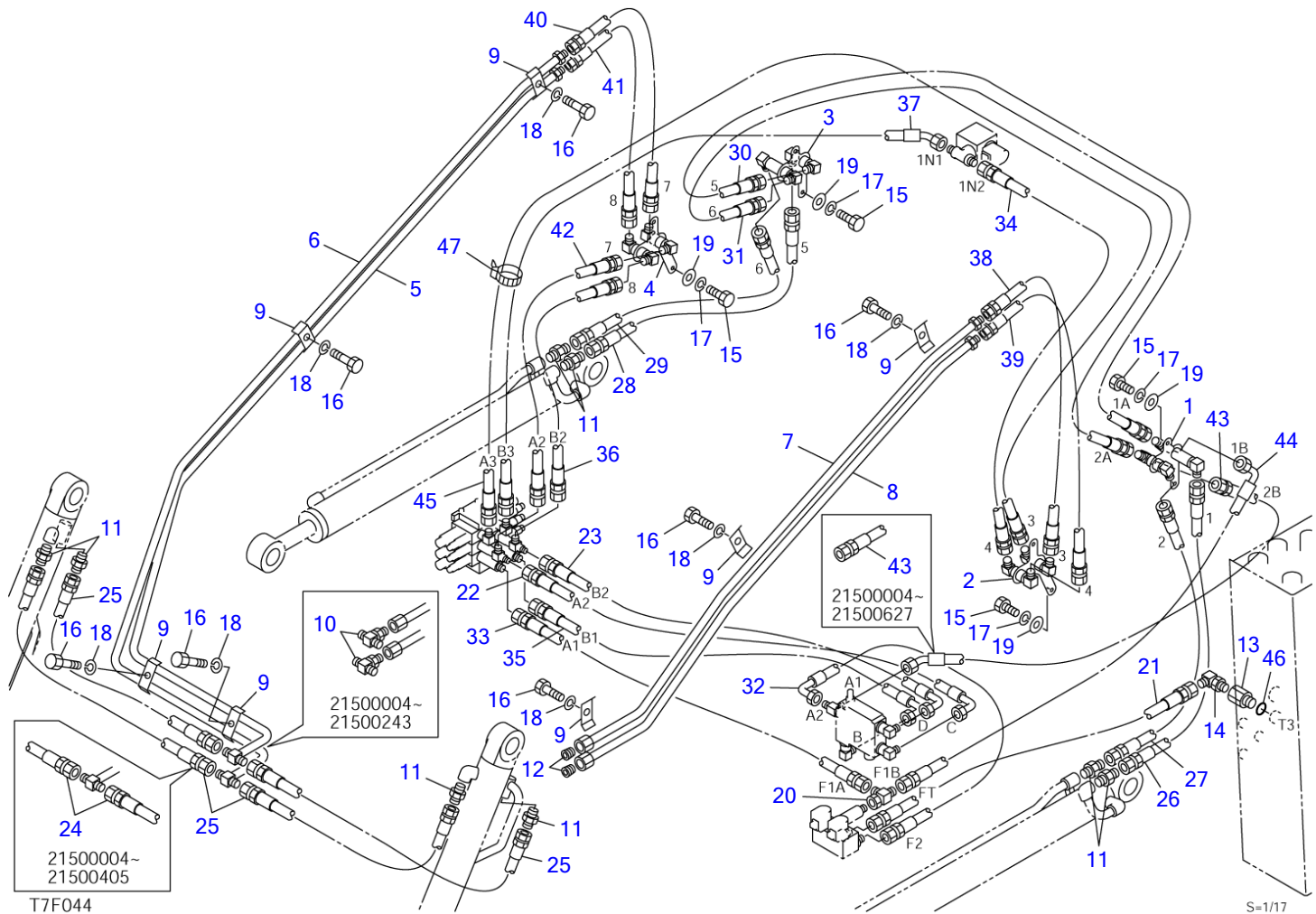


T7F030

S=1/12

Item	Part number	Description	BUCKET			Remarks
			Q'ty	Chan.	Serial No.	
1	0881622600 0881623100 T7f031	BUCKET ASSY (for EU)				X08816-22500-1
		BUCKET ASSY (for US)				X08816-23000-1
		BUCKET	1			for EU
		BUCKET	1			for US

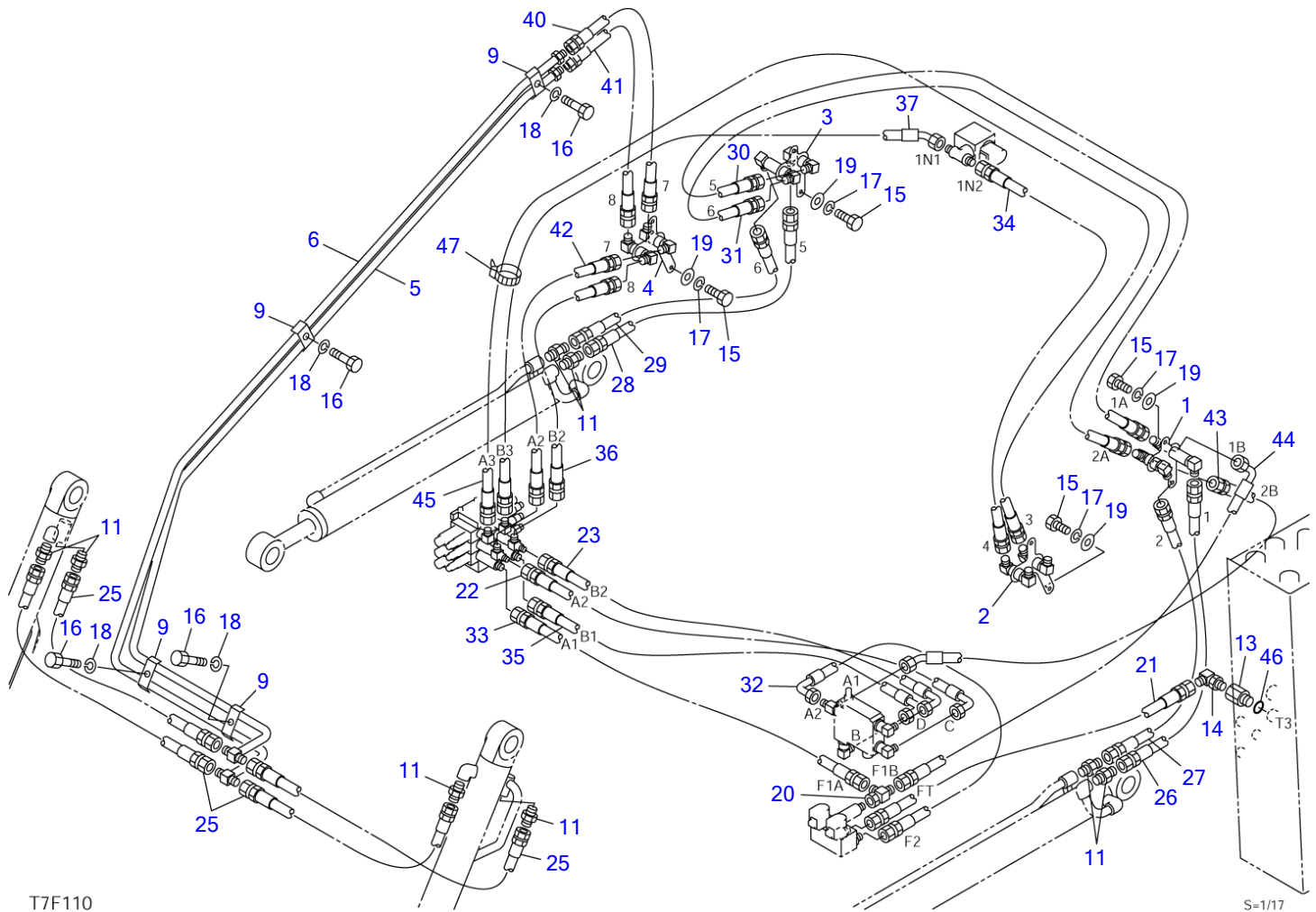
TL150 Book No. BT7Z011 S/N 21500004-  
PIPING; ARM (21500004-21501245)



**PIPING; ARM (21500004-21501245)**

Item	Part number	Description	Q'ty	Chan.	Serial No.	Serv.	Remarks
		PIPING ASSY					X08817-36000-3
1	0881731100	BRACKET (L.H.)	1				
2	0881731200	BRACKET (L.H.)	1				
3	0881731150	BRACKET (R.H.)	1				
4	0881731250	BRACKET (R.H.)	1				
5	0881731350	PIPE	1				
6	0881731450	PIPE	1				
7	0881731550	PIPE	1				
8	0881731650	PIPE	1				
9	0567320800	CLAMP	7				
10	1512374002	ADAPTOR	2		21500004~21500243		
	1420010180	• O-RING	1				
11	1515600202	ADAPTOR	8				
	1420010180	• O-RING	1				
12	1501830006	PLUG	2				
13	0007213010	BUSHING	1				
14	1515010042	ELBOW	1				
	1420010180	• O-RING	1				
15	1100040816	BOLT	8				
16	1100041020	BOLT	7				
17	1140020008	WASHER, spring	8				
18	1140020010	WASHER, spring	7				
19	1141110008	WASHER	8				
20	1513390034	TEE	1				
21	0881733021	HOSE ASSY	1				G-G fÓ12-1100
22	0881731022	HOSE ASSY	1				G-G90 fÓ9-740
23	0881731023	HOSE ASSY	1				G-G90 fÓ9-760
24	0881731024	HOSE ASSY	2		21500004~21500405		G-G fÓ12-620
25	0881731025	HOSE ASSY	2		21500004~21500405		G-G fÓ12-640
	0881731025	HOSE ASSY	4		21500406~		G-G fÓ12-640
26	0881731026	HOSE ASSY	1				G-G fÓ12-640
27	0881731027	HOSE ASSY	1				G-G fÓ12-640
28	0881731028	HOSE ASSY	1				G-G fÓ12-640
29	0881731029	HOSE ASSY	1				G-G fÓ12-640
30	0881731030	HOSE ASSY	1				G-G fÓ12-1260
31	0881731031	HOSE ASSY	1				G-G fÓ12-1260
32	0881733032	HOSE ASSY	1				G90-G fÓ12-560
33	0881733033	HOSE ASSY	1				G-G fÓ15-620
34	0881731034	HOSE ASSY	1				G-G fÓ15-660
35	0881733035	HOSE ASSY	1				G90-G fÓ15-600
36	0881731036	HOSE ASSY	1				G-G fÓ15-720
37	0881731037	HOSE ASSY	1				G-G45 fÓ15-640
38	0881733038	HOSE ASSY	1				G-G fÓ15-740
39	0881731039	HOSE ASSY	1				G-G fÓ15-760
40	0881733040	HOSE ASSY	1				G-G fÓ15-740
41	0881731041	HOSE ASSY	1				G-G fÓ15-760
42	0881731042	HOSE ASSY	1				G-G fÓ15-820
43	0881733043	HOSE ASSY	1		21500004~21500627		G-G fÓ15-1080
	0881736043	HOSE ASSY	1	(H)	21500628~		G45-G fÓ15-1080
44	0881965410	HOSE ASSY	1				G-G90 fÓ15-880
45	0881731045	HOSE ASSY	1				G-G fÓ15-1600
46	1420010180	O-RING	1				
47	1652231250	BAND	1				
	T7f044						

TL150 Book No. BT7Z011 S/N 21500004-  
PIPING; ARM (1/2) (21501246-)



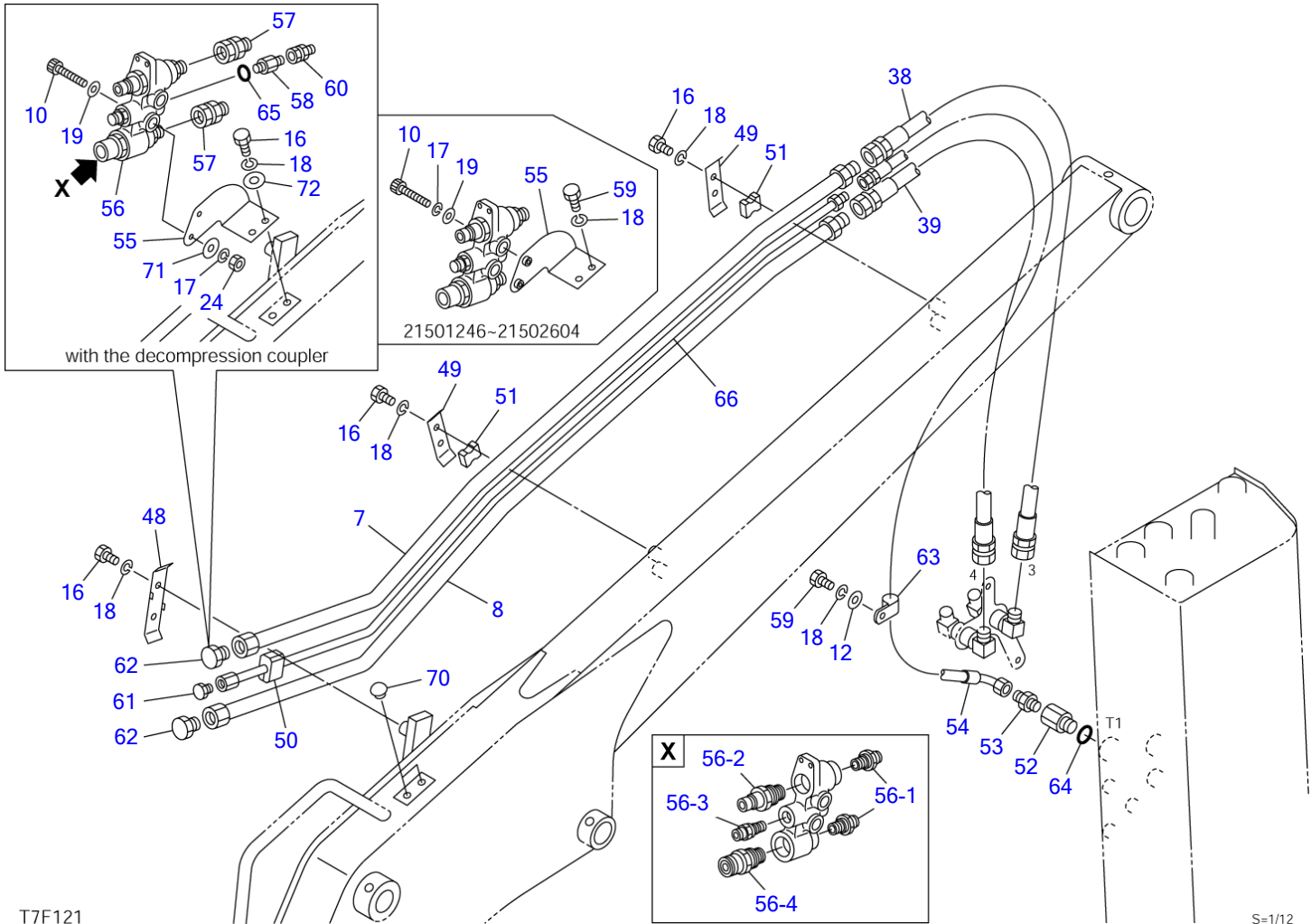
T7F110

S=1/17

**PIPING; ARM (1/2) (21501246-)**

Item	Part number	Description	Q'ty	Chan.	Serial No.	Serv.	Remarks
		PIPING ASSY					X08817-37500-4
		PIPING ASSY (with coupler)					X08817-37700-4
1	0881731100	BRACKET (L.H.)	1				
2	0881731200	BRACKET (L.H.)	1				
3	0881731150	BRACKET (R.H.)	1				
4	0881731250	BRACKET (R.H.)	1				
5	0881731350	PIPE	1				
6	0881731450	PIPE	1				
9	0567320800	CLAMP	4				
11	1515600202	ADAPTOR	8				
	1420010180	• O-RING	1				
13	0007213010	BUSHING	1				
14	1515010042	ELBOW	1				
	1420010180	• O-RING	1				
15	1100040816	BOLT	8				
16	1100041020	BOLT	4				
17	1140020008	WASHER, spring	8				
18	1140020010	WASHER, spring	4				
19	1141110008	WASHER	8				
20	1513390034	TEE	1				
21	0881733021	HOSE ASSY	1				G-G fÓ12-1100
22	0881731022	HOSE ASSY	1				G-G90 fÓ9-740
23	0881731023	HOSE ASSY	1				G-G90 fÓ9-760
25	0881731025	HOSE ASSY	4				G-G fÓ12-640
26	0881731026	HOSE ASSY	1				G-G fÓ12-640
27	0881731027	HOSE ASSY	1				G-G fÓ12-640
28	0881731028	HOSE ASSY	1				G-G fÓ12-640
29	0881731029	HOSE ASSY	1				G-G fÓ12-640
30	0881731030	HOSE ASSY	1				G-G fÓ12-1260
31	0881731031	HOSE ASSY	1				G-G fÓ12-1260
32	0881733032	HOSE ASSY	1				G90-G fÓ12-560
33	0881733033	HOSE ASSY	1				G-G fÓ15-620
34	0881731034	HOSE ASSY	1				G90-G fÓ15-600
35	0881733035	HOSE ASSY	1				G90-G fÓ15-600
36	0881731036	HOSE ASSY	1				G-G fÓ15-720
37	0881731037	HOSE ASSY	1				G-G45 fÓ15-640
40	0881733040	HOSE ASSY	1				G-G fÓ15-740
41	0881731041	HOSE ASSY	1				G-G fÓ15-760
42	0881731042	HOSE ASSY	1				G-G fÓ15-820
43	0881736043	HOSE ASSY	1				G45-G fÓ15-1080
44	0881965410	HOSE ASSY	1				G-G90 fÓ15-880
45	0881731045	HOSE ASSY	1				G-G fÓ15-1600
46	1420010180	O-RING	1				
47	1652231250	BAND	1				
	T7f111						

TL150 Book No. BT7Z011 S/N 21500004-  
 PIPING; ARM (2/2) (21501246-)





**PIPING; ARM (2/2) (21501246-)**

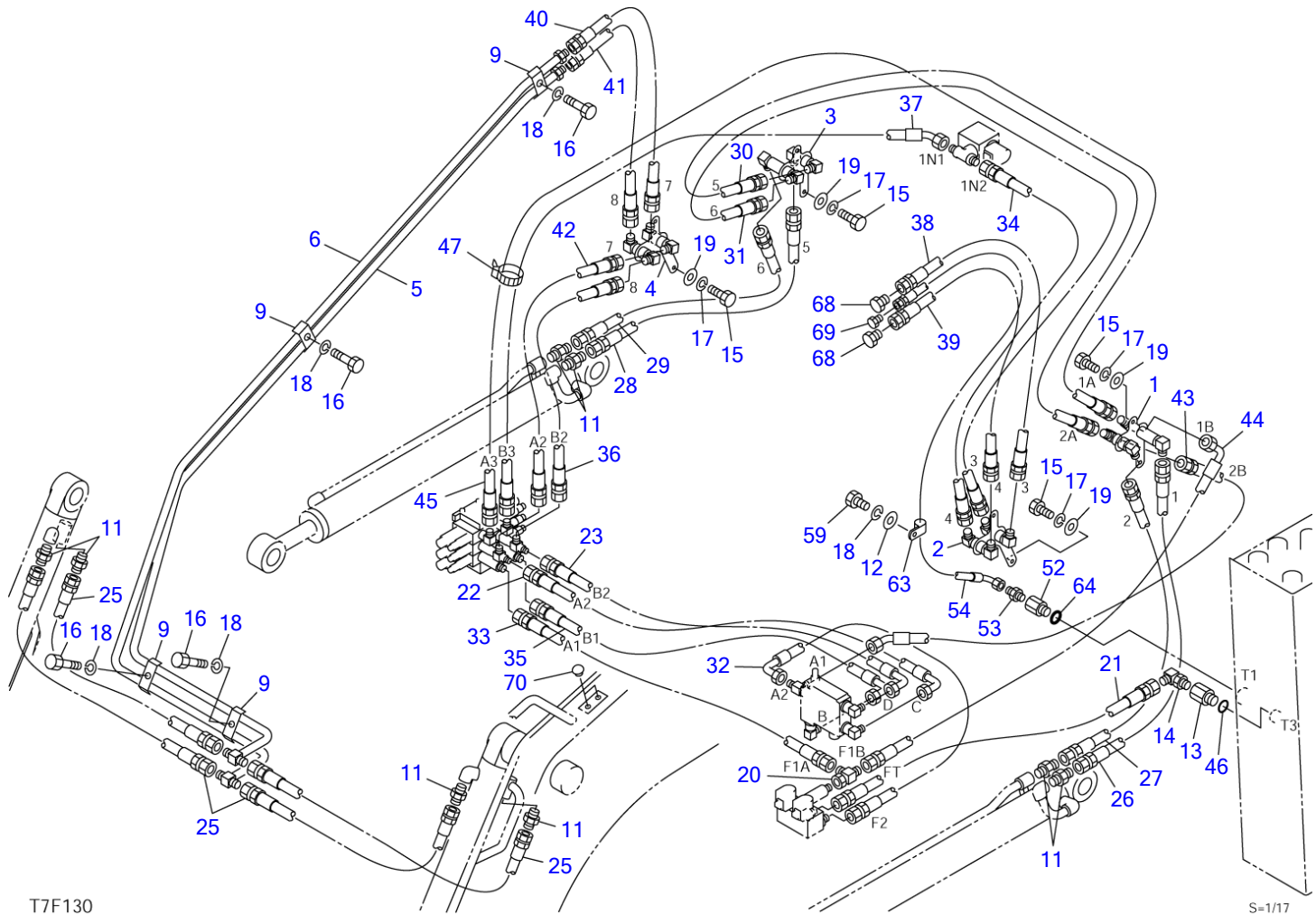
Item	Part number	Description	Q'ty	Chan.	Serial No.	Serv.	Remarks
		PIPING ASSY					X08817-37500-4
		PIPING ASSY (with coupler)					X08817-37700-4
7	0881737510	PIPE	1				
8	0881737520	PIPE	1				
10	1110040865	SCREW, cap	2				with coupler
12	1141110010	WASHER	1				
16	1100041020	BOLT	12	a			
17	1140020008	WASHER, spring	10				
18	1140020010	WASHER, spring	13				
19	1141110008	WASHER	10				
24	1130040008	NUT	2	a	21502605~		with coupler
38	0881733038	HOSE ASSY	1				G-G fO15-740
39	0881731039	HOSE ASSY	1				G-G fO15-760
48	0881733550	CLAMP	1				
49	0881733570	CLAMP	2				
50	0881733590	RUBBER	1				
51	0881733600	RUBBER	2				
52	0007213068	BUSHING	1				
53	1515600577	ADAPTOR	1				
	1420010180	• O-RING	1				
54	0881735520	HOSE ASSY	1				18010-53118
55	0881733530	BRACKET	1	A, a			with coupler
56	1901747000	COUPLER, block	1				with coupler
56-1	1901747001	• ADAPTOR	2				with coupler
56-2	1901747002	• ADAPTOR	1				with coupler
56-3	1901747003	• ADAPTOR	1				with coupler
56-4	1901747004	• ADAPTOR	1				with coupler
57	0007236044	ADAPTOR	2				with coupler
58	0007203017	NIPPLE	1				with coupler
	1420310906	• O-RING	1				
59	1100041016	BOLT	1				with coupler
60	1511410003	ADAPTOR	1				with coupler
	1420010140	• O-RING	1				
61	1501750003	PLUG	1				without coupler
	1420010140	• O-RING	1				
62	1501750006	PLUG	2				without coupler
	1420010240	• O-RING	1				
63	1711900071	CLAMP	1				
64	1420010290	O-RING	1				
65	1420310906	O-RING	1				with coupler
66	0881737530	PIPE	1				
70	1652533018	CAP	2				without coupler
71	0003608252	WASHER	2	a	21502605~		with coupler
72	0003600020	WASHER	2	a	21502605~		with coupler

<<NOTE>>

"A" is interchangeable with SET "a".

T7f121

TL150 Book No. BT7Z011 S/N 21500004-  
PIPING; ARM (for GEHL & MUSTANG; 21501330-)



T7F130

S=1/17

**PIPING; ARM (for GEHL & MUSTANG; 21501330-)**

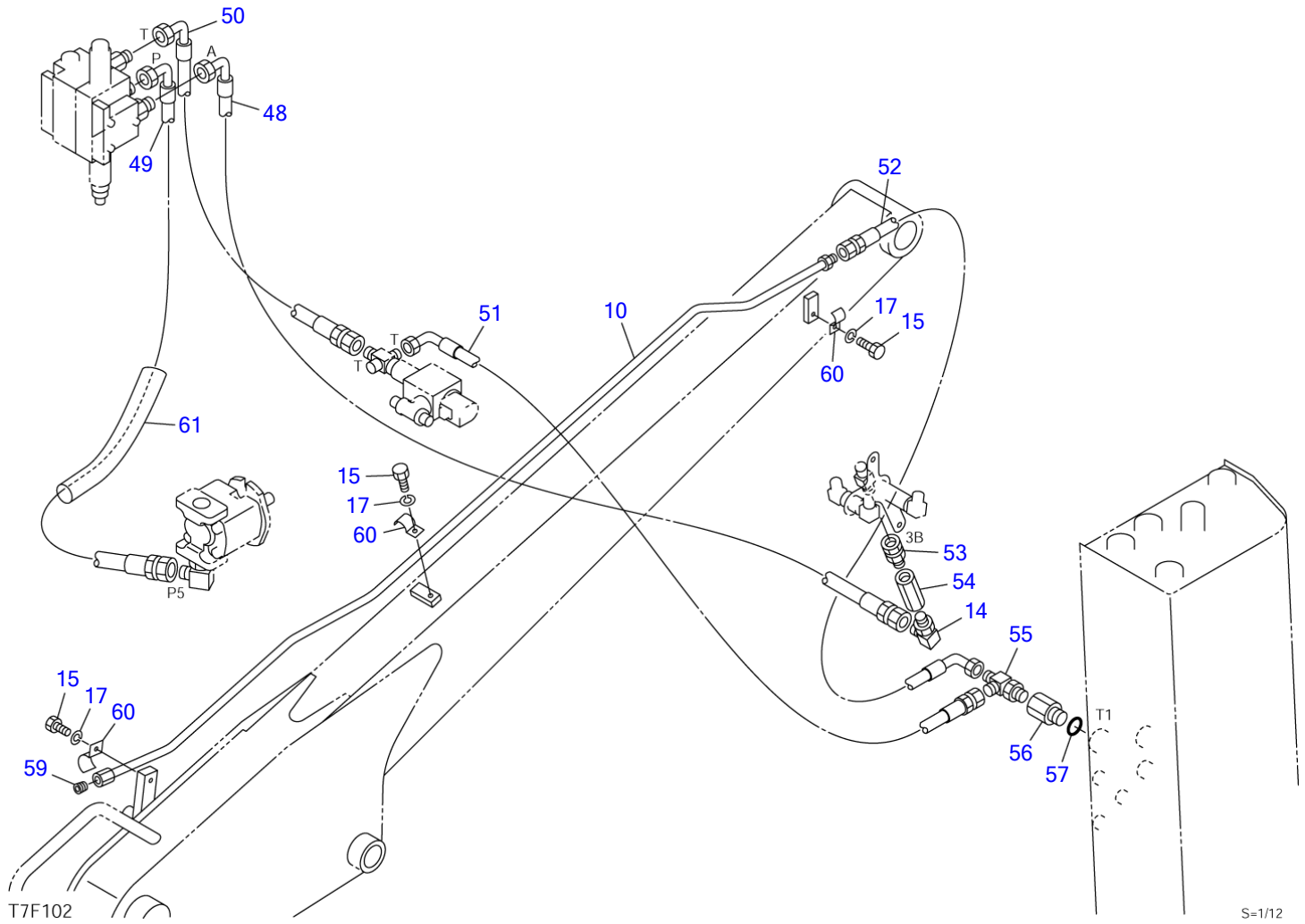
Item	Part number	Description	Q'ty	Chan.	Serial No.	Serv.	Remarks
		PIPING ASSY (for GEHL & MUSTANG)					X08817-37300-4
1	0881731100	BRACKET (L.H.)	1				
2	0881731200	BRACKET (L.H.)	1				
3	0881731150	BRACKET (R.H.)	1				
4	0881731250	BRACKET (R.H.)	1				
5	0881731350	PIPE	1				
6	0881731450	PIPE	1				
9	0567320800	CLAMP	4				
11	1515600202	ADAPTOR	8				
	1420010180	• O-RING	1				
12	1141110010	WASHER	1				
13	0007213010	BUSHING	1				
14	1515010042	ELBOW	1				
	1420010180	• O-RING	1				
15	1100040816	BOLT	8				
16	1100041020	BOLT	4				
17	1140020008	WASHER, spring	8				
18	1140020010	WASHER, spring	5				
19	1141110008	WASHER	8				
20	1513390034	TEE	1				
21	0881733021	HOSE ASSY	1				G-G fÓ12-1100
22	0881731022	HOSE ASSY	1				G-G90 fÓ9-740
23	0881731023	HOSE ASSY	1				G-G90 fÓ9-760
25	0881731025	HOSE ASSY	4				G-G fÓ12-640
26	0881731026	HOSE ASSY	1				G-G fÓ12-640
27	0881731027	HOSE ASSY	1				G-G fÓ12-640
28	0881731028	HOSE ASSY	1				G-G fÓ12-640
29	0881731029	HOSE ASSY	1				G-G fÓ12-640
30	0881731030	HOSE ASSY	1				G-G fÓ12-1260
31	0881731031	HOSE ASSY	1				G-G fÓ12-1260
32	0881733032	HOSE ASSY	1				G90-G fÓ12-560
33	0881733033	HOSE ASSY	1				G-G fÓ15-620
34	0881731034	HOSE ASSY	1				G90-G fÓ15-600
35	0881733035	HOSE ASSY	1				G90-G fÓ15-600
36	0881731036	HOSE ASSY	1				G-G fÓ15-720
37	0881731037	HOSE ASSY	1				G-G45 fÓ15-640
38	0881733038	HOSE ASSY	1				G-G fÓ15-740
39	0881731039	HOSE ASSY	1				G-G fÓ15-760
40	0881733040	HOSE ASSY	1				G-G fÓ15-740
41	0881731041	HOSE ASSY	1				G-G fÓ15-760
42	0881731042	HOSE ASSY	1				G-G fÓ15-820
43	0881736043	HOSE ASSY	1				G45-G fÓ15-1080
44	0881965410	HOSE ASSY	1				G-G90 fÓ15-880
45	0881731045	HOSE ASSY	1				G-G fÓ15-1600
46	1420010180	O-RING	1				
47	1652231250	BAND	1				
52	0007213068	BUSHING	1				
53	1515600577	ADAPTOR	1				
	1420010180	• O-RING	1				
54	0881735520	HOSE ASSY	1				18010-53118
59	1100041016	BOLT	1				
63	1711900071	CLAMP	1				
64	1420010290	O-RING	1				
68	1513940004	PLUG	2				
69	1513940003	PLUG	1				
70	1652533018	CAP	2				
	T7f131						



PIPING; ARM (1/2) (high flow; 2150004-21501586)

Item	Part number	Description	Q'ty	Chan.	Serial No.	Serv.	Remarks
		PIPING ASSY					X08817-37000-3
1	0881731100	BRACKET (L.H.)	1				
2	0881735020	BRACKET (L.H.)	1				
3	0881731150	BRACKET (R.H.)	1				
4	0881731250	BRACKET (R.H.)	1				
5	0881731350	PIPE	1				
6	0881731450	PIPE	1				
7	0881735070	PIPE	1				
8	0881735080	PIPE	1				
9	0567320800	CLAMP	8				
11	1515600202	ADAPTOR	8				
	1420010180	• O-RING	1				
12	1501830006	PLUG	2				
13	0007213010	BUSHING	1				
14	1515010042	ELBOW	1				
	1420010180	• O-RING	1				
15	1100040816	BOLT	8				
16	1100041020	BOLT	8				
17	1140020008	WASHER, spring	8				
18	1140020010	WASHER, spring	8				
19	1141110008	WASHER	8				
20	1513390034	TEE	1				
21	0881733021	HOSE ASSY	1				G-G fÓ12-1100
22	0881731022	HOSE ASSY	1				G-G90 fÓ9-740
23	0881731023	HOSE ASSY	1				G-G90 fÓ9-760
25	0881731025	HOSE ASSY	4				G-G fÓ12-640
26	0881731026	HOSE ASSY	1				G-G fÓ12-640
27	0881731027	HOSE ASSY	1				G-G fÓ12-640
28	0881731028	HOSE ASSY	1				G-G fÓ12-640
29	0881731029	HOSE ASSY	1				G-G fÓ12-640
30	0881731030	HOSE ASSY	1				G-G fÓ12-1260
31	0881731031	HOSE ASSY	1				G-G fÓ12-1260
32	0881733032	HOSE ASSY	1				G90-G fÓ12-560
33	0881733033	HOSE ASSY	1				G-G fÓ15-620
34	0881734360	HOSE ASSY	1				G-G fÓ19-720
35	0881733035	HOSE ASSY	1				G90-G fÓ15-600
36	0881731036	HOSE ASSY	1				G-G fÓ15-720
37	0881731037	HOSE ASSY	1				G-G45 fÓ15-640
38	0881735380	HOSE ASSY	1				18015-50076
39	0881735390	HOSE ASSY	1				G-G fÓ19-790
40	0881733040	HOSE ASSY	1				G-G fÓ15-740
41	0881731041	HOSE ASSY	1				G-G fÓ15-760
42	0881731042	HOSE ASSY	1				G-G fÓ15-820
43	0881736043	HOSE ASSY	1				G45-G fÓ15-1080
44	0881965410	HOSE ASSY	1				G-G90 fÓ15-880
45	0881731045	HOSE ASSY	1				G-G fÓ15-1600
46	1420010180	O-RING	1				
47	1652231250	BAND	2				
58	1501830004	PLUG	2				
	T7f091						

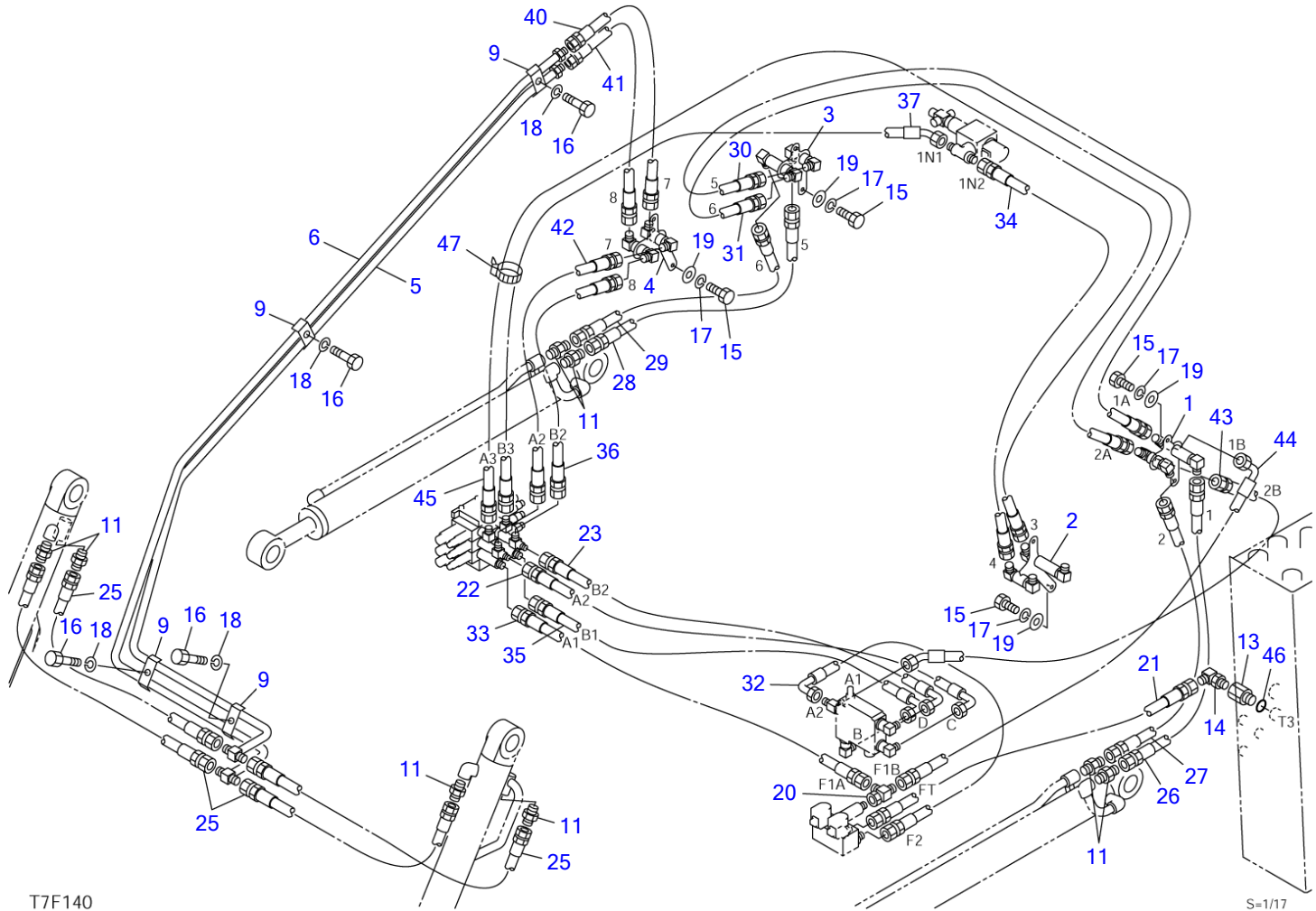
TL150 Book No. BT7Z011 S/N 21500004-  
PIPING; ARM (2/2) (high flow; 21500004-21501586)



**PIPING; ARM (2/2) (high flow; 21500004-21501586)**

Item	Part number	Description	Q'ty	Chan.	Serial No.	Serv.	Remarks
		PIPING ASSY					X08817-37000-3
10	<b>0881735100</b>	PIPE	1				
14	<b>1515010042</b>	ELBOW	1				
	<b>1420010180</b>	• O-RING	1				
15	<b>1100040816</b>	BOLT	3				
17	<b>1140020008</b>	WASHER, spring	3				
48	<b>0881735480</b>	HOSE ASSY	1				G-G90 fÓ15-1780
49	<b>0881735490</b>	HOSE ASSY	1				G-G90 fÓ15-1450
50	<b>0881735500</b>	HOSE ASSY	1				G-G90 fÓ19-1020
51	<b>0881735510</b>	HOSE ASSY	1				G90-G fÓ12-1020
52	<b>0881735520</b>	HOSE ASSY	1				18010-53118
53	<b>0007236041</b>	ADAPTOR	1				
	<b>1420010180</b>	• O-RING	1				
54	<b>1901743200</b>	VALVE, check	1				
55	<b>1512373010</b>	TEE	1				
	<b>1420010180</b>	• O-RING	1				
56	<b>0007213068</b>	BUSHING	1				
57	<b>1420010290</b>	O-RING	1				
59	<b>1501830003</b>	PLUG	1				
60	<b>0567336070</b>	CLAMP	3				
61	<b>1531350060</b>	PROTECTOR	1				sold by the meter
	<b>T7f101</b>						

TL150 Book No. BT7Z011 S/N 21500004-  
PIPING; ARM (1/2) (high flow; 21501587-)



T7F140

S=1/17

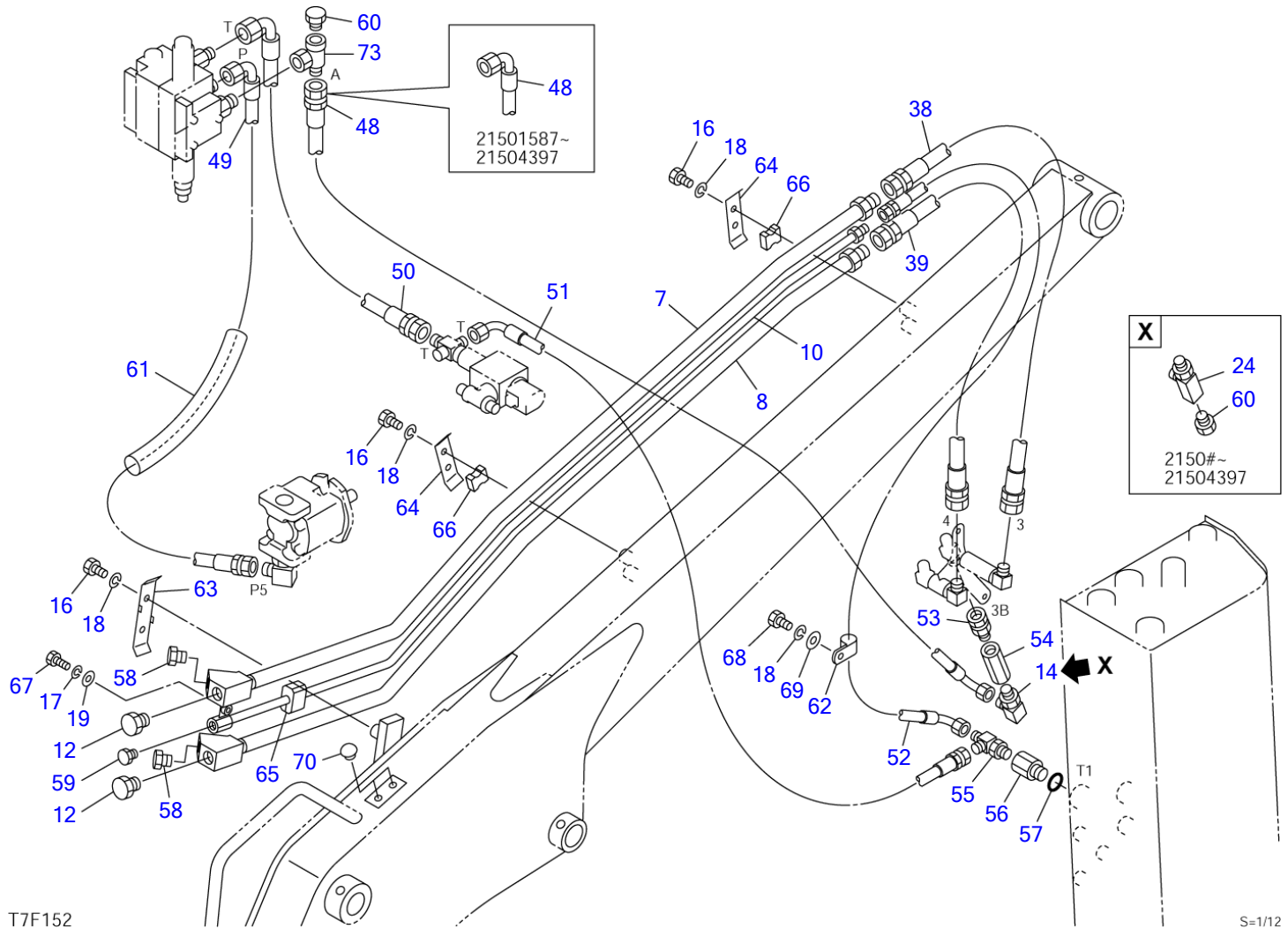


**PIPING; ARM (1/2) (high flow; 21501587-)**

Item	Part number	Description	Q'ty	Chan.	Serial No.	Serv.	Remarks
		PIPING ASSY					X08817-38000-5
1	0881731100	BRACKET (L.H.)	1				
2	0881738010	BRACKET (L.H.)	1				
3	0881731150	BRACKET (R.H.)	1				
4	0881731250	BRACKET (R.H.)	1				
5	0881731350	PIPE	1				
6	0881731450	PIPE	1				
9	0567320800	CLAMP	4				
11	1515600202	ADAPTOR	8				
	1420010180	• O-RING	1				
13	0007213010	BUSHING	1				
14	1515010042	ELBOW	1				
	1420010180	• O-RING	1				
15	1100040816	BOLT	8				
16	1100041020	BOLT	4				
17	1140020008	WASHER, spring	8				
18	1140020010	WASHER, spring	4				
19	1141110008	WASHER	8				
20	1513390034	TEE	1				
21	0881733021	HOSE ASSY	1				G-G fÓ12-1100
22	0881731022	HOSE ASSY	1				G-G90 fÓ9-740
23	0881731023	HOSE ASSY	1				G-G90 fÓ9-760
25	0881731025	HOSE ASSY	4				G-G fÓ12-640
26	0881731026	HOSE ASSY	1				G-G fÓ12-640
27	0881731027	HOSE ASSY	1				G-G fÓ12-640
28	0881731028	HOSE ASSY	1				G-G fÓ12-640
29	0881731029	HOSE ASSY	1				G-G fÓ12-640
30	0881731030	HOSE ASSY	1				G-G fÓ12-1260
31	0881731031	HOSE ASSY	1				G-G fÓ12-1260
32	0881733032	HOSE ASSY	1				G90-G fÓ12-560
33	0881733033	HOSE ASSY	1				G-G fÓ15-620
34	0881734360	HOSE ASSY	1				18015-50072
35	0881733035	HOSE ASSY	1				G90-G fÓ15-600
36	0881731036	HOSE ASSY	1				G-G fÓ15-720
37	0881731037	HOSE ASSY	1				G-G45 fÓ15-640
40	0881733040	HOSE ASSY	1				G-G fÓ15-740
41	0881731041	HOSE ASSY	1				G-G fÓ15-760
42	0881731042	HOSE ASSY	1				G-G fÓ15-820
43	0881736043	HOSE ASSY	1				G45-G fÓ15-1080
44	0881965410	HOSE ASSY	1				G-G90 fÓ15-880
45	0881731045	HOSE ASSY	1				G-G fÓ15-1600
46	1420010180	O-RING	1				
47	1652231250	BAND	1				

T7f144

TL150 Book No. BT7Z011 S/N 21500004-  
 PIPING; ARM (2/2) (high flow; 21501587-)



T7F152

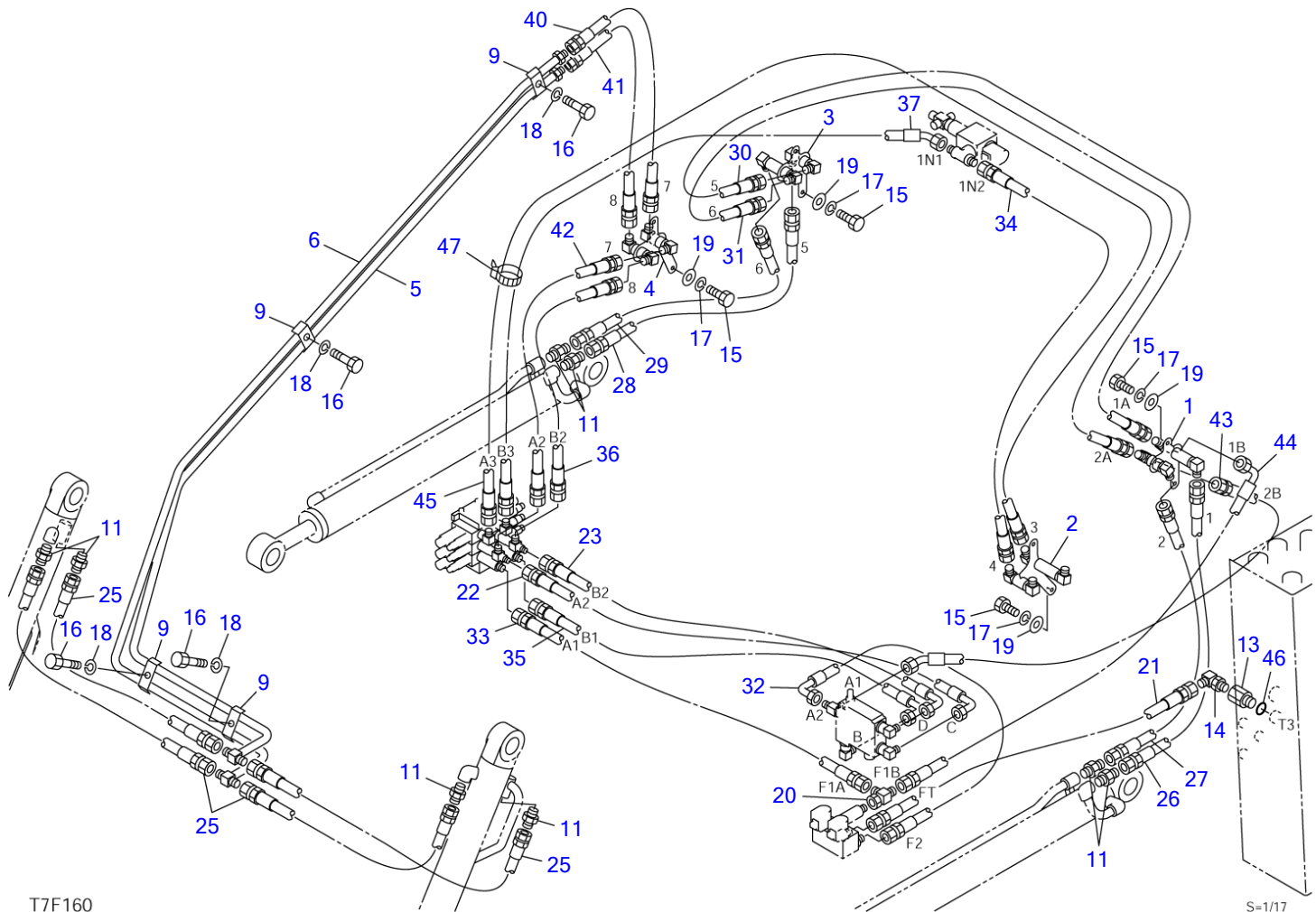
S=1/12

PIPING; ARM (2/2) (high flow; 21501587-)

Item	Part number	Description	Q'ty	Chan.	Serial No.	Serv.	Remarks
		PIPING ASSY					X08817-38000-5
7	0881738020	PIPE	1				
8	0881738030	PIPE	1				
10	0881738040	PIPE	1				
12	1501750006	PLUG	2				
	1420010240	• O-RING	1				
14	1515010042	ELBOW	1	a	21504398~	M	
	1420010180	• O-RING	1				
16	1100041020	BOLT	6				
17	1140020008	WASHER, spring	1				
18	1140020010	WASHER, spring	7				
19	1141110008	WASHER	1				
24	1512340004	ELBOW	1	A	2150#~21504397	M	
	1420010180	• O-RING	1				
38	0881735380	HOSE ASSY	1				18015-50076
39	0881738050	HOSE ASSY	1				18015-50080
48	0881735480	HOSE ASSY	1	A	21501587~21504397	M	
	0881738480	HOSE ASSY	1	a	21504398~	M	18017-77174
49	0881735490	HOSE ASSY	1				
50	0881735500	HOSE ASSY	1				
51	0881738510	HOSE ASSY	1				18010-24112
52	0881735520	HOSE ASSY	1				18010-53118
53	0007236041	ADAPTOR	1				
	1420010180	• O-RING	1				
54	1901743200	VALVE, check	1				
55	1512373010	TEE	1				
	1420010180	• O-RING	1				
56	0007213068	BUSHING	1				
57	1420010290	O-RING	1				
58	1501750004	PLUG	2				
	1420010180	• O-RING	1				
59	1501750003	PLUG	1				
	1420010140	• O-RING	1				
60	1501750002	PLUG	1				
	1420010110	• O-RING	1				
61	1531350060	PROTECTOR	1				sold by the meter
62	0007300001	CLAMP	1				
63	0881733550	CLAMP	1				
64	0881733570	CLAMP	2				
65	0881733590	RUBBER	1				
66	0881733600	RUBBER	2				
67	1100040820	BOLT	1				
68	1100041016	BOLT	1				
69	1141110010	WASHER	1				
70	1652533018	CAP	2				
73	1513390044	TEE	1	a	21504398~	M	
		<<NOTE>>				M	
		SET "A" is interchangeable				M	
		with SET "a".				M	

T7f154

TL150 Book No. BT7Z011 S/N 21500004-  
PIPING; ARM (1/2) (high flow, for GEHL & MUSTANG; 21501605-)



T7F160

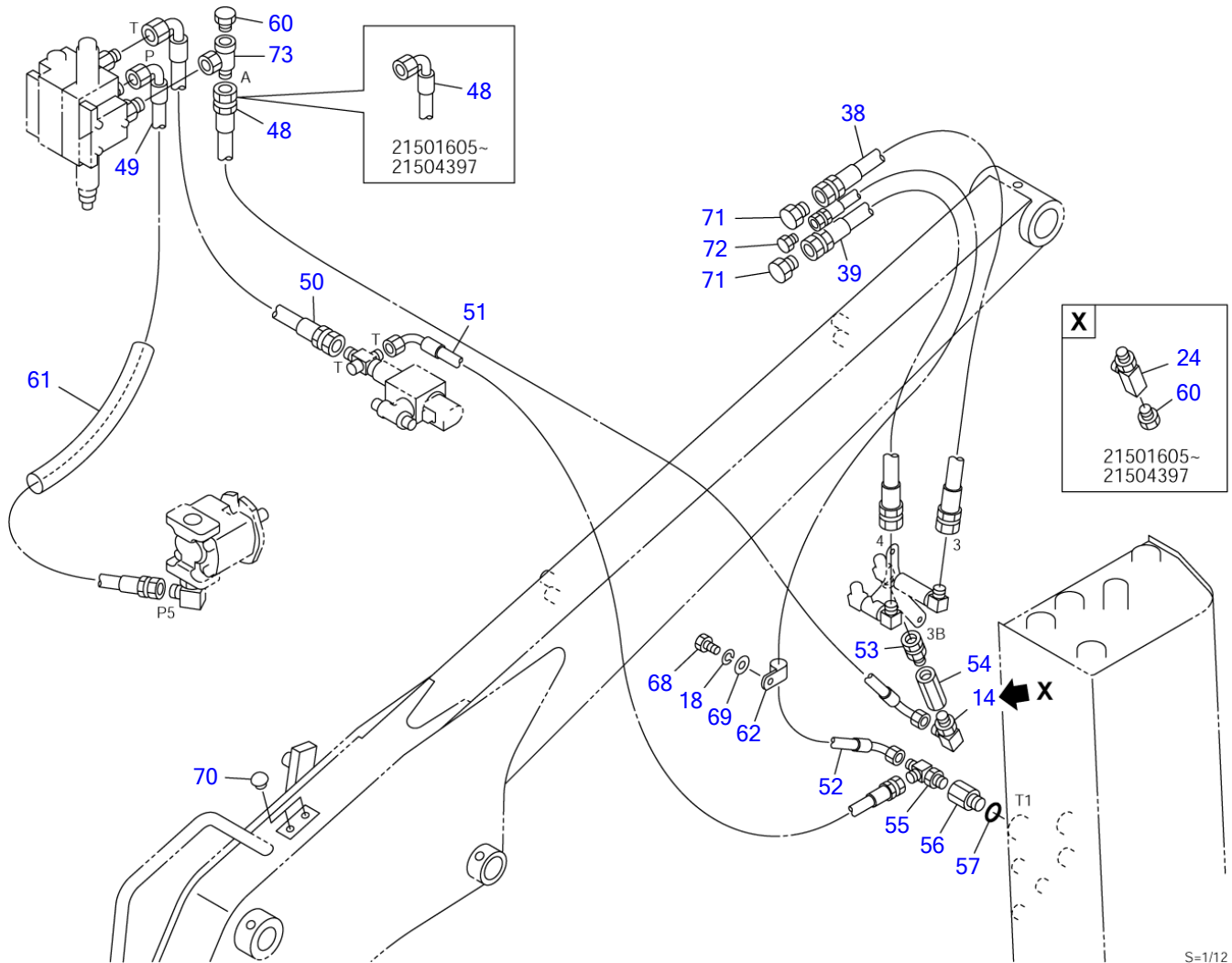
S=1/17

**PIPING; ARM (1/2) (high flow, for GEHL & MUSTANG; 21501605-)**

Item	Part number	Description	Q'ty	Chan.	Serial No.	Serv.	Remarks
		PIPING ASSY (for GEHL & MUSTANG)					X08817-38500-5
1	0881731100	BRACKET (L.H.)	1				
2	0881738010	BRACKET (L.H.)	1				
3	0881731150	BRACKET (R.H.)	1				
4	0881731250	BRACKET (R.H.)	1				
5	0881731350	PIPE	1				
6	0881731450	PIPE	1				
9	0567320800	CLAMP	4				
11	1515600202	ADAPTOR	8				
	1420010180	• O-RING	1				
13	0007213010	BUSHING	1				
14	1515010042	ELBOW	1				
	1420010180	• O-RING	1				
15	1100040816	BOLT	8				
16	1100041020	BOLT	4				
17	1140020008	WASHER, spring	8				
18	1140020010	WASHER, spring	4				
19	1141110008	WASHER	8				
20	1513390034	TEE	1				
21	0881733021	HOSE ASSY	1				G-G fÓ12-1100
22	0881731022	HOSE ASSY	1				G-G90 fÓ9-740
23	0881731023	HOSE ASSY	1				G-G90 fÓ9-760
25	0881731025	HOSE ASSY	4				G-G fÓ12-640
26	0881731026	HOSE ASSY	1				G-G fÓ12-640
27	0881731027	HOSE ASSY	1				G-G fÓ12-640
28	0881731028	HOSE ASSY	1				G-G fÓ12-640
29	0881731029	HOSE ASSY	1				G-G fÓ12-640
30	0881731030	HOSE ASSY	1				G-G fÓ12-1260
31	0881731031	HOSE ASSY	1				G-G fÓ12-1260
32	0881733032	HOSE ASSY	1				G90-G fÓ12-560
33	0881733033	HOSE ASSY	1				G-G fÓ15-620
34	0881734360	HOSE ASSY	1				18015-50072
35	0881733035	HOSE ASSY	1				G90-G fÓ15-600
36	0881731036	HOSE ASSY	1				G-G fÓ15-720
37	0881731037	HOSE ASSY	1				G-G45 fÓ15-640
40	0881733040	HOSE ASSY	1				G-G fÓ15-740
41	0881731041	HOSE ASSY	1				G-G fÓ15-760
42	0881731042	HOSE ASSY	1				G-G fÓ15-820
43	0881736043	HOSE ASSY	1				G45-G fÓ15-1080
44	0881965410	HOSE ASSY	1				G-G90 fÓ15-880
45	0881731045	HOSE ASSY	1				G-G fÓ15-1600
46	1420010180	O-RING	1				
47	1652231250	BAND	1				

T7f163

TL150 Book No. BT7Z011 S/N 21500004-  
 PIPING; ARM (2/2) (high flow, for GEHL & MUSTANG; 21501605-)



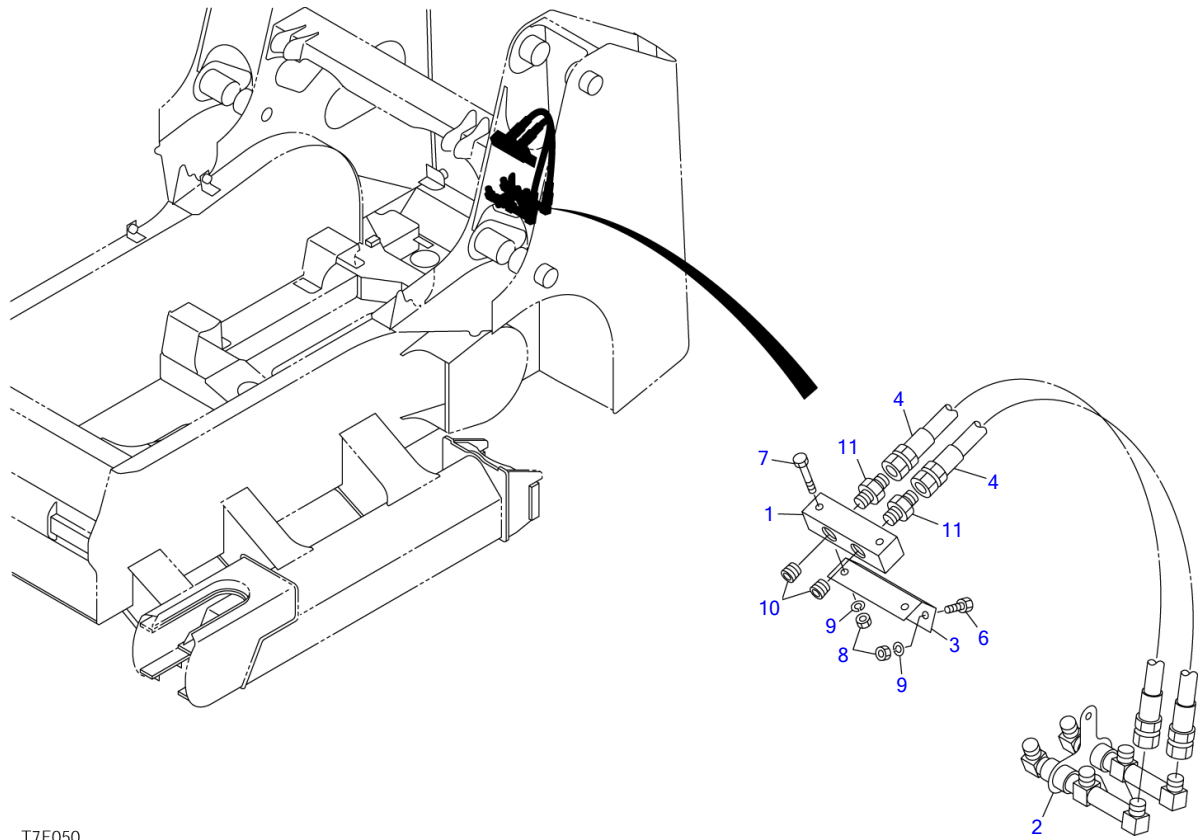
T7F171

S=1/12

**PIPING; ARM (2/2) (high flow, for GEHL & MUSTANG; 21501605-)**

Item	Part number	Description	Q'ty	Chan.	Serial No.	Serv.	Remarks
		PIPING ASSY (for GEHL & MUSTANG)					X08817-38500-5
14	1515010042	ELBOW	1	a	21504398~	M	
	1420010180	· O-RING	1			M	
18	1140020010	WASHER, spring	1				
24	1512340004	ELBOW	1	A	21501605~21504397	M	
	1420010180	· O-RING	1				
38	0881735380	HOSE ASSY	1				18015-50076
39	0881738050	HOSE ASSY	1				18015-50080
48	0881735480	HOSE ASSY	1	A	21501605~21504397	M	
	0881738480	HOSE ASSY	1	a	21504398~	M	18017-77174
49	0881735490	HOSE ASSY	1				
50	0881735500	HOSE ASSY	1				
51	0881738510	HOSE ASSY	1				18010-24112
52	0881735520	HOSE ASSY	1				18010-53118
53	0007236041	ADAPTOR	1				
	1420010180	· O-RING	1				
54	1901743200	VALVE, check	1				
55	1512373010	TEE	1				
	1420010180	· O-RING	1				
56	0007213068	BUSHING	1				
57	1420010290	O-RING	1				
60	1501750002	PLUG	1				
	1420010110	· O-RING	1				
61	1531350060	PROTECTOR	1				sold by the meter
62	0007300001	CLAMP	1				
68	1100041016	BOLT	1				
69	1141110010	WASHER	1				
70	1652533018	CAP	2				
71	1513940006	PLUG	2				
72	1513940003	PLUG	1				
73	1513390044	TEE	1	a	21504398~	M	
		<<NOTE>>				M	
		SET "A" is interchangeable				M	
		with SET "a".				M	

**T7f173**



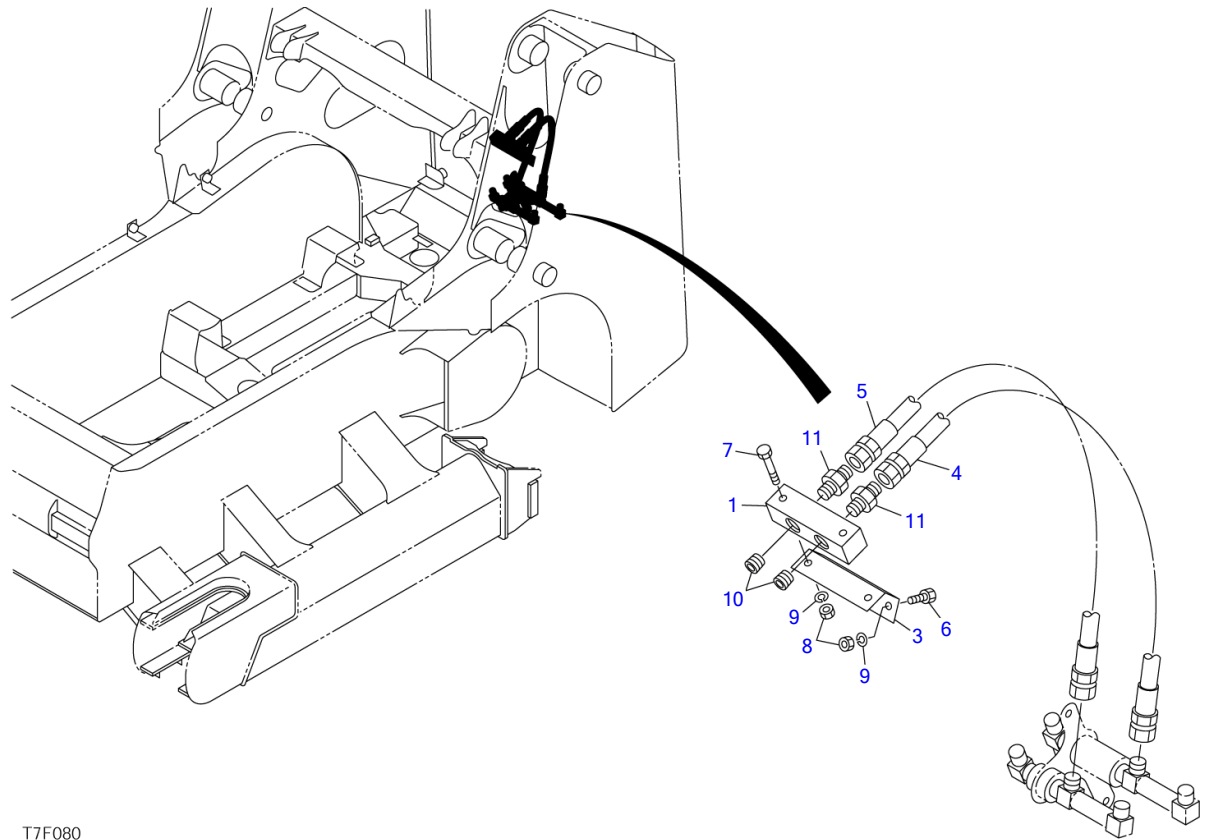
T7F050

S=1/8, 1/20



**REAR AUXILIARY LINE**

Item	Part number	Description	Q'ty	Chan.	Serial No.	Serv.	Remarks
		AUXILIARY LINE ASSY, rear					X08817-31700-0
1	<b>0881731710</b>	PORT	1				
2	<b>0881731750</b>	BRACKET (L.H.)	1				
3	<b>0881731530</b>	BRACKET	1				
4	<b>0881731740</b>	HOSE ASSY	2				
6	<b>1100040825</b>	BOLT	2				
7	<b>1100040850</b>	BOLT	2				
8	<b>1130040008</b>	NUT	4				
9	<b>1140020008</b>	WASHER, spring	4				
10	<b>1501810006</b>	PLUG	2				
11	<b>1515600578</b>	ADAPTOR	2				
	<b>1420010240</b>	• O-RING	1				
	<b>T7f050</b>						



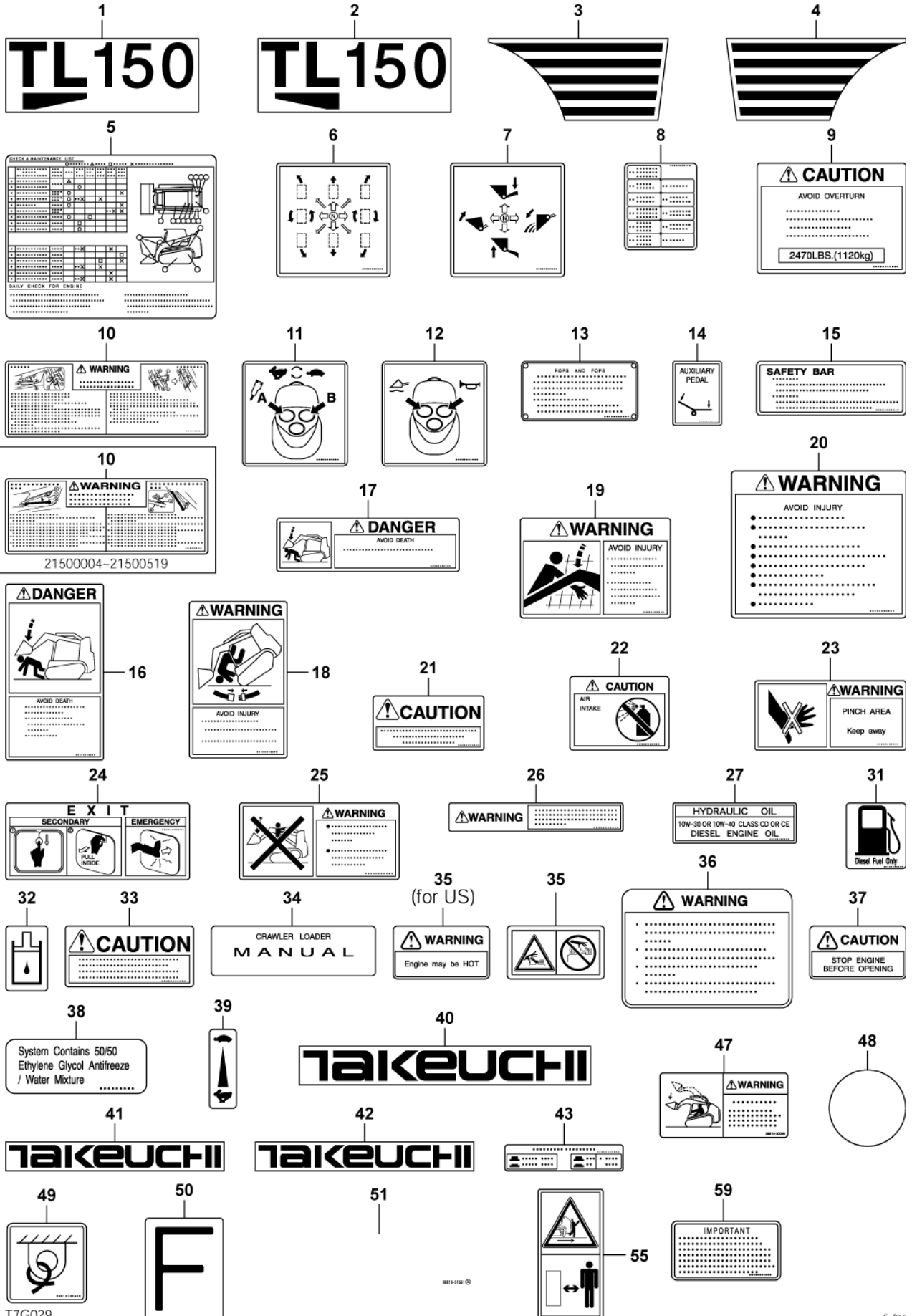
T7F080

S=1/8, 1/20

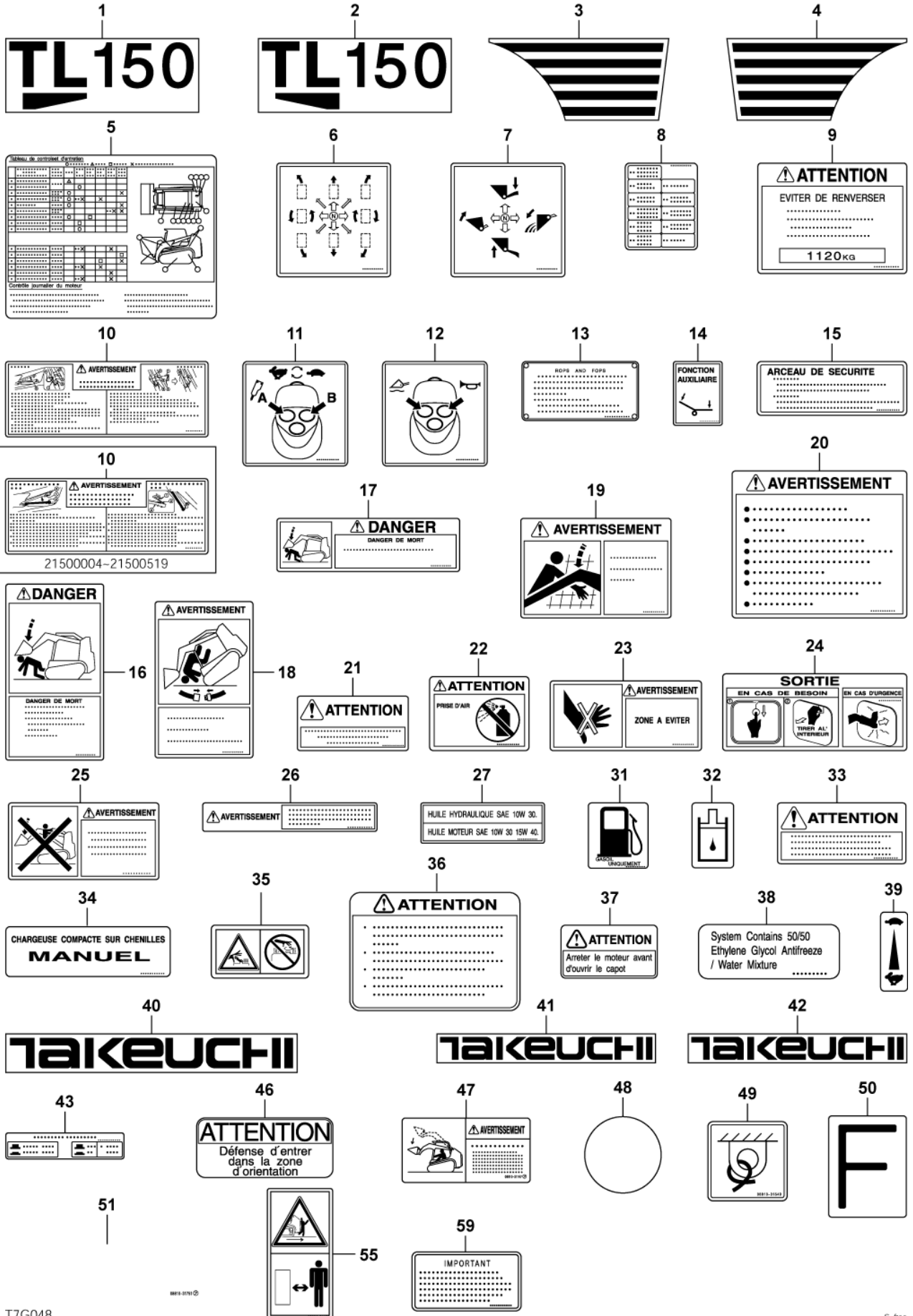
**REAR AUXILIARY LINE (high flow)**

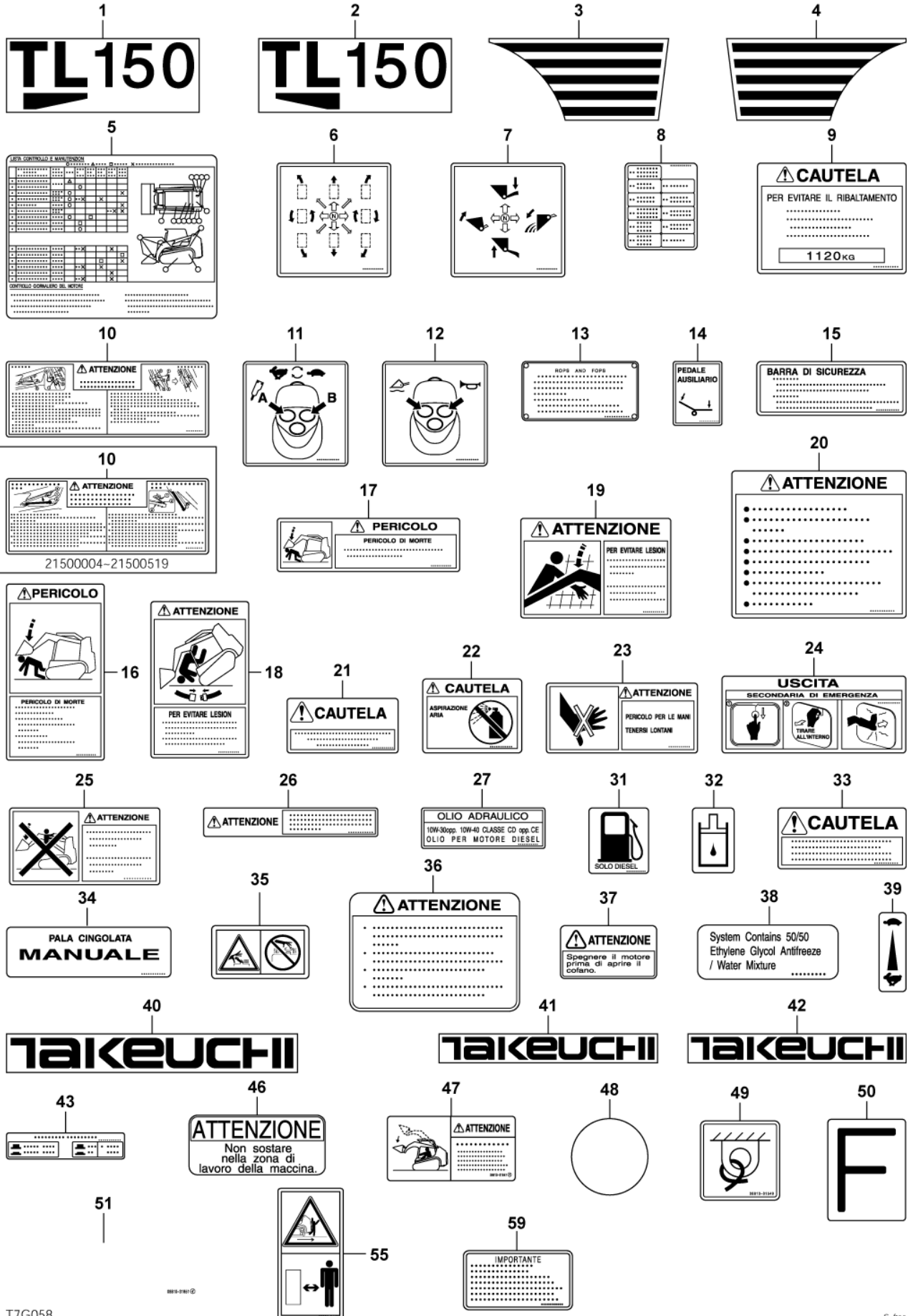
Item	Part number	Description	Q'ty	Chan.	Serial No.	Serv.	Remarks
		AUXILIARY LINE ASSY, rear (high flow)					X08817-32600-0
1	0881731710	PORT	1				
3	0881731530	BRACKET	1				
4	0881732640	HOSE ASSY	1				
5	0881732650	HOSE ASSY	1				
6	1100040825	BOLT	2				
7	1100040850	BOLT	2				
8	1130040008	NUT	4				
9	1140020008	WASHER, spring	4				
10	1501810006	PLUG	2				
11	1515600203	ADAPTOR	2				
	1420010240	· O-RING	1				
	T7f080						



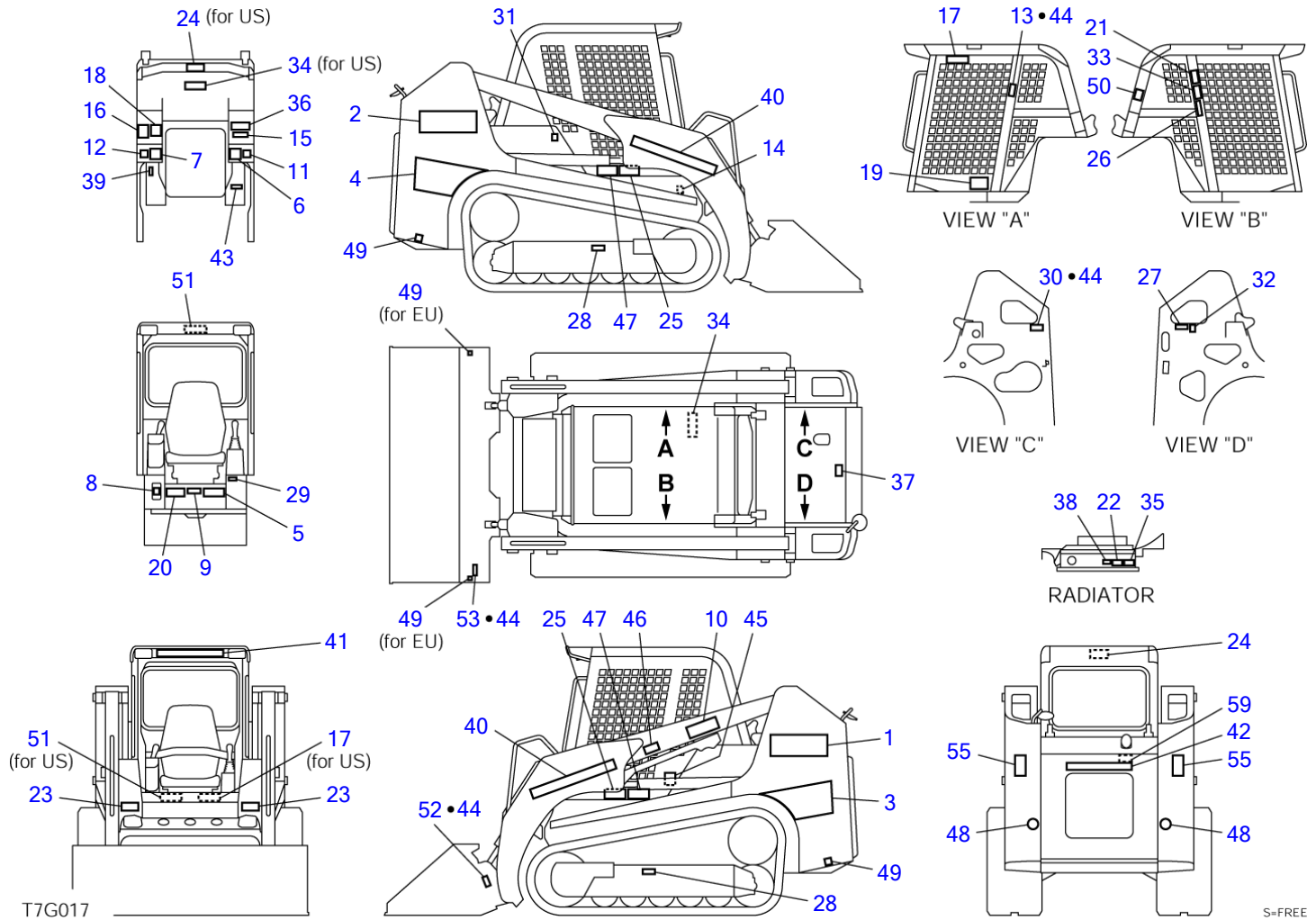


T7G029





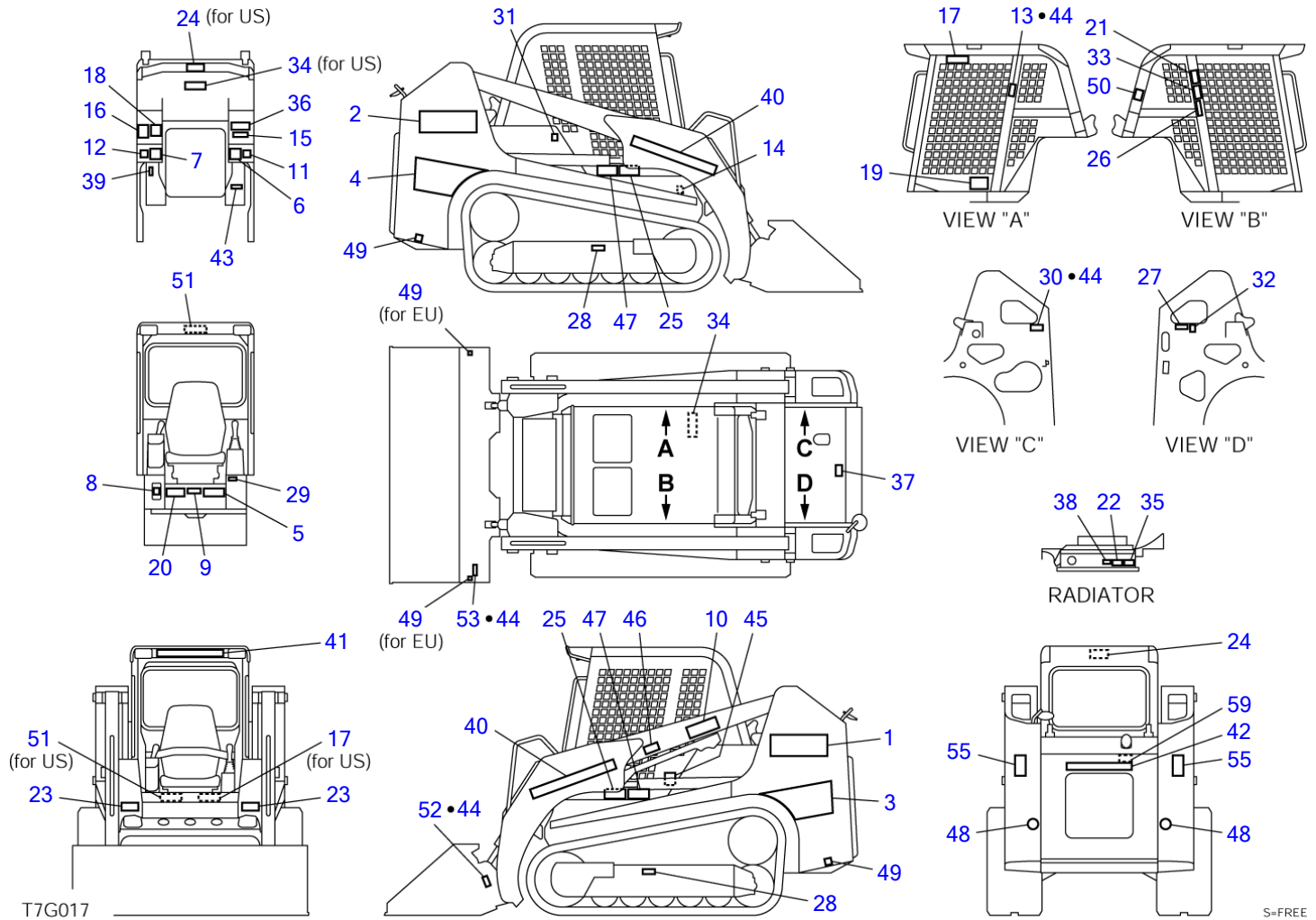
TL150 Book No. BT7Z011 S/N 21500004-  
**DECAL (canopy)**





DECAL (canopy)							
Item	Part number	Description	Qty	Chan.	Serial No.	Serv.	Remarks
0	0881030000	DECAL SET (English)	1				X08810-30000-12
	0881030200	DECAL SET (French)	1				X08810-30200-16
	0881030300	DECAL SET (Italian)	1				X08810-30300-16
	0881030400	DECAL SET (English, for EU)	1				X08810-30400-16
	0881030500	DECAL SET (German)	1				X08810-30500-16
	0881032400	DECAL SET (Dutch)	1			M	X08810-32400-16
	0881032500	DECAL SET (Russian)	1			M	X08810-32500-16
1	0881930001	• DECAL	1				
2	0881930002	• DECAL	1				
3	0881930003	• DECAL	1				
4	0881930004	• DECAL	1				
5	0881030005	• DECAL (English)	1				
	0881030205	• DECAL (French)	1				
	0881030305	• DECAL (Italian)	1				
	0881030505	• DECAL (German)	1				
	0881032201	• DECAL (Russian)	1			M	
6	0881030006	• DECAL	1				
7	0881030007	• DECAL	1				
8	0881030008	• DECAL (English, Dutch)	1			M	
	0881030208	• DECAL (French)	1				
	0881030308	• DECAL (Italian)	1				
	0881030508	• DECAL (German)	1				
	0881032202	• DECAL (Russian)	1			M	
9	0881030009	• DECAL (English)	1				
	0881030209	• DECAL (French)	1				
	0881030309	• DECAL (Italian)	1				
	0881030509	• DECAL (German)	1				
	0881032203	• DECAL (Russian)	1			M	
10	0881030100	• DECAL (English)	1		21500004~21500519		
	0881030110	• DECAL (English)	1		21500520~		
	0881030210	• DECAL (French)	1		21500004~21500519		
	0881030260	• DECAL (French)	1		21500520~		
	0881030310	• DECAL (Italian)	1		21500004~21500519		
	0881030360	• DECAL (Italian)	1		21500520~		
	0881030510	• DECAL (German)	1		21500004~21500519		
	0881030560	• DECAL (German)	1		21500520~		
	0881032204	• DECAL (Russian)	1			M	
11	0881030011	• DECAL	1				
12	0881030012	• DECAL	1				
13	X *****	• DECAL	1				
14	0880030004	• DECAL (English)	1				
	0880038604	• DECAL (French)	1				
	0881030314	• DECAL (Italian)	1				
	0880034004	• DECAL (German)	1				
	0881032205	• DECAL (Russian)	1			M	
15	0880031001	• DECAL (English)	1				
	0880038607	• DECAL (French)	1				
	0881030315	• DECAL (Italian)	1				
	0880034007	• DECAL (German)	1				
	0881032206	• DECAL (Russian)	1			M	
16	0880030009	• DECAL (English)	1				
	0880038609	• DECAL (French)	1				
	0881030316	• DECAL (Italian)	1				
	0880034009	• DECAL (German)	1				
	0881032207	• DECAL (Russian)	1			M	
17	0880030010	• DECAL (English)	1				
	0880038610	• DECAL (French)	1				
	0881030317	• DECAL (Italian)	1				
	0880034010	• DECAL (German)	1				
	0881032208	• DECAL (Russian)	1			M	
18	0880030011	• DECAL (English)	1				
	0880038611	• DECAL (French)	1				
	0881030318	• DECAL (Italian)	1				
	0880034011	• DECAL (German)	1				
	0881032209	• DECAL (Russian)	1			M	
19	0880031003	• DECAL (English)	1				
	0880038612	• DECAL (French)	1				

TL150 Book No. BT7Z011 S/N 21500004-  
**DECAL (canopy)**

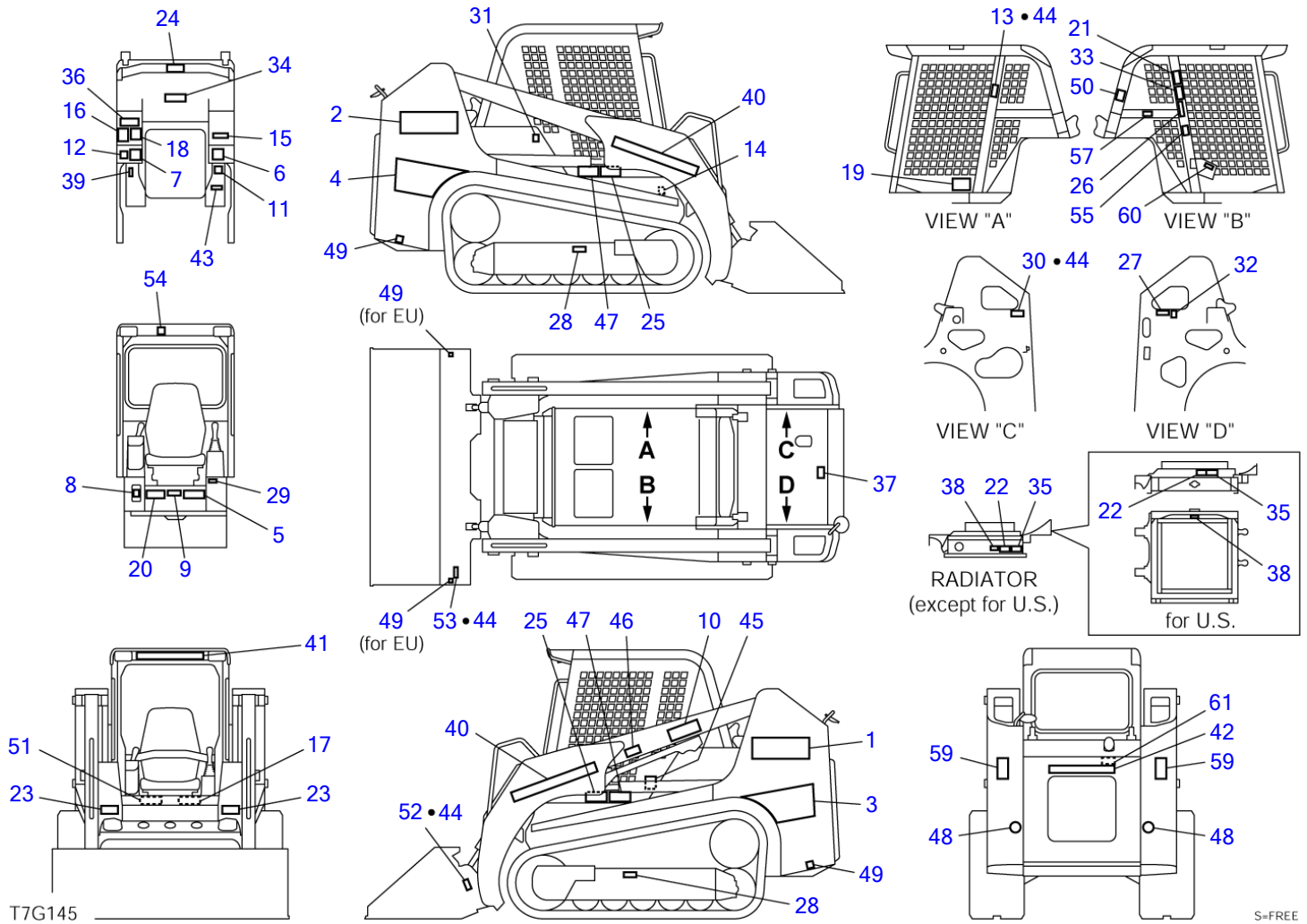


DECAL (canopy)							
Item	Part number	Description	Qty	Chan.	Serial No.	Serv.	Remarks
19	0881030319	• DECAL (Italian)	1				
19	0880034012	• DECAL (German)	1				
19	0881032210	• DECAL (Russian)	1			M	
20	0881030020	• DECAL (English)	1				
20	0880038613	• DECAL (French)	1				
20	0881030320	• DECAL (Italian)	1				
20	0881030520	• DECAL (German)	1				
20	0881032211	• DECAL (Russian)	1			M	
21	0880030015	• DECAL (English)	1				
21	0880038615	• DECAL (French)	1				
21	0881030321	• DECAL (Italian)	1				
21	0880034015	• DECAL (German)	1				
21	0881032212	• DECAL (Russian)	1			M	
22	0880030016	• DECAL (English)	1				
22	0880038616	• DECAL (French)	1				
22	0881030322	• DECAL (Italian)	1				
22	0880034016	• DECAL (German)	1				
22	0881032213	• DECAL (Russian)	1			M	
23	0880030017	• DECAL (English)	2				
23	0880038617	• DECAL (French)	2				
23	0881030323	• DECAL (Italian)	2				
23	0880034017	• DECAL (German)	2				
23	0881032214	• DECAL (Russian)	2			M	
24	0880031018	• DECAL (English)	1				
24	0880038618	• DECAL (French)	1				
24	0881030324	• DECAL (Italian)	1				
24	0880034018	• DECAL (German)	1				
24	0881032215	• DECAL (Russian)	1			M	
25	0880031005	• DECAL (English)	2				
25	0880038620	• DECAL (French)	2				
25	0881030325	• DECAL (Italian)	2				
25	0880034019	• DECAL (German)	2				
25	0881032216	• DECAL (Russian)	2			M	
26	0881030026	• DECAL (English)	1				
26	0880038621	• DECAL (French)	1				
26	0881030326	• DECAL (Italian)	1				
26	0881030526	• DECAL (German)	1				
26	0881032217	• DECAL (Russian)	1			M	
27	0880031017	• DECAL (English)	1				
27	0880038623	• DECAL (French)	1				
27	0881030327	• DECAL (Italian)	1				
27	0880034022	• DECAL (German)	1				
27	0881032218	• DECAL (Russian)	1			M	
28	0149362200	• DECAL (English)	2				
28	0880038624	• DECAL (French)	2				
28	0881030328	• DECAL (Italian)	2				
28	0880034023	• DECAL (German)	2				
28	0881032219	• DECAL (Russian)	2			M	
29	X *****	• DECAL	1				
30	X *****	• DECAL	1				
31	0359306600	• DECAL (English)	1				
31	0339375460	• DECAL (French)	1				
31	0339375660	• DECAL (Italian)	1				
31	0339375260	• DECAL (German)	1				
31	0579300603	• DECAL (Russian)	1			M	
32	0359306700	• DECAL	1				
33	0880031015	• DECAL (English)	1				
33	0880038633	• DECAL (French)	1				
33	0881030333	• DECAL (Italian)	1				
33	0880034026	• DECAL (German)	1				
33	0881032220	• DECAL (Russian)	1			M	
34	0880031016	• DECAL (English)	1				
34	0880038634	• DECAL (French)	1				
34	0881030334	• DECAL (Italian)	1				
34	0880034027	• DECAL (German)	1				
34	0881032221	• DECAL (Russian)	1			M	
35	0569321980	• DECAL (English)	1				
35	0882031135	• DECAL (English)	1				for EU



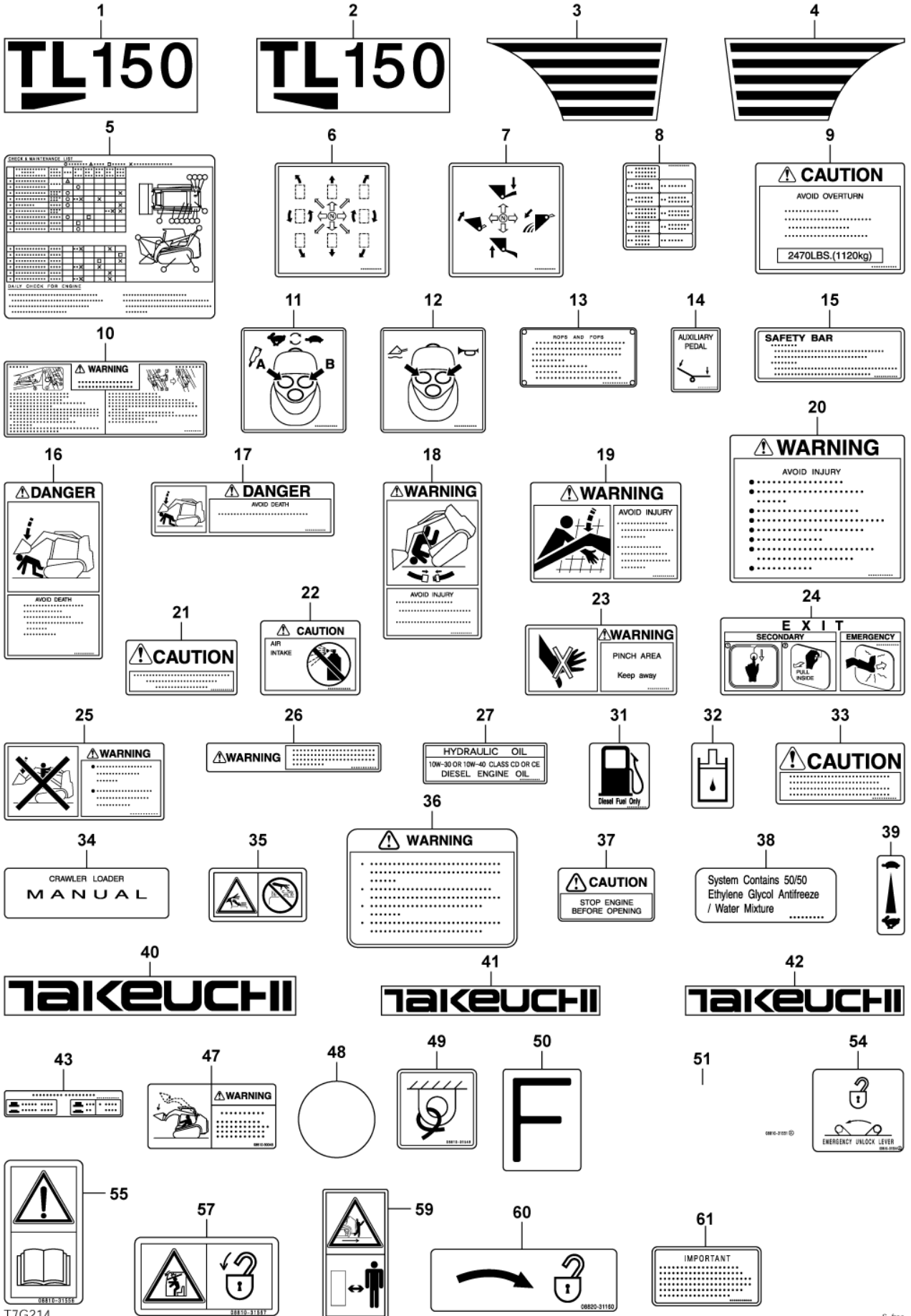
DECAL (canopy)							
Item	Part number	Description	Q'ty	Chan.	Serial No.	Serv.	Remarks
36	0359313700	• DECAL (English)	1				
36	0359315700	• DECAL (French)	1				
36	0359316700	• DECAL (Italian)	1				
36	0359314700	• DECAL (German)	1				
36	0579300606	• DECAL (Russian)	1			M	
37	0359307400	• DECAL (English)	1				
37	0359315400	• DECAL (French)	1				
37	0359316400	• DECAL (Italian)	1				
37	0359314400	• DECAL (German)	1				
37	0579300602	• DECAL (Russian)	1			M	
38	0359313900	• DECAL	1				
39	0359317200	• DECAL	1				
40	0399305100	• DECAL	2				
41	0359341020	• DECAL	1				
42	0359306300	• DECAL	1				
43	0881030043	• DECAL (English)	1				
43	0881030243	• DECAL (French)	1				
43	0881030343	• DECAL (Italian)	1				
43	0881030543	• DECAL (German)	1				
43	0881032224	• DECAL (Russian)	1			M	
44	X *****	• SCREW	16				
45	X *****	• DECAL	1				for EU
46	0359309100	• DECAL (French)	1				
46	0359310100	• DECAL (Italian)	1				
46	0359308100	• DECAL (German)	1				
46	0399356001	• DECAL (Russian)	1			M	
47	0881030046	• DECAL (English)	2				
47	0881031747	• DECAL (French)	2				
47	0881031847	• DECAL (Italian)	2				
47	0881031947	• DECAL (German)	2				
47	0881032225	• DECAL (Russian)	2			M	
48	0874030360	• DECAL	2				
49	0881031549	• DECAL	4				
50	0399300400	• DECAL	1				
51	0881031551	• DECAL (English)	1				
51	0881031751	• DECAL (French)	1				
51	0881031851	• DECAL (Italian)	1				
51	0881031951	• DECAL (German)	1				
51	0881032226	• DECAL (Russian)	1			M	
52	X *****	• DECAL	1				for EU
53	X *****	• DECAL	1				for EU
55	0882031159	• DECAL	2				for EU
59	0339376240	• DECAL (English)	1				
59	0339379440	• DECAL (French)	1				
59	0339379540	• DECAL (Italian)	1				
59	0339376340	• DECAL (German)	1				
59	0579300613	• DECAL (Russian)	1			M	
	T7g019						

TL150 Book No. BT7Z011 S/N 21500004-  
**DECAL (cab)**



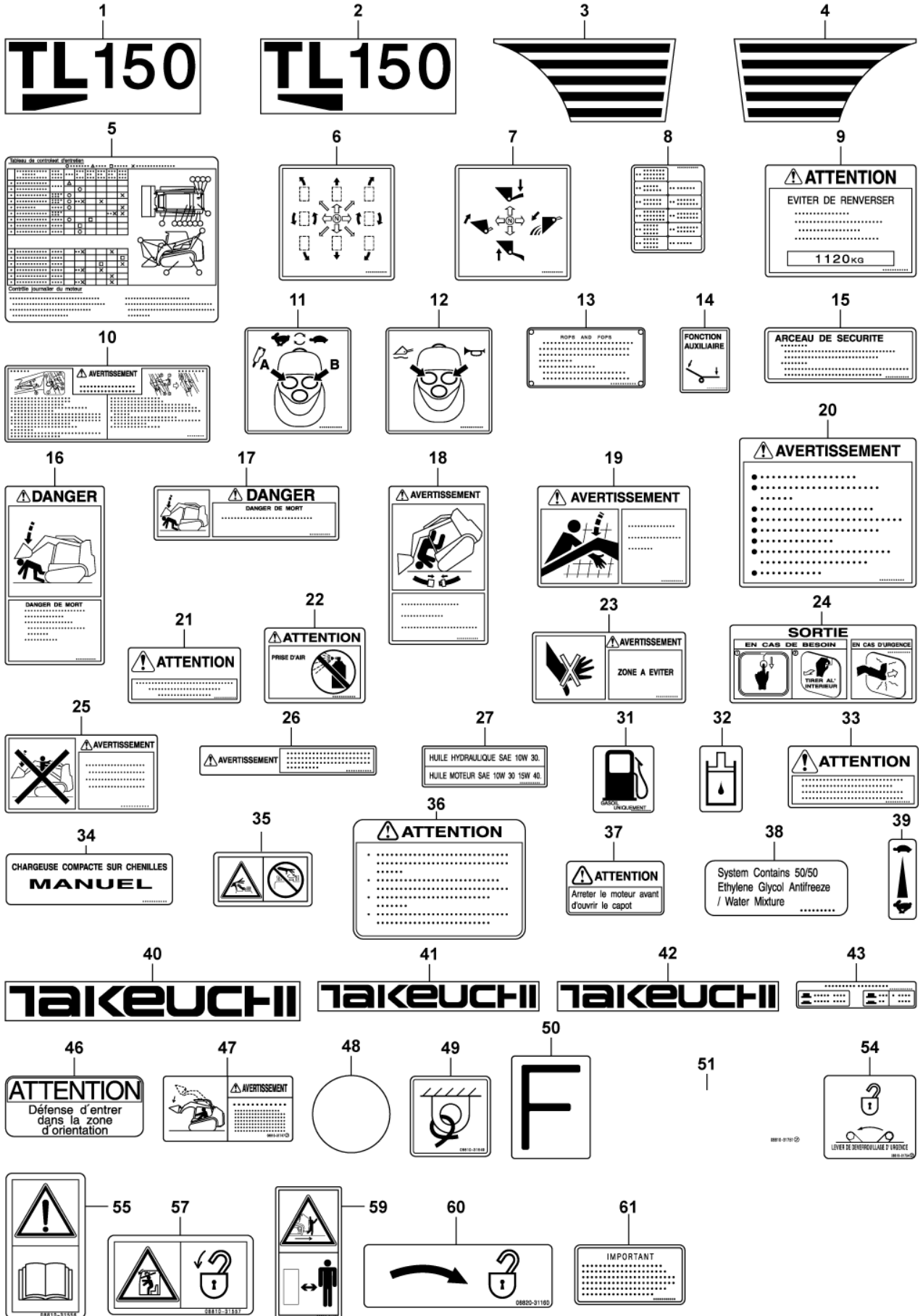


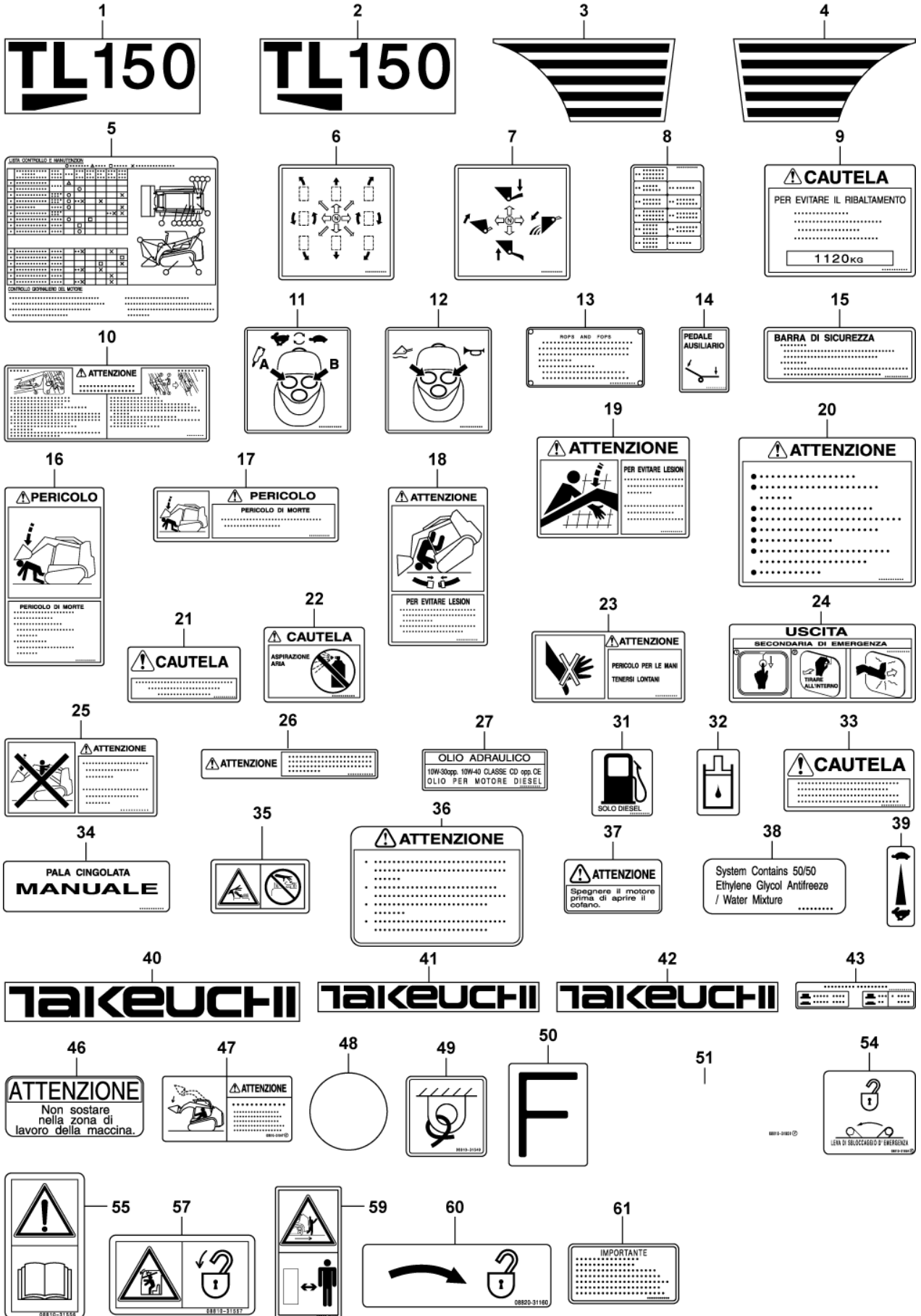
T7G155



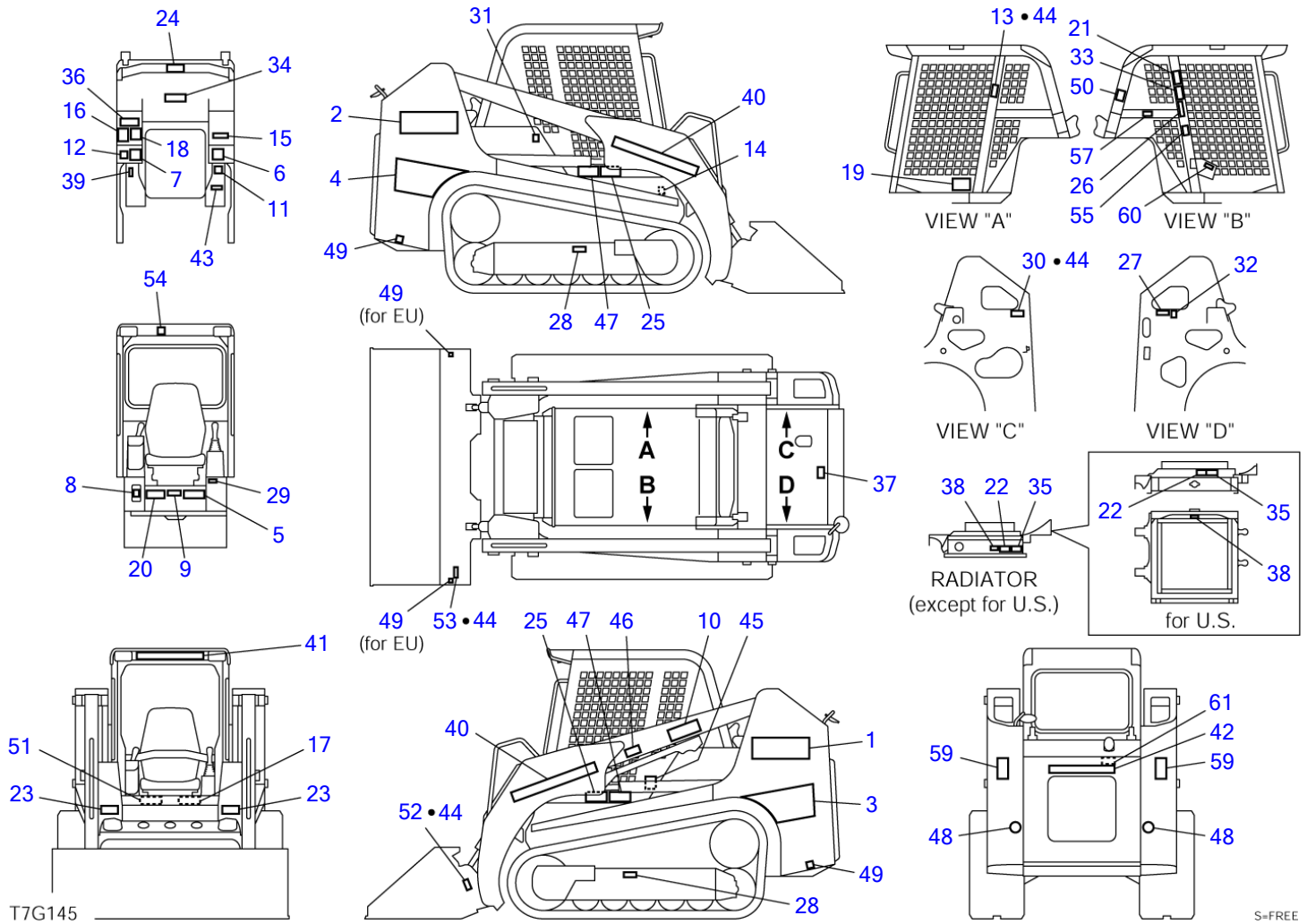
T7G214





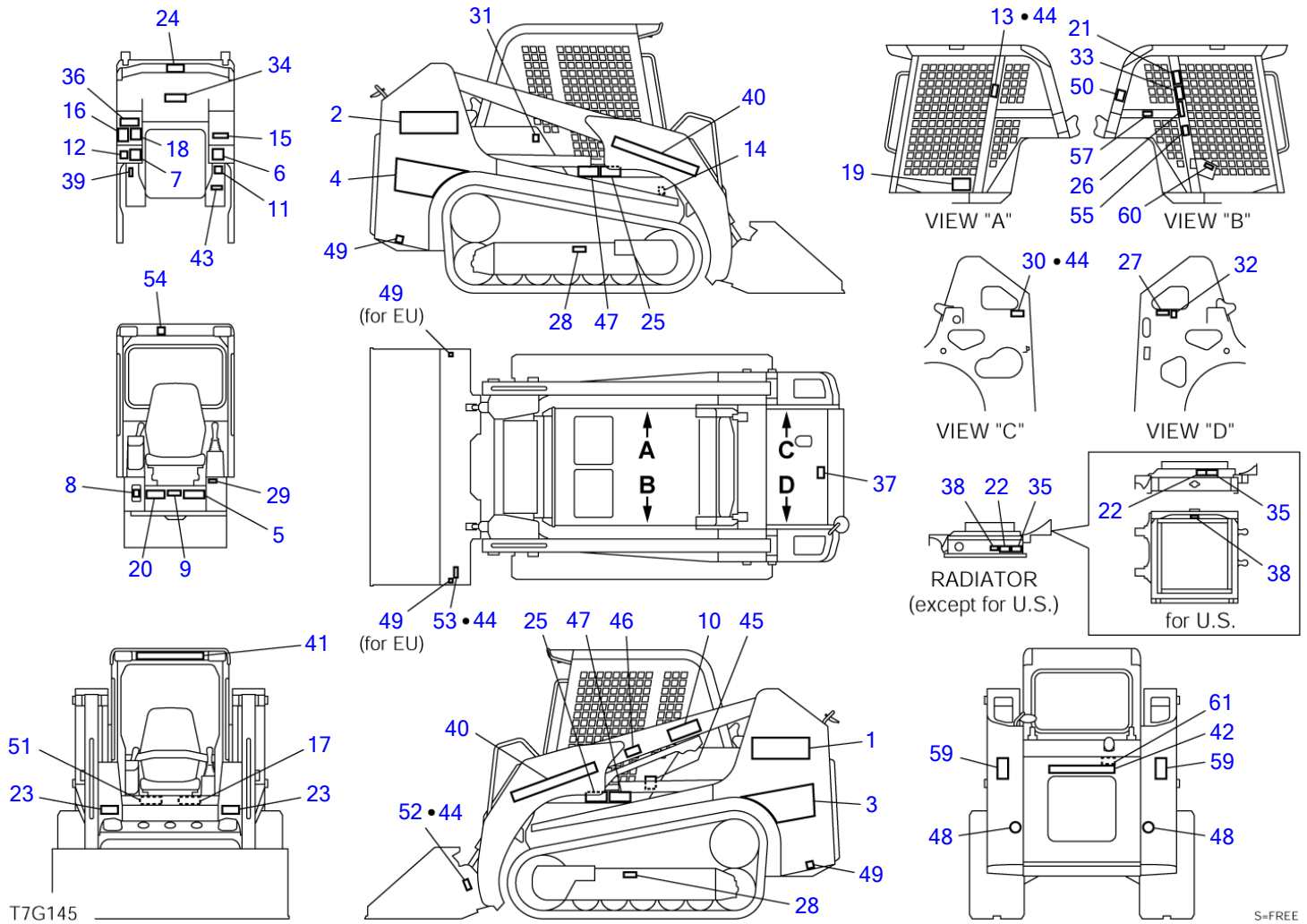


TL150 Book No. BT7Z011 S/N 21500004-  
DECAL (cab)



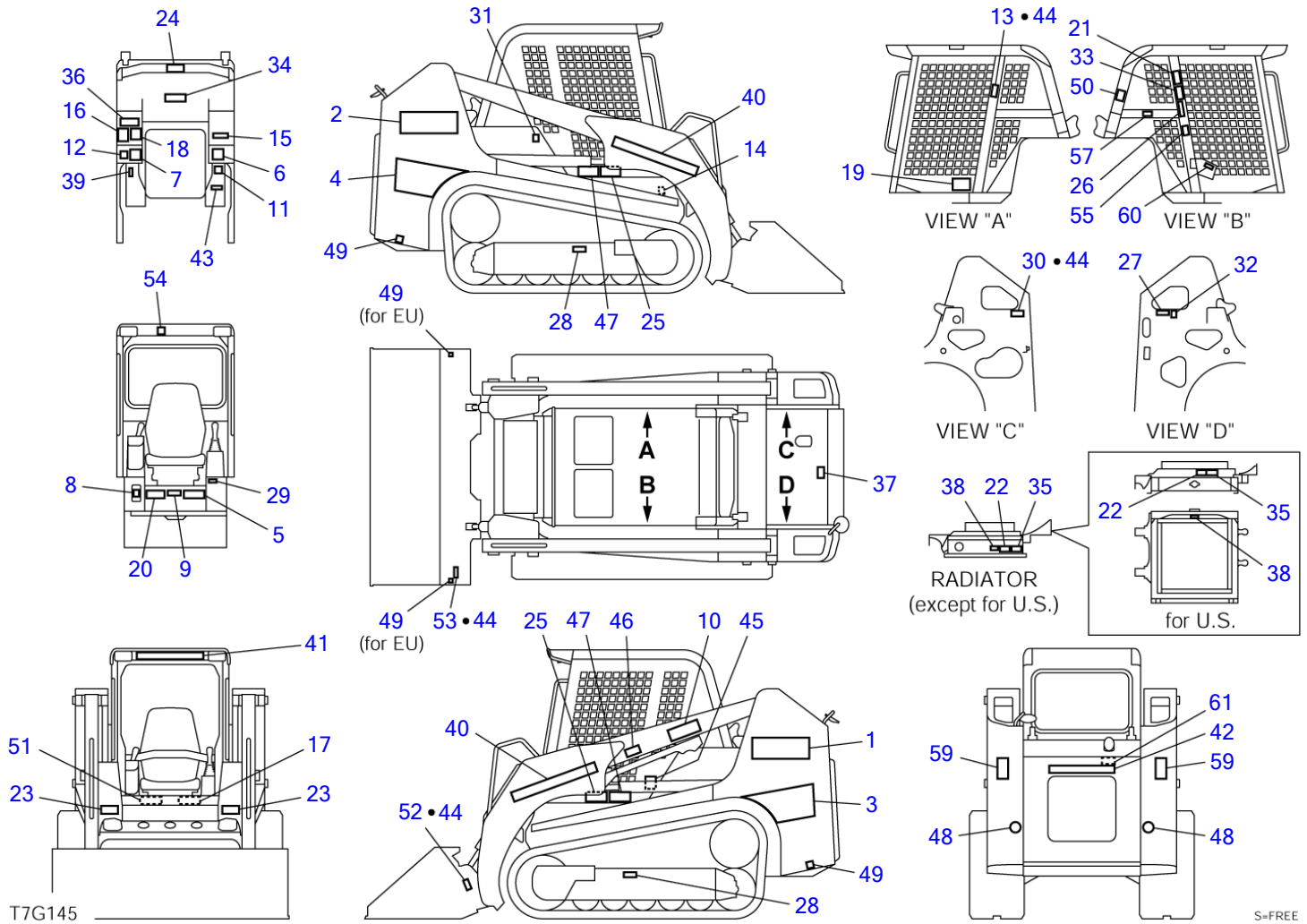
DECAL (cab)							
Item	Part number	Description	Q'ty	Chan.	Serial No.	Serv.	Remarks
0	0881031500	DECAL SET (English, for US)	1				X08810-31500-9
	0881031600	DECAL SET (English, for EU)	1				X08810-31600-9
	0881031700	DECAL SET (French)	1				X08810-31700-9
	0881031800	DECAL SET (Italian)	1				X08810-31800-9
	0881031900	DECAL SET (German)	1				X08810-31900-9
	0881032100	DECAL SET (Dutch)	1			M	X08810-32100-9
	0881032200	DECAL SET (Russian)	1			M	X08810-32200-9
1	0881930001	• DECAL	1				
2	0881930002	• DECAL	1				
3	0881930003	• DECAL	1				
4	0881930004	• DECAL	1				
5	0881030005	• DECAL (English)	1				
	0881030205	• DECAL (French)	1				
	0881030305	• DECAL (Italian)	1				
	0881030505	• DECAL (German)	1				
	0881032201	• DECAL (Russian)	1			M	
6	0881030006	• DECAL	1				
7	0881030007	• DECAL	1				
8	0881030008	• DECAL (English, Dutch)	1				
	0881030208	• DECAL (French)	1				
	0881030308	• DECAL (Italian)	1				
	0881030508	• DECAL (German)	1				
	0881032202	• DECAL (Russian)	1			M	
9	0881030009	• DECAL (English)	1				
	0881030209	• DECAL (French)	1				
	0881030309	• DECAL (Italian)	1				
	0881030509	• DECAL (German)	1				
	0881032203	• DECAL (Russian)	1			M	
10	0881030110	• DECAL (English)	1				
	0881030260	• DECAL (French)	1				
	0881030360	• DECAL (Italian)	1				
	0881030560	• DECAL (German)	1				
	0881032204	• DECAL (Russian)	1			M	
11	0881030011	• DECAL	1				
12	0881030012	• DECAL	1				
13	X *****	• DECAL	1				
14	0880030004	• DECAL (English)	1				
	0880038604	• DECAL (French)	1				
	0881030314	• DECAL (Italian)	1				
	0880034004	• DECAL (German)	1				
	0881032205	• DECAL (Russian)	1			M	
15	0880031001	• DECAL (English)	1				
	0880038607	• DECAL (French)	1				
	0881030315	• DECAL (Italian)	1				
	0880034007	• DECAL (German)	1				
	0881032206	• DECAL (Russian)	1			M	
16	0880030009	• DECAL (English)	1				
	0880038609	• DECAL (French)	1				
	0881030316	• DECAL (Italian)	1				
	0880034009	• DECAL (German)	1				
	0881032207	• DECAL (Russian)	1			M	
17	0880030010	• DECAL (English)	1				
	0880038610	• DECAL (French)	1				
	0881030317	• DECAL (Italian)	1				
	0880034010	• DECAL (German)	1				
	0881032208	• DECAL (Russian)	1			M	
18	0880030011	• DECAL (English)	1				
	0880038611	• DECAL (French)	1				
	0881030318	• DECAL (Italian)	1				
	0880034011	• DECAL (German)	1				
	0881032209	• DECAL (Russian)	1			M	
19	0880031003	• DECAL (English)	1				
	0880038612	• DECAL (French)	1				
	0881030319	• DECAL (Italian)	1				
	0880034012	• DECAL (German)	1				
	0881032210	• DECAL (Russian)	1			M	
20	0881030020	• DECAL (English)	1				
	0880038613	• DECAL (French)	1				

TL150 Book No. BT7Z011 S/N 21500004-  
DECAL (cab)



Item	Part number	Description	DECAL (cab)	Q'ty	Chan.	Serial No.	Serv.	Remarks
20	0881030320	• DECAL (Italian)		1				
20	0881030520	• DECAL (German)		1				
20	0881032211	• DECAL (Russian)		1			M	
21	0880030015	• DECAL (English)		1				
21	0880038615	• DECAL (French)		1				
21	0881030321	• DECAL (Italian)		1				
21	0880034015	• DECAL (German)		1				
21	0881032212	• DECAL (Russian)		1			M	
22	0880030016	• DECAL (English)		1				
22	0880038616	• DECAL (French)		1				
22	0881030322	• DECAL (Italian)		1				
22	0880034016	• DECAL (German)		1				
22	0881032213	• DECAL (Russian)		1			M	
23	0880030017	• DECAL (English)		2				
23	0880038617	• DECAL (French)		2				
23	0881030323	• DECAL (Italian)		2				
23	0880034017	• DECAL (German)		2				
23	0881032214	• DECAL (Russian)		2			M	
24	0880031018	• DECAL (English)		1				
24	0880038618	• DECAL (French)		1				
24	0881030324	• DECAL (Italian)		1				
24	0880034018	• DECAL (German)		1				
24	0881032215	• DECAL (Russian)		1			M	
25	0880031005	• DECAL (English)		2				
25	0880038620	• DECAL (French)		2				
25	0881030325	• DECAL (Italian)		2				
25	0880034019	• DECAL (German)		2				
25	0881032216	• DECAL (Russian)		2			M	
26	0881030026	• DECAL (English)		1				
26	0880038621	• DECAL (French)		1				
26	0881030326	• DECAL (Italian)		1				
26	0881030526	• DECAL (German)		1				
26	0881032217	• DECAL (Russian)		1			M	
27	0880031017	• DECAL (English)		1				
27	0880038623	• DECAL (French)		1				
27	0881030327	• DECAL (Italian)		1				
27	0880034022	• DECAL (German)		1				
27	0881032218	• DECAL (Russian)		1			M	
28	0149362200	• DECAL (English)		2				
28	0880038624	• DECAL (French)		2				
28	0881030328	• DECAL (Italian)		2				
28	0880034023	• DECAL (German)		2				
28	0881032219	• DECAL (Russian)		2			M	
29	X *****	• DECAL		1				
30	X *****	• DECAL		1				
31	0359306600	• DECAL (English)		1				
31	0339375460	• DECAL (French)		1				
31	0339375660	• DECAL (Italian)		1				
31	0339375260	• DECAL (German)		1				
31	0579300603	• DECAL (Russian)		1			M	
32	0359306700	• DECAL		1				
33	0880031015	• DECAL (English)		1				
33	0880038633	• DECAL (French)		1				
33	0881030333	• DECAL (Italian)		1				
33	0880034026	• DECAL (German)		1				
33	0881032220	• DECAL (Russian)		1			M	
34	0880031016	• DECAL (English)		1				
34	0880038634	• DECAL (French)		1				
34	0881030334	• DECAL (Italian)		1				
34	0880034027	• DECAL (German)		1				
34	0881032221	• DECAL (Russian)		1			M	
35	0569321980	• DECAL (English)		1				for US
35	0882031135	• DECAL (English)		1				for EU
36	0359313700	• DECAL (English)		1				
36	0359315700	• DECAL (French)		1				
36	0359316700	• DECAL (Italian)		1				
36	0359314700	• DECAL (German)		1				
36	0579300606	• DECAL (Russian)		1			M	

TL150 Book No. BT7Z011 S/N 21500004-  
DECAL (cab)

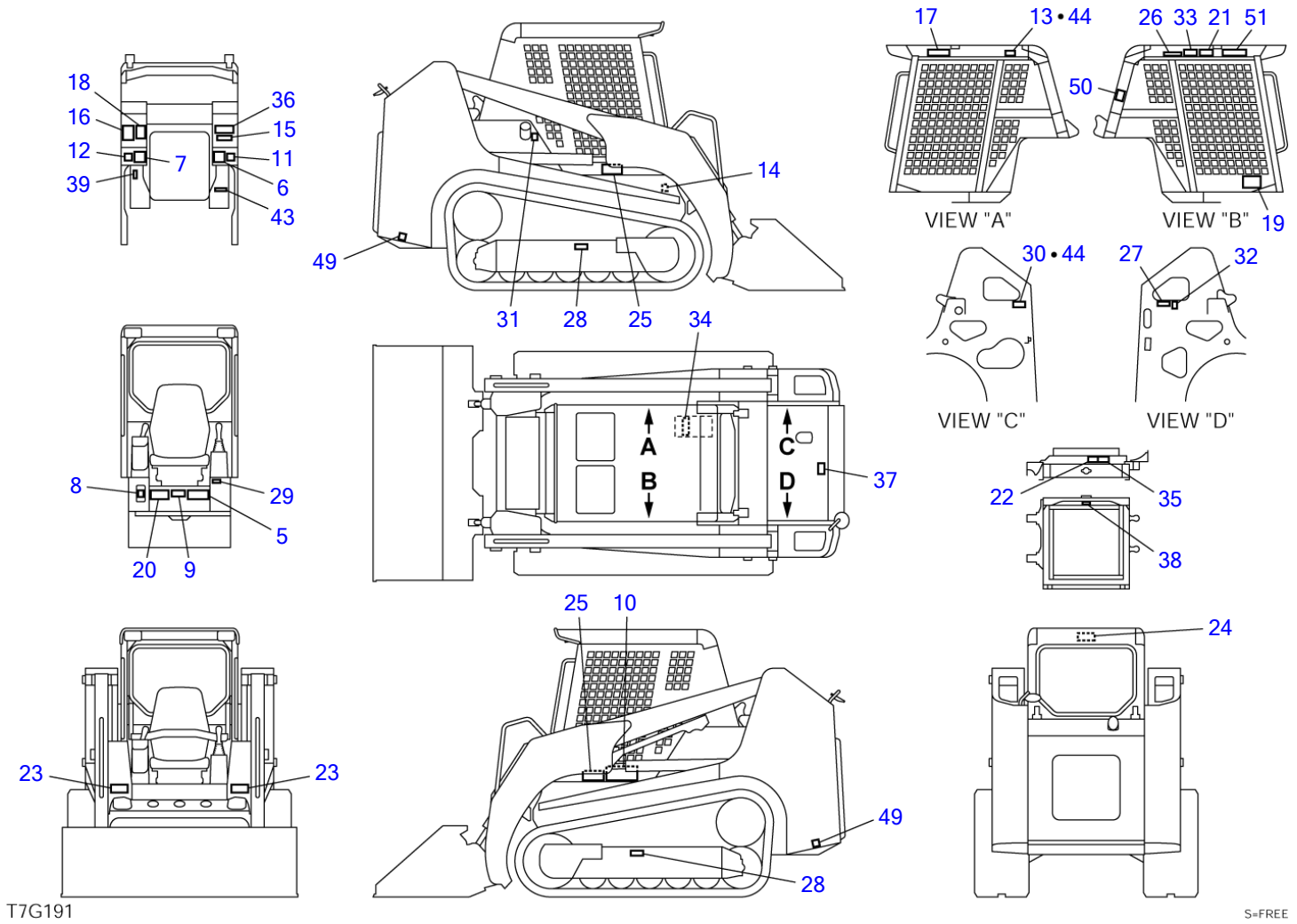


Item	Part number	Description	DECAL (cab)	Q'ty	Chan.	Serial No.	Serv.	Remarks
37	0359307400	• DECAL (English)		1				
37	0359315400	• DECAL (French)		1				
37	0359316400	• DECAL (Italian)		1				
37	0359314400	• DECAL (German)		1				
37	0579300602	• DECAL (Russian)		1			M	
38	0359313900	• DECAL		1				
39	0359317200	• DECAL		1				
40	0399305100	• DECAL		2				
41	0359341020	• DECAL		1				
42	0359306300	• DECAL		1				
43	0881030043	• DECAL (English)		1				
43	0881030243	• DECAL (French)		1				
43	0881030343	• DECAL (Italian)		1				
43	0881030543	• DECAL (German)		1				
43	0881032224	• DECAL (Russian)		1			M	
44	X *****	• SCREW		16				
45	X *****	• DECAL		1				for EU
46	0359309100	• DECAL (French)		1				
46	0359310100	• DECAL (Italian)		1				
46	0359308100	• DECAL (German)		1				
46	0399356001	• DECAL (Russian)		1			M	
47	0881030046	• DECAL (English)		2				
47	0881031747	• DECAL (French)		2				
47	0881031847	• DECAL (Italian)		2				
47	0881031947	• DECAL (German)		2				
47	0881032225	• DECAL (Russian)		2			M	
48	0874030360	• DECAL		2				
49	0881031549	• DECAL		4				
50	0399300400	• DECAL		1				
51	0881031551	• DECAL (English)		1				
51	0881031751	• DECAL (French)		1				
51	0881031851	• DECAL (Italian)		1				
51	0881031951	• DECAL (German)		1				
51	0881032226	• DECAL (Russian)		1			M	
52	X *****	• DECAL		1				for EU
53	X *****	• DECAL		1				for EU
54	0881031554	• DECAL (English)		1				
54	0881031754	• DECAL (French)		1				
54	0881031854	• DECAL (Italian)		1				
54	0881031954	• DECAL (German)		1				
54	0881032227	• DECAL (Russian)		1			M	
55	0881031556	• DECAL		1				
57	0881031557	• DECAL		1				
59	0882031159	• DECAL		2				for EU
60	0882031160	• DECAL		1				
61	0339376240	• DECAL (English)		1				
61	0339379440	• DECAL (French)		1				
61	0339379540	• DECAL (Italian)		1				
61	0339376340	• DECAL (German)		1				
61	0579300613	• DECAL (Russian)		1			M	

T7g146



TL150 Book No. BT7Z011 S/N 21500004-  
 DECAL (for GEHL & MUATANG; 21500004-21500749, 21501330-)

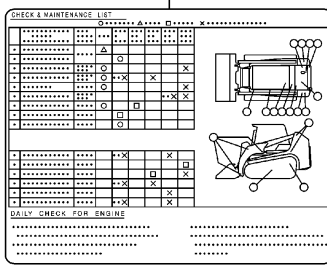


T7G191

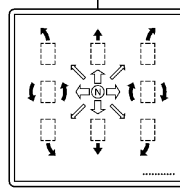
S=FREE

TL150 Book No. BT7Z011 S/N 21500004-  
**GEHL&MUSTANG**

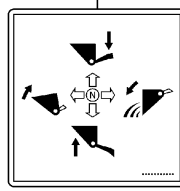
5



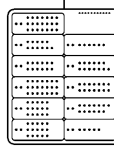
6




7



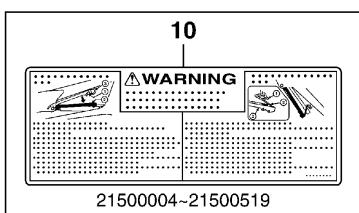
8



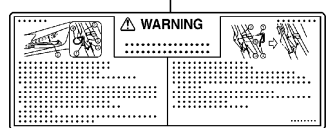
9



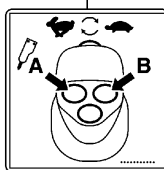
10



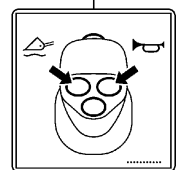
10




11



12




13




(for GEHL)

13

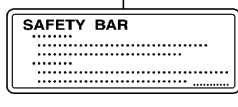


(for MUSTANG)


14




15




16




17




18



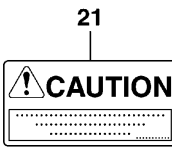
19




20



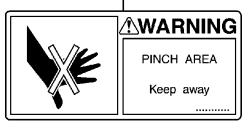
21



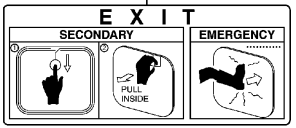
22




23



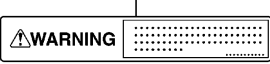
24



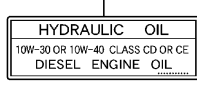
25



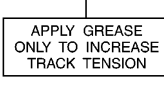
26




27



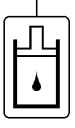
28



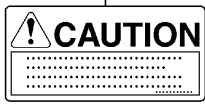
31



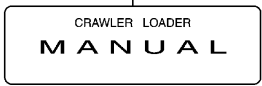
32



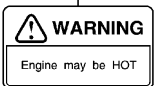
33




34




35



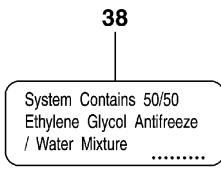
36




37



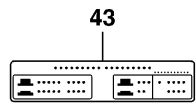
38




39



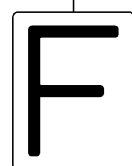
43




49



50



51



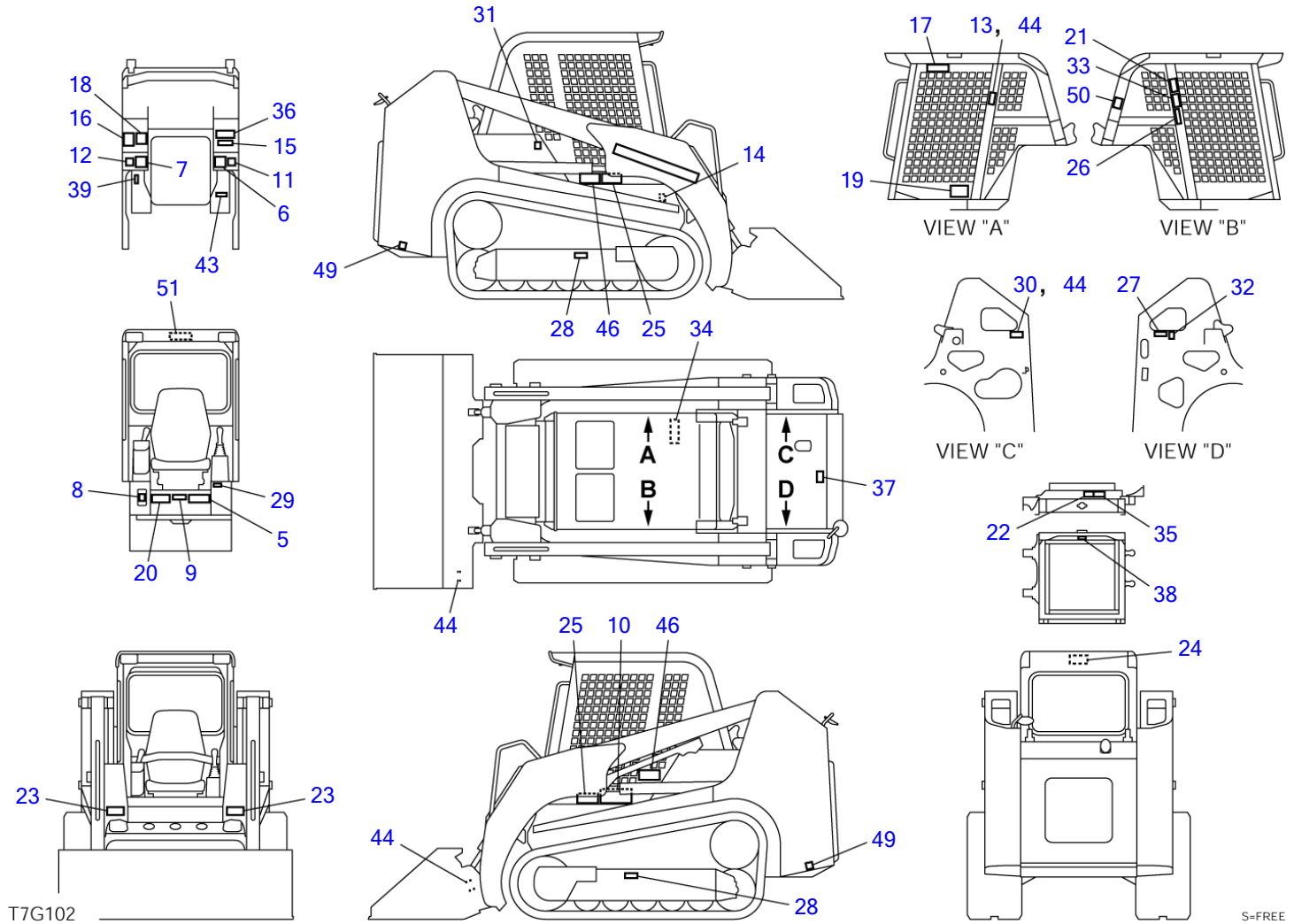
T7G200

**DECAL (for GEHL & MUATANG; 21500004-21500749, 21501330-)**

Item	Part number	Description	Q'ty	Chan.	Serial No.	Serv.	Remarks
0	<b>0881030700</b>	DECAL SET (for GEHL)	1				X08810-30700-7
	<b>0881030800</b>	DECAL SET (for MUSTANG)	1				X08810-30800-7
5	<b>0881030005</b>	• DECAL	1				
6	<b>0881030006</b>	• DECAL	1				
7	<b>0881030007</b>	• DECAL	1				
8	<b>0881030008</b>	• DECAL	1				
9	<b>0881030009</b>	• DECAL	1				
10	<b>0881030100</b>	• DECAL	1		21500004~21500519		
	<b>0881030110</b>	• DECAL	1		21500520~		
11	<b>0881030011</b>	• DECAL	1				
12	<b>0881030012</b>	• DECAL	1				
13	X <b>*****</b>	• DECAL	1				for GEHL
	X <b>*****</b>	• DECAL	1				for MUSTANG
14	<b>0880030004</b>	• DECAL	1				
15	<b>0880031001</b>	• DECAL	1				
16	<b>0880030009</b>	• DECAL	1				
17	<b>0880030010</b>	• DECAL	1				
18	<b>0880030011</b>	• DECAL	1				
19	<b>0880031003</b>	• DECAL	1				
20	<b>0881030020</b>	• DECAL	1				
21	<b>0880030015</b>	• DECAL	1				
22	<b>0880030016</b>	• DECAL	1				
23	<b>0880030017</b>	• DECAL	2				
24	<b>0880031018</b>	• DECAL	1				
25	<b>0880031005</b>	• DECAL	2				
26	<b>0881030026</b>	• DECAL	1				
27	<b>0880031017</b>	• DECAL	1				
28	<b>0149362200</b>	• DECAL	2				
29	X <b>*****</b>	• DECAL	1				
30	X <b>*****</b>	• DECAL	1				
31	<b>0359306600</b>	• DECAL	1				
32	<b>0359306700</b>	• DECAL	1				
33	<b>0880031015</b>	• DECAL	1				
34	<b>0880031016</b>	• DECAL	1				
35	<b>0569321980</b>	• DECAL	1				
36	<b>0359313700</b>	• DECAL	1				
37	<b>0359307400</b>	• DECAL	1				
38	<b>0359313900</b>	• DECAL	1				
39	<b>0359317200</b>	• DECAL	1				
43	<b>0881030043</b>	• DECAL	1				
44	X <b>*****</b>	• SCREW	8				
49	<b>0881031549</b>	• DECAL	2				
50	<b>0399300400</b>	• DECAL	1				
51	<b>0881031551</b>	• DECAL	1				

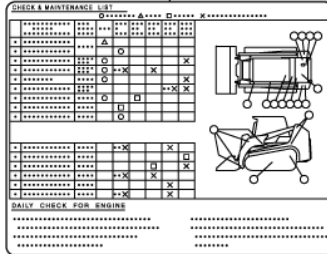
**T7g191**

TL150 Book No. BT7Z011 S/N 21500004-  
 DECAL (for GEHL & MUATANG; 21500750-21501329)

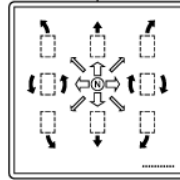


TL150 Book No. BT7Z011 S/N 21500004-  
**GEHL&MUSTANG**

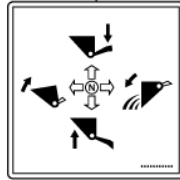
5



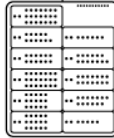
6




7



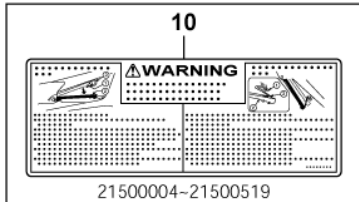
8



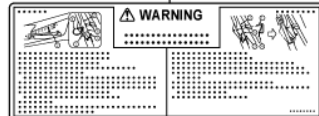
9




10




10




11



12

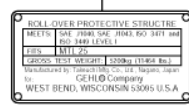


13




(for GEHL)

13

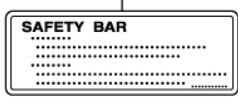


(for MUSTANG)


14



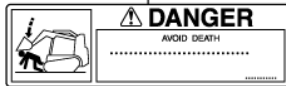
15




16




17




18




19




20




21



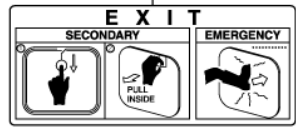
22



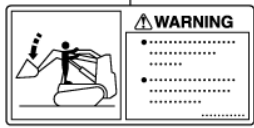
23




24



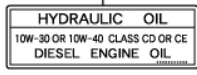
25



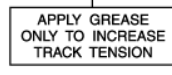
26




27




28



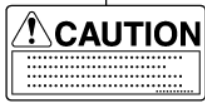
31




32



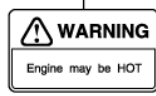
33




34




35



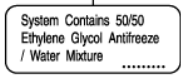
36




37




38



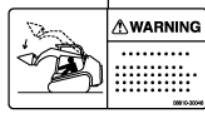
39




43




46



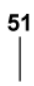
49



50



51

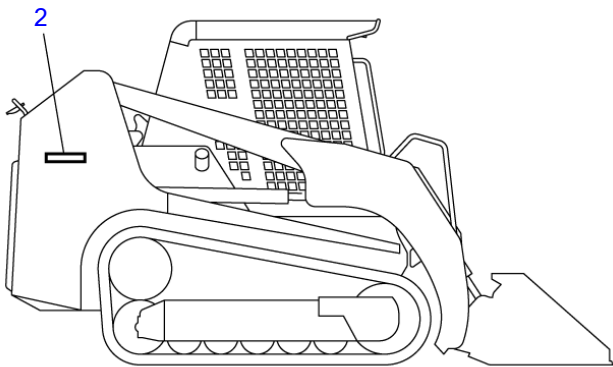
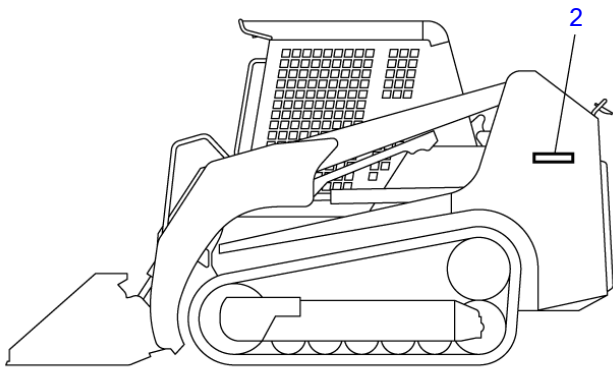
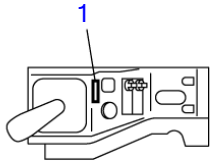


**DECAL (for GEHL & MUATANG; 21500750-21501329)**

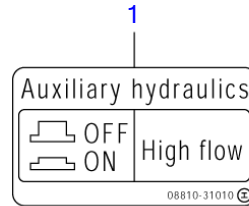
Item	Part number	Description	Q'ty	Chan.	Serial No.	Serv.	Remarks
0	<b>0881030700</b>	DECAL SET (for GEHL)	1				X08810-30700-5
	<b>0881030800</b>	DECAL SET (for MUSTANG)	1				X08810-30800-5
5	<b>0881030005</b>	• DECAL	1				
6	<b>0881030006</b>	• DECAL	1				
7	<b>0881030007</b>	• DECAL	1				
8	<b>0881030008</b>	• DECAL	1				
9	<b>0881030009</b>	• DECAL	1				
10	<b>0881030100</b>	• DECAL	1		21500004~21500519		
	<b>0881030110</b>	• DECAL	1		21500520~		
11	<b>0881030011</b>	• DECAL	1				
12	<b>0881030012</b>	• DECAL	1				
13	X *****	• DECAL	1				for GEHL
	X *****	• DECAL	1				for MUSTANG
14	<b>0880030004</b>	• DECAL	1				
15	<b>0880031001</b>	• DECAL	1				
16	<b>0880030009</b>	• DECAL	1				
17	<b>0880030010</b>	• DECAL	1				
18	<b>0880030011</b>	• DECAL	1				
19	<b>0880031003</b>	• DECAL	1				
20	<b>0881030020</b>	• DECAL	1				
21	<b>0880030015</b>	• DECAL	1				
22	<b>0880030016</b>	• DECAL	1				
23	<b>0880030017</b>	• DECAL	2				
24	<b>0880031018</b>	• DECAL	1				
25	<b>0880031005</b>	• DECAL	2				
26	<b>0881030026</b>	• DECAL	1				
27	<b>0880031017</b>	• DECAL	1				
28	<b>0149362200</b>	• DECAL	2				
29	X *****	• DECAL	1				
30	X *****	• DECAL	1				
31	<b>0359306600</b>	• DECAL	1				
32	<b>0359306700</b>	• DECAL	1				
33	<b>0880031015</b>	• DECAL	1				
34	<b>0880031016</b>	• DECAL	1				
35	<b>0569321980</b>	• DECAL	1				
36	<b>0359313700</b>	• DECAL	1				
37	<b>0359307400</b>	• DECAL	1				
38	<b>0359313900</b>	• DECAL	1				
39	<b>0359317200</b>	• DECAL	1				
43	<b>0881030043</b>	• DECAL	1				
44	X *****	• SCREW	16				
46	<b>0881030046</b>	• DECAL	1				
49	<b>0881031549</b>	• DECAL	2				
50	<b>0399300400</b>	• DECAL	1				
51	<b>0881031551</b>	• DECAL	1				

T7g102

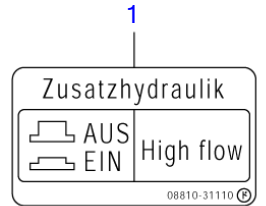




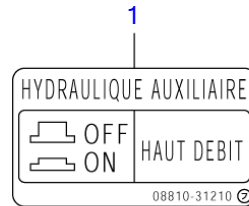
T7G121



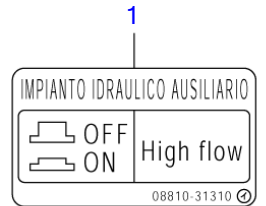
(English)



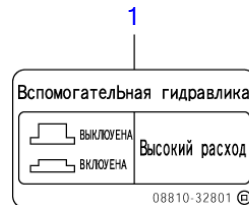
(German)



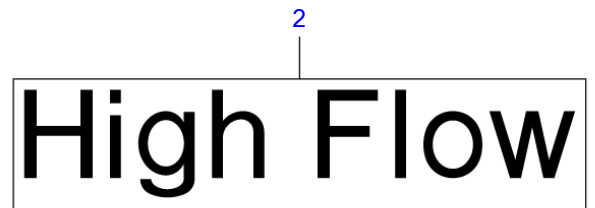
(French)



(Italian)



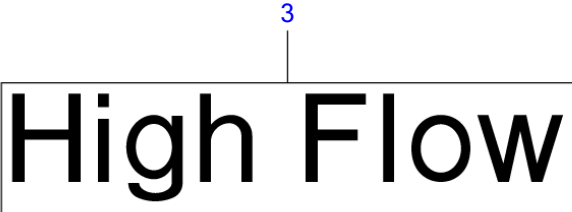
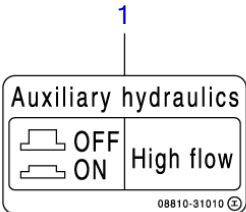
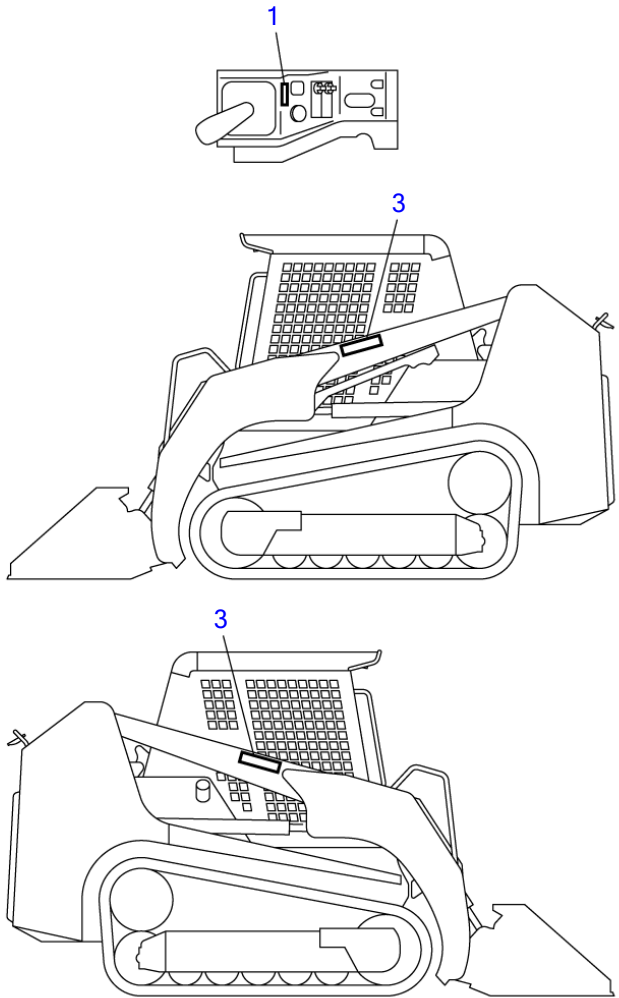
(Russian)



S=FREE



DECAL (high flow)							
Item	Part number	Description	Q'ty	Chan.	Serial No.	Serv.	Remarks
0	0881031000	DECAL SET (English)	1				X08810-31000-3
	0881031100	DECAL SET (German)	1				X08810-31100-3
	0881031200	DECAL SET (French)	1				X08810-31200-3
	0881031300	DECAL SET (Italian)	1				X08810-31300-3
	0881032700	DECAL SET (Dutch)	1			M	X08810-32700-3
	0881032800	DECAL SET (Russian)	1			M	X08810-32800-3
1	0881031010	• DECAL (English)	1				
	0881031110	• DECAL (German)	1				
	0881031210	• DECAL (French)	1				
	0881031310	• DECAL (Italian)	1				
	0881032801	• DECAL (Russian)	1			M	
2	0881031020	• DECAL	2				
	T7g122						

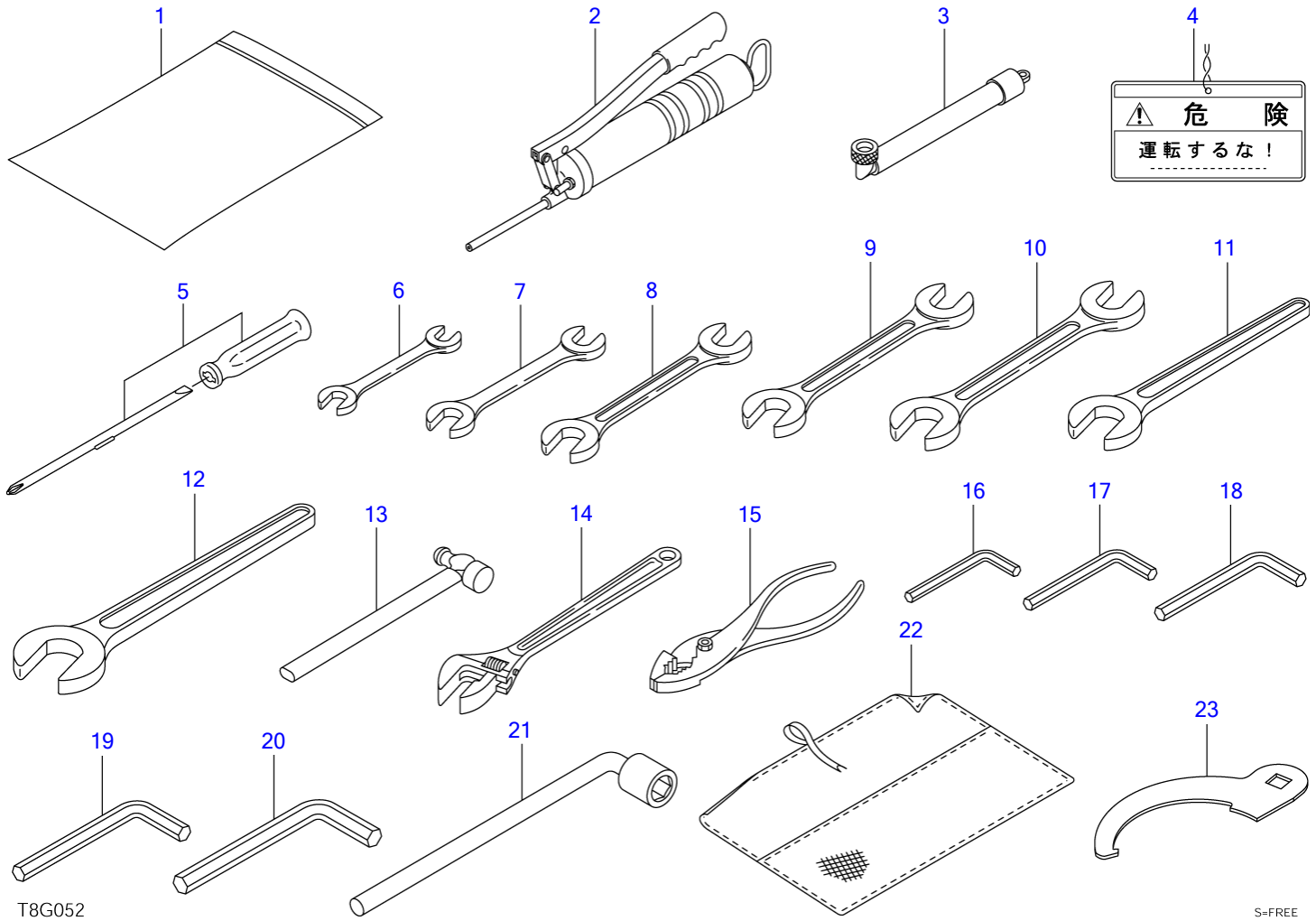


T7G131

S=FREE

**DECAL (high flow, for GEHL & MUATANG)**

Item	Part number	Description	Q'ty	Chan.	Serial No.	Serv.	Remarks
0	<b>0881031400</b>	DECAL SET (GEHL & MUSTANG)	1			M	X08810-31400-3
1	<b>0881031010</b>	· DECAL	1				
3	<b>0881031030</b>	· DECAL	2				
	<b>T7g132</b>						

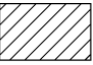



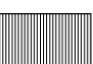


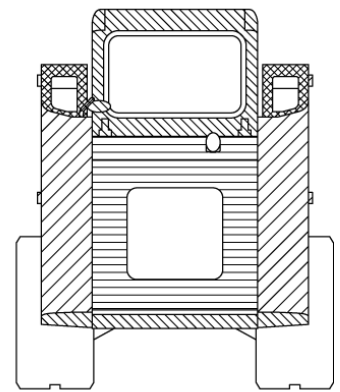
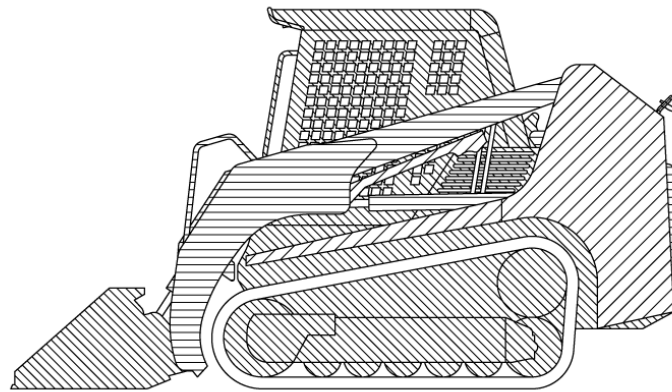
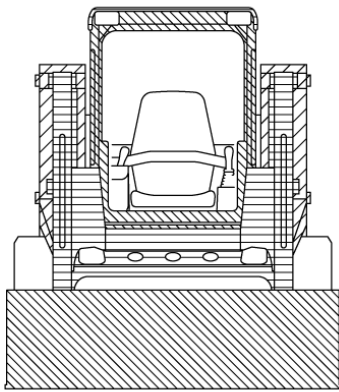
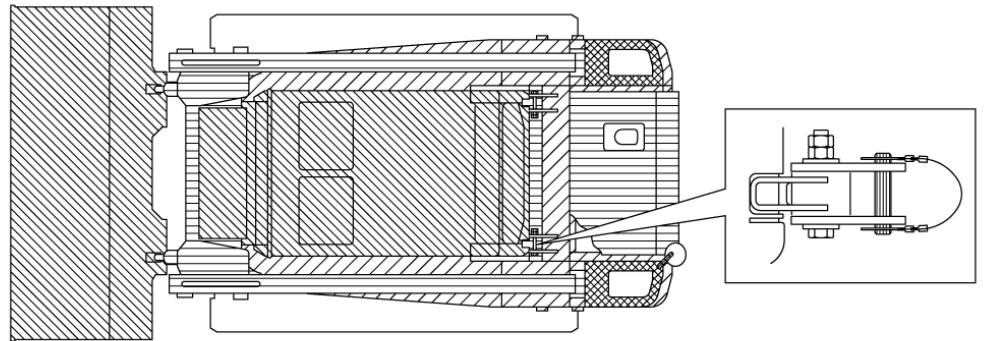
T8G052

S=FREE

**TOOL & ACCESSORIES**

Item	Part number	Description	Q'ty	Chan.	Serial No.	Serv.	Remarks
		TOOL SET (for Japan)	1				X08800-20000-0
		TOOL SET	1				X08800-20100-0
1	<b>1691900001</b>	CASE	1				
2	<b>1691060600</b>	GUN, grease	1				
	<b>1691010800</b>	GUN, grease	1				for JAPAN
3	<b>1554512601</b>	TUBE	1				
4	<b>0359325160</b>	PLATE	1				for JAPAN
0-1	<b>0880921260</b>	SUB TOOL SET	1				
5	<b>1690220205</b>	• SCREWDRIVER	1				
6	<b>1690001012</b>	• SPANNER	1				
7	<b>1690001113</b>	• SPANNER	1				
8	<b>1690001417</b>	• SPANNER	1				
9	<b>1690001922</b>	• SPANNER	1				
10	<b>1690002427</b>	• SPANNER	1				
11	<b>1690100030</b>	• SPANNER	1				
12	<b>1690100041</b>	• SPANNER	1				
13	<b>1690300330</b>	• HAMMER	1				
14	<b>1690400250</b>	• WRENCH, monkey	1				
15	<b>1690500200</b>	• PLIER	1				
16	<b>1690600500</b>	• WRENCH, hex	1				
17	<b>1690600600</b>	• WRENCH, hex	1				
18	<b>1690600800</b>	• WRENCH, hex	1				
19	<b>1690601000</b>	• WRENCH, hex	1				
20	<b>1690601400</b>	• WRENCH, hex	1				
21	<b>1690830019</b>	• WRENCH, hex	1				
22	<b>1691400001</b>	• CASE, tool	1				
23	<b>0881920060</b>	• WRENCH, filter	1				
	<b>T7g071</b>						
					21500298~		




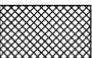
- ① 
- ② 
- ③ 
- ④ 
- ⑧ 

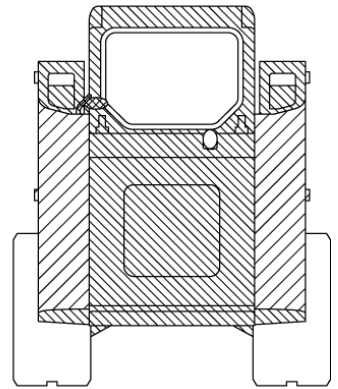
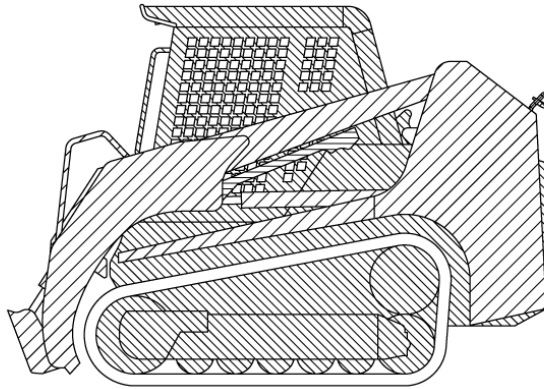
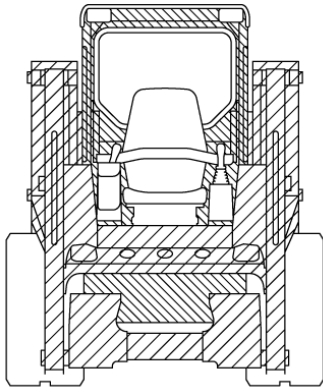
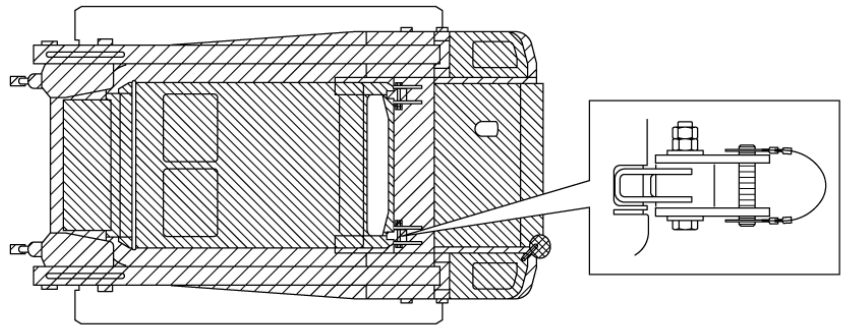


T7G034

S=FREE

Item	Part number	Description	PAINTED COLOR			Remarks
			Q'ty	Chan.	Serial No.	
		PAINTED COLOR				X08819-11100-6
1	1919060105	RED	1			
	1919069105	RED	1			spray
2	1919060144	GRAY	1			
	1919069144	GRAY	1			spray
3	1919060142	LIGHT GRAY	1			
	1919069142	LIGHT GRAY	1			spray
4	1919060103	BLACK	1			
	1919069103	BLACK	1			spray
8	1919069175	YELLOW	1			spray
	T7g035					

- ① 
- ② 
- ③ 
- ④ 



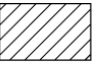



T7G081

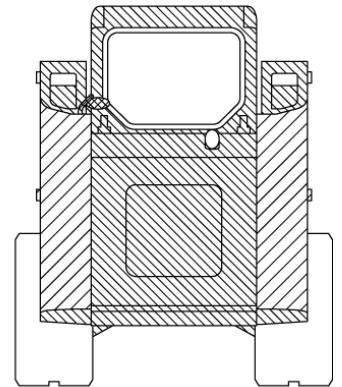
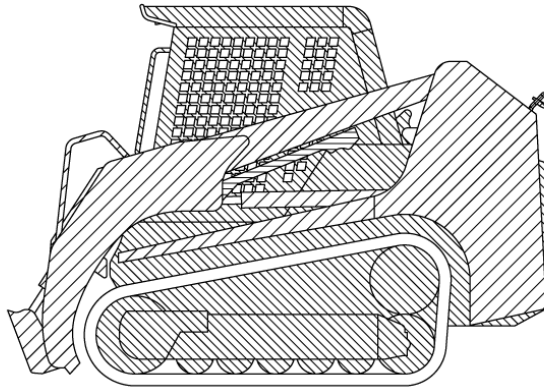
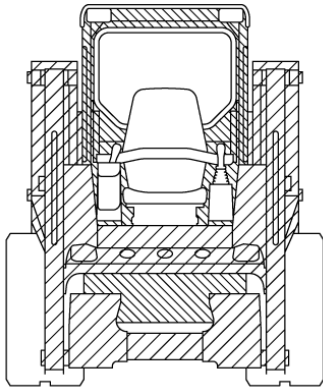
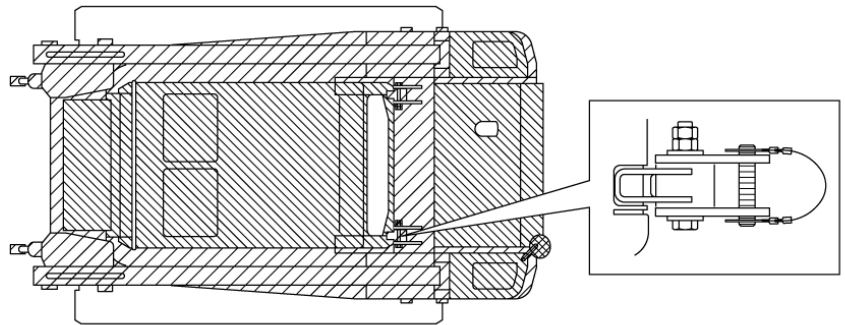
S=FREE



**PAINTED COLOR (for GEHL)**

Item	Part number	Description	Q'ty	Chan.	Serial No.	Serv.	Remarks
		PAINTED COLOR					X08810-10800-2
1	<b>1919060177</b>	GEHL YELLOW	1				
	<b>1919069177</b>	GEHL YELLOW	1				spray
2	<b>1919060180</b>	GEHL GRAY	1				
	<b>1919069180</b>	GEHL GRAY	1				spray
3	<b>1919060105</b>	RED	1				
	<b>1919069105</b>	RED	1				spray
4	<b>1919060103</b>	BLACK	1				
	<b>1919069103</b>	BLACK	1				spray
	<b>T7g082</b>						

- ① 
- ② 
- ③ 
- ④ 



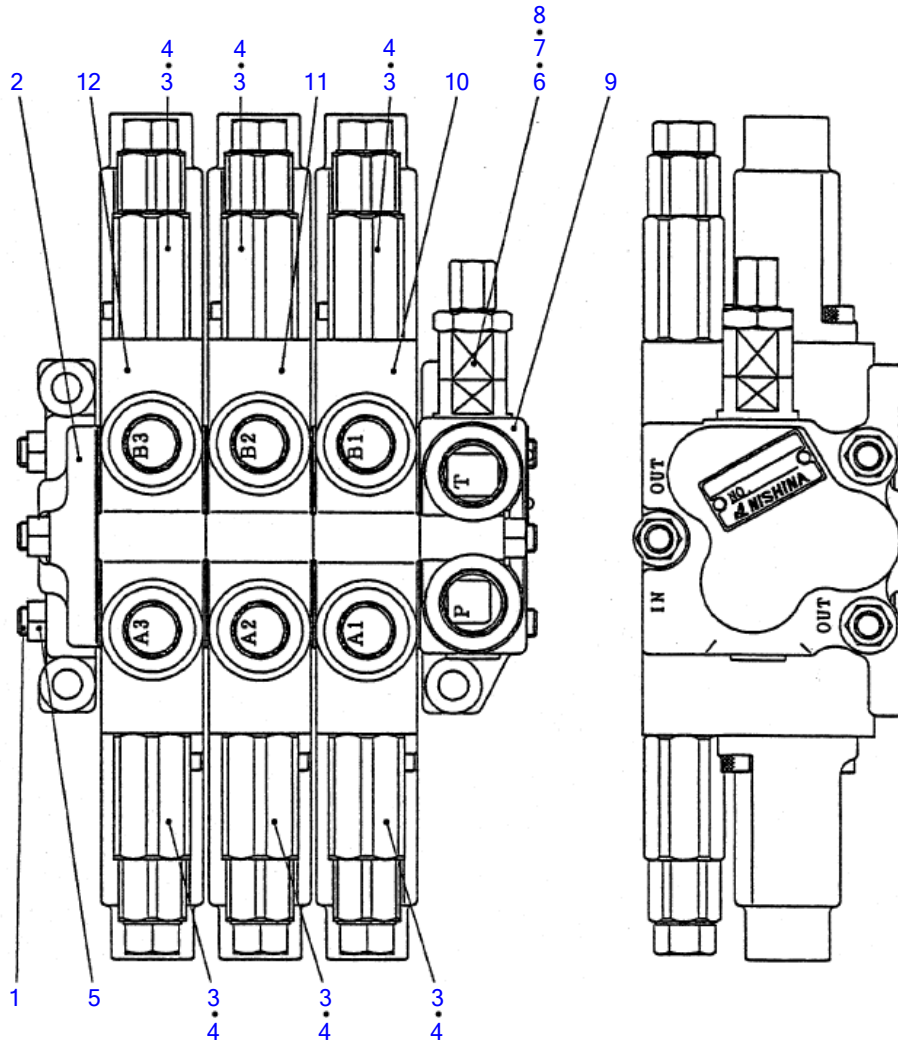
T7G081

S=FREE

**PAINTED COLOR (for MUATANG)**

Item	Part number	Description	Q'ty	Chan.	Serial No.	Serv.	Remarks
		PAINTED COLOR					X08810-10900-2
1	<b>1919060183</b>	MUSTANG YELLOW	1				
	<b>1919069183</b>	MUSTANG YELLOW	1				spray
2	<b>1919060180</b>	GEHL GRAY	1				
	<b>1919069180</b>	GEHL GRAY	1				spray
3	<b>1919060105</b>	RED	1				
	<b>1919069105</b>	RED	1				spray
4	<b>1919060103</b>	BLACK	1				
	<b>1919069103</b>	BLACK	1				spray
	<b>T7g092</b>						

TL150 Book No. BT7Z011 S/N 21500004-  
CONTROL VALVE

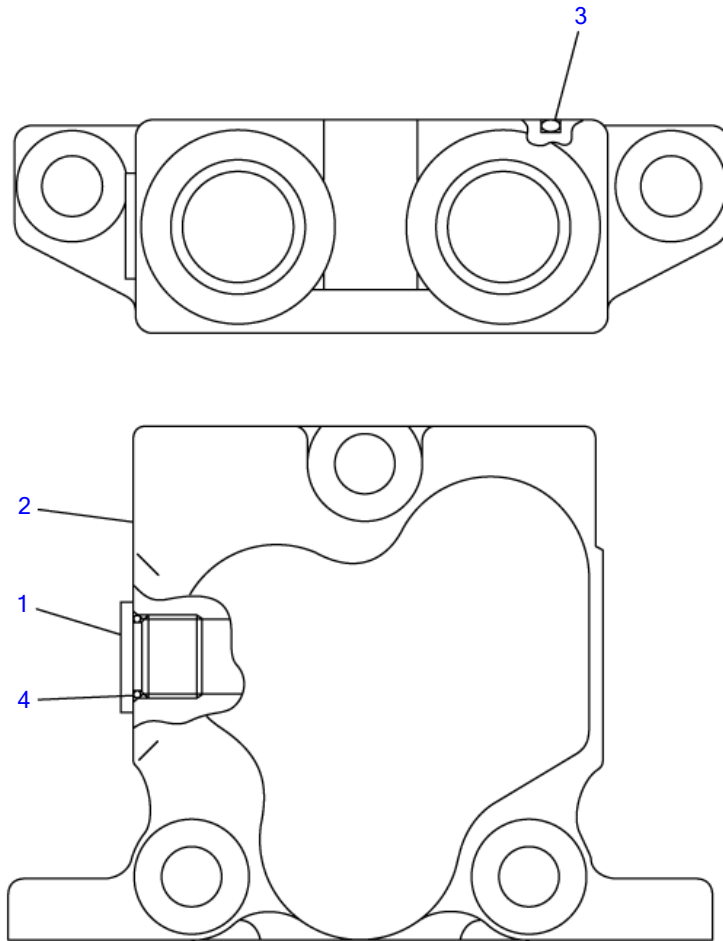


T7H010

S=FREE

**CONTROL VALVE**

Item	Part number	Description	Q'ty	Chan.	Serial No.	Serv.	Remarks
0	<b>1901038100</b>	VALVE ASSY, control	1				
1	<b>1901038106</b>	▪ ROD, tie	3				
2	<b>1901038108</b>	▪ HOUSING, outlet	1				
3	<b>1901038125</b>	▪ VALVE ASSY	6				over load
4	<b>1420010220</b>	▪ ▪ O-RING	1				
5	<b>1130250010</b>	▪ NUT	6				
6	<b>1901038122</b>	▪ VALVE ASSY	1				main relief
7	<b>1420010120</b>	▪ ▪ O-RING	1				
8	<b>1420010220</b>	▪ ▪ O-RING	1				
9	<b>1901038103</b>	▪ HOUSING, inlet	1				
10	<b>1901038112</b>	▪ BLOCK ASSY, NO. 1	1				lift arm
11	<b>1901038113</b>	▪ BLOCK ASSY, NO. 2	1				bucket
12	<b>1901038119</b>	▪ BLOCK ASSY, NO. 3	1				service
	<b>T7h012</b>						

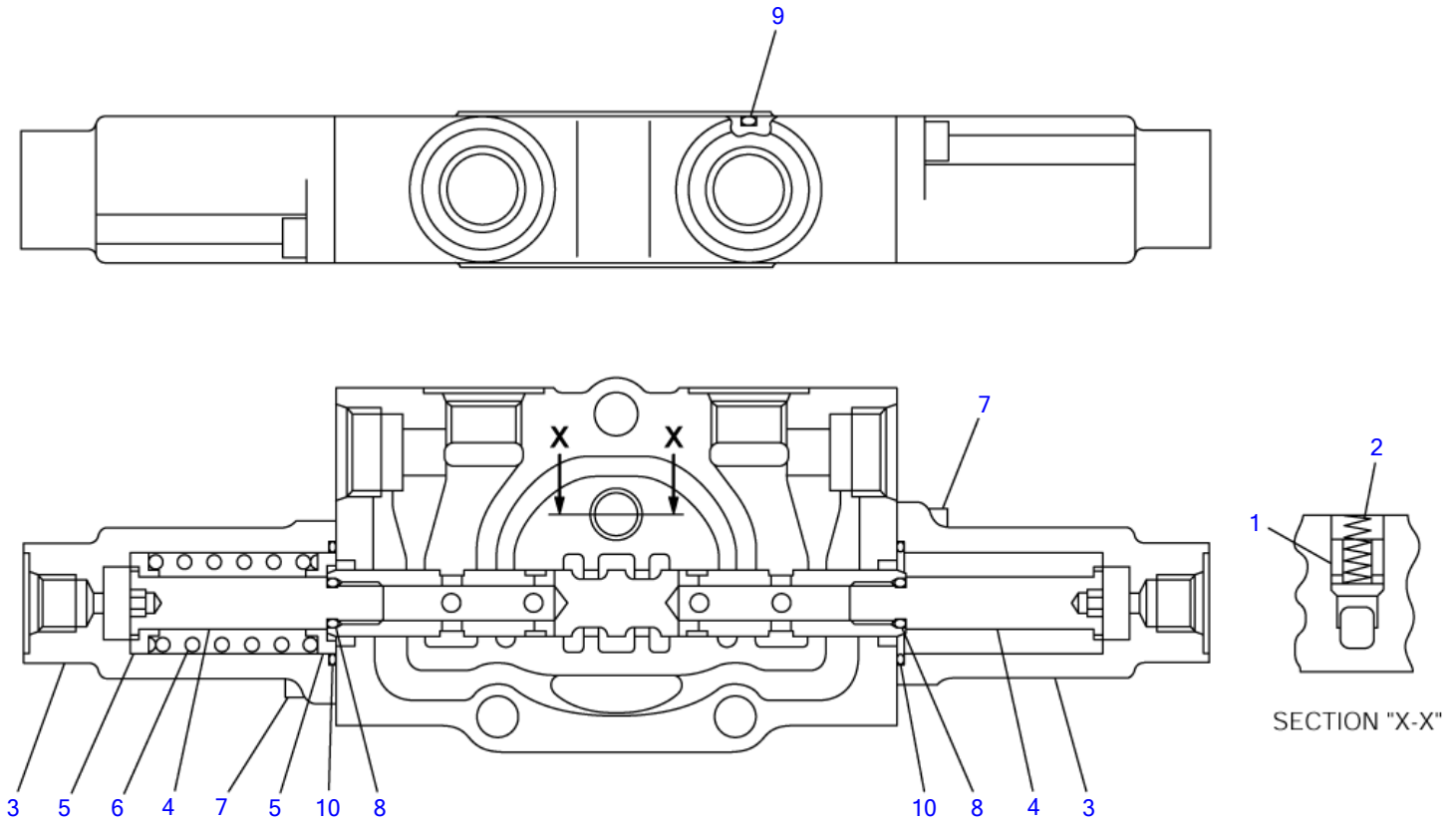


T7H020

S=FREE

**INLET HOUSING ASSY**

Item	Part number	Description	Q'ty	Chan.	Serial No.	Serv.	Remarks
0	<b>1901038103</b>	HOUSING, inlet	1				
1	<b>1513500028</b>	▪ PLUG	1				
2	<b>1901038105</b>	▪ HOUSING	1				
3	<b>1420110650</b>	▪ O-RING	1				
4	<b>1420310906</b>	▪ O-RING	1				
	<b>T7h020</b>						



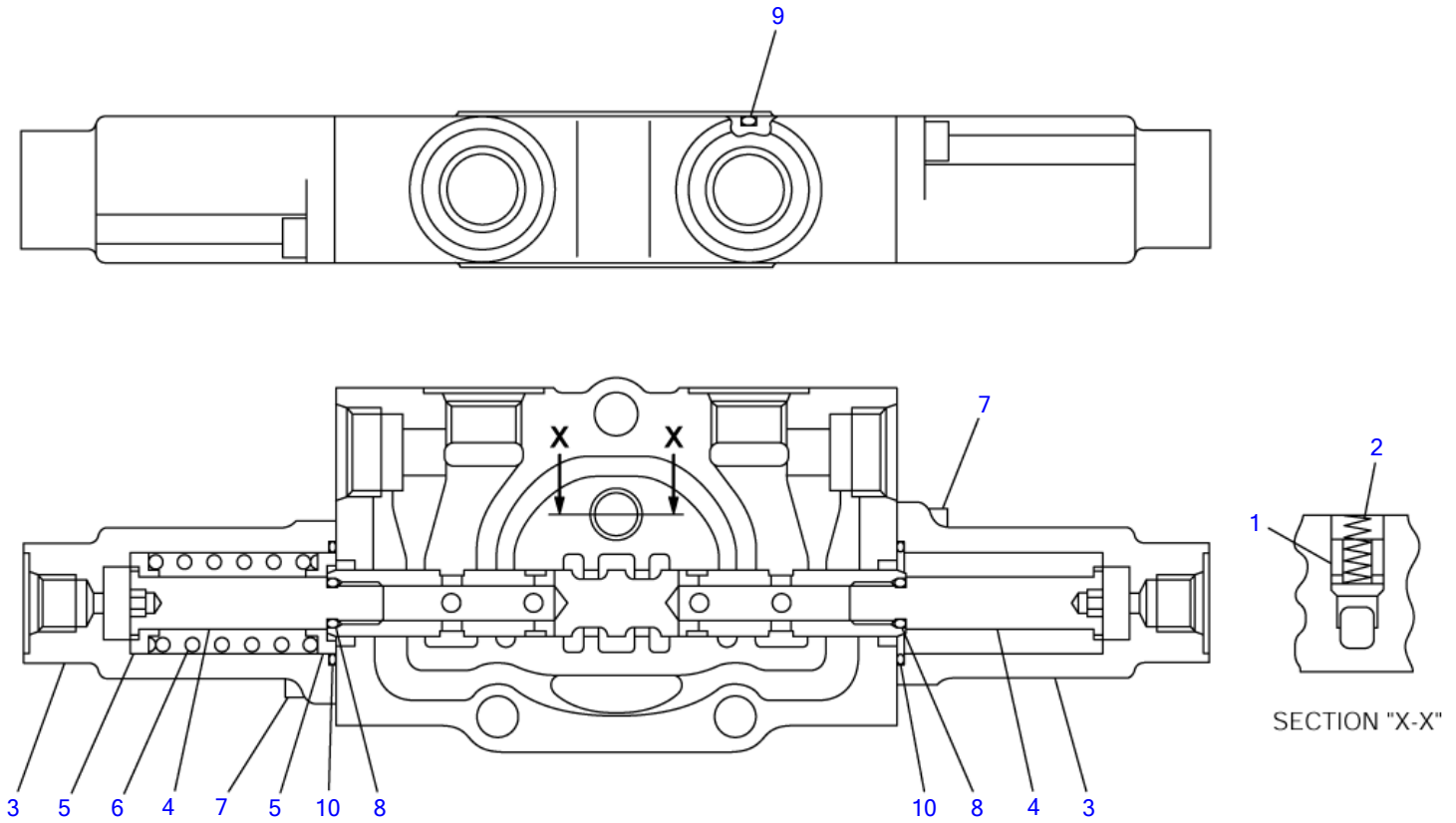
T7H030

S=FREE



**BLOCK ASSY; No. 1**

Item	Part number	Description	Q'ty	Chan.	Serial No.	Serv.	Remarks
0	<b>1901038112</b>	BLOCK ASSY, NO. 1	1				arm
1	<b>1901038126</b>	▪ PLUNGER	1				
2	<b>1901038156</b>	▪ SPRING	1				
3	<b>1901038166</b>	▪ CAP	2				
4	<b>1901038131</b>	▪ END, spool	2				
5	<b>1901035151</b>	▪ HOLDER, spring	2				
6	<b>1901038157</b>	▪ SPRING	1				
7	<b>1110020620</b>	▪ SCREW, cap	4				
8	<b>1420010070</b>	▪ O-RING	2				
9	<b>1420110650</b>	▪ O-RING	1				
10	<b>1420300023</b>	▪ O-RING	2				
	<b>T7h030</b>						

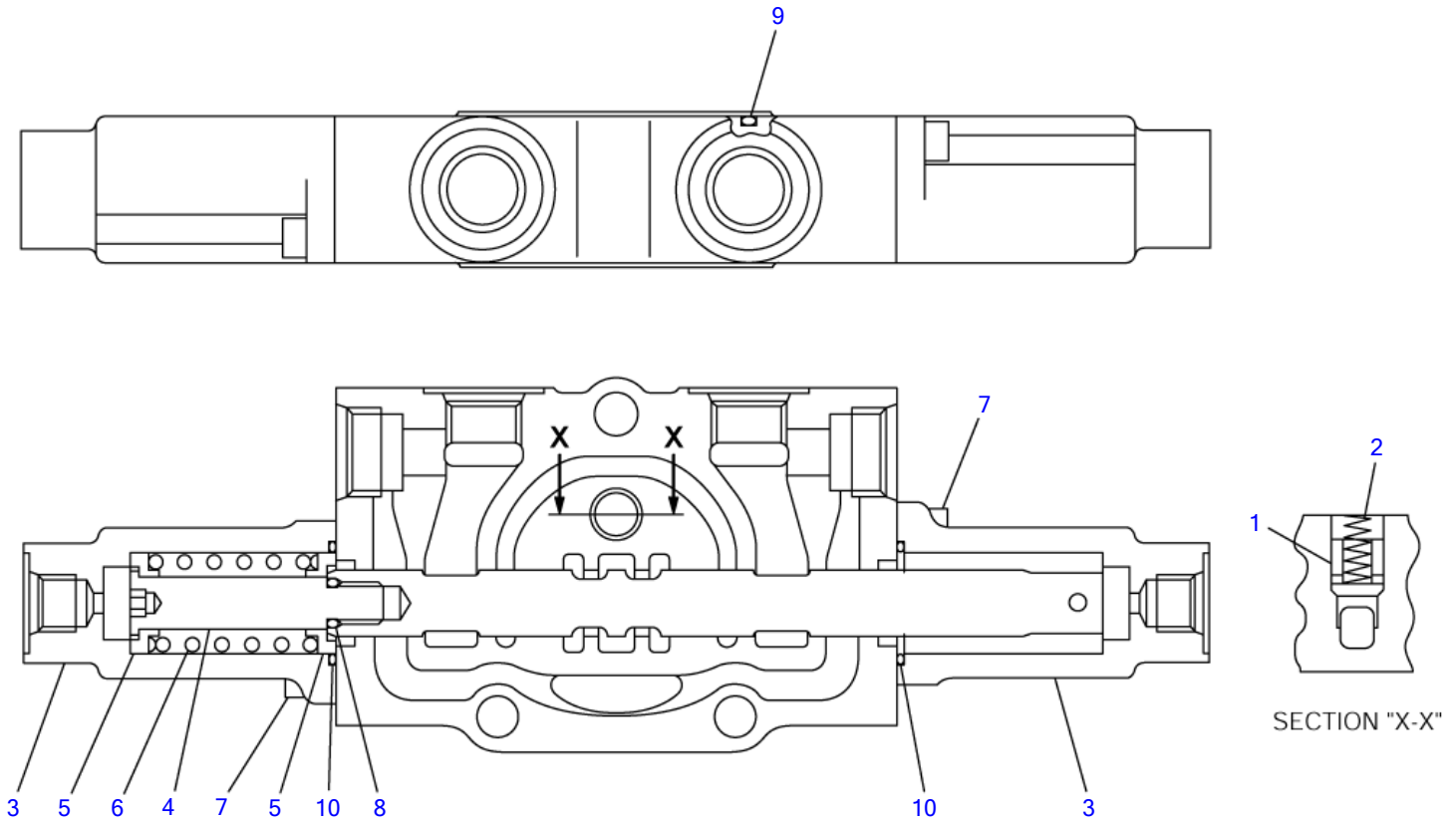


T7H030

S=FREE

**BLOCK ASSY; No. 2**

Item	Part number	Description	Q'ty	Chan.	Serial No.	Serv.	Remarks
0	<b>1901038113</b>	BLOCK ASSY, NO. 2	1				bucket
1	<b>1901038126</b>	▪ PLUNGER	1				
2	<b>1901038156</b>	▪ SPRING	1				
3	<b>1901038166</b>	▪ CAP	2				
4	<b>1901038131</b>	▪ END, spool	2				
5	<b>1901035151</b>	▪ HOLDER, spring	2				
6	<b>1901038157</b>	▪ SPRING	1				
7	<b>1110020620</b>	▪ SCREW, cap	4				
8	<b>1420010070</b>	▪ O-RING	2				
9	<b>1420110650</b>	▪ O-RING	1				
10	<b>1420300023</b>	▪ O-RING	2				
	<b>T7h040</b>						



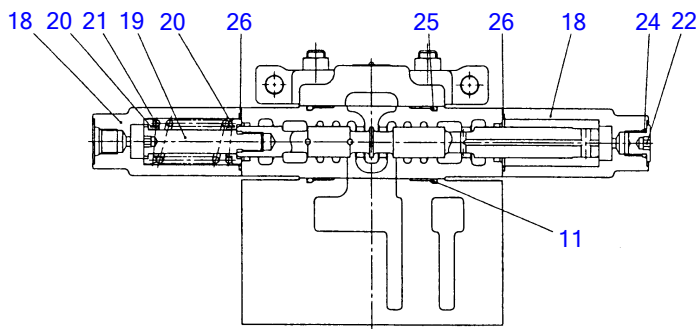
T7H050

S=FREE

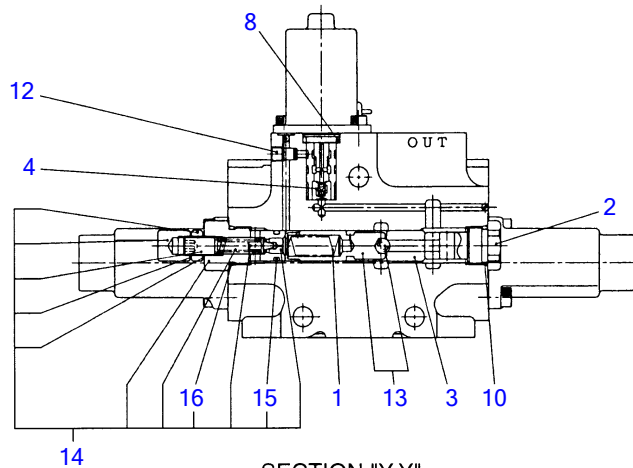
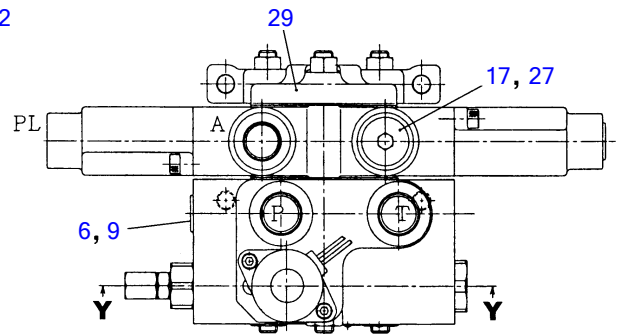
**BLOCK ASSY; No. 3**

Item	Part number	Description	Q'ty	Chan.	Serial No.	Serv.	Remarks
0	<b>1901038119</b>	BLOCK ASSY, NO. 3	1				service
1	<b>1901038126</b>	▪ PLUNGER	1				
2	<b>1901038156</b>	▪ SPRING	1				
3	<b>1901038166</b>	▪ CAP	2				
4	<b>1901038131</b>	▪ END, spool	1				
5	<b>1901035151</b>	▪ HOLDER, spring	2				
6	<b>1901038157</b>	▪ SPRING	1				
7	<b>1110020620</b>	▪ SCREW, cap	4				
8	<b>1420010070</b>	▪ O-RING	1				
9	<b>1420110650</b>	▪ O-RING	1				
10	<b>1420300023</b>	▪ O-RING	2				
	<b>T7h050</b>						

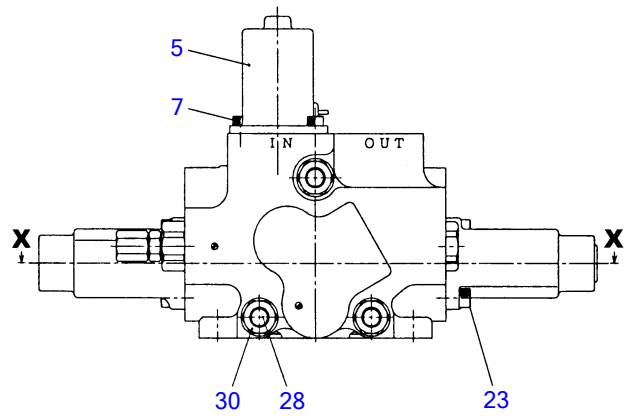
TL150 Book No. BT7Z011 S/N 21500004-  
CONTROL VALVE (high flow)



SECTION "X-X"



SECTION "Y-Y"



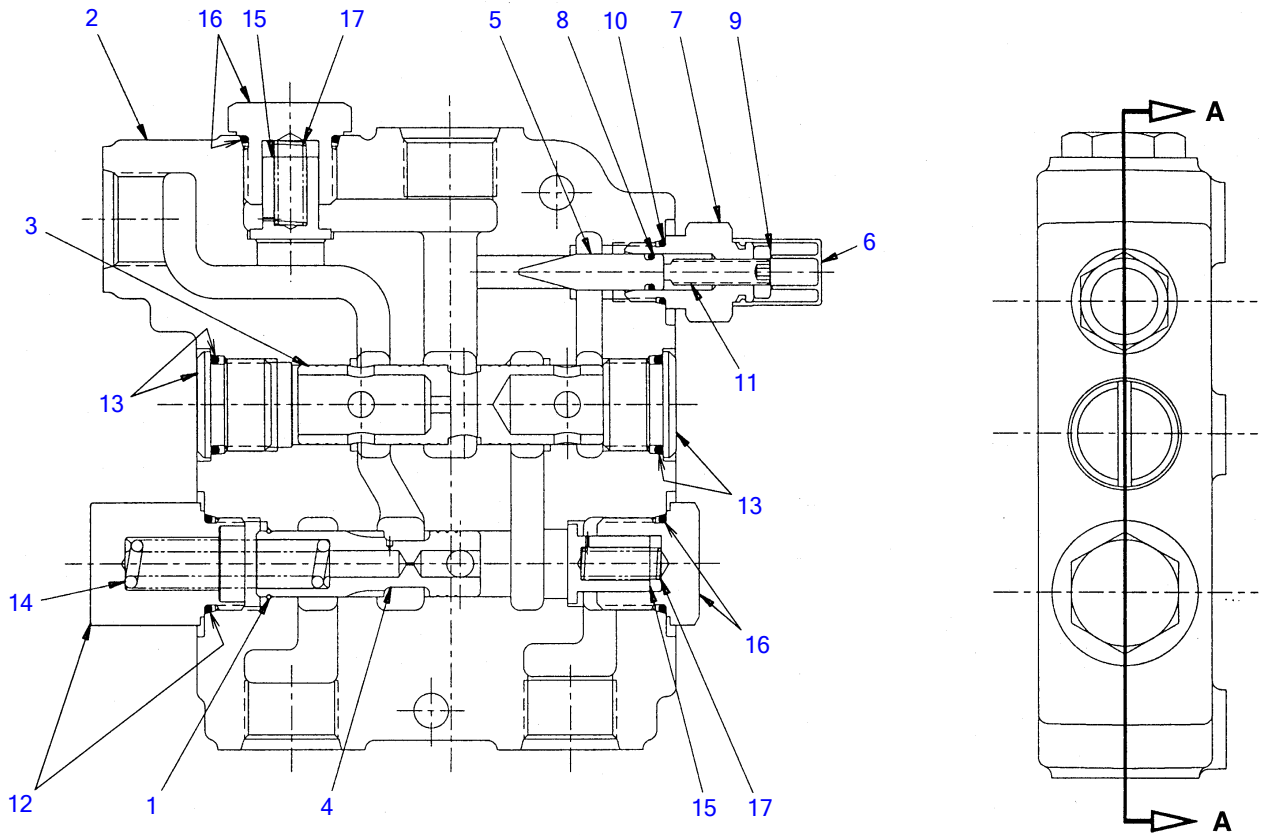
T7H260

S=free

**CONTROL VALVE (high flow)**

Item	Part number	Description	Q'ty	Chan.	Serial No.	Serv.	Remarks
0	<b>1901039500</b>	VALVE ASSY, control	1				
0-1	<b>1901039511</b>	▪ BLOCK ASSY, solenoid	1				
1	<b>1901039556</b>	▪ ▪ SPRING	1				
2	<b>1901039513</b>	▪ ▪ PLUG	1				
3	<b>1901039526</b>	▪ ▪ HOLDER, spring	1				
4	<b>1901039557</b>	▪ ▪ SPRING	1				
5	<b>1901039525</b>	▪ ▪ SOLENOID	1				
6	<b>1901720720</b>	▪ ▪ PLUG	1				
7	<b>1110040510</b>	▪ ▪ SCREW, cap	2				
8	<b>1420000160</b>	▪ ▪ O-RING	1				
9	<b>1420010110</b>	▪ ▪ O-RING	1				
10	<b>1420010160</b>	▪ ▪ O-RING	1				
11	<b>1420110650</b>	▪ ▪ O-RING	1				
12	<b>1501810000</b>	▪ ▪ PLUG	1				
13	<b>1901039527</b>	▪ ▪ PLUNGER	1				
14	<b>1901039521</b>	▪ ▪ VALVE, relief	1				
15	<b>1420010120</b>	▪ ▪ ▪ O-RING	1				
16	<b>1420010160</b>	▪ ▪ ▪ O-RING	1				
0-2	<b>1901039510</b>	▪ BLOCK ASSY	1				
17	<b>1513500008</b>	▪ ▪ PLUG	1				
18	<b>1901038166</b>	▪ ▪ COVER	2				
19	<b>1901038131</b>	▪ ▪ END, spool	1				
20	<b>1901035151</b>	▪ ▪ HOLDER, spring	2				
21	<b>1901038157</b>	▪ ▪ SPRING	1				
22	<b>1901720720</b>	▪ ▪ PLUG	1				
23	<b>1110020620</b>	▪ ▪ SCREW, cap	4				
24	<b>1420010110</b>	▪ ▪ O-RING	1				
25	<b>1420110650</b>	▪ ▪ O-RING	1				
26	<b>1420310023</b>	▪ ▪ O-RING	2				
27	<b>1420310908</b>	▪ ▪ O-RING	1				
28	<b>1901039507</b>	▪ ROD, tie	3				
29	<b>1901039504</b>	▪ HOUSING, inlet	1				
30	<b>1130050010</b>	▪ NUT	6				
	<b>T7h260</b>						

TL150 Book No. BT7Z011 S/N 21500004-  
SELF LEVEL VALVE



SECTION "A-A"

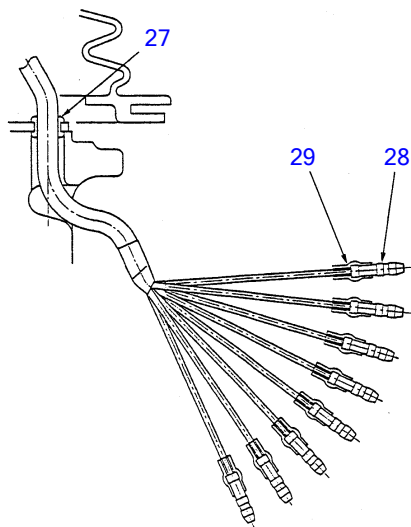
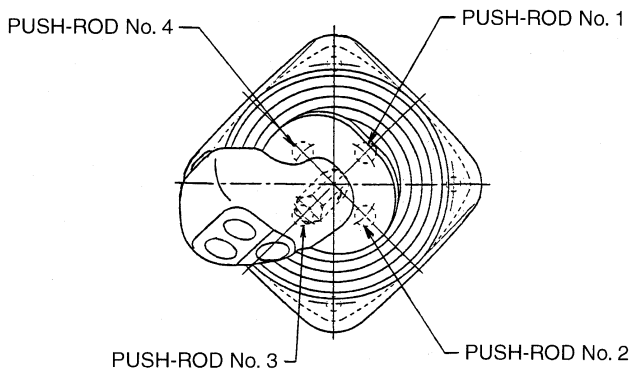
T7H060



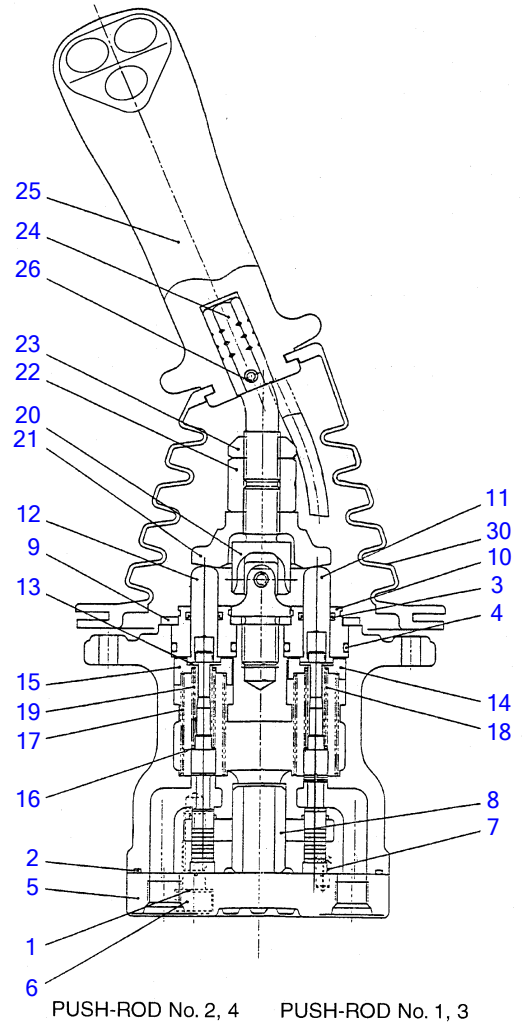
**SELF LEVEL VALVE**

Item	Part number	Description	Q'ty	Chan.	Serial No.	Serv.	Remarks
0	<b>1901736400</b>	VALVE ASSY, self-level	1				
1	<b>1901736401</b>	▪ RING	1				
2	X *****	▪ BODY	1				
3	X *****	▪ SPOOL	1				
4	X *****	▪ SPOOL	1				
5	<b>1901723407</b>	▪ PIN	1				
6	<b>1901723408</b>	▪ COVER	1				
7	<b>1901736407</b>	▪ CAP	1				
8	<b>1901723410</b>	▪ O-RING	1				
9	<b>1901736409</b>	▪ NUT	1				
10	<b>1901723412</b>	▪ O-RING	1				
11	<b>1901736411</b>	▪ SET-SCREW	1				
12	<b>1901736412</b>	▪ PLUG ASSY	1				
13	<b>1901736413</b>	▪ PLUG ASSY	2				
14	<b>1901723423</b>	▪ SPRING	1				
15	<b>1901723424</b>	▪ CHECK	2				
16	<b>1901723425</b>	▪ PLUG ASSY	2				
17	<b>1901723428</b>	▪ SPRING	2				
	<b>T7h060</b>						

TL150 Book No. BT7Z011 S/N 21500004-  
 PILOT VALVE (R.H.) (21500004-21503485)



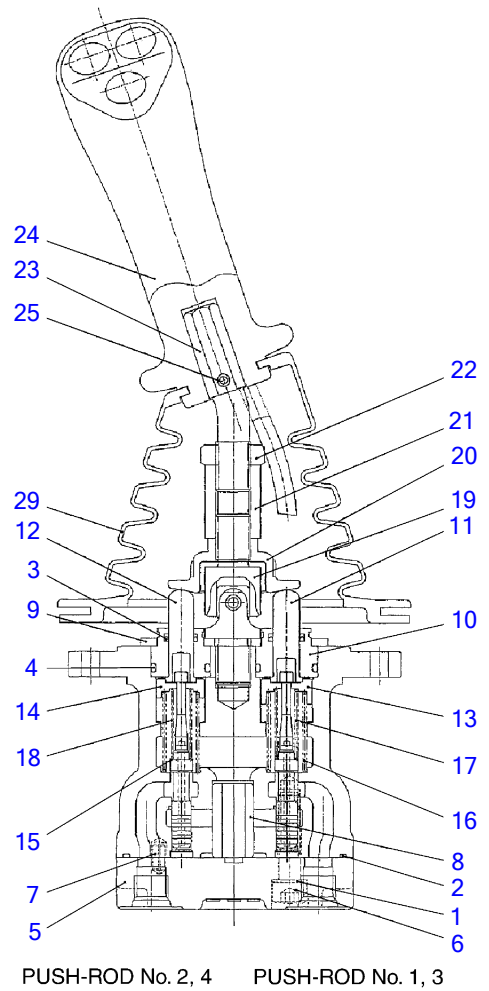
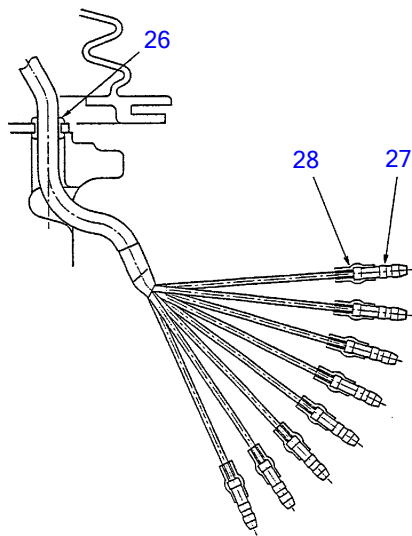
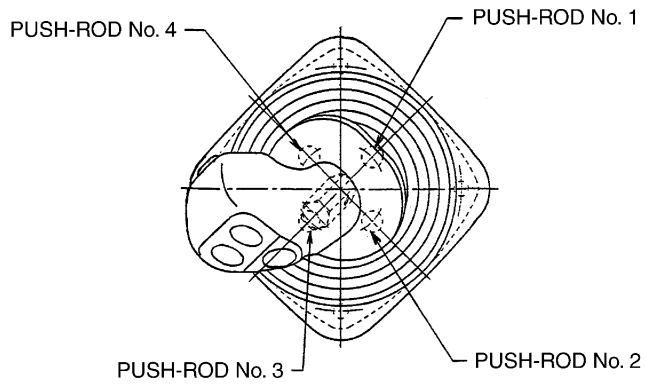
T7H070



**PILOT VALVE (R.H.) (21500004-21503485)**

Item	Part number	Description	Q'ty	Chan.	Serial No.	Serv.	Remarks
0	<b>1901734000</b>	VALVE ASSY, pilot	1				Right
0-1	<b>1901721199</b>	• KIT, seal	1				
1	X <b>1901715103</b>	• • WASHER	2				
2	X <b>1420500900</b>	• • O-RING	1				
3	X <b>1901710914</b>	• • SEAL	4				
4	X <b>1420010200</b>	• • O-RING	4				
5	<b>1901715102</b>	• PLATE	1				
6	<b>1110020830</b>	• SCREW, cap	2				
7	<b>1213000510</b>	• PIN, spring	1				
8	<b>1901710905</b>	• BUSHING	1				
9	<b>1901735608</b>	• PLATE	1				
10	<b>1901710912</b>	• PLUG	4				
11	<b>1901719011</b>	• ROD	2				
12	<b>1901719012</b>	• ROD	2				
13	<b>1901710915</b>	• WASHER	8				
14	<b>1901715115</b>	• HOLDER	2				
15	<b>1901710916</b>	• HOLDER	2				
16	<b>1901710917</b>	• WASHER	4				
17	<b>1901716316</b>	• SPRING	4				
18	<b>1901723320</b>	• SPRING	2				
19	<b>1901734020</b>	• SPRING	2				
20	<b>1901720232</b>	• JOINT	1				
21	<b>1901720233</b>	• PLATE	1				
22	<b>1901710922</b>	• NUT	1				
23	<b>1901719025</b>	• NUT	1				
24	<b>1901734023</b>	• LEVER	1				
25	<b>1901735628</b>	• KNOB	1				
26	<b>1213000528</b>	• PIN, spring	1				
27	<b>1901735630</b>	• BUSHING	1				
28	<b>1901711034</b>	• TERMINAL	8				
29	<b>1901735631</b>	• TERMINAL	8				
30	<b>0881510020</b>	• BOOT	1				
	<b>T7h071</b>						

TL150 Book No. BT7Z011 S/N 21500004-  
 PILOT VALVE (R.H.) (21503486-)

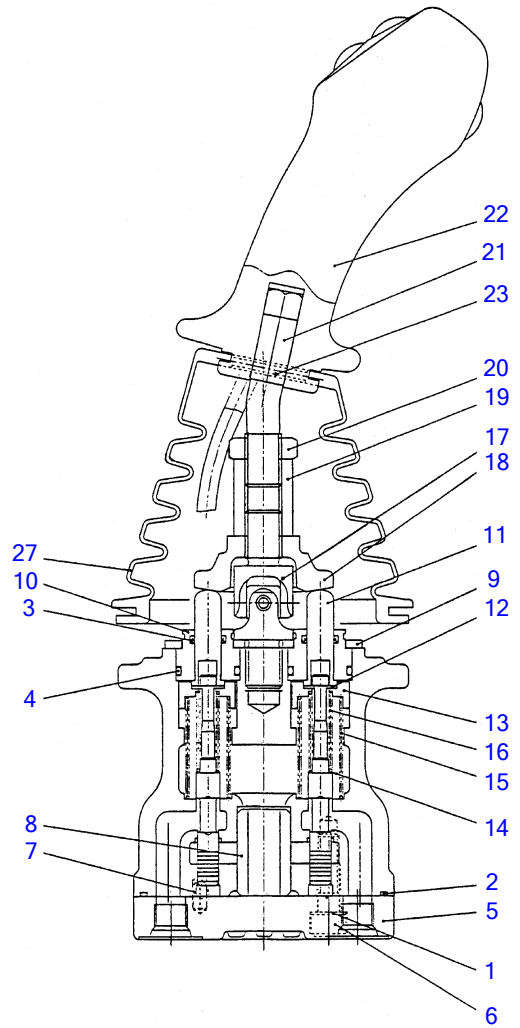
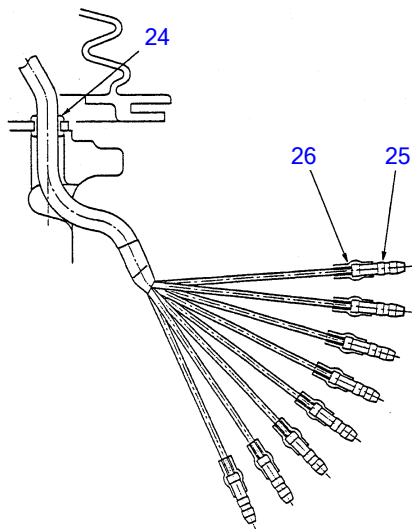
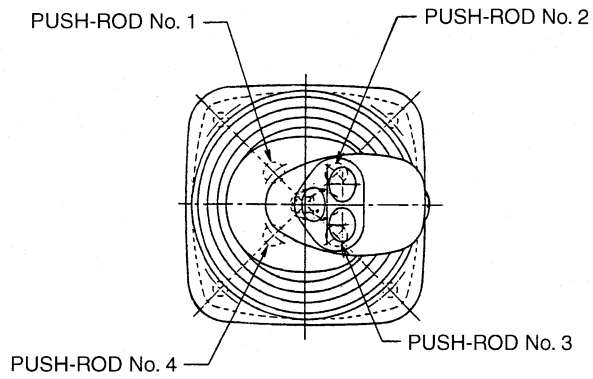


T7H310

S=free

**PILOT VALVE (R.H.) (21503486-)**

Item	Part number	Description	Q'ty	Chan.	Serial No.	Serv.	Remarks
0	<b>1901749500</b>	VALVE ASSY, pilot	1				Right
0-1	<b>1901749599</b>	• KIT, seal	1				
1	X <b>1901715103</b>	• • WASHER	2				
2	X <b>1420510850</b>	• • O-RING	1				
3	X <b>1901710914</b>	• • SEAL	4				
4	X <b>1420010200</b>	• • O-RING	4				
5	<b>1901749511</b>	• PLATE	1				
6	<b>1110020835</b>	• SCREW, cap	2				
7	<b>1213000510</b>	• PIN, spring	1				
8	<b>1901743606</b>	• BUSHING	1				
9	<b>1901749551</b>	• PLATE	1				
10	<b>1901710912</b>	• PLUG	4				
11	<b>1901719011</b>	• ROD	2				
12	<b>1901719012</b>	• ROD	2				
13	<b>1901743614</b>	• HOLDER	2				
14	<b>1901743615</b>	• HOLDER	2				
15	<b>1901710917</b>	• WASHER	4				
16	<b>1901749521</b>	• SPRING	4				
17	<b>1901749541</b>	• SPRING	2				
18	<b>1901749542</b>	• SPRING	2				
19	<b>1901720232</b>	• JOINT	1				
20	<b>1901743620</b>	• PLATE	1				
21	<b>1901710922</b>	• NUT	1				
22	<b>1901719025</b>	• NUT	1				
23	<b>1901734023</b>	• LEVER	1				
24	<b>1901737440</b>	• KNOB	1				
25	<b>1213000528</b>	• PIN, spring	1				
26	<b>1901735630</b>	• BUSHING	1				
27	<b>1901711034</b>	• TERMINAL	8				
28	<b>1901735631</b>	• TERMINAL	8				
29	<b>1901735632</b>	• BOOT	1				
	<b>T7h310</b>						

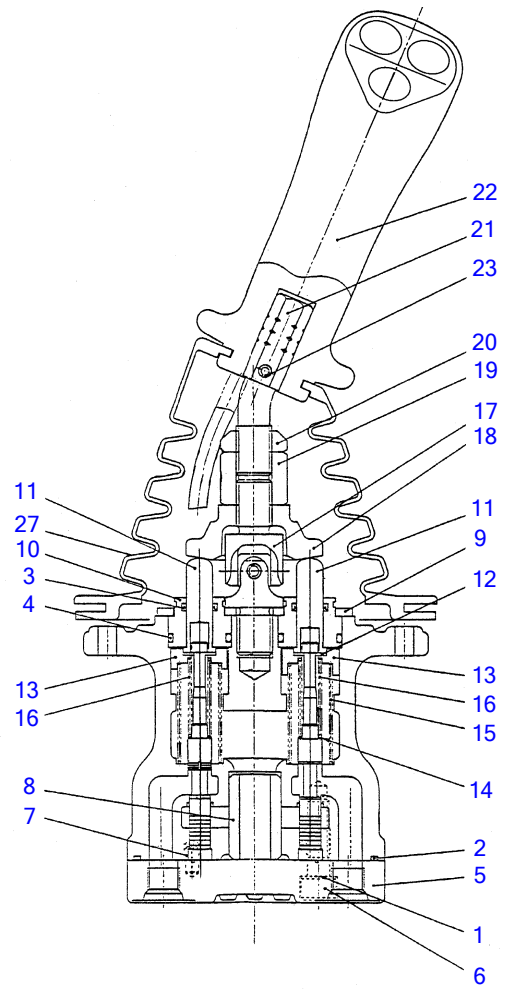
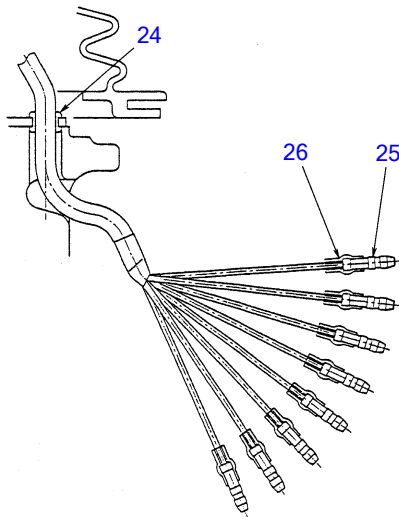
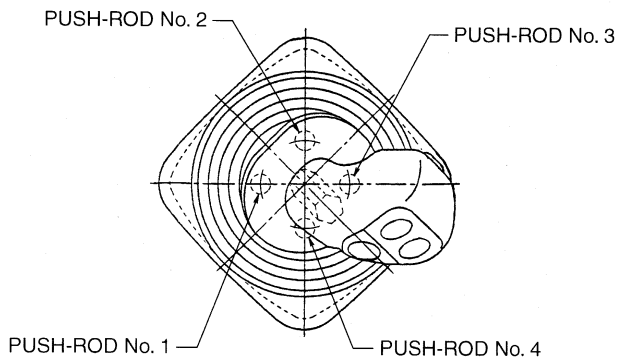


T7H080

**PILOT VALVE (L.H.) (21500004-21500178, 21500262-21503485)**

Item	Part number	Description	Q'ty	Chan.	Serial No.	Serv.	Remarks
0	<b>1901734100</b>	VALVE ASSY, pilot	1				Left
0-1	<b>1901721199</b>	· KIT, seal	1				
1	X <b>1901715103</b>	· · WASHER	2				
2	X <b>1420500900</b>	· · O-RING	1				
3	X <b>1901710914</b>	· · SEAL	4				
4	X <b>1420010200</b>	· · O-RING	4				
5	<b>1901715102</b>	· PLATE	1				
6	<b>1110020830</b>	· SCREW, cap	2				
7	<b>1213000510</b>	· PIN, spring	1				
8	<b>1901710905</b>	· BUSHING	1				
9	<b>1901735608</b>	· PLATE	1				
10	<b>1901710912</b>	· PLUG	4				
11	<b>1901719011</b>	· ROD	4				
12	<b>1901710915</b>	· WASHER	8				
13	<b>1901715115</b>	· HOLDER	4				
14	<b>1901710917</b>	· WASHER	4				
15	<b>1901716316</b>	· SPRING	4				
16	<b>1901723320</b>	· SPRING	4				
17	<b>1901720232</b>	· JOINT	1				
18	<b>1901720233</b>	· PLATE	1				
19	<b>1901710922</b>	· NUT	1				
20	<b>1901719025</b>	· NUT	1				
21	<b>1901734123</b>	· LEVER	1				
22	<b>1901735628</b>	· KNOB	1				
23	<b>1213000528</b>	· PIN, spring	1				
24	<b>1901735630</b>	· BUSHING	1				
25	<b>1901711034</b>	· TERMINAL	8				
26	<b>1901735631</b>	· TERMINAL	8				
27	<b>1901735632</b>	· BOOT	1				
	<b>T7h080</b>						

TL150 Book No. BT7Z011 S/N 21500004-  
PILOT VALVE (L.H.) (21500179-21500261)



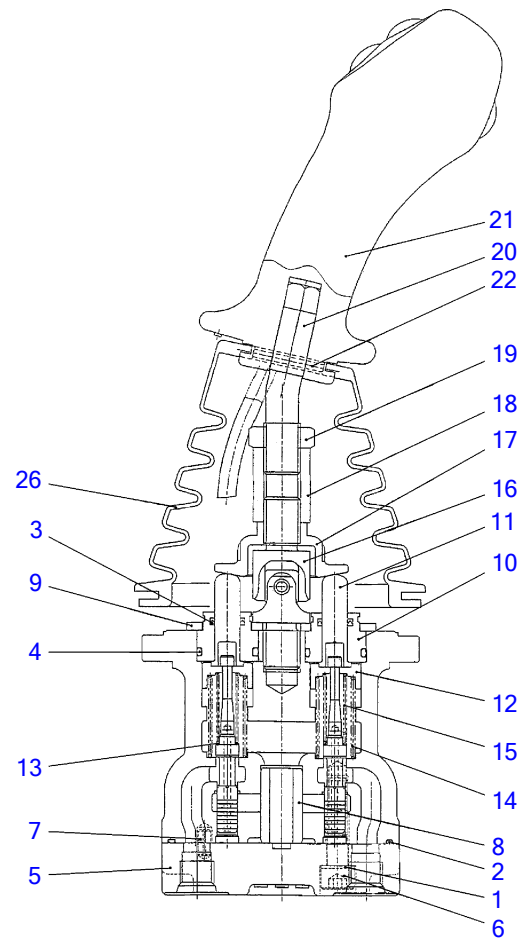
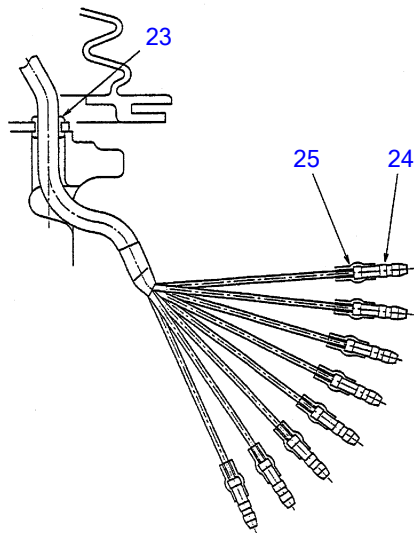
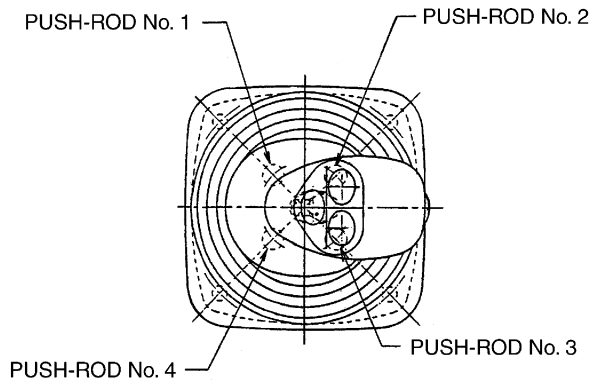
T8H030



**PILOT VALVE (L.H.) (21500179-21500261)**

Item	Part number	Description	Q'ty	Chan.	Serial No.	Serv.	Remarks
0	<b>1901738600</b>	VALVE ASSY, pilot	1				Left
0-1	<b>1901721199</b>	• KIT, seal	1				
1	X <b>1901715103</b>	• • WASHER	2				
2	X <b>1420500900</b>	• • O-RING	1				
3	X <b>1901710914</b>	• • SEAL	4				
4	X <b>1420010200</b>	• • O-RING	4				
5	<b>1901715102</b>	• PLATE	1				
6	<b>1110020830</b>	• SCREW, cap	2				
7	<b>1213000510</b>	• PIN, spring	1				
8	<b>1901710905</b>	• BUSHING	1				
9	<b>1901735608</b>	• PLATE	1				
10	<b>1901710912</b>	• PLUG	4				
11	<b>1901719011</b>	• ROD	4				
12	<b>1901710915</b>	• WASHER	8				
13	<b>1901715115</b>	• HOLDER	4				
14	<b>1901710917</b>	• WASHER	4				
15	<b>1901716316</b>	• SPRING	4				
16	<b>1901723320</b>	• SPRING	4				
17	<b>1901720232</b>	• JOINT	1				
18	<b>1901720233</b>	• PLATE	1				
19	<b>1901710922</b>	• NUT	1				
20	<b>1901719025</b>	• NUT	1				
21	<b>1901734023</b>	• LEVER	1				
22	<b>1901735628</b>	• KNOB	1				
23	<b>1213000528</b>	• PIN, spring	1				
24	<b>1901735630</b>	• BUSHING	1				
25	<b>1901711034</b>	• TERMINAL	8				
26	<b>1901735631</b>	• TERMINAL	8				
27	<b>1901735632</b>	• BOOT	1				
	<b>T8h030</b>						

TL150 Book No. BT7Z011 S/N 21500004-  
 PILOT VALVE (L.H.) (21503486-)



PUSH-ROD No. 2, 4    PUSH-ROD No. 1, 3

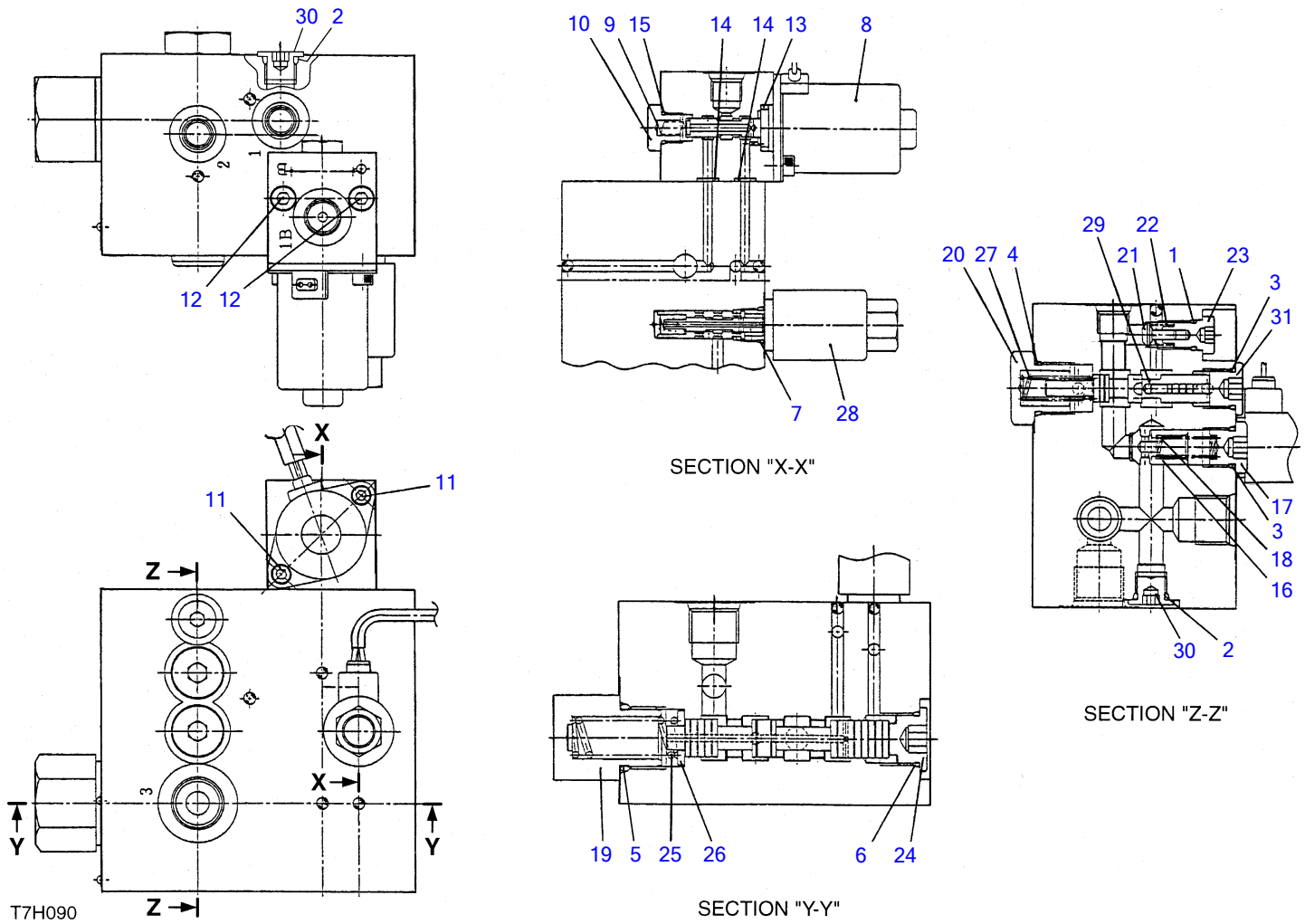
T7H320

S-free

**PILOT VALVE (L.H.) (21503486-)**

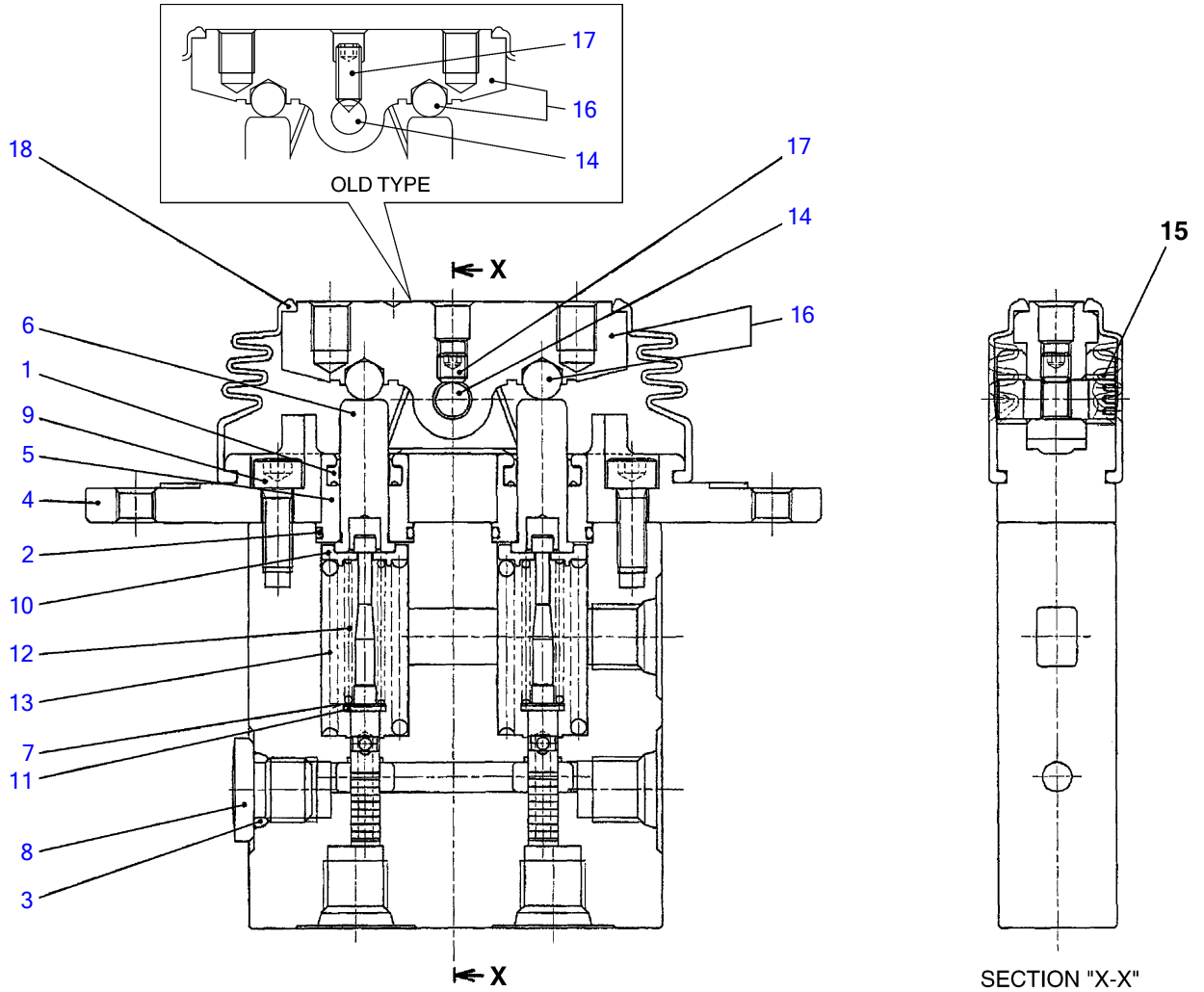
Item	Part number	Description	Q'ty	Chan.	Serial No.	Serv.	Remarks
0	<b>1901749600</b>	VALVE ASSY, pilot	1				Left
0-1	<b>1901749599</b>	• KIT, seal	1				
1	X <b>1901715103</b>	• • WASHER	2				
2	X <b>1420510850</b>	• • O-RING	1				
3	X <b>1901710914</b>	• • SEAL	4				
4	X <b>1420010200</b>	• • O-RING	4				
5	<b>1901749511</b>	• PLATE	1				
6	<b>1110020835</b>	• SCREW, cap	2				
7	<b>1213000510</b>	• PIN, spring	1				
8	<b>1901743606</b>	• BUSHING	1				
9	<b>1901749551</b>	• PLATE	1				
10	<b>1901710912</b>	• PLUG	4				
11	<b>1901719011</b>	• ROD	4				
12	<b>1901743614</b>	• HOLDER	4				
13	<b>1901710917</b>	• WASHER	4				
14	<b>1901749521</b>	• SPRING	4				
15	<b>1901749641</b>	• SPRING	4				
16	<b>1901720232</b>	• JOINT	1				
17	<b>1901743620</b>	• PLATE	1				
18	<b>1901710922</b>	• NUT	1				
19	<b>1901719025</b>	• NUT	1				
20	<b>1901734123</b>	• LEVER	1				
21	<b>1901737440</b>	• KNOB	1				
22	<b>1213000528</b>	• PIN, spring	1				
23	<b>1901735630</b>	• BUSHING	1				
24	<b>1901711034</b>	• TERMINAL	8				
25	<b>1901735631</b>	• TERMINAL	8				
26	<b>1901735632</b>	• BOOT	1				
	<b>T7h320</b>						

TL150 Book No. BT7Z011 S/N 21500004-  
SUB VALVE



SUB VALVE						
Item	Part number	Description	Q'ty	Chan.	Serial No.	Serv. Remarks
0	1901735500	VALVE, sub	1			
0-1	1901735599	· KIT, seal	1			
1	X 1420010100	· · O-RING	1			
2	X 1420010110	· · O-RING	2			
3	X 1420010140	· · O-RING	2			
4	X 1420010200	· · O-RING	1			
5	X 1420010240	· · O-RING	1			
6	X 1420310910	· · O-RING	1			
7	X 1420000125	· · O-RING	1			
0-2	1901735598	· SOLENOID ASSY	1			
8	1901735510	· · SOLENOID	1			
9	1901735511	· · SPRING	1			
10	1901735524	· · PLUG	1			
11	1110050510	· · SCREW, cap	2			
12	1110050645	· · SCREW, cap	2			
13	1420010160	· · O-RING	1			
14	1420300010	· · O-RING	2			
15	1420300013	· · O-RING	1			
16	1901731901	· POPPET	1			
17	1901731902	· PLUG	1			
18	1901731903	· SPRING	1			
19	1901731904	· PLUG	1			
20	1901700411	· PLUG	1			
21	1901035426	· PLUNGER	1			
22	1901004357	· SPRING	1			
23	1901035471	· PLUG	1			
24	1901731910	· PLUG	1			
25	1901731911	· SPRING	1			
26	1901731912	· WASHER	1			
27	1901731917	· SPRING	1			
28	1901731918	· VALVE, solenoid	1			
29	1901731919	· RING, wire	1			
30	1901720720	· PLUG	2			
31	1901712505	· PLUG	1			
	T7h090					

TL150 Book No. BT7Z011 S/N 21500004-  
REMOTE CONTROL VALVE



L3H151

S-FREE

**REMOTE CONTROL VALVE**

Item	Part number	Description	Q'ty	Chan.	Serial No.	Serv.	Remarks
0	<b>1901735000</b>	VALVE ASSY, remote-control	1				swing
0-1	<b>1901745499</b>	· KIT, seal	1				
1	X <b>1901745404</b>	· · PACKING	2				
2	X <b>1420300017</b>	· · O-RING	2				
3	X <b>1420010110</b>	· · O-RING	1				
4	<b>1901745402</b>	· COVER	1				
5	<b>1901745403</b>	· PLUG	2				
6	<b>1901745406</b>	· ROD	2				
7	<b>1901745407</b>	· SHIM	2				
8	<b>1501750002</b>	· PLUG	1				
	<b>1420010110</b>	· · O-RING	1				
9	<b>1110020616</b>	· SCREW, cap	2				
10	<b>1901745412</b>	· HOLDER	2				
11	<b>1901745413</b>	· WASHER	2				
12	<b>1901745414</b>	· SPRING	2				
13	<b>1901735015</b>	· SPRING	2				
14	<b>1901745416</b>	· SHAFT	1	A	old type	M	
	<b>1901735016</b>	· SHAFT	1	a(H)	new type	M	No. 23759
15	<b>1901745417</b>	· BUSHING	2				
16	<b>1901745418</b>	· CAM ASSY	1	A	old type	M	
	<b>1901735018</b>	· CAM ASSY	1	a(H)	new type	M	No. 23759
17	<b>1901745420</b>	· SET-SCREW	1	A	old type	M	
	<b>1121040606</b>	· SET-SCREW	1	a(H)	new type	M	No. 23759
18	<b>1901735001</b>	· BOOT	1				

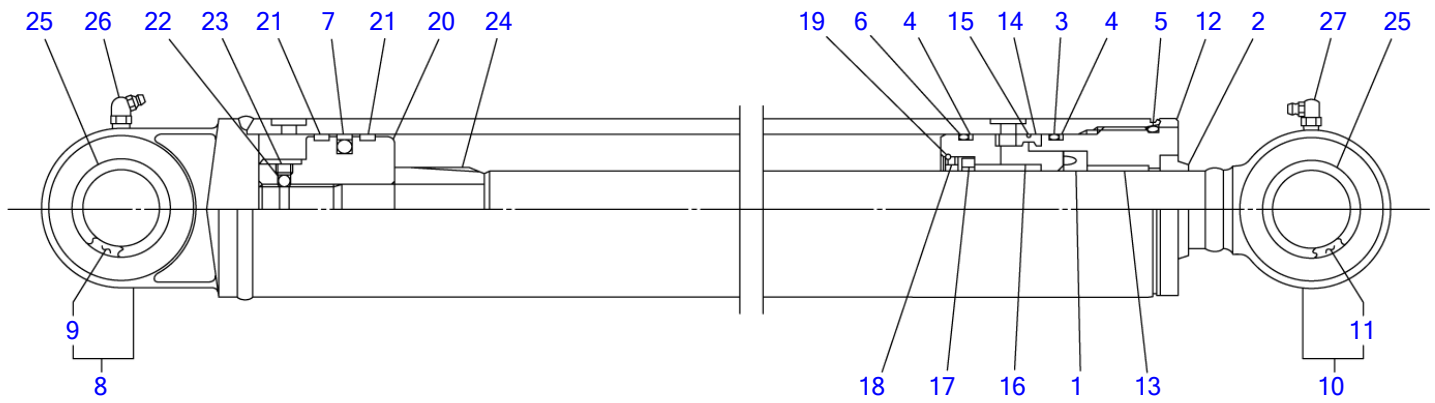
<<NOTE>>

SET "A" is interchangeable with SET "a".

**L3h151**

TL150 Book No. BT7Z011 S/N 21500004-  
LIFT ARM CYLINDER (21500004-21500171)

---



T7H100

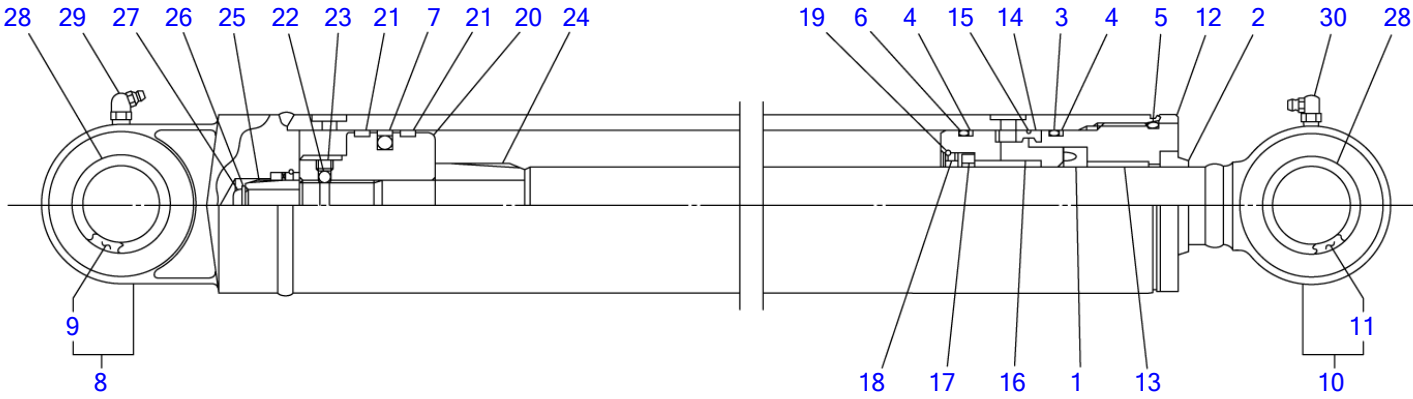
S=FREE



**LIFT ARM CYLINDER (21500004-21500171)**

Item	Part number	Description	Q'ty	Chan.	Serial No.	Serv.	Remarks
0	<b>1900079600</b>	CYLINDER ASSY	2				lift arm
0-1	<b>1900079699</b>	• KIT, seal	1				
1	X <b>1410545609</b>	• • PACKING, rod	1				
2	X <b>1900075133</b>	• • SEAL, dust	1				
3	X <b>1420110700</b>	• • O-RING	1				
4	X <b>1421130700</b>	• • RING, back-up	2				
5	X <b>1420110750</b>	• • O-RING	1				
6	X <b>1420110650</b>	• • O-RING	1				
7	X <b>1900050333</b>	• • PACKING, piston	1				
8	<b>1900079698</b>	• TUBE ASSY (L.H.)	1				
9	<b>1900045602</b>	• • BUSHING	1				
10	<b>1900079697</b>	• ROD ASSY, piston	1				
11	<b>1900045602</b>	• • BUSHING	1				
12	<b>1900059803</b>	• COVER, rod	1				
13	<b>1333004530</b>	• BUSHING	1				
14	<b>1900059826</b>	• CONNCTOR	1				
15	<b>1900059827</b>	• STOPPER	1				
16	<b>1900059804</b>	• RETAINER	1				
17	<b>1900050216</b>	• RING, cushion	1				
18	<b>1900049415</b>	• SPACER	1				
19	<b>1900049426</b>	• STOPPER	1				
20	<b>1900059806</b>	• PISTON	1				
21	<b>1900050332</b>	• RING, wear	2				
22	<b>1390020250</b>	• BALL, steel	1				
23	<b>1121050608</b>	• SET-SCREW	1				
24	<b>1900060205</b>	• BEARING, cushion	1				
25	<b>1432200045</b>	• SEAL, dust	4				
26	<b>1560001675</b>	• FITTING, grease	1				
27	<b>1560001900</b>	• FITTING, grease	1				
	<b>T7h100</b>						

TL150 Book No. BT7Z011 S/N 21500004-  
LIFT ARM CYLINDER (21500172-)



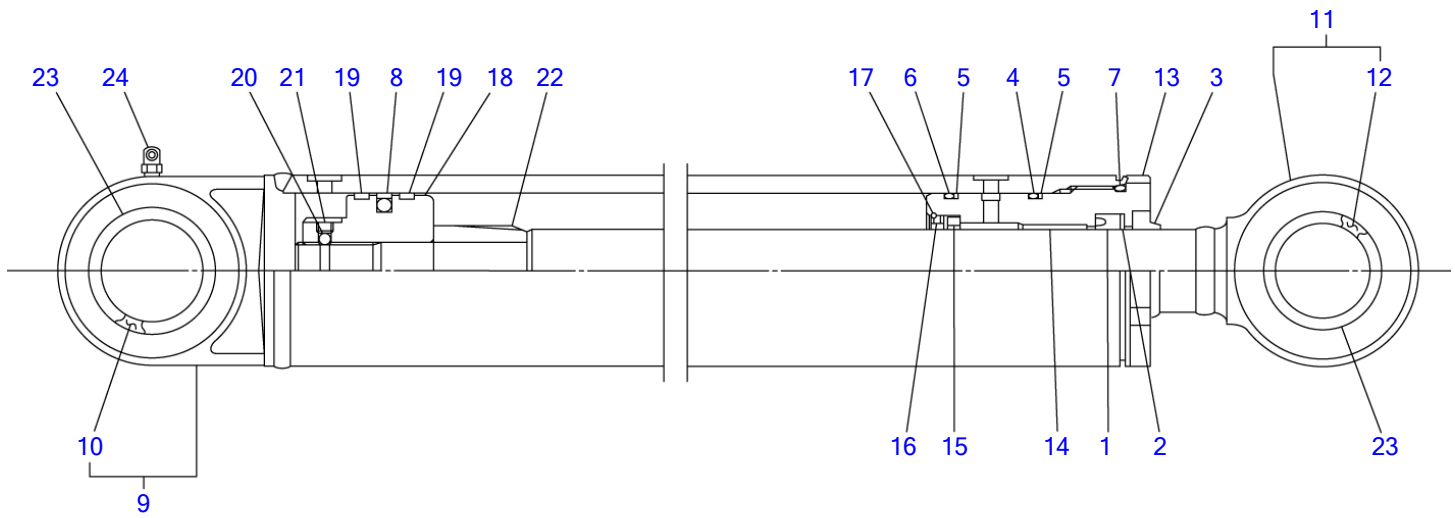
T7H101

S=FREE

**LIFT ARM CYLINDER (21500172-)**

Item	Part number	Description	Q'ty	Chan.	Serial No.	Serv.	Remarks
0	<b>1900080700</b>	CYLINDER ASSY	2				lift arm
0-1	<b>1900079699</b>	• KIT, seal	1				
1	X <b>1410545609</b>	• • PACKING, rod	1				
2	X <b>1900075133</b>	• • SEAL, dust	1				
3	X <b>1420110700</b>	• • O-RING	1				
4	X <b>1421130700</b>	• • RING, back-up	2				
5	X <b>1420110750</b>	• • O-RING	1				
6	X <b>1420110650</b>	• • O-RING	1				
7	X <b>1900050333</b>	• • PACKING, piston	1				
8	<b>1900080798</b>	• TUBE ASSY (L.H.)	1				
9	<b>1900045602</b>	• • BUSHING	1				
10	<b>1900080797</b>	• ROD ASSY, piston	1				
11	<b>1900045602</b>	• • BUSHING	1				
12	<b>1900059803</b>	• COVER, rod	1				
13	<b>1333004530</b>	• BUSHING	1				
14	<b>1900059826</b>	• CONNCTOR	1				
15	<b>1900059827</b>	• STOPPER	1				
16	<b>1900059804</b>	• RETAINER	1				
17	<b>1900050216</b>	• RING, cushion	1				
18	<b>1900049415</b>	• SPACER	1				
19	<b>1900049426</b>	• STOPPER	1				
20	<b>1900059806</b>	• PISTON	1				
21	<b>1900050332</b>	• RING, wear	2				
22	<b>1390020250</b>	• BALL, steel	1				
23	<b>1121050608</b>	• SET-SCREW	1				
24	<b>1900060205</b>	• BEARING, cushion	1				
25	<b>1900080705</b>	• BEARING, cushion	1				
26	<b>1900064428</b>	• WASHER	1				
27	<b>1900064429</b>	• BOLT	1				
28	<b>1432200045</b>	• SEAL, dust	4				
29	<b>1560001675</b>	• FITTING, grease	1				
30	<b>1560001900</b>	• FITTING, grease	1				
	<b>T7h101</b>						

TL150 Book No. BT7Z011 S/N 21500004-  
BUCKET CYLINDER (21500004-21500171)



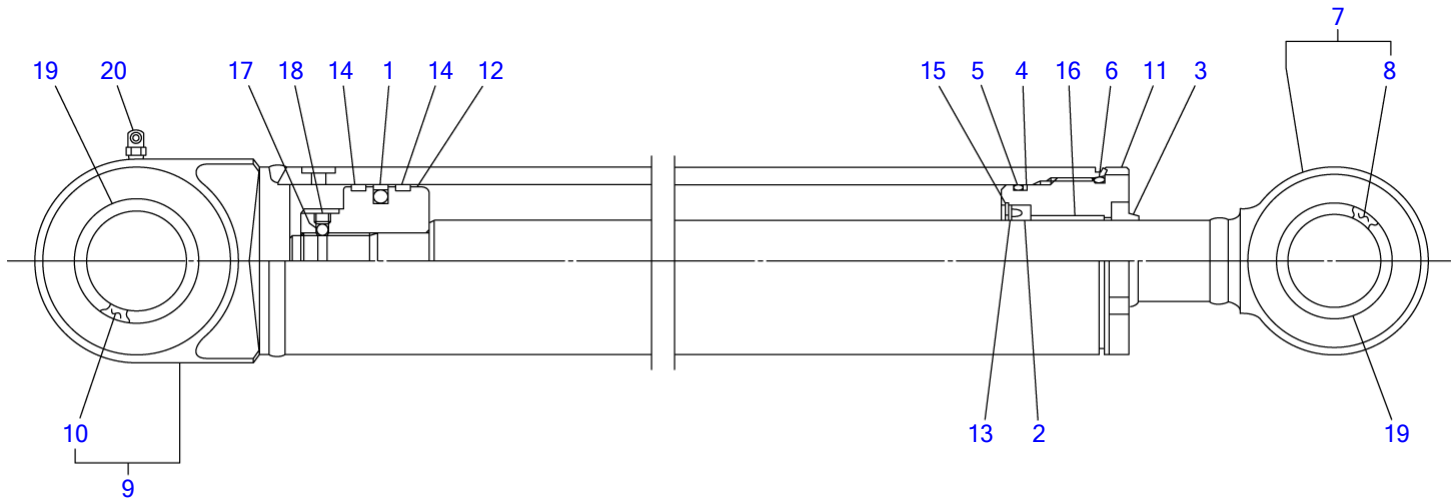
T7H110

S=free

**BUCKET CYLINDER (21500004-21500171)**

Item	Part number	Description	Q'ty	Chan.	Serial No.	Serv.	Remarks
0	<b>1900080800</b>	CYLINDER ASSY (R.H.)	1				bucket
	<b>1900080900</b>	CYLINDER ASSY (L.H.)	1				bucket
0-1	<b>1900080899</b>	• KIT, seal	1				
1	X <b>1900080808</b>	• • PACKING, rod	1				
2	X <b>1900080827</b>	• • RING, back-up	1				
3	X <b>1900073033</b>	• • SEAL, dust	1				
4	X <b>1420110700</b>	• • O-RING	1				
5	X <b>1421130700</b>	• • RING, back-up	2				
6	X <b>1420110650</b>	• • O-RING	1				
7	X <b>1420110750</b>	• • O-RING	1				
8	X <b>1900050333</b>	• • PACKING, piston	1				
9	<b>1900080898</b>	• TUBE ASSY (R.H.)	1				
	<b>1900080998</b>	• TUBE ASSY (L.H.)	1				
10	<b>1900015502</b>	• • BUSHING	1				
11	<b>1900080897</b>	• ROD ASSY, piston	1				
12	<b>1900015502</b>	• • BUSHING	1				
13	<b>1900080803</b>	• COVER ASSY, rod	1				
14	<b>1333004030</b>	• BUSHING	1				
15	<b>1900052016</b>	• RING, cushion	1				
16	<b>1900052015</b>	• SPACER	1				
17	<b>1900052026</b>	• STOPPER	1				
18	<b>1900054306</b>	• PISTON	1				
19	<b>1900050332</b>	• RING, wear	2				
20	<b>1390020250</b>	• BALL, steel	1				
21	<b>1121050608</b>	• SET-SCREW	1				
22	<b>1900080805</b>	• BEARING, cushion	1				
23	<b>1432200045</b>	• SEAL, dust	4				
24	<b>1560001900</b>	• FITTING, grease	1				
	<b>T7h110</b>						

TL150 Book No. BT7Z011 S/N 21500004-  
BUCKET CYLINDER (21500172-)



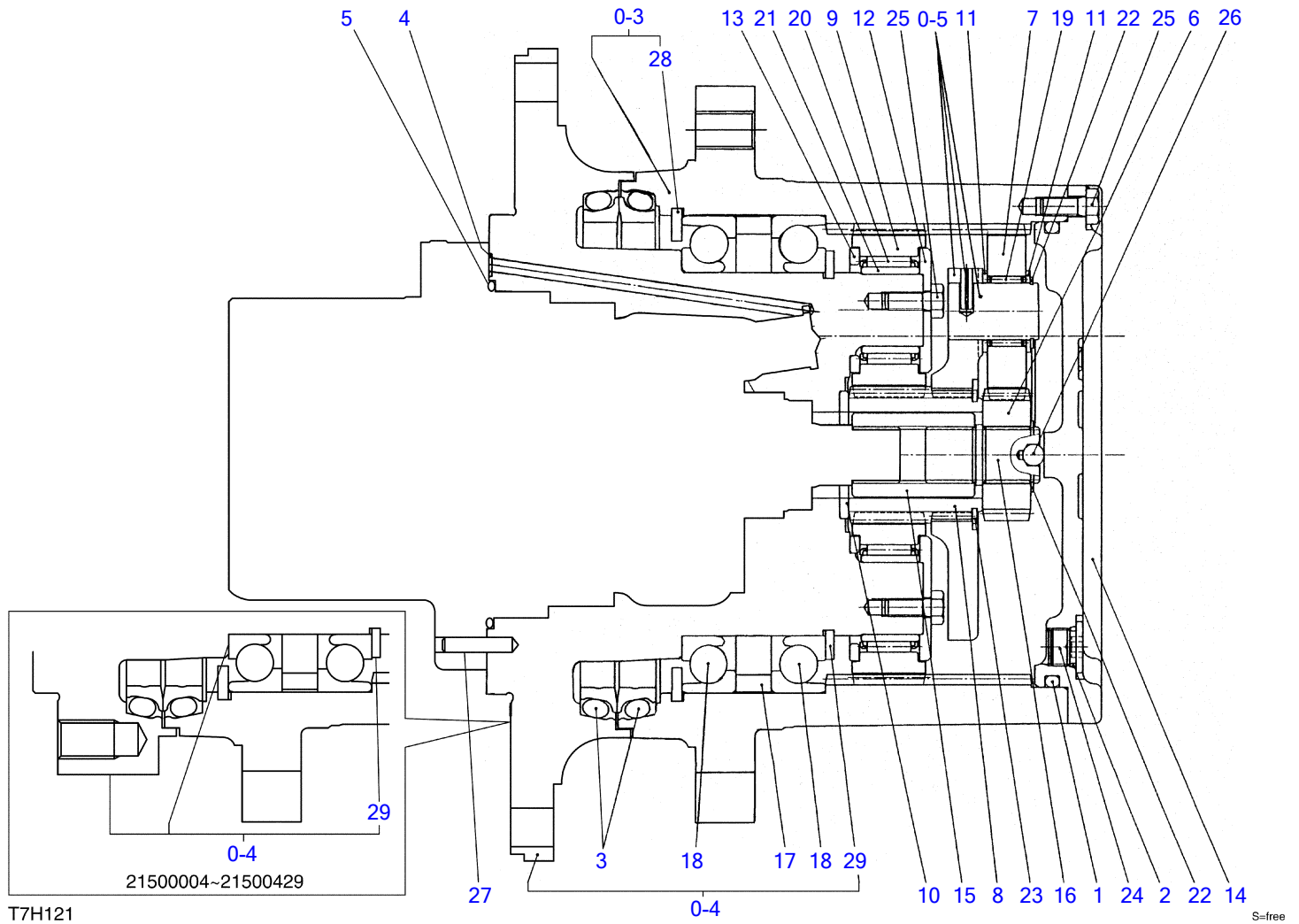
T8H050

S=free

**BUCKET CYLINDER (21500172-)**

Item	Part number	Description	Q'ty	Chan.	Serial No.	Serv.	Remarks
0	<b>1900079700</b>	CYLINDER ASSY (R.H.)	1				bucket
	<b>1900079800</b>	CYLINDER ASSY (L.H.)	1				bucket
0-1	<b>1900079799</b>	• KIT, seal	1				
1	X <b>1900050333</b>	• • PACKING, piston	1				
2	X <b>1900005612</b>	• • PACKING, rod	1				
3	X <b>1900073033</b>	• • SEAL, dust	1				
4	X <b>1421130700</b>	• • RING, back-up	1				
5	X <b>1420110700</b>	• • O-RING	1				
6	X <b>1420110750</b>	• • O-RING	1				
7	<b>1900079797</b>	• ROD ASSY, piston	1				
8	<b>1900015502</b>	• • BUSHING	1				
9	<b>1900079798</b>	• TUBE ASSY (R.H.)	1				
	<b>1900079898</b>	• TUBE ASSY (L.H.)	1				
10	<b>1900015502</b>	• • BUSHING	1				
11	<b>1900054303</b>	• COVER, rod	1				
12	<b>1900054306</b>	• PISTON	1				
13	<b>1900013508</b>	• HOLDER, rod packing	1				
14	<b>1900050332</b>	• RING, wear	2				
15	<b>1221000060</b>	• RING, snap	1				
16	<b>1333004030</b>	• BUSHING	1				
17	<b>1390020250</b>	• BALL, steel	1				
18	<b>1121050608</b>	• SET-SCREW	1				
19	<b>1432200045</b>	• SEAL, dust	4				
20	<b>1560001900</b>	• FITTING, grease	1				
	<b>T7h111</b>						

TL150 Book No. BT7Z011 S/N 21500004-  
TRAVEL MOTOR (1/3) (reduction sec.; 21500004-21501995) (for GEHL &  
MUSTANG; 21501852-)

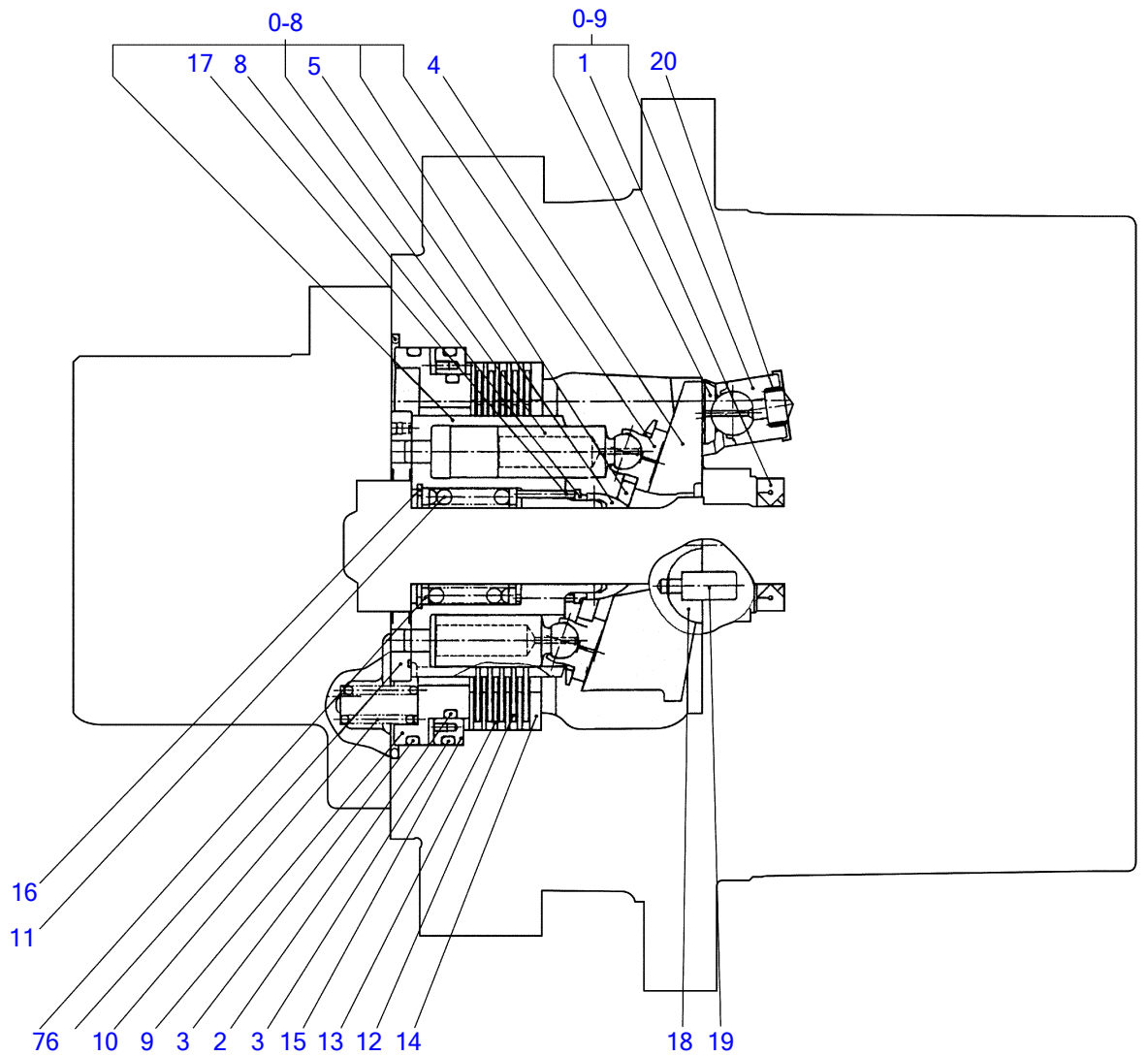




TRAVEL MOTOR (1/3) (reduction sec.; 21500004-21501995) (for GEHL & MUSTANG; 21501852-)

Item	Part number	Description	Q'ty	Chan.	Serial No.	Serv.	Remarks
0	1903121000	MOTOR ASSY, travel	1		21500004~21500011		
	1903122100	MOTOR ASSY, travel	1		21500012~21500429		
	1903123900	MOTOR ASSY, travel	1		21500430~21500765		
	1903124600	MOTOR ASSY, travel	1	(H)	21500766~		
0-1	X *****	• GEAR, reduction	1				
0-2	1912906499	• • KIT, seal	1				
1	X 1420111950	• • • O-RING	1				
2	X 1420010140	• • • O-RING	3				
3	X 1912906418	• • • SEAL, floating	2				
4	X 1420010070	• • • O-RING	2				
5	X 1420310256	• • • O-RING	1				
6	1912906402	• • GEAR	1		21500004~21500429		
	1912907202	• • GEAR	1	(H)	21500430~		
7	1912906403	• • GEAR	3				
8	1912906404	• • GEAR	1				
9	1912906405	• • GEAR	4				
10	1912906406	• • COLLAR	1				
11	1912906407	• • COLLAR	6				
12	1912906408	• • COLLAR	4				
13	1912906409	• • COLLAR	4				
14	1912906410	• • COVER	1				
15	1912906411	• • COUPLING	1				
16	1912906412	• • SHAFT	1				
17	1912906413	• • COLLAR	1				
18	1912906414	• • BEARING	2				
19	1912906415	• • BEARING	3				
20	1912906416	• • BEARING	4				
21	1912906417	• • RING, inner	4				
22	1220000025	• • RING, retaining	4				
23	1220000050	• • RING, retaining	1				
24	1903902921	• • PLUG	3				
25	1110020820	• • BOLT	12				
26	1390010600	• • BALL, steel	1				
27	1212000825	• • PIN	2				
0-3	1912906498	• • HUB KIT	1				
28	X *****	• • • RING, retaining	1				see note
0-4	1912906497	• • SPINDLE KIT	1		21500004~21500429		
	1912907297	• • SPINDLE KIT	1	(H)	21500430~		
29	X *****	• • • RING, retaining	1				see note
0-5	1912906496	• • CARRIER KIT	1				
	Note/É°Ä						
	item28	t=over 4.57mm and up to 4.80mm < 0.1mm interval >					
	item29	t=over 4.15mm and up to 4.20mm t=over 3.91mm and up to 4.09mm < 0.1mm interval >					
	T7h124	t=over 3.15mm and up to 3.20mm					

TL150 Book No. BT7Z011 S/N 21500004-  
TRAVEL MOTOR (2/3) (motor sec.; 21500004-21501995) (for GEHL & MUSTANG;  
21501852-)

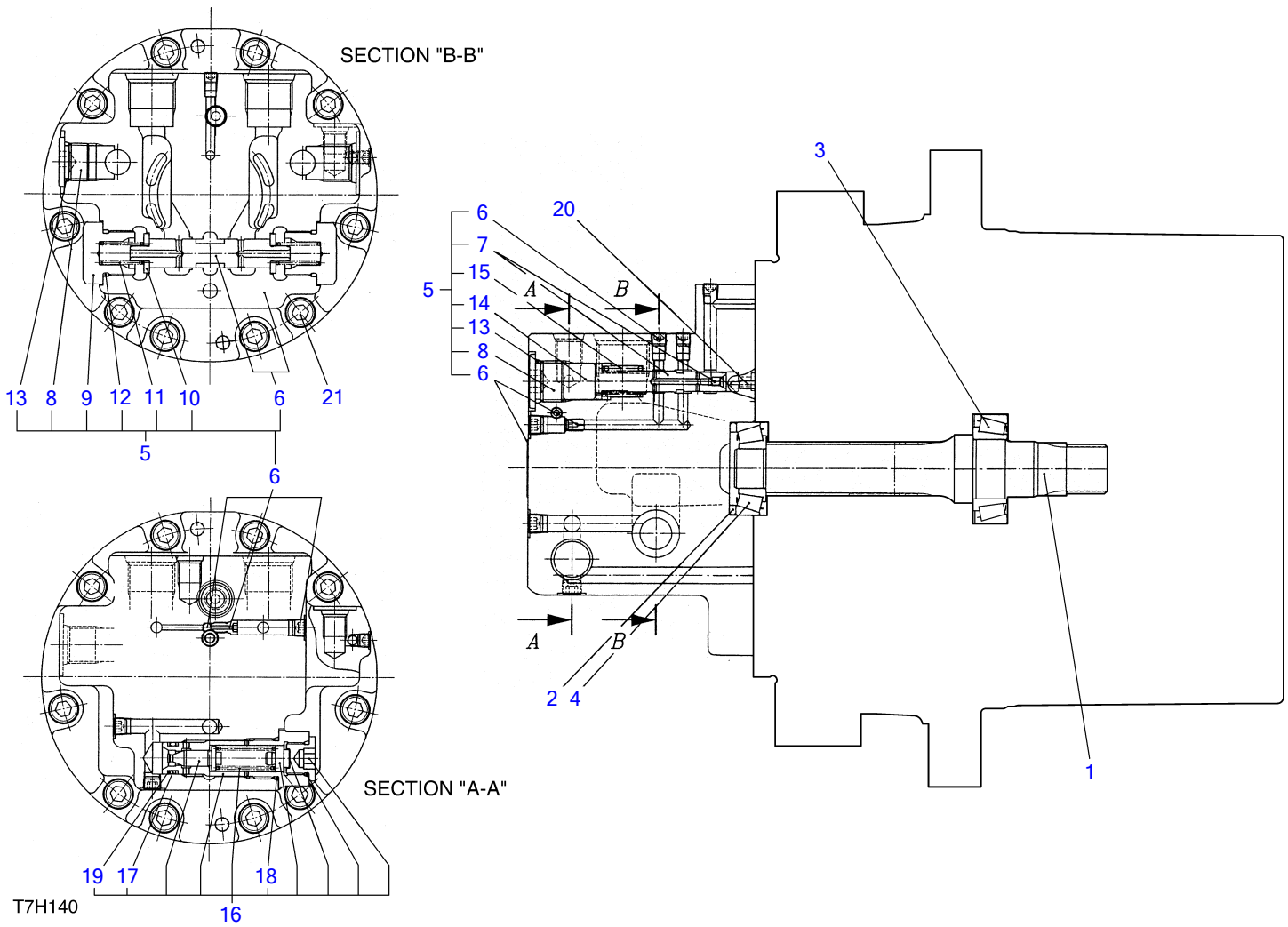


T7H130

S=free

**TRAVEL MOTOR (2/3) (motor sec.; 21500004-21501995) (for GEHL & MUSTANG; 21501852-)**

Item	Part number	Description	Q'ty	Chan.	Serial No.	Serv.	Remarks
0	<b>1903121000</b>	MOTOR ASSY, travel	1		21500004~21500011		
	<b>1903122100</b>	MOTOR ASSY, travel	1		21500012~21500429		
	<b>1903123900</b>	MOTOR ASSY, travel	1		21500430~21500765		
	<b>1903124600</b>	MOTOR ASSY, travel	1	(H)	21500766~		
0-6	X *****	· MOTOR ASSY	1				
0-7	<b>1903905699</b>	· · KIT, seal	1				
1	X <b>1903905613</b>	· · · SEAL, oil	1				
2	X <b>1420310247</b>	· · · O-RING	1				
3	X <b>1420310253</b>	· · · O-RING	2				
0-8	<b>1903905698</b>	· · CYLINDER KIT	1				
0-9	<b>1903905697</b>	· · PISTON KIT	1				
4	<b>1903905604</b>	· · PLATE	1				
5	<b>1903905605</b>	· · BALL	1				
6	<b>1903905606</b>	· · PLATE	1				
7	<b>1903902910</b>	· · WASHER	2				
8	<b>1903905607</b>	· · WASHER	1				
9	<b>1903905608</b>	· · PISTON	1				
10	<b>1912000363</b>	· · SPRING	10				
11	<b>1903905609</b>	· · SPRING	1				
12	<b>1912000365</b>	· · PLATE	5				
13	<b>1912000366</b>	· · PLATE	5				
14	<b>1903905610</b>	· · PLATE	1				
15	<b>1903905611</b>	· · PISTON	1				
16	<b>1903905614</b>	· · RING, retaining	1				
17	<b>1903905615</b>	· · ROLLER	3				
18	<b>1903905616</b>	· · PIVOT	2				
19	<b>1903904077</b>	· · PIN	2				
20	<b>1903905617</b>	· · SPRING	1				
	<b>T7h134</b>						



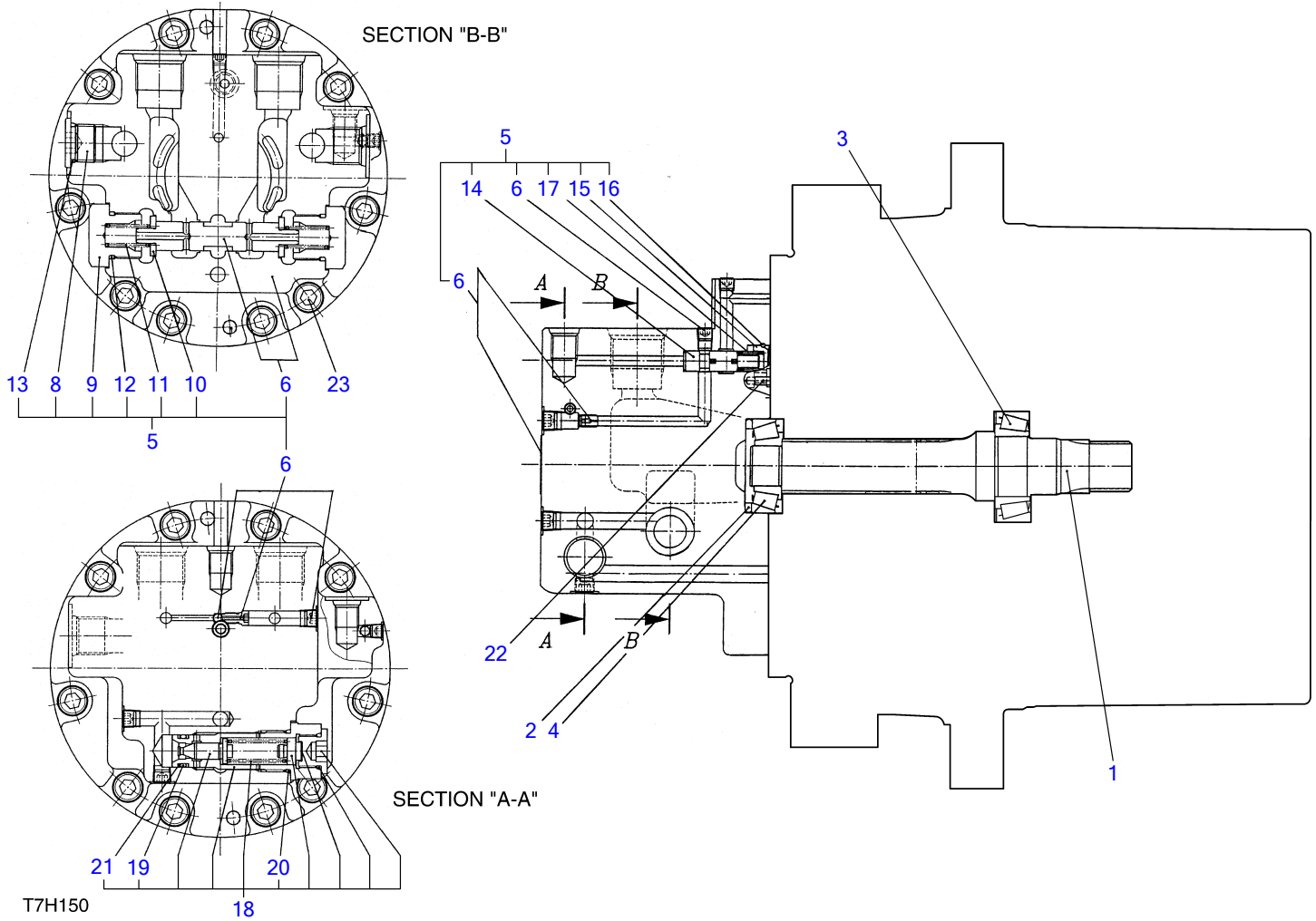
S=free

TRAVEL MOTOR (3/3) (valve sec.; 21500004-21500011)

Item	Part number	Description	Q'ty	Chan.	Serial No.	Serv.	Remarks
0	1903121000	MOTOR ASSY, travel	1		21500004~21500011		
0-10	1903121098	· SHAFT KIT	1				
1	X 1903905620	· · SHAFT	1				
2	X 1903905621	· · COLLAR	1				see note
3	X 1903905622	· · BEARING	1				
4	X 1903905623	· · BEARING	1				
5	X *****	· · FLANGE ASSY, rear	1				
6	1901809698	· · · FLANGE KIT, rear	1				
7	1901809697	· · · VALVE KIT	1				
8	1901809601	· · · PLUG	2				
9	1901809602	· · · PLUG	2				
10	1901809603	· · · COLLAR	2				
11	1901809604	· · · SPRING	2				
12	1420010220	· · · O-RING	2				
13	1420010180	· · · O-RING	2				
14	1901809605	· · · SPACER	1				
15	1901809606	· · · SPRING	1				
16	1901800051	· VALVE .relief	1				
17	1420010140	· · O-RING	1				
18	1420010200	· · O-RING	1				
19	1421020140	· · RING, back up	1				
20	1212000410	· PIN	1				
21	1110021030	· SCREW, cap	10				

Note/É°Ä

item2 t=over 3.85mm and up to 3.88mm  
 < 0.05mm interval >  
 T7h142 t=over 3.30mm and up to 3.33mm



S=free

TRAVEL MOTOR (3/3) (valve sec.; 21500012-21500765)

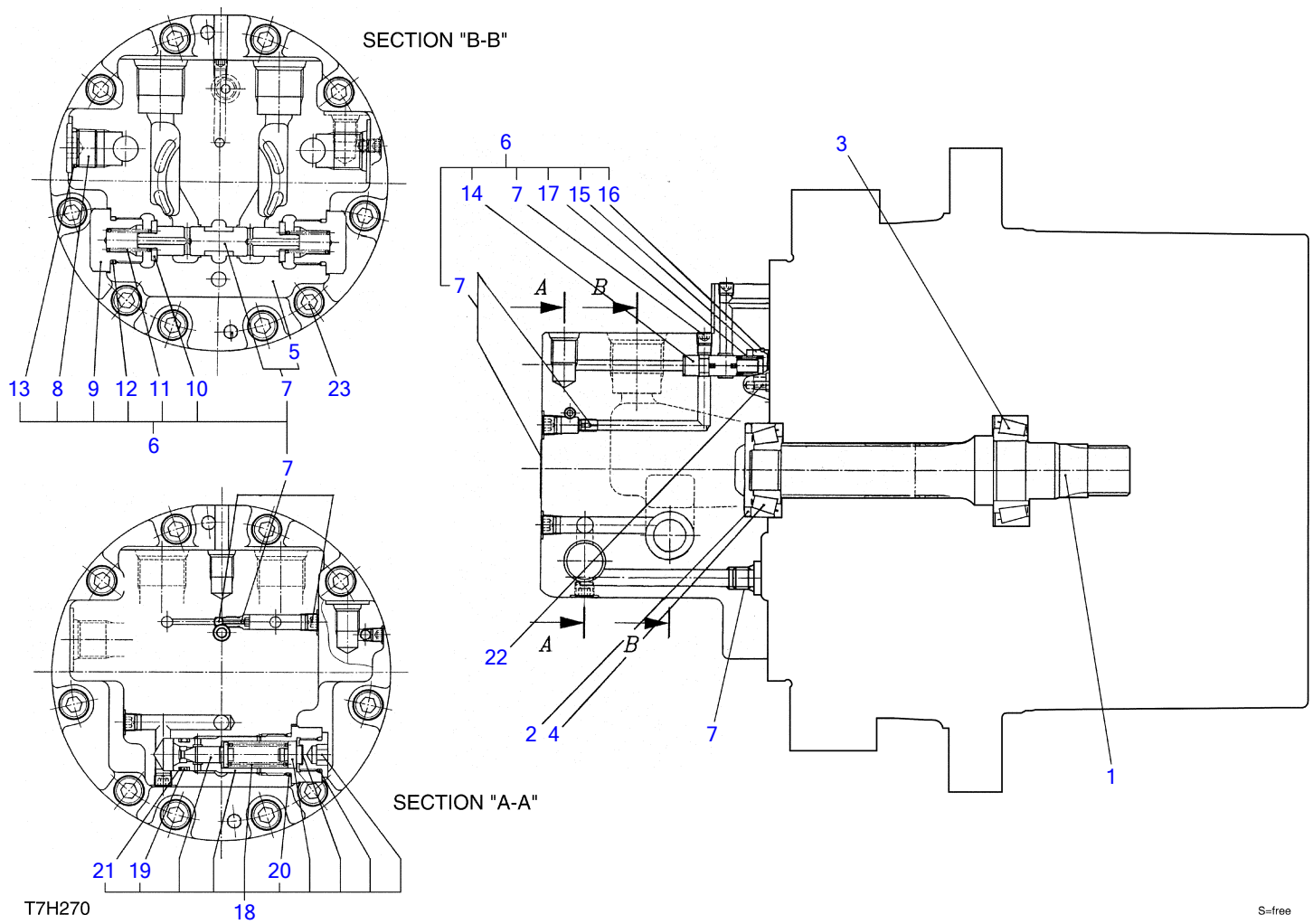
Item	Part number	Description	Q'ty	Chan.	Serial No.	Serv.	Remarks
0	1903122100	MOTOR ASSY, travel	1		21500012~21500429		
	1903123900	MOTOR ASSY, travel	1		21500430~		
0-10	1903122198	· SHAFT KIT	1				
1	X 1903905620	· · SHAFT	1				
2	X 1903905621	· · COLLAR	1				see note
3	X 1903905622	· · BEARING	1				
4	X 1903905623	· · BEARING	1				
5	X *****	· · FLANGE ASSY, rear	1				
6	1901809798	· · · FLANGE KIT, rear	1				
8	1901809601	· · · PLUG	2				
9	1901809602	· · · PLUG	2				
10	1901809603	· · · COLLAR	2				
11	1901809604	· · · SPRING	2				
12	1420010220	· · · O-RING	2				
13	1420010180	· · · O-RING	1				
14	1903903263	· · · VALVE	1				
15	1903902964	· · · STOPPER	1				
16	1903902965	· · · RING	1				
17	1901809704	· · · SPRING	1				
18	1901800051	· VALVE.relief	1				
19	1420010140	· · O-RING	1				
20	1420010200	· · O-RING	1				
21	1421020140	· · RING, back up	1				
22	1212000410	· PIN	1				
23	1110021030	· SCREW, cap	10				

Note/É°Ä  
item2

t=over 3.85mm and up to 3.88mm  
< 0.05mm interval >

t=over 3.30mm and up to 3.33mm

T7h153





**TRAVEL MOTOR (3/3) (valve sec.; 21500766-21501995) (for GEHL & MUSTANG; 21501852-)**

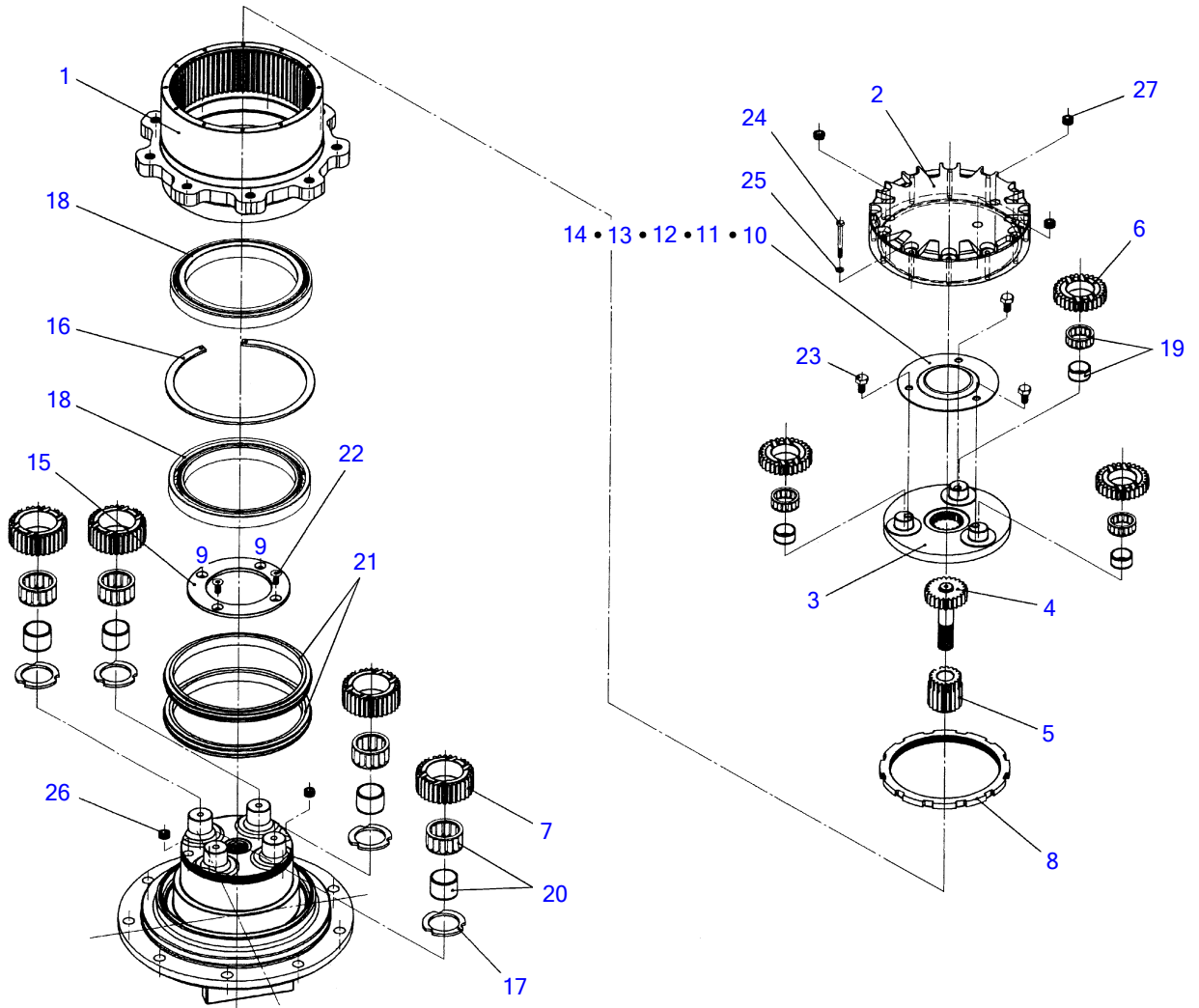
Item	Part number	Description	Q'ty	Chan.	Serial No.	Serv.	Remarks
0	<b>1903124600</b>	MOTOR ASSY, travel	1				
0-10	<b>1903124698</b>	• SHAFT KIT	1				
1	X <b>1903905620</b>	• • SHAFT	1				
2	X <b>1903905621</b>	• • COLLAR	1				see note
3	X <b>1903905622</b>	• • BEARING	1				
4	X <b>1903905623</b>	• • BEARING	1				
5	X <b>*****</b>	• • FLANGE, rear	1				
6	<b>1901810400</b>	• FLANGE ASSY, rear	1				
7	<b>1901810498</b>	• • FLANGE KIT, rear	1				
8	<b>1901809601</b>	• • PLUG	2				
9	<b>1901809602</b>	• • PLUG	2				
10	<b>1901809603</b>	• • COLLAR	2				
11	<b>1901809604</b>	• • SPRING	2				
12	<b>1420010220</b>	• • O-RING	2				
13	<b>1420010180</b>	• • O-RING	1				
14	<b>1903903263</b>	• • VALVE	1				
15	<b>1903902964</b>	• • STOPPER	1				
16	<b>1903902965</b>	• • RING	1				
17	<b>1901809704</b>	• • SPRING	1				
18	<b>1901800054</b>	• VALVE.relief	1				
19	<b>1420010140</b>	• • O-RING	1				
20	<b>1420010200</b>	• • O-RING	1				
21	<b>1421020140</b>	• • RING, back up	1				
22	<b>1212000410</b>	• PIN	1				
23	<b>1110021030</b>	• SCREW, cap	10				

**Note/É°Ä**

item2 t=over 3.85mm and up to 3.88mm  
 < 0.05mm interval >  
 t=over 3.30mm and up to 3.33mm

**T7h271**

TL150 Book No. BT7Z011 S/N 21500004-  
TRAVEL MOTOR (1/3) (reduction sec.; 21502001-)



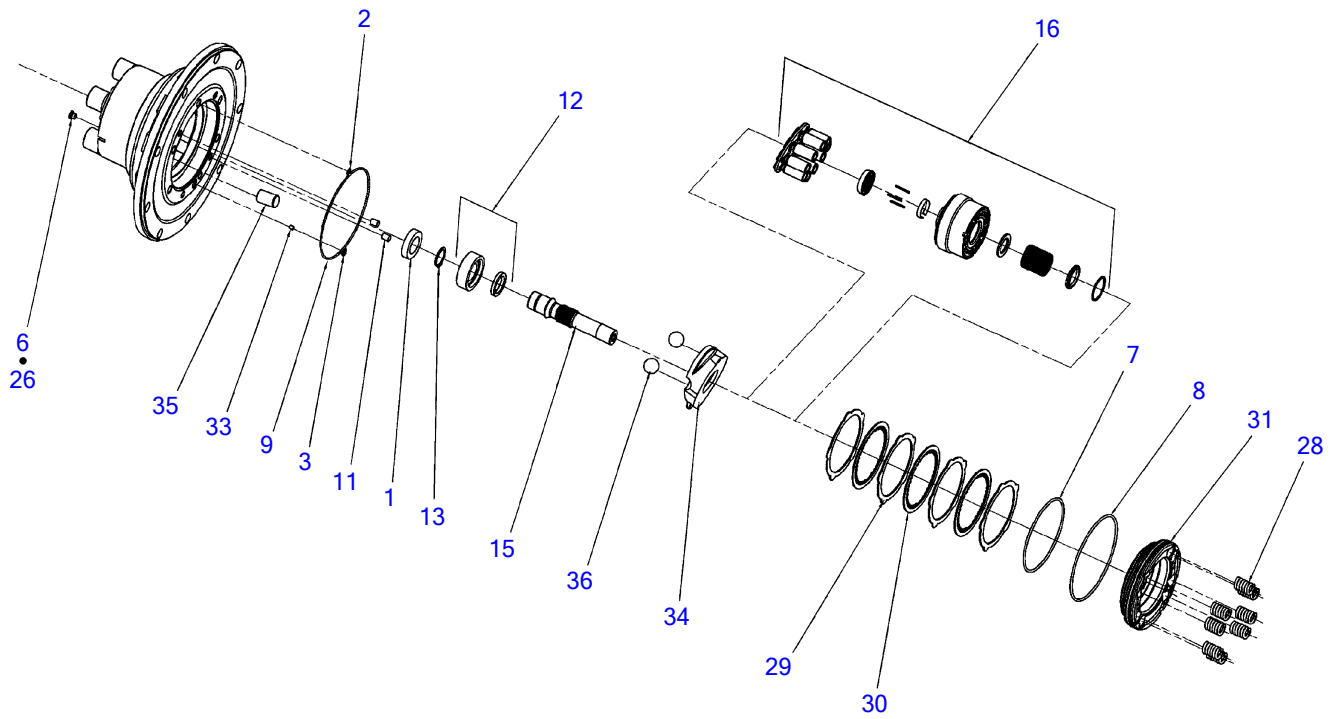
T7H282

S=free

**TRAVEL MOTOR (1/3) (reduction sec.; 21502001-)**

Item	Part number	Description	Q'ty	Chan.	Serial No.	Serv.	Remarks
0	<b>1903122200</b>	MOTOR ASSY, travel	1				
	<b>1903128200</b>	MOTOR ASSY, TRAVEL	1				
0-1	X *****	• GEAR, reduction	1				X19129-07800
1	<b>1912907801</b>	• • GEAR, ring	1				
2	<b>1912907802</b>	• • COVER	1				
	<b>1912907832</b>	* * COVER	1				
3	<b>1912907803</b>	• • CARRIER	1				
4	<b>1912907804</b>	• • GEAR	1				
5	<b>1912907805</b>	• • GEAR	1				
6	<b>1912907806</b>	• • GEAR	3				
7	<b>1912907807</b>	• • GEAR	4				
8	<b>1912907809</b>	• • NUT	1				
9	<b>1912907810</b>	• • PLATE KIT, stopper	1				
10	<b>1912907811</b>	• • • PLAT, stopper	1				t=6.4mm
11	<b>1912907812</b>	• • • PLAT, stopper	1				t=6.8mm
12	<b>1912907813</b>	• • • PLAT, stopper	1				t=6.8mm
13	<b>1912907814</b>	• • • PLAT, stopper	1				t=7.0mm
14	<b>1912907815</b>	• • • PLAT, stopper	1				t=7.2mm
15	<b>1912907818</b>	• • PLAT, stopper	1				
16	<b>1912907819</b>	• • RING, snap	1				
17	<b>1912907820</b>	• • WASHER	4				
18	<b>1912907821</b>	• • BEARING	2				
19	<b>1912907822</b>	• • BEARING	3				
20	<b>1912907824</b>	• • BEARING	4				
21	<b>1912907826</b>	• • SEAL KIT, floating	1				
22	<b>1912907827</b>	• • SCREW, cap	4				
23	<b>1912907828</b>	• • BOLT	3				
24	<b>1100041050</b>	• • BOLT	12				
25	<b>1141120010</b>	• • WASHER	12				
26	<b>1501810003</b>	• • PLUG	2				
27	<b>1912907830</b>	• • PLUG	3				
	<b>T7h282-1</b>						

TL150 Book No. BT7Z011 S/N 21500004-  
TRAVEL MOTOR (2/3) (motor sec.; 21502001-)



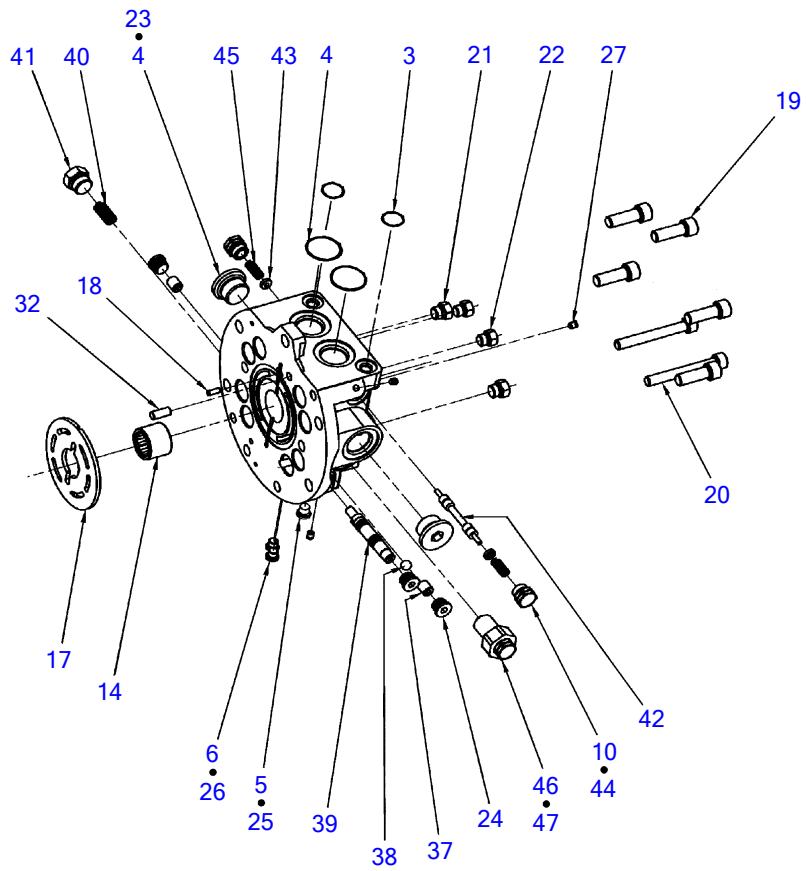
T7H291

S=free

**TRAVEL MOTOR (2/3) (motor sec.; 21502001-)**

Item	Part number	Description	Q'ty	Chan.	Serial No.	Serv.	Remarks
0	<b>1903122200</b>	MOTOR ASSY, travel	1				
	<b>1903128200</b>	MOTOR ASSY, TRAVEL	1				
0-2	X *****	· MOTOR ASSY (19039-06800)	1				incl. (3/3)
0-3	<b>1903906898</b>	· · KIT, seal	1				
1	X <b>1903906406</b>	· · · SEAL, oil	1				
2	X <b>1420010090</b>	· · · O-RING	1				
3	X <b>1420010110</b>	· · · O-RING	1				
6	X <b>1420310903</b>	· · · O-RING	1				
7	X <b>1420300250</b>	· · · O-RING	1				
8	X <b>1420300257</b>	· · · O-RING	1				
9	X <b>1420300164</b>	· · · O-RING	1				
11	<b>1902006702</b>	· · PIN	2				
12	<b>1903906803</b>	· · BEARING	1				
13	<b>1220000030</b>	· · RING, snap	1				
15	<b>1903906807</b>	· · SHAFT	1				
16	<b>1903906810</b>	· · CYLINDER BLOCK KIT	1				
26	<b>1501750003</b>	· · PLUG	1				
	<b>1420010140</b>	· · · O-RING	1				
28	<b>1903906828</b>	· · SPRING	8				
29	<b>1903906829</b>	· · PLATE	4				
30	<b>1903906830</b>	· · PLATE	3				
31	<b>1903906831</b>	· · PISTON, brake	1				
33	<b>1903906459</b>	· · ORIFICE	1				
34	<b>1903906837</b>	· · PLATE, swash	1				
35	<b>1903906838</b>	· · PISTON	1				
36	<b>1390021600</b>	· · BALL, steel	2				
	<b>T7h291-1</b>						

TL150 Book No. BT7Z011 S/N 21500004-  
TRAVEL MOTOR (3/3) (valve sec.; 21502001-)



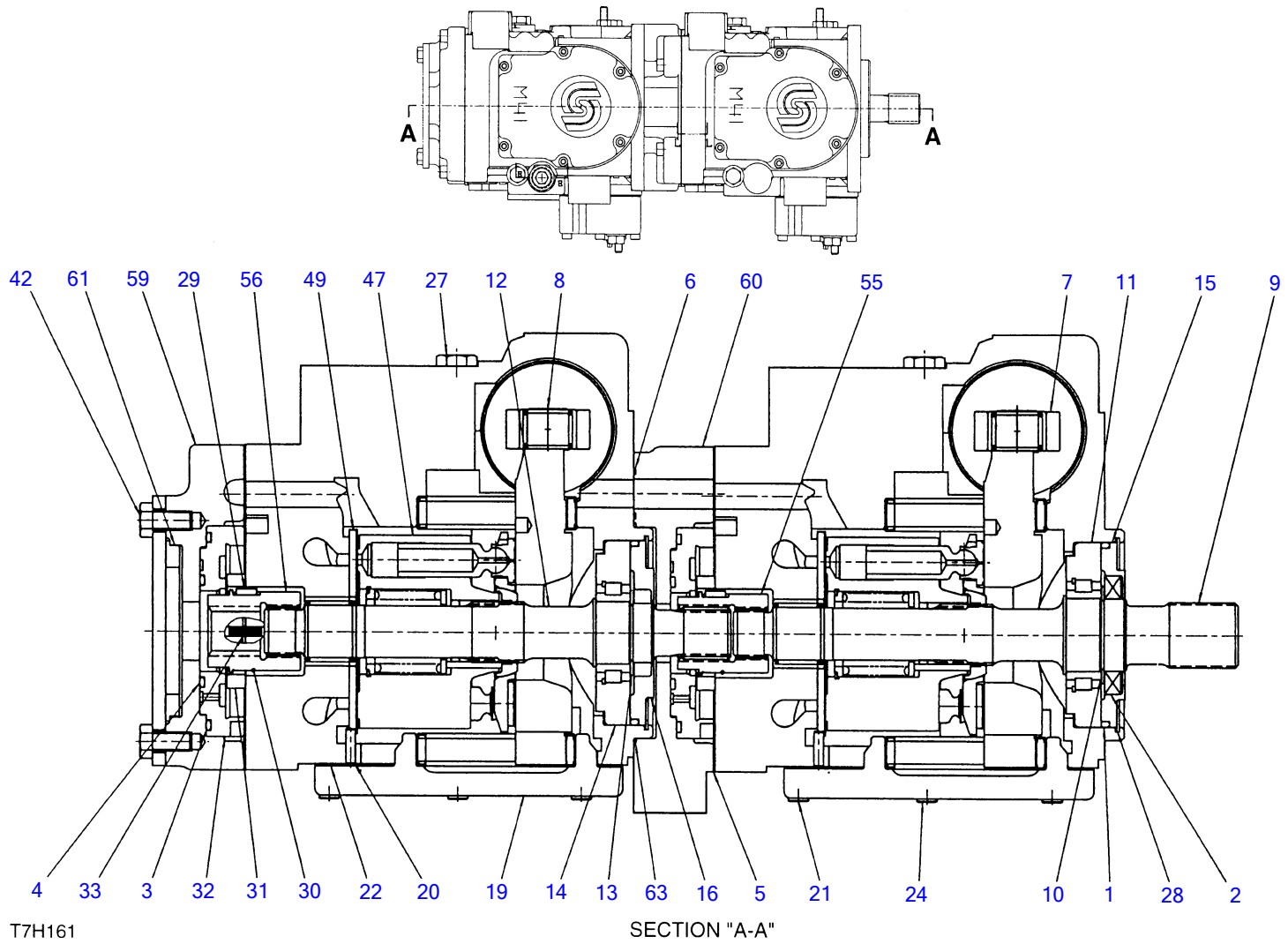
T7H300

S=free

**TRAVEL MOTOR (3/3) (valve sec.; 21502001-)**

Item	Part number	Description	Q'ty	Chan.	Serial No.	Serv.	Remarks
0	<b>1903122200</b>	MOTOR ASSY, travel	1				
	<b>1903128200</b>	MOTOR ASSY, TRAVEL	1				
0-2	X *****	· MOTOR ASSY (19039-06800)	1				incl. (2/3)
3	<b>1420010110</b>	· · O-RING	2				
4	<b>1420010224</b>	· · O-RING	1				
5	<b>1420310904</b>	· · O-RING	1				
6	<b>1420310903</b>	· · O-RING	2				
10	<b>1420310906</b>	· · O-RING	2				
14	<b>1903906806</b>	· · BEARING	1				
	<b>1903908406</b>	* * BEARING	1				
17	<b>1903906811</b>	· · PLATE	1				
	<b>1903908411</b>	* * PLATE	1				
18	<b>1902007411</b>	· · PIN	1				
19	<b>1110041235</b>	· · SCREW, cap	5				
20	<b>1110041080</b>	· · SCREW, cap	2				
21	<b>1902007455</b>	· · PLUG ASSY	2				
	<b>1420310906</b>	· · · O-RING	1				
22	<b>1903007626</b>	· · PLUG ASSY	2				
	<b>1420310904</b>	· · · O-RING	1				
23	<b>1903908620</b>	· · PLUG	2				
24	<b>1901810214</b>	· · PLUG	3				
	<b>1420310906</b>	· · · O-RING	1				
25	<b>1902010033</b>	· · PLUG	1				
26	<b>1501750003</b>	· · PLUG	2				
	<b>1420010140</b>	· · · O-RING	1				
27	<b>1903906827</b>	· · PLUG	3				
32	<b>1903906832</b>	· · PIN	1				
37	<b>1903906840</b>	· · PLUG	2				
38	<b>1390020600</b>	· · BALL, steel	1				
39	<b>1903906842</b>	· · SPOOL	1				
40	<b>1903906843</b>	· · SPRING	1				
41	<b>1903007636</b>	· · PLUG ASSY	1				
	<b>1420310908</b>	· · · O-RING	1				
42	<b>1901810212</b>	· · SPOOL	1				
43	<b>1901810211</b>	· · GUIDE	2				
44	<b>1901810202</b>	· · PLUG	2				
45	<b>1901810203</b>	· · SPRING	2				
46	<b>1903906850</b>	· · VALVE, relief	1				
	<b>1903908450</b>	* * VALVE, RELIEF	1				
47	<b>1903906851</b>	· · SPRING	1				
	<b>T7h300-1</b>						

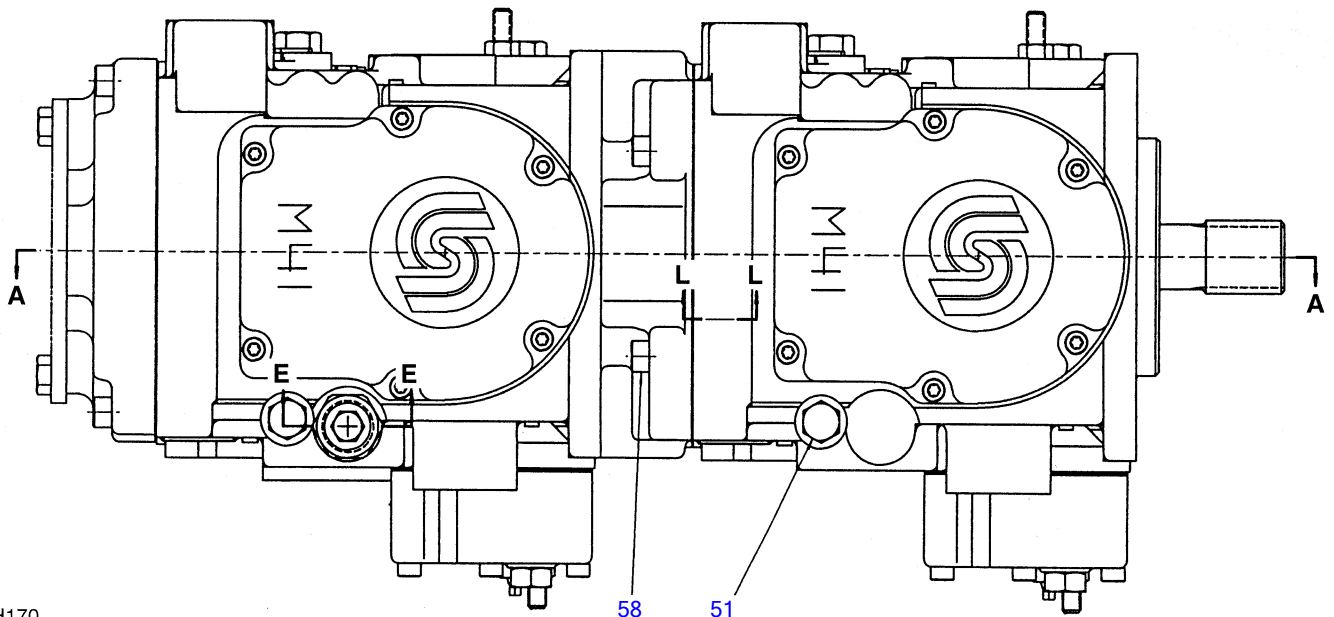
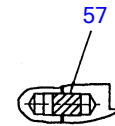
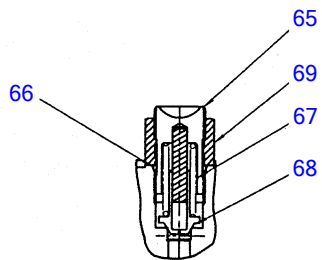
TL150 Book No. BT7Z011 S/N 21500004-  
HYDRAULIC PUMP (1/4) (21500004-21500184)





**HYDRAULIC PUMP (1/4) (21500004-21500184)**

Item	Part number	Description	Q'ty	Chan.	Serial No.	Serv.	Remarks
0	<b>1902017700</b>	PUMP, hydraulic	1				
0-1	<b>1902017799</b>	• KIT, seal	1				
1	X <b>1902016507</b>	• • O-RING	2				
2	X <b>1902017707</b>	• • SEAL, lip	1				
3	X <b>1902016525</b>	• • O-RING	2				
4	X <b>1902016526</b>	• • O-RING	2				
5	X <b>1902020357</b>	• • GASKET	2				
6	X <b>1902016564</b>	• • O-RING	1				
7	<b>1902017701</b>	• BEARING	2				
8	<b>1902017702</b>	• PLATE, swash	2				
9	<b>1902017703</b>	• SHAFT (19T)	1				
10	<b>1902017704</b>	• RING, retaining	1				
11	<b>1902017705</b>	• BEARING	1				
12	<b>1902017706</b>	• SHAFT (15T)	1				
13	<b>1902016505</b>	• RING, retaining	1				
14	<b>1902016506</b>	• BEARING	1				
15	<b>1902017708</b>	• SEAL, carrier	1				
16	<b>1902016509</b>	• SEAL, carrier	1				
19	<b>1902017710</b>	• COVER ASSY	2				
20	<b>1902016527</b>	• PIN	2				
21	<b>1110020620</b>	• SCREW, cap	4				
22	<b>1902017712</b>	• GASKET	2				
24	<b>1110020630</b>	• SCREW, cap	8				
27	<b>1902016531</b>	• PLUG ASSY	2				
28	<b>1902016520</b>	• RING, retaining	2				
29	<b>1902016521</b>	• KEY	2				
30	<b>1902016522</b>	• RING, retaining	2				
31	<b>1902016523</b>	• SPACER	2				
32	<b>1902016524</b>	• COVER	2				
33	<b>1902016527</b>	• PIN	2				
42	<b>1100050630</b>	• BOLT	4				
47	<b>1902017723</b>	• KIT, cylinder block	2				
49	<b>1902017725</b>	• PLATE, valve	2				
55	<b>1902017730</b>	• COUPLING	1				
56	<b>1902017731</b>	• COUPLING	1				
59	<b>1902016562</b>	• ADAPTOR, A pat	1				
60	<b>1902016563</b>	• ADAPTOR, B pat	1				
61	<b>1902017735</b>	• SEAL	1				
63	<b>1902016566</b>	• O-RING	1				
	<b>T7h161</b>						

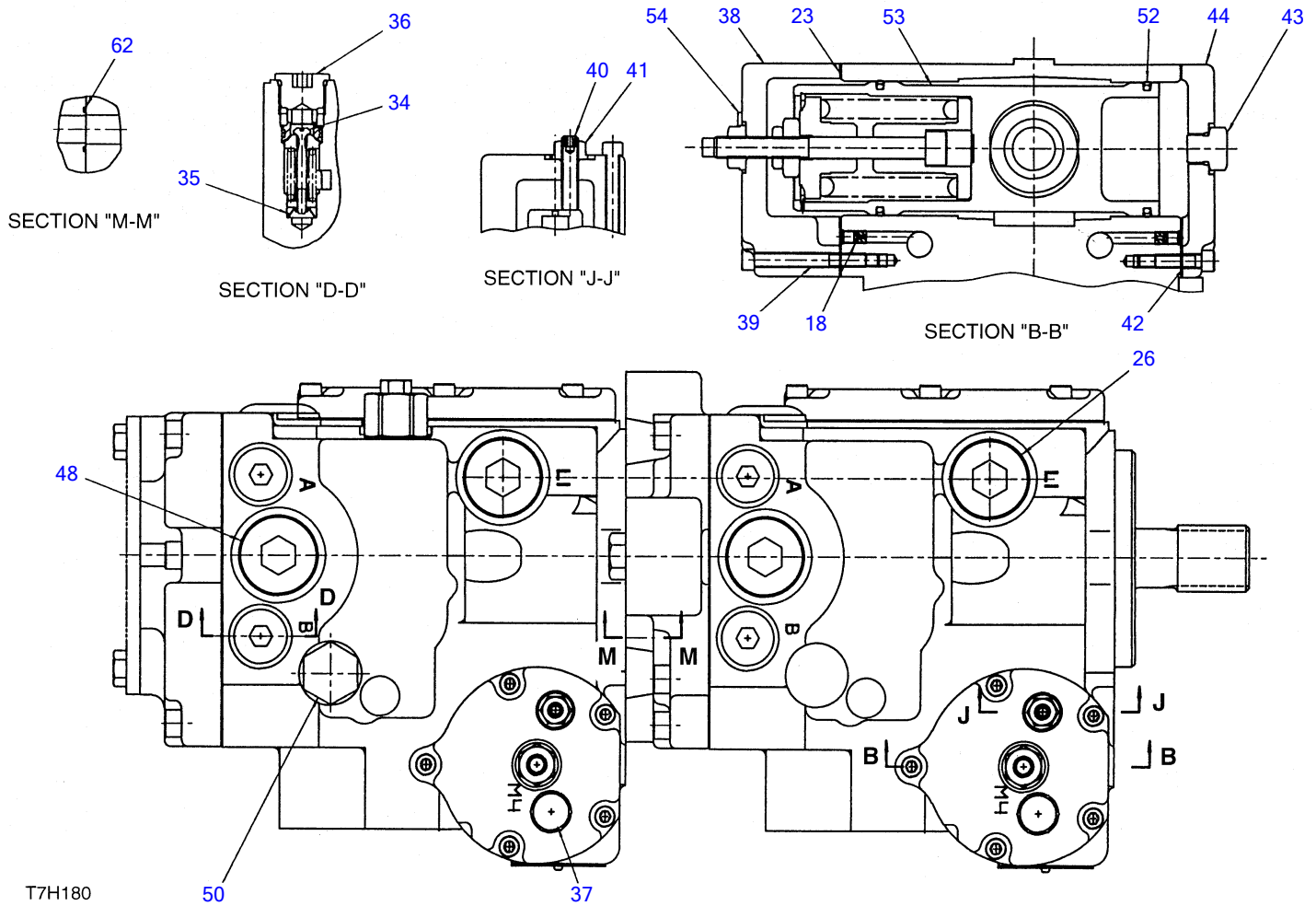


T7H170

**HYDRAULIC PUMP (2/4) (21500004-21500184)**

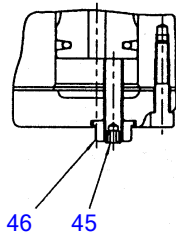
Item	Part number	Description	Q'ty	Chan.	Serial No.	Serv.	Remarks
0	<b>1902017700</b>	PUMP, hydraulic	1				
51	<b>1902017726</b>	▪ PLUG ASSY	1				
57	<b>1902006702</b>	▪ PIN	4				
58	<b>1902018098</b>	▪ SCREW KIT, cap	1				
65	<b>1902017736</b>	▪ ADJUSTER	1				
66	<b>1902017737</b>	▪ O-RING	1				
67	<b>1902017738</b>	▪ SPRING	1				
68	<b>1902017739</b>	▪ POPPET	1				
69	<b>1902016552</b>	▪ NUT	1				
	<b>T7h171</b>						

TL150 Book No. BT7Z011 S/N 21500004-  
HYDRAULIC PUMP (3/4) (21500004-21500184)

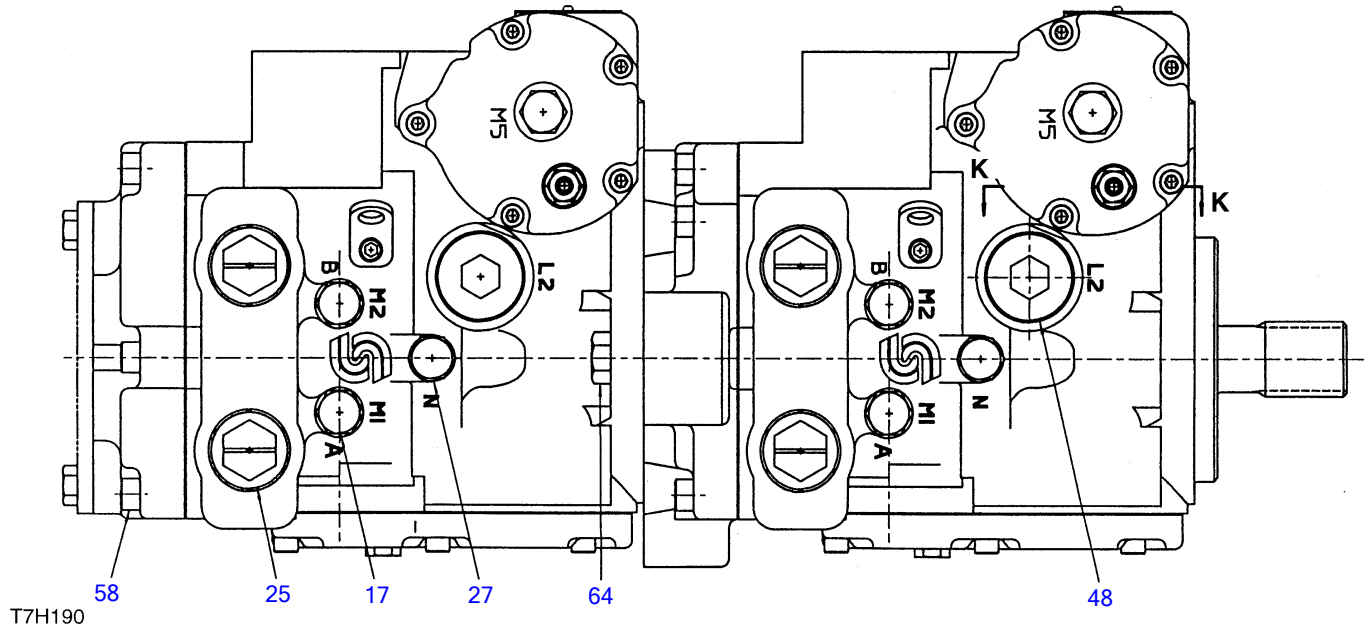


**HYDRAULIC PUMP (3/4) (21500004-21500184)**

Item	Part number	Description	Q'ty	Chan.	Serial No.	Serv.	Remarks
0	<b>1902017700</b>	PUMP, hydraulic	1				
18	<b>1902017709</b>	▪ ORIFICE	4				
23	<b>1902017713</b>	▪ GASKET	4				
26	<b>1902017724</b>	▪ PLUG ASSY	4				
34	<b>1902016528</b>	▪ VALVE	4				
35	<b>1902016529</b>	▪ SPRING	4				
36	<b>1902017716</b>	▪ PLUG ASSY	4				
37	<b>1902016531</b>	▪ PLUG ASSY	2				
38	<b>1902017717</b>	▪ COVER	2				
39	<b>1110020660</b>	▪ SCREW, cap	10				
40	<b>1902016534</b>	▪ SCREW	2				
41	<b>1902017719</b>	▪ NUT, seal	2				
42	<b>1100050630</b>	▪ BOLT	6				
43	<b>1902016531</b>	▪ PLUG ASSY	2				
44	<b>1902017721</b>	▪ COVER	2				
48	<b>1902017724</b>	▪ PLUG ASSY	1				
50	<b>1901802122</b>	▪ PLUG	1				
52	<b>1902017727</b>	▪ RING, back-up	2				
53	<b>1902017728</b>	▪ PISTON ASSY	2				
54	<b>1902017729</b>	▪ NUT, seal	2				
62	<b>1902016565</b>	▪ O-RING	1				
	<b>T7h180</b>						



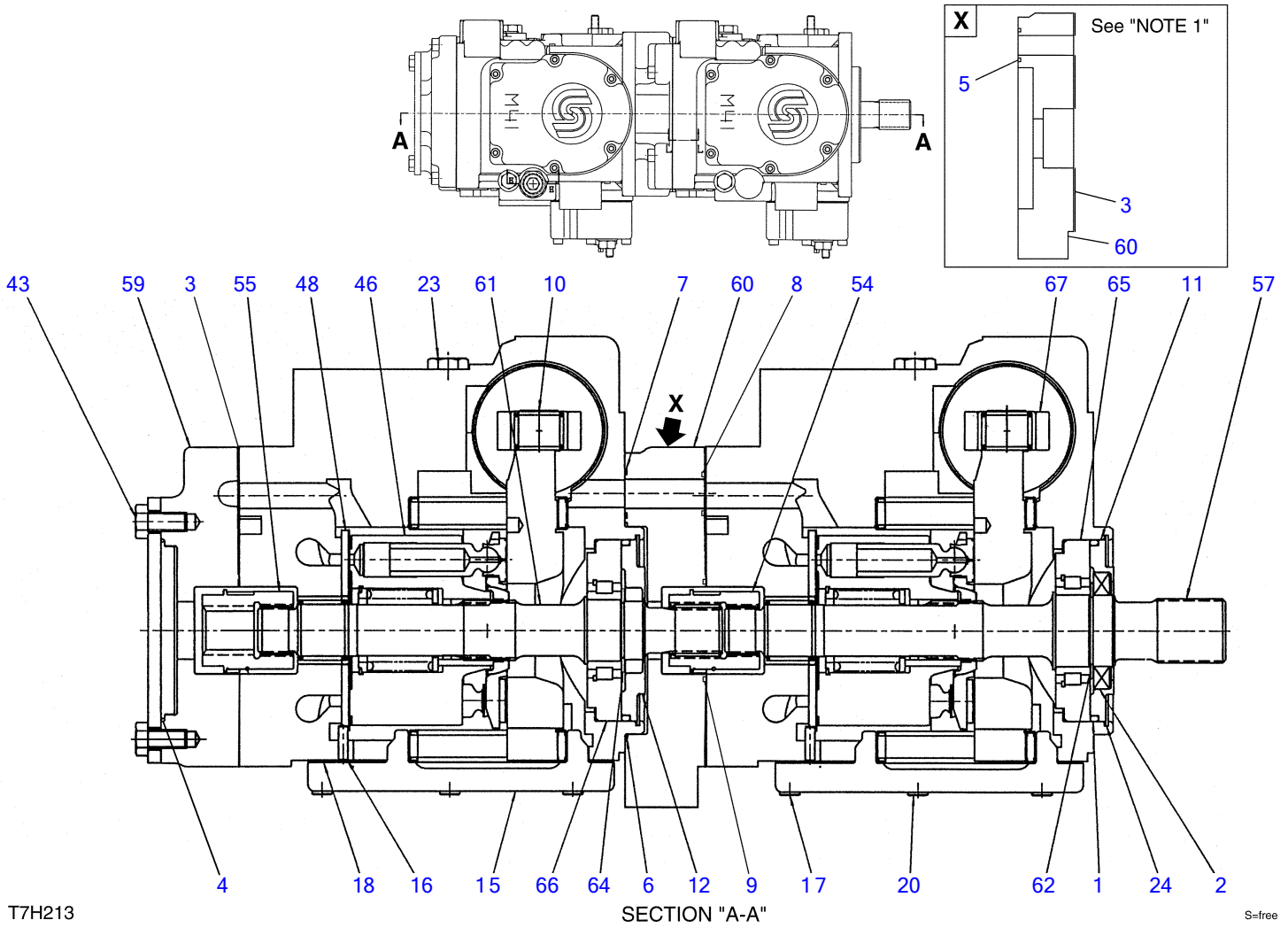
SECTION "K-K"



**HYDRAULIC PUMP (4/4) (21500004-21500184)**

Item	Part number	Description	Q'ty	Chan.	Serial No.	Serv.	Remarks
0	<b>1902017700</b>	PUMP, hydraulic	1				
17	<b>1902016531</b>	▪ PLUG ASSY	4				
25	<b>1902007451</b>	▪ PLUG ASSY	4				
27	<b>1902016531</b>	▪ PLUG ASSY	2				
45	<b>1902016534</b>	▪ SCREW	2				
46	<b>1902017719</b>	▪ NUT, seal	2				
48	<b>1902017724</b>	▪ PLUG ASSY	1				
58	<b>1110020830</b>	▪ SCREW, cap	6				
64	<b>1902016572</b>	▪ BOLT	2				
	<b>T7h191</b>						

TL150 Book No. BT7Z011 S/N 21500004-  
 HYDRAULIC PUMP (1/4) (21500185-)



T7H213

SECTION "A-A"

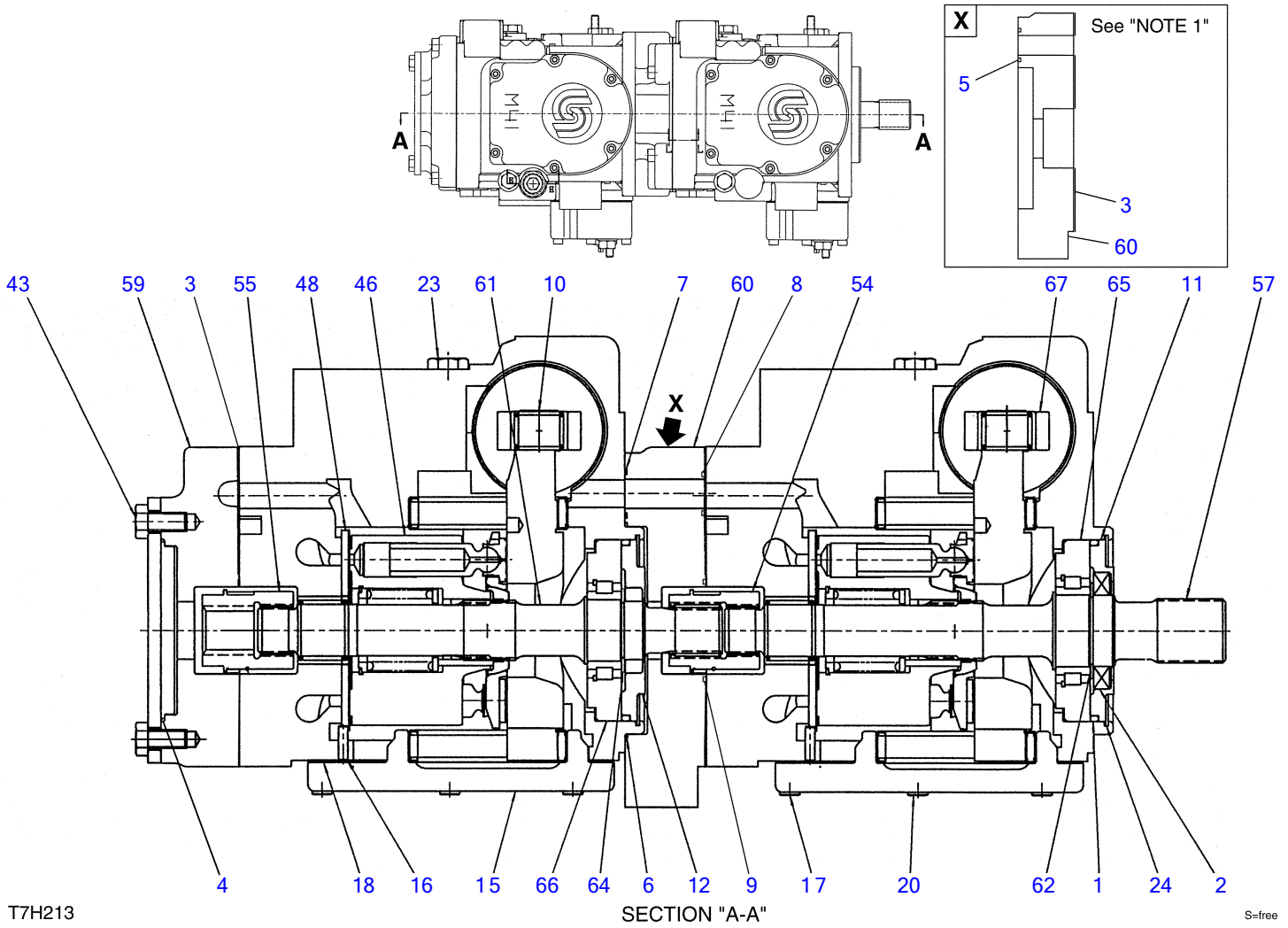
S=free



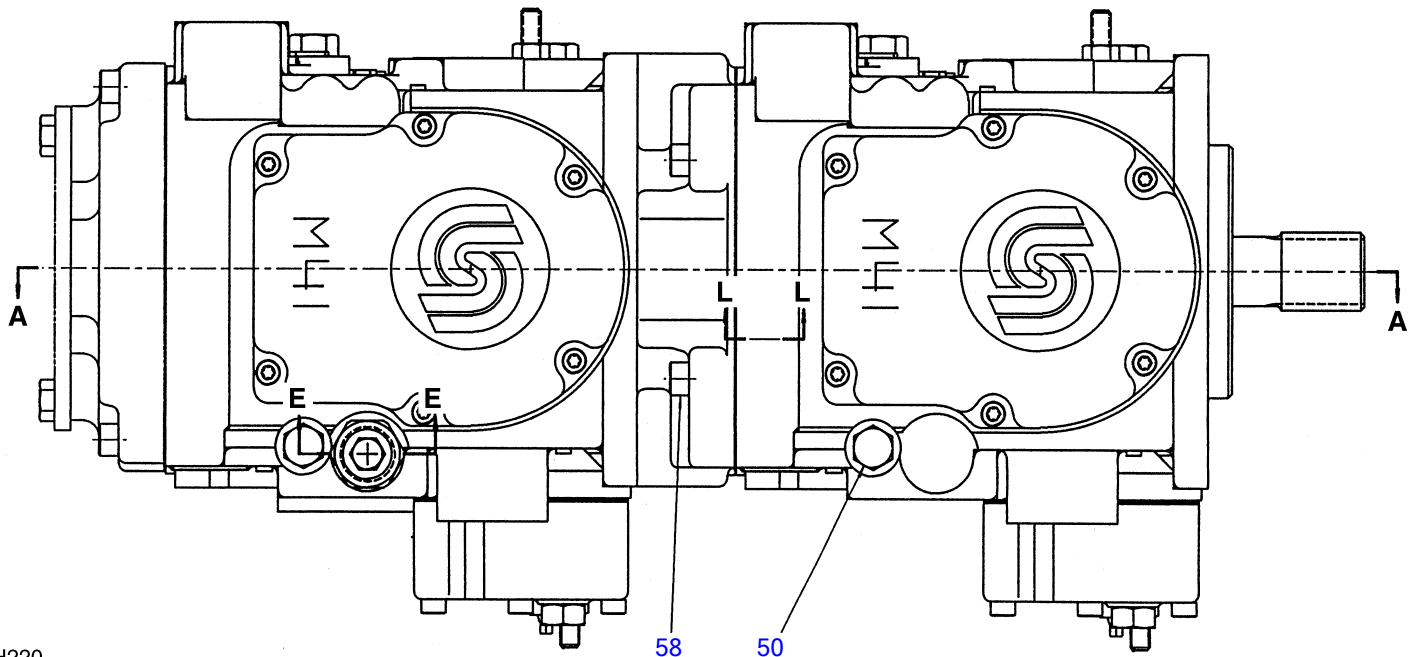
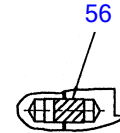
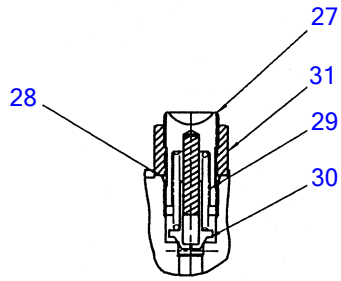
**HYDRAULIC PUMP (1/4) (21500185-)**

Item	Part number	Description	Q'ty	Chan.	Serial No.	Serv.	Remarks
0	<b>1902018800</b>	PUMP, hydraulic	1		21500185~21500467		
	<b>1902020300</b>	PUMP, hydraulic	1	(H)	21500468~		
0-1	<b>1902019299</b>	• KIT, seal	1		~2003.7		see "NOTE 1"
	<b>1902019298</b>	• KIT, seal	1		2003.7~		see "NOTE 2"
1	X <b>1902016507</b>	• • O-RING	2				
2	X <b>1902017707</b>	• • SEAL, lip	1				
3	X <b>1902020357</b>	• • GASKET	2		~2003.7		see "NOTE 1"
	X <b>1902020357</b>	• • GASKET	1		2003.7~		see "NOTE 2"
4	X <b>1420300156</b>	• • O-RING	1				
5	X <b>1902016564</b>	• • O-RING	1		~2003.7		see "NOTE 1"
6	X <b>1902016566</b>	• • O-RING	1				
7	X <b>1902016565</b>	• • O-RING	1		2003.7~		see "NOTE 2"
8	X <b>1902019270</b>	• • O-RING	1		2003.7~		see "NOTE 2"
9	X <b>1902019285</b>	• • O-RING	1		2003.7~		see "NOTE 2"
10	<b>1902018802</b>	• PLATE, swash	2				
11	<b>1902018806</b>	• SEAL, carrier	1				
12	<b>1902017409</b>	• SEAL, carrier	1				
15	<b>1902018808</b>	• COVER ASSY	2				
16	<b>1902018809</b>	• PIN	2				
17	<b>1100050620</b>	• BOLT	4				
18	<b>1902017712</b>	• GASKET	2				
20	<b>1100050630</b>	• BOLT	8				
23	<b>1902019215</b>	• PLUG ASSY	2				
24	<b>1902016520</b>	• RING, retaining	2				
43	<b>1100050630</b>	• BOLT	4				
46	<b>1902018822</b>	• KIT, cylinder block	2				
48	<b>1902018823</b>	• PLATE, valve	2				
54	<b>1902017730</b>	• COUPLING	1				
55	<b>1902017731</b>	• COUPLING	1				
57	<b>1902018803</b>	• SHAFT (19T)	1				
59	<b>1902017449</b>	• ADAPTOR, A pat	1				
60	<b>1902017450</b>	• ADAPTOR, B pat (not service)	1		~2003.7		see "NOTE 1"
	<b>1902019271</b>	• ADAPTOR, B pat	1	(H)	2003.7~		see "NOTE 2"
61	<b>1902018804</b>	• SHAFT (15T)	1				
62	<b>1902017704</b>	• RING, retaining	1				
64	<b>1902016505</b>	• RING, retaining	1				
65	<b>1902018805</b>	• BEARING	1				
66	<b>1902016506</b>	• BEARING	1				
67	<b>1902018801</b>	• BEARING	2				
		<<NOTE 1>>					
		21500185~21500666,					
		21500668~21500783					
		21500785~21500800, 21500804					
		21500807~21500810,					
		21500813~21500850					
		21500853~21500856,					
		21500858~21500859					
		21500862, 21500864~21500884,					
		21500886					
		21500890, 21500896, 21500910,					
		21500913					
		21500916, 21500925,					
		21500928~21500929					
		21500933~21500935, 21500937					
		<<NOTE 2>>					
		21500667, 21500784,					
		21500801~21500803					
		21500850~21500806,					
		21500811~21500812					
		21500851~21500852, 21500857					
		21500860~21500861, 21500863,					
		21500885					
		21500887~21500889,					
		21500891~21500895					
		21500897~21500909,					
		21500911~21500912					
		21500914~21500915,					
		21500917~21500924					

TL150 Book No. BT7Z011 S/N 21500004-  
 HYDRAULIC PUMP (1/4) (21500185-)



Item	Part number	HYDRAULIC PUMP (1/4) (21500185-) Description	Q'ty	Chan.	Serial No.	Serv.	Remarks
67		21500926~21500927,					
67		21500930~21500932					
	<b>T7h214</b>	21500936, 21500938					



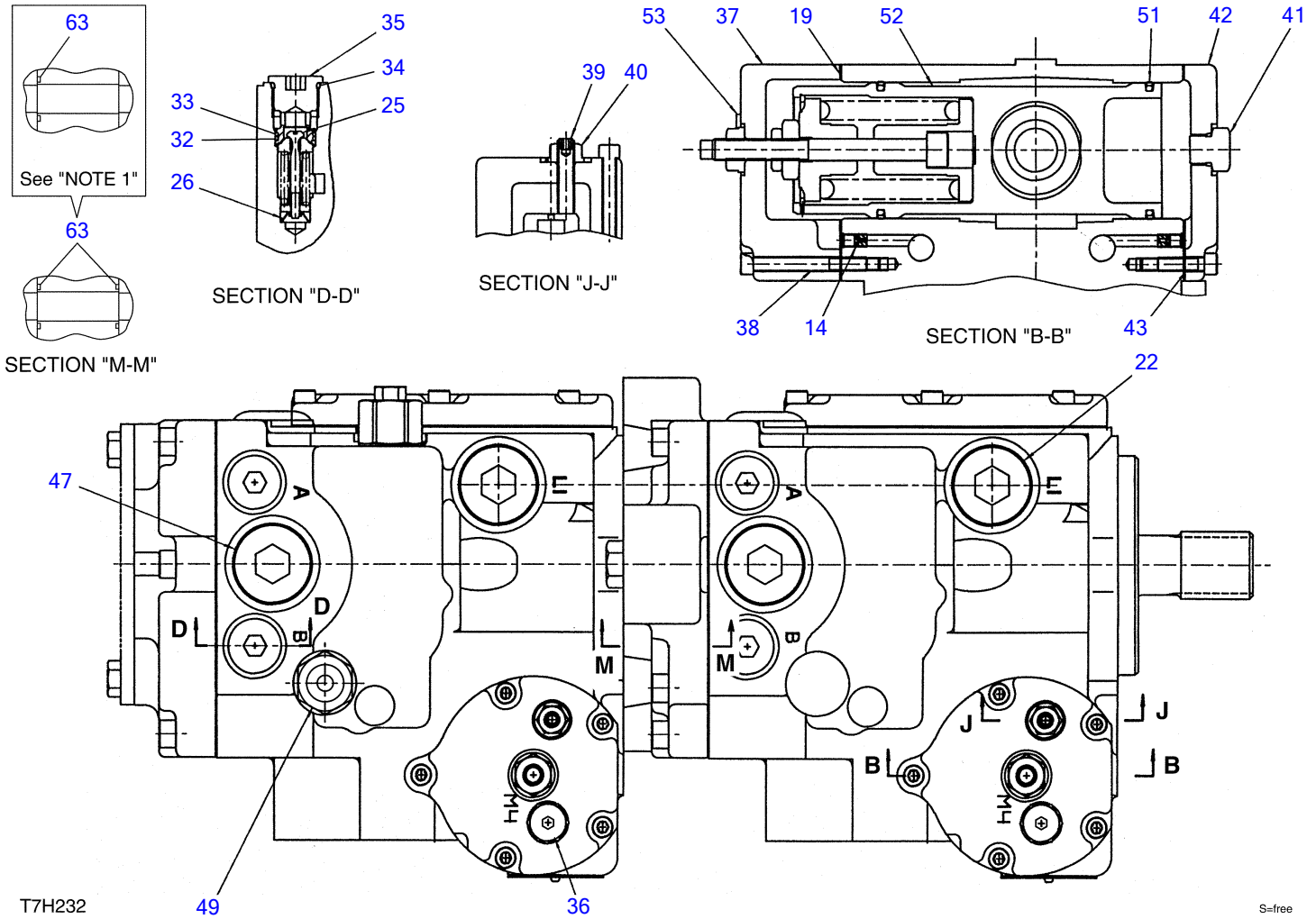
T7H220

S=free

**HYDRAULIC PUMP (2/4) (21500185-)**

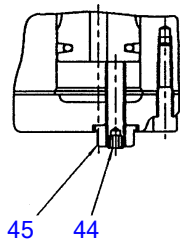
Item	Part number	Description	Q'ty	Chan.	Serial No.	Serv.	Remarks
0	<b>1902018800</b>	PUMP, hydraulic	1		21500185~21500467		
	<b>1902020300</b>	PUMP, hydraulic	1	(H)	21500468~		
27	<b>1902019226</b>	• ADJUSTER	1			M	
28	<b>1420310910</b>	• O-RING	1				
29	<b>1902016553</b>	• SPRING	1			M	
30	<b>1902016554</b>	• POPPET	1				
31	<b>1902016552</b>	• NUT	1				
50	<b>1902019215</b>	• PLUG ASSY	1				
56	<b>1902006702</b>	• PIN	4				
58	<b>1902018098</b>	• SCREW KIT, cap	1		21500185~21500467		
	<b>1902020358</b>	• SCREW, cap	8		21500468~		
	<b>T7h224</b>						

TL150 Book No. BT7Z011 S/N 21500004-  
 HYDRAULIC PUMP (3/4) (21500185-)

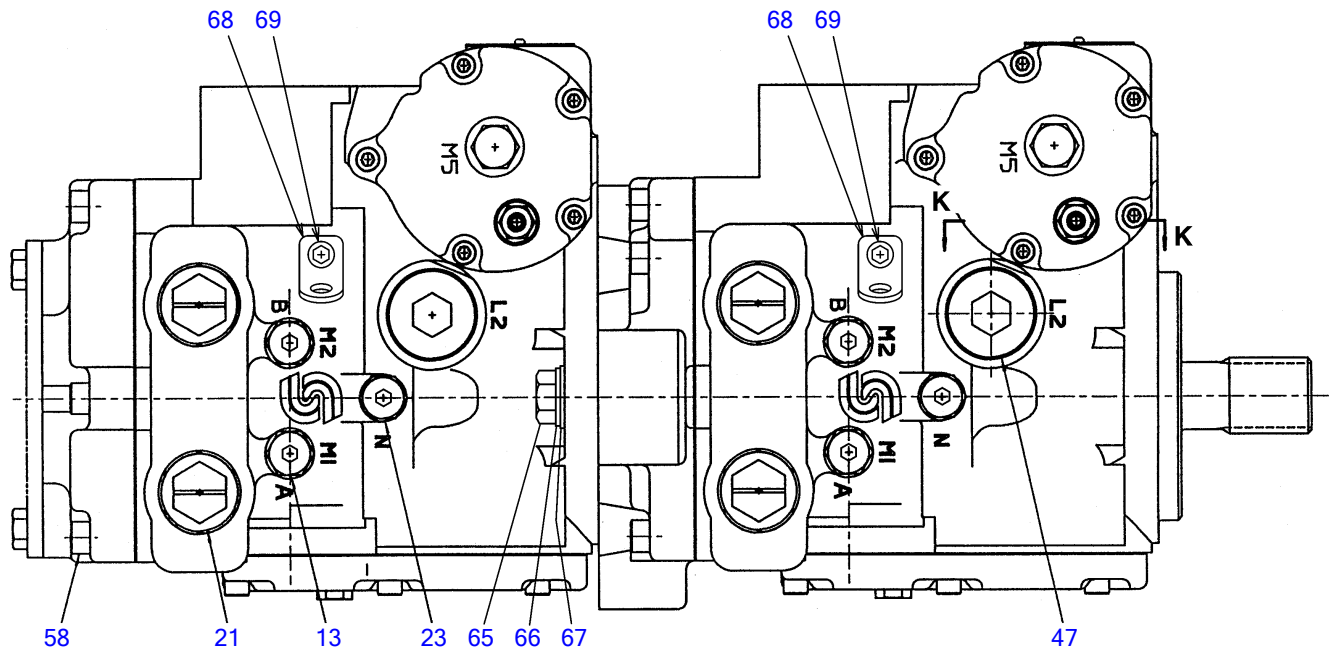


**HYDRAULIC PUMP (3/4) (21500185-)**

Item	Part number	Description	Q'ty	Chan.	Serial No.	Serv.	Remarks
0	<b>1902018800</b>	PUMP, hydraulic	1		21500185~21500467		
	<b>1902020300</b>	PUMP, hydraulic	1	(H)	21500468~		
14	<b>1902018807</b>	• ORIFICE	4				
19	<b>1902017713</b>	• GASKET	4				
22	<b>1902017724</b>	• PLUG ASSY	4				
25	<b>1902019229</b>	• VALVE	4				
26	<b>1902020736</b>	• SPRING	4				
32	<b>1902018814</b>	• O-RING	4				
33	<b>1902018815</b>	• RING, back-up	4				
34	<b>1420310910</b>	• O-RING	4				
35	<b>1902018817</b>	• PLUG ASSY	4				
36	<b>1902019215</b>	• PLUG ASSY	2				
37	<b>1902018818</b>	• COVER	2				
38	<b>1100050660</b>	• BOLT	10				
39	<b>1902017425</b>	• SCREW	2				
40	<b>1902017719</b>	• NUT, seal	2				
41	<b>1902019215</b>	• PLUG ASSY	2				
42	<b>1902018820</b>	• COVER	2				
43	<b>1100050630</b>	• BOLT	6				
47	<b>1902017724</b>	• PLUG ASSY	1				
49	<b>1902019251</b>	• PLUG	1				M
51	<b>1902017727</b>	• RING, back-up	2				
52	<b>1902018824</b>	• PISTON ASSY	2				
53	<b>1902018825</b>	• NUT, seal	2				
63	<b>1902016565</b>	• O-RING	1		~2003.7		see "NOTE 1"
	<b>1902016564</b>	• O-RING	2		2003.7~		see "NOTE 2"
		<<NOTE 1>>					
		21500185~21500666,					
		21500668~21500783					
		21500785~21500800, 21500804					
		21500807~21500810,					
		21500813~21500850					
		21500853~21500856,					
		21500858~21500859					
		21500862,					
		21500864~21500884, 21500886					
		21500890, 21500896,					
		21500910, 21500913					
		21500916, 21500925,					
		21500928~21500929					
		21500933~21500935, 21500937					
		<<NOTE 2>>					
		21500667, 21500784,					
		21500801~21500803					
		21500850~21500806,					
		21500811~21500812					
		21500851~21500852, 21500857					
		21500860~21500861,					
		21500863, 21500885					
		21500887~21500889,					
		21500891~21500895					
		21500897~21500909,					
		21500911~21500912					
		21500914~21500915,					
		21500917~21500924					
		21500926~21500927,					
		21500930~21500932					
		21500936, 21500938					
	<b>T7h236</b>						



SECTION "K-K"



T7H241

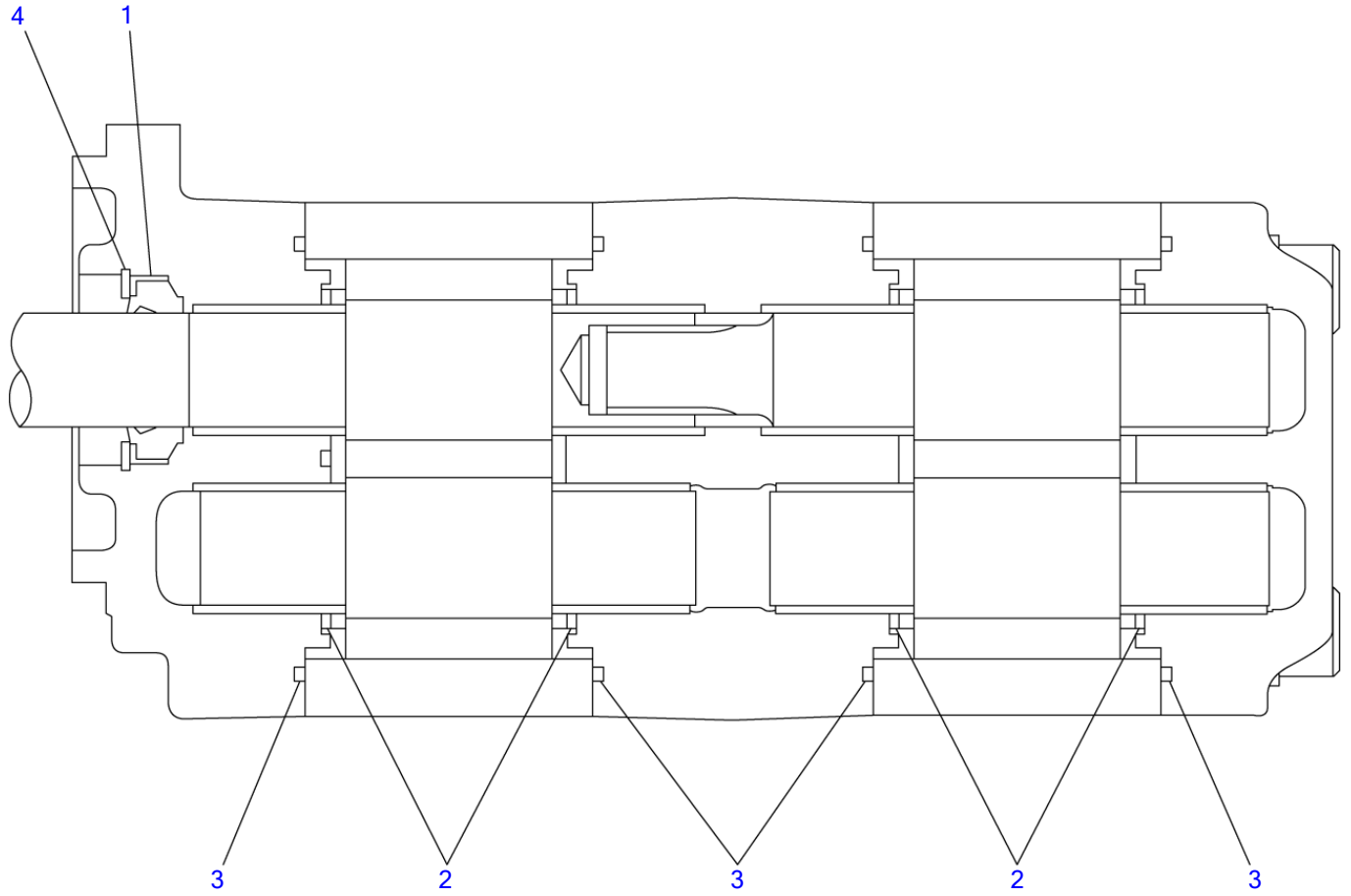
S=free



**HYDRAULIC PUMP (4/4) (21500185-)**

Item	Part number	Description	Q'ty	Chan.	Serial No.	Serv.	Remarks
0	<b>1902018800</b>	PUMP, hydraulic	1		21500185~21500467		
	<b>1902020300</b>	PUMP, hydraulic	1	(H)	21500468~		
13	<b>1902019215</b>	▪ PLUG ASSY	4				
21	<b>1902020390</b>	▪ PLUG ASSY	4			M	
23	<b>1902019215</b>	▪ PLUG ASSY	2				
44	<b>1902017425</b>	▪ SCREW	2				
45	<b>1902017719</b>	▪ NUT, seal	2				
47	<b>1902017724</b>	▪ PLUG ASSY	1				
58	<b>1110020830</b>	▪ SCREW, cap	6				
65	<b>1902010035</b>	▪ BOLT	2				
66	<b>1902016567</b>	▪ WASHER, spring	2				
67	<b>1141200014</b>	▪ WASHER	2				
68	<b>1902020297</b>	▪ PLATE	2			M	
69	<b>1902020298</b>	▪ BOLT	2			M	
	<b>T7h243</b>						

TL150 Book No. BT7Z011 S/N 21500004-  
GEAR PUMP

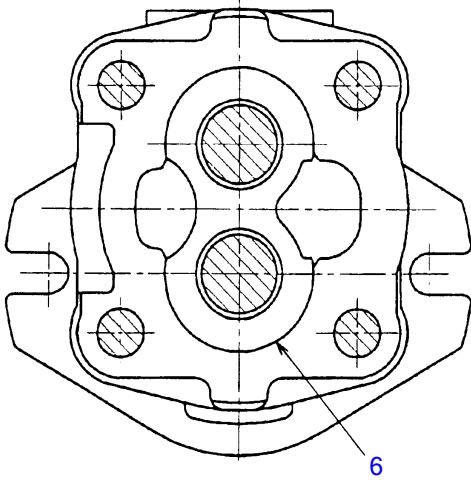
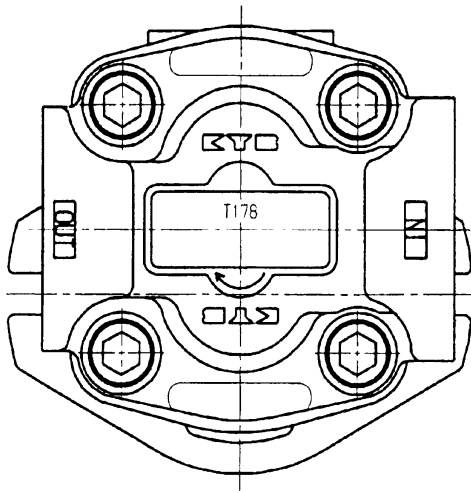


TH200

S=free

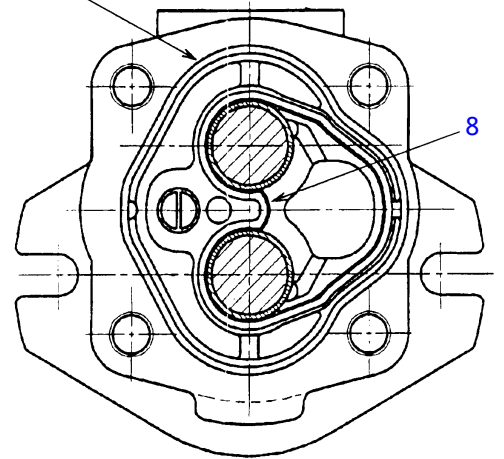
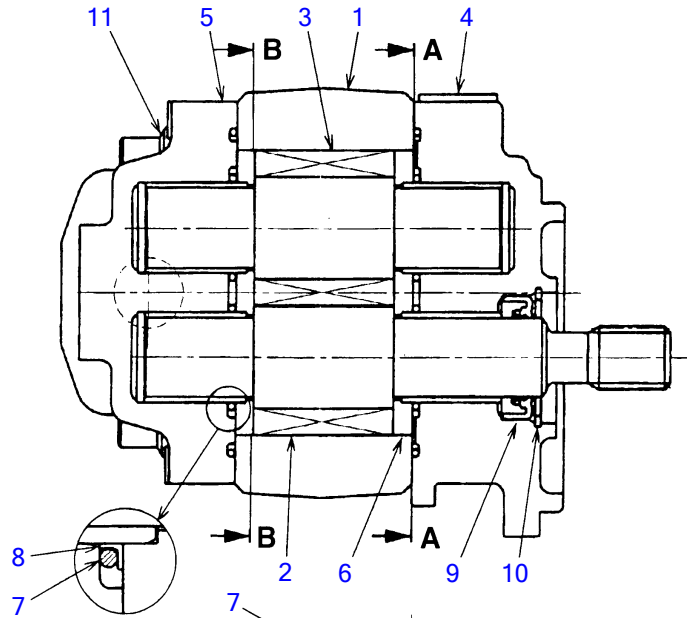
**GEAR PUMP**

Item	Part number	Description	Q'ty	Chan.	Serial No.	Serv.	Remarks
0	<b>1902018100</b>	PUMP ASSY, gear	1				
0-1	<b>1902018199</b>	▪ KIT, seal	1				
1	X <b>1902018154</b>	▪ ▪ SEAL, oil	1				
2	X <b>1902018150</b>	▪ ▪ GASKET	4				
3	X <b>1902018151</b>	▪ ▪ GASKET	4				
4	X <b>1221000036</b>	▪ ▪ RING, snap	1				
	<b>T7h200</b>						



T7H250

SECTION "B-B"



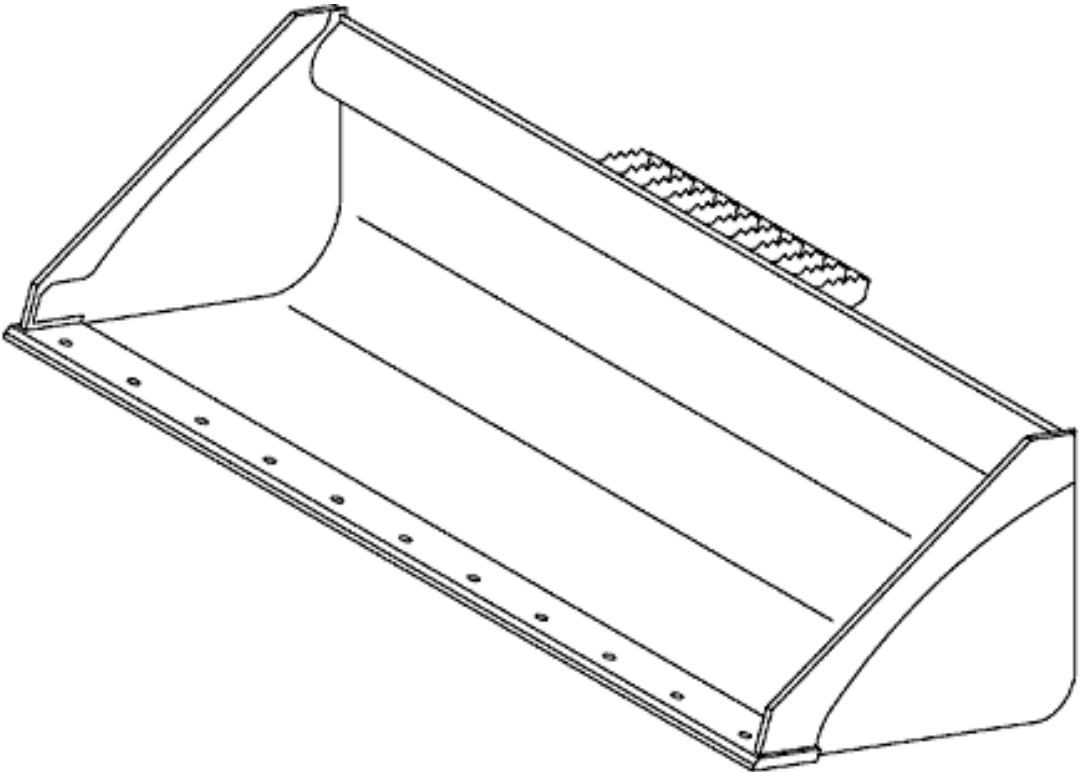
SECTION "A-A"

**GEAR PUMP (high flow)**

Item	Part number	Description	Q'ty	Chan.	Serial No.	Serv.	Remarks
0	<b>1902017800</b>	PUMP ASSY, gear	1				
1	X *****	▪ PLATE, gear	1				
0-1	<b>1902017898</b>	▪ KIT, gear	1				
2	X *****	▪ ▪ GEAR	1				
3	X *****	▪ ▪ GEAR	1				
4	<b>1902017804</b>	▪ FLANGE	1				
5	<b>1902017805</b>	▪ COVER	1				
6	<b>1902017806</b>	▪ PLATE	2				
0-2	<b>1902017899</b>	▪ KIT, reper	1				
7	X *****	▪ ▪ SEAL	2				
8	X *****	▪ ▪ BACK-UP	2				
9	X *****	▪ ▪ SEAL, oil	1				
10	X *****	▪ ▪ RING, snap	1				
11	<b>1902017811</b>	▪ SCREW, cap	4				
	<b>T7h250</b>						



Item	Part number	Description	Q'ty	Chan.	Serial No.	Serv.	Remarks
		<b>Heater Kit</b>					
	<b>BHEATTL150</b>	Heater Kit	1				
1	<b>R2700</b>	* Blower Unit (motor abd core)	1				
2	<b>RD-4197-0P</b>	* Heater Hose 5/8" ID	1				
3	<b>RED-72R2500</b>	* Ball Louver	1				
4	<b>RD-5192-0P</b>	* Water Valve	2				
5	<b>RD-4130-1P</b>	* Heater Core Nipple	2				
6	<b>RD-5-4035-10M</b>	* Hose Clamp 5/8"	8				
7	<b>RED71R4040</b>	* Control Knob	1				
8	<b>1911505768</b>	* Rotary Switch	1				
9	<b>1911508559</b>	* Heater Hose	1				



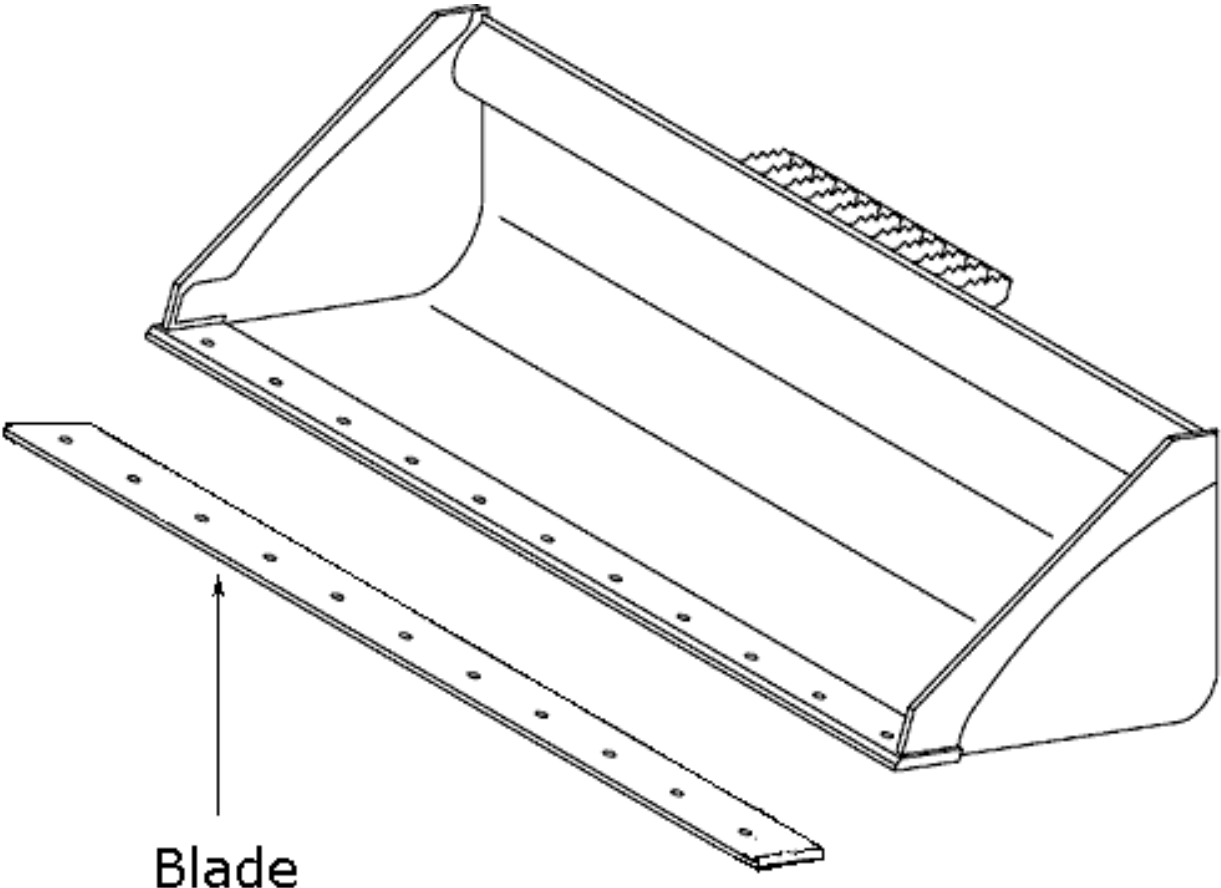


Item	Part number	Description	TL150 Bucket				Remarks
			Q'ty	Chan.	Serial No.	Serv.	
		TL150 Bucket					
	<b>BTL15078</b>	80" Smooth Bucket	1				
	<b>BTL15079</b>	80" Tooth Bucket	1				



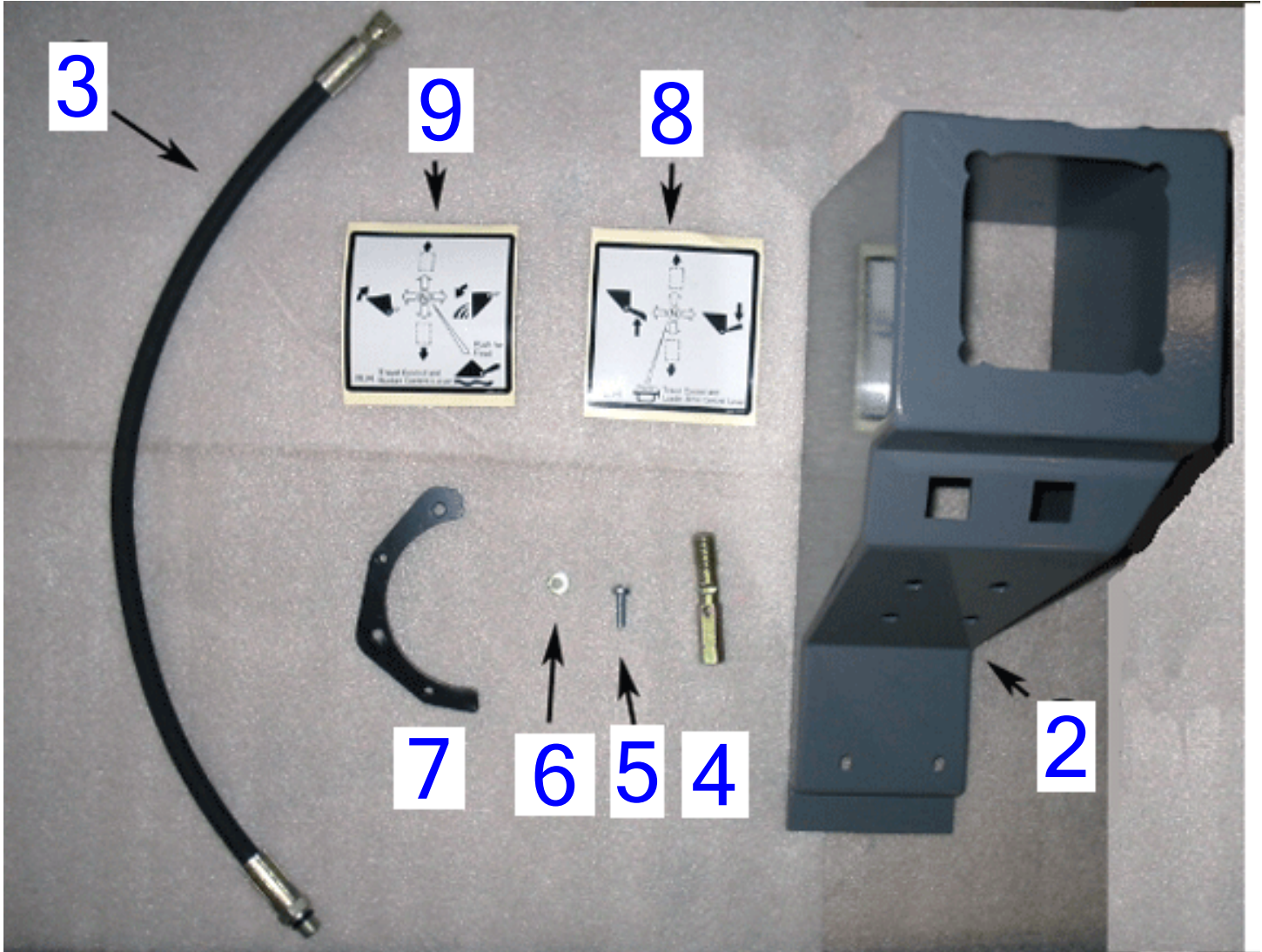
**Bucket Teeth**

Item	Part number	Description	Q'ty	Chan.	Serial No.	Serv.	Remarks
		Bucket Teeth					
1	1914272300	Tooth Kit	1				
2	1914200230	* Tooth	9				
3	1914200023	* Lock	9				
4	1914202300	- Adaptor	9				



Blade

		<b>Blades</b>					
Item	Part number	Description	Q'ty	Chan.	Serial No.	Serv.	Remarks
		Bolt Blades					
	<b>0880621201</b>	80" Bolt on Blade for Bucket Model #88759	1				

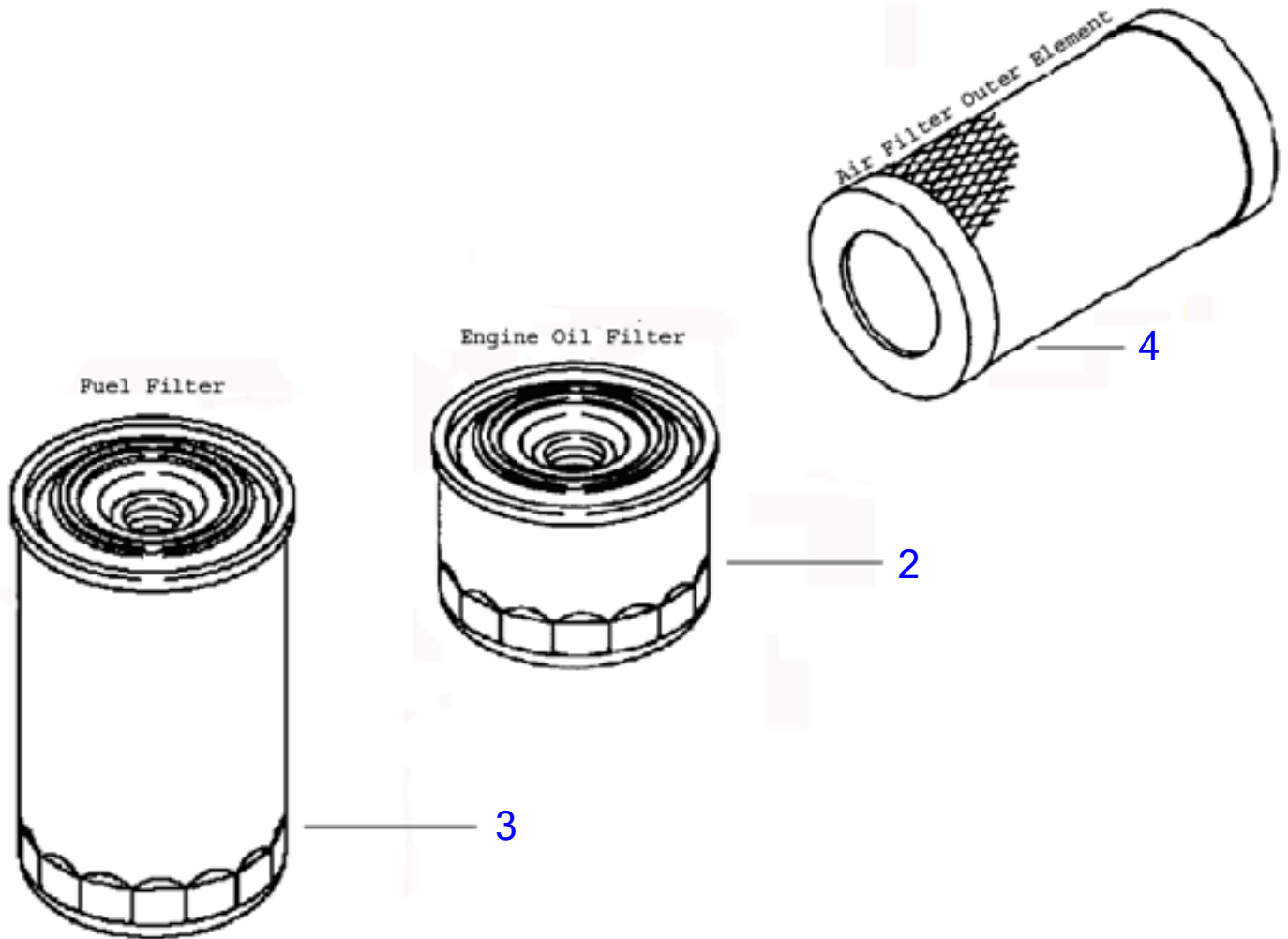


<b>Case Control Kit</b>						
Item	Part number	Description	Q'ty	Chan.	Serial No.	Serv. Remarks
		Case Control Kit				
	<b>BCASETL150</b>	Case Control Kit	1			
2	<b>BCASETL150A</b>	Case Control Console Box	1			
3	<b>BCASETL150HOSE</b>	Case Control Hose Assy	2			
4	<b>1901734123</b>	Lever	1			
5	<b>1120530620</b>	Pan Screw 4tm6 X 20 P-1.0 phillips	4			
6	<b>1140020006</b>	Spring Washer	4			
7	<b>0880710010</b>	Spacer	2			
8	<b>0880031012</b>	Decal	1			
9	<b>0880031011</b>	Decal	1			



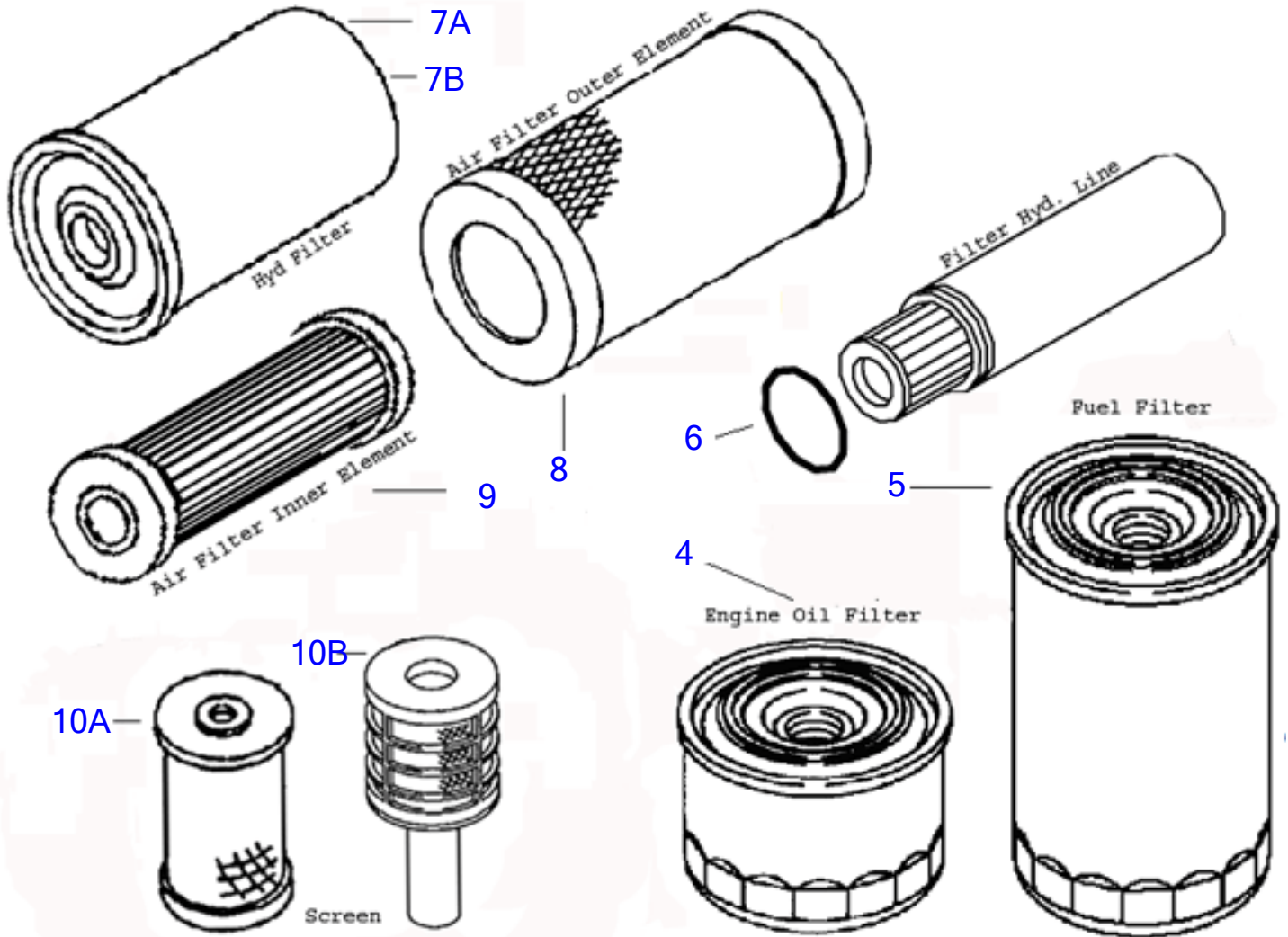


Item	Part number	Description	Six Way Blade			Remarks
			Q'ty	Chan.	Serial No.	
		Six Way Blade				
	<b>BPL12008</b>	8' Blade Assy	1			
	<b>89942</b>	Harness for Bradco Blades	1			

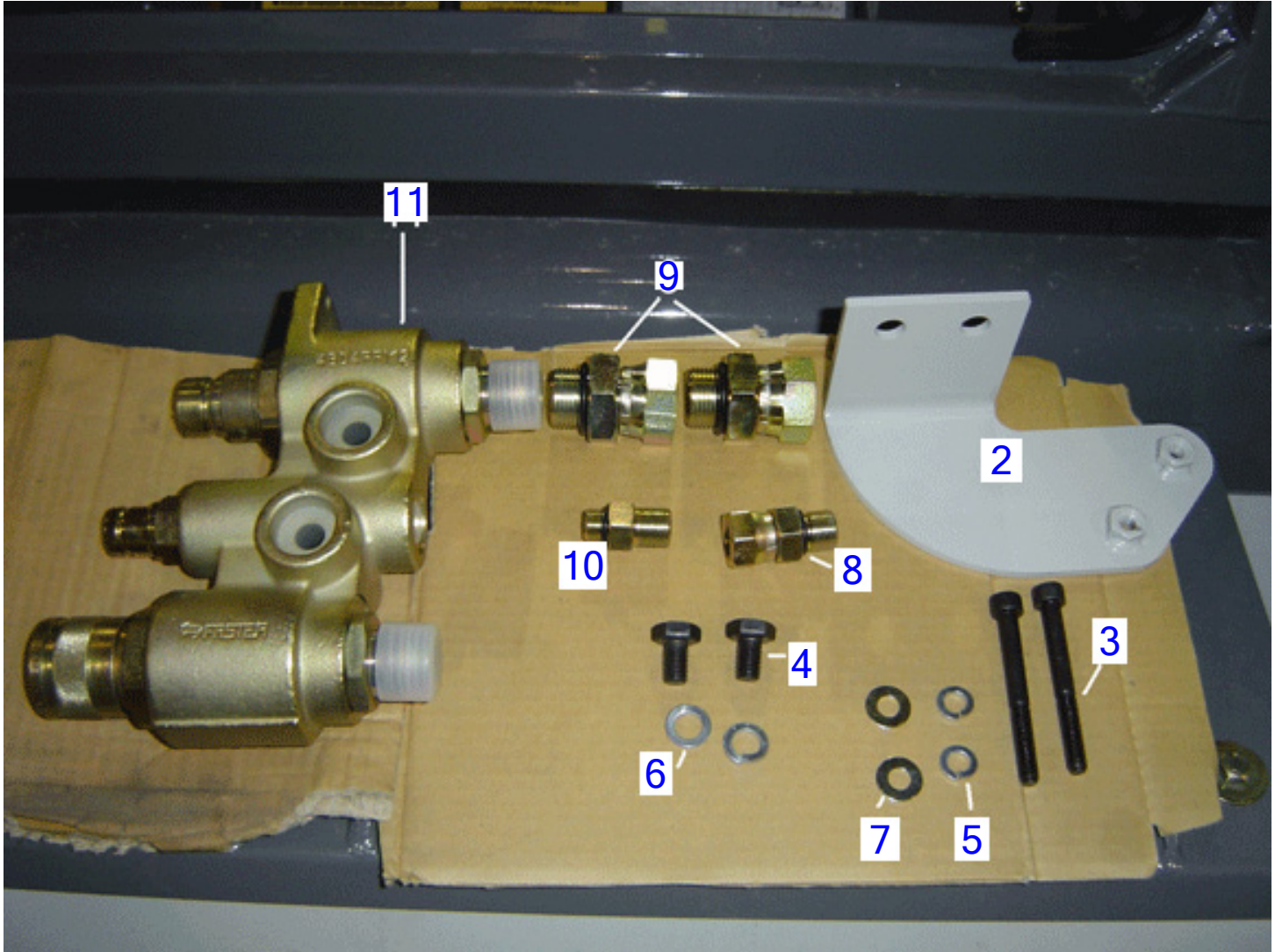


**250 Hour Filter Kit**

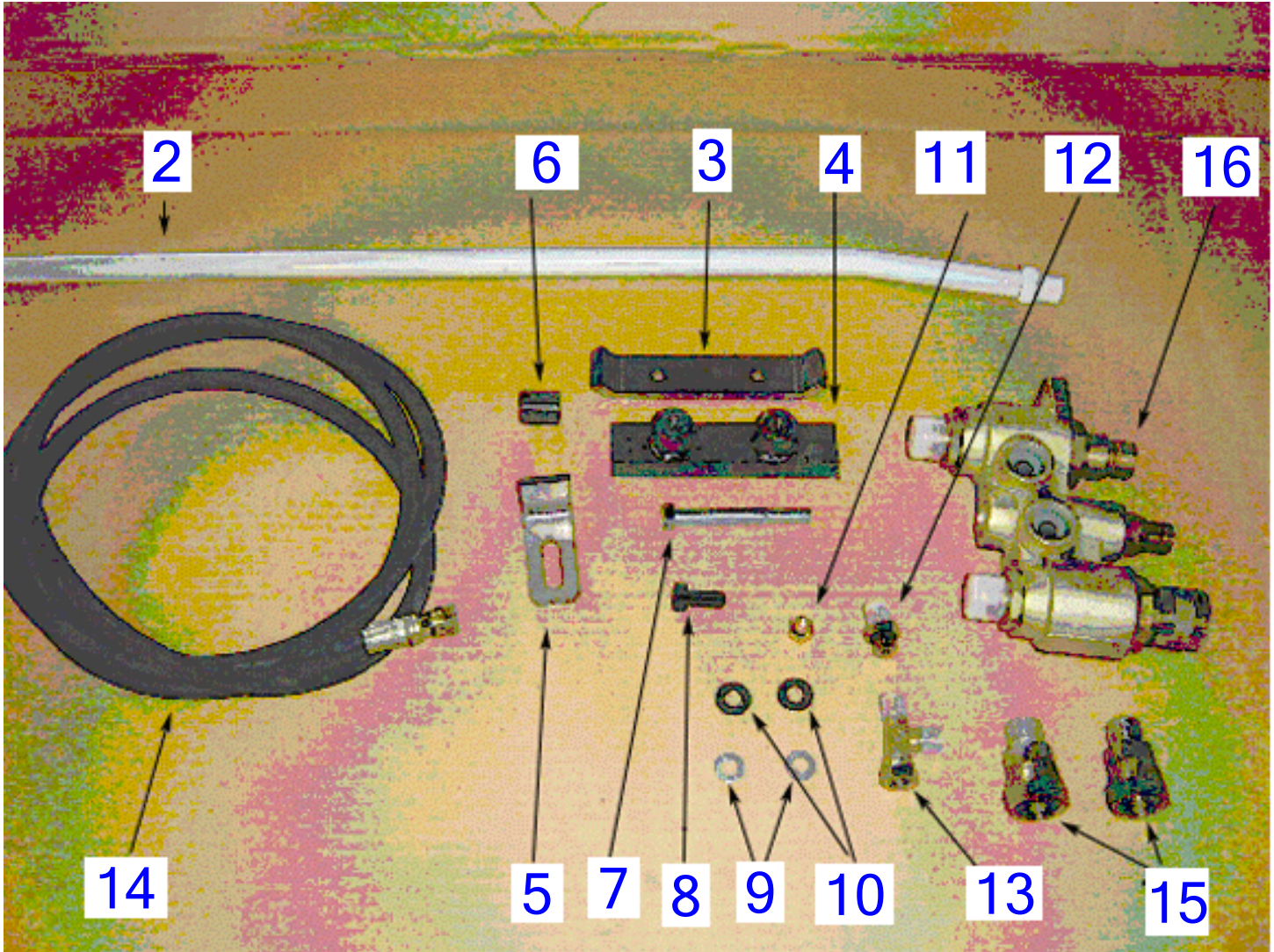
Item	Part number	Description	Q'ty	Chan.	Serial No.	Serv.	Remarks
		250 Hour Filter Kit					
	<b>1909915001</b>	Filter Kit SN 21500628-up	1				
2	<b>Y119005-35100</b>	* Engine Oil Filter	1				
3	<b>Y123907-55801</b>	* Fuel Filter	1				
4	<b>Y119117-12560</b>	* Outer Air Filter	1				



Item	Part number	Annual Filter Kit Description	Q'ty	Chan.	Serial No.	Serv.	Remarks
		Annual Filter Kit					
	<b>1909915010</b>	Annual Filter Kit SN 2150004-21500297					
4	<b>Y119005-35100</b>	* Engine Oil Filter	1				
5	<b>Y123907-55801</b>	* Fuel Filter	1				
6	<b>1551101001</b>	* Hydraulic Filter Line	1				
7A	<b>1551000220</b>	* Hydraulic Filter	1				
8	<b>Y119117-12560</b>	* Outer Air Filter	1				
9	<b>Y119117-12570</b>	* Inner Air Filter	1				
10A	<b>Y171081-55910</b>	* Screen TNE	1				
	<b>1909915011</b>	Annual Filter Kit SN 21500298-21500627					
4	<b>Y119005-35100</b>	* Engine Oil Filter	1				
5	<b>Y123907-55801</b>	* Fuel Filter	1				
6	<b>1551101001</b>	* Hydraulic Filter Line	1				
7B	<b>1551000520</b>	* Hydraulic Filter (use 1420110800 O-Ring_	1				
8	<b>Y119117-12560</b>	* Outer Air Filter	1				
9	<b>Y119117-12570</b>	* Inner Air Filter	1				
10A	<b>Y171081-55910</b>	* Screen TNE	1				
	<b>1909915011</b>	Annual Filter Kit SN 21500628-up					
4	<b>Y119005-35100</b>	* Engine Oil Filter	1				
5	<b>Y123907-55801</b>	* Fuel Filter	1				
6	<b>1551101001</b>	* Hydraulic Filter Line	1				
7B	<b>1551000520</b>	* Hydraulic Filter (use 1420110800 O-Ring_	1				
8	<b>Y119117-12560</b>	* Outer Air Filter	1				
9	<b>Y119117-12570</b>	* Inner Air Filter	1				
10B	<b>Y119802-55710</b>	* Screen TNV	1				

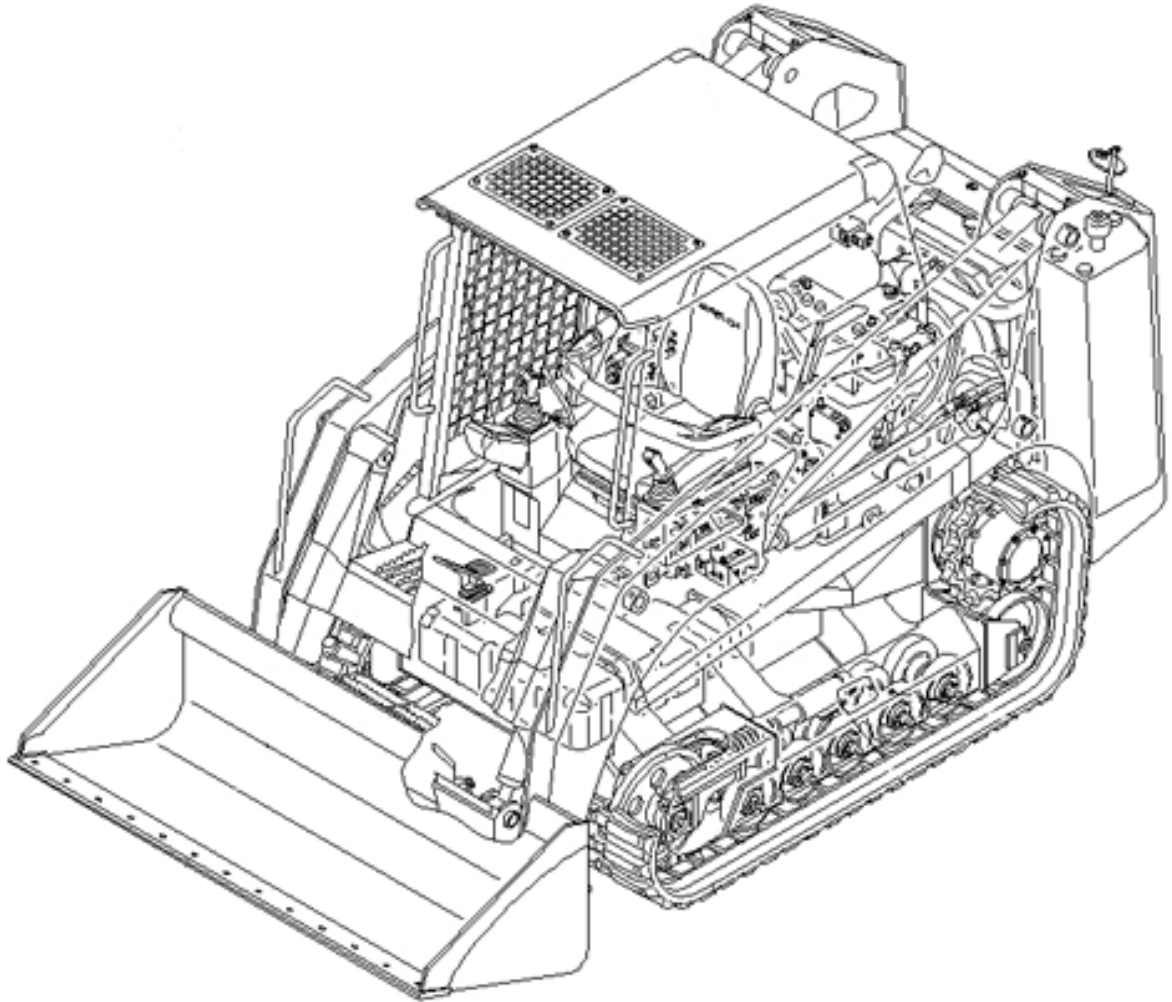


<b>Faster Coupler New</b>					
Item	Part number	Description	Q'ty	Chan.	Serial No. Serv. Remarks
		Faster Coupler New			
	<b>08888150FC</b>	Faster Coupler New sN 21501246-up	1		
2	<b>0881733530</b>	* Bracket	1		
3	<b>1100051016</b>	* Bolt	2		
4	<b>1100050865</b>	* Bolt 10tm8 X 65 P/1.25	2		
5	<b>1140020008</b>	* Spring Washer	2		
6	<b>1140020010</b>	* Spring Washer	2		
7	<b>1141110008</b>	* Washer	2		
8	<b>1511410003</b>	* Adaptor	1		
9	<b>0007236044</b>	* Adaptor	2		
10	<b>0007203017</b>	* Tapered Male Adaptor 3/8" w/O-Ring	1		
11	<b>08888FASTER</b>	Block Coupler for TL1 Series	1		
12	<b>1420370906</b>	O-Ring	1		
13	<b>1420010110</b>	O-Ring	1		



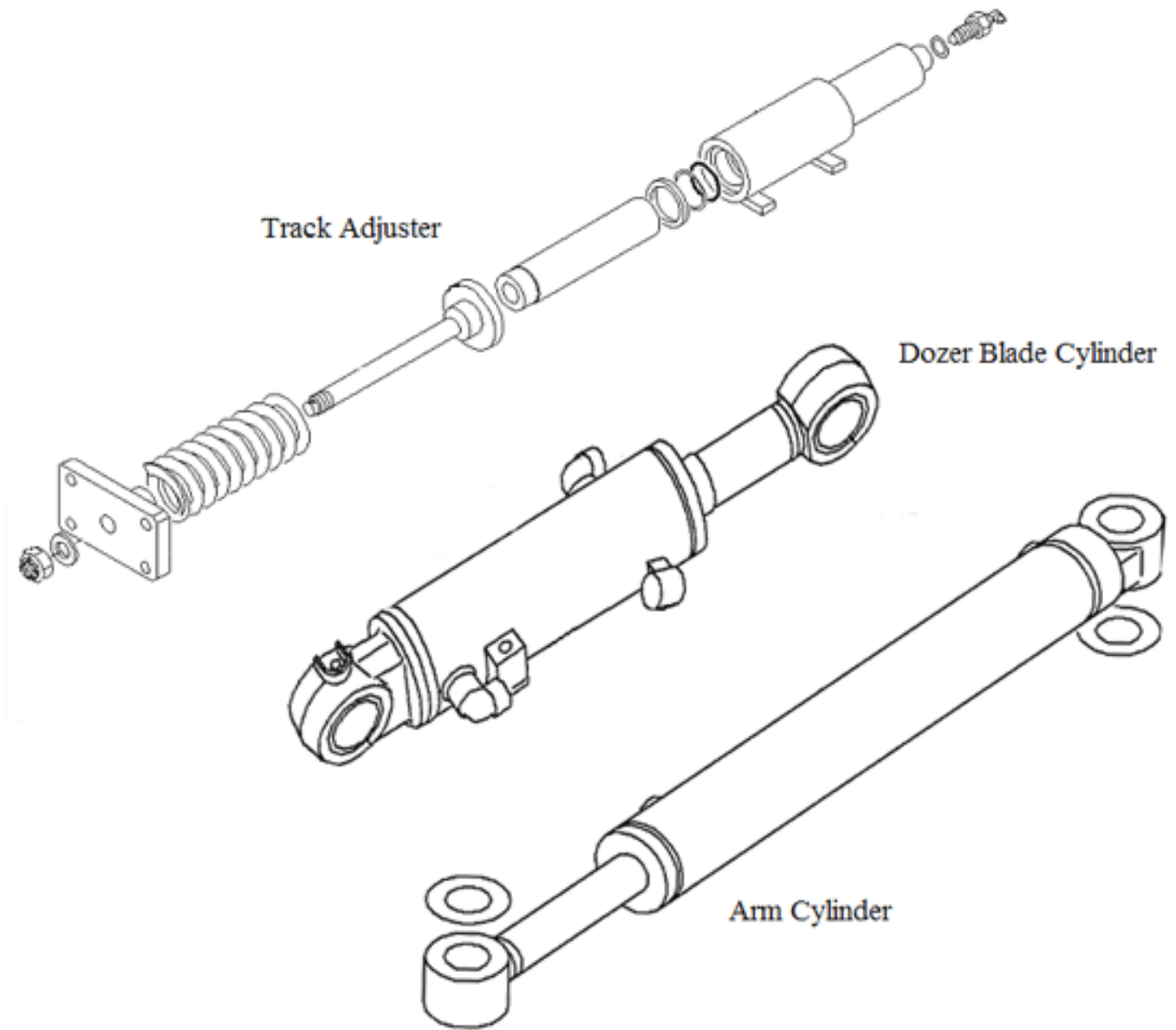


Item	Part number	Faster Coupler Old Description	Q'ty	Chan.	Serial No.	Serv.	Remarks
	<b>08888150FFC</b>	Faster Coupler Old Faster Coupler Kit Old SN 21500004-21501245	1				
2	<b>0881732800</b>	* Pipe	1				
3	<b>0881732810</b>	* Clamp	1				
4	<b>0881732820</b>	* Support	1				
5	<b>0881432830</b>	* Bracket	1				
6	<b>0881732840</b>	* Collar	1				
7	<b>1100051090</b>	* Bolt 10 X 90	1				
8	<b>1100051025</b>	* Bolt 10tm10 X 25 P/1.5	1				
9	<b>1140020010</b>	* Spring Washer	2				
10	<b>1141110010</b>	* Plain Washer	2				
11	<b>1130240010</b>	* Nut	1				
12	<b>1515600210</b>	* Adaptor	1				
13	<b>1513390015</b>	* Adaptor T	1				
14	<b>1801022280</b>	* Hose	1				
15	<b>0888812F63MX</b>	* Field Campaign Adaptor	2				
16	<b>08888FASTER</b>	* Block Coupler TL1 Series	1				

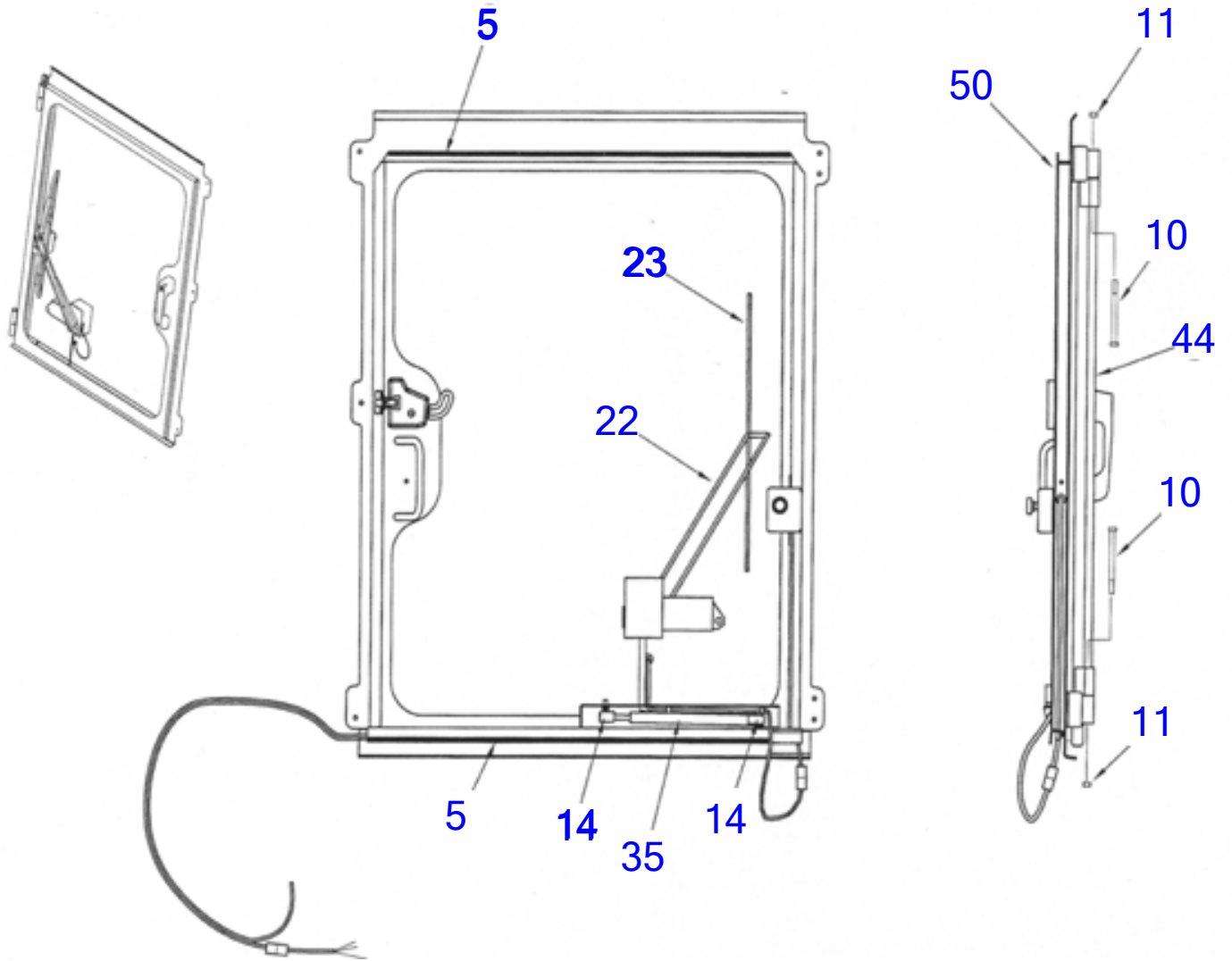


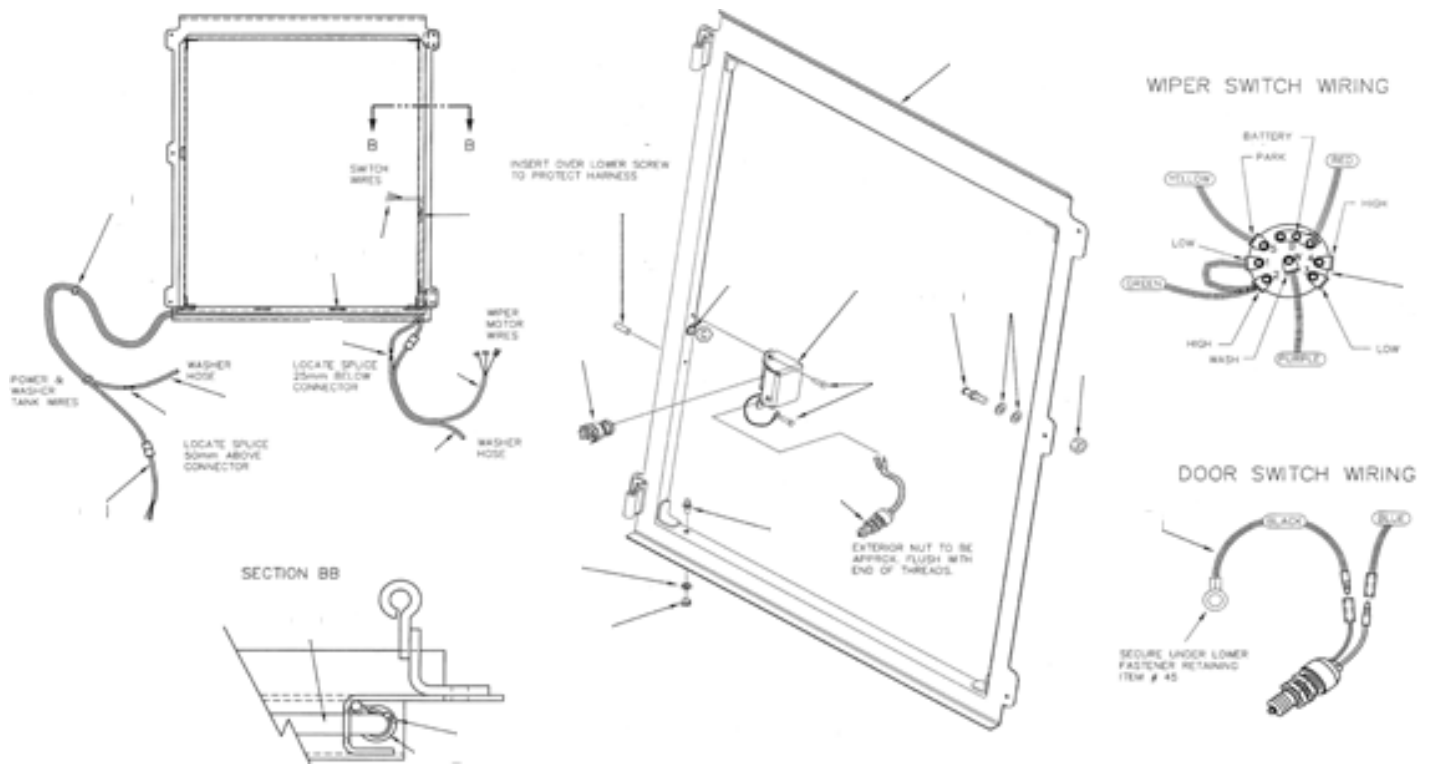
TAKEUCHI

Recommended Stock List						
Item	Part number	Description	Q'ty	Chan.	Serial No.	Serv. Remarks
		Recommended stock List				
	1551101001	Hydraulic Filter Line (use 1420110600 for O-Ring)	2			
	1551000220	Hydraulic Filter SN 21500004-21500297	4			
	1551000520	Hydraulic Filter (usse 1420110800 for O-Ring) SN 2150098-up	6			
	Y119117-12570	Inner Air Filter	3			
	Y119117-12560	Outer Air Filter	6			
	Y119005-35100	Engine Oil Filter	6			
	Y123907-55801	Fuel Filter	3			
	1909915000	250 Hour Filter Kit SN 21500004-21500627	1			
	1909915010	Annual Filter Kit SN 21500004-21500297	1			
	1909915011	Annual Filter Kit SN 21500298-21500627	1			
	1900079799	Bucket Cylinder Seal Kit	2			
	1900079699	Arm Clyinder Seal Kit	2			
	1432500800	Floating Seal (2 pieces = 1 seal)	2			
	1432500640	Floating Seal (2 pieces = 1 seal)	2			
	1400403038	Seal	2			
	1420010550	O-Ring 55/65 T/5.7 (-+0.15)	2			
	1421020550	Backup Ring P-55 X 65-2	2			
	1515600200	Adaptor	2			
	1501750002	Plug (use 1420010110 for O-Ring)	2			
	1914200230	Tooth	10			
	1914200023	Lock	10			
	1914202300	Adaptor	10			
	0880612070	Pin	2			
	0007000070	Spring T1 Series	2			
	1213001250	Spring Pin M12 X 50	1			
	0007000119	Spring	2			
	0880612030	Lever	2			
	0880612020	Lever	2			
	0880612050	Yoke SN 21500004-21502150	2			
	0881612150	Pin	2			
	0880612060	Washer	2			
	0001324501	Arm Pin	2			
	0001674002	Arm Pin	2			
	0881602910	Stopper	2			
	0880823670	Door Striker	1			
	1914099320	Rubber Track	2			
	0881160110	Sprocket	2			
	1703002706	Bulb	2			
	1552100500	Fuel Cap	1			
	1700100018	Starter Switch	1			
	1700100019	Keys (wty 1 = 2 keys)	2			
	1703002706	Bulb	1			
	1700000010	Light Switch	1			
	Y25133-004700	Non Internal Cogged Fan Belt	1			
	0880612080	Pipe	2			
	1700009010	Switch	1			
	1919060104	Red Aerosol Paint	2			
	1919060139	Light Gray Aerosol Paint	2			
	1919060140	Medium Gray Aerosol Paint (070)	2			
	0560001000	Straight Grease Fitting	10			
	1560001675	Grease Fitting 67.5 degree	6			
	1560001900	Grease Fitting 90 degree	6			
	0881402220	Hose	1			
	0881402230	Hose	1			
	0007000016	Spring T1	2			



		<b>Seal Kits</b>					
Item	Part number	Description	Q'ty	Chan.	Serial No.	Serv.	Remarks
		Seal Kits					
	<b>1900079699</b>	Arm Cylinder Seal Kit SN 21500004-up	1				
	<b>1900079799</b>	Bucket Cylinder Seal Kit SN 21500004-up	1				



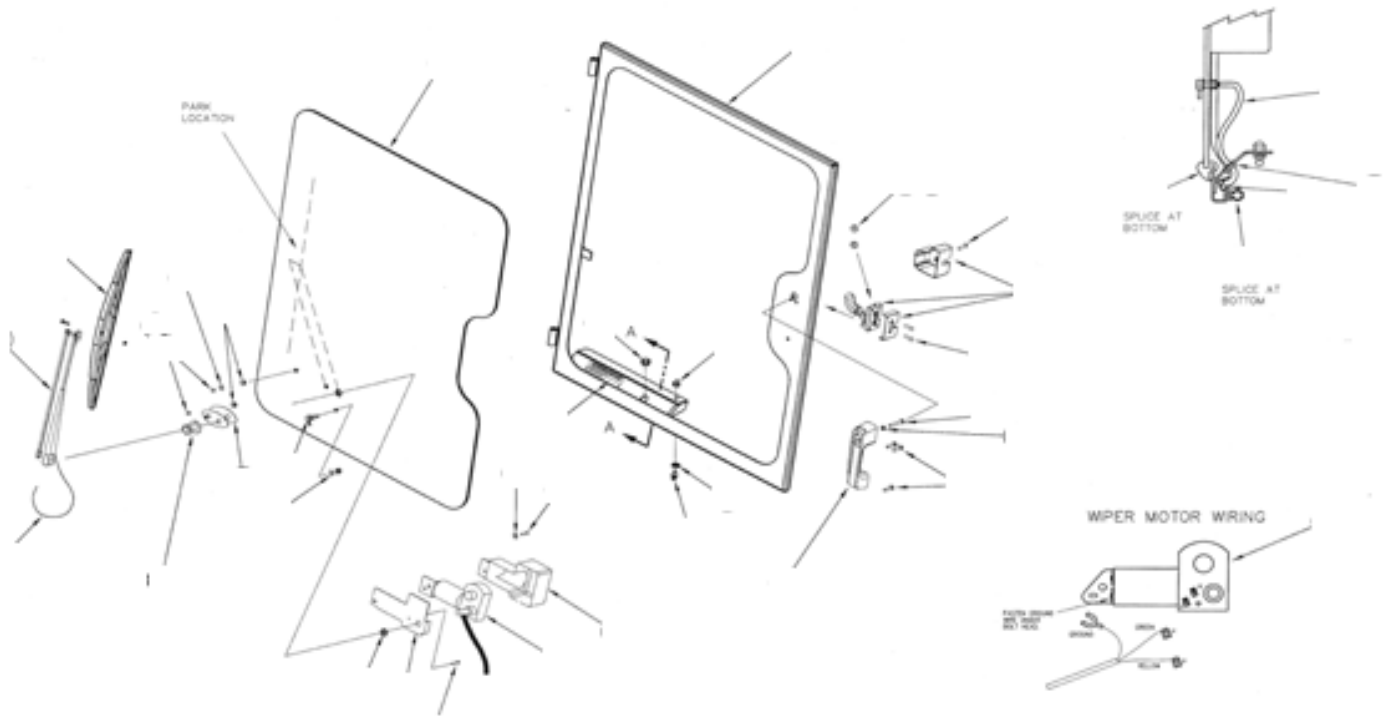


15

15

15

18 46



47

23

35

22

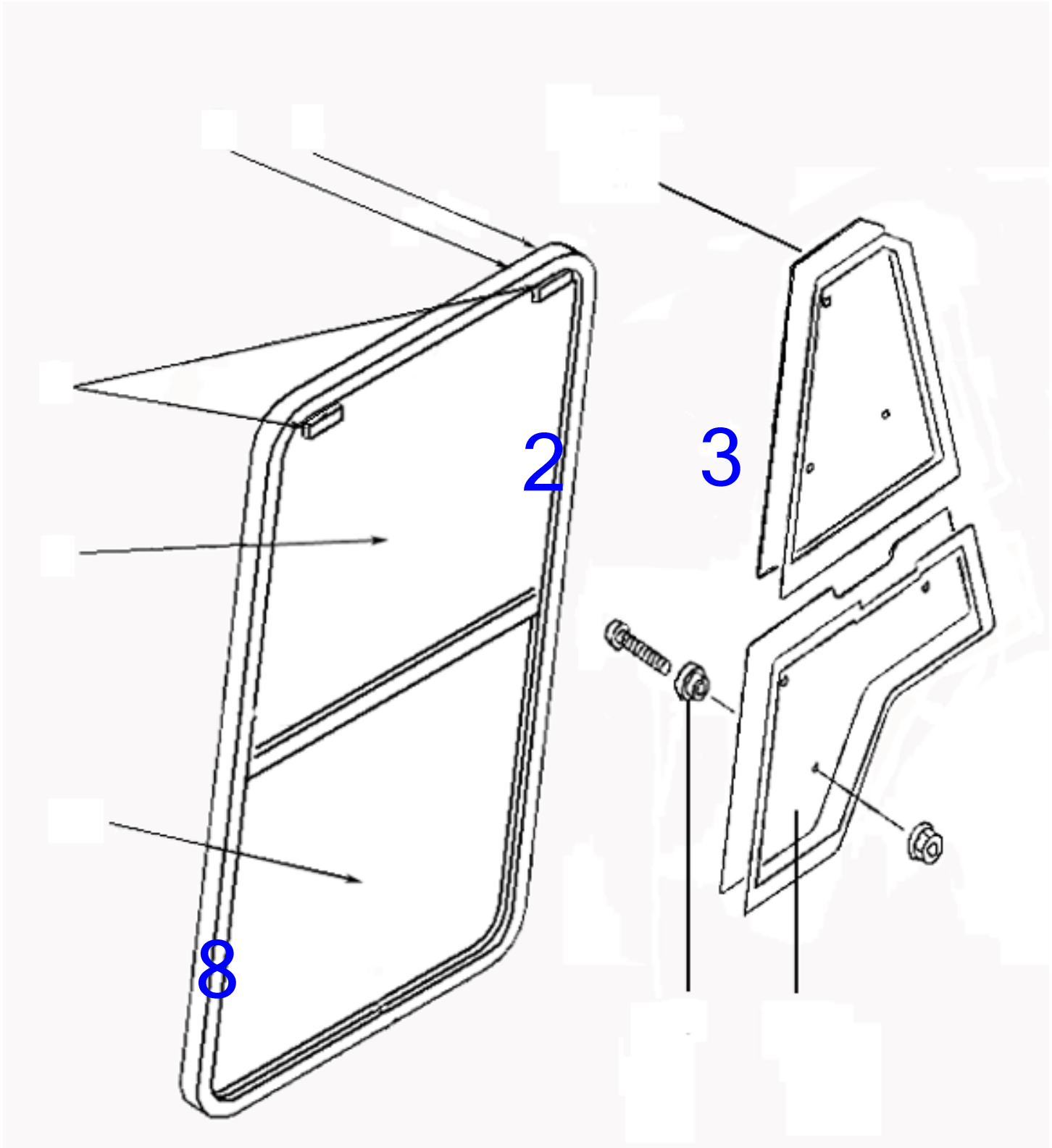
48  
24

21

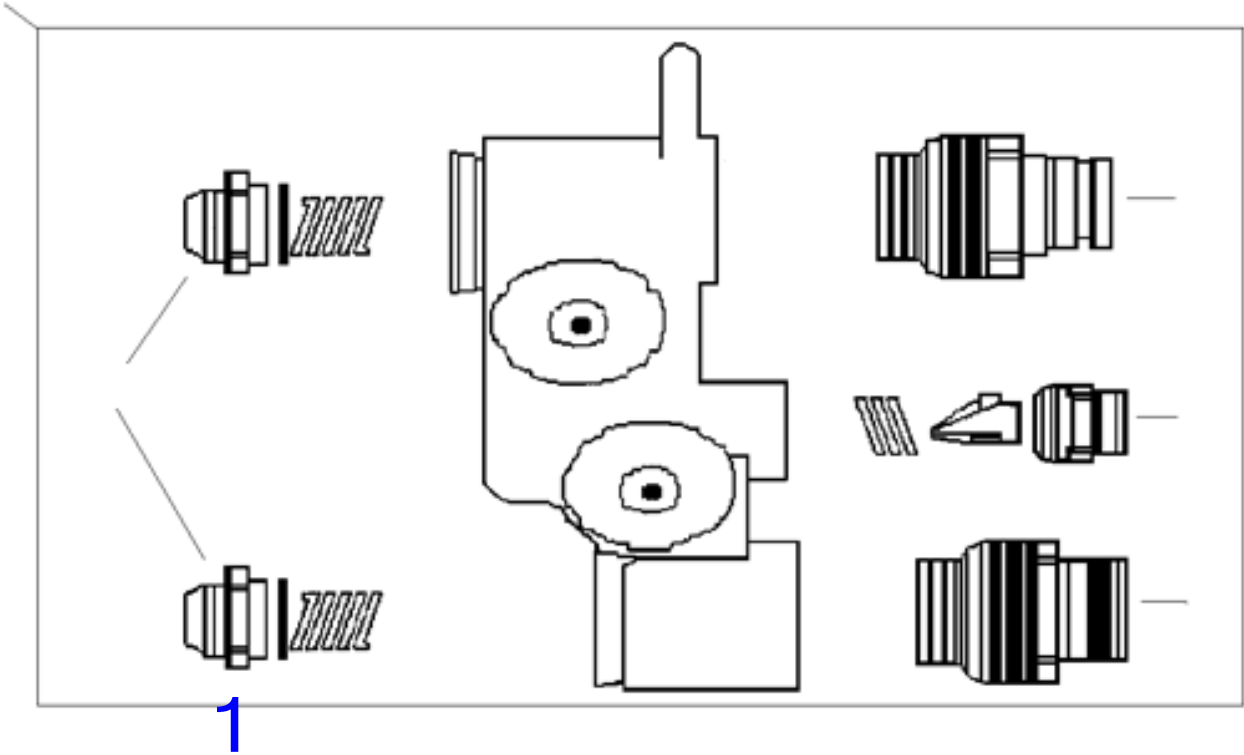
31



<b>Swing Door Kit</b>					
Item	Part number	Description	Q'ty	Chan.	Serial No. Serv. Remarks
	<b>BCDKTL150</b>	Cab Swing Door Kit			
1	<b>0881800059</b>	Cab Swing Door Kit	1		
2	<b>0881800078</b>	Hex Bolt 1/4"-20 X 1.75	1		
3	<b>1140020008</b>	Hex Nut 1/4"-20	2		
4	<b>0881800362</b>	Spring Washer	1		
5	<b>1654613000</b>	Rubber (12 ft standard Application)	1		
6	<b>1654613000</b>	Window Trim sold by the meter - 5.5 ft	1		
7	<b>0881800598</b>	Hose sold by the foot - 7 ft	1		
8	<b>1654520000</b>	Molding Rubber sold by the meter - 13 ft	1		
9	<b>1141110012</b>	Washer	2		
10	<b>0881801670</b>	Black Nylon Washer	1		
11	<b>0881802100</b>	Hex Bolt .38-16 X 4.50 G8 Es5yz	2		
12	<b>1130140008</b>	Nut 8tm8 P/1.25	2		
13	<b>0881802261</b>	Wet Arm Bulk Head	1		
14	<b>0881802882</b>	Ball Stud	2		
15	<b>0881802883</b>	Clip Spring	2		
16	<b>1130050006</b>	Nut 4tm6 P/1.0	2		
17	<b>0881802481</b>	Splice Washer Hose	2		
18	<b>0881803562</b>	Wet Arm Kit, Panto Arm	1		
19	<b>0881803793</b>	Pan Bolt 10-24	1		
20	<b>0881803913</b>	T Grommet	2		
21	<b>0881803919</b>	Panto Arm 16" (front door)	1		
22	<b>0881803920</b>	Flex Blade 20" (front door)	1		
23	<b>0881803927</b>	Black Acorn Nut 10-24	2		
24	<b>0881803961</b>	Bolt 10-24 X 88	1		
25	<b>0881804231</b>	Exterior Latch with Keys	1		
26	<b>0881804378</b>	Bolt M6 X 1X 12	3		
27	<b>0881804551</b>	Black Acorn Nut .31-18	2		
28	<b>0881804622</b>	Wiper/Washer Switch	1		
29	<b>0881804897</b>	Wiper Motor (front door)	1		
30	<b>0881804935</b>	Snap in Grommet 3/4" hole	1		
31	<b>0881805270</b>	Screw 1/4"-20 X 1.00	2		
32	<b>0881805447</b>	Hex Nut M12 X 1	1		
33	<b>08818-05641</b>	Flat Bolt M6 X 14	3		
34	<b>0881805768</b>	Gas Spring	1		
35	<b>0881805790</b>	Black Nylon Washer .20 X .63	2		
36	<b>1700000014</b>	Door Switch	1		
37	<b>0881805950</b>	Inside Latch Assy	1		
38	<b>0881805952</b>	Striker	1		
39	<b>0881865092</b>	Panto Gasket Adaptor	1		
40	<b>08818C65157</b>	Nylon Bushing	1		
41	<b>08818D13109</b>	Modified Wiper Cover	1		
42	<b>0881884006</b>	Door Frame without Glass	1		
43	<b>08818D84024</b>	Wiper Switch Box Weldment	1		
44	<b>08818D84049</b>	Wire Harness	1		
45	<b>0881884050</b>	Door Glass	1		
46	<b>08818D84005</b>	Frame Weldment	1		
47	<b>0881805992</b>	Rubber Grommet	2		
48	<b>0881884021</b>	Washer Bottle Kit	1		
49	<b>0881805428</b>	Foam PSA 3/4 sq 4ft	1		
50	<b>0881805270</b>	Screw 1/4"-20 X 1.00	7		
51	<b>0881801111</b>	Keys (front door cab)	1		



Item	Part number	Cab Window		Q'ty	Chan.	Serial No.	Serv.	Remarks
		Description						
		Cab Window						
	<b>BCSKTL150</b>	Cab Side Kit		1				
2	<b>BCSKTL150E</b>	Right Hand Sash Assy includes Bolts and Nuts		1				
3	<b>BCSKTL150F</b>	Left Hand Sash Assy includes Bolts and Nuts		1				
4	<b>BCSKTL150G</b>	Grommet		19				
5	<b>BCSKTL150A</b>	Upper Rear Window		2				
6	<b>BCSKTL150B</b>	Left Hand rear lower Window		1				
7	<b>BCSKTL150C</b>	Right Hand rear lower Window		1				
8	<b>BCSKTL150H</b>	Side Window Latch Set 119s00031 and 119s00032 (qty 1 ea)		1				
9	<b>BCSKTL150I</b>	Sash Assy Upper Window		1				
10	<b>BCSKTL150J</b>	Sash Assy Lower Window		1				



Item	Part number	Faster TL Series		Q'ty	Chan.	Serial No.	Serv.	Remarks
			Description					
			Faster TL Series					
1	08888FASTER		Block Coupler	1				
	08888FASTERORING		O-Ring Kit	1				
3	08888FASTERF		Female Coupler	1				
4	08888FASTERCD		Male Case Drain Coupler	1				
5	08888FASTERM		Male Coupler	1				
6	08888FASTERADPT		Adaptor Kit (for O-ring use 1420010220)	2				

Item	Part number	All TL150 Manuals Description	Q'ty	Chan.	Serial No.	Serv.	Remarks
		TL150 Manuals					
	<b>LT13000001</b>	Operators Manual TL130/TL150 AT7E005 TNE only	1				
	<b>LT15000001SP</b>	Operators Manual TL120/TL130/TL140/TL150 AT7S003	1				
	<b>LT14000001TNV</b>	Operators Manual TL120/TL130/TL140/TL150 ST7E023 TIER 2 ENG	1				
	<b>LT15000003</b>	Parts Manual TL150 BT7Z011	1				
	<b>LT15000004</b>	Service Manual TL150 CT7E002	1				

# How to read this Parts Catalog.

1. Parts mentioned in this Parts Catalog may not necessarily be standard equipping parts.
2. Parts change may be made without prior notice.
3. Form of this Parts Catalog.

Y00F2161 (1997.09.01)

**Fig. 29 燃料噴射ポンプ(ブーコン用)**  
**FUEL INJECTION PUMP (W/BOOST)**

●見出 REF.No.		レベル LEV.	部品番号 PARTS No.	部品名	DESCRIPTION	個数 (Q'ty)						備考
		0				A	B	C	D	E	F	
1		•	729595-51390	F0ポンプ ASY(7-コック)	FULE INJECTION PUMP	1	1	1	1	1	1	1
1-1		•	729595-51391	F0ポンプ ASY(7-コック)	FULE INJECTION PUMP	1	1	1	1	1	1	1
		⑤	(A=E/#00185)(B=E/#00200)									
3		••	26022-060162	ナメネジ M 6X 16	SCREW M 6X 16	9	9	9	9	9	9	
I 3-1		••	26022-060162	ナメネジ M 6X 16	SCREW M 6X 16	4	4	4	4	4	4	K
			(A=E/#00185)(B=E/#00200)(C=E/#00156)(D=E/#00156)(E=E/#00156)									
4		••	129470-51040	カムシャフト	CAMSHAFT	1	1	1	1	1	1	
5		••	122710-51050	ベアリングローラ	BEARING, ROLLER	2	2	2	2	2	2	
6		••	129470-51060	ベアリングホルダ	RETAINER	1	1	1	1	1	1	

<b>備考</b>	<b>Remarks</b>
(1) ブーストコンペンセータ付き。4JH-DT, 4JH-DTZとも E/# 00155 までは、特別注文仕様とします	(1) BOOST COMPENSATOR TYPE. OPTIONAL PART, TO E/# 00155. (4JH - DT, 4JH - DTZ)

① Ref. No.

The Ref. No. in the list may not be accord with the Ref. No. on illustration.  
(Ex.) Illustration No.                      List head No.

1                      1 (Befor change)                      →                      1 -1 (After change)

When interchangeable symbol N, R, and K, illustrations for new parts are sometimes omitted.

② Lev.(Level)

Indication and Meaning of Level

Level: Hereunder is given the relation among the number of dots(•), the level and the nominal parent-child relationship.

- .....Parent parts(Assembly parts)
- .....Child parts included in "••" (Semi- Assembly parts, component parts of Assembly parts.)
- .....Child parts included in "•••", Grand-child parts in terms of "••".  
(Component parts of Semi- Assembly parts.)

Note) A parts of non- sale parts are illustrated but not listed.

③ Change Mark

Change Mark "I" is given to the part for which a design change was made at this time.  
The design change was not shown in the last published Parts Catalog.

④ Interchangeability Mark

In the case where a part change took place, one of the following interchangeability marks is indicated for that part.

Symbol	interchangeability	Contents note
N	Old $\longleftrightarrow$ New	New Part is interchangeable for Old Part but not interchangeable conversely.
Q	Old $\longleftrightarrow$ New	New Part is not interchangeable for Old Part but interchangeable conversely.
R	Old $\longleftrightarrow$ New	New Part is interchangeable for Old Part and vice versa.
S	Old $\longleftrightarrow$ New	New Part is not interchangeable for Old Part and vice versa.
W		Part newly added.
Z		Part discontinued.
F		Not interchangeable single part but interchangeable by set of the related parts.
K		Changed only in quantity used.

⑤ Effective Machine No.

When a part is changed, Effective Machine No. of a Model for which the part is applicable is indication in each column of (A)- (F).

Product Symbol	Product No.	Product Symbol	Product No.
C	Clutch No. Compressor No.	M	Machine No.
D	Drive No.	T	Tractor No.
E	Engine No.	Note1) ※	Date

Note1) Date may follow the symbol in some cases. (Ex.) ※ 1996.01

Note2) As far as engine models shown by "XXX" are concerned, the modification of the parts could not be predicted or the engine models themselves could not be identified.

Note3) (A=E/#00185) means that the design change on the part has been effective for the model at the column (A) (in this case, for 4JH- DT) on and from E/#(Engine Serial Number) 00185.

⑥ Remarks Mark

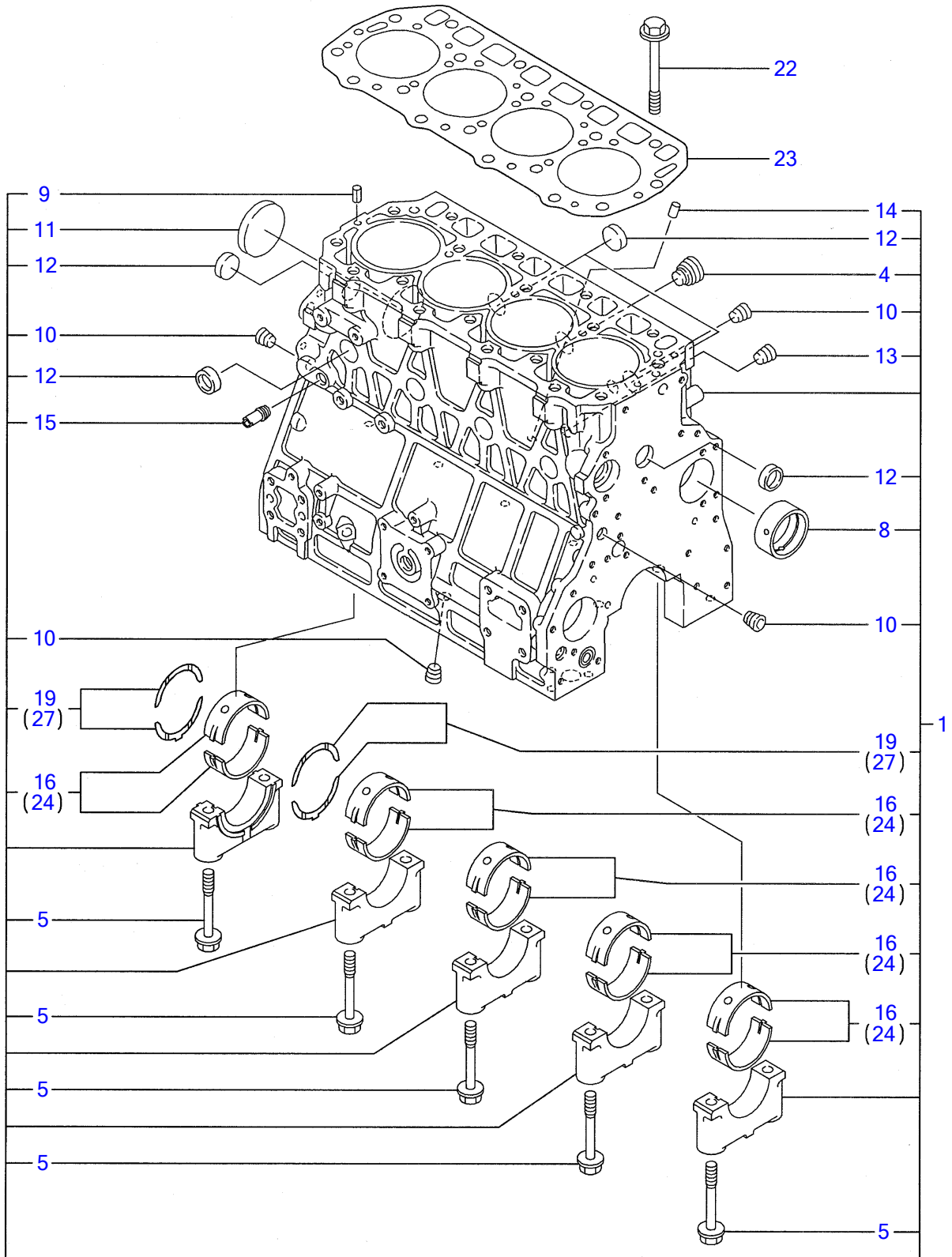
Figures or alphabets (Symbols) are entered in the remark column.

The comments(remarks) on the pertinent parts are indicated in the lower part of the list by the same symbols as those stated above.

Engine for TL150 4TNE106T-TBL S/N 21500004-21500627  
CYLINDER BLOCK

Y00D7140  
4TNE106T-TBL

1 シリンダブロック  
CYLINDER BLOCK





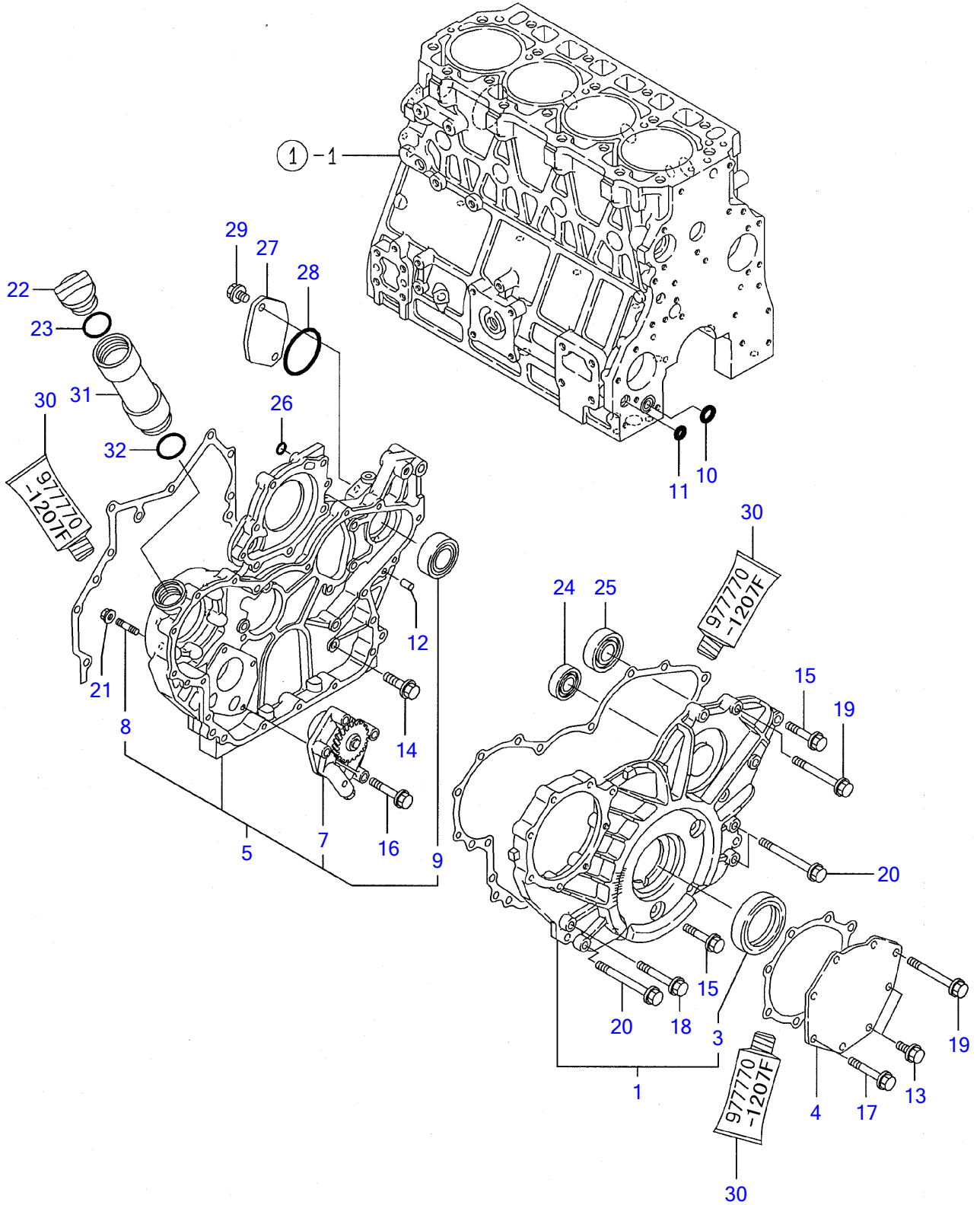
¼ØÝÀÞËÙ, CYLINDER BLOCK

REF NO.	PARTS NO.	Description	Q'ty	I	R	"õ
1	Y723900-01560	¼ØÝÀÞËÙ, ASY	1			
4	Y171051-01921	• Ì×, Þ NPTF1	1			
5	Y123900-02020	• ÒÀÙ·ÒÀÏÏËÙ	10			
8	Y123900-02410	• ÌÞ¼Ö	1			
9	Y22351-060012	• ½ÌØÝ, ÞËËÝ 6.0AX 12	2			
10	Y23875-030000	• Ë¼ÞÏ×, ÞPT3/8(ÅÝ <sup>93</sup> )	4			
11	Y27231-700000	• »×¶ÞÀÏ×, Þ 70	1			
12	Y27241-300000	• ÙÝ¶ÞÀÏ×, Þ 30	8			
13	Y23875-030000	• Ë¼ÞÏ×, ÞPT3/8(ÅÝ <sup>93</sup> )	1			
14	Y27225-120160	• ¸ÁÐÏ×, Þ 12X16	1			
15	Y121851-11970	• ËÏÏ¼ÞÖÝ	1			
16	Y123900-02800	• ÒÝÒÀÙ CMP	5			
19	Y123900-02930	• ½×½ÄÒÀÙ CMP	2			
22	Y119174-01200	ÍÄÞËÙ	18			
23	Y123900-01340	ÍÄÞ¶¼¹Ä	1			
24	Y123900-02340	ÒÝÏ±ØÝ, Þ U.S=0.25	5			(1) ±ÝÀ»¼Þ(U.S=0.25)
27	Y123900-02940	½×½ÄÒÀÙ O.S=0.25	2			(2) µË»¼Þ(O.S=0.25)

Engine for TL150 4TNE106T-TBL S/N 21500004-21500627  
GEAR HOUSING

Y00D7140  
4TNE106T-TBL

2 ギヤケース  
GEAR HOUSING

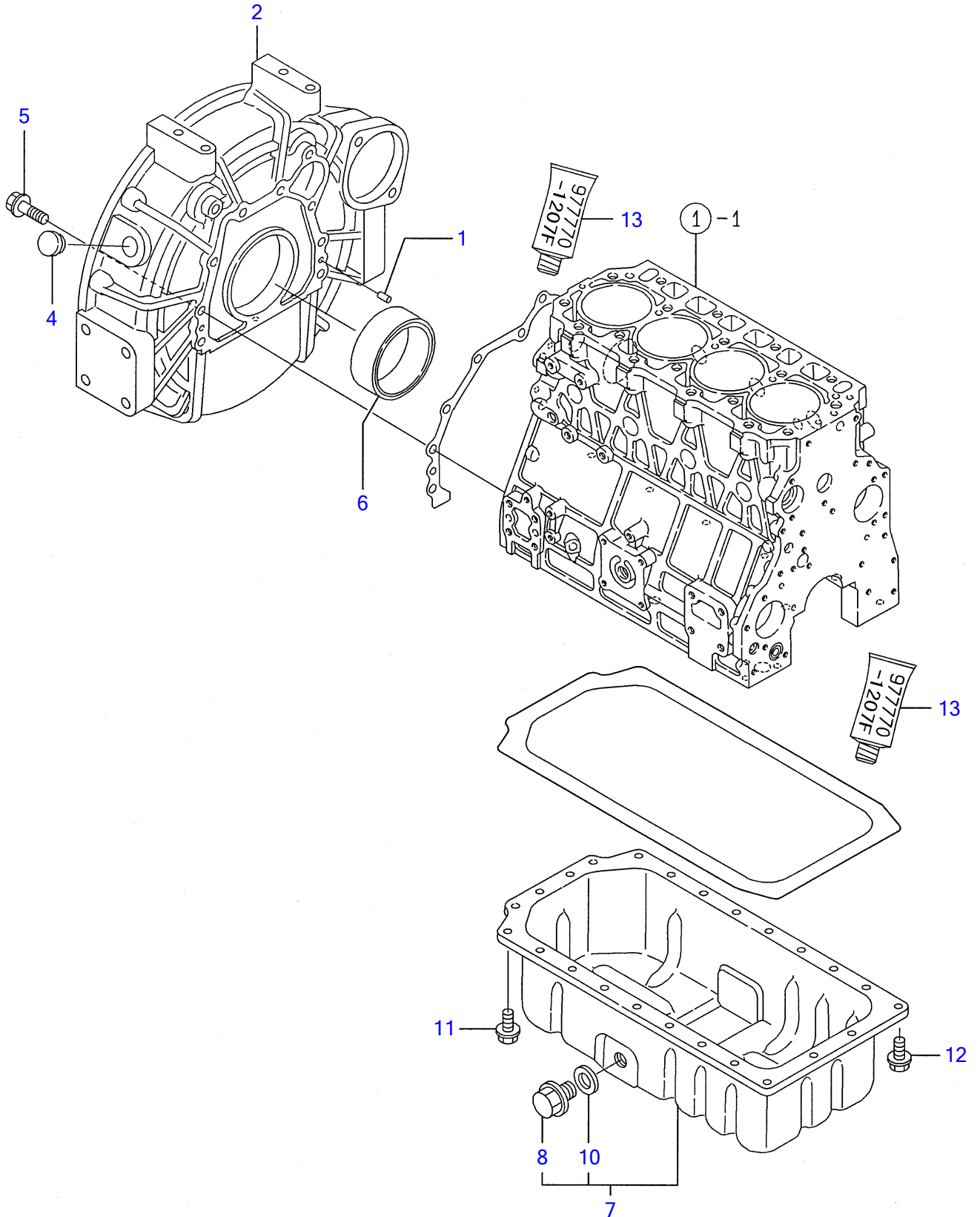


REF NO.	PARTS NO.	Description	Q'ty	I	R	"ö
1	Y723900-01590	HOUSING ASSY,COVER,G	1			
3	Y123900-01780	· μ²Û¼-Û(-ÞÔ	1			
4	Y123900-01740	FIPÏÄ	1			
5	Y123900-01830	· ÞÔ¹-½ CMP(L	1			
7	Y123900-32001	· LO-P CMP	1			
8	Y26216-100302	· ³ºÐÏÞÛÄ 10X 30	4			
9	Y24101-062060	· ÍÞ±ØÝ,Þ 6206	1			
10	Y129900-32030	ØØÝ,Þ P20	1			
11	Y129900-32040	ØØÝ,Þ P14	1			
12	Y22312-080160	ÏººËËÝ 8X16	4			
13	Y26106-080202	ÂËÞÏÞÛÄ 8X 20	2			
14	Y26106-080202	ÂËÞÏÞÛÄ 8X 20	5			
15	Y26106-080402	ÂËÞÏÞÛÄ 8X 40	6			
16	Y26106-080452	ÂËÞÏÞÛÄ 8X 45	4			
17	Y26106-080452	ÂËÞÏÞÛÄ 8X 45	5			
18	Y26106-080502	ÂËÞÏÞÛÄ 8X 50	1			
19	Y26106-080702	ÂËÞÏÞÛÄ 8X 70	5			
20	Y26106-080802	ÂËÞÏÞÛÄ 8X 80	3			
21	Y26366-100002	ÂËÞÄ·ÄÄÄ 10	4			
22	Y124160-01751	ÌÄ(Ïºº)	1			
23	Y24311-000320	ØØÝ,Þ 1A P 32.0	1			
24	Y24101-062054	ÍÞ±ØÝ,Þ 6205	1			
25	Y24101-062060	ÍÞ±ØÝ,Þ 6206	1			
26	Y24311-000110	ØØÝ,Þ 1A P 11.0	1			
27	Y121023-26070	ÌÄ(HO-P)	1			
28	Y24321-000850	ØØÝ,Þ 1A G 85.0	1			
29	Y26106-100122	ÂËÞÏÞÛÄ 10X 12	2			
30	Y977770-1207F	¼Øº·Ý¹² ·¼ÞÔ³ÏÞ½¹ÄÄ	1			(1) μÏ¼ØÝ ÍÞËÝÄÞ½
31	Y171031-11741	ÏººËË²Ï	1			
32	Y24311-000320	ØØÝ,Þ 1A P 32.0	1			

Engine for TL150 4TNE106T-TBL S/N 21500004-21500627  
FLYWHEEL HOUSING & OIL SUMP

Y00D7140  
4TNE106T-TBL

3 フライホイールハウジング & オイルパン  
FLYWHEEL HOUSING & OIL SUMP



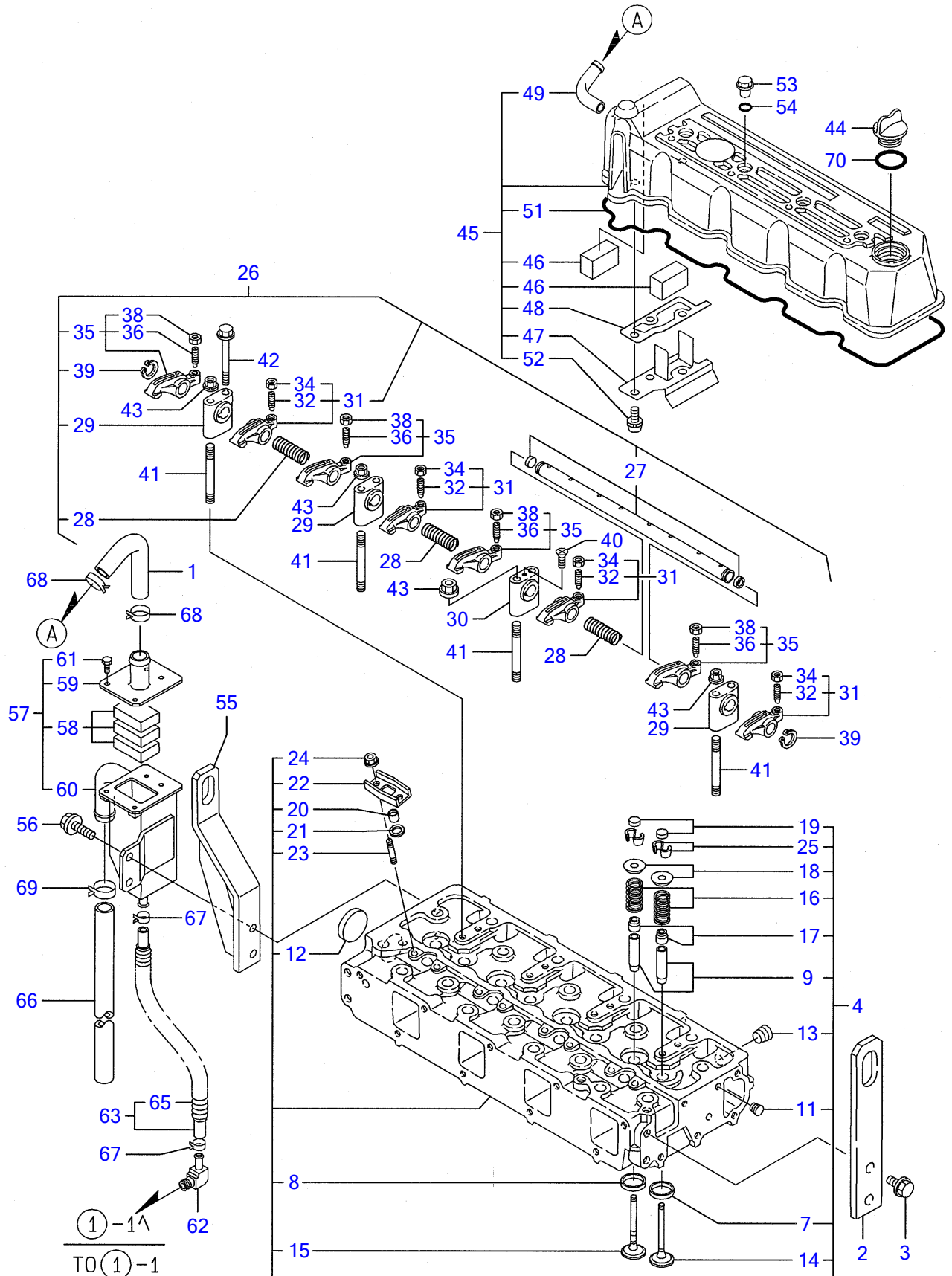
FLYWHEEL HOUSING & OIL SUMP

REF NO.	PARTS NO.	Description	Q'ty	I	R	"Oil
1	Y129100-01580	PARALLEL PIN 8X16	2			
2	Y123900-01620	COVER	1			
4	Y119620-01750	ASSY, FLYWHEEL CAP, FLYWHEEL COVER	1			
5	Y26106-100352	BOLT M10X 35 PLATED	10			
6	Y123672-01782	SEAL, OIL	1			
7	Y123900-01710	PAN COMP, LUB.OIL	1			
8	Y119640-01640	DRAIN PLUG M22	1			
10	Y22190-220002	SEAL WASHER 22S	1			
11	Y26106-080122	BOLT M 8X 12 PLATED	22			
12	Y26106-080162	BOLT M 8X 16 PLATED	4			
13	Y977770-1207F	GASKET, LIQUID	1			(1) Oil

Engine for TL150 4TNE106T-TBL S/N 21500004-21500627  
**CYLINDER HEAD & BONNET**

Y00D7140  
 4TNE106T-TBL

4 シリンダヘッド & ボンネット  
 4 CYLINDER HEAD & BONNET



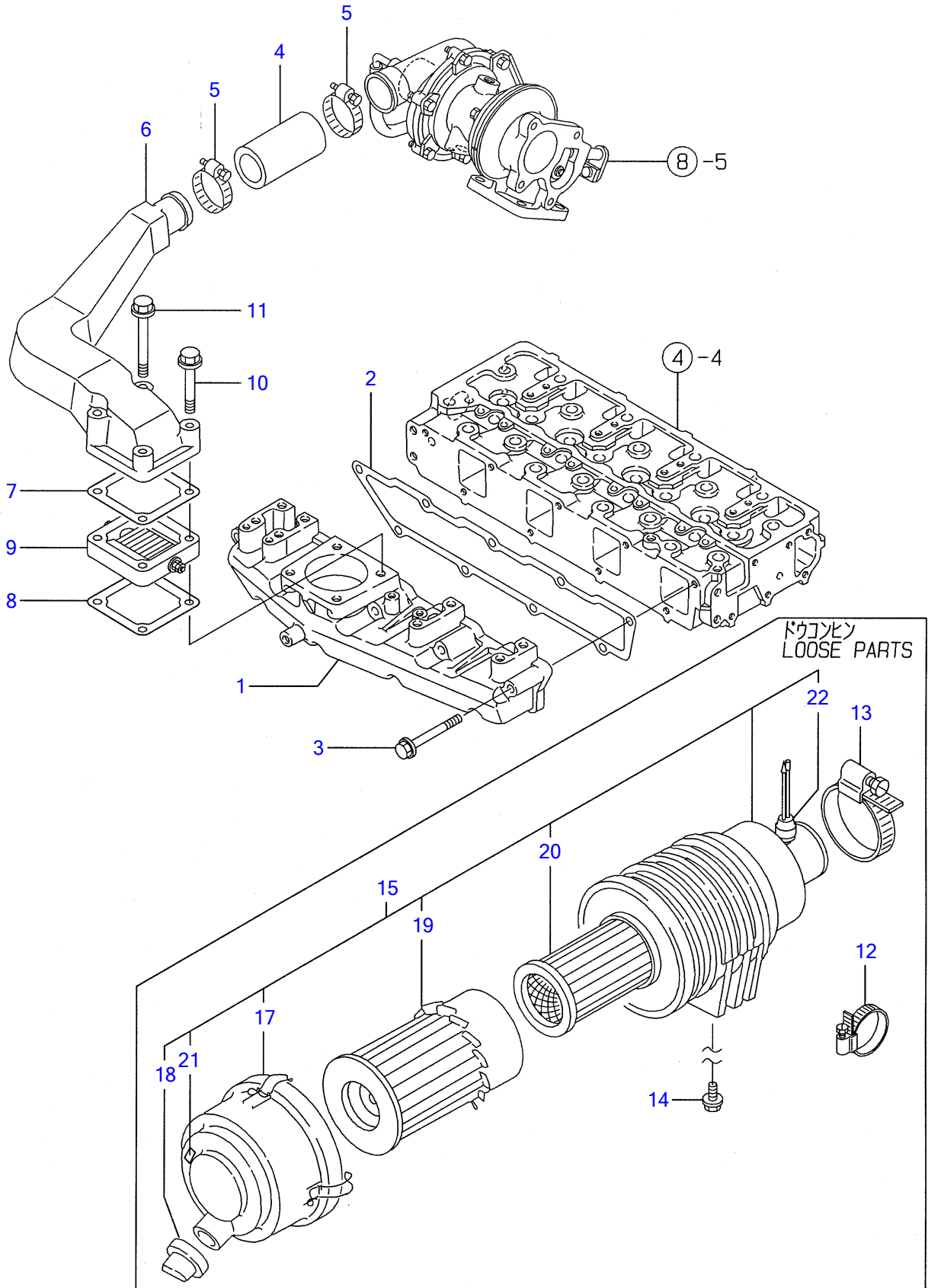
¼ØÝÁÞÍÄÄ & ÍÞÝËÄÄ CYLINDER HEAD & BONNET

REF NO.	PARTS NO.	Description	Q'ty	I	R	»ö
1	Y123901-03090	HOSE, RUBBER	1			
2	Y123900-07900	LIFTER	1			
3	Y26106-100202	BOLT M10X 20 PLATED	2			
4	Y723900-11100	HEAD ASSY, CYLINDER	1			
7	Y123900-11080	• SEAT, INTAKE	4			
8	Y123900-11090	• SEAT, EXHAUST	4			
9	Y119000-11810	• GUIDE, VALVE(EXHAUST	8			(1)
11	Y23876-005000	• PLUG PT 1/16,SCREW	1			
12	Y27241-400000	• PLUG 40	1			
13	Y23876-030000	• PLUG PT3/8,SCREW	1			
14	Y123900-11100	• VALVE INTAKE	4			
15	Y123900-11110	• VALVE EXHAUST	4			
16	Y123900-11120	• SPRING, VALVE	8			
17	Y121850-11150	• SEAL, VALVE STEM	8			
18	Y121850-11180	• RETAINER, SPRING	8			
19	Y119171-11370	• CAP, VALVE	8			
20	Y119625-11870	• PROTECTOR, NOZZLE	4			
21	Y119625-11880	• SEAT, NOZZLE	4			
22	Y119625-11900	• RETAINER	4			
23	Y26216-060252	• STUD M 6X 25 PLATED	8			
24	Y26366-060002	• NUT M 6	8			
25	Y27310-090000	• COTTER 9	16			
26	Y123900-11200	SUPPORT COMP,ROCKKER	1			
27	Y123900-11240	• SHAFT ROCKER ARM	1			
28	Y119000-11280	• SPRING	3			
29	Y123900-11510	• SUPPORT ROCKER ARM A	3			
30	Y123900-11520	• SUPPORT ROCKER ARM B	1			
31	Y123900-11650	• ARM ASSY, SUC. ROCKE	4			
32	Y129150-11230	• SCREW, VALVE	4			
34	Y129150-11750	• NUT M8XP1.0	4			
35	Y123900-11660	• ARM ASSY, EXH. ROCKE	4			
36	Y129150-11230	• SCREW, VALVE	4			
38	Y129150-11750	• NUT M8XP1.0	4			
39	Y22242-000180	• CIRCLIP 18	2			
40	Y26577-040162	• SCREW M 4X 16	1			
41	Y119593-11300	BOLT 8X80	4			
42	Y26106-080702	BOLT M 8X 70 PLATED	4			
43	Y26366-080002	NUT M 8	4			
44	Y124160-01751	CAP, LUB.OIL SUPPLY	1			
45	Y123912-11330	BONNET ASSY	1			
46	Y129150-03070	• BAFFLE,BREATHER	2			
47	Y123900-03202	• PLATE	1			
48	Y123900-03210	• PACKING(BREATHER	1			
49	Y123900-03220	• JOINT	1			
51	Y123900-11310	• PACKING	1			
52	Y26022-050122	• SCREW M5X12	3			
53	Y124160-11360	KNOB	4			
54	Y24311-000120	O-RING 1A P12.0	4			
55	Y123912-07900	LIFTING	1			
56	Y26106-100252	BOLT M10X25 PLATED	2			
57	Y123901-03270	BREATHER ASSY	1			
58	Y123901-03240	• WOOL,STEAL	3			
59	Y123901-03250	• COVER	1			
60	Y123901-03260	• BREATHER	1			
61	Y26116-050102	• BOLT M 5X 10 PLATED	4			
62	Y123901-03280	ELBOW	1			
63	Y123912-03300	HOSE CMP,BREAZER OUT	1			
65	Y123912-03270	• PROTECTOR,FUEL PIPE	1			
66	Y123951-03090	HOSE B, BREATHER	1			
67	Y23000-016000	CLAMP 16	2			
68	Y23000-041000	CLAMP 41	2			
69	Y23000-041000	CLAMP 41	1			
70	Y24311-000320	O-RING 1A P-32.0	1			

Engine for TL150 4TNE106T-TBL S/N 21500004-21500627  
SUCTION MANIFOLD & AIR CLEANER

Y00D7140  
4TNE106T-TBL

5 キュウキマニホールド & エアクリーナ  
SUCTION MANIFOLD & AIR CLEANER





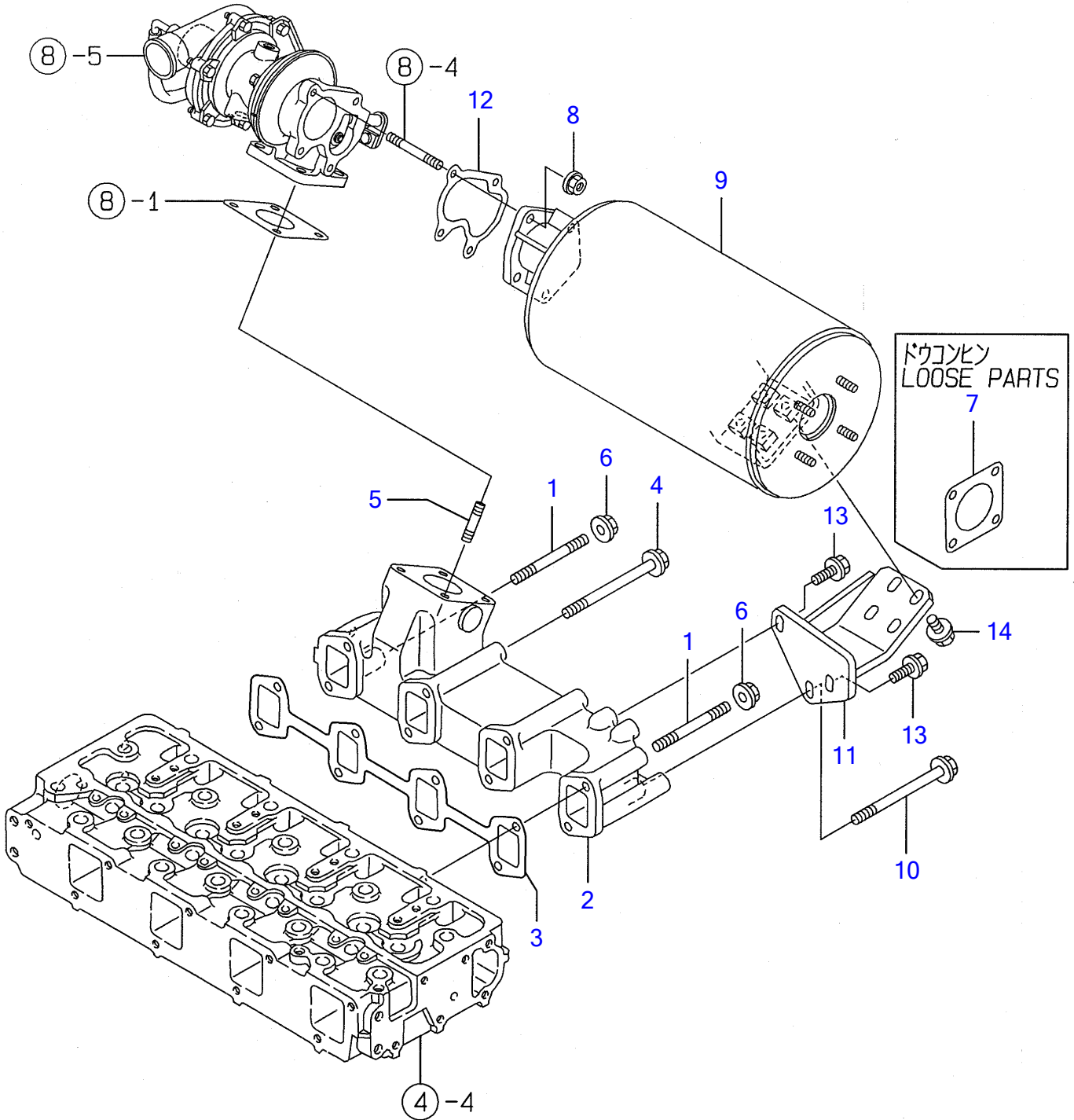
·Ö³·ĪÆĪ-ÛÄÞ & '±,Ø-Ä SUCTION MANIFOLD & AIR CLEANER

REF NO.	PARTS NO.	Description	Q'ty	I	R	"ö
1	Y123900-12100	ĪÆĪ-ÛÄÞ(INT	MANIFOLD,AIR INTAKE	1		
2	Y123900-12110	PK(SUCĪÆĪ-ÛÄÞ	PK(SUC	1		
3	Y26106-080702	ÂÊÞĪÞÛÄ 8X 70	BOLT M 8X 70 PLATED	9		
4	Y129595-18141	ºÞÑÄ·ÞÄ A	HOSE, RUBBER	1		
5	Y23000-054000	Ī-½,ØÄĪß 54	CLAMP 54	2		
6	Y123912-18350	·Ö³·ĪÞÝÄÞ	BEND	1		
7	Y123900-77020	ÄÞ³PK	GASKET,AIR HEATER	1		
8	Y123900-77030	PK('±Ë-Ä	GASKET,AIR HEATER	1		
9	Y123900-77500	'±Ë-Ä	HEATER AIR	1		
10	Y26106-100752	ÂÊÞĪÞÛÄ 10X 75	BOLT M10X 75 PLATED	2		
11	Y26106-100952	ÂÊÞĪÞÛÄ 10X 95	BOLT M10X 95 PLATED	2		
12	Y23000-070000	Ī-½,ØÄĪß 70	CLAMP 70	1		
13	Y23000-115000	Ī-½,ØÄĪß 115	CLAMP 115	1		
14	Y26106-080162	ÂÊÞĪÞÛÄ 8X 16	BOLT M 8X 16 PLATED	4		
15	Y123912-12500	'±,Ø-Ä CMP	AIR CLEANER COMP.	1		
17	Y123950-12520	·ĪËÞ-	· COVER	1		
18	Y119160-12540	·ËÞ·Ö·-ÄÊÞÛĪÞ	· VALVE	1		
19	Y119117-12560	·'ÛÖÝÄ ASY(±³Ä-	· ELEMENT ASSY OUTER	1		
20	Y119117-12570	·'ÛÖÝÄ(²ÝÄ	· ELEMENT,INNER	1		
21	Y129612-12650	·Ī·Ý,Þ(W	· MARKING,(W)	1		
22	Y119140-12680	·²Ý¼Þ¹-Ä (ÄÞÝ·¼·	· INDICATOR	1		

Engine for TL150 4TNE106T-TBL S/N 21500004-21500627  
EXHAUST MANIFOLD & SILENCER

Y00D7140  
4TNE106T-TBL

6 ハイキマニホールド & サイレンサ  
EXHAUST MANIFOLD & SILENCER



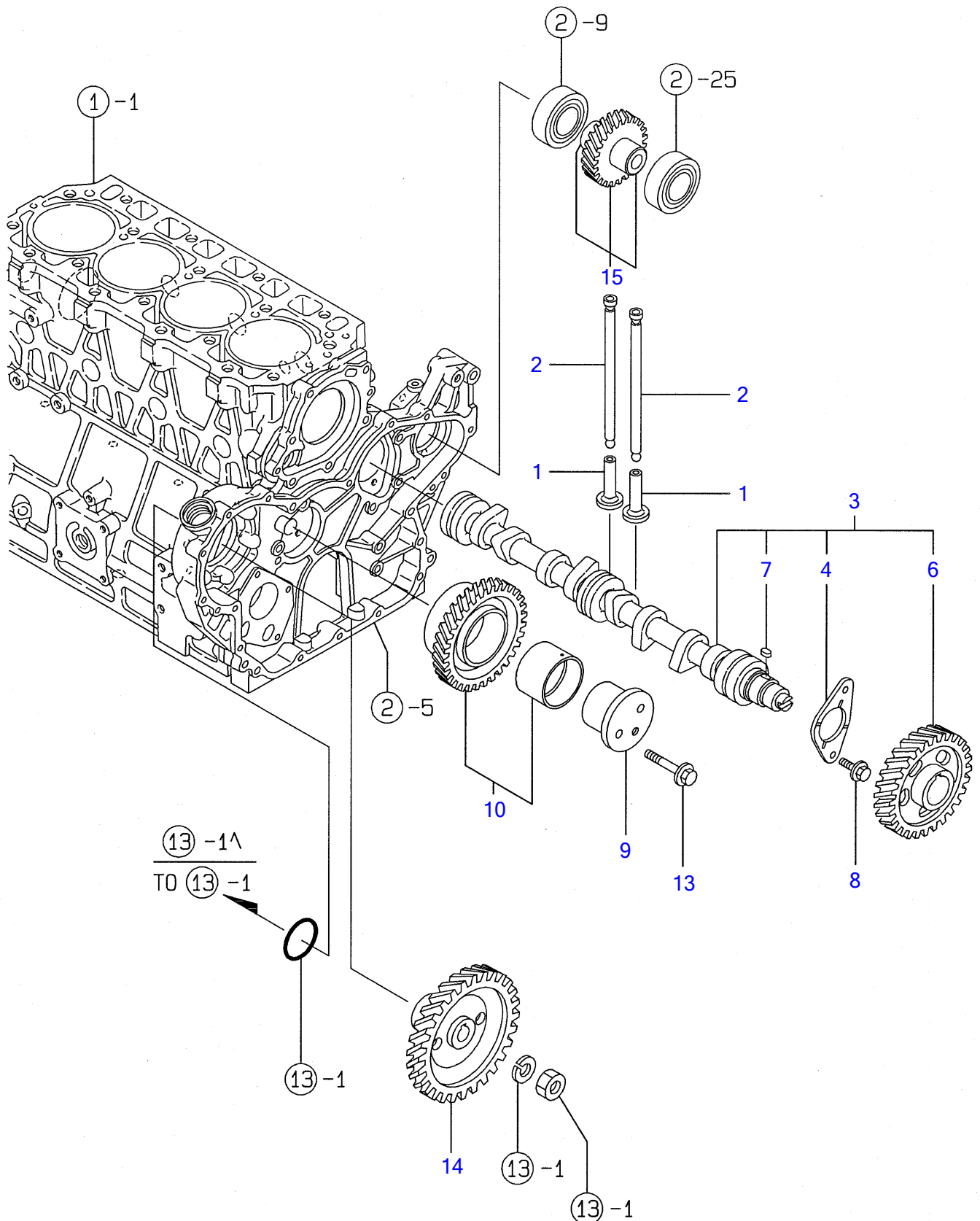
Ê²-ĪÆĪ-ÛÄĖ & »²ÚÝ» EXHAUST MANIFOLD & SILENCER

REF NO.	PARTS NO.	Description	Q'ty
1	Y123900-13610	STUD BOLT M 8X 80	2
2	Y123901-13200	MANIFOLD,AIR EXHAUST	1
3	Y123900-13110	PK(EXH)	1
4	Y129693-44310	BOLT(CFW COOLER	5
5	Y129418-18320	STUD BOLT M8X20	4
6	Y26366-080002	NUT M 8	2
7	Y129400-13201	GASKET, (NON-ASB.)	1
8	Y26366-080002	NUT M 8	4
9	Y123912-13500	SILENCER	1
10	Y123900-13650	BOLT M8X110	1
11	Y123912-13650	STAY	1
12	Y123901-18080	PK(T/C OUT	1
13	Y26106-080222	BOLT M 8X 22 PLATED	2
14	Y26106-080222	BOLT M 8X 22 PLATED	4

Engine for TL150 4TNE106T-TBL S/N 21500004-21500627  
CAMSHAFT & DRIVING GEAR

Y00D7140  
4TNE106T-TBL

カムシャフト & クドウギヤ  
CAMSHAFT & DRIVING GEAR



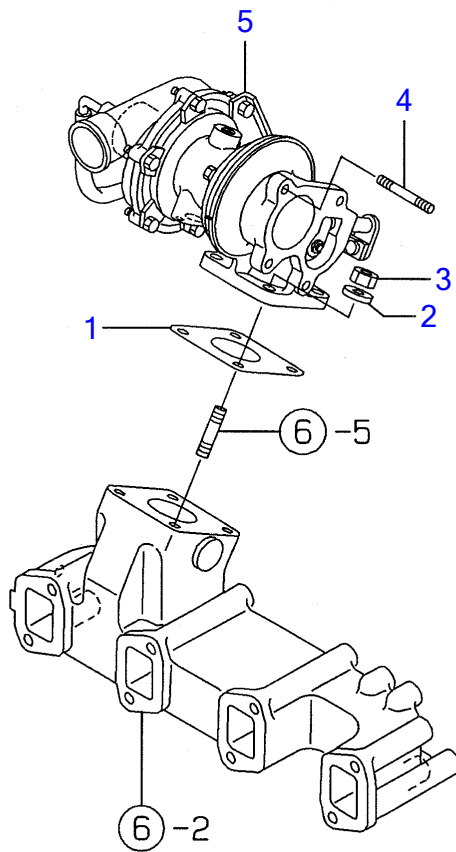
CAMSHAFT & DRIVING GEAR

REF NO.	PARTS NO.	Description	Q'ty	I	R	Other
1	Y123900-14200	TAPPET	8			
2	Y123900-14400	PUSH ROD	8			
3	Y123901-14590	CAMSHAFT ASSY	1			
4	Y129150-02450	• METAL, THRUST	1			
6	Y129900-14110	• GEAR, CAMSHAFT	1			
7	Y22512-070140	• KEY 7X 14	1			
8	Y26106-080142	BOLT M 8X 14 PLATED	2			
9	Y123900-25060	SHAFT(GEAR, IDLE	1			
10	Y123900-25130	GEAR, IDLE CMP	1			
13	Y26106-080552	BOLT M 8X 55 PLATED	3			
14	Y129900-25900	GEAR, FI-P	1			
15	Y129900-26020	GEAR ASSY, HYDR. PUMP	1			

Engine for TL150 4TNE106T-TBL S/N 21500004-21500627  
TURBINE

Y00D7140  
4TNE106T-TBL

タービン  
TURBIN



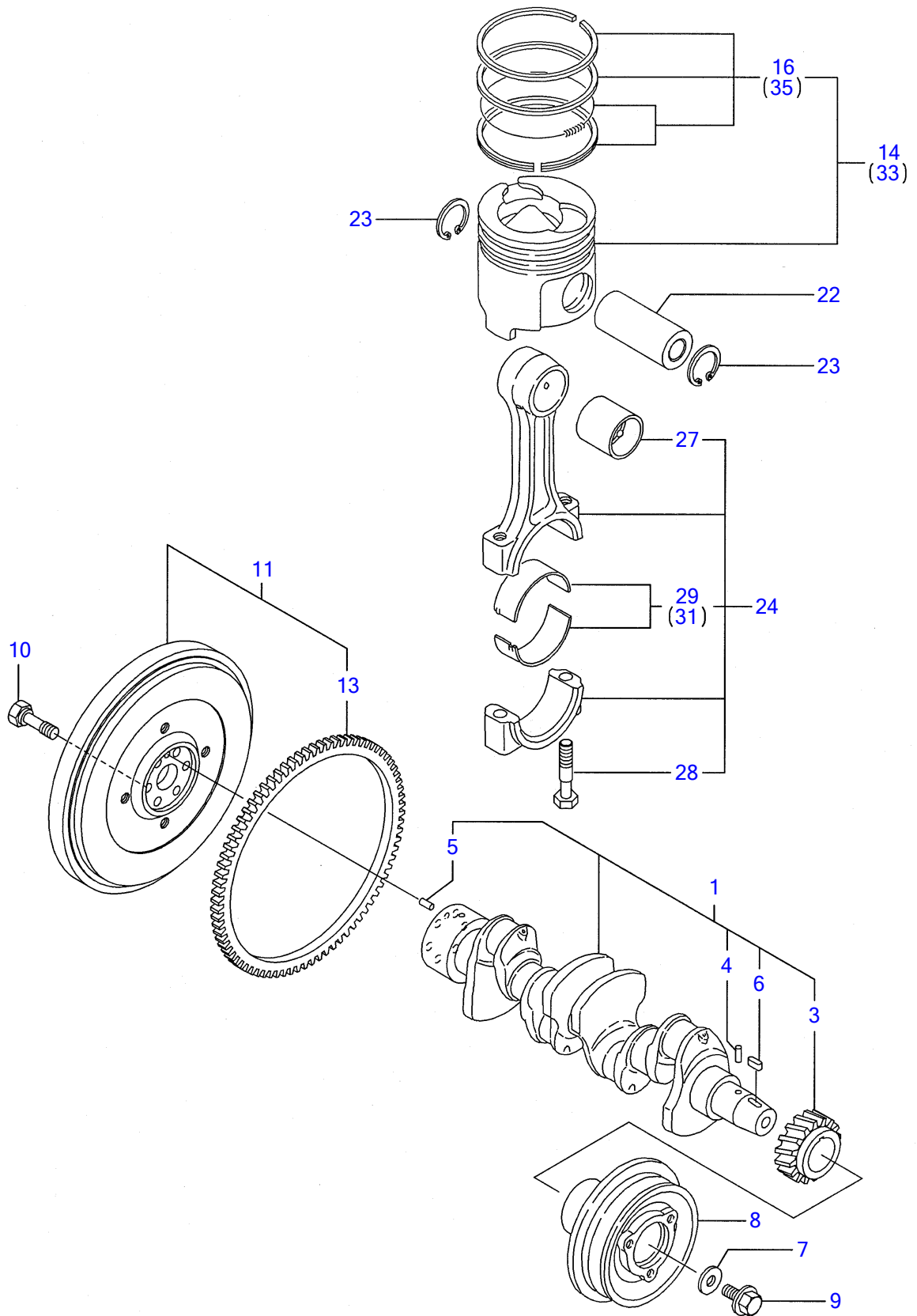
À-ÈÞÝ TURBINE

REF NO.	PARTS NO.	Description	Q'ty	I	R	Ø
1	Y123901-18090	PK(T/C IN	1			
2	Y22117-080000	»ÞŒÞÈ(ŒÛ 8	4			
3	Y26703-080002	ÅÅÅ 8	4			
4	Y26213-080222	³ŒÛÞÛÄ 8X 22	4			
5	Y123912-18011	À-ÈÞÝ(RHF5	1			

Engine for TL150 4TNE106T-TBL S/N 21500004-21500627  
CRANKSHAFT & PISTON

Y00D7140  
4TNE106T-TBL

9 クランクシャフト & ピストン  
CRANKSHAFT & PISTON





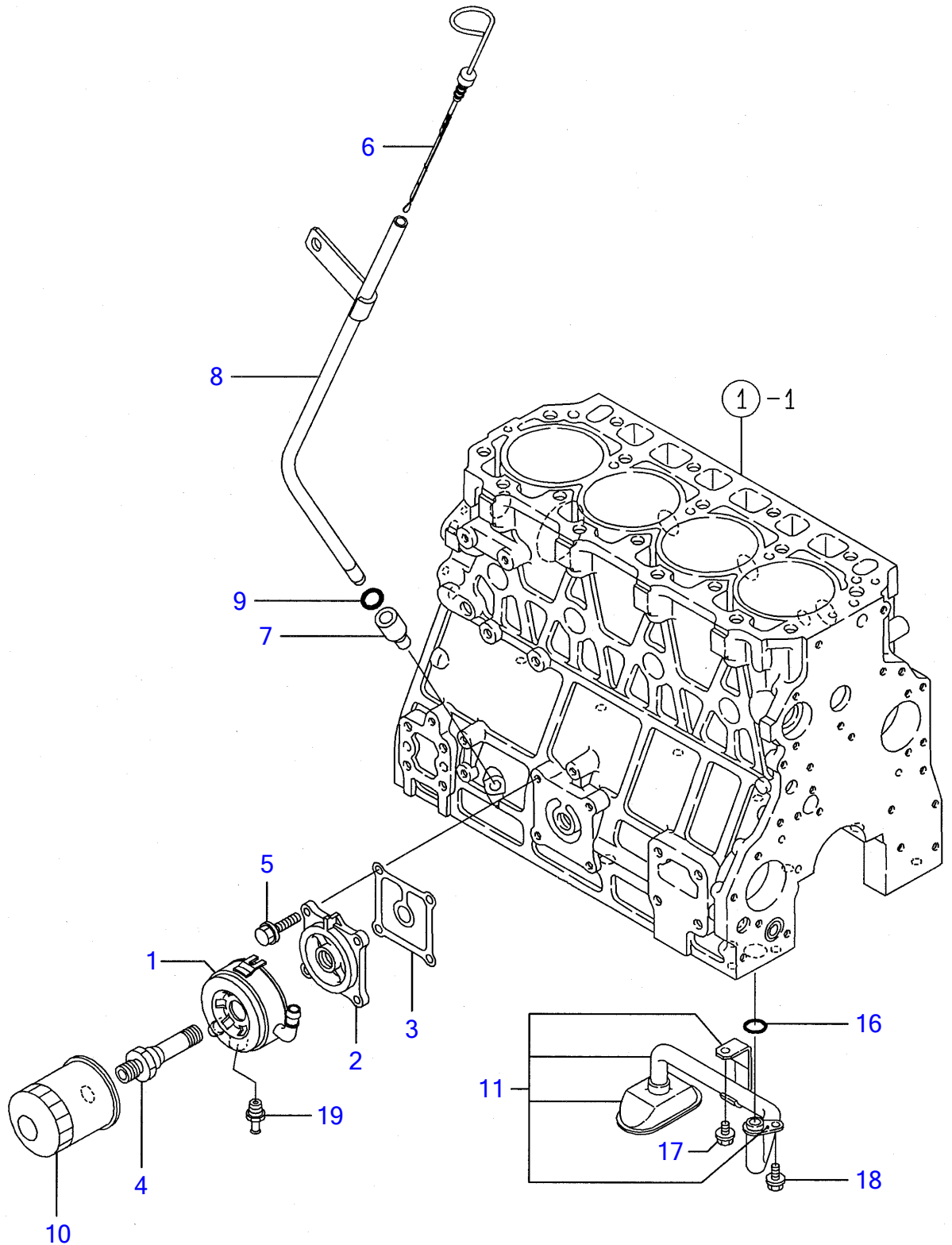
•xÝ,¼ÒÌÄ & Ëß½ÄÝ CRANKSHAFT & PISTON

REF NO.	PARTS NO.	Description	Q'ty		R	"ö
1	Y123900-21050	•xÝ,¼ÒÌÄ CMP	1			
3	Y129900-21220	•xÝ,ßÓ	1			
4	Y121850-21290	•PP(•xÝ,ßÓ)	1			
5	Y121850-21920	•Í²³ËßÝ 10X22	1			
6	Y22512-070140	•Ì»ß-- 7X14	1			
7	Y129900-21640	»ß¶ßÈ	1			
8	Y123900-21650	VÍß-Ø(•xÝ,¼ÒÌÄ	1			
9	Y121850-21680	ÎßÙÄ(VÍß-Ø)	1			
10	Y121850-21130	ÎßÙÄ(Ìx²²Ù)	6			
11	Y123912-21570	Ìx²²Ù CMP	1			
13	Y127410-21480	•ØÝ,ßßÓ Z=129	1			
14	Y123901-22080	Ëß½ÄÝ CMP	4			
16	Y123900-22050	•ØÝ,ß CMP	4			
22	Y119173-22300	Ëß½ÄÝËßÝ	4			
23	Y22252-000370	ÄÒÙC(±Á 37	8			
24	Y123900-23000	²ÝÙÄÄß CMP	4			
27	Y123900-23910	•Ëß½ÄÝËßÝÒÀÙ	4			(1) ÎÖ³ÌßËÝÄß½
28	Y123900-23200	•ÎßÙÄ(²È, Ä²Ý,ßÙÄÄß	8			
29	Y123900-23600	•xÝ,ËßÝÒÀÙCMP	4			
31	Y123900-23610	Ìß±ØÝ,ß(ËßÝ)U.S=0.25	4			(2) ±ÝÄß°»²½ß(U.S=0.25)ÌßËÝÄß½
33	Y123901-22900	Ëß½ÄÝ CMP 0.25OS	4			(3) µ°Èß°»²½ß(O.S=0.25)ÌßËÝÄß½
35	Y123900-22950	•ØÝ,ß¼ÄÄ O.S=0.25	4			(3) µ°Èß°»²½ß(O.S=0.25)ÌßËÝÄß½

Engine for TL150 4TNE106T-TBL S/N 21500004-21500627  
LUB.OIL SYSTEM

Y00D7140  
4TNE106T-TBL

10 LOシステム  
LUB.OIL SYSTEM



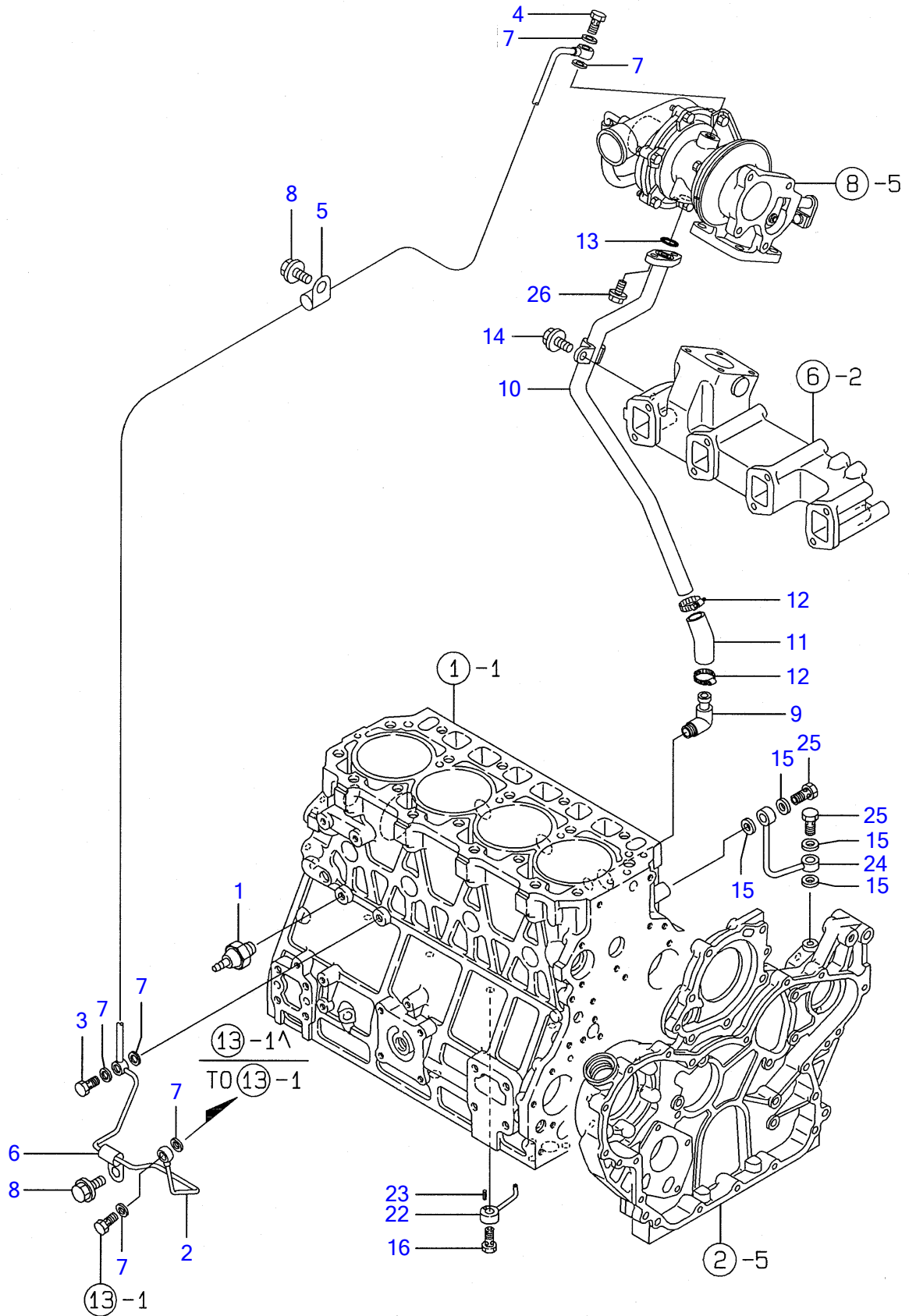
LO 1/2" LUB.OIL SYSTEM

REF NO.	PARTS NO.	Description	Q'ty
1	Y123912-33011	COOLER ASSY, L.O.	1
2	Y123912-33040	BRACKET COMP, COOLER	1
3	Y123900-33060	PACKING	1
4	Y123912-33100	BOLT, L.O.COOLER	1
5	Y26106-080202	BOLT M 8X 20 PLATED	4
6	Y129951-34801	DIPSTICK	1
7	Y119260-34810	GUIDE, DIPSTICK	1
8	Y123912-34810	GUIDE, DIPSTICK	1
9	Y24311-240100	O-RING 1A P-10A	1
10	Y119005-35150	STRAINER 80X100L,LO.	1
11	Y123900-35000	PIPE ASY,L.OIL INLET	1
16	Y24314-000180	O-RING 4C P-18.0	1
17	Y26106-080122	BOLT M 8X 12 PLATED	1
18	Y26106-080162	BOLT M 8X 16 PLATED	1
19	Y121550-49111	JOINT PT1/4	1

Engine for TL150 4TNE106T-TBL S/N 21500004-21500627  
LUB.OIL LINE

Y00D7140  
4TNE106T-TBL

1 1 LOパイフ  
LUB.OIL LINE

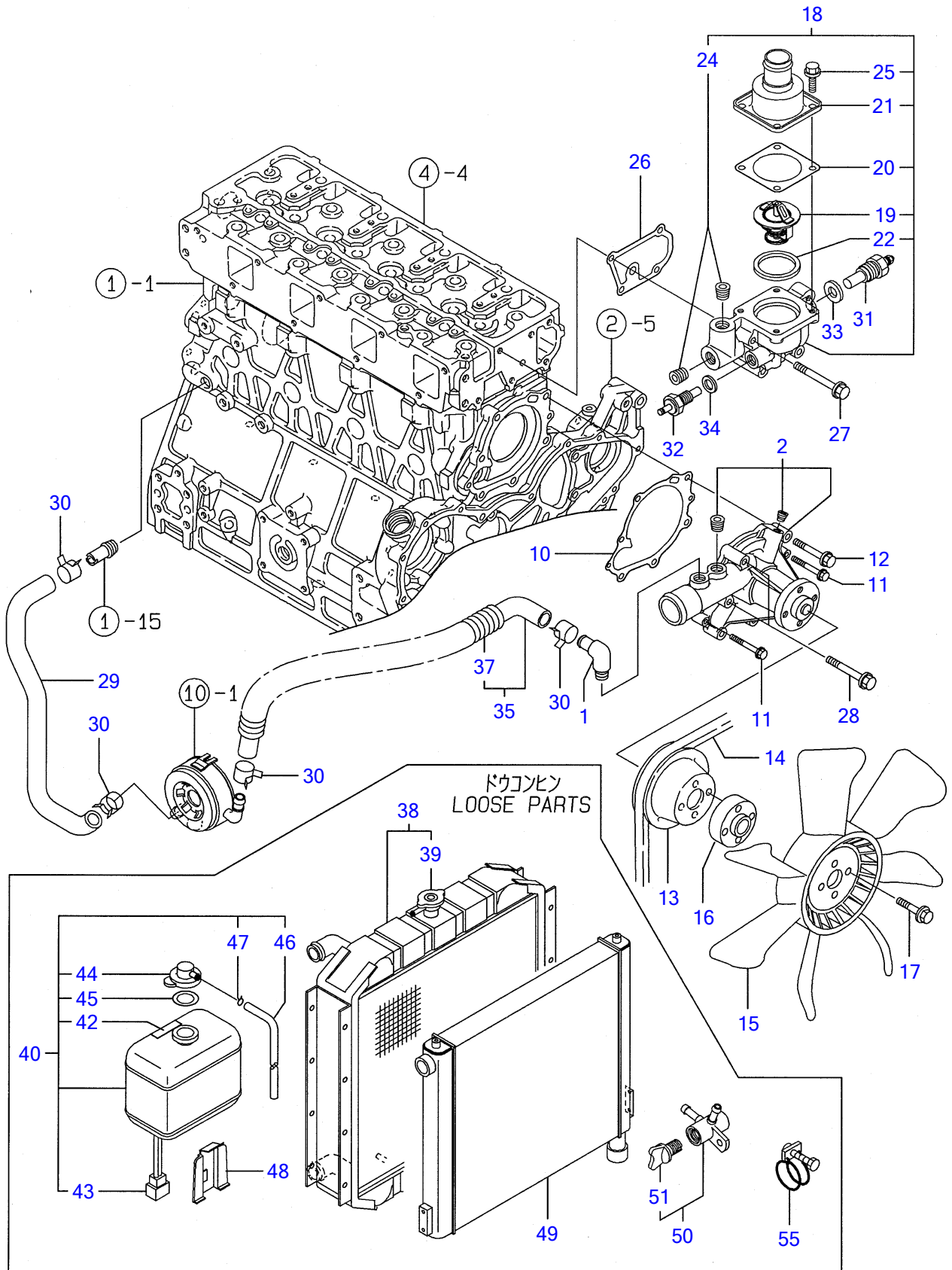


REF NO.	PARTS NO.	Description	Q'ty	I	R	Q'ty
1	Y114250-39450	SWITCH,(0.5KG)L.O.	1			
2	Y123912-39060	PIPE,LUB.OIL	1			
3	Y124160-39140	BOLT 10, PIPE JOINT	1			
4	Y121252-39150	BOLT, PIPE JOINT	1			
5	Y124223-39900	RETAINER	1			
6	Y23297-060081	RETAINER 6X 8	1			
7	Y23414-100000	GASKET 10, ROUND	6			
8	Y26106-080122	BOLT M 8X 12 PLATED	2			
9	Y124070-13300	ELBOW (PT3/8)	1			
10	Y123912-39600	PIPE, L.O.	1			
11	Y123901-39820	HOSE	1			
12	Y23000-025000	CLAMP 25	2			
13	Y24314-000180	O-RING 4C P-18.0	1			
14	Y26106-080142	BOLT M 8X 14 PLATED	1			
15	Y22190-080002	SEAL WASHER 8S	4			
16	Y129792-39410	VALVE ASSY, CHECK	4			
22	Y123900-39650	NOZZLE	4			
23	Y22351-030010	SPRING PIN 3X10	4			
24	Y123950-39050	PIPE.ASSY, L.O.	1			
25	Y105010-39140	BOLT, PIPE JOINT	2			
26	Y26106-060162	BOLT M 6X 16 PLATED	2			

Engine for TL150 4TNE106T-TBL S/N 21500004-21500627  
**COOLING WATER SYSTEM**

Y00D7140  
 4TNE106T-TBL

12 CWシステム  
 COOLING WATER SYSTEM

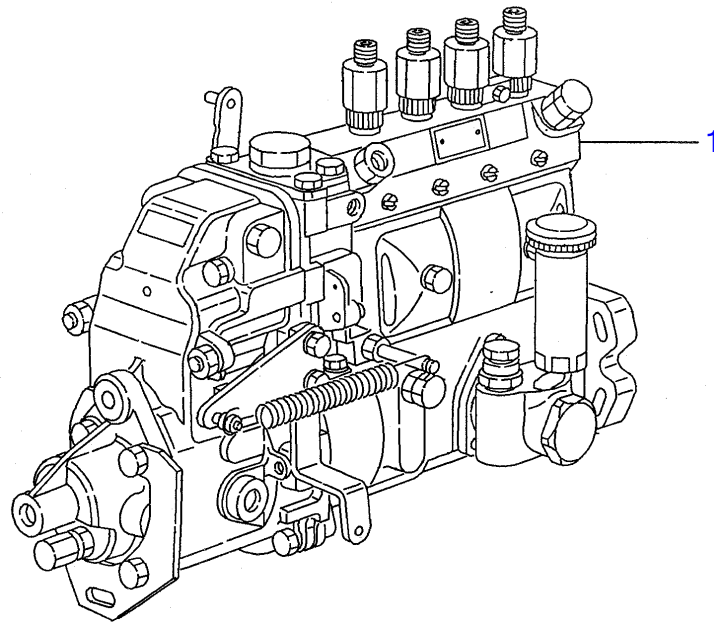


CW¼½ÄÑ COOLING WATER SYSTEM

REF NO.	PARTS NO.	Description	Q'ty
1	Y129466-49300	ELBOW PT3/8	1
2	Y123900-42000	PUMP ASSY, C. WATER	1
10	Y123900-42050	PACKING	1
11	Y26106-060502	BOLT M 6X 50 PLATED	2
12	Y26106-080552	BOLT M 8X 55 PLATED	4
13	Y123900-42470	V-PULLEY	1
14	Y123910-42480	V-BELT	1
15	Y123915-44740	FAN, C.W.	1
16	Y123900-44761	SPACER	1
17	Y26106-100452	BOLT M10X 45 PLATED	4
18	Y123900-49800	THERMOSTAT CASE ASSY	1
19	Y124610-48620	• THERMOSTAT	1
20	Y124610-49291	• GASKET	1
21	Y123550-49530	• COVER, THERMOSTAT	1
22	Y123500-49550	• GASKET	1
24	Y23876-030000	• PLUG PT3/8, SCREW	2
25	Y26106-080142	• BOLT M 8X 14 PLATED	4
26	Y123900-49820	GASKET	1
27	Y26106-080602	BOLT M 8X 60 PLATED	4
28	Y26106-080702	BOLT M 8X 70 PLATED	2
29	Y123912-49031	PIPE, C.W.	1
30	Y23000-025000	CLAMP 25	4
31	Y119266-49350	SENSOR, THERMO.	1
32	Y121250-44901	SWITCH, THERMO(110BC	1
33	Y124465-44950	GASKET 16	1
34	Y129150-49360	GASKET 10	1
35	Y119642-49050	PIPE ASSY	1
37	Y119642-49090	• TUBE, CORRUGATED	1
38	Y123912-44500	RADIATOR ASSY	1
39	Y119259-44570	• CAP, RADIATOR	1
40	Y121850-44800	RESERVIOR	1
42	Y121850-44830	• LABEL, RESERVE TANK	1
43	Y121850-44840	• SWITCH ASSY	1
44	Y121850-44850	• CAP	1
45	Y121850-44860	• GASKET	1
46	Y121850-44870	• PIPE	1
47	Y121850-44880	• CLAMP	1
48	Y120147-44810	BRACKET	1
49	Y123912-44900	OIL COOLER ASSY	1
50	Y129150-49100	COCK ASSY, 3-WAY	1
51	Y129150-49080	• COCK, DRAIN	1
55	Y23000-060000	CLAMP 60	4

Y00D7140  
4TNE106T-TBL

13 FOフンシャポンプ  
FUEL INJECTION PUMP





FOIY¼ÔÍßÝÍß FUEL INJECTION PUMP

REF NO.	PARTS NO.	Description	Q'ty	I	R	"ö
1	Y123912-51020	ÈÝØÖ³ÍßÝÍßCMP FO-P CMP	1			



**FOIY¼ÓÍÞÝ FUEL INJECTION VALVE**

REF NO.	PARTS NO.	Description	Q'ty
1	Y123901-01950	STAY	1
2	Y26106-100142	BOLT M10X 14 PLATED	1
3	Y26106-080202	BOLT M 8X 20 PLATED	1
4	Y723900-53200	VALVE COMP, FUEL	4
5	Y123900-53050	• NOZZLE ASSY	4
8	Y114250-53080	• NUT, NOZZLE CASE	4
9	Y119000-53100	• HOLDER ASSY, NOZZLE	4
12	Y114250-53120	• SPRING, NOZZLE	4
13	Y114250-53130	• SEAT, NOZZLE SPRING	4
14	Y114250-53140	• PLATE, STOP	4
15	Y114250-53210	• PIN	8
16	Y114250-53400	• SHIM PACK	4
28	Y123472-59120	BRACKET	2
30	Y123901-59811	PIPE, F.INJECT (NO.1	1
31	Y123901-59821	PIPE ASSY, INJECTION	1
32	Y123901-59830	PIPE ASSY, INJECTION	1
33	Y123901-59840	PIPE ASSY, INJECTION	1
34	Y26106-060202	BOLT M 6X 20 PLATED	2

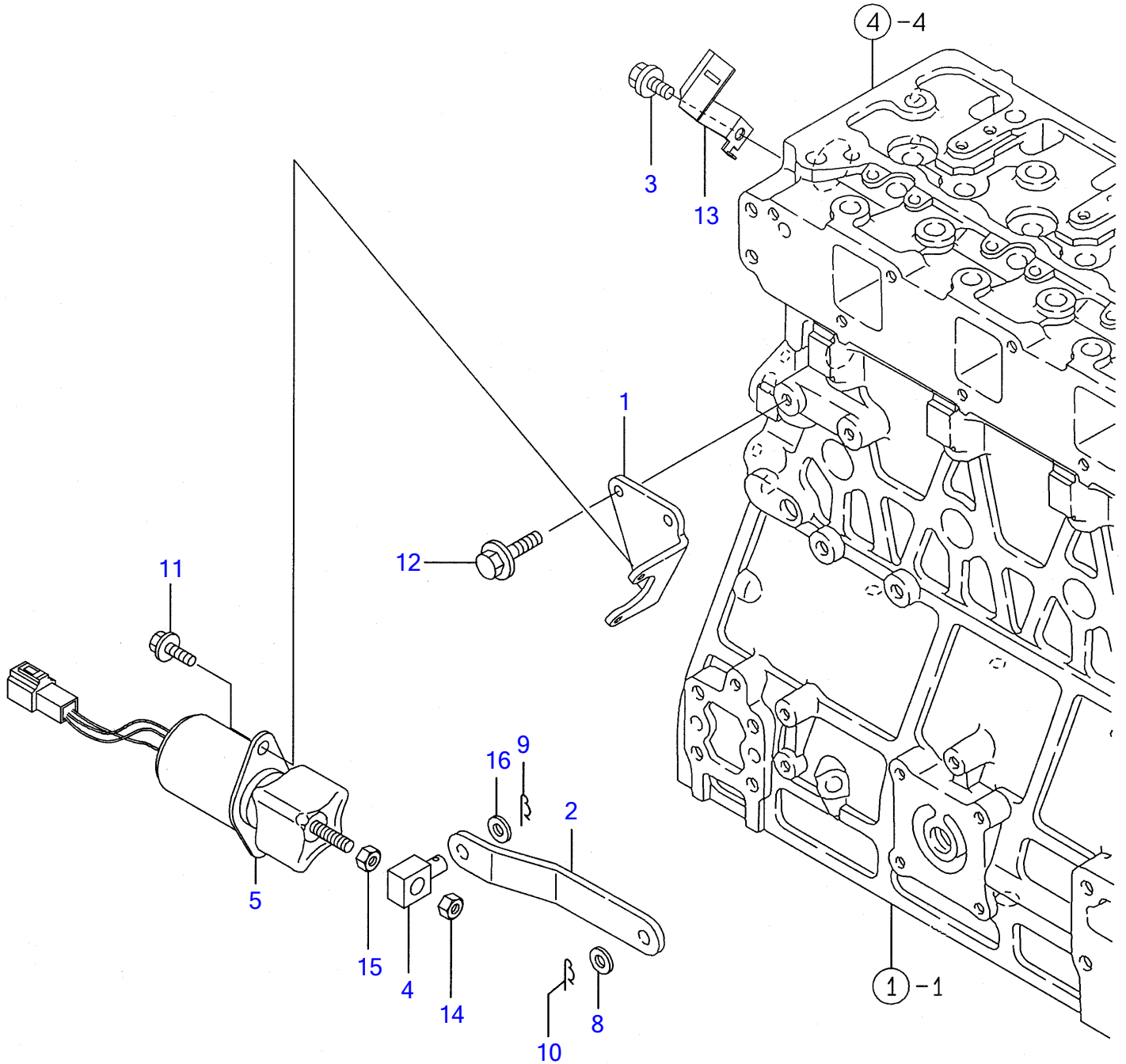


REF NO.	PARTS NO.	Description	Q'ty
1	Y119000-55601	FILTER, FUEL	1
2	Y129470-55610	BODY, FUEL FILTER	1
3	Y123912-55900	BRACKET	1
4	Y26106-100252	BOLT M10X 25 PLATED	2
5	Y26106-100182	BOLT M10X 18 PLATED	2
6	Y101304-59020	JOINT 12, PIPE	2
7	Y119560-59051	PIPE ASSY, FUEL OIL	1
9	Y119560-59110	PROTECTOR, FUEL PIPE	1
10	Y119560-59040	PIPE,13/7.5X700,FUEL	1
12	Y119560-59120	TUBE	1
13	Y124766-59050	CLAMP 12	4
14	Y121750-59890	CLAMP 140	1
15	Y103854-59191	BOLT W/PLUG & SEAL	1
17	Y124060-59380	PLUG	1
18	Y22190-060002	SEAL WASHER 6S	1
19	Y121855-59880	JOINT	1
20	Y121855-59880	JOINT	1
21	Y121250-49110	JOINT, PIPE	1
22	Y22190-120002	SEAL WASHER 12	4
23	Y23857-060000	JOINT BOLT 6	1
24	Y129950-59211	PIPE, FUEL	1
25	Y124766-59050	CLAMP 12	2
26	Y129950-59221	TUBE	1
28	Y124066-59100	CLAMP 8	9
29	Y129495-59300	BOLT, PIPE JOINT	1
30	Y129980-59530	JOINT,FUEL RETN.PIPE	1
31	Y121250-59550	PIPE, FUEL	3
32	Y124732-59562	PIPE, FUEL OIL	1
33	Y129150-59580	CAP	1
34	Y121855-59880	JOINT	1
35	Y128300-59910	VALVE ASSY,OVER-FLOW	1
41	Y22190-140002	SEAL WASHER 14S	2
42	Y22190-140002	SEAL WASHER 14S	2
43	Y22190-080002	SEAL WASHER 8S	1
44	Y26106-080102	BOLT M 8X 10 PLATED	1
45	Y129335-55700	SEPARATOR, WATER	1
46	Y104200-55321	VALVE, TAPER	1
47	Y104200-55330	SPRING, TAPER VALVE	1
48	Y104200-55341	HANDLE, COCK	1
49	Y124064-55510	BOWL, FUEL STRAINER	1
50	Y102103-55520	O-RING	1
51	Y110250-55610	RING, RETAINING	1
52	Y121257-55720	SPRING, SCREEN	1
53	Y121257-55731	FLOAT	1
55	Y101720-55750	PLUG	2
56	Y104200-55750	SCREW M 4	1
57	Y171081-55910	SCREEN	1
58	Y23418-060000	GASKET 6, NYLON	2
59	Y24311-240100	O-RING 1A P-10A	1
60	Y124722-59050	CLAMP 9	6
61	Y121137-59080	PIPE, FUEL	1
62	Y121522-59080	PIPE, FUEL OIL	1
63	Y124520-59080	PIPE, FUEL OIL	1
64	Y121522-59090	PIPE (L=900), FUEL	1

Engine for TL150 4TNE106T-TBL S/N 21500004-21500627  
ENGINE STOP DEVICE

Y00D7140  
4TNE106T-TBL

16 キカンテイシソウチ  
ENGINE STOP DEVICE

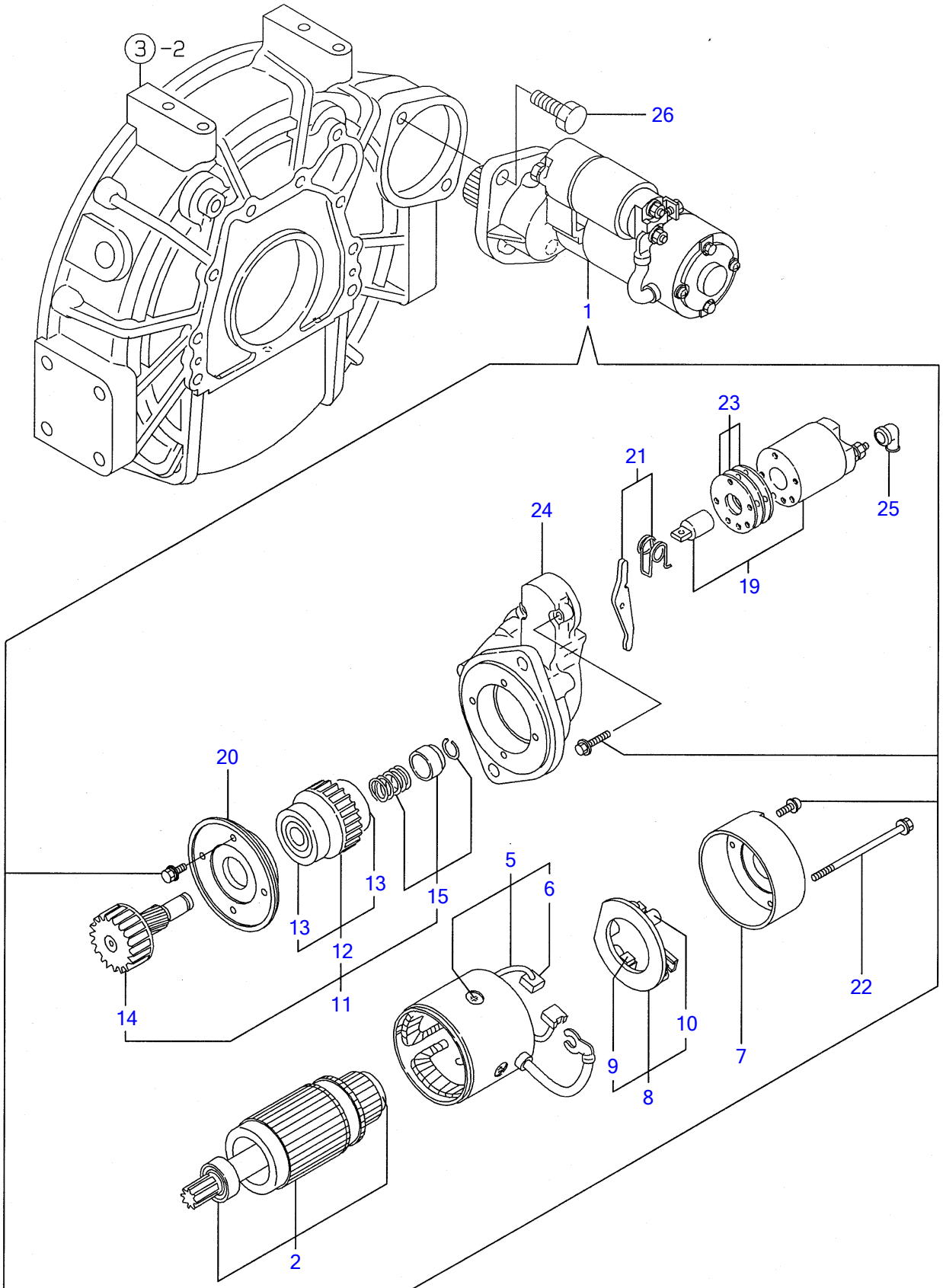


REF NO.	PARTS NO.	Description	Q'ty
1	Y123901-66820	BRACKET(SOLENOID	1
2	Y123901-66840	LINK(SOLENOID	1
3	Y26106-080122	BOLT M 8X 12 PLATED	1
4	Y123900-66820	JOINT	1
5	Y129953-77803	SOLENOID, STOP	1
8	Y22117-060000	WASHER 6	1
9	Y22360-060000	SNAP PIN 6	1
10	Y22360-060000	SNAP PIN 6	1
11	Y26106-060102	BOLT M 6X 10 PLATED	2
12	Y26106-080162	BOLT M 8X 16 PLATED	2
13	Y129136-66852	SUPPORT, COUPLER	1
14	Y26346-060002	U-NUT M 6 PLATED	1
15	Y26716-060002	NUT 6	1
16	Y22117-060000	WASHER 6	1

Engine for TL150 4TNE106T-TBL S/N 21500004-21500627  
STARTING MOTOR

Y00D7140  
4TNE106T-TBL

17 スタートイングモータ  
STARTING MOTOR





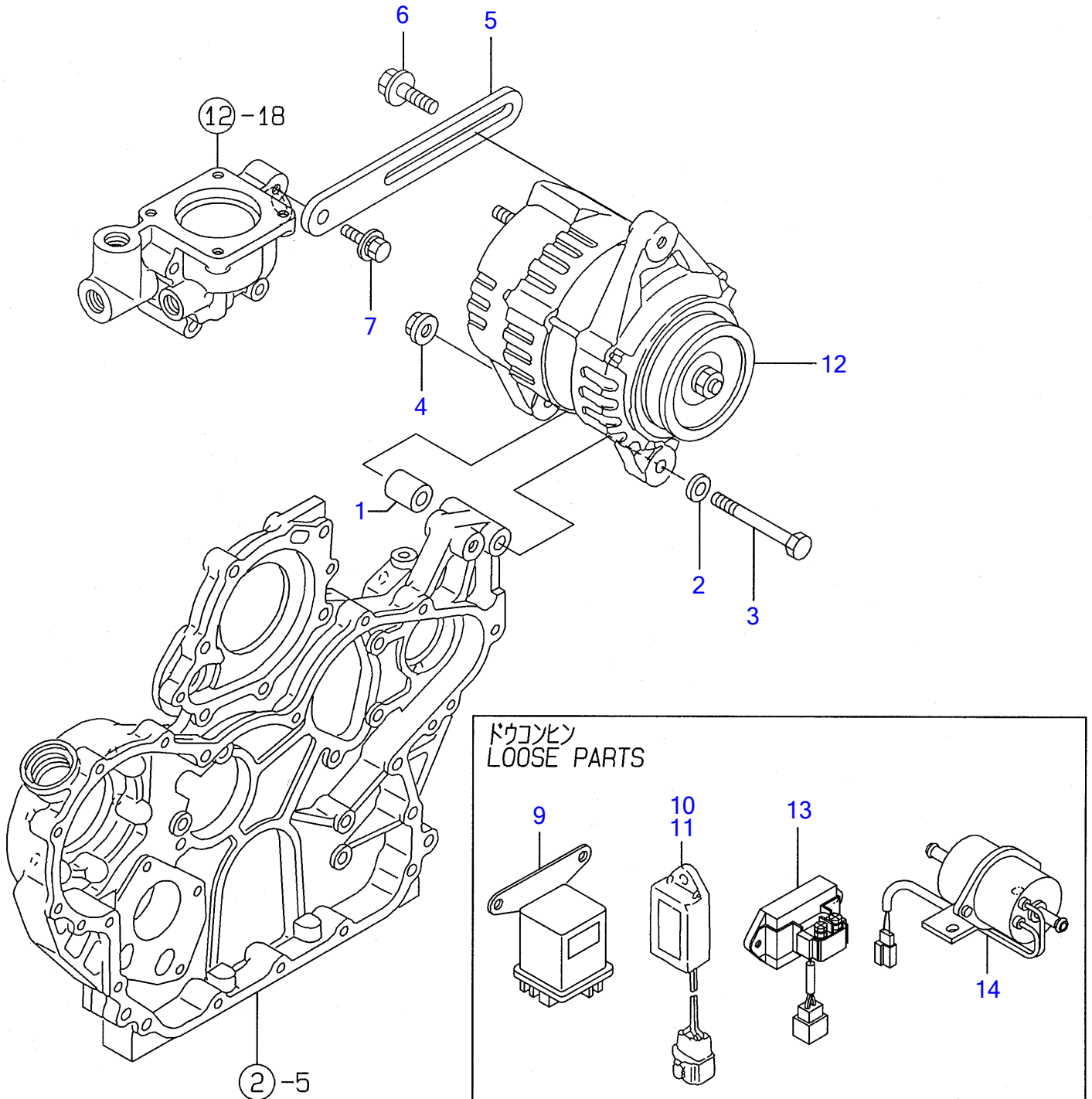
½Ä-Ä²Ý, ÞÓ-Ä STARTING MOTOR

REF NO.	PARTS NO.	Description	Q'ty
1	Y123900-77010	½Ä-Ä²Ý, ÞÓ-Ä CMP	1
2	Y123900-77400	• ±İ-ÄÖ ASY	1
5	Y123900-77440	• İ²-ÜÄÞ²Ü ASY	1
6	Y123900-77450	• • İÞ×¼(+)	2
7	Y123900-77460	• ØÖŦÉÞ-	1
8	Y123900-77480	• İÞ×¼İÜÄÞ ASY	1
9	Y123900-77450	• • İÞ×¼(+)	2
10	Y121254-77590	• • ½İßØÝ, Þ(İÞ×¼	4
11	Y123900-77510	• ÈßÆμÝ, ×ÄÄ ASY	1
12	Y123900-77520	• • ×ÄÄ ASY	1
13	YX2240610100	• • • İÞ-ÜİÞ±ØÝ, Þ(3	2
14	Y123900-77540	• • ÈßÆμÝ¼ÖİÄ	1
15	Y119131-77550	• • ½ÄÄÈß-SET(ÈßÆμÝ	1
19	Y129900-77591	• İ, ÞÈÄÄ, ½²ÄÄ ASY	1
20	Y123900-77610	• İÞ±ØÝ, ÞØÄ-Ä	1
21	Y129900-77620	• ¼İÄÜÈÞ-¾ÄÄ	1
22	Y123900-77640	• ½Ü-İÞÜÄ	2
23	Y123900-77650	• ÄÞ½ÄŦÉÞ- KIT	1
24	Y123900-77710	• • ÞÖ¹-½	1
25	Y171008-77750	• ŦÉÞ-(Ä-ÐÄÜ	1
26	Y26116-120252	İÞÜÄ 12X 25	2

Engine for TL150 4TNE106T-TBL S/N 21500004-21500627  
GENERATOR

Y00D7140  
4TNE106T-TBL

18 ジェネレータ  
GENERATOR

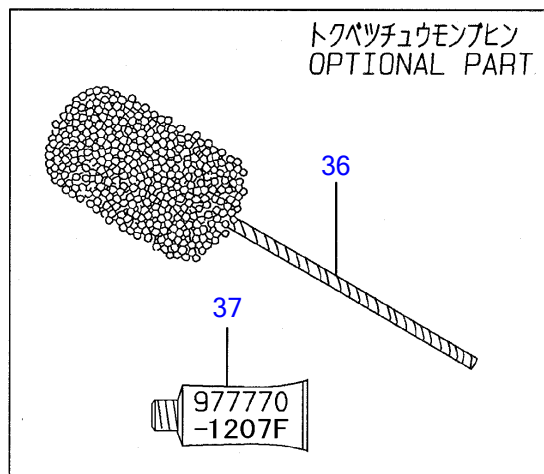
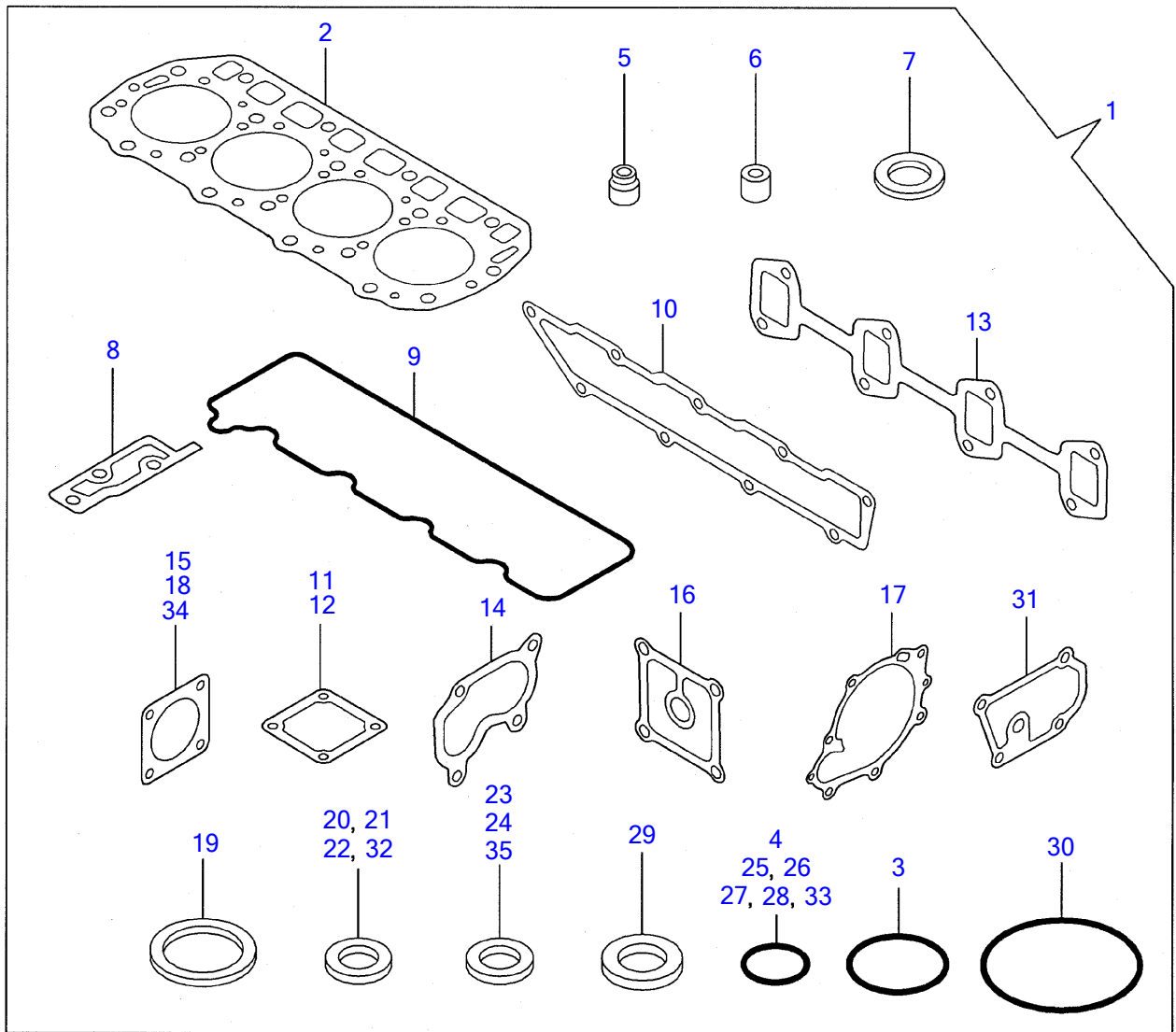


REF NO.	PARTS NO.	Description	Q'ty
1	Y123900-77340	DISTANCE PIECE	1
2	Y22137-100000	WASHER 10,POLISHED	1
3	Y123945-77200	BOLT PLATED	1
4	Y26366-100002	NUT M10	1
5	Y123900-77330	ADJUSTER(BELT	1
6	Y119810-77340	BOLT	1
7	Y26014-080252	BOLT M 8X 25	1
9	Y129100-77910	RELAY, MAGNETIC	1
10	Y129211-77920	TIMER	1
11	Y128300-77920	TIMER	1
12	Y123900-77210	GENERATOR(12V-60A	1
13	Y129136-77200	RELAY, SAFETY	1
14	Y129322-77401	FEED PUMP	1

GASKET SET

Y00D7140  
4TNE106T-TBL

19 パッキンセット  
GASKET SET



REF NO.	PARTS NO.	Description	Q'ty	CEYŠ-ll«	Notes
1	Y723900-92640	GASKET SET(NON-ASB.)	1		(1) μlβ¼®Ý lβËÝÄb½
2	Y123900-01340	GASKET, HEAD	1		
3	Y24311-000320	O-RING 1A P-32.0	2		
4	Y24311-000110	O-RING 1A P-11.0	1		
5	Y121850-11150	SEAL, VALVE STEM	8		
6	Y119625-11870	PROTECTOR, NOZZLE	4		
7	Y119625-11880	SEAT, NOZZLE	4		
8	Y123900-03210	PACKING (BREATHER)	1		
9	Y123900-11310	PACKING	1		
10	Y123900-12110	PK(SUC	1		
11	Y123900-77020	GASKET,AIR HEATER	1		
12	Y123900-77030	GASKET,AIR HEATER	1		
13	Y123900-13110	PK(EXH	1		
14	Y123901-18080	PK(T/C OUT	1		
15	Y123901-18090	PK(T/C IN	1		
16	Y123900-33060	PACKING	1		
17	Y123900-42050	PACKING	1		
18	Y124610-49291	GASKET	1		
19	Y123500-49550	GASKET	1		
20	Y22190-080002	SEAL WASHER 8S	5		
21	Y22190-120002	SEAL WASHER 12	4		
22	Y22190-140002	SEAL WASHER 14S	4		
23	Y23414-100000	GASKET 10, ROUND	6		
24	Y124465-44950	GASKET 16	1		
25	Y129900-32030	O-RING P20	1		
26	Y129900-32040	O-RING P14	1		
27	Y24311-000120	O-RING 1A P 12.0	4		
28	Y24314-000180	O-RING 4C P-18.0	2		
29	Y22190-220002	SEAL WASHER 22S	1		
30	Y24321-000850	O-RING 1A G-85.0	1		
31	Y123900-49820	GASKET	1		
32	Y22190-060002	SEAL WASHER 6S	1		
33	Y24311-240100	O-RING 1A P-10A	1		
34	Y129400-13201	GASKET, (NON-ASB.)	1		
35	Y129150-49360	GASKET 10	1		
36	Y129400-92450	HORN, FLEX	1		(1) μlβ¼®Ý lβËÝÄb½
37	Y977770-1207F	GASKET, LIQUID	1		(1) μlβ¼®Ý lβËÝÄb½

# How to read this Parts Catalog.

1. Parts mentioned in this Parts Catalog may not necessarily be standard equipping parts.
2. Parts change may be made without prior notice.
3. Form of this Parts Catalog.

Y00F2161 (1997.09.01)

**Fig. 29 燃料噴射ポンプ(ブーコン用)**  
**FUEL INJECTION PUMP (W/BOOST)**

見出 REF.No.	レベル LEV.	部品番号 PARTS No.	部品名	DESCRIPTION	個数 (Qty)						備考
					A	B	C	D	E	F	
1	.	729595-51390	F0ポンプ ASY(7-コック)	FULE INJECTION PUMP	1	1	1	1	1	1	
1-1	.	729595-51391	F0ポンプ ASY(7-コック)	FULE INJECTION PUMP	1	1	1	1	1	1	
3	..	26022-060162	ナメネジ M 6X 16	SCREW M 6X 16	9	9	9	9	9		
I 3-1	..	26022-060162	ナメネジ M 6X 16	SCREW M 6X 16	4	4	4	4	4		K
(A=E/#00185)(B=E/#00200)(C=E/#00156)(D=E/#00156)(E=E/#00156)											
4	..	129470-51040	カムシャフト	CAMSHAFT	1	1	1	1	1		
5	..	122710-51050	ベアリングローラ	BEARING, ROLLER	2	2	2	2	2		
6	..	129470-51060	ベアリングホルダ	RETAINER	1	1	1	1	1		

**備考**

(1) ブーストコンペンセータ付き。4JH-DT, 4JH-DTZとも  
E/# 00155 までは、特別注文仕様とします

**Remarks**

(1) BOOST COMPENSATOR TYPE.  
OPTIONAL PART, TO E/# 00155.  
(4JH - DT, 4JH - DTZ)

**① Ref. No.**

The Ref. No. in the list may not be accord with the Ref. No. on illustration.

(Ex.) Illustration No.                      List head No.

1    1 (Befor change)                      →                      1 -1 (After change)

When interchangeable symbol N, R, and K, illustrations for new parts are sometimes omitted.

**② Lev.(Level)**

Indication and Meaning of Level

Level: Hereunder is given the relation among the number of dots(•), the level and the nominal parent-child relationship.

- .....Parent parts(Assembly parts)
- .....Child parts included in "••" (Semi- Assembly parts, component parts of Assembly parts.)
- .....Child parts included in "•••", Grand-child parts in terms of "••".  
(Component parts of Semi- Assembly parts.)

Note) A parts of non- sale parts are illustrated but not listed.

**③ Change Mark**

Change Mark "I" is given to the part for which a design change was made at this time.

The design change was not shown in the last published Parts Catalog.

**④ Interchangeability Mark**

In the case where a part change took place, one of the following interchangeability marks is indicated for that part.

Symbol	interchangeability	Contents note
N	Old  New	New Part is interchangeable for Old Part but not interchangeable conversely.
Q	Old  New	New Part is not interchangeable for Old Part but interchangeable conversely.
R	Old  New	New Part is interchangeable for Old Part and vice versa.
S	Old  New	New Part is not interchangeable for Old Part and vice versa.
W		Part newly added.
Z		Part discontinued.
F		Not interchangeable single part but interchangeable by set of the related parts.
K		Changed only in quantity used.

**⑤ Effective Machine No.**

When a part is changed, Effective Machine No. of a Model for which the part is applicable is indication in each column of (A)- (F).

Product Symbol	Product No.	Product Symbol	Product No.
C	Clutch No. Compressor No.	M	Machine No.
D	Drive No.	T	Tractor No.
E	Engine No.	Note1) ※	Date

Note1) Date may follow the symbol in some cases. (Ex.) ※ 1996.01

Note2) As far as engine models shown by "XXX" are concerned, the modification of the parts could not be predicted or the engine models themselves could not be identified.

Note3) (A=E/#00185) means that the design change on the part has been effective for the model at the column (A) (in this case, for 4JH- DT) on and from E/#(Engine Serial Number) 00185.

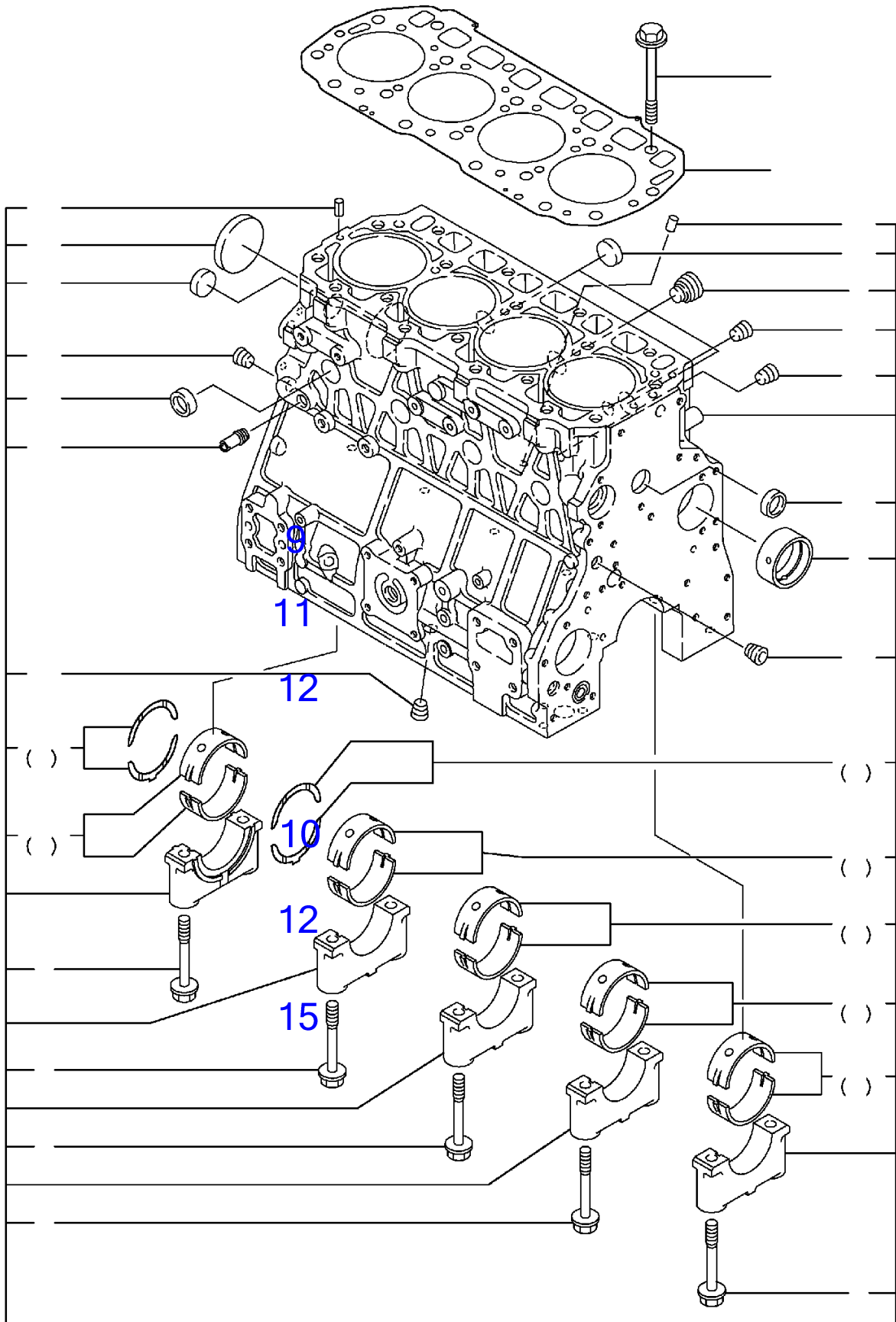
**⑥ Remarks Mark**

Figures or alphabets (Symbols) are entered in the remark column.

The comments(remarks) on the pertinent parts are indicated in the lower part of the list by the same symbols as those stated above.



Engine for TL150 4TNV106T-XTBL S/N 21500628-  
CYLINDER BLOCK



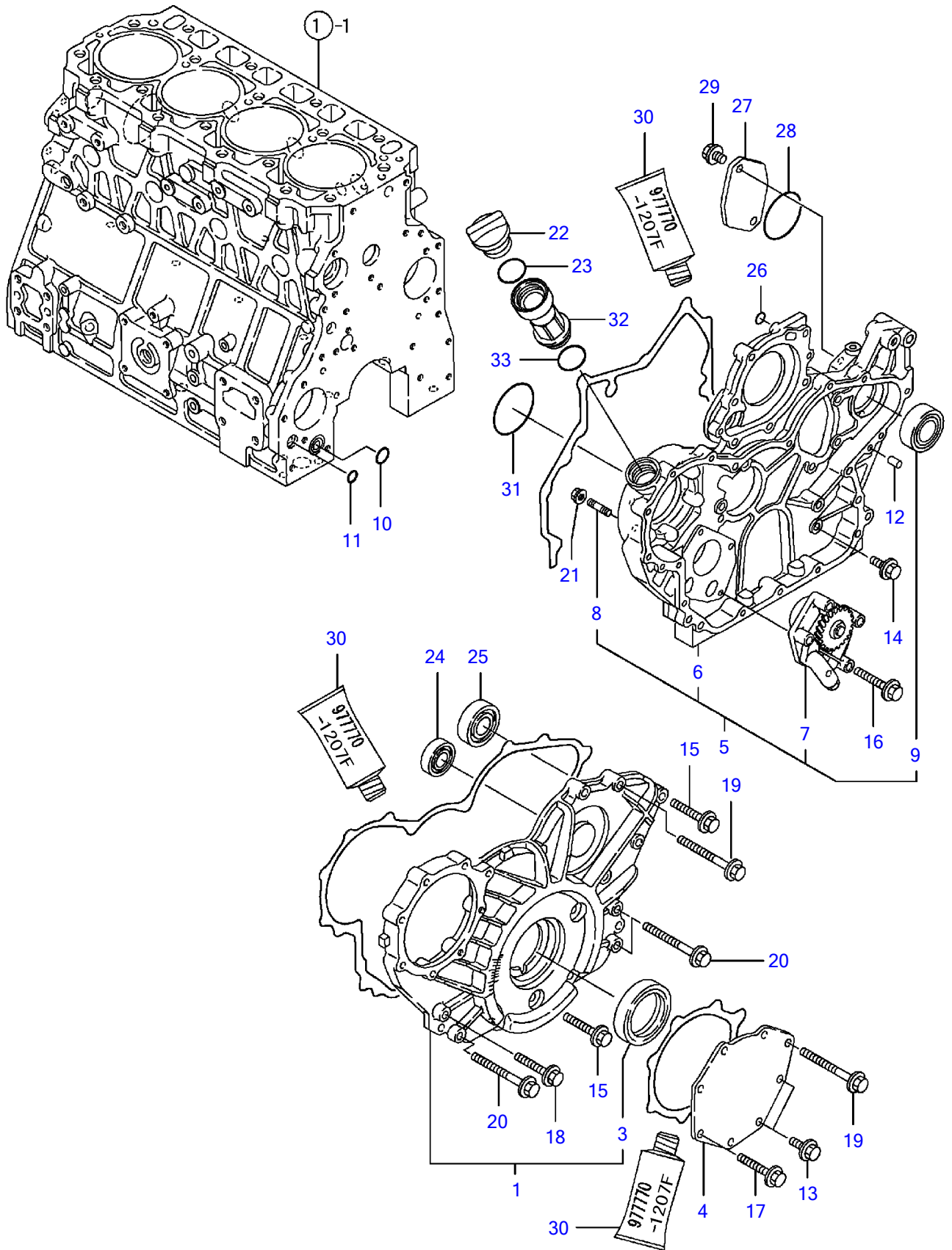
Y00D7840	001. CYLINDER BLOCK			
4TNV106T-XTBL		2003.02		PLUS



¼ØÝÀÞÏÙ, CYLINDER BLOCK

REF NO.	PARTS NO.	Description	Q'ty	I	R	"õ
1	Y723907-01560	¼ØÝÀÞÏÙ, ASY	1			
4	Y171051-01921	• Ìß×, Þ NPTF1	1			
5	Y123900-02020	• ÕÀÙ·ÕÀÏßÏÙÄ	10			
8	Y123900-02410	• ÌÞ¼Ö	1			
9	Y22351-060012	• ½ÌßØÝ, ÞËËÝ 6.0AX 12	2			
10	Y23875-030000	• È¼ÞÏß×, ÞPT3/8(ÅÝ <sup>93</sup> )	4			
11	Y27231-700000	• »×¶ÏÀÏß×, Þ 70	1			
12	Y27241-300000	• ÜÝ¶ÏÀÏß×, Þ 30	8			
13	Y23875-030000	• È¼ÞÏß×, ÞPT3/8(ÅÝ <sup>93</sup> )	1			
14	Y27225-120160	• ¸Á <sup>93</sup> Ïß×, Þ 12X16	1			
15	Y121851-11970	• Èß²Ï¼ÞÖÝÄ	1			
16	Y123900-02800	• Õ²ÝÒÀÙ CMP	5			
19	Y123900-02930	• ½×½ÄÒÀÙ CMP	2			
22	Y119174-01200	ÍÄÄÞÏÙÄ	18			
23	Y123907-01349	ÍÄÄÞ¶Ï½¹ÄÄ	1			
24	Y123900-02340	Õ²ÝÏ±ØÝ, Þ U.S=0.25	5			(1) ±ÝÄÞ°»²½Þ(U.S=0.25)
27	Y123900-02940	½×½ÄÒÀÙ O.S=0.25	2			(2) µ°ÈÞ°»²½Þ(O.S=0.25)

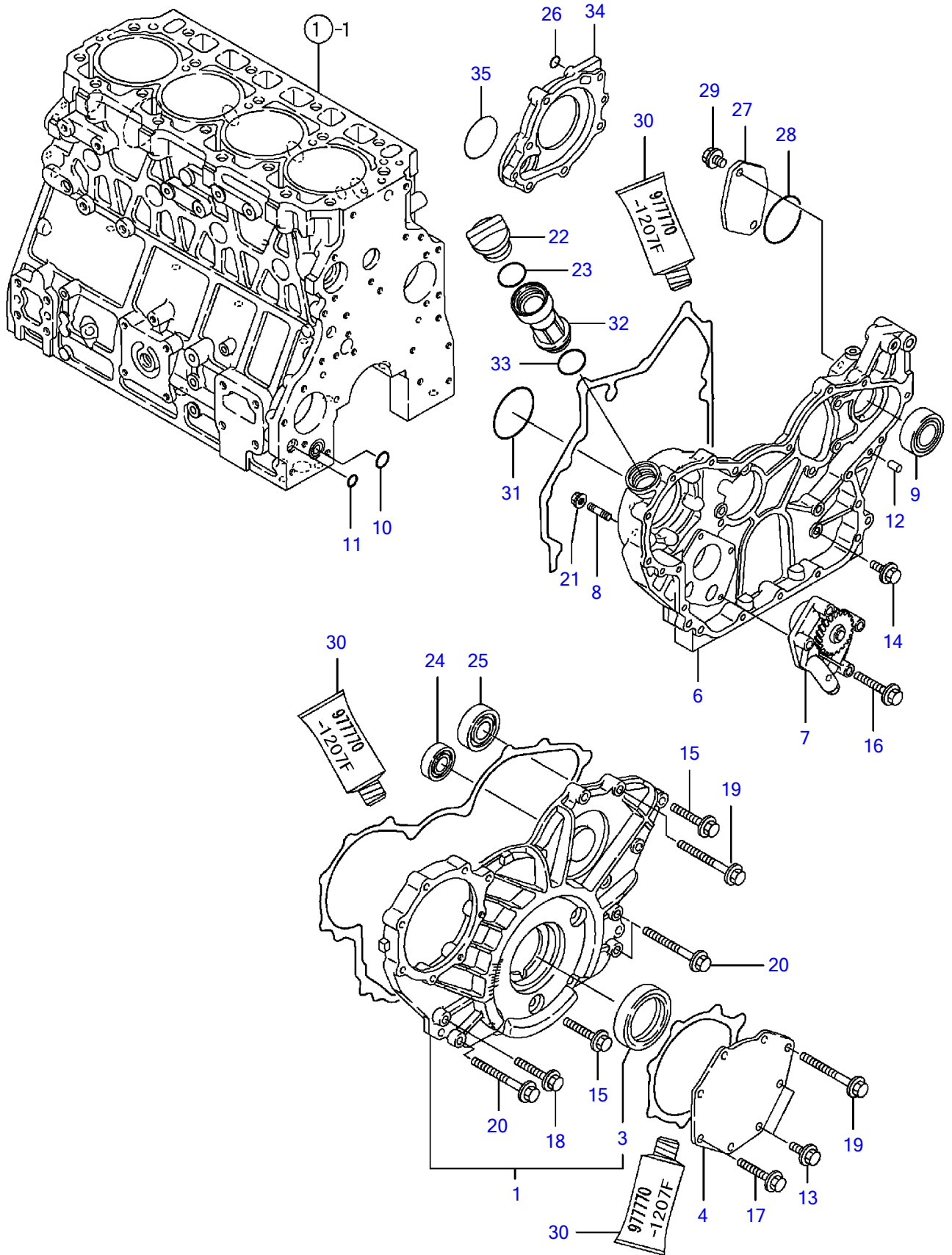
Engine for TL150 4TNV106T-XTBL S/N 21500628-  
**GEAR HOUSING (S/N 21500628-21503359)**



Y00D7840	002. GEAR HOUSING			
4TNV106T-XTBL		2003. 02		PLUS

REF NO.	PARTS NO.	Description	Q'ty	I	R	"ö
1	Y723900-01590	HOUSING ASSY,COVER,G	1			
3	Y123900-01780	· OIL SEAL	1			
4	Y123900-01740	COVER, FIP	1			
5	Y123907-01810	GEAR CASE ASSY	1			
6	Y123907-01500	· GEAR CASE	1			
7	Y123900-32001	· PUMP ASSY, L.O.	1			
8	Y121850-01900	· STUD M10X 32	4			
9	Y24101-062060	· BALL BEARING	1			
10	Y129900-32030	O-RING P20	1			
11	Y129900-32040	O-RING P14	1			
12	Y22312-080160	PARALLEL PIN 8X 16	4			
13	Y26106-080202	BOLT M 8X 20 PLATED	2			
14	Y26106-080202	BOLT M 8X 20 PLATED	5			
15	Y26106-080402	BOLT M 8X 40 PLATED	6			
16	Y26106-080452	BOLT M 8X 45 PLATED	4			
17	Y26106-080452	BOLT M 8X 45 PLATED	5			
18	Y26106-080502	BOLT M 8X 50 PLATED	1			
19	Y26106-080702	BOLT M 8X 70 PLATED	5			
20	Y26106-080802	BOLT M 8X 80 PLATED	3			
21	Y26306-100002	NUT	4			
22	Y124160-01751	COVER,FILLER	1			
23	Y24311-000320	O-RING 1A P-32.0	1			
24	Y24101-062054	BEARING #6205	1			
25	Y24101-062060	BALL BEARING	1			
26	Y24311-000110	O-RING 1A P-11.0	1			
27	Y121023-26070	COVER, HO-P	1			
28	Y24321-000850	O-RING 1A G-85.0	1			
29	Y26106-100222	BOLT M10X 22 PLATED	2			
30	Y977770-1207F	GASKET, LIQUID	1			(1) μìß¼@Ý ìbËÝÄb½
31	Y24351-030750	PACKING, 3075	1			
32	Y171031-11741	PIPE	1			
33	Y24311-000320	O-RING 1A P-32.0	1			

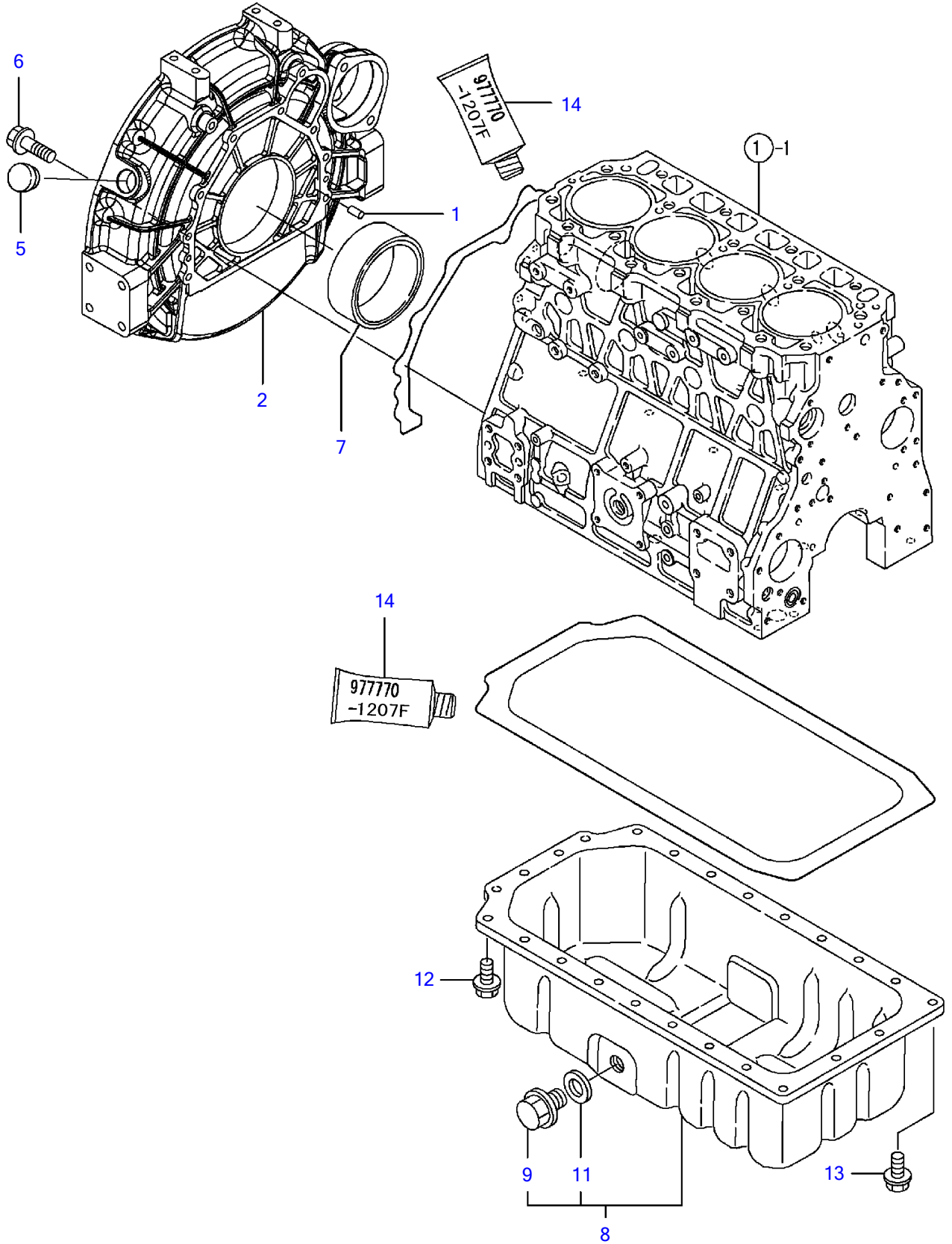
Engine for TL150 4TNV106T-XTBL S/N 21500628-  
**GEAR HOUSING**



Y0007840	002. GEAR HOUSING			
4TNV106T-XTBL		2003.02		PLUS

REF NO.	PARTS NO.	Description	Q'ty	I	R	"
1	Y723900-01590	HOUSING ASSY,COVER,G	1			
3	Y123900-01780	OIL SEAL	1			
4	Y123900-01740	COVER, FIP	1			
6	Y123907-01540	GEAR CASE	1			
7	Y123900-32001	PUMP ASSY, L.O.	1			
8	Y121850-01900	STUD M10X 32	4			
9	Y24101-062060	BALL BEARING	1			
10	Y129900-32030	O-RING P20	1			
11	Y129900-32040	O-RING P14	1			
12	Y22312-080160	PARALLEL PIN 8X 16	4			
13	Y26106-080202	BOLT M 8X 20 PLATED	2			
14	Y26106-080202	BOLT M 8X 20 PLATED	5			
15	Y26106-080402	BOLT M 8X 40 PLATED	6			
16	Y26106-080452	BOLT M 8X 45 PLATED	4			
17	Y26106-080452	BOLT M 8X 45 PLATED	5			
18	Y26106-080502	BOLT M 8X 50 PLATED	1			
19	Y26106-080702	BOLT M 8X 70 PLATED	5			
20	Y26106-080802	BOLT M 8X 80 PLATED	3			
21	Y26306-100002	NUT	4			
22	Y124160-01751	COVER,FILLER	1			
23	Y24311-000320	O-RING 1A P-32.0	1			
24	Y24101-062054	BEARING #6205	1			
25	Y24101-062060	BALL BEARING	1			
26	Y24311-000110	O-RING 1A P-11.0	1			
27	Y121023-26070	COVER, HO-P	1			
28	Y24321-000850	O-RING 1A G-85.0	1			
29	Y26106-100222	BOLT M10X 22 PLATED	2			
30	Y977770-1207F	GASKET, LIQUID	1			(1)
31	Y24351-030750	PACKING, 3075	1			
32	Y171031-11741	PIPE	1			
33	Y24311-000320	O-RING 1A P-32.0	1			
34	Y123900-42070	CASE, WATER PUMP	1			
35	Y123900-42320	O-RING	1			

Engine for TL150 4TNV106T-XTBL S/N 21500628-  
**FLYWHEEL HOUSING & OIL SUMP**



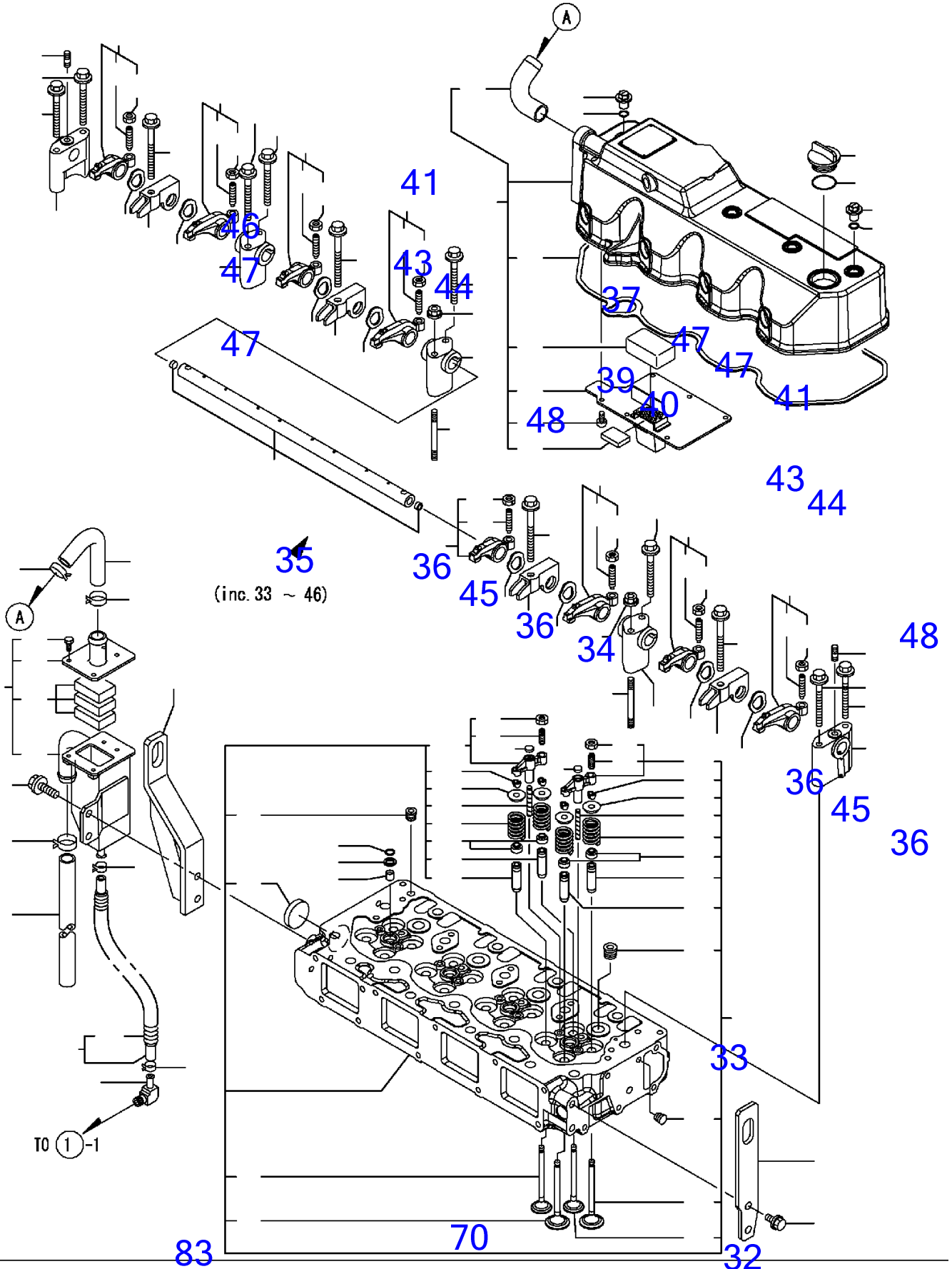
Y00D7840	003. FLYWHEEL HOUSING & OIL SUMP		
4TNV106T-XTBL	2003. 02		PLUS

FLYWHEEL HOUSING & OIL SUMP

REF NO.	PARTS NO.	Description	Q'ty	I	R	"Oil
1	Y129100-01580	PARALLEL PIN 8X16	2			
2	Y123900-01620	COVER ASSY, FLYWHEEL	1			
5	Y119575-01750	CAP	1			
6	Y26106-100352	BOLT M10X 35 PLATED	10			
7	Y123672-01782	SEAL, OIL	1			
8	Y123900-01710	PAN COMP, LUB. OIL	1			
9	Y119640-01640	DRAIN PLUG M22	1			
11	Y22190-220002	SEAL WASHER 22S	1			
12	Y26106-080122	BOLT M 8X 12 PLATED	22			
13	Y26106-080162	BOLT M 8X 16 PLATED	4			
14	Y977770-1207F	GASKET, LIQUID	1			

(1) μìß¼@Ý  
ìbËÝÄb½

Engine for TL150 4TNV106T-XTBL S/N 21500628-  
CYLINDER HEAD & BONNET



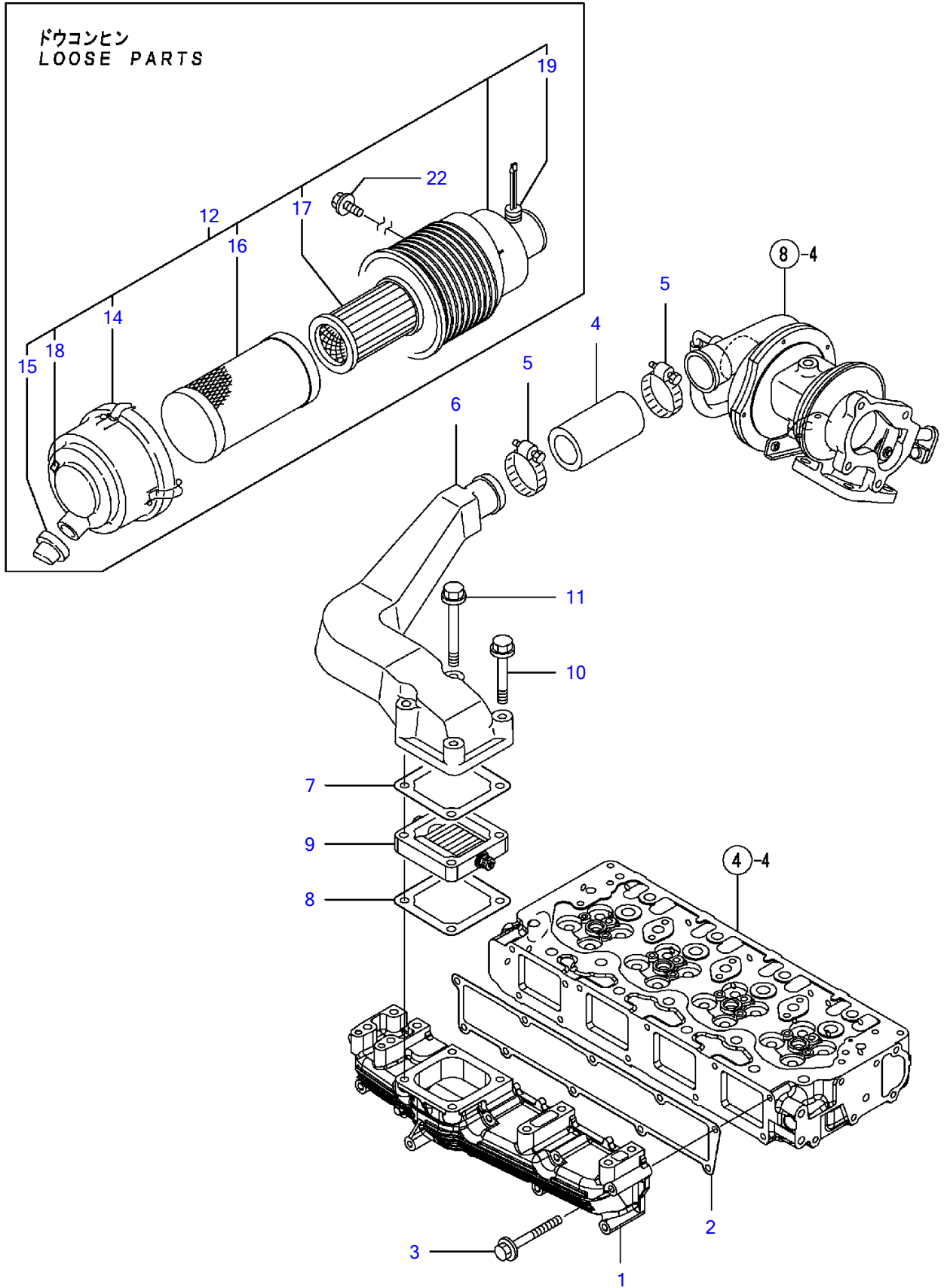
Y00D7840	004. CYLINDER HEAD & BONNET		
4TNV106T-XTBL	2003. 02		PLUS



¼ØÝÁÞÍÁÄÞ & ÍÞÝËÄÄ CYLINDER HEAD & BONNET

REF NO.	PARTS NO.	Description	Q'ty
1	Y123907-07900	ÂØ±'ÞŦÁ, Þ	1
2	Y26106-100202	ÂËÞÍÞÚÁ 10X 20	2
3	Y123907-11550	¼-Ä(ËÞÙÍÞÍÞØÁ¼Þ	8
4	Y723907-11100	¼ØÝÁÞÍÁÄÞ CMP	1
10	Y120325-11160	• ËÞÙÍÞŦÞ²ÄÞ(ºØÝÁÖ³ÄÄ	8
11	Y123907-11160	• ËÞÙÍÞŦÞ²ÄÞ(-Ö³	8
12	Y123907-11820	• ÍÞØÁ¼ÞŦÞ²ÄÞ	8
13	Y23876-005000	• Ë¼ÞÍß×, Þ PT 1/16	1
14	Y23876-020000	• Ë¼ÞÍß×, Þ 1/4	1
15	Y23876-030000	• Ë¼ÞÍß×, ÞPT 3/8	4
16	Y27241-400000	• ÛÝŦÞÁÍß×, Þ 40	1
17	Y123907-11100	• ËÞÙÍÞ(INT	8
18	Y123907-11110	• ËÞÙÍÞ(EXH	8
19	Y123907-11120	• ÍÞÝËÞË	16
20	Y123907-11180	• ÍÞÝËÞËµ»'	16
21	Y124160-11340	• ËÞÙÍÞ½ÄŦ¼-Û	8
22	Y124950-11340	• ËÞÙÍÞ½ÄŦ¼-Û	8
23	Y123907-11510	• ËÞÙÍÞÍÞØÁ¼Þ CMP	8
25	Y129150-11750	• • ÄÄÄ M8XP1.0	8
26	Y123907-11830	• • ±¼ÞØ½Ä(ËÞÙÍÞÍÞØÁ¼Þ	8
27	Y27310-070001	• °ÄÄ-(½ÄŦ)7 2'=1SET	16
29	Y119802-11870	ÍßÚÁ, Ä(Ë½ÞÙ	4
30	Y119625-11880	Ë½ÞÙ¼-Ä	4
31	Y24311-000120	ØØÝ, Þ 1A P 12.0	4
32	Y123907-11340	ÍÞÝÛÝ»Íß-ÄCMP	1
33	Y123907-11250	• ÍÞÝÛÝ¼Þ	1
34	Y123907-11260	• ÍÞÝÛÝ»Íß-Ä(A	3
35	Y123907-11270	• ÍÞÝÛÝ»Íß-Ä(B	2
36	Y123907-11280	• ÄŦÜÁ¼Ö-(ÍÞÝÛÝ¼Þ,	8
37	Y123907-11650	• Ö³-ÍÞÝÛÝ KIT	4
39	Y129150-11230	• • ±¼ÞØ½Ä (ÍÞÝ½-Í	4
40	Y129150-11750	• • ÄÄÄ M8XP1.0	4
41	Y123907-11660	• Ë²-ÍÞÝÛÝ KIT	4
43	Y129150-11230	• • ±¼ÞØ½Ä (ÍÞÝ½-Í	4
44	Y129150-11750	• • ÄÄÄ M8XP1.0	4
45	Y123907-11900	• Ë½ÞÙµ»'	4
46	Y26226-080302	• ³ºŦÍÞÚÁ(2D 8X 30	2
47	Y26106-080752	ÂËÞÍÞÚÁ 8X 75	8
48	Y26106-080902	ÂËÞÍÞÚÁ 8X 90	4
49	Y26306-080002	ÂËÞÁ-ÄÄÄ(UBS 8	2
50	Y124160-01751	ÍÄ(ÍÖº)	1
51	Y123908-11320	ÍÞÝËÄÄ CMP	1
52	Y123907-03010	• ËÞÄÍÙÍßÚ-Ä	1
53	Y123907-03060	• ËÞÄÍÙ(ÍÞØ-»Þ	1
54	Y123907-03070	• ËÞÄÍÙ(ÍÞØ-»Þ	1
55	Y123900-03220	• ¼ÞØ²ÝÄ	1
58	Y123907-11310	• ÞK(ÍÞÝÛÝ¼Ä	1
59	Y22857-500100	• ÄÄËßÝË¼Þ 5.0X10	6
60	Y124160-11360	ÄÄÄ	4
61	Y24311-000120	ØØÝ, Þ 1A P 12.0	4
62	Y24311-000320	ØØÝ, Þ 1A P 32.0	1
70	Y123901-03090	ºÞŦÍ-½(ÍÞØ-»ÞÞOUT	1
71	Y123901-07900	ÂØ±'ÞŦÁ, Þ	1
72	Y26106-100252	ÂËÞÍÞÚÁ 10X 25	2
73	Y123901-03270	ÍÞØ-»Þ CMP	1
74	Y123901-03240	• ÛÖ³	3
75	Y123901-03250	• ŦËÞ-(ÍÞØ-»Þ	1
76	Y123901-03260	• ÍÞØ-»Þ	1
77	Y26116-050102	• ÍÞÚÁ 5X 10	4
78	Y123912-03300	ºÞŦÍ-½CMP(ÍÞØ-»ÞÞÖÄÞ¼	1
80	Y123912-03270	• °Û'Þ-ÄÄÖ-ÍÞ19	1
81	Y123951-03090	ÍÞØ-»ÞÍ-½(B	1
82	Y23000-016000	Í-½, ØÄÍß 16	2
83	Y23000-041000	Í-½, ØÄÍß 41	2
84	Y23000-041000	Í-½, ØÄÍß 41	1
85	Y123901-03280	'ÛÍÞ PT3/8-10	1
86	Y123907-11390	³ºŦÍÞÚÁ(8X95	2

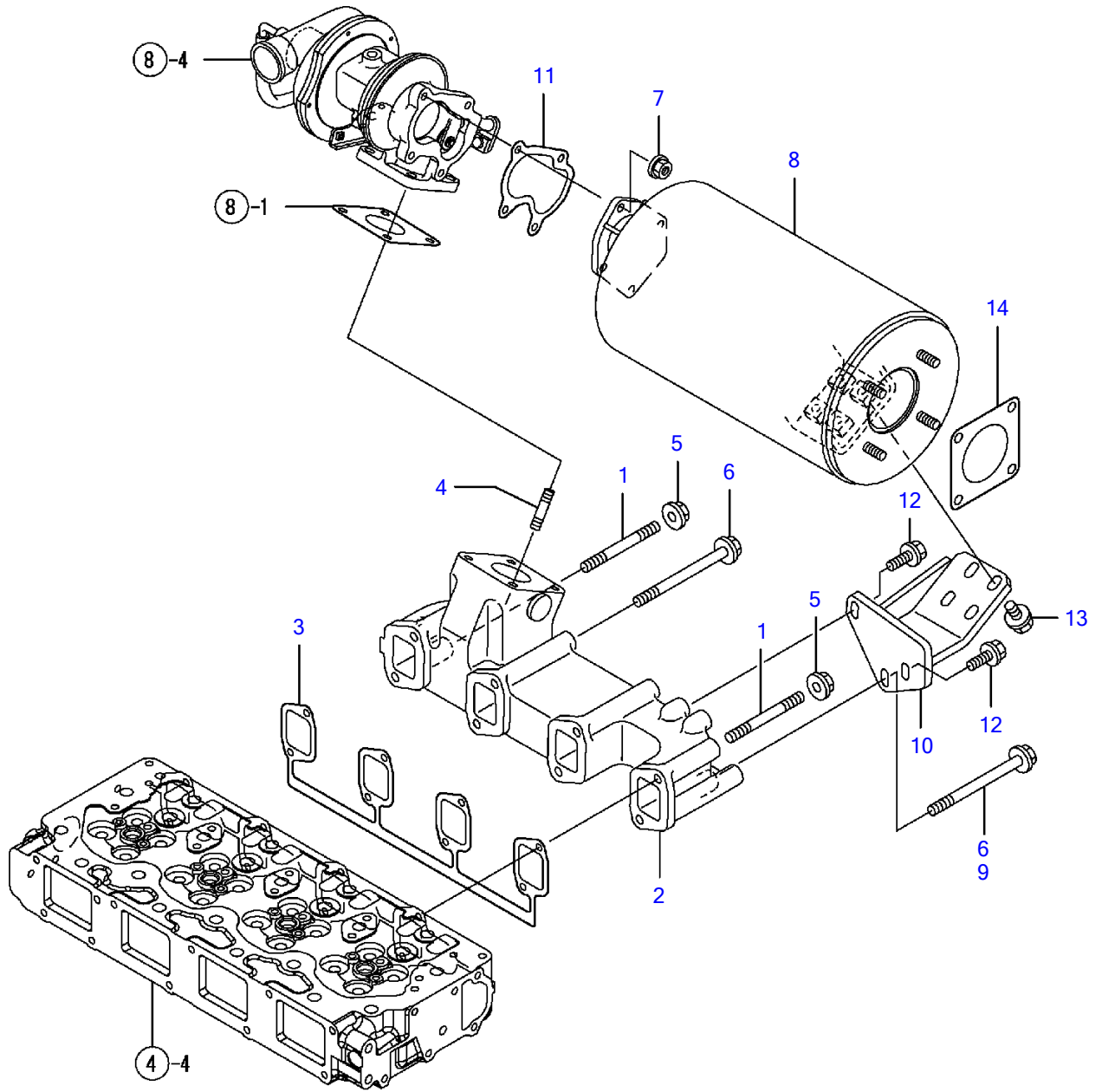
Engine for TL150 4TNV106T-XTBL S/N 21500628-  
**SUCTION MANIFOLD & AIR CLEANER**



Y00D7840	005. SUCTION MANIFOLD & AIR CLEANER		
4TNV106T-XTBL	2003.02		PLUS

REF NO.	PARTS NO.	Description	Q'ty	I	R	"δ
1	Y123907-12100	MANIFOLD,AIR INTAKE	1			
2	Y123907-12110	PACKING(INT.MANIFOLD)	1			
3	Y26106-080702	BOLT M 8X 70 PLATED	10			
4	Y129595-18141	HOSE, RUBBER	1			
5	Y23000-054000	CLAMP 54	2			
6	Y123912-18350	BEND	1			
7	Y123900-77020	GASKET,AIR HEATER	1			
8	Y123900-77030	GASKET,AIR HEATER	1			
9	Y123900-77500	HEATER AIR	1			
10	Y26106-100752	BOLT M10X 75 PLATED	2			
11	Y26106-100952	BOLT M10X 95 PLATED	2			
12	Y123945-12500	CLEANER ASSY, AIR	1			
14	Y123950-12520	• COVER	1			
15	Y119160-12540	• VALVE	1			
16	Y119117-12560	• ELEMENT, OUTER	1			
17	Y119117-12570	• ELEMENT,INNER	1			
18	Y129612-12650	• MARKING,(W)	1			
19	Y129953-12620	• INDICATOR ASSY	1			
22	Y26106-080162	BOLT M 8X 16 PLATED	4			

Engine for TL150 4TNV106T-XTBL S/N 21500628-  
**EXHAUST MANIFOLD & SILENCER**

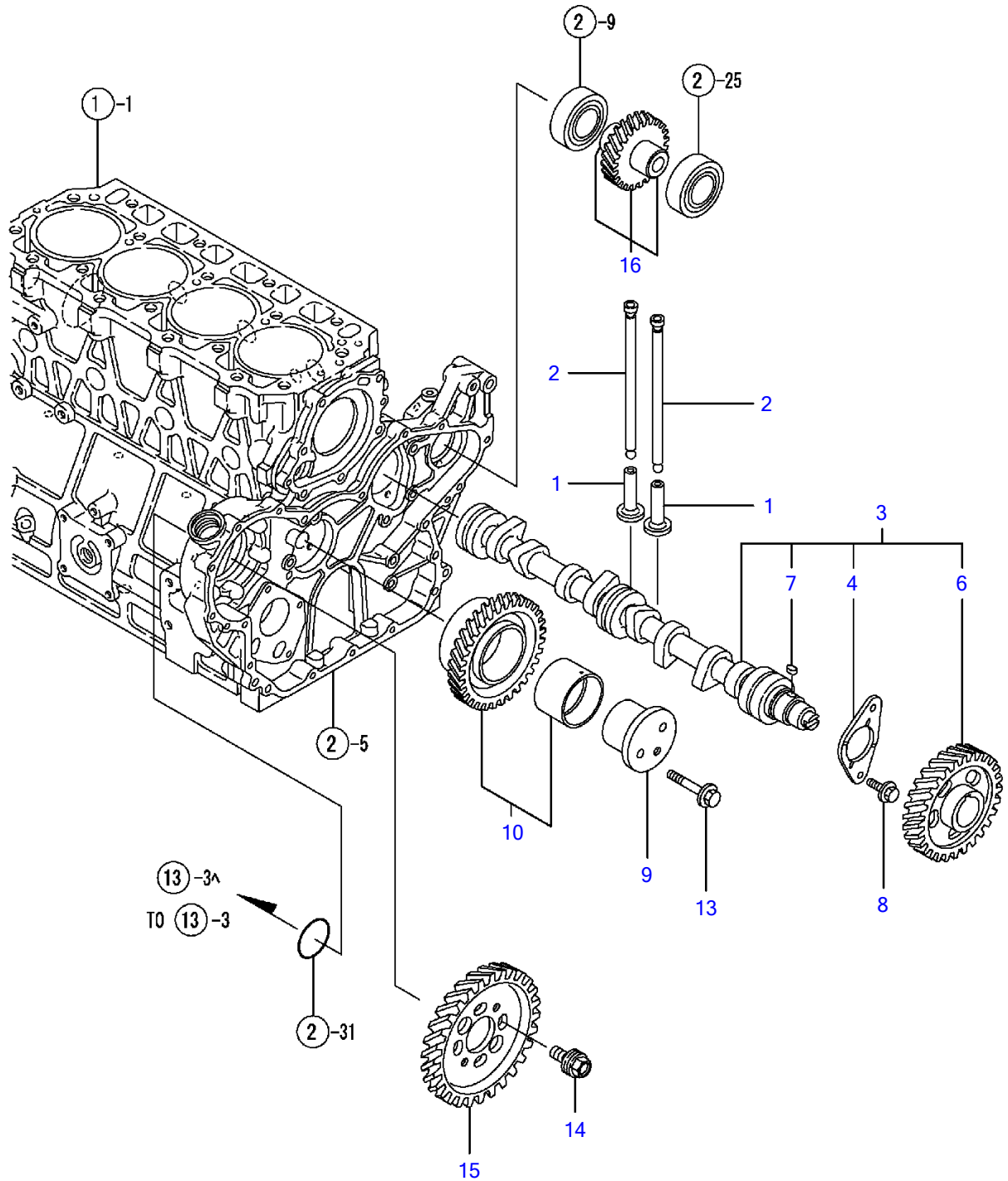


Y00D7840	006. EXHAUST MANIFOLD & SILENCER			
4TNV106T-XTBL	2003.02			PLUS

Ê²·ĪÆĪ-ÛÄĖ & »²ÚÝ» EXHAUST MANIFOLD & SILENCER

REF NO.	PARTS NO.	Description	Q'ty	I	R	»óĪĪ
1	Y123900-13610	STUD BOLT M 8X 80	2			
I 1-1	Y123907-13820	STUD BOLT M 10X 85	2	S		
2	Y123901-13200	MANIFOLD,AIR EXHAUST	1			
I 2-1	Y123908-13120	MANIFOLD,AIR EXHAUST	1	S		
3	Y123900-13111	GASKET	1			
I 3-1	Y123907-13110	GASKET	1	S		
4	Y123907-13730	STUD BOLT M8X20	4			
5	Y26306-080002	NUT(UBS 8	2			
I 5-1	Y26306-100002	NUT(UBS 10	2	S		
6	Y129693-44310	BOLT(CFW COOLER	6			
I 6-1	Y123907-13730	BOLT M10X105(10.9	6	S		
7	Y26306-080002	NUT	4			
8	Y123908-13510	SILENCER	1			
9	Y123900-13650	BOLT M8X110	1			
I 9-1	Y123907-13740	BOLT M10X110(10.9	1	S		
10	Y123912-13650	STAY	1			
I 10-1	Y123908-13650	STAY	1	S		
11	Y123901-18080	PK(T/C OUT	1			
12	Y26106-080222	BOLT M 8X 22 PLATED	2			
13	Y26106-080222	BOLT M 8X 22 PLATED	4			
14	Y128300-13230	PACKING	1			

Engine for TL150 4TNV106T-XTBL S/N 21500628-  
CAMSHAFT & DRIVING GEAR

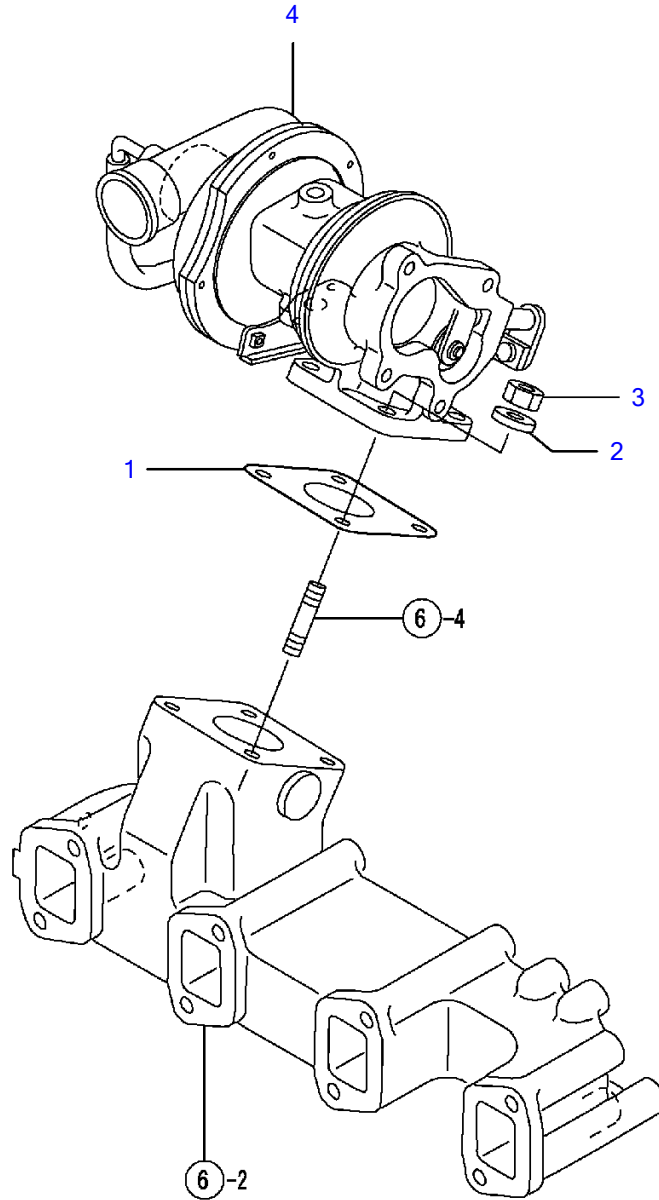


Y00D7840	007. CAMSHAFT & DRIVING GEAR		
4TNV106T-XTBL	2003.02		PLUS

CAMSHAFT & DRIVING GEAR

REF NO.	PARTS NO.	Description	Q'ty	I	R	Other
1	Y123900-14200	TAPPET	8			
2	Y123907-14400	PUSH ROD	8			
3	Y123907-14590	CAMSHFT ASSY	1			
4	Y129150-02450	• METAL,THRUST(CAM	1			
6	Y129900-14110	• GEAR, CAMSHAFT	1			
7	Y22512-070140	• KEY 7X 14	1			
8	Y26106-080142	BOLT M 8X 14 PLATED	2			
9	Y123900-25060	SHAFT(GEAR, IDLE	1			
10	Y123900-25130	GEAR, IDLE CMP	1			
13	Y26106-080552	BOLT M 8X 55 PLATED	3			
14	Y129953-25300	BOLT	4			
15	Y123907-25909	GEAR, F.I. PUMP	1			
16	Y129900-26020	GEAR ASSY, HYDR. PUMP	1			

Engine for TL150 4TNV106T-XTBL S/N 21500628-  
TURBINE



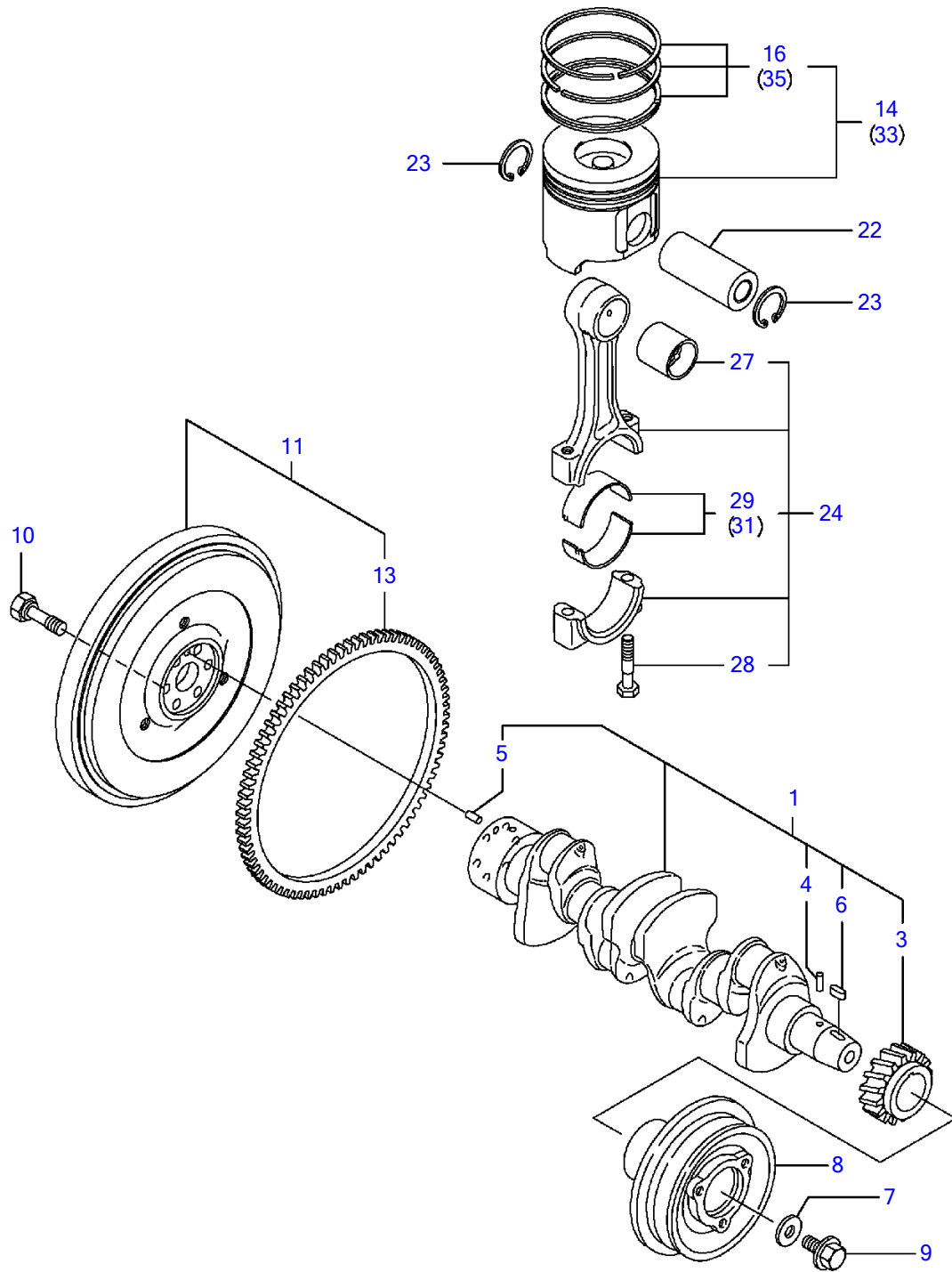
Y00D7840	008. TURBINE			
4TNV106T-XTBL		2003.02		PLUS



À-ÉbÝ TURBINE

REF NO.	PARTS NO.	Description	Q'ty
1	Y123901-18090	PK(T/C IN	1
2	Y22117-080000	»b¶pÈ(¶iÜ 8	4
3	Y26703-080002	ÅÅÅ 8	4
4	Y123908-18010	À-ÉbÝ(RHF5 CMP	1

Engine for TL150 4TNV106T-XTBL S/N 21500628-  
**CRANKSHAFT & PISTON**

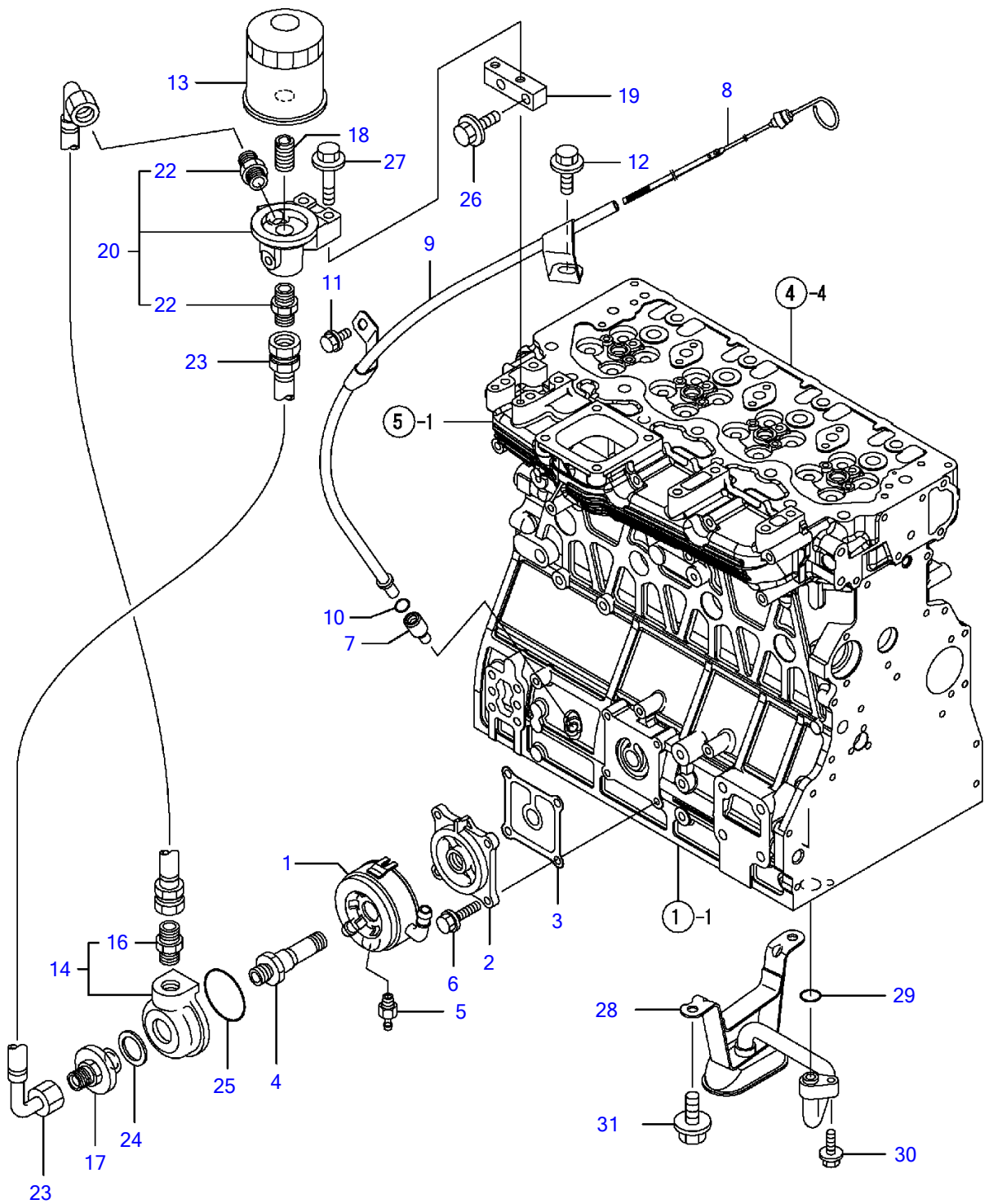


Y00D7840	009. CRANKSHAFT & PISTON		
4TNV106T-XTBL	2003.02		PLUS

**CRANKSHAFT & PISTON**

REF NO.	PARTS NO.	Description	Q'ty			
1	Y123900-21050	CRANKSHAFT ASSY	1			
3	Y129900-21220	GEAR, CRANKSHAFT	1			
4	Y121850-21290	PARALLEL PIN	1			
5	Y121850-21920	PARALLEL PIN 10X22	1			
6	Y22512-070140	KEY 7X 14	1			
7	Y129900-21640	WASHER	1			
8	Y123900-21650	V-PULLY(CRANK)	1			
9	Y121850-21680	BOLT, V-PULLEY	1			
10	Y121850-21130	BOLT, FLYWHEEL	6			
11	Y123900-21580	FLYWHEEL ASSY	1			
13	Y127410-21480	RING GEAR Z=129	1			
14	Y123907-22081	PISTON W/RING	4			
16	Y123907-22050	RING SET, PISTON	4			
22	Y119173-22300	PIN, PISTON	4			
23	Y22252-000370	CIRCLIP 37	8			
24	Y123900-23000	ROD ASSY, CONNECTING	4			
27	Y123900-23910	METAL, PISTON PIN	4	(1)		
28	Y123900-23200	BOLT, ROD	8			
29	Y123900-23600	METAL ASSY, CRANKPIN	4			
31	Y123900-23610	BEARING, PIN U.S=0.25	4	(2)		
33	Y723907-22900	PISTON W/RING OS= .25	4	(3)		
35	Y723907-22950	RING SET O.S=0.25	4	(3)		

Engine for TL150 4TNV106T-XTBL S/N 21500628-  
LUB.OIL SYSTEM

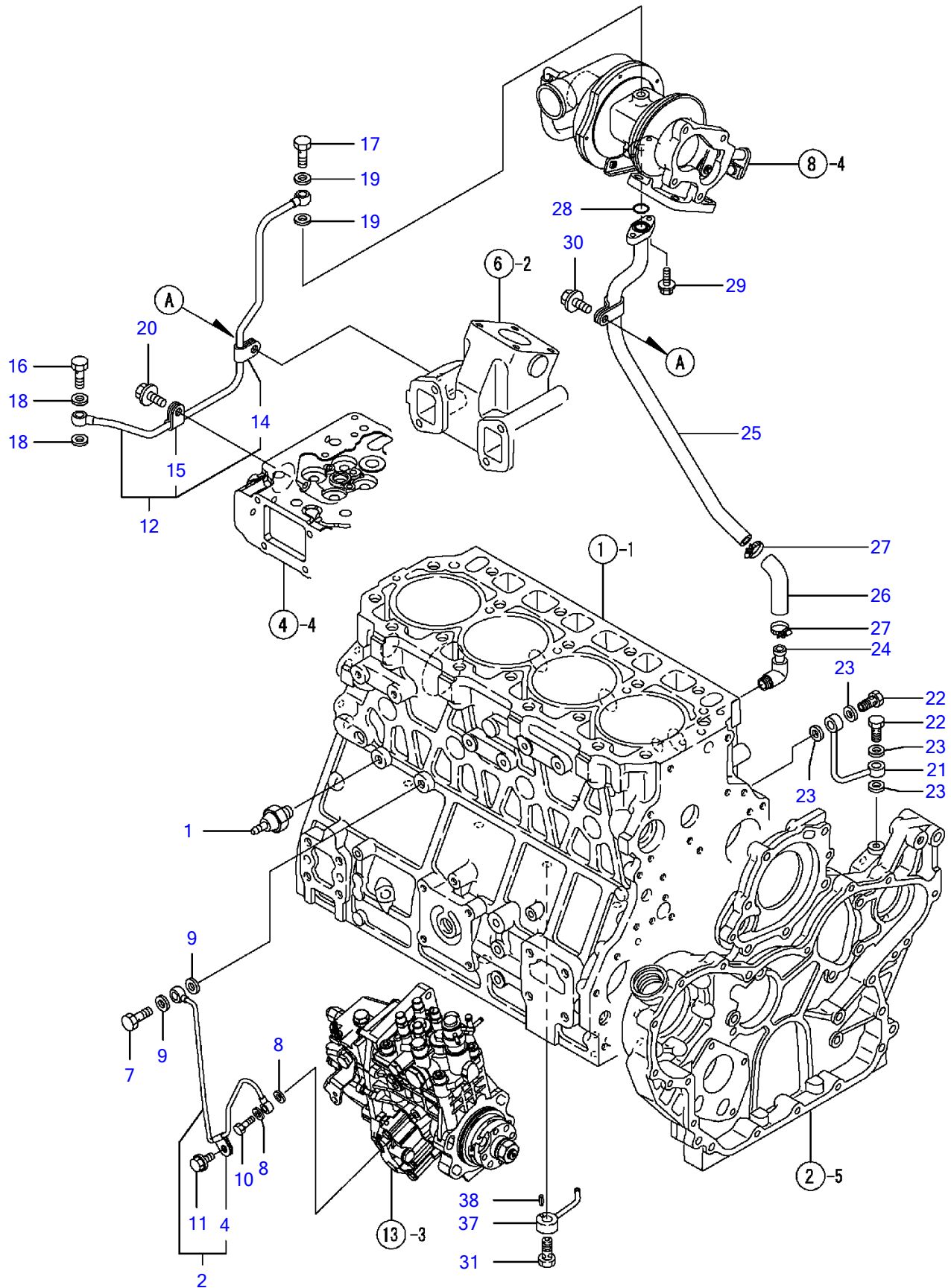


Y00D7840	010. LUB. OIL SYSTEM			
4TNV106T-XTBL		2003.02		PLUS

LO 1/2" LUB.OIL SYSTEM

REF NO.	PARTS NO.	Description	Q'ty
1	Y123912-33011	COOLER ASSY, L.O.	1
2	Y123912-33040	BRACKET COMP, COOLER	1
3	Y123900-33060	PACKING	1
4	Y123912-33100	BOLT, L.O.COOLER	1
5	Y121550-49111	JOINT PT1/4	1
6	Y26106-080202	BOLT M 8X 20 PLATED	4
7	Y119260-34810	GUIDE, DIPSTICK	1
8	Y123900-34810	DIPSTICK, LUB.OIL	1
9	Y123900-34820	GUIDE, DIP STICK	1
10	Y24311-240100	O-RING 1A P-10A	1
11	Y26106-080182	BOLT M 8X 18 PLATED	1
12	Y26106-100182	BOLT M10X 18 PLATED	1
13	Y119005-35150	STRAINER 80X100L,LO.	1
14	Y123945-35110	CASE(LO.CMP	1
16	Y129953-39500	• ADAPTER	1
17	Y129953-35110	COVER	1
18	Y119000-35140	STUD, LUB.OIL FILTER	1
19	Y123945-35150	SPACER(LO,FILTER	1
20	Y123945-35210	BRACKET(LO.CMP	1
22	Y129953-39500	• ADAPTER	2
23	Y123945-39100	LO-T	2
24	Y22190-300002	SEAL WASHER 30S	1
25	Y24321-000700	O-RING 1A G70.0,NBR	1
26	Y26106-100352	BOLT M10X 35 PLATED	2
27	Y26106-100452	BOLT M10X 45 PLATED	2
28	Y123900-35004	PIPE ASSY,L.O.INTAKE	1
29	Y24314-000180	O-RING 4C P-18.0	1
30	Y26106-080302	BOLT M 8X 30 PLATED	1
31	Y26106-120162	BOLT M12X 16 PLATED	2

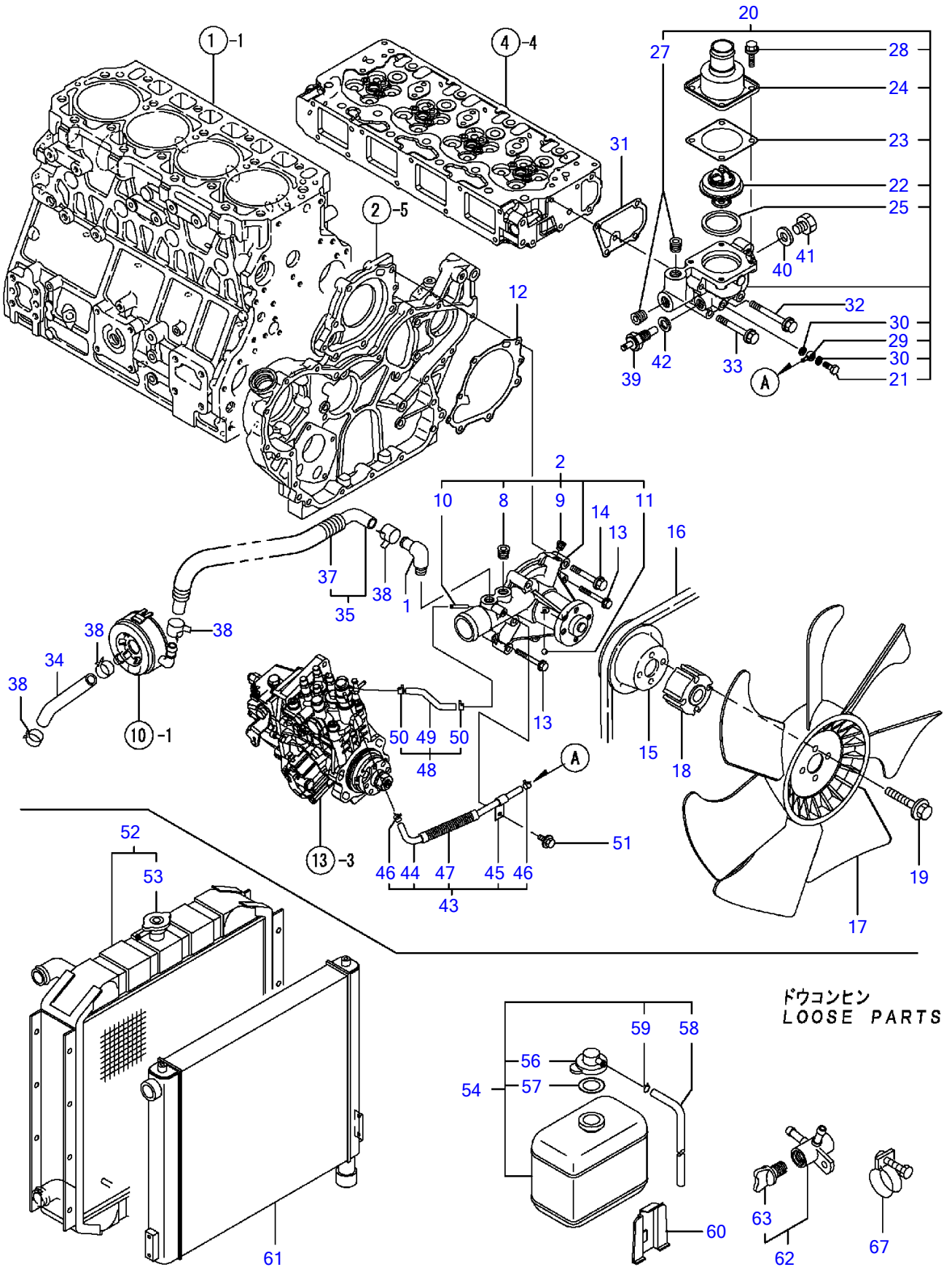
Engine for TL150 4TNV106T-XTBL S/N 21500628-  
LUB.OIL LINE



Y00D7840	011. LUB. OIL LINE		
4TNV106T-XTBL	2003.02		PLUS

REF NO.	PARTS NO.	Description	Q'ty	I	R	"öll
1	Y114250-39450	SWITCH,(0.5KG)L.O.	1			
2	Y123907-39061	LO-T(MP4 CMP	1			
4	Y123907-39500	• SUPPORT,PIPE	1			
7	Y124160-39140	BOLT 10, PIPE JOINT	1			
8	Y23414-080000	GASKET 8, ROUND	2			
9	Y23414-100000	GASKET 10, ROUND	2			
10	Y23857-030000	JOINT BOLT 3	1			
11	Y26106-080122	BOLT M 8X 12 PLATED	1			
12	Y123945-39030	PIPE ASSY, LUB. OIL	1			
14	Y123912-39900	• RETAINER	1			
15	Y124223-39900	• RETAINER	1			
16	Y124160-39140	BOLT 10, PIPE JOINT	1			
17	Y121252-39150	BOLT, PIPE JOINT	1			
18	Y23414-100000	GASKET 10, ROUND	2			
19	Y23414-100000	GASKET 10, ROUND	2			
20	Y26106-080122	BOLT M 8X 12 PLATED	1			
21	Y123950-39050	PIPE.ASSY, L.O.	1			
22	Y105010-39140	BOLT, PIPE JOINT	2			
23	Y22190-080002	SEAL WASHER 8S	4			
24	Y124070-13300	ELBOW (PT3/8)	1			
25	Y123912-39600	PIPE, L.O.	1			
26	Y123901-39820	HOSE	1			
27	Y23000-025000	CLAMP 25	2			
28	Y24316-000180	O-RING 4D P-18.0	1			
29	Y26106-060162	BOLT M 6X 16 PLATED	2			
30	Y26106-080142	BOLT M 8X 14 PLATED	1			
31	Y129792-39410	VALVE ASSY, CHECK	4			
37	Y123900-39650	NOZZLE	4			
38	Y22351-030010	SPRING PIN 3X10	4			

Engine for TL150 4TNV106T-XTBL S/N 21500628-  
**COOLING WATER SYSTEM**



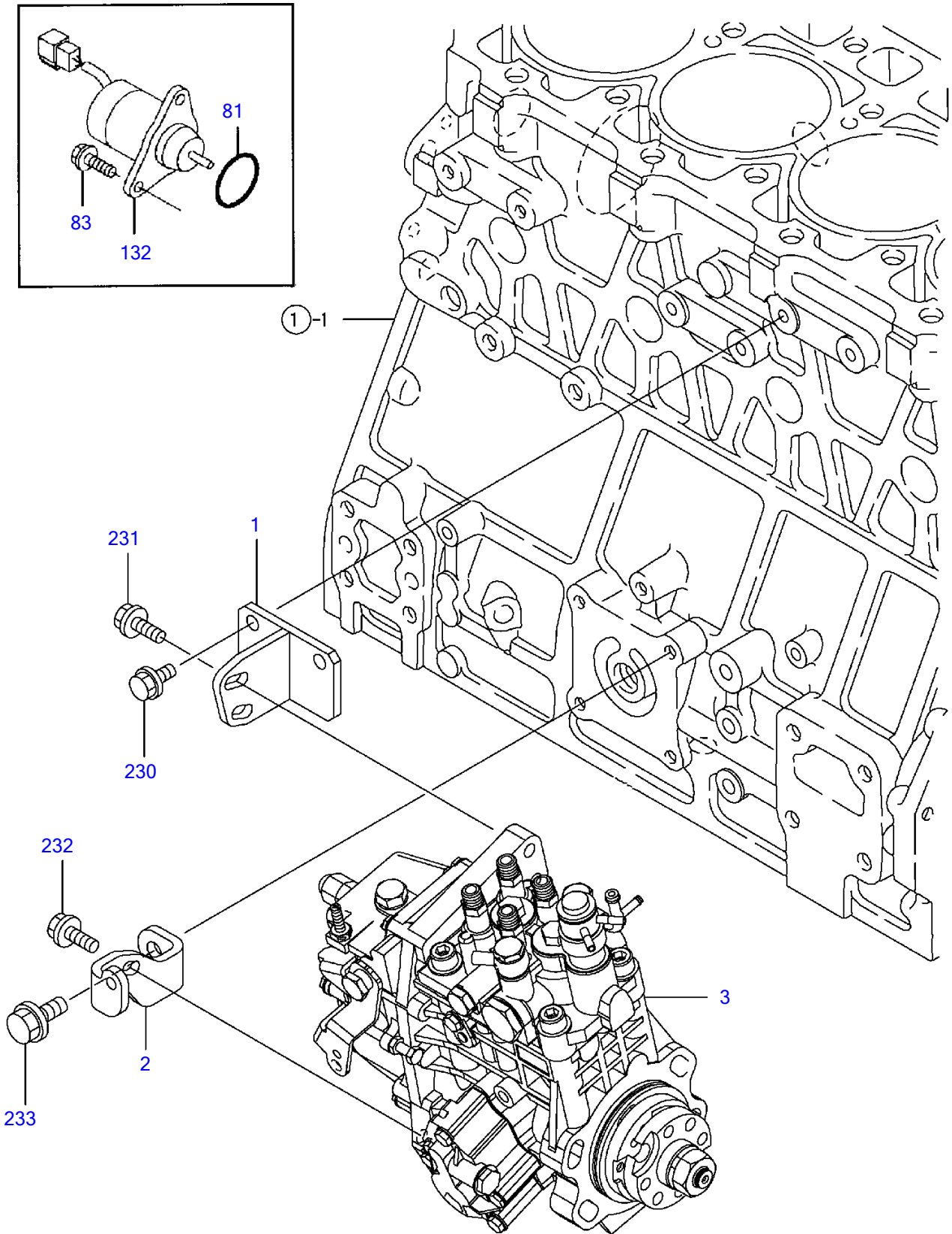
Y00D7840	012. COOLING WATER SYSTEM		
4TNV106T-XTBL	2003.02		PLUS



**CW¼½ÄÄ COOLING WATER SYSTEM**

REF NO.	PARTS NO.	Description	Q'ty
1	Y123907-49300	ELBOW R3/8	1
2	Y123907-42000	PUMP ASSY, WATER	1
8	Y23875-030000	• PLUG PT3/8,STEEL	1
9	Y23875-020000	• PLUG PT1/4,STEEL	1
10	Y119802-49112	• PIPE, COOLING WATER	1
11	Y24190-080001	• BALL 1/4, STEEL	1
12	Y123900-42050	PACKING	1
13	Y26106-060502	BOLT M 6X 50 PLATED	2
14	Y26106-080552	BOLT M 8X 55 PLATED	4
15	Y123900-42470	V-PULLEY	1
16	Y25163-004701	V-BELT	1
17	Y123915-44740	FAN, C.W.	1
18	Y123911-44780	SPACER	1
19	Y26106-100602	BOLT M10X 60 PLATED	4
20	Y123946-49810	CASE ASSY, THERMOSTAT	1
21	Y105010-39140	• BOLT, PIPE JOINT	1
22	Y124610-48620	• THERMOSTAT	1
23	Y124610-49291	• GASKET	1
24	Y123962-49500	• COVER	1
25	Y123500-49550	• GASKET	1
27	Y23876-030000	• PLUG PT3/8,SCREW	2
28	Y26106-080252	• BOLT M 8X 25 PLATED	4
29	Y23387-040800	• JOINT 4- 8	1
30	Y23414-080000	• GASKET 8, ROUND	2
31	Y123900-49820	GASKET	1
32	Y26106-080602	BOLT M 8X 60 PLATED	4
33	Y26106-080702	BOLT M 8X 70 PLATED	2
34	Y123912-49031	PIPE, C.W.	1
35	Y123910-49600	PIPE, C.W.	1
37	Y123910-49610	• PROTECTOR,CW-T	1
38	Y23000-025000	CLAMP 25	4
39	Y121250-44901	SWITCH, THERMO(110BC	1
40	Y124465-44950	GASKET 16	1
41	Y119266-49350	SENSOR, THERMO.	1
42	Y129150-49360	GASKET 10	1
43	Y123907-49610	PIPE, C.W. A(MP4	1
44	Y123907-49710	• PIPE A,COOLING WATER	1
45	Y119802-49730	• CLAMP,CW-T	1
46	Y124722-59050	• CLAMP 9	2
47	Y129486-59320	• CORRUGATED TUBE	1
48	Y123907-49620	PIPE, C.W. B(MP4	1
49	Y123907-49720	• PIPE B,COOLING WATER	1
50	Y124722-59050	• CLAMP 9	2
51	Y26106-060122	BOLT M 6X 12 PLATED	1
52	Y123912-44500	RADIATOR ASSY	1
53	Y119259-44570	• CAP, RADIATOR	1
54	Y121820-44800	TANK ASSY, RESERVE	1
56	Y121850-44850	• CAP	1
57	Y121850-44860	• GASKET	1
58	Y121850-44870	• PIPE	1
59	Y121850-44880	• CLAMP	1
60	Y120147-44810	BRACKET	1
61	Y123912-44900	OIL COOLER ASSY	1
62	Y129150-49100	COCK ASSY, 3-WAY	1
63	Y129150-49080	• COCK, DRAIN	1
67	Y23000-060000	CLAMP 60	4

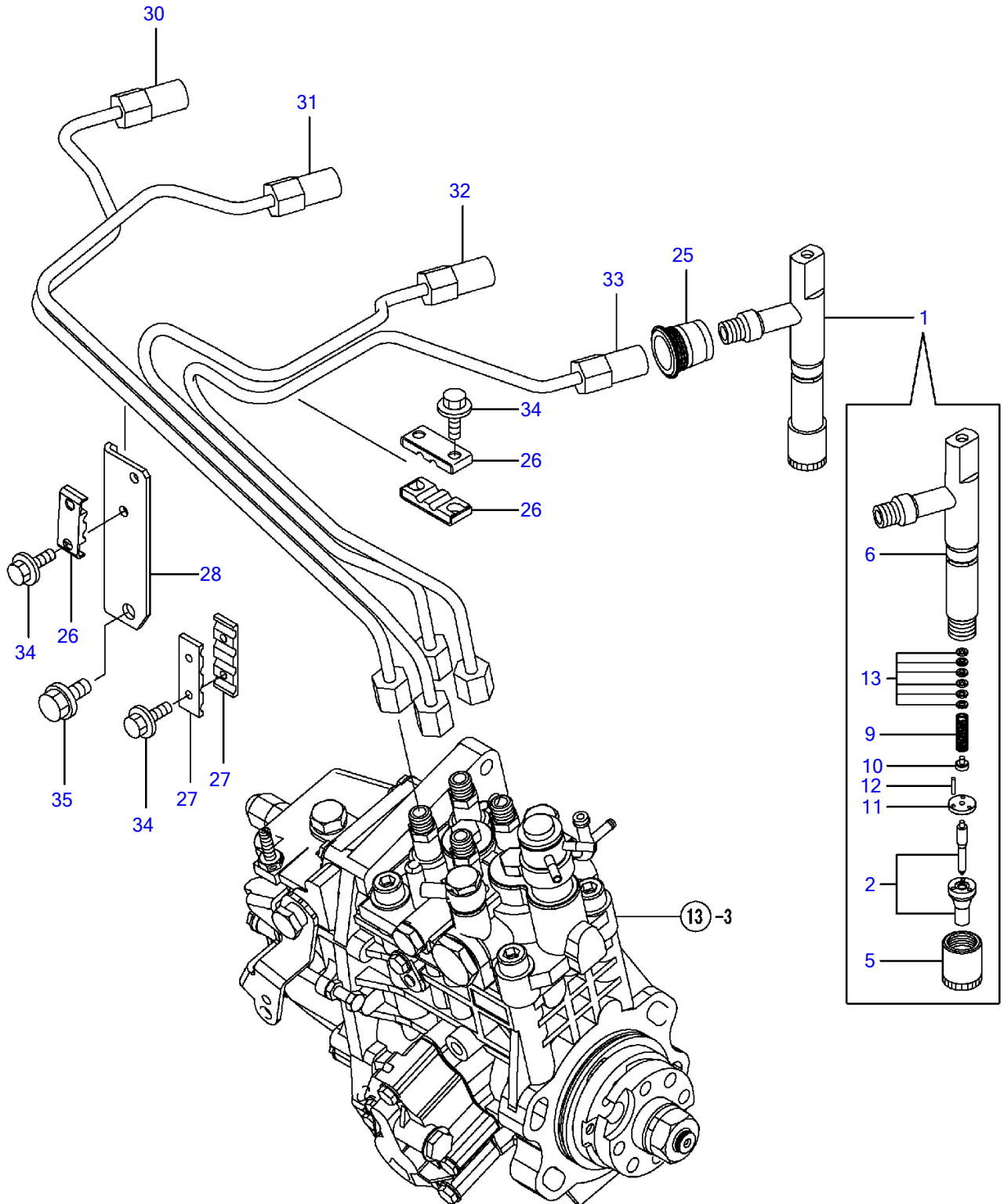
Engine for TL150 4TNV106T-XTBL S/N 21500628-  
**FUEL INJECTION PUMP**



Y00D7840	013. FUEL INJECTION PUMP		
4TNV106T-XTBL	2003.02		PLUS

REF NO.	PARTS NO.	Description	Q'ty
1	Y123907-01950	RETAINER,MP4	1
2	Y123907-01960	RETAINER,MP4	1
3	Y723945-51300	PUMP ASSY, F.INJECT	1
81	Y24341-000280	O-RING 1A S-28.01	1
83	Y26106-060142	BOLT	2
132	Y119233-77932	SOLENOID, STOP	1
230	Y26106-080162	BOLT M 8X 16 PLATED	2
231	Y26106-080202	BOLT M 8X 20 PLATED	2
232	Y26106-080202	BOLT M 8X 20 PLATED	1
233	Y26106-100162	BOLT M10X 16 PLATED	1

Engine for TL150 4TNV106T-XTBL S/N 21500628-  
**FUEL INJECTION VALVE**

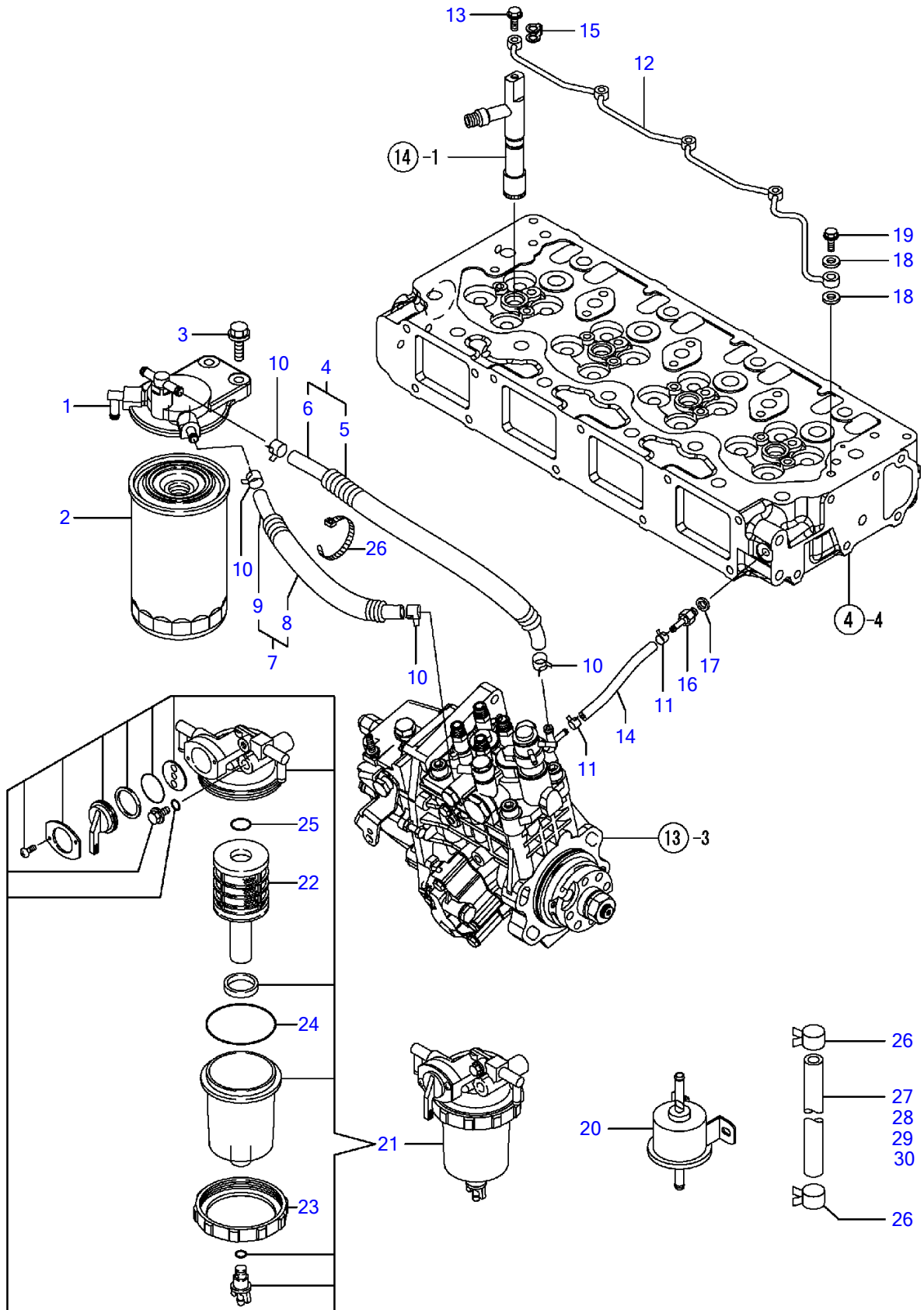


Y00D7840	014, FUEL INJECTION VALVE			
4TNV106T-XTBL		2003.02		PLUS

**FOIY¼ÓÍÞÝ FUEL INJECTION VALVE**

REF NO.	PARTS NO.	Description	Q'ty
1	Y723908-53100	FOIY¼ÓÍÞÝ ASSY	4
2	Y123908-53000	• É½ÞÙ CMP	4
5	Y114250-53080	• ÅÅÅ(É½ÞÙÄØÅ¹	4
6	Y123907-53100	• É½ÞÙÍÙÄÞ CMP	4
9	Y114250-53120	• ½ÍØÝ,Þ(É½ÞÙ	4
10	Y114250-53130	• ¼-Ä(É½ÞÙ½ÍØÝ,Þ	4
11	Y114250-53140	• ½ÄÄÍØÙ-Ä	4
12	Y114250-53210	• ÉÞÝ(É½ÞÙ²Á·ÞÒ	8
13	Y114250-53400	• ¼Ñ CMP	4
25	Y123907-11601	ÉÞ³ÍØ¼-Ù	4
26	Y122780-59100	ÌÙÄÞÒ	4
27	Y123472-59120	FO¶ÝÍÙÄÞÒ4ºÖ³	2
28	Y123907-59729	»ÍØ-Ä(ÍÝ¼Ó¶ÝÍÙÄÞÒ	1
30	Y123908-59810	FO-TÍÝ¼Ó(NO.1 CMP	1
31	Y123908-59820	FO-TÍÝ¼Ó(NO.2 CMP	1
32	Y123908-59830	FO-TÍÝ¼Ó(NO.3 CMP	1
33	Y123908-59840	FO-TÍÝ¼Ó(NO.4 CMP	1
34	Y26106-060202	ÄÊÞÍÞÙÄ 6X 20	6
35	Y26106-080202	ÄÊÞÍÞÙÄ 8X 20	1

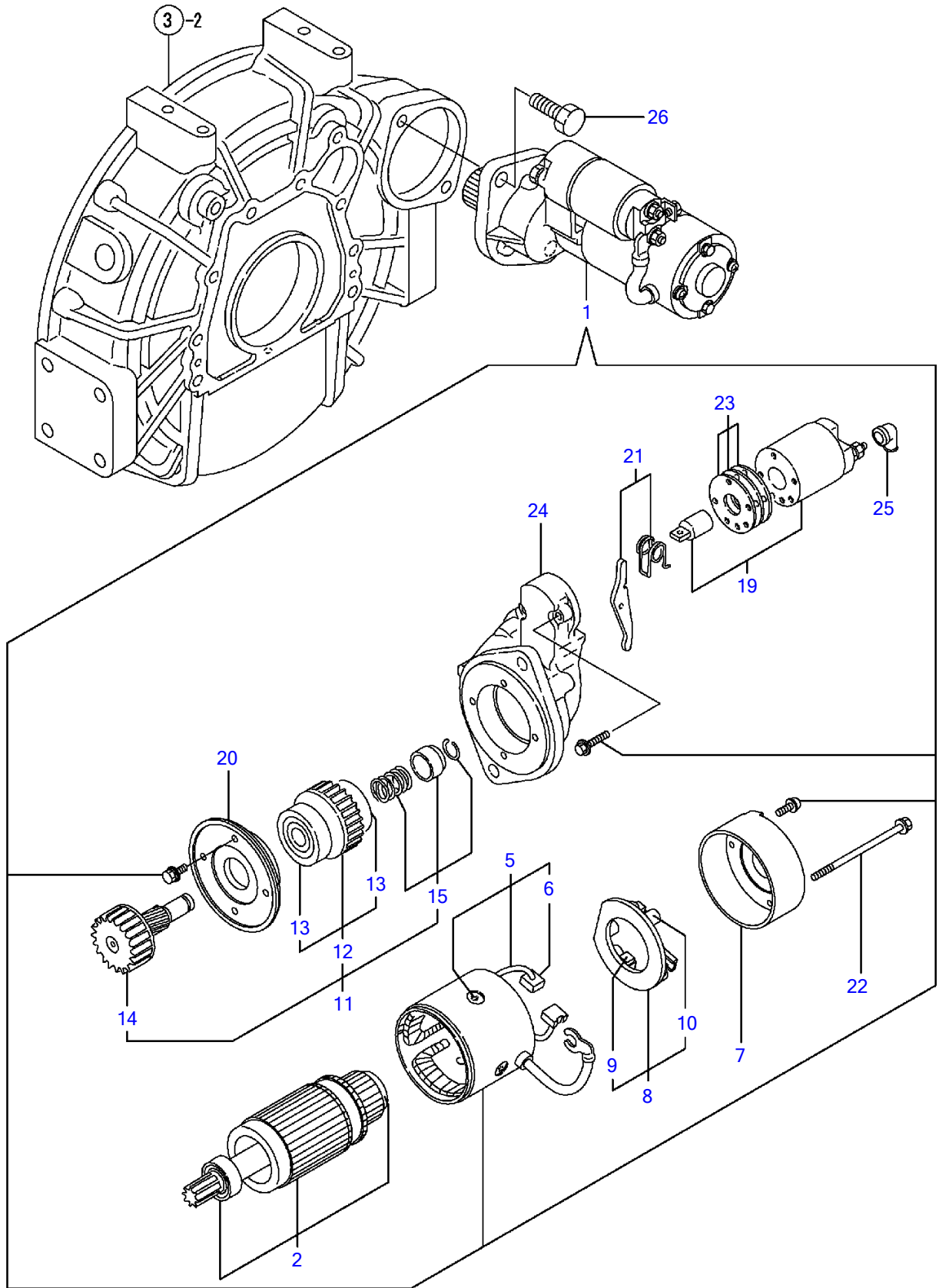
Engine for TL150 4TNV106T-XTBL S/N 21500628-  
**FUEL LINE**



Y00D7840	015. FUEL LINE		
4TNV106T-XTBL		2003.02	PLUS

REF NO.	PARTS NO.	Description	Q'ty
1	Y129004-55611	BRACKET, FILTER	1
2	Y123907-55800	FILTER, FUEL OIL	1
3	Y26106-080302	BOLT M 8X 30 PLATED	2
4	Y119160-59010	PIPE ASSY, FUEL OIL	1
5	Y129950-59221	• TUBE	1
6	Y105025-59530	• PIPE,FUEL (D13XL400)	1
7	Y129957-59040	PIPE, FUEL	1
8	Y119560-59110	• PROTECTOR, FUEL PIPE	1
9	Y129335-59090	• PIPE,FUEL (D13XL500)	1
10	Y23000-013000	CLAMP 13	4
11	Y124066-59100	CLAMP 8	2
12	Y123907-59140	PIPE ASSY,F.O.RETURN	1
13	Y123907-59540	JOINT BOLT M6	4
14	Y121250-59550	PIPE, FUEL	1
15	Y123907-59550	PACKING,FUEL RETURN	4
16	Y123907-59560	HOSE JOINT 4	1
17	Y22190-080002	SEAL WASHER 8S	1
18	Y23414-080000	GASKET 8, ROUND	2
19	Y23857-030000	JOINT BOLT 3	1
20	Y119225-52102	PUMP ASSY, FUEL FEED	1
21	Y129906-55700	SEPARATOR ASSY	1
22	Y119802-55710	• ELEMENT	1
23	Y129100-55690	• RING, RETAINING	1
24	Y24321-000650	• O-RING 1A G-65.0	1
25	Y24311-000160	• O-RING 1A P-16.0	1
26	Y124722-59050	CLAMP 9	6
27	Y121137-59080	PIPE, FUEL	1
28	Y121522-59080	PIPE, D12XL1350	1
29	Y124520-59080	PIPE, FUEL OIL	1
30	Y121522-59090	PIPE (L=900), FUEL	1

Engine for TL150 4TNV106T-XTBL S/N 21500628-  
STARTING MOTOR



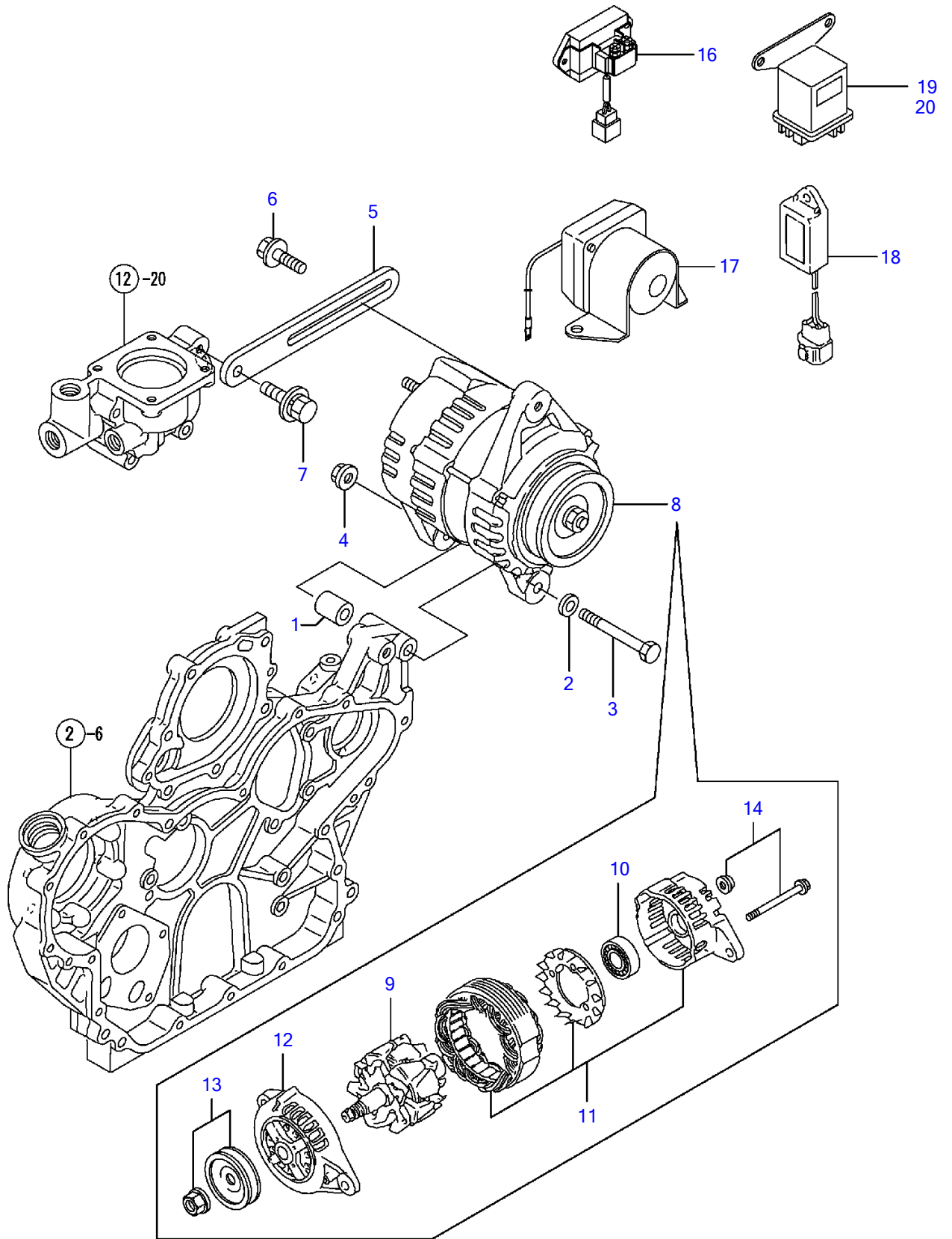
Y00D7840	016. STARTING MOTOR			
4TNV106T-XTBL		2003.02		PLUS



½Ä-Ä²Ý, ÞÓ-Ä STARTING MOTOR

REF NO.	PARTS NO.	Description	Q'ty
1	Y123900-77010	STARTER	1
2	Y123900-77400	• ARMATURE ASSY	1
5	Y123900-77440	• COIL ASSY, FIELD	1
6	Y123900-77450	• • BRUSH (+)	2
7	Y123900-77460	• COVER, REAR	1
8	Y123900-77480	• HOLDER, BRUSH	1
9	Y123900-77450	• • BRUSH (+)	2
10	Y121254-77590	• • SPRING, BRUSH	4
11	Y123900-77510	• PINION ASSY	1
12	Y123900-77520	• • CLUTCH ASSY	1
13	YX2240610100	• • • BALL BEARING (3)	2
14	Y123900-77540	• • SHAFT, PINION	1
15	Y119131-77550	• • STOPPER KIT, PINION	1
19	Y129900-77591	• SWITCH ASSY, MAGNETIC	1
20	Y123900-77610	• RETAINER, BEARING	1
21	Y129900-77620	• SHIFT LEVER SET	1
22	Y123900-77640	• THROUGH BOLT	2
23	Y123900-77650	• COVER ASSY, DUST	1
24	Y123900-77710	• HOUSING, GEARS	1
25	Y171008-77750	• COVER, M TERMINAL	1
26	Y26116-120252	BOLT M12X 25 PLATED	2

Engine for TL150 4TNV106T-XTBL S/N 21500628-  
GENERATOR

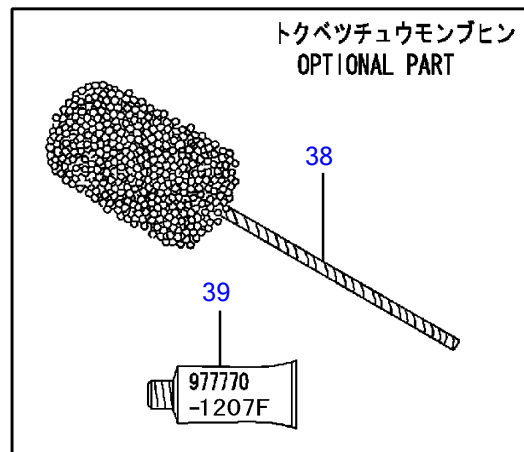
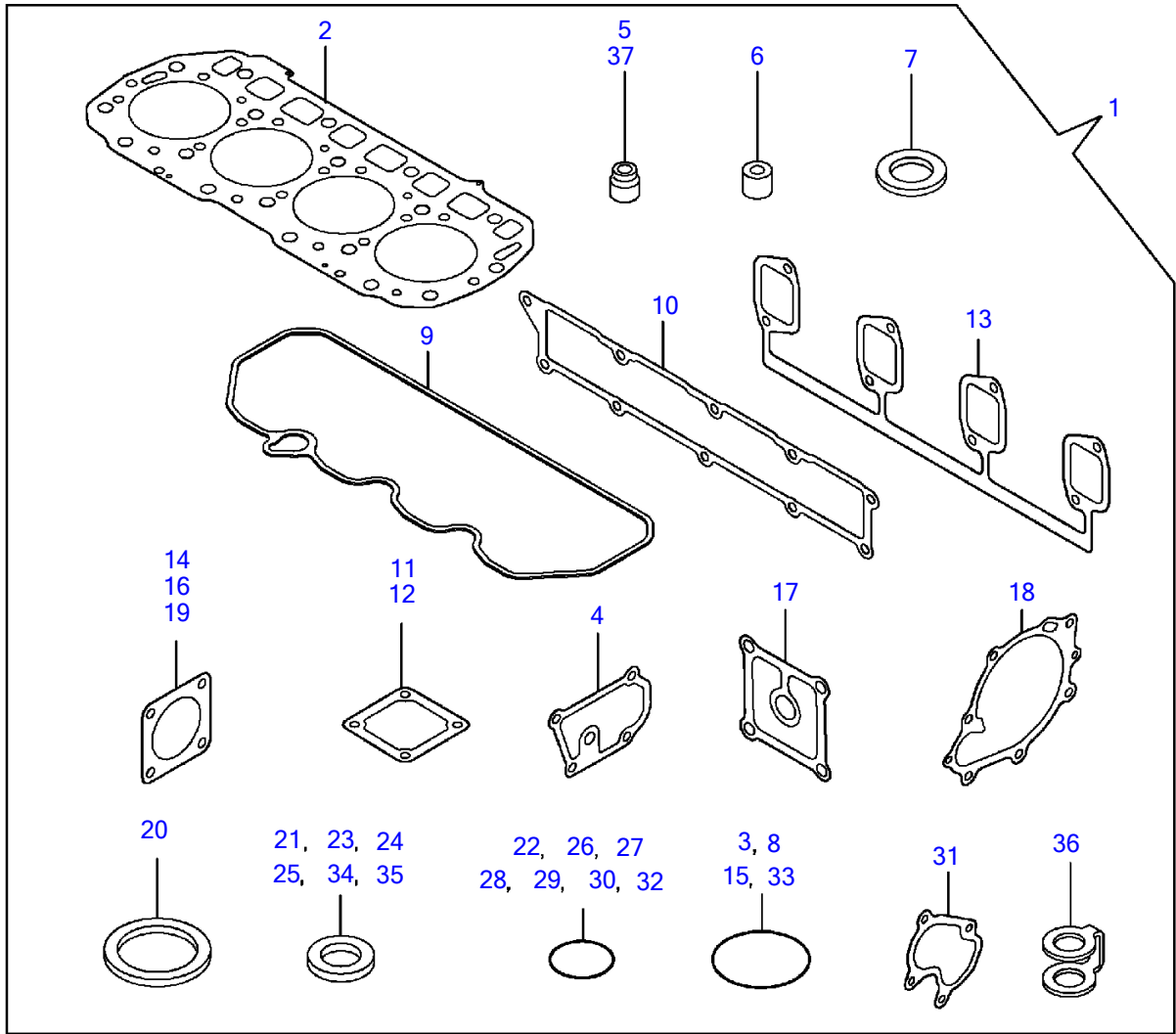


Y00D7840	017. GENERATOR			
4TNV106T-XTBL		2003.02		PLUS

¼P'ÈÚ-À GENERATOR

REF NO.	PARTS NO.	Description	Q'ty	QTY	I	R	QTY
1	Y123900-77340	DISTANCE PIECE	1				
2	Y22137-100000	WASHER 10,POLISHED	1				
3	Y123945-77200	BOLT PLATED	1				
4	Y26306-100002	NUT	1				
5	Y123900-77330	ADJUSTER(BELT	1				
6	Y119810-77340	BOLT	1				
7	Y26014-080252	BOLT M 8X 25	1				
8	Y123900-77210	GENERATOR(12V-60A	1				
9	Y123900-77700	• ROTOR ASSY	1				
10	Y129612-77710	• BALL BEARING	1				
11	Y123900-77720	• REAR BRACKET ASSY	1				
12	Y123900-77730	• FRONT BRACKET ASSY	1				
13	Y123900-77740	• PULLEY	1				
14	Y123900-77750	• SCREW KIT	1				
16	Y129136-77200	RELAY, SAFETY	1				
17	Y129100-77910	RELAY, MAGNETIC	1				
18	Y128300-77920	TIMER	1				
19	Y119646-77900	RELAY, POWER	2				
20	Y119646-77900	RELAY, POWER	1				

Engine for TL150 4TNV106T-XTBL S/N 21500628-  
GASKET SET



Y00D7840	018. GASKET SET			
4TNV106T-XTBL		2003.02		PLUS

ÊËÄ·Ý¾ÄÄ GASKET SET

REF NO.	PARTS NO.	Description	Q'ty	I	R	Notes
1	Y723907-92600	GASKET SET(NON-ASB.)	1		(1)	µíß¼@Ý ìþËÝÄþ½
I 1-1	Y723907-92601	GASKET SET(NON-ASB.)	1	S	(1)	µíß¼@Ý ìþËÝÄþ½
2	Y123907-01349	• GASKET, HEAD	1			
3	Y24311-000320	• O-RING 1A P-32.0	3			
4	Y123900-49820	• GASKET	1			
5	Y124160-11340	• SEAL, VALVE STEM	8			
6	Y119802-11870	• PROTECTOR, NOZZLE	4			
7	Y119625-11880	• SEAT, NOZZLE	4			
8	Y24351-030750	• PACKING, 3075	1			
9	Y123907-11310	• PACKING,BONNET	1			
10	Y123907-12110	• PACKING(INT.MANIFOLD	1			
11	Y123900-77020	• GASKET,AIR HEATER	1			
12	Y123900-77030	• GASKET,AIR HEATER	1			
13	Y123900-13111	• GASKET	1			
I 13-1	Y123907-13110	• GASKET	1	S		
14	Y128300-13230	• PACKING	1			
15	Y24321-000850	• O-RING 1A G-85.0	1			
16	Y123901-18090	• PK(T/C IN	1			
17	Y123900-33060	• PACKING	1			
18	Y123900-42050	• PACKING	1			
19	Y124610-49291	• GASKET	1			
20	Y123500-49550	• GASKET	1			
21	Y22190-080002	• SEAL WASHER 8S	5			
22	Y24311-240100	• O-RING 1A P-10A	1			
23	Y22190-300002	• SEAL WASHER 30S	1			
24	Y23414-100000	• GASKET 10, ROUND	6			
25	Y124465-44950	• GASKET 16	1			
26	Y129900-32030	• O-RING P20	1			
27	Y129900-32040	• O-RING P14	1			
28	Y24311-000110	• O-RING 1A P-11.0	1			
29	Y24311-000120	• O-RING 1A P 12.0	8			
30	Y24314-000180	• O-RING 4C P-18.0	1			
31	Y123901-18080	• PK(T/C OUT	1			
32	Y24316-000180	• O-RING 4D P-18.0	1			
33	Y24321-000700	• O-RING 1A G70.0,NBR	1			
34	Y23414-080000	• GASKET 8, ROUND	6			
35	Y129150-49360	• GASKET 10	1			
36	Y123907-59550	• PACKING,FUEL RETURN	4			
37	Y124950-11340	• SEAL, VALVE STEM	8			
38	Y129400-92450	• HORN, FLEX	1			(1) µíß¼@Ý ìþËÝÄþ½
39	Y977770-1207F	GASKET, LIQUID	1			(1) µíß¼@Ý ìþËÝÄþ½

# How to read this Parts Catalog.

1. Parts mentioned in this Parts Catalog may not necessarily be standard equipping parts.
2. Parts change may be made without prior notice.
3. Form of this Parts Catalog.

Y00F2161 (1997.09.01)

**Fig. 29 燃料噴射ポンプ(ブーコン用)**  
**FUEL INJECTION PUMP (W/BOOST)**

見出 REF.No.	レベル LEV.	部品番号 PARTS No.	部品名	DESCRIPTION	個数 (Qty)						備考
					A	B	C	D	E	F	
1	.	729595-51390	F0ポンプ ASY(7-コック)	FULE INJECTION PUMP	1	1	1	1	1	1	
1-1	.	729595-51391	F0ポンプ ASY(7-コック)	FULE INJECTION PUMP	1	1	1	1	1	1	
3	..	26022-060162	ナメネジ M 6X 16	SCREW M 6X 16	9	9	9	9	9	9	
I 3-1	..	26022-060162	ナメネジ M 6X 16	SCREW M 6X 16	4	4	4	4	4	4	K
4	..	129470-51040	カムシャフト	CAMSHAFT	1	1	1	1	1	1	
5	..	122710-51050	ベアリングローラ	BEARING, ROLLER	2	2	2	2	2	2	
6	..	129470-51060	ベアリングオサヒ	RETAINER	1	1	1	1	1	1	

**備考**

(1) ブーストコンペンセータ付き。4JH-DT, 4JH-DTZとも  
E/# 00155 までは、特別注文仕様とします

**Remarks**

(1) BOOST COMPENSATOR TYPE.  
OPTIONAL PART, TO E/# 00155.  
(4JH - DT, 4JH - DTZ)

**① Ref. No.**

The Ref. No. in the list may not be accord with the Ref. No. on illustration.  
(Ex.) Illustration No.                      List head No.

1    1 (Befor change)                      →                      1 -1 (After change)

When interchangeable symbol N, R, and K, illustrations for new parts are sometimes omitted.

**② Lev.(Level)**

Indication and Meaning of Level

Level : Hereunder is given the relation among the number of dots(•), the level and the nominal parent- child relationship.

- .....Parent parts(Assembly parts)
- .....Child parts included in "••" (Semi- Assembly parts, component parts of Assembly parts.)
- .....Child parts included in "•••", Grand- child parts in terms of "••".  
(Compornent parts of Semi- Assembly parts.)

Note) A parts of non- sale parts are illustlated but not listed.

**③ Change Mark**

Change Mark "I" is given to the part for which a desigh change was made at this time.  
The design change was not shown in the last published Parts Catalog.

**④ Interchangeability Mark**

In the case where a part change took place, one of the following interchangeability marks is indicated for that part.

Symbol	interchangeability	Contents note
N	Old  New	New Part is interchangeable for Old Part but not interchangeable conversely.
Q	Old  New	New Part is not interchangeable for Old Part but interchangeable conversely.
R	Old  New	New Part is interchangeable for Old Part and vice versa.
S	Old  New	New Part is not interchangeable for Old Part and vice versa.
W		Part newly added.
Z		Part discontinued.
F		Not interchangeable single part but interchangeable by set of the related parts.
K		Changed only in quantity used.

**⑤ Effective Machine No.**

When a part is changed, Effective Machine No. of a Model for which the part is applicable is indication in each column of (A)- (F).

Product Symbol	Product No.	Product Symbol	Product No.
C	Clutch No. Compressor No.	M	Machine No.
D	Drive No.	T	Tractor No.
E	Engine No.	Note1) ※	Date

Note1) Date may follow the symbol in some cases. (Ex.) ※ 1996.01

Note2) As far as engine models shown by "XXX" are concerned, the modification of the parts could not be predicted or the engine models themselves could not be identified.

Note3) (A=E/#00185) means that the design change on the part has been effective for the model at the column (A)(in this case, for 4JH- DT) on and from E/#(Engine Serial Number) 00185.

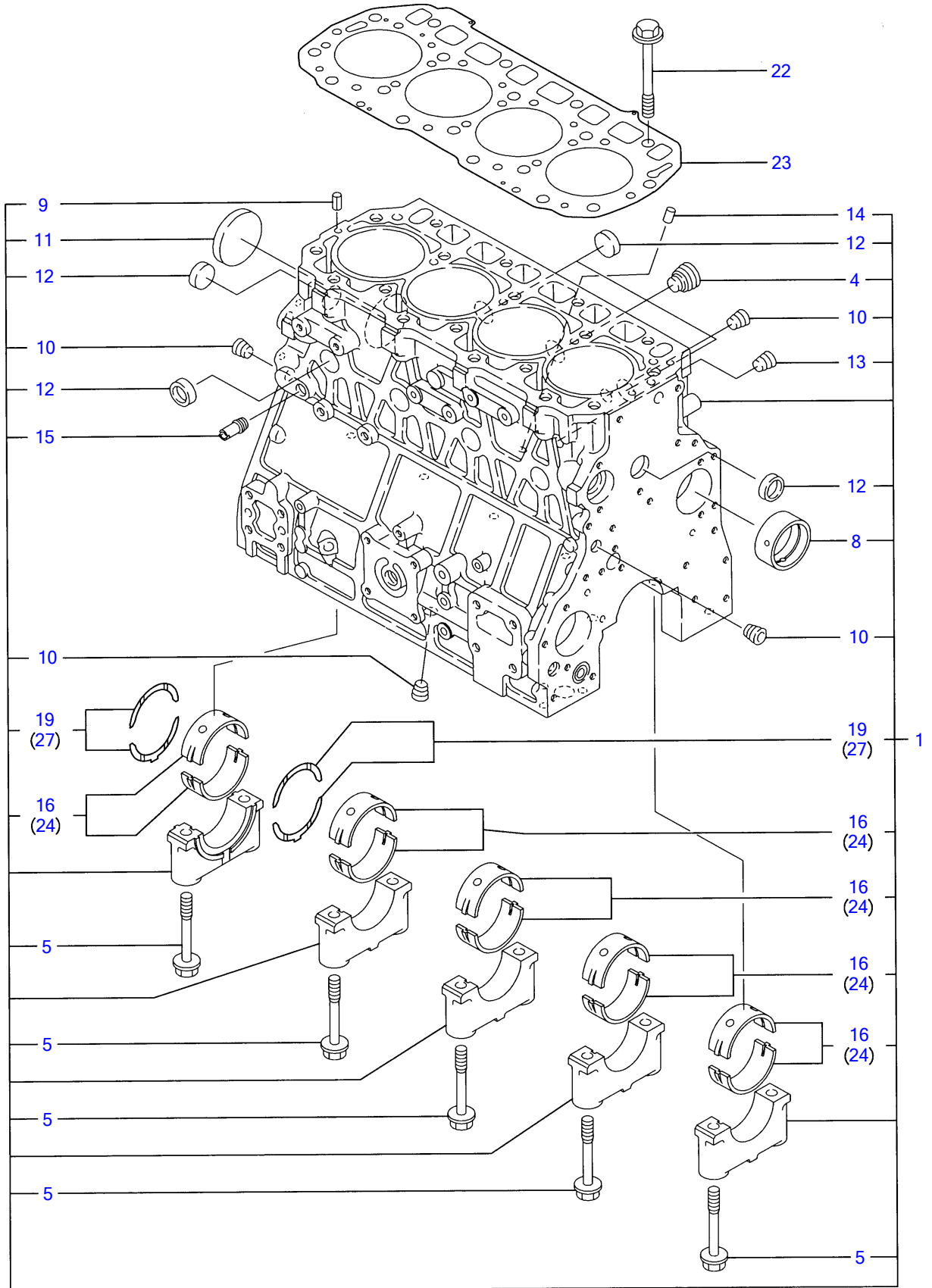
**⑥ Remarks Mark**

Figures or alphabets (Symbols) are entered in the remark column.

The comments(remarks)on the pertinent parts are indicated in the lower part of the list by the same symbols as those stated above.



Engine for TL150 4TNV106T-XTBL1( for high flow ) S/N 21500628-  
CYLINDER BLOCK



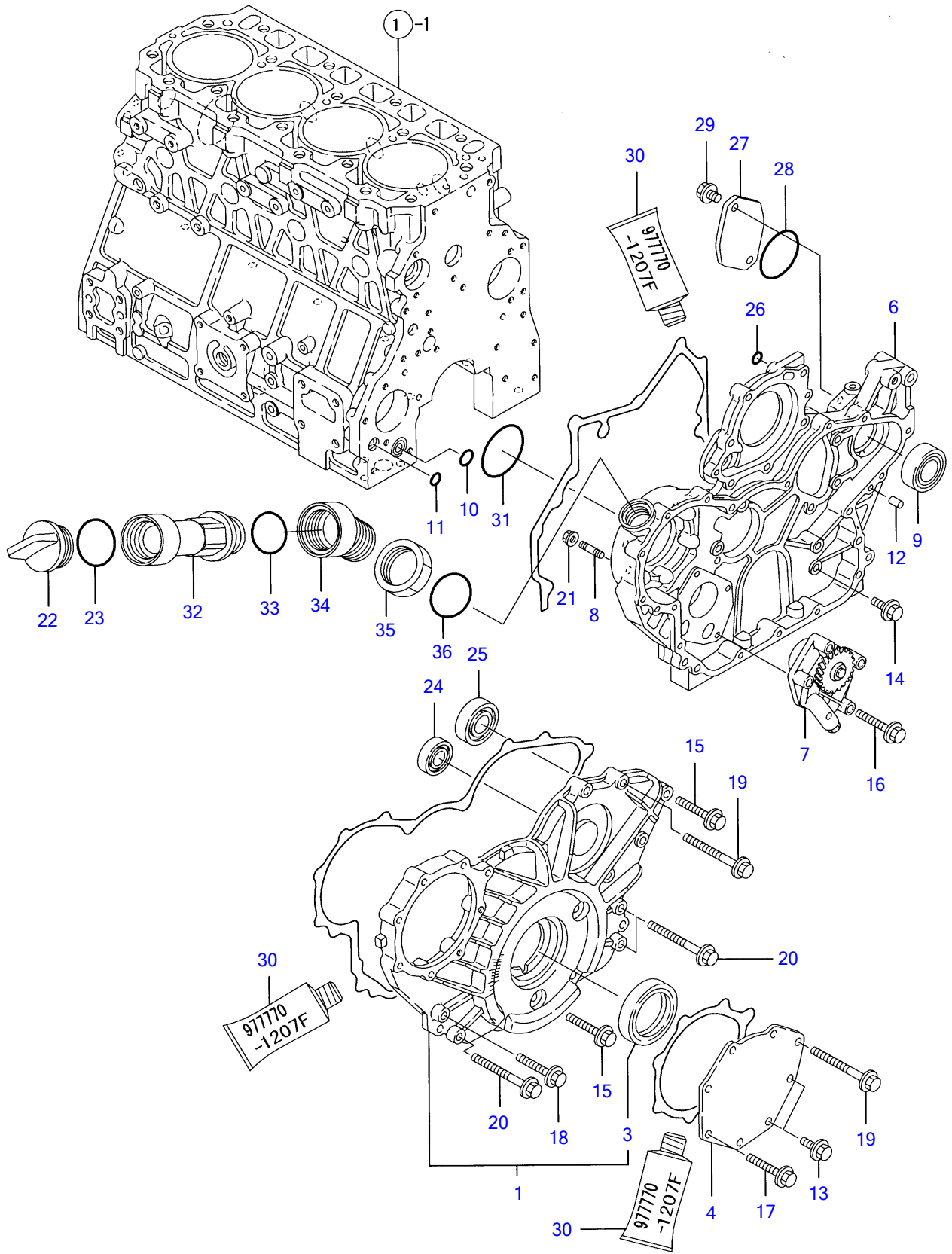
Y00D8440	1. シリンダ' フ' ロック			
4TNV106T-XTBL1		1:04.12		PLUS



¼ØÝÀÞÏÙ, CYLINDER BLOCK

REF NO.	PARTS NO.	Description	Q'ty	I	R	"õ
1	Y723907-01560	¼ØÝÀÞÏÙ, ASY	1			
4	Y171051-01921	• Ì×, Þ NPTF1	1			
5	Y123900-02020	• ÕÀÙ-ÕÀÏÏÏÙ	10			
8	Y123900-02410	• ÌÞ¼Ö	1			
9	Y22351-060012	• ½ÌØÝ, ÞËËÝ 6.0AX 12	2			
10	Y23875-030000	• Ë¼ÞÏ×, ÞPT3/8(ÅÝ <sup>93</sup> )	4			
11	Y27231-700000	• »×¶ÞÀÏ×, Þ 70	1			
12	Y27241-300000	• ÜÝ¶ÞÀÏ×, Þ 30	8			
13	Y23875-030000	• Ë¼ÞÏ×, ÞPT3/8(ÅÝ <sup>93</sup> )	1			
14	Y27225-120160	• ¸ÀÐÏ×, Þ 12X16	1			
15	Y121851-11970	• ËÏÏ¼ÞÖÝ	1			
16	Y123900-02800	• ÕÝÒÀÙ CMP	5			
19	Y123900-02930	• ½×½ÄÒÀÙ CMP	2			
22	Y119174-01200	ÍÄÞÏÙ	18			
23	Y123907-01350	ÍÄÞ¶¼¹Ä	1			
24	Y123900-02340	ÕÝÏ±ØÝ, Þ U.S=0.25	5			(1) ±ÝÀ»¼Þ(U.S=0.25)
27	Y123900-02940	½×½ÄÒÀÙ O.S=0.25	2			(2) µÈ»¼Þ(O.S=0.25)

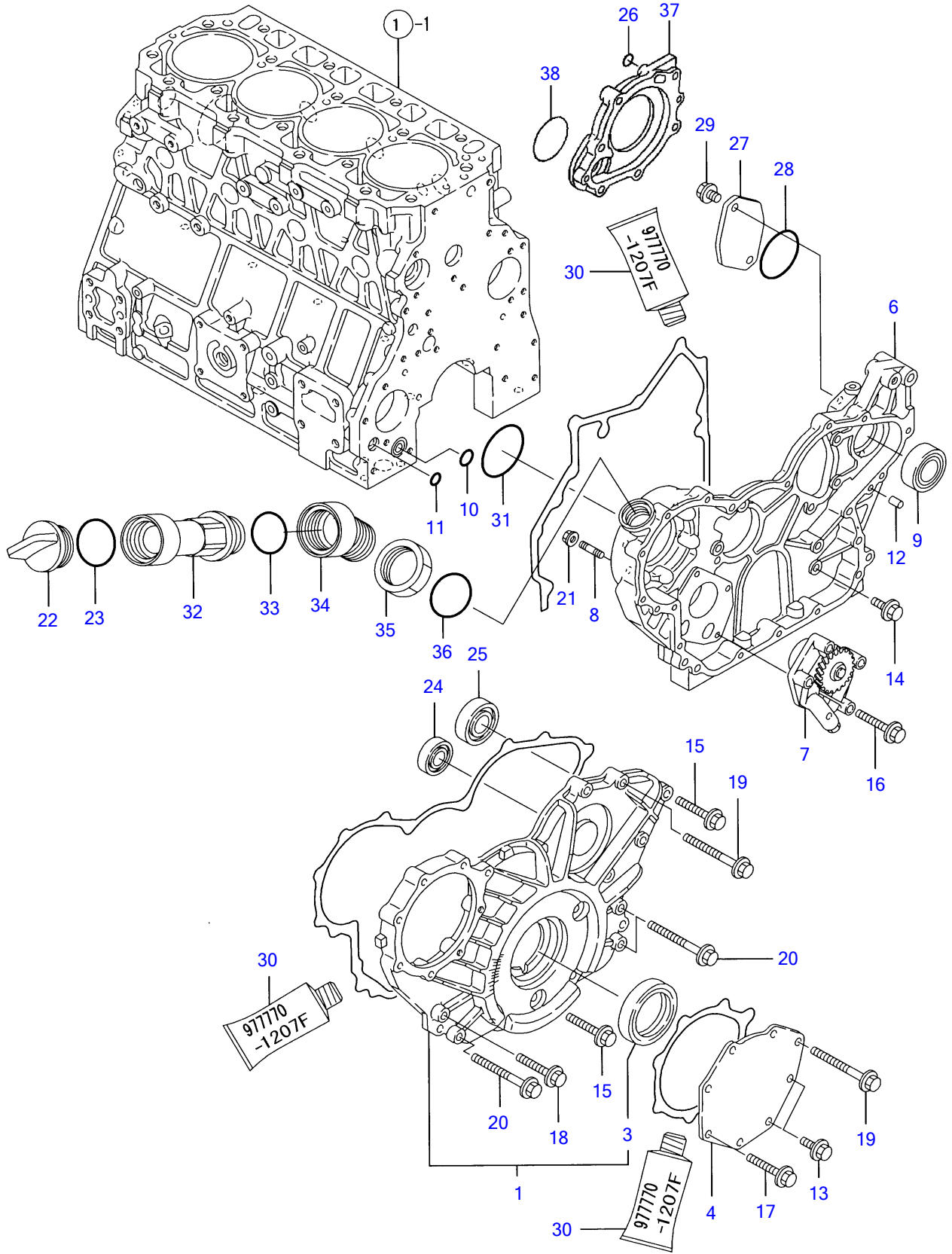
Engine for TL150 4TNV106T-XTBL1( for high flow ) S/N 21500628-  
 GEAR HOUSING (S/N 21500628-21503359)



Y00D8440	2. キヤケース		
4TNV106T-XTBL1	1:04.12		PLUS

REF NO.	PARTS NO.	Description	Q'ty	QTY	I	R	QTY
1	Y723900-01590	HOUSING ASSY,COVER,G	1				
3	Y123900-01780	OIL SEAL	1				
4	Y123900-01740	COVER, FIP	1				
6	Y123900-01500	GEAR CASE	1				
7	Y123900-32001	PUMP ASSY, L.O.	1				
8	Y26226-100322	STUD M10X 32 PLATED	4				
9	Y24101-062060	BALL BEARING	1				
10	Y129900-32030	O-RING P20	1				
11	Y129900-32040	O-RING P14	1				
12	Y22312-080160	PARALLEL PIN 8X 16	4				
13	Y26106-080202	BOLT M 8X 20 PLATED	2				
14	Y26106-080202	BOLT M 8X 20 PLATED	5				
15	Y26106-080402	BOLT M 8X 40 PLATED	6				
16	Y26106-080452	BOLT M 8X 45 PLATED	4				
17	Y26106-080452	BOLT M 8X 45 PLATED	5				
18	Y26106-080502	BOLT M 8X 50 PLATED	1				
19	Y26106-080702	BOLT M 8X 70 PLATED	5				
20	Y26106-080802	BOLT M 8X 80 PLATED	3				
21	Y26306-100002	NUT	4				
22	Y124160-01751	COVER,FILLER	1				
23	Y24311-000320	O-RING 1A P-32.0	1				
24	Y24101-062054	BEARING #6205	1				
25	Y24101-062060	BALL BEARING	1				
26	Y24311-000110	O-RING 1A P-11.0	1				
27	Y121023-26070	COVER, HO-P	1				
28	Y24321-000850	O-RING 1A G-85.0	1				
29	Y26106-100222	BOLT M10X 22 PLATED	2				
30	Y977770-1207F	GASKET, LIQUID	1				(1) μl 1/4 @ Y l p E Y A p 1/2
31	Y24351-030750	PACKING, 3075	1				
32	Y171031-11741	PIPE	1				
33	Y24311-000320	O-RING 1A P-32.0	1				
34	Y119225-11740	ADAPTOR, OIL FILLER	1				
35	Y119225-11750	NUT, OIL FILLER	1				
36	Y24311-000300	O-RING 1A P-30.0	1				

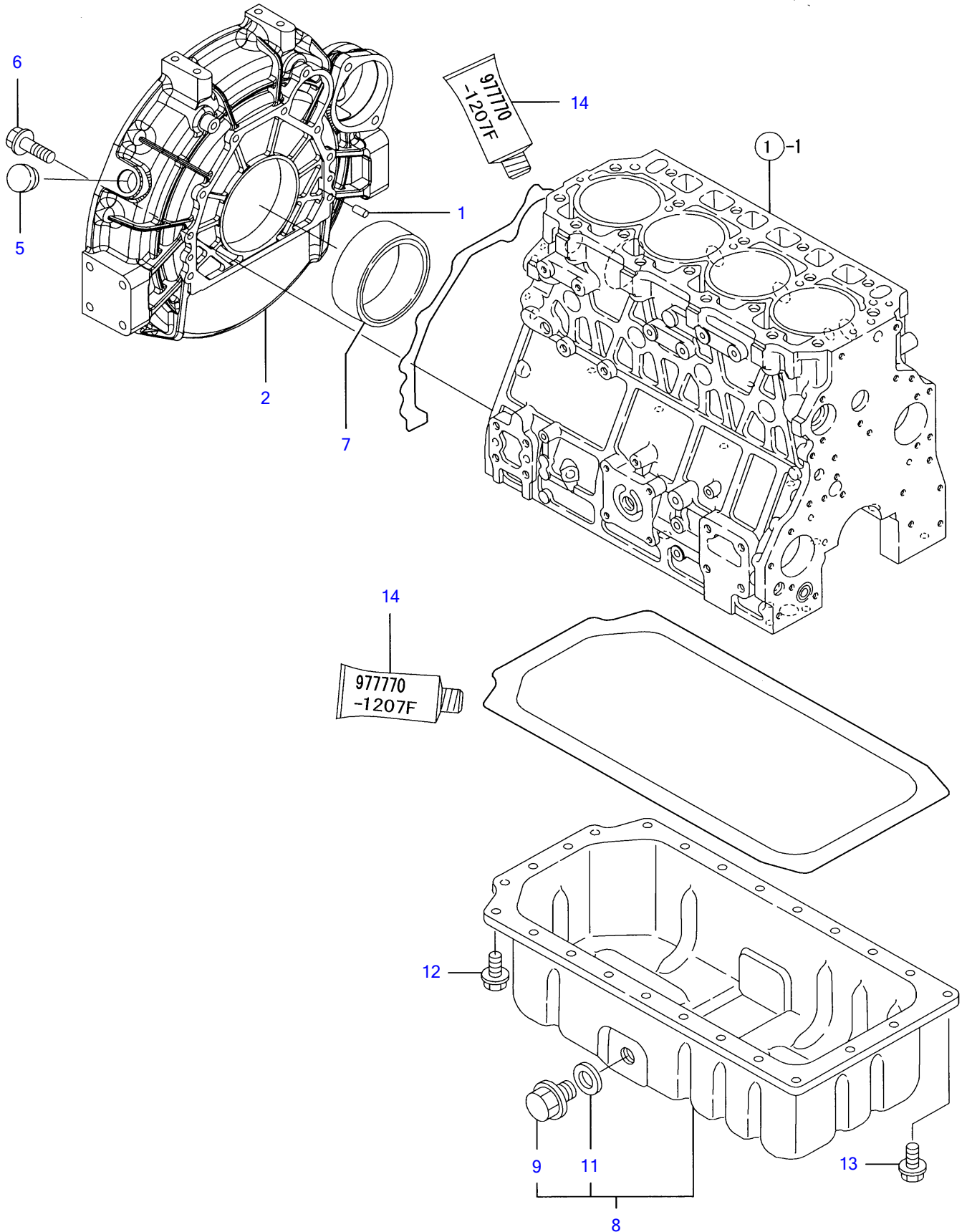
Engine for TL150 4TNV106T-XTBL1( for high flow ) S/N 21500628-  
**GEAR HOUSING**



Y00D8440	2. キヤケース		
4TNV106T-XTBL1		1:04.12	PLUS

REF NO.	PARTS NO.	Description	Q'ty	I	R	"ö
1	Y723900-01590	HOUSING ASSY,COVER,G	1			
3	Y123900-01780	• OIL SEAL	1			
4	Y123900-01740	COVER, FIP	1			
6	Y123907-01540	GEAR CASE	1			
7	Y123900-32001	PUMP ASSY, L.O.	1			
8	Y26226-100322	STUD M10X 32 PLATED	4			
9	Y24101-062060	BALL BEARING	1			
10	Y129900-32030	O-RING P20	1			
11	Y129900-32040	O-RING P14	1			
12	Y22312-080160	PARALLEL PIN 8X 16	4			
13	Y26106-080202	BOLT M 8X 20 PLATED	2			
14	Y26106-080202	BOLT M 8X 20 PLATED	5			
15	Y26106-080402	BOLT M 8X 40 PLATED	6			
16	Y26106-080452	BOLT M 8X 45 PLATED	4			
17	Y26106-080452	BOLT M 8X 45 PLATED	5			
18	Y26106-080502	BOLT M 8X 50 PLATED	1			
19	Y26106-080702	BOLT M 8X 70 PLATED	5			
20	Y26106-080802	BOLT M 8X 80 PLATED	3			
21	Y26306-100002	NUT	4			
22	Y124160-01751	COVER,FILLER	1			
23	Y24311-000320	O-RING 1A P-32.0	1			
24	Y24101-062054	BEARING #6205	1			
25	Y24101-062060	BALL BEARING	1			
26	Y24311-000110	O-RING 1A P-11.0	1			
27	Y121023-26070	COVER, HO-P	1			
28	Y24321-000850	O-RING 1A G-85.0	1			
29	Y26106-100222	BOLT M10X 22 PLATED	2			
30	Y977770-1207F	GASKET, LIQUID	1			(1) μl&¼@Ý İpÉYÄp½
31	Y24351-030750	PACKING, 3075	1			
32	Y171031-11741	PIPE	1			
33	Y24311-000320	O-RING 1A P-32.0	1			
34	Y119225-11740	ADAPTOR, OIL FILLER	1			
35	Y119225-11750	NUT, OIL FILLER	1			
36	Y24311-000300	O-RING 1A P-30.0	1			
37	Y123900-42070	CASE, WATER PUMP	1			
38	Y123900-42320	O-RING	1			

Engine for TL150 4TNV106T-XTBL1( for high flow ) S/N 21500628-  
**FLYWHEEL HOUSING & OIL SUMP**



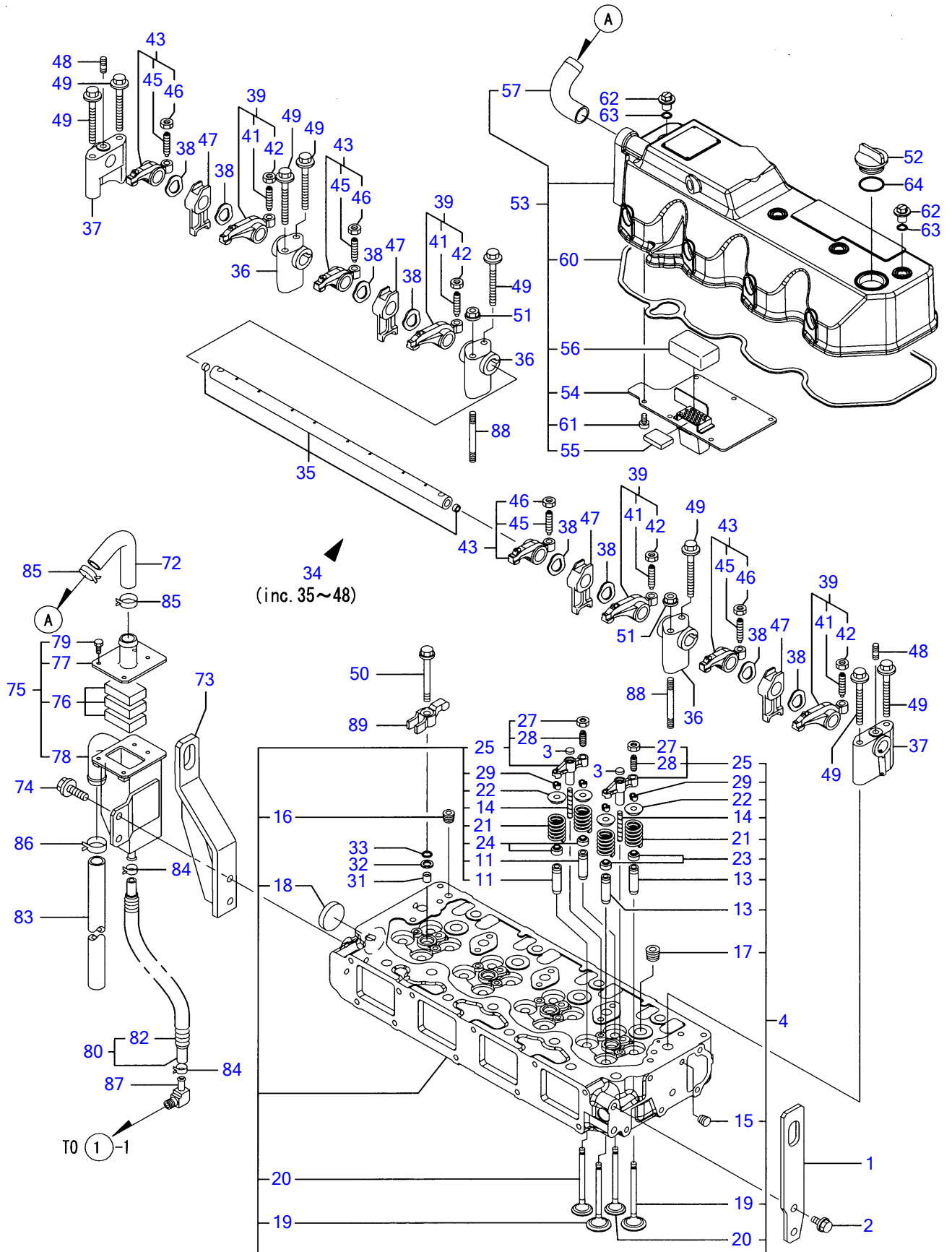
Y00D8440	3. フライホイールハウジング & オイルパン		
4TNV106T-XTBL1	1:04.12		PLUS

FLYWHEEL HOUSING & OIL SUMP

REF NO.	PARTS NO.	Description	Q'ty	I	R	"Oil
1	Y129100-01580	PARALLEL PIN 8X16	2			
2	Y123900-01620	COVER	1			
5	Y119575-01750	ASSY, FLYWHEEL	1			
6	Y26106-100352	CAP	1			
6	Y26106-100352	BOLT M10X 35	10			
7	Y123672-01782	PLATED	1			
7	Y123672-01782	SEAL, OIL	1			
8	Y123900-01710	PAN COMP, LUB. OIL	1			
9	Y119640-01640	DRAIN PLUG M22	1			
11	Y22190-220002	SEAL WASHER 22S	1			
12	Y26106-080122	BOLT M 8X 12 PLATED	22			
13	Y26106-080162	BOLT M 8X 16 PLATED	4			
14	Y977770-1207F	GASKET, LIQUID	1			

(1) μìß¼@Ý  
ìbËÝÄb½

Engine for TL150 4TNV106T-XTBL1( for high flow ) S/N 21500628-  
CYLINDER HEAD & BONNET



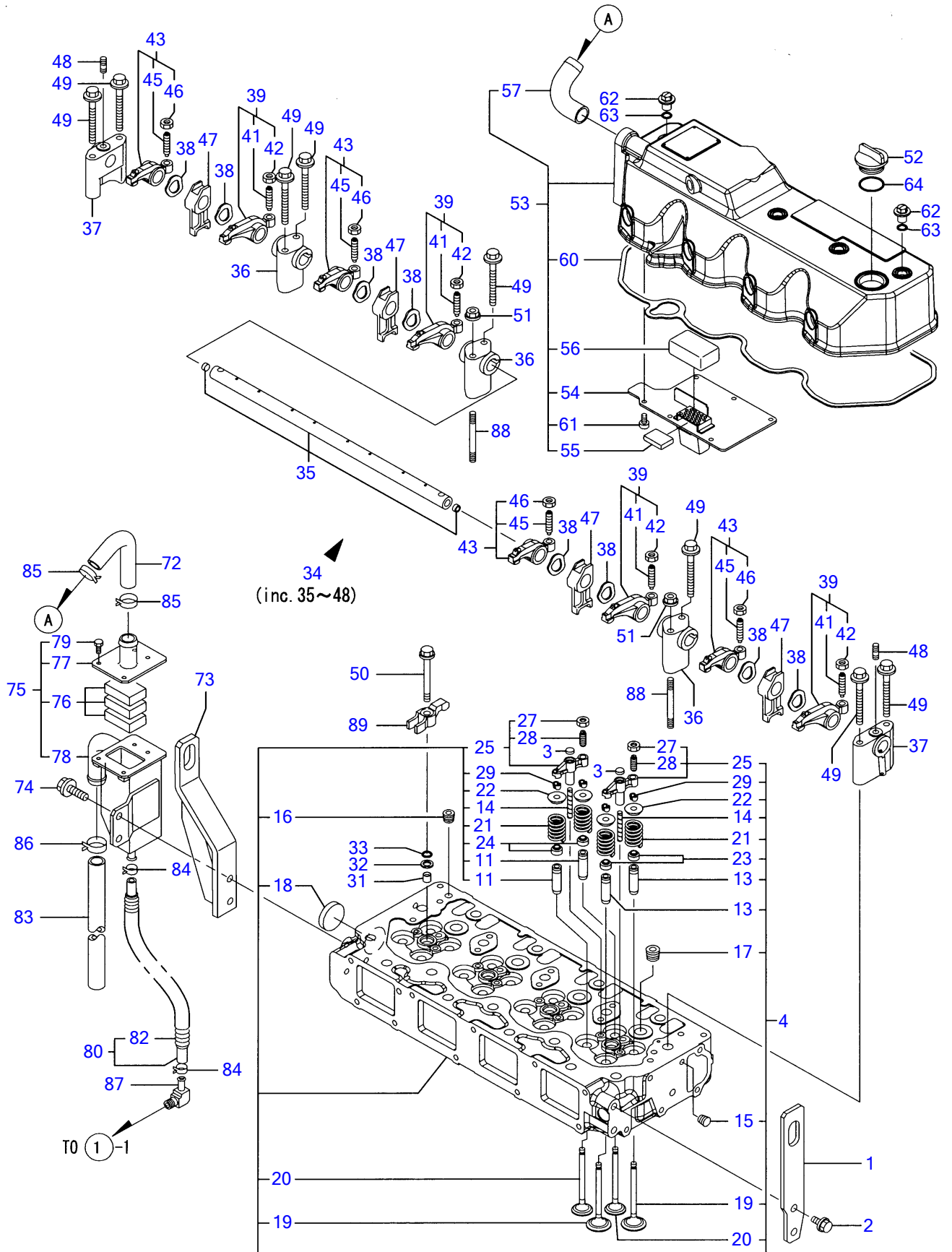
Y00D8440	4. シリンダヘッド & ホンネット		
4TNV106T-XTBL1	1:04.12		PLUS



Цилиндрная головка и клапанная крышка CYLINDER HEAD & BONNET

№ по каталогу REF NO.	№ детали PARTS NO.	Наименование детали Description	Количество Q'ty	Примечание I R
1	Y123907-07900	Агрегатный клапан	1	
2	Y26106-100202	Агрегатный болт 10X 20	2	
3	Y123907-11550	1/4-Агрегатный болт 10X 20	8	
4	Y123907-11100	1/4-Агрегатный клапан CMP	1	
11	Y123907-11810	Агрегатный клапан (INT) 10X 20	8	(1) 10X 20
13	Y123907-11800	Агрегатный клапан (EXH) 10X 20	8	(1) 10X 20
14	Y123907-11820	Агрегатный клапан	8	
15	Y23876-005000	Агрегатный болт PT 1/16	1	
16	Y23876-020000	Агрегатный болт PT 1/4	1	
17	Y23876-030000	Агрегатный болт PT 3/8	4	
18	Y27241-400000	Агрегатный болт 40	1	
19	Y123907-11100	Агрегатный клапан (INT)	8	
20	Y123907-11110	Агрегатный клапан (EXH)	8	
21	Y123907-11120	Агрегатный клапан	16	
22	Y123907-11180	Агрегатный клапан	16	
23	Y124160-11340	Агрегатный клапан 1/2-Агрегатный	8	
24	Y124950-11340	Агрегатный клапан 1/2-Агрегатный	8	
25	Y123907-11510	Агрегатный клапан 1/4-Агрегатный CMP	8	
27	Y129150-11750	Агрегатный болт M8XP1.0	8	
28	Y123907-11830	Агрегатный болт 1/2-Агрегатный	8	
29	Y27310-070001	Агрегатный болт 2-Агрегатный SET	16	
31	Y119802-11870	Агрегатный болт 1/2-Агрегатный	4	
32	Y119625-11880	Агрегатный болт 1/4-Агрегатный	4	
33	Y24311-000120	Агрегатный болт 1A P 12.0	4	
34	Y123907-11341	Агрегатный болт 1/2-Агрегатный CMP	1	
35	Y123907-11250	Агрегатный болт 1/4-Агрегатный	1	
36	Y123907-11260	Агрегатный болт 1/2-Агрегатный (A)	3	
37	Y123907-11270	Агрегатный болт 1/2-Агрегатный (B)	2	
38	Y123907-11280	Агрегатный болт 1/2-Агрегатный (C)	8	
39	Y123907-11650	Агрегатный болт 1/2-Агрегатный KIT	4	
41	Y129150-11230	Агрегатный болт 1/2-Агрегатный (D)	4	
42	Y129150-11750	Агрегатный болт M8XP1.0	4	
43	Y123907-11660	Агрегатный болт 1/2-Агрегатный KIT	4	
45	Y129150-11230	Агрегатный болт 1/2-Агрегатный (E)	4	
46	Y129150-11750	Агрегатный болт M8XP1.0	4	
47	Y123907-11920	Агрегатный болт 1/2-Агрегатный	4	
48	Y26226-080302	Агрегатный болт 3-Агрегатный 2D 8X 30	2	
49	Y26106-080752	Агрегатный болт 8X 75	8	
50	Y123907-11950	Агрегатный болт 1/2-Агрегатный 8X80	4	
51	Y26306-080002	Агрегатный болт 8	2	
52	Y124160-01751	Агрегатный болт (F)	1	
53	Y123908-11320	Агрегатный болт CMP	1	
54	Y123907-03010	Агрегатный болт 1/2-Агрегатный	1	
55	Y123907-03060	Агрегатный болт 1/2-Агрегатный	1	
56	Y123907-03070	Агрегатный болт 1/2-Агрегатный	1	
57	Y123900-03220	Агрегатный болт 1/2-Агрегатный	1	
60	Y123907-11310	Агрегатный болт 1/2-Агрегатный	1	
61	Y22857-500100	Агрегатный болт 5.0X10	6	
62	Y124160-11360	Агрегатный болт	4	
63	Y24311-000120	Агрегатный болт 1A P 12.0	4	
64	Y24311-000320	Агрегатный болт 1A P 32.0	1	
72	Y123901-03090	Агрегатный болт 1/2-Агрегатный	1	
73	Y123912-07900	Агрегатный болт	1	
74	Y26106-100252	Агрегатный болт 10X 25	2	
75	Y123901-03270	Агрегатный болт CMP	1	
76	Y123901-03240	Агрегатный болт	3	
77	Y123901-03250	Агрегатный болт	1	
78	Y123901-03260	Агрегатный болт	1	
79	Y26116-050102	Агрегатный болт 5X 10	4	
80	Y123912-03300	Агрегатный болт 1/2-Агрегатный CMP	1	
82	Y123912-03270	Агрегатный болт 19	1	
83	Y123951-03090	Агрегатный болт 1/2-Агрегатный (B)	1	

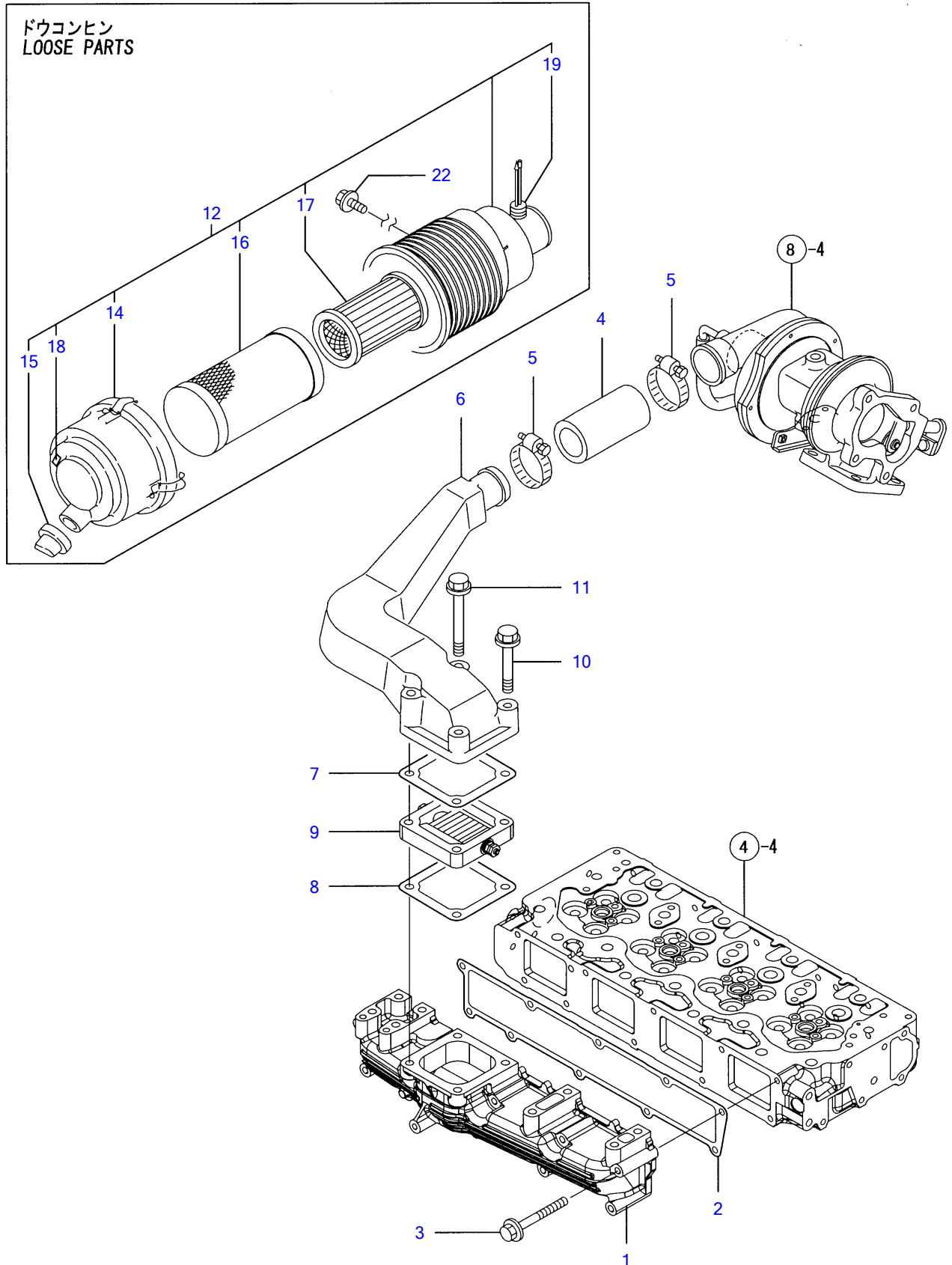
Engine for TL150 4TNV106T-XTBL1( for high flow ) S/N 21500628-  
CYLINDER HEAD & BONNET



Y00D8440	4. シリンダヘッド & ホンネット		
4TNV106T-XTBL1	1:04.12		PLUS

REF NO.	PARTS NO.	Description	Q'ty	I	R	
84	Y23000-016000	CLAMP 16	2			
85	Y23000-035000	CLAMP 35	2			
86	Y23000-035000	CLAMP 35	1			
87	Y123901-03280	ELBOW	1			
88	Y123907-11390	STUD 8X95	2			
89	Y123907-11910	RETAINER, F.I. VALVE	4			

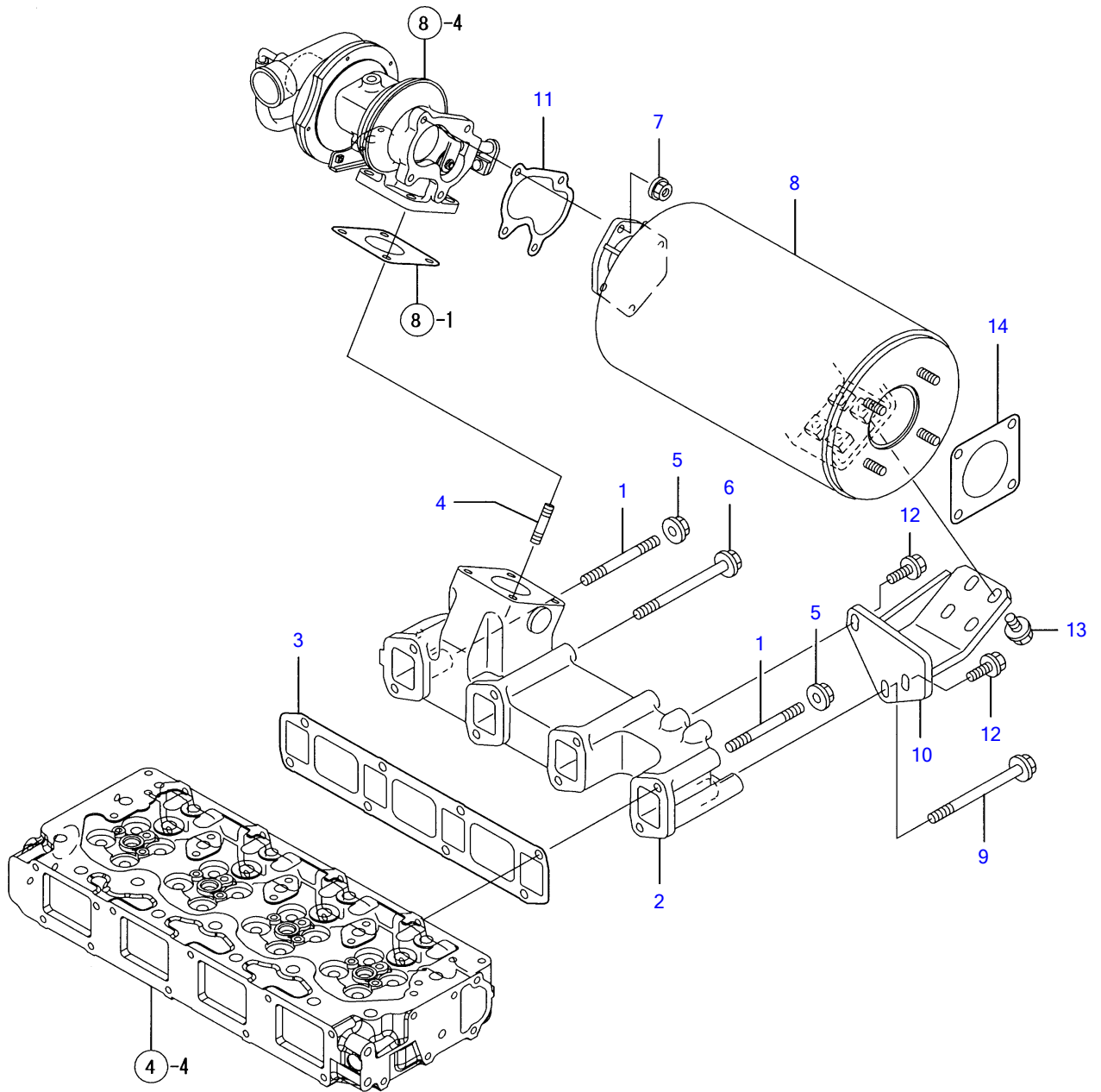
Engine for TL150 4TNV106T-XTBL1( for high flow ) S/N 21500628-  
**SUCTION MANIFOLD & AIR CLEANER**



Y00D8440	5. キュウキマニホールド & エアークリーナ		
4TNV106T-XTBL1	1:04.12		PLUS

REF NO.	PARTS NO.	Description	Q'ty	I	R	"δ
1	Y123907-12100	MANIFOLD,AIR INTAKE	1			
2	Y123907-12110	PACKING(INT.MANIFOLD)	1			
3	Y26106-080702	BOLT M 8X 70 PLATED	10			
4	Y129595-18141	HOSE, RUBBER	1			
5	Y23000-054000	CLAMP 54	2			
6	Y123912-18350	BEND	1			
7	Y123900-77020	GASKET,AIR HEATER	1			
8	Y123900-77030	GASKET,AIR HEATER	1			
9	Y123900-77500	HEATER AIR	1			
10	Y26106-100752	BOLT M10X 75 PLATED	2			
11	Y26106-100952	BOLT M10X 95 PLATED	2			
12	Y123945-12500	CLEANER ASSY, AIR	1			
14	Y123950-12520	• COVER	1			
15	Y119160-12540	• VALVE	1			
16	Y119117-12560	• ELEMENT, OUTER	1			
17	Y119117-12570	• ELEMENT,INNER	1			
18	Y129612-12650	• MARKING,(W)	1			
19	Y129953-12620	• INDICATOR ASSY	1			
22	Y26106-080202	BOLT M 8X 20 PLATED	4			

Engine for TL150 4TNV106T-XTBL1( for high flow ) S/N 21500628-  
**EXHAUST MANIFOLD & SILENCER**

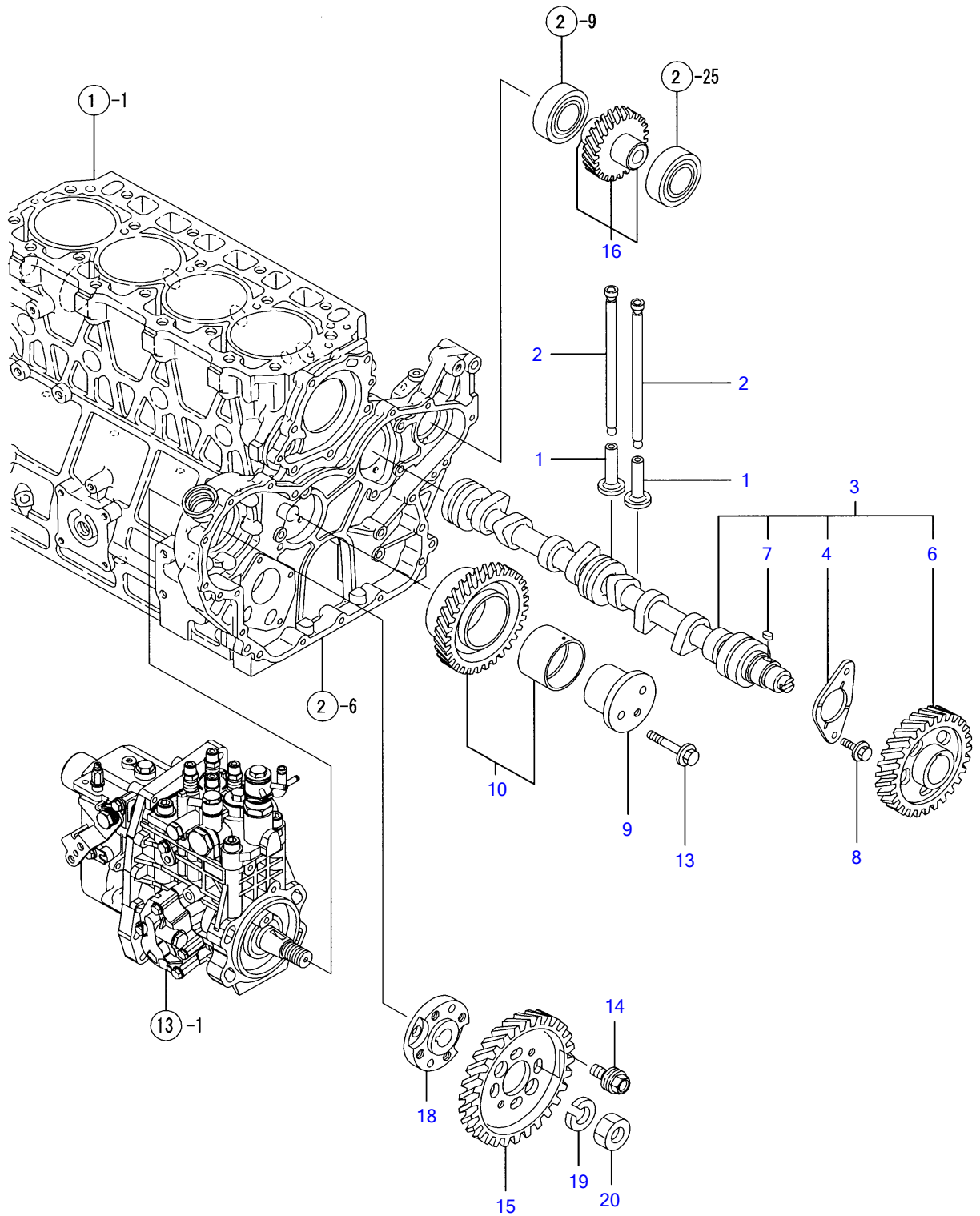


Y00D8440	6. ハイキマニホールド & サイレンサ		
4TNV106T-XTBL1	1:04.12		PLUS

Ê²·ĪĒĪ-ÛÄĲ & »²ÚÝ» EXHAUST MANIFOLD & SILENCER

REF NO.	PARTS NO.	Description	Q'ty	I	R	»óĪĪ
1	Y123907-13820	STUD 10X 85	2			
2	Y123908-13120	MANIFOLD, EXHAUST	1			
3	Y123907-13110	PK(EXH	1			
4	Y129418-18320	STUD BOLT M8X20	4			
5	Y26306-100002	NUT	2			
6	Y123907-13730	FLANGE BOLT, 10X105	6			
7	Y26306-080002	NUT	4			
8	Y123908-13510	SILENCER	1			
9	Y123907-13740	FLANGE BOLT, 10X110	1			
10	Y123908-13650	STAY	1			
11	Y123901-18080	PK(T/C OUT	1			
12	Y26106-080222	BOLT M 8X 22 PLATED	2			
13	Y26106-080222	BOLT M 8X 22 PLATED	4			
14	Y128300-13230	PACKING	1			

Engine for TL150 4TNV106T-XTBL1( for high flow ) S/N 21500628-  
CAMSHAFT & DRIVING GEAR



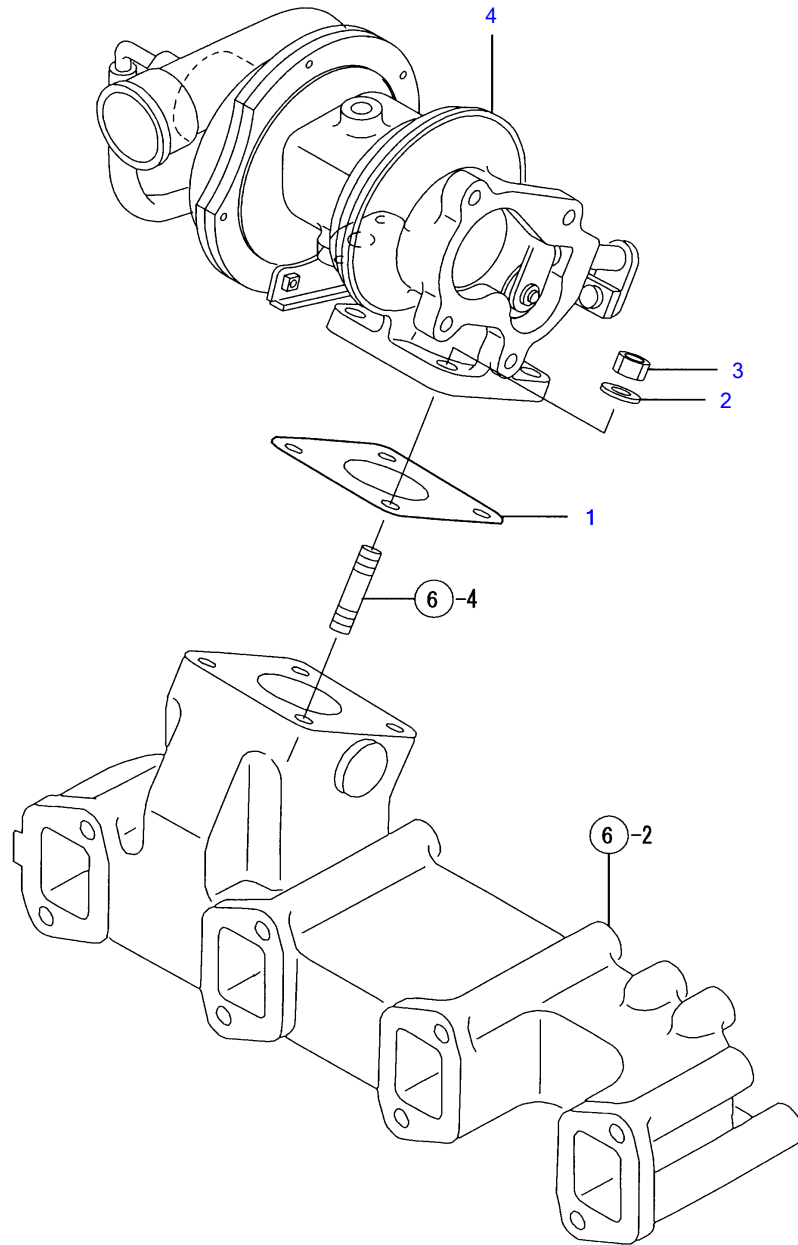
Y00D8440	7. カムシャフト & クドウギヤ		
4TNV106T-XTBL1	1:04.12		PLUS



CAMSHAFT & DRIVING GEAR

REF NO.	PARTS NO.	Description	Q'ty	I	R	»ö
1	Y123900-14200	TAPPET	8			
2	Y123907-14400	PUSH ROD	8			
3	Y123907-14590	CAMSHFT ASSY	1			
4	Y129150-02450	• METAL,THRUST(CAM	1			
6	Y129900-14110	• GEAR, CAMSHAFT	1			
7	Y22512-070140	• KEY 7X 14	1			
8	Y26106-080142	BOLT M 8X 14 PLATED	2			
9	Y123900-25060	SHAFT(GEAR, IDLE	1			
10	Y123900-25130	GEAR, IDLE CMP	1			
13	Y26106-080552	BOLT M 8X 55 PLATED	3			
14	Y129953-25300	BOLT	4			
15	Y123907-25909	GEAR, F.I. PUMP	1			
16	Y129900-26020	GEAR ASSY, HYDR. PUMP	1			
18	Y158563-51150	FLANGE	1			
19	Y22217-180000	SPRING WASHER 18	1			
20	Y26776-180002	NUT M18, LOCK	1			

Engine for TL150 4TNV106T-XTBL1( for high flow ) S/N 21500628-  
TURBINE

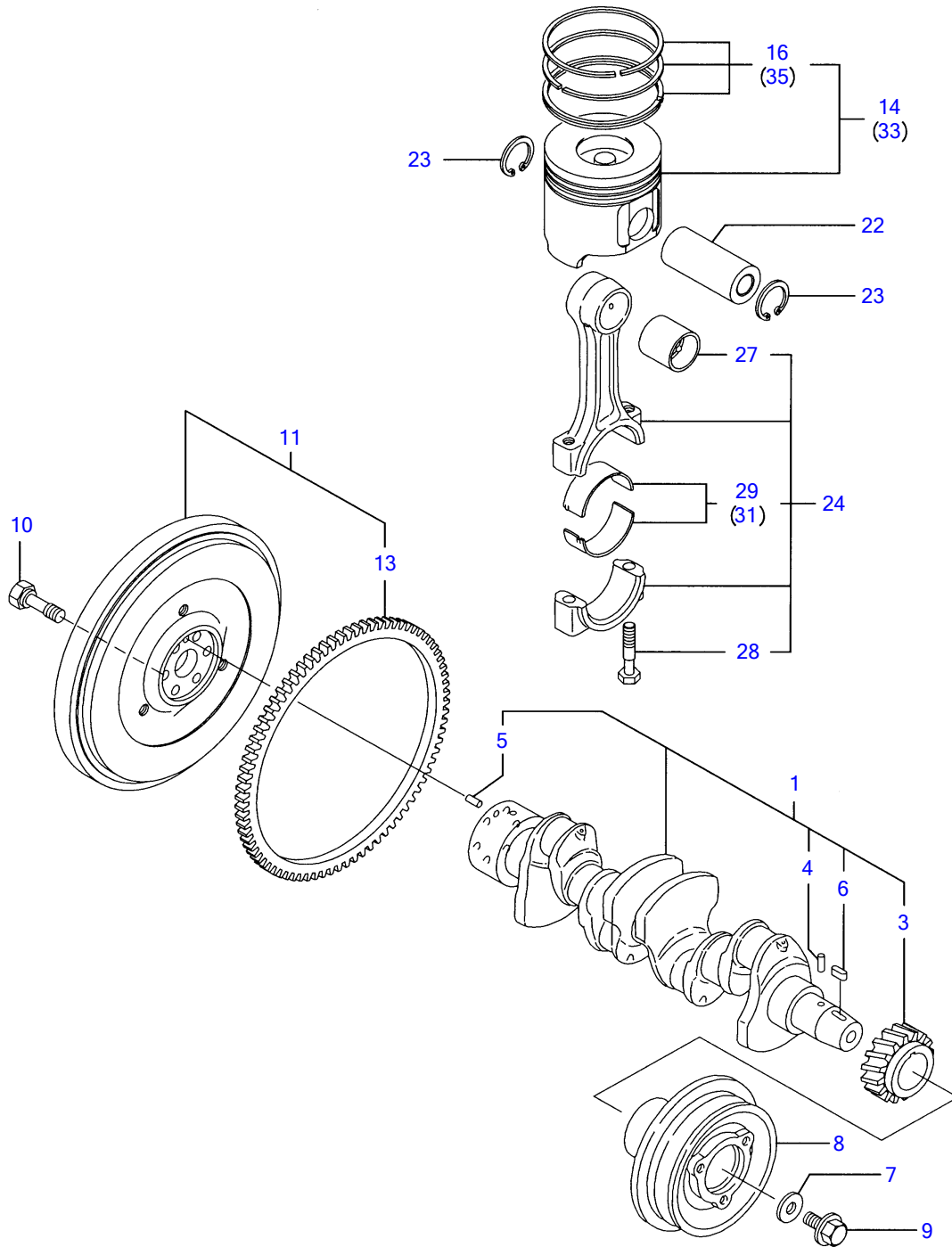


Y00D8440	8. タービン			
4TNV106T-XTBL1		1:04.12		PLUS

À-ÉbÝ TURBINE

REF NO.	PARTS NO.	Description	Q'ty
1	Y123901-18090	PK(T/C IN	1
2	Y22117-080000	»b¶pÈ(8 8	4
3	Y26703-080002	ÅÅÅ 8	4
4	Y123908-18010	À-ÉbÝ(RHF5 CMP	1

Engine for TL150 4TNV106T-XTBL1( for high flow ) S/N 21500628-  
**CRANKSHAFT & PISTON**

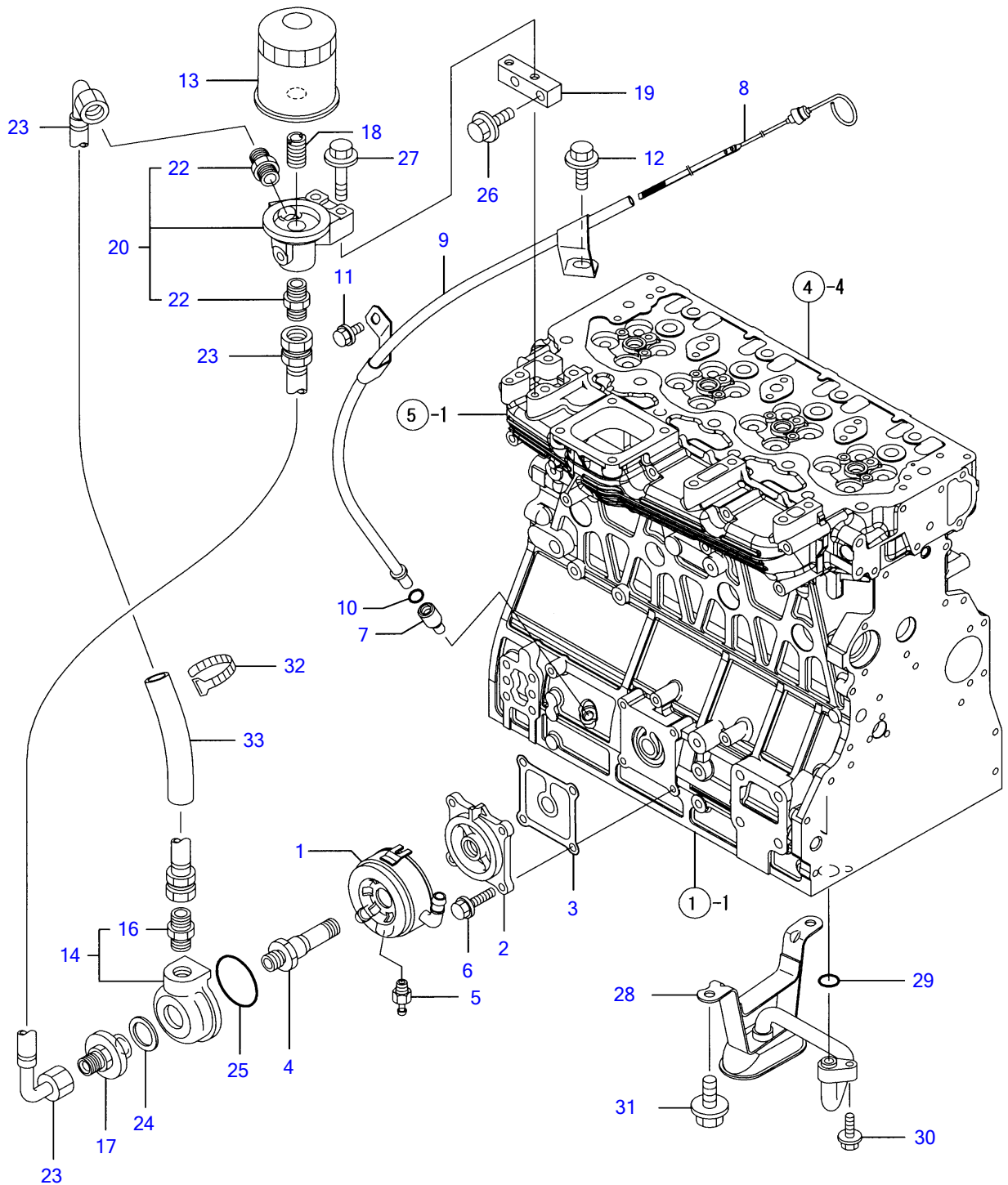


Y00D8440	9. クランクシャフト & ピストン		
4TNV106T-XTBL1	1:04.12		PLUS

CRANKSHAFT & PISTON

REF NO.	PARTS NO.	Description	Q'ty		R	"öll
1	Y123900-21050	CRANKSHAFT ASSY	1			
3	Y129900-21220	GEAR, CRANKSHAFT	1			
4	Y121850-21290	PARALLEL PIN	1			
5	Y121850-21920	PARALLEL PIN 10X22	1			
6	Y22512-070140	KEY 7X 14	1			
7	Y129900-21640	WASHER	1			
8	Y123900-21650	V-PULLY(CRANK)	1			
9	Y121850-21680	BOLT, V-PULLEY	1			
10	Y121850-21130	BOLT, FLYWHEEL	6			
11	Y123900-21580	FLYWHEEL ASSY	1			
13	Y127410-21480	RING GEAR Z=129	1			
14	Y123907-22081	PISTON W/RING	4			
16	Y123907-22050	RING SET, PISTON	4			
22	Y119173-22300	PIN, PISTON	4			
23	Y22252-000370	CIRCLIP 37	8			
24	Y123900-23000	ROD ASSY, CONNECTING	4			
27	Y123900-23910	METAL, PISTON PIN	4			(1) 1/2
28	Y123900-23200	BOLT, ROD	8			
29	Y123900-23600	METAL ASSY, CRANKPIN	4			
31	Y123900-23610	BEARING, PIN U.S=0.25	4			(2) 1/2 (U.S=0.25)
33	Y723907-22900	PISTON W/RING OS= .25	4			(3) 1/2 (O.S=0.25)
35	Y723907-22950	RING SET O.S=0.25	4			(3) 1/2 (O.S=0.25)

Engine for TL150 4TNV106T-XTBL1( for high flow ) S/N 21500628-  
LUB.OIL SYSTEM

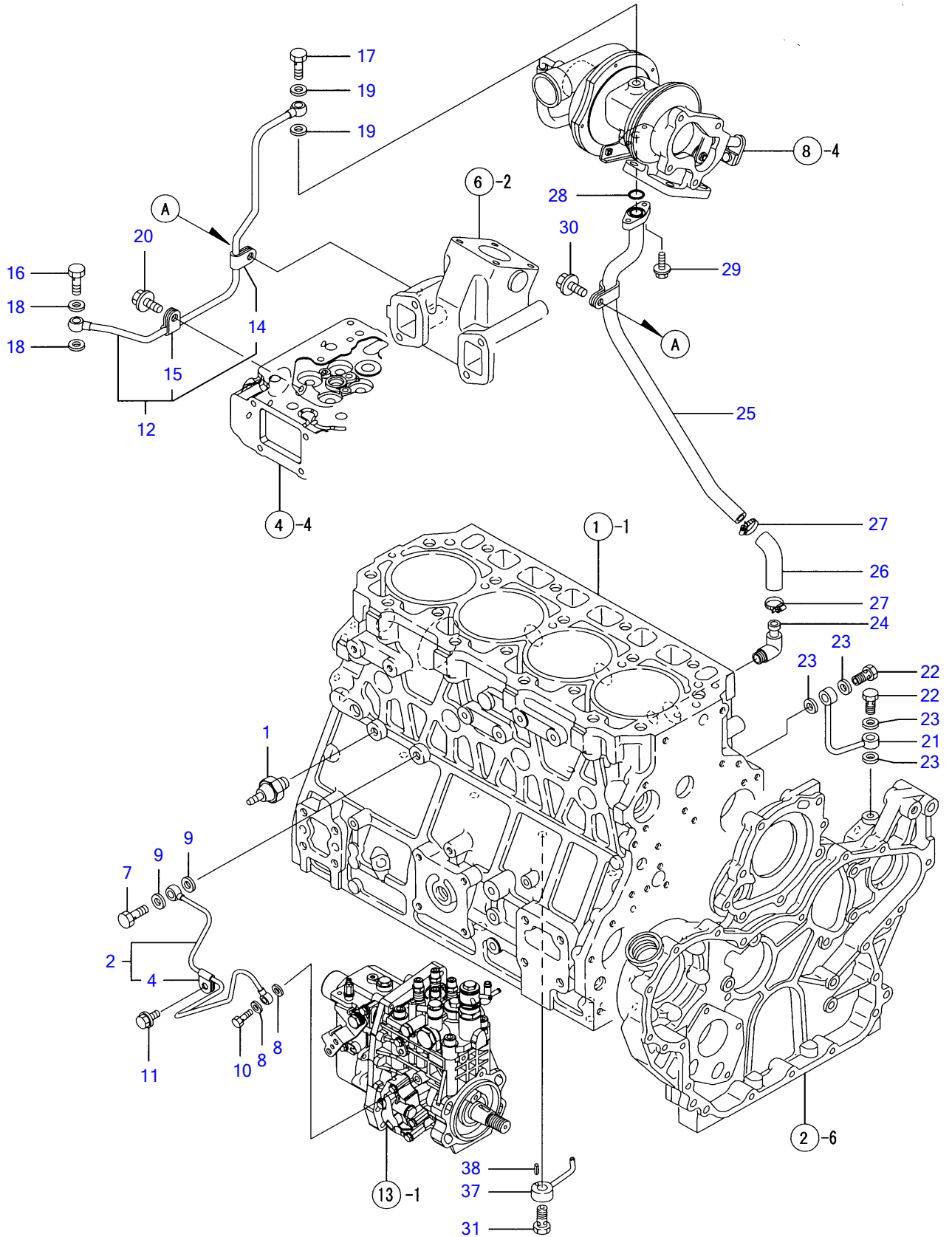


Y00D8440	10. LOシステム		
4TNV106T-XTBL1	1:04.12		PLUS

LO $\frac{1}{2}$ ÅÑ LUB.OIL SYSTEM

REF NO.	PARTS NO.	Description	Q'ty
1	Y123912-33011	COOLER ASSY, L.O.	1
2	Y123912-33040	BRACKET COMP, COOLER	1
3	Y123900-33060	PACKING	1
4	Y123912-33100	BOLT, L.O.COOLER	1
5	Y121550-49111	JOINT PT1/4	1
6	Y26106-080202	BOLT M 8X 20 PLATED	4
7	Y119260-34810	GUIDE, DIPSTICK	1
8	Y123900-34810	DIPSTICK, LUB.OIL	1
9	Y123900-34820	GUIDE,DIP STICK	1
10	Y24311-240100	O-RING 1A P-10A	1
11	Y26106-080182	BOLT M 8X 18 PLATED	1
12	Y26106-100182	BOLT M10X 18 PLATED	1
13	Y119005-35150	FILTER 80X100L	1
14	Y123945-35110	CASE(LO.CMP	1
16	Y129953-39500	• ADAPTER	1
17	Y129953-35110	COVER	1
18	Y119000-35140	STUD, LUB.OIL FILTER	1
19	Y123945-35150	SPACER(LO,FILTER	1
20	Y123945-35210	BRACKET(LO.CMP	1
22	Y129953-39500	• ADAPTER	2
23	Y123945-39100	LO-T	2
24	Y22190-300002	SEAL WASHER 30S	1
25	Y24321-000700	O-RING 1A G70.0,NBR	1
26	Y26106-100352	BOLT M10X 35 PLATED	2
27	Y26106-100452	BOLT M10X 45 PLATED	2
28	Y123900-35004	PIPE ASSY,L.O.INTAKE	1
29	Y24314-000180	O-RING 4C P-18.0	1
30	Y26106-080302	BOLT M 8X 30 PLATED	1
31	Y26106-120162	BOLT M12X 16 PLATED	2
32	Y198220-51870	CLAMP 200	1
33	Y119595-59300	PROTECTOR (FOT	1

Engine for TL150 4TNV106T-XTBL1( for high flow ) S/N 21500628-  
LUB.OIL LINE

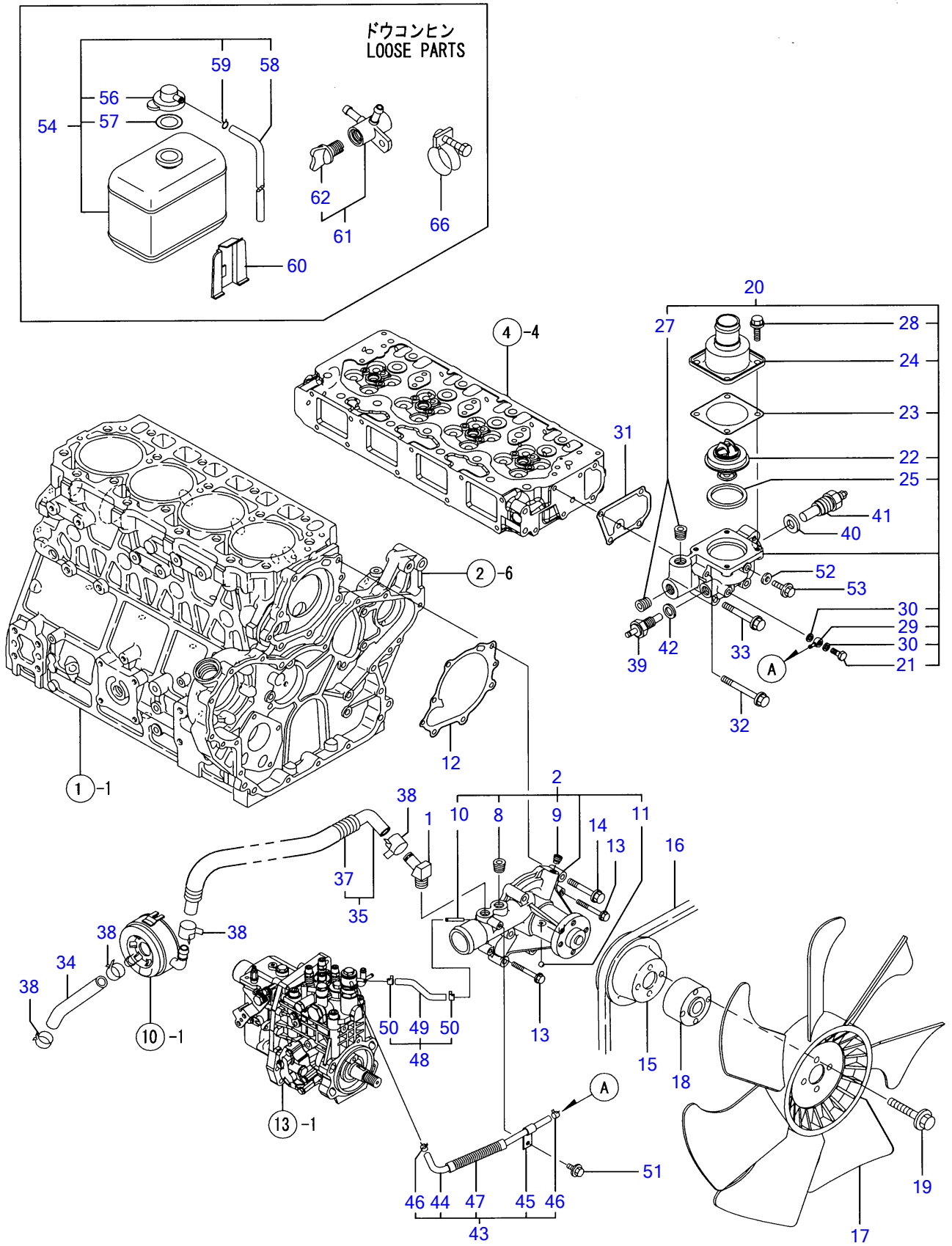


Y00D8440	11. F0147		
4TNV106T-XTBL1	1:04.12		PLUS



REF NO.	PARTS NO.	Description	Q'ty	I	R	"öll
1	Y114250-39450	SWITCH,(0.5KG)L.O.	1			
2	Y123907-39061	PIPE, LUB.OIL	1			
4	Y123907-39500	• SUPPORT,PIPE	1			
7	Y124160-39140	BOLT 10, PIPE JOINT	1			
8	Y23414-080000	GASKET 8, ROUND	2			
9	Y23414-100000	GASKET 10, ROUND	2			
10	Y23857-030000	JOINT BOLT 3	1			
11	Y26106-080122	BOLT M 8X 12 PLATED	1			
12	Y123945-39030	PIPE ASSY, LUB. OIL	1			
14	Y123912-39900	• RETAINER	1			
15	Y124223-39900	• RETAINER	1			
16	Y124160-39140	BOLT 10, PIPE JOINT	1			
17	Y121252-39150	BOLT, PIPE JOINT	1			
18	Y23414-100000	GASKET 10, ROUND	2			
19	Y23414-100000	GASKET 10, ROUND	2			
20	Y26106-080122	BOLT M 8X 12 PLATED	1			
21	Y123950-39050	PIPE.ASSY, L.O.	1			
22	Y105010-39140	BOLT, PIPE JOINT	2			
23	Y22190-080002	SEAL WASHER 8S	4			
24	Y124070-13300	ELBOW (PT3/8)	1			
25	Y123912-39600	PIPE, L.O.	1			
26	Y123901-39820	HOSE	1			
27	Y23000-025000	CLAMP 25	2			
28	Y24316-000180	O-RING 4D P-18.0	1			
29	Y26106-060162	BOLT M 6X 16 PLATED	2			
30	Y26106-080142	BOLT M 8X 14 PLATED	1			
31	Y129792-39410	VALVE ASSY, CHECK	4			
37	Y123900-39650	NOZZLE	4			
38	Y22351-030010	SPRING PIN 3X10	4			

Engine for TL150 4TNV106T-XTBL1( for high flow ) S/N 21500628-  
**COOLING WATER SYSTEM**

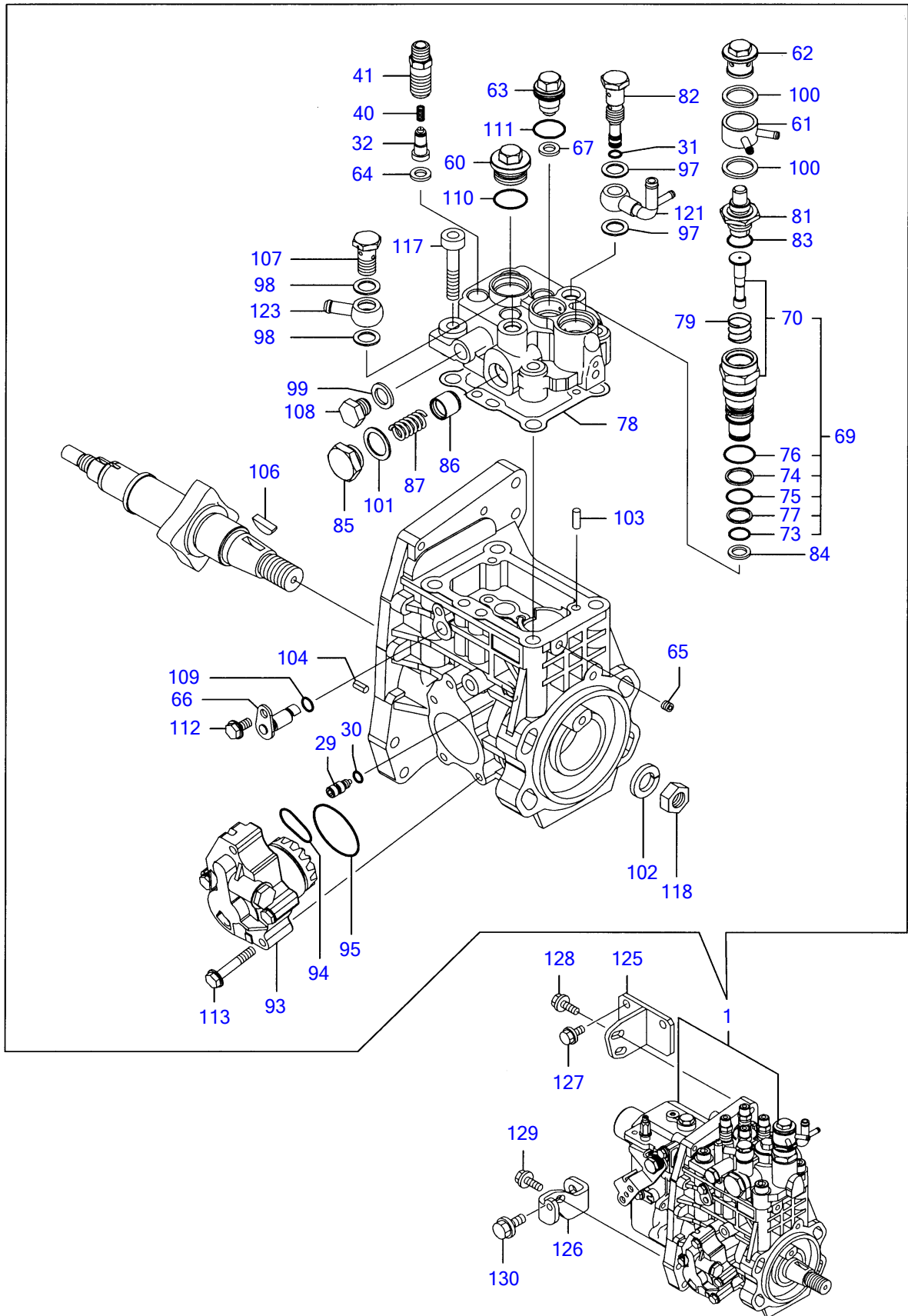


Y00D8440	12. CWシステム		
4TNV106T-XTBL1	1:04.12		PLUS

CW¼½ÄÑ COOLING WATER SYSTEM

REF NO.	PARTS NO.	Description	Q'ty
1	Y129054-49320	ÚÍÞ(R3/8	1
2	Y123945-42000	CWÍßÝÍß(Low CMP	1
8	Y129916-49740	• É¼ÞÍß×, Þ R03	1
9	Y23875-020000	• É¼ÞÍß×, ÞPT1/4(ÄÝ <sup>93</sup> )	1
10	Y119802-49113	• CW-T Ä-ÞÄ	1
11	Y24190-080001	• ½Ä-ÚÍÞ-Ú(1/4)	1
12	Y123900-42050	PK(CWP	1
13	Y26106-060502	ÄÉÞÍÞÜÄ 6X 50	2
14	Y26106-080552	ÄÉÞÍÞÜÄ 8X 55	4
15	Y123900-42470	Íß-Ø(CWP B 130	1
16	Y25163-004701	VÍÞÜÄ ° ÞÄ, B47H	1
17	Y123915-44740	Ú²·Ö·Í±Ý	1
18	Y123911-44781	¶Ý»Þ40(Í±Ý	1
19	Y26106-100602	ÄÉÞÍÞÜÄ 10X 60	4
20	Y123946-49810	»-Ö½ÄÄÄ¹-½(82 CMP	1
21	Y105010-39140	• ¶ÝÄ-ÞÄÍÞÜÄ	1
22	Y124610-48620	• »-Ö½ÄÄÄ(82ÄÞ)	1
23	Y124610-49291	• PK(»-Ö½ÄÄÄ¶ÉÞ-	1
24	Y123962-49500	• ¶ÉÞ-(»-Ö½ÄÄÄ	1
25	Y123500-49550	• ÉßÄ·Ý(»-Ö½ÄÄÄ	1
27	Y23876-030000	• É¼ÞÍß× ÞPT 3/8	2
28	Y26106-080252	• ÄÉÞÍÞÜÄ 8X 25	4
29	Y23387-040800	• Í-½Ä-ÞÄ 4-8	1
30	Y23414-080000	• ÉßÄ·Ý(ÍÜ 8	2
31	Y123900-49820	PK(»-Ö¹-½	1
32	Y26106-080602	ÄÉÞÍÞÜÄ 8X 60	4
33	Y26106-080702	ÄÉÞÍÞÜÄ 8X 70	2
34	Y123912-49031	CW-T(LO, -x IN	1
35	Y123910-49600	CW-T CMP	1
37	Y123910-49610	• °Ü¹Þ-ÄÄÖ-ÍÞ	1
38	Y23000-025000	Í-½, ØÄÍß 25	4
39	Y121250-44901	»-Ö½²ÄÄ(110ßC 1¾Ý¼·	1
40	Y124465-44950	ÉßÄ·Ý16	1
41	Y119266-49350	»-Ö¾Ý»-	1
42	Y129150-49360	PK 10	1
43	Y123945-49610	CW-T A(MP4 CMP	1
44	Y123907-49710	• CW-T A(MP4	1
45	Y123945-49700	• ÍÜÄÞÖ(CW-T	1
46	Y124722-59050	• Í-½, ØÄÍß(ÍÜ 9	2
47	Y129486-59320	• °Ü¹Þ-ÄÄÖ-ÍÞ(10.7	1
48	Y123907-49620	CW-T B(MP4 CMP	1
49	Y123907-49720	• CW-T B(MP4	1
50	Y124722-59050	• Í-½, ØÄÍß(ÍÜ 9	2
51	Y26106-060122	ÄÉÞÍÞÜÄ M 6X 12	1
52	Y23414-080000	ÉßÄ·Ý(ÍÜ 8	1
53	Y26106-080122	ÄÉÞÍÞÜÄ 8X 12	1
54	Y121820-44800	ÄÝ ¼, Ð	1
56	Y121850-44850	• ÖÄÍß	1
57	Y121850-44860	• ¶Þ½¹ÄÄÉßÄ·Ý	1
58	Y121850-44870	• Í-½	1
59	Y121850-44880	• ×ÝÍß	1
60	Y120147-44810	ÄÖÄ¹ÄÞ²(»ÍÞÄÝ,	1
61	Y129150-49100	»ÝÍß³°Ä, CMP	1
62	Y129150-49080	• ÄÞÜÝ°Ä,	1
66	Y23000-060000	Í-½, ØÄÍß 60	4

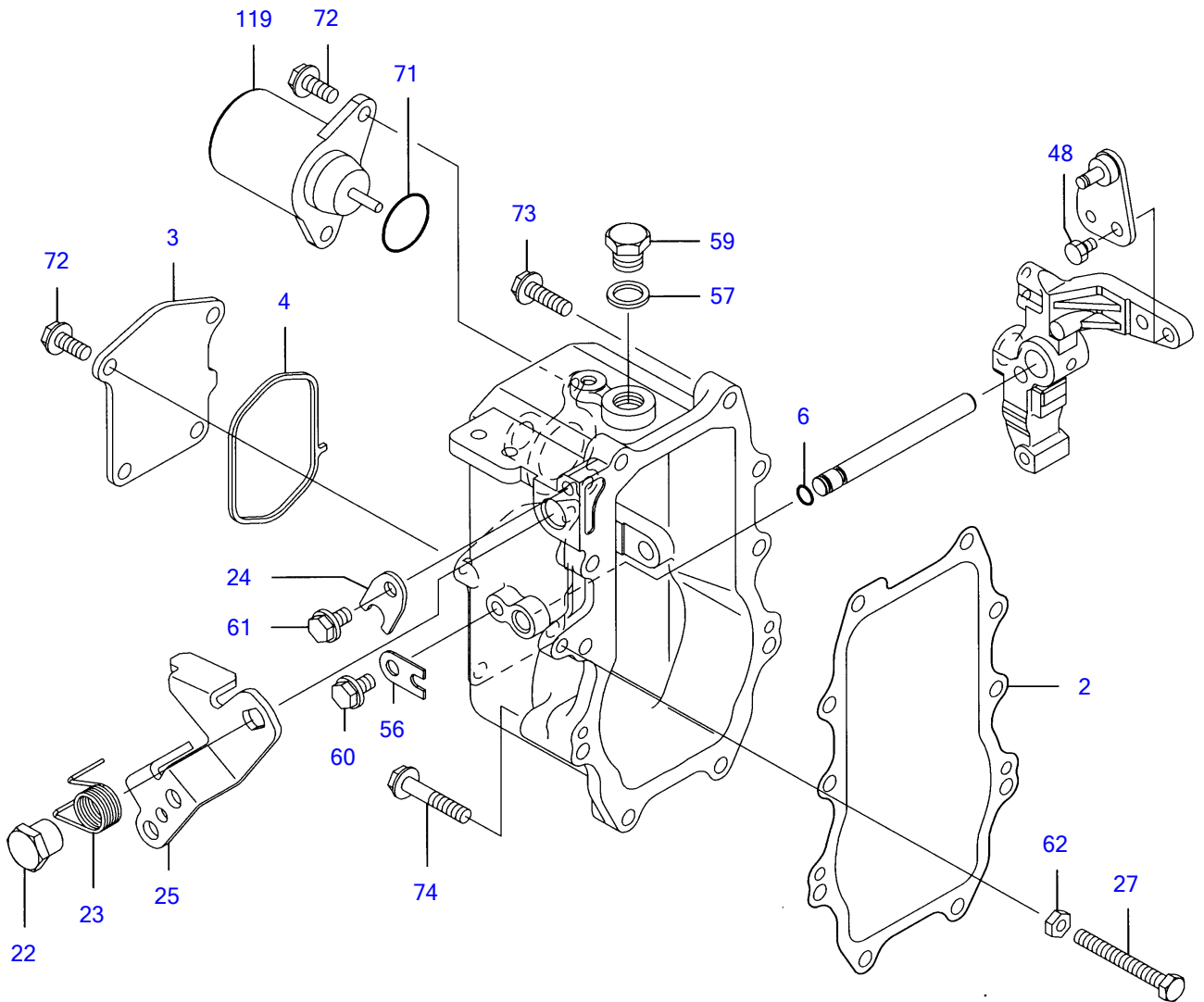
Engine for TL150 4TNV106T-XTBL1( for high flow ) S/N 21500628-  
**FUEL INJECTION PUMP**



Y00D8440	13. FOファンシャポンプ		
4TNV106T-XTBL1	1:04.12		PLUS

REF NO.	PARTS NO.	Description	Q'ty	Notes
1	Y723945-51300	PUMP ASSY, F.INJECT	1	(1) ΔΑΡ¼NO. 1 FOIY¼-İSÝİB ASSY ÆËË³Ó, NO. 14 ¶İÉİÄ, İ,Đİ½İ
29	Y158600-51270	• STOPPER	1	
30	Y158563-51281	• O-RING	1	
31	Y158563-51281	• O-RING	1	
32	Y158560-51300	• VALVE ASSY, DILEVERY	4	
40	Y158563-51330	• SPRING	4	
41	Y158560-51340	• HOLDER, DELIVERY	4	
60	Y158601-51550	• PLUG	1	
61	Y158553-51551	• JOINT, COOLING WATER	1	
62	Y158601-51570	• PLUG, WATER PUMP	1	
63	Y129906-51560	• PLUG	1	
64	Y158552-51570	• PK(BARREL PLUG	4	
65	Y158557-51570	• PLUG	1	
66	Y158552-51580	• LIFTER	1	
67	Y129906-51580	• PACKING, PLUG	1	
69	Y119802-51590	• TIMER SET	1	
70	Y119802-51600	• TIMER CMP	1	
73	Y158553-51670	• O-RING, 1011	1	
74	Y119802-51680	• BACKUP RING	1	
75	Y119802-51690	• O RING	1	
76	Y24356-010200	• O-RING	1	
77	Y24372-000150	• BACKUP RING	1	
78	Y158560-51600	• PACKING, HEAD	1	
79	Y158553-51630	• SPRING, TIMER	1	
81	Y158553-51640	• ELEMENT, THERMO	1	
82	Y158601-51650	• JOINT	1	
83	Y158553-51660	• O-RING, P14	1	
84	Y158553-51680	• PACKING, TIMER	1	
85	Y158601-51790	• PLUG	1	
86	Y158601-51770	• PISTON	1	
87	Y158552-51780	• DAMPER ASSY	1	
93	Y158552-52100	• PUMP ASSY, FEED	1	
94	Y158552-52310	• O-RING	1	
95	Y158552-52400	• O-RING 4E S42	1	
97	Y22190-120002	• SEAL WASHER 12	2	
98	Y22190-120002	• SEAL WASHER 12	2	
99	Y22190-120002	• SEAL WASHER 12	1	
100	Y22190-180002	• SEAL WASHER 18	2	
101	Y22190-180002	• SEAL WASHER 18	2	
102	Y22217-180000	• SPRING WASHER 18	1	
103	Y22312-050140	• PARALLEL PIN 5X14	2	
104	Y22351-050010	• SPRING PIN 5X10	2	
106	Y144626-51090	• KEY 5X19	1	
107	Y23857-060000	• JOINT BOLT 6, PIPE	1	
108	Y23887-120002	• PLUG M12, HEX.	1	
109	Y24311-000070	• O-RING 1A P-7.0	1	
110	Y24356-010200	• PACKING, 1020	1	
111	Y24356-020210	• PACKING, 2021	1	
112	Y26106-060102	• BOLT M 6X 10 PLATED	1	
113	Y26106-060352	• BOLT M 6X 35 PLATED	4	
117	Y26450-100452	• BOLT M10X 45	4	
118	Y26776-180002	• NUT M18, LOCK	1	
121	Y158552-51670	• JOINT	1	
123	Y129916-59020	• JOINT 12, PIPE	1	
125	Y123907-01950	RETAINER, MP4	1	
126	Y123907-01960	RETAINER, MP4	1	
127	Y26106-080162	BOLT M 8X 16 PLATED	2	
128	Y26106-080202	BOLT M 8X 20 PLATED	2	
129	Y26106-080202	BOLT M 8X 20 PLATED	1	
130	Y26106-100162	BOLT M10X 16 PLATED	1	

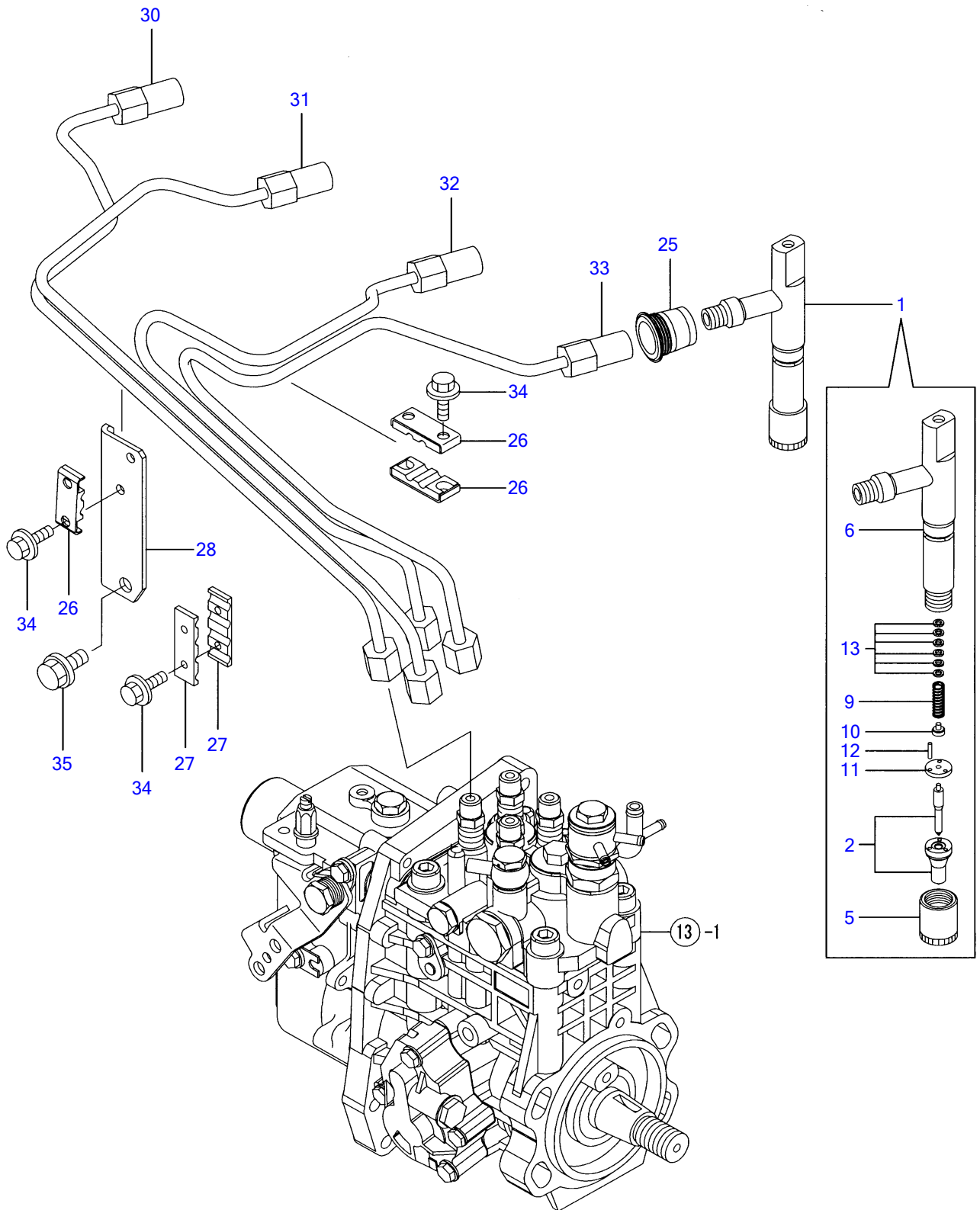
Engine for TL150 4TNV106T-XTBL1( for high flow ) S/N 21500628-  
GOVERNOR



Y00D8440	14. ガバナ		
4TNV106T-XTBL1		1:04.12	PLUS



Engine for TL150 4TNV106T-XTBL1( for high flow ) S/N 21500628-  
**FUEL INJECTION VALVE**



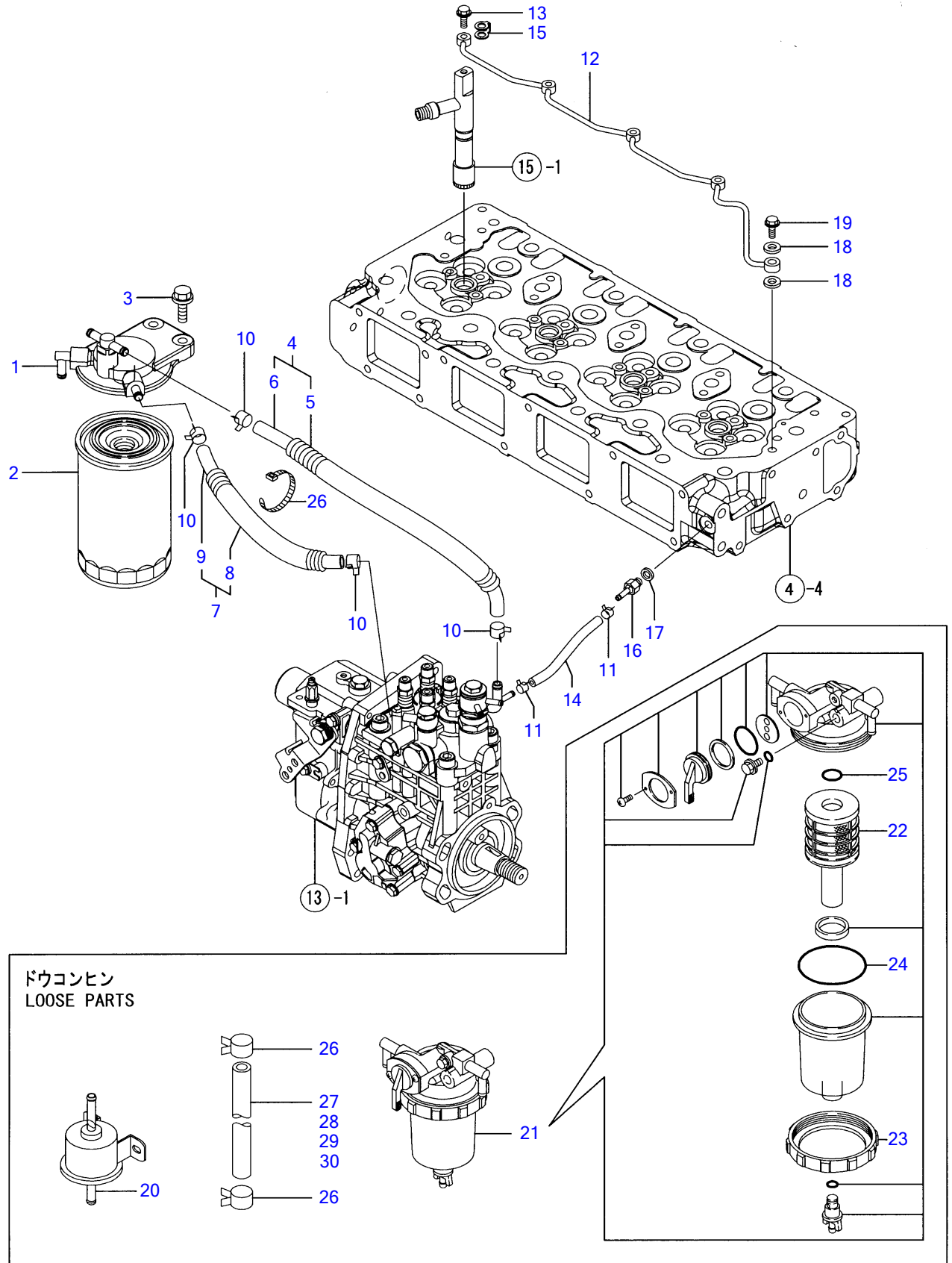
Y00D8440	15. F07ンシャベン		
4TNV106T-XTBL1		1:04.12	PLUS



**FOÏÝ¼ÔÍÞÝ FUEL INJECTION VALVE**

REF NO.	PARTS NO.	Description	Q'ty
1	Y723908-53100	VALVE ASSY, F.INJECT	4
2	Y123908-53000	• NOZZLE ASSY	4
5	Y114250-53080	• NUT, NOZZLE CASE	4
6	Y123907-53100	• HOLDER ASSY, NOZZLE	4
9	Y114250-53120	• SPRING, NOZZLE	4
10	Y114250-53130	• SEAT, NOZZLE SPRING	4
11	Y114250-53140	• PLATE, STOP	4
12	Y114250-53210	• PIN	8
13	Y114250-53400	• SHIM PACK	4
25	Y123907-11601	PIPE SEAL	4
26	Y122780-59100	RETAINER	4
27	Y123472-59120	BRACKET	2
28	Y123907-59729	SUPPORT, F.I.PIPE	1
30	Y123908-59810	PIPE ASSY, INJECTION	1
31	Y123908-59820	PIPE ASSY, INJECTION	1
32	Y123908-59830	PIPE ASSY, INJECTION	1
33	Y123908-59840	PIPE ASSY, INJECTION	1
34	Y26106-060202	BOLT M 6X 20 PLATED	6
35	Y26106-080202	BOLT M 8X 20 PLATED	1

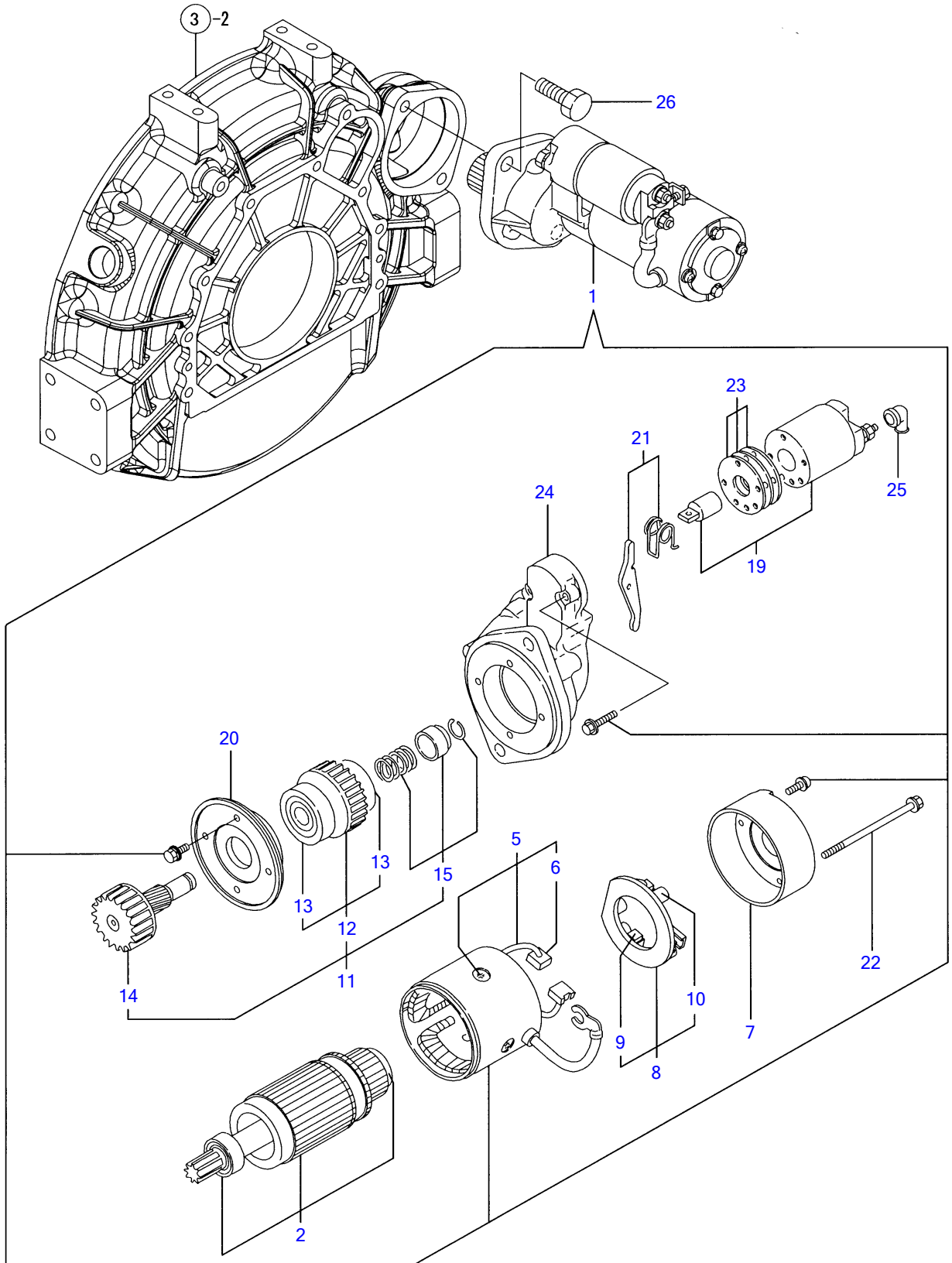
Engine for TL150 4TNV106T-XTBL1( for high flow ) S/N 21500628-  
**FUEL LINE**



Y00D8440	16. FOパイプ		
4TNV106T-XTBL1	1:04.12		PLUS

REF NO.	PARTS NO.	Description	Q'ty
1	Y129004-55611	BRACKET, FILTER	1
2	Y123907-55800	FILTER, FUEL OIL	1
3	Y26106-080302	BOLT M 8X 30 PLATED	2
4	Y119160-59010	PIPE ASSY, FUEL OIL	1
5	Y129950-59221	• TUBE	1
6	Y105025-59530	• PIPE,FUEL (D13XL400)	1
7	Y129957-59040	PIPE, FUEL	1
8	Y119560-59110	• PROTECTOR, FUEL PIPE	1
9	Y129335-59090	• PIPE,FUEL (D13XL500)	1
10	Y23000-013000	CLAMP 13	4
11	Y124066-59100	CLAMP 8	2
12	Y123907-59140	PIPE ASSY,F.O.RETURN	1
13	Y123907-59540	JOINT BOLT M6	4
14	Y119000-59550	PIPE, FUEL RETURN	1
15	Y123907-59550	PACKING,FUEL RETURN	4
16	Y123907-59560	HOSE JOINT 4	1
17	Y22190-080002	SEAL WASHER 8S	1
18	Y23414-080000	GASKET 8, ROUND	2
19	Y23857-030000	JOINT BOLT 3	1
20	Y119225-52102	PUMP ASSY, FUEL FEED	1
21	Y129906-55700	SEPARATOR ASSY	1
22	Y119802-55710	• ELEMENT	1
23	Y129100-55690	• RING, RETAINING	1
24	Y24321-000650	• O-RING 1A G-65.0	1
25	Y24311-000160	• O-RING 1A P-16.0	1
26	Y124722-59050	CLAMP 9	6
27	Y121137-59080	PIPE, FUEL	1
28	Y121522-59080	PIPE, D12XL1350	1
29	Y124520-59080	PIPE, FUEL OIL	1
30	Y121522-59090	PIPE (L=900), FUEL	1

Engine for TL150 4TNV106T-XTBL1( for high flow ) S/N 21500628-  
**STARTING MOTOR**

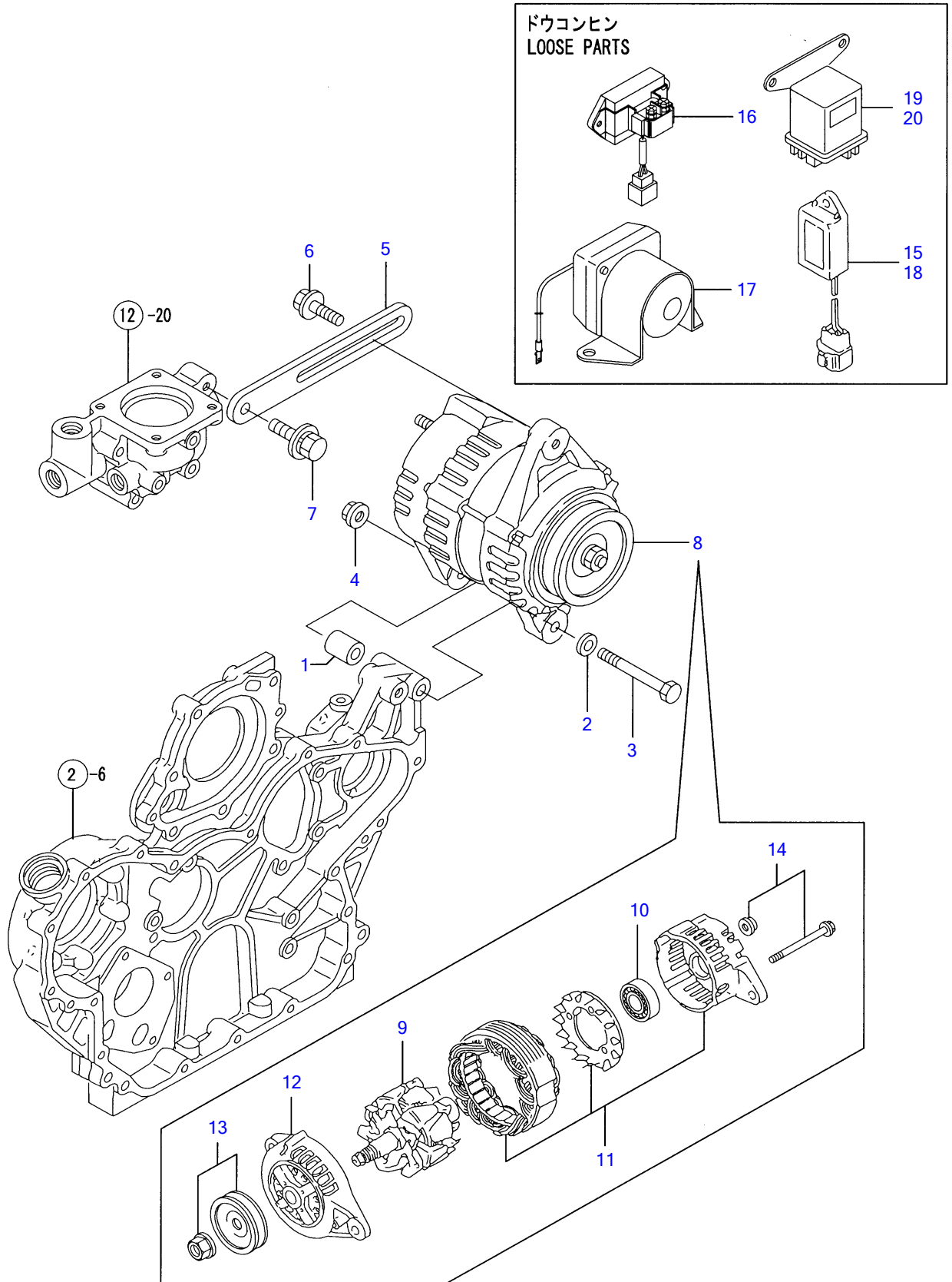


Y00D8440	17. スターティング モータ		
4TNV106T-XTBL1	1:04.12		PLUS

½Ä-Ä²Ý, ÞÓ-Ä STARTING MOTOR

REF NO.	PARTS NO.	Description	Q'ty
1	Y123900-77010	½Ä-Ä²Ý, ÞÓ-Ä CMP	1
2	Y123900-77400	• ±İ-ÄÖ ASY	1
5	Y123900-77440	• İ²-ÜÄÞ²Ü ASY	1
6	Y123900-77450	• • İÞ×¼(+)	2
7	Y123900-77460	• ØÖ¶ÉÞ-	1
8	Y123900-77480	• İÞ×¼İÜÄÞ ASY	1
9	Y123900-77450	• • İÞ×¼(+)	2
10	Y121254-77590	• • ½İßØÝ, Þ(İÞ×¼	4
11	Y123900-77510	• ÈßÆμÝ, ×ÄÄ ASY	1
12	Y123900-77520	• • ×ÄÄ ASY	1
13	YX2240610100	• • • İÞ-ÜİÞ±ØÝ, Þ(3	2
14	Y123900-77540	• • ÈßÆμÝ¼ÖİÄ	1
15	Y119131-77550	• • ½ÄÄÈß-SET(ÈßÆμÝ	1
19	Y129900-77591	• İ, ÞÈÄÄ, ½²ÄÄ ASY	1
20	Y123900-77610	• İÞ±ØÝ, ÞØÄ-Ä	1
21	Y129900-77620	• ¼İÄÜÈÞ-¾ÄÄ	1
22	Y123900-77640	• ½Ü-İÞÜÄ	2
23	Y123900-77650	• ÄÞ½Ä¶ÉÞ- KIT	1
24	Y123900-77710	• • ÞÖ¹-½	1
25	Y171008-77750	• ¶ÉÞ-(Ä-ÐÄÜ	1
26	Y26116-120252	İÞÜÄ 12X 25	2

Engine for TL150 4TNV106T-XTBL1( for high flow ) S/N 21500628-  
GENERATOR

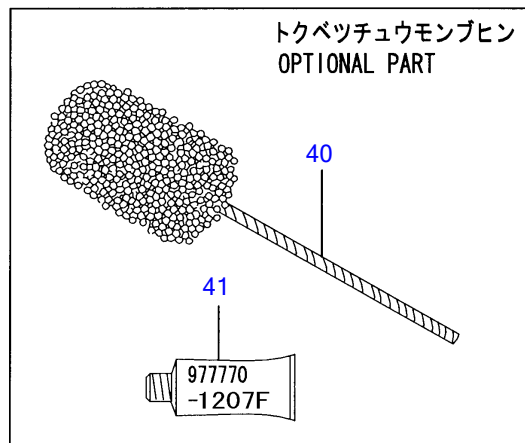
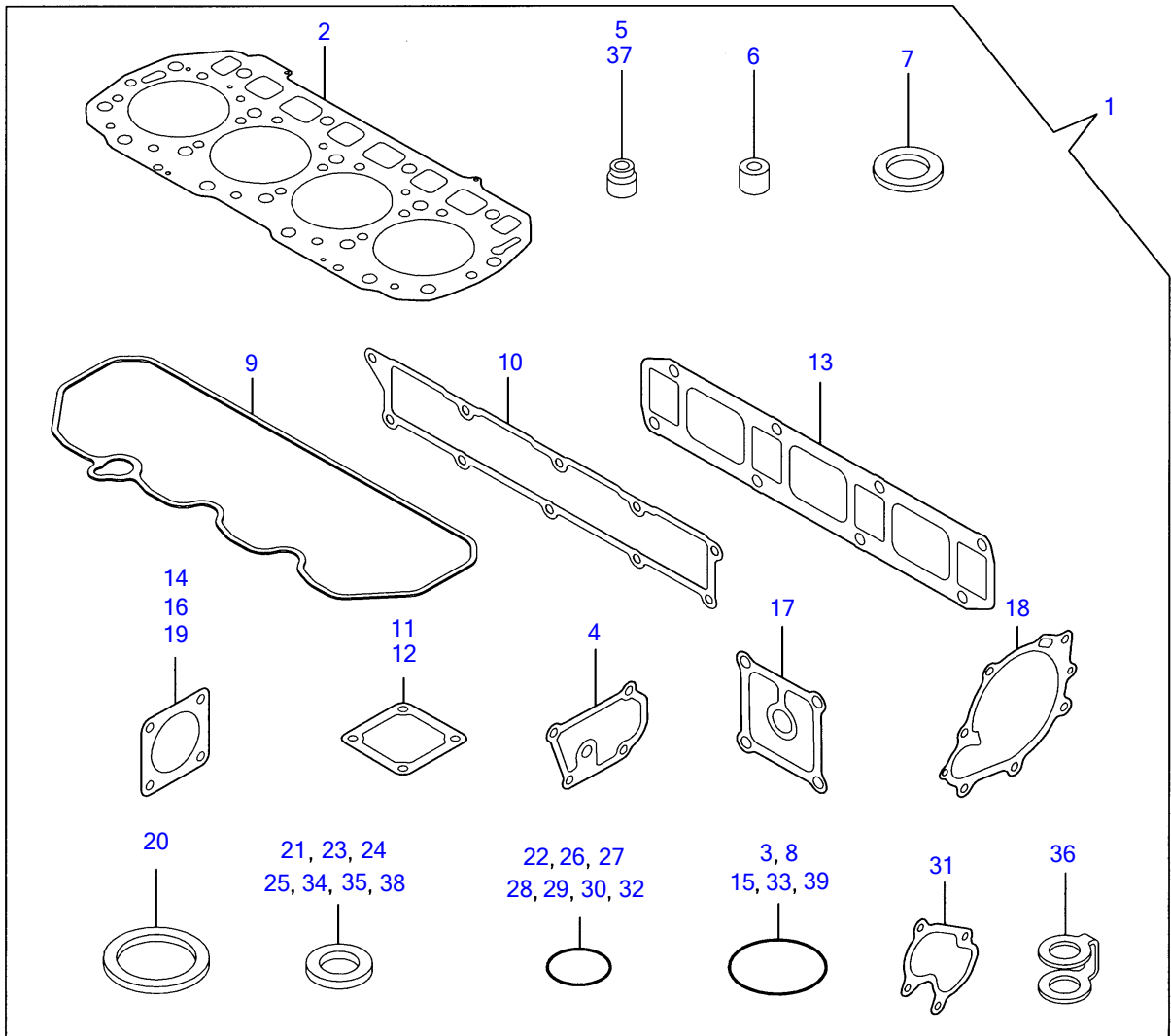


Y00D8440	18. ジ' エネレータ		
4TNV106T-XTBL1	1:04.12		PLUS

¼P'ÈÚ-À GENERATOR

REF NO.	PARTS NO.	Description	Q'ty	I	R	”ó
1	Y123900-77340	DISTANCE PIECE	1			
2	Y22137-100000	WASHER 10,POLISHED	1			
3	Y123945-77200	BOLT M10X120 (GEN	1			
4	Y26306-100002	NUT	1			
5	Y123900-77330	ADJUSTER(BELT	1			
6	Y119810-77340	BOLT	1			
7	Y26014-080252	BOLT M 8X 25	1			
8	Y123900-77210	GENERATOR(12V-60A	1			
9	Y123900-77700	• ROTOR ASSY	1			
10	Y129612-77710	• BALL BEARING	1			
11	Y123900-77720	• REAR BRACKET ASSY	1			
12	Y123900-77730	• FRONT BRACKET ASSY	1			
13	Y123900-77740	• PULLEY	1			
14	Y123900-77750	• SCREW KIT	1			
15	Y129211-77920	TIMER	1			
16	Y129136-77200	RELAY, SAFETY	1			
17	Y129100-77910	RELAY, MAGNETIC	1			
18	Y128300-77920	TIMER	1			
19	Y119646-77900	RELAY, POWER	2			
20	Y119646-77900	RELAY, POWER	1			

Engine for TL150 4TNV106T-XTBL1( for high flow ) S/N 21500628-  
**GASKET SET**



Y00D8440	19. パッキンセット			
4TNV106T-XTBL1		1:04.12		PLUS



ÉBÁ·Ý¾ÄÄ GASKET SET

REF NO.	PARTS NO.	Description	Q'ty	Unit	Notes
1	Y723907-92670	GASKET SET(NON-ASB.)	1		(1) μíβ¼@Ý íβÉÝÁþ½
2	Y123907-01350	• ÍÄÄþ¶þ½¹ÄÄ	1		
3	Y24311-000320	• OØÝ, þ 1A P 32.0	3		
4	Y123900-49820	• PK(»-Ó¹-½	1		
5	Y124160-11340	• ÉþÜíþ½ÄÑ¼-Ü	8		
6	Y119802-11870	• ÍβÜÄ, Ä(É½þÜ	4		
7	Y119625-11880	• É½þÜ¼-Ä	4		
8	Y24351-030750	• OØÝ, þ 1A 3075	1		
9	Y123907-11310	• PK(íþÝÜÝ¼Ä	1		
10	Y123907-12110	• PK(-Ö³, ÌÆÍ-ÜÄþ	1		
11	Y123900-77020	• Äþ³PK	1		
12	Y123900-77030	• PK(±È-Ä	1		
13	Y123907-13110	• PK(EXHÍÆÍ-ÜÄþ	1		
14	Y128300-13230	• ÉBÁ·Ý(»²ÜÝ»	1		
15	Y24321-000850	• OØÝ, þ 1A G 85.0	1		
16	Y123901-18090	• PK(T/C IN	1		
17	Y123900-33060	• PK(LO, -xíþx¹ÄÄ	1		
18	Y123900-42050	• PK(CWP	1		
19	Y124610-49291	• PK(»-Ó½ÄÄÄ¶Éþ-	1		
20	Y123500-49550	• ÉBÁ·Ý(»-Ó½ÄÄÄ	1		
21	Y22190-080002	• ¼-ÜÜÄ¼Ó(¶íÜ, ÆÄØÜ) 8	5		
22	Y24311-240100	• OØÝ, þ 1A P 10A	1		
23	Y22190-300002	• ¼-ÜÜÄ¼Ó(¶íÜ, ÆÄØÜ)30	1		
24	Y23414-100000	• ÉBÁ·Ý(íÜ 10	6		
25	Y124465-44950	• ÉBÁ·Ý16	1		
26	Y129900-32030	• OØÝ, þ P20	1		
27	Y129900-32040	• OØÝ, þ P14	1		
28	24311-000110	• OØÝ, þ 1A P 11.0	1		
29	Y24311-000120	• OØÝ, þ 1A P 12.0	8		
30	Y24314-000180	• OØÝ, þ 4C P 18.0	1		
31	Y123901-18080	• PK(T/C OUT	1		
32	Y24316-000180	• OØÝ, þ 4D P 18.0	1		
33	Y24321-000700	• OØÝ, þ1A G70.0,NBR	1		
34	Y23414-080000	• ÉBÁ·Ý(íÜ 8	7		
35	Y129150-49360	• PK 10	1		
36	Y123907-59550	• PK(FOÓÄþ¼ 6	4		
37	Y124950-11340	• ÉþÜíþ½ÄÑ¼-Ü	8		
38	Y22190-220002	• ¼-ÜÜÄ¼Ó(¶íÜ, ÆÄØÜ)22	1		
39	Y24311-000300	• OØÝ, þ 1A P 30.0	1		
40	Y129400-92450	• ÍÜÄ, ½Í-Ý	1		
41	Y977770-1207F	• ¼Øº-Ý¹² ·¼þÖ³¶þ½¹ÄÄ	1		