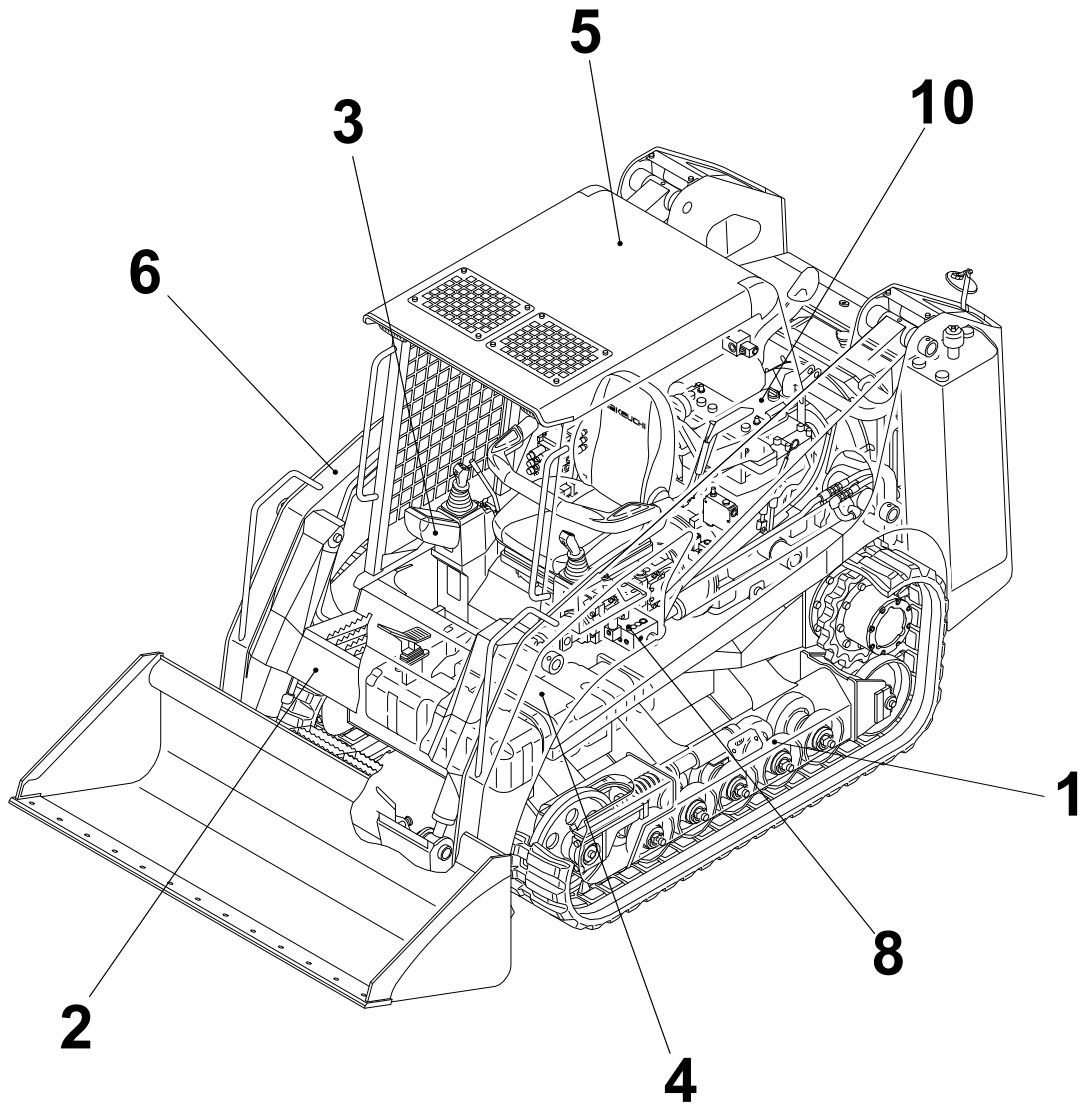


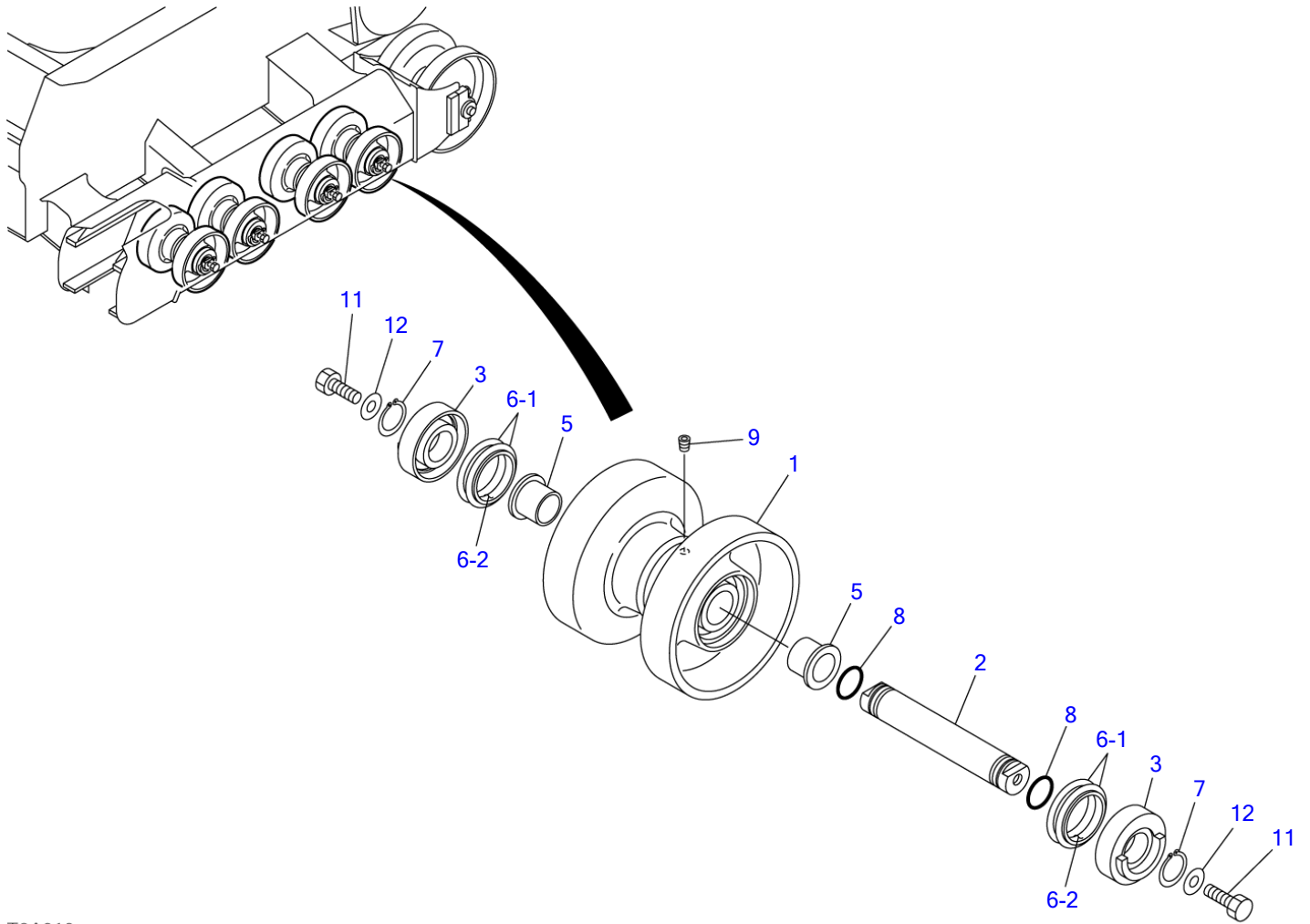
TL130

Book No. BT8Z012
Serial No. 21300004-



TAKEUCHI

							INDEX
Item	Part number	Description	Q'ty	Chan.	Serial No.	Serv.	Remarks
1		UNDERCARRIAGE					
2		MAIN FRAME & CONTROL LEVER					
3		ENGINE & ELECTRICAL SYSTEM					
4		HYDRAULIC PIPNG & TANK					
5		COVER & CAB					
6		ATTACHMENT					
7		DECAL & TOOL					
8		HYDRAULIC DEVICE					
10		ENGINE(4TNE98-TBL)					
		ENGINE(4TNN98-YTBL)					
		ENGINE(4TNN98-YTBL1,for high flow)					
		2007.04.17					

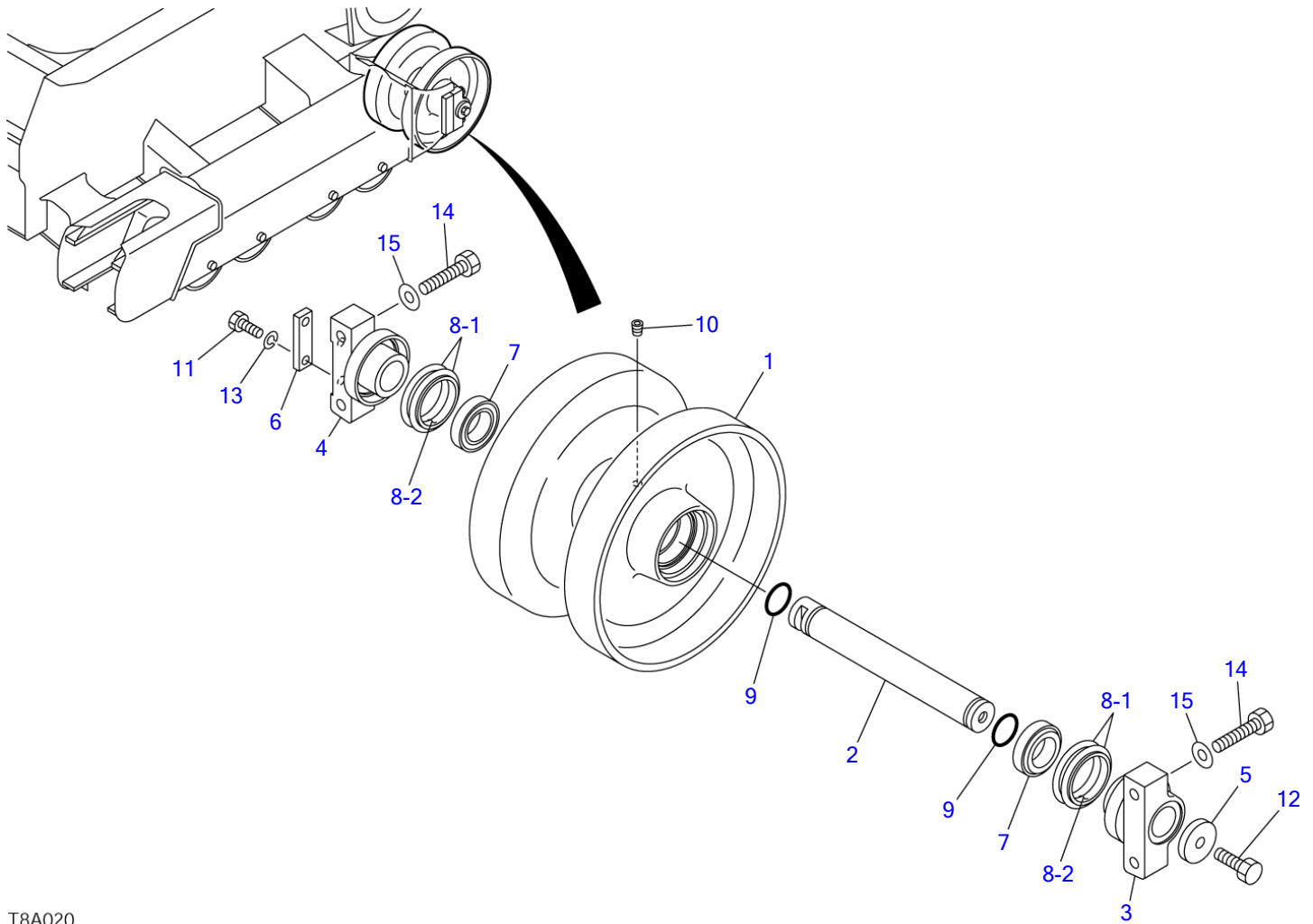


T8A010

S=1/8, 1/20

TRACK ROLLER A

Item	Part number	Description	Q'ty	Chan.	Serial No.	Serv.	Remarks
		ROLLER ASSY, track					X08801-30000-4
0-1	0880130100	ROLLER SUB ASSY, track	8				
1	0880130010	▪ ROLLER	1				
2	0860134010	▪ SHAFT	1				
3	0221240400	▪ COVER	2				
5	1333073535	▪ BUSHING	2				
6	1432500560	▪ SEAL, floating	2				
6-1	1432500561	▪ ▪ O-RING	2				
6-2	1432500562	▪ ▪ RING, seal	2				
7	1220000035	▪ RING, snap	2				
8	1420100300	▪ O-RING	2				
9	1501810001	▪ PLUG	1				
11	1100041645	BOLT	16				
12	1141550016	WASHER	16				
	T8a013						



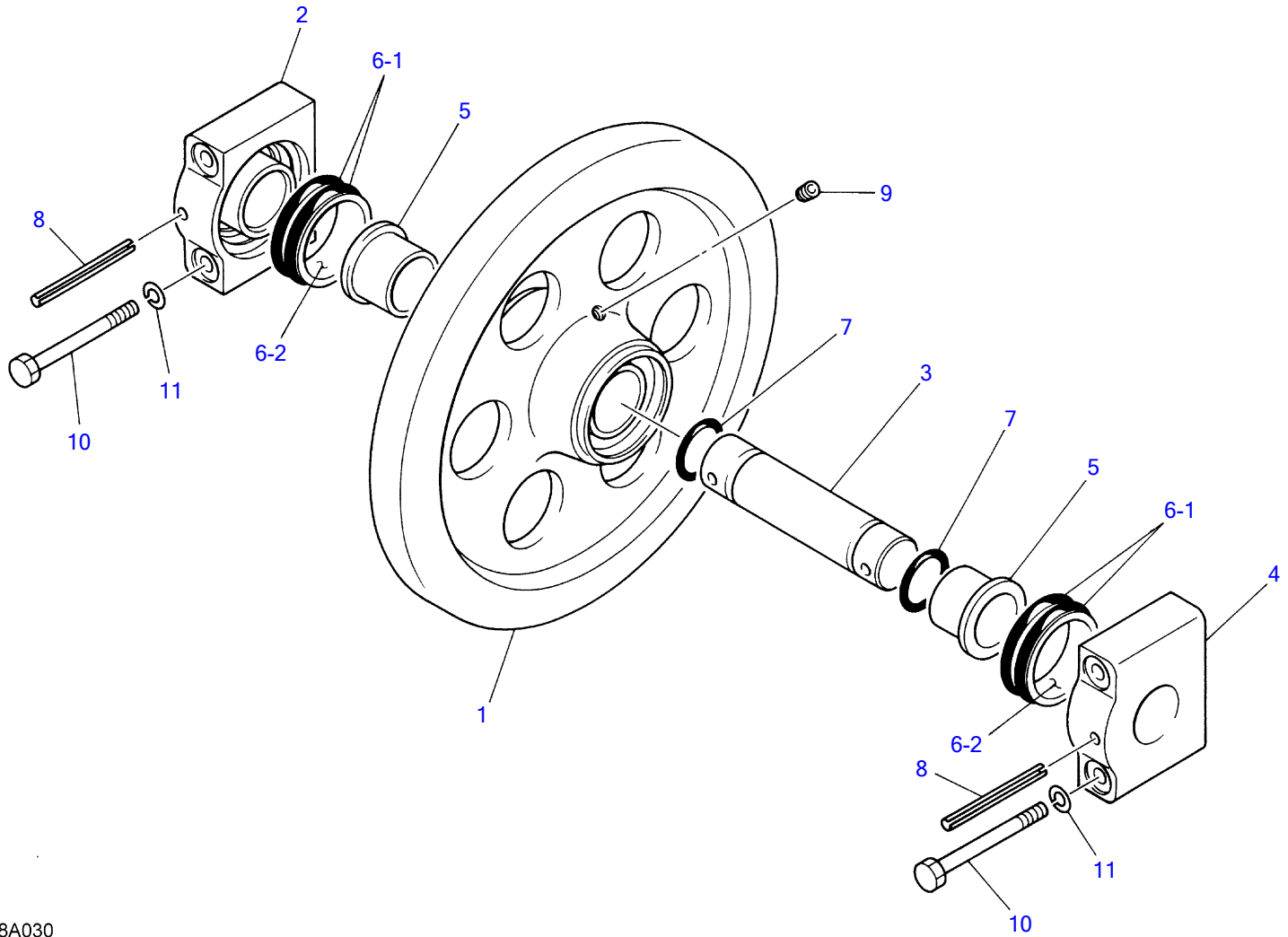
T8A020

S=1/8, 1/20

TRACK ROLLER B

Item	Part number	Description	Q'ty	Chan.	Serial No.	Serv.	Remarks
		ROLLER ASSY, track					X08801-35500-1
0-1	0880135600	ROLLER SUB ASSY, track	2				
1	0880135610	▪ ROLLER	1				
2	0880135620	▪ SHAFT	1				
3	0881131330	▪ COVER	1				
4	0881131340	▪ COVER	1				
5	0881131350	▪ PLATE	1				
6	0881131360	▪ PLATE	1				
7	1305000004	▪ BEARING	2				
8	1432500640	▪ SEAL, floating	2				
8-1	1432500641	▪ ▪ O-RING	2				
8-2	1432500642	▪ ▪ RING, seal	2				
9	1420100350	▪ O-RING	2				
10	1501810001	▪ PLUG	1				
11	1100041030	▪ BOLT	2				
12	1106241440	▪ BOLT	1				
13	1140020010	▪ WASHER, spring	2				
14	1100041460	BOLT	8				
15	1141550014	WASHER	8				
	T8a021						

TL130 Book No. BT8Z012 S/N 21300004-
FRONT IDLER

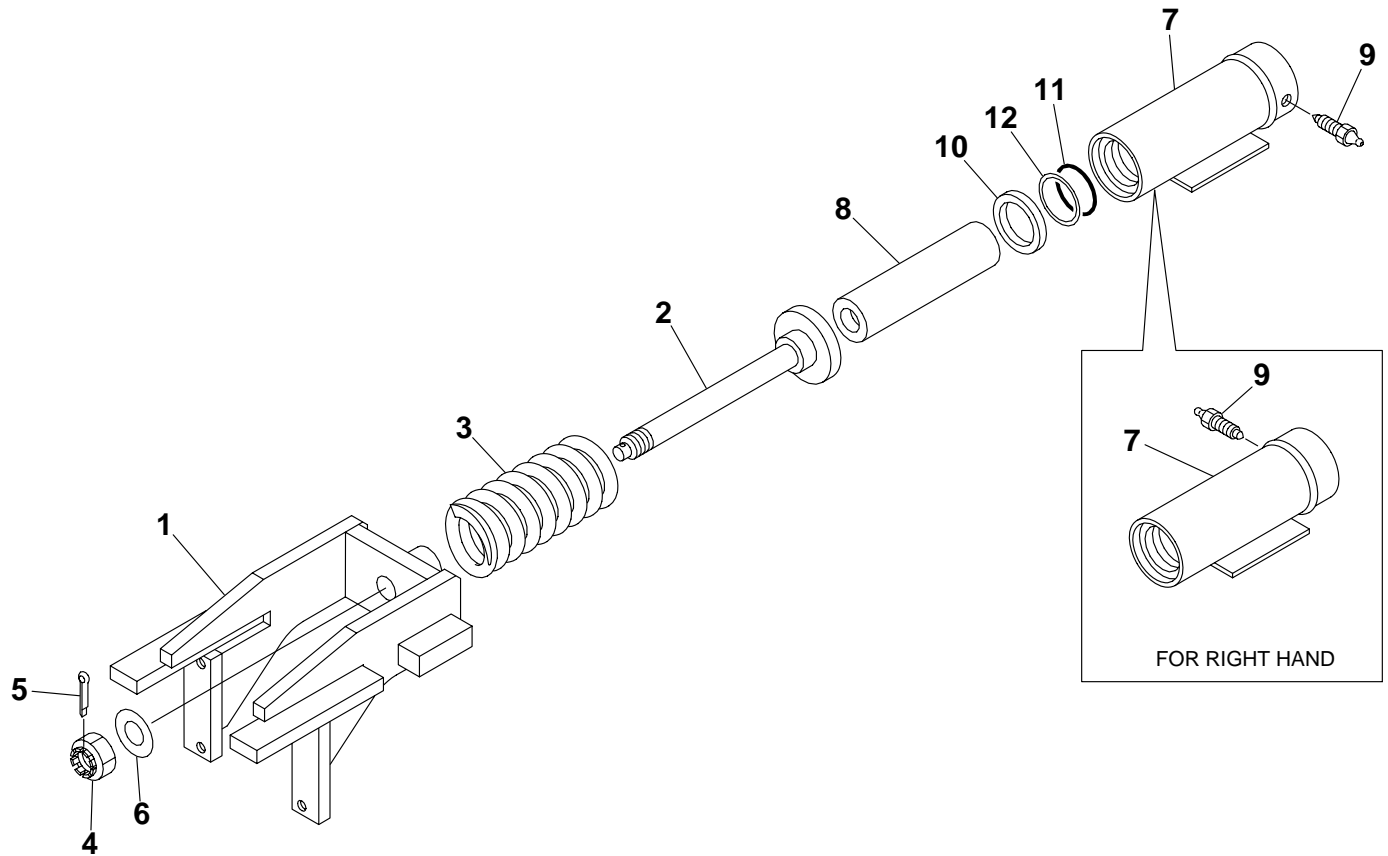


T8A030

S=1/5

FRONT IDLER						
Item	Part number	Description	Q'ty	Chan.	Serial No.	Serv. Remarks
0	0880140000	IDLER ASSY	2			X08801-40000-4
1	0880140010	▪ IDLER	1			
2	0880140020	▪ COVER (R.H.)	1			
3	0871140030	▪ SHAFT	1			
4	0880140030	▪ COVER (L.H.)	1			
5	1333064540	▪ BUSH	2			
6	1432500640	▪ SEAL, floating	2			
6-1	1432500641	▪ ▪ O-RING	2			
6-2	1432500642	▪ ▪ RING, seal	2			
7	1420100400	▪ O-RING	2			
8	1213101000	▪ PIN, spring	2			
9	1501820001	▪ PLUG	1			
10	1101141215	BOLT	8			
11	1140020012	WASHER, spring	8			
	T8a031					

TL130 Book No. BT8Z012 S/N 21300004-
TRACK ADJUSTER



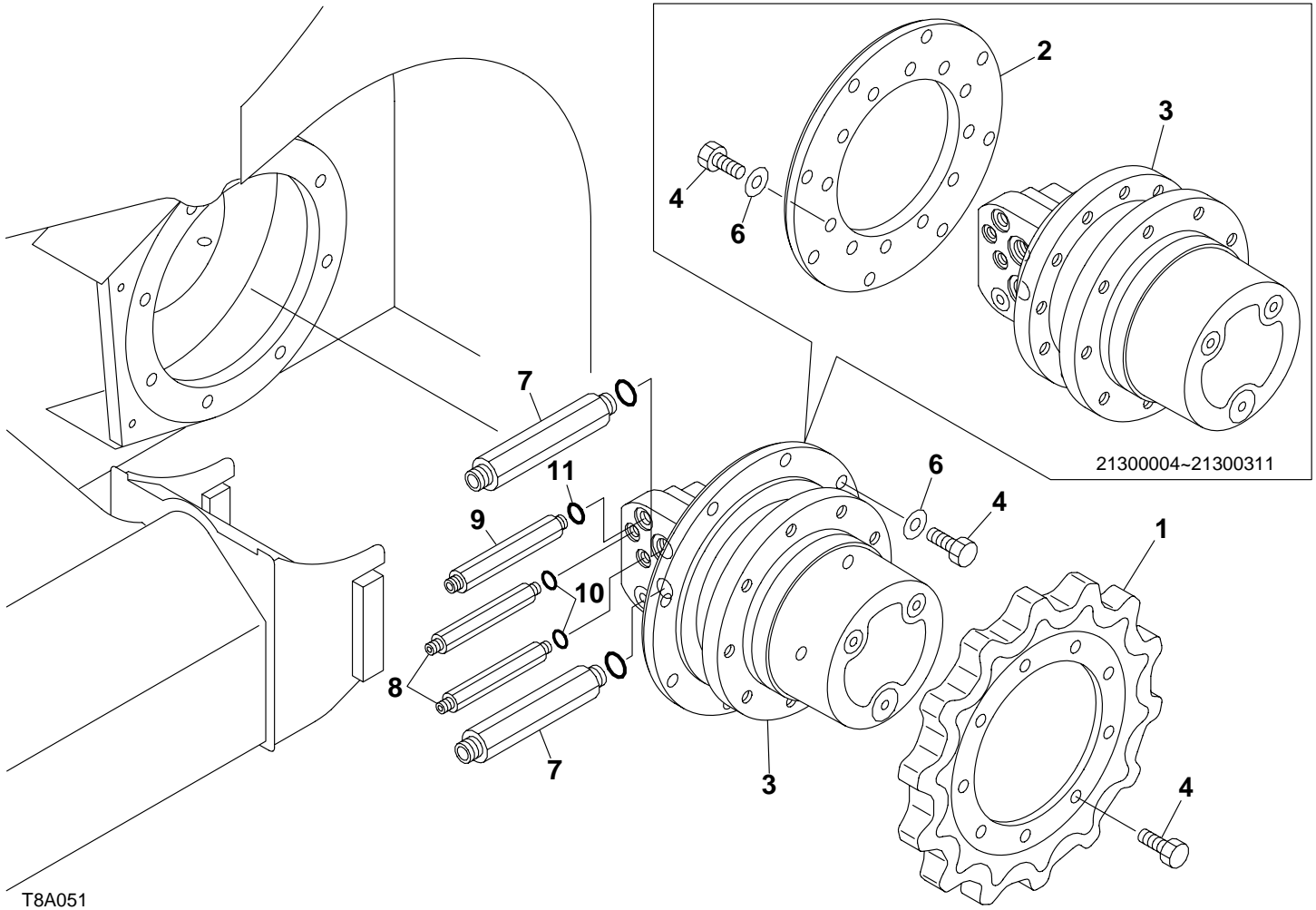
T8A040

S=1/8X110%

TRACK ADJUSTER

Item	Part number	Description	Q'ty	Chan.	Serial No.	Serv.	Remarks
0-1	880152000	SPRING ASSY(L.H.)	1				X08801-52000-1
	880152300	SPRING ASSY(R.H.)	1				X08801-52300-1
1	880152110	• YOKE	1				
2	880152120	• ROD	1				
3	7000004	• SPRING	1				
4	1132030024	• NUT	1				
5	1210000545	• PIN, split	1				
6	1141550024	• WASHER	1				
0-1	880152200	• CYLINDER ASSY (L.H.)	1				
	880152400	• CYLINDER ASSY (R.H.)	1				
7	880152210	• • CYLINDER, grease(L.H.)	1				
	880152410	• • CYLINDER, grease(R.H.)	1				
8	880152220	• • PISTON	1				
9	1541300501	• • VALVE ASSY, check	1				
10	1400402835	• • SEAL, oil	1				
11	1422010500	• • O-RING	1				
12	1421020500	• • RING, back-up	1				
	T8a042						

TL130 Book No. BT8Z012 S/N 21300004-
TRAVEL DEVICE (21300004-21303768)

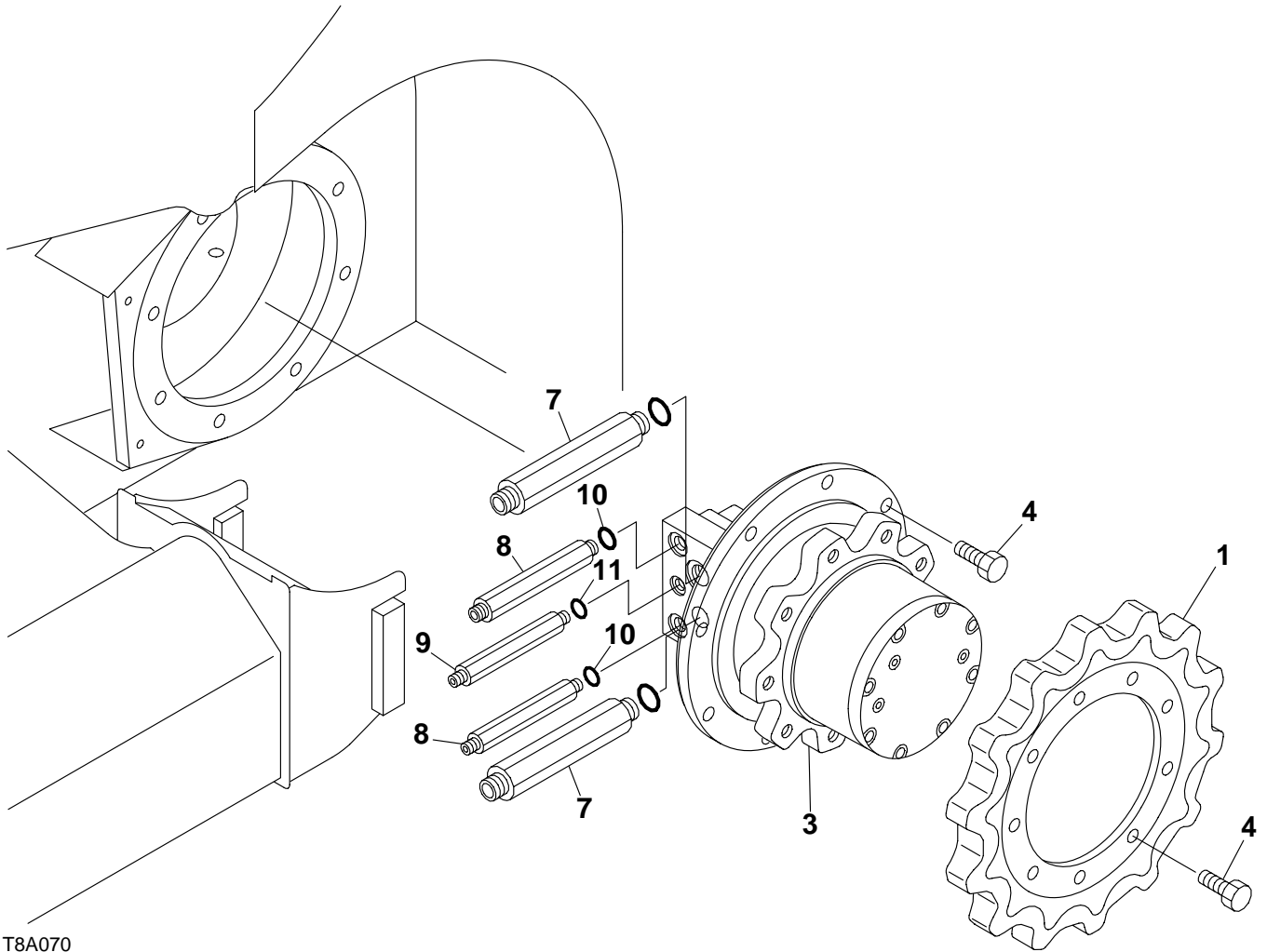


T8A051

S=1/7.5

TRAVEL DEVICE (21300004-21303768)

Item	Part number	Description	Q'ty	Chan.	Serial No.	Serv.	Remarks
		MOTOR ASSY, travel					X08801-66200-2
1	880166210	SPROCKET	2				
2	880166220	RING	2		21300004~21300311		
3	1903121100	MOTOR, travel	2		21300004~21300311		
	1903122900	MOTOR, travel	2	(H)	21300312~		
4	1100041640	BOLT	58		21300004~21300311		
	1100041640	BOLT	36		21300312~		
6	1141550016	WASHER	40		21300004~21300311		
	1141550016	WASHER	16		21300312~21301374		
7	880166130	ADAPTOR	4				
	1420010240	· O-RING	1				
8	7203069	ADAPTOR	4				
9	7203073	ADAPTOR	2				
10	1420010110	O-RING	4				
11	1420010140	O-RING	2				
	T8a052						

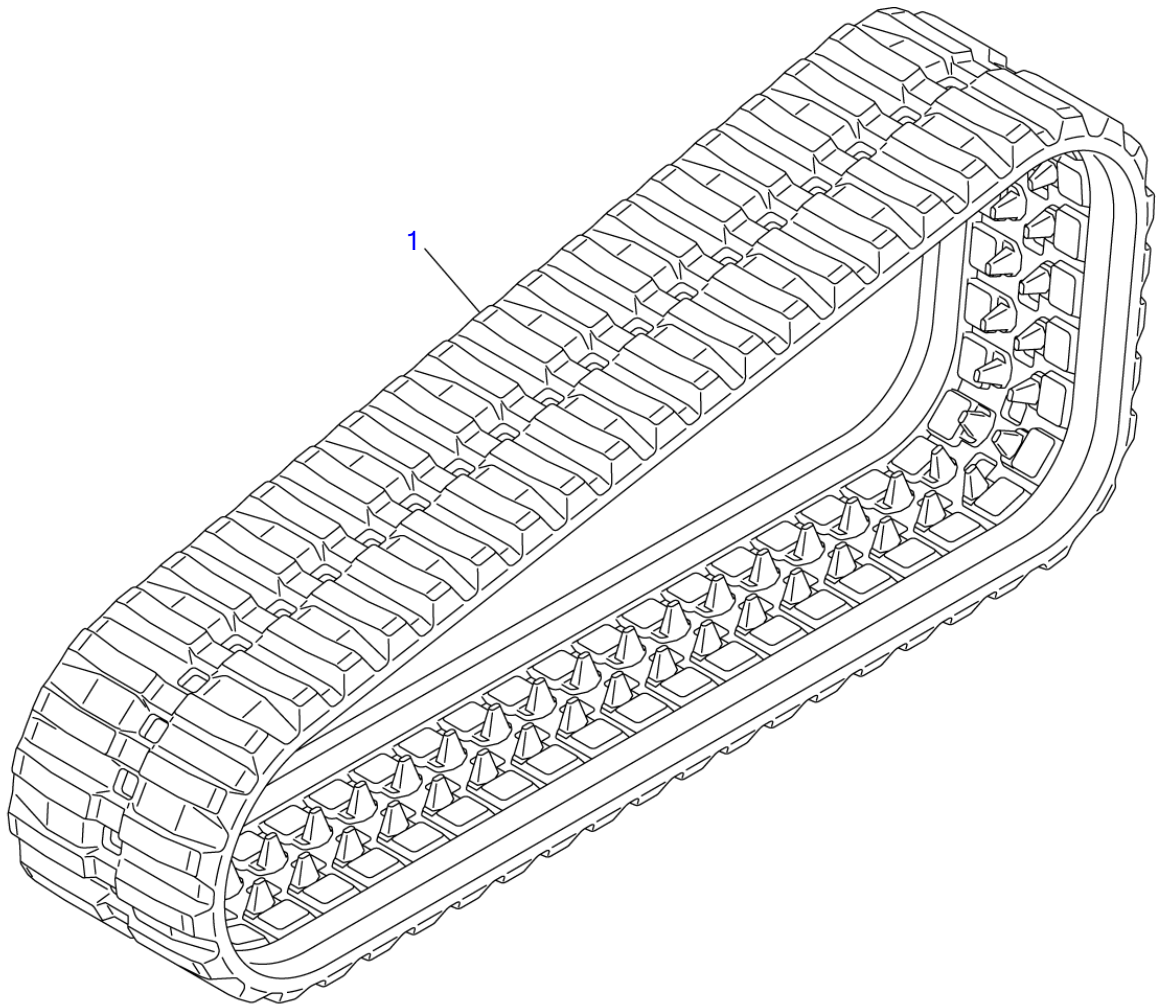


T8A070

S=17.5

TRAVEL DEVICE (21305001-)

Item	Part number	Description	Q'ty	Chan.	Serial No.	Serv.	Remarks
		MOTOR ASSY, travel					X08801-66300-0
1	880166210	SPROCKET	2				
3	1903125300	MOTOR, travel	2				
4	1100041635	BOLT	34				
7	880166130	ADAPTOR	4				
	1420010240	• O-RING	1				
8	7203069	ADAPTOR	4				
9	7203073	ADAPTOR	2				
10	1420010110	O-RING	4				
11	1420010140	O-RING	2				
	T8a070						



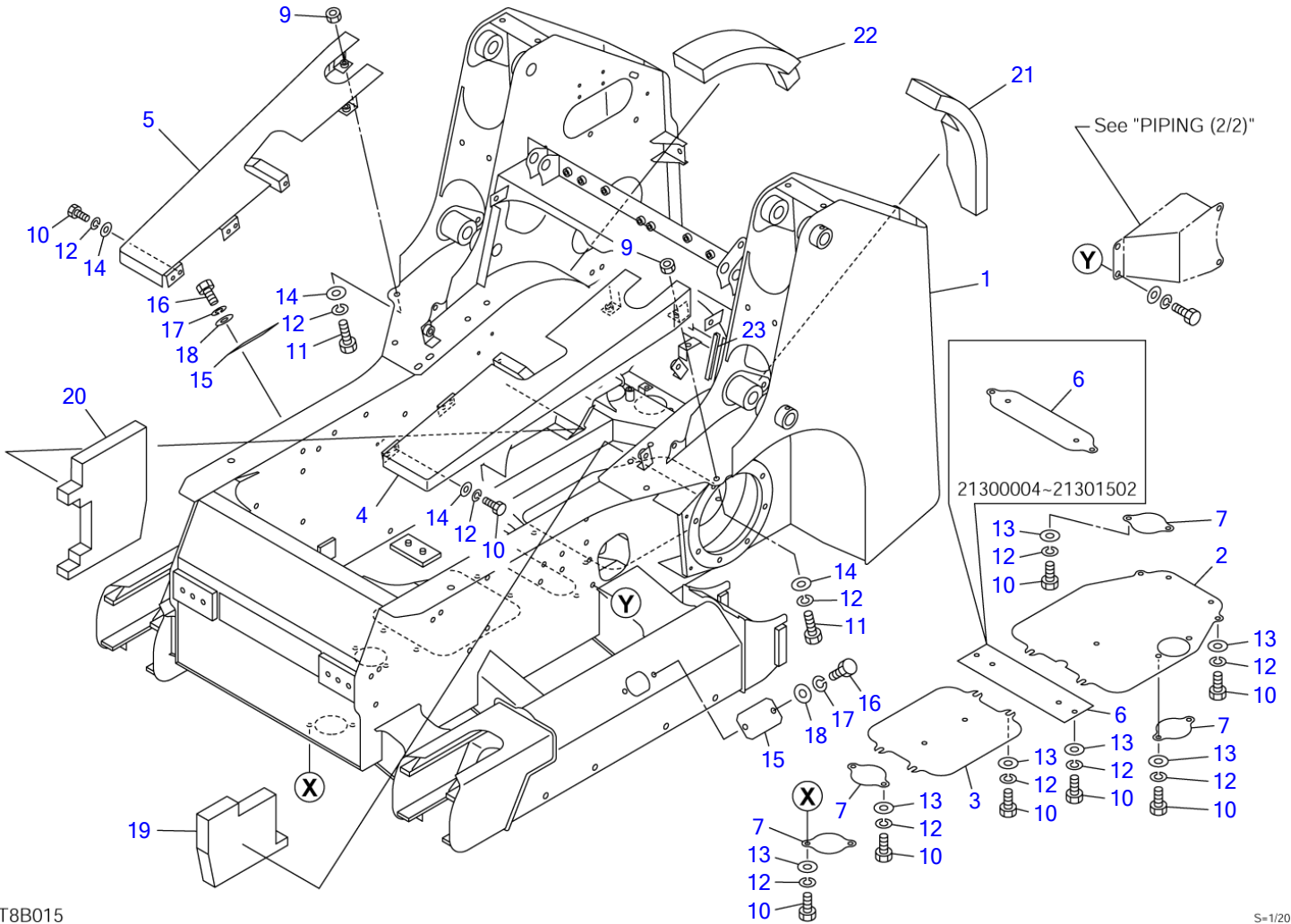
T7A060

S=1/12

CRAWLER BELT

Item	Part number	Description	Q'ty	Chan.	Serial No.	Serv.	Remarks
1	1914061430 T8a064	BELT, rubber crawler	2				X19140-61430-0

TL130 Book No. BT8Z012 S/N 21300004-
FRAME

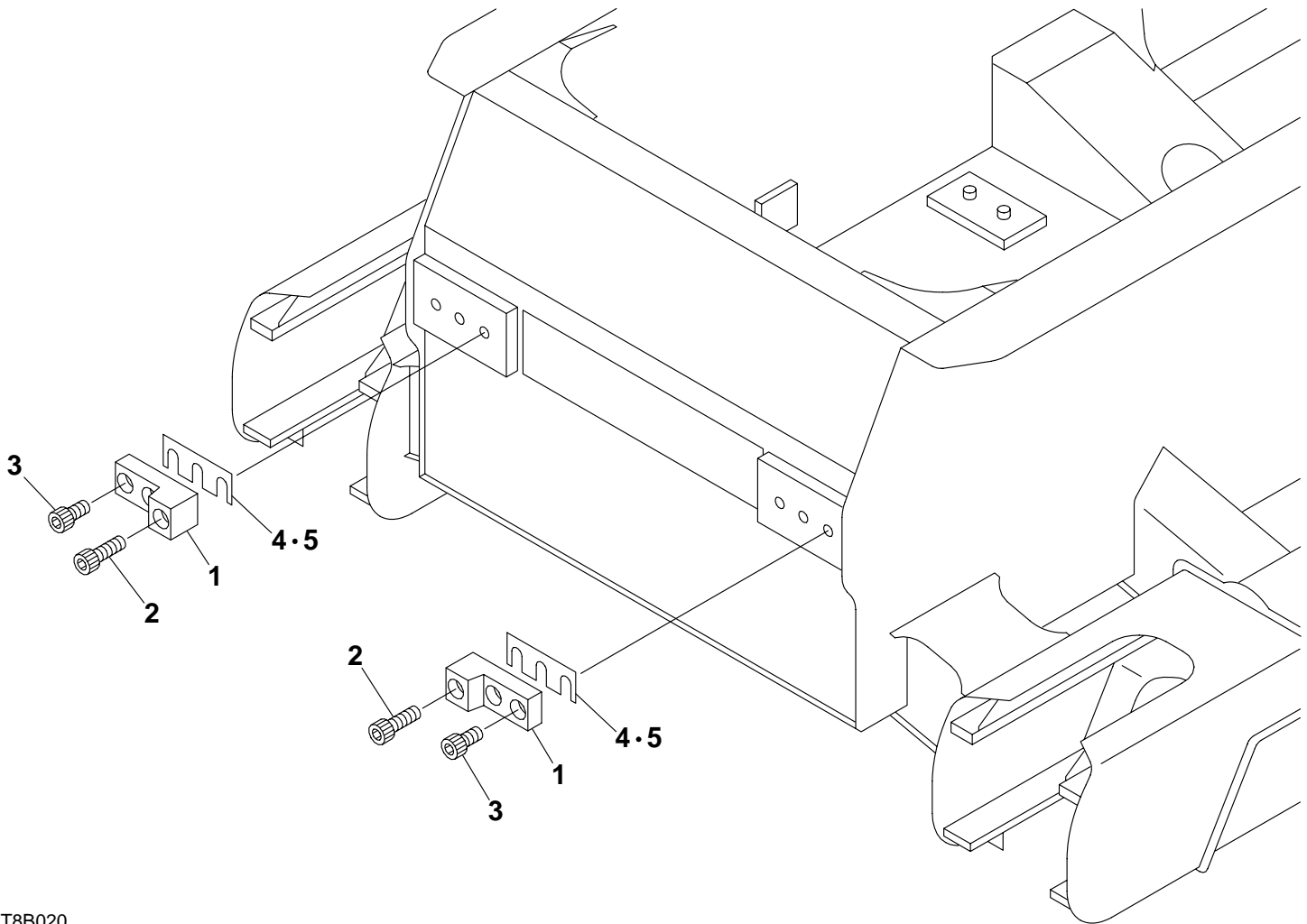


T8B015

S=1/20

Item	Part number	Description	FRAME Q'ty	Chan.	Serial No.	Serv.	Remarks
		FRAME ASSY					X08803-12000-1
		FRAME ASSY (for EU)					X08803-13000-4
1	X *****	FRAME	1				
2	0880308010	COVER	1				
3	0880308020	COVER	1				
4	0880309300	COVER(L.H.)	1				
5	0880309350	COVER(R.H.)	1				
6	0880305080	COVER	1				
7	0881302095	COVER	4				
9	1130040010	NUT	4				
10	1100041020	BOLT	28				
11	1100041035	BOLT	4				
12	1140020010	WASHER, spring	32				
13	1141110010	WASHER	18				
14	0003600025	WASHER	14				
15	0331018600	COVER	2				
16	1100040816	BOLT	4				
17	1140020008	WASHER, spring	4				
18	1141110008	WASHER	4				
19	0880963990	ABSORBENT, noise	1		21306717~		for EU
20	0880964000	ABSORBENT, noise	1		21306717~		for EU
21	0880964010	ABSORBENT, noise	1		21306717~		for EU
22	0880964020	ABSORBENT, noise	1		21306717~		for EU
23	1653916015	TRIM (sold by the meter)	1		21308205~		for EU
	T8b014						

TL130 Book No. BT8Z012 S/N 21300004-
ARM STOPPER

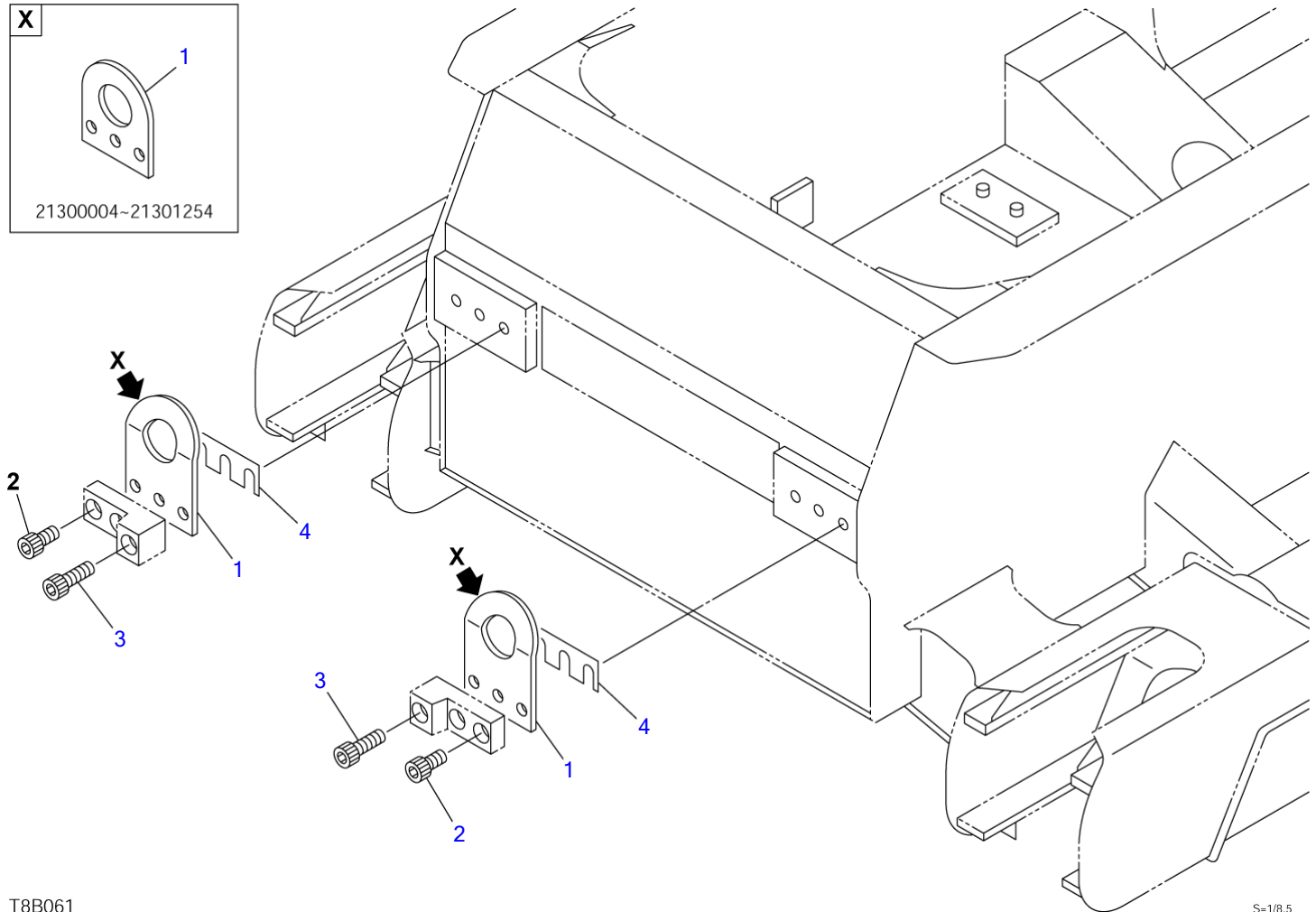
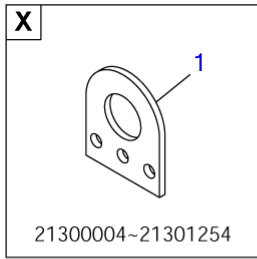


T8B020

S=1/8.5

ARM STOPPER

Item	Part number	Description	Q'ty	Chan.	Serial No.	Serv.	Remarks
		STOPPER ASSY					X08806-06900-1
1	880604910	STOPPER	2				
2	1110041645	SCREW, cap	2				
3	1110041625	SCREW, cap	4				
4	880604950	SHIM	AR				t=1.0mm
5	880606950	SHIM	AR				t=0.5mm
	T8b020						

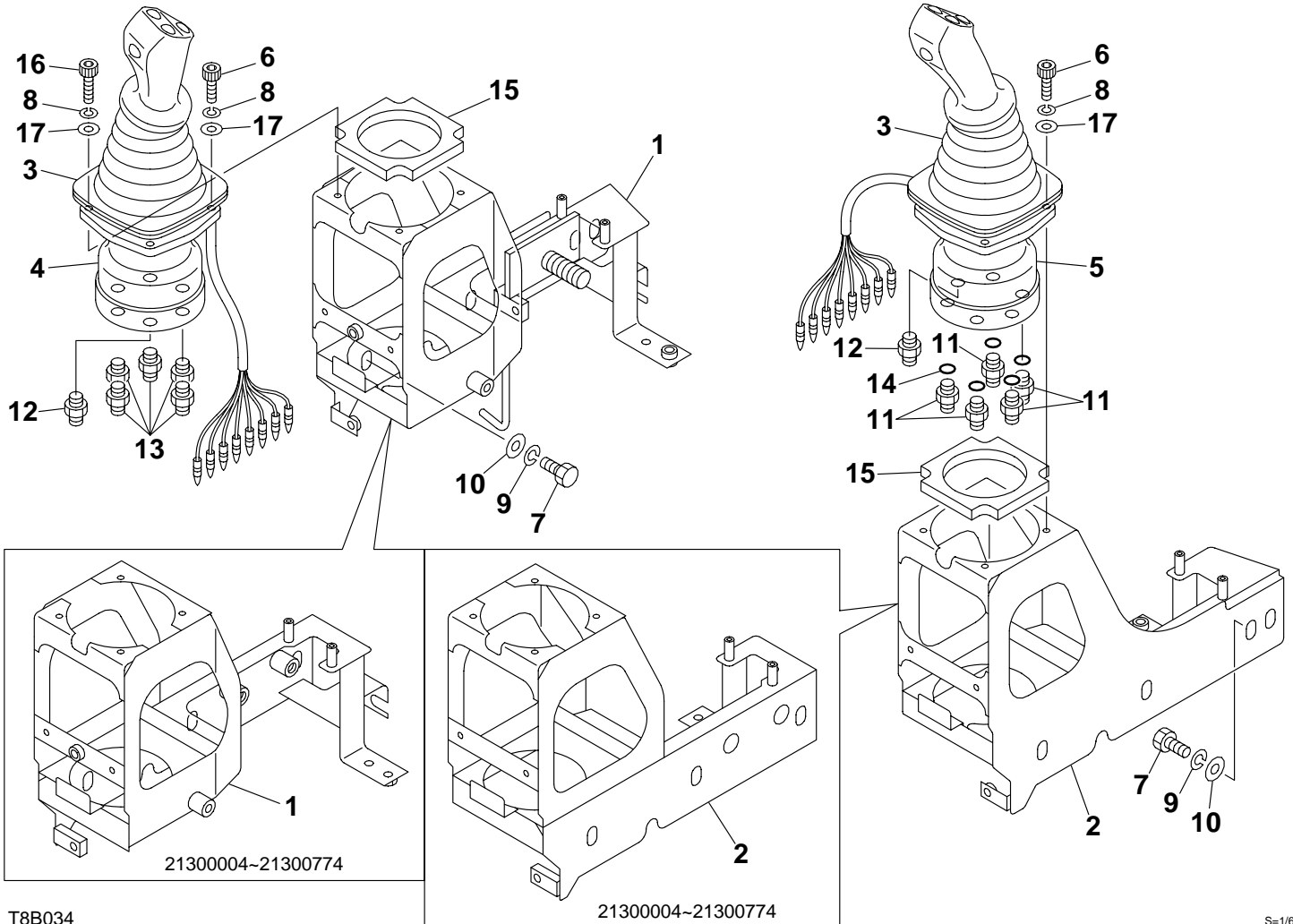


T8B061

S=1/8.5

HOOK						
Item	Part number	Description	Q'ty	Chan.	Serial No.	Serv. Remarks
		HOOK ASSY				X08803-11000-1
1	0880311010	HOOK	2		21300004~21301254	
	0880311020	HOOK	2	(H)	21301255~	
2	1110041635	SCREW, cap	4			
3	1110041655	SCREW, cap	2			
4	0880604950	SHIM	AR			t=1.0mm
	0880606950	SHIM	AR			t=0.5mm
	T8b061					

TL130 Book No. BT8Z012 S/N 21300004-
OPERATION LEVER & STAND



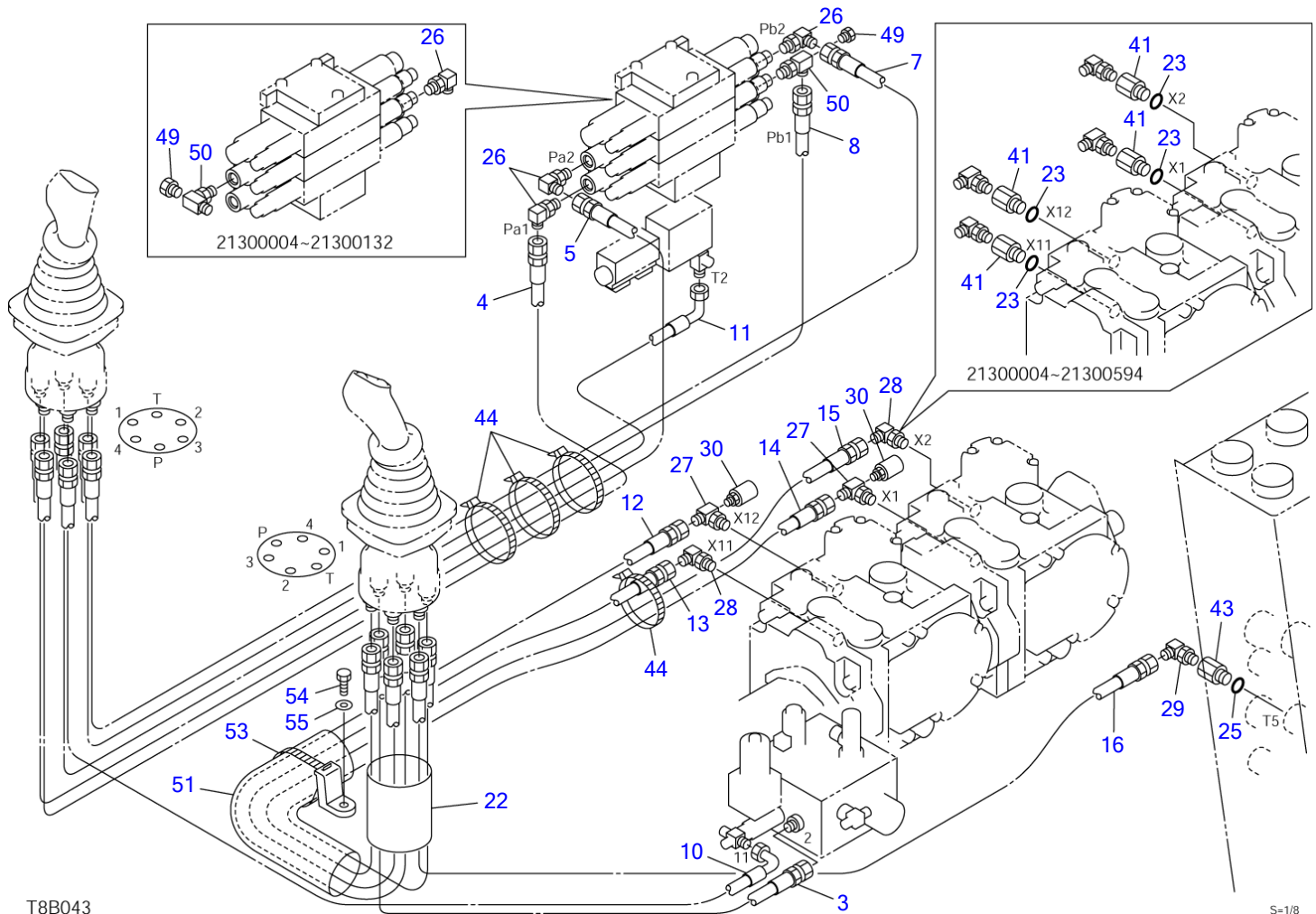
T8B034

S=1/6

OPERATION LEVER & STAND

Item	Part number	Description	Q'ty	Chan.	Serial No.	Serv.	Remarks
		VALVE ASSY					X08805-13000-0
1	880511100	BRACKET(R.H.)	1		21300004~21300774		
	880512100	BRACKET(R.H.)	1		21300775~		
2	880511200	BRACKET(L.H.)	1		21300004~21300774		
	880512200	BRACKET(L.H.)	1		21300775~		
3	881510020	BOOT	2				
4	1901734000	VALVE, pilot(R.H.)	1		21300004~21307609		
	1901749500	VALVE, pilot(R.H.)	1	(H)	21307610~		
5	1901738600	VALVE, pilot(L.H.)	1		21300004~21300090		
	1901734100	VALVE, pilot(L.H.)	1	(H)	21300091~21307609		
	1901749600	VALVE, pilot(L.H.)	1	(H)	21307610~		
6	1110040620	SCREW, cap	6				
7	1100041020	BOLT	6				
8	1140420006	WASHER, spring	8				
9	1140020010	WASHER, spring	6				
10	1141110010	WASHER	6		21300004~21300090		
	3600020	WASHER	6		21300091~		
11	1515600571	ADAPTOR	5				
	1420010110	• O-RING	1				
12	1512370008	ADAPTOR (wth filter)	2				
	1420010110	• O-RING	1				
13	1515600200	ADAPTOR	5				
	1420010110	• O-RING	1				
14	1420010110	O-RING	5				
15	881511150	SPONGE	2				
16	1110040625	SCREW, cap	2				
17	1141110006	WASHER	8				
	T8b034						

TL130 Book No. BT8Z012 S/N 21300004-
 PIPING; OPERATION LEVER (1/2) (21300004-21303768)



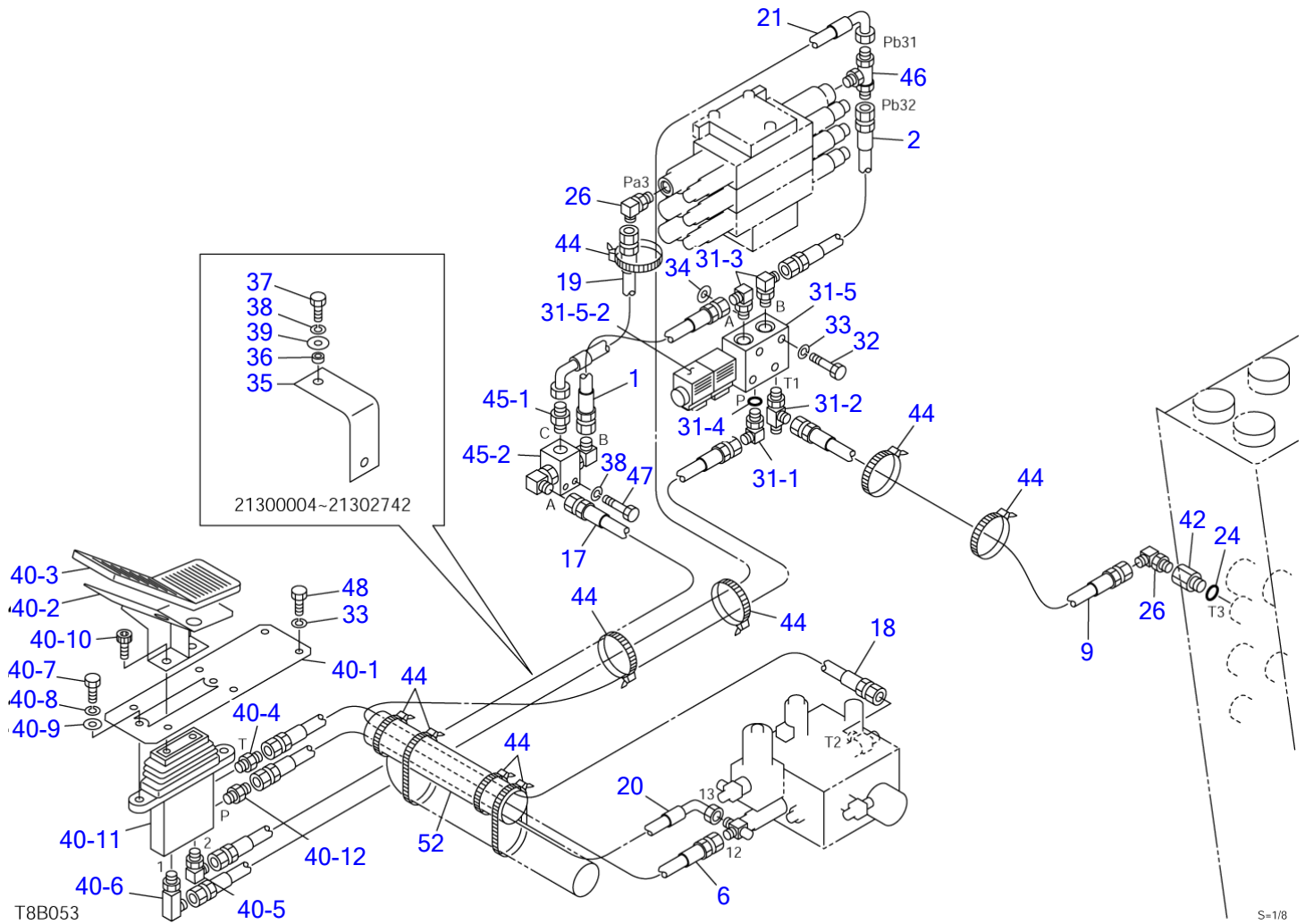
T8B043

S=1/8

PIPING; OPERATION LEVER (1/2) (21300004-21303768)

Item	Part number	Description	Q'ty	Chan.	Serial No.	Serv.	Remarks
		PIPING ASSY					X08807-17000-7
3	0880717030	HOSE ASSY	1				18010-22046
4	0880717040	HOSE ASSY	1				18010-22120
5	0880717050	HOSE ASSY	1				18010-22120
7	0880717070	HOSE ASSY	1				18010-22148
8	0880717080	HOSE ASSY	1				18010-22148
10	0880717100	HOSE ASSY	1				18010-52100
11	0880717110	HOSE ASSY	1				18010-52114
12	0880717120	HOSE ASSY	1				18010-23108
13	0880717130	HOSE ASSY	1				18010-23108
14	0880717140	HOSE ASSY	1				18010-23132
15	0880717150	HOSE ASSY	1				18010-23132
16	0880717160	HOSE ASSY	1				18010-23180
22	1531350010	PROTECTOR	1				sold by the meter
23	1420370906	O-RING	4		21300004~21300594		
25	1420010140	O-RING	1				
26	1515012040	ELBOW	3				
	1420010110	• O-RING	1				
27	1512330005	ELBOW	2				
	1420370906	• O-RING	1				
28	1512375006	ELBOW	2				
	1420370906	• O-RING	1				
29	1515010041	ELBOW	1				
	1420010140	• O-RING	1				
30	1700100015	SWITCH, pressure	2				
41	0007213043	BUSHING	4		21300004~21300594		
43	0007213014	BUSHING	1				
44	1652241300	BAND	4				
49	1501750002	PLUG	1				
	1420010110	• O-RING	1				
50	1513390029	TEE	1		21300004~21300132		
	1420010110	• O-RING	1				
	1512340001	TEE	1	(H)	21300133~		
	1420010110	• O-RING	1				
51	1531645063	PROTECTOR	1				sold by the meter
53	1652281206	BAND	1		21300595~21302742		
54	1100040616	BOLT	1		21300595~21302742		
55	1141110006	WASHER	1		21300595~21302742		
	T8b044						

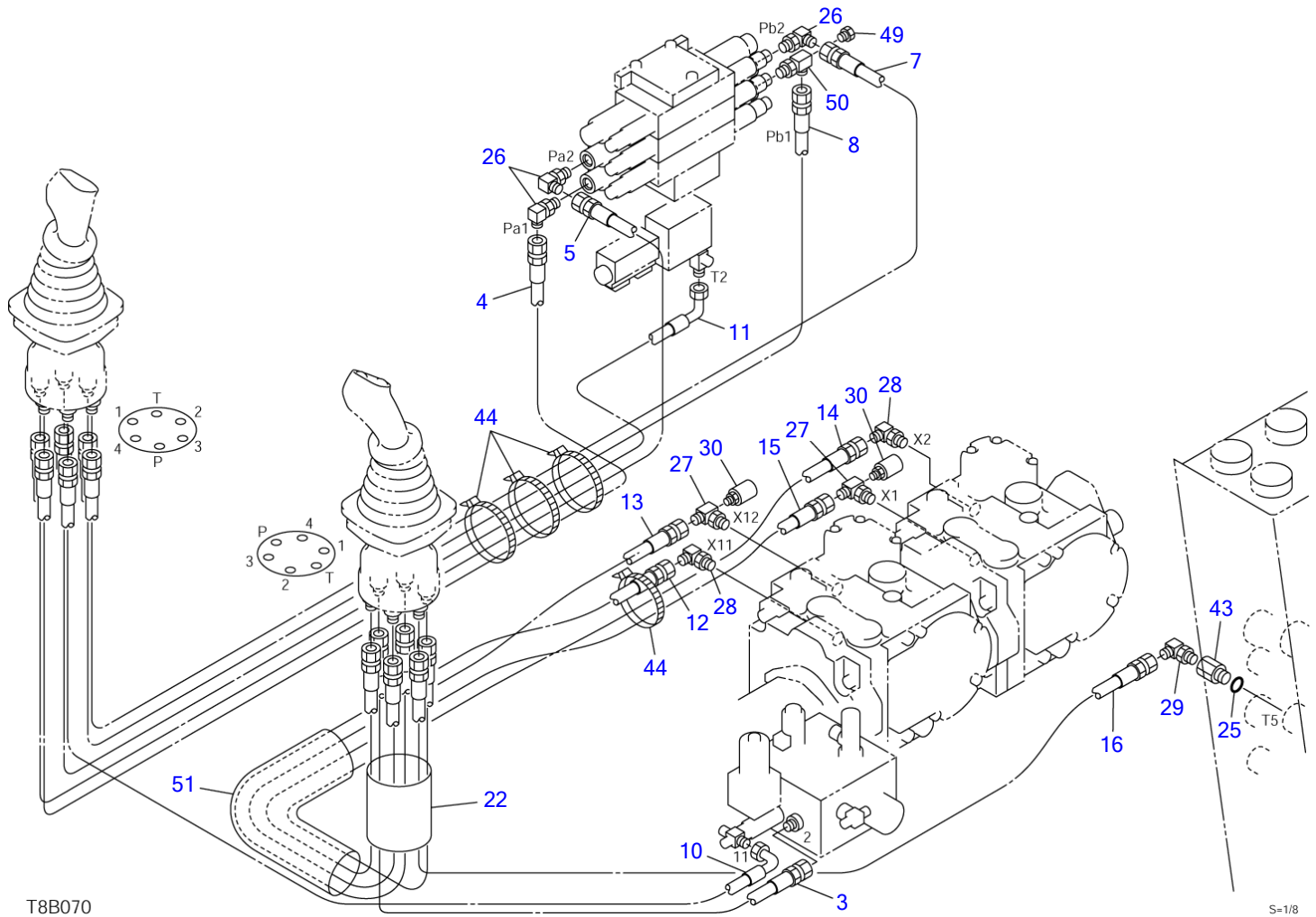
TL130 Book No. BT8Z012 S/N 21300004-
 PIPING; OPERATION LEVER (2/2) (21300004-21303768)



PIPING; OPERATION LEVER (2/2) (21300004-21303768)

Item	Part number	Description	Q'ty	Chan.	Serial No.	Serv.	Remarks
		PIPING ASSY					X08807-17000-7
1	0880717010	HOSE ASSY	1				18010-22055
2	0880717020	HOSE ASSY	1				18010-22034
6	0880717060	HOSE ASSY	1				18010-22140
9	0880717090	HOSE ASSY	1				18010-22162
17	0880717170	HOSE ASSY	1				18010-22084
18	0880717180	HOSE ASSY	1				18010-22116
19	0880717190	HOSE ASSY	1				18010-52045
20	0880717200	HOSE ASSY	1				18010-52090
21	0880717210	HOSE ASSY	1				18010-52176
24	1420010110	O-RING	1				
26	1515012040	ELBOW	2				
	1420010110	• O-RING	1				
31	X *****	VALVE, solenoid	1				
31-1	0881710311	• ELBOW(with orifice)	1				
31-2	1512370011	• TEE	1				
	1420010110	• • O-RING	1				
31-3	1515010040	• ELBOW	2				
	1420010110	• • O-RING	1				
31-4	1420010110	• O-RING	1				
31-5	1901731500	• VALVE, solenoid	1				
31-5-2	1901731502	• • SOLENOID	1				
32	1100040855	BOLT	2				
33	1140020008	WASHER, spring	8				
34	1141110008	WASHER	2				
35	0881711350	BAND	1		21300004~21302742		
36	0881711360	COLLAR	2		21300004~21302742		
37	1100040620	BOLT	2		21300004~21302742		
38	1140020006	WASHER, spring	4		21300004~21302742		
	1140020006	WASHER, spring	2		21302743~		
39	0003600043	WASHER	2		21300004~21302742		
40	X *****	PEDAL ASSY, auxiliary	1				
40-1	0881712410	• PLATE	1				
40-2	0881712420	• PEDAL	1				
40-3	0363214600	• COVER	1				
40-4	1515600200	• ADAPTOR	1				
	1420010110	• • O-RING	1				
40-5	1515010040	• ELBOW	1				
	1420010110	• • O-RING	1				
40-6	1515010510	• ELBOW	1				
	1420010110	• • O-RING	1				
40-7	1100040814	• BOLT	2				
40-8	1140020008	• WASHER, spring	2				
40-9	1141110008	• WASHER	2				
40-10	1110040812	• SCREW, cap	2				
40-11	1901735000	• VALVE, remote-control	1				
40-12	1512370008	• ADAPTOR(with filter)	1				
	1420010110	• • O-RING	1				
42	0007213058	BUSHING	1				
44	1652241300	BAND	9				
45	X *****	VALVE ASSY, shuttle	1				
45-1	1515600200	• ADAPTOR	1				
	1420010110	• • O-RING	1				
45-2	1901736600	• VALVE, shuttle	1				
46	1901735200	VALVE, shuttle	1				
47	1100040640	BOLT	2				
48	1100040816	BOLT	6				
52	0880717520	PROTECTOR	1				sold by the meter
	T8b054						

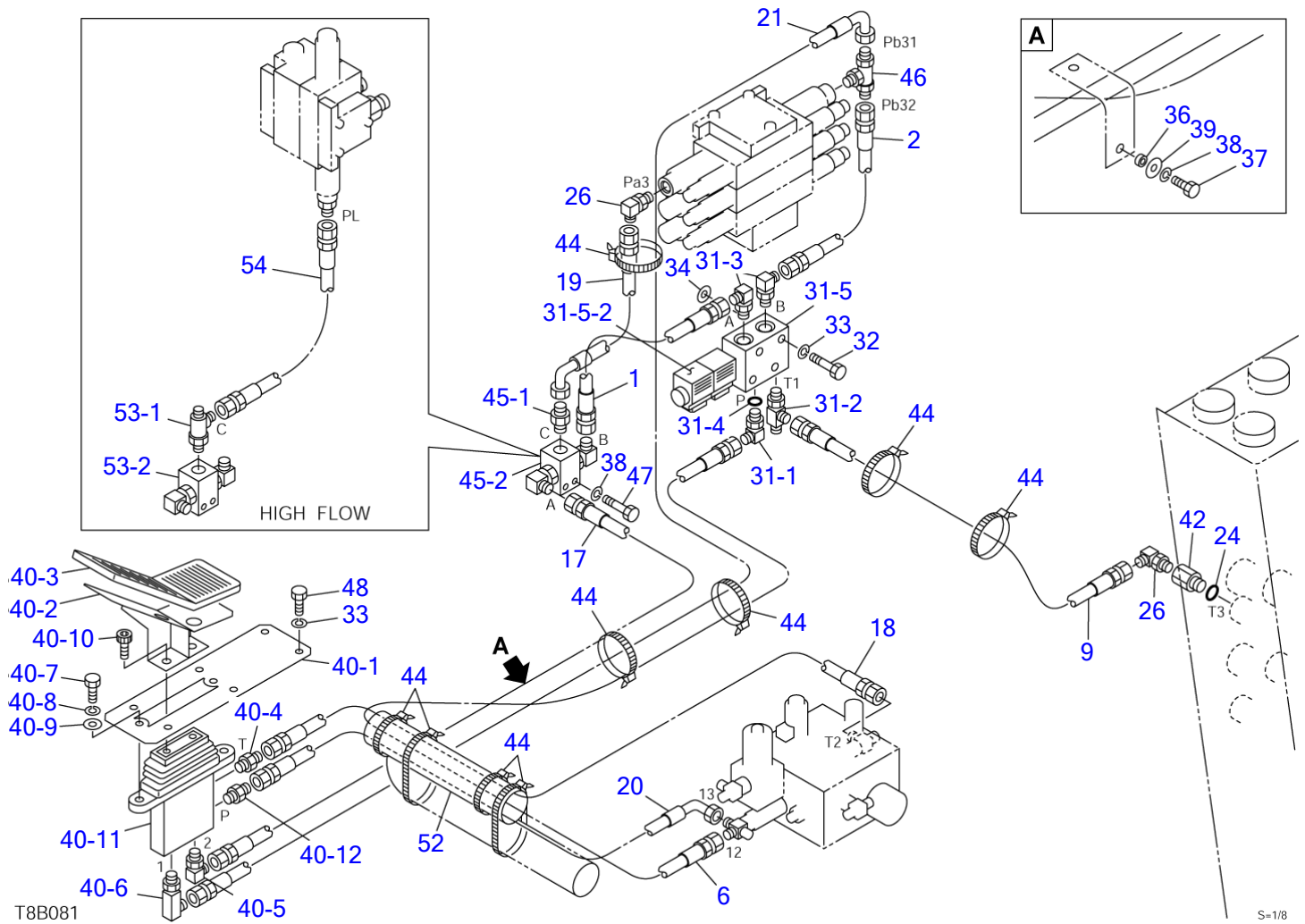
TL130 Book No. BT8Z012 S/N 21300004-
PIPING; OPERATION LEVER (1/2) (21305001-)



PIPING; OPERATION LEVER (1/2) (21305001-)

Item	Part number	Description	Q'ty	Chan.	Serial No.	Serv.	Remarks
		PIPING ASSY					X08807-18000-1
		PIPING ASSY (high flow)					X08807-18500-1
3	0880717030	HOSE ASSY	1				18010-22046
4	0880717040	HOSE ASSY	1				18010-22120
5	0880717050	HOSE ASSY	1				18010-22120
7	0880717070	HOSE ASSY	1				18010-22148
8	0880717080	HOSE ASSY	1				18010-22148
10	0880717100	HOSE ASSY	1				18010-52100
11	0880717110	HOSE ASSY	1				18010-52114
12	0880718120	HOSE ASSY	1				18010-23108
13	0880718130	HOSE ASSY	1				18010-23108
14	0880718140	HOSE ASSY	1				18010-23132
15	0880718150	HOSE ASSY	1				18010-23132
16	0880717160	HOSE ASSY	1				18010-23180
22	1531350010	PROTECTOR	1				sold by the meter
25	1420010140	O-RING	1				
26	1515012040	ELBOW	3				
	1420010110	• O-RING	1				
27	1512330005	ELBOW	2				
	1420370906	• O-RING	1				
28	1512375006	ELBOW	2				
	1420370906	• O-RING	1				
29	1515010041	ELBOW	1				
	1420010140	• O-RING	1				
30	1700100015	SWITCH, pressure	2				
43	0007213014	BUSHING	1				
44	1652241300	BAND	4				
49	1501750002	PLUG	1				
	1420010110	• O-RING	1				
50	1512340001	TEE	1				
	1420010110	• O-RING	1				
51	1531645063	PROTECTOR	1				sold by the meter
	T8b071						

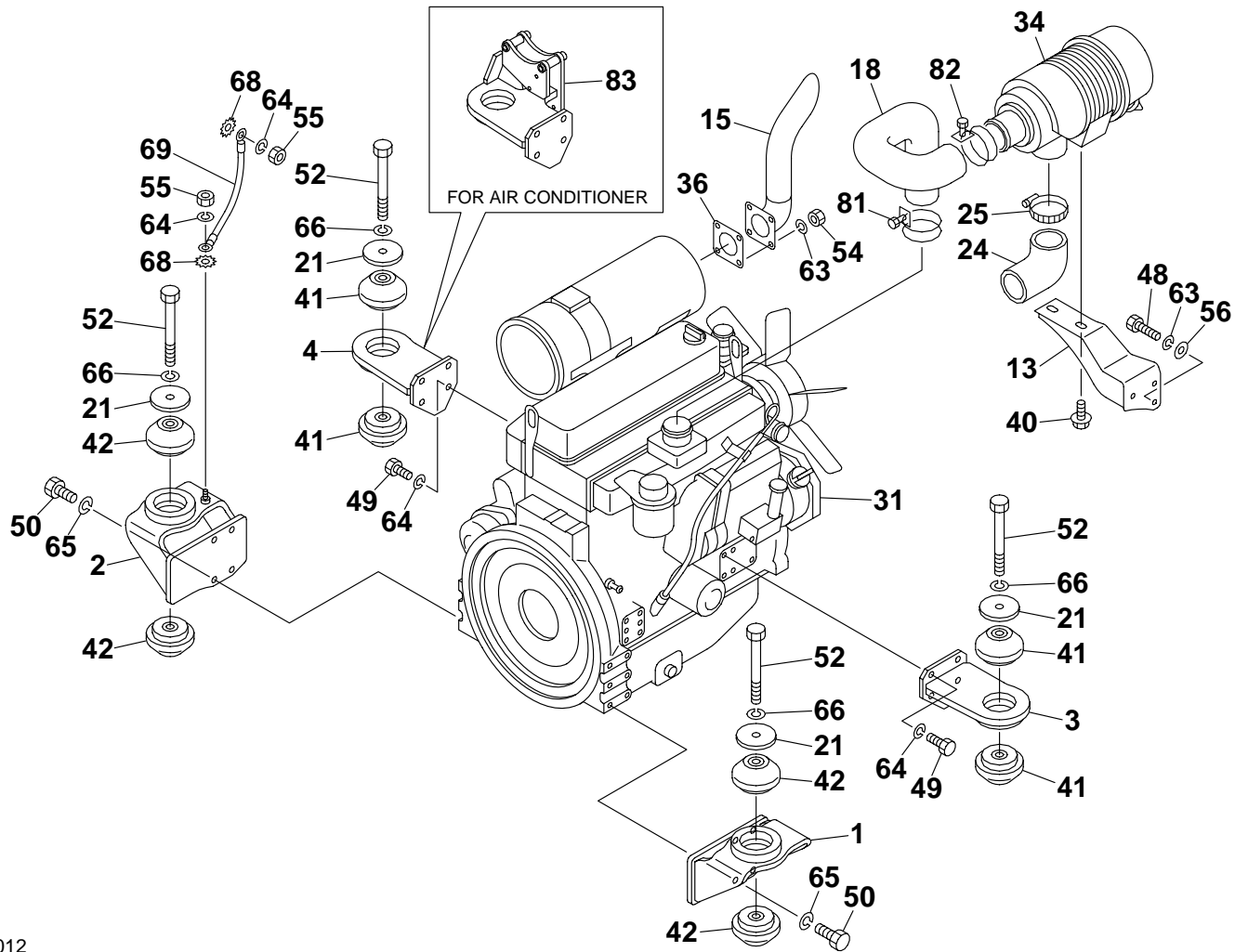
TL130 Book No. BT8Z012 S/N 21300004-
 PIPING; OPERATION LEVER (2/2) (21305001-)



PIPING; OPERATION LEVER (2/2) (21305001-)

Item	Part number	Description	Q'ty	Chan.	Serial No.	Serv.	Remarks
		PIPING ASSY					X08807-18000-1
		PIPING ASSY (high flow)					X08807-18500-1
1	0880717010	HOSE ASSY	1				18010-22055
2	0880717020	HOSE ASSY	1				18010-22034
6	0880717060	HOSE ASSY	1				18010-22140
9	0880717090	HOSE ASSY	1				18010-22162
17	0880717170	HOSE ASSY	1				18010-22084
18	0880717180	HOSE ASSY	1				18010-22116
19	0880717190	HOSE ASSY	1				18010-52045
20	0880717200	HOSE ASSY	1				18010-52090
21	0880717210	HOSE ASSY	1				18010-52176
24	1420010110	O-RING	1				
26	1515012040	ELBOW	2				
	1420010110	• O-RING	1				
31	X *****	VALVE, solenoid	1				
31-1	0881710311	• ELBOW(with orifice)	1				
31-2	1512370011	• TEE	1				
	1420010110	• • O-RING	1				
31-3	1515010040	• ELBOW	2				
	1420010110	• • O-RING	1				
31-4	1420010110	• O-RING	1				
31-5	1901731500	• VALVE, solenoid	1				
31-5-2	1901731502	• • SOLENOID	1				
32	1100040855	BOLT	2				
33	1140020008	WASHER, spring	8				
34	1141110008	WASHER	2				
36	0881711360	COLLAR	1				
37	1100040620	BOLT	1				
38	1140020006	WASHER, spring	3				
39	0003600043	WASHER	1				
40	X *****	PEDAL ASSY, auxiliary	1				
40-1	0881712410	• PLATE	1				
40-2	0881712420	• PEDAL	1				
40-3	0363214600	• COVER	1				
40-4	1515600200	• ADAPTOR	1				
	1420010110	• • O-RING	1				
40-5	1515010040	• ELBOW	1				
	1420010110	• • O-RING	1				
40-6	1515010510	• ELBOW	1				
	1420010110	• • O-RING	1				
40-7	1100040814	• BOLT	2				
40-8	1140020008	• WASHER, spring	2				
40-9	1141110008	• WASHER	2				
40-10	1110040812	• SCREW, cap	2				
40-11	1901735000	• VALVE, remote-control	1				
40-12	1512370008	• ADAPTOR(with filter)	1				
	1420010110	• • O-RING	1				
42	0007213058	BUSHING	1				
44	1652241300	BAND	9				
45	X *****	VALVE ASSY, shuttle	1				
45-1	1515600200	• ADAPTOR	1				
	1420010110	• • O-RING	1				
45-2	1901736600	• VALVE, shuttle	1				
46	1901735200	VALVE, shuttle	1				
47	1100040640	BOLT	2				
48	1100040816	BOLT	6				
52	0880717520	PROTECTOR	1				sold by the meter
53	X *****	VALVE ASSY, shuttle	1		21306717~		high flow
53-1	1512370011	• TEE	1		21306717~		high flow
	1420010110	• • O-RING	1				
53-2	1901736600	• VALVE, shuttle	1		21306717~		high flow
54	0881734350	HOSE ASSY (high flow)	1		21306717~		4-1700L
	T8b081						

TL130 Book No. BT8Z012 S/N 21300004-
ENGINE & ACCESSORIES (1/2) (21300004-21301932)



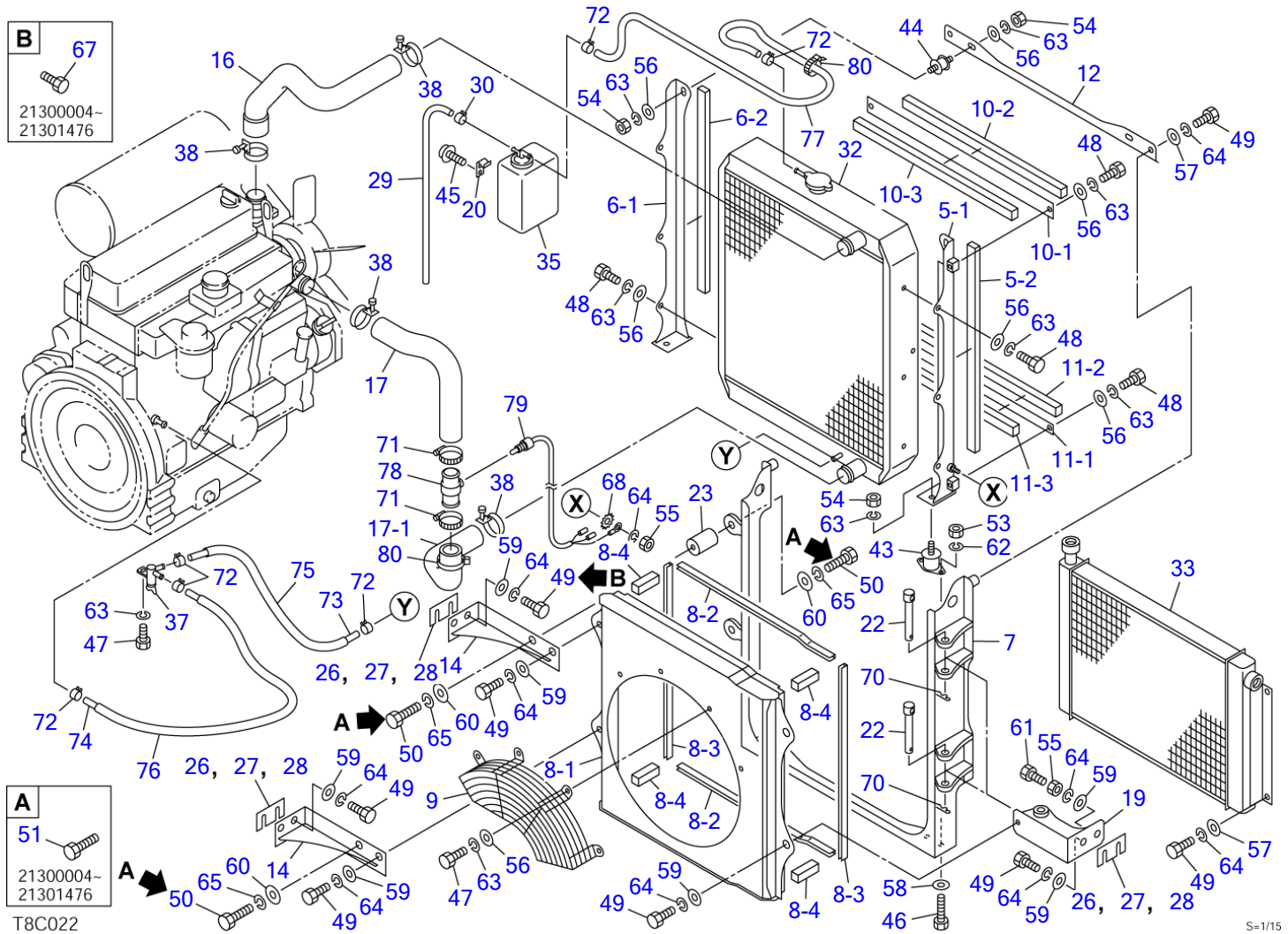
T8C012

S=1/14

ENGINE & ACCESSORIES (1/2) (21300004-21301932)

Item	Part number	Description	Q'ty	Chan.	Serial No.	Serv.	Remarks
		ENGINE ASSY					X08804-06000-12
		ENGINE ASSY (with air conditioner)					X08804-07000-12
1	880406010	FOOT, engine(F.L.)	1				
2	880406020	FOOT, engine(F.R.)	1				
3	880406030	FOOT, engine(R.L.)	1				
4	880406040	FOOT, engine(R.R.)	1				
13	880406090	BRACKET	1				
15	880405160	NOZZLE	1				
18	880406100	HOSE	1				
21	881400210	WASHER	4				
24	880406600	PIPE	1				
25	1533700086	BAND	1				
31	1910161001	ENGINE	1				4TNE98-TBL
34	1910161007	CLEANER, air	1				Y129953-12530
36	1910070022	GASKET	1				Y129400-13201
40	1910145053	BOLT	2				Y26106-080202
41	1651030004	RUBBER, cushion	4				
42	1651030005	RUBBER, cushion	4				
48	1100040820	BOLT	3				
49	1100041025	BOLT	8				
50	1100041230	BOLT	8				
52	1101141640	BOLT	4				
54	1130040008	NUT	4				
55	1130040010	NUT	2				
56	1141110008	WASHER	3				
63	1140020008	WASHER, spring	7				
64	1140020010	WASHER, spring	10				
65	1140020012	WASHER, spring	8				
66	1140020016	WASHER, spring	2				
68	1140330010	WASHER	2				
69	1702402001	CABLE	1				
81	880406700	BAND	1				
82	880406710	BAND	1				
83	880407010	FOOT, engine(R.R.)	1				with air conditioner
	T8c012						

TL130 Book No. BT8Z012 S/N 21300004-
ENGINE & ACCESSORIES (2/2) (21300004-21301932)

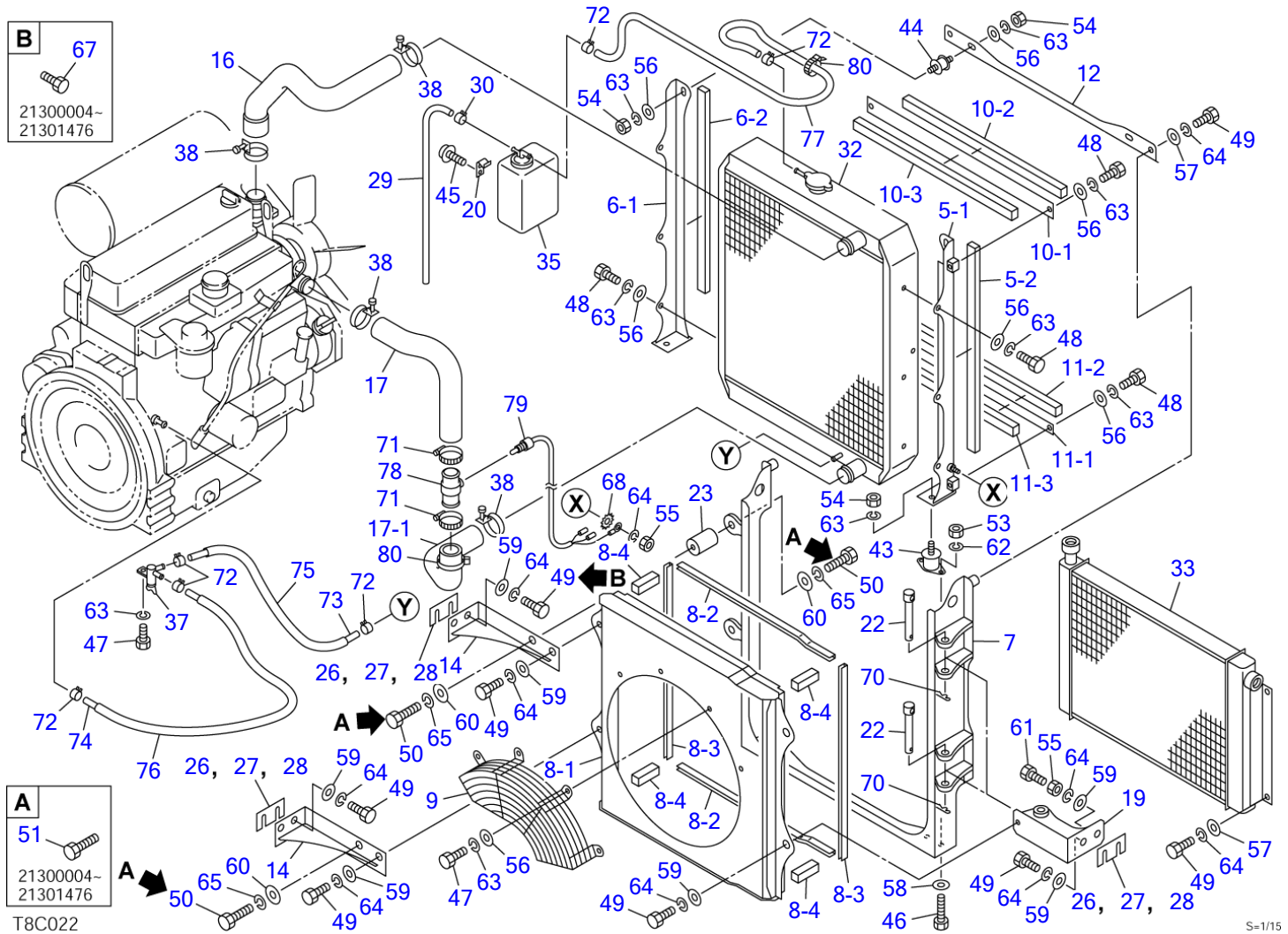


S=1/15

ENGINE & ACCESSORIES (2/2) (21300004-21301932)

Item	Part number	Description	Q'ty	Chan.	Serial No.	Serv.	Remarks
		ENGINE ASSY					X08804-06000-12
		ENGINE ASSY (with air conditioner)					X08804-07000-12
5	X 0880406300	BRACKET ASSY(L.H.)	1				
5-1	0880406310	• BRACKET(L.H.)	1				
5-2	0880406302	• URETHANE	1				
6	X 0880406350	BRACKET ASSY(R.H.)	1				
6-1	0880406360	• BRACKET(R.H.)	1				
6-2	0880406302	• URETHANE	1				
7	0880406400	FRAME	1				
8	X 0880406500	SHROUD ASSY	1		21300004~21301476		
	X 0880407100	SHROUD ASSY	1		21301477~		
8-1	0880406510	• SHROUD	1		21300004~21301476		
	0880407020	• SHROUD	1		21301477~		
8-2	1654606050	• TRIM	2				sold by the meter
8-3	1654606059	• TRIM	2		21300004~21301476		sold by the meter
	1654606056	• TRIM	2		21301477~		sold by the meter
8-4	1654306006	• SPONGE	4				sold by the meter
9	0880406050	GUARD	1				
10	X 0880406060	PLATE ASSY	1				
10-1	0880406061	• PLATE	1				
10-2	0880406062	• URETHANE	1				
10-3	0880406063	• URETHANE	1				
11	X 0880406070	PLATE ASSY	1				
11-1	0880405071	• PLATE	1				
11-2	0880406062	• URETHANE	1				
11-3	0880406063	• URETHANE	1				
12	0880406080	PLATE	1				
14	0880405110	BRACKET	2		21300004~21301476		
	0880407030	BRACKET	2		21301477~		
16	0880404170	HOSE	1				
17	0880406121	HOSE	1				
17-1	0880406122	HOSE	1				
19	0880406200	HINGE	2				
20	0880406110	PLATE	1				
22	0881402180	PIN	2				
23	0881401260	BOSS	2		21300004~21301476		
	0880407040	BOSS	2		21301477~		
26	0880406610	SHIM	AR				t=1.6mm
27	0880406620	SHIM	AR				t=3.2mm
28	0880406630	SHIM	AR				t=4.5mm
29	1910161013	HOSE	1				Y105840-59100
30	1910150018	BAND	1				Y124722-59050
32	1910161002	RADIATOR	1				Y129953-44521
33	1910161003	COOLER, oil	1				Y129553-44920
35	1910146020	TANK, sub	1				Y121267-44510
37	1910078037	COCK	1				Y129150-49100
38	1910116047	BAND	4				Y23000-054000
43	1651022030	RUBBER, cushion	2				
44	1651014003	RUBBER, cushion	2				
45	1150120410	SCREW	2				
46	1100040616	BOLT	4				
47	1100040816	BOLT	5				
48	1100040820	BOLT	10				
49	1100041025	BOLT	18				
50	1100041230	BOLT	4		21301477~		
51	1100041235	BOLT	4		21300004~21301476		
53	1130040006	NUT	4				
54	1130040008	NUT	6				
55	1130040010	NUT	2				
56	1141110008	WASHER	16				
57	1141110010	WASHER	6				
58	0003606202	WASHER	4				
59	0003600003	WASHER	12				
60	0003600136	SHIM	4				
61	1100241045	BOLT	1				
62	1140020006	WASHER, spring	4				
63	1140020008	WASHER, spring	21				

TL130 Book No. BT8Z012 S/N 21300004-
ENGINE & ACCESSORIES (2/2) (21300004-21301932)

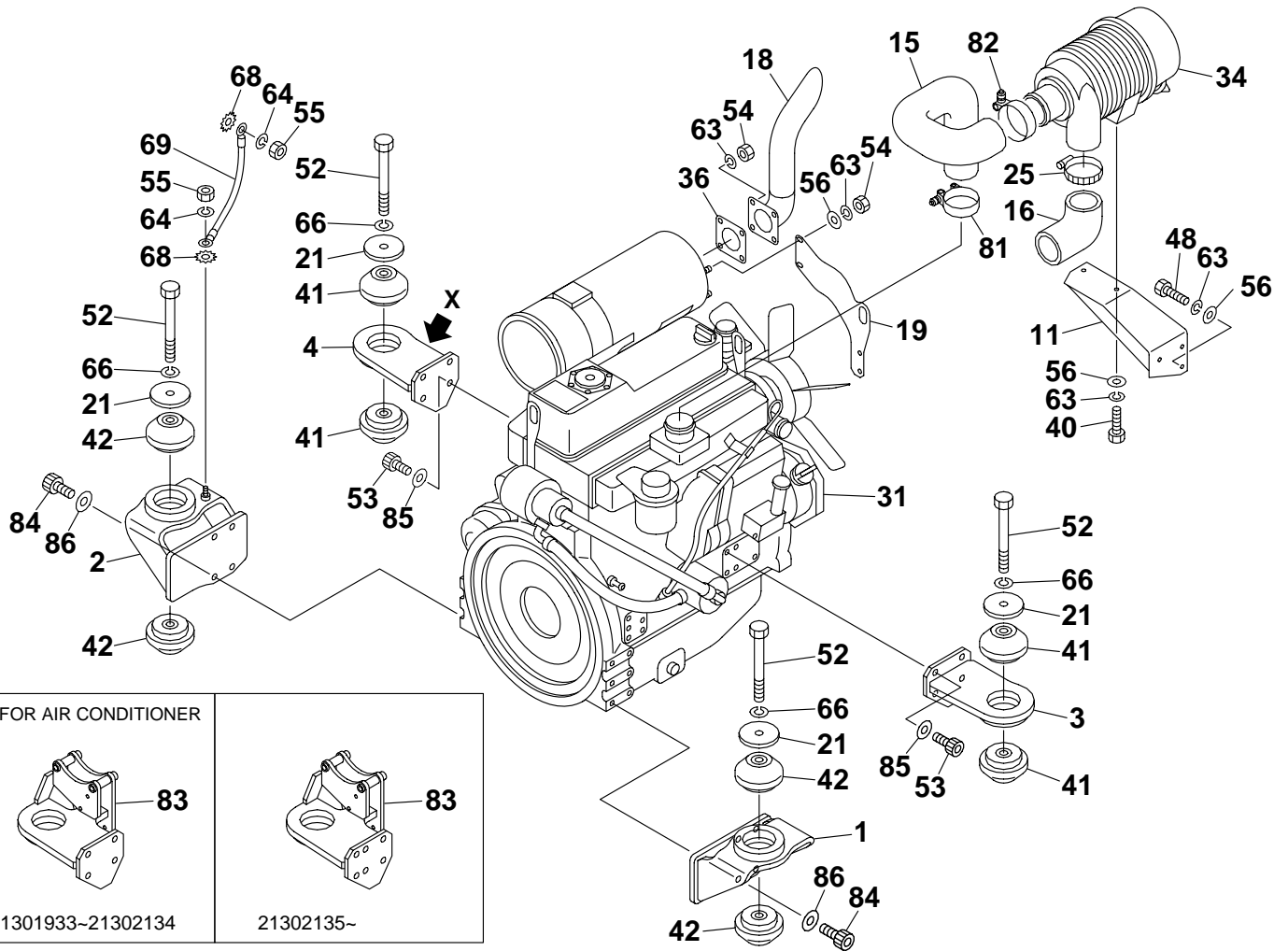


S=1/15

ENGINE & ACCESSORIES (2/2) (21300004-21301932)

Item	Part number	Description	Qty	Chan.	Serial No.	Serv.	Remarks
64	1140020010	WASHER, spring	19				
65	1140020012	WASHER, spring	4				
67	1100241050	BOLT	2		21300004~21301476		
68	1140330010	WASHER	1				
70	1214000016	PIN, snap	2				
71	1533700057	BAND	2				
72	1533120010	BAND	4				
73	1531211062	TUBE	1				sold by the meter
74	1531211115	TUBE	1				sold by the meter
75	1531115029	PROTECTOR	2				sold by the meter
76	1531115055	PROTECTOR	2				sold by the meter
77	1531407110	HOSE	1		21300004~21300078		sold by the meter
78	0564026360	JOINT	1				
79	1700100046	SENSOR	1				
80	1652241200	BAND	2				
	T8c023						

TL130 Book No. BT8Z012 S/N 21300004-
ENGINE & ACCESSORIES (1/2) (21301933-21306716)



T8C141

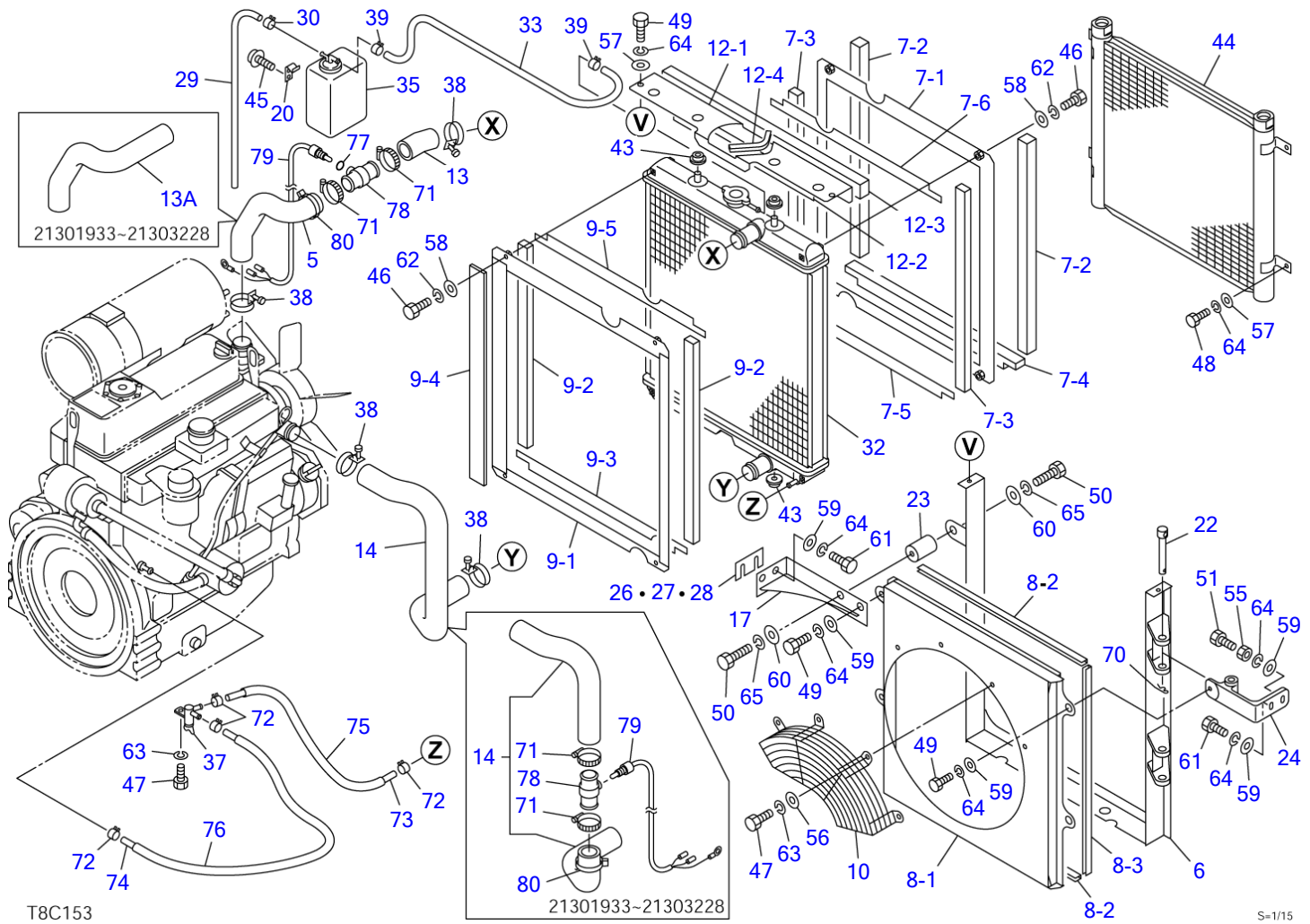
S=1/14

ENGINE & ACCESSORIES (1/2) (21301933-21306716)

Item	Part number	Description	Q'ty	Chan.	Serial No.	Serv.	Remarks
		ENGINE ASSY					X08804-07500-11
		ENGINE ASSY (with air conditioner)					X08804-07900-11
1	880406010	FOOT, engine(F.L.)	1				
2	880406020	FOOT, engine(F.R.)	1				
3	880406030	FOOT, engine(R.L.)	1				
4	880406040	FOOT, engine(R.R.)	1				
11	880407640	BRACKET	1				
15	880407690	HOSE	1				
16	880407700	PIPE	1				
18	880407720	NOZZLE	1				
19	880407730	PLATE	1				
21	881400210	WASHER	4				
25	1533700096	BAND	1				
31	1910199001	ENGINE	1				4TNV98-YTBL
34	1910199007	CLEANER, air	1				Y129944-12520
36	1910197023	GASKET	1				Y129930-13200
40	1100040825	BOLT	2				
41	1651030004	RUBBER, cushion	4				
42	1651030005	RUBBER, cushion	4				
48	1100040820	BOLT	3				
52	1101141640	BOLT	4				
53	1110021030	SCREW, cap	8				
	1110021030	SCREW, cap	10		21302135~		with air conditioner
54	1130040008	NUT	6				
55	1130040010	NUT	2				
56	1141110008	WASHER	7				
63	1140020008	WASHER, spring	9				
64	1140020010	WASHER, spring	2				
66	1140020016	WASHER, spring	4				
68	1140330010	WASHER	2				
69	1702402001	CABLE	1				
81	1533701300	BAND	1				
82	1533701350	BAND	1				
83	880407050	FOOT, engine(R.R.)	1		21301933~21302134		with air conditioner
	880407910	FOOT, engine(R.R.)	1	(H)	21302135~		with air conditioner
84	1110021230	SCREW, cap	8				
85	1141550010	WASHER	8				
	1141550010	WASHER	10		21302135~		with air conditioner
86	1141550012	WASHER	8				

T8c143

TL130 Book No. BT8Z012 S/N 21300004-
ENGINE & ACCESSORIES (2/2) (21301933-21306716)

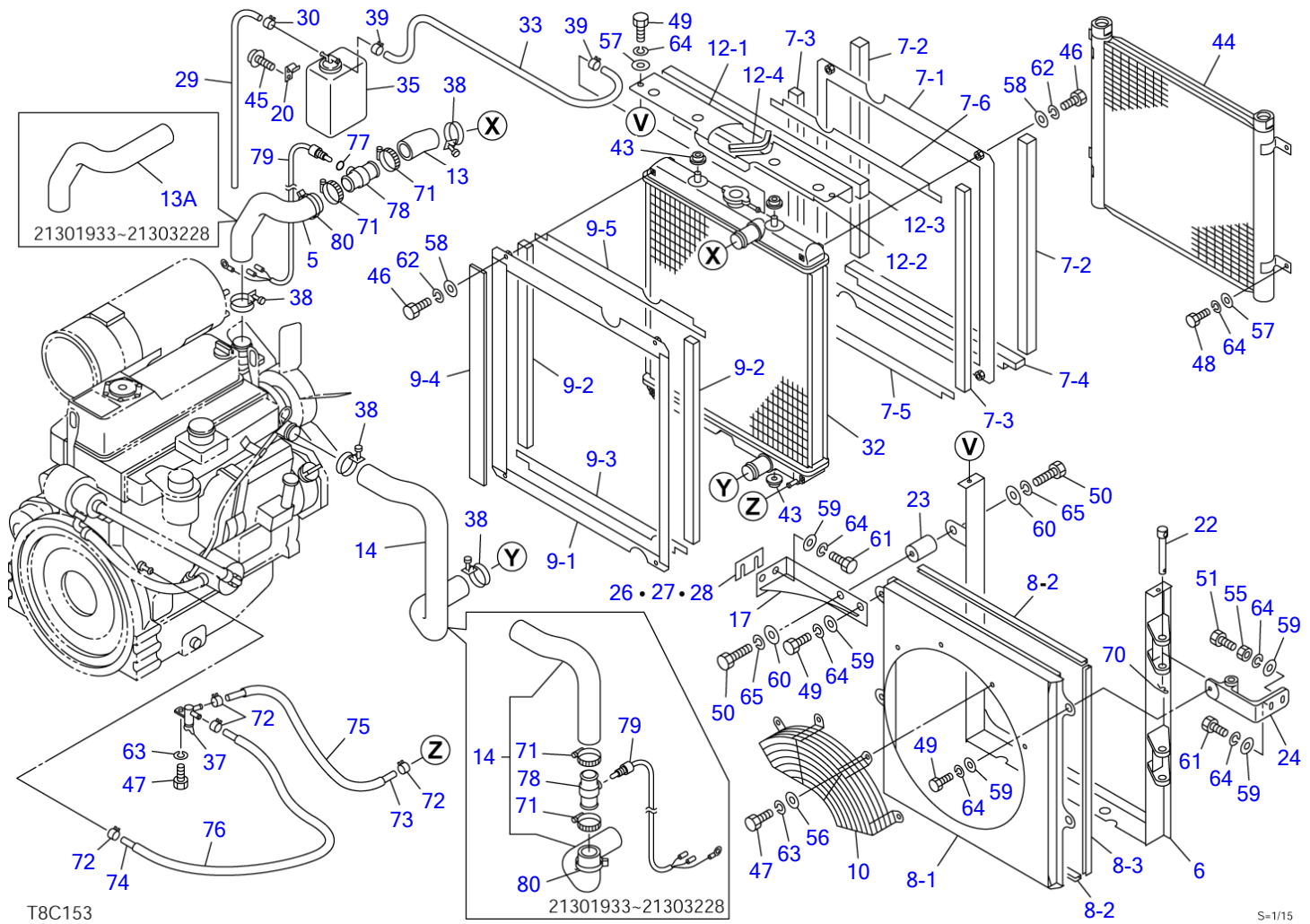


S=1/15

ENGINE & ACCESSORIES (2/2) (21301933-21306716)

Item	Part number	Description	Q'ty	Chan.	Serial No.	Serv.	Remarks
		ENGINE ASSY					X08804-07500-11
		ENGINE ASSY (with air conditioner)					X08804-07900-11
5	0880407672	HOSE	1		21303229~21303378		
	0880407762	HOSE	1	(H)	21303379~		
6	0880407510	FRAME	1				
7	X 0880407540	PLATE ASSY	1				
7-1	0880407550	• PLATE	1				
7-2	1654341060	• SPONGE	2				sold by the meter
7-3	1654342057	• SPONGE	2				sold by the meter
7-4	0880407544	• SPONGE	1				
7-5	0880407613	• SPONGE	1				
7-6	0880407615	• SPONGE	1				
8	X 0880407570	SHROUD ASSY	1				
8-1	0880407580	• SHROUD	1				
8-2	1654606054	• TRIM	2				sold by the meter
8-3	1654606059	• TRIM	1				sold by the meter
9	X 0880407610	PLATE ASSY	1				
9-1	0880407550	• PLATE	1				
9-2	1654342057	• SPONGE	2				sold by the meter
9-3	0880407613	• SPONGE	1				
9-4	0880407614	• SPONGE	1				
9-5	0880407615	• SPONGE	1				
10	0880407630	GUARD	1				
12	X 0880407650	PLATE ASSY	1				
12-1	0880407660	• PLATE	1				
12-2	1654348046	• SPONGE	1				sold by the meter
12-3	0880407653	• SPONGE	1				
12-4	1654624009	• TRIM	1				sold by the meter
13A	0880407670	HOSE	1		21301933~21303228		
13	0880407671	HOSE	1		21303229~21303378		
	0880407761	HOSE	1	(H)	21303379~		
14	0880407680	HOSE	1		21301933~21303228		
	0880407685	HOSE	1		21303229~21303540		
	0880407770	HOSE	1	(H)	21303541~		
17	0880407710	BRACKET	2				
20	0880406110	PLATE	1				
22	0881402180	PIN	2				
23	0880407040	BOSS	2				
24	0882402560	HINGE	2				
26	0880406610	SHIM	AR				t=1.6mm
27	0880406620	SHIM	AR				t=3.2mm
28	0880406630	SHIM	AR				t=4.5mm
29	1910161013	HOSE	1				Y105840-59100
30	1910150018	BAND	1				Y124722-59050
32	1910199002	RADIATOR	1				Y129944-44510
33	1531407115	HOSE	1				
35	1910146020	TANK, sub	1				Y129466-44510
37	1910078037	VALVE	1				Y129150-49100
38	1910116047	BAND	4				Y23000-054000
39	1910199017	BAND	2				Y121250-44590
43	1910170052	RUBBER, cushion	4				Y119255-44660
44	1911300030	COOLER, oil	1				
45	1150120410	SCREW	2				
46	1100040625	BOLT	8				
47	1100040816	BOLT	5				
48	1100040820	BOLT	4				
49	1100041025	BOLT	6				
50	1100041230	BOLT	4				
51	1100241050	BOLT	1				
55	1130040010	NUT	1				
56	1141110008	WASHER	4				
57	1141110010	WASHER	6				
58	0003606202	WASHER	8				
59	0003600003	WASHER	12				
60	0003600136	SHIM	4				
61	1100041030	BOLT	7				
62	1140020006	WASHER, spring	8				

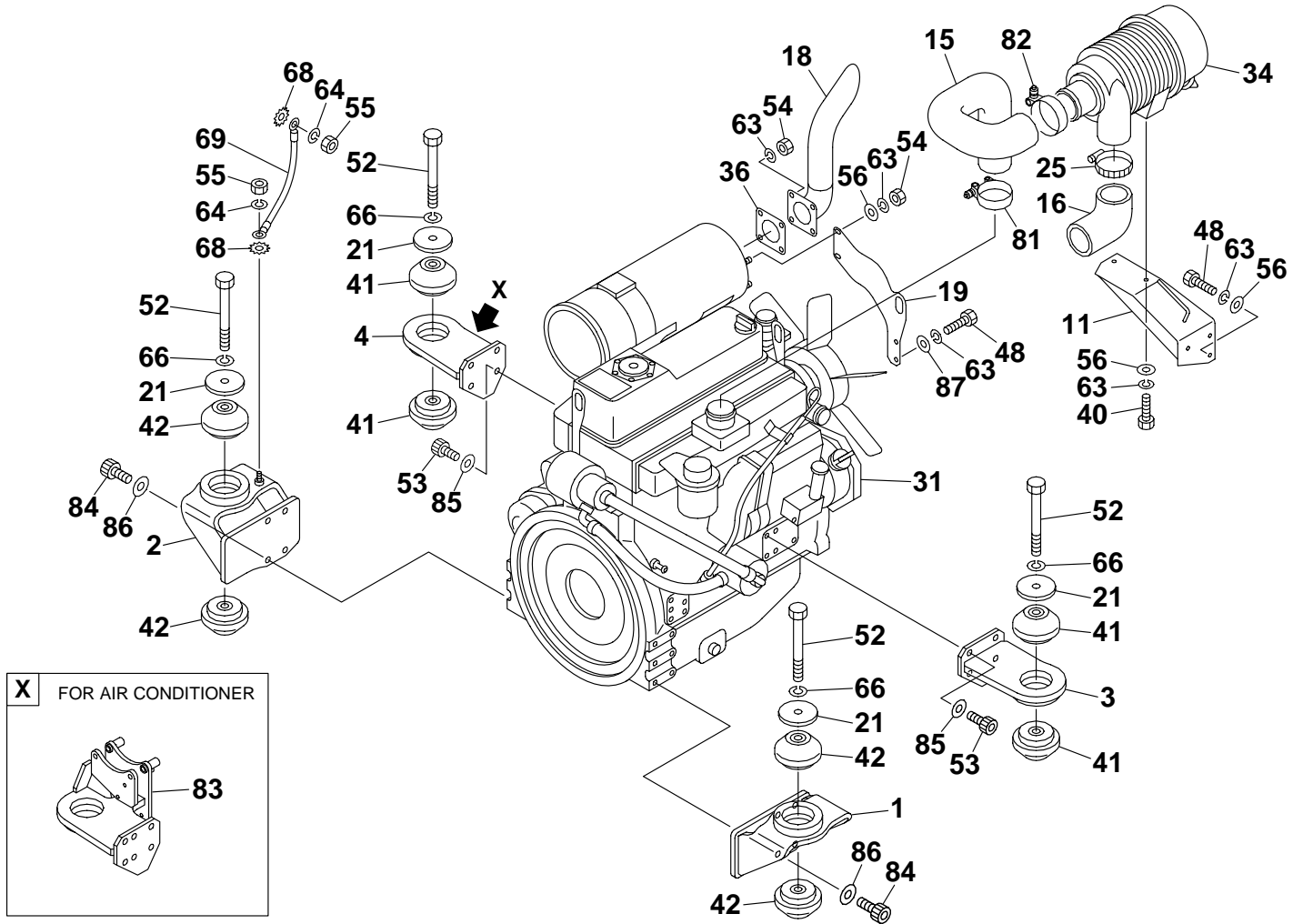
TL130 Book No. BT8Z012 S/N 21300004-
ENGINE & ACCESSORIES (2/2) (21301933-21306716)



ENGINE & ACCESSORIES (2/2) (21301933-21306716)

Item	Part number	Description	Q'ty	Chan.	Serial No.	Serv.	Remarks
63	1140020008	WASHER, spring	5				
64	1140020010	WASHER, spring	18				
65	1140020012	WASHER, spring	4				
70	1214000016	PIN, snap	2				
71	1533700057	BAND	2				
72	1533120010	BAND	4		21301933~21303228		
72	1533120012	BAND	4		21303229~		
73	1531211070	TUBE	1		21301933~21303228		sold by the meter
73	1530808070	TUBE	1		21303229~		sold by the meter
74	1531211115	TUBE	1		21301933~21303228		sold by the meter
74	1530808115	TUBE	1		21303229~		sold by the meter
75	1531115032	PROTECTOR	2				sold by the meter
76	1531115055	PROTECTOR	2				sold by the meter
77	1420000100	O-RING	1		21303229~		
78	0564026360	JOINT	1		21301933~21303228		
78	0881402595	JOINT	1		21303229~		
79	1700100046	SENSOR	1				
80	1652241200	BAND	1				
	T8c154						

TL130 Book No. BT8Z012 S/N 21300004-
ENGINE & ACCESSORIES (1/2) (21306717-)



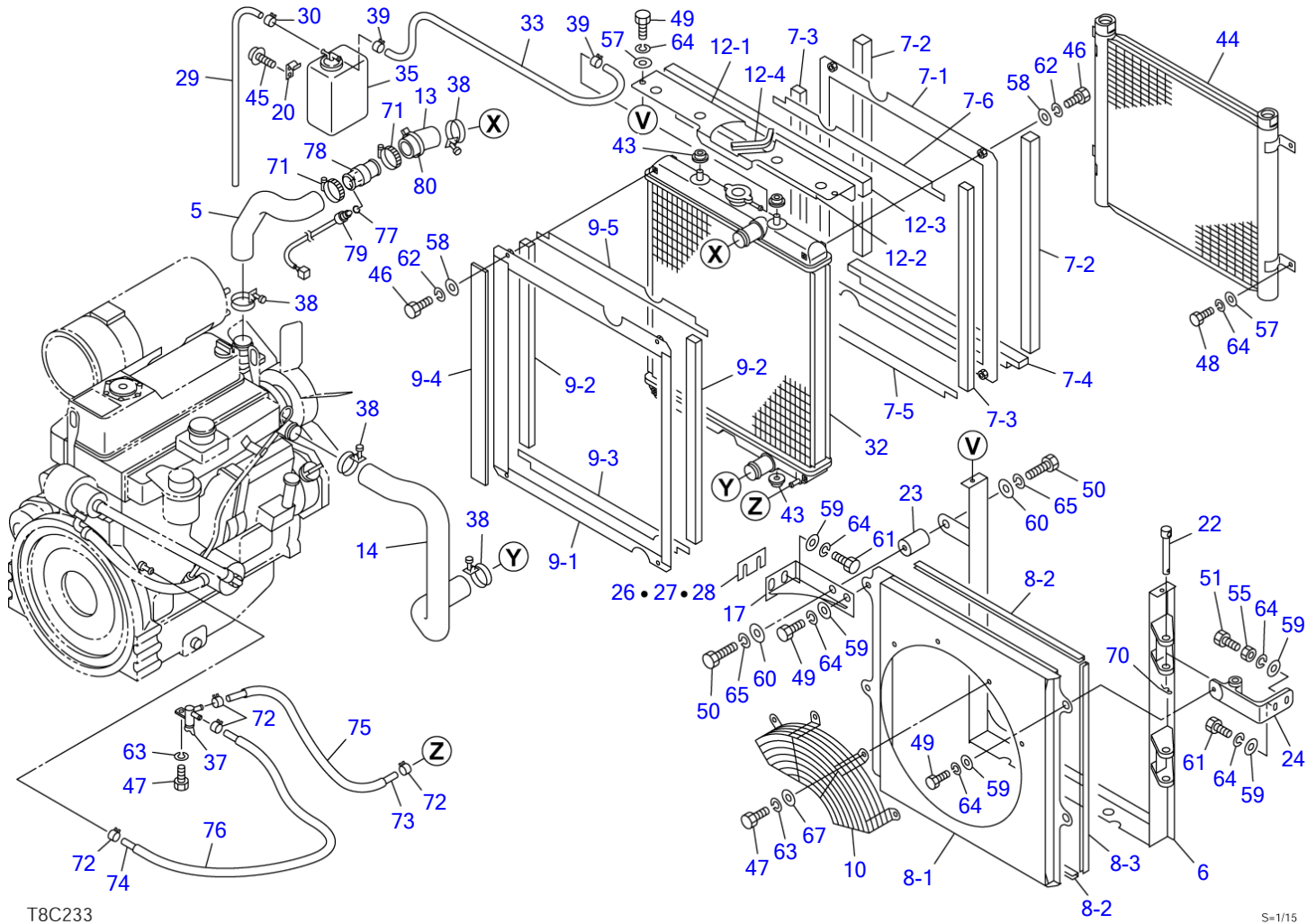
T8C221

S=1/14

ENGINE & ACCESSORIES (1/2) (21306717-)

Item	Part number	Description	Q'ty	Chan.	Serial No.	Serv.	Remarks
		ENGINE ASSY					X08804-08600-5
		ENGINE ASSY (with air conditioner)					X08804-08700-5
1	880406010	FOOT, engine(F.L.)	1				
2	880406020	FOOT, engine(F.R.)	1				
3	880406030	FOOT, engine(R.L.)	1				
4	880406040	FOOT, engine(R.R.)	1				
11	880407640	BRACKET	1				
15	880407690	HOSE	1				
16	880407700	PIPE	1		21306717~21308654		
18	880407720	NOZZLE	1				
19	880407730	PLATE	1				
21	881400210	WASHER	4				
25	1533700096	BAND	1		21306717~21308654		
31	1910199001	ENGINE	1				4TNV98-YTBL
34	1910199007	CLEANER, air	1				Y129944-12520
36	1910197023	GASKET	1				Y129930-13200
40	1100040825	BOLT	2				
41	1651030004	RUBBER, cushion	4				
42	1651030005	RUBBER, cushion	4				
48	1100040820	BOLT	5				
52	1101141640	BOLT	4				
53	1110021030	SCREW, cap	8				
	1110021030	SCREW, cap	10				with air conditioner
54	1130040008	NUT	6				
55	1130040010	NUT	2				
56	1141110008	WASHER	7				
63	1140020008	WASHER, spring	11				
64	1140020010	WASHER, spring	2				
66	1140020016	WASHER, spring	4				
68	1140330010	WASHER	2				
69	1702402001	CABLE	1				
81	1533701300	BAND	1				
82	1533701350	BAND	1				
83	880407960	FOOT, engine(R.R.)	1				with air conditioner
84	1110021230	SCREW, cap	8				
85	1141550010	WASHER	8				
	1141550010	WASHER	10				with air conditioner
86	1141550012	WASHER	8				
87	3608252	WASHER	2				
	T8c223						

TL130 Book No. BT8Z012 S/N 21300004-
 ENGINE & ACCESSORIES (2/2) (21306717-)



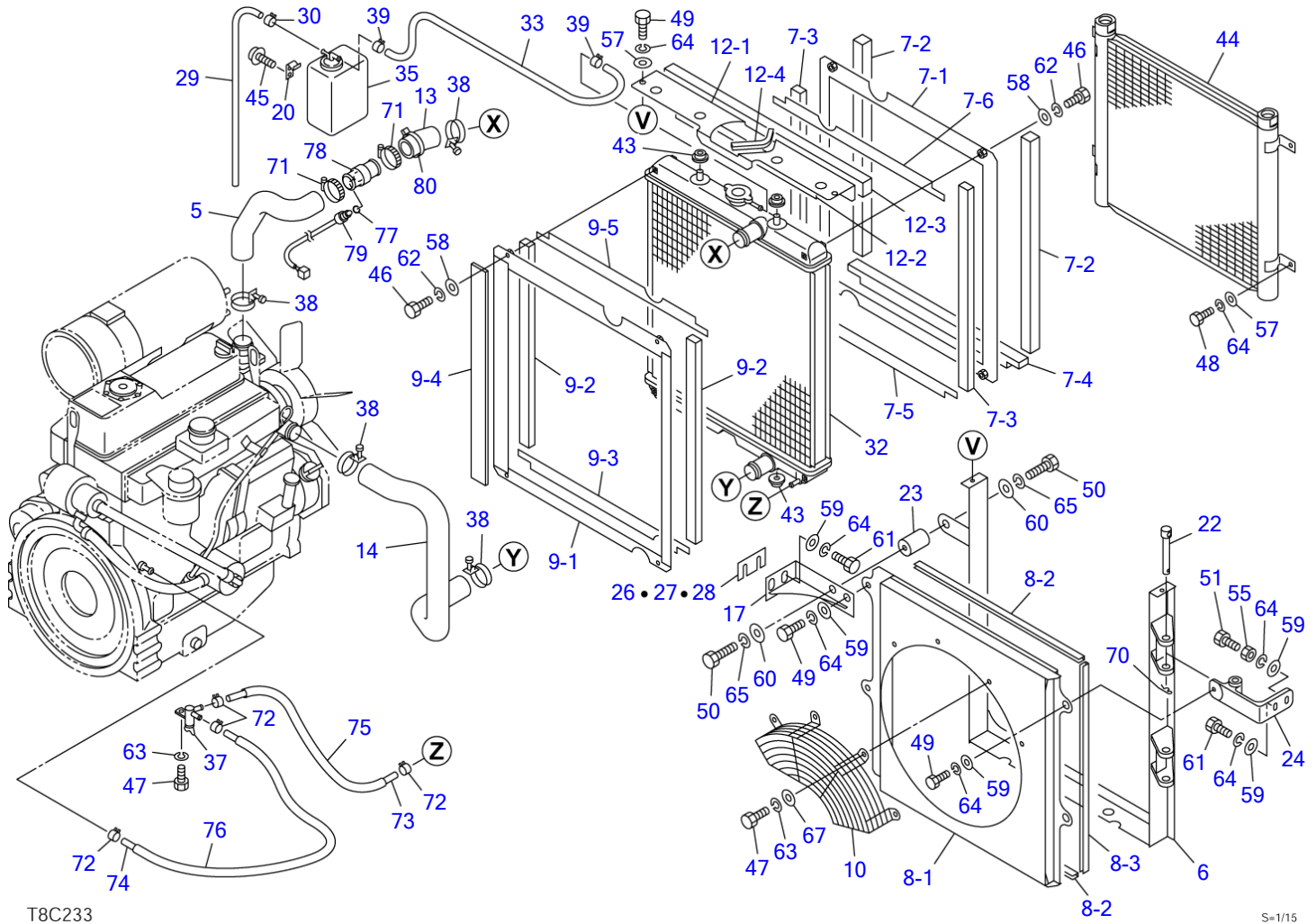
T8C233

S=1/15

ENGINE & ACCESSORIES (2/2) (21306717-)

Item	Part number	Description	Q'ty	Chan.	Serial No.	Serv.	Remarks
		ENGINE ASSY					X08804-08600-5
		ENGINE ASSY (with air conditioner)					X08804-08700-5
5	0880407762	HOSE	1				
6	0880408050	FRAME	1				
7	X 0880407540	PLATE ASSY	1				
7-1	0880407550	• PLATE	1				
7-2	1654341060	• SPONGE	2				sold by the meter
7-3	1654342057	• SPONGE	2				sold by the meter
7-4	0880407544	• SPONGE	1				
7-5	0880407613	• SPONGE	1				
7-6	0880407615	• SPONGE	1				
8	X 0880407990	SHROUD ASSY	1		21306717~21308953	M	
	X 0880408630	SHROUD ASSY	1		21308954~	M	
8-1	0880407970	• SHROUD	1		21306717~21308953	M	
	0880408610	• SHROUD	1		21308954~	M	
8-2	1654606054	• TRIM	2				sold by the meter
8-3	1654606059	• TRIM	1				sold by the meter
9	X 0880407610	PLATE ASSY	1				
9-1	0880407550	• PLATE	1				
9-2	1654342057	• SPONGE	2				sold by the meter
9-3	0880407613	• SPONGE	1				
9-4	0880407614	• SPONGE	1				
9-5	0880407615	• SPONGE	1				
10	0880407630	GUARD	1				
12	X 0880407650	PLATE ASSY	1				
12-1	0880407660	• PLATE	1				
12-2	1654348046	• SPONGE	1				sold by the meter
12-3	0880407653	• SPONGE	1				
12-4	1654624009	• TRIM	1				sold by the meter
13	0880407761	HOSE	1				
14	0880407770	HOSE	1				
17	0880408040	BRACKET	2				
20	0880406110	PLATE	1				
22	0881402180	PIN	2				
23	0880407040	BOSS	2				
24	0882402560	HINGE	2				
26	0880406610	SHIM	AR				t=1.6mm
27	0880406620	SHIM	AR				t=3.2mm
28	0880406630	SHIM	AR				t=4.5mm
29	1910161013	HOSE	1				Y105840-59100
30	1910150018	BAND	1				Y124722-59050
32	1910199002	RADIATOR	1				Y129944-44510
33	1531407115	HOSE	1				
35	1910146020	TANK, sub	1				Y129466-44510
37	1910078037	VALVE	1				Y129150-49100
38	1910116047	BAND	4				Y23000-054000
39	1910199017	BAND	2				Y121250-44590
43	1910170052	RUBBER, cushion	4				Y119255-44660
44	1911300030	COOLER, oil	1				
45	1150120410	SCREW	2				
46	1100040625	BOLT	8				
47	1100040816	BOLT	5				
48	1100040820	BOLT	4				
49	1100041025	BOLT	6				
50	1100041230	BOLT	4				
51	1100241050	BOLT	1				
55	1130040010	NUT	1				
57	1141110010	WASHER	6				
58	0003606202	WASHER	8				
59	0003600025	WASHER	12				
60	0003600136	SHIM	4				
61	1100041030	BOLT	7				
62	1140020006	WASHER, spring	8				
63	1140020008	WASHER, spring	5				
64	1140020010	WASHER, spring	18				
65	1140020012	WASHER, spring	4				
67	0003600011	WASHER	4				

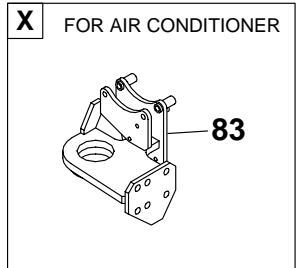
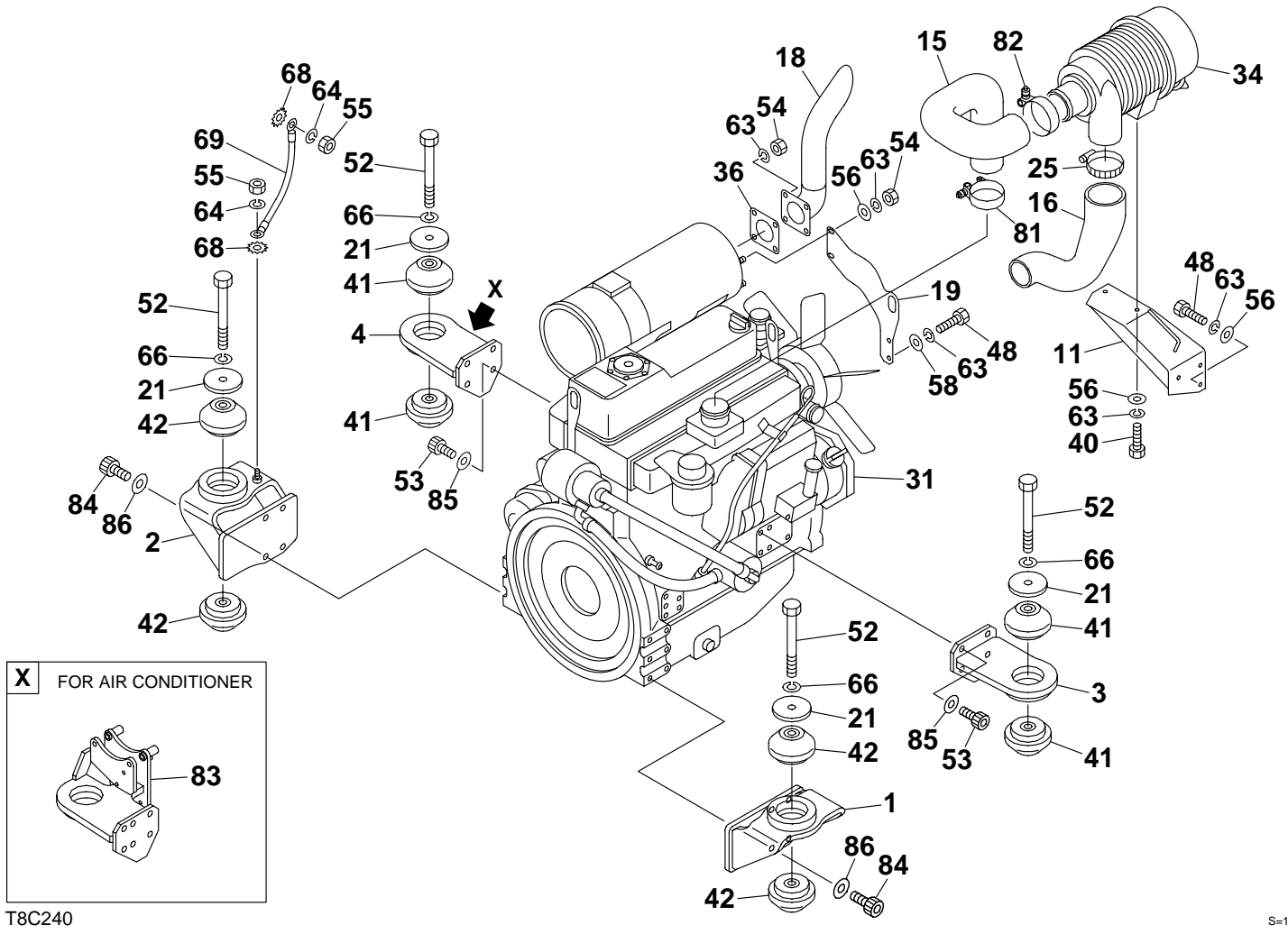
TL130 Book No. BT8Z012 S/N 21300004-
ENGINE & ACCESSORIES (2/2) (21306717-)



ENGINE & ACCESSORIES (2/2) (21306717-)

Item	Part number	Description	Q'ty	Chan.	Serial No.	Serv.	Remarks
70	1214000016	PIN, snap	2				
71	1533700057	BAND	2				
72	1533120012	BAND	4				
73	1530808070	TUBE	1				sold by the meter
74	1530808115	TUBE	1				sold by the meter
75	1531115032	PROTECTOR	2				sold by the meter
76	1531115055	PROTECTOR	2				sold by the meter
77	1420000100	O-RING	1				
78	0881402595	JOINT	1				
79	1700100046	SENSOR	1				
80	1652241200	BAND	1				
	T8c233						

TL130 Book No. BT8Z012 S/N 21300004-
ENGINE & ACCESSORIES (1/2) (high flow; 21306717-)

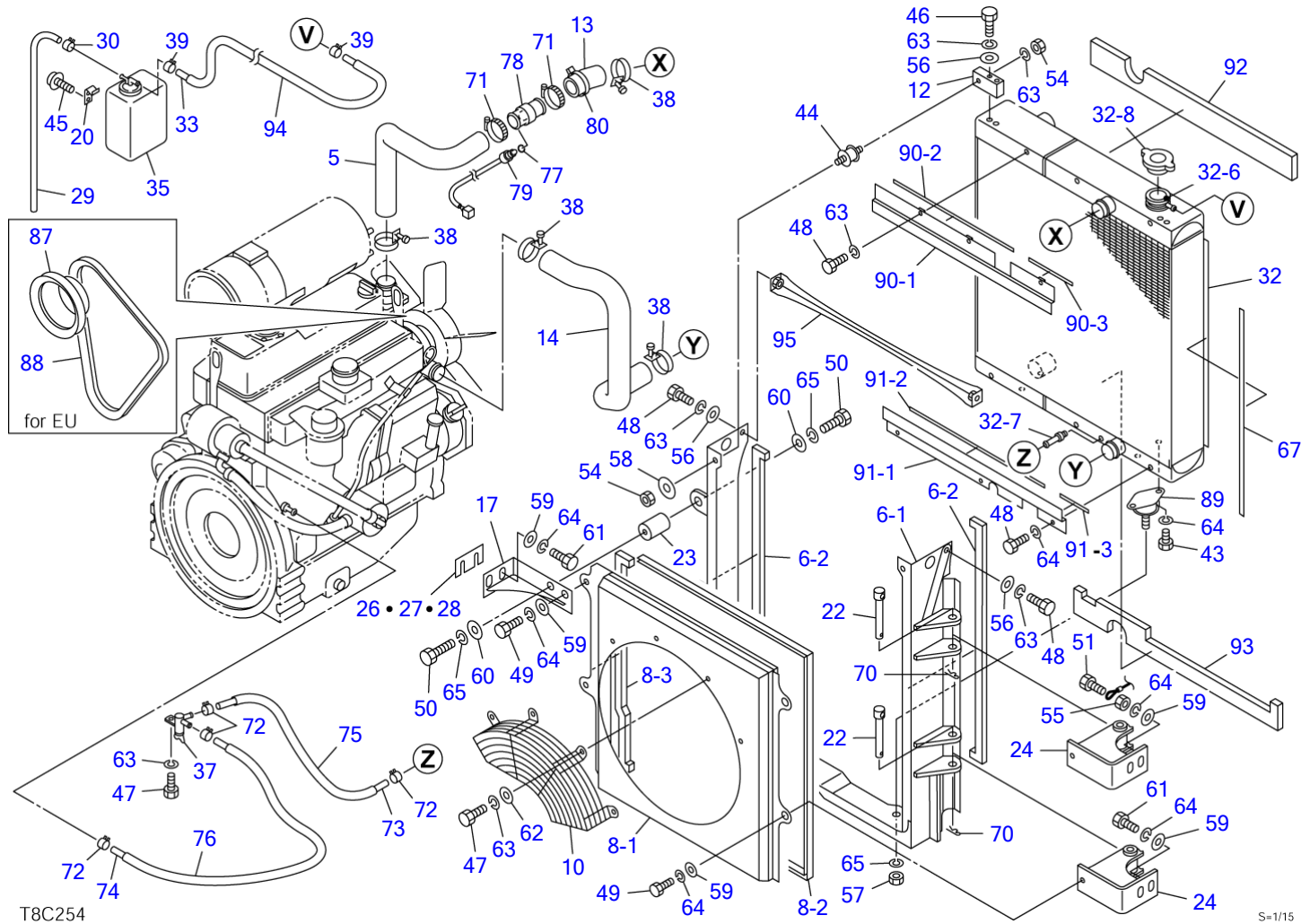


T8C240

ENGINE & ACCESSORIES (1/2) (high flow; 21306717-)

Item	Part number	Description	Q'ty	Chan.	Serial No.	Serv.	Remarks
		ENGINE ASSY (for EU)					X08804-08000-10
		ENGINE ASSY (for US)					X08804-09000-10
		ENGINE ASSY (with air conditioner, for EU)					X08804-08800-10
		ENGINE ASSY (with air conditioner, for US)					X08804-09100-10
1	880406010	FOOT, engine (F.L.)	1				
2	880406020	FOOT, engine (F.R.)	1				
3	880406030	FOOT, engine (R.L.)	1				
4	880406040	FOOT, engine (R.R.)	1				
11	880407640	BRACKET	1				
15	880407690	HOSE	1				
16	880408070	PIPE	1				
18	880406890	NOZZLE	1				
19	880407730	PLATE	1				
21	881400210	WASHER	4				
25	1533700096	BAND	1				
31	1910214001	ENGINE	1				4TNV98-YTBL1
34	1910199007	CLEANER, air	1				Y129944-12520
36	1910197023	GASKET	1				Y129930-13200
40	1100040825	BOLT	2				
41	1651030004	RUBBER, cushion	4				
42	1651030005	RUBBER, cushion	4				
48	1100040820	BOLT	5				
52	1101141640	BOLT	4				
53	1110021030	SCREW, cap	8				
	1110021030	SCREW, cap	10				with air conditioner
54	1130040008	NUT	6				
55	1130040010	NUT	2				
56	1141110008	WASHER	7				
58	3608252	WASHER	2				
63	1140020008	WASHER, spring	11				
64	1140020010	WASHER, spring	2				
66	1140020016	WASHER, spring	4				
68	1140330010	WASHER	2				
69	1702402001	CABLE	1				
81	1533701300	BAND	1				
82	1533701350	BAND	1				
83	880407960	FOOT, engine (R.R.)	1				with air conditioner
84	1110021230	SCREW, cap	8				
85	1141550010	WASHER	8				
	1141550010	WASHER	10				with air conditioner
86	1141550012	WASHER	8				
	T8c244						

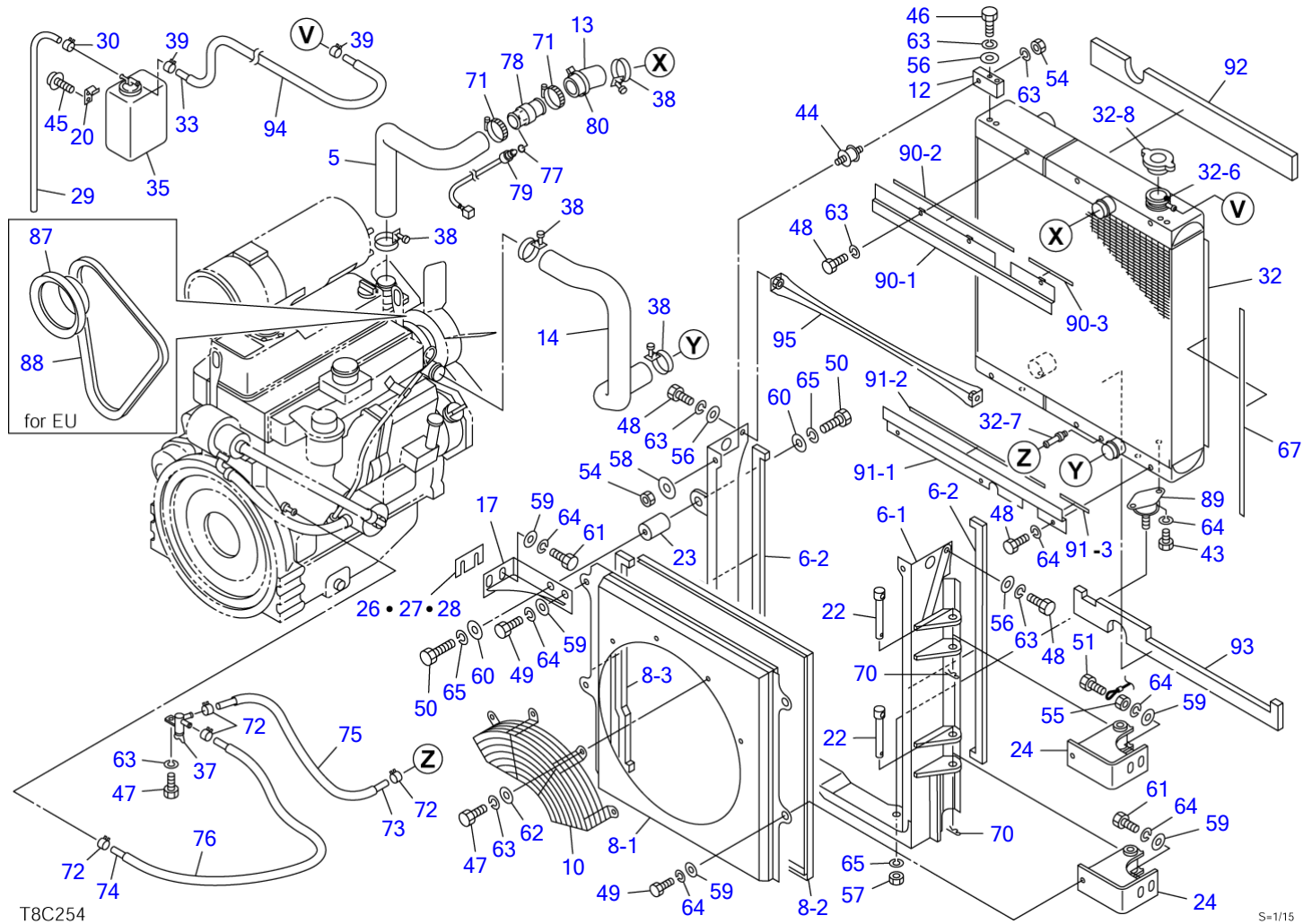
TL130 Book No. BT8Z012 S/N 21300004-
ENGINE & ACCESSORIES (2/2) (high flow; 21306717-)



ENGINE & ACCESSORIES (2/2) (high flow; 21306717-)

Item	Part number	Description	Q'ty	Chan.	Serial No.	Serv.	Remarks
		ENGINE ASSY (for EU)					X08804-08000-10
		ENGINE ASSY (for US)					X08804-09000-10
		ENGINE ASSY (with air conditioner, for EU)					X08804-08800-10
		ENGINE ASSY (with air conditioner, for US)					X08804-09100-10
5	0880408010	HOSE	1				
6	X 0880408100	FRAME ASSY	1				
6-1	0880408110	· FRAME	1	A	21306717~21308834	M	
	0880408130	· FRAME	1	a(H)	21308835~	M	
6-2	0880408120	· SPONGE	2				
8	X 0880408300	SHROUD ASSY	1				
8-1	0880408310	· SHROUD	1				
8-2	1654606175	· TRIM	1				sold by the meter
8-3	0880408303	· TRIM	1				
10	0880407630	GUARD	1				
12	0880408550	STAY	1				
13	0880408020	HOSE	1				
14	0880408030	HOSE	1				
17	0880408040	BRACKET	2				
20	0880406110	PLATE	1				
22	0881402180	PIN	2				
23	0880407040	BOSS	2				
24	0880408590	HINGE	2				
26	0880406610	SHIM	AR				t=1.6mm
27	0880406620	SHIM	AR				t=3.2mm
28	0880406630	SHIM	AR				t=4.5mm
29	1910161013	HOSE	1				Y105840-59100
30	1910150018	BAND	1				Y124722-59050
32	1911300090	RADIATOR & COOLER, oil	1				
32-6	1911300076	· FITTING, hose	1				
32-7	1911300077	· NIPPLE	1				
32-8	1911300078	· CAP, radiator	1				
33	1531407124	HOSE	1				
35	1910146020	TANK, sub	1				Y129466-44510
37	1910078037	VALVE	1				Y129150-49100
38	1910116047	BAND	4				Y23000-054000
39	1910199017	BAND	2				Y121250-44590
43	1100041016	BOLT	4				
44	1651014003	RUBBER, cushion	2				
45	1150120410	SCREW	2				
46	1100040850	BOLT	4				
47	1100040816	BOLT	5				
48	1100040820	BOLT	8			M	
49	1100041025	BOLT	4				
50	1100041230	BOLT	4				
51	1100241050	BOLT	1				
54	1130040008	NUT	4				
55	1130040010	NUT	1				
56	1141110008	WASHER	6			M	
57	1130040012	WASHER	2				
58	0003608252	WASHER	2				
59	0003600025	WASHER	12				
60	0003600136	SHIM	4				
61	1100041030	BOLT	7				
62	0003600011	WASHER	4				
63	1140020008	WASHER, spring	21			M	
64	1140020010	WASHER, spring	16				
65	1140020012	WASHER, spring	6				
67	1654343056	SPONGE	2				sold by the meter
70	1214000016	PIN, snap	2				
71	1533700057	BAND	2				
72	1533120012	BAND	4				
73	1530808063	TUBE	1				sold by the meter
74	1530808115	TUBE	1				sold by the meter
75	1531115028	PROTECTOR	2				sold by the meter
76	1531115055	PROTECTOR	2				sold by the meter
77	1420000100	O-RING	1				

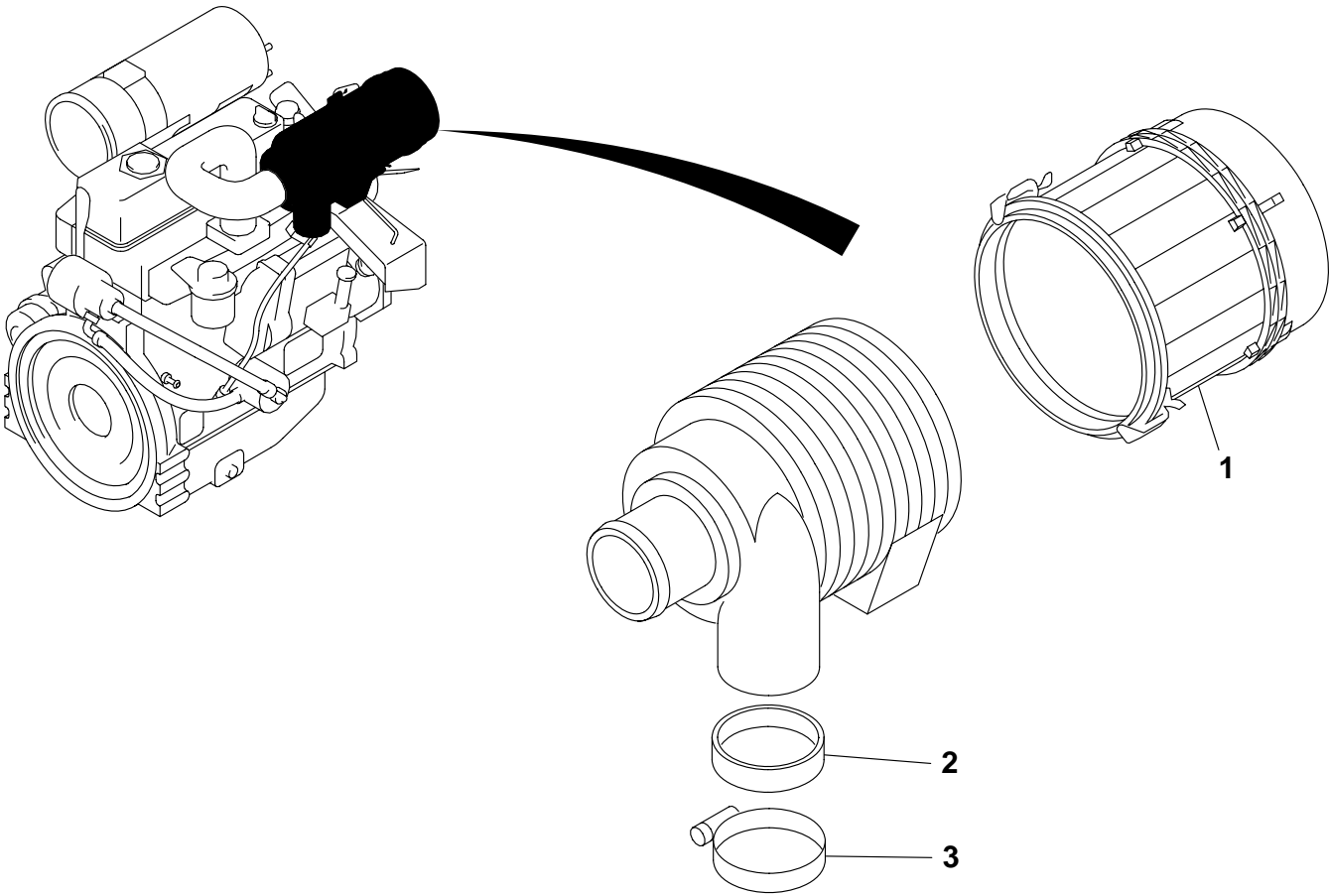
TL130 Book No. BT8Z012 S/N 21300004-
ENGINE & ACCESSORIES (2/2) (high flow; 21306717-)



ENGINE & ACCESSORIES (2/2) (high flow; 21306717-)

Item	Part number	Description	Q'ty	Chan.	Serial No.	Serv.	Remarks
78	0881402595	JOINT	1				
79	1700100046	SENSOR	1				
80	1652241200	BAND	1				
87	0880408560	PULLY	1				for EU
88	0880408570	V-BELT	1				for EU
89	0880408580	RUBBER, cushion	2				
90	X 0880408400	PLATE ASSY	1				
90-1	0880408410	· PLATE	1				
90-2	1654355039	· SPONGE	1				sold by the meter
90-3	1654355015	· SPONGE	1				sold by the meter
91	X 0880408500	PLATE ASSY	1				
91-1	0880408510	· PLATE	1				
91-2	1654355044	· SPONGE	1				sold by the meter
91-3	1654355010	· SPONGE	1				sold by the meter
92	0880408240	SPONGE	1				
93	0880408280	SPONGE	1				
94	1531115118	PROTECTOR	1		21306867~		
95	0880408150	STAY	1	a	21308835~	M	sold by the meter
95		<<NOTE>>					
95		"A" is interchangeable with SET "a".					

T8c254

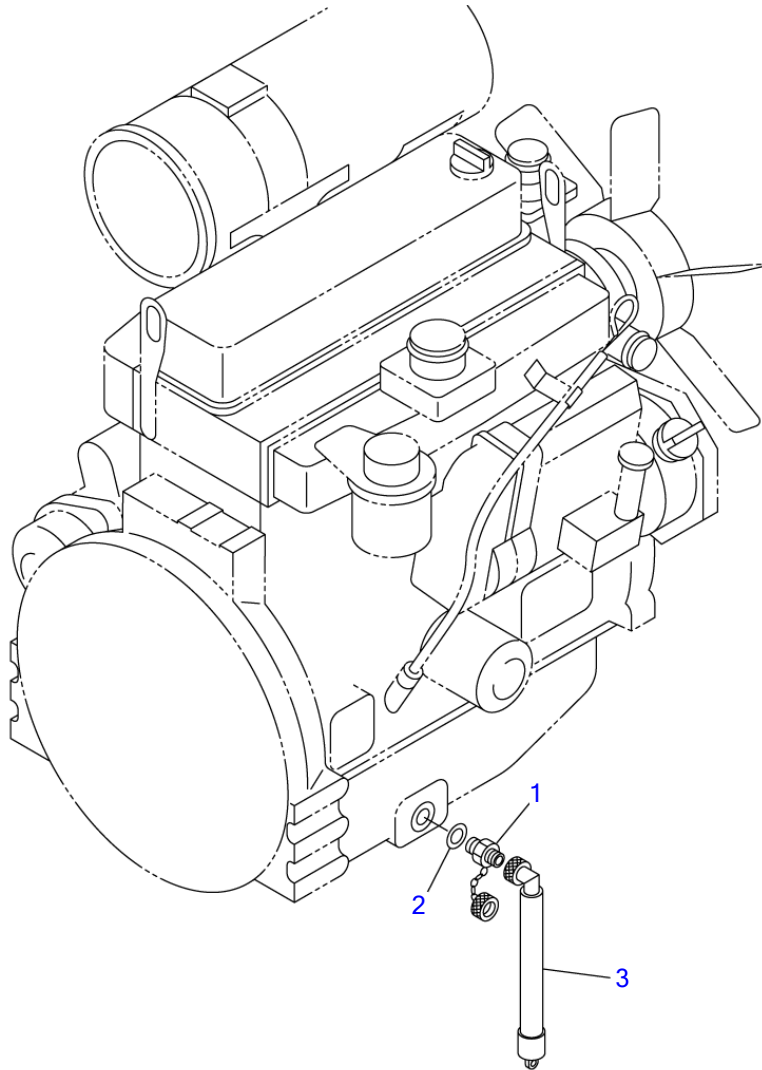


T8C290

S=1/5, 1/14

PRECLEANER (for US)

Item	Part number	Description	Q'ty	Chan.	Serial No.	Serv.	Remarks
		PRECLEANER ASSY					08804-08640-0
1	1911240010	PRECLEANER	1			M	
2	1911240030	CAP	1			M	
3	1911240031	BAND	1			M	
	T8c290						



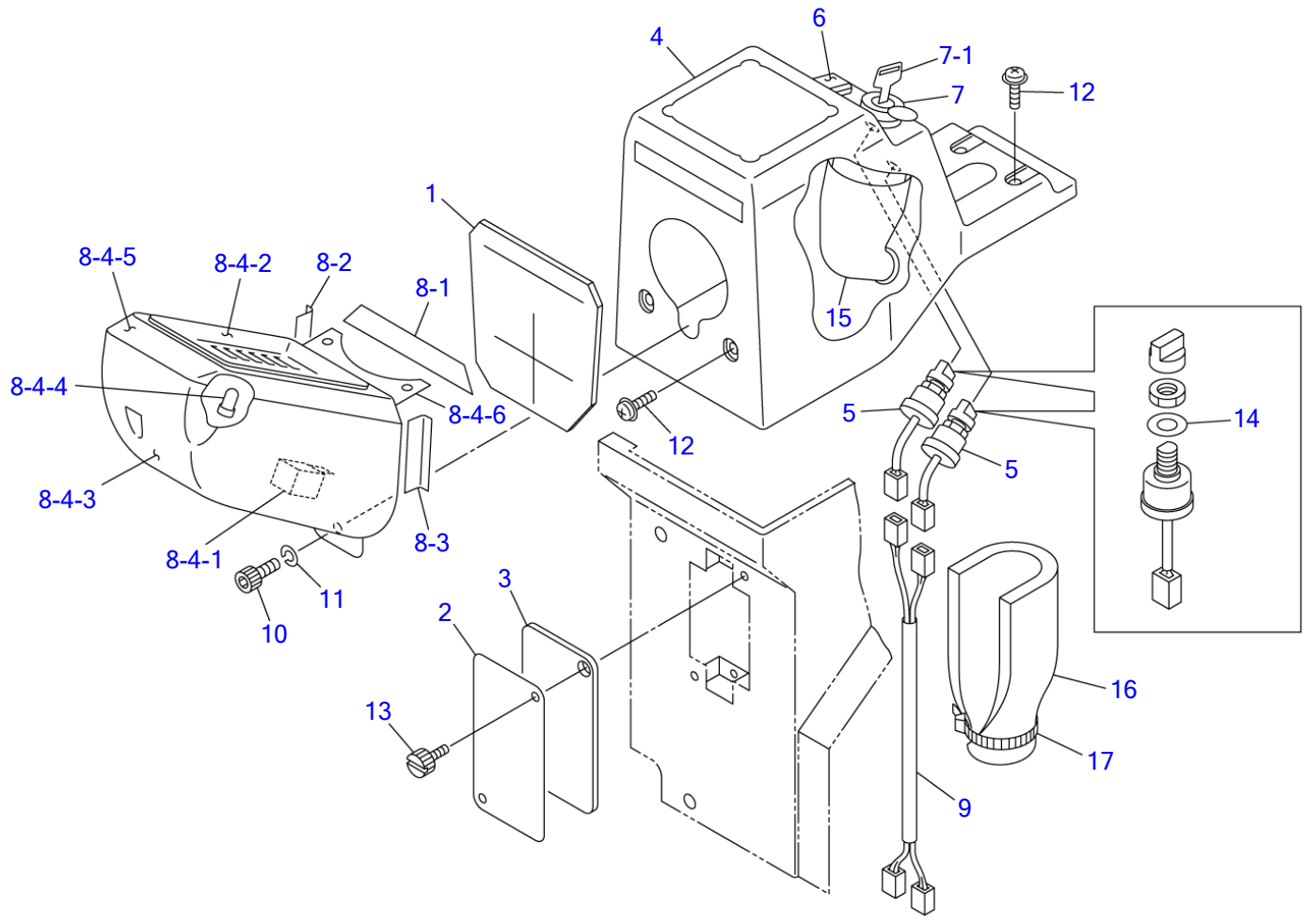
T8C030

S=1/8

DRAIN PLUG

Item	Part number	Description	Q'ty	Chan.	Serial No.	Serv.	Remarks
		PLUG ASSY, drain					X03340-13000-2
1	1554502250	PLUG	1				
2	1432122032	WASHER	1				
3	1554512601	TUBE	1				
	T8c031						

TL130 Book No. BT8Z012 S/N 21300004-
CONTROL BOX; R.H. (21300004-21303228)

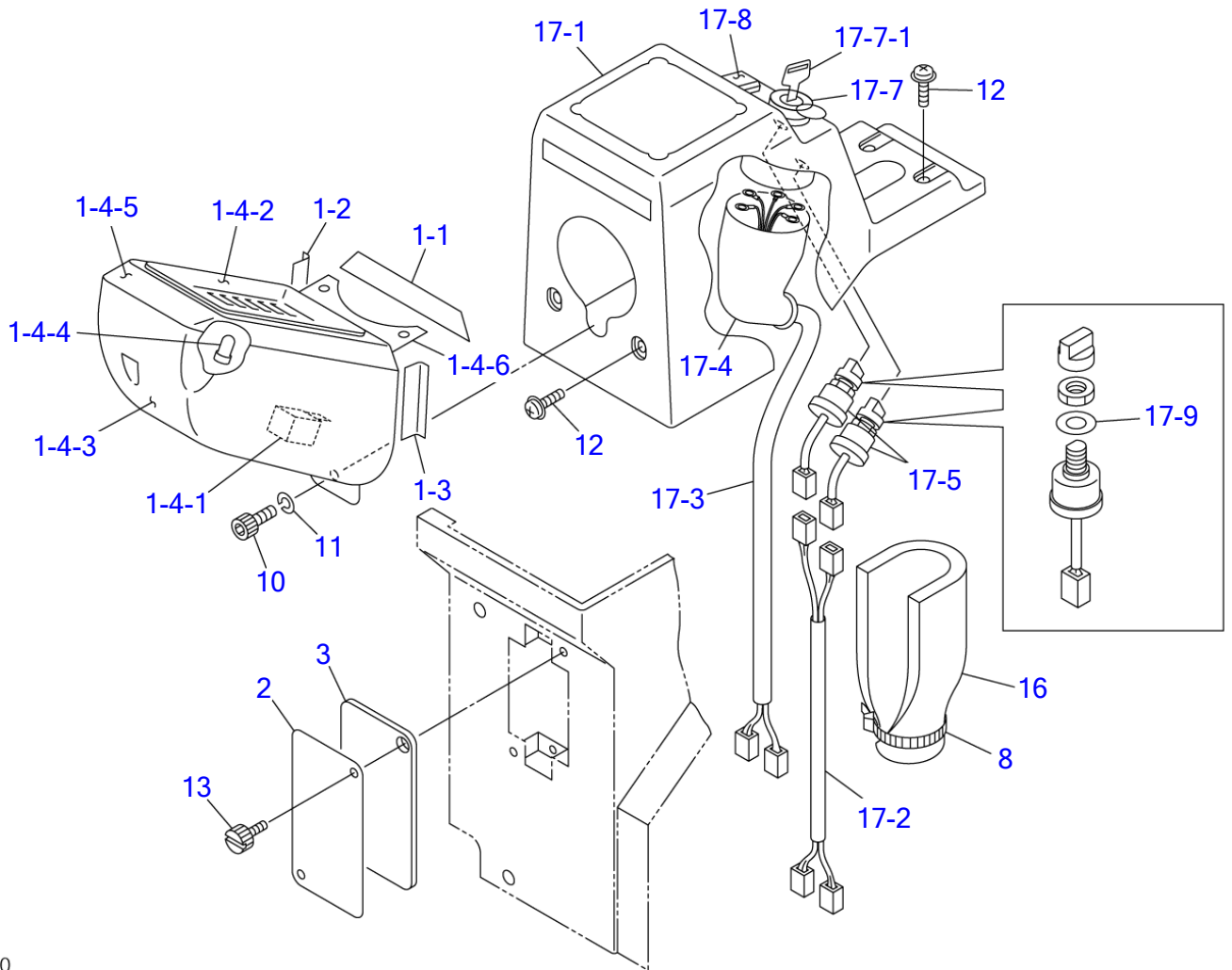


T8C041

S=1/5, 1/4

CONTROL BOX; R.H. (21300004-21303228)

Item	Part number	Description	Q'ty	Chan.	Serial No.	Serv.	Remarks
		COVER ASSY (R.H.)					X08814-30800-6
1	0881430801	ABSORBENT, noise	1				
2	0881430802	COVER	1				
3	0881430803	INSULATOR	1				
4	0881430870	COVER (R.H.)	1				
5	1700000010	SWITCH, lamp	2				
6	1700550024	ORNAMENT	1				
7	1700100023	SWITCH, starter	1				
7-1	1700100019	KEY	1				
8	0881430900	GAUGE ASSY, cluster	1		21300004~21301932		
	0881430910	GAUGE ASSY, cluster	1	(H)	21301933~		
8-1	0881430901	• ABSORBENT, noise	1				
8-2	0881430902	• ABSORBENT, noise	1				
8-3	0881430903	• ABSORBENT, noise	1				
8-4	1730140690	• GAUGE, cluster	1		21300004~21301932		
	1730140920	• GAUGE, cluster	1	(H)	21301933~		
8-4-1	1730140691	• • RELAY	1				12V
8-4-2	1730140782	• • GLASS	1				
8-4-3	1730140785	• • COVER	1				
8-4-4	1730140696	• • BULB	10				14V, 1.4W
8-4-5	1730140788	• • VISOR	1				
8-4-6	1730140694	• • BRACKET	1				
9	0881430880	HARNES, wiring	1				
10	1110020820	SCREW, cap	1				
11	1140090008	WASHER, spring	1				
12	1150420614	SCREW, sems	4				
13	1652711698	SCREW	2				
14	1141810012	WASHER	2				
15	0870431821	COVER	1				
16	0881430805	INSULATOR	1				
17	1652231250	BAND	1				
	T8c044						



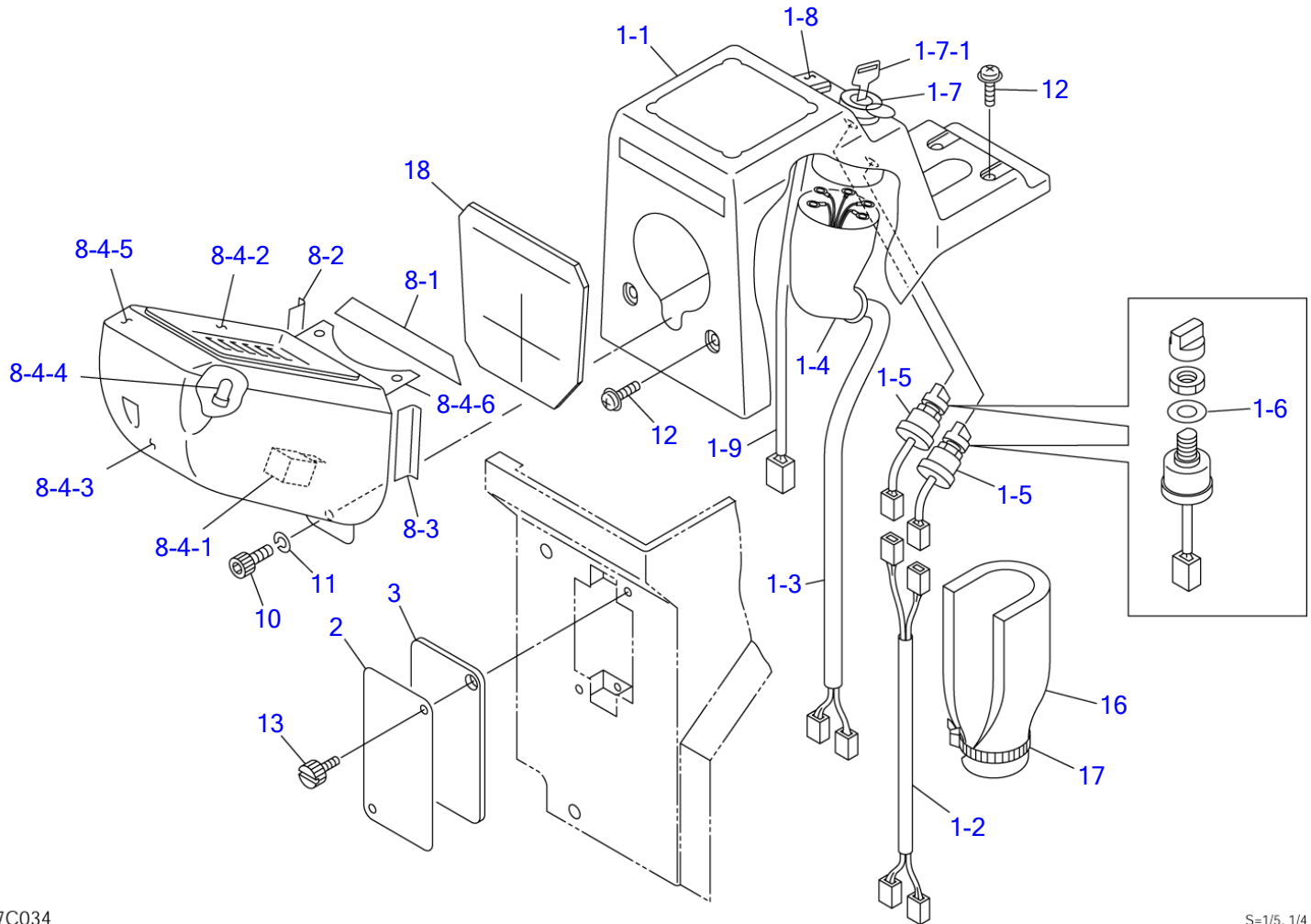
T8C190

S=1/5, 1/4

CONTROL BOX; R.H. (21303229-)

Item	Part number	Description	Q'ty	Chan.	Serial No.	Serv.	Remarks
		COVER ASSY (R.H.)					X08824-30000-2
1	0881430910	GAUGE ASSY, cluster	1				
1-1	0881430901	• ABSORBENT, noise	1				
1-2	0881430902	• ABSORBENT, noise	1				
1-3	0881430903	• ABSORBENT, noise	1				
1-4	1730140920	• GAUGE, cluster	1				
1-4-1	1730140691	• • RELAY	1				12V
1-4-2	1730140782	• • GLASS	1				
1-4-3	1730140785	• • COVER	1				
1-4-4	1730140696	• • BULB	10				14V, 1.4W
1-4-5	1730140788	• • VISOR	1				
1-4-6	1730140694	• • BRACKET	1				
2	0881430802	COVER	1				
3	0881430803	INSULATOR	1				
8	1652231250	BAND	1				
10	1110020820	SCREW, cap	1				
11	1140090008	WASHER, spring	1				
12	1150420614	SCREW	4				
13	1652711698	SCREW	2				
16	0881430805	INSULATOR	1				
17	0882430100	COVER ASSY, sub (R.H.)	1				
17-1	0881430870	• COVER (R.H.)	1				
17-2	0881430880	• HARNESS, wiring	1				
17-3	0881430960	• HARNESS, wiring	1				
17-4	0870431821	• COVER	1				
17-5	1700000010	• SWITCH, lamp	2				
17-7	1700100052	• SWITCH, starter	1				
17-7-1	1700100019	• KEY	1				
17-8	1700550024	• ORNAMENT	1				
17-9	1141810012	• WASHER	2				
	T8c190						

TL130 Book No. BT8Z012 S/N 21300004-
CONTROL BOX; R.H. (high flow; 21306717-)

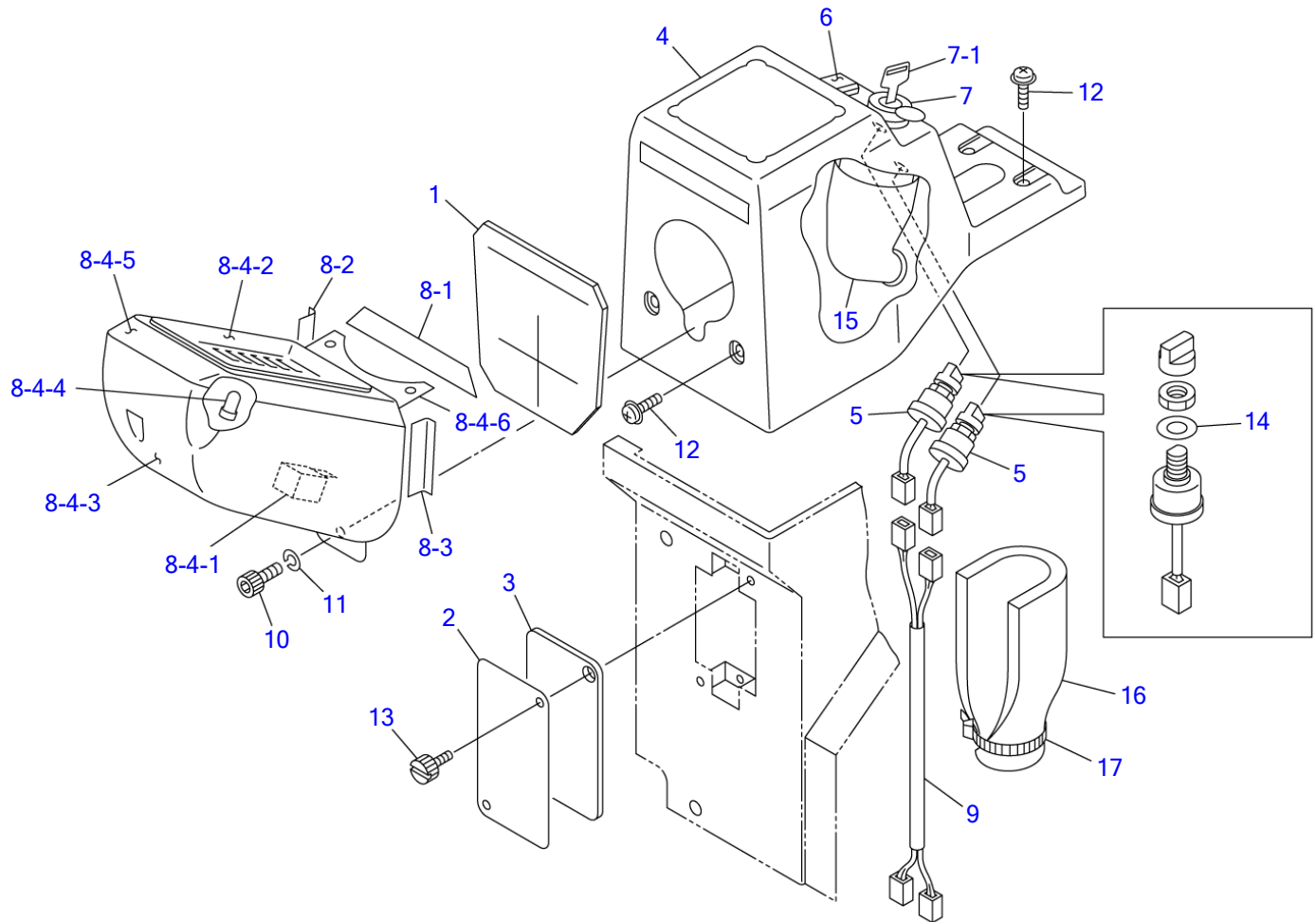


T7C034

S=1/5, 1/4

CONTROL BOX; R.H. (high flow; 21306717-)

Item	Part number	Description	Q'ty	Chan.	Serial No.	Serv.	Remarks
		COVER ASSY (R.H.)					X08814-31200-7
1	0881430950	COVER ASSY	1				
1-1	0881430870	• COVER (R.H.)	1				
1-2	0881430880	• HARNESS, wiring	1				
1-3	0881430960	• HARNESS, wiring	1				
1-4	0870431821	• COVER	1				
1-5	1700000010	• SWITCH, lamp	2				
1-6	1141810012	• WASHER	2				
1-7	1700100052	• SWITCH, starter	1				
1-7-1	1700100019	• KEY	1				
1-8	1700000034	• SWITCH	1				
1-9	0881430970	• HARNESS, wiring	1				
2	0881430802	COVER	1				
3	0881430803	INSULATOR	1				
8	0881430910	GAUGE ASSY, cluster	1				
8-1	0881430901	• ABSORBENT, noise	1				
8-2	0881430902	• ABSORBENT, noise	1				
8-3	0881430903	• ABSORBENT, noise	1				
8-4	1730140920	• GAUGE, cluster	1				
8-4-1	1730140691	• • RELAY	1				12V
8-4-2	1730140782	• • GLASS	1				
8-4-3	1730140785	• • COVER	1				
8-4-4	1730140696	• • BULB	10				14V, 1.4W
8-4-5	1730140788	• • VISOR	1				
8-4-6	1730140694	• • BRACKET	1				
10	1110020820	SCREW, cap	1				
11	1140090008	WASHER, spring	1				
12	1150420614	SCREW, sems	4				
13	1652711698	SCREW	2				
16	0881430805	INSULATOR	1				
17	1652231250	BAND	1				
18	0881430801	ABSORBENT, noise	1				
	T8c270						



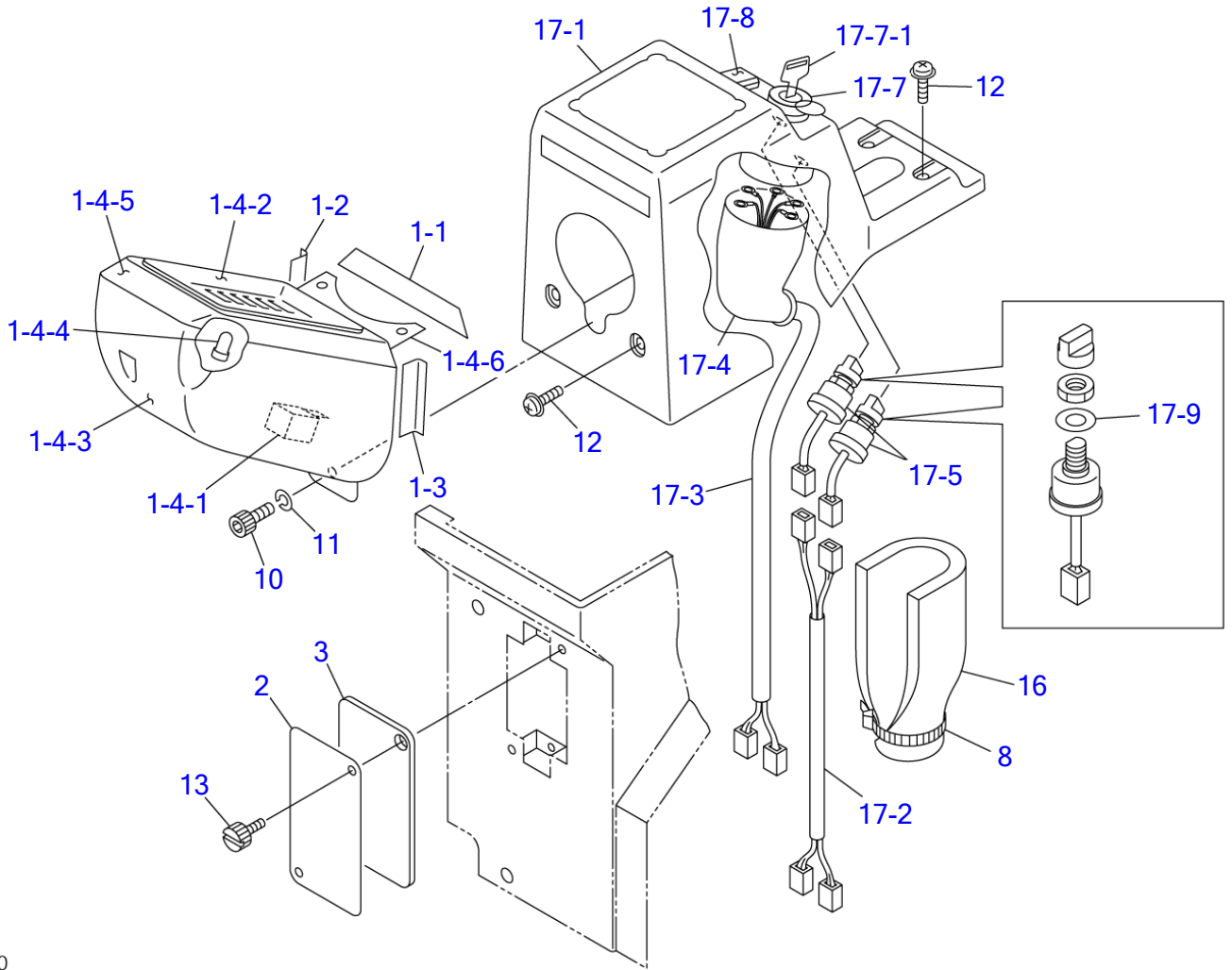
T8C131

S=1/5, 1/4

CONTROL BOX; R.H. (for GEHL & MUSTANG; 21300004-21303228)

Item	Part number	Description	Q'ty	Chan.	Serial No.	Serv.	Remarks
		COVER ASSY (R.H.)					X08814-31100-6
1	0881430801	ABSORBENT, noise	1				
2	0881430802	COVER	1				
3	0881430803	INSULATOR	1				
4	0881430870	COVER (R.H.)	1				
5	1700000010	SWITCH, lamp	2				
6	1700550024	ORNAMENT	1				
7	1700100023	SWITCH, starter	1				
7-1	1700100019	KEY	1				
8	0881431110	GAUGE ASSY, cluster	1		21300004~21301932		
	0881431120	GAUGE ASSY, cluster	1	(H)	21301933~		
8-1	0881430901	• ABSORBENT, noise	1				
8-2	0881430902	• ABSORBENT, noise	1				
8-3	0881430903	• ABSORBENT, noise	1				
8-4	1730140770	• GAUGE, cluster	1		21300004~21301932		
	1730140930	• GAUGE, cluster	1	(H)	21301933~		
8-4-1	1730140691	• • RELAY	1				12V
8-4-2	1730140782	• • GLASS	1				
8-4-3	1730140785	• • COVER	1				
8-4-4	1730140696	• • BULB	10				14V, 1.4W
8-4-5	1730140788	• • VISOR	1				
8-4-6	1730140694	• • BRACKET	1				
9	0881430880	HARNES, wiring	1				
10	1110020820	SCREW, cap	1				
11	1140090008	WASHER, spring	1				
12	1150420614	SCREW, sems	4				
13	1652711698	SCREW	2				
14	1141810012	WASHER	2				
15	0870431821	COVER	1				
16	0881430805	INSULATOR	1				
17	1652231250	BAND	1				
	T8c133						

TL130 Book No. BT8Z012 S/N 21300004-
CONTROL BOX; R.H. (for GEHL & MUSTANG; 21303229-)



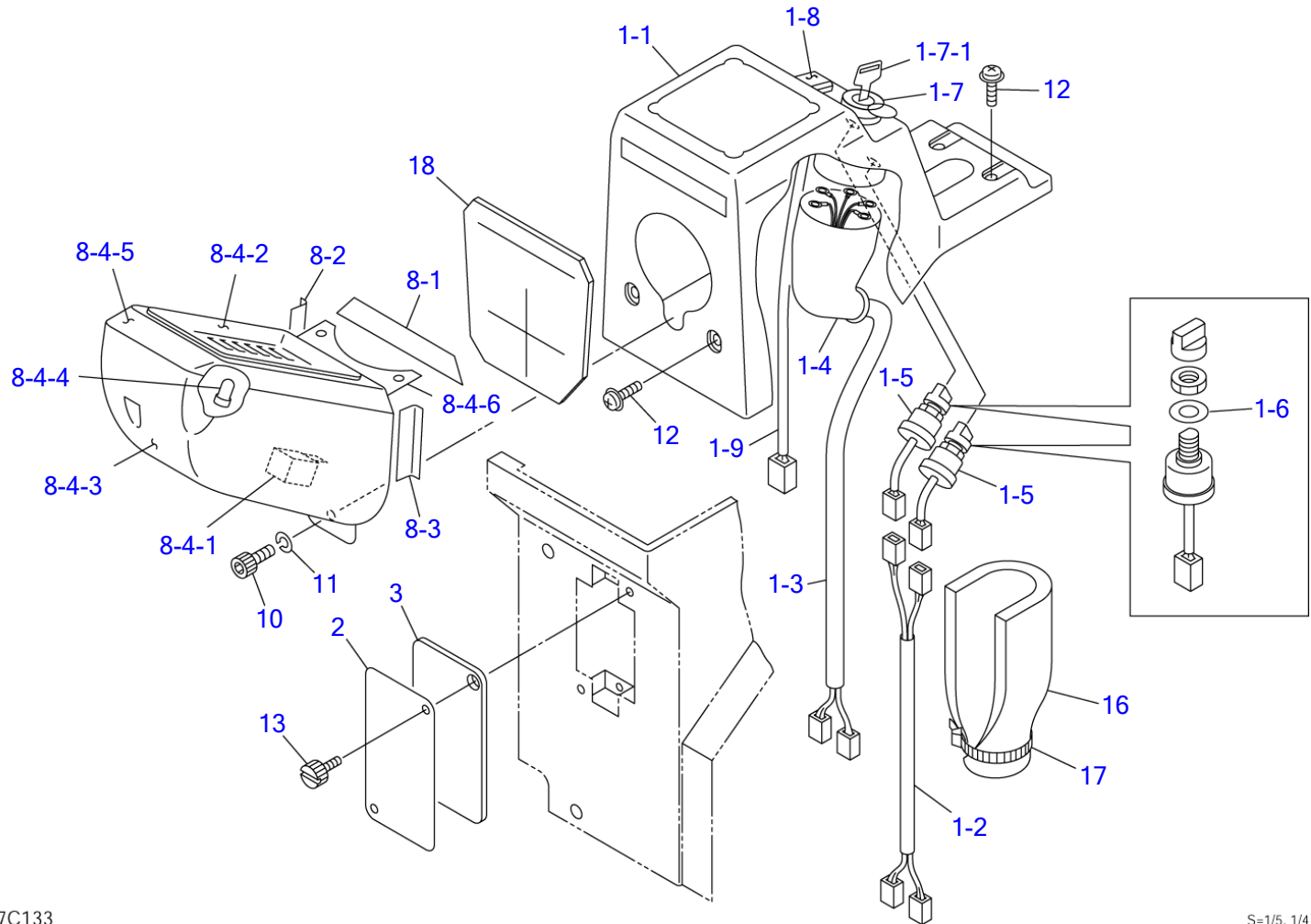
T8C190

S=1/5, 1/4

CONTROL BOX; R.H. (for GEHL & MUSTANG; 21303229-)

Item	Part number	Description	Q'ty	Chan.	Serial No.	Serv.	Remarks
		COVER ASSY (R.H.)					X08824-31000-2
1	0881431120	GAUGE ASSY, cluster	1				
1-1	0881430901	• ABSORBENT, noise	1				
1-2	0881430902	• ABSORBENT, noise	1				
1-3	0881430903	• ABSORBENT, noise	1				
1-4	1730140930	• GAUGE, cluster	1				
1-4-1	1730140691	• • RELAY	1				12V
1-4-2	1730140782	• • GLASS	1				
1-4-3	1730140785	• • COVER	1				
1-4-4	1730140696	• • BULB	10				14V, 1.4W
1-4-5	1730140788	• • VISOR	1				
1-4-6	1730140694	• • BRACKET	1				
2	0881430802	COVER	1				
3	0881430803	INSULATOR	1				
8	1652231250	BAND	1				
10	1110020820	SCREW, cap	1				
11	1140090008	WASHER, spring	1				
12	1150420614	SCREW	4				
13	1652711698	SCREW	2				
16	0881430805	INSULATOR	1				
17	0882430100	COVER ASSY, sub (R.H.)	1				
17-1	0881430870	• COVER (R.H.)	1				
17-2	0881430880	• HARNESS, wiring	1				
17-3	0881430960	• HARNESS, wiring	1				
17-4	0870431821	• COVER	1				
17-5	1700000010	• SWITCH, lamp	2				
17-7	1700100052	• SWITCH, starter	1				
17-7-1	1700100019	• KEY	1				
17-8	1700550024	• ORNAMENT	1				
17-9	1141810012	• WASHER	2				
	T8c200						

TL130 Book No. BT8Z012 S/N 21300004-
CONTROL BOX; R.H. (high flow, for GEHL & MUSTANG; 21306717-)

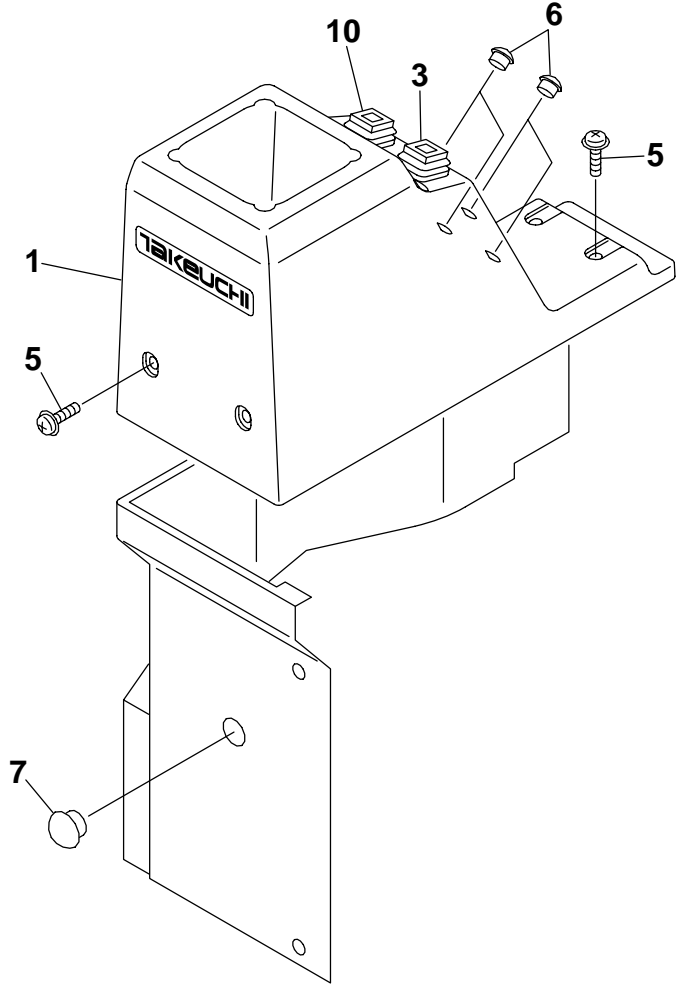


T7C133

S=1/5, 1/4

CONTROL BOX; R.H. (high flow, for GEHL & MUSTANG; 21306717-)

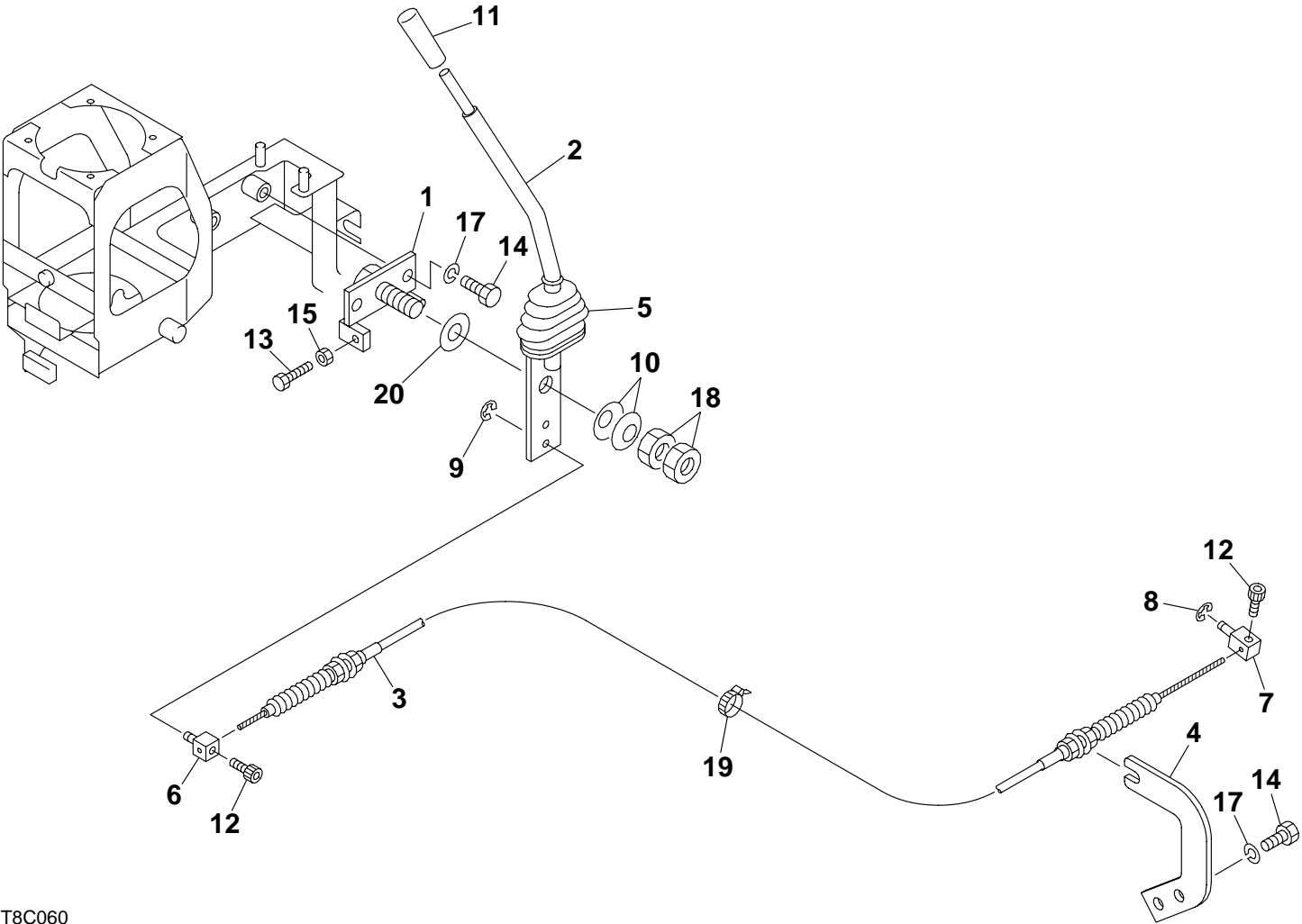
Item	Part number	Description	Q'ty	Chan.	Serial No.	Serv.	Remarks
		COVER ASSY (R.H.) (for GEHL & MUSTANG)					X08814-31300-7
1	0881430950	COVER ASSY	1				
1-1	0881430870	• COVER (R.H.)	1				
1-2	0881430880	• HARNESS, wiring	1				
1-3	0881430960	• HARNESS, wiring	1				
1-4	0870431821	• COVER	1				
1-5	1700000010	• SWITCH, lamp	2				
1-6	1141810012	• WASHER	2				
1-7	1700100052	• SWITCH, starter	1				
1-7-1	1700100019	• KEY	1				
1-8	1700000034	• SWITCH	1				
1-9	0881430970	• HARNESS, wiring	1				
2	0881430802	COVER	1				
3	0881430803	INSULATOR	1				
8	0881431120	GAUGE ASSY, cluster	1				
8-1	0881430901	• ABSORBENT, noise	1				
8-2	0881430902	• ABSORBENT, noise	1				
8-3	0881430903	• ABSORBENT, noise	1				
8-4	1730140930	• GAUGE, cluster	1				
8-4-1	1730140691	• • RELAY	1				12V
8-4-2	1730140782	• • GLASS	1				
8-4-3	1730140785	• • COVER	1				
8-4-4	1730140696	• • BULB	10				14V, 1.4W
8-4-5	1730140788	• • VISOR	1				
8-4-6	1730140694	• • BRACKET	1				
10	1110020820	SCREW, cap	1				
11	1140090008	WASHER, spring	1				
12	1150420614	SCREW, sems	4				
13	1652711698	SCREW	2				
16	0881430805	INSULATOR	1				
17	1652231250	BAND	1				
18	0881430801	ABSORBENT, noise	1				
	T8c280						



T7C040

CONTROL BOX; L.H.

Item	Part number	Description	Q'ty	Chan.	Serial No.	Serv.	Remarks
		COVER ASSY (L.H.)					X08814-30700-2
1	881430770	COVER (L.H.)	1				
3	1700000034	SWITCH	1				
5	1150420614	SCREW, sems	4				
6	1652533019	CAP	4				
7	1652533023	CAP	1				
10	1700000035	SWITCH	1				
	T7c041						

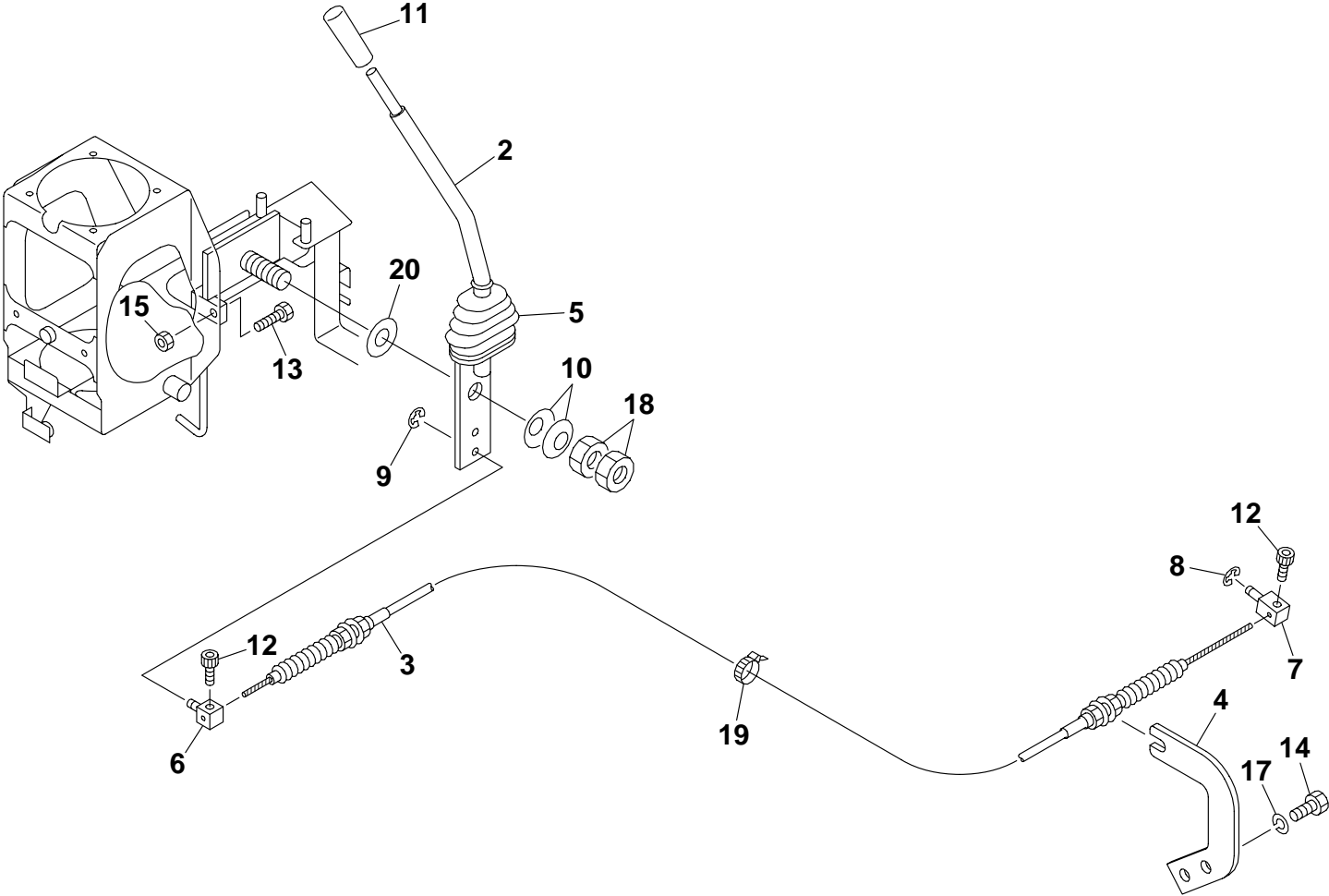


T8C060

S=1/6

ENGINE CONTROL (21300004-21300774)

Item	Part number	Description	Q'ty	Chan.	Serial No.	Serv.	Remarks
		CONTROL ASSY, engine					X08804-11000-1
1	880411100	PLATE	1				
2	880411200	LEVER	1				
3	880411300	WIRE	1				
4	880411010	BRACKET	1				
5	334120100	BOOT	1				
6	7900010	PIN	1				
7	7900023	PIN	1				
8	1224010004	RING, retaining	1				
9	1224010006	RING, retaining	1				
10	1225120018	WASHER, conical	2				
11	1650132050	GRIP	1				
12	1110040510	SCREW, cap	2				
13	1100040825	BOLT	1				
14	1100041020	BOLT	2				
15	1130040008	NUT	1				
17	1140020010	WASHER, spring	4				
18	64111700	NUT	2				
19	1652231250	BAND	1				
20	1141550018	WASHER	2				
	T8c061						

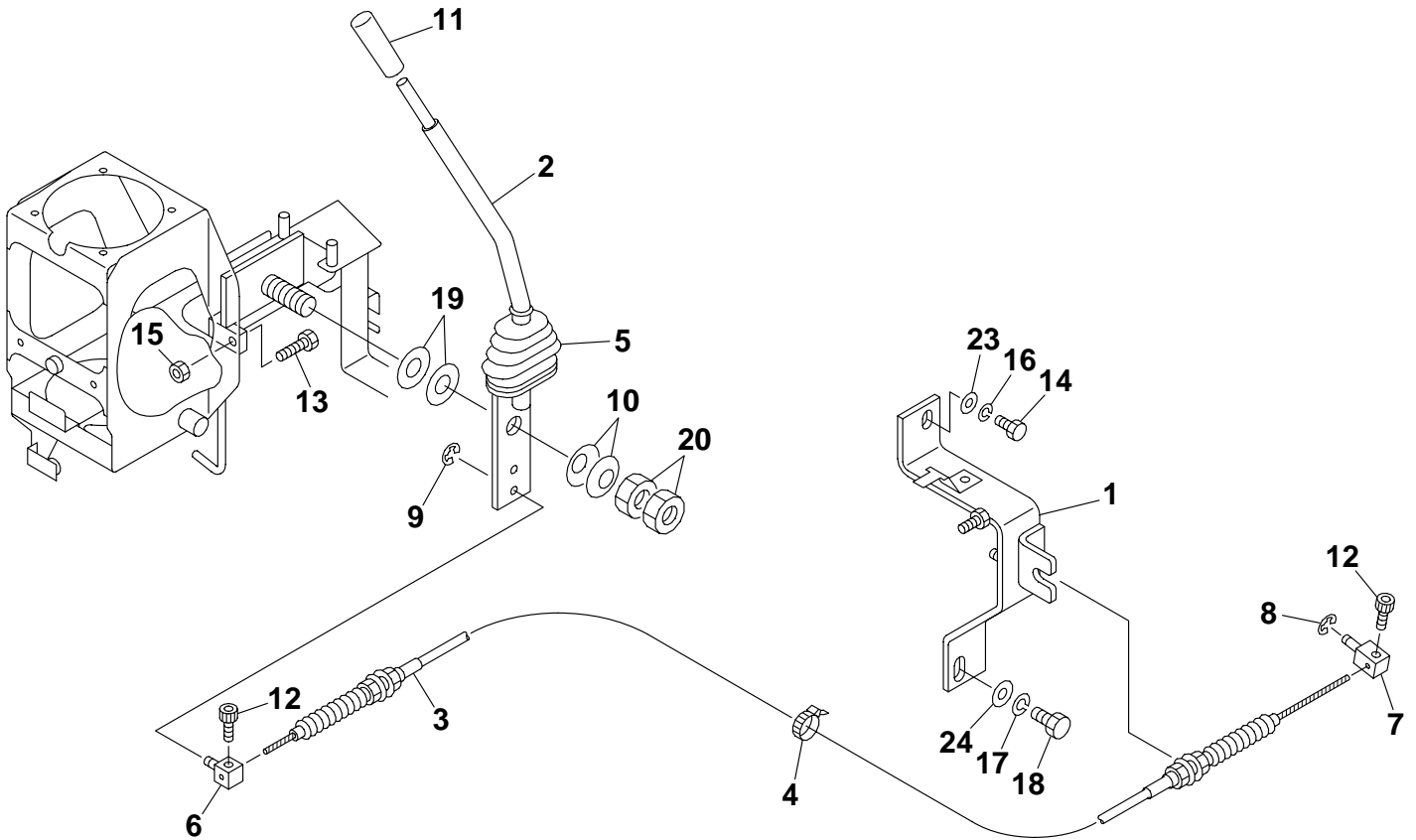


T8C061

S=1/6

ENGINE CONTROL (21300775-21301932)

Item	Part number	Description	Q'ty	Chan.	Serial No.	Serv.	Remarks
		CONTROL ASSY, engine					X08804-11500-0
2	880411200	LEVER	1				
3	880411300	WIRE	1				
4	880411010	BRACKET	1				
5	334120100	BOOT	1				
6	7900020	PIN	1				
7	7900023	PIN	1				
8	1224010004	RING, retaining	1				
9	1224010006	RING, retaining	1				
10	1225110018	WASHER, conical	2				
11	1650132050	GRIP	1				
12	1110040510	SCREW, cap	2				
13	1100040830	BOLT	1				
14	1100041020	BOLT	2				
15	1130040008	NUT	1				
17	1140020010	WASHER, spring	2				
18	64111700	NUT	2				
19	1652231250	BAND	1				
20	1141550018	WASHER	2				
	T8c062						

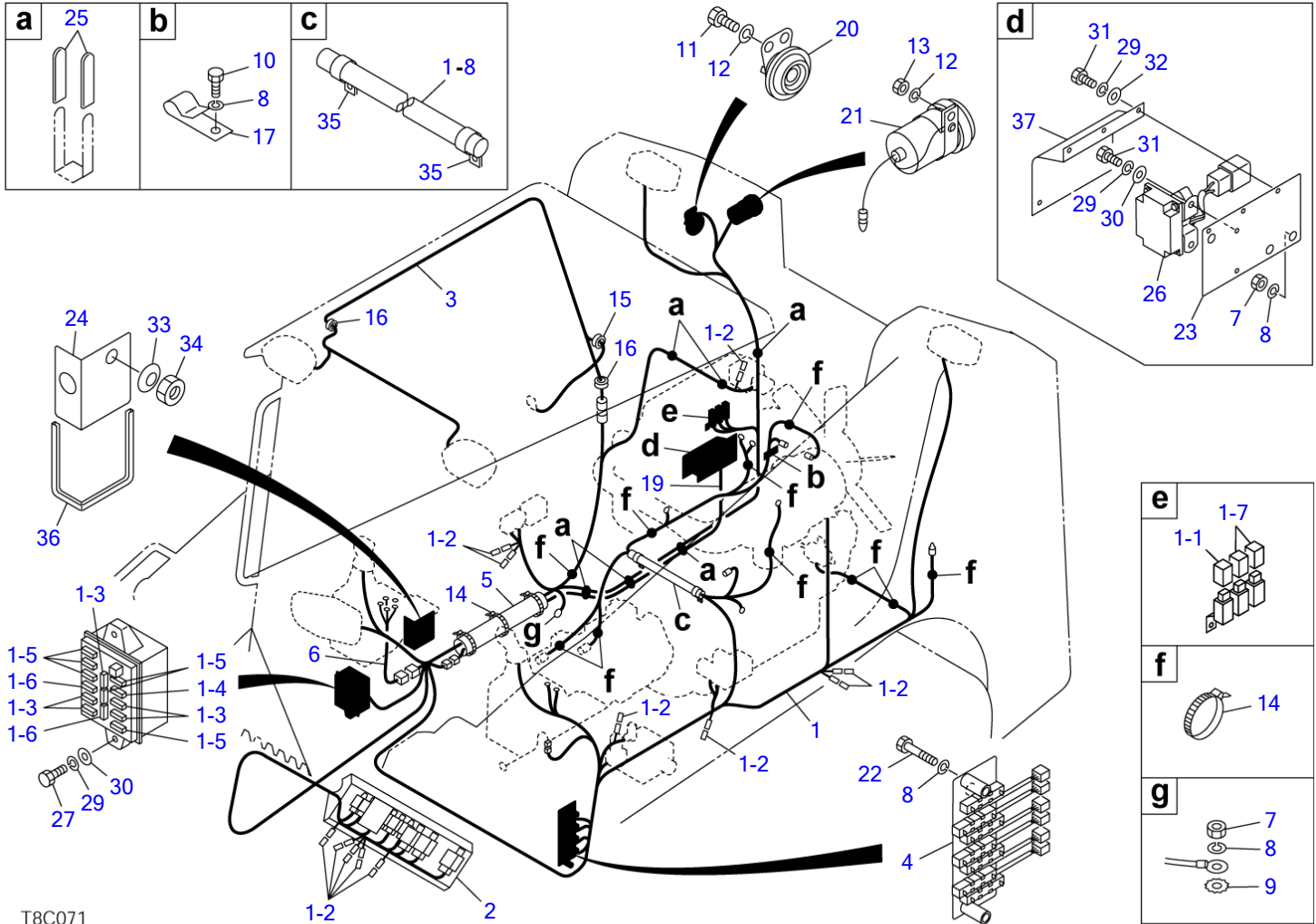


T8C161

S=1/6

ENGINE CONTROL (21301933-)

Item	Part number	Description	Q'ty	Chan.	Serial No.	Serv.	Remarks
		CONTROL ASSY, engine					X08804-12000-2
1	880412010	BRACKET	1				
2	880411200	LEVER	1				
3	880411300	WIRE	1				
4	1652231250	BAND	1				
5	334120100	BOOT	1				
6	7900020	PIN	1				
7	7900023	PIN	1				
8	1224010004	RING, retaining	1				
9	1224010006	RING, retaining	1				
10	1225110018	WASHER, conical	2				
11	1650132050	GRIP	1				
12	1110040510	SCREW, cap	2				
13	1100040830	BOLT	1				
14	1100040816	BOLT	1				
15	1130040008	NUT	1				
16	1140020008	WASHER, spring	1				
17	1140020010	WASHER, spring	1				
18	1100041016	BOLT	1				
19	1141550018	WASHER	2				
20	64111700	NUT	2				
23	1141110008	WASHER	1				
24	1141110010	WASHER	1				
	T8c161						



T8C071

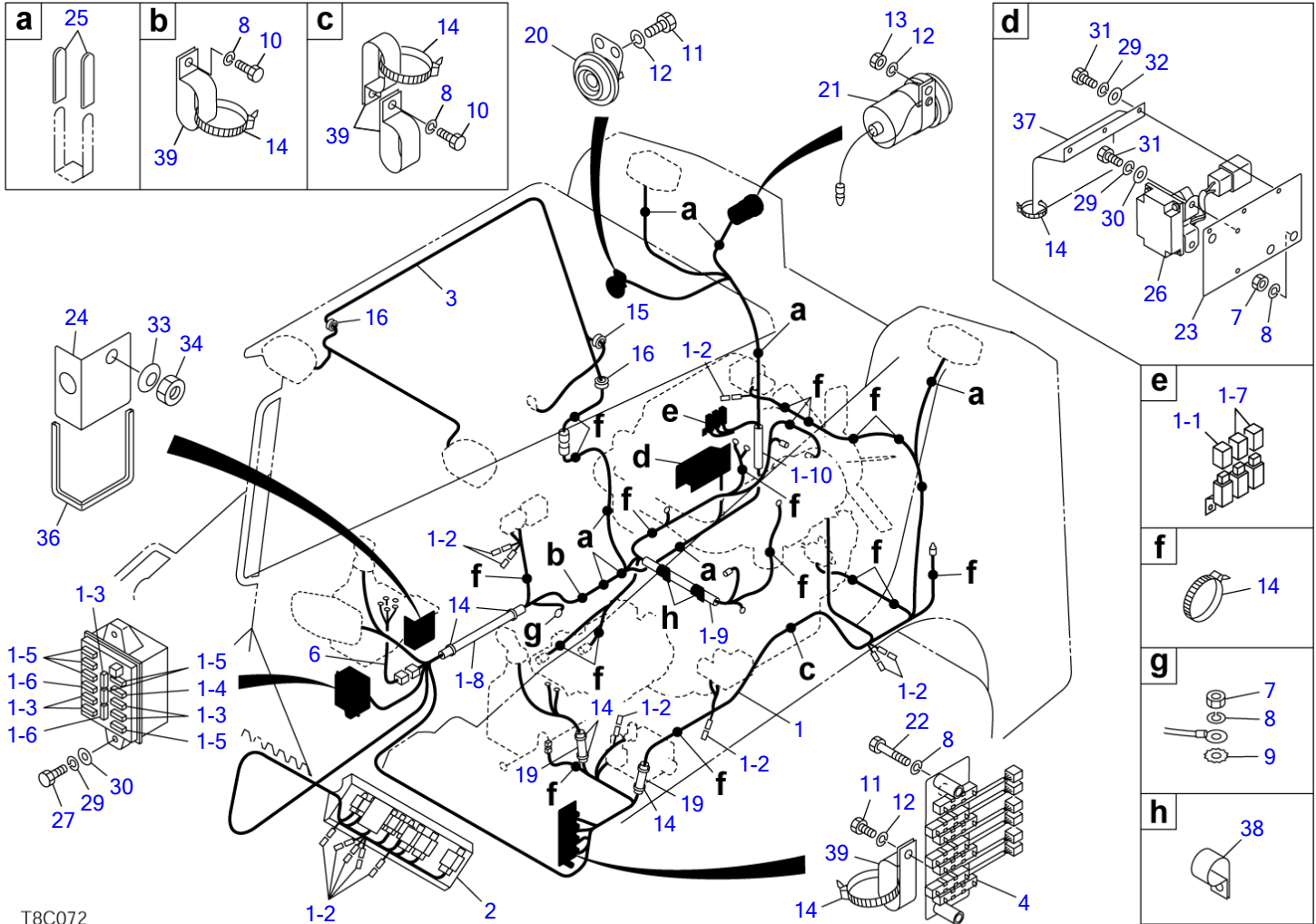
S=1/8, 20

ELECTRICAL (1/2) (21300004-21300083)

Item	Part number	Description	Q'ty	Chan.	Serial No.	Serv.	Remarks
		ELECTRICAL ASSY					X08804-26000-1
1	0880426100	HARNES, wiring	1				
1-1	1701330065	▪ LINK, fusible	1				65A
1-2	1730500008	▪ DIODE(3A yellow)	12				
1-3	1701310010	▪ FUSE	5				10A
1-4	1701310015	▪ FUSE	1				15A
1-5	1701310020	▪ FUSE	6				20A
1-6	1701310030	▪ FUSE	2				30A
1-7	1701330045	▪ LINK, fusible	2				45A
1-8	1531325033	▪ PROTECTOR	1				sold by the meter
2	0880426200	RELAY ASSY	1				see page (2/2)
3	0880426300	HARNES, wiring	1				
4	0881421700	RESISTOR	1				
5	0881421501	COVER	1				
6	0881421600	HARNES, wiring	1				
7	1130040010	NUT	3				
8	1140020010	WASHER, spring	6				
9	1140330010	WASHER	1				
10	1100041016	BOLT	1				
11	1100040812	BOLT	1				
12	1140020008	WASHER, spring	2				
13	1130040008	NUT	1				
14	1652231250	BAND	25				
15	1652052800	GROMMET	1				
16	1652053600	GROMMET	2				
17	0007300035	CLAMP	1				
19	0880426400	HARNES, wiring	1				
20	1703500612	HORN	1				
21	0354211050	BUZZER	1				
22	1100041050	BOLT	2				
23	0880426010	PLATE	1				
24	0880426020	COVER	1				
25	0872433150	TUBE	10				
26	1910144106	RELAY, safety	1				Y129136-77100
27	1100040616	BOLT	2				
29	1140020006	WASHER, spring	7				
30	1141110006	WASHER	4				
31	1100040610	BOLT	5				
32	0003606202	WASHER	3				
33	1225000018	WASHER	1				
34	1130640018	NUT	1				
35	0007300003	CLAMP	2				
36	1653916030	TRIM	1				
37	0881442020	PLATE, rubber	1				

T8c071

TL130 Book No. BT8Z012 S/N 21300004-
ELECTRICAL (1/2) (21300084-21300450)



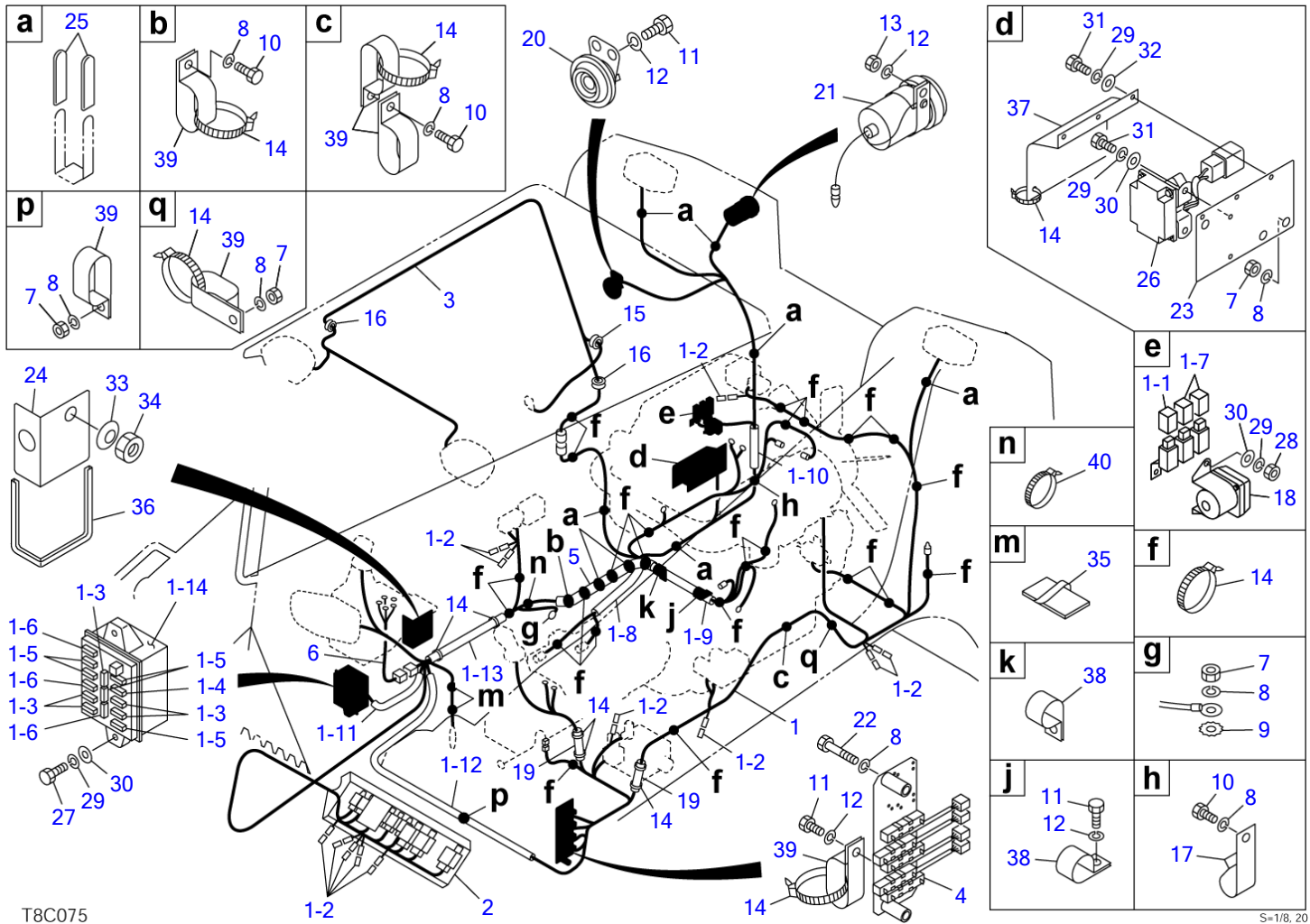
T8C072

S=1/8, 20

ELECTRICAL (1/2) (21300084-21300450)

Item	Part number	Description	Q'ty	Chan.	Serial No.	Serv.	Remarks
		ELECTRICAL ASSY					X08804-27000-3
1	0880427100	HARNES, wiring	1				
1-1	1701330065	▪ LINK, fusible	1				65A
1-2	1730500008	▪ DIODE(3A yellow)	12				
1-3	1701310010	▪ FUSE	5				10A
1-4	1701310015	▪ FUSE	1				15A
1-5	1701310020	▪ FUSE	6				20A
1-6	1701310030	▪ FUSE	2				30A
1-7	1701330045	▪ LINK, fusible	2				45A
1-8	1531325035	▪ PROTECTOR	1				sold by the meter
1-9	1531315033	▪ PROTECTOR	1				sold by the meter
1-10	1531325015	▪ PROTECTOR	1				sold by the meter
2	0880426200	RELAY ASSY	1				see next page
3	0881422300	HARNES, wiring	1				
4	0881421700	RESISTOR	1				
6	0881422400	HARNES, wiring	1				
7	1130040010	NUT	3				
8	1140020010	WASHER, spring	7				
9	1140330010	WASHER	1				
10	1100041016	BOLT	3				
11	1100040812	BOLT	2				
12	1140020008	WASHER, spring	2				
13	1130040008	NUT	1				
14	1652231250	BAND	35				
15	1652052800	GROMMET	1				
16	1652053600	GROMMET	2				
19	0880422080	PROTECTOR	2				
20	1703500612	HORN	1				
21	0354211050	BUZZER	1				
22	1100041050	BOLT	2				
23	0880426010	PLATE	1				
24	0880426020	COVER	1				
25	0872433150	TUBE	34				
26	1910144106	RELAY, safety	1				Y129136-77100
27	1100040616	BOLT	2				
29	1140020006	WASHER, spring	7				
30	1141110006	WASHER	5				
31	1100040610	BOLT	5				
32	0003606202	WASHER	3				
33	1225000018	WASHER	1				
34	1130640018	NUT	1				
36	1653916030	TRIM	1				
37	0881442020	PLATE, rubber	1				
38	1711900071	CLAMP	2				
39	1711900072	CLAMP	4				
	T8c072						

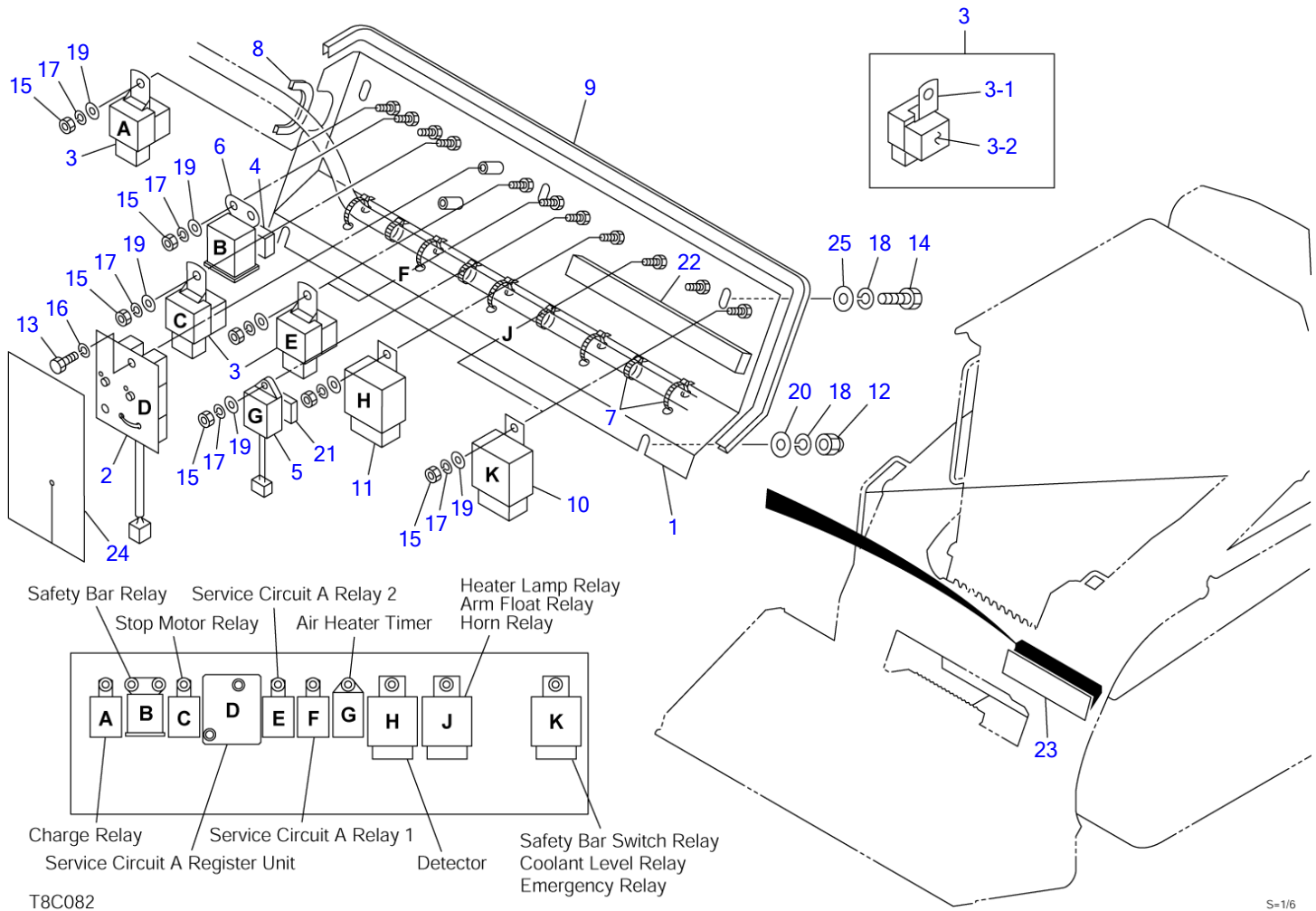
TL130 Book No. BT8Z012 S/N 21300004-
ELECTRICAL (1/2) (21300451-21301932)



ELECTRICAL (1/2) (21300451-21301932)

Item	Part number	Description	Q'ty	Chan.	Serial No.	Serv.	Remarks
		ELECTRICAL ASSY					X08804-27500-4
1	0880427600	HARNES, wiring	1				
1-1	1701330065	· LINK, fusible	1				65A
1-2	1730500008	· DIODE(3A yellow)	13				
1-3	1701310010	· FUSE	5				10A
1-4	1701310015	· FUSE	1				15A
1-5	1701310020	· FUSE	5				20A
1-6	1701310030	· FUSE	3				30A
1-7	1701330045	· LINK, fusible	2				45A
1-8	1531325033	· PROTECTOR	1				sold by the meter
1-9	1531315033	· PROTECTOR	1				sold by the meter
1-10	1531325015	· PROTECTOR	1				sold by the meter
1-11	1531325025	· PROTECTOR	1				sold by the meter
1-12	1531325080	· PROTECTOR	1				sold by the meter
1-13	1531325065	· PROTECTOR	1		21300511~		sold by the meter
1-14	1701200002	· BOX, fuse	1				V72774A-0100
2	0880427700	RELAY ASSY	1		21300451~21301254		see page (2/2)
	0880427900	RELAY ASSY	1		21301255~		see page (2/2)
3	0881422300	HARNES, wiring	1				
4	0881423300	RESISTOR	1				
5	0880427510	PROTECTOR	1		21300511~		sold by the meter
6	0881422400	HARNES, wiring	1				
7	1130040010	NUT	5				
8	1140020010	WASHER, spring	10				
9	1140330010	WASHER	1				
10	1100041016	BOLT	3				
11	1100040812	BOLT	3				
12	1140020008	WASHER, spring	4				
13	1130040008	NUT	1				
14	1652231250	BAND	45				
15	1652052800	GROMMET	1				
16	1652053600	GROMMET	2				
17	0007300035	CLAMP	1				
18	1910050116	RELAY, heater	1				Y 129100-77910
19	0880422080	PROTECTOR	2				
20	1703500612	HORN	1				
21	0354211050	BUZZER	1				
22	1100041050	BOLT	2				
23	0880426010	PLATE	1				
24	0880426020	COVER	1				
25	0872433150	TUBE	34				
26	1910080106	RELAY, safety	1				Y129136-77100
27	1100040616	BOLT	2				
28	1130040006	NUT	2				
29	1140020006	WASHER, spring	9				
30	1141110006	WASHER	6				
31	1100040610	BOLT	5				
32	0003606202	WASHER	3				
33	1225000018	WASHER	1				
34	1130640018	NUT	1				
35	1711900074	CLAMP	2		21300460~		
36	1653916030	TRIM	1				sold by the meter
37	0881442020	PLATE, rubber	1				
38	1711900071	CLAMP	2				
39	1711900072	CLAMP	7				
40	1652201007	BAND	1		21300460~		

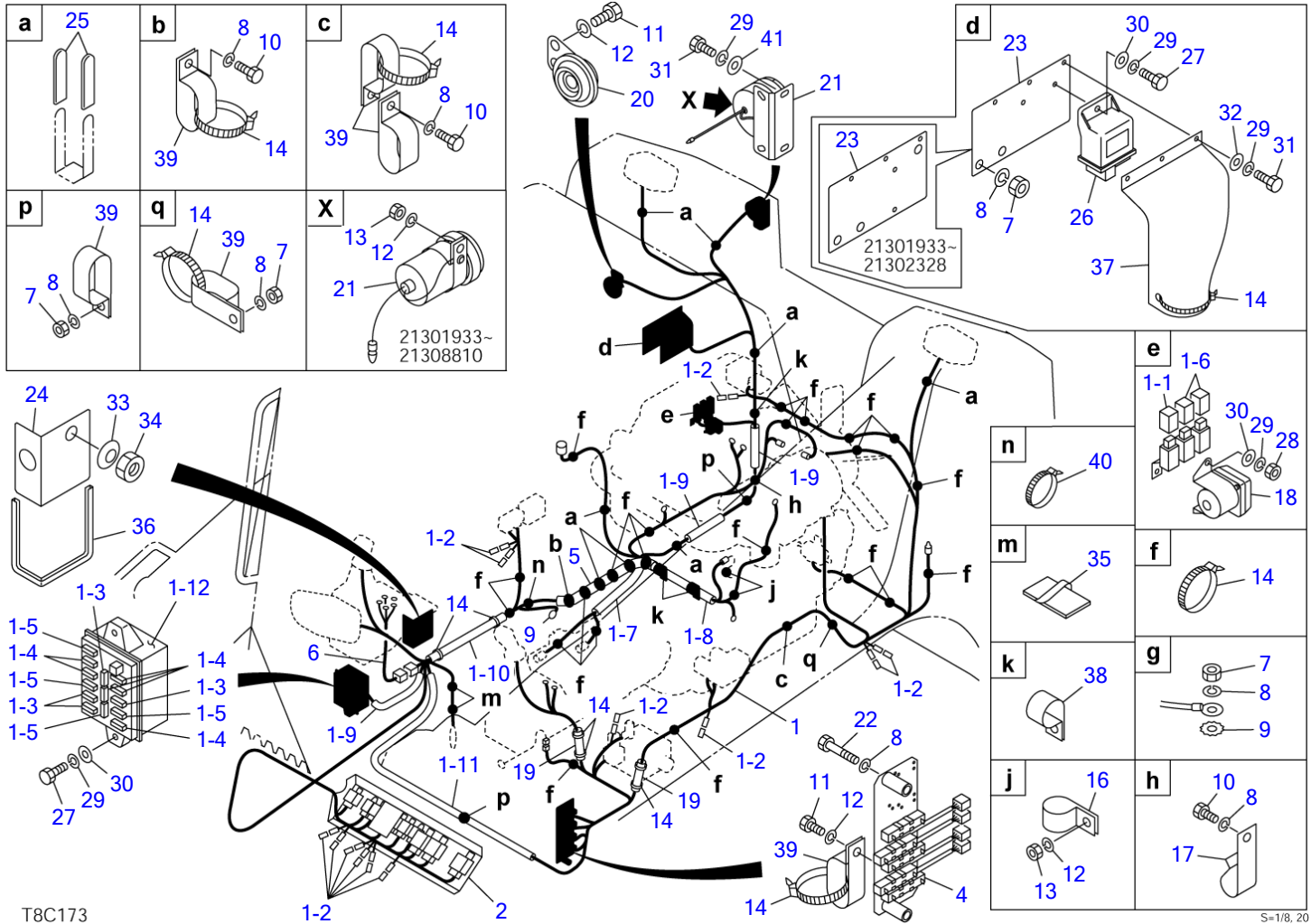
T8c075



S=1/6

ELECTRICAL (2/2) (21300004-21301932)

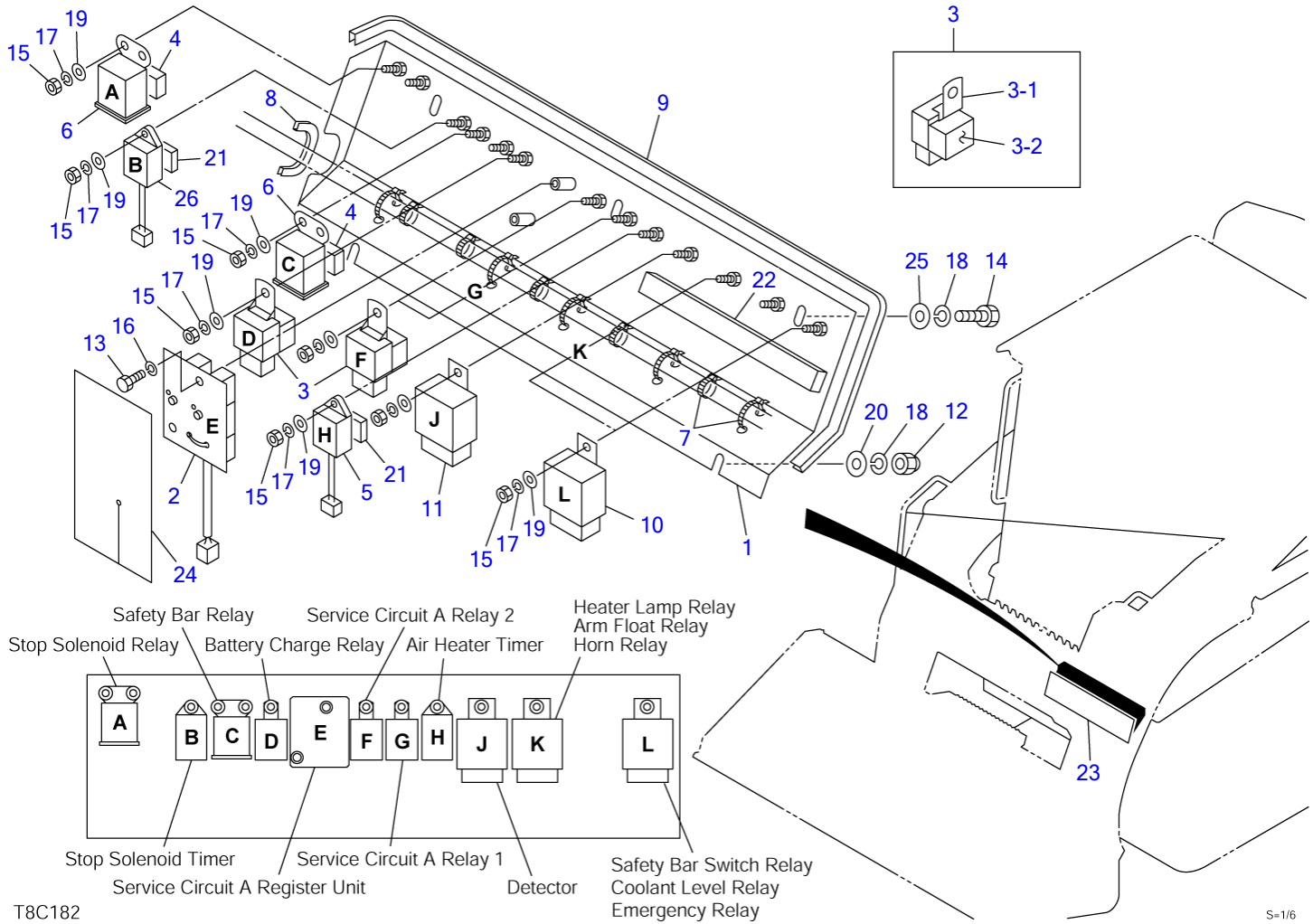
Item	Part number	Description	Q'ty	Chan.	Serial No.	Serv.	Remarks
0-1	0880426200	RELAY ASSY	1		21300084~21300450		
	0880427700	RELAY ASSY	1		21300451~21301254		
	0880427900	RELAY ASSY	1		21301255~		
1	0880426210	• BOX	1		21300004~21301254		
	0880427910	• BOX	1		21301255~		
2	0334230120	• RESISTOR	1				
3	0334230130	• RELAY ASSY	3		21300004~21300450		
	0334230130	• RELAY ASSY	4		21300451~		
3-1	1711900042	• • RELAY	1				
3-2	1654302003	• • SPONGE	1				sold by the meter
4	1654302003	• SPONGE	1		21300063~		sold by the meter
5	1910074016	• UNIT, timer	1				Y128300-77920
6	1910161119	• RELAY	1				Y119646-77900
7	1652231250	• BAND	9				
8	1653916010	• TRIM	1				sold by the meter
9	1654606075	• TRIM	1				sold by the meter
10	1711900062	• RELAY	2				
11	1711900068	• DETECTOR	1				
12	1134230008	• NUT	2				
13	1100040510	• BOLT	2				
14	1100040816	• BOLT	3				
15	1130040006	• NUT	10				
16	1140020005	• WASHER, spring	2				
17	1140020006	• WASHER, spring	10				
18	1140020008	• WASHER, spring	5				
19	1141110006	• WASHER	10				
20	1141110008	• WASHER	2				
21	1654301003	• SPONGE	1		21300063~		sold by the meter
22	1654302021	• SPONGE	1		21300063~		sold by the meter
23	0881422130	• RUBBER	1		21300063~		
24	0881422140	• RUBBER	1		21300063~		
25	0003608252	• WASHER	3		21300063~		
	T8c083						



ELECTRICAL (1/2) (21301933-)

Item	Part number	Description	Q'ty	Chan.	Serial No.	Serv.	Remarks
		ELECTRICAL ASSY					X08804-28000-7
1	0880428100	HARNESS, wiring	1				
1-1	1701330065	• LINK, fusible	1				65A
1-2	1730500008	• DIODE(3A yellow)	14				
1-3	1701310010	• FUSE	4				10A
1-4	1701310020	• FUSE	6				20A
1-5	1701310030	• FUSE	4				30A
1-6	1701330045	• LINK, fusible	2				45A
1-7	1531325033	• PROTECTOR	1				sold by the meter
1-8	1531315033	• PROTECTOR	1				sold by the meter
1-9	1531325025	• PROTECTOR	3				sold by the meter
1-10	1531325070	• PROTECTOR	1				sold by the meter
1-11	1531325080	• PROTECTOR	1				sold by the meter
1-12	1701200002	• BOX, fuse	1				V72774A-0100
2	0880428200	RELAY ASSY	1				see page (2/2)
4	0881423300	RESISTOR	1				
5	0880427510	PROTECTOR	1				sold by the meter
6	0881422400	HARNESS, wiring	1		21301933~21303228		
7	1130040010	NUT	7				
8	1140020010	WASHER, spring	12				
9	1140330010	WASHER	1				
10	1100041016	BOLT	3				
11	1100040812	BOLT	3				
12	1140020008	WASHER, spring	5			M	
13	1130040008	NUT	2			M	
14	1652231250	BAND	36				
16	1652900006	CLAMP	2				
17	1711900105	CLAMP	1				
18	1910050116	RELAY, heater	1				Y 129100-77910
19	0880422080	PROTECTOR	2				
20	1703500612	HORN	1				
21	0354211050	BUZZER	1		21301933~21308810	M	
	1703700013	BUZZER	1		21308811~	M	
22	1100041050	BOLT	2				
23	0880426010	PLATE	1		21301933~21302328		
	0880428010	PLATE	1	(H)	21302329~		
24	0880426020	COVER	1				
25	0872433150	TUBE	34				
26	1910061106	RELAY, safety	1				Y119802-77200
27	1100040616	BOLT	3				
28	1130040006	NUT	2				
29	1140020006	WASHER, spring	10			M	
30	1141110006	WASHER	5				
31	1100040610	BOLT	5			M	
32	0003606202	WASHER	3				
33	1225000018	WASHER	1				
34	1130640018	NUT	1				
35	1711900074	CLAMP	2				
36	1653916030	TRIM	1				sold by the meter
37	0881442020	PLATE, rubber	1		21301933~21302328		
	0880427010	PLATE, rubber	1	(H)	21302329~		
38	1711900071	CLAMP	3				
39	1711900072	CLAMP	8				
40	1652201007	BAND	1				
41	0003600110	WASHER	2		21308811~	M	

T8c175

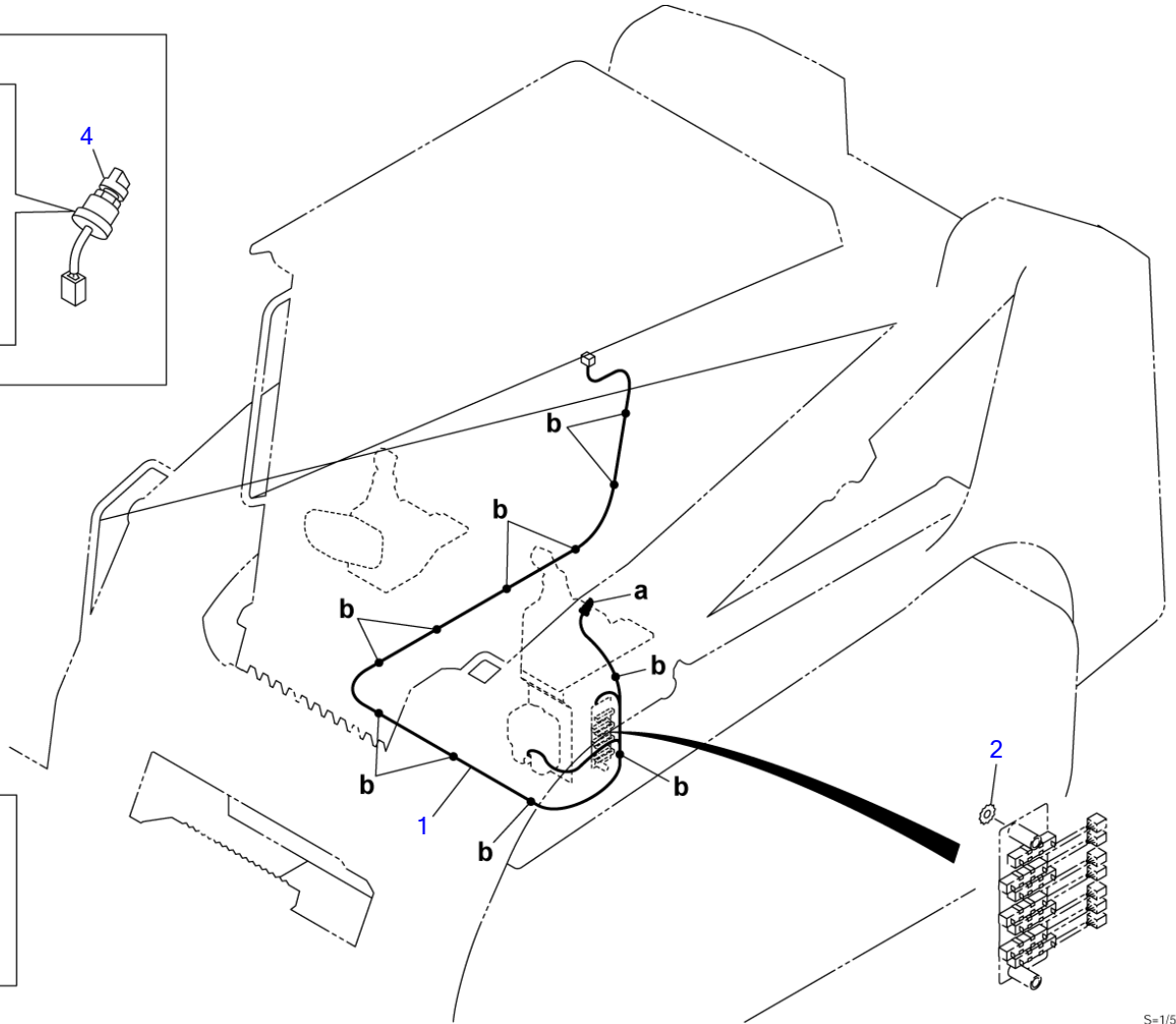
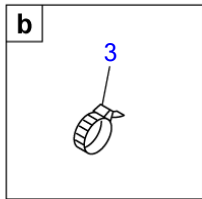
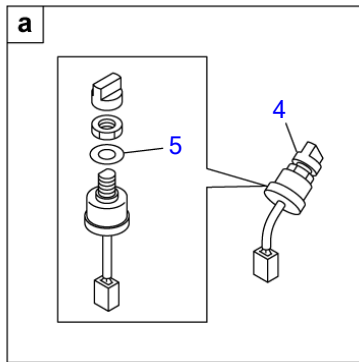


T8C182

S=1/6

ELECTRICAL (2/2) (21301933-)

Item	Part number	Description	Q'ty	Chan.	Serial No.	Serv.	Remarks
0-1	0880428200	RELAY ASSY	1				X08804-28200-2
1	0880428210	• BOX	1				
2	0334230120	• RESISTOR	1				
3	0334230130	• RELAY ASSY	3				
3-1	1711900042	• • RELAY	1				
3-2	1654302003	• • SPONGE	1				sold by the meter
4	1654302003	• SPONGE	2				sold by the meter
5	1910074016	• UNIT, timer (15sec)	1				Y128300-77920
6	1910161119	• RELAY	2				Y119646-77900
7	1652231250	• BAND	10				
8	1653916009	• TRIM	1				sold by the meter
9	1654606082	• TRIM	1				sold by the meter
10	1711900062	• RELAY	2				
11	1711900131	• DETECTOR	1				
12	1134230008	• NUT	2				
13	1100040510	• BOLT	2				
14	1100040816	• BOLT	3				
15	1130040006	• NUT	12				
16	1140020005	• WASHER, spring	2				
17	1140020006	• WASHER, spring	12				
18	1140020008	• WASHER, spring	5				
19	1141110006	• WASHER	12				
20	1141110008	• WASHER	2				
21	1654301003	• SPONGE	2				sold by the meter
22	1654302021	• SPONGE	1				sold by the meter
23	0881423120	• RUBBER	1				
24	0881422140	• RUBBER	1				
25	0003608252	• WASHER	3				
26	1910150118	• UNIT, timer (1sec)	1				Y12911-77920
	T8c182						

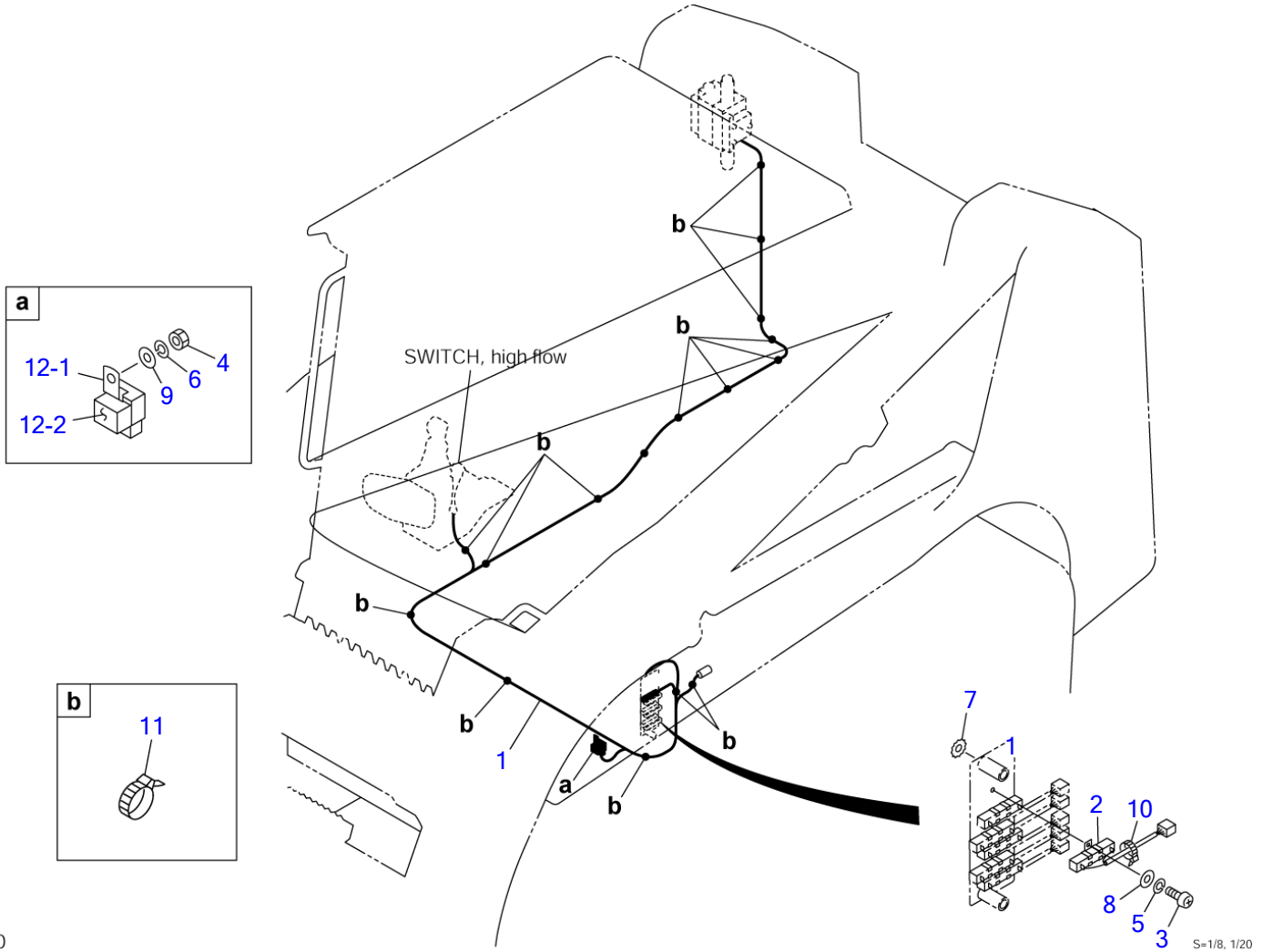


T7C140

S=1/5, 1/20

ELECTRICAL (cab; 21300004-21301106)

Item	Part number	Description	Q'ty	Chan.	Serial No.	Serv.	Remarks
		ELECTRICAL ASSY					X08804-27800-1
1	0880427810	HARNES, wiring	1				
2	1140330010	WASHER	1				
3	1652231250	BAND	10				
4	1704300007	SWITCH, wiper	1				
5	1141810012	WASHER	1				
	T7c140						



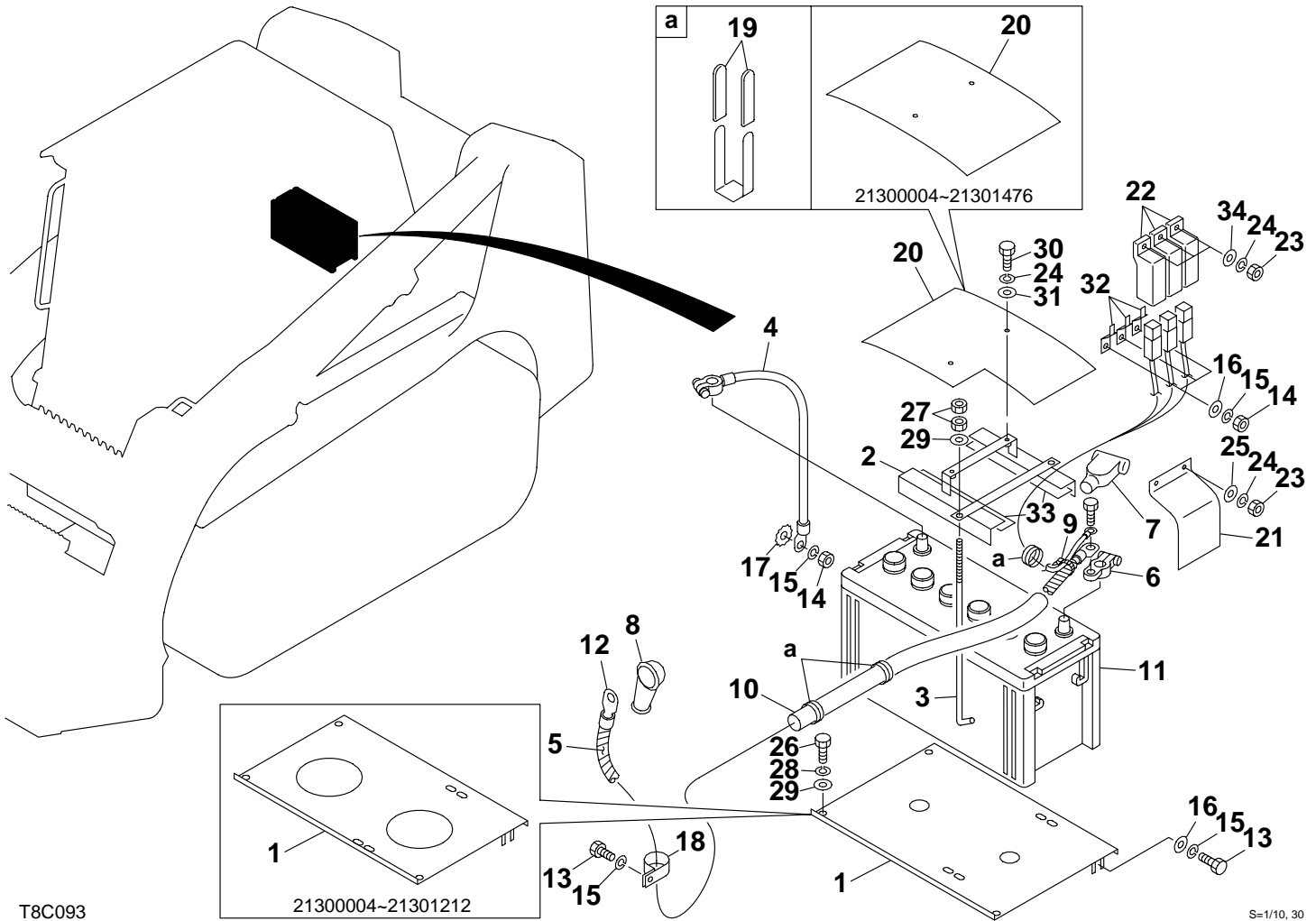
T8C260

S=1/8, 1/20

ELECTRICAL (high flow; 21306717-)

Item	Part number	Description	Q'ty	Chan.	Serial No.	Serv.	Remarks
		ELECTRICAL ASSY					X08804-26500-0
1	0880426600	HARNES, wiring	1				
2	0881421710	RESISTOR	1				
3	1120530306	SCREW	1				
4	1130040006	NUT	1				
5	1140020003	WASHER, spring	1				
6	1140020006	WASHER, spring	1				
7	1140330010	WASHER	1				
8	1141110003	WASHER	1				
9	1141110006	WASHER	1				
10	1652200003	BAND	1				
11	1652231250	BAND	16				
12	0334230130	RELAY ASSY	1				
12-1	1711900042	· RELAY	1				
12-2	1654302003	· SPONGE	1				
	T8c260						

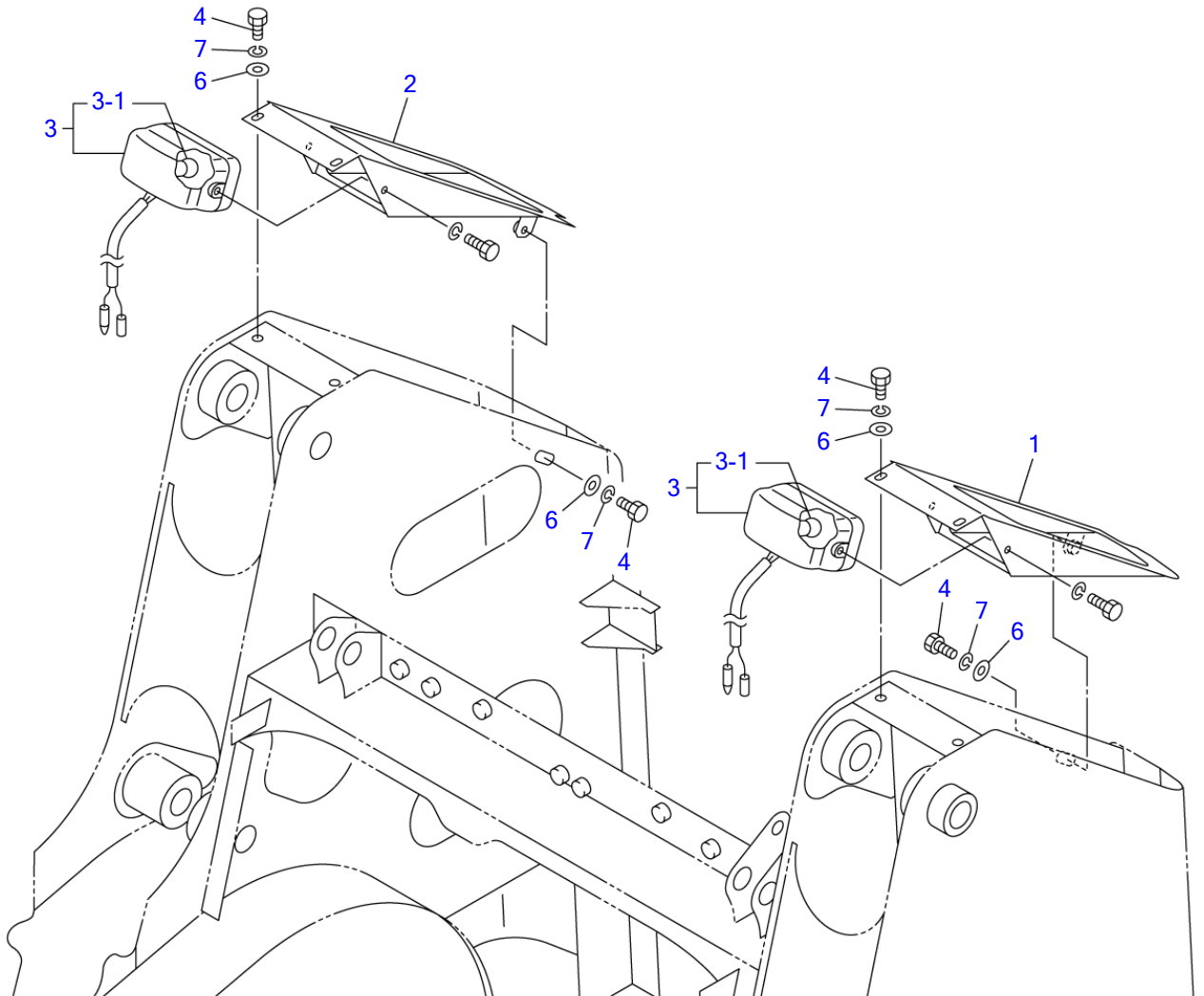
TL130 Book No. BT8Z012 S/N 21300004-
BATTERY



T8C093

S=1/10, 30

BATTERY						
Item	Part number	Description	Q'ty	Chan.	Serial No.	Serv. Remarks
		BATTERY ASSY				X08804-42000-8
1	880442010	PLATE	1		21300004~21301212	
	880442060	PLATE	1		21301213~	
2	880442020	CLAMP	1			
3	1702108245	BOLT	2			
4	1702230030	CABLE, earth	1			
5	1703221302	PROTECTOR	1		21300004~21301476	sold by the meter
	1703221317	PROTECTOR	1		21301477~	sold by the meter
6	1702330000	TERMINAL	1			
7	1702920080	COVER	1			
8	1910007119	COVER	1			Y08038-04030
9	1652231140	BAND	1			
10	1531325100	PROTECTOR	1		21300004~21301476	sold by the meter
	1531325110	PROTECTOR	1		21301477~	sold by the meter
11	1702050141	BATTERY	1			
12	1702530110	CABLE, battery	1		21300004~21301476	
	1702530125	CABLE, battery	1		21301477~	
13	1100041016	BOLT	2			
14	1130040010	NUT	4			
15	1140020010	WASHER, spring	6			
16	1141110010	WASHER	4			
17	1140330010	WASHER	1			
18	1711900072	CLAMP	1			
19	872433150	TUBE	6			
20	881442030	SHEET	1		21300004~21301476	
	880442001	SHEET	1		21301477~	
21	881440020	RUBBER	1			
22	1700100038	COVER	3			
23	1130040006	NUT	5			
24	1140020006	WASHER, spring	7			
25	1141110006	WASHER	2			
26	1100040816	BOLT	3			
27	1130040008	NUT	4			
28	1140020008	WASHER, spring	3			
29	1141110008	WASHER	5			
30	1100040616	BOLT	2			
31	3606202	WASHER	2			
32	1711900064	CLIP	3			
33	880442050	RUBBER	2			
34	3600110	WASHER	3			
	T8c094					



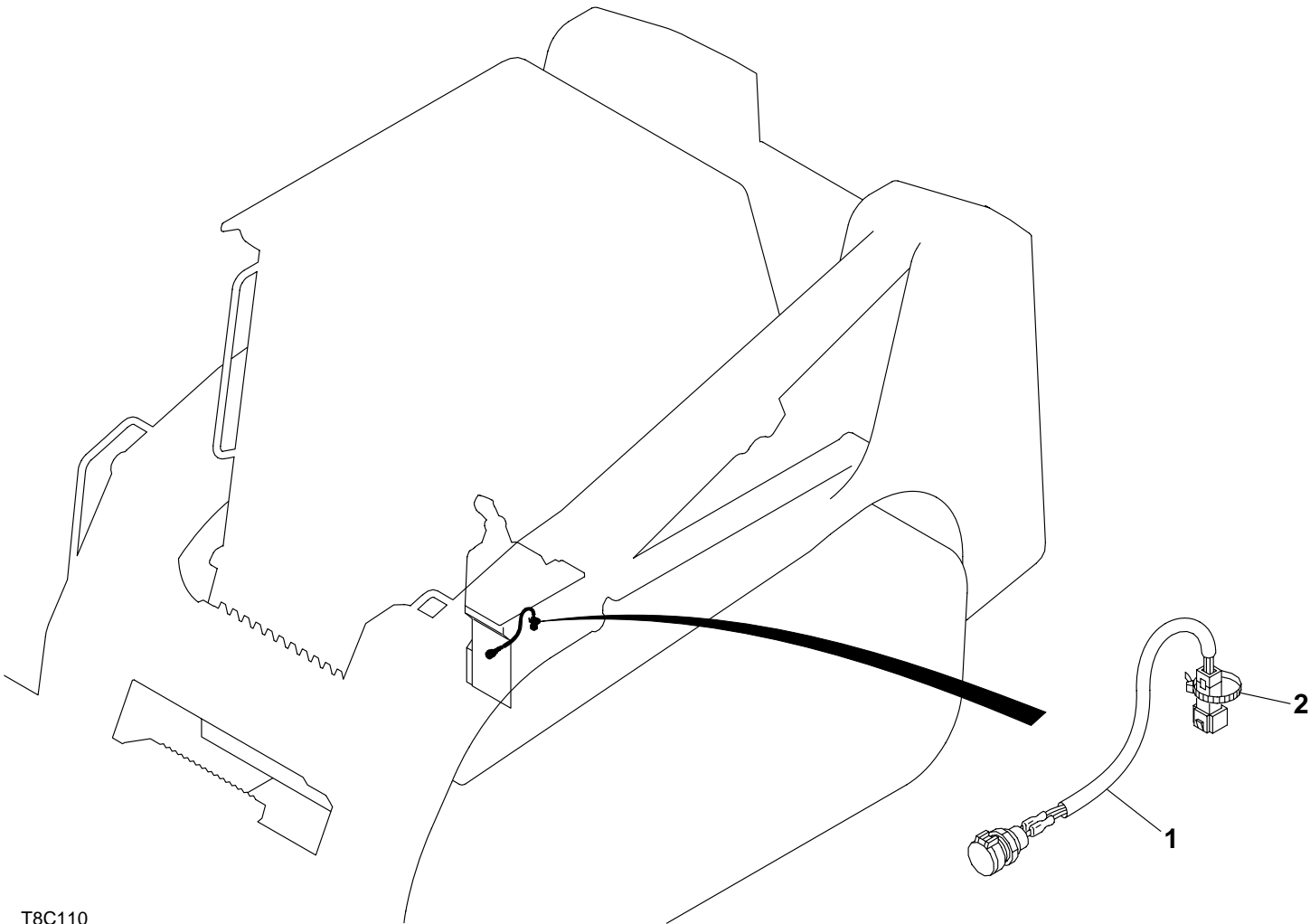
T8C100

S=1/10

REAR LAMP

Item	Part number	Description	Q'ty	Chan.	Serial No.	Serv.	Remarks
		LAMP ASSY, rear					X08804-91000-1
1	0880491100	COVER(L.H.)	1				
2	0880491200	COVER(R.H.)	1				
3	1703006900	LAMP	2				
3-1	1703006902	• BULB	1				12V, 55W
4	1100040816	BOLT	6				
6	0003608252	WASHER	6				
7	1140020008	WASHER, spring	6				
	T8c101						

TL130 Book No. BT8Z012 S/N 21300004-
MAINTENANCE LIGHT SOCKET

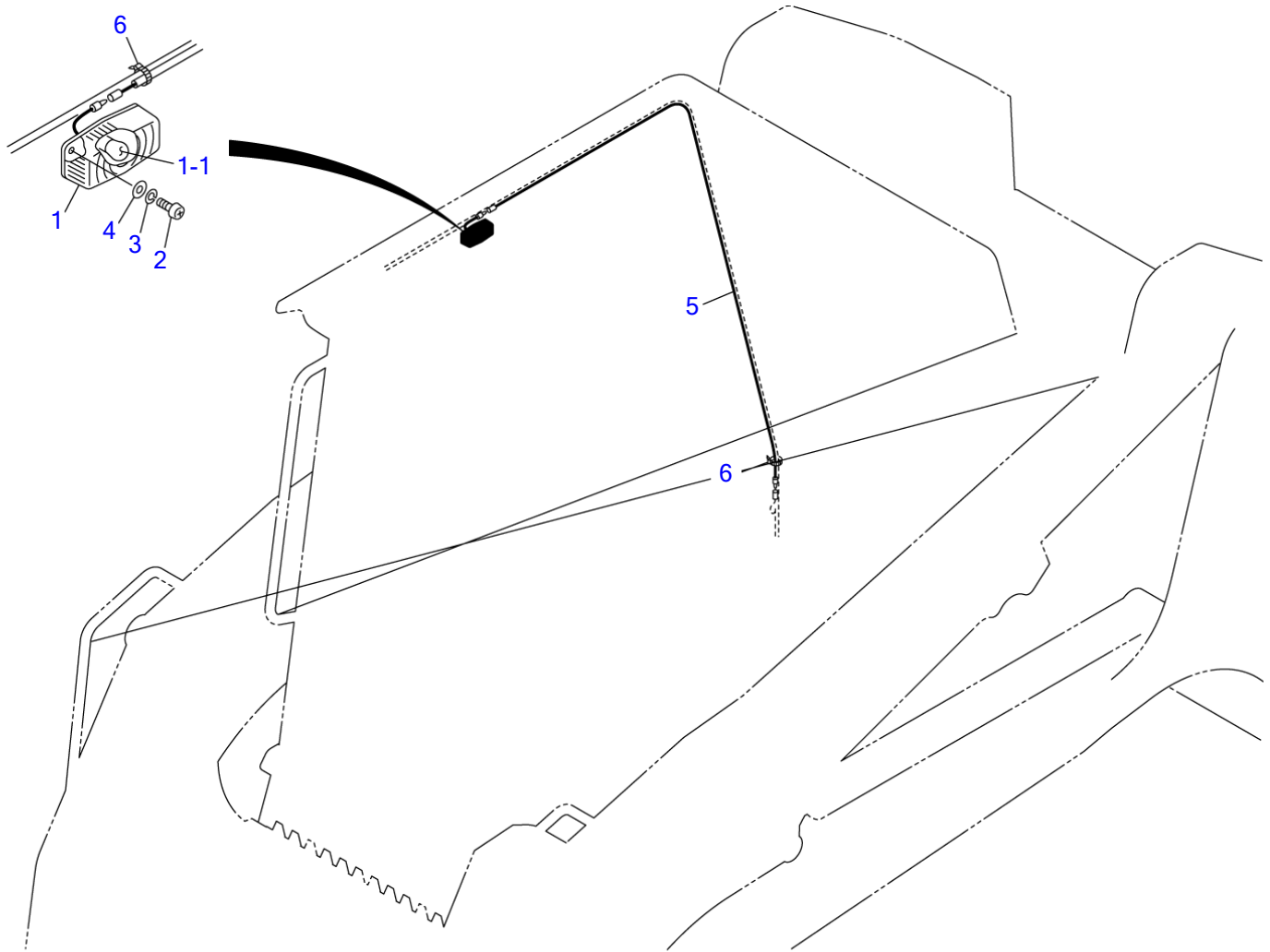


T8C110

S=1/20

MAINTENANCE LIGHT SOCKET

Item	Part number	Description	Q'ty	Chan.	Serial No.	Serv.	Remarks
		SOCKET ASSY, maintenance light					X08814-21900-0
1	394203100	SOCKET ASSY	1				
2	1652231250	BAND	1				
	T8c110						

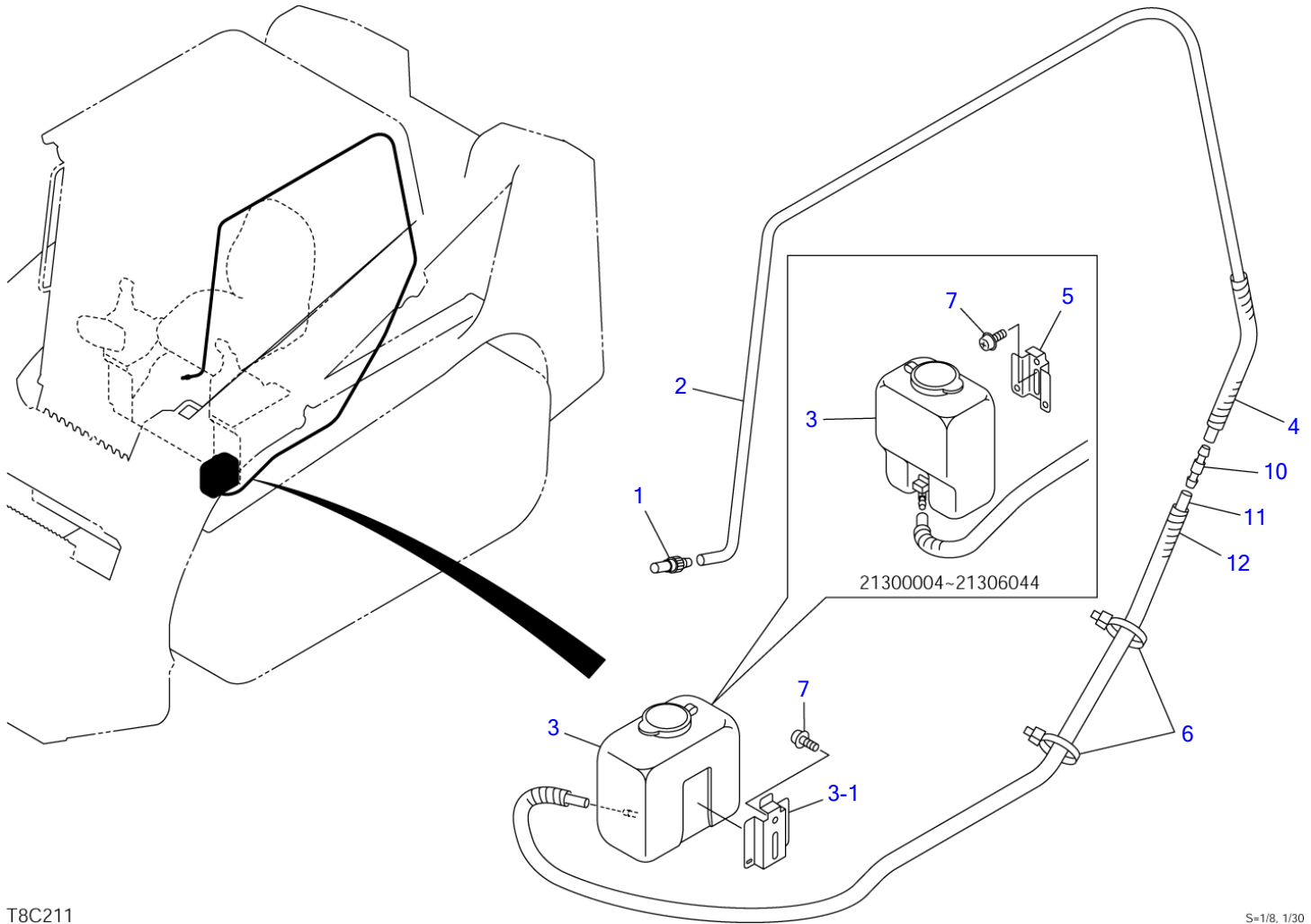


T7C120

S=1/5, 1/15

ROOM LAMP (21300004-21301106)

Item	Part number	Description	Q'ty	Chan.	Serial No.	Serv.	Remarks
		LAMP ASSY, room					X08814-93500-1
1	1703001700	LAMP, room	1				
1-1	1703001701	• BULB	1				
2	1120530412	SCREW	2				
3	1140020004	WASHER, spring	2				
4	1141110004	WASHER	2				
5	0881963170	HARNESS, wiring	1				
6	1652231140	BAND	2				
	T7c120						



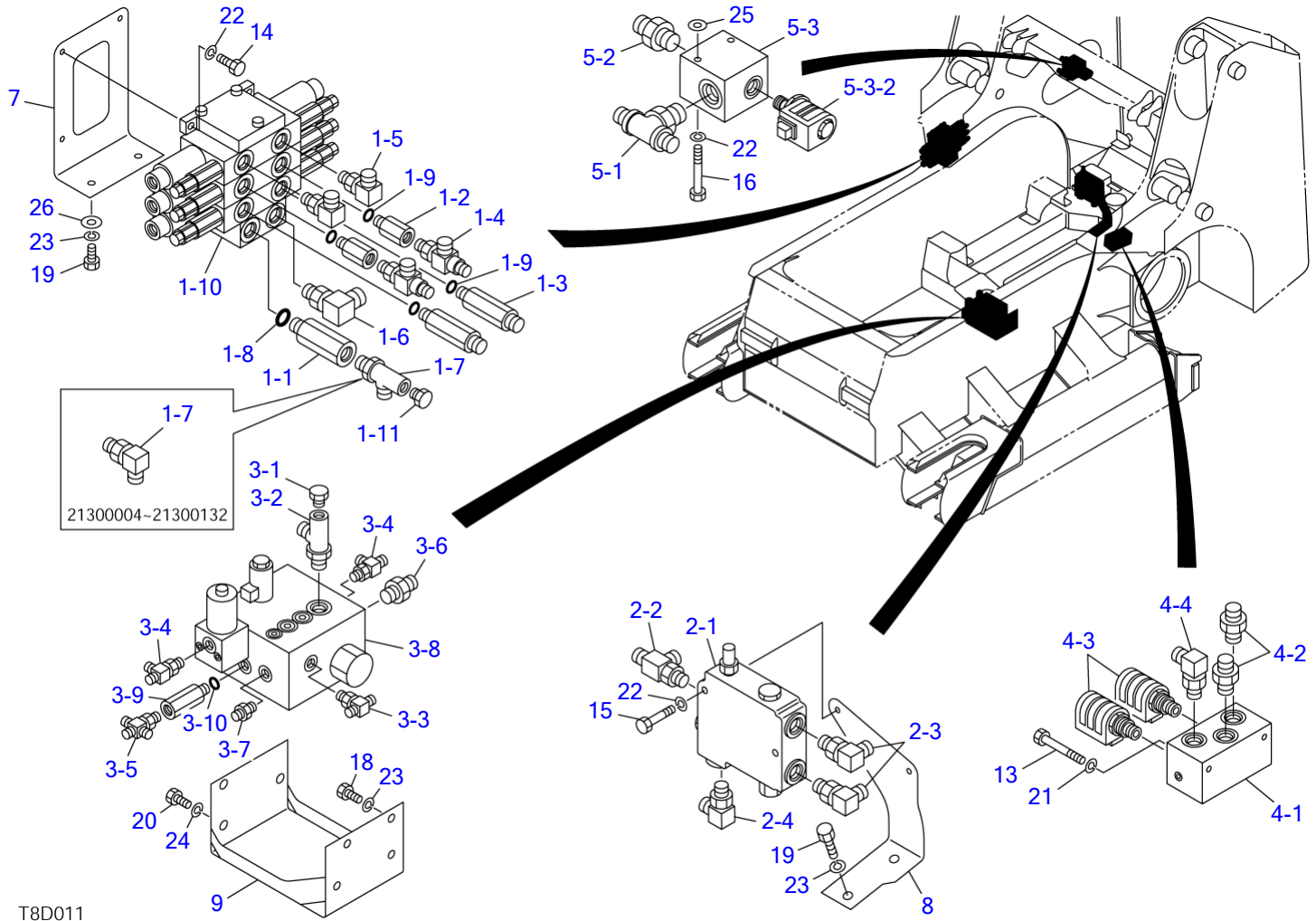
T8C211

S=1/8, 1/30

WINDOW WASHER

Item	Part number	Description	Q'ty	Chan.	Serial No.	Serv.	Remarks
		WASHER ASSY, window					X08808-90500-1
1	1711910040	NOZZLE	1				
2	1711919300	HOSE	1				sold by the meter
3	1711910101	TANK	1		21300004~21306044		
	1711910290	TANK	1		21306045~		
3-1	1711910291	• BRACKET	1		21306045~		
4	1703210770	PROTECTOR	1				sold by the meter
5	1711910062	BRACKET	1		21300004~21306044		
6	1652231140	BAND	2				
7	1150410612	SCREW	2				
10	1711910014	JOINT	1				
11	1711919150	HOSE	1				sold by the meter
12	1703220750	PROTECTOR	1				sold by the meter
	T8c211						

TL130 Book No. BT8Z012 S/N 21300004-
VALVE & ACCESSORIES (21300004-21301932)



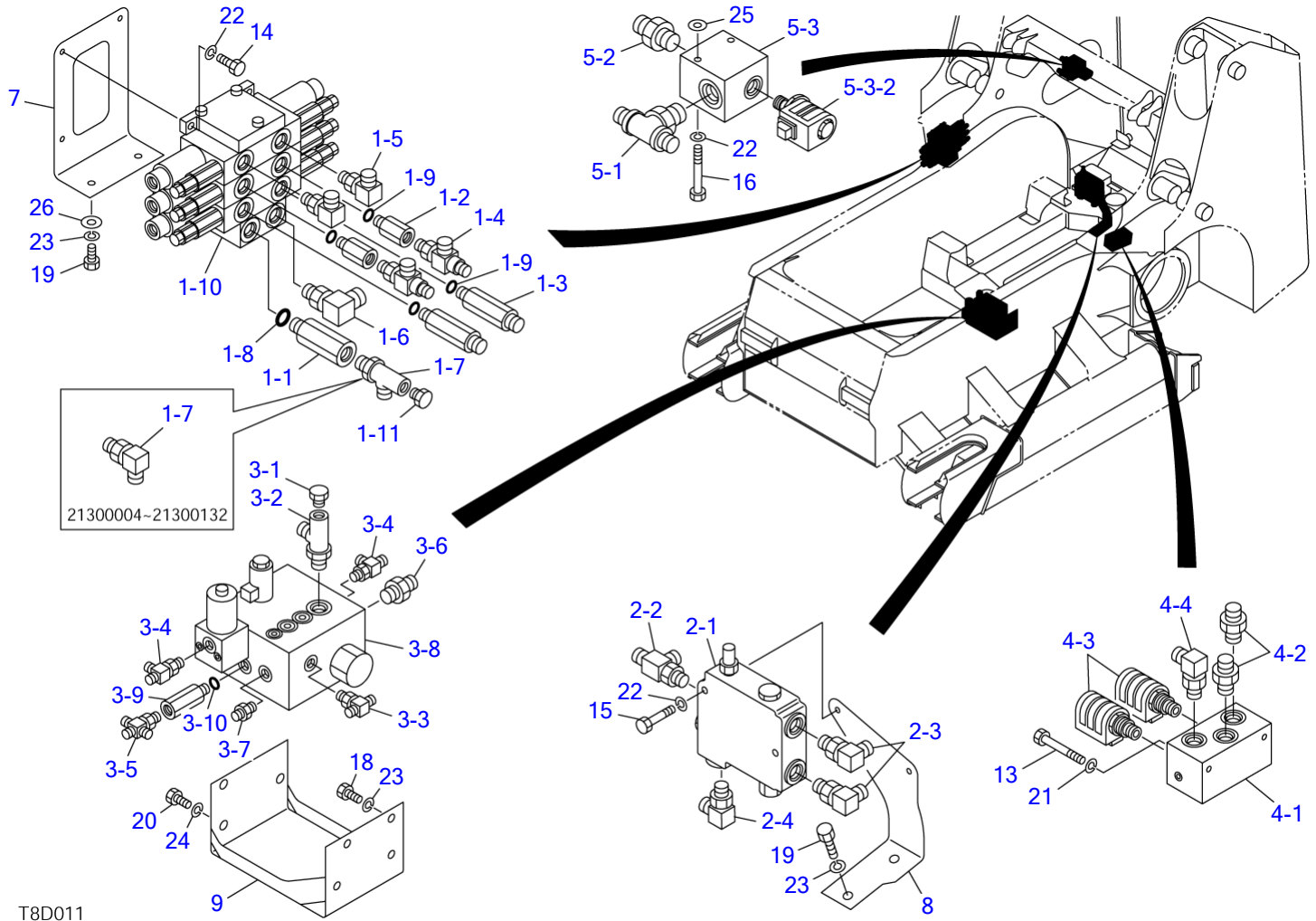
T8D011

S=1/8, 1/30

VALVE & ACCESSORIES (21300004-21301932)

Item	Part number	Description	Q'ty	Chan.	Serial No.	Serv.	Remarks
		VALVE ASSY, control					X08805-04000-1
1	X *****	VALVE SUB ASSY	1				X08805-04010-1
1-1	0007213056	· BUSHING	1				
1-2	0007213049	· BUSHING	2				
1-3	0007203072	· ADAPTOR	2				
1-4	1512373010	· TEE	2				
	1420010180	· · O-RING	1				
1-5	1515200067	· ELBOW	2				
	1420370908	· · O-RING	1				
1-6	1515200068	· ELBOW	1				
	1420370910	· · O-RING	1				
1-7	1515010042	· ELBOW	1		21300004~21300132		
	1420010180	· · O-RING	1				
	1512340004	· ELBOW	1		21300133~		
	1420010180	· · O-RING	1				
1-8	1420370910	· O-RING	1				
1-9	1420370908	· O-RING	4				
1-10	1901038200	· VALVE, control	1				
1-11	1501750002	· PLUG	1		21300133~		
	1420010110	· · O-RING	1				
2	X *****	VALVE SUB ASSY	1				X08805-03520
2-1	1901737200	· VALVE, self-level	1				
2-2	1512373011	· TEE	1				
	1420370910	· · O-RING	1				
2-3	1515200106	· ELBOW	2				
	1420370910	· · O-RING	1				
2-4	1515200062	· ELBOW	1				
	1420370910	· · O-RING	1				
3	X *****	VALVE SUB ASSY	1				X08805-04030-0
3-1	1501750002	· PLUG	1				
	1420010110	· · O-RING	1				
3-2	1512340004	· ELBOW	1				
	1420010180	· · O-RING	1				
3-3	1512370010	· ADAPTOR	1				
	1420010110	· · O-RING	1				
3-4	1512370011	· TEE	2				
	1420010110	· · O-RING	1				
3-5	1513390027	· TEE	1				
	1420010110	· · O-RING	1				
3-6	1515600202	· ADAPTOR	1				
	1420010180	· · O-RING	1				
3-7	1515600200	· ADAPTOR	1				
	1420010110	· · O-RING	1				
3-8	1901735500	· VALVE, sub	1				
3-9	0007213061	· BUSHING	1				
3-10	1420010110	· O-RING	1				
4	X *****	VALVE SUB ASSY	1				X08805-03540
4-1	0881501100	· BLOCK	1				
4-2	1515600202	· ADAPTOR	2				
	1420010180	· · O-RING	1				
4-3	1901723200	· VALVE, solenoid	2				
4-4	1515010042	· ELBOW	1				
	1420010180	· · O-RING	1				
5	X *****	VALVE SUB ASSY	1				X08805-03050
5-1	1512374011	· TEE	1				
	1420010240	· · O-RING	1				
5-2	1515600203	· ADAPTOR	1				
	1420010240	· · O-RING	1				
5-3	1901734500	· VALVE, solenoid	1				
5-3-2	1901734502	· · SOLENOID	1				
7	0880504070	BRACKET	1				
8	0880504080	BRACKET	1				
9	0881501090	BRACKET	1				
13	1100040665	BOLT	2				
14	1100040820	BOLT	3				
15	1100040855	BOLT	2				
16	1100040870	BOLT	2				
18	1100041020	BOLT	4				

TL130 Book No. BT8Z012 S/N 21300004-
VALVE & ACCESSORIES (21300004-21301932)



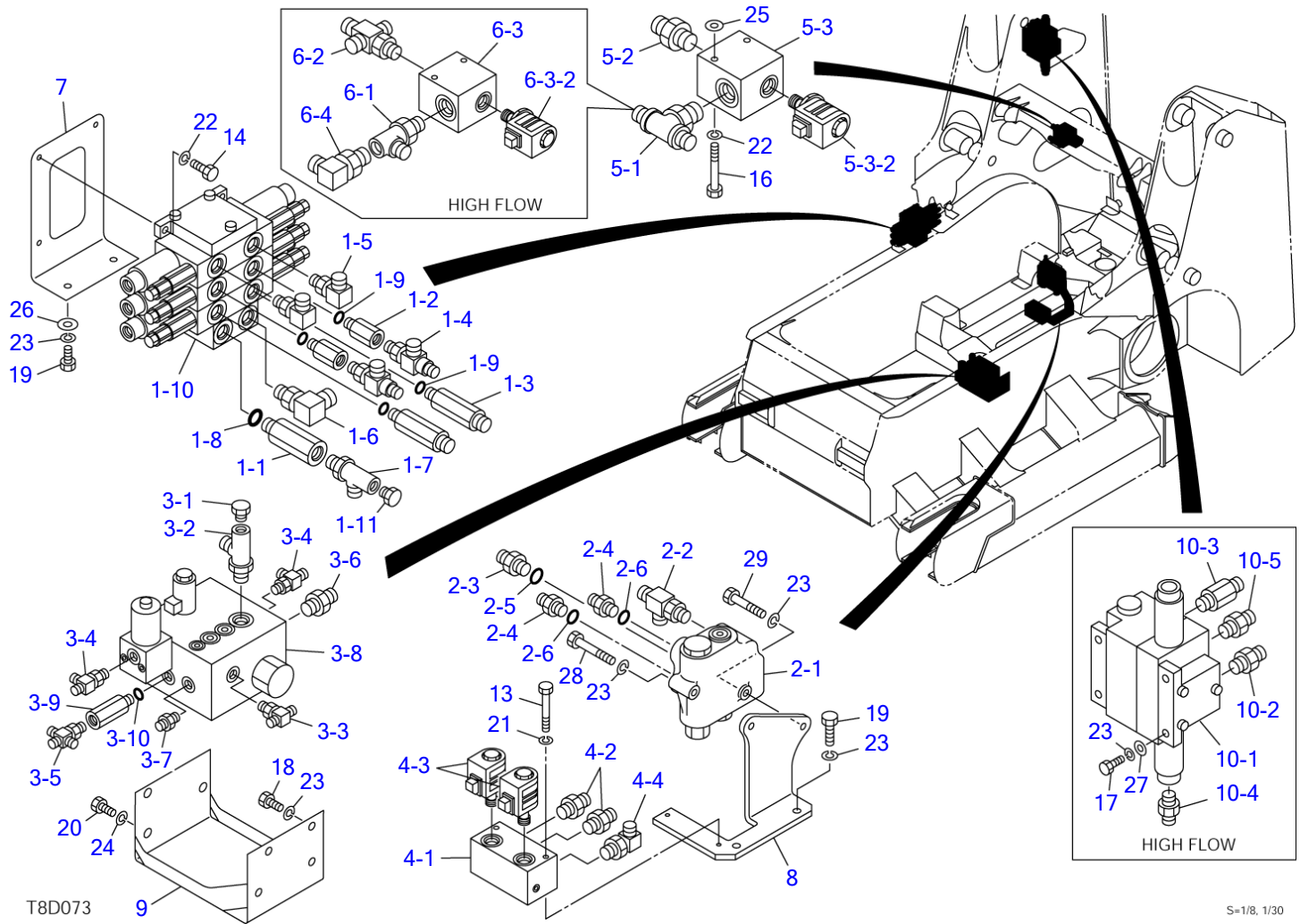
T8D011

S=1/8, 1/30

VALVE & ACCESSORIES (21300004-21301932)

Item	Part number	Description	Q'ty	Chan.	Serial No.	Serv.	Remarks
19	1100041030	BOLT	4				
20	1100041225	BOLT	3				
21	1140020006	WASHER, spring	2				
22	1140020008	WASHER, spring	7				
23	1140020010	WASHER, spring	8				
24	1140020012	WASHER, spring	3				
25	1141110008	WASHER	2				
26	1141110010	WASHER	2				
	T8d011						

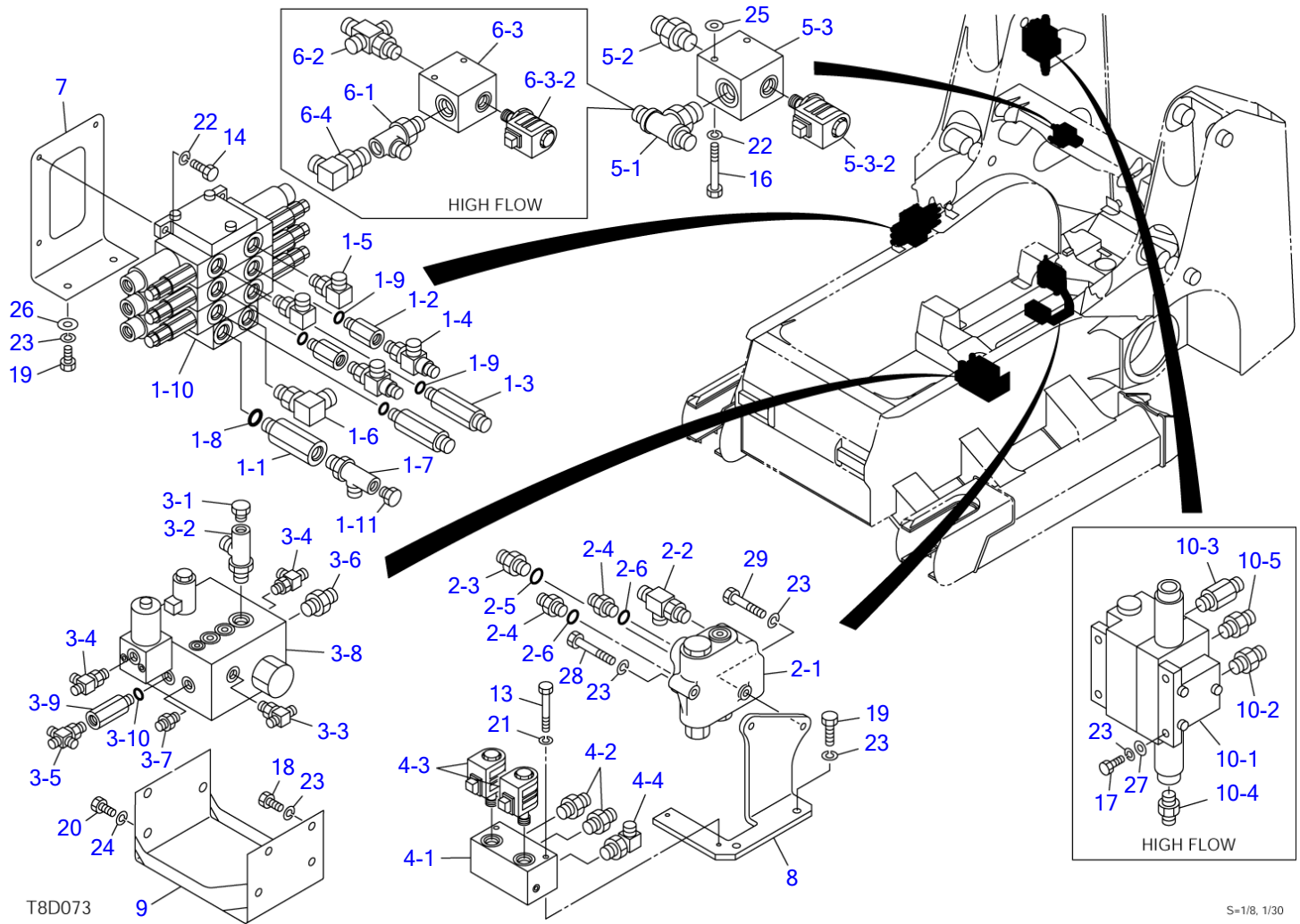
TL130 Book No. BT8Z012 S/N 21300004-
VALVE & ACCESSORIES (21301933-)



VALVE & ACCESSORIES (21301933-)

Item	Part number	Description	Q'ty	Chan.	Serial No.	Serv.	Remarks
		VALVE ASSY, control					X08805-05000-4
		VALVE ASSY, control (high flow)					X08805-05500-4
1	X *****	VALVE SUB ASSY	1				X08805-04010-1
1-1	0007213056	• BUSHING	1				
1-2	0007213049	• BUSHING	2				
1-3	0007203072	• ADAPTOR	2				
1-4	1512373010	• TEE	2				
	1420010180	• • O-RING	1				
1-5	1515200067	• ELBOW	2				
	1420370908	• • O-RING	1				
1-6	1515200068	• ELBOW	1				
	1420370910	• • O-RING	1				
1-7	1512340004	• ELBOW	1				
	1420010180	• • O-RING	1				
1-8	1420370910	• O-RING	1				
1-9	1420370908	• O-RING	4				
1-10	1901038200	• VALVE, control	1				
1-11	1501750002	• PLUG	1				
	1420010110	• • O-RING	1				
2	X *****	VALVE SUB ASSY	1				X08805-05020-0
2-1	1901736100	• VALVE, self-level	1				
2-2	1512373009	• TEE	1				
	1420370908	• • O-RING	1				
2-3	0007203007	• ADAPTOR	1				
	1420310908	• • O-RING	1				
2-4	0007203017	• ADAPTOR	2				
	1420310906	• • O-RING	1				
2-5	1420370910	• O-RING	1				
2-6	1420370906	• O-RING	2				
3	X *****	VALVE SUB ASSY	1				X08805-04030-0
3-1	1501750002	• PLUG	1				
	1420010110	• • O-RING	1				
3-2	1512340004	• ELBOW	1				
	1420010180	• • O-RING	1				
3-3	1512370010	• ADAPTOR	1				
	1420010110	• • O-RING	1				
3-4	1512370011	• TEE	2				
	1420010110	• • O-RING	1				
3-5	1513390027	• TEE	1				
	1420010110	• • O-RING	1				
3-6	1515600202	• ADAPTOR	1				
	1420010180	• • O-RING	1				
3-7	1515600200	• ADAPTOR	1				
	1420010110	• • O-RING	1				
3-8	1901735500	• VALVE, sub	1				
3-9	0007213061	• BUSHING	1				
3-10	1420010110	• O-RING	1				
4	X *****	VALVE SUB ASSY	1				X08805-03540
4-1	0881501100	• BLOCK	1				
4-2	1515600202	• ADAPTOR	2				
	1420010180	• • O-RING	1				
4-3	1901723200	• VALVE, solenoid	2				
4-4	1515010042	• ELBOW	1				
	1420010180	• • O-RING	1				
5	X *****	VALVE SUB ASSY	1				X08805-03050
5-1	1512374011	• TEE	1				
	1420010240	• • O-RING	1				
5-2	1515600203	• ADAPTOR	1				
	1420010240	• • O-RING	1				
5-3	1901734500	• VALVE, solenoid	1				
5-3-2	1901734502	• • SOLENOID	1				
6	X *****	VALVE SUB ASSY (high flow)	1				X08805-05510
6-1	1512340019	• ELBOW	1		21306717~		high flow
	1420010240	• • O-RING	1		21306717~		high flow
6-2	0881732610	• CROSS	1		21306717~		high flow
6-3	1901734500	• VALVE, solenoid	1		21306717~		high flow
6-3-2	1901734502	• • SOLENOID	1		21306717~		high flow
6-4	1515010042	• ELBOW	1		21306717~		high flow

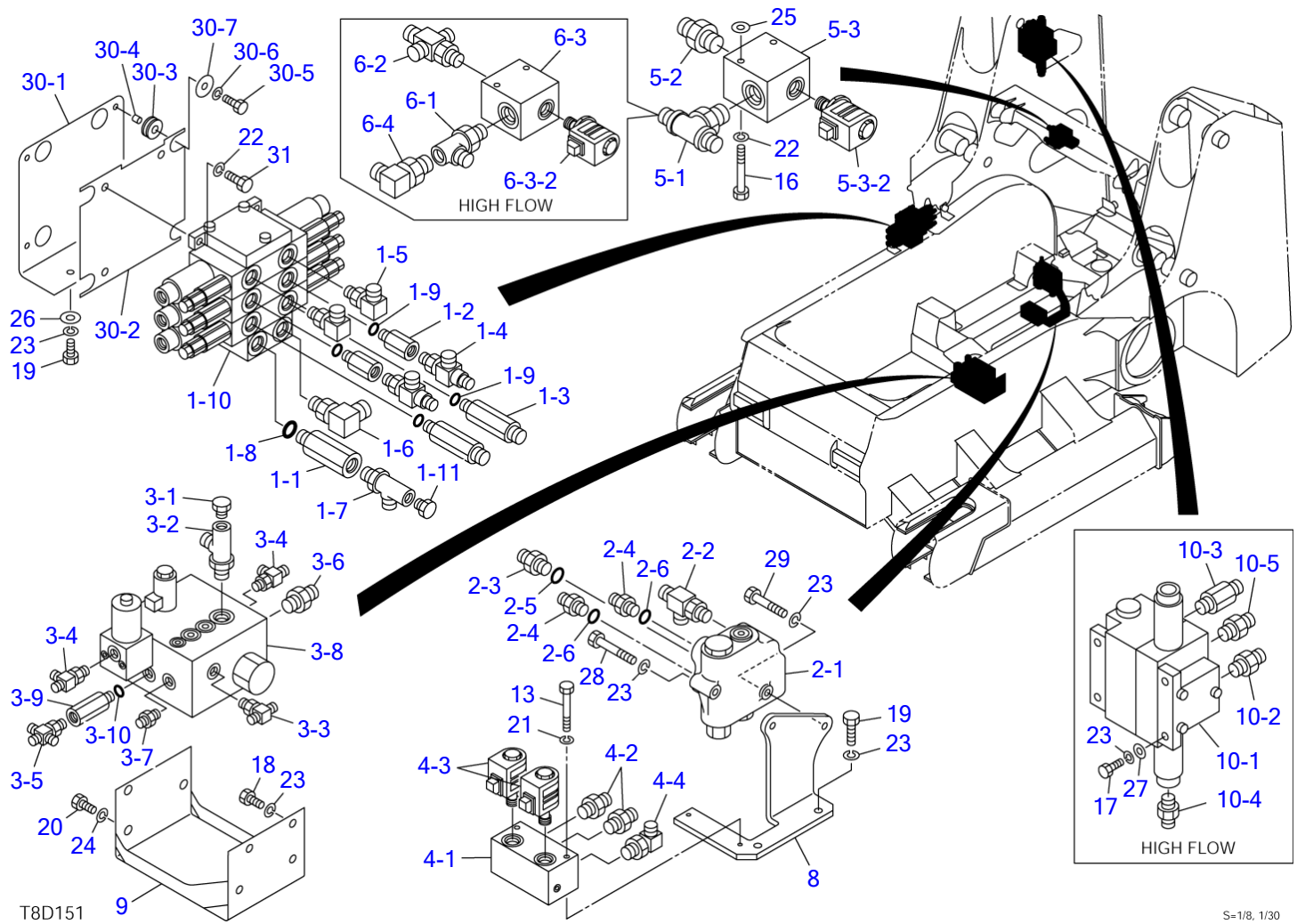
TL130 Book No. BT8Z012 S/N 21300004-
 VALVE & ACCESSORIES (21301933-)



VALVE & ACCESSORIES (21301933-)

Item	Part number	Description	Q'ty	Chan.	Serial No.	Serv.	Remarks
6-4	1420010180	• • O-RING	1		21306717~		high flow
7	0880504070	BRACKET	1				
8	0880505010	BRACKET	1				
9	0881501090	BRACKET	1				
10	X *****	VALVE SUB ASSY (high flow)	1		21306717~		X08805-05520
10-1	1901039500	• VALVE, control	1		21306717~		high flow
10-2	0007203007	• ADAPTOR	1		21306717~		high flow
10-2	1420310908	• • O-RING	1				
10-3	0007203058	• ADAPTOR	1		21306717~		high flow
10-3	1420010180	• • O-RING	1				
10-4	0575002020	• ADAPTOR	1		21306717~		high flow
10-4	1420010110	• • O-RING	1		21306717~		high flow
10-5	1515600202	• ADAPTOR	1		21306717~		high flow
10-5	1420010180	• • O-RING	1		21306717~		high flow
13	1100040665	BOLT	2				
14	1100040820	BOLT	3				
16	1100040870	BOLT	2				
17	1101041025	BOLT	3				high flow
18	1100041020	BOLT	4				
19	1100041030	BOLT	4				
20	1100041225	BOLT	3				
21	1140020006	WASHER, spring	2				
22	1140020008	WASHER, spring	5				
23	1140020010	WASHER, spring	13				
24	1140020012	WASHER, spring	3				
25	1141110008	WASHER	2				
26	1141110010	WASHER	2			M	
27	0003600020	WASHER	3				high flow
28	1100041050	BOLT	1				
29	1100041075	BOLT	1				
	T8d073						

TL130 Book No. BT8Z012 S/N 21300004-
VALVE & ACCESSORIES (for EU; 21308295-)



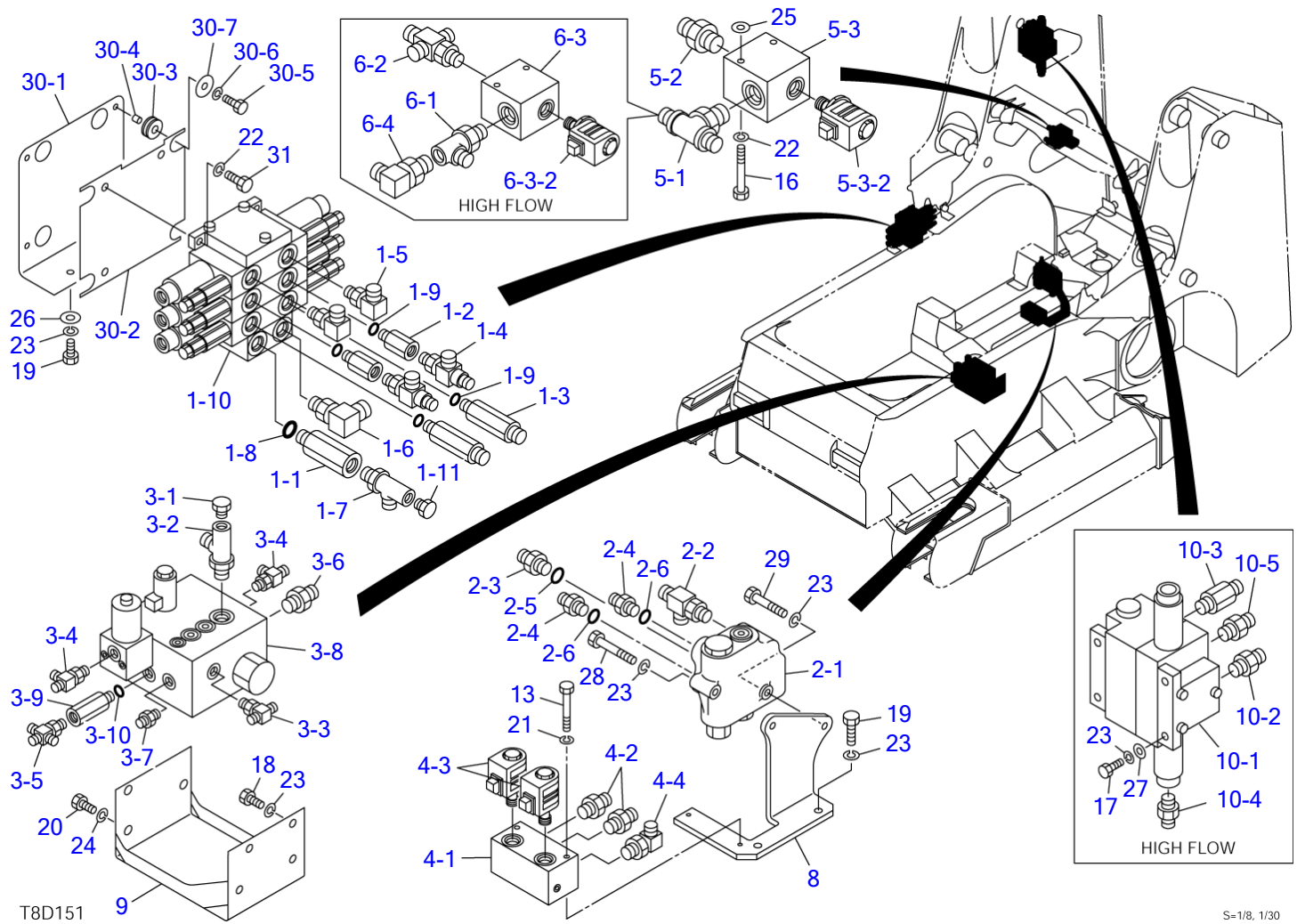
T8D151

S=1/8, 1/30

VALVE & ACCESSORIES (for EU; 21308295-)

Item	Part number	Description	Q'ty	Chan.	Serial No.	Serv.	Remarks
		VALVE ASSY, control					X08805-06000-4
		VALVE ASSY, control (high flow)					X08805-06500-4
1	X *****	VALVE SUB ASSY	1				X08805-04010-1
1-1	0007213056	• BUSHING	1				
1-2	0007213049	• BUSHING	2				
1-3	0007203072	• ADAPTOR	2				
1-4	1512373010	• TEE	2				
	1420010180	• • O-RING	1				
1-5	1515200067	• ELBOW	2				
	1420370908	• • O-RING	1				
1-6	1515200068	• ELBOW	1				
	1420370910	• • O-RING	1				
1-7	1512340004	• ELBOW	1				
	1420010180	• • O-RING	1				
1-8	1420370910	• O-RING	1				
1-9	1420370908	• O-RING	4				
1-10	1901038200	• VALVE, control	1				
1-11	1501750002	• PLUG	1				
	1420010110	• • O-RING	1				
2	X *****	VALVE SUB ASSY	1				X08805-05020-0
2-1	1901736100	• VALVE, self-level	1				
2-2	1512373009	• TEE	1				
	1420370908	• • O-RING	1				
2-3	0007203007	• ADAPTOR	1				
	1420310908	• • O-RING	1				
2-4	0007203017	• ADAPTOR	2				
	1420310906	• • O-RING	1				
2-5	1420370910	• O-RING	1				
2-6	1420370906	• O-RING	2				
3	X *****	VALVE SUB ASSY	1				X08805-04030-0
3-1	1501750002	• PLUG	1				
	1420010110	• • O-RING	1				
3-2	1512340004	• ELBOW	1				
	1420010180	• • O-RING	1				
3-3	1512370010	• ADAPTOR	1				
	1420010110	• • O-RING	1				
3-4	1512370011	• TEE	2				
	1420010110	• • O-RING	1				
3-5	1513390027	• TEE	1				
	1420010110	• • O-RING	1				
3-6	1515600202	• ADAPTOR	1				
	1420010180	• • O-RING	1				
3-7	1515600200	• ADAPTOR	1				
	1420010110	• • O-RING	1				
3-8	1901735500	• VALVE, sub	1				
3-9	0007213061	• BUSHING	1				
3-10	1420010110	• O-RING	1				
4	X *****	VALVE SUB ASSY	1				X08805-03540
4-1	0881501100	• BLOCK	1				
4-2	1515600202	• ADAPTOR	2				
	1420010180	• • O-RING	1				
4-3	1901723200	• VALVE, solenoid	2				
4-4	1515010042	• ELBOW	1				
	1420010180	• • O-RING	1				
5	X *****	VALVE SUB ASSY	1				X08805-03050
5-1	1512374011	• TEE	1				
	1420010240	• • O-RING	1				
5-2	1515600203	• ADAPTOR	1				
	1420010240	• • O-RING	1				
5-3	1901734500	• VALVE, solenoid	1				
5-3-2	1901734502	• • SOLENOID	1				
6	X *****	VALVE SUB ASSY (high flow)	1				X08805-05510
6-1	1512340019	• ELBOW	1				high flow
	1420010240	• • O-RING	1				high flow
6-2	0881732610	• CROSS	1				high flow
6-3	1901734500	• VALVE, solenoid	1				high flow
6-3-2	1901734502	• • SOLENOID	1				high flow
6-4	1515010042	• ELBOW	1				high flow

TL130 Book No. BT8Z012 S/N 21300004-
VALVE & ACCESSORIES (for EU; 21308295-)

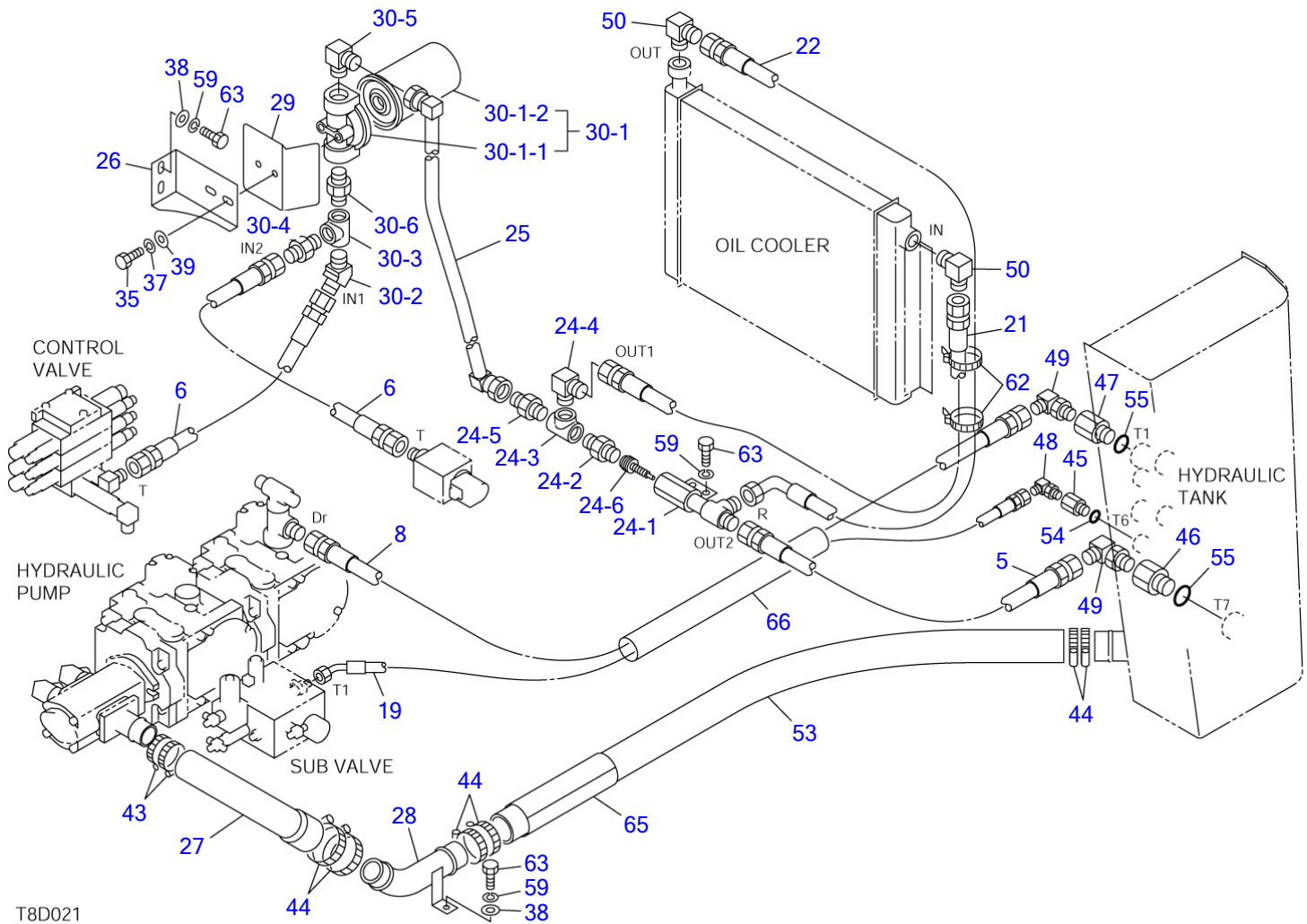


T8D151

S=1/8, 1/30

VALVE & ACCESSORIES (for EU; 21308295-)

Item	Part number	Description	Q'ty	Chan.	Serial No.	Serv.	Remarks
6-4	1420010180	• • O-RING	1				high flow
8	0880505010	BRACKET	1				
9	0881501090	BRACKET	1				
10	X *****	VALVE SUB ASSY (high flow)	1				X08805-05520
10-1	1901039500	• VALVE, control	1				high flow
10-2	0007203007	• ADAPTOR	1				high flow
10-2	1420310908	• • O-RING	1				
10-3	0007203058	• ADAPTOR	1				high flow
10-3	1420010180	• • O-RING	1				
10-4	0575002020	• ADAPTOR	1				high flow
10-4	1420010110	• • O-RING	1				high flow
10-5	1515600202	• ADAPTOR	1				high flow
10-5	1420010180	• • O-RING	1				high flow
13	1100040665	BOLT	2				
16	1100040870	BOLT	2				
17	1101041025	BOLT	3				high flow
18	1100041020	BOLT	4				
19	1100041030	BOLT	4				
20	1100041225	BOLT	3				
21	1140020006	WASHER, spring	2				
22	1140020008	WASHER, spring	5				
23	1140020010	WASHER, spring	13				
24	1140020012	WASHER, spring	3				
25	1141110008	WASHER	2				
26	1141110010	WASHER	2			M	
27	0003600020	WASHER	3				high flow
28	1100041050	BOLT	1				
29	1100041075	BOLT	1				
30	0880506100	BRACKET ASSY	1				
30-1	0880506110	• BRACKET	1				
30-2	0882502120	• PLATE	1				
30-3	0882502130	• CUSHION	4				
30-4	0882502140	• PIPE	4				
30-5	1100040825	• BOLT	4				
30-6	1140020008	• WASHER, spring	4				
30-7	0003609003	• WASHER	4				
31	1100040825	BOLT	3			M	
	T8d151						

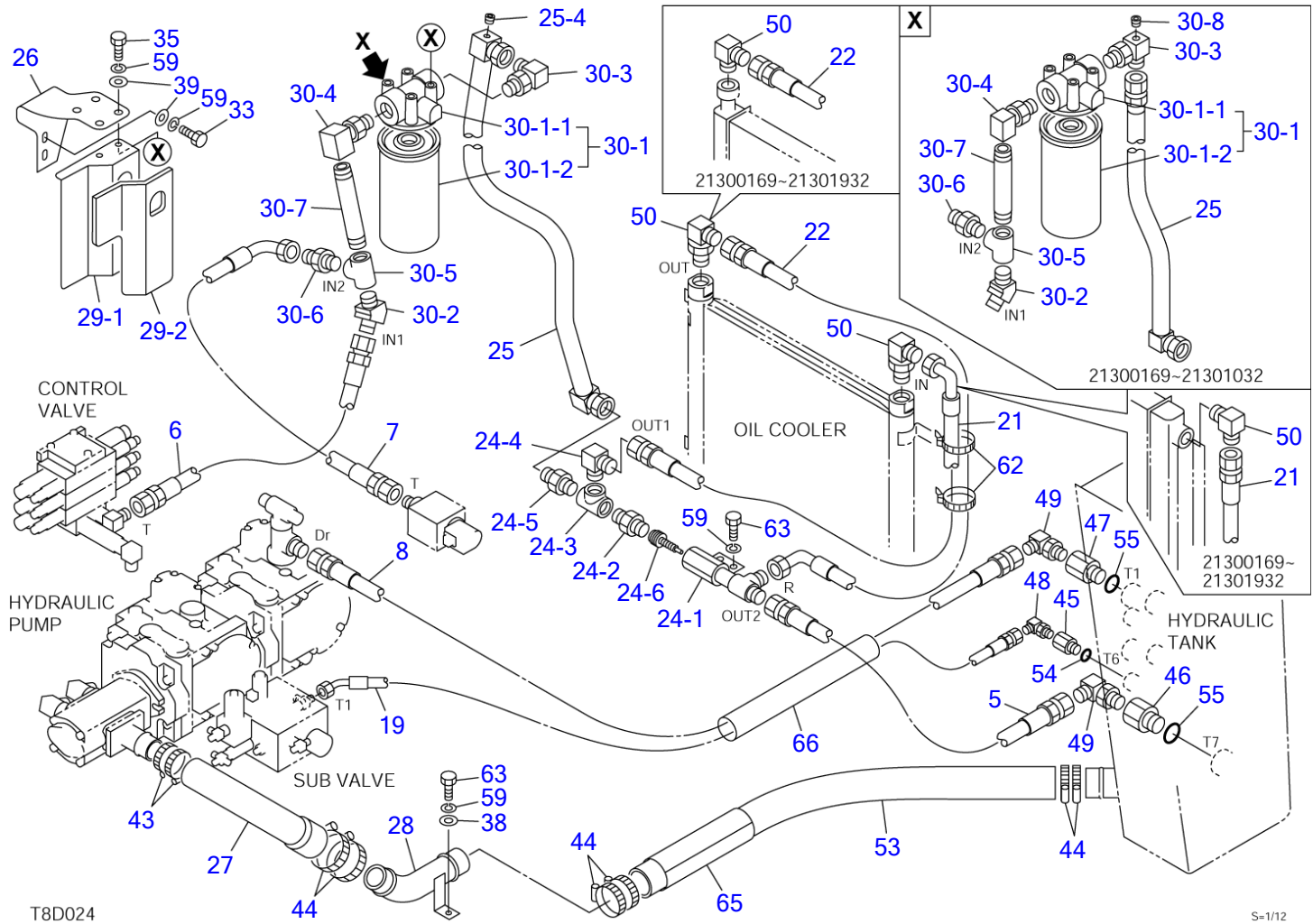


T8D021

S=1/12

PIPING (1/2) (21300004-21300168)

Item	Part number	Description	Q'ty	Chan.	Serial No.	Serv.	Remarks
		PIPING ASSY					X08807-07000-4
5	0880707050	HOSE ASSY	1				4-520
6	0880707060	HOSE ASSY	2				4-490
8	0880707080	HOSE ASSY	1				4-1180
19	0880707190	HOSE ASSY	1				18010-79124
21	0880707210	HOSE ASSY	1				19346-26104
22	0880707220	HOSE ASSY	1				19346-56158
24	X *****	MANIFOLD ASSY	1				
24-1	0880705741	• JOINT	1				
24-2	1501501006	• ADAPTOR	1				
24-3	1508210006	• TEE	1				
24-4	1511150006	• ADAPTOR	1				
24-5	1511050006	• ADAPTOR	1				
24-6	1540140830	• VALVE, check	1				
25	0880705750	PIPE	1				
26	0880705260	BRACKET	1				
27	0880705270	HOSE	1				
28	0880705280	PIPE	1				
29	0881701680	COVER	1				
30	X *****	FILTER ASSY	1				
30-1	1551000200	• FILTER	1				
30-1-1	1551000210	• • COVER	1				
30-1-2	1551000220	• • CARTRIDGE	1				
30-2	1511250006	• ELBOW	1				
30-3	1508200006	• TEE	1				
30-4	1511050006	• ADAPTOR	1				
30-5	1513400025	• ELBOW	1				
30-6	1501501006	• ADAPTOR	1				
30-7	1501810001	• PLUG	1				
35	1100041225	BOLT	2				
37	1140020012	WASHER, spring	2				
38	1141110010	WASHER	4				
39	1141110012	WASHER	2				
43	1533700060	CLIP	2				
44	1533700070	CLIP	6				
45	0007213058	BUSHING	1				
46	0007213034	BUSHING	1				
47	0007213020	BUSHING	1				
48	1515010040	ELBOW	1				
	1420010110	• O-RING	1				
49	1515010043	ELBOW	2				
	1420010240	• O-RING	1				
50	1511150006	ADAPTOR	2				
53	0880707530	HOSE	1				
54	1420010110	O-RING	1				
55	1420010240	O-RING	2				
59	1140020010	WASHER, spring	6				
62	1652241300	BAND	2				
63	1100041020	BOLT	6				
65	0881701670	PROTECTOR	1				
66	1531350055	PROTECTOR	1				sold by the meter
	T8d021						

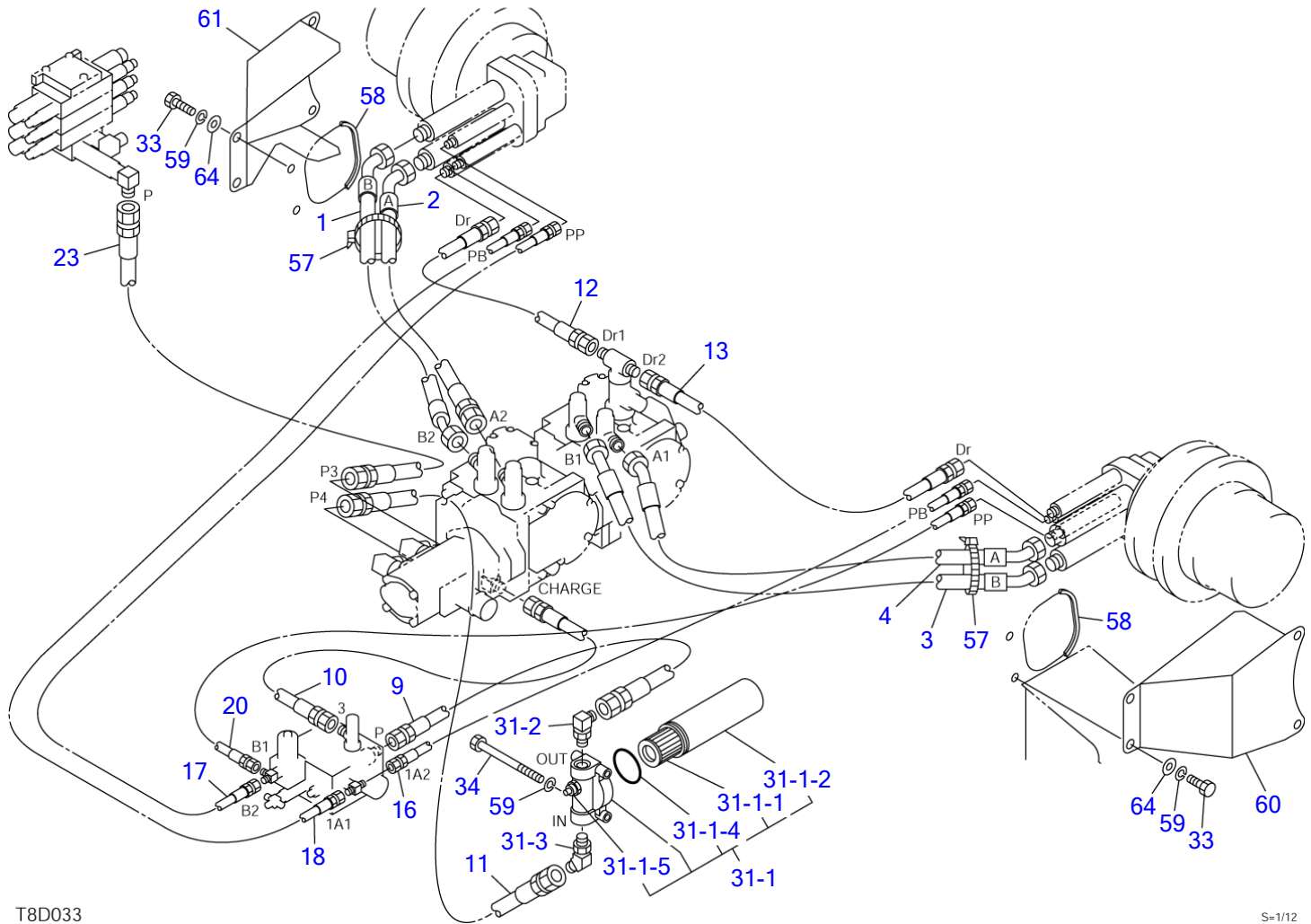


T8D024

S=1/12

PIPING (1/2) (21300169-21303768)

Item	Part number	Description	Q'ty	Chan.	Serial No.	Serv.	Remarks
		PIPING ASSY					X08807-09000-1
5	0880707050	HOSE ASSY	1				4-520
6	0880708020	HOSE ASSY	1				4-460
7	0880708030	HOSE ASSY	1				4-600
8	0880709030	HOSE ASSY	1				4-1140
19	0880707190	HOSE ASSY	1				18010-79124
21	0880707210	HOSE ASSY	1		21300169~21301932		19346-26104
	0880709010	HOSE ASSY	1		21301933~		4-1160
22	0880707220	HOSE ASSY	1		21300169~21301932		19346-56158
	0880709020	HOSE ASSY	1		21301933~		4-1550
24	X *****	MANIFOLD ASSY	1				X08807-05740
24-1	0880705741	• JOINT	1				
24-2	1501501006	• ADAPTOR	1				
24-3	1508210006	• TEE	1				
24-4	1511150006	• ADAPTOR	1				
24-5	1511051006	• ADAPTOR	1				
24-6	1540140830	• VALVE, check	1				
25	0880708040	PIPE	1		21300169~21301032		
	0880708080	PIPE	1		21301033~21301476		
	0880962570	PIPE	1		21301477~		
25-4	1501820001	• PLUG	1		21301033~		
26	0880708050	BRACKET	1				
27	0880705270	HOSE	1				
28	0880705280	PIPE	1				
29	X *****	COVER ASSY	1				X08817-02060
29-1	0881702070	• COVER	1				
29-2	0881702062	• ABSORBENT, noise	1				
30	X *****	FILTER ASSY	1				X08807-08090
30-1	1551000500	• FILTER	1				
30-1-1	1551000510	• • COVER	1				
30-1-2	1551000520	• • CARTRIDGE	1				
30-2	1511250610	• ELBOW	1				
30-3	1512375005	• ELBOW	1		21300169~21301032		
	1420010290	• • O-RING	1				
	1515010044	• ELBOW	1		21301033~		
	1420010290	• • O-RING	1				
30-4	1513300025	• ELBOW	1				
	1420010290	• • O-RING	1				
30-5	1508210010	• TEE	1				
30-6	1511050610	• ADAPTOR	1				
30-7	0009110170	• NIPPLE	1				
30-8	1501810001	• PLUG	1		21300169~21301032		
33	1100041025	BOLT	2				
35	1100041030	BOLT	4				
38	1141110010	WASHER	2				
39	0003600003	WASHER	6				
43	1533700060	CLIP	2				
44	1533700070	CLIP	6				
45	0007213058	BUSHING	1				
46	0007213034	BUSHING	1				
47	0007213020	BUSHING	1				
48	1515012040	ELBOW	1				
	1420010110	• O-RING	1				
49	1515010043	ELBOW	2				
	1420010240	• O-RING	1				
50	1511150006	ELBOW	2		21300169~21301932		
	1515010053	ELBOW	2		21301933~		
	1420010290	• O-RING	1				
53	0880707530	HOSE	1				
54	1420010110	O-RING	1				
55	1420010240	O-RING	2				
59	1140020010	WASHER, spring	10				
62	1652241300	BAND	2				
63	1100041020	BOLT	4				
65	0881701670	PROTECTOR	1				
66	1531350055	PROTECTOR	1				sold by the meter
	T8d027						



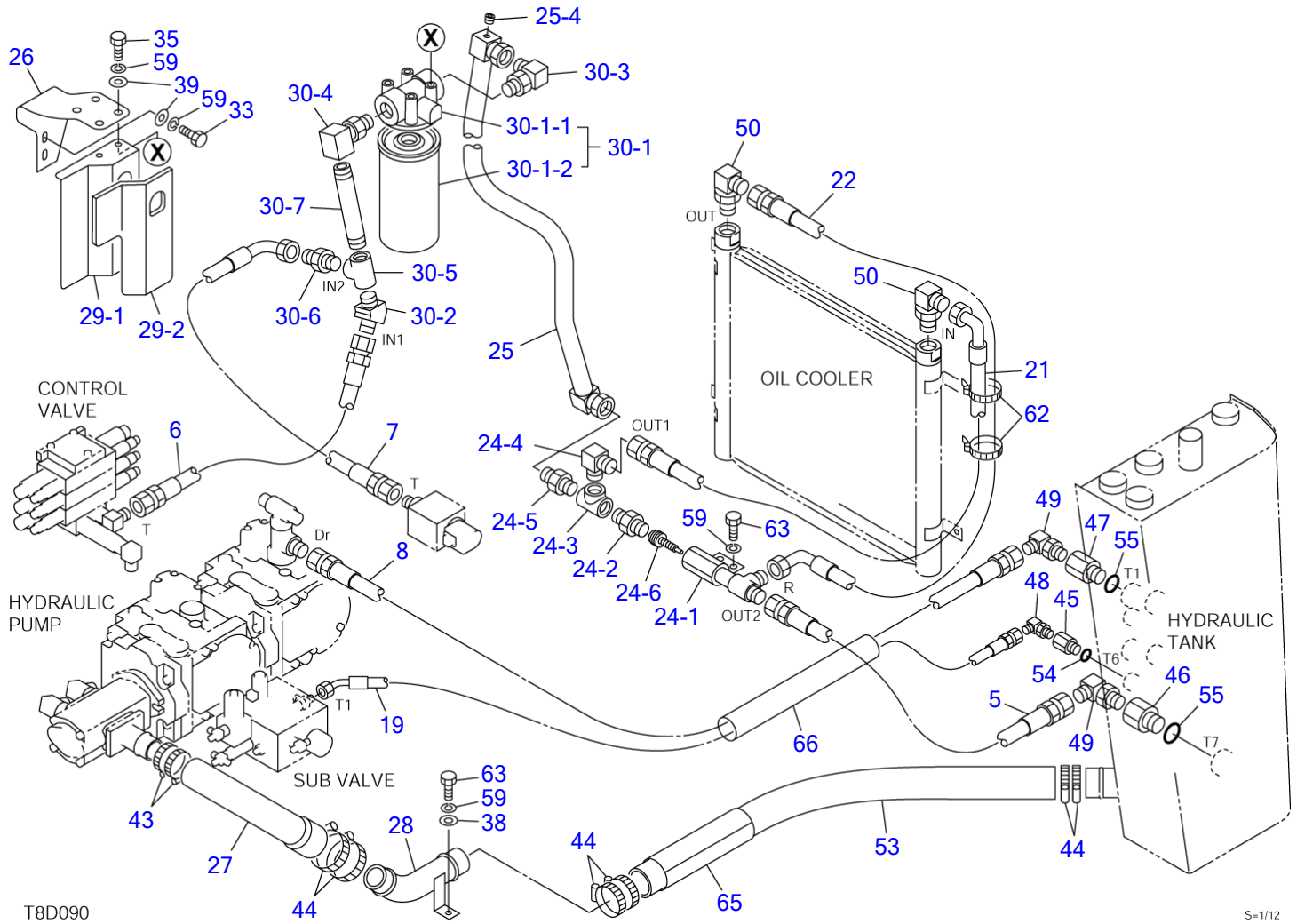
T8D033

S-1/12

PIPING (2/2) (21300004-21303768)

Item	Part number	Description	Q'ty	Chan.	Serial No.	Serv.	Remarks
		PIPING ASSY					X08807-09000-1
1	0880707015	HOSE ASSY	1				4-580
2	0880707020	HOSE ASSY	1				4-660
3	0880707030	HOSE ASSY	1				4-630
4	0880707040	HOSE ASSY	1				4-530
9	0880707090	HOSE ASSY	1				8-500
10	0880707100	HOSE ASSY	1				2-520
11	0880707110	HOSE ASSY	1				8-760
12	0880707120	HOSE ASSY	1				18010-23054
13	0880707130	HOSE ASSY	1				18010-23064
16	0880707160	HOSE ASSY	1				4-500
17	0880707170	HOSE ASSY	1				4-1280
18	0880707180	HOSE ASSY	1				4-1500
20	0880707200	HOSE ASSY	1				4-860
23	0880707230	HOSE ASSY	1				2-960
31	X *****	FILTER ASSY	1				X08807-05310
31-1	1551102500	· FILTER, line	1				
31-1-1	1551101001	· · ELEMENT	1				
31-1-2	1551101003	· · CASE	1				
31-1-4	1420100600	· · O-RING	1				
31-1-5	1551102505	· · SWITCH, pressure	1				
31-2	1515010042	· ELBOW	1				
	1420010180	· · O-RING	1				
31-3	1515100112	· ELBOW	1				
	1420010180	· · O-RING	1				
33	1100041025	BOLT	8				
34	1100041095	BOLT	2				
57	1652241300	BAND	2		21301033~		
58	1654601019	TRIM	2				
59	1140020010	WASHER, spring	10				
60	0880707600	COVER(L.H.)	1				
61	0880707610	COVER(R.H.)	1				
64	0003600020	WASHER	8				
	T&d036						

TL130 Book No. BT8Z012 S/N 21300004-
 PIPING (1/2) (21305001-)



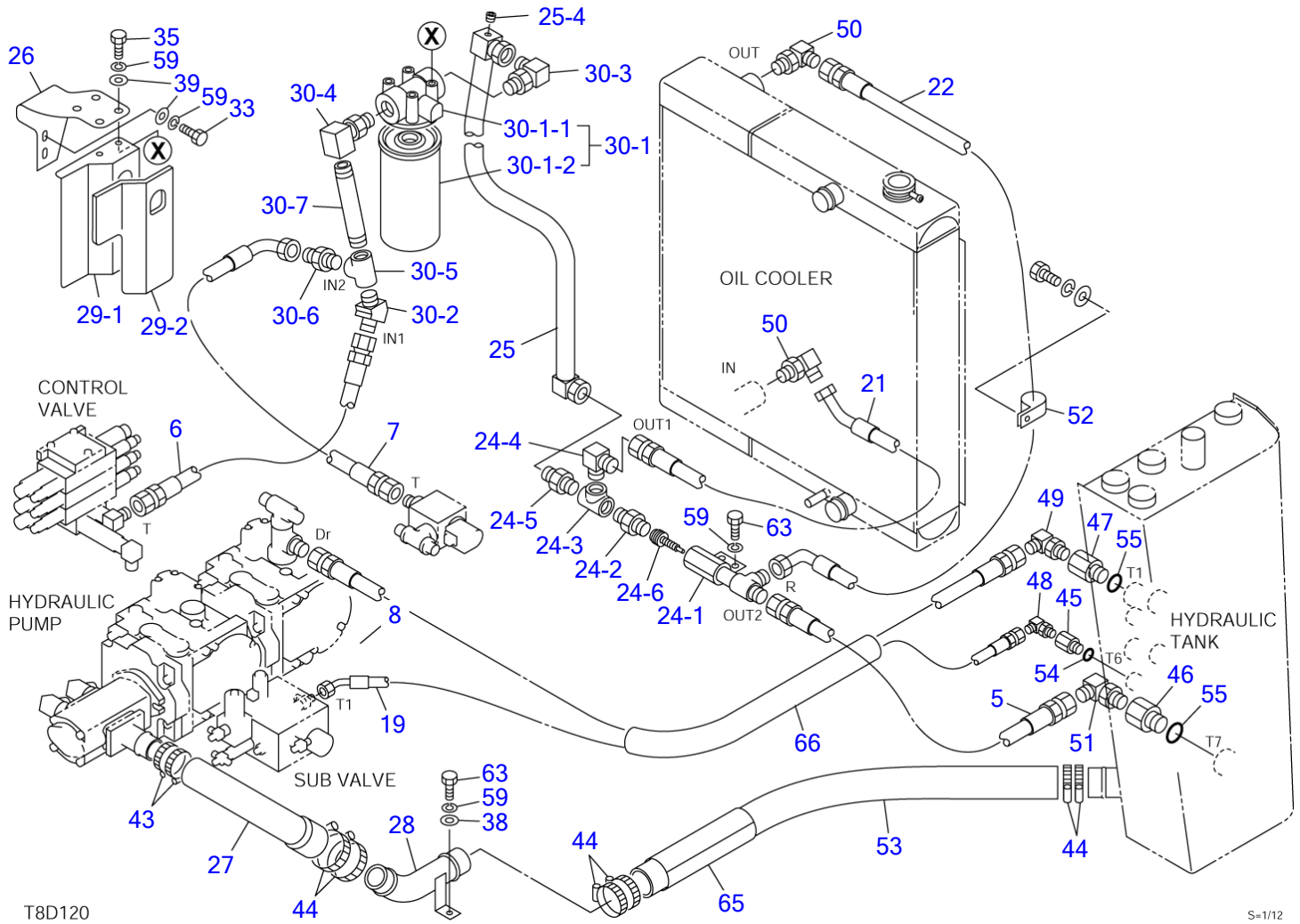
T8D090

S=1/12

PIPING (1/2) (21305001-)

Item	Part number	Description	Q'ty	Chan.	Serial No.	Serv.	Remarks
		PIPING ASSY					X08807-09700-2
5	0880707050	HOSE ASSY	1				18010-26053
6	0880708020	HOSE ASSY	1				4-460
7	0880708030	HOSE ASSY	1				4-600
8	0880709030	HOSE ASSY	1				4-1140
19	0880707190	HOSE ASSY	1				18010-79124
21	0880709010	HOSE ASSY	1				4-1160
22	0880709020	HOSE ASSY	1				4-1550
24	X *****	MANIFOLD ASSY	1				X08807-05740
24-1	0880705741	• JOINT	1	A, a		M	
24-2	1501501006	• ADAPTOR	1				
24-3	1508210006	• TEE	1				
24-4	1511150006	• ADAPTOR	1				
24-5	1511051006	• ADAPTOR	1				
24-6	1540140830	• VALVE, check	1				
25	0880962570	PIPE	1	A	21305001~21308953	M	
	0880709620	PIPE	1	a	21308954~	M	
25-4	1501820001	• PLUG	1				
26	0880708050	BRACKET	1				
27	0880705270	HOSE	1				
28	0880705280	PIPE	1				
29	X *****	COVER ASSY	1				X08817-02060
29-1	0881702070	• COVER	1				
29-2	0881702062	• ABSORBENT, noise	1				
30	X *****	FILTER ASSY	1				X08807-08090
30-1	1551000500	• FILTER	1				
30-1-1	1551000510	• • COVER	1				
30-1-2	1551000520	• • CARTRIDGE	1				
30-2	1511250610	• ELBOW	1				
30-3	1515010044	• ELBOW	1				
	1420010290	• • O-RING	1				
30-4	1513300025	• ELBOW	1				
	1420010290	• • O-RING	1				
30-5	1508210010	• TEE	1				
30-6	1511050610	• ADAPTOR	1				
30-7	0009110170	• NIPPLE	1				
33	1100041025	BOLT	2				
35	1100041030	BOLT	4				
38	1141110010	WASHER	2				
39	0003600025	WASHER	6				
43	1533700060	CLIP	2				
44	1533700070	CLIP	6				
45	0007213058	BUSHING	1				
46	0007213034	BUSHING	1				
47	0007213020	BUSHING	1				
48	1515012040	ELBOW	1				
	1420010110	• O-RING	1				
49	1515010043	ELBOW	2				
	1420010240	• O-RING	1				
50	1515010053	ELBOW	2				
	1420010290	• O-RING	1				
53	0880707530	HOSE	1				
54	1420010110	O-RING	1				
55	1420010240	O-RING	2				
59	1140020010	WASHER, spring	10				
62	1652241300	BAND	2				
63	1100041020	BOLT	4				
65	0881701670	PROTECTOR	1				
66	1531350055	PROTECTOR	1				sold by the meter
		<<NOTE>>				M	
		SET "A" is interchangeable				M	
		with SET "a".					
	T8d093						

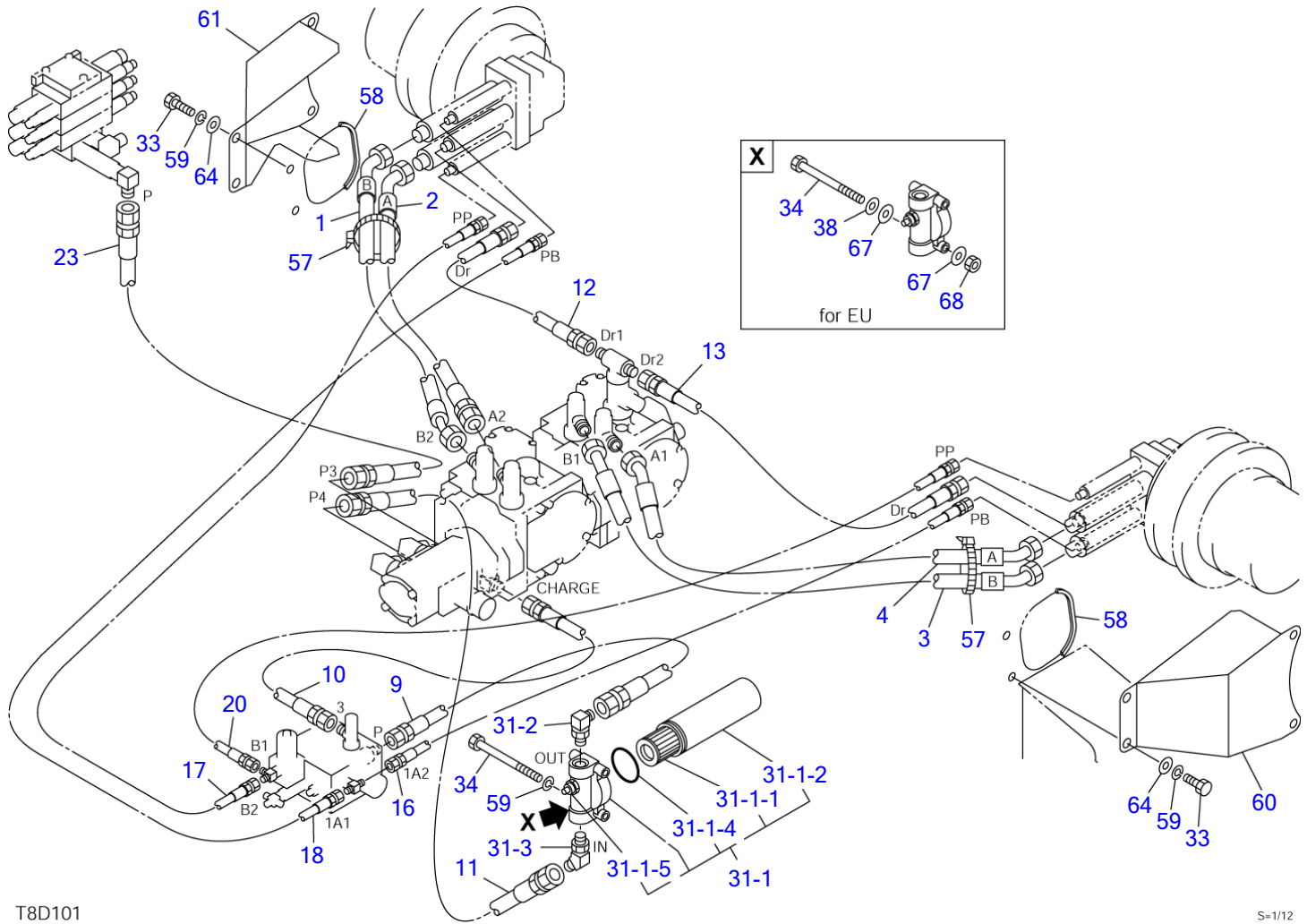
TL130 Book No. BT8Z012 S/N 21300004-
 PIPING (1/2) (for EU; 21306717-)



T8D120

S=1/12

PIPING (1/2) (for EU; 21306717-)							
Item	Part number	Description	Q'ty	Chan.	Serial No.	Serv.	Remarks
		PIPING ASSY					X08807-09800-5
5	0880709510	HOSE ASSY	1				SF-SF 1-550
6	0880708020	HOSE ASSY	1				4-460
7	0880708030	HOSE ASSY	1				4-600
8	0880709030	HOSE ASSY	1				4-1140
19	0880707190	HOSE ASSY	1				18010-79124
21	0880709580	HOSE ASSY	1				SF-AF90 1-780
22	0880709590	HOSE ASSY	1				SF-AF90 1-1790
24	X *****	MANIFOLD ASSY	1				X08807-09530
24-1	0880708200	· JOINT	1	A, a		M	
24-2	1501501006	· ADAPTOR	1				
24-3	1508210006	· TEE	1				
24-4	1511151006	· ADAPTOR	1				
24-5	1511051006	· ADAPTOR	1				
24-6	1540140830	· VALVE, check	1				
25	0880709570	PIPE	1	A, a	21306717~21308953	M	
	0880709620	PIPE	1	a	21308953~	M	
25-4	1501820001	· PLUG	1				
26	0880708050	BRACKET	1				
27	0880705270	HOSE	1				
28	0880705280	PIPE	1				
29	X *****	COVER ASSY	1				X08817-02060
29-1	0881702070	· COVER	1				
29-2	0881702062	· ABSORBENT, noise	1				
30	X *****	FILTER ASSY	1				X08807-08090
30-1	1551000500	· FILTER	1				
30-1-1	1551000510	· · COVER	1				
30-1-2	1551000520	· · CARTRIDGE	1				
30-2	1511250610	· ELBOW	1				
30-3	1515010044	· ELBOW	1				
	1420010290	· · O-RING	1				
30-4	1513300025	· ELBOW	1				
	1420010290	· · O-RING	1				
30-5	1508210010	· TEE	1				
30-6	1511050610	· ADAPTOR	1				
30-7	0009110170	· NIPPLE	1				
33	1100041025	BOLT	2				
35	1100041030	BOLT	4				
38	1141110010	WASHER	2				
39	0003600025	WASHER	6				
43	1533700060	CLIP	2				
44	1533700070	CLIP	6				
45	0007213058	BUSHING	1				
46	0007213034	BUSHING	1				
47	0007213020	BUSHING	1				
48	1515012040	ELBOW	1				
	1420010110	· O-RING	1				
49	1515010043	ELBOW	1				
	1420010240	· O-RING	1				
50	1515010044	ELBOW	2				
	1420010290	· O-RING	1				
51	1515010133	ELBOW	1				
	1420010240	· O-RING	1				
52	0007300030	CLAMP	1				
53	0880707530	HOSE	1				
54	1420010110	O-RING	1				
55	1420010240	O-RING	2				
59	1140020010	WASHER, spring	10				
63	1100041020	BOLT	4				
65	0881701670	PROTECTOR	1				
66	1531350055	PROTECTOR	1				sold by the meter
		<<NOTE>>				M	
		SET "A" is interchangeable with SET "a".				M	
	T8d123						

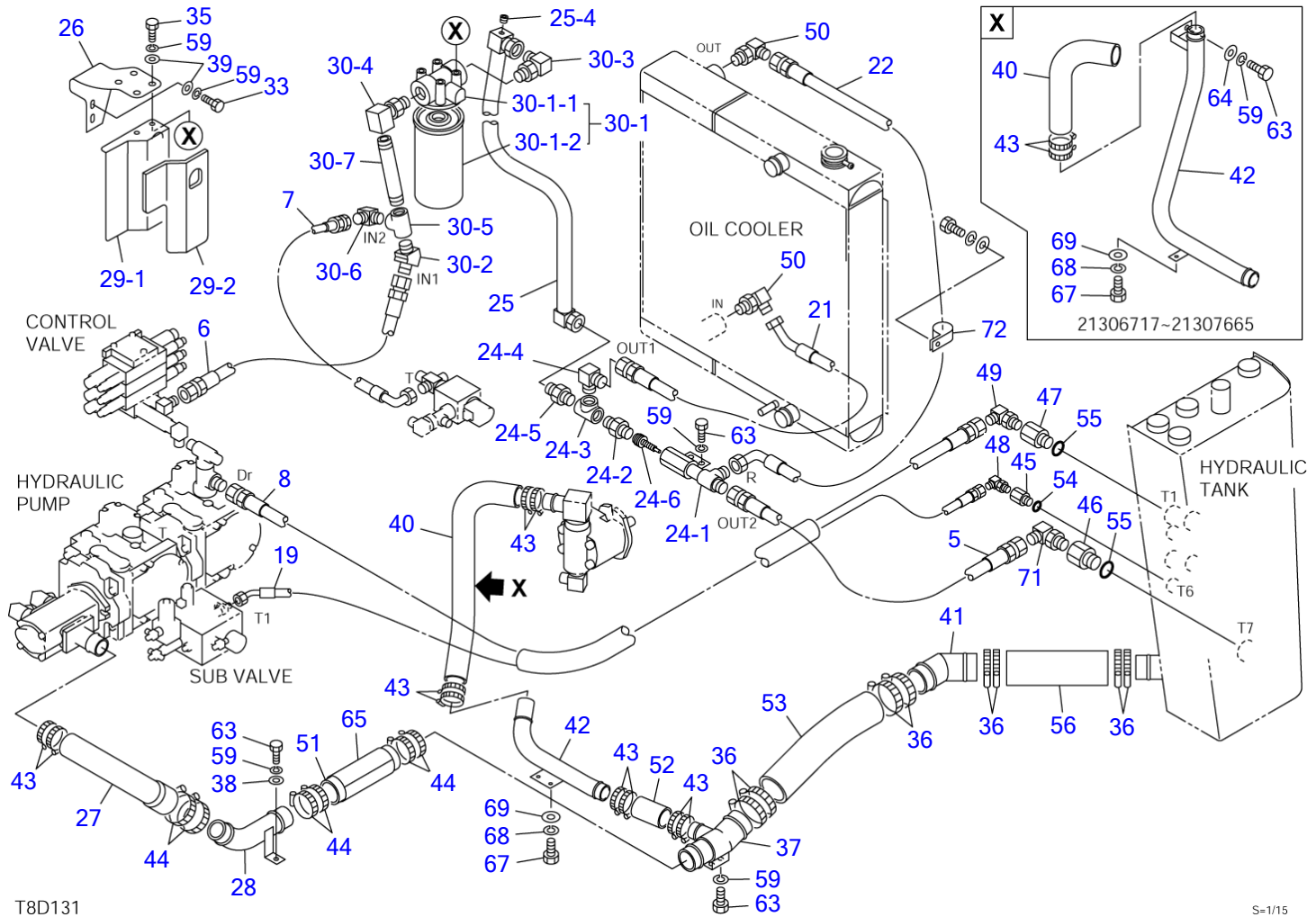


T8D101

S=1/12

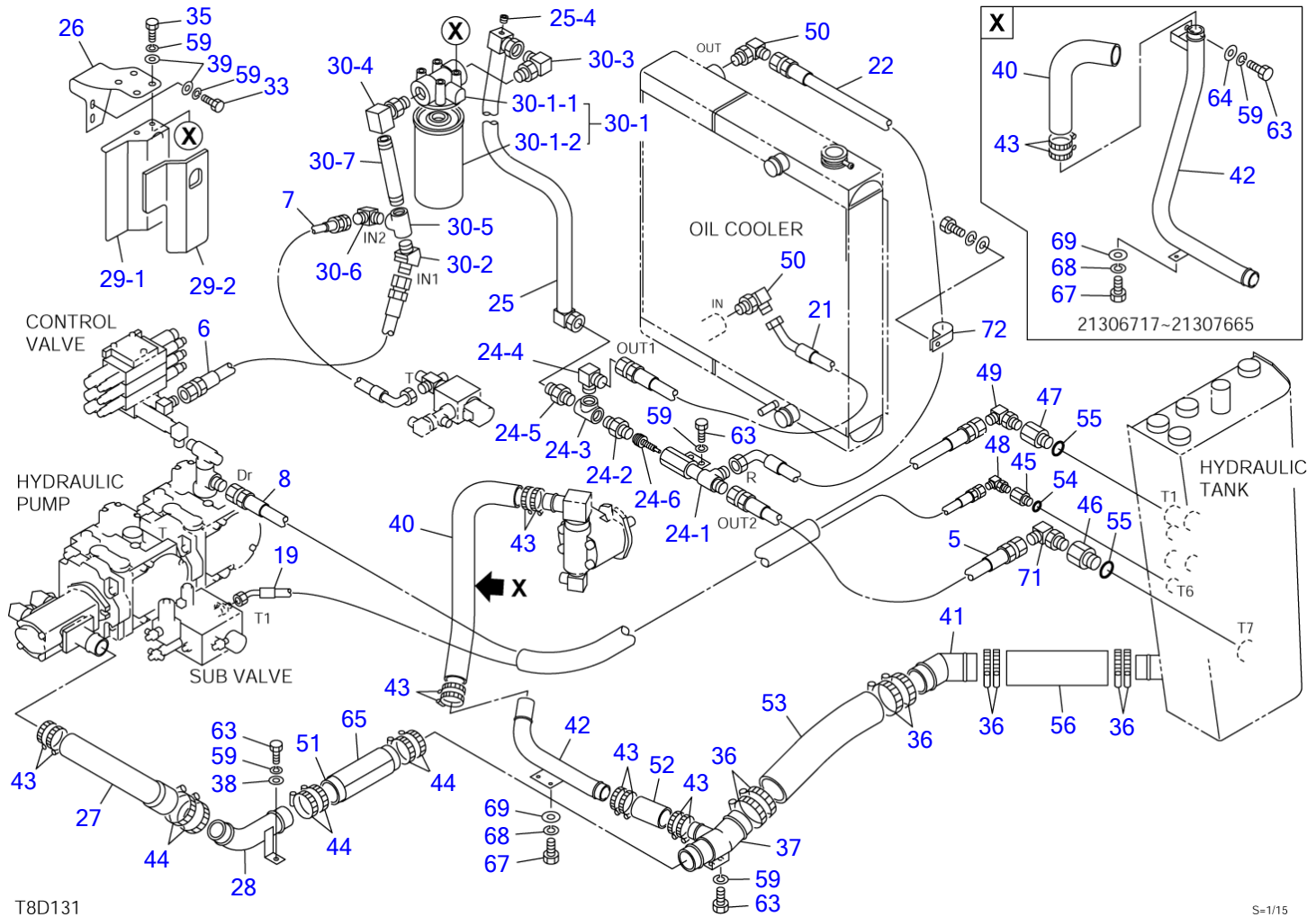
PIPING (2/2) (21305001-)

Item	Part number	Description	Q'ty	Chan.	Serial No.	Serv.	Remarks
		PIPING ASSY					X08807-09700-2
		PIPING ASSY (for EU)			21306717~		X08807-09800-5
1	0880707015	HOSE ASSY	1				4-580
2	0880707020	HOSE ASSY	1				4-660
3	0880707030	HOSE ASSY	1				4-630
4	0880707040	HOSE ASSY	1				4-530
9	0880707090	HOSE ASSY	1				8-500
10	0880707100	HOSE ASSY	1				2-520
11	0880707110	HOSE ASSY	1				8-760
12	0880707120	HOSE ASSY	1				18010-23054
13	0880707130	HOSE ASSY	1				18010-23064
16	0880707160	HOSE ASSY	1				4-500
17	0880707170	HOSE ASSY	1				4-1280
18	0880707180	HOSE ASSY	1				4-1500
20	0880707200	HOSE ASSY	1				4-860
23	0880707230	HOSE ASSY	1				2-960
31	X *****	FILTER ASSY	1				X08807-05310
31-1	1551102500	· FILTER, line	1				
31-1-1	1551101001	· · ELEMENT	1				
31-1-2	1551101003	· · CASE	1				
31-1-4	1420100600	· · O-RING	1				
31-1-5	1551102505	· · SWITCH, pressure	1				
31-2	1515010042	· ELBOW	1				
	1420010180	· · O-RING	1				
31-3	1515100112	· ELBOW	1				
	1420010180	· · O-RING	1				
33	1100041025	BOLT	8				
34	1100041095	BOLT	2				
	1100141005	BOLT	2		21308295~		for EU
38	1141110010	WASHER	2		21308295~		for EU
57	1652241300	BAND	2				
58	1654601019	TRIM	2				
59	1140020010	WASHER, spring	10				
	1140020010	WASHER, spring	8		21308295~		for EU
60	0880707600	COVER(L.H.)	1				
61	0880707610	COVER(R.H.)	1				
64	0003600020	WASHER	8				
67	0882702480	RUBBER	4		21308295~		for EU
68	1130040010	NUT	2		21308295~		for EU
	T8d105						



PIPING (1/2) (high flow; 21306717-)

Item	Part number	Description	Q'ty	Chan.	Serial No.	Serv.	Remarks
		PIPING ASSY					X08807-09500-7
		PIPING ASSY (for EU)			21308295~		X08807-09900-7
5	0880709510	HOSE ASSY	1				SF-SF 1-550
6	0880708020	HOSE ASSY	1				4-460
7	0880709520	HOSE ASSY	1				SF-AF90 1-560
8	0880709030	HOSE ASSY	1				4-1140
19	0880707190	HOSE ASSY	1				18010-79124
21	0880709580	HOSE ASSY	1				SF-AF90 1-780
22	0880709590	HOSE ASSY	1				SF-AF90 1-1790
24	X *****	MANIFOLD ASSY	1				X08807-09530
24-1	0880708200	• JOINT	1	A, a			M
24-2	1501501006	• ADAPTOR	1				
24-3	1508210006	• TEE	1				
24-4	1511151006	• ADAPTOR	1				
24-5	1511051006	• ADAPTOR	1				
24-6	1540140830	• VALVE, check	1				
25	0880709570	PIPE	1	A	21306717~21308953		M
	0880709620	PIPE	1	a	21308954~		M
25-4	1501820001	• PLUG	1				
26	0880708050	BRACKET	1				
27	0880705270	HOSE	1				
28	0880705280	PIPE	1				
29	X *****	COVER ASSY	1				X08817-02060
29-1	0881702070	• COVER	1				
29-2	0881702062	• ABSORBENT, noise	1				
30	X *****	FILTER ASSY	1				X08807-09540
30-1	1551000500	• FILTER	1				
30-1-1	1551000510	• • COVER	1				
30-1-2	1551000520	• • CARTRIDGE	1				
30-2	1511250610	• ELBOW	1				
30-3	1515010044	• ELBOW	1				
	1420010290	• • O-RING	1				
30-4	1513300025	• ELBOW	1				
	1420010290	• • O-RING	1				
30-5	1508210010	• TEE	1				
30-6	1511150010	• ELBOW	1				
30-7	0009110170	• NIPPLE	1				
33	1100041025	BOLT	2				
35	1100041030	BOLT	4				
36	1533700090	BAND	8				
37	0880735060	PIPE	1				
38	1141110010	WASHER	2				
39	0003600025	WASHER	6				
40	0881731220	HOSE	1		21306717~21307665		
	0880709600	HOSE	1		21307666~		
41	0882700880	PIPE	1				
42	0880709550	PIPE	1		21306717~21307665		
	0880709610	PIPE	1		21307666~		
43	1533700060	CLIP	10				
44	1533700070	CLIP	6				
45	0007213058	BUSHING	1				
46	0007213034	BUSHING	1				
47	0007213020	BUSHING	1				
48	1515012040	ELBOW	1				
	1420010110	• O-RING	1				
49	1515010043	ELBOW	1				
	1420010240	• O-RING	1				
50	1515010044	ELBOW	2				
	1420010290	• O-RING	1				
51	0880735090	HOSE	1				
52	1530538011	HOSE	1				sold by the meter
53	0880708240	HOSE	1				
54	1420010110	O-RING	1				
55	1420010240	O-RING	2				
56	0880708250	HOSE	1				
59	1140020010	WASHER, spring	12				
63	1100041020	BOLT	6				
64	0003600020	WASHER	1		21306717~21307665		

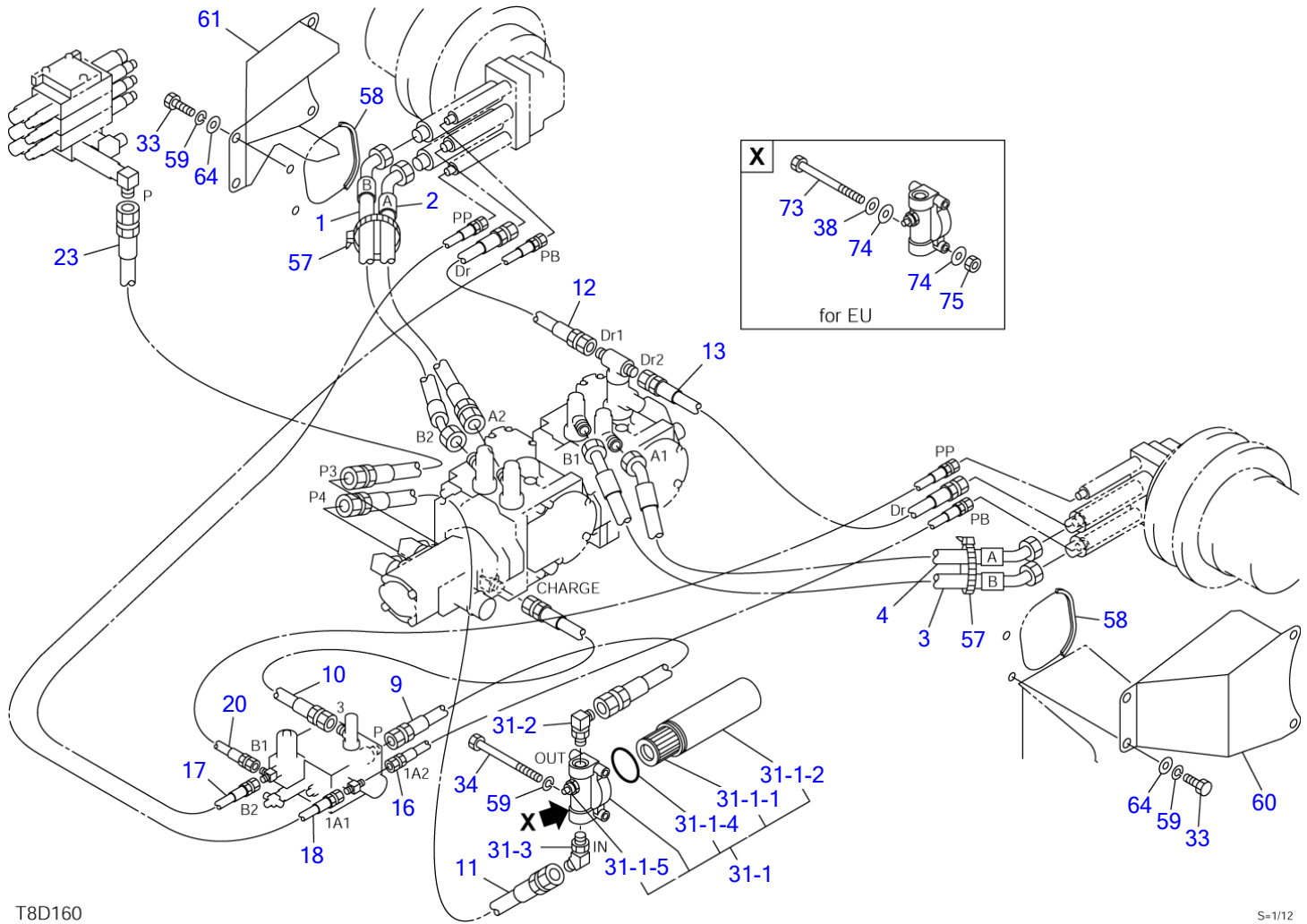


T8D131

S=1/15

PIPING (1/2) (high flow; 21306717-)

Item	Part number	Description	Q'ty	Chan.	Serial No.	Serv.	Remarks
65	0881701670	PROTECTOR	1				
66	1531350055	PROTECTOR	1				sold by the meter
67	1100040816	BOLT	2				
68	1140020008	WASHER, spring	2				
69	0003608003	WASHER	2				
71	1515010133	ELBOW	1				
71	1420010240	· O-RING	1				
72	0007300030	CLAMP	1				
72		<<NOTE>>				M	
72		SET "A" is interchangeable with SET "a".				M	
	T8d134						



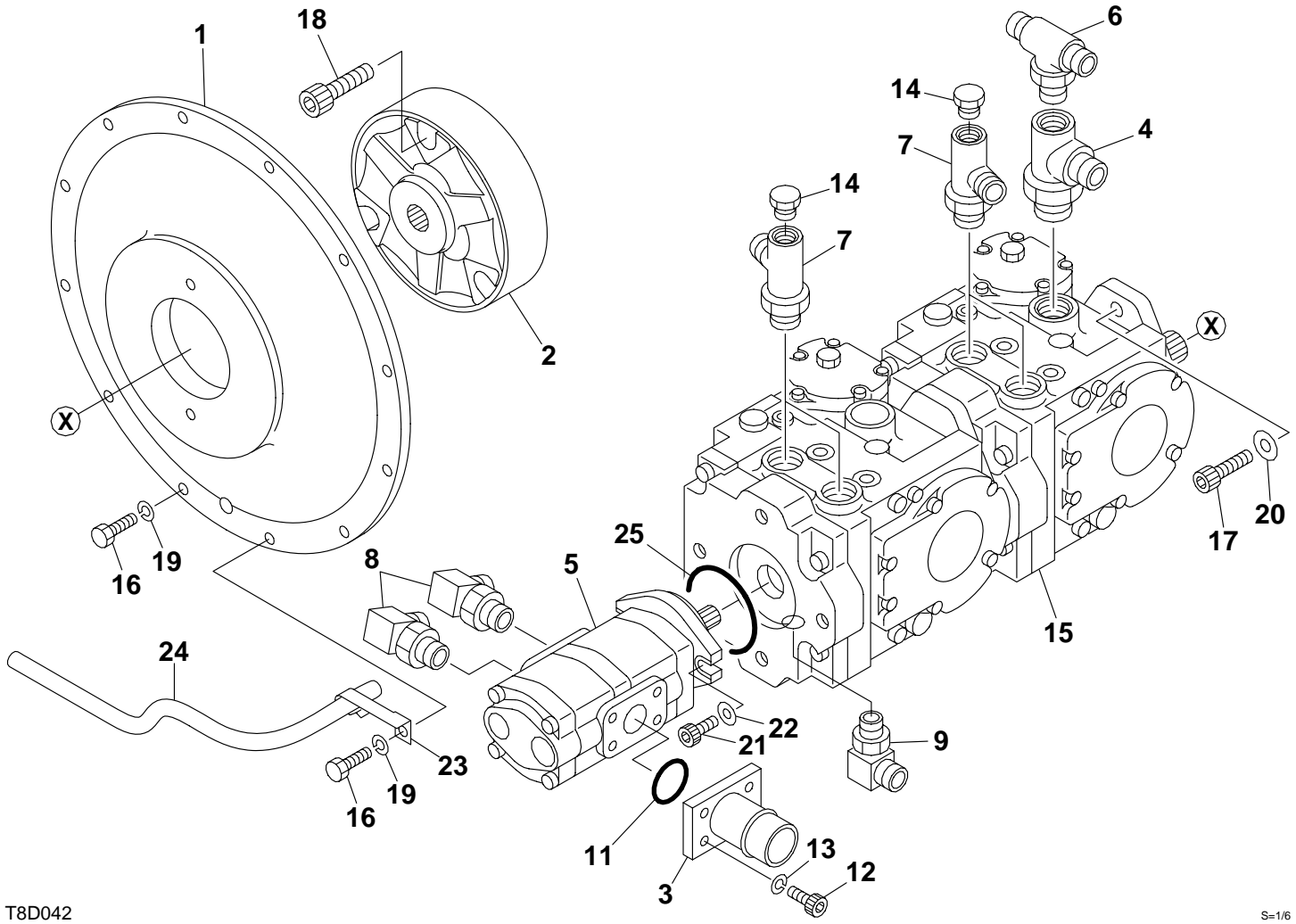
T8D160

S=1/12

PIPING (2/2) (high flow; 21306717-)

Item	Part number	Description	Q'ty	Chan.	Serial No.	Serv.	Remarks
		PIPING ASSY					X08807-09500-7
		PIPING ASSY (for EU)			21308295~		X08807-09900-7
1	0880707015	HOSE ASSY	1				4-580
2	0880707020	HOSE ASSY	1				4-660
3	0880707030	HOSE ASSY	1				4-630
4	0880707040	HOSE ASSY	1				4-530
9	0880707090	HOSE ASSY	1				8-500
10	0880707100	HOSE ASSY	1				2-520
11	0880707110	HOSE ASSY	1				8-760
12	0880707120	HOSE ASSY	1				18010-23054
13	0880707130	HOSE ASSY	1				18010-23064
16	0880707160	HOSE ASSY	1				4-500
17	0880707170	HOSE ASSY	1				4-1280
18	0880707180	HOSE ASSY	1				4-1500
20	0880707200	HOSE ASSY	1				4-860
23	0880707230	HOSE ASSY	1				2-960
31	X *****	FILTER ASSY	1				X08807-05310
31-1	1551102500	· FILTER, line	1				
31-1-1	1551101001	· · ELEMENT	1				
31-1-2	1551101003	· · CASE	1				
31-1-4	1420100600	· · O-RING	1				
31-1-5	1551102505	· · SWITCH, pressure	1				
31-2	1515010042	· ELBOW	1				
	1420010180	· · O-RING	1				
31-3	1515100112	· ELBOW	1				
	1420010180	· · O-RING	1				
33	1100041025	BOLT	8				
34	1100041095	BOLT	2				
38	1141110010	WASHER	2				for EU
57	1652241300	BAND	2				
58	1654601019	TRIM	2				
59	1140020010	WASHER, spring	10				
	1140020010	WASHER, spring	8				for EU
60	0880707600	COVER(L.H.)	1				
61	0880707610	COVER(R.H.)	1				
64	0003600020	WASHER	8				
73	1100141005	BOLT	2				for EU
74	0882702480	RUBBER	4				for EU
75	1130040010	NUT	2				for EU
	T8d161						

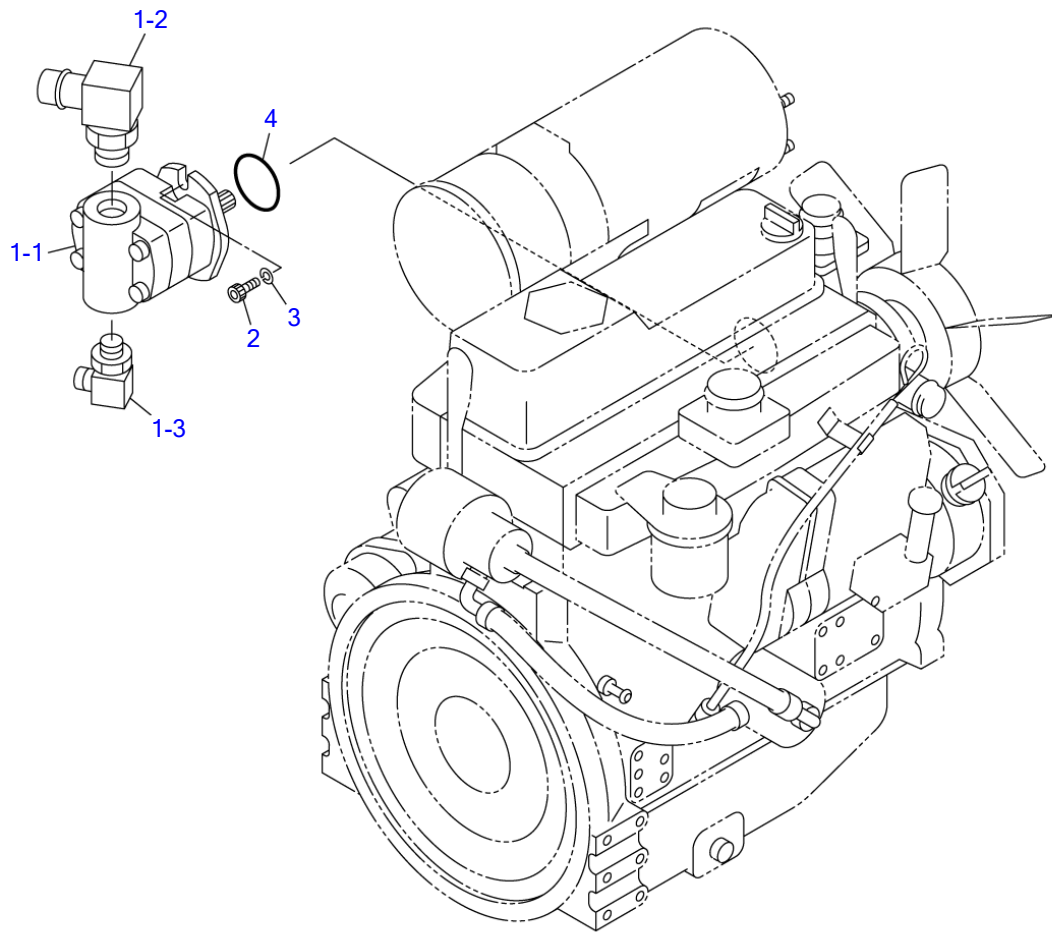
TL130 Book No. BT8Z012 S/N 21300004-
PUMP DRIVE



T8D042

S=1/6

PUMP DRIVE							
Item	Part number	Description	Q'ty	Chan.	Serial No.	Serv.	Remarks
		PUMP ASSY, drive					X08805-23000-5
1	880523100	HOUSING	1	A	21300004~21306254		not service
	880523100	HOUSING	1	A	21306755~21306800		not service
	880523150	HOUSING	1	a(H)	21306255~21306754		
	880523150	HOUSING	1	a(H)	21306801~		
2	880520430	COUPLING	1				
3	880523200	ADAPTOR	1				
4	880522500	TEE	1				
	1420310912	• O-RING	1				
5	1902017900	PUMP, gear	1				
6	1512374014	TEE	1				
	1420010180	• O-RING	1				
7	881521300	TEE	4				
	1420310912	• O-RING	1				
8	1515010042	ELBOW	2				
	1420010180	• O-RING	1				
9	1515200062	ELBOW	1				
	1420370910	• O-RING	1				
11	1420100400	O-RING	1				
12	1111041025	SCREW, cap	4				
13	1140490010	WASHER, conical	4				
14	1501750002	PLUG	4				
	1420010110	• O-RING	1				
15	1902018000	PUMP, hydraulic	1		21300004~21300404		
	1902020200	PUMP, hydraulic	1	(H)	21300405~		
16	1100041030	BOLT	12				
17	1111021235	SCREW, cap	2	A	21300004~21306254		not service
	1111021235	SCREW, cap	2	A	21306755~21306800		not service
	1102720838	SCREW, cap	2	a(H)	21306255~21306754		
	1102720838	SCREW, cap	2	a(H)	21306801~		
18	1110041655	SCREW, cap	3				
19	1140020010	WASHER, spring	12				
20	1141550012	WASHER	2	A	21300004~21306254		not service
	1141550012	WASHER	2	A	21306755~21306800		not service
	1141450008	WASHER	2	a(H)	21306255~21306754		
	1141450008	WASHER	2	a(H)	21306801~		
21	1102240632	SCREW, cap	2				
22	3900039	WASHER	2				
23	881521010	CLAMP	1		21309579~	M	
24	1531010065	HOSE	1		21309579~	M	sold by the meter
25	1420360152	O-RING	1				
		<<NOTE>>					
		SET "A" is interchangeable					
		with SET "a".					
	T8d046						



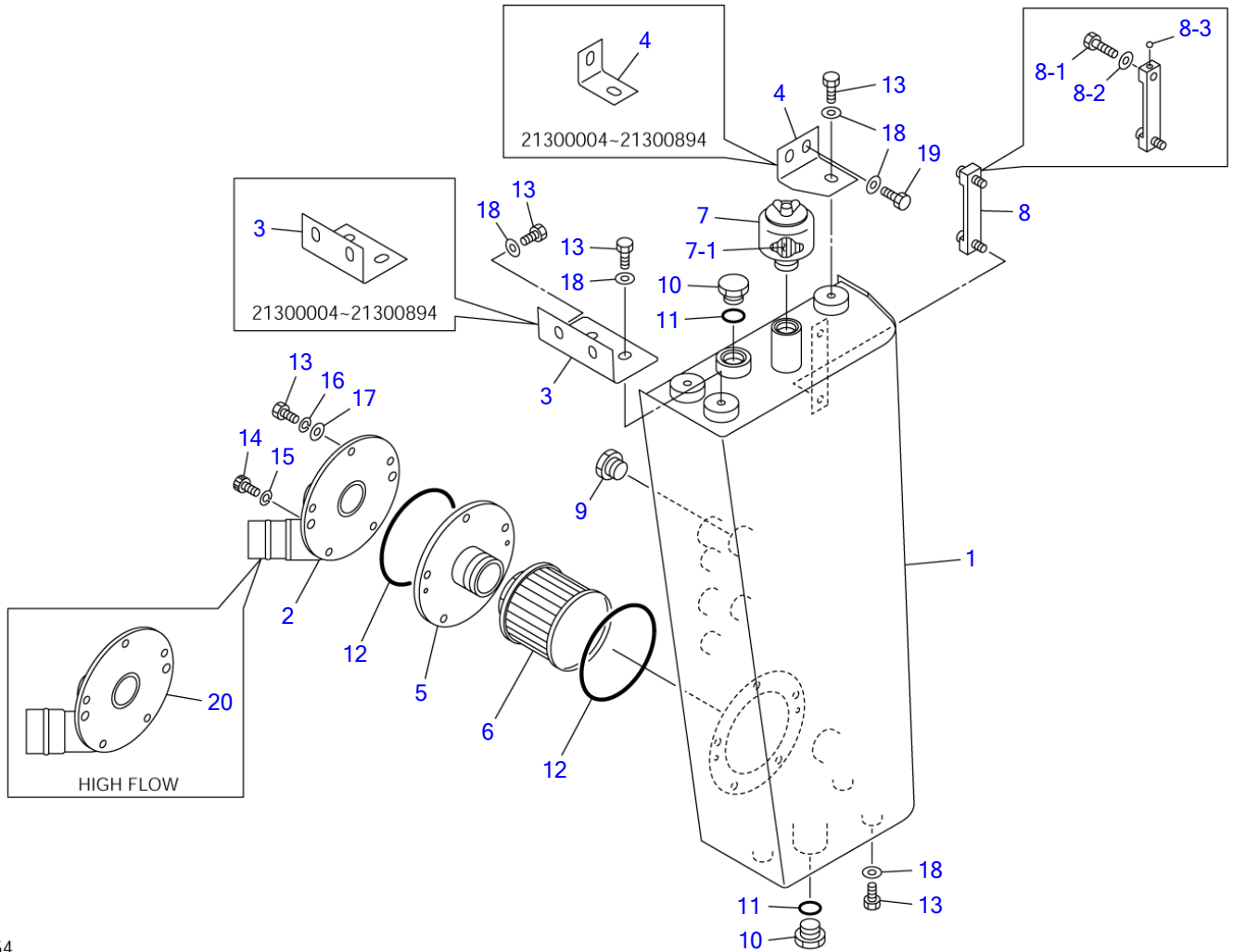
T8D140

S=1/8

GEAR PUMP DRIVE (high flow; 21306717-)

Item	Part number	Description	Q'ty	Chan.	Serial No.	Serv.	Remarks
		PUMP ASSY					X08805-23500-1
1	X *****	PUMP ASSY, gear	1				X08805-23510-0
1-1	1902021100	▪ PUMP, gear	1				
1-2	0881732082	▪ ELBOW	1				
	1420010290	▪ ▪ O-RING	1				
1-3	1515010042	▪ ELBOW	1				
	1420010180	▪ ▪ O-RING	1				
2	1110041030	BOLT	2				
3	1141550010	WASHER	2				
4	1420110850	O-RING	1				
	T8d141						

TL130 Book No. BT8Z012 S/N 21300004-
HYDRAULIC TANK



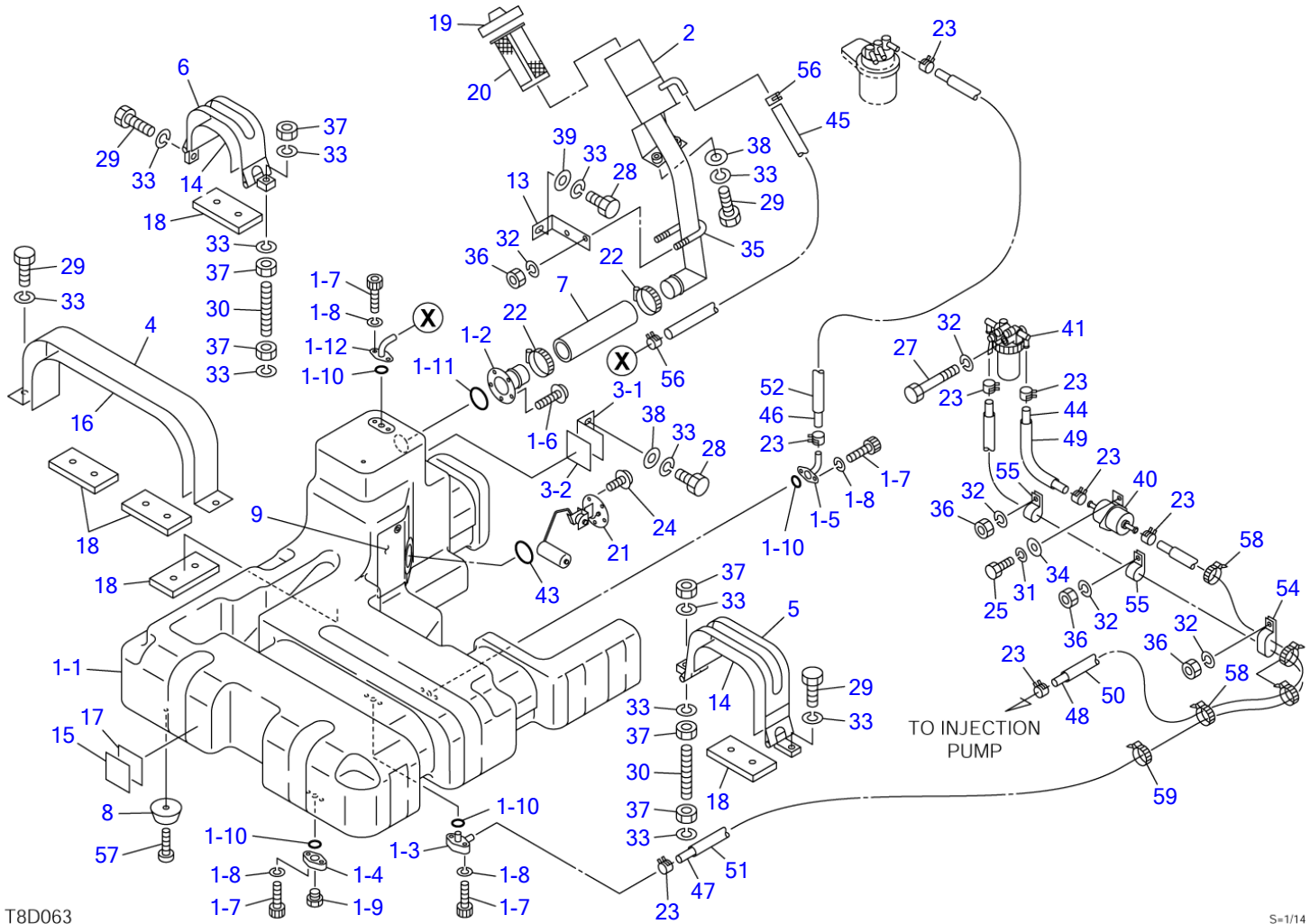
T8D054

S-1/10

HYDRAULIC TANK

Item	Part number	Description	Q'ty	Chan.	Serial No.	Serv.	Remarks
		TANK ASSY, hydraulic					X08808-04000-7
		TANK ASSY, hydraulic (high flow)					X08808-04500-7
1	0880804100	TANK, hydraulic	1				
2	0880803300	PIPE	1				
3	0880803250	BRACKET	1		21300004~21300894		
	0880804200	BRACKET	1		21300895~		
4	0880803260	BRACKET	1		21300004~21300894		
	0880804210	BRACKET	1		21300895~		
5	0880804300	FLANGE	1				
6	1550020150	FILTER	1				
7	1552000800	BREATHER, air	1				
7-1	1552000830	· ELEMENT	1				
8	1553020612	GAUGE	1				
8-1	1553021650	· BOLT	2				
8-2	1553022650	· PACKING	2				
8-3	1553020603	· FLOAT	1				
9	1501750006	PLUG	1				
	1420010240	· O-RING	1				
10	0007256006	PLUG	2				
11	1420010290	O-RING	2				
12	1420101450	O-RING	2				
13	1100041025	BOLT	13				
14	1110040616	SCREW, cap	2				
15	1140020006	WASHER, spring	2				
16	1140020010	WASHER, spring	5				
17	1141110010	WASHER	5				
18	0003600025	WASHER	11				
19	1100041020	BOLT	2				
20	0880735080	PIPE	1		21306717~		high flow
	T8d055						

TL130 Book No. BT8Z012 S/N 21300004-
FUEL TANK & FUEL PIPING (21300004-21301932)



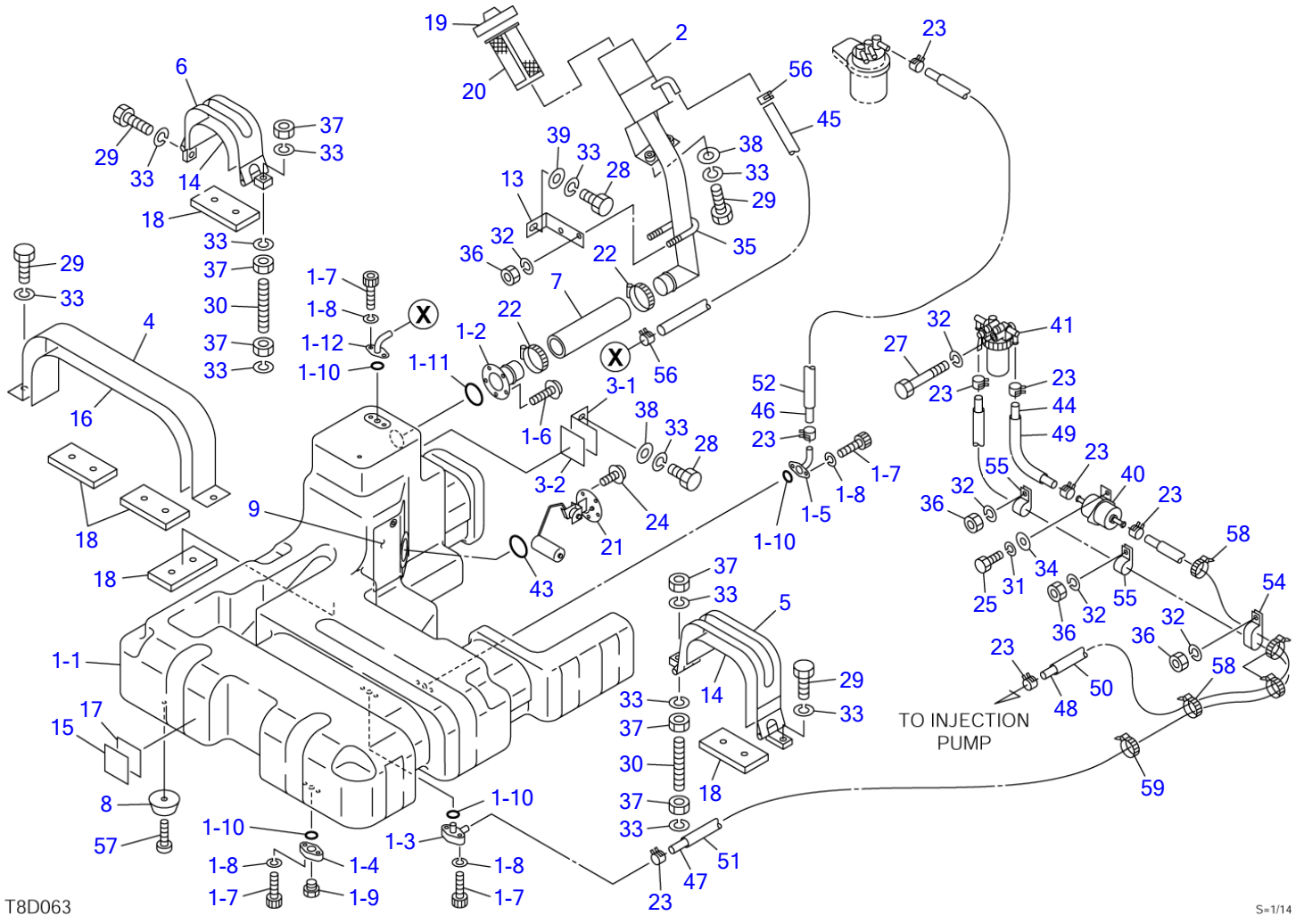
T8D063

S=1/14

FUEL TANK & FUEL PIPING (21300004-21301932)

Item	Part number	Description	Q'ty	Chan.	Serial No.	Serv.	Remarks
		TANK ASSY, fuel					X08808-14000-4
1	X *****	TANK SUB ASSY, fuel	1				X08808-14500
1-1	0880813010	• TANK, fuel	1				
1-2	0881811090	• FLANGE	1				
1-3	0881811100	• FLANGE	1				
1-4	0881811110	• VALVE, drain	1				
1-5	0881811120	• FLANGE	1				
1-6	1150110516	• SCREW	5				
1-7	1110040616	• SCREW, cap	8				
1-8	1140420006	• WASHER, spring	8				
1-9	1501750002	• PLUG	1				
	1420010110	• • O-RING	1				
1-10	1420000180	• O-RING	4				
1-11	1420000450	• O-RING	1				
1-12	0881811510	• FLANGE	1				
2	0880814600	PORT, supply	1				
3	X *****	PLATE ASSY	1				X08808-14030
3-1	0880814031	• PLATE	1				
3-2	0880814170	• RUBBER	1				
4	0880813095	PLATE	1				
5	0880813050	BAND	1				
6	0880813060	BAND	1				
7	0880813070	HOSE	1				
8	0881812080	RUBBER, cushion	4				
9	0880814090	SHEET	1		21300475~		
13	0880814130	PLATE	1				
14	0881812140	RUBBER	2				
15	0880814175	RUBBER	1				t=2.0mm
16	0880814160	RUBBER	1				
17	0880814170	RUBBER	1				t=5.0mm
18	0880813180	RUBBER	5				
19	1552100500	CAP	1				
20	1552100320	STRAINER	1				
21	1553202100	SENDER, fuel	1				
22	1533700060	CLIP	2				
23	1533120012	BAND	8				
24	1150110510	SCREW	5				
25	1100040616	BOLT	2				
27	1100040865	BOLT	1				
28	1100041020	BOLT	3				
29	1100041025	BOLT	6				
30	0881812300	BOLT	2				
31	1140020006	WASHER, spring	2				
32	1140020008	WASHER, spring	6				
33	1140020010	WASHER, spring	15				
34	1141110006	WASHER	2				
35	1533201012	U-BOLT	1				
36	1130040008	NUT	5				
37	1130040010	NUT	6				
38	0003600003	WASHER	4				
39	1141110010	WASHER	1				
40	1910047033	PUMP, feed	1				Y129322-77401
41	1910030033	SEPARATOR, water	1				Y129335-55700
43	1420000450	O-RING	1				
44	1531207023	HOSE	1				sold by the meter
45	1530612063	HOSE	1				
46	1531207160	HOSE	1				sold by the meter
47	1531207295	HOSE	1				sold by the meter
48	1531207133	HOSE	1				sold by the meter
49	1531115017	PROTECTOR	1				sold by the meter
50	1531115125	PROTECTOR	1				sold by the meter
51	1531115147	PROTECTOR	2				sold by the meter
52	1531115150	PROTECTOR	1				sold by the meter
54	0007300013	CLAMP	1				
55	0007300050	CLAMP	2				
56	1533700019	CLAMP	2				
57	1120530620	SCREW	4				
58	1652231250	BAND	4				

TL130 Book No. BT8Z012 S/N 21300004-
FUEL TANK & FUEL PIPING (21300004-21301932)



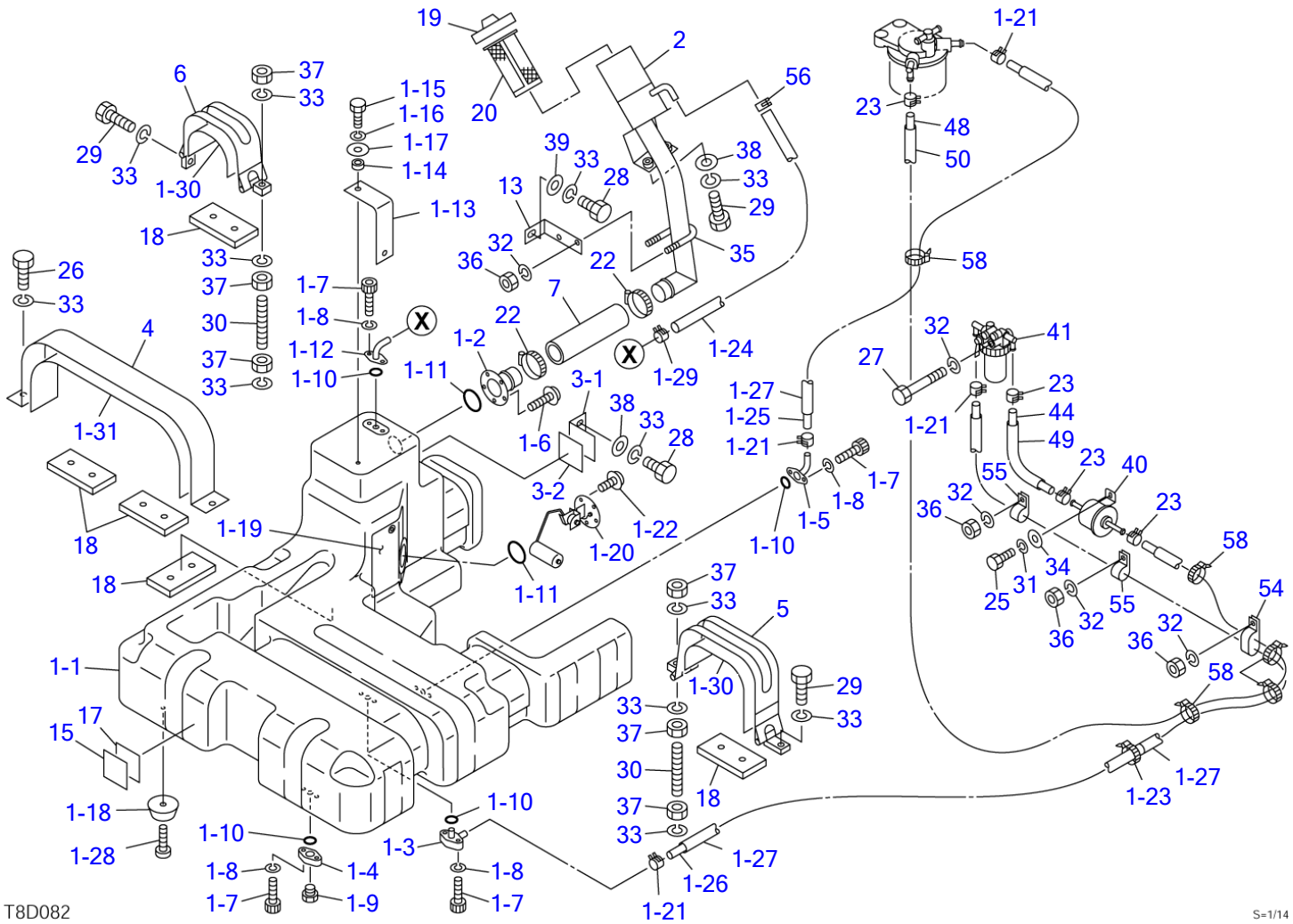
T8D063

S=1/14

FUEL TANK & FUEL PIPING (21300004-21301932)

Item	Part number	Description	Q'ty	Chan.	Serial No.	Serv.	Remarks
59	1652201008 T8d063	BAND	1				

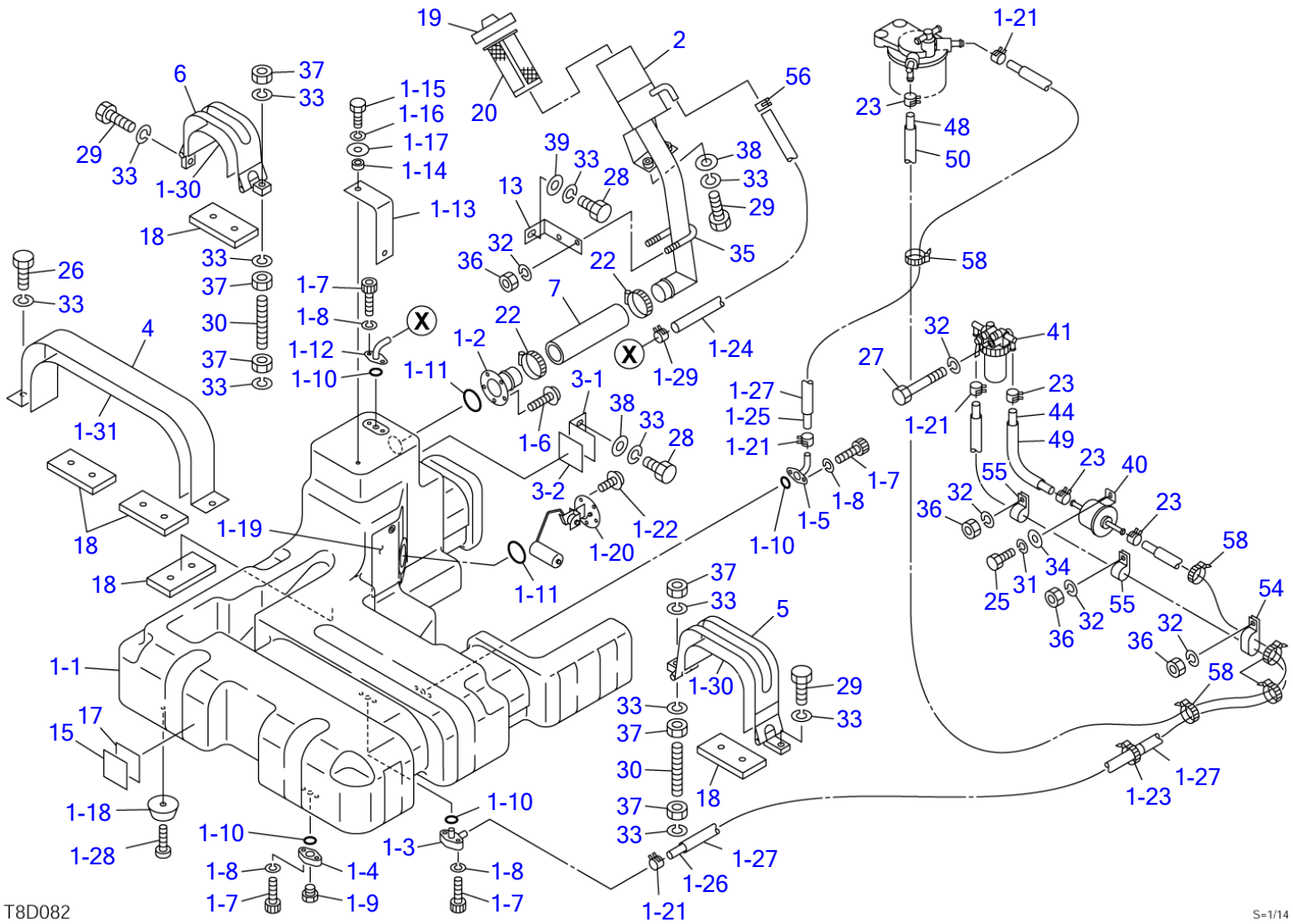
TL130 Book No. BT8Z012 S/N 21300004-
FUEL TANK & FUEL PIPING (21301933-)



FUEL TANK & FUEL PIPING (21301933-)

Item	Part number	Description	Q'ty	Chan.	Serial No.	Serv.	Remarks
		TANK ASSY, fuel					X08808-15000-4
1	X *****	TANK SUB ASSY, fuel	1				X08808-14500
1-1	0880813010	• TANK, fuel	1				
1-2	0881811090	• FLANGE	1				
1-3	0881811100	• FLANGE	1				
1-4	0881811110	• VALVE, drain	1				
1-5	0881811120	• FLANGE	1				
1-6	1150110516	• SCREW	5				
1-7	1110040616	• SCREW, cap	8				
1-8	1140420006	• WASHER, spring	8				
1-9	1501750002	• PLUG	1				
	1420010110	• • O-RING	1				
1-10	1420000180	• O-RING	4				
1-11	1420000450	• O-RING	2				
1-12	0881811510	• FLANGE	1				
1-13	0881711350	• BAND	1				
1-14	0881711360	• COLLAR	1				
1-15	1100040620	• BOLT	1				
1-16	1140020006	• WASHER, spring	1				
1-17	0003600043	• WASHER	1				
1-18	0881812080	• RUBBER, cushion	4				
1-19	0880814090	• SHEET	1		21300475~		
1-20	1553202100	• SENDER, fuel	1				
1-21	1533120511	• BAND	4				
1-22	1150110510	• SCREW	5				
1-23	1652201008	• BAND	1				
1-24	1530612063	• HOSE	1				sold by the meter
1-25	1531207160	• HOSE	1				sold by the meter
1-26	1531207304	• HOSE	1				sold by the meter
1-27	1531115150	• PROTECTOR	3				sold by the meter
1-28	1120530620	• SCREW	4				
1-29	1533700019	• CLAMP	1				
1-30	0881812140	• RUBBER	2				
1-31	0880814160	• RUBBER	1				
2	0880814600	PORT, supply	1				
3	X *****	PLATE ASSY	1				X08808-14030
3-1	0880814031	• PLATE	1				
3-2	0880814170	• RUBBER	1				
4	0880813095	PLATE	1				
5	0880813050	BAND	1				
6	0880813060	BAND	1				
7	0880813070	HOSE	1				
13	0880814130	PLATE	1				
15	0880814175	RUBBER	1				t=2.0mm
17	0880814170	RUBBER	1				t=5.0mm
18	0880813180	RUBBER	5				
19	1552100500	CAP	1				
20	1552100320	STRAINER	1				
22	1533700060	CLIP	2				
23	1533120511	BAND	4				
25	1100040616	BOLT	2				
26	1100041030	BOLT	2				
27	1100040870	BOLT	1				
28	1100041020	BOLT	3				
29	1100041025	BOLT	4				
30	0881812300	BOLT	2				
31	1140020006	WASHER, spring	2				
32	1140020008	WASHER, spring	6				
33	1140020010	WASHER, spring	15				
34	1141110006	WASHER	2				
35	1533201012	U-BOLT	1				
36	1130040008	NUT	5				
37	1130040010	NUT	6				
38	0003600025	WASHER	4				
39	1141110010	WASHER	1				
40	1910199034	PUMP, feed	1				Y129612-52100
41	1910186033	SEPARATOR, water	1				Y129906-55700
44	1531207032	HOSE	1				sold by the meter

TL130 Book No. BT8Z012 S/N 21300004-
FUEL TANK & FUEL PIPING (21301933-)



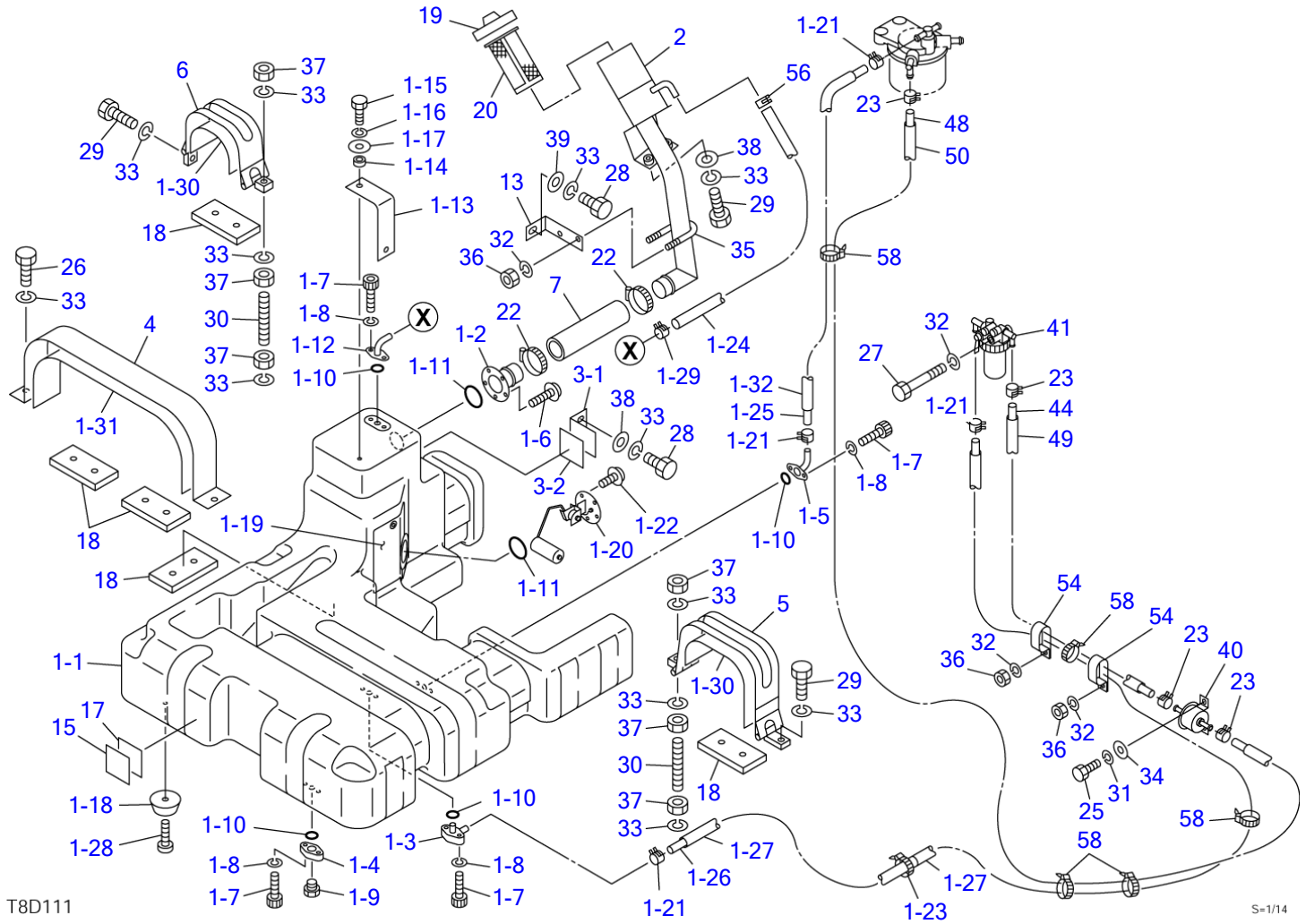
T8D082

S-1/14

FUEL TANK & FUEL PIPING (21301933-)

Item	Part number	Description	Q'ty	Chan.	Serial No.	Serv.	Remarks
48	1531207206	HOSE	1				sold by the meter
49	1531115026	PROTECTOR	1				sold by the meter
50	1531115196	PROTECTOR	1				sold by the meter
54	0007300013	CLAMP	1				
55	0007300050	CLAMP	2				
56	1533700019	CLAMP	1				
58	1652231250	BAND	5				
	T8d083						

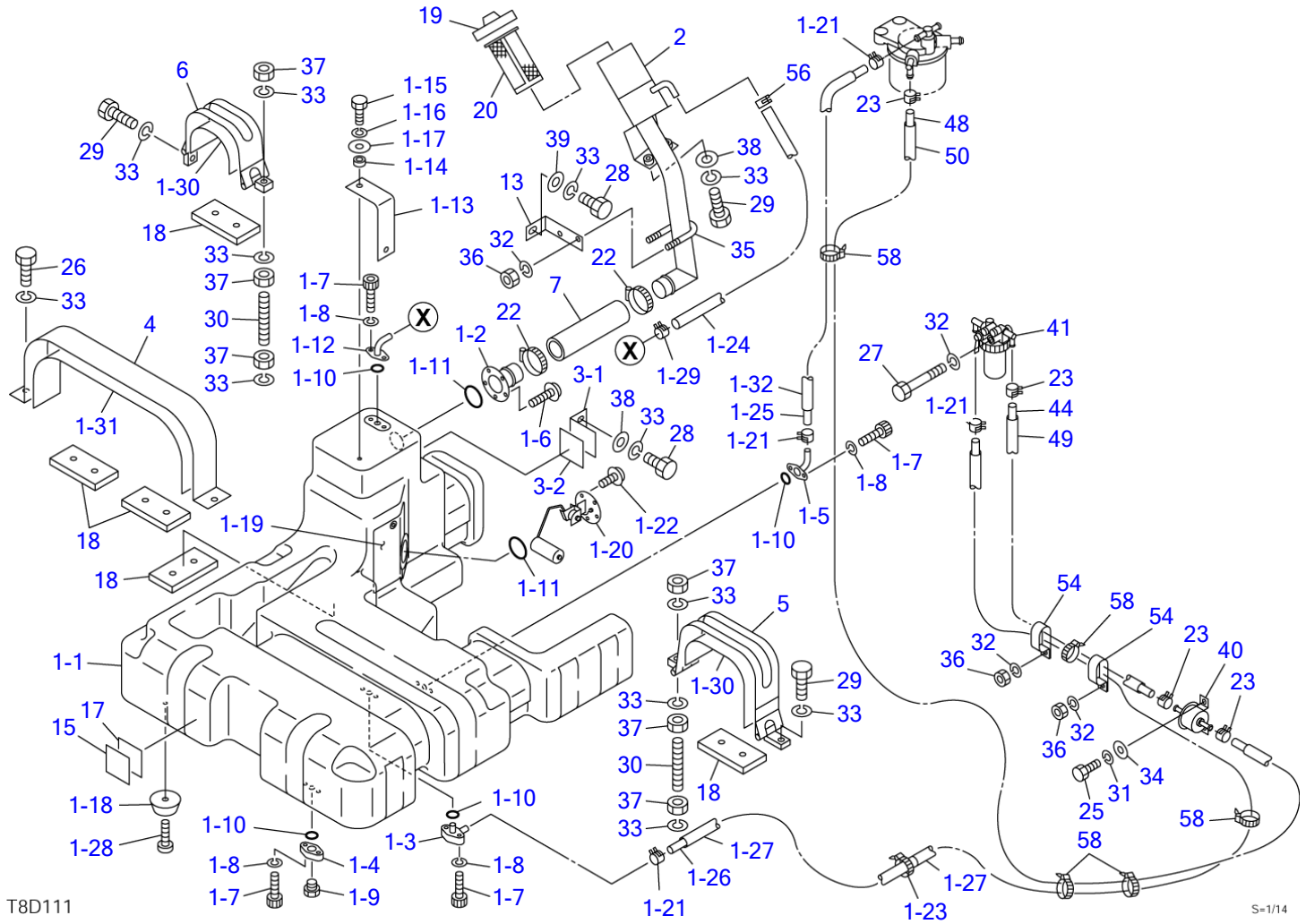
TL130 Book No. BT8Z012 S/N 21300004-
FUEL TANK & FUEL PIPING (high flow; 21306717-)



FUEL TANK & FUEL PIPING (high flow; 21306717-)

Item	Part number	Description	Q'ty	Chan.	Serial No.	Serv.	Remarks
		TANK ASSY, fuel					X08808-15500-3
1	X *****	TANK SUB ASSY, fuel	1				X08808-15600-0
1-1	0880813010	• TANK, fuel	1				
1-2	0881811090	• FLANGE	1				
1-3	0881811100	• FLANGE	1				
1-4	0881811110	• VALVE, drain	1				
1-5	0881811120	• FLANGE	1				
1-6	1150110516	• SCREW	5				
1-7	1110040616	• SCREW, cap	8				
1-8	1140420006	• WASHER, spring	8				
1-9	1501750002	• PLUG	1				
	1420010110	• • O-RING	1				
1-10	1420000180	• O-RING	4				
1-11	1420000450	• O-RING	2				
1-12	0881811510	• FLANGE	1				
1-13	0881711350	• BAND	1				
1-14	0881711360	• COLLAR	1				
1-15	1100040620	• BOLT	1				
1-16	1140020006	• WASHER, spring	1				
1-17	0003600043	• WASHER	1				
1-18	0881812080	• RUBBER, cushion	4				
1-19	0880814090	• SHEET	1		21300475~		
1-20	1553202100	• SENDER, fuel	1				
1-21	1533120511	• BAND	4				
1-22	1150110510	• SCREW	5				
1-23	1652201008	• BAND	1				
1-24	1530612063	• HOSE	1				sold by the meter
1-25	1531207160	• HOSE	1				sold by the meter
1-26	1531207320	• HOSE	1				sold by the meter
1-27	1531115150	• PROTECTOR	2				sold by the meter
1-28	1120530620	• SCREW	4				
1-29	1533700019	• CLAMP	1				
1-30	0881812140	• RUBBER	2				
1-31	0880814160	• RUBBER	1				
1-32	1531115155	• PROTECTOR	1				sold by the meter
2	0880814600	PORT, supply	1				
3	X *****	PLATE ASSY	1				X08808-14030
3-1	0880814031	• PLATE	1				
3-2	0880814170	• RUBBER	1				
4	0880813095	PLATE	1				
5	0880813050	BAND	1				
6	0880813060	BAND	1				
7	0880813070	HOSE	1				
13	0880814130	PLATE	1				
15	0880814175	RUBBER	1				t=2.0mm
17	0880814170	RUBBER	1				t=5.0mm
18	0880813180	RUBBER	5				
19	1552100500	CAP	1				
20	1552100320	STRAINER	1				
22	1533700060	CLIP	2				
23	1533120011	BAND	4				
25	1100040616	BOLT	2				
26	1100041030	BOLT	2				
27	1100040870	BOLT	1				
28	1100041020	BOLT	3				
29	1100041025	BOLT	4				
30	0881812300	BOLT	2				
31	1140020006	WASHER, spring	2				
32	1140020008	WASHER, spring	6				
33	1140020010	WASHER, spring	15				
34	1141110006	WASHER	2				
35	1533201012	U-BOLT	1				
36	1130040008	NUT	5				
37	1130040010	NUT	6				
38	0003600025	WASHER	4				
39	1141110010	WASHER	1				
40	1910199034	PUMP, feed	1				Y129612-52100
41	1910186033	SEPARATOR, water	1				Y129906-55700

TL130 Book No. BT8Z012 S/N 21300004-
FUEL TANK & FUEL PIPING (high flow; 21306717-)



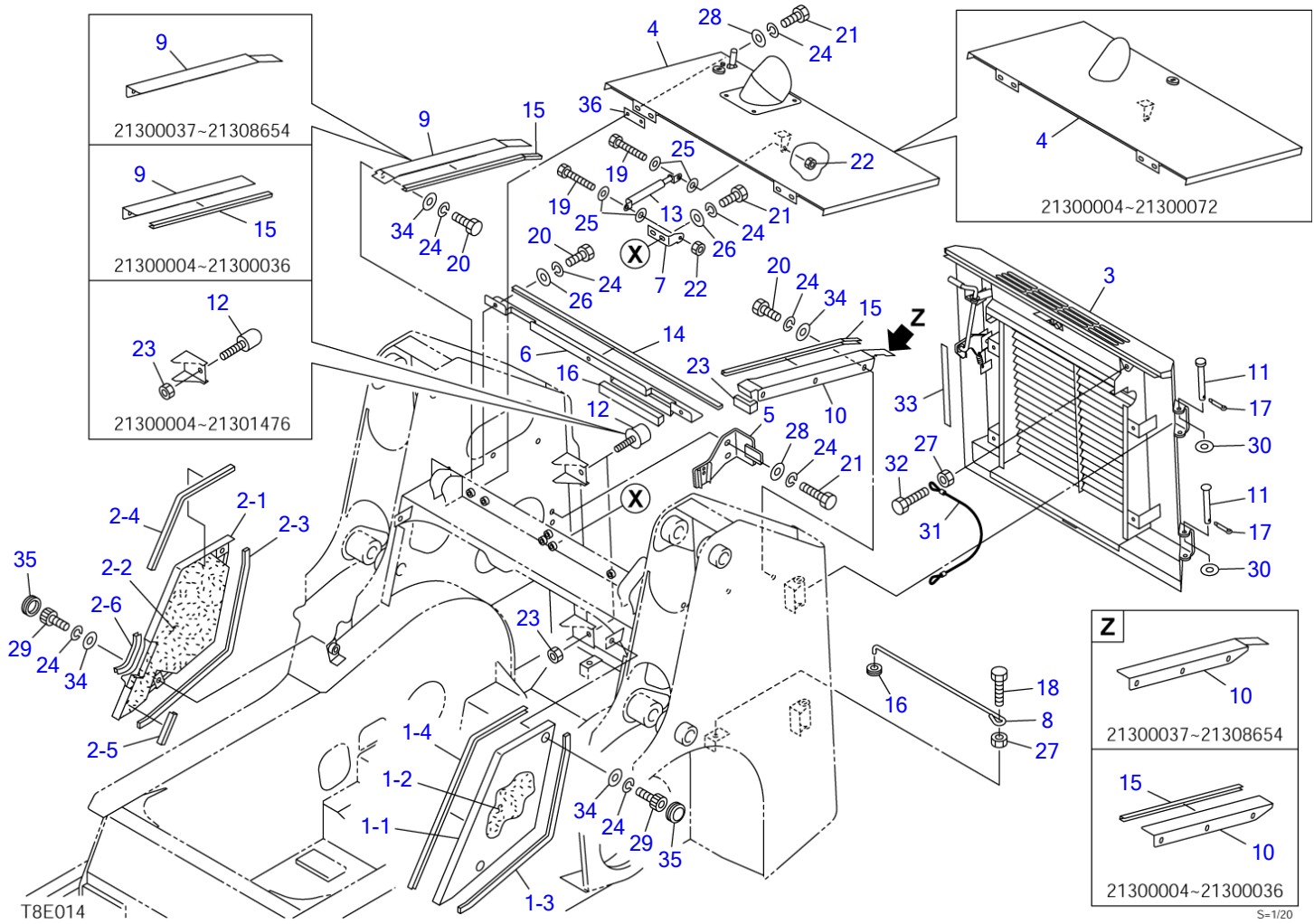
T8D111

S=1/14

FUEL TANK & FUEL PIPING (high flow; 21306717-)

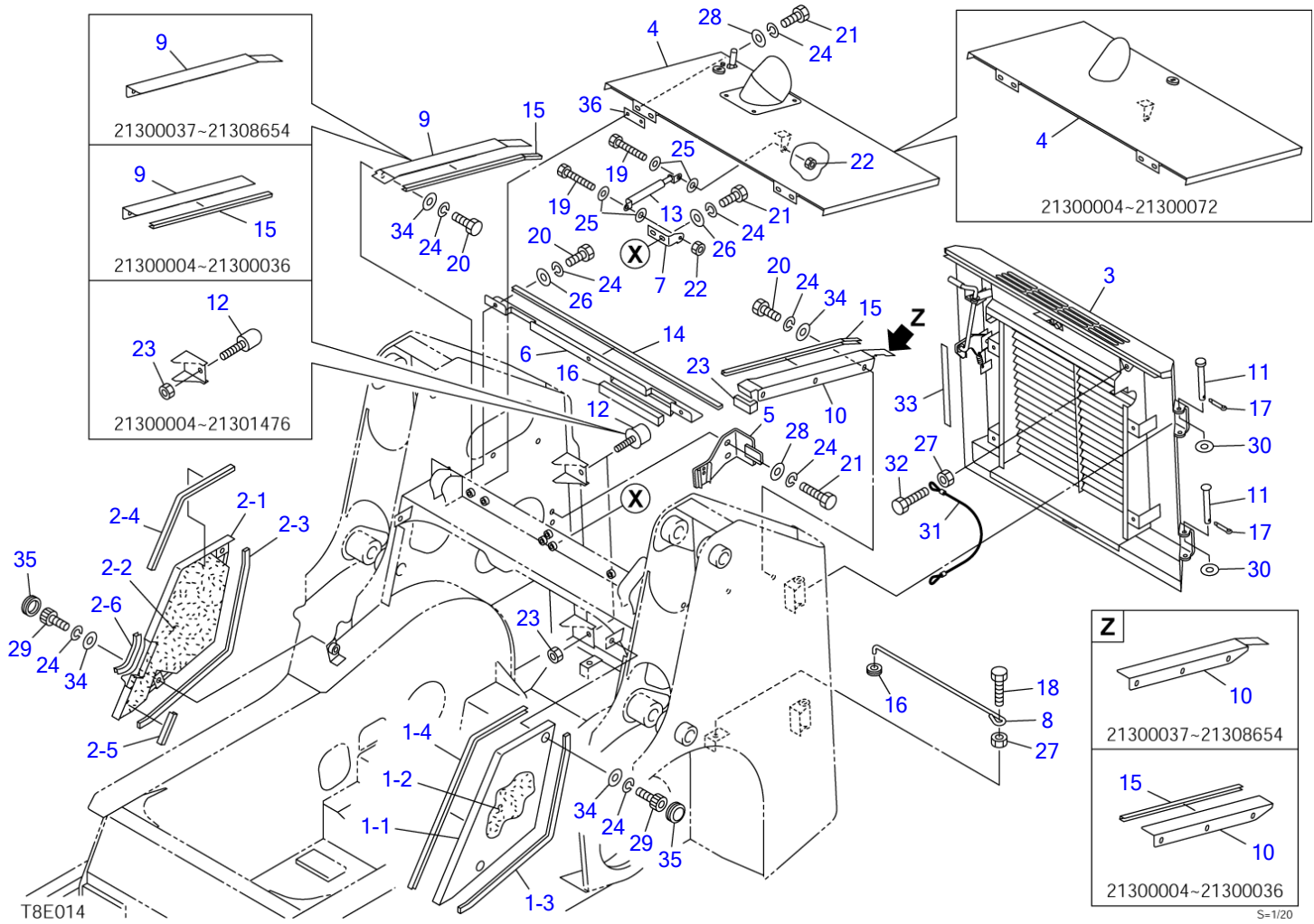
Item	Part number	Description	Q'ty	Chan.	Serial No.	Serv.	Remarks
44	1531207078	HOSE	1				sold by the meter
48	1531207143	HOSE	1				sold by the meter
49	1531115068	PROTECTOR	1				sold by the meter
50	1531115133	PROTECTOR	1				sold by the meter
54	0007300013	CLAMP	2				
55	0007300050	CLAMP	2				
56	1533700019	CLAMP	1				
58	1652231250	BAND	5				
	T8d113						

TL130 Book No. BT8Z012 S/N 21300004-
COVER (1/3)



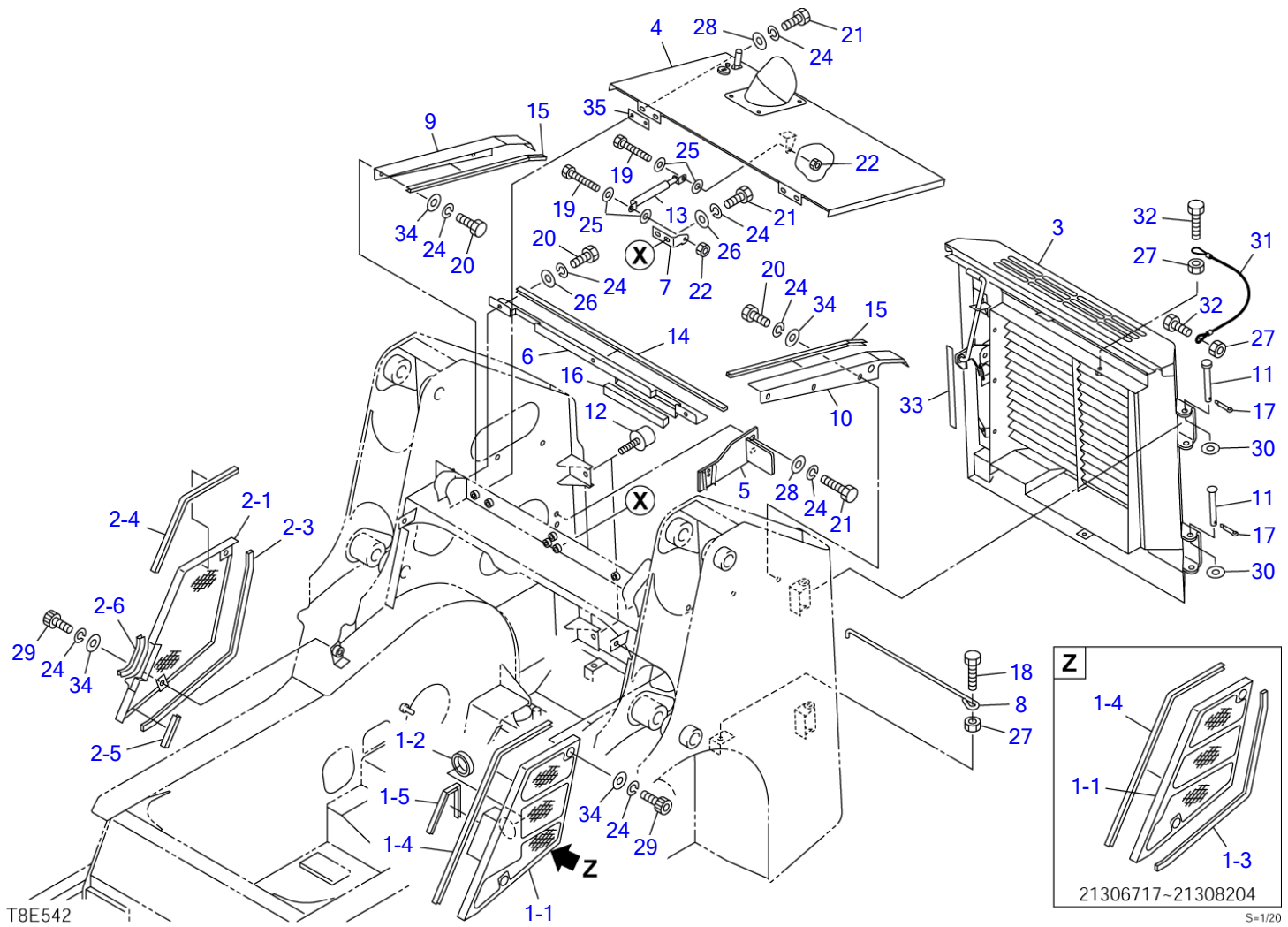
COVER (1/3)							
Item	Part number	Description	Q'ty	Chan.	Serial No.	Serv.	Remarks
		COVER ASSY					X08808-25000-4
1	0880823100	COVER ASSY, side(L.H.)	1				
1-1	0880822920	• COVER, side(L.H.)	1				
1-2	0880822902	• ABSORBENT, noise	1				
1-3	1654306077	• SPONGE	1				sold by the meter
1-4	1654520070	• RUBBER	1				sold by the meter
2	0880823200	COVER ASSY, side(R.H.)	1		21300004~21308654		
	0880826500	COVER ASSY, side(R.H.)	1		21308655~		
2-1	0880823250	• COVER, side(R.H.)	1		21300004~21308654		
	0880826550	• COVER, side(R.H.)	1		21308655~		
2-2	0880823203	• ABSORBENT, noise	1		21300004~21308654		
2-3	1654306077	• SPONGE	1		21300004~21308654		sold by the meter
2-4	1654520046	• RUBBER	1				sold by the meter
2-5	1654520009	• TRIM	1				sold by the meter
2-6	1653916016	• TRIM	1				sold by the meter
3	0880823300	DOOR ASSY, rear	1		21300004~21301476		see page (2/3)
	0880824600	DOOR ASSY, rear	1		21301477~21301932		see page (2/3)
	0880825100	DOOR ASSY, rear	1		21301933~		see page (2/3)
4	0880823500	HOOD, engine	1		21300004~21300072		see page (2/3)
	0880823700	HOOD, engine	1		21300073~21301932		see page (3/3)
	0880825400	HOOD, engine	1		21301933~		see page (3/3)
5	0880823050	BRACKET	1		21300004~21301476		
	0880823090	BRACKET	1		21301477~		
6	0880823060	TABLE	1		21300004~21300390		
	0880823040	TABLE	1	(H)	21300391~21308654		
	0880826560	TABLE	1		21308655~		
7	0880823006	PLATE	1		21300004~21301932		
	0880825007	PLATE	1		21301933~		
8	0881822027	ROD	1				
9	0880823009	PLATE(R.H.)	1		21300004~21300036		
	0880823070	PLATE(R.H.)	1	(H)	21300037~21308654		
	0880826570	PLATE(R.H.)	1		21308655~		
10	0880823010	PLATE(L.H.)	1		21300004~21300036		
	0880823080	PLATE(L.H.)	1	(H)	21300037~21308654		
	0880826580	PLATE(L.H.)	1		21308655~		
11	0880820090	PIN	2		21300004~21300060		
	0880823011	PIN	2	(H)	21300061~21301476		
	0881822020	PIN	2		21301477~		
12	1651101224	STOPPER	2		21300004~21301476		
	1651101050	STOPPER	2		21301477~		
13	1653900057	SPRING, gas	1				
14	1654623088	TRIM	1				sold by the meter
15	1654623056	TRIM	2				sold by the meter
16	1652041130	GROMMET	1		21300004~21300390		
	1654613028	SPONGE	1		21308655~		sold by the meter
17	1210013220	PIN, split	2		21300004~21301476		
	1210010425	PIN, split	2		21301477~		
18	1100041035	BOLT	1				
19	1100040825	BOLT	2				
20	1100041020	BOLT	9				
21	1100041025	BOLT	8				
22	1130040008	NUT	2				
23	1130040012	NUT	2		21300004~21301476		
	1654302010	SPONGE	1		21308655~	M	sold by the meter
24	1140020010	WASHER, spring	21				
25	1141110008	WASHER	4				
26	1141110010	WASHER	5				
27	1130040010	NUT	2				
28	0003600025	WASHER	6				
29	1110041020	SCREW, cap	4				
30	1141110012	WASHER	AR		21300004~21301476		
	1141110016	WASHER	AR		21301477~		
31	1929900237	ROPE	1		21300004~21300030		
	1929900437	ROPE	1	(H)	21300031~		
32	1100241035	BOLT	1				
33	0881823034	RUBBER	1				
34	0003600020	WASHER	10				
35	1652053400	GROMMET	4				

TL130 Book No. BT8Z012 S/N 21300004-
COVER (1/3)



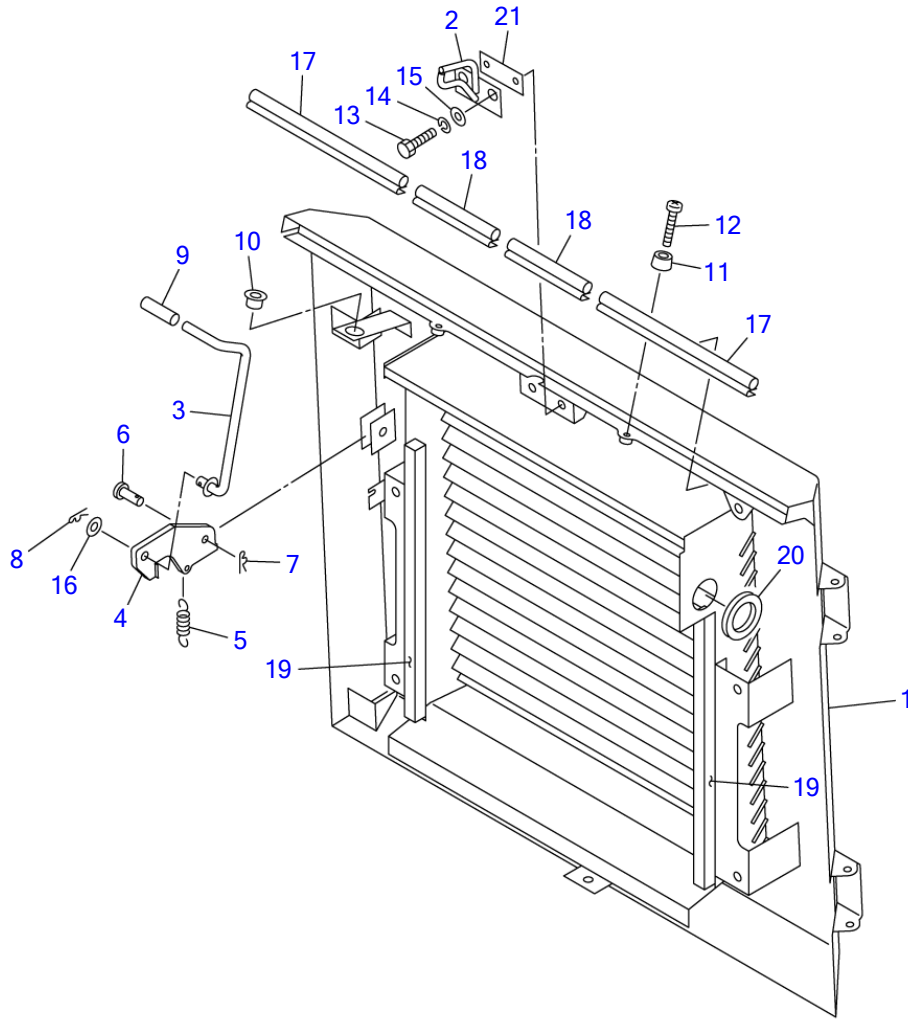
Item	Part number	Description	COVER (1/3) Q'ty	Chan.	Serial No.	Serv.	Remarks
36	0003900040	SPACER	AR				t=1.6mm
36	0003900041	SPACER	AR				t=2.3mm
	T8e016						

TL130 Book No. BT8Z012 S/N 21300004-
COVER (1/3) (high flow; 21306717-)



COVER (1/3) (high flow; 21306717-)

Item	Part number	Description	Q'ty	Chan.	Serial No.	Serv.	Remarks
		COVER ASSY					X08808-25500-6
1	0880825800	COVER ASSY, side(L.H.)	1				
1-1	0880825810	· COVER, side(L.H.)	1				
1-2	1654613022	· SPONGE	1		21308205~		sold by the meter
1-3	1654306077	· SPONGE	1		21306717~21308204		sold by the meter
1-4	1654520070	· TRIM	1				sold by the meter
1-5	1654606029	· TRIM	1		21308205~		sold by the meter
2	0880825900	COVER ASSY, side(R.H.)	1				
2-1	0880825910	· COVER, side(R.H.)	1				
2-3	1654306077	· SPONGE	1		21306717~21308204		sold by the meter
2-4	1654520046	· RUBBER	1				sold by the meter
2-5	1654520009	· TRIM	1				sold by the meter
2-6	1653916016	· TRIM	1				sold by the meter
3	0880826100	DOOR ASSY, rear	1				see page (2/3)
4	0880825700	HOOD, engine	1				see page (3/3)
5	0880825950	BRACKET	1				
6	0880823040	TABLE	1		21306717~21308654		
	0880826560	TABLE	1		21308655~		
7	0880825007	PLATE	1				
8	0881822027	ROD	1				
9	0880824820	PLATE(R.H.)	1				
10	0880824830	PLATE(L.H.)	1				
11	0881822020	PIN	2				
12	1651101050	STOPPER	2				
13	1653900057	SPRING, gas	1				
14	1654623088	TRIM	1				sold by the meter
15	1654623056	TRIM	2				sold by the meter
16	1654613028	SPONGE	1		21308655~		sold by the meter
17	1210010425	PIN, split	2				
18	1100041035	BOLT	1				
19	1100040825	BOLT	2				
20	1100041020	BOLT	6				
21	1100041025	BOLT	8				
22	1130040008	NUT	2				
24	1140020010	WASHER, spring	18				
25	1141110008	WASHER	4				
26	1141110010	WASHER	5				
27	1130040010	NUT	3				
28	0003600025	WASHER	6				
29	1110041020	SCREW, cap	4				
30	1141110016	WASHER	AR				
31	1929900437	ROPE	1				
32	1100241050	BOLT	2				
33	0881823034	RUBBER	1				
34	0003600020	WASHER	8				
35	0003900040	SPACER	AR				t=1.6mm
	0003900041	SPACER	AR				t=2.3mm
	T8e542						



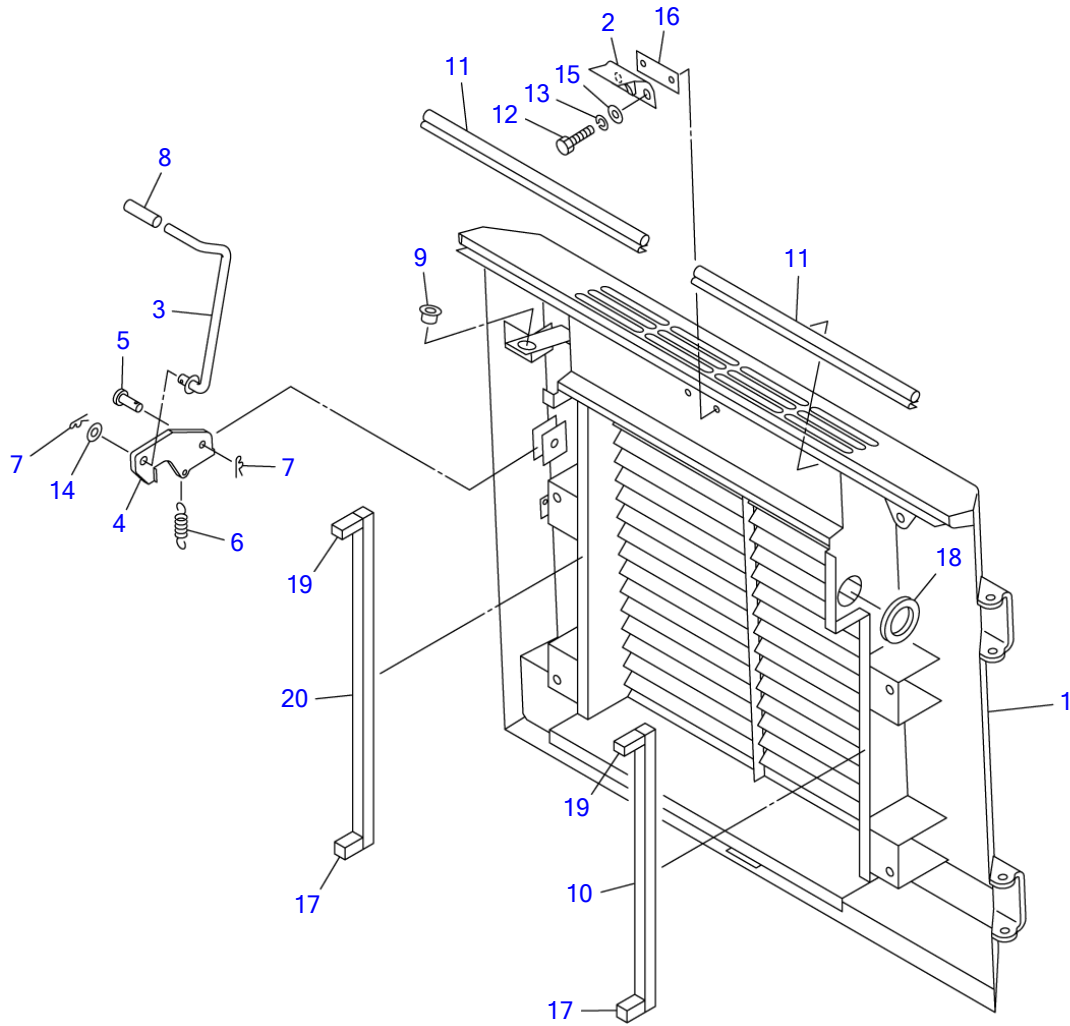
T8E021

S=1/10

COVER (2/3) (rear door; 21300004-21301476)

Item	Part number	Description	Q'ty	Chan.	Serial No.	Serv.	Remarks
0-1	0880823300	DOOR ASSY, rear	1				X08808-23300-2
1	0880823400	• DOOR, rear	1				
2	0881822130	• STRIKER	1		21300004~21300072		
	0880823670	• STRIKER	1		21300073~		
3	0881822140	• ROD	1				
4	0881823150	• PLATE	1				
5	0007000070	• SPRING	1				
6	0004010025	• PIN	1				
7	1214000008	• PIN, snap	1				
8	1214000012	• PIN, snap	1				
9	1650202300	• CAP	1				
10	1652615200	• BUSHING	1				
11	1652102314	• RUBBER	2				
12	1120530416	• SCREW	2				
13	1100040830	• BOLT	2				
14	1140020008	• WASHER, spring	2				
15	0003608252	• WASHER	2				
16	1141110012	• WASHER	1				
17	1654605025	• TRIM	2				sold by the meter
18	1654605013	• RUBBER	2				sold by the meter
19	1654306044	• SPONGE	2				sold by the meter
20	1653917014	• TRIM	1				sold by the meter
21	0003900037	• SPACER	AR				t=4.5mm
	0003900038	• SPACER	AR				t=1.6mm
	T8e021						

TL130 Book No. BT8Z012 S/N 21300004-
COVER (2/3) (rear door; 21301477-21301932)

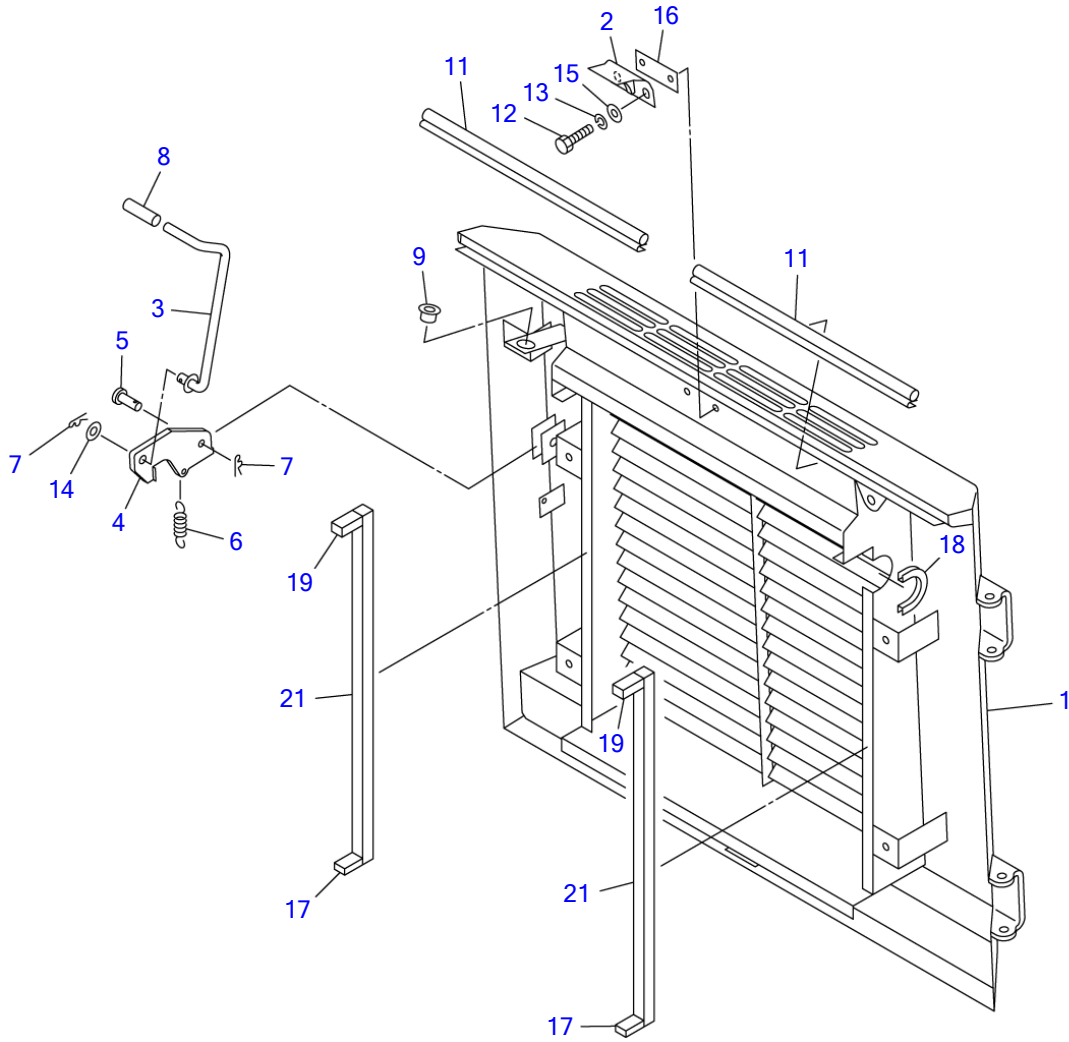


T8E022

S=1/10

COVER (2/3) (rear door; 21301477-21301932)

Item	Part number	Description	Q'ty	Chan.	Serial No.	Serv.	Remarks
0-1	0880824600	DOOR ASSY, rear	1				X08808-24600-0
1	0880824700	▪ DOOR, rear	1				
2	0880823670	▪ STRIKER	1				
3	0881822540	▪ ROD	1				
4	0881822550	▪ PLATE	1				
5	0004015002	▪ PIN	1				
6	0007000112	▪ SPRING	1				
7	1214000012	▪ PIN, snap	2				
8	1650202300	▪ CAP	1				
9	1652615200	▪ BUSHING	1				
10	1654306046	▪ SPONGE	1				sold by the meter
11	1654605041	▪ TRIM	2				sold by the meter
12	1100040825	▪ BOLT	2				
13	1140020008	▪ WASHER, spring	2				
14	1141110012	▪ WASHER	1				
15	0003608252	▪ WASHER	2				
16	0003900037	▪ SPACER	AR				t=4.5mm
	0003900038	▪ SPACER	AR				t=1.6mm
17	1654310004	▪ SPONGE	2				sold by the meter
18	1653917017	▪ TRIM	1				sold by the meter
19	1654304004	▪ SPONGE	2				sold by the meter
20	1654306055	▪ SPONGE	1				sold by the meter
	T8e022						



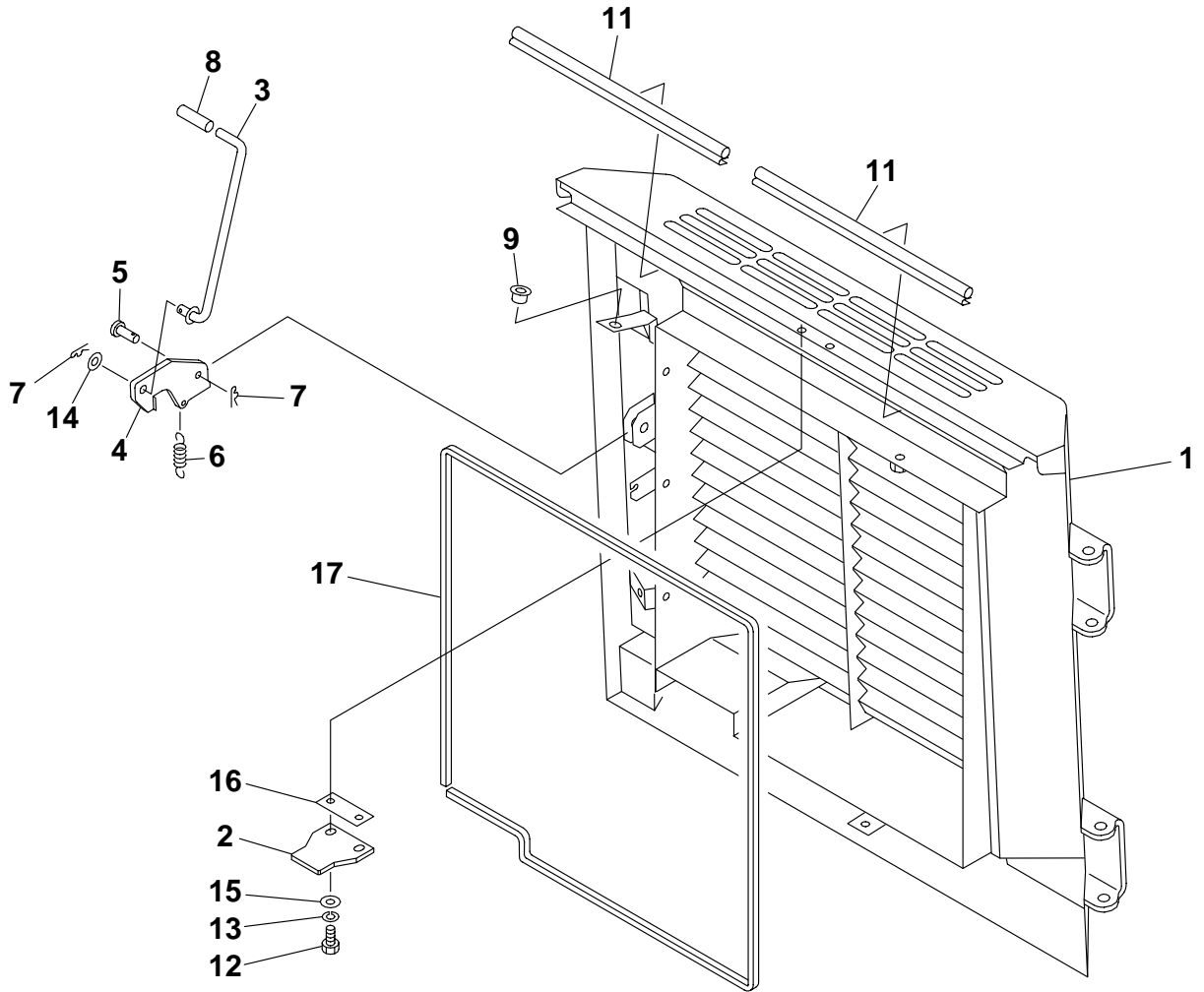
T8E024

S=1/10

COVER (2/3) (rear door; 21301933-)

Item	Part number	Description	Q'ty	Chan.	Serial No.	Serv.	Remarks
0-1	0880825100	DOOR ASSY, rear	1				X08808-25100-1
1	0880825200	▪ DOOR, rear	1				
2	0880823670	▪ STRIKER	1				
3	0881822540	▪ ROD	1				
4	0881822550	▪ PLATE	1				
5	0004015002	▪ PIN	1				
6	0007000112	▪ SPRING	1				
7	1214000012	▪ PIN, snap	2				
8	1650202300	▪ CAP	1				
9	1652615200	▪ BUSHING	1				
11	1654605041	▪ TRIM	2				sold by the meter
12	1100040825	▪ BOLT	2				
13	1140020008	▪ WASHER, spring	2				
14	1141110012	▪ WASHER	1				
15	0003608252	▪ WASHER	2				
16	0003900037	▪ SPACER	AR				t=4.5mm
	0003900038	▪ SPACER	AR				t=1.6mm
17	1654302004	▪ SPONGE	2				sold by the meter
18	1653917010	▪ TRIM	1				sold by the meter
19	1654304004	▪ SPONGE	2				sold by the meter
21	1654304058	▪ SPONGE	2				sold by the meter
	T8e024						

TL130 Book No. BT8Z012 S/N 21300004-
COVER (2/3) (high flow, rear door; 21306717-)

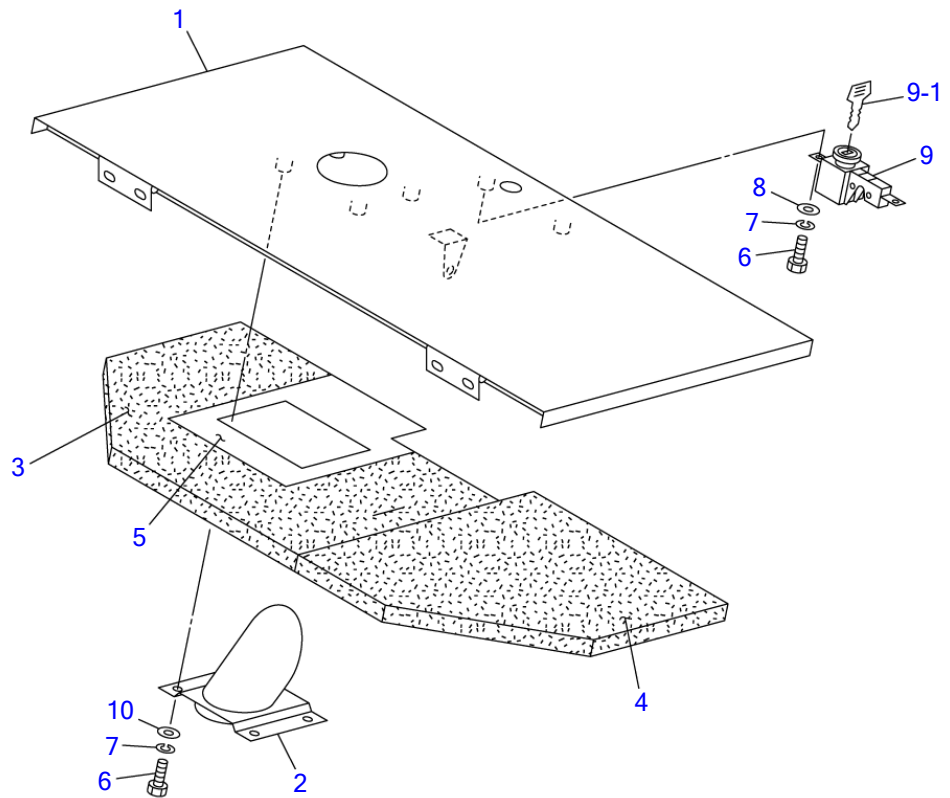


T8E551

S=1/10

COVER (2/3) (high flow, rear door; 21306717-)

Item	Part number	Description	Q'ty	Chan.	Serial No.	Serv.	Remarks
0-1	880826100	DOOR ASSY, rear	1				X08808-26100-1
1	880826200	▪ DOOR, rear	1				
2	880825650	▪ STRIKER	1				
3	880826150	▪ ROD	1				
4	880826160	▪ PLATE	1				
5	4015002	▪ PIN	1				
6	7000112	▪ SPRING	1				
7	1214000012	▪ PIN, snap	2				
8	1650202300	▪ CAP	1				
9	1652615200	▪ BUSHING	1				
11	1654605041	▪ TRIM	2				sold by the meter
12	1100040825	▪ BOLT	2				
13	1140020008	▪ WASHER, spring	2				
14	1141110012	▪ WASHER	1				
15	3608252	▪ WASHER	2				
16	3900037	▪ SPACER	AR				t=4.5mm
17	1654606244	▪ TRIM	1				sold by the meter
	T8e551						

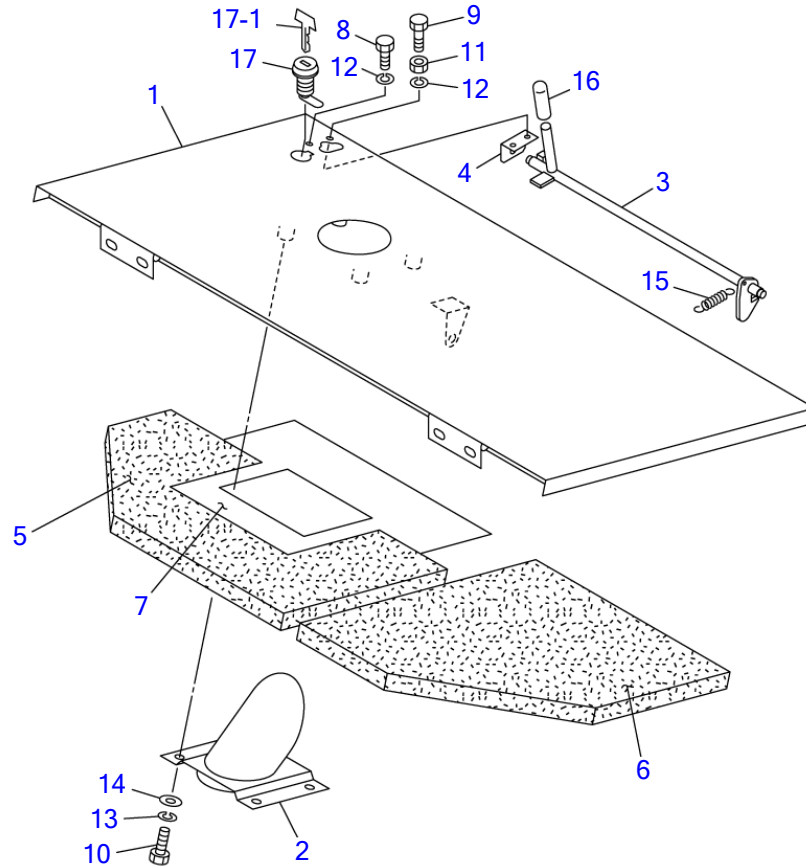


T7E031

S=1/10

COVER (3/3) (engine hood; 21300004-21300072)

Item	Part number	Description	Q'ty	Chan.	Serial No.	Serv.	Remarks
0-2	0880823500	HOOD ASSY, engine	1				X08808-23500-1
1	0880823520	▪ HOOD, engine	1				
2	0881821330	▪ NOZZLE	1				
3	0880823503	▪ ABSORBENT, noise	1				
4	0880823504	▪ ABSORBENT, noise	1				
5	0881822305	▪ INSULATOR	1				
6	1100040816	▪ BOLT	6				
7	1140020008	▪ WASHER, spring	6				
8	1141110008	▪ WASHER	2				
9	1653611798	▪ LOCK	1				
9-1	1700100019	▪ KEY	1				
10	0003608252	▪ WASHER	4				
	T7e031						

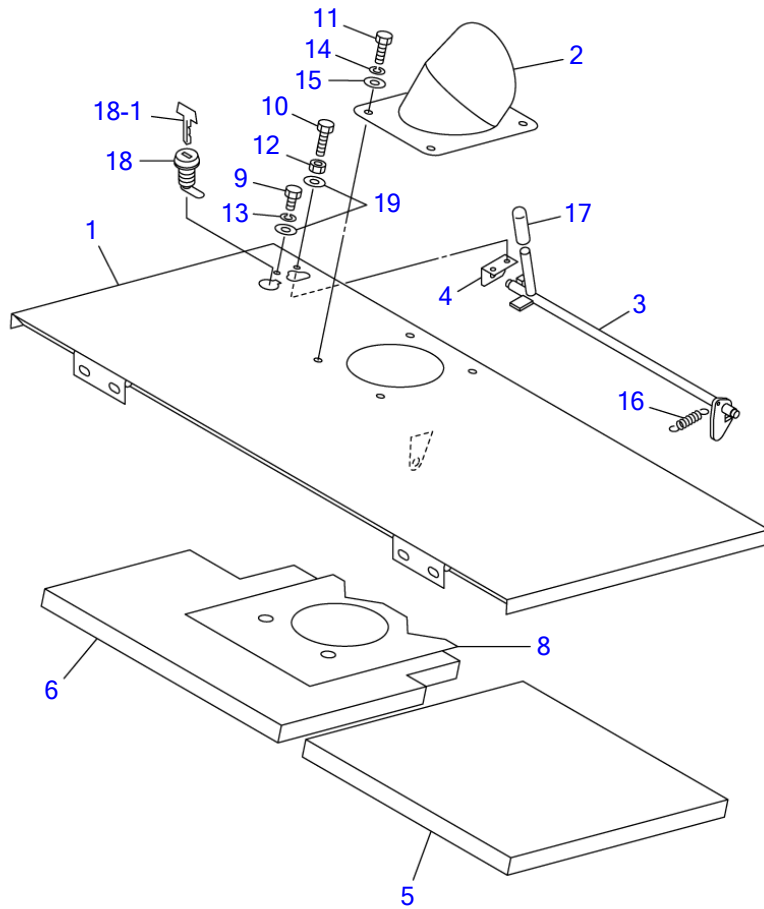


T7E032

S=1/10

COVER (3/3) (engine hood; 21300073-21301932)

Item	Part number	Description	Q'ty	Chan.	Serial No.	Serv.	Remarks
0-2	0880823700	HOOD ASSY, engine	1				X08808-23700-0
1	0880823720	▪ HOOD, engine	1				
2	0881821330	▪ NOZZLE	1				
3	0880823660	▪ LEVER	1				
4	0880820080	▪ ANGLE	1				
5	0880823605	▪ ABSORBENT, noise	1				
6	0880823606	▪ ABSORBENT, noise	1				
7	0880823607	▪ INSULATOR	1				
8	1100040616	▪ BOLT	1				
9	1100040620	▪ BOLT	1				
10	1100040816	▪ BOLT	4				
11	1130040006	▪ NUT	1				
12	1140020006	▪ WASHER, spring	2				
13	1140020008	▪ WASHER, spring	4				
14	1141110008	▪ WASHER	4				
15	0007000070	▪ SPRING	1				
16	1650202300	▪ CAP	1				
17	1653601395	▪ LOCK	1				
17-1	1700100019	▪ KEY	1				
	T7e032						



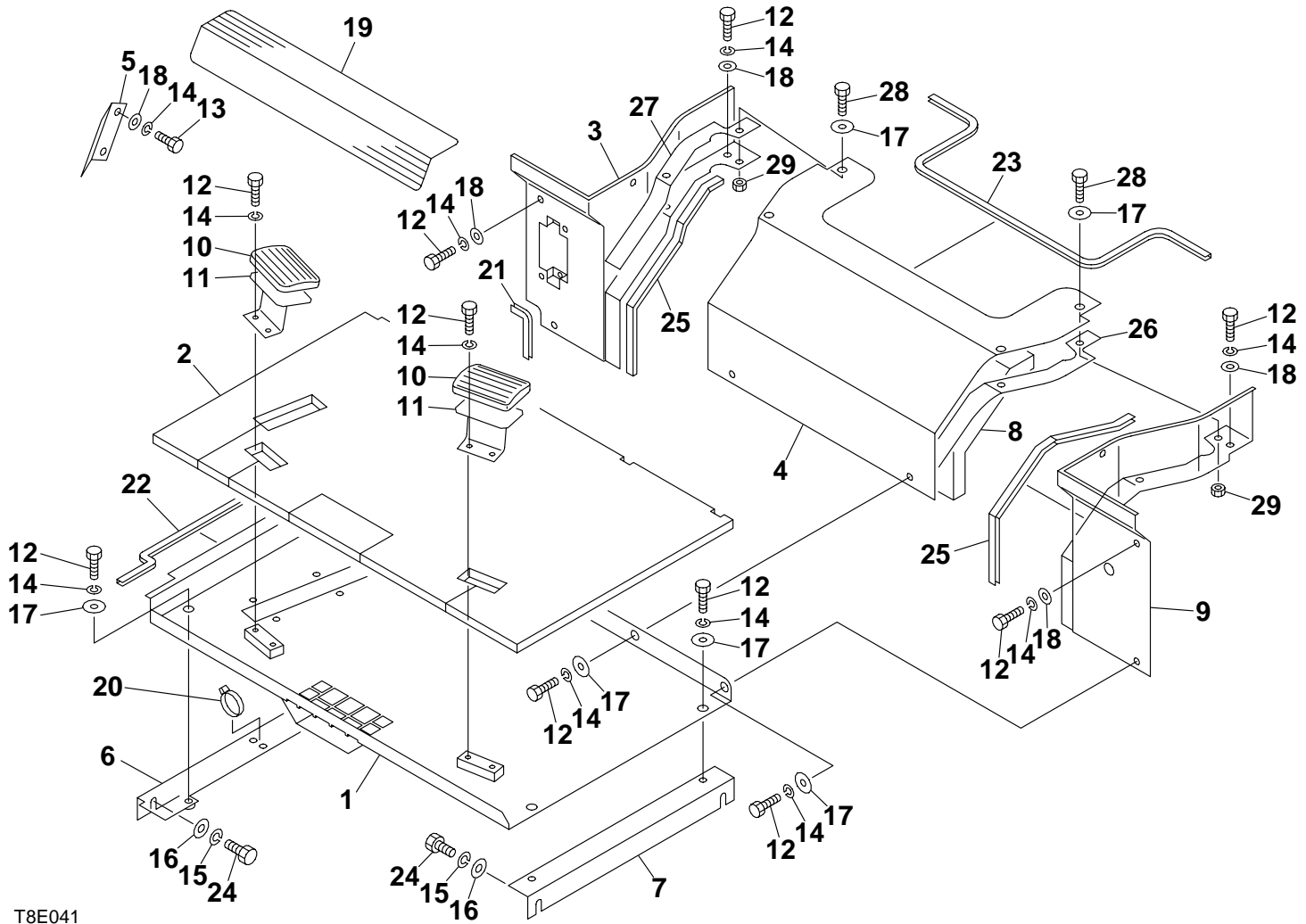
T8E032

S=1/10

COVER (3/3) (engine hood; 21301933-)

Item	Part number	Description	Q'ty	Chan.	Serial No.	Serv.	Remarks
0-2	0880825400	HOOD ASSY, engine	1				X08808-25400-2
	0880825700	HOOD ASSY, engine (high flow)	1		21306717~		X08808-25700-1
1	0880825450	▪ HOOD, engine	1				
	0880824810	▪ HOOD, engine	1		21306717~		high flow
2	0880825470	▪ NOZZLE	1				
	0880825710	▪ NOZZLE	1		21306717~		high flow
3	0880823660	▪ LEVER	1				
4	0880820080	▪ ANGLE	1				
5	0882820905	▪ ABSORBENT, noise	1				
6	0880825406	▪ ABSORBENT, noise	1				
	0880825706	▪ ABSORBENT, noise	1		21306717~		high flow
8	0880825408	▪ INSULATOR	1				
	0880825708	▪ INSULATOR	1		21306717~		high flow
9	1100040612	▪ BOLT	1				
10	1100040620	▪ BOLT	1				
11	1100040816	▪ BOLT	4				
12	1130040006	▪ NUT	1				
13	1140020006	▪ WASHER, spring	1				
14	1140020008	▪ WASHER, spring	4				
15	0003608252	▪ WASHER	4				
16	0007000070	▪ SPRING	1				
17	1650202300	▪ CAP	1				
18	1653601395	▪ LOCK	1				
18-1	1700100019	▪ KEY	1				
19	1141110006	▪ WASHER	2				
	T8e032						

TL130 Book No. BT8Z012 S/N 21300004-
FLOOR FRAME (21300004-21300774)



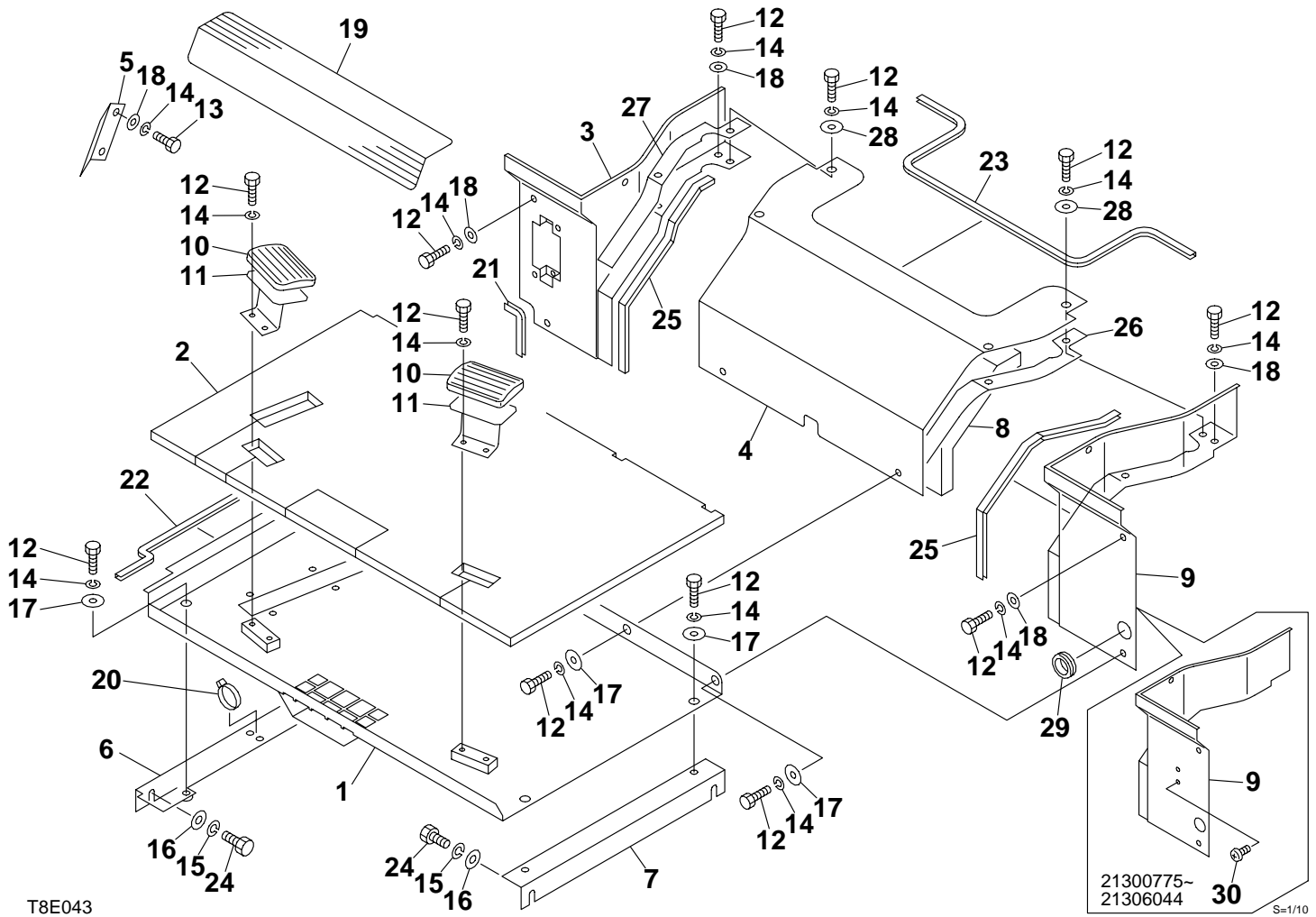
T8E041

S=1/10

FLOOR FRAME (21300004-21300774)

Item	Part number	Description	Q'ty	Chan.	Serial No.	Serv.	Remarks
		FLOOR ASSY					X08803-53000-3
1	880353010	PLATE	1				
2	880353020	MAT, floor	1				
3	880353030	COVER(R.H.)	1				
4	881351600	COVER	1				
5	880353050	COVER	1				
6	881351500	STAY	1				
7	881351010	STAY	1				
8	881351020	ABSORBENT, noise	1				
9	880353090	COVER(L.H.)	1				
10	563218500	COVER	2				
11	563219700	REST, foot	2				
12	1100040820	BOLT	18				
13	1100040812	BOLT	2				
14	1140020008	WASHER, spring	20				
15	1140020010	WASHER, spring	4				
16	1141110010	WASHER	4				
17	3608252	WASHER	12				
18	1141110008	WASHER	8				
19	880821355	SHEET	1				
20	1652231250	BAND	1				
21	1653916007	TRIM	1				sold by the meter
22	1654606048	TRIM	1				sold by the meter
23	1654605101	TRIM	1				sold by the meter
24	1100041020	BOLT	4				
25	1653916043	TRIM	2				sold by the meter
26	881351021	SPONGE	1				
27	881351022	SPONGE	1				
28	1100240830	BOLT	4				
29	1130040008	NUT	4				
	T8e041						

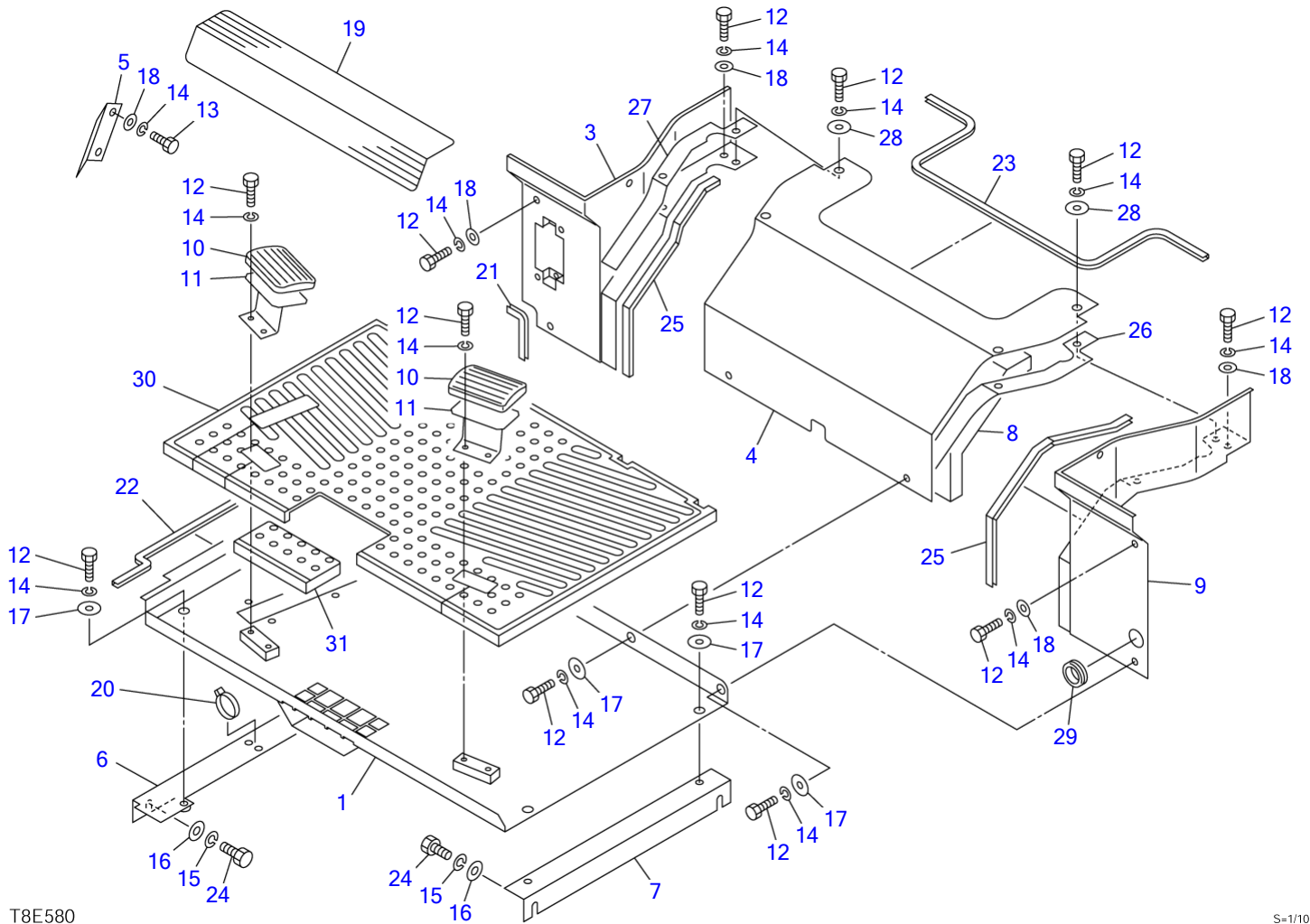
TL130 Book No. BT8Z012 S/N 21300004-
FLOOR FRAME (21300775-21308096)



FLOOR FRAME (21300775-21308096)

Item	Part number	Description	Q'ty	Chan.	Serial No.	Serv.	Remarks
		FLOOR ASSY					X08803-54500-0
1	880353010	PLATE	1		21300775~21301074		
	880353510	PLATE	1		21301075~		
2	880353020	MAT, floor	1				
3	880353530	COVER(R.H.)	1				
4	880353550	COVER	1				
5	880353050	COVER	1				
6	881351500	STAY	1				
7	881351010	STAY	1				
8	881351020	ABSORBENT, noise	1				
9	880353540	COVER(L.H.)	1		21300775~21306044		
	880354550	COVER(L.H.)	1		21306045~		
10	563218500	COVER	2				
11	563219700	REST, foot	2				
12	1100040820	BOLT	22				
13	1100040812	BOLT	2				
14	1140020008	WASHER, spring	24				
15	1140020010	WASHER, spring	4				
16	1141110010	WASHER	4				
17	3608252	WASHER	8				
18	1141110008	WASHER	8				
19	880821355	SHEET	1				
20	1652231250	BAND	1				
21	1653916007	TRIM	1				sold by the meter
22	1654606048	TRIM	1				sold by the meter
23	1654605101	TRIM	1				sold by the meter
24	1100041020	BOLT	4				
25	1653916043	TRIM	2				sold by the meter
26	880353526	SPONGE	1				
27	880353527	SPONGE	1				
28	3608003	WASHER	4				
29	1652053001	GROMMET	1		21301078~		
30	1120530612	SCREW	2		21301078~21306044		
	T8e043						

TL130 Book No. BT8Z012 S/N 21300004-
FLOOR FRAME (21308097-21308294)



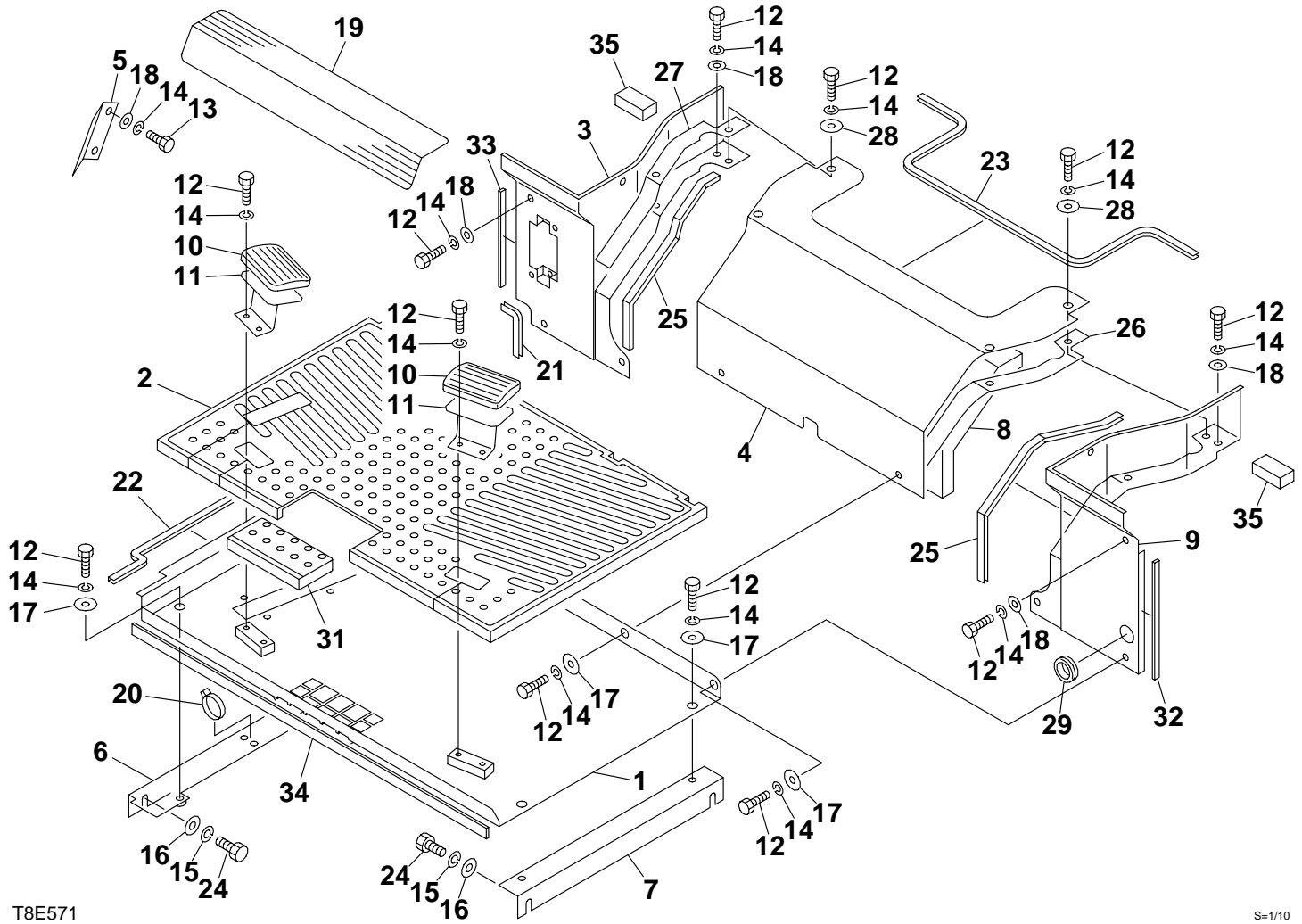
T8E580

S=1/10

FLOOR FRAME (21308097-21308294)

Item	Part number	Description	Q'ty	Chan.	Serial No.	Serv.	Remarks
		FLOOR ASSY					X08803-54500-1
1	0880353510	PLATE	1				
3	0880353530	COVER(R.H.)	1				
4	0880353550	COVER	1				
5	0880353050	COVER	1				
6	0881351500	STAY	1				
7	0881351010	STAY	1				
8	0881351020	ABSORBENT, noise	1				
9	0880354550	COVER(L.H.)	1				
10	0563218500	COVER	2				
11	0563219700	REST, foot	2				
12	1100040820	BOLT	22				
13	1100040812	BOLT	2				
14	1140020008	WASHER, spring	24				
15	1140020010	WASHER, spring	4				
16	1141110010	WASHER	4				
17	0003608252	WASHER	8				
18	1141110008	WASHER	8				
19	0880821355	SHEET	1				
20	1652231250	BAND	1				
21	1653916007	TRIM	1				sold by the meter
22	1654606048	TRIM	1				sold by the meter
23	1654605101	TRIM	1				sold by the meter
24	1100041020	BOLT	4				
25	1653916043	TRIM	2				sold by the meter
26	0880353526	SPONGE	1				
27	0880353527	SPONGE	1				
28	0003608003	WASHER	4				
29	1652053001	GROMMET	1				
30	0880354560	MAT, floor	1				
31	0881353080	MAT, floor	1				
	T8e580						

TL130 Book No. BT8Z012 S/N 21300004-
FLOOR FRAME (21308295-)

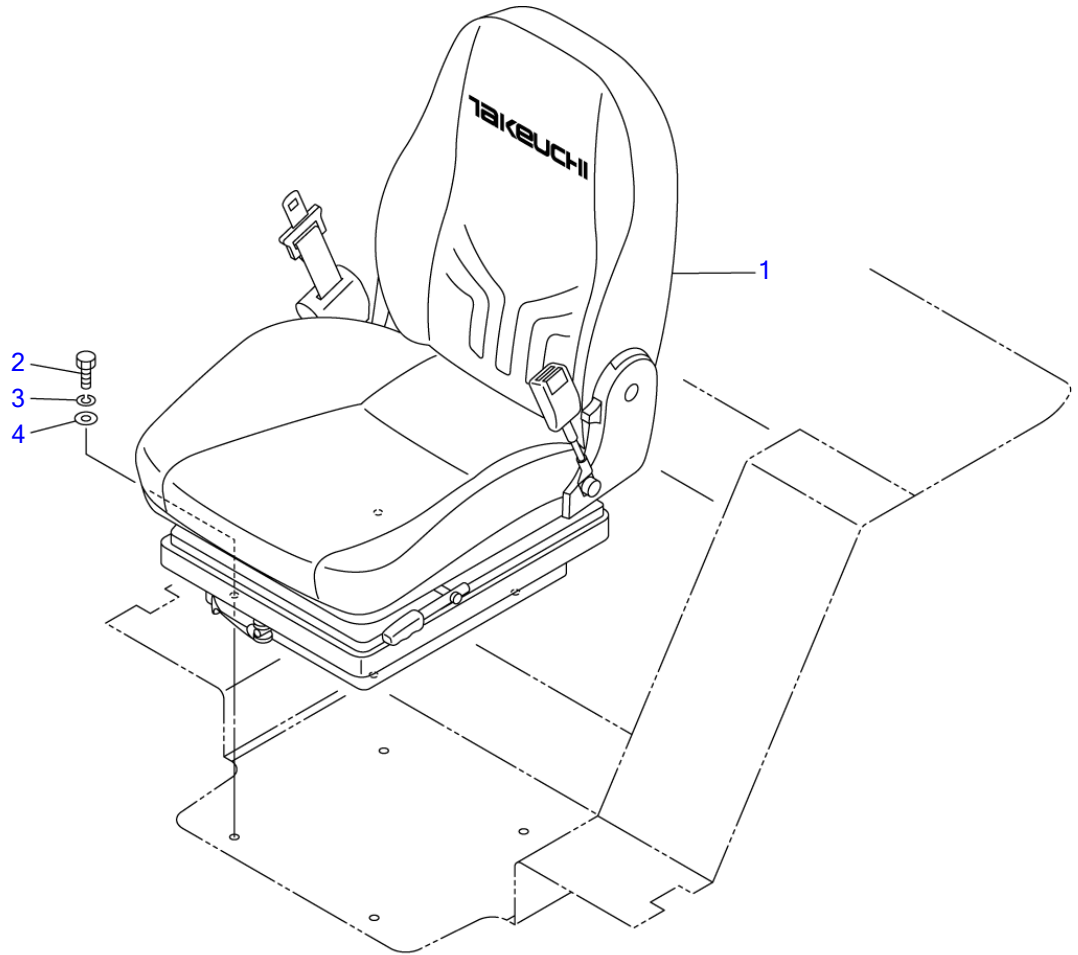


T8E571

S=1/10

FLOOR FRAME (21308295-)

Item	Part number	Description	Q'ty	Chan.	Serial No.	Serv.	Remarks
		FLOOR ASSY					X08803-55000-0
1	880354610	PLATE	1				
2	880353020	MAT, floor	1	A	21308295~21309230	M	
	880355050	MAT, floor	1	a	21309231~	M	
3	880354630	COVER(R.H.)	1				
4	880354650	COVER	1				
5	880353050	COVER	1				
6	881351500	STAY	1				
7	881351010	STAY	1				
8	881351020	ABSORBENT, noise	1				
9	880354640	COVER(L.H.)	1				
10	563218500	COVER	2				
11	563219700	REST, foot	2				
12	1100040820	BOLT	22				
13	1100040812	BOLT	2				
14	1140020008	WASHER, spring	24				
15	1140020010	WASHER, spring	4				
16	1141110010	WASHER	4				
17	3608252	WASHER	8				
18	1141110008	WASHER	8				
19	880821355	SHEET	1				
20	1652231250	BAND	1				
21	1653916007	TRIM	1				sold by the meter
22	1654606048	TRIM	1				sold by the meter
23	1654605101	TRIM	1				sold by the meter
24	1100041020	BOLT	4				
25	1653916043	TRIM	2				sold by the meter
26	880353526	SPONGE	1				
27	880353527	SPONGE	1				
28	3608003	WASHER	4				
29	1652053001	GROMMET	1				
31	881353080	MAT, floor	1	a	21309231~	M	
32	1654355022	SPONGE	1				sold by the meter
33	1654355018	SPONGE	1				sold by the meter
34	1654354071	SPONGE	1				sold by the meter
35	1654342006	SPONGE	2				sold by the meter
		<<NOTE>>				M	
		"A" is interchangeable with				M	
		SET "a".					
	T8e571						

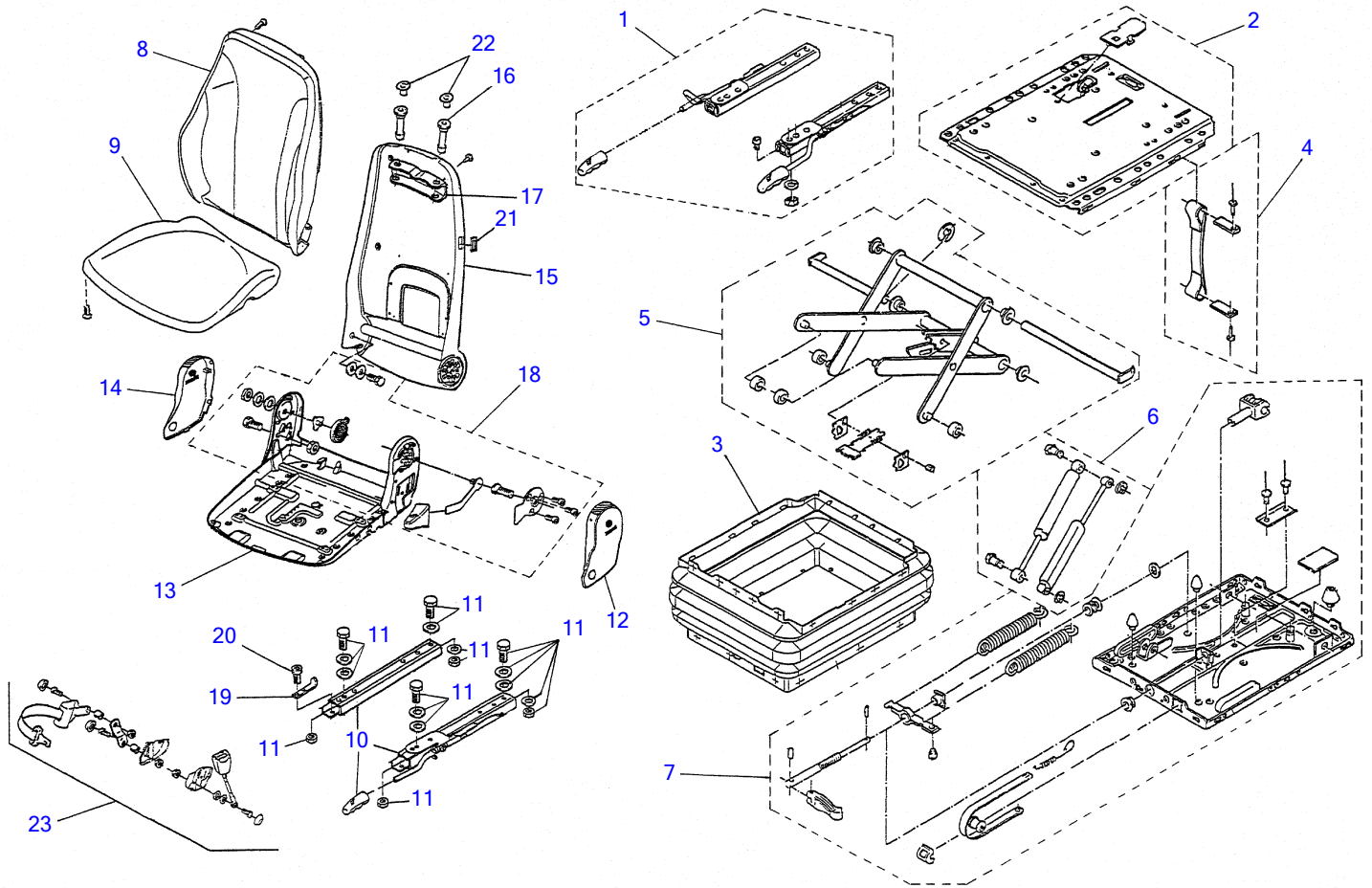


T7E050

S=1/10

SEAT (1/2)

Item	Part number	Description	Q'ty	Chan.	Serial No.	Serv.	Remarks
		SEAT ASSY					X08813-40000-2
1	1914100079	SEAT	1				see page (2/2)
2	1100040820	BOLT	4				
3	1140020008	WASHER, spring	4				
4	1141110008	WASHER	4				
	T7e051						

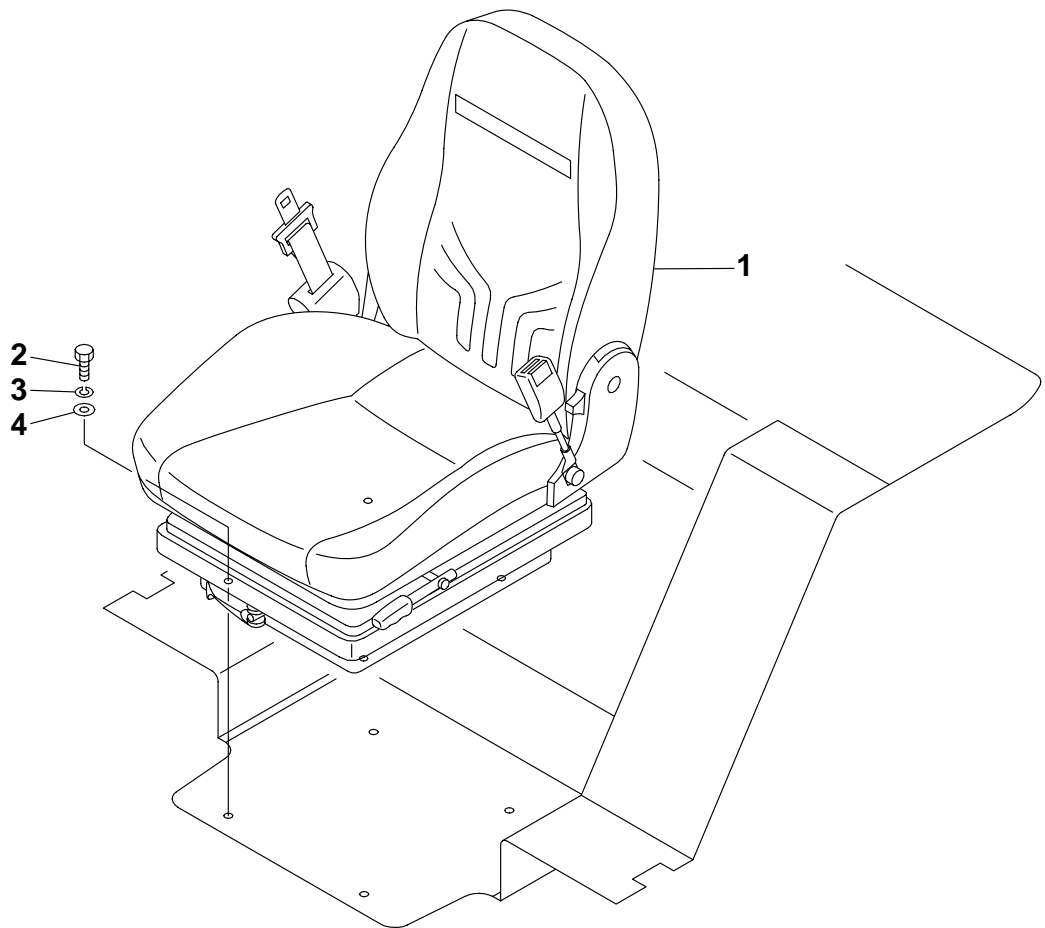


T7E060

S=Free

SEAT (2/2)						
Item	Part number	Description	Q'ty	Chan.	Serial No.	Serv. Remarks
0	1914100079	SEAT ASSY	1			PVC
1	1914101072	▪ RAIL ASSY	1			
2	1914102072	▪ PLATE ASSY	1			
3	1914103072	▪ BOOT	1			
4	1914104072	▪ ANGLE ASSY	1			
5	1914105072	▪ LINK ASSY	1			
6	1914106072	▪ DAMPER ASSY	1			
7	1914107072	▪ SPRING ASSY	1			
8	1914108072	▪ TRIM	1			
9	1914109072	▪ TRIM	1			
10	1914110072	▪ RAIL ASSY	1			
11	1914111072	▪ BOLT ASSY	1			
12	1914112072	▪ COVER (L.H.)	1			
13	1914113072	▪ FRAME	1			
14	1914114072	▪ COVER (R.H.)	1			
15	1914115072	▪ FRAME	1			
16	1914116072	▪ GUIDE	2			
17	1914117072	▪ BRACKET	1			
18	1914118072	▪ JOINT ASSY	1			
19	1914119072	▪ PLATE	1			
20	1914120072	▪ SCREW, cap	1			
21	1914121072	▪ PLATE	1			
22	1914122072	▪ PLUG	2			
23	1914123072	▪ BELT ASSY, seat	1			

T7e060

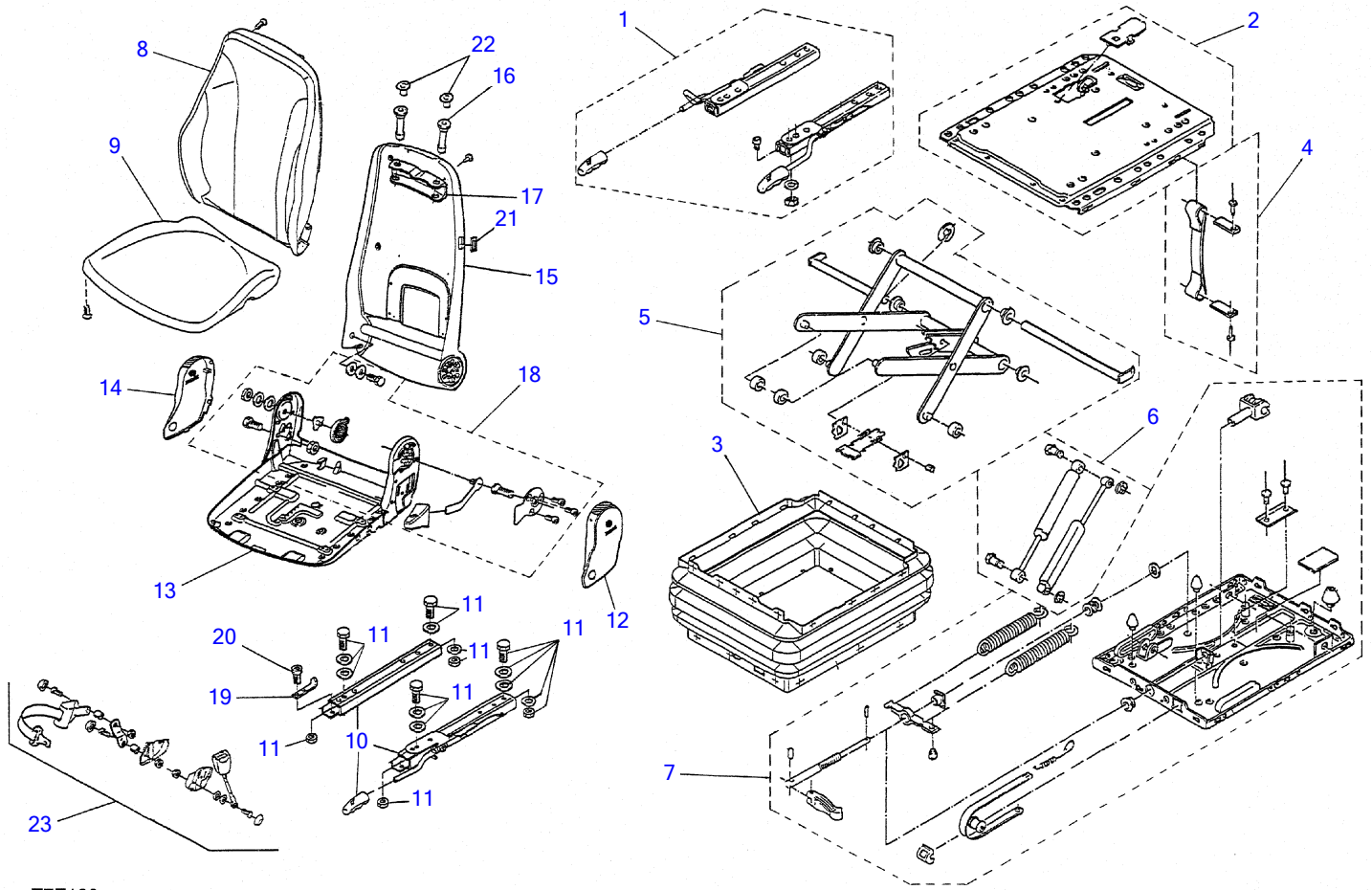


T7E170

S=1/10

SEAT (1/2) (for GEHL & MUSTANG)

Item	Part number	Description	Q'ty	Chan.	Serial No.	Serv.	Remarks
		SEAT ASSY					X08813-41000-2
1	1914100090	SEAT	1				see page (2/2)
2	1100040820	BOLT	4				
3	1140020008	WASHER, spring	4				
4	1141110008	WASHER	4				
	T7e170						



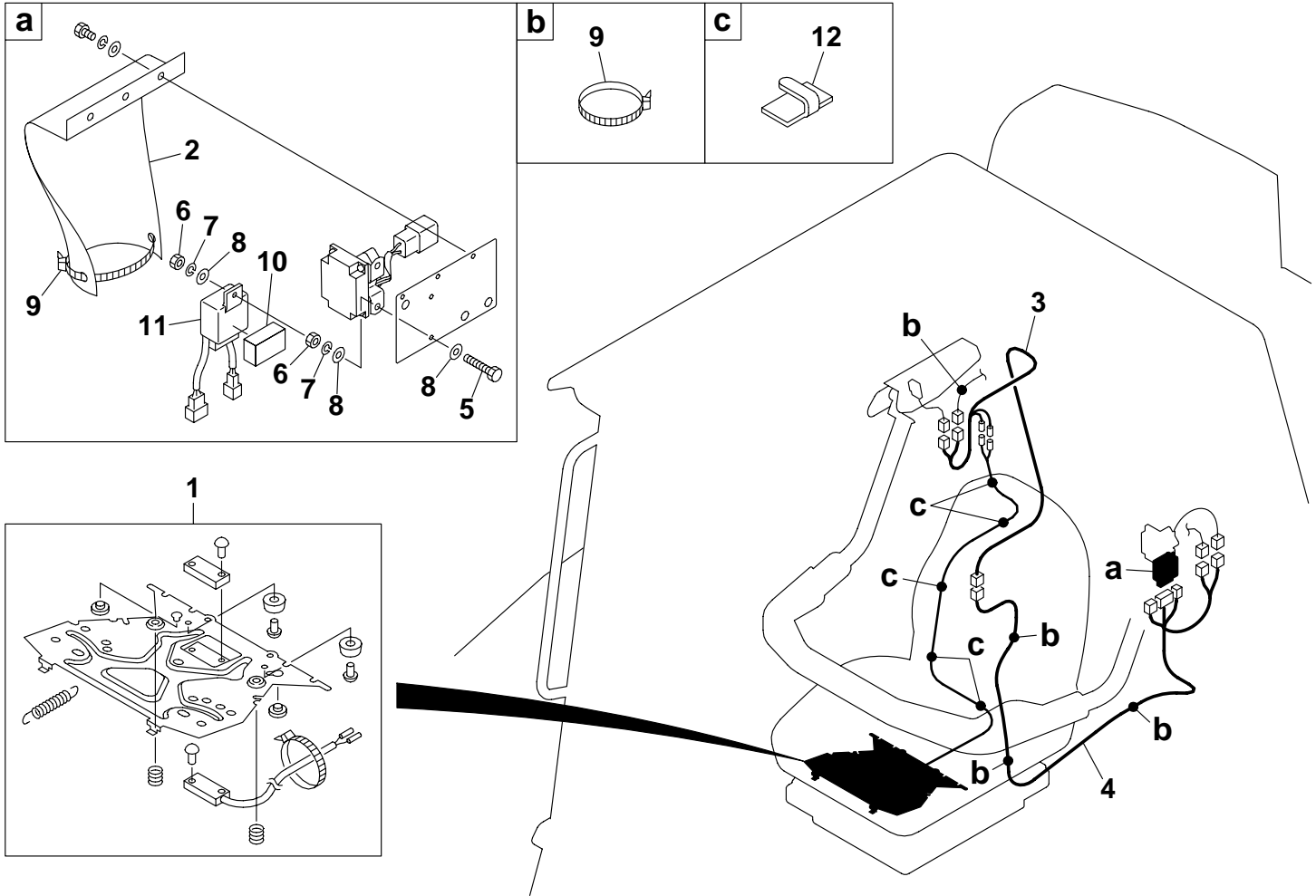
T7E180

S=Free

SEAT (2/2) (for GEHL & MUSTANG)

Item	Part number	Description	Q'ty	Chan.	Serial No.	Serv.	Remarks
0	1914100090	SEAT ASSY	1				PVC
1	1914101072	▪ RAIL ASSY	1				
2	1914102072	▪ PLATE ASSY	1				
3	1914103072	▪ BOOT	1				
4	1914104072	▪ ANGLE ASSY	1				
5	1914105072	▪ LINK ASSY	1				
6	1914106072	▪ DAMPER ASSY	1				
7	1914107072	▪ SPRING ASSY	1				
8	1914108089	▪ TRIM	1				
9	1914109072	▪ TRIM	1				
10	1914110072	▪ RAIL ASSY	1				
11	1914111072	▪ BOLT ASSY	1				
12	1914112072	▪ COVER (L.H.)	1				
13	1914113072	▪ FRAME	1				
14	1914114072	▪ COVER (R.H.)	1				
15	1914115072	▪ FRAME	1				
16	1914116072	▪ GUIDE	2				
17	1914117072	▪ BRACKET	1				
18	1914118072	▪ JOINT ASSY	1				
19	1914119072	▪ PLATE	1				
20	1914120072	▪ SCREW, cap	1				
21	1914121072	▪ PLATE	1				
22	1914122072	▪ PLUG	2				
23	1914123072	▪ BELT ASSY, seat	1				
	T7e180						

TL130 Book No. BT8Z012 S/N 21300004-
SEAT SWITCH (21301612-21302177)



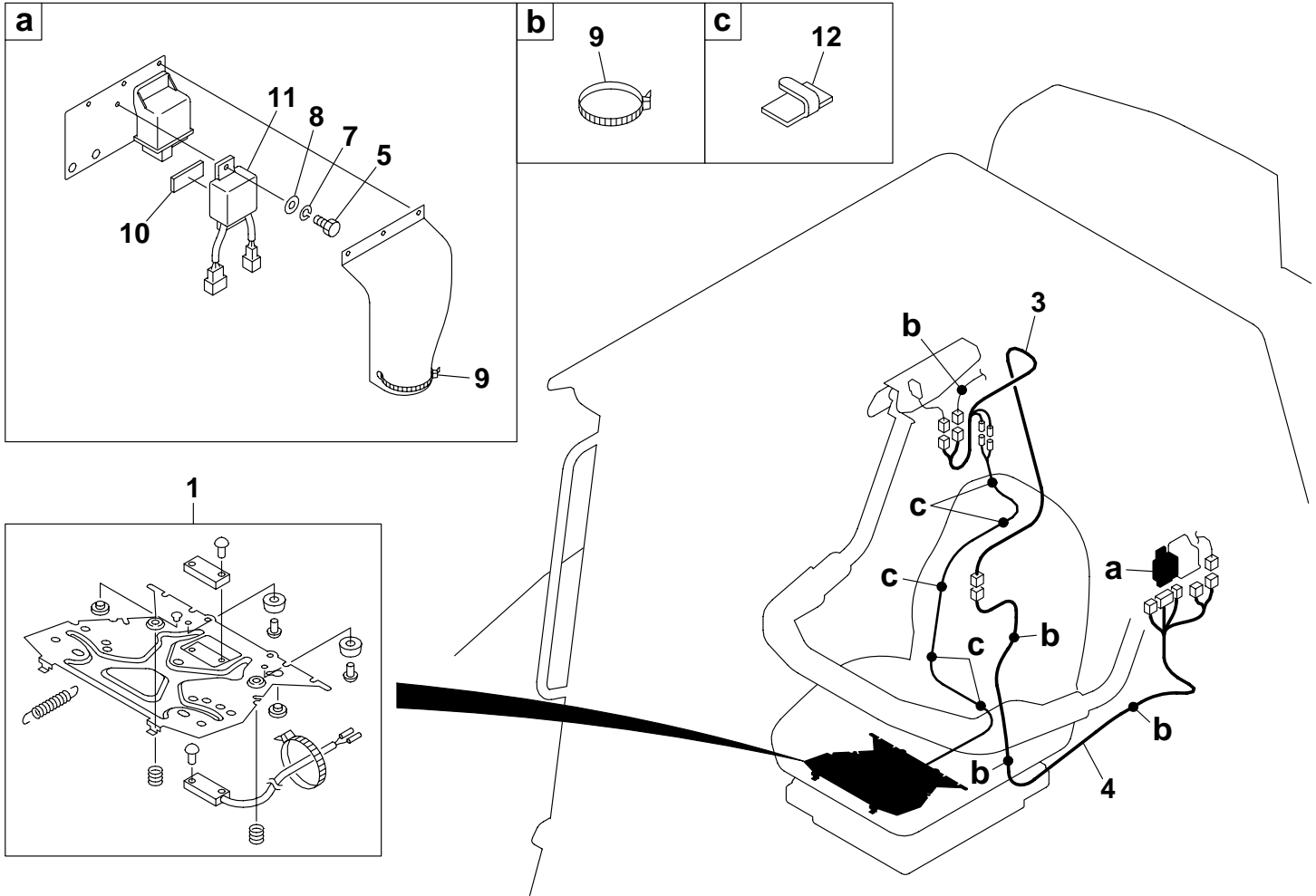
T8E120

S=1/8, 1/15

SEAT SWITCH (21301612-21302177)

Item	Part number	Description	Q'ty	Chan.	Serial No.	Serv.	Remarks
0	880347500	SWITCH ASSY, seat	1				X08803-47500-0
1	1914100086	▪ SWITCH, seat	1				
2	880427010	▪ RUBBER	1				
3	881422540	▪ HARNESS, wiring	1				
4	881422550	▪ HARNESS, wiring	1				
5	1100040635	▪ BOLT	1				
6	1130040006	▪ NUT	2				
7	1140020006	▪ WASHER, spring	2				
8	1141110006	▪ WASHER	3				
9	1652231250	▪ BAND	5				
10	1654314005	▪ SPONGE	1				
11	1711900062	▪ RELAY	1				
12	1711900075	▪ DECAL	5				
	T8e120						

TL130 Book No. BT8Z012 S/N 21300004-
SEAT SWITCH (21302178-)



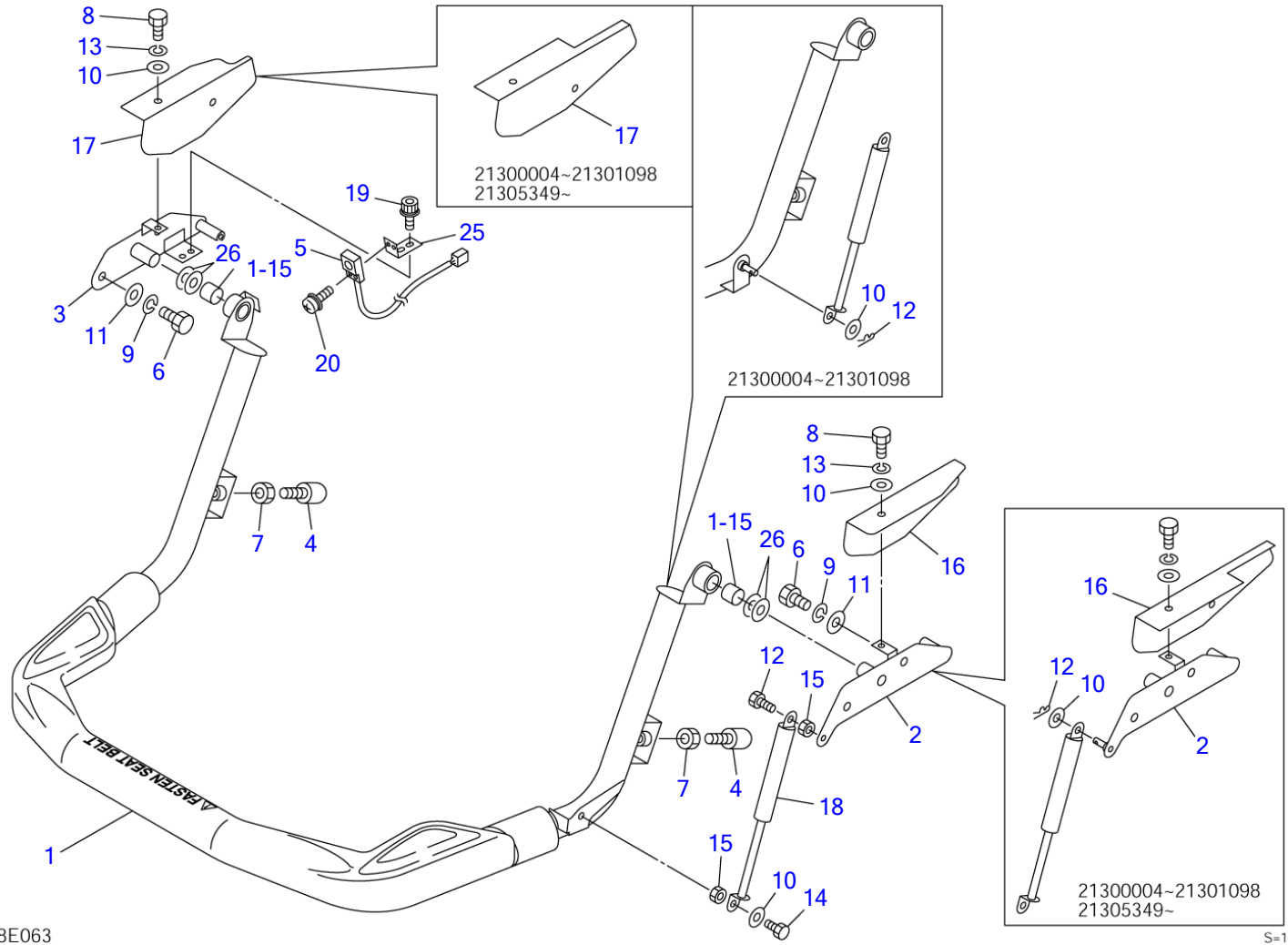
T8E500

S=1/8, 1/15

SEAT SWITCH (21302178-)

Item	Part number	Description	Q'ty	Chan.	Serial No.	Serv.	Remarks
0	880348500	SWITCH ASSY, seat	1				X08803-48500-0
1	1914100086	▪ SWITCH, seat	1				
3	881422540	▪ HARNESS, wiring	1				
4	880348520	▪ HARNESS, wiring	1				
5	1100040616	▪ BOLT	1				
7	1140020006	▪ WASHER, spring	1				
8	1141110006	▪ WASHER	1				
9	1652231250	▪ BAND	5				
10	1654301005	▪ SPONGE	1				
11	1711900062	▪ RELAY	1				
12	1711900074	▪ STICKER	5				
	T8e500						

TL130 Book No. BT8Z012 S/N 21300004-
SAFETY BAR



T8E063

S=1/9

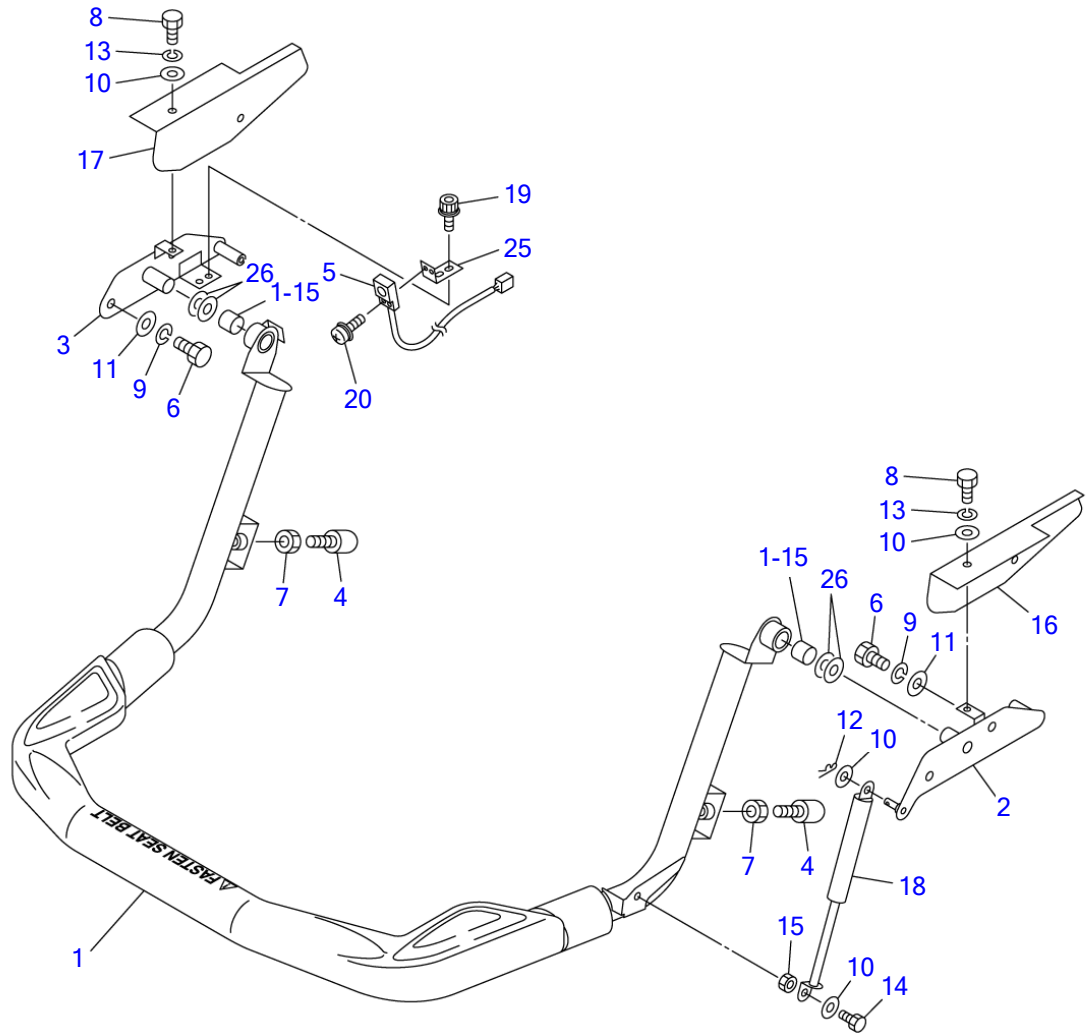
SAFETY BAR

Item	Part number	Description	Q'ty	Chan.	Serial No.	Serv.	Remarks
		BAR ASSY, safety					X08804-63600-5
1	0881461600	BAR, safety	1	A	21300004~21300042		
	0881461800	BAR, safety	1	a(H)(L)	21300043~21301098		
	0881463100	BAR, safety	1	(H)	21301099~		
1-15	1333002020	• BUSHING	2				
2	0881461030	BRACKET(L.H.)	1	A	21300004~21300042		
	0881461090	BRACKET(L.H.)	1	a(H)	21300043~21301098		
	0881463010	BRACKET(L.H.)	1		21301099~21305348		
	0881461090	BRACKET(L.H.)	1		21305349~		
3	0881461040	BRACKET(R.H.)	1		21300004~21301098		
	0881463020	BRACKET(R.H.)	1		21301099~21305348		
	0881461040	BRACKET(R.H.)	1		21305349~		
4	1651101224	STOPPER	2				
5	1700009010	SWITCH, proximity	1				
6	1100041020	BOLT	4				
7	1130040012	NUT	2				
8	1100040816	BOLT	4				
9	1140020010	WASHER, spring	4				
10	1141110008	WASHER	7				
11	1141110010	WASHER	4				
12	1214000008	PIN, snap	1		21300004~21301098		
	1100040820	BOLT	1		21301099~21305348		
	1214000008	PIN, snap	1		21305349~		
13	1140020008	WASHER, spring	4				
14	1100240830	BOLT	1		21301099~		
15	1130040008	NUT	1		21301099~		
16	0880463616	COVER(L.H.)	1		21300004~21301098		
	0880464010	COVER(L.H.)	1		21301099~21305348		
	0880463616	COVER(L.H.)	1		21305349~		
17	0880463617	COVER(R.H.)	1		21300004~21301098		
	0880464020	COVER(R.H.)	1		21301099~21305348		
	0880463617	COVER(R.H.)	1		21305349~		
18	1653900036	SPRING, gas	1	A	21300004~21300042		
	1653900057	SPRING, gas	1	a(H)	21300043~		
19	1110540512	SCREW, cap	2				
20	1150410312	SCREW	2				
25	0881461025	PLATE	1		21300004~21301098		
	0881463050	PLATE	1		21301099~21305348		
	0881461025	PLATE	1		21305349~		
26	0093208300	WASHER	4				

T8e066

<<NOTE>>
SET "A" is interchangeable
with SET "a".

TL130 Book No. BT8Z012 S/N 21300004-
SAFETY BAR (for GEHL & MUSTANG; 21302233-)

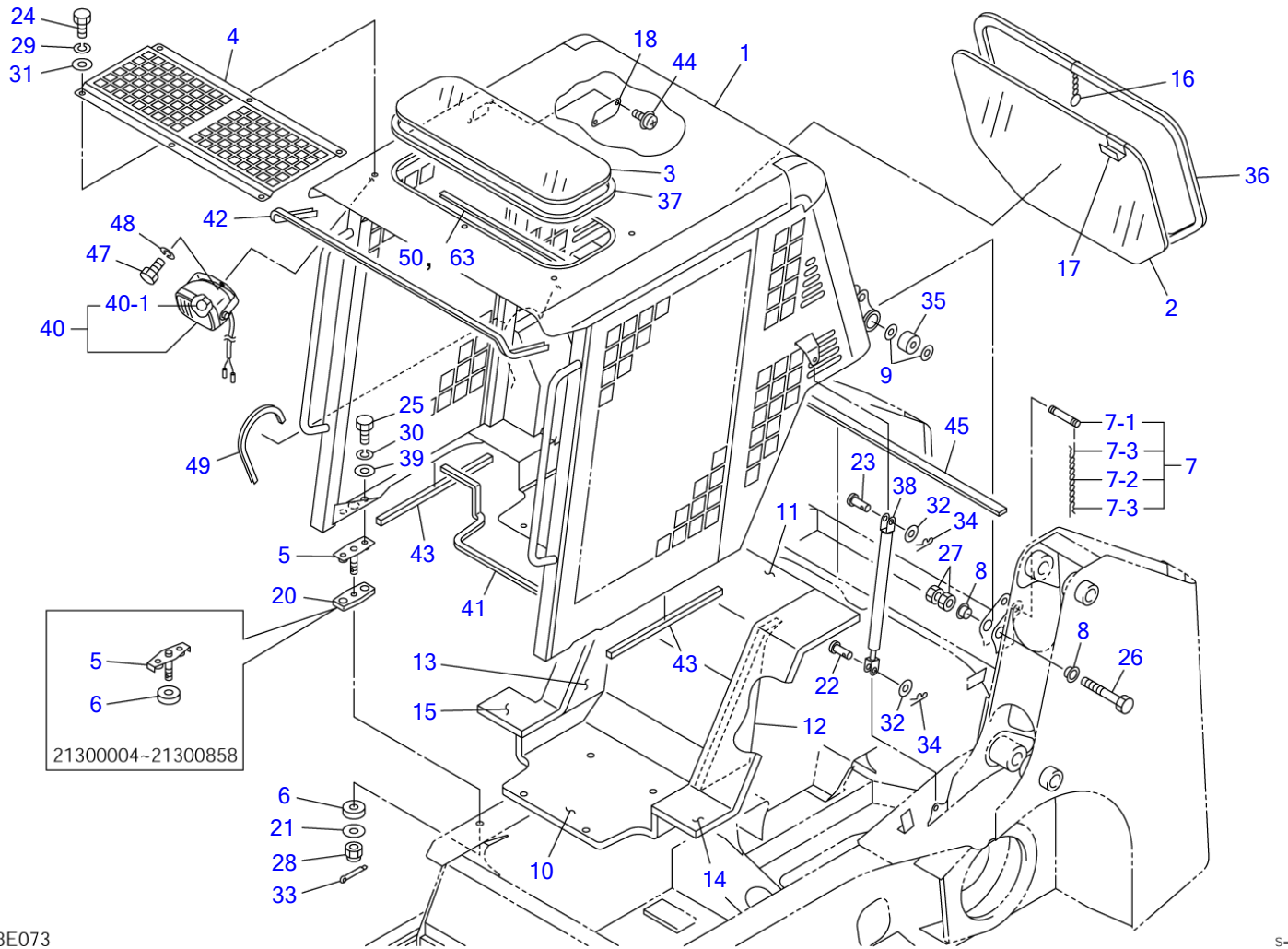


T8E511

S=1/9

SAFETY BAR (for GEHL & MUSTANG; 21302233-)

Item	Part number	Description	Q'ty	Chan.	Serial No.	Serv.	Remarks
		BAR ASSY, safety					X08804-63600-5
1	0881463100	BAR, safety	1				
1-15	1333002020	• BUSHING	2				
2	0881461090	BRACKET(L.H.)	1				
3	0881461040	BRACKET(R.H.)	1				
4	1651101224	STOPPER	2				
5	1700009010	SWITCH, proximity	1				
6	1100041020	BOLT	4				
7	1130040012	NUT	2				
8	1100040816	BOLT	4				
9	1140020010	WASHER, spring	4				
10	1141110008	WASHER	7				
11	1141110010	WASHER	4				
12	1214000008	PIN, snap	1				
13	1140020008	WASHER, spring	4				
14	1100040830	BOLT	1				
15	1130040008	NUT	1				
16	0880463616	COVER(L.H.)	1				
17	0880463617	COVER(R.H.)	1				
18	1653900057	SPRING, gas	1				
19	1110540512	SCREW, cap	2				
20	1150410312	SCREW	2				
25	0881461025	PLATE	1				
26	0093208300	WASHER	4				
	T8e512						



T8E073

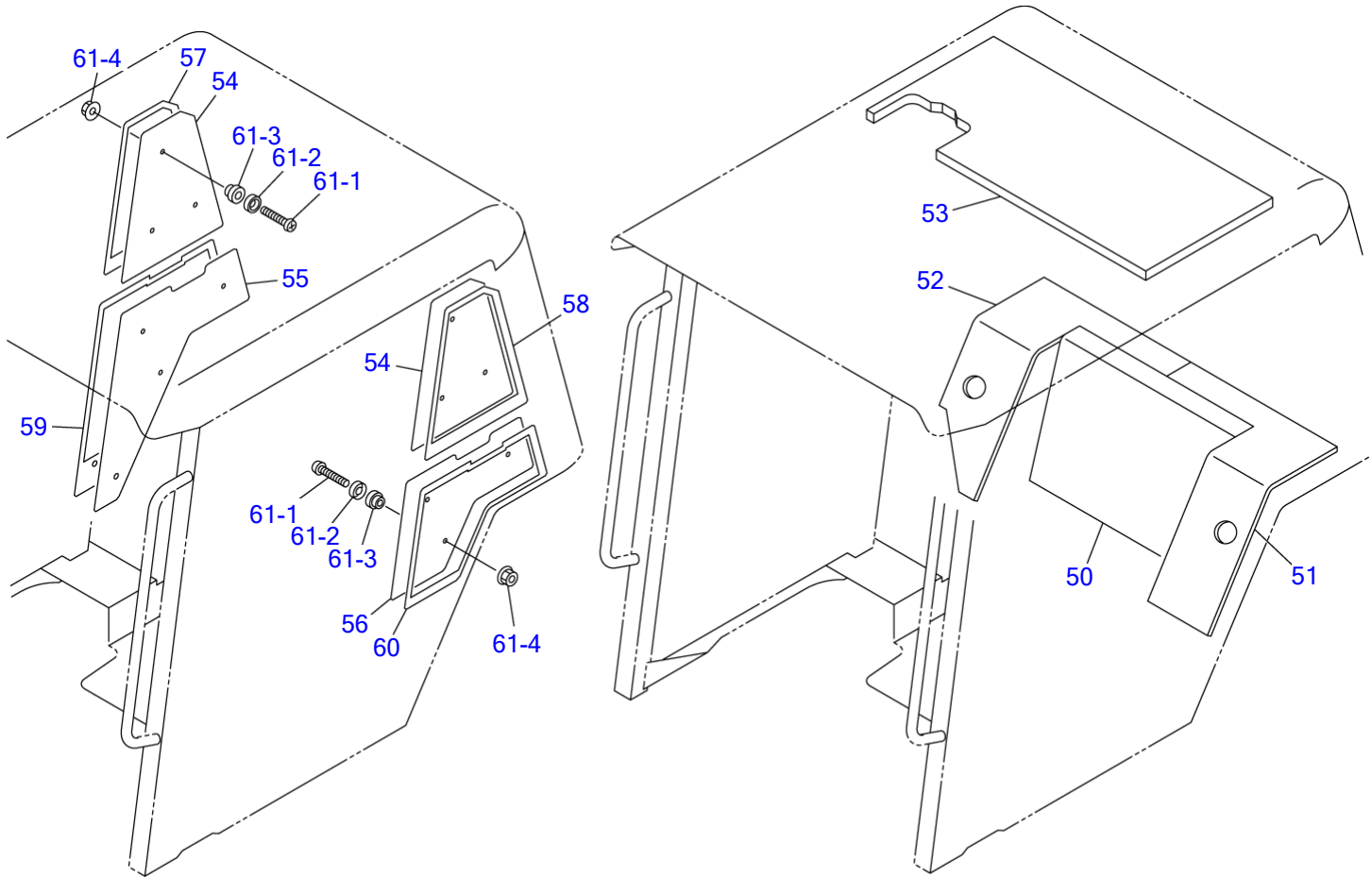
S-1/20

CANOPY (1/2) (21300004-21301098)

Item	Part number	Description	Q'ty	Chan.	Serial No.	Serv.	Remarks
		CANOPY ASSY					X08808-44000-4
		CANOPY ASSY (for EU)					X08808-44500-4
1	0880844100	CANOPY	1				
	0880844600	CANOPY (for EU)	1				
2	0881842002	GLASS	1				
3	0880844003	GLASS	1				
4	0880844004	PLATE	1				
5	0881841050	BOLT	2		21300004~21300858		
	0881842030	BOLT	2		21300859~		
6	0881841006	RUBBER, cushion	4		21300004~21300072		
	0881842006	RUBBER, cushion	4	(H)	21300073~21300858		
	0881842050	RUBBER, cushion	2		21300859~		
7	0881841060	PIN ASSY	1				
7-1	0881841061	· PIN	1				
7-2	1652735886	· CHAIN	1				
7-3	1214000016	· PIN, snap	2				
8	0881840008	COLLAR	4				
9	0880840070	WASHER	4				
10	0881841010	ABSORBENT, noise	1	A	21300004~21300104		
	0881842010	ABSORBENT, noise	1	a(H)	21300105~		
11	0880843511	ABSORBENT, noise	1	A	21300004~21300104		
	0880844011	ABSORBENT, noise	1	a(H)	21300105~		
12	0881841012	ABSORBENT, noise(L.H.)	1	A	21300004~21300104		
	0881842012	ABSORBENT, noise(L.H.)	1	a(H)	21300105~		
13	0881841013	ABSORBENT, noise(R.H.)	1	A	21300004~21300104		
	0881842013	ABSORBENT, noise(R.H.)	1	a(H)	21300105~		
14	0880843514	ABSORBENT, noise	1				
15	0880844015	ABSORBENT, noise	1				
16	0880841040	RING, pull	1				
17	0880841080	HANDLE	1				
18	0881842017	PLATE	1				
20	0881842040	RUBBER, cushion	2		21300859~		
21	0003900044	WASHER	2				
22	0343503200	PIN	2				
23	0004010025	PIN	2				
24	1100040816	BOLT	6				
25	1100041230	BOLT	4		21300004~21300858		
	1100041225	BOLT	4		21300859~		
26	1100141610	BOLT	2				
27	1130040016	NUT	4				
28	1132030016	NUT	2				
29	1140020008	WASHER, spring	6				
30	1140020012	WASHER, spring	4				
31	1141110008	WASHER	6				
32	1141110010	WASHER	4				
33	1210010432	PIN, split	2				
34	1214000008	PIN, snap	4				
35	1651005030	RUBBER, cushion	2				
36	1654252253	H-RUBBER	1				sold by the meter
37	1654252200	H-RUBBER	1				sold by the meter
38	1653900047	SPRING, gas	2				
39	0003600165	WASHER	4				
40	1703006600	LAMP ASSY	2				
40-1	1703006605	· BULB	1				12V, 55W
41	1654623120	TRIM	1				sold by the meter
42	1654601153	TRIM	1				sold by the meter
43	1654306057	SPONGE	2				sold by the meter
44	1150420412	SCREW	2				
45	1654308100	SPONGE	1				sold by the meter
47	1100041020	BOLT	2				
48	1140020010	WASHER, spring	2				
49	1653916038	TRIM	1				sold by the meter
50	1654601060	TRIM	1				sold by the meter
63	1654601060	TRIM (for EU)	1				sold by the meter

<<NOTE>>
SET "A" is interchangeable
with SET "a".

T8e072



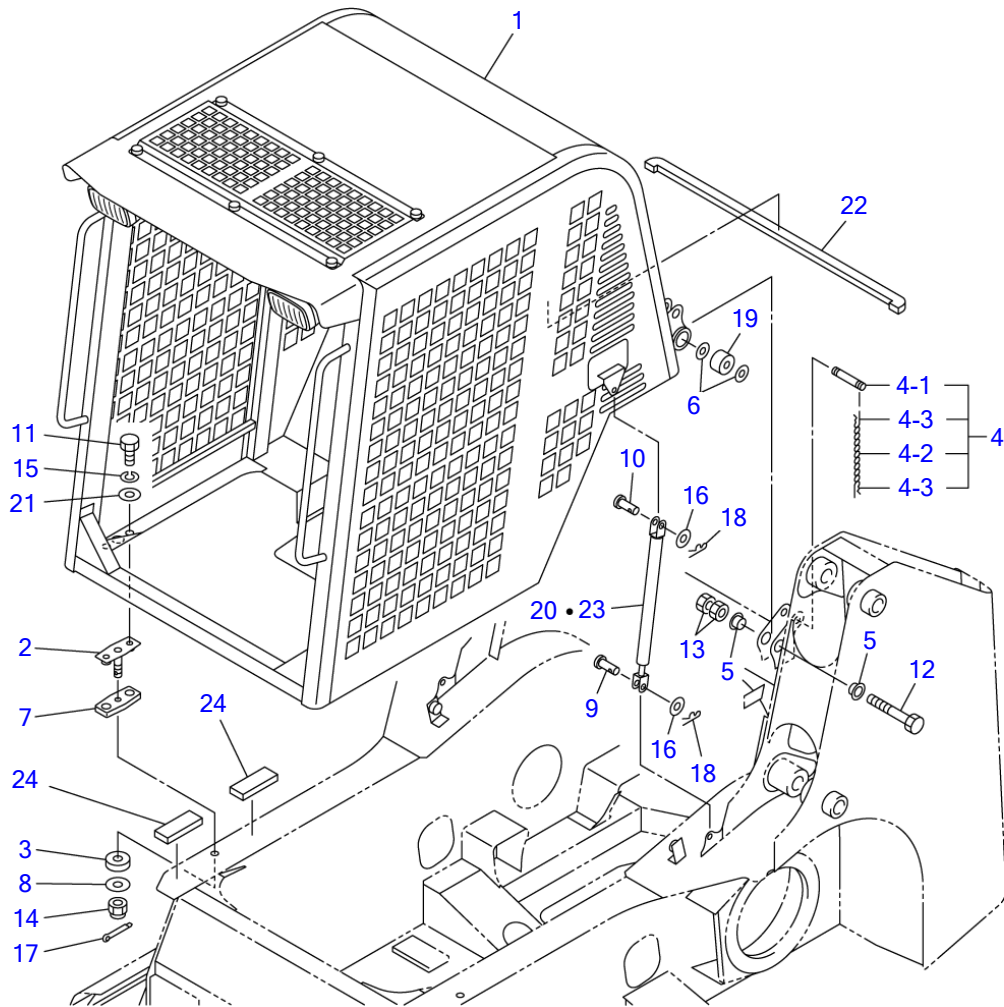
T8E110

S=1/15

CANOPY (2/2) (21300004-21301098)

Item	Part number	Description	Q'ty	Chan.	Serial No.	Serv.	Remarks
		CANOPY ASSY (for EU)					X08808-44500-4
50	0880843920	ABSORBENT, noise	1				
51	0880843970	ABSORBENT, noise	1				
52	0880843980	ABSORBENT, noise	1				
53	0880843910	ABSORBENT, noise	2				
54	0880864040	GLASS	2				
55	0880864050	GLASS	1				
56	0880864051	GLASS	1				
57	0880864052	SEAL	1				
58	0880864053	SEAL	1				
59	0880864054	SEAL	1				
60	0880864055	SEAL	1				
61	0881860560	BOLT ASSY	13				
61-1	1120590525	· SCREW	1				
61-2	1141910005	· WASHER	1				
61-3	1654100360	· BUSHING	1				
61-4	1135100105	· NUT	1				
	T8e110						

TL130 Book No. BT8Z012 S/N 21300004-
CANOPY MOUNT (for US; 21301099-21305348) (for EU; 21301099-)



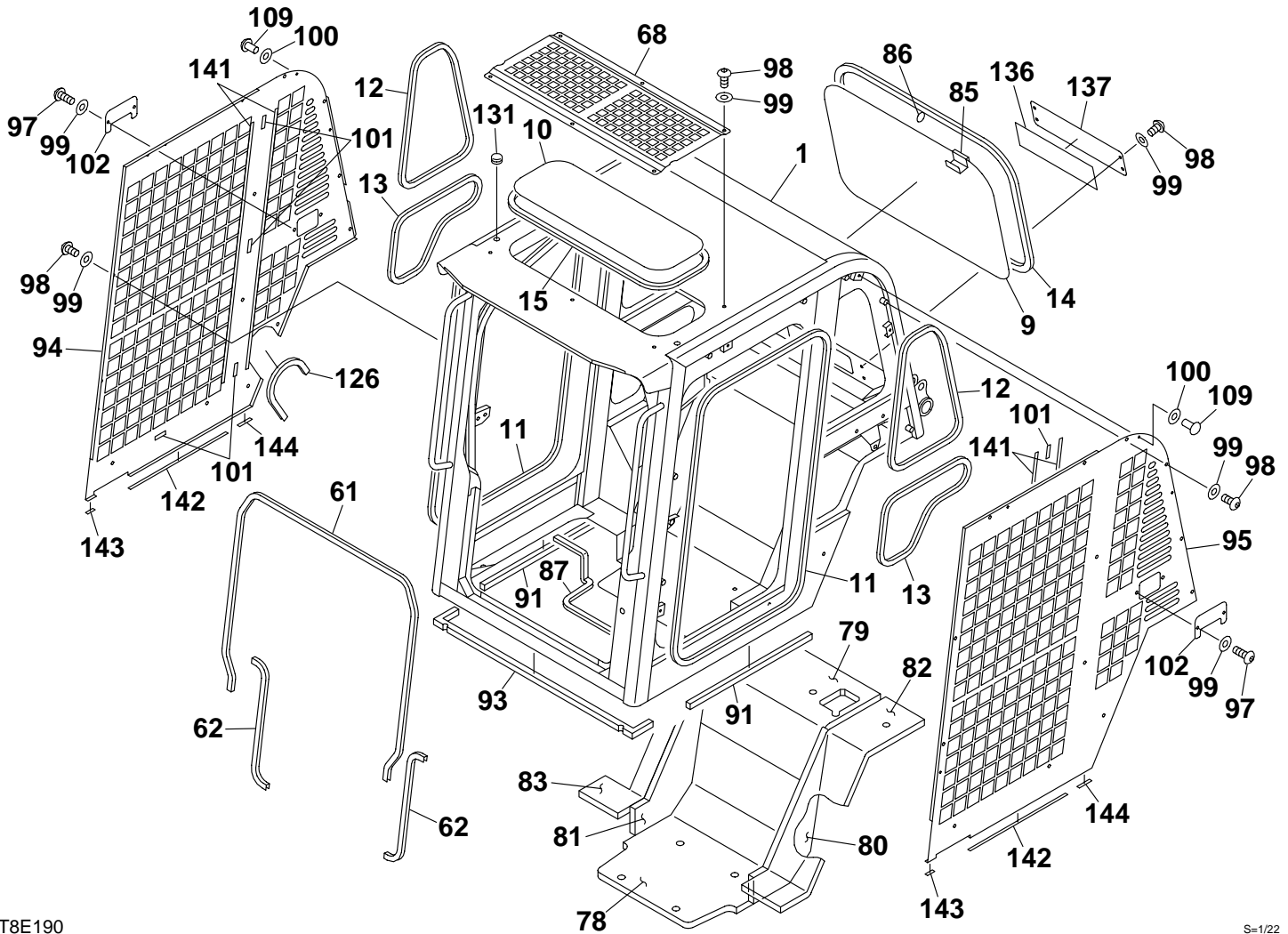
T8E163

S=1/20

CANOPY MOUNT (for US; 21301099-21305348) (for EU; 21301099-)

Item	Part number	Description	Q'ty	Chan.	Serial No.	Serv.	Remarks
		CANOPY MOUNT			21301099~21305348		X08808-45000-5
		CANOPY MOUNT (for EU)					X08808-45500-7
1	0880845300	CANOPY ASSY	1		21301099~21305348		
	0880845600	CANOPY ASSY (for EU)	1				
2	0881842030	BOLT ASSY	2				
3	0881842050	RUBBER, cushion	2				
4	0881841060	PIN ASSY	1				
4-1	0881841061	• PIN	1				
4-2	1652735886	• CHAIN	1				
4-3	1214000016	• PIN, snap	2				
5	0881840008	COLLAR	4				
6	0880840070	WASHER	4				
7	0881842040	RUBBER, cushion	2				
8	0003900044	WASHER	2				
9	0343503200	PIN	2				
10	0004010025	PIN	2				
11	1100041225	BOLT	4				
12	1100141610	BOLT	2				
13	1130040016	NUT	4				
14	1132080016	NUT	2				
15	1140020012	WASHER, spring	4				
16	1141110010	WASHER	4				
17	1210010432	PIN, split	2				
18	1214000008	PIN, snap	4				
19	1651005030	RUBBER, cushion	2				
20	1653900059	SPRING, gas	2				for EU
21	0003600165	WASHER	4				
22	0880866140	SPONGE	1				
23	1653900065	SPRING, gas	2		21301099~21305348		
24	1654306008	SPONGE (for EU)	4		21306255~		sold by the meter
	T8e165						

TL130 Book No. BT8Z012 S/N 21300004-
CANOPY (1/3) (for US; 21301099-21305348)



T8E190

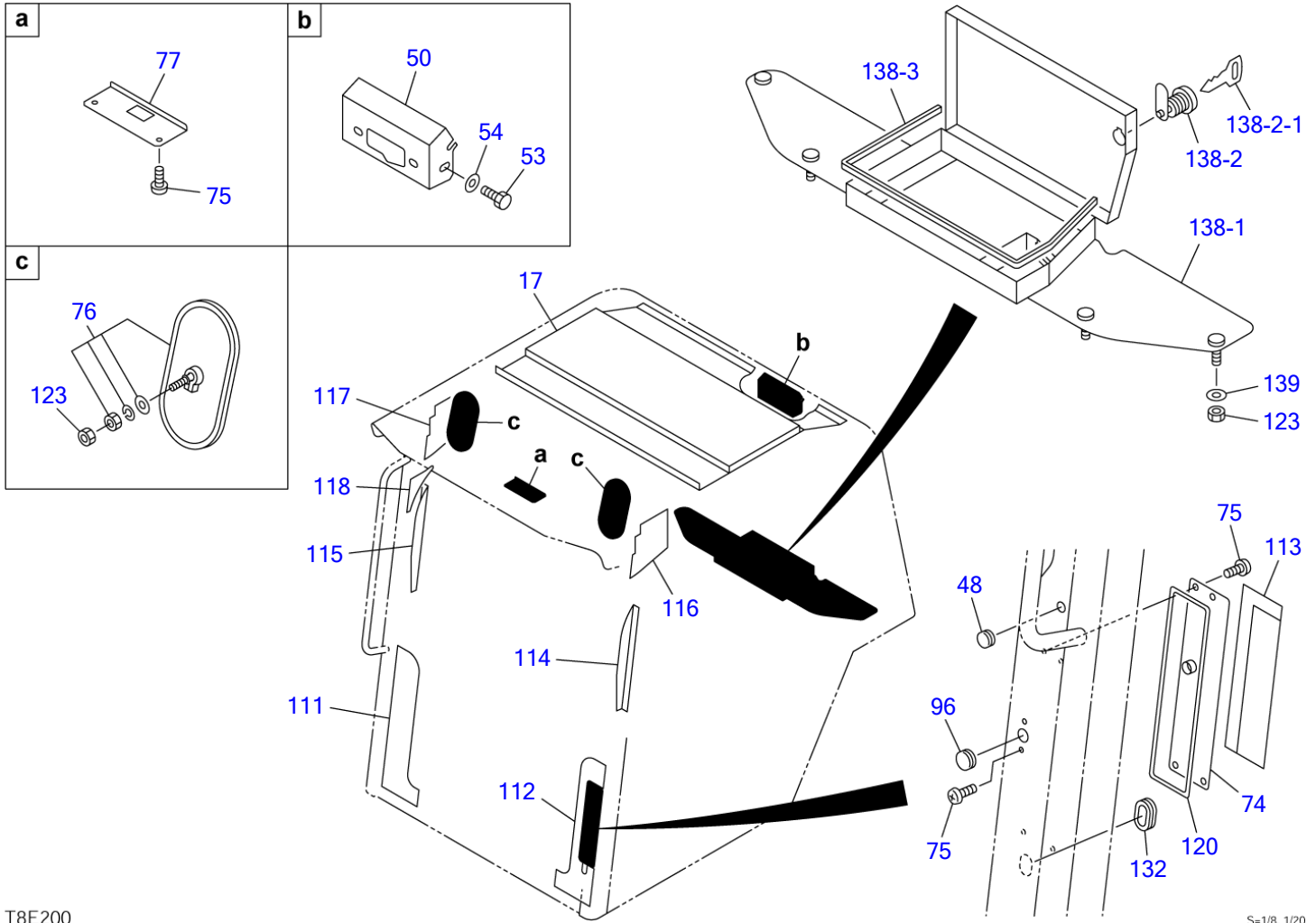
S=1/22

CANOPY (1/3) (for US; 21301099-21305348)

Item	Part number	Description	Q'ty	Chan.	Serial No.	Serv.	Remarks
0	880845300	CANOPY ASSY	1				X08808-45300-2
1	880865200	• CANOPY	1				
9	880865103	• GLASS	1				
10	880865104	• GLASS	1				
11	1653916320	• TRIM	2				sold by the meter
12	1653916148	• TRIM	2				sold by the meter
13	1653916120	• TRIM	2				sold by the meter
14	1654231273	• H-RUBBER	1				sold by the meter
15	1654231195	• H-RUBBER	1				sold by the meter
61	1654630240	• TRIM	1				sold by the meter
62	1654630060	• TRIM	2				sold by the meter
68	880865129	• GUARD	1				
78	881842010	• ABSORBENT, noise	1				
79	880865133	• ABSORBENT, noise	1				
80	880865134	• ABSORBENT, noise	1				
81	880865135	• ABSORBENT, noise	1				
82	880865136	• ABSORBENT, noise	1				
83	880865137	• ABSORBENT, noise	1				
85	880865138	• GRIP	1				
86	880865139	• RING	1				
87	1654623130	• TRIM	1			M	sold by the meter
91	880865140	• SEAL	2				
93	880865141	• SEAL	1				
94	880865142	• GUARD	1				
95	880865143	• GUARD	1				
97	1120990820	• BOLT	4				
98	1120990816	• BOLT	37				
99	1654011705	• WASHER	41				
100	880865144	• WASHER	8				
101	880865145	• PLATE	8				
102	880865146	• COVER	2				
109	880865150	• RIVET	8				
126	1653916037	• TRIM	1				sold by the meter
131	1653303010	• CAP	2				
136	880845301	• PACKING	1				
137	880845302	• PLATE	1				
141	880845303	• PLATE	4				
142	880845304	• PLATE	2				
143	880845305	• PLATE	2				
144	880845306	• PLATE	2				

T8e191

TL130 Book No. BT8Z012 S/N 21300004-
CANOPY (2/3) (for US; 21301099-21305348)

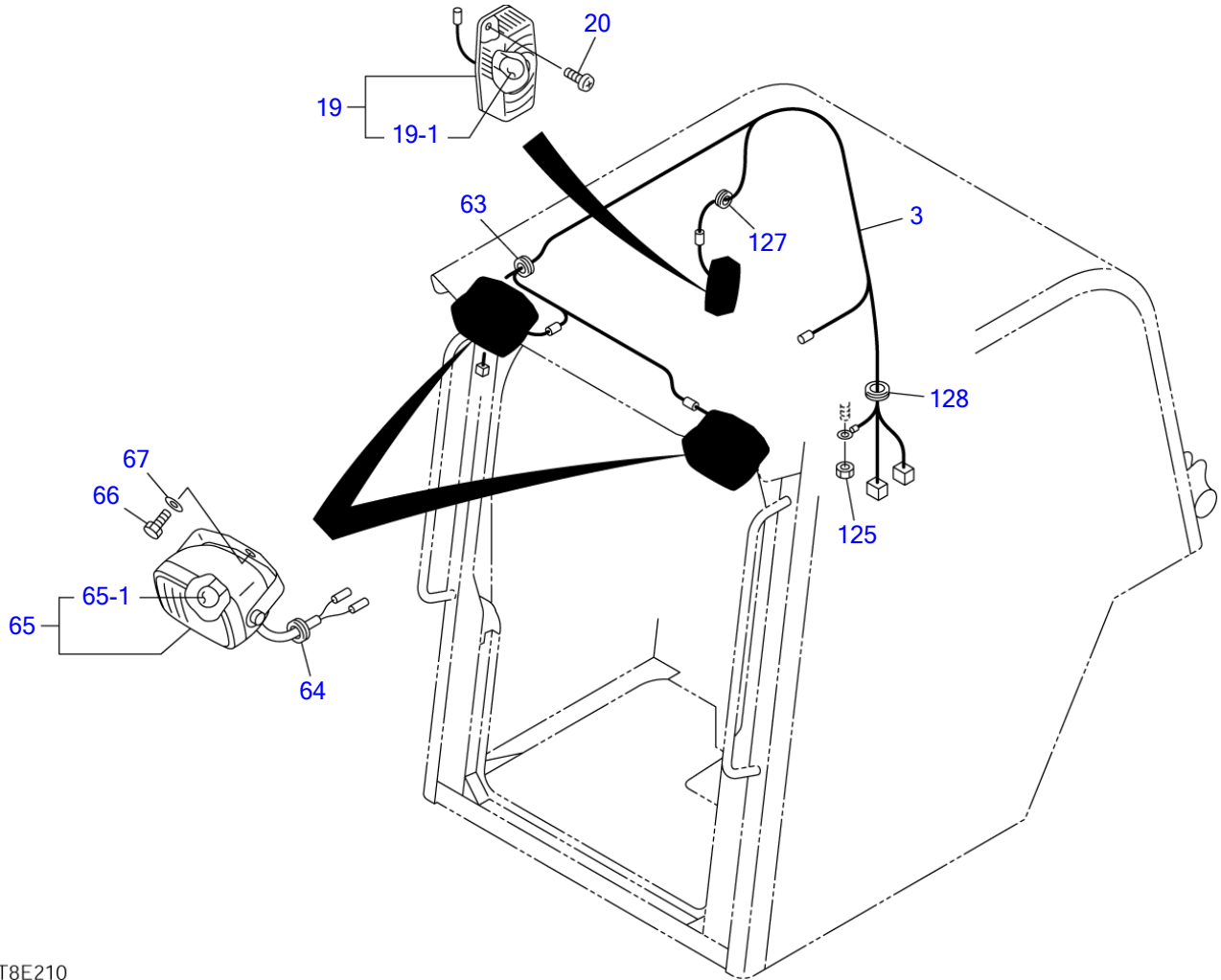


T8E200

S=1/8, 1/20

CANOPY (2/3) (for US; 21301099-21305348)

Item	Part number	Description	Q'ty	Chan.	Serial No.	Serv.	Remarks
0	0880845300	CANOPY ASSY	1				X08808-45300-2
17	0880865106	· ABSORBENT, noise	1				
48	1654011703	· CAP	1				
50	0880865121	· BRACKET	1				
53	1100090820	· BOLT	3				
54	1654011705	· WASHER	3				
74	0880865130	· COVER	1				
75	1150420512	· SCREW	8				
76	0880865131	· MIRROR, rearview	2				
77	0880865132	· COVER	1				
96	1654011704	· CAP	1				
111	0880865151	· ABSORBENT, noise	1				
112	0880865152	· ABSORBENT, noise	1				
113	0880865153	· ABSORBENT, noise	1				
114	0880865154	· ABSORBENT, noise	1				
115	0880865155	· ABSORBENT, noise	1				
116	0880865156	· ABSORBENT, noise	1				
117	0880865157	· ABSORBENT, noise	1				
118	0880865158	· ABSORBENT, noise	1				
120	0880865159	· SEAL	1				
123	1130040008	· NUT	6				
132	1654011701	· GROMMET	1				
138	0880845320	· CASE ASSY	1				
138-1	0880845321	· · CASE	1				
138-2	1653601395	· · LOCK	1				
138-2-1	1700100019	· · KEY	1				
138-3	1653916058	· · TRIM	1				sold by the meter
139	1141550008	· WASHER	4				
	T8e201						



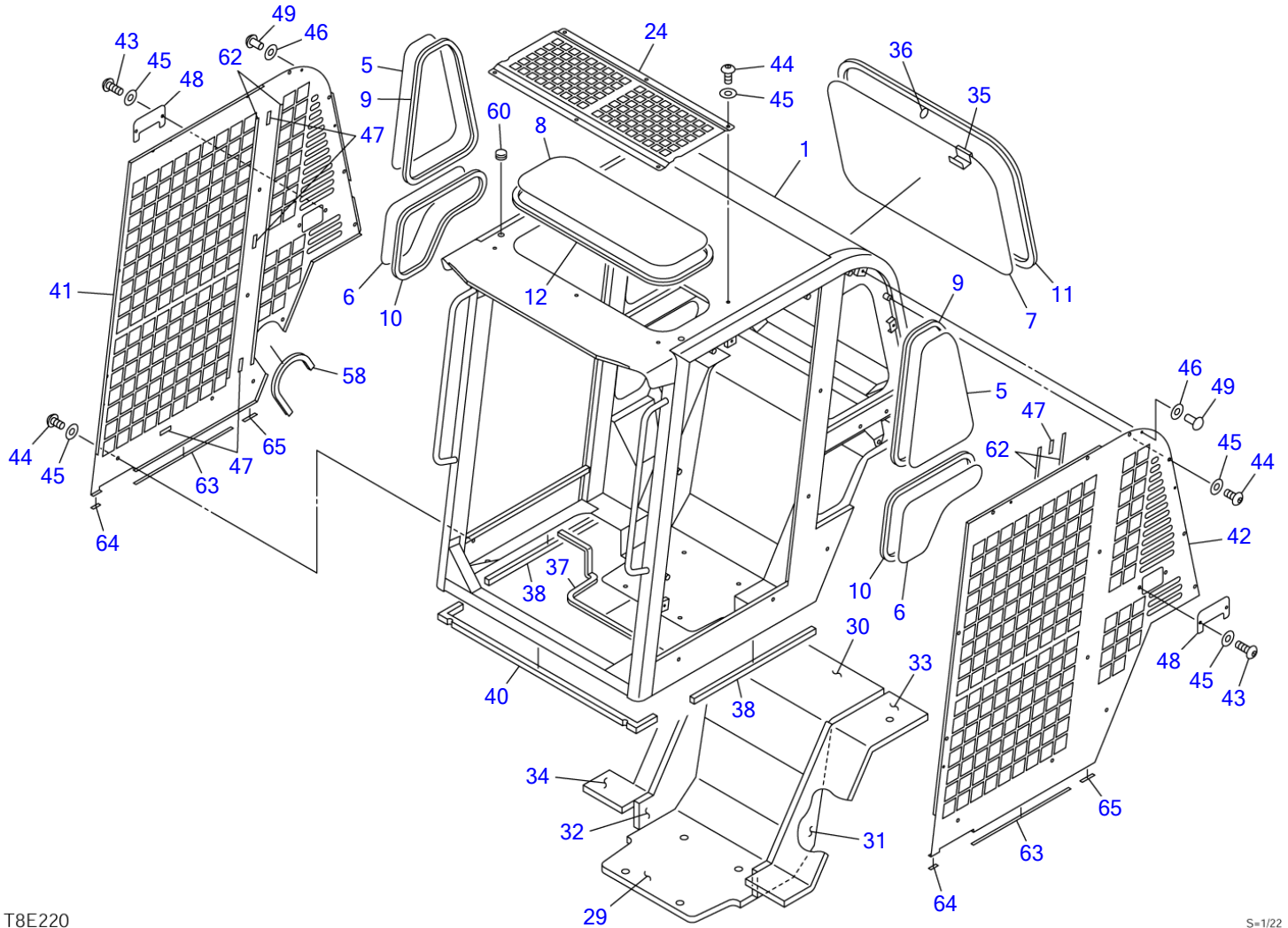
T8E210

S=1/8, 1/10, 1/15

CANOPY (3/3) (for US; 21301099-21305348)

Item	Part number	Description	Q'ty	Chan.	Serial No.	Serv.	Remarks
0	0880845300	CANOPY ASSY	1				X08808-45300-2
3	0880865400	• HARNESS, wiring	1				
19	1703001700	• LAMP, room	1				
19-1	1703001701	• • BULB	1				
20	1150410412	• SCREW	2				
63	1652042030	• GROMMET	1				
64	1652000602	• GROMMET	2				
65	1703006600	• LAMP, ASSY	2				
65-1	1703006605	• • BULB	1				
66	1100091020	• BOLT	2				
67	1654011706	• WASHER	2				
125	1130040010	• NUT	1				
127	1654011700	• GROMMET	1				
128	1654011702	• GROMMET	1				
	T8e211						

TL130 Book No. BT8Z012 S/N 21300004-
CANOPY (1/3) (for EU; 21301099-)



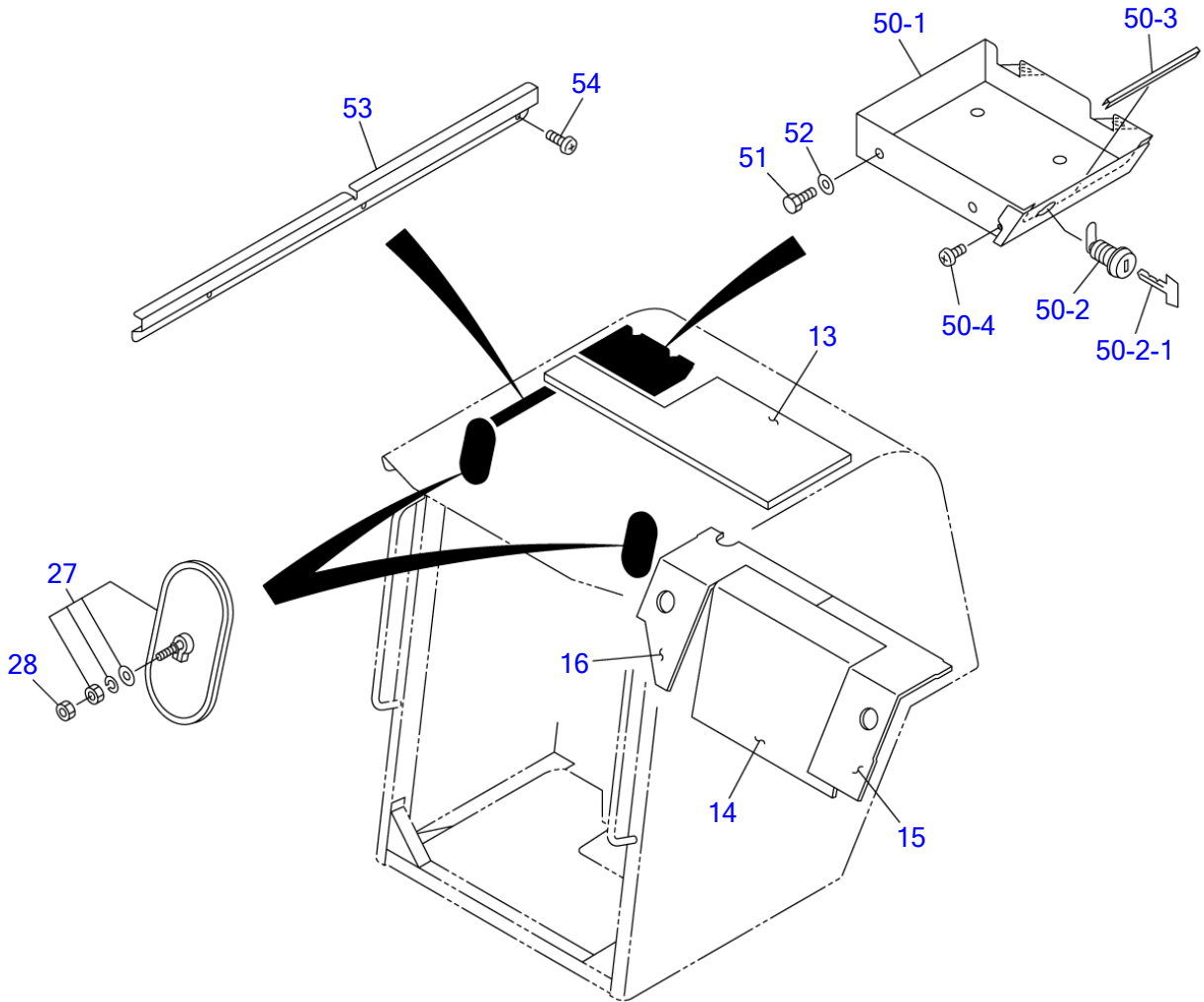
T8E220

S=1/22

CANOPY (1/3) (for EU; 21301099-)

Item	Part number	Description	Q'ty	Chan.	Serial No.	Serv.	Remarks
0	0880845600	CANOPY ASSY	1				X08808-45600-2
1	0880845700	• CANOPY	1				
5	0880865101	• GLASS	2				
6	0880865102	• GLASS	2				
7	0880865103	• GLASS	1				
8	0880865104	• GLASS	1				
9	1654231148	• H-RUBBER	2				sold by the meter
10	1654231120	• H-RUBBER	2				sold by the meter
11	1654231273	• H-RUBBER	1				sold by the meter
12	1654231195	• H-RUBBER	1				sold by the meter
24	0880865129	• GUARD	1				
29	0881842010	• ABSORBENT, noise	1				
30	0880845605	• ABSORBENT, noise	1				
31	0880865134	• ABSORBENT, noise	1				
32	0880865135	• ABSORBENT, noise	1				
33	0880865136	• ABSORBENT, noise	1				
34	0880865137	• ABSORBENT, noise	1				
35	0880865138	• GRIP	1				
36	0880865139	• RING	1				
37	1654623130	• TRIM	1				sold by the meter
38	0880865140	• SEAL	2				
40	0880865141	• SEAL	1				
41	0880865142	• GUARD	1				
42	0880865143	• GUARD	1				
43	1120990820	• BOLT	4				
44	1120990816	• BOLT	33				
45	1654011705	• WASHER	37				
46	0880865144	• WASHER	8				
47	0880865145	• PLATE	8				
48	0880865146	• COVER	2				
49	0880865150	• RIVET	8				
58	1653916037	• TRIM	1				sold by the meter
60	1653303010	• SCREW, cap	2				
62	0880845303	• PLATE	4				
63	0880845304	• PLATE	2				
64	0880845305	• PLATE	2				
65	0880845306	• PLATE	2				

T8e221

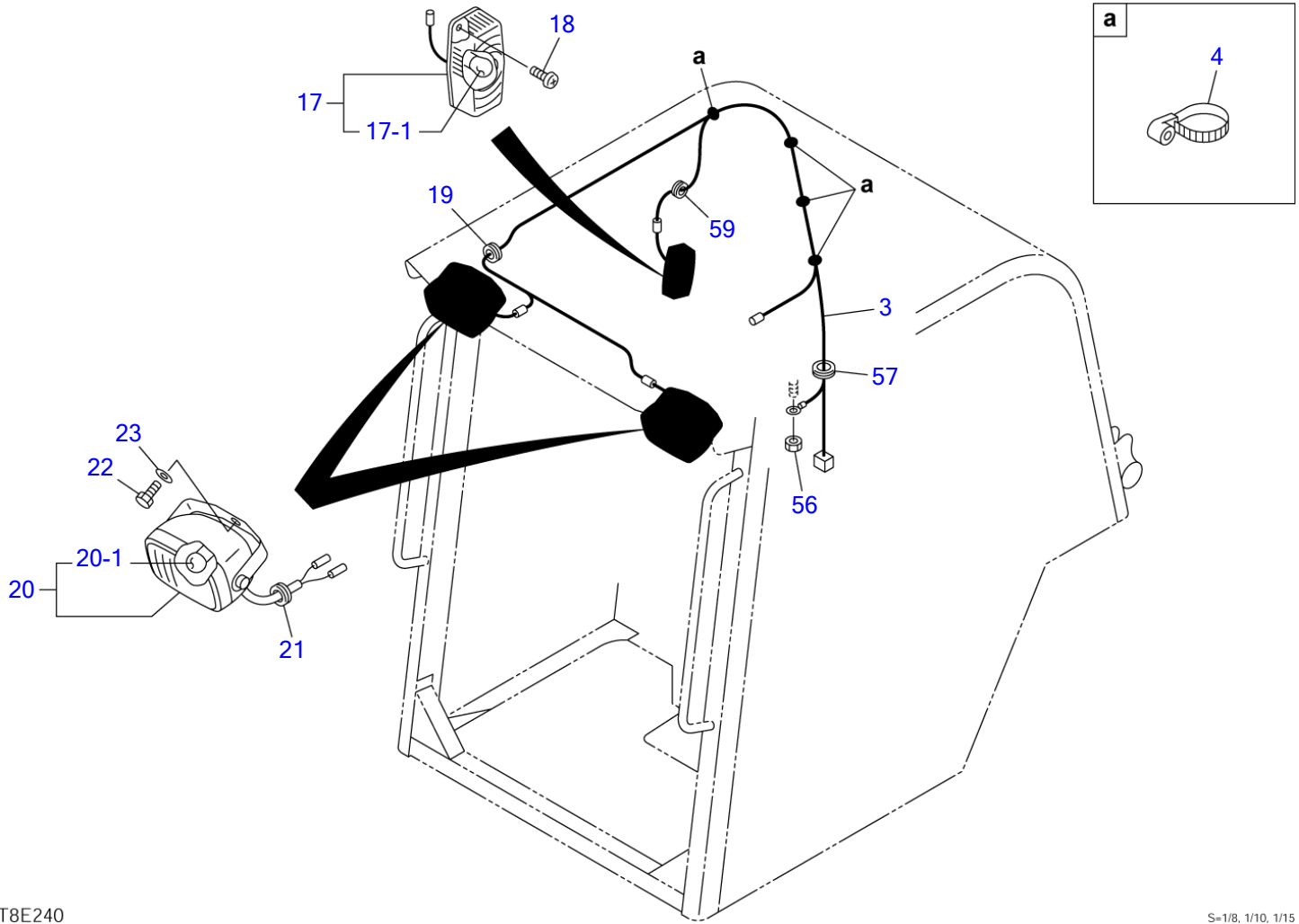


T8E230

S=1/8, 1/20

CANOPY (2/3) (for EU; 21301099-)

Item	Part number	Description	Q'ty	Chan.	Serial No.	Serv.	Remarks
0	0880845600	CANOPY ASSY	1				X08808-45600-2
13	0880845601	• ABSORBENT, noise	1				
14	0880845602	• ABSORBENT, noise	1				
15	0880845603	• ABSORBENT, noise	1				
16	0880845604	• ABSORBENT, noise	1				
27	0880865131	• MIRROR, rearview	2				
28	1130090008	• NUT	2				
50	0880845680	• CASE ASSY	1				
50-1	0880845681	• • CASE	1				
50-2	1653601395	• • LOCK	1				
50-2-1	1700100019	• • KEY	1				
50-3	1654520014	• • TRIM	1				sold by the meter
50-4	1150420610	• • SCREW	1				
51	1100090820	• BOLT	4				
52	1654011705	• WASHER	4				
53	0880845605	• COVER	1				
54	1150420512	• SCREW	3				
	T8e231						

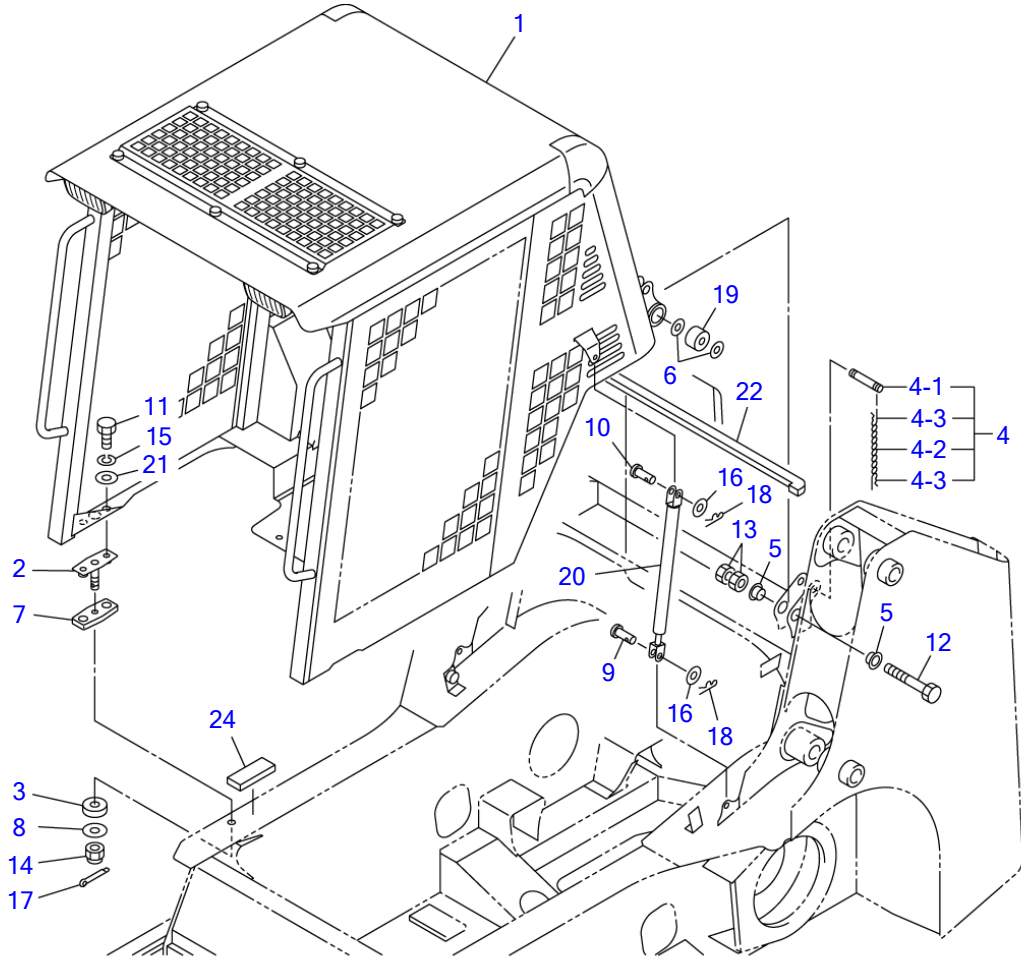


T8E240

S-1/8, 1/10, 1/15

CANOPY (3/3) (for EU; 21301099-)

Item	Part number	Description	Q'ty	Chan.	Serial No.	Serv.	Remarks
0	0880845600	CANOPY ASSY	1				X08808-45600-2
3	0880845670	▪ HARNESS, wiring	1				
4	1652221050	▪ CLIP	4				
17	1703001700	▪ LAMP, room	1				
17-1	1703001701	▪ ▪ BULB	1				
18	1150410412	▪ SCREW	2				
19	1652042030	▪ GROMMET	1				
20	1703006600	▪ LAMP, ASSY	2				
20-1	1703006605	▪ ▪ BULB	1				
21	1652000602	▪ GROMMET	2				
22	1100091020	▪ BOLT	2				
23	1654011706	▪ WASHER	2				
56	1130040010	▪ NUT	1				
57	1654011702	▪ GROMMET	1				
59	1654011700	▪ GROMMET	1				
	T8e241						

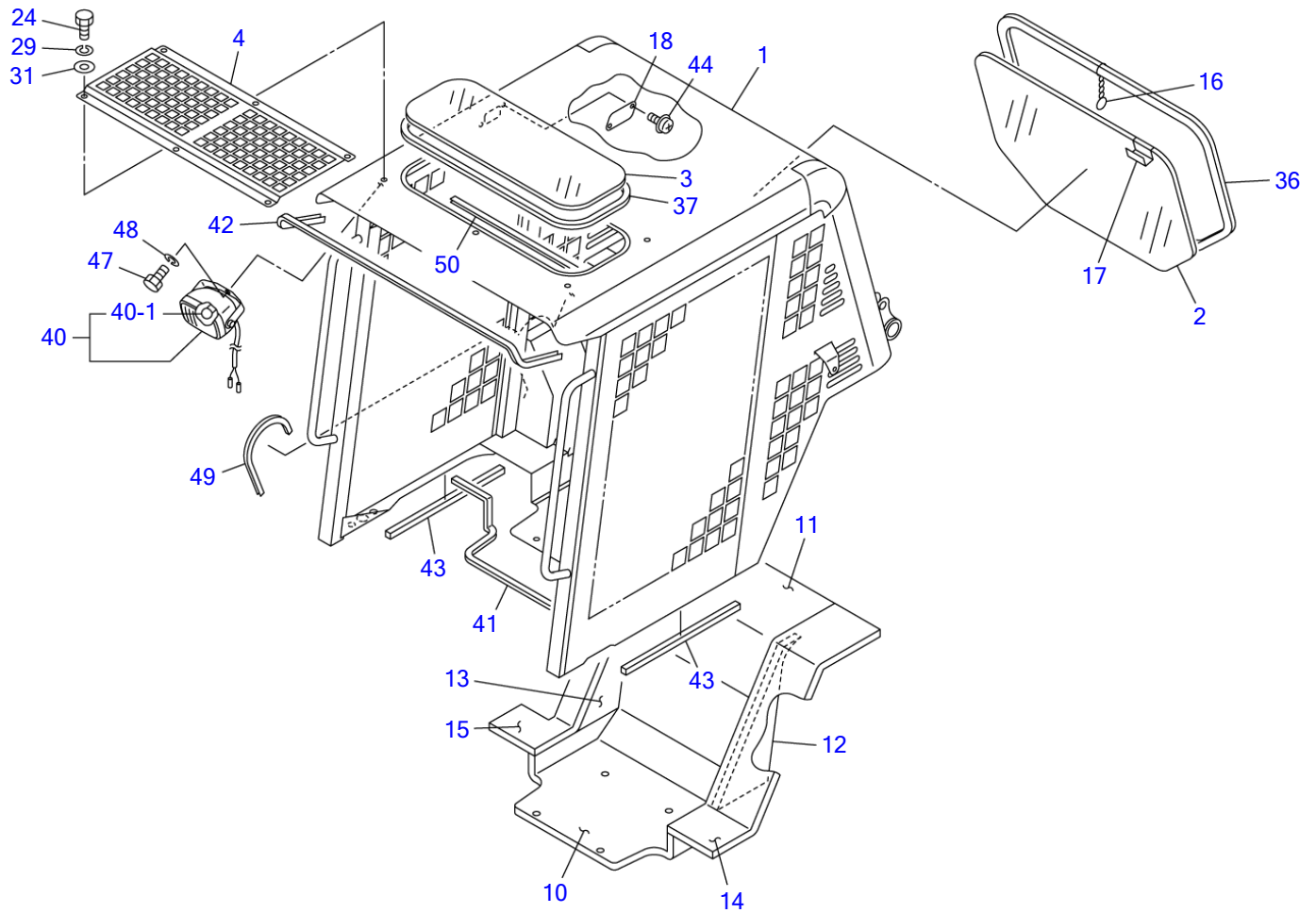


T8E590

S=1/20

CANOPY MOUNT (for US; 21305349-)

Item	Part number	Description	Q'ty	Chan.	Serial No.	Serv.	Remarks
		CANOPY MOUNT					X08808-44200-0
1	0880844000	CANOPY ASSY	1			M	
2	0881842030	BOLT	2			M	
3	0881842050	RUBBER, cushion	2			M	
4	0881841060	PIN ASSY	1			M	
4-1	0881841061	· PIN	1			M	
4-2	1652735886	· CHAIN	1			M	
4-3	1214000016	· PIN, snap	2			M	
5	0881840008	COLLAR	4			M	
6	0880840070	WASHER	4			M	
7	0881842040	RUBBER, cushion	2			M	
8	0003900044	WASHER	2			M	
9	0343503200	PIN	2			M	
10	0004010025	PIN	2			M	
11	1100041225	BOLT	4			M	
12	1100141610	BOLT	2			M	
13	1130040016	NUT	4			M	
14	1132080016	NUT	2			M	
15	1140020012	WASHER, spring	4			M	
16	1141110010	WASHER	4			M	
17	1210010432	PIN, split	2			M	
18	1214000008	PIN, snap	4			M	
19	1651005030	RUBBER, cushion	2			M	
20	1653900047	SPRING, gas	2			M	
21	0003600165	WASHER	4			M	
22	0880866140	SPONGE	1			M	
24	1654306008	SPONGE	2			M	sold by the meter
	T8e590						



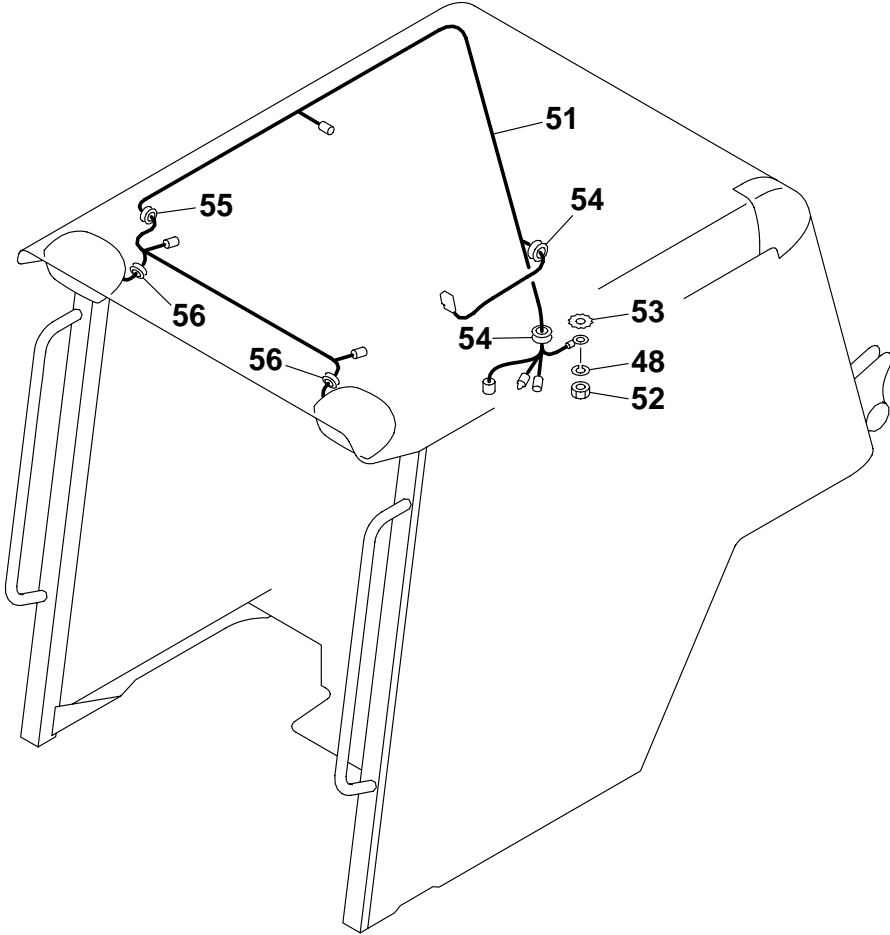
T8E600

S=1/20

CANOPY (1/2) (for US; 21305349-)

Item	Part number	Description	Q'ty	Chan.	Serial No.	Serv.	Remarks
0	0880844000	CANOPY ASSY	1			M	X08808-44000-9
1	0880844100	• CANOPY	1			M	
2	0881842002	• GLASS	1			M	
3	0880844003	• GLASS	1			M	
4	0880844004	• PLATE	1			M	
10	0881842010	• ABSORBENT, noise	1			M	
11	0880844011	• ABSORBENT, noise	1			M	
12	0881842012	• ABSORBENT, noise (L.H.)	1			M	
13	0881842013	• ABSORBENT, noise (R.H.)	1			M	
14	0880843514	• ABSORBENT, noise	1			M	
15	0880844015	• ABSORBENT, noise	1			M	
16	0880841040	• RING, pull	1			M	
17	0880841080	• HANDLE	1			M	
18	0881842017	• PLATE	1			M	
24	1100040816	• BOLT	6			M	
29	1140020008	• WASHER, spring	6			M	
31	1141110008	• WASHER	6			M	
36	1654252253	• H-RUBBER	1			M	sold by the meter
37	1654252200	• H-RUBBER	1			M	sold by the meter
40	1703006600	• LAMP ASSY	2			M	
40-1	1703006605	• • BULB	1			M	12V, 55W
41	1654623120	• TRIM	1			M	sold by the meter
42	1654601153	• TRIM	1			M	sold by the meter
43	1654350057	• SPONGE	2			M	sold by the meter
44	1150420412	• SCREW	2			M	
47	1100041020	• BOLT	2			M	
48	1140020010	• WASHER, spring	2			M	
49	1653916038	• TRIM	1			M	sold by the meter
50	1654601060	• TRIM	1			M	sold by the meter

T8e600



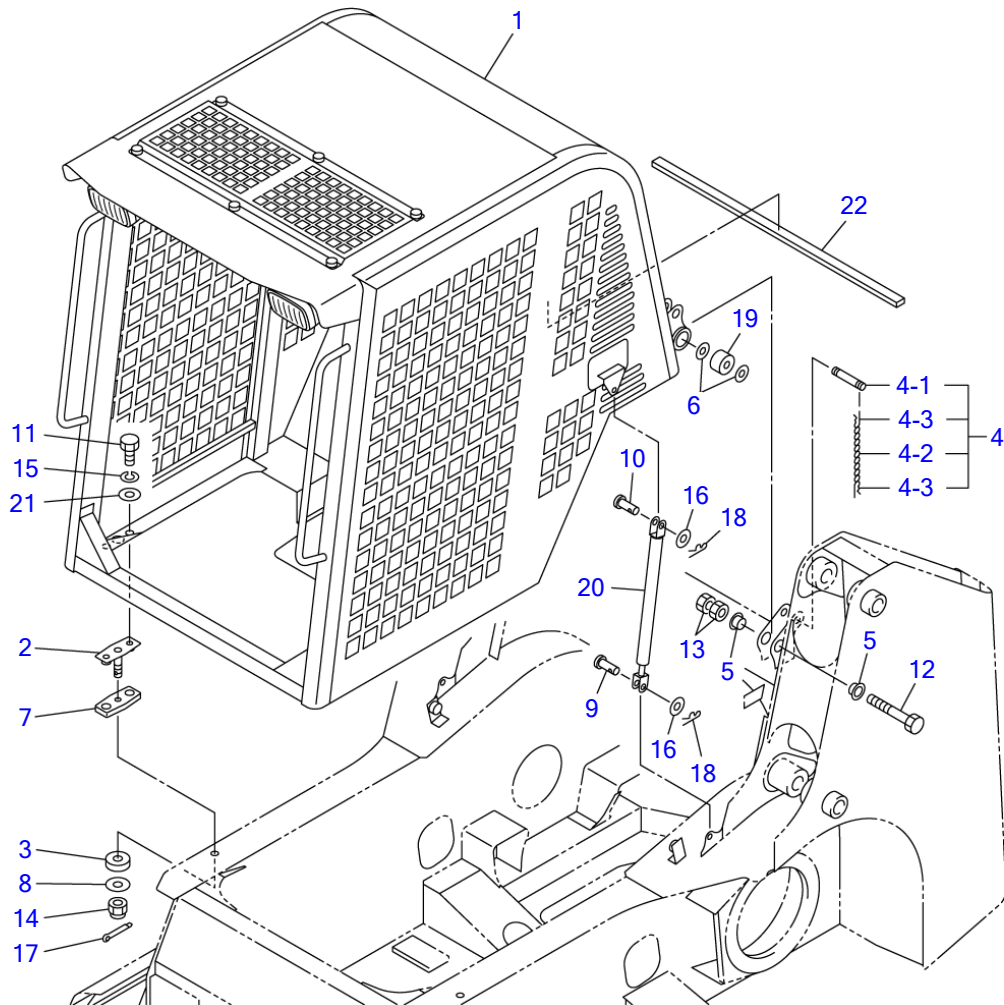
T8E530

S=1/15

CANOPY (2/2) (for US; 21305349-)

Item	Part number	Description	Q'ty	Chan.	Serial No.	Serv.	Remarks
0	880844000	CANOPY ASSY	1			M	X08808-44000-9
48	1140020010	· WASHER, spring	1			M	
51	881842060	· HARNESS, wiring	1			M	
52	1130040010	· NUT	1			M	
53	1140330010	· WASHER	1			M	
54	1652052800	· GROMMET	3			M	
55	1652053600	· GROMMET	1			M	
56	1652040930	· GROMMET	2			M	
	T8e610						

TL130 Book No. BT8Z012 S/N 21300004-
CANOPY MOUNT (for GEHL & MUSTANG; 21301099-21302232)



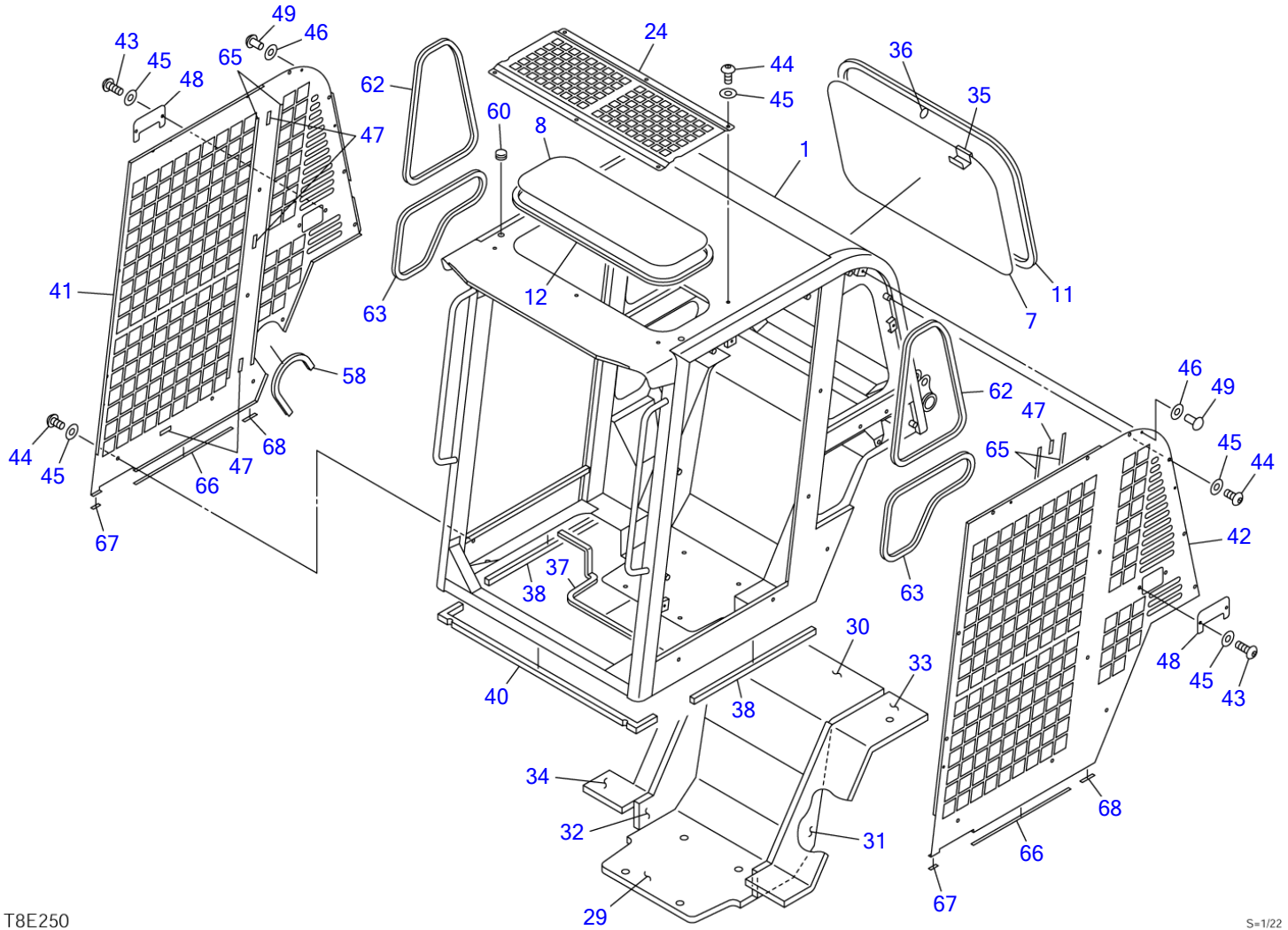
T8E170

S=1/20

CANOPY MOUNT (for GEHL & MUSTANG; 21301099-21302232)

Item	Part number	Description	Q'ty	Chan.	Serial No.	Serv.	Remarks
		CANOPY MOUNT					X08808-46000-5
1	0880845400	CANOPY ASSY	1				
2	0881842030	BOLT ASSY	2				
3	0881842050	RUBBER, cushion	2				
4	0881841060	PIN ASSY	1				
4-1	0881841061	· PIN	1				
4-2	1652735886	· CHAIN	1				
4-3	1214000016	· PIN, snap	2				
5	0881840008	COLLAR	4				
6	0880840070	WASHER	4				
7	0881842040	RUBBER, cushion	2				
8	0003900044	WASHER	2				
9	0343503200	PIN	2				
10	0004010025	PIN	2				
11	1100041225	BOLT	4				
12	1100141610	BOLT	2				
13	1130040016	NUT	4				
14	1132080016	NUT	2				
15	1140020012	WASHER, spring	4				
16	1141110010	WASHER	4				
17	1210010432	PIN, split	2				
18	1214000008	PIN, snap	4				
19	1651005030	RUBBER, cushion	2				
20	1653900059	SPRING, gas	2				
21	0003600165	WASHER	4				
22	1654308094	SPONGE	1				sold by the meter
	T8e172						

TL130 Book No. BT8Z012 S/N 21300004-
CANOPY (1/3) (for GEHL & MUSTANG; 21301099-21302232)

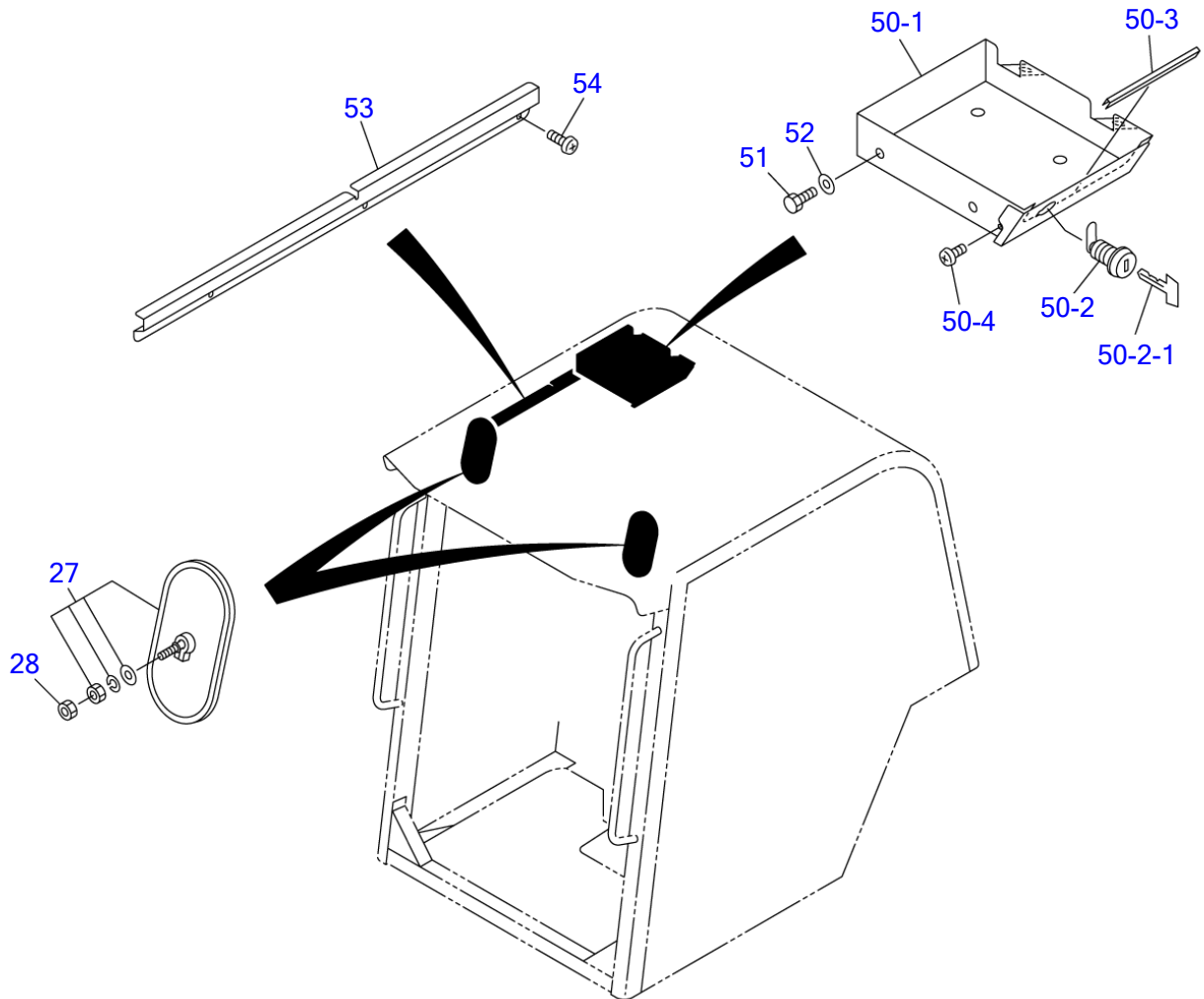


T8E250

S=1/22

CANOPY (1/3) (for GEHL & MUSTANG; 21301099-21302232)

Item	Part number	Description	Q'ty	Chan.	Serial No.	Serv.	Remarks
0	0880845400	CANOPY ASSY	1				X08808-45400-1
1	0880845700	• CANOPY	1				
7	0880865103	• GLASS	1				
8	0880865104	• GLASS	1				
11	1654231273	• H-RUBBER	1				sold by the meter
12	1654231195	• H-RUBBER	1				sold by the meter
24	0880865129	• GUARD	1				
29	0881842010	• ABSORBENT, noise	1				
30	0880845605	• ABSORBENT, noise	1				
31	0880865134	• ABSORBENT, noise	1				
32	0880865135	• ABSORBENT, noise	1				
33	0880865136	• ABSORBENT, noise	1				
34	0880865137	• ABSORBENT, noise	1				
35	0880865138	• GRIP	1				
36	0880865139	• RING	1				
37	1654630130	• TRIM	1				sold by the meter
38	0880865140	• SEAL	2				
40	0880865141	• SEAL	1				
41	0880865142	• GUARD	1				
42	0880865143	• GUARD	1				
43	1120990820	• BOLT	4				
44	1120990816	• BOLT	33				
45	1654011705	• WASHER	37				
46	0880865144	• WASHER	8				
47	0880865145	• PLATE	8				
48	0880865146	• COVER	2				
49	0880865150	• RIVET	8				
58	1653916037	• TRIM	1				sold by the meter
60	1653303010	• SCREW, cap	2				
62	1653916148	• TRIM	2				sold by the meter
63	1653916120	• TRIM	2				sold by the meter
65	0880845303	• PLATE	4				
66	0880845304	• PLATE	2				
67	0880845305	• PLATE	2				
68	0880845306	• PLATE	2				
	T8e250						

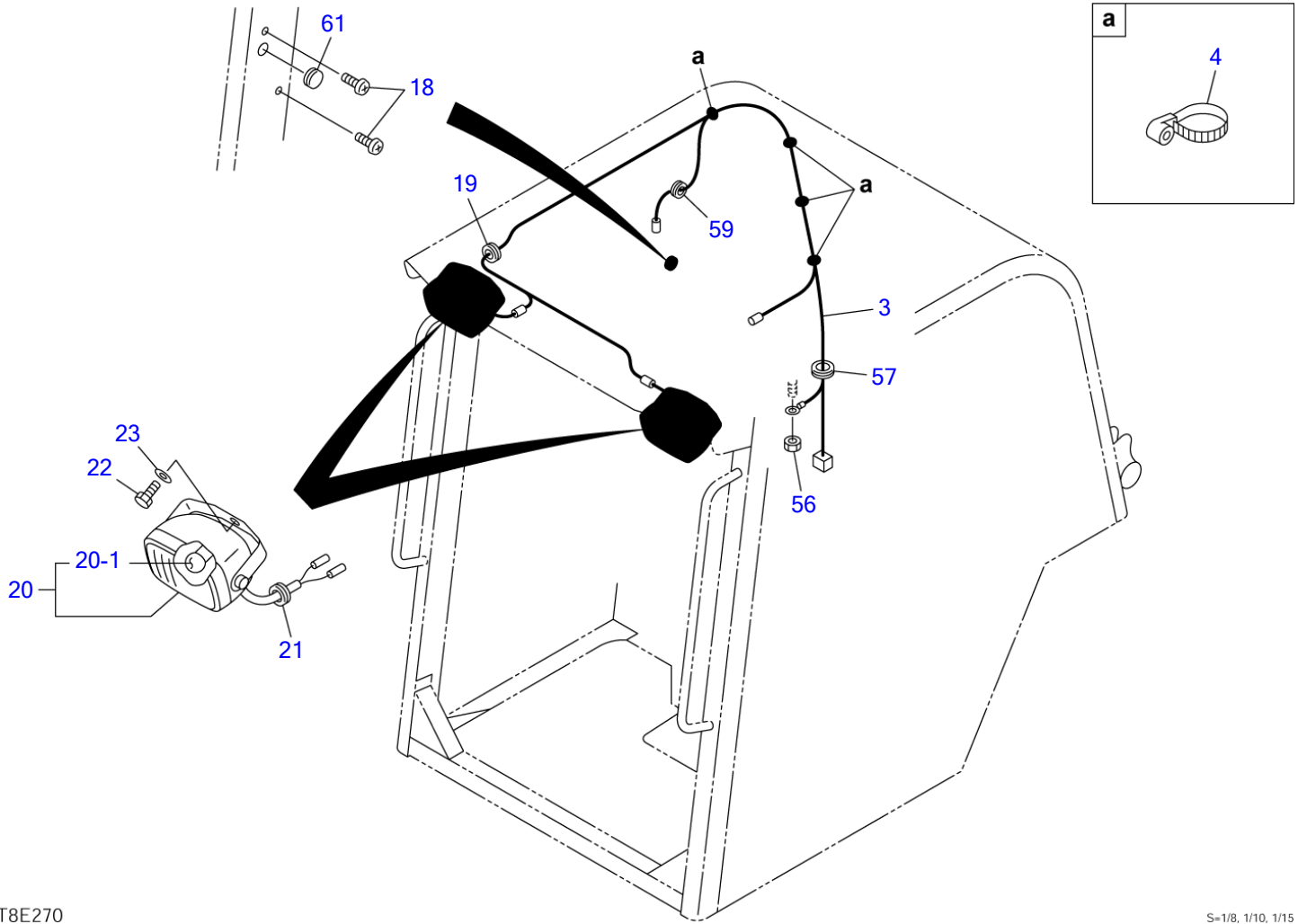


T8E260

S=1/8, 1/20

CANOPY (2/3) (for GEHL & MUSTANG; 21301099-21302232)

Item	Part number	Description	Q'ty	Chan.	Serial No.	Serv.	Remarks
0	0880845400	CANOPY ASSY	1				X08808-45400-1
27	0880865131	▪ MIRROR, rearview	2				
28	1130090008	▪ NUT	2				
50	0880845680	▪ CASE ASSY	1				
50-1	0880845681	▪ ▪ CASE	1				
50-2	1653601395	▪ ▪ LOCK	1				
50-2-1	1700100019	▪ ▪ KEY	1				
50-3	1654520014	▪ ▪ TRIM	1				sold by the meter
50-4	1150420610	▪ ▪ SCREW	1				
51	1100090820	▪ BOLT	4				
52	1654011705	▪ WASHER	4				
53	0880845606	▪ COVER	1				
54	1150420512	▪ SCREW	3				
	T8e260						



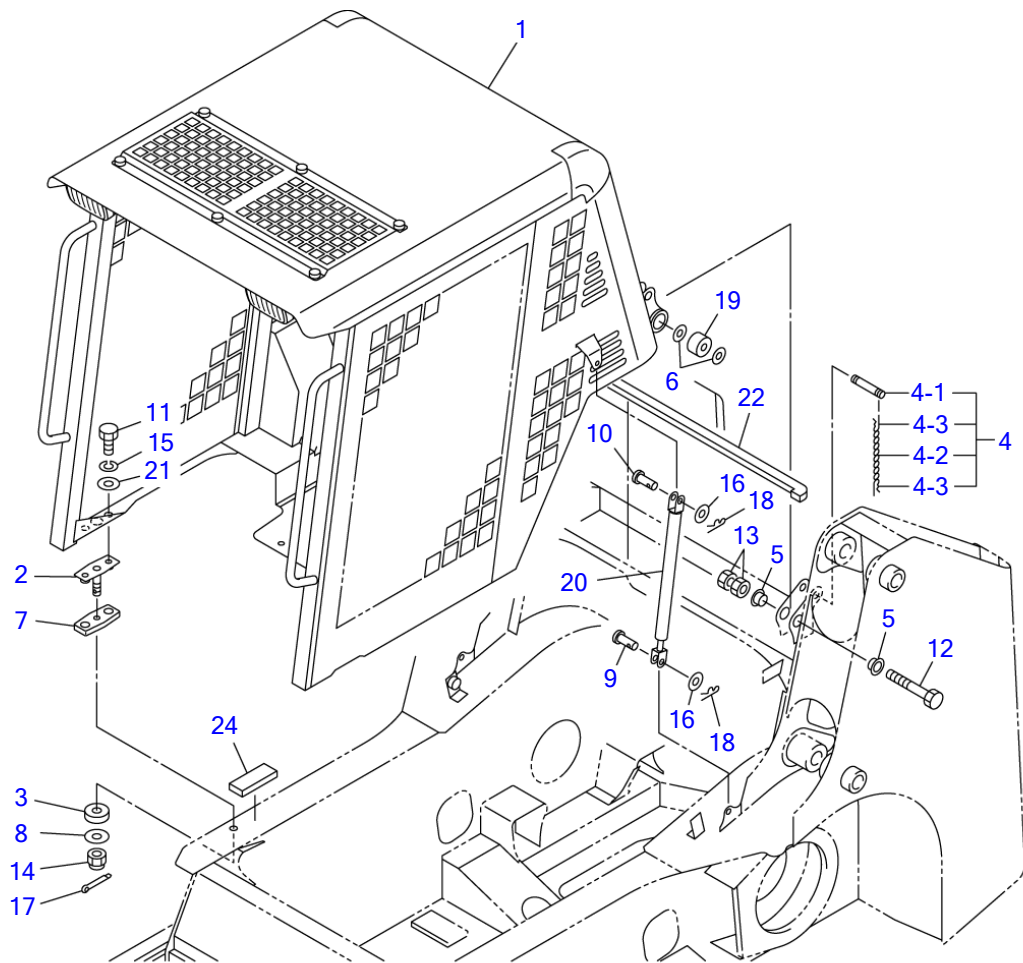
T8E270

S-1/8, 1/10, 1/15

CANOPY (3/3) (for GEHL & MUSTANG; 21301099-21302232)

Item	Part number	Description	Q'ty	Chan.	Serial No.	Serv.	Remarks
0	0880845400	CANOPY ASSY	1				X08808-45400-1
3	0880845670	▪ HARNESS, wiring	1				
4	1652221050	▪ CLIP	4				
18	1150410412	▪ SCREW	2				
19	1652042030	▪ GROMMET	1				
20	1703006600	▪ LAMP, ASSY	2				
20-1	1703006605	▪ ▪ BULB	1				
21	1652000602	▪ GROMMET	2				
22	1100091020	▪ BOLT	2				
23	1654011706	▪ WASHER	2				
56	1130040010	▪ NUT	1				
57	1654011702	▪ GROMMET	1				
59	1654011700	▪ GROMMET	1				
61	1654011704	▪ CAP	1				
	T8e270						

TL130 Book No. BT8Z012 S/N 21300004-
CANOPY MOUNT (for GEHL & MUSTANG; 21302233-)



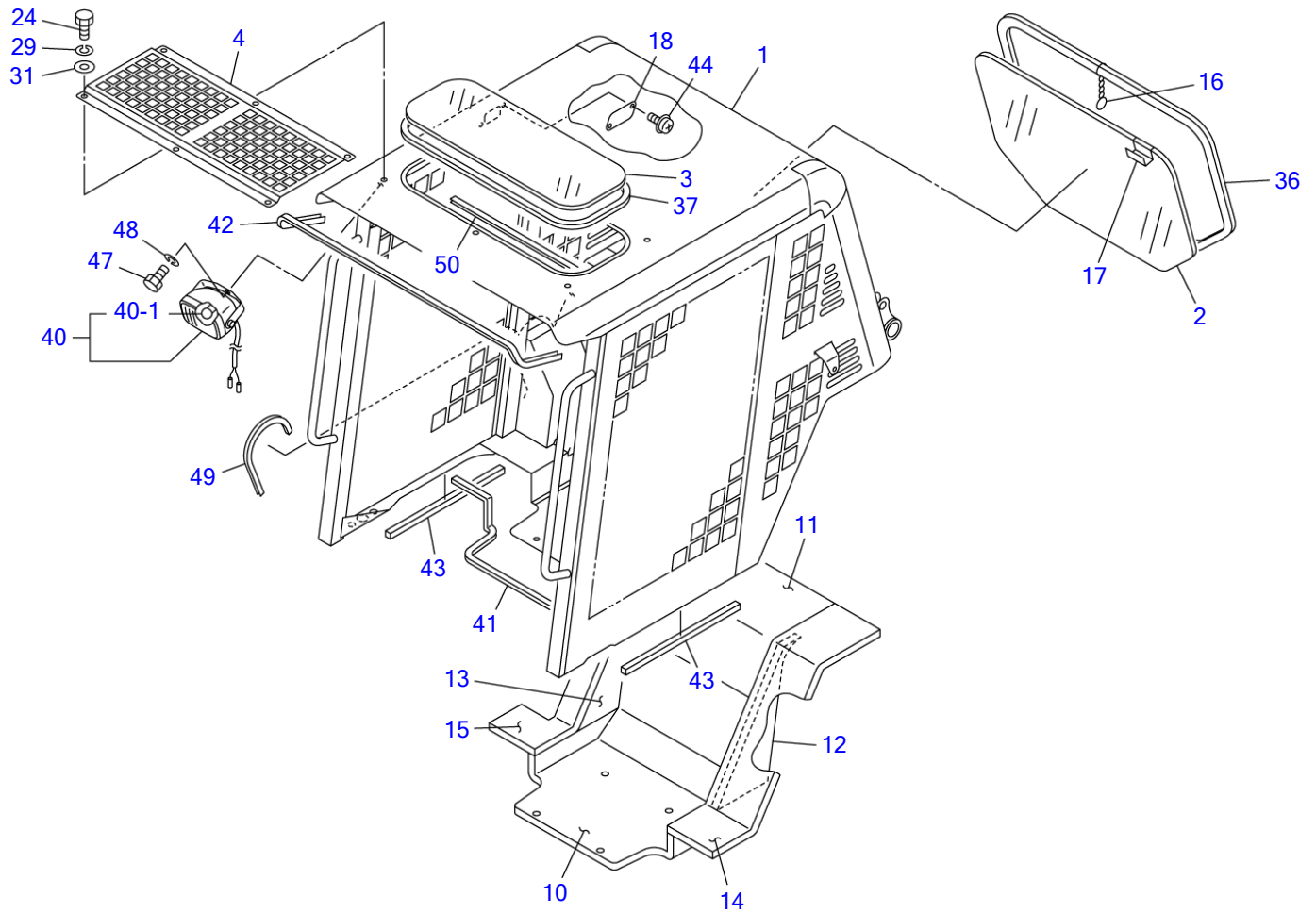
T8E590

S=1/20

CANOPY MOUNT (for GEHL & MUSTANG; 21302233-)

Item	Part number	Description	Q'ty	Chan.	Serial No.	Serv.	Remarks
		CANOPY MOUNT				M	X08808-46500-0
1	0880844000	CANOPY ASSY	1		21302233~21309578	M	
	0880846600	CANOPY ASSY	1	(H)	21309579~	M	
2	0881842030	BOLT	2			M	
3	0881842050	RUBBER, cushion	2			M	
4	0881841060	PIN ASSY	1			M	
4-1	0881841061	· PIN	1			M	
4-2	1652735886	· CHAIN	1			M	
4-3	1214000016	· PIN, snap	2			M	
5	0881840008	COLLAR	4			M	
6	0880840070	WASHER	4			M	
7	0881842040	RUBBER, cushion	2			M	
8	0003900044	WASHER	2			M	
9	0343503200	PIN	2			M	
10	0004010025	PIN	2			M	
11	1100041225	BOLT	4			M	
12	1100141610	BOLT	2			M	
13	1130040016	NUT	4			M	
14	1132080016	NUT	2			M	
15	1140020012	WASHER, spring	4			M	
16	1141110010	WASHER	4			M	
17	1210010432	PIN, split	2			M	
18	1214000008	PIN, snap	4			M	
19	1651005030	RUBBER, cushion	2			M	
20	1653900047	SPRING, gas	2			M	
21	0003600165	WASHER	4			M	
22	0880866140	SPONGE	1			M	
24	1654306008	SPONGE	2			M	sold by the meter
	T8e620						

TL130 Book No. BT8Z012 S/N 21300004-
CANOPY (1/2) (for GEHL & MUSTANG; 21302233-)



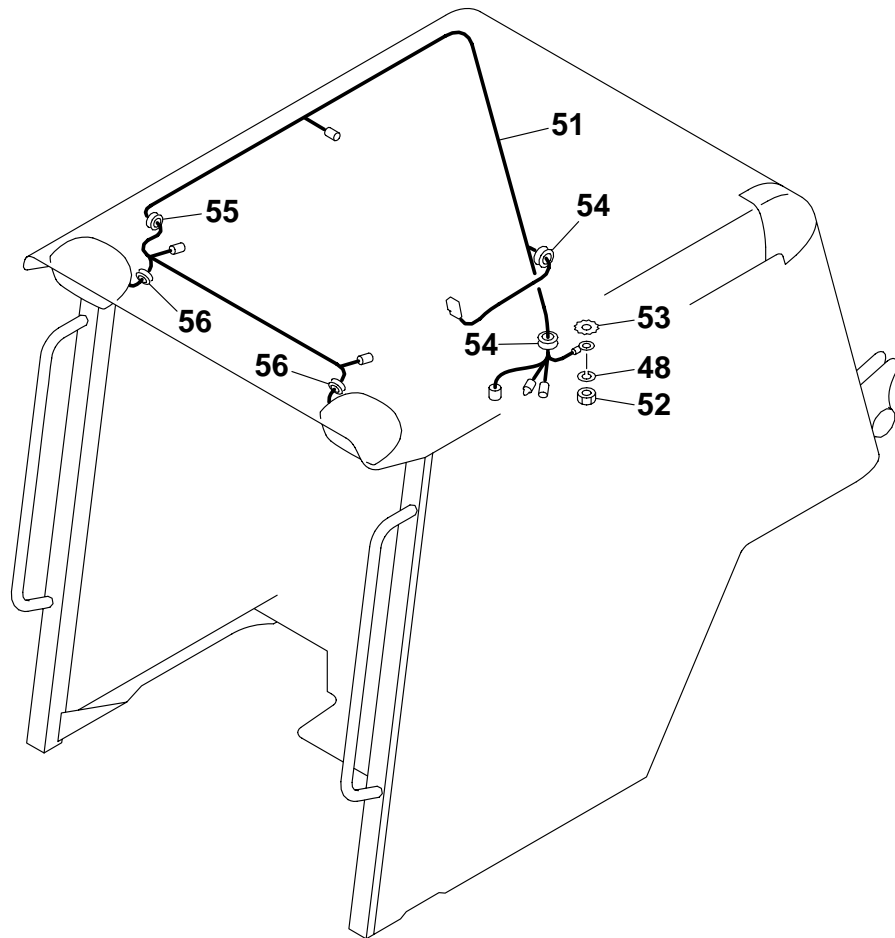
T8E600

S=1/20

CANOPY (1/2) (for GEHL & MUSTANG; 21302233-)

Item	Part number	Description	Q'ty	Chan.	Serial No.	Serv.	Remarks
0	0880844000	CANOPY ASSY	1		21302233~21309578	M	X08808-44000-9
	0880846600	CANOPY ASSY	1	(H)	21309579~	M	X08808-46600-0
1	0880844100	• CANOPY	1		21302233~21309578	M	
	0880846700	• CANOPY	1	(H)	21309579~	M	
2	0881842002	• GLASS	1			M	
3	0880844003	• GLASS	1			M	
4	0880844004	• PLATE	1			M	
10	0881842010	• ABSORBENT, noise	1			M	
11	0880844011	• ABSORBENT, noise	1			M	
12	0881842012	• ABSORBENT, noise (L.H.)	1			M	
13	0881842013	• ABSORBENT, noise (R.H.)	1			M	
14	0880843514	• ABSORBENT, noise	1			M	
15	0880844015	• ABSORBENT, noise	1			M	
16	0880841040	• RING, pull	1			M	
17	0880841080	• HANDLE	1			M	
18	0881842017	• PLATE	1			M	
24	1100040816	• BOLT	6			M	
29	1140020008	• WASHER, spring	6			M	
31	1141110008	• WASHER	6			M	
36	1654252253	• H-RUBBER	1			M	sold by the meter
37	1654252200	• H-RUBBER	1			M	sold by the meter
40	1703006600	• LAMP ASSY	2			M	
40-1	1703006605	• • BULB	1			M	12V, 55W
41	1654623120	• TRIM	1			M	sold by the meter
42	1654601153	• TRIM	1			M	sold by the meter
43	1654350057	• SPONGE	2			M	sold by the meter
44	1150420412	• SCREW	2			M	
47	1100041020	• BOLT	2			M	
48	1140020010	• WASHER, spring	2			M	
49	1653916038	• TRIM	1			M	sold by the meter
50	1654601060	• TRIM	1			M	sold by the meter

T8e630



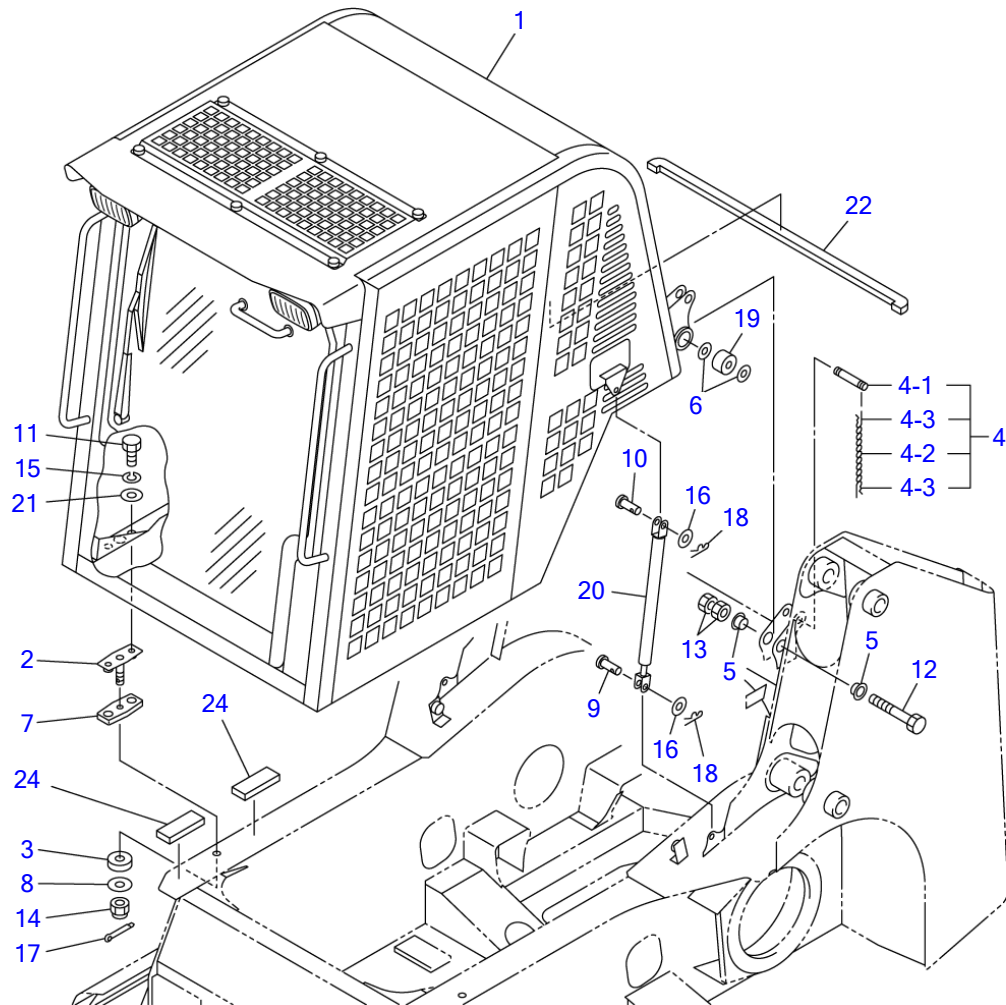
T8E530

S=1/15

CANOPY (2/2) (for GEHL & MUSTANG; 21302233-)

Item	Part number	Description	Q'ty	Chan.	Serial No.	Serv.	Remarks
0	880844000	CANOPY ASSY	1		21302233~21309578	M	X08808-44000-9
	880846600	CANOPY ASSY	1	(H)	21309579~	M	X08808-46600-0
48	1140020010	· WASHER, spring	1			M	
51	881842060	· HARNESS, wiring	1			M	
52	1130040010	· NUT	1			M	
53	1140330010	· WASHER	1			M	
54	1652052800	· GROMMET	3			M	
55	1652053600	· GROMMET	1			M	
56	1652040930	· GROMMET	2			M	
	T8e640						

TL130 Book No. BT8Z012 S/N 21300004-
CAB MOUNT

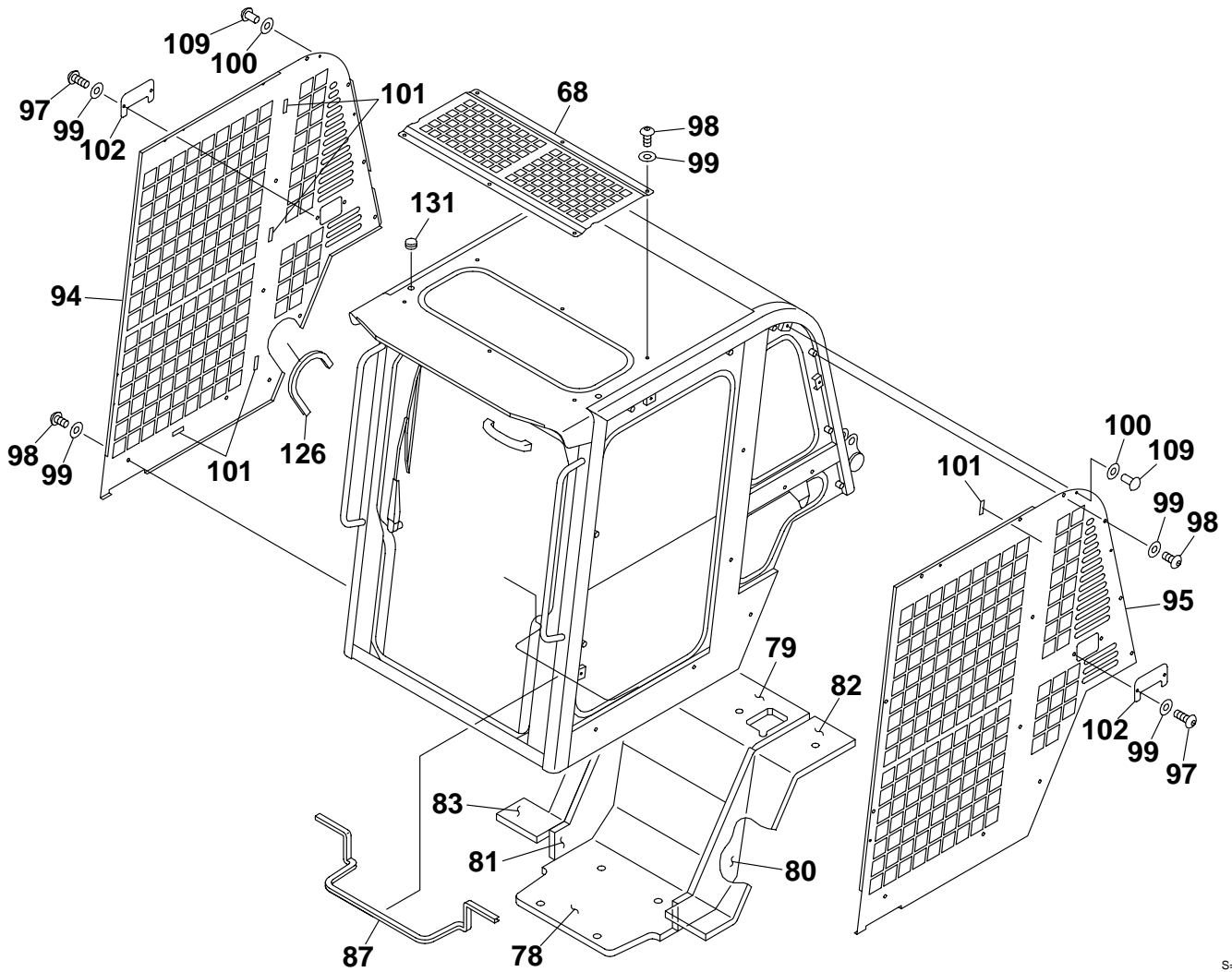


T8E182

S=1/20

Item	Part number	Description	CAB MOUNT				Remarks
			Q'ty	Chan.	Serial No.	Serv.	
		CAB MOUNT					X08808-65000-4
1	0880865100	CAB	1				
2	0881842030	BOLT ASSY	2				
3	0881842050	RUBBER, cushion	2				
4	0881841060	PIN ASSY	1				
4-1	0881841061	· PIN	1				
4-2	1652735886	· CHAIN	1				
4-3	1214000016	· PIN, snap	2				
5	0881840008	COLLAR	4				
6	0880840070	WASHER	4				
7	0881842040	RUBBER, cushion	2				
8	0003900044	WASHER	2				
9	0343503200	PIN	2				
10	0004010025	PIN	2				
11	1100041225	BOLT	4				
12	1100141610	BOLT	2				
13	1130040016	NUT	4				
14	1132080016	NUT	2				
15	1140020012	WASHER, spring	4				
16	1141110010	WASHER	4				
17	1210010432	PIN, split	2				
18	1214000008	PIN, snap	4				
19	1651005030	RUBBER, cushion	2				
20	1653900060	SPRING, gas	2				
21	0003600165	WASHER	4				
22	0880866140	SPONGE	1				
24	1654306008	SPONGE	4		21306255~		sold by the meter
	T8e184						

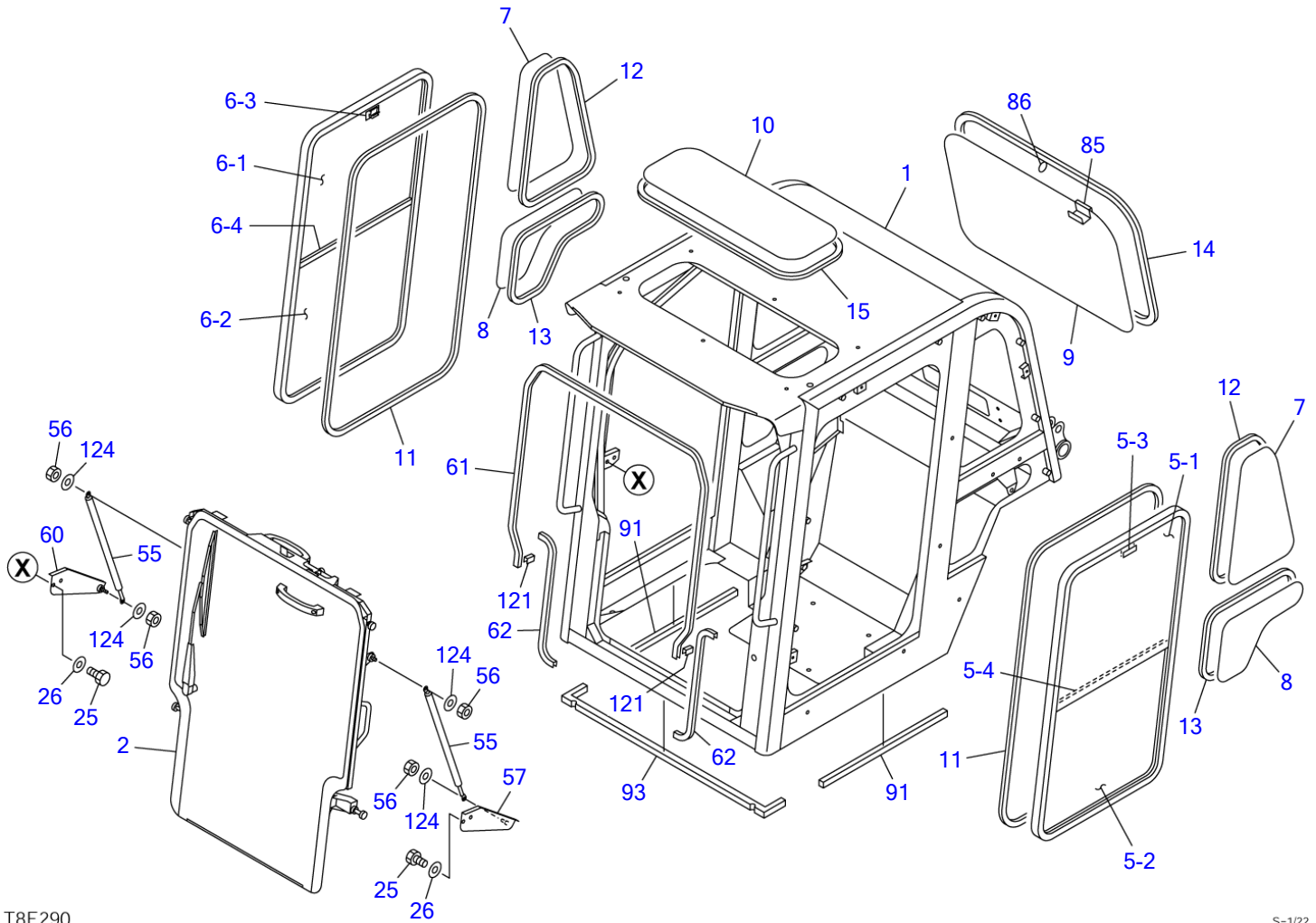
TL130 Book No. BT8Z012 S/N 21300004-
CAB (1/6)



T8E280

S=1/22

CAB (1/6)						
Item	Part number	Description	Q'ty	Chan.	Serial No.	Serv. Remarks
0	880865100	CAB ASSY	1			X08808-65100-5
68	880865129	• GUARD	1			
78	881842010	• ABSORBENT, noise	1			
79	880865133	• ABSORBENT, noise	1			
80	880865134	• ABSORBENT, noise	1			
81	880865135	• ABSORBENT, noise	1			
82	880865136	• ABSORBENT, noise	1			
83	880865137	• ABSORBENT, noise	1			
87	1654623130	• TRIM	1			sold by the meter
94	880865142	• GUARD	1			
95	880865143	• GUARD	1			
97	1120990820	• BOLT	4			
98	1120990816	• BOLT	33			
99	1654011705	• WASHER	37			
100	880865144	• WASHER	8			
101	880865145	• PLATE	8			
102	880865146	• COVER	2			
109	880865150	• RIVET	8			
126	1653916037	• TRIM	1			sold by the meter
131	1653303010	• CAP	2			
	T8e282					

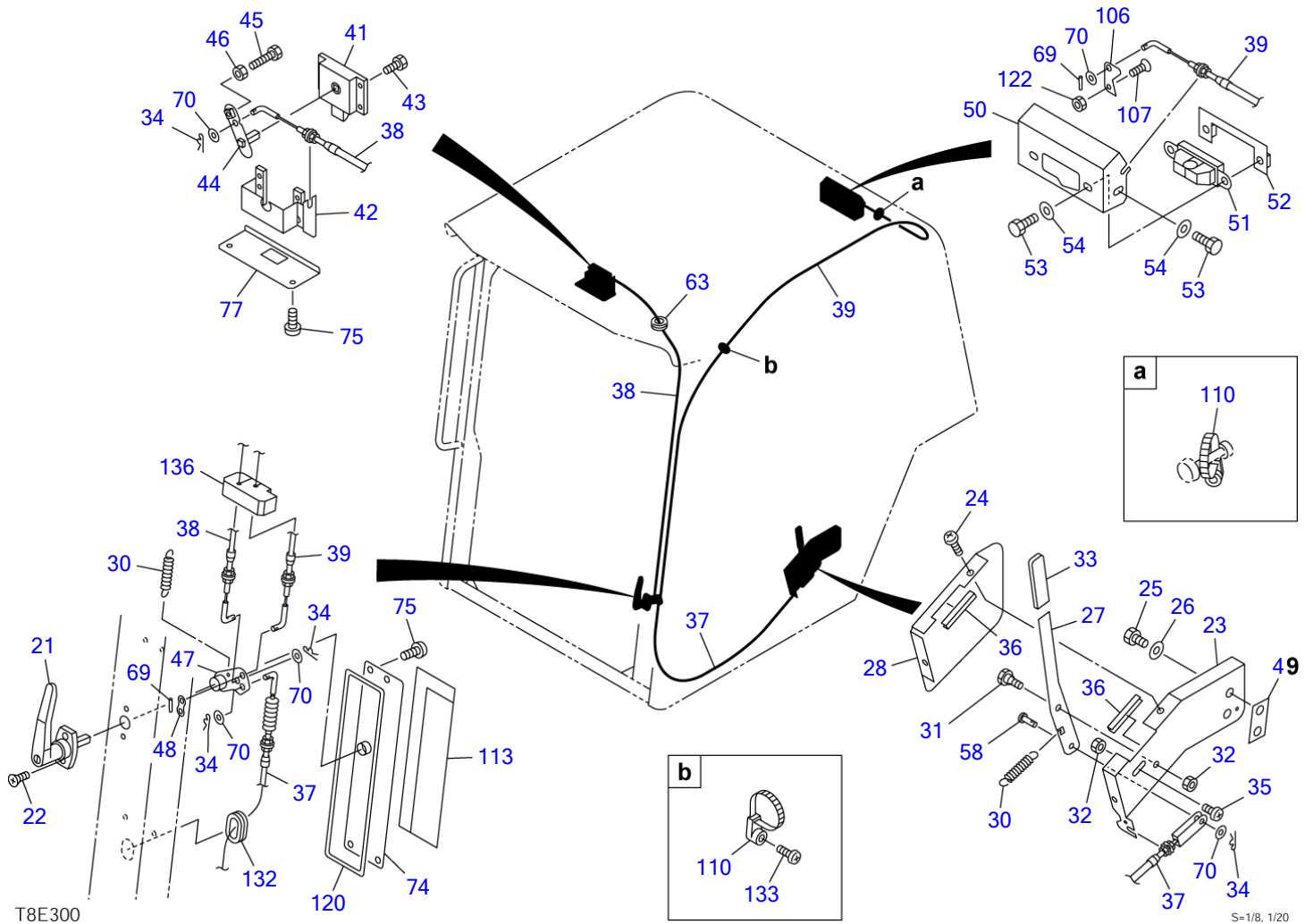


T8E290

S-1/22

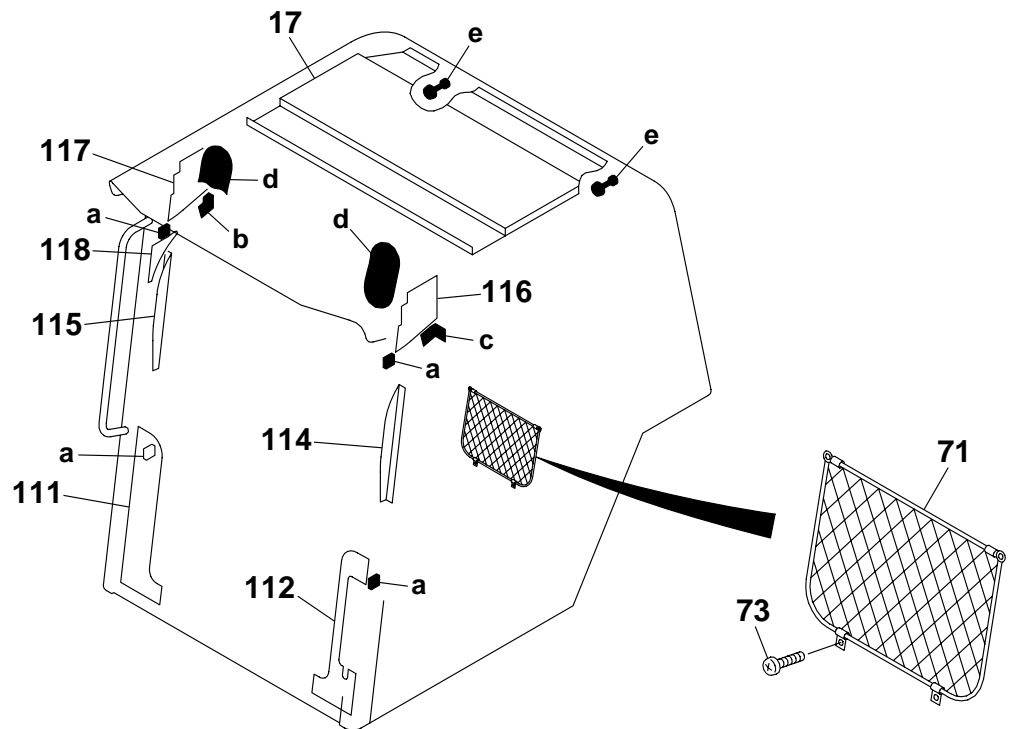
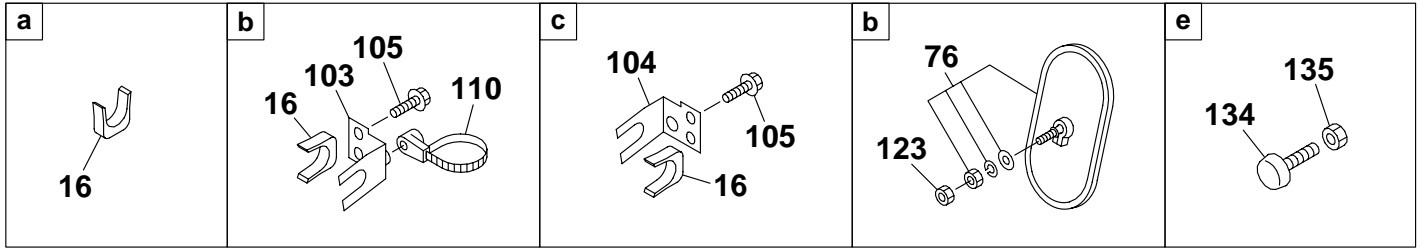
CAB (2/6)						
Item	Part number	Description	Q'ty	Chan.	Serial No.	Serv. Remarks
0	0880865100	CAB ASSY	1			X08808-65100-5
1	X *****	• CAB	1			
2	0880865300	• DOOR ASSY, front	1			see page (6/6)
5	0880865420	• SIDE SASH ASSY (L.H.)	1			
5-1	0880865422	• • GLASS	1			
5-2	0880865423	• • GLASS	1			
5-3	0880865424	• • LOCK ASSY	1			
5-4	0880865427	• • STRIP, weather	1			
6	0880865430	• SIDE SASH ASSY (R.H.)	1			
6-1	0880865422	• • GLASS	1			
6-2	0880865423	• • GLASS	1			
6-3	0880865424	• • LOCK ASSY	1			
6-4	0880865437	• • STRIP, weather	1			
7	0880865101	• GLASS	2			
8	0880865102	• GLASS	2			
9	0880865103	• GLASS	1			
10	0880865104	• GLASS	1			
11	1654253320	• H-RUBBER	2			sold by the meter
12	1654231148	• H-RUBBER	2			sold by the meter
13	1654231120	• H-RUBBER	2			sold by the meter
14	1654231273	• H-RUBBER	1			sold by the meter
15	1654231195	• H-RUBBER	1			sold by the meter
25	1100091020	• BOLT	4			
26	1654011706	• WASHER	4			
55	0880865124	• SPRING, gas	2			
56	1134090006	• NUT	4			
57	0880865125	• BRACKET	1			
60	0880865126	• BRACKET	1			
61	1654630240	• TRIM	1			sold by the meter
62	1654630060	• TRIM	2			sold by the meter
85	0880865138	• GRIP	1			
86	0880865139	• RING	1			
91	0880865140	• SEAL	2			
93	0880865141	• SEAL	1			
121	1654619003	• SEAL	2			sold by the meter
124	1141190008	• WASHER	4			

T8e292



Item	Part number	Description	CAB (3/6)			Remarks
			Q'ty	Chan.	Serial No.	
0	0880865100	CAB ASSY	1			X08808-65100-5
21	1654011500	• HANDLE	1			
22	1120690520	• SCREW	2			
23	0880865161	• BRACKET	1			
24	1150420512	• SCREW	2			
25	1100091020	• BOLT	2			
26	1654011706	• WASHER	2			
27	0880865162	• LEVER	1			
28	0880865110	• COVER	1			
30	0880865112	• SPRING	2			
31	1654010800	• PIN	1			
32	1131242006	• NUT	2			
33	0438601760	• COVER	1			
34	1214000006	• PIN, snap	4			
35	1150410612	• BOLT, sems	1			
36	1653916005	• TRIM	2			sold by the meter
37	0880865163	• CABLE	1			
38	0880865164	• CABLE	1			
39	0880865165	• CABLE	1			
41	1654011740	• LATCH	1			
42	0880865118	• PLATE	1			
43	1100090616	• BOLT	4			
44	0880865166	• PLATE	1			
45	1100240630	• BOLT	1			
46	1131242006	• NUT	1			
47	0880865167	• PLATE	1			
48	0880865168	• PLATE	1			
49	0880865169	• SHIM	1			
50	0880865121	• BRACKET	1			
51	1653384630	• LOCK	1			
52	0880865123	• PLATE	1			
53	1100090820	• BOLT	5			
54	1654011705	• WASHER	5			
58	0880865170	• PIN	1			
63	1652042030	• GROMMET	1			
69	1211000212	• PIN	2			
70	1654011711	• WASHER	4			
74	0880865130	• COVER	1			
75	1150420512	• SCREW	6			
77	0880865132	• COVER	1			
106	0880865171	• BRACKET	1			
107	1120630512	• SCREW	1			
110	1652221050	• BAND	2			
113	0880865153	• ABSORBENT, noise	1			
120	0880865159	• SEAL	1			
122	1131242005	• NUT	1			
132	1654011701	• GROMMET	1			
133	1150420512	• SCREW	1			
136	0880865160	• PACKING	2			

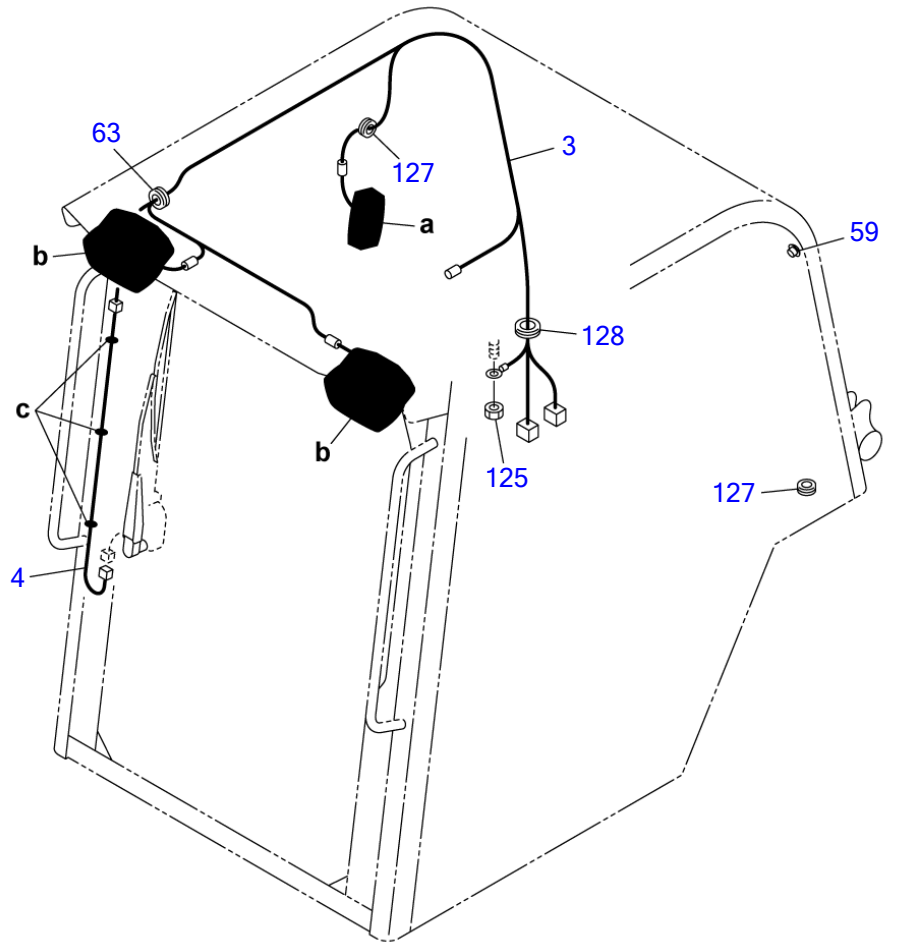
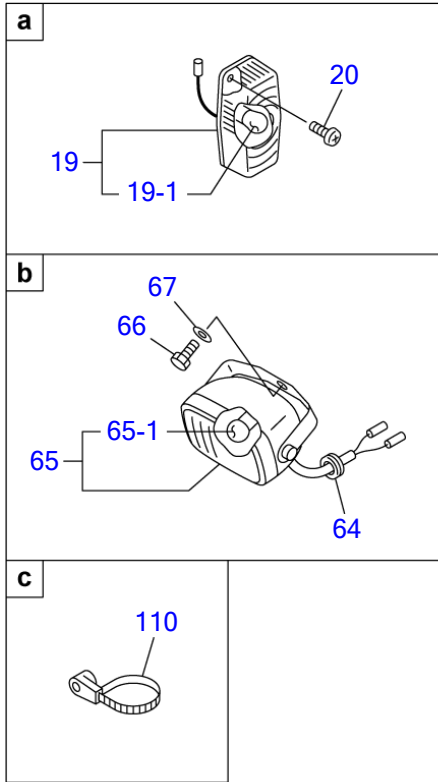
T8e302



T8E310

S=1/6, 1/8, 1/20

CAB (4/6)						
Item	Part number	Description	Q'ty	Chan.	Serial No.	Serv. Remarks
0	880865100	CAB ASSY	1			X08808-65100-5
16	880865105	• STOPPER	6			
17	880865106	• ABSORBENT, noise	1			
71	1654010600	• POCKET	1			
73	1150410416	• SCREW	4			
76	880865131	• MIRROR, rearview	2			
103	880865147	• BRACKET	1			
104	880865148	• BRACKET	1			
105	1100090620	• BOLT	4			
110	1652221050	• BAND	1			
111	880865151	• ABSORBENT, noise	1			
112	880865152	• ABSORBENT, noise	1			
114	880865154	• ABSORBENT, noise	1			
115	880865155	• ABSORBENT, noise	1			
116	880865156	• ABSORBENT, noise	1			
117	880865157	• ABSORBENT, noise	1			
118	880865158	• ABSORBENT, noise	1			
123	1130040008	• NUT	2			
134	1651101042	• STOPPER	2			
135	1130090010	• NUT	2			
	T8e312					

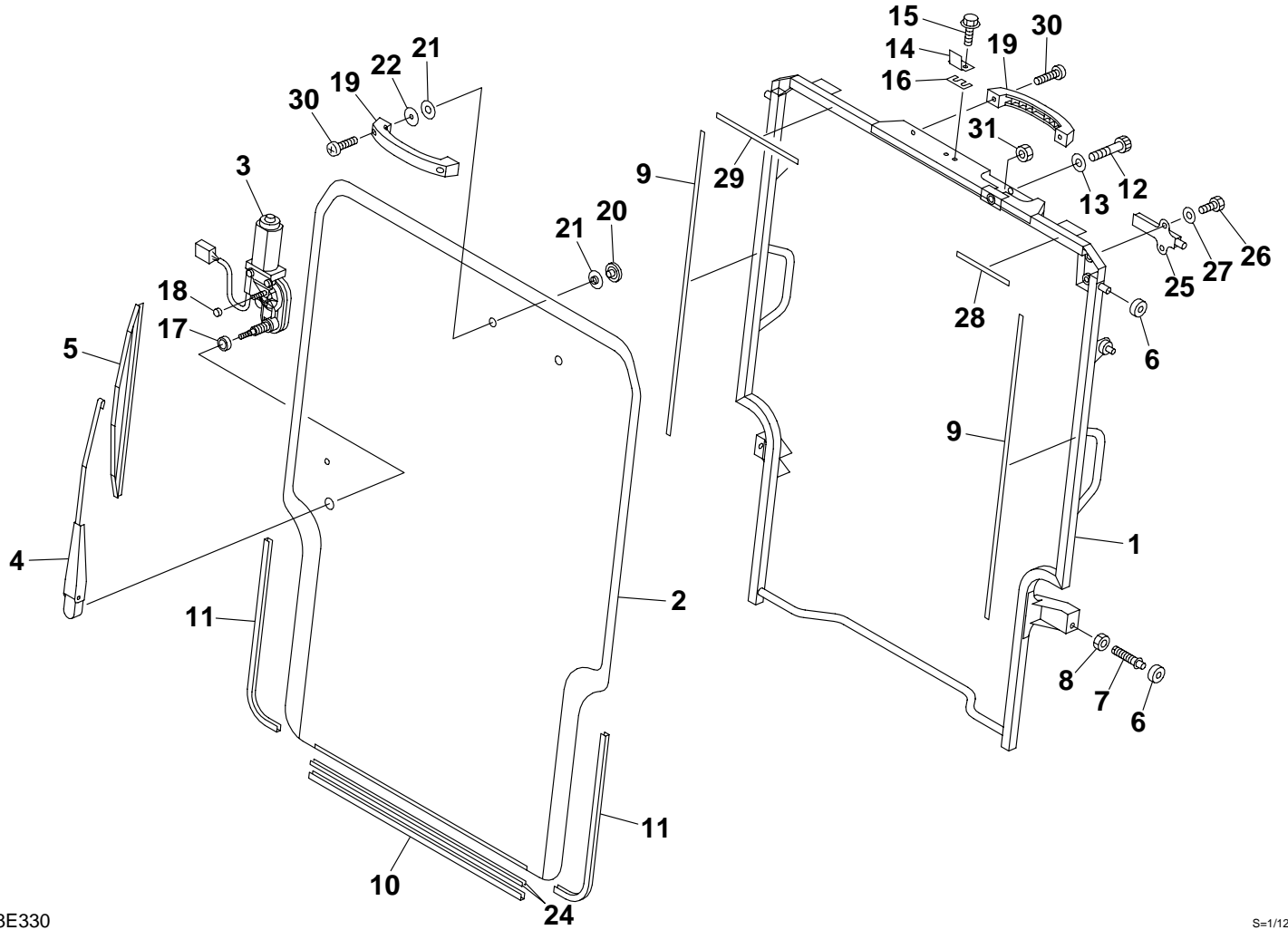


T8E321

S=1/8, 1/10, 1/15

CAB (5/6)						
Item	Part number	Description	Q'ty	Chan.	Serial No.	Serv. Remarks
0	0880865100	CAB ASSY	1			X08808-65100-5
3	0880865400	• HARNESS, wiring	1			
4	0880865410	• HARNESS, wiring	1			
19	1703001700	• LAMP, room	1			
19-1	1703001701	• • BULB	1			
20	1150410412	• SCREW	2			
59	1654011703	• CAP	1			
63	1652042030	• GROMMET	1			
64	1652000602	• GROMMET	2			
65	1703006600	• LAMP, ASSY	2			
65-1	1703006605	• • BULB	1			
66	1100091020	• BOLT	2			
67	1654011706	• WASHER	2			
110	1652221050	• BAND	3			
125	1130040010	• NUT	1			
127	1654011700	• GROMMET	2			
128	1654011702	• GROMMET	1			
	T8e322					

TL130 Book No. BT8Z012 S/N 21300004-
CAB (6/6) (front door)



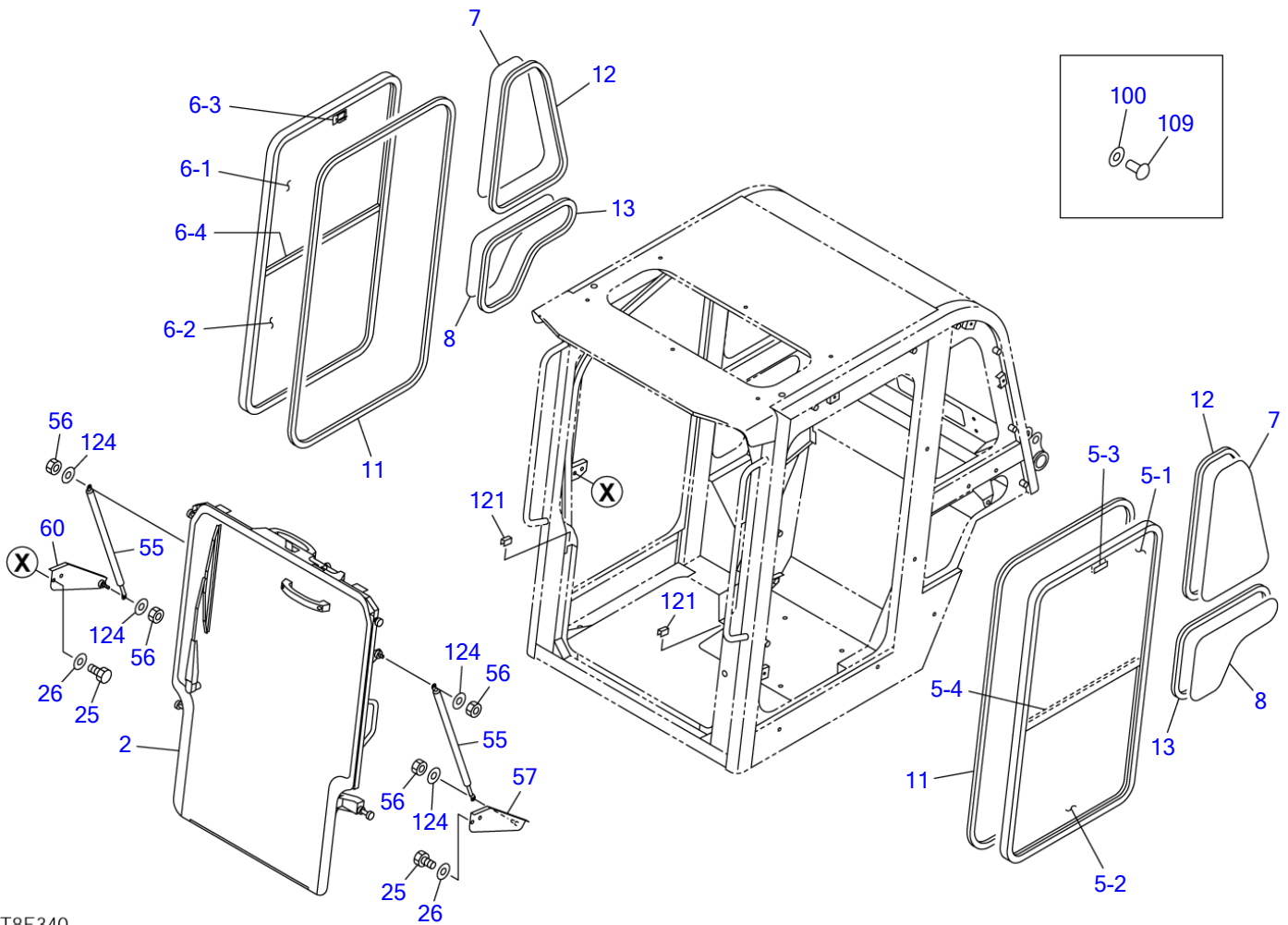
T8E330

S=1/12

CAB (6/6) (front door)

Item	Part number	Description	Q'ty	Chan.	Serial No.	Serv.	Remarks
0	880865300	DOOR ASSY, front	1				
1	880865340	• DOOR, front	1				
2	880865301	• GLASS	1				
3	880865302	• MOTOR, wiper	1				
4	880865303	• ARM, wiper	1				
5	880865304	• BLADE	1				
6	880865305	• ROLLER	4				
7	880865306	• BOLT	2				
8	1130040012	• NUT	2				
9	1654615210	• DAM	1				sold by the meter
10	1654631054	• SEAL	1				sold by the meter
11	1653916045	• TRIM	2				sold by the meter
12	880865307	• BOLT	1				
13	1654011707	• WASHER	1				
14	880865308	• PLATE	1				
15	1100090620	• BOLT	2				
16	880865309	• SHIM	4				
17	880865310	• COLLAR	1				
18	880865311	• COLLAR	1				
19	880865312	• HANDLE	2				
20	880865313	• NUT	2				
21	880865314	• GROMMET	4				
22	880865315	• WASHER	2				
24	880865316	• SHEET	2				
25	880865317	• LATCH	1				
26	1100090820	• BOLT	2				
27	1654011705	• WASHER	2				
28	1654615013	• DAM	1				sold by the meter
29	1654615020	• DAM	1				sold by the meter
30	1150420620	• SCREW	4				
31	1130190012	• NUT	1				
	T8e331						

TL130 Book No. BT8Z012 S/N 21300004-
CAB KIT (1/5) (for US; 21300004-21305348)



T8E340

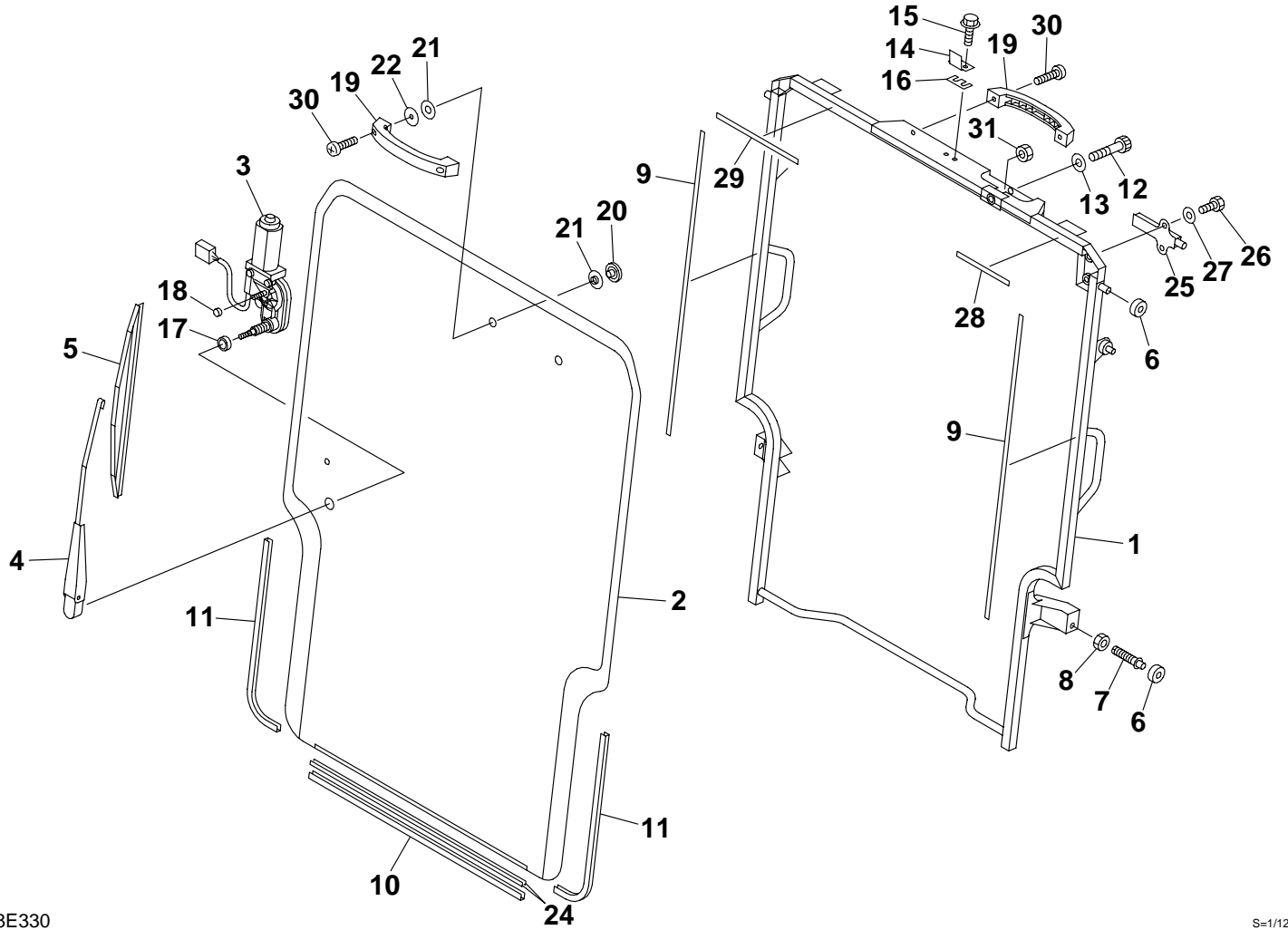
S=1/22

CAB KIT (1/5) (for US; 21300004-21305348)

Item	Part number	Description	Q'ty	Chan.	Serial No.	Serv.	Remarks
0	0880865500	CAB KIT	1				X08808-65500-8
0-1	0880865600	· SUB CAB KIT (1/5)~(4/5)	1				X08808-65600-2
2	0880865300	· · DOOR ASSY, front	1				see page (2/5)
5	0880865420	· · SIDE SASH ASSY (L.H.)	1				
5-1	0880865422	· · · GLASS	1				
5-2	0880865423	· · · GLASS	1				
5-3	0880865424	· · · LOCK ASSY	1				
5-4	0880865427	· · · STRIP, weather	1				
6	0880865430	· · SIDE SASH ASSY (R.H.)	1				
6-1	0880865422	· · · GLASS	1				
6-2	0880865423	· · · GLASS	1				
6-3	0880865424	· · · LOCK ASSY	1				
6-4	0880865437	· · · STRIP, weather	1				
7	0880865101	· · GLASS	2				
8	0880865102	· · GLASS	2				
11	1654253320	· · H-RUBBER	2				sold by the meter
12	1654231148	· · H-RUBBER	2				sold by the meter
13	1654231120	· · H-RUBBER	2				sold by the meter
25	1100091020	· · BOLT	4				
26	1654011706	· · WASHER	4				
55	0880865124	· · SPRING, gas	2				
56	1134090006	· · NUT	4				
57	0880865125	· · BRACKET	1				
60	0880865126	· · BRACKET	1				
100	0880865144	· · WASHER	8				
109	0880865150	· · RIVET	8				
121	1654619003	· · SEAL	2				sold by the meter
124	1141190008	· · WASHER	4				

T8e343

TL130 Book No. BT8Z012 S/N 21300004-
CAB KIT (2/5) (front door, for US; 21300004-21305348)



T8E330

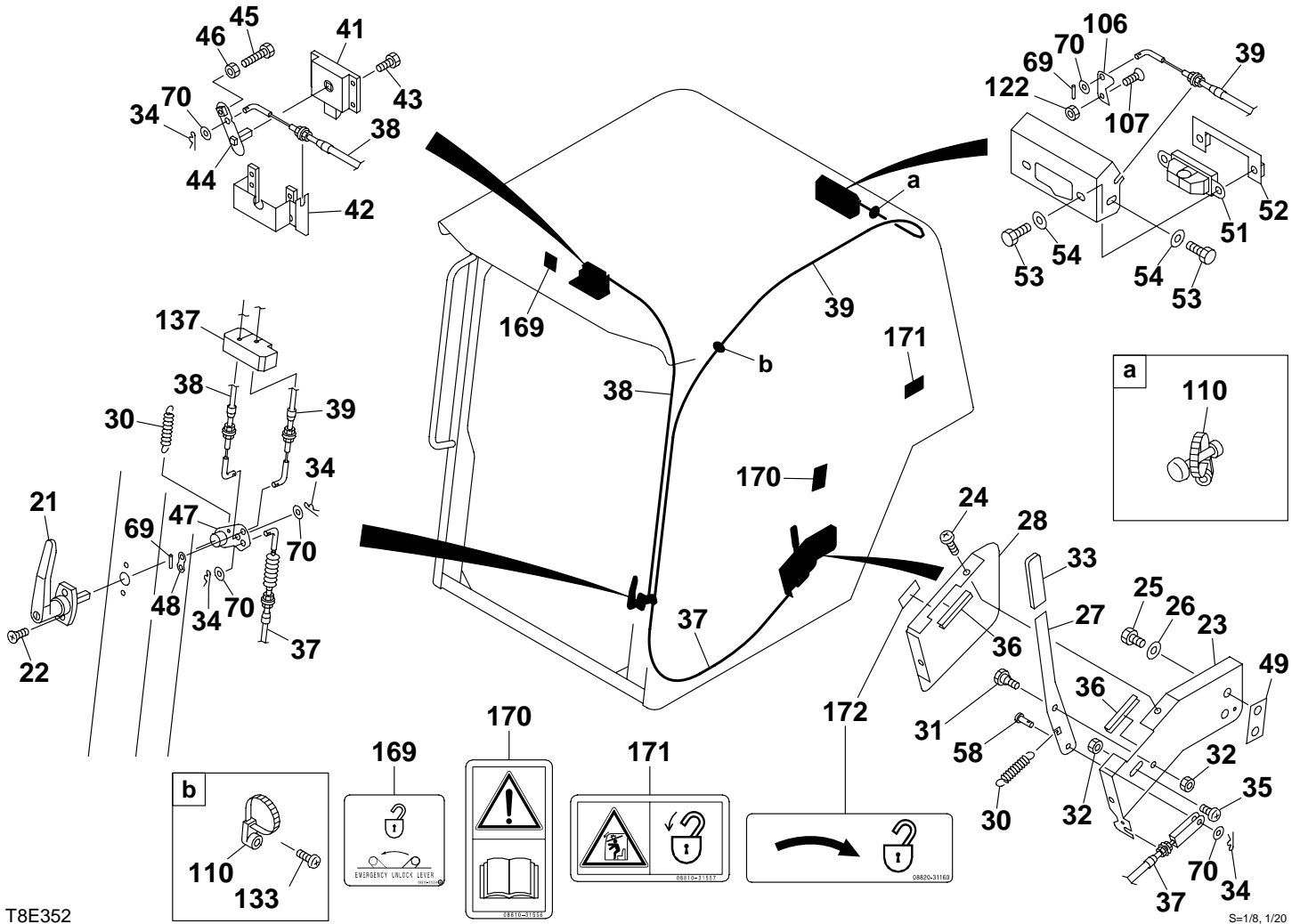
S=1/12

CAB KIT (2/5) (front door, for US; 21300004-21305348)

Item	Part number	Description	Q'ty	Chan.	Serial No.	Serv.	Remarks
0	880865500	CAB KIT	1				X08808-65500-8
0-1	880865600	· SUB CAB KIT (1/5)~(4/5)	1				X08808-65600-2
0-2	880865300	· · DOOR ASSY, front	1				
1	880865340	· · · DOOR, front	1				
2	880865301	· · · GLASS	1				
3	880865302	· · · MOTOR, wiper	1				
4	880865303	· · · ARM, wiper	1				
5	880865304	· · · BLADE	1				
6	880865305	· · · ROLLER	4				
7	880865306	· · · BOLT	2				
8	1130040012	· · · NUT	2				
9	1654615210	· · · DAM	2				sold by the meter
10	1654631054	· · · SEAL	1				sold by the meter
11	1653916045	· · · TRIM	2				sold by the meter
12	880865307	· · · BOLT	1				
13	1654011707	· · · WASHER	1				
14	880865308	· · · PLATE	1				
15	1100090620	· · · BOLT	2				
16	880865309	· · · SHIM	4				
17	880865310	· · · COLLAR	1				
18	880865311	· · · COLLAR	1				
19	880865312	· · · HANDLE	2				
20	880865313	· · · NUT	2				
21	880865314	· · · GROMMET	4				
22	880865315	· · · WASHER	2				
24	880865316	· · · SHEET	2				
25	880865317	· · · LATCH	1				
26	1100090820	· · · BOLT	2				
27	1654011705	· · · WASHER	2				
28	1654615013	· · · DAM	1				sold by the meter
29	1654615020	· · · DAM	1				sold by the meter
30	1150420620	· · · SCREW	4				
31	1130190012	· · · NUT	1				

T8e393

TL130 Book No. BT8Z012 S/N 21300004-
CAB KIT (3/5) (for US; 21300004-21305348)



T8E352

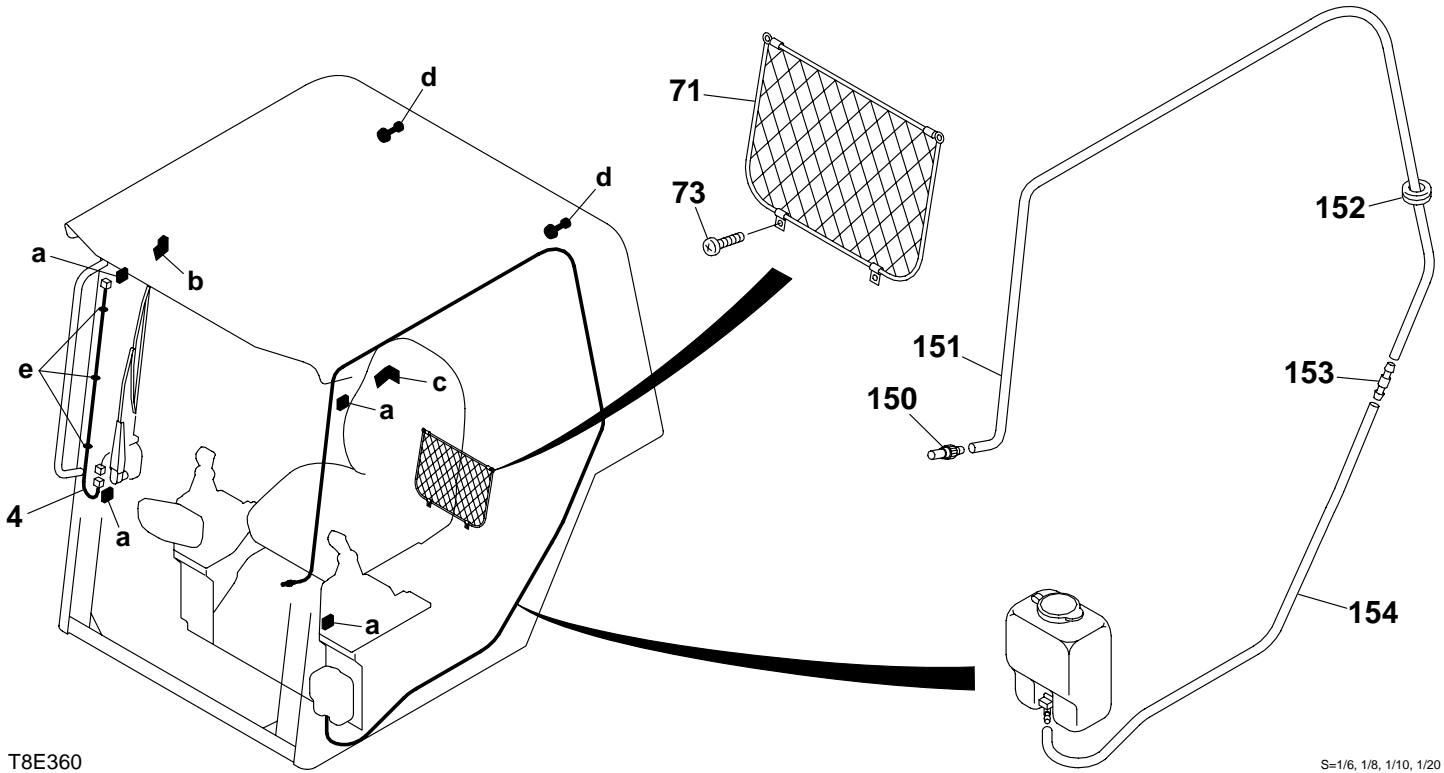
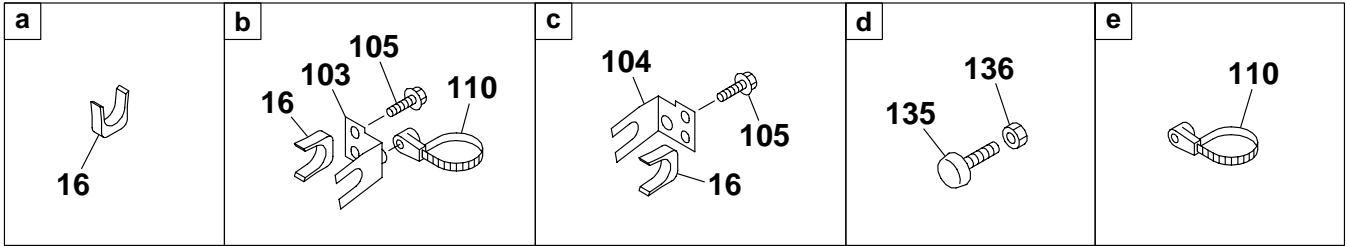
S=1/8, 1/20

CAB KIT (3/5) (for US; 21300004-21305348)

Item	Part number	Description	Q'ty	Chan.	Serial No.	Serv.	Remarks
0	880865500	CAB KIT	1				X08808-65500-8
0-1	880865600	• SUB CAB KIT (1/5)~(4/5)	1				X08808-65600-2
21	1654011500	• • HANDLE	1				
22	1120690520	• • SCREW	2				
23	880865161	• • BRACKET	1				
24	1150420512	• • SCREW	2				
25	1100091020	• • BOLT	2				
26	1654011706	• • WASHER	2				
27	880865162	• • LEVER	1				
28	880865110	• • COVER	1				
30	880865112	• • SPRING	2				
31	1654010800	• • PIN	1				
32	1131242006	• • NUT	2				
33	438601760	• • COVER	1				
34	1214000006	• • PIN, snap	4				
35	1150410612	• • BOLT, sems	1				
36	1653916005	• • TRIM	2				sold by the meter
37	880865163	• • CABLE	1				
38	880865164	• • CABLE	1				
39	880865165	• • CABLE	1				
41	1654011740	• • LATCH	1				
42	880865118	• • PLATE	1				
43	1100090616	• • BOLT	4				
44	880865166	• • PLATE	1				
45	1100240630	• • BOLT	1				
46	1131242006	• • NUT	1				
47	880865167	• • PLATE	1				
48	880865168	• • PLATE	1				
49	880865169	• • SHIM	1				
51	1653384630	• • LOCK	1				
52	880865123	• • PLATE	1				
53	1100090820	• • BOLT	2				
54	1654011705	• • WASHER	2				
58	880865170	• • PIN	1				
69	1211000212	• • PIN	2				
70	1654011711	• • WASHER	4				
106	880865171	• • BRACKET	1				
107	1120630512	• • SCREW	1				
110	1652221050	• • BAND	2				
122	1131242005	• • NUT	1				
133	1150420512	• • SCREW	1				
137	880865160	• • PACKING	2				
169	881031554	• • DECAL	1				
170	881031556	• • DECAL	1				
171	881031557	• • DECAL	1				
172	882031160	• • DECAL	1				

T8e353

TL130 Book No. BT8Z012 S/N 21300004-
CAB KIT (4/5) (for US; 21300004-21305348)



S-1/6, 1/8, 1/10, 1/20

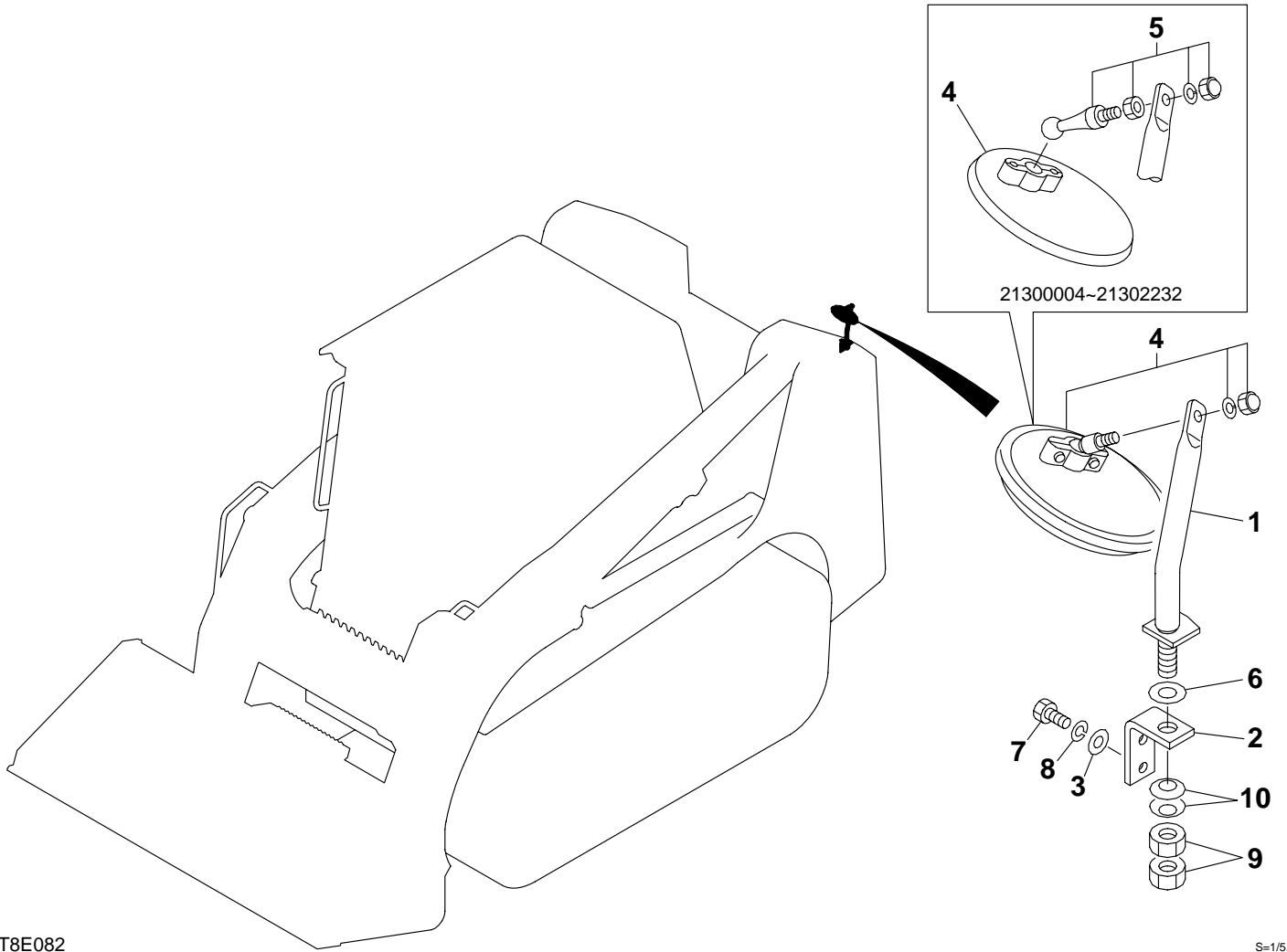
CAB KIT (4/5) (for US; 21300004-21305348)

Item	Part number	Description	Q'ty	Chan.	Serial No.	Serv.	Remarks
0	880865500	CAB KIT	1				X08808-65500-8
0-1	880865600	· SUB CAB KIT (1/5)~(4/5)	1				X08808-65600-2
4	880865410	· · HARNESS, wiring	1				
16	880865105	· · STOPPER	6				
71	1654010600	· · POCKET	1				
73	1150410416	· · SCREW	4				
103	880865147	· · BRACKET	1				
104	880865148	· · BRACKET	1				
105	1100090620	· · BOLT	4				
110	1652221050	· · BAND	4				
135	1651101042	· · STOPPER	2				
136	1130090010	· · NUT	2				
150	1711910040	· · NOZZLE	1				
151	1711919300	· · HOSE	1				sold by the meter
152	1654011700	· · GROMMET	1				
153	1711910014	· · JOINT	1				
154	1711919130	· · HOSE	1				sold by the meter
	T8e363						

CAB KIT (5/5) (for US; 21300004-21305348)

Item	Part number	Description	Q'ty	Chan.	Serial No.	Serv.	Remarks
0	880865500	CAB KIT	1				X08808-65500-8
155	1711910101	• TANK	1				
156	1711910062	• BRACKET	1				
157	1120530612	• SCREW	2				
158	1140020006	• WASHER, spring	2				
159	1141110006	• WASHER	2				
160	1703210770	• BOOT	1				
161	1703220730	• BOOT	1				
162	1652231140	• BAND	2				
163	1653900060	• SPRING, gas	2				
164	880427810	• HARNESS, wiring	1				
165	1140330010	• WASHER	1				
166	1652231250	• BAND	10				
167	1704300007	• SWITCH, wiper	1				
168	1141810012	• WASHER	1				
	T8e383						

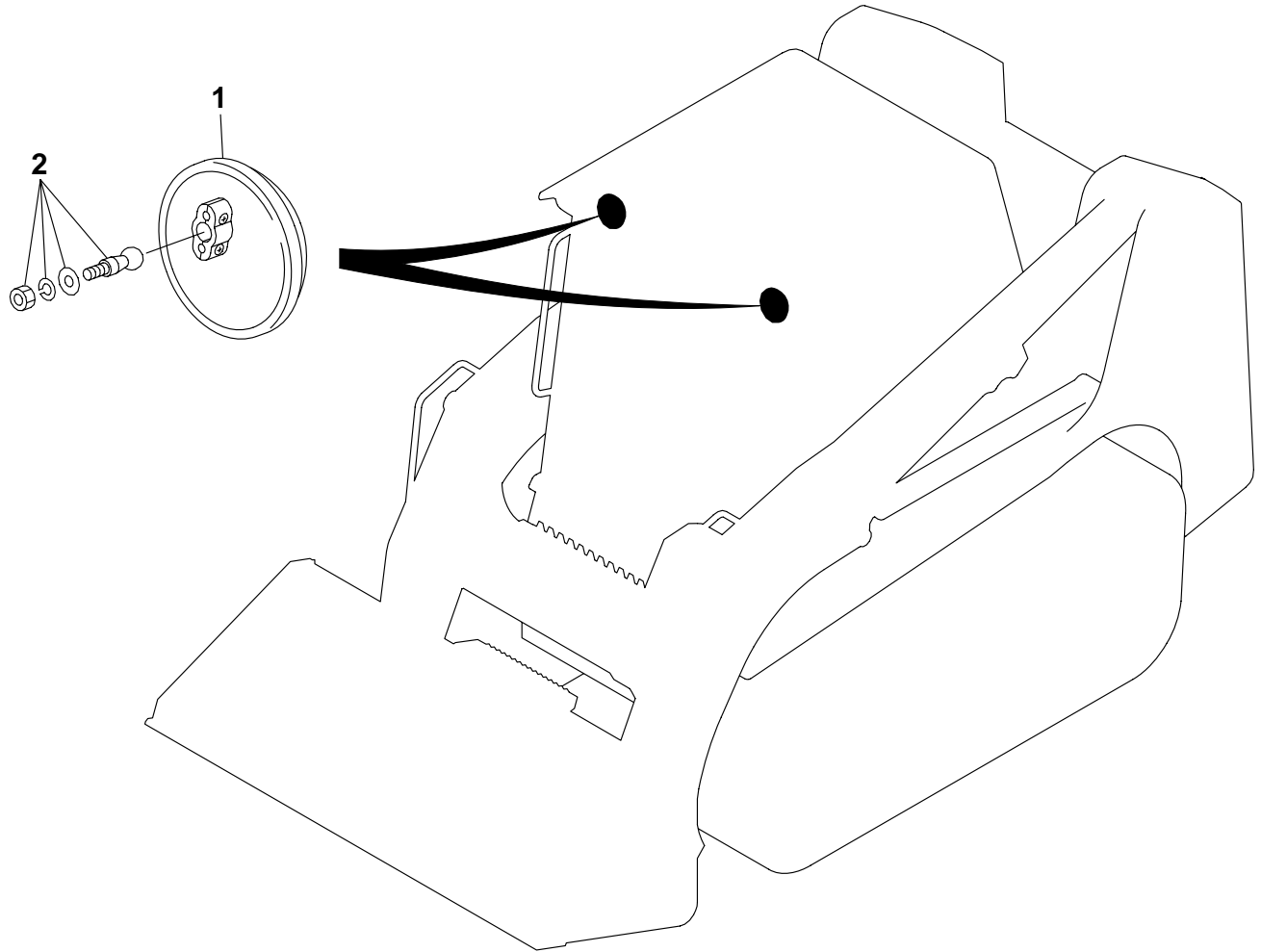
TL130 Book No. BT8Z012 S/N 21300004-
REAR MIRROR



T8E082

S=1/5, 1/30

REAR MIRROR						
Item	Part number	Description	Q'ty	Chan.	Serial No.	Serv. Remarks
		MIRROR ASSY, rear				X08808-71000-4
1	880870020	STAY	1			
2	881870010	BRACKET	1			
3	3608252	WASHER	2			
4	1656500110	MIRROR	1	(L)	21300004~21302232	
	1656500130	MIRROR	1	(H)	21302233~	
5	1654006100	PIVOT	1		21300004~21302232	
6	1141210014	WASHER	1			
7	1100040816	BOLT	2			
8	1140020008	WASHER, spring	2			
9	1130640014	NUT	2			
10	1225110014	WASHER, conical	2			
	T8e083					

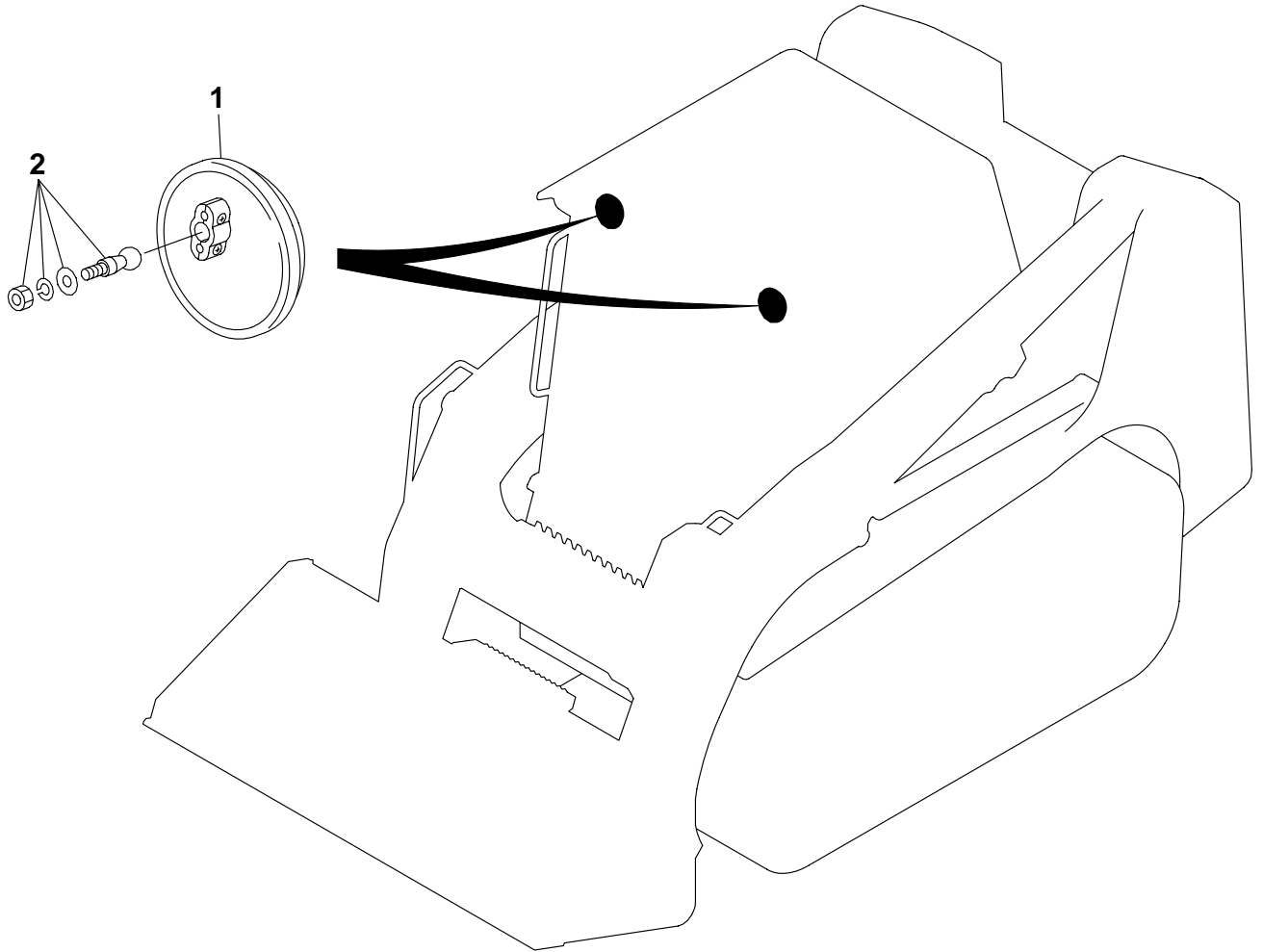


T7E100

S=1/5, 1/25

REARVIEW MIRROR (for GEHL & MUSTANG; 21302233-)

Item	Part number	Description	Q'ty	Chan.	Serial No.	Serv.	Remarks
		MIRROR ASSY, rearview					X08818-72000-0
1	1656500110	MIRROR	2				
2	1654006000	PIVOT	2				
	T8e090						

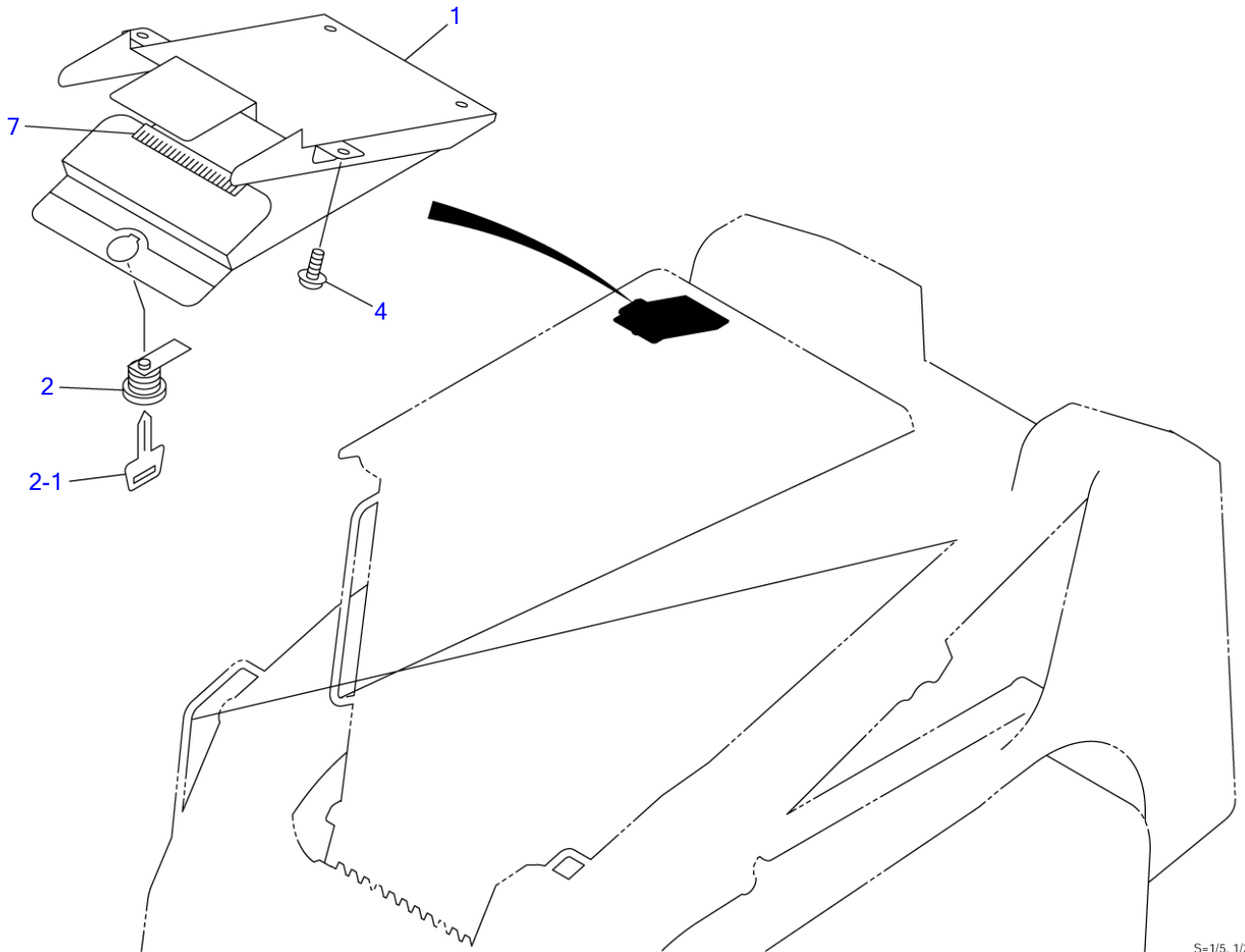


T7E100

S=1/5, 1/25

REARVIEW MIRROR (21300004-21301106) (for US; 21305349-)

Item	Part number	Description	Q'ty	Chan.	Serial No.	Serv.	Remarks
		MIRROR ASSY, rearview					X08818-72000-0
1	1656500110	MIRROR	2				
2	1654006000	PIVOT	2				
	T8e090						

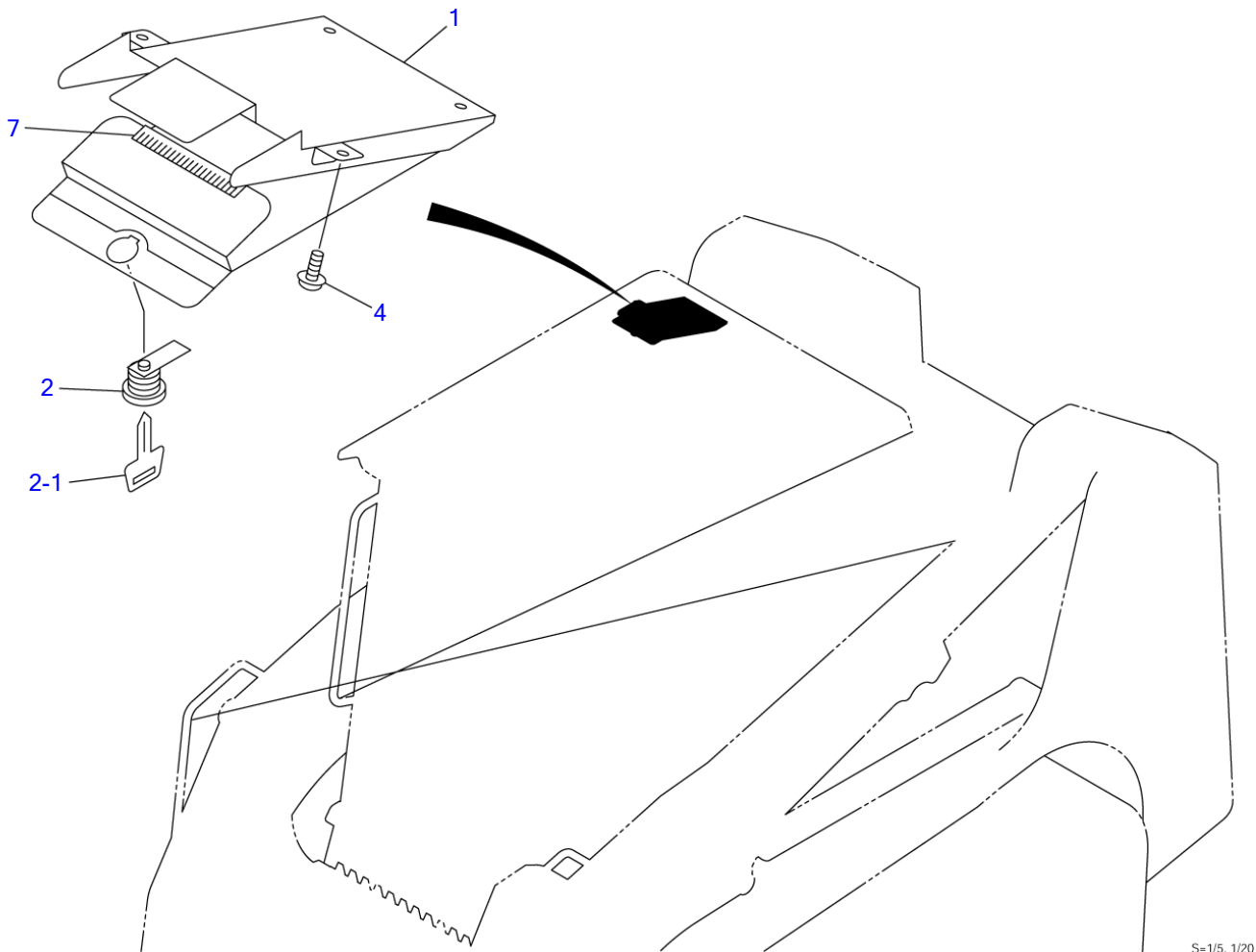


T8E101

S-1/5, 1/20

MANUAL STORAGE (21300004-21301106) (for US; 21305349-)

Item	Part number	Description	Q'ty	Chan.	Serial No.	Serv.	Remarks
		MANUAL STORAGE					X08818-41500-2
1	0881841510	BOX	1				
2	1653601395	LOCK	1				
2-1	1700100019	KEY	1				
4	1150420612	SCREW	4				
7	1654605010	RUBBER, sash	1				sold by the meter
	T8e101						



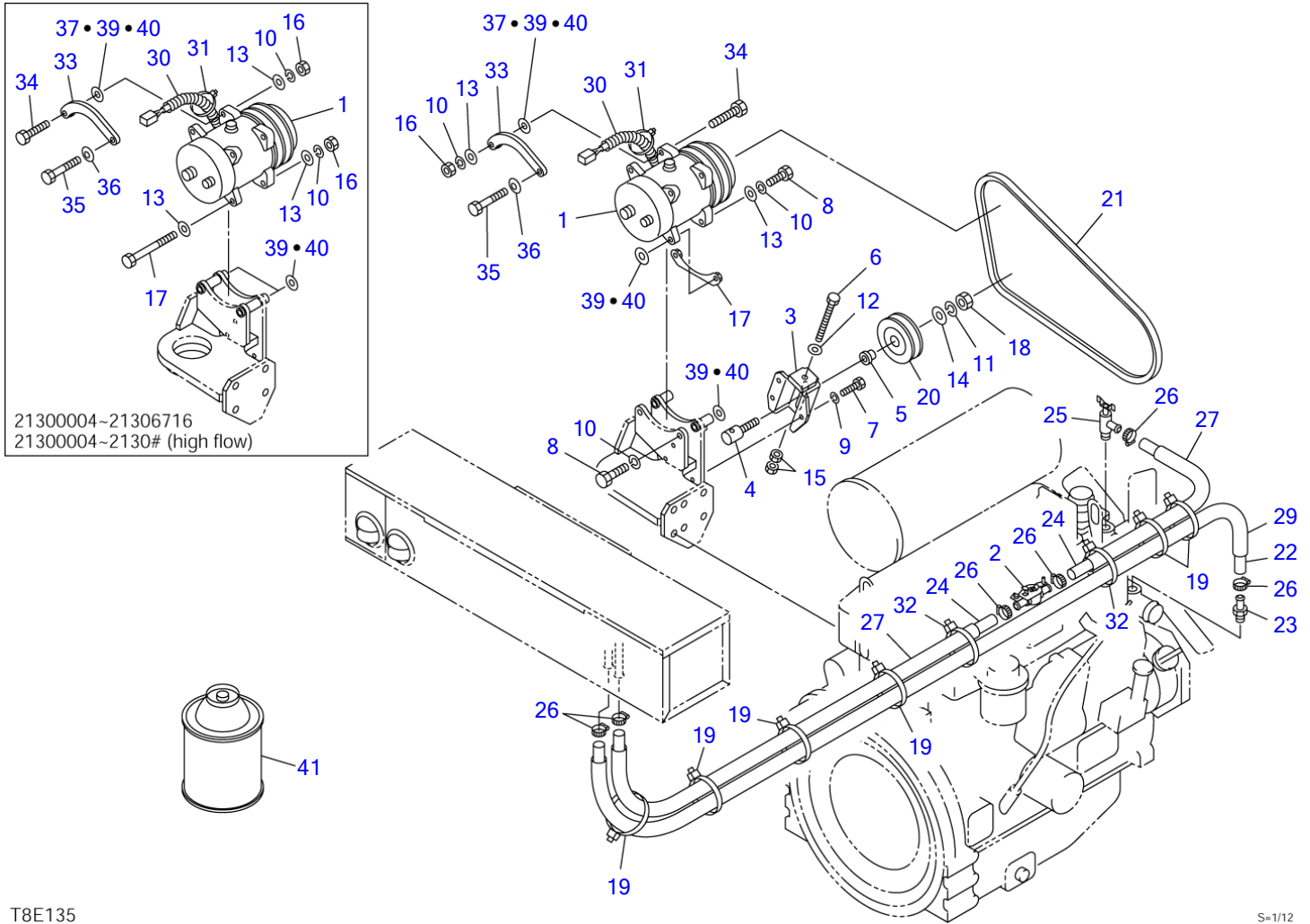
T8E101

S-1/5, 1/20

MANUAL STORAGE (for GEHL & MUSTANG; 21302233-)

Item	Part number	Description	Q'ty	Chan.	Serial No.	Serv.	Remarks
		MANUAL STORAGE					X08818-41500-2
1	0881841510	BOX	1				
2	1653601395	LOCK	1				
2-1	1700100019	KEY	1				
4	1150420612	SCREW	4				
7	1654605010	RUBBER, sash	1				sold by the meter
	T8e101						

TL130 Book No. BT8Z012 S/N 21300004-
AIR CONDITIONER (1/5) (compressor)



T8E135

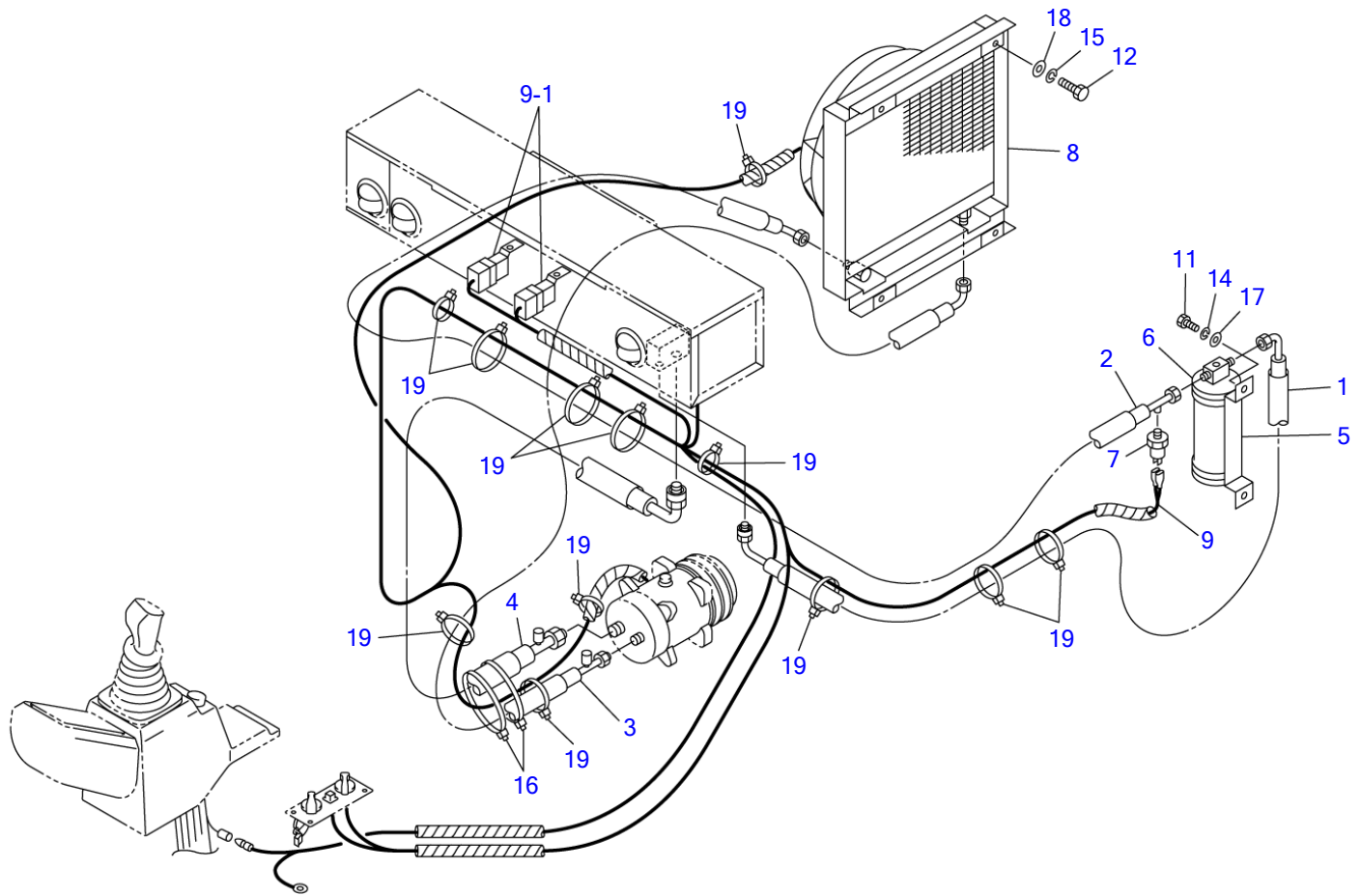
S=1/12

AIR CONDITIONER (1/5) (compressor)

Item	Part number	Description	Q'ty	Chan.	Serial No.	Serv.	Remarks
0	0880465100	COMPRESSOR	1		21300004~21306716		X08804-65100-7
		ASSY					
	0880465100	COMPRESSOR	1		21300004~2130#		X08804-65100-7 No.23262
		ASSY (high flow)					
	0880465500	COMPRESSOR	1		21306717~		X08804-65500-3
		ASSY					
1	1911506010	COMPRESSOR	1				
2	1911506008	VALVE	1				
3	0564618790	BRACKET	1				
4	0564619210	SHAFT	1				
5	0564619240	COLLAR	1				
6	1100440810	BOLT	1				
7	1100040825	BOLT	3				
8	1103041035	BOLT	4		21306717~		
9	1140020008	WASHER, spring	3				
10	1140020010	WASHER, spring	3				
11	1140020012	WASHER, spring	1				
12	1141110008	WASHER	1				
13	1141110010	WASHER	4				
14	1141110012	WASHER	1				
15	1130040008	NUT	2				
16	1130240010	NUT	1				
17	1100141005	BOLT	2		21300004~21306716		
	0880465520	PLATE	1		21307029~		
18	1130040012	NUT	1				
19	1652201007	BAND	7				
20	1911505700	PULLEY	1				
21	1911505905	V-BELT	1		21300004~21306716		
	1911508406	V-BELT	1		21306717~		A47
22	1911511845	HOSE	1			M	sold by the meter
23	0007224009	ADAPTOR	1				
24	1911501870	HOSE	2			M	sold by the meter
25	1911502100	BULB	1				
26	1911500500	CLAMP	4				
27	1531325060	PROTECTOR	2				sold by the meter
29	1531325135	PROTECTOR	1				sold by the meter
30	1703210720	PROTECTOR	1				sold by the meter
31	1652231100	BAND	1				
32	1652241400	BAND	2				
33	0880465110	BRACKET	1		21302222~21306716		
	0880465510	BRACKET	1		21306717~		
34	1100041040	BOLT	1		21302222~21306716		
	1100041055	BOLT	1		21306717~		
35	1103041050	BOLT	1		21302222~		
36	1225110010	WASHER	1		21302222~		
37	0003600047	SHIM	AR		21302222~		
39	0003600222	SHIM	AR		21302222~		t=0.2mm
40	0003600223	SHIM	AR		21302222~		t=0.3mm
41	1919055000	GAS, coolant	8				100g

T8e138

TL130 Book No. BT8Z012 S/N 21300004-
AIR CONDITIONER (2/5) (condenser; 21300004-21306716) (high flow;
21300004-2130#)



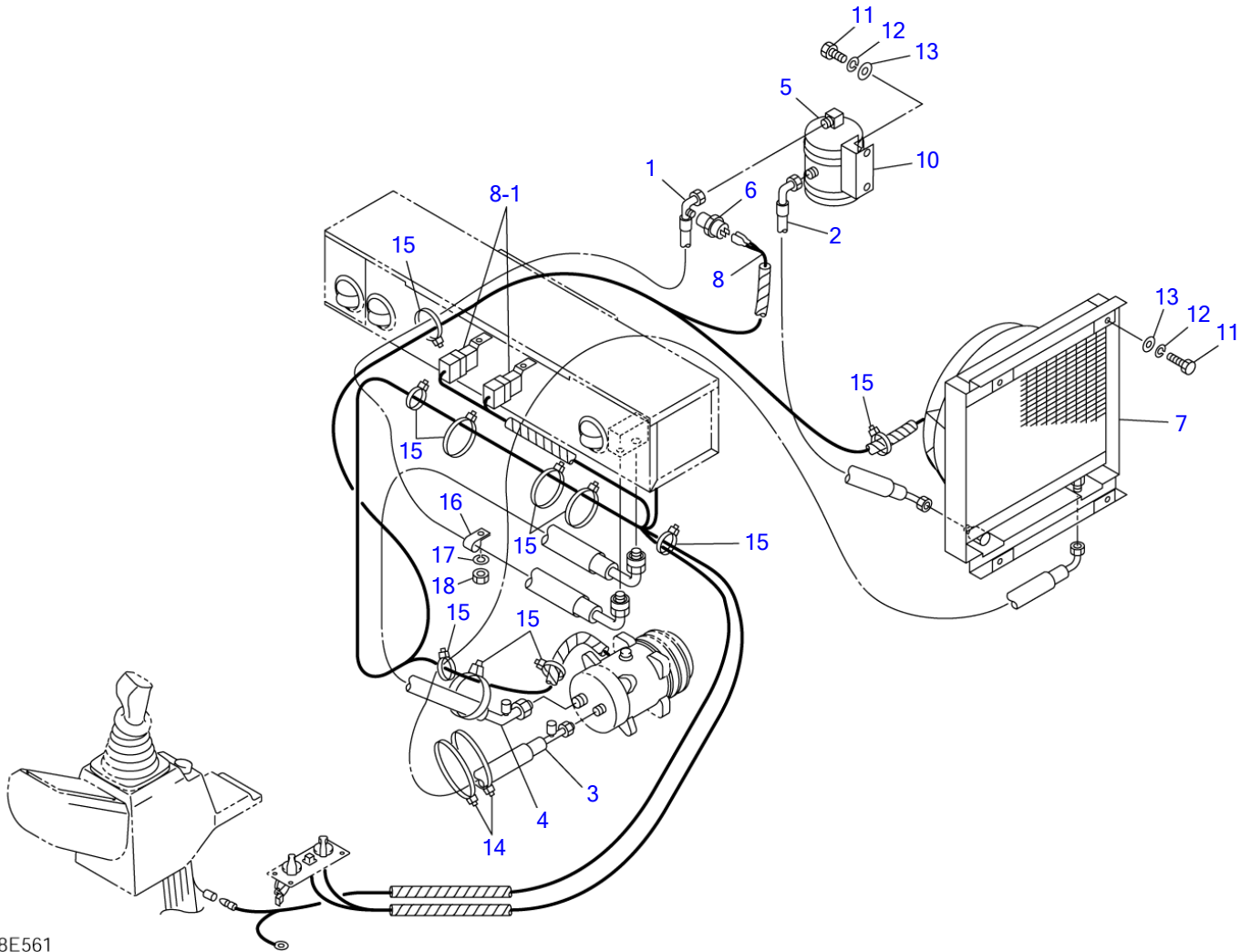
T8E144

S=1/12

AIR CONDITIONER (2/5) (condenser; 21300004-21306716) (high flow; 21300004-2130#)

Item	Part number	Description	Q'ty	Chan.	Serial No.	Serv.	Remarks
0	0880465200	CONDENSER ASSY	1				X08804-65200-4
	0880465270	CONDENSER ASSY (high flow)	1				No. 23262
1	1911505941	· HOSE ASSY	1				
	1911505601	· · O-RING	1				
2	1911505932	· HOSE ASSY	1				
	1911505601	· · O-RING	1				
3	1911505943	· HOSE ASSY	1				
	1911505602	· · O-RING	1				
4	1911505944	· HOSE ASSY	1				
	1911508424	· HOSE ASSY (high flow)	1				
	1911505603	· · O-RING	1				
5	1911506005	· BRACKET	1				
6	1911505511	· DRYER	1				
7	1911505514	· SWITCH, pressure	1				
8	1911506080	· CONDENSER ASSY	1				see page (4/5)
9	1911505910	· HARNESS, wiring	1				
9-1	1911506041	· · RELAY	2				
11	1100040616	· BOLT	2				
12	1100040820	· BOLT	4				
14	1140020006	· WASHER, spring	2				
15	1140020008	· WASHER, spring	4				
16	1652201008	· BAND	4				
17	1141110006	· WASHER	2				
18	1141110008	· WASHER	4				
19	1652231250	· BAND	10				
	T8e146						

TL130 Book No. BT8Z012 S/N 21300004-
AIR CONDITIONER (2/5) (condenser; 21306717-) (high flow; 2130#-)

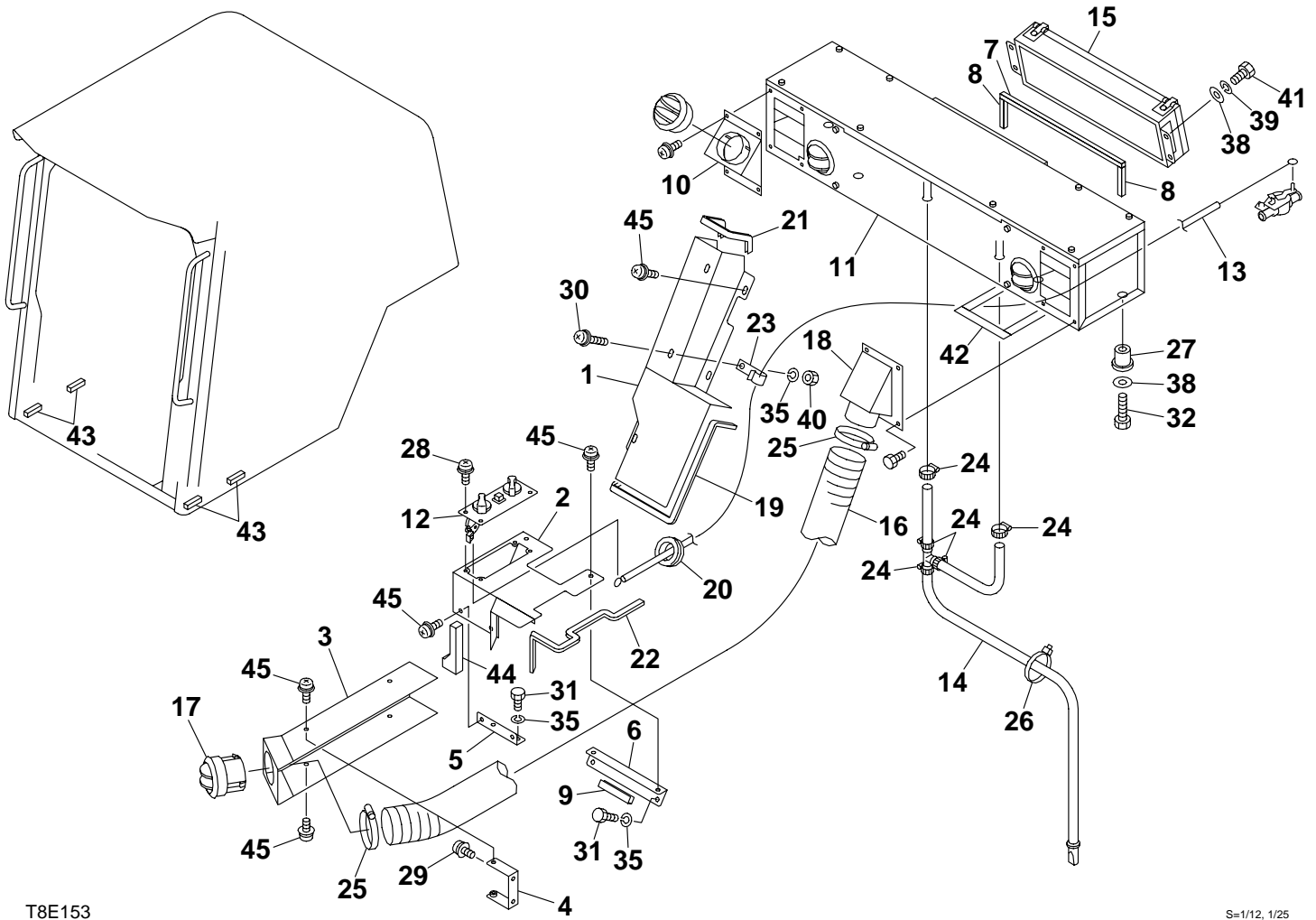


S=1/12

AIR CONDITIONER (2/5) (condenser; 21306717-) (high flow; 2130#-)

Item	Part number	Description	Q'ty	Chan.	Serial No.	Serv.	Remarks
0	0880465600	CONDENSER ASSY	1				X08804-65600-2
1	1911508431	· HOSE ASSY	1				No. 23262
	1911505601	· · O-RING	1				
2	1911508432	· HOSE ASSY	1				
	1911505601	· · O-RING	1				
3	1911505943	· HOSE ASSY	1				
	1911505602	· · O-RING	1			M	
4	1911508424	· HOSE ASSY	1				
	1911505603	· · O-RING	1				
5	1911508311	· DRYER	1				
6	1911505514	· SWITCH, pressure	1				
7	1911506080	· CONDENSER ASSY	1				see page (4/5)
8	1911508410	· HARNESS, wiring	1				
8-1	1911506041	· · RELAY	2				
10	0880465610	· BRACKET	1				
11	1100040820	· BOLT	6				
12	1140020008	· WASHER, spring	6				
13	1141110008	· WASHER	6				
14	1652201008	· BAND	4				
15	1652231250	· BAND	10				
16	1711900071	· CLAMP	1		21308745~	M	
17	1140020010	· WASHER, spring	1			M	
18	1130040010	· NUT	1			M	
	T8e562						

TL130 Book No. BT8Z012 S/N 21300004-
AIR CONDITIONER (3/5) (air conditioner unit)

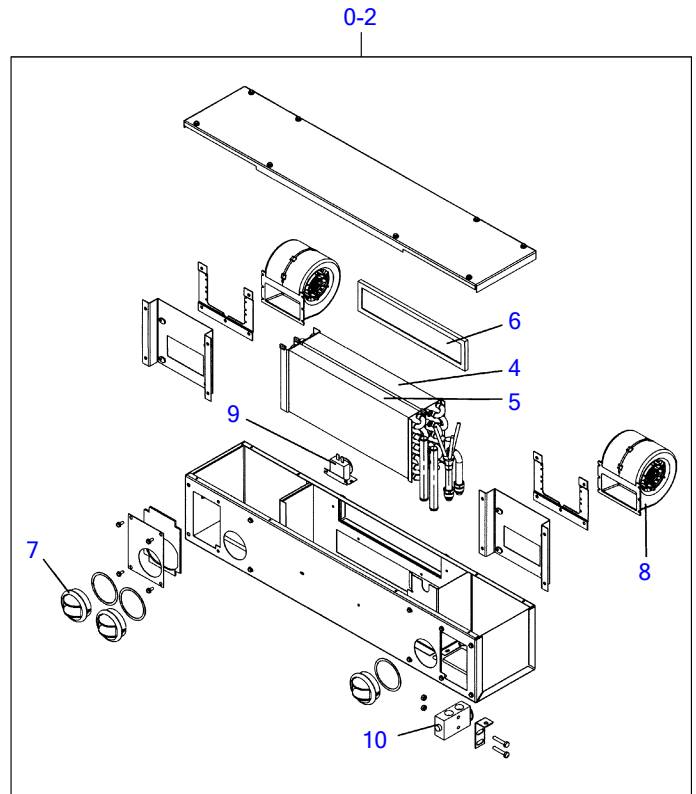
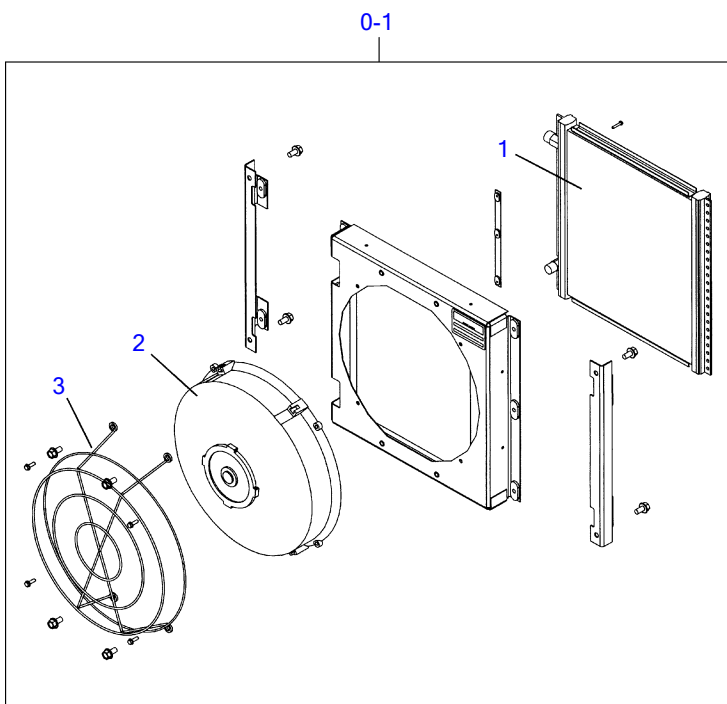


T8E153

S=1/12, 1/25

AIR CONDITIONER (3/5) (air conditioner unit)

Item	Part number	Description	Q'ty	Chan.	Serial No.	Serv.	Remarks
0	880465300	UNIT ASSY, air conditioner	1				X08804-65300-6
1	880465310	• COVER	1				
2	881464320	• COVER	1				
3	881464330	• COVER	1				
4	881464340	• BRACKET	2				
5	881464350	• BRACKET	1				
6	881464360	• BRACKET	1				
7	881464370	• URETHANE	1				
8	881464380	• URETHANE	2				
9	1653916008	• TRIM	1				
10	1911505920	• ADAPTOR, hose	1				
11	1911506090	• UNIT, air conditioner	1				see page (4/5)
12	1911506020	• PANEL ASSY	1				see page (5/5)
13	1911506006	• CABLE, control	1				
14	1911506030	• TUBE ASSY	1				
15	1911506050	• BOX	1				see page (5/5)
16	1911508559	• HOSE	1				
17	1911506060	• LOUVER	1				
18	880465320	• ADAPTOR	1				
19	1653916049	• TRIM	1				sold by the meter
20	1652053600	• GROMMET	1				
21	1653916023	• TRIM	1				sold by the meter
22	1653916043	• TRIM	1				sold by the meter
23	7300010	• CLAMP	1				
24	1911500500	• CLAMP	5				
25	1533700076	• CLAMP	2				
26	1652231250	• BAND	1				
27	1652520008	• GROMMET	4				
28	1150420510	• SCREW	4				
29	1150420610	• SCREW	4				
30	1150420625	• SCREW	1				
31	1100040610	• BOLT	4				
32	1100040830	• BOLT	4				
35	1140020006	• WASHER, spring	5				
38	1141110008	• WASHER	8				
39	1140020008	• WASHER, spring	4				
40	1130040006	• NUT	1				
41	1100040816	• BOLT	4				
42	1654313013	• SPONGE	4				sold by the meter
43	1654306008	• SPONGE	4		21300004~21306254		sold by the meter
44	880465344	• INSULATOR	2				
45	1150420614	• SCREW	12				
	T8e155						

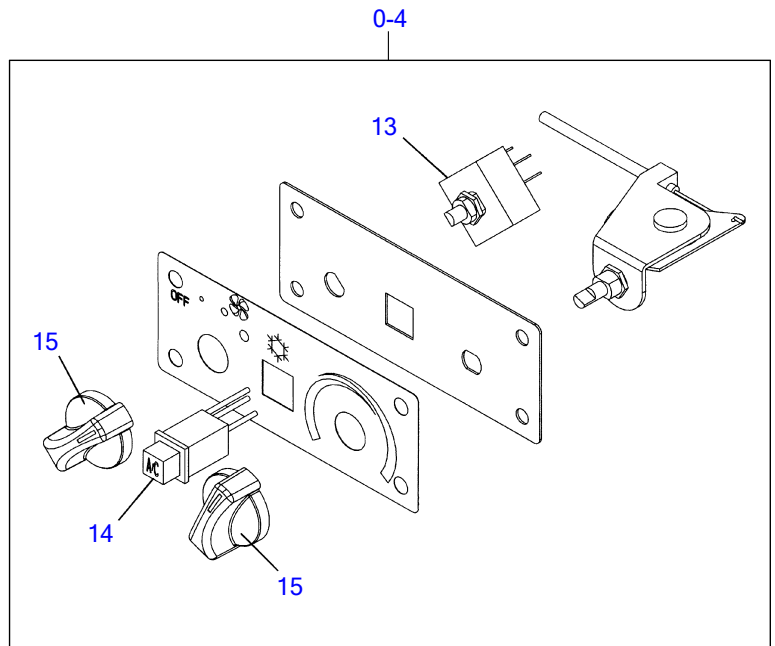
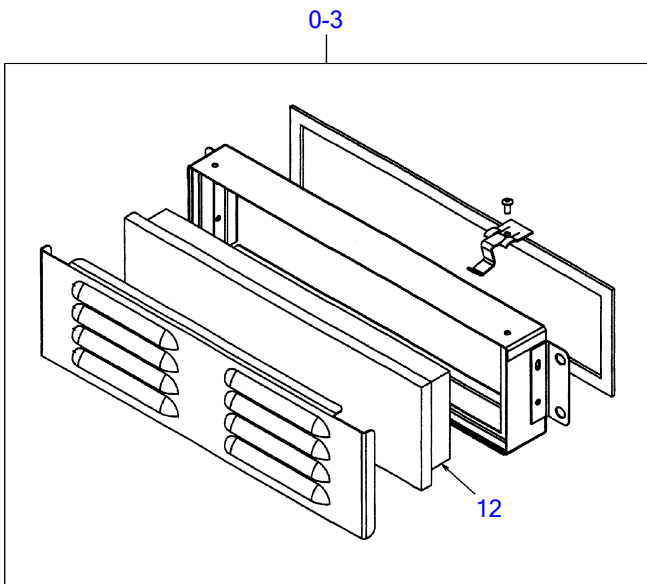


T8E401

S=free

AIR CONDITIONER (4/5)

Item	Part number	Description	Q'ty	Chan.	Serial No.	Serv.	Remarks
0-1	1911506080	CONDENSER ASSY	1				
1	1911505503	▪ CONDENSER	1				
2	1911506083	▪ MOTOR	1				
3	1911505505	▪ GURD	1				
0-2	1911506090	UNIT, air conditioner	1				
4	1911506091	▪ CORE	1				
5	1911506092	▪ CORE	1				
6	1911506095	▪ FILTER	1				
7	1911506012	▪ LOUVER	2				
8	1911506096	▪ MOTOR	2				
9	1911505421	▪ THERMOSTAT	1				
10	1911505422	▪ VALVE	1				
11	1911506089	▪ HARNESS ASSY, wiring	1				not shown
	T8e401						



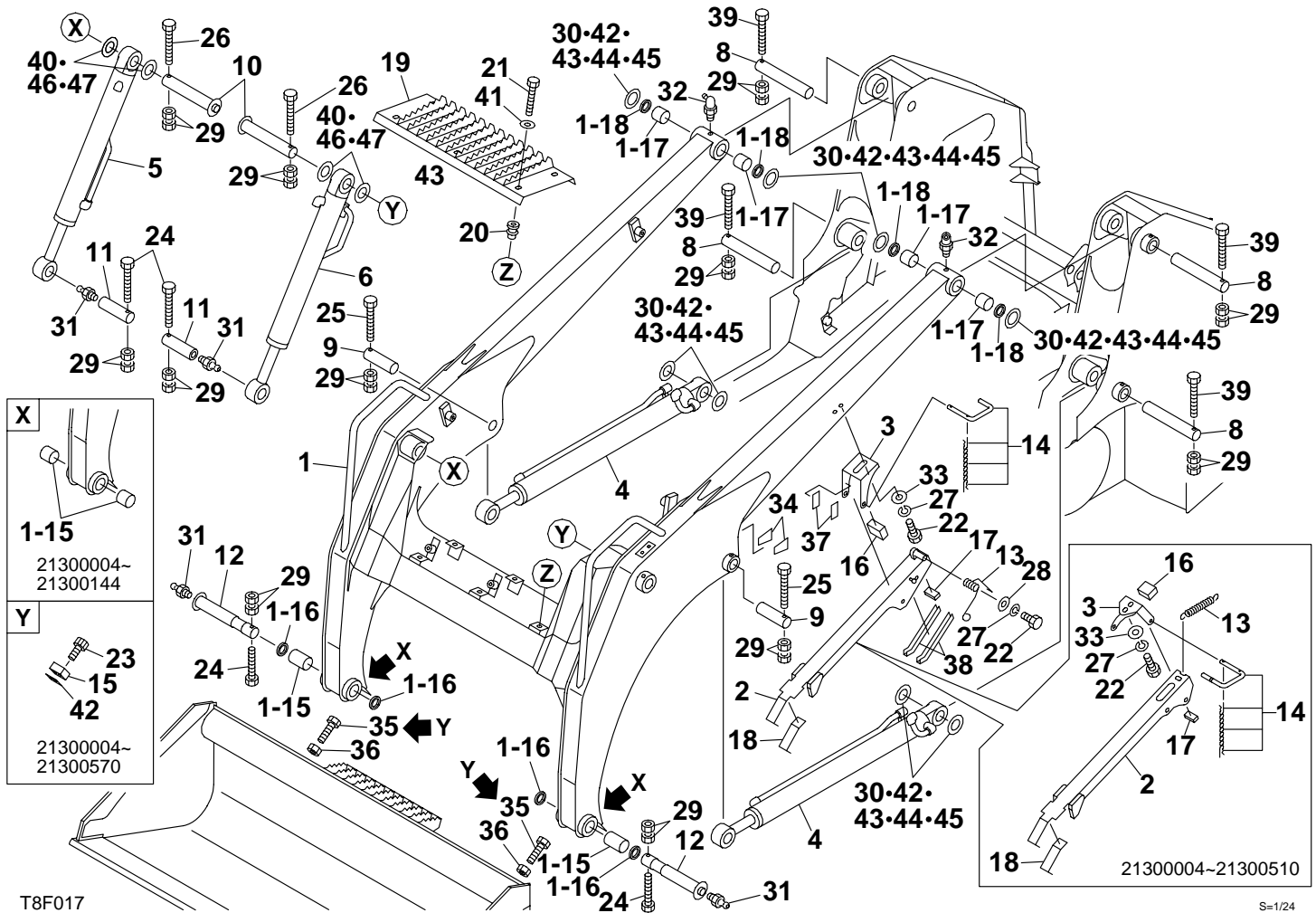
T8E410

S=free

AIR CONDITIONER (5/5)

Item	Part number	Description	Q'ty	Chan.	Serial No.	Serv.	Remarks
0-3	1911506050	BOX	1				
12	1911506052	• FILTER	1				
0-4	1911506020	PANEL ASSY	1				
13	1911506027	• SWITCH	1				
14	1911505767	• SWITCH	1				
15	1911505763	• KNOB	2				
	T8e410						

TL130 Book No. BT8Z012 S/N 21300004-
ARM



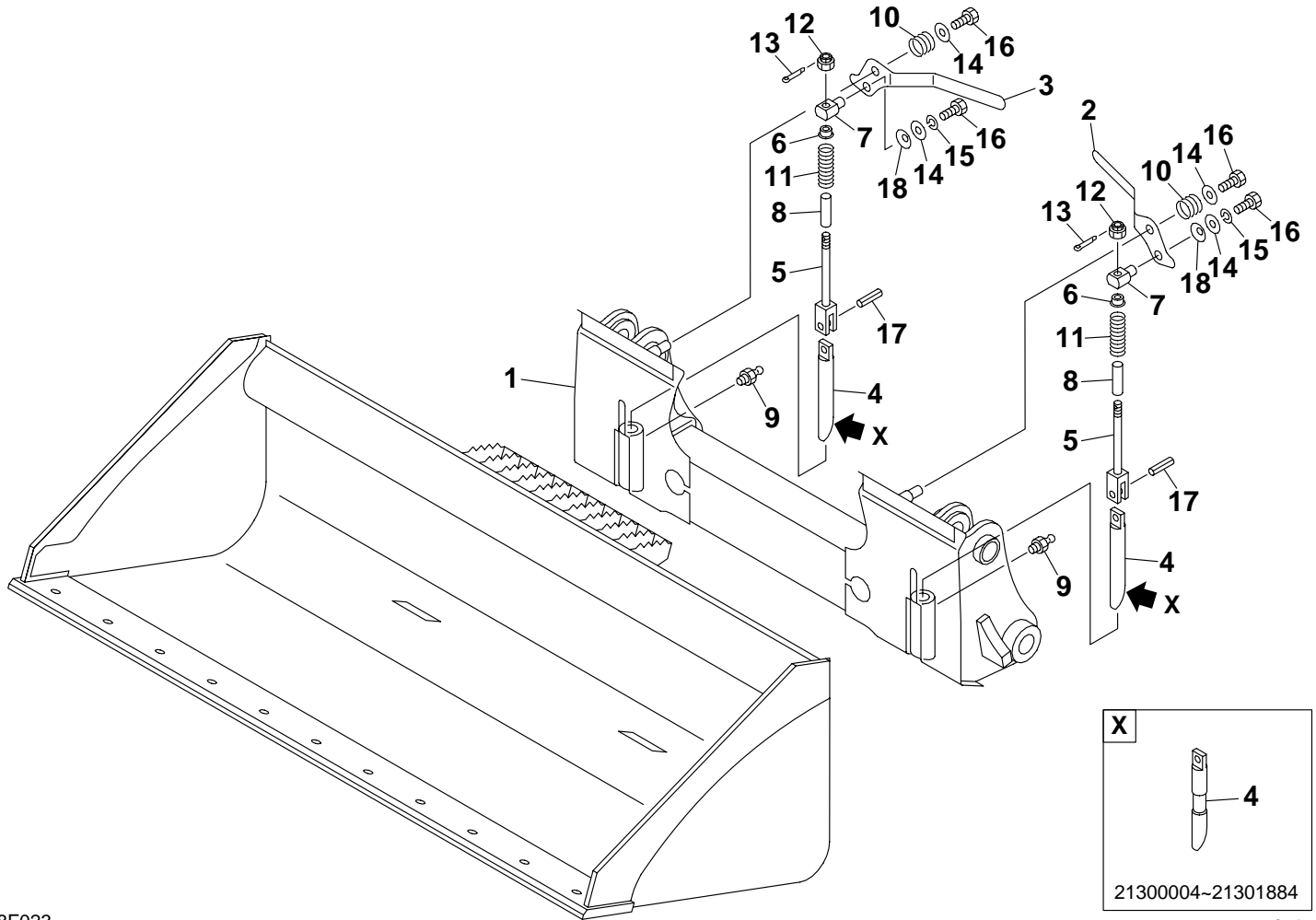
S=1/24

Item	Part number	Description	ARM	Q'ty	Chan.	Serial No.	Serv.	Remarks
		ARM ASSY						X08806-06000-17
1	880606100	ARM		1		21300004~21302046		
	880606150	ARM		1		21302047~		
1-15	2400045	· BUSHING		4	(L)	21300004~21300144		
	2400066	· BUSHING		2	(H)	21300145~		
1-16	1432200035	· SEAL, dust		4				
1-17	2400060	· BUSHING		4				
1-18	1432200040	· SEAL, dust		4				
2	880606500	LOCK		1	A	21300004~21300510		
	880606550	LOCK		1	a(H)	21300511~		
3	880606400	BRACKET		1	A	21300004~21300510		
	881604650	BRACKET		1	a(H)	21300511~		
4	1900081800	CYLINDER, arm		2				
5	1900081300	CYLINDER, bucket (R.H.)		1				
6	1900081400	CYLINDER, bucket (L.H.)		1				
8	11503240	PIN		4				
9	1603125	PIN		2				
10	1090002	PIN		2				
11	1672004	PIN		2				
12	1323506	PIN		2				
13	7000106	SPRING		1	A	21300004~21300510		
	7000114	SPRING		1	a(H)	21300511~		
14	881602700	PIN		1	A	21300004~21300510		
	881604670	PIN		1	a(H)	21300511~		
15	881601015	STOPPER		2				
16	881600016	RUBBER		1	A	21300004~21300510		
	881604580	RUBBER		1	a(H)	21300511~		
17	881602017	RUBBER		1				
18	880606018	RUBBER		1				
19	880606800	STEP		1				
20	1652520008	BAND		6				
21	1100040830	BOLT		6				
22	1100040816	BOLT		3				
23	1110041020	SCREW, cap		4		21300004~21300570		
24	1103041070	BOLT		4				
25	1103041080	BOLT		2				
26	1103041090	BOLT		2				
27	1140020008	WASHER, spring		3				
28	3608252	WASHER		1				
29	1130240010	NUT		24				
30	3600176	SHIM		AR				t=1.0mm
31	1560001000	FITTING, grease		4				
32	1560000321	FITTING, grease		2				
33	1141110008	WASHER		6				
34	880606034	RUBBER		2				
35	881962656	BOLT		2		21300571~		
36	881604035	NUT		2		21300571~		
37	881604036	RUBBER		2	a	21300511~		
38	1654629020	TRIM		2	a	21300511~		
39	1103041095	BOLT		4				
40	3600163	SHIM		AR		21300625~		t=1.0mm
41	3608003	WASHER		6				
42	3600035	SHIM		AR				t=0.2mm
43	3600036	SHIM		AR				t=0.5mm
44	3600188	SHIM		AR				t=3.2mm
45	3600189	SHIM		AR				t=4.5mm
46	3600051	SHIM		AR				t=0.2mm
47	3600052	SHIM		AR				t=0.5mm

<<NOTE>>
SET "A" is interchangeable
with SET "a".

T8f018

TL130 Book No. BT8Z012 S/N 21300004-
QUICK ATTACHMENT

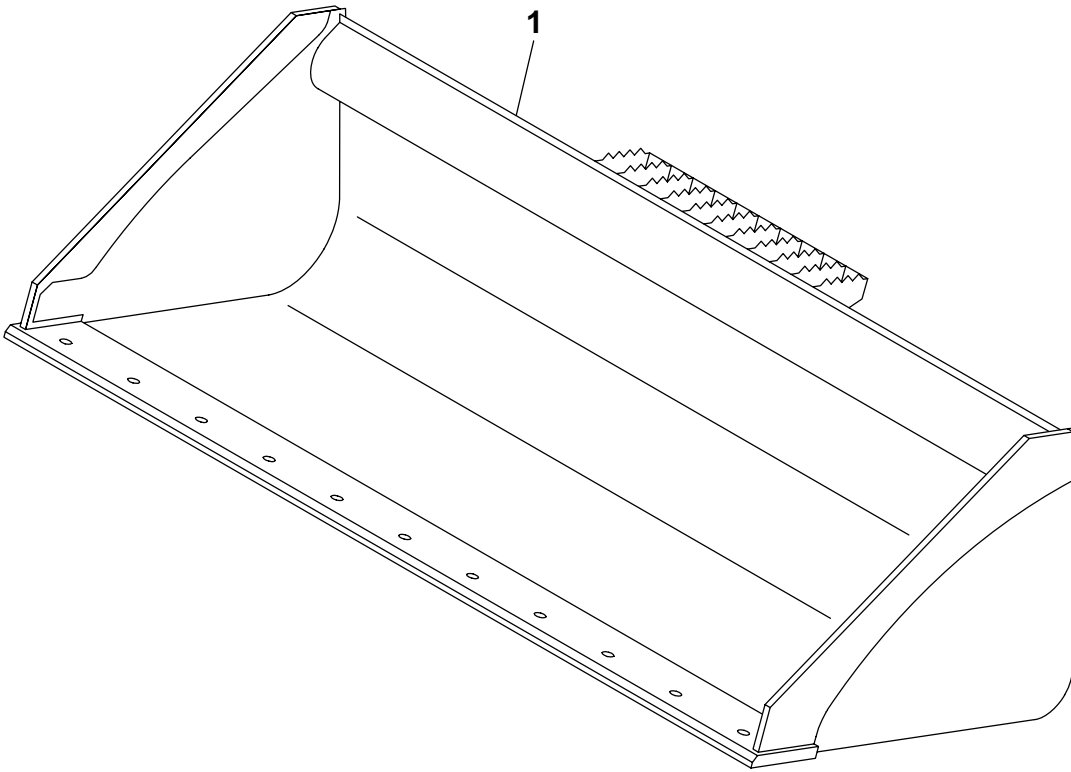


T8F023

S=1/14

QUICK ATTACHMENT

Item	Part number	Description	Q'ty	Chan.	Serial No.	Serv.	Remarks
0	880615000	ATTACHMENT ASSY, quick (for EU)					X08806-15000-8
	880616000	ATTACHMENT ASSY, quick (for US)					X08806-16000-8
1	880615100	• BRACKET	1		21300004~21300570		
	880615700	• BRACKET	1		21300571~		for EU
	880616100	• BRACKET	1		21300571~		for US
2	881612020	• LEVER(L.H.)	1	A	21300004~21300660		
	881612040	• LEVER(L.H.)	1	a(H)	21300661~		
3	881612030	• LEVER(R.H.)	1	A	21300004~21300660		
	881612050	• LEVER(R.H.)	1	a(H)	21300661~		
4	881611040	• PIN	2		21300004~21300570		
	880612040	• PIN	2		21300571~21301884		
	881612150	• PIN	2	(H)	21301885~		
5	880612050	• YOKE	2	A	21300004~21300660		
	881612060	• YOKE	2	a(H)	21300661~		
6	880612060	• WASHER	2	A	21300004~21300660		
	881612070	• WASHER	2	a(H)	21300661~		
7	880612070	• PIN	2				
8	880612080	• PIPE	2		21300004~21301812		
	881612160	• PIPE	2	(H)	21301813~		
9	1560001000	• FITTING, grease	2		21300571~		
10	7000016	• SPRING	2				
11	7000076	• SPRING	2		21300004~21301812		
	7000119	• SPRING	2	(H)	21301813~		
12	1132530012	• NUT	2	A	21300004~21300660		
	1132630012	• NUT	2	a(H)	21300661~		
13	1210013225	• PIN, split	2				
14	3600025	• WASHER	4				
15	1140120010	• WASHER, spring	2				
16	1100041020	• BOLT	4				
17	1213001250	• PIN, spring	2				
18	1225120018	• WASHER, conical	2				M
		<<NOTE>> SET "A" is interchangeable with SET "a".					
	T8f025						

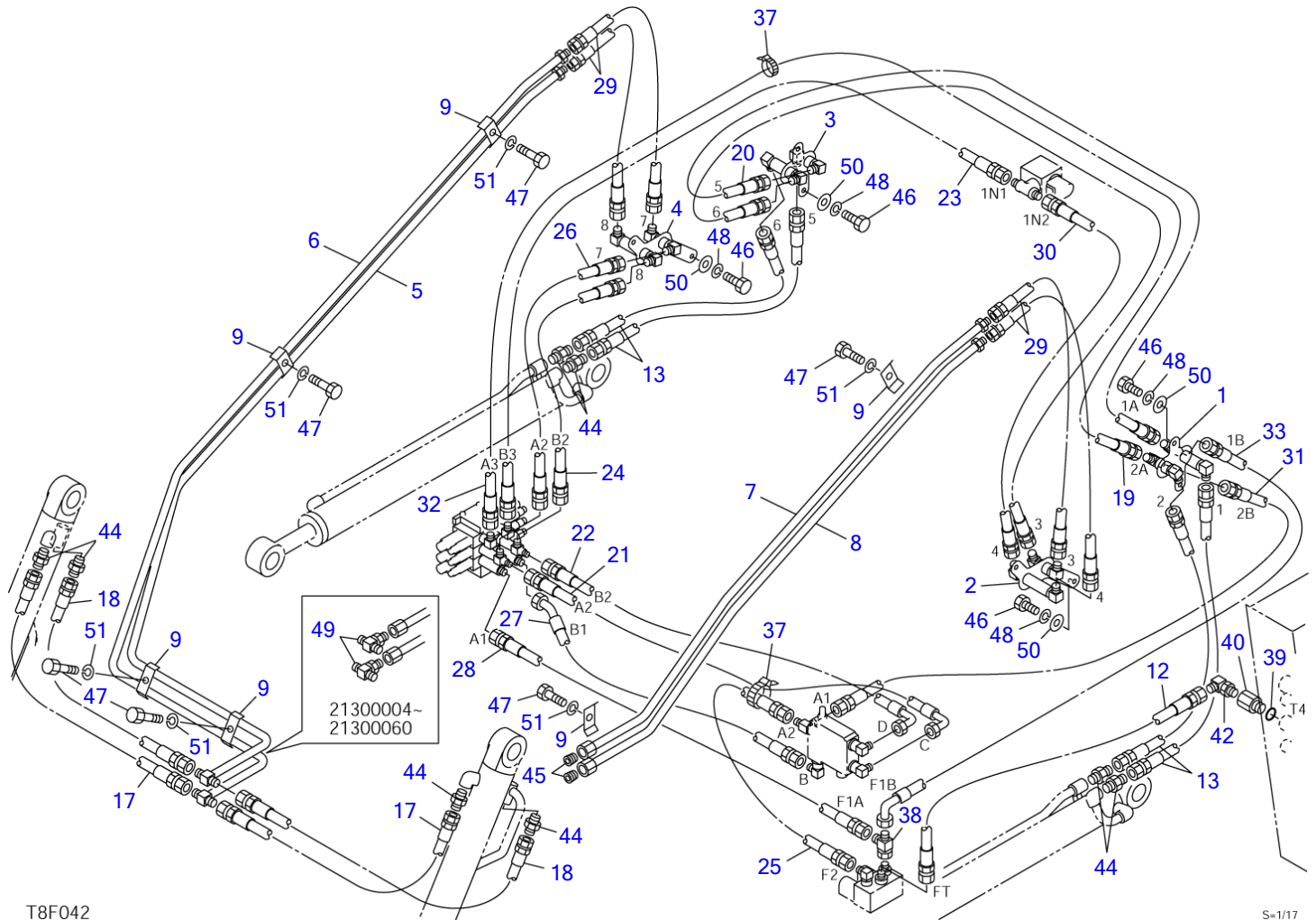


T8F030

S=1/12

Item	Part number	Description	BUCKET			Remarks
			Q'ty	Chan.	Serial No.	
1	880624100 880624600 T8f031	BUCKET ASSY (for EU)				X08806-24000-1
		BUCKET ASSY (for US)				X08806-24500-1
		BUCKET (for EU)	1			
		BUCKET (for US)	1			

TL130 Book No. BT8Z012 S/N 21300004-
PIPING; ARM (21300004-21301932)



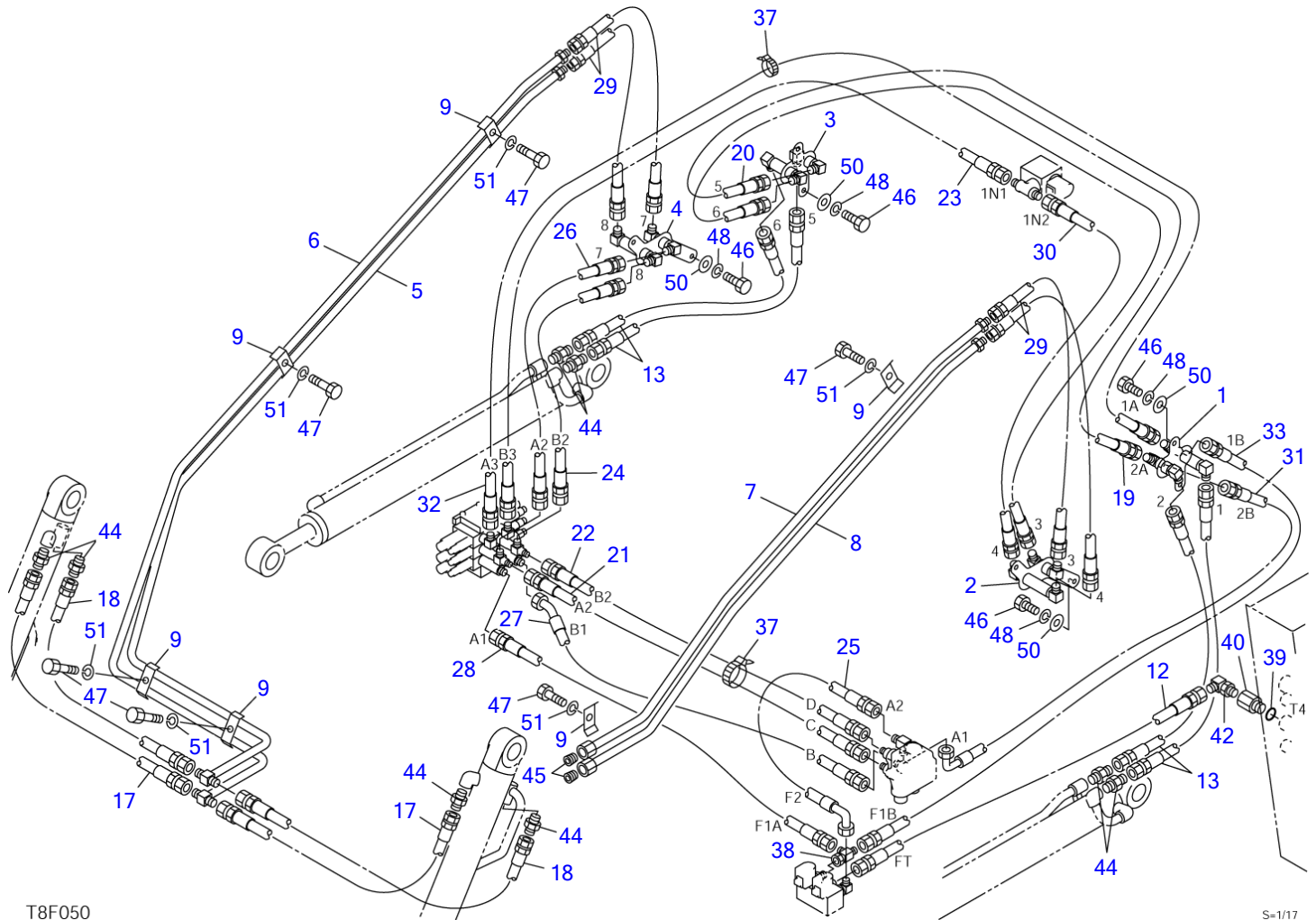
T8F042

S=1/17

PIPING; ARM (21300004-21301932)

Item	Part number	Description	Q'ty	Chan.	Serial No.	Serv.	Remarks
		PIPING ASSY					X08807-37000-6
1	0880737100	BRACKET(L.H.)	1				
2	0880737110	BRACKET(L.H.)	1				
3	0880737120	BRACKET(R.H.)	1				
4	0880737130	BRACKET(R.H.)	1				
5	0880736050	PIPE	1				
6	0880736060	PIPE	1				
7	0880736070	PIPE	1				
8	0880736080	PIPE	1				
9	0880736090	CLAMP	6				
12	0880737190	HOSE ASSY	1				18010-24076
13	1801520050	HOSE ASSY	4				
17	0880737170	HOSE ASSY	2				18015-20060
18	0880737180	HOSE ASSY	2				18015-20064
19	0880737200	HOSE ASSY	1				18015-20118
20	0880737210	HOSE ASSY	1				18015-20118
21	0880737220	HOSE ASSY	1				18015-21074
22	0880737230	HOSE ASSY	1				18015-21074
23	0880737240	HOSE ASSY	1				18015-40041
24	0880737250	HOSE ASSY	1				18015-40044
25	0880737260	HOSE ASSY	1				18015-40050
26	0880737270	HOSE ASSY	1				18015-40056
27	0880737280	HOSE ASSY	1				18015-47058
28	0880737290	HOSE ASSY	1				18015-40062
29	0880737500	HOSE ASSY	4				18015-40068
30	0880737300	HOSE ASSY	1				18015-40064
31	0880737310	HOSE ASSY	1				18015-40082
32	0880737320	HOSE ASSY	1				18015-40114
33	0880737330	HOSE ASSY	1				18015-41078
37	1652200004	BAND	2				
38	1513390034	TEE	1				
39	1420010180	O-RING	1				
40	0007213011	BUSHING	1				
42	1515010042	ELBOW	1				
	1420010180	• O-RING	1				
44	1515600201	ADAPTOR	8				
	1420010140	• O-RING	1				
45	1501830004	PLUG	2				
46	1100040816	BOLT	8				
47	1100041025	BOLT	6				
48	1140020008	WASHER, spring	8				
49	1512374014	TEE	2		21300004~21300060		
	1420010180	• O-RING	1				
50	1141110008	WASHER	8				
51	1140020010	WASHER, spring	6				
	T8f043						

TL130 Book No. BT8Z012 S/N 21300004-
PIPING; ARM (21301933-21302046)



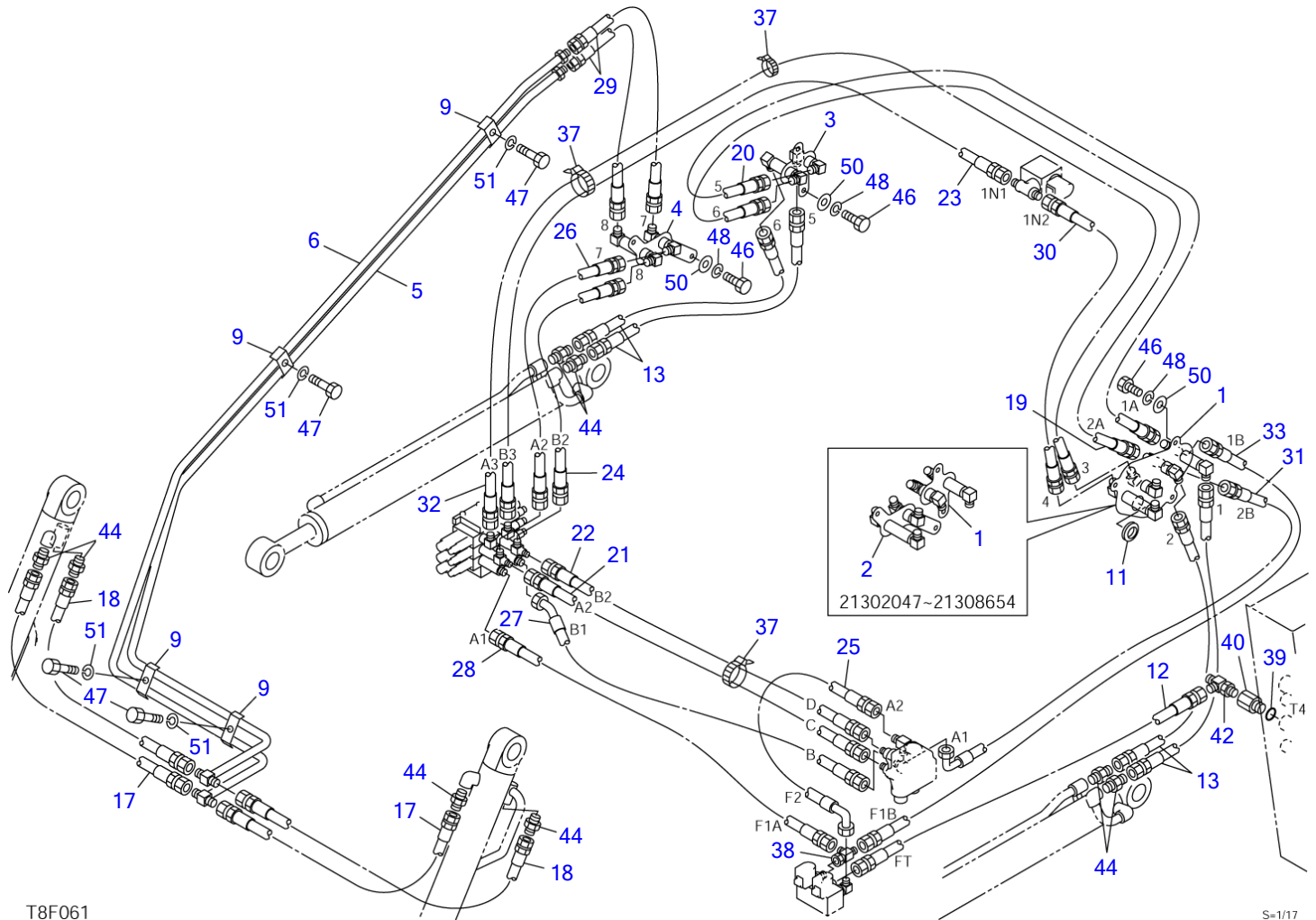
S=1/17

PIPING; ARM (21301933-21302046)

Item	Part number	Description	Q'ty	Chan.	Serial No.	Serv.	Remarks
		PIPING ASSY					X08807-38000-0
1	0880737100	BRACKET(L.H.)	1				
2	0880737110	BRACKET(L.H.)	1				
3	0880737120	BRACKET(R.H.)	1				
4	0880737130	BRACKET(R.H.)	1				
5	0880736050	PIPE	1				
6	0880736060	PIPE	1				
7	0880736070	PIPE	1				
8	0880736080	PIPE	1				
9	0880736090	CLAMP	6				
12	0880737190	HOSE ASSY	1				18010-24076
13	1801520050	HOSE ASSY	4				
17	0880737170	HOSE ASSY	2				18015-20060
18	0880737180	HOSE ASSY	2				18015-20064
19	0880737200	HOSE ASSY	1				18015-20118
20	0880737210	HOSE ASSY	1				18015-20118
21	0880738010	HOSE ASSY	1				18015-21061
22	0880738020	HOSE ASSY	1				18015-21062
23	0880737240	HOSE ASSY	1				18015-40041
24	0880737250	HOSE ASSY	1				18015-40044
25	0880738030	HOSE ASSY	1				18015-41048
26	0880737270	HOSE ASSY	1				18015-40056
27	0880738040	HOSE ASSY	1				18015-47065
28	0880738050	HOSE ASSY	1				18015-40065
29	0880737500	HOSE ASSY	4				18015-40068
30	0880737300	HOSE ASSY	1				18015-40064
31	0880738060	HOSE ASSY	1				18015-41077
32	0880737320	HOSE ASSY	1				18015-40118
33	0880738070	HOSE ASSY	1				18015-40083
37	1652200004	BAND	2				
38	1513390034	TEE	1				
39	1420010180	O-RING	1				
40	0007213011	BUSHING	1				
42	1515010042	ELBOW	1				
	1420010180	• O-RING	1				
44	1515600201	ADAPTOR	8				
	1420010140	• O-RING	1				
45	1501830004	PLUG	2				
46	1100040816	BOLT	8				
47	1100041025	BOLT	6				
48	1140020008	WASHER, spring	8				
50	1141110008	WASHER	8				
51	1140020010	WASHER, spring	6				

T8f051

TL130 Book No. BT8Z012 S/N 21300004-
PIPING; ARM (1/2) (21302047-)



T8F061

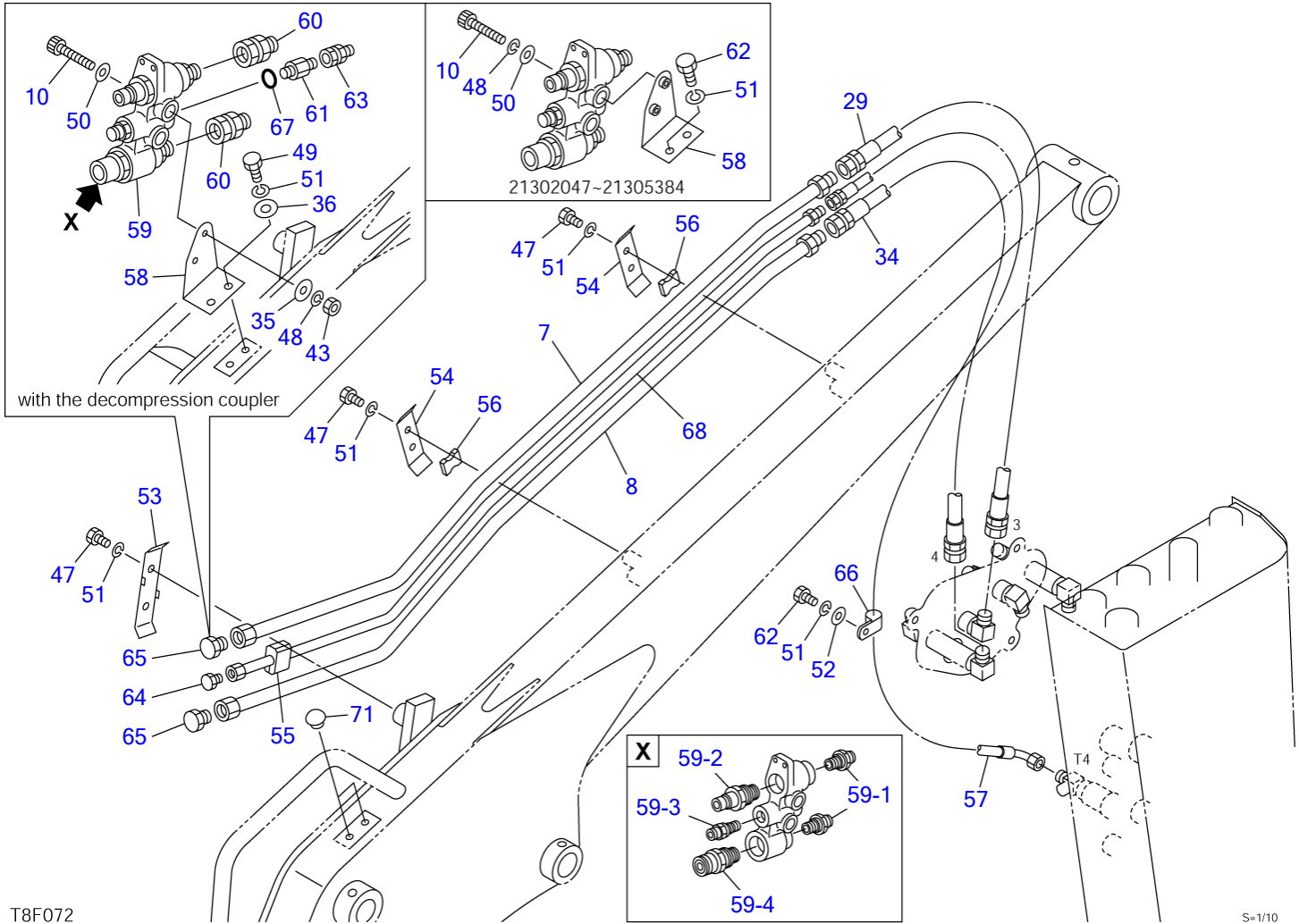
S=1/17

PIPING; ARM (1/2) (21302047-)

Item	Part number	Description	Q'ty	Chan.	Serial No.	Serv.	Remarks
		PIPING ASSY					X08807-38000-9
		PIPING ASSY (with coupler)					X08807-38500-9
1	0880737100	BRACKET(L.H.)	1		21302047~21308654		
	0880737950	BRACKET(L.H.)	1		21308655~		
2	0880737110	BRACKET(L.H.)	1		21302047~21308654		
3	0880737120	BRACKET(R.H.)	1				
4	0880737130	BRACKET(R.H.)	1				
5	0880736050	PIPE	1				
6	0880736060	PIPE	1				
9	0880736090	CLAMP	4				
11	1652061035	BUSHING	1		21308655~		
12	0880737190	HOSE ASSY	1				18010-24076
13	1801520050	HOSE ASSY	4				
17	0880737170	HOSE ASSY	2				18015-20060
18	0880737180	HOSE ASSY	2				18015-20064
19	0880737200	HOSE ASSY	1				18015-20200
20	0880737210	HOSE ASSY	1				18015-20200
21	0880738010	HOSE ASSY	1				18015-21061
22	0880738020	HOSE ASSY	1				18015-21062
23	0880737240	HOSE ASSY	1				18015-40041
24	0880737250	HOSE ASSY	1				18015-40044
25	0880738030	HOSE ASSY	1				18015-41048
26	0880737270	HOSE ASSY	1				18015-40056
27	0880738040	HOSE ASSY	1				18015-47065
28	0880738050	HOSE ASSY	1				18015-40060
29	0880737500	HOSE ASSY	2				18015-40068
30	0880737300	HOSE ASSY	1				18015-40064
31	0880738060	HOSE ASSY	1				18015-41077
32	0880737320	HOSE ASSY	1				18017-40118
33	0880738070	HOSE ASSY	1				18015-40083
37	1652231250	BAND	3				
38	1513390034	TEE	1				
39	1420010180	O-RING	1				
40	0007213011	BUSHING	1				
42	1512373010	TEE	1				
	1420010180	· O-RING	1				
44	1515600201	ADAPTOR	8				
	1420010140	· O-RING	1				
46	1100040816	BOLT	7				
47	1100041025	BOLT	4				
48	1140020008	WASHER, spring	7				
50	1141110008	WASHER	7				
51	1140020010	WASHER, spring	4				

T8f063

TL130 Book No. BT8Z012 S/N 21300004-
PIPING; ARM (2/2) (21302047-)

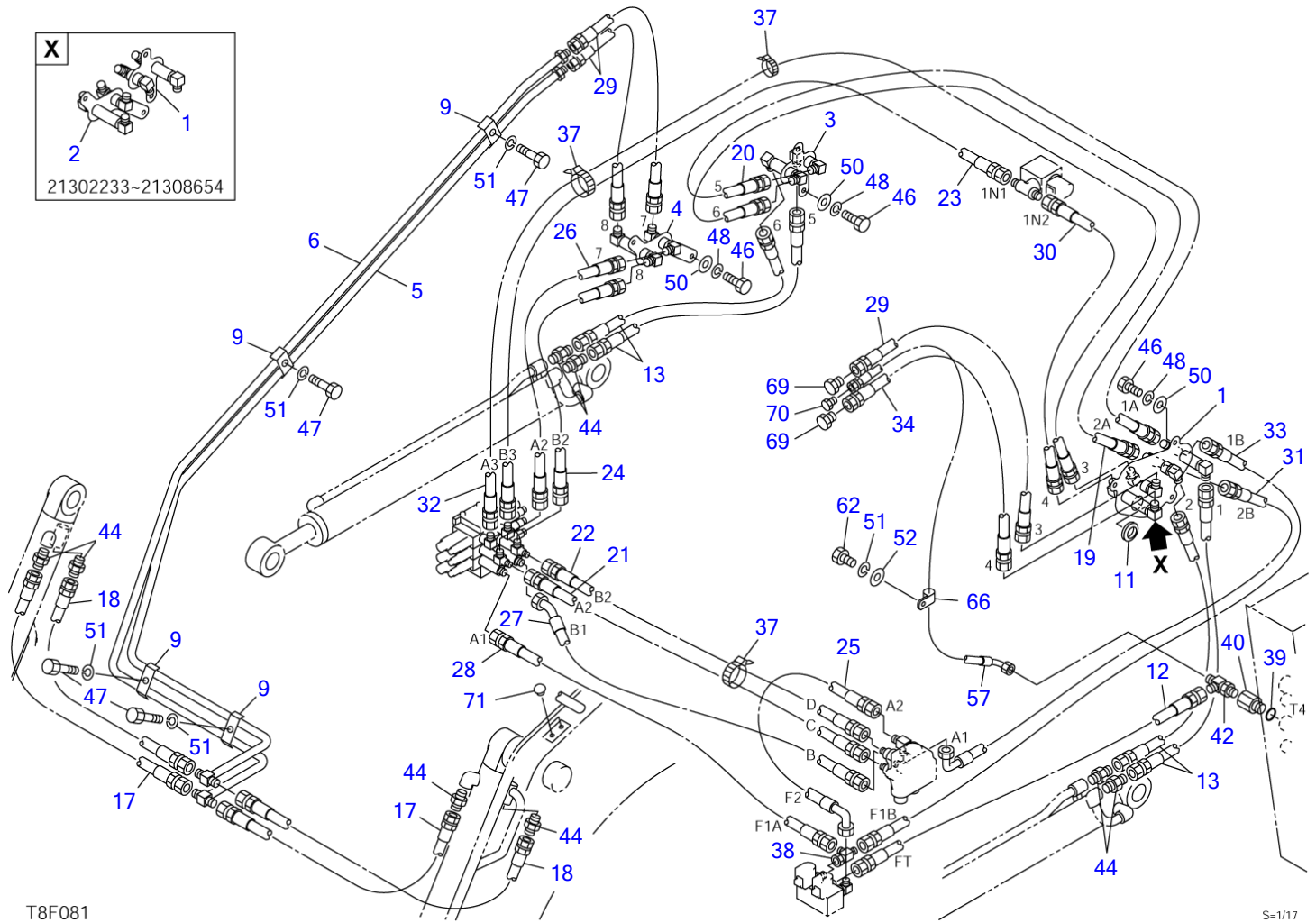


PIPING; ARM (2/2) (21302047-)

Item	Part number	Description	Q'ty	Chan.	Serial No.	Serv.	Remarks
		PIPING ASSY					X08807-38000-9
		PIPING ASSY (with coupler)					X08807-38500-9
7	0880738110	PIPE	1				
8	0880738120	PIPE	1				
10	1110040865	SCREW, cap	2				with coupler
29	0880737500	HOSE ASSY	1				18015-40068
34	0880738080	HOSE ASSY	1				18015-40070
35	0003608252	WASHER	2	a	21305385~		with coupler
36	0003600020	WASHER	2	a	21305385~		with coupler
43	1130040008	NUT	2	a	21305385~		with coupler
47	1100041025	BOLT	6				
48	1140020008	WASHER, spring	2				with coupler
49	1100041020	BOLT	12	a	21305385~		with coupler
50	1141110008	WASHER	2				with coupler
51	1140020010	WASHER, spring	7				without coupler
	1140020010	WASHER, spring	9				with coupler
52	1141110010	WASHER	1				
53	0881733550	CLAMP	1				
54	0880738130	CLAMP	2				
55	0880738140	RUBBER	1				
56	0880738150	RUBBER	2				
57	0880738090	HOSE ASSY	1				18010-53125
58	0880738160	BRACKET	1	A, a			with coupler
59	1901747000	COUPLER, block	1				with coupler
59-1	1901747001	· ADAPTOR	2				with coupler
59-2	1901747002	· ADAPTOR	1				with coupler
59-3	1901747003	· ADAPTOR	1				with coupler
59-4	1901747004	· ADAPTOR	1				with coupler
60	0007236045	ADAPTOR	2				with coupler
61	0007203017	NIPPLE	1				with coupler
	1420310906	· O-RING	1				
62	1100041016	BOLT	1				
63	1511410003	ADAPTOR	1				with coupler
	1420010140	· O-RING	1				
64	1501750003	PLUG	1				without coupler
	1420010140	· O-RING	1				
65	1501750004	PLUG	2				without coupler
	1420010180	· O-RING	1				
66	1711900071	CLAMP	1				
67	1420310906	O-RING	1				with coupler
68	0880738100	PIPE	1				
71	1652533018	CAP	2				without coupler

T8f073

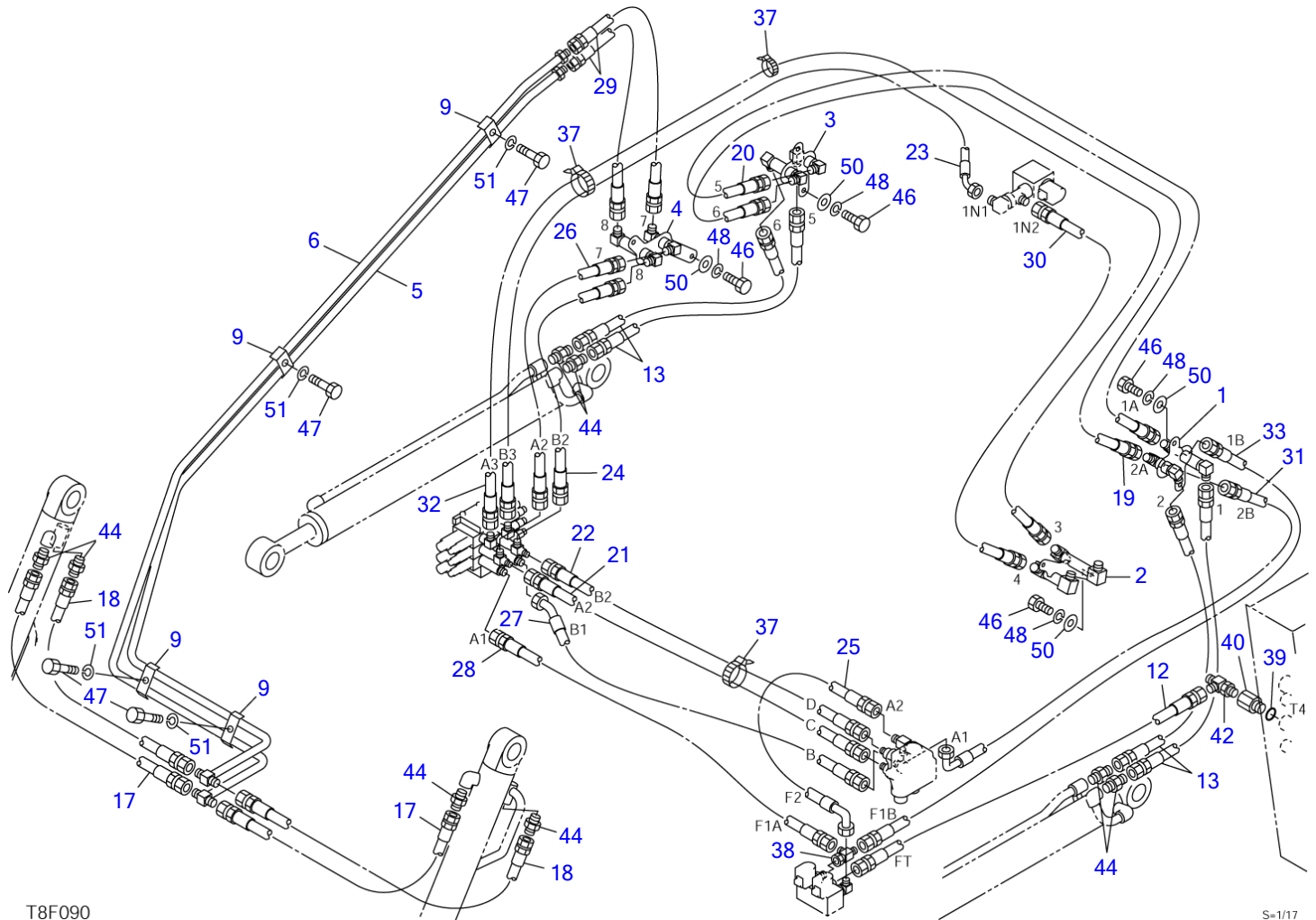
TL130 Book No. BT8Z012 S/N 21300004-
PIPING; ARM (for GEHL & MUSTANG; 21302233-)



PIPING; ARM (for GEHL & MUSTANG; 21302233-)							
Item	Part number	Description	Q'ty	Chan.	Serial No.	Serv.	Remarks
		PIPING ASSY					X08807-38700-9
1	0880737100	BRACKET(L.H.)	1		21302233~21308654		
	0880737950	BRACKET(L.H.)	1		21308655~		
2	0880737110	BRACKET(L.H.)	1		21302233~21308654		
3	0880737120	BRACKET(R.H.)	1				
4	0880737130	BRACKET(R.H.)	1				
5	0880736050	PIPE	1				
6	0880736060	PIPE	1				
9	0880736090	CLAMP	4				
11	1652061035	BUSHING	1		21308655~		
12	0880737190	HOSE ASSY	1				18010-24076
13	1801520050	HOSE ASSY	4				
17	0880737170	HOSE ASSY	2				18015-20060
18	0880737180	HOSE ASSY	2				18015-20064
19	0880737200	HOSE ASSY	1				18015-20200
20	0880737210	HOSE ASSY	1				18015-20200
21	0880738010	HOSE ASSY	1				18015-21061
22	0880738020	HOSE ASSY	1				18015-21062
23	0880737240	HOSE ASSY	1				18015-40041
24	0880737250	HOSE ASSY	1				18015-40044
25	0880738030	HOSE ASSY	1				18015-41048
26	0880737270	HOSE ASSY	1				18015-40056
27	0880738040	HOSE ASSY	1				18015-47065
28	0880738050	HOSE ASSY	1				18015-40060
29	0880737500	HOSE ASSY	3				18015-40068
30	0880737300	HOSE ASSY	1				18015-40064
31	0880738060	HOSE ASSY	1				18015-41077
32	0880737320	HOSE ASSY	1				18017-40118
33	0880738070	HOSE ASSY	1				18015-40083
34	0880738080	HOSE ASSY	1				18015-40070
37	1652231250	BAND	3				
38	1513390034	TEE	1				
39	1420010180	O-RING	1				
40	0007213011	BUSHING	1				
42	1512373010	TEE	1				
	1420010180	· O-RING	1				
44	1515600201	ADAPTOR	8				
	1420010140	· O-RING	1				
46	1100040816	BOLT	7				
47	1100041025	BOLT	4				
48	1140020008	WASHER, spring	7				
50	1141110008	WASHER	7				
51	1140020010	WASHER, spring	5				
52	1141110010	WASHER	1				
57	0880738090	HOSE ASSY	1				18010-53125
62	1100041016	BOLT	1				
66	1711900071	CLAMP	1				
69	1513940004	PLUG	2				
70	1513940003	PLUG	1				
71	1652533018	CAP	2				

T8f083

TL130 Book No. BT8Z012 S/N 21300004-
PIPING; ARM (1/2) (high flow; 21306717-)



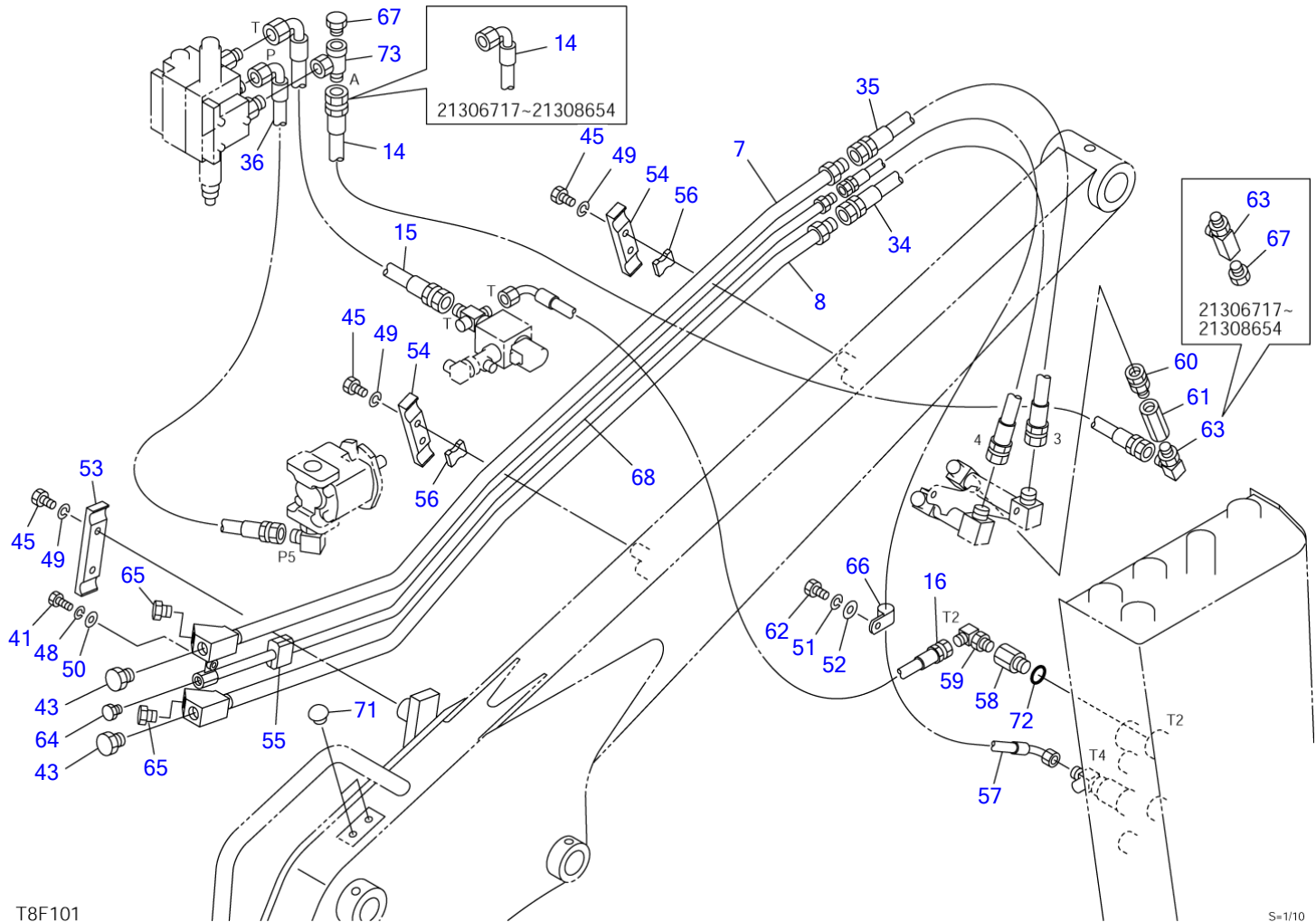
T8F090

S=1/17

PIPING; ARM (1/2) (high flow; 21306717-)

Item	Part number	Description	Q'ty	Chan.	Serial No.	Serv.	Remarks
		PIPING ASSY					X08807-39000-1
1	0880737100	BRACKET(L.H.)	1				
2	0880735050	BRACKET(L.H.)	1				
3	0880737120	BRACKET(R.H.)	1				
4	0880737130	BRACKET(R.H.)	1				
5	0880736050	PIPE	1				
6	0880736060	PIPE	1				
9	0880736090	CLAMP	4				
12	0880737190	HOSE ASSY	1				18010-24076
13	1801520050	HOSE ASSY	4				
17	0880737170	HOSE ASSY	2				18015-20060
18	0880737180	HOSE ASSY	2				18015-20064
19	0880737200	HOSE ASSY	1				18015-20200
20	0880737210	HOSE ASSY	1				18015-20200
21	0880738010	HOSE ASSY	1				18015-21061
22	0880738020	HOSE ASSY	1				18015-21062
23	0880739230	HOSE ASSY	1				18015-47044
24	0880737250	HOSE ASSY	1				18015-40044
25	0880738030	HOSE ASSY	1				18015-41048
26	0880737270	HOSE ASSY	1				18015-40056
27	0880738040	HOSE ASSY	1				18015-47065
28	0880738050	HOSE ASSY	1				18015-40060
29	0880737500	HOSE ASSY	2				18015-40068
30	0880739300	HOSE ASSY	1				18015-50075
31	0880738060	HOSE ASSY	1				18015-41077
32	0880737320	HOSE ASSY	1				18017-40119
33	0880738070	HOSE ASSY	1				18015-40083
37	1652231250	BAND	3				
38	1513390034	TEE	1				
39	1420010180	O-RING	1				
40	0007213011	BUSHING	1				
42	1512373010	TEE	1				
	1420010180	• O-RING	1				
44	1515600201	ADAPTOR	8				
	1420010140	• O-RING	1				
46	1100040816	BOLT	8				
47	1100041025	BOLT	4				
48	1140020008	WASHER, spring	8				
50	1141110008	WASHER	8				
51	1140020010	WASHER, spring	4				
	T8f091						

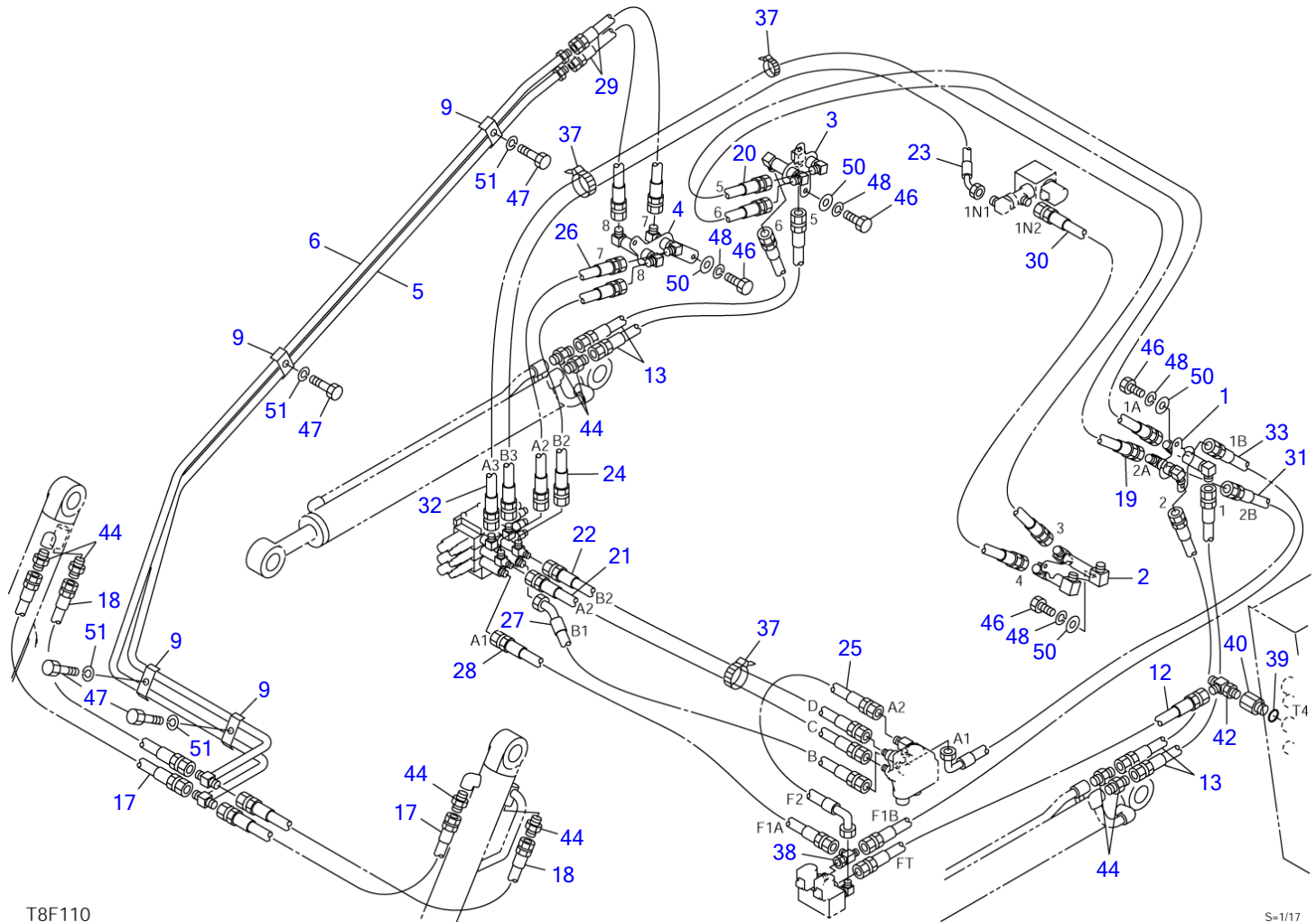
TL130 Book No. BT8Z012 S/N 21300004-
PIPING; ARM (2/2) (high flow; 21306717-)



PIPING; ARM (2/2) (high flow; 21306717-)

Item	Part number	Description	Q'ty	Chan.	Serial No.	Serv.	Remarks
		PIPING ASSY					X08807-39000-1
7	0880739070	PIPE	1				
8	0880737910	PIPE	1				
14	0880735150	HOSE ASSY	1		21306717~21308654		18017-71190
	0880739140	HOSE ASSY	1		21308655~		18017-70184
15	0880735170	HOSE ASSY	1				
16	0881735510	HOSE ASSY	1				
34	0880737930	HOSE ASSY	1				18015-30072
35	0880737940	HOSE ASSY	1				18015-30072
36	0881735490	HOSE ASSY	1				
41	1100040820	BOLT	1				
43	1501750006	PLUG	2				
	1420010240	• O-RING	1				
45	1110041025	BOLT	6				
48	1140020008	WASHER, spring	1				
49	1140420010	WASHER, spring	6				
50	1141110008	WASHER	1				
51	1140020010	WASHER, spring	1				
52	1141110010	WASHER	1				
53	0882733390	CLAMP	1				
54	0882733400	CLAMP	2				
55	0880738140	RUBBER	1				
56	0880738150	RUBBER	2				
57	0880738090	HOSE ASSY	1				18010-53125
58	0007213006	BUSHING	1				
59	1515010052	ELBOW	1				
	1420010140	• O-RING	1				
60	0007236041	ADAPTOR	1				
	1420010180	• O-RING	1				
61	1901743200	VALVE,check	1				
62	1100041016	BOLT	1				
63	1512340004	ELBOW	1		21306717~21308654		
	1515010042	ELBOW	1		21308655~		
	1420010180	• O-RING	1				
64	1501750003	PLUG	1				
	1420010140	• O-RING	1				
65	1501750004	PLUG	2				
	1420010180	• O-RING	1				
66	1711900071	CLAMP	1				
67	1501750002	PLUG	1				
	1420010110	• O-RING	1				
68	0880737920	PIPE	1				
71	1652533018	CAP	2				
72	1420010240	O-RING	1				
73	1513390044	TEE	1		21308655~		
	T8f101						

TL130 Book No. BT8Z012 S/N 21300004-
PIPING; ARM (1/2) (high flow, for GEHL & MUSTANG; 21306717-)



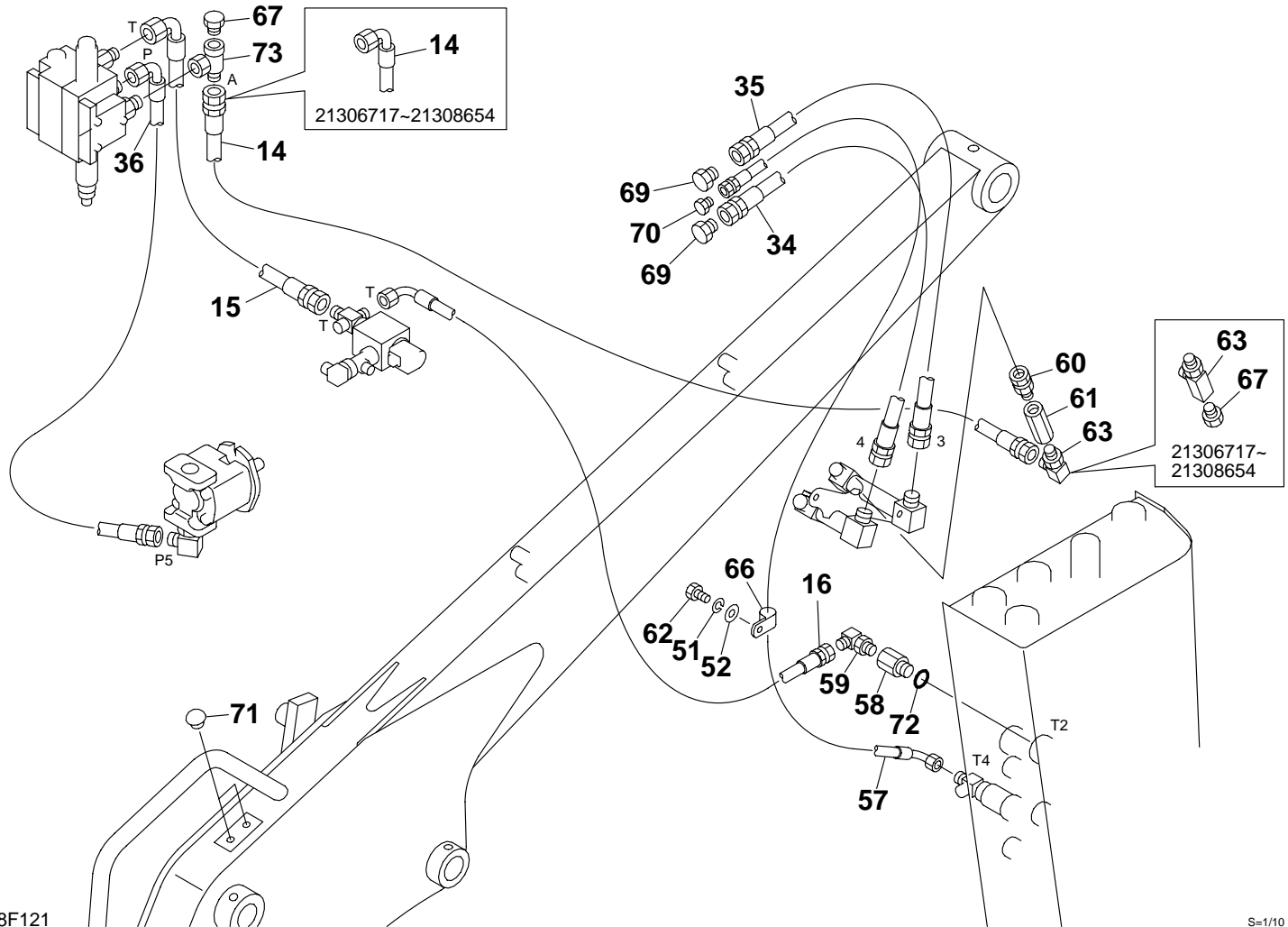
T8F110

S=1/17

PIPING; ARM (1/2) (high flow, for GEHL & MUSTANG; 21306717-)

Item	Part number	Description	Q'ty	Chan.	Serial No.	Serv.	Remarks
		PIPING ASSY					X08807-39500-1
1	0880737100	BRACKET(L.H.)	1				
2	0880735050	BRACKET(L.H.)	1				
3	0880737120	BRACKET(R.H.)	1				
4	0880737130	BRACKET(R.H.)	1				
5	0880736050	PIPE	1				
6	0880736060	PIPE	1				
9	0880736090	CLAMP	4				
12	0880737190	HOSE ASSY	1				18010-24076
13	1801520050	HOSE ASSY	4				
17	0880737170	HOSE ASSY	2				18015-20060
18	0880737180	HOSE ASSY	2				18015-20064
19	0880737200	HOSE ASSY	1				18015-20200
20	0880737210	HOSE ASSY	1				18015-20200
21	0880738010	HOSE ASSY	1				18015-21061
22	0880738020	HOSE ASSY	1				18015-21062
23	0880739230	HOSE ASSY	1				18015-47044
24	0880737250	HOSE ASSY	1				18015-40044
25	0880738030	HOSE ASSY	1				18015-41048
26	0880737270	HOSE ASSY	1				18015-40056
27	0880738040	HOSE ASSY	1				18015-47065
28	0880738050	HOSE ASSY	1				18015-40060
29	0880737500	HOSE ASSY	2				18015-40068
30	0880739300	HOSE ASSY	1				18015-50075
31	0880738060	HOSE ASSY	1				18015-41077
32	0880737320	HOSE ASSY	1				18017-40119
33	0880738070	HOSE ASSY	1				18015-40083
37	1652231250	BAND	3				
38	1513390034	TEE	1				
39	1420010180	O-RING	1				
40	0007213011	BUSHING	1				
42	1512373010	TEE	1				
	1420010180	• O-RING	1				
44	1515600201	ADAPTOR	8				
	1420010140	• O-RING	1				
46	1100040816	BOLT	8				
47	1100041025	BOLT	4				
48	1140020008	WASHER, spring	8				
50	1141110008	WASHER	8				
51	1140020010	WASHER, spring	4				
	T8f111						

TL130 Book No. BT8Z012 S/N 21300004-
PIPING; ARM (2/2) (high flow, for GEHL & MUSTANG; 21306717-)



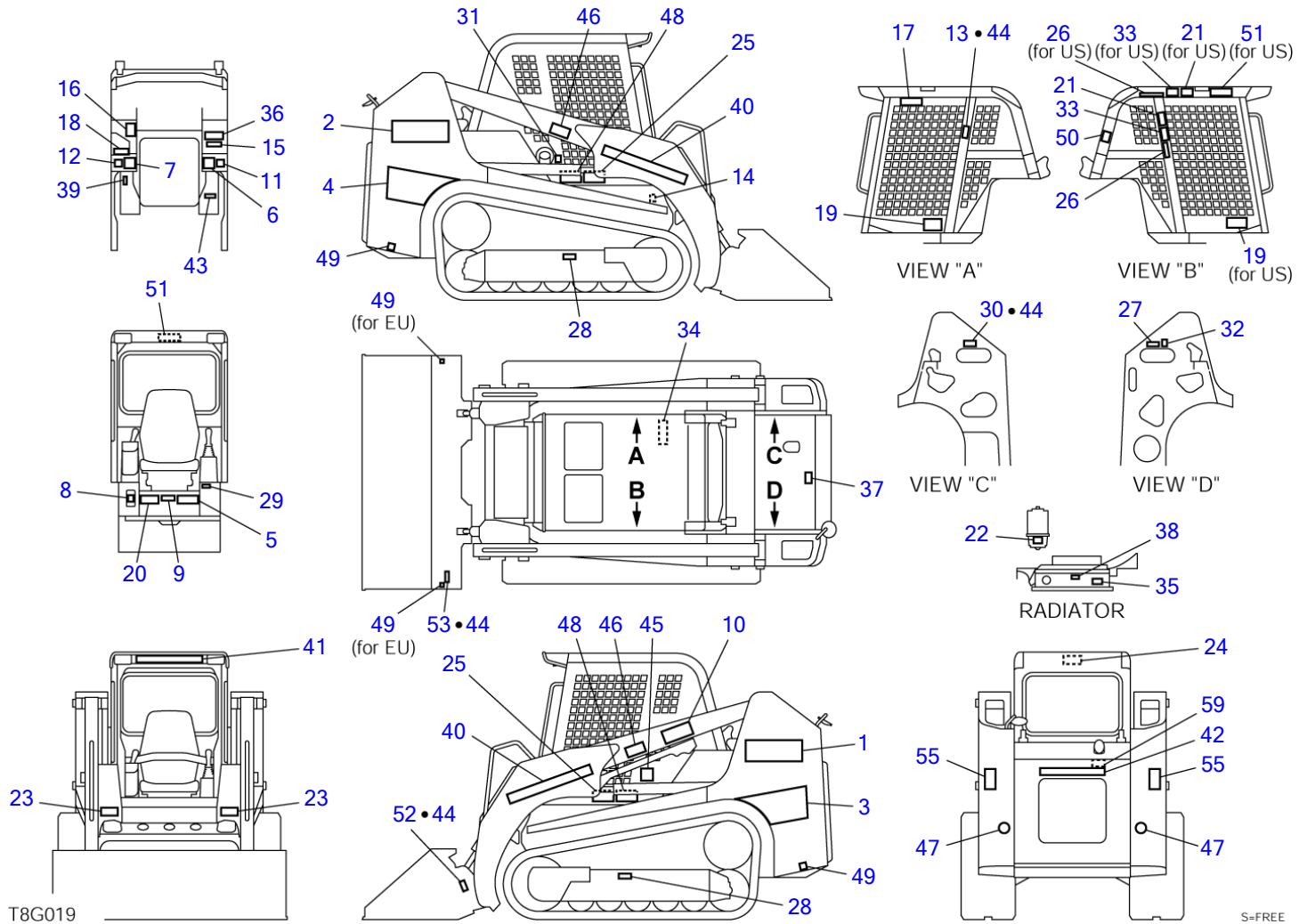
T8F121

S-1/10

PIPING; ARM (2/2) (high flow, for GEHL & MUSTANG; 21306717-)

Item	Part number	Description	Q'ty	Chan.	Serial No.	Serv.	Remarks
		PIPING ASSY					X08807-39500-1
14	880735150	HOSE ASSY	1		21306717~21308654		18017-71190
	880739140	HOSE ASSY	1		21308655~		18017-70184
15	880735170	HOSE ASSY	1				
16	881735510	HOSE ASSY	1				
34	880737930	HOSE ASSY	1				18015-30072
35	880737940	HOSE ASSY	1				18015-30072
36	881735490	HOSE ASSY	1				
51	1140020010	WASHER, spring	1				
52	1141110010	WASHER	1				
57	880738090	HOSE ASSY	1				18010-53125
58	7213006	BUSHING	1				
59	1515010052	ELBOW	1				
	1420010140	• O-RING	1				
60	7236041	ADAPTOR	1				
	1420010180	• O-RING	1				
61	1901743200	VALVE,check	1				
62	1100041016	BOLT	1				
63	1512340004	ELBOW	1		21306717~21308654		
	1515010042	ELBOW	1		21308655~		
	1420010180	• O-RING	1				
66	1711900071	CLAMP	1				
67	1501750002	PLUG	1				
	1420010110	• O-RING	1				
69	1513940006	PLUG	2				
70	1513940003	PLUG	1				
71	1652533018	CAP	2				
72	1420010240	O-RING	1				
73	1513390044	TEE	1		21308655~		
	T8f121						

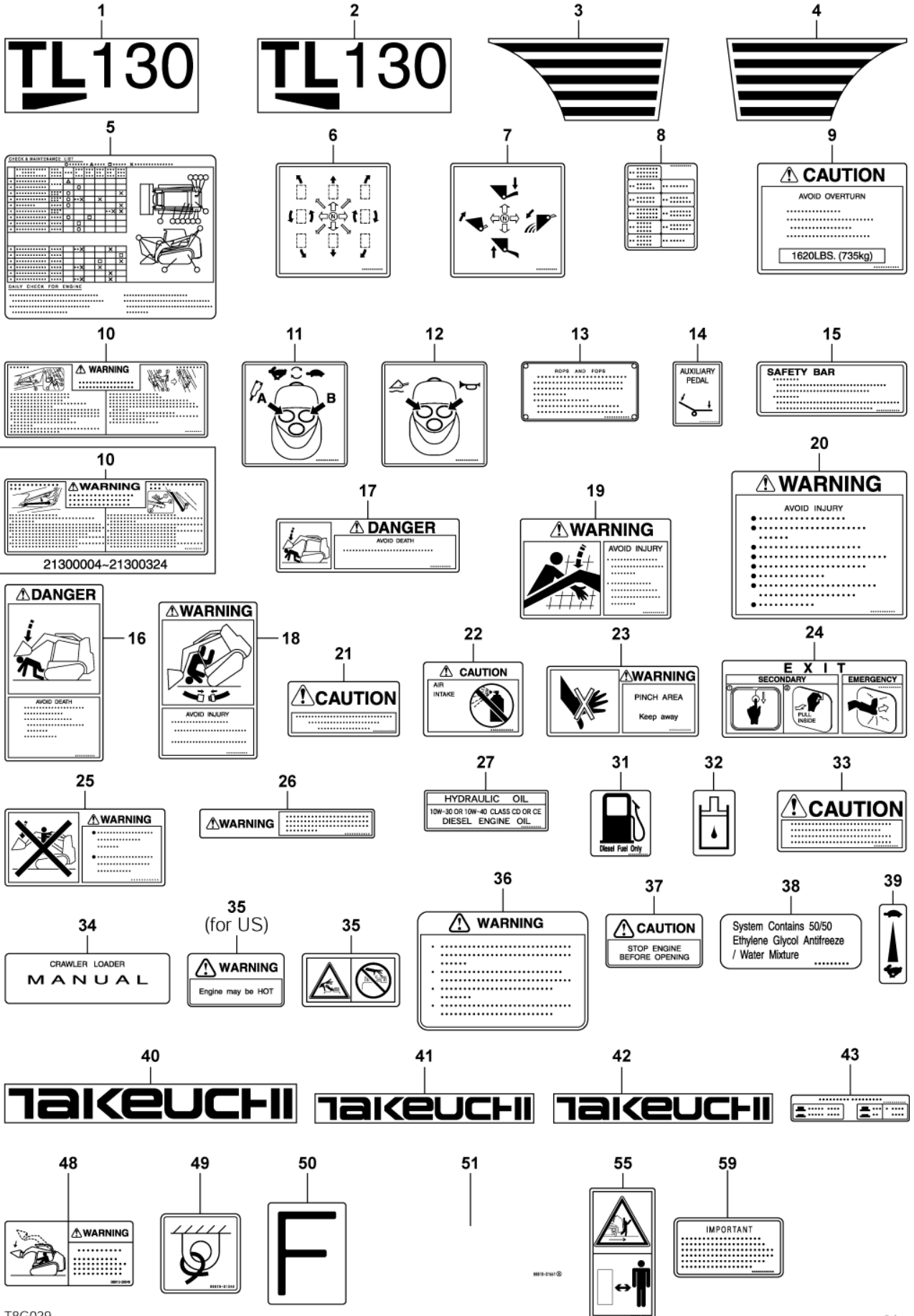
TL130 Book No. BT8Z012 S/N 21300004-
DECAL (canopy)

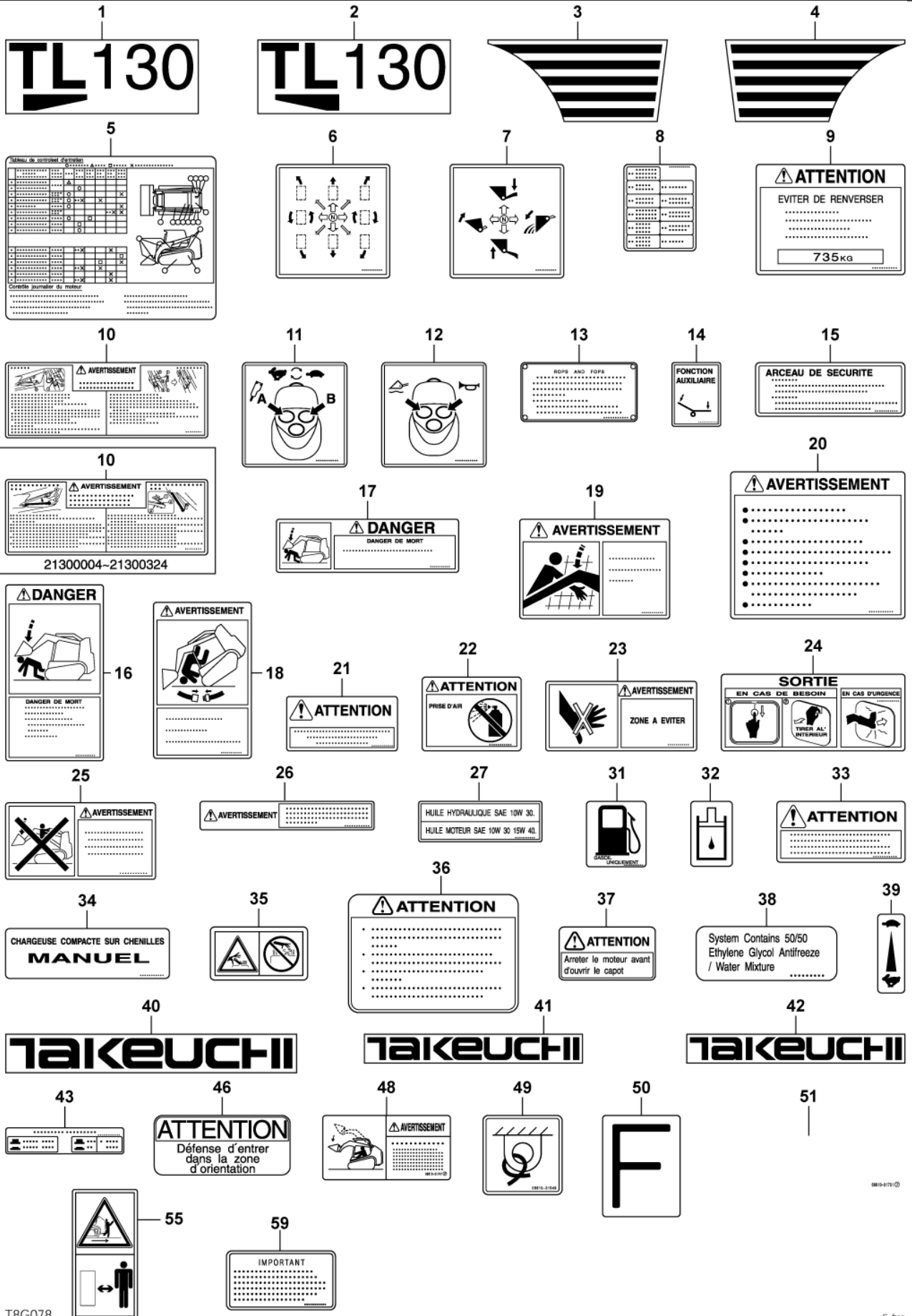


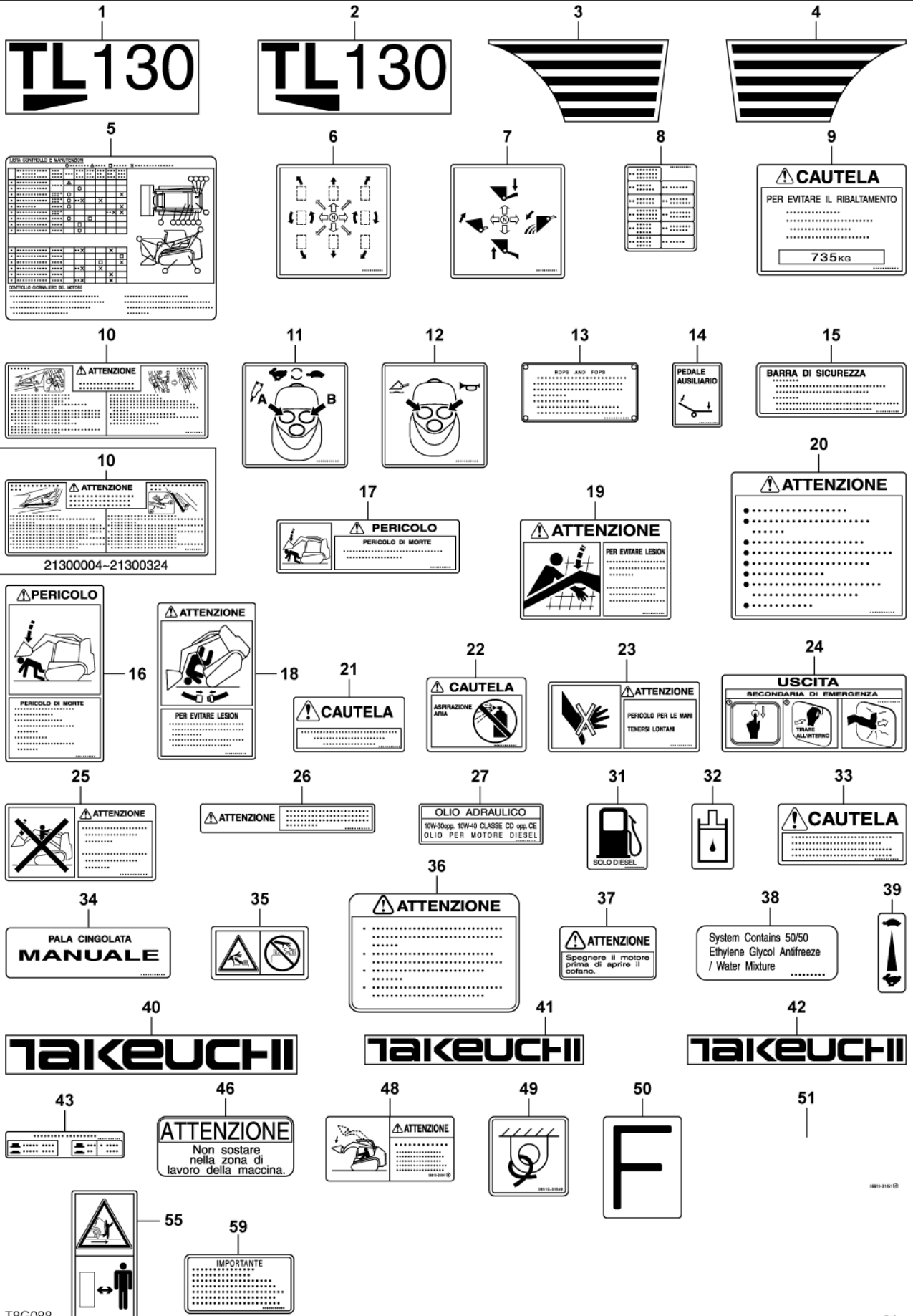
T8G019

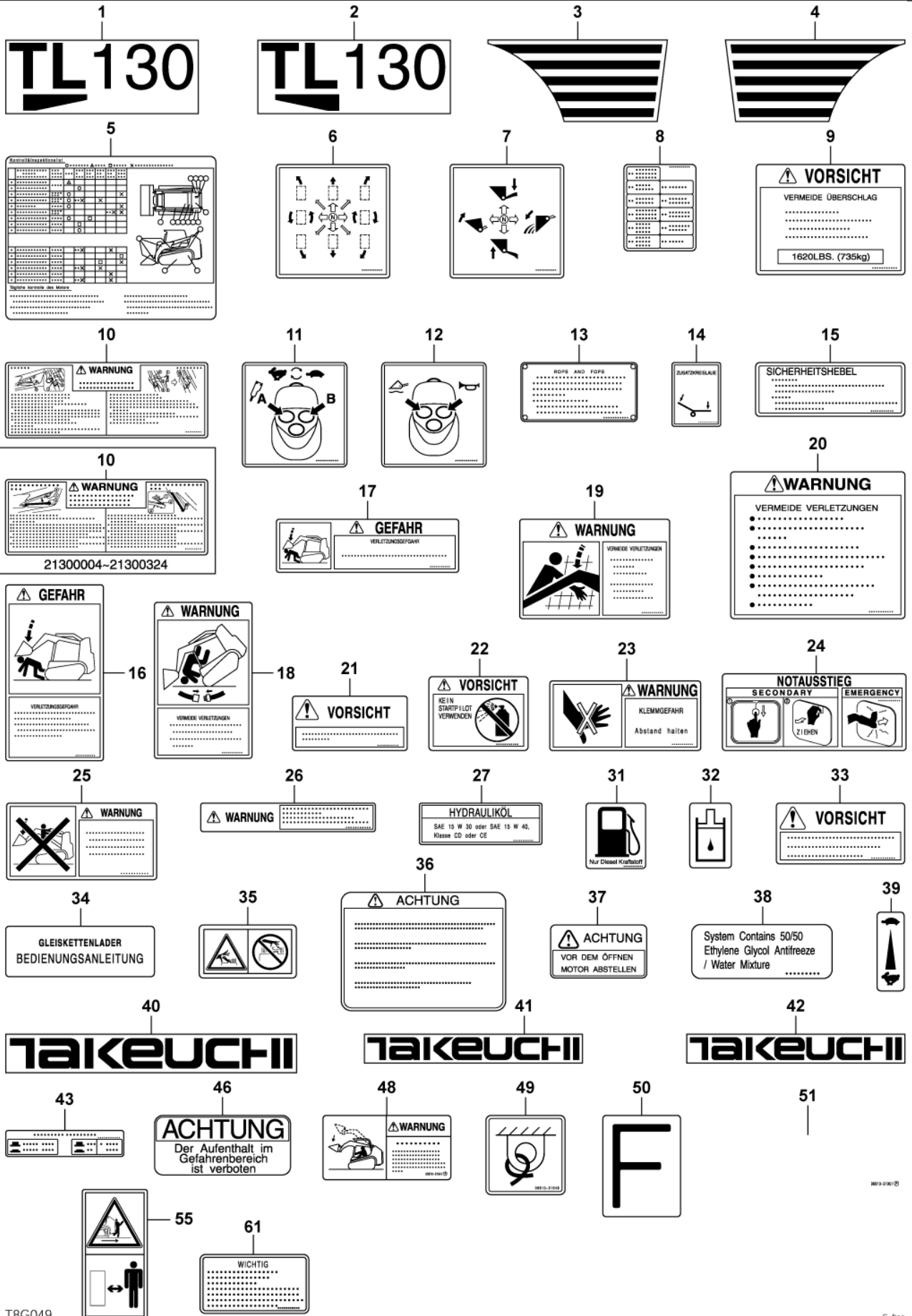
S=FREE

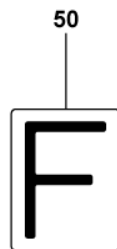
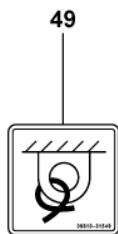
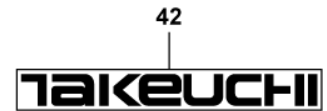
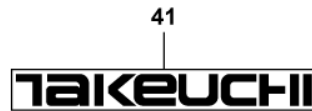
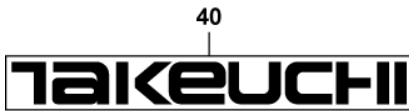
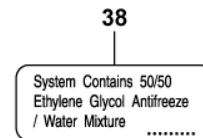
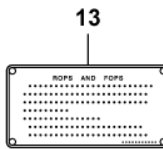
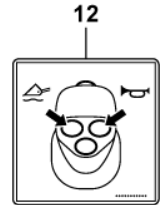
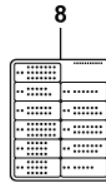
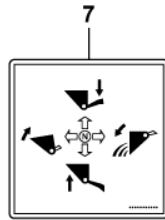
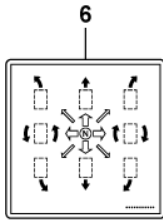
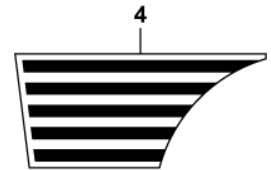
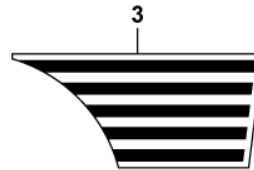
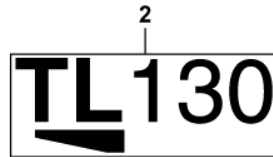
TL130 Book No. BT8Z012 S/N 21300004-
English

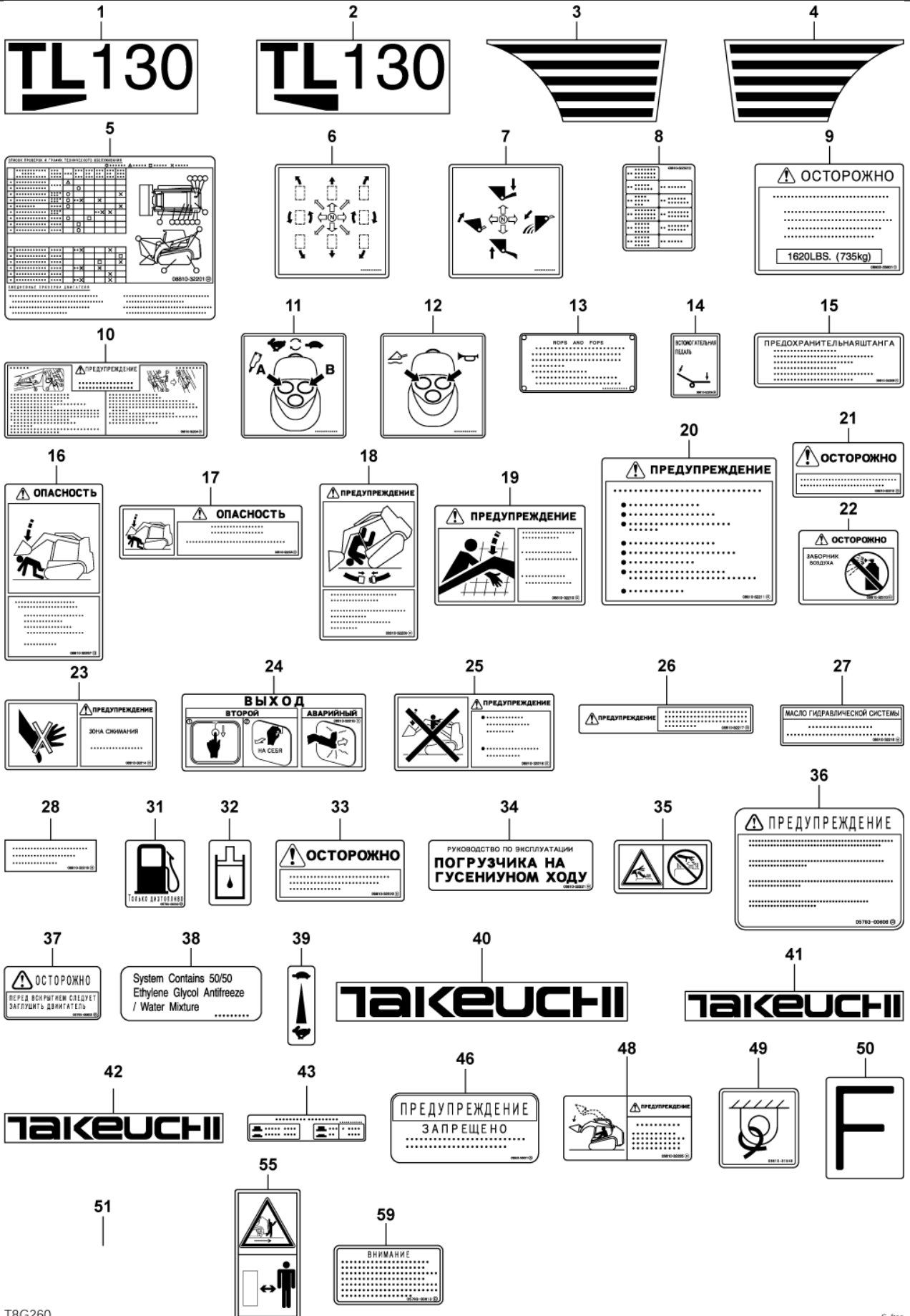




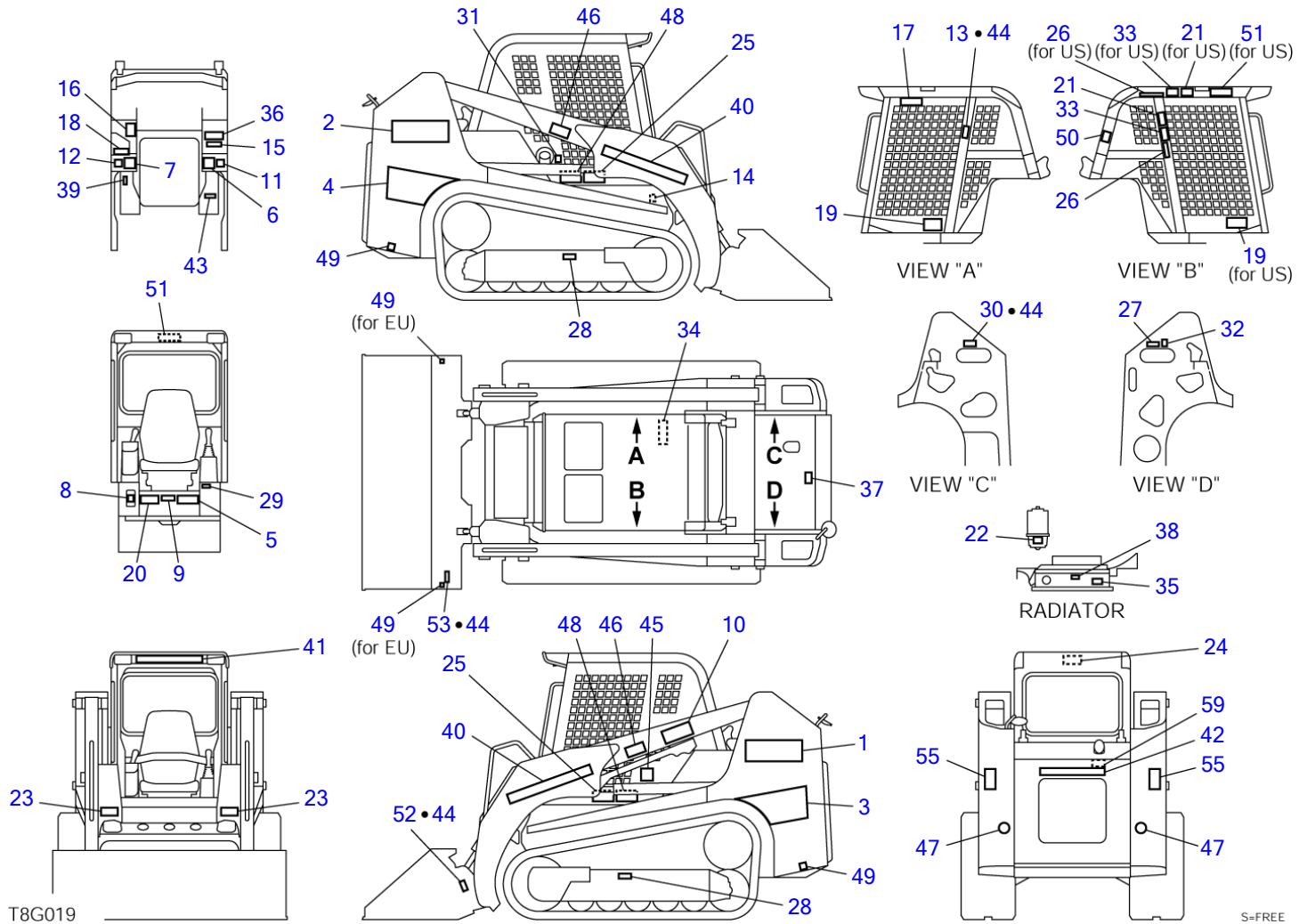






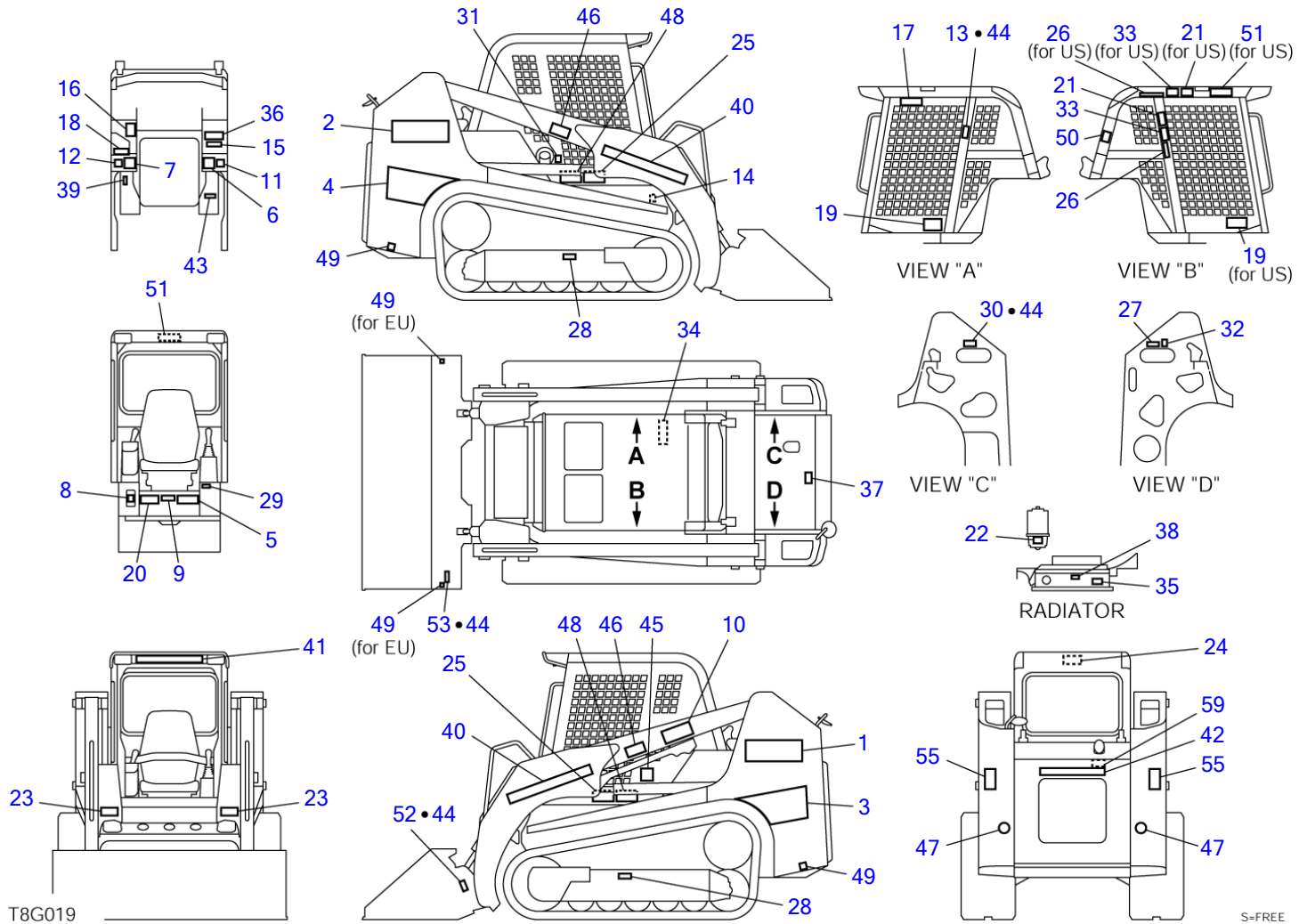


TL130 Book No. BT8Z012 S/N 21300004-
DECAL (canopy)



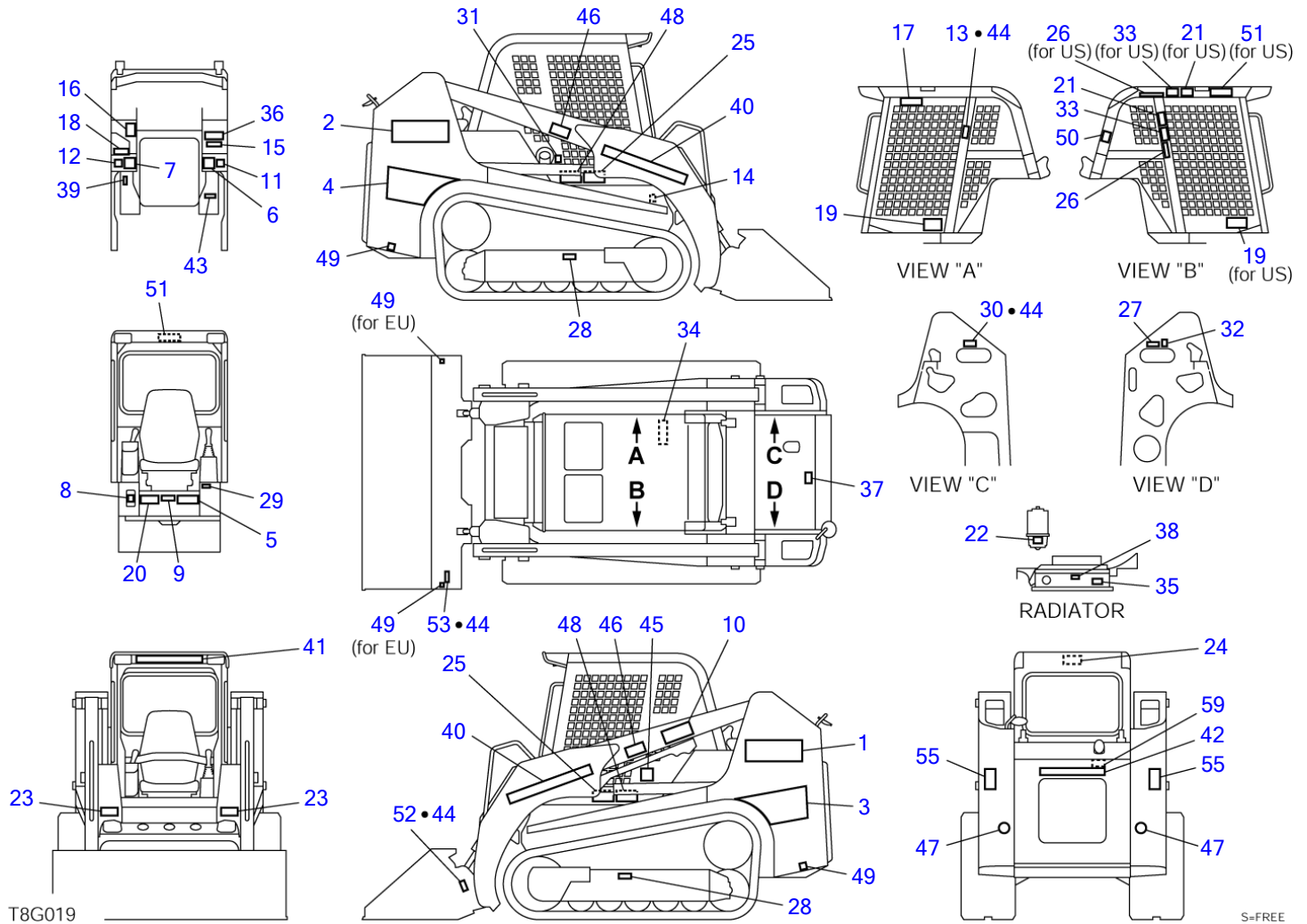
DECAL (canopy)							
Item	Part number	Description	Q'ty	Chan.	Serial No.	Serv.	Remarks
0	0880034100	DECAL SET (English)	1				X08800-34100-5
	0880034200	DECAL SET (English, for E.U.)	1			M	X08800-34200-9
	0880034300	DECAL SET (French)	1				X08800-34300-9
	0880034400	DECAL SET (Italian)	1				X08800-34400-9
	0880034500	DECAL SET (German)	1				X08800-34500-9
	0880040000	DECAL SET (Dutch)	1			M	X08800-40000-9
	0880040100	DECAL SET (Russian)	1			M	X08800-40100-9
1	0880038001	• DECAL	1				
2	0880038002	• DECAL	1				
3	0880038003	• DECAL	1				
4	0880038004	• DECAL	1				
5	0881030005	• DECAL (English)	1				
	0881030205	• DECAL (French)	1				
	0881030305	• DECAL (Italian)	1				
	0881030505	• DECAL (German)	1				
	0881032201	• DECAL (Russian)	1				M
6	0881030006	• DECAL	1				
7	0881030007	• DECAL	1				
8	0881030008	• DECAL (English, Dutch)	1				M
	0881030208	• DECAL (French)	1				
	0881030308	• DECAL (Italian)	1				
	0881030508	• DECAL (German)	1				
	0881032202	• DECAL (Russian)	1				M
9	0880038009	• DECAL (English)	1				
	0880038209	• DECAL (French)	1				
	0880038309	• DECAL (Italian)	1				
	0880038509	• DECAL (German)	1				
	0880033801	• DECAL (Russian)	1				M
10	0881030100	• DECAL (English)	1		21300004~21300324		
	0881030110	• DECAL (English)	1		21300325~		
	0881030210	• DECAL (French)	1		21300004~21300324		
	0881030260	• DECAL (French)	1		21300325~		
	0881030310	• DECAL (Italian)	1		21300004~21300324		
	0881030360	• DECAL (Italian)	1		21300325~		
	0881030510	• DECAL (German)	1		21300004~21300324		
	0881030560	• DECAL (German)	1		21300325~		
	0881032204	• DECAL (Russian)	1				M
11	0881030011	• DECAL	1				
12	0881030012	• DECAL	1				
13	X *****	• DECAL	1				
14	0880030004	• DECAL (English)	1				
	0880038604	• DECAL (French)	1				
	0881030314	• DECAL (Italian)	1				
	0880034004	• DECAL (German)	1				
	0881032205	• DECAL (Russian)	1				M
15	0880031001	• DECAL (English)	1				
	0880038607	• DECAL (French)	1				
	0881030315	• DECAL (Italian)	1				
	0880034007	• DECAL (German)	1				
	0881032206	• DECAL (Russian)	1				M
16	0880030009	• DECAL (English)	1				
	0880038609	• DECAL (French)	1				
	0881030316	• DECAL (Italian)	1				
	0880034009	• DECAL (German)	1				
	0881032207	• DECAL (Russian)	1				M
17	0880030010	• DECAL (English)	1				
	0880038610	• DECAL (French)	1				
	0881030317	• DECAL (Italian)	1				
	0880034010	• DECAL (German)	1				
	0881032208	• DECAL (Russian)	1				M
18	0880030011	• DECAL (English)	1				
	0880038611	• DECAL (French)	1				
	0881030318	• DECAL (Italian)	1				
	0880034011	• DECAL (German)	1				
	0881032209	• DECAL (Russian)	1				M
19	0880031003	• DECAL (English)	1				
	0880038612	• DECAL (French)	1				

TL130 Book No. BT8Z012 S/N 21300004-
DECAL (canopy)



DECAL (canopy)							
Item	Part number	Description	Qty	Chan.	Serial No.	Serv.	Remarks
19	0881030319	• DECAL (Italian)	1				
19	0880034012	• DECAL (German)	1				
19	0881032210	• DECAL (Russian)	1			M	
20	0881030020	• DECAL (English)	1				
20	0880038613	• DECAL (French)	1				
20	0881030320	• DECAL (Italian)	1				
20	0881030520	• DECAL (German)	1				
20	0881032211	• DECAL (Russian)	1			M	
21	0880030015	• DECAL (English)	1				
21	0880038615	• DECAL (French)	1				
21	0881030321	• DECAL (Italian)	1				
21	0880034015	• DECAL (German)	1				
21	0881032212	• DECAL (Russian)	1			M	
22	0880030016	• DECAL (English)	1				
22	0880038616	• DECAL (French)	1				
22	0881030322	• DECAL (Italian)	1				
22	0880034016	• DECAL (German)	1				
22	0881032213	• DECAL (Russian)	1			M	
23	0880030017	• DECAL (English)	2				
23	0880038617	• DECAL (French)	2				
23	0881030323	• DECAL (Italian)	2				
23	0880034017	• DECAL (German)	2				
23	0881032214	• DECAL (Russian)	2			M	
24	0880031018	• DECAL (English)	1				
24	0880038618	• DECAL (French)	1				
24	0881030324	• DECAL (Italian)	1				
24	0880034018	• DECAL (German)	1				
24	0881032215	• DECAL (Russian)	1			M	
25	0880031005	• DECAL (English)	2				
25	0880038620	• DECAL (French)	2				
25	0881030325	• DECAL (Italian)	2				
25	0880034019	• DECAL (German)	2				
25	0881032216	• DECAL (Russian)	2			M	
26	0881030026	• DECAL (English)	1				
26	0880038621	• DECAL (French)	1				
26	0881030326	• DECAL (Italian)	1				
26	0881030526	• DECAL (German)	1				
26	0881032217	• DECAL (Russian)	1			M	
27	0880031017	• DECAL (English)	1				
27	0880038623	• DECAL (French)	1				
27	0881030327	• DECAL (Italian)	1				
27	0880034022	• DECAL (German)	1				
27	0881032218	• DECAL (Russian)	1			M	
28	0149362200	• DECAL (English)	2				
28	0880038624	• DECAL (French)	2				
28	0881030328	• DECAL (Italian)	2				
28	0880034023	• DECAL (German)	2				
28	0881032219	• DECAL (Russian)	2			M	
29	X *****	• DECAL	1				
30	X *****	• DECAL	1				
31	0359306600	• DECAL (English)	1				
31	0339375460	• DECAL (French)	1				
31	0339375660	• DECAL (Italian)	1				
31	0339375260	• DECAL (German)	1				
31	0579300603	• DECAL (Russian)	1			M	
32	0359306700	• DECAL	1				
33	0880031015	• DECAL (English)	1				
33	0880038633	• DECAL (French)	1				
33	0881030333	• DECAL (Italian)	1				
33	0880034026	• DECAL (German)	1				
33	0881032220	• DECAL (Russian)	1			M	
34	0880031016	• DECAL (English)	1				
34	0880038634	• DECAL (French)	1				
34	0881030334	• DECAL (Italian)	1				
34	0880034027	• DECAL (German)	1				
34	0881032221	• DECAL (Russian)	1			M	
35	0569321980	• DECAL (English)	1				for U.S.
35	0882031135	• DECAL (English)	1			M	for E.U.

TL130 Book No. BT8Z012 S/N 21300004-
DECAL (canopy)

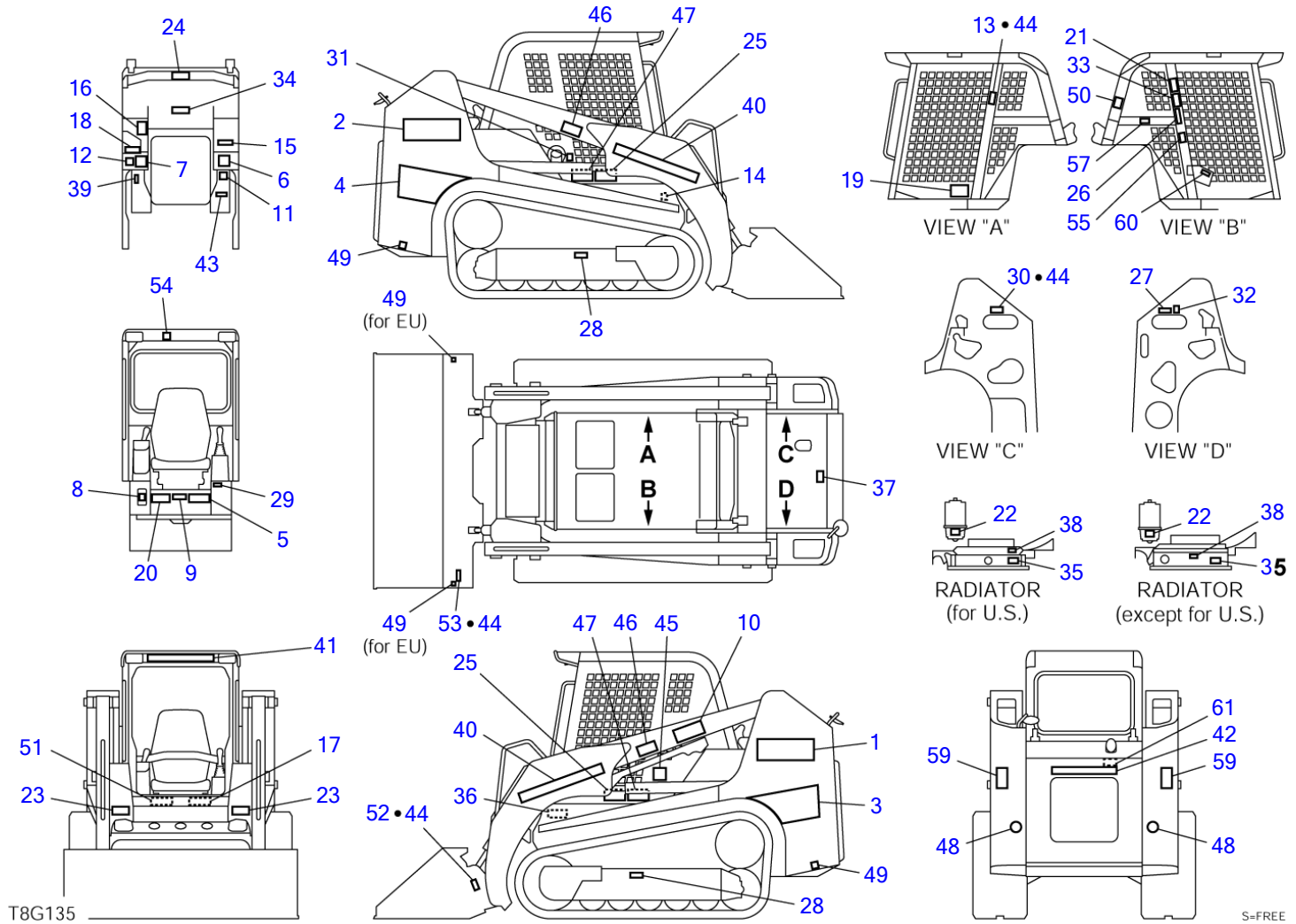


T8G019

S=FREE

DECAL (canopy)							
Item	Part number	Description	Q'ty	Chan.	Serial No.	Serv.	Remarks
36	0359313700	• DECAL (English)	1				
36	0359315700	• DECAL (French)	1				
36	0359316700	• DECAL (Italian)	1				
36	0359314700	• DECAL (German)	1				
36	0579300606	• DECAL (Russian)	1			M	
37	0359307400	• DECAL (English)	1				
37	0359315400	• DECAL (French)	1				
37	0359316400	• DECAL (Italian)	1				
37	0359314400	• DECAL (German)	1				
37	0579300602	• DECAL (Russian)	1			M	
38	0359313900	• DECAL	1				
39	0359317200	• DECAL	1				
40	0880038100	• DECAL	2				
41	0359341020	• DECAL	1				
42	0359306300	• DECAL	1				
43	0881030043	• DECAL (English)	1				
43	0881030243	• DECAL (French)	1				
43	0881030343	• DECAL (Italian)	1				
43	0881030543	• DECAL (German)	1				
43	0881032224	• DECAL (Russian)	1			M	
44	X *****	• SCREW	16				
45	X *****	• DECAL	1				for E.U.
46	0359309100	• DECAL (French)	2				
46	0359310100	• DECAL (Italian)	2				
46	0359308100	• DECAL (German)	2				
46	0399356001	• DECAL (Russian)	2			M	
47	0874030360	• DECAL	2		21301933~		
48	0881030046	• DECAL (English)	2				
48	0881031747	• DECAL (French)	2				
48	0881031847	• DECAL (Italian)	2				
48	0881031947	• DECAL (German)	2				
48	0881032225	• DECAL (Russian)	2			M	
49	0881031549	• DECAL	4				
50	0399300400	• DECAL	1				
51	0881031551	• DECAL (English)	1				
51	0881031751	• DECAL (French)	1				
51	0881031851	• DECAL (Italian)	1				
51	0881031951	• DECAL (German)	1				
51	0881032226	• DECAL (Russian)	1			M	
52	X *****	• DECAL	1				for E.U.
53	X *****	• DECAL	1				for E.U.
55	0882031159	• DECAL	2				for E.U.
59	0339376240	• DECAL (English)	1				
59	0339379440	• DECAL (French)	1				
59	0339379540	• DECAL (Italian)	1				
59	0339376340	• DECAL (German)	1				
59	0579300613	• DECAL (Russian)	1			M	
	T8g021						

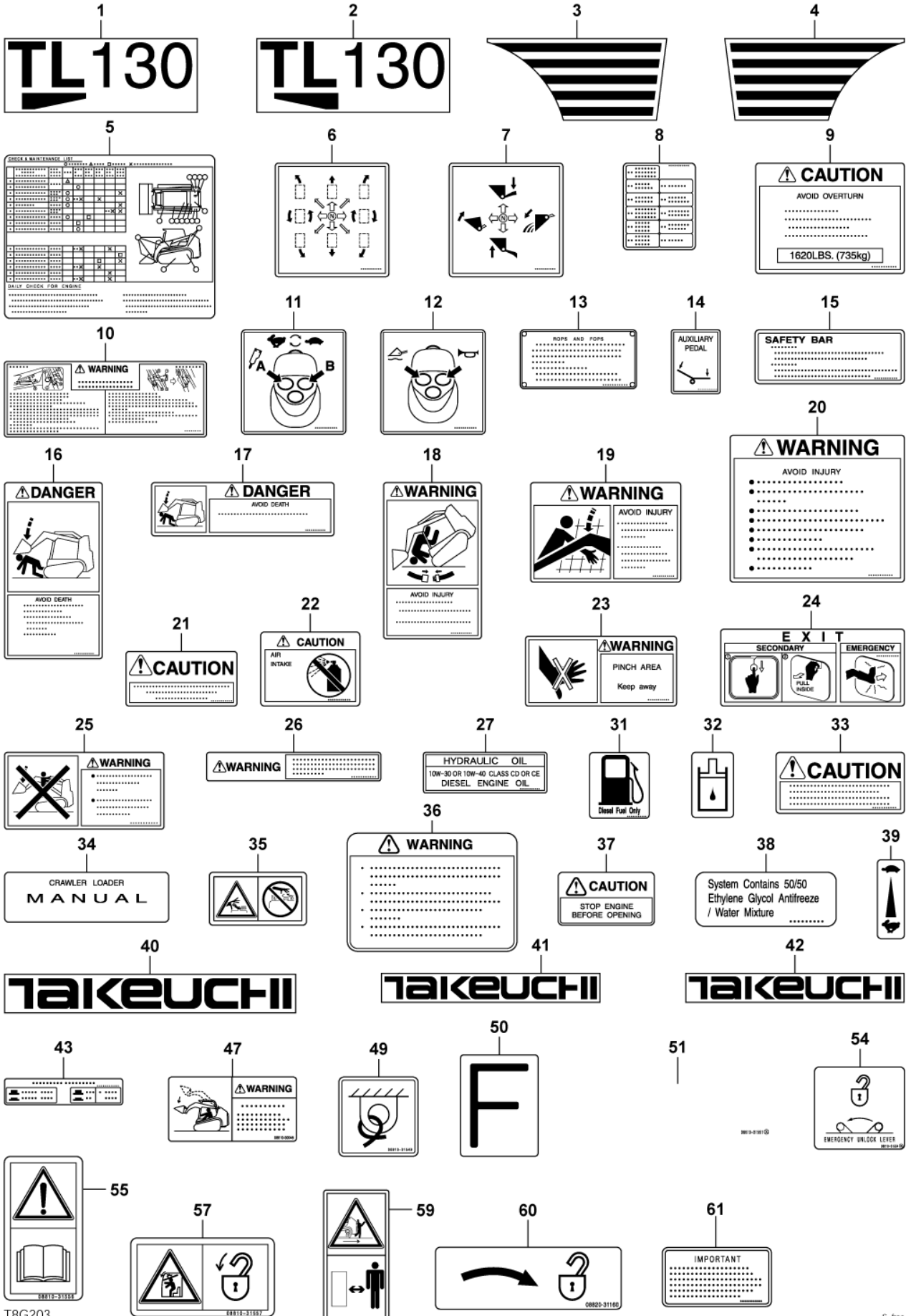
TL130 Book No. BT8Z012 S/N 21300004-
DECAL (cab)

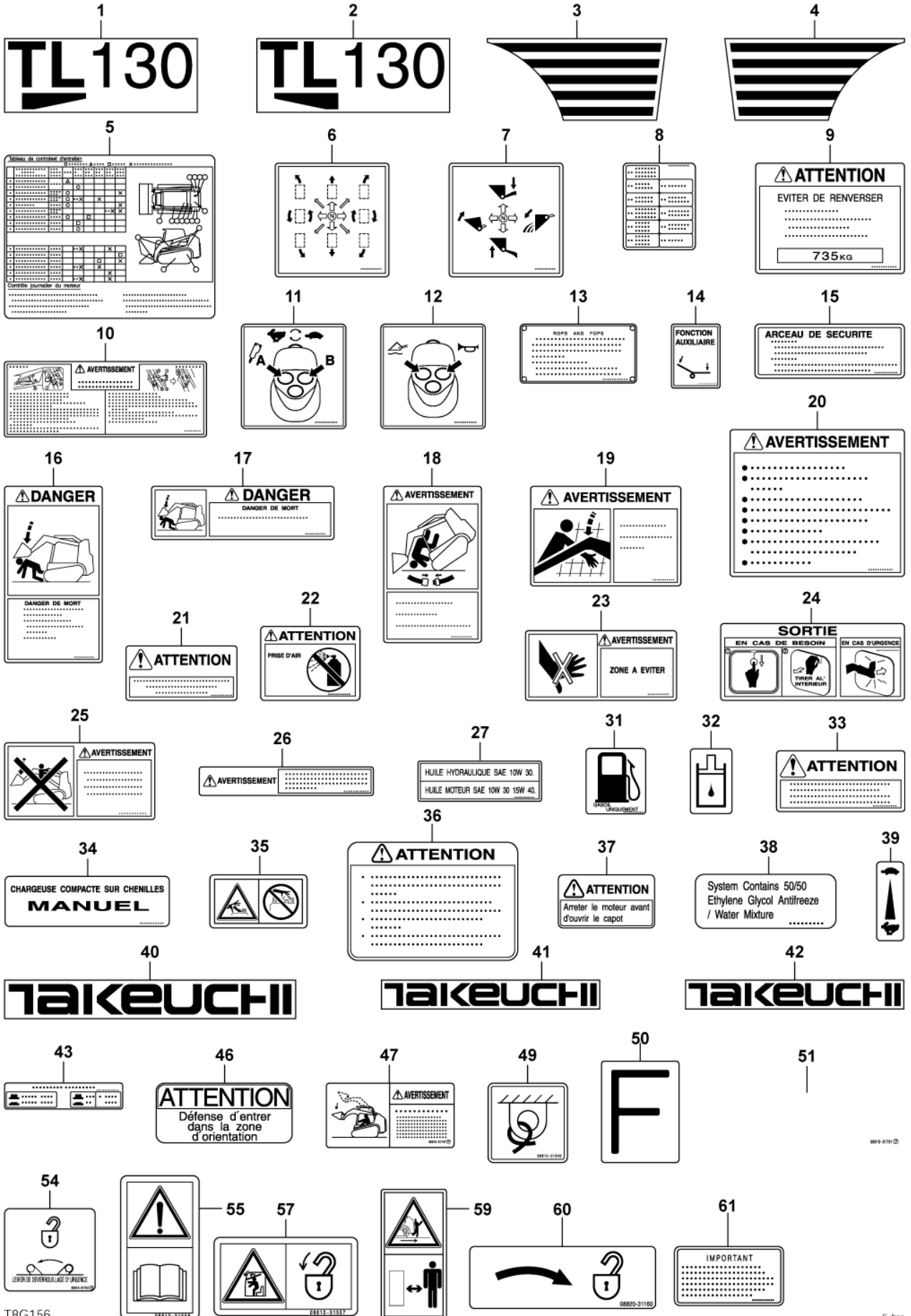


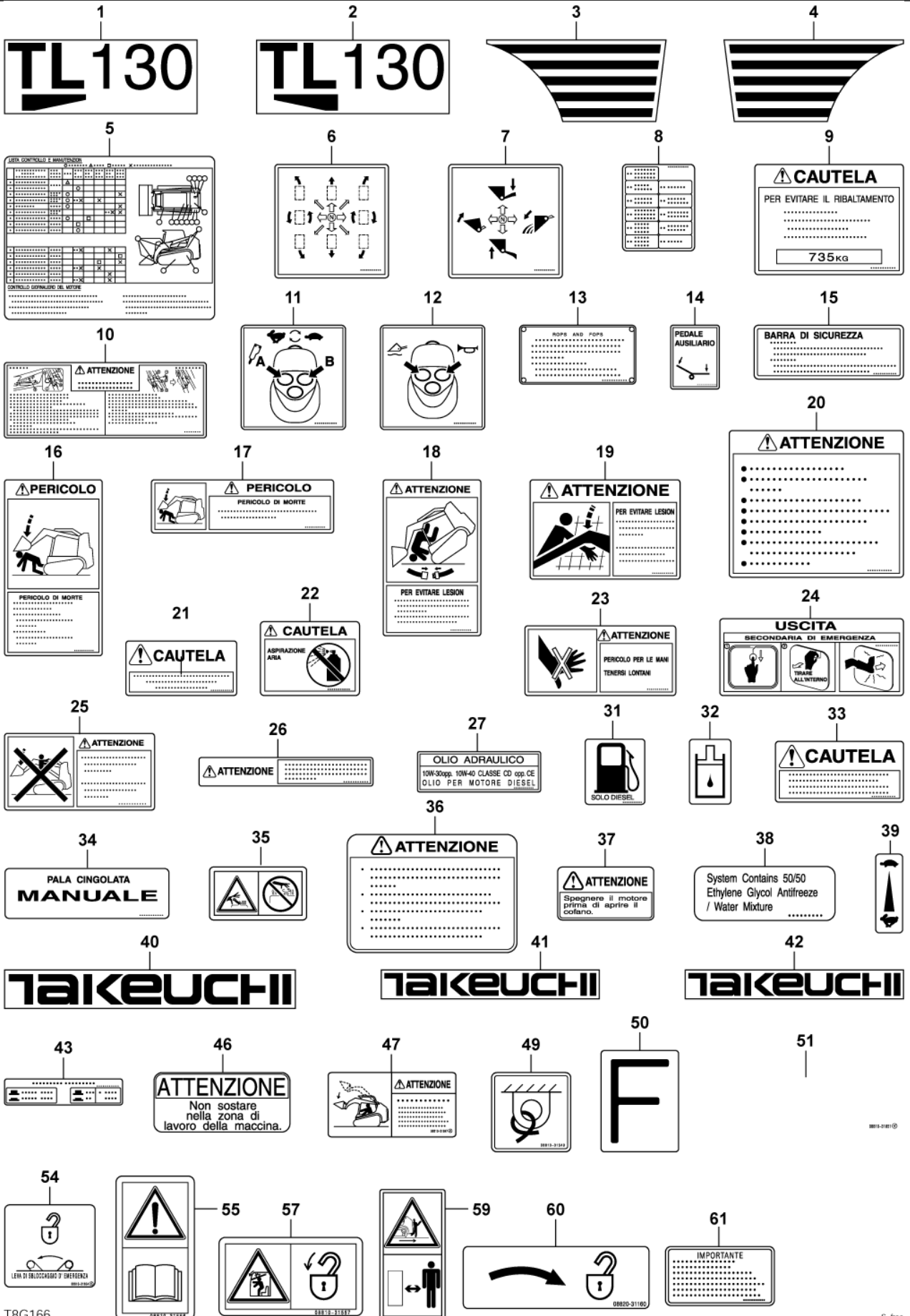
T8G135

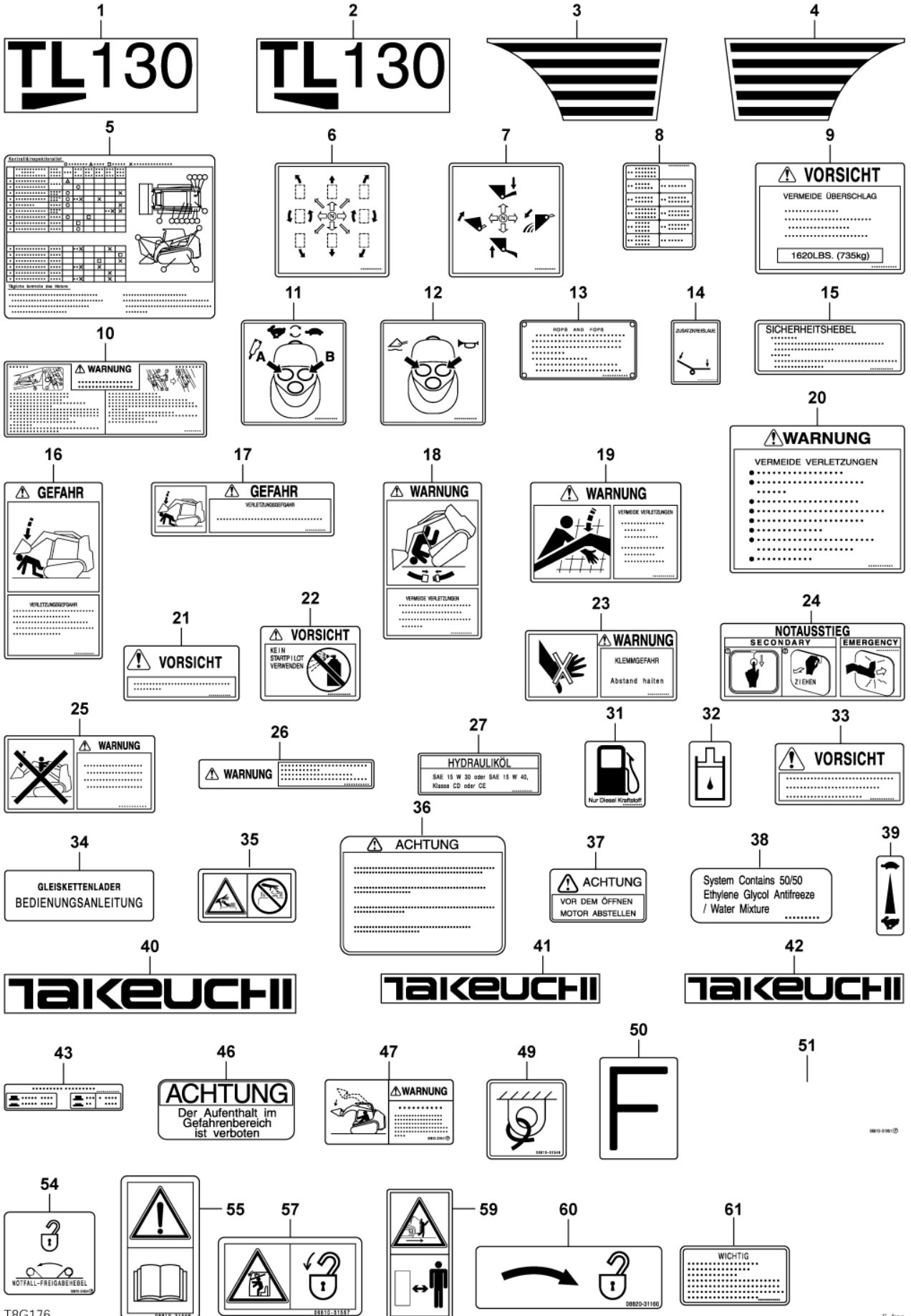
S=FREE

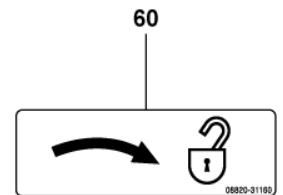
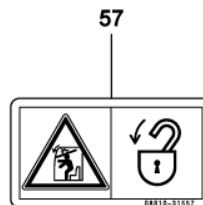
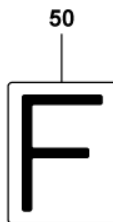
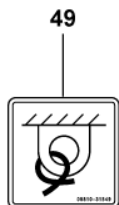
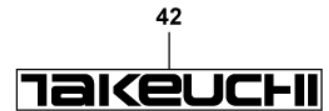
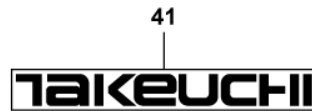
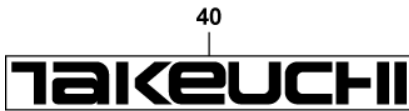
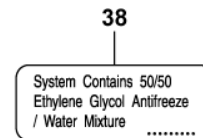
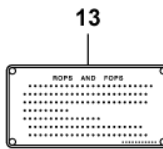
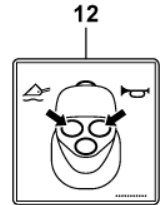
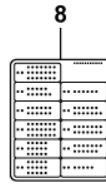
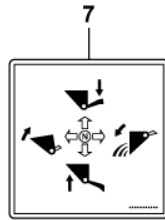
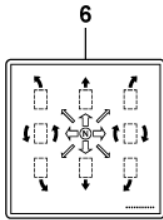
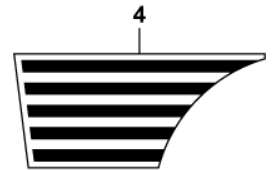
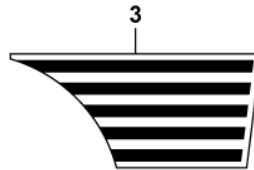
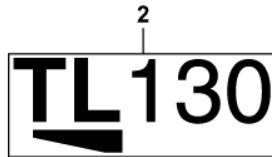


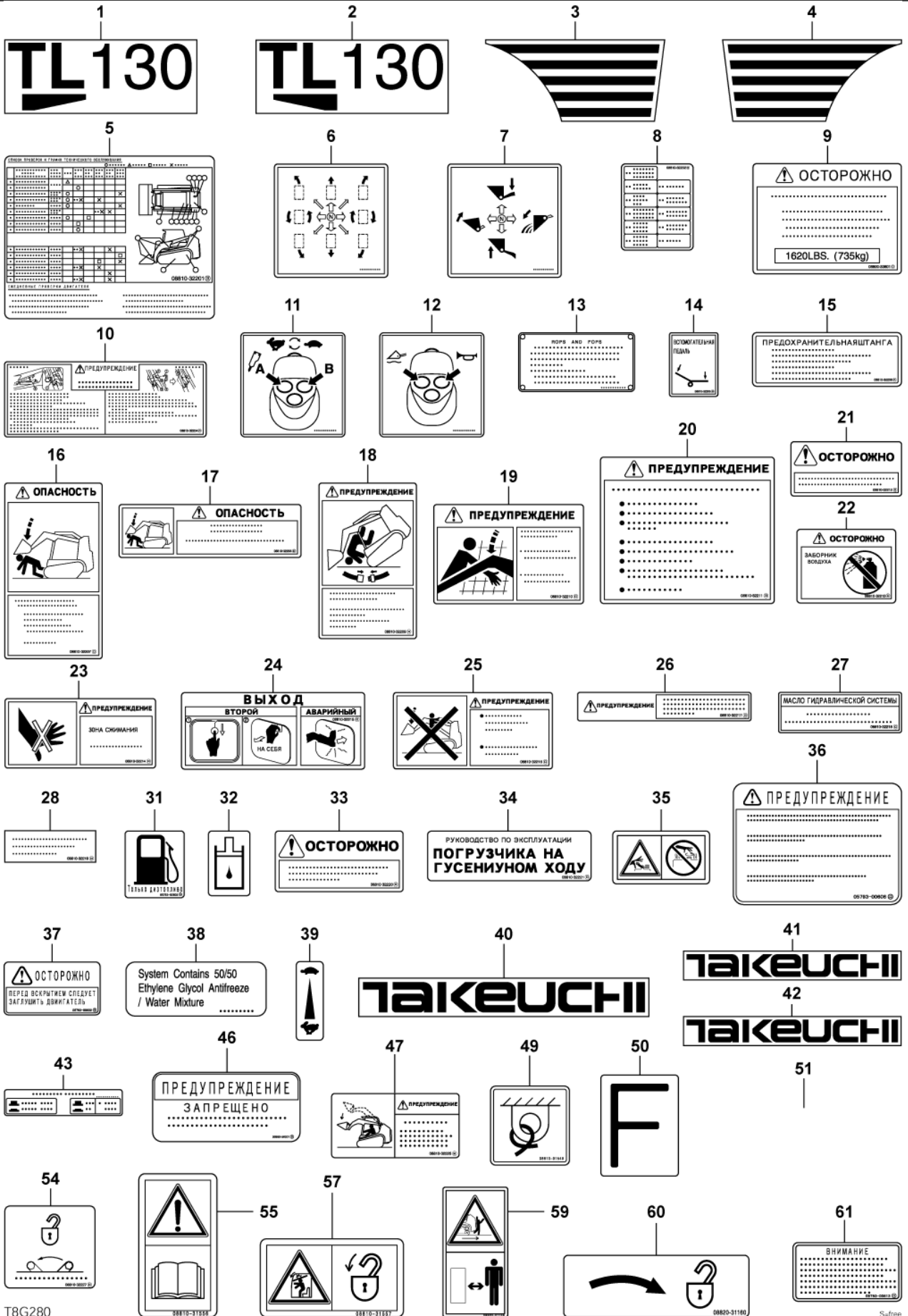




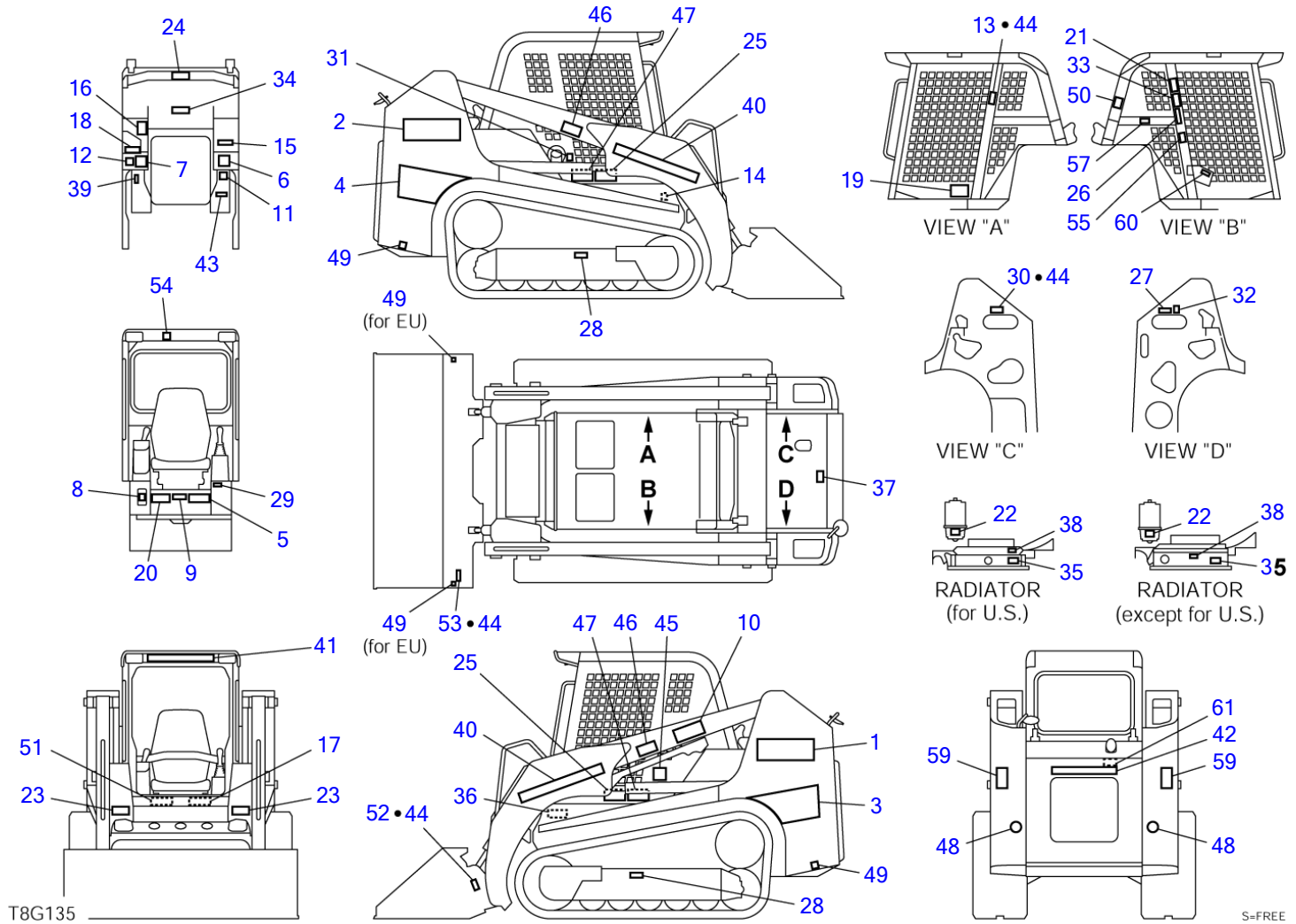






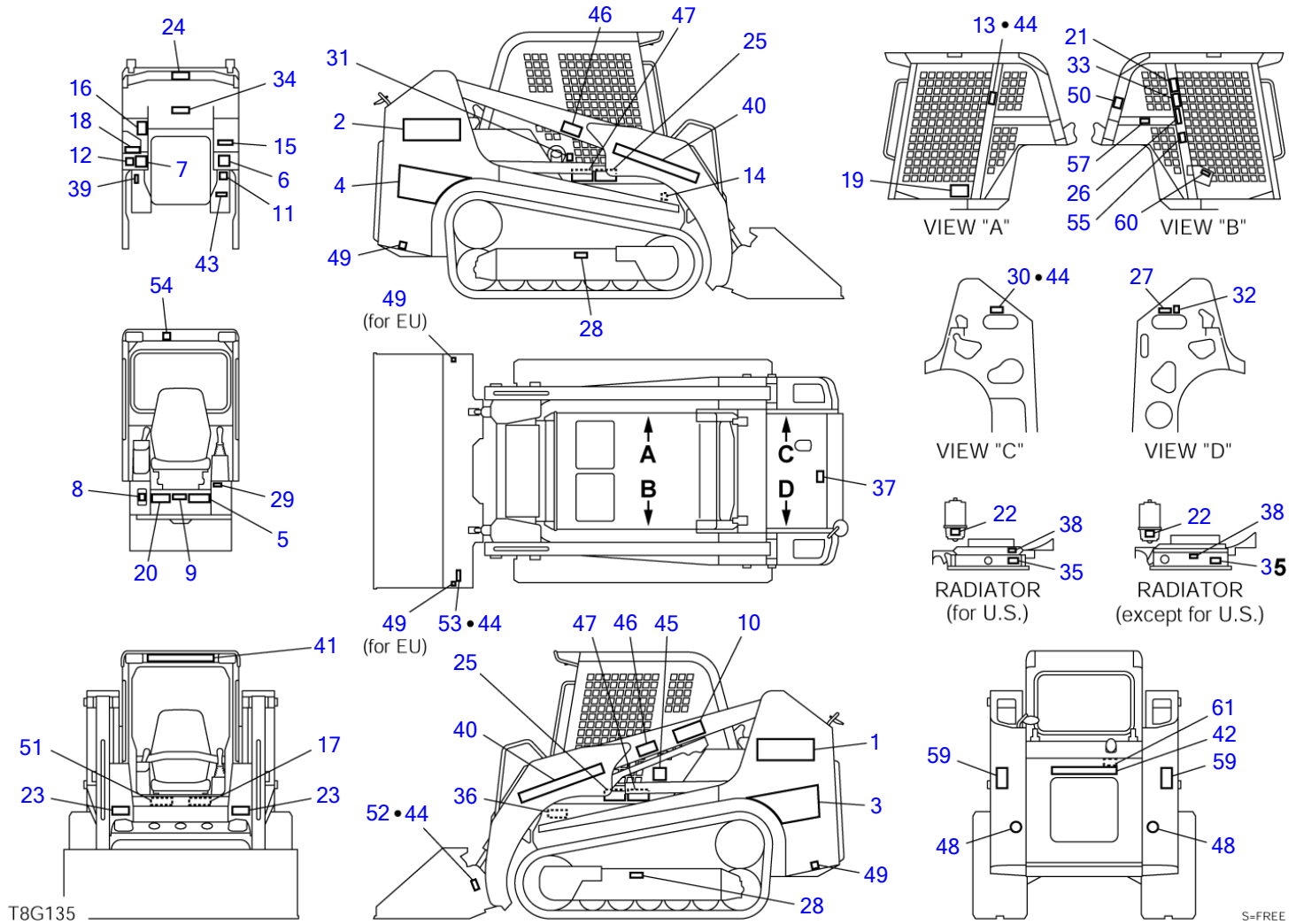


TL130 Book No. BT8Z012 S/N 21300004-
DECAL (cab)



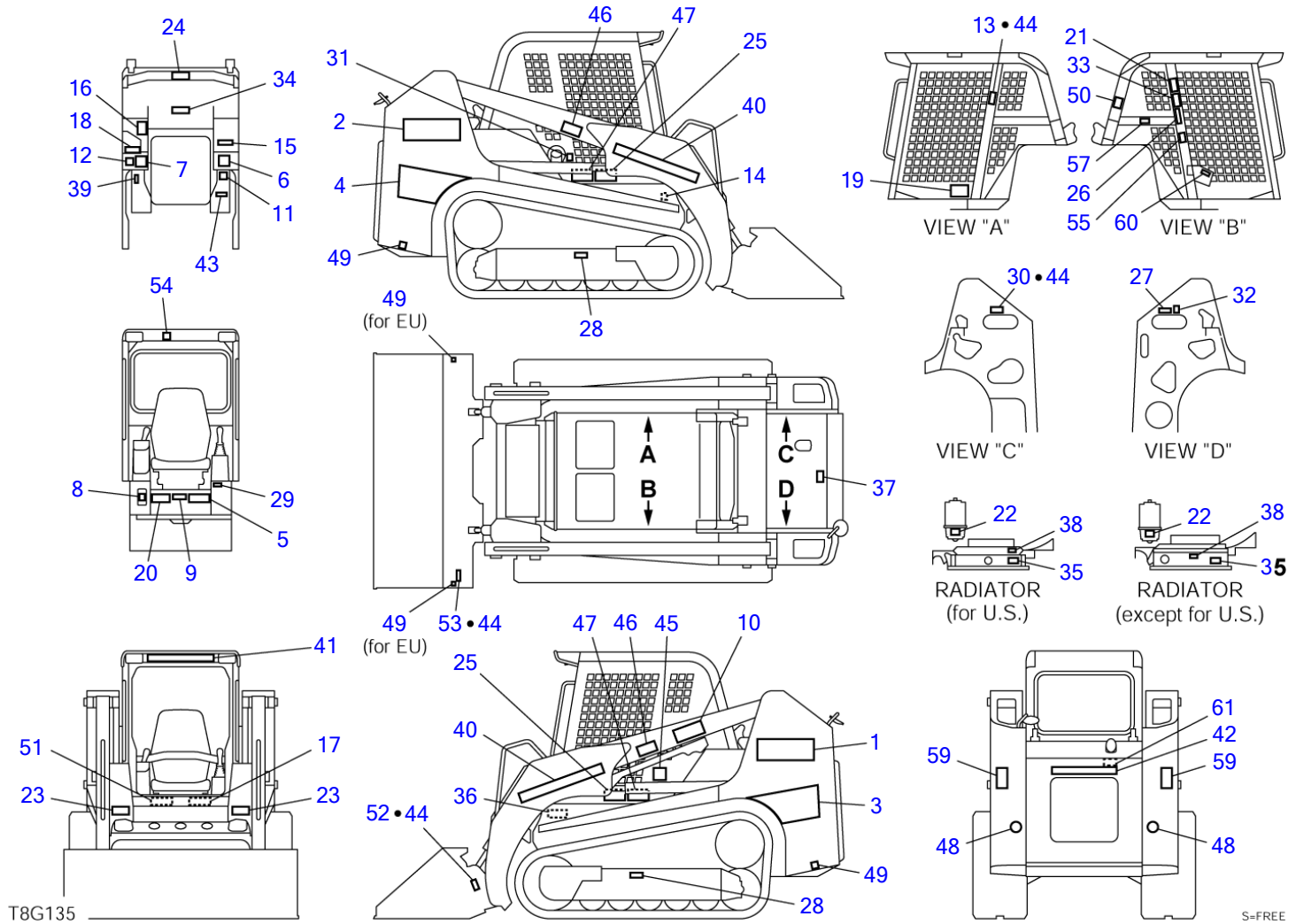
DECAL (cab)							
Item	Part number	Description	Q'ty	Chan.	Serial No.	Serv.	Remarks
0	0880033100	DECAL SET (English)	1				X08800-33100-10
	0880033200	DECAL SET (English, for E.U.)	1			M	X08800-33200-10
	0880033300	DECAL SET (French)	1				X08800-33300-10
	0880033400	DECAL SET (Italian)	1				X08800-33400-10
	0880033500	DECAL SET (German)	1				X08800-33500-10
	0880033700	DECAL SET (Dutch)	1			M	X08800-33700-10
	0880033800	DECAL SET (Russian)	1			M	X08800-33800-10
1	0880038001	• DECAL	1				
2	0880038002	• DECAL	1				
3	0880038003	• DECAL	1				
4	0880038004	• DECAL	1				
5	0881030005	• DECAL (English)	1				
	0881030205	• DECAL (French)	1				
	0881030305	• DECAL (Italian)	1				
	0881030505	• DECAL (German)	1				
	0881032201	• DECAL (Russian)	1			M	
6	0881030006	• DECAL	1				
7	0881030007	• DECAL	1				
8	0881030008	• DECAL (English, Dutch)	1			M	
	0881030208	• DECAL (French)	1				
	0881030308	• DECAL (Italian)	1				
	0881030508	• DECAL (German)	1				
	0881032202	• DECAL (Russian)	1			M	
9	0880038009	• DECAL (English)	1				
	0880038209	• DECAL (French)	1				
	0880038309	• DECAL (Italian)	1				
	0880038509	• DECAL (German)	1				
	0880033801	• DECAL (Russian)	1			M	
10	0881030110	• DECAL (English)	1				
	0881030260	• DECAL (French)	1				
	0881030360	• DECAL (Italian)	1				
	0881030560	• DECAL (German)	1				
	0881032204	• DECAL (Russian)	1			M	
11	0881030011	• DECAL	1				
12	0881030012	• DECAL	1				
13	X *****	• DECAL	1				
14	0880030004	• DECAL (English)	1				
	0880038604	• DECAL (French)	1				
	0881030314	• DECAL (Italian)	1				
	0880034004	• DECAL (German)	1				
	0881032205	• DECAL (Russian)	1			M	
15	0880031001	• DECAL (English)	1				
	0880038607	• DECAL (French)	1				
	0881030315	• DECAL (Italian)	1				
	0880034007	• DECAL (German)	1				
	0881032206	• DECAL (Russian)	1			M	
16	0880030009	• DECAL (English)	1				
	0880038609	• DECAL (French)	1				
	0881030316	• DECAL (Italian)	1				
	0880034009	• DECAL (German)	1				
	0881032207	• DECAL (Russian)	1			M	
17	0880030010	• DECAL (English)	1				
	0880038610	• DECAL (French)	1				
	0881030317	• DECAL (Italian)	1				
	0880034010	• DECAL (German)	1				
	0881032208	• DECAL (Russian)	1			M	
18	0880030011	• DECAL (English)	1				
	0880038611	• DECAL (French)	1				
	0881030318	• DECAL (Italian)	1				
	0880034011	• DECAL (German)	1				
	0881032209	• DECAL (Russian)	1			M	
19	0880031003	• DECAL (English)	1				
	0880038612	• DECAL (French)	1				
	0881030319	• DECAL (Italian)	1				
	0880034012	• DECAL (German)	1				
	0881032210	• DECAL (Russian)	1			M	
20	0881030020	• DECAL (English)	1				
	0880038613	• DECAL (French)	1				

TL130 Book No. BT8Z012 S/N 21300004-
DECAL (cab)



Item	Part number	Description	DECAL (cab)	Q'ty	Chan.	Serial No.	Serv.	Remarks
20	0881030320	• DECAL (Italian)		1				
20	0881030520	• DECAL (German)		1				
20	0881032211	• DECAL (Russian)		1			M	
21	0880030015	• DECAL (English)		1				
21	0880038615	• DECAL (French)		1				
21	0881030321	• DECAL (Italian)		1				
21	0880034015	• DECAL (German)		1				
21	0881032212	• DECAL (Russian)		1			M	
22	0880030016	• DECAL (English)		1				
22	0880038616	• DECAL (French)		1				
22	0881030322	• DECAL (Italian)		1				
22	0880034016	• DECAL (German)		1				
22	0881032213	• DECAL (Russian)		1			M	
23	0880030017	• DECAL (English)		2				
23	0880038617	• DECAL (French)		2				
23	0881030323	• DECAL (Italian)		2				
23	0880034017	• DECAL (German)		2				
23	0881032214	• DECAL (Russian)		2			M	
24	0880031018	• DECAL (English)		1				
24	0880038618	• DECAL (French)		1				
24	0881030324	• DECAL (Italian)		1				
24	0880034018	• DECAL (German)		1				
24	0881032215	• DECAL (Russian)		1			M	
25	0880031005	• DECAL (English)		2				
25	0880038620	• DECAL (French)		2				
25	0881030325	• DECAL (Italian)		2				
25	0880034019	• DECAL (German)		2				
25	0881032216	• DECAL (Russian)		2			M	
26	0881030026	• DECAL (English)		1				
26	0880038621	• DECAL (French)		1				
26	0881030326	• DECAL (Italian)		1				
26	0881030526	• DECAL (German)		1				
26	0881032217	• DECAL (Russian)		1			M	
27	0880031017	• DECAL (English)		1				
27	0880038623	• DECAL (French)		1				
27	0881030327	• DECAL (Italian)		1				
27	0880034022	• DECAL (German)		1				
27	0881032218	• DECAL (Russian)		1			M	
28	0149362200	• DECAL (English)		2				
28	0880038624	• DECAL (French)		2				
28	0881030328	• DECAL (Italian)		2				
28	0880034023	• DECAL (German)		2				
28	0881032219	• DECAL (Russian)		2			M	
29	X *****	• DECAL		1				
30	X *****	• DECAL		1				
31	0359306600	• DECAL (English)		1				
31	0339375460	• DECAL (French)		1				
31	0339375660	• DECAL (Italian)		1				
31	0339375260	• DECAL (German)		1				
31	0579300603	• DECAL (Russian)		1			M	
32	0359306700	• DECAL		1				
33	0880031015	• DECAL (English)		1				
33	0880038633	• DECAL (French)		1				
33	0881030333	• DECAL (Italian)		1				
33	0880034026	• DECAL (German)		1				
33	0881032220	• DECAL (Russian)		1			M	
34	0880031016	• DECAL (English)		1				
34	0880038634	• DECAL (French)		1				
34	0881030334	• DECAL (Italian)		1				
34	0880034027	• DECAL (German)		1				
34	0881032221	• DECAL (Russian)		1			M	
35	0569321980	• DECAL (English)		1				for U.S.
35	0882031135	• DECAL (English)		1				for E.U.
36	0359313700	• DECAL (English)		1				
36	0359315700	• DECAL (French)		1				
36	0359316700	• DECAL (Italian)		1				
36	0359314700	• DECAL (German)		1				
36	0579300606	• DECAL (Russian)		1			M	

TL130 Book No. BT8Z012 S/N 21300004-
DECAL (cab)

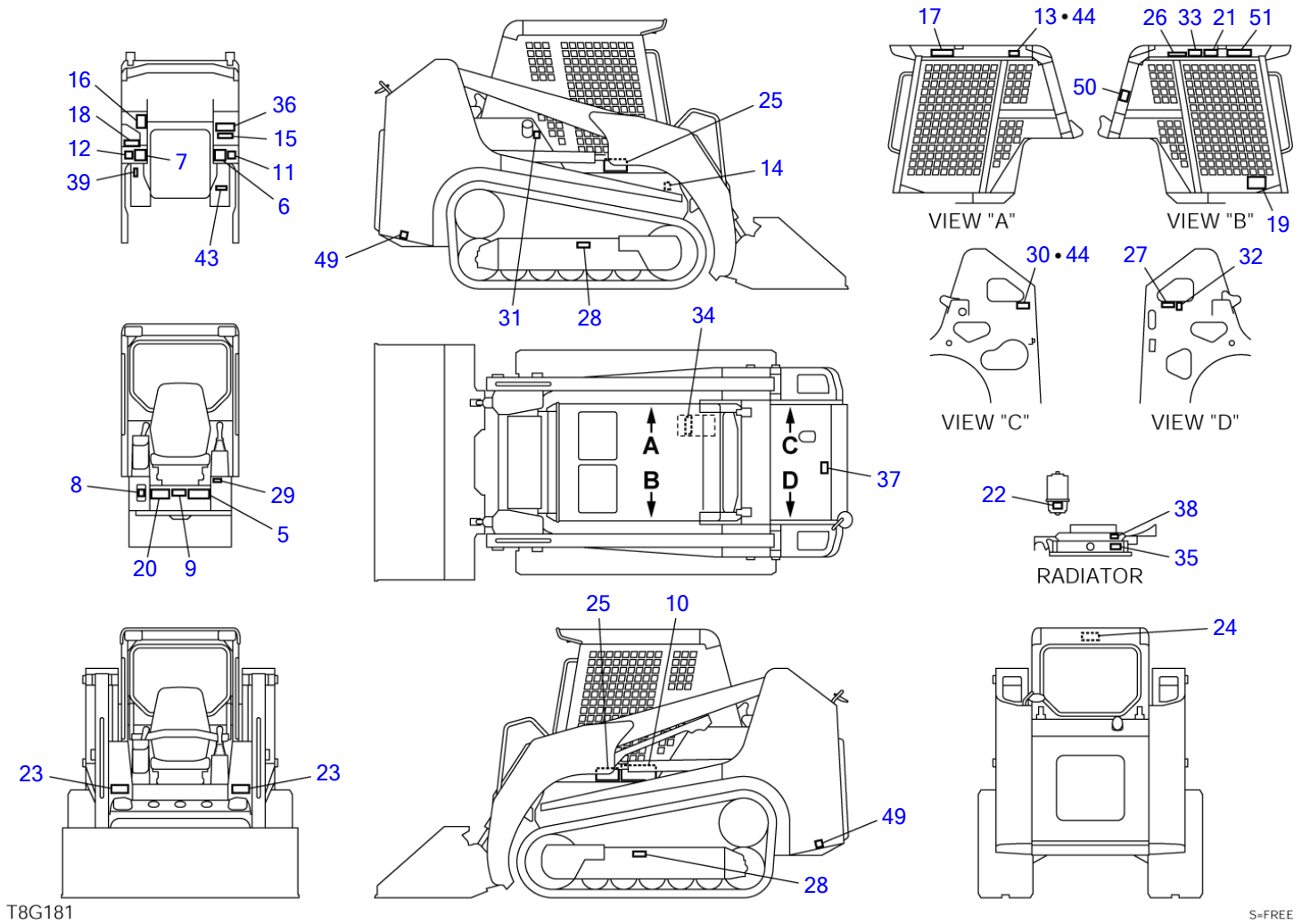


S=FREE

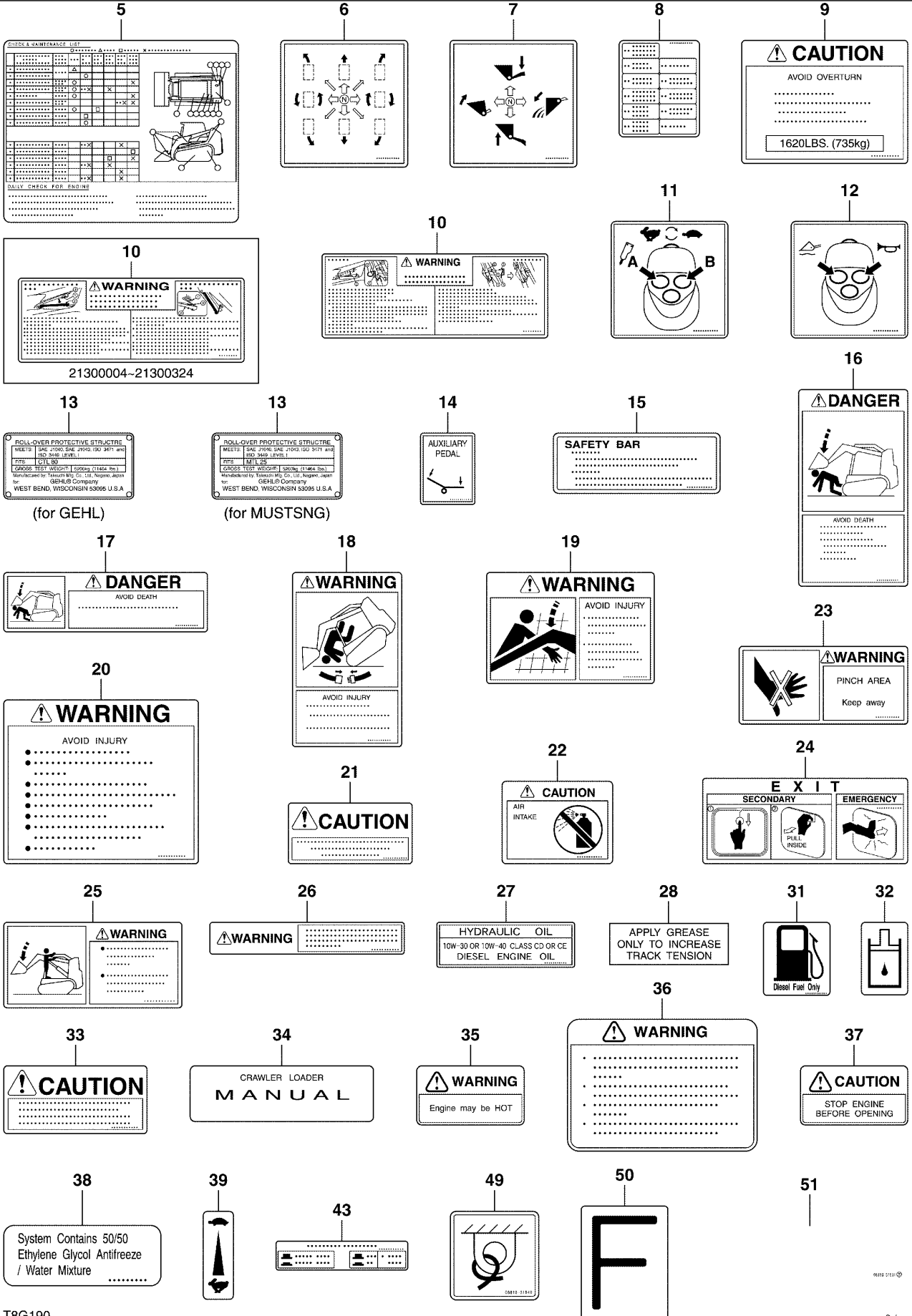
DECAL (cab)							
Item	Part number	Description	Q'ty	Chan.	Serial No.	Serv.	Remarks
37	0359307400	• DECAL (English)	1				
37	0359315400	• DECAL (French)	1				
37	0359316400	• DECAL (Italian)	1				
37	0359314400	• DECAL (German)	1				
37	0579300602	• DECAL (Russian)	1			M	
38	0359313900	• DECAL	1				
39	0359317200	• DECAL	1				
40	0880038100	• DECAL	2				
41	0359341020	• DECAL	1				
42	0359306300	• DECAL	1				
43	0881030043	• DECAL (English)	1				
43	0881030243	• DECAL (French)	1				
43	0881030343	• DECAL (Italian)	1				
43	0881030543	• DECAL (German)	1				
43	0881032224	• DECAL (Russian)	1			M	
44	X *****	• SCREW	16				
45	X *****	• DECAL	1				for E.U.
46	0359309100	• DECAL (French)	2				
46	0359310100	• DECAL (Italian)	2				
46	0359308100	• DECAL (German)	2				
46	0399356001	• DECAL (Russian)	2			M	
47	0881030046	• DECAL (English)	2				
47	0881031747	• DECAL (French)	2				
47	0881031847	• DECAL (Italian)	2				
47	0881031947	• DECAL (German)	2				
47	0881032225	• DECAL (Russian)	2			M	
48	0874030360	• DECAL	2				
49	0881031549	• DECAL	4				
50	0399300400	• DECAL	1				
51	0881031551	• DECAL (English)	1				
51	0881031751	• DECAL (French)	1				
51	0881031851	• DECAL (Italian)	1				
51	0881031951	• DECAL (German)	1				
51	0881032226	• DECAL (Russian)	1			M	
52	X *****	• DECAL	1				for E.U.
53	X *****	• DECAL	1				for E.U.
54	0881031554	• DECAL (English)	1				
54	0881031754	• DECAL (French)	1				
54	0881031854	• DECAL (Italian)	1				
54	0881031954	• DECAL (German)	1				
54	0881032227	• DECAL (Russian)	1			M	
55	0881031556	• DECAL	1				
57	0881031557	• DECAL	1				
59	0882031159	• DECAL	2				for E.U.
60	0882031160	• DECAL	1				
61	0339376240	• DECAL (English)	1				
61	0339379440	• DECAL (French)	1				
61	0339379540	• DECAL (Italian)	1				
61	0339376340	• DECAL (German)	1				
61	0579300613	• DECAL (Russian)	1			M	

T8g137

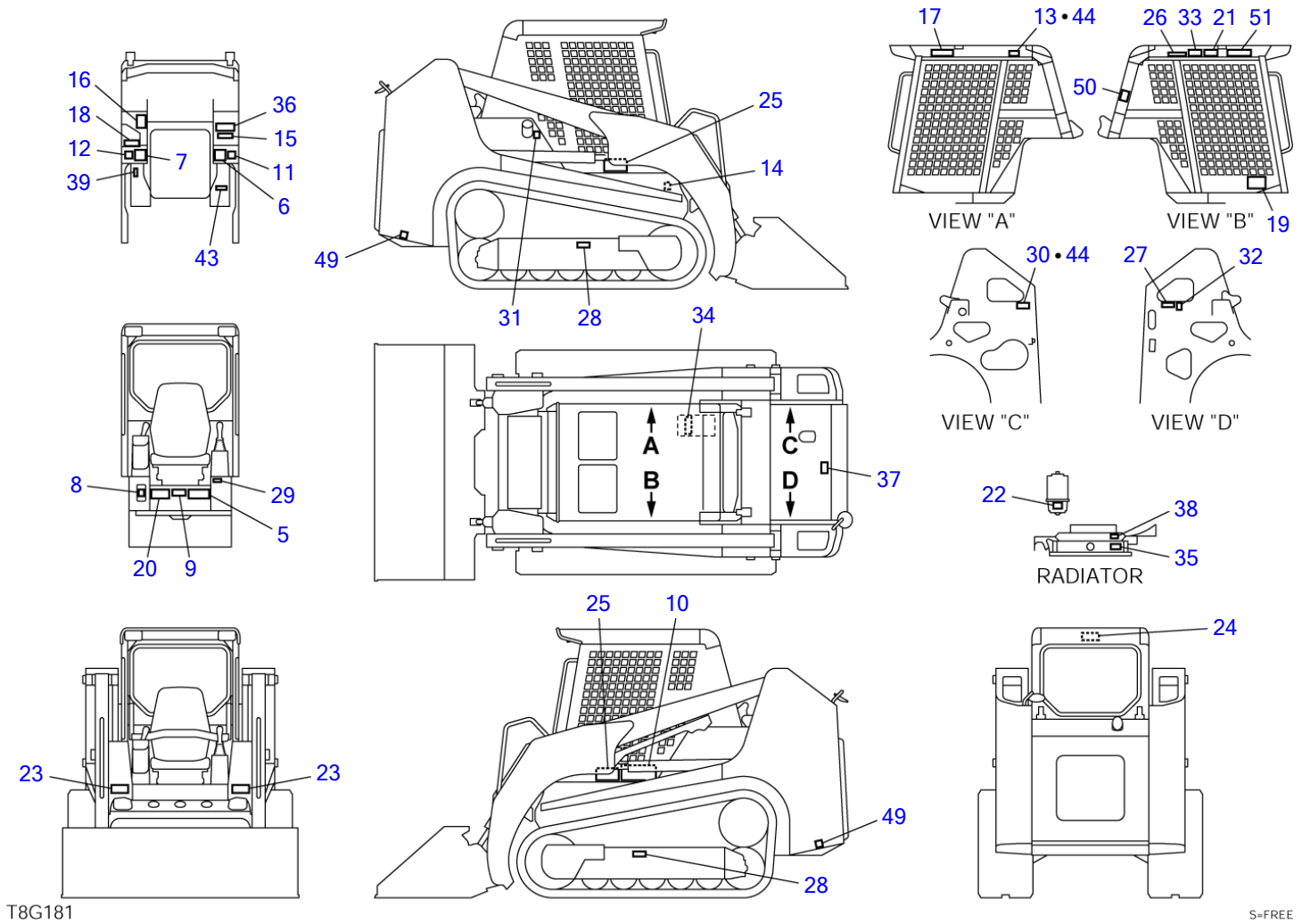
TL130 Book No. BT8Z012 S/N 21300004-
 DECAL (for GEHL & MUSTANG; 21300004-21301098, 21302233-)



TL130 Book No. BT8Z012 S/N 21300004-
GEHL & MUSTANG



TL130 Book No. BT8Z012 S/N 21300004-
 DECAL (for GEHL & MUSTANG; 21300004-21301098, 21302233-)



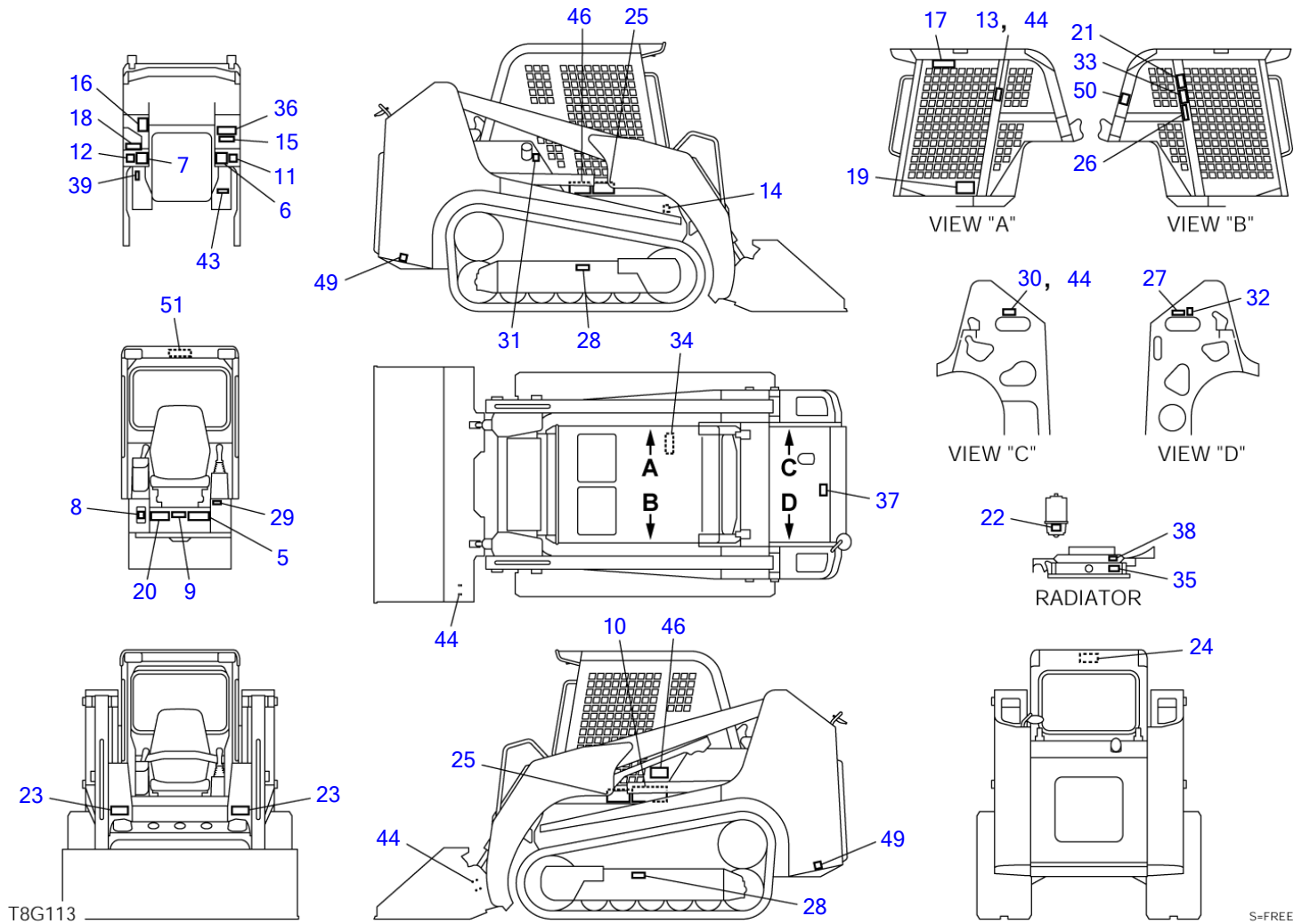
T8G181

S=FREE

DECAL (for GEHL & MUSTANG; 21300004-21301098, 21302233-)

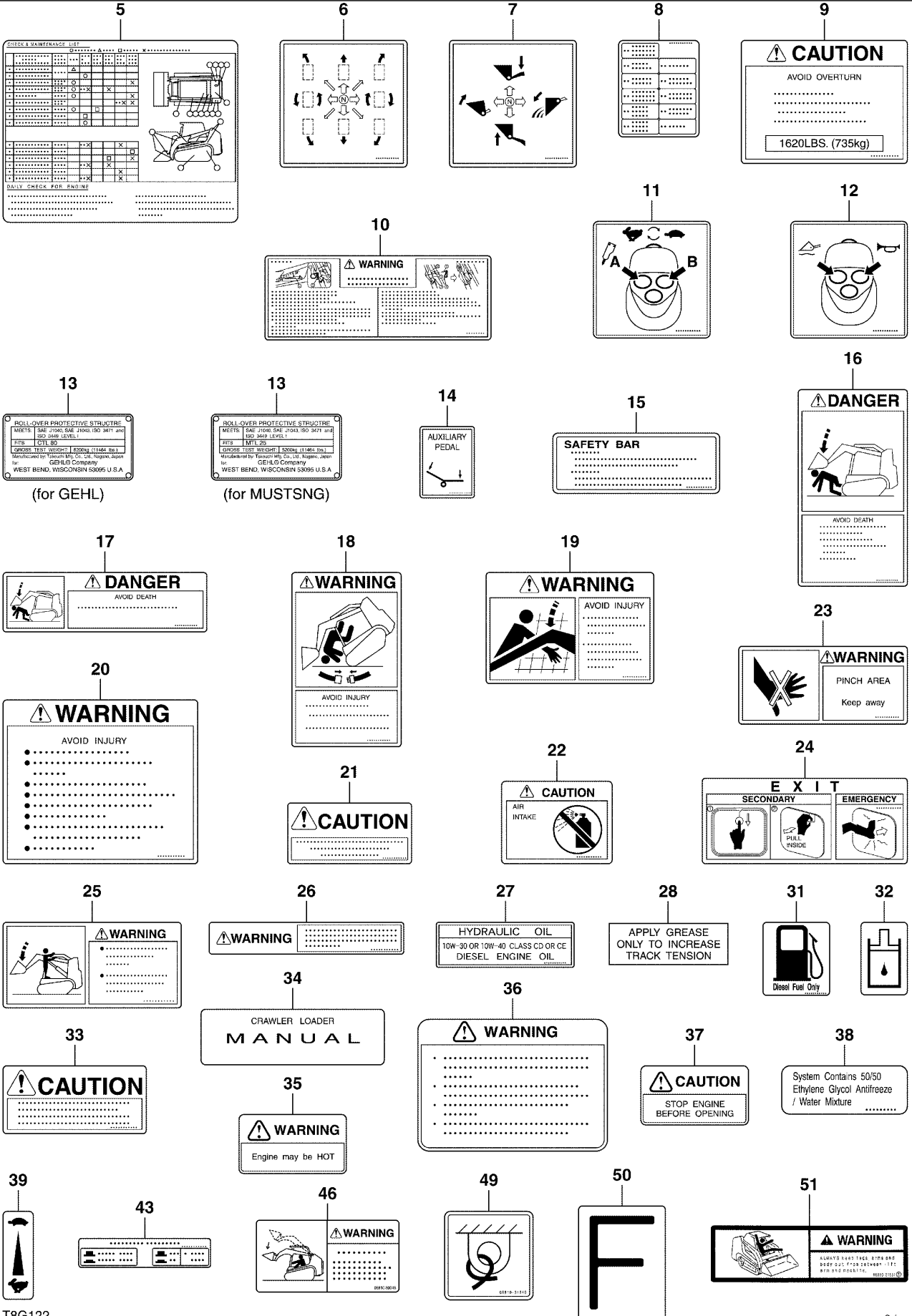
Item	Part number	Description	Q'ty	Chan.	Serial No.	Serv.	Remarks
0	0880034600	DECAL SET (for GEHL)	1				X08800-34600-4
	0880034700	DECAL SET (for MUSTANG)	1				X08800-34700-4
5	0881030005	• DECAL	1				
6	0881030006	• DECAL	1				
7	0881030007	• DECAL	1				
8	0881030008	• DECAL	1				
9	0880038009	• DECAL	1				
10	0881030100	• DECAL	1		21300004~21300324		
	0881030110	• DECAL	1		21300325~		
11	0881030011	• DECAL	1				
12	0881030012	• DECAL	1				
13	0880038813	• DECAL	1		21300004~21301098		for GEHL
	0880038850	• DECAL	1		21302233~		for GEHL
	0880038913	• DECAL	1		21300004~21301098		for MUSTANG
	0880038950	• DECAL	1		21302233~		for MUSTANG
14	0880030004	• DECAL	1				
15	0880031001	• DECAL	1				
16	0880030009	• DECAL	1				
17	0880030010	• DECAL	1				
18	0880030011	• DECAL	1				
19	0880031003	• DECAL	1				
20	0881030020	• DECAL	1				
21	0880030015	• DECAL	1				
22	0880030016	• DECAL	1				
23	0880030017	• DECAL	2				
24	0880031018	• DECAL	1				
25	0880031005	• DECAL	2				
26	0881030026	• DECAL	1				
27	0880031017	• DECAL	1				
28	0149362200	• DECAL	2				
29	X *****	• DECAL	1				
30	X *****	• DECAL	1				
31	0359306600	• DECAL	1				
32	0359306700	• DECAL	1				
33	0880031015	• DECAL	1				
34	0880031016	• DECAL	1				
35	0569321980	• DECAL	1				
36	0359313700	• DECAL	1				
37	0359307400	• DECAL	1				
38	0359313900	• DECAL	1				
39	0359317200	• DECAL	1				
43	0881030043	• DECAL	1				
44	X *****	• SCREW	8				
49	0881031549	• DECAL	2				
50	0399300400	• DECAL	1				
51	0881031551	• DECAL	1				
	T8g181						

TL130 Book No. BT8Z012 S/N 21300004-
 DECAL (for GEHL & MUSTANG; 21301099-21302232)



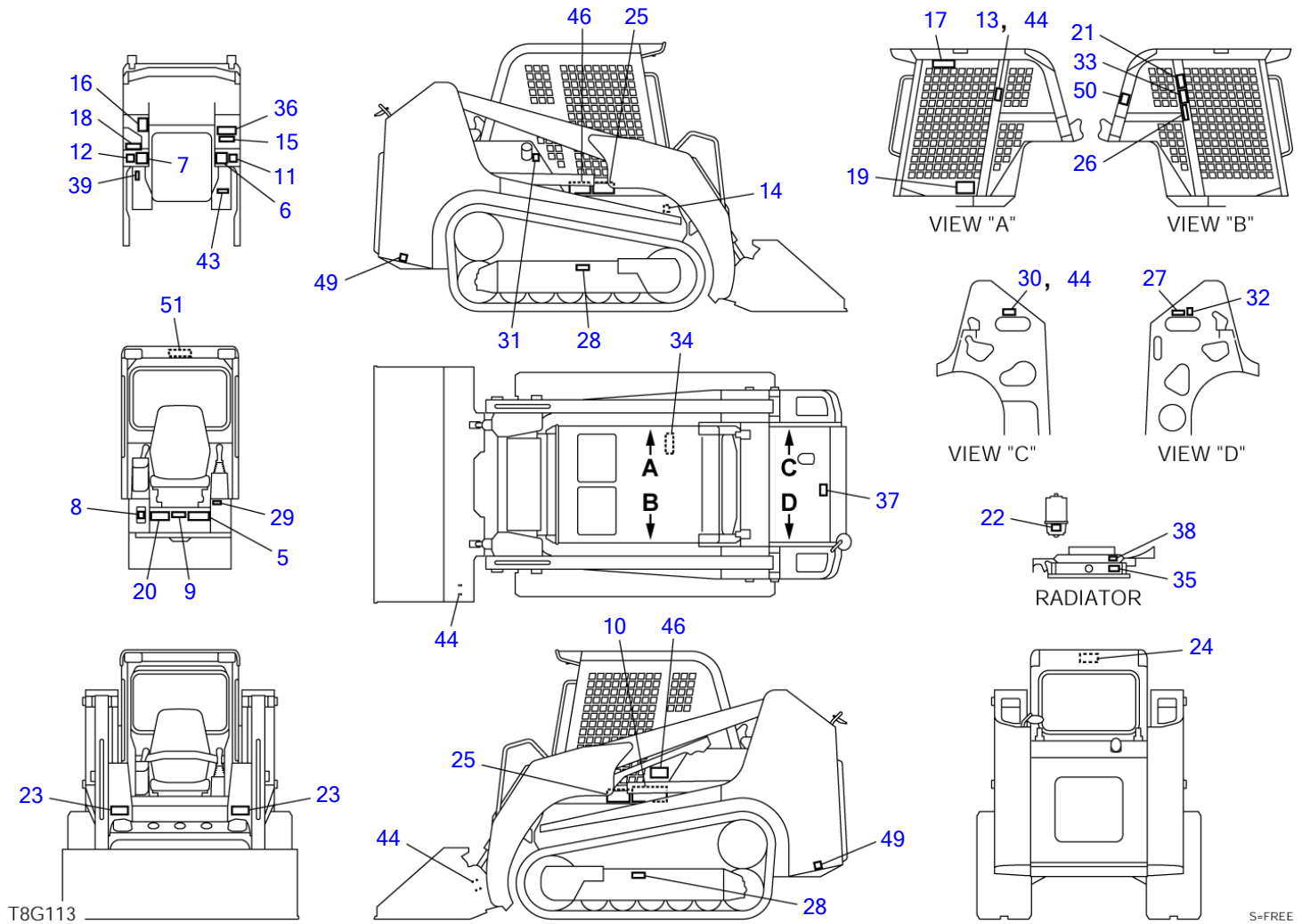
S=FREE

TL130 Book No. BT8Z012 S/N 21300004-
GEHL&MUSTANG



T8G122

TL130 Book No. BT8Z012 S/N 21300004-
 DECAL (for GEHL & MUSTANG; 21301099-21302232)

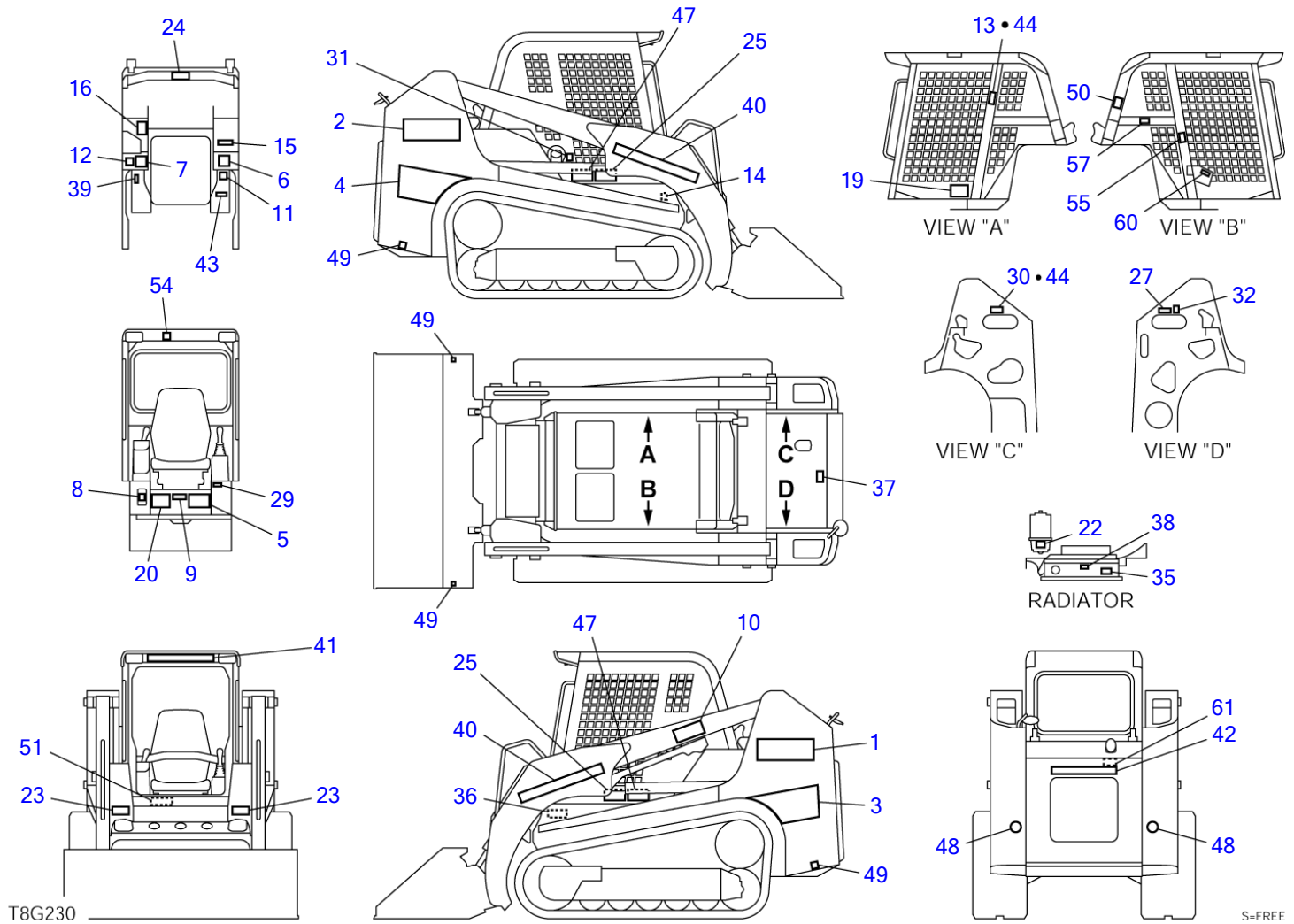


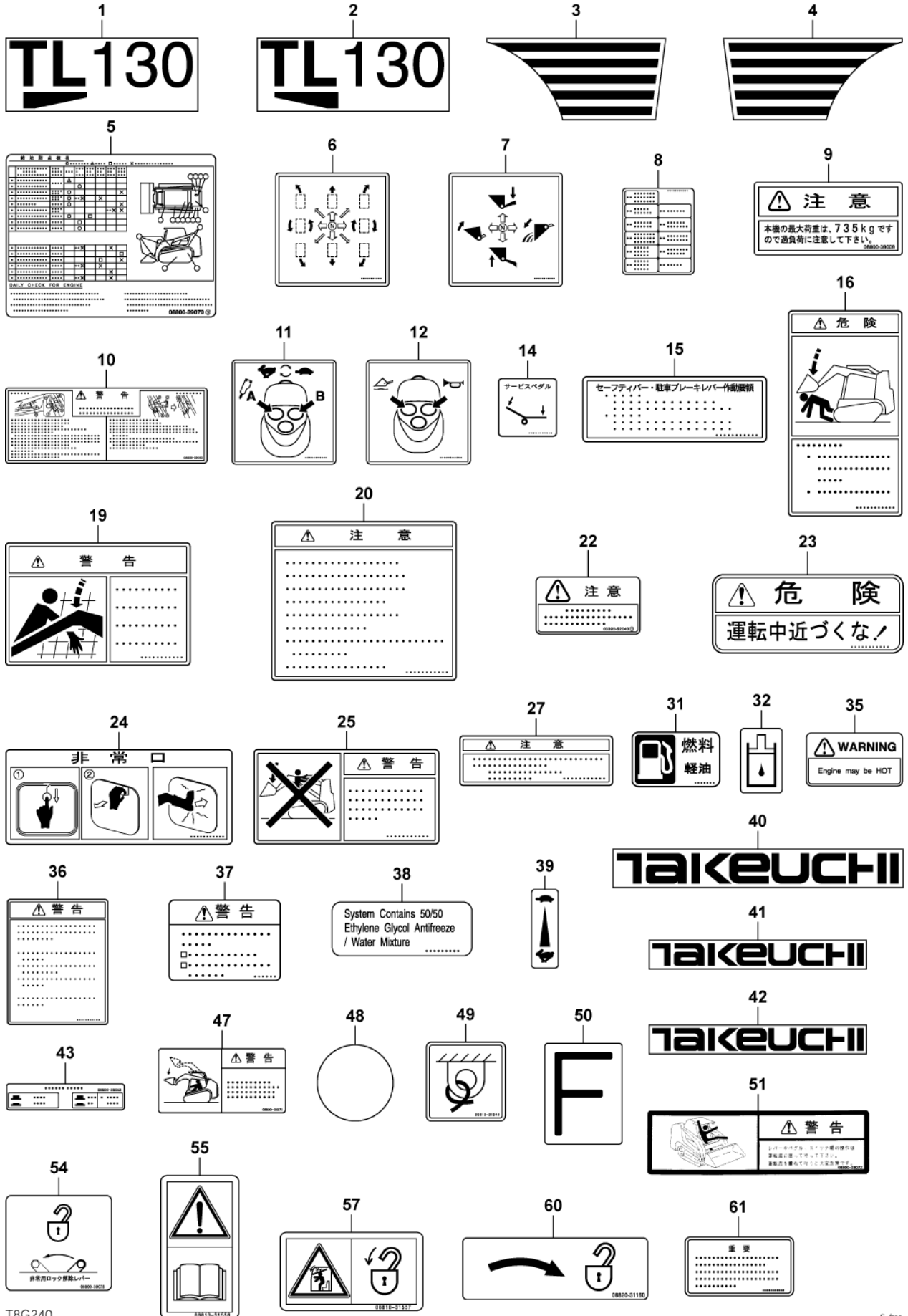
DECAL (for GEHL & MUSTANG; 21301099-21302232)

Item	Part number	Description	Q'ty	Chan.	Serial No.	Serv.	Remarks
0	0880038800	DECAL SET (for GEHL)	1		21301099~21301932		X08800-38800-4
	0880034600	DECAL SET (for GEHL)	1		21301933~21302232		X08800-34600-0
	0880038900	DECAL SET (for MUSTANG)	1		21301099~21301932		X08800-38900-4
	0880034700	DECAL SET (for MUSTANG)	1		21301933~21302232		X08800-34700-0
5	0881030005	• DECAL	1				
6	0881030006	• DECAL	1				
7	0881030007	• DECAL	1				
8	0881030008	• DECAL	1				
9	0880038009	• DECAL	1				
10	0881030110	• DECAL	1				
11	0881030011	• DECAL	1				
12	0881030012	• DECAL	1				
13	0880038813	• DECAL	1		21301099~21301104		for GEHL
	0880038850	• DECAL	1		21301105~21302232		for GEHL
	0880038913	• DECAL	1		21301099~21301104		for MUSTANG
	0880038950	• DECAL	1		21301105~21302232		for MUSTANG
14	0880030004	• DECAL	1				
15	0880031001	• DECAL	1				
16	0880030009	• DECAL	1				
17	0880030010	• DECAL	1				
18	0880030011	• DECAL	1				
19	0880031003	• DECAL	1				
20	0881030020	• DECAL	1				
21	0880030015	• DECAL	1				
22	0880030016	• DECAL	1				
23	0880030017	• DECAL	2				
24	0880031018	• DECAL	1				
25	0880031005	• DECAL	2				
26	0881030026	• DECAL	1				
27	0880031017	• DECAL	1				
28	0149362200	• DECAL	2				
29	X *****	• DECAL	1				
30	X *****	• DECAL	1				
31	0359306600	• DECAL	1				
32	0359306700	• DECAL	1				
33	0880031015	• DECAL	1				
34	0880031016	• DECAL	1				
35	0569321980	• DECAL	1				
36	0359313700	• DECAL	1				
37	0359307400	• DECAL	1				
38	0359313900	• DECAL	1				
39	0359317200	• DECAL	1				
43	0881030043	• DECAL	1				
44	X *****	• SCREW	16				
46	0881030046	• DECAL	2				
49	0881031549	• DECAL	2				
50	0399300400	• DECAL	1				
51	0881031551	• DECAL	1				

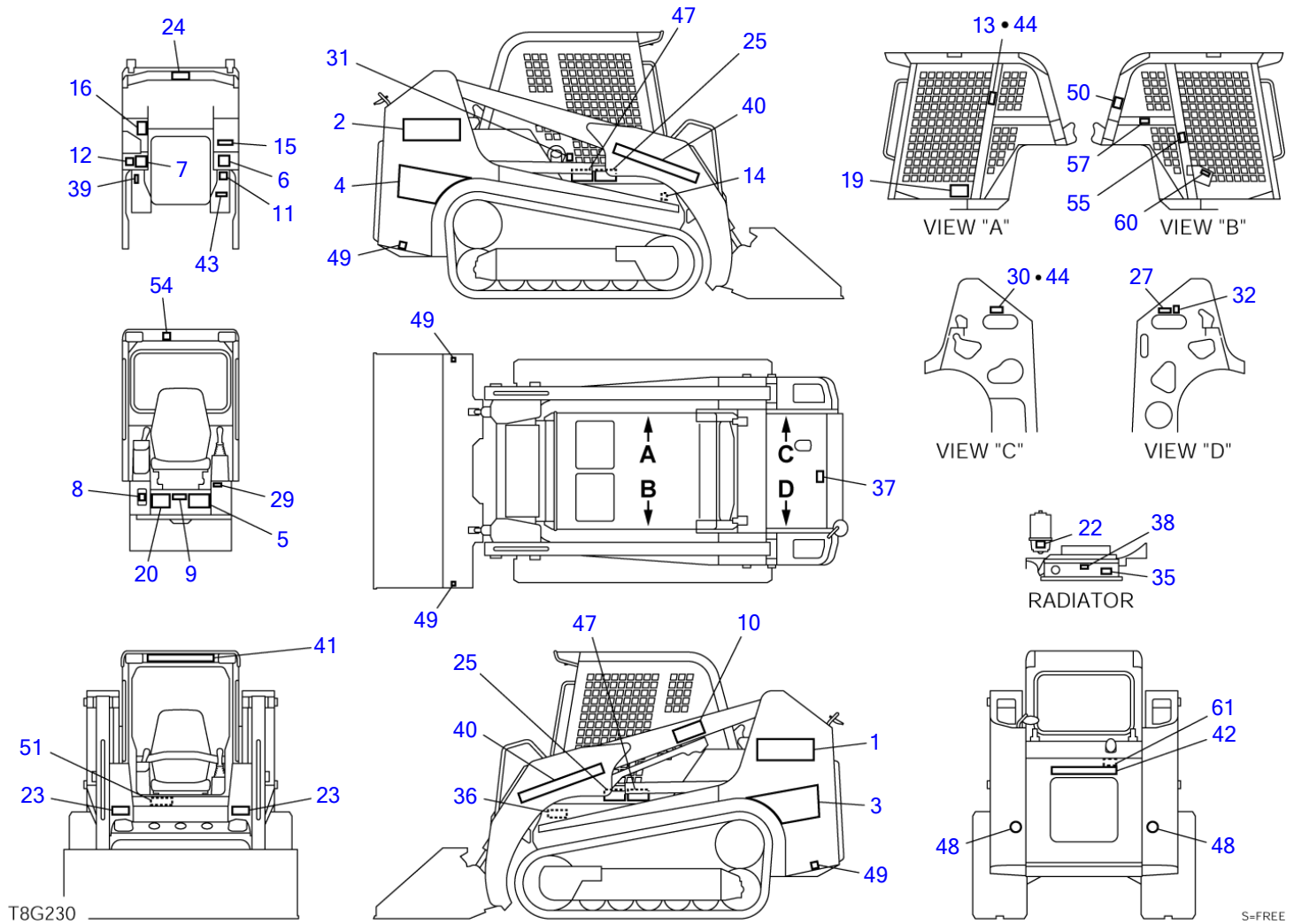
T8g113

TL130 Book No. BT8Z012 S/N 21300004-
 DECAL (cab) (for Japan)



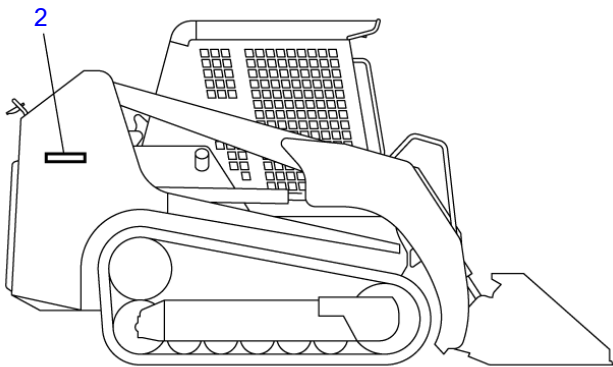
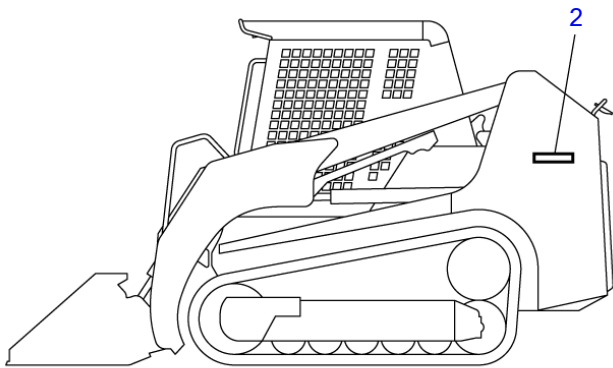
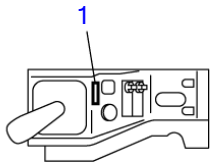


TL130 Book No. BT8Z012 S/N 21300004-
 DECAL (cab) (for Japan)

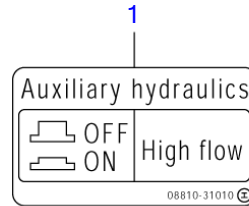


Item	Part number	Description	DECAL (cab) (for Japan)			Remarks
			Q'ty	Chan.	Serial No.	
0	0880033600	DECAL SET	1			X08800-33600-0
1	0880038001	• DECAL	1			
2	0880038002	• DECAL	1			
3	0880038003	• DECAL	1			
4	0880038004	• DECAL	1			
5	0880039070	• DECAL	1			
6	0881030006	• DECAL	1			
7	0881030007	• DECAL	1			
8	0880039008	• DECAL	1			
9	0880039009	• DECAL	1			
10	0880039010	• DECAL	1			
11	0881030011	• DECAL	1			
12	0881030012	• DECAL	1			
13	X *****	• DECAL	1			
14	0880033004	• DECAL	1			
15	0880033018	• DECAL	1			
16	0880033006	• DECAL	1			
19	0880033011	• DECAL	1			
20	0880033009	• DECAL	1			
22	0339352040	• DECAL	1			
23	0880033007	• DECAL	2			
24	0880033015	• DECAL	1			
25	0880033012	• DECAL	2			
27	0880033019	• DECAL	1			
29	X *****	• DECAL	1			
30	X *****	• DECAL	1			
31	0871082240	• DECAL	1			
32	0359306700	• DECAL	1			
35	0882031135	• DECAL	1			
36	0880033010	• DECAL	1			
37	0871082120	• DECAL	1			
38	0359313900	• DECAL	1			
39	0359317200	• DECAL	1			
40	0880038100	• DECAL	2			
41	0359341020	• DECAL	1			
42	0359306300	• DECAL	1			
43	0880039043	• DECAL	1			
44	X *****	• SCREW	16			
47	0880039071	• DECAL	2			
48	0874030360	• DECAL	2			
49	0881031549	• DECAL	4			
50	0399300400	• DECAL	1			
51	0880039072	• DECAL	1			
54	0880039073	• DECAL	1			
55	0881031556	• DECAL	1			
57	0881031557	• DECAL	1			
60	0882031160	• DECAL	1			
61	0339377640	• DECAL	1			

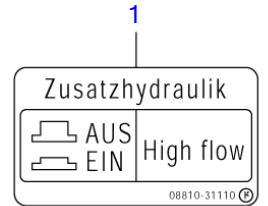
T8g230



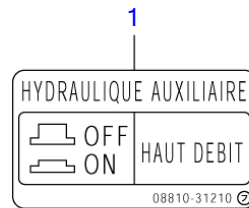
T7G121



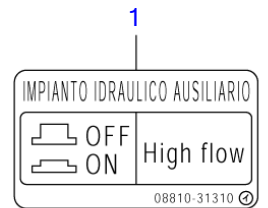
(English)



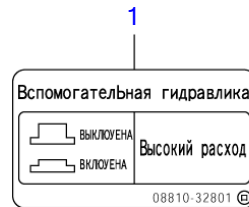
(German)



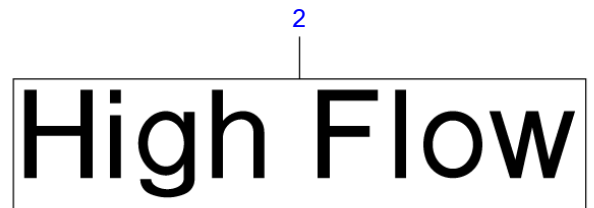
(French)



(Italian)



(Russian)

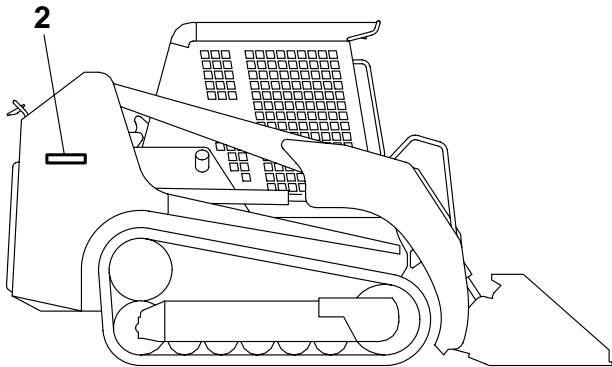
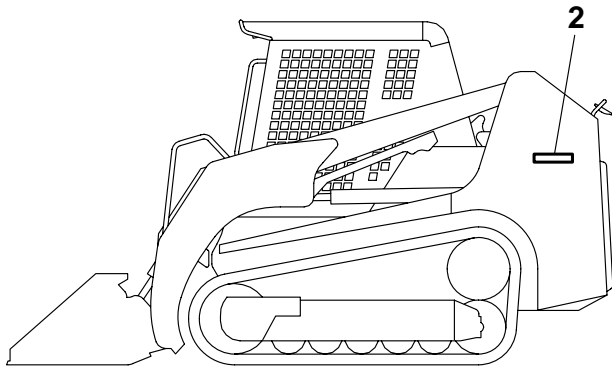
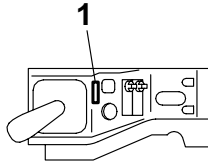


S=FREE

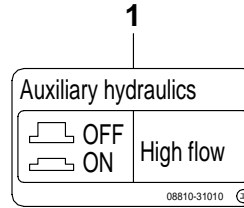
DECAL (high flow; 21306717-)

Item	Part number	Description	Q'ty	Chan.	Serial No.	Serv.	Remarks
0	0880039100	DECAL SET (English)	1				X08800-39100-1
	0880039200	DECAL SET (German)	1				X08800-39200-1
	0880039300	DECAL SET (French)	1				X08800-39300-1
	0880039400	DECAL SET (Italian)	1				X08800-39400-1
	0880040300	DECAL SET (Dutch)	1			M	X08800-40300-1
	0880040400	DECAL SET (Russian)	1			M	X08800-40400-1
1	0881031010	• DECAL (English)	1				
	0881031110	• DECAL (German)	1				
	0881031210	• DECAL (French)	1				
	0881031310	• DECAL (Italian)	1				
	0881032801	• DECAL (Russian)	1			M	
2	0881031020	• DECAL	2				
	T8g211						

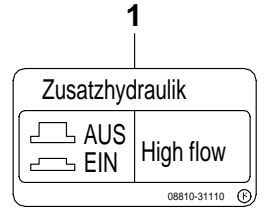
TL130 Book No. BT8Z012 S/N 21300004-
DECAL (high flow; 21306717-)



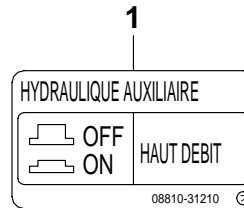
T7G121



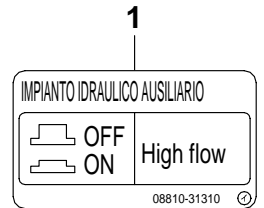
(English)



(German)



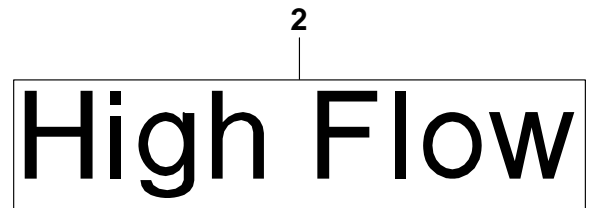
(French)



(Italian)



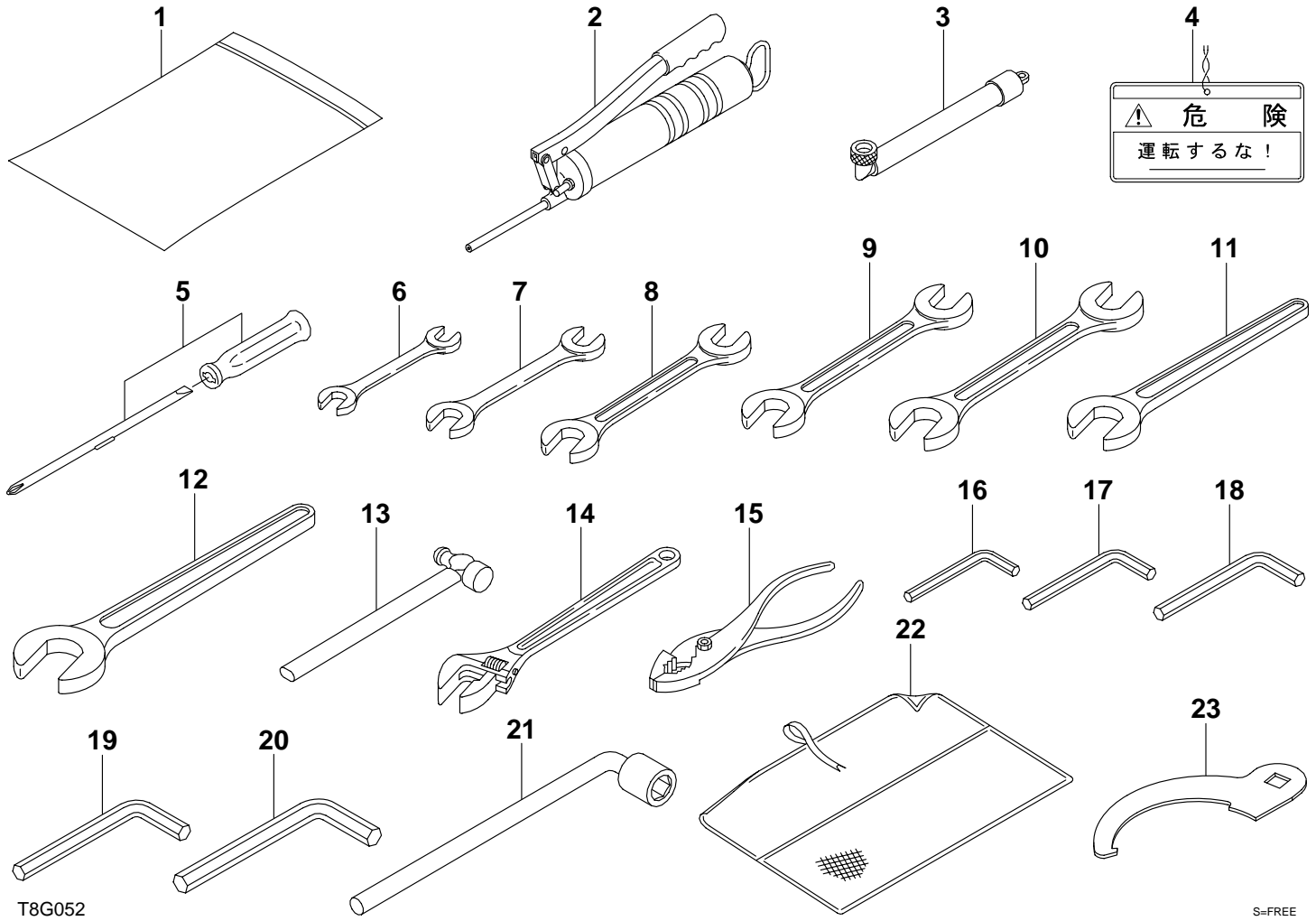
(Russian)





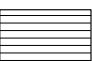


S=FREE

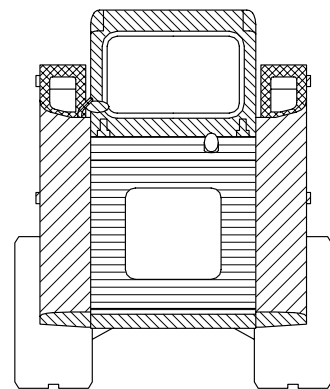
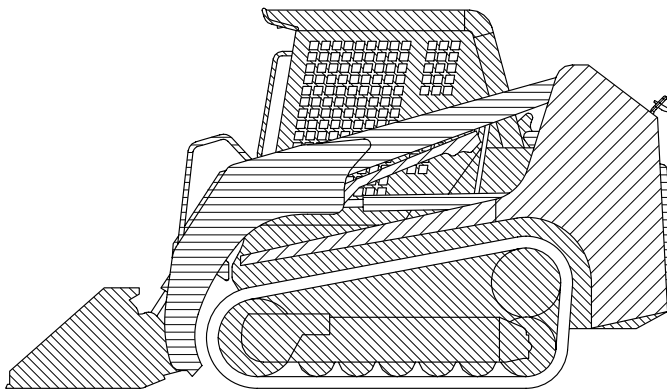
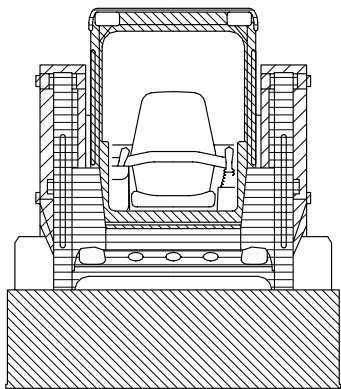
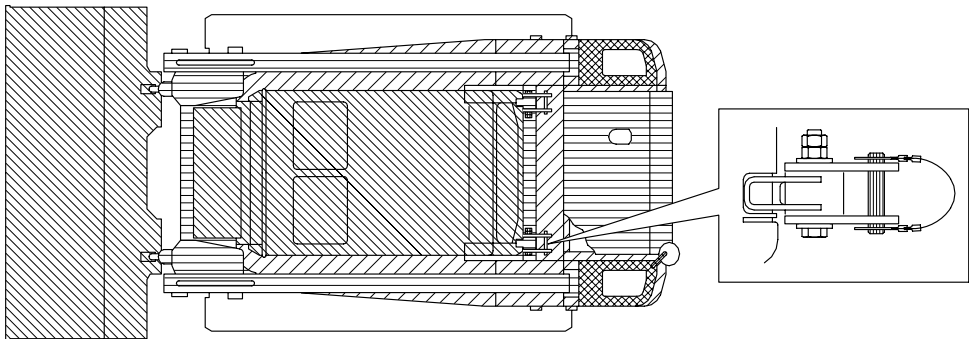
DECAL (high flow, for GEHL & MUSTANG; 21306717-)

Item	Part number	Description	Q'ty	Chan.	Serial No.	Serv.	Remarks
0	880039500	DECAL SET (GEHL & MUSTANG)	1				X08800-39500-1
1	881031010	· DECAL	1				
3	881031030	· DECAL	2				
	T8g221						



TOOL						
Item	Part number	Description	Q'ty	Chan.	Serial No.	Serv. Remarks
		TOOL SET	1			X08800-20200-1, 20100-1
1	1691900001	CASE	1			
2	1691060600	GUN, grease	1			
	1691010800	GUN, grease	1			for JAPAN
3	1554512601	TUBE	1			
4	359325160	PLATE	1			for JAPAN
0-1	880921260	TOOL SET	1			
5	1690220205	• SCREW DRIVER	1			
6	1690001012	• SPANNER	1			
7	1690001113	• SPANNER	1			
8	1690001417	• SPANNER	1			
9	1690001922	• SPANNER	1			
10	1690002427	• SPANNER	1			
11	1690100030	• SPANNER	1			
12	1690100041	• SPANNER	1			
13	1690300330	• HAMMER	1			
14	1690400250	• WRENCH, monkey	1			
15	1690500200	• PLIER	1			
16	1690600500	• WRENCH, hex	1			
17	1690600600	• WRENCH, hex	1			
18	1690600800	• WRENCH, hex	1			
19	1690601000	• WRENCH, hex	1			
20	1690601400	• WRENCH, hex	1			
21	1690830019	• WRENCH, hex	1			
22	1691400001	• CASE, tool	1			
23	881920060	• WRENCH, filter	1			
	T8g051					



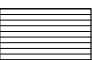

- ① 
- ② 
- ③ 
- ④ 
- ⑧ 

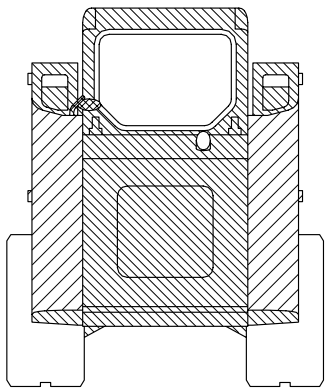
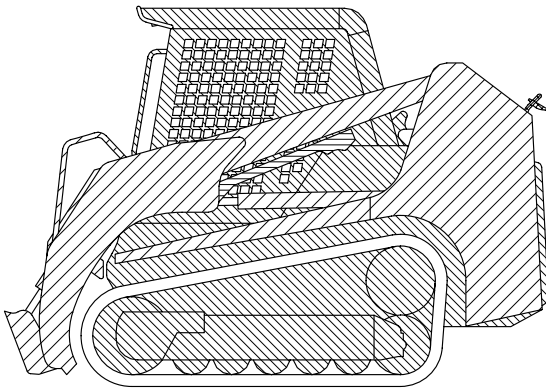
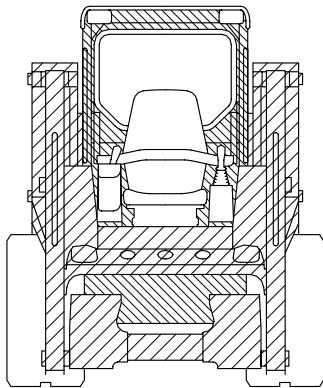
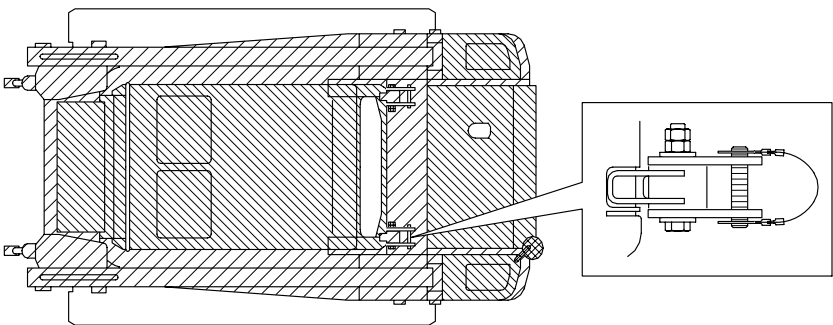


T8G063

S=FREE

Item	Part number	Description	PAINTED COLOR			Remarks
			Q'ty	Chan.	Serial No.	
		PAINTED COLOR				X08800-13100-5
1	1919060105	RED	1			
	1919069105	RED	1			spray
2	1919060144	GRAY	1			
	1919069144	GRAY	1			spray
3	1919060142	LIGHT GRAY	1			
	1919069142	LIGHT GRAY	1			spray
4	1919060103	BLACK	1			
	1919069103	BLACK	1			spray
8	1919069175	YELLOW	1			spray
	T8g063					

- ① 
- ② 
- ③ 
- ④ 

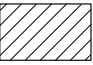





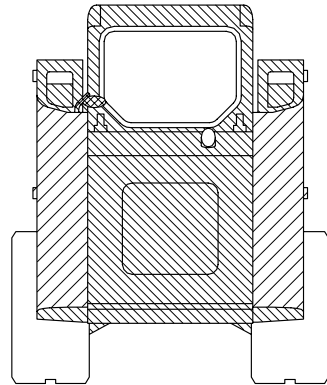
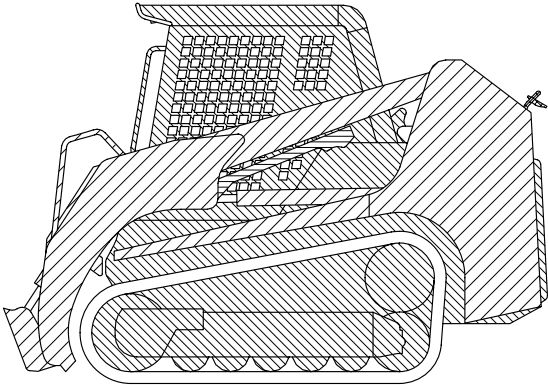
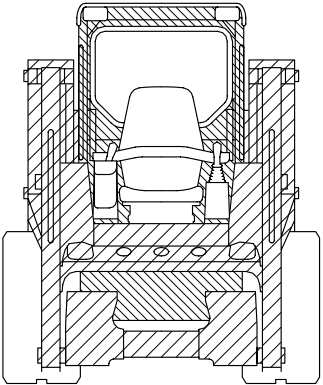
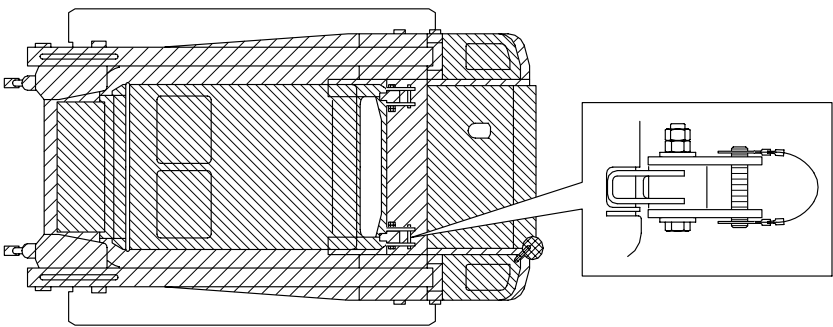
T8G091

S=FREE

PAINTED COLOR (for GEHL)

Item	Part number	Description	Q'ty	Chan.	Serial No.	Serv.	Remarks
		PAINTED COLOR					X08800-13200-2
1	1919060177	GEHL YELLOW	1				
	1919069177	GEHL YELLOW	1				spray
2	1919060180	GEHL GRAY	1				
	1919069180	GEHL GRAY	1				spray
3	1919060105	RED	1				
	1919069105	RED	1				spray
4	1919060103	BLACK	1				
	1919069103	BLACK	1				spray
	T8g092						

- ① 
- ② 
- ③ 
- ④ 



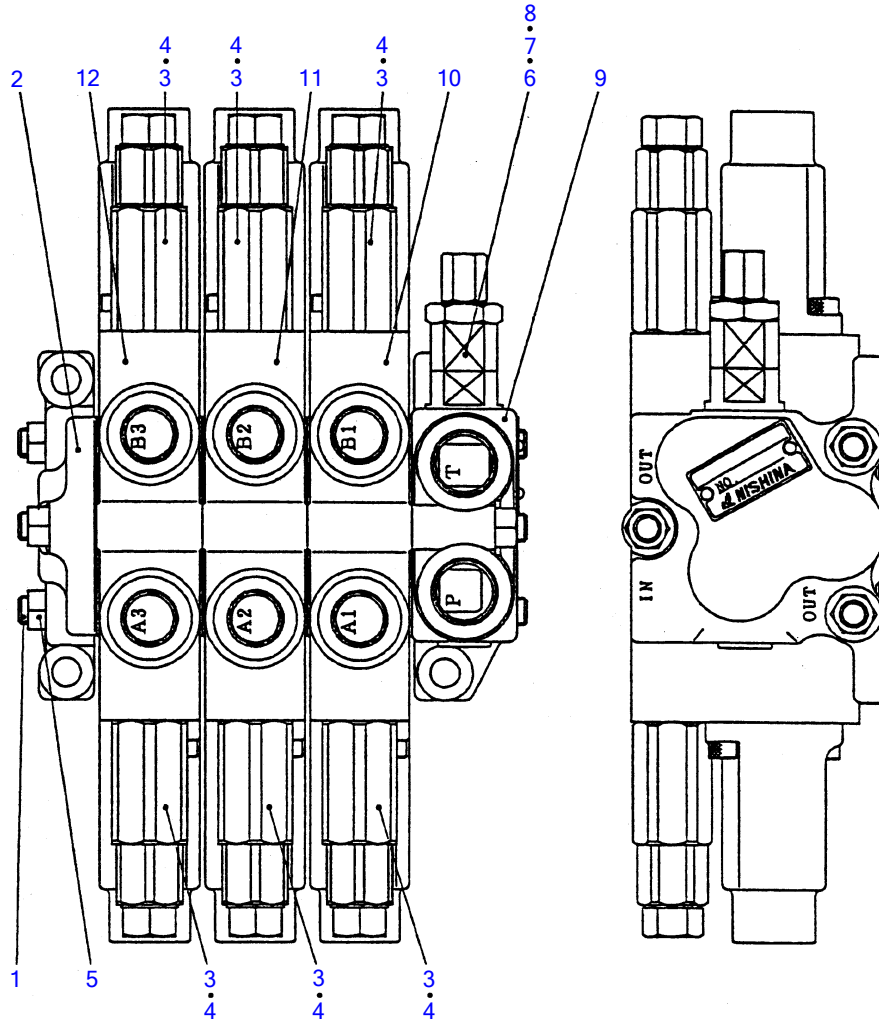
T8G091

S=FREE

PAINTED COLOR (for MUSTANG)

Item	Part number	Description	Q'ty	Chan.	Serial No.	Serv.	Remarks
		PAINTED COLOR					X08800-13300-2
1	1919060183	MUSTANG YELLOW	1				
	1919069183	MUSTANG YELLOW	1				spray
2	1919060180	GEHL GRAY	1				
	1919069180	GEHL GRAY	1				spray
3	1919060105	RED	1				
	1919069105	RED	1				spray
4	1919060103	BLACK	1				
	1919069103	BLACK	1				spray
	T8g102						

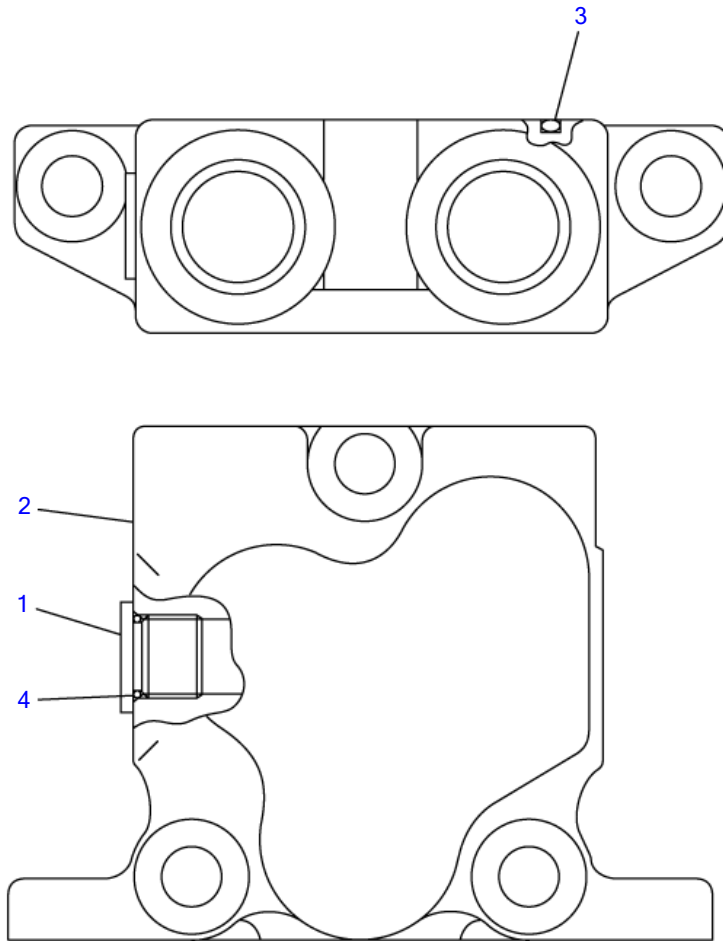
TL130 Book No. BT8Z012 S/N 21300004-
CONTROL VALVE



T7H010

CONTROL VALVE

Item	Part number	Description	Q'ty	Chan.	Serial No.	Serv.	Remarks
0	1901038200	VALVE ASSY, control	1				
1	1901038106	▪ ROD, tie	3				
2	1901038108	▪ HOUSING, outlet	1				
3	1901038225	▪ VALVE ASSY	6				over load
4	1420010220	▪ ▪ O-RING	1				
5	1130250010	▪ NUT	6				
6	1901038222	▪ VALVE ASSY	1				relief
7	1420010120	▪ ▪ O-RING	1				
8	1420010220	▪ ▪ O-RING	1				
9	1901038103	▪ HOUSING, inlet	1				
10	1901038112	▪ BLOCK ASSY, NO. 1	1				arm
11	1901038113	▪ BLOCK ASSY, NO. 2	1				bucket
12	1901038119	▪ BLOCK ASSY, NO. 3	1				service
	T8h011						

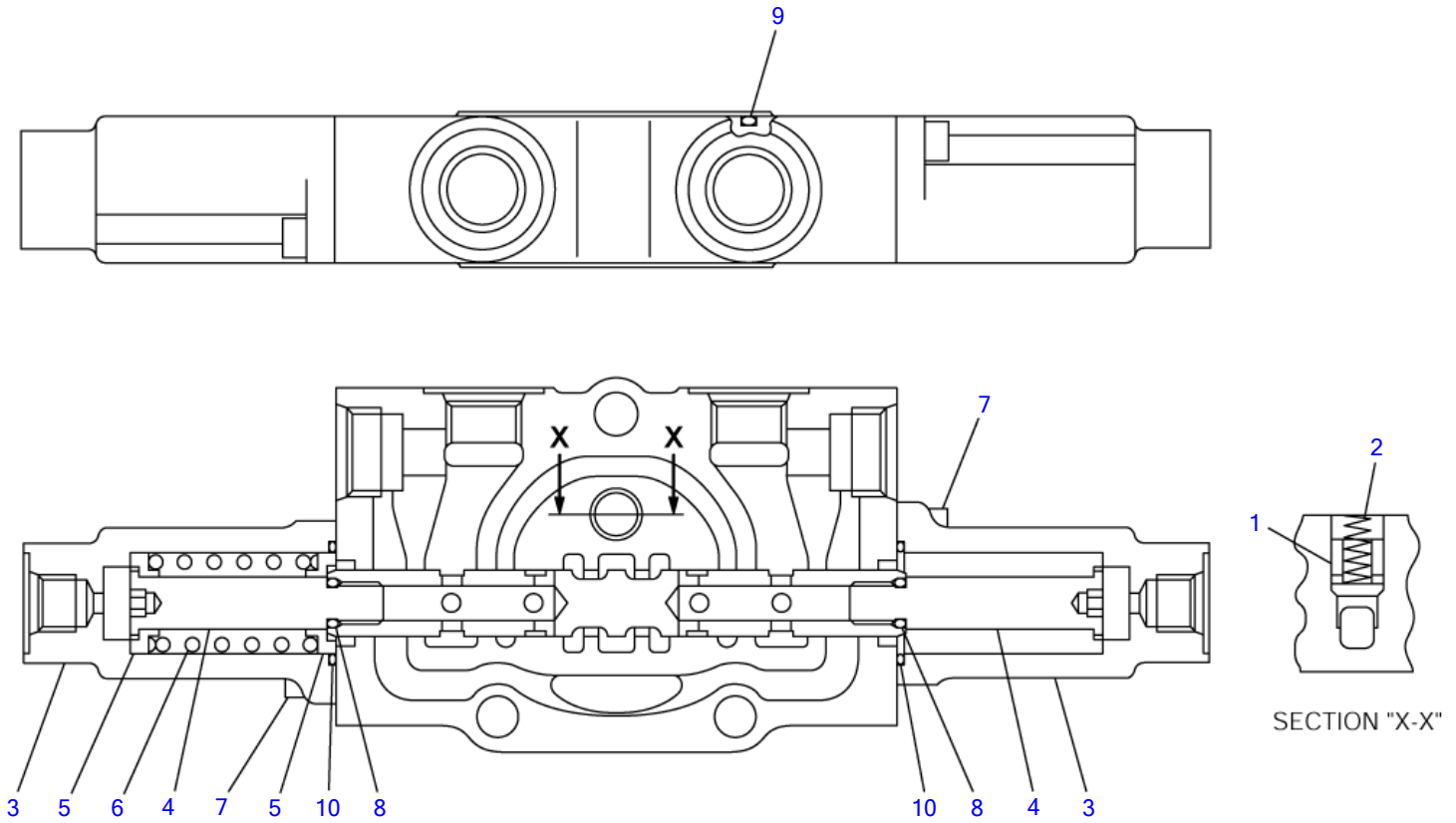


T7H020

S=FREE

INLET HOUSING ASSY

Item	Part number	Description	Q'ty	Chan.	Serial No.	Serv.	Remarks
0	1901038103	HOUSING, inlet	1				
1	1513500028	▪ PLUG	1				
2	1901038105	▪ HOUSING	1				
3	1420110650	▪ O-RING	1				
4	1420310906	▪ O-RING	1				
	T7h020						

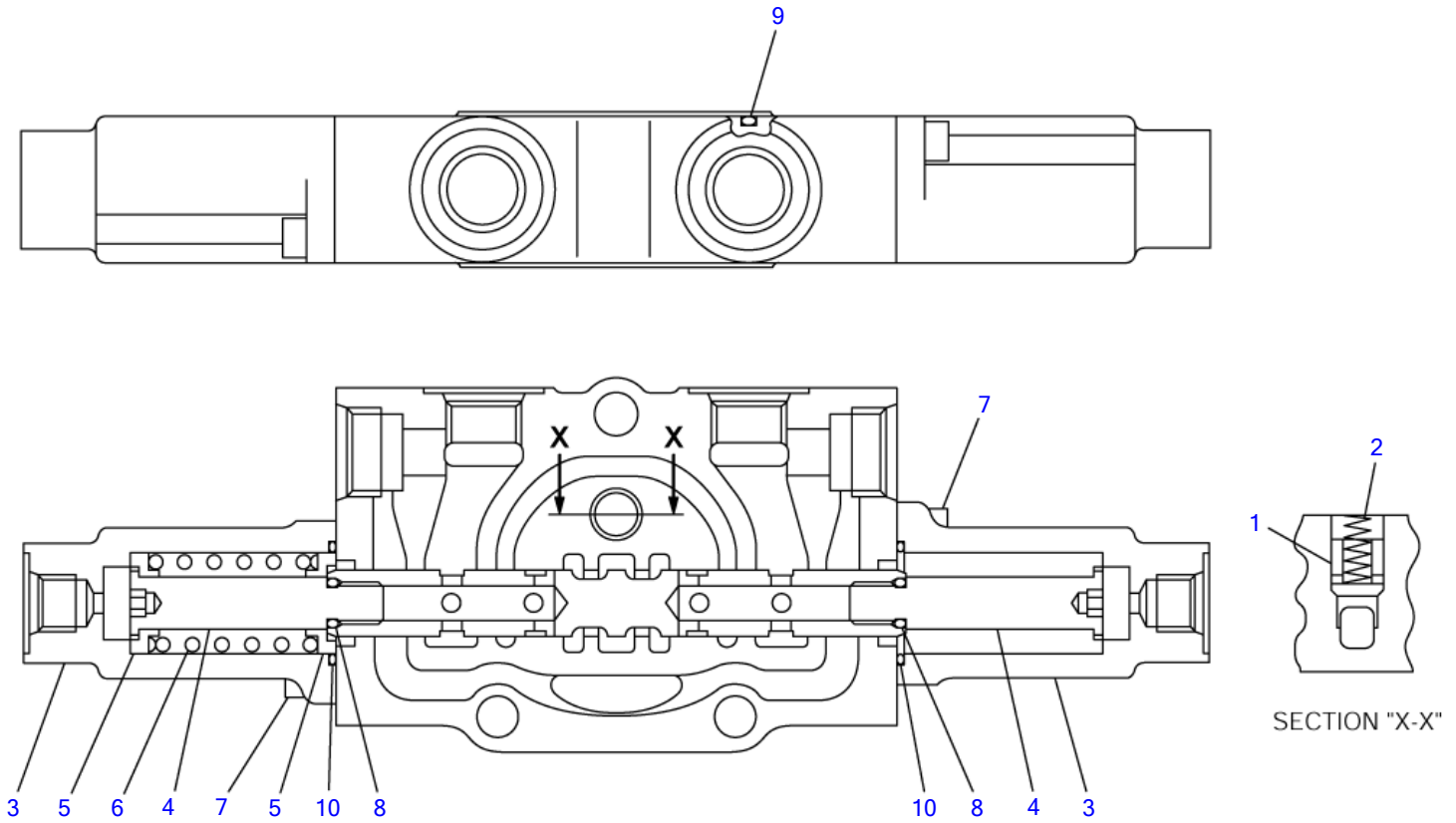


T7H030

S=FREE

BLOCK ASSY; No. 1

Item	Part number	Description	Q'ty	Chan.	Serial No.	Serv.	Remarks
0	1901038112	BLOCK ASSY, NO. 1	1				arm
1	1901038126	▪ PLUNGER	1				
2	1901038156	▪ SPRING	1				
3	1901038166	▪ CAP	2				
4	1901038131	▪ END, spool	2				
5	1901035151	▪ HOLDER, spring	2				
6	1901038157	▪ SPRING	1				
7	1110020620	▪ SCREW, cap	4				
8	1420010070	▪ O-RING	2				
9	1420110650	▪ O-RING	1				
10	1420300023	▪ O-RING	2				
	T7h030						

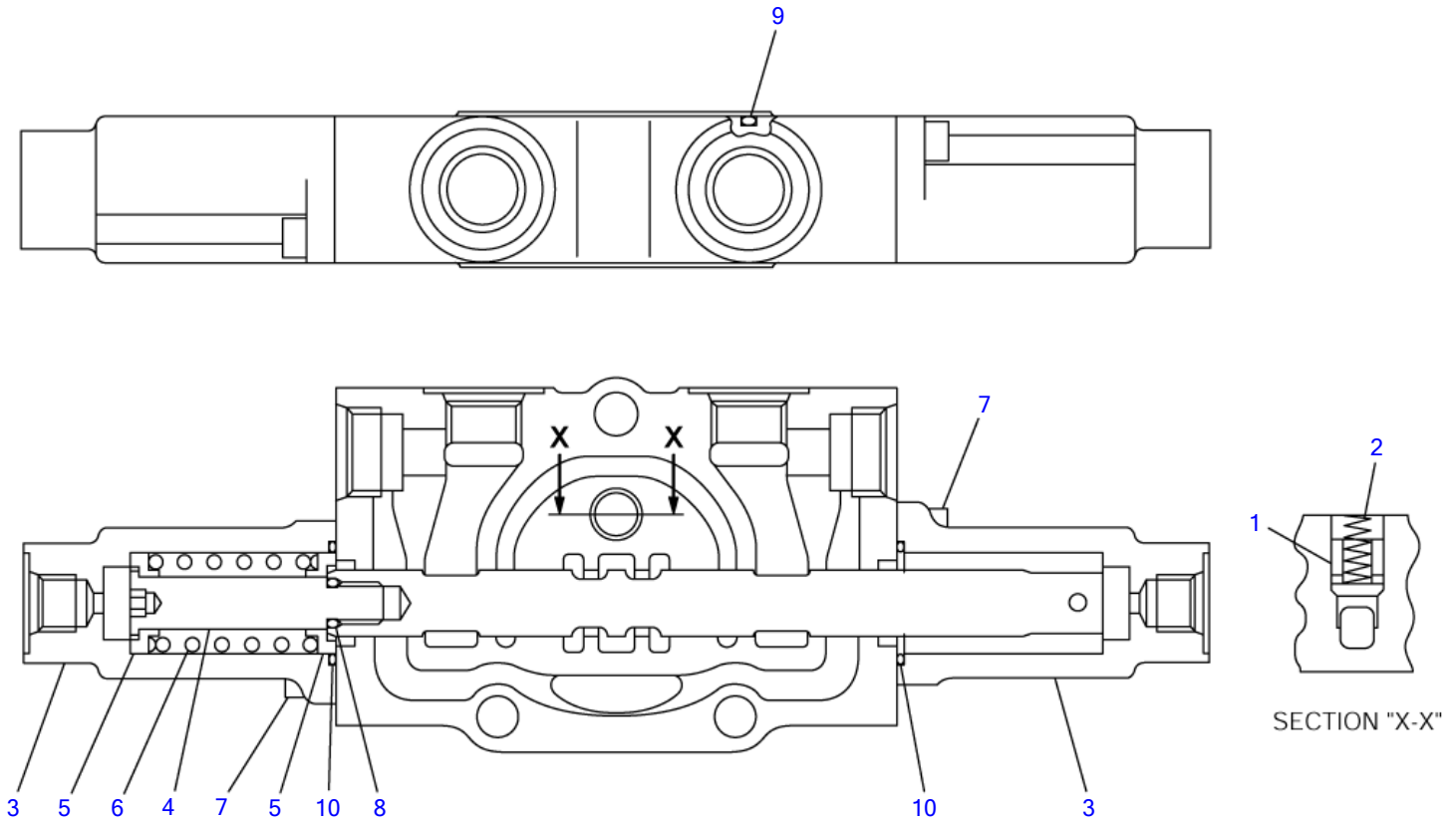


T7H030

S=FREE

BLOCK ASSY; No. 2

Item	Part number	Description	Q'ty	Chan.	Serial No.	Serv.	Remarks
0	1901038113	BLOCK ASSY, NO. 2	1				bucket
1	1901038126	▪ PLUNGER	1				
2	1901038156	▪ SPRING	1				
3	1901038166	▪ CAP	2				
4	1901038131	▪ END, spool	2				
5	1901035151	▪ HOLDER, spring	2				
6	1901038157	▪ SPRING	1				
7	1110020620	▪ SCREW, cap	4				
8	1420010070	▪ O-RING	2				
9	1420110650	▪ O-RING	1				
10	1420300023	▪ O-RING	2				
	T7h040						

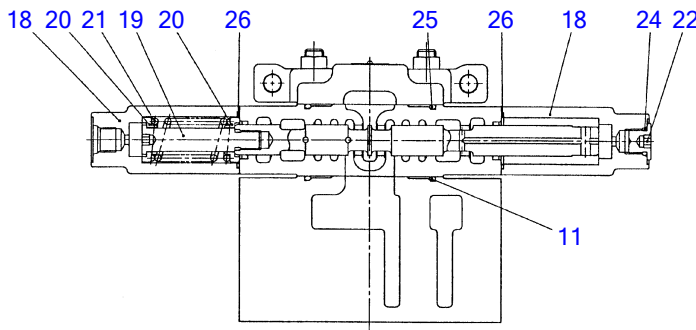


T7H050

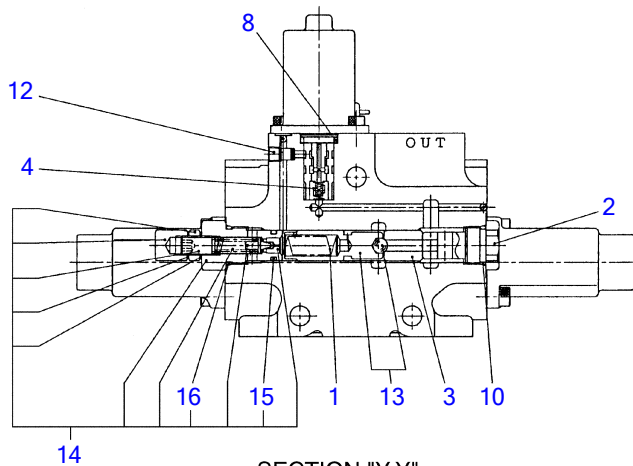
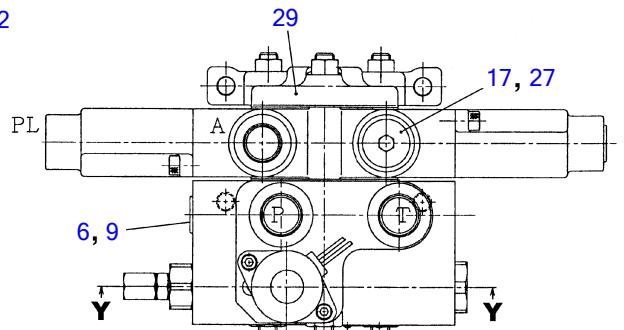
S=FREE

BLOCK ASSY; No. 3

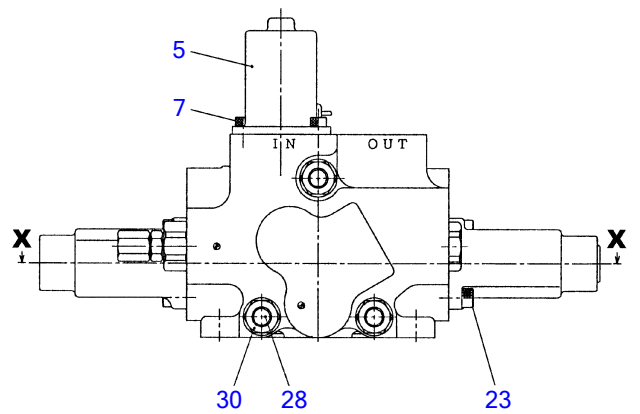
Item	Part number	Description	Q'ty	Chan.	Serial No.	Serv.	Remarks
0	1901038119	BLOCK ASSY, NO. 3	1				service
1	1901038126	▪ PLUNGER	1				
2	1901038156	▪ SPRING	1				
3	1901038166	▪ CAP	2				
4	1901038131	▪ END, spool	1				
5	1901035151	▪ HOLDER, spring	2				
6	1901038157	▪ SPRING	1				
7	1110020620	▪ SCREW, cap	4				
8	1420010070	▪ O-RING	1				
9	1420110650	▪ O-RING	1				
10	1420300023	▪ O-RING	2				
	T7h050						



SECTION "X-X"



SECTION "Y-Y"



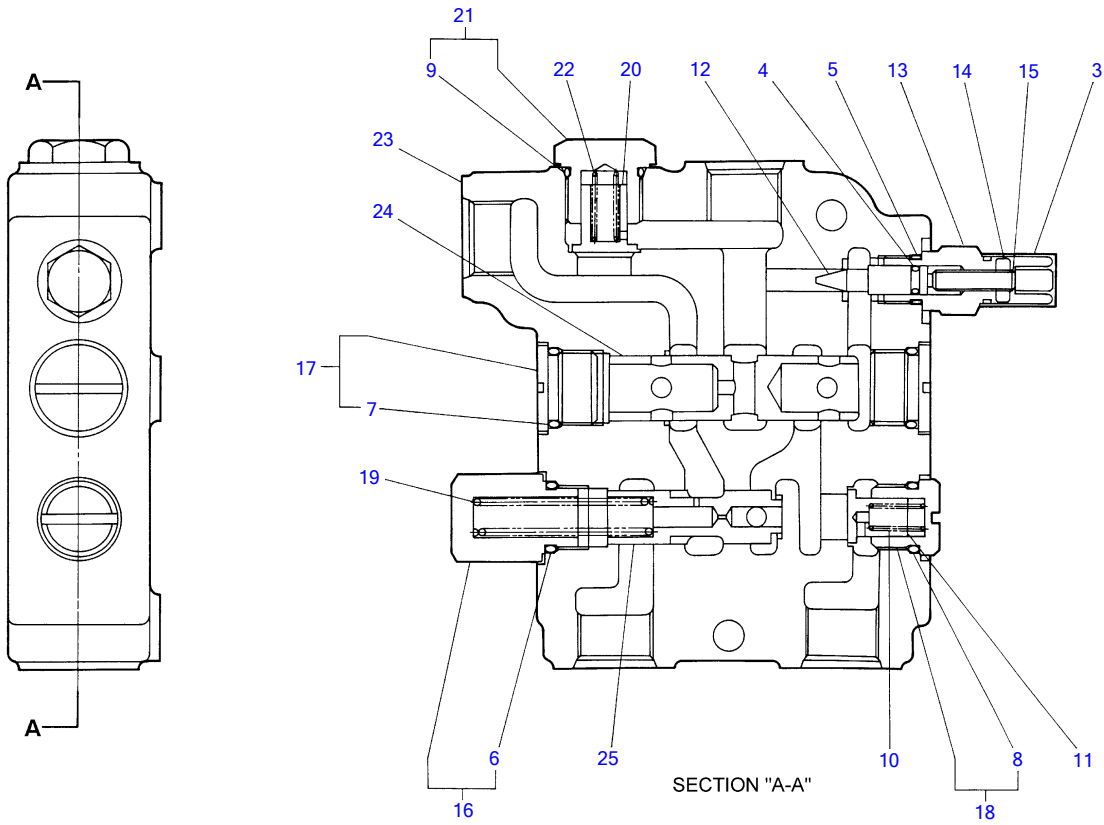
T7H260

S=free

CONTROL VALVE (high flow; 21306717-)

Item	Part number	Description	Q'ty	Chan.	Serial No.	Serv.	Remarks
0	1901039500	VALVE ASSY, control	1				
0-1	1901039511	▪ BLOCK ASSY, solenoid	1				
1	1901039556	▪ ▪ SPRING	1				
2	1901039513	▪ ▪ PLUG	1				
3	1901039526	▪ ▪ HOLDER, spring	1				
4	1901039557	▪ ▪ SPRING	1				
5	1901039525	▪ ▪ SOLENOID	1				
6	1901720720	▪ ▪ PLUG	1				
7	1110040510	▪ ▪ SCREW, cap	2				
8	1420000160	▪ ▪ O-RING	1				
9	1420010110	▪ ▪ O-RING	1				
10	1420010160	▪ ▪ O-RING	1				
11	1420110650	▪ ▪ O-RING	1				
12	1501810000	▪ ▪ PLUG	1				
13	1901039527	▪ ▪ PLUNGER	1				
14	1901039521	▪ ▪ VALVE, relief	1				
15	1420010120	▪ ▪ ▪ O-RING	1				
16	1420010160	▪ ▪ ▪ O-RING	1				
0-2	1901039510	▪ BLOCK ASSY	1				
17	1513500008	▪ ▪ PLUG	1				
18	1901038166	▪ ▪ COVER	2				
19	1901038131	▪ ▪ END, spool	1				
20	1901035151	▪ ▪ HOLDER, spring	2				
21	1901038157	▪ ▪ SPRING	1				
22	1901720720	▪ ▪ PLUG	1				
23	1110020620	▪ ▪ SCREW, cap	4				
24	1420010110	▪ ▪ O-RING	1				
25	1420110650	▪ ▪ O-RING	1				
26	1420310023	▪ ▪ O-RING	2				
27	1420310908	▪ ▪ O-RING	1				
28	1901039507	▪ ROD, tie	3				
29	1901039504	▪ HOUSING, inlet	1				
30	1130050010	▪ NUT	6				
	T7h260						

TL130 Book No. BT8Z012 S/N 21300004-
SELF LEVEL VALVE (21300004-21301932)

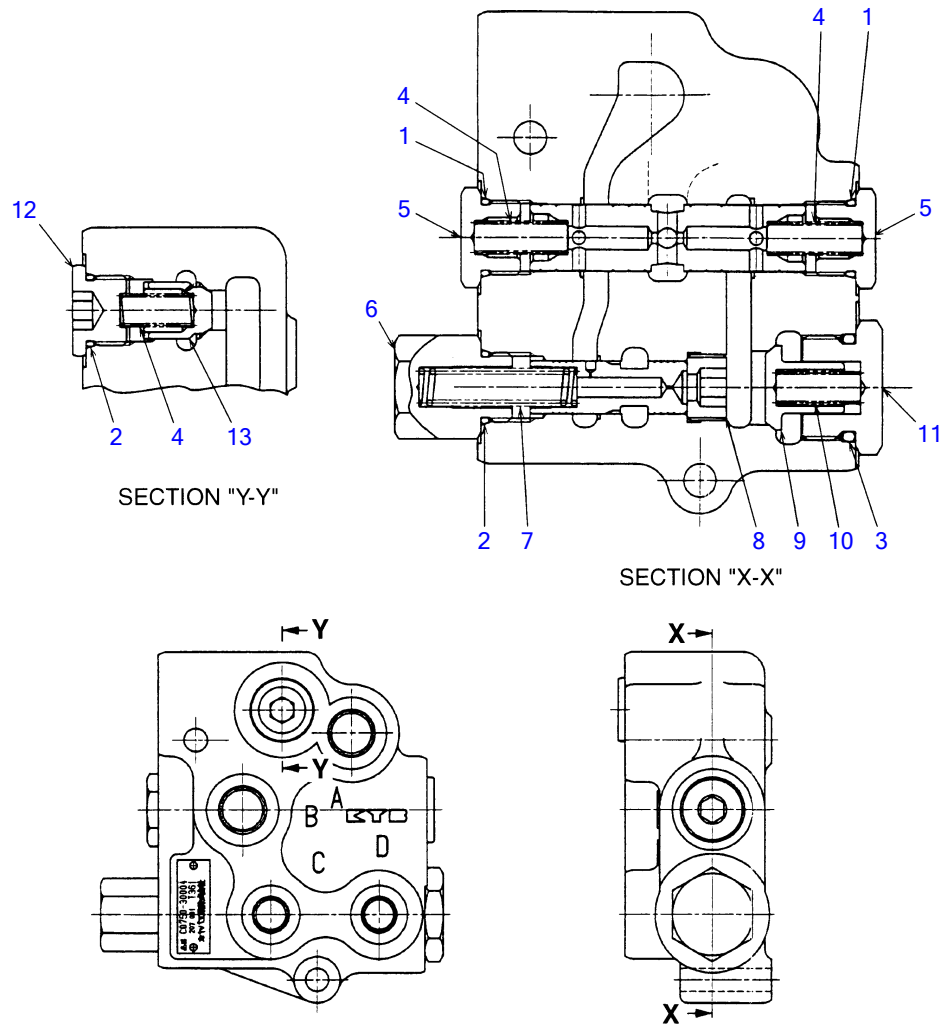


T5-49a-0-D

S=FREE

SELF LEVEL VALVE (21300004-21301932)

Item	Part number	Description	Q'ty	Chan.	Serial No.	Serv.	Remarks
1	1901737200	VALVE ASSY	1				
2	1901723499	· KIT, seal	1				
3	X 1901723408	· · COVER	1				
4	X 1901723410	· · O-RING	1				
5	X 1901723412	· · O-RING	1				
6	X 1901723416	· · O-RING	1				
7	X 1901723419	· · O-RING	2				
8	X 1901723422	· · O-RING	1				
9	X 1901723427	· · O-RING	1				
10	1901723401	· SPRING	1				
11	1901723402	· CHECK	1				
12	1901723407	· PIN	1				
13	1901723409	· CAP	1				
14	1901723411	· NUT	1				
15	1901723413	· SET-SCREW	1				
16	1901723414	· PLUG ASSY	1				
17	1901723417	· PLUG ASSY	2				
18	1901723420	· PLUG ASSY	1				
19	1901723423	· SPRING	1				
20	1901723424	· CHECK	1				
21	1901723425	· PLUG ASSY	1				
22	1901723428	· SPRING	1				
23	X *****	· BODY	1				
24	X *****	· SPOOL	1				
25	X *****	· SPOOL	1				
	T8h020						

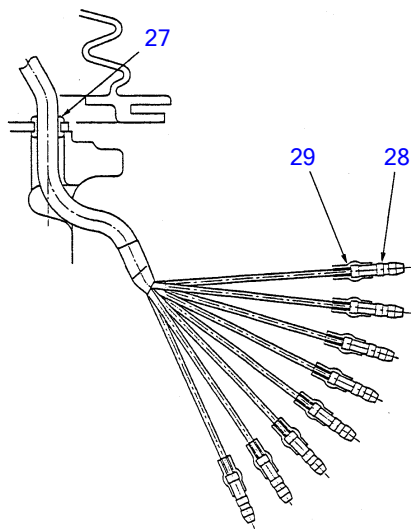
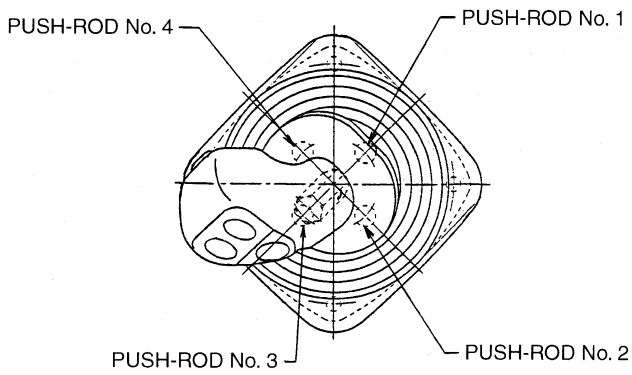


T9H050

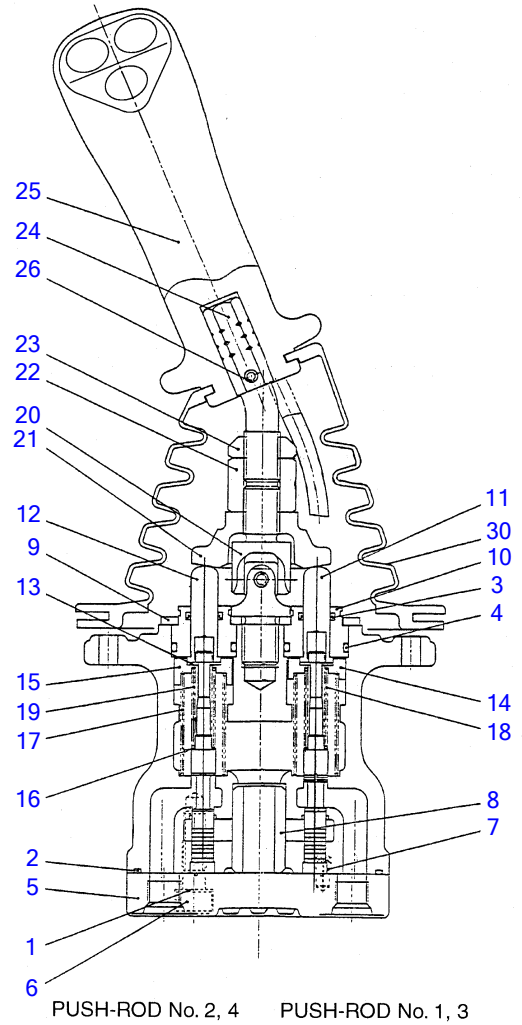
S-free

SELF LEVEL VALVE (21301933-)

Item	Part number	Description	Q'ty	Chan.	Serial No.	Serv.	Remarks
0	1901736100	VALVE ASSY, self-level	1				
0-1	1901736199	· KIT, seal	1				
1	X 1420310910	· · O-RING	2				
2	X 1420010180	· · O-RING	2				
3	X 1901736119	· · O-RING	1				
4	1901736103	· SPRING	3				
5	1901736106	· PLUG	2				
6	1901736107	· PLUG	1				
7	1901736109	· SPRING	1				
8	1901736115	· STOPPER	1				
9	1901736116	· POPPET	1				
10	1901736117	· PLUG	1				
11	1901736118	· PLUG	1				
12	1901736120	· PLUG	1				
13	1901736121	· POPPET	1				
	T9h050						



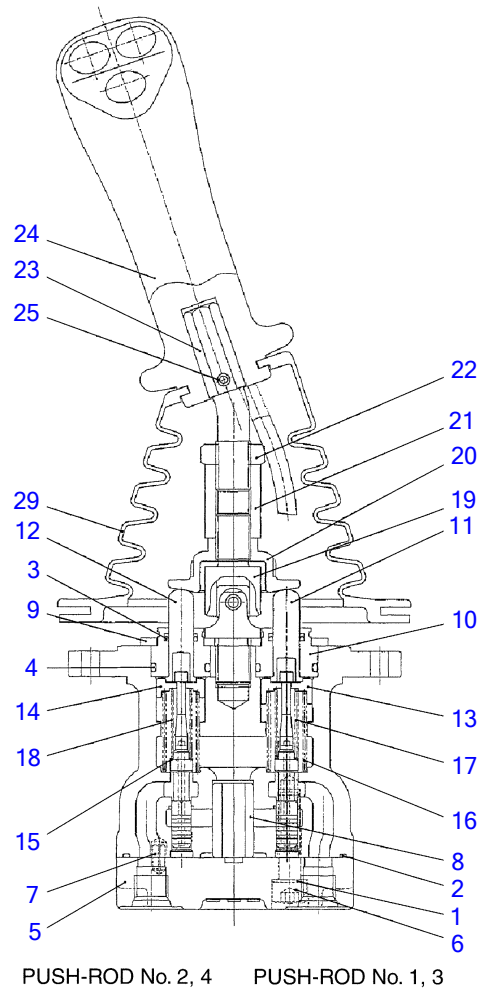
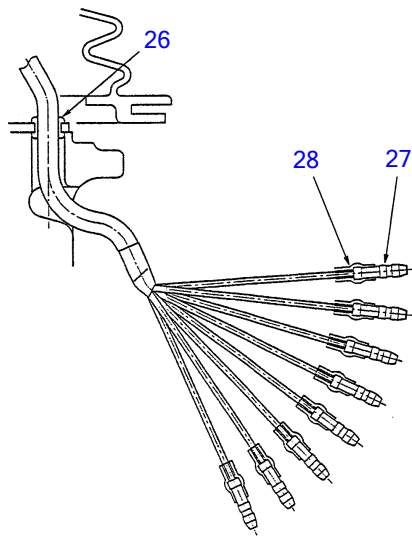
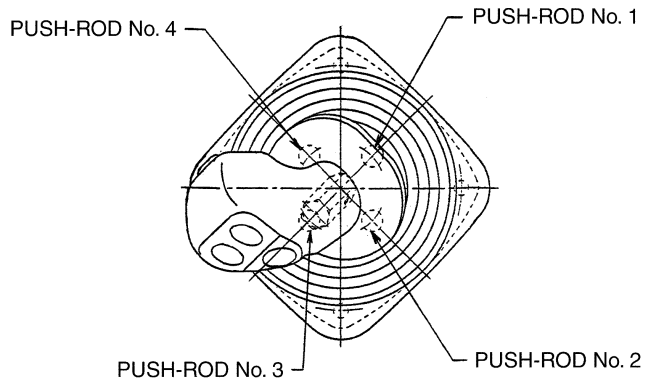
T7H070



PILOT VALVE (R.H.) (21300004-21307609)

Item	Part number	Description	Q'ty	Chan.	Serial No.	Serv.	Remarks
0	1901734000	VALVE ASSY, pilot	1				Right
0-1	1901721199	• KIT, seal	1				
1	X 1901715103	• • WASHER	2				
2	X 1420500900	• • O-RING	1				
3	X 1901710914	• • SEAL	4				
4	X 1420010200	• • O-RING	4				
5	1901715102	• PLATE	1				
6	1110020830	• SCREW, cap	2				
7	1213000510	• PIN, spring	1				
8	1901710905	• BUSHING	1				
9	1901735608	• PLATE	1				
10	1901710912	• PLUG	4				
11	1901719011	• ROD	2				
12	1901719012	• ROD	2				
13	1901710915	• WASHER	8				
14	1901715115	• HOLDER	2				
15	1901710916	• HOLDER	2				
16	1901710917	• WASHER	4				
17	1901716316	• SPRING	4				
18	1901723320	• SPRING	2				
19	1901734020	• SPRING	2				
20	1901720232	• JOINT	1				
21	1901720233	• PLATE	1				
22	1901710922	• NUT	1				
23	1901719025	• NUT	1				
24	1901734023	• LEVER	1				
25	1901735628	• KNOB	1				
26	1213000528	• PIN, spring	1				
27	1901735630	• BUSHING	1				
28	1901711034	• TERMINAL	8				
29	1901735631	• TERMINAL	8				
30	881510020	• BOOT	1				
	T7h071						

TL130 Book No. BT8Z012 S/N 21300004-
PILOT VALVE (R.H.) (21307610-)



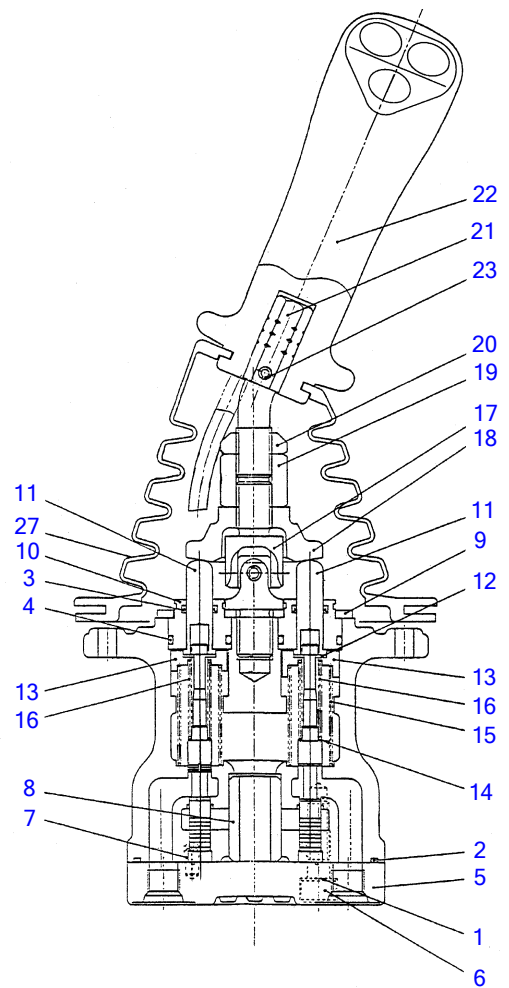
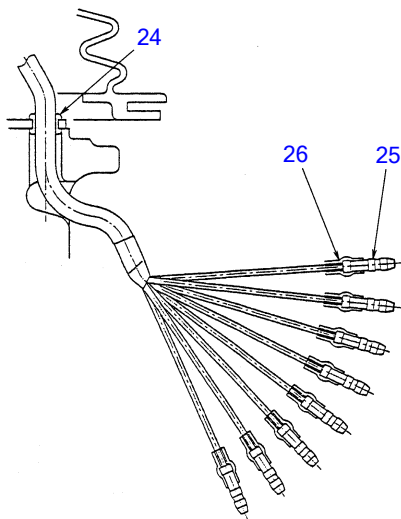
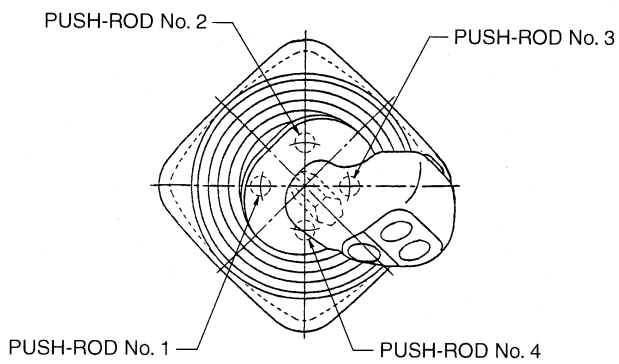
T7H310

S=free

PILOT VALVE (R.H.) (21307610-)

Item	Part number	Description	Q'ty	Chan.	Serial No.	Serv.	Remarks
0	1901749500	VALVE ASSY, pilot	1				Right
0-1	1901749599	• KIT, seal	1				
1	X 1901715103	• • WASHER	2				
2	X 1420510850	• • O-RING	1				
3	X 1901710914	• • SEAL	4				
4	X 1420010200	• • O-RING	4				
5	1901749511	• PLATE	1				
6	1110020835	• SCREW, cap	2				
7	1213000510	• PIN, spring	1				
8	1901743606	• BUSHING	1				
9	1901749551	• PLATE	1				
10	1901710912	• PLUG	4				
11	1901719011	• ROD	2				
12	1901719012	• ROD	2				
13	1901743614	• HOLDER	2				
14	1901743615	• HOLDER	2				
15	1901710917	• WASHER	4				
16	1901749521	• SPRING	4				
17	1901749541	• SPRING	2				
18	1901749542	• SPRING	2				
19	1901720232	• JOINT	1				
20	1901743620	• PLATE	1				
21	1901710922	• NUT	1				
22	1901719025	• NUT	1				
23	1901734023	• LEVER	1				
24	1901737440	• KNOB	1				
25	1213000528	• PIN, spring	1				
26	1901735630	• BUSHING	1				
27	1901711034	• TERMINAL	8				
28	1901735631	• TERMINAL	8				
29	1901735632	• BOOT	1				
	T7h310						

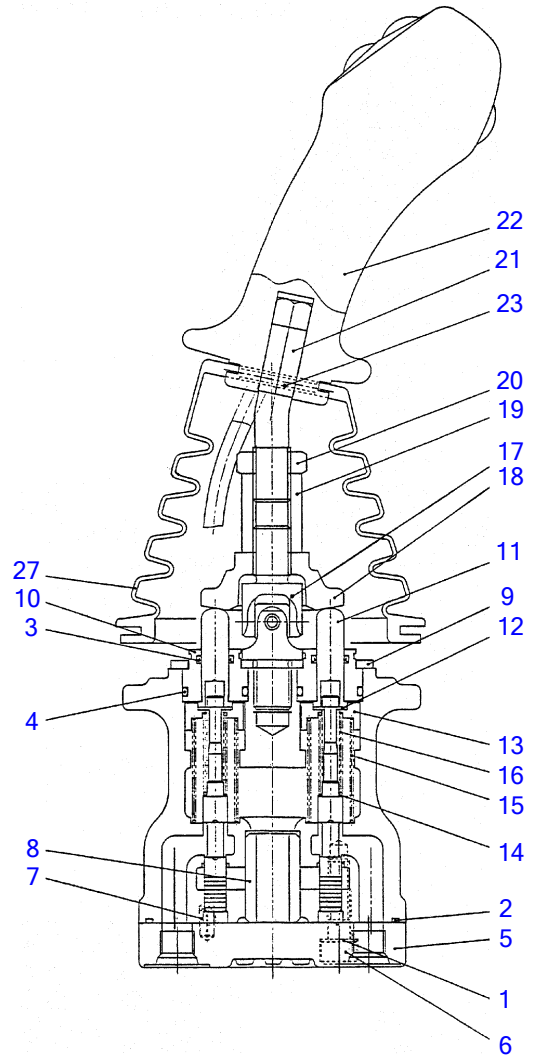
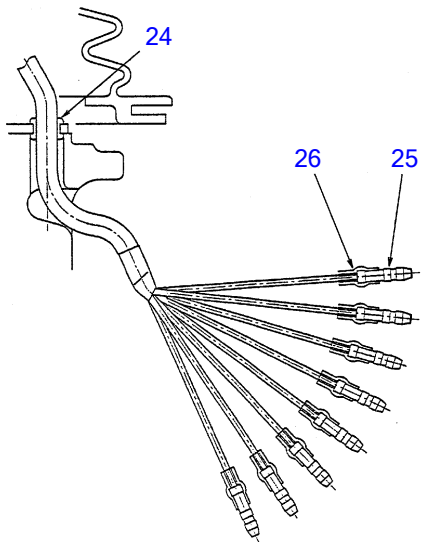
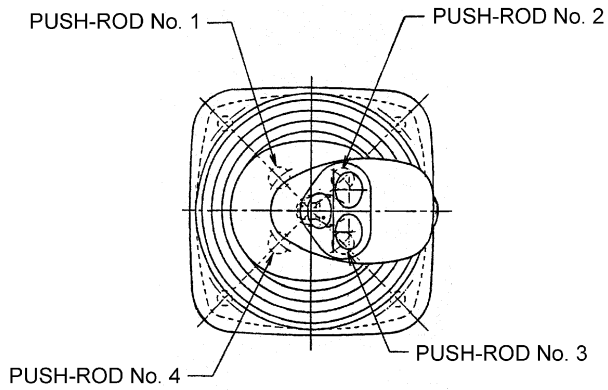
TL130 Book No. BT8Z012 S/N 21300004-
PILOT VALVE (L.H.) (21300004-21300090)



T8H030

PILOT VALVE (L.H.) (21300004-21300090)

Item	Part number	Description	Q'ty	Chan.	Serial No.	Serv.	Remarks
0	1901738600	VALVE ASSY, pilot	1				Left
0-1	1901721199	· KIT, seal	1				
1	X 1901715103	· · WASHER	2				
2	X 1420500900	· · O-RING	1				
3	X 1901710914	· · SEAL	4				
4	X 1420010200	· · O-RING	4				
5	1901715102	· PLATE	1				
6	1110020830	· SCREW, cap	2				
7	1213000510	· PIN, spring	1				
8	1901710905	· BUSHING	1				
9	1901735608	· PLATE	1				
10	1901710912	· PLUG	4				
11	1901719011	· ROD	4				
12	1901710915	· WASHER	8				
13	1901715115	· HOLDER	4				
14	1901710917	· WASHER	4				
15	1901716316	· SPRING	4				
16	1901723320	· SPRING	4				
17	1901720232	· JOINT	1				
18	1901720233	· PLATE	1				
19	1901710922	· NUT	1				
20	1901719025	· NUT	1				
21	1901734023	· LEVER	1				
22	1901735628	· KNOB	1				
23	1213000528	· PIN, spring	1				
24	1901735630	· BUSHING	1				
25	1901711034	· TERMINAL	8				
26	1901735631	· TERMINAL	8				
27	1901735632	· BOOT	1				
	T8h030						

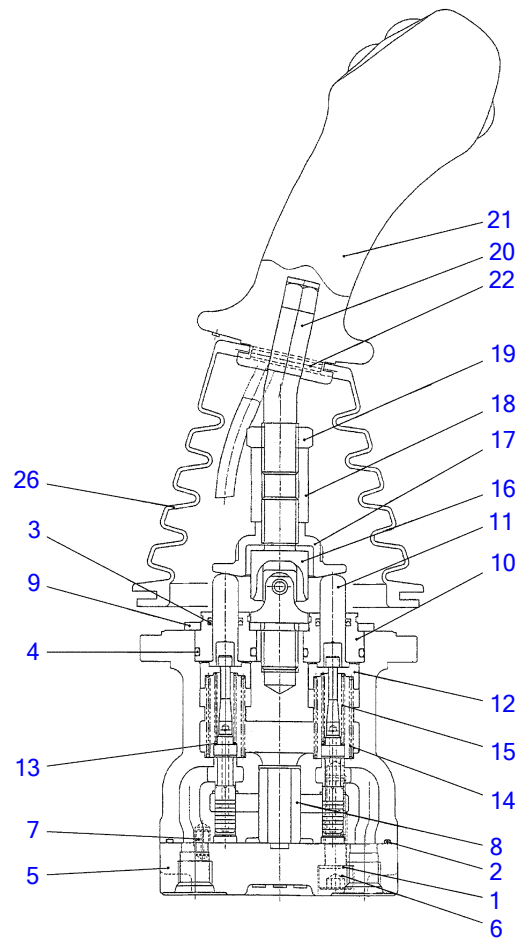
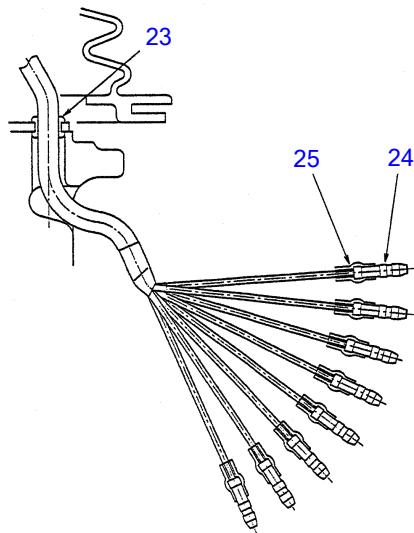
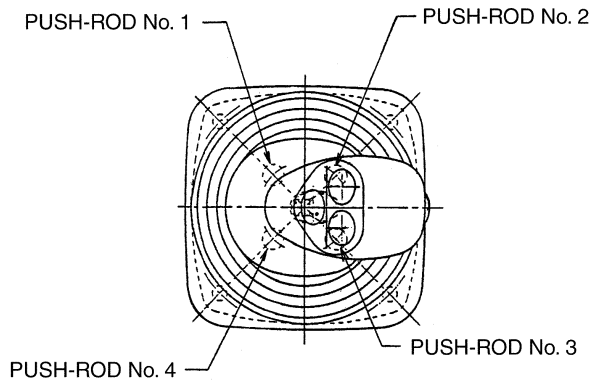


T7H080

S=FREE

PILOT VALVE (L.H.) [i21300091-21307609]j

Item	Part number	Description	Q'ty	Chan.	Serial No.	Serv.	Remarks
0	1901734100	VALVE ASSY, pilot	1				Left
0-1	1901721199	• KIT, seal	1				
1	X 1901715103	• • WASHER	2				
2	X 1420500900	• • O-RING	1				
3	X 1901710914	• • SEAL	4				
4	X 1420010200	• • O-RING	4				
5	1901715102	• PLATE	1				
6	1110020830	• SCREW, cap	2				
7	1213000510	• PIN, spring	1				
8	1901710905	• BUSHING	1				
9	1901735608	• PLATE	1				
10	1901710912	• PLUG	4				
11	1901719011	• ROD	4				
12	1901710915	• WASHER	8				
13	1901715115	• HOLDER	4				
14	1901710917	• WASHER	4				
15	1901716316	• SPRING	4				
16	1901723320	• SPRING	4				
17	1901720232	• JOINT	1				
18	1901720233	• PLATE	1				
19	1901710922	• NUT	1				
20	1901719025	• NUT	1				
21	1901734123	• LEVER	1				
22	1901735628	• KNOB	1				
23	1213000528	• PIN, spring	1				
24	1901735630	• BUSHING	1				
25	1901711034	• TERMINAL	8				
26	1901735631	• TERMINAL	8				
27	1901735632	• BOOT	1				
	T7h080						



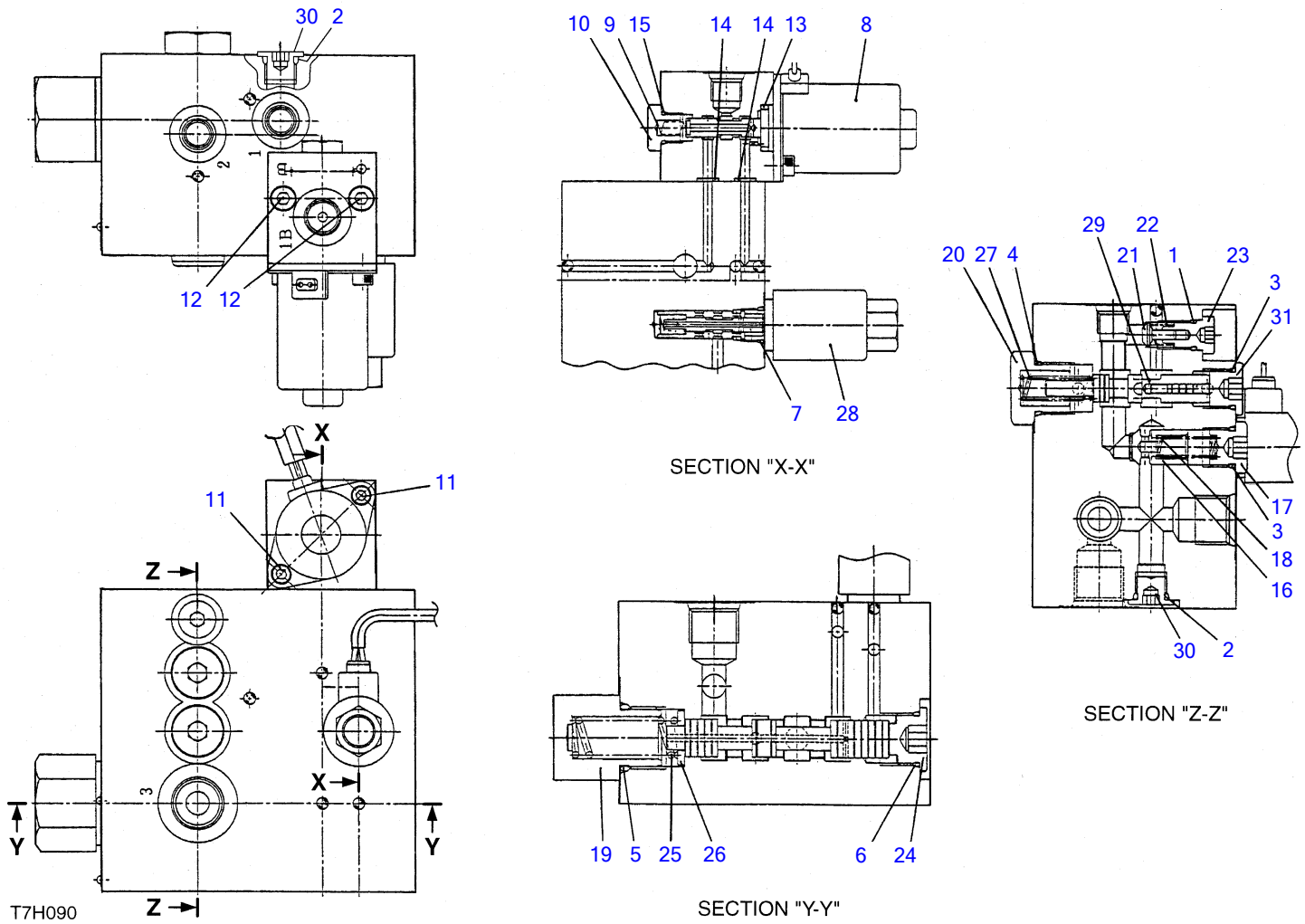
PUSH-ROD No. 2, 4 PUSH-ROD No. 1, 3

T7H320

S-free

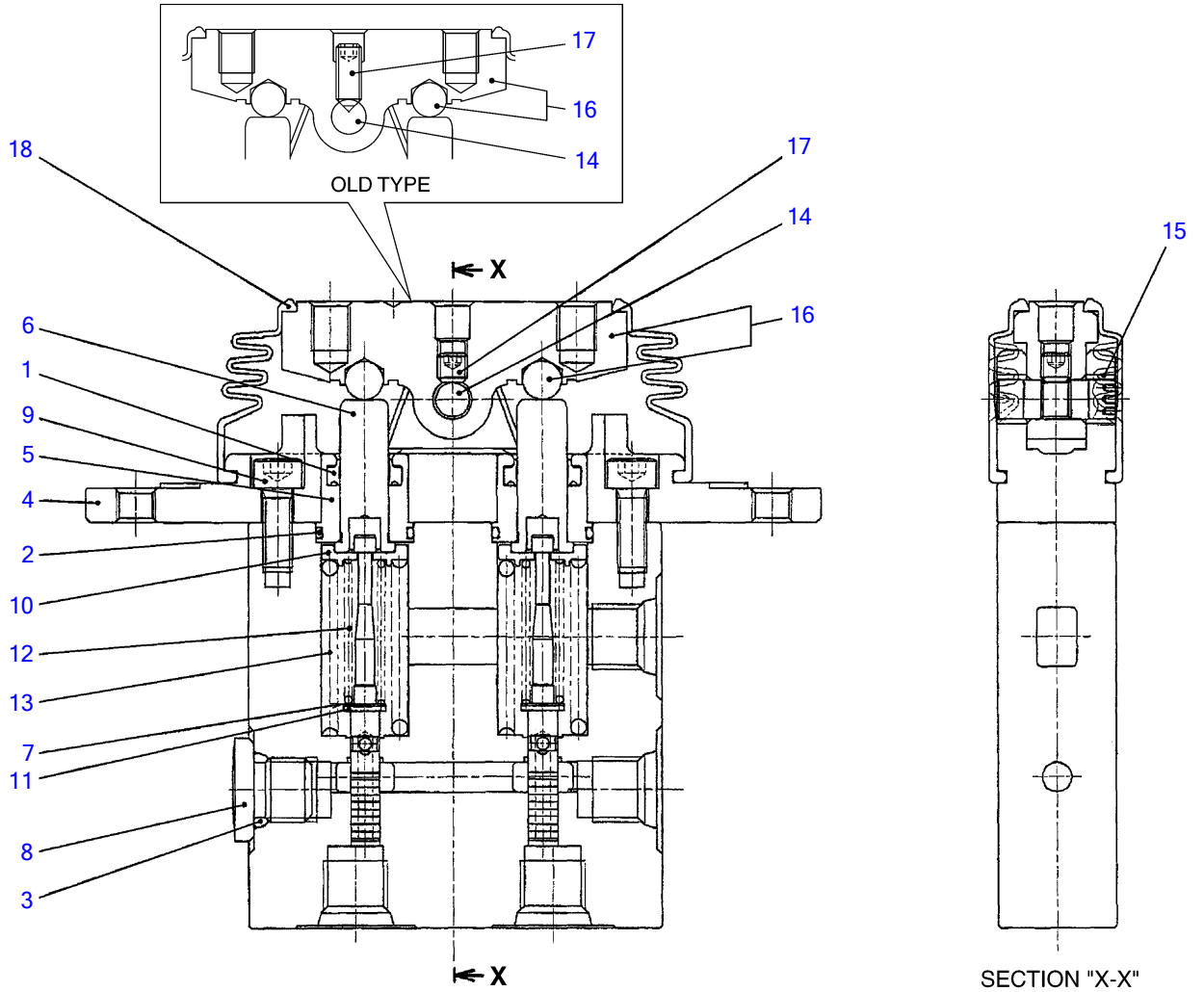
PILOT VALVE (L.H.) (21307610-)

Item	Part number	Description	Q'ty	Chan.	Serial No.	Serv.	Remarks
0	1901749600	VALVE ASSY, pilot	1				Left
0-1	1901749599	• KIT, seal	1				
1	X 1901715103	• • WASHER	2				
2	X 1420510850	• • O-RING	1				
3	X 1901710914	• • SEAL	4				
4	X 1420010200	• • O-RING	4				
5	1901749511	• PLATE	1				
6	1110020835	• SCREW, cap	2				
7	1213000510	• PIN, spring	1				
8	1901743606	• BUSHING	1				
9	1901749551	• PLATE	1				
10	1901710912	• PLUG	4				
11	1901719011	• ROD	4				
12	1901743614	• HOLDER	4				
13	1901710917	• WASHER	4				
14	1901749521	• SPRING	4				
15	1901749641	• SPRING	4				
16	1901720232	• JOINT	1				
17	1901743620	• PLATE	1				
18	1901710922	• NUT	1				
19	1901719025	• NUT	1				
20	1901734123	• LEVER	1				
21	1901737440	• KNOB	1				
22	1213000528	• PIN, spring	1				
23	1901735630	• BUSHING	1				
24	1901711034	• TERMINAL	8				
25	1901735631	• TERMINAL	8				
26	1901735632	• BOOT	1				
	T7h320						



SUB VALVE						
Item	Part number	Description	Q'ty	Chan.	Serial No.	Serv. Remarks
0	1901735500	VALVE, sub	1			
0-1	1901735599	· KIT, seal	1			
1	X 1420010100	· · O-RING	1			
2	X 1420010110	· · O-RING	2			
3	X 1420010140	· · O-RING	2			
4	X 1420010200	· · O-RING	1			
5	X 1420010240	· · O-RING	1			
6	X 1420310910	· · O-RING	1			
7	X 1420000125	· · O-RING	1			
0-2	1901735598	· SOLENOID ASSY	1			
8	1901735510	· · SOLENOID	1			
9	1901735511	· · SPRING	1			
10	1901735524	· · PLUG	1			
11	1110050510	· · SCREW, cap	2			
12	1110050645	· · SCREW, cap	2			
13	1420010160	· · O-RING	1			
14	1420300010	· · O-RING	2			
15	1420300013	· · O-RING	1			
16	1901731901	· POPPET	1			
17	1901731902	· PLUG	1			
18	1901731903	· SPRING	1			
19	1901731904	· PLUG	1			
20	1901700411	· PLUG	1			
21	1901035426	· PLUNGER	1			
22	1901004357	· SPRING	1			
23	1901035471	· PLUG	1			
24	1901731910	· PLUG	1			
25	1901731911	· SPRING	1			
26	1901731912	· WASHER	1			
27	1901731917	· SPRING	1			
28	1901731918	· VALVE, solenoid	1			
29	1901731919	· RING, wire	1			
30	1901720720	· PLUG	2			
31	1901712505	· PLUG	1			
	T7h090					

TL130 Book No. BT8Z012 S/N 21300004-
REMOTE CONTROL VALVE



L3H151

SECTION "X-X"

S=FREE

REMOTE CONTROL VALVE

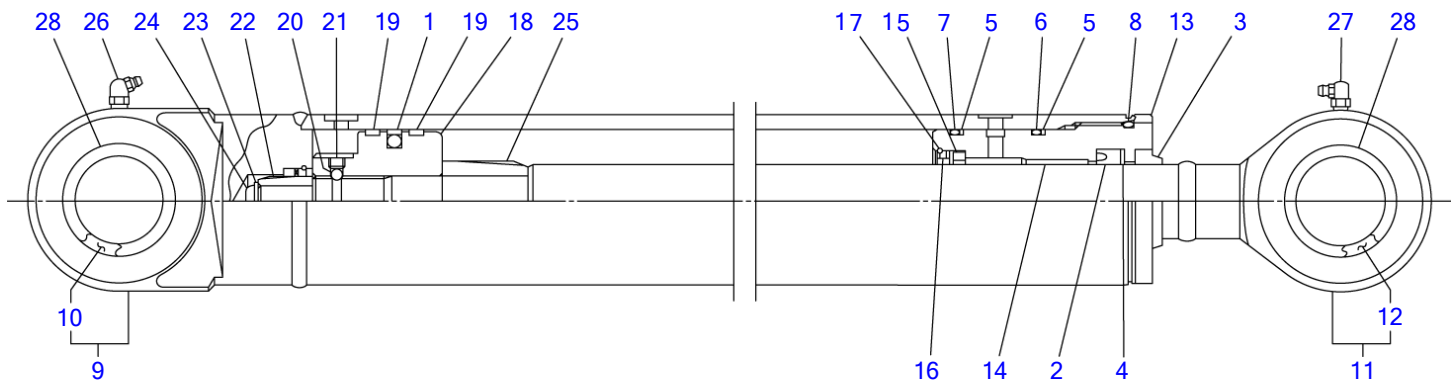
Item	Part number	Description	Q'ty	Chan.	Serial No.	Serv.	Remarks
0	1901735000	VALVE ASSY, remote-control	1				swing
0-1	1901745499	· KIT, seal	1				
1	X 1901745404	· · PACKING	2				
2	X 1420300017	· · O-RING	2				
3	X 1420010110	· · O-RING	1				
4	1901745402	· COVER	1				
5	1901745403	· PLUG	2				
6	1901745406	· ROD	2				
7	1901745407	· SHIM	2				
8	1501750002	· PLUG	1				
	1420010110	· · O-RING	1				
9	1110020616	· SCREW, cap	2				
10	1901745412	· HOLDER	2				
11	1901745413	· WASHER	2				
12	1901745414	· SPRING	2				
13	1901735015	· SPRING	2				
14	1901745416	· SHAFT	1	A	old type	M	
	1901735016	· SHAFT	1	a(H)	new type	M	No. 23759
15	1901745417	· BUSHING	2				
16	1901745418	· CAM ASSY	1	A	old type	M	
	1901735018	· CAM ASSY	1	a(H)	new type	M	No. 23759
17	1901745420	· SET-SCREW	1	A	old type	M	
	1121040606	· SET-SCREW	1	a(H)	new type	M	No. 23759
18	1901735001	· BOOT	1				

<<NOTE>>

SET "A" is interchangeable with SET "a".

L3h151

TL130 Book No. BT8Z012 S/N 21300004-
ARM CYLINDER



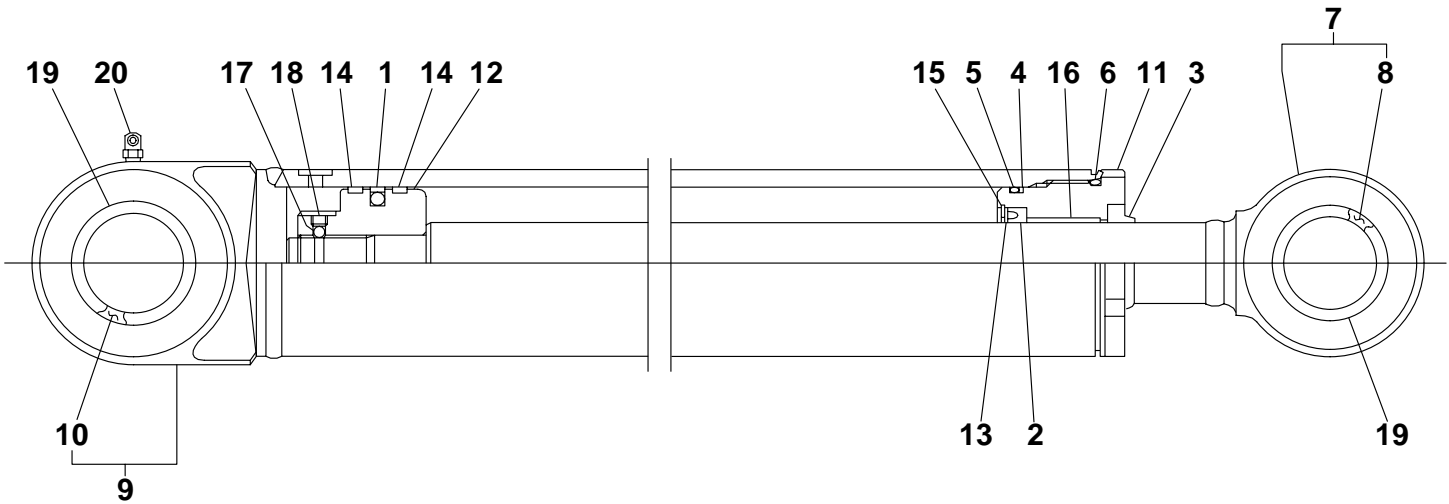
T8H040

S=FREE

ARM CYLINDER

Item	Part number	Description	Q'ty	Chan.	Serial No.	Serv.	Remarks
0	1900081800	CYLINDER ASSY	2				arm
0-1	1900081899	• KIT, seal	1				
1	X 1900048232	• • PACKING, piston	1				
2	X 1410540508	• • PACKING, rod	1				
3	X 1900073033	• • SEAL, dust	1				
4	X 1411250402	• • RING, back-up	1				
5	X 1421130600	• • RING, back-up	2				
6	X 1420110600	• • O-RING	1				
7	X 1420110550	• • O-RING	1				
8	X 1420110650	• • O-RING	1				
9	1900081898	• TUBE ASSY (L.H.)	1				
10	1900015720	• • BUSHING	1				
11	1900081897	• ROD ASSY, piston	1				
12	1900015720	• • BUSHING	1				
13	1900058103	• COVER, rod	1				
14	1333004030	• BUSHING	1				
15	1900052016	• RING, cushion	1				
16	1900052015	• SPACER	1				
17	1900052026	• STOPPER	1				
18	1900058106	• PISTON	1				
19	1900064226	• RING, wear	2				
20	1390010250	• BALL, steel	1				
21	1121040608	• SET-SCREW	1				
22	1900081805	• CUSHION, rod	1				
23	1141190012	• WASHER	1				
24	1900081829	• BOLT	1				
25	1900081825	• CUSHION, rod	1				
26	1560001675	• FITTING, grease	1				
27	1560001900	• FITTING, grease	1				
28	1432200040	• SEAL, dust	4				
	T8h040						

TL130 Book No. BT8Z012 S/N 21300004-
BUCKET CYLINDER

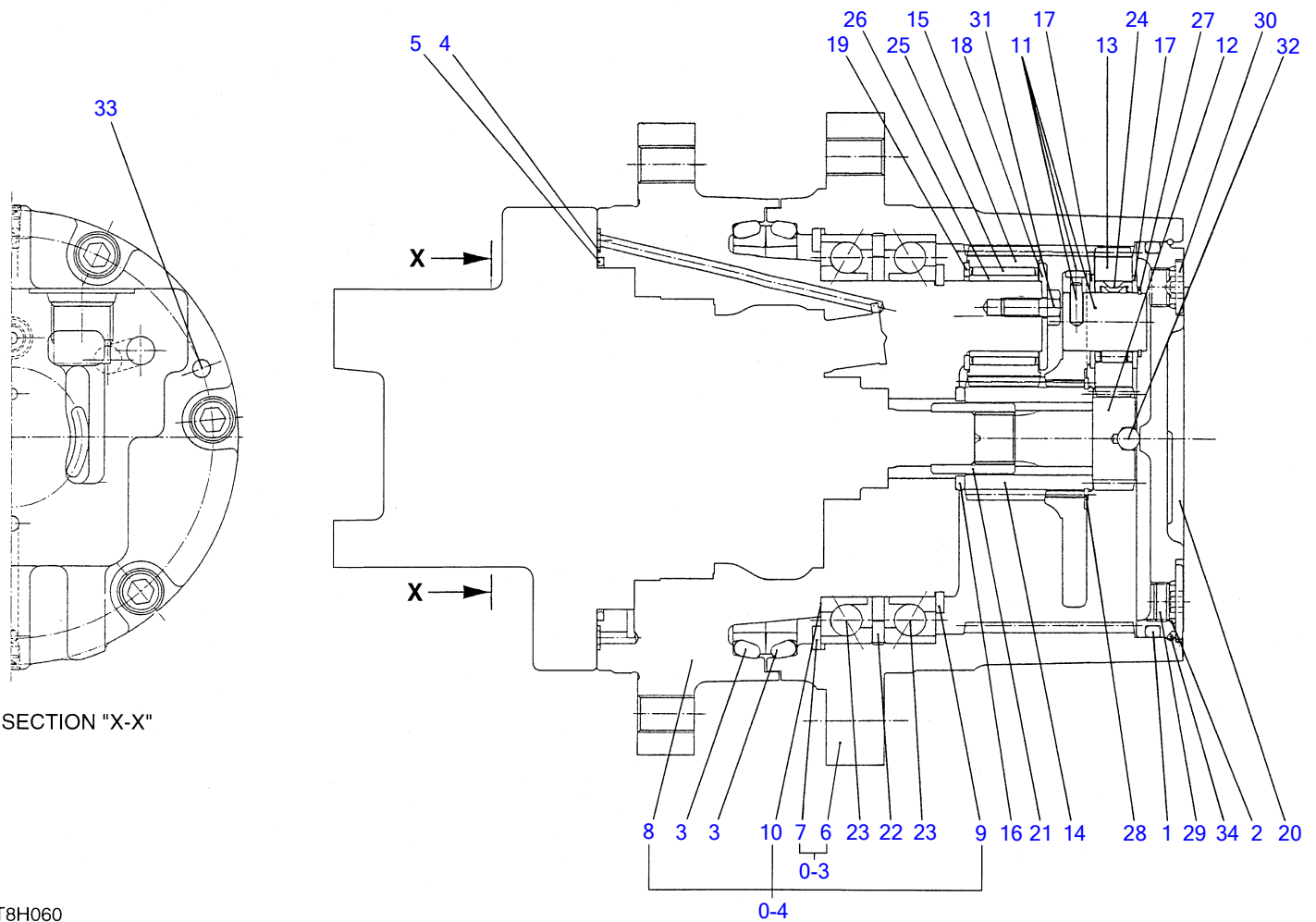


T8H050

S=free

BUCKET CYLINDER

Item	Part number	Description	Q'ty	Chan.	Serial No.	Serv.	Remarks
0	1900081300	CYLINDER ASSY (R.H.)	1				bucket
	1900081400	CYLINDER ASSY (L.H.)	1				bucket
0-1	1900081399	• KIT, seal	1				
1	X 1900048232	• • PACKING, piston	1				
2	X 1900051631	• • PACKING, rod	1				
3	X 1900073533	• • SEAL, dust	1				
4	X 1421130600	• • RING, back-up	1				
5	X 1420110600	• • O-RING	1				
6	X 1420110650	• • O-RING	1				
7	1900081397	• ROD ASSY, piston	1				
8	1900020302	• • BUSHING	1				
9	1900081398	• TUBE ASSY (R.H.)	1				
	1900081498	• TUBE ASSY (L.H.)	1				
10	1900058202	• • BUSHING	1				
11	1900054403	• COVER, rod	1				
12	1900051606	• PISTON	1				
13	1900054408	• HOLDER, rod packing	1				
14	1900064226	• RING, wear	2				
15	1221000050	• RING, snap	1				
16	1333003525	• BUSHING	1				
17	1390010250	• BALL, steel	1				
18	1121040607	• SET-SCREW	1				
19	1432200035	• SEAL, dust	4				
20	1560001900	• FITTING, grease	1				
	T8h050						



T8H060

TRAVEL MOTOR (1/3) (reduction sec. ; 21300004-21300311)

Item	Part number	Description	Q'ty	Chan.	Serial No.	Serv.	Remarks
0	1903121100	MOTOR ASSY, travel	2				
0-1	X *****	• GEAR, reduction	1				
0-2	X 1912906599	• • KIT, seal	1				
1	X 1420101600	• • • O-RING	1				
2	X 1420010140	• • • O-RING	3				
3	X 1912906538	• • • SEAL, floating	2				
4	X 1420010070	• • • O-RING	2				
5	X 1420100350	• • • O-RING	1				
0-3	1912906598	• • HUB KIT	1				
6	X *****	• • • HUB	1				
7	X *****	• • • RING, retaining	1				see note
0-4	1912906597	• • SPINDLE KIT	1				
8	X *****	• • • SPINDLE	1				
9	X *****	• • • RING, retaining	1				see note
10	X *****	• • • SPACER	1				
11	1912906503	• • CARRIER ASSY	1				
12	1912906504	• • GEAR	1				
13	1912906505	• • GEAR	3				
14	1912906506	• • GEAR	1				
15	1912906507	• • GEAR	4				
16	1912906509	• • COLLAR	1				
17	1912906407	• • COLLAR	6				
18	1912906511	• • PLATE	4				
19	1912906512	• • COLLAR	4				
20	1912906513	• • COVER	1				
21	1912906514	• • COUPLING	1				
22	1912906521	• • COLLAR	1				
23	1912906524	• • BEARING	2				
24	1903004829	• • BEARING	3				
25	1912906528	• • BEARING	4				
26	1912906529	• • RING, inner	4				
27	1220000025	• • RING, retaining	3				
28	1220000045	• • RING, retaining	1				
29	1912906533	• • PLUG	1				
30	1903902921	• • PLUG	2				
31	1100050820	• • SCREW, cap	4				
32	1390020600	• • BALL, steel	1				
33	1212000822	• • PIN	2				
34	1912906545	• • RING	1				

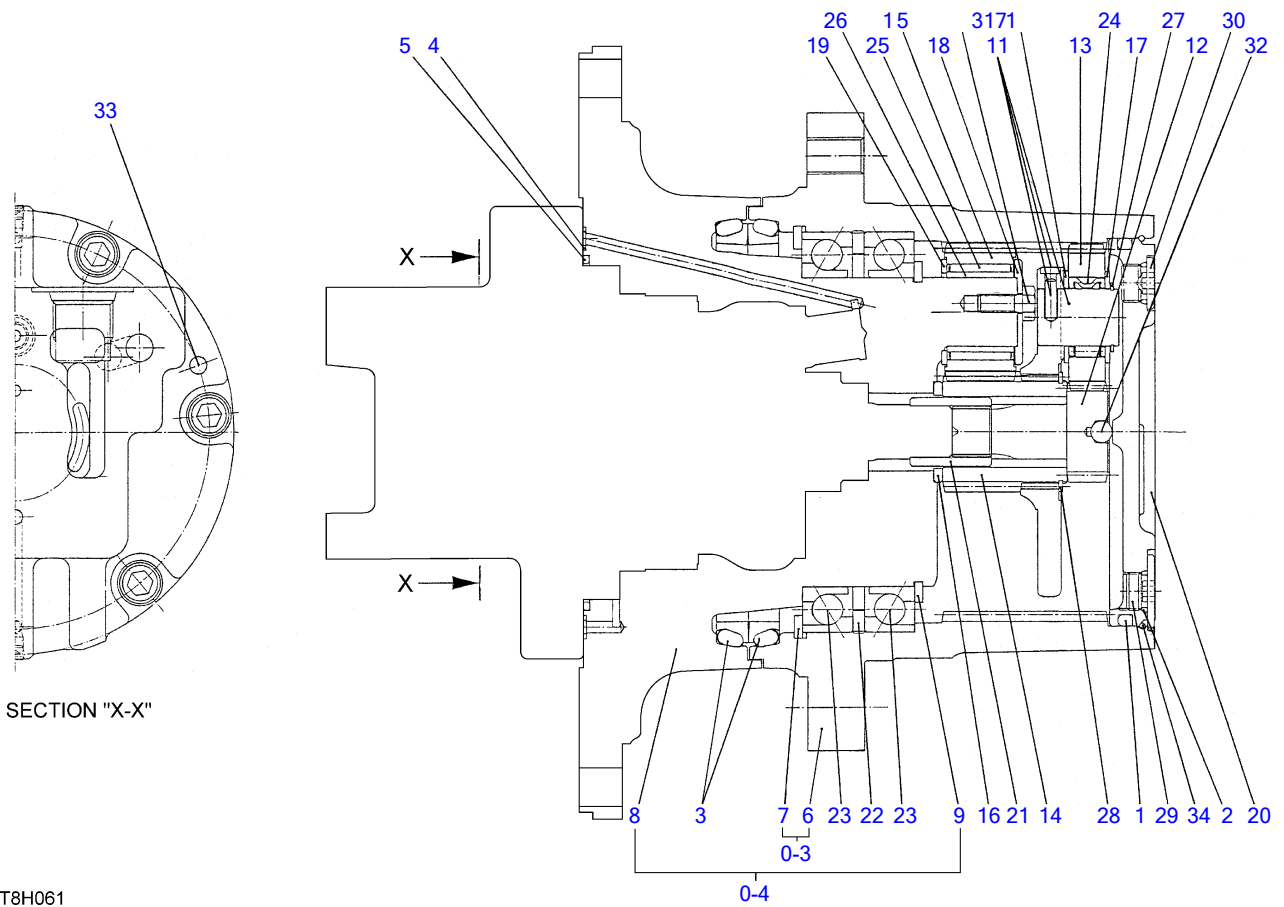
<<NOTE>>

item7 t=over 4.00mm and up to 4.05mm
< 0.05mm interval >

item9 t=over 3.45mm and up to 3.50mm
t=over 4.00mm and up to 4.05mm
< 0.05mm interval >

t=over 3.25mm and up to 3.30mm

T8h060



T8H061

S=FREE

TRAVEL MOTOR (1/3) (reduction sec. ; 21300312-21303768)

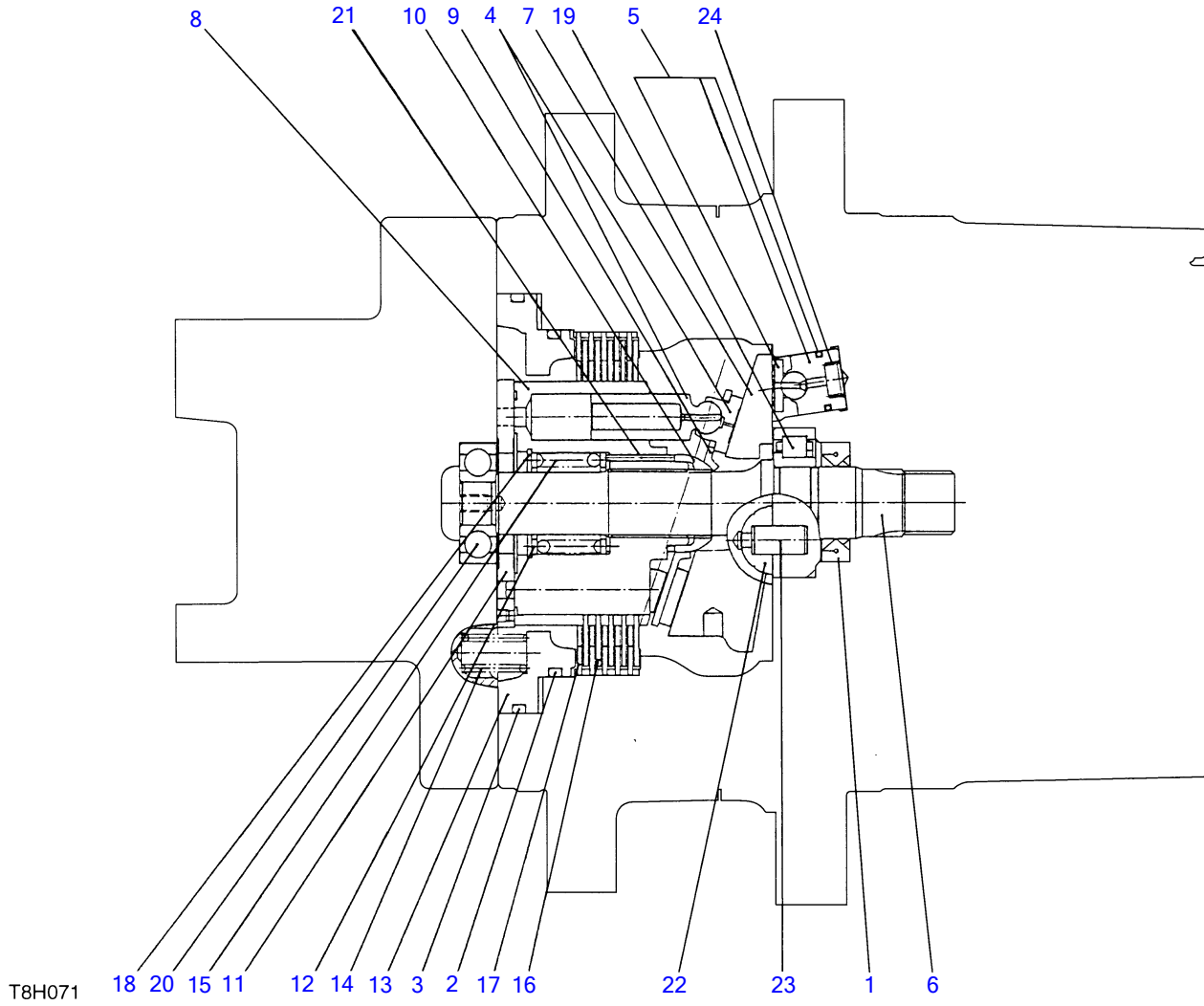
Item	Part number	Description	Q'ty	Chan.	Serial No.	Serv.	Remarks
0	1903122900	MOTOR ASSY, travel	2				
0-1	X *****	• GEAR, reduction	1				
0-2	X 1912907199	• • KIT, seal	1				
1	X 1420101600	• • • O-RING	1				
2	X 1420010140	• • • O-RING	3				
3	X 1912907138	• • • SEAL ASSY, floating	1				
4	X 1420010070	• • • O-RING	2				
5	X 1420100350	• • • O-RING	1				
0-3	1912906598	• • HUB KIT	1				
6	X *****	• • • HUB	1				
7	X *****	• • • RING, retaining	1				see note
0-4	1912907197	• • SPINDLE KIT	1				
8	X *****	• • • SPINDLE	1				
9	X *****	• • • RING, retaining	1				see note
11	1912906503	• • CARRIER ASSY	1				
12	1912906504	• • GEAR	1				
13	1912906505	• • GEAR	3				
14	1912906506	• • GEAR	1				
15	1912906507	• • GEAR	4				
16	1912906509	• • COLLAR	1				
17	1912906407	• • COLLAR	6				
18	1912906511	• • PLATE	4				
19	1912906512	• • COLLAR	4				
20	1912906513	• • COVER	1				
21	1912906514	• • COUPLING	1				
22	1912906521	• • COLLAR	1				
23	1912906524	• • BEARING	2				
24	1903004829	• • BEARING	3				
25	1912906528	• • BEARING	4				
26	1912906530	• • RING, inner	4				
27	1220000025	• • RING, retaining	3				
28	1220000045	• • RING, retaining	1				
29	1912906533	• • PLUG	1				
30	1903902921	• • PLUG	2				
31	1100020820	• • SCREW, cap	4				
32	1390020600	• • BALL, steel	1				
33	1212000822	• • PIN	2				
34	1912906545	• • RING	1				

<<NOTE>>

item7 t=over 3.91mm and up to 4.09mm
< 0.10mm interval >

item9 t=over 3.40mm and up to 3.50mm
t=over 3.92mm and up to 4.08mm
< 0.05mm interval >

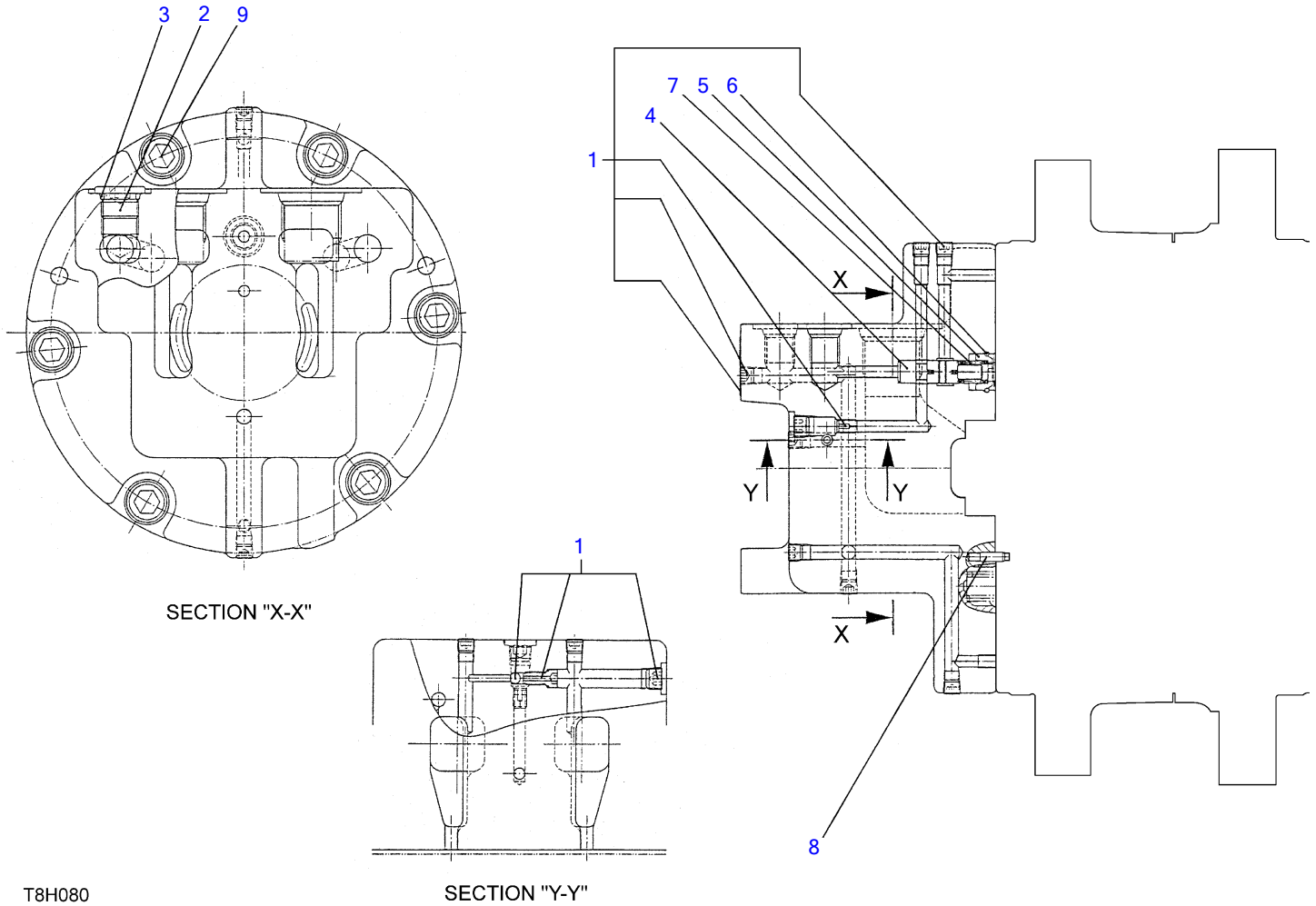
T8h062



S=FREE

TRAVEL MOTOR (2/3) (motor sec. ; 21300004-21303768)

Item	Part number	Description	Q'ty	Chan.	Serial No.	Serv.	Remarks
0	1903121100	MOTOR ASSY, travel	2		21300004~21300311		
	1903122900	MOTOR ASSY, travel	2	(H)	21300312~		
0-5	X *****	· MOTOR ASSY	1				
0-6	1903905899	· · KIT, seal	1		21300004~21300311		
	1903906399	· · KIT, seal	1		21300312~		
1	X 1903905832	· · · SEAL, oil	1				
2	X 1903905835	· · · O-RING	1		21300004~21300311		
	X 1420310246	· · · O-RING	1		21300312~		
3	X 1903905839	· · · O-RING	1		21300004~21300311		
	X 1420310254	· · · O-RING	1		21300312~		
4	1903905898	· · PISTON KIT	1		21300004~21300311		
	1903906398	· · PISTON KIT	1		21300312~		
5	1903905897	· · PISTON ASSY	1		21300004~21300311		
	1903906397	· · PISTON ASSY	1		21300312~21301234		
	1903906396	· · PISTON KIT	1	(H)	21301235~		
6	1903905802	· · SHAFT	1		21300004~21300311		
	1903906302	· · SHAFT	1		21300312~		
7	1903905803	· · PLATE	1		21300004~21300311		
	1903906303	· · PLATE	1		21300312~		
8	1903905804	· · BLOCK, cylinder	1		21300004~21300311		
	1903906304	· · BLOCK, cylinder	1		21300312~		
9	1903905807	· · PLATE	1		21300004~21300311		
	1903906305	· · PLATE	1		21300312~		
10	1903905808	· · BALL	1		21300004~21300311		
	1903906306	· · BALL	1		21300312~		
11	1903905809	· · PLATE	1				
12	1903905810	· · WASHER	2		21300004~21300311		
	1903906307	· · WASHER	2		21300312~		
13	1903905812	· · PISTON	1				
14	1903905813	· · SPRING	8				
15	1903905814	· · SPRING	1				
16	1903905815	· · PLATE	5				
17	1903905816	· · PLATE	5				
18	1903905845	· · RETAINING RING	1				
19	1903905849	· · BEARING	1				
20	1903905850	· · BEARING	1				
21	1903905851	· · PIN	3				
22	1903904076	· · PIVOT	2				
23	1903904077	· · PIN	2				
24	1903904085	· · SPRING	1				
	T8h072						



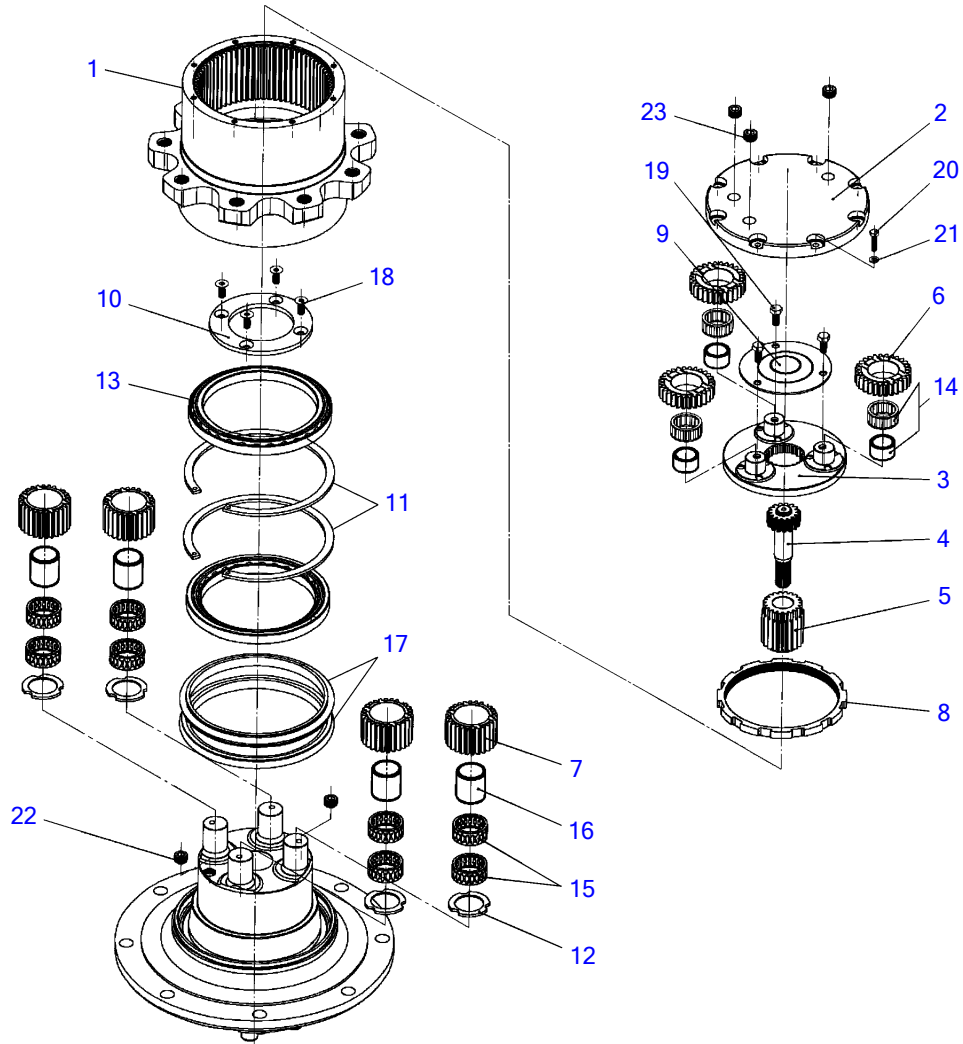
T8H080

SECTION "Y-Y"

S=FREE

TRAVEL MOTOR (3/3) (valve sec. ; 21300004-21303768)

Item	Part number	Description	Q'ty	Chan.	Serial No.	Serv.	Remarks
0	1903121100	MOTOR ASSY, travel	2		21300004~21300311		
	1903122900	MOTOR ASSY, travel	2	(H)	21300312~		
0-7	1901809900	• VALVE ASSY	1				
1	1901809991	• • FLANGE KIT, rear	1				
2	1903902921	• • PLUG	1				
3	1420010900	• • O-RING	1				
4	1903903263	• • VALVE	1				
5	1903902964	• • STOPER	1				
6	1903902965	• • RING	1				
7	1901809704	• • SPRING	1				
8	1212000410	• • PIN	2				
9	1110021232	• • SCREW, cap	6				
	T8h081						



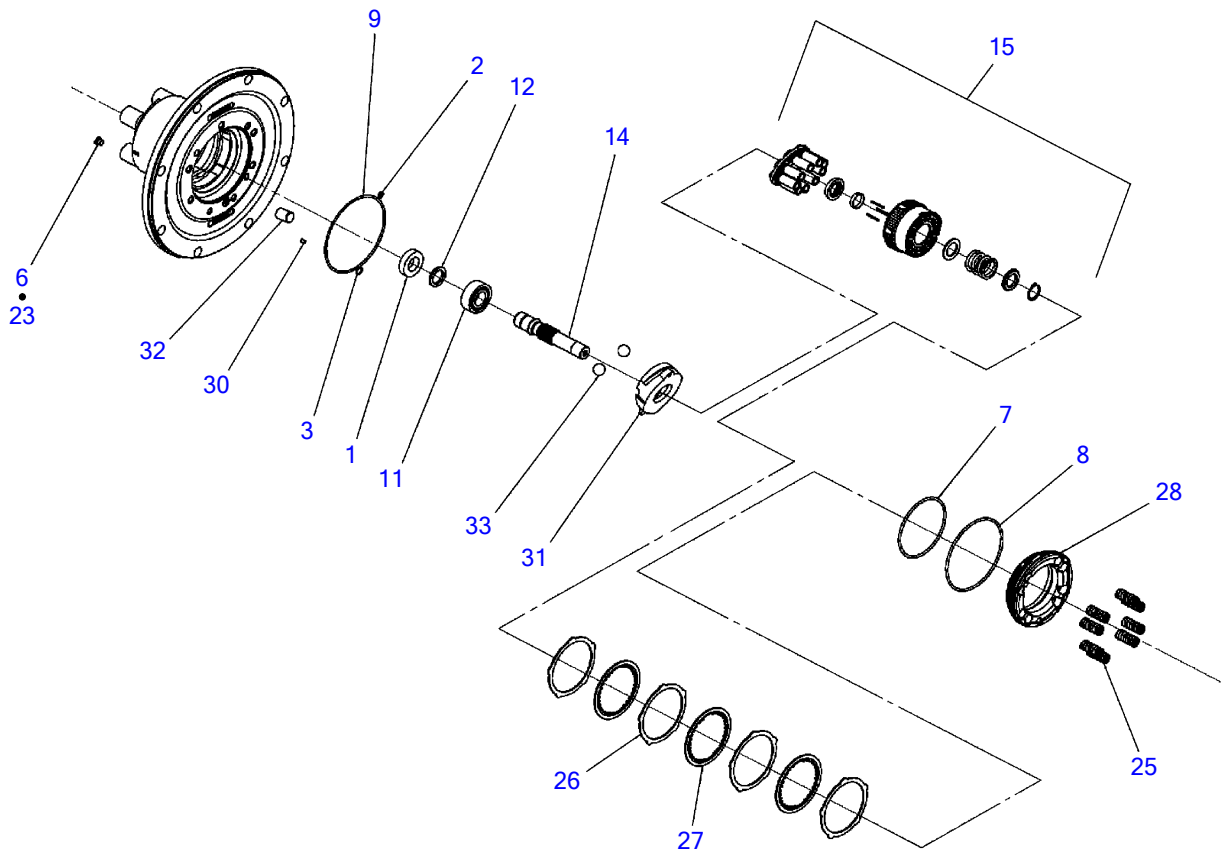
T8H141

S=free

TRAVEL MOTOR (1/3) (reduction sec. ; 21305001-)

Item	Part number	Description	Q'ty	Chan.	Serial No.	Serv.	Remarks
0	1903125300	MOTOR ASSY, travel	2				
0-1	X *****	• GEAR, reduction	1				X19129-08000
1	1912908002	• • GEAR, ring	1			M	
2	1912908003	• • COVER	1				
3	1912908004	• • CARRIER	1				
4	1912908005	• • GEAR	1				
5	1912908006	• • GEAR	1				
6	1912908007	• • GEAR	3				
7	1912908008	• • GEAR	4				
8	1912908009	• • NUT	1			M	
9	1912908010	• • PLATE KIT, stopper	1				
10	1912908011	• • PLAT, stopper	1				
11	1912908012	• • RING, snap	2			M	
12	1912908013	• • WASHER	4				
13	1912908014	• • BEARING	2			M	
14	1912908015	• • BEARING	3				
15	1912908016	• • BEARING	8				
16	1912908017	• • LACE, inner	4			M	
17	1912908018	• • SEAL KIT, floating	1			M	
18	1912907827	• • SCREW, cap	4				
19	1912908019	• • BOLT	3				
20	1100050625	• • BOLT	8				
21	1140020006	• • WASHER, spring	8				
22	1501810003	• • PLUG	2				
23	1912908023	• • PLUG	3				
	T8h141						

TL130 Book No. BT8Z012 S/N 21300004-
TRAVEL MOTOR (2/3) (motor sec. ; 21305001-)

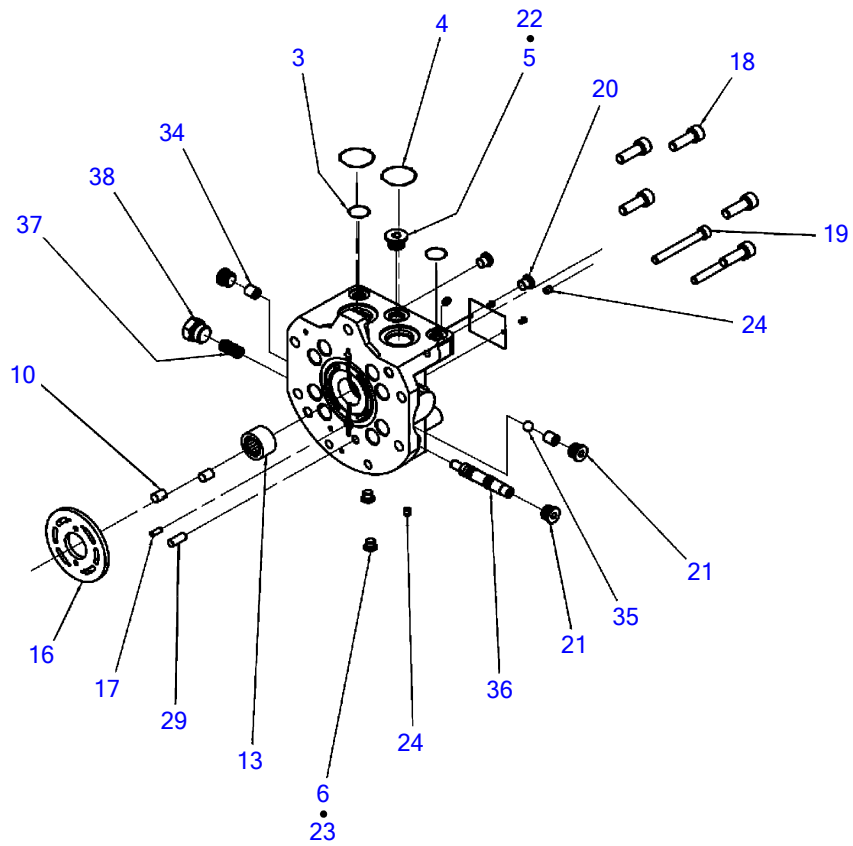


T8H150

S-free

TRAVEL MOTOR (2/3) (motor sec. ; 21305001-)

Item	Part number	Description	Q'ty	Chan.	Serial No.	Serv.	Remarks
0	1903125300	MOTOR ASSY, travel	2				
0-2	X *****	• MOTOR ASSY (19039-07100)	1				incl. (3/3)
0-3	1903907198	• • KIT, seal	1				
1	X 1903907105	• • • SEAL, oil	1				
2	X 1420010090	• • • O-RING	1				
3	X 1420010110	• • • O-RING	3				
6	X 1420300903	• • • O-RING	3				
7	X 1420310244	• • • O-RING	1				
8	X 1420310250	• • • O-RING	1				
9	X 1420111350	• • • O-RING	1				
11	1903907102	• • BEARING	1				
12	1220000025	• • RING, snap	1				
14	1903907107	• • SHAFT	1				
15	1903907110	• • CYLINDER BLOCK KIT	1				
23	1903906427	• • PLUG	1				
25	1903907128	• • SPRING	8				
26	1903907129	• • PLATE	4				
27	1903907130	• • PLATE	3				
28	1903907131	• • PISTON, brake	1				
30	1903906459	• • ORIFICE	1				
31	1903907137	• • PLATE, swash	1				
32	1903907138	• • PISTON	1				
33	1390011600	• • BALL, steel	2				
	T8h150						



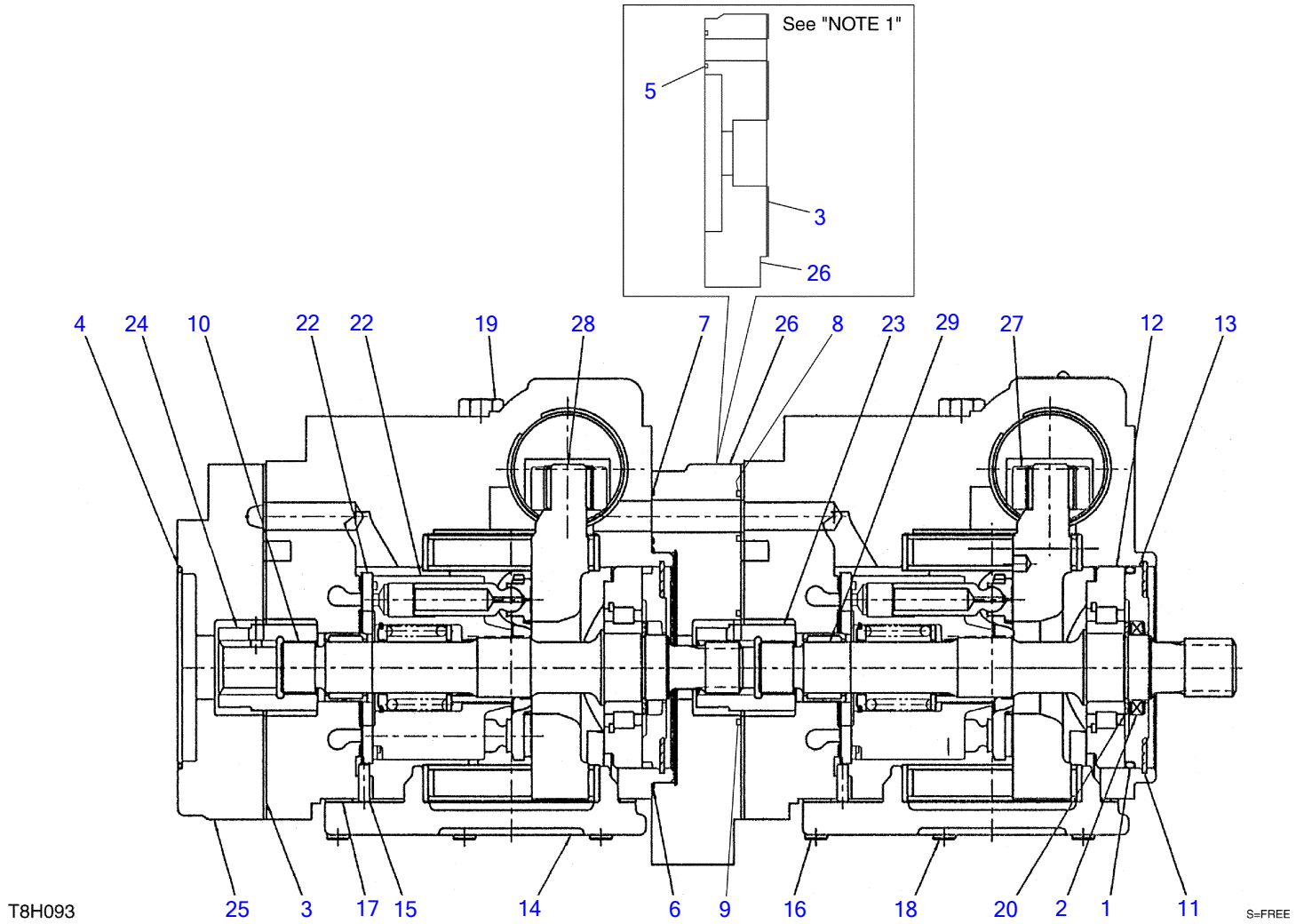
T8H160

S=free

TRAVEL MOTOR (3/3) (valve sec. ; 21305001-)

Item	Part number	Description	Q'ty	Chan.	Serial No.	Serv.	Remarks
0	1903125300	MOTOR ASSY, travel	2				
0-2	X *****	• MOTOR ASSY (19039-07100)	1				incl. (2/3)
3	1420010110	• • O-RING	3				
4	1420010224	• • O-RING	4				
5	1420010140	• • O-RING	1				
6	1420300903	• • O-RING	3				
10	1902006702	• • PIN	2				
13	1903907106	• • BEARING	1				
16	1903907111	• • PLATE	1				
17	1902007411	• • PIN	1				
18	1110021030	• • SCREW, cap	5				
19	1110020870	• • SCREW, cap	2				
20	1903007626	• • PLUG ASSY	2				
21	1901810214	• • PLUG	3				
22	1903907123	• • PLUG	1				
23	1903906427	• • PLUG	3				
24	1903906827	• • PLUG	3				
29	1903906832	• • PIN	1				
34	1903906840	• • PLUG	2				
35	1390010600	• • BALL, steel	1				
36	1903906842	• • SPOOL	1				
37	1903906843	• • SPRING	1				
38	1903007636	• • PLUG ASSY	1				
	T8h160						

TL130 Book No. BT8Z012 S/N 21300004-
HYDRAULIC PUMP (1/4)

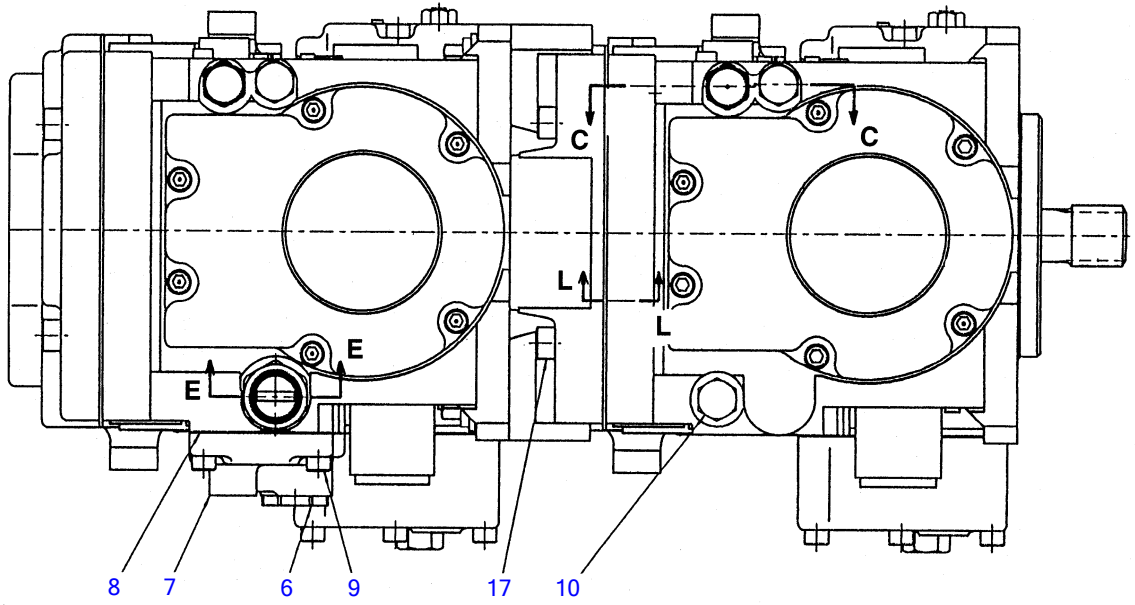
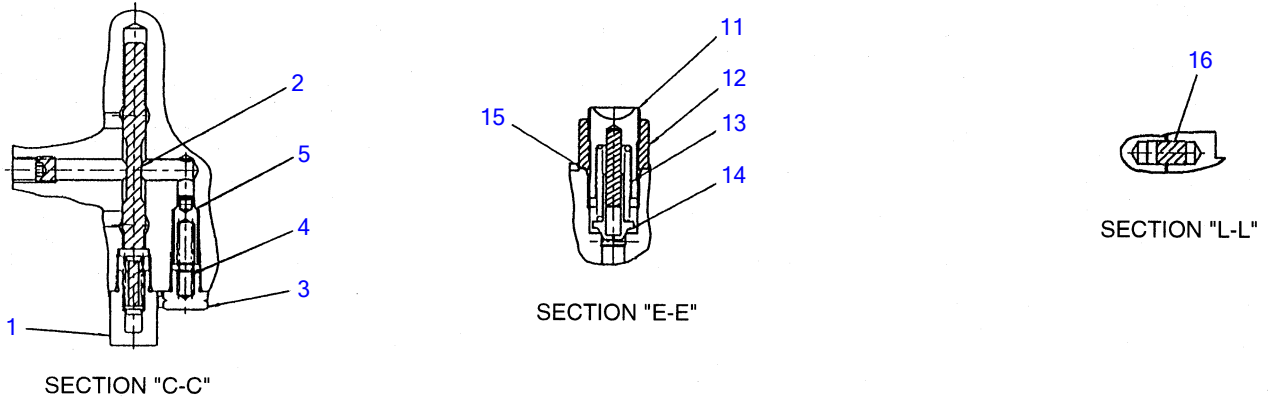


HYDRAULIC PUMP (1/4)

Item	Part number	Description	Q'ty	Chan.	Serial No.	Serv.	Remarks
0	1902018000	PUMP, hydraulic	1		21300004~21300404		
	1902020200	PUMP, hydraulic	1	(H)	21300405~		
0-1	1902017499	• KIT, seal	1		~2003.7		see "NOTE 1"
	1902020299	• KIT, seal	1		2003.7~		see "NOTE 2"
1	X 1902016507	• • O-RING	1				
2	X 1902016508	• • SEAL, lip	1				
3	X 1902020357	• • GASKET	2		~2003.7		see "NOTE 1"
	X 1902020357	• • GASKET	1		2003.7~		see "NOTE 2"
4	X 1420300152	• • O-RING	1				
5	X 1902016564	• • O-RING	1		~2003.7		see "NOTE 1"
6	X 1902016566	• • O-RING	1				
7	X 1902016565	• • O-RING	1		2003.7~		see "NOTE 2"
8	X 1902019270	• • O-RING	1		2003.7~		see "NOTE 2"
9	X 1902019285	• • O-RING	1		2003.7~		see "NOTE 2"
10	1902017404	• SHAFT (13T)	1				
11	1902016505	• RING, retaining	2				
12	1902016506	• BEARING	2				
13	1902017409	• SEAL, carrier	2				
14	1902017412	• COVER ASSY	2				
15	1902017413	• PIN	2				
16	1110020620	• SCREW, cap	4				
17	1902016515	• GASKET	2		21300004~21300404		
	1902020215	• GASKET	2		21300405~		
18	1110020630	• SCREW, cap	8				
19	1902019215	• PLUG ASSY	4				
20	1902016520	• RING, retaining	2				
21	1902017428	• KIT, cylinder block	2				
22	1902017429	• PLATE, valve	2				
23	1902016557	• COUPLING	1				
24	1902016558	• COUPLING	1				
25	1902017449	• ADAPTOR, A pat	1				
26	1902017450	• ADAPTOR, B pat (not service)	1		~2003.7		see "NOTE 1"
	1902019271	• ADAPTOR, B pat	1	(H)	2003.7~		see "NOTE 2"
27	1902017401	• BEARING	2				
28	1902017402	• PLATE, swash	2				
29	1902017403	• SHAFT (15T)	1				
		<<NOTE 1>>					
		21300004~21301233,					
		21301235~21301260					
		21301391~21301392, 21301426,					
		21301430					
		21301432, 21301445, 21301450,					
		21301451					
		21301453~21301468					
		<<NOTE 2>>					
		21301234, 21301261~21301390,					
		21301393~21301425,					
		21301427~21301429					
		21301431, 21301433~21301444					
		21301446~21301449, 21301452					
		21301469~21301583, 21301587,					
		21301589~					

T8h094

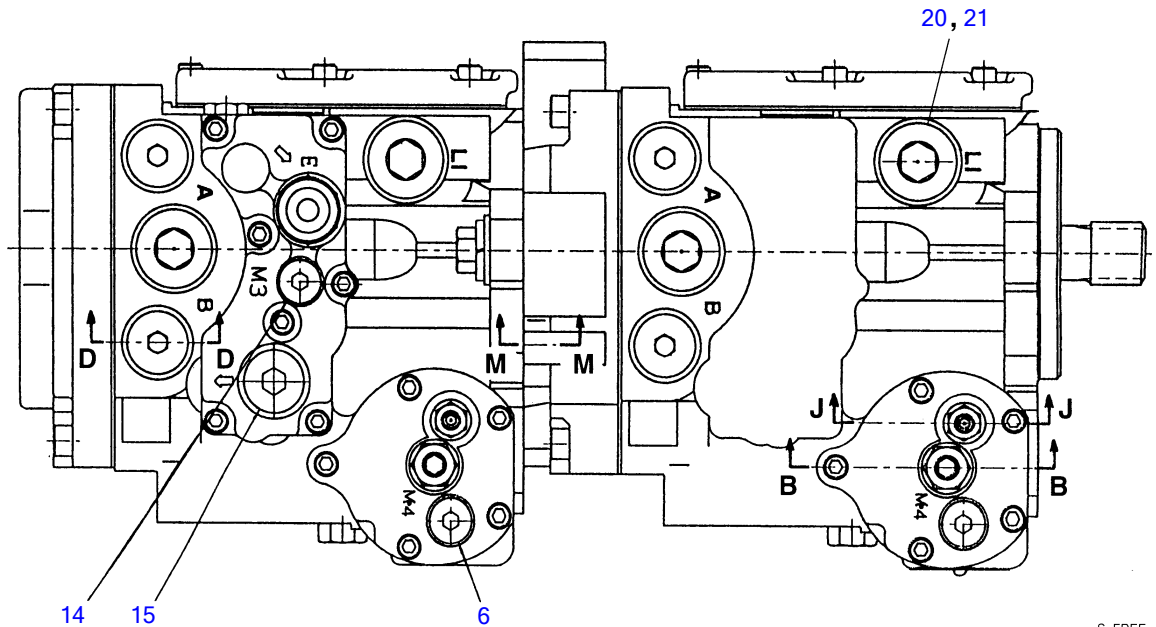
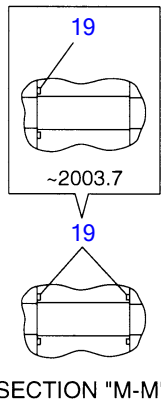
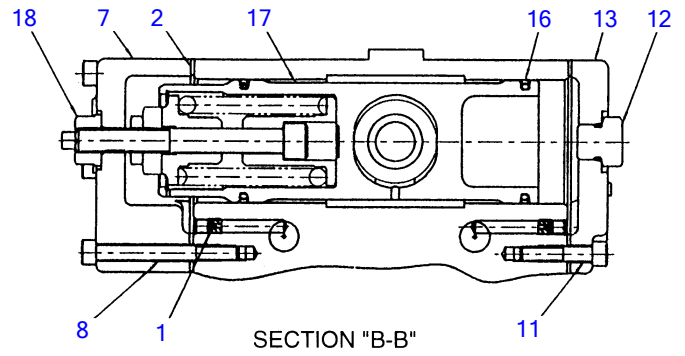
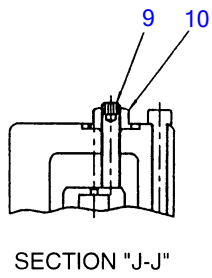
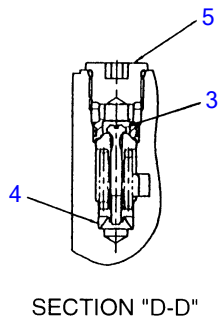
TL130 Book No. BT8Z012 S/N 21300004-
HYDRAULIC PUMP (2/4)



T8H100

HYDRAULIC PUMP (2/4)

Item	Part number	Description	Q'ty	Chan.	Serial No.	Serv.	Remarks
0	1902018000	PUMP, hydraulic	1		21300004~21300404		
	1902020200	PUMP, hydraulic	1	(H)	21300405~		
1	1902017430	• PLUG ASSY	2				
2	1902016543	• SPOOL ASSY	2		21300004~21300404		
	1902020244	• SPOOL ASSY	2		21300405~		
3	1902017432	• PLUG ASSY	2				
4	1902017433	• SPRING	2				
5	1902017434	• POPPET	2				
6	1902006725	• PLUG	1				
7	1902017436	• ADAPTOR	1				
8	1902016548	• GASKET	1				
9	1110040830	• SCREW, cap	7				
10	1902019215	• PLUG ASSY	1				
11	1902016551	• PLUG ASSY	1				
12	1902016552	• NUT	1				
13	1902016553	• SPRING	1				
14	1902016554	• POPPET	1				
15	1902018812	• O-RING	1				
16	1902006702	• PIN	4				
17	1902020358	• SCREW, cap	8				
	T8h103						



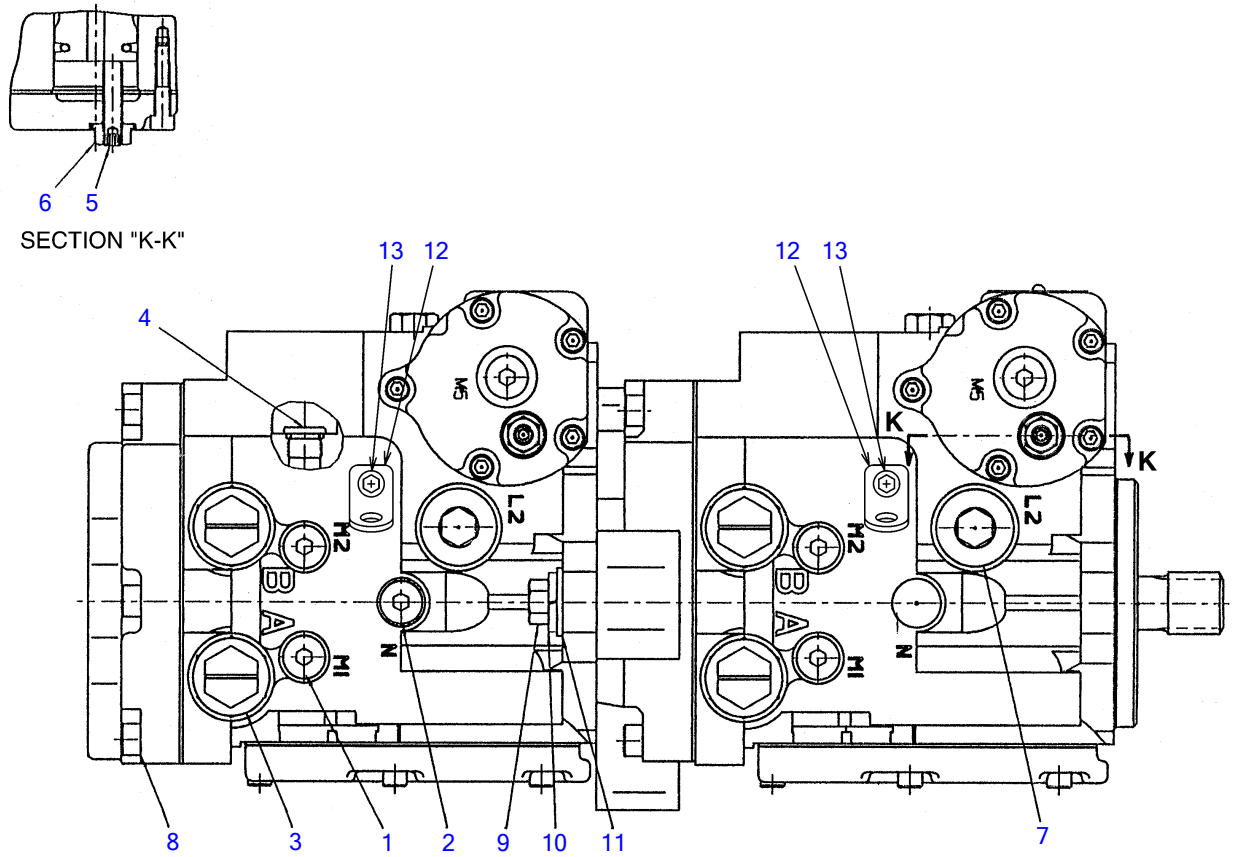
T8H112

S=FREE

HYDRAULIC PUMP (3/4)

Item	Part number	Description	Q'ty	Chan.	Serial No.	Serv.	Remarks
0	1902018000	PUMP, hydraulic	1		21300004~21300404		
	1902020200	PUMP, hydraulic	1	(H)	21300405~		
1	1902016511	▪ ORIFICE	4				
2	1902016516	▪ GASKET	4		21300004~21300404		
	1902020216	▪ GASKET	4		21300405~		
3	1902019229	▪ VALVE	4				
4	1902020736	▪ SPRING	4				
5	1902018817	▪ PLUG ASSY	4				
6	1902019215	▪ PLUG ASSY	2				
7	1902017424	▪ COVER	2				
8	1110040660	▪ SCREW, cap	10				
9	1902017425	▪ SCREW	2				
10	1902017119	▪ NUT, seal	2				
11	1110040630	▪ SCREW, cap	10				
12	1902017410	▪ PLUG ASSY	2				
13	1902020234	▪ COVER	2				
14	1902017410	▪ PLUG ASSY	1		21300004~21300404		
15	1902006768	▪ PLUG	1			M	
16	1902016555	▪ RING, back-up	2				
17	1902017444	▪ PISTON ASSY	2				
18	1902017729	▪ NUT, seal	2				
19	1902016565	▪ O-RING	1		~2003.7		see "NOTE 1"
	1902016564	▪ O-RING	2		2003.7~		see "NOTE 2"
20	1902007412	▪ PLUG	4		21300405~		
21	1902020223	▪ O-RING	4		21300405~		
		<<NOTE 1>>					
		21300004~21301233,					
		21301235~21301260					
		21301391~21301392,					
		21301426, 21301430					
		21301432, 21301445,					
		21301450, 21301451					
		21301453~21301468					
		<<NOTE 2>>					
		21301234,					
		21301261~21301390,					
		21301393~21301425,					
		21301427~21301429					
		21301431, 21301433~21301444					
		21301446~21301449, 21301452					
		21301469~21301583,					
		21301587, 21301589~					

T8h116



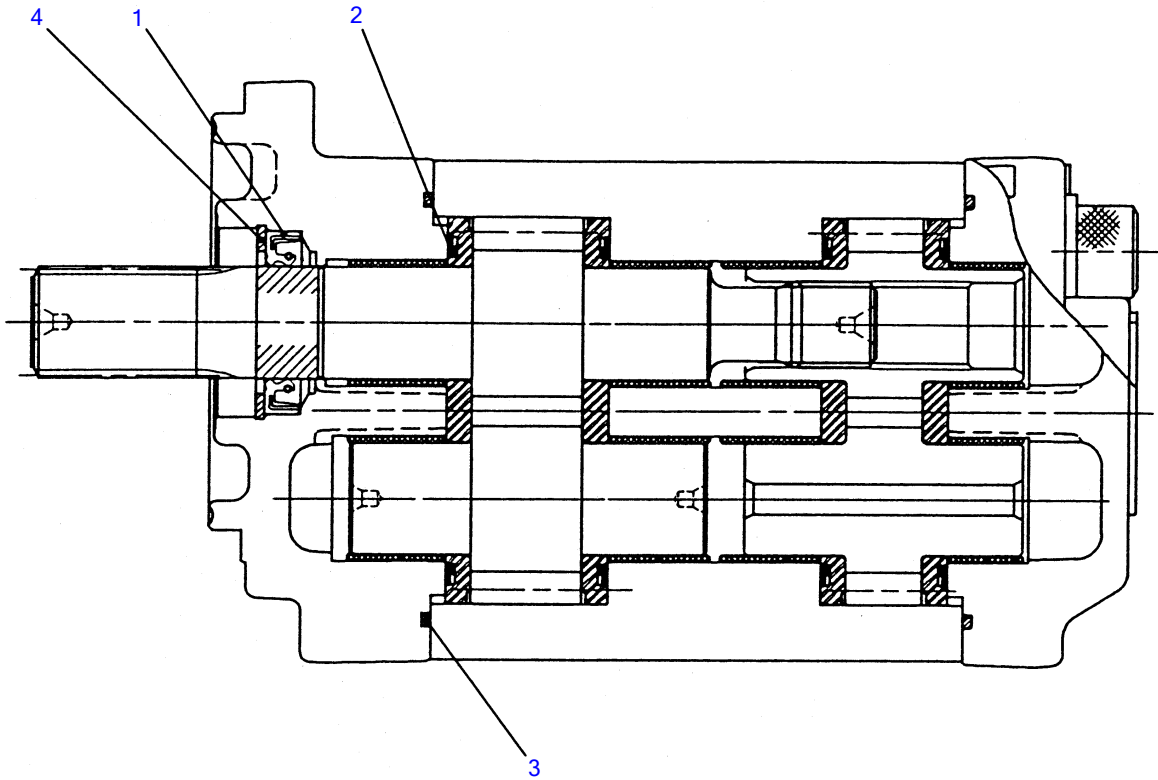
T8H121

S=FREE

HYDRAULIC PUMP (4/4)

Item	Part number	Description	Q'ty	Chan.	Serial No.	Serv.	Remarks
0	1902018000	PUMP, hydraulic	1		21300004~21300404		
	1902020200	PUMP, hydraulic	1	(H)	21300405~		
1	1902019215	▪ PLUG ASSY	4				
2	1902019215	▪ PLUG ASSY	1				
3	1902007451	▪ PLUG ASSY	4				
4	1902019215	▪ PLUG ASSY	2				
5	1902017425	▪ SCREW	2				
6	1902017719	▪ NUT, seal	2				
7	1902007412	▪ PLUG	2				
8	1110020830	▪ SCREW, cap	7		21300004~21300404		
	1902020358	▪ SCREW, cap	7		21300405~		
9	1902010035	▪ BOLT	2				
10	1902016567	▪ WASHER spring	2				
11	1902010037	▪ WASHER	2				
12	1902020297	▪ PLATE	2				M
13	1902020298	▪ BOLT	2				M
	T8h123						

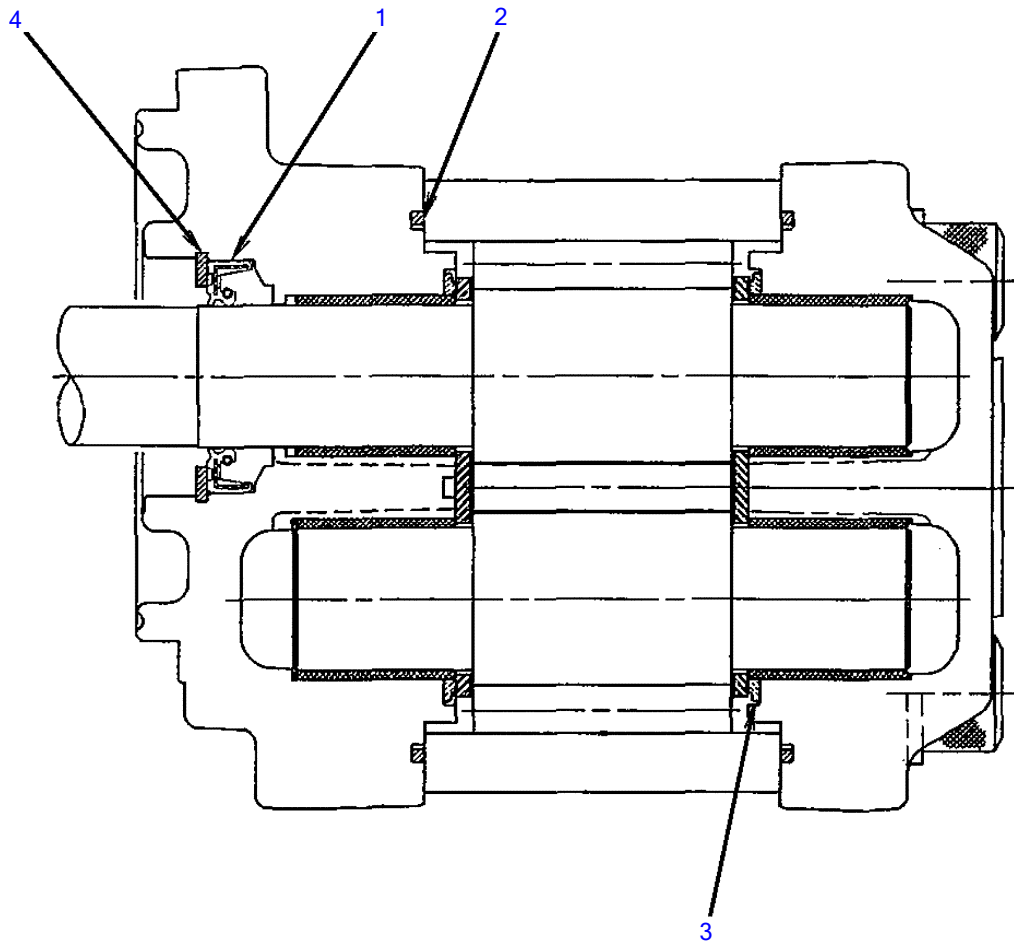
TL130 Book No. BT8Z012 S/N 21300004-
GEAR PUMP



T8H130

GEAR PUMP

Item	Part number	Description	Q'ty	Chan.	Serial No.	Serv.	Remarks
0	1902017900	PUMP ASSY, gear	1				
0-1	1902017999	▪ KIT, seal	1				
1	X 1902017618	▪ ▪ SEAL, oil	1				
2	X 1902017950	▪ ▪ GASKET	4				
3	X 1902018151	▪ ▪ GASKET	2				
4	X 1221000036	▪ ▪ RING, snap	1				
	T8h130						



T8H170

S=free

GEAR PUMP (high flow; 21306717-)

Item	Part number	Description	Q'ty	Chan.	Serial No.	Serv.	Remarks
0	1902021100	PUMP ASSY, gear	1				
0-1	1902021199	▪ KIT, seal	1				
1	X 1902017618	▪ ▪ SEAL, oil	1				
2	X 1902018151	▪ ▪ GASKET	2				
3	X 1902018150	▪ ▪ GASKET	2				
4	X 1221000036	▪ ▪ RING, snap	1				
	T8h170						

How to read this Parts Catalog.

1. Parts mentioned in this Parts Catalog may not necessarily be standard equipping parts.
2. Parts change may be made without prior notice.
3. Form of this Parts Catalog.

Y00F2161 (1997.09.01)

Fig. 29 燃料噴射ポンプ(ブーコン用)
FUEL INJECTION PUMP (W/BOOST)

見出 REF.No.	レベル LEV.	部品番号 PARTS No.	部品名	DESCRIPTION	個数 (Qty)						備考
					A	B	C	D	E	F	
1	.	729595-51390	F0ポンプ ASY(7-コック)	FULE INJECTION PUMP	1	1	1	1	1	1	
1-1	.	729595-51391	F0ポンプ ASY(7-コック)	FULE INJECTION PUMP	1	1	1	1	1	1	
3	..	26022-060162	ナメネジ M 6X 16	SCREW M 6X 16	9	9	9	9	9		
I 3-1	..	26022-060162	ナメネジ M 6X 16	SCREW M 6X 16	4	4	4	4	4		K
(A=E/#00185)(B=E/#00200)(C=E/#00156)(D=E/#00156)(E=E/#00156)					1	1	1	1	1		
4	..	129470-51040	カムシャフト	CAMSHAFT	1	1	1	1	1		
5	..	122710-51050	ベアリングローラ	BEARING, ROLLER	2	2	2	2	2		
6	..	129470-51060	ベアリングホルダ	RETAINER	1	1	1	1	1		

備考

(1) ブーストコンペンセータ付き。4JH-DT, 4JH-DTZとも
E/# 00155 までは、特別注文仕様とします

Remarks

(1) BOOST COMPENSATOR TYPE.
OPTIONAL PART, TO E/# 00155.
(4JH - DT, 4JH - DTZ)

① Ref. No.

The Ref. No. in the list may not be accord with the Ref. No. on illustration.
(Ex.) Illustration No. List head No.

1 1 (Befor change) → 1 -1 (After change)

When interchangeable symbol N, R, and K, illustrations for new parts are sometimes omitted.

② Lev.(Level)

Indication and Meaning of Level

Level : Hereunder is given the relation among the number of dots(•), the level and the nominal parent- child relationship.

-Parent parts(Assembly parts)
-Child parts included in "••" (Semi- Assembly parts, component parts of Assembly parts.)
-Child parts included in "•••", Grand- child parts in terms of "••".
(Compornent parts of Semi- Assembly parts.)

Note) A parts of non- sale parts are illustlated but not listed.

③ Change Mark

Change Mark "I" is given to the part for which a desigh change was made at this time.
The design change was not shown in the last published Parts Catalog.

④ Interchangeability Mark

In the case where a part change took place, one of the following interchangeability marks is indicated for that part.

Symbol	interchangeability	Contents note
N	Old New	New Part is interchangeable for Old Part but not interchangeable conversely.
Q	Old New	New Part is not interchangeable for Old Part but interchangeable conversely.
R	Old New	New Part is interchangeable for Old Part and vice versa.
S	Old New	New Part is not interchangeable for Old Part and vice versa.
W		Part newly added.
Z		Part discontinued.
F		Not interchangeable single part but interchangeable by set of the related parts.
K		Changed only in quantity used.

⑤ Effective Machine No.

When a part is changed, Effective Machine No. of a Model for which the part is applicable is indication in each column of (A)- (F).

Product Symbol	Product No.	Product Symbol	Product No.
C	Clutch No. Compressor No.	M	Machine No.
D	Drive No.	T	Tractor No.
E	Engine No.	Note1) ※	Date

Note1) Date may follow the symbol in some cases. (Ex.) ※ 1996.01

Note2) As far as engine models shown by "XXX" are concerned, the modification of the parts could not be predicted or the engine models themselves could not be identified.

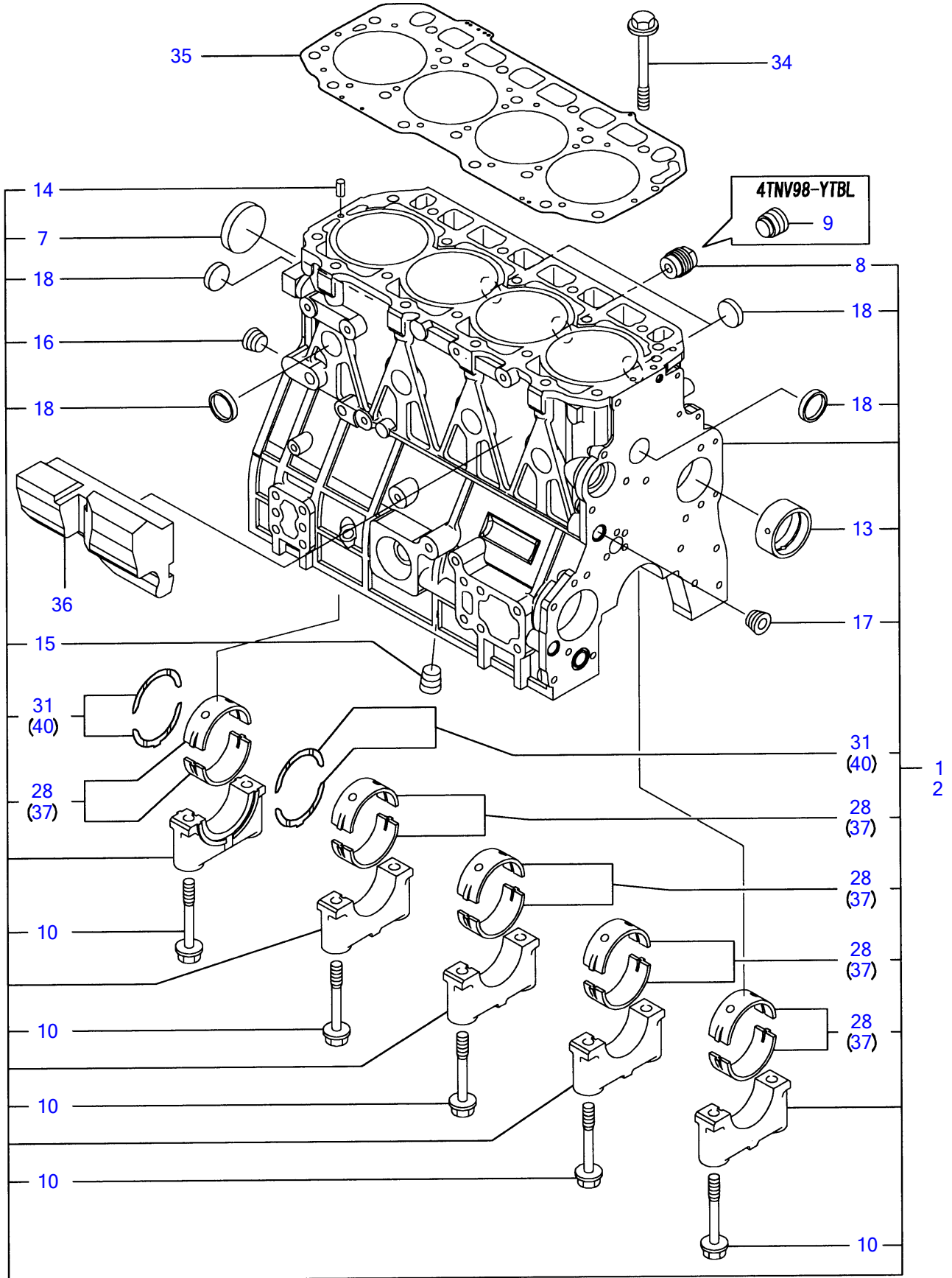
Note3) (A=E/#00185) means that the design change on the part has been effective for the model at the column (A)(in this case, for 4JH- DT) on and from E/#(Engine Serial Number) 00185.

⑥ Remarks Mark

Figures or alphabets (Symbols) are entered in the remark column.

The comments(remarks)on the pertinent parts are indicated in the lower part of the list by the same symbols as those stated above.

Engine for TL130 4TNV98-YTBL S/N 21301933-
CYLINDER BLOCK

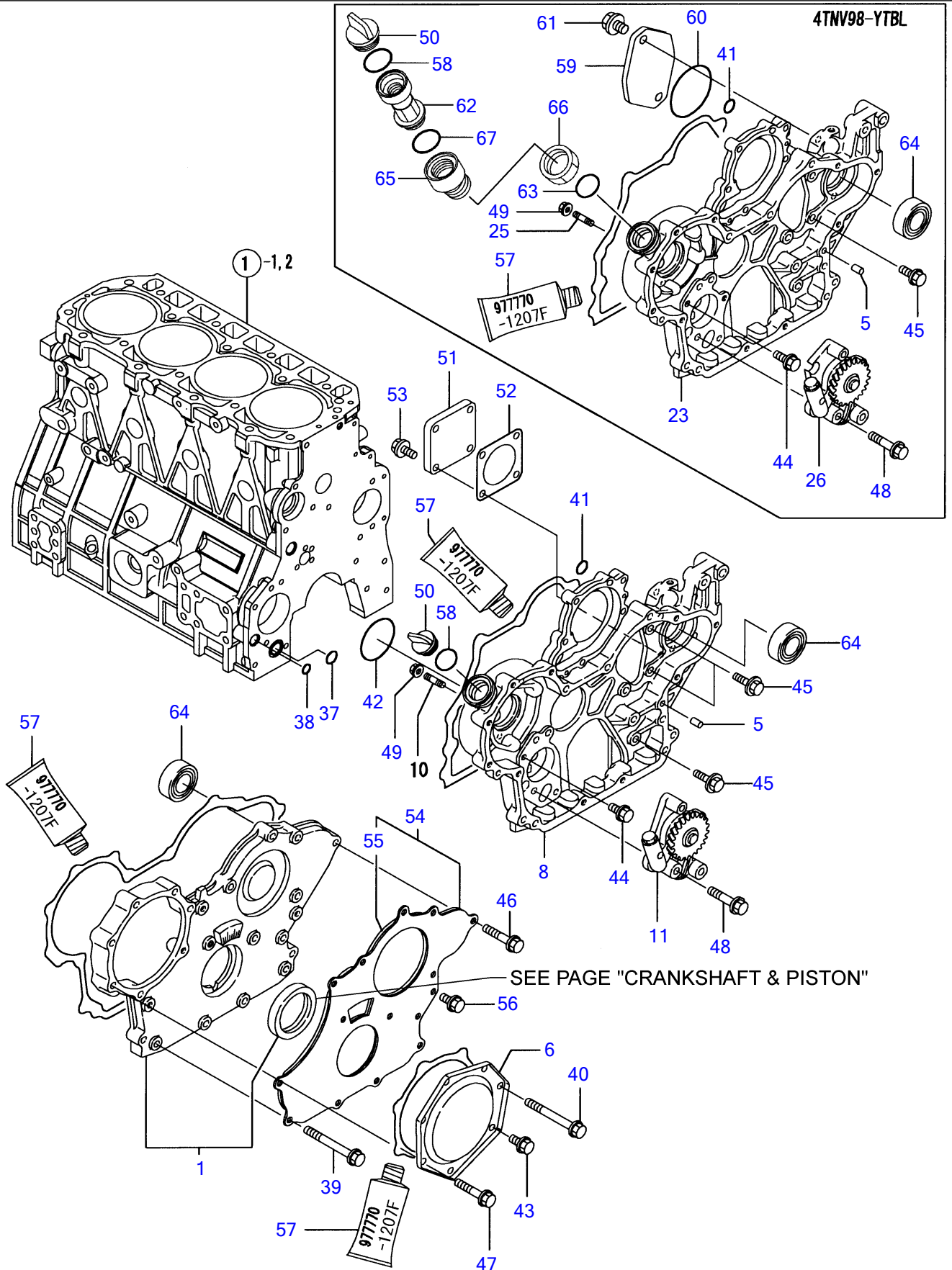


Y00D8020	001. CYLINDER BLOCK			
4TNV98-VTBZ, XTBW, YTBL		1-2003.11		PLUS

**Engine for TL130 4TNV98-YTBL S/N 21301933-
CYLINDER BLOCK**

Item	Part No	Description	Qty
2	Y729907-01560	BLOCK ASSY, CYLINDER	1
7	Y129900-01250	• PLUG 55	1
9	Y171051-01921	• PLUG	1
10	Y129900-02020	• BOLT, METAL CAP	10
13	Y129900-02410	• BUSH, CAMSHAFT	1
14	Y22351-060012	• SPRING PIN 6X12	2
15	Y23876-030000	• PLUG PT3/8,SCREW	1
16	Y23876-030000	• PLUG PT3/8,SCREW	1
17	Y23876-030000	• PLUG PT3/8,SCREW	1
18	Y27241-300000	• PLUG, 30	8
28	Y729900-02800	• MAIN BEARING SET	5
31	Y129900-02930	• BEARING ASSY, THRUST	2
34	Y129900-01200	BOLT, HEAD	18
35	Y129907-01331	GASKET,CYLINDER HEAD	1
36	Y129907-01190	SPACER	1
37	Y129900-02340	MAIN BEARING US=0.25	5
40	Y129900-02940	BEARING,THRUST .25OS	2

Engine for TL130 4TNV98-YTBL S/N 21301933-
GEAR HOUSING

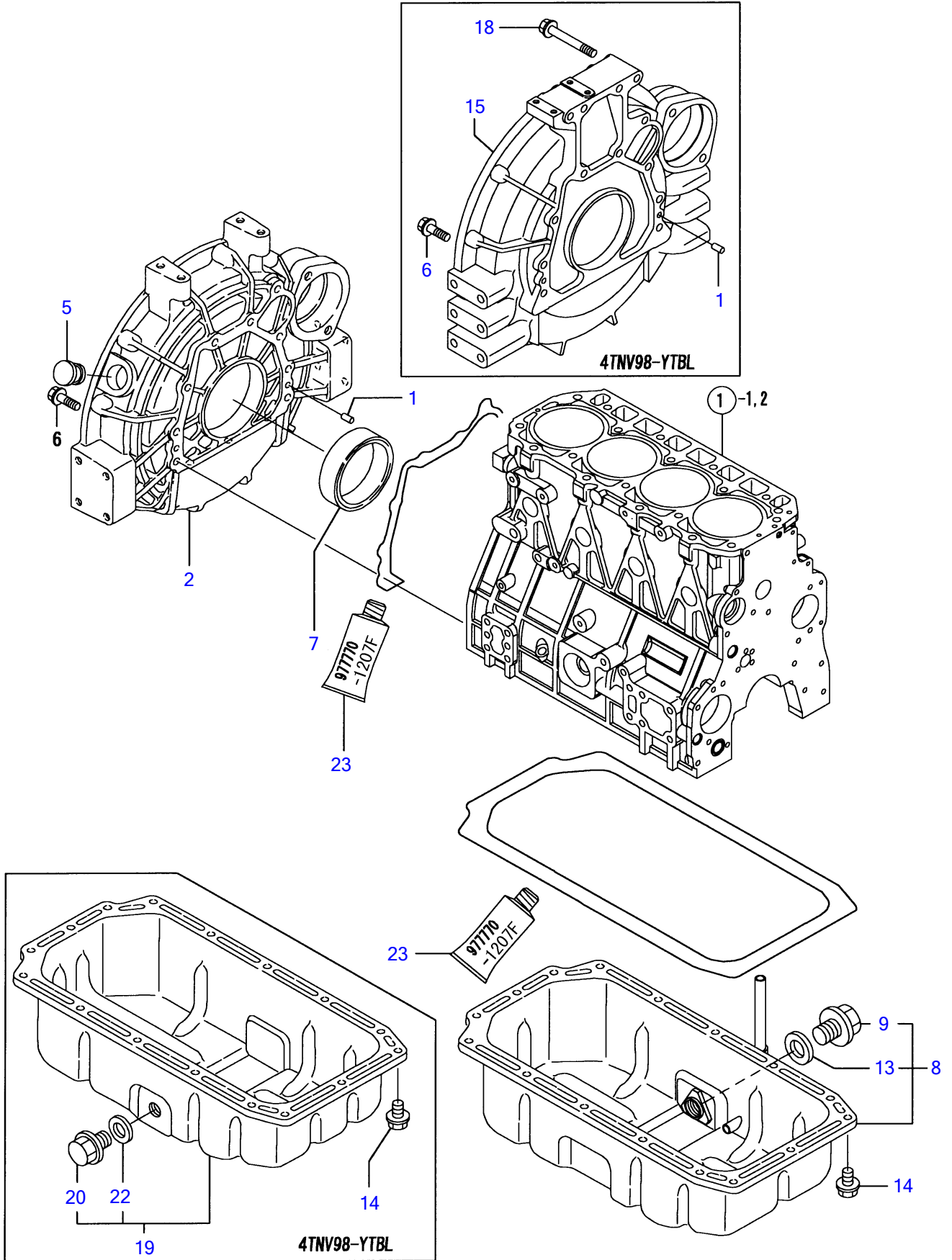


Y0008020	002 GEAR HOUSING			
4TNV98-YTBZ, XTBW, YTBL		1.2003.11		PLUS

**Engine for TL130 4TNV98-YTBL S/N 21301933-
GEAR HOUSING**

Item	Part No	Description	Qty
1	Y729907-01550	HOUSING ASSY,COVER,G	1
5	Y129100-01580	PARALLEL PIN 8X16	4
6	Y129900-01740	COVER, F.I. PUMP	1
23	Y129962-01500	CASE, GEAR	1
25	Y26216-100302	STUD BOLT	4
26	Y129907-32009	PUMP ASSY, LUB.OIL	1
37	Y129900-32030	O-RING P20	1
38	Y129900-32040	O-RING P14	1
39	Y129001-91810	BOLT M 8X 70 PLATED	6
40	Y129001-91810	BOLT M 8X 70 PLATED	1
41	Y24311-000070	O-RING 1A P-7.0	1
42	Y24351-030750	PACKING, 3075	1
43	Y26106-080162	BOLT M 8X 16 PLATED	1
44	Y26106-080162	BOLT M 8X 16 PLATED	1
45	Y26106-080202	BOLT M 8X 20 PLATED	3
46	Y26106-080402	BOLT M 8X 40 PLATED	5
47	Y26106-080402	BOLT M 8X 40 PLATED	5
48	Y26106-080452	BOLT M 8X 45 PLATED	3
49	Y26306-100002	NUT	4
50	Y124160-01751	COVER,FILLER	1
54	Y129900-01850	COVER ASSY	1
55	Y129900-01870	· SPONGE	1
56	Y26106-080162	BOLT M 8X 16 PLATED	3
57	Y977770-1207F	GASKET, LIQUID	1
58	Y24311-000320	O-RING 1A P-32.0	1
59	Y121023-26070	COVER, HO-P	1
60	Y24321-000850	O-RING 1A G-85.0	1
61	Y26106-100202	BOLT M10X 20 PLATED	2
62	Y121027-11742	PIPE	1
63	Y24311-000320	O-RING 1A P-32.0	1
64	Y129900-26250	BALL BEARING	2
65	Y119225-11740	ADAPTOR, OIL FILLER	1
66	Y119225-11750	NUT, OIL FILLER	1
67	Y24311-000300	O-RING 1A P-30.0	1

Engine for TL130 4TNV98-YTBL S/N 21301933-
FLYWHEEL HOUSING & OIL SUMP

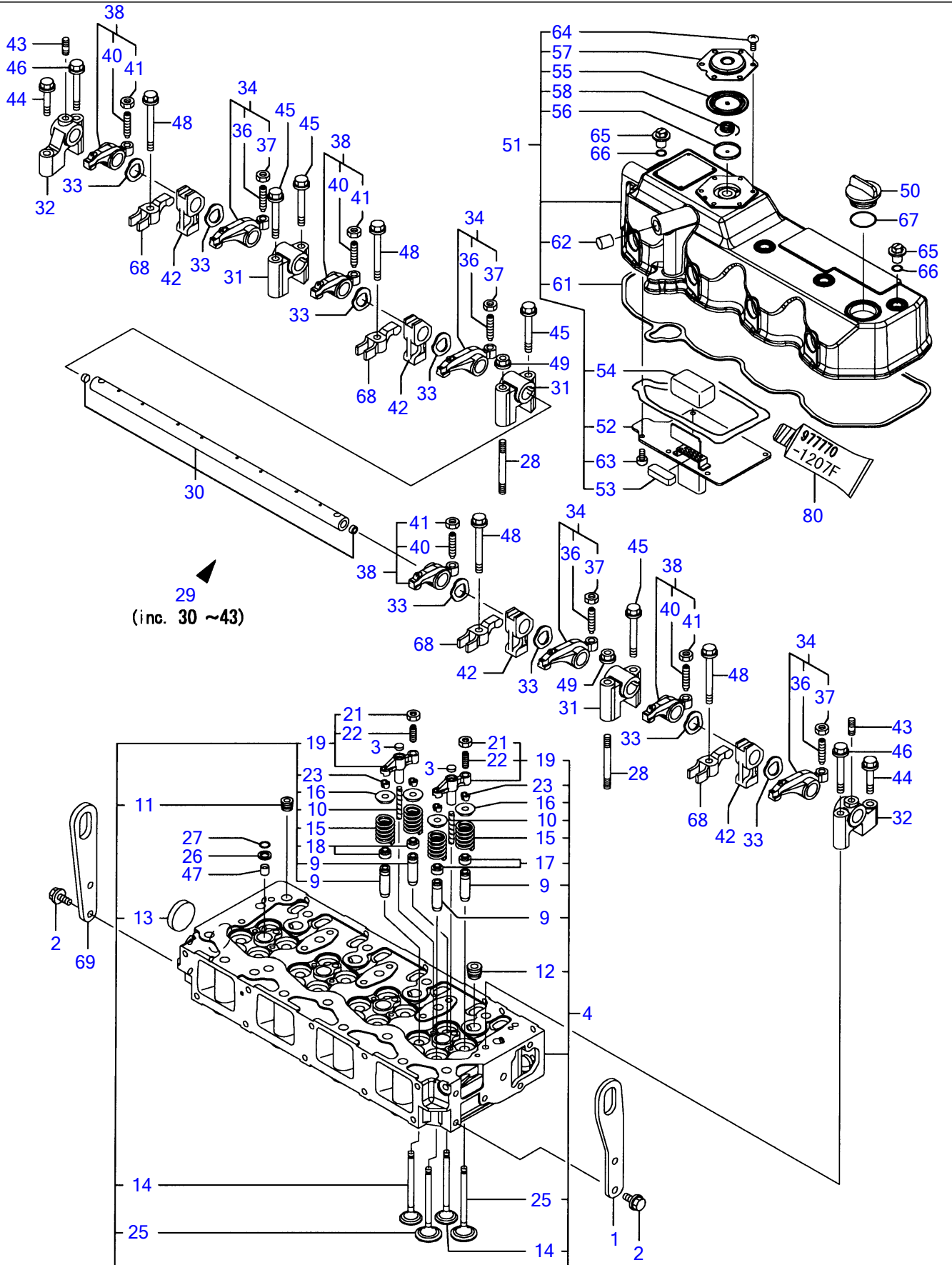


Y0008020	003. FLYWHEEL HOUSING & OIL SUMP		
4TNV98-VTBZ, XTBW, YTBL	1-2003.11		PLUS

**Engine for TL130 4TNV98-YTBL S/N 21301933-
FLYWHEEL HOUSING & OIL SUMP**

Item	Part No	Description	Qty
1	Y129100-01580	PARALLEL PIN 8X16	2
6	Y26206-100352	BOLT M10X 35 PLATED	9
7	Y124411-01780	SEAL HTC95,115,12	1
14	Y26106-080122	BOLT M 8X 12 PLATED	16
15	Y129953-01620	HOUSING, FLYWHEEL	1
18	Y26206-100702	BOLT M10X 70 PLATED	4
19	Y129902-01710	SUMP ASSY, OIL	1
20	Y119640-01640	· DRAIN PLUG M22	1
22	Y22190-220002	· SEAL WASHER 22S	1
23	Y977770-1207F	GASKET, LIQUID	1

Engine for TL130 4TNV98-YTBL S/N 21301933-
CYLINDER HEAD & BONNET

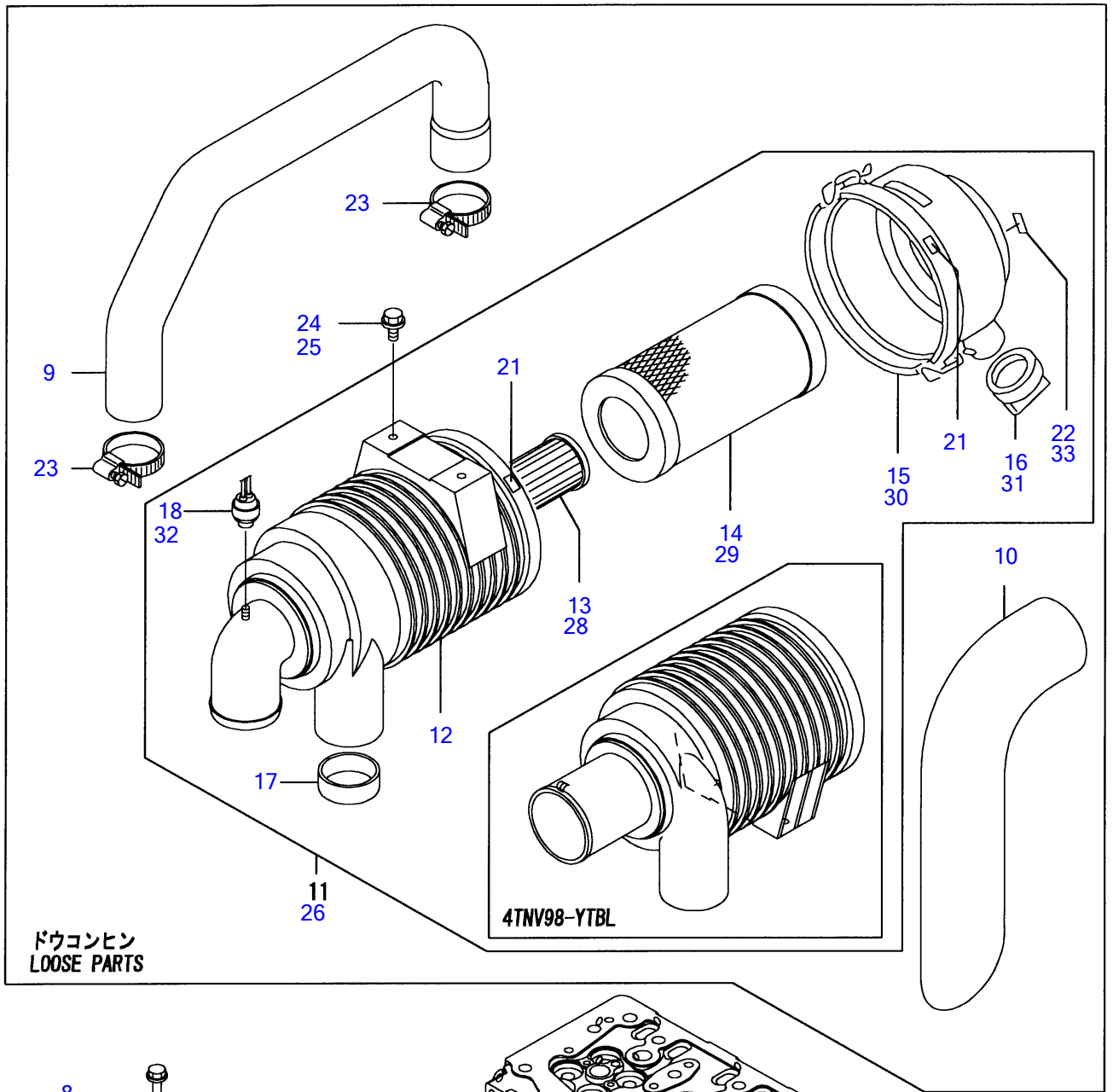


Y0008020	004. CYLINDER HEAD & BONNET		
4TNV98-VTBZ, XTBR, YTBL		1.2003.11	PLUS

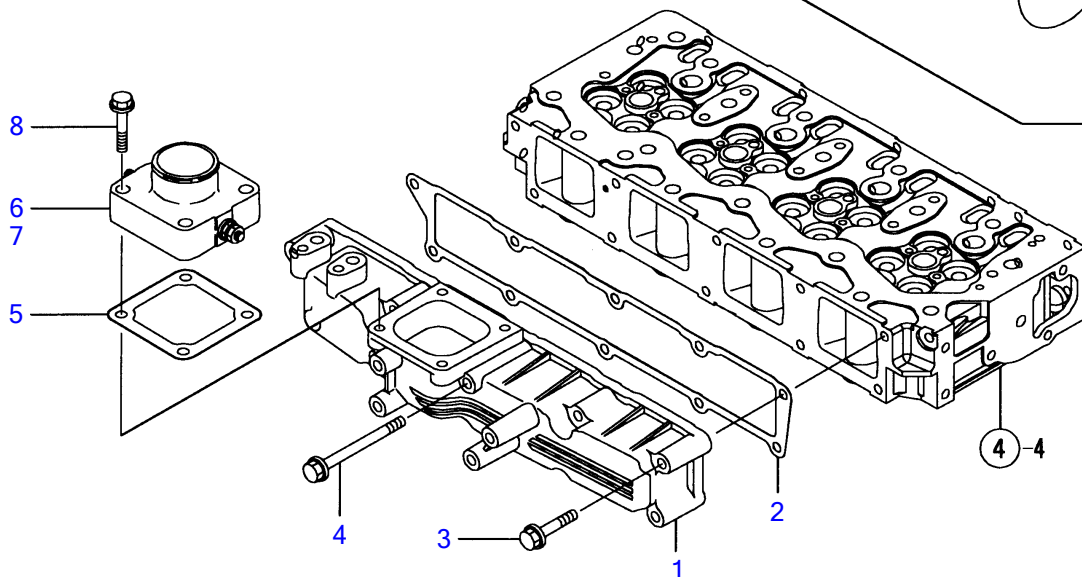
**Engine for TL130 4TNV98-YTBL S/N 21301933-
CYLINDER HEAD & BONNET**

Item	Part No	Description	Qty
1	Y129907-07900	LIFTER, ENGINE	1
2	Y26106-080162	BOLT M 8X 16 PLATED	4
3	Y123907-11550	SEAT A,VALVE BRIDGE	8
4	Y129907-11700	HEAD ASSY, CYLINDER	1
9	Y129907-11800	· GUIDE, VALVE	16
10	Y123907-11820	· GUIDE,VALVE BRIDGE	8
11	Y23876-020000	· PLUG 1/4	1
12	Y23876-030000	· PLUG PT3/8,SCREW	4
13	Y27241-400000	· PLUG 40	1
14	Y129907-11110	· VALVE(EXH	8
15	Y129907-11120	· VALVE SPRING	16
16	Y119620-11180	· RETAINER, SPRING	16
17	Y124160-11340	· SEAL, VALVE STEM	8
18	Y124950-11340	· SEAL, VALVE STEM	8
19	Y129907-11510	· BRIDGE ASSY,VALVE	8
21	Y129150-11750	· · NUT M8XP1.0	8
22	Y123907-11830	· · SCRWE,VALVE BRIDGE	8
23	Y27310-070001	· COTTER ASSY	16
25	Y129907-11100	· VALVE(INT	8
26	Y119625-11880	SEAT, NOZZLE	4
27	Y24311-000120	O-RING 1A P 12.0	4
28	Y119593-11301	BOLT 8X80	2
29	Y129907-11341	SUPPORT CMP	1
30	Y129907-11250	· SHAFT,ROCKER ARM	1
31	Y129907-11260	· SUPPORT A	3
32	Y129907-11270	· SUPPORT B	2
33	Y123907-11280	· WAVE WASHER	8
34	Y129907-11650	· ARM ASSY, ROCKER	4
36	Y129150-11230	· · SCREW, VALVE	4
37	Y129150-11750	· · NUT M8XP1.0	4
38	Y129907-11660	· ARM ASSY, ROCKER	4
40	Y129150-11230	· · SCREW, VALVE	4
41	Y129150-11750	· · NUT M8XP1.0	4
42	Y129907-11920	· PEDESTAL,RETAINER	4
43	Y26226-080222	· STUD M 8X 22 PLATED	2
44	Y26106-080402	BOLT M 8X 40 PLATED	2
45	Y26106-080602	BOLT M 8X 60 PLATED	4
46	Y26106-080602	BOLT M 8X 60 PLATED	2
47	Y119802-11870	PROTECTOR, NOZZLE	4
48	Y129907-11950	FLANGE BOLT,RETAINER	4
49	Y26306-080002	NUT	2
50	Y124160-01751	COVER,FILLER	1
51	Y129907-11320	BONNET ASSY	1
52	Y129907-03010	· BAFFLE PLATE	1
53	Y129907-03060	· BAFFLE	1
54	Y129907-03070	· BAFFLE	1
55	Y123907-03100	· DIAPHRAGM,BREATHER	1
56	Y123907-03110	· CENTER PLATE	1
57	Y123907-03120	· PLATE,BREATHER	1
58	Y123907-03140	· SPRING, DIAPHRAGM	1
61	Y129907-11310	· PACKING,BONNET	1
62	Y119640-61400	· PLUG	1
63	Y22857-500100	· SCREW 5X10,TAPPING	6
64	Y22857-500100	· SCREW 5X10,TAPPING	6
65	Y124160-11360	KNOB	4
66	Y24311-000120	O-RING 1A P 12.0	4
67	Y24311-000320	O-RING 1A P-32.0	1
68	Y129907-11910	RETAINER,F.I.VALVE	4
69	Y129910-07900	LIFTER, ENGINE	1
80	Y977770-1207F	GASKET, LIQUID	1

Engine for TL130 4TNV98-YTBL S/N 21301933-
SUCTION MANIFOLD & AIR CLEANER



ドウコンヒン
 LOOSE PARTS

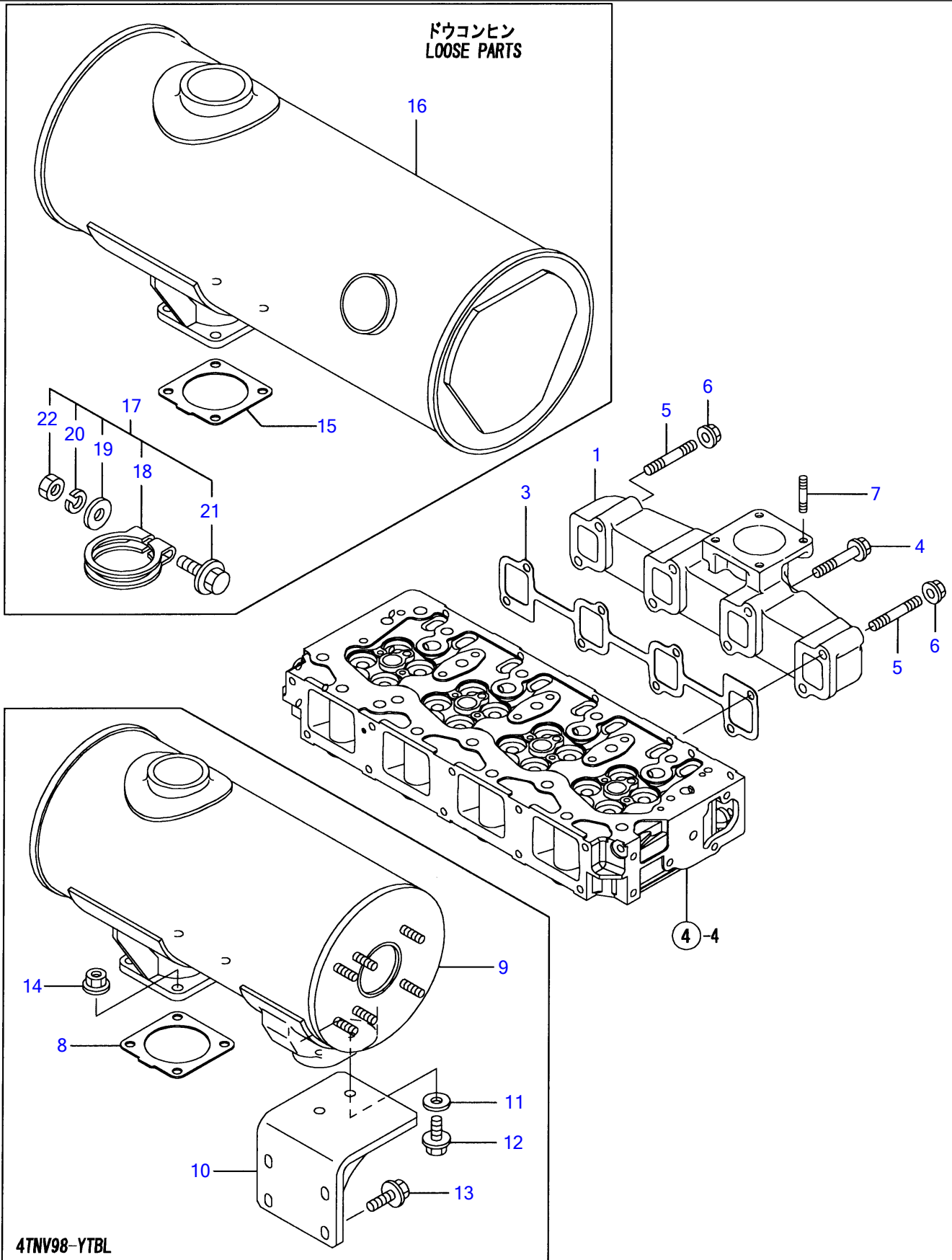


Y0008020	005. SUCTION MANIFOLD & AIR CLEANER		
4TNV98-VTBZ, XTBL, YTBL	1:2003.11		PLUS

**Engine for TL130 4TNV98-YTBL S/N 21301933-
SUCTION MANIFOLD & AIR CLEANER**

Item	Part No	Description	Qty
1	Y129907-12100	MANIFOLD,AIR INTAKE	1
2	Y129907-12110	PACKING(INT.MANIFOLD	1
3	Y26106-080552	BOLT M 8X 55 PLATED	9
4	Y26106-080852	BOLT M 8X 85 PLATED	1
5	Y121850-77021	GASKET, (NON-ASB.)	1
7	Y129915-77050	AIR HEATER	1
8	Y26106-080352	BOLT M 8X 35 PLATED	4
25	Y26106-080202	BOLT M 8X 20 PLATED	2
26	Y129944-12520	CLEANER ASSY, AIR	1
28	Y119160-12570	· ELEMENT, INNER	1
29	Y129935-12520	· ELEMENT, OUTER	1
30	Y119160-12530	· COVER-ASSY	1
31	Y119160-12540	· VALVE	1
32	Y119140-12680	· INDICATOR	1
33	Y129612-12650	· MARKING,(W)	1

Engine for TL130 4TNV98-YTBL S/N 21301933-
EXHAUST MANIFOLD & SILENCER

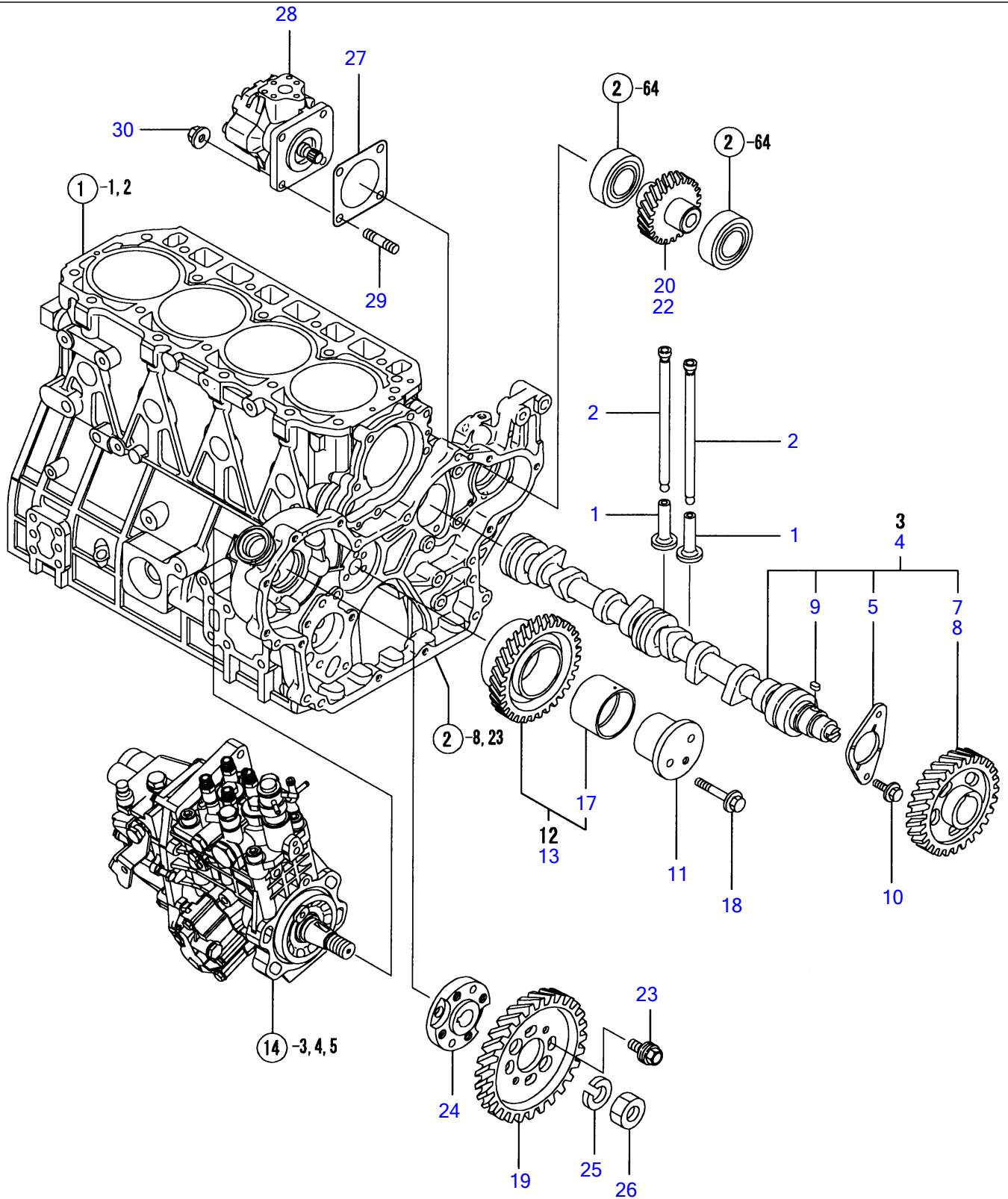


Y00D8020	006. EXHAUST MANIFOLD & SILENCER		
4TNV98-VTBZ, XTBW, YTBL	1:2003.11		PLUS

**Engine for TL130 4TNV98-YTBL S/N 21301933-
EXHAUST MANIFOLD & SILENCER**

Item	Part No	Description	Qty
1	Y129900-13200	MANIFOLD, EXHAUST	1
3	Y129900-13251	GASKET	1
4	Y123900-13630	BOLT 8X80	6
5	Y123900-13610	STUD BOLT M 8X 80	2
6	Y26306-080002	NUT	2
7	Y119131-18320	BOLT M 8X 22	4
8	Y129930-13200	GASKET, SILENCER	1
9	Y129944-13520	SILENCER	1
10	Y129944-13660	STAY, SILENCER	1
11	Y22157-080000	WASHER 8	2
12	Y26106-080162	BOLT M 8X 16 PLATED	2
13	Y26106-080202	BOLT M 8X 20 PLATED	4
14	Y26306-080002	NUT	4

Engine for TL130 4TNV98-YTBL S/N 21301933-
CAMSHAFT & DRIVING GEAR

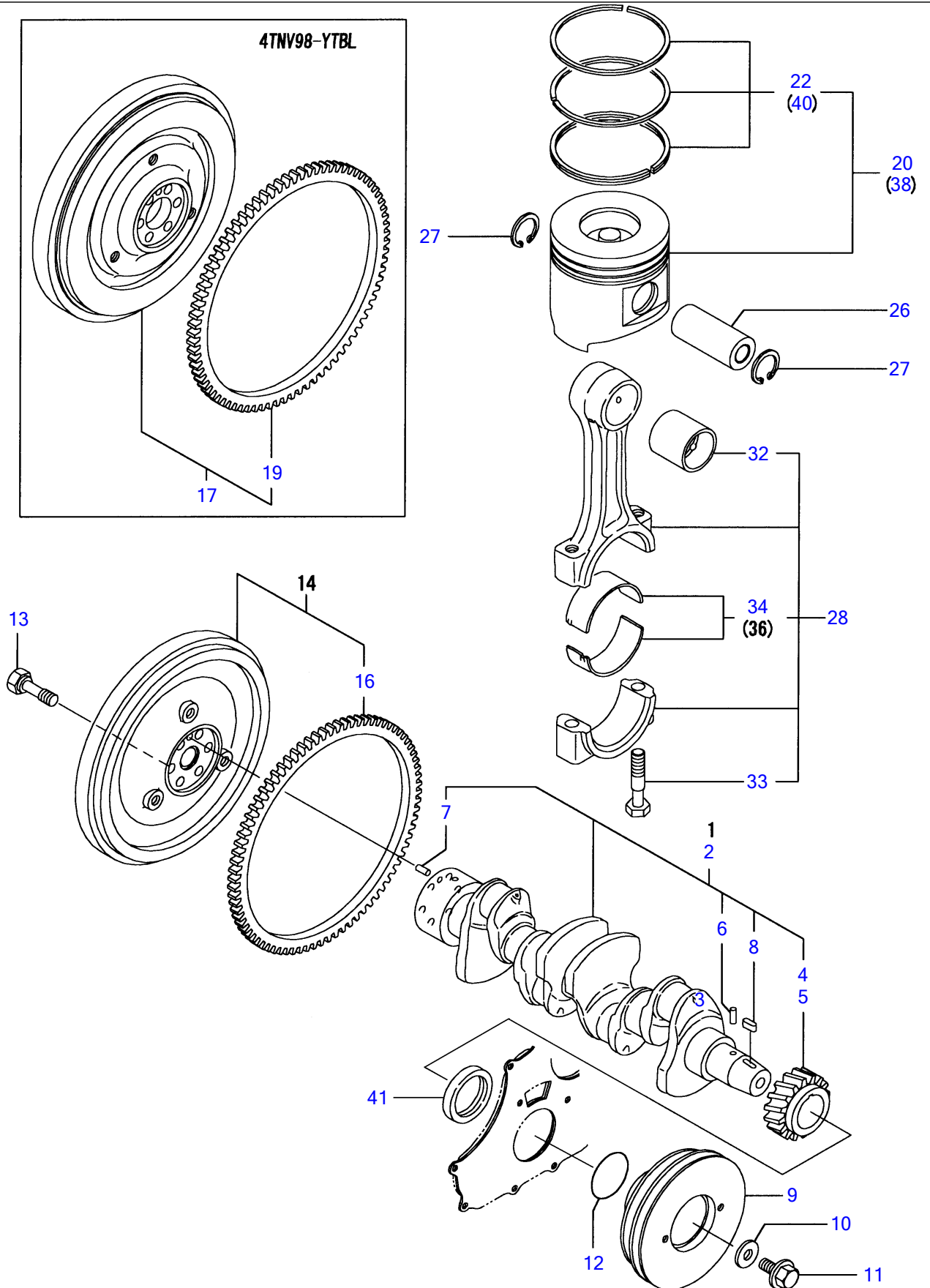


Y00D8020	007. CAMSHAFT & DRIVING GEAR			
4TNV98-VTBZ, XTBW, YTBL		1-2003.11		PLUS

**Engine for TL130 4TNV98-YTBL S/N 21301933-
CAMSHAFT & DRIVING GEAR**

Item	Part No	Description	Qty
1	Y129150-14200	TAPPET	8
2	Y129907-14400	PUSH ROD	8
4	Y129907-14590	CAMSHAFT ASSY	1
5	Y129150-02450	· METAL,THRUST(CAM	1
8	Y129900-14110	· GEAR, CAMSHAFT	1
9	Y22512-070140	· KEY 7X 14	1
10	Y26106-080162	BOLT M 8X 16 PLATED	2
11	Y123900-25060	SHAFT(GEAR,IDLE	1
13	Y129900-25110	GEAR ASSY, IDLE	1
17	Y129150-25920	· BUSH, IDLE GEAR	1
18	Y26106-080552	BOLT M 8X 55 PLATED	3
19	Y123907-25909	GEAR,F.I.PUMP	1
20	Y129900-26020	GEAR ASSY, HYDR.PUMP	1
23	Y129953-25300	BOLT	4
24	Y158563-51150	FLANGE	1
25	Y22217-180000	SPRING WASHER 18	1
26	Y26776-180002	NUT M18,LOCK	1

Engine for TL130 4TNV98-YTBL S/N 21301933-
CRANKSHAFT & PISTON

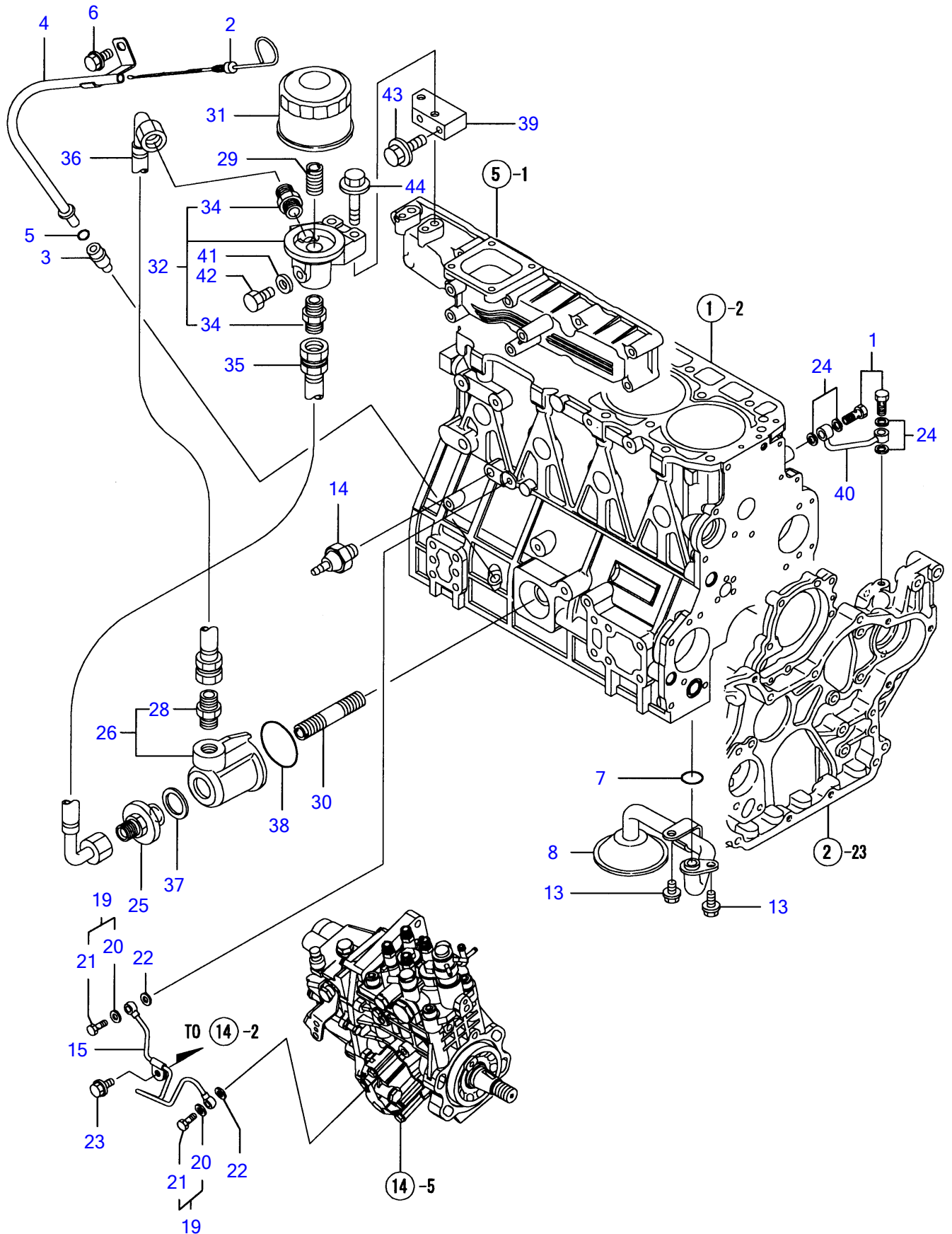


Y0008020	008. CRANKSHAFT & PISTON		
4TNV98-VTBZ, XTBW, YTBL	1:2003. 11		PLUS

**Engine for TL130 4TNV98-YTBL S/N 21301933-
CRANKSHAFT & PISTON**

Item	Part No	Description	Qty
2	Y129902-21050	CRANKSHAFT COMP	1
5	Y129900-21220	• GEAR, CRANKSHAFT	1
6	Y121850-21290	• PARALLEL PIN	1
7	Y121850-21920	• PARALLEL PIN 10X22	1
8	Y22512-070140	• KEY 7X 14	1
9	Y129916-21650	V-PULLEY, CRANKSHAFT(140	1
	Y129916-21680	V-PULLEY, CRANKSHAFT(140	1
10	Y129960-21640	WASHER	1
11	Y121850-21680	BOLT, V-PULLEY 30MM	1
	Y129916-21610	BOLT, V-PULLEY 35MM	1
12	Y24341-000530	O-RING 1A S-53.0	1
13	Y121850-21130	BOLT, FLYWHEEL	6
17	Y129953-21570	FLYWHEEL ASSY	1
19	Y129900-21600	• GEAR, RING	1
20	Y129907-22090	PISTON W/RING	4
22	Y129907-22050	• RING SET, PISTON	4
26	Y120130-22301	PIN, PISTON	4
27	Y22252-000300	CIRCLIP 30	8
28	Y129900-23000	ROD ASSY, CONNECTING	4
32	Y129900-23910	• BUSH, PISTON PIN	4
33	Y129900-23200	• BOLT, ROD	8
34	Y129900-23600	• METAL ASSY, CRANKPIN	4
36	Y129900-23610	BEARING,PIN U.S=0.25	4
38	Y729907-22910	PISTON W/RING O.S=25	4
40	Y729907-22950	• RING SET O.S=0.25	4
41	Y129900-01780	SEAL, OIL (SINGLE STRIP)	1
	Y129916-01800	SEAL, OIL (DOUBLE STRIP)	1

Engine for TL130 4TNV98-YTBL S/N 21301933-
LUB.OIL SYSTEM

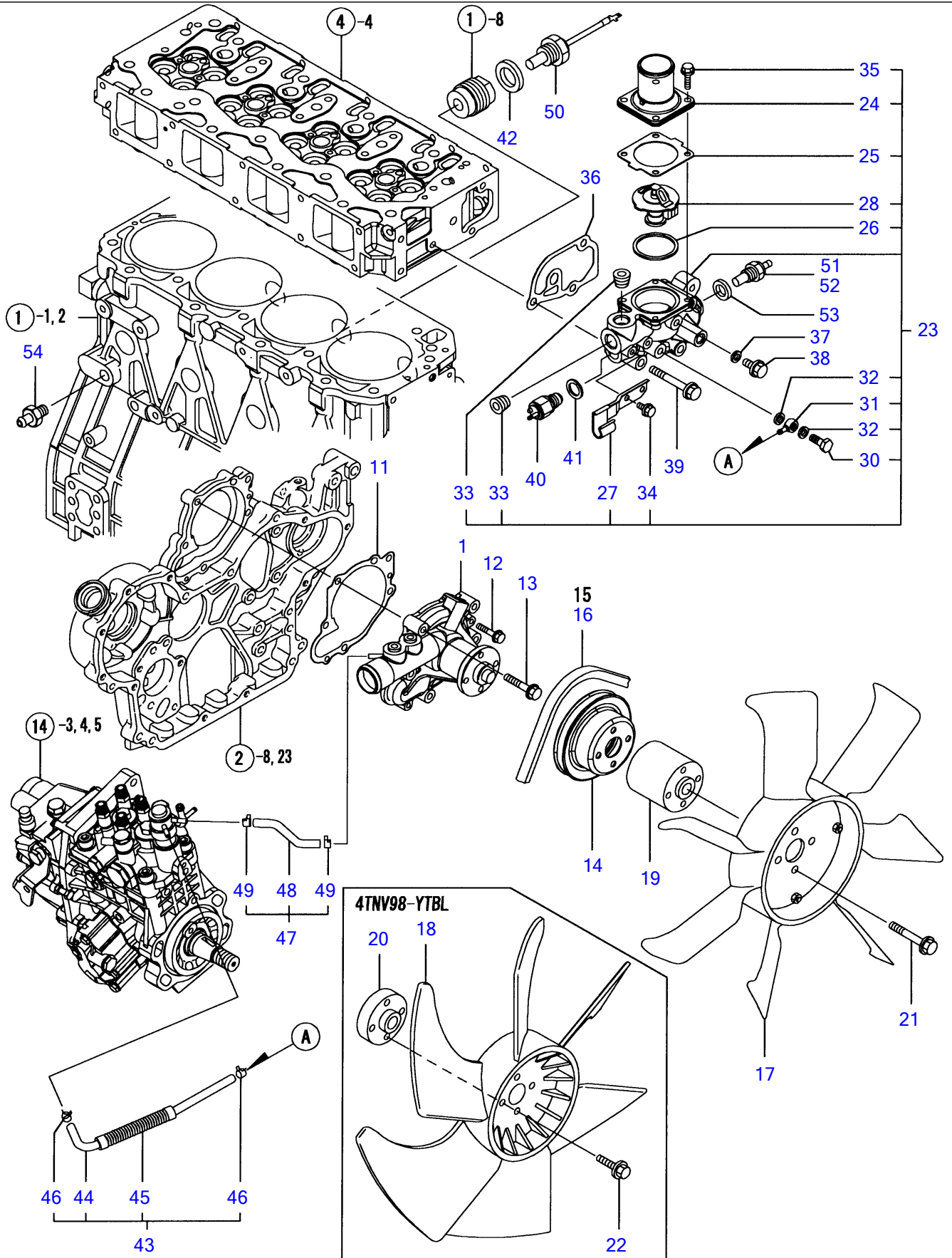


Y00D8020	011. LUB. OIL SYSTEM		
4TNV98-VTBZ, XTBN, YTBL	1. 2003. 11		PLUS

**Engine for TL130 4TNV98-YTBL S/N 21301933-
LUB.OIL SYSTEM**

Item	Part No	Description	Qty
1	Y105010-39140	BOLT, PIPE JOINT	2
2	Y129951-34801	DIPSTICK	1
3	Y119260-34810	GUIDE, DIPSTICK	1
4	Y129951-34812	GUIDE	1
5	Y24311-240100	O-RING 1A P-10A	1
6	Y26106-080162	BOLT M 8X 16 PLATED	1
7	Y129900-32030	O-RING P20	1
8	Y129900-35000	PIPE ASSY, LUB. OIL	1
13	Y26106-080122	BOLT M 8X 12 PLATED	2
14	Y114250-39450	SWITCH,(0.5KG)L.O.	1
15	Y129907-39061	PIPE ASSY, LUB. OIL	1
19	Y129005-59830	BOLT ASSY, JOINT	2
20	Y22190-080002	· SEAL WASHER 8S	2
21	Y23857-030000	· JOINT BOLT 3	2
22	Y22190-080002	SEAL WASHER 8S	2
23	Y26106-080122	BOLT M 8X 12 PLATED	1
24	Y22190-080002	SEAL WASHER 8S	4
25	Y129953-35110	COVER	1
26	Y129944-35110	CASE ASSY, LUB.OIL	1
28	Y129953-39500	· ADAPTER	1
29	Y119000-35140	STUD, LUB.OIL FILTER	1
30	Y129970-35140	STUD, LUB.OIL FILTER	1
31	Y129150-35152	FILTER 80X80L	1
32	Y123945-35210	BRACKET(LO.CMP	1
34	Y129953-39500	· ADAPTER	2
35	Y129953-39100	PIPE, LUB.OIL	1
36	Y123945-39100	LO-T	1
37	Y22190-300002	SEAL WASHER 30S	1
38	Y24321-000600	O-RING 1A G-60.0	1
39	Y129944-35150	SPACER(LO,FILTER	1
40	Y129930-39050	PIPE	1
41	Y22190-100002	SEAL WASHER 10S	1
42	Y23887-100002	PLUG 10	1
43	Y26106-080352	BOLT M 8X 35 PLATED	2
44	Y26106-100452	BOLT M10X 45 PLATED	2

Engine for TL130 4TNV98-YTBL S/N 21301933-
COOLING WATER SYSTEM

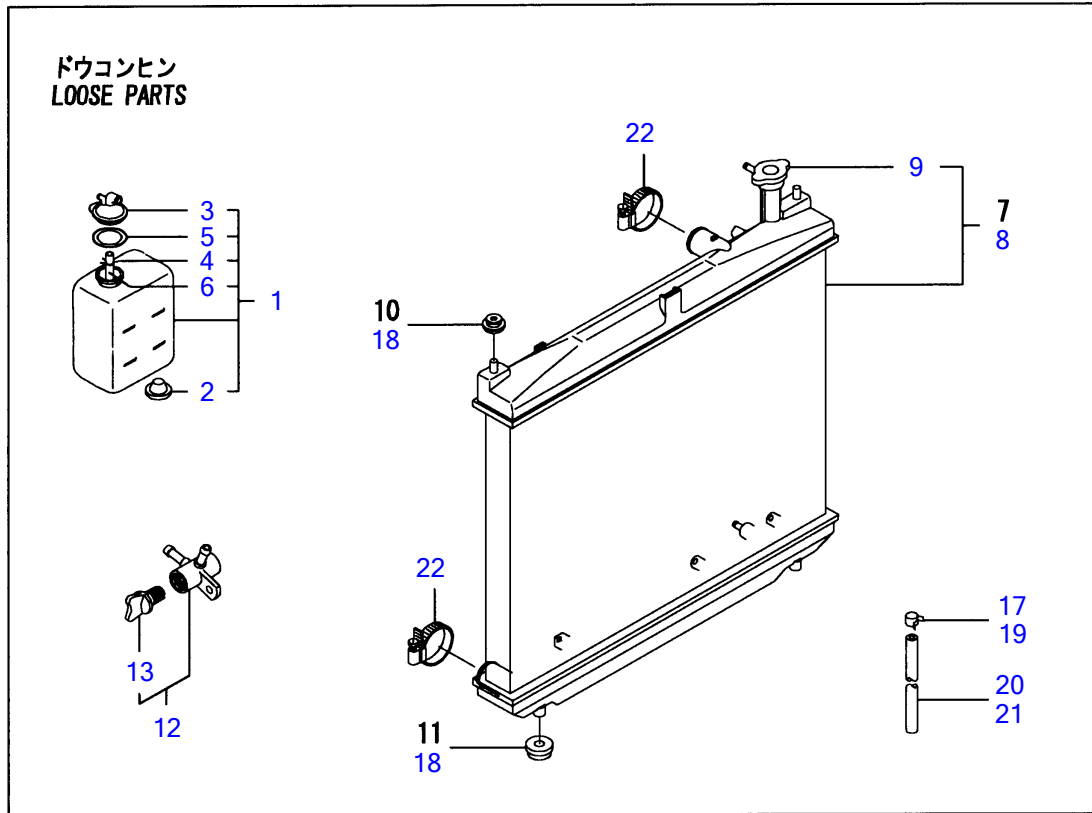


Y0008020	D12. COOLING WATER SYSTEM		
4TNV98-VTBZ, XTBW, YTBL	1.2003.11		PLUS

**Engine for TL130 4TNV98-YTBL S/N 21301933-
COOLING WATER SYSTEM**

Item	Part No	Description	Qty
1	Y129907-42000	PUMP ASSY, WATER	1
11	Y129900-42020	GASKET, CW-P	1
12	Y26106-060302	BOLT M 6X 30 PLATED	2
13	Y26106-080552	BOLT M 8X 55 PLATED	5
14	Y129900-42461	PULLEY	1
16	Y129940-42320	V-BELT A41	1
18	Y129916-44740	FAN	1
20	Y119130-44760	SPACER, FAN	1
22	Y26106-080352	BOLT M 8X 35 PLATED	4
23	Y129946-49810	CASE ASSY, THERMOSTAT	1
24	Y129916-49530	• COVER, THERMOSTAT	1
25	Y121850-49540	• GASKET, THERMOSTAT	1
26	Y121850-49550	• GASKET, THERMOSTAT	1
27	Y129907-49730	• PIPE ASSY, INJECTION	1
28	Y121850-49800	• THERMOSTAT	1
30	Y105582-59150	• BOLT, PIPE JOINT	1
31	Y23387-040800	• JOINT 4- 8	1
32	Y23414-080000	• GASKET 8, ROUND	2
33	Y23875-030000	• PLUG PT3/8, STEEL	2
34	Y26106-060122	• BOLT M 6X 12 PLATED	2
35	Y26106-060202	• BOLT M 6X 20 PLATED	4
36	Y129900-49870	GASKET, CASE	1
37	Y23414-080000	GASKET 8, ROUND	1
38	Y26106-080122	BOLT M 8X 12 PLATED	1
39	Y26106-080602	BOLT M 8X 60 PLATED	3
40	Y121250-44901	SWITCH, THERMO(1103C	1
41	Y124465-44950	GASKET 16	1
43	Y129907-49610	HOSE A ASSY, WATER	1
44	Y129907-49710	• PIPE A, COOLING WATER	1
45	Y129907-49750	• PROTECTOR, PIPE 10.7	1
46	Y124722-59050	• CLAMP 9	2
47	Y129907-49620	HOSE B ASSY, WATER	1
48	Y129907-49720	• PIPE B, COOLING WATER	1
49	Y124722-59050	• CLAMP 9	2
52	Y119266-49350	SENSOR, THERMO.	1
53	Y129150-49360	GASKET 10	1
54	Y121550-49111	JOINT PT1/4	1

Engine for TL130 4TNV98-YTBL S/N 21301933-
RADIATOR

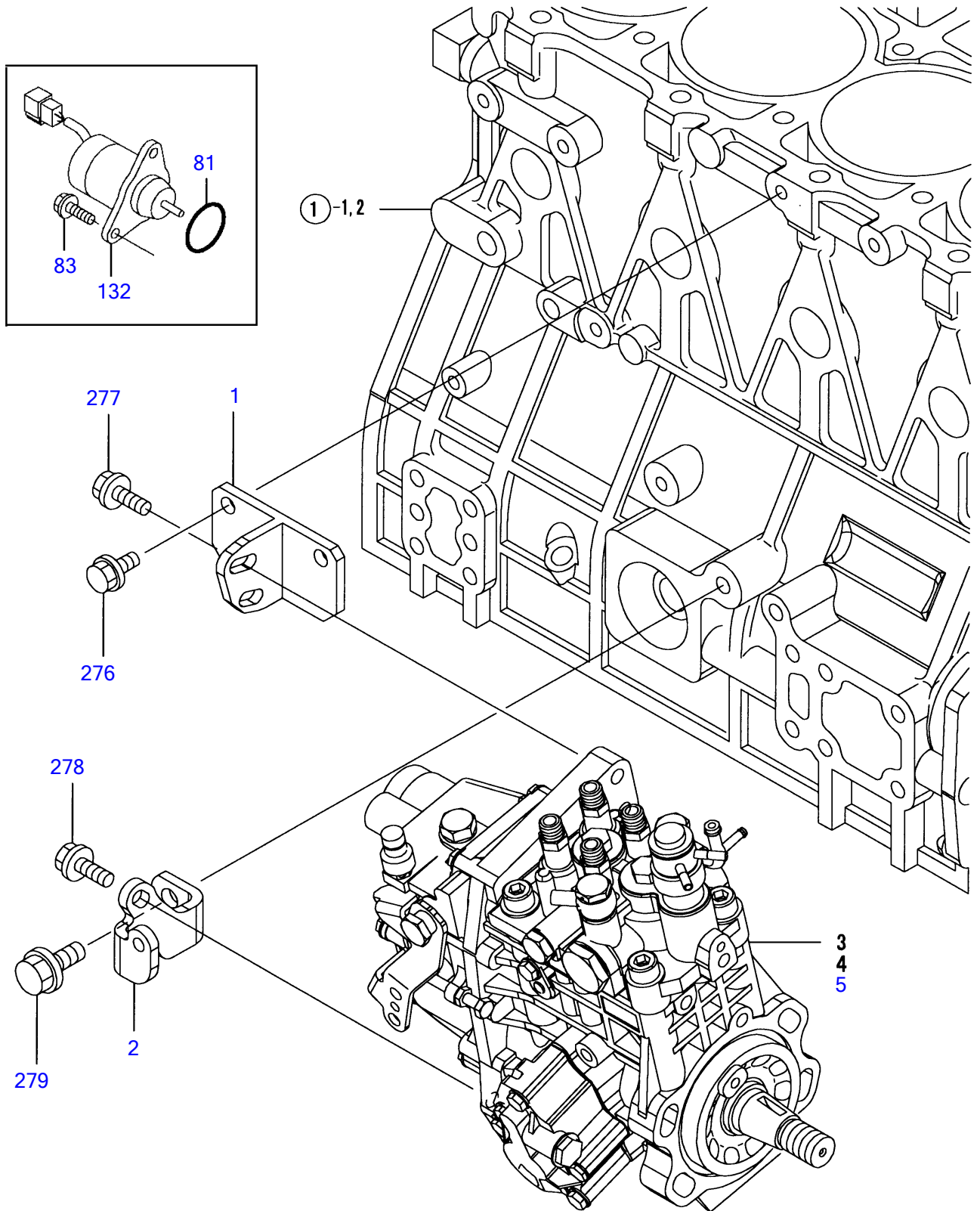


Y00D8020	013. RADIATOR			
4TNV98-VTBZ, XTBW, YTBL		1-2003.11		PLUS

**Engine for TL130 4TNV98-YTBL S/N 21301933-
RADIATOR**

Item	Part No	Description	Qty
1	Y129466-44510	SUBTANK	1
2	Y121468-44540	• PLUG, SUB-TANK	1
3	Y121450-44531	• CAP	1
4	Y124450-44560	• CLAMP	1
5	Y121470-44581	• GASKET	1
6	Y121267-44590	• PIPE	1
8	Y129944-44510	RADIATOR ASSY	1
9	Y129107-44590	• CAP, RADIATOR	1
12	Y129150-49100	COCK ASSY, 3-WAY	1
13	Y129150-49080	• COCK, DRAIN	1
17	Y121250-44590	CLAMP	2
18	Y119255-44660	RUBBER	4
19	Y124722-59050	CLAMP 9	1
20	Y121137-59080	PIPE, FUEL	1
21	Y105840-59100	PIPE, FUEL	1
22	Y23000-054000	CLAMP 54	4

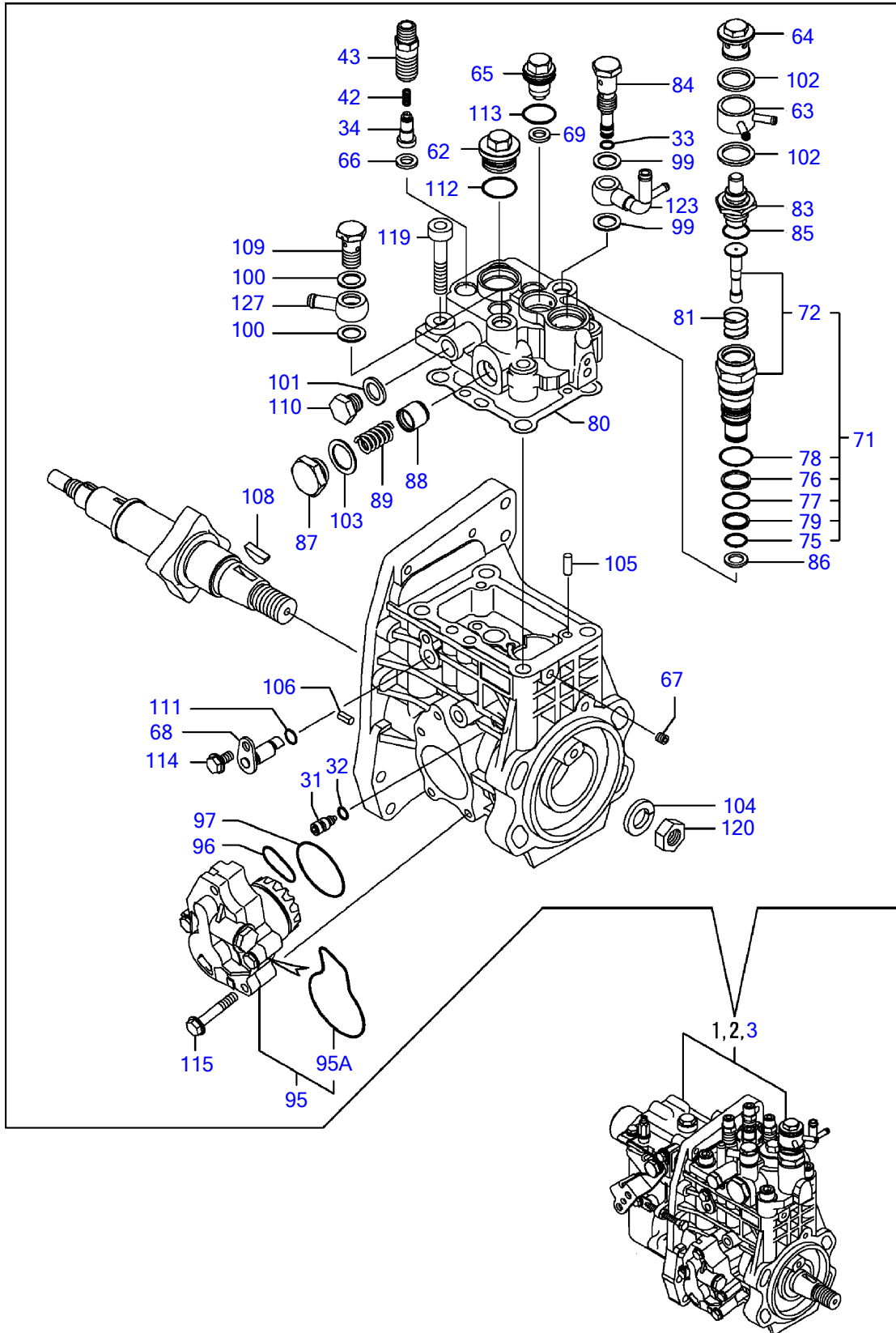
Engine for TL130 4TNV98-YTBL S/N 21301933-
FUEL INJECTION PUMP



Y00B020	014. FUEL INJECTION PUMP			
4TNV98-VTBZ, XTBW, YTBL		1:2003.11		PLUS

**Engine for TL130 4TNV98-YTBL S/N 21301933-
FUEL INJECTION PUMP**

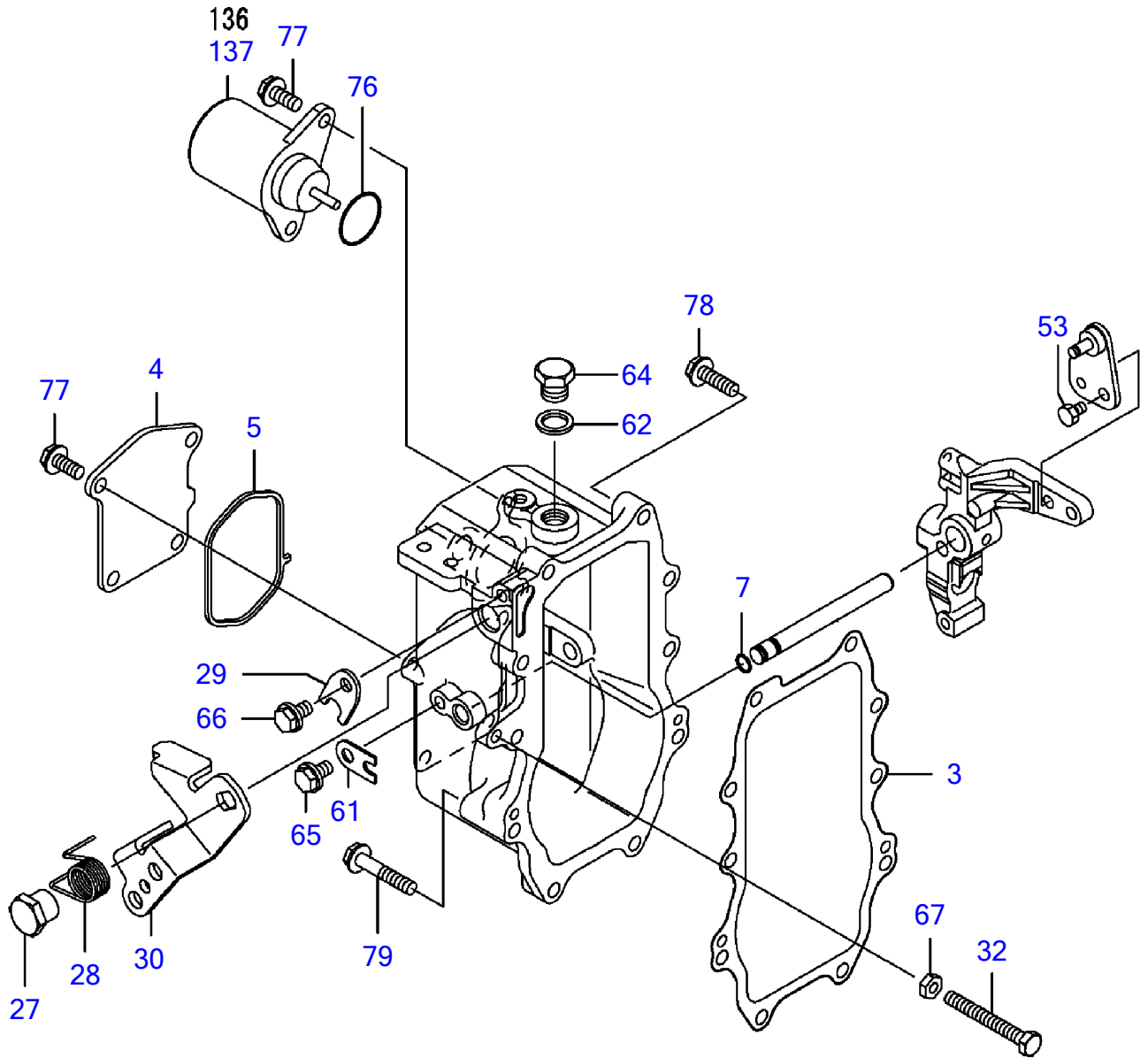
Item	Part No	Description	Qty
1	Y129907-01950	RETAINER,MP4	1
2	Y129907-01960	RETAINER,MP4	1
5	Y729944-51310	PUMP ASSY, F.INJECT	1
81	Y24341-000280	O-RING 1A S28.01	1
83	Y26106-060142	BOLT	2
132	Y119233-77932	SOLENOID, STOP	1
276	Y26106-080162	BOLT M 8X 16 PLATED	2
277	Y26106-080222	BOLT M 8X 22 PLATED	2
278	Y26106-080222	BOLT M 8X 22 PLATED	1
279	Y26106-100202	BOLT M10X 20 PLATED	1



Y0008020	014-1. FUEL INJECTION PUMP (INNER PARTS)		
4TNV98-VTBZ, XTBW, YTBL		1:2003.11	PLUS

**Engine for TL130 4TNV98-YTBL S/N 21301933-
FUEL INJECTION PUMP (INNER PARTS)**

Item	Part No	Description	Qty
3	Y729944-51310	PUMP ASSY, F.INJECT	1
31	Y158600-51270	STOPPER	1
32	Y158563-51281	O-RING	1
33	Y158563-51281	O-RING	1
34	Y158560-51300	VALVE ASSY, DILEVERY	4
42	Y158563-51330	SPRING	4
43	Y158560-51340	HOLDER,DELIVERY	4
62	Y158601-51550	PLUG	1
63	Y158553-51551	JOINT, COOLING WATER	1
64	Y158601-51570	PLUG,WATER PUMP	1
65	Y129906-51560	PLUG	1
66	Y158552-51570	PK(BARREL PLUG	4
67	Y158557-51570	PLUG	1
68	Y158552-51580	LIFTER	1
69	Y129906-51580	PACKING, PLUG	1
71	Y119802-51590	TIMER SET	1
72	Y119802-51600	· TIMER CMP	1
75	Y158553-51670	· O-RING, 1011	1
76	Y119802-51680	· BACKUP RING	1
77	Y119802-51690	· O RING	1
78	Y24356-010200	· O-RING	1
79	Y24372-000150	· BACKUP RING	1
80	Y158560-51600	PACKING, HEAD	1
81	Y158553-51630	SPRING,TIMER	1
83	Y158553-51640	ELEMENT, THERMO	1
84	Y158601-51650	JOINT	1
85	Y158553-51660	O-RING,P14	1
86	Y158553-51680	PACKING,TIMER	1
87	Y158601-51790	PLUG	1
88	Y158601-51770	PISTON	1
89	Y158552-51780	DAMPER ASSY	1
95	Y158552-52100	PUMP ASSY,FEED	1
95A	Y158552-52500	· O-RING(FEED P INNER	1
96	Y158552-52310	O-RING	1
97	Y158552-52400	O-RING 4E S42	1
99	Y22190-120002	SEAL WASHER 12	2
100	Y22190-120002	SEAL WASHER 12	2
101	Y22190-120002	SEAL WASHER 12	1
102	Y22190-180002	SEAL WASHER 18	2
103	Y22190-180002	SEAL WASHER 18	1
104	Y22217-180000	SPRING WASHER 18	1
105	Y22312-050140	PARALLEL PIN 5X14	2
106	Y22351-050010	SPRING PIN 5X10	2
108	Y144626-51090	KEY 5X19	1
109	Y23857-060000	JOINT BOLT 6,PIPE	1
110	23887-120002	PLUG M12,HEX.	1
111	Y24311-000070	O-RING 1A P-7.0	1
112	Y24356-010200	PACKING, 1020	1
113	Y24356-020210	PACKING, 2021	1
114	Y26106-060102	BOLT M 6X 10 PLATED	1
115	Y26106-060352	BOLT M 6X 35 PLATED	4
119	Y26450-100452	BOLT M10X 45	4
120	Y26776-180002	NUT M18,LOCK	1
123	Y158552-51670	· JOINT	1
127	Y129916-59020	· JOINT 12, PIPE	1

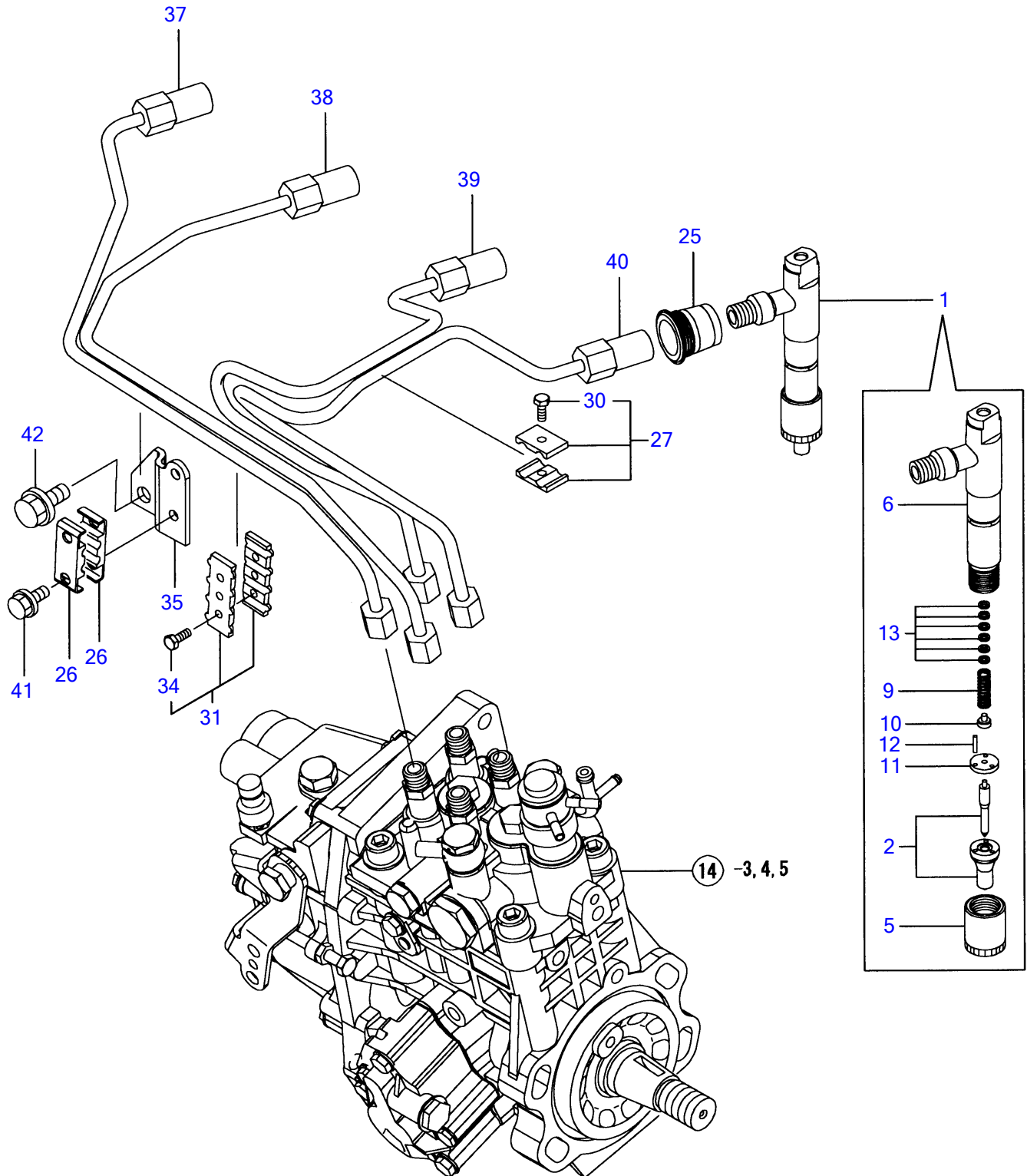


Y00D8020	014-2. GOVERNOR (INNER PARTS)		
4TNV98-VTBZ, XTBW, YTBL	1.2003.11		PLUS

**Engine for TL130 4TNV98-YTBL S/N 21301933-
GOVERNOR (INNER PARTS)**

Item	Part No	Description	Qty
3	Y158560-61050	PACKING, CASE	1
4	Y158560-61061	COVER, CASE	1
5	Y158560-61071	PACKING	1
7	Y129155-51280	• O-RING S6	1
27	Y129255-61410	• NUT	1
28	Y119807-61420	• SPRING	1
29	Y158560-61430	• RETAINER	1
30	Y158560-61441	• LEVER, REGULATOR	1
32	Y129155-61460	• BOLT, IDLE LIMIT	1
53	Y26116-060102	• BOLT M 6X 10 PLATED	1
61	Y119660-61901	• RETAINER, SHAFT	1
62	Y22190-120002	• SEAL WASHER 12	1
64	Y23887-120002	• PLUG M12,HEX.	1
65	Y26106-060102	• BOLT M 6X 10 PLATED	1
66	Y26106-060102	• BOLT M 6X 10 PLATED	1
67	Y26756-060002	• LOCK NUT 6	1
76	Y24341-000280	O-RING 1A S-28.0	1
77	Y26106-060142	BOLT M 6X 14 PLATED	6
78	Y26106-060252	BOLT M 6X 25 PLATED	8
79	Y26106-060402	BOLT M 6X 40 PLATED	2
137	Y119233-77932	• SOLENOID, STOP	1

Engine for TL130 4TNV98-YTBL S/N 21301933-
FUEL INJECTION VALVE

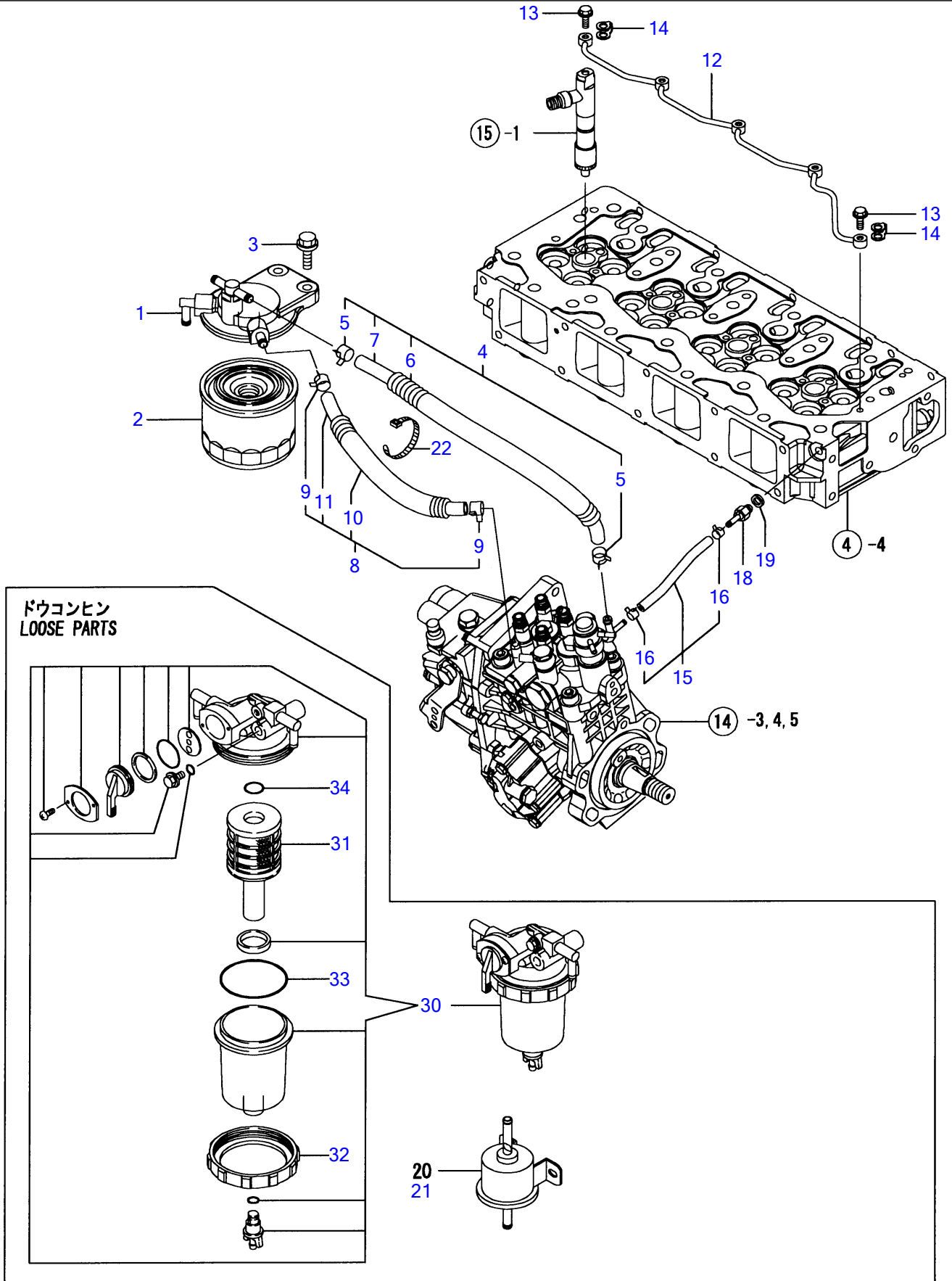


Y00D8020	015. FUEL INJECTION VALVE			
4TNV98-VTBZ, XTBW, YTBL		1:2003.11		PLUS

**Engine for TL130 4TNV98-YTBL S/N 21301933-
FUEL INJECTION VALVE**

Item	Part No	Description	Qty
1	Y729907-53100	VALVE ASSY, F.INJECT	4
2	Y129907-53000	• NOZZLE ASSY	4
5	Y114250-53080	• NUT, NOZZLE CASE	4
6	Y129907-53100	• HOLDER ASSY, NOZZLE	4
9	Y114250-53120	• SPRING, NOZZLE	4
10	Y114250-53130	• SEAT, NOZZLE SPRING	4
11	Y114250-53140	• PLATE, STOP	4
12	Y114250-53210	• PIN	8
13	Y114250-53400	• SHIM PACK	4
25	Y123907-11601	PIPE SEAL	4
26	Y122780-59100	RETAINER	2
27	Y119305-59120	RETAINER	1
30	Y129150-59131	• BOLT M4X14,HEX.SCKT.	1
31	Y129550-59120	RETAINER	1
34	Y129150-59131	• BOLT M4X14,HEX.SCKT.	2
35	Y129907-59710	PIPE ASSY, INJECTION	1
37	Y129907-59810	PIPE ASSY, INJECTION	1
38	Y129907-59820	PIPE ASSY, INJECTION	1
39	Y129907-59830	PIPE ASSY, INJECTION	1
40	Y129907-59840	PIPE ASSY, INJECTION	1
41	Y26106-060162	BOLT M 6X 16 PLATED	2
42	Y26106-080182	BOLT M 8X 18 PLATED	1

Engine for TL130 4TNV98-YTBL S/N 21301933-
FUEL LINE

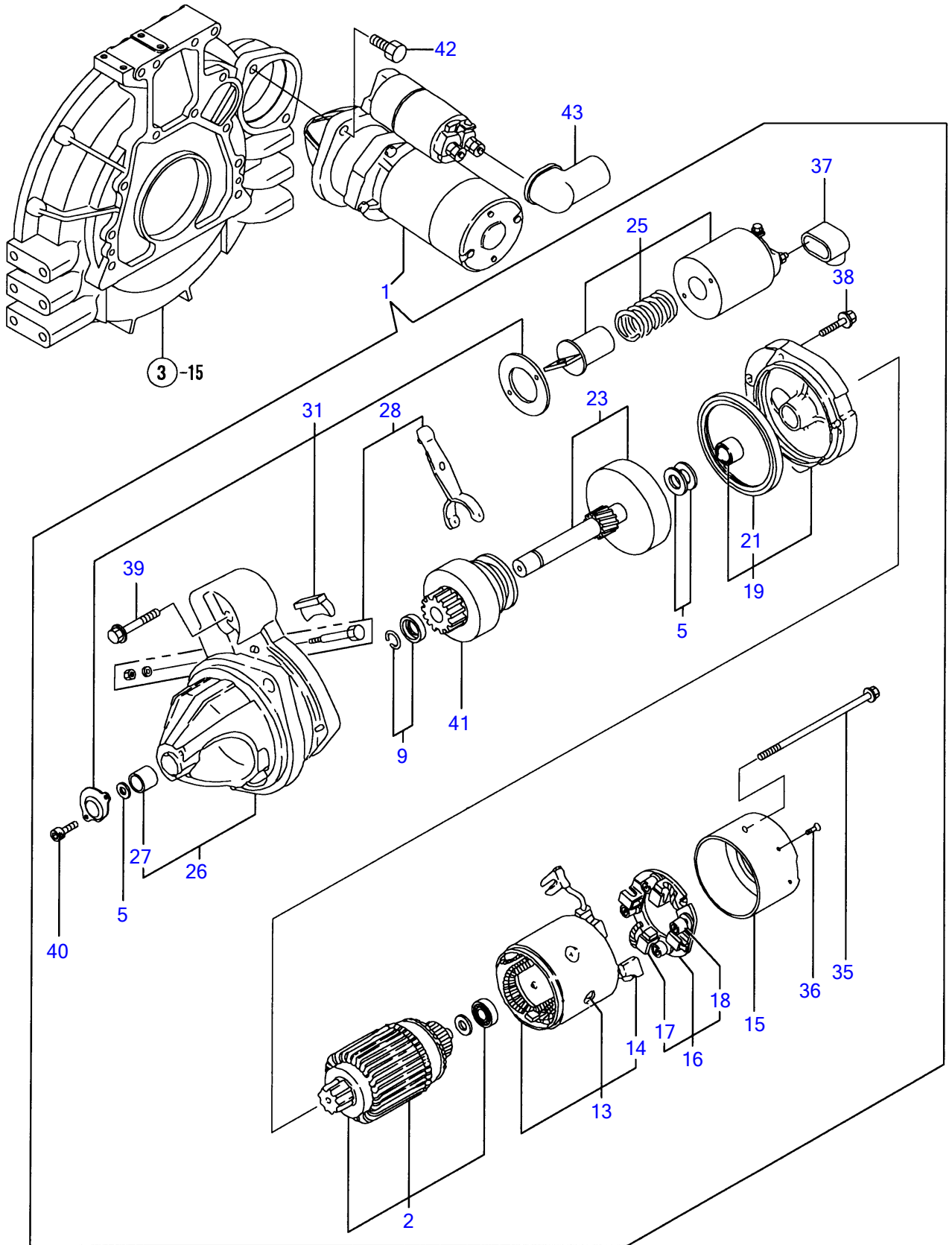


Y008020	016. FUEL LINE			
4TNV98-VTBZ, XTBN, YTBL		1-2003.11		PLUS

**Engine for TL130 4TNV98-YTBL S/N 21301933-
FUEL LINE**

Item	Part No	Description	Qty
1	Y129004-55611	BRACKET, FILTER	1
2	Y119802-55800	FILTER, FUEL	1
3	Y26106-080302	BOLT M 8X 30 PLATED	2
4	Y129457-59010	PIPE ASSY, FUEL	1
5	Y124766-59050	· CLAMP 12	2
6	Y129957-59120	· PROTECTOR, FUEL PIPE	1
7	Y105025-59750	· PIPE, FUEL OIL	1
8	Y129981-59010	PIPE ASSY, FUEL	1
9	Y124766-59050	· CLAMP 12	2
10	Y129950-59221	· TUBE	1
11	Y129980-59510	· PIPE, FUEL OIL	1
12	Y129907-59140	PIPE ASSY, F.O.RETURN	1
13	Y123907-59540	JOINT BOLT M6	5
14	Y123907-59550	PACKING, FUEL RETURN	5
15	Y129486-59551	PIPE, FUEL RETURN	1
16	Y124722-59050	· CLAMP 9	2
18	Y123907-59560	HOSE JOINT 4	1
19	Y22190-080002	SEAL WASHER 8S	1
21	Y129612-52100	FUEL PUMP	1
22	Y121750-59890	CLAMP 140	1
30	Y129906-55700	SEPARATOR ASSY	1
31	Y119802-55710	· ELEMENT	1
32	Y129100-55690	· RING, RETAINING	1
33	Y24321-000650	· O-RING 1A G-65.0	1
34	Y24311-000160	· O-RING 1A P-16.0	1

Engine for TL130 4TNV98-YTBL S/N 21301933-
STARTING MOTOR

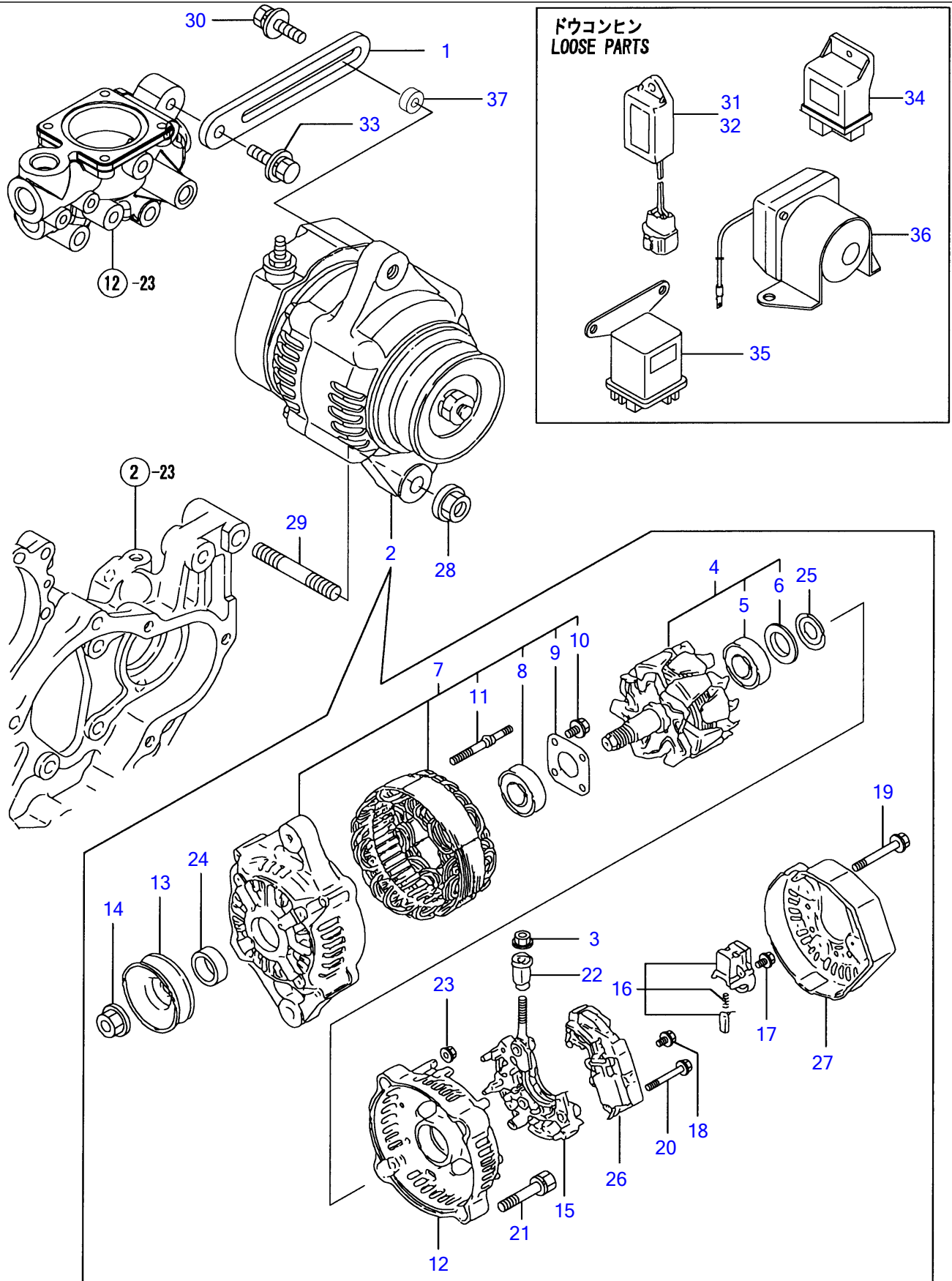


Y00D8020	018. STARTING MOTOR		
4TNV98-VTBZ, XTBN, YTBL	1:2003.11		PLUS

**Engine for TL130 4TNV98-YTBL S/N 21301933-
STARTING MOTOR**

Item	Part No	Description	Qty
1	Y129953-77019	STARTING MOTOR	1
2	Y121254-77402	· ARMATURE ASSY	1
5	Y121254-77430	· WASHER KIT, THRUST	1
9	Y121254-77480	· STOPPER KIT, PINION	1
13	Y121254-77521	· COIL ASSY, FIELD	1
14	Y121254-77541	· · BRUSH (+)	2
15	Y121254-77550	· COVER ASSY, REAR	1
16	Y121254-77571	· HOLDER	1
17	Y121254-77581	· · BRUSH	2
18	Y121254-77590	· · SPRING, BRUSH	4
19	Y121254-77600	· BEARING ASSY, CENTER	1
21	Y121254-77610	· · SEAL, OIL	1
23	Y121254-77640	· SHAFT ASSY, GEAR	1
25	Y129953-77670	· SWITCH	1
26	Y121254-77681	· CASE ASSY, GEAR	1
27	Y121254-77690	· · METAL, GEAR CASE	1
28	Y121254-77700	· LEVER SET, SHIFT	1
31	Y121254-77730	· DUST COVER SET	1
35	Y121254-77770	· BOLT, THROUGH	2
36	Y121254-77790	· SCREW 4	2
37	Y121254-77810	· TERMINAL COVER	1
38	Y26106-060302	· BOLT M 6X 30 PLATED	3
39	Y26106-060452	· BOLT M 6X 45 PLATED	2
40	Y121254-77780	· SCREW 5	2
41	Y129953-77660	· PINION ASSY	1
42	Y26116-120252	BOLT M12X25 PLATED	2
43	Y124550-77030	COVER, TERMINAL	1

Engine for TL130 4TNV98-YTBL S/N 21301933-
GENERATOR

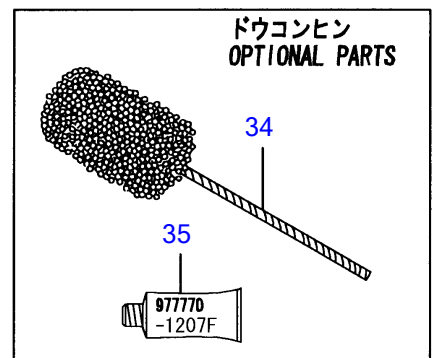
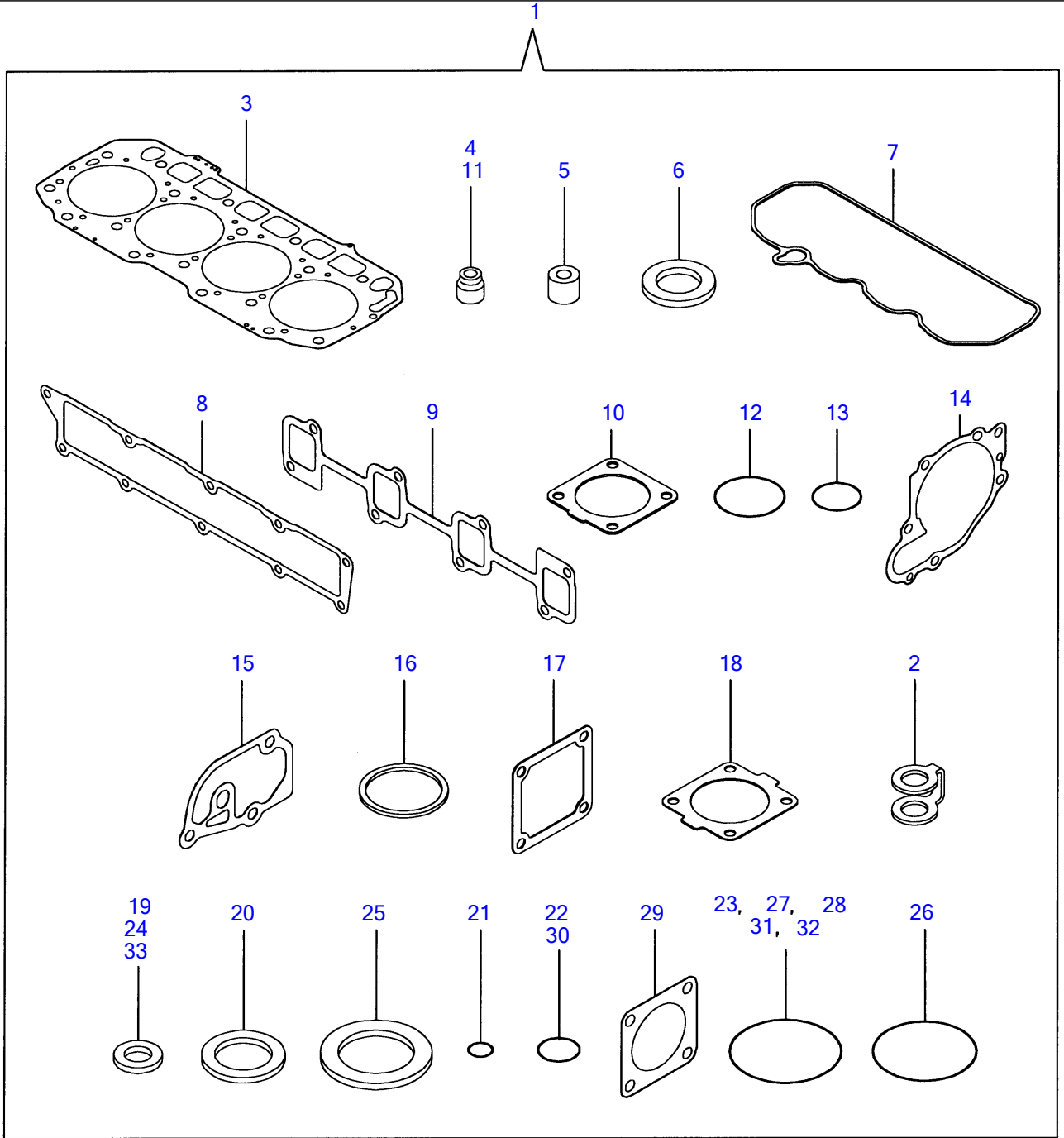


Y0008020	020. GENERATOR		
4TNV98-VTBZ, XTBW, YTBL		1.2003.11	PLUS

**Engine for TL130 4TNV98-YTBL S/N 21301933-
GENERATOR**

Item	Part No	Description	Qty
1	Y129972-77330	AJUSTER, BELT	1
2	Y129240-77200	ALTERNATOR	1
3	Y129240-79310	· NUT	1
4	Y119620-77380	· ROTOR ASSY	1
5	Y126501-79240	· · BALL BEARING	1
6	Y119620-79250	· · COVER, BEARING	1
7	Y119620-77421	· FLAME ASSY, DRIVE	1
8	Y119620-79200	· · BALL BEARING	1
9	Y119620-79210	· · PLATE	1
10	Y119620-79220	· · SCREW	4
11	Y119620-79230	· · BOLT, STUD	2
12	Y119620-77440	· FLAME ASSY, REAR	1
13	Y119620-77461	· PULLEY	1
14	Y119620-77471	· NUT	1
15	Y119620-79260	· HOLDER	1
16	Y129052-79270	· HOLDER, BRUSH	1
17	Y119620-79290	· SCREW	6
18	Y119620-79300	· SCREW	1
19	Y119620-79310	· BOLT	3
20	Y119620-79320	· SCREW W/WASHER	2
21	Y119620-79330	· BOLT	2
22	Y119620-79340	· INSULATION BUSH	1
23	Y119620-79350	· NUT	2
24	Y119620-77490	· COLLAR	1
25	Y119620-79360	· THRUST WASHER	1
26	Y129240-77710	· REGULATOR ASSY	1
27	Y129240-79300	· COVER	1
28	Y26306-100002	NUT	1
29	Y129795-01900	STUD	1
30	Y119802-77340	BOLT	1
31	Y129211-77920	TIMER	1
32	Y128300-77920	TIMER	1
33	Y26014-080252	BOLT M 8X 25	1
34	Y119802-77200	RELAY, SAFETY	1
35	Y119646-77900	RELAY, POWER	2
36	Y129100-77910	RELAY, MAGNETIC	1
37	Y119940-77270	ADJUSTER, BELT	1

Engine for TL130 4TNV98-YTBL S/N 21301933-
TOOL & GASKET SET



Y0008020	021. TOOL & GASKET SET		
4TNV98-VTBZ, XTBW, YTBL	1-2003.11		PLUS

**Engine for TL130 4TNV98-YTBL S/N 21301933-
TOOL & GASKET SET**

Item	Part No	Description	Qty
1	Y729907-92680	GASKET SET(NON-ASB.)	1
2	Y123907-59550	· PACKING,FUEL RETURN	5
3	Y129907-01331	· GASKET,CYLINDER HEAD	1
4	Y124160-11340	· SEAL, VALVE STEM	8
5	Y119802-11870	· PROTECTOR, NOZZLE	4
6	Y119625-11880	· SEAT, NOZZLE	4
7	Y129907-11310	· PACKING,BONNET	1
8	Y129907-12110	· PACKING(INT.MANIFOLD	1
9	Y129900-13251	· GASKET	1
10	Y129930-13200	· GASKET, SILENCER	2
11	Y124950-11340	· SEAL, VALVE STEM	8
12	Y129900-32030	· O-RING P20	2
13	Y129900-32040	· O-RING P14	1
14	Y129900-42020	· GASKET, CW-P	1
15	Y129900-49870	· GASKET, CASE	1
16	Y121850-49550	· GASKET, THERMOSTAT	1
17	Y121850-77021	· GASKET, (NON-ASB.)	1
18	Y121850-49540	· GASKET, THERMOSTAT	1
19	Y23414-080000	· GASKET 8, ROUND	3
20	Y124465-44950	· GASKET 16	2
21	Y24311-000070	· O-RING 1A P-7.0	1
22	Y24311-000120	· O-RING 1A P 12.0	8
23	Y24311-000320	· O-RING 1A P-32.0	3
24	Y22190-080002	· SEAL WASHER 8S	9
25	Y22190-220002	· SEAL WASHER 22S	1
26	Y24351-030750	· PACKING, 3075	1
27	Y24321-000850	· O-RING 1A G-85.0	1
28	Y24341-000530	· O-RING 1A S-53.0	1
29	Y124240-01883	· GASKET, (NON-ASB.)	1
30	Y24311-240100	· O-RING 1A P-10A	1
31	Y24321-000600	· O-RING 1A G-60.0	2
32	Y24321-000700	· O-RING 1A G70.0,NBR	1
33	Y129150-49360	· GASKET 10	1
34	Y129400-92450	FLEX HONE	1
35	Y977770-1207F	GASKET, LIQUID	1

How to read this Parts Catalog.

1. Parts mentioned in this Parts Catalog may not necessarily be standard equipping parts.
2. Parts change may be made without prior notice.
3. Form of this Parts Catalog.

Y00F2161 (1997.09.01)

Fig. 29 燃料噴射ポンプ(ブーコン用)
FUEL INJECTION PUMP (W/BOOST)

見出 REF.No.	レベル LEV.	部品番号 PARTS No.	部品名	DESCRIPTION	個数 (Q'ty)						備考
					A	B	C	D	E	F	
1	.	729595-51390	F0#ポンプ ASY(7-コック)	FULE INJECTION PUMP	1	1	1	1	1	1	
1-1	.	729595-51391	F0#ポンプ ASY(7-コック)	FULE INJECTION PUMP	1	1	1	1	1	1	
3	..	26022-060162	ナメコネジ M 6X 16	SCREW M 6X 16	9	9	9	9	9	9	
I 3-1	..	26022-060162	ナメコネジ M 6X 16	SCREW M 6X 16	4	4	4	4	4	4	K
4	..	129470-51040	カムシャフト	CAMSHAFT	1	1	1	1	1	1	
5	..	122710-51050	ベアリングローラ	BEARING, ROLLER	2	2	2	2	2	2	
6	..	129470-51060	ベアリングオサヒ	RETAINER	1	1	1	1	1	1	
(A=E/#00185)(B=E/#00200)(C=E/#00156)(D=E/#00156)(E=E/#00156)											
備考					Remarks						
(1) ブーストコンペンセータ付き。4JH-DT, 4JH-DTZとも					(1) BOOST COMPENSATOR TYPE.						
E/# 00155 までは、特別注文仕様とします					OPTIONAL PART, TO E/# 00155, (4JH - DT, 4JH - DTZ)						

① Ref. No.

The Ref. No. in the list may not be accord with the Ref. No. on illustration.
(Ex.) Illustration No. List head No.

1 1 (Befor change) → 1 -1 (After change)

When interchangeable symbol N, R, and K, illustrations for new parts are sometimes omitted.

② Lev.(Level)

Indication and Meaning of Level

Level : Hereunder is given the relation among the number of dots(•), the level and the nominal parent- child relationship.

-Parent parts(Assembly parts)
-Child parts included in "••" (Semi- Assembly parts, component parts of Assembly parts.)
-Child parts included in "•••", Grand- child parts in terms of "••".
(Component parts of Semi- Assembly parts.)

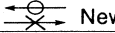
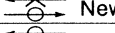
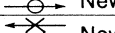
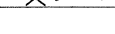
Note) A parts of non- sale parts are illustrated but not listed.

③ Change Mark

Change Mark "I" is given to the part for which a design change was made at this time.
The design change was not shown in the last published Parts Catalog.

④ Interchangeability Mark

In the case where a part change took place, one of the following interchangeability marks is indicated for that part.

Symbol	interchangeability	Contents note
N	Old  New	New Part is interchangeable for Old Part but not interchangeable conversely.
Q	Old  New	New Part is not interchangeable for Old Part but interchangeable conversely.
R	Old  New	New Part is interchangeable for Old Part and vice versa.
S	Old  New	New Part is not interchangeable for Old Part and vice versa.
W		Part newly added.
Z		Part discontinued.
F		Not interchangeable single part but interchangeable by set of the related parts.
K		Changed only in quantity used.

⑤ Effective Machine No.

When a part is changed, Effective Machine No. of a Model for which the part is applicable is indication in each column of (A)- (F).

Product Symbol	Product No.	Product Symbol	Product No.
C	Clutch No. Compressor No.	M	Machine No.
D	Drive No.	T	Tractor No.
E	Engine No.	Note1) ※	Date

Note1) Date may follow the symbol in some cases. (Ex.) ※ 1996.01

Note2) As far as engine models shown by "XXX" are concerned, the modification of the parts could not be predicted or the engine models themselves could not be identified.

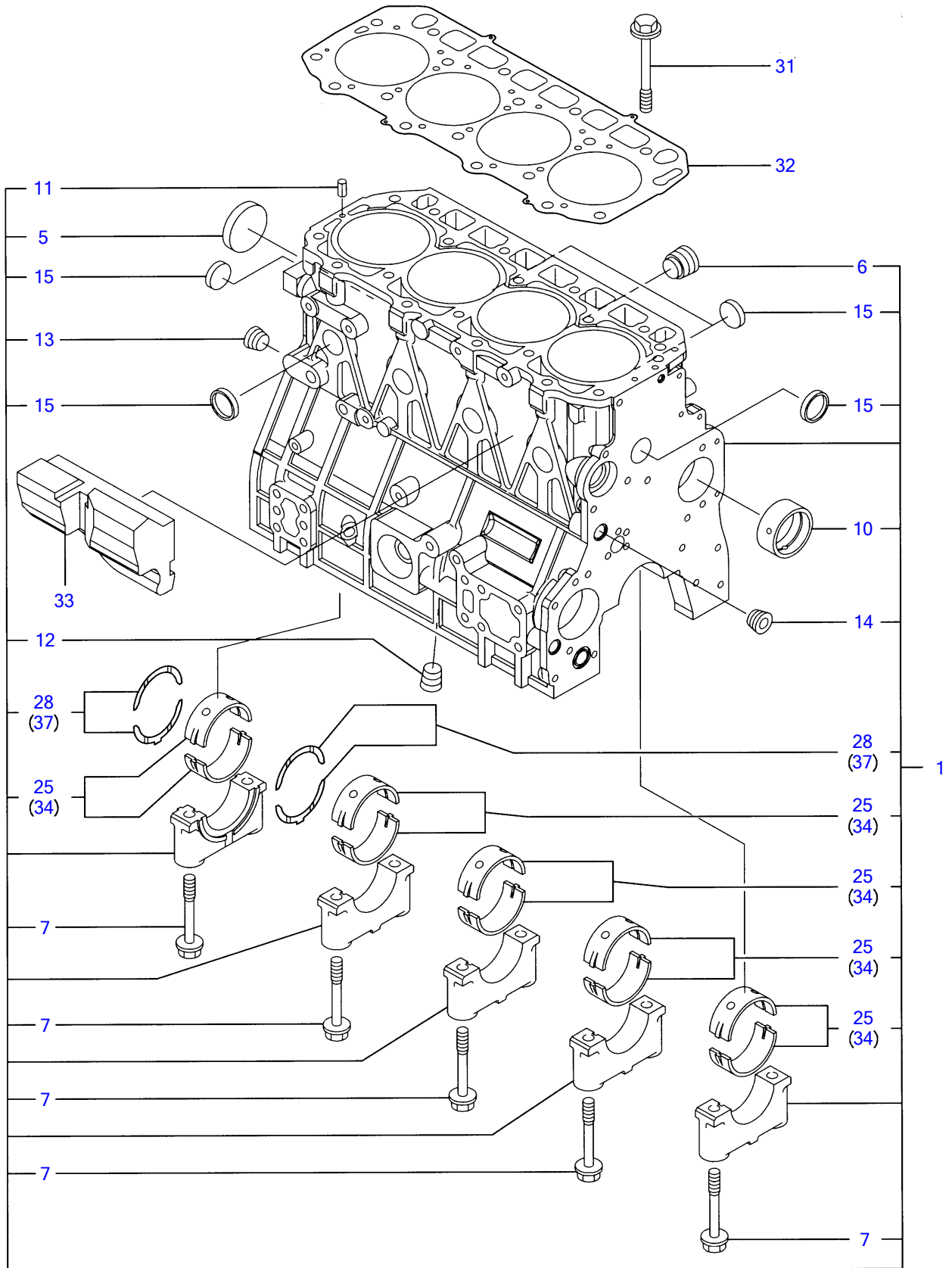
Note3) (A=E/#00185) means that the design change on the part has been effective for the model at the column (A)(in this case, for 4JH- DT) on and from E/#(Engine Serial Number) 00185.

⑥ Remarks Mark

Figures or alphabets (Symbols) are entered in the remark column.

The comments(remarks)on the pertinent parts are indicated in the lower part of the list by the same symbols as those stated above.

Engine for TL130 4TNV98-YTBL1(for high flow) S/N 21306717-
CYLINDER BLOCK

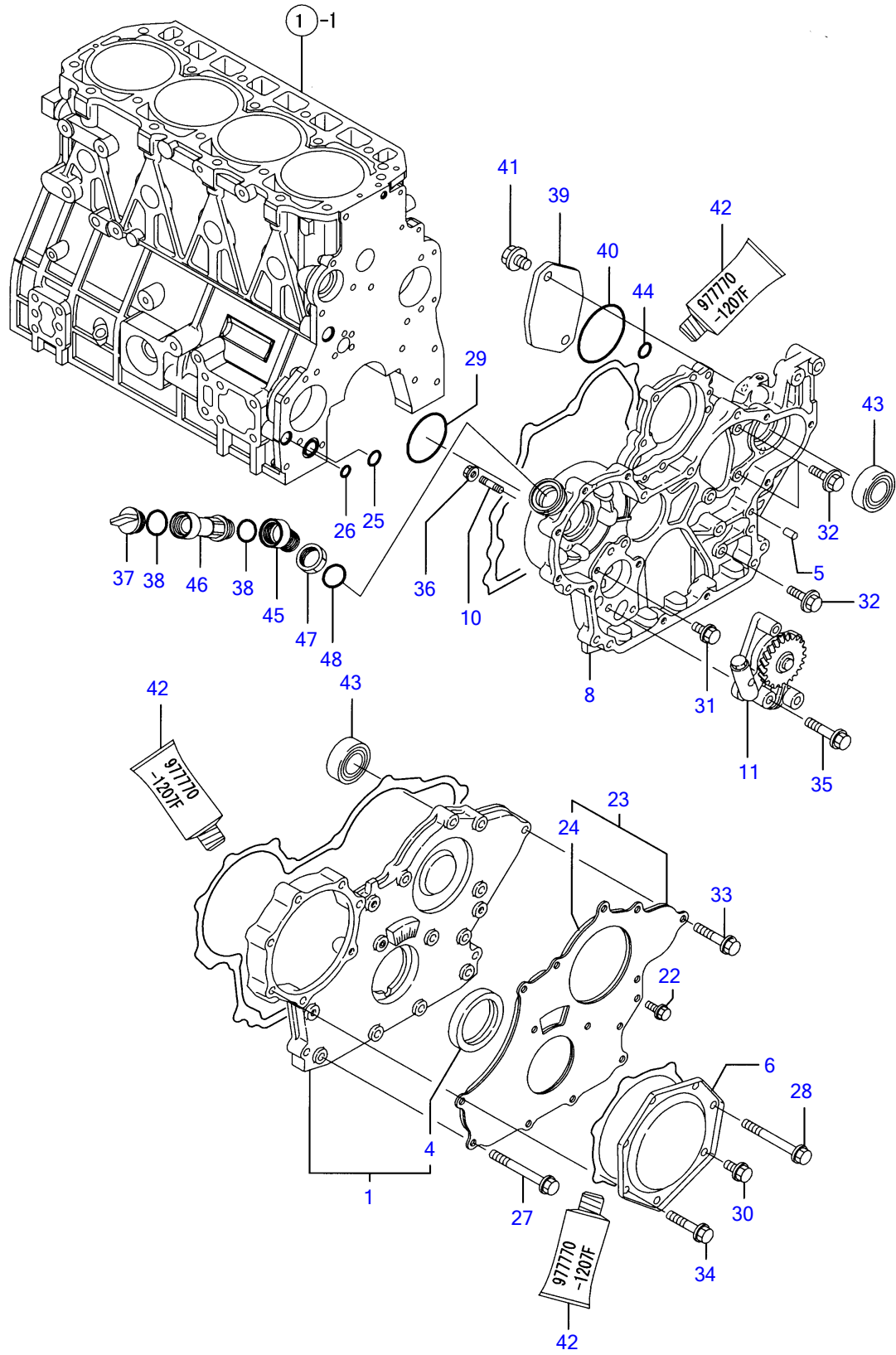


Y00D8670	001. シリンダブロック			
4TNV98-YTRI 1		1.05.06		PI IIS

**Engine for TL130 4TNV98-YTBL1(for high flow) S/N 21306717-
CYLINDER BLOCK**

Item	Part No	Description	Qty
1	Y729907-01560	BLOCK ASSY, CYLINDER	1
5	Y129900-01250	• PLUG 55	1
6	Y171051-01921	• PLUG	1
7	Y129900-02020	• BOLT, METAL CAP	10
10	Y129900-02410	• BUSH, CAMSHAFT	1
11	Y22351-060012	• SPRING PIN 6X12	2
12	Y23876-030000	• PLUG PT3/8,SCREW	1
13	Y23876-030000	• PLUG PT3/8,SCREW	1
14	Y23876-030000	• PLUG PT3/8,SCREW	1
15	Y27241-300000	• PLUG, 30	8
25	Y729900-02800	• MAIN BEARING SET	5
28	Y129900-02930	• BEARING ASSY, THRUST	2
31	Y129900-01200	BOLT, HEAD	18
32	Y129907-01331	GASKET,CYLINDER HEAD	1
33	Y129907-01190	SPACER	1
34	Y129900-02340	MAIN BEARING US=0.25	5
37	Y129900-02940	BEARING,THRUST .25OS	2

Engine for TL130 4TNV98-YTBL1(for high flow) S/N 21306717-
GEAR HOUSING

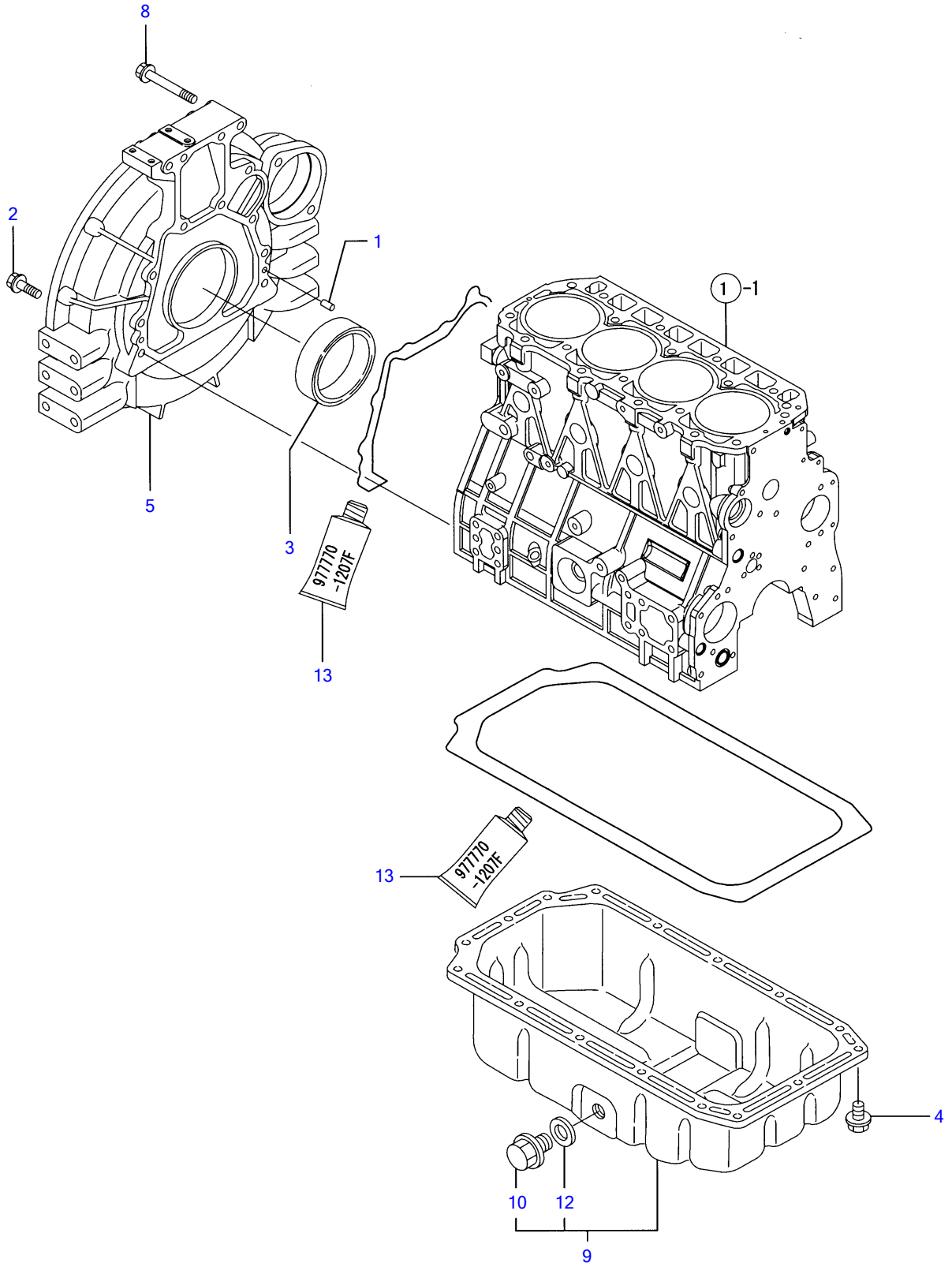


Y00D8670	002. ギヤケース			
4TNV98-YTRI 1		1.05.06		PIIJS

**Engine for TL130 4TNV98-YTBL1(for high flow) S/N 21306717-
GEAR HOUSING**

Item	Part No	Description	Qty
1	Y729906-01550	HOUSING ASSY,COVER,G	1
4	Y129916-01800	· SEAL, OIL	1
5	Y129100-01580	PARALLEL PIN 8X16	4
6	Y129900-01740	COVER, F.I. PUMP	1
8	Y129962-01500	CASE, GEAR	1
10	Y26216-100302	STUD BOLT	4
11	Y129900-32001	PUMP ASSY, LUB.OIL	1
22	Y26106-080162	BOLT M 8X 16 PLATED	3
23	Y129900-01850	COVER ASSY	1
24	Y129900-01870	· SPONGE	1
25	Y129900-32030	O-RING P20	1
26	Y129900-32040	O-RING P14	1
27	Y129001-91810	BOLT M 8X 70 PLATED	6
28	Y129001-91810	BOLT M 8X 70 PLATED	1
29	Y24351-030750	PACKING, 3075	1
30	Y26106-080162	BOLT M 8X 16 PLATED	1
31	Y26106-080162	BOLT M 8X 16 PLATED	1
32	26106-080202	BOLT M 8X 20 PLATED	3
33	26106-080402	BOLT M 8X 40 PLATED	5
34	26106-080402	BOLT M 8X 40 PLATED	5
35	26106-080452	BOLT M 8X 45 PLATED	3
36	26306-100002	NUT	4
37	124160-01751	COVER,FILLER	1
38	24311-000320	O-RING 1A P-32.0	2
39	Y121023-26070	COVER, HO-P	1
40	Y24321-000850	O-RING 1A G-85.0	1
41	Y26106-100202	BOLT M10X 20 PLATED	2
42	Y977770-1207F	GASKET.LIQUID	1
43	Y129900-26250	BALL BEARING	2
44	Y24311-000070	O-RING 1A P-7.0	1
45	Y119225-11740	ADAPTOR, OIL FILLER	1
46	Y121027-11743	PIPE	1
47	Y119225-11750	NUT, OIL FILLER	1
48	Y24311-000300	O-RING 1A P-30.0	1

Engine for TL130 4TNV98-YTBL1(for high flow) S/N 21306717-
FLYWHEEL HOUSING & OIL SUMP

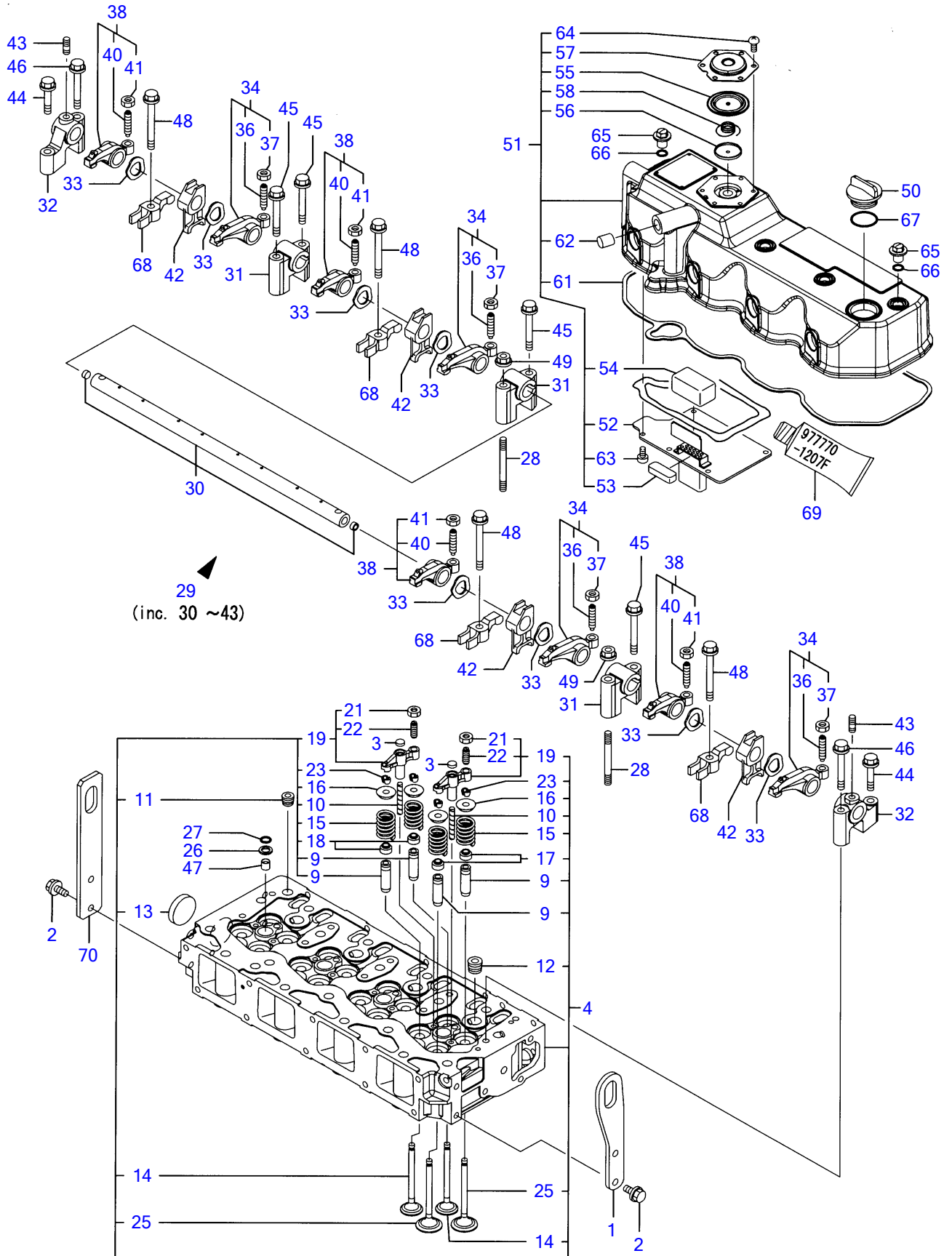


Y00D8670	003. フライホイールハウジング & オイルパン		
4TNV98-YTR1 1		1.05.06	PI IIS

**Engine for TL130 4TNV98-YTBL1(for high flow) S/N 21306717-
FLYWHEEL HOUSING & OIL SUMP**

Item	Part No	Description	Qty
1	Y129100-01580	PARALLEL PIN 8X16	2
2	Y26206-100352	BOLT M10X 35 PLATED	9
3	Y124411-01780	SEAL HTC95,115,12	1
4	Y26106-080122	BOLT M 8X 12 PLATED	16
5	Y129953-01620	HOUSING, FLYWHEEL	1
8	Y26206-100702	BOLT M10X 70 PLATED	4
9	Y129902-01710	SUMP ASSY, OIL	1
10	Y119640-01640	· DRAIN PLUG M22	1
12	Y22190-220002	· SEAL WASHER 22S	1
13	Y977770-1207F	GASKET.LIQUID	1

Engine for TL130 4TNV98-YTBL1(for high flow) S/N 21306717-
CYLINDER HEAD & BONNET

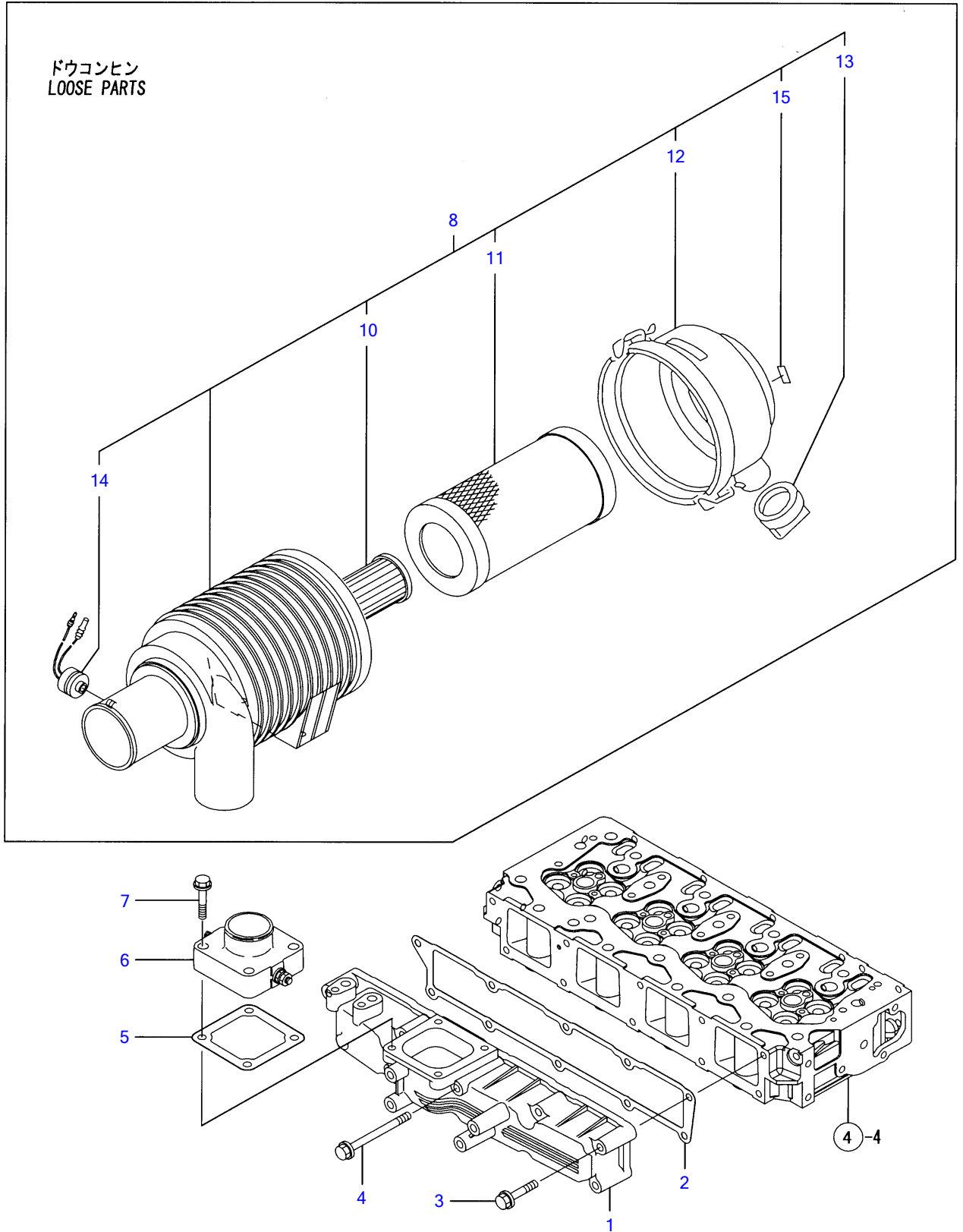


Y00D8670	004. シリンダブロック & ボンネット		
4TNV98-YTRJ 1	1.05.06		PIIIS

**Engine for TL130 4TNV98-YTBL1(for high flow) S/N 21306717-
CYLINDER HEAD & BONNET**

Item	Part No	Description	Qty
1	Y129907-07900	LIFTER, ENGINE	1
2	Y26106-080162	BOLT M 8X 16 PLATED	4
3	Y123907-11550	SEAT A,VALVE BRIDGE	8
4	Y129907-11700	HEAD ASSY, CYLINDER	1
9	Y129907-11800	· GUIDE, VALVE	16
10	Y123907-11820	· GUIDE,VALVE BRIDGE	8
11	Y23876-020000	· PLUG PT1/4,SCREW	1
12	Y23876-030000	· PLUG PT3/8,SCREW	4
13	Y27241-400000	· PLUG 40	1
14	Y129907-11110	· VALVE(EXH	8
15	Y129907-11120	· VALVE SPRING	16
16	Y119620-11180	· RETAINER, SPRING	16
17	Y124160-11340	· SEAL, VALVE STEM	8
18	Y124950-11340	· SEAL, VALVE STEM	8
19	Y129907-11510	· BRIDGE ASSY,VALVE	8
21	Y129150-11750	· · NUT M8XP1.0	8
22	Y123907-11830	· · SCRWE,VALVE BRIDGE	8
23	Y27310-070001	· COTTER ASSY	16
25	Y129907-11100	· VALVE(INT	8
26	Y119625-11880	SEAT, NOZZLE	4
27	Y24311-000120	O-RING 1A P 12.0	4
28	Y119593-11301	BOLT 8X80	2
29	Y129907-11341	SUPPORT CMP	1
30	Y129907-11250	· SHAFT,ROCKER ARM	1
31	Y129907-11260	· SUPPORT A	3
32	Y129907-11270	· SUPPORT B	2
33	Y123907-11280	· WAVE WASHER	8
34	Y129907-11650	· ARM ASSY, ROCKER	4
36	Y129150-11230	· · SCREW, VALVE	4
37	Y129150-11750	· · NUT M8XP1.0	4
38	Y129907-11660	· ARM ASSY, ROCKER	4
40	Y129150-11230	· · SCREW, VALVE	4
41	Y129150-11750	· · NUT M8XP1.0	4
42	Y129907-11920	· PEDESTAL,RETAINER	4
43	Y26226-080222	· STUD M 8X 22 PLATED	2
44	Y26106-080402	BOLT M 8X 40 PLATED	2
45	Y26106-080602	BOLT M 8X 60 PLATED	4
46	Y26106-080602	BOLT M 8X 60 PLATED	2
47	Y119802-11870	PROTECTOR, NOZZLE	4
48	Y129907-11950	FLANGE BOLT,RETAINER	4
49	Y26306-080002	NUT	2
50	Y124160-01751	COVER,FILLER	1
51	Y129907-11320	BONNET ASSY	1
52	Y129907-03011	· BAFFLE PLATE	1
53	Y129907-03061	· BAFFLE	1
54	Y129907-03070	· BAFFLE	1
55	Y123907-03100	· DIAPHRAGM,BREATHER	1
56	Y123907-03110	· CENTER PLATE	1
57	Y123907-03120	· PLATE,BREATHER	1
58	Y123907-03140	· SPRING, DIAPHRAGM	1
61	Y129907-11310	· PACKING,BONNET	1
62	Y119640-61400	· PLUG	1
63	Y22857-500100	· SCREW 5X10,TAPPING	6
64	Y22857-500100	· SCREW 5X10,TAPPING	6
65	Y124160-11360	KNOB	4
66	Y24311-000120	O-RING 1A P 12.0	4
67	Y24311-000320	O-RING 1A P-32.0	1
68	Y129907-11910	RETAINER,F.I.VALVE	4
69	Y977770-1207F	GASKET.LIQUID	1
70	Y129944-07910	LIFTER, ENGINE	1

Engine for TL130 4TNV98-YTBL1(for high flow) S/N 21306717-
SUCTION MANIFOLD & AIR CLEANER

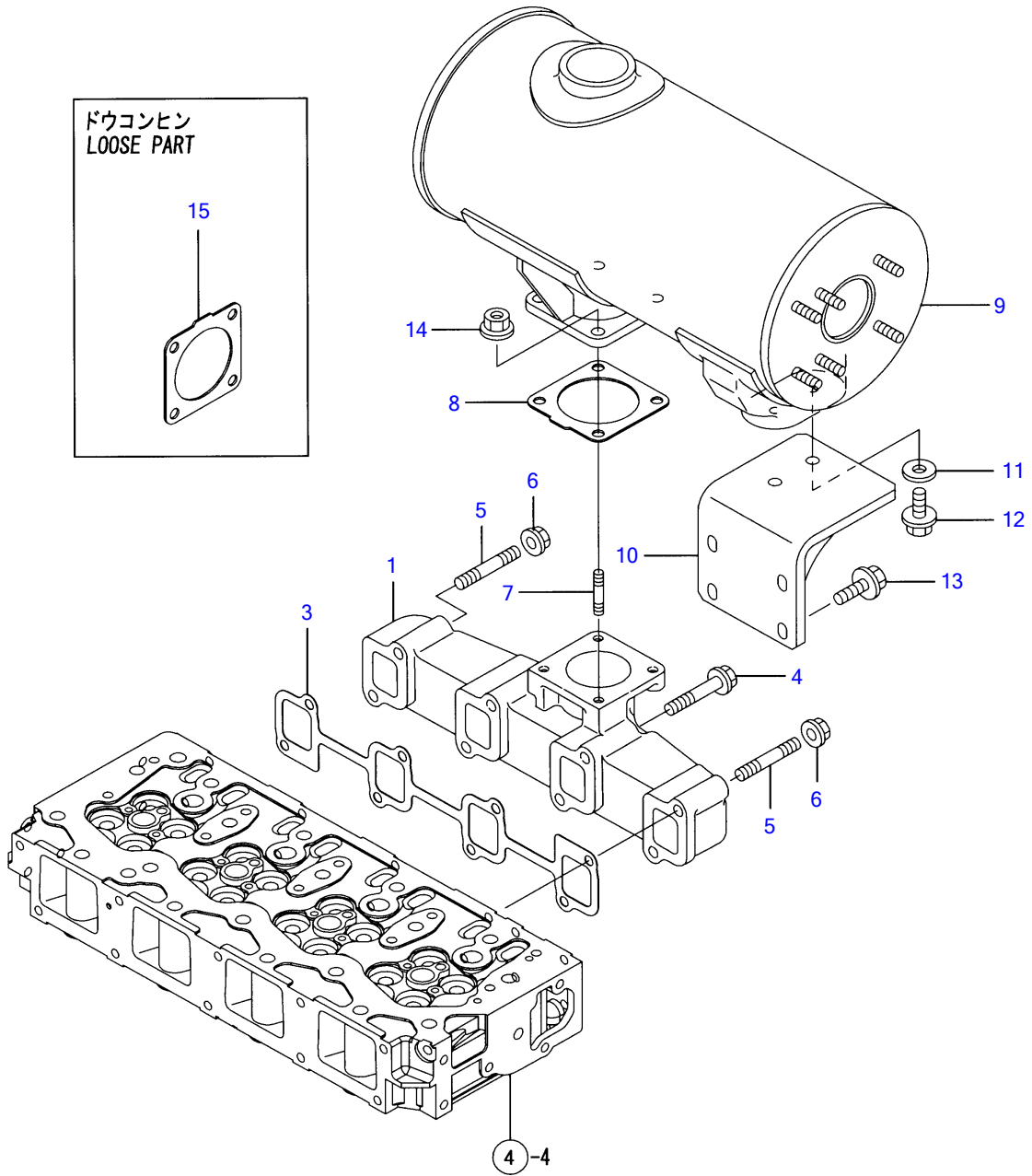


Y00D8670	005. キュウキマニホールド & エアクリーナ		
4TNV98-YTRI 1	1.05.06		PI IIS

**Engine for TL130 4TNV98-YTBL1(for high flow) S/N 21306717-
SUCTION MANIFOLD & AIR CLEANER**

Item	Part No	Description	Qty
1	Y129907-12100	MANIFOLD,AIR INTAKE	1
2	Y129907-12110	PACKING(INT.MANIFOLD	1
3	Y26106-080552	BOLT M 8X 55 PLATED	9
4	Y26106-080852	BOLT M 8X 85 PLATED	1
5	Y121850-77021	GASKET, (NON-ASB.)	1
6	Y129915-77050	AIR HEATER	1
7	Y26106-080352	BOLT M 8X 35 PLATED	4
8	Y129944-12520	CLEANER ASSY, AIR	1
10	Y119160-12570	· ELEMENT, INNER	1
11	Y129935-12520	· ELEMENT, OUTER	1
12	Y119160-12530	· COVER-ASSY	1
13	Y119160-12540	· VALVE	1
14	Y119140-12680	· INDICATOR	1
15	Y129612-12650	· MARKING,(W)	1

Engine for TL130 4TNV98-YTBL1(for high flow) S/N 21306717-
EXHAUST MANIFOLD & SILENCER

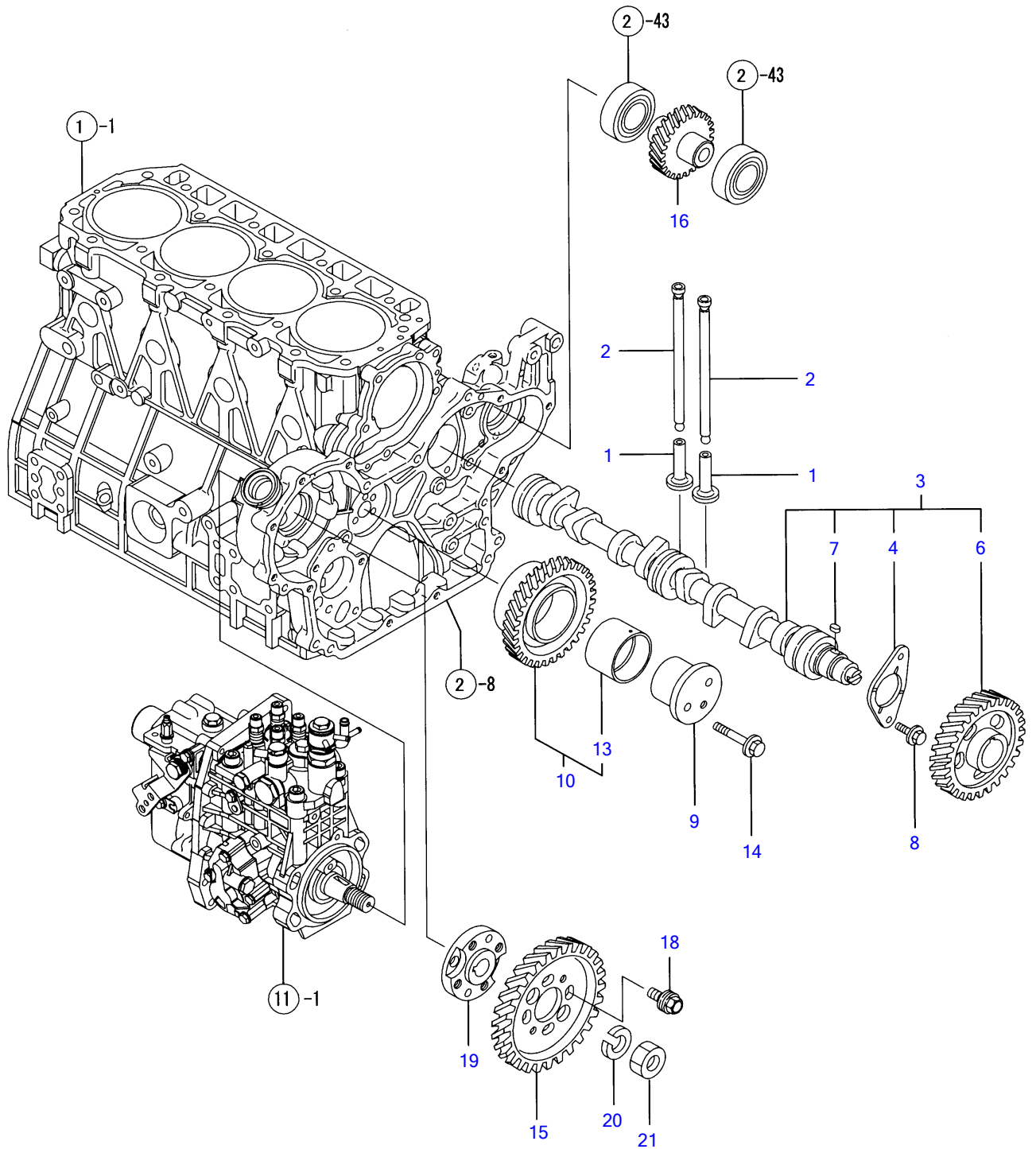


Y00D8670	006. ハイキマニホールド & サイレンサ		
4TNV98-YTRJ 1	1.05.06		PI IIS

**Engine for TL130 4TNV98-YTBL1(for high flow) S/N 21306717-
EXHAUST MANIFOLD & SILENCER**

Item	Part No	Description	Qty
1	Y129900-13200	MANIFOLD, EXHAUST	1
3	Y129900-13251	GASKET	1
4	Y123900-13630	BOLT 8X80	6
5	Y123900-13610	STUD BOLT M 8X 80	2
6	Y26306-080002	NUT	2
7	Y119131-18320	BOLT M 8X 22	4
8	Y129930-13201	GASKET, SILENCER	1
9	Y129944-13520	SILENCER	1
10	Y129944-13660	STAY, SILENCER	1
11	Y22157-080000	WASHER 8	2
12	Y26106-080162	BOLT M 8X 16 PLATED	2
13	Y26106-080202	BOLT M 8X 20 PLATED	4
14	Y26306-080002	NUT	4
15	Y129930-13201	GASKET, SILENCER	1

Engine for TL130 4TNV98-YTBL1(for high flow) S/N 21306717-
CAMSHAFT & DRIVING GEAR

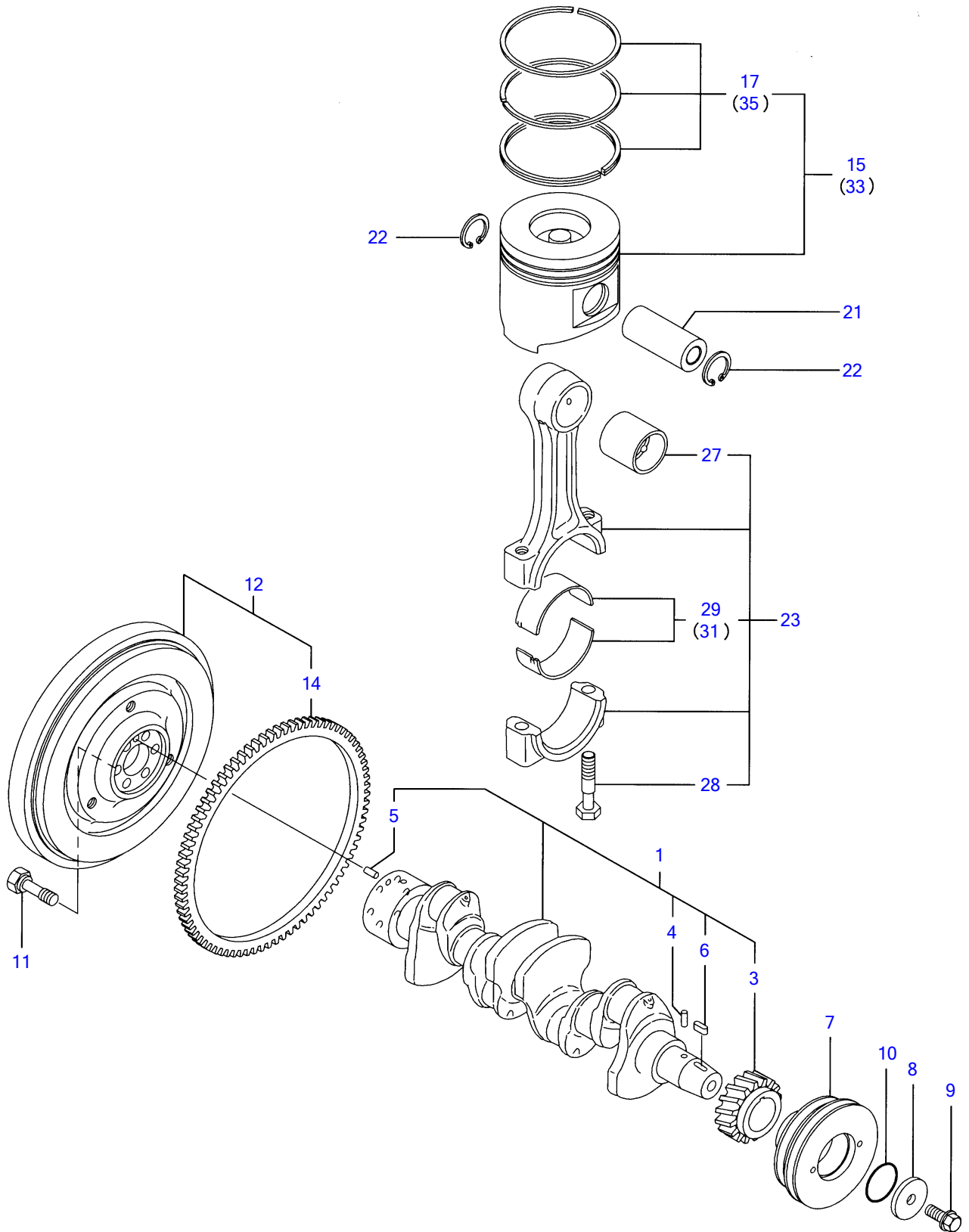


Y00D8670	007. カムシャフト & クドウギヤ		
4TNV98-YTRI 1	1.05.06		PI IIS

**Engine for TL130 4TNV98-YTBL1(for high flow) S/N 21306717-
CAMSHAFT & DRIVING GEAR**

Item	Part No	Description	Qty
1	Y129150-14200	TAPPET	8
2	Y129907-14400	PUSH ROD	8
3	Y129907-14590	CAMSHAFT ASSY	1
4	Y129150-02450	· METAL,THRUST(CAM	1
6	Y129900-14110	· GEAR, CAMSHAFT	1
7	Y22512-070140	· KEY 7X 14	1
8	Y26106-080162	BOLT M 8X 16 PLATED	2
9	Y123900-25060	SHAFT(GEAR,IDLE	1
10	Y129900-25110	GEAR ASSY, IDLE	1
13	Y129150-25920	· BUSH, IDLE GEAR	1
14	Y26106-080552	BOLT M 8X 55 PLATED	3
15	Y129907-25900	GEAR,F.I.PUMP	1
16	Y129900-26020	GEAR ASSY, HYDR.PUMP	1
18	Y129953-25300	BOLT	4
19	Y158563-51150	FLANGE	1
20	Y22217-180000	SPRING WASHER 18	1
21	Y26776-180002	NUT M18,LOCK	1

Engine for TL130 4TNV98-YTBL1(for high flow) S/N 21306717-
CRANKSHAFT & PISTON

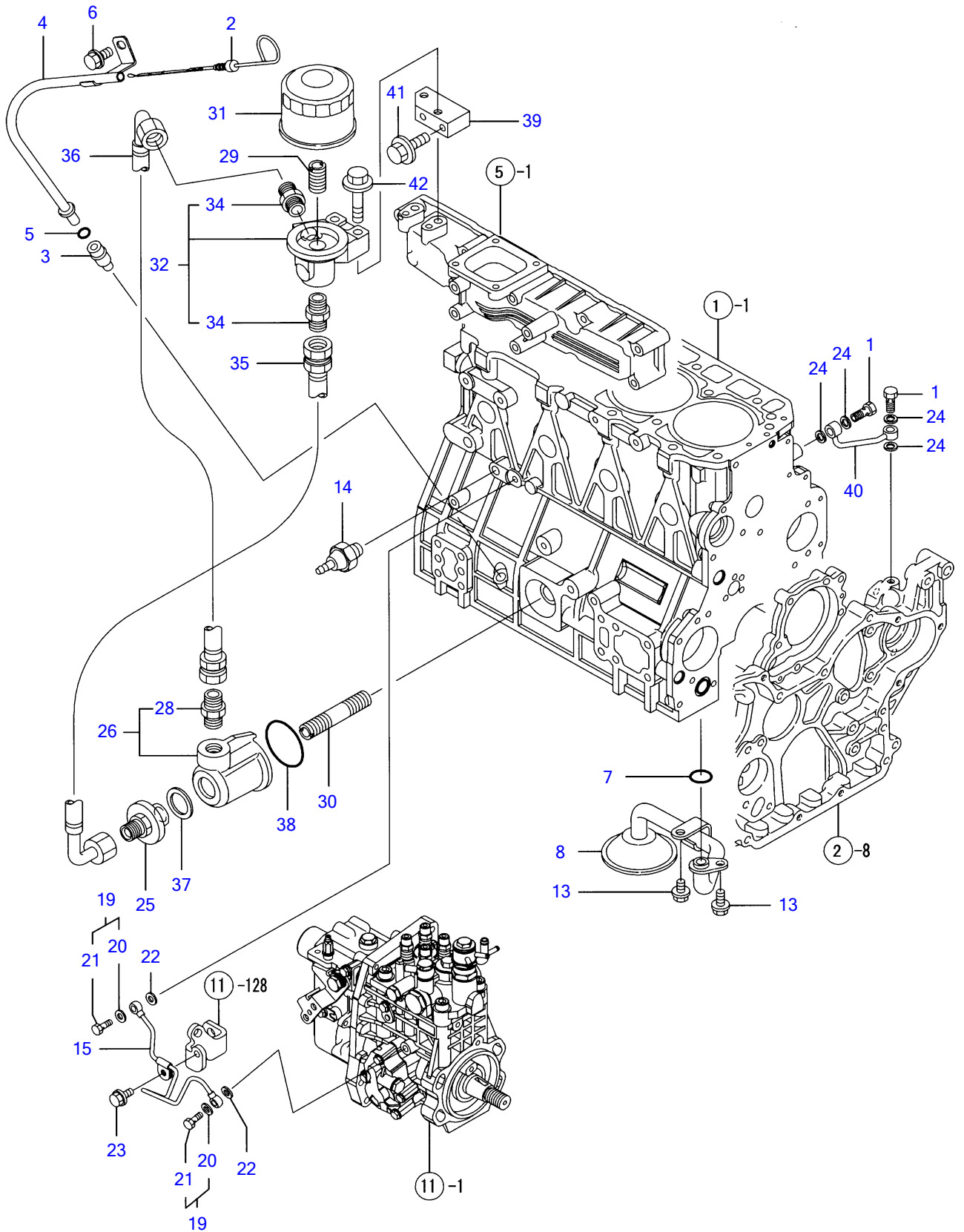


Y00D8670	008. クランクシャフト & ピストン		
4TNV98-YTRI 1		1.05.06	PI IIS

**Engine for TL130 4TNV98-YTBL1(for high flow) S/N 21306717-
CRANKSHAFT & PISTON**

Item	Part No	Description	Qty
1	Y129902-21050	CRANKSHAFT COMP	1
3	Y129900-21220	• GEAR, CRANKSHAFT	1
4	Y121850-21290	• PARALLEL PIN	1
5	Y121850-21920	• PARALLEL PIN 10X22	1
6	Y22512-070140	• KEY 7X 14	1
7	Y129916-21680	V-PULLEY, CRANKSHAFT	1
8	Y129960-21640	WASHER	1
9	Y129916-21610	BOLT, V-PULLEY	1
10	Y24341-000530	O-RING 1A S-53.0	1
11	Y121850-21130	BOLT, FLYWHEEL	6
12	Y129953-21570	FLYWHEEL ASSY	1
14	Y129900-21600	• GEAR, RING	1
15	Y129907-22090	PISTON W/RING	4
17	Y129907-22050	• RING SET, PISTON	4
21	Y120130-22301	PIN, PISTON	4
22	Y22252-000300	CIRCLIP 30	8
23	Y129900-23001	ROD ASSY, CONNECTING	4
27	Y129900-23911	• BUSH, PISTON PIN	4
28	Y129900-23200	• BOLT, ROD	8
29	Y129900-23600	• METAL ASSY, CRANKPIN	4
31	Y129900-23610	BEARING,PIN U.S=0.25	4
33	Y729907-22910	PISTON W/RING O.S=25	4
35	Y729907-22950	• RING SET O.S=0.25	4

Engine for TL130 4TNV98-YTBL1(for high flow) S/N 21306717-
LUB.OIL SYSTEM

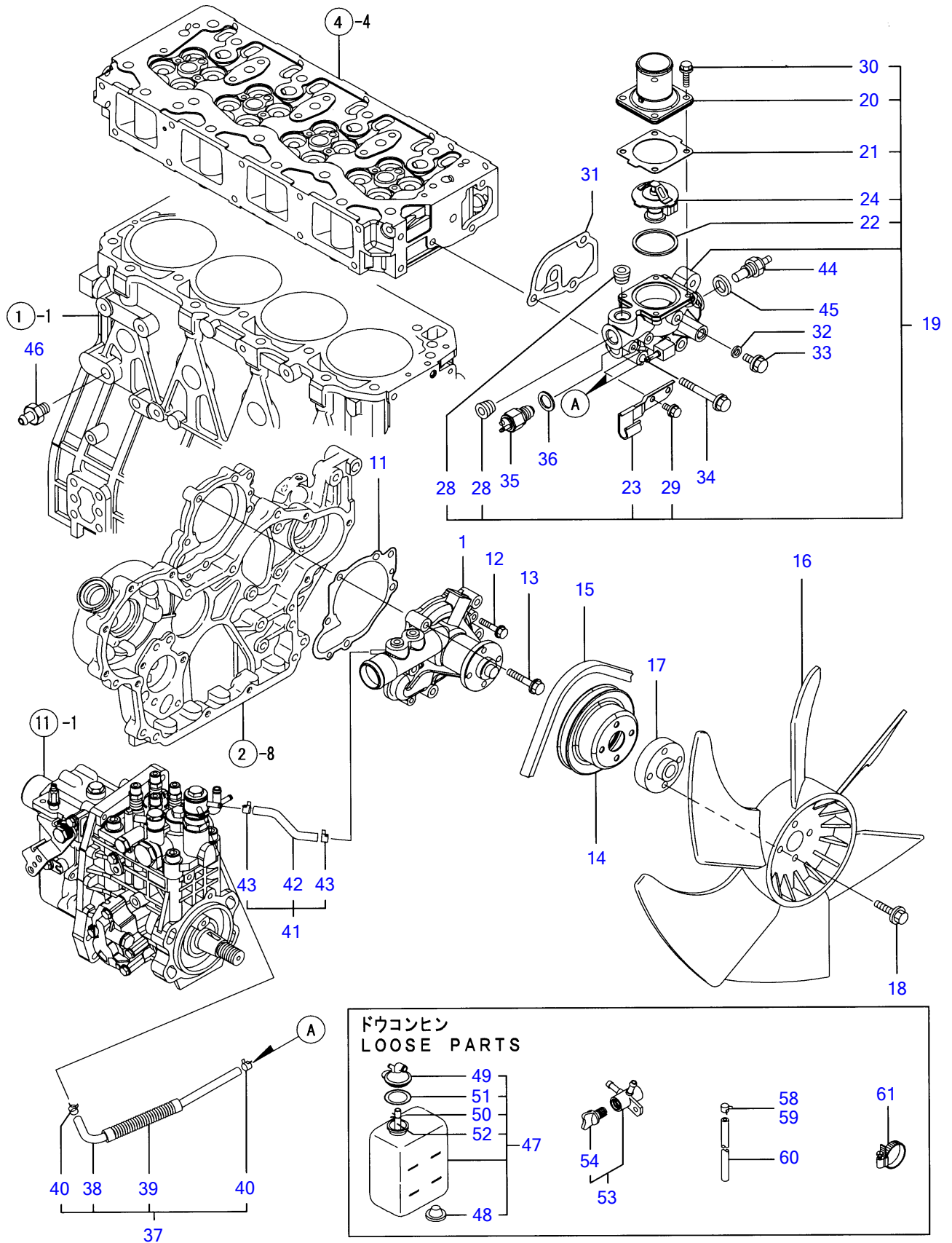


Y00D8670	009. LOSHSTEM			
4TNV98-YTBL1		1.05.06		PI IIS

**Engine for TL130 4TNV98-YTBL1(for high flow) S/N 21306717-
LUB.OIL SYSTEM**

Item	Part No	Description	Qty
1	Y105010-39140	BOLT, PIPE JOINT	2
2	Y129951-34801	DIPSTICK	1
3	Y119260-34810	GUIDE, DIPSTICK	1
4	Y129951-34812	GUIDE	1
5	Y24311-240100	O-RING 1A P-10A	1
6	Y26106-080162	BOLT M 8X 16 PLATED	1
7	Y129900-32030	O-RING P20	1
8	Y129900-35000	PIPE ASSY, LUB. OIL	1
13	Y26106-080122	BOLT M 8X 12 PLATED	2
14	Y114250-39450	SWITCH,(0.5KG)L.O.	1
15	Y129907-39061	PIPE ASSY, LUB. OIL	1
19	Y129005-59830	BOLT ASSY, JOINT	2
20	Y22190-080002	· SEAL WASHER 8S	2
21	Y23857-030000	· JOINT BOLT 3	2
22	Y22190-080002	SEAL WASHER 8S	2
23	Y26106-080122	BOLT M 8X 12 PLATED	1
24	Y22190-080002	SEAL WASHER 8S	4
25	Y129953-35110	COVER	1
26	Y129944-35110	CASE ASSY, LUB.OIL	1
28	Y129953-39500	· ADAPTER	1
29	Y119000-35140	STUD, LUB.OIL FILTER	1
30	Y129970-35140	STUD, LUB.OIL FILTER	1
31	Y129150-35152	FILTER 80X80L	1
32	Y129944-35210	BRACKET ASSY, LUB.OI	1
34	Y129953-39500	· ADAPTER	2
35	Y129953-39100	PIPE, LUB.OIL	1
36	Y129944-39100	PIPE, LUB.OIL	1
37	Y22190-300002	SEAL WASHER 30S	1
38	Y24321-000600	O-RING 1A G-60.0	1
39	Y129944-35150	SPACER(LO,FILTER	1
40	Y129930-39050	PIPE	1
41	Y26106-080502	BOLT M 8X 50 PLATED	2
42	Y26106-100452	BOLT M10X 45 PLATED	2

Engine for TL130 4TNV98-YTBL1(for high flow) S/N 21306717-
COOLING WATER SYSTEM

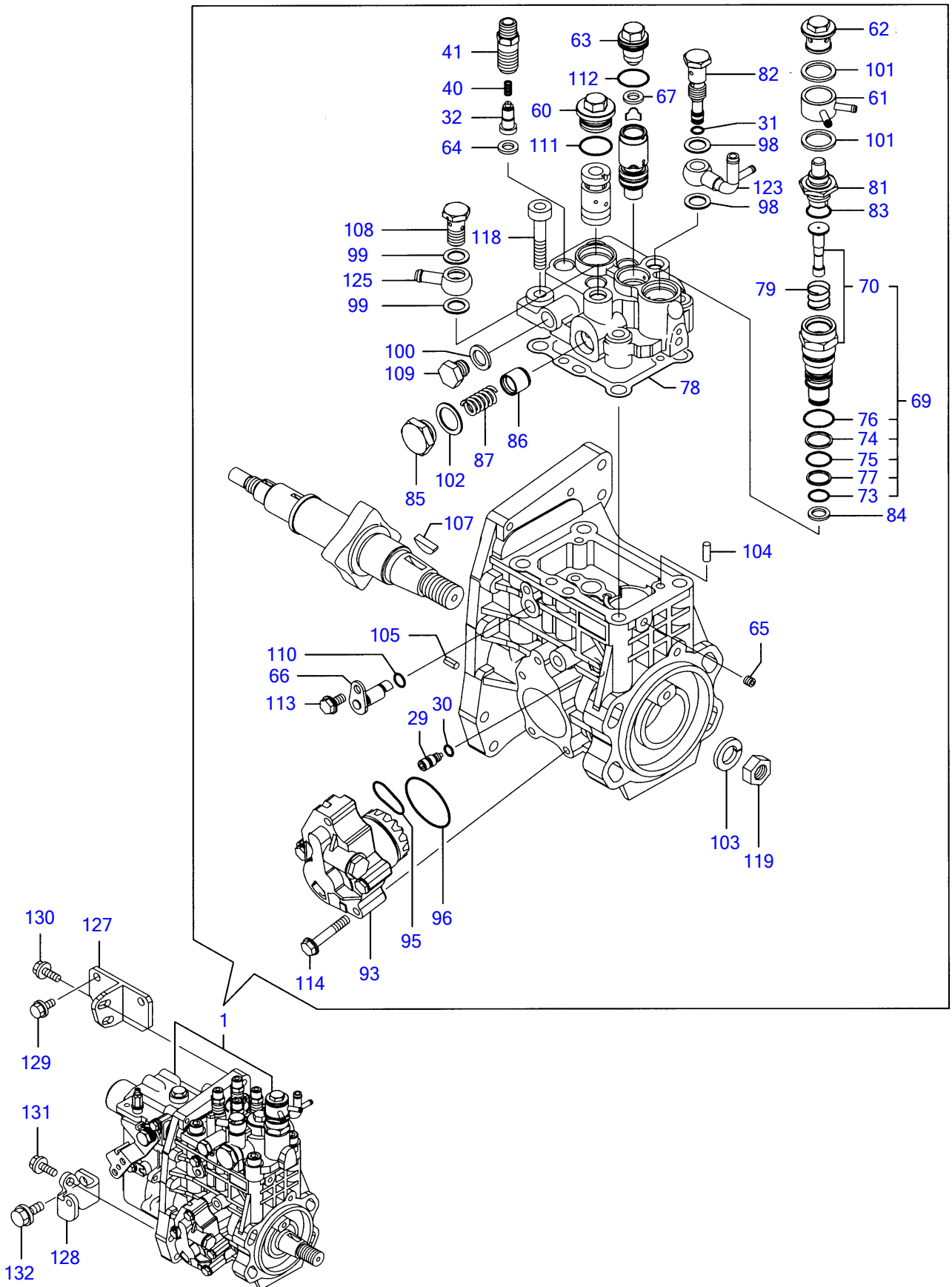


Y00D8670	010. CWシステム		
4TNV98-YTBL1		1.05.06	PI IIS

**Engine for TL130 4TNV98-YTBL1(for high flow) S/N 21306717-
COOLING WATER SYSTEM**

Item	Part No	Description	Qty
1	Y129907-42000	PUMP ASSY, WATER	1
11	Y129900-42020	GASKET, CW-P	1
12	Y26106-060302	BOLT M 6X 30 PLATED	2
13	Y26106-080552	BOLT M 8X 55 PLATED	5
14	Y129900-42461	PULLEY	1
15	Y129940-42320	V-BELT,A41.0	1
16	Y129916-44740	FAN	1
17	Y119130-44760	SPACER, FAN	1
18	Y26106-080352	BOLT M 8X 35 PLATED	4
19	Y129946-49810	CASE ASSY,THERMOSTAT	1
20	Y129916-49530	· COVER, THERMOSTAT	1
21	Y121850-49540	· GASKET, THERMOSTAT	1
22	Y121850-49550	· GASKET, THERMOSTAT	1
23	Y129907-49730	· PIPE ASSY, INJECTION	1
24	Y121850-49800	· THERMOSTAT	1
28	Y23875-030000	· PLUG PT3/8,STEEL	2
29	Y26106-060122	· BOLT M 6X 12 PLATED	1
30	Y26106-060202	· BOLT M 6X 20 PLATED	4
31	Y129900-49870	GASKET, CASE	1
32	Y23414-080000	GASKET 8, ROUND	1
33	Y26106-080122	BOLT M 8X 12 PLATED	1
34	Y26106-080602	BOLT M 8X 60 PLATED	3
35	Y121250-44901	SWITCH, THERMO(110 β C	1
36	Y124465-44950	GASKET 16	1
37	Y129907-49610	HOSE A ASSY,WATER	1
38	Y129907-49710	· PIPE A,COOLING WATER	1
39	Y129907-49750	· PROTECTOR, PIPE 10.7	1
40	Y124722-59050	· CLAMP 9	2
41	Y129907-49620	HOSE B ASSY,WATER	1
42	Y129907-49720	· PIPE B,COOLING WATER	1
43	Y124722-59050	· CLAMP 9	2
44	Y119266-49350	SENSOR, THERMO.	1
45	Y129150-49360	GASKET 10	1
46	Y121550-49111	JOINT PT1/4	1
47	Y129466-44510	SUBTANK	1
48	Y121468-44540	· PLUG, SUB-TANK	1
49	Y121450-44531	· CAP	1
50	Y124450-44560	· CLAMP	1
51	Y121470-44581	· GASKET	1
52	Y121267-44590	· PIPE	1
53	Y129150-49100	COCK ASSY, 3-WAY	1
54	Y129150-49080	· COCK, DRAIN	1
58	Y121250-44590	CLAMP	2
59	Y124722-59050	CLAMP 9	1
60	Y105840-59100	PIPE, FUEL	1
61	Y23000-054000	CLAMP 54	4

Engine for TL130 4TNV98-YTBL1(for high flow) S/N 21306717-
FUEL INJECTION PUMP

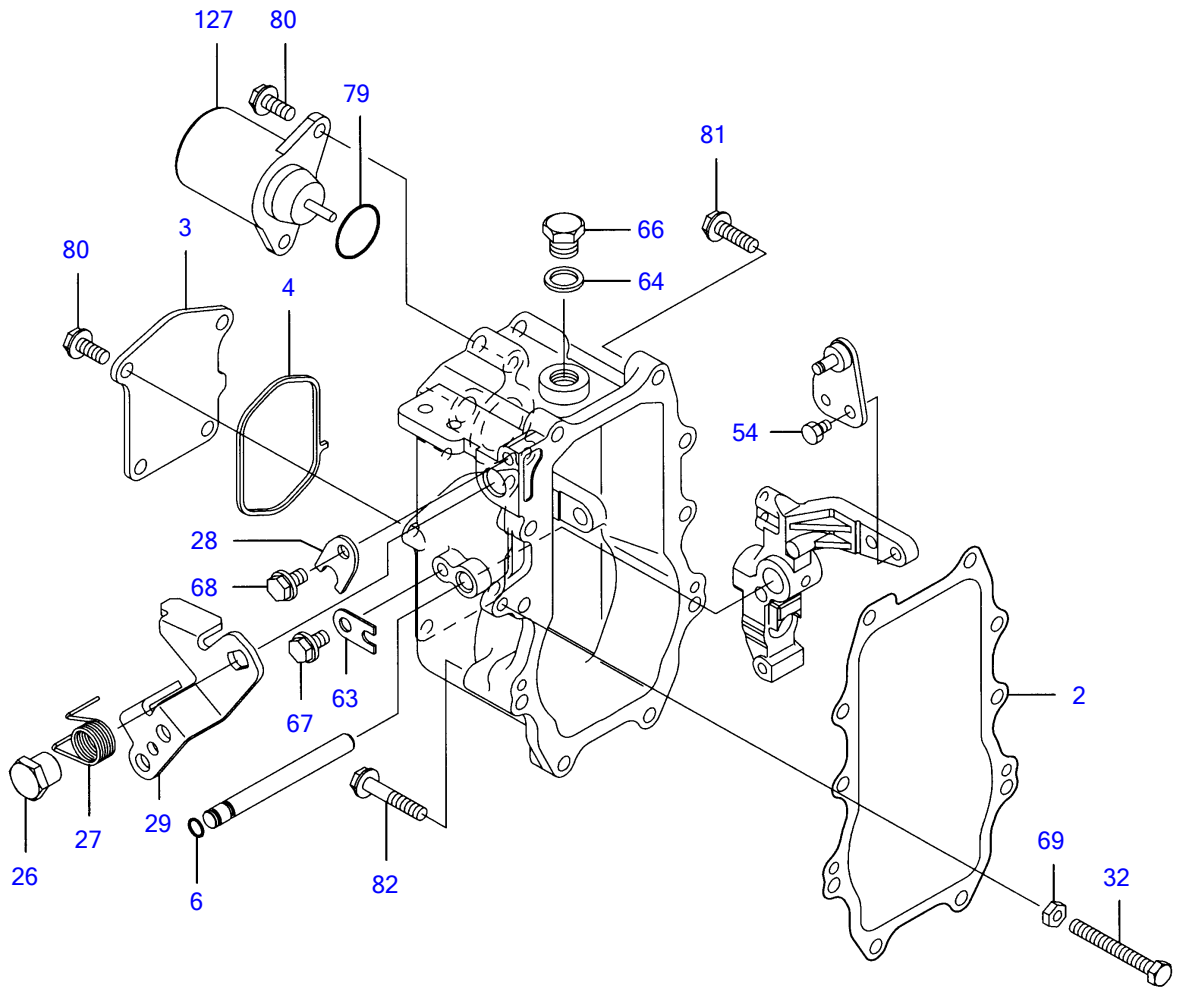


Y00D8670	011. F0ファンシャポンプ			
4TNV98-YTRI 1		1.05.06		PLUS

**Engine for TL130 4TNV98-YTBL1(for high flow) S/N 21306717-
FUEL INJECTION PUMP**

Item	Part No	Description	Qty
1	Y729944-51310	PUMP ASSY, F.INJECT	1
29	Y158600-51270	• STOPPER	1
30	Y158563-51281	• O-RING	1
31	Y158563-51281	• O-RING	1
32	Y158560-51300	• VALVE ASSY, DILEVERY	4
40	Y158563-51330	• SPRING	4
41	Y129907-51340	• HOLDER	4
60	Y158601-51550	• PLUG	1
61	Y158553-51551	• JOINT, COOLING WATER	1
62	Y158601-51570	• PLUG,WATER PUMP	1
63	Y129907-51560	• PLUG	1
64	Y158552-51570	• PK(BARREL PLUG	4
65	Y158557-51570	• PLUG	1
66	Y158552-51580	• LIFTER	1
67	Y129906-51580	• PACKING, PLUG	1
69	Y119802-51590	• TIMER SET	1
70	Y119802-51600	• • TIMER CMP	1
73	Y158553-51670	• • O-RING, 1011	1
74	Y119802-51680	• • BACKUP RING	1
75	Y119802-51690	• • O RING	1
76	Y24356-010200	• • O-RING	1
77	Y24372-000150	• • BACKUP RING	1
78	Y158560-51600	• PACKING, HEAD	1
79	Y158553-51630	• SPRING,TIMER	1
81	Y158553-51640	• ELEMENT, THERMO	1
82	Y158601-51650	• JOINT	1
83	Y158553-51660	• O-RING,P14	1
84	Y158553-51680	• PACKING,TIMER	1
85	Y158601-51790	• PLUG	1
86	Y158601-51770	• PISTON	1
87	Y158552-51780	• DAMPER ASSY	1
93	Y158552-52100	• PUMP ASSY,FEED	1
95	Y158552-52310	• O-RING	1
96	Y158552-52400	• O-RING 4E S42	1
98	Y22190-120002	• SEAL WASHER 12	2
99	Y22190-120002	• SEAL WASHER 12	2
100	Y22190-120002	• SEAL WASHER 12	1
101	Y22190-180002	• SEAL WASHER 18	2
102	Y22190-180002	• SEAL WASHER 18	1
103	Y22217-180000	• SPRING WASHER 18	1
104	Y22312-050140	• PARALLEL PIN 5X14	2
105	Y22351-050010	• SPRING PIN 5X10	2
107	Y144626-51090	• KEY 5X19	1
108	Y23857-060000	• JOINT BOLT 6,PIPE	1
109	Y23887-120002	• PLUG M12,HEX.	1
110	Y24311-000070	• O-RING 1A P-7.0	1
111	Y24356-010200	• PACKING, 1020	1
112	Y24356-020210	• O RING	1
113	Y26106-060102	• BOLT M 6X 10 PLATED	1
114	Y26106-060352	• BOLT M 6X 35 PLATED	4
118	Y26450-100452	• BOLT M10X 45	4
119	Y26776-180002	• NUT M18,LOCK	1
123	Y158552-51670	• JOINT	1
125	Y129916-59020	• JOINT 12, PIPE	1
127	Y129907-01950	RETAINER,MP4	1
128	Y129907-01960	RETAINER,MP4	1
129	Y26106-080162	BOLT M 8X 16 PLATED	2
130	Y26106-080222	BOLT M 8X 22 PLATED	2
131	Y26106-080222	BOLT M 8X 22 PLATED	1
132	Y26106-100202	BOLT M10X 20 PLATED	1

Engine for TL130 4TNV98-YTBL1(for high flow) S/N 21306717-
GOVERNOR

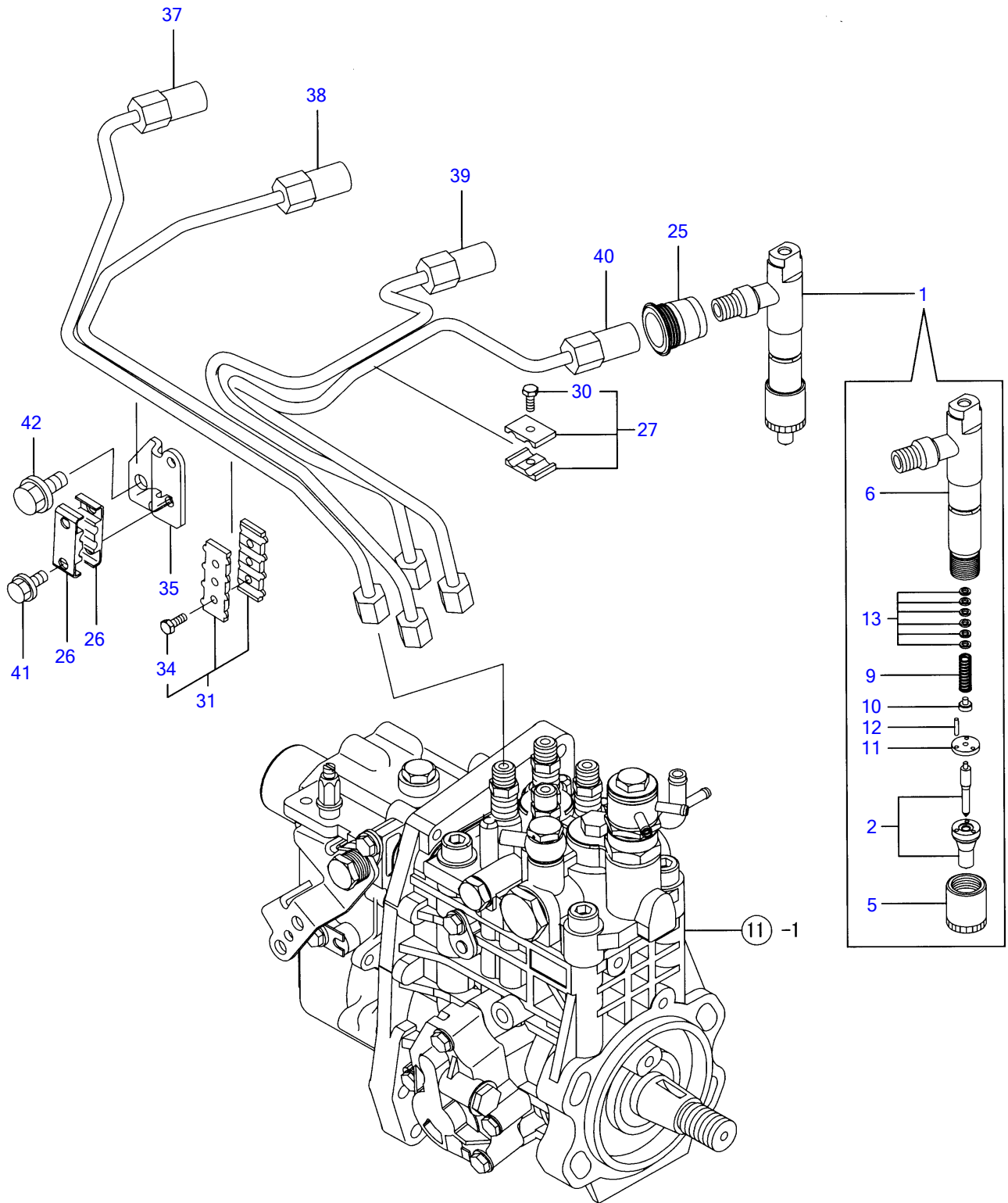


Y00D8670	012. ガバナ			
4TNV98-YTBL1		1.05.06		PLUS

**Engine for TL130 4TNV98-YTBL1(for high flow) S/N 21306717-
GOVERNOR**

Item	Part No	Description	Qty
2	Y158560-61050	· PACKING, CASE	1
3	Y158560-61061	· COVER, CASE	1
4	Y158560-61071	· PACKING	1
6	Y129155-51280	· O-RING S6	1
26	Y129255-61410	· NUT	1
27	Y119807-61420	· SPRING	1
28	Y158560-61430	· RETAINER	1
29	Y158560-61441	· LEVER, REGULATOR	1
32	Y129155-61460	· BOLT, IDLE LIMIT	1
54	Y26116-060102	· BOLT M 6X 10 PLATED	1
63	Y119660-61901	· RETAINER, SHAFT	1
64	Y22190-160002	· SEAL WASHER 16S	1
66	Y23887-160002	· PLUG 16,HEX.	1
67	Y26106-060102	· BOLT M 6X 10 PLATED	1
68	Y26106-060102	· BOLT M 6X 10 PLATED	1
69	Y26756-060002	· LOCK NUT 6	1
79	Y24341-000280	· O-RING 1A S-28.0	1
80	Y26106-060142	· BOLT M 6X 14 PLATED	6
81	Y26106-060252	· BOLT M 6X 25 PLATED	8
82	Y26106-060402	· BOLT M 6X 40 PLATED	2
127	Y119233-77932	· SOLENOID, STOP	1

Engine for TL130 4TNV98-YTBL1(for high flow) S/N 21306717-
FUEL INJECTION VALVE

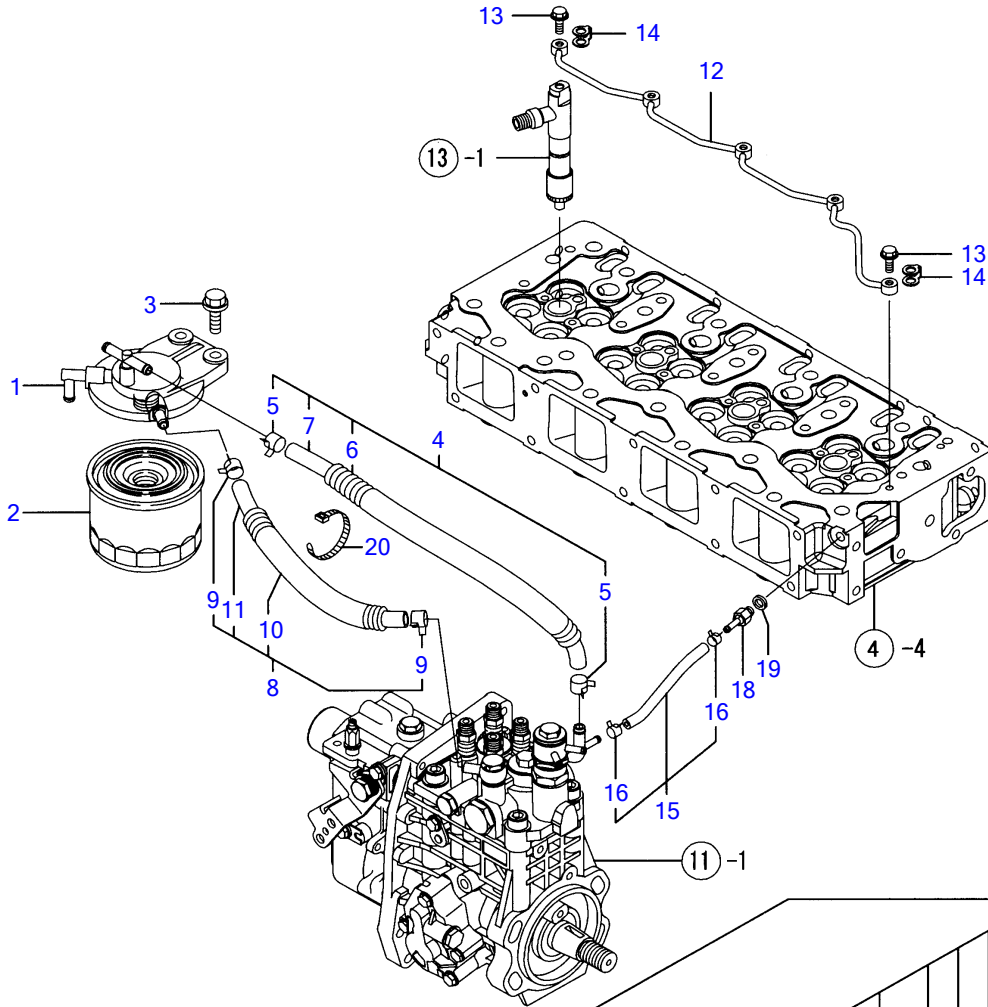


Y00D8670	013. F07ンシャベン			
4TNV98-YTRI 1		1.05.06		PI IIS

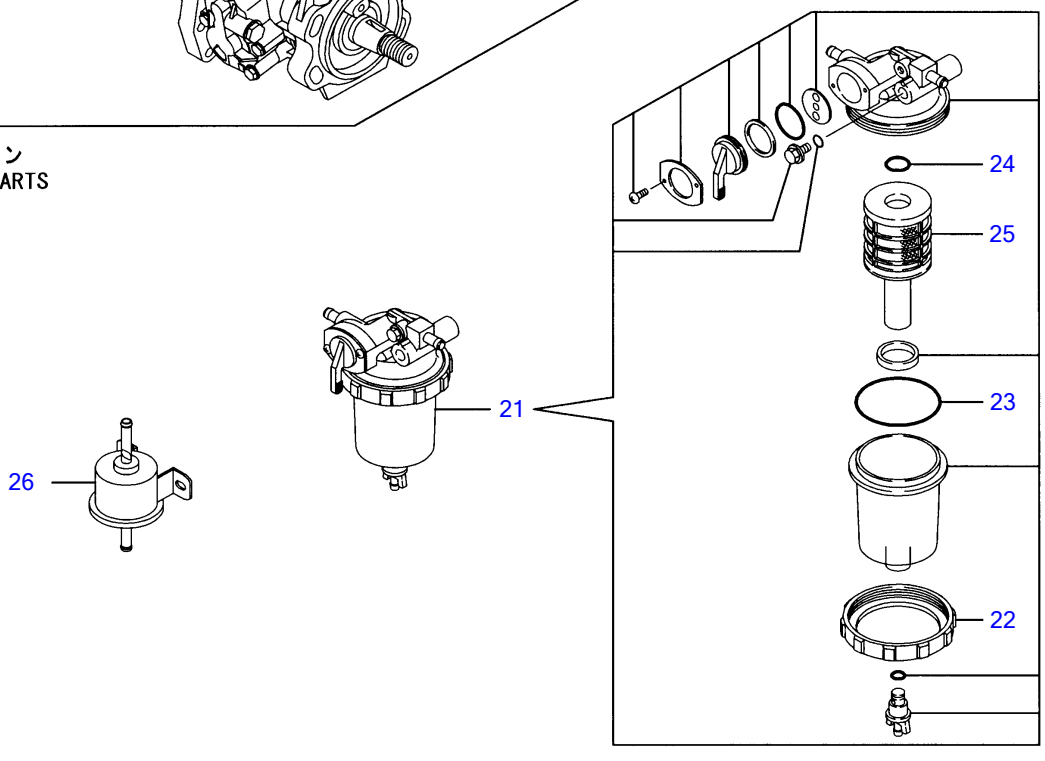
**Engine for TL130 4TNV98-YTBL1(for high flow) S/N 21306717-
FUEL INJECTION VALVE**

Item	Part No	Description	Qty
1	Y729907-53100	VALVE ASSY, F.INJECT	4
2	Y129907-53000	• NOZZLE ASSY	4
5	Y114250-53080	• NUT, NOZZLE CASE	4
6	Y129907-53100	• HOLDER ASSY, NOZZLE	4
9	Y114250-53120	• SPRING, NOZZLE	4
10	Y114250-53130	• SEAT, NOZZLE SPRING	4
11	Y114250-53140	• PLATE, STOP	4
12	Y114250-53210	• PIN	8
13	Y114250-53400	• SHIM PACK	4
25	Y123907-11601	PIPE SEAL	4
26	Y122780-59100	RETAINER	2
27	Y119305-59120	RETAINER	1
30	Y129150-59131	• BOLT M4X14,HEX.SCKT.	1
31	Y129550-59120	RETAINER	1
34	Y129150-59131	• BOLT M4X14,HEX.SCKT.	2
35	Y129907-59710	PIPE ASSY, INJECTION	1
37	Y129907-59810	PIPE ASSY, INJECTION	1
38	Y129907-59820	PIPE ASSY, INJECTION	1
39	Y129907-59830	PIPE ASSY, INJECTION	1
40	Y129907-59840	PIPE ASSY, INJECTION	1
41	Y26106-060162	BOLT M 6X 16 PLATED	2
42	Y26106-080182	BOLT M 8X 18 PLATED	1

Engine for TL130 4TNV98-YTBL1(for high flow) S/N 21306717-
FUEL LINE



ドウコンピン
 LOOSE PARTS

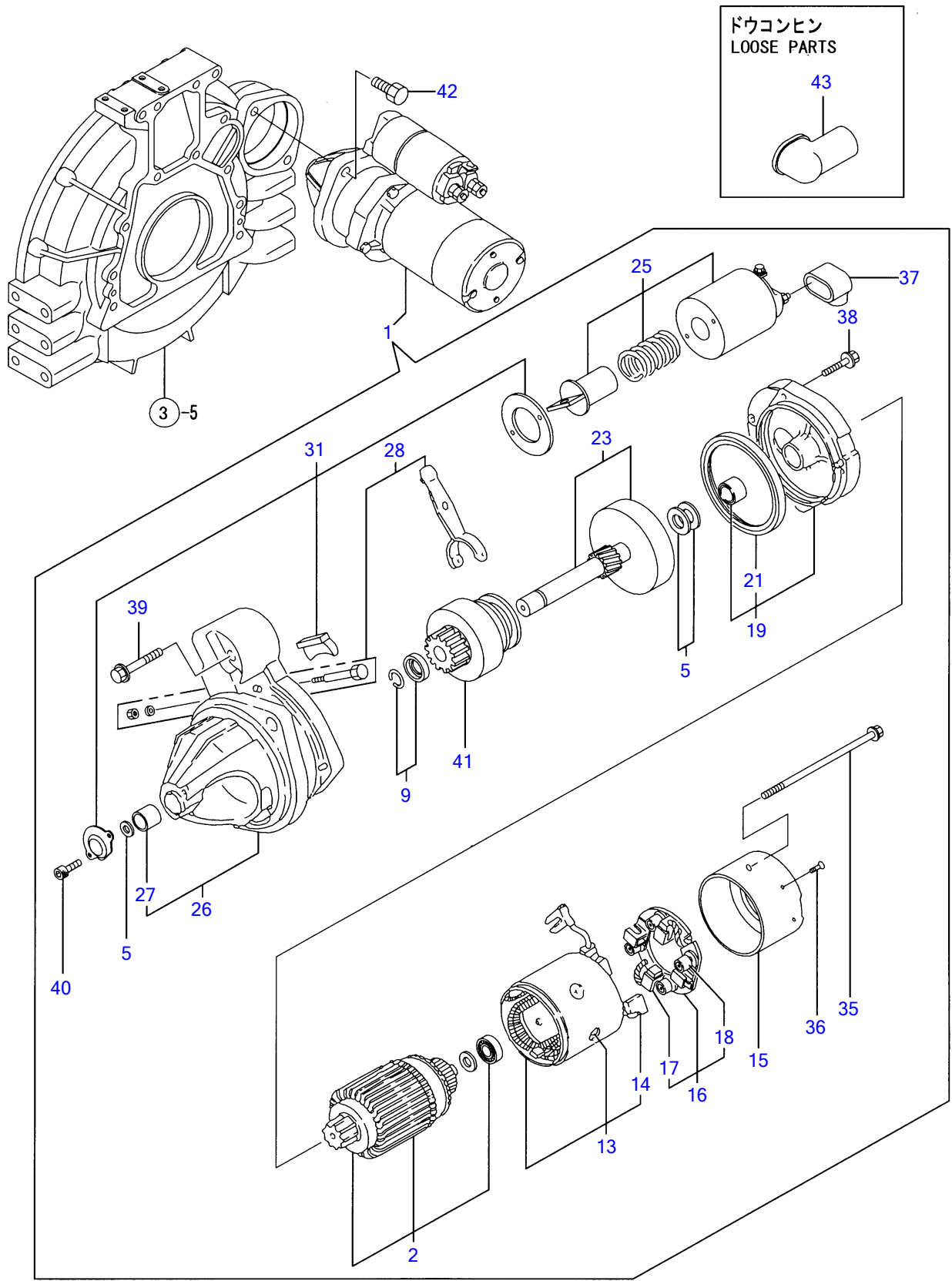


Y00D8670	014. F0パイプ			
4TNV98-YTBL1		1.05.06		PIUS

**Engine for TL130 4TNV98-YTBL1(for high flow) S/N 21306717-
FUEL LINE**

Item	Part No	Description	Qty
1	Y129004-55611	BRACKET, FILTER	1
2	Y119802-55800	FILTER, FUEL	1
3	Y26106-080302	BOLT M 8X 30 PLATED	2
4	Y129457-59010	PIPE ASSY, FUEL	1
5	Y124766-59050	· CLAMP 12	2
6	Y129957-59120	· PROTECTOR, FUEL PIPE	1
7	Y105025-59750	· PIPE, FUEL OIL	1
8	Y129981-59010	PIPE ASSY, FUEL	1
9	Y124766-59050	· CLAMP 12	2
10	Y129950-59221	· TUBE	1
11	Y129980-59510	· PIPE, FUEL OIL	1
12	Y129907-59140	PIPE ASSY,F.O.RETURN	1
13	Y123907-59540	JOINT BOLT M6	5
14	Y123907-59550	PACKING,FUEL RETURN	5
15	Y129486-59551	PIPE, FUEL RETURN	1
16	Y124722-59050	· CLAMP 9	2
18	Y123907-59560	HOSE JOINT 4	1
19	Y22190-080002	SEAL WASHER 8S	1
20	Y121750-59890	CLAMP 140	1
21	Y129906-55700	SEPARATOR ASSY	1
22	Y129100-55690	· RING, RETAINING	1
23	Y24321-000650	· O-RING 1A G-65.0	1
24	Y24311-000160	· O-RING 1A P-16.0	1
25	Y119802-55710	· ELEMENT	1
26	Y129612-52100	FUEL PUMP	1

Engine for TL130 4TNV98-YTBL1(for high flow) S/N 21306717-
STARTING MOTOR

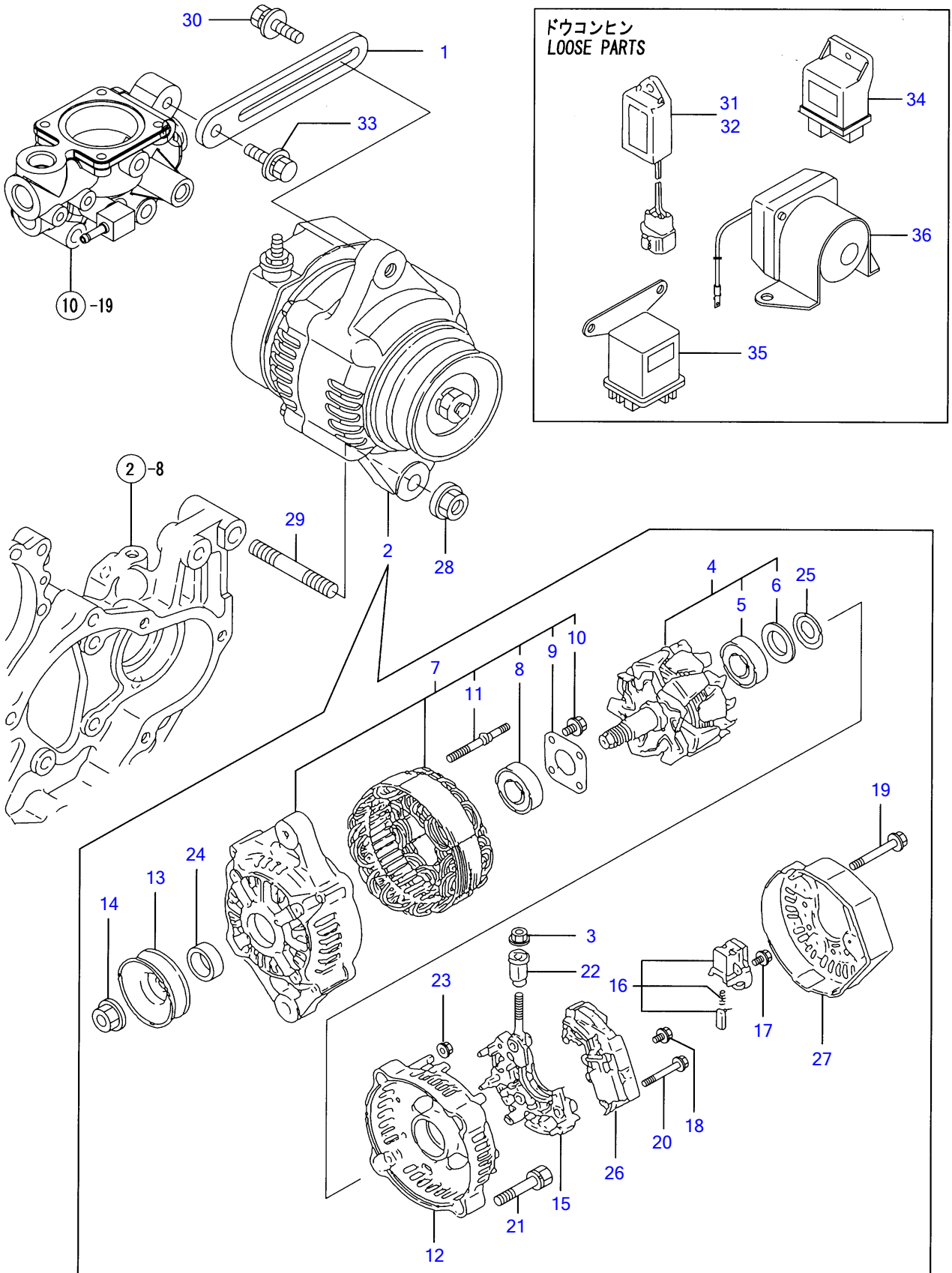


Y00D8670	015. スターティングモータ		
4TNV98-YTRI 1	1.05.06		PI LIS

**Engine for TL130 4TNV98-YTBL1(for high flow) S/N 21306717-
STARTING MOTOR**

Item	Part No	Description	Qty
1	Y129953-77019	STARTING MOTOR	1
2	Y121254-77402	· ARMATURE ASSY	1
5	Y121254-77430	· WASHER KIT, THRUST	1
9	Y121254-77480	· STOPPER KIT, PINION	1
13	Y121254-77521	· COIL ASSY, FIELD	1
14	Y121254-77541	· · BRUSH (+)	2
15	Y121254-77550	· COVER ASSY, REAR	1
16	Y121254-77571	· HOLDER	1
17	Y121254-77581	· · BRUSH	2
18	Y121254-77590	· · SPRING, BRUSH	4
19	Y121254-77600	· BEARING ASSY, CENTER	1
21	Y121254-77610	· · SEAL, OIL	1
23	Y121254-77640	· SHAFT ASSY, GEAR	1
25	Y129953-77670	· SWITCH	1
26	Y121254-77681	· CASE ASSY, GEAR	1
27	Y121254-77690	· · METAL, GEAR CASE	1
28	Y121254-77700	· LEVER SET, SHIFT	1
31	Y121254-77730	· DUST COVER SET	1
35	Y121254-77770	· BOLT, THROUGH	2
36	Y121254-77790	· SCREW 4	2
37	Y121254-77810	· TERMINAL COVER	1
38	Y26106-060302	· BOLT M 6X 30 PLATED	3
39	Y26106-060452	· BOLT M 6X 45 PLATED	2
40	Y121254-77780	· SCREW 5	2
41	Y129953-77660	· PINION ASSY	1
42	Y26116-120252	BOLT M12X 25 PLATED	2
43	Y124550-77030	COVER, TERMINAL	1

Engine for TL130 4TNV98-YTBL1(for high flow) S/N 21306717-
GENERATOR

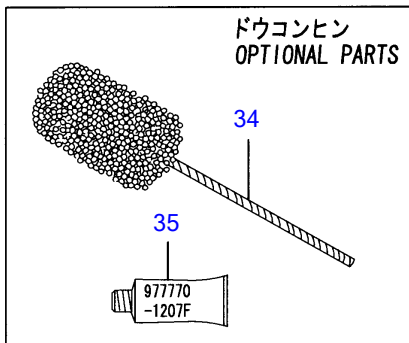
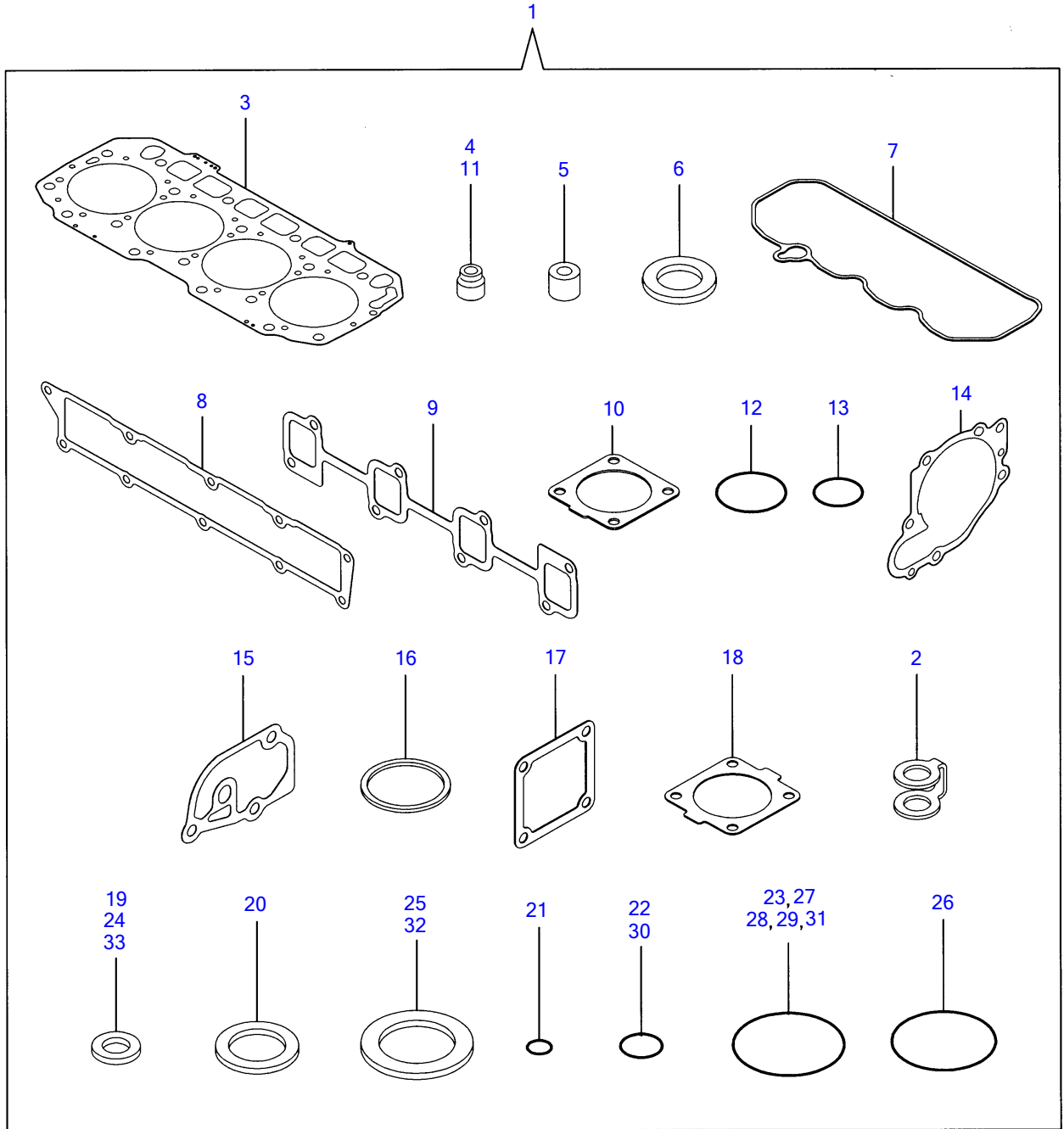


Y00D8670	016. ジェネレータ		
4TNV98-YTRI 1		1.05.06	PI IIS

**Engine for TL130 4TNV98-YTBL1(for high flow) S/N 21306717-
GENERATOR**

Item	Part No	Description	Qty
1	Y129900-77330	AJUSTER, BELT	1
2	Y129240-77200	ALTERNATOR	1
3	Y129240-79310	· NUT	1
4	Y119620-77380	· ROTOR ASSY	1
5	Y126501-79240	· · BALL BEARING	1
6	Y119620-79250	· · COVER, BEARING	1
7	Y119620-77421	· FLAME ASSY, DRIVE	1
8	Y119620-79200	· · BALL BEARING	1
9	Y119620-79210	· · PLATE	1
10	Y119620-79220	· · SCREW	4
11	Y119620-79230	· · BOLT, STUD	2
12	Y119620-77440	· FLAME ASSY, REAR	1
13	Y119620-77461	· PULLEY	1
14	Y119620-77471	· NUT	1
15	Y119620-79260	· HOLDER	1
16	Y129052-79270	· HOLDER, BRUSH	1
17	Y119620-79290	· SCREW	6
18	Y119620-79300	· SCREW	1
19	Y119620-79310	· BOLT	3
20	Y119620-79320	· SCREW W/WASHER	2
21	Y119620-79330	· BOLT	2
22	Y119620-79340	· INSULATION BUSH	1
23	Y119620-79350	· NUT	2
24	Y119620-77490	· COLLAR	1
25	Y119620-79360	· THRUST WASHER	1
26	Y129240-77710	· REGULATOR ASSY	1
27	Y129240-79300	· COVER	1
28	Y26306-100002	NUT	1
29	Y129795-01900	STUD	1
30	Y119810-77340	BOLT	1
31	Y129211-77920	TIMER	1
32	Y128300-77920	TIMER	1
33	Y26014-080252	BOLT M 8X 25	1
34	Y119802-77200	RELAY, SAFETY	1
35	Y119646-77900	RELAY, POWER	2
36	Y129100-77910	RELAY, MAGNETIC	1

Engine for TL130 4TNV98-YTBL1(for high flow) S/N 21306717-
GASKET SET



Y00D8670	017. パッキンセット		
4TNV98-YTR1	1.05.06		PI IIS

**Engine for TL130 4TNV98-YTBL1(for high flow) S/N 21306717-
GASKET SET**

Item	Part No	Description	Qty
1	Y729907-92910	GASKET SET(NON-ASB.)	1
2	Y123907-59550	· PACKING,FUEL RETURN	5
3	Y129907-01331	· GASKET,CYLINDER HEAD	1
4	Y124160-11340	· SEAL, VALVE STEM	8
5	Y119802-11870	· PROTECTOR, NOZZLE	4
6	Y119625-11880	· SEAT, NOZZLE	4
7	Y129907-11310	· PACKING,BONNET	1
8	Y129907-12110	· PACKING(INT.MANIFOLD	1
9	Y129900-13251	· GASKET	1
10	Y129930-13200	· GASKET, SILENCER	2
11	Y124950-11340	· SEAL, VALVE STEM	8
12	Y129900-32030	· O-RING P20	2
13	Y129900-32040	· O-RING P14	1
14	Y129900-42020	· GASKET, CW-P	1
15	Y129900-49870	· GASKET, CASE	1
16	Y121850-49550	· GASKET, THERMOSTAT	1
17	Y121850-77021	· GASKET, (NON-ASB.)	1
18	Y121850-49540	· GASKET, THERMOSTAT	1
19	Y23414-080000	· GASKET 8, ROUND	1
20	Y124465-44950	· GASKET 16	1
21	Y24311-000070	· O-RING 1A P-7.0	1
22	Y24311-000120	· O-RING 1A P 12.0	8
23	Y24311-000320	· O-RING 1A P-32.0	3
24	Y22190-080002	· SEAL WASHER 8S	9
25	Y22190-220002	· SEAL WASHER 22S	1
26	Y24351-030750	· PACKING, 3075	1
27	Y24321-000850	· O-RING 1A G-85.0	1
28	Y24341-000530	· O-RING 1A S-53.0	1
29	Y24311-000300	· O-RING 1A P-30.0	1
30	Y24311-240100	· O-RING 1A P-10A	1
31	Y24321-000600	· O-RING 1A G-60.0	1
32	Y22190-300002	· SEAL WASHER 30S	1
33	Y129150-49360	· GASKET 10	1
34	Y129400-92450	FLEX HONE	1
35	Y977770-1207F	GASKET.LIQUID	1