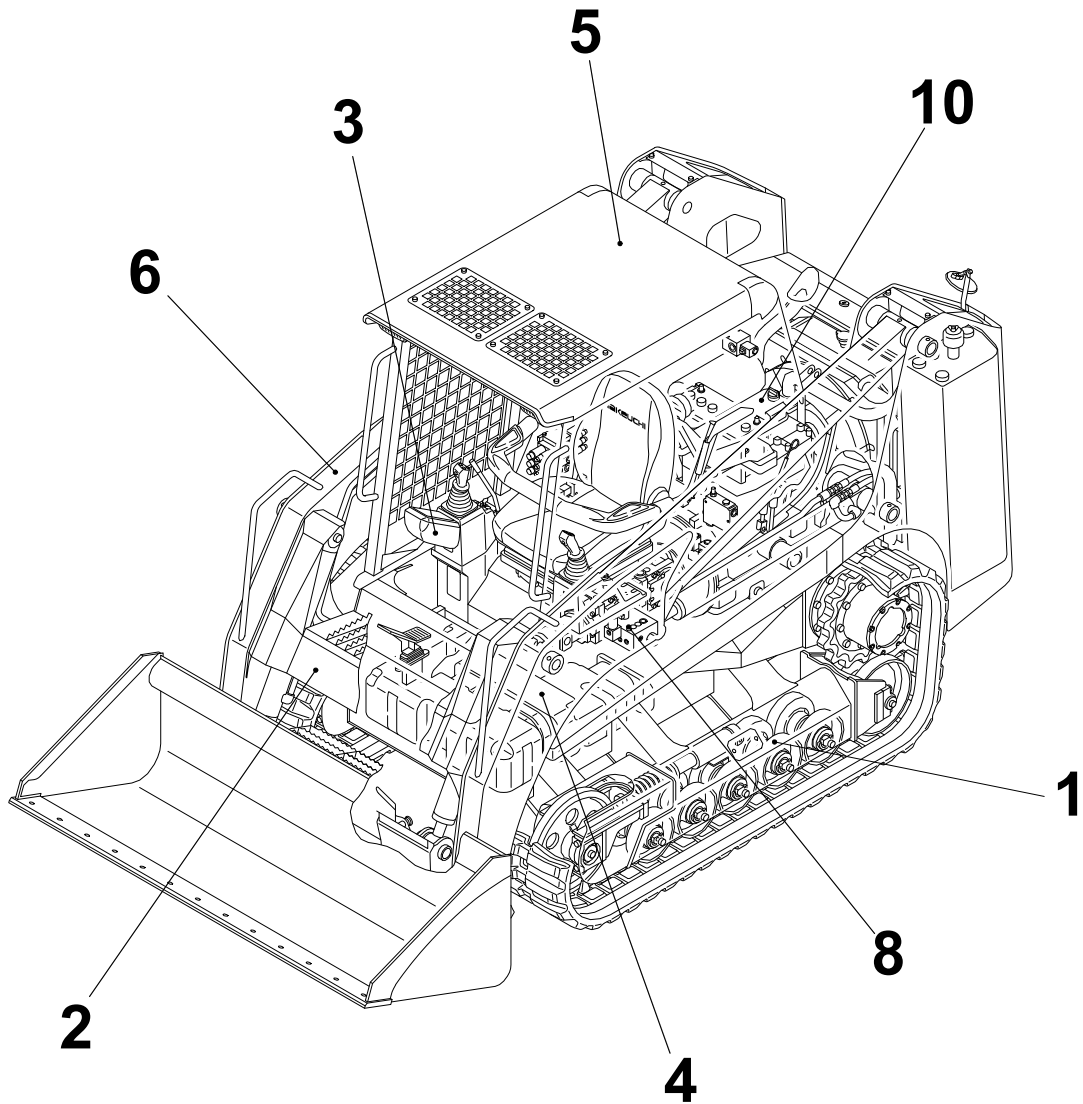


# TL120

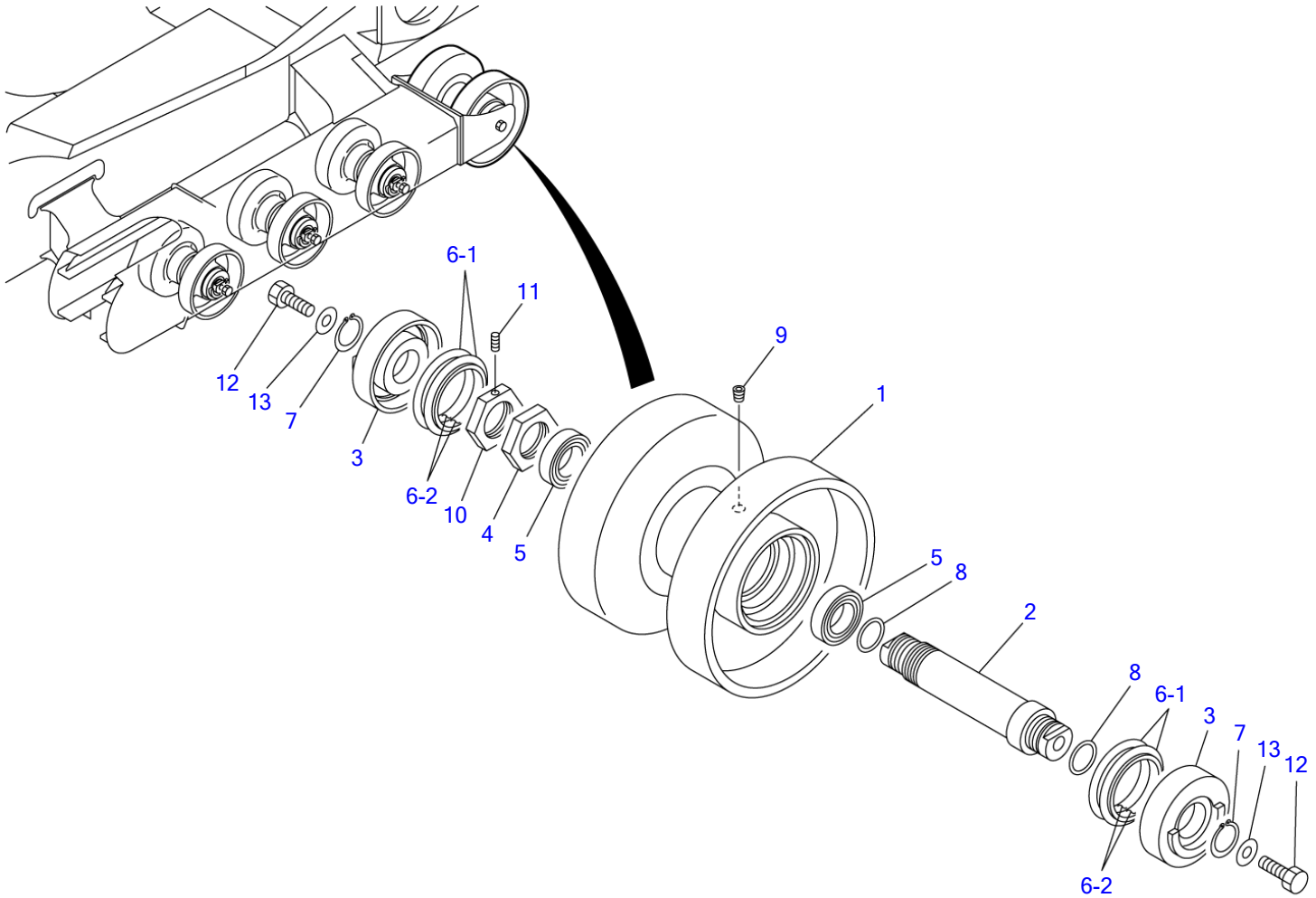
Book No. BT3Z001-2  
Serial No.21200008-



# TAKEUCHI



Item	Part number	Description	INDEX				Remarks
			Q'ty	Chan.	Serial No.	Serv.	
1		UNDERCARRIAGE					
2		MAIN FRAME & CONTROL LEVER					
3		ENGINE & ELECTRICAL SYSTEM					
4		HYDRAULIC PIPNG & TANK					
5		COVER & CAB					
6		ATTACHMENT					
7		DECAL & TOOL					
8		HYDRAULIC DEVICE					
10		ENGINE(4TNV84T-XTBL) 2008.7.21					

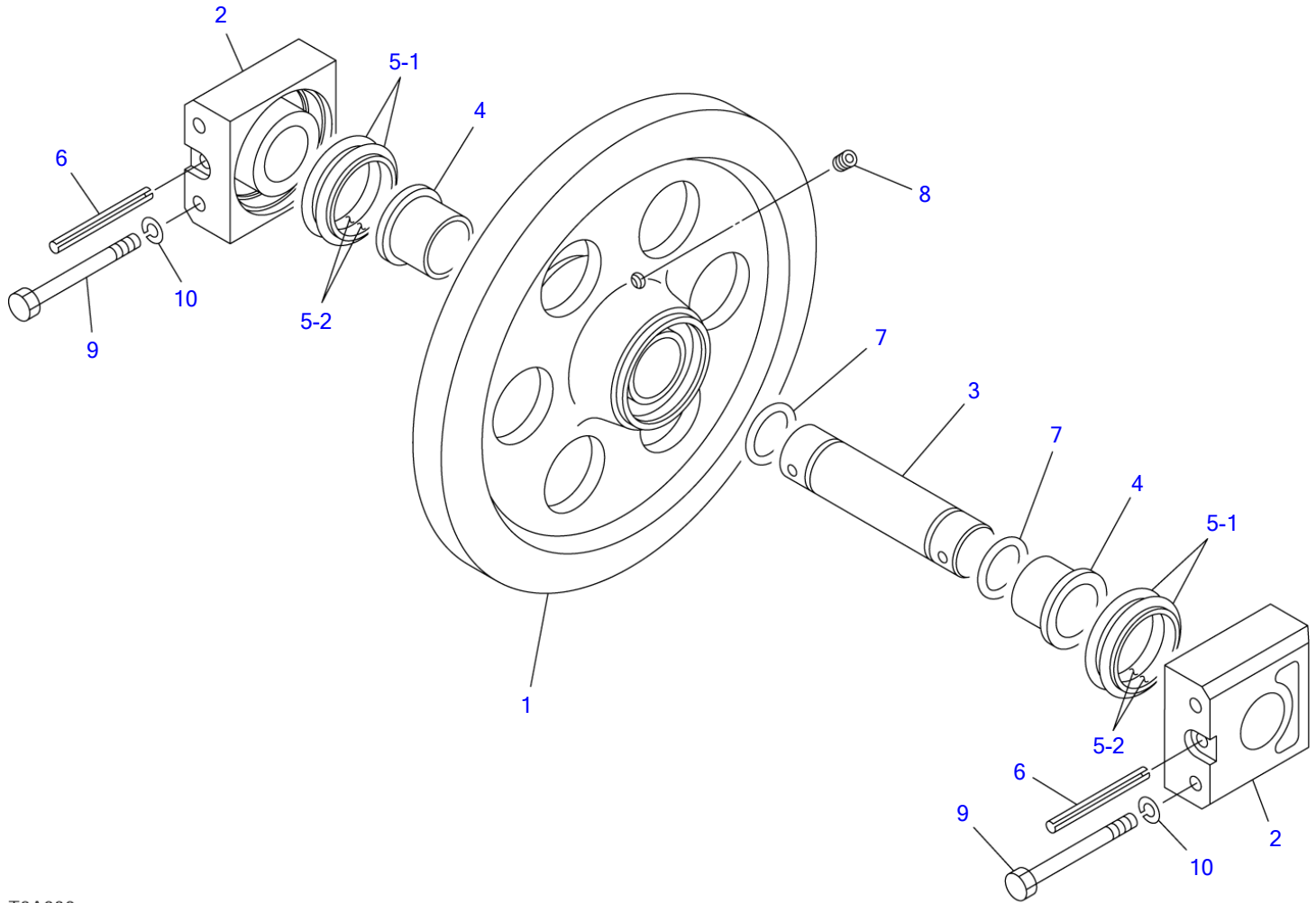


T3A020

S=1/8, 1/20

**TRACK ROLLER B**

Item	Part number	Description	Q'ty	Chan.	Serial No.	Serv.	Remarks
		ROLLER ASSY, track					X08801-35000-0
0-1	<b>0880135100</b>	ROLLER SUB ASSY, track	2				
1	<b>0880135200</b>	▪ ROLLER	1				
2	<b>0880133300</b>	▪ SHAFT	1				
3	<b>0880132400</b>	▪ COVER	2				
4	<b>0880133500</b>	▪ NUT	1				
5	<b>1305000004</b>	▪ BEARING	2				
6	<b>1432500660</b>	▪ SEAL, floating	2				
6-1	<b>1432500661</b>	▪ ▪ O-RING	2				
6-2	<b>1432500662</b>	▪ ▪ RING, seal	2				
7	<b>1220000035</b>	▪ RING, retaining	2				
8	<b>1420100300</b>	▪ O-RING	2				
9	<b>1501810001</b>	▪ PLUG	1				
10	<b>0880133600</b>	▪ NUT	1				
11	<b>1121340608</b>	▪ SET-SCREW	1				
12	<b>1100051645</b>	BOLT	4				
13	<b>1141540016</b>	WASHER	4				
	<b>T3a020</b>						



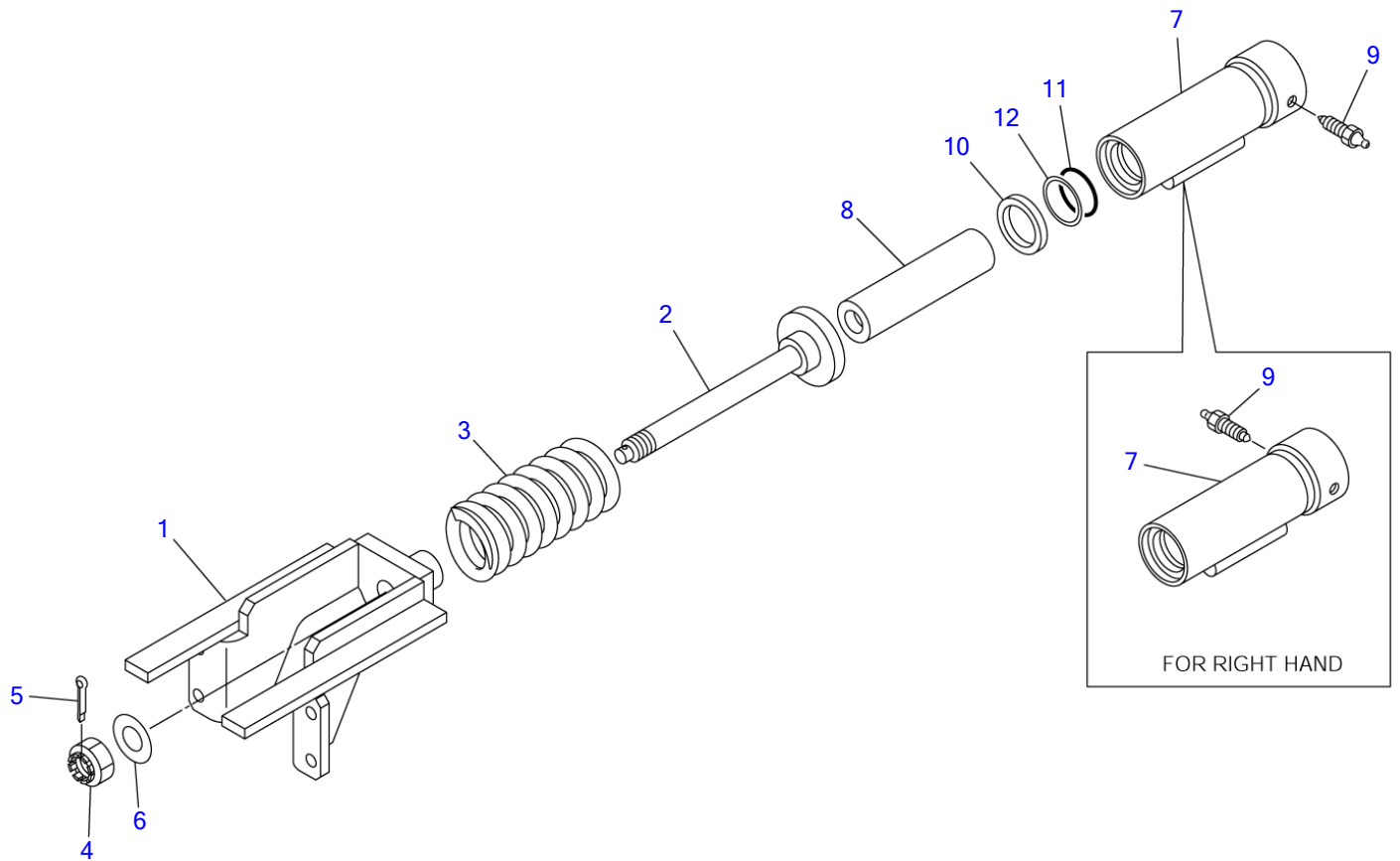
T3A030

S=1/5

**FRONT IDLER**

Item	Part number	Description	Q'ty	Chan.	Serial No.	Serv.	Remarks
		IDLER ASSY, front					X06514-00000-0
0-1	<b>0651400100</b>	IDLER SUB ASSY, front	2				
1	<b>0651400110</b>	· IDLER	1				
2	<b>0651400120</b>	· COVER	2				
3	<b>0651400130</b>	· SHAFT	1				
4	<b>1333064039</b>	· BUSHING	2				
5	<b>1432500640</b>	· SEAL, floating	2				
5-1	<b>1432500641</b>	· · O-RING	2				
5-2	<b>1432500642</b>	· · RING, seal	2				
6	<b>1213000885</b>	· PIN, spring	2				
7	<b>1420100350</b>	· O-RING	2				
8	<b>1501820001</b>	· PLUG	1				
9	<b>1100041230</b>	BOLT	8				
10	<b>1140020012</b>	WASHER, spring	8				
	<b>T3a030</b>						

TL120 Book No. BT3Z001-1 S/N 21200008-  
TRACK ADJUSTER



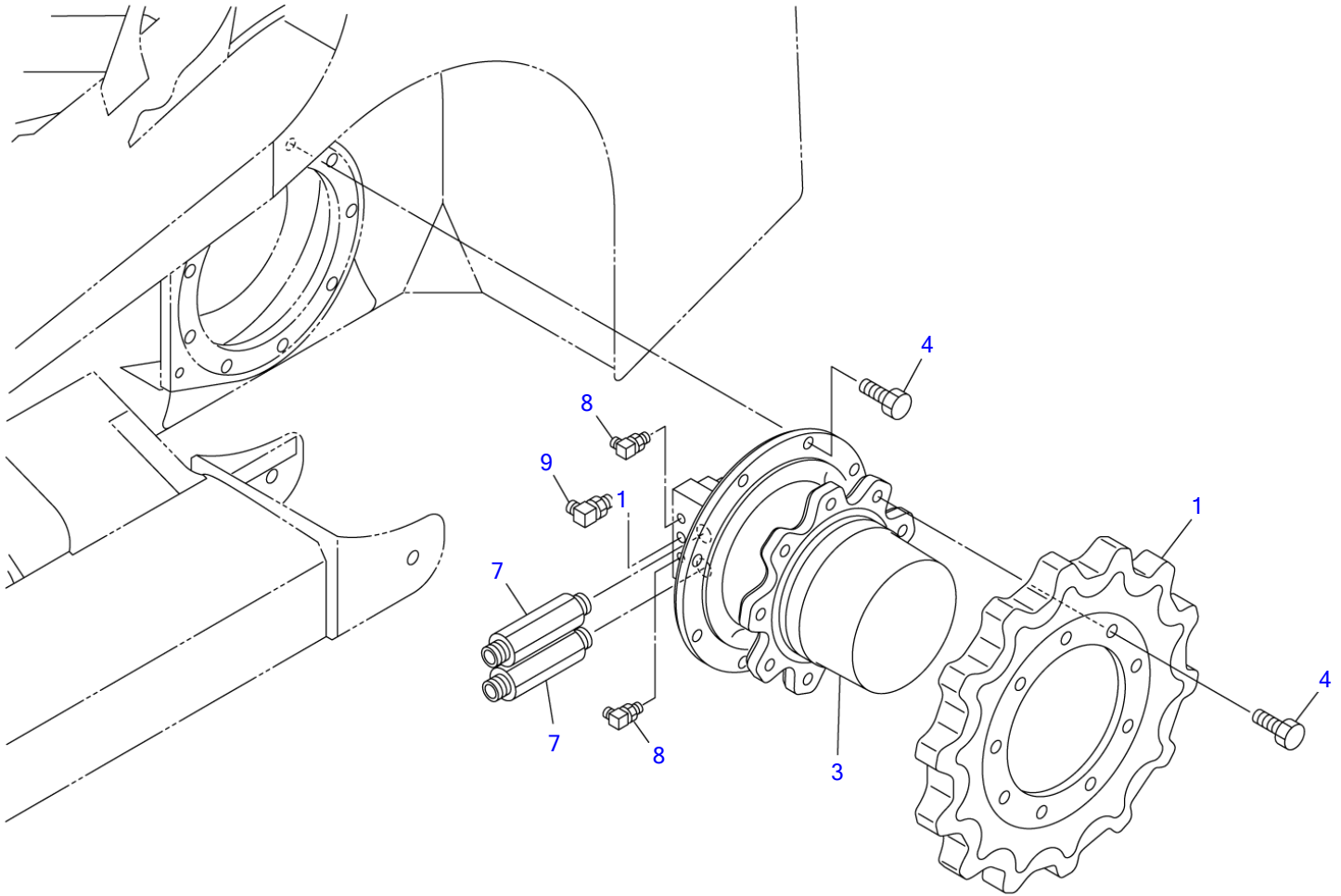
T3A040

S=1/8X110%



**TRACK ADJUSTER**

Item	Part number	Description	Q'ty	Chan.	Serial No.	Serv.	Remarks
		SPRING ASSY (L.H.)					X06515-00000-0
		SPRING ASSY (R.H.)					X06515-00500-0
0-1	<b>0651500100</b>	SPRING SUB ASSY	2				
1	<b>0651500110</b>	• YOKE	1				
2	<b>0880152120</b>	• ROD	1				
3	<b>0007000004</b>	• SPRING	1				
4	<b>1132030024</b>	• NUT	1				
5	<b>1210000545</b>	• PIN, split	1				
6	<b>1141550024</b>	• WASHER	1				
0-2	<b>0651500200</b>	CYLINDER ASSY (L.H.)	1				
	<b>0651500300</b>	CYLINDER ASSY (R.H.)	1				
7	<b>0651500210</b>	• CYLINDER, grease (L.H.)	1				
	<b>0651500310</b>	• CYLINDER, grease (R.H.)	1				
8	<b>0651500220</b>	• PISTON	1				
9	<b>1541300501</b>	• VALVE ASSY, check	1				
10	<b>1400402640</b>	• SEAL, oil	1				
11	<b>1422010450</b>	• O-RING	1				
12	<b>1421020450</b>	• RING, back-up	1				
	<b>T3a040</b>						

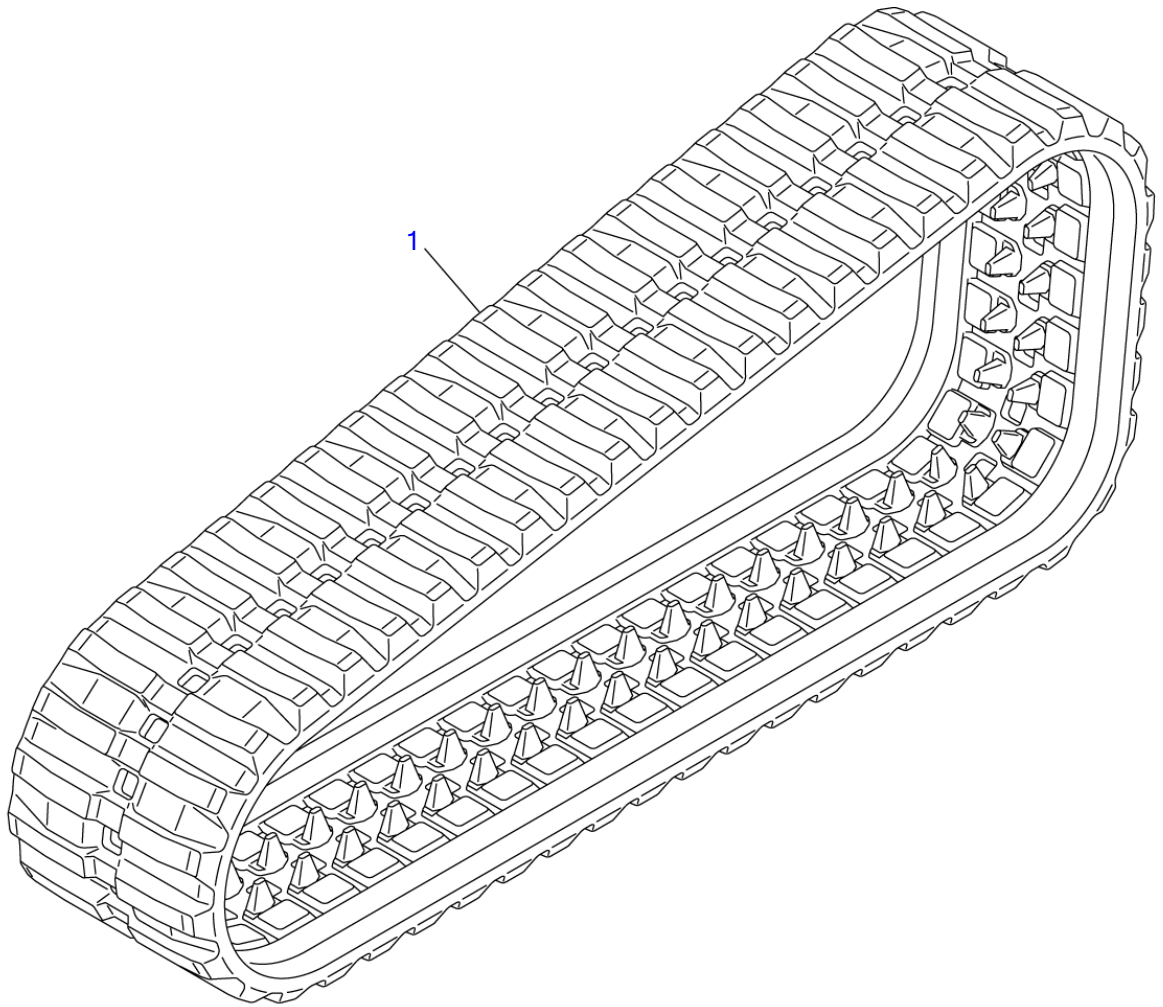


T3A050

S=1/8

**TRAVEL DEVICE**

Item	Part number	Description	Q'ty	Chan.	Serial No.	Serv.	Remarks
		MOTOR ASSY, travel					X06516-00000-1
1	<b>0651600010</b>	SPROCKET	2				
3	<b>1903125400</b>	MOTOR, travel	2				
4	<b>1100041635</b>	BOLT	36				
7	<b>0882160140</b>	ADAPTOR	4				
8	<b>1515012040</b>	ELBOW	4				
	<b>1420010110</b>	• O-RING	1				
9	<b>1515012041</b>	ELBOW	2				
	<b>1420010140</b>	• O-RING	1				
	<b>T3a050</b>						



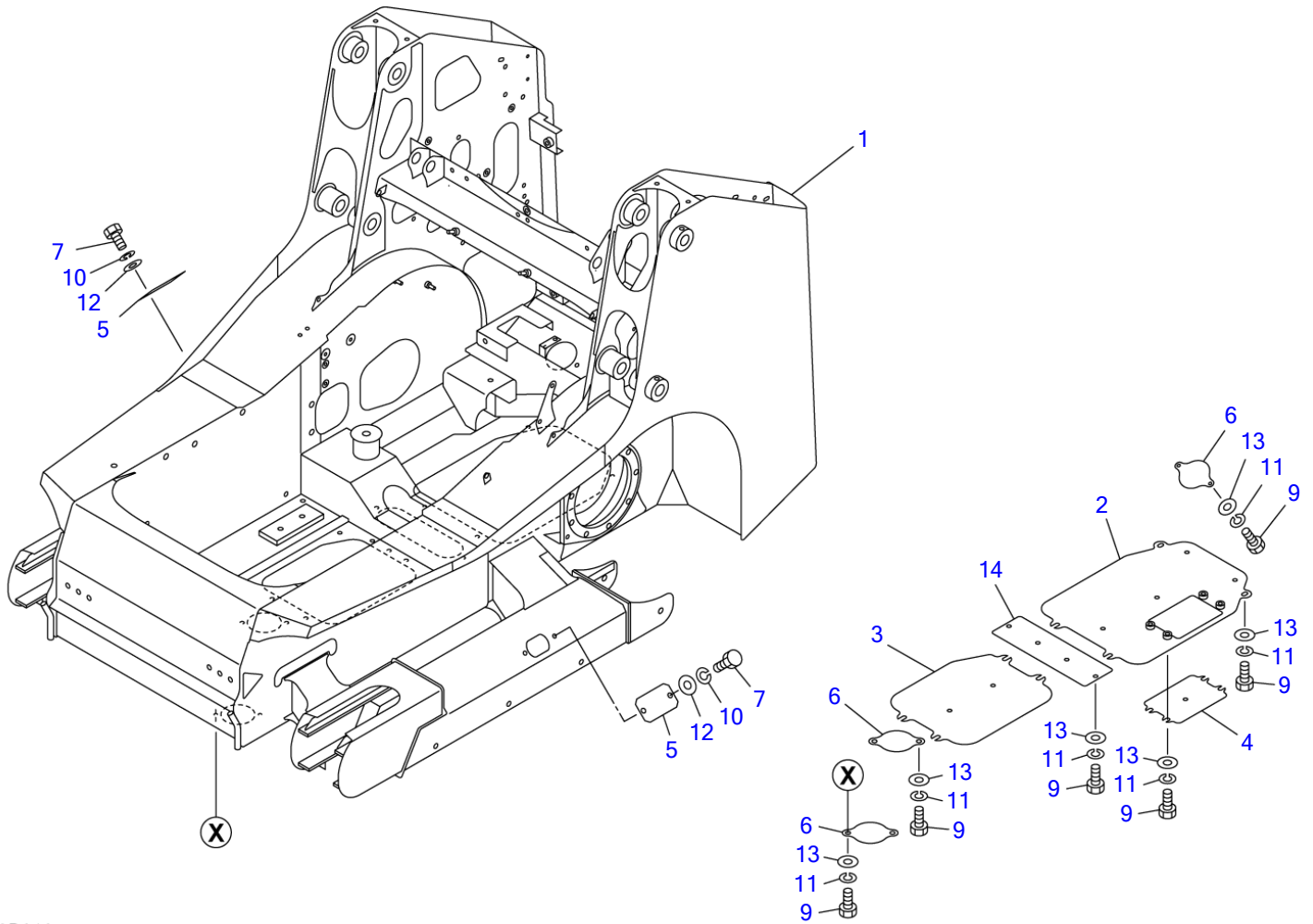
T7A060

S=1/12

**CRAWLER BELT**

Item	Part number	Description	Q'ty	Chan.	Serial No.	Serv.	Remarks
1	<b>1914301310</b> <b>T3a060</b>	BELT, rubber crawler	2				X19143-01310-0

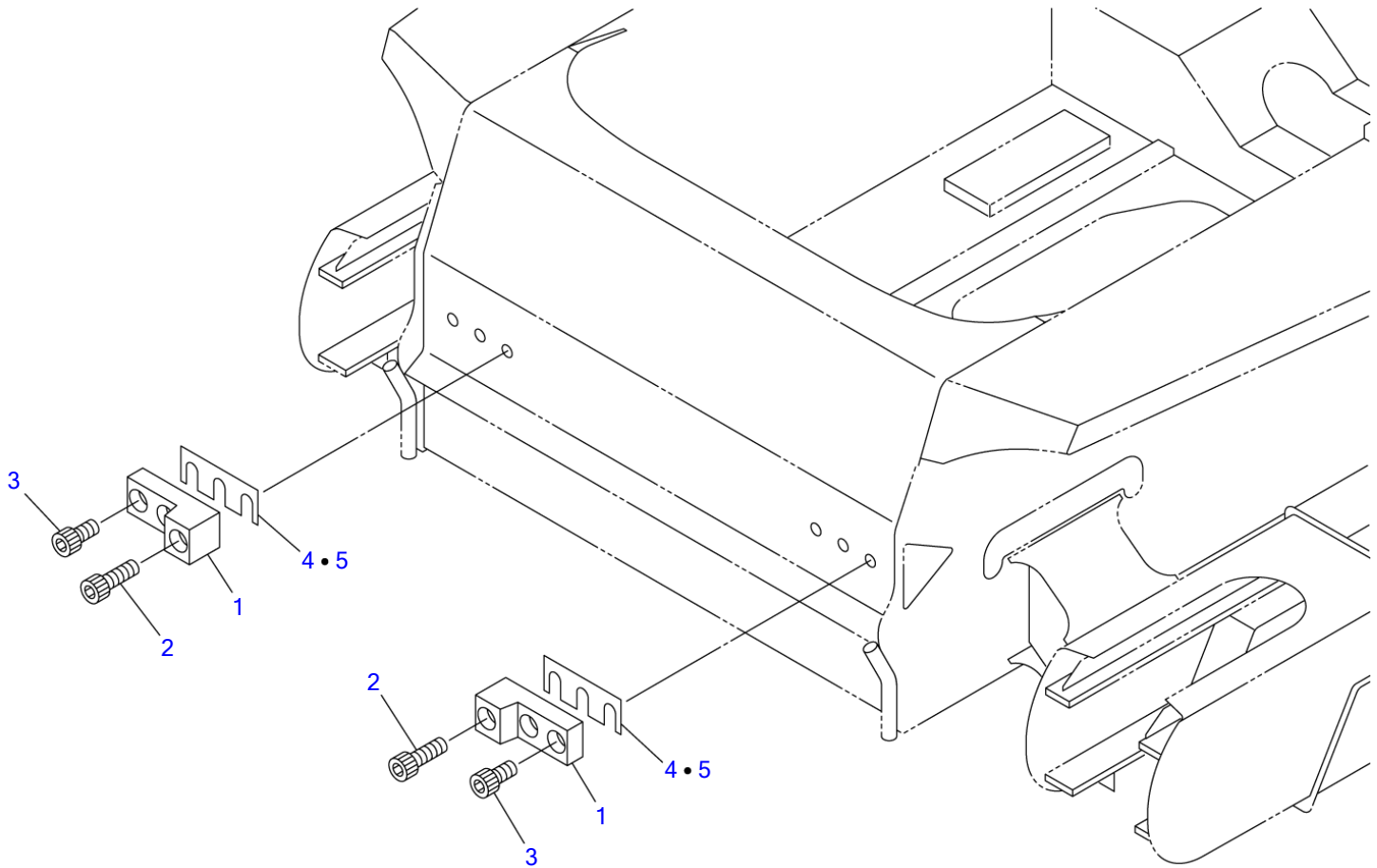
TL120 Book No. BT3Z001-1 S/N 21200008-  
FRAME



T3B010

S=1/20

Item	Part number	Description	FRAME			Remarks
			Q'ty	Chan.	Serial No.	
		TURNTABLE ASSY				X06530-01000-1
1	0653001100	FRAME	1			
2	0653001010	COVER	1			
3	0653000020	COVER	1			
4	0653001030	COVER	1			
5	0331018600	COVER	2			
6	0881302095	COVER	3			
7	1100040816	BOLT	4			
9	1100041020	BOLT	20			
10	1140020008	WASHER, spring	4			
11	1140020010	WASHER, spring	20			
12	1141110008	WASHER	4			
13	1141110010	WASHER	20			
14	0653000040	COVER	1			
	T3b010					



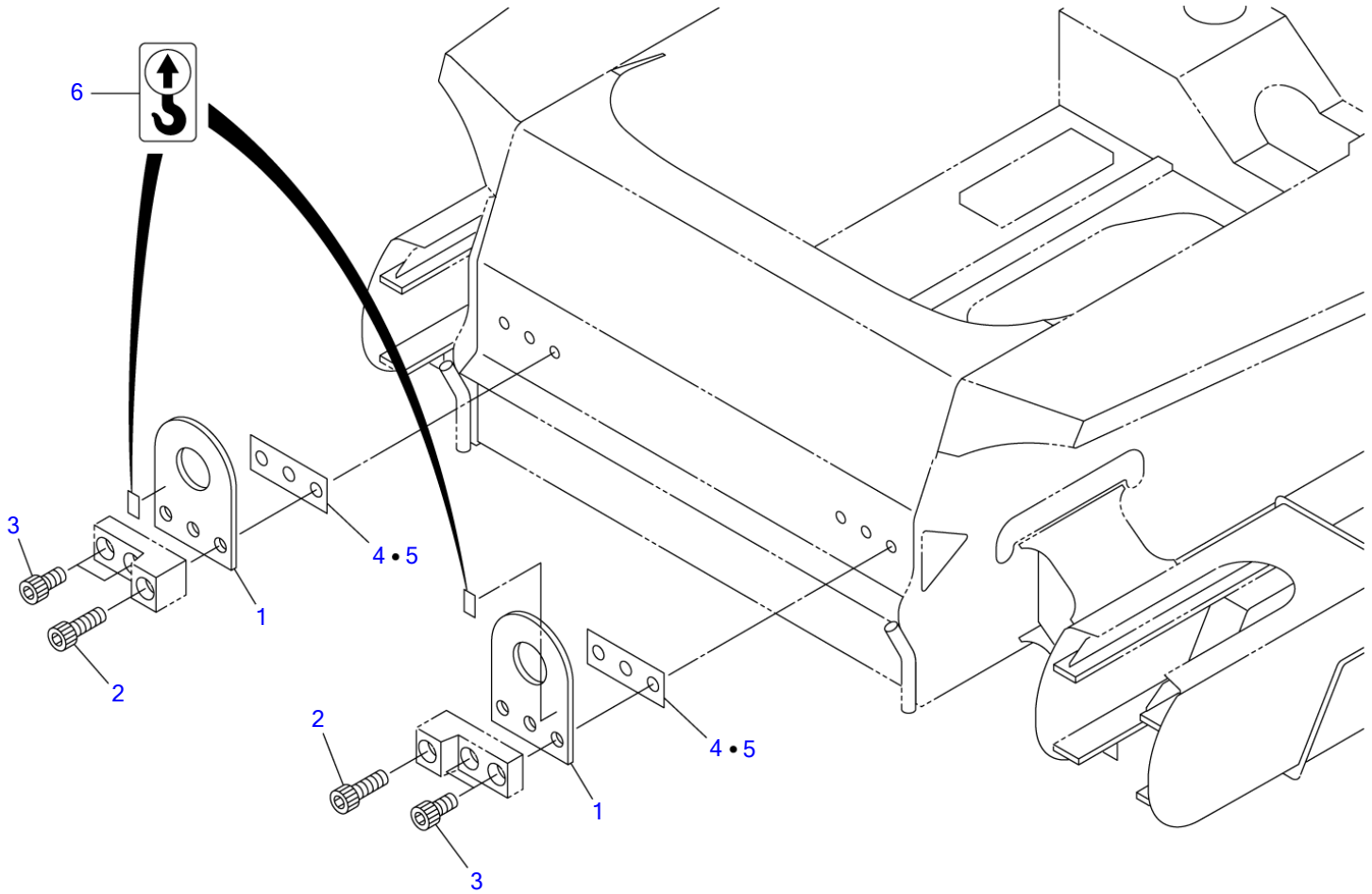
T3B020

S=1/8



**ARM STOPPER**

Item	Part number	Description	Q'ty	Chan.	Serial No.	Serv.	Remarks
		STOPPER ASSY					X06560-00500-0
1	<b>0880604910</b>	STOPPER	2				
2	<b>1110041660</b>	SCREW, cap	2				
3	<b>1110041645</b>	SCREW, cap	4				
4	<b>0880606950</b>	SHIM	AR				t=0.5mm
5	<b>0880604950</b>	SHIM	AR				t=1.0mm
	<b>T3b020</b>						

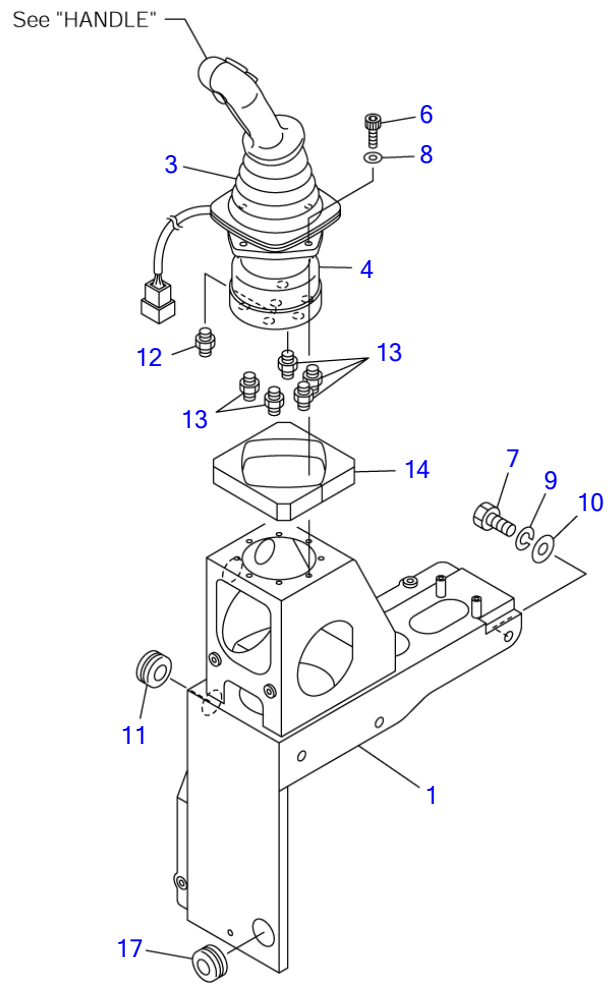
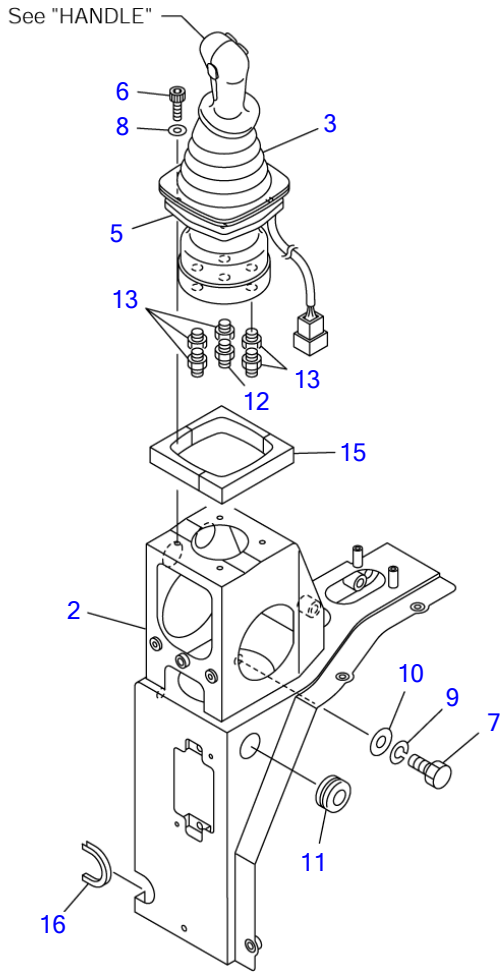


T3B050

S=1/9

HOOK						
Item	Part number	Description	Q'ty	Chan.	Serial No.	Serv. Remarks
		HOOK ASSY				X06530-02000-1
1	<b>0653002010</b>	HOOK	2			M
2	<b>1110041670</b>	SCREW, cap	2			M
3	<b>1110041645</b>	SCREW, cap	4			M
4	<b>0880606950</b>	SHIM	AR			M t=0.5mm
5	<b>0880604950</b>	SHIM	AR			M t=1.0mm
6	<b>0399300500</b>	DECAL	2			M
	<b>T3b050</b>					

TL120 Book No. BT3Z001-1 S/N 21200008-  
OPERATION LEVER & STAND



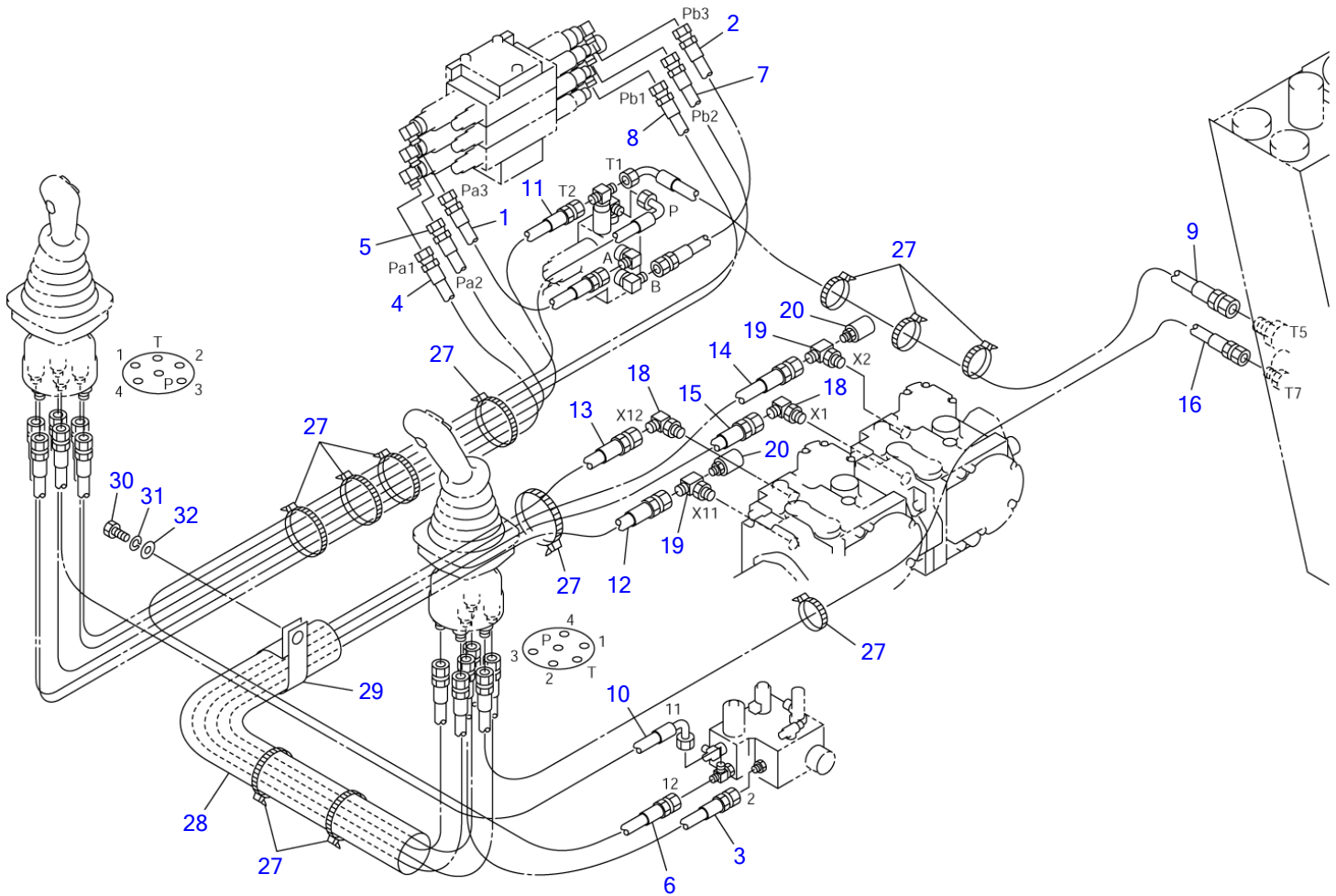
T3B030

S=1/8

**OPERATION LEVER & STAND**

Item	Part number	Description	Q'ty	Chan.	Serial No.	Serv.	Remarks
		VALVE ASSY					X06551-00000-2
1	0655100100	BRACKET (L.H.)	1				
2	0655100200	BRACKET (R.H.)	1				
3	0881510020	BOOT	2				
4	1901747900	VALVE ASSY (L.H.)	1				
5	1901747800	VALVE ASSY (R.H.)	1				
6	1110040625	SCREW, cap	8				
7	1100041020	BOLT	6				
8	1141110006	WASHER	8				
9	1140020010	WASHER, spring	6				
10	0003600020	WASHER	6				
11	1652053001	GROMMET	2				
12	1512370008	ADAPTOR (with filter)	2				
	1420010110	• O-RING	1				
13	1515600200	ADAPTOR	10				
	1420010110	• O-RING	1				
14	0655100014	SPONGE	1				
15	0655100015	SPONGE	1				
16	1653916011	TRIM	1				sold by the meter
17	1652053001	GROMMET	1				
	T3b030						

TL120 Book No. BT3Z001-1 S/N 21200008-  
PIPING; OPERATION LEVER



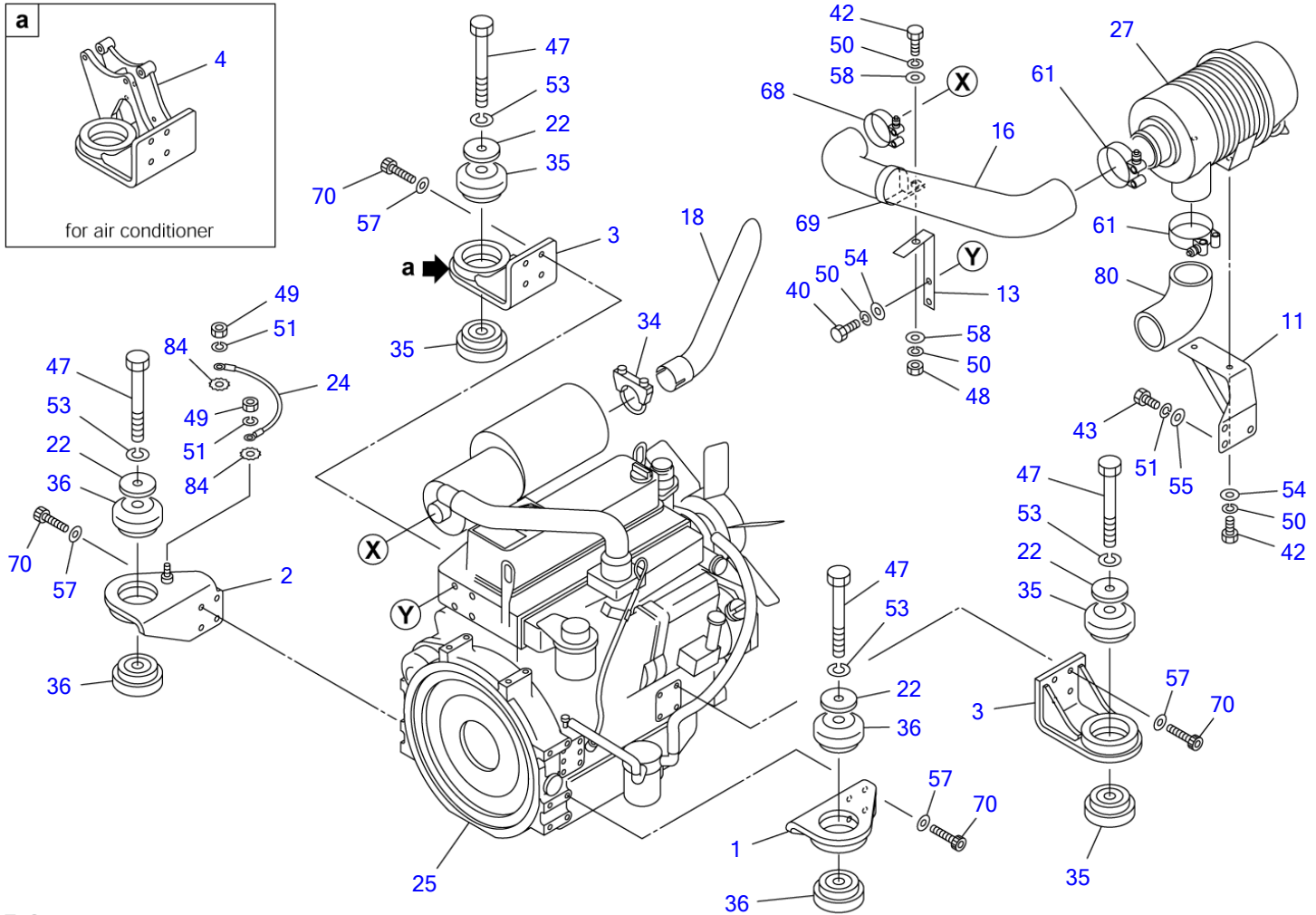
T3B040

S=1/9

**PIPING; OPERATION LEVER**

Item	Part number	Description	Q'ty	Chan.	Serial No.	Serv.	Remarks
		PIPING ASSY					X06571-00000-2
1	0657100010	HOSE ASSY	1				18010-22032
2	0657100020	HOSE ASSY	1				18010-22048
3	0657100030	HOSE ASSY	1				18010-22044
4	0657100040	HOSE ASSY	1				18010-22084
5	0657100050	HOSE ASSY	1				18010-22084
6	0657100060	HOSE ASSY	1				18010-52122
7	0657100070	HOSE ASSY	1				18010-22114
8	0657100080	HOSE ASSY	1				18010-22114
9	0657100090	HOSE ASSY	1				18010-52144
10	0657100100	HOSE ASSY	1				18010-52098
11	0657100110	HOSE ASSY	1				18010-22080
12	0657100120	HOSE ASSY	1				
13	0657100130	HOSE ASSY	1				
14	0657100140	HOSE ASSY	1				
15	0657100150	HOSE ASSY	1				
16	0657100160	HOSE ASSY	1				
18	1512375006	ELBOW	2				
	1420310906	• O-RING	1				
19	1512330005	ELBOW	2				
	1420310906	• O-RING	1				
20	1700100015	SWITCH, pressure	2				
27	1652241300	BAND	11				
28	1531645063	PROTECTOR	1				sold by the meter
29	0007300044	CLAMP	1				
30	1100040820	BOLT	1				
31	1140020008	WASHER, spring	1				
32	1141110008	WASHER	1				
	T3b040						

TL120 Book No. BT3Z001-1 S/N 21200008-  
ENGINE & ACCESSORIES (1/2)



T3C011

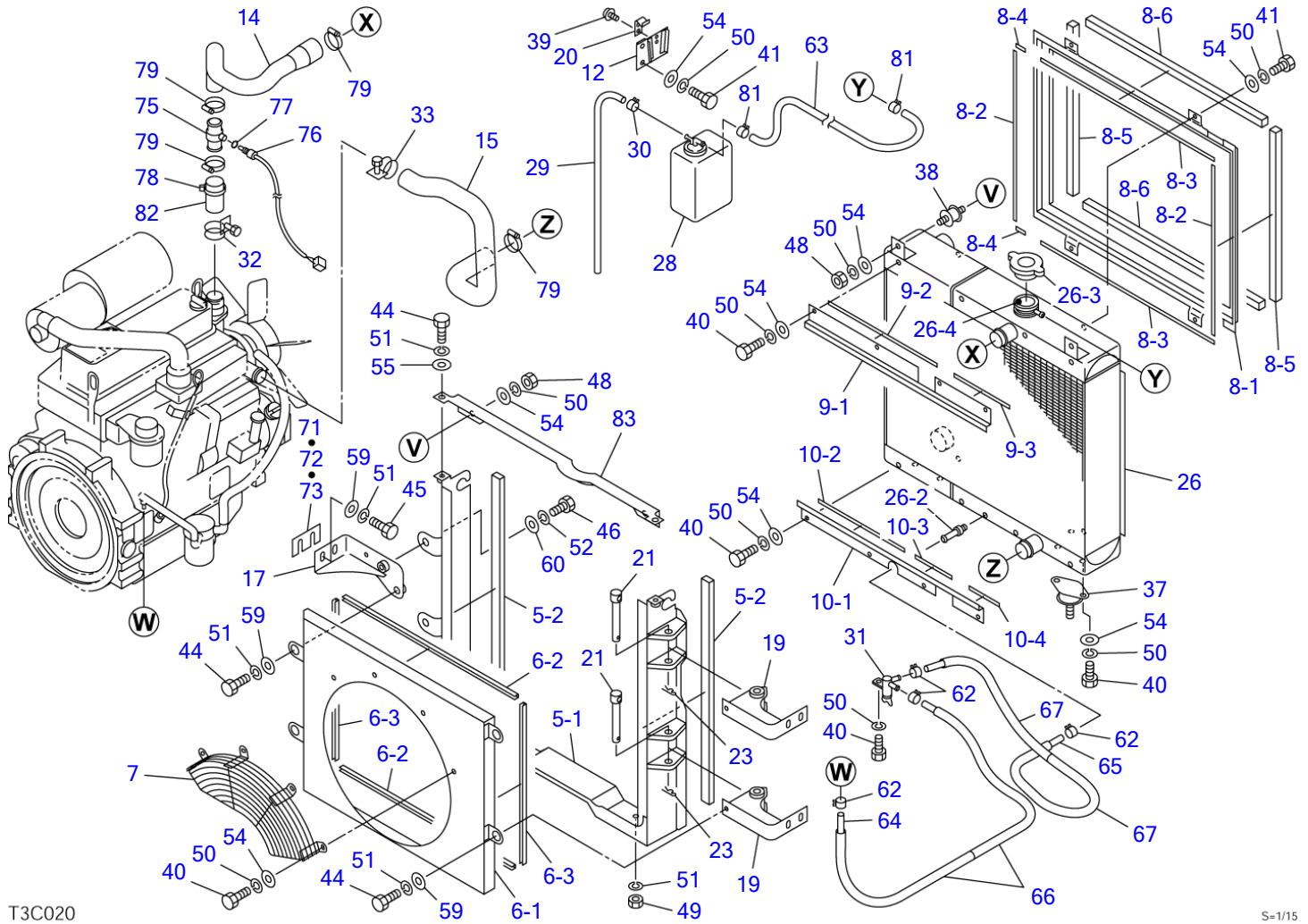
S=1/12



**ENGINE & ACCESSORIES (1/2)**

Item	Part number	Description	Q'ty	Chan.	Serial No.	Serv.	Remarks
		ENGINE ASSY					X06540-00000-6
		ENGINE ASSY (for air conditioner)					X06540-01000-6
1	0654000100	FOOT, engine (F.L.)	1				
2	0654000110	FOOT, engine (F.R.)	1				
3	0654000700	FOOT, engine (R)	2		21200008~21200055	M	
	0654000710	FOOT, engine (R)	2	(H)	21200056~	M	
	0654000700	FOOT, engine (R.L.)	1		21200008~21200055	M	for air conditioner
	0654000710	FOOT, engine (R.L.)	1	(H)	21200056~	M	for air conditioner
4	0654001100	FOOT, engine (R.R.)	1				for air conditioner
11	0654000600	BRACKET	1				
13	0654000013	BRACKET	1				
16	0654000160	HOSE	1				
18	0654000610	PIPE	1				
22	0882400190	WASHER	4				
24	1702402001	CABLE, earth	1				
25	1910211001	ENGINE	1				4TNV84T-XTBL
27	1910161007	CLEANER, air	1				Y129953-12530
34	1533300048	CLAMP	1				,I
35	1651030004	RUBBER, cushion	4				
36	1651030012	RUBBER, cushion	4				
40	1100040816	BOLT	2				
42	1100040825	BOLT	5				
43	1100041020	BOLT	7				
47	1101141640	BOLT	4				
48	1130040008	NUT	1				
49	1130040010	NUT	2				
50	1140020008	WASHER, spring	6				
51	1140020010	WASHER, spring	5				
53	1140020016	WASHER, spring	4				
54	1141110008	WASHER	4				
55	1141110010	WASHER	3			M	
57	1141550010	WASHER	16				
58	0003600079	WASHER	2				
61	0880406710	BAND	2				
68	1533701250	BAND	1			M	
69	0007300044	BAND	1				
70	1110021030	SCREW, cap	16				
80	0654000670	PIPE	1				
84	1140330010	WASHER	1			M	
	T3c011						

TL120 Book No. BT3Z001-1 S/N 21200008-  
ENGINE & ACCESSORIES (2/2)



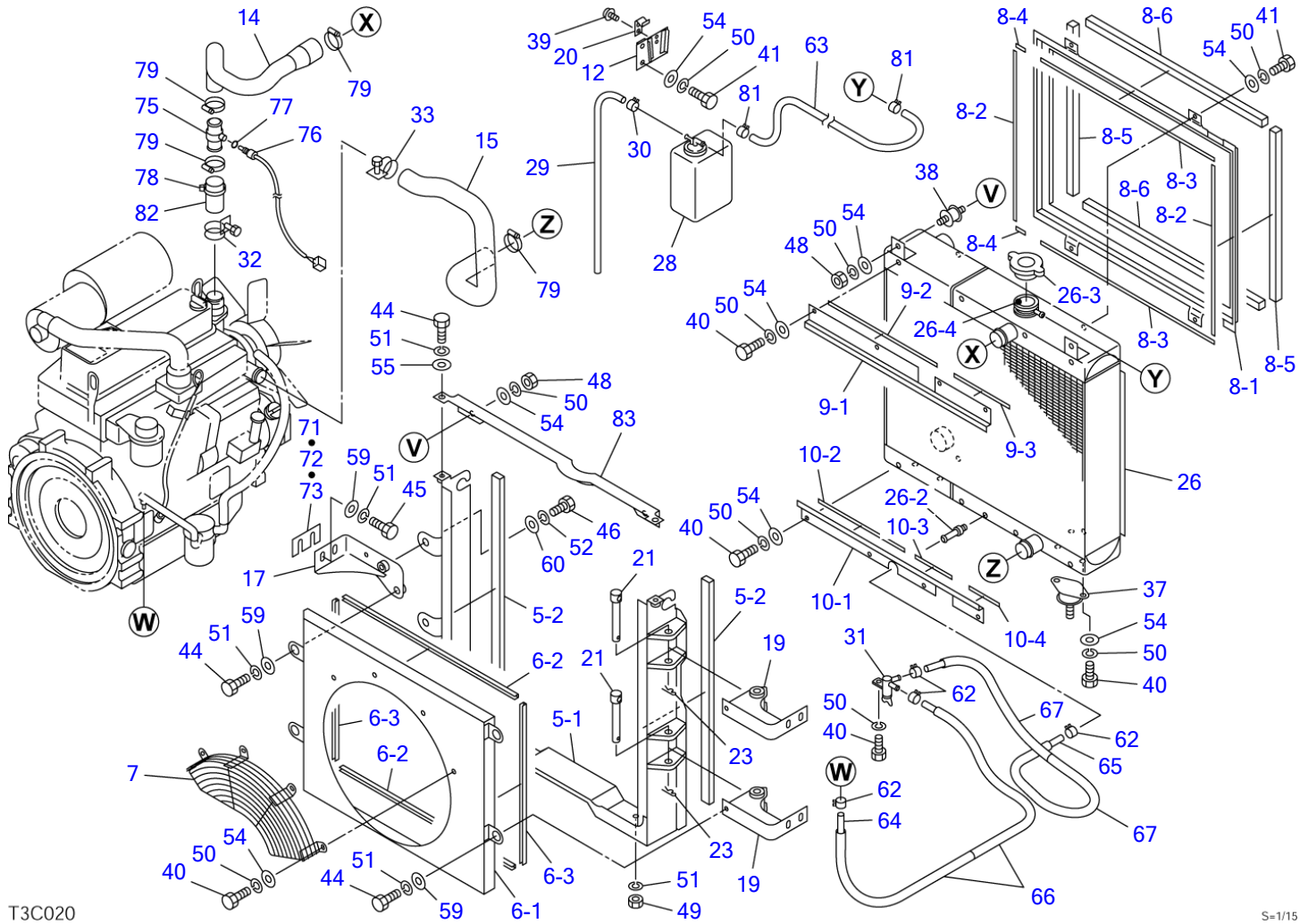
T3C020

S-1/15

**ENGINE & ACCESSORIES (2/2)**

Item	Part number	Description	Q'ty	Chan.	Serial No.	Serv.	Remarks
		ENGINE ASSY					X06540-00000-6
		ENGINE ASSY (for air conditioner)					X06540-01000-6
5	0654000850	FRAME ASSY	1				
5-1	0654000860	• FRAME	1				
5-2	1654343062	• SPONGE	2				sold by the meter
6	0654000250	SHROUD ASSY	1				
6-1	0654000260	• SHROUD	1				
6-2	1654606060	• SEAL	2				sold by the meter
6-3	1654606047	• SEAL	2				sold by the meter
7	0654000300	GUARD	1				
8	0654000400	COVER ASSY	1				
8-1	0654000410	• COVER	1				
8-2	1654318049	• SPONGE	2				sold by the meter
8-3	1654307056	• SPONGE	2				sold by the meter
8-4	1654307003	• SPONGE	2				sold by the meter
8-5	1654349048	• SPONGE	2				sold by the meter
8-6	1654349059	• SPONGE	2				sold by the meter
9	0654000500	PLATE ASSY	1				
9-1	0880406860	• PLATE	1				
9-2	1654307035	• SPONGE	1				sold by the meter
9-3	1654307018	• SPONGE	1				sold by the meter
10	0654000550	PLATE ASSY	1				
10-1	0880406870	• PLATE	1				
10-2	1654307028	• SPONGE	1				sold by the meter
10-3	1654307012	• SPONGE	1				sold by the meter
10-4	1654307010	• SPONGE	1				sold by the meter
12	0654000640	BRACKET	1				
14	0654000141	HOSE	1				
15	0654000150	HOSE	1				
17	0654000170	BRACKET	2				
19	0654000190	HINGE	2				
20	0880406110	PLATE	1				
21	0881402180	PIN	2				
23	1214000016	PIN, snap	2				
26	1911300120	RADIATOR & COOLER, oil	1				AKG
26-2	1911300077	• NIPPLE	1				
26-3	1911300078	• CAP, radiator	1				
26-4	1911300076	• FITTING, hose	1				
28	1910146020	TANK, sub	1				Y129466-44510
29	1910161013	HOSE	1				Y105840-59100
30	1910150018	BAND	1				Y124722-59050
31	1910078037	VALVE	1				Y129150-49100
32	1910006013	BAND	1				Y23010-038000
33	1910195015	BAND	1				Y23010-044000
37	0881406050	RUBBER, cushion	2				
38	1651014003	RUBBER, cushion	2				
39	1150120410	SCREW	2				
40	1100040816	BOLT	17				
41	1100040820	BOLT	6				
44	1100041025	BOLT	6				
45	1100041030	BOLT	4				
46	1100041240	BOLT	2				
48	1130040008	NUT	8				
49	1130040010	NUT	2				
50	1140020008	WASHER, spring	31				
51	1140020010	WASHER, spring	12				
52	1140020012	WASHER, spring	2				
54	1141110008	WASHER	32				
55	1141110010	WASHER	2				
59	0003600025	WASHER	12				
60	0003600136	SHIM	2				
62	1533120012	BAND	4				
63	1530808095	HOSE	1				sold by the meter
64	1530808130	HOSE	1				sold by the meter
65	1530808055	HOSE	1			M	sold by the meter
66	1531115060	PROTECTOR	2				sold by the meter
67	1531115022	PROTECTOR	2			M	sold by the meter
71	0880406610	SHIM	AR				t=1.6mm

TL120 Book No. BT3Z001-1 S/N 21200008-  
ENGINE & ACCESSORIES (2/2)

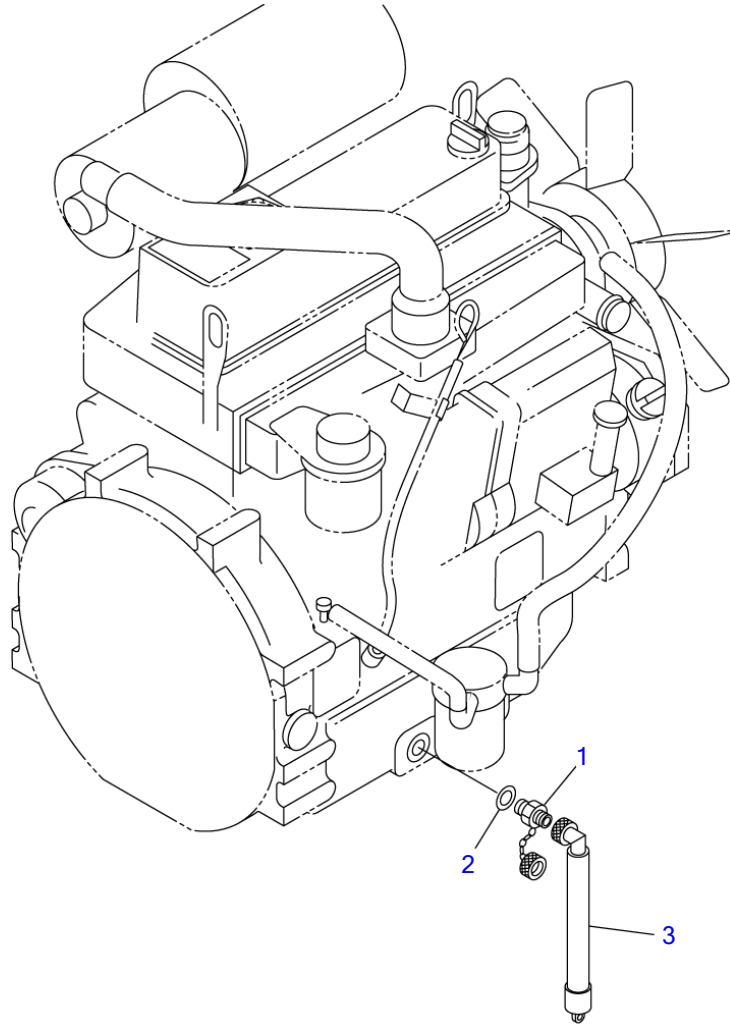


T3C020

S-1/15

**ENGINE & ACCESSORIES (2/2)**

Item	Part number	Description	Qty	Chan.	Serial No.	Serv.	Remarks
72	0880406620	SHIM	AR				t=3.2mm
73	0880406630	SHIM	AR				t=4.5mm
75	0654000660	JOINT	1				
76	1700100046	SENSOR	1				
77	1420000100	O-RING	1				
78	1652241200	BAND	1				
79	1533700057	BAND	4				
81	1533120008	BAND	2			M	
82	0654000142	HOSE	1				
83	0654000870	SUPPORT	1				
	T3c021						

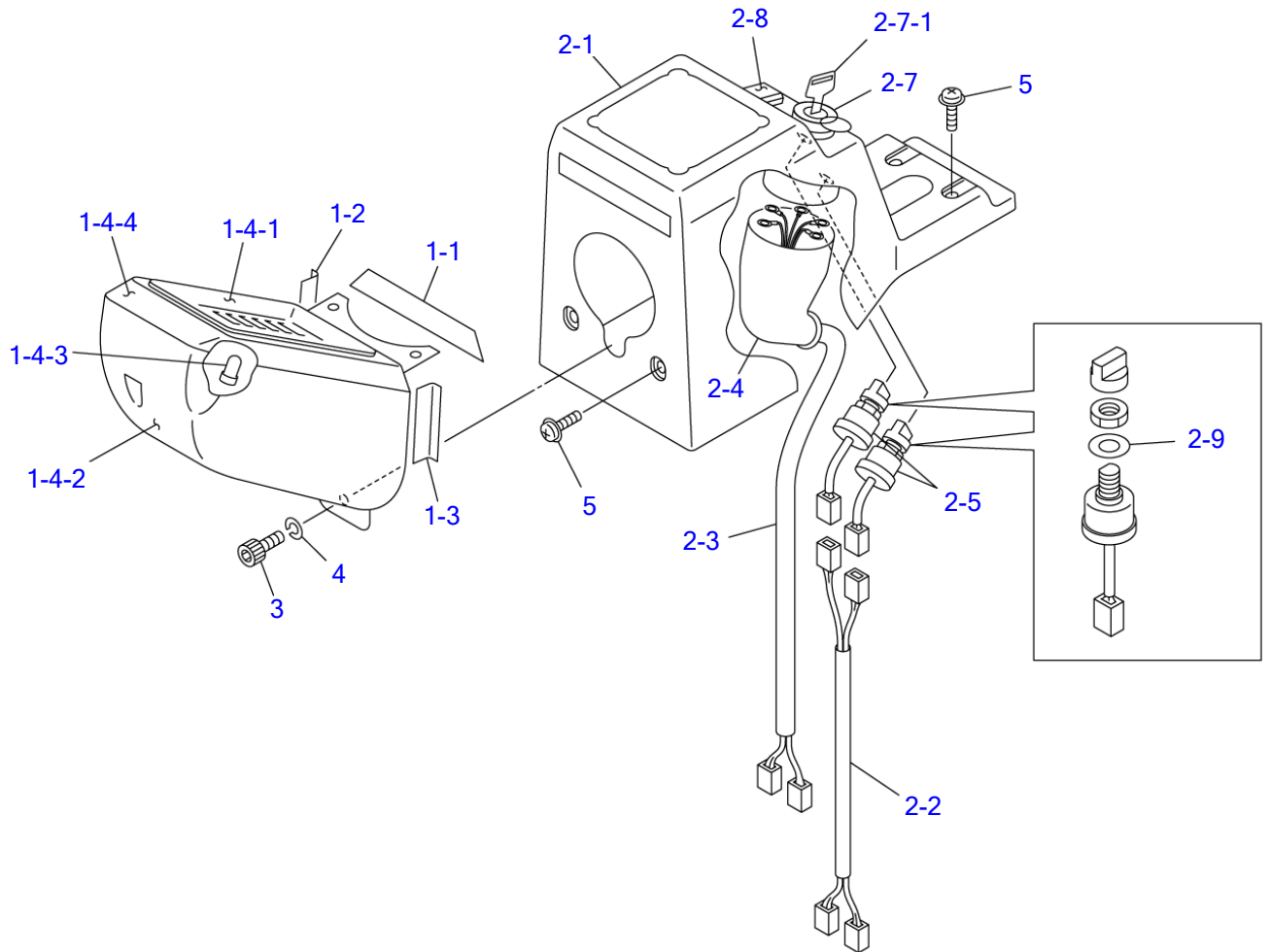


T3C120

S=1/7

**DRAIN PLUG**

Item	Part number	Description	Q'ty	Chan.	Serial No.	Serv.	Remarks
		PLUG ASSY, drain					X03340-13000-2
1	1554502250	PLUG	1			M	
2	1432122032	WASHER	1			M	
3	1554512601	TUBE	1			M	
	T8c031						



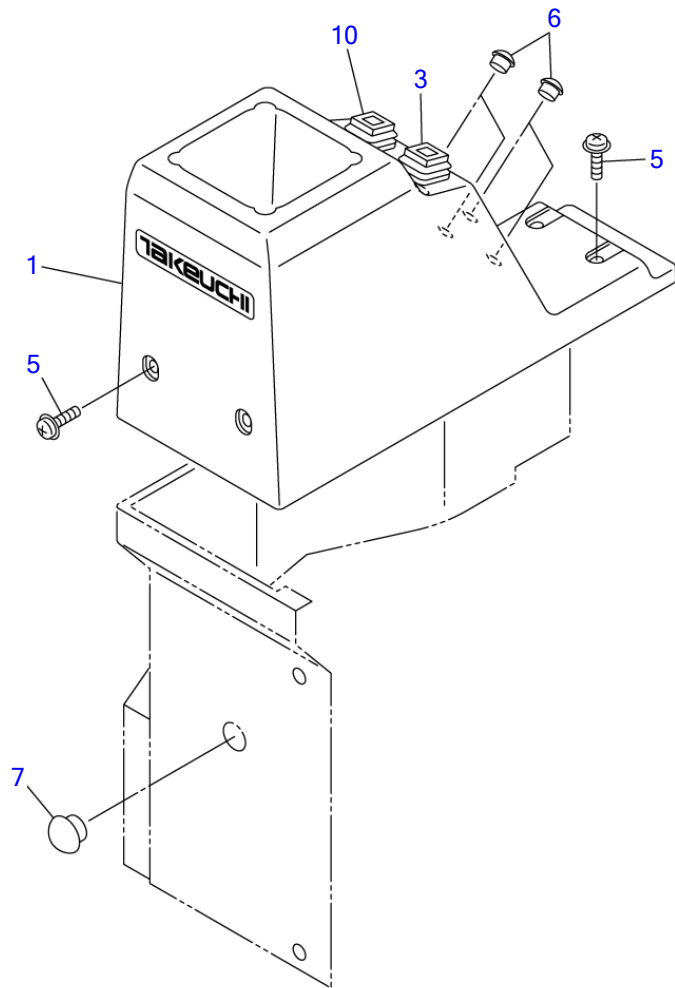
T3C030

S=1/5, 1/4



**CONTROL BOX; R.H.**

Item	Part number	Description	Q'ty	Chan.	Serial No.	Serv.	Remarks
		COVER ASSY (R.H.)					X06543-00000-0
1	<b>0654300100</b>	GAUGE ASSY, cluster	1				
1-1	<b>0881430901</b>	▪ ABSORBENT, noise	1				
1-2	<b>0881430902</b>	▪ ABSORBENT, noise	1				
1-3	<b>0881430903</b>	▪ ABSORBENT, noise	1				
1-4	<b>1730140970</b>	▪ GAUGE, cluster	1				
1-4-1	<b>1730140782</b>	▪ ▪ GLASS	1				
1-4-2	<b>1730140785</b>	▪ ▪ COVER	1				
1-4-3	<b>1730140796</b>	▪ ▪ BULB	10				14V, 1.4W
1-4-4	<b>1730140788</b>	▪ ▪ VISOR	1				
2	<b>0882430100</b>	COVER ASSY, sub (R.H.)	1				
2-1	<b>0881430870</b>	▪ COVER (R.H.)	1				
2-2	<b>0881430880</b>	▪ HARNESS, wiring	1				
2-3	<b>0881430960</b>	▪ HARNESS, wiring	1				
2-4	<b>0870431821</b>	▪ COVER	1				
2-5	<b>1700000010</b>	▪ SWITCH, lamp	2				
2-7	<b>1700100052</b>	▪ SWITCH, starter	1				
2-7-1	<b>1700100019</b>	▪ KEY	1				
2-8	<b>1700550024</b>	▪ ORNAMENT	1				
2-9	<b>1141810012</b>	▪ WASHER	2				
3	<b>1110020820</b>	SCREW, cap	1				
4	<b>1140090008</b>	WASHER, spring	1				
5	<b>1150420614</b>	SCREW	4				
	<b>T3c030</b>						



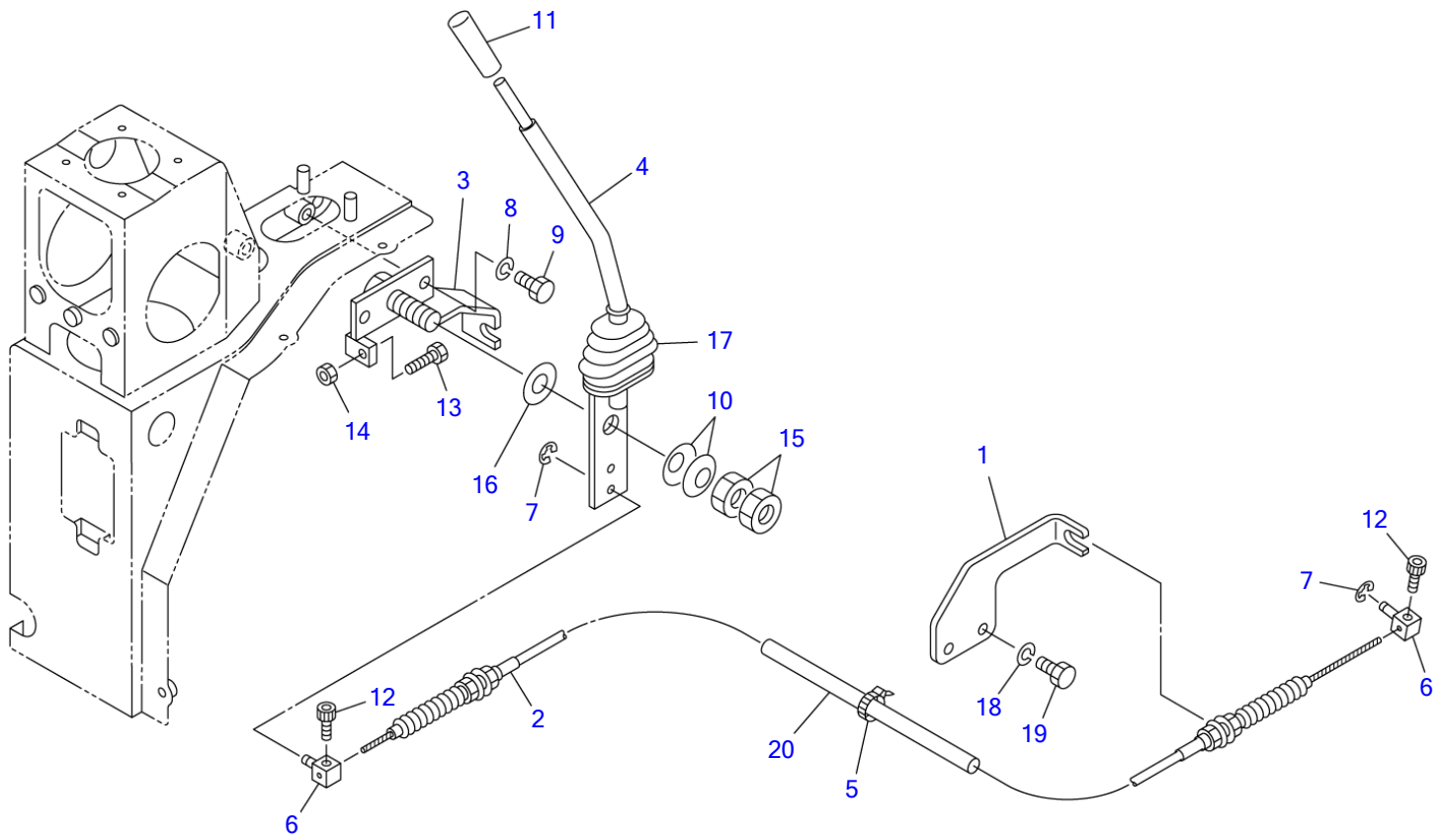
T7C040

S=1/5

**CONTROL BOX; L.H.**

Item	Part number	Description	Q'ty	Chan.	Serial No.	Serv.	Remarks
		COVER ASSY (L.H.)					X08814-30700-2
1	<b>0881430770</b>	COVER (L.H.)	1				
3	<b>1700000034</b>	SWITCH	1				
5	<b>1150420614</b>	SCREW, sems	4				
6	<b>1652533019</b>	CAP	4				
7	<b>1652533023</b>	CAP	1				
10	<b>1700000035</b>	SWITCH	1				
	<b>T7c041</b>						

TL120 Book No. BT3Z001-1 S/N 21200008-  
ENGINE CONTROL

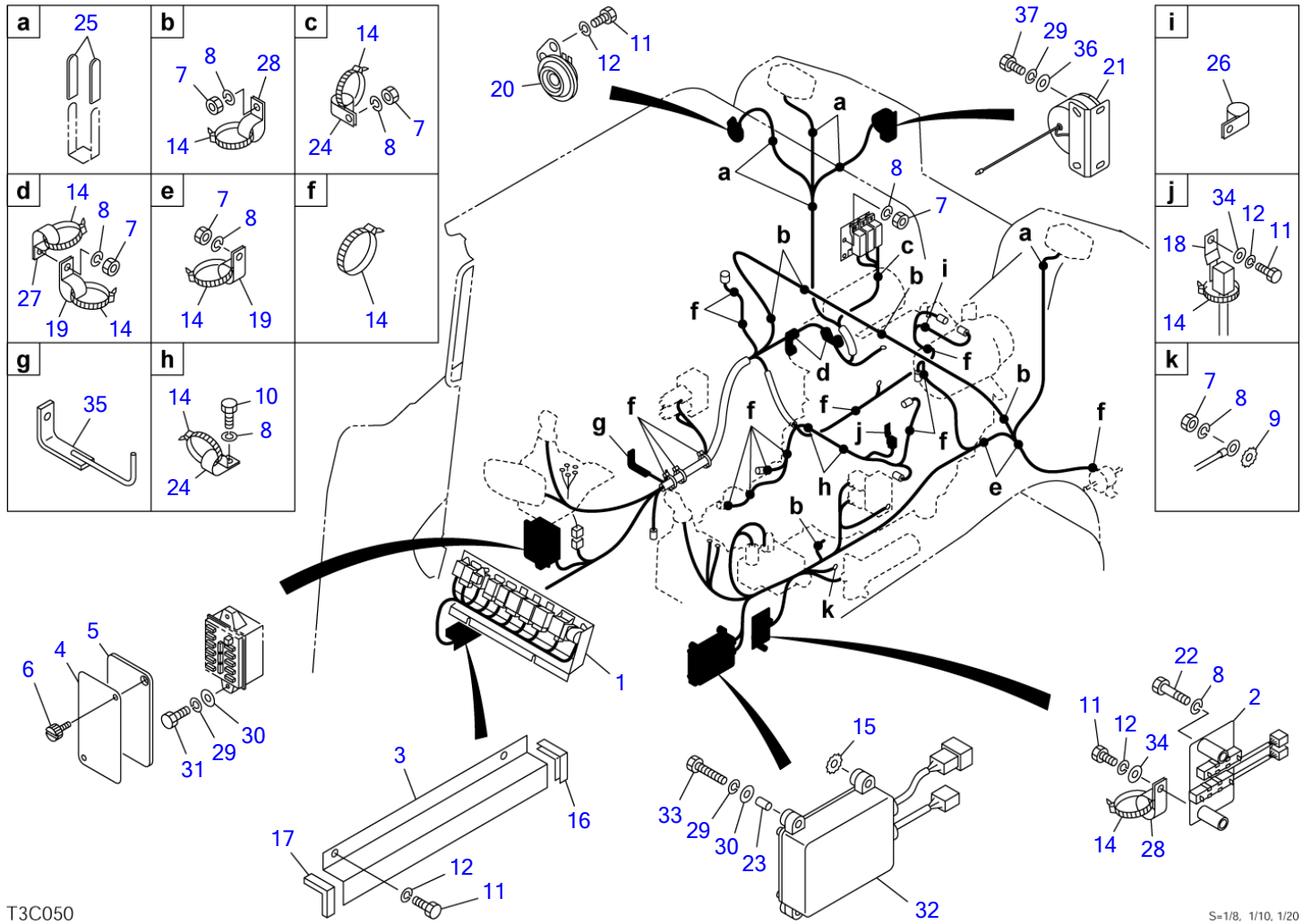


T3C040

S=1/6

**ENGINE CONTROL**

Item	Part number	Description	Q'ty	Chan.	Serial No.	Serv.	Remarks
		CONTROL ASSY, engine					X06541-01000-1
1	0654101010	BRACKET	1				
2	0654101020	WIRE	1				
3	0654100030	PLATE	1				
4	0654101040	LEVER	1				
5	1652231250	BAND	1				
6	0007900020	PIN	2				
7	1224010006	RING, retaining	2				
8	1140020010	WASHER, spring	2				
9	1100041020	BOLT	2				
10	1225110018	WASHER, conical	2				
11	1650132050	GRIP	1				
12	1110040510	SCREW, cap	2				
13	1100040825	BOLT	1				
14	1130040008	NUT	1				
15	0064111700	NUT	2				
16	1141550018	WASHER	1				
17	0334120100	BOOT	1				
18	1140020008	WASHER, spring	2				
19	1100040820	BOLT	2				
20	1703210720	PROTECTOR	1				sold by the meter
	T3c040						



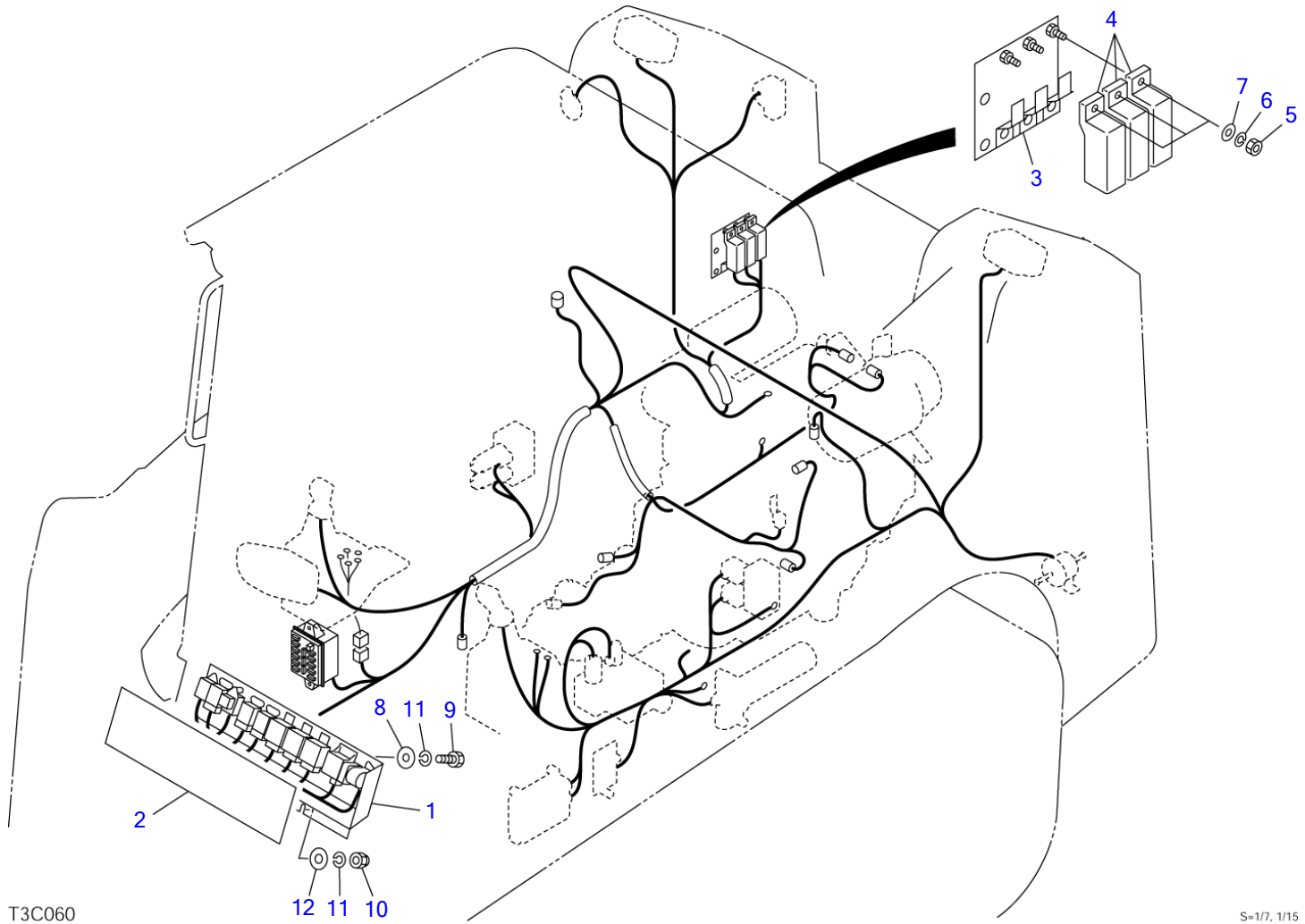
T3C050

S-1/8, 1/10, 1/20

## ELECTRICAL (1/3)

Item	Part number	Description	Q'ty	Chan.	Serial No.	Serv.	Remarks
		ELECTRICAL ASSY					X06542-01000-1
1	0654201100	UNIT ASSY, relay	1				see page (2/3)
2	0654200800	RESISTOR	1				
3	0654201010	PLATE	1				
4	0881430802	COVER	1				
5	0881430803	INSULATOR	1				
6	1652711698	SCREW	1				
7	1130040010	NUT	11				
8	1140020010	WASHER, spring	16				
9	1140330010	WASHER	1				
10	1100041016	BOLT	3				
11	1100040812	BOLT	6				
12	1140020008	WASHER, spring	6				
14	1652231250	BAND	30				
15	1140330006	WASHER	1				
16	1654606009	TRIM	1				sold by the meter
17	1653916009	TRIM	1				sold by the meter
18	1711900064	CLIP	1				
19	1711900129	CLAMP	2				
20	1703500712	HORN	1				
21	1703700013	BUZZER	1				
22	1100041050	BOLT	2				
23	1531007002	HOSE	4				sold by the meter
24	1711900076	CLAMP	3				
25	0872433150	TUBE	12				
26	1711900105	CLAMP	1				
27	1711900071	CLAMP	2				
28	1711900072	CLAMP	7				
29	1140020006	WASHER, spring	11				
30	1141110006	WASHER	9				
31	1100040612	BOLT	2				
32	1730140730	CONTROLLER	1				
33	1100040630	BOLT	4				
34	1141110008	WASHER	2				
35	0654201020	BRACKET	1				
36	0003600110	WASHER	2				
37	1100040610	BOLT	2				

T3c050



T3C060

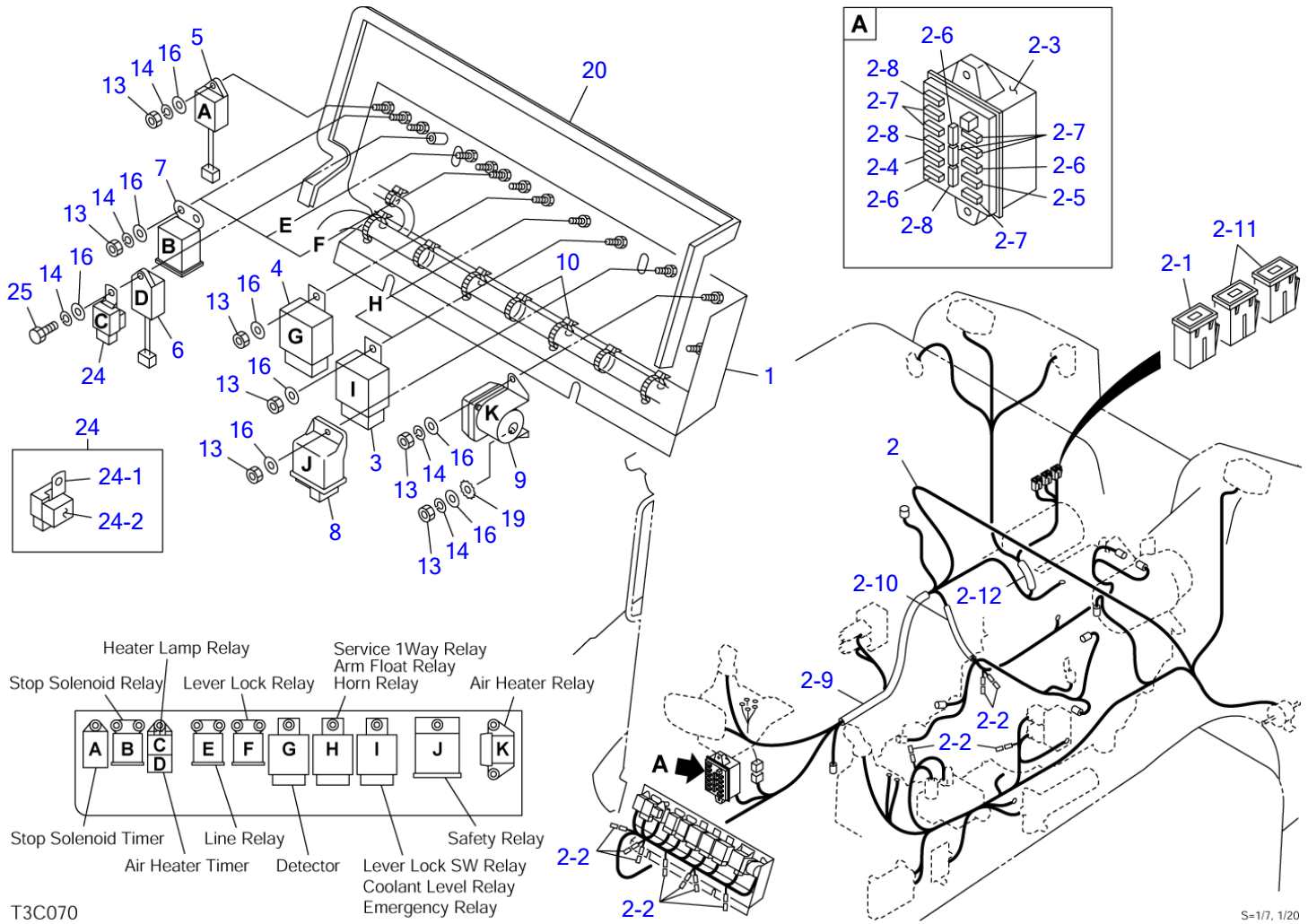
S=1/7, 1/15



**ELECTRICAL (2/3)**

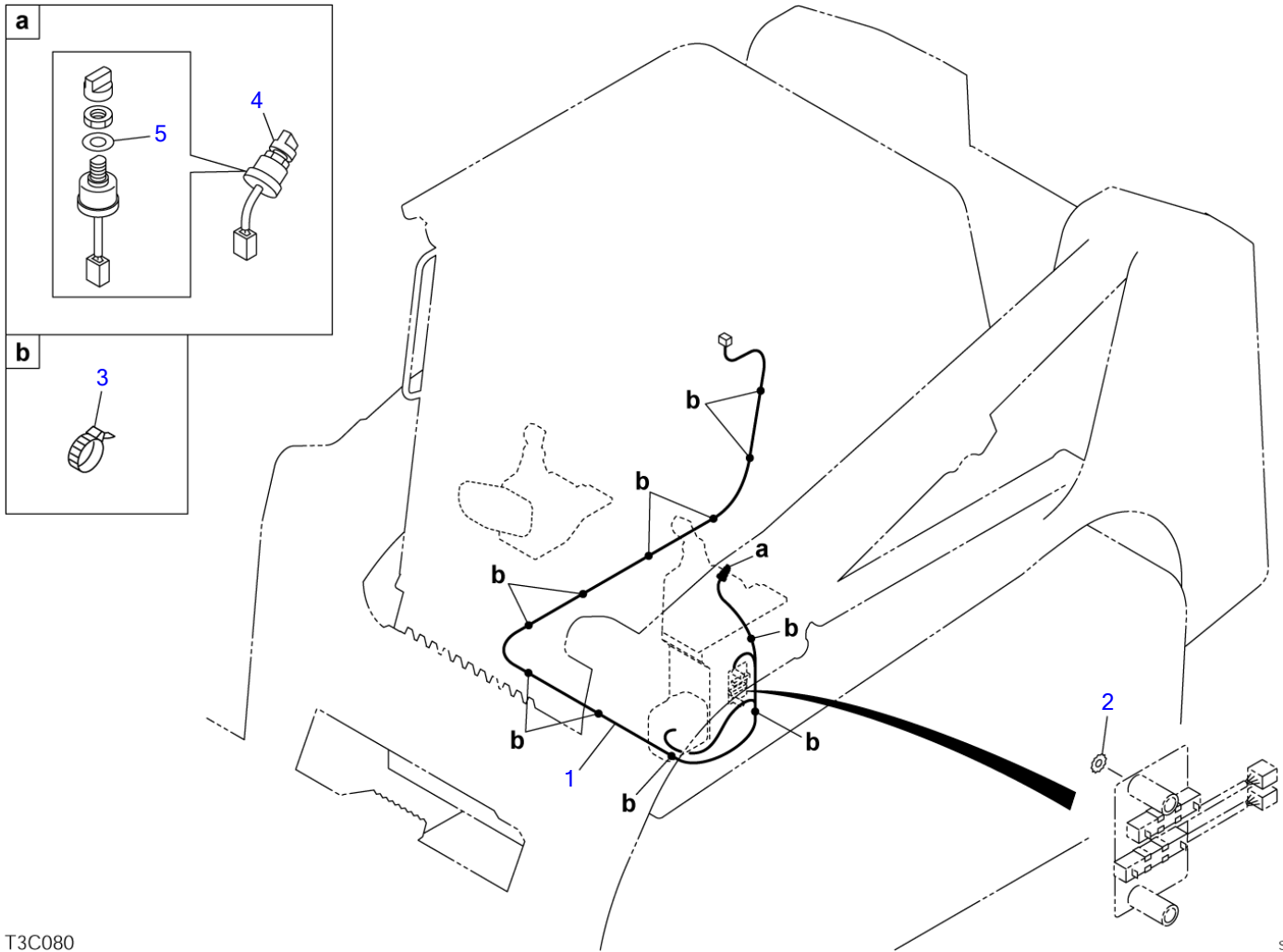
Item	Part number	Description	Q'ty	Chan.	Serial No.	Serv.	Remarks
0-1	<b>0654201100</b>	UNIT ASSY, relay	1				X06542-01100-0
1	<b>0654200700</b>	▪ UNIT, relay	1				see page (3/3)
2	<b>0881423120</b>	▪ RUBBER	1				
3	<b>0654201110</b>	▪ BRACKET	1				
4	<b>1700100038</b>	▪ COVER	3				
5	<b>1130040006</b>	▪ NUT	3				
6	<b>1140020006</b>	▪ WASHER, spring	3				
7	<b>0003600110</b>	▪ WASHER	3				
8	<b>0003608252</b>	▪ WASHER	2				
9	<b>1100040816</b>	▪ BOLT	2				
10	<b>1134230008</b>	▪ NUT	2				
11	<b>1140020008</b>	▪ WASHER, spring	4				
12	<b>1141110008</b>	▪ WASHER	2				

**T3c060**



**ELECTRICAL (3/3)**

Item	Part number	Description	Q'ty	Chan.	Serial No.	Serv.	Remarks
0-2	<b>0654200700</b>	UNIT, relay	1				X06542-00700-2
1	<b>0654200710</b>	• BOX, relay	1				
2	<b>0654200600</b>	• HARNESS ASSY, wiring	1				
2-1	<b>1701330065</b>	• • LINK, fusible	1				65A
2-2	<b>1730500008</b>	• • DIODE (3A yellow)	11				
2-3	<b>1701200002</b>	• • BOX, fuse	1				V72774A-0100
2-4	<b>1701310002</b>	• • FUSE	1				2A
2-5	<b>1701310005</b>	• • FUSE	1				5A
2-6	<b>1701310010</b>	• • FUSE	3				10A
2-7	<b>1701310020</b>	• • FUSE	6				20A
2-8	<b>1701310030</b>	• • FUSE	3				30A
2-9	<b>1531335050</b>	• • PROTECTOR	1				sold by the meter
2-10	<b>1531325025</b>	• • PROTECTOR	1				sold by the meter
2-11	<b>1701330045</b>	• • LINK, fusible	2				45A
2-12	<b>1531330020</b>	• • PROTECTOR	1				sold by the meter
3	<b>1711900062</b>	• RELAY	2				
4	<b>1711900131</b>	• DETECTOR	1				
5	<b>1910150118</b>	• UNIIT, timer	1				Y129211-77920
6	<b>1910074016</b>	• UNIIT, timer	1				Y128300-77920
7	<b>1910161119</b>	• RELAY	3				Y119646-77900
8	<b>1910061106</b>	• RELAY, safety	1				Y119802-77200
9	<b>1910050116</b>	• RELAY, heater	1				Y129100-77910
10	<b>1652201005</b>	• BAND	8				
13	<b>1130040006</b>	• NUT	13				
14	<b>1140020006</b>	• WASHER, spring	7				
16	<b>1141110006</b>	• WASHER	14				
19	<b>1140330006</b>	• WASHER	1				
20	<b>1654606080</b>	• TRIM	1				sold by the meter
24	<b>0334242540</b>	• RELAY ASSY	1				
24-1	<b>1711900042</b>	• • RELAY	1				
24-2	<b>1654301003</b>	• • SPONGE	1				sold by the meter
25	<b>1100040616</b>	• BOLT	1				
	<b>T3c070</b>						

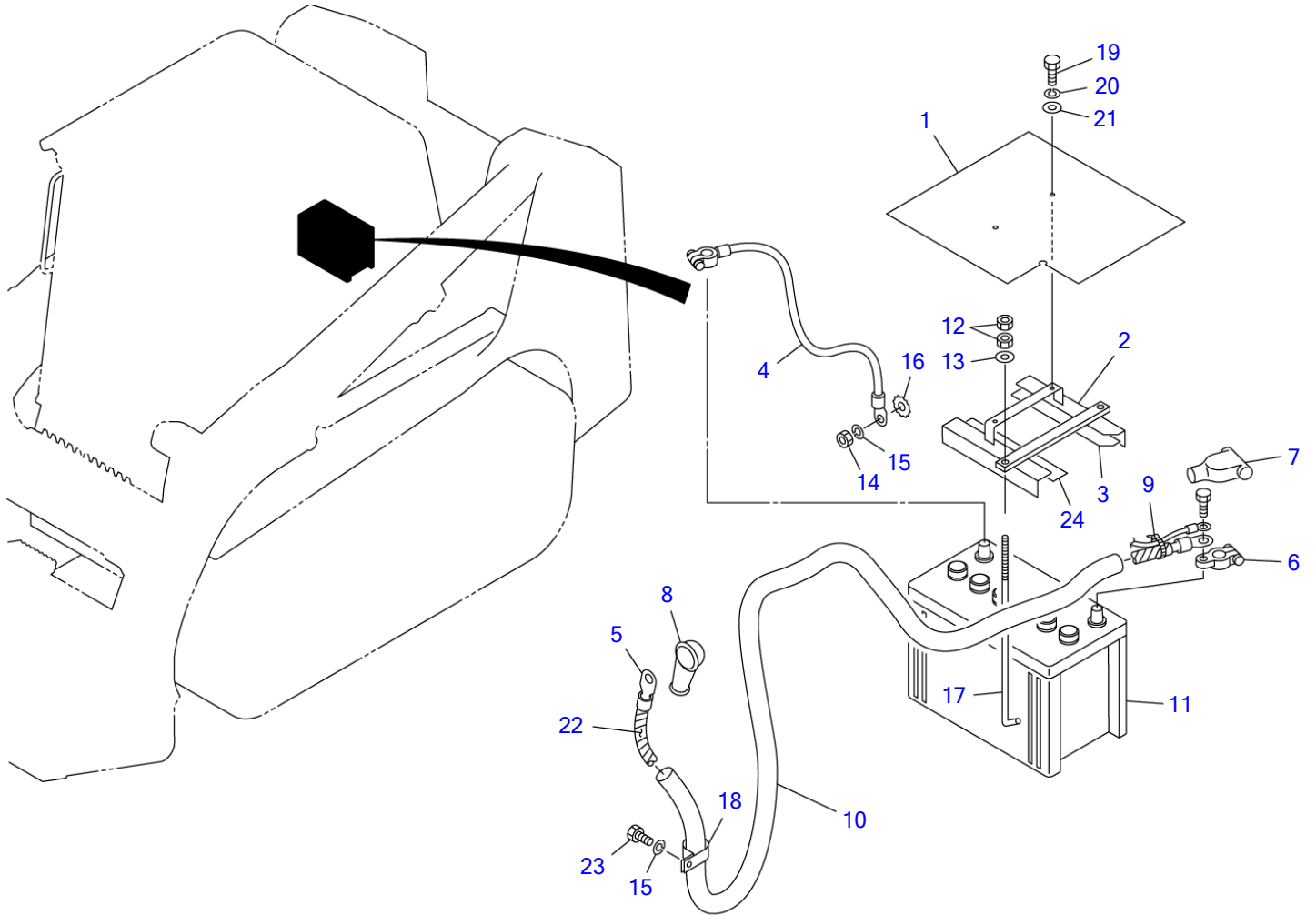


T3C080

S=1/5, 1/20

**ELECTRICAL (cab)**

Item	Part number	Description	Q'ty	Chan.	Serial No.	Serv.	Remarks
		ELECTRICAL ASSY					X08804-27800-1
1	<b>0880427810</b>	HARNES, wiring	1				
2	<b>1140330010</b>	WASHER	1				
3	<b>1652231250</b>	BAND	10				
4	<b>1704300007</b>	SWITCH, wiper	1				
5	<b>1141810012</b>	WASHER	1				
	<b>T3c080</b>						



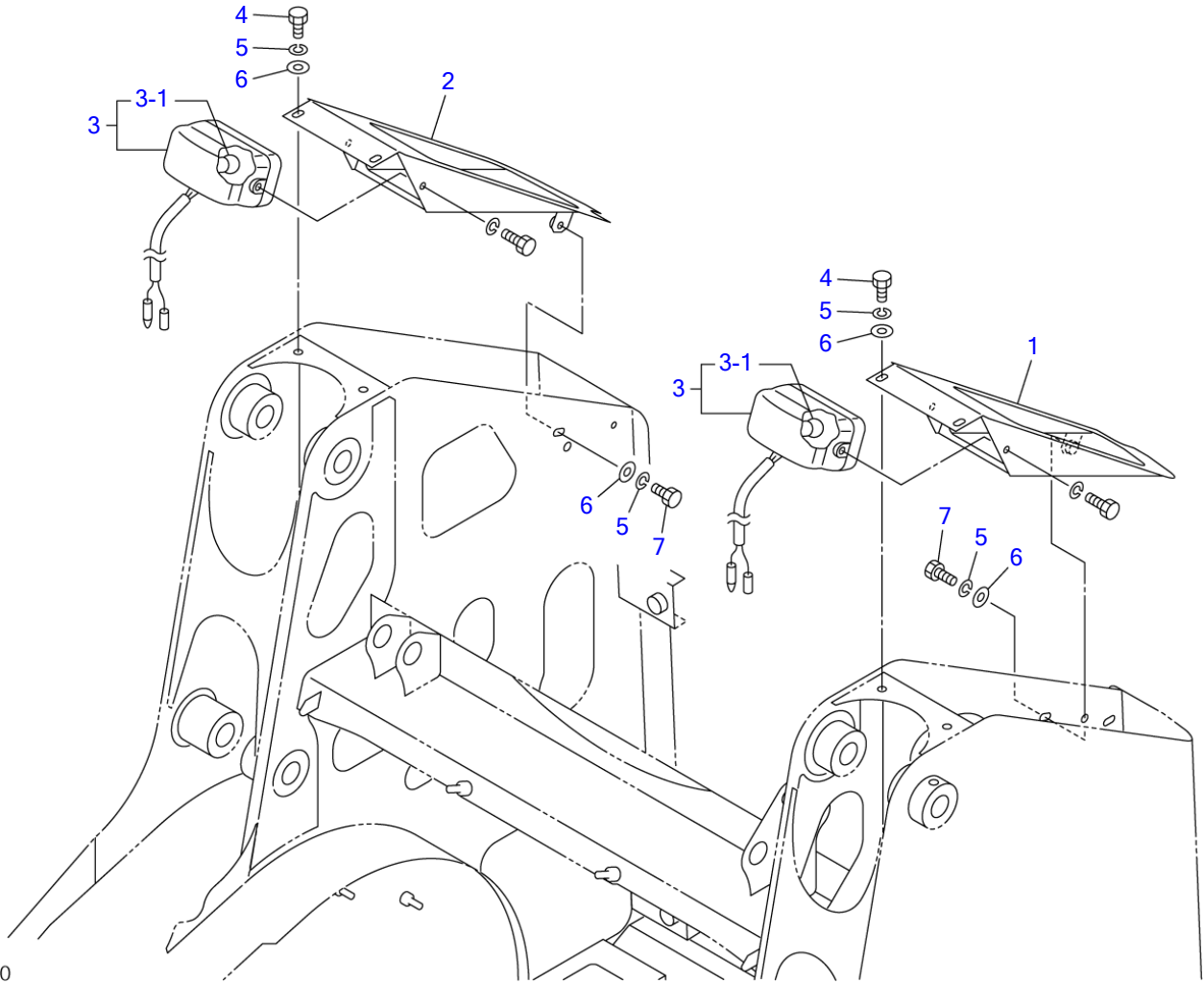
T3C090

S=1/10,1/25

**BATTERY**

Item	Part number	Description	Q'ty	Chan.	Serial No.	Serv.	Remarks
		BATTERY ASSY					X06544-01000-1
1	0654400010	SHEET	1				
2	0654401020	CLAMP	1				
3	0654401030	RUBBER	1				
4	1702230030	CABLE, earth	1				
5	1702530130	CABLE, battery	1				
6	1702330000	TERMINAL	1				
7	1702920080	COVER	1				
8	1702901281	CAP	1				
9	1652231140	BAND	1				
10	1531118120	PROTECTOR	1				sold by the meter
11	1702021531	BATTERY	1				
12	1130040008	NUT	4				
13	1141110008	WASHER	2				
14	1130040010	NUT	1				
15	1140020010	WASHER, spring	2				
16	1140330010	WASHER	1				
17	1702108250	BOLT	2				
18	1711900129	CLAMP	1				
19	1100040616	BOLT	2				
20	1140020006	WASHER, spring	2				
21	0003606202	WASHER	2				
22	1703221022	PROTECTOR	1				sold by the meter
23	1100041016	BOLT	1				
24	0880442050	RUBBER	1				
	T3c090						

TL120 Book No. BT3Z001-1 S/N 21200008-  
REAR LAMP

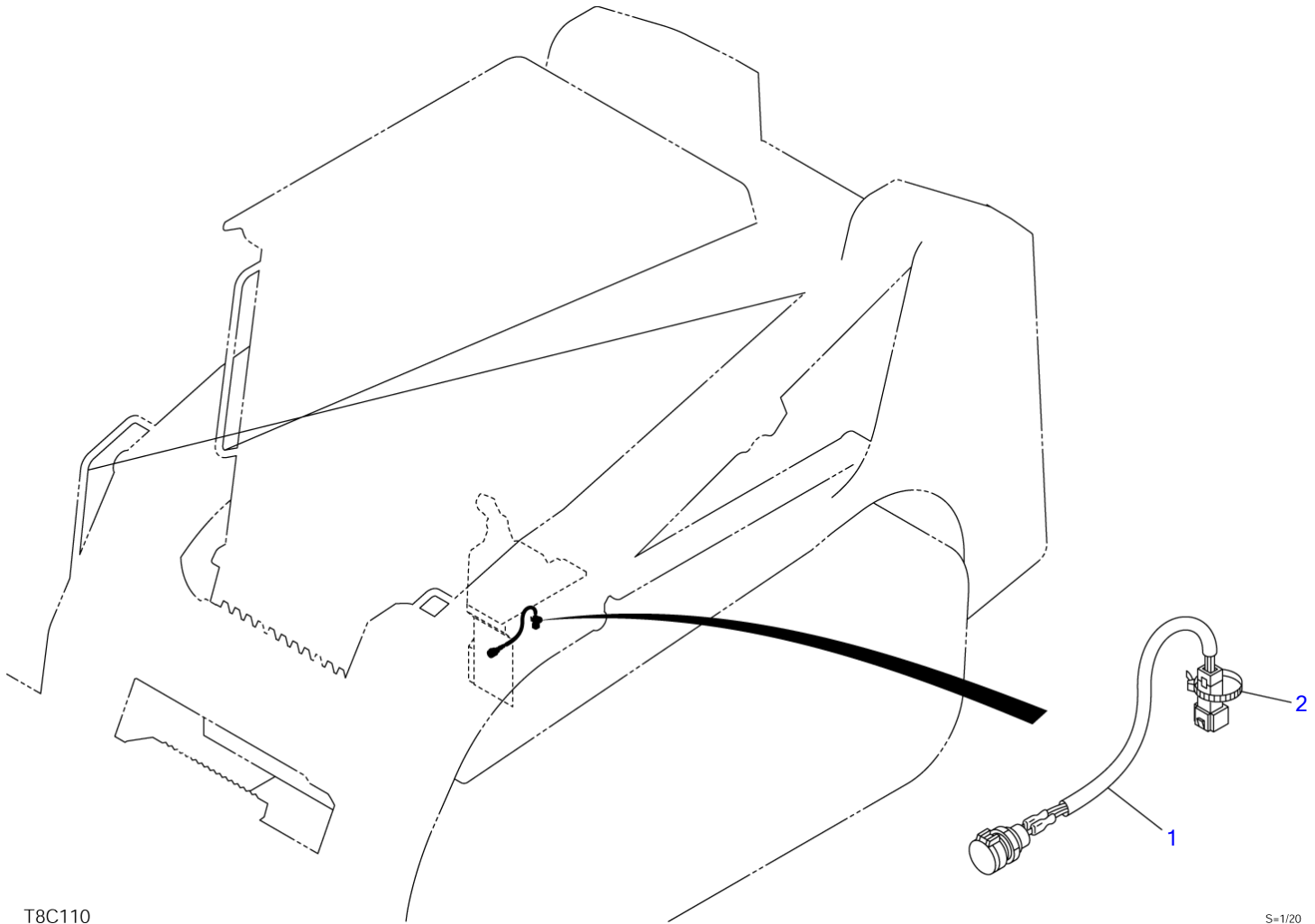


T3C100

S-1/10



REAR LAMP						
Item	Part number	Description	Q'ty	Chan.	Serial No.	Serv. Remarks
		LIGHT ASSY, rear				X06549-00500-0
1	0654900510	COVER (L.H.)	1			
2	0654900520	COVER (R.H.)	1			
3	1703006900	LAMP ASSY	2			
3-1	1703006902	• BULB	1			12V, 55W
4	1100040816	BOLT	4			
5	1140020008	WASHER, spring	6			
6	0003608252	WASHER	6			
7	1100040820	BOLT	2			
	T3c100					

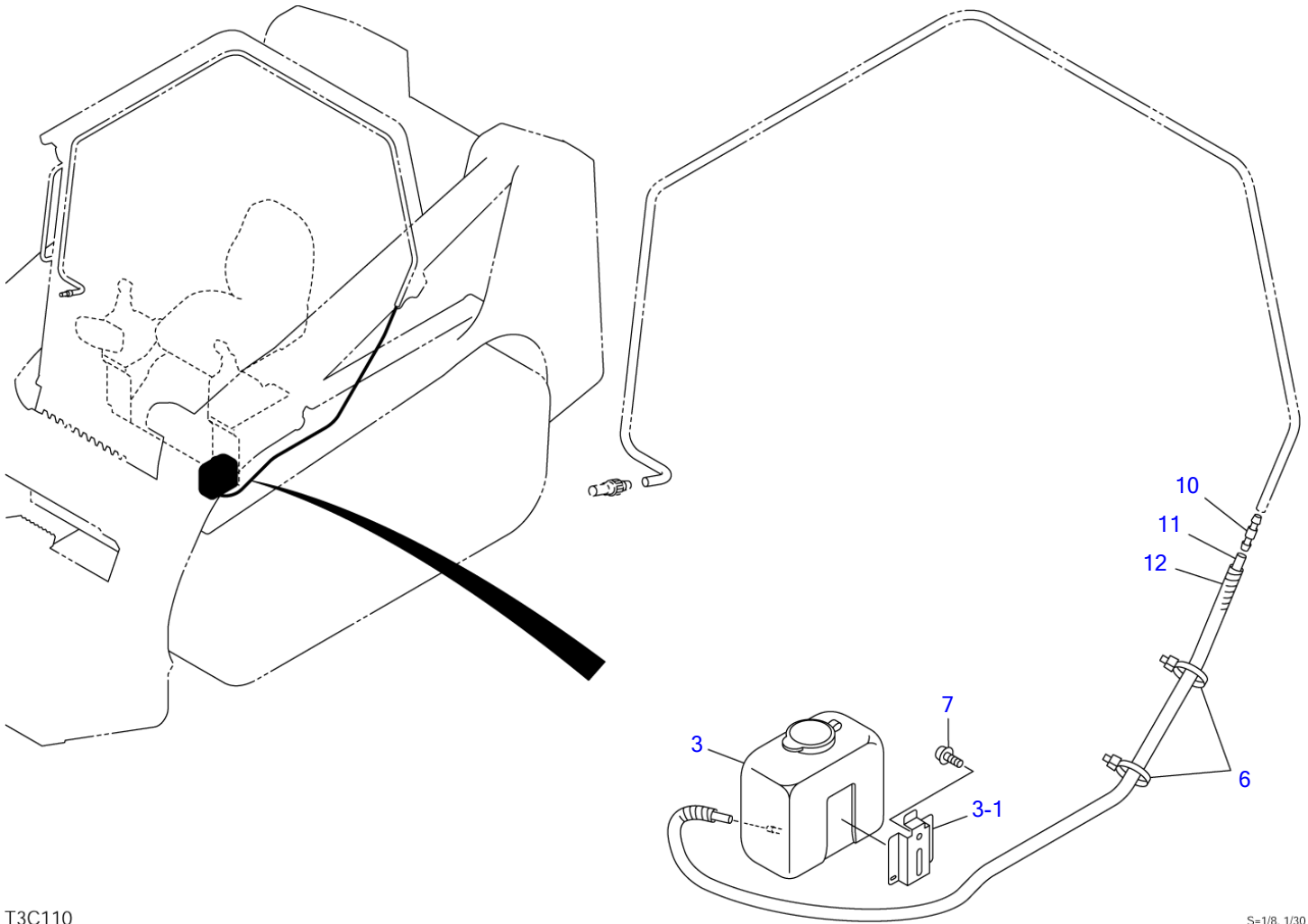


T8C110

S=1/20

**MAINTENANCE LIGHT SOCKET (21200020-)**

Item	Part number	Description	Q'ty	Chan.	Serial No.	Serv.	Remarks
		SOCKET ASSY, maintenance light					X06542-01200-0
1	<b>0394203100</b>	SOCKET ASSY	1			M	
2	<b>1652231250</b>	BAND	1			M	
	<b>T3c130</b>						



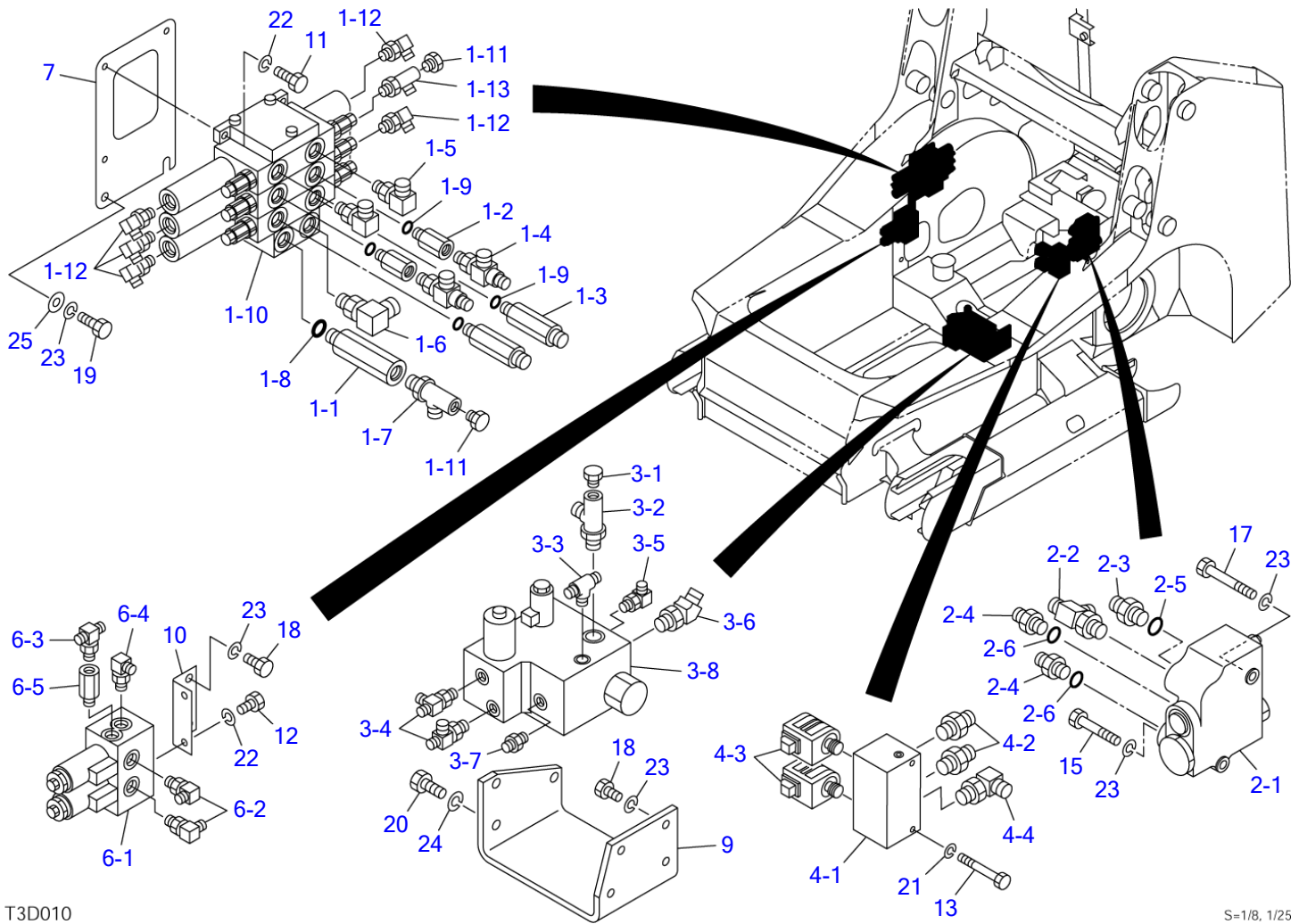
T3C110

S=1/8, 1/30

WINDOW WASHER

Item	Part number	Description	Q'ty	Chan.	Serial No.	Serv.	Remarks
		WASHER ASSY, window					X06589-00000-0
3	1711910290	TANK	1				
3-1	1711910291	· BRACKET	1				
6	1652231140	BAND	2				
7	1150410612	BOLT, sems	2				
10	1711910014	JOINT	1				
11	1711919150	HOSE	1				sold by the meter
12	1703220750	PROTECTOR	1				sold by the meter
	T3c110						

TL120 Book No. BT3Z001-1 S/N 21200008-  
VALVE & ACCESSORIES



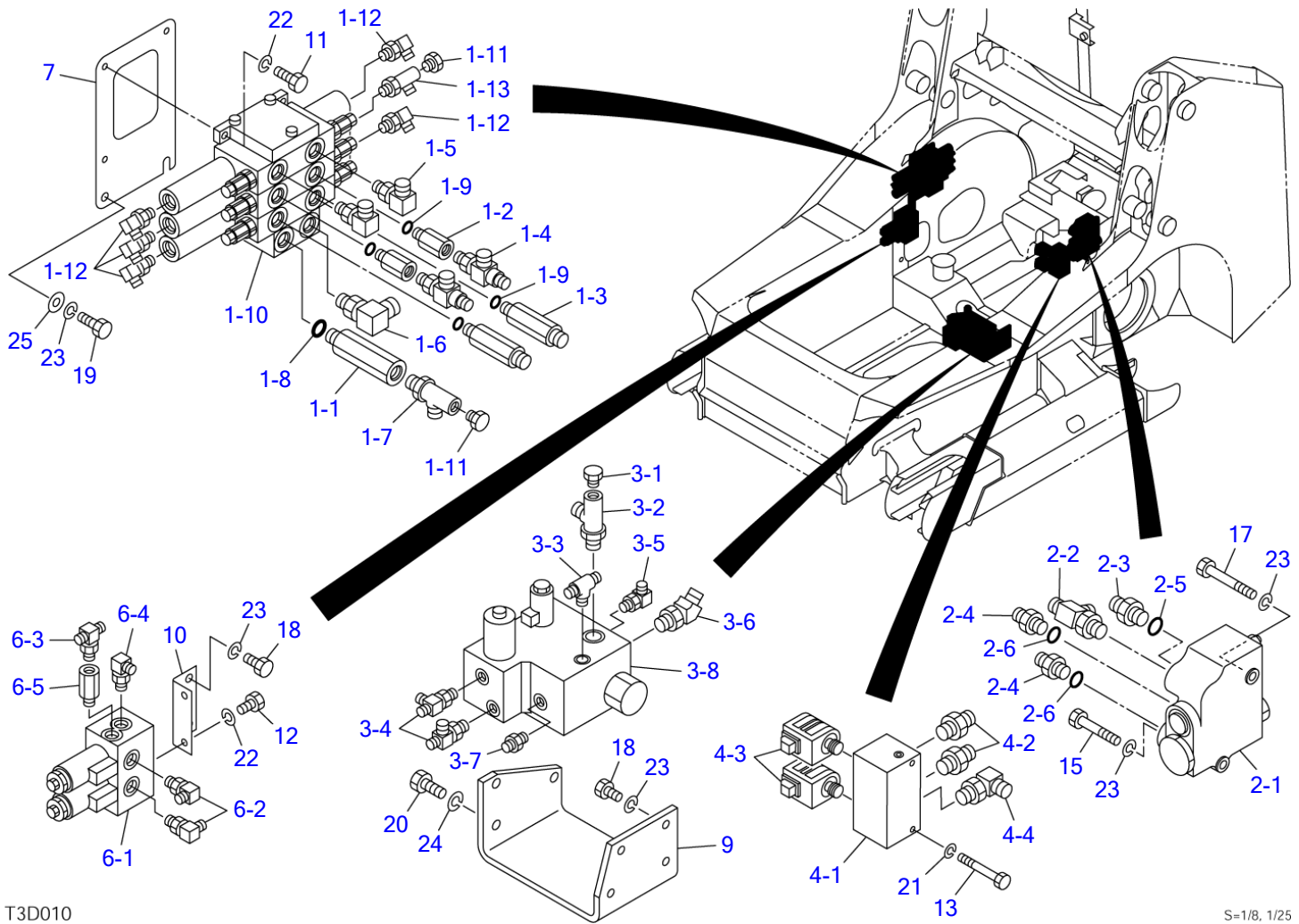
T3D010

S=1/8, 1/25

**VALVE & ACCESSORIES**

Item	Part number	Description	Q'ty	Chan.	Serial No.	Serv.	Remarks
		VALVE ASSY, control					X06550-00000-2
1	X *****	VALVE SUB ASSY	1				X06550-00010-1
1-1	0007213056	• BUSHING	1				
1-2	0007213049	• BUSHING	2				
1-3	0007203072	• ADAPTOR	2				
1-4	1512373010	• TEE	2				
	1420010180	• • O-RING	1				
1-5	1515200067	• ELBOW	2				
	1420310908	• • O-RING	1				
1-6	1515200068	• ELBOW	1				
	1420310910	• • O-RING	1				
1-7	1512340004	• TEE	1				
	1420010180	• • O-RING	1				
1-8	1420370910	• O-RING	1				
1-9	1420370908	• O-RING	4				
1-10	1901042900	• VALVE, control	1				
1-11	1501750002	• PLUG	2				
	1420010110	• • O-RING	1				
1-12	1515010040	• ELBOW	5				
	1420010110	• • O-RING	1				
1-13	1512340001	• TEE	1				
	1420010110	• • O-RING	1				
2	X *****	VALVE SUB ASSY	1				X06550-00020-0
2-1	1901748000	• VALVE, self-level	1				
2-2	1512373009	• TEE	1				
	1420310908	• • O-RING	1				
2-3	0007203007	• ADAPTOR	1				
	1420310908	• • O-RING	1				
2-4	0007203017	• ADAPTOR	2				
	1420310906	• • O-RING	1				
2-5	1420370910	• O-RING	1				
2-6	1420370906	• O-RING	2				
3	X *****	VALVE SUB ASSY	1				X06550-00035-0
3-1	1501750002	• PLUG	1				
	1420010110	• • O-RING	1				
3-2	1512340004	• TEE	1				
	1420010180	• • O-RING	1				
3-3	1512370010	• TEE	1				
	1420010110	• • O-RING	1				
3-4	1512370011	• TEE	2				
	1420010110	• • O-RING	1				
3-5	1515012040	• ELBOW	1				
	1420010110	• • O-RING	1				
3-6	1515100112	• ELBOW	1				
	1420010180	• • O-RING	1				
3-7	1515600200	• ADAPTOR	1				
	1420010110	• • O-RING	1				
3-8	1901748100	• VALVE, sub	1				
4	X *****	VALVE SUB ASSY	1				X08805-03540-0
4-1	0881501100	• BLOCK, valve	2				
4-2	1515600202	• ADAPTOR	2				
	1420010180	• • O-RING	1				
4-3	1901723200	• VALVE, solenoid	1				
4-4	1515010042	• ELBOW	1				
	1420010180	• • O-RING	1				
6	X *****	VALVE SUB ASSY	1				X08825-00060-1
6-1	1901738400	• VALVE, proportional control	1				
6-2	1515012040	• ELBOW	2				
	1420010110	• • O-RING	1				
6-3	1512370010	• TEE	1				
	1420010110	• • O-RING	1				
6-4	1512375004	• ELBOW	1				
	1420010110	• • O-RING	1				
6-5	0007213028	• BUSHING	1				
	1420010110	• • O-RING	1				
7	0655000070	BRACKET	1				
9	0882500090	BRACKET	1				
10	0882500100	BRACKET	1				

TL120 Book No. BT3Z001-1 S/N 21200008-  
VALVE & ACCESSORIES



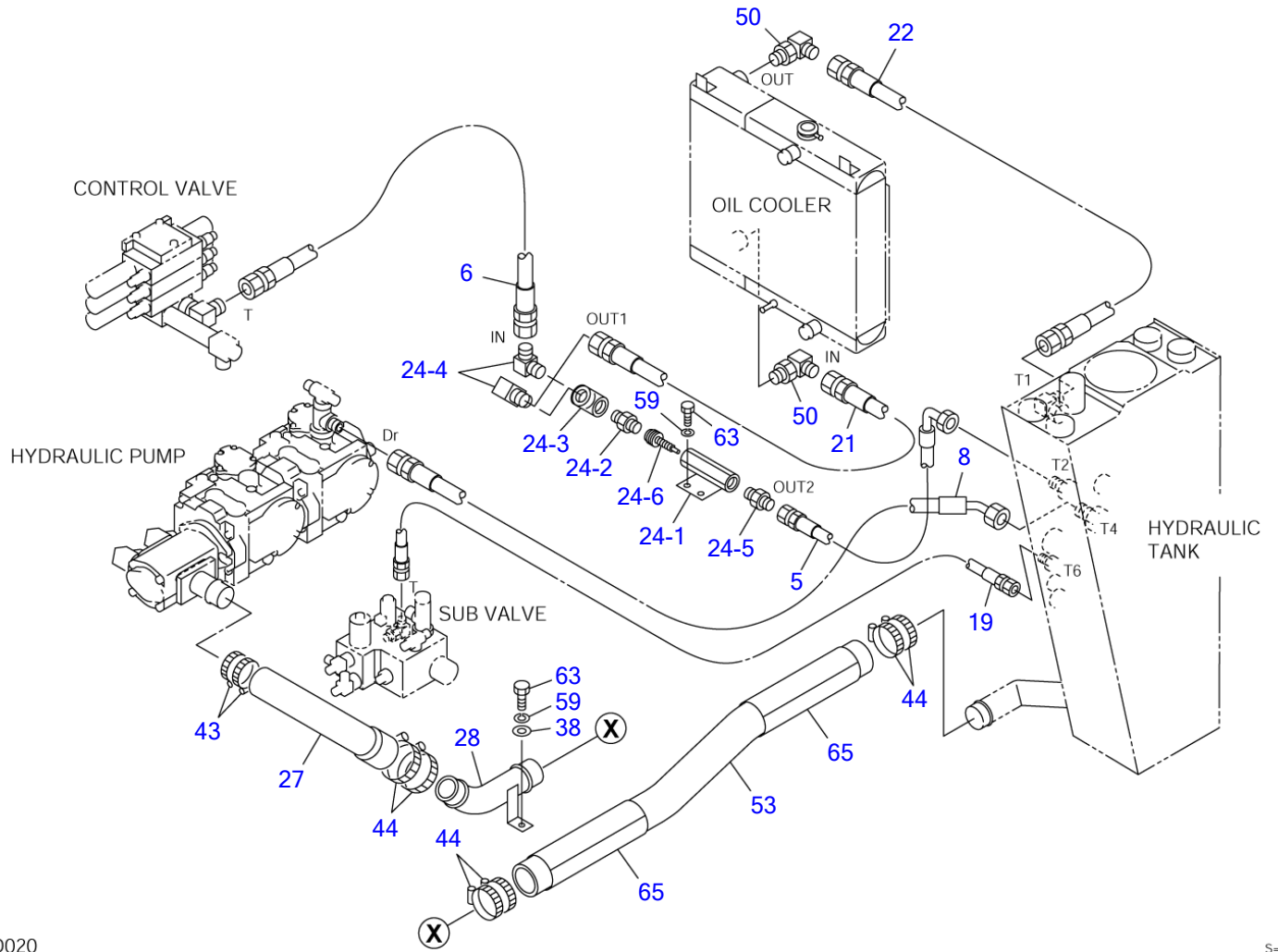
T3D010

S=1/8, 1/25



**VALVE & ACCESSORIES**

Item	Part number	Description	Q'ty	Chan.	Serial No.	Serv.	Remarks
11	<b>1100040825</b>	BOLT	3				
12	<b>1100040816</b>	BOLT	2				
13	<b>1100040665</b>	BOLT	2				
15	<b>1100041055</b>	BOLT	1				
17	<b>1100041070</b>	BOLT	1				
18	<b>1100041020</b>	BOLT	6				
19	<b>1100041030</b>	BOLT	2				
20	<b>1100041225</b>	BOLT	3				
21	<b>1140020006</b>	WASHER, spring	2				
22	<b>1140020008</b>	WASHER, spring	5				
23	<b>1140020010</b>	WASHER, spring	10				
24	<b>1140020012</b>	WASHER, spring	3				
25	<b>0003600003</b>	WASHER	2				
	<b>T3d010</b>						

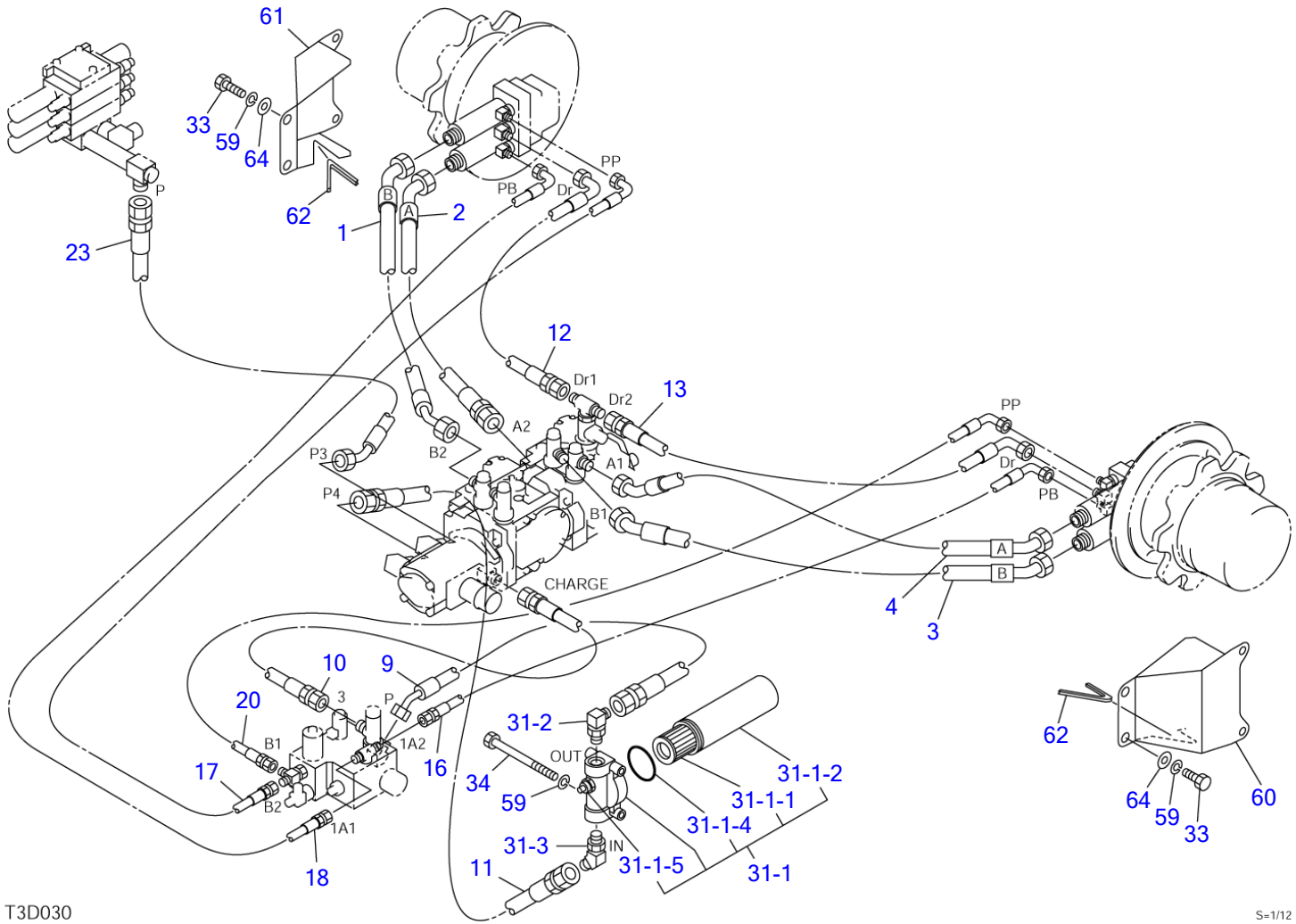


T3D020

S=1/12

PIPING (1/2)

Item	Part number	Description	Q'ty	Chan.	Serial No.	Serv.	Remarks
		PIPING ASSY, upper					X06570-00000-4
5	0657000050	HOSE ASSY	1				18010-54090
6	0657000060	HOSE ASSY	1				18010-25108
8	0657000080	HOSE ASSY	1				
19	0657000190	HOSE ASSY	1				18010-22117
21	0657000210	HOSE ASSY	1				18010-26084
22	0657000220	HOSE ASSY	1				18010-26084
24	X *****	MANIFOLD ASSY	1				X06570-00240
24-1	0657000241	• JOINT	1				
24-2	1501501006	• ADAPTOR	1				
24-3	1508210006	• TEE	1				
24-4	1511150006	• ELBOW	2				
24-5	1515600578	• ADAPTOR	1				
	1420010240	• • O-RING	1				
24-6	1540140820	• VALVE, check	1				
27	0657000270	HOSE	1				
28	0657000285	PIPE	1				
38	1141110010	WASHER	2				
43	1533700060	BAND	2				
44	1533700070	BAND	6				
50	1515010053	ELBOW	2				
	1420010290	• O-RING	1				
53	0657000530	HOSE	1				
59	1140020010	WASHER, spring	4				
63	1100041020	BOLT	4				
65	0881701670	PROTECTOR	2				
	T3d020						



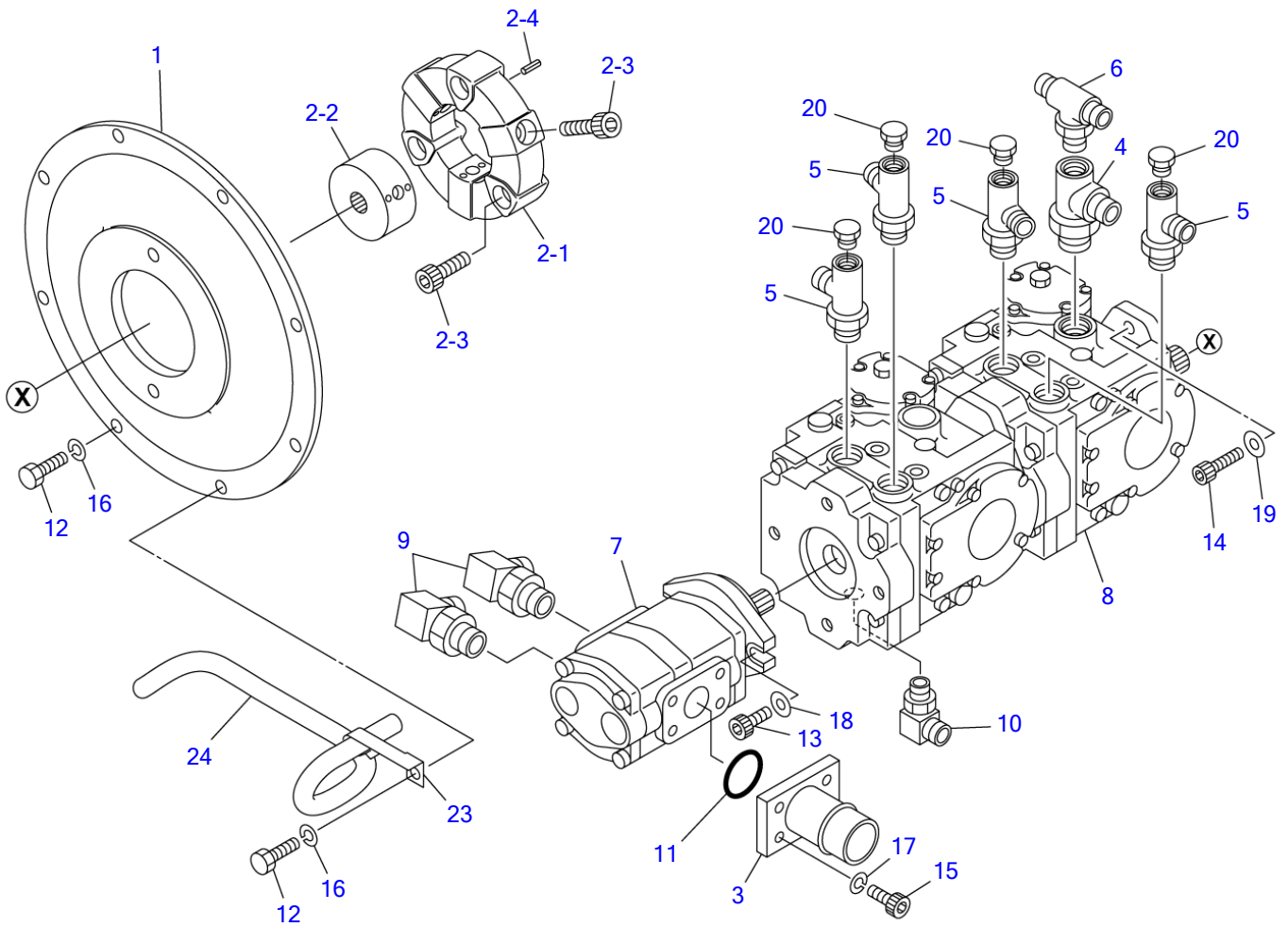
T3D030

S=1/12

PIPING (2/2)

Item	Part number	Description	Q'ty	Chan.	Serial No.	Serv.	Remarks
		PIPING ASSY, upper					X06570-00000-4
1	0657000010	HOSE ASSY	1				
2	0657000020	HOSE ASSY	1				
3	0657000030	HOSE ASSY	1				
4	0657000040	HOSE ASSY	1				
9	0657000090	HOSE ASSY	1				18010-91042
10	0657000100	HOSE ASSY	1				18010-24052
11	0657000110	HOSE ASSY	1				18010-24076
12	0657000120	HOSE ASSY	1				18010-53054
13	0657000130	HOSE ASSY	1				18010-53062
16	0657000160	HOSE ASSY	1				18010-52060
17	0657000170	HOSE ASSY	1				18010-52130
18	0657000180	HOSE ASSY	1				18010-52150
20	0657000200	HOSE ASSY	1				
23	0657000230	HOSE ASSY	1				18015-47060
31	X *****	FILTER ASSY	1				X08807-05310
31-1	1551102500	· FILTER	1				
31-1-1	1551101001	· · ELEMENT	1				
31-1-2	1551101003	· · CASE	1				
31-1-4	1420100600	· · O-RING	1				
31-1-5	1551102505	· · SWITCH, pressure	1				
31-2	1515010042	· ELBOW	1				
	1420010180	· · O-RING	1				
31-3	1515100112	· ELBOW	1				
	1420010180	· · O-RING	1				
33	1100041025	BOLT	8				
34	1100041095	BOLT	2				
59	1140020010	WASHER, spring	10				
60	0657000600	COVER (L.H.)	1				
61	0657000610	COVER (R.H.)	1				
62	1654606015	TRIM	2				sold by the meter
64	0003600020	WASHER	8				
	T3d030						

TL120 Book No. BT3Z001-1 S/N 21200008-  
PUMP DRIVE

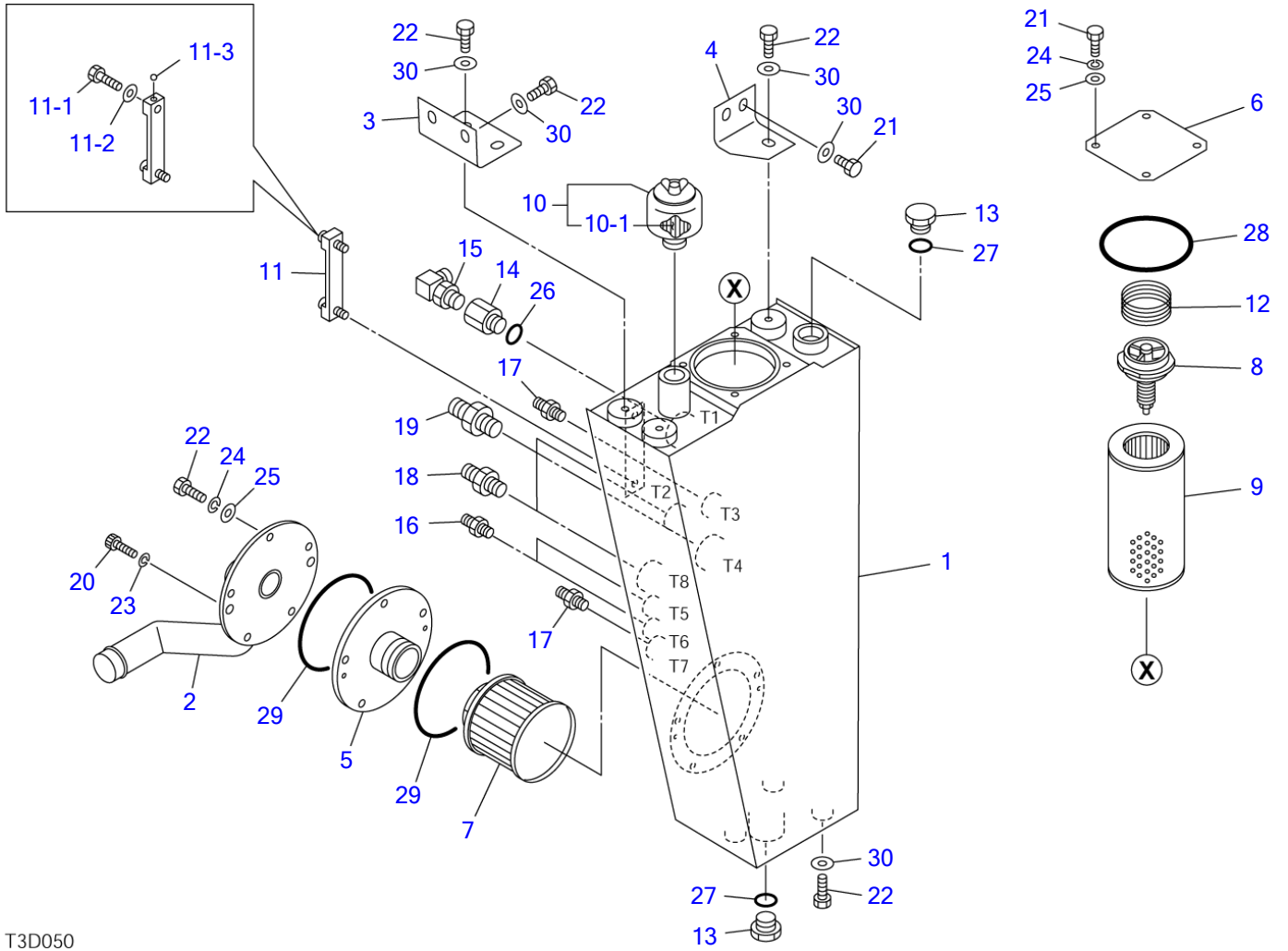


T3D041

S=1/6

Item	Part number	Description	PUMP DRIVE			Remarks	
			Q'ty	Chan.	Serial No.		Serv.
		PUMP ASSY, drive					X06552-00000-5
1	0655200050	HOUSING	1				
2	0655200070	COUPLING ASSY	1				
2-1	0655200071	• COUPLING, flex	1				
2-2	0655200072	• COUPLING	1				
2-3	1110041440	• SCREW, cap	6				
2-4	1213000510	• PIN, spring	3				
3	0880523200	FLANGE	1				
4	0880522500	TEE	1				
	1420310912	• O-RING	1				
5	0655200060	TEE	4				
	1420310912	• O-RING	1				
6	1512374014	TEE	1				
	1420010180	• O-RING	1				
7	1902021800	PUMP, gear	1				
8	1902021900	PUMP, hydraulic	1				
9	1515010042	ELBOW	2				
	1420010180	• O-RING	1				
10	1515200062	ELBOW	1				
	1420310910	• O-RING	1				
11	1420100400	O-RING	1				
12	1100041030	BOLT	8				
13	1102240632	SCREW, cap	2				
14	1102720832	SCREW, cap	2				
15	1111041025	SCREW, cap	4				
16	1140020010	WASHER, spring	8				
17	1140490010	WASHER, spring	4				
18	0003900039	WASHER	2				
19	1141450008	WASHER	2				
20	1501750002	PLUG	4				
	1420010110	• O-RING	1				
23	0881521010	CLAMP	1		21200020~	M	
24	1531110060	HOSE	1		21200020~	M	sold by the meter
	T3d041						

TL120 Book No. BT3Z001-1 S/N 21200008-  
HYDRAULIC TANK



T3D050

S=1/10

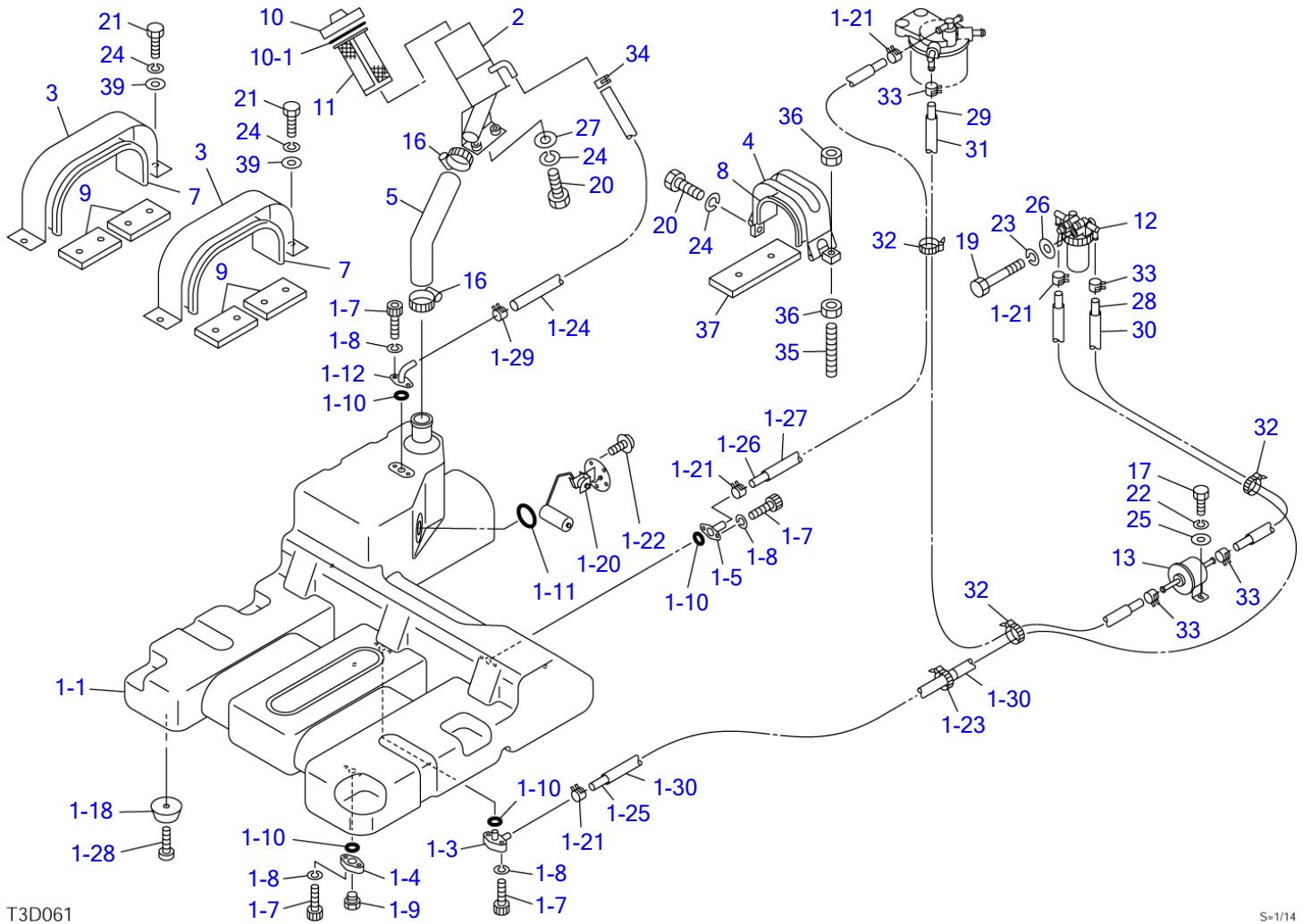


**HYDRAULIC TANK**

Item	Part number	Description	Q'ty	Chan.	Serial No.	Serv.	Remarks
		TANK ASSY, hydraulic					X06580-01000-0
1	0658001100	TANK, hydraulic	1				
2	0658001200	PIPE	1				
3	0658000300	BRACKET	1				
4	0658000400	BRACKET	1				
5	0658000500	FLANGE	1				
6	0658000600	PLATE	1				
7	1550014150	STRAINER	1				
8	1551100300	VALVE ASSY	1				
9	1551102600	FILTER	1				
10	1552000800	BREATHER, air	1				
10-1	1552000830	· ELEMENT	1				
11	1553020612	GAUGE	1				
11-1	1553021650	· BOLT	2				
11-2	1553022650	· PACKING	2				
11-3	1553020603	· FLOAT	1				
12	0007000031	SPRING	1				
13	0007256006	PLUG	2				
14	0007213034	BUSHING	1				
15	1515010043	ELBOW	1				
	1420010240	· O-RING	1				
16	1515600200	ADAPTOR	2				
	1420010110	· O-RING	1				
17	1515600201	ADAPTOR	2				
	1420010140	· O-RING	1				
18	1515600202	ADAPTOR	2				
	1420010180	· O-RING	1				
19	1515600203	ADAPTOR	1				
	1420010240	· O-RING	1				
20	1100040616	BOLT	2				
21	1100041020	BOLT	6				
22	1100041025	BOLT	13				
23	1140020006	WASHER, spring	2				
24	1140020010	WASHER, spring	9				
25	1141110010	WASHER	9				
26	1420010240	O-RING	1				
27	1420010290	O-RING	2				
28	1420101250	O-RING	1				
29	1420101450	O-RING	2				
30	0003600025	WASHER	10				

T3d050

TL120 Book No. BT3Z001-1 S/N 21200008-  
FUEL TANK & FUEL PIPING

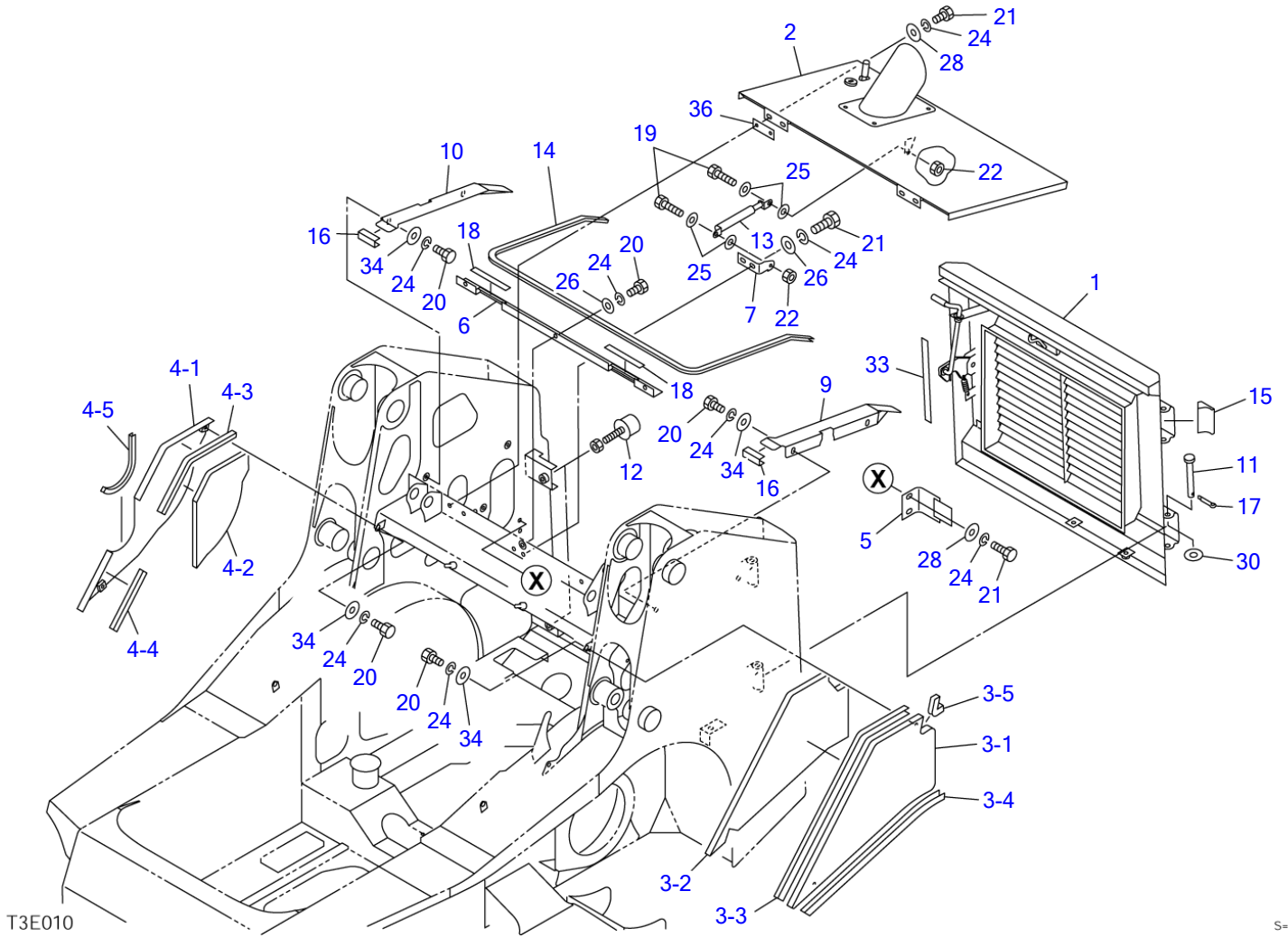


T3D061

S-1/14

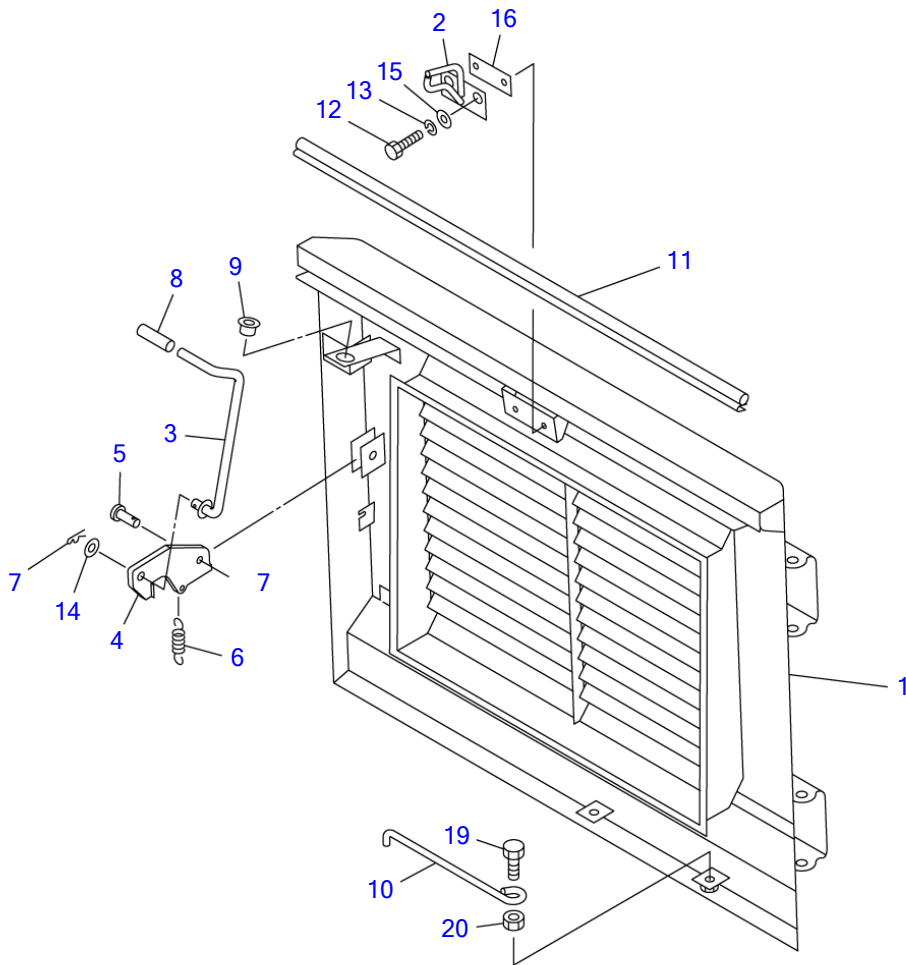
**FUEL TANK & FUEL PIPING**

Item	Part number	Description	Q'ty	Chan.	Serial No.	Serv.	Remarks
		TANK ASSY, fuel					X06581-01000-2
1	X *****	TANK SUB ASSY, fuel	1				X06581-01100-1
1-1	0658100150	• TANK, fuel	1				
1-3	0881811100	• FLANGE	1				
1-4	0881811110	• VALVE, drain	1				
1-5	0658100160	• FLANGE	1				
1-7	1110040616	• SCREW, cap	8				
1-8	1140420006	• WASHER, spring	8				
1-9	1501750002	• PLUG	1				
	1420010110	• • O-RING	1				
1-10	1420010180	• O-RING	4			M	
1-11	1420010450	• O-RING	1			M	
1-12	0881811510	• FLANGE	1				
1-18	0881812080	• RUBBER	4				
1-20	1553202100	• SENDER, fuel	1				
1-21	1533120511	• BAND	4				
1-22	1150110510	• SCREW	5				
1-23	1652201008	• BAND	1				
1-24	1530612057	• HOSE	1			M	sold by the meter
1-25	1531207290	• HOSE	1			M	sold by the meter
1-26	1531207130	• HOSE	1				sold by the meter
1-27	1531115120	• PROTECTOR	1				sold by the meter
1-28	1120530620	• SCREW	4				
1-29	1533700019	• BAND	1				
1-30	1531115143	• PROTECTOR	2			M	sold by the meter
2	0658100250	PORT, supply	1				
3	0658100003	BAND	2				
4	0658100050	BAND	1				
5	0658100060	HOSE	1				
7	0658100070	RUBBER	2				
8	0658100080	RUBBER	1				
9	0881811180	RUBBER	4				
10	1552100500	CAP	1				
10-1	1552100507	• PACKING	1				
11	1552100320	STRAINER	1				
12	1910186033	SEPARATOR, water	1				Y129906-55700
13	1910199034	PUMP, feed	1				Y129612-52100
16	1533700060	BAND	2				
17	1100040616	BOLT	2				
19	1100040870	BOLT	1				
20	1100041020	BOLT	5				
21	1100041030	BOLT	4				
22	1140020006	WASHER, spring	2				
23	1140020008	WASHER, spring	1				
24	1140020010	WASHER, spring	7				
25	1141110006	WASHER	2				
26	1141110008	WASHER	1				
27	1141110010	WASHER	2			M	
28	1531207120	HOSE	1				sold by the meter
29	1531207100	HOSE	1				sold by the meter
30	1531115110	PROTECTOR	1				sold by the meter
31	1531115090	PROTECTOR	1				sold by the meter
32	1652231250	BAND	3				
33	1533120511	BAND	4				
34	1533700019	BAND	1				
35	0881812300	BOLT	1				
36	1130040010	NUT	2				
37	0881811170	RUBBER	1				
39	0003600025	WASHER	4			M	
	T3d061						



							COVER (1/3)		
Item	Part number	Description	Q'ty	Chan.	Serial No.	Serv.	Remarks		
		COVER ASSY					X06582-00000-1		
1	0658200100	DOOR ASSY, rear	1				see page (2/3)		
2	0658200300	HOOD, engine	1				see page (3/3)		
3	0658200700	COVER ASSY, side (L.H.)	1						
3-1	0658200710	· COVER, side (L.H.)	1						
3-2	0658200720	· ABSORBENT, noise	1						
3-3	1654520076	· TRIM	1					sold by the meter	
3-4	1654606060	· SEAL	1					sold by the meter	
3-5	1654606009	· SEAL	1					sold by the meter	
4	0658200800	COVER ASSY, side (R.H.)	1						
4-1	0658200810	· COVER, side (R.H.)	1						
4-2	0658200602	· ABSORBENT, noise	1						
4-3	1654605037	· TRIM	1					sold by the meter	
4-4	1654605020	· TRIM	1					sold by the meter	
4-5	1653916024	· TRIM	1					sold by the meter	
5	0882820160	BRACKET	1						
6	0658200040	TABLE	1						
7	0880825007	PLATE	1						
9	0658200009	PLATE (L.H.)	1						
10	0658200010	PLATE (R.H.)	1						
11	0881822020	PIN	2						
12	1651101050	RUBBER	2						
13	1653900057	SPRING, gas	1						
14	1654623180	TRIM	1					sold by the meter	
15	0658200015	RUBBER	1						
16	1654606007	TRIM	2					sold by the meter	
17	1210010425	PIN, split	2						
18	1654302015	SPONGE	2					sold by the meter	
19	1100040825	BOLT	2						
20	1100041020	BOLT	11						
21	1100041025	BOLT	8						
22	1130040008	NUT	2						
24	1140020010	WASHER, spring	17						
25	1141110008	WASHER	4						
26	1141110010	WASHER	4						
28	0003600003	WASHER	6						
30	1141110016	WASHER	2						
33	0881823034	RUBBER	1						
34	0003600020	WASHER	8						
36	0003900040	· SHIM	AR					t=1.6mm	
	0003900041	· SHIM	AR					t=2.3mm	
	T3e010								

TL120 Book No. BT3Z001-1 S/N 21200008-  
COVER (2/3) (rear door)



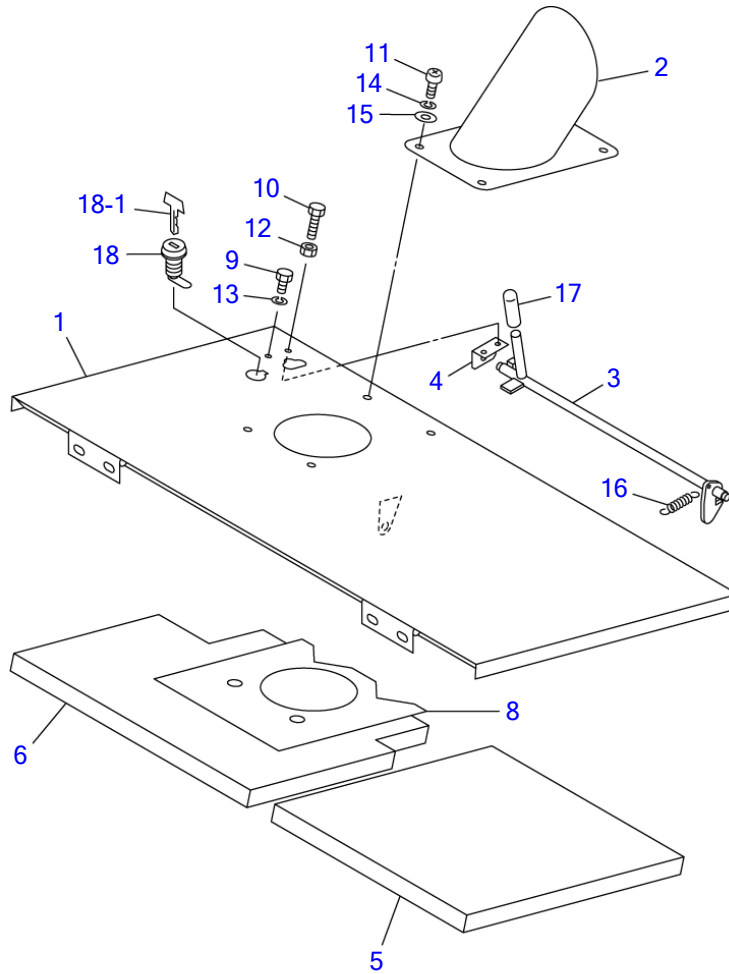
T3E020

S=1/10

## COVER (2/3) (rear door)

Item	Part number	Description	Q'ty	Chan.	Serial No.	Serv.	Remarks
0-1	<b>0658200100</b>	DOOR ASSY, rear	1				X06582-00100-1
1	<b>0658200200</b>	▪ DOOR, rear	1				
2	<b>0880823670</b>	▪ STRIKER	1				
3	<b>0881822540</b>	▪ ROD	1				
4	<b>0881822550</b>	▪ PLATE	1				
5	<b>0004015002</b>	▪ PIN	1				
6	<b>0007000112</b>	▪ SPRING	1				
7	<b>1214000012</b>	▪ PIN, snap	2				
8	<b>1650202300</b>	▪ CAP	1				
9	<b>1652615200</b>	▪ BUSHING	1				
10	<b>0658200110</b>	▪ ROD	1				
11	<b>1654605085</b>	▪ TRIM	1				sold by the meter
12	<b>1100040825</b>	▪ BOLT	2				
13	<b>1140020008</b>	▪ WASHER, spring	2				
14	<b>1141110012</b>	▪ WASHER	1				
15	<b>0003608252</b>	▪ WASHER	2				
16	<b>0003900037</b>	▪ SHIM	AR				t=4.5mm
	<b>0003900038</b>	▪ SHIM	AR				t=1.6mm
19	<b>1100041035</b>	▪ BOLT	1				
20	<b>1130040010</b>	▪ NUT	1				
	<b>T3e020</b>						

TL120 Book No. BT3Z001-1 S/N 21200008-  
COVER (3/3) (engine hood)



T3E030

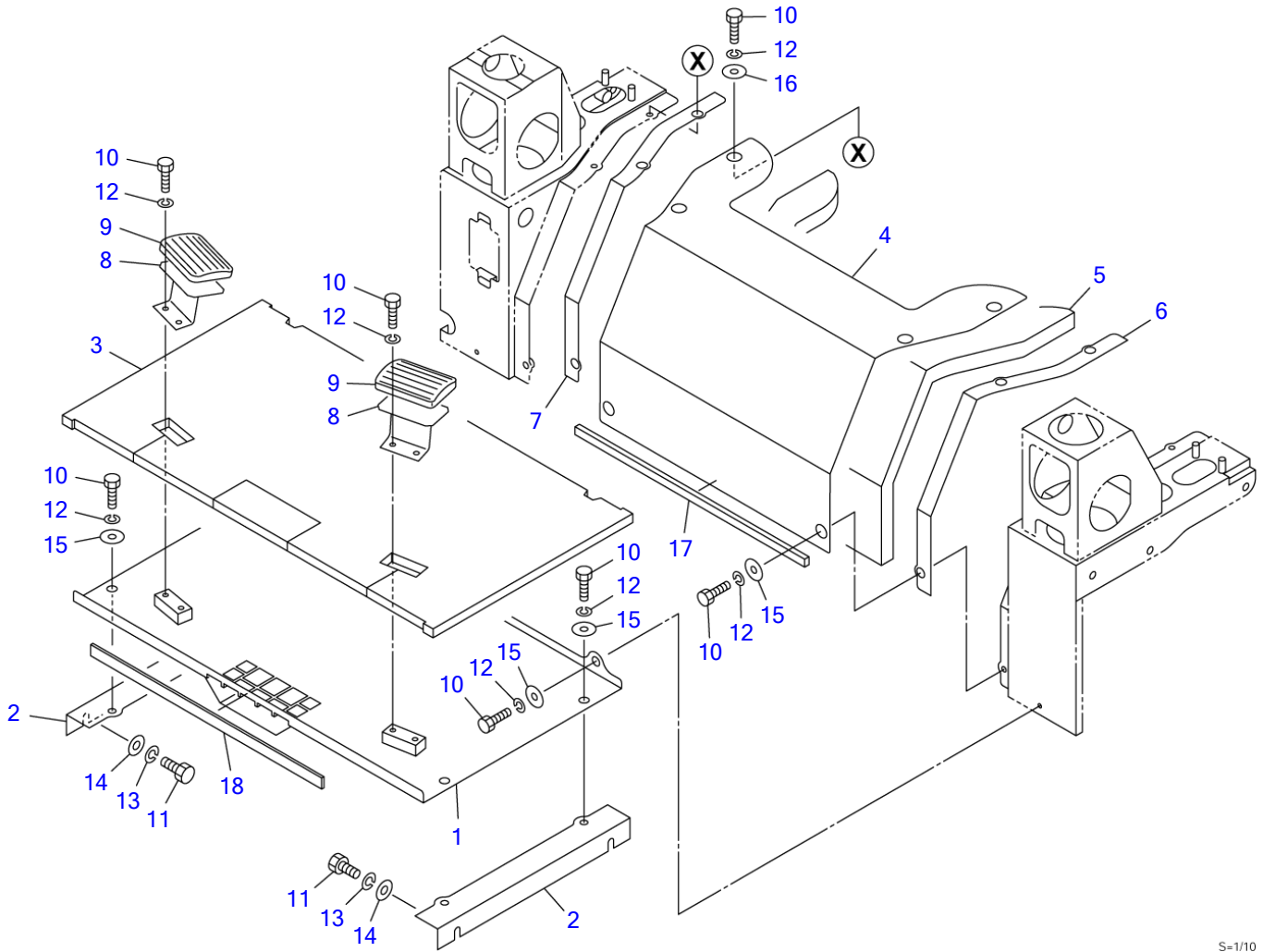
S=1/10



## COVER (3/3) (engine hood)

Item	Part number	Description	Q'ty	Chan.	Serial No.	Serv.	Remarks
0-2	0658200300	HOOD, engine	1				X06582-00300-0
1	0658200400	▪ HOOD, engine	1				
2	0658200350	▪ NOZZLE	1				
3	0880823660	▪ LEVER	1				
4	0880820080	▪ ANGLE	1				
5	0658200305	▪ ABSORBENT, noise	1				
6	0658200306	▪ ABSORBENT, noise	1				
8	0658200308	▪ INSULATOR	1				
9	1100040612	▪ BOLT	1				
10	1100040620	▪ BOLT	1				
11	1120530816	▪ SCREW	4				
12	1130040006	▪ NUT	1				
13	1140020006	▪ WASHER, spring	1				
14	1140020008	▪ WASHER, spring	4				
15	0003608252	▪ WASHER	4				
16	0007000070	▪ SPRING	1				
17	1650202300	▪ CAP	1				
18	1653601395	▪ LOCK	1				
18-1	1700100019	▪ KEY	1				
	T3e030						

TL120 Book No. BT3Z001-1 S/N 21200008-  
FLOOR FRAME

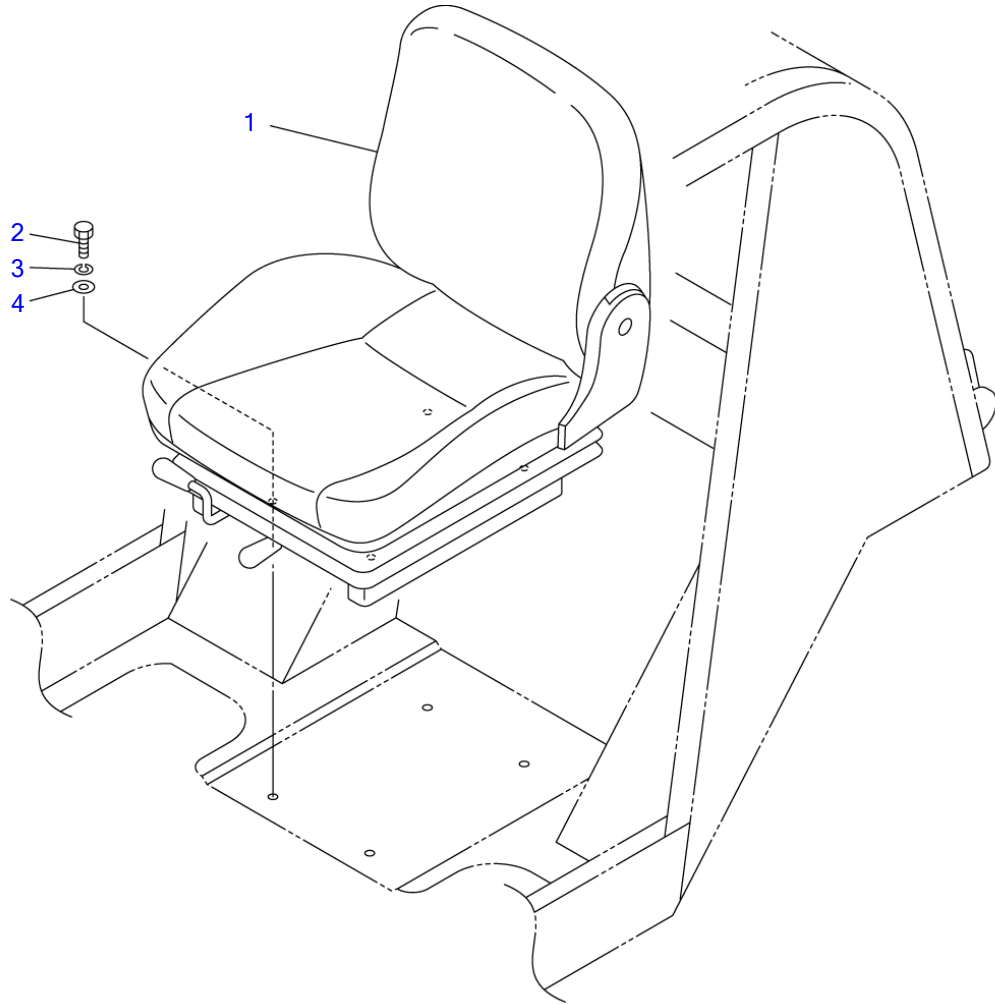


T3E040

S=1/10

**FLOOR FRAME**

Item	Part number	Description	Q'ty	Chan.	Serial No.	Serv.	Remarks
		FLOOR ASSY					X06535-00000-1
1	0653500090	PLATE	1				
2	0653500060	STAY	2				
3	0653500070	MAT, floor	1				
4	0653500080	COVER	1				
5	0653500005	ABSORBENT, noise	1				
6	0653500006	SPONGE	1				
7	0653500007	SPONGE	1				
8	0563219700	REST, foot	2				
9	0563218500	COVER	2				
10	1100040820	BOLT	16				
11	1100041020	BOLT	4				
12	1140020008	WASHER, spring	16				
13	1140020010	WASHER, spring	4				
14	1141110010	WASHER	4				
15	0003608252	WASHER	8				
16	0003608003	WASHER	4				
17	1654319050	SPONGE	1				sold by the meter
18	1654301074	SPONGE	1				sold by the meter
	T3e040						

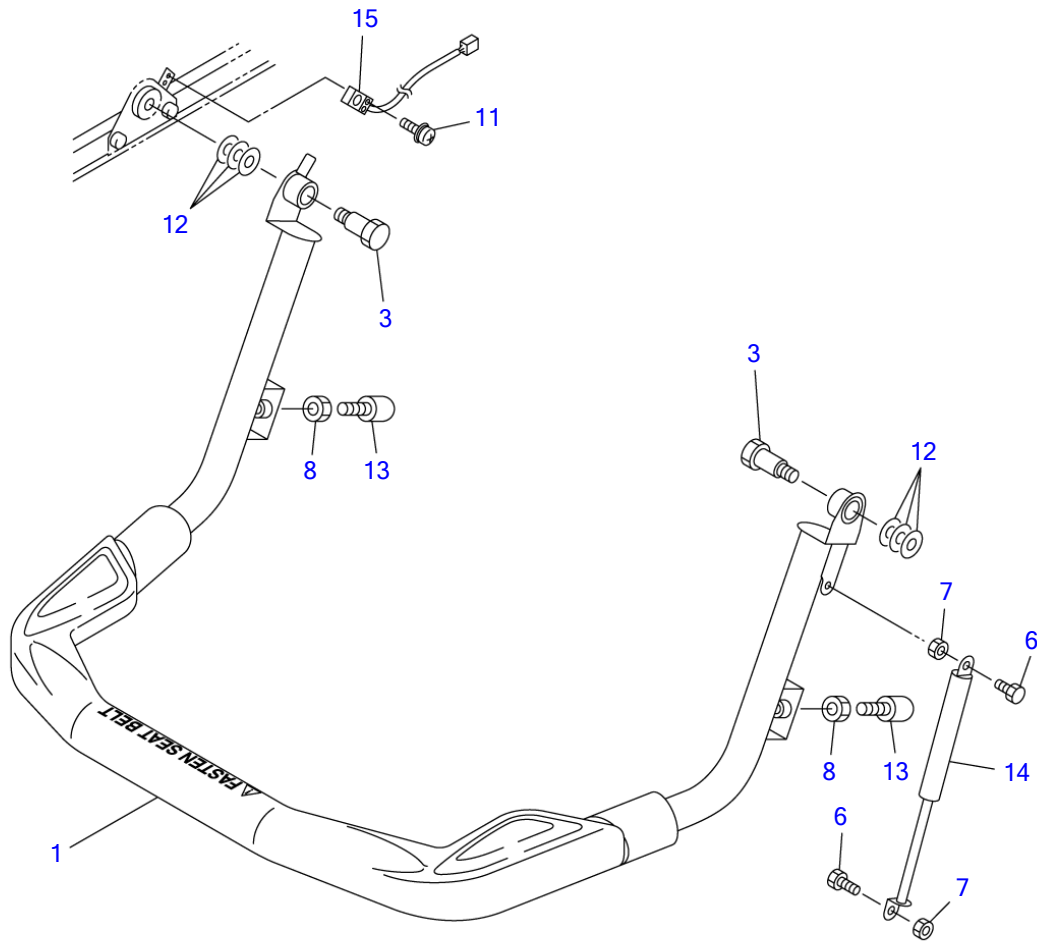


T3E050

S=1/10

**SEAT (1/2)**

Item	Part number	Description	Q'ty	Chan.	Serial No.	Serv.	Remarks
		SEAT ASSY					X06534-00000-0
1	<b>1914100099</b>	SEAT ASSY	1				
2	<b>1100040820</b>	BOLT	4				
3	<b>1140020008</b>	WASHER, spring	4				
4	<b>1141110008</b>	WASHER	4				
	<b>T3e050</b>						

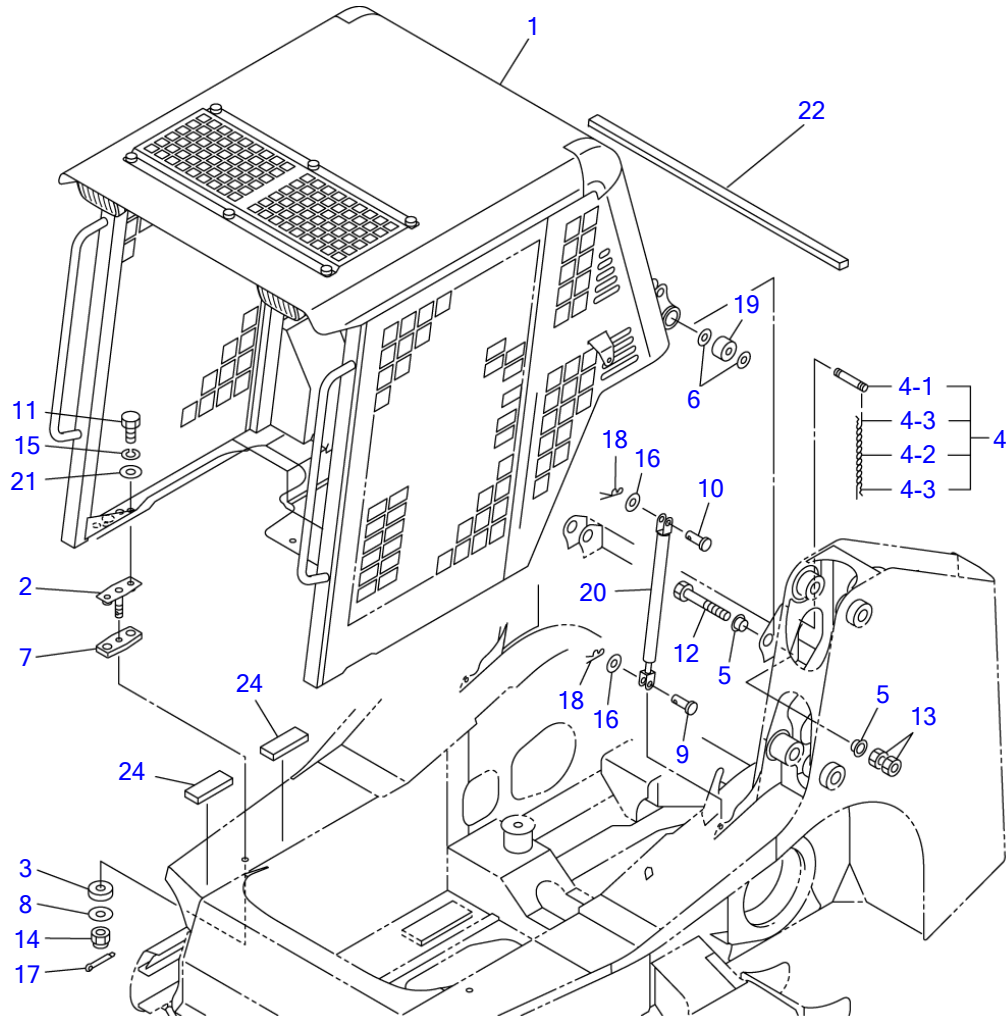


T3E060

S=1/8

Item	Part number	Description	SAFETY BAR			Remarks
			Q'ty	Chan.	Serial No.	
		BAR ASSY, safety				X06546-00000-1
1	0654600300	BAR, safety	1			
3	0654600003	BOLT	2			
6	1100040820	BOLT	2			
7	1130040008	NUT	2			
8	1130040012	NUT	2			
11	1150410312	SCREW	2			
12	0093208300	WASHER	6			
13	1651101224	STOPPER	2			
14	1653900057	SPRING, gas	1			
15	1700009010	SWITCH, proximity	1			
	T3e060					

TL120 Book No. BT3Z001-1 S/N 21200008-  
CANOPY MOUNT



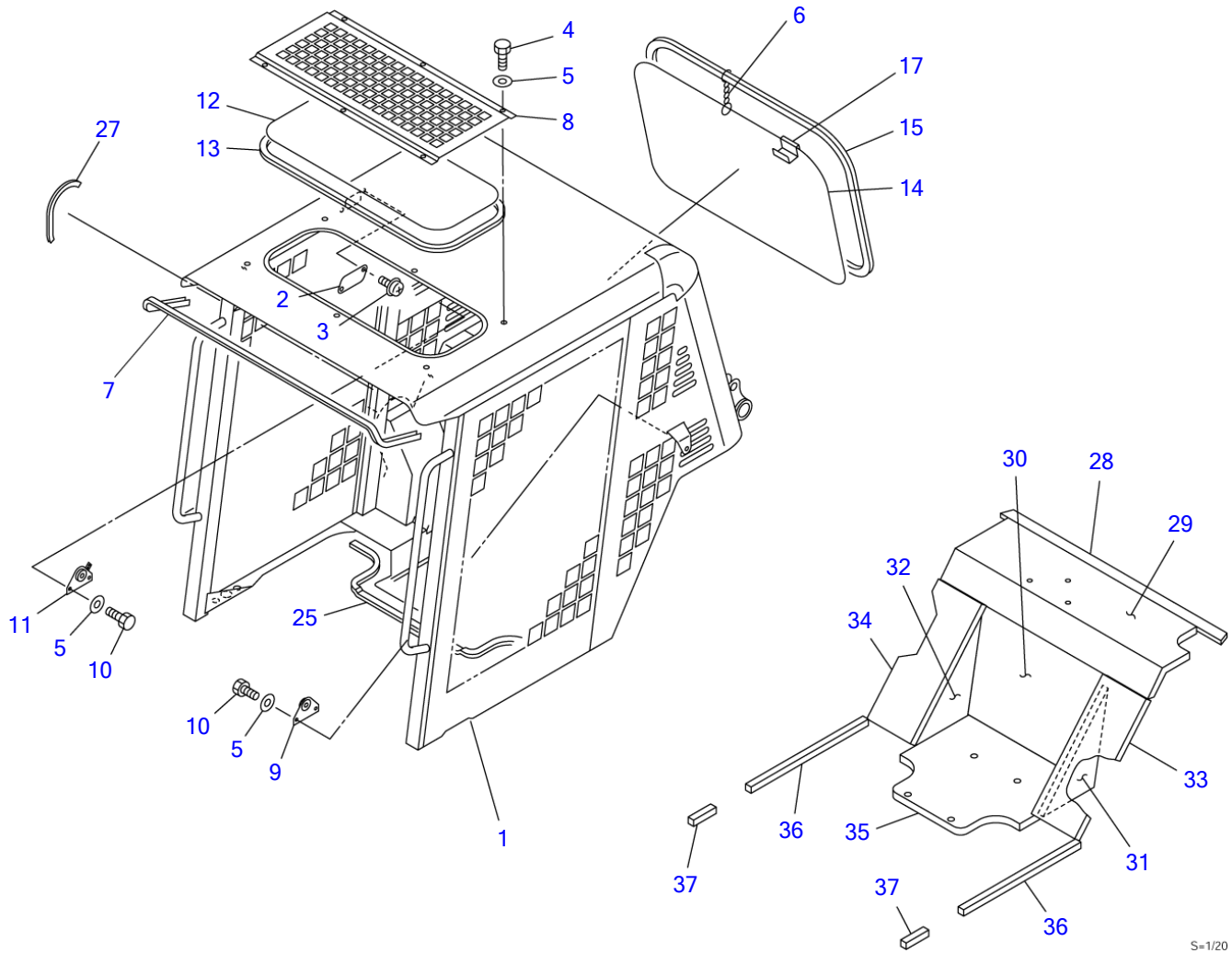
T3E071

S=1/20



**CANOPY MOUNT**

Item	Part number	Description	Q'ty	Chan.	Serial No.	Serv.	Remarks
		CANOPY MOUNT					
1	0658400500	CANOPY ASSY	1			M	
2	0881842030	BOLT ASSY	2				
3	0881842050	RUBBER, cushion	2				
4	0881841060	PIN ASSY	1				
4-1	0881841061	PIN	1				
4-2	1652735886	CHAIN	1				
4-3	1214000016	PIN, snap	2				
5	0881840008	COLLAR	4				
6	0880840070	WASHER	4				
7	0881842040	RUBBER, cushion	2				
8	0003900044	WASHER	2				
9	0343503200	PIN	2				
10	0004010025	PIN	2				
11	1100041225	BOLT	4				
12	1100141610	BOLT	2				
13	1130040016	NUT	4				
14	1132080016	NUT	2				
15	1140020012	WASHER, spring	4				
16	1141110010	WASHER	4				
17	1210010432	PIN, split	2				
18	1214000008	PIN, snap	4				
19	1651005030	RUBBER, cushion	2				
20	1653900047	SPRING, gas	2				
21	0003600165	WASHER	4				
22	1654308094	SPONGE	1				sold by the meter
24	1654306008	SPONGE	4				sold by the meter
	T3e071						

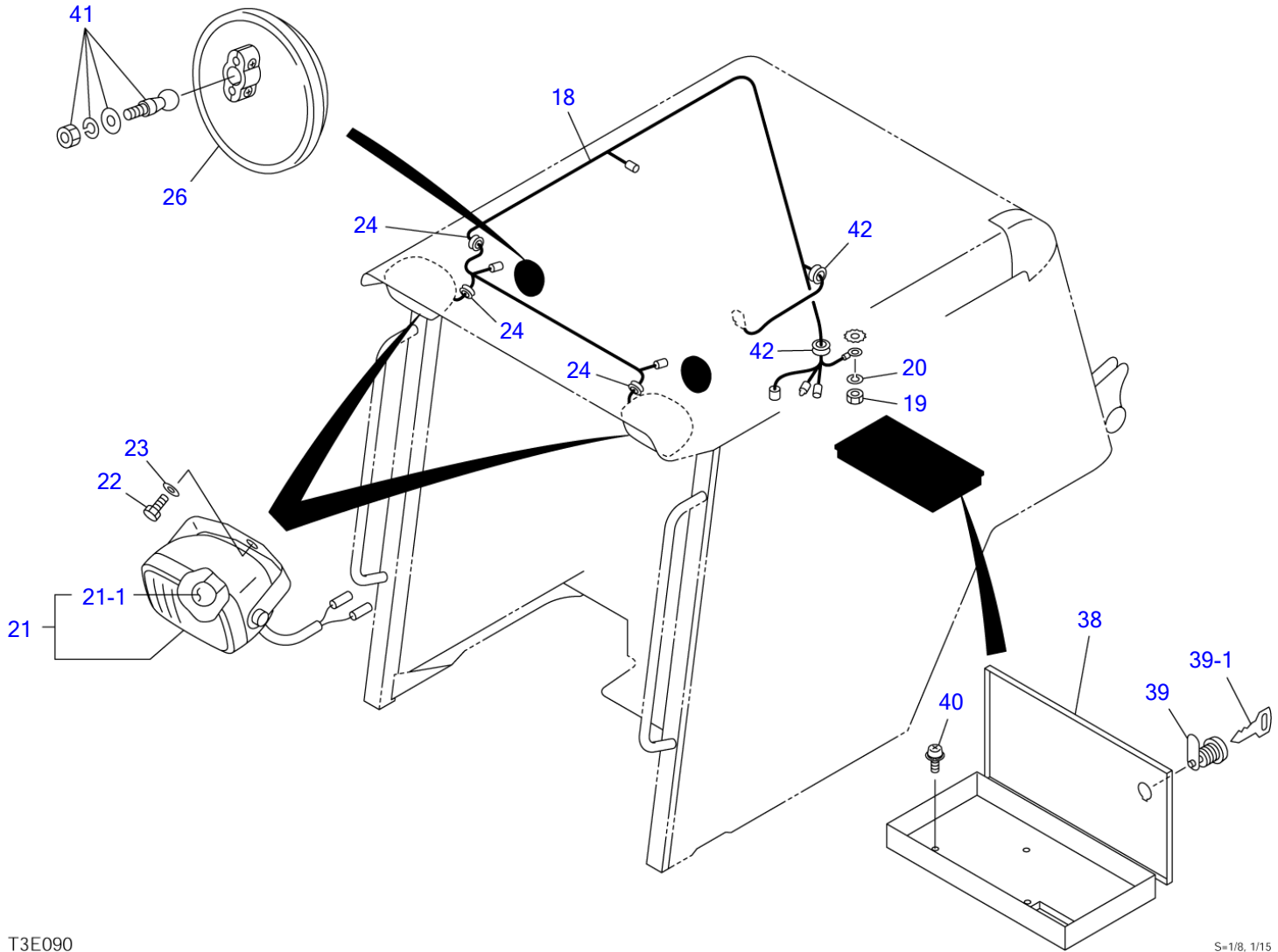


T3E081

S=1/20

CANOPY (1/2)						
Item	Part number	Description	Q'ty	Chan.	Serial No.	Serv. Remarks
0	0658400500	CANOPY ASSY	1			M X06584-00500-0
1	0658400600	• CANOPY	1			M
2	0658400506	• PLATE	1			M
3	1150410414	• SCREW, sems	2			M
4	1100090812	• BOLT	6			M
5	1654011705	• WASHER	10			M
6	0880841040	• RING	1			M
7	1654601153	• TRIM	1			M
8	0658400502	• COVER	1			
9	0658400510	• BRACKET (L.H.)	1			
10	1100090820	• BOLT	4			
11	0658400520	• BRACKET (R.H.)	1			
12	0658400512	• GLASS	1			M
13	1654252176	• H-RUBBER	1			M sold by the meter
14	0658400511	• GLASS	1			M
15	1654252230	• H-RUBBER	1			M sold by the meter
17	0880841080	• PLATE	1			M
25	1654623120	• TRIM	1			M sold by the meter
27	1653916038	• TRIM	1			M sold by the meter
28	0658400525	• SHEET	1			M
29	0658400526	• ABSORBENT, noise	1			M
30	0658400527	• ABSORBENT, noise	1			M
31	0658400529	• ABSORBENT, noise	1			M
32	0658400528	• ABSORBENT, noise	1			M
33	0658400531	• ABSORBENT, noise	1			M
34	0658400530	• ABSORBENT, noise	1			M
35	0658400532	• ABSORBENT, noise	1			M
36	0658400533	• SHEET	2			M
37	0658400534	• SHEET	2			M

T3e081

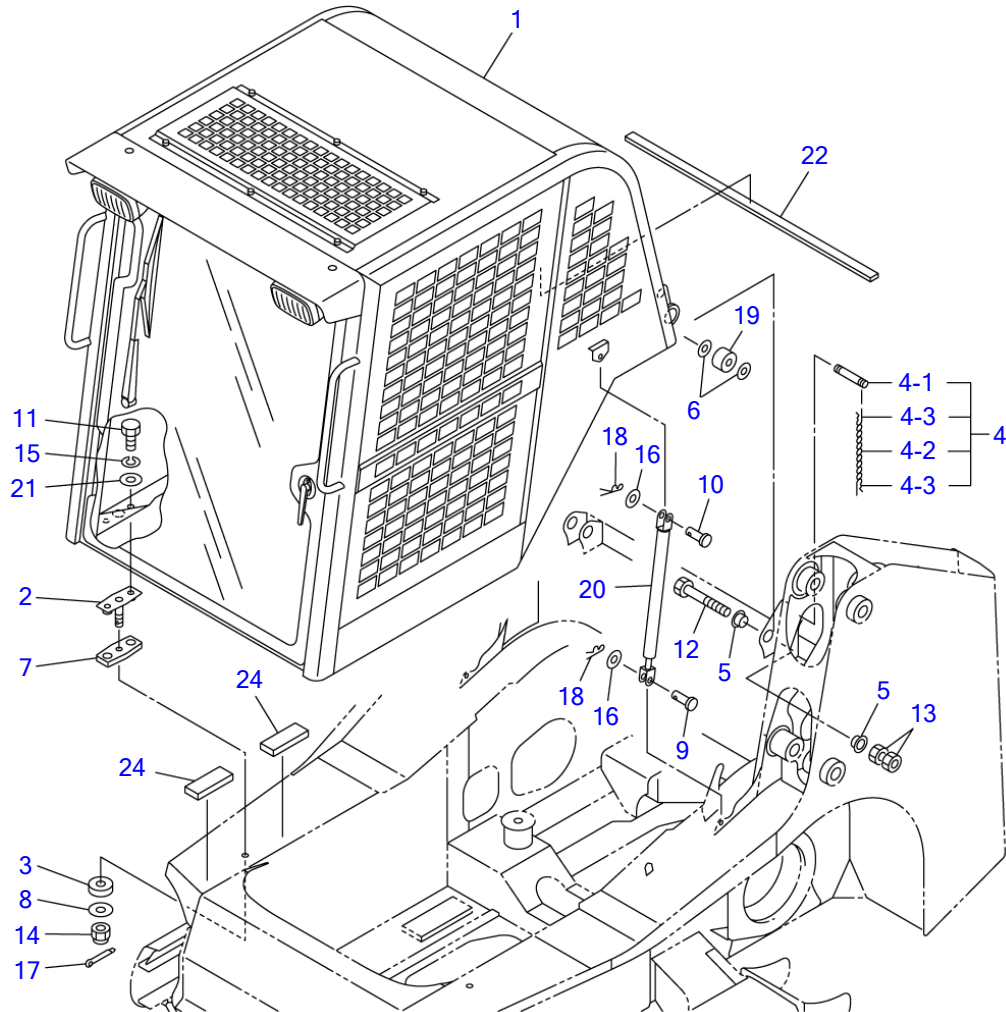


T3E090

S=1/8, 1/15

CANOPY (2/2)							
Item	Part number	Description	Q'ty	Chan.	Serial No.	Serv.	Remarks
0	0658400500	CANOPY ASSY	1			M	X06584-00500-0
18	0658400540	▪ HARNESS	1			M	
19	1130040010	▪ NUT	1				
20	1654011900	▪ WASHER	1				
21	1703006600	▪ LAMP ASSY	2				
21-1	1703006605	▪ ▪ BULB	1				
22	1100091020	▪ BOLT	2				
23	1654011706	▪ WASHER	2				
24	1652052800	▪ GROMMET	2			M	
26	1656500110	▪ MIRROR, rearview	2			M	
38	0658400530	▪ BOX	1				
39	1653601395	▪ LOCK	1				
39-1	1700100019	▪ KEY	1				
40	1150020612	▪ SCREW, sems	3				
41	1654006000	▪ PIVOT	1			M	
42	1652053600	▪ GROMMET	1			M	
	T3e091						

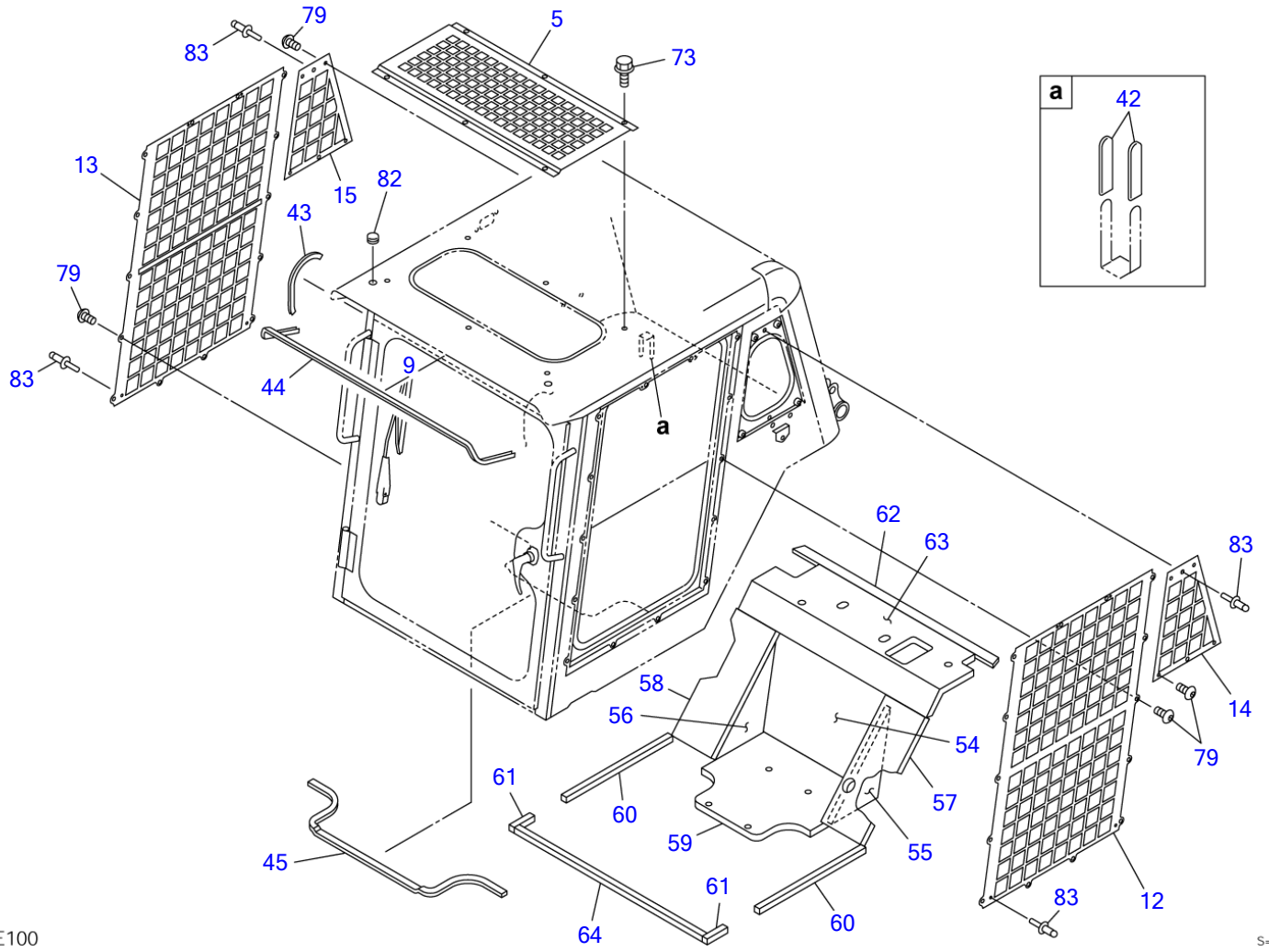
TL120 Book No. BT3Z001-1 S/N 21200008-  
CAB MOUNT



T3E100

S=1/20

CAB MOUNT						
Item	Part number	Description	Q'ty	Chan.	Serial No.	Serv. Remarks
		CAB MOUNT				X06586-00000-0
1	0658600100	CAB	1			
2	0881842030	BOLT ASSY	2			
3	0881842050	RUBBER, cushion	2			
4	0881841060	PIN ASSY	1			
4-1	0881841061	· PIN	1			
4-2	1652735886	· CHAIN	1			
4-3	1214000016	· PIN, snap	2			
5	0881840008	COLLAR	4			
6	0880840070	WASHER	4			
7	0881842040	RUBBER, cushion	2			
8	0003900044	WASHER	2			
9	0343503200	PIN	2			
10	0004010025	PIN	2			
11	1100041225	BOLT	4			
12	1100141610	BOLT	2			
13	1130040016	NUT	4			
14	1132080016	NUT	2			
15	1140020012	WASHER, spring	4			
16	1141110010	WASHER	4			
17	1210010432	PIN, split	2			
18	1214000008	PIN, snap	4			
19	1651005030	RUBBER, cushion	2			
20	1653900065	SPRING, gas	2			
21	0003600165	WASHER	4			
22	1654308094	SPONGE	1			sold by the meter
24	1654306008	SPONGE	4			sold by the meter
	T3e100					

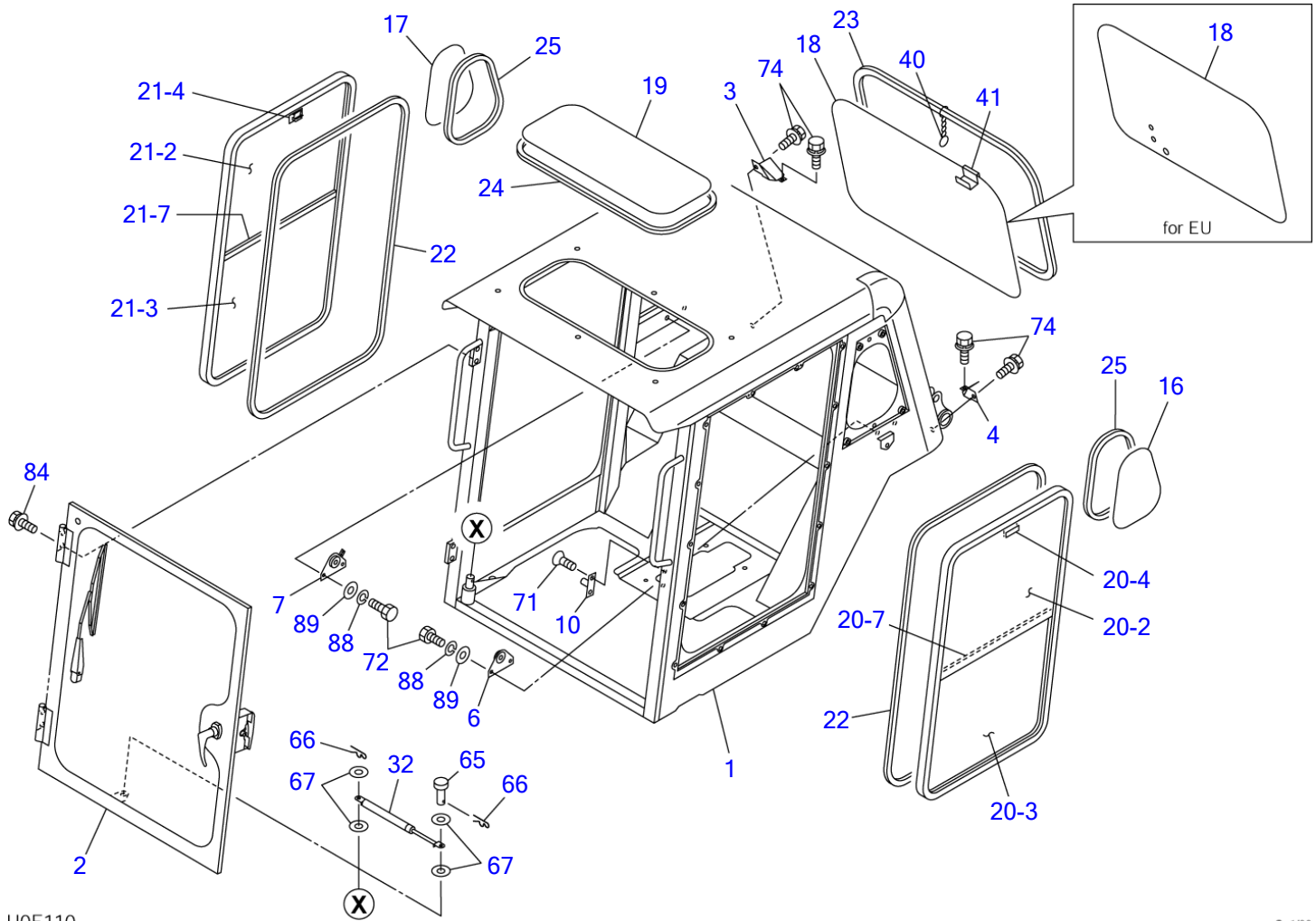


U0E100

S-1/22



CAB (1/5)							
Item	Part number	Description	Q'ty	Chan.	Serial No.	Serv.	Remarks
0	0658600500	CAB ASSY (for US)	1				
	0658601600	CAB ASSY (for EU)	1				
5	0658400502	· COVER	1				
12	0658600530	· PLATE (L.H.)	1				
13	0658600540	· PLATE (R.H.)	1				
14	0658600514	· PLATE (L.H.)	1				
15	0658600515	· PLATE (R.H.)	1				
42	0872433150	· TUBE	2				
43	1653916038	· TRIM	1				sold by the meter
44	1654601153	· TRIM	1				sold by the meter
45	1654623120	· TRIM	1				sold by the meter
54	0658400527	· ABSORBENT, noise	1				
55	0658400528	· ABSORBENT, noise	1				
56	0658400529	· ABSORBENT, noise	1				
57	0658600558	· ABSORBENT, noise	1				
58	0658400531	· ABSORBENT, noise	1				
59	0658400532	· ABSORBENT, noise	1				
60	0658400533	· SPONGE	2				
61	0658600561	· SHEET	2				
62	0658400525	· SPONGE	1				
63	0658600564	· ABSORBENT, noise	1				
64	0658600565	· SHEET	1				
73	1100790816	· BOLT	6				
79	0658600579	· BOLT	36				
82	1653303010	· CAP	2				
83	0658600583	· RIVET	12				
	U0e100						

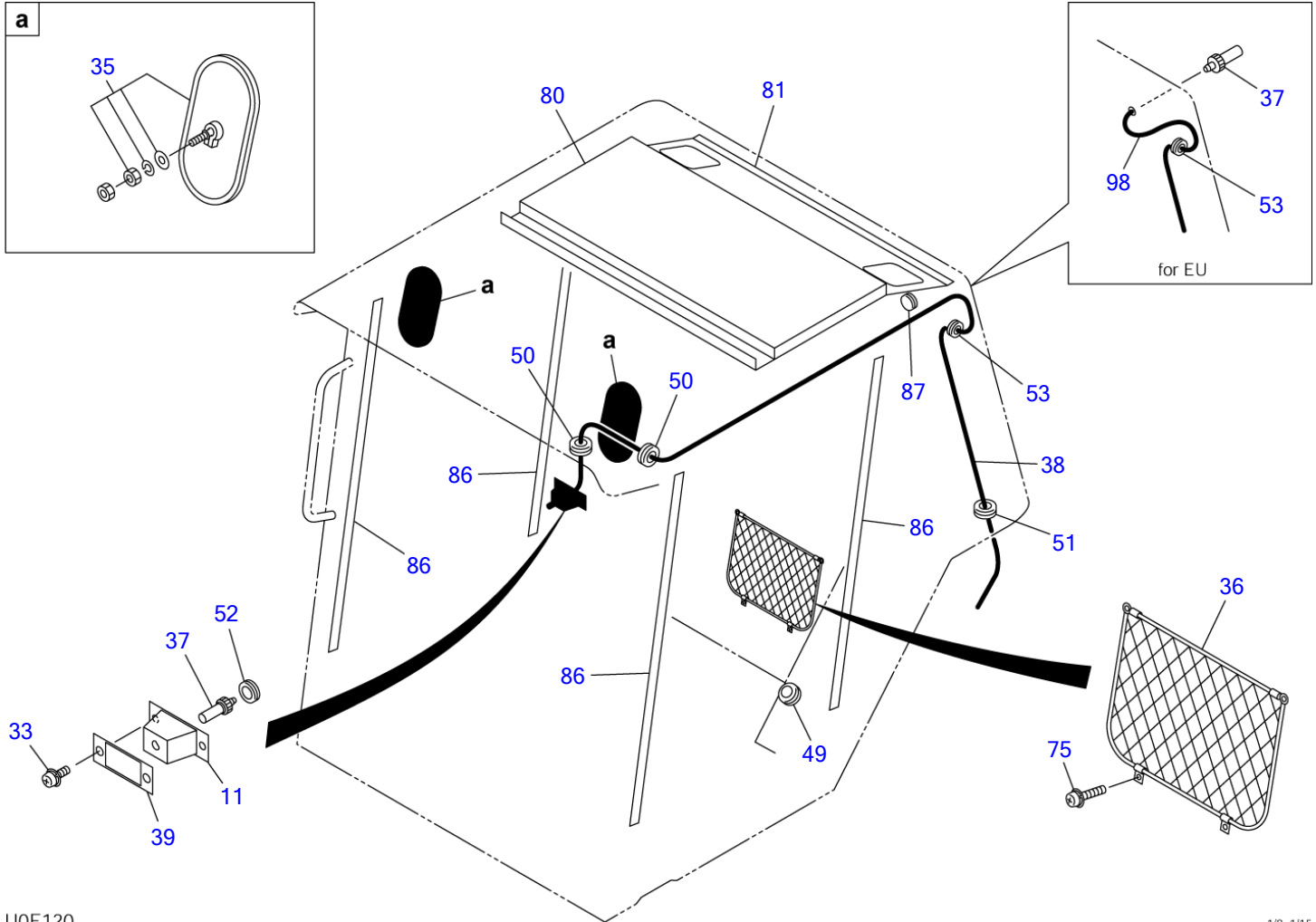


U0E110

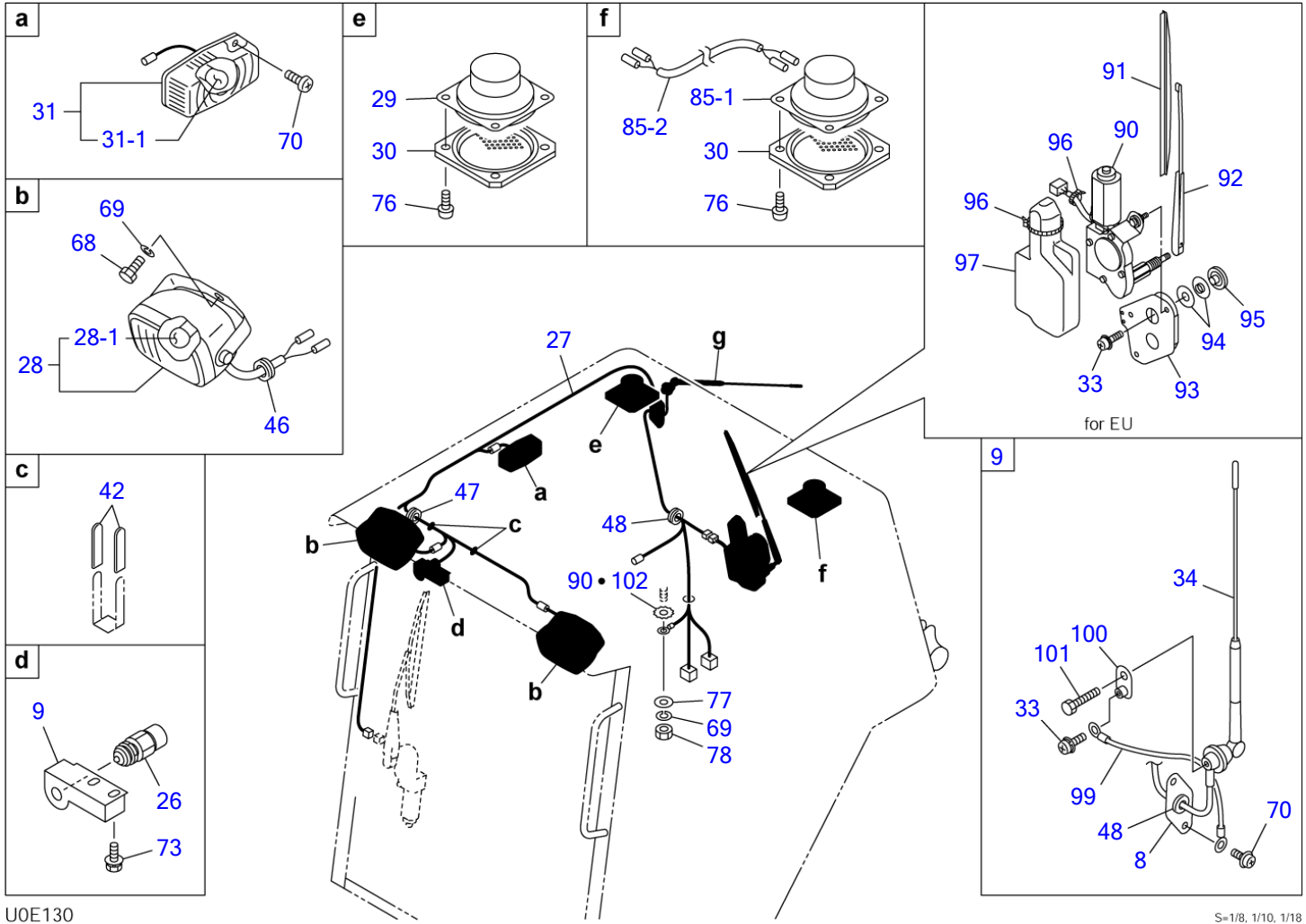
S=1/22

CAB (2/5)							
Item	Part number	Description	Q'ty	Chan.	Serial No.	Serv.	Remarks
0	0658600500	CAB ASSY (for US)	1				
	0658601600	CAB ASSY (for EU)	1				
1	0658600600	• CAB	1				
2	0658600800	• DOOR ASSY, front	1				see page (5/5)
3	0658600503	• COVER (R.H.)	1				
4	0658600504	• COVER (L.H.)	1				
6	0658400510	• BRACKET (L.H.)	1				
7	0658400520	• BRACKET (R.H.)	1				
10	0658600510	• STRIKER	1				
16	0658600516	• GLASS	1				
17	0658600517	• GLASS	1				
18	0658400511	• GLASS	1				for US
	0658601618	• GLASS	1				fo, EU
19	0658400512	• GLASS	1				
20	0658600550	• SIDE SASH ASSY (L.H.)	1				
20-2	0658600552	• • GLASS	1				
20-3	0658600553	• • GLASS	1				
20-4	0880865424	• • LOCK ASSY	1				
20-7	0880865427	• • STRIP, weather	1				
21	0658600560	• SIDE SASH ASSY (R.H.)	1				
21-2	0658600552	• • GLASS	1				
21-3	0658600553	• • GLASS	1				
21-4	0880865424	• • LOCK ASSY	1				
21-7	0880865427	• • STRIP, weather	1				
22	1654261292	• H-RUBBER	2				sold by the meter
23	1654261230	• H-RUBBER	1				sold by the meter
24	1654261176	• H-RUBBER	1				sold by the meter
25	1654261087	• H-RUBBER	2				sold by the meter
32	0658600580	• SPRING, gas	1				
40	0880841040	• RING, pull	1				
41	0880841080	• HANDLE	1				
65	0658600566	• PIN	1				
66	1210010216	• PIN, split	2				
67	0003610003	• WASHER	4				
71	1120801020	• SCREW	2				
72	1100040820	• BOLT	4				
74	1100740616	• BOLT	4				
84	1100790820	• BOLT	4				
88	1140020008	• WASHER, spring	4				
89	1141110008	• WASHER	8				

U0e110



CAB (3/5)						
Item	Part number	Description	Q'ty	Chan.	Serial No.	Serv. Remarks
0	0658600500	CAB ASSY (for US)	1			
	0658601600	CAB ASSY (for EU)	1			
11	0658600520	▪ COVER	1			
33	1150420616	▪ SCREW	2			
35	0880865131	▪ MIRROR, room	2			
36	1654010600	▪ POCKET	1			
37	1711910040	▪ NOZZLE	1			for US
	1711910040	▪ NOZZLE	2			fo,' EU
38	1711919300	▪ HOSE	1			sold by the meter
39	0658600590	▪ SHEET	1			
49	1652053600	▪ GROMMET	1			
50	1652042030	▪ GROMMET	2			
51	1652051800	▪ GROMMET	1			
52	1652041530	▪ GROMMET	1			
53	1652051400	▪ GROMMET	1			
75	1150010414	▪ SCREW	4			
80	0658600581	▪ SHEET	1			
81	0658600582	▪ SHEET	1			
86	0658600586	▪ SHEET	4			
87	1652050900	▪ GROMMET	1			for US
98	1711919120	▪ HOSE (for EU)	1			sold by the meter
	U0e120					

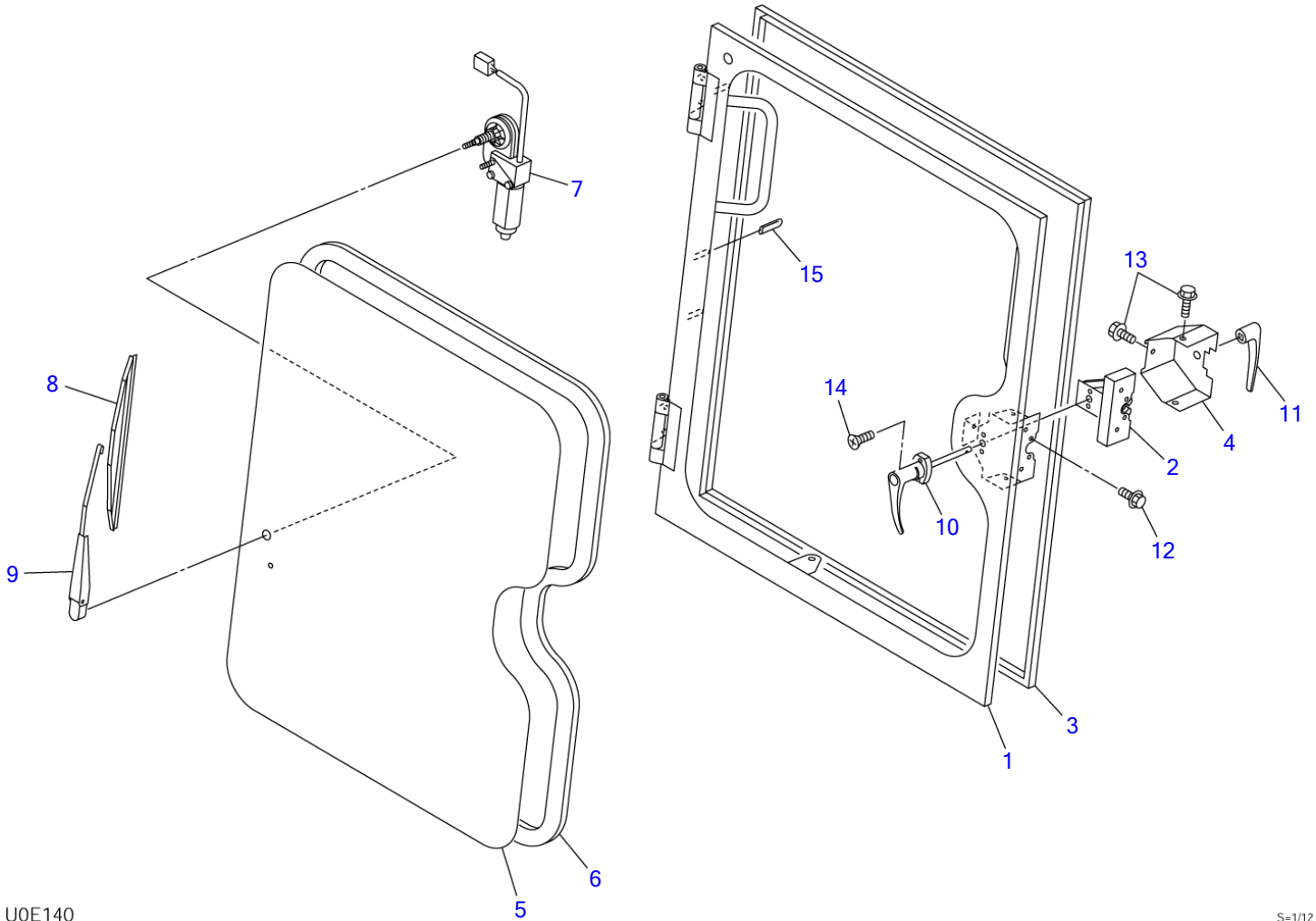


U0E130

S=1/8, 1/10, 1/18

CAB (4/5)						
Item	Part number	Description	Q'ty	Chan.	Serial No.	Serv. Remarks
0	0658600500	CAB ASSY (for US)	1			
	0658601600	CAB ASSY (for EU)	1			
8	0658600508	• PLATE	1			
9	0658600509	• BRACKET	1			
26	1700000033	• SWITCH, limit	1			
27	0658600570	• HARNESS	1			
28	1703006600	• LAMP ASSY	2			
28-1	1703006605	• • BULB	1			
29	1705003500	• SPEAKER	1			
30	1705003550	• GRILLE	2			
31	1703001700	• LAMP, room	1			
31-1	1703001701	• • BULB	1			
33	1150420616	• SCREW	3			fo,' EU
34	1705003460	• ANTENNA	1			
42	0872433150	• TUBE	4			
46	1652051200	• GROMMET	2			
47	1652054400	• GROMMET	1			
48	1652052800	• GROMMET	2			
68	1100041020	• BOLT	2			
69	1140020010	• WASHER, spring	3			
70	1150410414	• SCREW	4			
73	1100790816	• BOLT	2			
76	1120590412	• SCREW	8			
77	1141110010	• WASHER	1			
78	1130030010	• NUT	1			
85	0658600480	• SPEAKER ASSY	1			
85-1	1705003500	• • SPEAKER	1			
85-2	0658600482	• • HARNESS	1			
90	1140330010	• WASHER	1			for US
	1704051212	• MOTOR, wiper	1			fo,' EU
91	1704201330	• BLADE	1			fo,' EU
92	1704102510	• ARM, wiper	1			fo,' EU
93	0882861250	• BRACKET	1			fo,' EU
94	0880865314	• PACKING	4			fo,' EU
95	0880865313	• RETAINER	2			fo,' EU
96	1652221050	• BAND	4			fo,' EU
97	1704400001	• COVER	1			fo,' EU
99	0658601710	• HARNESS	1			fo,' EU
100	0658601720	• PLATE	1			fo,' EU
101	1100220640	• BOLT	1			fo,' EU
102	1140330010	• WASHER	1			fo,' EU

U0e130



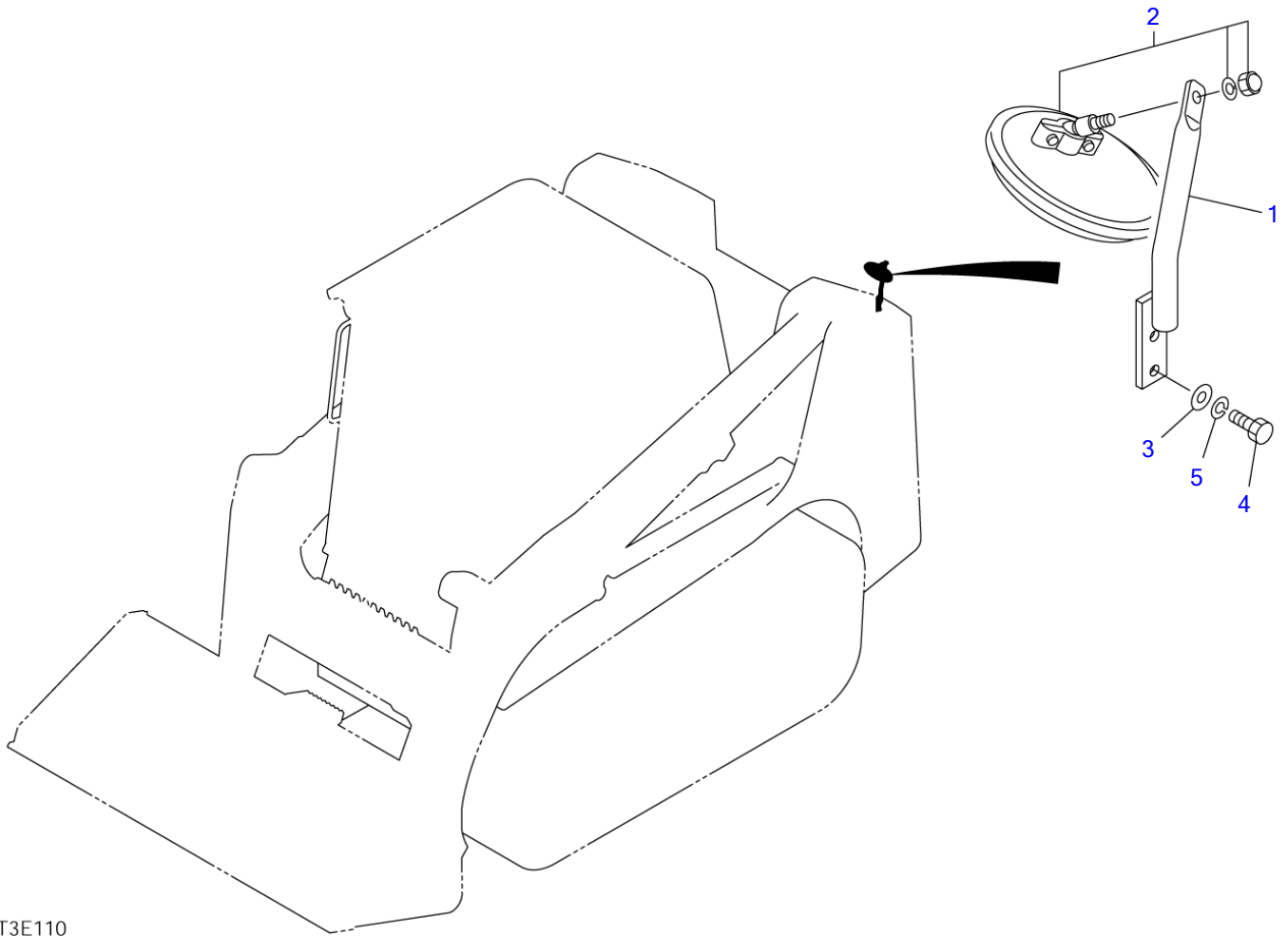
U0E140

S=1/12



**CAB (5/5) (front door)**

Item	Part number	Description	Q'ty	Chan.	Serial No.	Serv.	Remarks
0-1	<b>0658600800</b>	DOOR ASSY, front	1				
1	<b>0658600900</b>	▪ DOOR	1				
2	<b>0658600810</b>	▪ LATCH	1				
3	<b>0658600820</b>	▪ TRIM	1				
4	<b>0658600804</b>	▪ COVER	1				
5	<b>0658600805</b>	▪ GLASS	1				
6	<b>1654261346</b>	▪ H-RUBBER	1				sold by the meter
7	<b>0880865302</b>	▪ MOTOR, wiper	1				
8	<b>0658600808</b>	▪ BLADE	1				
9	<b>0658600809</b>	▪ ARM, wiper	1				
10	<b>0658600830</b>	▪ HANDLE	1				
11	<b>0658600840</b>	▪ HANDLE	1				
12	<b>1100740620</b>	▪ BOLT	4				
13	<b>1100740616</b>	▪ BOLT	3				
14	<b>1120790520</b>	▪ SCREW	2				
15	<b>0658600815</b>	▪ TUBE	3				
	<b>U0e140</b>						



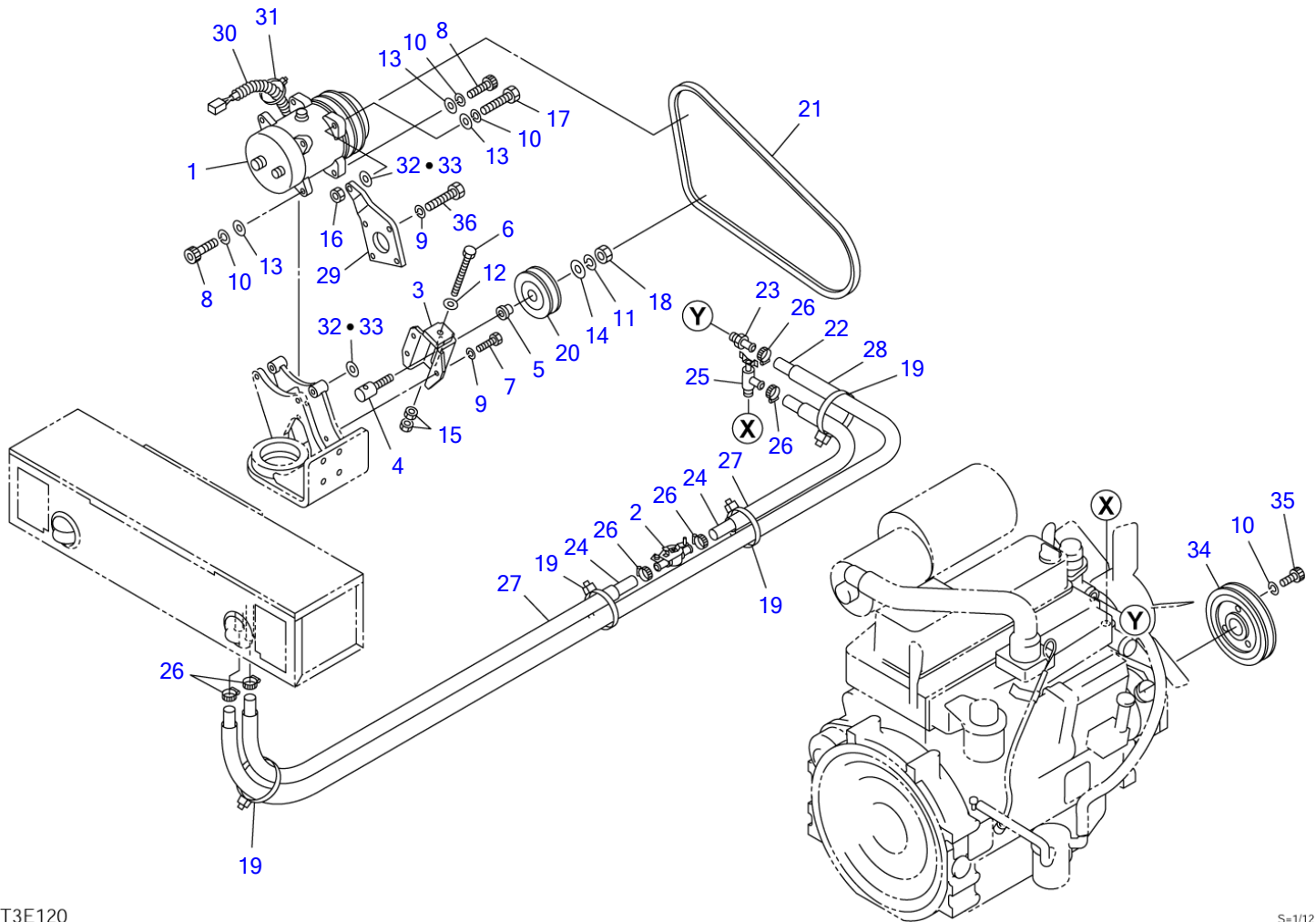
T3E110

S=1/5, 1/30

**REAR MIRROR**

Item	Part number	Description	Q'ty	Chan.	Serial No.	Serv.	Remarks
		MIRROR ASSY, rear					X06587-00000-0
1	<b>0658700010</b>	STAY	1				
2	<b>1656500130</b>	MIRROR	1				
3	<b>0003608252</b>	WASHER	2				
4	<b>1100040816</b>	BOLT	2				
5	<b>1140020008</b>	WASHER, spring	2				
	<b>T3e110</b>						

TL120 Book No. BT3Z001-1 S/N 21200008-  
AIR CONDITIONER (1/5) (compressor)



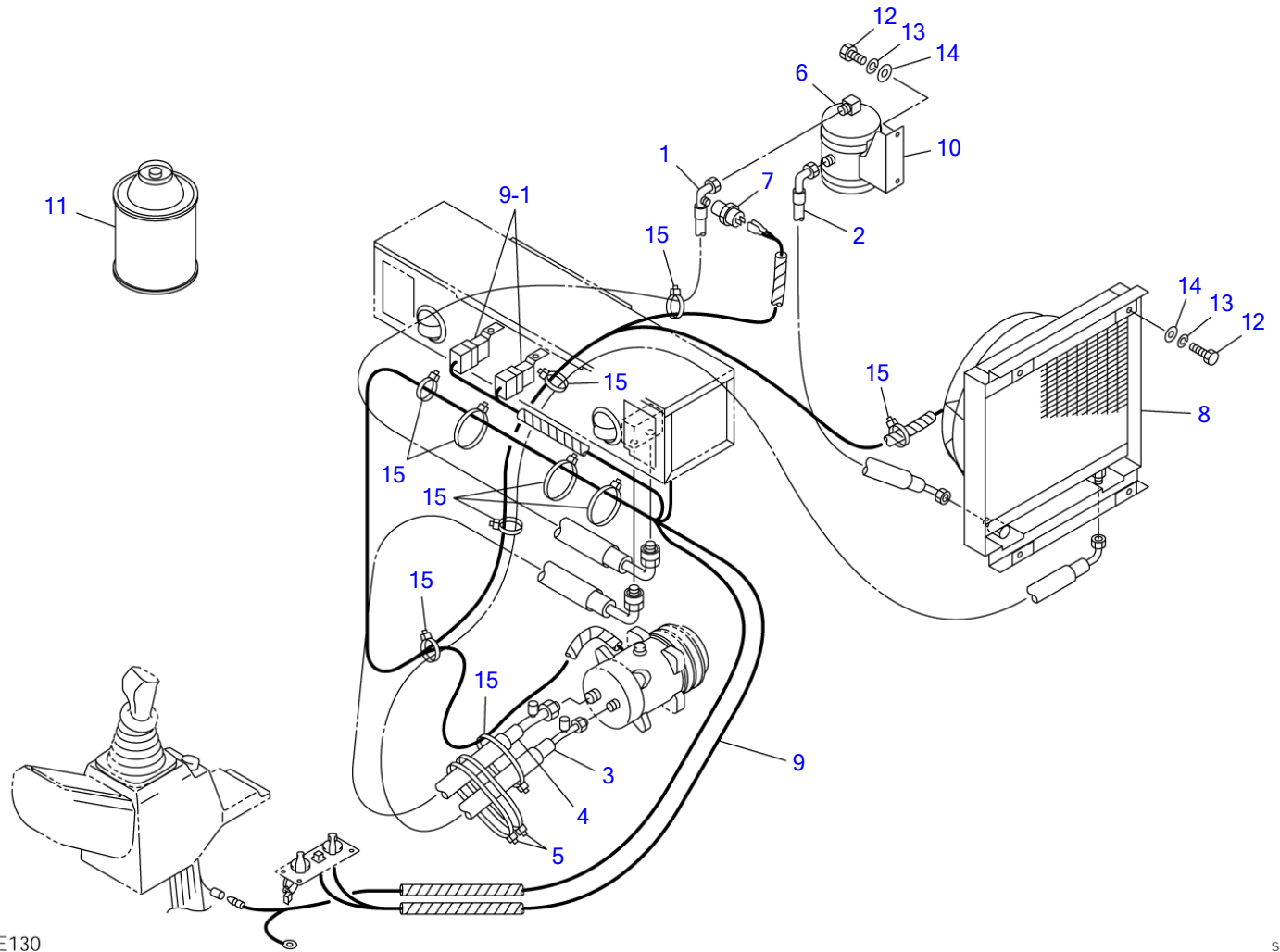
T3E120

S=1/12

**AIR CONDITIONER (1/5) (compressor)**

Item	Part number	Description	Q'ty	Chan.	Serial No.	Serv.	Remarks
0	<b>0654601100</b>	COMPRESSOR ASSY	1				X06546-01100-1
1	<b>1911506010</b>	• COMPRESSOR	1				
2	<b>1911506008</b>	• VALVE	1				
3	<b>0564618790</b>	• BRACKET	1				
4	<b>0564619210</b>	• SHAFT	1				
5	<b>0564619240</b>	• COLLAR	1				
6	<b>1100440810</b>	• BOLT	1				
7	<b>1100040825</b>	• BOLT	3				
8	<b>1110041030</b>	• SCREW, cap	4				
9	<b>1140020008</b>	• WASHER, spring	7				
10	<b>1140020010</b>	• WASHER, spring	8				
11	<b>1140020012</b>	• WASHER, spring	1				
12	<b>1141110008</b>	• WASHER	1				
13	<b>1141110010</b>	• WASHER	5				
14	<b>1141110012</b>	• WASHER	1				
15	<b>1130040008</b>	• NUT	2				
16	<b>1130040010</b>	• NUT	1				
17	<b>1100041035</b>	• BOLT	1				
18	<b>1130040012</b>	• NUT	1				
19	<b>1652201007</b>	• BAND	3				
20	<b>1911505700</b>	• PULLEY	1				
21	<b>1911508305</b>	• V-BELT	1				A44
22	<b>1911511845</b>	• HOSE	1				sold by the meter
23	<b>0007224009</b>	• ADAPTOR	1				
24	<b>1911501870</b>	• HOSE	2				sold by the meter
25	<b>1911502100</b>	• VALVE	1				
26	<b>1911500500</b>	• BAND	6				
27	<b>1531325060</b>	• PROTECTOR	2				sold by the meter
28	<b>1531325135</b>	• PROTECTOR	1				sold by the meter
29	<b>0654601110</b>	• STAY	1				
30	<b>1703210720</b>	• PROTECTOR	1				sold by the meter
31	<b>1652231100</b>	• BAND	1				
32	<b>0003600222</b>	• SHIM	AR				t=0.2mm
33	<b>0003600223</b>	• SHIM	AR				t=0.3mm
34	<b>0394614710</b>	• PULLEY	1				
35	<b>1100041020</b>	• BOLT	3				
36	<b>1100040830</b>	• BOLT	4				

T3e120



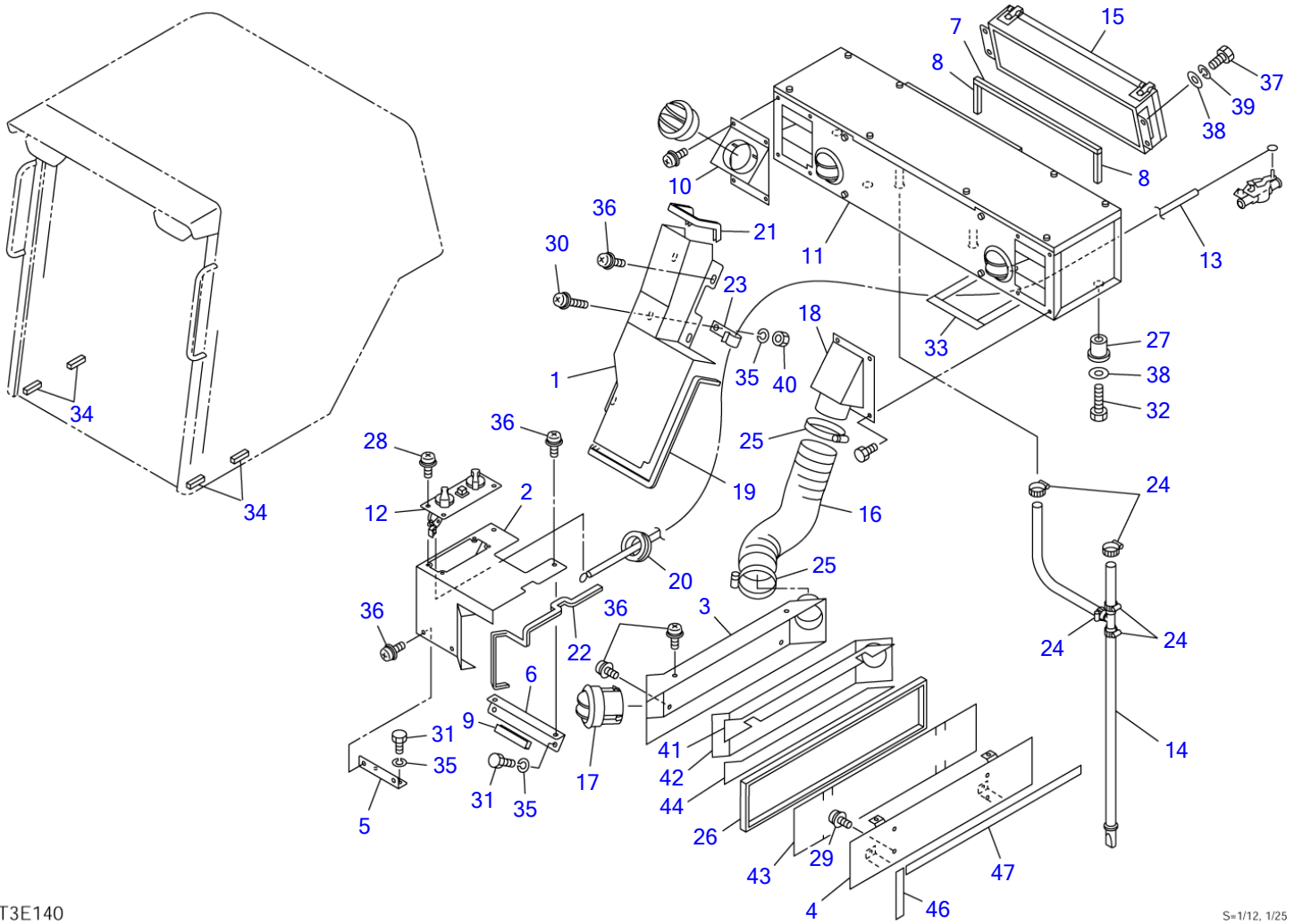
T3E130

S-1/12

**AIR CONDITIONER (2/5) (condenser)**

Item	Part number	Description	Q'ty	Chan.	Serial No.	Serv.	Remarks
0	<b>0654601200</b>	CONDENSER ASSY	1				X06546-01200-3
1	<b>1911508331</b>	· HOSE ASSY	1				
	<b>1911505601</b>	· · O-RING	2				
2	<b>1911508332</b>	· HOSE ASSY	1				
	<b>1911505601</b>	· · O-RING	2				
3	<b>1911508333</b>	· HOSE ASSY	1				
	<b>1911505602</b>	· · O-RING	2				
4	<b>1911508334</b>	· HOSE ASSY	1				
	<b>1911505603</b>	· · O-RING	2				
5	<b>1652201008</b>	· BAND	4				
6	<b>1911508311</b>	· DRYER	1				
7	<b>1911505514</b>	· SWITCH	1				
8	<b>1911508380</b>	· CONDENSER	1				
9	<b>1911508310</b>	· HARNESS, wiring	1				
9-1	<b>1911506041</b>	· · RELAY	2				
10	<b>0654601220</b>	· BRACKET	1				
11	<b>0872463100</b>	· GAS	4				200g
12	<b>1100040820</b>	· BOLT	6				
13	<b>1140020008</b>	· WASHER, spring	6				
14	<b>1141110008</b>	· WASHER	6				
15	<b>1652231250</b>	· BAND	10				
	<b>T3e130</b>						

TL120 Book No. BT3Z001-1 S/N 21200008-  
AIR CONDITIONER (3/5) (air conditioner unit)



T3E140

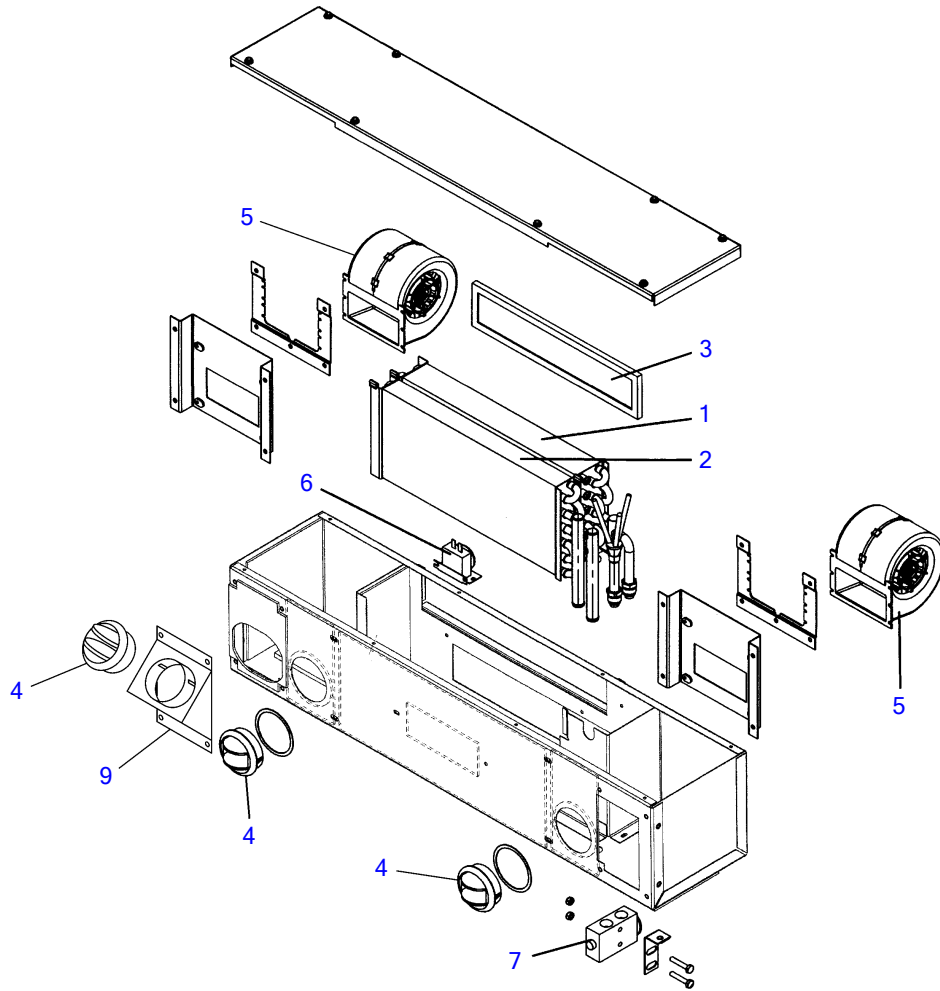
S-1/12, 1/25



**AIR CONDITIONER (3/5) (air conditioner unit)**

Item	Part number	Description	Q'ty	Chan.	Serial No.	Serv.	Remarks
0	0654601300	UNIT ASSY, air conditioner	1				X06546-01300-2
1	0654601310	• COVER	1				
2	0654601320	• COVER	1				
3	0654601330	• COVER	1				
4	0654601340	• BRACKET	1				
5	0654601350	• BRACKET	1				
6	0654601360	• BRACKET	1				
7	0881464370	• URETHANE	1				
8	0881464380	• URETHANE	2				
9	1653916008	• TRIM	1				sold by the meter
10	1911505920	• ADAPTOR	1				
11	1911508390	• UNIT, air conditioner	1				see page (4/5)
12	1911506020	• PANEL ASSY	1				see page (5/5)
13	1911506006	• CABLE, control	1				
14	1911506030	• TUBE ASSY	1				
15	1911506050	• BOX, filter	1				see page (5/5)
16	1911506009	• HOSE	1				
17	1911506675	• LOUVER	1				
18	0880465320	• ADAPTOR	1				
19	1653916049	• TRIM	1				sold by the meter
20	1652053600	• GROMMET	1				
21	1653916023	• TRIM	1				sold by the meter
22	1653916043	• TRIM	1				sold by the meter
23	0007300010	• CLAMP	1				
24	1911500500	• BAND	5				
25	1533700076	• BAND	2				
26	1654613120	• PACKING	1				sold by the meter
27	1652520008	• NUT	4				
28	1150420510	• BOLT, sems	4				
29	1150420610	• BOLT, sems	4				
30	1150420625	• BOLT, sems	1				
31	1100040610	• BOLT	4				
32	1100040830	• BOLT	4				
33	1654313013	• SPONGE	4				sold by the meter
34	1654306008	• SPONGE	4				sold by the meter
35	1140020006	• WASHER, spring	5				
36	1150420614	• SCREW	12				
37	1100040816	• BOLT	4				
38	1141110008	• WASHER	8				
39	1140020008	• WASHER, spring	4				
40	1130040006	• NUT	1				
41	0654601341	• ABSORBENT, noise	1				
42	0654601342	• ABSORBENT, noise	1				
43	0654601343	• ABSORBENT, noise	1				
44	0654601344	• ABSORBENT, noise	1				
46	1654301011	• SPONGE	1				sold by the meter
47	1654301047	• SPONGE	1				sold by the meter

T3e140

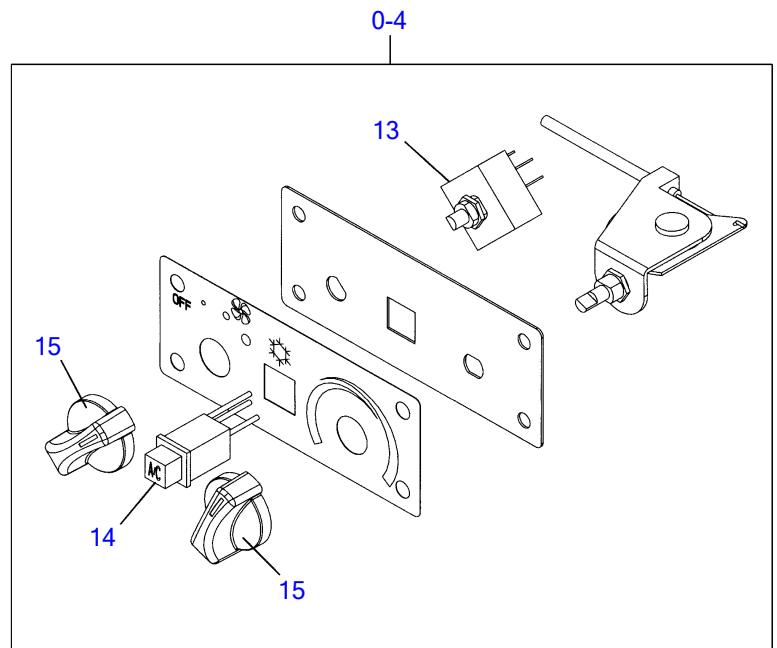
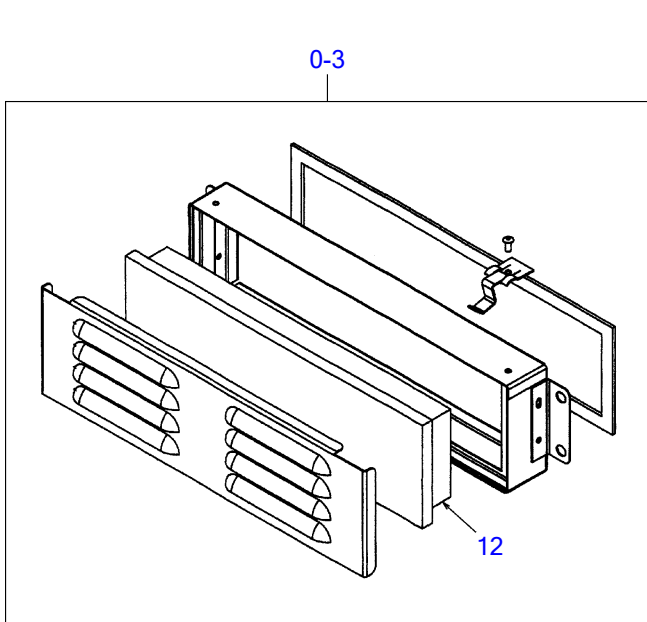


T3E150

S=free

**AIR CONDITIONER (4/5)**

Item	Part number	Description	Q'ty	Chan.	Serial No.	Serv.	Remarks
0-1	<b>1911508390</b>	UNIT, air conditioner	1				
1	<b>1911506091</b>	▪ CORE	1				
2	<b>1911506092</b>	▪ CORE	1				
3	<b>1911508397</b>	▪ FILTER	1				
4	<b>1911506012</b>	▪ LOUVER	2				
5	<b>1911506096</b>	▪ MOTOR	2				
6	<b>1911505421</b>	▪ THERMOSTAT	1				
7	<b>1911505422</b>	▪ VALVE	1				
8	<b>1911506089</b>	▪ HARNESS ASSY, wiring	1				not shown
9	<b>1911505920</b>	▪ ADAPTOR	1				
	<b>T3e150</b>						



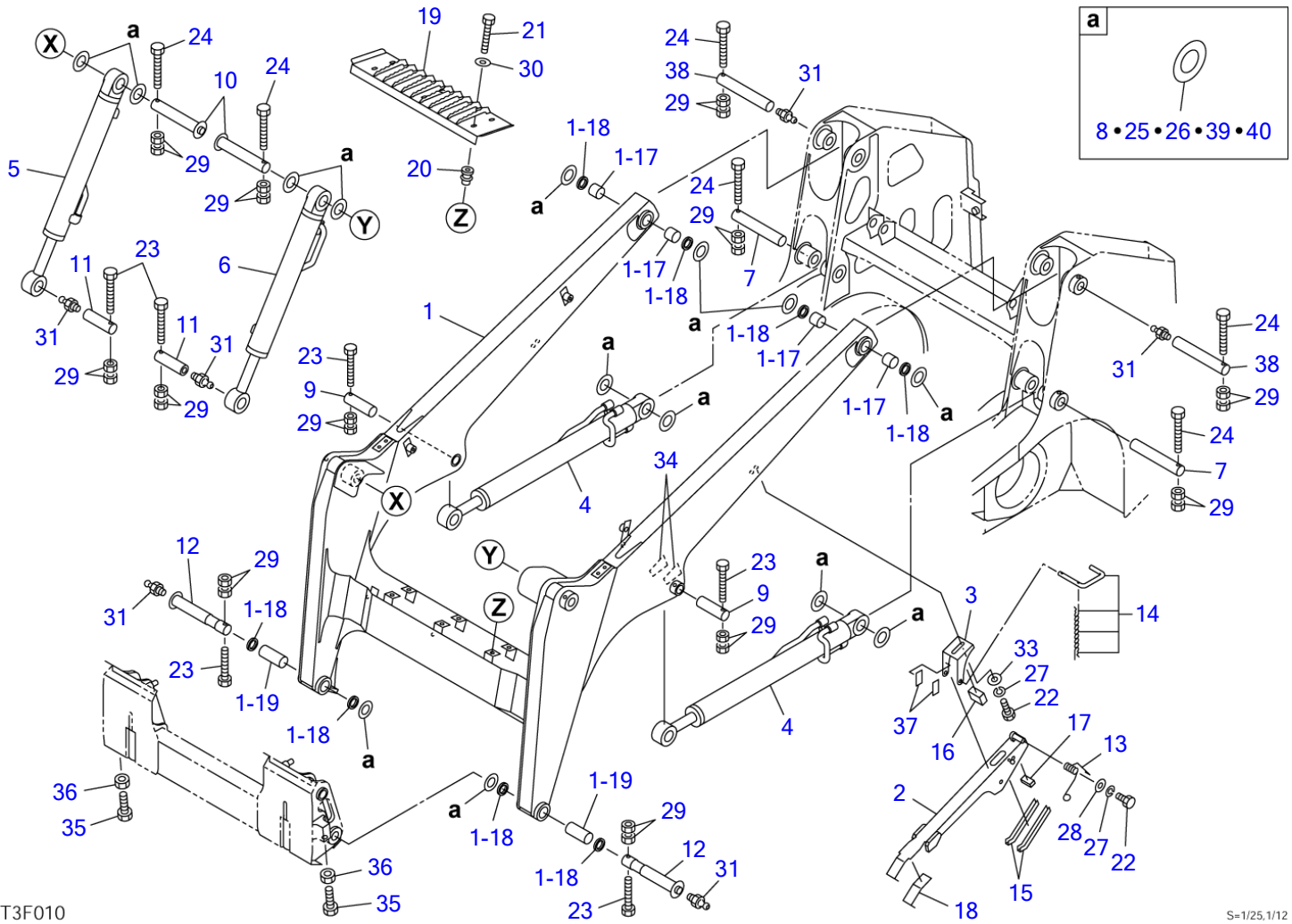
T8E410

S=free

**AIR CONDITIONER (5/5)**

Item	Part number	Description	Q'ty	Chan.	Serial No.	Serv.	Remarks
0-3	<b>1911506050</b>	BOX	1				
12	<b>1911506052</b>	• FILTER	1				
0-4	<b>1911506020</b>	PANEL ASSY	1				
13	<b>1911506027</b>	• SWITCH	1				
14	<b>1911505767</b>	• SWITCH	1				
15	<b>1911505763</b>	• KNOB	2				
	<b>T8e410</b>						

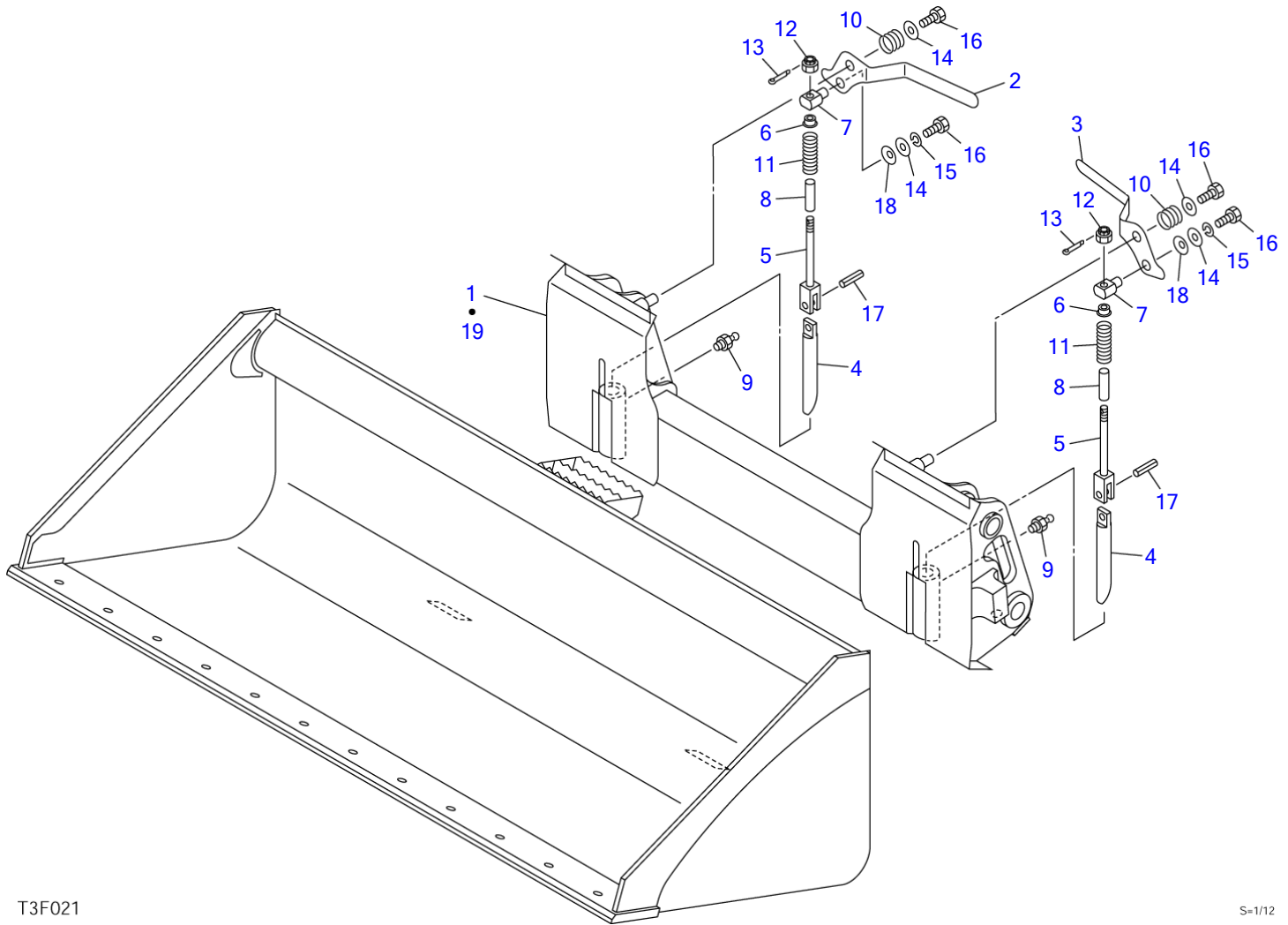
TL120 Book No. BT3Z001-1 S/N 21200008-  
ARM



T3F010

S=1/25,1/12

Item	Part number	Description	Q'ty	Chan.	Serial No.	Serv.	Remarks
		ARM ASSY					X06560-00000-4
1	0656000100	ARM	1				
1-17	0002400045	· BUSHING	4				
1-18	1432200035	· SEAL, dust	8				
1-19	0002400076	· BUSHING	2				
2	0656000520	LOCK	1				
3	0656000530	BRACKET	1				
4	1900096800	CYLINDER, arm	2				
5	1900095100	CYLINDER, bucket (R.H.)	1				
6	1900095200	CYLINDER, bucket (L.H.)	1				
7	0011502230	PIN	2				
8	0003600230	SHIM	AR				t=1.0mm
9	0011502110	PIN	2				
10	0001090004	PIN	2				
11	0001672005	PIN	2				
12	0011902009	PIN	2				
13	0007000114	SPRING	1				
14	0656000350	PIN ASSY	1				
15	1654628023	TRIM	2				sold by the meter
16	0881604580	RUBBER	1				
17	0656000017	RUBBER	1				
18	0880606018	RUBBER	1				
19	0656000360	STEP	1				
20	1652520008	NUT	6				
21	1100040830	BOLT	6				
22	1100040816	BOLT	3				
23	1103041070	BOLT	6				
24	1103041090	BOLT	6				
25	0003600231	SHIM	AR				t=0.2mm
26	0003600232	SHIM	AR				t=0.5mm
27	1140020008	WASHER, spring	3				
28	0003608252	WASHER	1				
29	1130240010	NUT	24				
30	0003608003	WASHER	6				
31	1560001000	FITTING, grease	6				
33	1141110008	WASHER	2				
34	0880606034	RUBBER	2				
35	0881962656	BOLT	2				
36	0881604035	NUT	2				
37	0881604036	RUBBER	2				
38	0001672006	PIN	2				
39	0003600233	SHIM	AR				t=1.2mm
40	0003600234	SHIM	AR				t=3.2mm
	T3f010						



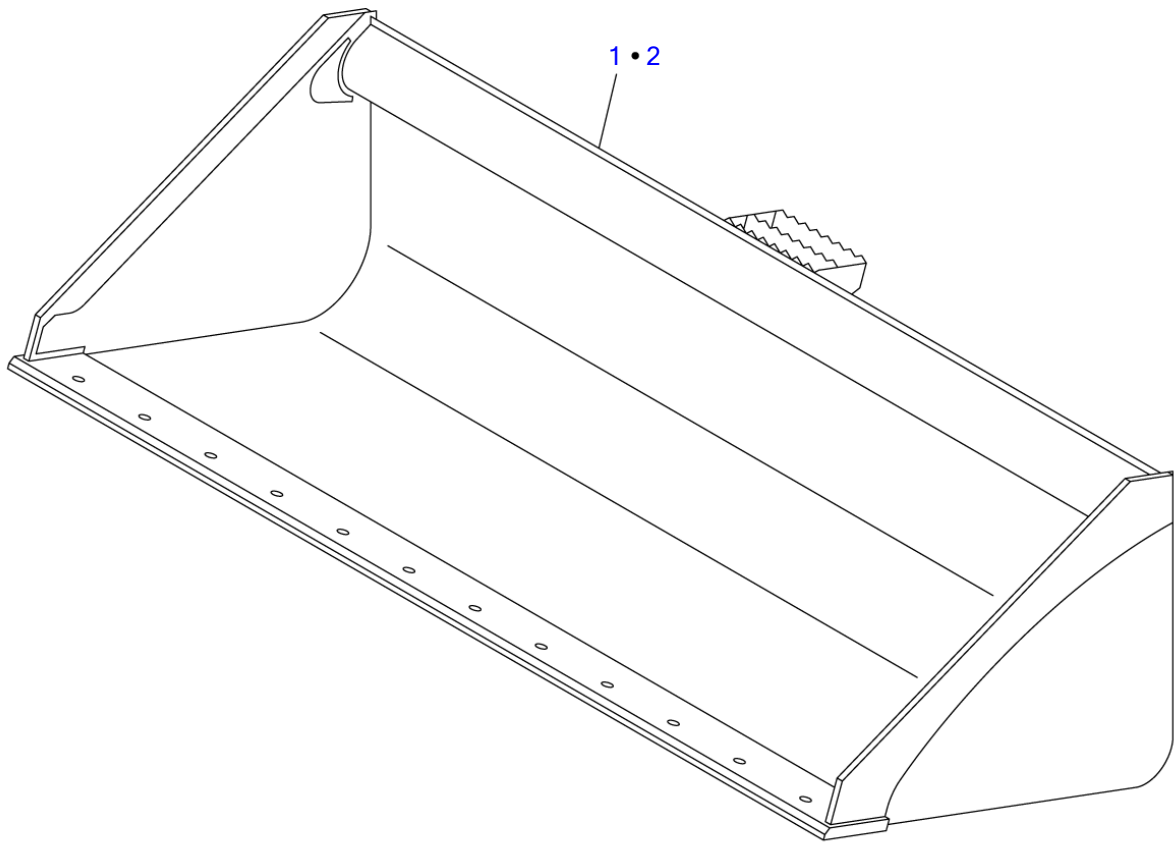
T3F021

S-1/12



**QUICK ATTACHMENT**

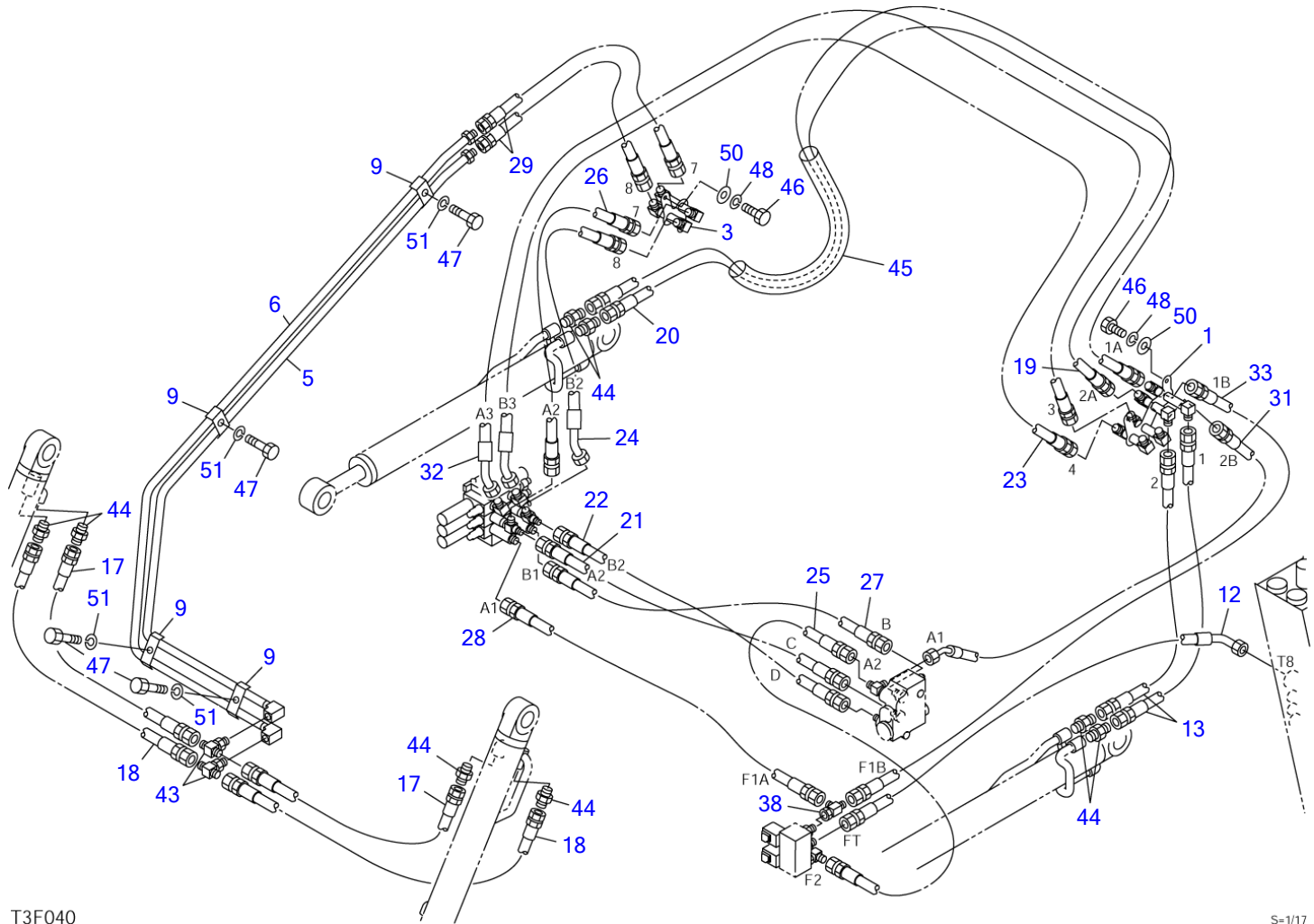
Item	Part number	Description	Q'ty	Chan.	Serial No.	Serv.	Remarks
0	<b>0656100000</b>	ATTACHMENT ASSY, quick (for U.S.)	1			M	X06561-00000-2
	<b>0656101000</b>	ATTACHMENT ASSY, quick (for E.U.)	1			M	X06561-01000-2
1	<b>0656100100</b>	▪ BRACKET	1			M	for U.S.
2	<b>0656100200</b>	▪ LEVER (R.H.)	1				
3	<b>0656100300</b>	▪ LEVER (L.H.)	1				
4	<b>0881612150</b>	▪ PIN	2				
5	<b>0881612060</b>	▪ YOKE	2				
6	<b>0881612070</b>	▪ WASHER	2				
7	<b>0880612070</b>	▪ PIN	2				
8	<b>0881612160</b>	▪ PIPE	2				
9	<b>1560001000</b>	▪ FITTING, grease	2				
10	<b>0007000016</b>	▪ SPRING	2				
11	<b>0007000119</b>	▪ SPRING	2				
12	<b>1132630012</b>	▪ NUT	2				
13	<b>1210013225</b>	▪ PIN, split	2				
14	<b>0003600025</b>	▪ WASHER	4				
15	<b>1140120010</b>	▪ WASHER, spring	2				
16	<b>1100041020</b>	▪ BOLT	4				
17	<b>1213001250</b>	▪ PIN, spring	2				
18	<b>1225120018</b>	▪ WASHER, conical	2				
19	<b>0656101100</b>	▪ BRACKET	1			M	for E.U.
	<b>T3f021</b>						



T3F031

S=FREE

Item	Part number	Description	Q'ty	Chan.	Serial No.	Serv.	Remarks
		BUCKET ASSY (for U.S.)					X06562-00000-1
		BUCKET ASSY (for E.U.)					X06562-00500-1
1	<b>0656200100</b>	BUCKET	1			M	for U.S.
2	<b>0656200600</b>	BUCKET	1			M	for E.U.
	<b>T3f031</b>						

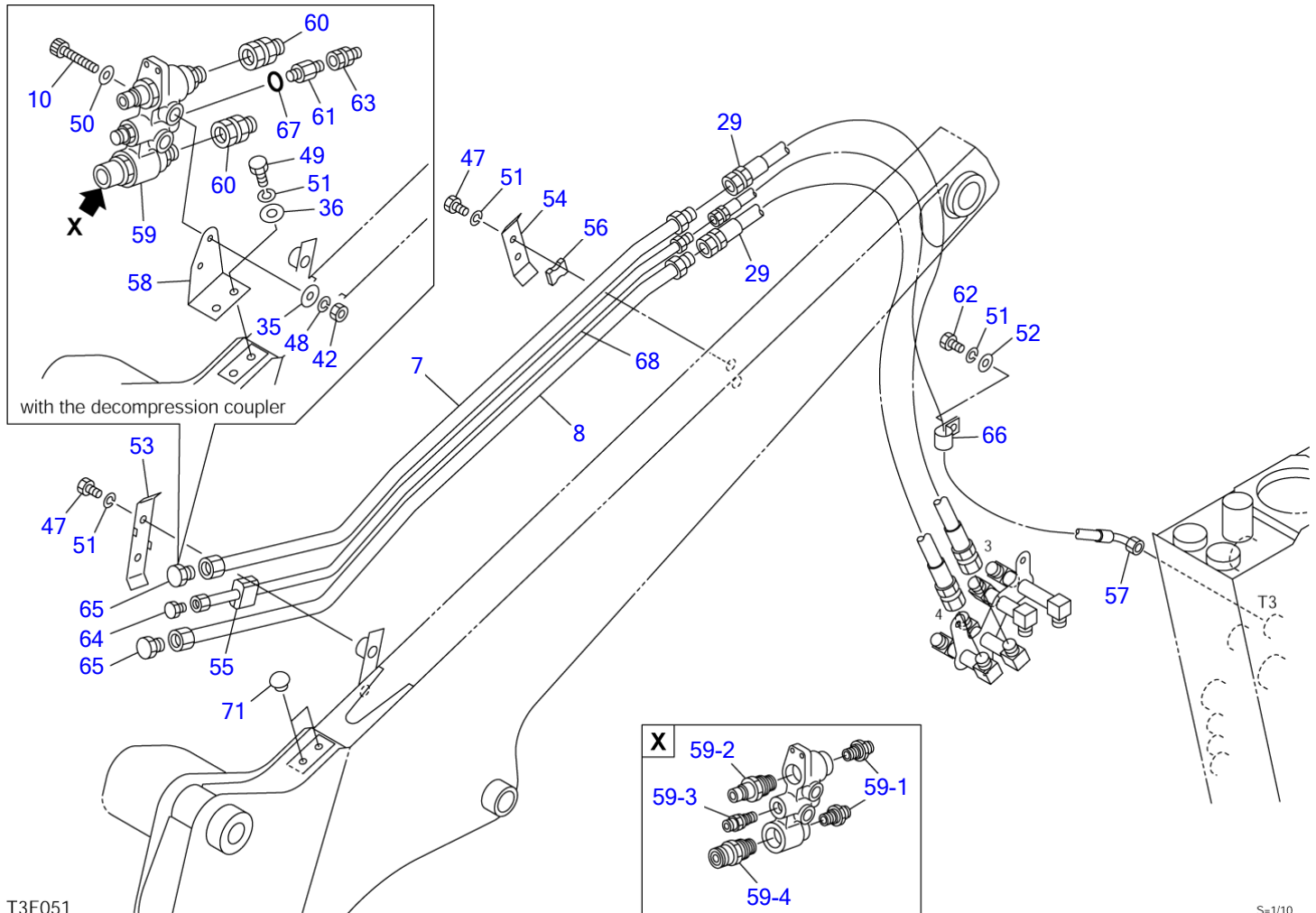


T3F040

S=1/17

**PIPING; ARM (1/2)**

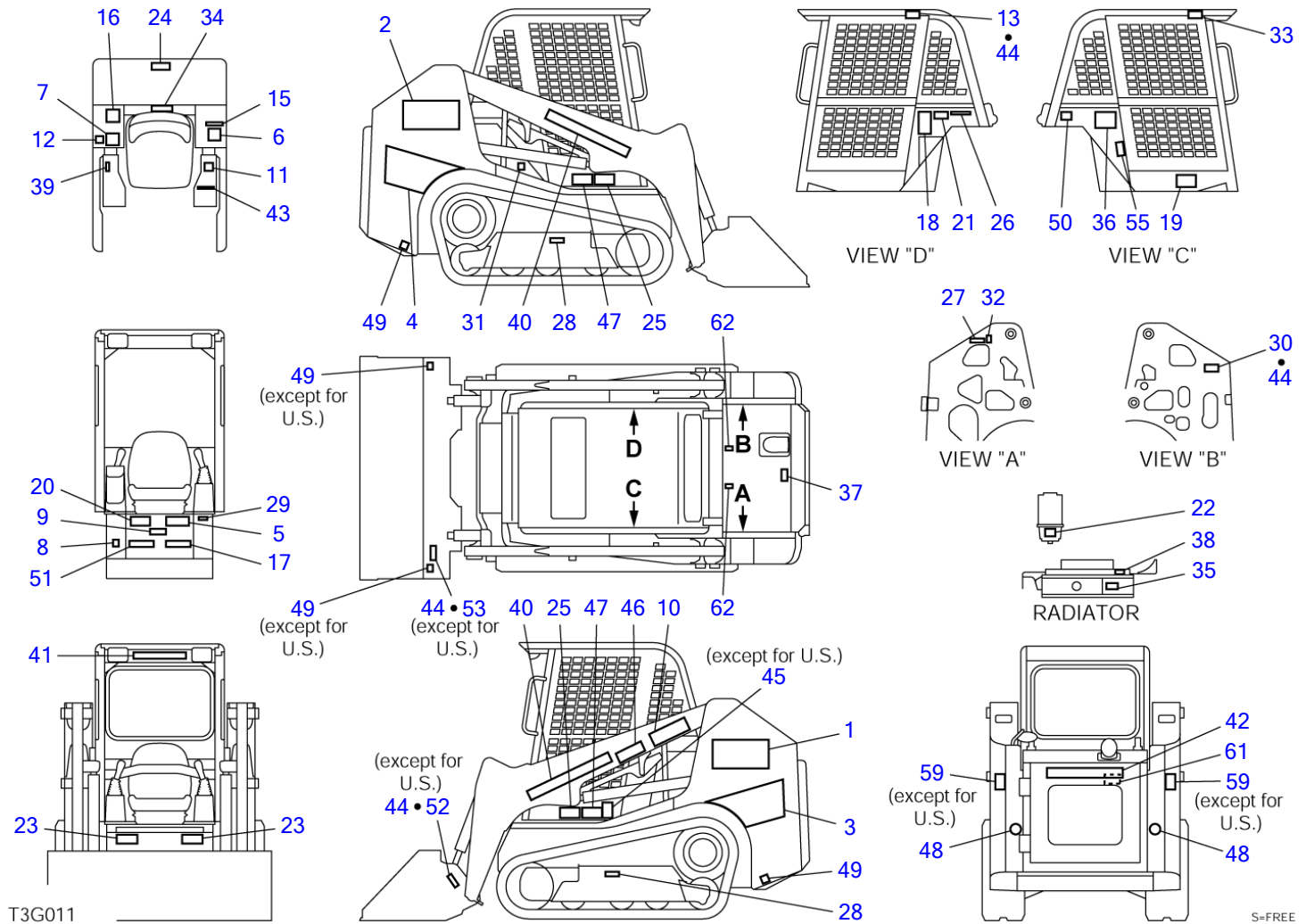
Item	Part number	Description	Q'ty	Chan.	Serial No.	Serv.	Remarks
		PIPING ASSY					X06573-00000-2
		PIPING ASSY (with coupler)					X06573-01000-2
1	0657300010	BRACKET (L.H.)	1				
3	0657300030	BRACKET (R.H.)	1				
5	0657300050	PIPE	1				
6	0657300060	PIPE	1				
9	0880736090	CLAMP	4				
12	0657300120	HOSE ASSY	1				
13	1801520050	HOSE ASSY	2				
17	0657300170	HOSE ASSY	2				18015-20071
18	0657300180	HOSE ASSY	2				18015-20075
19	0657300190	HOSE ASSY	1				18015-20155
20	0657300200	HOSE ASSY	1				18015-20155
21	0657300210	HOSE ASSY	1				18015-20056
22	0657300220	HOSE ASSY	1				18015-20056
23	0657300230	HOSE ASSY	1				18015-47112
24	0657300240	HOSE ASSY	1				18015-47055
25	0657300250	HOSE ASSY	1				18015-40063
26	0657300260	HOSE ASSY	1				18015-40065
27	0657300270	HOSE ASSY	1				18015-40058
28	0657300280	HOSE ASSY	1				18015-40054
29	0657300290	HOSE ASSY	2				18015-40072
31	0657300310	HOSE ASSY	1				18015-47077
32	0657300320	HOSE ASSY	1				18015-40117
33	0657300330	HOSE ASSY	1				18015-40072
38	1513390034	TEE	1				
43	1512374014	TEE	2				
	1420010180	• O-RING	1				
44	1515600201	ADAPTOR	8				
	1420010140	• O-RING	1				
45	1531645060	PROTECTOR	1				sold by the meter
46	1100040816	BOLT	5				
47	1100041025	BOLT	4				
48	1140020008	WASHER, spring	5				
50	1141110008	WASHER	5				
51	1140020010	WASHER, spring	4				
	<b>T3f041</b>						



**PIPING; ARM (2/2)**

Item	Part number	Description	Q'ty	Chan.	Serial No.	Serv.	Remarks
		PIPING ASSY					X06573-00000-2
		PIPING ASSY (with coupler)					X06573-01000-2
7	<b>0657300070</b>	PIPE	1				
8	<b>0657300080</b>	PIPE	1				
10	<b>1110040865</b>	SCREW, cap	2			M	with coupler
29	<b>0657300290</b>	HOSE ASSY	2				18015-40072
35	<b>0003608252</b>	WASHER	2			M	with coupler
36	<b>0003600020</b>	WASHER	2			M	with coupler
42	<b>1130040008</b>	NUT	2			M	with coupler
47	<b>1100041025</b>	BOLT	4				
48	<b>1140020008</b>	WASHER, spring	2			M	with coupler
49	<b>1100041020</b>	BOLT	2			M	with coupler
50	<b>1141110008</b>	WASHER	2			M	with coupler
51	<b>1140020010</b>	WASHER, spring	5			M	without coupler
	<b>1140020010</b>	WASHER, spring	7			M	with coupler
52	<b>1141110010</b>	WASHER	1				
53	<b>0881733550</b>	CLAMP	1				
54	<b>0880738130</b>	CLAMP	1				
55	<b>0880738140</b>	RUBBER	1				
56	<b>0880738150</b>	RUBBER	1				
57	<b>0657300570</b>	HOSE ASSY	1				
58	<b>0657300580</b>	BRACKET	1			M	with coupler
59	<b>1901747000</b>	COUPLER, block	1			M	with coupler
59-1	<b>1901747001</b>	· ADAPTOR	2			M	with coupler
59-2	<b>1901747002</b>	· ADAPTOR	1			M	with coupler
59-3	<b>1901747003</b>	· ADAPTOR	1			M	with coupler
59-4	<b>1901747004</b>	· ADAPTOR	1			M	with coupler
60	<b>0007236045</b>	ADAPTOR	2			M	with coupler
61	<b>0007203017</b>	NIPPLE	1			M	with coupler
	<b>1420310906</b>	· O-RING	1			M	
62	<b>1100041016</b>	BOLT	1				
63	<b>1511410003</b>	ADAPTOR	1			M	with coupler
	<b>1420010140</b>	· O-RING	1			M	
64	<b>1501750003</b>	PLUG	1			M	without coupler
	<b>1420010140</b>	· O-RING	1				
65	<b>1501750004</b>	PLUG	2			M	without coupler
	<b>1420010180</b>	· O-RING	1				
66	<b>1711900071</b>	CLAMP	1				
67	<b>1420310906</b>	O-RING	1			M	with coupler
68	<b>0657300680</b>	PIPE	1				
71	<b>1652533018</b>	CAP	2			M	without coupler
	<b>T3f051</b>						

TL120 Book No. BT3Z001-1 S/N 21200008-  
**DECAL (canopy)**



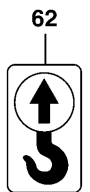
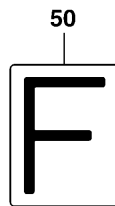
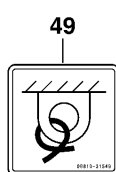
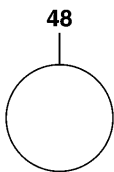
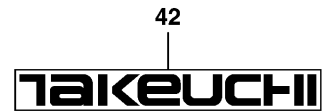
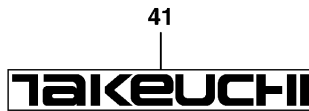
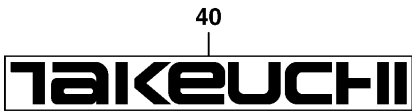
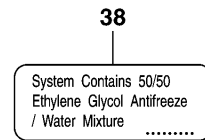
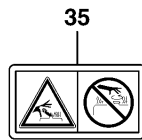
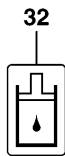
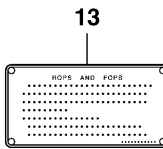
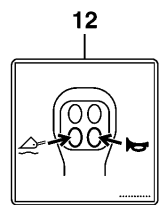
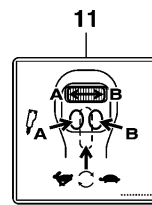
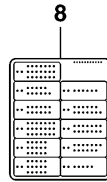
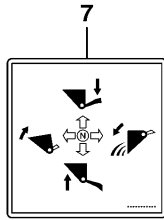
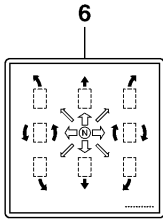
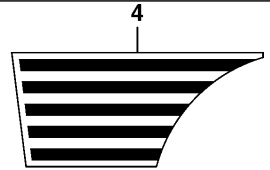
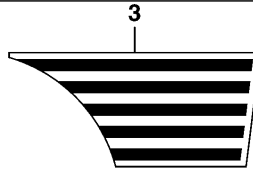
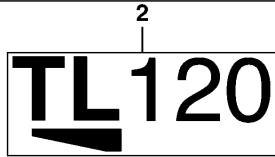
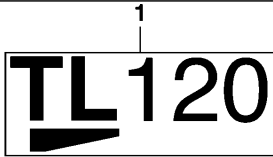


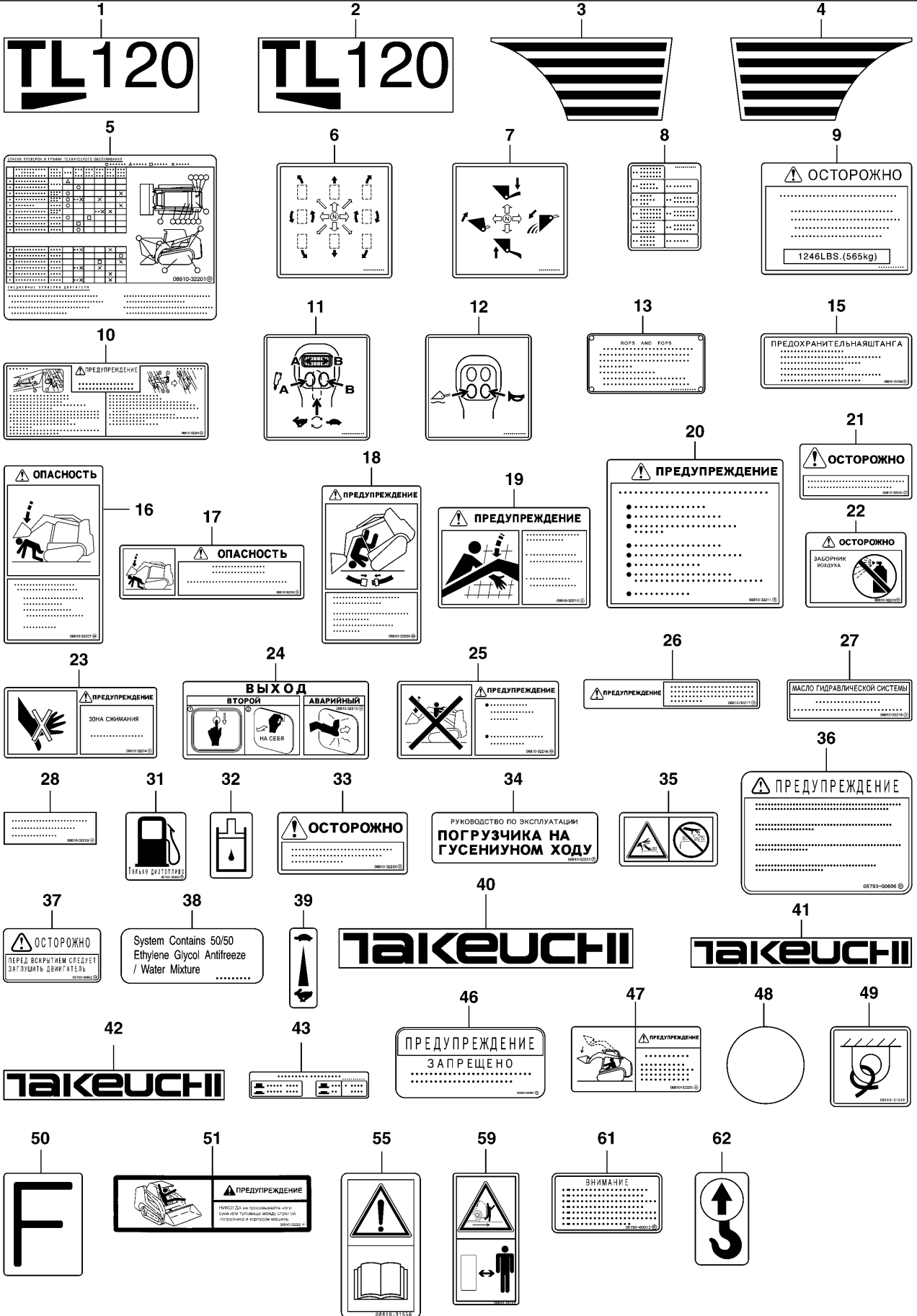






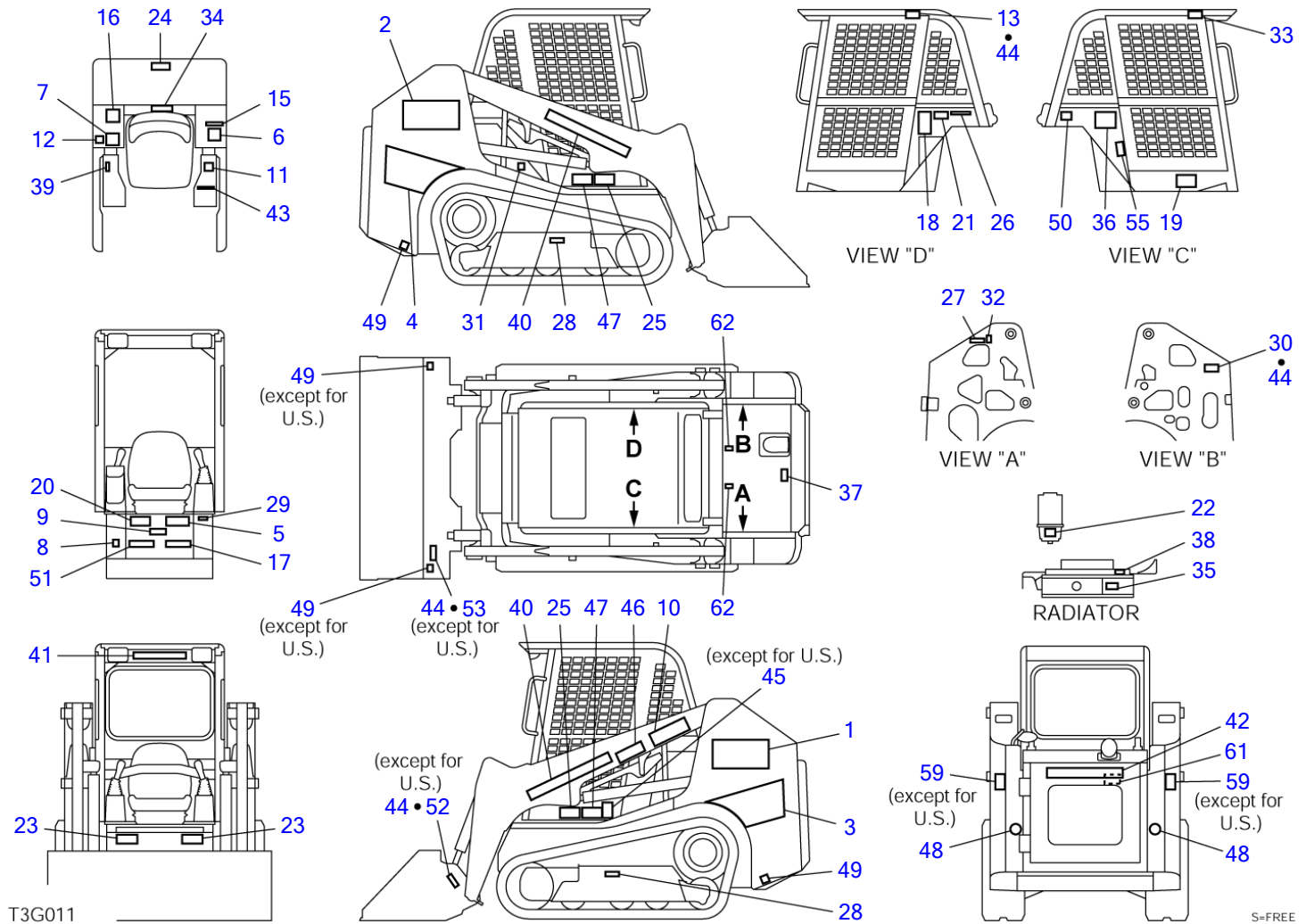








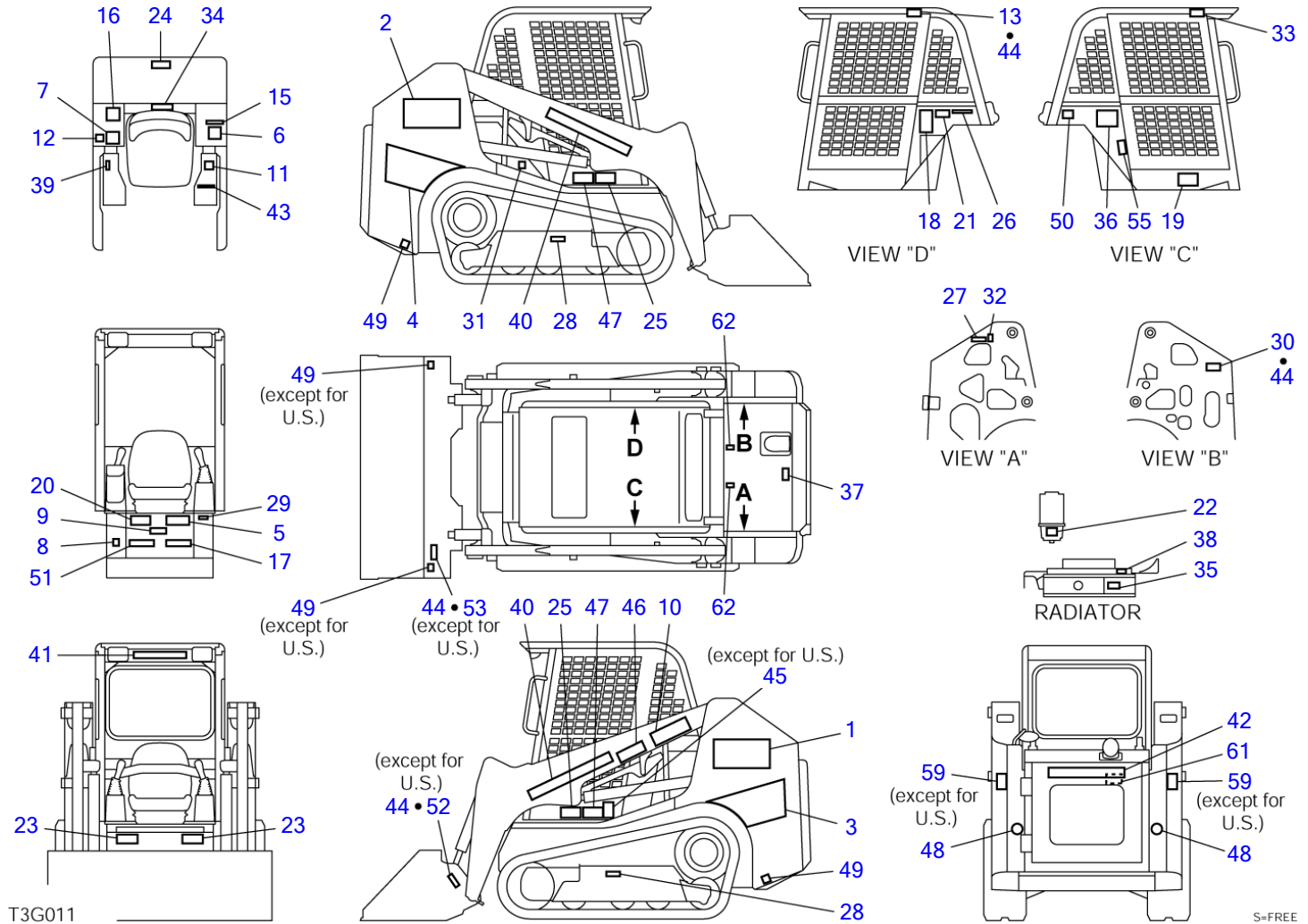
TL120 Book No. BT3Z001-1 S/N 21200008-  
**DECAL (canopy)**





DECAL (canopy)							
Item	Part number	Description	Q'ty	Chan.	Serial No.	Serv.	Remarks
0	0659301000	DECAL SET (English, for U.S.)	1			M	X06593-01000-2
	0659301100	DECAL SET (English, for E.U.)	1			M	X06593-01100-2
	0659301200	DECAL SET (French)	1			M	X06593-01200-2
	0659301300	DECAL SET (Italian)	1			M	X06593-01300-2
	0659301400	DECAL SET (German)	1			M	X06593-01400-2
	0659301700	DECAL SET (Dutch)	1			M	X06593-01700-2
	0659301800	DECAL SET (Russian)	1			M	X06593-01800-2
1	0659300021	• DECAL	1			M	
2	0659300022	• DECAL	1			M	
3	0659300002	• DECAL	1				
4	0659300003	• DECAL	1				
5	0881030005	• DECAL (English)	1			M	
	0881030205	• DECAL (French)	1			M	
	0881030305	• DECAL (Italian)	1			M	
	0881030505	• DECAL (German)	1			M	
	0881032201	• DECAL (Russian)	1			M	
6	0881030006	• DECAL	1				
7	0881030007	• DECAL	1				
8	0659300008	• DECAL (English, Dutch)	1			M	
	0659300201	• DECAL (French)	1			M	
	0659300301	• DECAL (Italian)	1			M	
	0659300401	• DECAL (German)	1			M	
	0659300601	• DECAL (Russian)	1			M	
9	0659300009	• DECAL (English)	1			M	
	0659300202	• DECAL (French)	1			M	
	0659300302	• DECAL (Italian)	1			M	
	0659300402	• DECAL (German)	1			M	
	0659300602	• DECAL (Russian)	1			M	
10	0881030110	• DECAL (English)	1			M	
	0881030260	• DECAL (French)	1			M	
	0881030360	• DECAL (Italian)	1			M	
	0881030560	• DECAL (German)	1			M	
	0881032204	• DECAL (Russian)	1			M	
11	0882030006	• DECAL	1			M	
12	0882030007	• DECAL	1			M	
13	X *****	• DECAL	1			M	
15	0880031001	• DECAL (English)	1			M	
	0880038607	• DECAL (French)	1			M	
	0881030315	• DECAL (Italian)	1			M	
	0880034007	• DECAL (German)	1			M	
	0881032206	• DECAL (Russian)	1			M	
16	0880030009	• DECAL (English)	1			M	
	0880038609	• DECAL (French)	1			M	
	0881030316	• DECAL (Italian)	1			M	
	0880034009	• DECAL (German)	1			M	
	0881032207	• DECAL (Russian)	1			M	
17	0880030010	• DECAL (English)	1			M	
	0880038610	• DECAL (French)	1			M	
	0881030317	• DECAL (Italian)	1			M	
	0880034010	• DECAL (German)	1			M	
	0881032208	• DECAL (Russian)	1			M	
18	0880030011	• DECAL (English)	1			M	
	0880038611	• DECAL (French)	1			M	
	0881030318	• DECAL (Italian)	1			M	
	0880034011	• DECAL (German)	1			M	
	0881032209	• DECAL (Russian)	1			M	
19	0880031003	• DECAL (English)	1			M	
	0880038612	• DECAL (French)	1			M	
	0881030319	• DECAL (Italian)	1			M	
	0880034012	• DECAL (German)	1			M	
	0881032210	• DECAL (Russian)	1			M	
20	0881030020	• DECAL (English)	1			M	
	0880038613	• DECAL (French)	1			M	
	0881030320	• DECAL (Italian)	1			M	
	0881030520	• DECAL (German)	1			M	
	0881032211	• DECAL (Russian)	1			M	
21	0880030015	• DECAL (English)	1			M	
	0880038615	• DECAL (French)	1			M	

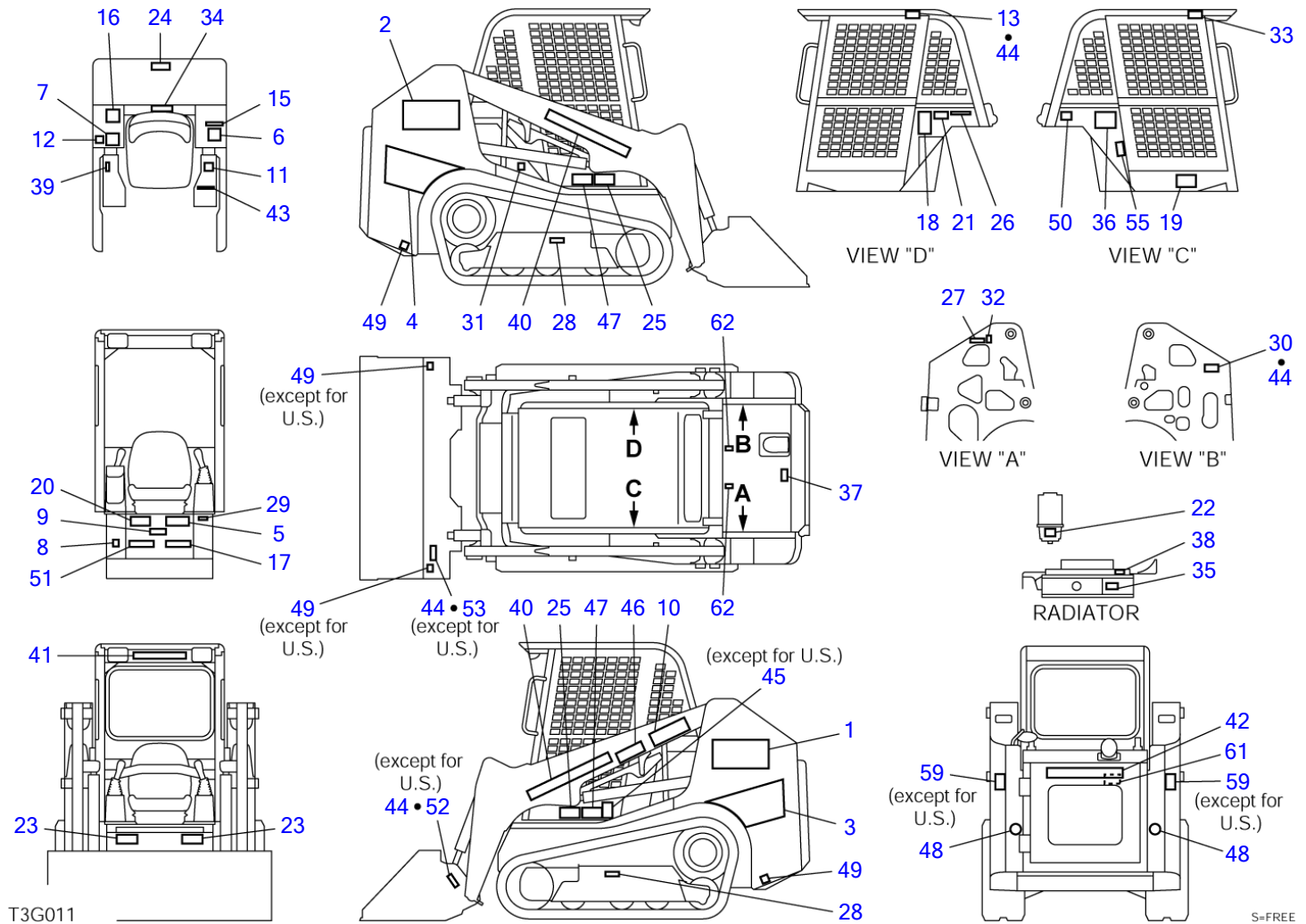
TL120 Book No. BT3Z001-1 S/N 21200008-  
**DECAL (canopy)**



DECAL (canopy)

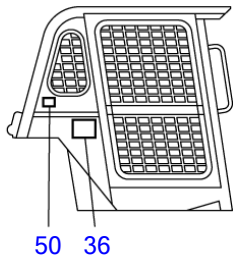
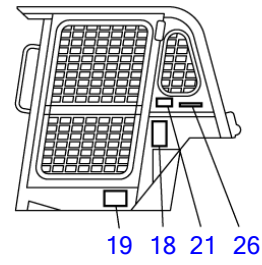
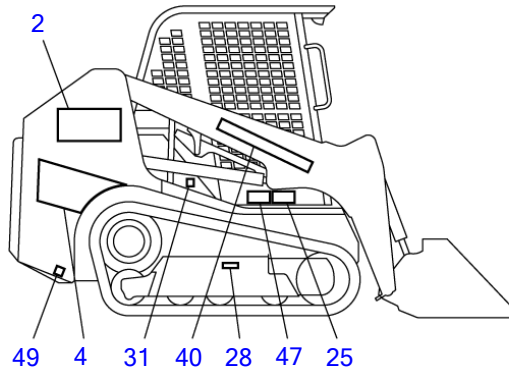
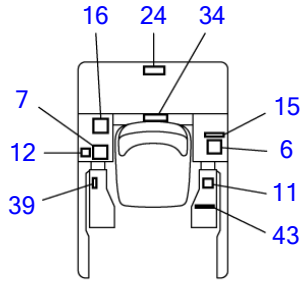
Item	Part number	Description	Q'ty	Chan.	Serial No.	Serv.	Remarks
21	0881030321	• DECAL (Italian)	1			M	
21	0880034015	• DECAL (German)	1			M	
21	0881032212	• DECAL (Russian)	1			M	
22	0880030016	• DECAL (English)	1			M	
22	0880038616	• DECAL (French)	1			M	
22	0881030322	• DECAL (Italian)	1			M	
22	0880034016	• DECAL (German)	1			M	
22	0881032213	• DECAL (Russian)	1			M	
23	0880030017	• DECAL (English)	2			M	
23	0880038617	• DECAL (French)	2			M	
23	0881030323	• DECAL (Italian)	2			M	
23	0880034017	• DECAL (German)	2			M	
23	0881032214	• DECAL (Russian)	2			M	
24	0880031018	• DECAL (English)	1			M	
24	0880038618	• DECAL (French)	1			M	
24	0881030324	• DECAL (Italian)	1			M	
24	0880034018	• DECAL (German)	1			M	
24	0881032215	• DECAL (Russian)	1			M	
25	0880031005	• DECAL (English)	2			M	
25	0880038620	• DECAL (French)	2			M	
25	0881030325	• DECAL (Italian)	2			M	
25	0880034019	• DECAL (German)	2			M	
25	0881032216	• DECAL (Russian)	2			M	
26	0881030026	• DECAL (English)	1			M	
26	0880038621	• DECAL (French)	1			M	
26	0881030326	• DECAL (Italian)	1			M	
26	0881030526	• DECAL (German)	1			M	
26	0881032217	• DECAL (Russian)	1			M	
27	0880031017	• DECAL (English)	1			M	
27	0880038623	• DECAL (French)	1			M	
27	0881030327	• DECAL (Italian)	1			M	
27	0880034022	• DECAL (German)	1			M	
27	0881032218	• DECAL (Russian)	1			M	
28	0149362200	• DECAL (English)	2			M	
28	0880038624	• DECAL (French)	2			M	
28	0881030328	• DECAL (Italian)	2			M	
28	0880034023	• DECAL (German)	2			M	
28	0881032219	• DECAL (Russian)	2			M	
29	X *****	• DECAL	1				
30	X *****	• DECAL	1				
31	0359306600	• DECAL (English)	1			M	
31	0339375460	• DECAL (French)	1			M	
31	0339375660	• DECAL (Italian)	1			M	
31	0339375260	• DECAL (German)	1			M	
31	0579300603	• DECAL (Russian)	1			M	
32	0359306700	• DECAL	1				
33	0880031015	• DECAL (English)	1			M	
33	0880038633	• DECAL (French)	1			M	
33	0881030333	• DECAL (Italian)	1			M	
33	0880034026	• DECAL (German)	1			M	
33	0881032220	• DECAL (Russian)	1			M	
34	0880031016	• DECAL (English)	1			M	
34	0880038634	• DECAL (French)	1			M	
34	0881030334	• DECAL (Italian)	1			M	
34	0880034027	• DECAL (German)	1			M	
34	0881032221	• DECAL (Russian)	1			M	
35	0882031135	• DECAL (English)	1			M	
36	0359313700	• DECAL (English)	1			M	
36	0359315700	• DECAL (French)	1			M	
36	0359316700	• DECAL (Italian)	1			M	
36	0359314700	• DECAL (German)	1			M	
36	0579300606	• DECAL (Russian)	1			M	
37	0359307400	• DECAL (English)	1			M	
37	0359315400	• DECAL (French)	1			M	
37	0359316400	• DECAL (Italian)	1			M	
37	0359314400	• DECAL (German)	1			M	
37	0579300602	• DECAL (Russian)	1			M	
38	0359313900	• DECAL	1				

TL120 Book No. BT3Z001-1 S/N 21200008-  
**DECAL (canopy)**



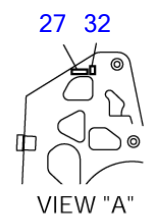
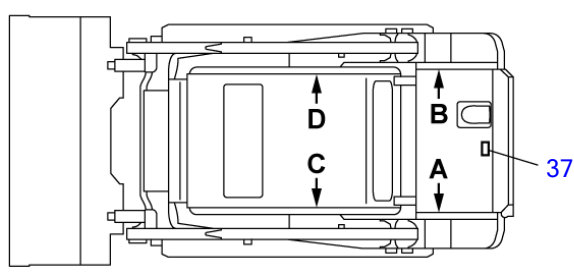
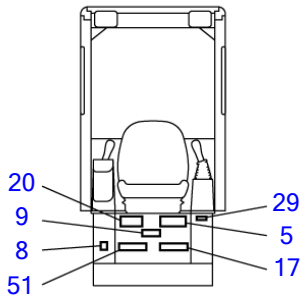
DECAL (canopy)							
Item	Part number	Description	Q'ty	Chan.	Serial No.	Serv.	Remarks
39	0359317200	• DECAL	1				
40	0880038100	• DECAL	2				
41	0659300041	• DECAL	1				
42	0359306300	• DECAL	1				
43	0881030043	• DECAL (English)	1			M	
43	0881030243	• DECAL (French)	1			M	
43	0881030343	• DECAL (Italian)	1			M	
43	0881030543	• DECAL (German)	1			M	
43	0881032224	• DECAL (Russian)	1			M	
44	X *****	• SCREW	16			M	
45	X *****	• DECAL	1			M	except for U.S.
46	0359309100	• DECAL (French)	2			M	
46	0359310100	• DECAL (Italian)	2			M	
46	0359308100	• DECAL (German)	2			M	
46	0399356001	• DECAL (Russian)	2			M	
47	0881030046	• DECAL (English)	2			M	
47	0881031747	• DECAL (French)	2			M	
47	0881031847	• DECAL (Italian)	2			M	
47	0881031947	• DECAL (German)	2			M	
47	0881032225	• DECAL (Russian)	2			M	
48	0874030360	• DECAL	2				
49	0881031549	• DECAL	4				
50	0399300400	• DECAL	1				
51	0881031551	• DECAL (English)	1			M	
51	0881031751	• DECAL (French)	1			M	
51	0881031851	• DECAL (Italian)	1			M	
51	0881031951	• DECAL (German)	1			M	
51	0881032226	• DECAL (Russian)	1			M	
52	X *****	• DECAL	1			M	except for U.S.
53	X *****	• DECAL	1			M	except for U.S.
55	0881031556	• DECAL	1			M	
59	0882031159	• DECAL	2			M	except for U.S.
61	0339376240	• DECAL (English)	1			M	
61	0339379440	• DECAL (French)	1			M	
61	0339379540	• DECAL (Italian)	1			M	
61	0339376340	• DECAL (German)	1			M	
61	0579300613	• DECAL (Russian)	1			M	
62	0399300500	• DECAL	2			M	
	T3g011						

TL120 Book No. BT3Z001-1 S/N 21200008-  
**DECAL (cab)**



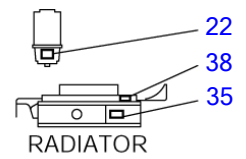
VIEW "D"

VIEW "C"

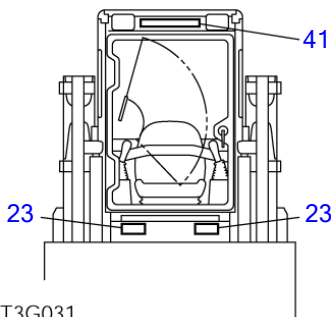


VIEW "A"

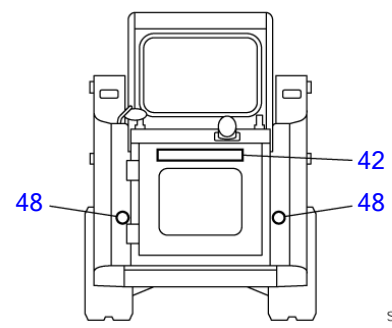
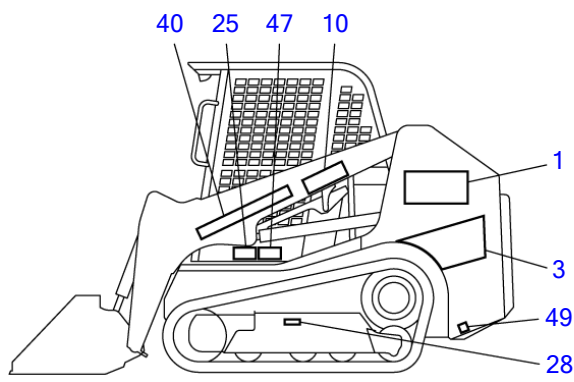
VIEW "B"



RADIATOR

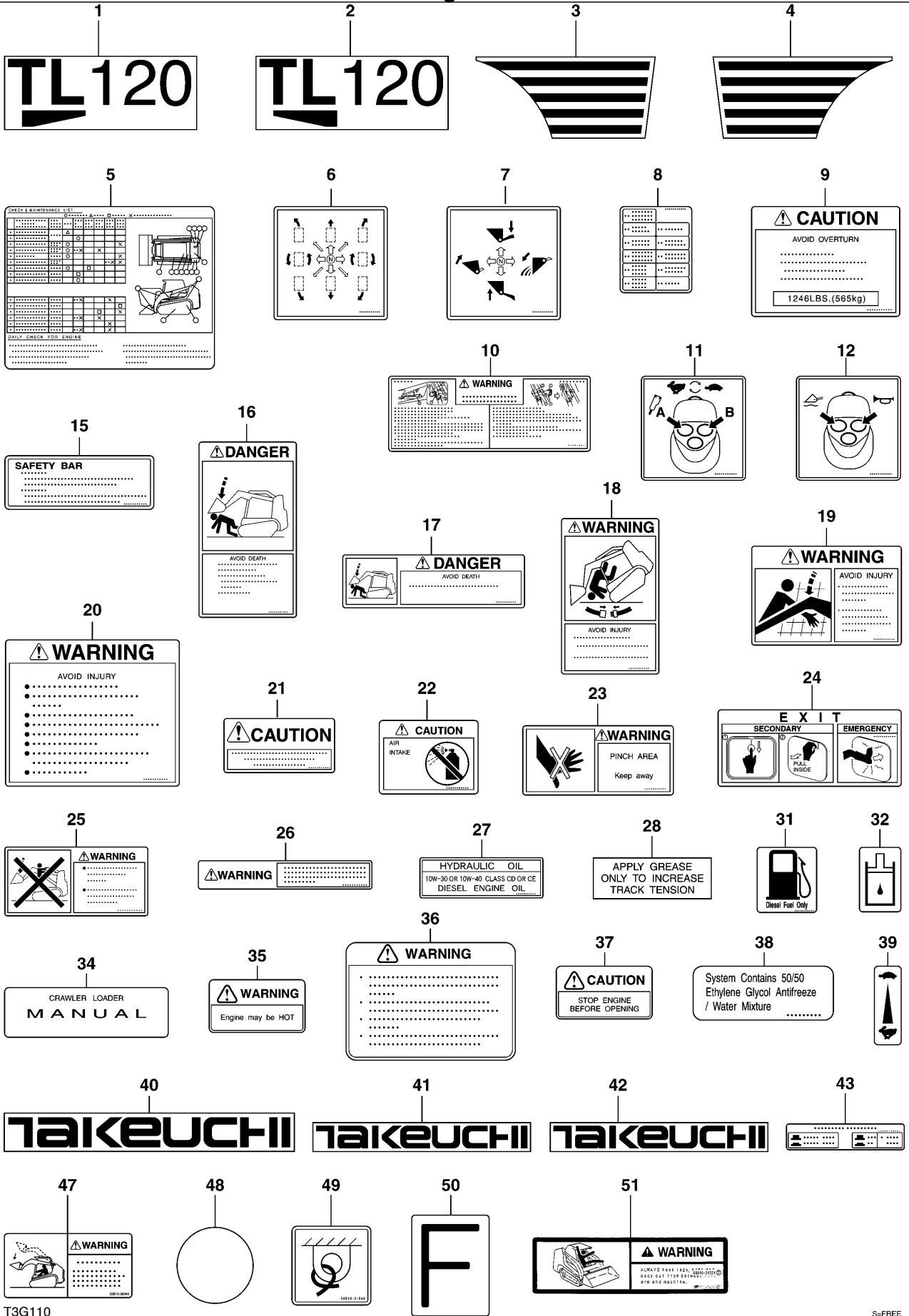


T3G031



S=FREE

TL120 Book No. BT3Z001-1 S/N 21200008-  
English

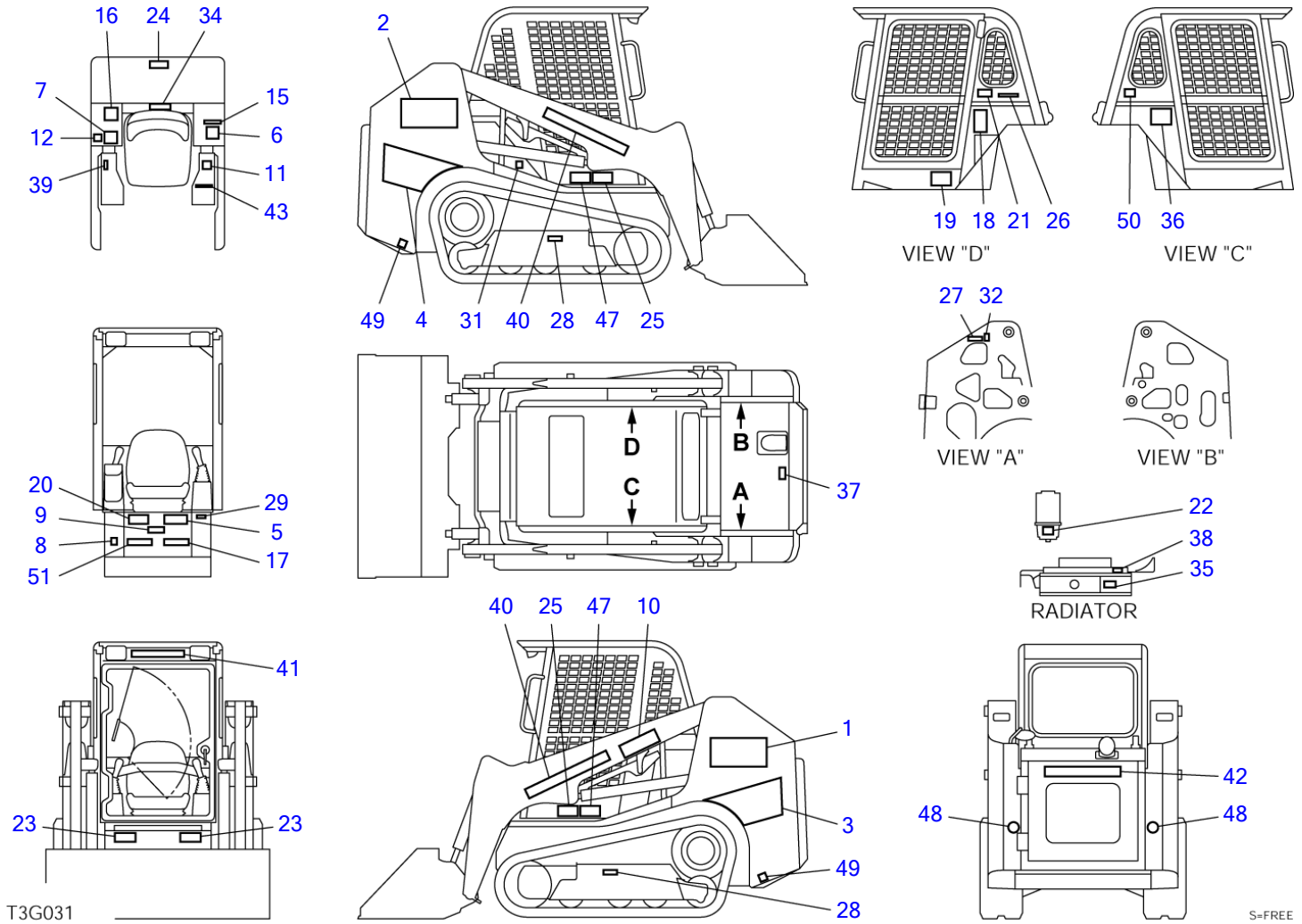






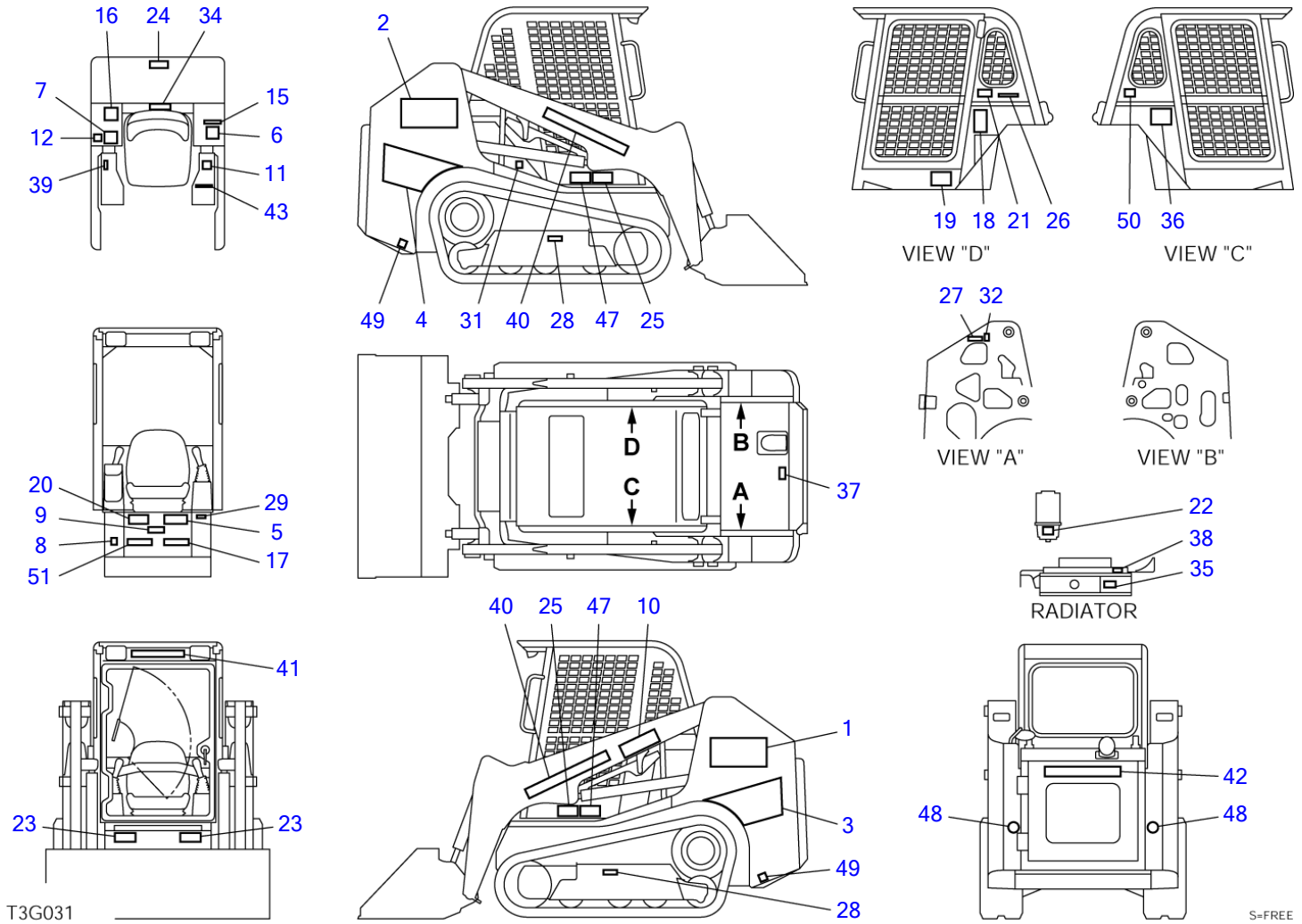


TL120 Book No. BT3Z001-1 S/N 21200008-  
**DECAL (cab)**

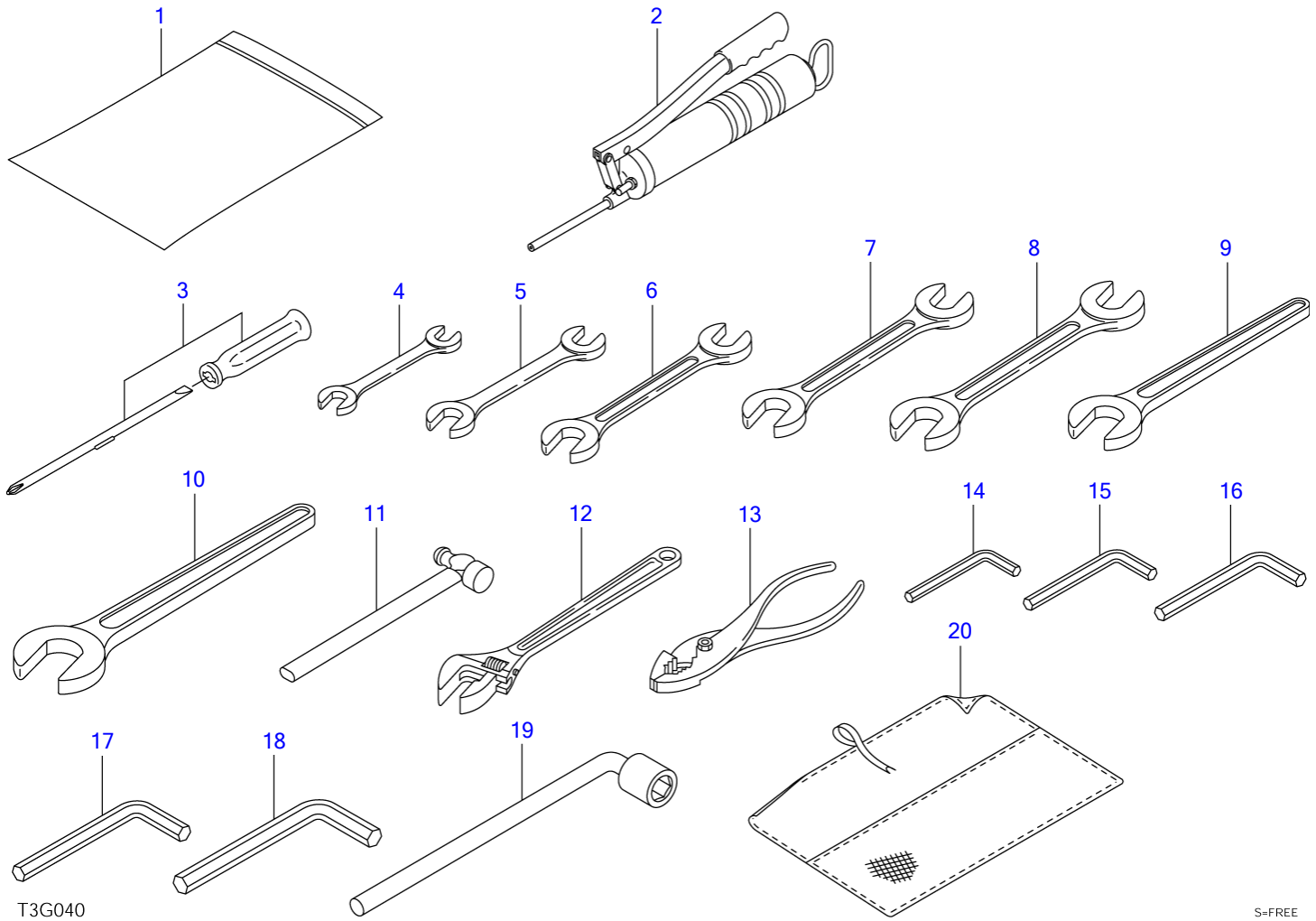


DECAL (cab)							
Item	Part number	Description	Q'ty	Chan.	Serial No.	Serv.	Remarks
0	0659300000	DECAL SET (English)	1			M	X06593-00000-1
	0659300400	DECAL SET (German)	1			M	X06593-00400-1
1	0659300021	• DECAL	1			M	
2	0659300022	• DECAL	1			M	
3	0659300002	• DECAL	1				
4	0659300003	• DECAL	1				
5	0881030005	• DECAL (English)	1			M	
	0881030505	• DECAL (German)	1			M	
6	0881030006	• DECAL	1				
7	0881030007	• DECAL	1				
8	0659300008	• DECAL (English)	1			M	
	0659300401	• DECAL (German)	1			M	
9	0659300009	• DECAL (English)	1			M	
	0659300402	• DECAL (German)	1			M	
10	0881030110	• DECAL (English)	1			M	
	0881030560	• DECAL (German)	1			M	
11	0881030011	• DECAL	1				
12	0881030012	• DECAL	1				
15	0880031001	• DECAL (English)	1			M	
	0880034007	• DECAL (German)	1			M	
16	0880030009	• DECAL (English)	1			M	
	0880034009	• DECAL (German)	1			M	
17	0880030010	• DECAL (English)	1			M	
	0880034010	• DECAL (German)	1			M	
18	0880030011	• DECAL (English)	1			M	
	0880034011	• DECAL (German)	1			M	
19	0880031003	• DECAL (English)	1			M	
	0880034012	• DECAL (German)	1			M	
20	0881030020	• DECAL (English)	1			M	
	0881030520	• DECAL (German)	1			M	
21	0880030015	• DECAL (English)	1			M	
	0880034015	• DECAL (German)	1			M	
22	0880030016	• DECAL (English)	1			M	
	0880034016	• DECAL (German)	1			M	
23	0880030017	• DECAL (English)	2			M	
	0880034017	• DECAL (German)	2			M	
24	0880031018	• DECAL (English)	1			M	
	0880034018	• DECAL (German)	1			M	
25	0880031005	• DECAL (English)	2			M	
	0880034019	• DECAL (German)	2			M	
26	0881030026	• DECAL (English)	1			M	
	0881030526	• DECAL (German)	1			M	
27	0880031017	• DECAL (English)	1			M	
	0880034022	• DECAL (German)	1			M	
28	0149362200	• DECAL (English)	2			M	
	0880034023	• DECAL (German)	2			M	
29	X *****	• DECAL	1				
31	0359306600	• DECAL (English)	1			M	
	0339375260	• DECAL (German)	1			M	
32	0359306700	• DECAL	1				
34	0880031016	• DECAL (English)	1			M	
	0880034027	• DECAL (German)	1			M	
35	0569321980	• DECAL (English)	1			M	
	0882031135	• DECAL (German)	1			M	
36	0359313700	• DECAL (English)	1			M	
	0359314700	• DECAL (German)	1			M	
37	0359307400	• DECAL (English)	1			M	
	0359314400	• DECAL (German)	1			M	
38	0359313900	• DECAL	1				
39	0359317200	• DECAL	1				
40	0880038100	• DECAL	2				
41	0659300041	• DECAL	1				
42	0359306300	• DECAL	1				
43	0881030043	• DECAL (English)	1			M	
	0881030543	• DECAL (German)	1			M	
47	0881030046	• DECAL (English)	2			M	
	0881031947	• DECAL (German)	2			M	
48	0874030360	• DECAL	2				

TL120 Book No. BT3Z001-1 S/N 21200008-  
**DECAL (cab)**







Item	Part number	Description	DECAL (cab)				Remarks
			Q'ty	Chan.	Serial No.	Serv.	
49	<b>0881031549</b>	• DECAL	2				
50	<b>0399300400</b>	• DECAL	1				
51	<b>0881031551</b>	• DECAL (English)	1			M	
51	<b>0881031951</b>	• DECAL (German)	1			M	
	<b>T3g031</b>						

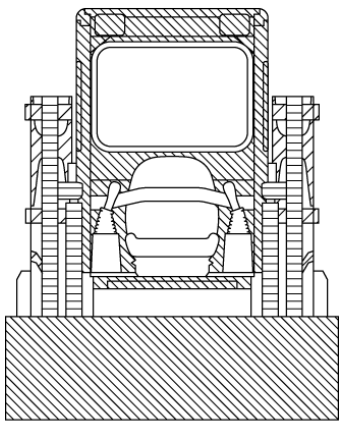
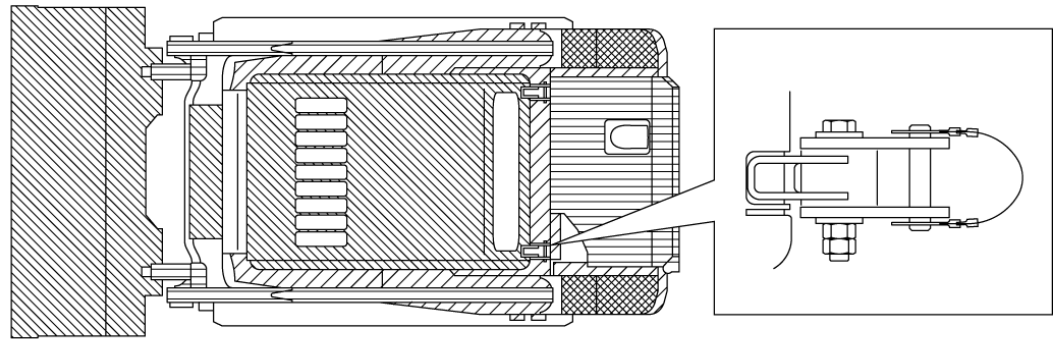


T3G040

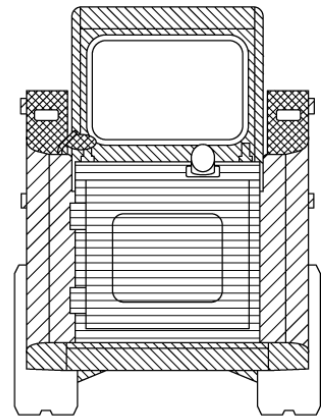
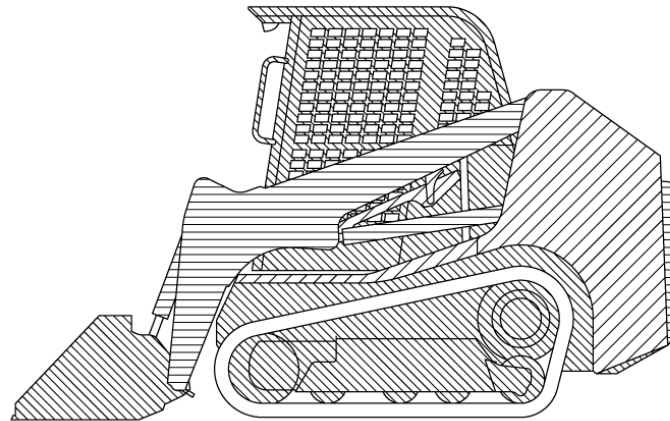
S=FREE

Item	Part number	Description	TOOL			Remarks
			Q'ty	Chan.	Serial No.	
		TOOL SET				X06592-00000-0
1	1691900001	CASE	1			
2	1691060600	GUN, grease	1			
0-1	0659200060	TOOL SET	1			
3	1690220205	• SCREW DRIVER	1			
4	1690001012	• SPANNER	1			
5	1690001113	• SPANNER	1			
6	1690001417	• SPANNER	1			
7	1690001922	• SPANNER	1			
8	1690002427	• SPANNER	1			
9	1690100030	• SPANNER	1			
10	1690100041	• SPANNER	1			
11	1690300330	• HAMMER	1			
12	1690400250	• WRENCH, monkey	1			
13	1690500200	• PLIER	1			
14	1690600500	• WRENCH, hex	1			
15	1690600600	• WRENCH, hex	1			
16	1690600800	• WRENCH, hex	1			
17	1690601000	• WRENCH, hex	1			
18	1690601400	• WRENCH, hex	1			
19	1690830019	• WRENCH, hex	1			
20	1691400001	• CASE, tool	1			
	T3g040					

- ① 
- ② 
- ③ 
- ④ 



T3G050

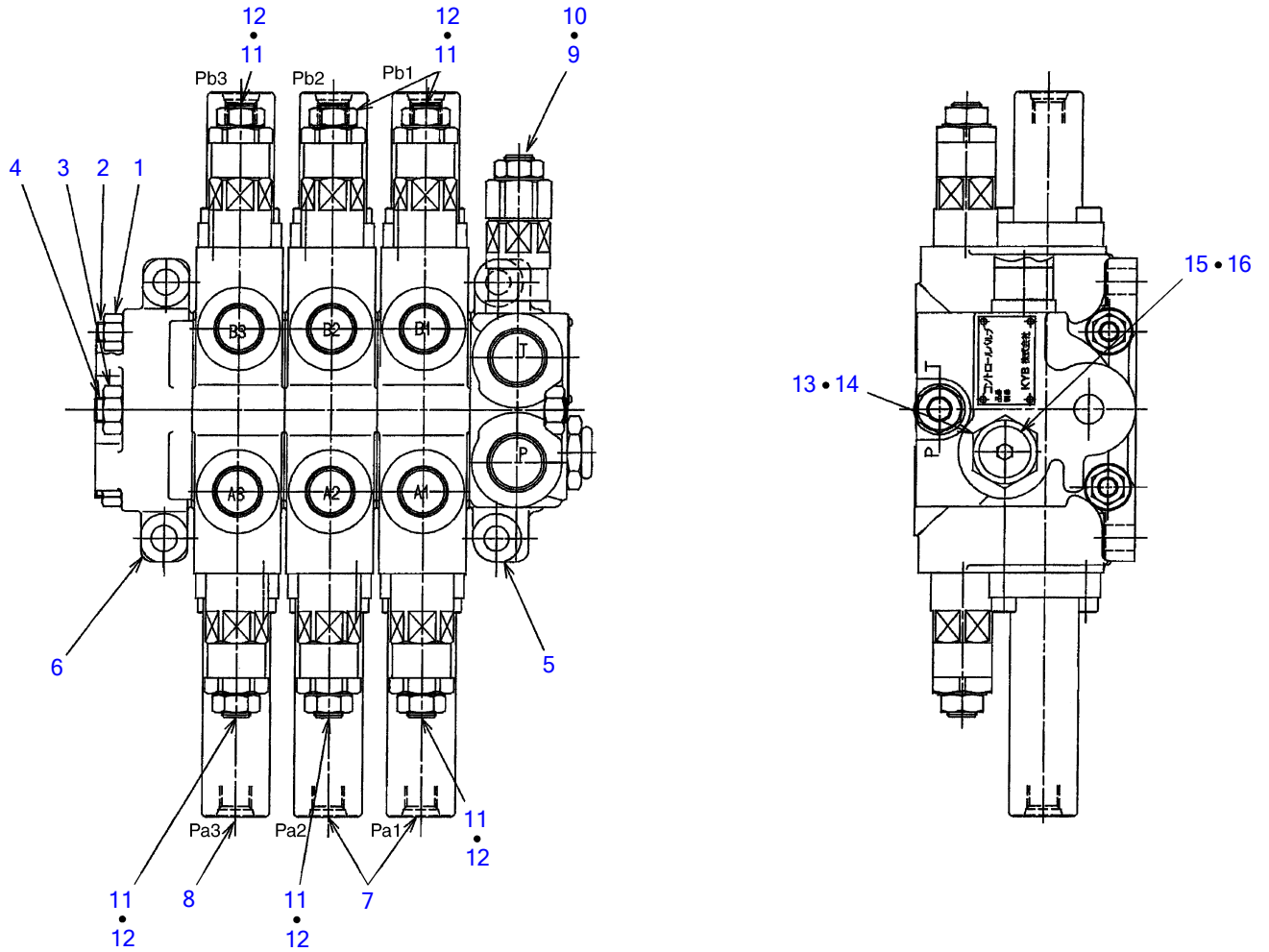


S=FREE



Item	Part number	Description	PAINTED COLOR			Remarks
			Q'ty	Chan.	Serial No.	
		PAINTED COLOR				X06591-00000-0
1	1919060105	RED	1			
	1919069105	RED	1			spray
2	1919060144	GRAY	1			
	1919069144	GRAY	1			spray
3	1919060142	LIGHT GRAY	1			
	1919069142	LIGHT GRAY	1			spray
4	1919060103	BLACK	1			
	1919069103	BLACK	1			spray
	T3g050					

TL120 Book No. BT3Z001-1 S/N 21200008-  
CONTROL VALVE



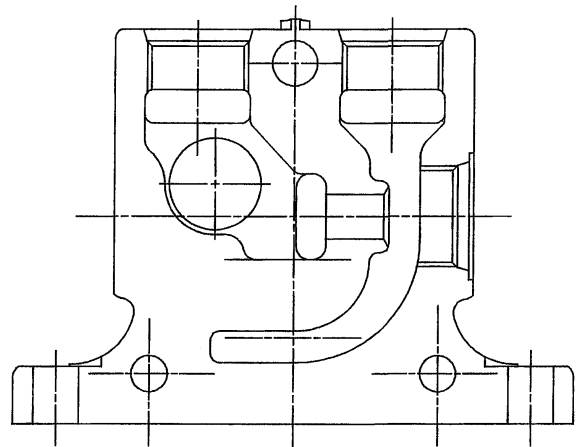
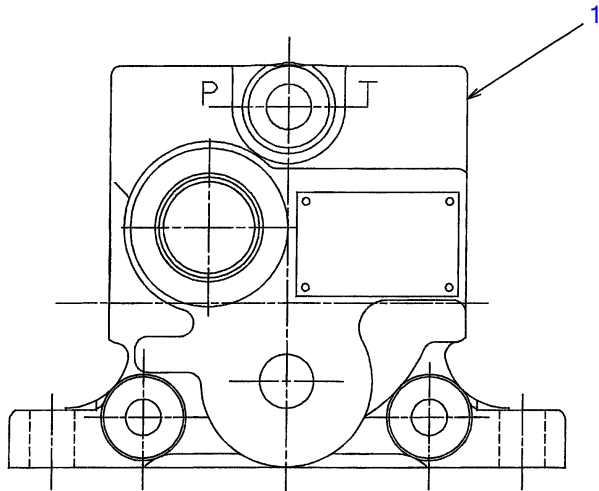
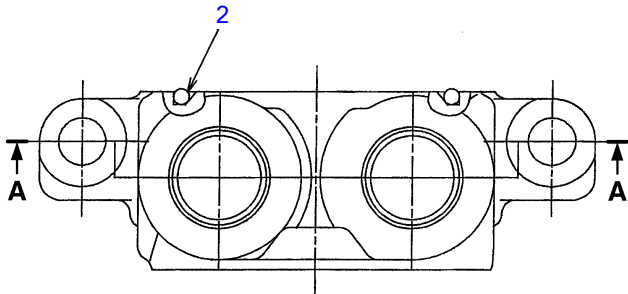
T3H090

S=FREE

**CONTROL VALVE**

Item	Part number	Description	Q'ty	Chan.	Serial No.	Serv.	Remarks
0	<b>1901042900</b>	VALVE ASSY, control	1			M	
1	<b>1130250008</b>	• NUT	4			M	
2	<b>1901030107</b>	• ROD, tie	2			M	
3	<b>1130250010</b>	• NUT	2			M	
4	<b>1901030106</b>	• ROD, tie	1			M	
5	<b>1901042903</b>	• HOUSING, inlet	1			M	
6	<b>1901025504</b>	• HOUSING, outlet	1			M	
7	<b>1901042912</b>	• VALVE ASSY	2			M	arm, bucket
8	<b>1901042919</b>	• VALVE ASSY	1			M	service
9	<b>1901042921</b>	• VALVE ASSY	1			M	relief
10	<b>1901025482</b>	• • O-RING	1			M	
11	<b>1901042922</b>	• VALVE ASSY	6			M	over load
12	<b>1901025482</b>	• • O-RING	1			M	
13	<b>1901042971</b>	• PLUG	1			M	
14	<b>1420310910</b>	• O-RING	1			M	
15	<b>1901036573</b>	• PLUG	1			M	
16	<b>1420010110</b>	• • O-RING	1			M	
	<b>T3h090</b>						

TL120 Book No. BT3Z001-1 S/N 21200008-  
INLET HOUSING ASSY

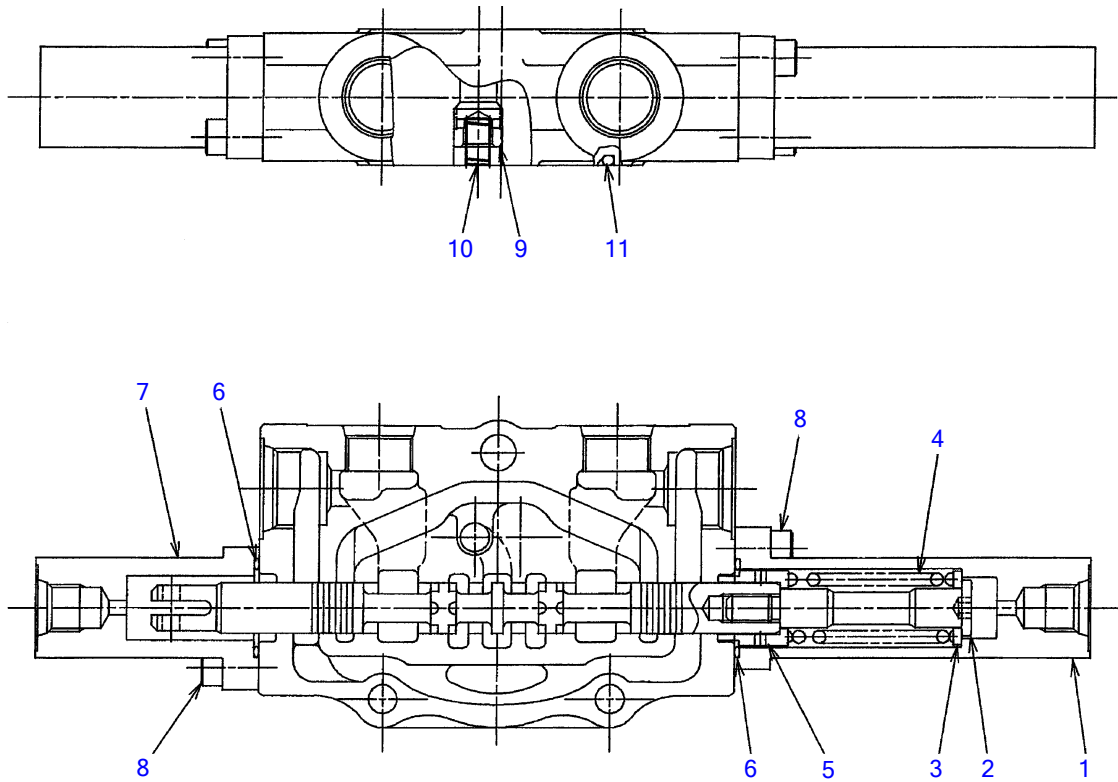


T3H100

S=FREE

**INLET HOUSING ASSY**

Item	Part number	Description	Q'ty	Chan.	Serial No.	Serv.	Remarks
0	<b>1901042903</b>	HOUSING, inlet	1			M	
1	<b>1901042905</b>	· HOUSING	1			M	
2	<b>1901025480</b>	· O-RING	1			M	
	<b>T3h100</b>						

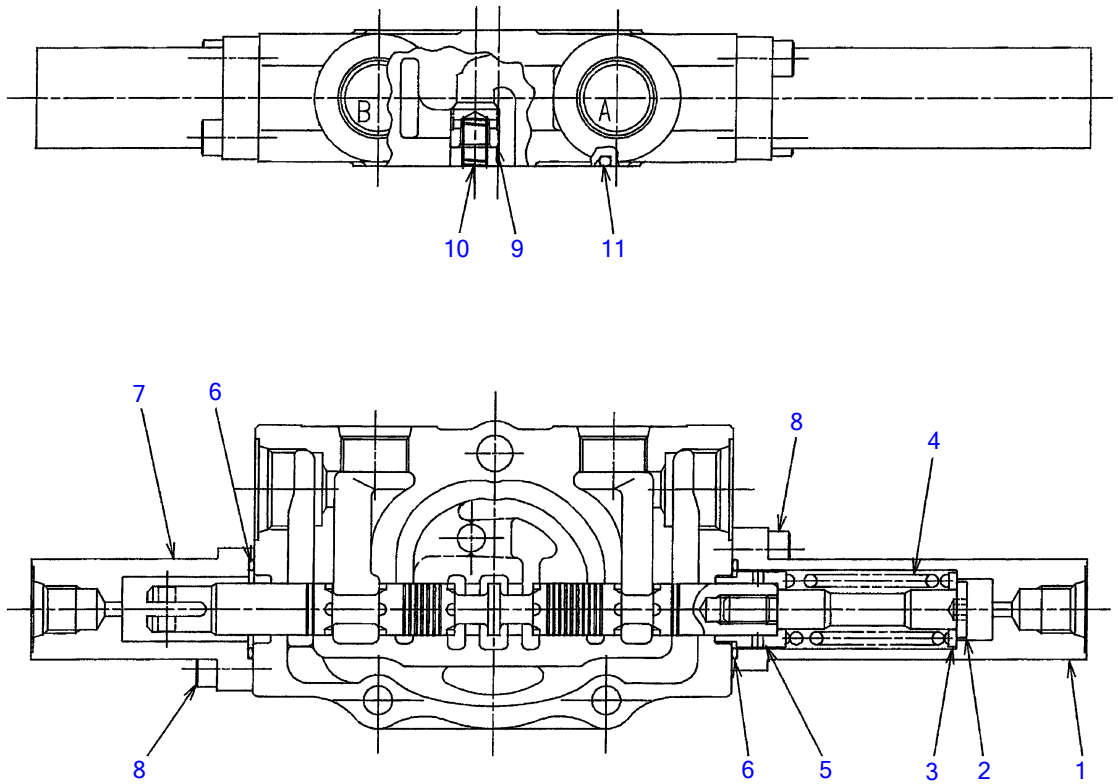


T3H110

S=FREE

**BLOCK ASSY; No. 1**

Item	Part number	Description	Q'ty	Chan.	Serial No.	Serv.	Remarks
0	<b>1901042912</b>	VALVE ASSY	2			M	arm, bucket
1	<b>1901029755</b>	• CAP	1			M	
2	<b>1901029731</b>	• END, spool	1			M	
3	<b>1901029754</b>	• HOLDER, spring	1			M	
4	<b>1901029759</b>	• SPRING	1			M	
5	<b>1901029753</b>	• SEAT, spring	1			M	
6	<b>1420500240</b>	• O-RING	2			M	
7	<b>1901029762</b>	• CAP	1			M	
8	<b>1110020618</b>	• SCREW, cap	4			M	
9	<b>1901025467</b>	• PLUNGER	1			M	
10	<b>1901042256</b>	• SPRING	1			M	
11	<b>1901025480</b>	• O-RING	1			M	
	<b>T3h110</b>						



T3H120

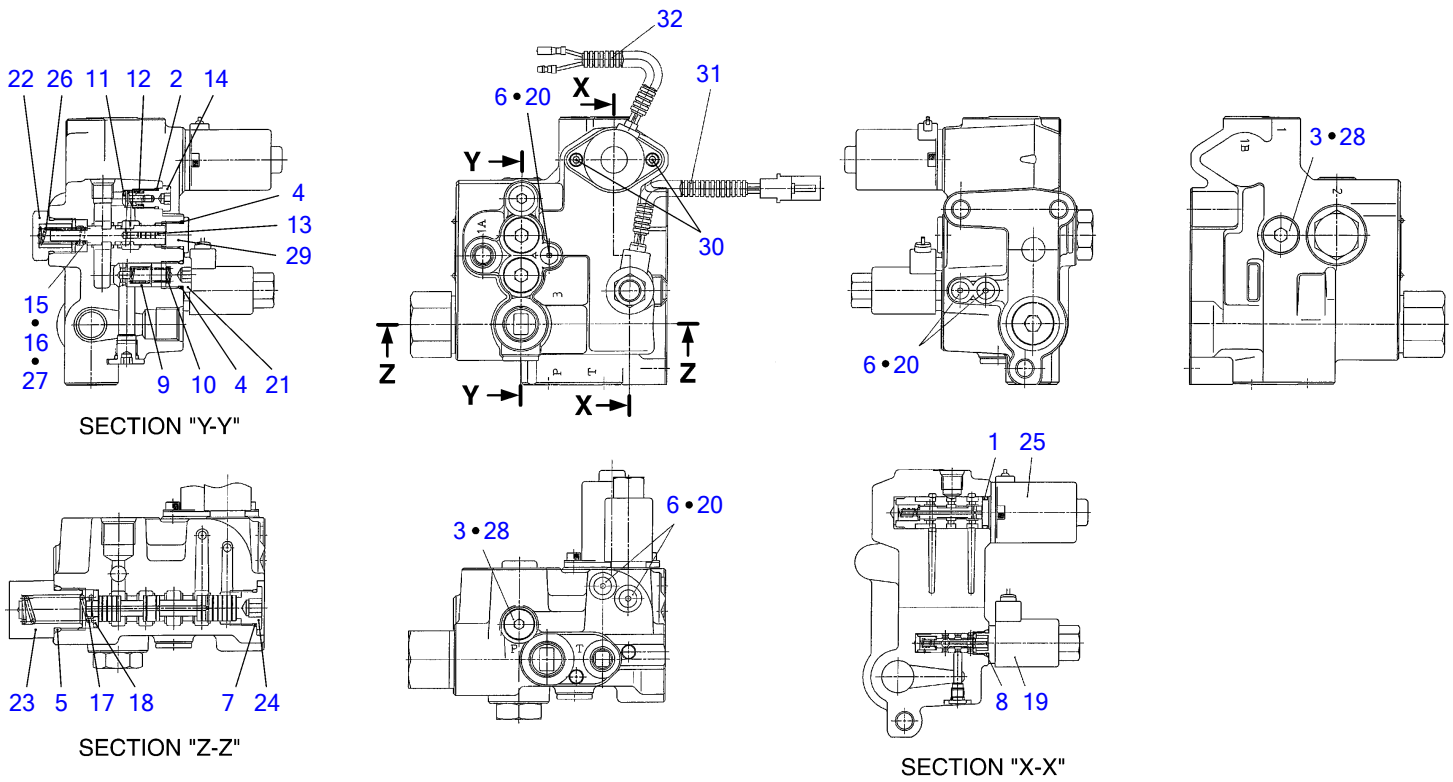
S=FREE



**BLOCK ASSY; No. 2**

Item	Part number	Description	Q'ty	Chan.	Serial No.	Serv.	Remarks
0	<b>1901042919</b>	VALVE ASSY	1			M	service
1	<b>1901029755</b>	• CAP	1			M	
2	<b>1901029731</b>	• END, spool	1			M	
3	<b>1901029754</b>	• HOLDER, spring	1			M	
4	<b>1901029759</b>	• SPRING	1			M	
5	<b>1901029753</b>	• SEAT, spring	1			M	
6	<b>1420500240</b>	• O-RING	2			M	
7	<b>1901029762</b>	• CAP	1			M	
8	<b>1110020618</b>	• SCREW, cap	4			M	
9	<b>1901025467</b>	• PLUNGER	1			M	
10	<b>1901042256</b>	• SPRING	1			M	
11	<b>1901025480</b>	• O-RING	1			M	
	<b>T3h120</b>						

TL120 Book No. BT3Z001-1 S/N 21200008-  
**SUB VALVE**



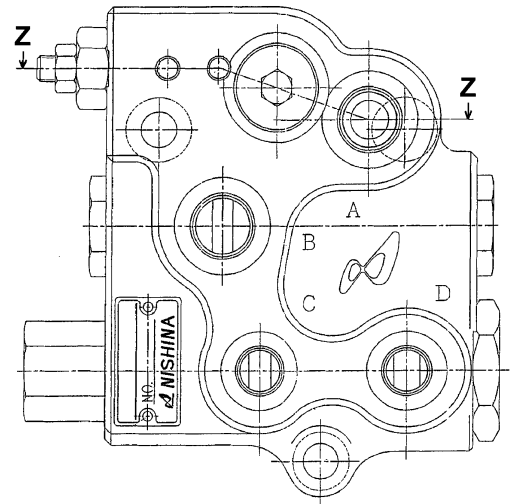
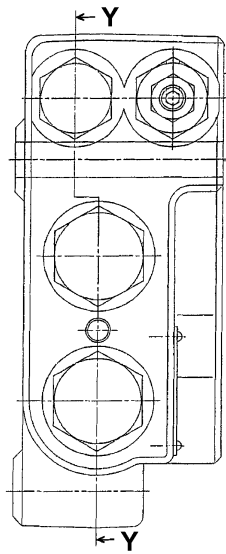
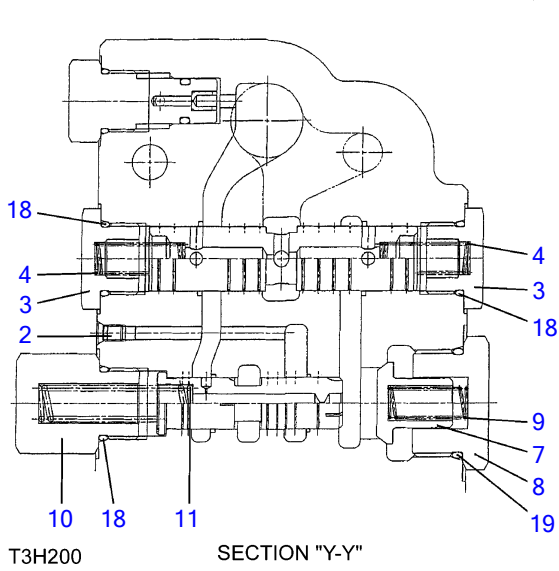
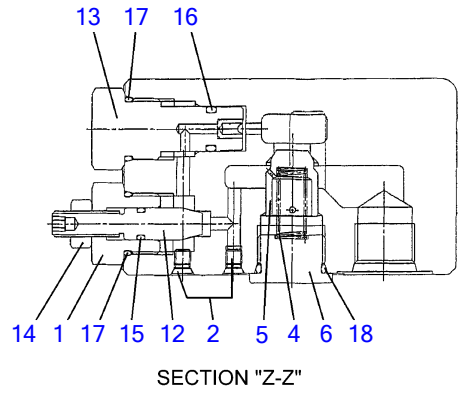
T3H010

S-FREE

**SUB VALVE**

Item	Part number	Description	Q'ty	Chan.	Serial No.	Serv.	Remarks
0	<b>1901748100</b>	VALVE, sub	1				
0-1	<b>1901748199</b>	· KIT, seal	1				
1	X <b>1420010160</b>	· · O-RING	1				
2	X <b>1420010100</b>	· · O-RING	1				
3	X <b>1420010110</b>	· · O-RING	2				
4	X <b>1420010140</b>	· · O-RING	2				
5	X <b>1420010240</b>	· · O-RING	1				
6	X <b>1420310902</b>	· · O-RING	5				
7	X <b>1420310910</b>	· · O-RING	1				
8	X <b>1420000125</b>	· · O-RING	1				
9	<b>1901731901</b>	· POPPET	1				
10	<b>1901731903</b>	· SPRING	1				
11	<b>1901035426</b>	· PLUNGER	1				
12	<b>1901004357</b>	· SPRING	1				
13	<b>1901730412</b>	· PISTON	1				
14	<b>1901035471</b>	· PLUG	1				
15	<b>1901729709</b>	· SHIM	1				t=0.1mm
16	<b>1901729710</b>	· SHIM	1				t=0.2mm
17	<b>1901731911</b>	· SPRING	1				
18	<b>1901731912</b>	· WASHER	1				
19	<b>1901748114</b>	· SOLENOID	1				
20	<b>1901748119</b>	· PLUG	5				
21	<b>1901748126</b>	· PLUG	1				
22	<b>1901748127</b>	· PLUG	1				
23	<b>1901748128</b>	· PLUG	1				
24	<b>1901748129</b>	· PLUG	1				
25	<b>1901748130</b>	· SOLENOID	1				
26	<b>1901748131</b>	· SPRING	1				
27	<b>1901748132</b>	· SHIM	1				t=0.1mm
28	<b>1901738312</b>	· PLUG	2				
29	<b>1501750002</b>	· PLUG	1				
	<b>1420010110</b>	· · O-RING	1				
30	<b>1110040512</b>	· SCREW, cap	2				
31	<b>1901044619</b>	· TUBE	1				
32	<b>1901748828</b>	· TUBE	1				
	<b>T3h010</b>						

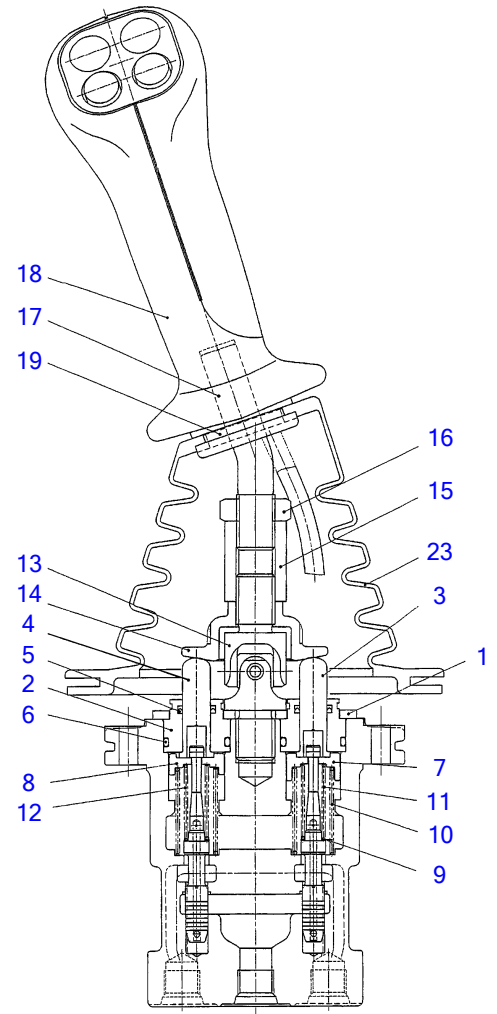
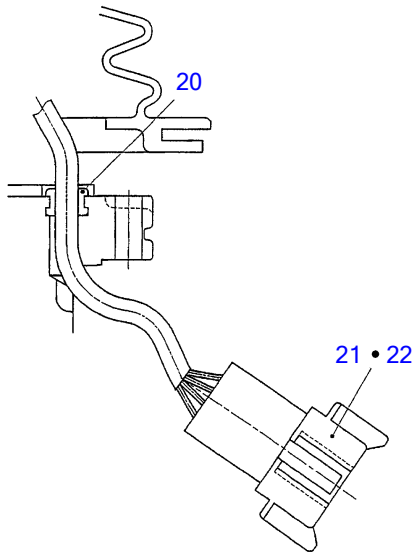
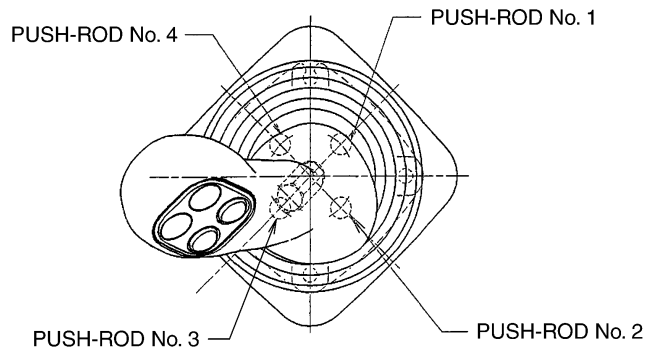
TL120 Book No. BT3Z001-1 S/N 21200008-  
**SELF LEVEL VALVE**



S=free

**SELF LEVEL VALVE**

Item	Part number	Description	Q'ty	Chan.	Serial No.	Serv.	Remarks
0	<b>1901748000</b>	VALVE ASSY, self-level	1			M	
1	<b>1901748001</b>	• PLUG	1			M	
2	<b>1901748003</b>	• PLUG	3			M	
3	<b>1901748005</b>	• PLUG	2			M	
4	<b>1901748006</b>	• SPRING	3			M	
5	<b>1901748007</b>	• POPPET	1			M	
6	<b>1901748008</b>	• PLUG	1			M	
7	<b>1901748009</b>	• POPPET	1			M	
8	<b>1901748010</b>	• PLUG	1			M	
9	<b>1901748011</b>	• SPRING	1			M	
10	<b>1901748013</b>	• PLUG	1			M	
11	<b>1901748014</b>	• SPRING	1			M	
12	<b>1901748015</b>	• NEEDLE	1			M	
13	<b>1901748016</b>	• PLUG	1			M	
14	<b>1130020008</b>	• NUT	1			M	
15	<b>1420000070</b>	• O-RING	1			M	
16	<b>1420010101</b>	• O-RING	1			M	
17	<b>1420010140</b>	• O-RING	2			M	
18	<b>1420310910</b>	• O-RING	4			M	
19	<b>1420310916</b>	• O-RING	1			M	
	<b>T3h200</b>						



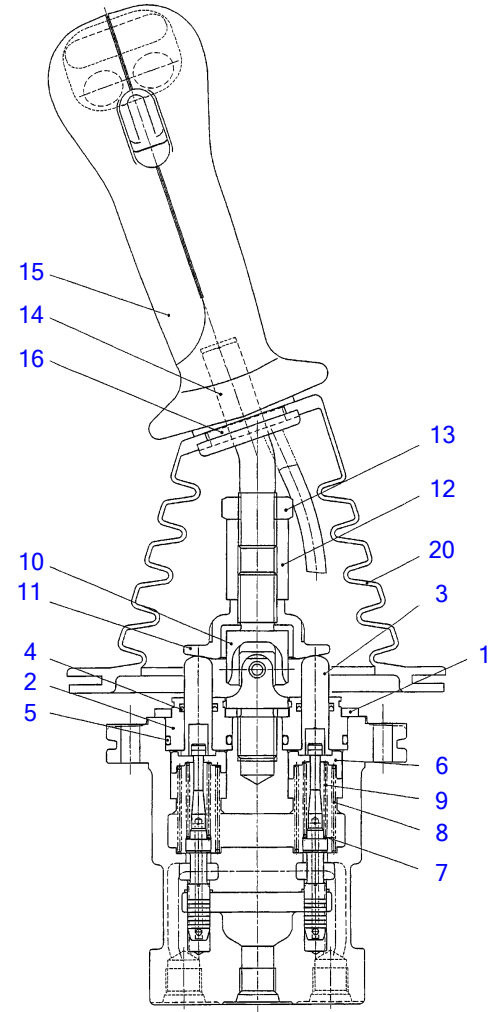
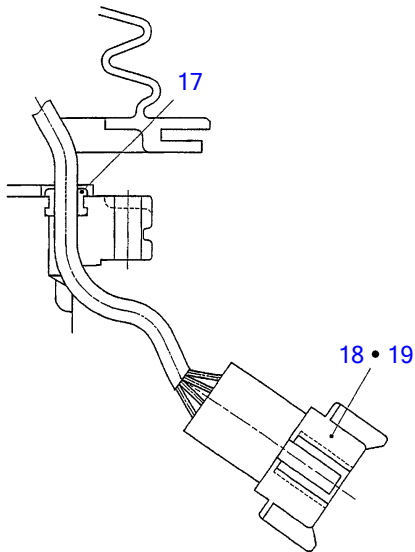
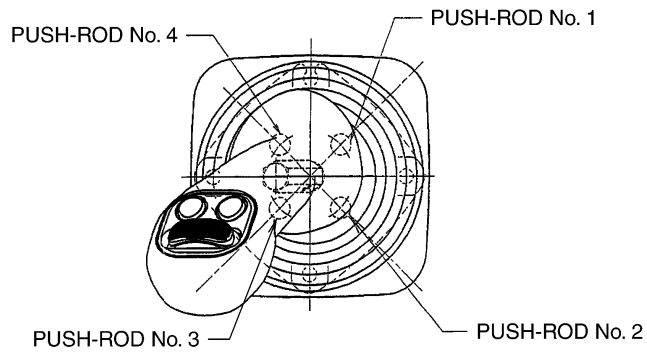
T3H020

S=FREE

**PILOT VALVE (R.H.)**

Item	Part number	Description	Q'ty	Chan.	Serial No.	Serv.	Remarks
0	<b>1901747800</b>	VALVE ASSY (R.H.)	1				Right
1	<b>1901745702</b>	• PLATE	1				
2	<b>1901710912</b>	• PLUG	4				
3	<b>1901719011</b>	• ROD	2				
4	<b>1901719012</b>	• ROD	2				
5	<b>1901710914</b>	• SEAL	4				
6	<b>1420010200</b>	• O-RING	4				
7	<b>1901745709</b>	• HOLDER	2				
8	<b>1901745710</b>	• HOLDER	2				
9	<b>1901710917</b>	• WASHER	4				
10	<b>1901749521</b>	• SPRING	4				
11	<b>1901749541</b>	• SPRING	2				
12	<b>1901749542</b>	• SPRING	2				
13	<b>1901720232</b>	• JOINT	1				
14	<b>1901743620</b>	• PLATE	1				
15	<b>1901710922</b>	• NUT	1				
16	<b>1901719025</b>	• NUT	1				
17	<b>1901741526</b>	• LEVER	1				
18	<b>1901741210</b>	• HANDLE	1				
19	<b>1213000528</b>	• PIN, spring	1				
20	<b>1901735630</b>	• BUSHING	1				
21	<b>1901740446</b>	• RECEPTACLE	1				
22	<b>1901740447</b>	• WEDGE	1				
23	<b>1901735632</b>	• BOOT	1				
	<b>T3h020</b>						

TL120 Book No. BT3Z001-1 S/N 21200008-  
PILOT VALVE (L.H.)



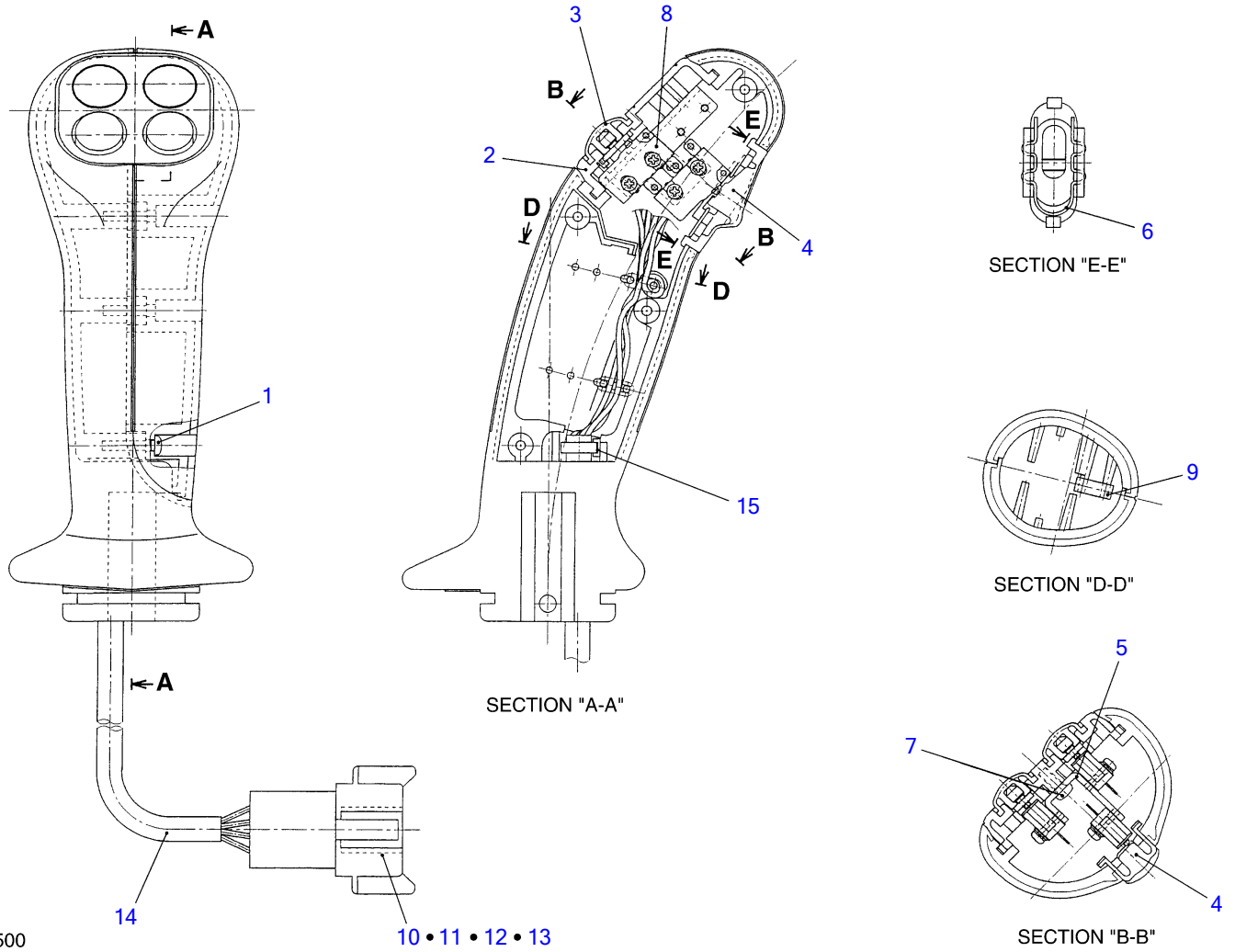
T3H030

S=FREE



**PILOT VALVE (L.H.)**

Item	Part number	Description	Q'ty	Chan.	Serial No.	Serv.	Remarks
0	1901747900	VALVE ASSY (L.H.)	1				Left
1	1901745702	• PLATE	1				
2	1901710912	• PLUG	4				
3	1901719011	• ROD	4				
4	1901710914	• SEAL	4				
5	1420010200	• O-RING	4				
6	1901745709	• HOLDER	4				
7	1901710917	• WASHER	4				
8	1901749521	• SPRING	4				
9	1901749641	• SPRING	4				
10	1901720232	• JOINT	1				
11	1901743620	• PLATE	1				
12	1901710922	• NUT	1				
13	1901719025	• NUT	1				
14	1901741526	• LEVER	1				
15	1901740410	• HANDLE	1				
16	1213000528	• PIN, spring	1				
17	1901735630	• BUSHING	1				
18	1901740446	• RECEPTACLE	1				
19	1901740447	• WEDGE	1				
20	1901735632	• BOOT	1				
	T3h030						



L3H500

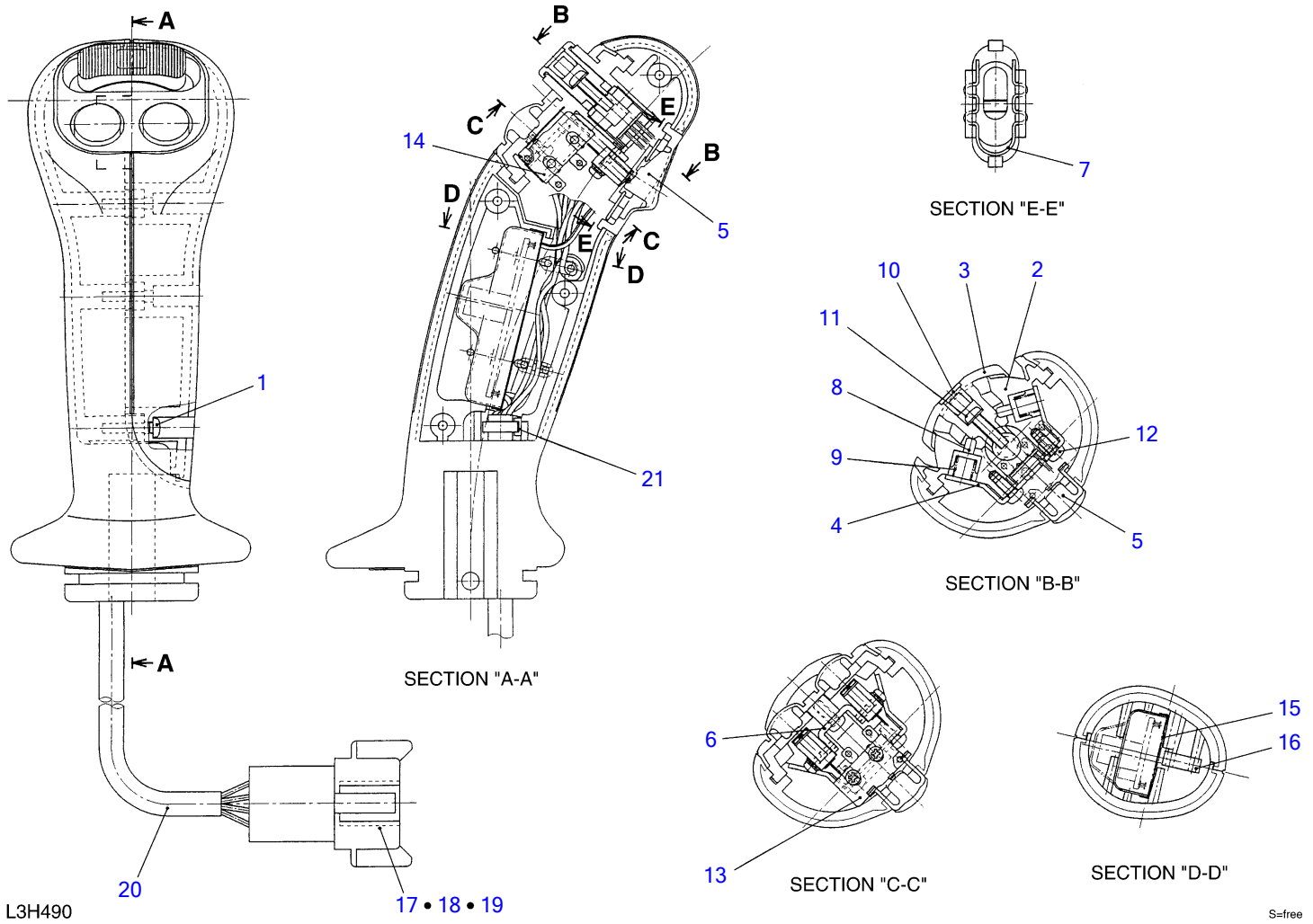
10 • 11 • 12 • 13

S-free

**HANDLE (with 3 switches)**

Item	Part number	Description	Q'ty	Chan.	Serial No.	Serv.	Remarks
0	<b>1901741210</b>	HANDLE ASSY	1				3 switches
1	<b>1122400312</b>	▪ SCREW	4				
2	<b>1901741211</b>	▪ CASE	1				
3	<b>1901741216</b>	▪ BUTTON	2				
4	<b>1901740402</b>	▪ BUTTON	1				
5	<b>1901741218</b>	▪ BRACKET	1				
6	<b>1901740404</b>	▪ CLIP	1				
7	<b>1122400306</b>	▪ SCREW	2				
8	<b>1901740408</b>	▪ SWITCH	3				
9	<b>1901740412</b>	▪ CAP	2				
10	<b>1901740446</b>	▪ RECEPTACLE	1				
11	<b>1901740447</b>	▪ WEDGE	1				
12	<b>1901740413</b>	▪ PIN	5				
13	<b>1901741263</b>	▪ PIN, BLANKING	3				
14	<b>1901740414</b>	▪ PROTECTOR	1				
15	<b>1901740415</b>	▪ BAND	1				

**L3h500**

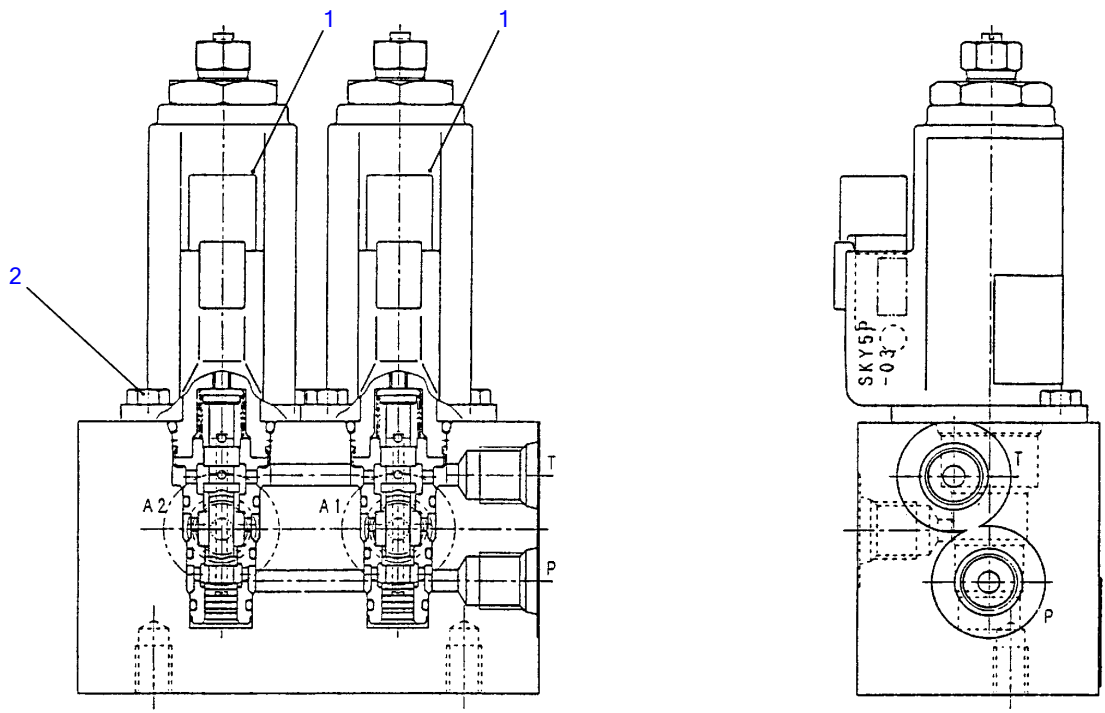


**HANDLE (with slide switch)**

Item	Part number	Description	Q'ty	Chan.	Serial No.	Serv.	Remarks
0	<b>1901740410</b>	HANDLE ASSY	1				slide switch
1	<b>1122400312</b>	• SCREW	4				
2	<b>1901740417</b>	• CASE	1				
3	<b>1901740418</b>	• CAM	1				
4	<b>1901740401</b>	• PLATE	1				
5	<b>1901740402</b>	• BUTTON	1				
6	<b>1901740403</b>	• BRACKET	1				
7	<b>1901740404</b>	• CLIP	1				
8	<b>1901740405</b>	• PISTON	2				
9	<b>1901740406</b>	• SPRING	2				
10	<b>1901740407</b>	• CAP	1				
11	<b>1150010312</b>	• SCREW	1				
12	<b>1122400306</b>	• SCREW	3				
13	<b>1901740408</b>	• SWITCH	1				
14	<b>1901740409</b>	• SWITCH	2				
15	<b>1901740411</b>	• COVER	1				
16	<b>1901740412</b>	• CAP	2				
17	<b>1901740446</b>	• RECEPTACLE	1				
18	<b>1901740447</b>	• WEDGE	1				
19	<b>1901740413</b>	• PIN	8				
20	<b>1901740414</b>	• PROTECTOR	1				
21	<b>1901740415</b>	• BAND	1				

**L3h490**

TL120 Book No. BT3Z001-1 S/N 21200008-  
PROPORTIONAL VALVE



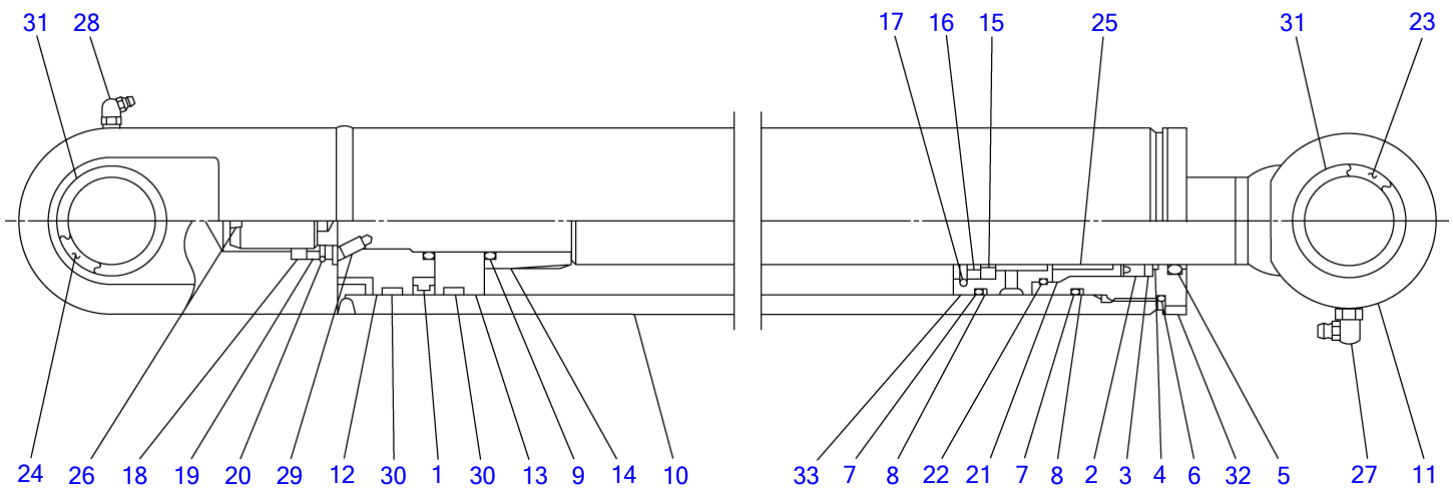
W2H140

S=FREE

**PROPORTIONAL VALVE**

Item	Part number	Description	Q'ty	Chan.	Serial No.	Serv.	Remarks
0	<b>1901738400</b>	VALVE ASSY, proportional	1				
1	<b>1901738460</b>	· VALVE, proportional	2				
2	<b>1100050512</b>	· BOLT	4				
	<b>T9h080</b>						

TL120 Book No. BT3Z001-1 S/N 21200008-  
LIFT ARM CYLINDER



T3H060

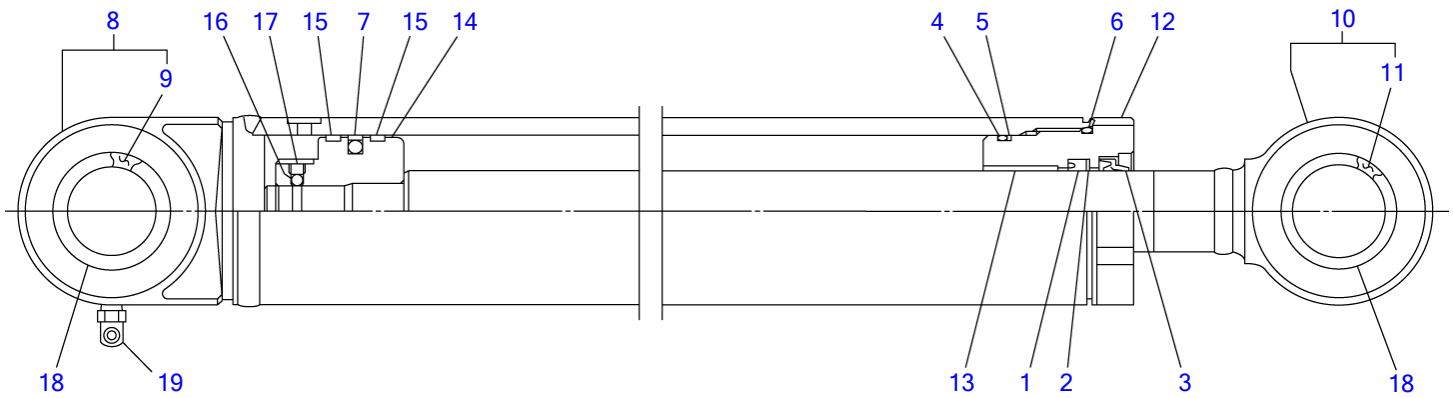
S=FREE



LIFT ARM CYLINDER

Item	Part number	Description	Q'ty	Chan.	Serial No.	Serv.	Remarks
0	1900096800	CYLINDER ASSY	1				arm
0-1	1900096899	• KIT, seal	1				
1	X 1410220600	• • PACKING, piston	1				
2	X 1410535458	• • PACKING, rod	1				
3	X 1411245353	• • RING, back-up	1				
4	X 1900096838	• • RING, back-up	1				
5	X 1900088433	• • SEAL, dust	1				
6	X 1420110600	• • O-RING	1				
7	X 1420110550	• • O-RING	2				
8	X 1421130550	• • RING, back-up	2				
9	X 1420110250	• • O-RING	2				
10	1900096807	• TUBE ASSY	1				
11	1900096801	• ROD ASSY, piston	1				
12	1900096806	• PISTON	1				
13	1900096808	• HOLDER, packing	1				
14	1900096805	• CUSHION, rod	1				
15	1900096831	• RING, seal	1				
16	1900096835	• STOPPER	1				
17	1900096836	• RING, stop	1				
18	1900096833	• RING, seal	1				
19	1900096832	• STOPPER	1				
20	1900096837	• RING, stop	1				
21	1900096804	• HOLDER	1				
22	1900096814	• RING	1				
23	1900096802	• BUSHING	1				
24	1900096820	• BUSHING	1				
25	1333003525	• BUSHING	1				
26	1900096870	• ORIFICE	1				
27	1560001675	• FITTING, grease	1				
28	1560001900	• FITTING, grease	1				
29	1121050610	• SET-SCREW	1				
30	1410706008	• RING, wear	2				
31	1432200035	• SEAL, dust	4				
32	1900096830	• COVER, rod	1				
33	1900096829	• COVER, rod	1				
	T3h060						

TL120 Book No. BT3Z001-1 S/N 21200008-  
BUCKET CYLINDER

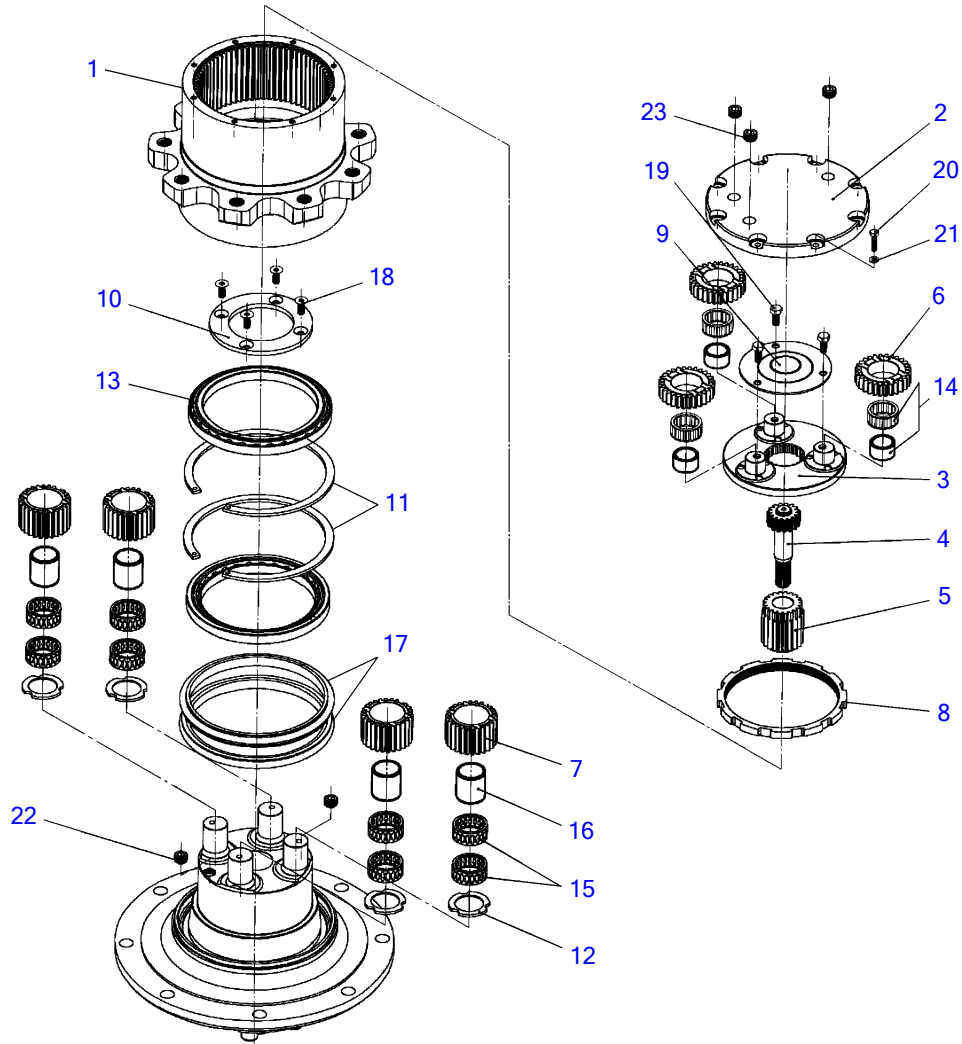


T3H070

S=FREE

**BUCKET CYLINDER**

Item	Part number	Description	Q'ty	Chan.	Serial No.	Serv.	Remarks
0	<b>1900095100</b>	CYLINDER ASSY (R.H.)	1				bucket
	<b>1900095200</b>	CYLINDER ASSY (L.H.)	1				bucket
0-1	<b>1900095199</b>	• KIT, seal	1				
1	X <b>1900095108</b>	• • HOLDER, rod packing	1				
2	X <b>1900095127</b>	• • RING, back-up	1				
3	X <b>1900073533</b>	• • SEAL, dust	1				
4	X <b>1420110550</b>	• • O-RING	1				
5	X <b>1421130550</b>	• • RING, back-up	1				
6	X <b>1420110600</b>	• • O-RING	1				
7	X <b>1900053331</b>	• • PACKING, piston	1				
8	<b>1900095198</b>	• TUBE ASSY (R.H.)	1				
	<b>1900095298</b>	• TUBE ASSY (L.H.)	1				
9	<b>1900044802</b>	• • BUSHING	1				
10	<b>1900095197</b>	• ROD ASSY, piston	1				
11	<b>1900044802</b>	• • BUSHING	1				
12	<b>1900095130</b>	• COVER, rod	1				
13	<b>1900095102</b>	• BUSHING	1				
14	<b>1900095106</b>	• PISTON	1				
15	<b>1900066826</b>	• RING, wear	2				
16	<b>1390020250</b>	• BALL, steel	1				
17	<b>1121050608</b>	• SET-SCREW	1				
18	<b>1432200035</b>	• SEAL, dust	4				
19	<b>1560001900</b>	• FITTING, grease	1				
	<b>T3h070</b>						

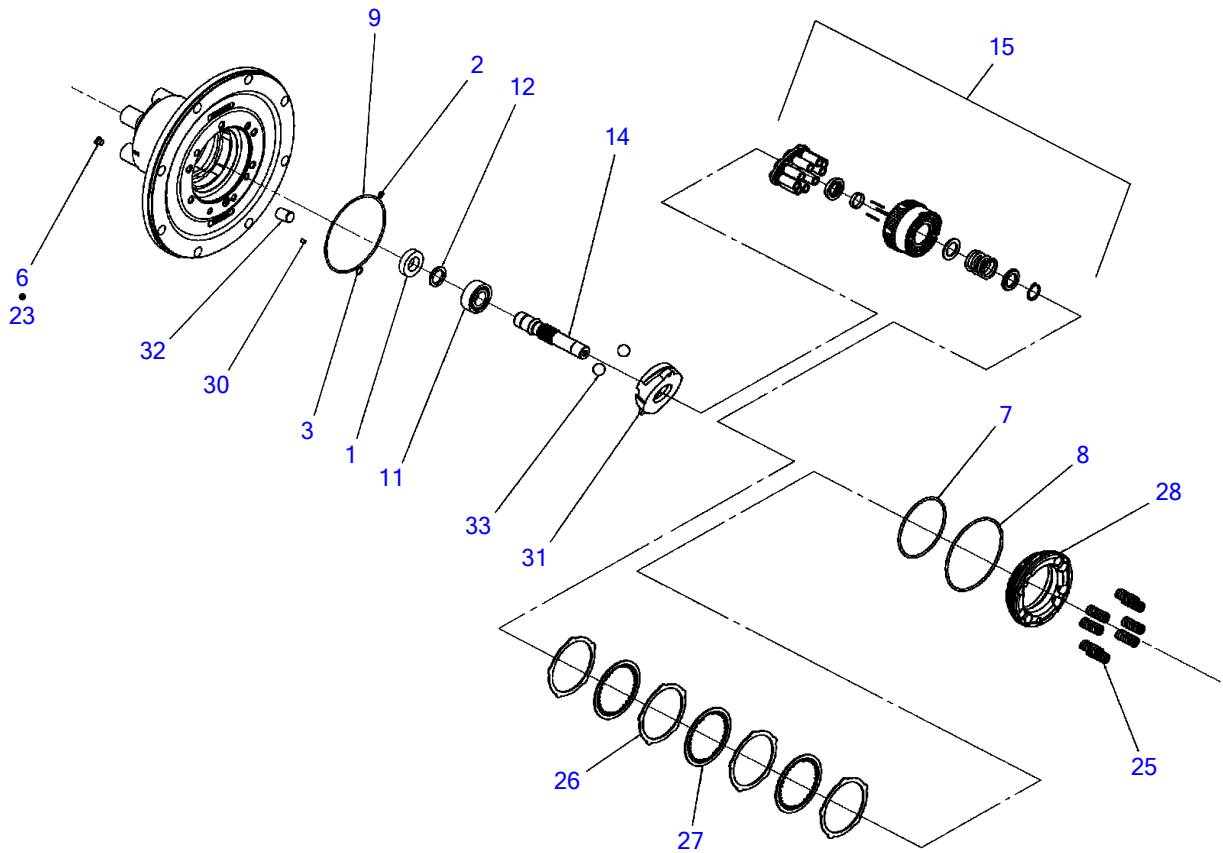


T8H141

S=free

TRAVEL MOTOR (1/3) (reduction sec.)						
Item	Part number	Description	Q'ty	Chan.	Serial No.	Serv. Remarks
0	<b>1903125400</b>	MOTOR ASSY, travel	2			M
0-1	X *****	• GEAR, reduction	1			M X19129-08000
1	<b>1912908002</b>	• • GEAR, ring	1			M
2	<b>1912908003</b>	• • COVER	1			M
3	<b>1912908004</b>	• • CARRIER	1			M
4	<b>1912908005</b>	• • GEAR	1			M
5	<b>1912908006</b>	• • GEAR	1			M
6	<b>1912908007</b>	• • GEAR	3			M
7	<b>1912908008</b>	• • GEAR	4			M
8	<b>1912908009</b>	• • NUT	1			M
9	<b>1912908010</b>	• • PLATE KIT, stopper	1			M
10	<b>1912908011</b>	• • PLAT, stopper	1			M
11	<b>1912908012</b>	• • RING, snap	2			M
12	<b>1912908013</b>	• • WASHER	4			M
13	<b>1912908014</b>	• • BEARING	2			M
14	<b>1912908015</b>	• • BEARING	3			M
15	<b>1912908016</b>	• • BEARING	8			M
16	<b>1912908017</b>	• • LACE, inner	4			M
17	<b>1912908018</b>	• • SEAL KIT, floating	1			M
18	<b>1912907827</b>	• • SCREW, cap	4			M
19	<b>1912908019</b>	• • BOLT	3			M
20	<b>1100050625</b>	• • BOLT	8			M
21	<b>1140020006</b>	• • WASHER, spring	8			M
22	<b>1501810003</b>	• • PLUG	2			M
23	<b>1912908023</b>	• • PLUG	3			M
	<b>T3h130</b>					

TL120 Book No. BT3Z001-1 S/N 21200008-  
TRAVEL MOTOR (2/3) (motor sec.)

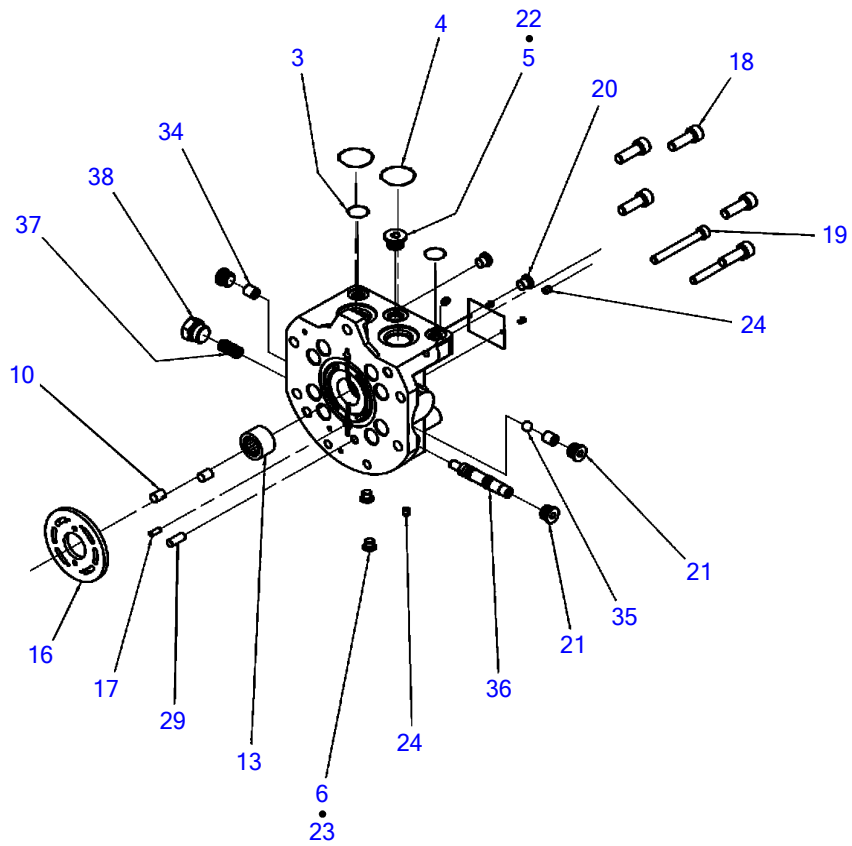


T8H150

S=free

**TRAVEL MOTOR (2/3) (motor sec. )**

Item	Part number	Description	Q'ty	Chan.	Serial No.	Serv.	Remarks
0	<b>1903125400</b>	MOTOR ASSY, travel	2			M	
0-2	X *****	• MOTOR ASSY (19039-08000)	1			M	incl. (3/3)
0-3	<b>1903907198</b>	• • KIT, seal	1			M	
1	X <b>1903907105</b>	• • • SEAL, oil	1			M	
2	X <b>1420010090</b>	• • • O-RING	1			M	
3	X <b>1420010110</b>	• • • O-RING	3			M	
6	X <b>1420300903</b>	• • • O-RING	3			M	
7	X <b>1420310244</b>	• • • O-RING	1			M	
8	X <b>1420310250</b>	• • • O-RING	1			M	
9	X <b>1420111350</b>	• • • O-RING	1			M	
11	<b>1903907102</b>	• • BEARING	1			M	
12	<b>1220000025</b>	• • RING, snap	1			M	
14	<b>1903907107</b>	• • SHAFT	1			M	
15	<b>1903908010</b>	• • CYLINDER BLOCK KIT	1			M	
23	<b>1903906427</b>	• • PLUG	1			M	
25	<b>1903907128</b>	• • SPRING	8			M	
26	<b>1903907129</b>	• • PLATE	4			M	
27	<b>1903907130</b>	• • PLATE	3			M	
28	<b>1903907131</b>	• • PISTON, brake	1			M	
30	<b>1903908036</b>	• • ORIFICE	1			M	
31	<b>1903907137</b>	• • PLATE, swash	1			M	
32	<b>1903907138</b>	• • PISTON	1			M	
33	<b>1390011600</b>	• • BALL, steel	2			M	
	<b>T3h140</b>						



T8H160

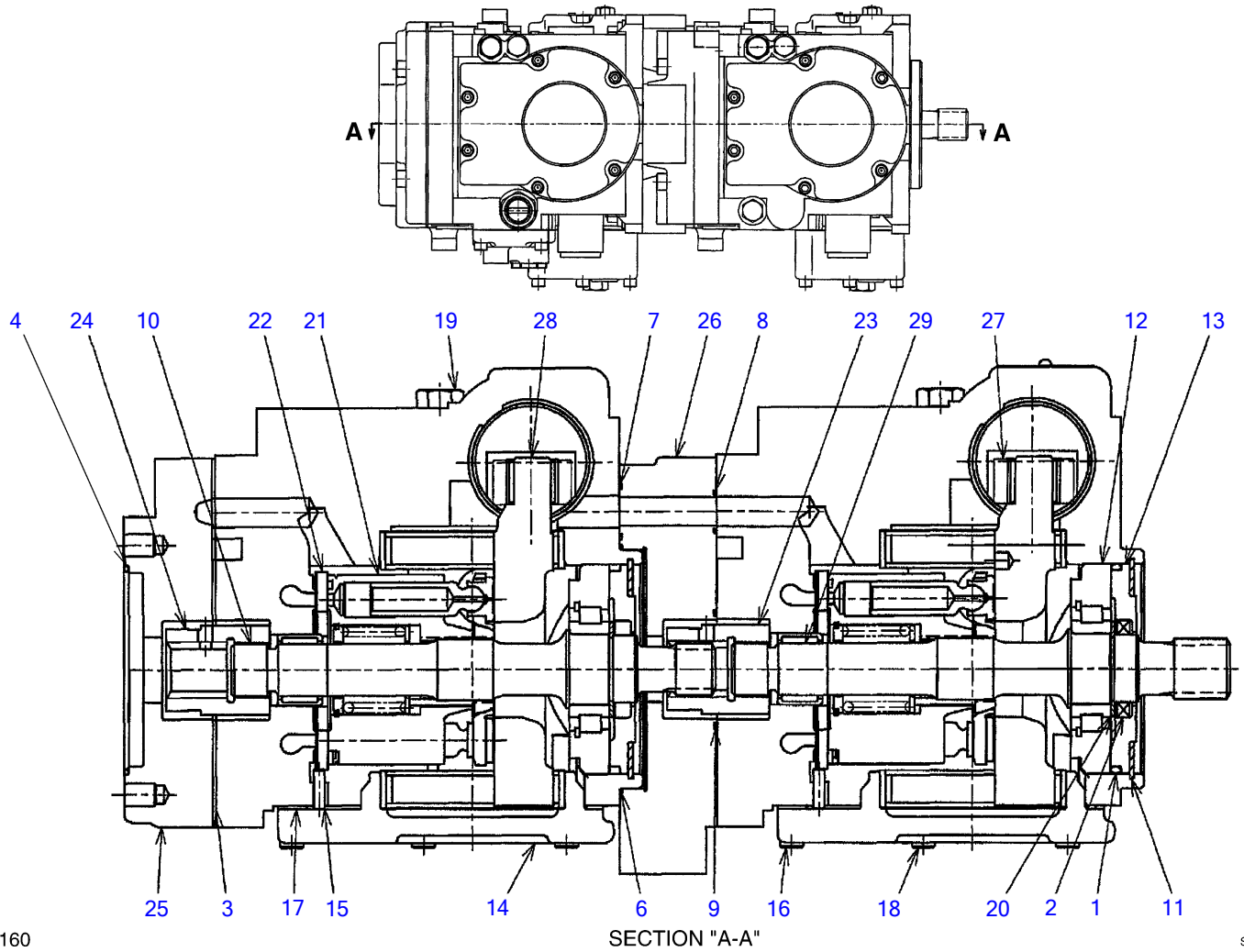
S=free



**TRAVEL MOTOR (3/3) (valve sec. )**

Item	Part number	Description	Q'ty	Chan.	Serial No.	Serv.	Remarks
0	<b>1903125400</b>	MOTOR ASSY, travel	2			M	
0-2	X *****	• MOTOR ASSY (19039-08000)	1			M	incl. (2/3)
3	<b>1420010110</b>	• • O-RING	3			M	
4	<b>1420010224</b>	• • O-RING	4			M	
5	<b>1420010140</b>	• • O-RING	1			M	
6	<b>1420300903</b>	• • O-RING	3			M	
10	<b>1902006702</b>	• • PIN	2			M	
13	<b>1903907106</b>	• • BEARING	1			M	
16	<b>1903907111</b>	• • PLATE	1			M	
17	<b>1902007411</b>	• • PIN	1			M	
18	<b>1110021030</b>	• • SCREW, cap	5			M	
19	<b>1110020870</b>	• • SCREW, cap	2			M	
20	<b>1903007626</b>	• • PLUG ASSY	2			M	
21	<b>1901810214</b>	• • PLUG	3			M	
22	<b>1903907123</b>	• • PLUG	1			M	
23	<b>1903906427</b>	• • PLUG	3			M	
24	<b>1903906827</b>	• • PLUG	3			M	
29	<b>1903906832</b>	• • PIN	1			M	
34	<b>1903906840</b>	• • PLUG	2			M	
35	<b>1390010600</b>	• • BALL, steel	1			M	
36	<b>1903906842</b>	• • SPOOL	1			M	
37	<b>1903906843</b>	• • SPRING	1			M	
38	<b>1903007636</b>	• • PLUG ASSY	1			M	
	<b>T3h150</b>						

TL120 Book No. BT3Z001-1 S/N 21200008-  
HYDRAULIC PUMP (1/4)

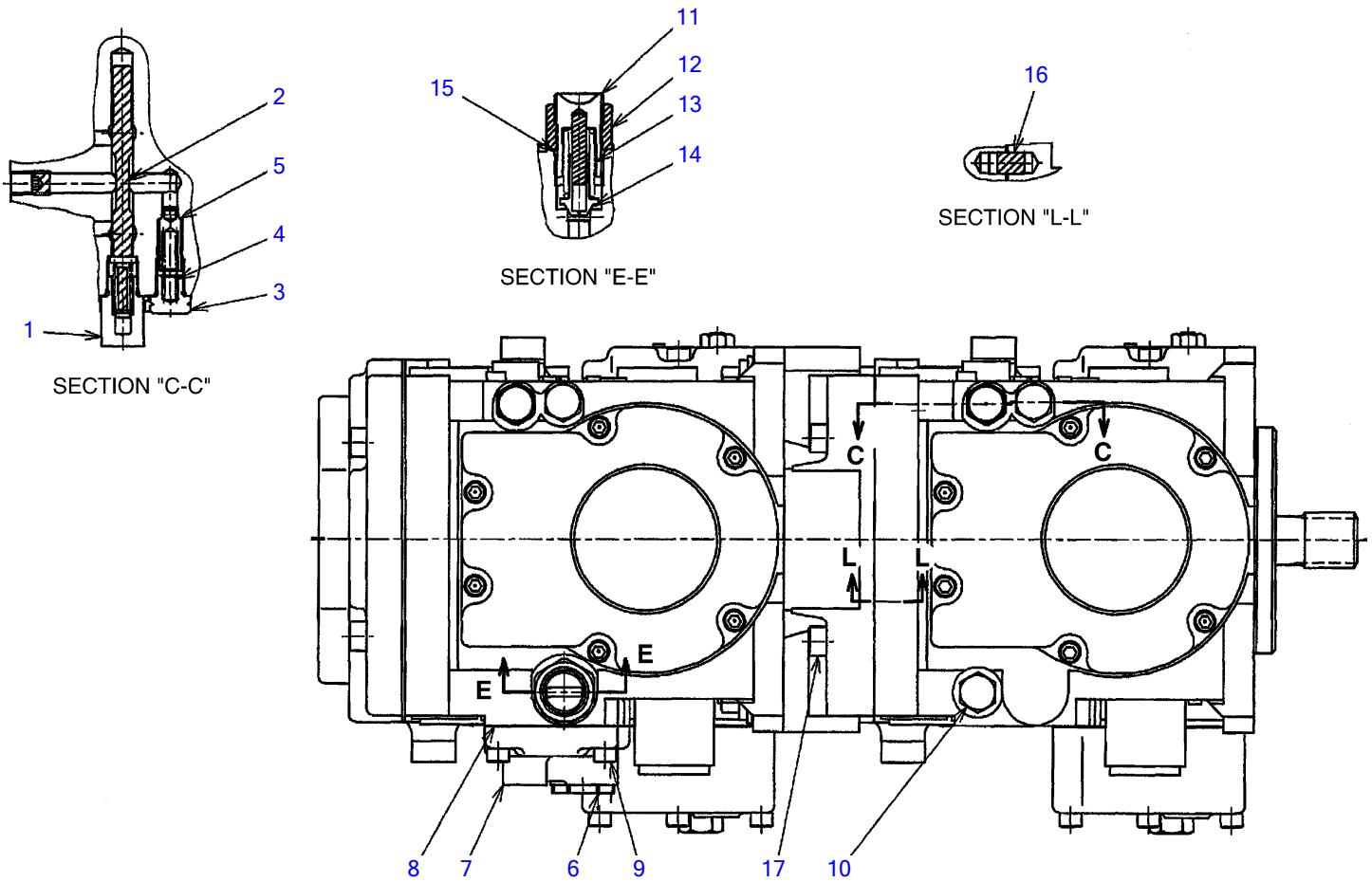


T3H160

S=FREE

**HYDRAULIC PUMP (1/4)**

Item	Part number	Description	Q'ty	Chan.	Serial No.	Serv.	Remarks
0	<b>1902021900</b>	PUMP, hydraulic	1			M	
0-1	<b>1902021999</b>	• KIT,seal	1			M	
1	<b>1902016507</b>	• • O-RING	1			M	
2	<b>1902016508</b>	• • SEAL, lip	1			M	
3	<b>1902020357</b>	• • GASKET	1			M	
4	<b>1420300152</b>	• • O-RING	1			M	
6	<b>1420310044</b>	• • O-RING	1			M	
7	<b>1420310019</b>	• • O-RING	1			M	
8	<b>1902021976</b>	• • O-RING	1			M	
9	<b>1420310032</b>	• • O-RING	1			M	
10	<b>1902021904</b>	• SHAFT	1			M	
11	<b>1902016520</b>	• RING, retaining	2			M	
12	<b>1902021906</b>	• BEARING	2			M	
13	<b>1902021909</b>	• SEAL, carrier	2			M	
14	<b>1902017412</b>	• COVER ASSY	2			M	
15	<b>1902017413</b>	• PIN	2			M	
16	<b>1110020620</b>	• SCREW, cap	4			M	
17	<b>1902020215</b>	• GASKET	2			M	
18	<b>1110020630</b>	• SCREW, cap	8			M	
19	<b>1902019215</b>	• PLUG ASSY	4			M	
20	<b>1902016505</b>	• RING, retaining	2			M	
21	<b>1902017428</b>	• BLOCK KIT, cylinder	2			M	
22	<b>1902017429</b>	• PLATE, valve	2			M	
23	<b>1902021962</b>	• COUPLING	1			M	
24	<b>1902921963</b>	• COUPLING	1			M	
25	<b>1902017449</b>	• ADAPTOR, A pat	1			M	
26	<b>1902019271</b>	• ADAPTOR, B pat	1			M	
27	<b>1902016501</b>	• BEARING	2			M	
28	<b>1902021902</b>	• PLATE, swash	2			M	
29	<b>1902021903</b>	• SHAFT	1			M	
	<b>T3h160</b>						



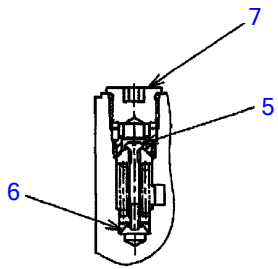
T3H170

S=FREE

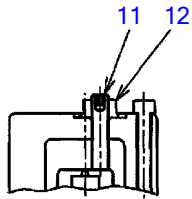
**HYDRAULIC PUMP (2/4)**

Item	Part number	Description	Q'ty	Chan.	Serial No.	Serv.	Remarks
0	<b>1902021900</b>	PUMP, hydraulic	1			M	
1	<b>1902017430</b>	▪ PLUG ASSY	2			M	
2	<b>1902020244</b>	▪ SPOOL ASSY	2			M	
3	<b>1902017432</b>	▪ PLUG ASSY	2			M	
4	<b>1902017433</b>	▪ SPRING	2			M	
5	<b>1902017434</b>	▪ POPPET	2			M	
6	<b>1902006725</b>	▪ PLUG	1			M	
7	<b>1902017436</b>	▪ ADAPTOR	1			M	
8	<b>1902016548</b>	▪ GASKET	1			M	
9	<b>1110020630</b>	▪ SCREW, cap	7			M	
10	<b>1902019215</b>	▪ PLUG ASSY	1			M	
11	<b>1902019226</b>	▪ PLUG ASSY	1			M	
12	<b>1902016552</b>	▪ NUT	1			M	
13	<b>1902016553</b>	▪ SPRING	1			M	
14	<b>1902016554</b>	▪ POPPET	1			M	
15	<b>1420310910</b>	▪ O-RING	1			M	
16	<b>1902006702</b>	▪ PIN	4			M	
17	<b>1902020358</b>	▪ SCREW, cap	8			M	
	<b>T3h170</b>						

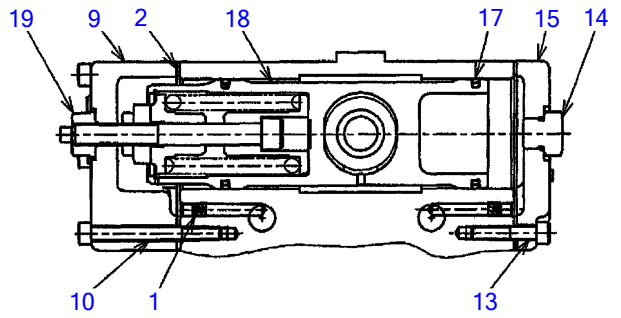
TL120 Book No. BT3Z001-1 S/N 21200008-  
HYDRAULIC PUMP (3/4)



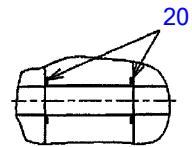
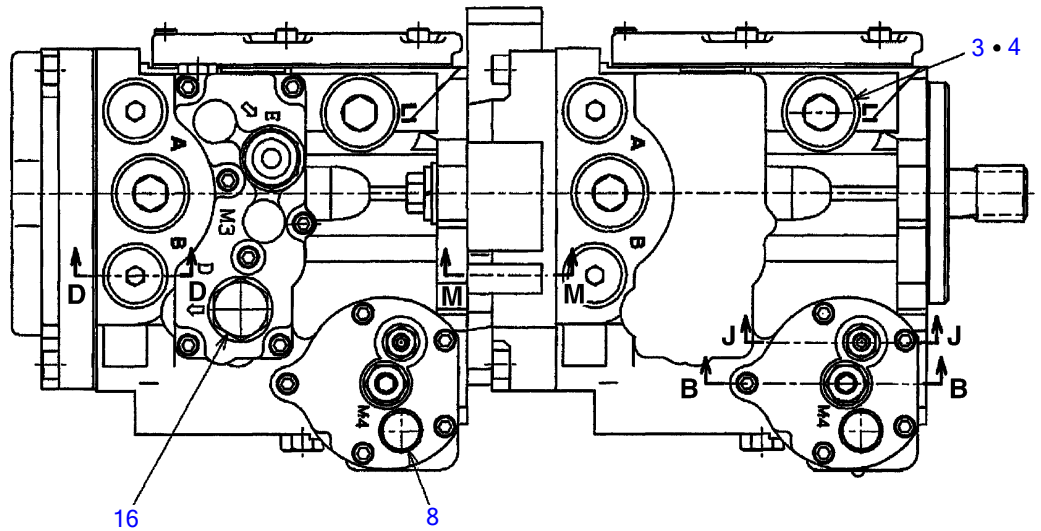
SECTION "D-D"



SECTION "J-J"



SECTION "B-B"



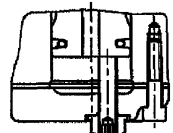
SECTION "M-M"

T3H180

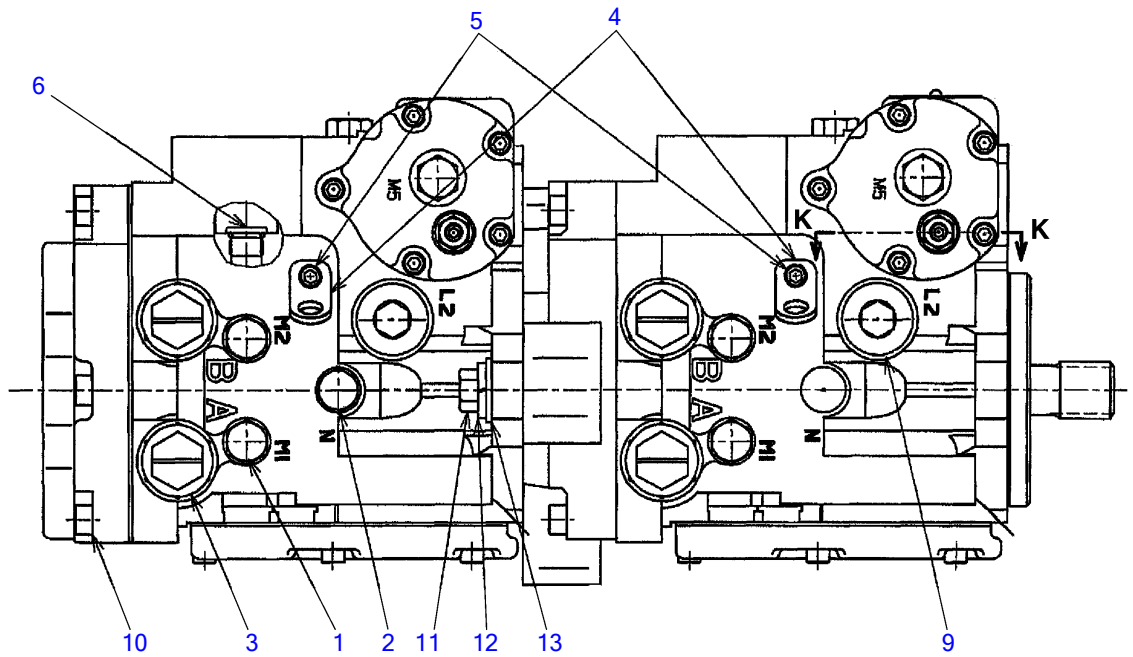
S-FREE

**HYDRAULIC PUMP (3/4)**

Item	Part number	Description	Q'ty	Chan.	Serial No.	Serv.	Remarks
0	<b>1902021900</b>	PUMP, hydraulic	1			M	
1	<b>1902021911</b>	▪ ORIFICE	4			M	
2	<b>1902020216</b>	▪ GASKET	4			M	
3	<b>1902007412</b>	▪ PLUG	4			M	
4	<b>1420310912</b>	▪ O-RING	4			M	
5	<b>1902021927</b>	▪ VALVE	4			M	
6	<b>1902020736</b>	▪ SPRING	4			M	
7	<b>1902021929</b>	▪ PLUG ASSY	4			M	
8	<b>1902019215</b>	▪ PLUG ASSY	2			M	
9	<b>1902017424</b>	▪ COVER	2			M	
10	<b>1110020660</b>	▪ SCREW, cap	10			M	
11	<b>1902017425</b>	▪ SCREW	2			M	
12	<b>1902020751</b>	▪ NUT	2			M	
13	<b>1110020630</b>	▪ SCREW, cap	10			M	
14	<b>1902019215</b>	▪ PLUG ASSY	2			M	
15	<b>1902020234</b>	▪ COVER	2			M	
16	<b>1902006768</b>	▪ PLUG ASSY	1			M	
17	<b>1902016555</b>	▪ RING, back-up	2			M	
18	<b>1902017444</b>	▪ PISTON ASSY	2			M	
19	<b>1902018825</b>	▪ NUT, seal	2			M	
20	<b>1420310017</b>	▪ O-RING	3			M	
	<b>T3h180</b>						



SECTION "K-K"



T3H190

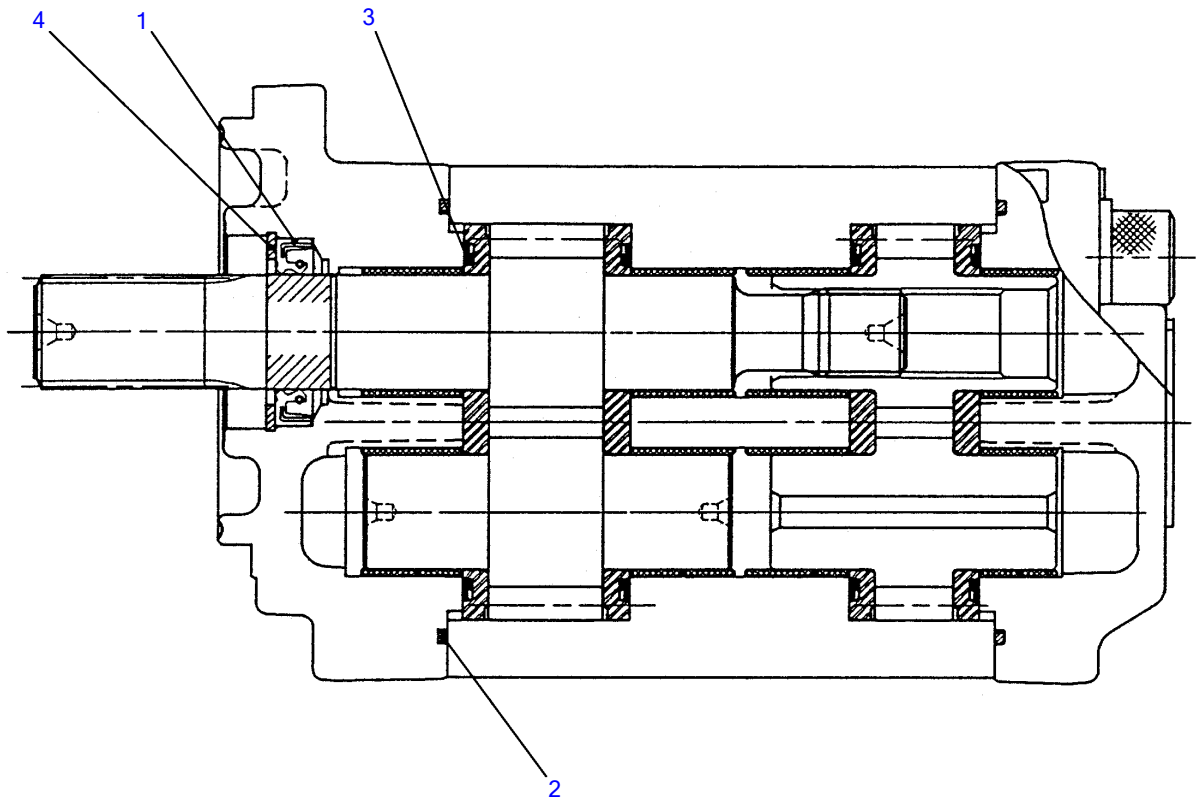
S=FREE



**HYDRAULIC PUMP (4/4)**

Item	Part number	Description	Q'ty	Chan.	Serial No.	Serv.	Remarks
0	<b>1902021900</b>	PUMP, hydraulic	1			M	
1	<b>1902019215</b>	▪ PLUG ASSY	4			M	
2	<b>1902019215</b>	▪ PLUG ASSY	1			M	
3	<b>1902007451</b>	▪ PLUG	4			M	
4	<b>1902020297</b>	▪ BRACKET	2			M	
5	<b>1110020620</b>	▪ SCREW, cap	2			M	
6	<b>1902019215</b>	▪ PLUG ASSY	2			M	
7	<b>1902017425</b>	▪ SCREW	2			M	
8	<b>1902020751</b>	▪ NUT	2			M	
9	<b>1902007412</b>	▪ PLUG ASSY	2			M	
10	<b>1902020358</b>	▪ SCREW, cap	7			M	
11	<b>1902010035</b>	▪ BOLT	2			M	
12	<b>1902016567</b>	▪ WASHER, conical	2			M	
13	<b>1902010037</b>	▪ WASHER	2			M	
	<b>T3h190</b>						

TL120 Book No. BT3Z001-1 S/N 21200008-  
GEAR PUMP



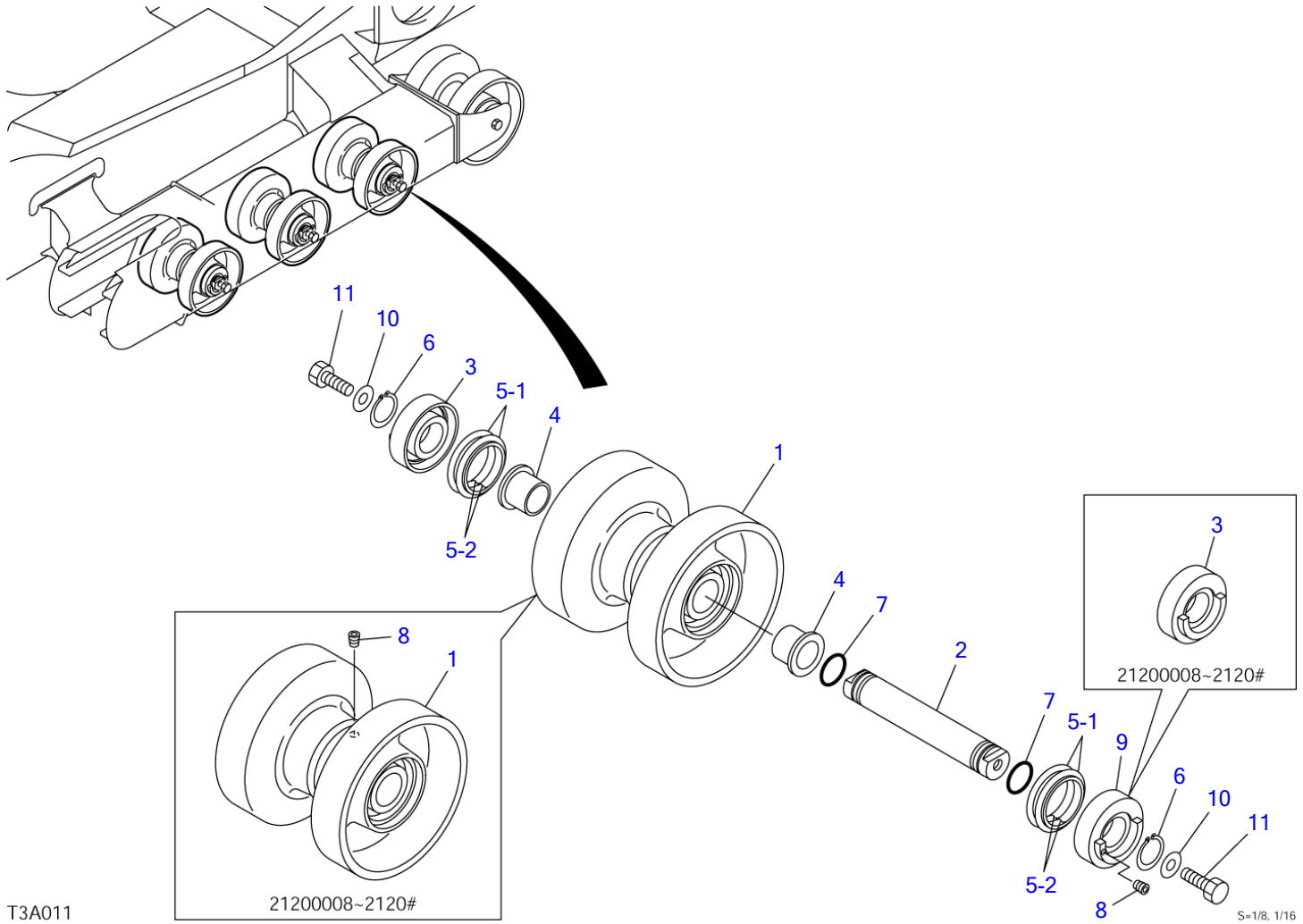
T3H080

S-FREE

**GEAR PUMP**

Item	Part number	Description	Q'ty	Chan.	Serial No.	Serv.	Remarks
0	<b>1902021800</b>	PUMP ASSY, gear	1				
0-1	<b>1902017999</b>	▪ KIT, seal	1				
1	X <b>1902017618</b>	▪ ▪ SEAL, oil	1				
2	X <b>1902018151</b>	▪ ▪ GASKET	2				
3	X <b>1902017950</b>	▪ ▪ GASKET	4				
4	X <b>1221000036</b>	▪ ▪ RING, snap	1				
	<b>T3h080</b>						

TL120 Book No. BT3Z001-1 S/N 21200008-  
TRACK ROLLER A



T3A011

S=1/8, 1/16

**TRACK ROLLER A**

Item	Part number	Description	Q'ty	Chan.	Serial No.	Serv.	Remarks
0-1	<b>0651300100</b>	ROLLER ASSY, track	6				X06513-00000-1
1	<b>0651300110</b>	· ROLLER	1	A, a		M	
2	<b>0860134010</b>	· SHAFT	1				
3	<b>0221240400</b>	· COVER	2		21200008~2120#	M	
	<b>0221240400</b>	· COVER	1		2120#~	M	No. 24141
4	<b>1333073535</b>	· BUSHING	2				
5	<b>1432500560</b>	· SEAL, floating	2				
5-1	<b>1432500561</b>	· · O-RING	2				
5-2	<b>1432500562</b>	· · RING, seal	2				
6	<b>1220000035</b>	· RING, retaining	2				
7	<b>1420100300</b>	· O-RING	2				
8	<b>1501820001</b>	· PLUG	1	A	21200008~2120#	M	
	<b>1501840000</b>	· PLUG	1	a	2120#~	M	No. 24141
9	<b>0651300190</b>	· COVER	1	a	2120#~	M	No. 24141
10	<b>1141550016</b>	WASHER	12				
11	<b>1100041645</b>	BOLT	12				
		<<NOTE>>					
		SET "A" is interchangeable with					
		SET "a".					
	<b>T3a011</b>						

# How to read this Parts Catalog.

1. Parts mentioned in this Parts Catalog may not necessarily be standard equipping parts.
2. Parts change may be made without prior notice.
3. Form of this Parts Catalog.

Y00F2161 (1997.09.01)

**Fig. 29 燃料噴射ポンプ(ブーコン用)**  
**FUEL INJECTION PUMP (W/BOOST)**

●見出 REF.No.		レベル LEV.	部品番号 PARTS No.	部品名	DESCRIPTION	個数 (Q'ty)						備考
						A	B	C	D	E	F	
1		•	729595-51390	F0ポンプ ASY(7-コック)	FULE INJECTION PUMP	1	1	1	1	1	1	1
1-1		•	729595-51391	F0ポンプ ASY(7-コック)	FULE INJECTION PUMP	1	1	1	1	1	1	1
		⑤	(A=E/#00185)(B=E/#00200)									
3		••	26022-060162	ナメネジ M 6X 16	SCREW M 6X 16	9	9	9	9	9	9	
I 3-1		••	26022-060162	ナメネジ M 6X 16	SCREW M 6X 16	4	4	4	4	4	4	K
			(A=E/#00185)(B=E/#00200)(C=E/#00156)(D=E/#00156)(E=E/#00156)									
4		••	129470-51040	カムシャフト	CAMSHAFT	1	1	1	1	1	1	
5		••	122710-51050	ベアリングローラ	BEARING, ROLLER	2	2	2	2	2	2	
6		••	129470-51060	ベアリングホルダ	RETAINER	1	1	1	1	1	1	
<b>備考</b>					<b>Remarks</b>							
(1) ブーストコンペンセータ付き。4JH-DT, 4JH-DTZとも					(1) BOOST COMPENSATOR TYPE.							
E/# 00155 までは、特別注文仕様とします					OPTIONAL PART, TO E/# 00155, (4JH - DT, 4JH - DTZ)							

**① Ref. No.**

The Ref. No. in the list may not be accord with the Ref. No. on illustration.

(Ex.) Illustration No. List head No.

1 1 (Befor change) → 1 -1 (After change)

When interchangeable symbol N, R, and K, illustrations for new parts are sometimes omitted.

**② Lev.(Level)**

Indication and Meaning of Level

Level: Hereunder is given the relation among the number of dots(•), the level and the nominal parent-child relationship.

- .....Parent parts(Assembly parts)
- .....Child parts included in "••" (Semi- Assembly parts, component parts of Assembly parts.)
- .....Child parts included in "•••", Grand-child parts in terms of "••".  
(Component parts of Semi- Assembly parts.)

Note) A parts of non- sale parts are illustrated but not listed.

**③ Change Mark**

Change Mark "I" is given to the part for which a design change was made at this time.

The design change was not shown in the last published Parts Catalog.

**④ Interchangeability Mark**

In the case where a part change took place, one of the following interchangeability marks is indicated for that part.

Symbol	interchangeability	Contents note
N	Old $\longleftrightarrow$ New	New Part is interchangeable for Old Part but not interchangeable conversely.
Q	Old $\longleftrightarrow$ New	New Part is not interchangeable for Old Part but interchangeable conversely.
R	Old $\longleftrightarrow$ New	New Part is interchangeable for Old Part and vice versa.
S	Old $\longleftrightarrow$ New	New Part is not interchangeable for Old Part and vice versa.
W		Part newly added.
Z		Part discontinued.
F		Not interchangeable single part but interchangeable by set of the related parts.
K		Changed only in quantity used.

**⑤ Effective Machine No.**

When a part is changed, Effective Machine No. of a Model for which the part is applicable is indication in each column of (A)- (F).

Product Symbol	Product No.	Product Symbol	Product No.
C	Clutch No. Compressor No.	M	Machine No.
D	Drive No.	T	Tractor No.
E	Engine No.	Note1) ※	Date

Note1) Date may follow the symbol in some cases. (Ex.) ※ 1996.01

Note2) As far as engine models shown by "XXX" are concerned, the modification of the parts could not be predicted or the engine models themselves could not be identified.

Note3) (A=E/#00185) means that the design change on the part has been effective for the model at the column (A) (in this case, for 4JH- DT) on and from E/#(Engine Serial Number) 00185.

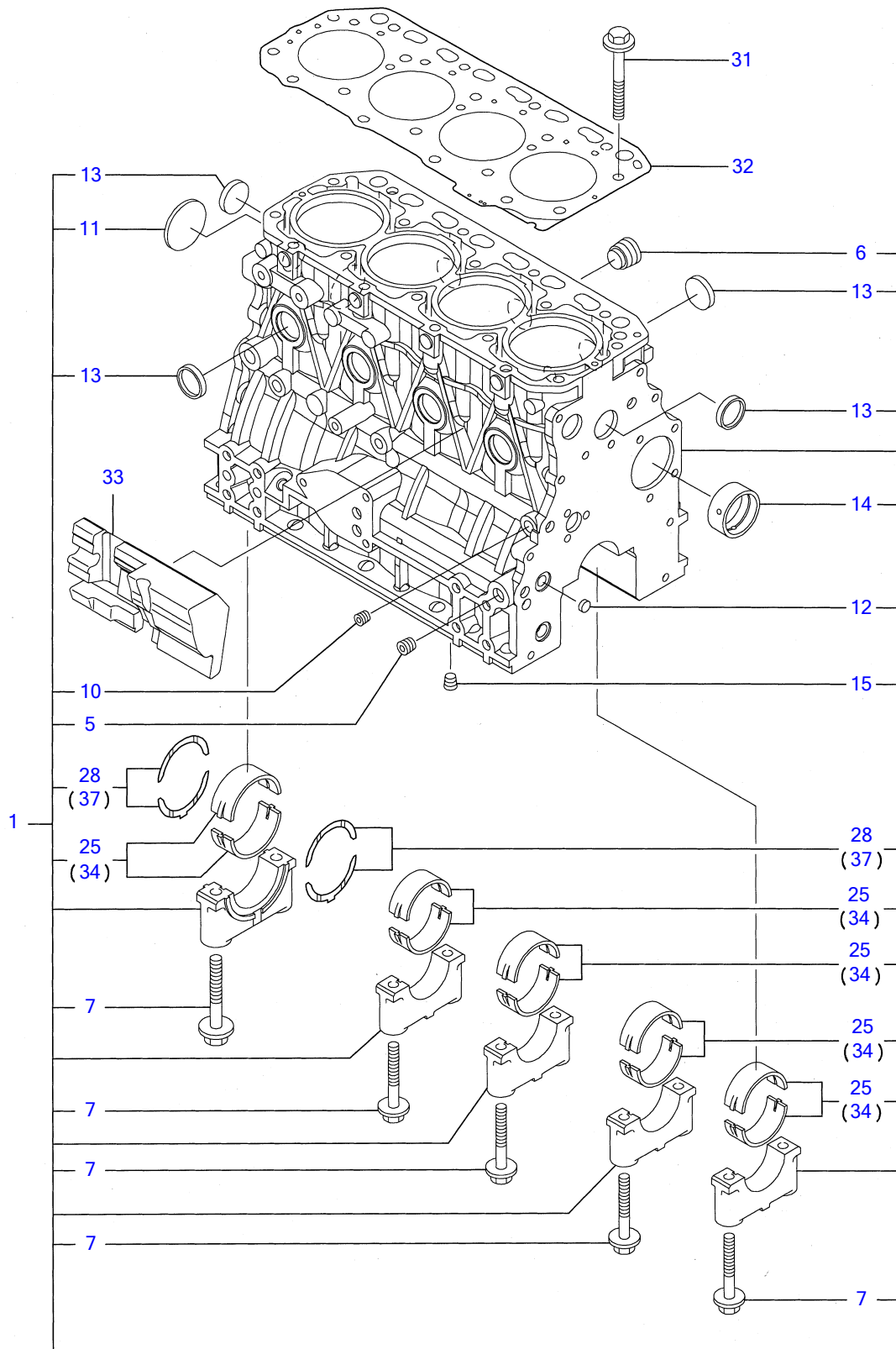
**⑥ Remarks Mark**

Figures or alphabets (Symbols) are entered in the remark column.

The comments(remarks) on the pertinent parts are indicated in the lower part of the list by the same symbols as those stated above.



Engine for TL120 4TNV84T-XTBL S/N 21200008-  
CYLINDER BLOCK



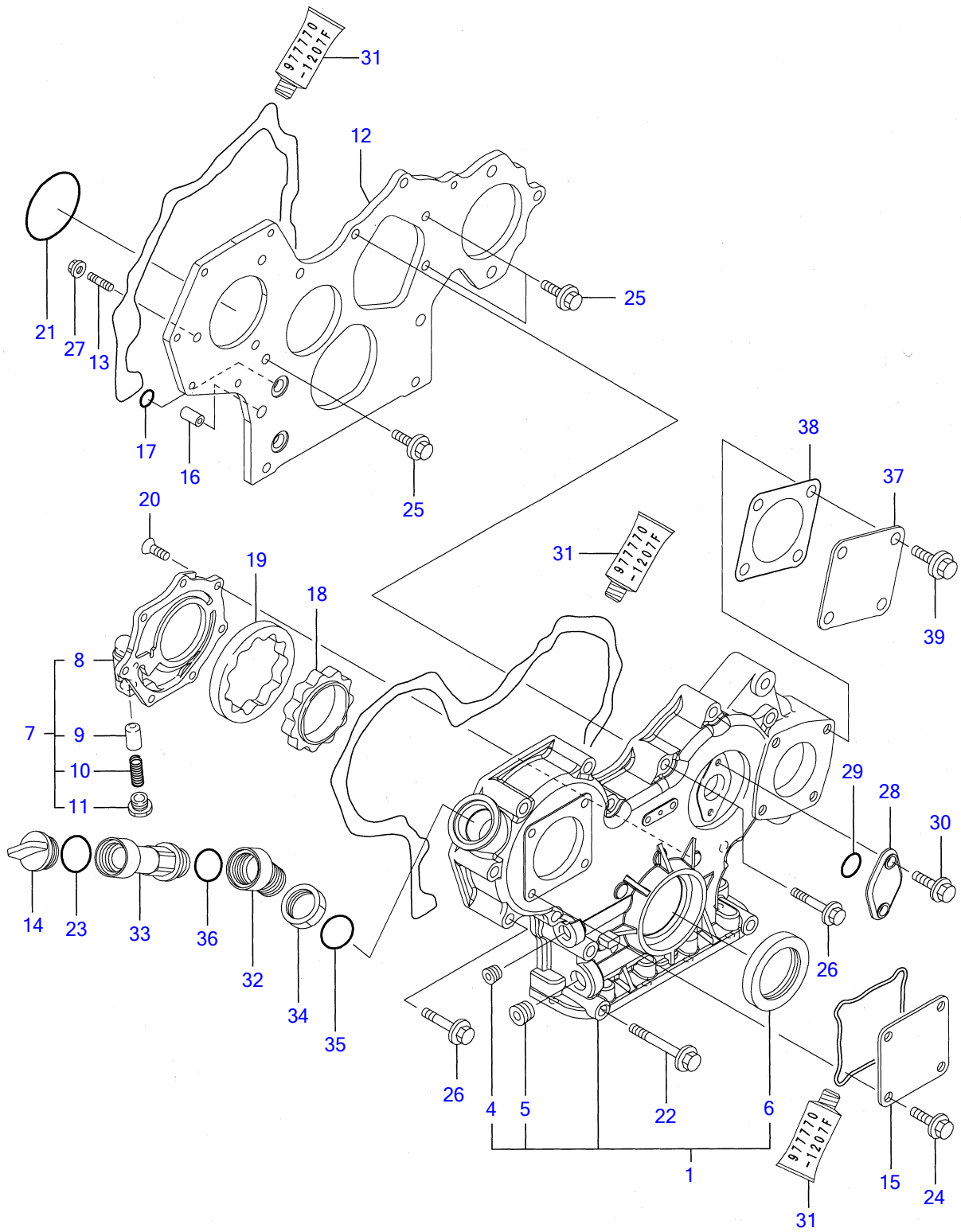
Y00D8940	1. シリンダブロック			
4TNV84T-XTBL		1:06.05		PLUS



**Engine for TL120 4TNV84T-XTBL S/N 21200008-  
CYLINDER BLOCK**

Item	Part No	Description	Qty
1	Y729508-01561	BLOCK ASSY, CYLINDER	1
5	Y124160-01910	• PLUG PT1/4	2
6	Y171051-01921	• PLUG	1
7	Y129150-02020	• BOLT, METAL CAP	10
10	Y124060-01050	• PLUG PT1/8	1
11	Y129001-01250	• PLUG 50	1
12	Y27241-120000	• PLUG 12	2
13	Y27241-300000	• PLUG 30	8
14	Y129795-02412	• BUSH, CAMSHAFT	1
15	Y124160-01910	• PLUG PT1/4	1
25	Y129001-02931	• MAIN BEARING SET	5
28	Y129150-02931	• BEARING ASSY, THRUST	2
31	Y129150-01200	STUD, CYL. HEAD	18
32	Y129508-01330	GASKET, HEAD	1
33	Y129004-01190	SPACER	1
34	Y129150-02871	MAIN BEARING US=0.25	5
37	Y129150-02941	BEARING, THRUST .250S	1

Engine for TL120 4TNV84T-XTBL S/N 21200008-  
GEAR HOUSING

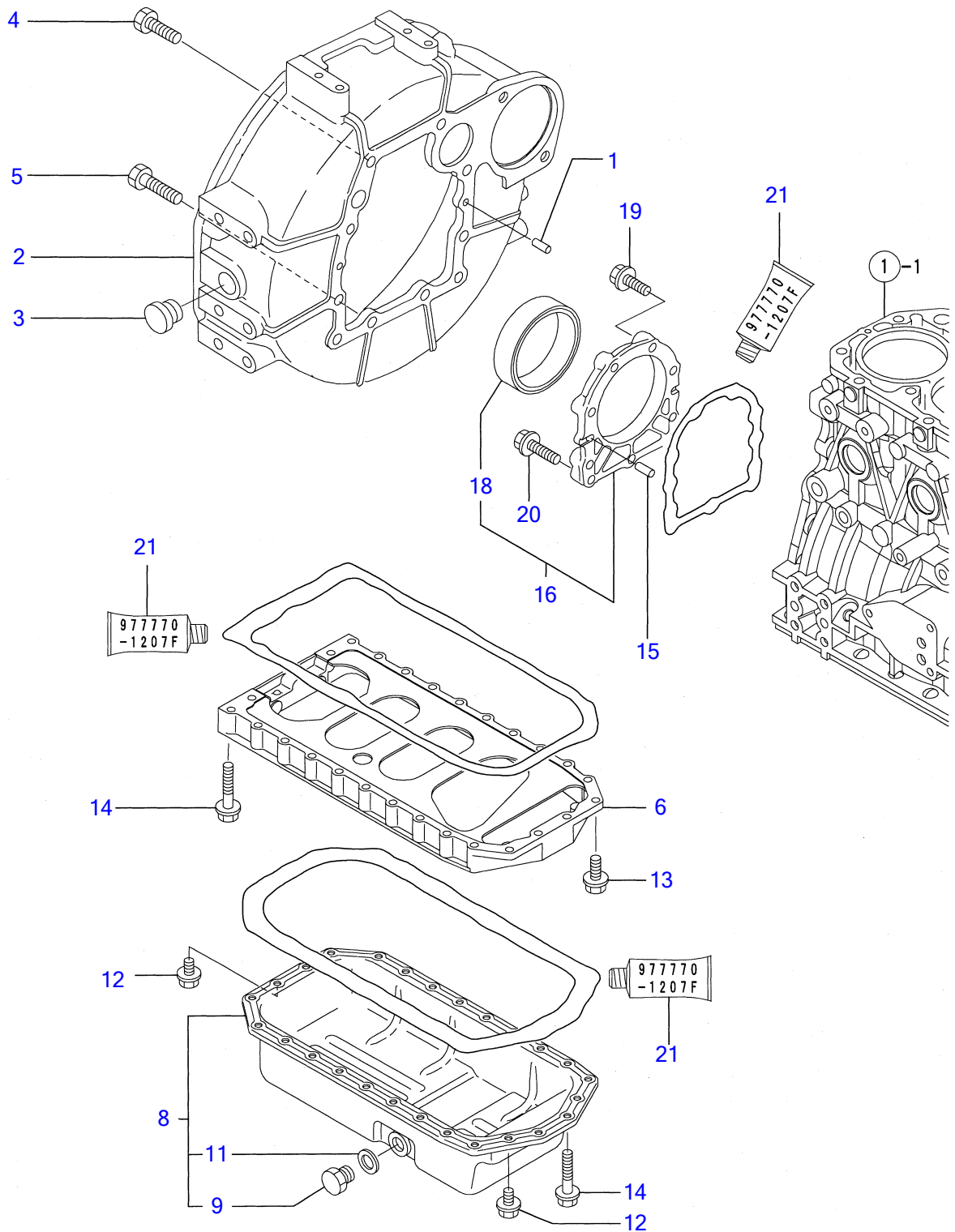


Y00D8940	2. ギヤケース		
4TNV84T-XTBL	1:06.05		PLUS

**Engine for TL120 4TNV84T-XTBL S/N 21200008-  
GEAR HOUSING**

Item	Part No	Description	Qty
1	Y729648-01520	GEAR CASE ASSY	1
4	Y23876-030000	· PLUG PT3/8,SCREW	1
5	Y23876-040000	· PLUG PT 1/2	1
6	Y119934-01800	· SEAL, OIL	1
7	Y119802-32100	COVER ASSY, PUMP	1
8	Y119802-32070	· COVER, LUB.OIL PUMP	1
9	Y129900-32130	· VALVE, RELIEF	1
10	Y129418-32320	· SPRING	1
11	Y129001-32330	· PLUG	1
12	Y129005-01520	FLANGE, GEAR CASE	1
13	Y119802-01561	STUD, M8X25	3
14	Y124160-01751	COVER,FILLER	1
15	Y124240-01871	COVER, HO-P	1
16	Y129795-01950	PIPE, KNOCK L=18	2
17	Y119609-32040	O-RING P16	4
18	Y129508-32111	ROTOR, INNER	1
19	Y129508-32120	ROTOR, OUTER	1
20	Y119802-32130	SCREW, M6X16	7
21	Y121850-51960	O-RING, F.I.PUMP	1
22	Y129001-91841	BOLT M 8X 85 PLATED	3
23	Y24311-000320	O-RING 1A P-32.0	1
24	Y26106-080162	BOLT M 8X 16 PLATED	4
25	Y26106-080162	BOLT M 8X 16 PLATED	3
26	Y26106-080552	BOLT M 8X 55 PLATED	12
27	Y26306-080002	NUT	3
28	Y121023-01551	COVER, BLIND	1
29	Y24341-000240	O-RING 1A S-24.0	1
30	Y26106-060162	BOLT M 6X 16 PLATED	2
31	Y977770-1207F	GASKET.LIQUID	1
32	Y119225-11740	ADAPTOR, OIL FILLER	1
33	Y171031-11741	PIPE	1
34	Y119225-11750	NUT, OIL FILLER	1
35	Y24311-000300	O-RING 1A P-30.0	1
36	Y24311-000320	O-RING 1A P-32.0	1
37	Y124240-01871	COVER, HO-P	1
38	Y124240-01883	GASKET, (NON-ASB.)	1
39	Y26106-080122	BOLT M 8X 12 PLATED	4

Engine for TL120 4TNV84T-XTBL S/N 21200008-  
**FLYWHEEL HOUSING & OIL SUMP**

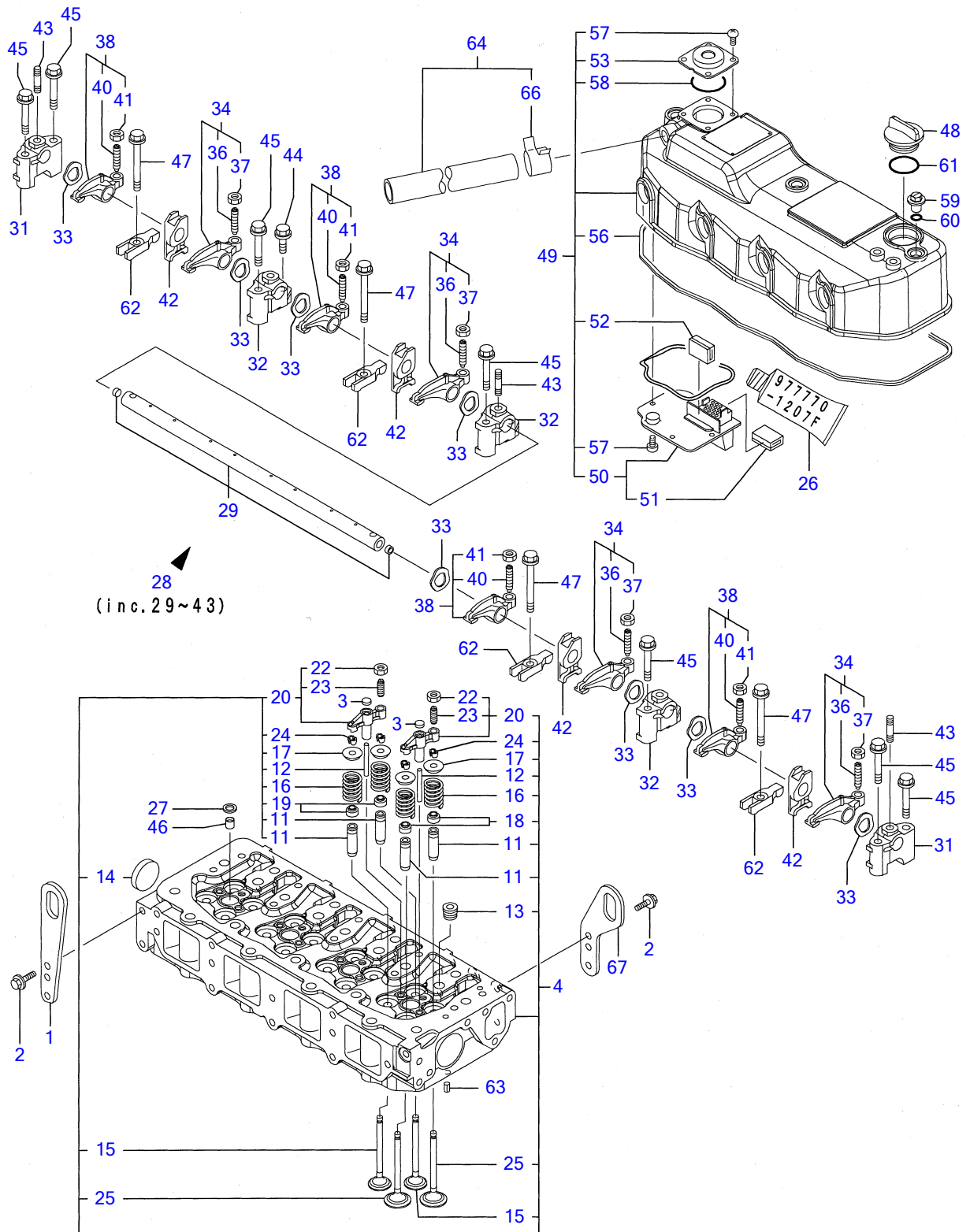


Y00D8940	3. フライホイールハウジング & オイルパン		
4TNV84T-XTBL	1:06.05		PLUS

**Engine for TL120 4TNV84T-XTBL S/N 21200008-  
FLYWHEEL HOUSING & OIL SUMP**

Item	Part No	Description	Qty
1	Y129100-01580	PARALLEL PIN 8X16	2
2	Y129612-01600	HOUSING,FLYWHEEL	1
3	Y119620-01750	CAP, FLYWHEEL COVER	1
4	Y26206-100252	BOLT M10X25	6
5	Y26206-100302	BOLT M10X30	4
6	Y129400-01730	SPACER, OIL SUMP	1
8	Y129400-01770	SUMP ASSY, LUB. OIL	1
9	Y119640-01640	· DRAIN PLUG M22	1
11	Y22190-220002	· SEAL WASHER 22S	1
12	Y26106-080162	BOLT M 8X 16 PLATED	4
13	Y26106-080252	BOLT M 8X 25 PLATED	2
14	Y26106-080452	BOLT M 8X 45 PLATED	24
15	Y129100-01580	PARALLEL PIN 8X16	2
16	Y129100-01640	CASE ASSY, OIL SEAL	1
18	Y129795-01780	· SEAL, OIL	1
19	Y129486-01670	BOLT M8X30,COLLAR HD	6
20	Y26106-080352	BOLT M 8X 35 PLATED	3
21	Y977770-1207F	GASKET.LIQUID	1

Engine for TL120 4TNV84T-XTBL S/N 21200008-  
CYLINDER HEAD & BONNET

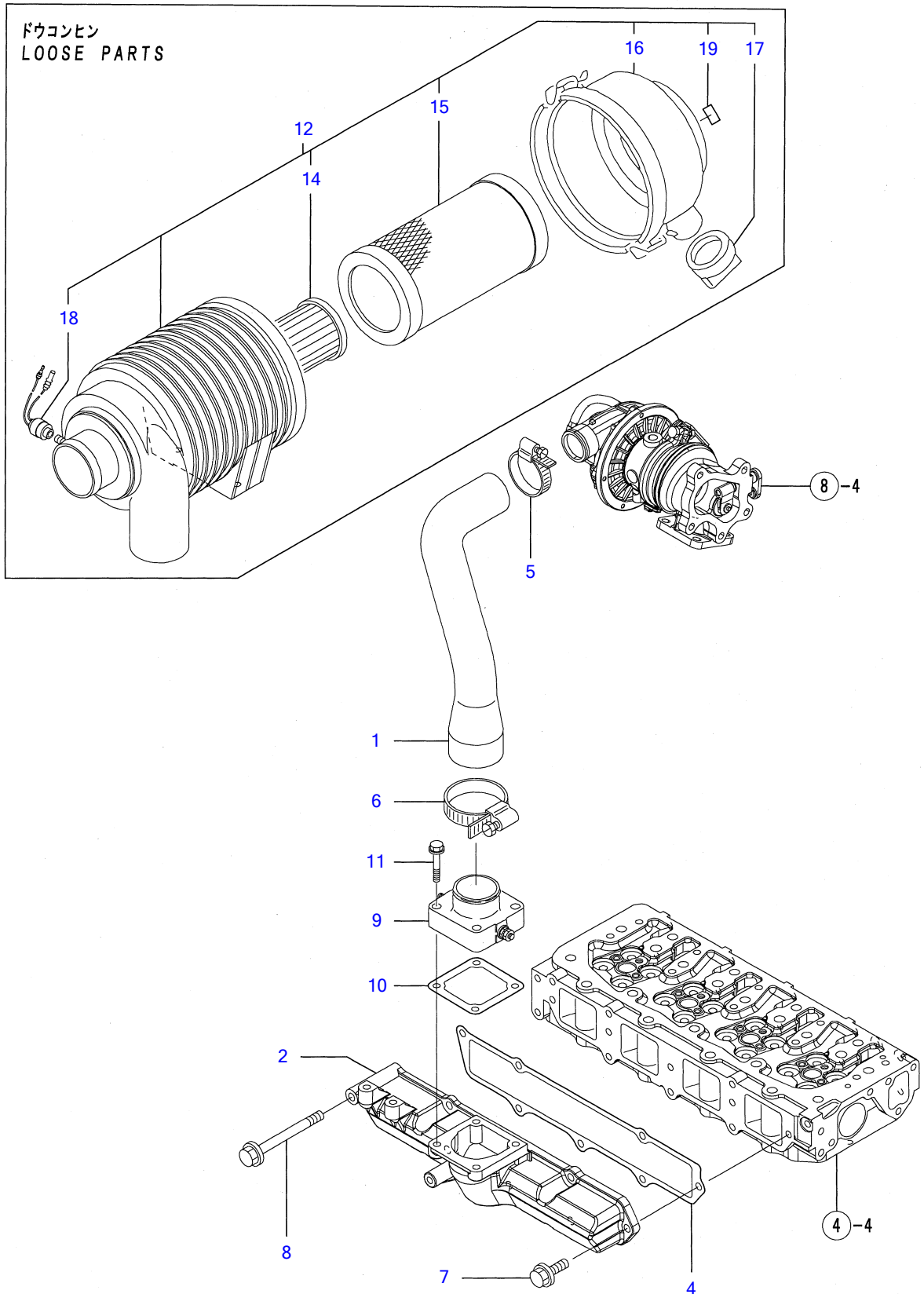


Y00D8940	4. シリンダヘッド & ボンネット		
4TNV84T-XTBL	1:06.05		PLUS

**Engine for TL120 4TNV84T-XTBL S/N 21200008-  
CYLINDER HEAD & BONNET**

Item	Part No	Description	Qty
1	Y129900-07900	LIFTER, ENGINE	1
2	Y26106-080162	BOLT M 8X 16 PLATED	4
3	Y123907-11550	SEAT A,VALVE BRIDGE	8
4	Y129508-11700	HED ASSY, CYLINDER	1
11	Y119717-11800	· GUIDE, VALVE	16
12	Y129508-11820	· GUIDE, VALVE BRIDGE	8
13	Y23876-020000	· PLUG PT1/4,SCREW	4
14	Y27241-400000	· PLUG 40	2
15	Y129508-11110	· VALVE, EXHAUST	8
16	Y129508-11130	· SPRING, VALVE	16
17	Y129508-11180	· RETAINER, SPRING	16
18	Y119717-11340	· SEAL, VALVE STEM	8
19	Y119717-11350	· SEAL, VALVE STEM	8
20	Y129672-11510	· BRIDGE, VALVE	8
22	Y129150-11750	· · NUT M8XP1.0	8
23	Y123907-11830	· · SCRWE,VALVE BRIDGE	8
24	Y119717-11190	· COTTER, VALVE	32
25	Y129508-11100	· VALVE, INTAKE	8
26	Y977770-1207F	GASKET.LIQUID	1
27	Y119625-11880	SEAT, NOZZLE	4
28	Y129508-11241	SHAFT ASSY, ROCKER	1
29	Y129508-11250	· SHAFT	1
31	Y129508-11260	· SUPPORT, ROCKER ARM	2
32	Y129508-11270	· SUPPORT, ROCKER ARM	3
33	Y129508-11280	· WASHER, WAVE M	8
34	Y129508-11650	· ARM ASSY, ROCKER	4
36	Y129150-11230	· · SCREW, VALVE	4
37	Y129150-11750	· · NUT M8XP1.0	4
38	Y129508-11660	· ARM ASSY, ROCKER	4
40	Y129150-11230	· · SCREW, VALVE	4
41	Y129150-11750	· · NUT M8XP1.0	4
42	Y129508-11920	· PEDESTAL,RETAINER	4
43	Y26226-080352	· STUD M 8X 35 PLATED	3
44	Y26106-080252	BOLT M 8X 25 PLATED	3
45	Y26106-080502	BOLT M 8X 50 PLATED	7
46	Y119802-11870	PROTECTOR, NOZZLE	4
47	Y129907-11950	FLANGE BOLT,RETAINER	4
48	Y124160-01751	COVER,FILLER	1
49	Y129508-11350	BONNET ASSY	1
50	Y129508-03010	· PLATE, BAFFLE	1
51	Y119802-03070	· · BAFFLE, BREATHER	1
52	Y129150-03070	· BAFFLE, BREATHER	1
53	Y129006-03120	· COVER, DIAPHRAGM	1
56	Y129508-11310	· PK,BONNET	1
57	Y22857-500100	· SCREW 5X10,TAPPING	8
58	Y24341-000400	· O-RING 1A S-40.0	1
59	Y124160-11360	KNOB	3
60	Y24311-000120	O-RING 1A P 12.0	3
61	Y24311-000320	O-RING 1A P-32.0	1
62	Y129508-11900	RETAINER,F.I.VALVE	4
63	Y22351-060012	SPRING PIN 6X12	2
64	Y129916-03100	HOSE, BREATHER	1
66	Y129960-03990	· HOSE CLIP 22	1
67	Y129486-07901	LIFTINGS	1

Engine for TL120 4TNV84T-XTBL S/N 21200008-  
**SUCTION MANIFOLD & AIR CLEANER**



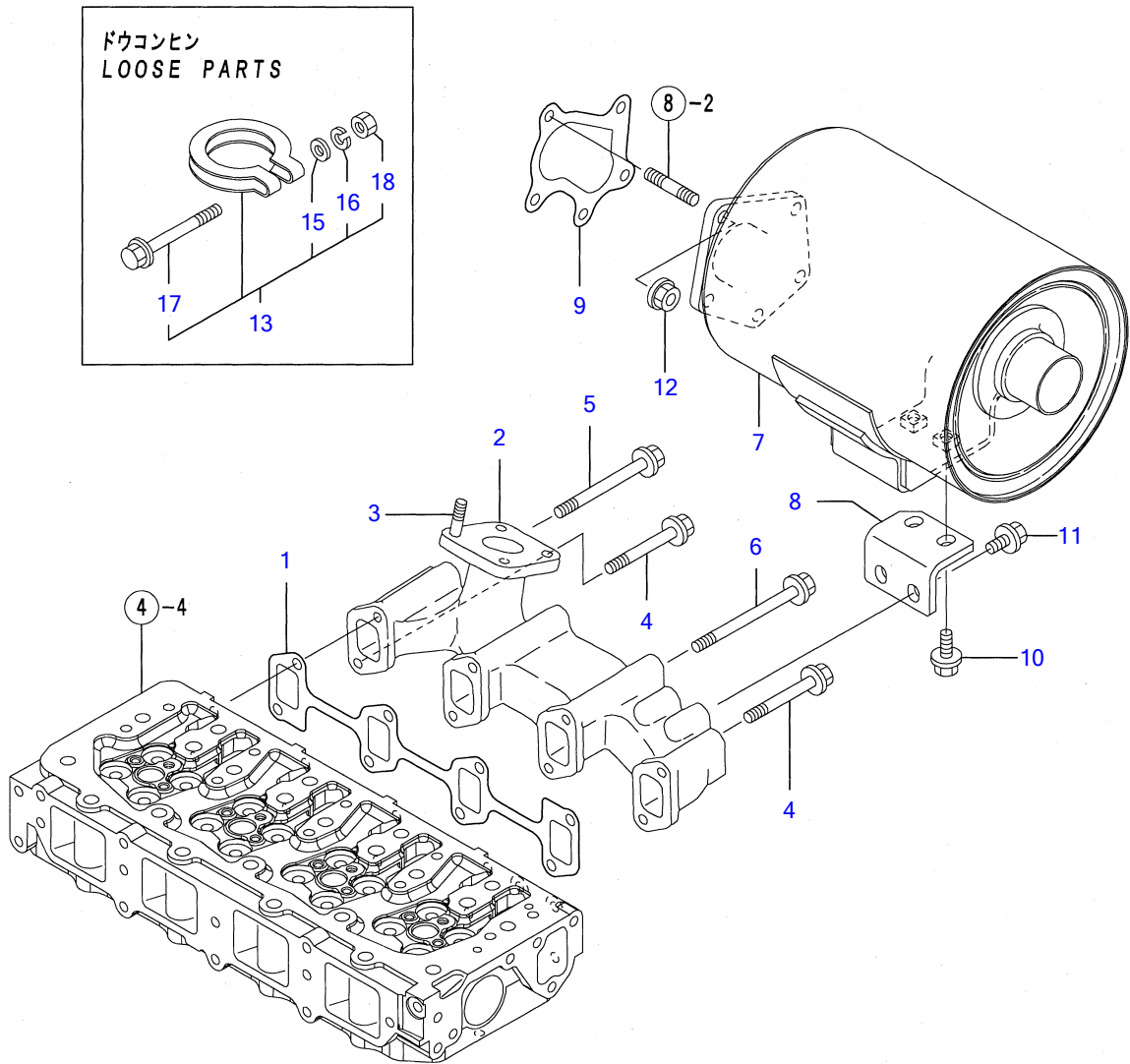
Y00D8940	5. キュウキマニホールド & エアクリーナ		
4TNV84T-XTBL	1:06.05		PLUS



**Engine for TL120 4TNV84T-XTBL S/N 21200008-  
SUCTION MANIFOLD & AIR CLEANER**

Item	Part No	Description	Qty
1	Y129508-12070	HOSE,INTAKE	1
2	Y129508-12120	MANIFOLD, INTAKE	1
4	Y129508-12110	GASKET, MAFIFOLD	1
5	Y23000-048000	CLAMP 48	1
6	Y23000-060000	CLAMP 60	1
7	Y26106-080202	BOLT M 8X 20 PLATED	6
8	Y26106-080802	BOLT M 8X 80 PLATED	1
9	Y129120-77501	HEATER, AIR	1
10	Y129150-77511	GASKET, (NON-ASB.)	1
11	Y26106-080352	BOLT M 8X 35 PLATED	4
12	Y129953-12530	CLEANER, AIR	1
14	Y119005-12571	• ELEMENT ASSY,INNER	1
15	Y129062-12560	• ELEMENT	1
16	Y129900-12530	• COVER ASSY	1
17	Y119808-12540	• VALVE, UNLOADER	1
18	Y119140-12680	• INDICATOR	1
19	Y129612-12650	• MARKING,(W)	1

Engine for TL120 4TNV84T-XTBL S/N 21200008-  
**EXHAUST MANIFOLD & SILENCER**

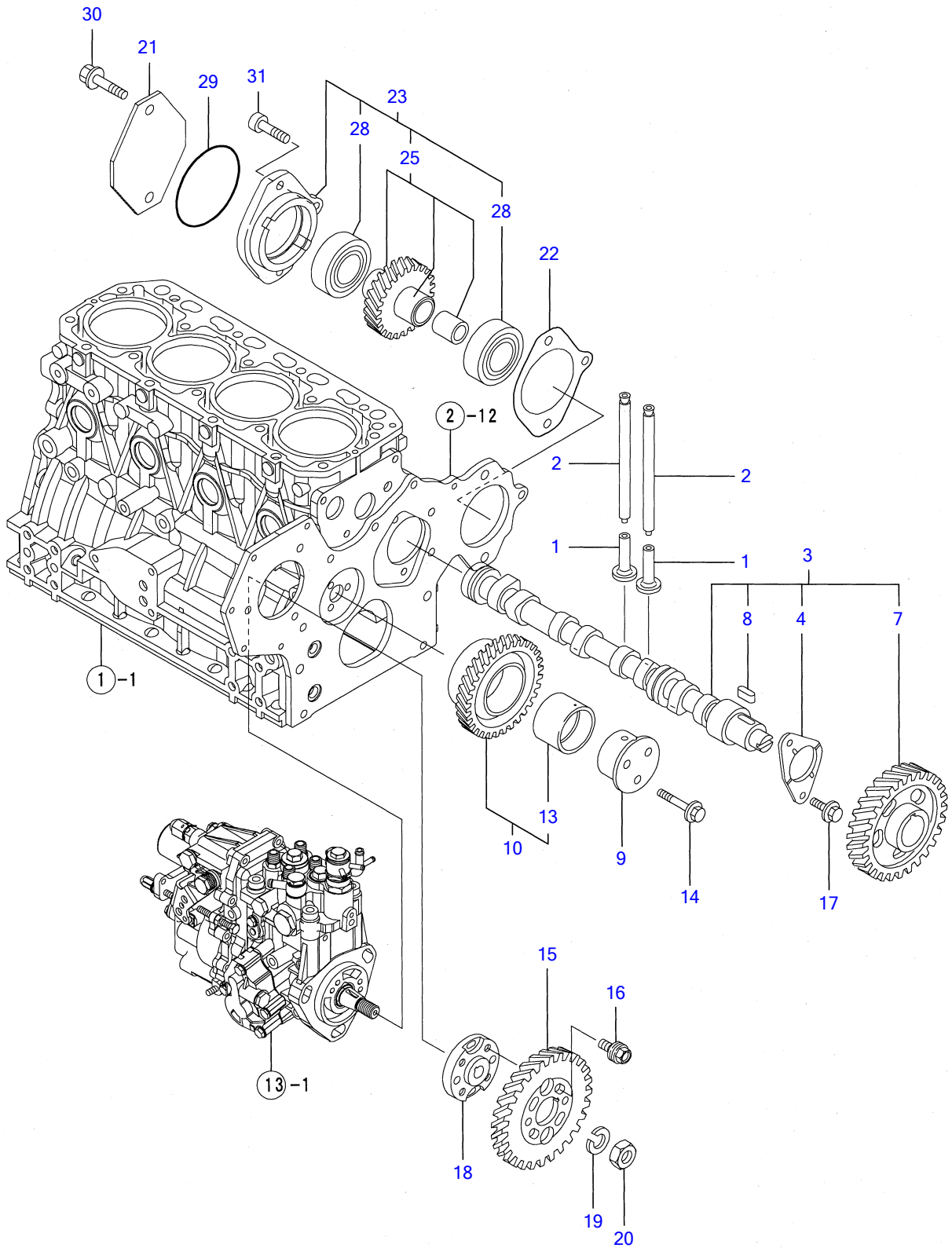


Y00D8940	6. ハイキマニホールド & サイレンサ		
4TNV84T-XTBL	1:06.05		PLUS

**Engine for TL120 4TNV84T-XTBL S/N 21200008-  
EXHAUST MANIFOLD & SILENCER**

Item	Part No	Description	Qty
1	Y129550-13110	GASKET, EXH.MANIFOLD	1
2	Y129403-13120	MANIFOLD, EXHAUST	1
3	Y119131-18320	BOLT M 8X 22	4
4	Y119802-13650	BOLT, M8X65	3
5	Y119802-13670	BOLT M 8X 85 PLATED	1
6	Y129693-44310	BOLT(CFW COOLER	4
7	Y129648-13520	MUFFLER	1
8	Y129648-13570	SUPPORT, SILENCER	1
9	Y129508-18090	GASKET, TURBOCHARGER	1
10	Y26106-080202	BOLT M 8X 20 PLATED	2
11	Y26106-080142	BOLT 8X 14 PLATED	2
12	Y26306-080002	NUT	5
13	Y121120-13590	CLAMP	1
15	Y22117-100000	· WASHER 10	1
16	Y22217-100000	· SPRING WASHER 10	1
17	Y26106-100652	· BOLT M10X 65 PLATED	1
18	Y26706-100002	· NUT M10	1

Engine for TL120 4TNV84T-XTBL S/N 21200008-  
CAMSHAFT & DRIVING GEAR

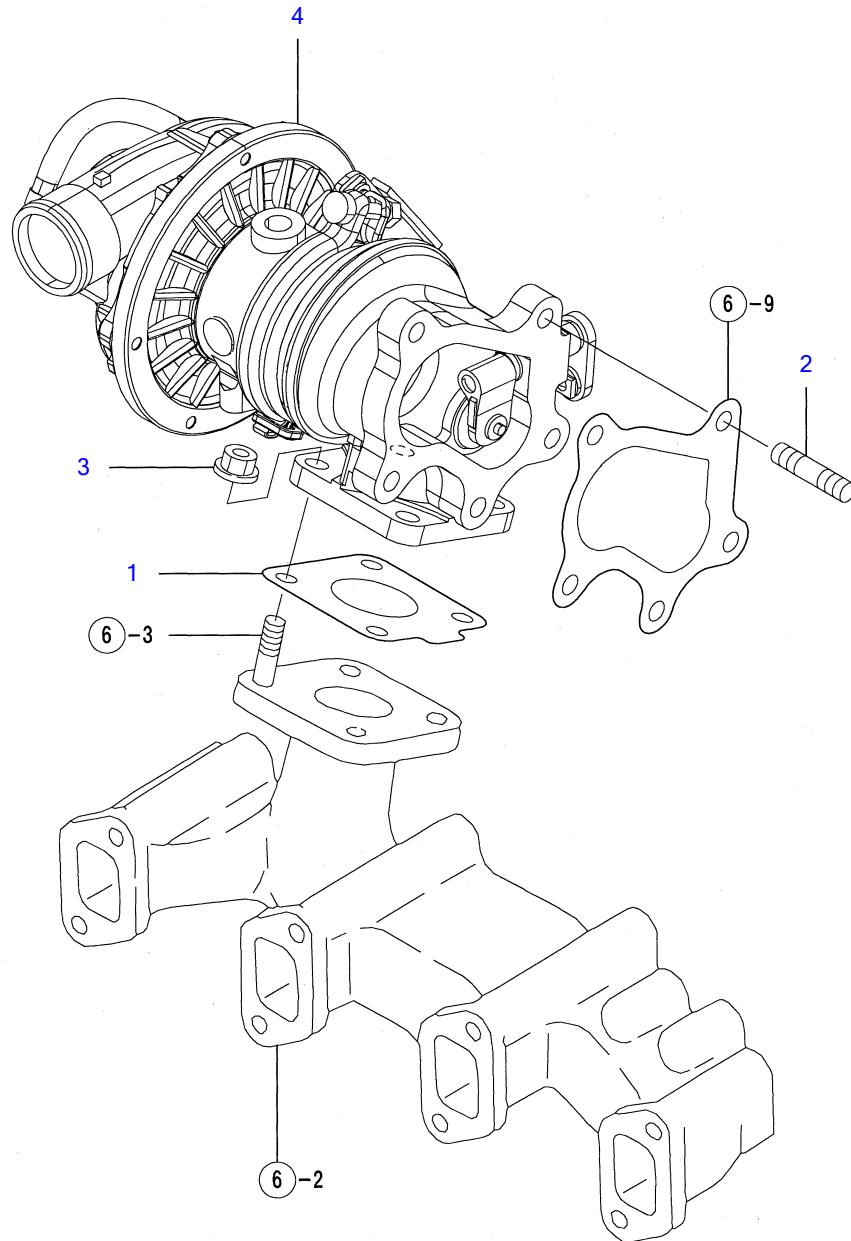


Y00D8940	7. カムシャフト & クドウギヤ			
4TNV84T-XTBL		1:06.05		PLUS

**Engine for TL120 4TNV84T-XTBL S/N 21200008-  
CAMSHAFT & DRIVING GEAR**

Item	Part No	Description	Qty
1	Y129150-14200	TAPPET	8
2	Y129150-14400	ROD, PUSH	8
3	Y129508-14580	CAMSHAFT ASSY	1
4	Y129150-02450	· METAL, THRUST(CAM	1
7	Y129150-14101	· GEAR, CAMSHAFT	1
8	Y22512-070140	· KEY 7X 14	1
9	Y119802-25051	SHAFT, IDLE GEAR	1
10	Y119802-25101	GEAR ASSY, IDLE	1
13	Y119802-25071	· BUSH, IDLE GEAR	1
14	Y26106-080402	BOLT M 8X 40 PLATED	3
15	Y119802-25901	GEAR, PUMP	1
16	Y129150-25301	BOLT,FI-P	4
17	Y26106-080142	BOLT 8X 14 PLATED	2
18	Y158552-51151	FLANGE	1
19	Y22217-140000	SPRING WASHER 14	1
20	Y26776-140002	LOCK NUT M14 PLATED	1
21	Y121023-26070	COVER, HO-P	1
22	Y171353-26081	GASKET,HO-P BRACKET	1
23	Y129484-26200	GEAR ASSY, H.O. PUMP	1
25	Y129484-26210	· GEAR W/SHAFT	1
28	Y24105-060064	· BALL BEARING	2
29	Y24321-000850	O-RING 1A G-85.0	1
30	Y26106-100452	BOLT M10X 45 PLATED	2
31	Y26450-080282	BOLT M 8X 28	1

Engine for TL120 4TNV84T-XTBL S/N 21200008-  
TURBINE

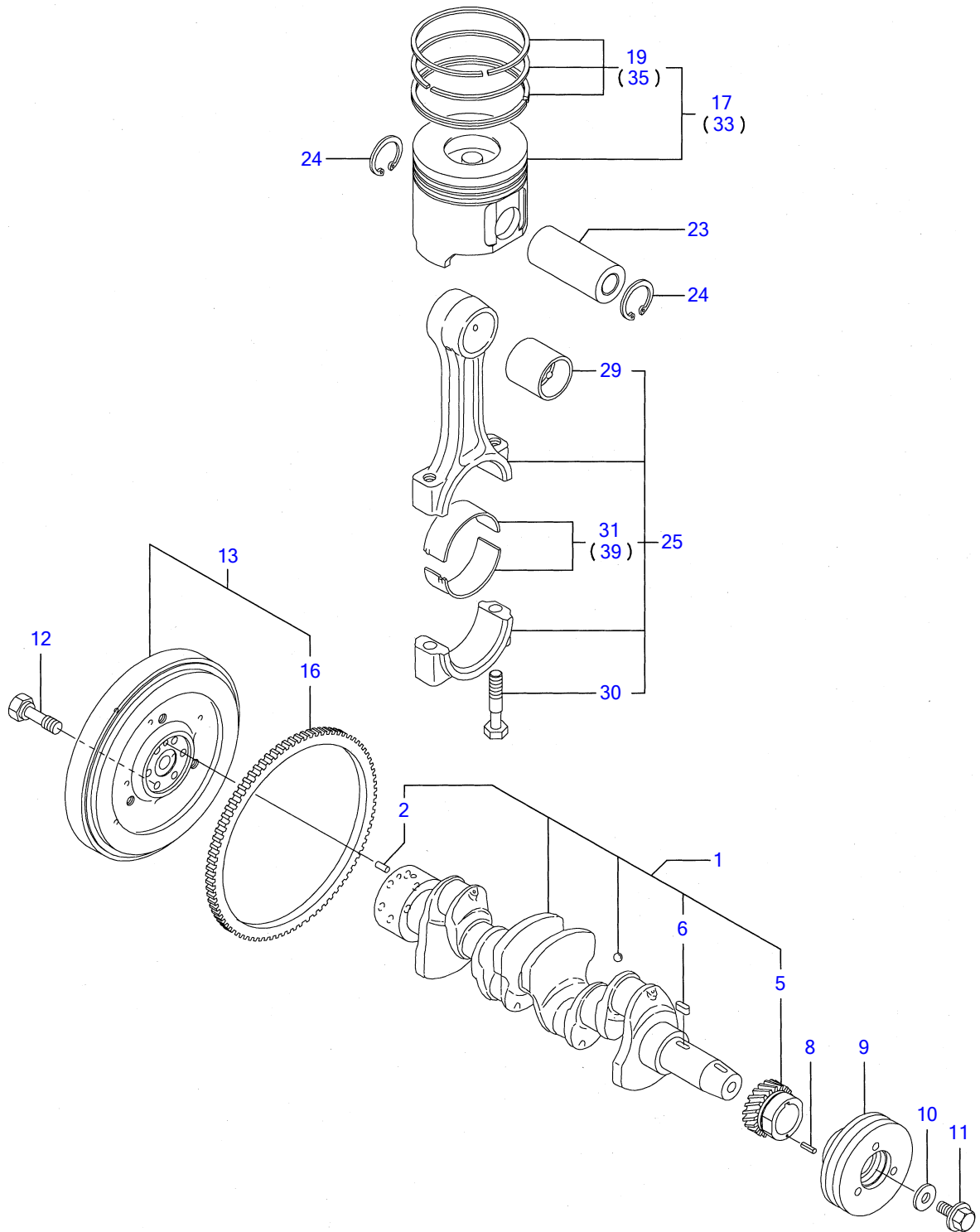


Y00D8940	8. タービン			
4TNV84T-XTBL		1:06.05		PLUS

Engine for TL120 4TNV84T-XTBL S/N 21200008-  
TURBINE

Item	Part No	Description	Qty
1	Y129508-18080	GASKET	1
2	Y129418-18320	STUD BOLT M8X20	5
3	Y26306-080002	NUT	4
4	Y129508-18010	TURBINE, RHF4	1

Engine for TL120 4TNV84T-XTBL S/N 21200008-  
**CRANKSHAFT & PISTON**



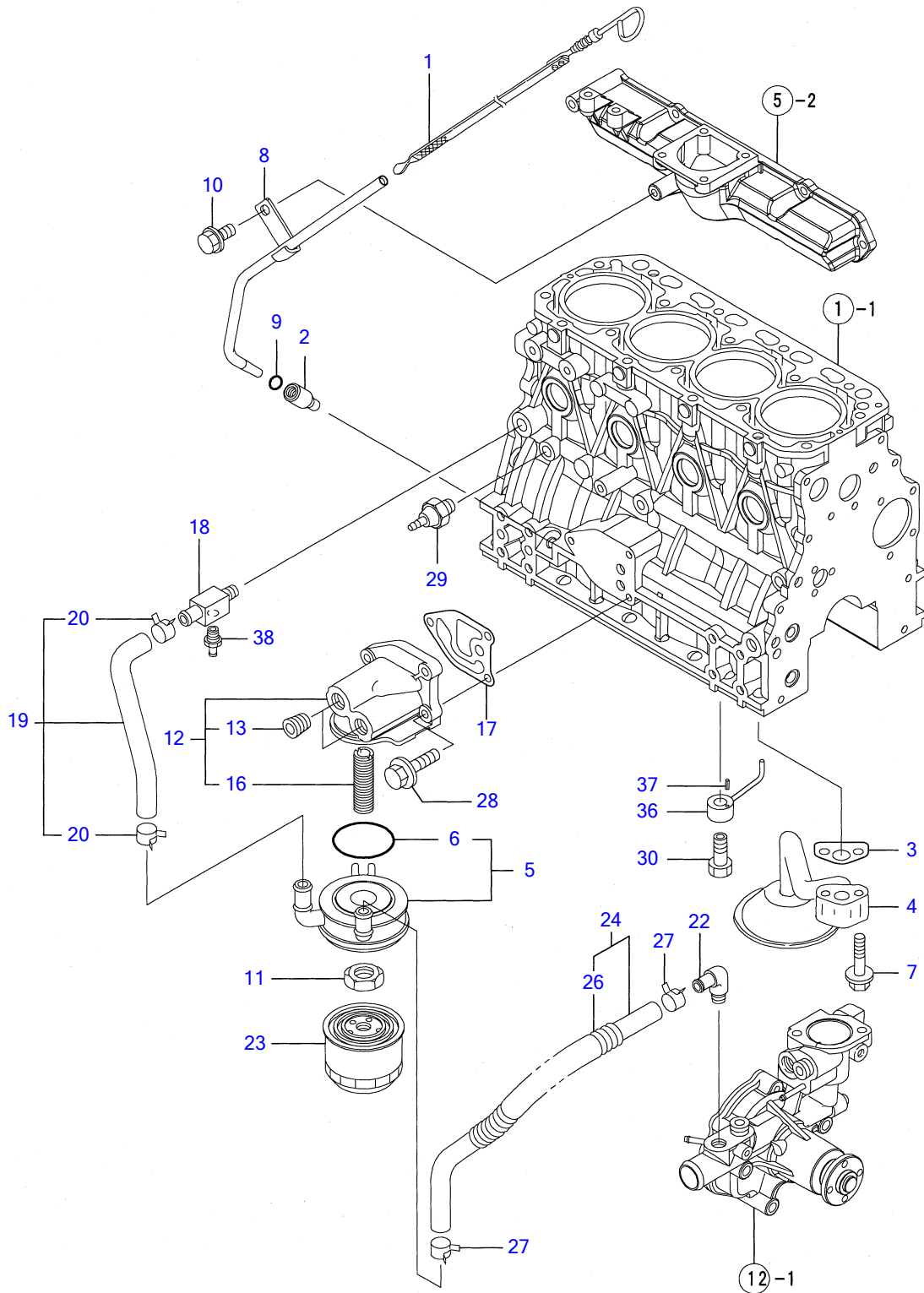
Y00D8940	9. クランクシャフト & ピストン		
4TNV84T-XTBL		1:06.05	PLUS



**Engine for TL120 4TNV84T-XTBL S/N 21200008-  
CRANKSHAFT & PISTON**

Item	Part No	Description	Qty
1	Y129508-21002	CRANKSHAFT ASSY	1
2	Y129100-01580	• PARALLEL PIN 8X16	1
5	Y119802-21202	• GEAR, CRANKSHAFT	1
6	Y22512-070140	• KEY 7X 14	1
8	Y22351-030010	SPRING PIN 3X10	1
9	Y119802-21650	V-PULLEY, CRANKSHAFT	1
10	Y129795-21661	WASHER	1
11	Y121850-21680	BOLT, V-PULLEY	1
12	Y121111-21501	BOLT, FLYWHEEL	6
13	Y129642-21590	FLYWHEEL ASSY	1
16	Y119865-21600	• GEAR, RING	1
17	Y129508-22080	PISTON ASSY	4
19	Y129004-22500	• RING SET	4
23	Y129202-22300	PIN, PISTON(D26,L70)	4
24	Y22252-000260	CIRCLIP 26	8
25	Y729402-23100	ROD ASSY, CONNECTING	4
29	Y129100-23910	• BUSH, PISTON PIN	4
30	Y121550-23200	• BOLT, CONNECTING ROD	8
31	Y129150-23601	• METAL ASSY, CRANKPIN	4
33	Y129508-22900	PISTON W/RING OS=.25	4
35	Y129004-22950	• RING SET O.S=0.25	4
39	Y129150-23611	METAL, CRANKPIN	4

Engine for TL120 4TNV84T-XTBL S/N 21200008-  
LUB.OIL SYSTEM

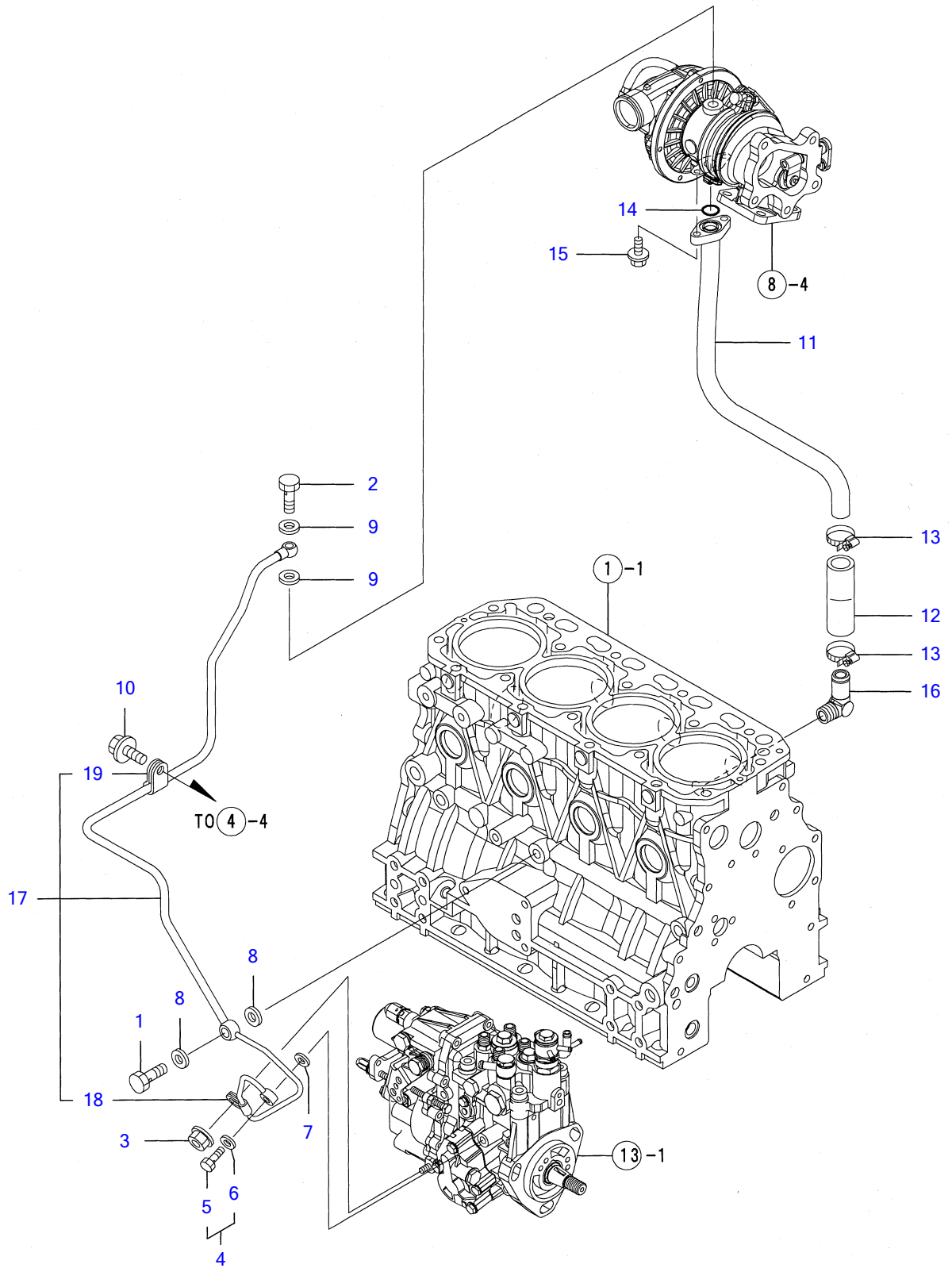


Y00D8940	10. LOシステム			
4TNV84T-XTBL		1:06.05		PLUS

**Engine for TL120 4TNV84T-XTBL S/N 21200008-  
LUB.OIL SYSTEM**

Item	Part No	Description	Qty
1	Y129244-34802	DIPSTICK, LUB.OIL	1
2	Y119260-34810	GUIDE, DIPSTICK	1
3	Y129150-35042	GASKET, (NON-ASB.)	1
4	Y129436-35091	PIPE ASSY, LUB. OIL	1
5	Y129067-33011	COOLER ASSY, OIL	1
6	Y129508-33050	· O-RING	1
7	Y26106-080352	BOLT M 8X 35 PLATED	2
8	Y129648-34850	GUIDE, DIPSTICK	1
9	Y24311-240100	O-RING 1A P-10A	1
10	Y26106-080162	BOLT M 8X 16 PLATED	1
11	Y129417-33110	NUT OIL COOLER	1
12	Y129033-35100	BRACKET ASSY	1
13	Y129033-01770	· PLUG NPT1/2	2
16	Y129417-35150	· STUD	1
17	Y129103-35122	GASKET, (NON-ASB.)	1
18	Y129006-44480	JOINT	1
19	Y129033-49030	PIPE ASSY, COOLER IN	1
20	Y171008-03990	· CLAMP 18.5	2
22	Y129103-49301	ELBOW PT 1/4	1
23	Y129150-35160	FILTER 80X80L	1
24	Y129467-49040	PIPE CMP.,COOL.WATER	1
26	Y129165-49060	· TUBE CORRUGATED	1
27	Y23080-018000	CLAMP 18	2
28	Y26106-080252	BOLT M 8X 25 PLATED	3
29	Y114250-39450	SWITCH,(0.5KG)L.O.	1
30	Y129792-39410	VALVE ASSY, CHECK	4
36	Y129553-39650	NOZZLE	4
37	Y22351-030010	SPRING PIN 3X10	4
38	Y121550-49111	JOINT PT1/4	1

Engine for TL120 4TNV84T-XTBL S/N 21200008-  
LUB.OIL LINE

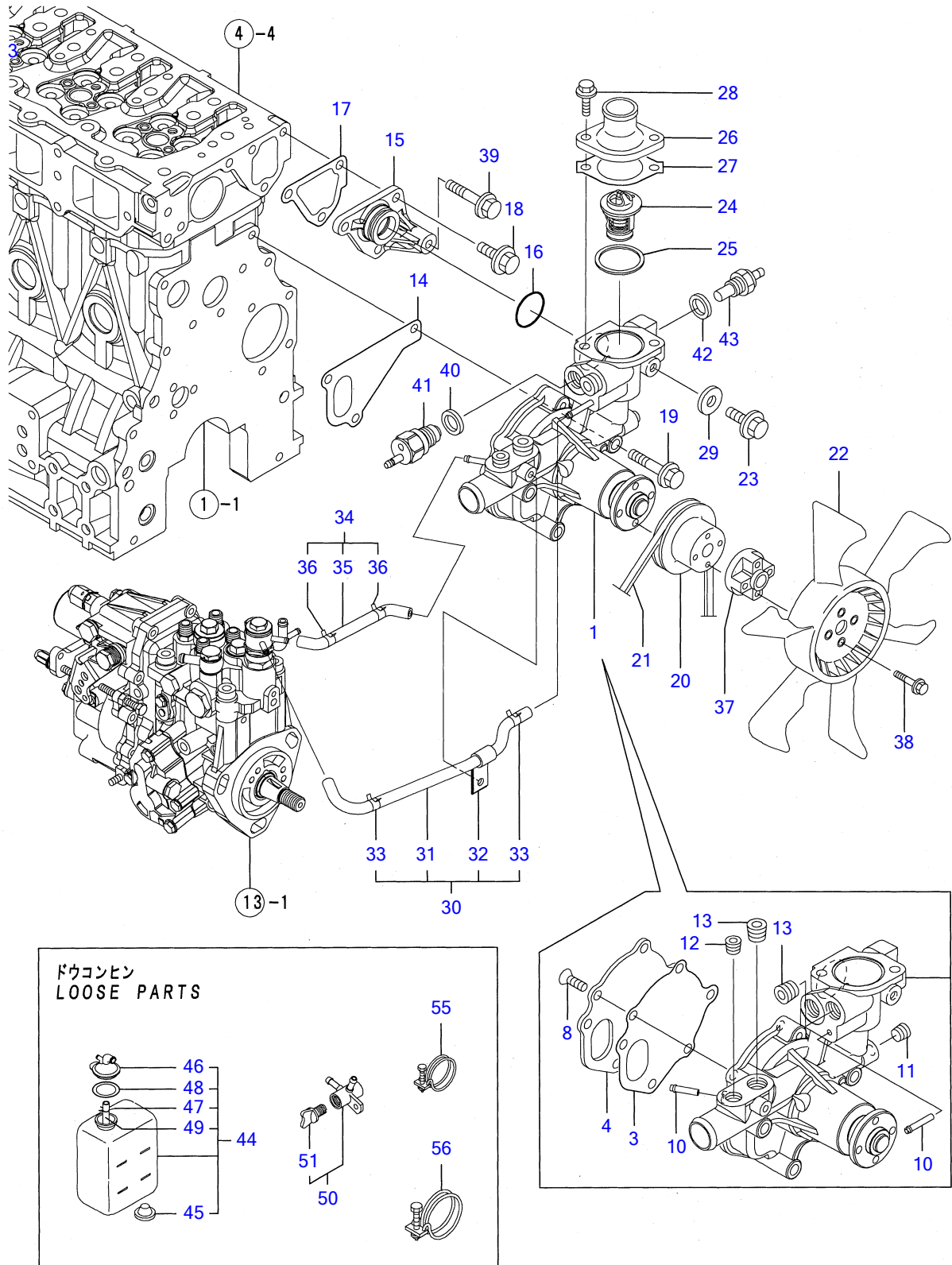


Y00D8940	11. LO/パイプ			
4TNV84T-XTBL		1:06.05		PLUS

**Engine for TL120 4TNV84T-XTBL S/N 21200008-  
LUB.OIL LINE**

Item	Part No	Description	Qty
1	Y124160-39140	BOLT 10, PIPE JOINT	1
2	Y121252-39150	BOLT, PIPE JOINT	1
3	Y26366-060002	NUT M 6	1
4	Y129005-59830	BOLT ASSY, JOINT	1
5	Y23857-030000	· JOINT BOLT 3	1
6	Y22190-080002	· SEAL WASHER 8S	1
7	Y22190-080002	SEAL WASHER 8S	1
8	Y22190-100002	SEAL WASHER 10S	2
9	Y23414-100000	GASKET 10, ROUND	2
10	Y26106-080122	BOLT M 8X 12 PLATED	1
11	Y129508-39600	PIPE, FUEL RETURN	1
12	Y123901-39820	HOSE	1
13	Y23000-025000	CLAMP 25	2
14	Y24316-000160	O-RING 4D P-16.0	1
15	Y26106-060162	BOLT M 6X 16 PLATED	2
16	Y124070-13300	ELBOW (PT3/8)	1
17	Y129508-39450	PIPE ASSY, LUB. OIL	1
18	Y119802-39500	· RETAINER	1
19	Y124223-39900	· RETAINER	1

Engine for TL120 4TNV84T-XTBL S/N 21200008-  
COOLING WATER SYSTEM

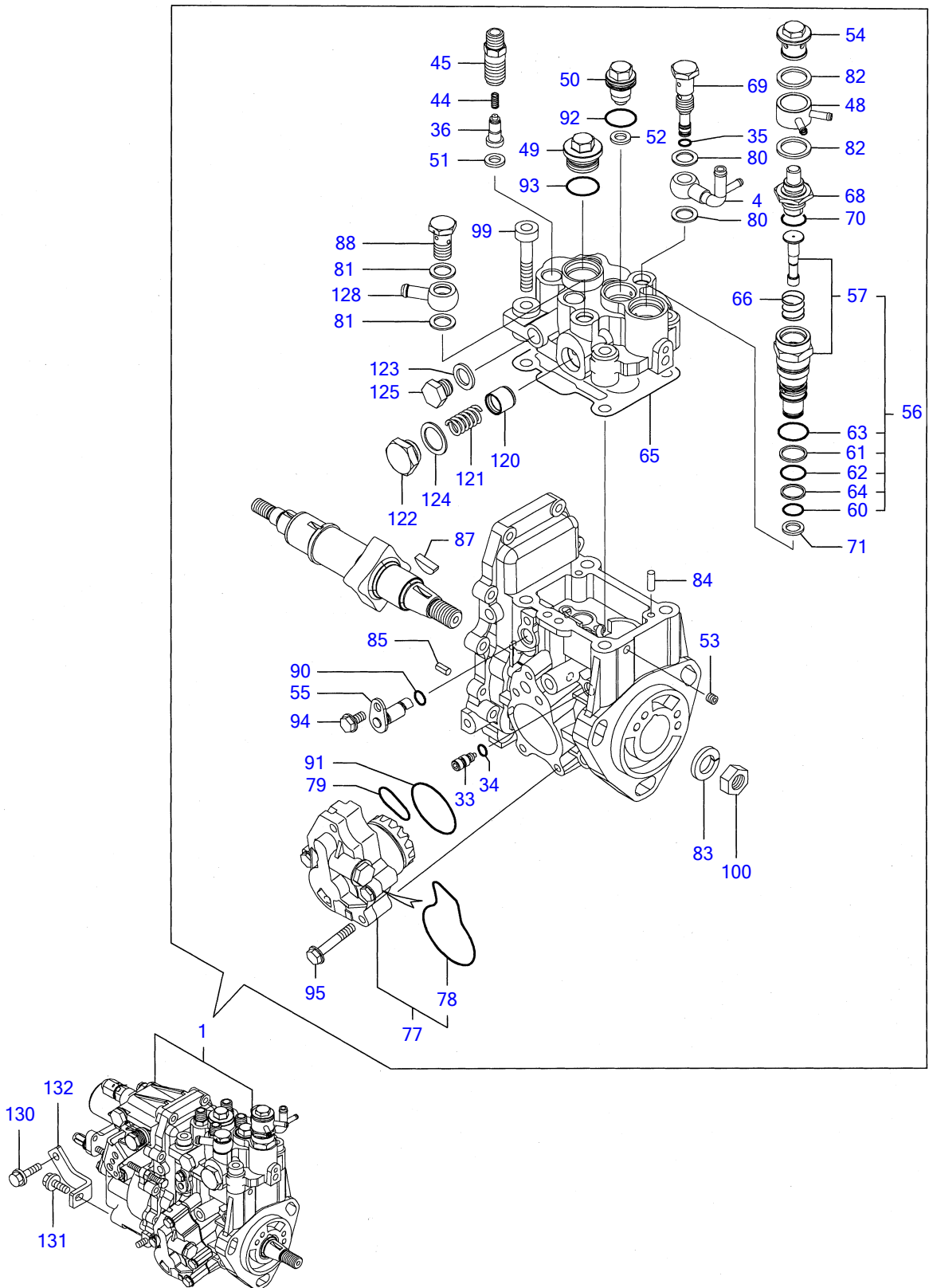


Y00D8940	12. CWシステム			
4TNV84T-XTBL		1:06, 05		PLUS

**Engine for TL120 4TNV84T-XTBL S/N 21200008-  
COOLING WATER SYSTEM**

Item	Part No	Description	Qty
1	Y129508-42001	PUMP ASSY, C.W.	1
3	Y129100-42051	• GASKET, (NON-ASB.)	1
4	Y129100-42121	• PLATE	1
8	Y121850-42410	• SCREW	3
10	Y119802-49113	• JOINT	2
11	Y23876-010000	• PLUG PT1/8,SCREW	1
12	Y23876-020000	• PLUG PT1/4,SCREW	1
13	Y129916-49740	• PLUG, DRAIN R03	2
14	Y129486-42021	GASKET	1
15	Y129004-42040	JOINT	1
16	Y129486-42140	O-RING,CW-P	1
17	Y124395-49840	GASKET, THERMO. CASE	1
18	Y26106-080162	BOLT M 8X 16 PLATED	3
19	Y26106-080602	BOLT M 8X 60 PLATED	3
20	Y129403-42380	V-PULLEY(D=110)	1
21	Y25152-003600	V-BELT A36	1
22	Y129612-44700	FAN, COOLING	1
23	Y26106-080122	BOLT M 8X 12 PLATED	1
24	Y129457-49801	THERMOSTAT(82	1
25	Y129150-49811	GASKET, (NON-ASB.)	1
26	Y129350-49530	COVER, THERMOSTAT	1
27	Y129795-49551	GASKET, (NON-ASB.)	1
28	Y26106-080222	BOLT M 8X 22 PLATED	2
29	Y23414-080000	GASKET 8, ROUND	1
30	Y129004-49610	PIPE ASSY, A MP2	1
31	Y129004-49711	• PIPE ASSY, A MP2	1
32	Y119802-49730	• CLAMP,CW-T	1
33	Y124722-59050	• CLAMP 9	2
34	Y129004-49620	PIPE ASSY, B MP2	1
35	Y129004-49721	• PIPE, WATER B MP2	1
36	Y124722-59050	• CLAMP 9	2
37	Y121267-44760	SPACER	1
38	Y26106-060302	BOLT M 6X 30 PLATED	4
39	Y26106-080452	BOLT M 8X 45 PLATED	1
40	Y124465-44950	GASKET 16	1
41	Y121250-44901	SWITCH, THERMO(110&C	1
42	Y129150-49360	GASKET 10	1
43	Y119266-49350	SENSOR, THERMO.	1
44	Y129466-44510	SUBTANK	1
45	Y121468-44540	• PLUG, SUB-TANK	1
46	Y121450-44531	• CAP	1
47	Y124450-44560	• CLAMP	1
48	121470-44581	• GASKET	1
49	Y121267-44590	• PIPE	1
50	Y129150-49100	COCK ASSY, 3-WAY	1
51	Y129150-49080	• COCK, DRAIN	1
55	Y23010-038000	CLAMP 38	1
56	Y23010-044000	CLAMP 44	3

Engine for TL120 4TNV84T-XTBL S/N 21200008-  
**FUEL INJECTION PUMP**



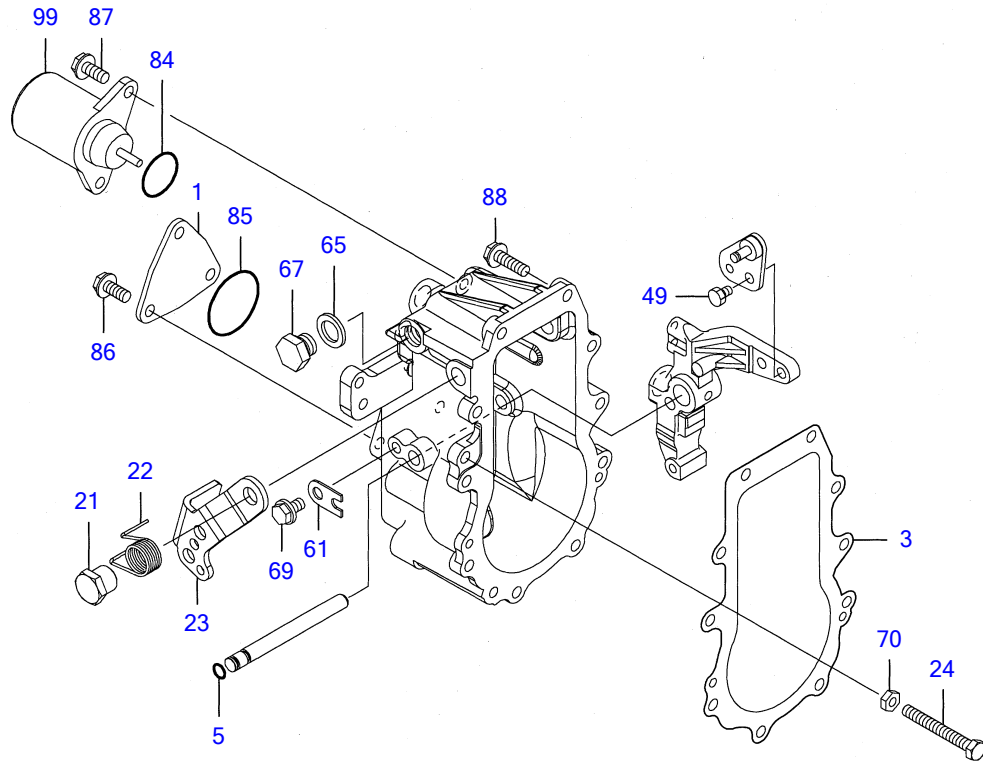
Y00D8940	13. F0ファンシャポンプ			
4TNV84T-XTBL		1:06.05		PLUS



**Engine for TL120 4TNV84T-XTBL S/N 21200008-  
FUEL INJECTION PUMP**

Item	Part No	Description	Qty
1	Y729648-51370	PUMP ASSY, F. INJECT	1
4	Y158552-51670	• JOINT	1
33	Y158600-51270	• STOPPER	1
34	Y158563-51281	• O-RING	1
35	Y158563-51281	• O-RING	1
36	Y129907-51300	• VALVE ASSY, DILEVERY	4
44	Y158563-51330	• SPRING	4
45	Y158601-51340	• HOLDER, DELIVERY	4
48	Y158553-51551	• JOINT, COOLING WATER	1
49	Y158601-51550	• PLUG	1
50	Y119802-51560	• BARREL PLUG	1
51	Y158552-51570	• PK(BARREL PLUG	4
52	Y158552-51570	• PK(BARREL PLUG	1
53	Y158557-51570	• PLUG	1
54	Y158601-51570	• PLUG,WATER PUMP	1
55	Y158552-51580	• LIFTER	1
56	Y119802-51590	• TIMER SET	1
57	Y119802-51600	• • TIMER CMP	1
60	Y158553-51670	• • O-RING, 1011	1
61	Y119802-51680	• • BACKUP RING	1
62	Y119802-51690	• • O RING	1
63	Y24356-010200	• • PACKING, 1020	1
64	Y24372-000150	• • RING, BACKUP T2 P 15	1
65	Y158552-51600	• PACKING, HEAD	1
66	Y158553-51630	• SPRING,TIMER	1
68	Y158553-51640	• ELEMENT, THERMO	1
69	Y158601-51650	• JOINT	1
70	Y158553-51660	• O-RING,P14	1
71	Y158553-51680	• PACKING,TIMER	1
77	Y158552-52100	• PUMP ASSY,FEED	1
78	Y158552-52500	• • O-RING(FEED P INNER	1
79	Y158552-52310	• O-RING	1
80	Y22190-120002	• SEAL WASHER 12	2
81	Y22190-120002	• SEAL WASHER 12	2
82	Y22190-180002	• SEAL WASHER 18	2
83	Y22217-140000	• SPRING WASHER 14	1
84	Y22312-050140	• PARALLEL PIN 5X14	2
85	Y22351-050010	• SPRING PIN 5X10	2
87	Y119802-51090	• KEY,WOODRUFF 4X16	1
88	Y23857-060000	• JOINT BOLT 6,PIPE	1
90	Y24311-000070	• O-RING 1A P-7.0	1
91	Y158552-52400	• O-RING 4E S42	1
92	Y24356-010180	• O-RING	1
93	Y24356-010200	• PACKING, 1020	1
94	Y26106-060102	• BOLT 6X 10 PLATED	1
95	Y158553-51770	• BOLT	4
99	Y26450-080452	• BOLT M 8X 45	4
100	Y26776-140002	• LOCK NUT M14 PLATED	1
120	Y158601-51770	• PISTON	1
121	Y158552-51780	• DAMPER ASSY	1
122	Y158601-51790	• PLUG	1
123	Y22190-120002	• SEAL WASHER 12	1
124	Y22190-180002	• SEAL WASHER 18	1
125	Y23887-120002	• PLUG M12,HEX.	1
128	Y129916-59020	• JOINT 12, PIPE	1
130	Y26106-080302	BOLT M 8X 30 PLATED	1
131	Y26106-080202	BOLT M 8X 20 PLATED	1
132	Y129508-51250	SUPPORT,FIP	1

Engine for TL120 4TNV84T-XTBL S/N 21200008-  
GOVERNOR

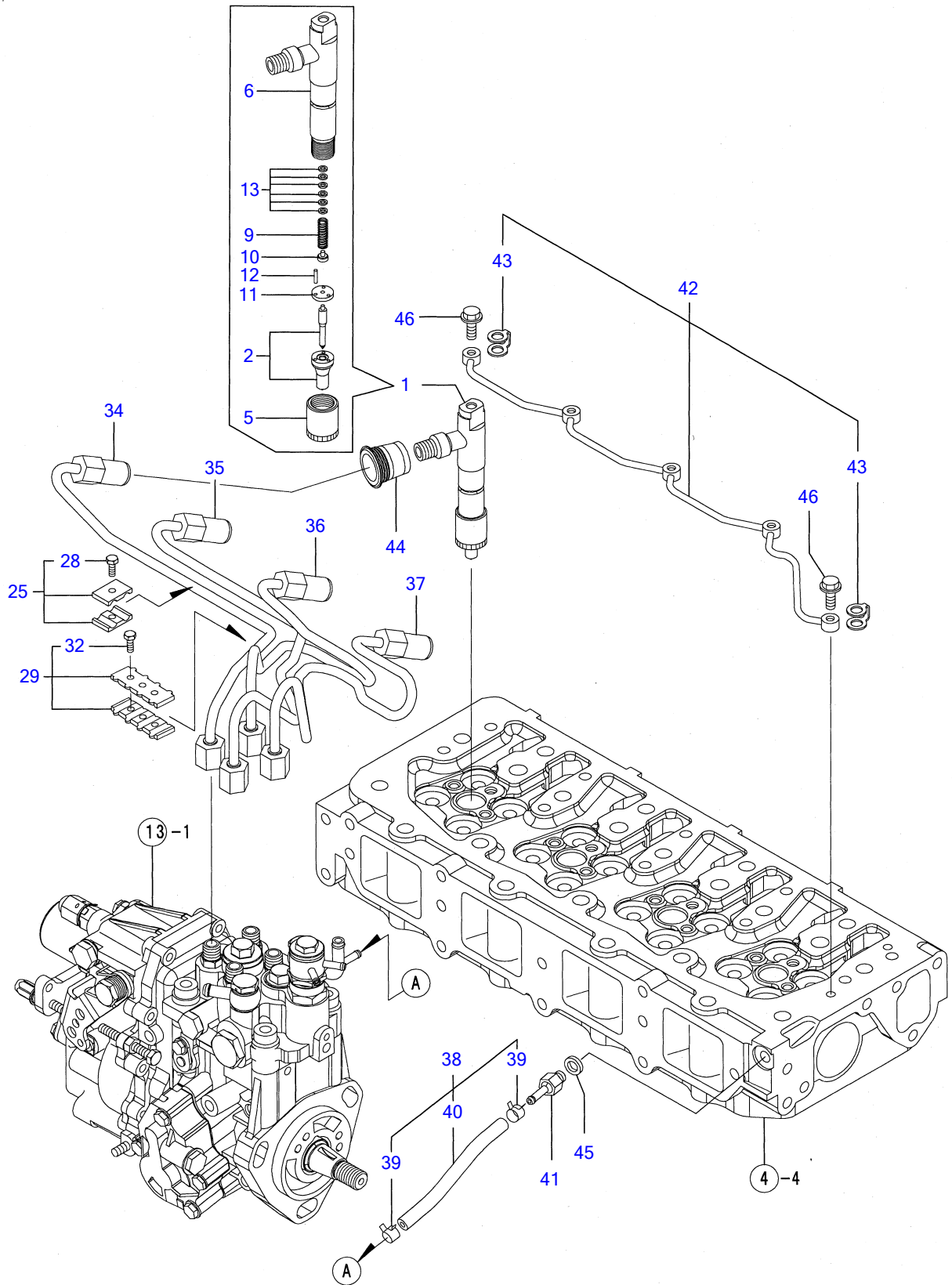


Y00D8940	14. ガバ付			
4TNV84T-XTBL		1:06.05		PLUS

**Engine for TL120 4TNV84T-XTBL S/N 21200008-  
GOVERNOR**

Item	Part No	Description	Qty
1	Y158563-61060	COVER, CASE	1
3	Y158553-61050	PACKING, CASE	1
5	Y129155-51280	O-RING S6	1
21	Y129255-61410	NUT	1
22	Y119807-61420	SPRING	1
23	Y158552-61441	LEVER, REGULATOR	1
24	Y129155-61460	BOLT, IDLE LIMIT	1
49	Y26116-060102	BOLT M 6X 10 PLATED	1
61	Y119660-61901	RETAINER, SHAFT	1
65	Y22190-120000	SEAL WASHER 12(BOLT)	1
67	Y23887-120002	PLUG M12,HEX.	1
69	Y26106-060102	BOLT 6X 10 PLATED	1
70	Y26756-060002	LOCK NUT 6	1
84	Y158552-61900	O-RING	1
85	Y24341-000360	O-RING 1A S-36.0	1
86	Y26106-060102	BOLT 6X 10 PLATED	3
87	Y26106-060142	BOLT M 6X 14 PLATED	2
88	Y26106-060202	BOLT M 6X 20 PLATED	10
99	Y119233-77932	SOLENOID, STOP	1

Engine for TL120 4TNV84T-XTBL S/N 21200008-  
**FUEL INJECTION VALVE**

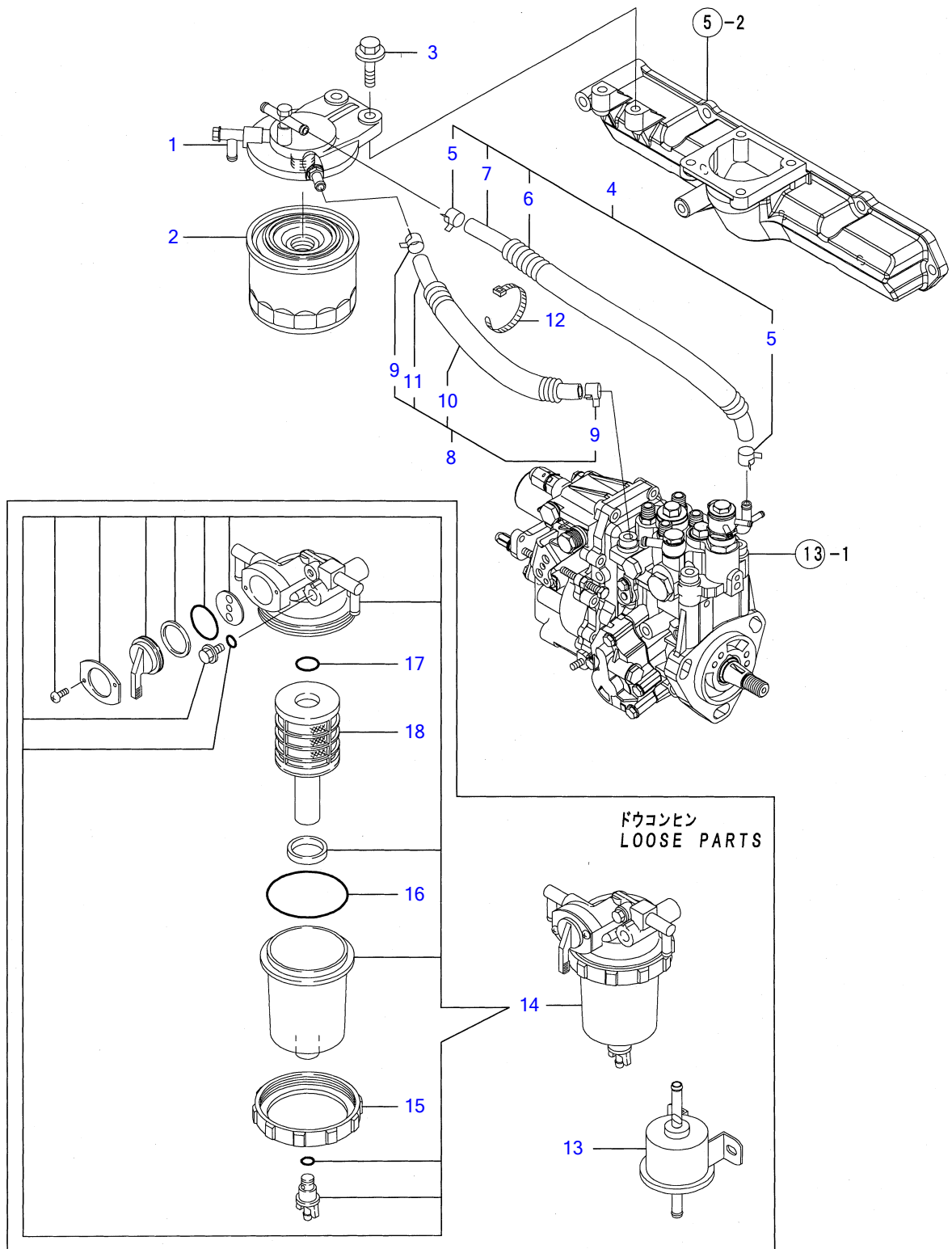


Y00D8940	15. F0ファンシャベン		
4TNV84T-XTBL	1:06.05		PLUS

**Engine for TL120 4TNV84T-XTBL S/N 21200008-  
FUEL INJECTION VALVE**

Item	Part No	Description	Qty
1	Y729648-53100	FUEL INJECTOR(VBT	4
2	Y129508-53000	• NOZZLE ASSY	4
5	Y114250-53080	• NUT, NOZZLE CASE	4
6	Y129508-53100	• HOLDER ASSY, NOZZLE	4
9	Y114250-53120	• SPRING, NOZZLE	4
10	Y114250-53130	• SEAT, NOZZLE SPRING	4
11	Y114250-53140	• PLATE, STOP	4
12	Y114250-53210	• PIN	8
13	Y114250-53400	• SHIM PACK	4
25	Y119305-59120	RETAINER	2
28	Y129150-59131	• BOLT M4X14,HEX.SCKT.	2
29	Y129550-59120	RETAINER	1
32	Y129150-59131	• BOLT M4X14,HEX.SCKT.	2
34	Y129508-59910	PIPE ASSY, INJECTION	1
35	Y129508-59920	PIPE ASSY, INJECTION	1
36	Y129508-59930	PIPE ASSY, INJECTION	1
37	Y129508-59940	PIPE ASSY, INJECTION	1
38	Y129508-59570	PIPE ASSY, RETURN	1
39	Y124722-59050	• CLAMP 9	2
40	Y129508-59510	• PIPE, FUEL RETURN	1
41	Y123907-59560	HOSE JOINT 4	1
42	Y129508-59550	PIPE ASSY,F.O.RETURN	1
43	Y123907-59550	• PACKING,FUEL RETURN	5
44	Y123907-11601	PIPE SEAL	4
45	Y22190-080002	SEAL WASHER 8S	1
46	Y123907-59540	JOINT BOLT M6	5

Engine for TL120 4TNV84T-XTBL S/N 21200008-  
**FUEL LINE**

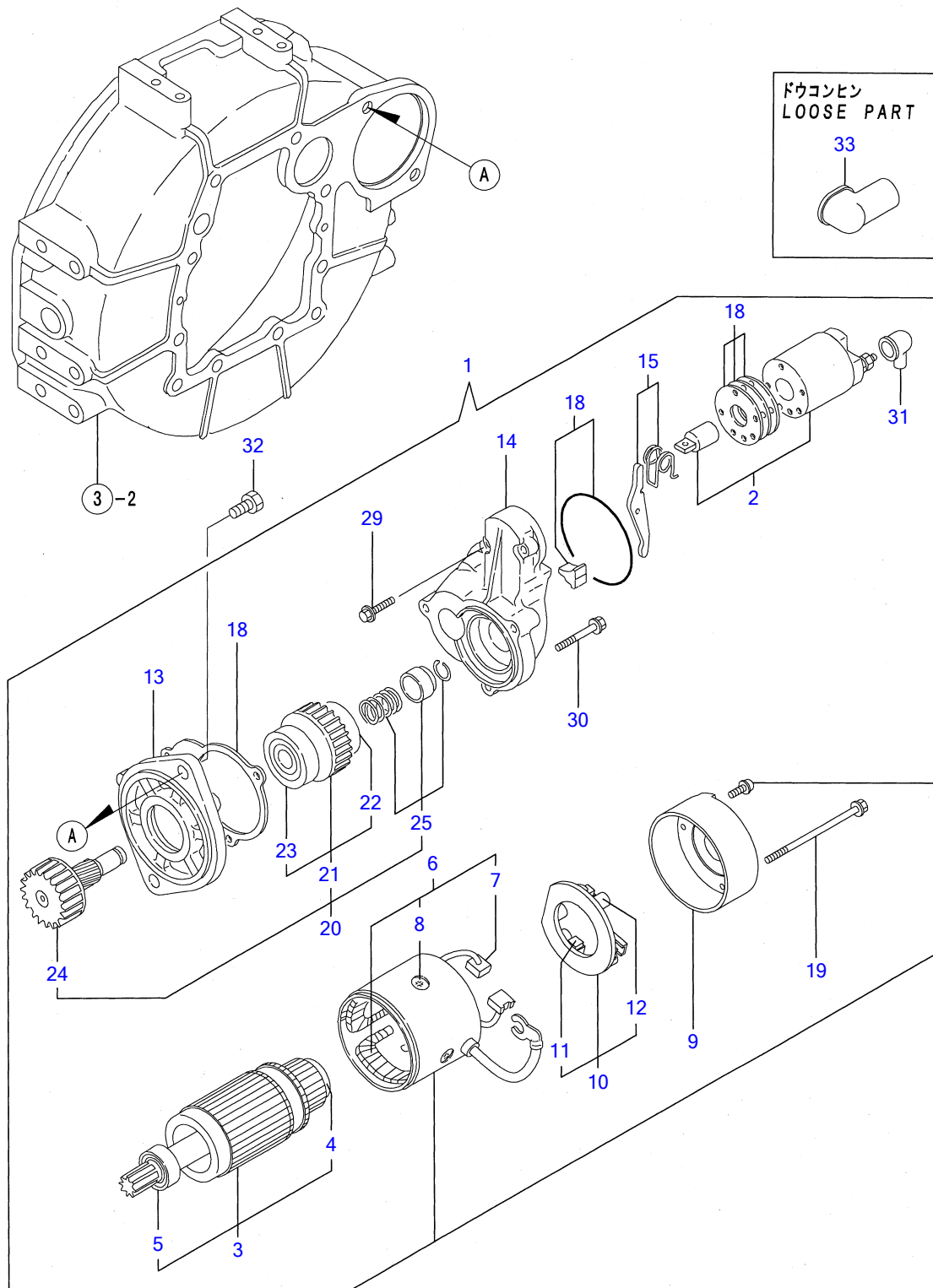


Y00D8940	16. F017			
4TNV84T-XTBL		1:06.05		PLUS

**Engine for TL120 4TNV84T-XTBL S/N 21200008-  
FUEL LINE**

Item	Part No	Description	Qty
1	Y129004-55612	BRACKET,FUEL FILTER	1
2	Y119802-55801	FOI²ÙÀ	1
3	Y26106-080302	BOLT M 8X 30 PLATED	2
4	Y129981-59010	PIPE ASSY, FUEL	1
5	Y124766-59050	· CLAMP 12	2
6	Y129950-59221	· TUBE	1
7	Y129980-59510	· PIPE, FUEL OIL	1
8	Y129950-59311	PIPE, FUEL	1
9	Y124766-59050	· CLAMP 12	2
10	Y129961-59110	· TUBE	1
11	Y105025-59580	· PIPE, FUEL OIL	1
12	Y121750-59890	CLAMP 140	1
13	Y129612-52100	FUEL PUMP	1
14	Y129906-55700	SEPARATOR ASSY	1
15	Y129100-55690	· RING, RETAINING	1
16	Y24321-000650	· O-RING 1A G-65.0	1
17	Y24311-000160	· O-RING 1A P-16.0	1
18	Y119802-55710	· ELEMENT	1

Engine for TL120 4TNV84T-XTBL S/N 21200008-  
STARTING MOTOR



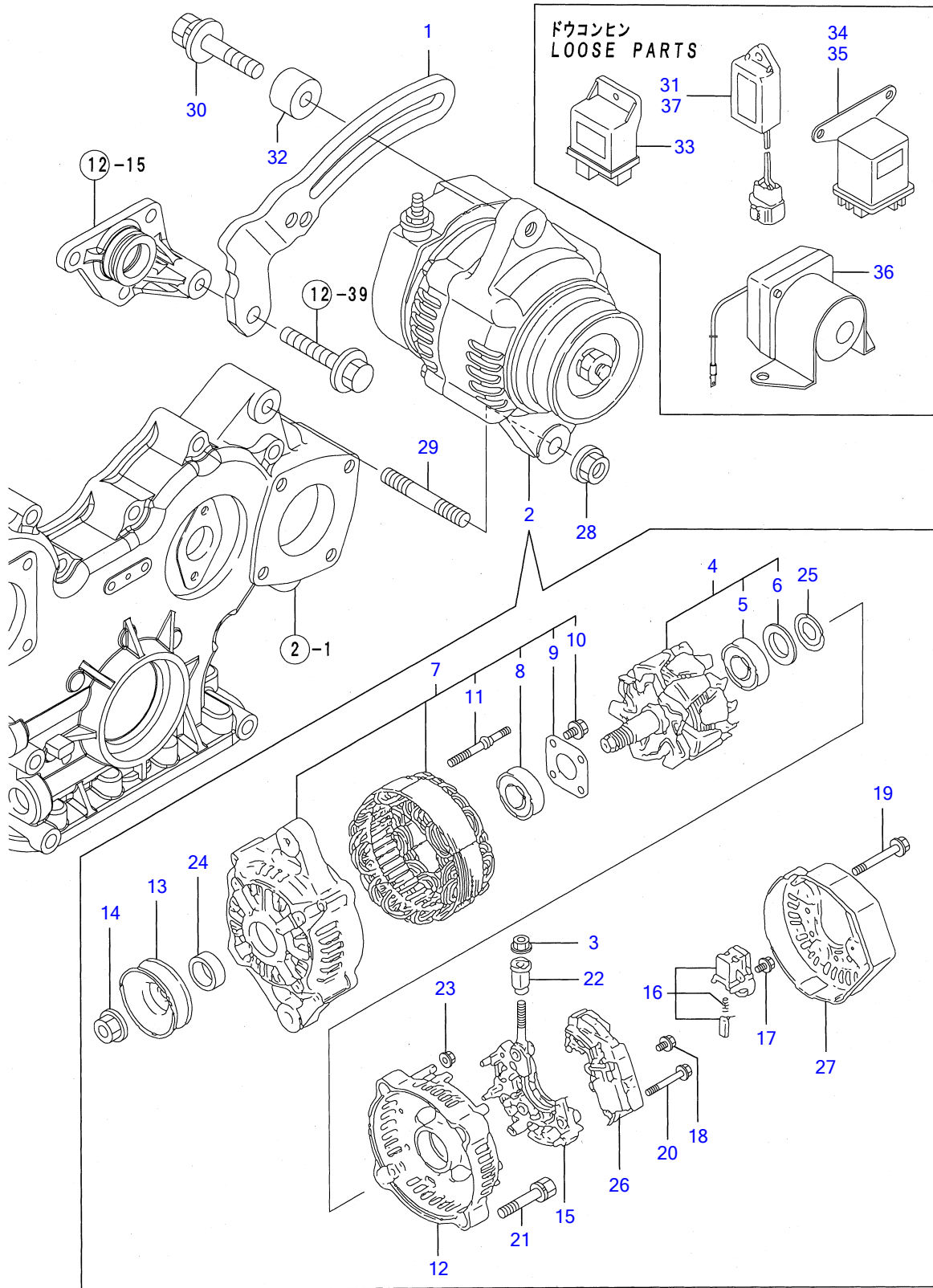
Y00D8940	17. スタートモーター			
4TNV84T-XTBL		1:06.05		PLUS



**Engine for TL120 4TNV84T-XTBL S/N 21200008-  
STARTING MOTOR**

Item	Part No	Description	Qty
1	Y129136-77011	STARTER	1
2	Y129136-77310	· SHAFT, PINION	1
3	Y129900-77400	· ARMATURE ASSY	1
4	YX2130350900	· · BALL BEARING	1
5	YX2114255110	· · BALL BEARING	1
6	Y129900-77440	· COIL ASSY, FIELD	1
7	Y129900-77450	· · BRUSH (+)	2
8	Y171008-77450	· · SCREW, POLE CORE SET	4
9	Y129900-77460	· COVER, REAR	1
10	Y129900-77480	· HOLDER ASSY, BRASH	1
11	Y129900-77450	· · BRUSH (+)	2
12	Y129400-77490	· · SPRING, BRUSH	4
13	Y171008-77510	· HOUSING ASSY, GEAR	1
14	Y129136-77520	· CENTER HOUSING	1
15	Y171008-77540	· LEVER SET, SHIFT	1
18	Y129400-77571	· DUST COVER,(NON-ASB.	1
19	Y129900-77640	· BOLT, THROUGH	2
20	Y171008-77650	· PINION ASSY	1
21	YX2114555500	· · CLUTCH ASSY	1
22	YX2114955020	· · · BALL BEARING	1
23	YX2240410100	· · · BALL BEARING	1
24	Y171008-77660	· · SHAFT, PINION	1
25	Y171008-77670	· · STOPPER SET, PINION	1
29	Y26106-060322	· BOLT M 6X 32 PLATED	2
30	Y26106-060402	· BOLT M 6X 40 PLATED	3
31	Y171008-77750	· COVER, M TERMINAL	1
32	Y26116-120252	BOLT M12X 25 PLATED	2
33	Y124550-77030	COVER, TERMINAL	1

Engine for TL120 4TNV84T-XTBL S/N 21200008-  
GENERATOR

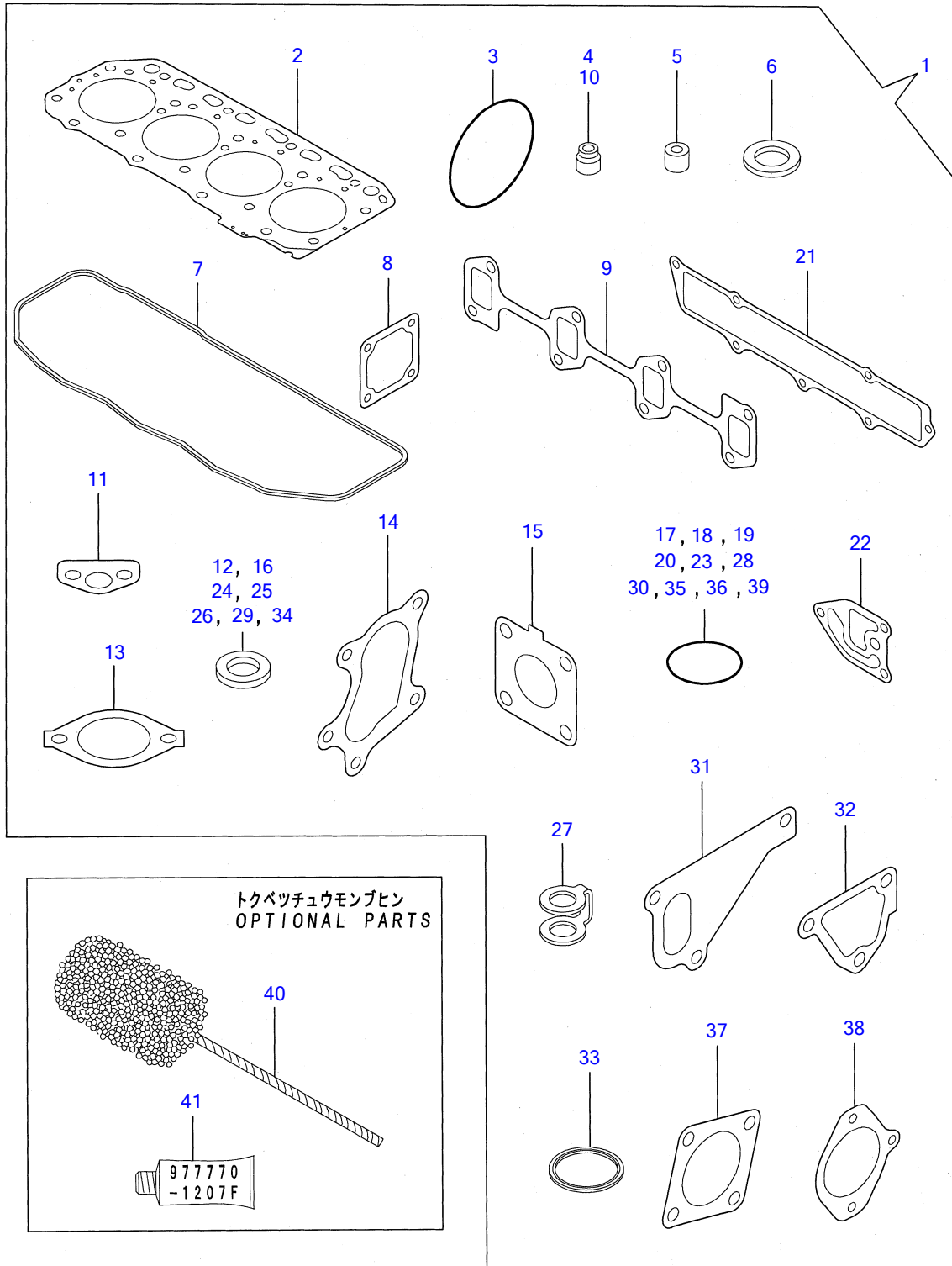


Y00D8940	18. ジェネレータ		
4TNV84T-XTBL		1:06.05	PLUS

**Engine for TL120 4TNV84T-XTBL S/N 21200008-  
GENERATOR**

Item	Part No	Description	Qty
1	Y129064-77330	ADJUSTER,BELT	1
2	Y129240-77200	ALTERNATOR	1
3	Y129240-79310	· NUT	1
4	Y119620-77380	· ROTOR ASSY	1
5	Y126501-79240	· · BALL BEARING	1
6	Y119620-79250	· · COVER, BEARING	1
7	Y119620-77421	· FLAME ASSY, DRIVE	1
8	Y119620-79200	· · BALL BEARING	1
9	Y119620-79210	· · PLATE	1
10	Y119620-79220	· · SCREW	4
11	Y119620-79230	· · BOLT, STUD	2
12	Y119620-77440	· FLAME ASSY, REAR	1
13	Y119620-77461	· PULLEY	1
14	Y119620-77471	· NUT	1
15	Y119620-79260	· HOLDER	1
16	Y129052-79270	· HOLDER, BRUSH	1
17	Y119620-79290	· SCREW	6
18	Y119620-79300	· SCREW	1
19	Y119620-79310	· BOLT	3
20	Y119620-79320	· SCREW W/WASHER	2
21	Y119620-79330	· BOLT	2
22	Y119620-79340	· INSULATION BUSH	1
23	Y119620-79350	· NUT	2
24	Y119620-77490	· COLLAR	1
25	Y119620-79360	· THRUST WASHER	1
26	Y129240-77710	· REGULATOR ASSY	1
27	Y129240-79300	· COVER	1
28	Y26306-100002	NUT	1
29	Y129795-01900	STUD	1
30	Y129972-77341	BOLT, ADJUSTING	1
31	Y129211-77920	TIMER	1
32	Y129067-77340	SPACER	1
33	Y119802-77200	RELAY, SAFETY	1
34	Y119646-77900	RELAY, POWER	1
35	Y119646-77900	RELAY, POWER	2
36	Y129100-77910	RELAY, MAGNETIC	1
37	Y128300-77920	TIMER	1

Engine for TL120 4TNV84T-XTBL S/N 21200008-  
GASKET SET



Y00D8940	19. パッキンセット			
4TNV84T-XTBL		1:06.05		PLUS

**Engine for TL120 4TNV84T-XTBL S/N 21200008-  
GASKET SET**

Item	Part No	Description	Qty
1	Y729508-92730	GASKET SET (NON-ASB.)	1
2	Y129508-01330	· GASKET, HEAD	1
3	Y121850-51960	· O-RING, F.I.PUMP	1
4	Y119717-11340	· SEAL, VALVE STEM	8
5	Y119802-11870	· PROTECTOR, NOZZLE	4
6	Y119625-11880	· SEAT, NOZZLE	4
7	Y129508-11310	· PK,BONNET	1
8	Y129150-77511	· GASKET, (NON-ASB.)	1
9	Y129550-13110	· GASKET, EXH.MANIFOLD	1
10	Y119717-11350	· SEAL, VALVE STEM	8
11	Y129150-35042	· GASKET, (NON-ASB.)	1
12	Y124465-44950	· GASKET 16	1
13	Y129795-49551	· GASKET, (NON-ASB.)	1
14	Y129508-18090	· GASKET, TURBOCHARGER	1
15	Y129508-18080	· GASKET	1
16	Y22190-080002	· SEAL WASHER 8S	3
17	Y24311-000120	· O-RING 1A P 12.0	3
18	Y24311-000320	· O-RING 1A P-32.0	3
19	Y24341-000240	· O-RING 1A S-24.0	1
20	Y24316-000160	· O-RING 4D P-16.0	1
21	Y129508-12110	· GASKET, MAFIFOLD	1
22	Y129103-35122	· GASKET, (NON-ASB.)	1
23	Y119609-32040	· O-RING P16	4
24	Y22190-100002	· SEAL WASHER 10S	2
25	Y23414-080000	· GASKET 8, ROUND	1
26	Y22190-220002	· SEAL WASHER 22S	1
27	Y123907-59550	· PACKING,FUEL RETURN	5
28	Y24341-000400	· O-RING 1A S-40.0	1
29	Y23414-100000	· GASKET 10, ROUND	2
30	Y129486-42140	· O-RING,CW-P	1
31	Y129486-42021	· GASKET	1
32	Y124395-49840	· GASKET, THERMO. CASE	1
33	Y129150-49811	· GASKET, (NON-ASB.)	1
34	Y129150-49360	· GASKET 10	1
35	Y24311-000300	· O-RING 1A P-30.0	1
36	Y24321-000850	· O-RING 1A G-85.0	1
37	Y124240-01883	· GASKET, (NON-ASB.)	1
38	Y171353-26081	· GASKET,HO-P BRACKET	1
39	Y24311-240100	· O-RING 1A P-10A	1
40	Y129400-92420	FLEX HORN	1
41	Y977770-1207F	GASKET.LIQUID	1