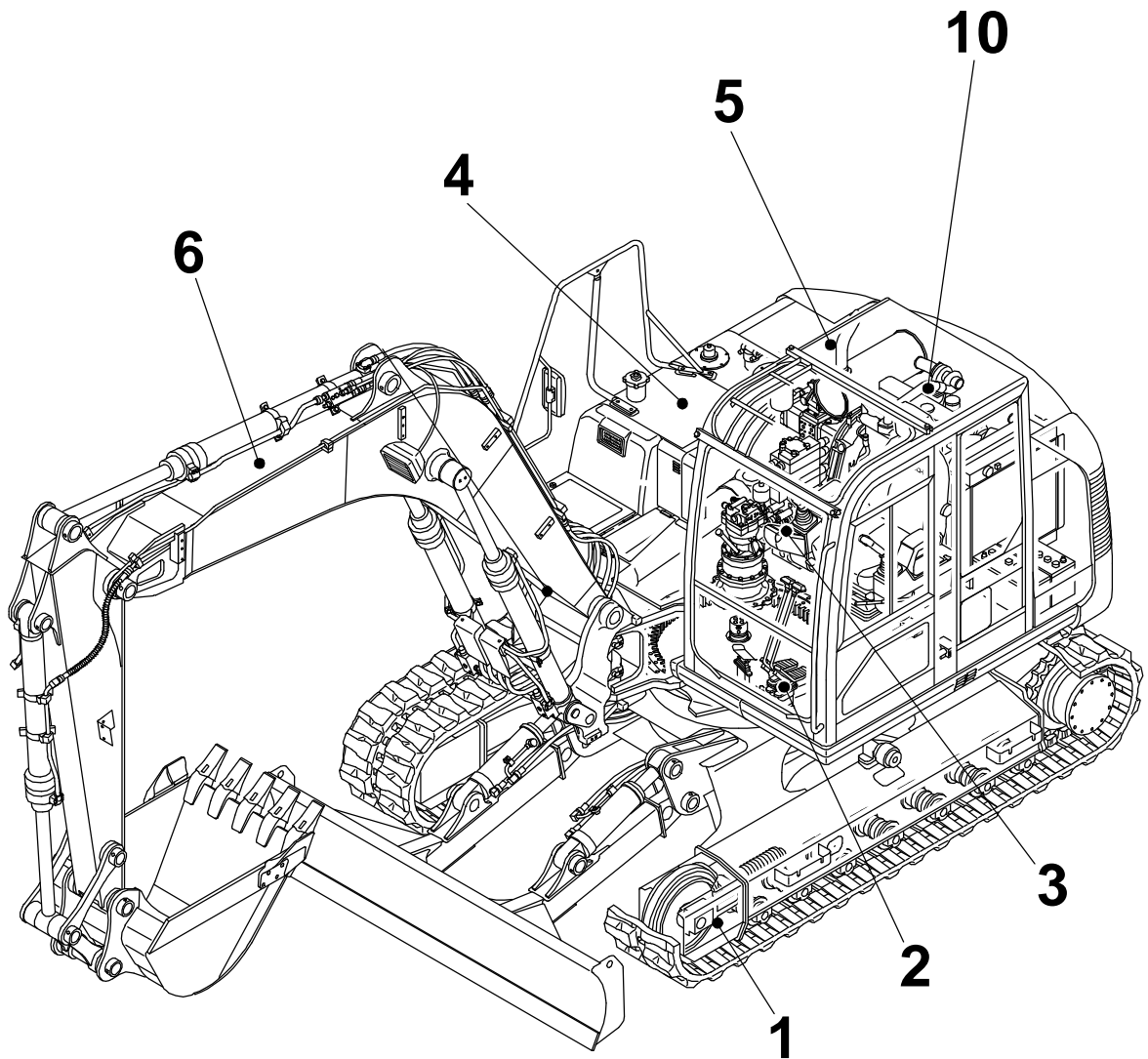


TB1140

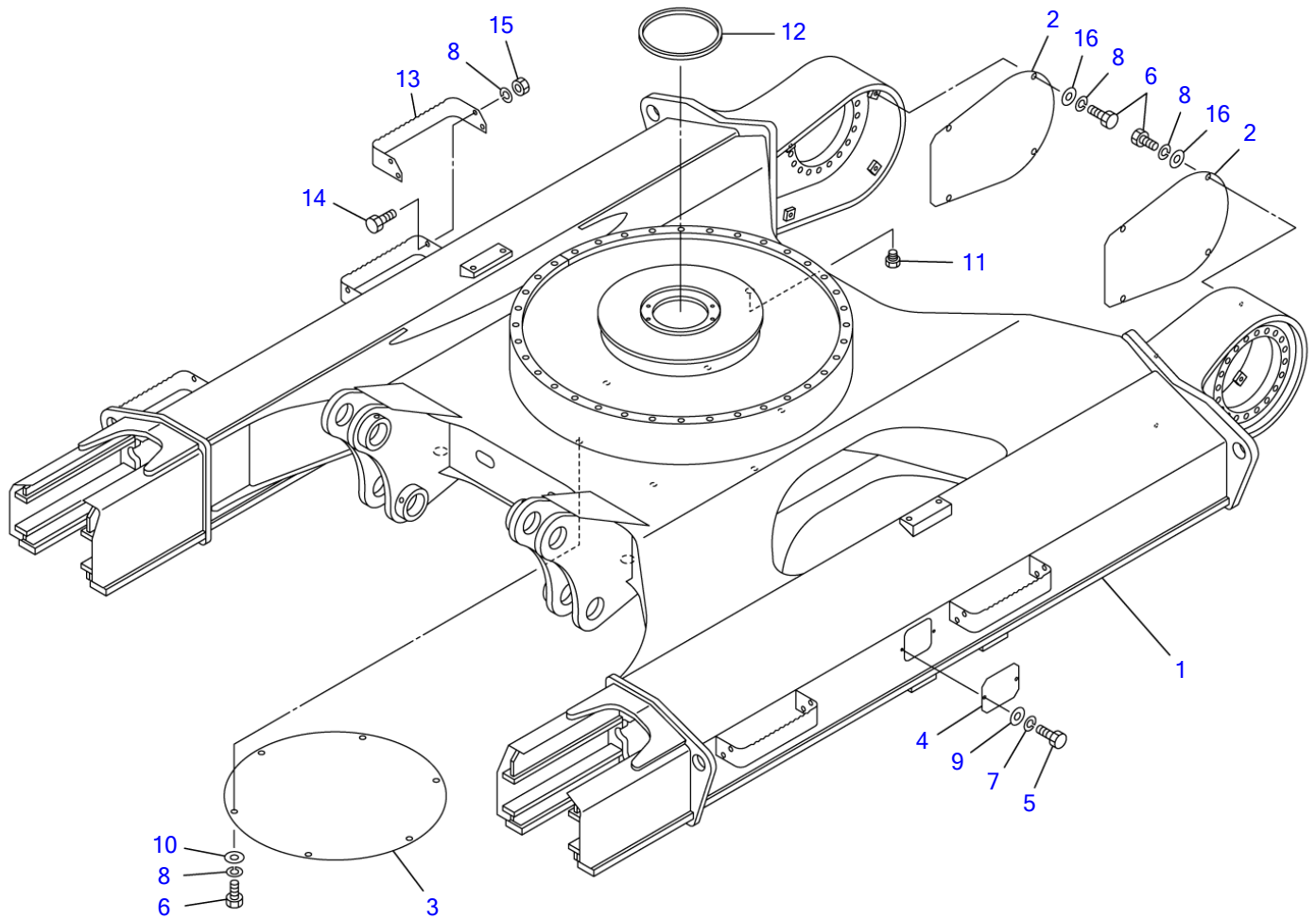
Book No. BN1Z003
Serial No. 51410002-



TAKEUCHI

					INDEX						
Item	Part number	Description	Q'ty	Chan.	Serial No.	Serv.	Remarks				
1		UNDERCARRIAGE									
2		TURNTABLE & CONTROL LEVER									
3		ENGINE & ELECTRICAL SYSTEM									
4		HYDRAULIC PIPNG & TANK									
5		COVER & CAB									
6		HOE ATTACHMENT									
7		DECAL & TOOL									
8		HYDRAULIC DEVICE									
10		ENGINE(ISUZU BB-4BG1-TRE)									
		2008.05.16									
99		KITS, ATTACHMENTS AND QUICK REFERENCE									

TB1140 Book No. BN1Z002 S/N 51410002-
LOWER FRAME

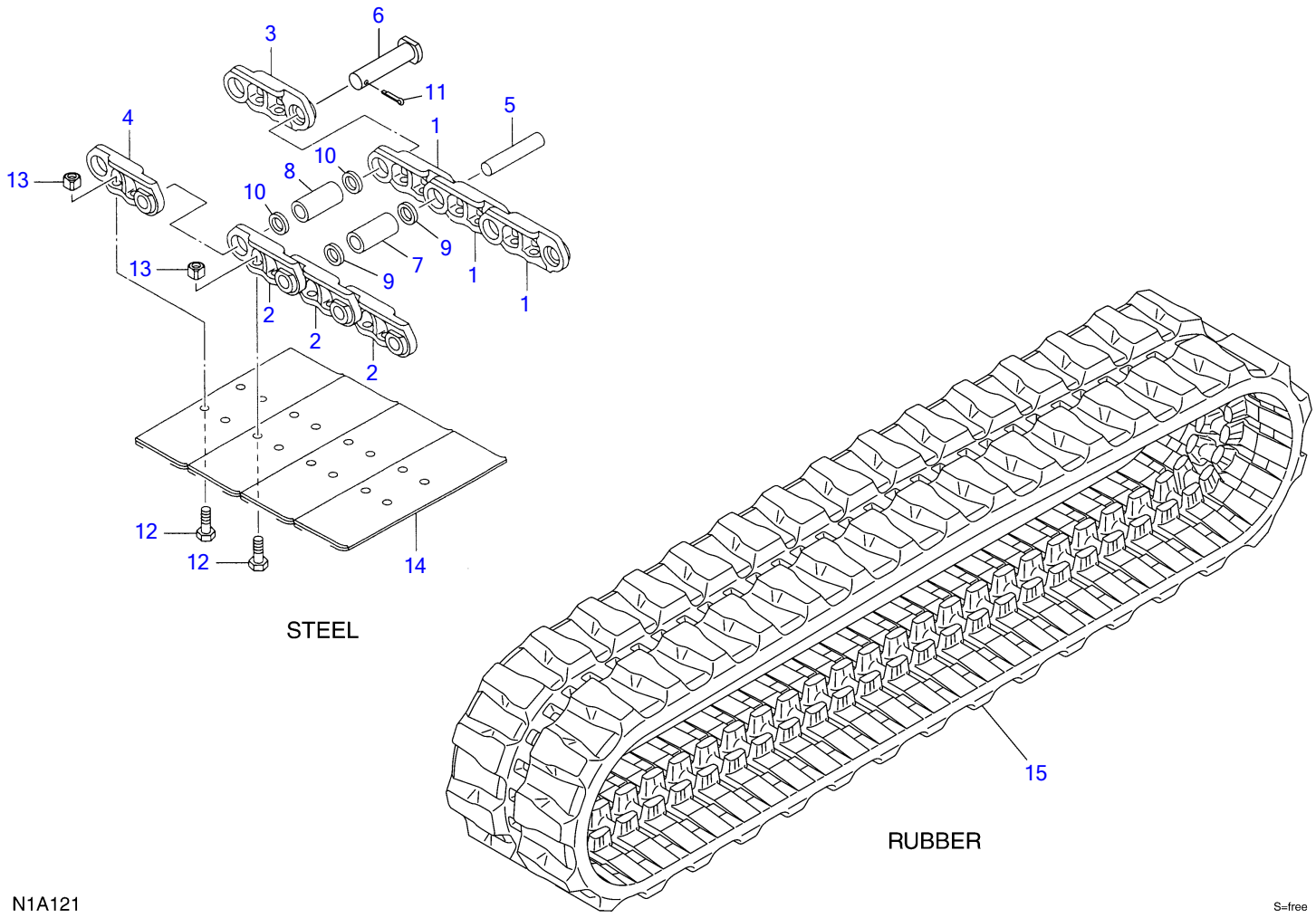


S=1/20

LOWER FRAME

Item	Part number	Description	Q'ty	Chan.	Serial No.	Serv.	Remarks
		FRAME ASSY, lower (500 wide)					X05710-01000-5
		FRAME ASSY, lower (600 wide)					X05710-01500-5
		FRAME ASSY, lower (700 wide)					X05710-01600-5
1	X *****	FRAME, lower	1				
2	0571001010	COVER	2				
3	0571000110	COVER	1				
4	0561017400	COVER	2				
5	1100040816	BOLT	4				
6	1100041225	BOLT	8				
7	1140020008	WASHER, spring	4				
8	1140020012	WASHER, spring	30				
9	1141110008	WASHER	4				
10	0003600024	WASHER	6				
11	1501710010	PLUG	1				
12	1654625070	TRIM	1				sold by the meter
13	0571001510	STEP	4				600 wide
	0571001610	STEP	4				700 wide
14	1100041235	BOLT	22				
15	1130040012	NUT	16				
16	1141110012	WASHER	8				
	N1a012						

TB1140 Book No. BN1Z002 S/N 51410002-
CRAWLER BELT



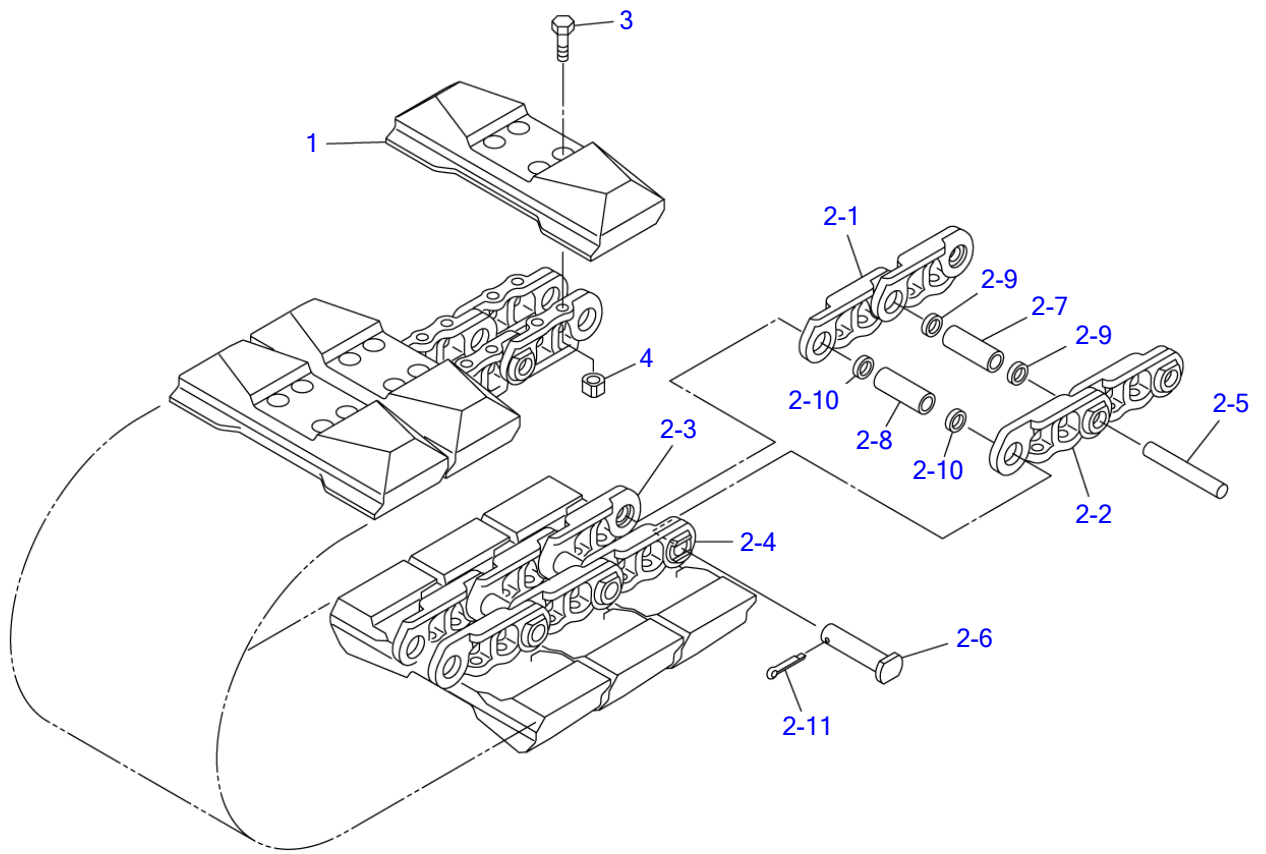
N1A121

S=free

CRAWLER BELT

Item	Part number	Description	Q'ty	Chan.	Serial No.	Serv.	Remarks
0	1914303000	BELT, steel crawler (500mm shoe)	2				X19143-03000-1
	1914303100	BELT, steel crawler (600mm shoe)	2				X19143-03100-1
	1914303200	BELT, steel crawler (700mm shoe)	2				X19143-03200-1
1	1914303001	• LINK, track (R.H.)	43				
2	1914303002	• LINK, track (L.H.)	43				
3	1914303003	• LINK, master (R.H.)	1				
4	1914303004	• LINK, master (L.H.)	1				
5	1914303005	• PIN, track	43				
6	1914303006	• PIN, track master	1				
7	1914303007	• BUSH, track	43				
8	1914303008	• BUSH, track master	1				
9	1914303009	• SEAL, dust	86				
10	1914303010	• SPACER	2				
11	1914303011	• PIN, coter	1				
12	1914303012	• BOLT	176				
13	1914303013	• NUT	176				
14	1914303014	• PLATE	44				500mm shoe
	1914303114	• PLATE	44				600mm shoe
	1914303214	• PLATE	44				700mm shoe
15	1914301200	BELT, rubber crawler	2	(L)	51410002~5141#		
	1914301520	BELT, rubber crawler	2	(H)	5141#~	M	No. 24032
	N1a122						

TB1140 Book No. BN1Z002 S/N 51410002-
CRAWLER BELT (with rubber pads)



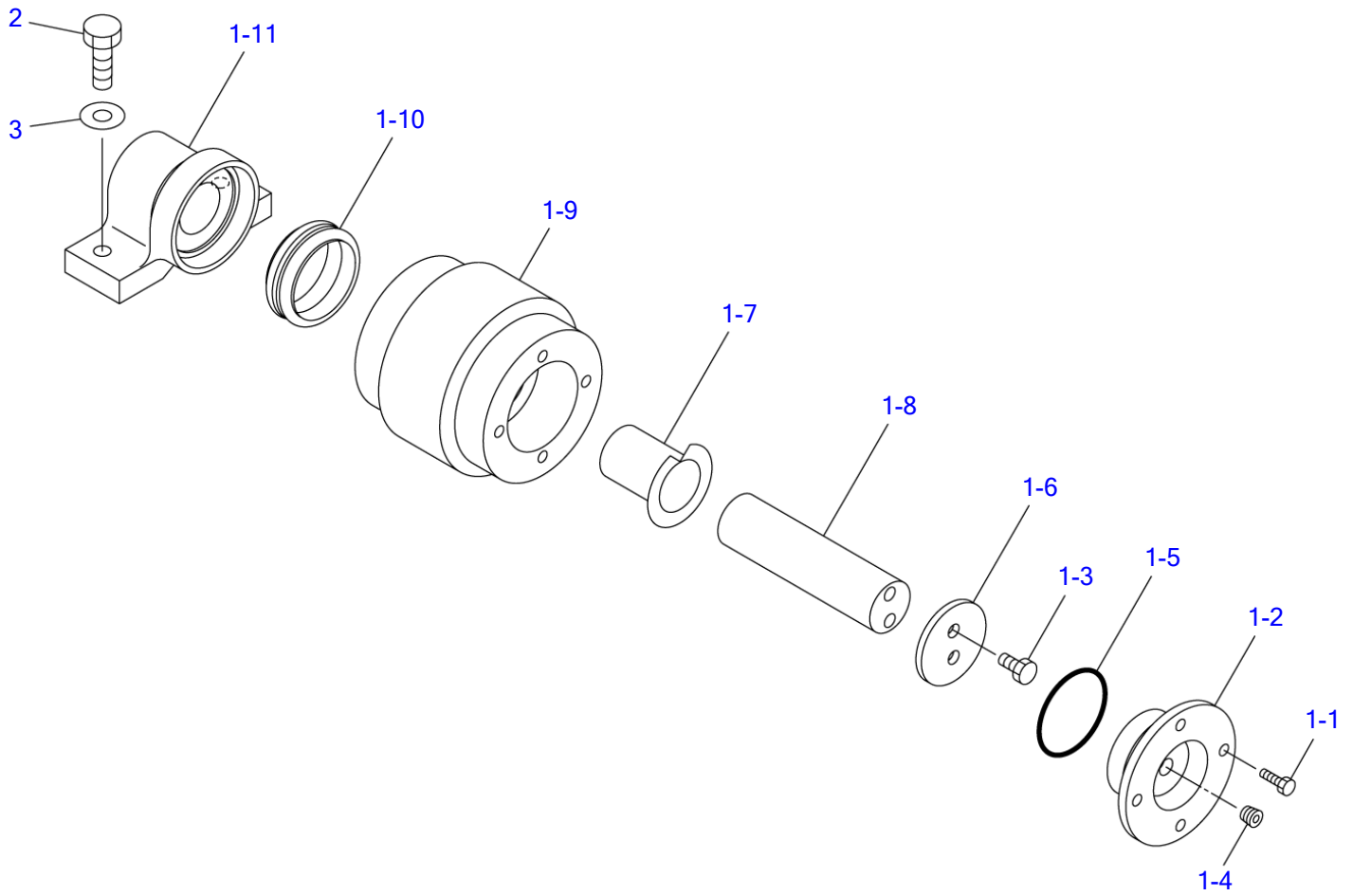
N1A021

S=1/12

CRAWLER BELT (with rubber pads)

Item	Part number	Description	Q'ty	Chan.	Serial No.	Serv.	Remarks
0	0571100000	BELT, segment rubber crawler	2				X05711-00000-0
1	1914401000	▪ PAD, rubber	44				
2	1914303020	▪ LINK ASSY	1				
2-1	1914303001	▪ ▪ LINK, track (R.H.)	43				
2-2	1914303002	▪ ▪ LINK, track (L.H.)	43				
2-3	1914303003	▪ ▪ LINK, master (R.H.)	1				
2-4	1914303004	▪ ▪ LINK, master (L.H.)	1				
2-5	1914303005	▪ ▪ PIN, track	43				
2-6	1914303006	▪ ▪ PIN, track master	1				
2-7	1914303007	▪ ▪ BUSH, track	43				
2-8	1914303008	▪ ▪ BUSH, track master	1				
2-9	1914303009	▪ ▪ SEAL, dust	86				
2-10	1914303010	▪ ▪ SPACER	2				
2-11	1914303011	▪ ▪ PIN, coter	1				
3	1914303012	▪ BOLT	176				
4	1914303013	▪ NUT	176				
	N1a021						

TB1140 Book No. BN1Z002 S/N 51410002-
CARRIER ROLLER



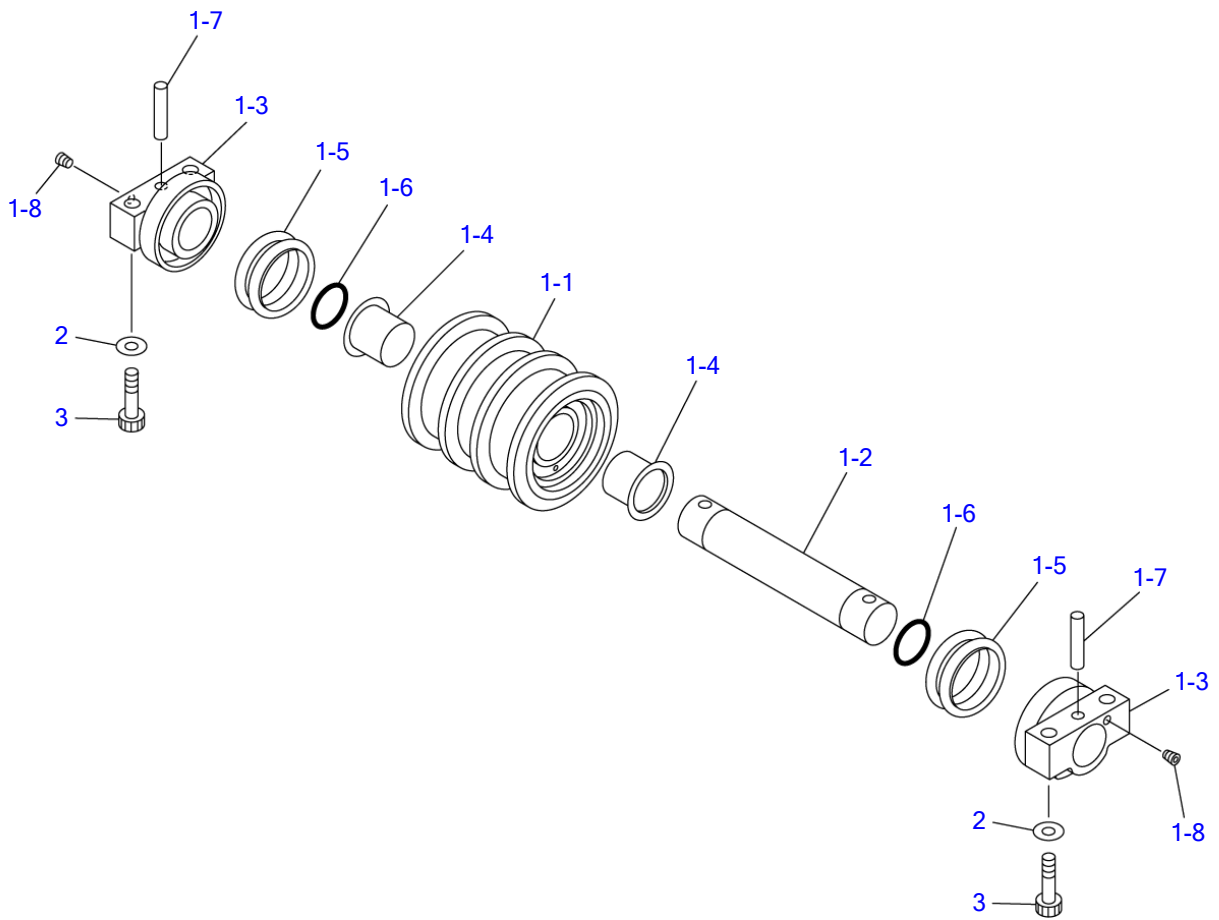
N1A030

S=1/5

CARRIER ROLLER

Item	Part number	Description	Q'ty	Chan.	Serial No.	Serv.	Remarks
		ROLLER ASSY, carrier					X05712-00000-0
1	0571200100	ROLLER ASSY	2				
1-1	1100040820	▪ BOLT	4				
1-2	0571200102	▪ COVER	1				
1-3	1100041016	▪ BOLT	2				
1-4	1501810002	▪ PLUG	1				
1-5	1420100650	▪ O-RING	1				
1-6	0571200106	▪ PLATE	1				
1-7	0571200107	▪ BUSHING	1				
1-8	0571200108	▪ SHAFT	1				
1-9	0571200109	▪ ROLLER	1				
1-10	0571200110	▪ SEAL, floating	1				
1-11	0571200111	▪ BRACKET	1				
2	1101041640	BOLT	4				
3	1141550016	WASHER	4				
	N1a031						

TB1140 Book No. BN1Z002 S/N 51410002-
TRACK ROLLER

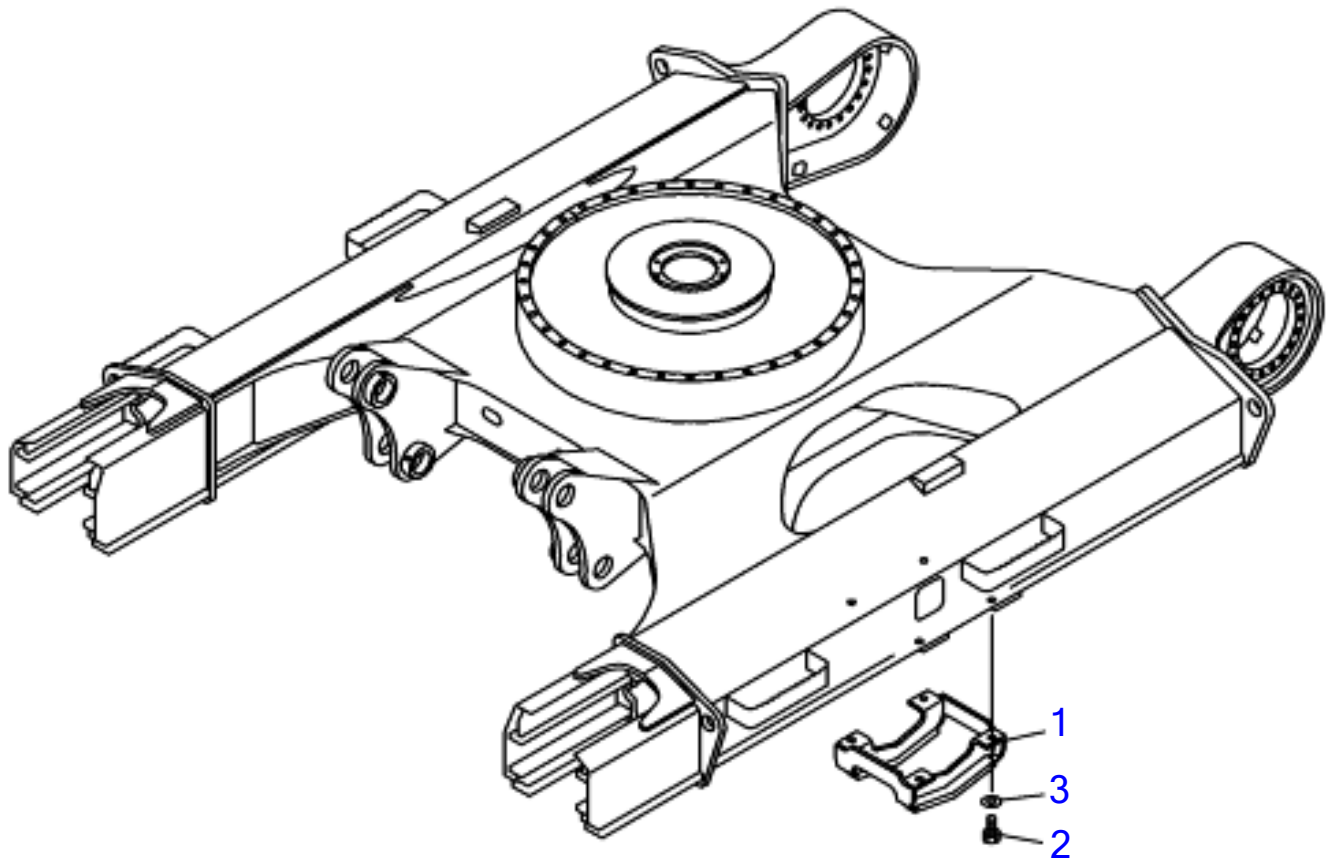


N1A040

S=1/8

TRACK ROLLER

Item	Part number	Description	Q'ty	Chan.	Serial No.	Serv.	Remarks
		ROLLER ASSY, track					X05713-00000-2
1	0571300100	ROLLER ASSY	14				
1-1	0571300110	▪ ROLLER	1				
1-2	0571300120	▪ SHAFT	1				
1-3	0571300130	▪ COLLAR	2				
1-4	0571300140	▪ BUSHING	2				
1-5	1432500730	▪ SEAL, floating	2				
1-6	1420110450	▪ O-RING	2				
1-7	0571300170	▪ PIN	2				
1-8	1501810001	▪ PLUG	2				
2	1141550016	WASHER	56				
3	1111021670	BOLT	56				
	N1a043						



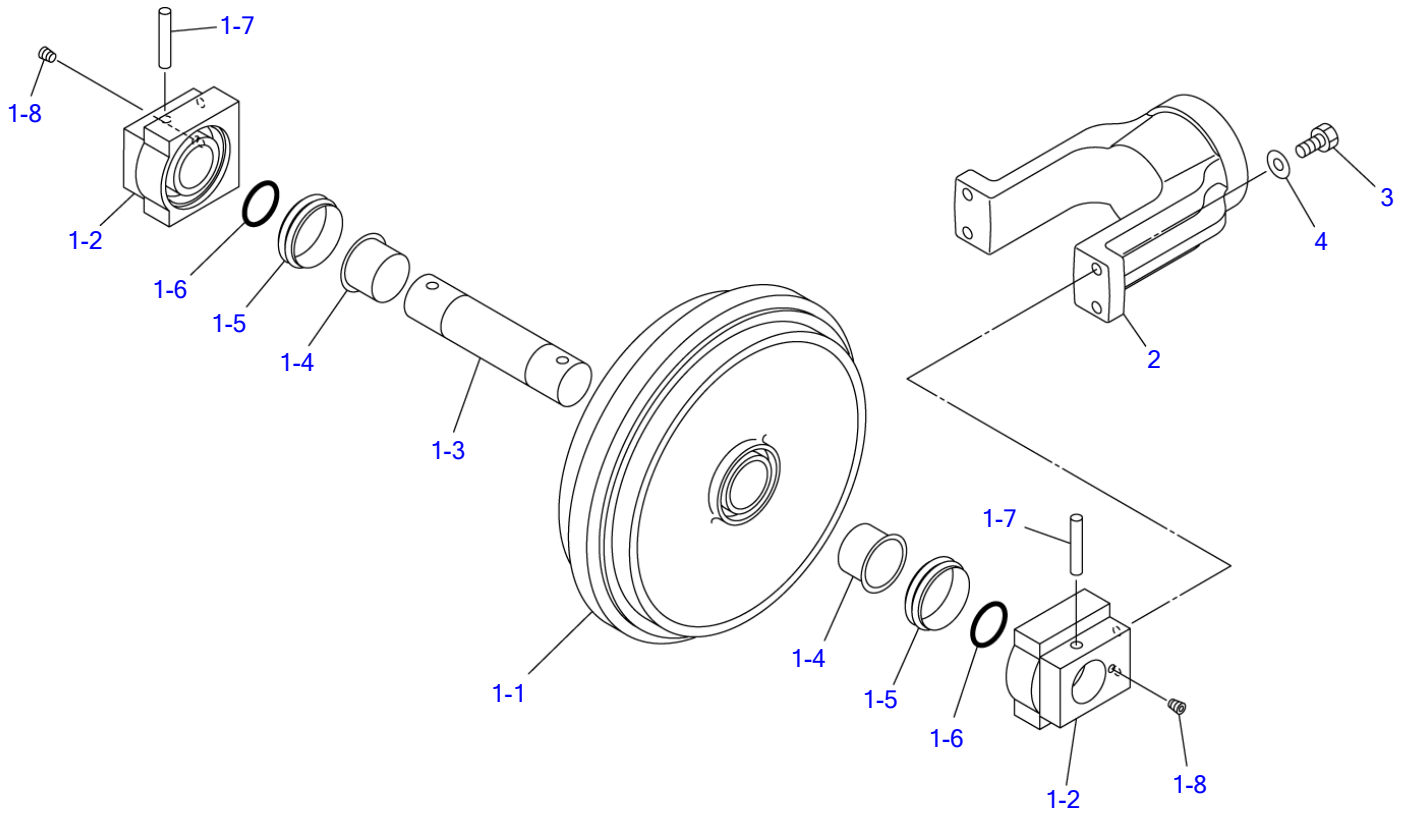
N2A020

2/100

TRACK GUARD

Item	Part number	Description	Q'ty	Chan.	Serial No.	Serv.	Remarks
		TRACK GUARD ASSY					
1	0571700010	GUARD	2				
2	1101041635	BOLT	8				
3	1141550016	WASHER	8				
	N2A020						

TB1140 Book No. BN1Z002 S/N 51410002-
FRONT IDLER

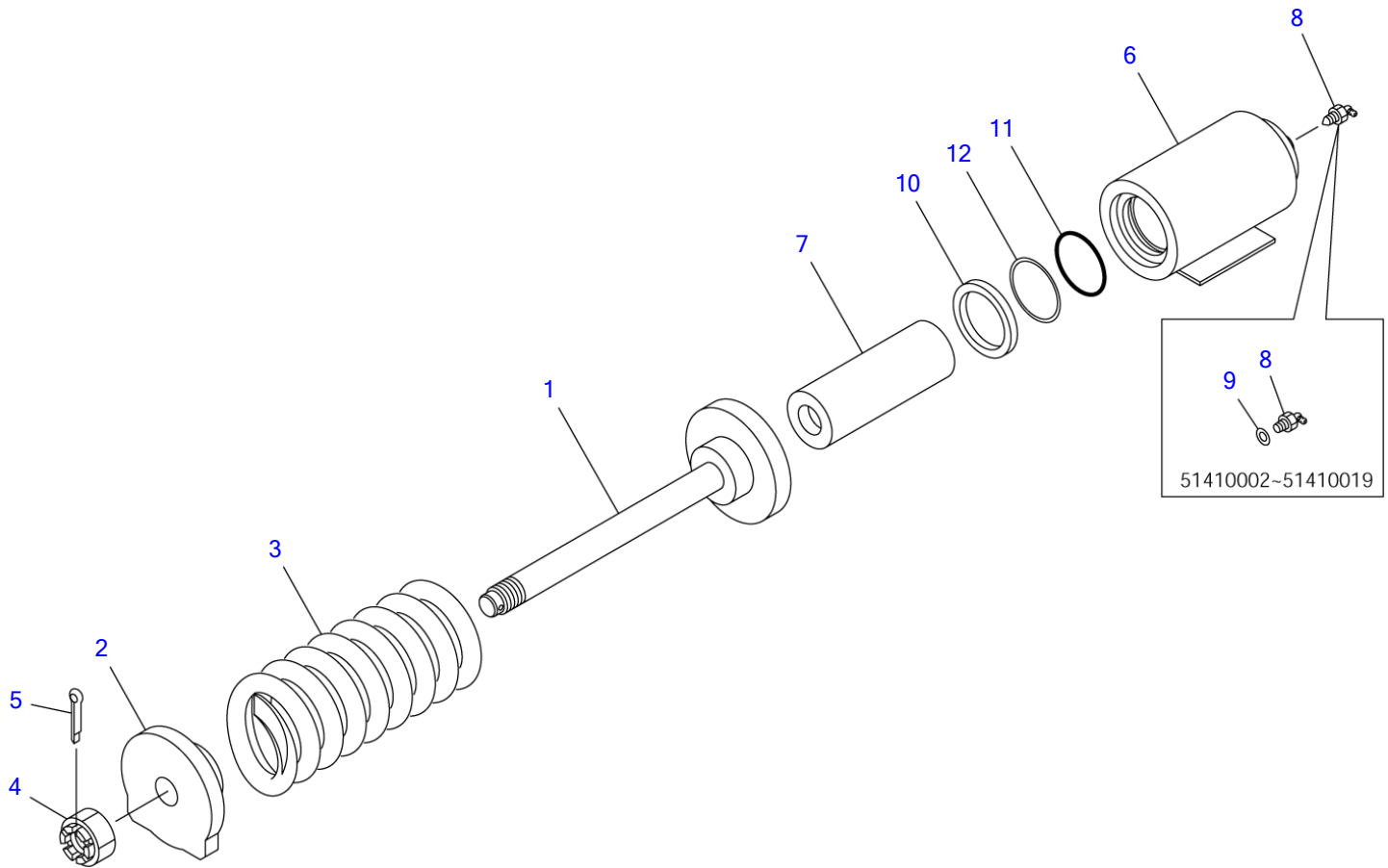


N1A050

S=1/5

Item	Part number	Description	FRONT IDLER			Remarks
			Q'ty	Chan.	Serial No.	
		IDLER ASSY, front				X05714-00000-0
1	0571400100	IDLER ASSY	2			
1-1	0571400110	▪ IDLER	1			
1-2	0571400120	▪ BRACKET	2			
1-3	0571400130	▪ SHAFT	1			
1-4	0571400140	▪ BUSHING	2			
1-5	1432500900	▪ SEAL, floating	2			
1-6	1420110600	▪ O-RING	2			
1-7	0571400170	▪ PIN	2			
1-8	1501810002	▪ PLUG	2			
2	0571400010	YOKE	2			
3	1100041645	BOLT	8			
4	1141550016	WASHER	8			
	N1a052					

TB1140 Book No. BN1Z002 S/N 51410002-
TRACK ADJUSTER

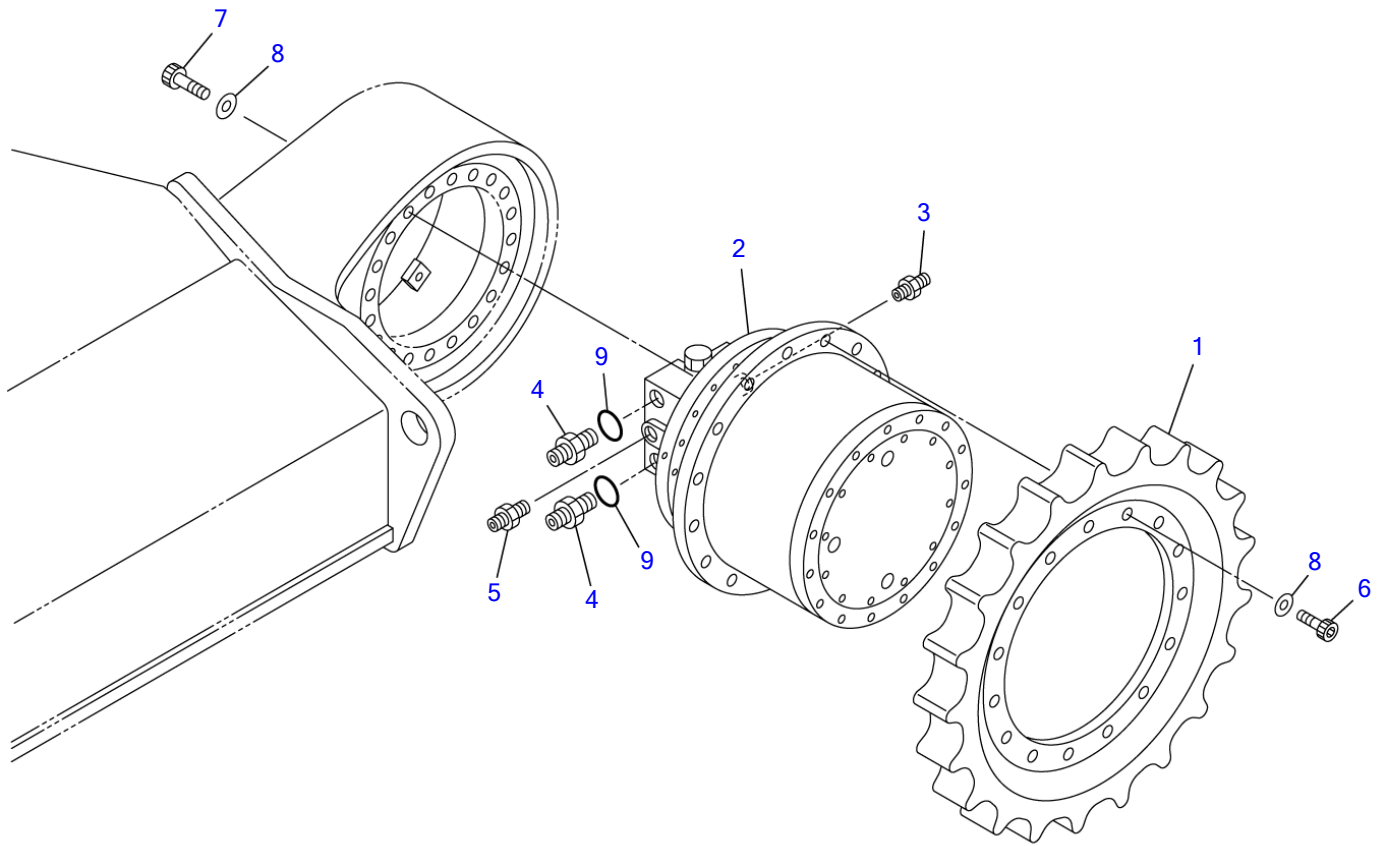


N1A061

S-1/10

TRACK ADJUSTER

Item	Part number	Description	Q'ty	Chan.	Serial No.	Serv.	Remarks
		ADJUSTER ASSY, track (R.H.)					X05715-01000-0
		ADJUSTER ASSY, track (L.H.)					X05715-01300-0
0-1	0571500100	SPRING ASSY	2				
1	0571500110	• ROD	1				
2	0571500120	• PLATE	1				
3	0007000082	• SPRING	1				
4	1132030045	• NUT	1				
5	1213000865	• PIN, spring	1				
0-2	0571500200	CYLINDER ASSY	2		51410002~51410019		
	0571501200	CYLINDER ASSY	2	(H)	51410020~	M	
6	0571500210	• CYLINDER, grease	1		51410002~51410019		
	0571501210	• CYLINDER, grease	1		51410020~	M	
7	0571500220	• PISTON	1		51410002~51410019		
	0571501220	• PISTON	1		51410020~	M	
8	1541301602	• VALVE ASSY, check	1		51410002~51410019		
	1541301604	• VALVE ASSY, check	1		51410020~	M	
9	1541201616	• WASHER	1		51410002~51410019		
10	1400403932	• SEAL, oil	1				
11	1422010900	• O-RING	1				
12	1421020900	• RING, back-up	1				
	N1a062						



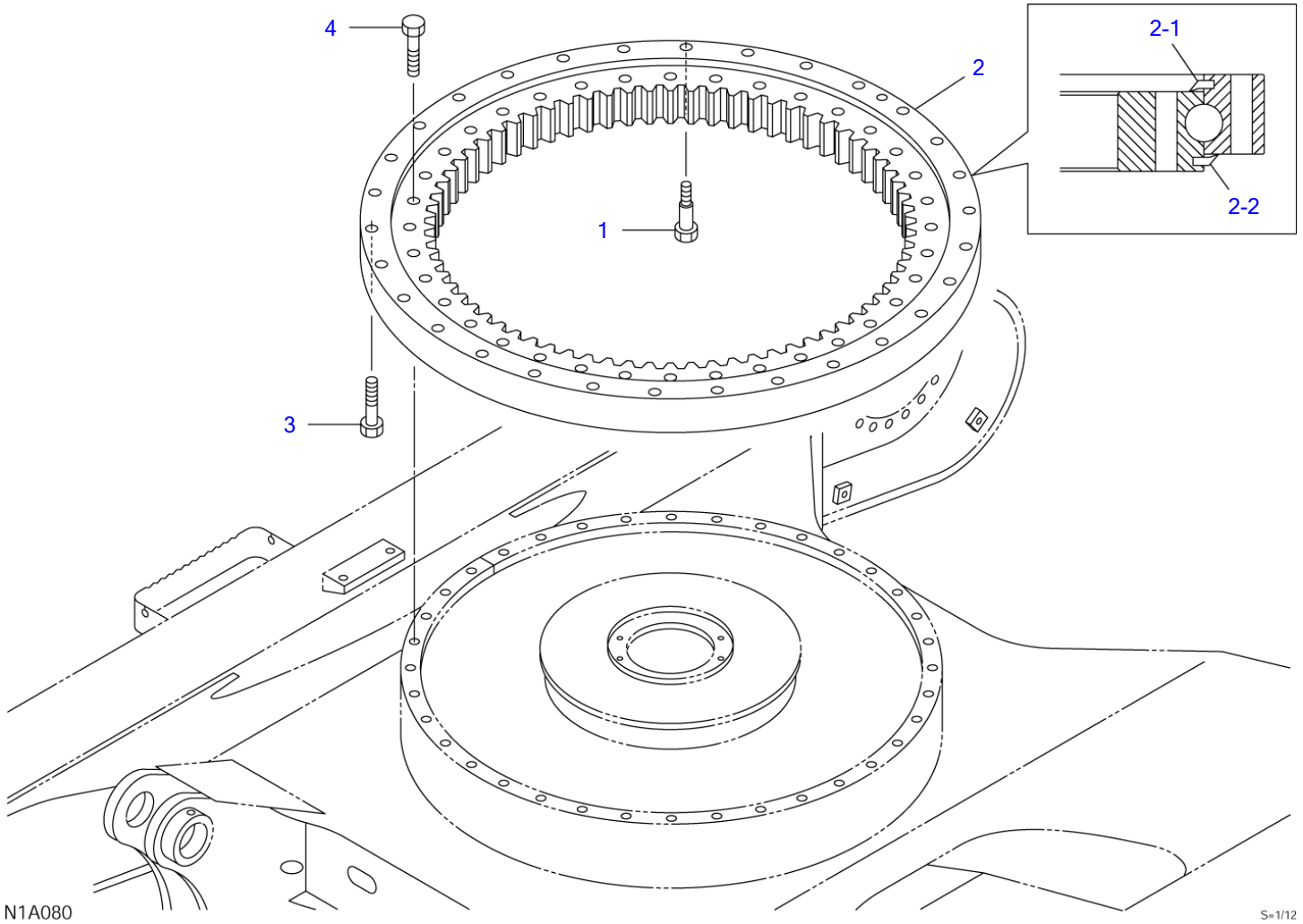
N1A070

S=1/10

TRAVEL DEVICE

Item	Part number	Description	Q'ty	Chan.	Serial No.	Serv.	Remarks
		MOTOR ASSY, travel					X05716-00000-3
1	0571600010	SPROCKET	2				
2	1903126000	MOTOR, travel	2				
3	1515600200	ADAPTOR	2				
	1420010110	• O-RING	1				
4	1511061306	ADAPTOR	4				
	1420010240	• O-RING	1				
5	1515600577	ADAPTOR	2				
	1420010180	• O-RING	1				
6	1110021645	SCREW, cap	30				
7	1110021665	SCREW, cap	40				
8	1141550016	WASHER	70				
9	1420310014	O-RING	4				
	N1a071						

TB1140 Book No. BN1Z002 S/N 51410002-
SLEW BEARING



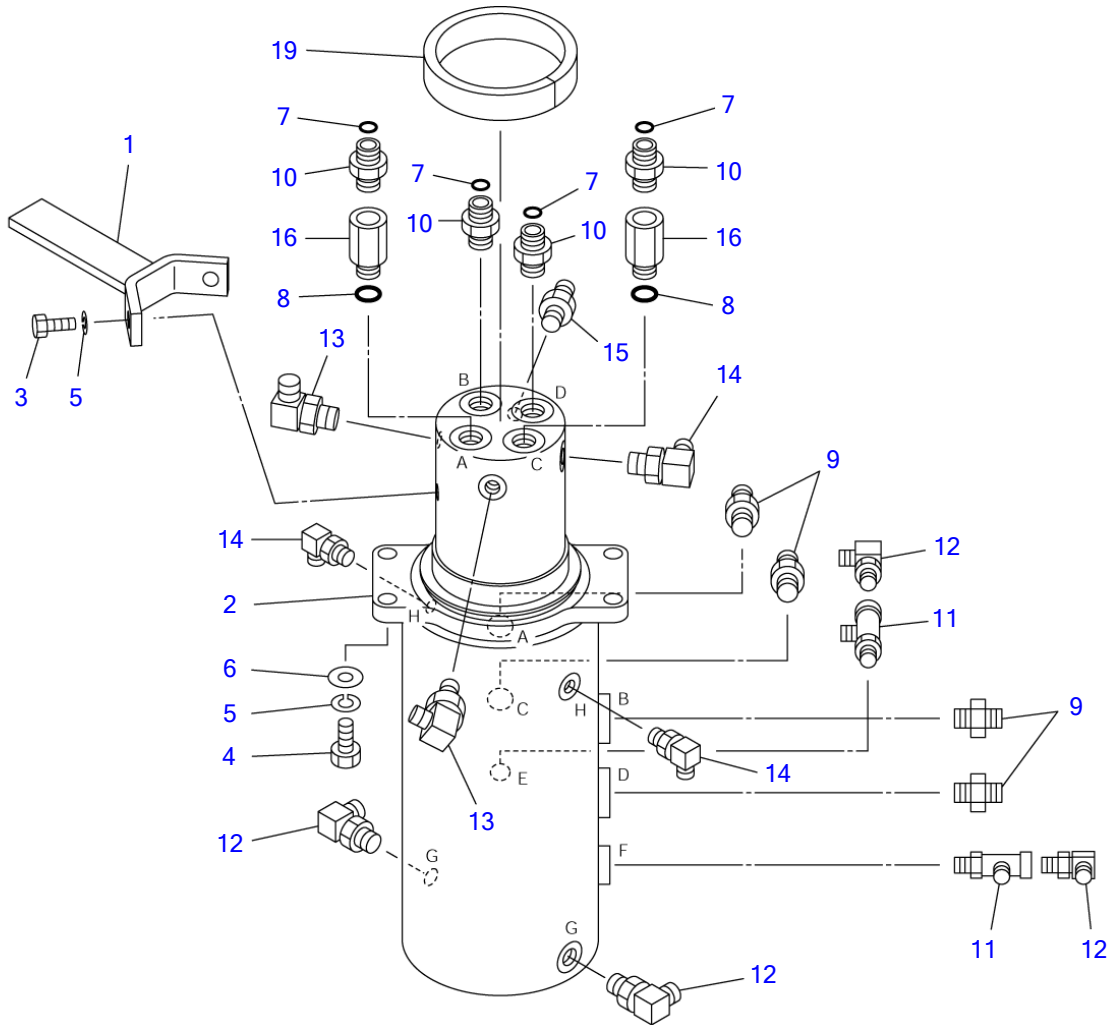
N1A080

S-1/12

SLEW BEARING

Item	Part number	Description	Q'ty	Chan.	Serial No.	Serv.	Remarks
		BEARING ASSY, slew					X05720-00100-2
1	0572000120	BOLT	1				
2	1913005050	BEARING ASSY	1				
2-1	1913005058	• SEAL	1				
2-2	1913005059	• SEAL	1				
3	1100041895	BOLT	29				
4	1100141800	BOLT	36				
	N1a081						

TB1140 Book No. BN1Z002 S/N 51410002-
SWIVEL JOINT & ACCESSORIES

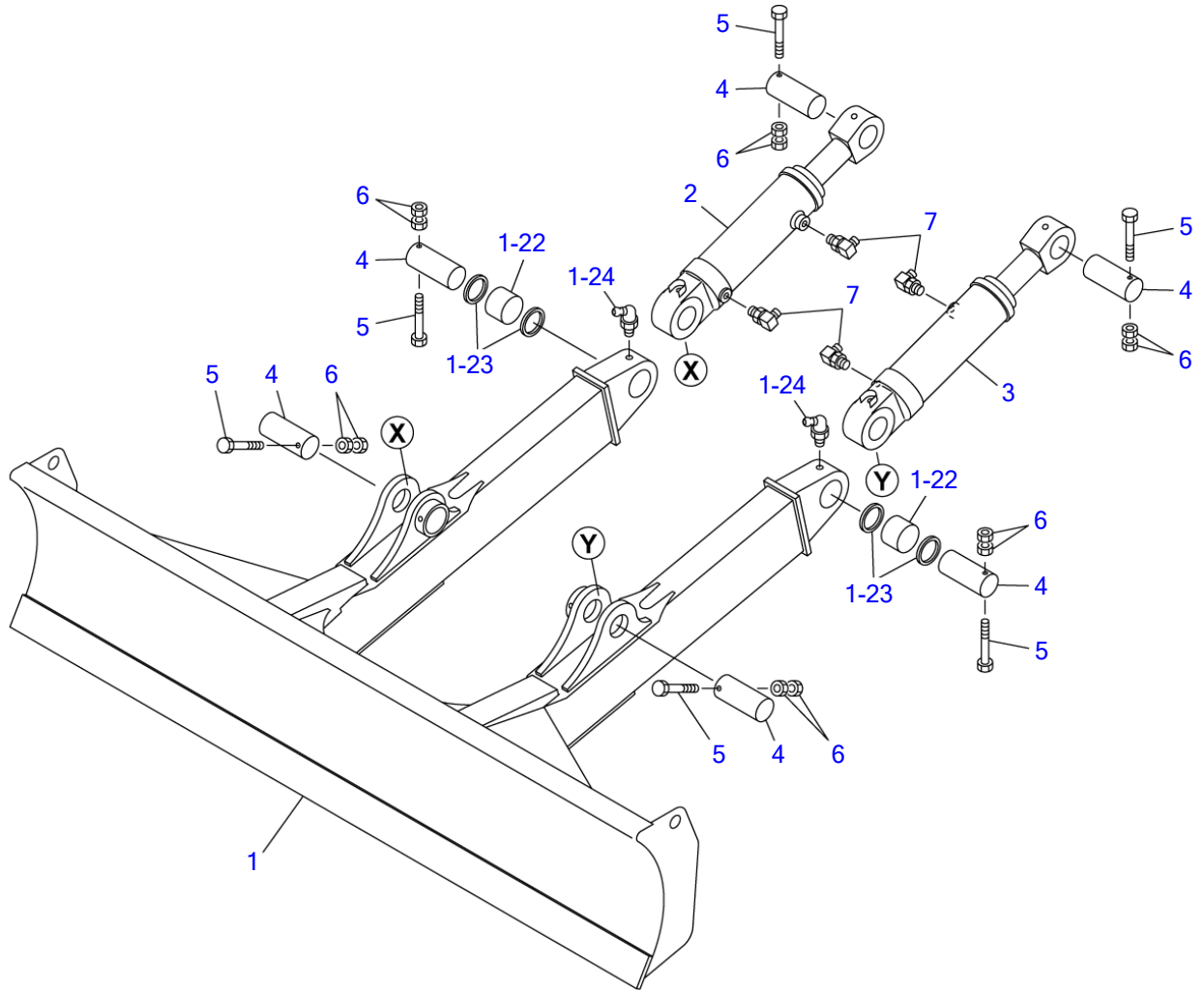


N1A090

S=1/6

SWIVEL JOINT & ACCESSORIES

Item	Part number	Description	Q'ty	Chan.	Serial No.	Serv.	Remarks
		JOINT ASSY, swivel					X05721-00200-2
1	0572100220	COLLAR	1				
2	1904008500	JOINT, swivel	1				
3	1100041225	BOLT	2				
4	1101041235	BOLT	4				
5	1140020012	WASHER, spring	6				
6	1141110012	WASHER	4				
7	1420310016	O-RING	4				
8	1420010180	O-RING	2				
9	1511061304	ADAPTOR	4				
	1420010180	• O-RING	1				
10	1511061604	ADAPTOR	4				
	1420010180	• O-RING	1				
11	1512340011	ELBOW	2				
	1420010140	• O-RING	1				
12	1515010041	ELBOW	4				
	1420010140	• O-RING	1				
13	1515010131	ELBOW	2				
	1420010140	• O-RING	1				
14	1515012040	ELBOW	3				
	1420010110	• O-RING	1				
15	1515600201	ADAPTOR	1				
	1420010140	• O-RING	1				
16	0007213011	BUSHING	2				
	1420010180	* O-RING	1				
19	1654353035	SPONGE	1				M sold by the meter
	N1a092						

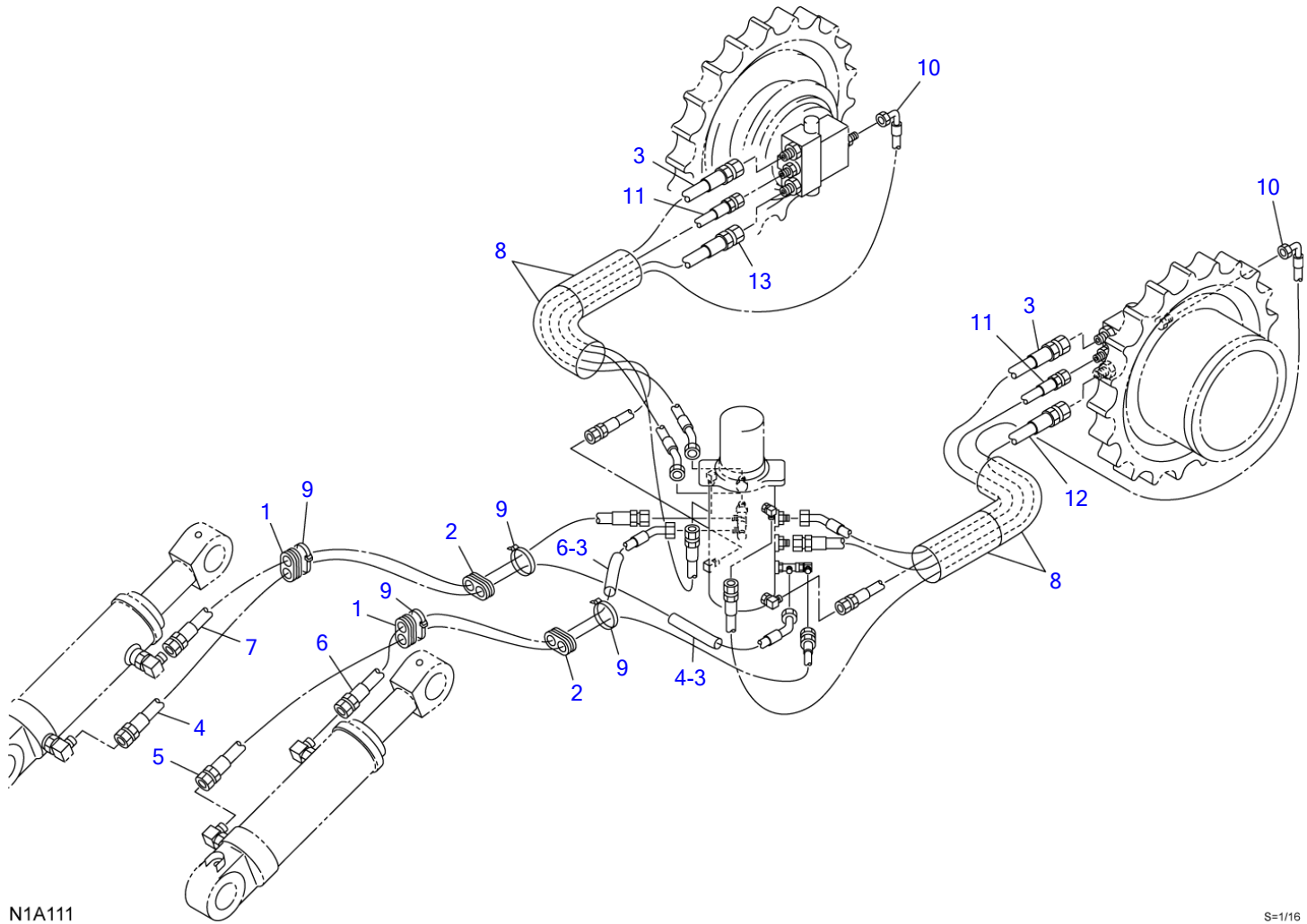


N1A100

S=1/20

DOZER BLADE

Item	Part number	Description	Q'ty	Chan.	Serial No.	Serv.	Remarks
		BLADE ASSY, dozer (500W)					X05763-02000-1
		BLADE ASSY, dozer (600W)					X05763-02500-1
		BLADE ASSY, dozer (700W)					X05763-03000-1
1	0576302300	BLADE, dozer (500W)	1				
	0576302600	BLADE, dozer (600W)	1				
	0576303100	BLADE, dozer (700W)	1				
1-22	0002400056	• BUSHING	2				
1-23	1432200070	• SEAL, dust	4				
1-24	1560001900	• FITTING, grease	2				
2	1900098600	CYLINDER, dozer blade (R.H.)	1				
3	1900098700	CYLINDER, dozer blade (L.H.)	1				
4	0001609165	PIN	6				
5	1103141225	BOLT	6				
6	1130240012	NUT	12				
7	1515010041	ELBOW	4				
	1420010140	• O-RING	1				
	N1a100						

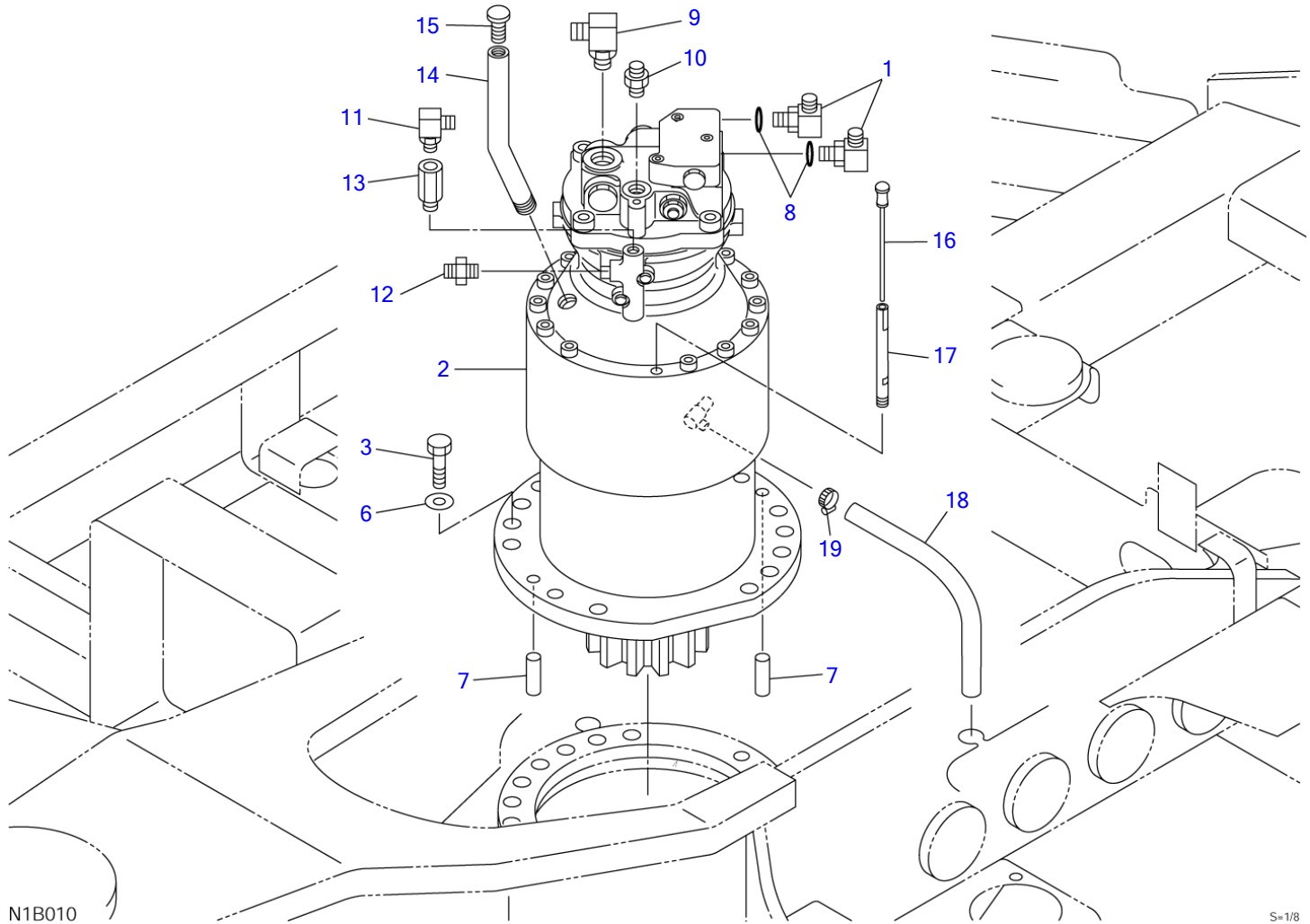


N1A111

S=1/16

PIPING; LOWER

Item	Part number	Description	Q'ty	Chan.	Serial No.	Serv.	Remarks
		PIPING ASSY, lower					X05772-00000-2
1	0097210300	GUARD	2				
2	0567215100	GUARD	2				
3	0577200010	HOSE ASSY	2				18035-24170
4	0577200020	HOSE ASSY	1				18025-22180
4-3	1532215015	• PROTECTOR	1			M	sold by the meter
5	0577200030	HOSE ASSY	1				
6	0577200040	HOSE ASSY	1				18025-22146
6-3	1532215015	• PROTECTOR	1			M	sold by the meter
7	0577200050	HOSE ASSY	1				
8	1531360060	PROTECTOR	4				
9	1652200007	BAND	4				
10	1801052210	HOSE ASSY	2				
11	1801023170	HOSE ASSY	2				
12	1803504165	HOSE ASSY	1				
13	1803524165	HOSE ASSY	1				
	N1a111						

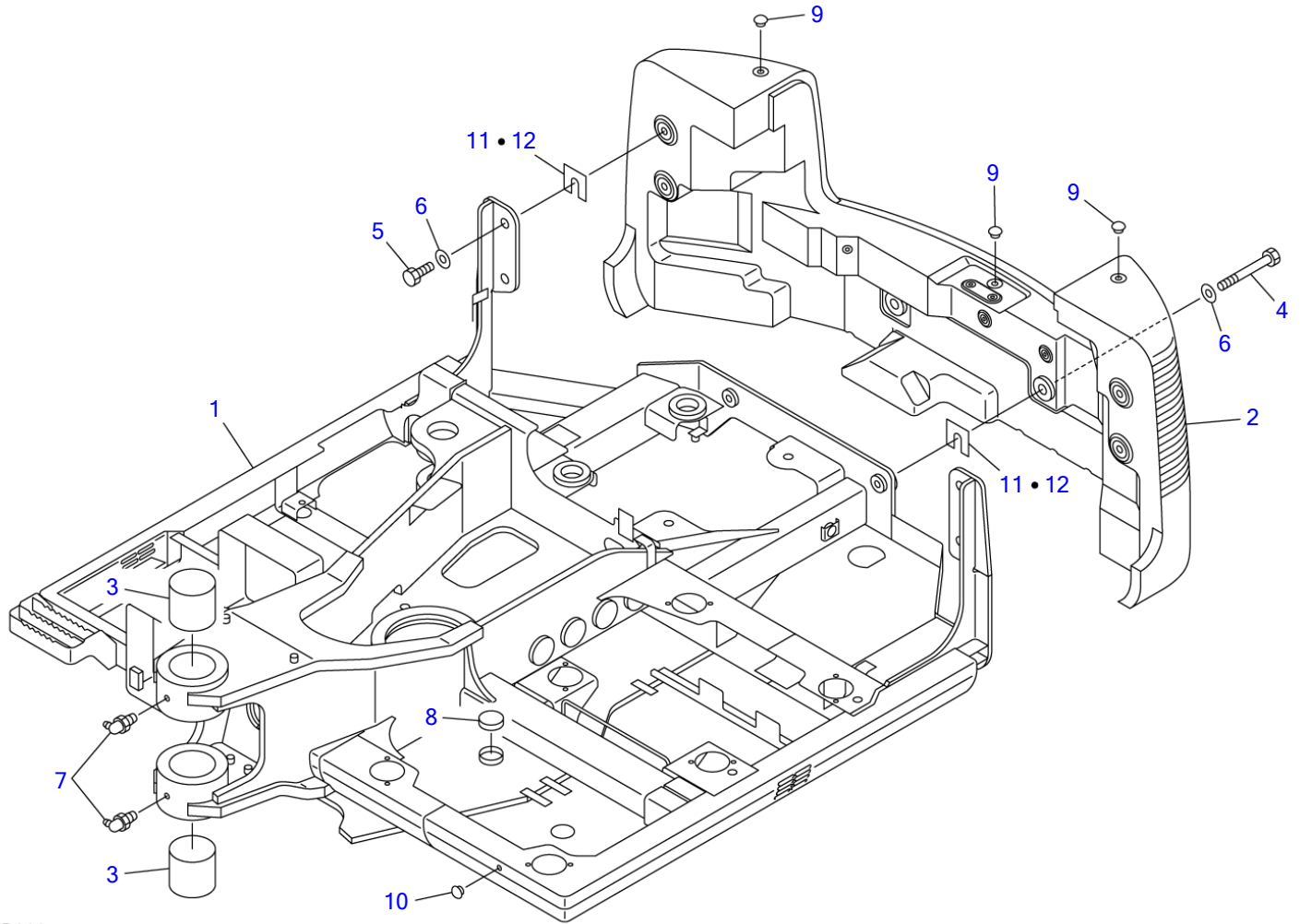


N1B010

S=1/8

SLEWING DEVICE

Item	Part number	Description	Q'ty	Chan.	Serial No.	Serv.	Remarks
		DEVICE ASSY, slewing	1				X05723-00200-1
1	1511161306	ELBOW	2				
	1420010240	· O-RING	1				
2	1903126100	MOTOR, slew	1				
3	1100042060	BOLT	13				
6	1141550020	WASHER	13				
7	1212001656	PIN, parallel	2				
8	1420310014	O-RING	2				
9	1515010043	ELBOW	1				
	1420010240	· O-RING	1				
10	1515600577	ADAPTOR	1				
	1420010180	· O-RING	1				
11	1515012040	ELBOW	1				
	1420010110	· O-RING	1				
12	1515600200	ADAPTOR	1				
	1420010110	· O-RING	1				
13	0007213061	BUSHING	1				
14	0572300230	PIPE	1				
15	1554000004	CAP	1				
16	1553100002	GAUGE, level	1				
17	0572300240	PIPE	1				
18	0572300250	HOSE	1				
19	1533700025	BAND	1				
	N1b010						



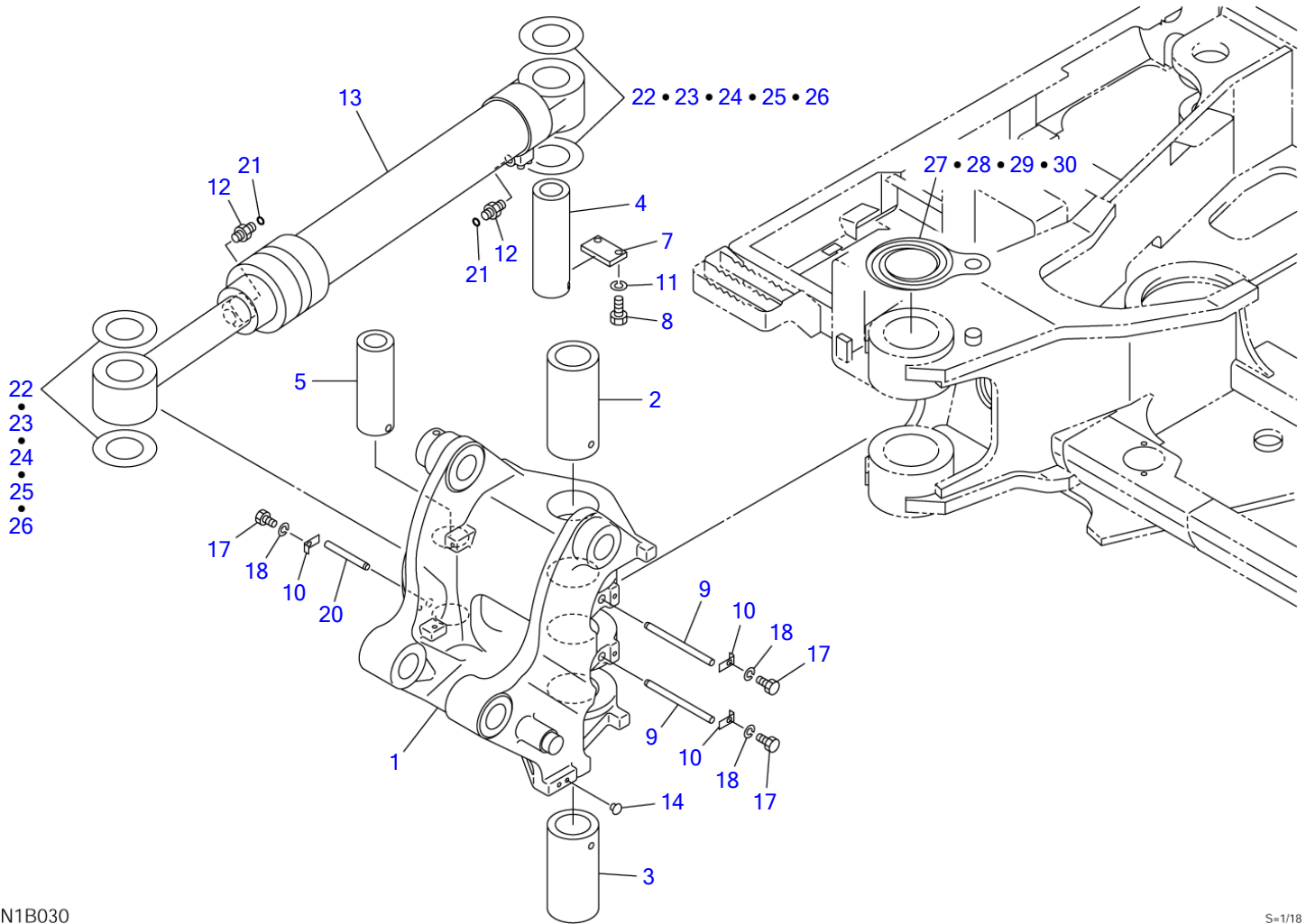
N1B020

S=1/22

TURNTABLE

Item	Part number	Description	Q'ty	Chan.	Serial No.	Serv.	Remarks
		TURNTABLE ASSY					X05730-03000-1
		TURNTABLE ASSY (extra weight)					X05730-03300-1
1	X *****	TURNTABLE	1				
2	0573000500	COUNTERWEIGHT	1				
	0573002600	COUNTERWEIGHT	1				
	0573003400	COUNTERWEIGHT	1			M	extra weight
3	0573000051	BUSHING	2				
4	0573000504	BOLT	2				
	0573003310	BOLT	2			M	extra weight
5	1101242455	BOLT	4				
6	0003600235	WASHER	6				
7	1560001900	FITTING, grease	2				
8	0173216600	COVER	1				
9	1652533001	CAP	3				
	1652533003	CAP	3				
	1652533003	CAP	3			M	extra weight
10	1652533023	CAP	1				
11	0573000601	SHIM	AR				t=1.2mm
12	0573000602	SHIM	AR				t=2.3mm
	N1b022						

TB1140 Book No. BN1Z002 S/N 51410002-
BOOM SWING



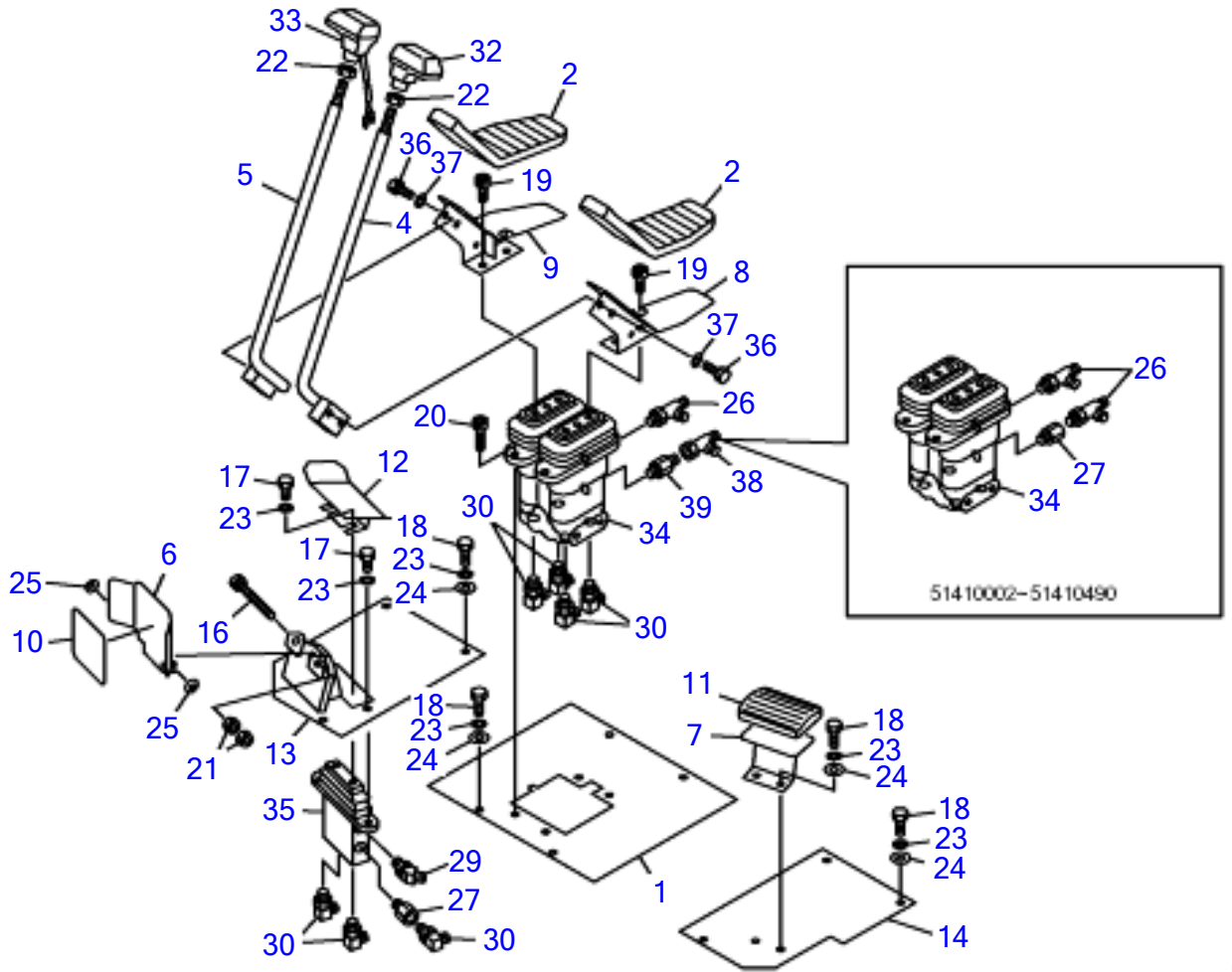
N1B030

S=1/18

BOOM SWING

Item	Part number	Description	Q'ty	Chan.	Serial No.	Serv.	Remarks
		BOOM SWING ASSY					X05731-01000-4
1	0573100100	BRACKET	1				
2	0573100021	PIN	1				
3	0573100031	PIN	1				
4	0573100040	PIN	1				
5	0573100050	PIN	1				
7	0573100070	PLATE	1				
8	1100041845	BOLT	2				
9	0573100080	PIN	2				
10	0573100090	PLATE	3				
11	1140020018	WASHER, spring	2				
12	1511061306	ADAPTOR	2				
	1420010240	· O-RING	1				
13	1900098500	CYLINDER, swing	1				
14	1652533018	CAP	2				
17	1100041220	BOLT	3				
18	1140020012	WASHER, spring	3				
20	0573100110	PIN	1				
21	1420310014	O-RING	2				
22	0003600190	SHIM	AR				t=0.2mm
23	0003600191	SHIM	AR				t=0.5mm
24	0003600192	SHIM	AR				t=1.0mm
25	0003600193	SHIM	AR				t=1.6mm
26	0003600194	SHIM	AR				t=2.9mm
27	0573100751	WASHER (t=4.5mm)	AR				
28	0573100752	WASHER (t=5.0mm)	AR				
29	0573100753	WASHER (t=5.5mm)	AR				
30	0573100754	WASHER (t=4.0mm)	AR				
	N1b031						

TB1140 Book No. BN1Z002 S/N 51410002-
TRAVEL LEVER & SWING PEDAL

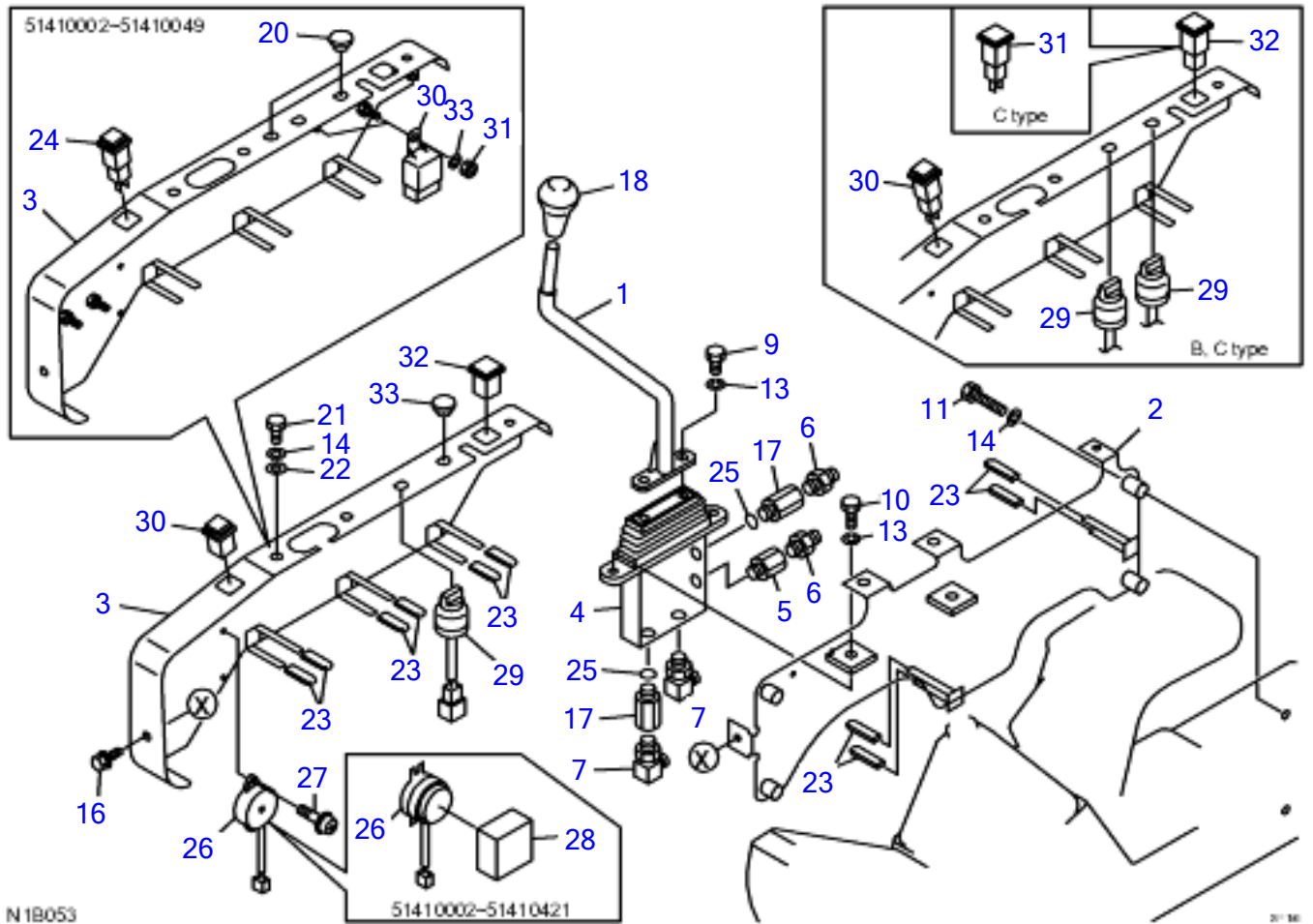


N1B041

2013

TRAVEL LEVER & SWING PEDAL

Item	Part number	Description	Q'ty	Chan.	Serial No.	Serv.	Remarks
		LEVER ASSY, control					X05732-00000-4
1	0563228050	BRACKET	1				
2	0563226200	COVER	2				
4	0563226300	LEVER (L.H.)	1				
5	0563226400	LEVER (R.H.)	1				
6	0573200060	COVER	1				
7	0563219700	REST, foot	1				
8	0563226600	PEDAL (L.H.)	1				
9	0563226700	PEDAL (R.H.)	1				
10	0573200070	SHEET	1				
11	0563218500	COVER	1				
12	0573200050	PEDAL	1				
13	0563228070	BRACKET	1				
14	0573200040	BRACKET	1				
16	1100040680	BOLT	1				
17	1100040814	BOLT	4				
18	1100040820	BOLT	12				
19	1110041016	BOLT	4				
20	1110041025	SCREW, cap	4				
21	1130040006	NUT	2				
22	1131040012	NUT	2				
23	1140020008	WASHER, spring	16				
24	1141110008	WASHER	12				
25	1225110006	WASHER, conical	2				
26	1512373014	TEE	2				
	1512373014	TEE	1				
	1420010110	* O-RING	1				
27	1513370046	ADAPTOR (with filter)	2				
	1420010110	* O-RING	1				
29	1515100136	ELBOW	1				
	1420010110	* O-RING	1				
30	1515010130	ELBOW	7				
	1420010110	* O-RING	1				
32	1650202610	GRIP	1				
33	1650203210	GRIP (with switch)	1				
34	1901743800	VALVE, remote control	1				
	1901754700	REMOTE CONTROL VALVE	1				
35	1901735000	VALVE, remote control	1				
36	1100041020	BOLT	4				
37	1140020010	SPRING WASHER	4				
38	1513390035	TEE	1				
39	1512370029	NIPPLE	1				
	1420010110	* O-RING	1				
	N1b041						

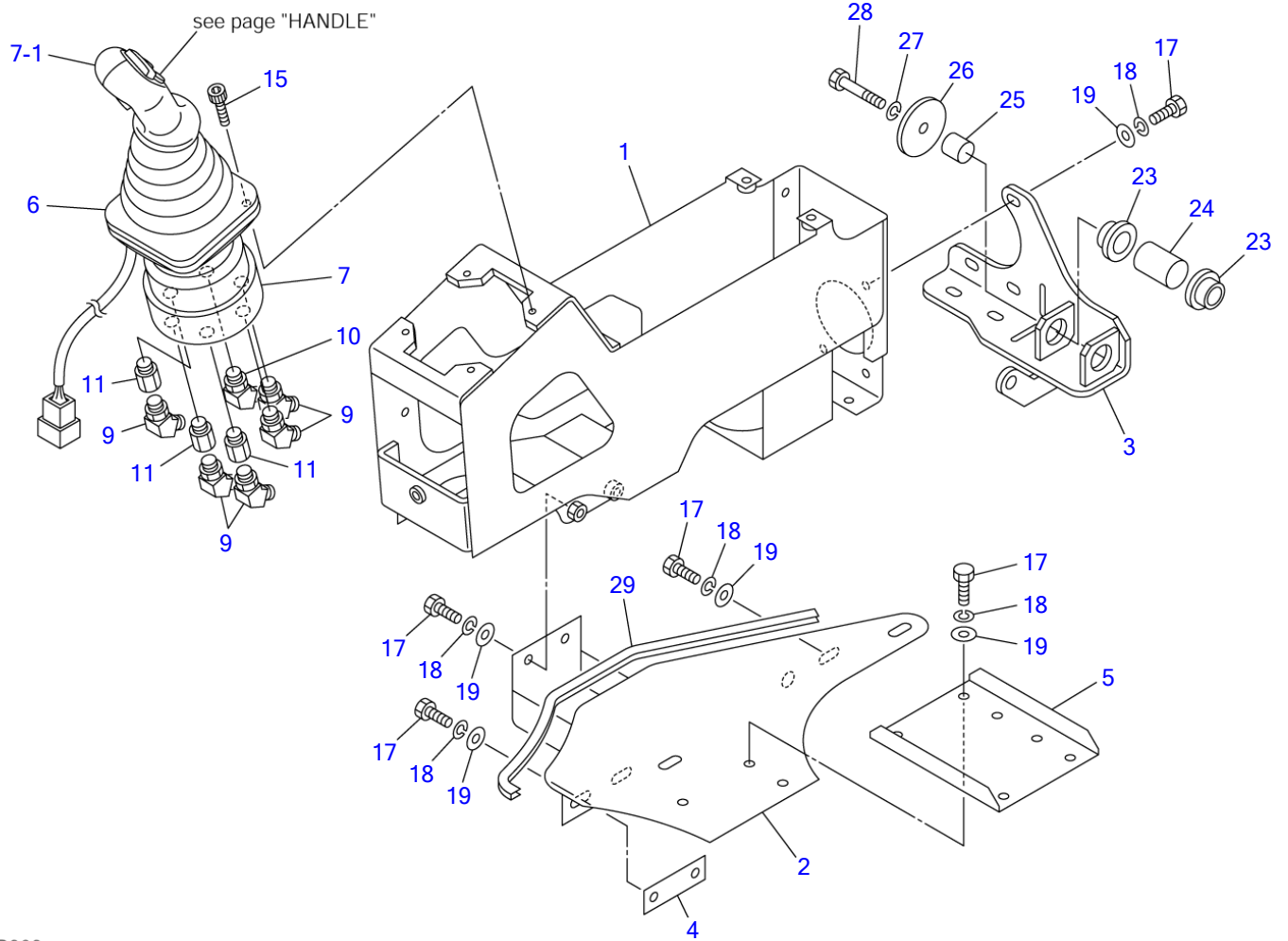


DOZER BLADE LEVER

Item	Part number	Description	Q'ty	Chan.	Serial No.	Serv.	Remarks
		LEVER ASSY, blade					X05733-00600-0
1	0573300010	LEVER	1				
2	0573300020	BRACKET	1				
3	0573300030	COVER	1	(L)	51410002~51410049		
	0573300040	COVER	1		51410050~	M	
4	1901745400	VALVE, remote control	1				
5	1513370046	ADAPTOR (with filter)	1				
	1420010110	· O-RING	1				
6	1515600571	ADAPTOR	2				
	1420010110	· O-RING	1				
7	1515010130	ELBOW	2				
	1420010110	· O-RING	1				
9	1100040814	BOLT	4				
10	1100040820	BOLT	2				
11	1100090835	BOLT	4				
13	1140020008	WASHER, spring	4				
14	1140090008	WASHER, spring	6				
16	1100560612	BOLT	2				
17	0007213028	BUSHING	2				
	1420010110	* O-RING	1				
18	1650153655	GRIP	1				
20	1652533019	CAP	2		51410002~51410049		
21	1100090816	BOLT	2				
22	1141190008	WASHER	2				
23	0872433150	TUBE	10				
24	1700550031	LAMP, pilot	1		51410002~51410049		
25	1420010110	O-RING	2				
26	1730140490	BUZZER	1				
	0573300610	BUZZER	1				
27	1150420310	SCREW	2				
28	0564232950	INSULATOR	1				
29	1700000019	SWITCH, rotary	1				
	1700000019	ROTARY SWITCH	2				
30	1711900049	RELAY	2		51410002~51410049		
	1700550031	PILOT LAMP (RED)	1				
31	1130040006	NUT	2		51410002~51410049		
	1700550033	PILOT LAMP (GREEN)	1				
32	1700550024	ORNAMENT	1		51410002~51410049		
33	1140020006	WASHER, spring	2		51410002~51410049		
	1652533019	CAP	1				

<<NOTE>>
A TYPE
STANDARD & WITH 2ND
AUX LINE
B TYPE
WITH SHUT-OFF VALVE &
OVERLOAD WARNING
DEVICE
C TYPE
WITH SHUT-OFF VALVE &
OVERLOAD WARNING
DEVICE
& 2ND, 4TH AUX LINE

N1b053



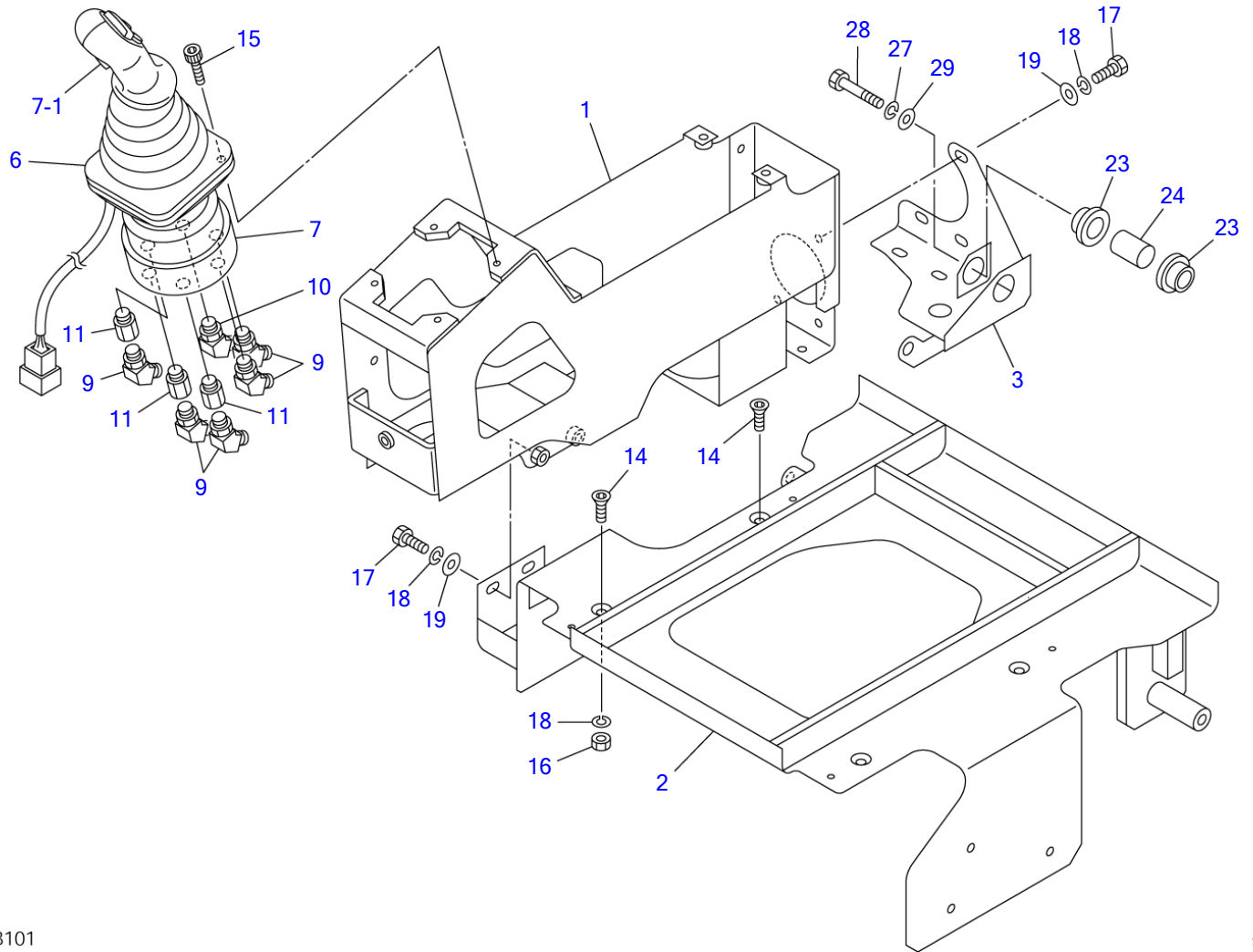
N0B060

S=1/6

OPERATION LEVER & STAND (R.H.)

Item	Part number	Description	Q'ty	Chan.	Serial No.	Serv.	Remarks
		VALVE ASSY (R.H.)					X05751-00000-3
1	0575100200	BOX, console (R.H.)	1				
2	0565104000	BRACKET (R.H.)	1				
3	0565114200	BRACKET (R.H.)	1				
4	0565103800	PLATE	1				
5	0565104200	PLATE	1				
6	0881510020	BOOT	1				
7	1901743700	VALVE, pilot	1				
7-1	1901740402	• SWITCH, button	1				
9	1515100111	ELBOW	5				
	1420010140	• O-RING	1				
10	1512372001	ELBOW (with filter)	1				
	1420010110	• O-RING	1				
11	0007213023	ADAPTOR	3				
	1420010140	• O-RING	1				
15	1110040630	SCREW, cap	4				
17	1100090820	BOLT	13				
18	1140090008	WASHER, spring	13				
19	1141190008	WASHER	13				
23	0565102405	BEARING	2				
24	0565103810	SPACER	1				
25	0565103820	SPACER	1				
26	0565103830	RETAINER	1				
27	0565103840	WASHER, spring	1				
28	0565103850	BOLT	1				
29	1653916038	TRIM	1				sold by the meter
	N0b060						

TB1140 Book No. BN1Z002 S/N 51410002-
OPERATION LEVER & STAND (R.H.) (with air suspension)



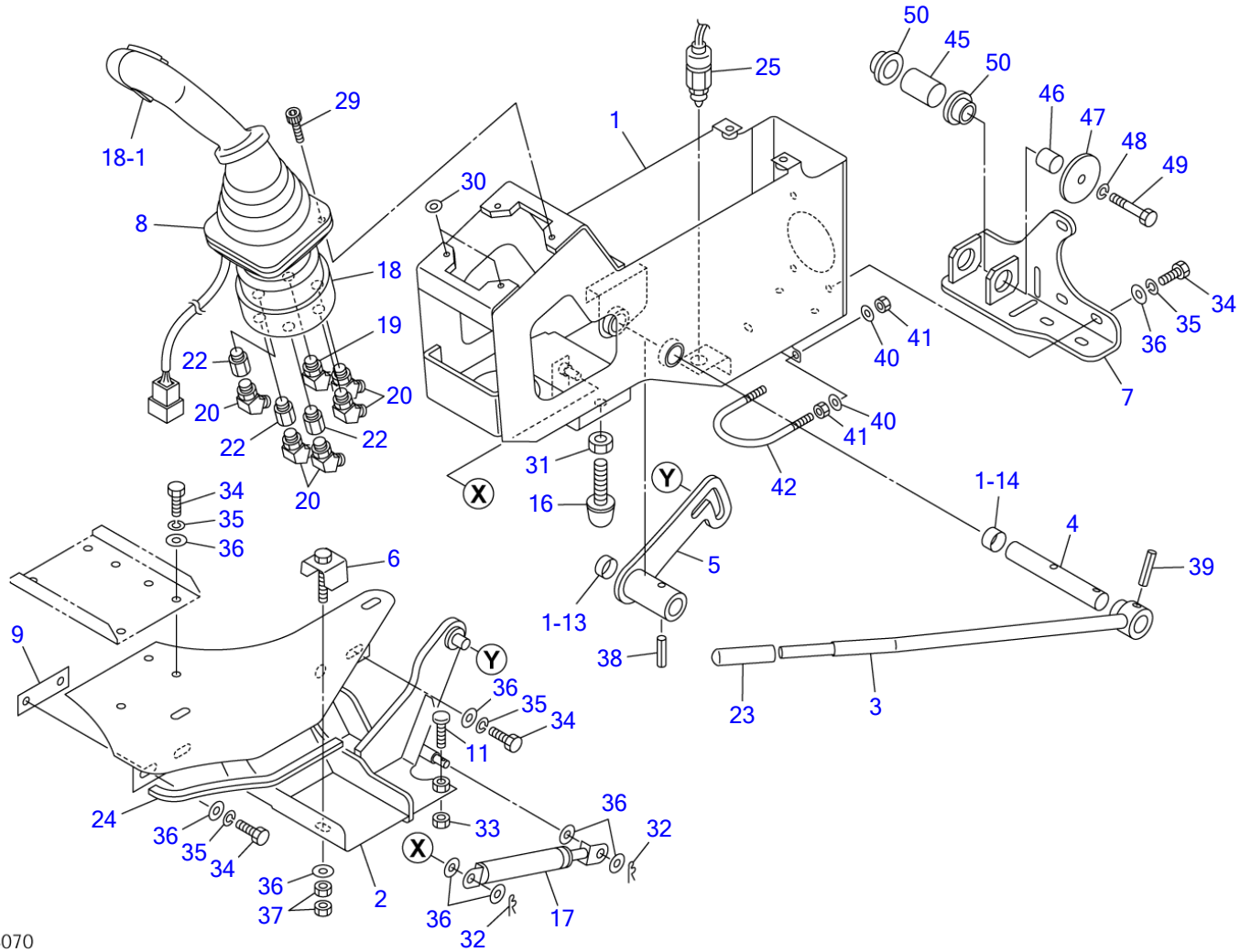
NOB101

S=1/6

OPERATION LEVER & STAND (R.H.) (with air suspension)

Item	Part number	Description	Q'ty	Chan.	Serial No.	Serv.	Remarks
		VALVE ASSY (R.H.)					X05751-00500-3
1	0575100200	BOX, console (R.H.)	1				
2	0575100540	BRACKET (R.H.)	1				
3	0575100530	BRACKET (R.H.)	1				
6	0881510020	BOOT	1				
7	1901743700	VALVE, pilot	1				
7-1	1901740402	• SWITCH, button	1				
9	1515100111	ELBOW	5				
	1420010140	• O-RING	1				
10	1512372001	ELBOW (with filter)	1				
	1420010110	• O-RING	1				
11	0007213023	ADAPTOR	3				
	1420010140	• O-RING	1				
14	1120800816	SCREW, cap	4				
15	1110040630	SCREW, cap	4				
16	1130040008	NUT	2				
17	1100090820	BOLT	8				
18	1140090008	WASHER, spring	10				
19	1141190008	WASHER	8				
23	0565102405	BEARING	2				
24	0575100536	SPACER	1				
27	1140020012	WASHER, spring	1				
28	1101041225	BOLT	1				
29	1141110012	WASHER	1				
	N1b060						

TB1140 Book No. BN1Z002 S/N 51410002-
OPERATION LEVER & STAND (L.H.)



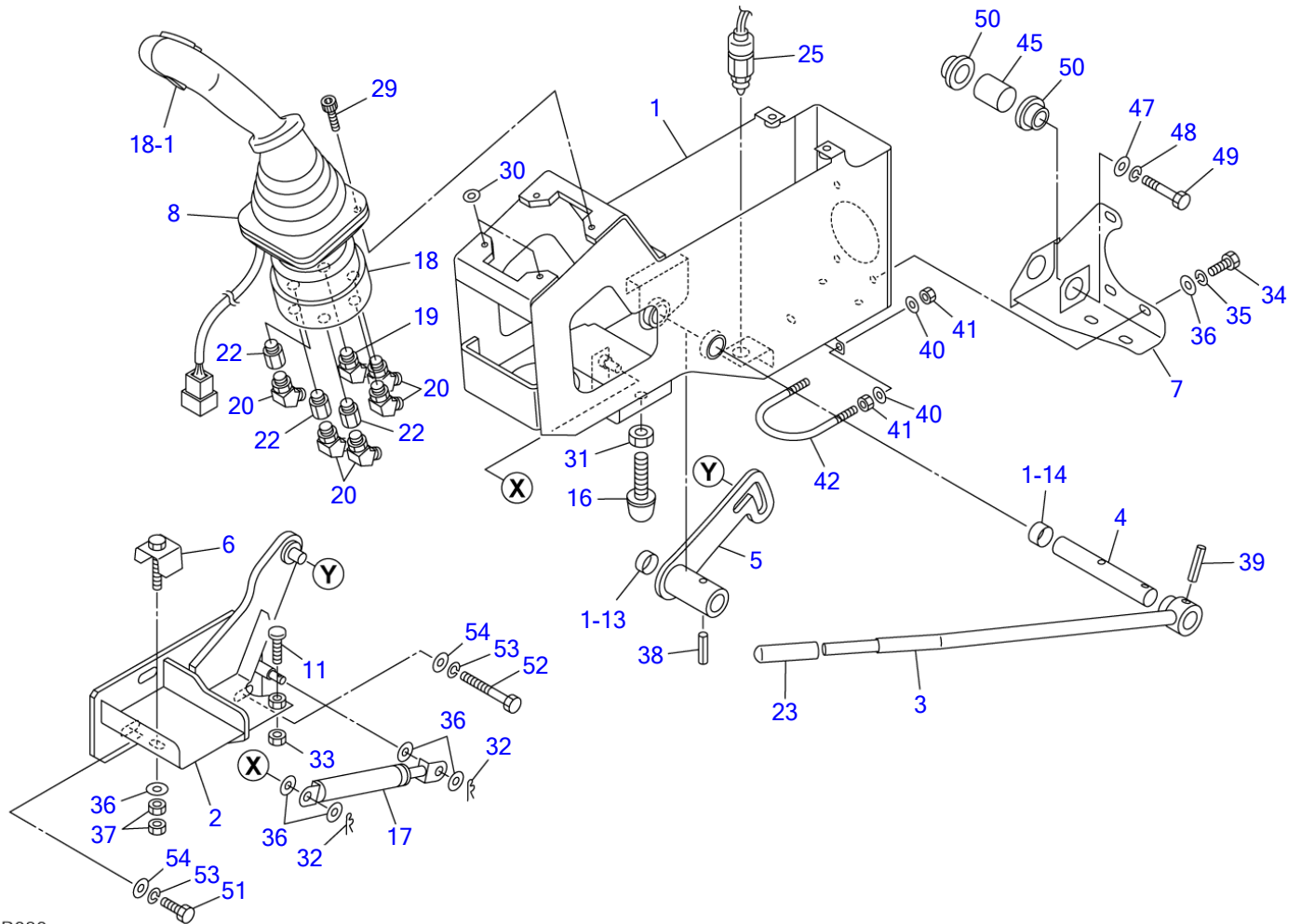
N1B070

S=1/7

OPERATION LEVER & STAND (L.H.)

Item	Part number	Description	Q'ty	Chan.	Serial No.	Serv.	Remarks
		VALVE ASSY (L.H.)					X05751-00100-4
1	0575100700	BOX, console (L.H.)	1				
1-13	1333002010	• BUSHING	1				
1-14	1333002015	• BUSHING	1				
2	0565113250	BRACKET	1				
3	0575100110	LEVER	1				
	056115300	LEVER	1				
4	0565115310	SHAFT	1				
5	0565125300	PLATE (L.H.)	1				
6	0565115320	GUIDE	1				
7	0565115400	BRACKET	1				
8	0881510020	BOOT	1				
9	0565103800	PLATE	1				
11	0335120970	BOLT	1				
16	1651101225	STOPPER	2				
17	1653900057	SPRING, gas	1				
18	1901743600	VALVE, pilot	1				
18-1	1901740402	• SWITCH, button	1				
19	1512372001	ELBOW (with filter)	1				
	1420010110	• O-RING	1				
20	1515100111	ELBOW	5				
	1420010140	• O-RING	1				
22	0007213023	ADAPTOR	3				
	1420010140	• O-RING	1				
23	1650202300	CAP	1				
24	1653916022	TRIM	1				sold by the meter
25	1700000033	SWITCH, limit	1				
29	1110040630	SCREW, cap	4				
30	0003600090	WASHER	2				
31	1130040012	NUT	2				
32	1214000008	PIN, snap	2				
33	1130040010	NUT	1				
34	1100090820	BOLT	11				
35	1140090008	WASHER, spring	11				
36	1141190008	WASHER	16				
37	1130090008	NUT	2				
38	1213000832	PIN, spring	1				
39	1213000836	PIN, spring	1				
40	1141190006	WASHER	4				
41	1130090006	NUT	4				
42	1533207020	U-BOLT	1				
45	0565103810	SPACER	1				
46	0565115060	SPACER	1				
47	0565103830	RETAINER	1				
48	0565103840	WASHER, spring	1				
49	0565103850	BOLT	1				
50	0565102405	BEARING	2				
	N1b071						

TB1140 Book No. BN1Z002 S/N 51410002-
OPERATION LEVER & STAND (L.H.) (with air suspension)

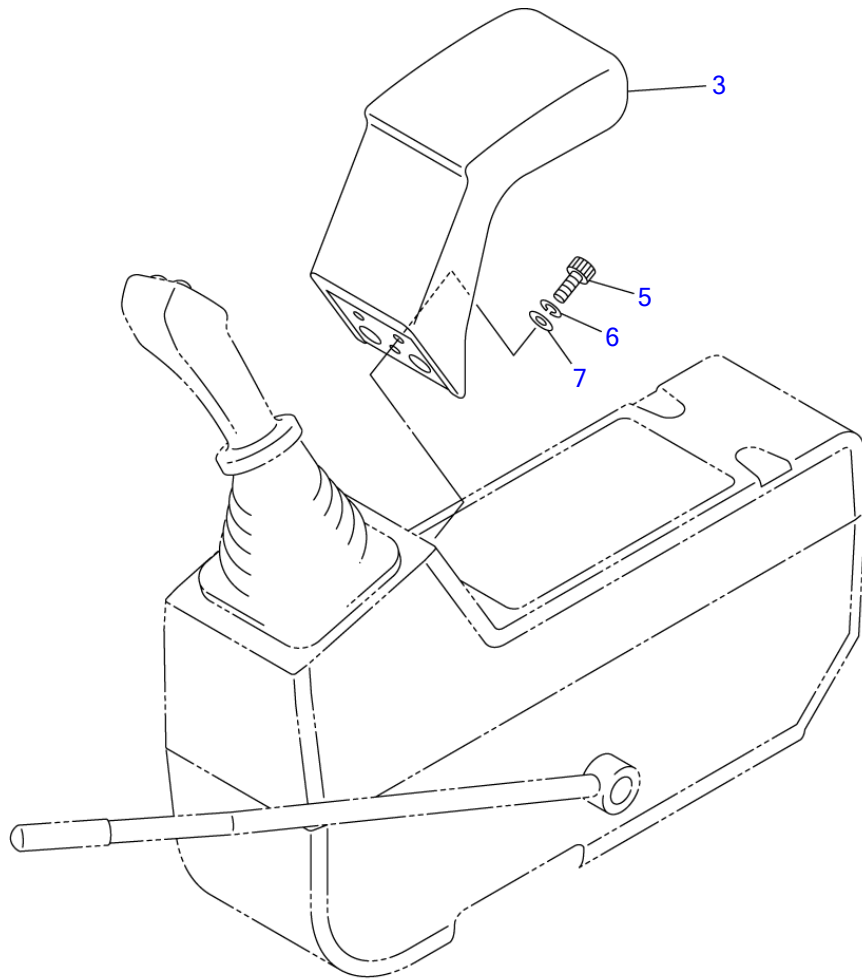


N1B080

S=1/7

OPERATION LEVER & STAND (L.H.) (with air suspension)

Item	Part number	Description	Q'ty	Chan.	Serial No.	Serv.	Remarks
		VALVE ASSY (L.H.)					X05751-00600-3
1	0575100700	BOX, console (L.H.)	1				
1-13	1333002010	• BUSHING	1				
1-14	1333002015	• BUSHING	1				
2	0575100640	BRACKET (L.H.)	1				
3	0575100110	LEVER	1				
	0565115300	LEVER	1				
4	0565115310	SHAFT	1				
5	0565125300	PLATE (L.H.)	1				
6	0565115320	GUIDE	1				
7	0575100630	BRACKET (L.H.)	1				
8	0881510020	BOOT	1				
11	0335120970	BOLT	1				
16	1651101225	STOPPER	2				
17	1653900057	SPRING, gas	1				
18	1901743600	VALVE, pilot	1				
18-1	1901740402	• SWITCH, button	1				
19	1512372001	ELBOW (with filter)	1				
	1420010110	• O-RING	1				
20	1515100111	ELBOW	5				
	1420010140	• O-RING	1				
22	0007213023	ADAPTOR	3				
	1420010140	• O-RING	1				
23	1650202300	CAP	1				
25	1700000033	SWITCH, limit	1				
29	1110040630	SCREW, cap	4				
30	0003600090	WASHER	2				
31	1130040012	NUT	2				
32	1214000008	PIN, snap	2				
33	1130040010	NUT	1				
34	1100090820	BOLT	6				
35	1140090008	WASHER, spring	6				
36	1141190008	WASHER	11				
37	1130090008	NUT	2				
38	1213000832	PIN, spring	1				
39	1213000836	PIN, spring	1				
40	1141190006	WASHER	4				
41	1130090006	NUT	4				
42	1533207020	U-BOLT	1				
45	0575100536	SPACER	1				
47	1141110012	WASHER	1				
48	1140020012	WASHER, spring	1				
49	1101041225	BOLT	1				
50	0565102405	BEARING	2				
51	1100041025	BOLT	2				
52	1100041065	BOLT	1				
53	1140020010	WASHER, spring	3				
54	1141110010	WASHER	3				
	N1b081						



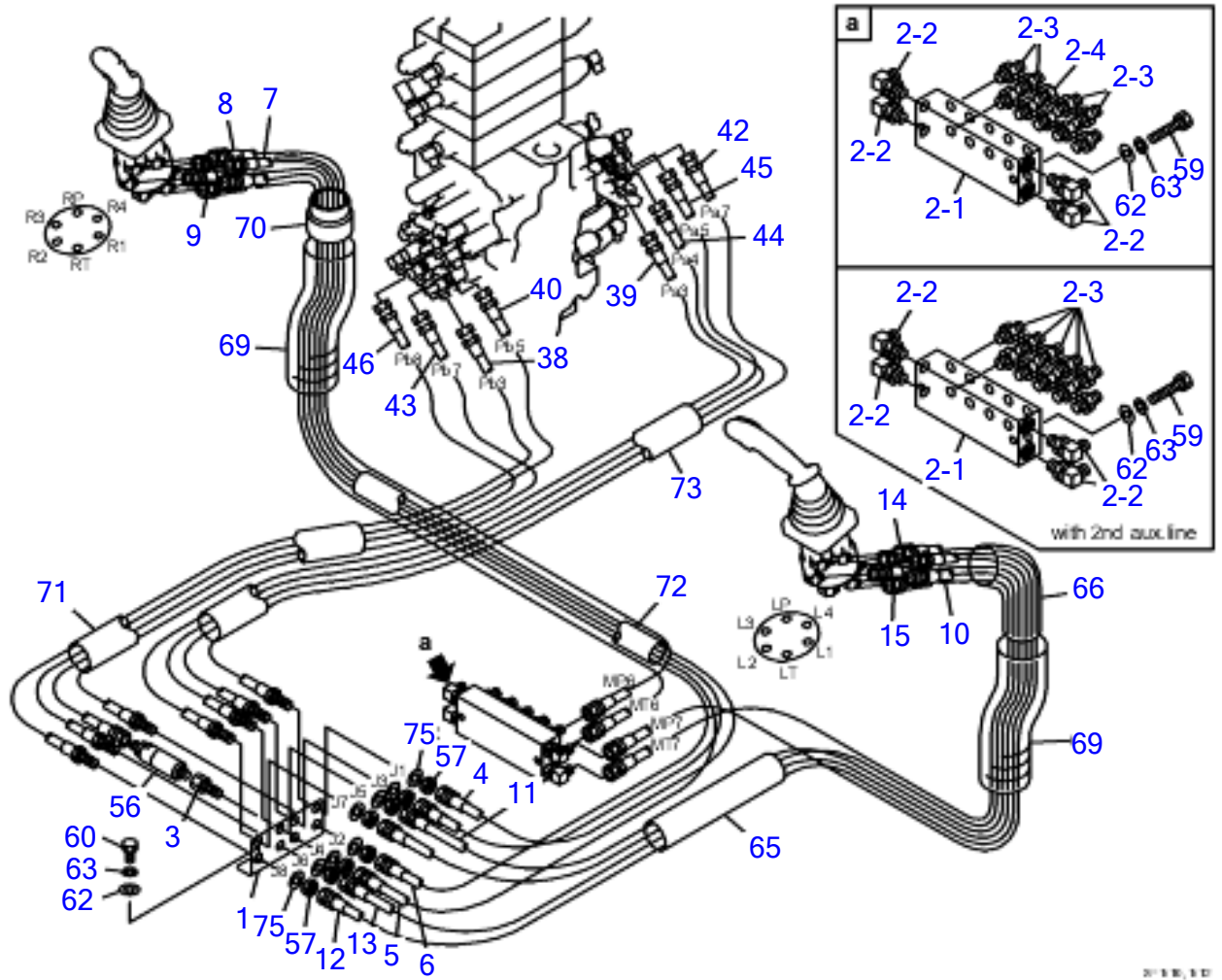
L3B090

S=1/5

ARM REST

Item	Part number	Description	Q'ty	Chan.	Serial No.	Serv.	Remarks
		REST ASSY, arm					X05636-00000-2
3	0563600300	REST, arm	1				
5	1110090820	SCREW, cap	3				
6	1140490008	WASHER, spring	3				
7	1141190008	WASHER	3				
	L3b090						

TB1140 Book No. BN1Z002 S/N 51410002-
 PIPING; OPERATION LEVER (1/2) (ISO pattern)



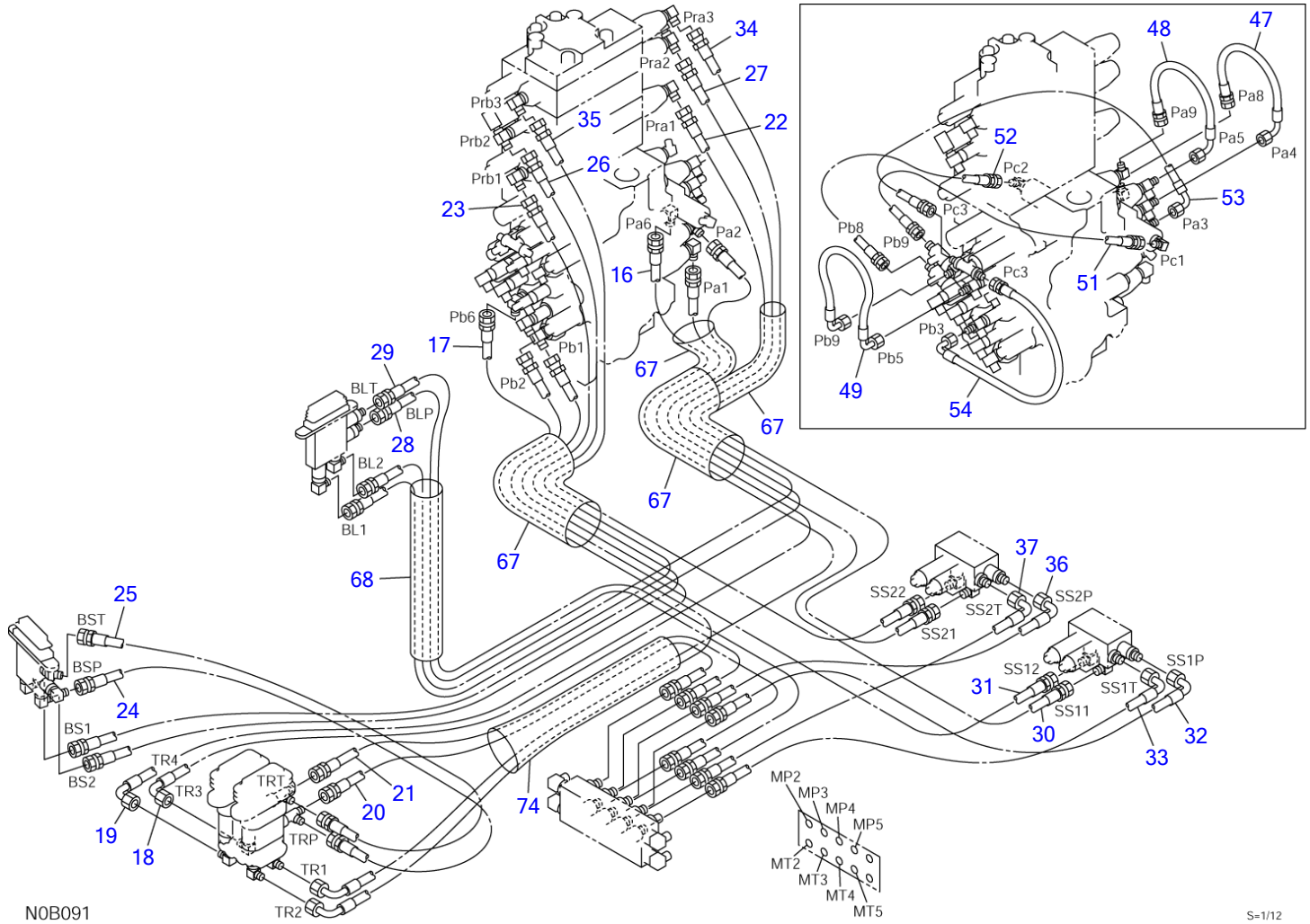
N1B090

2013.05.01

PIPING; OPERATION LEVER (1/2) (ISO pattern)

Item	Part number	Description	Q'ty	Chan.	Serial No.	Serv.	Remarks
		PIPING ASSY					X05771-05000-6
		PIPING ASSY (with 2nd aux. line)					X05771-05500-6
1	0577105010	BRACKET	1				
2	0577102020	MANIFOLD ASSY	1				standerd
	0577101020	MANIFOLD ASSY	1				with 2nd aux. line
2-1	0577101021	· MANIFOLD	1				
2-2	1515010041	· ELBOW	4				
	1420010140	· · O-RING	1				
2-3	1515600201	· ADAPTOR	8				standerd
	1420010140	· · O-RING	1				
	1515600201	· ADAPTOR	10				with 2nd aux. line
	1420010140	· · O-RING	1				
2-4	1501750003	· PLUG	2				standerd
	1420010140	· · O-RING	1				
3	0577101030	ADAPTOR	1				
4	0577105040	HOSE ASSY	1				18010-23175
5	0577101050	HOSE ASSY	1				18010-23185
6	0577105060	HOSE ASSY	1				18010-23175
7	0577101070	HOSE ASSY	1				18010-23185
8	0577101080	HOSE ASSY	1				18010-23132
9	0577101090	HOSE ASSY	1				18010-23134
10	0577101100	HOSE ASSY	1				18010-23165
11	0577101110	HOSE ASSY	1				18010-23155
12	0577101120	HOSE ASSY	1				18010-23165
13	0577101130	HOSE ASSY	1				18010-23165
14	0577101140	HOSE ASSY	1				18010-23112
15	0577101150	HOSE ASSY	1				18010-23114
38	0577101550	HOSE ASSY	1				
39	0577101560	HOSE ASSY	1				
40	0577101570	HOSE ASSY	1				
42	0577101420	HOSE ASSY	1				
43	0577101430	HOSE ASSY	1				
44	0577101440	HOSE ASSY	1				
45	0577101450	HOSE ASSY	1				
46	0577101460	HOSE ASSY	1				18010-23138
56	1901744700	VALVE, shock-less	1				
57	0007200154	NUT	8				
59	1100041060	BOLT	2				
60	1100041020	BOLT	2				
62	1141110010	WASHER	2				
63	1140020010	WASHER, spring	4				
65	1531350030	PROTECTOR	1				sold by the meter
66	1531350050	PROTECTOR	1				sold by the meter
69	1567526545	PROTECTOR	2				sold by the meter
70	1567536500	CUFF	1				
71	1531360080	PROTECTOR	1				
72	1531350080	PROTECTOR	1				sold by the meter
73	1531360100	PROTECTOR	2				sold by the meter
75	1141110018	WASHER	8				
	N1b091						

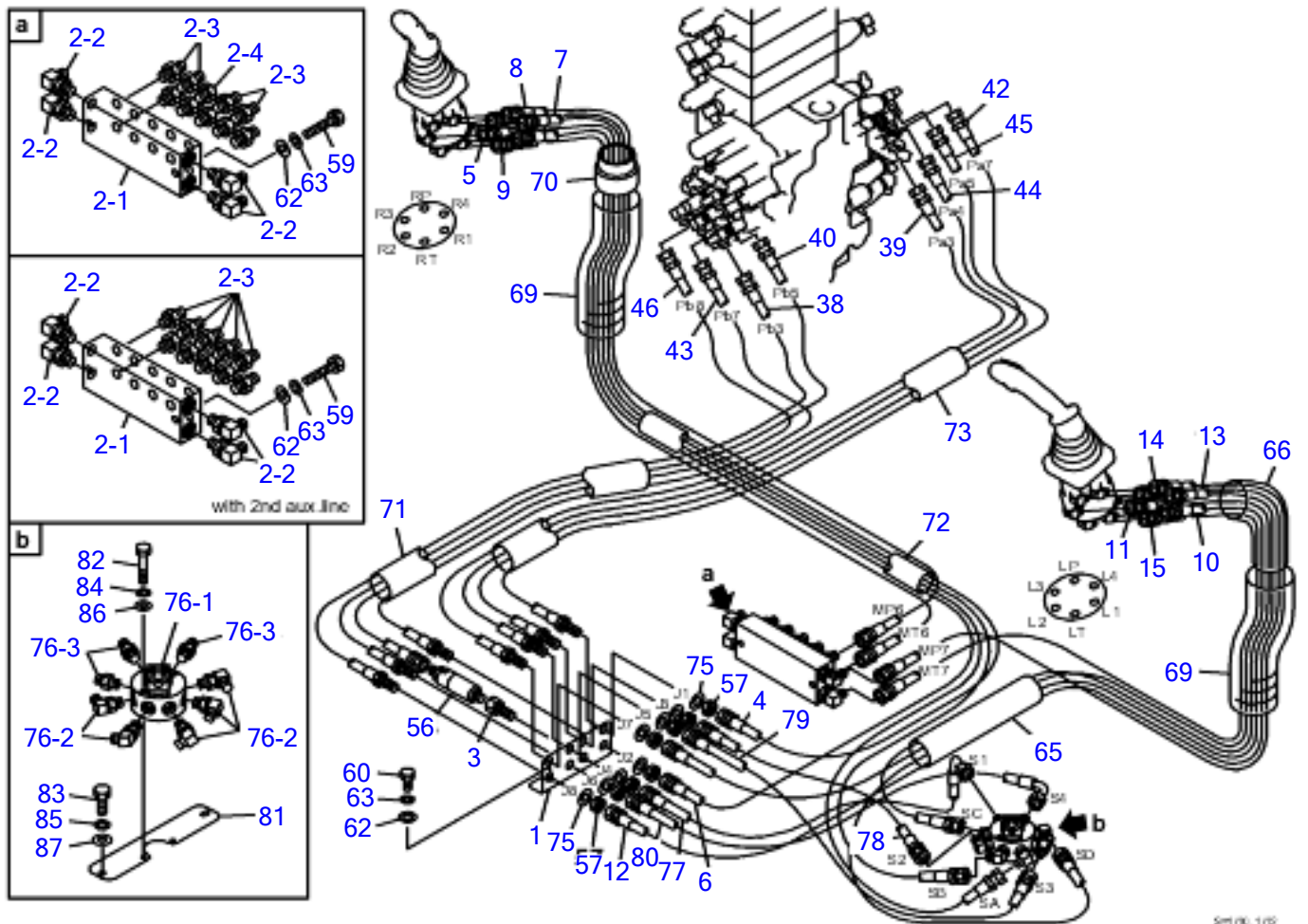
TB1140 Book No. BN1Z002 S/N 51410002-
 PIPING; OPERATION LEVER (2/2) (ISO pattern)



PIPING; OPERATION LEVER (2/2) (ISO pattern)

Item	Part number	Description	Q'ty	Chan.	Serial No.	Serv.	Remarks
		PIPING ASSY					X05771-05000-6
		PIPING ASSY (with 2nd aux. line)					X05771-05500-6
16	0577101160	HOSE ASSY	1				18010-53195
17	0577101170	HOSE ASSY	1				18010-53175
18	0577101180	HOSE ASSY	1				18010-53185
19	0577101190	HOSE ASSY	1				18010-53170
20	0577101200	HOSE ASSY	1				18010-23088
21	0577101210	HOSE ASSY	1				18010-23090
22	0577101220	HOSE ASSY	1				18010-23205
23	0577101230	HOSE ASSY	1				18010-23175
24	0577101240	HOSE ASSY	1				18010-23065
25	0577101250	HOSE ASSY	1				18010-23065
26	0577101260	HOSE ASSY	1				18010-23155
27	0577101270	HOSE ASSY	1				18010-23175
28	0577101280	HOSE ASSY	1				18010-23114
29	0577101290	HOSE ASSY	1				18010-23122
30	0577101300	HOSE ASSY	1				18010-23160
31	0577101310	HOSE ASSY	1				18010-23126
32	0577101320	HOSE ASSY	1				18010-53058
33	0577101330	HOSE ASSY	1				18010-53056
34	0577101340	HOSE ASSY (18010-23180)	1				with 2nd aux. line
35	0577101350	HOSE ASSY (18010-23150)	1				with 2nd aux. line
36	0577101360	HOSE ASSY (18010-53040)	1				with 2nd aux. line
37	0577101370	HOSE ASSY (18010-53036)	1				with 2nd aux. line
47	0577101470	HOSE ASSY	1				18010-52054
48	0577101480	HOSE ASSY	1				18010-52040
49	0577100020	HOSE ASSY	1				
51	0577101510	HOSE ASSY	1				18010-22076
52	0577101520	HOSE ASSY	1				18010-22048
53	0577101530	HOSE ASSY	1				18010-52090
54	0577101540	HOSE ASSY	1				18010-52036
67	1531360020	PROTECTOR	4				sold by the meter
68	1567525045	PROTECTOR	1				sold by the meter
74	1531360050	PROTECTOR	1				sold by the meter
	N1B110						

TB1140 Book No. BN1Z002 S/N 51410002-
 PIPING; OPERATION LEVER (1/2) (A-G pattern)

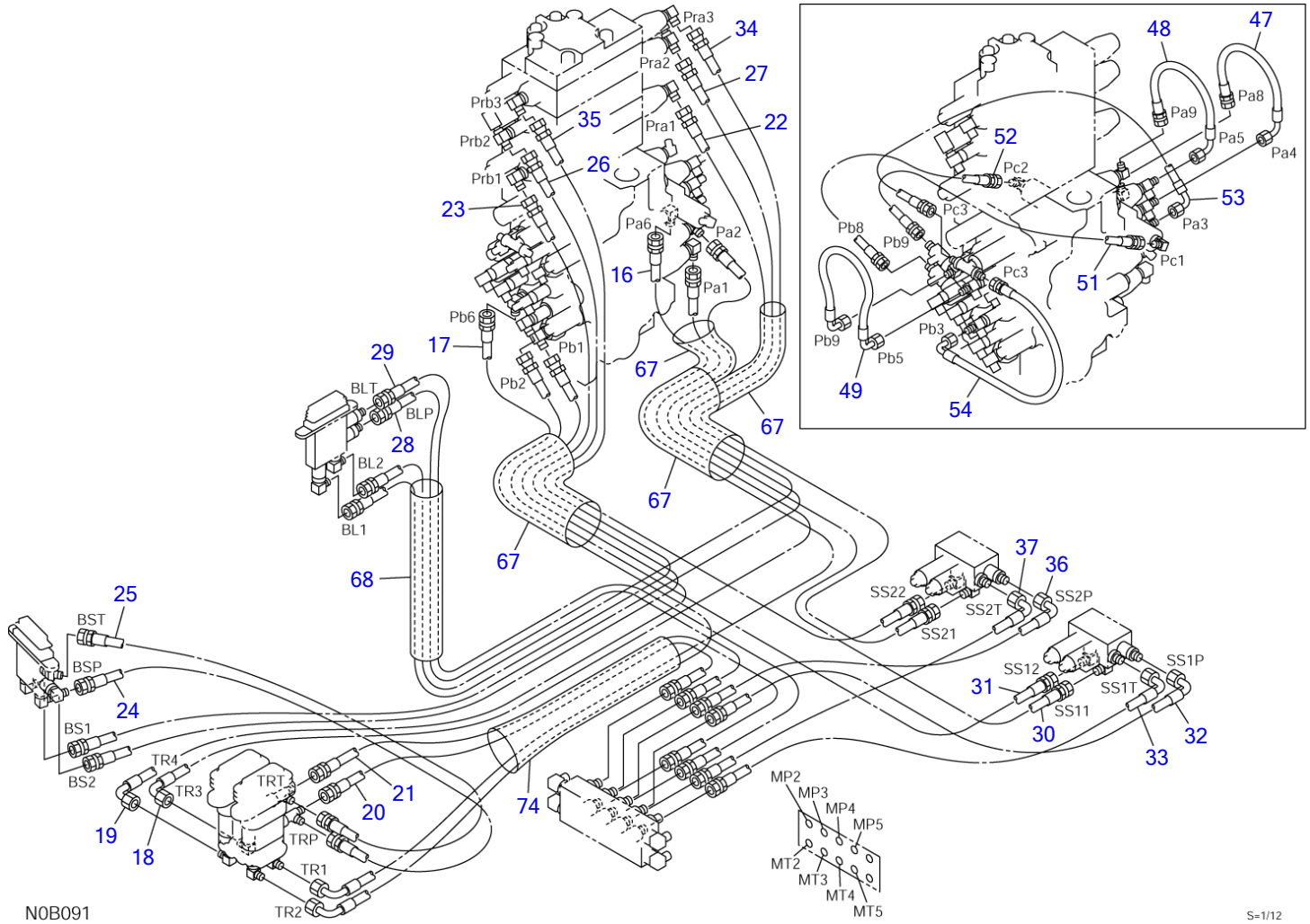


SM/RB, 1/05

PIPING; OPERATION LEVER (1/2) (A-G pattern)

Item	Part number	Description	Q'ty	Chan.	Serial No.	Serv.	Remarks
		PIPING ASSY					X05771-06000-7
		PIPING ASSY (with 2nd aux. line)					X05771-06500-7
1	0577105010	BRACKET	1				
2	0577102020	MANIFOLD ASSY	1				standerd
	0577101020	MANIFOLD ASSY	1				with 2nd aux. line
2-1	0577101021	· MANIFOLD	1				
2-2	1515010041	· ELBOW	4				
	1420010140	· · O-RING	1				
2-3	1515600201	· ADAPTOR	8				standerd
	1420010140	· · O-RING	1				
	1515600201	· ADAPTOR	10				with 2nd aux. line
	1420010140	· · O-RING	1				
2-4	1501750003	· PLUG	2				standerd
	1420010140	· · O-RING	1				
3	0577101030	ADAPTOR	1				
4	0577105040	HOSE ASSY	1				18010-23175
5	0577103050	HOSE ASSY	1				18010-23205
6	0577105060	HOSE ASSY	1				18010-23175
7	0577103070	HOSE ASSY	1				18010-23195
8	0577101080	HOSE ASSY	1				18010-23132
9	0577101090	HOSE ASSY	1				18010-23134
10	0577101100	HOSE ASSY	1				18010-23165
11	0577103110	HOSE ASSY	1				18010-23155
12	0577101120	HOSE ASSY	1				18010-23165
13	0577103130	HOSE ASSY	1				18010-23190
14	0577101140	HOSE ASSY	1				18010-23112
15	0577101150	HOSE ASSY	1				18010-23114
38	0577101550	HOSE ASSY	1				
39	0577101560	HOSE ASSY	1				
40	0577101570	HOSE ASSY	1				
42	0577101420	HOSE ASSY	1				
43	0577101430	HOSE ASSY	1				
44	0577101440	HOSE ASSY	1				
45	0577101450	HOSE ASSY	1				
46	0577101460	HOSE ASSY	1				18010-23138
56	1901744700	VALVE, shock-less	1				
57	0007200154	NUT	8				
59	1100041060	BOLT	2				
60	1100041020	BOLT	2				
62	1141110010	WASHER	2				
63	1140020010	WASHER, spring	4				
65	1531350030	PROTECTOR	1				sold by the meter
66	1531350050	PROTECTOR	1				sold by the meter
69	1567526545	PROTECTOR	2				sold by the meter
70	1567536500	CUFF	1				
71	1531360080	PROTECTOR					
72	1531350080	PROTECTOR	1				sold by the meter
73	1531360100	PROTECTOR	2				sold by the meter
75	1141110018	WASHER	8				
76	X *****	VALVE ASSY, selector	1				X05771-03760-0
76-1	1901730500	· VALVE, selector	1				
76-2	1515010130	· ELBOW	5				
	1420010110	· · O-RING	1				
76-3	1515600571	· ADAPTOR	3				
	1420010110	· · O-RING	1				
77	0577103770	HOSE ASSY	1				18010-53032
78	0577103780	HOSE ASSY	1				18010-23031
79	0577103790	HOSE ASSY	1				18010-23054
80	0577103800	HOSE ASSY	1				18010-53034
81	0377103300	PLATE	1				
82	1100040650	BOLT	2				
83	1100040820	BOLT	2				
84	1140020006	WASHER, spring	2				
85	1140020008	WASHER, spring	2				
86	1141110006	WASHER	2				
87	1141110008	WASHER	2				
	N1b101						

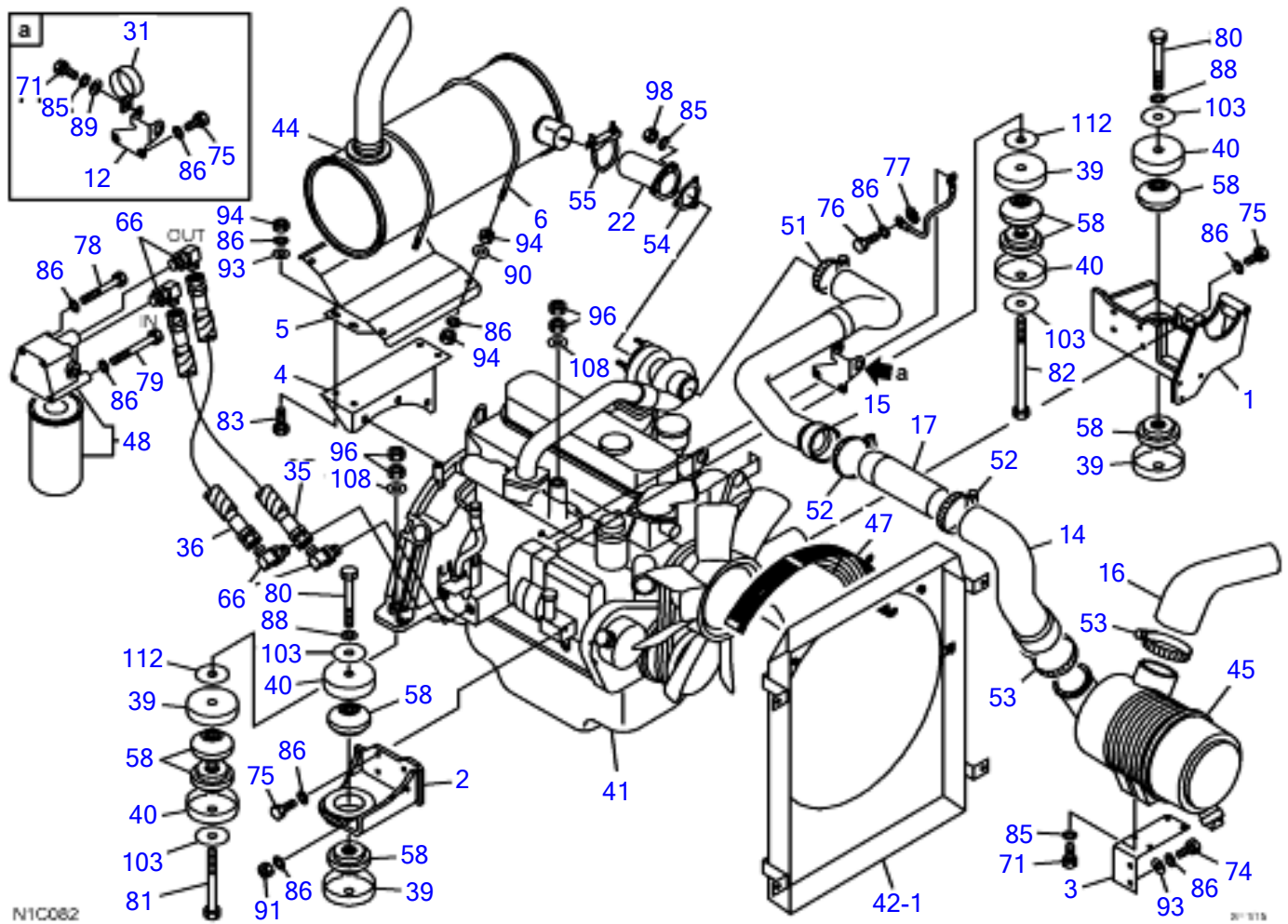
TB1140 Book No. BN1Z002 S/N 51410002-
 PIPING; OPERATION LEVER (2/2) (A-G pattern)



S=1/12

PIPING; OPERATION LEVER (2/2) (A-G pattern)

Item	Part number	Description	Q'ty	Chan.	Serial No.	Serv.	Remarks
		PIPING ASSY					X05771-06000-7
		PIPING ASSY (with 2nd aux. line)					X05771-06500-7
16	0577101160	HOSE ASSY	1				18010-53195
17	0577101170	HOSE ASSY	1				18010-53175
18	0577101180	HOSE ASSY	1				18010-53185
19	0577101190	HOSE ASSY	1				18010-53170
20	0577101200	HOSE ASSY	1				18010-23088
21	0577101210	HOSE ASSY	1				18010-23090
22	0577101220	HOSE ASSY	1				18010-23205
23	0577101230	HOSE ASSY	1				18010-23175
24	0577101240	HOSE ASSY	1				18010-23065
25	0577101250	HOSE ASSY	1				18010-23065
26	0577101260	HOSE ASSY	1				18010-23155
27	0577101270	HOSE ASSY	1				18010-23175
28	0577101280	HOSE ASSY	1				18010-23114
29	0577101290	HOSE ASSY	1				18010-23122
30	0577101300	HOSE ASSY	1				18010-23160
31	0577101310	HOSE ASSY	1				18010-23126
32	0577101320	HOSE ASSY	1				18010-53058
33	0577101330	HOSE ASSY	1				18010-53056
34	0577101340	HOSE ASSY (18010-23180)	1				with 2nd aux. line
35	0577101350	HOSE ASSY (18010-23150)	1				with 2nd aux. line
36	0577101360	HOSE ASSY (18010-53040)	1				with 2nd aux. line
37	0577101370	HOSE ASSY (18010-53036)	1				with 2nd aux. line
47	0577101470	HOSE ASSY	1				18010-52054
48	0577101480	HOSE ASSY	1				18010-52040
49	0577100020	HOSE ASSY	1				
51	0577101510	HOSE ASSY	1				18010-22076
52	0577101520	HOSE ASSY	1				18010-22048
53	0577101530	HOSE ASSY	1				18010-52090
54	0577101540	HOSE ASSY	1				18010-52036
67	1531360020	PROTECTOR	4				sold by the meter
68	1567525045	PROTECTOR	1				sold by the meter
74	1531360050	PROTECTOR	1				sold by the meter
	N1B120						



N1C082

201118

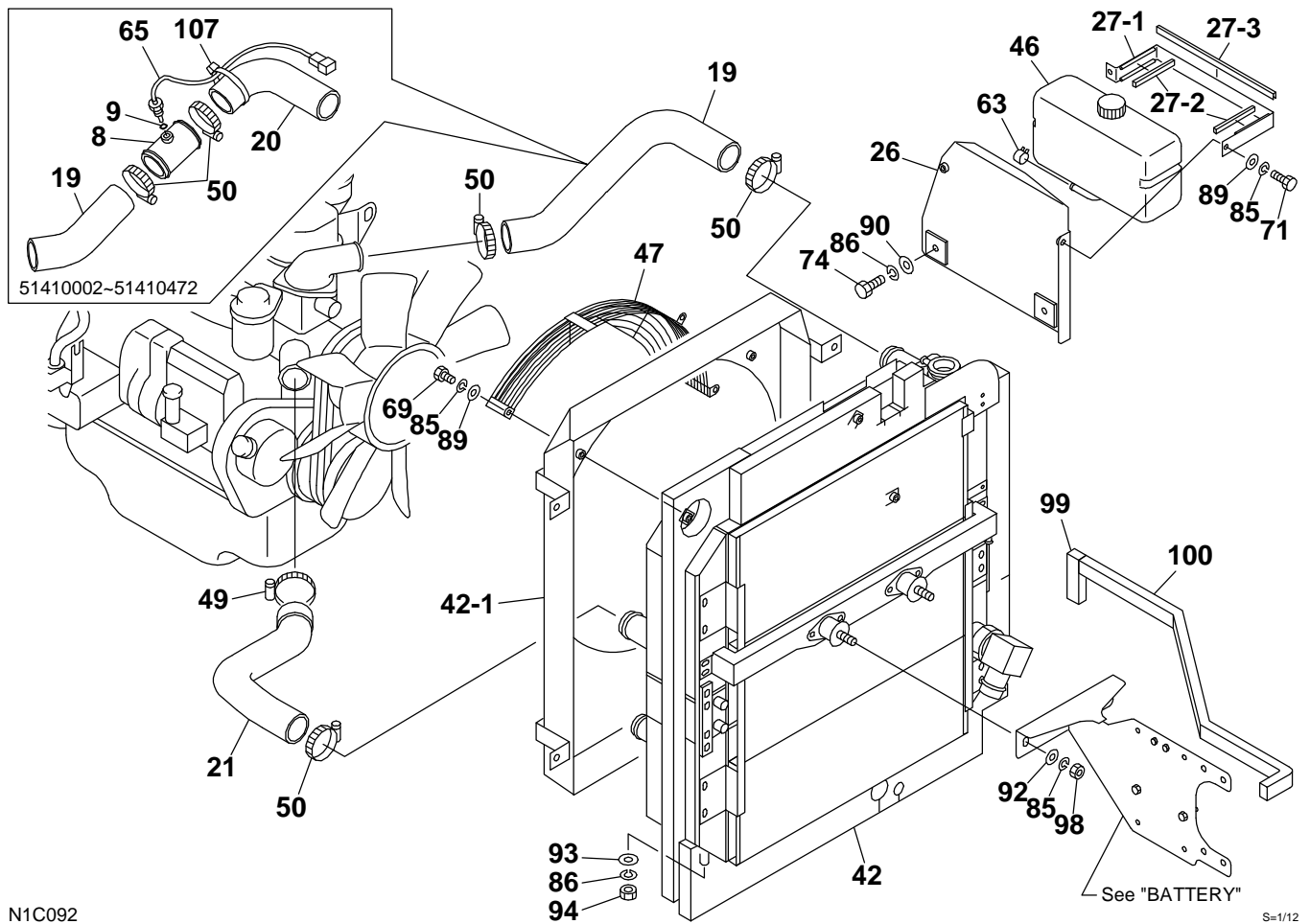
ENGINE & ACCESSORIES (1/3)

Item	Part number	Description	Q'ty	Chan.	Serial No.	Serv.	Remarks
		ENGINE ASSY					X05740-02000-8
1	0574000100	FOOT, engine (F.L.)	1				
2	0574000110	FOOT, engine (F.R.)	1				
3	0574000120	BRACKET	1				
4	0574000130	BRACKET	1				
5	0574000140	BRACKET	1				
6	0574000150	U-BOLT	2				
12	0574000540	HOOK	1				
14	0574002230	HOSE	1				
15	0574000240	HOSE	1				
16	0574000250	HOSE	1				
17	0574002240	PIPE	1				
22	0574000310	PIPE	1				
31	0007300063	CLAMP	1				
35	0574000440	HOSE ASSY	1				
36	0574000700	HOSE ASSY	1				
39	0564017460	STOPPER	4				
40	0564017470	STOPPER	4				
41	1910219001	ENGINE	1	A	51410002~51410013		ISUZU BB-4BG1TRE
	1910255001	ENGINE	1	a	51410014~	M	ISUZU BB-4BG1TRE
42-1	0574002250	SHROUD	1	a	51410014~		
44	1910219005	SILENCER	1				ISUZU F-10807004-F
45	1910188007	CLEANER, air	1				ISUZU F-10507005-F
47	0574002270	GUARD	1	a	51410014~		
48	1910188032	FILTER, oil	1				ISUZU 8-97324386-0
51	1533700081	BAND	1				
52	1533700096	BAND	2				
53	1533700113	BAND	2				
54	1910188030	GASKET	1				ISUZU 8-94369021-0
55	1533300063	CLAMP	1				
58	1651030010	RUBBER, cushion	8				
66	1515010043	ELBOW	4				
	1420010240	· O-RING	1				
71	1100040820	BOLT	5				
74	1100041025	BOLT	2				
75	1101041025	BOLT	9				
76	1100041014	BOLT	1				
77	1140330010	WASHER	1				
78	1100141010	BOLT	2				
79	1100141040	BOLT	2				
80	1101141640	BOLT	2				
81	1101141675	BOLT	1				
82	1101441665	BOLT	1				
83	1100041030	BOLT	4				
85	1140020008	WASHER, spring	7				
86	1140020010	WASHER, spring	25				
88	1140020016	WASHER, spring	2				
89	1141110008	WASHER	1				
90	1141110010	WASHER	4				
91	1130540010	NUT	1				
93	0003600020	WASHER	6				
94	1130040010	NUT	9				
96	1130540016	NUT	4				
98	1130040008	NUT	3				
103	0881400210	WASHER	4				
108	1141550016	WASHER	2				
112	0003600167	SHIM	2				

<<NOTE>>
 "A" is interchangeable
 with SET "a".

N1c082

**TB1140 (P-T1140BBB) BN1Z003 S/N 51410002-
ENGINE & ACCESSORIES (2/3)**

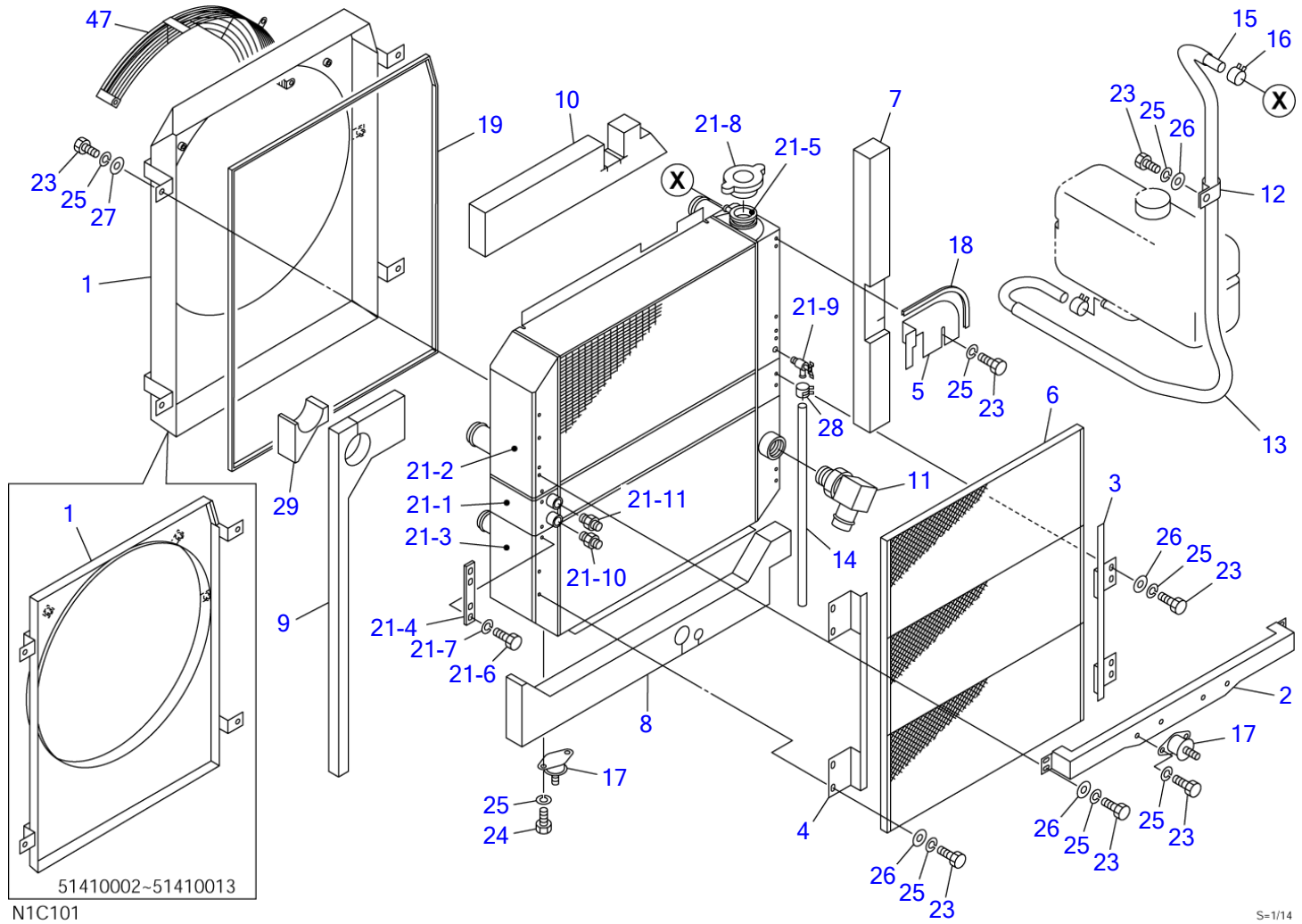


N1C092

S=1/12

ENGINE & ACCESSORIES (2/3)

Item	Part number	Description	Q'ty	Chan.	Serial No.	Serv.	Remarks
		ENGINE ASSY					X05740-02000-8
8	0574000175	JOINT	1				
9	1420000100	O-RING	1				
19	0574002190	HOSE	1				
	0574004019	HOSE	1				
20	0574002200	HOSE	1				
21	0574002220	HOSE	1				
26	0574000350	BRACKET	1				
27	0574000650	HOLDER ASSY	1				
27-1	0574000360	· HOLDER	1				
27-2	1654318010	· SPONGE	2				sold by the meter
27-3	1654601030	· TRIM	1				sold by the meter
42	X *****	RADIATOR ASSY	1				see page (3/3) X05740-02100-5
42-1	0574002110	SHROUD	1	A	51410002~51410013		
	0574002250	SHROUD	1	a	51410014~		
46	1910188020	TANK, sub	1				ISUZU 1-21480029-1
47	0574002180	GUARD	1	A	51410002~51410013		
	0574002270	GUARD	1	a	51410014~		
49	1533700071	BAND	1				
50	1533700061	BAND	6				
63	1533120011	BAND	1				
65	1700100046	SENSOR	1				
69	1100040816	BOLT	4				
71	1100040820	BOLT	2				
74	1100041025	BOLT	2				
85	1140020008	WASHER, spring	8				
86	1140020010	WASHER, spring	4				
89	1141110008	WASHER	6				
90	1141110010	WASHER	2				
92	0003608252	WASHER	2				
93	0003600020	WASHER	2				
94	1130040010	NUT	2				
98	1130040008	NUT	2				
99	0574002175	SPONGE	1				
100	0574002176	SPONGE	1				
107	1652231250	BAND	1				
		<<NOTE>> SET "A" is interchangeable with SET "a".					
	N1c092						

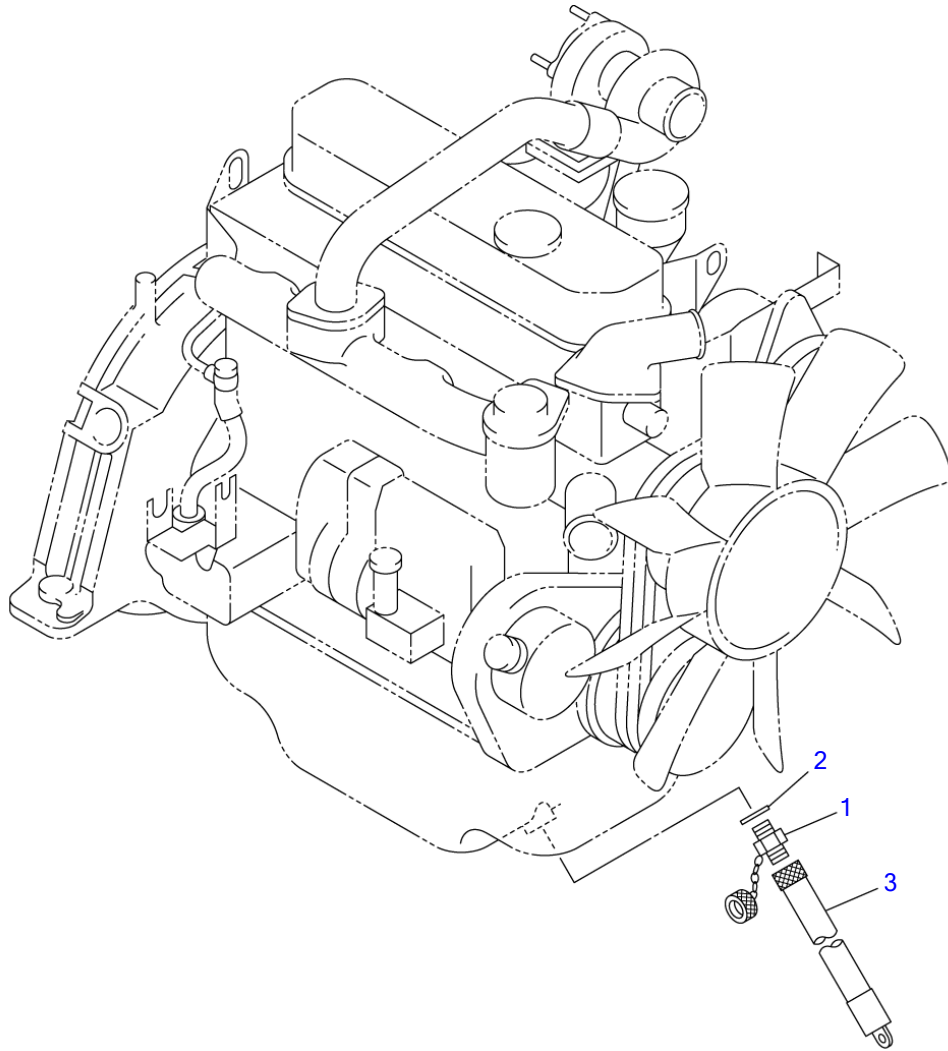


ENGINE & ACCESSORIES (3/3)

Item	Part number	Description	Q'ty	Chan.	Serial No.	Serv.	Remarks
0-42	0574002100	RADIATOR ASSY	1				X05740-02100-5
1	0574002110	• SHROUD	1	A	51410002~51410013		
	0574002250	• SHROUD	1	a	51410014~		
2	0574002120	• BRACKET	1				
3	0574002130	• PLATE	1				
4	0574002140	• PLATE	1				
5	0574002150	• PLATE	1				
6	0574002160	• NET	3				
7	0574002171	• SPONGE	1				
8	0574002172	• SPONGE	1				
9	0574002173	• SPONGE	1				
10	0574002174	• SPONGE	1				
11	1513350025	• ELBOW	1				
	1420010380	• • O-RING	1				
12	0007300050	• CLAMP	1				
13	1531115070	• PROTECTOR	1				sold by the meter
14	1531010060	• HOSE	1				sold by the meter
15	1531407090	• HOSE	1				sold by the meter
16	1533120011	• BAND	1				
17	1651024007	• RUBBER, cushion	4				
18	1654606025	• SEAL	1				sold by the meter
19	1654606280	• SEAL	1				sold by the meter
21	1911300190	• RADIATOR & OIL COOLER	1				
	1911300540	* RADIATOR & OIL COOLER	1				
21-1	1911300191	• • CONDENSER	1				
21-2	1911300192	• • RADIATOR	1				
	1911300542	* * RADIATOR	1				
21-3	1911300193	• • OIL COOLER	1				
21-4	1911300194	• • MOUNTING	4				
21-5	1911300076	• • FITTING, hose	1				
21-6	1100050825	• • BOLT	16				
21-7	1140020008	• • WASHER, spring	16				
21-8	1911300078	• • CAP, radiator	1				
21-9	1911300199	• • COCK, drain	1				
21-10	1911300196	• • ADAPTER	1				
21-11	1911300197	• • ADAPTER	1				
23	1100040820	• BOLT	24				
24	1100040816	• BOLT	4				
25	1140020008	• WASHER, spring	28				
26	1141550008	• WASHER	14				
27	0003609003	• WASHER	4				
28	1533120012	• BAND	1				
29	0574002177	• SPONGE	1				
47	0574002180	GUARD	1	A	51410002~51410013		
	0574002270	GUARD	1	a	51410014~		

<<NOTE>>
SET "A" is interchangeable
with SET "a".

N1c102

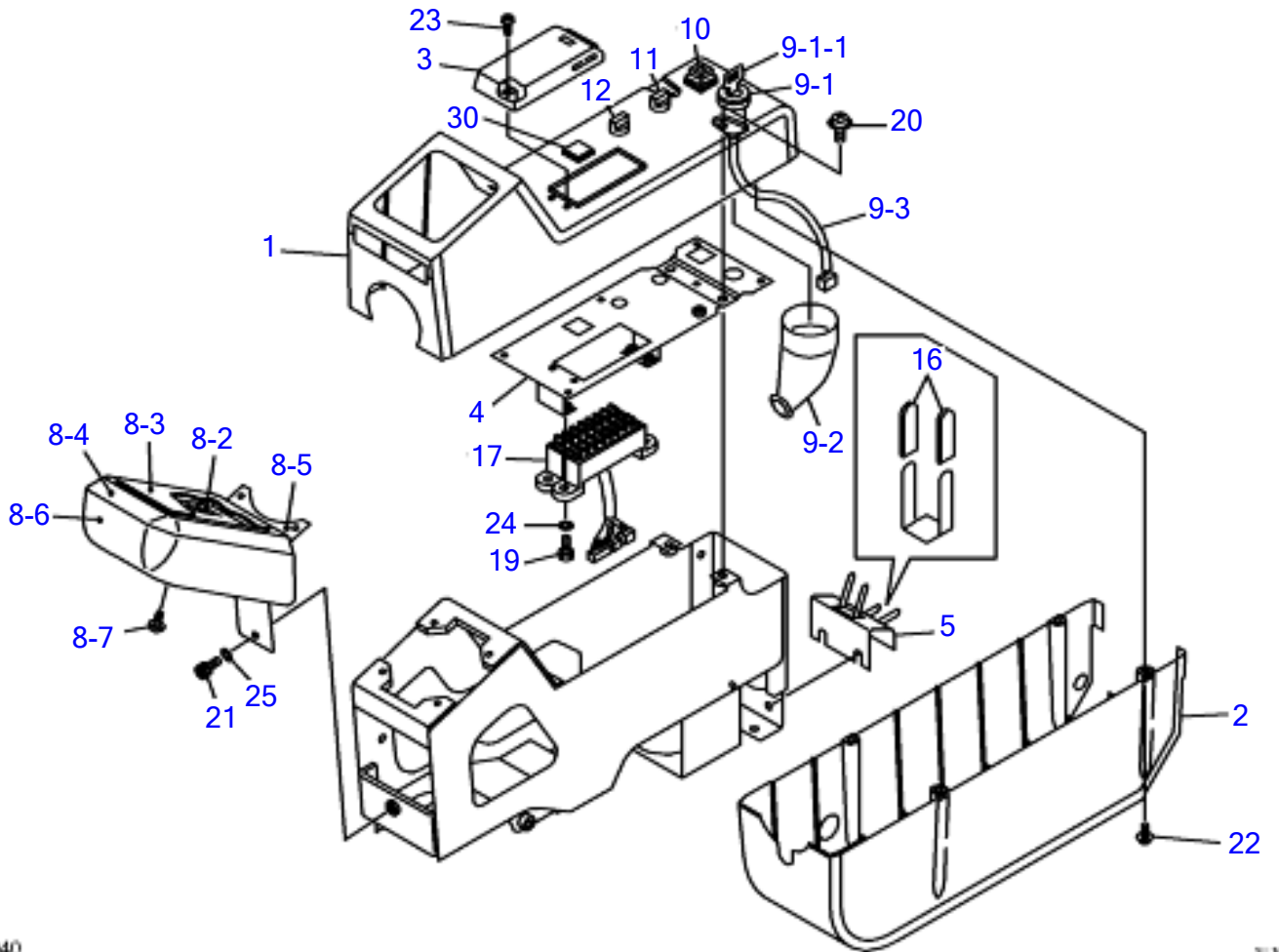


N0C040

S=1/8

DRAIN PLUG

Item	Part number	Description	Q'ty	Chan.	Serial No.	Serv.	Remarks
		PLUG ASSY, drain					X05740-01000-1
1	1554502050	PLUG	1				
2	1432120261	WASHER	1				
3	1554512600	TUBE	1				
	N0c041						

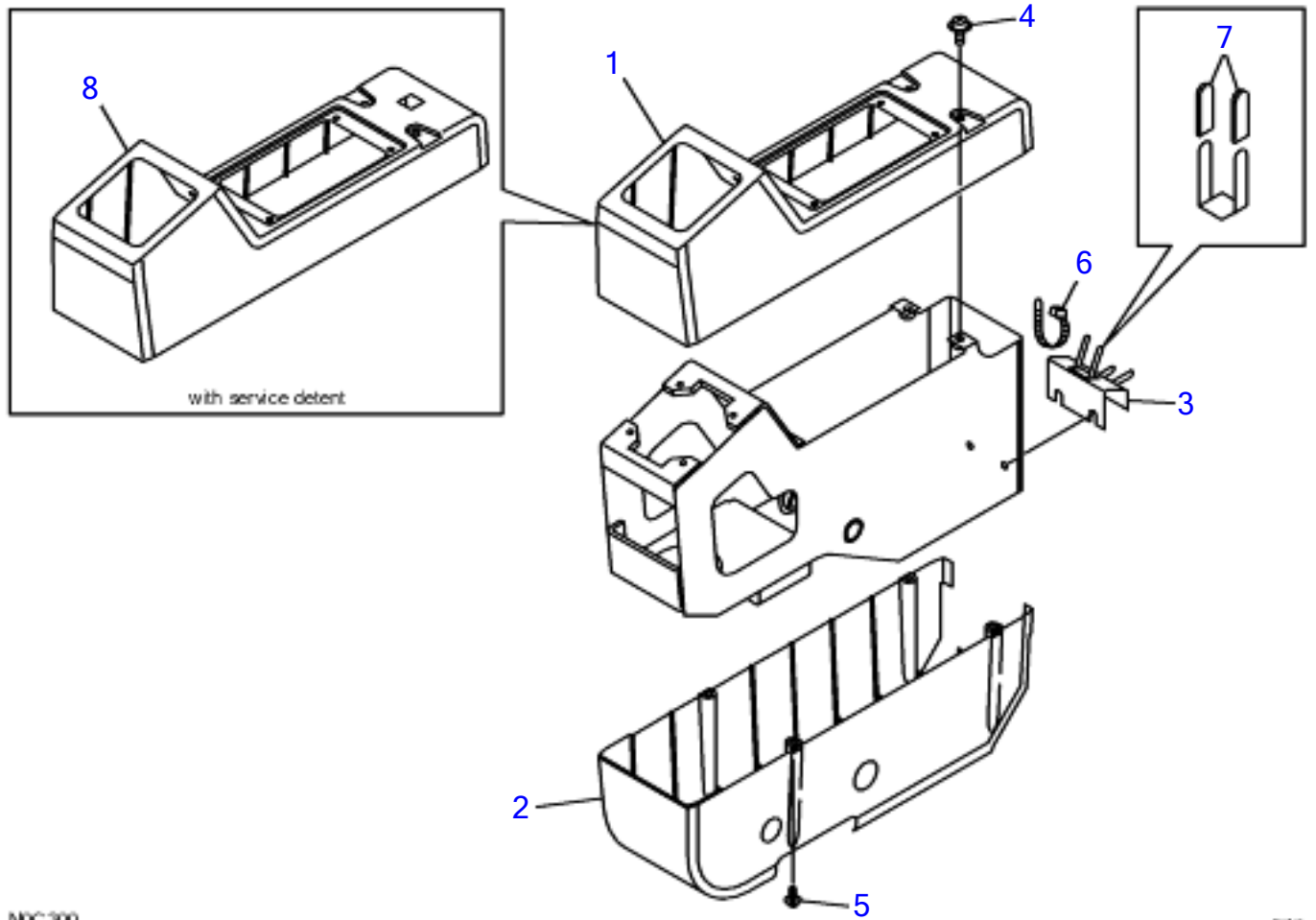


N6C040

3/1/17

CONTROL BOX (R.H.)

Item	Part number	Description	Q'ty	Chan.	Serial No.	Serv.	Remarks
		BOX ASSY, control (R.H.)					X05743-00500-1
1	0564318100	COVER (R.H.)	1				
2	0564318200	COVER	1				
3	0564318300	COVER	1				
4	0564323100	COVER (R.H.)	1				
5	0564320200	CLAMP (R.H.)	1				
8	1730141430	GAUGE, cluster	1				
	1730141930	CLUSTER GAUGE	1				
	1730142250	CLUSTER GAUGE	1				
8-2	1730141932	* PANEL	1				
	1730142252	* PANEL	1				
8-3	1730141933	* CASE	1				
	1730142253	* CASE	1				
8-4	1730141934	* VISOR	1				
	1730142254	* VISOR	1				
8-5	1730141935	* PLATE	1				
	1730142255	* PLATE	1				
8-6	1730141936	* COVER	1				
	1730142256	* COVER	1				
8-7	1730141937	* SCREW	11				
9	0574300520	SWITCH ASSY, key	1				
9-1	1700100023	▪ SWITCH, starter	1				
9-1-1	1700100019	▪ KEY	1				
9-2	0870431821	▪ COVER	1				
9-3	0574300530	▪ HARNESS, wiring	1				
10	1700000041	SWITCH, lamp	1			M	
	1709100099	* BULB	1				
11	1700000010	SWITCH, lamp	1				
12	1700000009	SWITCH, wiper	1				
16	0872433150	TUBE	4				
17	0574300510	BOX, fuse	1				
17-1	1701310005	* FUSE	5				
17-2	1701310010	* FUSE	8				
17-3	1701310020	* FUSE	3				
19	1100040614	BOLT	4				
20	1150420816	BOLT, sems	4				
21	1110090816	SCREW, cap	1				
22	1150120412	SCREW	4				
23	1122410314	SCREW	2				
24	1140020006	WASHER, spring	4				
25	1140490008	WASHER, spring	1				
30	1700550024	ORNAMENT	1				
	N1C240						

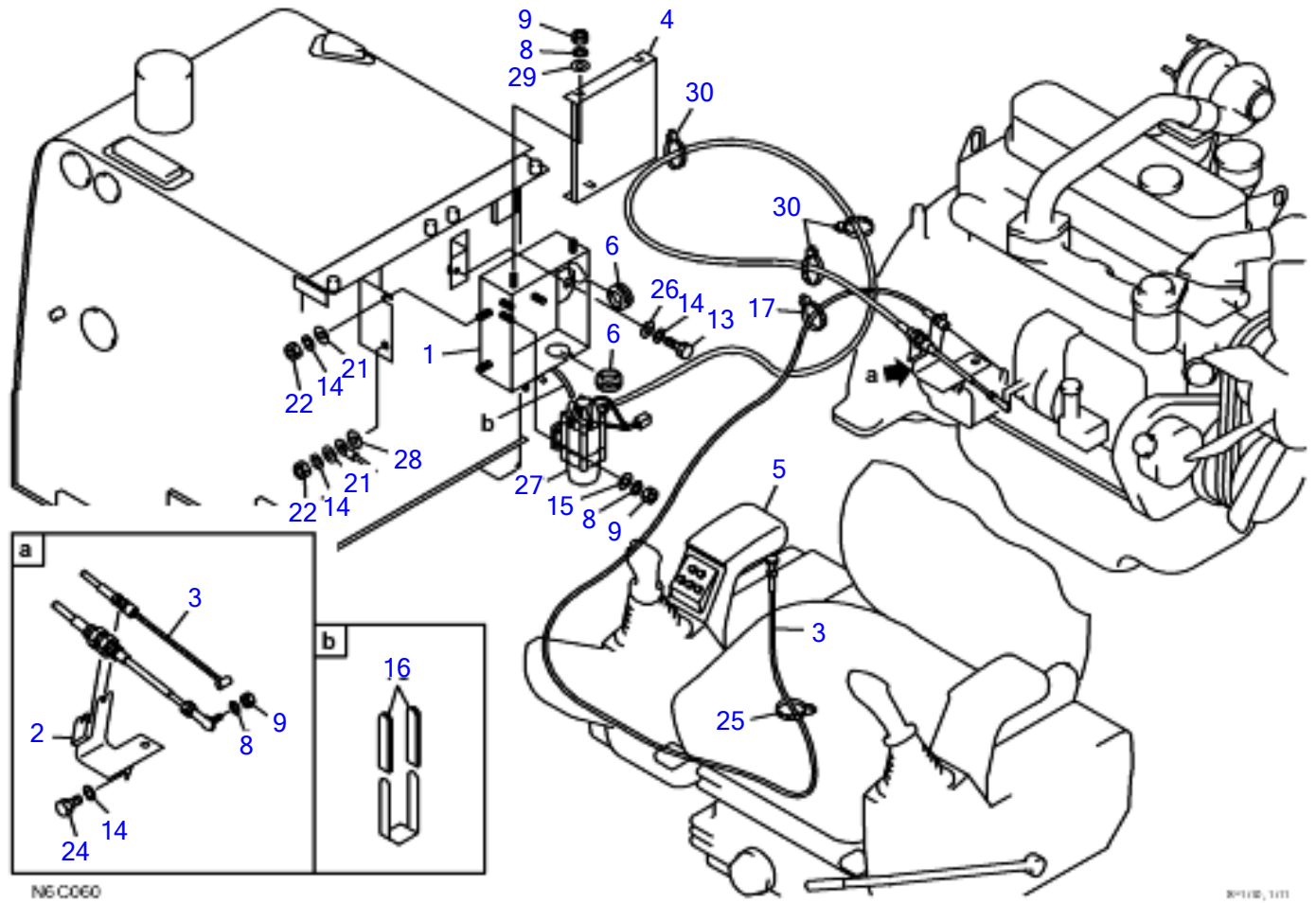


N0C300

201317

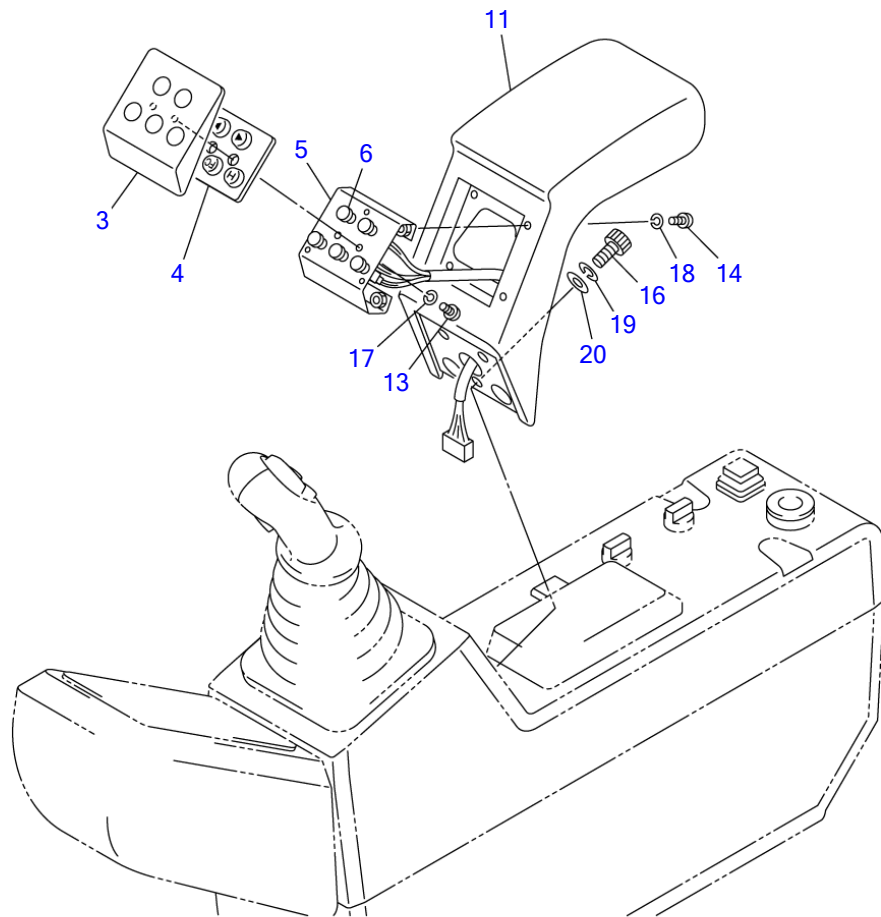
CONTROL BOX (L.H.)

Item	Part number	Description	Q'ty	Chan.	Serial No.	Serv.	Remarks
		BOX ASSY, control (L.H.)					X05643-30000-1
1	0564319100	COVER (L.H.)	1				
2	0564328100	COVER	1				
3	0564319300	CLAMP	1				
4	1150420816	BOLT, sems	4				
5	1150120412	SCREW	4				
6	1652231100	BAND	1				
7	0872433150	CLAMP	4				
8	0564257002	LH COVER	1				
	N0C300						



ENGINE CONTROL (1/2)

Item	Part number	Description	Q'ty	Chan.	Serial No.	Serv.	Remarks
		CONTROL ASSY, engine					X05741-01000-0
1	0574101100	BRACKET	1				
2	0574101050	BRACKET	1				
3	0574100200	WIRE	1				
4	0574101110	COVER	1				
5	0574100500	REST ASSY, arm	1				see page (2/2)
6	1652053200	GROMMET	2				
8	1140020006	WASHER, spring	6				
9	1130040006	NUT	6				
13	1100041020	BOLT	1				
14	1140020010	WASHER, spring	5				
15	1141110006	WASHER	6				
16	0872433150	TUBE	6				
17	1652251002	BAND	1				
21	1141110010	WASHER	2				
22	1130040010	NUT	2				
24	1101041020	BOLT	2				
25	1652201008	BAND	1				
26	0003600025	WASHER	1				
27	1711910310	MOTOR, throttel	1				
28	1140330010	WASHER	1				
29	0003600110	WASHER	3				
30	1652231250	BAND	3				
	N6C060						

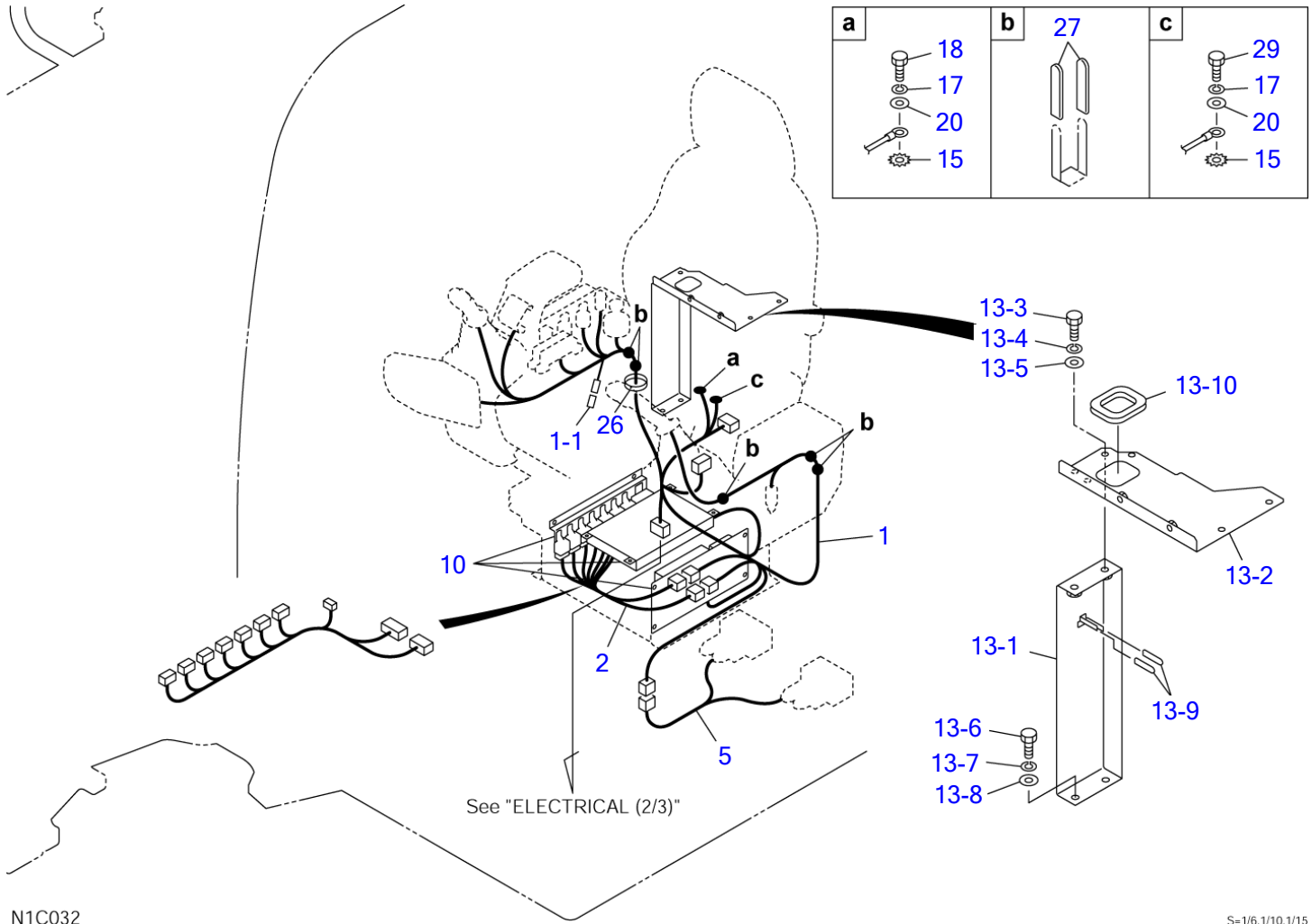


NOC080

S=1/5

ENGINE CONTROL (2/2)

Item	Part number	Description	Q'ty	Chan.	Serial No.	Serv.	Remarks
0-2	0574100500	REST ASSY, arm	1				X05741-00500-0
3	0564115300	· COVER	1				
4	0564115400	· CAP	1				
5	0564115500	· BRACKET	1				
6	0574100510	· SWITCH ASSY	1				
11	0564116100	· REST, arm (R.H.)	1				
13	1120590406	· SCREW	2				
14	1120590512	· SCREW	4				
16	1110090820	· SCREW, cap	3				
17	1140090004	· WASHER, spring	2				
18	1140090005	· WASHER, spring	4				
19	1140490008	· WASHER, spring	3				
20	1141190008	· WASHER	3				
	N0c080						

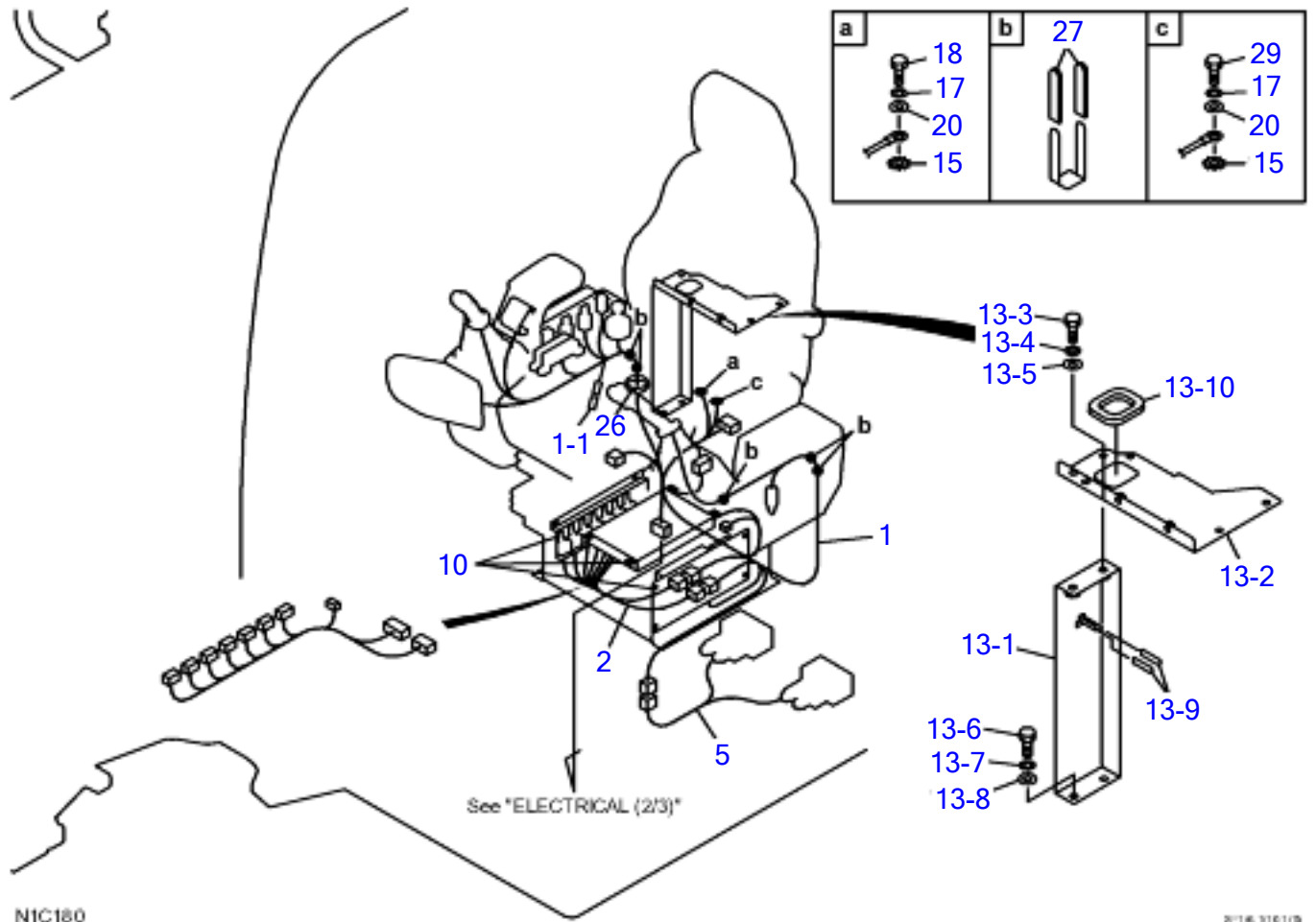


N1C032

S=1/6,1/10,1/15

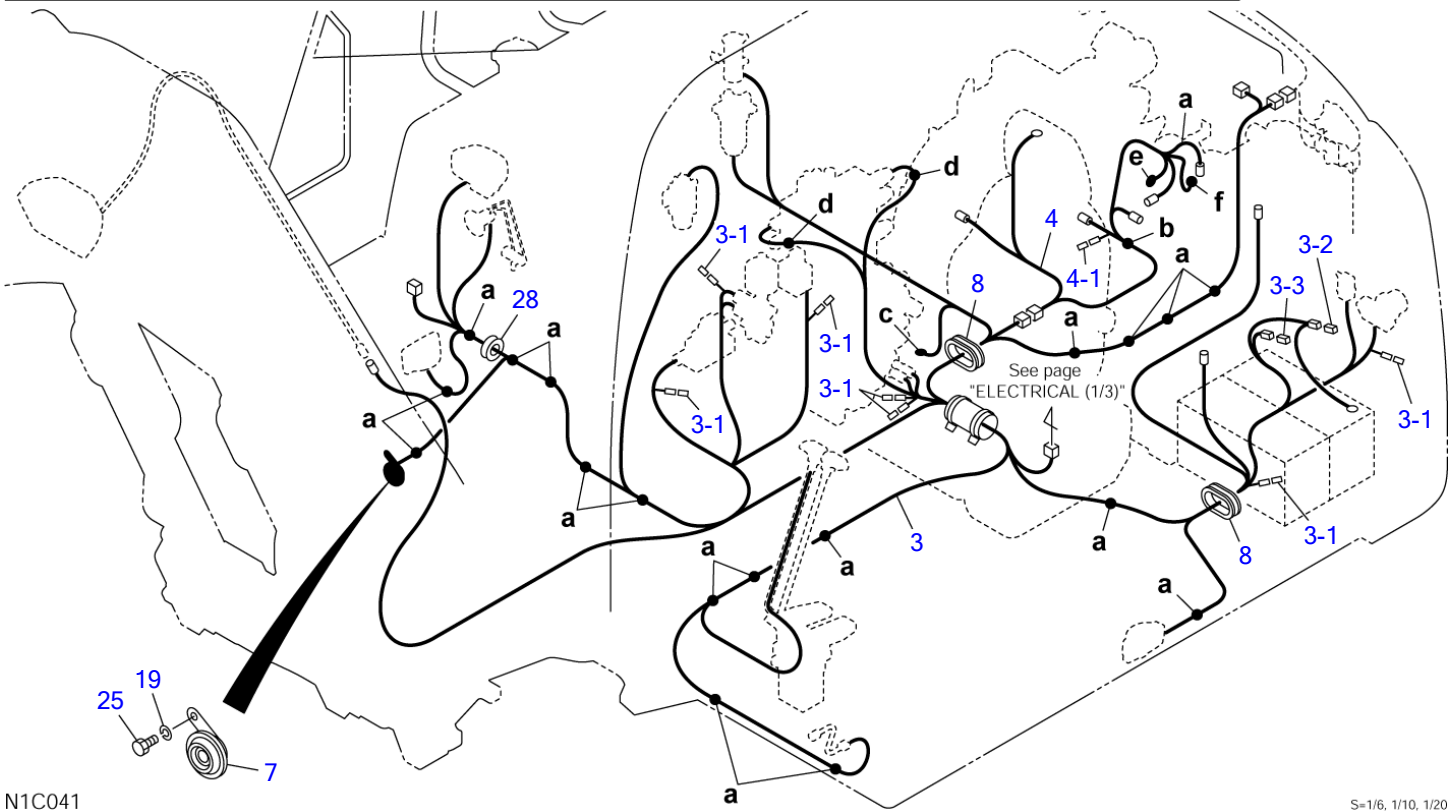
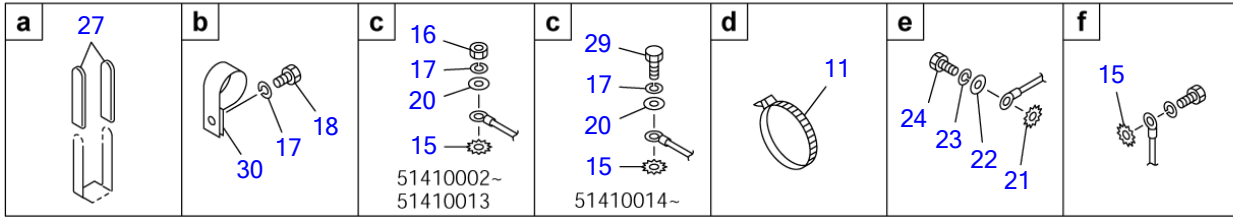
ELECTRICAL (1/3)

Item	Part number	Description	Q'ty	Chan.	Serial No.	Serv.	Remarks
		ELECTRICAL ASSY					X05742-01600-4
1	0574201800	HARNESS, wiring	1				
1-1	1730500008	• DIODE (yellow)	1				3A
2	0574201750	HARNESS, wiring	1				
5	0574201740	HARNESS, wiring	1				
10	X *****	CONTROLLER ASSY	1				see page (3/3)
13	X *****	BRACKET ASSY	1				X05742-01970
13-1	0574201980	• BRACKET	1				
13-2	0574200140	• BRACKET	1				
13-3	1100040820	• BOLT	2				
13-4	1140020008	• WASHER, spring	2				
13-5	1141110008	• WASHER	2				
13-6	1100041025	• BOLT	2				
13-7	1140020010	• WASHER, spring	2				
13-8	1141110010	• WASHER	2				
13-9	0872433150	• TUBE	2				
13-10	1653917020	• TRIM	1				sold by the meter
15	1140330010	WASHER	2				
17	1140020010	WASHER, spring	2				
18	1100041016	BOLT	1				
20	1141110010	WASHER	2				
26	1652443640	BAND	1				
27	0872433150	TUBE	10				
29	1100041014	BOLT	1				
	N1c032						



ELECTRICAL (1/3) SN 51410410~

Item	Part number	Description	Q'ty	Chan.	Serial No.	Serv.	Remarks
		ELECTRICAL ASSY					
1	05742203370	WIRING HARNESS	1				
1-1	1730500008	* DIODE (YELLOW)	1				
2	0574201750	WIRING HARNESS	1				
5	0574201740	WIRING HARNESS	1				
10	*****	CONTROLLER ASST	1				
13	*****	BRACKET ASSY	1				
13-1	0574201980	* BRACKET	1				
13-2	0574200140	* BRACKET	1				
13-3	1100040820	* BOLT	2				
13-4	1140020008	* SPRING WASHER	2				
13-5	1141110008	* WASHER	2				
13-6	1100041025	* BOLT	2				
13-7	1140020010	* SPRING WASHER	2				
13-8	1141110010	* WASHER	2				
13-9	0872433150	* TUBE	2				
13-10	1653917020	* TRIM	1				
15	1140330010	WASHER	2				
17	1140020010	SPRING WASHER	2				
18	1100041016	BOLT	1				
20	1141110010	WASHER	2				
26	1652443640	BAND	1				
27	0872433150	TUBE	10				
29	1100041014	BOLT	1				
	N1C180						

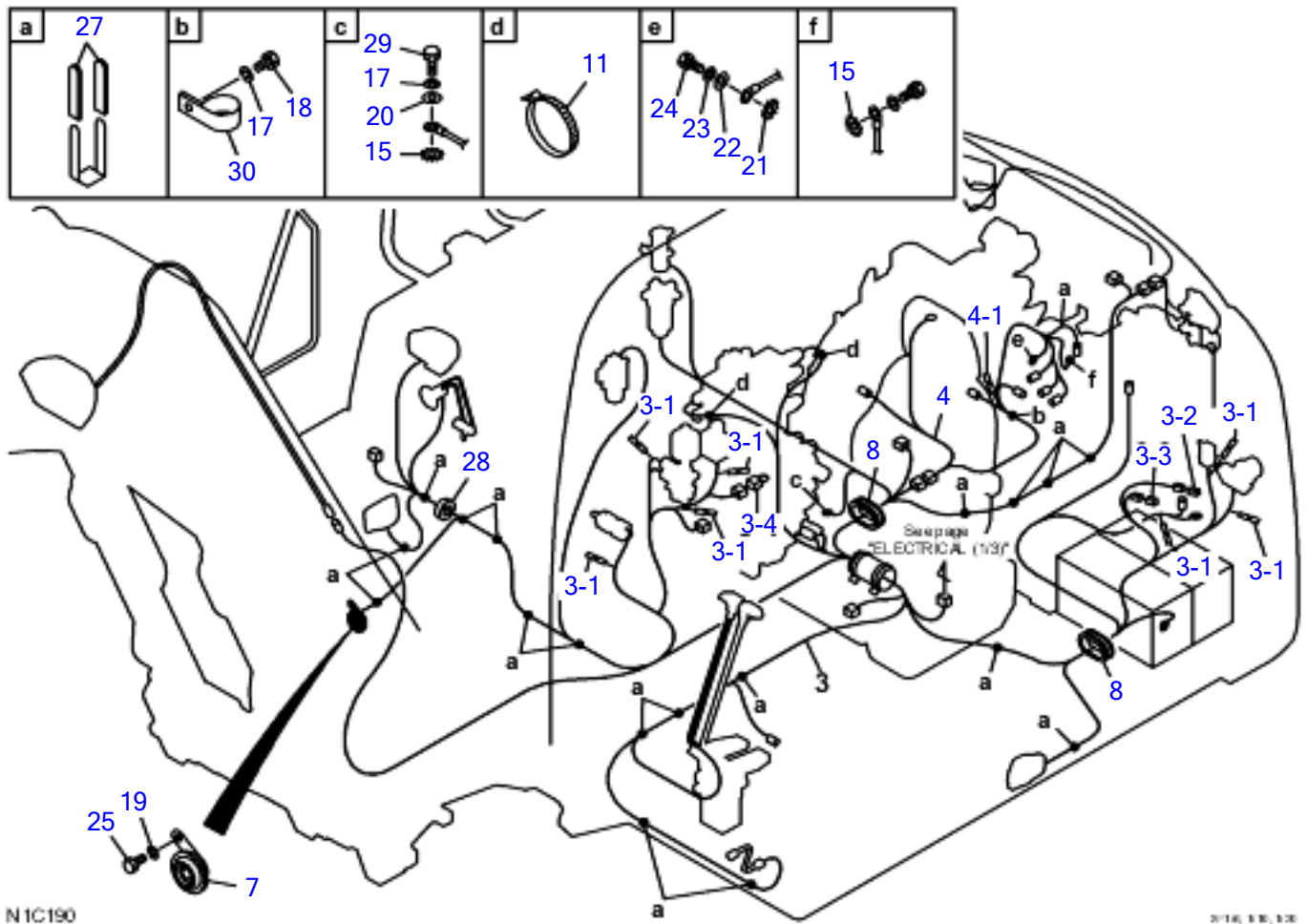


N1C041

S=1/6, 1/10, 1/20

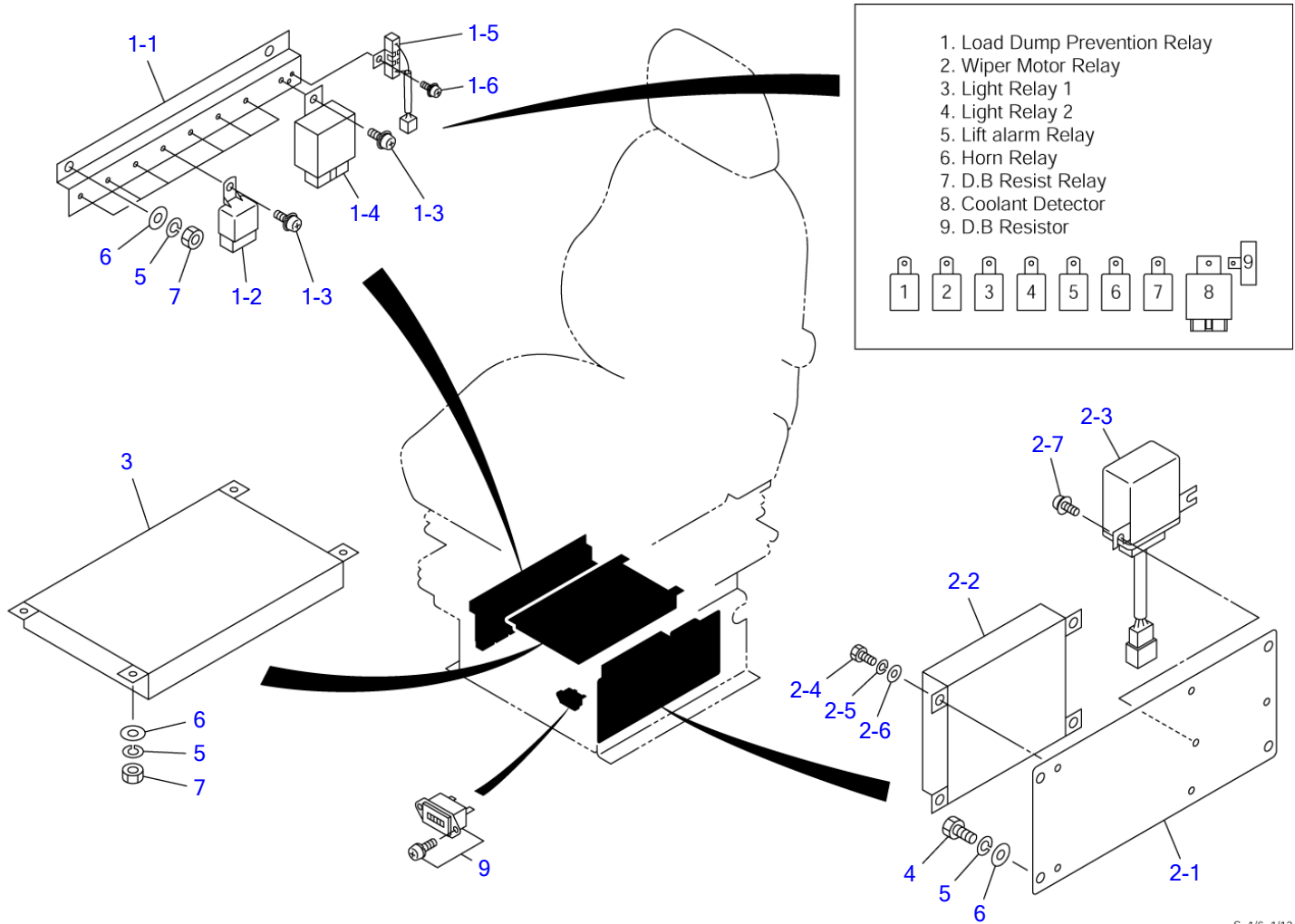
ELECTRICAL (2/3)

Item	Part number	Description	Q'ty	Chan.	Serial No.	Serv.	Remarks
		ELECTRICAL ASSY					X05742-01600-4
3	0574201810	HARNASS, wiring	1				
3-1	1730500008	· DIODE (yellow)	7				3A
3-2	1701330045	· LINK, fusible	1				45A
3-3	1701330075	· LINK, fusible	1				75A
4	0574201820	HARNASS, wiring	1				
4-1	1730500008	· DIODE (yellow)	1				3A
7	1703500824	HORN	1				
8	0574200081	GROMMET	2				
11	1652231250	BAND	13				
15	1140330010	WASHER	2				
16	1130040010	NUT	1		51410002~51410013		
17	1140020010	WASHER, spring	2				
18	1100041016	BOLT	2				
19	1140020008	WASHER, spring	1				
20	1141110006	WASHER	1				
21	1140330006	WASHER	1				
22	1141110006	WASHER	1				
23	1140020006	WASHER, spring	1				
24	1100140610	BOLT	1				
25	1100040816	BOLT	1				
27	0872433150	TUBE	40				
28	0437200100	GUARD	1				
29	1100041014	BOLT	1		51410014~		
30	1711900071	CLAMP	1				
	N1c042						



ELECTRICAL (2/3) SN 51410410~

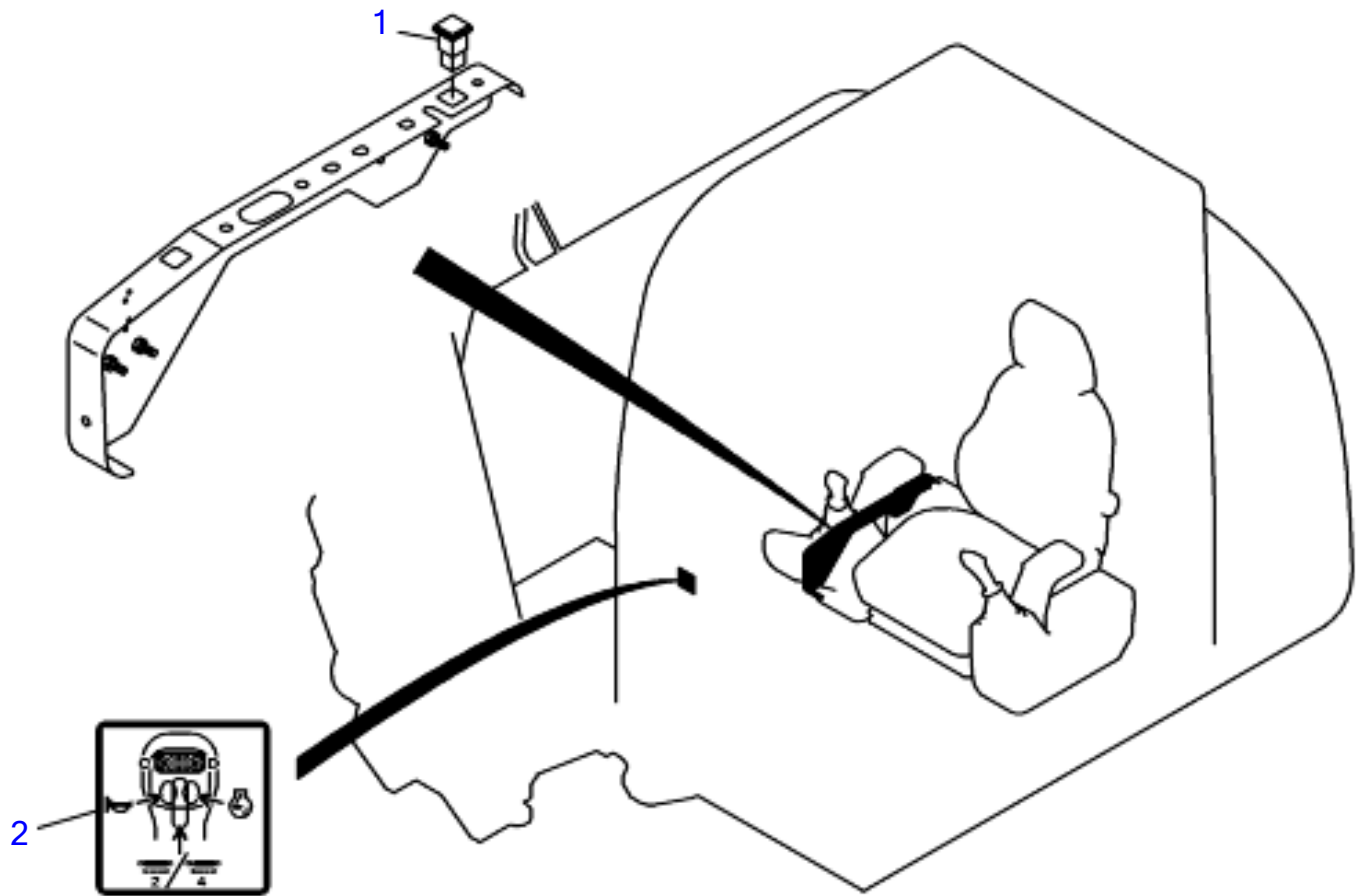
Item	Part number	Description	Q'ty	Chan.	Serial No.	Serv.	Remarks
		ELECTRICAL ASSY					
3	0574203360	WIRING HARNESSS	1				
3-1	1730500008	* DIODE (YELLOW)	7				
3-2	1701330045	* FUSIBLE LINK	1				
3-3	1701330075	* FUSIBLE LINK	1				
3-4		SHORT CONNECTOR	1				
4	0574203350	WIRING HARNESS	1				
4-1	1730500008	* DIODE (YELLOW)	1				
7	1703500824	HORN	1				
8	0574200081	GROMMET	2				
11	1652231250	BAND	13				
15	1140330010	WASHER	2				
16	1130040010	NUT	1				
17	1140020010	SPRING WASHER	2				
18	1100041016	BOLT	2				
19	1140020008	SPRING WASHER	1				
20	1141110010	WASHER	1				
21	1140330006	WASHER	1				
22	1141110006	WASHER	1				
23	1140020006	SPRING WASHER	1				
24	1100140610	BOLT	1				
25	1100040816	BOLT	1				
27	0872433150	TUBE	40				
28	0437200100	GUARD	1				
29	1100041014	BOLT	1				
30	1711900071	CLAMP	1				
	N1C190						



S=1/6, 1/12

ELECTRICAL (3/3)

Item	Part number	Description	Q'ty	Chan.	Serial No.	Serv.	Remarks
0	0574201900	CONTROLLER ASSY	1				X05742-01900-2
	0574203400	CONTROLLER ASSY	1				
1	0574201910	• RELAY ASSY	1				X05742-01910-2
	0574203410	* RELAY ASSY	1				
1-1	0574201950	• • PLATE	1				
1-2	1711900125	• • RELAY	7				
1-3	1150420620	• • SCREW	7				
1-4	1711900130	• • DETECTOR	1				
1-5	0574201960	• • RESISTOR	1				
1-6	1150420310	• • SCREW	1				
2	0574201930	• AMP ASSY	1				X05742-01930-3
2-1	0574201940	• • PLATE	1				
2-2	1730141410	• • CONTROLLER	1		51410002~51410049		
	1730141860	• • CONTROLLER	1	(H)	51410050~	M	
	1730142450	* * CONTROLLER	1				
2-3	1910188113	• • CONTROLLER	1				ISUZU 1-82550325-0
2-4	1100040812	• • BOLT	4				
2-5	1140090006	• • WASHER, spring	4				
2-6	1141190008	• • WASHER	4				
2-7	1150420612	• • SCREW	2				
3	1730141390	• CONTROLLER	1				
	1730141920	* CONTROLLER	1				
	1730142260	* CONTROLLER	1				
4	1100040816	• BOLT	4				
5	1140020010	• WASHER, spring	10				
6	1141110008	• WASHER	10				
7	1130040008	• NUT	6				
9	1730000600	• METER, hour	1		51410002~51410013		
	1730000500	• METER, hour	1		51410014~	M	
	N1c054						

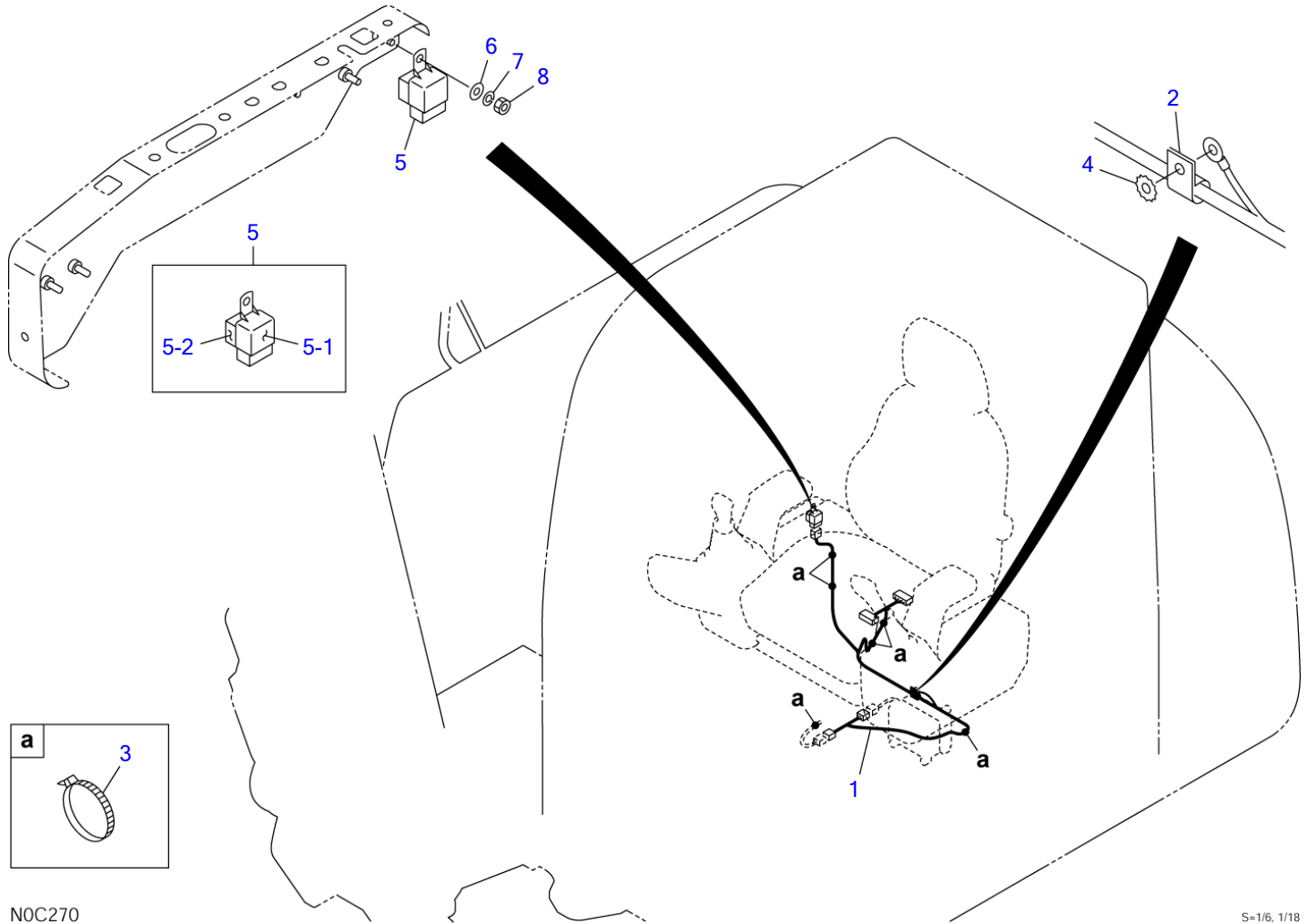


N1C210

20 52, 56, 105

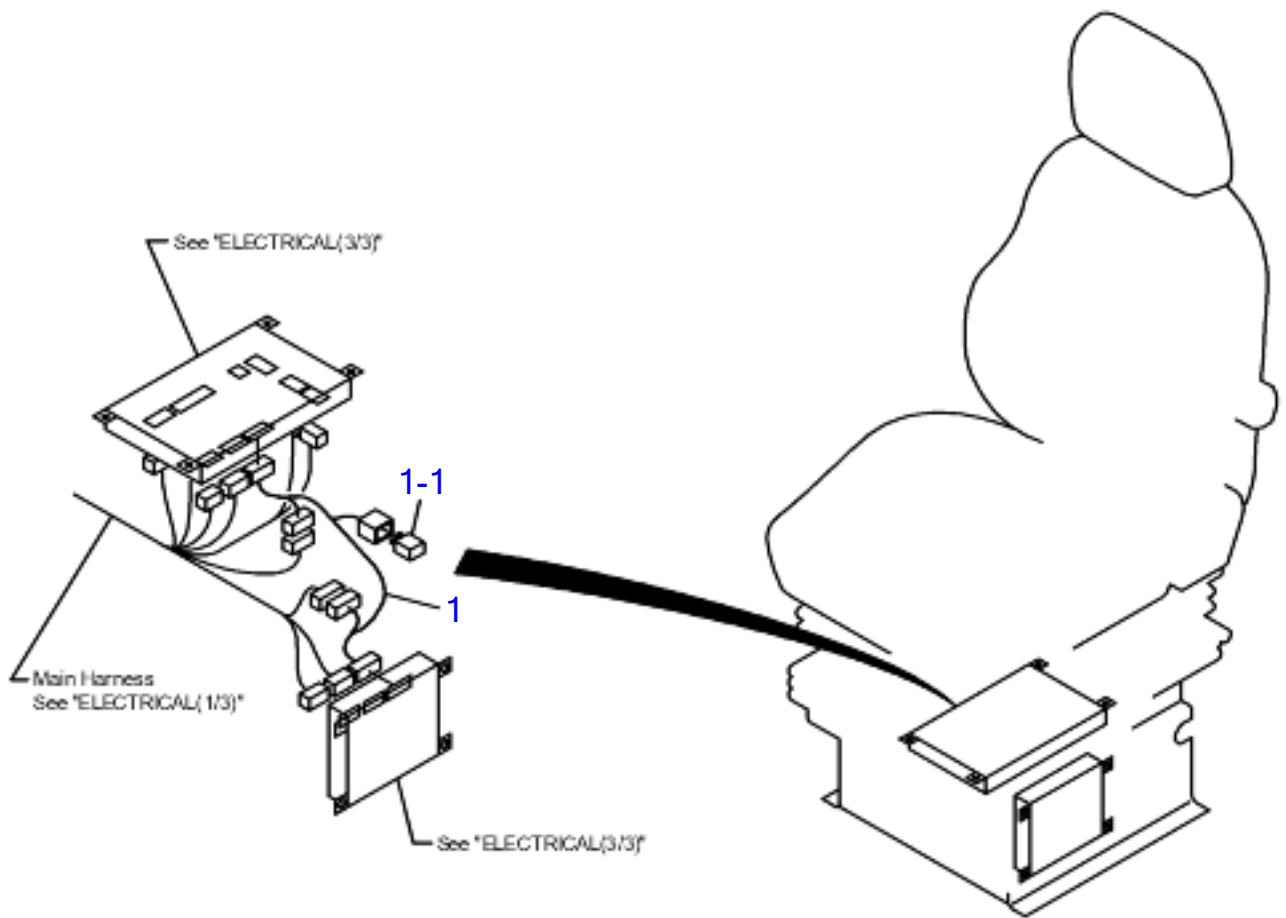
ELECTRICAL (WITH 4TH AUX LINE)

Item	Part number	Description	Q'ty	Chan.	Serial No.	Serv.	Remarks
1	1700550033	ELECTRICAL ASSY					
		PILOT LAMP	1				
2	0567346795	DECAL	1				
	N1C210						



ELECTRICAL (with high pressure 3rd aux. lines)

Item	Part number	Description	Q'ty	Chan.	Serial No.	Serv.	Remarks
		ELECTRICAL ASSY					X05742-01400-0
1	0574201410	HARNES, wiring	1				
2	1652900006	CLAMP	1				
3	1652231250	BAND	6				
4	1140330008	WASHER	1				
5	0872433900	RELAY ASSY	1				
5-1	1711900049	· RELAY	1				
5-2	1654305002	· SPONGE	1				sold by the meter
6	1141110006	WASHER	1				
7	1140020006	WASHER, spring	1				
8	1130040006	NUT	1				
	N0c270						

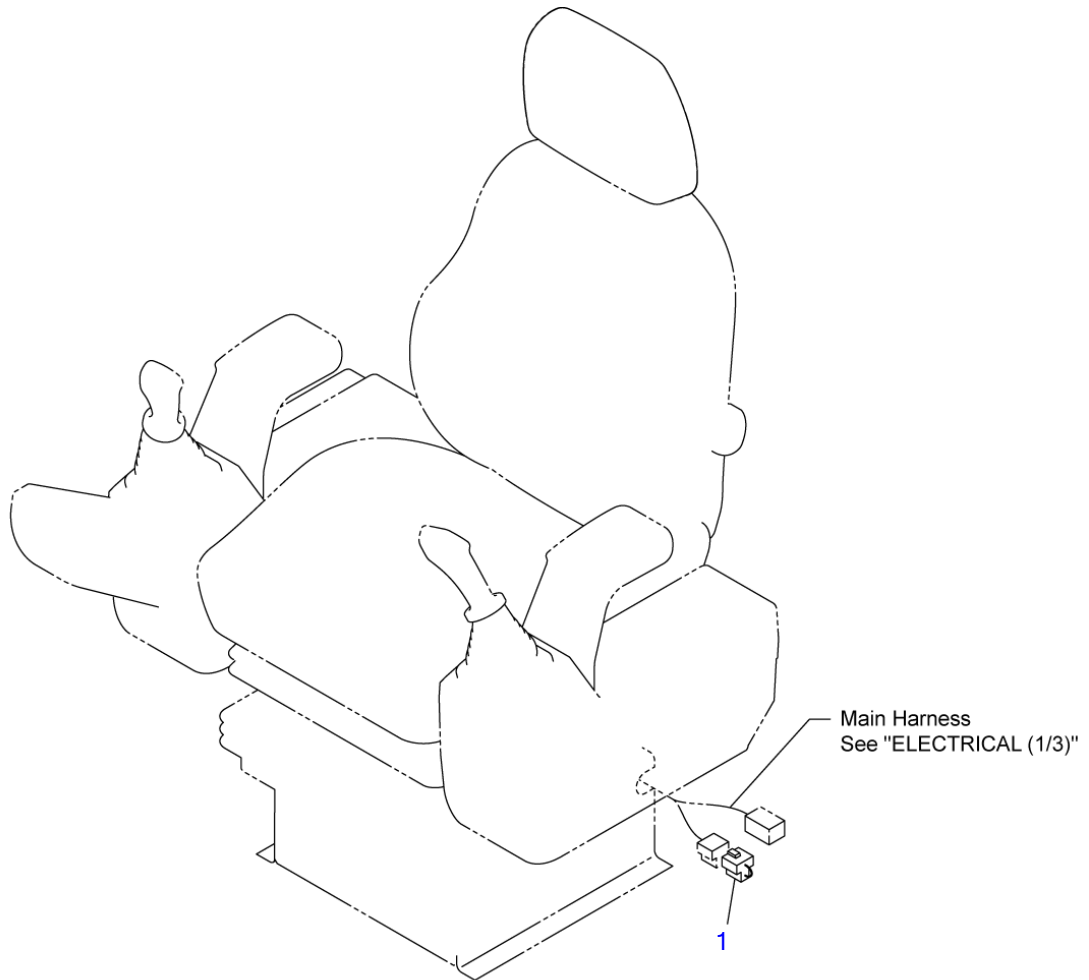


N1C150

3/16, 3/16

ELECTRICAL (WITH HIGH PRESSURE 3RD AUX LINE) 51410002-51410049

Item	Part number	Description	Q'ty	Chan.	Serial No.	Serv.	Remarks
		ELECTRICAL (WITH HIGH PRESSURE 3RD AUX LINE					
1	0574201990	WIRING HARNESS	1				
1-1	0574201992	* RELAY	1				
	N1C150						

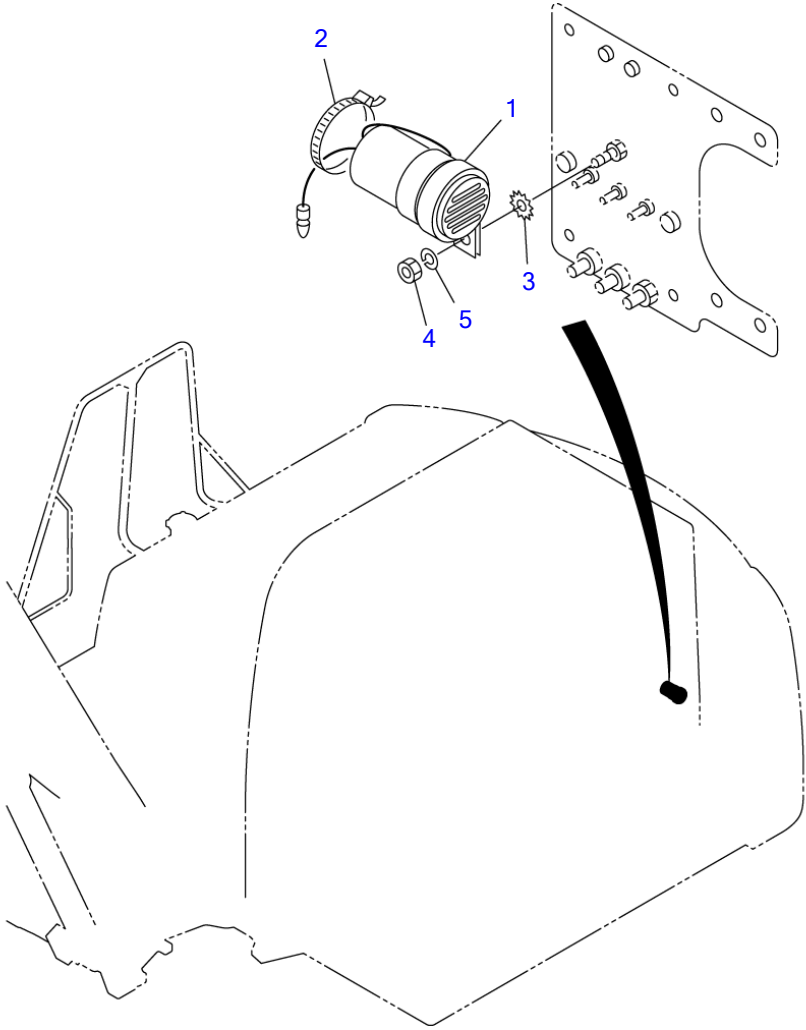


N1C140

S=1/10

ELECTRICAL (with high pressure 3rd aux. lines; 51410050-)

Item	Part number	Description	Q'ty	Chan.	Serial No.	Serv.	Remarks
1	0574202030 N1c140	ELECTRICAL ASSY CONNECTOR, short	1			M	X05742-02020-0

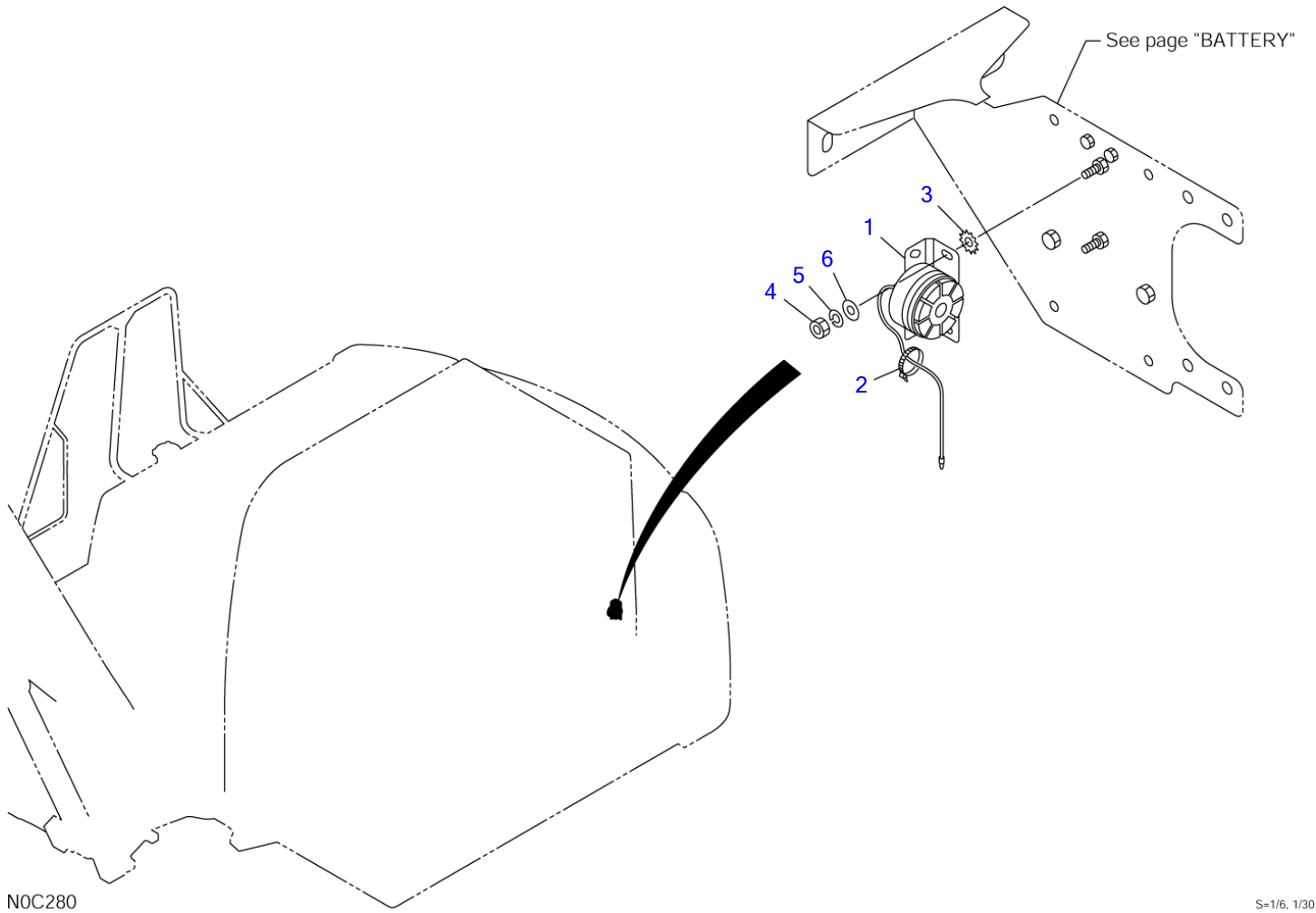


N1C060

S-1/6, 1/30

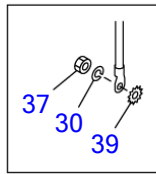
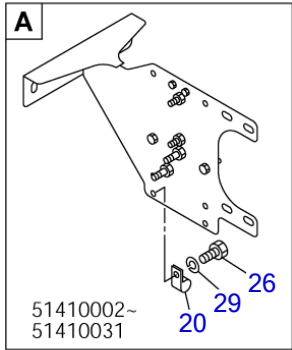
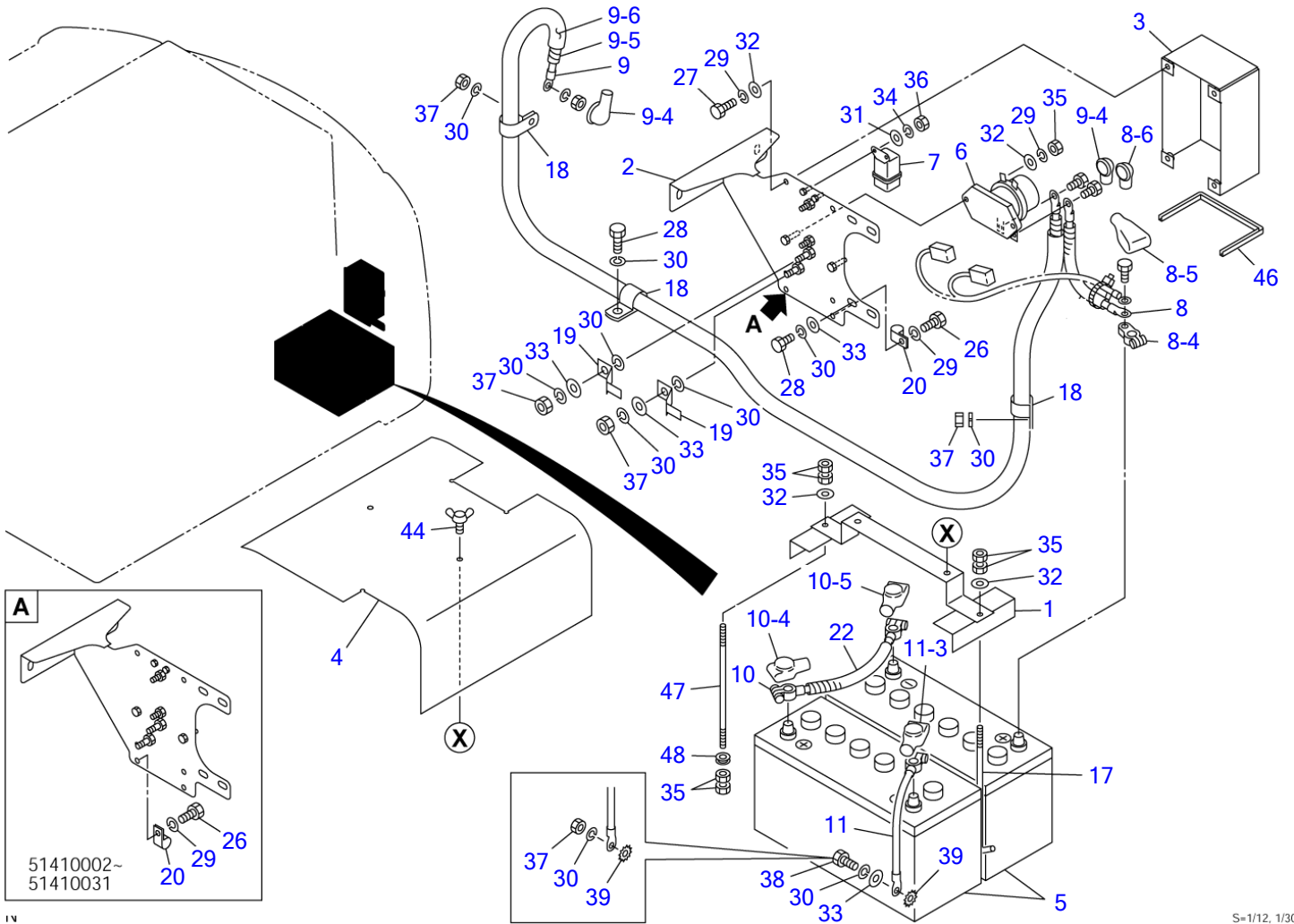
TRAVEL ARAM (51410002-51410006)

Item	Part number	Description	Q'ty	Chan.	Serial No.	Serv.	Remarks
		ALARM ASSY, travel					X05742-00200-1
1	0354211050	BUZZER	1				
2	1652231250	BAND	1				
3	1140330008	WASHER	1				
4	1130040008	NUT	1				
5	1140020008	WASHER, spring	1				
	N1c060						



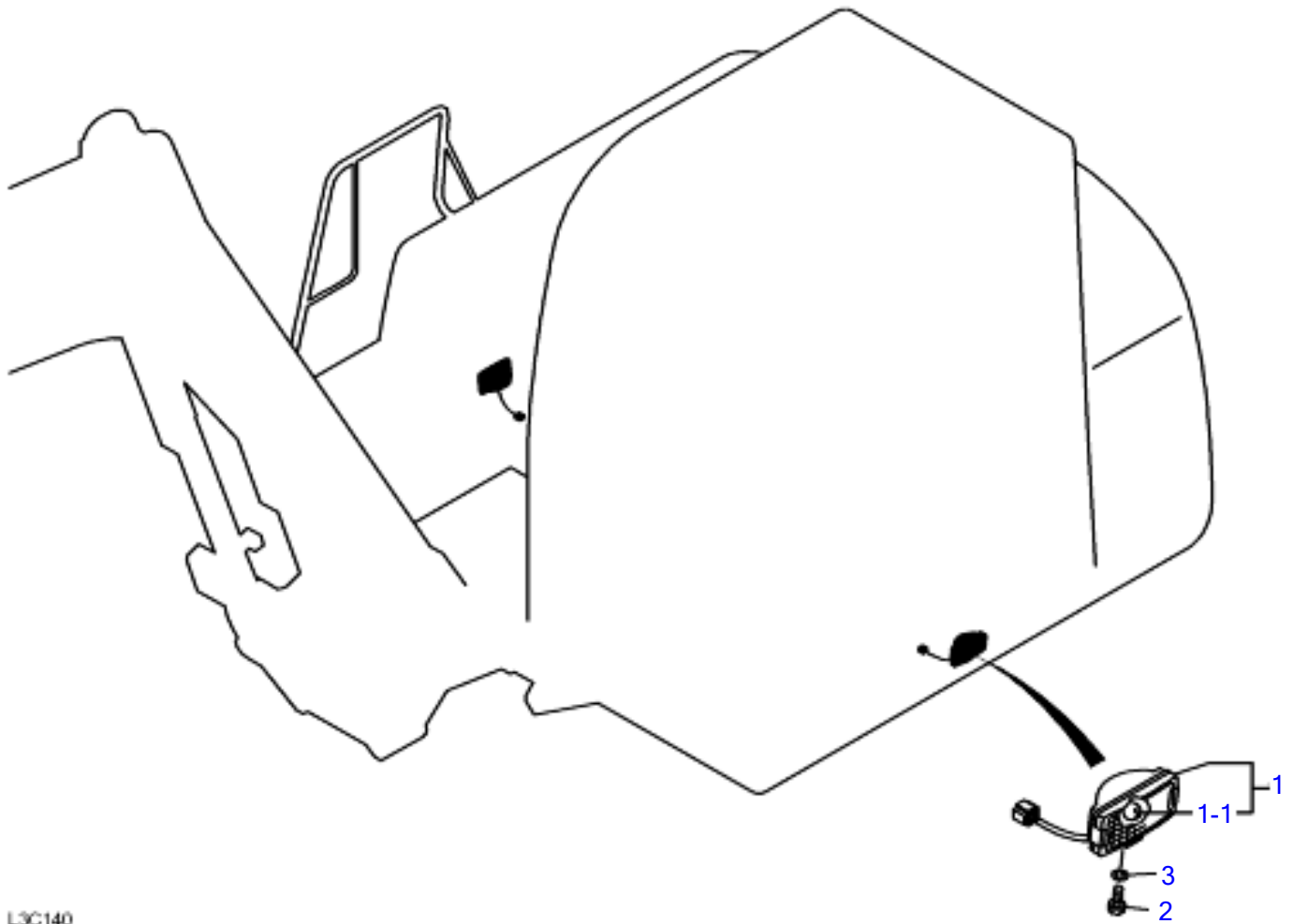
TRAVEL ARAM (51410007-)

Item	Part number	Description	Q'ty	Chan.	Serial No.	Serv.	Remarks
		ALARM ASSY, travel					X05742-02200-0
1	1703700014	BUZZER	1				
2	1652231250	BAND	1				
3	1140330006	WASHER	2				
4	1130040006	NUT	2				
5	1140020006	WASHER, spring	2				
6	0003600110	WASHER	2				
	N0c280						



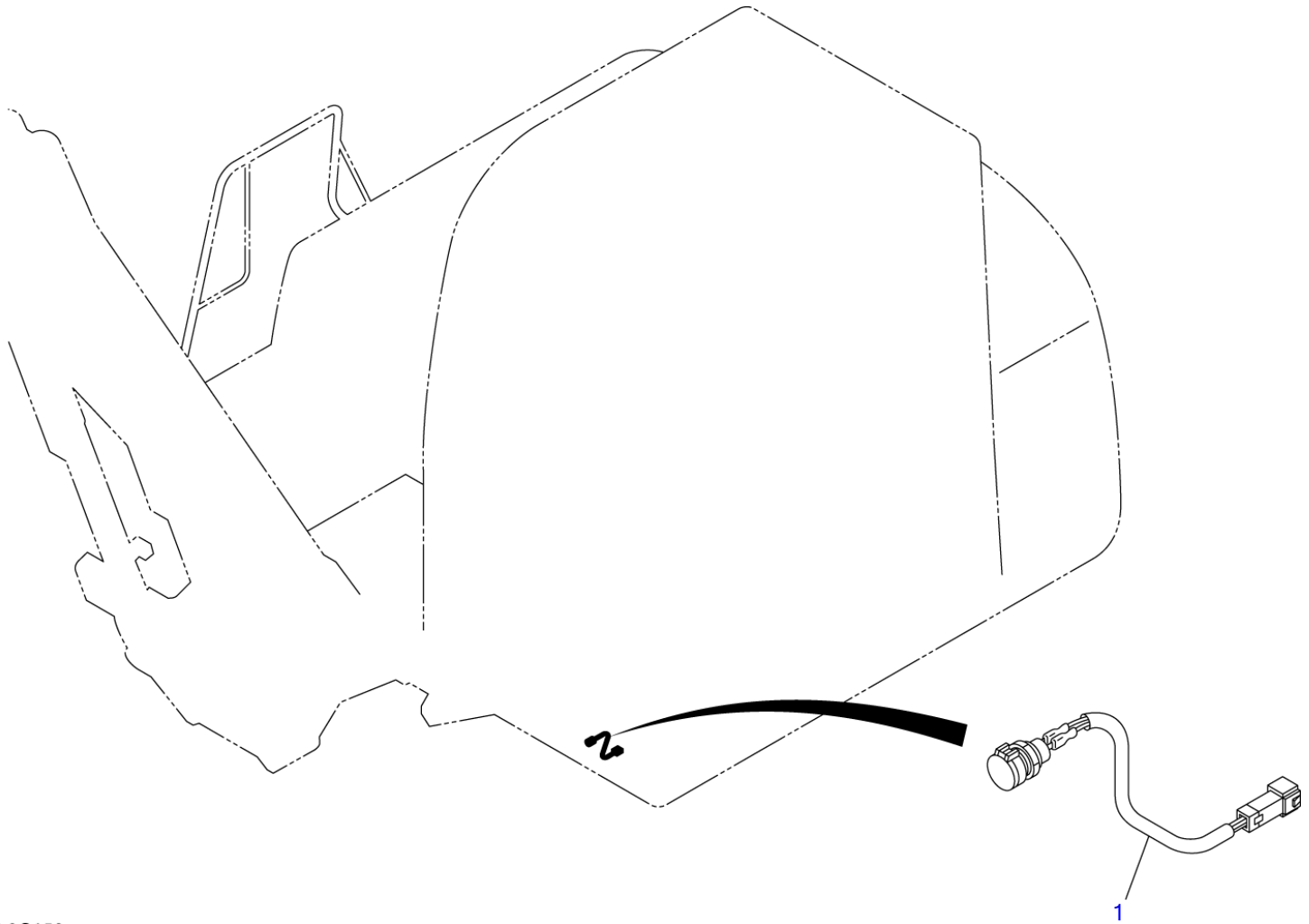
Item	Part number	Description	BATTERY		Serial No.	Serv.	Remarks
			Q'ty	Chan.			
		BATTERY ASSY					X05744-00300-3
1	0574400350	CLAMP	1				
2	0574400310	BRACKET	1				
3	0574400030	COVER	1				
4	0574400120	SHEET	1				
5	1702050141	BATTERY	2				
6	1910188125	RELAY, battery	1				ISUZU 8-94379543-0
7	1910188112	RELAY, heater	1				ISUZU 8-94258014-0
8	0574400340	CABLE, battery	1				
8-4	1702330000	• TERMINAL	1				
8-5	1702920060	• COVER	1				
8-6	1702901283	• CAP	1				
9	0574400360	CABLE, battery	1				
9-4	1702901283	• CAP	2				
9-5	1703221516	• PROTECTOR	1				sold by the meter
9-6	1531325156	• PROTECTOR	1				sold by the meter
10	0574400330	CABLE, battery	1				
10-4	1702920060	• COVER	1				
10-5	1702920002	• COVER	1				
11	0574400320	CABLE, earth	1				
11-3	1702920002	• COVER	1				
17	1702108210	BOLT	1				
18	1711900072	CLAMP	3				
19	1711900064	CLIP	2				
20	1711900127	CLAMP	2		51410002~51410031		
	1711900127	CLAMP	1		51410032~		
26	1100040816	BOLT	1				
27	1100040820	BOLT	4				
28	1100041020	BOLT	5				
29	1140020008	WASHER, spring	5				
30	1140020010	WASHER, spring	12				
31	1141110006	WASHER	2				
32	1141110008	WASHER	6				
33	1141110010	WASHER	7				
34	1140020006	WASHER, spring	2				
35	1130040008	NUT	8				
36	1130040006	NUT	2				
37	1130040010	NUT	4				
38	1100041016	BOLT	1		51410032~		
39	1140330010	WASHER	1				
44	1121530816	BOLT, wing	2				
46	1653916035	TRIM	1				sold by the meter
47	0574400080	BOLT	1				
48	1652040730	GROMMET	1				

N1c073



L3C140

Item	Part number	Description	SIDE LIGHT			Remarks
			Q'ty	Chan.	Serial No.	
		LIGHT ASSY, side				X05649-01000-1
1	1703004000	LAMP ASSY	2			
1-1	1703004001	• BULB	1			
2	1100040816	BOLT	2			
3	1140020008	WASHER, spring	2			
	N1C130					

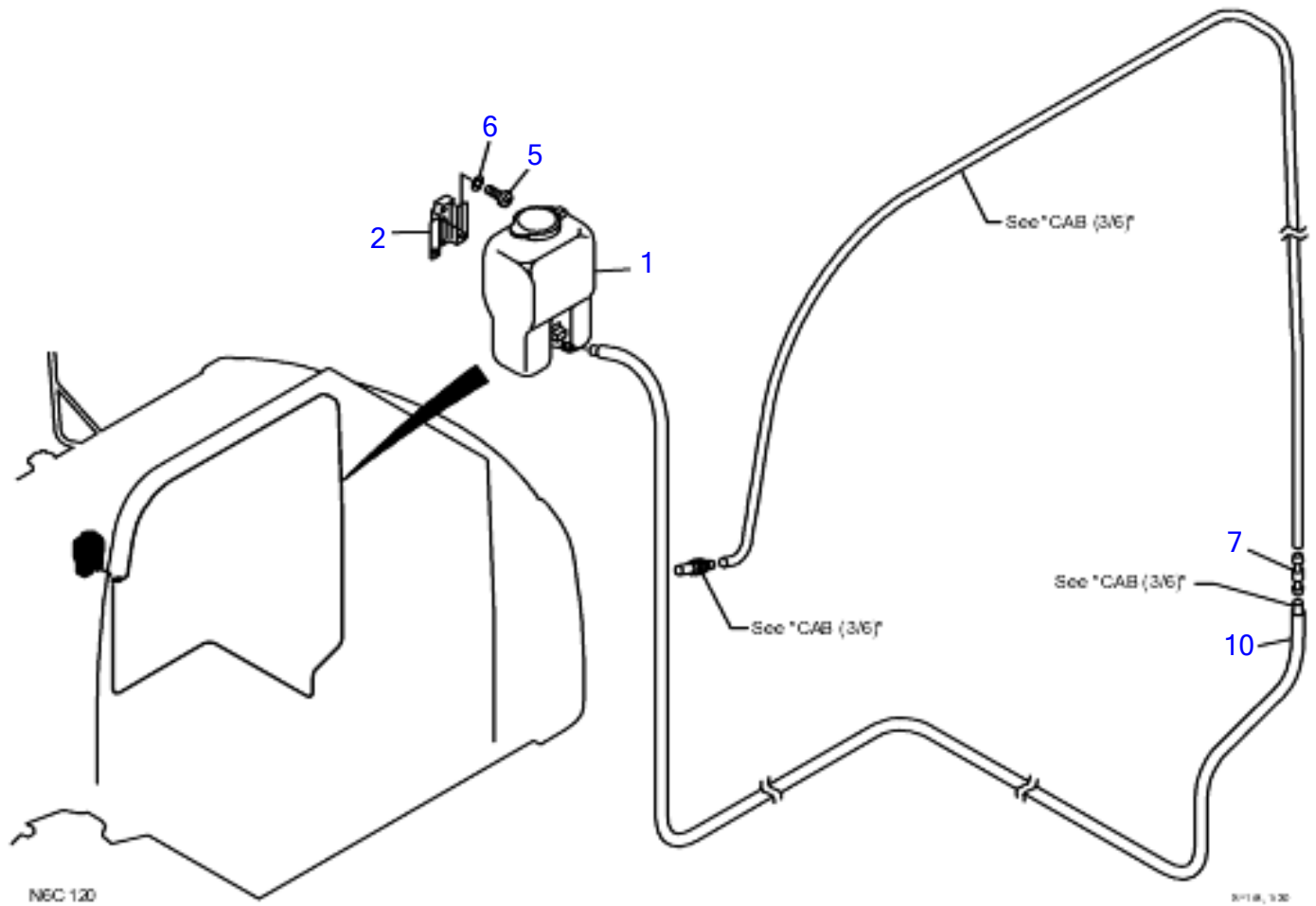


L3C150

S=1/20

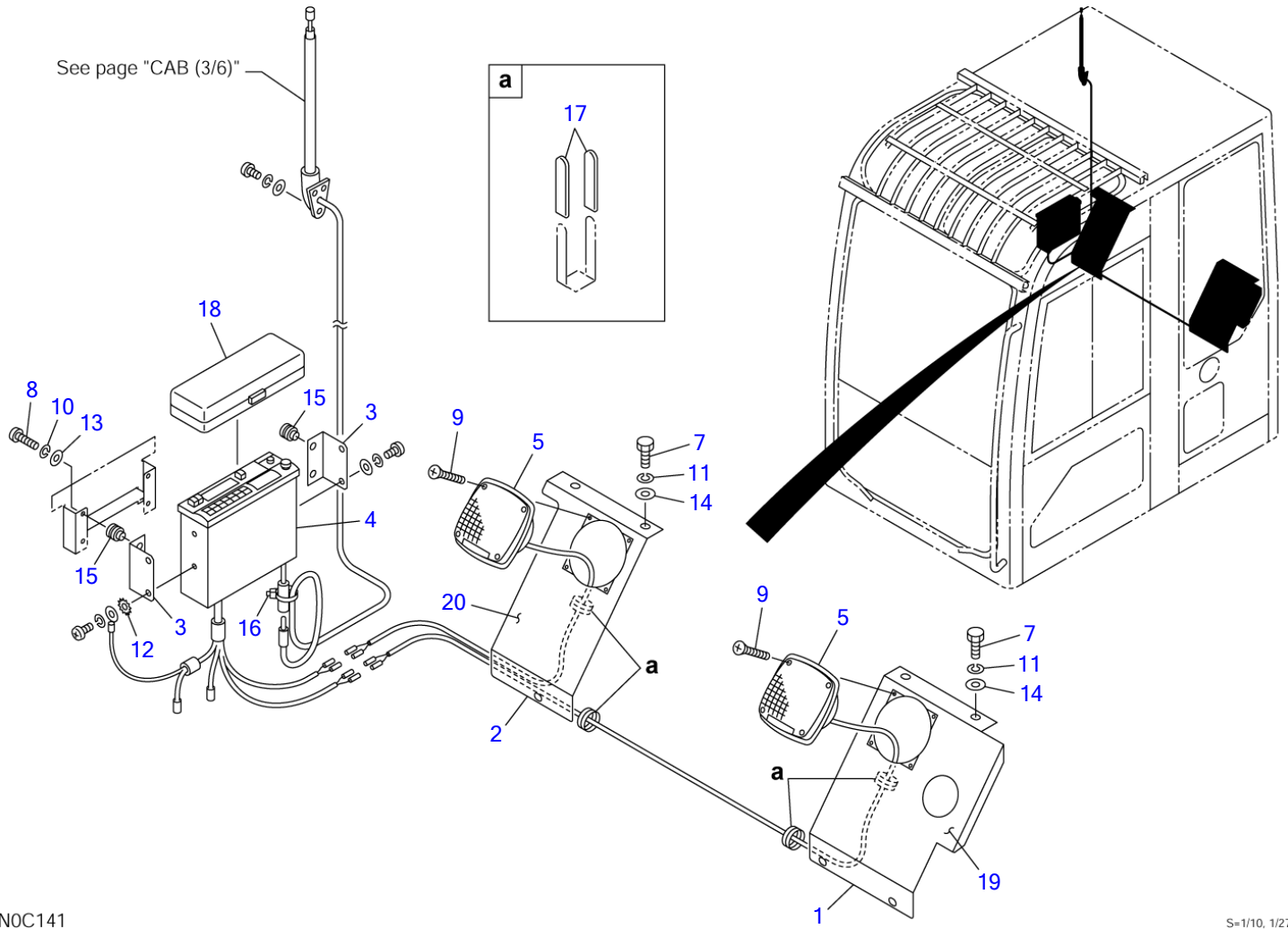
MAINTENANCE LIGHT SOCKET

Item	Part number	Description	Q'ty	Chan.	Serial No.	Serv.	Remarks
1	0394203100 L3c150	SOCKET ASSY, maintenance light SOCKET ASSY	1				X03942-03000-0



WINDOW WASHER

Item	Part number	Description	Q'ty	Chan.	Serial No.	Serv.	Remarks
		WINDOW WASHER ASSY					
1	1711910061	TANK	1				
2	1711910062	BRACKET	1				
5	1120530616	SCREW	2				
6	1140020006	SPRING WASHER	2				
7	1711910080	CHECK VALVE	1				
10	1703240770	PROTECTOR	1				
	N6C120						

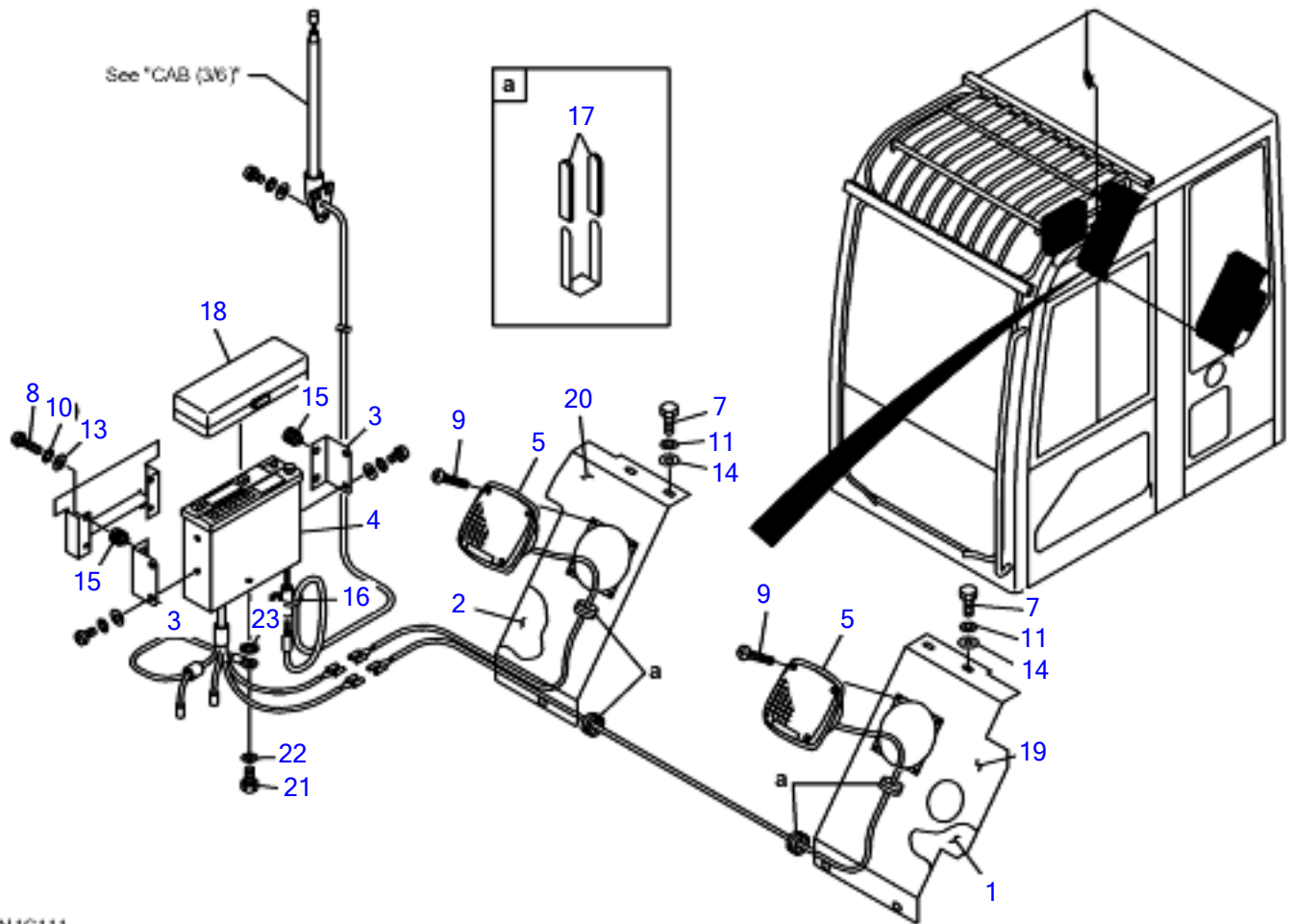


NOC141

S-1/10, 1/27

RADIO (51410002-51410007)

Item	Part number	Description	Q'ty	Chan.	Serial No.	Serv.	Remarks
		RADIO ASSY (Japan)					X05747-00200-3
		RADIO ASSY (America)					X05747-00100-3
		RADIO ASSY (Europe, Asia, Oceania)					X05747-00000-3
1	0574700030	COVER (L.H.)	1				
2	0574700040	COVER (R.H.)	1				
3	0564708720	BRACKET	2				
4	1705003900	CASSETTE STEREO (Europe, Asia, Oceania)	1				
	1705004000	CASSETTE STEREO (America)	1				
	1705004100	CASSETTE STEREO (Japan)	1				
5	1705002150	SPEAKER	2				
7	1100290820	BOLT	7				
8	1120530520	SCREW	4				
9	1120730420	SCREW	8				
10	1140020005	WASHER, spring	4				
11	1140090008	WASHER, spring	7				
12	1140330005	WASHER	1				
13	1141110005	WASHER	7				
14	1141190008	WASHER	7				
15	1652520005	NUT, rubber	4				
16	1652231100	BAND	2				
17	0872433150	TUBE	8				
18	1705003660	COVER	1				
19	0574700035	CLOTH	1				
20	0574700045	CLOTH	1				
	N0c141						

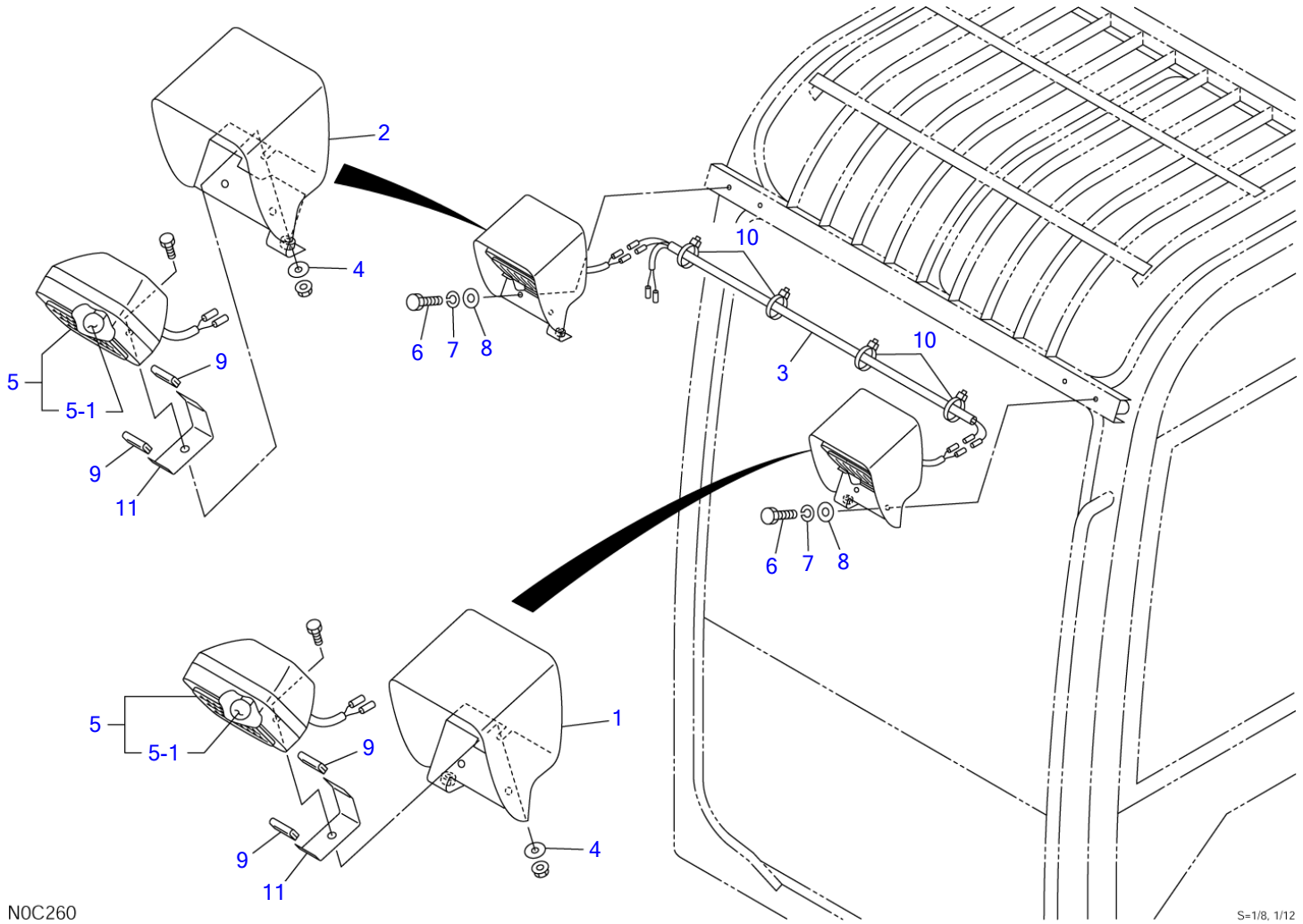


N1C111

2015.8.27

RADIO SN 51410008™

Item	Part number	Description	Q'ty	Chan.	Serial No.	Serv.	Remarks
		RADIO ASSY					
1	0574700330	LH COVER	1				
2	0574700340	RH COVER	1				
3	0564708720	BRACKET	2				
4	1705004000	CASSETTE STEREO	1				
5	1705002150	SPEAKER	2				
7	1100290820	BOLT	7				
8	1120530520	SCREW	4				
9	1120730420	SCREW	8				
10	1140020005	SPRING WASHER	4				
11	1140090008	SPRING WASHER	7				
13	1141110005	WASHER	7				
14	1141190008	WASHER	7				
15	1652520005	RUBBER NUT	4				
16	1652231100	BAND	2				
17	0872433150	TUBE	8				
18	1705003660	COVER	1				
19	0574700335	CLOTH	1				
20	0574700345	CLOTH	1				
21	1120530612	SCREW	1				
22	1141110006	WASHER	1				
23	1140330006	WASHER	1				
	N1C111						



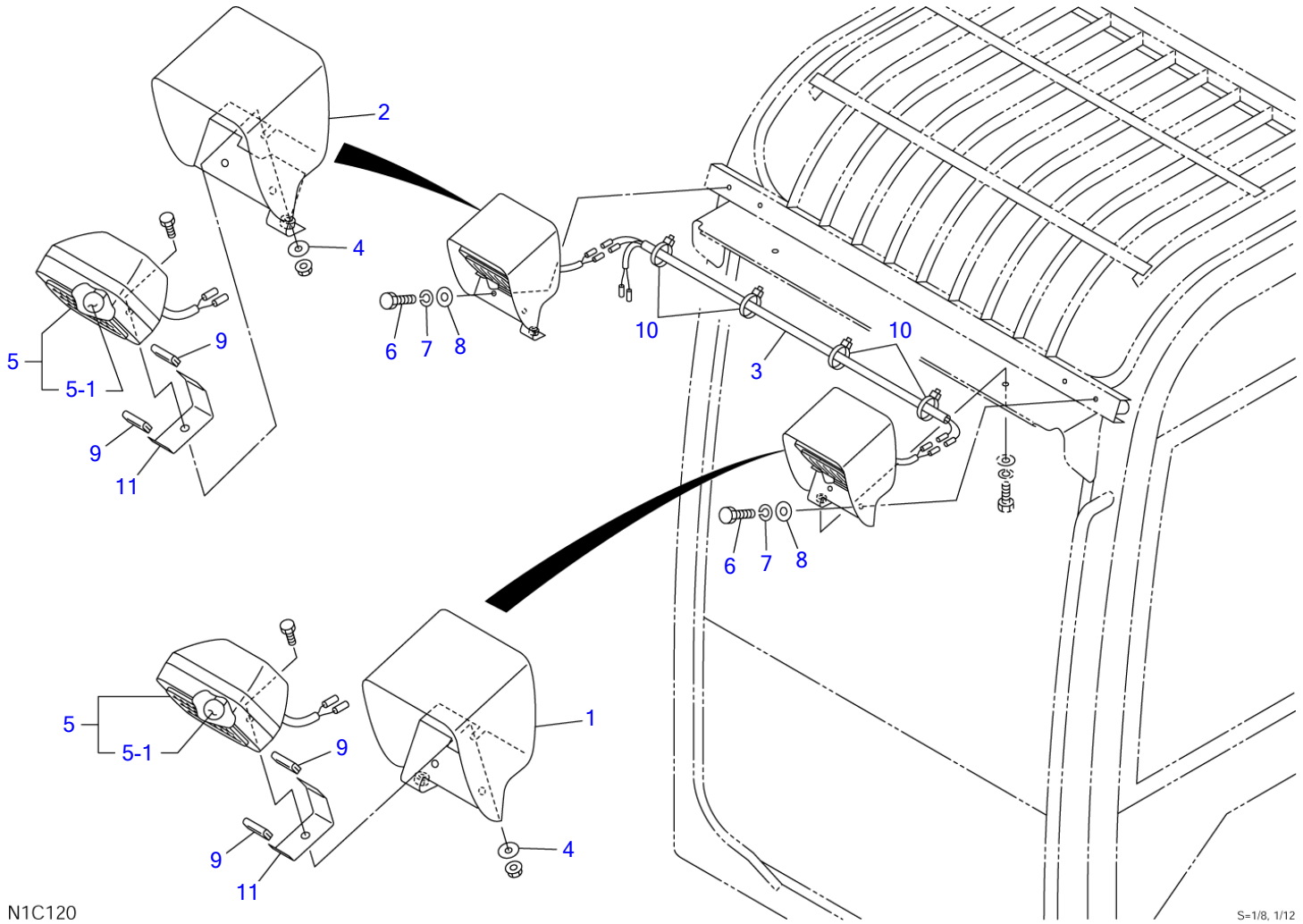
NOC260

S=1/8, 1/12

CAB LIGHT (51410002-51410007)

Item	Part number	Description	Q'ty	Chan.	Serial No.	Serv.	Remarks
		LIGHT ASSY, cab					X05786-01060-0
1	0578601070	BRACKET (L.H.)	1				
2	0578601080	BRACKET (R.H.)	1				
3	0578600870	HARNESS, wiring	1				
4	0003608252	WASHER	2				
5	1703004800	LAMP ASSY	2				
5-1	1703004806	· BULB	1				
6	1100040825	BOLT	4				
7	1140020008	WASHER, spring	4				
8	1141110008	WASHER	4				
9	1654613035	PACKING	4				sold by the meter
10	1652200003	BAND	4				
11	0578600852	PLATE	2				
	N0c260						

TB1140 Book No. BN1Z002 S/N 51410002-
CAB LIGHT (51410008-)

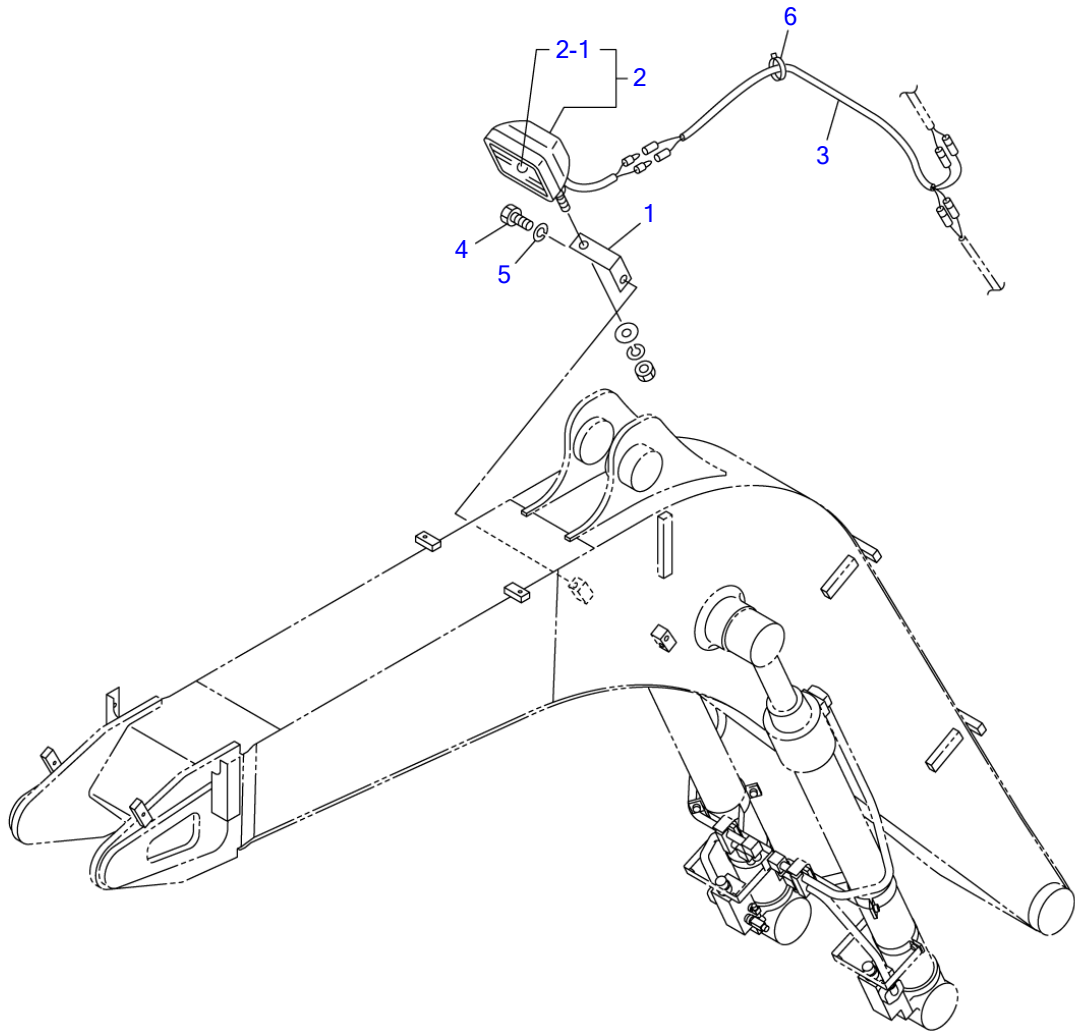


N1C120

S=1/8, 1/12

CAB LIGHT (51410008-)

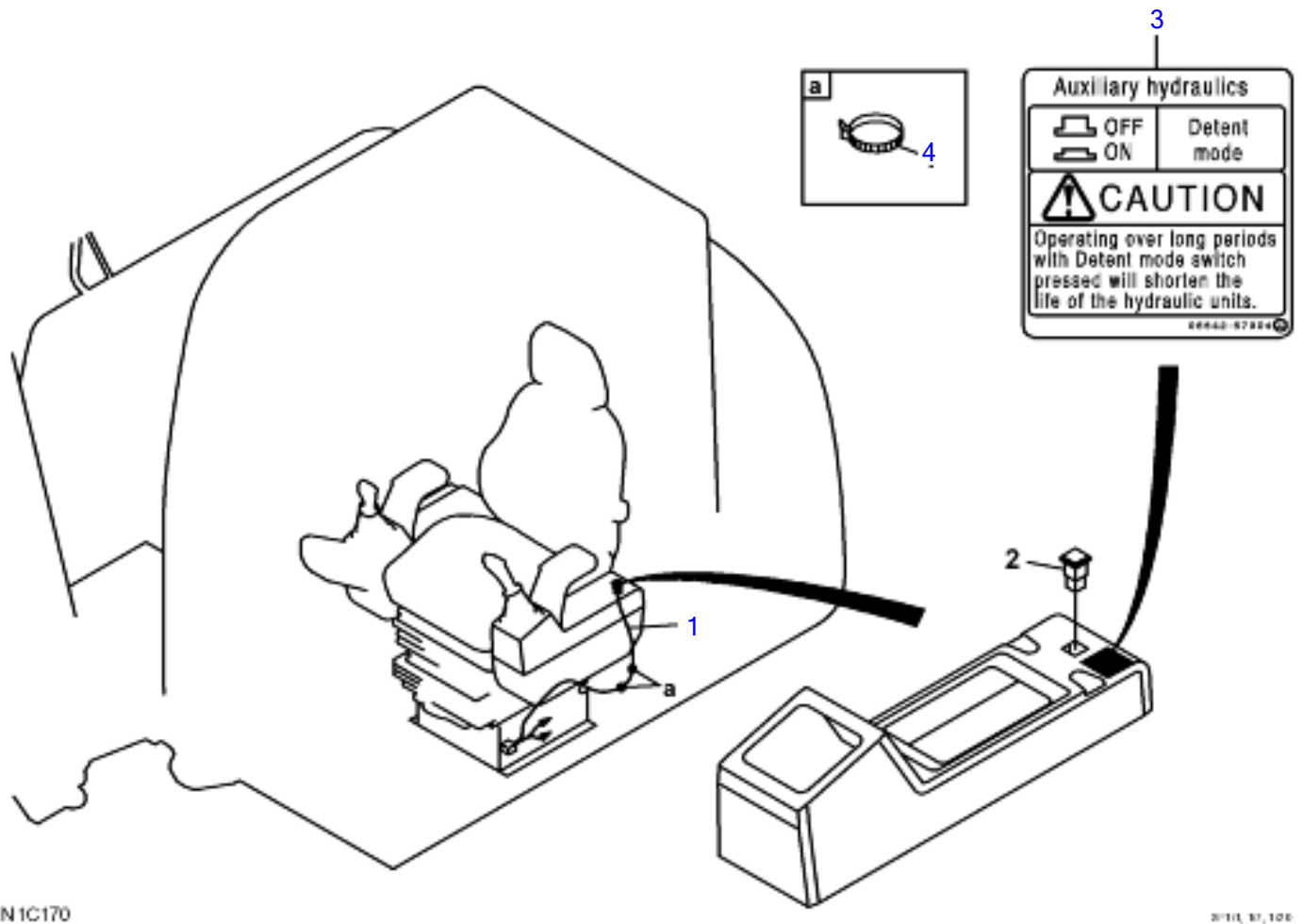
Item	Part number	Description	Q'ty	Chan.	Serial No.	Serv.	Remarks
		LIGHT ASSY, cab					X05786-01350-0
1	0578601370	BRACKET (L.H.)	1				
2	0578601380	BRACKET (R.H.)	1				
3	0578600870	HARNESS, wiring	1				
4	0003608252	WASHER	2				
5	1703004800	LAMP ASSY	2				
5-1	1703004806	· BULB	1				
6	1100040825	BOLT	4				
7	1140020008	WASHER, spring	4				
8	1141110008	WASHER	4				
9	1654613035	PACKING	4				sold by the meter
10	1652200003	BAND	4				
11	0578600852	PLATE	2				
	N1c121						



N0C250

S=1/20

BOOM LIGHT						
Item	Part number	Description	Q'ty	Chan.	Serial No.	Serv. Remarks
		LIGHT ASSY, boom				X05760-14500-0
1	0566013100	BRACKET	1			
2	0566015400	LAMP ASSY	1			
2-1	1703003901	• BULB	1			
3	0576014510	HARNES, wiring	1			
4	1100041020	BOLT	1			
5	1140020010	WASHER, spring	1			
6	1652201005	BAND	1			
	N1C220					

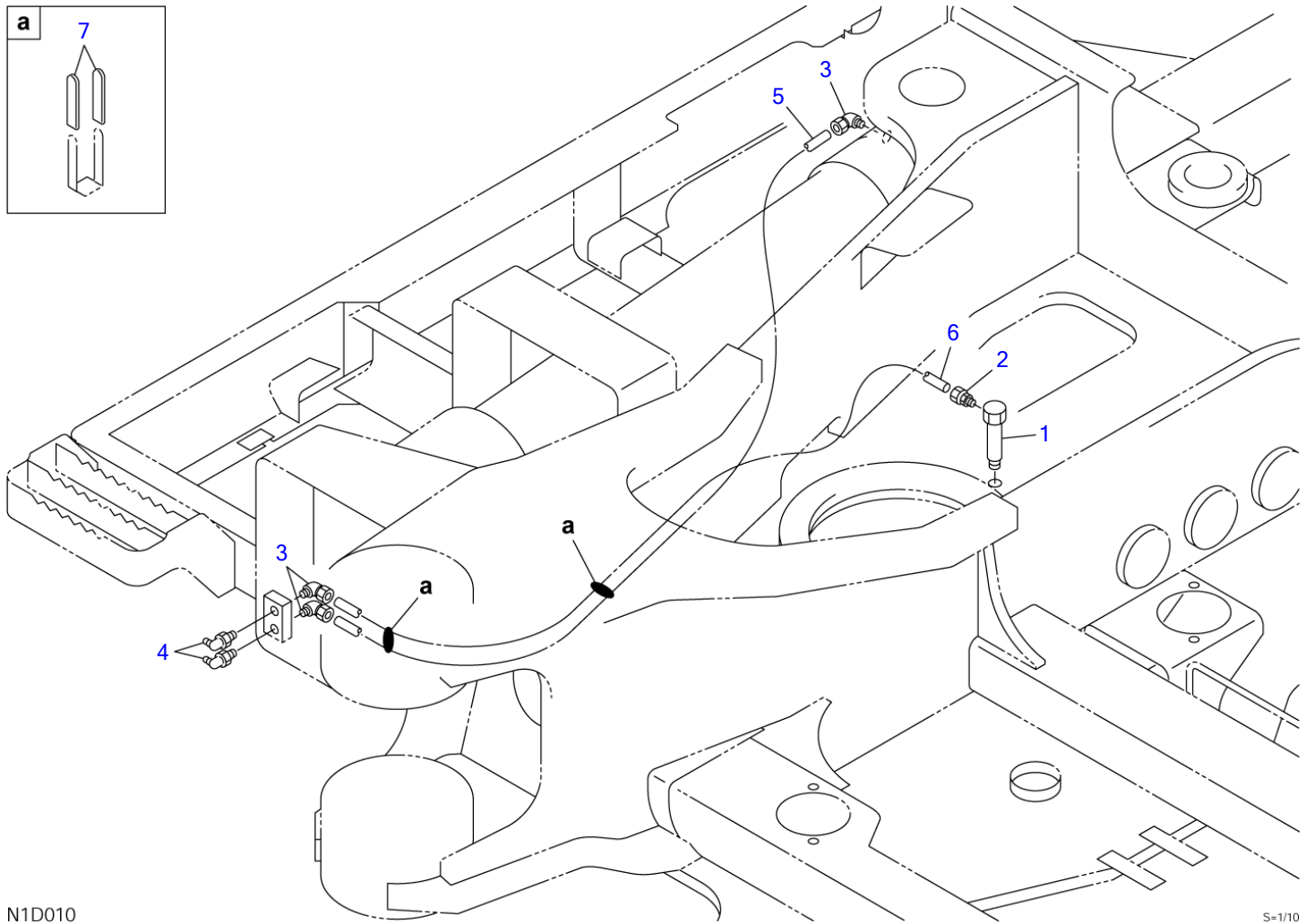
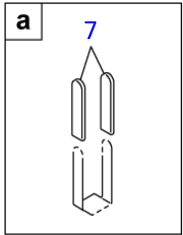


N1C170

2/11, 51, 100

SERVICE DETENT

Item	Part number	Description	Q'ty	Chan.	Serial No.	Serv.	Remarks
		SERVICE DETENT ASSY					
1	0574203510	WIRING HARNESS	1				
2	1700000041	LAMP SWITCH	1				
3	0564257004	DECAL	1				
4	1652231250	BAND	2				
	N1C170						



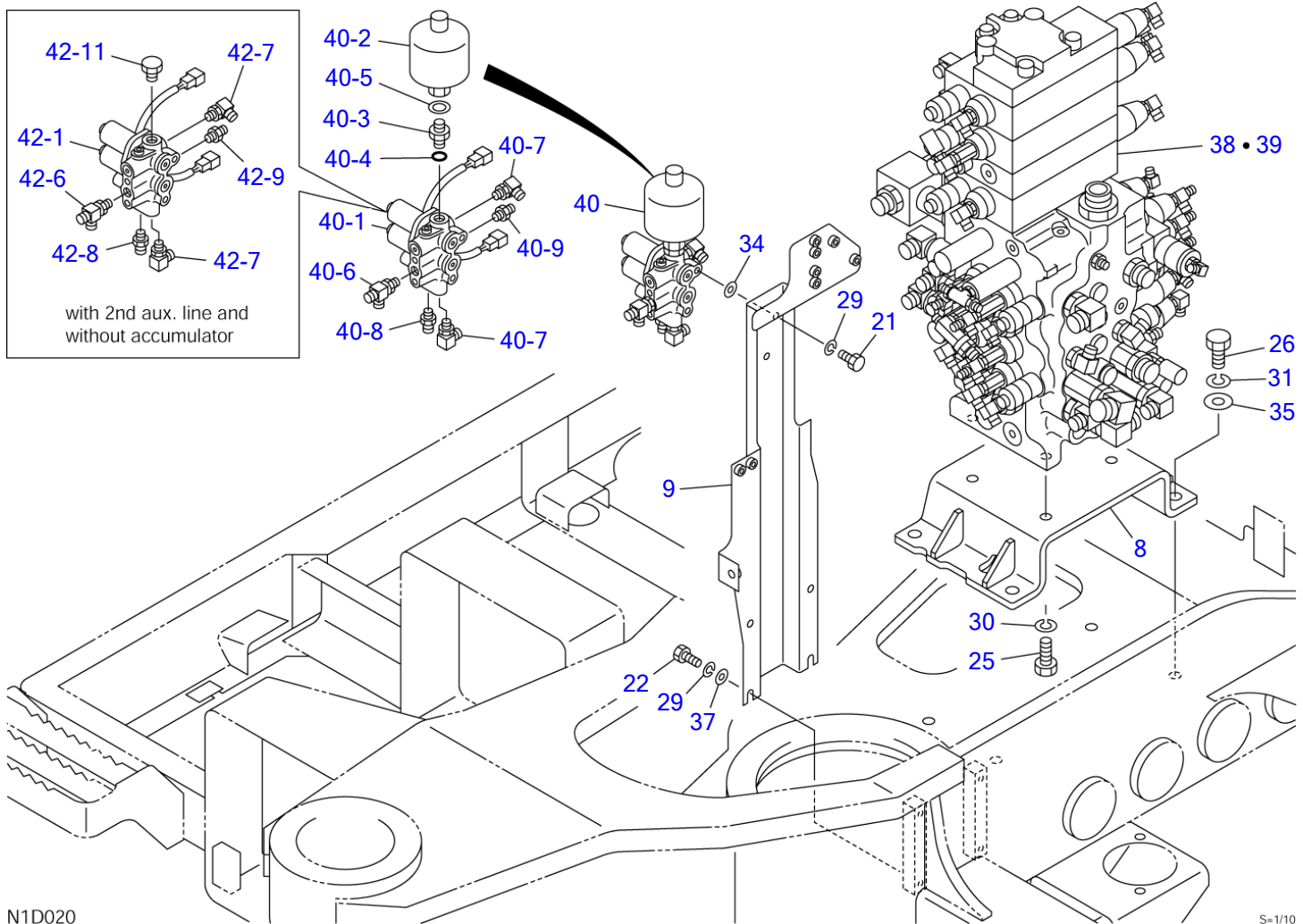
N1D010

S-1/10

GREASE PIPING

Item	Part number	Description	Q'ty	Chan.	Serial No.	Serv.	Remarks
		PIPING ASSY, grease					X05724-00100-0
1	0007262013	ELBOW	1				
2	1532520601	CONNECTOR	1				
3	1532620601	ELBOW	3				
4	1560001675	FITTING, grease	2				
5	1532120670	TUBE	1				sold by the meter
6	1532120660	TUBE	1				sold by the meter
7	0872433150	TUBE	4				
	N1d010						

TB1140 Book No. BN1Z002 S/N 51410002-
VALVE & ACCESSORIES (1/3)



N1D020

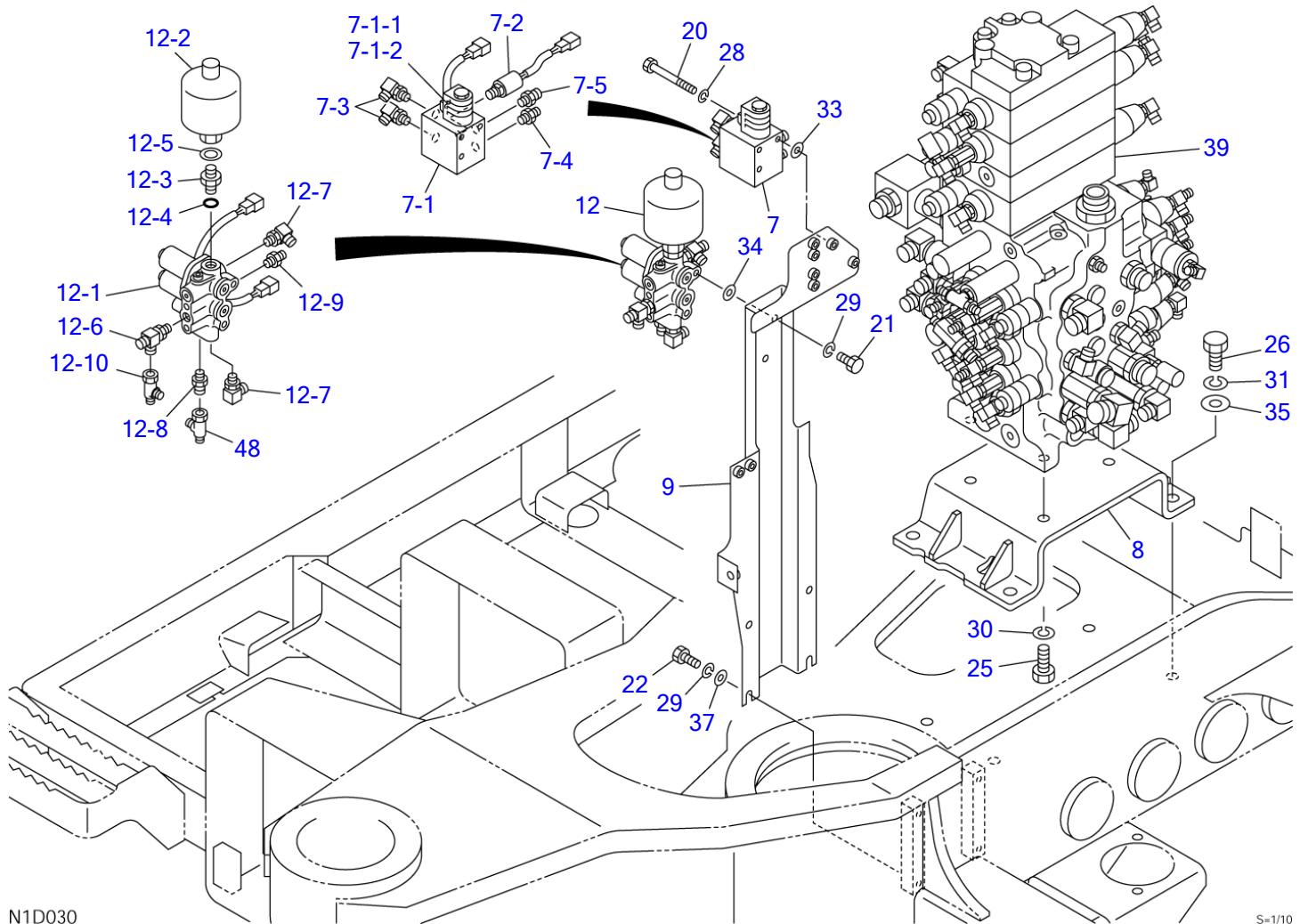
S=1/10

VALVE & ACCESSORIES (1/3)

Item	Part number	Description	Q'ty	Chan.	Serial No.	Serv.	Remarks
		VALVE ASSY, control					X05750-03100-3
		VALVE ASSY, control (with 2nd aux. line)					X05750-03200-3
		VALVE ASSY, control (with 2nd aux. line and without accumulator)					X05750-03500-3
8	0575003130	BRACKET	1				
9	0575003510	BRACKET	1				
21	1100041020	BOLT	2				
22	1100041025	BOLT	4				
25	1100041640	BOLT	4				
26	1100041835	BOLT	4				
29	1140020010	WASHER, spring	6				
30	1140020016	WASHER, spring	4				
31	1140020018	WASHER, spring	4				
34	1141110010	WASHER	2				
35	1141110018	WASHER	4				
37	0003600020	WASHER	2				
38	X *****	VALVE SUB ASSY, control	1				X05750-03110-2
39	X *****	VALVE SUB ASSY, control	1				X05750-03210-2 with 2nd aux. line
40	X *****	VALVE ASSY, solenoid	1				X05750-03220-0
40-1	1901744600	• VALVE, solenoid	1				
40-2	1552200020	• ACCUMULATOR	1				
40-3	0007200223	• ADAPTOR	1				
40-4	1420010140	• O-RING	1				
40-5	1432160004	• SEAL	1				
40-6	1512373007	• TEE	1				
		1420010110	• • O-RING	1			
40-7	1515010130	• ELBOW	2				
		1420010110	• • O-RING	1			
40-8	1515600576	• ADAPTOR	1				
		1420010140	• • O-RING	1			
40-9	1515600200	• ADAPTOR	1				
		1420010110	• • O-RING	1			
42	X *****	VALVE ASSY, solenoid (with 2nd aux. line and without accumulator)	1				X05750-03520-0
42-1	1901744600	• VALVE, solenoid	1				
42-6	1512373007	• TEE	1				
		1420010110	• • O-RING	1			
42-7	1515010130	• ELBOW	2				
		1420010110	• • O-RING	1			
42-8	1515600576	• ADAPTOR	1				
		1420010140	• • O-RING	1			
42-9	1515600200	• ADAPTOR	1				
		1420010110	• • O-RING	1			
42-11	1501750003	• PULG	1				
		1420010140	• • O-RING	1			

N1d022

TB1140 Book No. BN1Z002 S/N 51410002-
VALVE & ACCESSORIES (1/3) (with 3rd & 4th aux. lines)

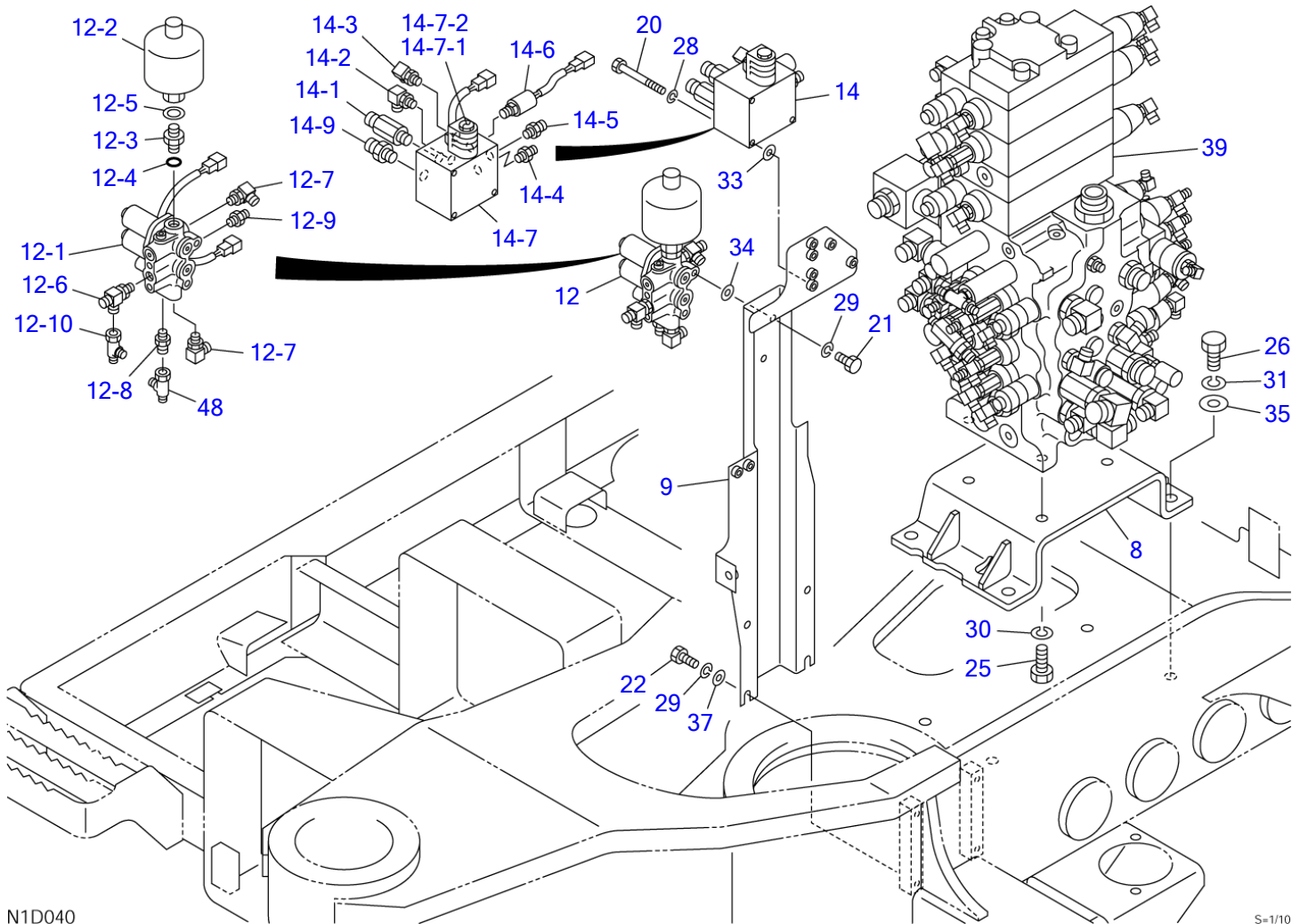


N1D030

S=1/10

VALVE & ACCESSORIES (1/3) (with 3rd & 4th aux. lines)

Item	Part number	Description	Q'ty	Chan.	Serial No.	Serv.	Remarks
		VALVE ASSY, control (with 3rd aux. line)					X05750-03300-3
		VALVE ASSY, control (with 4th aux. line)					X05750-03400-3
7	X *****	VALVE ASSY, solenoid	1				X05750-00460-2
7-1	1901747200	• VALVE, solenoid	1				24V
7-1-1	1901741402	• • SOLENOID	1				
7-1-2	1901741403	• • COIL	1				
7-2	1700100065	• SWITCH, pressure	1				
	1420010110	• • O-RING	1				
7-3	1515010130	• ELBOW	2				
	1420010110	• • O-RING	1				
7-4	1515600200	• ADAPTOR	1				
	1420010110	• • O-RING	1				
7-5	1515600571	• ADAPTOR	1				
	1420010110	• • O-RING	1				
8	0575003130	BRACKET	1				
9	0575003510	BRACKET	1				
12	X *****	VALVE ASSY, solenoid	1				X05750-03320-0
12-1	1901744600	• VALVE, solenoid	1				
12-2	1552200020	• ACCUMULATOR	1				
12-3	0007200223	• ADAPTOR	1				
12-4	1420010140	• O-RING	1				
12-5	1432160004	• SEAL	1				
12-6	1512373007	• TEE	1				
	1420010110	• • O-RING	1				
12-7	1515010130	• ELBOW	2				
	1420010110	• • O-RING	1				
12-8	1515600576	• ADAPTOR	1				
	1420010140	• • O-RING	1				
12-9	1515600200	• ADAPTOR	1				
	1420010110	• • O-RING	1				
12-10	1513390035	• TEE	1				
20	1100040895	BOLT	3				
21	1100041020	BOLT	2				
22	1100041025	BOLT	4				
25	1100041640	BOLT	4				
26	1100041835	BOLT	4				
28	1140020008	WASHER, spring	3				
29	1140020010	WASHER, spring	6				
30	1140020016	WASHER, spring	4				
31	1140020018	WASHER, spring	4				
33	1141110008	WASHER	3				
34	1141110010	WASHER	2				
35	1141110018	WASHER	4				
37	0003600020	WASHER	2				
39	X *****	VALVE SUB ASSY, control	1				X05750-03210-2
48	1513390015	TEE	1				with 4th aux. line
	N1d032						



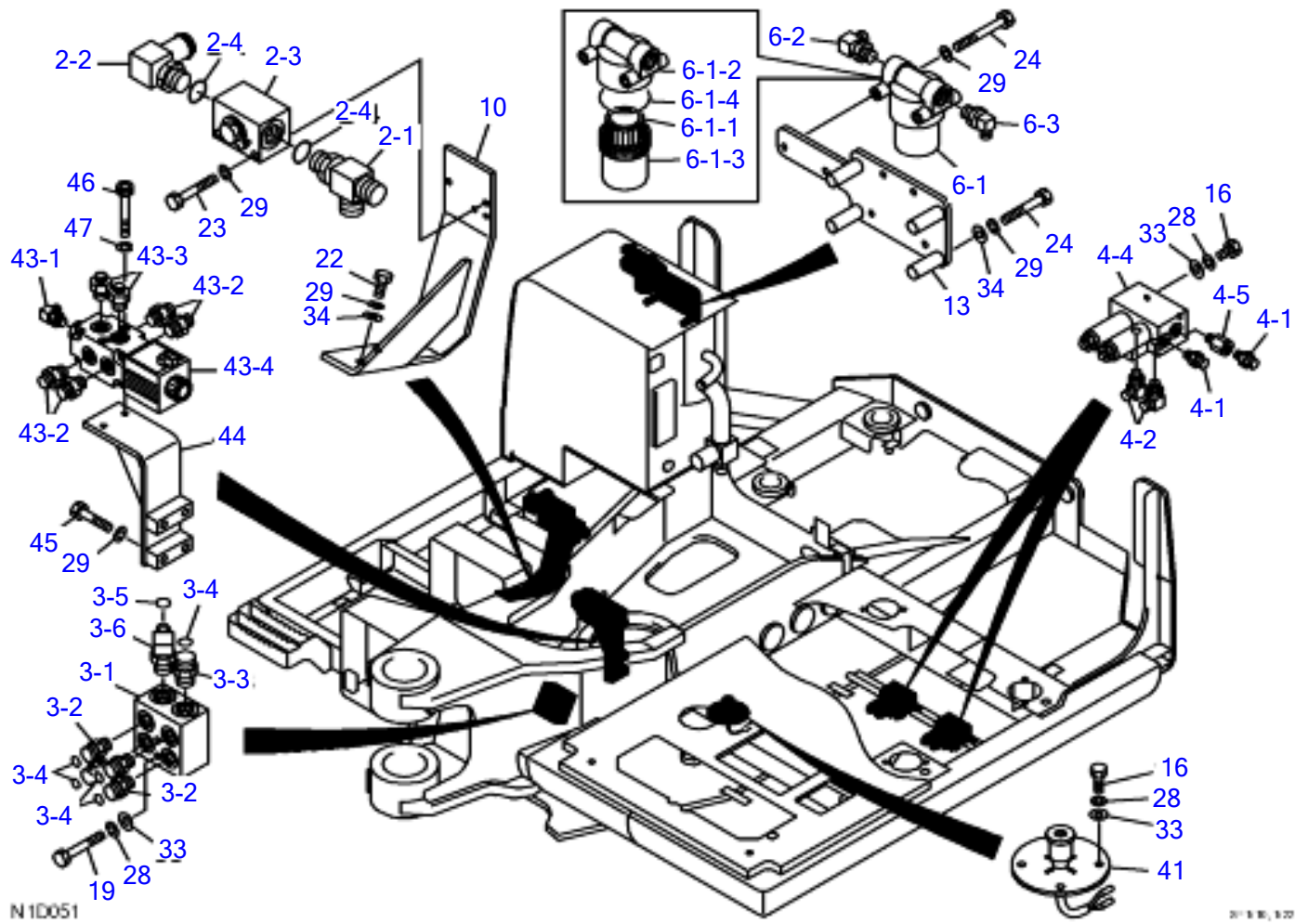
N1D040

S=1/10

VALVE & ACCESSORIES (1/3) (with high pressure 3rd, 3rd & 4th aux. lines)

Item	Part number	Description	Q'ty	Chan.	Serial No.	Serv.	Remarks
		VALVE ASSY, control (with high press. 3rd aux. line)					X05750-03700-3
		VALVE ASSY, control (with high press. 3rd, 4th aux. line)					X05750-03800-3
8	0575003130	BRACKET	1				
9	0575003510	BRACKET	1				
12	X *****	VALVE ASSY, solenoid	1				X05750-03320-0
12-1	1901744600	• VALVE, solenoid	1				
12-2	1552200020	• ACCUMULATOR	1				
12-3	0007200223	• ADAPTOR	1				
12-4	1420010140	• O-RING	1				
12-5	1432160004	• SEAL	1				
12-6	1512373007	• TEE	1				
	1420010110	• • O-RING	1				
12-7	1515010130	• ELBOW	2				
	1420010110	• • O-RING	1				
12-8	1515600576	• ADAPTOR	1				
	1420010140	• • O-RING	1				
12-9	1515600200	• ADAPTOR	1				
	1420010110	• • O-RING	1				
12-10	1513390035	• TEE	1				
14	X *****	VALVE ASSY, solenoid	1				X05750-03720-0
14-1	0007203041	• ADAPTOR	2				
	1420010180	• • O-RING	1				
14-2	0575003630	• ELBOW (with orifice)	1				
	1420010110	• • O-RING	1				
14-3	1515010130	• ELBOW	1				
	1420010110	• • O-RING	1				
14-4	1515600200	• ADAPTOR	1				
	1420010110	• • O-RING	1				
14-5	1515600571	• ADAPTOR	1				
	1420010110	• • O-RING	1				
14-6	1700100065	• SWITCH, pressure	1				
	1420010110	• • O-RING	1				
14-7	1901749400	• VALVE, solenoid	1				
14-7-1	1901741402	• • SOLENOID	1				
14-7-2	1901741403	• • COIL	1				
14-8	1420010180	• O-RING	2				
14-9	1515600202	• ADAPTOR	1				
	1420010180	• • O-RING	1				
20	1100040895	BOLT	3				
21	1100041020	BOLT	2				
22	1100041025	BOLT	4				
25	1100041640	BOLT	4				
26	1100041835	BOLT	4				
28	1140020008	WASHER, spring	3				
29	1140020010	WASHER, spring	6				
30	1140020016	WASHER, spring	4				
31	1140020018	WASHER, spring	4				
33	1141110008	WASHER	3				
34	1141110010	WASHER	2				
35	1141110018	WASHER	4				
37	0003600020	WASHER	2				
39	X *****	VALVE SUB ASSY, control	1				X05750-03210-0
48	1513390015	TEE	1				with 4th aux. line
	N1d042						

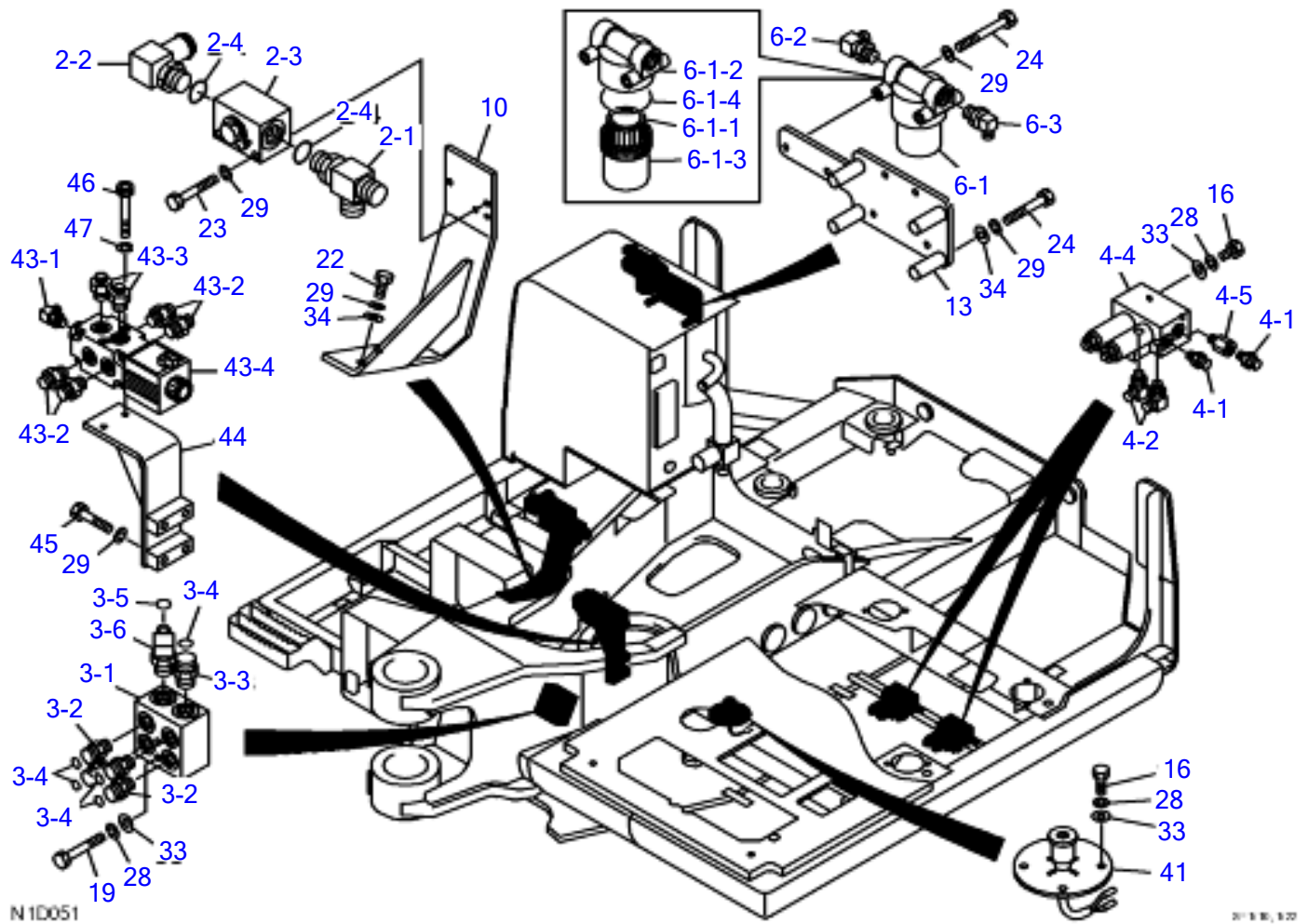
TB1140 Book No. BN1Z002 S/N 51410002-
VALVE & ACCESSORIES (2/3)



2013 08 01

VALVE & ACCESSORIES (2/3)

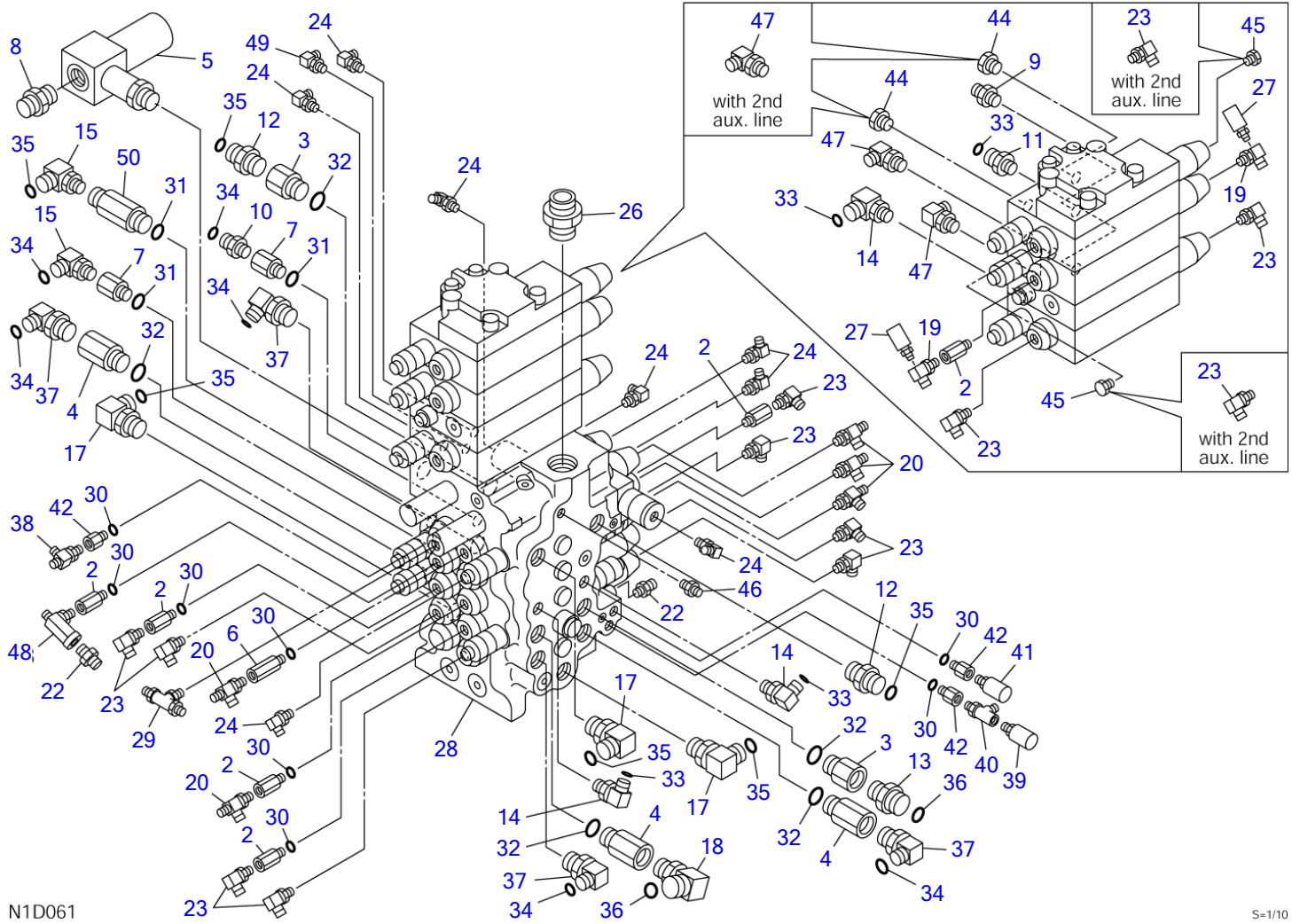
Item	Part number	Description	Q'ty	Chan.	Serial No.	Serv.	Remarks
		VALVE ASSY, control					X05750-03100-3
		VALVE ASSY, control (with 2nd aux. line)					X05750-03200-3
		VALVE ASSY, control (with 3rd aux. line)					X05750-03300-3
		VALVE ASSY, control (with 4rd aux. line)					X05750-03400-3
		VALVE ASSY, control (with 2nd aux. line and without accumulator)					X05750-03500-3
		VALVE ASSY, control (with high press. 3rd aux. line)					X05750-03700-3
		VALVE ASSY, control (with high press. 3rd, 4th aux. line)					X05750-03800-3
2	X *****	VALVE ASSY, stop	1				X05750-00250-1
2-1	1512373015	• TEE	1				
	1420010290	• • O-RING	1				
2-2	1513350020	• ELBOW	1				
	1420010290	• • O-RING	1				
2-3	1901744200	• VALVE, stop	1				
2-4	1420310021	• O-RING	2				
3	X *****	MANIFOLD ASSY	1				X05750-03230-1
3-1	0565029610	• MANIFOLD	1				
3-2	1511061604	• ADAPTOR	4				
	1420010180	• • O-RING	1				
3-3	1511061606	• ADAPTOR	1				
	1420010240	• • O-RING	1				
3-4	1420310016	• O-RING	5				
3-5	1420310018	• O-RING	1				
3-6	1511261906	• ELBOW	1				
	1420010240	• O-RING	1				
4	X *****	VALVE ASSY, solenoid	1				X05750-00350-1
	X *****	VALVE ASSY, solenoid	2				with 2nd, 3rd, 4th aux. line
4-1	1515600571	• ADAPTOR	2				
	1420010110	• • O-RING	1				
4-2	1515010130	• ELBOW	2				
	1420010110	• • O-RING	1				
4-4	1901738500	• VALVE, proportional control	1				
4-5	1513370046	• ADAPTOR (with filter)	1				
	1420010110	• • O-RING	1				
6	X *****	FILTER ASSY	1				X05750-00450-0
6-1	1551200600	• FILTER	1				
6-1-1	1551200601	• • ELEMENT	1				
6-1-2	1551200602	• • COVER, head	1				
6-1-3	1551200603	• • CASE	1				
6-1-4	1551200604	• • O-RING	1				
6-2	1515010042	• ELBOW	1				
	1420010180	• • O-RING	1				
6-3	1515010051	• ELBOW	1				
	1420010180	• • O-RING	1				
10	0575000520	BRACKET	1				
13	0575000560	BRACKET	1				
16	1100040820	BOLT	4				with 2nd, 3rd, 4th aux. line
	1100040820	bolt	2				
19	1100040875	BOLT	2				
22	1100041025	BOLT	2				
23	1100041080	BOLT	2				
24	1100141095	BOLT	6				
28	1140020008	WASHER, spring	4				
	1140020008	WASHER, spring	6				with 2nd aux. line
	1140020008	WASHER, spring	10				with 2nd, 3rd, 4th aux. line
29	1140020010	WASHER, spring	10				
	1140020010	WASHER, spring	14				with 4th aux. line
33	1141110008	WASHER	4				
	1141110008	WASHER	6				with 2nd, 3rd, 4th aux. line
	1141110008	WASHER	10				
34	1141110010	WASHER	4				
41	1700100064	SWITCH, foot	1				with 2nd, 3rd, 4th aux. line



VALVE & ACCESSORIES (2/3)

Item	Part number	Description	Q'ty	Chan.	Serial No.	Serv.	Remarks
43	0575003410	VALVE ASSY, solenoid	1				with 4th aux. line
43-1	1515012040	· ELBOW	1				with 4th aux. line
43-1	1420010110	· · O-RING	1				with 4th aux. line
43-2	1515600202	· ADAPTOR	4				with 4th aux. line
43-2	1420010180	· · O-RING	1				with 4th aux. line
43-3	1515600577	· ADAPTOR	2				with 4th aux. line
43-3	1420010180	· · O-RING	1				with 4th aux. line
43-4	1901748300	· VALVE, solenoid	1				with 4th aux. line
44	0577304550	BRACKET	1				with 4th aux. line
45	1100041045	BOLT	4				with 4th aux. line
46	1110040870	SCREW, cap	2				with 4th aux. line
47	1140420008	WASHER, spring	2				with 4th aux. line
	N1d052						

TB1140 Book No. BN1Z002 S/N 51410002-
VALVE & ACCESSORIES (3/3)



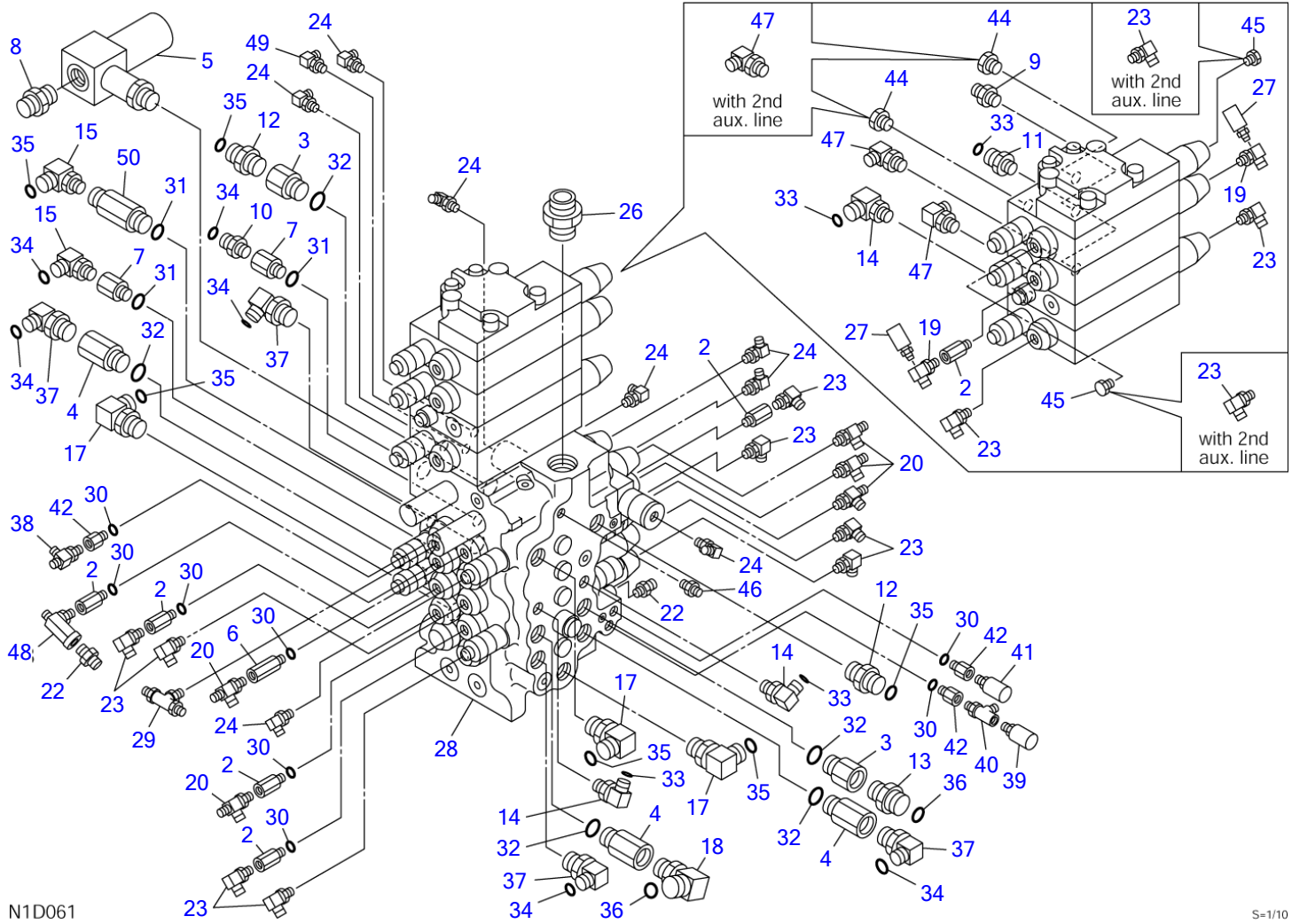
N1D061

S=1/10

VALVE & ACCESSORIES (3/3)

Item	Part number	Description	Q'ty	Chan.	Serial No.	Serv.	Remarks
0	X *****	VALVE SUB ASSY, control	1				X05750-03110-2
	X *****	VALVE SUB ASSY, control (with 2nd aux. line)	1				X05750-03210-2
2	0007213028	· BUSHING	6				
	1420010110	* * O-RING	1				
3	0007213034	· BUSHING	2				
4	0007213050	· BUSHING	3				
5	0575000550	· ELBOW	1				
	1420010290	· · O-RING	1				
6	0007213061	· BUSHING	1				
7	0007213010	· BUSHING	2				
	1420010180	* * O-RING	1				
8	1515600203	· ADAPTOR	1				
	1420010240	· · O-RING	1				
9	1515600202	· ADAPTOR	1				
	1420010180	· · O-RING	1				
10	1511061604	· ADAPTOR	1				
	1420010180	· · O-RING	1				
11	1511061304	· ADAPTOR	1				M
	1420010180	· · O-RING	1				
12	1511061906	· ADAPTOR	2				
	1420010240	· · O-RING	1				
13	1511062306	· ADAPTOR	1				
	1420010240	· · O-RING	1				
14	1511161304	· ELBOW	3				
	1420010180	· · O-RING	1				
15	1511161604	· ELBOW	2				
	1420010180	· · O-RING	1				
17	1511161906	· ELBOW	3				
	1420010240	· · O-RING	1				
18	1511162306	· ELBOW	1				
	1420010240	· · O-RING	1				
19	1512330003	· ELBOW	2				
	1420010110	· · O-RING	1				
20	1512373007	· TEE	5				
	1420010110	· · O-RING	1				
22	1515600571	· ADAPTOR	2				
	1420010110	· · O-RING	1				
23	1515010130	· ELBOW	11				
	1420010110	· · O-RING	1				
	1515010130	· ELBOW	13				with 2nd aux. line
	1420010110	· · O-RING	1				
24	1515012040	· ELBOW	8				
	1420010110	· · O-RING	1				
26	1515600205	· ADAPTOR	1				
	1420010380	· · O-RING	1				
27	1700100015	· SWITCH, pressure	2				
28	1901042800	· VALVE, control	1				
	1901046800	* CONTROL VALVE	1				
29	1901735200	· VALVE, shuttle	1				
30	1420010110	· O-RING	6				
31	1420010180	· O-RING	3				
32	1420010240	· O-RING	5				
33	1420310014	· O-RING	4				
34	1420310016	· O-RING	6				
35	1420310018	· O-RING	6				
36	1420310021	· O-RING	2				
37	1511161606	· ELBOW	4				
	1420010240	· · O-RING	1				
38	1512370011	· TEE	1				
	1420010110	· · O-RING	1				
39	1700100069	· SWITCH, pressure	1				
	1420010110	· · O-RING	1				
40	1512340001	· ELBOW	1				
	1420010110	· · O-RING	1				
41	1700100065	· SWITCH, pressure	1				
	1420010110	· · O-RING	1				
42	0007213042	· BUSHING	3				

TB1140 Book No. BN1Z002 S/N 51410002-
VALVE & ACCESSORIES (3/3)

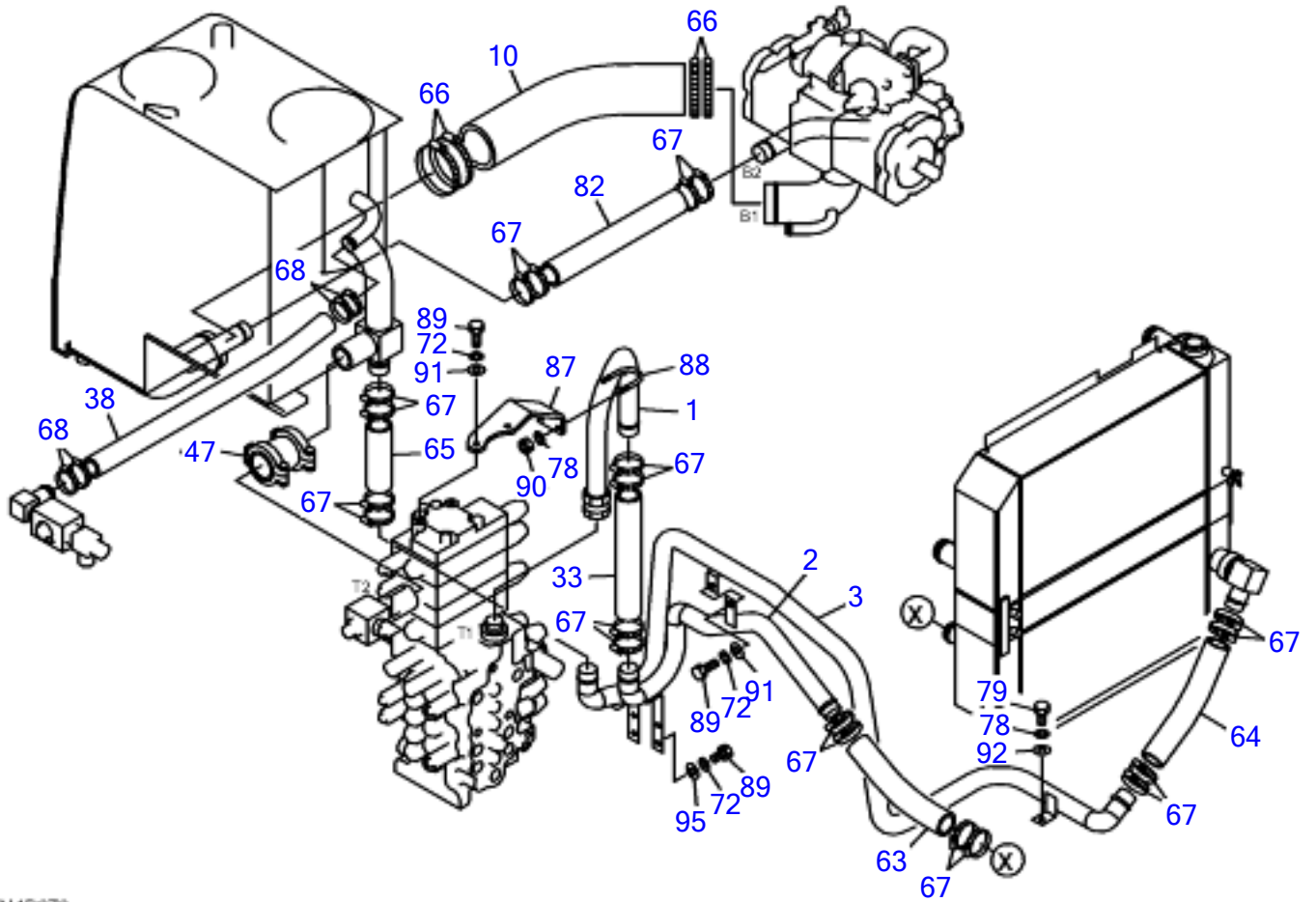


N1D061

S=1/10

VALVE & ACCESSORIES (3/3)

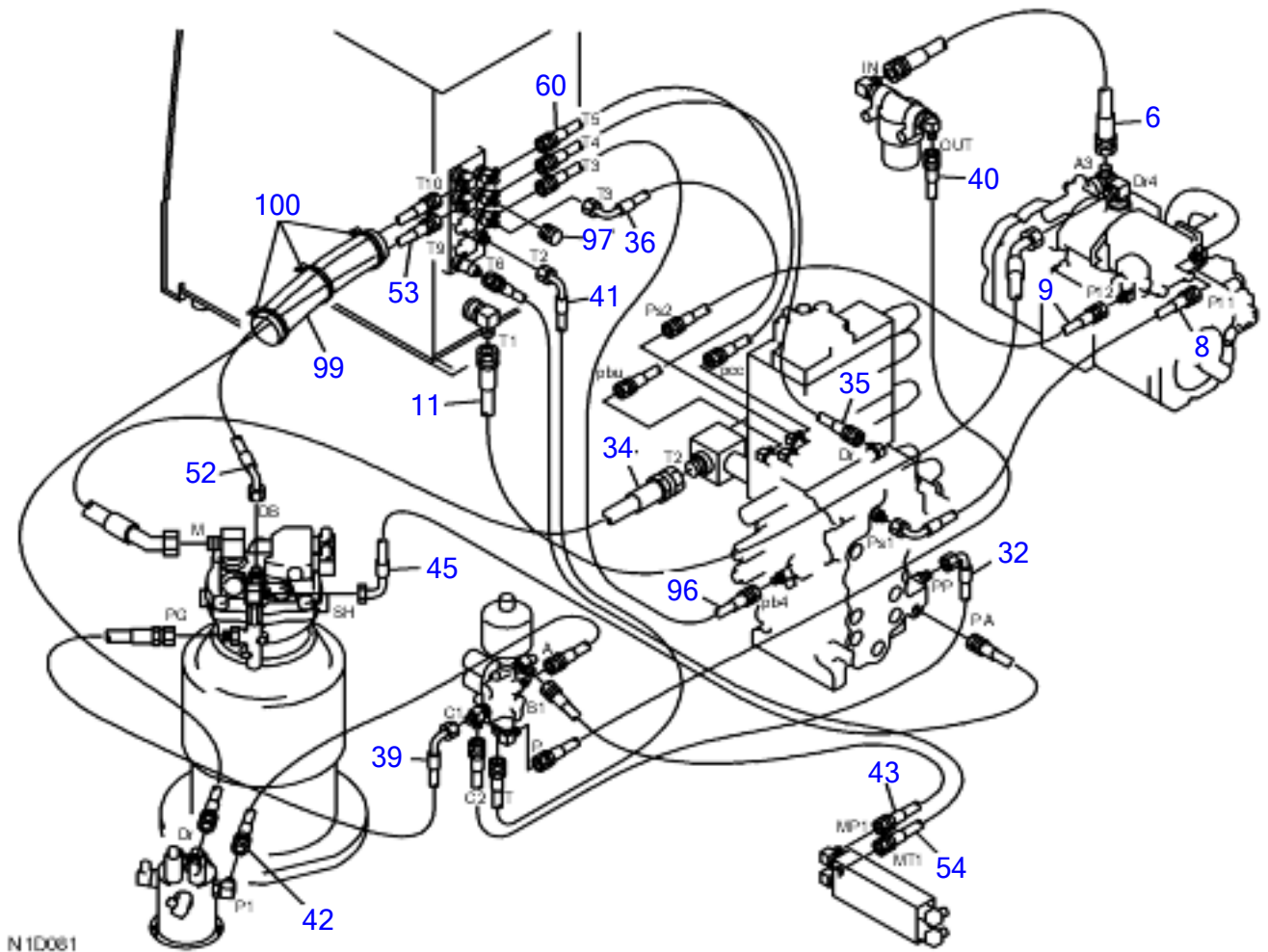
Item	Part number	Description	Q'ty	Chan.	Serial No.	Serv.	Remarks
44	1501750004	• PLUG	2				without 2nd aux. line
44	1420010180	• • O-RING	1				
45	1501750002	• PLUG	2				without 2nd aux. line
45	1420010110	• • O-RING	1				
46	0575002020	• ADAPTOR (with orifice)	1				
46	1420010110	• • O-RING	1				
47	1515010042	• ELBOW	2				
47	1515010042	• ELBOW	4				with 2nd aux. line
47	1420010180	• • O-RING	1				
48	1513390029	• TEE	1				
48	1420010110	• • O-RING	1				
49	0575002030	• ELBOW	1				
50	0007213038	• BUSHING	1				
	N1d062						



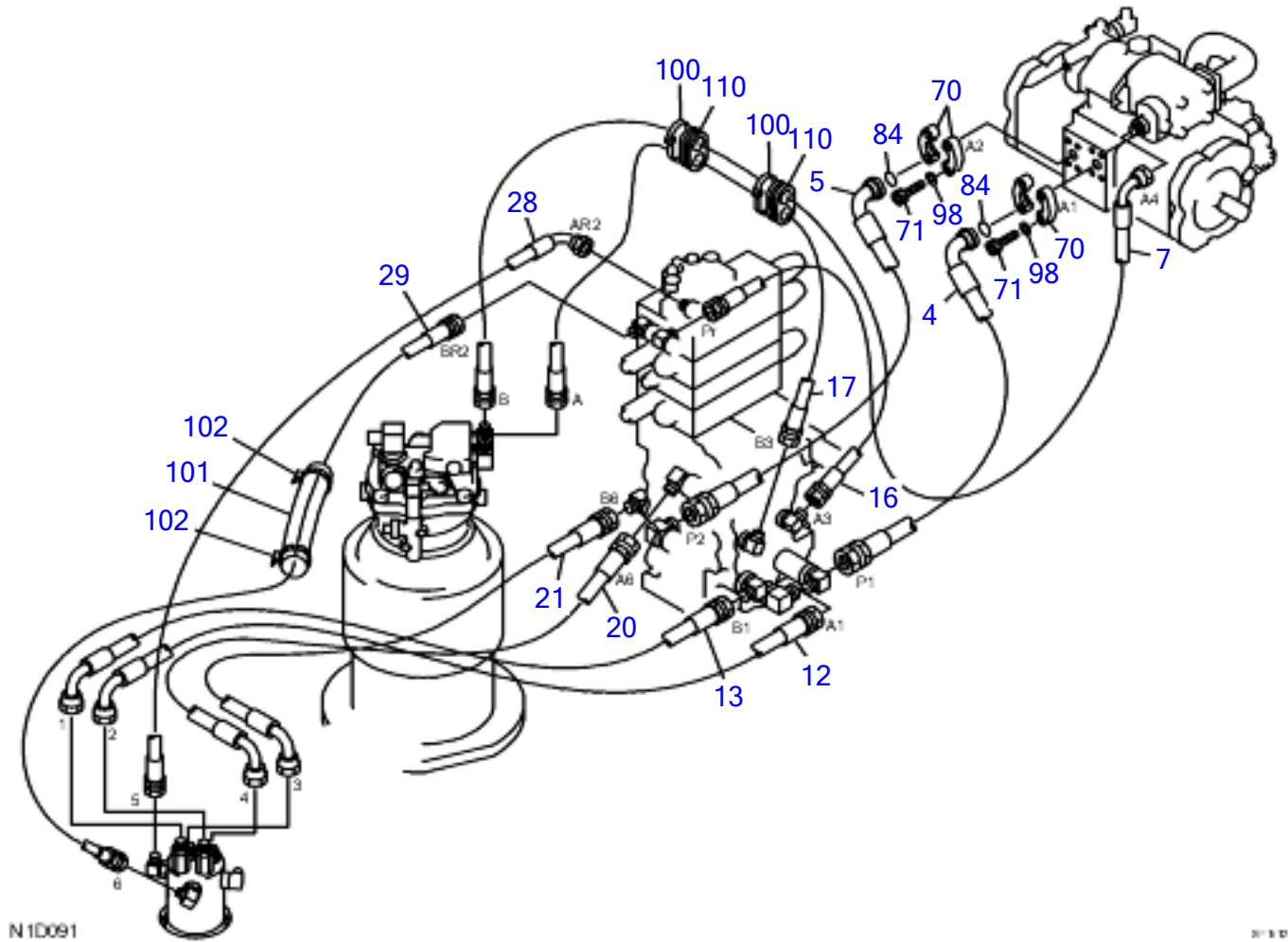
N1D070

201108

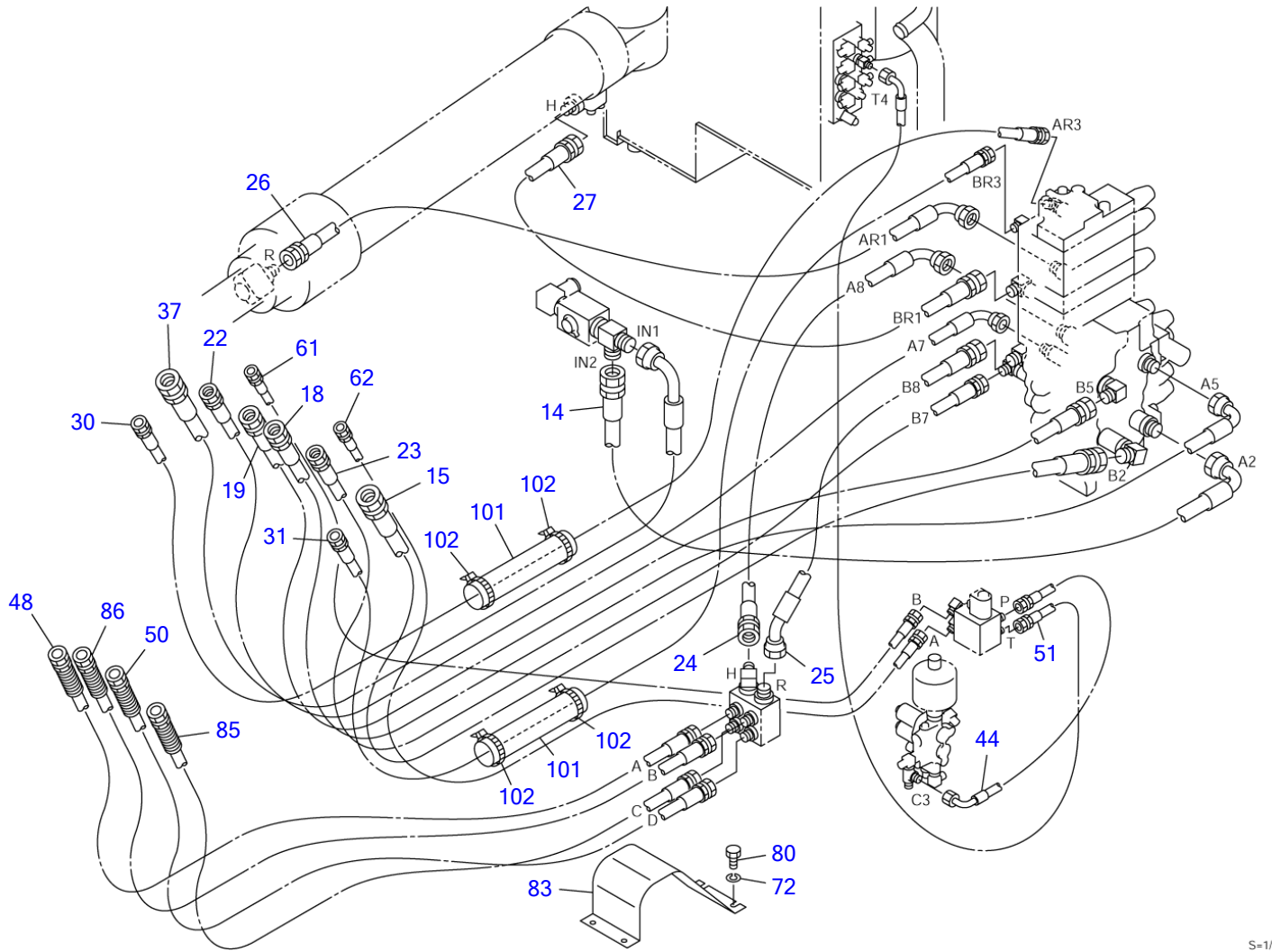
		PIPING; UPPER (1/5)				
Item	Part number	Description	Q'ty	Chan.	Serial No.	Serv. Remarks
		PIPING ASSY, upper				X05770-03000-2
		PIPING ASSY, upper (with 2nd aux. line)				X05770-03100-2
		PIPING ASSY, upper (with 3rd aux. line)				X05770-03200-2
		PIPING ASSY, upper (with 4th aux. line)				X05770-03300-2
		PIPING ASSY, upper (with high press. 3rd aux. line)				X05770-03500-2
		PIPING ASSY, upper (with high press. 3rd, 4th aux. line)				X05770-03600-2
1	0577000010	PIPE	1			
2	0577002620	PIPE	1			
3	0577002630	PIPE	1			
10	0577000100	HOSE	1			sold by the meter
33	1530541033	HOSE	1			sold by the meter
38	1530534075	HOSE	1			sold by the meter
47	1534200032	COUPLING	1			
63	1530541033	HOSE	1			sold by the meter
64	1530541028	HOSE	1			sold by the meter
65	1530541017	HOSE	1			sold by the meter
66	1533700115	BAND	4			
67	1533700060	BAND	20			
68	1533700048	BAND	4			
72	1140020010	WASHER, spring	8			
78	1140020008	WASHER, spring	2			
82	1530741045	HOSE	1			sold by the meter
87	0577000870	SUPPORT	1			
88	1533201012	U-BOLT	1			
89	1100041025	BOLT	7			
90	1130040008	NUT	2			
91	1141110010	WASHER	3			
92	1141110008	WASHER	1			
95	0003600025	WASHER	4			
	N1d072					



		PIPING; UPPER (2/5)				
Item	Part number	Description	Q'ty	Chan.	Serial No.	Serv. Remarks
		PIPING ASSY, upper				X05770-03000-2
		PIPING ASSY, upper (with 2nd aux. line)				X05770-03100-2
		PIPING ASSY, upper (with 3rd aux. line)				X05770-03200-2
		PIPING ASSY, upper (with 4th aux. line)				X05770-03300-2
		PIPING ASSY, upper (with high press. 3rd aux. line)				X05770-03500-2
		PIPING ASSY, upper (with high press. 3rd, 4th aux. line)				X05770-03600-2
6	0577000060	HOSE ASSY	1			18010-24066
8	0577000080	HOSE ASSY	1			18010-52124
9	0577002980	HOSE ASSY	1			18010-22110
11	0577001110	HOSE ASSY	1			18010-91092
32	0577000320	HOSE ASSY	1			18010-53110
34	0577003890	HOSE ASSY	1			18010-26066
35	0577000350	HOSE ASSY	1			18010-22040
36	0577000360	HOSE ASSY	1			18010-52032
39	0577003110	HOSE ASSY	1			18010-52054
40	0577000405	HOSE ASSY	1			18010-23200
41	0577000410	HOSE ASSY	1			18010-52132
42	0577000420	HOSE ASSY	1			18010-22100
43	0577000430	HOSE ASSY	1			18010-23135
45	0577003120	HOSE ASSY	1			18010-52096
52	0577003520	HOSE ASSY	1			18010-53056
53	0577000535	HOSE ASSY	1			18010-53144
54	0577000540	HOSE ASSY	1			18010-23220
60	0577002990	HOSE ASSY	1			18010-22040
96	0577000960	HOSE ASSY	1			18010-22100
97	1513900002	SOCKET	1			
	1420310908	* O-RING	1			
99	1531350050	PROTECTOR	1			sold by the meter
100	1652201007	BAND	3			
	N1d082					



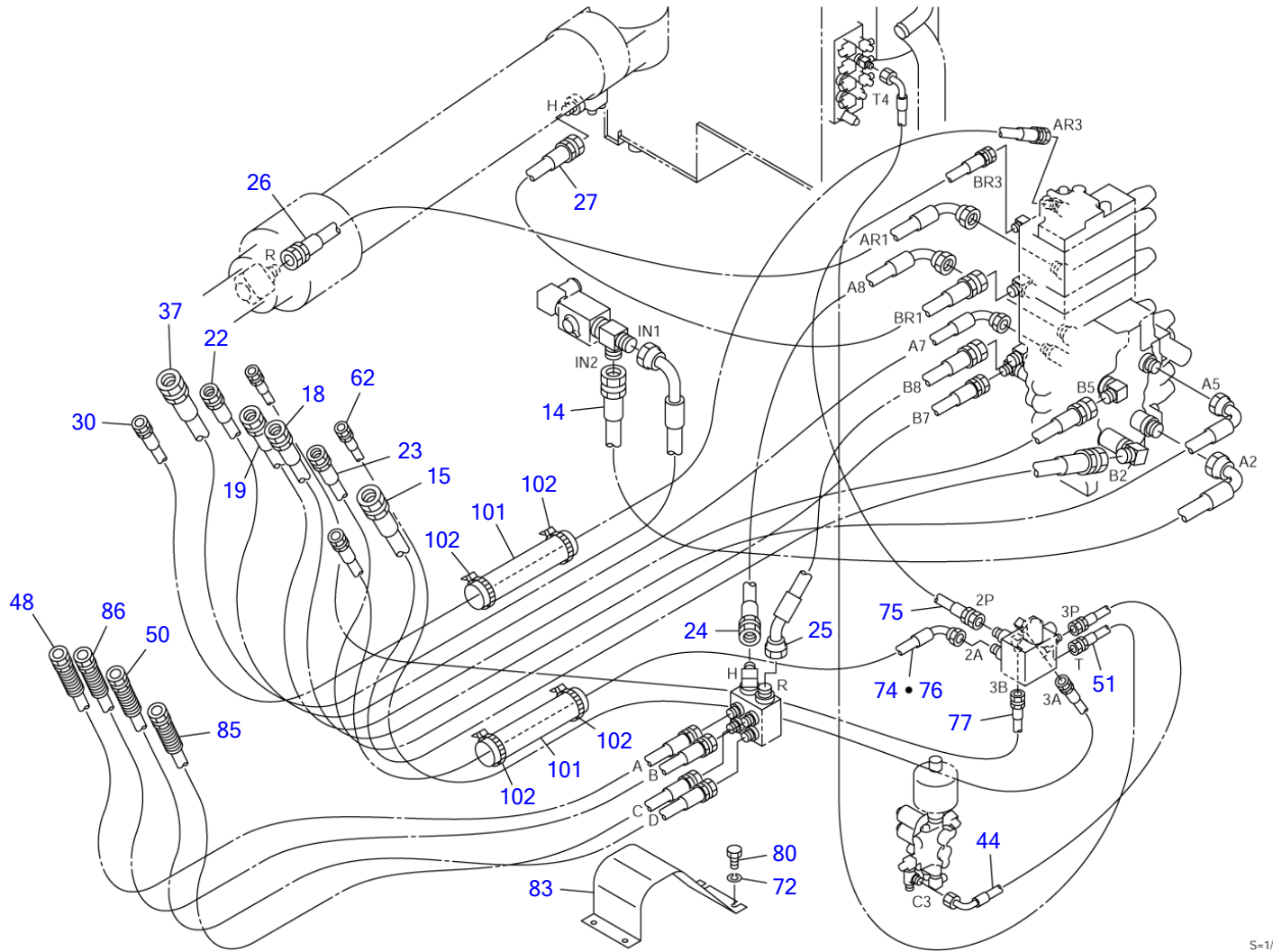
		PIPING; UPPER (3/5)				
Item	Part number	Description	Q'ty	Chan.	Serial No.	Serv. Remarks
		PIPING ASSY, upper				X05770-03000-2
		PIPING ASSY, upper (with 2nd aux. line)				X05770-03100-2
		PIPING ASSY, upper (with 3rd aux. line)				X05770-03200-2
		PIPING ASSY, upper (with 4th aux. line)				X05770-03300-2
		PIPING ASSY, upper (with high press. 3rd aux. line)				X05770-03500-2
		PIPING ASSY, upper (with high press. 3rd, 4th aux. line)				X05770-03600-2
4	0577000040	HOSE ASSY	1			18037-66108
5	0577000050	HOSE ASSY	1			18037-66090
7	0577002070	HOSE ASSY	1			18025-41092
12	0577003020	HOSE ASSY	1			M 18035-15069
13	0577000130	HOSE ASSY	1			18035-15061
16	0577003030	HOSE ASSY	1			18035-04125
17	0577003040	HOSE ASSY	1			18035-04114
20	0577000200	HOSE ASSY	1			18035-15106
21	0577003210	HOSE ASSY	1			18035-15082
28	0577003280	HOSE ASSY	1			18025-41114
29	0577003290	HOSE ASSY	1			18025-40118
70	1533551006	FLANGE	4			
71	1110041035	SCREW, cap	8			
84	1420310214	O-RING	2			
98	1140420010	WASHER, spring	8			
100	1652201007	BAND	2			
101	1531325030	PROTECTOR	1			sold by the meter
102	1652201005	BAND	2			
110	0097210300	GUARD	2			
	N1d092					



S=1/15

PIPING; UPPER (4/5)

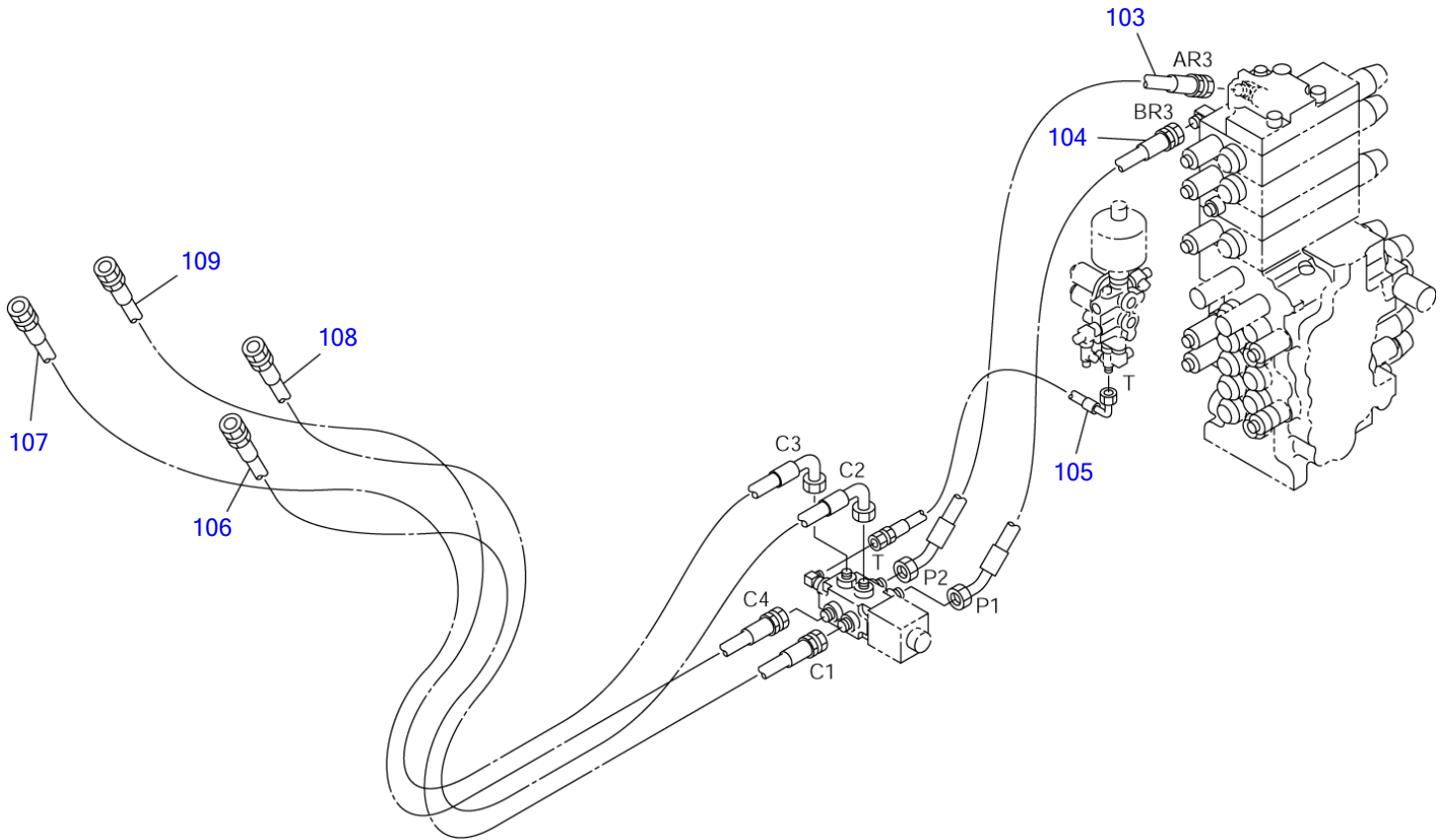
Item	Part number	Description	Q'ty	Chan.	Serial No.	Serv.	Remarks
		PIPING ASSY, upper					X05770-03000-2
		PIPING ASSY, upper (with 2nd aux. line)					X05770-03100-2
		PIPING ASSY, upper (with 3rd aux. line)					X05770-03200-2
		PIPING ASSY, upper (with 4th aux. line)					X05770-03300-2
14	0577000140	HOSE ASSY	1				18040-17130
15	0577000150	HOSE ASSY	1				18043-07315
18	0577000180	HOSE ASSY	1				18038-16335
19	0577000190	HOSE ASSY	1				18038-06315
22	0577002220	HOSE ASSY	1				18038-15340
23	0577002230	HOSE ASSY	1				18038-05320
24	0577003240	HOSE ASSY	1				18035-16096
25	0577003250	HOSE ASSY	1				18035-25088
26	0577003260	HOSE ASSY	1				18037-14240
27	0577003270	HOSE ASSY	1				18037-04200
30	0577002710	HOSE ASSY	1				with 2nd, 3rd aux. line
31	0577002720	HOSE ASSY	1				with 2nd, 3rd aux. line
37	0577000370	HOSE ASSY	1				18043-17287
44	0577002440	HOSE ASSY (18010-53066)	1				with 3rd, 4th aux. line
48	0577000480	HOSE ASSY	1				18038-05187
50	0577000500	HOSE ASSY	1				18038-05191
51	0577000510	HOSE ASSY	1				with 3rd, 4th aux. line
61	0577002810	HOSE ASSY (18010-23345)	1				with 3rd, 4th aux. line
62	0577002820	HOSE ASSY (18010-23345)	1				with 3rd, 4th aux. line
72	1140020010	WASHER, spring	4				
80	1100041020	BOLT	4				
83	0577000900	GUIDE	1				
85	0577000850	HOSE ASSY	1				18038-05187
86	0577000860	HOSE ASSY	1				18038-05191
101	1531325030	PROTECTOR (sold by the meter)	2				except for 4th aux. line
102	1652201005	BAND	4				except for 4th aux. line
	N1d102						



S=1/15

PIPING; UPPER (4/5) (with high pressure 3rd, 3rd & 4th aux. lines)

Item	Part number	Description	Q'ty	Chan.	Serial No.	Serv.	Remarks
		PIPING ASSY, upper (with high press. 3rd aux. line)					X05770-03500-2
		PIPING ASSY, upper (with high press. 3rd, 4th aux. line)					X05770-03600-2
14	0577000140	HOSE ASSY	1				18040-17130
15	0577000150	HOSE ASSY	1				18043-07315
18	0577000180	HOSE ASSY	1				18038-16335
19	0577000190	HOSE ASSY	1				18038-06315
22	0577002220	HOSE ASSY	1				18038-15340
23	0577002230	HOSE ASSY	1				18038-05320
24	0577003240	HOSE ASSY	1				18035-16096
25	0577003250	HOSE ASSY	1				18035-25088
26	0577003260	HOSE ASSY	1				18037-14240
27	0577003270	HOSE ASSY	1				18037-04200
30	0577002710	HOSE ASSY	1				
37	0577000370	HOSE ASSY	1				18043-17287
44	0577002440	HOSE ASSY	1				18010-53066
48	0577000480	HOSE ASSY	1				18038-05187
50	0577000500	HOSE ASSY	1				18038-05191
51	0577000510	HOSE ASSY	1				
62	0577002820	HOSE ASSY	1				18010-23345
72	1140020010	WASHER, spring	4				
74	0577003610	HOSE ASSY	1				with high press. 3rd, 4th aux. line
75	0577003410	HOSE ASSY	1				
76	0577003420	HOSE ASSY	1				with high press. 3rd aux. line
77	0577003430	HOSE ASSY	1				
80	1100041020	BOLT	4				
83	0577000900	GUIDE	1				
85	0577000850	HOSE ASSY	1				18038-05187
86	0577000860	HOSE ASSY	1				18038-05191
101	1531325030	PROTECTOR	2				sold by the meter
102	1652201005	BAND	4				
	N1d112						

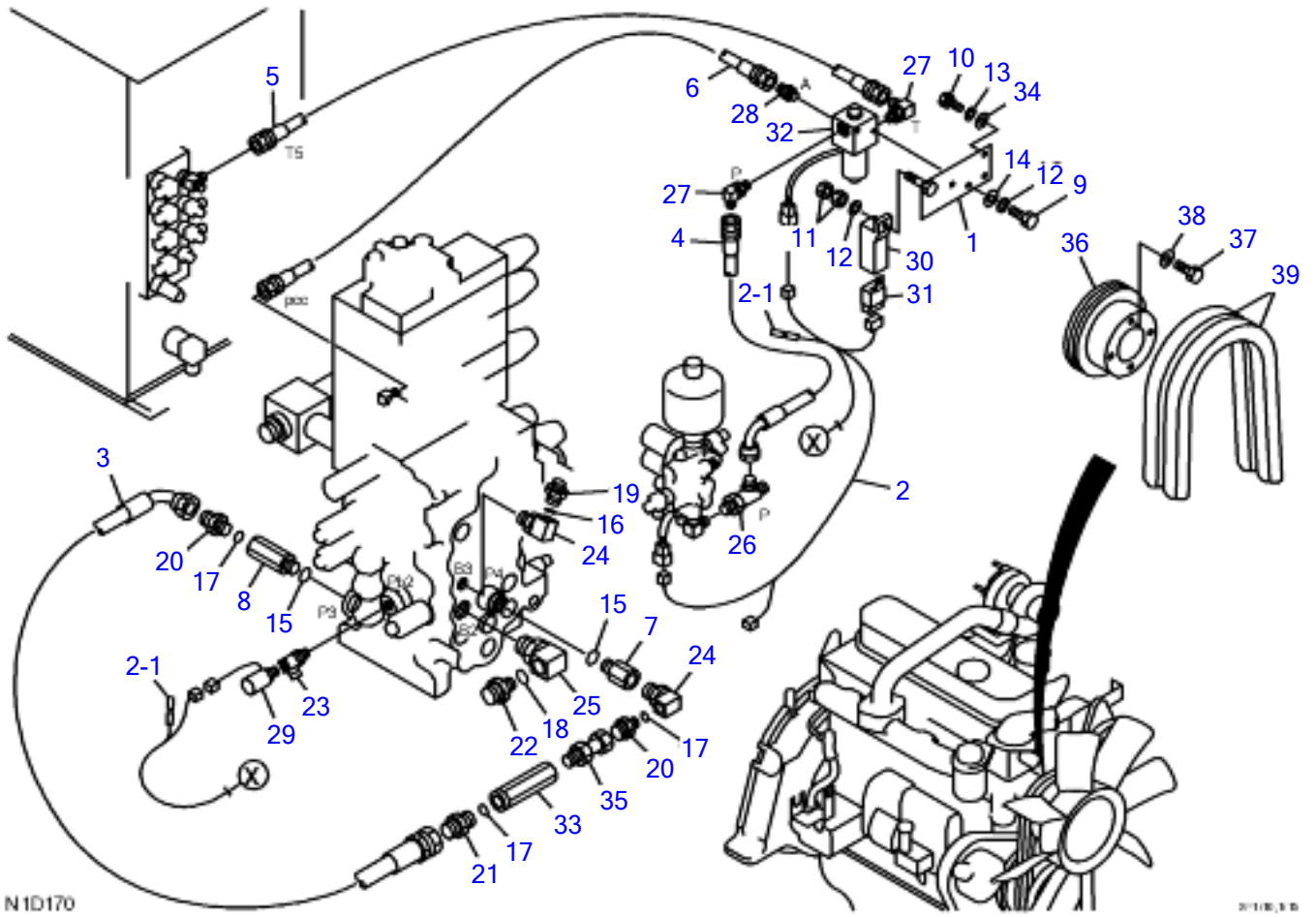


N1D120

S=1/12

PIPING; UPPER (5/5) (with 4th aux. Lines)

Item	Part number	Description	Q'ty	Chan.	Serial No.	Serv.	Remarks
		PIPING ASSY, upper (with 4th aux. line)					X05770-03300-2
		PIPING ASSY, upper (with high press. 3rd, 4th aux. line)					X05770-03600-2
103	0577003330	HOSE ASSY	1				18027-42096
104	0577003320	HOSE ASSYr (with 4th aux. line)	1				18027-42086
105	0577003310	HOSE ASSY	1				18010-52040
106	0577002940	HOSE ASSY	1				
107	0577002950	HOSE ASSY	1				
108	0577002960	HOSE ASSY	1				18025-21265
109	0577002970	HOSE ASSY	1				18025-21265
	N1d122						

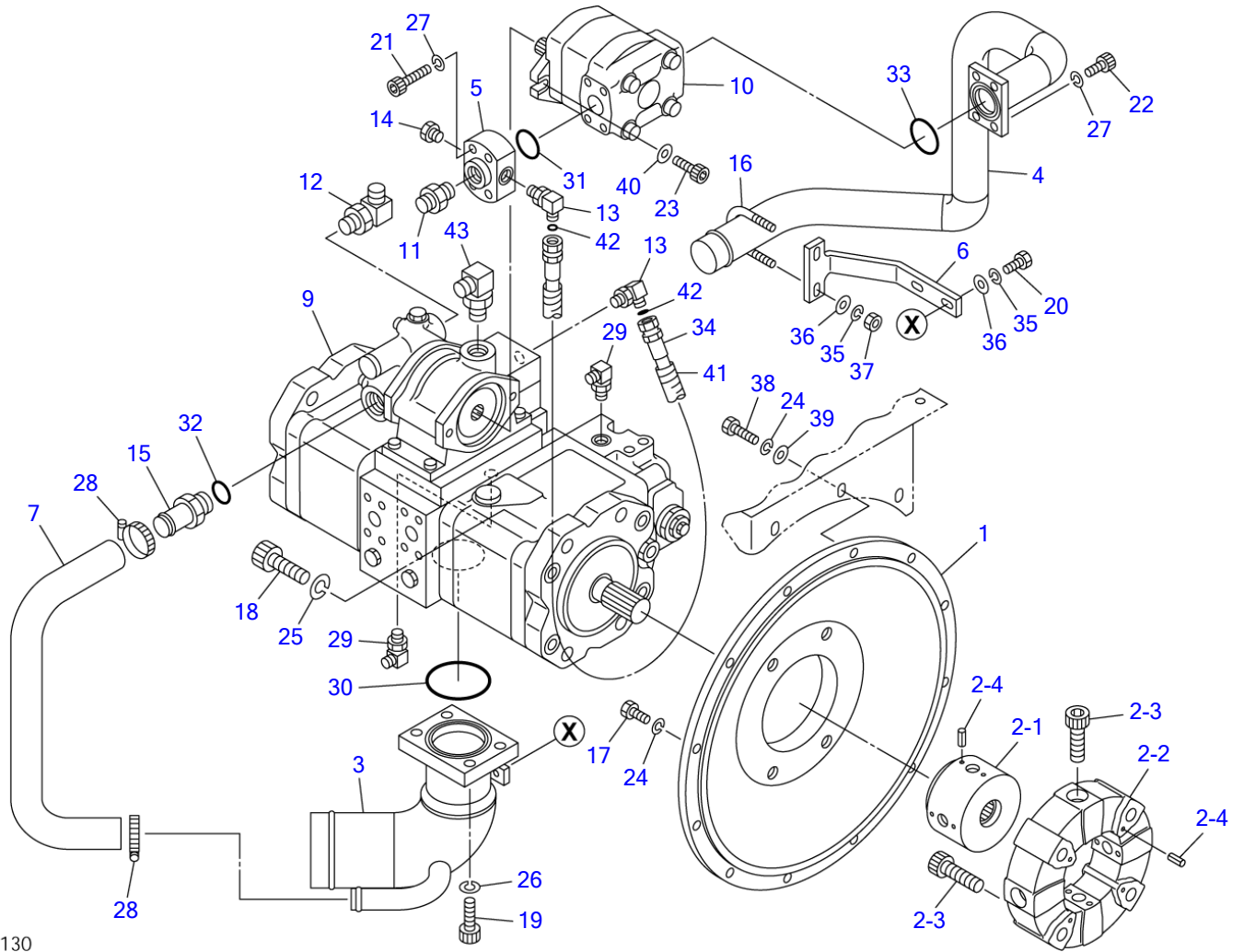


SERVICE HIGH FLOW

Item	Part number	Description	Q'ty	Chan.	Serial No.	Serv.	Remarks
		SERVICE HIGH FLOW ASSY					
1	0577305110	PLATE	1				
2	0577305120	WIRING HARNESS ASSY	1				
2-1	1730500008	* DIODE (YELLOW)	2				
3	0577305130	HOSE ASSY	1				
4	0577305140	HOSE ASSY	1				
5	0577305150	HOSE ASSY	1				
6	0577305160	HOSE ASSY	1				
7	0007213010	BUSHING	1				
	1420010180	* O-RING	1				
8	0007213013	BUSHING	1				
9	1100040620	BOLT	2				
10	1100040820	BOLT	2				
11	1130040006	NUT	2				
12	1140020006	SPRING WASHER	3				
13	1140020008	SPRING WASHER	2				
14	1141110006	WASHER	2				
15	1420010180	O-RING	2				
16	1420310014	O-RING	1				
17	1420310018	O-RING	3				
18	1420310021	O-RING	1				
19	1511061304	ADAPTOR	1				
	1420010180	* O-RING	1				
20	1511061904	ADAPTOR	2				
	1420010180	* O-RING	1				
21	151106101906	ADAPTOR	1				
	1420010240	* O-RING	1				
22	1511062306	ADAPTOR	1				
	1420010240	* O-RING	1				
23	1512330006	ELBOW	1				
24	1513300016	ELBOW	2				
	1420010180	* O-RING	1				
25	1513300029	ELBOW	1				
26	1513390043	TEE	1				
27	1515012040	ELBOW	2				
	1420010110	* O-RING	1				
28	1515600200	ADAPTOR	1				
	1420010110	* O-RING	1				
29	1700100015	PRESSURE SWITCH	1				
30	1700100038	COVER	1				
31	1711900049	RELAY	1				
32	1901739600	SOLENOID VALVE	1				
33	1901754300	CHECK VALVE	1				
34	1141110008	WASHER	2				
35	0576000062	ADAPTOR	1				
	1420010240	* O-RING	1				
36	1910255055	PULLEY	1				
37	1910255056	BOLT	4				
38	1910255057	WASHER	4				
39	1910255058	V-BELT	2				

N1D170

TB1140 Book No. BN1Z002 S/N 51410002-
PUMP DRIVE

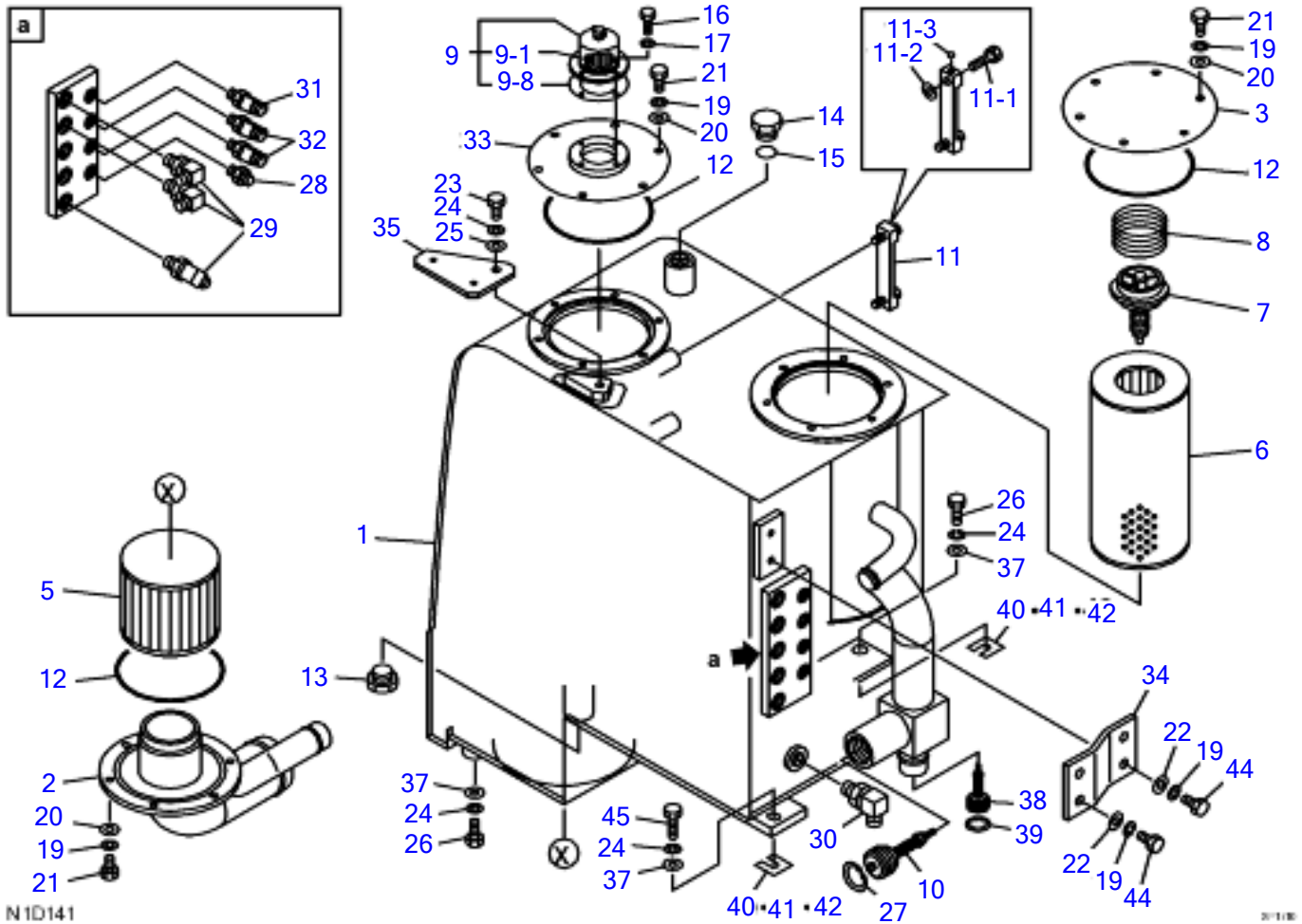


N1D130

S=1/8

PUMP DRIVE						
Item	Part number	Description	Q'ty	Chan.	Serial No.	Serv. Remarks
		PUMP ASSY, drive				X05752-01000-1
1	0575200500	HOUSING	1			
2	0575200200	COUPLING	1			
2-1	0575200201	• BOSS, coupling	1			
2-2	1602000500	• COUPLING	1			
2-3	1110041650	• SCREW, cap	8			
2-4	1213000510	• PIN, spring	8			
3	0575200300	PIPE	1			
4	0575200400	PIPE	1			
5	0575200320	NIPPLE, flange	1			
6	0575200410	STAY	1			
7	0575200340	HOSE	1			
9	1902020900	PUMP, hydraulic	1			
	1902023600	HYDRAULIC PUMP	1			
10	1902021000	PUMP, gear	1			
11	1515600202	ADAPTOR	1			
	1420010180	• O-RING	1			
12	1515010042	ELBOW	1			
	1420010180	• O-RING	1			
13	1511161102	ELBOW	2			
	1420010110	• O-RING	1			
14	1501750002	PLUG	1			
	1420010110	• O-RING	1			
15	0007223005	ADAPTOR	1			
16	1533201012	U-BOLT	1			
17	1100041025	BOLT	9			
18	1111041655	SCREW, cap	4			
19	1110041240	SCREW, cap	4			
20	1100040825	BOLT	2			
21	1110041045	SCREW, cap	4			
22	1110041025	SCREW, cap	4			
23	1110041030	SCREW, cap	2			
24	1140020010	WASHER, spring	12			
25	1140420016	WASHER, spring	4			
26	1140420012	WASHER, spring	4			
27	1140420010	WASHER, spring	8			
28	1533700041	CLAMP	2			
29	0575002030	ELBOW (with orifice)	2			
30	1420110700	O-RING	1			
31	1420110350	O-RING	1			
32	1420010240	O-RING	1			
33	1420110400	O-RING	1			
34	1804002075	HOSE ASSY	1			
35	1140020008	WASHER, spring	4			
36	0003608252	WASHER	2			
37	1130040008	NUT	2			
38	1100041035	BOLT	3			
39	0003600020	WASHER	3			
40	0003900039	WASHER	2			
41	1532215020	TUBE	1			sold by the meter
42	1420310011	O-RING	2			
43	1515010052	ELBOW	1			
	1420010240	• O-RING	1			
	N1d131					

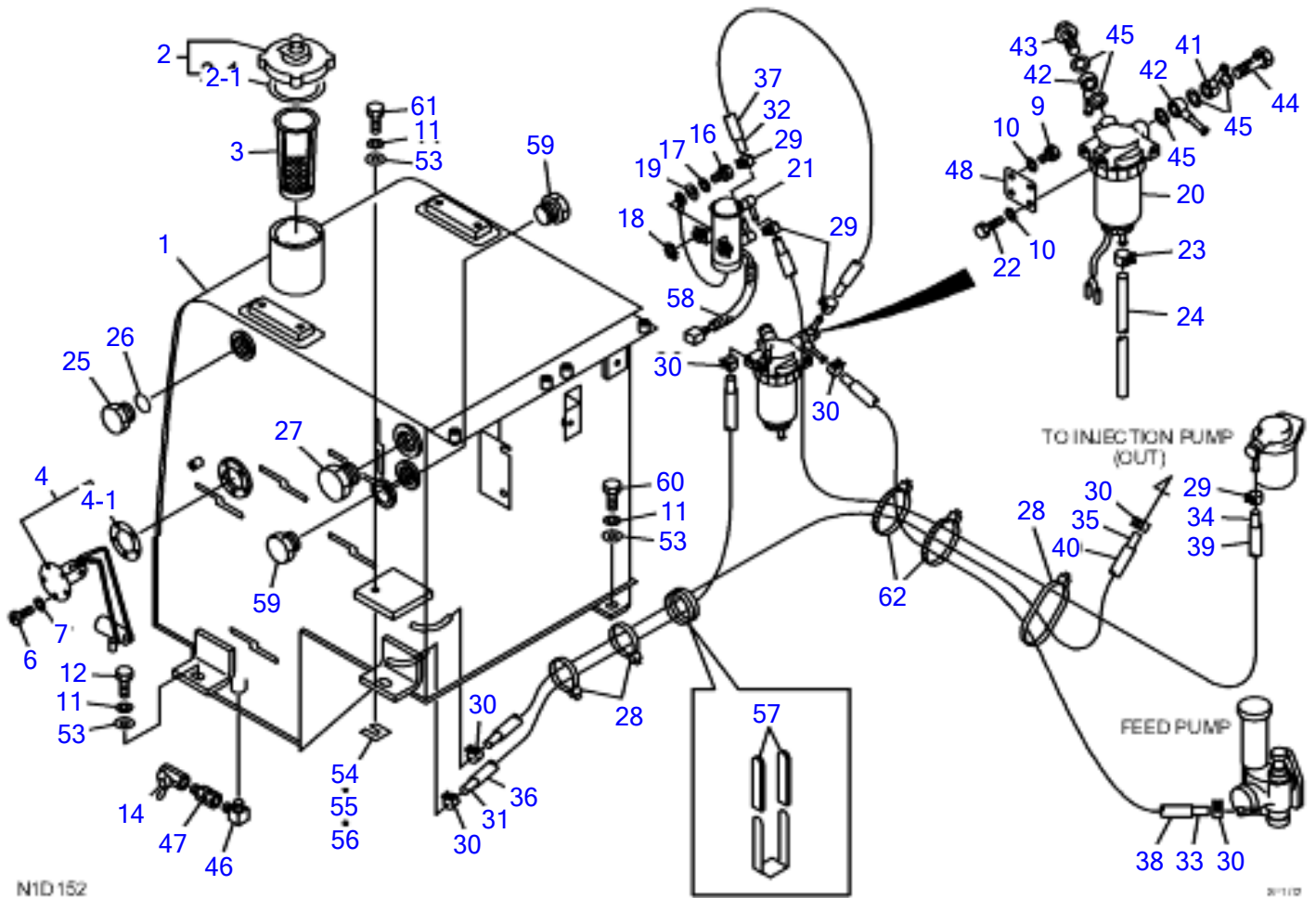
TB1140 Book No. BN1Z002 S/N 51410002-
HYDRAULIC TANK



HYDRAULIC TANK

Item	Part number	Description	Q'ty	Chan.	Serial No.	Serv.	Remarks
		TANK ASSY, hydraulic					X05780-01000-1
1	0578000600	TANK, hydraulic	1				
2	0578000220	PIPE	1				
3	0578000300	COVER	1				
5	1550100110	FILTER	1				
6	1551103400	FILTER	1				
7	1551103500	VALVE	1				
8	0007000031	SPRING	1				
9	1552000900	BREATHER, air	1				
9-1	1552000902	· ELEMENT	1				
9-8	1552000908	· PACKING	1				
10	1540141235	VALVE, check	1				
11	1553020612	GAUGE	1				
11-1	1553021650	· BOLT	2				
11-2	1553022650	· PACKING	2				
11-3	1553020603	· FLOAT	1				
12	1420101600	O-RING	3				
13	1501750010	PLUG	1				
	1420010290	· O-RING	1				
14	0007256006	PLUG	1				
15	1420010290	O-RING	1				
16	1100040614	BOLT	4				
17	1140020006	WASHER, spring	4				
19	1140020010	WASHER, spring	22				
20	1141110010	WASHER	18				
21	1100041020	BOLT	22				
22	1141550010	WASHER	4				
23	1101041225	BOLT	3				
24	1140020012	WASHER, spring	5				
25	1141550012	WASHER	3				
26	1101041230	BOLT	1				
27	1221010050	RING, retaining	1				
28	0007203034	ADAPTOR	1				
29	1515012041	ELBOW	3				
	1420010140	· O-RING	1				
30	1515010042	ELBOW	1				
	1420010180	· O-RING	1				
31	1515012040	ELBOW	1				
	1420010110	* O-RING	1				
32	1512370011	TEE	2				
	1420010110	· O-RING	1				
33	0578000330	COVER	1				
34	0578000034	BRACKET	1				
35	0578000035	PLATE	1				
37	0003600026	WASHER	2				
38	1540140810	VALVE, check	1				
39	1221000035	RING, retaining	1				
40	0323054001	SPACER	AR				t=1.0mm
41	0323054002	SPACER	AR				t=2.3mm
42	0323054003	SPACER	AR				t=3.2mm
44	1100041025	BOLT	4				
45	1101041235	BOLT	1				
	N1d142						

TB1140 Book No. BN1Z002 S/N 51410002-
FUEL TANK & FUEL PIPING

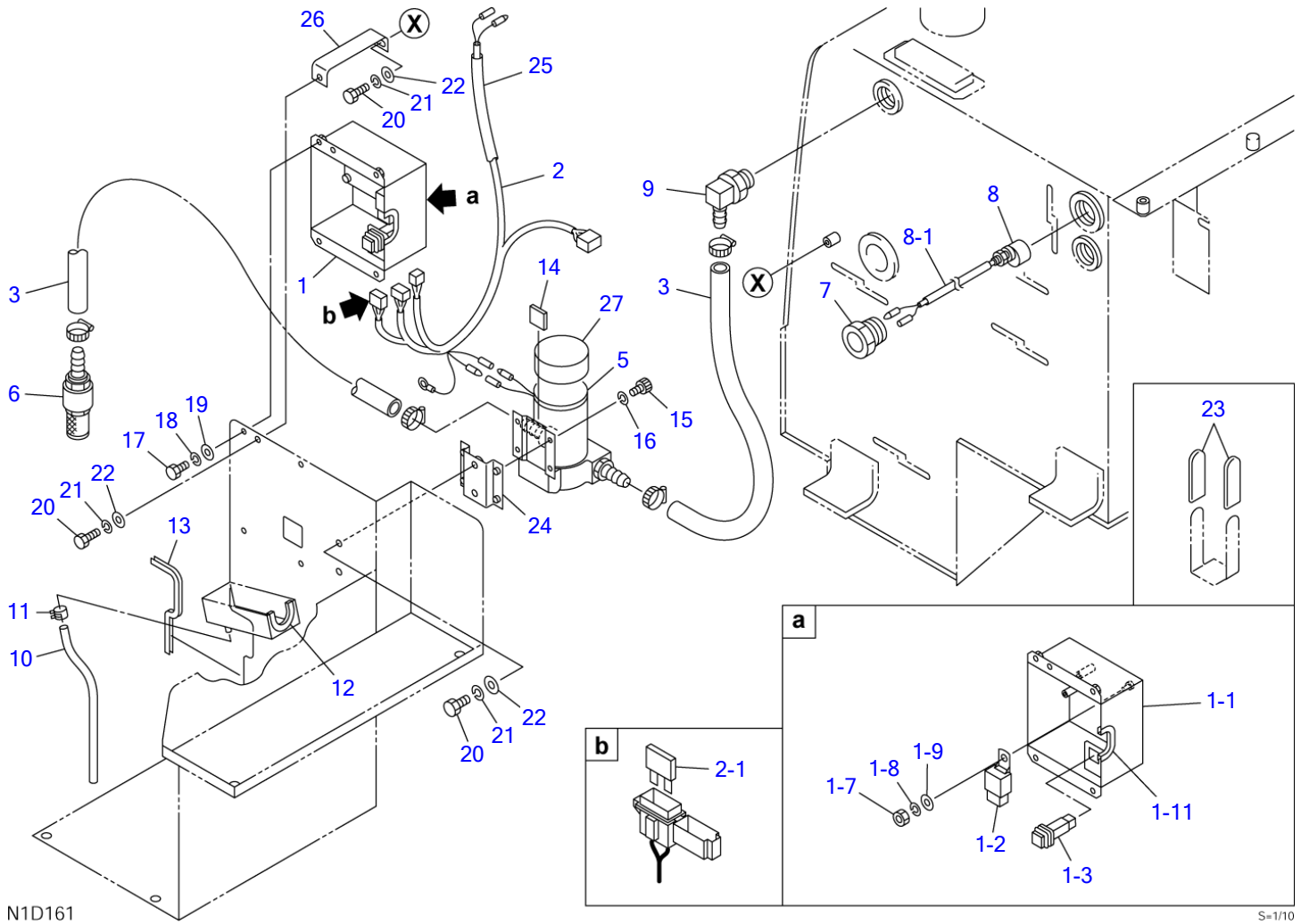


FUEL TANK & FUEL PIPING

Item	Part number	Description	Q'ty	Chan.	Serial No.	Serv.	Remarks
		TANK ASSY, fuel					X05781-00000-12
1	0578100200	TANK	1				
2	1552100800	CAP	1				
2-1	1552100809	• PACKING	1				
3	1552100720	STRAINER	1				
4	1553202500	SENDER, fuel	1				
4-1	1553202520	PACKING	1				
6	1120530512	SCREW	5				
7	1140020005	WASHER, spring	5				
9	1100040816	BOLT	2				
10	1140020008	WASHER, spring	4				
11	1140020012	WASHER, spring	4				
12	1101041230	BOLT	4				
14	1521500003	VALVE, ball	1				
16	1100040625	BOLT	2				
17	1140020006	WASHER	2				
18	1140330006	WASHER	1				
19	0003600110	WASHER	2				
20	1910188033	STRAINER	1				ISUZU 8-94144933-3
21	1910188034	POMP, fuel	1				ISUZU 8-97041521-1
22	1100040825	BOLT	2				
23	1533120009	CLAMP	1				
24	1531007025	HOSE	1				sold by the meter
25	0007256006	PLUG	3				
26	1420010290	O-RING	3				
27	1501710012	PLUG	1				
28	1652201005	BAND	5				
29	1533120012	CLAMP	4				
30	1533120015	CLAMP	6				
31	1531209110	HOSE	1				sold by the meter
32	1531207034	HOSE	1				sold by the meter
33	1531209120	HOSE	1				sold by the meter
34	1531207178	HOSE	1				sold by the meter
35	1531209190	HOSE	1				sold by the meter
36	1531118100	HOSE	1				sold by the meter
37	1531115024	HOSE	1				sold by the meter
38	1531118110	HOSE	1				sold by the meter
39	1531115168	HOSE	1				sold by the meter
40	1531118180	HOSE	1				sold by the meter
41	1910188051	PIPE, fuel	1				ISUZU 8-94148390-0
42	1910188052	PIPE, fuel	2				ISUZU 5-15411223-1
43	1910188053	BOLT, eye	1				ISUZU 1-09675063-0
44	1910188054	BOLT, eye	1				ISUZU 1-09675023-1
45	1910172053	PACKING	5				ISUZU 1-09630085-0
46	1511150003	ADAPTOR	1				
47	1511420003	ADAPTOR	1				
48	0578100048	PLATE	1				
53	0003600026	WASHER	3				
54	0323054001	SPACER	AR				t=1.0mm
55	0323054002	SPACER	AR				t=2.3mm
56	0323054003	SPACER	AR				t=3.2mm
57	0872433150	TUBE	2				
58	1703210720	PROTECTOR	1				
59	1501750010	PLUG	2				
	1420010290	* O-RING	1				
60	1101041235	BOLT	1				
61	1101041225	BOLT	1				
62	1652231140	BAND	2				

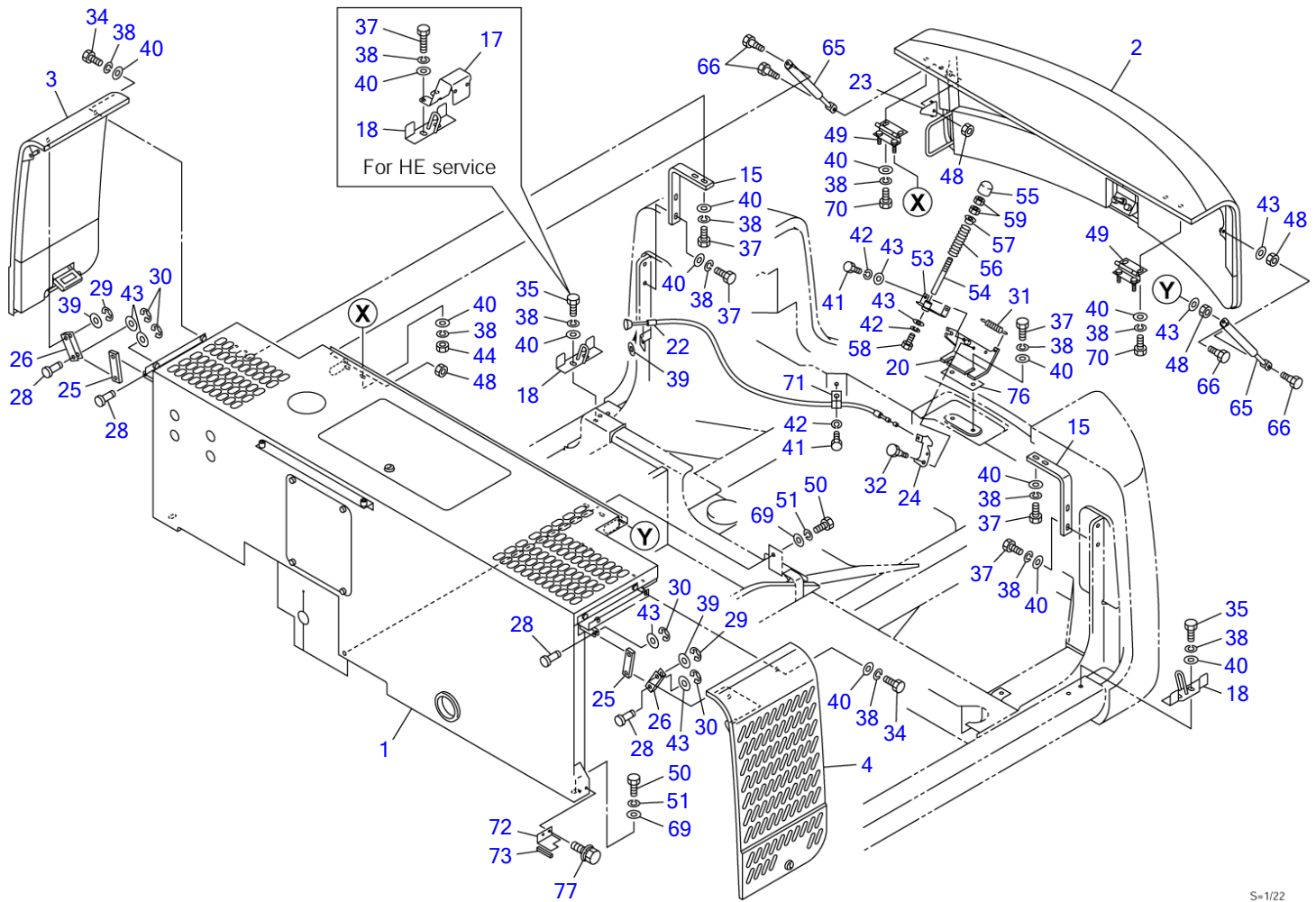
N1d152

TB1140 Book No. BN1Z002 S/N 51410002-
FUEL SUPPLY PUMP



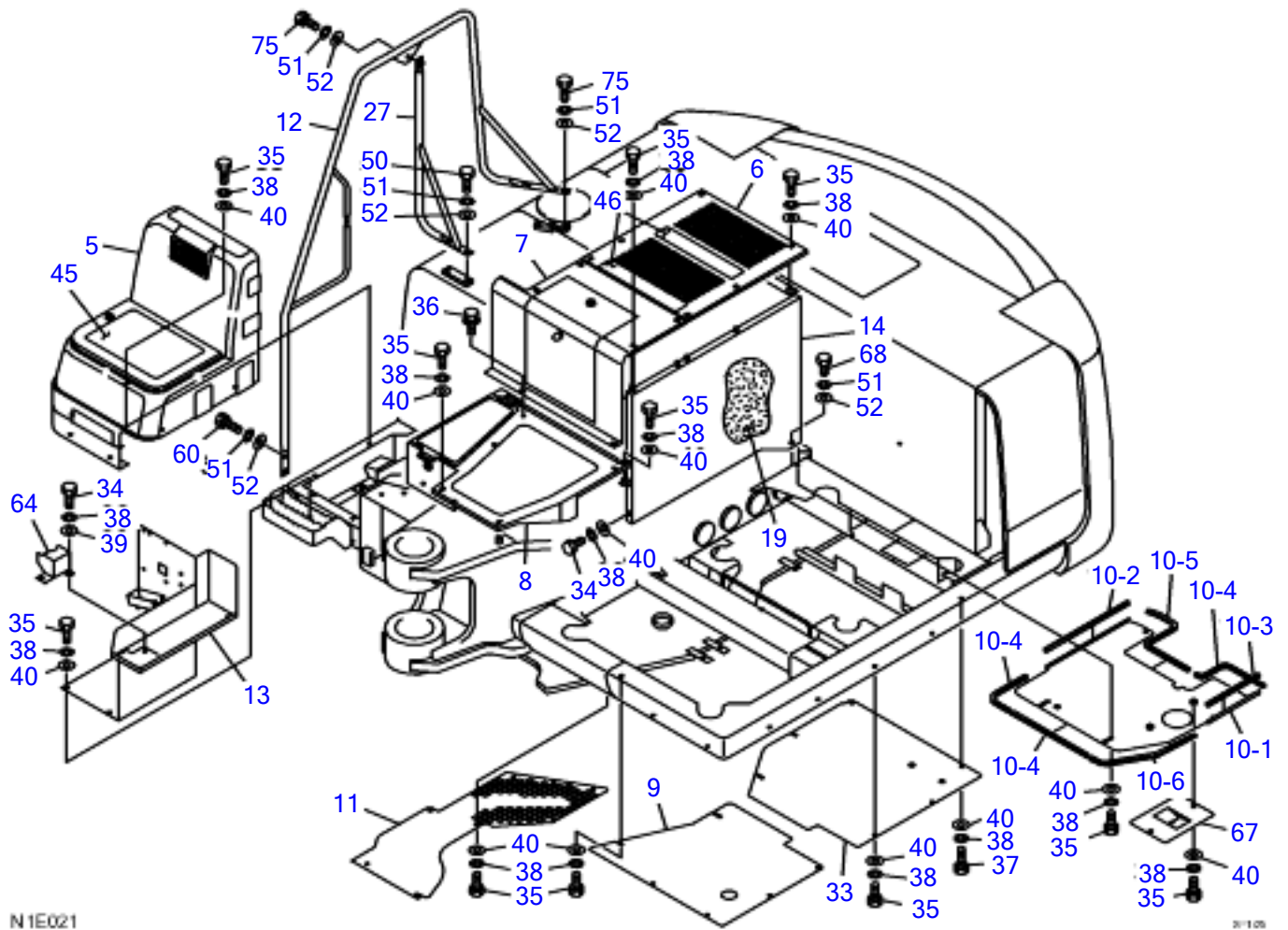
FUEL SUPPLY PUMP

Item	Part number	Description	Q'ty	Chan.	Serial No.	Serv.	Remarks
0	0578101700	PUMP ASSY, fuel supply	1		51410002~51410163		X05781-01700-1
	0578101710	PUMP ASSY, fuel supply	1		51410164~	M	X05781-01710-0
1	0578101800	• BLOCK ASSY, relay	1		51410002~51410163		X05781-01800-0
	0578101820	• BLOCK ASSY, relay	1		51410164~	M	X05781-01820-0
1-1	0578101810	• • COVER	1				
1-2	1711900125	• • RELAY	1		51410002~51410163		
	1711900126	• • RELAY	1		51410164~	M	
1-3	1700000008	• • SWITCH	1				
	170910009	* * * BULB	1				
1-7	1130040006	• • NUT	1				
1-8	1140020006	• • WASHER, spring	1				
1-9	1141110006	• • WASHER	1				
1-11	1653916007	• • TRIM	1				sold by the meter
2	0578101900	• HARNESS, wiring	1		51410002~51410163		
	0578101910	• HARNESS, wiring	1		51410164~	M	
2-1	1701310001	• • FUSE (1A)	1		51410164~	M	
3	1919901730	• HOSE	1				
5	1711910200	• PUMP	1				
6	1552001100	• STRAINER	1				
7	0568121400	• PLUG	1				
8	0568120500	• SWITCH, level	1				
8-1	1703210725	• • PROTECTOR	1				sold by the meter
9	1513350018	• ELBOW	1				
	1420010290	• • O-RING	1				
10	1531207030	• HOSE	1				sold by the meter
11	1533120012	• CLAMP	1				
12	1653916008	• TRIM	1				sold by the meter
13	1653916020	• TRIM	1				sold by the meter
14	0568121020	• RUBBER	1				
15	1110040512	• SCREW, cap	4				
16	1140020005	• WASHER, spring	4				
17	1100040816	• BOLT	4				
18	1140020008	• WASHER, spring	4				
19	1141110008	• WASHER	4				
20	1100041020	• BOLT	4				
21	1140020010	• WASHER, spring	4				
22	1141110010	• WASHER	4				
23	0872433150	• TUBE	8				
24	0578101500	• BRACKET	1				
25	1703210730	• BOOT	1				
26	0578101250	• BRACKET	1				
27	1711910208	• COVER	1				
	N1d163						



S=1/22

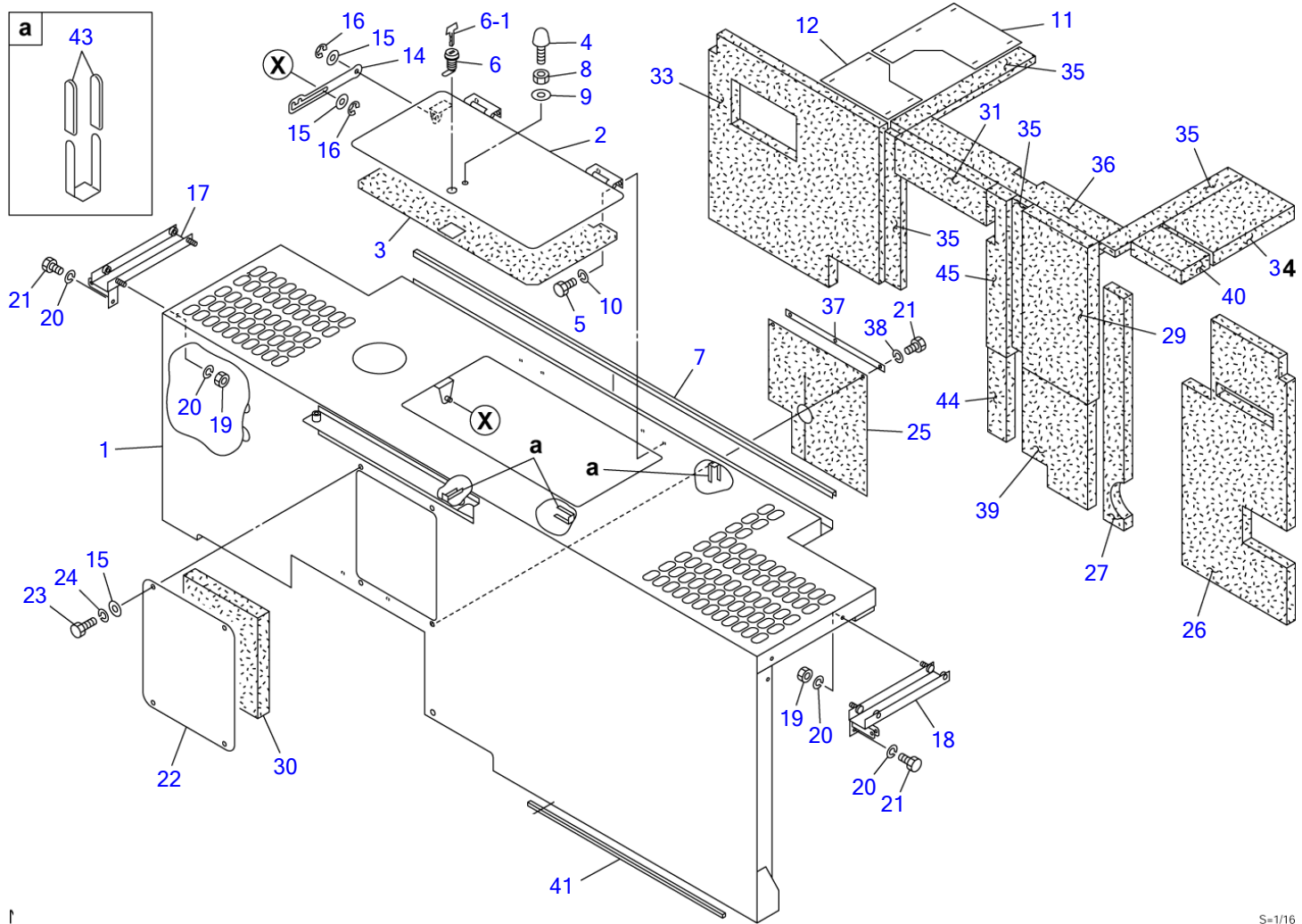
COVER (1/9)							
Item	Part number	Description	Q'ty	Chan.	Serial No.	Serv.	Remarks
		COVER ASSY					X05782-02500-2
		COVER ASSY (for HE service)					X05782-02800-2
1	0578202100	HOOD ASSY, front engine	1				see page (3/9)
2	0578200200	HOOD ASSY, engine	1				see page (4/9)
3	0578200300	COVER ASSY, side (R.H.)	1				see page (5/9)
4	0578200400	COVER ASSY, side (L.H.)	1				see page (6/9)
15	0578200015	STAY	2				
17	0568248016	PLATE	1				for HE service
18	0568242850	HOOK	2				
20	0578200790	BRACKET	1				
22	0578200820	WIRE	1				
23	0578200023	PLATE	1				
24	0568245800	PLATE	1				
25	0578200025	LINK	2				
26	0568243498	YOKE	2				
28	0004300013	PIN	4				
29	1224010008	RING, retaining	2				
30	1224010006	RING, retaining	4				
31	0007000105	SPRING	1				
32	0568243840	BOLT	1				
34	1100041016	BOLT	4				
35	1100041025	BOLT	4				
	1100041025	BOLT	3				for HE service
37	1100041035	BOLT	12				for HE service
38	1140020010	WASHER, spring	26				
39	1141110010	WASHER	3				
40	0003600025	WASHER	26				
41	1100040816	BOLT	2				
42	1140020008	WASHER, spring	3				
43	1141110008	WASHER	4				
44	1130040010	NUT	4				
48	1130040008	NUT	4				
49	0568243450	HINGE	2				
50	1101041230	BOLT	3				
51	1140020012	WASHER, spring	3				
53	0578200810	BRACKET	1				
54	0568223100	ROD	1				
55	0568223200	BOSS	1				
56	0007000078	SPRING	1				
57	0871320240	COLLAR	1				
58	1100040820	BOLT	1				
59	1130240012	NUT	2				
65	1653900064	SPRING, gas	2				
66	0138255300	BOLT	4				
69	0003600026	WASHER	3				
70	1100041020	BOLT	4				
71	0007300052	CLAMP	1				
72	0578200072	PLATE	1				
73	0578200073	SPONGE	1				
76	0003900053	SHIM	AR			M	
77	1100560616	BOLT	2				
	N1e012						



COVER (2/9)

Item	Part number	Description	Q'ty	Chan.	Serial No.	Serv.	Remarks
		COVER ASSY					X05782-02500-2
		COVER ASSY (for HE service)					X05782-02800-2
5	0578200500	COVER ASSY, front	1				see page (7/9)
6	0578202580	COVER (T), center	1				
7	0578202590	COVER (F) ASSY, center	1				see page (8/9)
8	0578202630	COVER (F) ASSY, center	1				see page (9/9)
9	0578200730	COVER	1				
10	0578202200	COVER ASSY	1				
10-1	0578202201	COVER	1				
10-2	1654520046	RUBBER	1				sold by the meter
10-3	1654520029	RUBBER	1				sold by the meter
10-4	1654619033	SEAL	3				sold by the meter
10-5	1654619058	SEAL	1				sold by the meter
10-6	1654619048	SEAL	1				sold by the meter
11	0578202210	COVER	1				
	0578204030	COVER	1				
12	0578200860	HANDRAIL	1				
13	0578200910	BOX, tool	1				
14	0578202660	PLATE	1				
19	0578200019	SEAL	1				
27	0568249040	HANDRAIL	1				
33	0578200033	COVER	1				
34	1100041016	BOLT	2				
35	1100041025	BOLT	46				
36	1100561020	BOLT, sems	4				
37	1100041035	BOLT	2				
38	1140020010	WASHER, spring	50				
39	1141110010	WASHER	1				
40	0003600025	WASHER	42				
45	0568222700	SHEET	1				
46	0568222800	SHEET	2				
50	1101041230	BOLT	3				
51	1140020012	WASHER, spring	8				
52	1141110012	WASHER	8				
60	1101041235	BOLT	2				
64	0578200850	COVER	1				
67	0578202670	COVER	1			M	
68	1101041225	BOLT	1				
75	1101041235	BOLT	3				
	N1e022						

TB1140 Book No. BN1Z002 S/N 51410002-
COVER (3/9) (front engine hood)



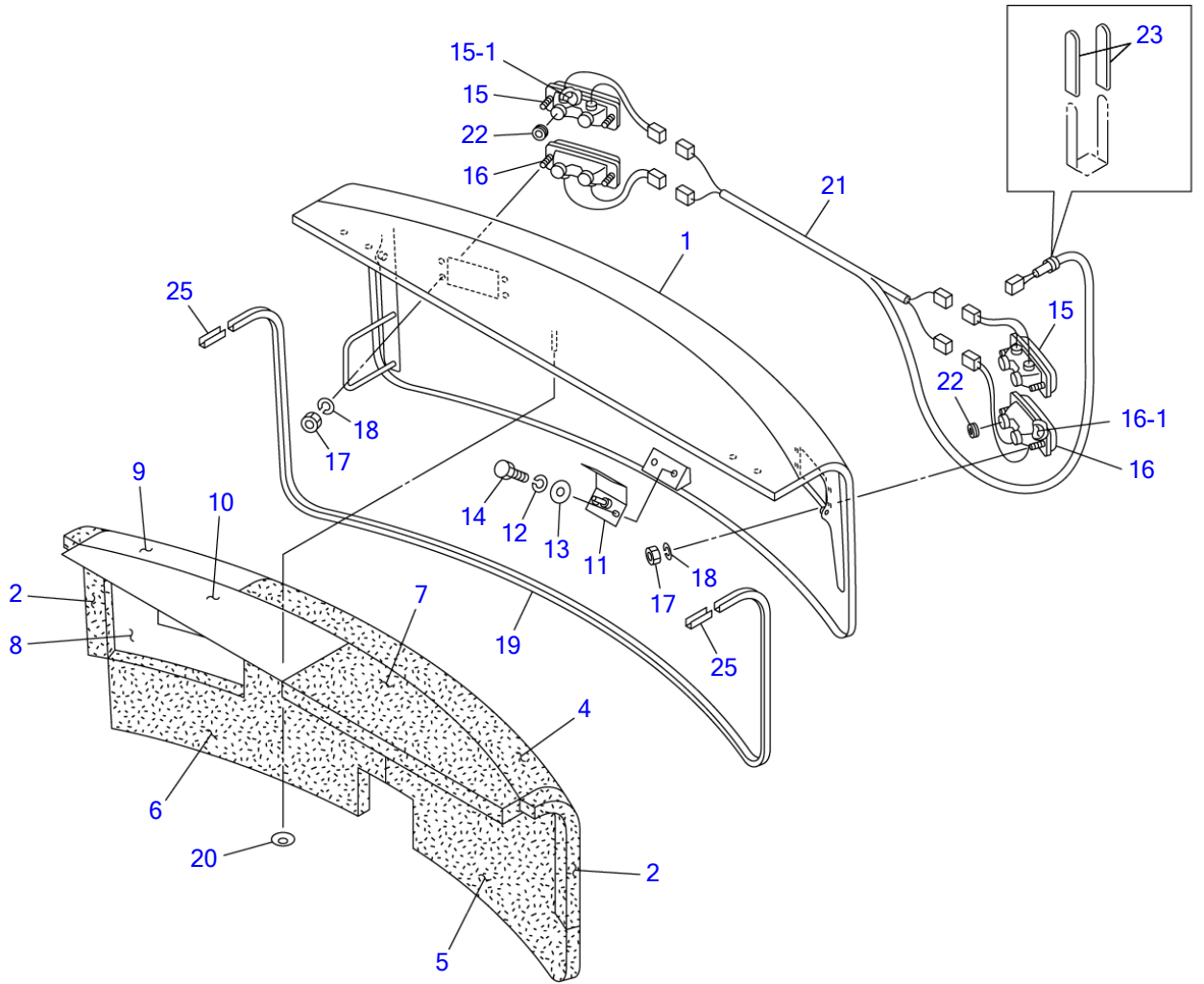
S=1/16

COVER (3/9) (front engine hood)

Item	Part number	Description	Q'ty	Chan.	Serial No.	Serv.	Remarks
0-1	0578202100	FRONT HOOD ASSY, engine	1				X05782-02100-1
1	0578202110	• COVER, engine	1				
2	0578200120	• COVER	1				
3	0578200113	• SPONGE	1				
4	1651101224	• STOPPER	1				
5	1100040612	• BOLT	4				
6	1653611836	• LOCK	1				
6-1	1700100019	• KYE	1				
7	1654606145	• RUBBER	1				sold by the meter
8	1130040012	• NUT	1				
9	1141110012	• WASHER	1				
10	1140020006	• WASHER, spring	4				
11	0578202120	• ABSORBENT, noise	1				
12	0578202121	• ABSORBENT, noise	1				
14	0568247131	• PLATE	1				
15	1141110010	• WASHER	6				
16	1224010009	• RING, retaining	2				
17	0568247130	• BRACKET (R.H.)	1				
18	0568247140	• BRACKET (L.H.)	1				
19	1130040008	• NUT	4				
20	1140020008	• WASHER, spring	6				
21	1100040816	• BOLT	6				
22	0578200122	• COVER	1				
23	1100041016	• BOLT	4				
24	1140020010	• WASHER, spring	4				
25	0578200125	• RUBBER	1				
26	0578200126	• ABSORBENT, noise	1				
27	0578203527	• ABSORBENT, noise	1				
29	0578200129	• ABSORBENT, noise	1				
30	0578200130	• ABSORBENT, noise	1				
31	0578200131	• ABSORBENT, noise	1				
33	0578200133	• ABSORBENT, noise	1				
34	0578202122	• ABSORBENT, noise	1				
35	0578200135	• ABSORBENT, noise	4				
36	0578200136	• ABSORBENT, noise	1				
37	0578200111	• PLATE	1				
38	1140020006	• WASHER, spring	4				
39	0578200139	• ABSORBENT, noise	1				
40	0578202123	• ABSORBENT, noise	1				
41	0578200147	• SPONGE	1				
43	0872433150	• TUBE	6				
44	0578200144	• ABSORBENT, noise	1				
45	0578200145	• ABSORBENT, noise	1				

N1e031

TB1140 Book No. BN1Z002 S/N 51410002-
COVER (4/9) (engine hood)

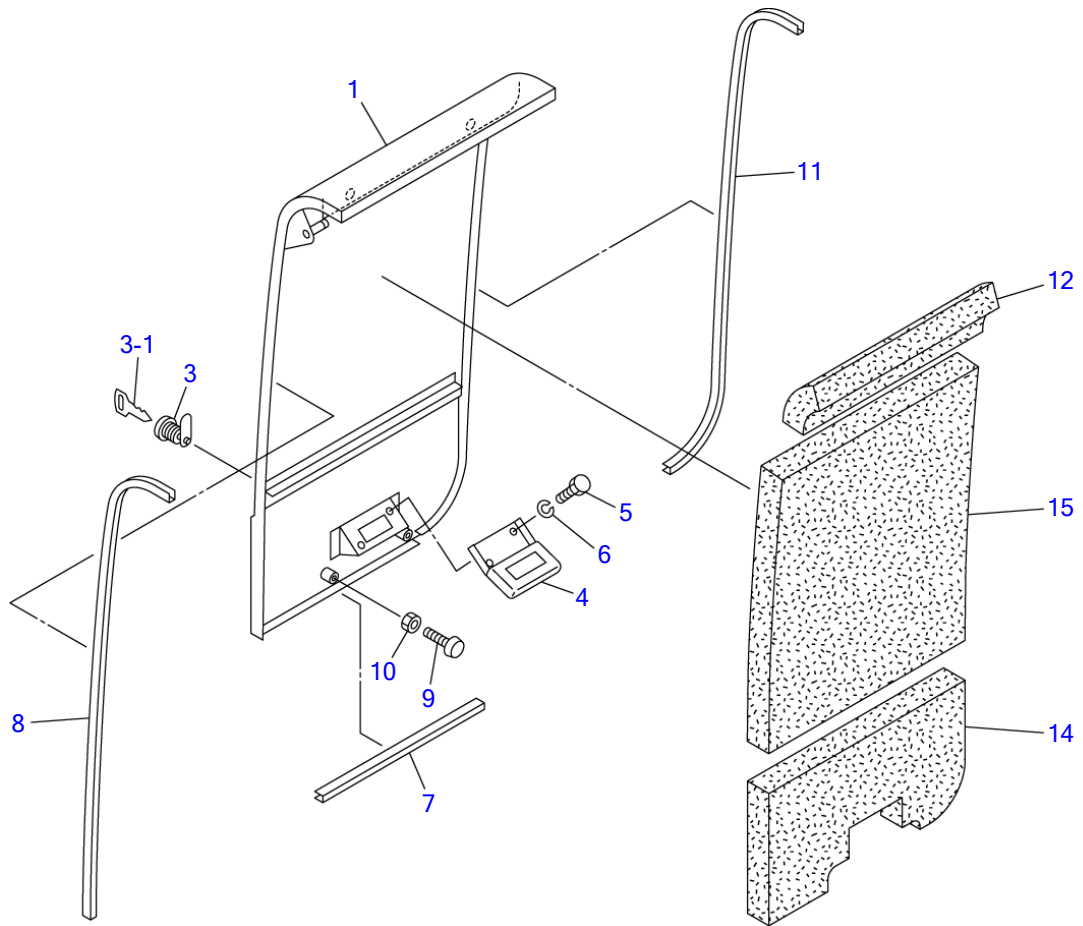


N0E040

S-1/15

COVER (4/9) (engine hood)

Item	Part number	Description	Q'ty	Chan.	Serial No.	Serv.	Remarks
0-2	0578200200	HOOD ASSY, engine	1				X05782-00200-6
1	0578200210	▪ HOOD, engine	1				
2	0578200202	▪ ABSORBENT, noise	2				
4	0568243974	▪ ABSORBENT, noise	1				
5	0568243975	▪ ABSORBENT, noise	1				
6	0578200206	▪ ABSORBENT, noise	1				
7	0568243977	▪ ABSORBENT, noise	1				
8	0578200208	▪ ABSORBENT, noise	1				
9	0568243979	▪ ABSORBENT, noise	1				
10	0568243971	▪ ABSORBENT, noise	1				
11	0568242270	▪ STRIKER	1				
12	1140020008	▪ WASHER, spring	2				
13	1141110008	▪ WASHER	2				
14	1100040820	▪ BOLT	2				
15	1703006400	▪ LAMP, tail	2				
15-1	1703006401	▪ ▪ BULB	2				
16	1703006460	▪ LAMP, tail	2				
16-1	1703006461	▪ ▪ BULB	2				
17	1130030004	▪ NUT	8				
18	1140020004	▪ WASHER, spring	8				
19	1654606277	▪ SEAL	1				sold by the meter
20	1652436025	▪ WASHER	10				
21	0578200209	▪ HARNESS, wiring	1				
22	1652051400	▪ GROMMET	8				
23	0872433150	▪ TUBE	2				
25	1654606006	▪ SEAL	2				sold by the meter
	N1e040						

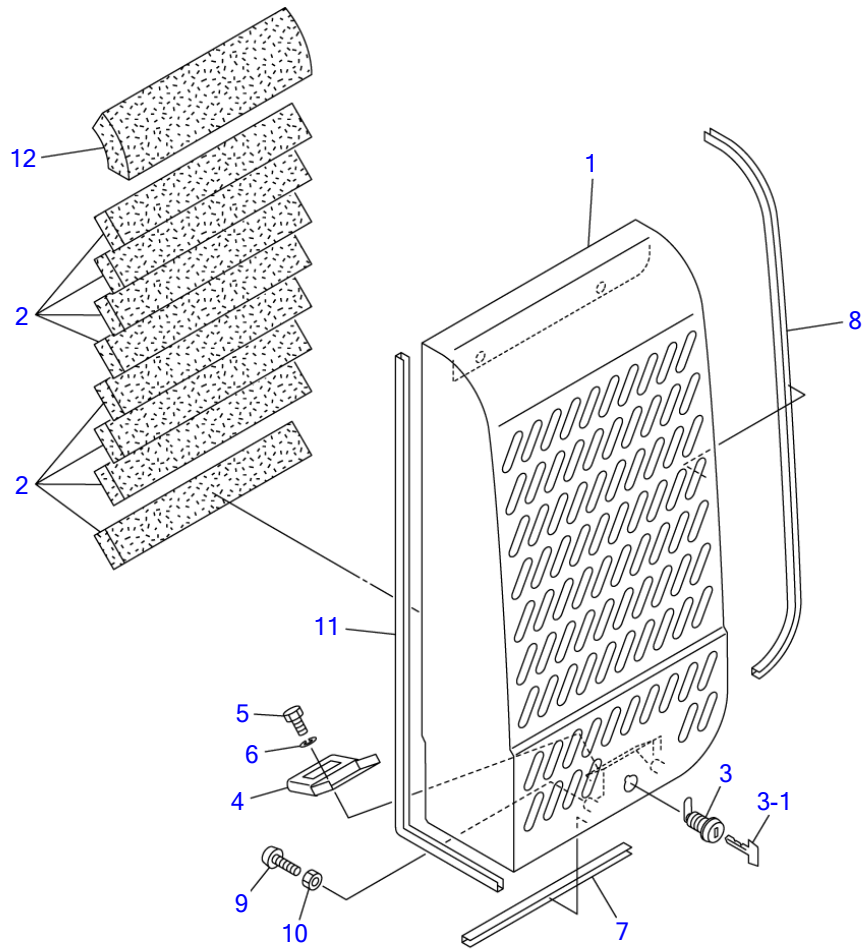


N0E050

S=1/10

COVER (5/9) (side cover; R.H.)

Item	Part number	Description	Q'ty	Chan.	Serial No.	Serv.	Remarks
0-3	0578200300	COVER ASSY, side (R.H.)	1				X05782-00300-0
1	0578200310	· COVER, side (R.H.)	1				
3	0568221700	· LOCK	1				
3-1	1700100019	· KYE	1				
4	1653900024	· CATCH	1				
5	1100040612	· BOLT	2				
6	1140020006	· WASHER, spring	2				
7	1654605030	· RUBBER	1				sold by the meter
8	1654606091	· RUBBER	1				sold by the meter
9	1652515100	· RUBBER, cushion	2				
10	1130040005	· NUT	2				
11	1654520081	· RUBBER	1				sold by the meter
12	0568242312	· ABSORBENT, noise	1				
14	0578200314	· ABSORBENT, noise	1				
15	0568242315	· ABSORBENT, noise	1				
	N0e050						

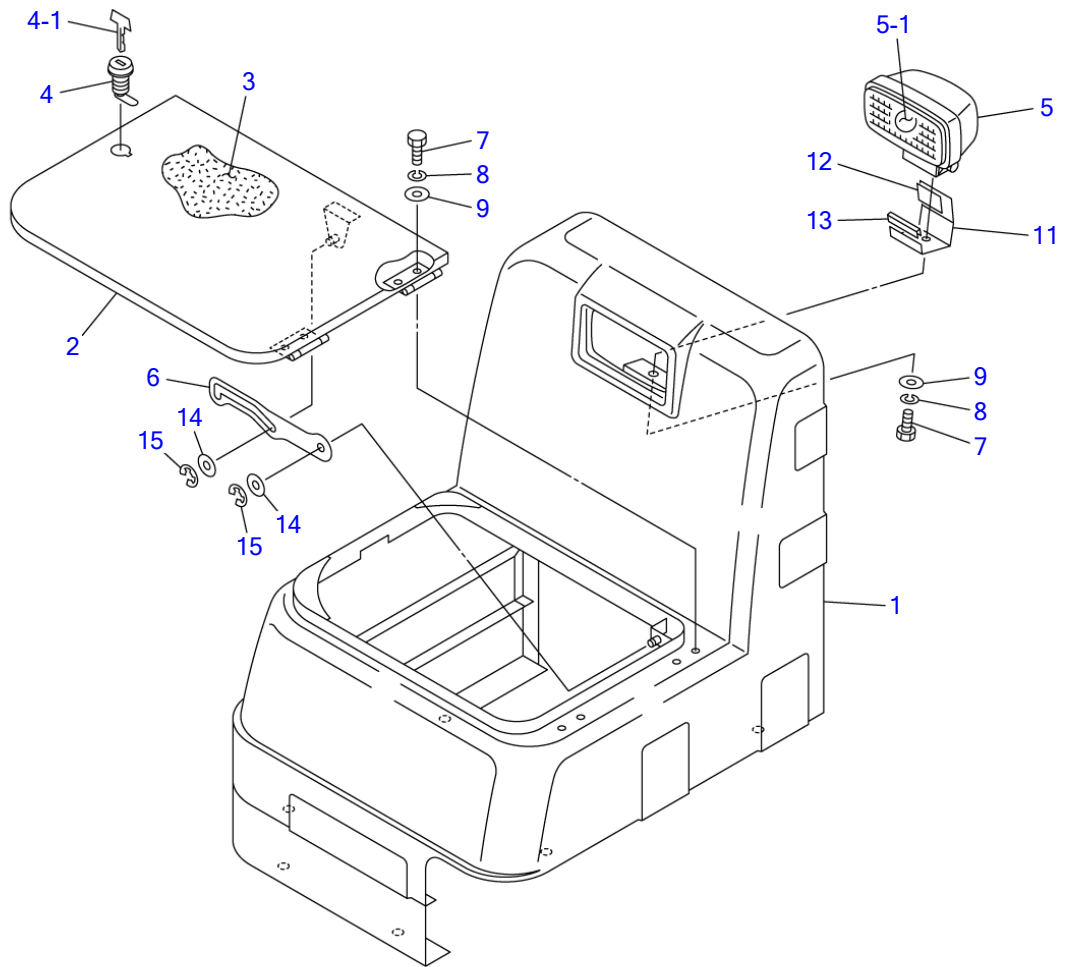


N0E060

S=1/10

COVER (6/9) (side cover; L.H.)

Item	Part number	Description	Q'ty	Chan.	Serial No.	Serv.	Remarks
0-4	0578200400	COVER ASSY, side (L.H.)	1				X05782-00400-2
1	0578200410	· COVER, side (L.H.)	1				
2	0568243353	· ABSORBENT, noise	8				
3	0568221700	· LOCK	1				
3-1	1700100019	· KYE	1				
4	1653900024	· CATCH	1				
5	1100040612	· BOLT	2				
6	1140020006	· WASHER, spring	2				
7	1654605030	· RUBBER	1				sold by the meter
8	1654520091	· RUBBER	1				sold by the meter
9	1652515100	· RUBBER, cushion	2				
10	1130040005	· NUT	2				
11	1654606090	· STRIP, weather	1				sold by the meter
12	0568242312	· ABSORBENT, noise	1				
	N0e061						

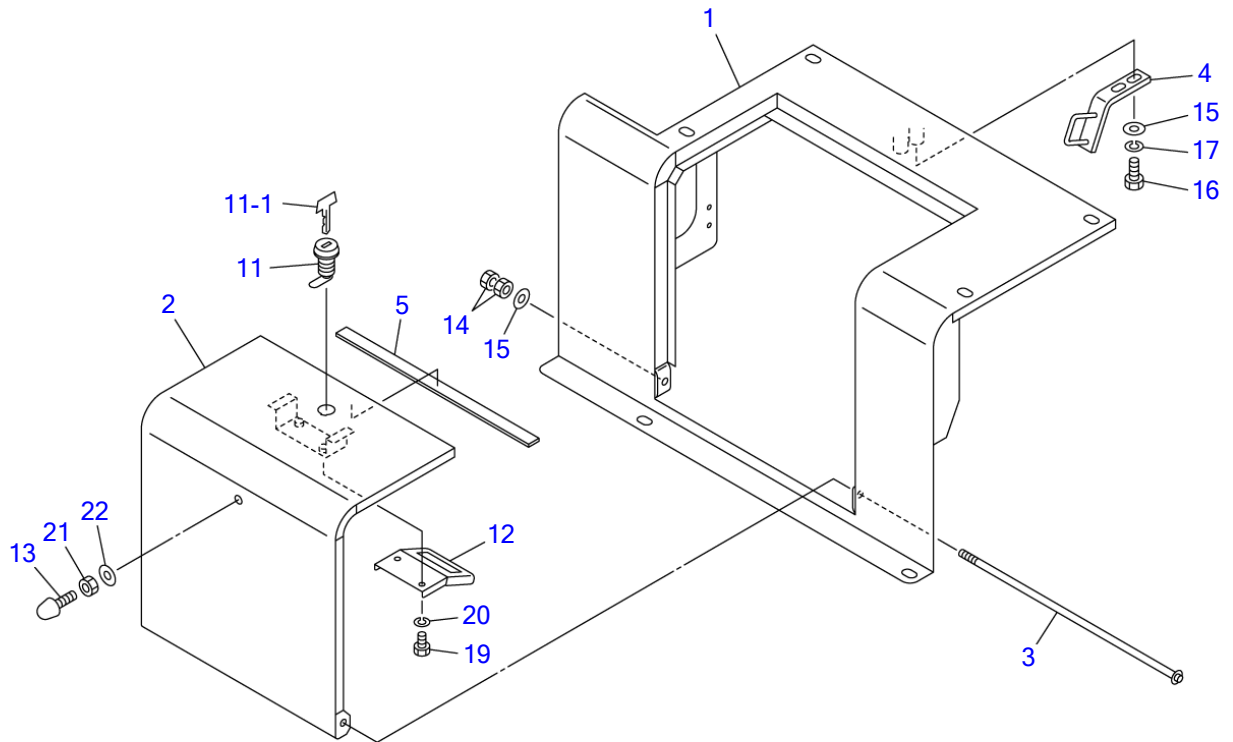


N0E070

S=1/10

COVER (7/9) (front cover)

Item	Part number	Description	Q'ty	Chan.	Serial No.	Serv.	Remarks
0-5	0578200500	COVER ASSY, front	1				X05782-00500-0
1	0578200510	· COVER	1				
2	0568243410	· COVER	1				
3	0568243480	· SEAL	1				
4	1653602395	· LOCK	1				
4-1	1700100019	· KEY	1				
5	1703003700	· LAMP	1				
5-1	1703003701	· · BULB	1				
6	0568243505	· PLATE	1				
7	1100040820	· BOLT	5				
8	1140020008	· WASHER, spring	5				
9	1141110008	· WASHER	5				
11	0378206310	· PLATE	1				
12	0880841210	· RUBBER	1				
13	1654613006	· PACKING	1				sold by the meter
14	1141110010	· WASHER	2				
15	1224010009	· RING, snap	2				
	N0e070						

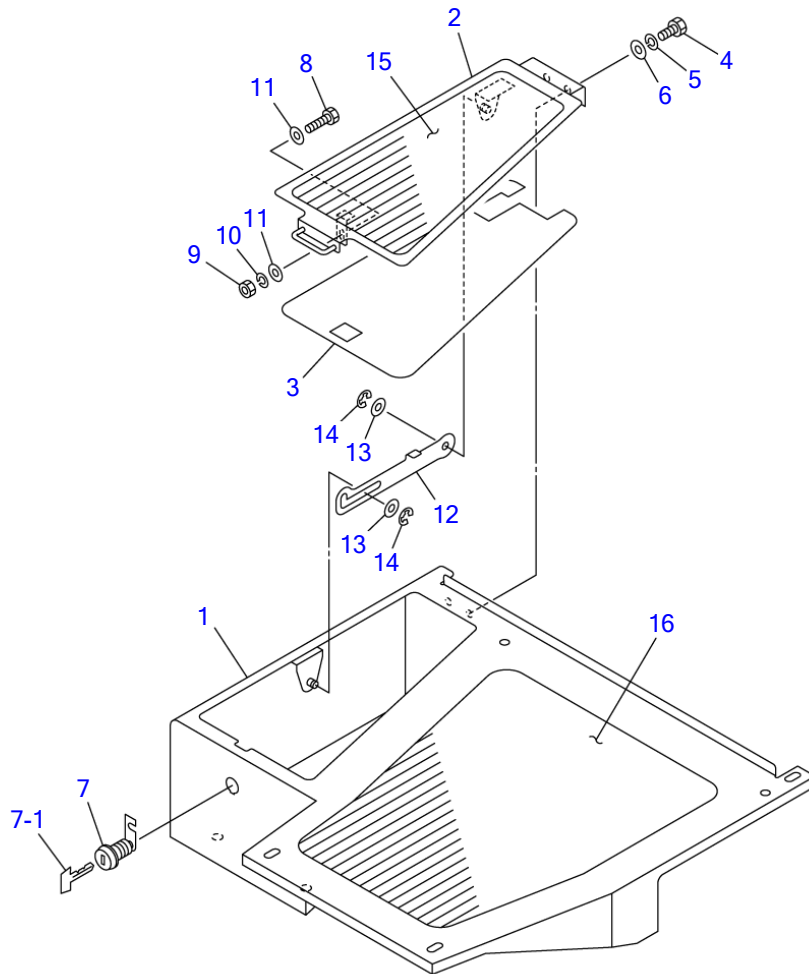


N0E320

S-1/10

COVER (8/9) (center cover)

Item	Part number	Description	Q'ty	Chan.	Serial No.	Serv.	Remarks
0-7	0578202590	COVER (F) ASSY, center	1				X05782-02590-0
1	0578202610	· COVER (F), center	1				
2	0578201130	· COVER	1				
3	0578200680	· SHAFT	1				
4	0578200880	· HOOK	1				
5	0578200655	· SHEET	1				
11	1653601395	· LOCK	1				
11-1	1700100019	· KEY	1				
12	1653900024	· CATCH	1				
13	1651101224	· STOPPER	1				
14	1130040010	· NUT	2				
15	1141110010	· WASHER	3				
16	1100041025	· BOLT	2				
17	1140020010	· WASHER, spring	2				
19	1100040612	· BOLT	2				
20	1140020006	· WASHER, spring	2				
21	1130040012	· NUT	1				
22	1141110012	· WASHER	1				
	N1e050						

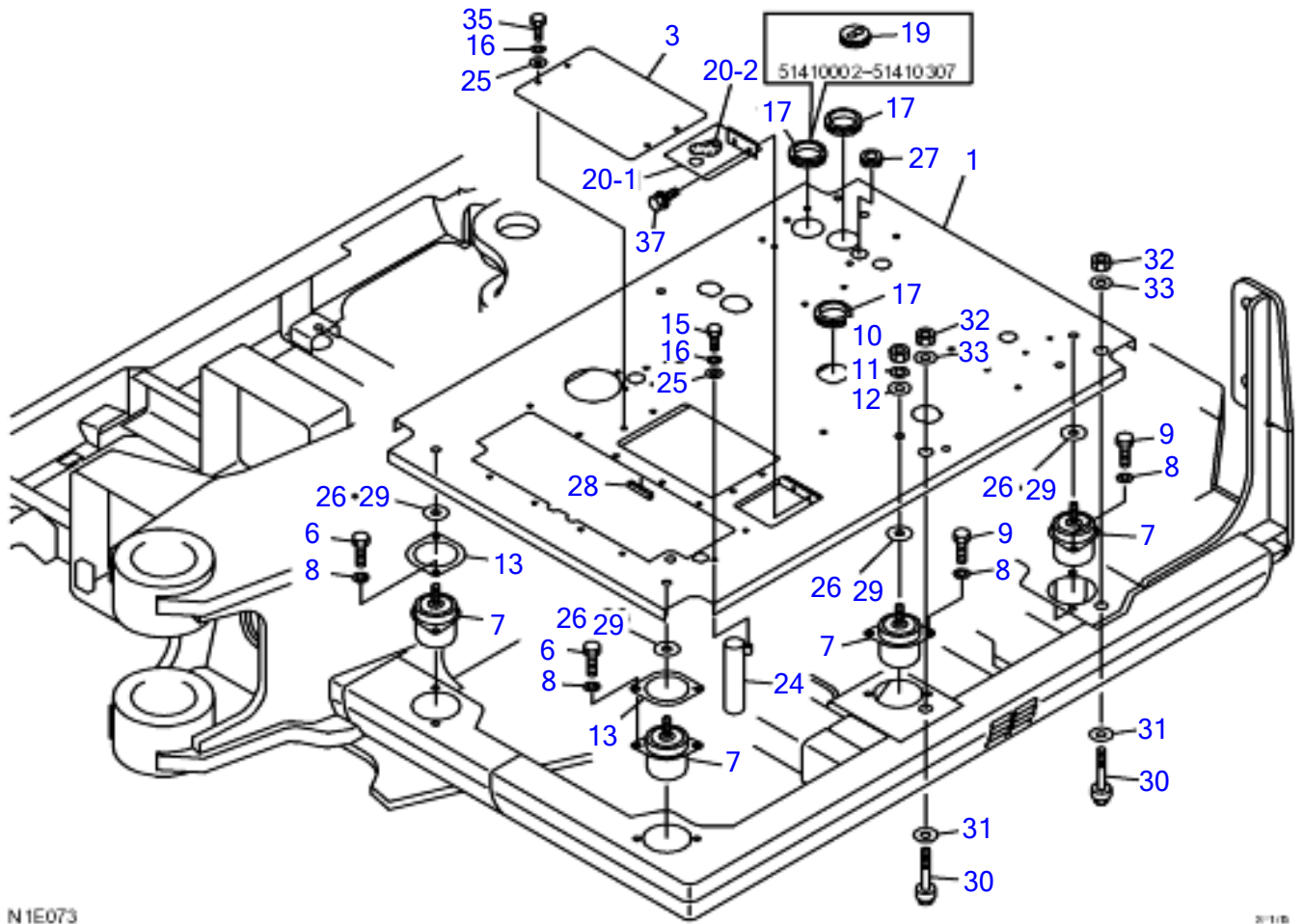


N1E060

S=1/10

COVER (9/9) (center cover)

Item	Part number	Description	Q'ty	Chan.	Serial No.	Serv.	Remarks
0-8	0578202630	COVER (F) ASSY, center	1				X05782-02630-0
1	0578202650	• COVER (F), center	1				
2	0578200620	• COVER	1				
3	0578200625	• SPONGE	1				
4	1100040816	• BOLT	2				
5	1140020008	• WASHER, spring	2				
6	1141110008	• WASHER	2				
7	1653612836	• LOCK	1				
7-1	1700100019	• KEY	1				
8	1100040620	• BOLT	1				
9	1130040006	• NUT	1				
10	1140020006	• WASHER, spring	1				
11	1141110006	• WASHER	2				
12	0578200630	• PLATE	1				
13	1141110010	• WASHER	2				
14	1224010009	• RING, retaining	2				
15	0578200615	• SHEET	1				
16	0578200616	• SHEET	1				
	N1e060						

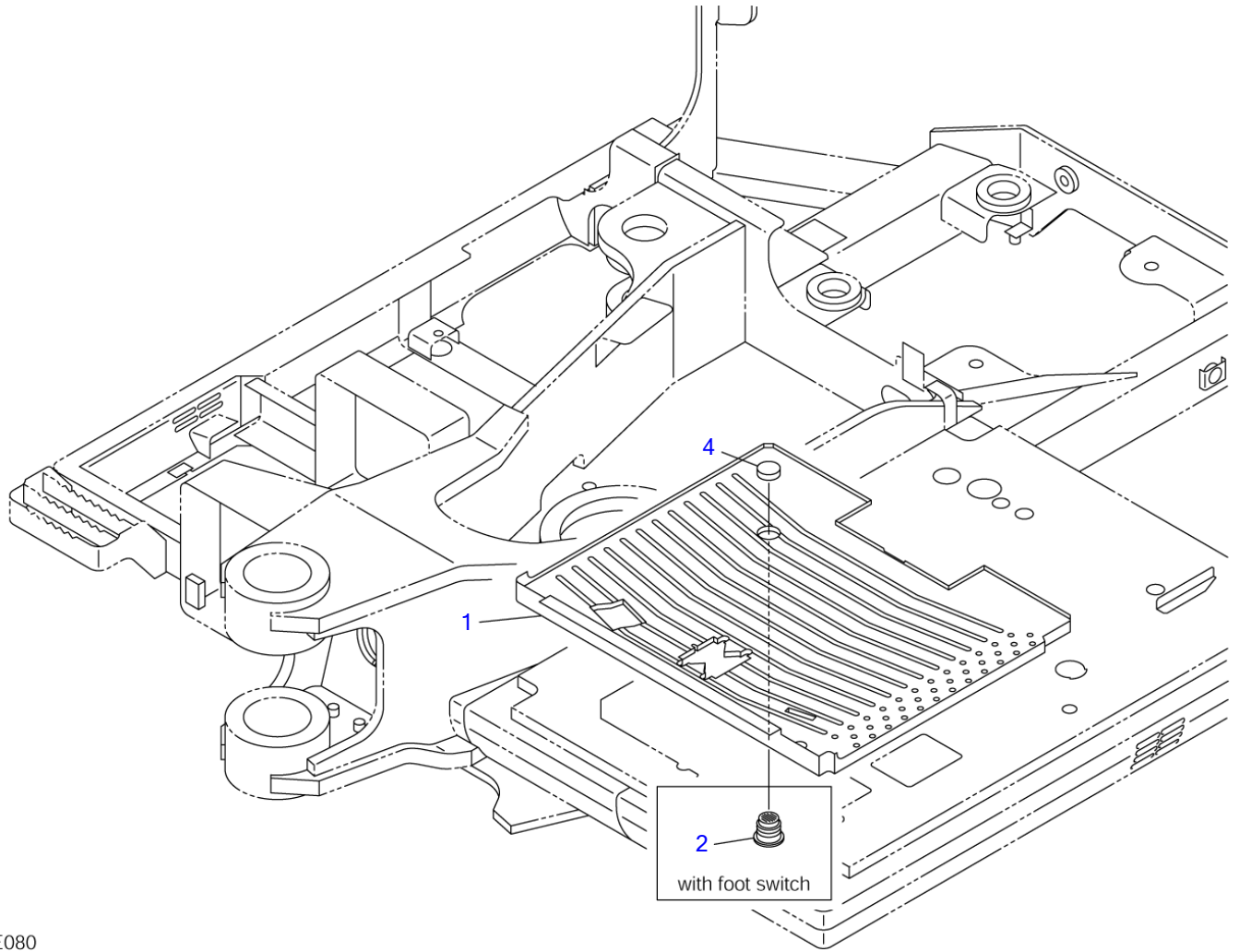


N1E073

2/11/0

FLOOR PLATE

Item	Part number	Description	Q'ty	Chan.	Serial No.	Serv.	Remarks
		PLATE ASSY, floor					X05735-00600-4
1	0573500310	PLATE	1				
3	0573500060	COVER	1				
6	1101041240	BOLT	4				
7	0573500180	MOUNT	6				
	0573500670	MOUNT	6				
8	1140020012	WASHER, spring	12				
9	1101041235	BOLT	8				
10	1130040016	NUT	3				
11	1140020016	WASHER, spring	3				
12	1141110016	WASHER	3				
13	0573500255	STOPPER	2				
	0573500613	STOPPER	2				
15	1100040820	BOLT	1				
16	1140020008	WASHER, spring	5				
17	1652030007	BUSHING	2				
	1654629025	TRIM	3				
19	1652030002	GROMMET	1				
20	0563515300	COVER ASSY	1				
20-1	0563515310	COVER	1				
20-2	0563515320	RUBBER	1				
24	0563517300	PIPE	1				
25	1141110008	WASHER	5				
26	0003600121	WASHER	6				t=1.2mm
27	0437200100	GUARD	1				
28	1654629007	TRIM	1			M	sold by the meter
29	0003600062	WASHER	6				t=3.2mm
30	0573500090	STOPPER	2				
31	0573500190	SPACER	2				
32	1130540020	NUT	2				
33	1141110020	WASHER	2				
35	1100040816	BOLT	4				
37	1100560612	BOLT	2				
	N1e073						

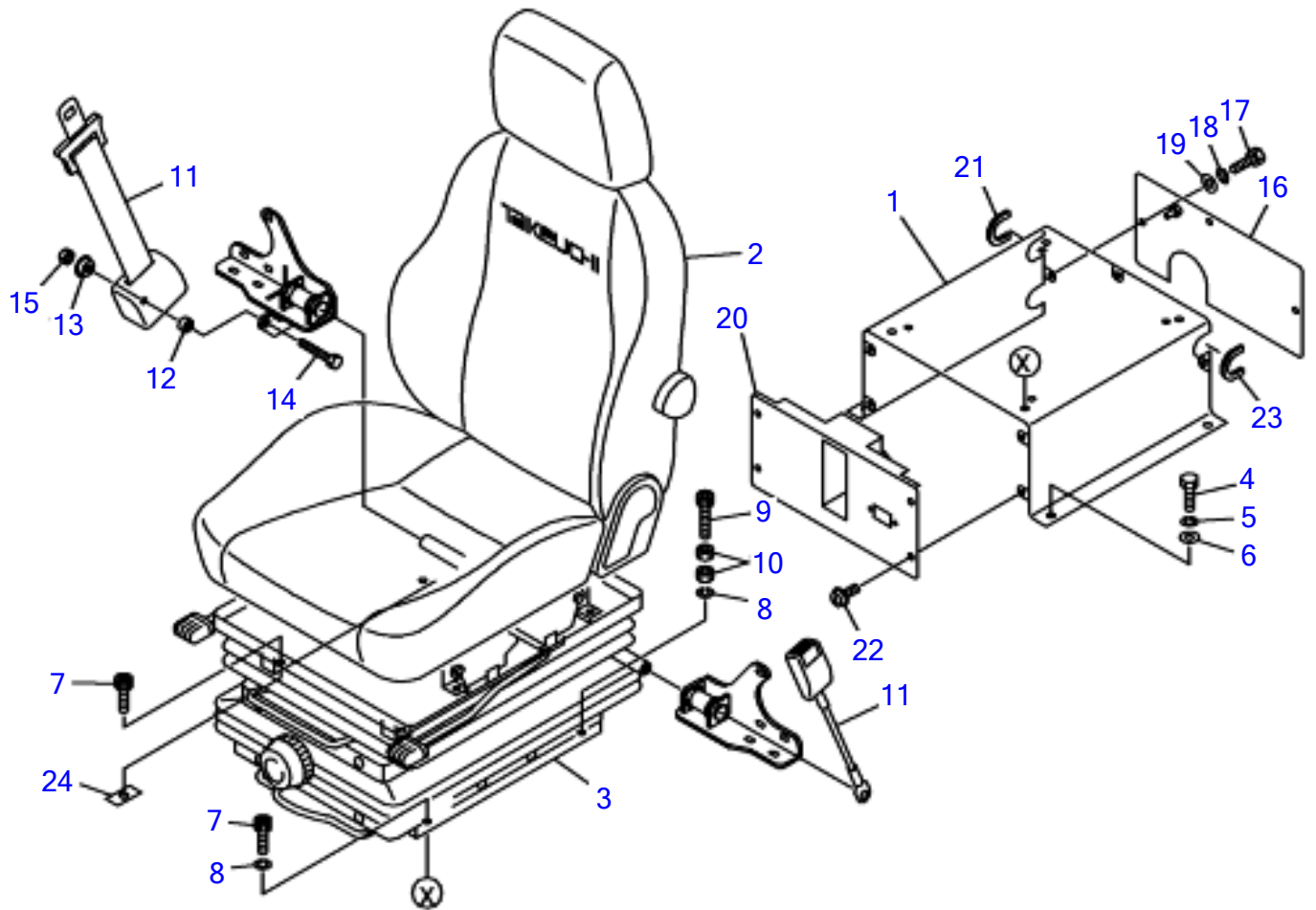


N1E080

S-1/15

FLOOR MAT

Item	Part number	Description	Q'ty	Chan.	Serial No.	Serv.	Remarks
		MAT ASSY, floor (with foot switch)					X05735-00400-1
		MAT ASSY, floor (without foot switch)					X05735-00500-1
1	0573500410	MAT, floor	1				
2	0573500240	RUBBER	1				with foot switch
4	1652533013	CAP	1				without foot switch
	N1e080						

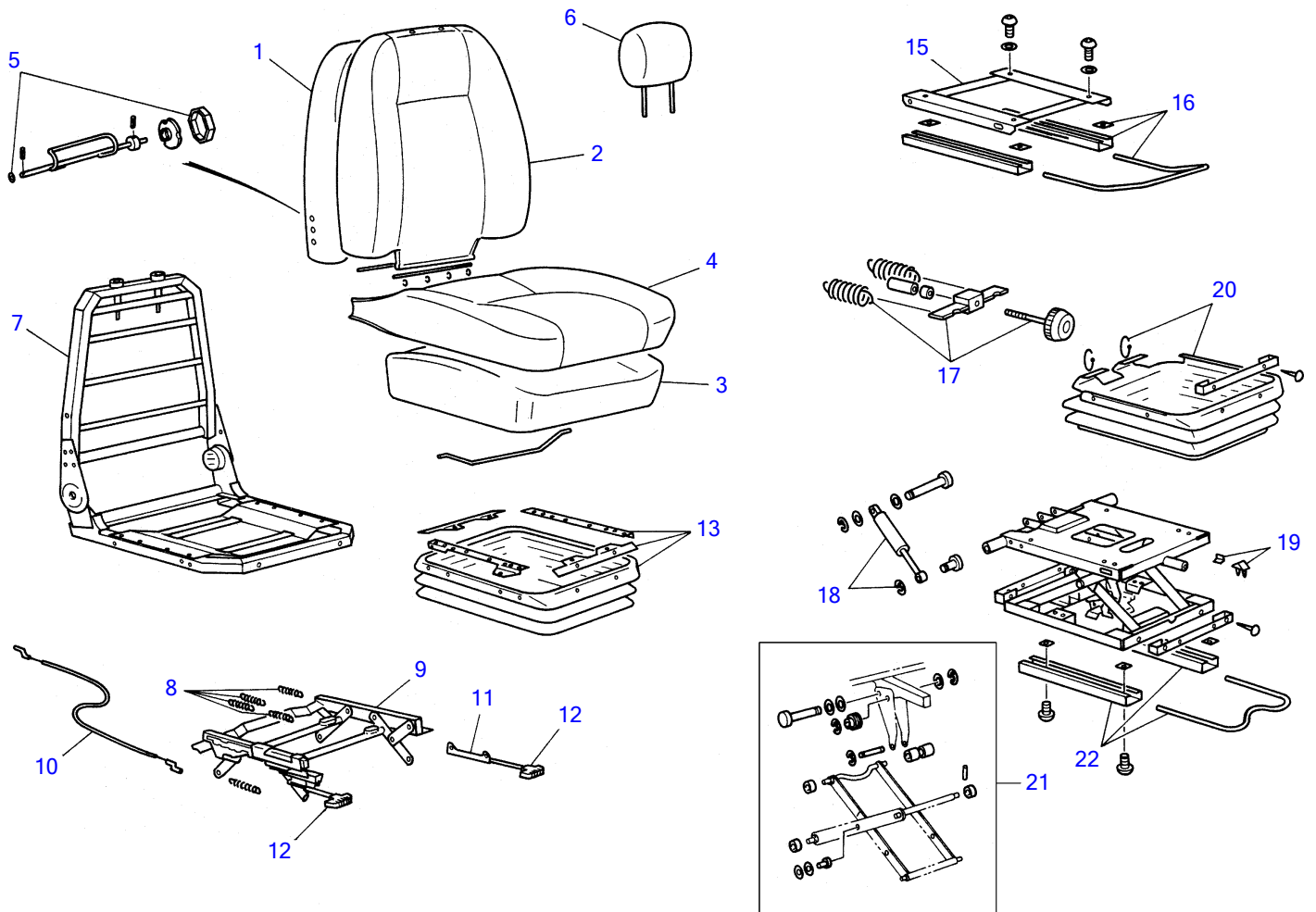


N1E093

201106

SEAT (1/2)

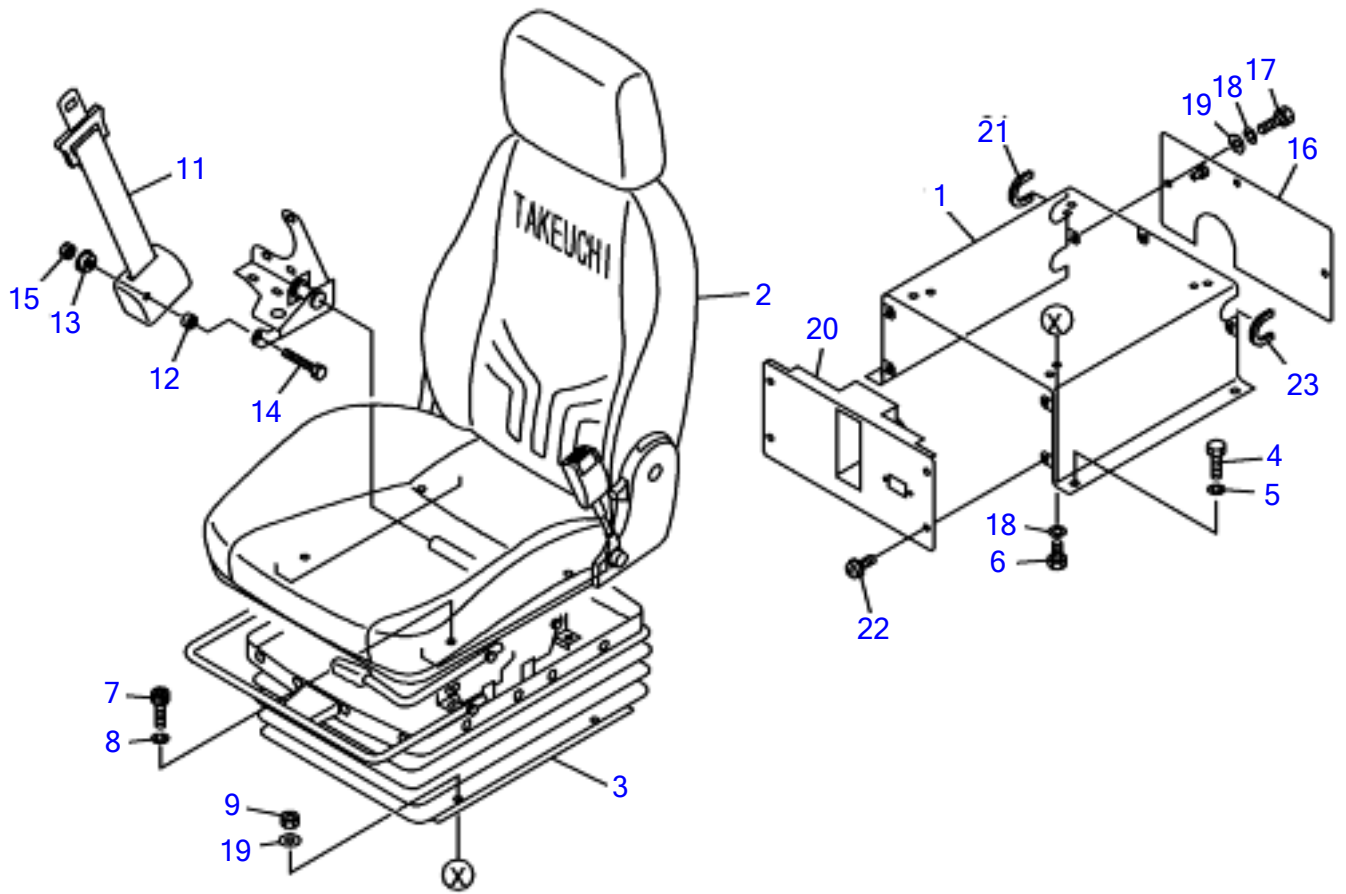
Item	Part number	Description	Q'ty	Chan.	Serial No.	Serv.	Remarks
		SEAT ASSY					X05734-00500-2
1	0573400550	BRACKET	1				
2	1914100049	SEAT ASSY	1				see page (2/2)
3	1914100098	SUSPENSION	1				
4	1100041025	BOLT	4				
5	1140020010	WASHER, spring	4				
6	1141110010	WASHER	4				
7	1110020820	SCREW, cap	6				
8	1140420008	WASHER, spring	4				
9	1110040830	SCREW, cap	2				
10	1130020008	NUT	4				
11	1914100078	BELT, seat	1				
12	0563418100	COLLAR	1				
13	0563418200	WASHER	1				
14	1102540738	BOLT	1				
15	1132940719	NUT	1				
16	0573400570	COVER	1				
17	1110090820	BOLT	3				
18	1140090008	WASHER, spring	3				
19	1141190008	WASHER	3				
20	0573400580	COVER	1				
21	1653916011	TRIM	2				sold by the meter
22	1150420616	SCREW	4				
23	1653916009	TRIM	1				
24	0563419019	SPACER	4				
	N1e093						



L3E102

S-free

SEAT (2/2)						
Item	Part number	Description	Q'ty	Chan.	Serial No.	Serv. Remarks
1	1914102049	FORM	1			
2	1914103049	COVER	1			
3	1914104049	FORM	1			
4	1914124049	COVER	1			
5	1914106049	SUPPORT	1			
6	1914107049	REST ASSY, head	1			
7	1914108049	FORM	1			
8	1914109049	SPRING	1			
9	1914110049	HEIGHT RISER	1			
10	1914111049	CABLE	1			
11	1914112049	LATCH	1			
12	1914113049	KNOB	1			
13	1914114049	COVER	1			
15	1914116049	MOUNTING	1			
16	1914117049	RAIL, slide	1			
17	1914118049	ADJUSTER	1			
18	1914119049	DAMPER	1			
19	1914120049	STOPPER	1			
20	1914122049	COVER	1			
21	1914123049	PIVOT	1			
22	1914115049	RAIL, slide	1			
	N0e262					

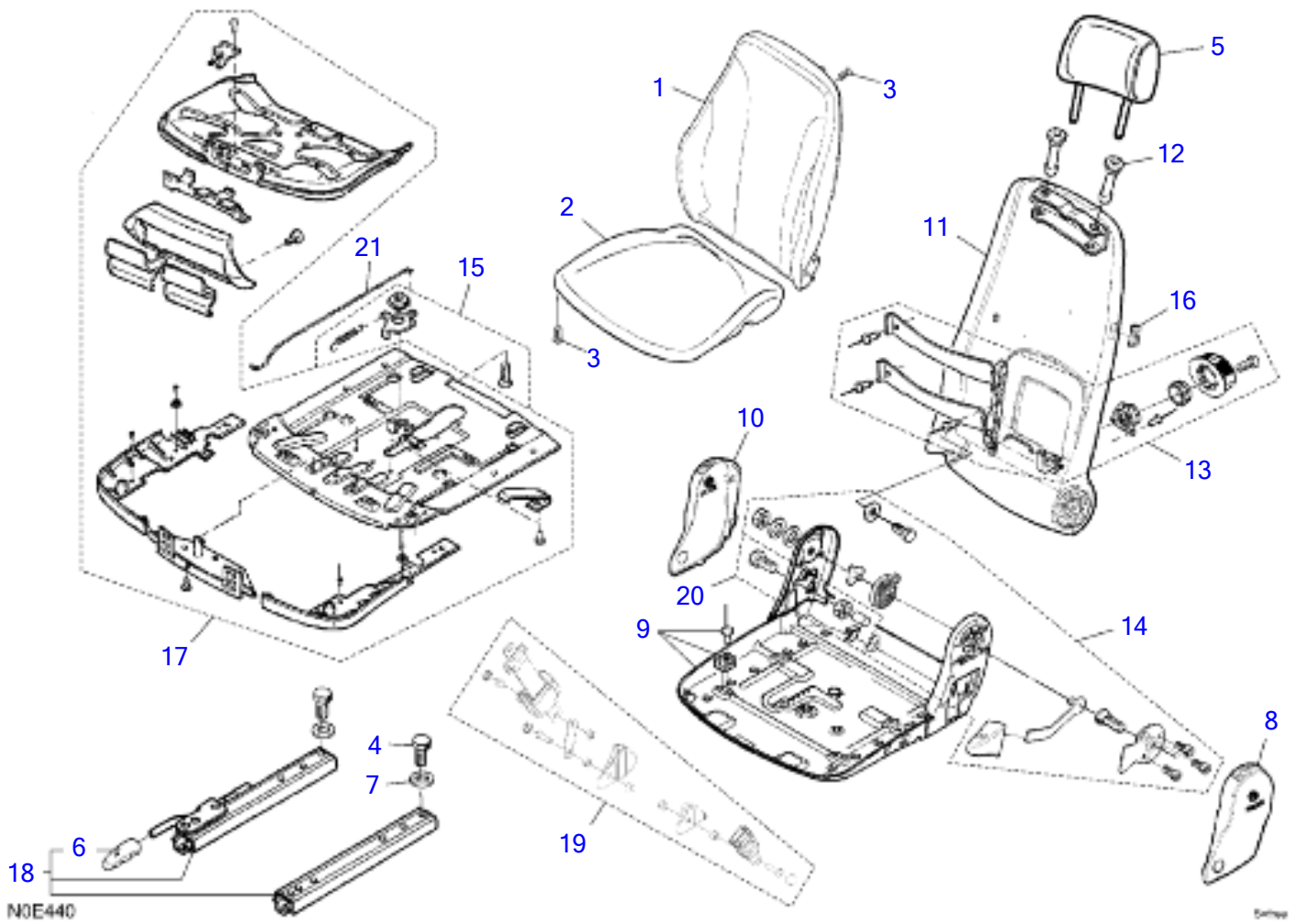


N1E103

201808

SEAT (1/3) (with air suspension)

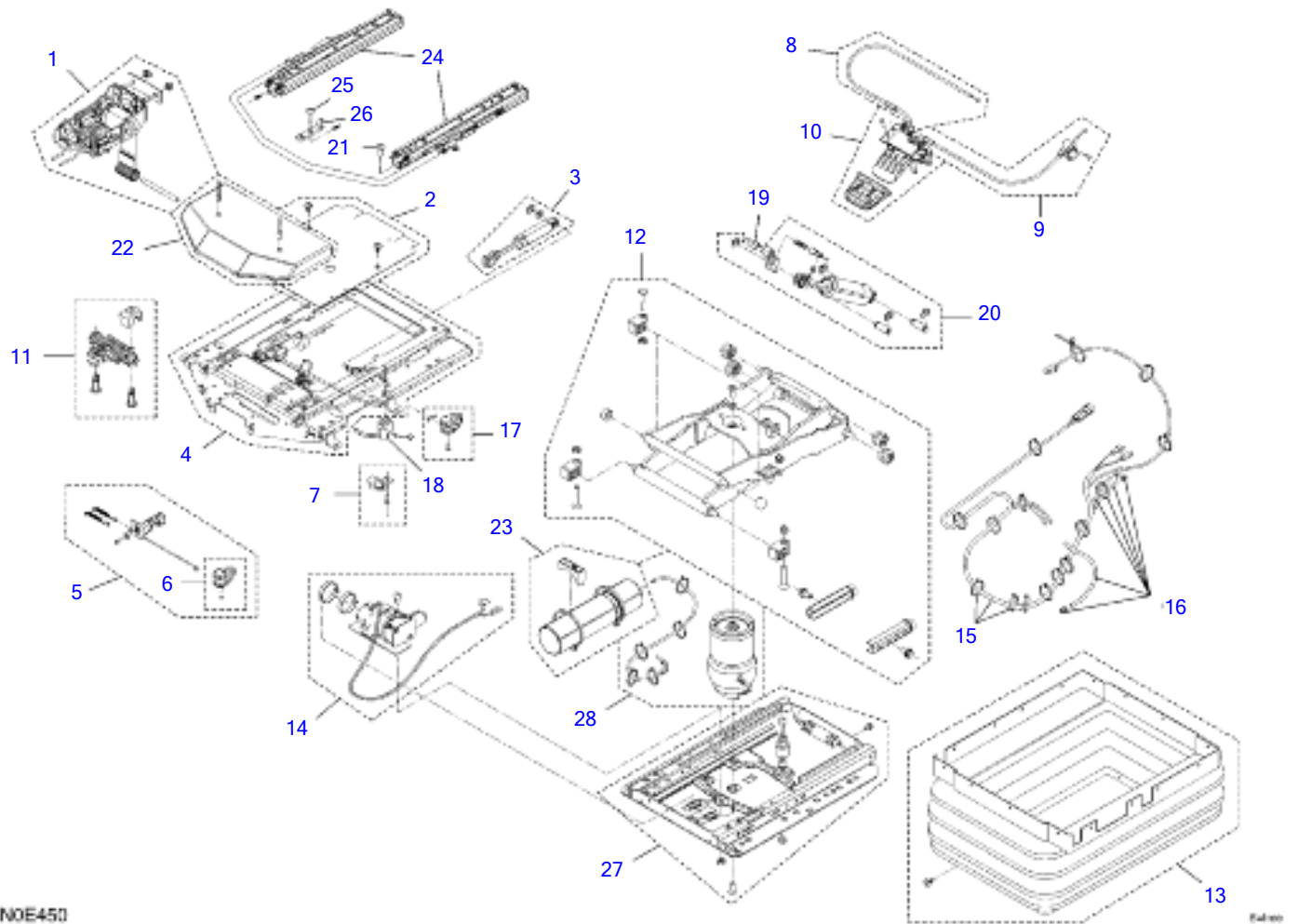
Item	Part number	Description	Q'ty	Chan.	Serial No.	Serv.	Remarks
		SEAT ASSY	1				X05734-00600-2
1	0573400550	BRACKET	1				
2	1914100102	SEAT ASSY	1				see page (2/3)
3	1914100103	SUSPENSION, air	1				see page (3/3)
4	1100041025	BOLT	4				
5	1140020010	WASHER, spring	4				
6	1100090816	BOLT	4				
7	1110020820	SCREW, cap	8				
8	1140420008	WASHER, spring	4				
9	1130090008	NUT	4				
11	1914100078	BELT, seat	1				
12	0563418100	COLLAR	1				
13	0563418200	WASHER	1				
14	1102540738	BOLT	1				
15	1132940719	NUT	1				
16	0573400570	COVER	1				
17	1110090820	BOLT	3				
18	1140090008	WASHER, spring	7				
19	1141190008	WASHER	7				
20	0573400580	COVER	1				
21	1653916006	TRIM	3				sold by the meter
22	1150420616	SCREW	4				
23	1653916009	TRIM	1				
	N1e103						



SEAT (2/3) WITH AIR SUSPENSION

Item	Part number	Description	Q'ty	Chan.	Serial No.	Serv.	Remarks
0-2	1914100102	SEAT ASSY	1				
1	1914101096	* CUSHION	1				
2	1914102102	* CUSHION	1				
3	1914103096	* SCREW	10				
4	1110040816	* CAP SCREW	4				
5	1914103071	* BACKREST	1				
6	1914105096	* HANDLE	1				
7	1141110008	* WASHER	4				
8	1914111096	* COVER	1				
9	1914140102	* SEAT PAN	1				
10	1914118096	* COVER	1				
11	1914115072	* BACKREST	1				
12	1914116072	* BUSHING	2				
13	1914121096	* LUMBAR SUPPORT KIT	1				
14	1914118072	* MOUNTING KIT	1				
15	1914175102	* SWIVEL LEVER	1				
16	1914121072	* COVER (PVC)	1				
17	1914103102	* TILT ADJUSTMENT	1				
18	1914110103	* SLIDE RAIL KIT	1				
19	1914123072	* SEAT BELT	1				
20	1914117103	* STOP	1				
21	1914171103	* ROD	1				
	N0E440						

TB1140 Book No. BN1Z002 S/N 51410002-
SEAT (3/3) WITH AIR SUSPENSION

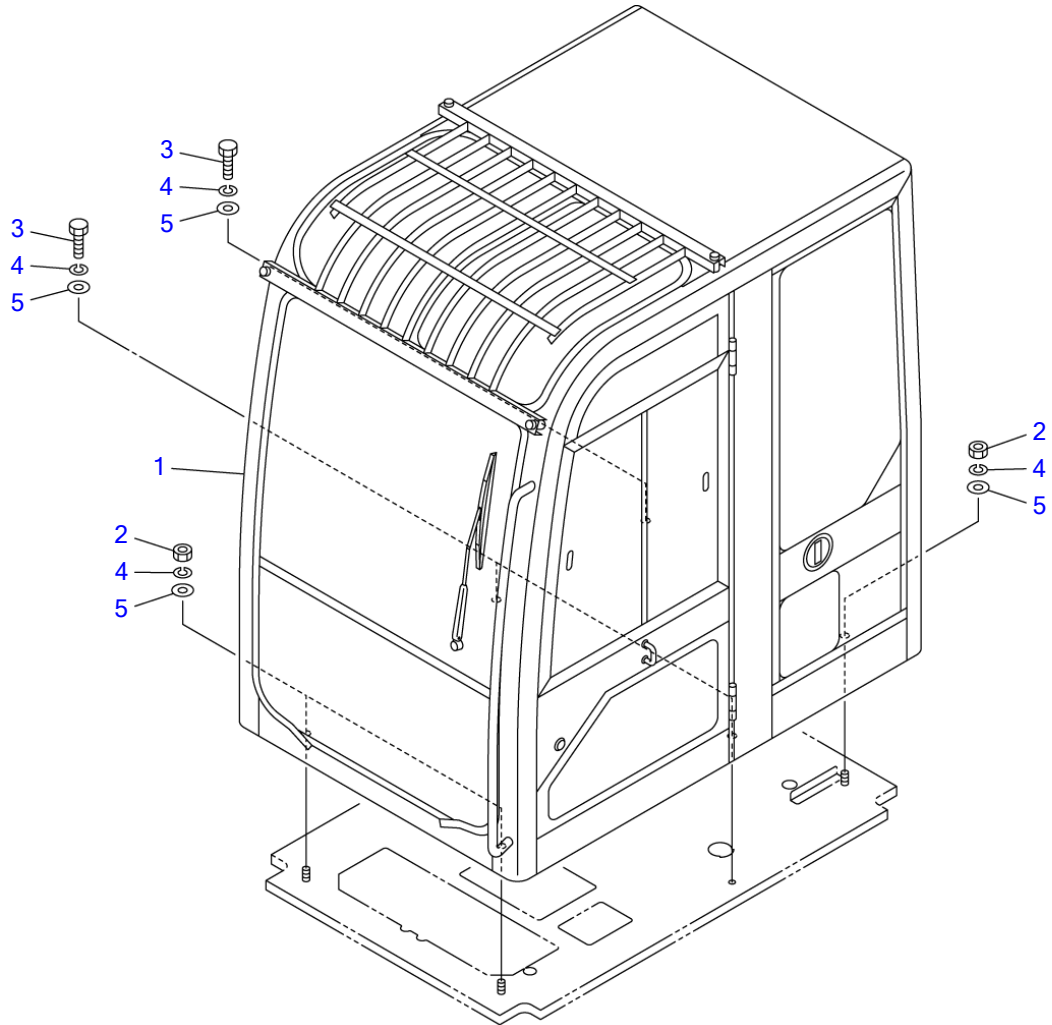


N0E450

Edim

SEAT (3/3) WITH AIR SUSPENSION

Item	Part number	Description	Q'ty	Chan.	Serial No.	Serv.	Remarks
0-3	1914100103	SUSPENSION ASSY	1				
1	1914101097	* CONTROL ASSY	1				
2	1914102097	* COVER KIT	1				
3	1914106103	* SHOCK ABSORBER KIT	1				
4	1914108103	* UPPER SUSPENSION	1				
5	1914112103	* LOCKING LEVER	1				
6	1914114103	* HANDLE KIT	1				
7	1914118103	* STOP	2				
8	1914108097	* CABLE	1				
9	1914109097	* CABLE ASSY	1				
10	1914111097	* CONTROL	1				
11	1914132103	* HORIZONTAL ISOLATOR	1				
12	1914135103	* SWING ARM KIT	1				
13	1914117097	* BELLOWS KIT	1				
14	1914118097	* COMPRESSOR	1				
15	1914119097	* CABLE CONNECTION	1				
16	1914120097	* AIR HOSE KIT	1				
17	1914121097	* HANDLE KIT	1				
18	1914122097	* CABLE HOLDER	1				
19	1914124097	* CABLE	1				
20	1914125097	* SHOCK ABSORBER KIT	1				
21	1110040816	* CAP SCREW	3				
22	1914127097	* COVER KIT	1				
23	1914132097	* AIR RESERVOIR	1				
24	1914184103	* SET OF ADJUSTMENT	1				
25	1110040820	* CAP SCREW	1				
26	1914119072	* PLATE	1				
27	1914135097	* LOWER SUSPENSION	1				
28	1914138097	* AIR SPRING KIT	1				
	N0E450						

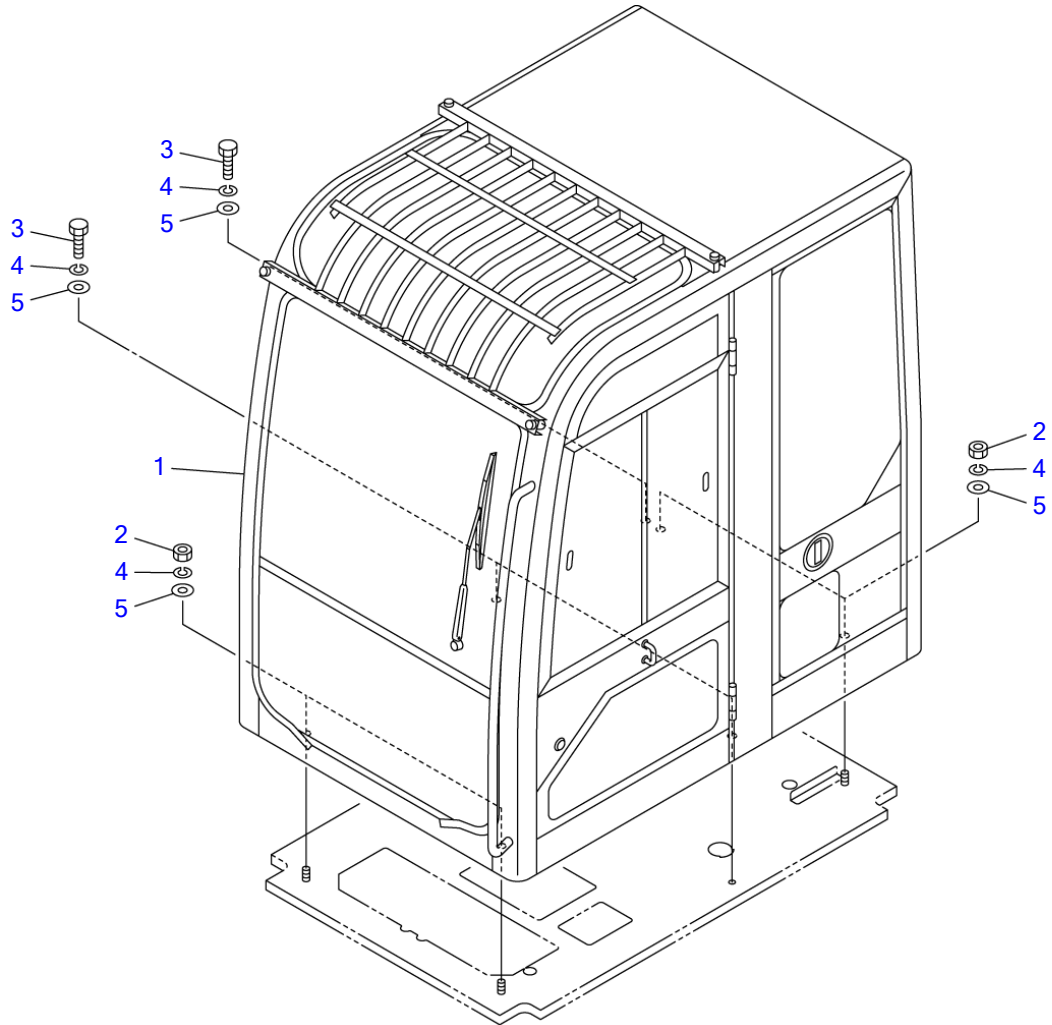


N1E130

S-1/20

CAB MOUNT (51410002-51410007)

Item	Part number	Description	Q'ty	Chan.	Serial No.	Serv.	Remarks
0	X *****	CAB MOUNT	1				X05786-00000-5
1	0578600100	▪ CAB ASSY	1				
2	1130040016	▪ NUT	3				
3	1100041645	▪ BOLT	3				
4	1140020016	▪ WASHER, spring	6				
5	1141110016	▪ WASHER	6				
	N1e130						

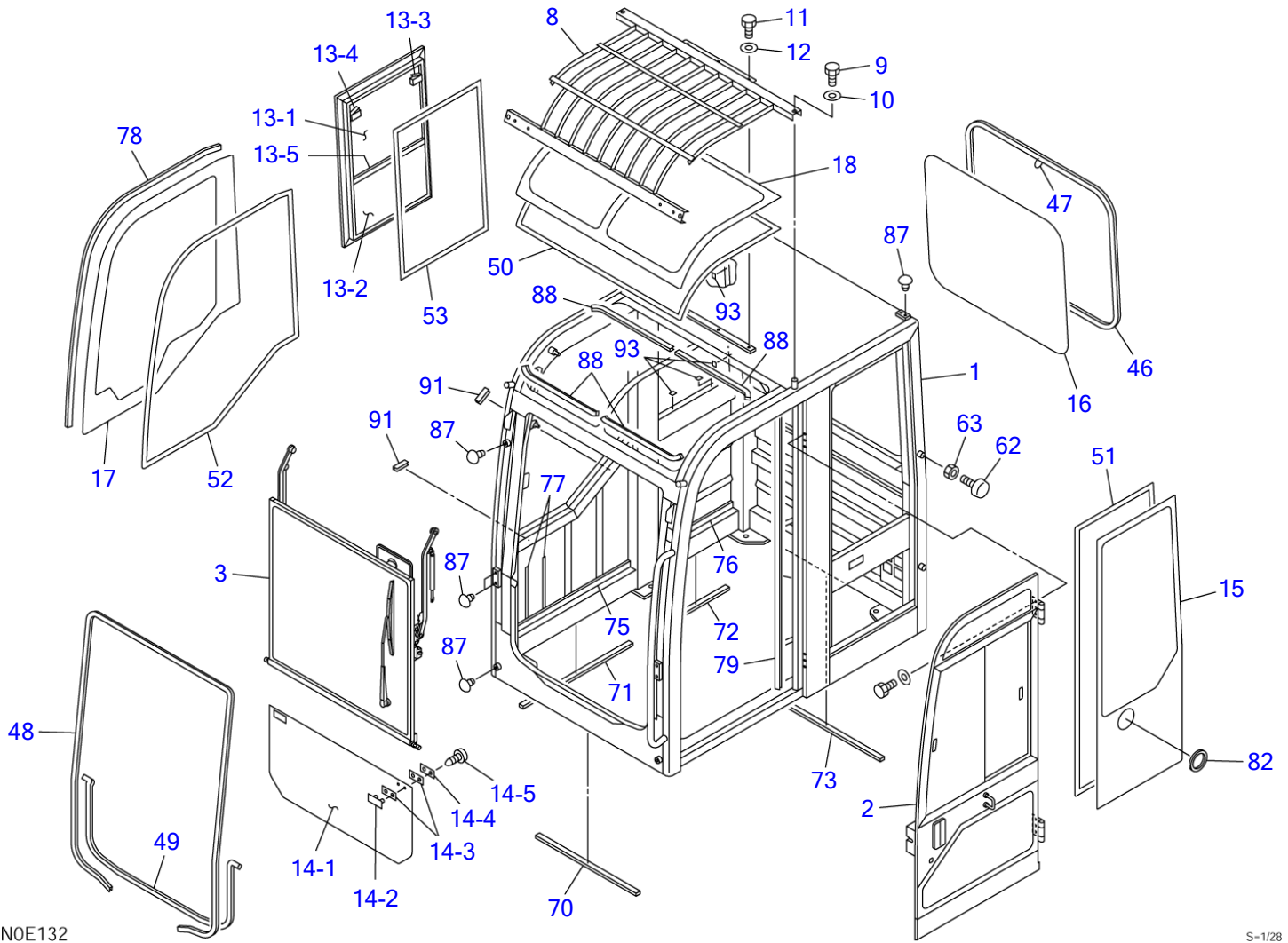


N1E310

S-1/20

CAB MOUNT (51410008-)

Item	Part number	Description	Q'ty	Chan.	Serial No.	Serv.	Remarks
0	X *****	CAB MOUNT	1				X05786-02000-0
1	0578602100	▪ CAB ASSY	1				
2	1130040016	▪ NUT	4				
3	1100041645	▪ BOLT	3				
4	1140020016	▪ WASHER, spring	7				
5	1141110016	▪ WASHER	7				
	N1e310						



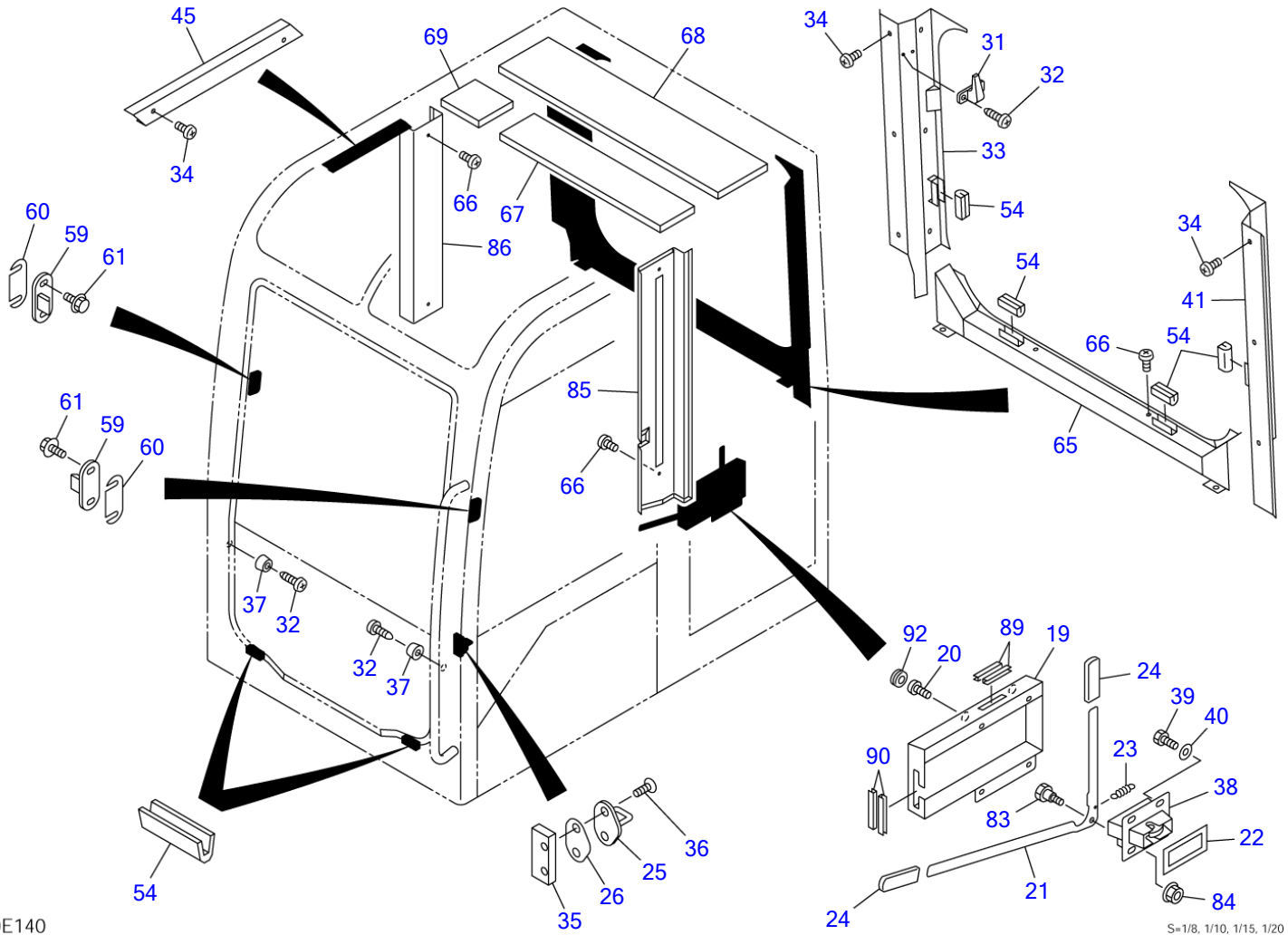
N0E132

S-1/28

CAB (1/6) (51410002-51410007)

Item	Part number	Description	Q'ty	Chan.	Serial No.	Serv.	Remarks
0	0578600100	CAB ASSY	1				X05786-00100-6
1	X *****	• CAB	1				
2	0578600350	• DOOR ASSY	1				
3	0578600400	• ADJUST ASSY, front sash	1				
8	0578600620	• GUARD, roof	1				
9	1100041225	• BOLT	4				
10	1141110012	• WASHER	4				
11	1100041016	• BOLT	3				
12	1141110010	• WASHER	3				
13	0578600530	• SASH ASSY, side	1				
13-1	0578600532	• • GLASS	1				
13-2	0578600533	• • GLASS	1				
13-3	0578600534	• • LOCK ASSY	1				
13-4	0578600535	• • LOCK ASSY	1				
13-5	0578600537	• • CHANNEL	1				
14	0578600610	• GLASS ASSY, front	1				
14-1	0578600611	• • GLASS	1				
14-2	1654010900	• • RETAINER	2				
14-3	1654011100	• • PACKING	4				
14-4	1654011000	• • PLATE	2				
14-5	1122410412	• • SCREW	4				
15	0578600115	• GLASS	1				
16	0578600116	• GLASS	1				
17	0578600117	• GLASS	1				
18	0578600118	• GLASS	1				
46	1654231295	• H-RUBBER	1				sold by the meter
47	0880865139	• H-RUBBER	1				
48	1654605380	• RUBBER	1				sold by the meter
49	1654605165	• RUBBER	1				sold by the meter
50	1654615335	• DAM	1				sold by the meter
51	1654615385	• DAM	1				sold by the meter
52	1654615320	• DAM	1				sold by the meter
53	1654615265	• DAM	1				sold by the meter
62	1651101042	• STOPPER	2				
63	1130090010	• NUT	2				
70	0578600170	• SEAL	1				
71	0578600171	• SEAL	1				
72	0578600172	• SEAL	1				
73	0578600173	• SEAL	1				
75	0578600175	• SEAL	1				
76	0578600176	• SEAL	1				
77	0578600177	• PLATE	1				
78	1653916175	• TRIM	2				sold by the meter
79	1654605150	• SEAL	1				sold by the meter
82	0568626600	• GROMMET	1				
87	1653303010	• SCREW ^{cap}	11				
88	1653916049	• TRIM	4				sold by the meter
91	1653916004	• TRIM	2				sold by the meter
93	0578600193	• SPACER	4				

N1e140

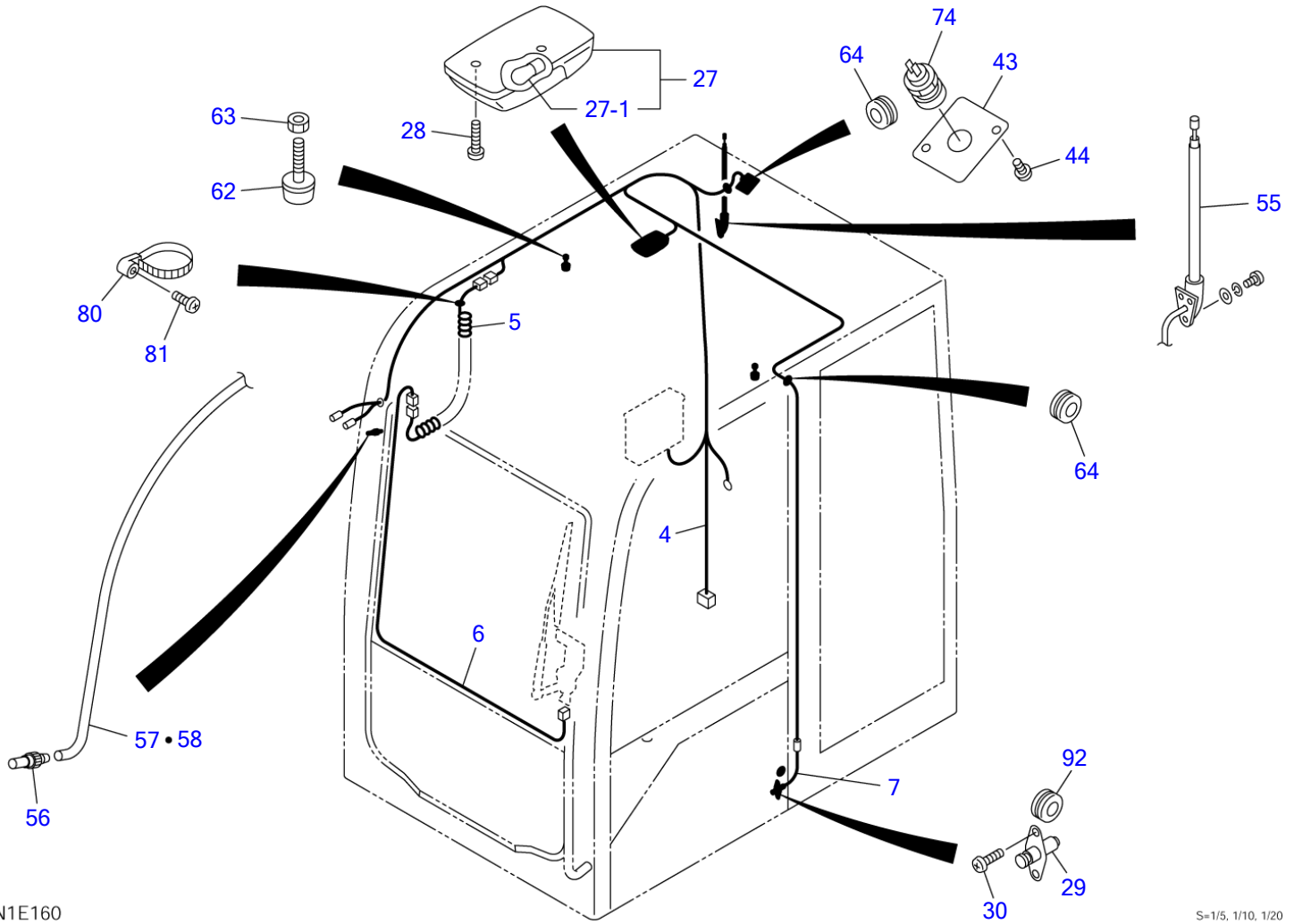


N0E140

S=1/8, 1/10, 1/15, 1/20

CAB (2/6) (51410002-51410007)

Item	Part number	Description	Q'ty	Chan.	Serial No.	Serv.	Remarks
0	0578600100	CAB ASSY	1				X05786-00100-6
19	0578600119	• COVER	1				
20	1150420616	• SCREW	4				
21	0578600121	• LEVER	1				
22	0578600122	• SEAL	2				
23	0007000096	• SPRING	1				
24	0438601760	• COVER	2				
25	1654011708	• STRIKER	1				
26	0578600126	• SHIM	AR				
31	1654004800	• HANGER	1				
32	1122400416	• SCREW	4				
33	0578600550	• COVER	1				
34	1150420510	• SCREW	14				
35	0578600135	• PLATE	1				
36	1110091025	• BOLT	2				
37	1652102320	• RUBBER	2				sold by the meter
38	1654011720	• LOCK	1				
39	1100040820	• BOLT	4				
40	1141110008	• WASHER	4				
41	0578600560	• COVER	1				
45	0578600145	• COVER	1				
54	1654004900	• RUBBER	6				
59	0578600570	• BRACKET	2				
60	0578600160	• SHIM	AR				
61	1100040616	• BOLT	4				
65	0578600580	• COVER	1				
66	1150420612	• SCREW	6				
67	0578600167	• ABSORBENT, noise	1				
68	0578600168	• ABSORBENT, noise	1				
69	0578600169	• ABSORBENT, noise	1				
83	1654010800	• PIN	1				
84	1131283006	• NUT	1				
85	0578600590	• COVER	1				
86	0578600600	• COVER	1				
89	1653916005	• TRIM	2				sold by the meter
90	1653916007	• TRIM	2				sold by the meter
92	1654011710	• CAP	2				
	N1e150						

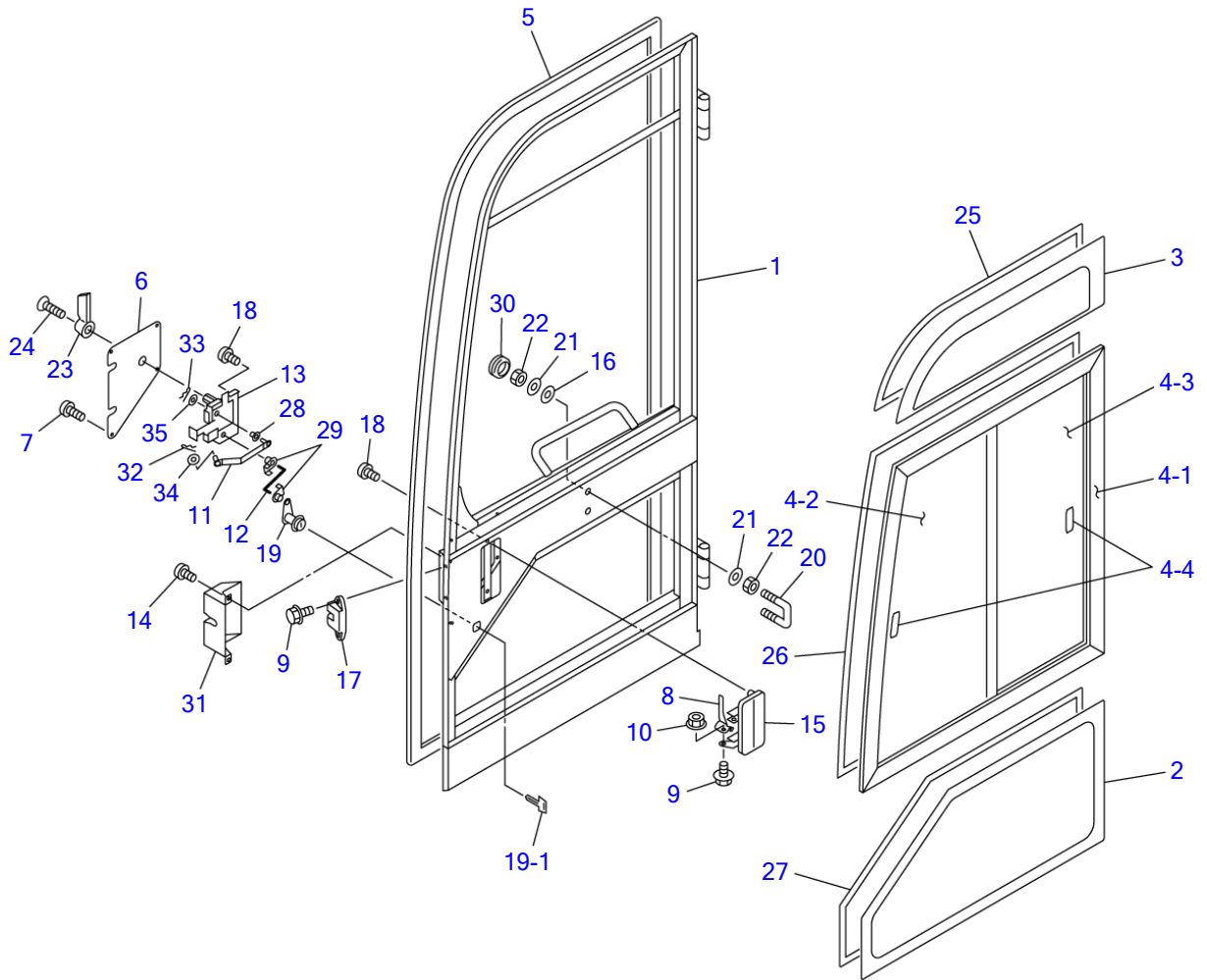


N1E160

S=1/5, 1/10, 1/20

CAB (3/6) (51410002-51410007)

Item	Part number	Description	Q'ty	Chan.	Serial No.	Serv.	Remarks
0	0578600100	CAB ASSY	1				X05786-00100-6
4	0578600500	▪ HARNESS, wire	1				
5	0398802200	▪ HARNESS, wire	1				
6	0338631010	▪ HARNESS, wire	1				
7	0578600510	▪ HARNESS, wire	2				
27	1703007200	▪ LAMP, room	1				
27-1	1703007201	▪ ▪ BULB	1				24V, 5W
28	1150410420	▪ SCREW	2				
29	1700000015	▪ SWITCH	1				
30	1150410412	▪ SCREW	2				
43	0578600143	▪ COVER	1				
44	1150420512	▪ SCREW	2				
55	1705003450	▪ ANTENNA	1				
56	1711910070	▪ NOZZLE	1				
57	1711910063	▪ HOSE	1				
58	1711910063	▪ HOSE	1				
62	1651101042	▪ STOPPER	2				
63	1130090010	▪ NUT	2				
64	1654011709	▪ GROMMET	2				
74	1711900066	▪ SOCKET	1				
80	1652221050	▪ CLIP	1				
81	1150420510	▪ SCREW	1				
92	1654011710	▪ CAP	1				
	N1e161						

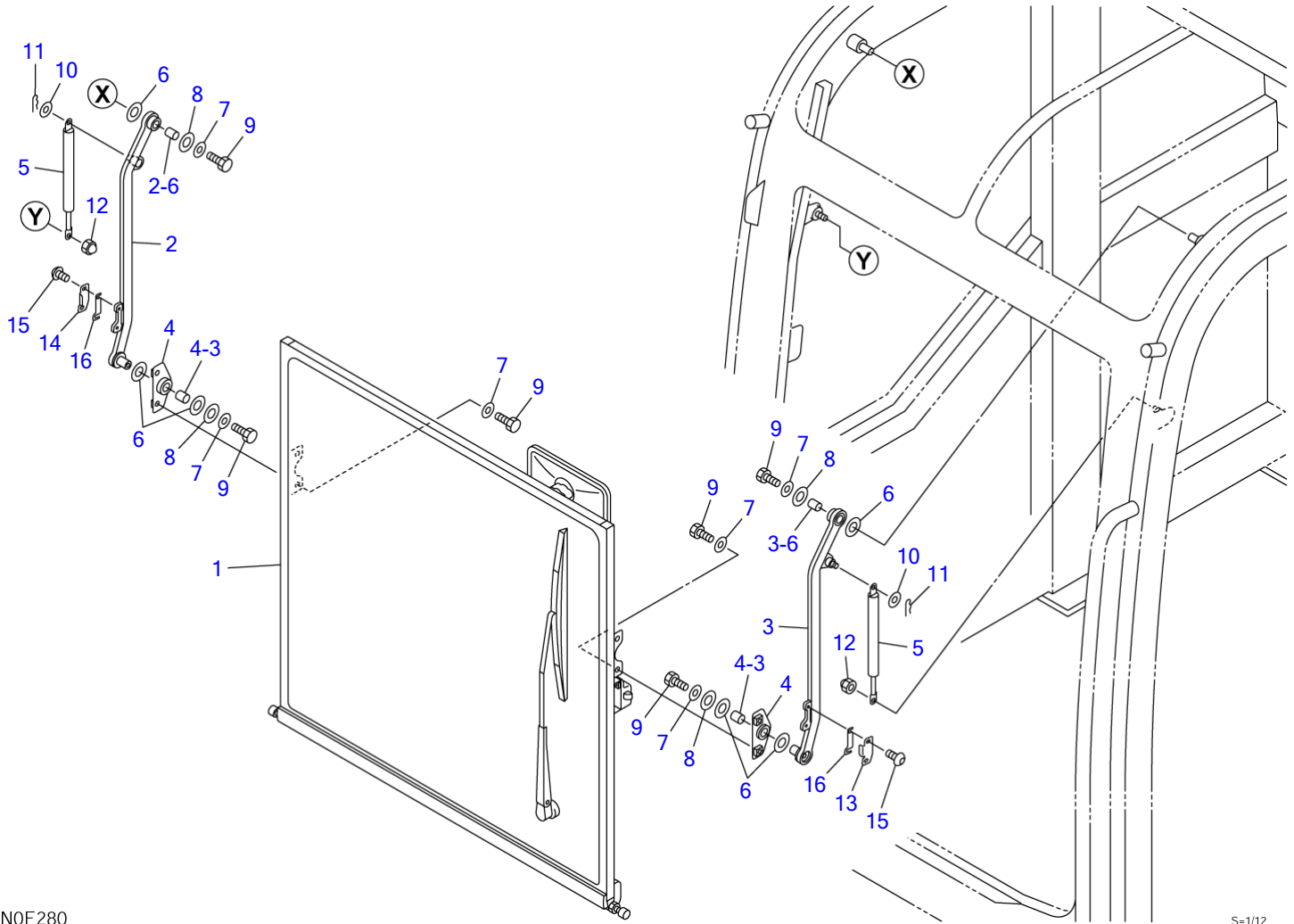


N1E170

S=1/15

CAB (4/6) (door) (51410002-51410007)

Item	Part number	Description	Q'ty	Chan.	Serial No.	Serv.	Remarks
0-2	0578600350	DOOR ASSY	1				X05786-00350-0
1	0578600310	• DOOR	1				
2	0578600301	• GLASS	1				
3	0578600302	• GLASS	1				
4	0578600340	• SASH ASSY	1				
4-1	0578600341	• • FRAME	1				
4-2	0578600342	• • GLASS	1				
4-3	0578600343	• • GLASS	1				
4-4	0880865424	• • LOCK ASSY	2				
5	0578600303	• SEAL	1				
6	0578600304	• PLATE	1				
7	1150420512	• SCREW	3				
8	0578600360	• PLATE	1				
9	1100040612	• BOLT	4				
10	1131283006	• NUT	1				
11	0578600370	• ROD	1				
12	0568630600	• ROD	1				
13	0568623400	• CONTROL ASSY	1				
14	1150420612	• BOLT, sems	2				
15	1654005600	• HANDLE	1				
16	0578600307	• WASHER	2				
17	0068620400	• LOCK ASSY	1				
18	1150410612	• BOLT, sems	4				
19	1653611527	• LOCK ASSY	1				
19-1	1700100019	• KEY	1				
20	1654005900	• STRIKER	1				
21	1654011706	• WASHER	4				
22	1130090010	• NUT	4				
23	1654005500	• HANDLE	1				
24	1120790516	• SCREW	1				
25	1654615147	• DAM	1				sold by the meter
26	1654615286	• DAM	1				sold by the meter
27	1654615201	• DAM	1				sold by the meter
28	0578600380	• BUSHING	1				
29	0398610900	• SNAP	2				
30	1652053200	• GROMMET	2				
31	0578600308	• COVER	1				
32	1214000006	• PIN, snap	1				
33	1214000004	• PIN, snap	1				
34	1654011711	• WASHER	1				
35	1141190006	• WASHER	2				
	N1e170						

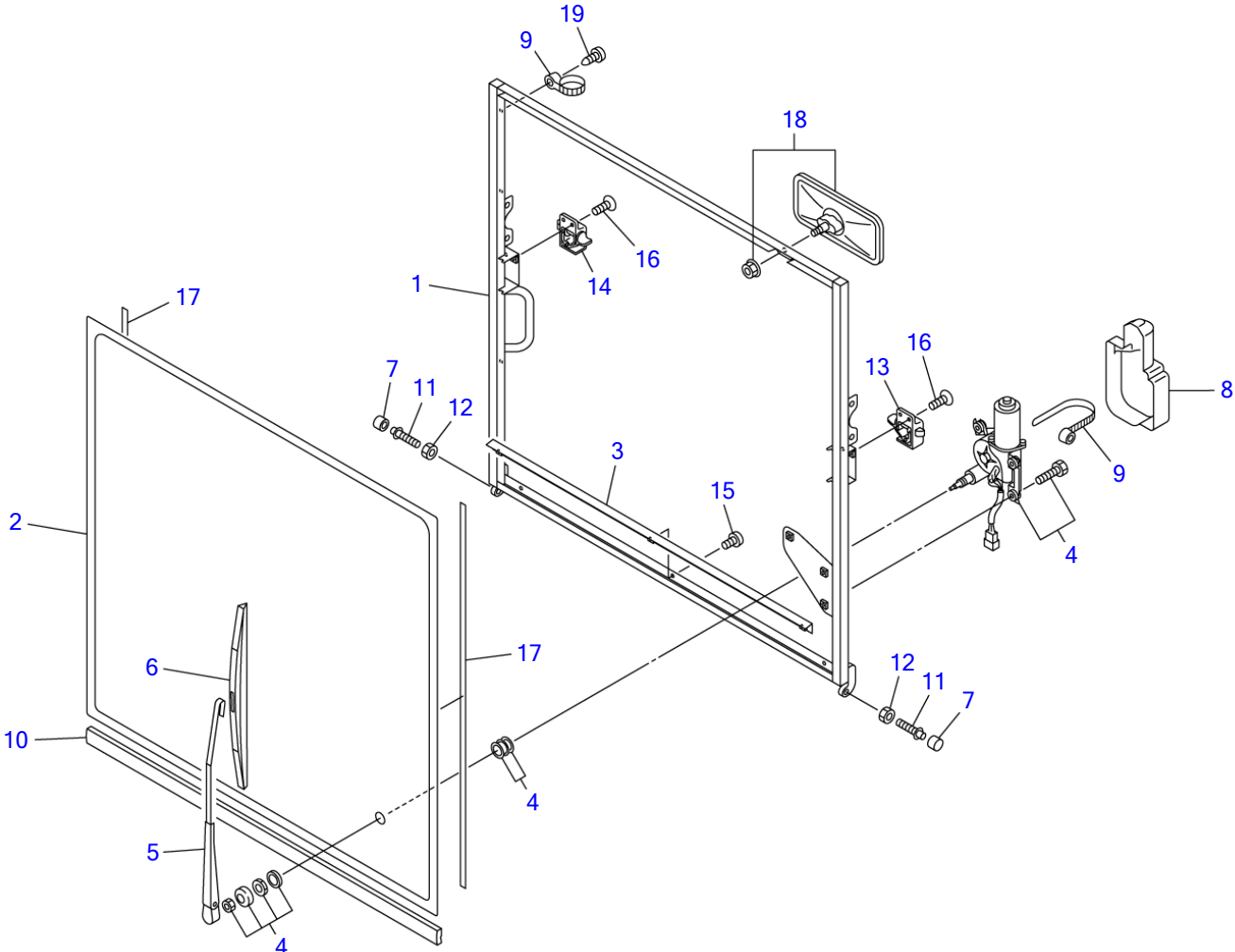


N0E280

S=1/12

CAB (5/6) (front sash adjust) (51410002-51410007)

Item	Part number	Description	Q'ty	Chan.	Serial No.	Serv.	Remarks
0-3	0578600400	ADJUST ASSY, front sash	1				X05786-00400-0
1	0578600410	▪ SASH ASSY, front	1				
2	0578600420	▪ ARM	1				
2-6	0578600426	▪ ▪ BUSHING	1				
3	0578600430	▪ ARM	1				
3-6	0578600426	▪ ▪ BUSHING	1				
4	0578600440	▪ BRACKET	2				
4-3	0578600443	▪ ▪ BUSHING	1				
5	0578600407	▪ SPRING, gas	2				
6	0083252100	▪ WASHER	6				
7	1654011705	▪ WASHER	8				
8	0578600401	▪ WASHER	4				
9	1100090820	▪ BOLT	8				
10	1141190008	▪ WASHER	2				
11	1214000006	▪ PIN, snap	2				
12	1134090006	▪ NUT	4				
13	0578600402	▪ BRACKET	1				
14	0578600403	▪ BRACKET	1				
15	1120990516	▪ BOLT	4				
16	0578600404	▪ PLATE	2				
	N0e280						

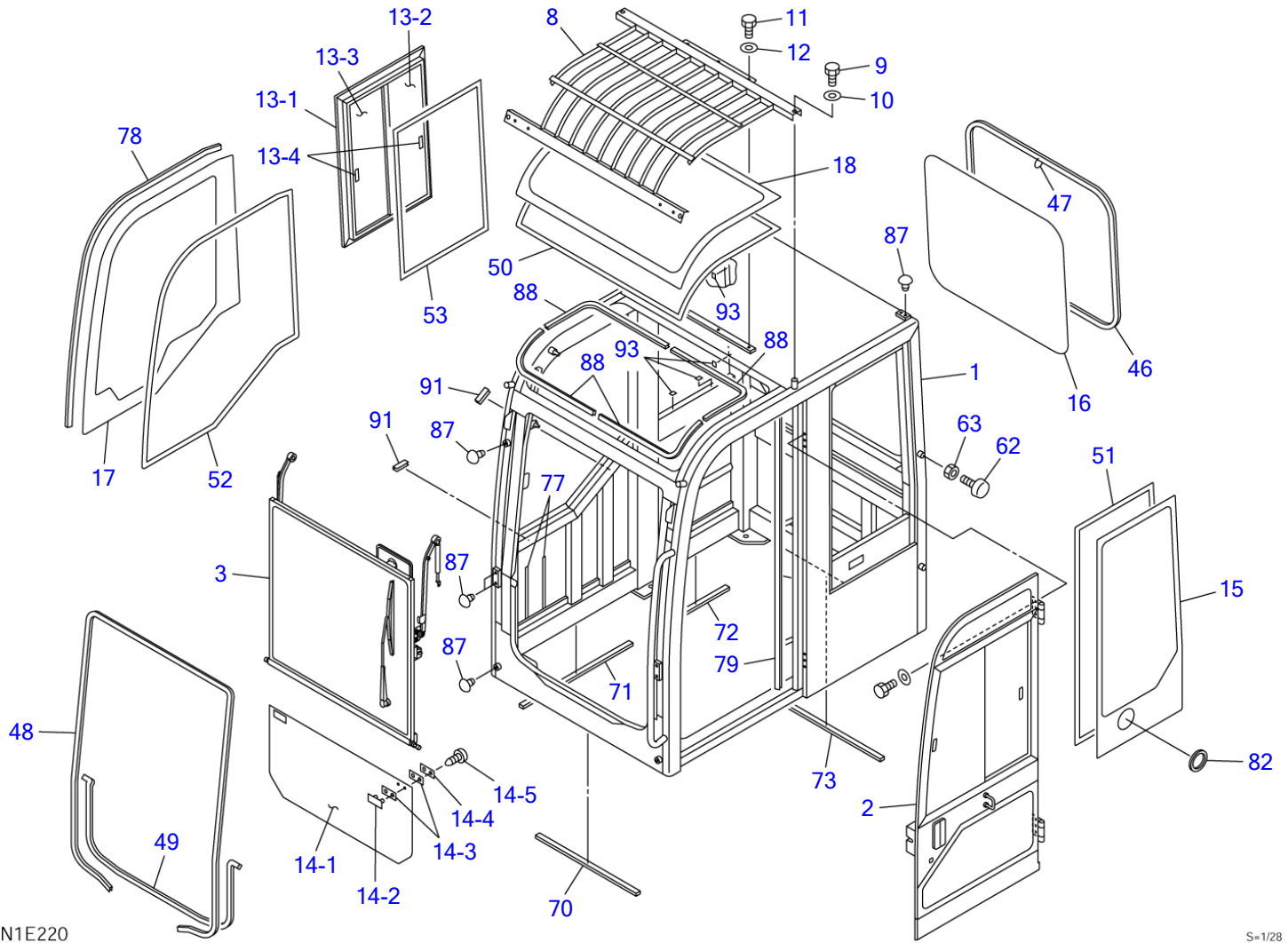


N0E290

S-1/12

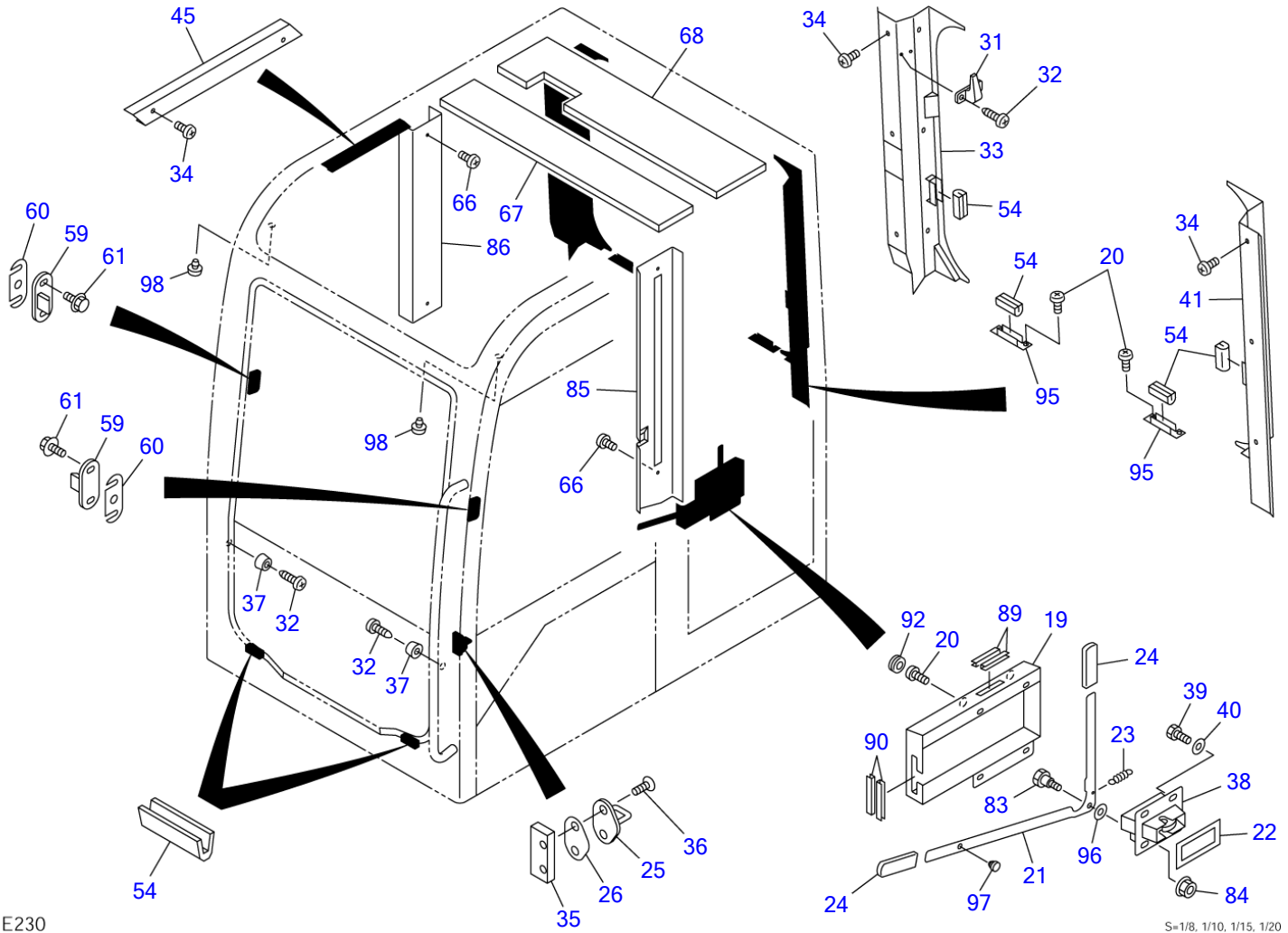
CAB (6/6) (front sash) (51410002-51410007)

Item	Part number	Description	Q'ty	Chan.	Serial No.	Serv.	Remarks
0-4	0578600410	SASH ASSY, front	1				X05786-00410-1
1	0578600450	▪ FRAME	1				
2	0578600405	▪ GLASS	1				
3	0578600460	▪ PLATE	1				
4	1704044424	▪ MOTOR, wiper	1				
5	1704100100	▪ ARM, wiper	1				
6	1704200530	▪ BLADE	1				
7	0578600470	▪ ROLLER	2				
8	1704400001	▪ COVER	1				
9	1652221050	▪ BAND	5				
10	0578600408	▪ SEAL	1				
11	0578600406	▪ BOLT	2				
12	1130090010	▪ NUT	2				
13	0578600480	▪ HANDLE	1				
14	0578600490	▪ HANDLE	1				
15	1150420510	▪ BOLT, sems	3				
16	1120690616	▪ SCREW	4				
17	1654615081	▪ DAM	2				sold by the meter
18	1654005460	▪ MIRROR, room	1				
19	1122400510	▪ SCREW	4				
	N0e291						



CAB (1/6) (51410008-)

Item	Part number	Description	Q'ty	Chan.	Serial No.	Serv.	Remarks
0	0578602100	CAB ASSY	1				X05786-02100-1
1	X *****	• CAB	1				
2	0578602300	• DOOR ASSY	1				see page (4/6)
3	0578602400	• ADJUST ASSY, front sash	1				see page (5/6)
8	0578602520	• GUARD, roof	1				
9	1100041225	• BOLT	4				
10	1141110012	• WASHER	4				
11	1100041016	• BOLT	3				
12	1141110010	• WASHER	3				
13	0578602530	• SASH ASSY, side	1				
13-1	0578602531	• • FRAME	1				
13-2	0578602532	• • GLASS	1				
13-3	0578602533	• • GLASS	1				
13-4	0880865424	• • LOCK ASSY	2				
14	0578600610	• GLASS ASSY, front	1				
14-1	0578600611	• • GLASS	1				
14-2	1654010900	• • RETAINER	2				
14-3	1654011100	• • PACKING	4				
14-4	1654011000	• • PLATE	2				
14-5	1122410412	• • SCREW	4				
15	0578602115	• GLASS	1				
16	0578600116	• GLASS	1				
17	0578602117	• GLASS	1				
18	0578602118	• GLASS	1				
46	1654231295	• H-RUBBER	1				sold by the meter
47	0880865139	• H-RUBBER	1				
48	1654605385	• RUBBER	1				sold by the meter
49	1654605165	• RUBBER	1				sold by the meter
50	1654615335	• DAM	1				sold by the meter
51	1654615350	• DAM	1				sold by the meter
52	1654615320	• DAM	1				sold by the meter
53	1654615265	• DAM	1				sold by the meter
62	1651101042	• STOPPER	2				
63	1130090010	• NUT	2				
70	0578600170	• SEAL	1				
71	0578600171	• SEAL	1				
72	0578600172	• SEAL	1				
73	0578602173	• SEAL	1				
77	0578600177	• PLATE	1				
78	1653916175	• TRIM	1				sold by the meter
79	1654605150	• SEAL	1				sold by the meter
82	0568626600	• GROMMET	1				
87	1653303010	• CAP	11				
88	1653916098	• TRIM	4				sold by the meter
91	1653916004	• TRIM	2				sold by the meter
93	0578600193	• SPACER	4				
	N1e222						

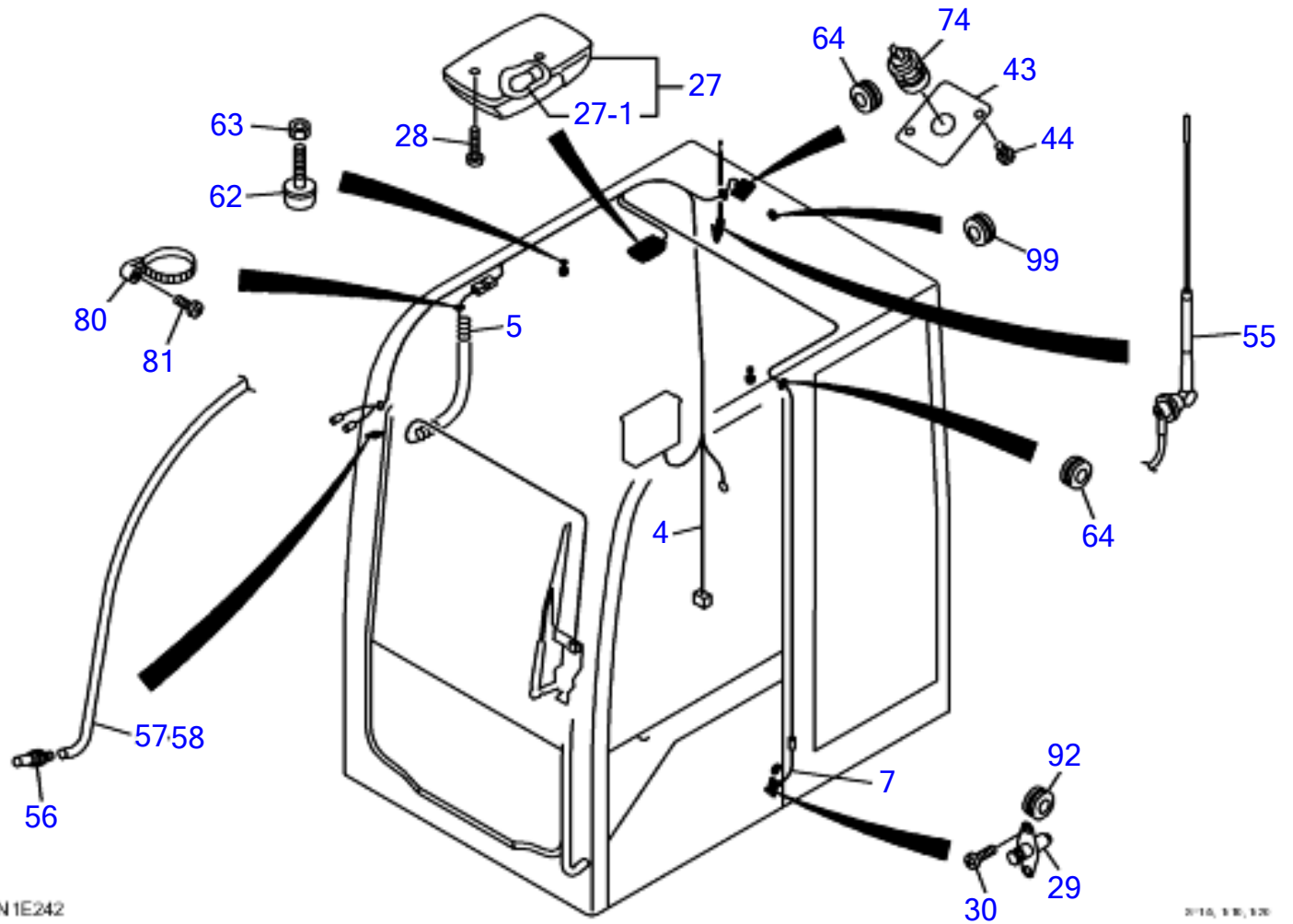


N1E230

S=1/8, 1/10, 1/15, 1/20

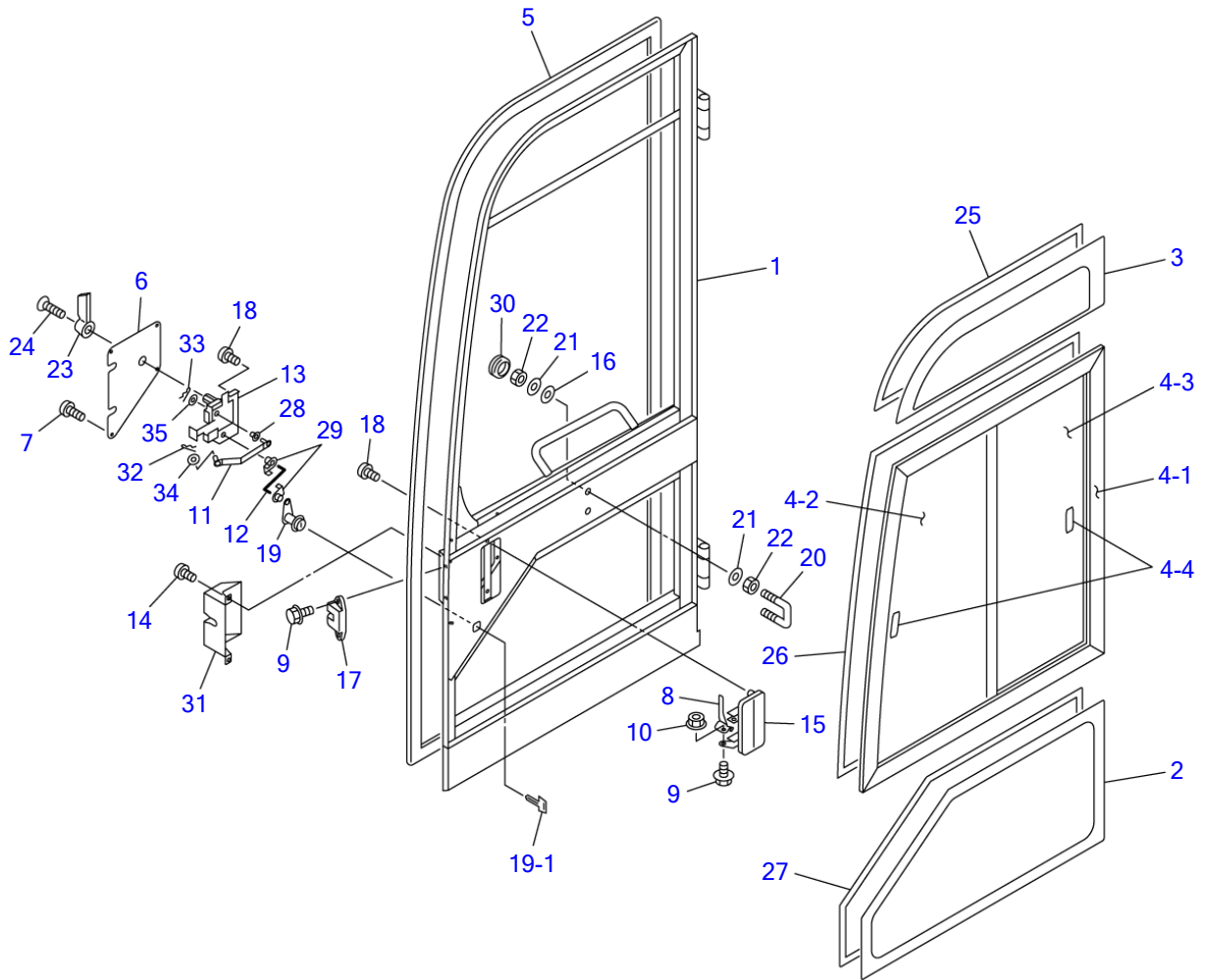
CAB (2/6) (51410008-)

Item	Part number	Description	Q'ty	Chan.	Serial No.	Serv.	Remarks
0	0578602100	CAB ASSY	1				X05786-02100-1
19	0578602580	· COVER	1				
20	1150420616	· SCREW	8				
21	0578602121	· LEVER	1				
22	0578600122	· SEAL	2				
23	0007000096	· SPRING	1				
24	0438601760	· COVER	2				
25	1654011708	· STRIKER	1				
26	0578600126	· SHIM	AR				
31	1654004800	· HANGER	1				
32	1122400416	· SCREW	4				
33	0578602550	· COVER	1				
34	1150420510	· SCREW	14				
35	0578600135	· PLATE	1				
36	1110091025	· BOLT	2				
37	1652102320	· RUBBER	2				sold by the meter
38	1654011720	· LOCK	1				
39	1100040820	· BOLT	4				
40	1141110008	· WASHER	4				
41	0578602560	· COVER	1				
45	0578600145	· COVER	1				
54	1654004900	· RUBBER	6				
59	0578602570	· BRACKET	2				
60	0578602160	· SHIM	AR				
61	1100040616	· BOLT	4				
66	1150420612	· SCREW	4				
67	0578602167	· ABSORBENT, noise	1				
68	0578602168	· ABSORBENT, noise	1				
83	1654010800	· PIN	1				
84	1131283006	· NUT	1				
85	0578602590	· COVER	1				
86	0578602600	· COVER	1				
89	1653916005	· TRIM	2				sold by the meter
90	1653916007	· TRIM	2				sold by the meter
92	1654011710	· CAP	2				
95	0578602195	· BRACKET	2				
96	0578602196	· WASHER	1				
97	1652516004	· CUSHION	1				
98	1652516003	· CUSHION	2				
	N1e232						



CAB (3/6) (51410008-)

Item	Part number	Description	Q'ty	Chan.	Serial No.	Serv.	Remarks
0	0578602100	CAB ASSY	1				X05786-02100-1
4	0578602500	▪ HARNESS, wire	1				
5	0578602510	▪ HARNESS, wire	1				
7	0578600510	▪ HARNESS, wire	2				
27	1703007200	▪ LAMP, room	1				
27-1	1703007201	▪ ▪ BULB	1				24V, 5W
28	1150410420	▪ SCREW	2				
29	1700000015	▪ SWITCH	1				
30	1150410412	▪ SCREW	2				
43	0578600143	▪ COVER	1				
44	1150420512	▪ SCREW	2				
55	1705003460	▪ ANTENNA	1				
56	1711910070	▪ NOZZLE	1				
57	1711910063	▪ HOSE	1				
58	1711910063	▪ HOSE	1				
62	1651101042	▪ STOPPER	2				
63	1130090010	▪ NUT	2				
64	1654011709	▪ GROMMET	2				
74	1711900066	▪ SOCKET	1				
80	1652221050	▪ CLIP	1				
81	1150420510	▪ SCREW	1				
92	1654011710	▪ CAP	1				
99	1652051200	* GROMMET	1				
	N1e242						

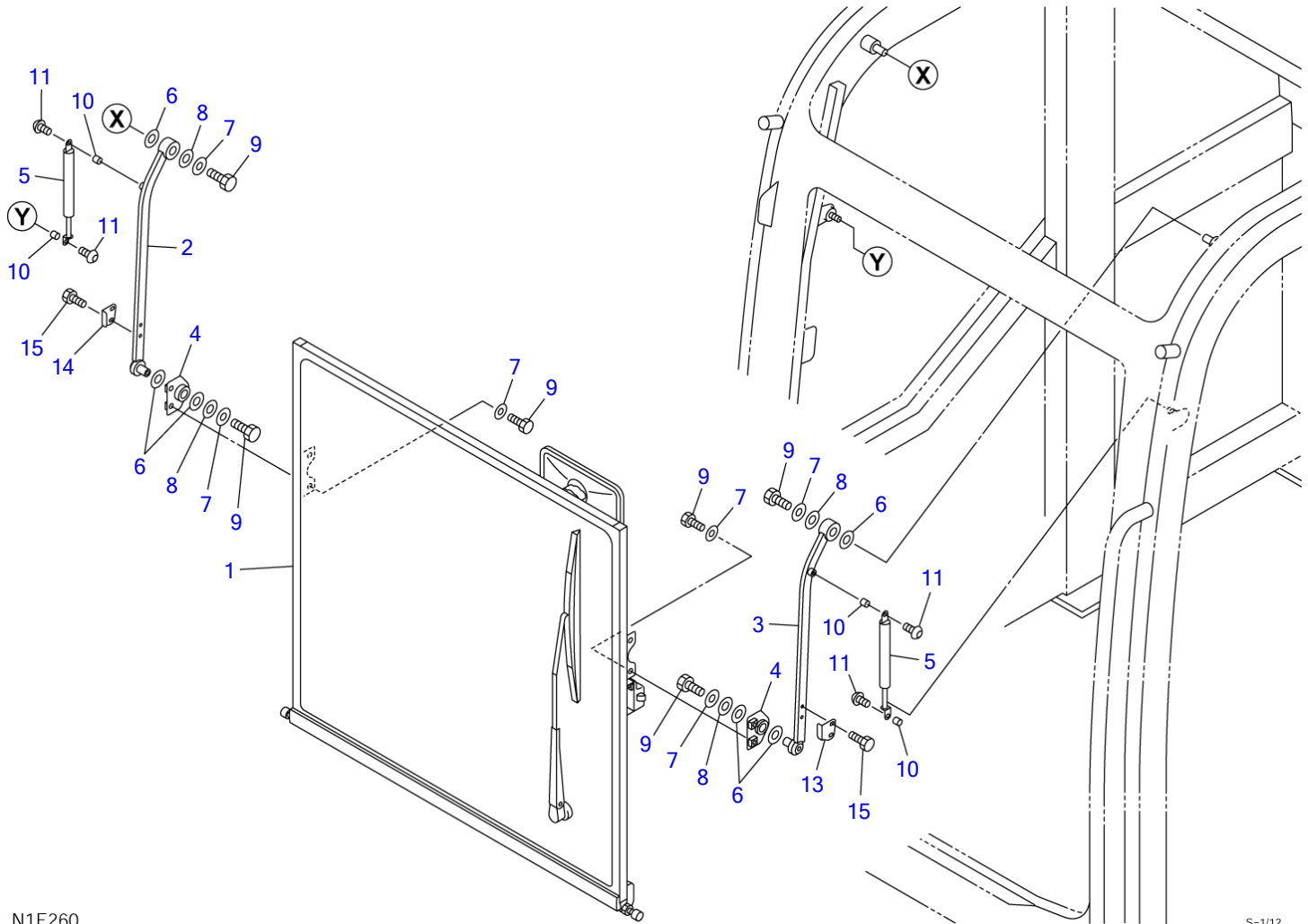


N1E170

S=1/15

CAB (4/6) (door) (51410008-)

Item	Part number	Description	Q'ty	Chan.	Serial No.	Serv.	Remarks
0-2	0578602300	DOOR ASSY	1				X05786-02300-1
1	0578602310	• DOOR	1				
2	0578600301	• GLASS	1				
3	0578600302	• GLASS	1				
4	0578600340	• SASH ASSY	1				
4-1	0578600341	• • FRAME	1				
4-2	0578600342	• • GLASS	1				
4-3	0578600343	• • GLASS	1				
4-4	0880865424	• • LOCK ASSY	2				
5	0578600303	• SEAL	1				
6	0578600304	• PLATE	1				
7	1150420512	• SCREW	4				
8	0578600360	• PLATE	1				
9	1100040612	• BOLT	3				
10	1131283006	• NUT	1				
11	0578600370	• ROD	1				
12	0568630600	• ROD	1				
13	0568623400	• CONTROL ASSY	1				
14	1150420612	• BOLT, sems	2				
15	1654005600	• HANDLE	1				
16	1654011812	• WASHER	2				
17	0068620400	• LOCK ASSY	1				
18	1150410612	• BOLT, sems	4				
19	1653611527	• LOCK ASSY	1				
19-1	1700100019	• KEY	1				
20	1654005900	• STRIKER	1				
21	1654011706	• WASHER	4				
22	1130090010	• NUT	4				
23	1654005500	• HANDLE	1				
24	1120790516	• SCREW	1				
25	1654615147	• DAM	1				sold by the meter
26	1654615286	• DAM	1				sold by the meter
27	1654615201	• DAM	1				sold by the meter
28	0578600380	• BUSHING	1				
29	0398610900	• SNAP	2				
30	1652053200	• GROMMET	2				
31	0578600308	• COVER	1				
32	1214000006	• PIN, snap	1				
33	1214000004	• PIN, snap	1				
34	1654011711	• WASHER	1				
35	1141190006	• WASHER	2				
	N1e250						

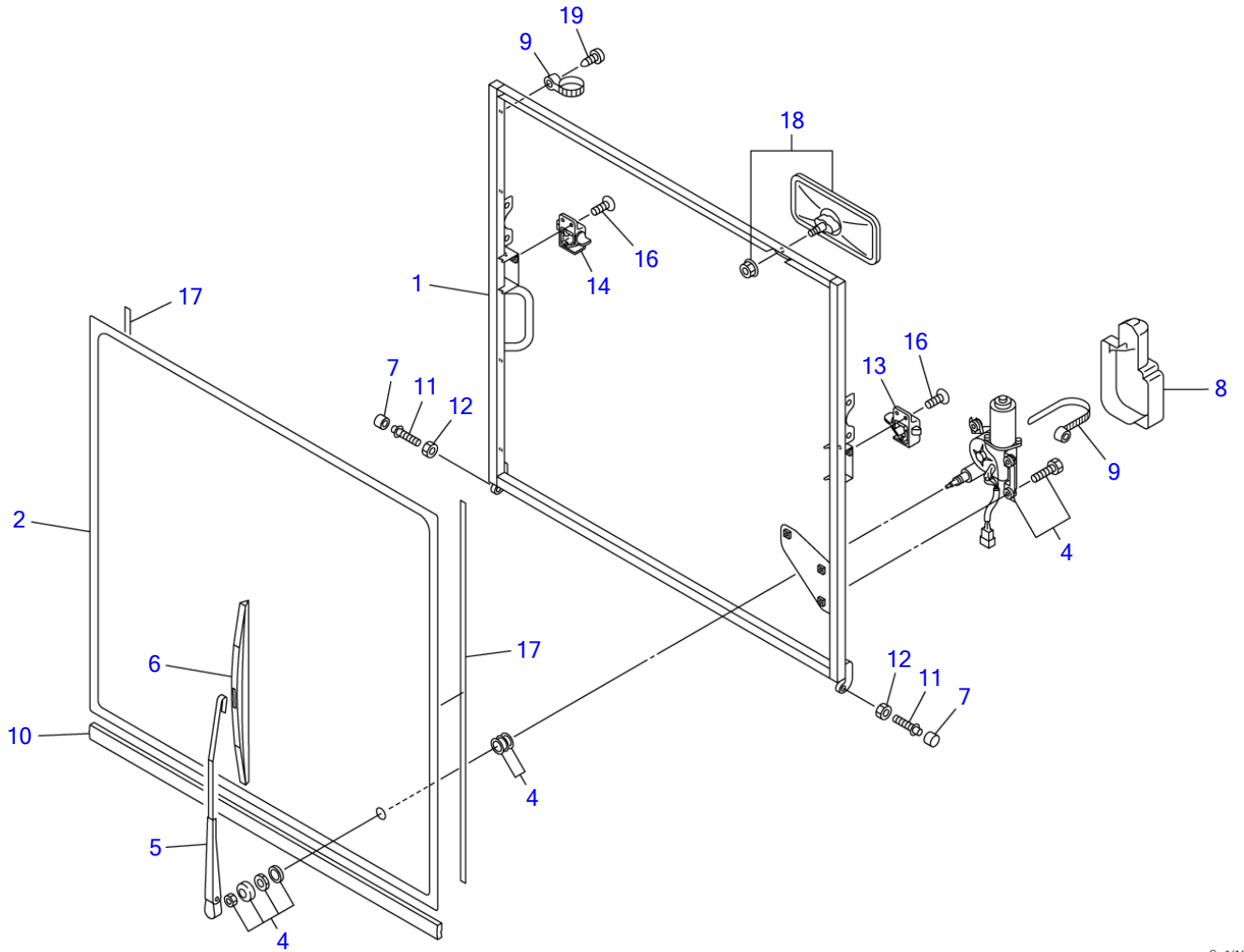


N1E260

S-1/12

CAB (5/6) (front sash adjust) (51410008-)

Item	Part number	Description	Q'ty	Chan.	Serial No.	Serv.	Remarks
0-3	0578602400	ADJUST ASSY, front sash	1				X05786-02400-0
1	0578602410	▪ SASH ASSY, front	1				see page (6/6)
2	0578602420	▪ ARM	1				
3	0578602430	▪ ARM	1				
4	0348603870	▪ BRACKET	2				
5	0578600407	▪ SPRING, gas	2				
6	0083252100	▪ WASHER	6				
7	1654011705	▪ WASHER	8				
8	0578600401	▪ WASHER	4				
9	1100090820	▪ BOLT	8				
10	1333000606	▪ BUSHING	4				
11	1120990612	▪ PIN, snap	4				
13	0578602401	▪ BRACKET	1				
14	0578602402	▪ BRACKET	1				
15	1100040616	▪ BOLT	4				
	N1e260						

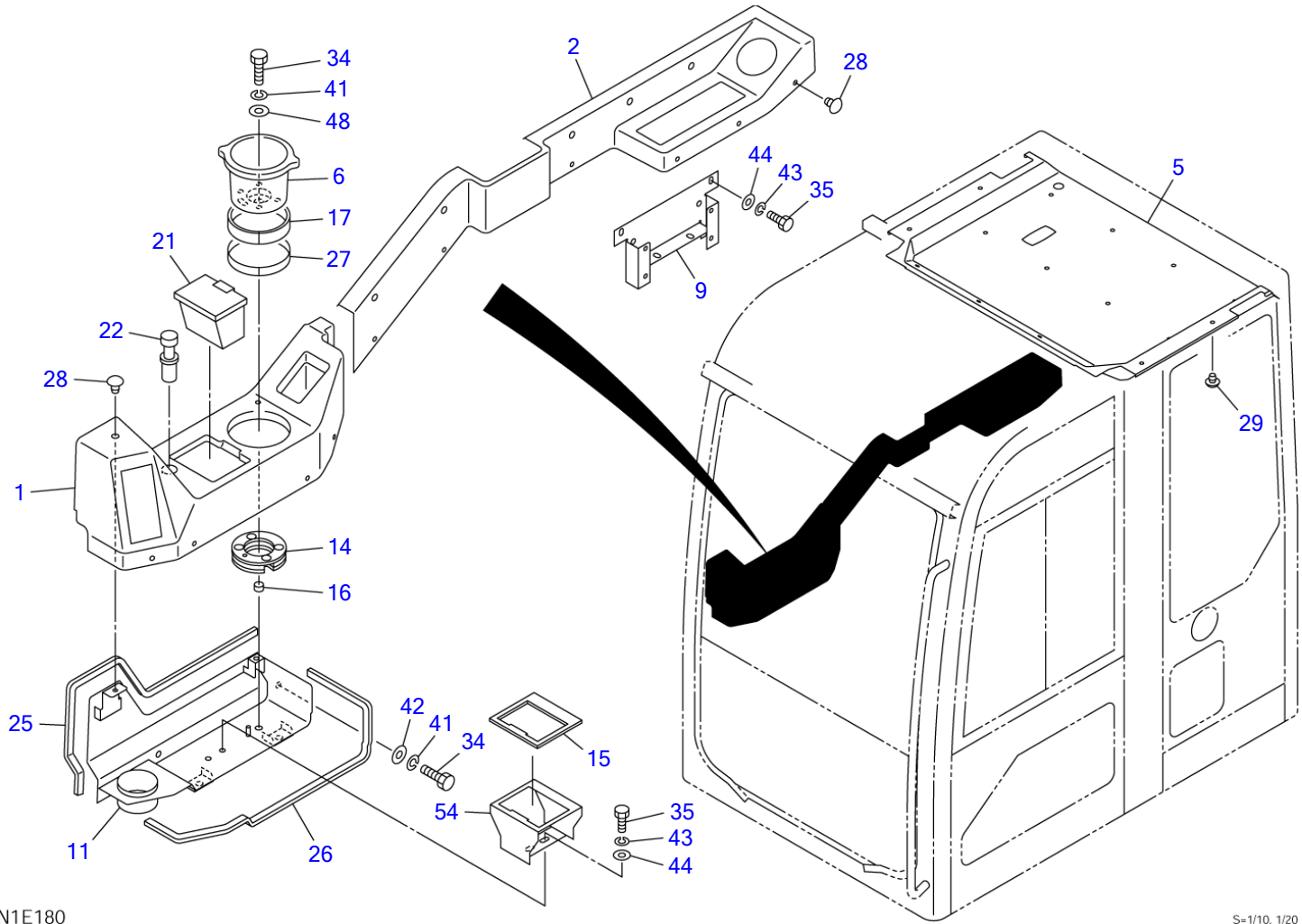


N1E270

S-1/12

CAB (6/6) (front sash) (51410008-)

Item	Part number	Description	Q'ty	Chan.	Serial No.	Serv.	Remarks
0-4	0578602410	SASH ASSY, front	1				X05786-02410-0
1	0578602450	▪ FRAME	1				
2	0578602403	▪ GLASS	1				
4	1704044424	▪ MOTOR, wiper	1				
5	1704100100	▪ ARM, wiper	1				
6	1704200530	▪ BLADE	1				
7	0578600470	▪ ROLLER	2				
8	1704400002	▪ COVER	1				
9	1652221050	▪ BAND	8				
10	0578600408	▪ SEAL	1				
11	0578600406	▪ BOLT	2				
12	1130090010	▪ NUT	2				
13	0578600480	▪ HANDLE	1				
14	0578600490	▪ HANDLE	1				
16	1120800616	▪ SCREW	4				
17	1654615081	▪ DAM	2				sold by the meter
18	1654005460	▪ MIRROR, room	1				
19	1122400510	▪ SCREW	4				
	N1e270						

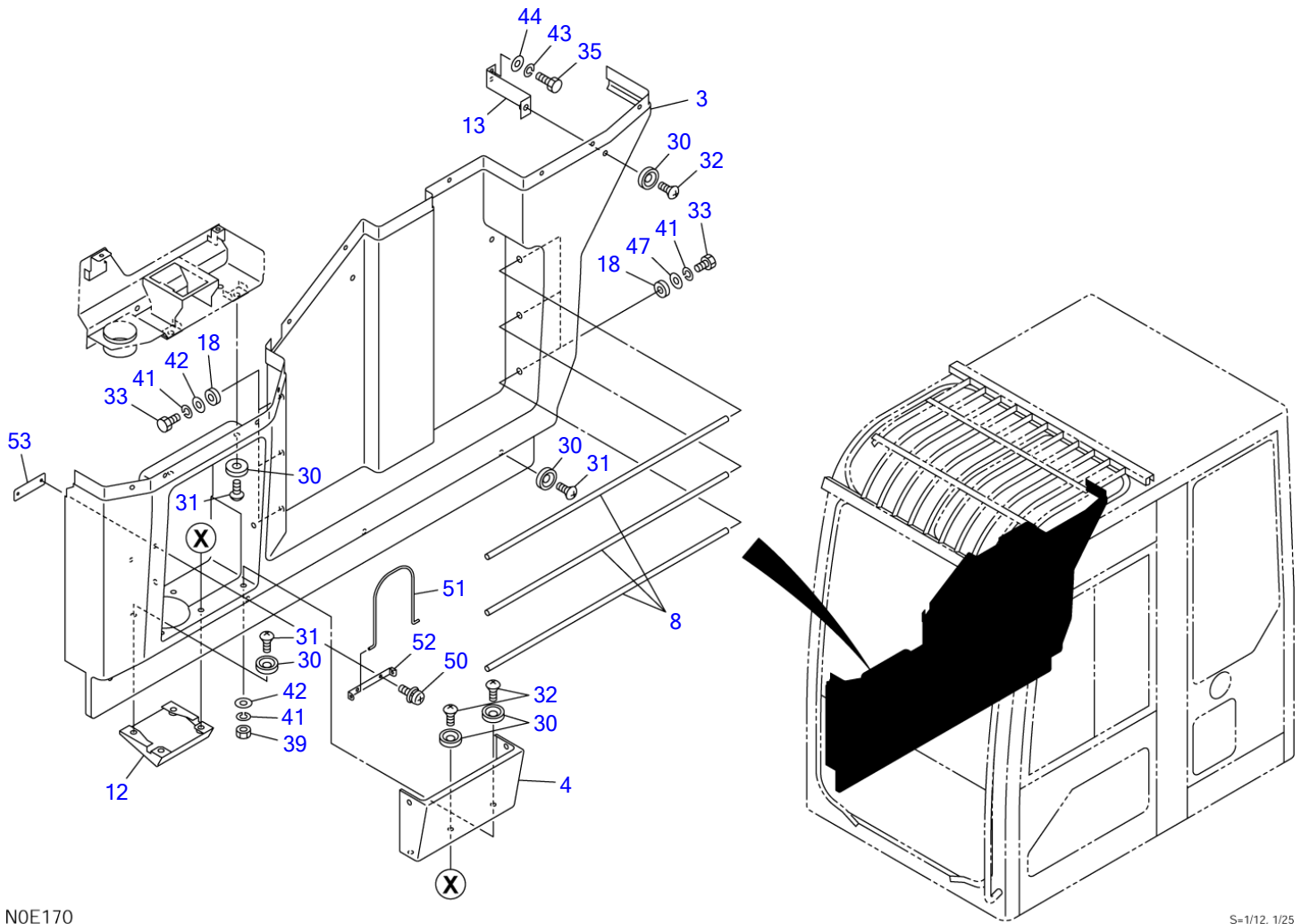


N1E180

S=1/10, 1/20

CAB INTERIOR (1/2) (51410002-51410007)

Item	Part number	Description	Q'ty	Chan.	Serial No.	Serv.	Remarks
		CAB INTERIOR ASSY					X05786-01000-5
1	0578600900	PANEL, side	1				
2	0578600906	PANEL, side	1				
5	0578600935	PLATE	1				
6	0578601010	HOLDER	1				
9	0578600957	BRACKET	1				
11	0578600970	DUCT	1				
14	0578600995	RUBBER	1				
15	0578600994	RUBBER	1				
16	0578600986	COLLAR	1				
17	0578600987	SPONGE	1				
21	1654011600	ASHTRAY	1				
22	1711900039	LIGHTER	1				
25	1654606055	TRIM	1				sold by the meter
26	1654606060	SEAL	1				sold by the meter
27	0578600993	SHEET	1				
28	1652900015	RIVET	17				
29	1652900014	RIVET	16				
34	1100040825	BOLT	3				
35	1100040616	BOLT	6				
41	1140020008	WASHER, spring	3				
42	1141110008	WASHER	2				
43	1140020006	WASHER, spring	6				
44	1141110006	WASHER	6				
48	0003600020	WASHER	1				
54	0578601040	BRACKET	1				
	N1e180						

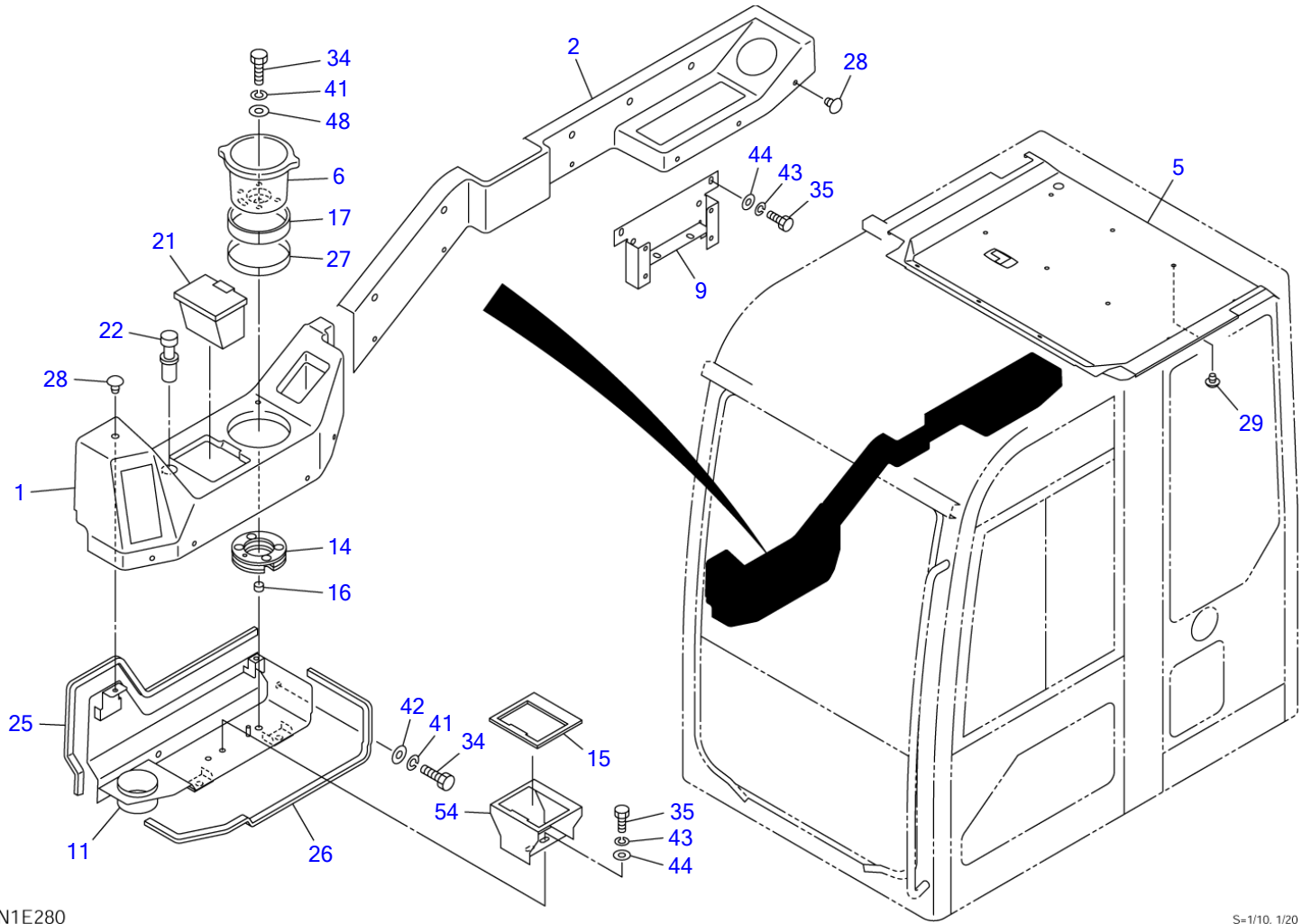


N0E170

S=1/12, 1/25

CAB INTERIOR (2/2) (51410002-51410007)

Item	Part number	Description	Q'ty	Chan.	Serial No.	Serv.	Remarks
		CAB INTERIOR ASSY					X05786-01000-5
3	0578601230	PANEL, side	1				
4	0578600920	POCKET	1				
8	0578600955	PIPE	3				
12	0578600980	HOLDER	1				
13	0578600990	STAY	1				
18	0578600988	SPACER	6				
30	1652900016	WASHER	16				
31	1120790612	SCREW	6				
32	1120790616	SCREW	10				
33	1100040816	BOLT	6				
35	1100040616	BOLT	2				
39	1130040008	NUT	3				
41	1140020008	WASHER, spring	12				
42	1141110008	WASHER	11				
43	1140020006	WASHER, spring	2				
44	1141110006	WASHER	2				
47	0003600025	WASHER	3				
50	1150420510	SCREW	2				
51	0578600926	SHAFT	1				
52	0578600927	STAY	1				
53	0578600928	PLATE	1				
	N1E320						

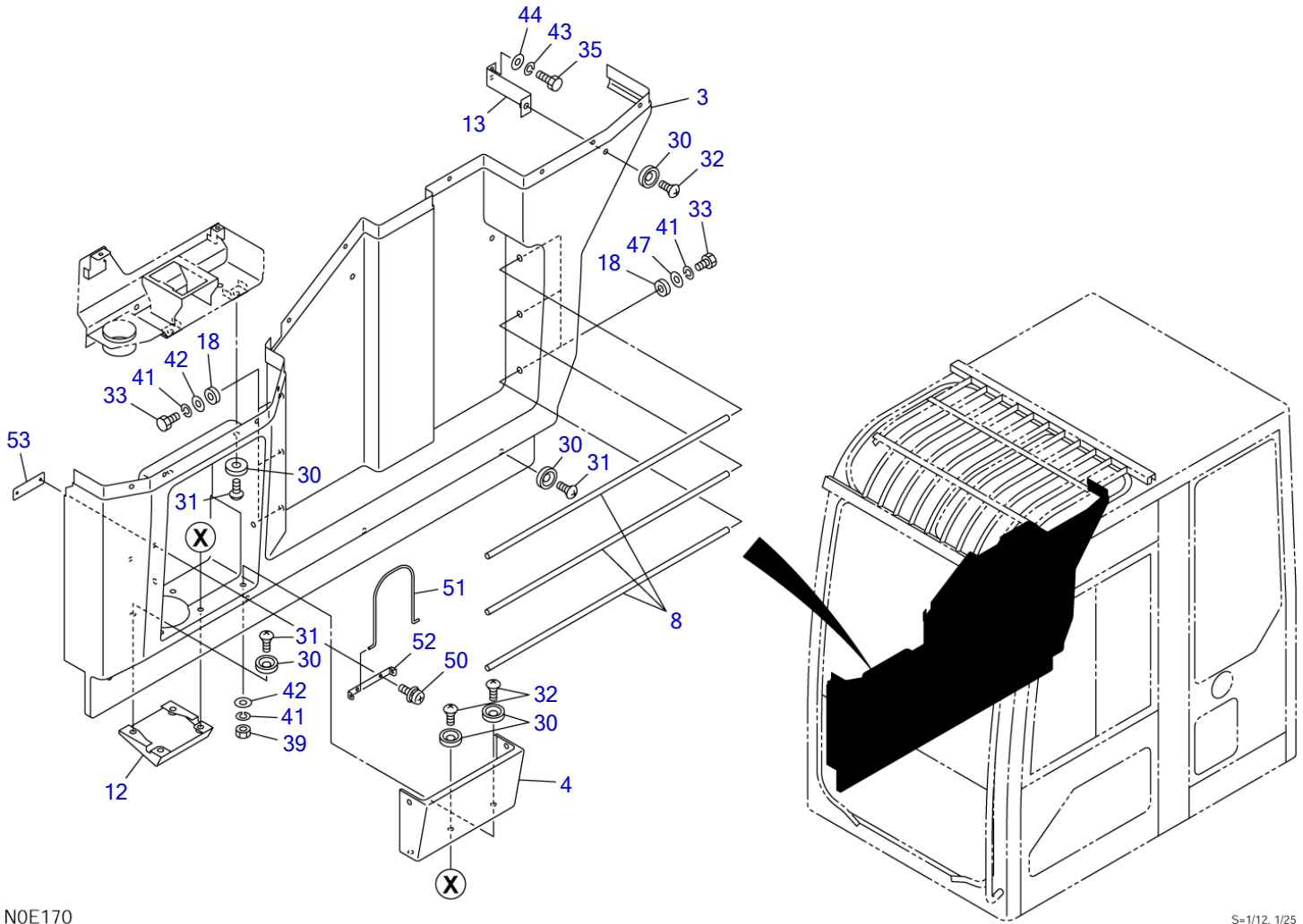


N1E280

S=1/10, 1/20

CAB INTERIOR (1/2) (51410008-)

Item	Part number	Description	Q'ty	Chan.	Serial No.	Serv.	Remarks
		CAB INTERIOR ASSY					X05786-01400-0
1	0578600900	PANEL, side	1				
2	0578601220	PANEL, side	1				
5	0578601240	PLATE	1				
6	0578601010	HOLDER	1				
9	0578600957	BRACKET	1				
11	0578600970	DUCT	1				
14	0578600995	RUBBER	1				
15	0578600994	RUBBER	1				
16	0578600986	COLLAR	1				
17	0578600987	SPONGE	1				
21	1654011600	ASHTRAY	1				
22	1711900039	LIGHTER	1				
25	1654606055	TRIM	1				sold by the meter
26	1654606060	SEAL	1				sold by the meter
27	0578600993	SHEET	1				
28	1652900015	RIVET	17				
29	1652900014	RIVET	12				
34	1100040825	BOLT	3				
35	1100040616	BOLT	6				
41	1140020008	WASHER, spring	3				
42	1141110008	WASHER	2				
43	1140020006	WASHER, spring	6				
44	1141110006	WASHER	6				
48	0003600020	WASHER	1				
54	0578601040	BRACKET	1				
	N1e280						

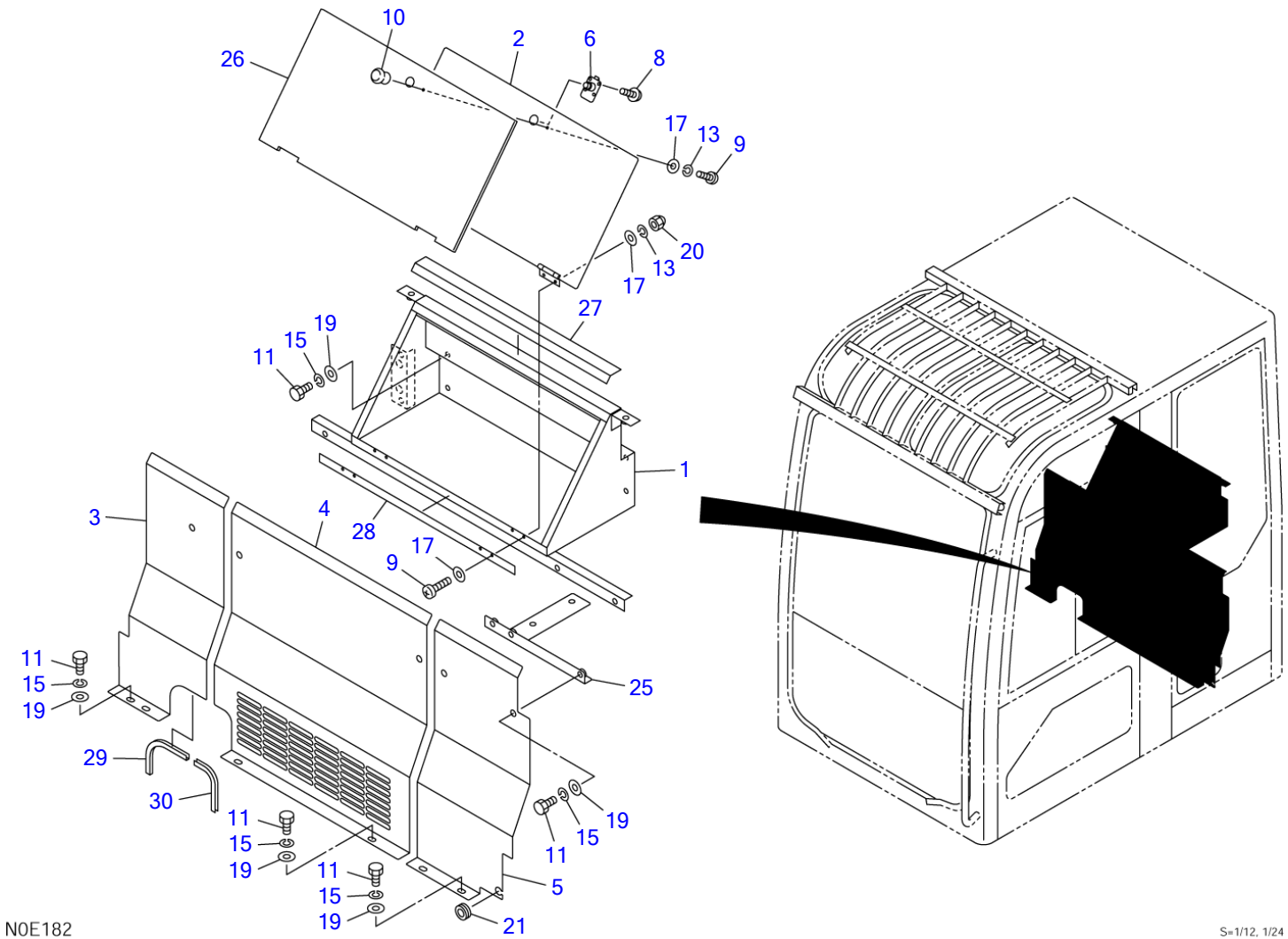


N0E170

S=1/12, 1/25

CAB INTERIOR (2/2) (51410008-)

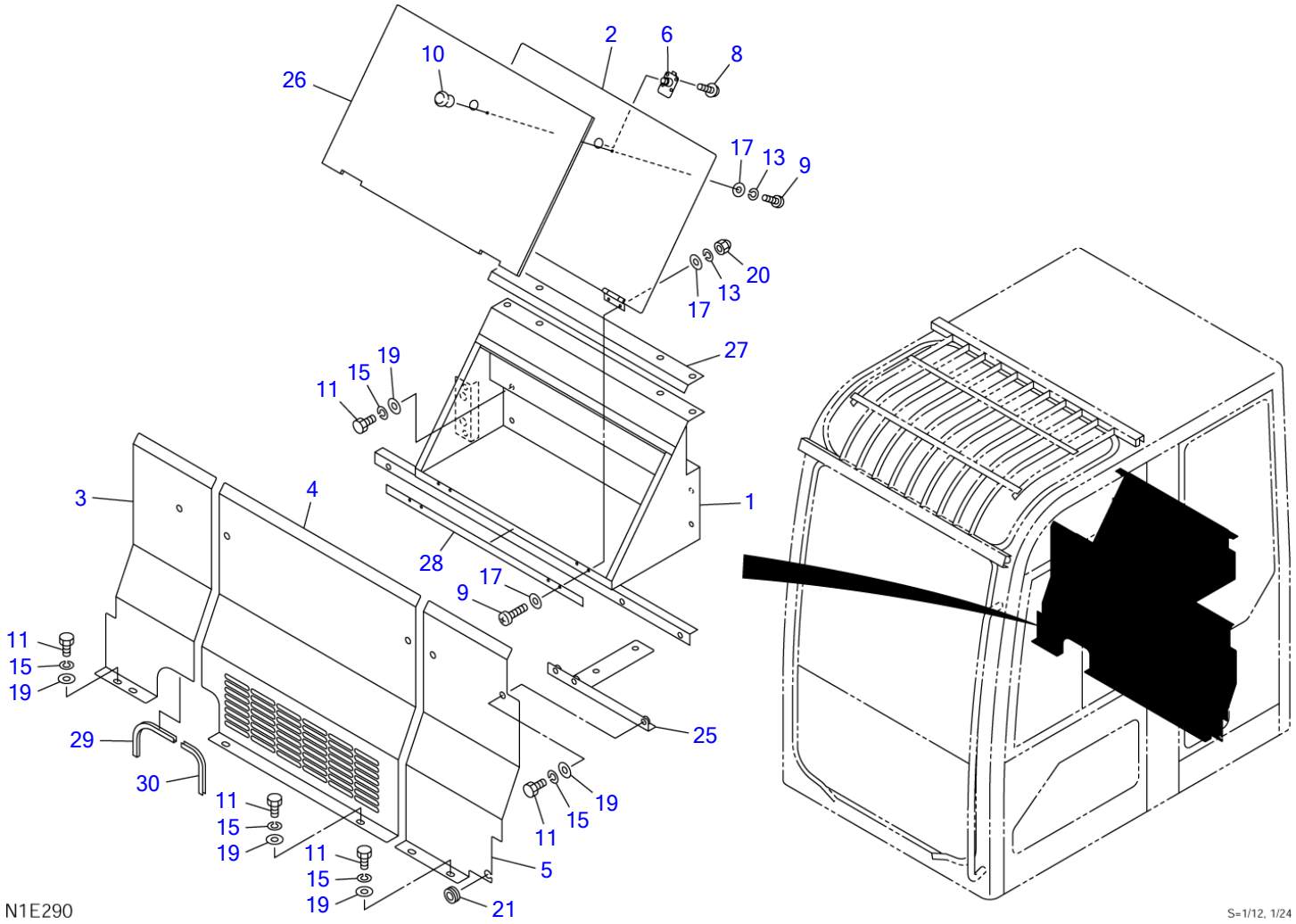
Item	Part number	Description	Q'ty	Chan.	Serial No.	Serv.	Remarks
		CAB INTERIOR ASSY					X05786-01400-0
3	0578601230	PANEL, side	1				
4	0578600920	POCKET	1				
8	0578600955	PIPE	3				
12	0578600980	HOLDER	1				
13	0578600990	STAY	1				
18	0578600988	SPACER	6				
30	1652900016	WASHER	16				
31	1120790612	SCREW	6				
32	1120790616	SCREW	10				
33	1100040816	BOLT	6				
35	1100040616	BOLT	2				
39	1130040008	NUT	3				
41	1140020008	WASHER, spring	12				
42	1141110008	WASHER	11				
43	1140020006	WASHER, spring	2				
44	1141110006	WASHER	2				
47	0003600025	WASHER	3				
50	1150420510	SCREW	2				
51	0578600926	SHAFT	1				
52	0578600927	STAY	1				
53	0578600928	PLATE	1				
	N1e320						



CONSOLE BOX (51410002-51410007)

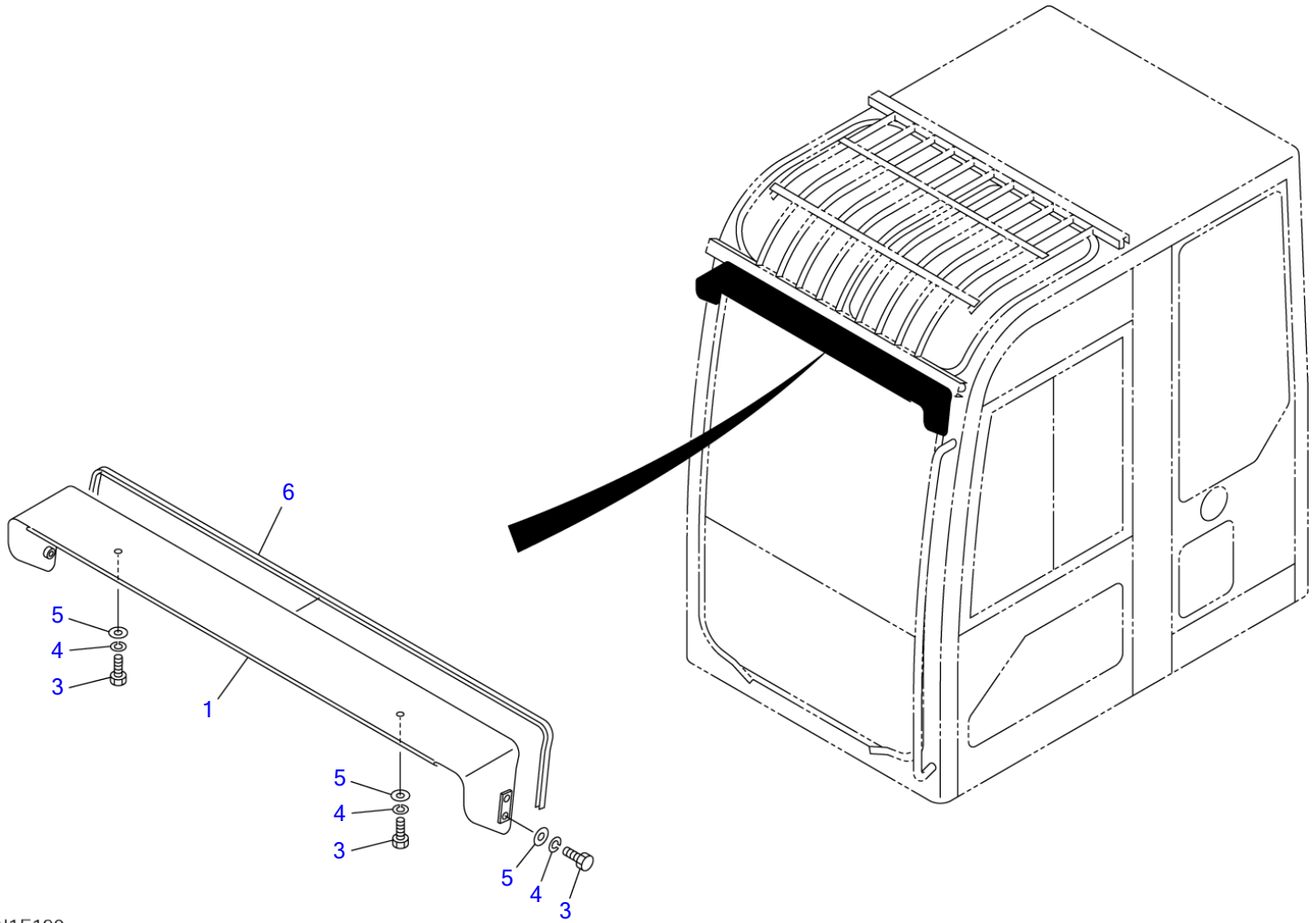
Item	Part number	Description	Q'ty	Chan.	Serial No.	Serv.	Remarks
		BOX ASSY, console					X05748-00000-4
1	0574800050	BOX	1				
2	0574800010	COVER	1				
3	0574800080	COVER (R.H.)	1				
4	0574800070	COVER	1				
5	0574800060	COVER	1				
6	1653321500	LATCH	1				
8	1150420308	SCREW	4				
9	1120590410	SCREW	5				
10	1652760001	KNOB	1				
11	1100040816	BOLT	19				
13	1140090004	WASHER, spring	5				
15	1140020008	WASHER, spring	19				
17	1141190004	WASHER	9				
19	1141110008	WASHER	19				
20	1134230004	NUT	4				
21	1652001002	GROMMET	1				
25	0574800090	BRACKET	1				
26	0574800004	ABSORBENT, noise	1				
27	0574800005	ABSORBENT, noise	1				
28	0574800006	ABSORBENT, noise	1				
29	1653917016	TRIM	1				sold by the meter
30	1653917012	TRIM	1				sold by the meter
	N0e182						

TB1140 Book No. BN1Z002 S/N 51410002-
CONSOLE BOX (51410008-)



CONSOLE BOX (51410008-)

Item	Part number	Description	Q'ty	Chan.	Serial No.	Serv.	Remarks
		BOX ASSY, console					X05748-00100-0
1	0574800140	BOX	1				
2	0574800170	COVER	1				
3	0574800080	COVER (R.H.)	1				
4	0574800070	COVER	1				
5	0574800060	COVER	1				
6	1653321500	LATCH	1				
8	1150420308	SCREW	4				
9	1120590410	SCREW	5				
10	1652760001	KNOB	1				
11	1100040816	BOLT	19				
13	1140090004	WASHER, spring	5				
15	1140020008	WASHER, spring	19				
17	1141190004	WASHER	9				
19	1141110008	WASHER	19				
20	1134230004	NUT	4				
21	1652001002	GROMMET	1				
25	0574800090	BRACKET	1				
26	0574800154	ABSORBENT, noise	1				
27	0574800155	ABSORBENT, noise	1				
28	0574800006	ABSORBENT, noise	1				
29	1653917016	TRIM	1				sold by the meter
30	1653917012	TRIM	1				sold by the meter
	N1e290						

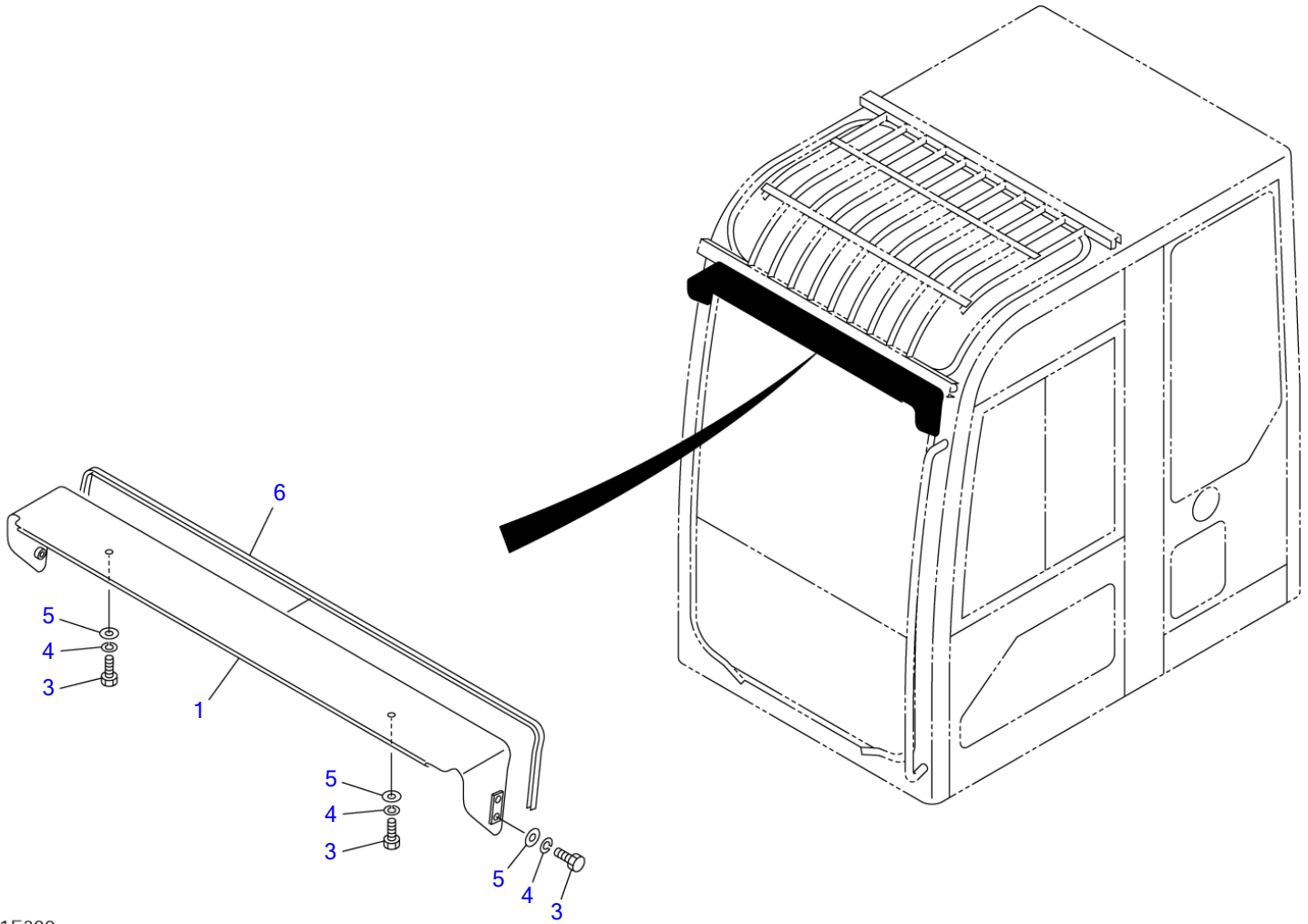


N1E190

S=1/10, 1/20

RAIN GURD (51410002-51410007)

Item	Part number	Description	Q'ty	Chan.	Serial No.	Serv.	Remarks
		GURD ASSY, rain					X05786-01110-0
1	0578601120	GUARD	1				
3	1100040820	BOLT	6				
4	1140020008	WASHER, spring	6				
5	1141110008	WASHER	6				
6	1654606122	SEAL	1				sold by the meter
	N1e190						



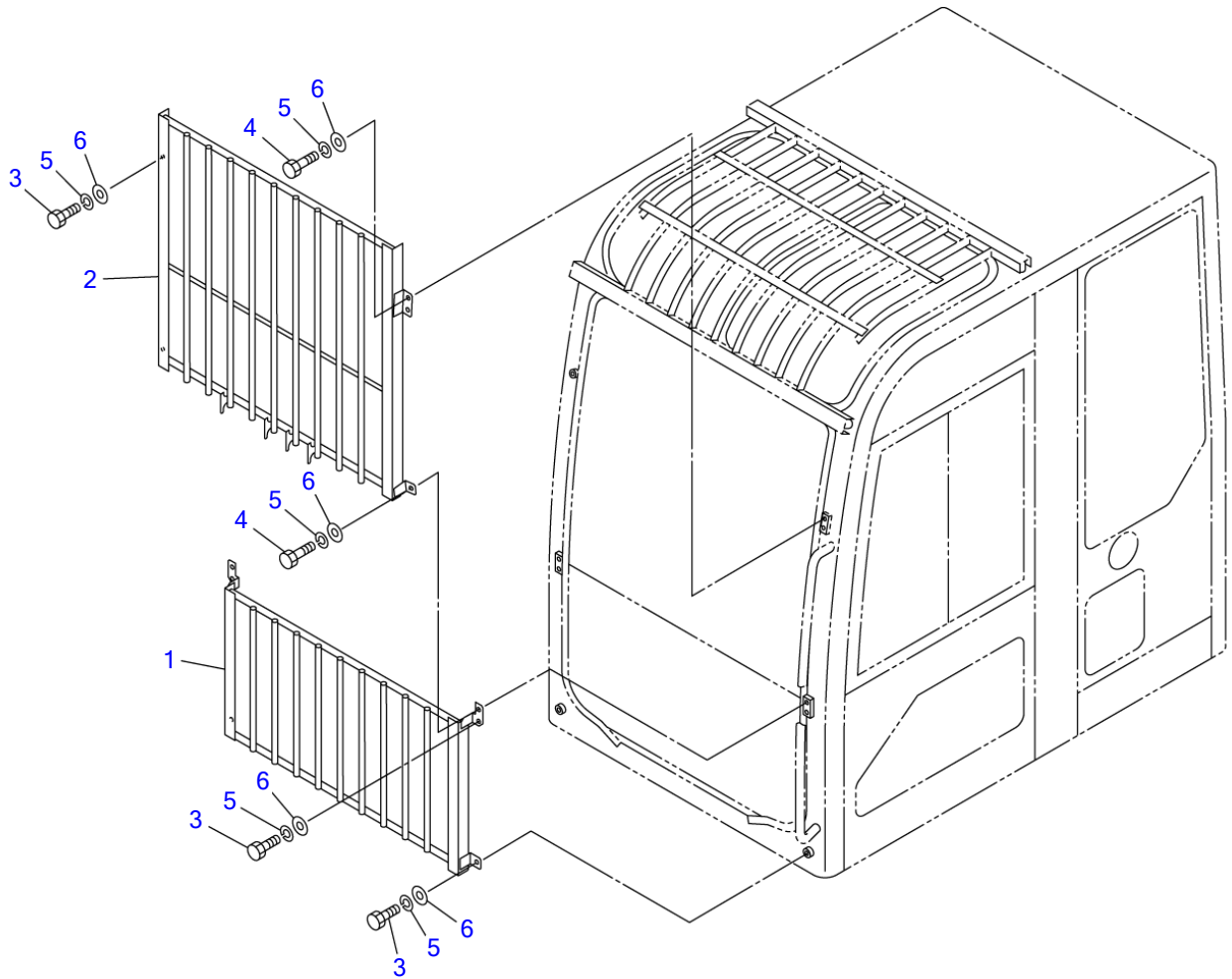
N1E300

S=1/10, 1/20

RAIN GURD (51410008-)

Item	Part number	Description	Q'ty	Chan.	Serial No.	Serv.	Remarks
		GURD ASSY, rain					X05786-01410-0
1	0578601320	GUARD	1				
3	1100040820	BOLT	6				
4	1140020008	WASHER, spring	6				
5	1141110008	WASHER	6				
6	1654606124	SEAL	1				sold by the meter
	N1e300						

TB1140 Book No. BN1Z002 S/N 51410002-
FRONT GUARD

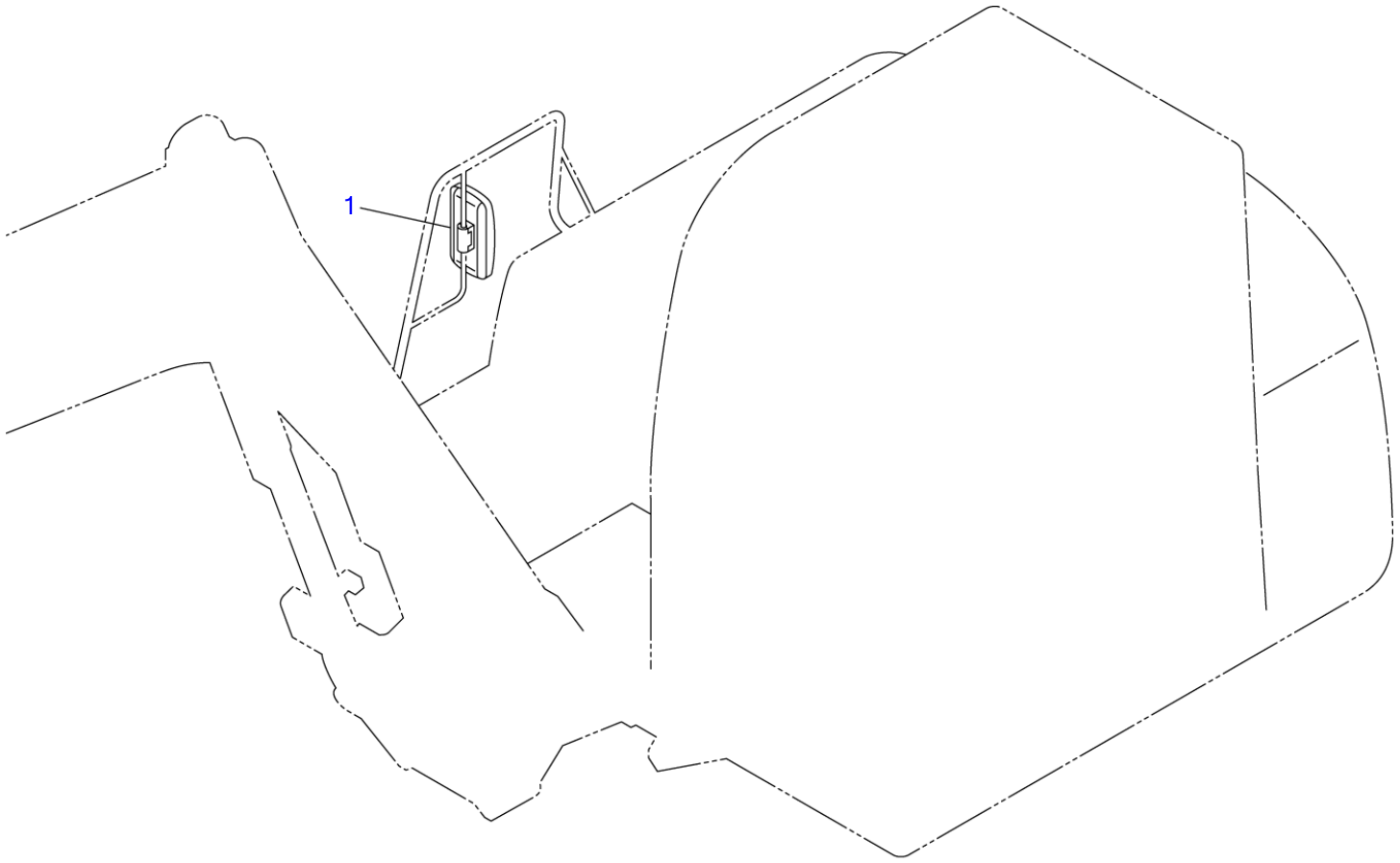


N0E360

S-1/20

FRONT GUARD

Item	Part number	Description	Q'ty	Chan.	Serial No.	Serv.	Remarks
		GUARD ASSY, front					X05786-01100-0
1	0578601020	GUARD	1				
2	0578601030	GUARD	1				
3	1100041025	BOLT	5				
4	1100041030	BOLT	4				
5	1140020010	WASHER, spring	9				
6	1141110010	WASHER	9				
	N1E340						

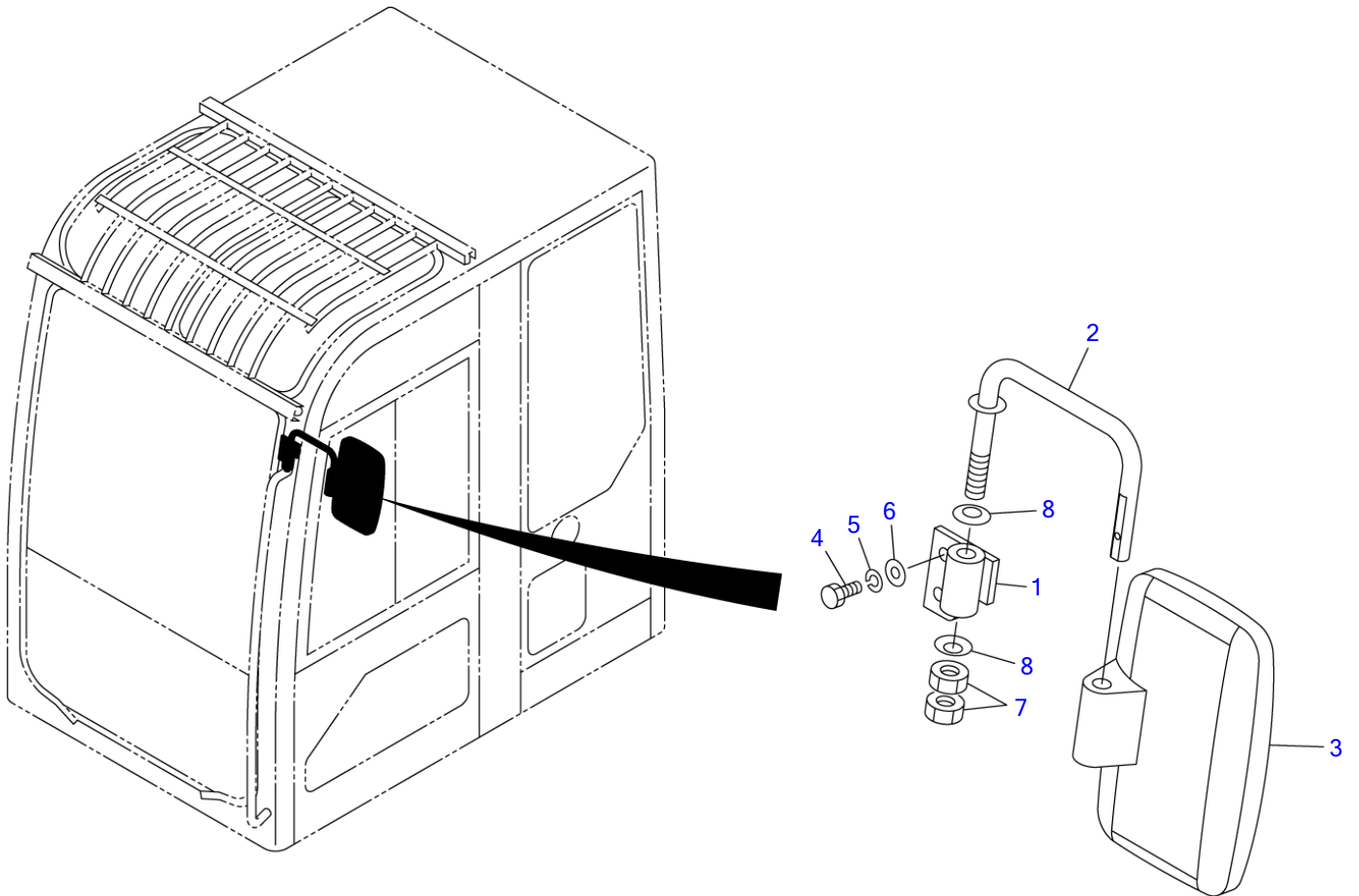


L3E180

S=1/20

OUT SIDE REARVIEW MIRROR (R.H.)

Item	Part number	Description	Q'ty	Chan.	Serial No.	Serv.	Remarks
1	1656500010 L3e180	MIRROR ASSY MIRROR	1				X05687-00000-0

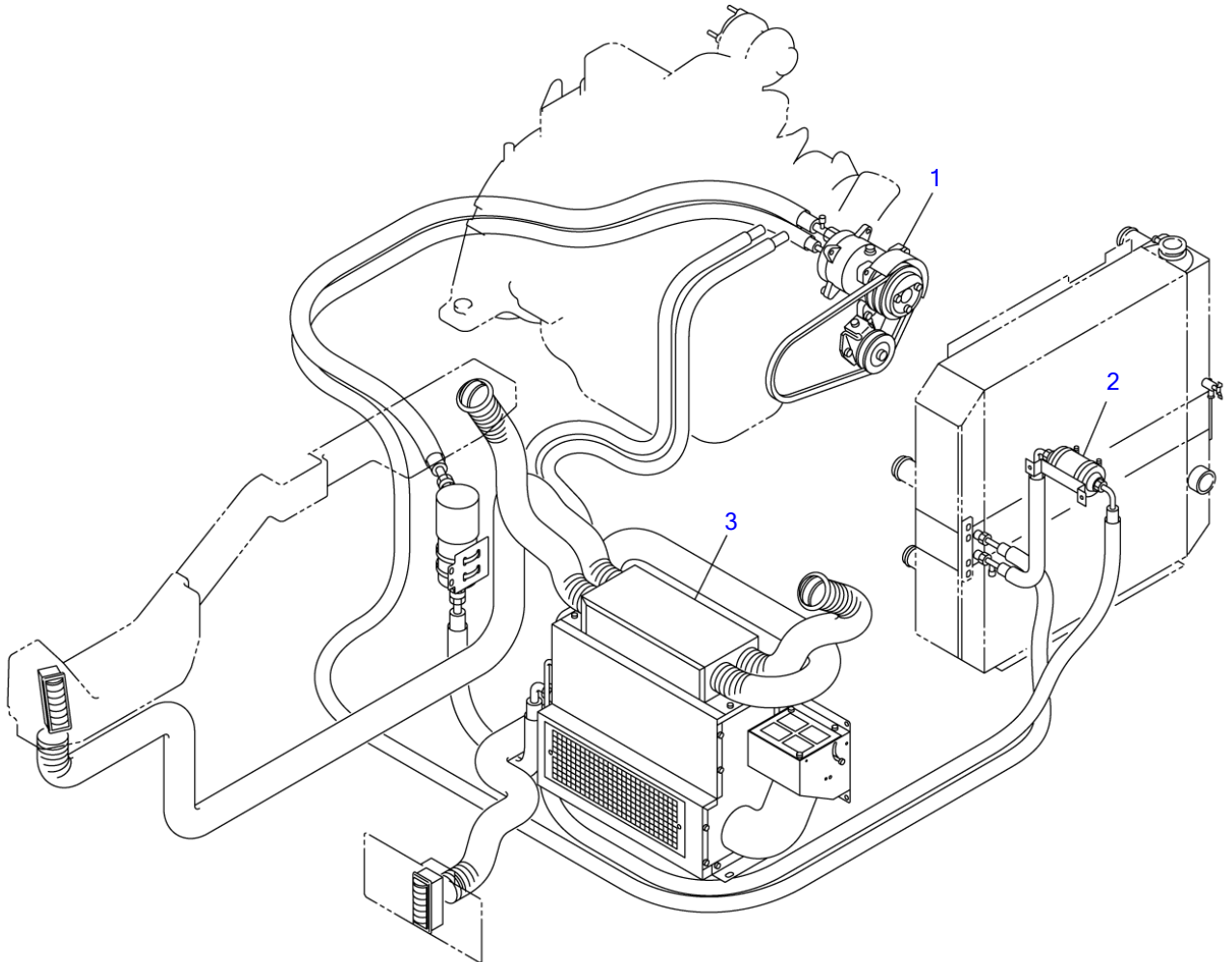


N0E200

S=1/6, 1/20

OUT SIDE REARVIEW MIRROR (L.H.)

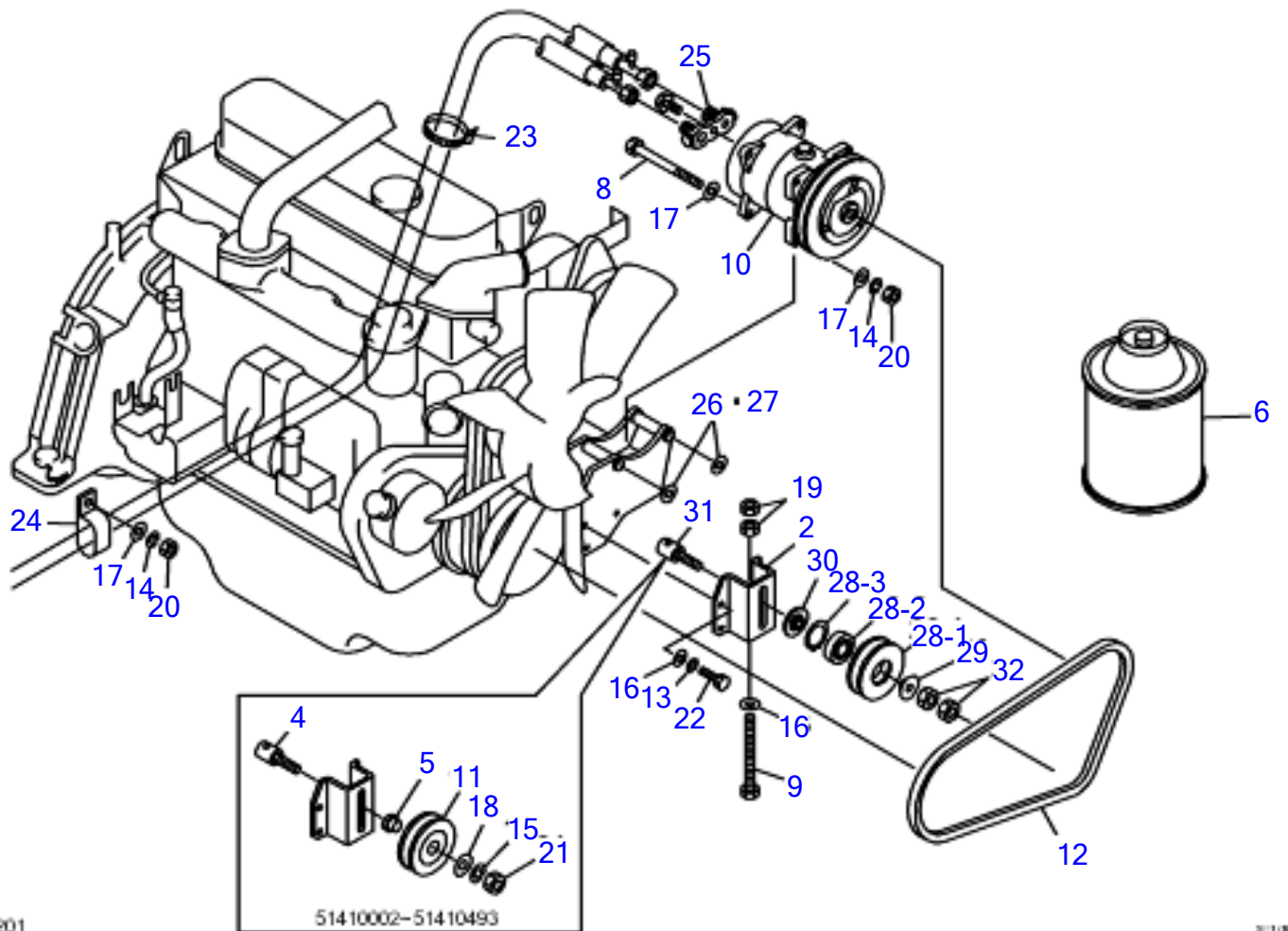
Item	Part number	Description	Q'ty	Chan.	Serial No.	Serv.	Remarks
		MIRROR ASSY					X05786-00800-1
1	0578600810	HOLDER	1				
2	0578600820	STAY	1				
3	1656500010	MIRROR	1				
4	1100041025	BOLT	2				
5	1140020010	WASHER, spring	2				
6	1141110010	WASHER	2				
7	1130040016	NUT	2				
8	1225110016	WASHER, conical	2				
	N1E350						



S=1/15

AIR CONDITIONER (1/7)

Item	Part number	Description	Q'ty	Chan.	Serial No.	Serv.	Remarks
0	0574600400	CONDITIONER ASSY, air					X05746-00400-0
1	X *****	▪ COMPRESSOR ASSY	1				X05746-00100-6
2	X *****	▪ CONDENSER ASSY	1				X05746-00420-2
3	X *****	▪ UNIT ASSY, air conditioner	1				X05746-00300-13
	N1E360						

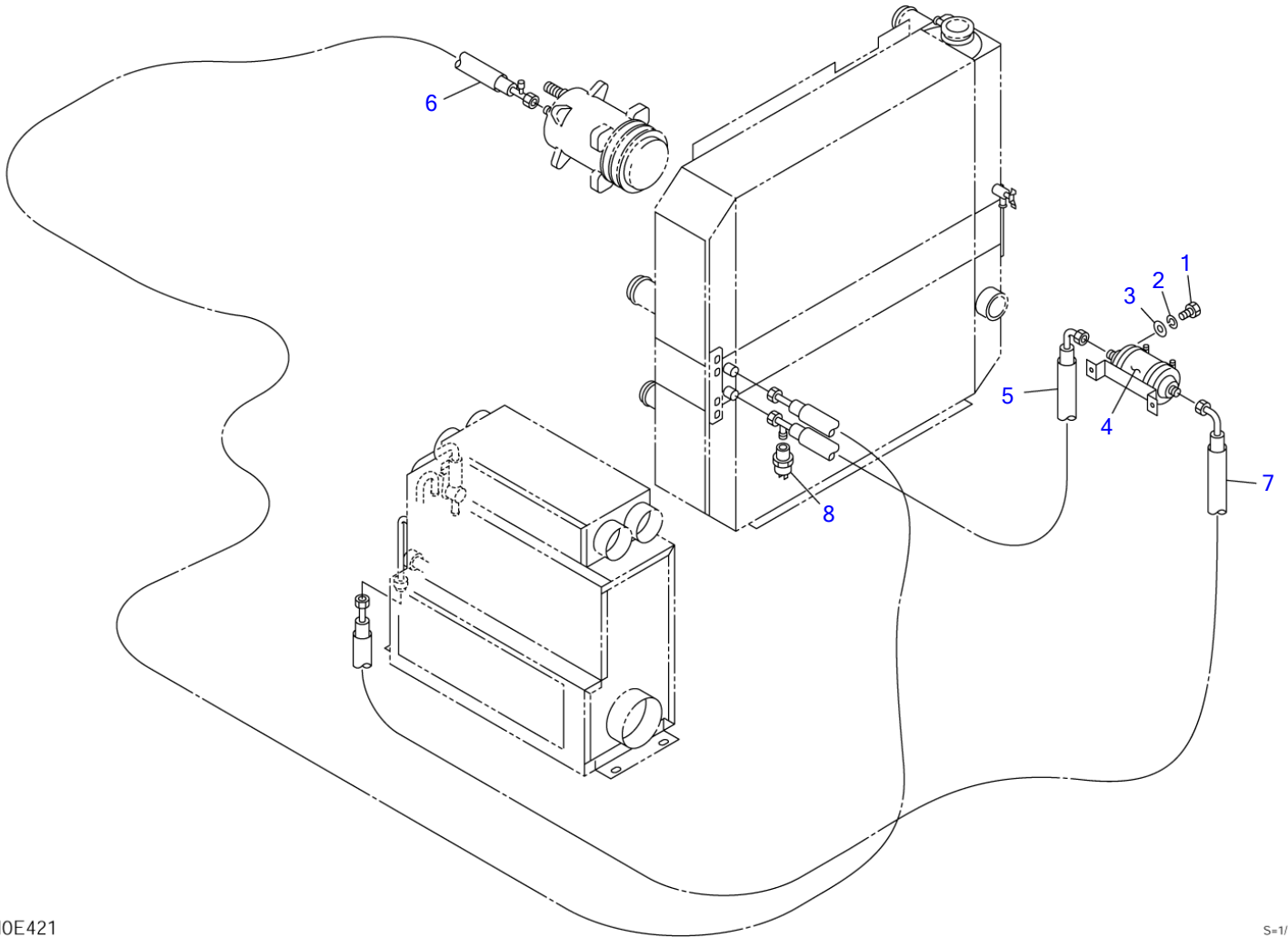


N1E201

2/1/02

AIR CONDITIONER (2/7) (compressor)

Item	Part number	Description	Q'ty	Chan.	Serial No.	Serv.	Remarks
0-1	0574600100	COMPRESSOR ASSY	1				X05746-00100-6
2	0564618790	▪ BRACKET	1				
4	0564619210	▪ SHAFT	1				
5	0564619240	▪ COLLAR	1				
6	1919055000	▪ GAS	15				
8	1100141030	▪ BOLT	2				
9	1100440810	▪ BOLT	1				
10	1911506750	▪ COMPRESSOR	1				
11	1911506760	▪ PULLEY	1				
12	1911506610	▪ V-BELT	1				
13	1140020008	▪ WASHER, spring	3				
14	1140020010	▪ WASHER, spring	3				
15	1140020012	▪ WASHER, spring	1				
16	1141110008	▪ WASHER	4				
17	1141110010	▪ WASHER	5				
18	1141110012	▪ WASHER	1				
19	1130040008	▪ NUT	2				
20	1130040010	▪ NUT	3				
21	1130040012	▪ NUT	1				
22	1100041020	▪ BOLT	3				
23	1652231250	▪ BAND	1				
24	0007300018	▪ CLAMP	1				
25	1911506751	▪ JOINT	1				
26	0003600222	▪ SHIM	AR				t=0.2mm
27	0003600223	▪ SHIM	AR				t=0.3mm
28	0564600110	* PULLEY ASSY	1				
28-1	0564600111	* * PULLEY	1				
28-2	1304006204	* * BEARING	1				
28-3	1221010047	* * RETAINING RING	1				
29	0564634890	* COLLAR	1				
30	0564634895	* COLLAR	1				
31	0564626010	* SHAFT	1				
32	1130140012	* NUT	2				
	N1e201						

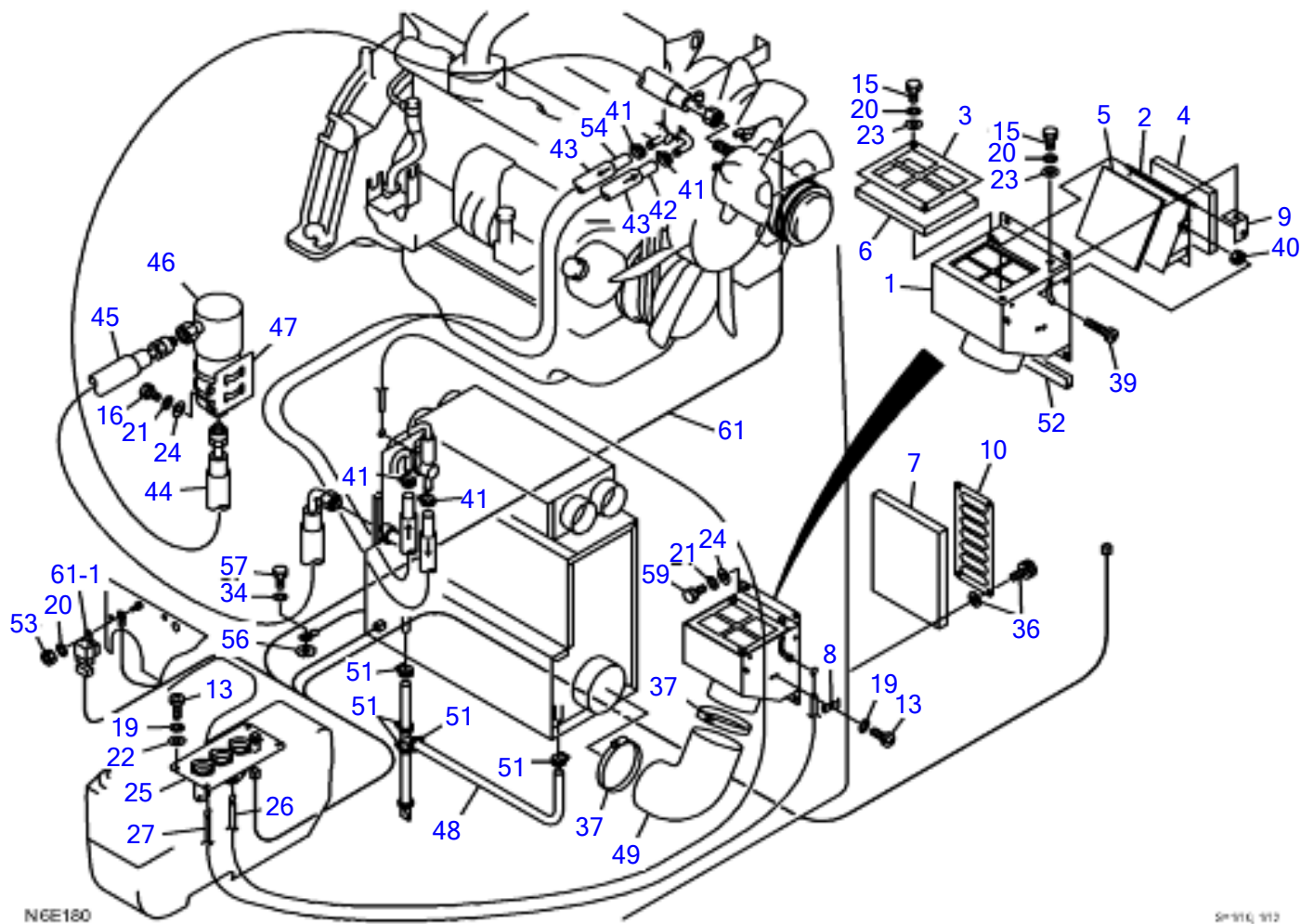


N0E421

S=1/12

AIR CONDITIONER (3/7) (condenser)

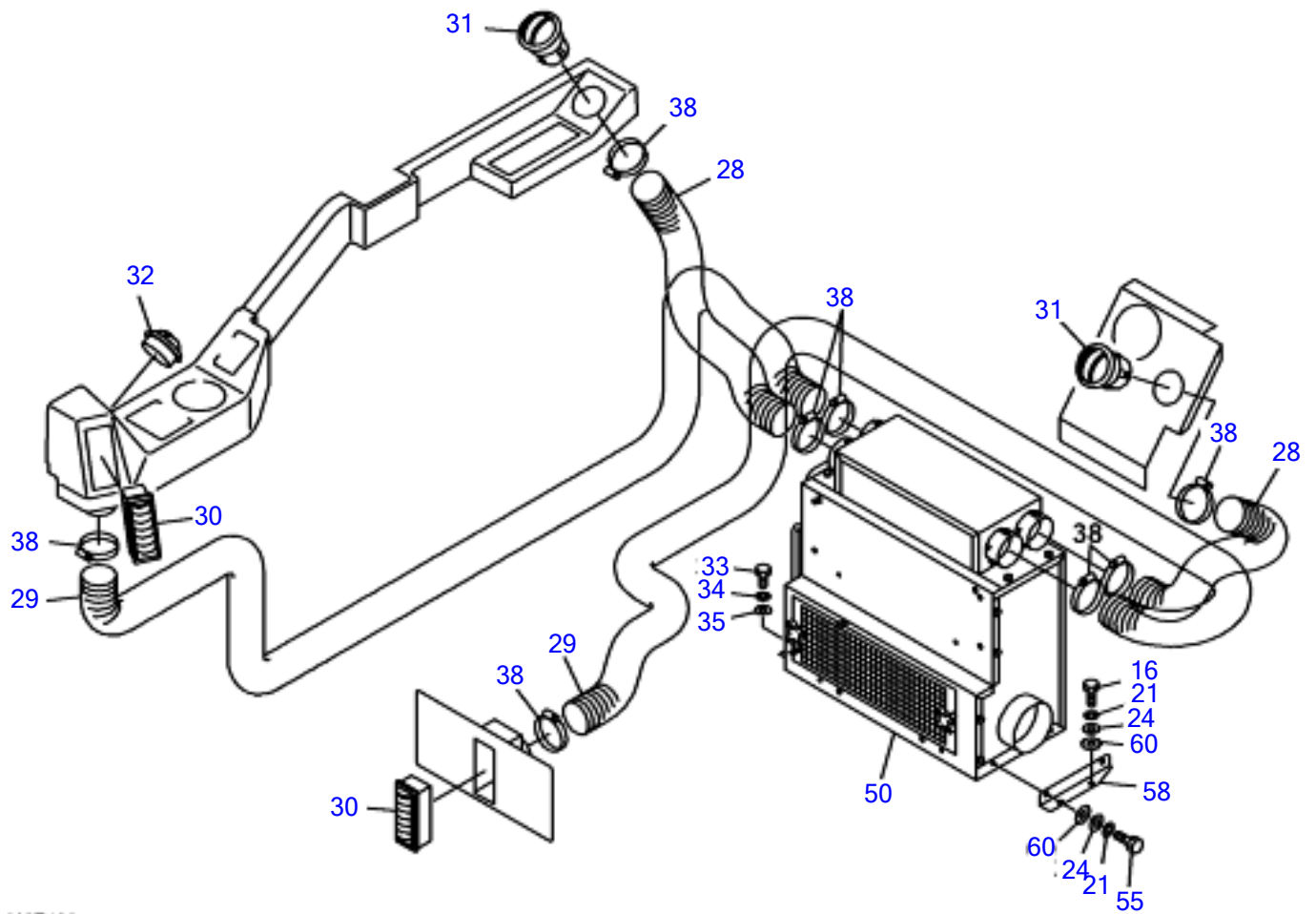
Item	Part number	Description	Q'ty	Chan.	Serial No.	Serv.	Remarks
0-2	0574600420	CONDENSER ASSY	1				X05746-00420-2
1	1100040612	▪ BOLT	2				
2	1140020006	▪ WASHER, spring	2				
3	1141110006	▪ WASHER	2				
4	1911506630	▪ DRYER	1				
5	1911506641	▪ HOSE ASSY	1				
	1911505601	▪ ▪ O-RING	2				RD-5-4017-011
6	1911506650	▪ HOSE ASSY	1				
	1911505602	▪ ▪ O-RING	2				RD-5-4017-013
7	1911506656	▪ HOSE ASSY	1				
	1911505602	▪ ▪ O-RING	2				RD-5-4017-013
8	1911505514	▪ SWITCH	1				RD-5-8433-0
	N0e421						



AIR CONDITIONER (4/7) (air conditioner unit)

Item	Part number	Description	Q'ty	Chan.	Serial No.	Serv.	Remarks
0-3	0574600300	UNIT ASSY, air conditioner	1				X05746-00300-13
1	0574600370	• BOX	1				
2	0574600350	• DAMPER	1				
3	0574600330	• PLATE	1				
4	0574600331	• SPONGE	1				
5	0574600332	• SPONGE	1				
6	0574600333	• FILTER	1				
7	0574600334	• FILTER	1				
8	0574612530	• CLAMP	1				
9	0564525420	• BRACKET	1				
10	0574600360	• COVER	1				
13	1120590510	• SCREW	5				
15	1100040612	• BOLT	4				
16	1100040816	• BOLT	4				
19	1140020005	• WASHER, spring	5				
20	1140020006	• WASHER, spring	5				
21	1140020008	• WASHER, spring	4				
22	1141110005	• WASHER	4				
23	1141110006	• WASHER	4				
24	1141110008	• WASHER	4				
25	1911505760	• PANEL ASSY	1				see page (7/7)
26	1911506670	• WIRE	1				
27	1911506671	• WIRE	1				
34	1140020010	• WASHER, spring	1				
36	1652711698	• SCREW	4				
37	1533700115	• CLAMP	2				
39	1120530525	• SCREW	1				
40	1130040005	• NUT	1				
41	1911500500	• BAND	4				
42	1911521880	• HOSE	1				sold by the meter
43	1531325250	• PROTECTOR	2				sold by the meter
44	1911506660	• HOSE ASSY	1				
	1911505603	• • O-RING	1				RD-5-4017-015
	1911505604	• • O-RING	1				RD-5-4017-017
45	1911506665	• HOSE ASSY	1				
	1911505603	• • O-RING	1				RD-5-4017-015
	1911505604	• • O-RING	1				RD-5-4017-017
46	1911506676	• ACCUMULATOR	1				
47	1911506677	• BRACKET	1				
48	1911506690	• HOSE, drain	1				
49	1911506674	• HOSE	1				
51	1533700017	• BAND	5				
52	1653917015	• TRIM	1				sold by the meter
53	1130040006	• NUT	1				
54	1911525180	• HOSE	1			M	sold by the meter
56	1140330010	• WASHER	1				
57	1100041020	• BOLT	1				
59	1100040820	* BOLT	2				
61	1911506680	• HARNESS ASSY, wire	1			M	
61-1	1911505661	• • RELAY	1				

N1e211

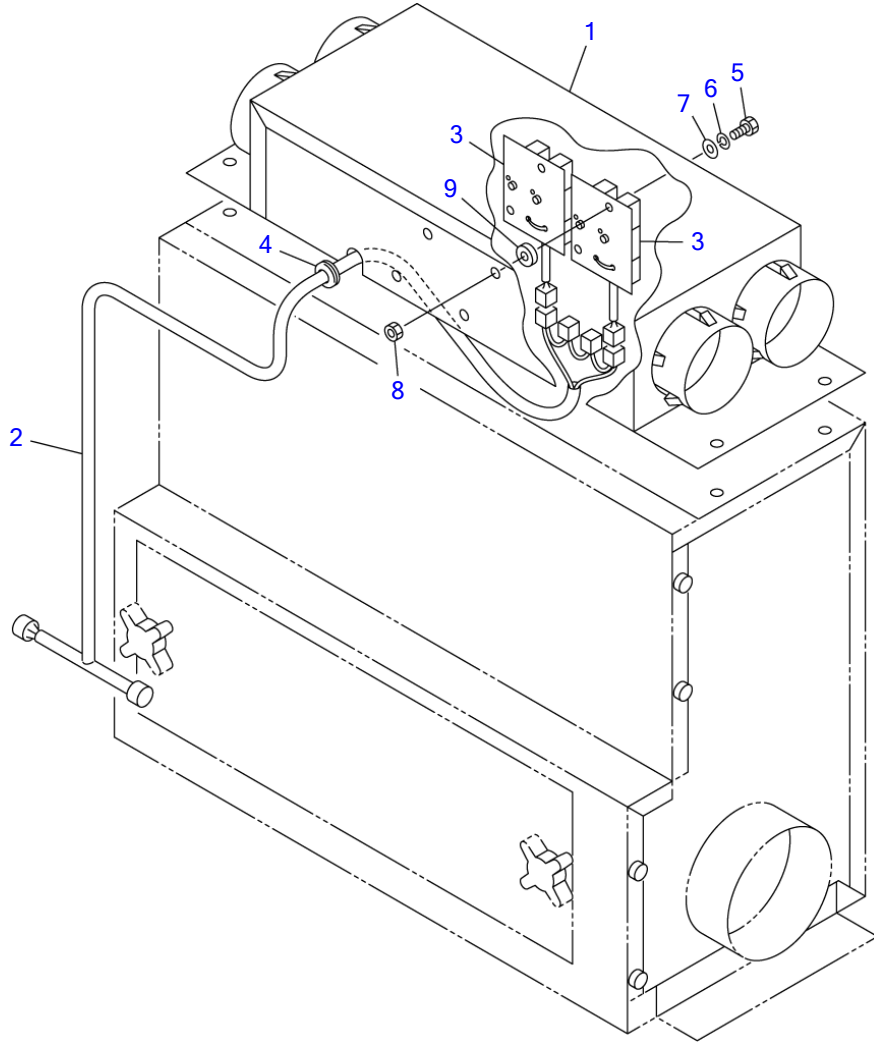


N6E190

2018

AIR CONDITIONER (5/7) (air conditioner unit)

Item	Part number	Description	Q'ty	Chan.	Serial No.	Serv.	Remarks
0-3	0574600300	UNIT ASSY, air conditioner	1				X05746-00300-13
16	1100040816	* BOLT	2				
21	1140020008	* SPRING WASHER	4				
24	1140020008	• WASHER, spring	2				
28	1911508528	• HOSE	2				
29	1911508591	• HOSE	2				
30	1911505723	• LOUVER	2				
31	1911506060	• LOUVER	2				
32	1911506675	• LOUVER	1				
33	1100041025	• BOLT	2				
34	1140020010	• WASHER, spring	2				
35	1141110010	• WASHER	2				
38	1533700070	• * BAND	8				
50	1911506700	• UNIT, air conditioner	1				see page (7/7)
55	1102440519	• SCREW	2				
58	0573500350	* PLATE	1				
60	1140330008	* WASHER	4				
	N6E190						

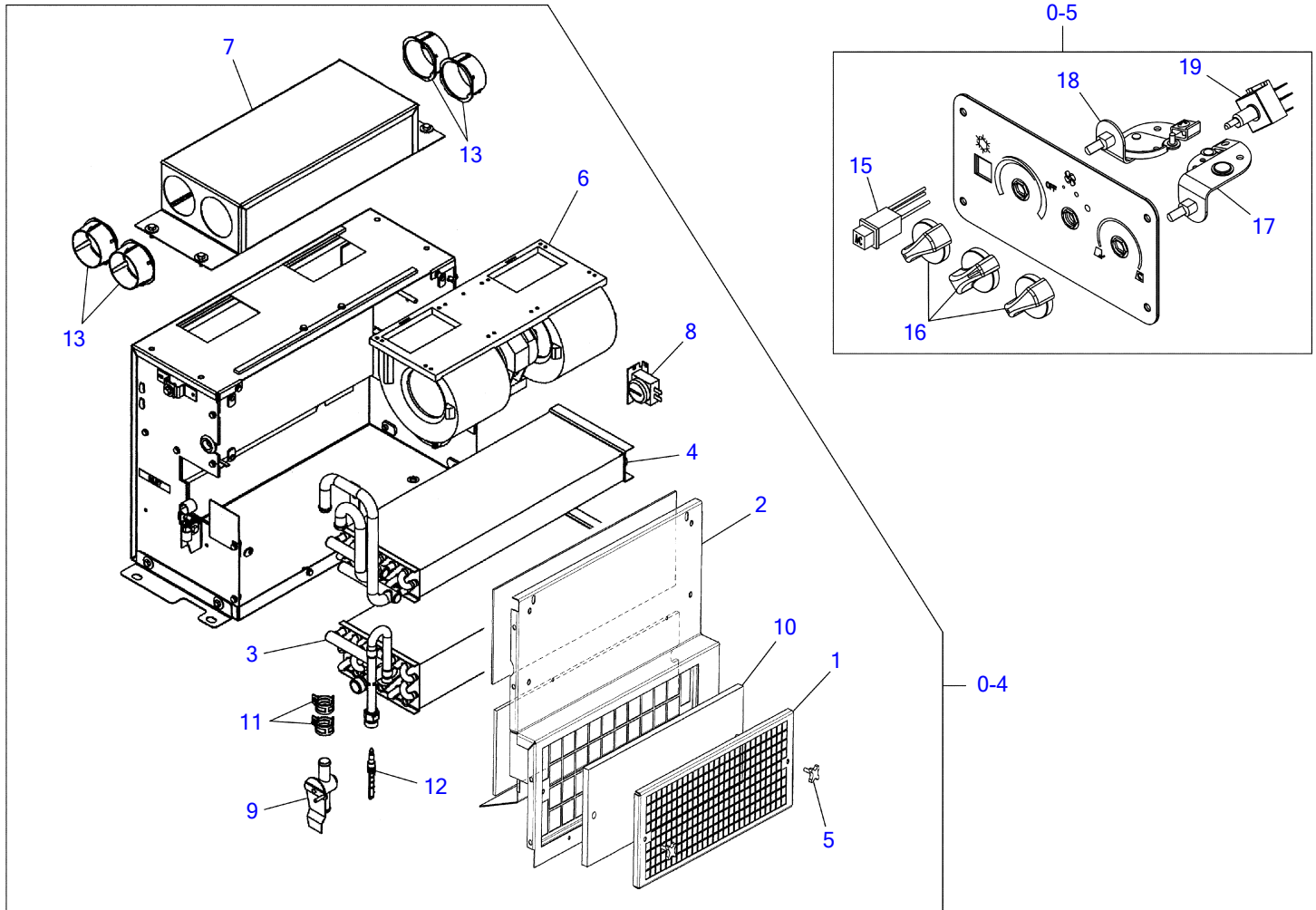


N0E431

S=1/5

AIR CONDITIONER (6/7) (resistor)

Item	Part number	Description	Q'ty	Chan.	Serial No.	Serv.	Remarks
		RESISTOR ASSY					X05746-00600-1
1	0574600610	BOX	1				
2	0574600380	HARNESS ASSY, wire	1				
3	0374203120	RESISTOR	2				
4	1652041130	GROMMET	1				
5	1100040616	BOLT	4				
6	1140020006	WASHER, spring	4				
7	1141110006	WASHER	4				
8	1130040006	NUT	4				
9	0003600160	COLLAR	4				
	N0e431						

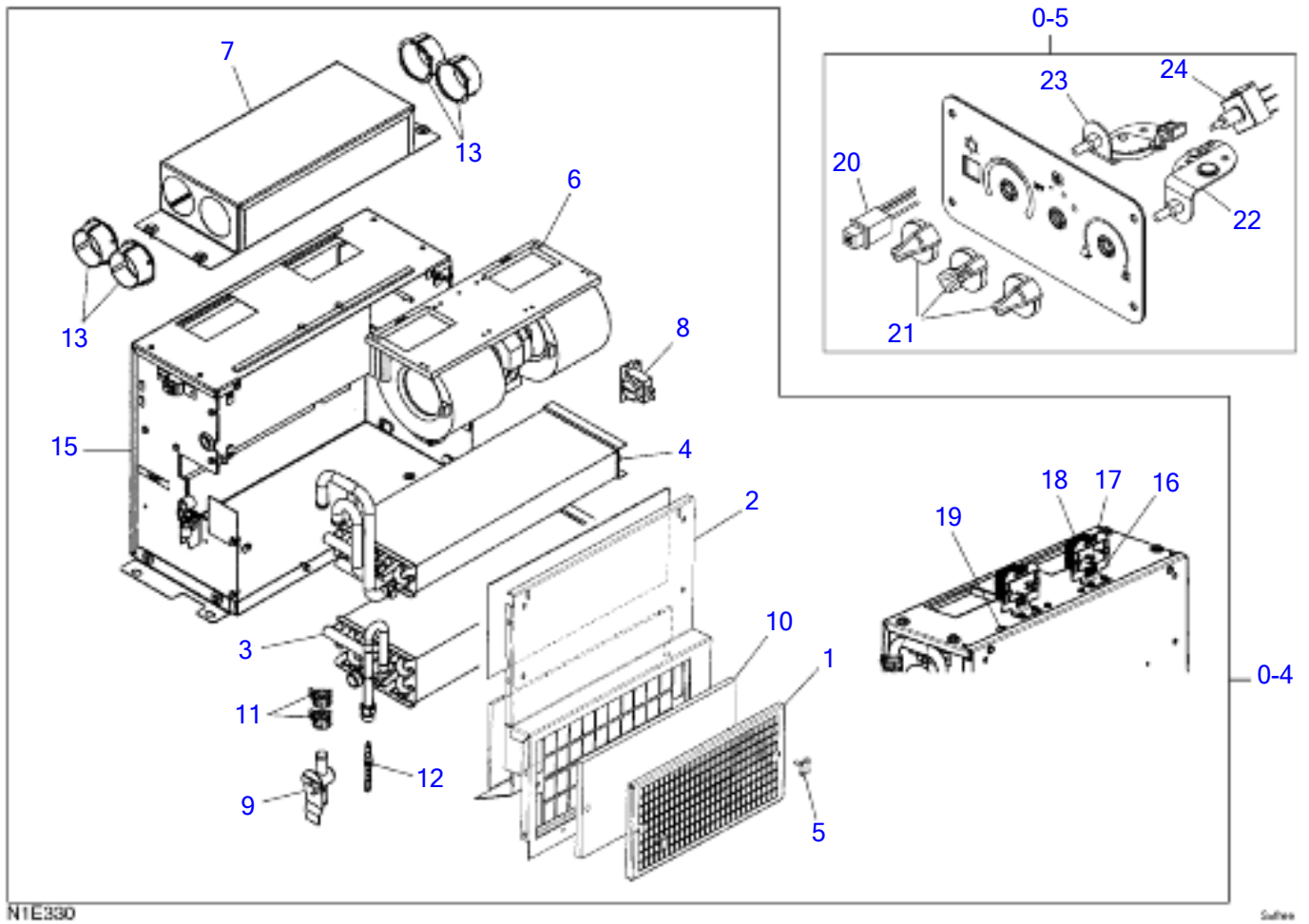


N0E301

S-free

AIR CONDITIONER (7/7)

Item	Part number	Description	Q'ty	Chan.	Serial No.	Serv.	Remarks
0-4	1911506700	UNIT, air conditioner	1				
1	1911506705	• COVER	1				
2	1911506706	• COVER	1				
3	1911506708	• EVAPORATOR	1				
4	1911506710	• HEATER	1				
5	1911506713	• KNOB	2				
6	1911506716	• MOTOR	1				
7	1911506721	• BOX	1				
8	1911506727	• THERMOSTAT	1				
9	1911505690	• VALVE	1				
10	1911506736	• FILTER	1				
11	1911506707	• BAND	2				
12	1911506709	• ORIFICE	1				
13	1911506711	• ADAPTOR	4				
14	1911506701	• HARNESS ASSY, wire	1		51410002~5141#		not shown
	1911506702	• HARNESS ASSY, wire	1		5141#~	M	not shown
0-5	1911505760	PANEL ASSY	1				
15	1911505767	• SWTCH, air con.	1				
16	1911505763	• KNOB	3				
17	1911505761	• CONVERTER, cable control	1				
18	1911505762	• CONVERTER, cable control	1				
19	1911505768	• ROTARY SWITCH, 3-speed	1				
	N1e440						

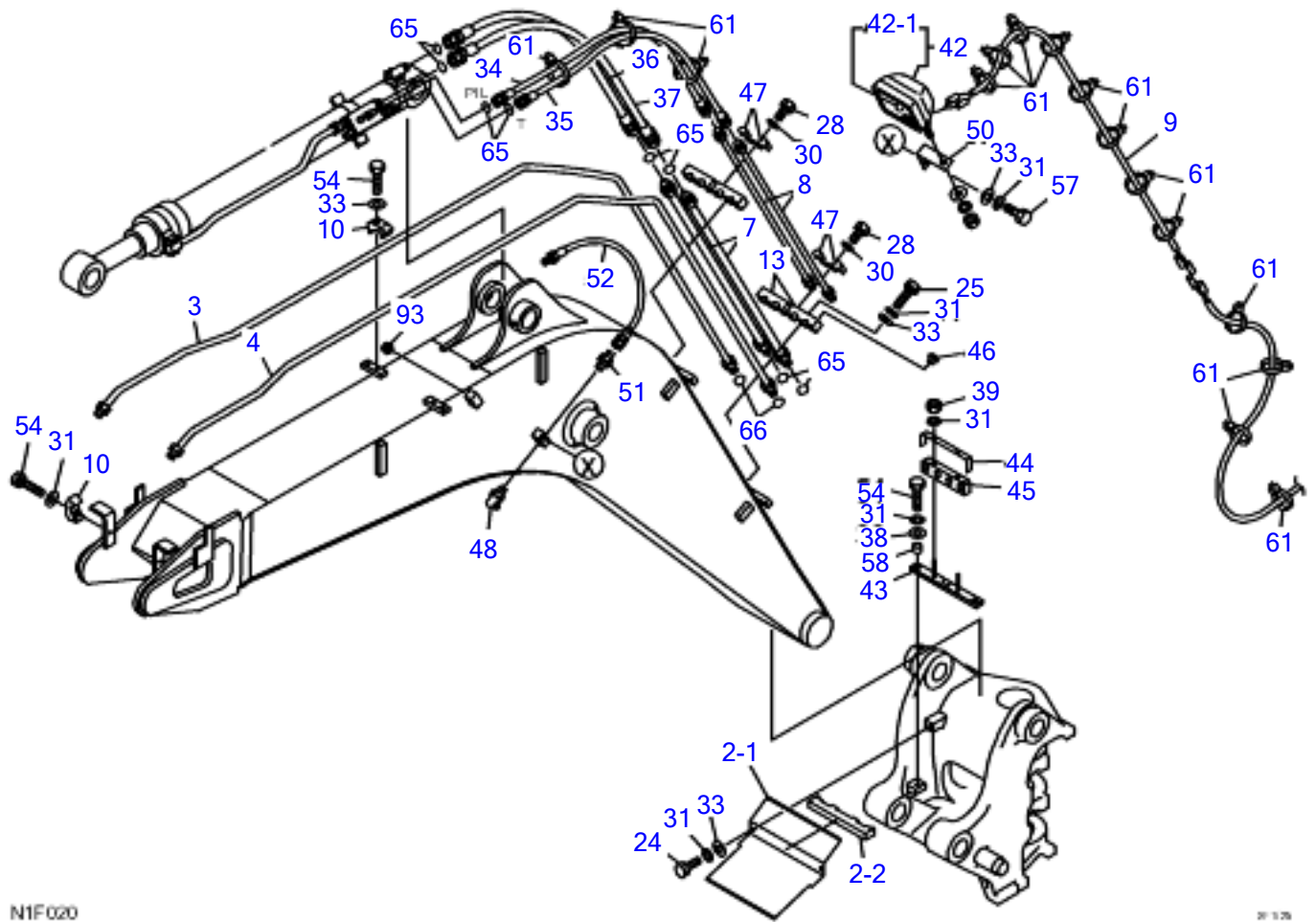


AIR CONDITIONER (7/7) 51410234~

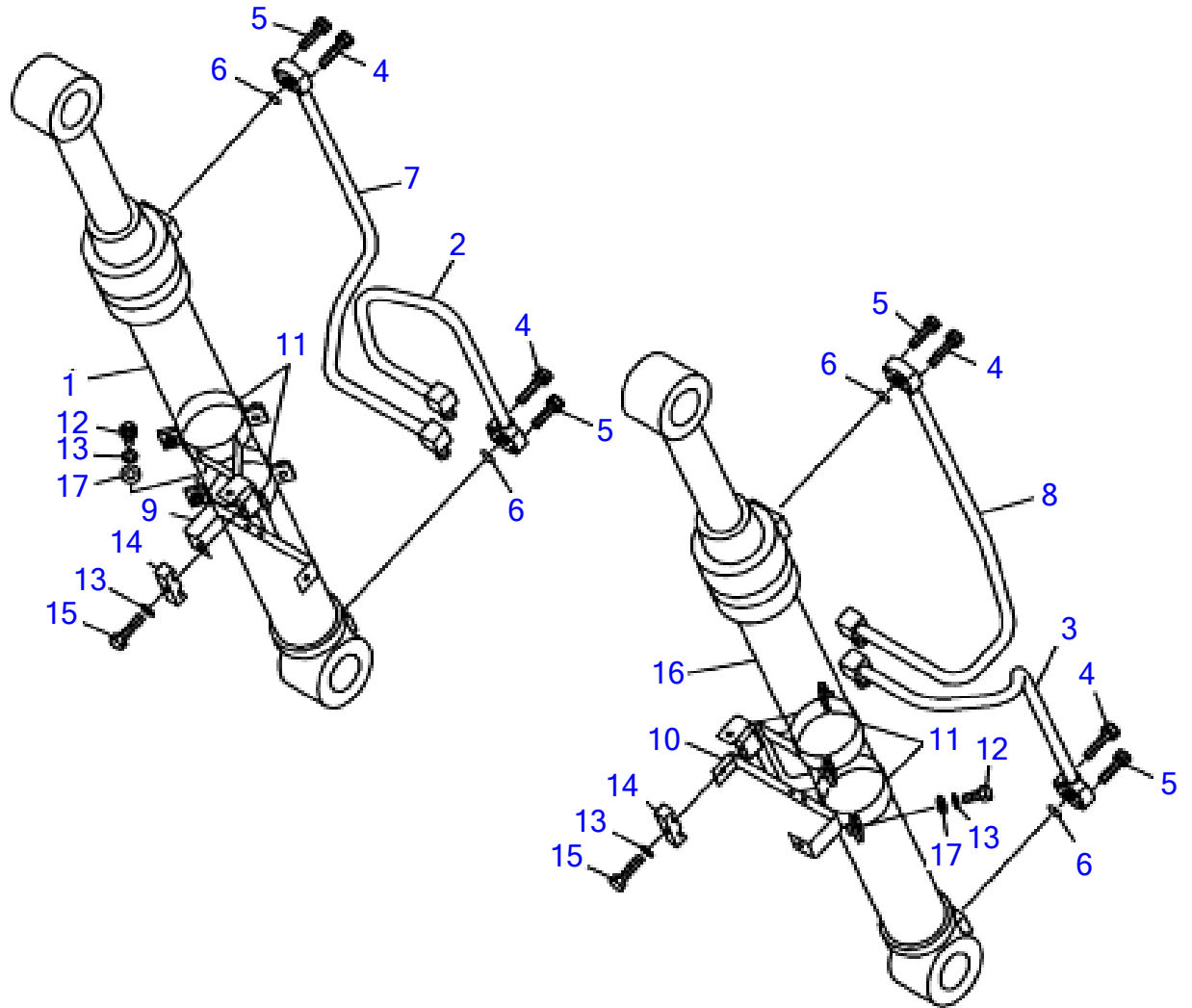
Item	Part number	Description	Q'ty	Chan.	Serial No.	Serv.	Remarks
0-4	1911506700	AIR CONDITIONER UNIT	1				
1	1911506705	* COVER	1				
2	1911506706	* COVER	1				
3	1911506708	* EVAPORATOR	1				
4	1911506710	* HEATER	1				
5	1911506713	* KNOB	2				
6	1911506716	* MOTOR	1				
7	1911506733	* BOX	1				
8	1911506727	* THERMOSTAT	1				
9	1911505690	* VALVE	1				
10	1911506736	* FILTER	1				
11	1911506707	* BAND	2				
12	1911506709	* ORIFICE	1				
13	1911506711	* ADAPTOR	4				
14	1911506702	* WIRE HARNESS ASSY	1				
15	1911506732	* HOUSING ASSY	1				
16	1911506734	* BRACKET ASSY	2				
17	1911506735	* RESISTOR	2				
18	1911506736	* GUARD	2				
19	1911506737	* GROMMET	1				
0-5	1911505760	PANEL ASSY	1				
20	1911505767	* SIR CONDITIONER SWITCH	1				
21	1911505763	* KNOB	3				
22	1911505761	* CABLE CONTROL CONVERTER	1				
23	1911505762	* CABLE CONTROL CONVERTER	1				
24	1911505768	* 3-SPEED ROTARY SWITCH	1				

N1E330

BOOM (1/5)							
Item	Part number	Description	Q'ty	Chan.	Serial No.	Serv.	Remarks
		BOOM ASSY					X05760-01700-3
		BOOM ASSY (with boom shut-off valve)					X05760-01800-3
		BOOM ASSY (with boom, arm shut-off valve)					X05760-01900-3
1	0576002200	BOOM	1				
1-39	0002400073	• BUSHING	2				
1-40	1432200075	• SEAL, dust	2				
5	X *****	CYLINDER ASSY, boom (with shut-off valve)	1				see page (3/5)
6	X *****	CYLINDER ASSY, arm (with shut-off valve)	1				see page (4/5)
11	0576001200	PROTECTOR (R.H.)	1				
12	0576001210	PROTECTOR (L.H.)	1				
14	0576000014	PIN	1				
15	0576001520	PIN	1				
16	0576000017	PIN	1				
17	0576000091	PIN	1				
18	0576000018	PIN	1				
19	0003600200	SHIM	AR				t=0.2mm
20	0003600203	SHIM	AR				t=0.2mm
21	0003600206	SHIM	AR				t=0.2mm
22	0576000467	WASHER	1				
24	1100041020	BOLT	4				
26	1100141640	BOLT	2				
27	1132130052	NUT	1				
29	1130040016	NUT	4				
31	1140020010	WASHER, spring	6				
32	1140020012	WASHER, spring	6				
40	1560001000	FITTING, grease	1				
41	1210010890	PIN, split	1				
46	1652533016	CAP	4				
49	0576000049	PLATE	3				
53	0576014053	TUBE	1				
55	1100041225	BOLT	6				
57	1100041025	BOLT	2				
62	1652201007	BAND	3				t=0.5mm
63	1652533017	CAP	10				
64	1652533018	CAP	8				
65	1420310018	O-RING	1				
66	1420310016	O-RING	4				
85	X *****	CYLINDER ASSY, boom	1				see page (3/5)
86	X *****	CYLINDER ASSY, arm	1				see page (4/5)
87	0003600201	SHIM	AR				t=0.5mm
88	0003600202	SHIM	AR				t=1.0mm
89	0003600204	SHIM	AR				t=0.5mm
90	0003600205	SHIM	AR				t=1.0mm
91	0003600207	SHIM	AR				t=0.5mm
92	0003600208	SHIM	AR				t=1.0mm
96	0003600020	WASHER	4				M
	N1f013						



Item	Part number	Description	BOOM (2/5) Qty	Chan.	Serial No.	Serv.	Remarks
		BOOM ASSY					X05760-01700-3
		BOOM ASSY (with boom shut-off valve)					X05760-01800-3
		BOOM ASSY (with boom, arm shut-off valve)					X05760-01900-3
2	0576000250	COVER	1				
2-1	0576000225	• PLATE	1				
2-2	0576000252	• RUBBER	1				
3	0576014010	PIPE (R.H.)	1				
4	0576014020	PIPE (L.H.)	1				
7	0576000070	PIPE	2				
8	0576000080	PIPE	2				with boom, arm shut-off valve
9	0576000290	HARNES, wiring	1				
10	1534100218	CLAMP	4				
13	0576014013	CLAMP	4				
24	1100041020	BOLT	2				
25	1100041060	BOLT	4				
28	1100040816	BOLT	4				with boom, arm shut-off valve
30	1140020008	WASHER, spring	4				with boom, arm shut-off valve
31	1140020010	WASHER, spring	15				
33	1141110010	WASHER	7				
34	0576000270	HOSE ASSY	1				18010-23149
35	0576000280	HOSE ASSY	1				18010-23137
36	1803706102	HOSE ASSY	1				
37	1803706137	HOSE ASSY	1				
38	0003600025	WASHER	2				
39	1130040010	NUT	2				
42	1703003900	LAMP ASSY	1				
42-1	1703003901	• BULB	1				
43	0576001320	PLATE	1				
44	0576001330	CLAMP	1				
45	0576001310	PROTECTOR	1				
46	1652533016	CAP	4				
47	0567336070	CLAMP	4				with boom, arm shut-off valve
48	1560001675	FITTING, grease	1				
50	0566013100	BRACKET	1				
51	1511050002	ADAPTOR	1				
	1420010240	* O-RING	1				
52	1934802090	HOSE ASSY	1				
54	1100041045	BOLT	6				
57	1100041025	BOLT	1				
58	0003000080	PIPE	2				
61	1652201005	BAND	23				
65	1420310018	O-RING	6				
66	1420310016	O-RING	2				
93	1652533017	CAP	1				
	N1f022						

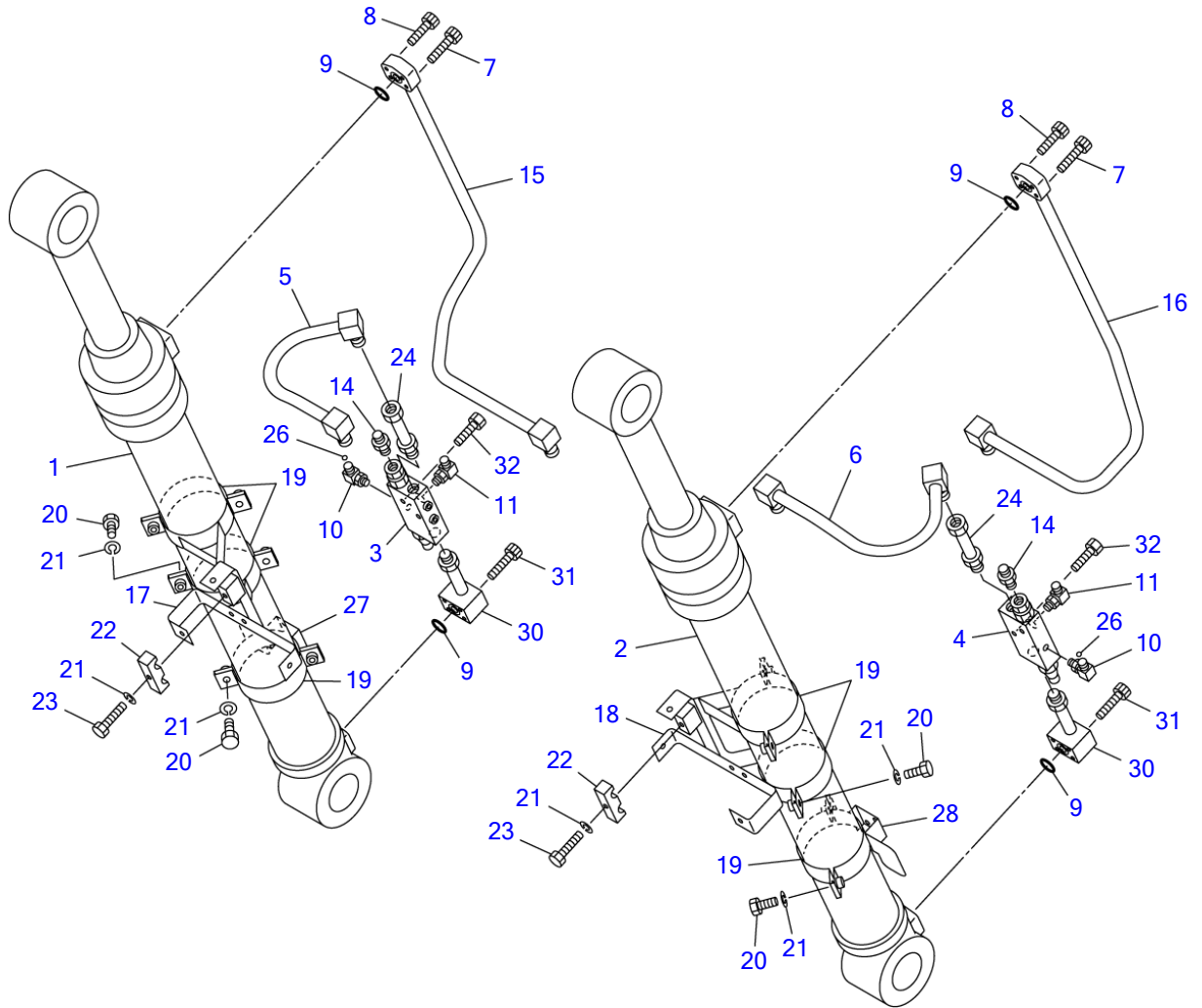


N6F030

BOOM (3/5) (boom cylinder)

Item	Part number	Description	Q'ty	Chan.	Serial No.	Serv.	Remarks
0	X *****	CYLINDER ASSY, boom	1				X05760-03600-1
1	1900098100	▪ CYLINDER, boom (R.H.)	1				
2	0576001820	▪ PIPE (R.H.)	1				
3	0576001830	▪ PIPE (L.H.)	1				
4	1110040845	▪ SCREW, cap	8				
5	1110040835	▪ SCREW, cap	8				
6	1420010240	▪ O-RING	4				
7	0576002550	▪ PIPE	1				
8	0576002560	▪ PIPE	1				
9	0576002510	▪ BAND (R.H.)	1				
10	0576002520	▪ BAND (L.H.)	1				
11	0576002590	▪ BAND	4				
12	1100041035	▪ BOLT	8				
13	1140020010	▪ WASHER, spring	10				
14	1534000022	▪ CLAMP	2				
15	1100041050	▪ BOLT	2				
16	1900098200	▪ CYLINDER, boom (L.H.)	1				
17	1141110010	* WASHER	8				
	N1f030						

TB1140 Book No. BN1Z002 S/N 51410002-
BOOM (3/5) (boom cylinder, with emergency shut-off valve)

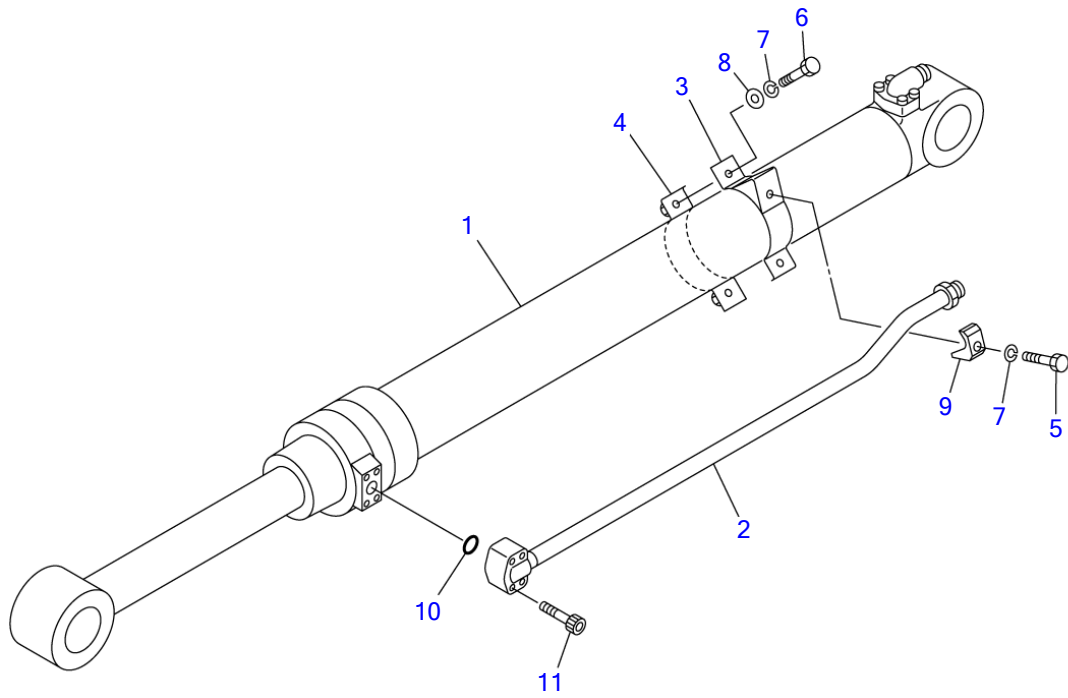


N0F191

S=1/13

BOOM (3/5) (boom cylinder, with emergency shut-off valve)

Item	Part number	Description	Q'ty	Chan.	Serial No.	Serv.	Remarks
0	X *****	CYLINDER ASSY, boom	1				X05760-02500-2
1	1900098100	• CYLINDER, boom (R.H.)	1				
2	1900098200	• CYLINDER, boom (L.H.)	1				
3	1901747600	• VALVE, shut-off (R.H.)	1				
4	1901747700	• VALVE, shut-off (L.H.)	1				
5	0576001030	• PIPE	1				
6	0576001040	• PIPE	1				
7	1110040845	• BOLT	4				
8	1110040835	• SCREW, cap	4				
9	1420010240	• O-RING	4				
10	0576001340	• ELBOW (with orifice)	2				
	1420010110	• • O-RING	1				
11	1515010130	• ELBOW	2				
	1420010110	• • O-RING	1				
14	1515600571	• ADAPTOR	2				
	1420010110	• • O-RING	1				
15	0576002550	• PIPE	1				
16	0576002560	• PIPE	1				
17	0576002510	• BAND	1				
18	0576002520	• BAND	1				
19	0576002590	• BAND	6				
20	1100041035	• BOLT	12				
21	1140020010	• WASHER, spring	14				
22	1534000022	• CLAMP	2				
23	1100041050	• BOLT	2				
24	0576001014	• ADAPTOR	2				
	1420010240	• • O-RING	1				
26	1420310011	• O-RING	1				
27	0576002570	• BAND	1				
28	0576002580	• BAND	1				
30	0576001230	• PIPE	2				
	1420010240	• • O-RING	1				
31	1110040860	• SCREW, cap	8				
32	1100040855	• BOLT	4				
	N1f041						



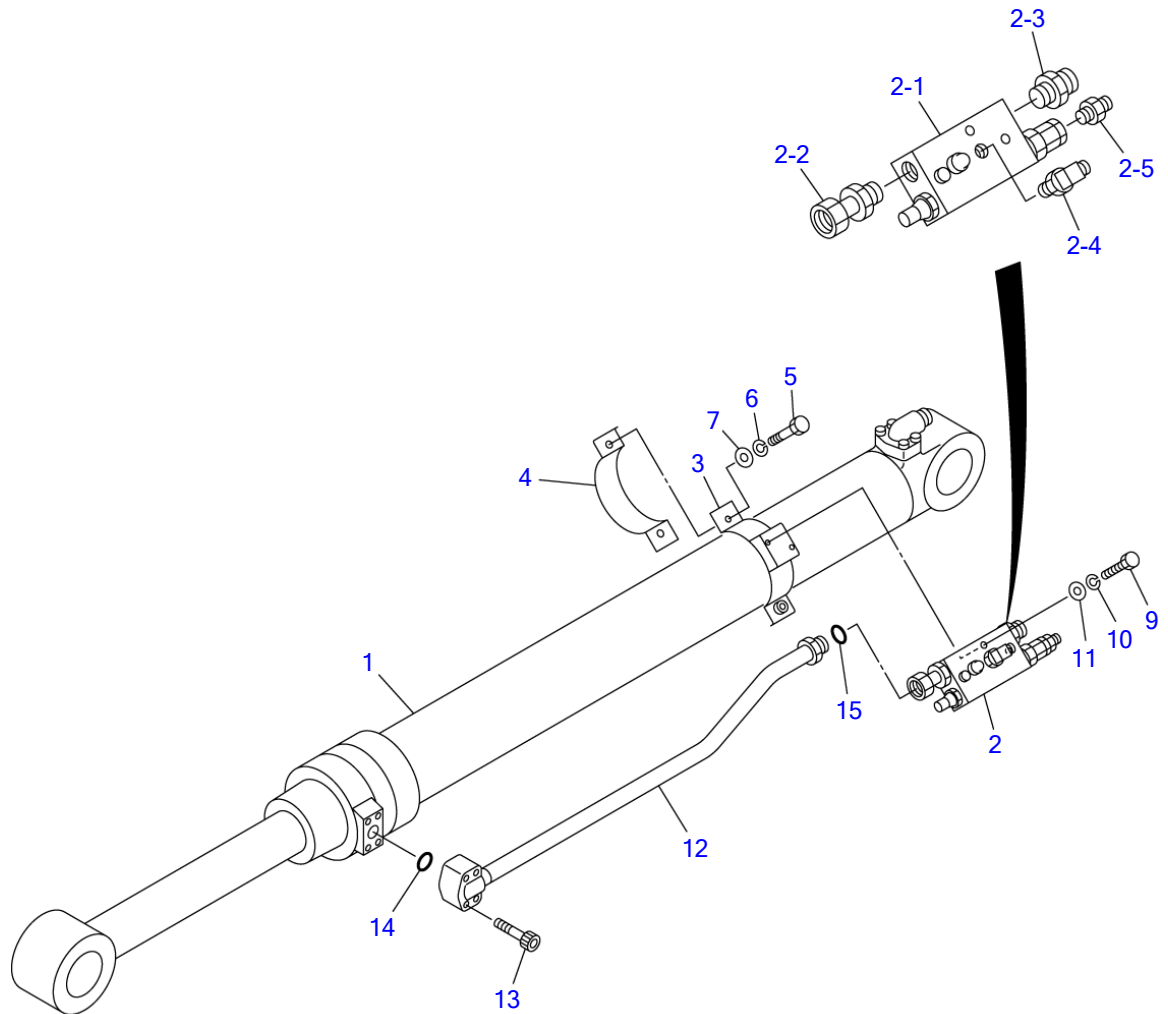
N0F200

S=1/12

BOOM (4/5) (arm cylinder)

Item	Part number	Description	Q'ty	Chan.	Serial No.	Serv.	Remarks
0	X *****	CYLINDER ASSY, arm	1				X05760-03700-1
1	1900098300	· CYLINDER, arm	1				
2	0576003720	· PIPE	1				
3	0576003730	· BAND	1			M	
4	0576003740	· BAND	1			M	
5	1100041055	· BOLT	1				
6	1100041035	· BOLT	2				
7	1140020010	· WASHER, spring	3				
8	1141110010	· WASHER	2				
9	1534100273	· CLAMP	1				
10	1420010300	· O-RING	1				
11	1110041055 N6F040	· SCREW, cap	4				

TB1140 Book No. BN1Z002 S/N 51410002-
BOOM (4/5) (arm cylinder, with emergency shut-off valve)



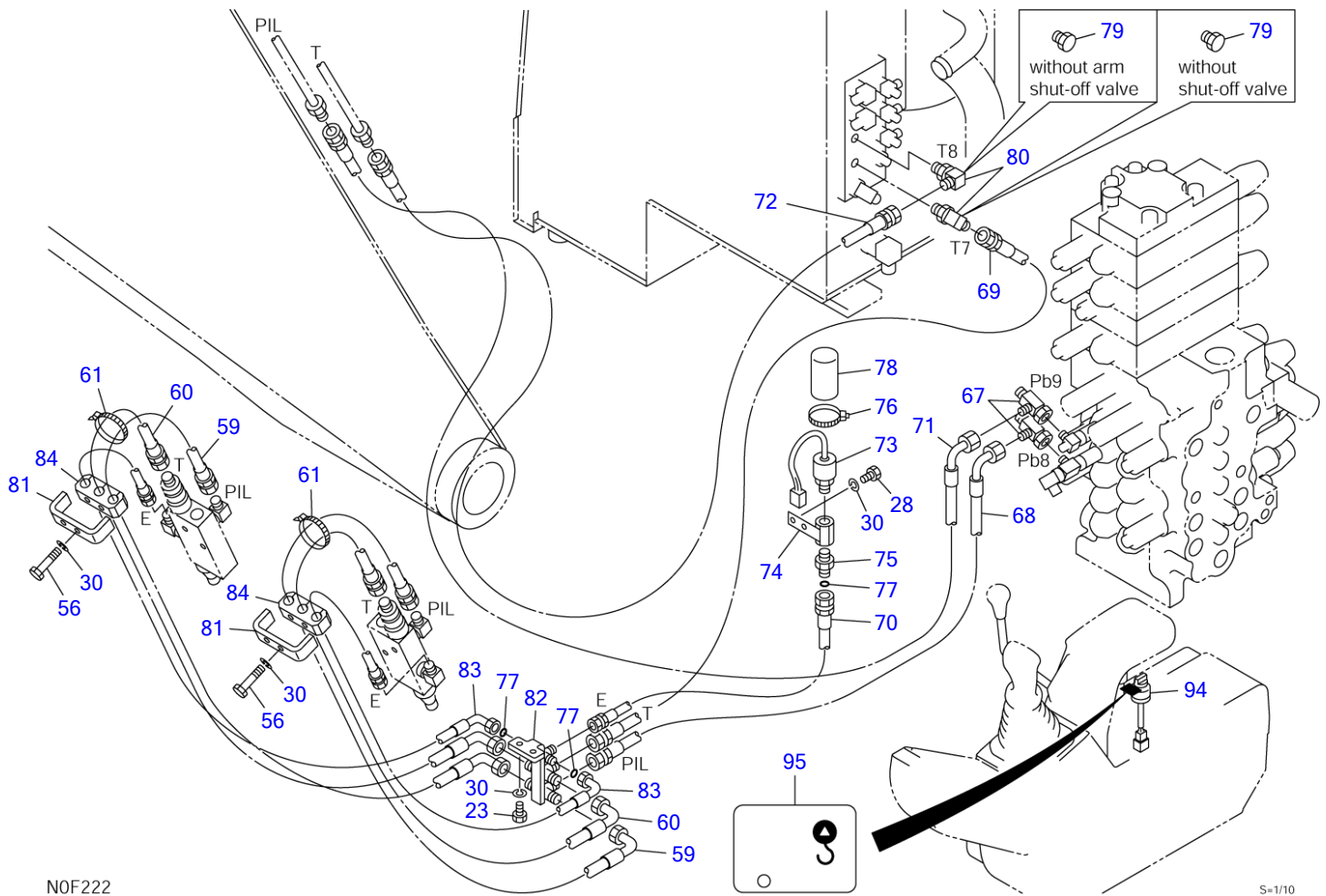
NOF210

S=1/8, 1/12

BOOM (4/5) (arm cylinder, with emergency shut-off valve)

Item	Part number	Description	Q'ty	Chan.	Serial No.	Serv.	Remarks
0	X *****	CYLINDER ASSY, arm	1				X05760-02700-2
1	1900098300	· CYLINDER, arm	1				
2	X *****	· VALVE ASSY, shut-off	1				X05760-00063-0
2-1	1901744400	· · VALVE, shut-off	1				
2-2	0576000062	· · ADAPTOR	1				
	1420010240	· · · O-RING	1				
2-3	1511061906	· · ADAPTOR	1				
	1420010240	· · · O-RING	1				
2-4	1515012130	· · ELBOW	1				
	1420010110	· · · O-RING	1				
2-5	1515600571	· · ADAPTOR	1				
	1420010110	· · · O-RING	1				
3	0576002770	· BAND	1				
4	0576002740	· BAND	1				
5	1100041035	· BOLT	2				
6	1140020010	· WASHER, spring	2				
7	1141110010	· WASHER	2				
9	1100040855	· BOLT	2				
10	1140020008	· WASHER, spring	2				
11	0003608252	· WASHER	2				
12	0576002750	· PIPE	1				
13	1110041055	· SCREW, cap	4				
14	1420010300	· O-RING	1				
15	1420310018	· O-RING	1				
	N1f061						

TB1140 Book No. BN1Z002 S/N 51410002-
BOOM (5/5) (with emergency shut-off valve)

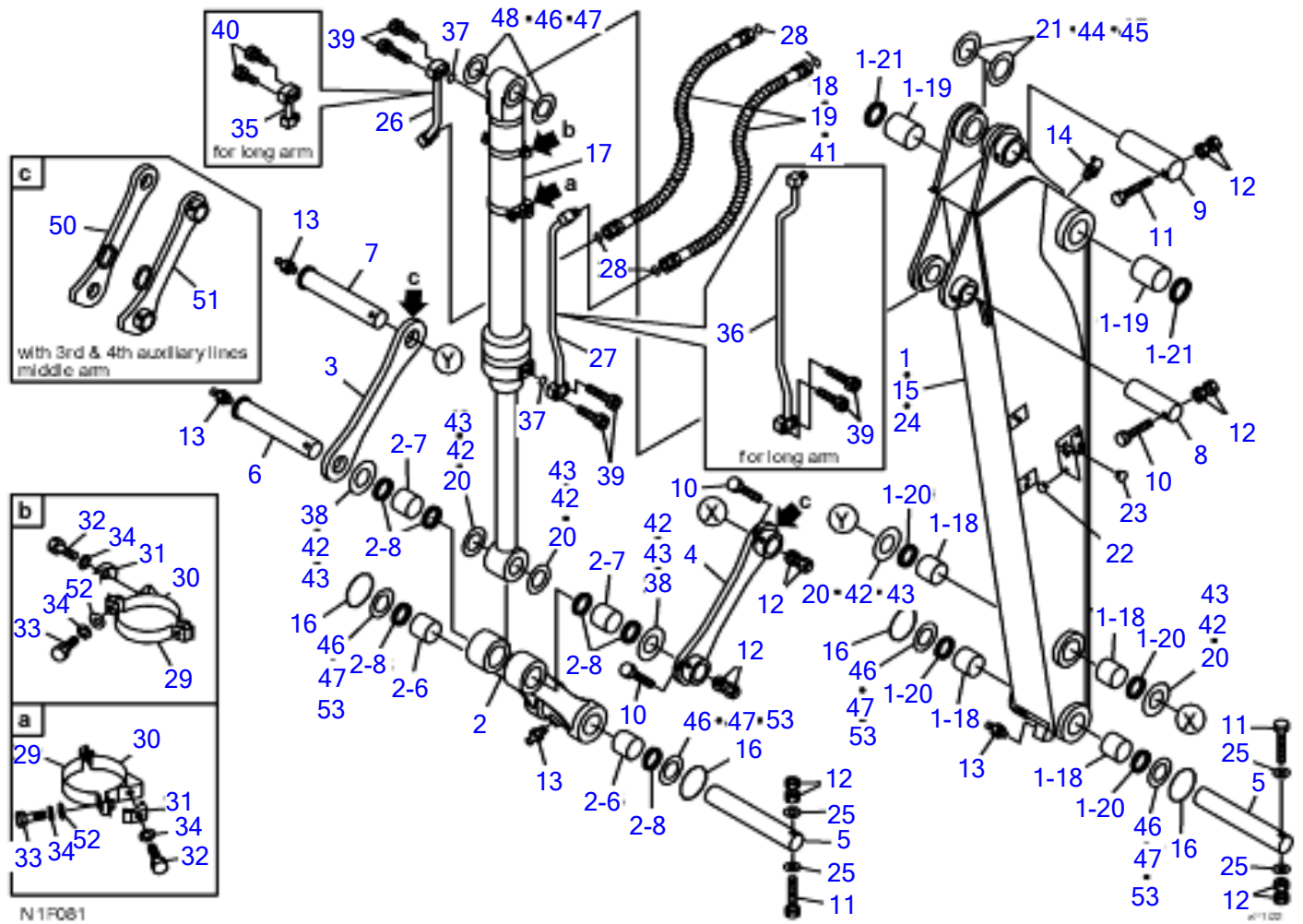


N0F222

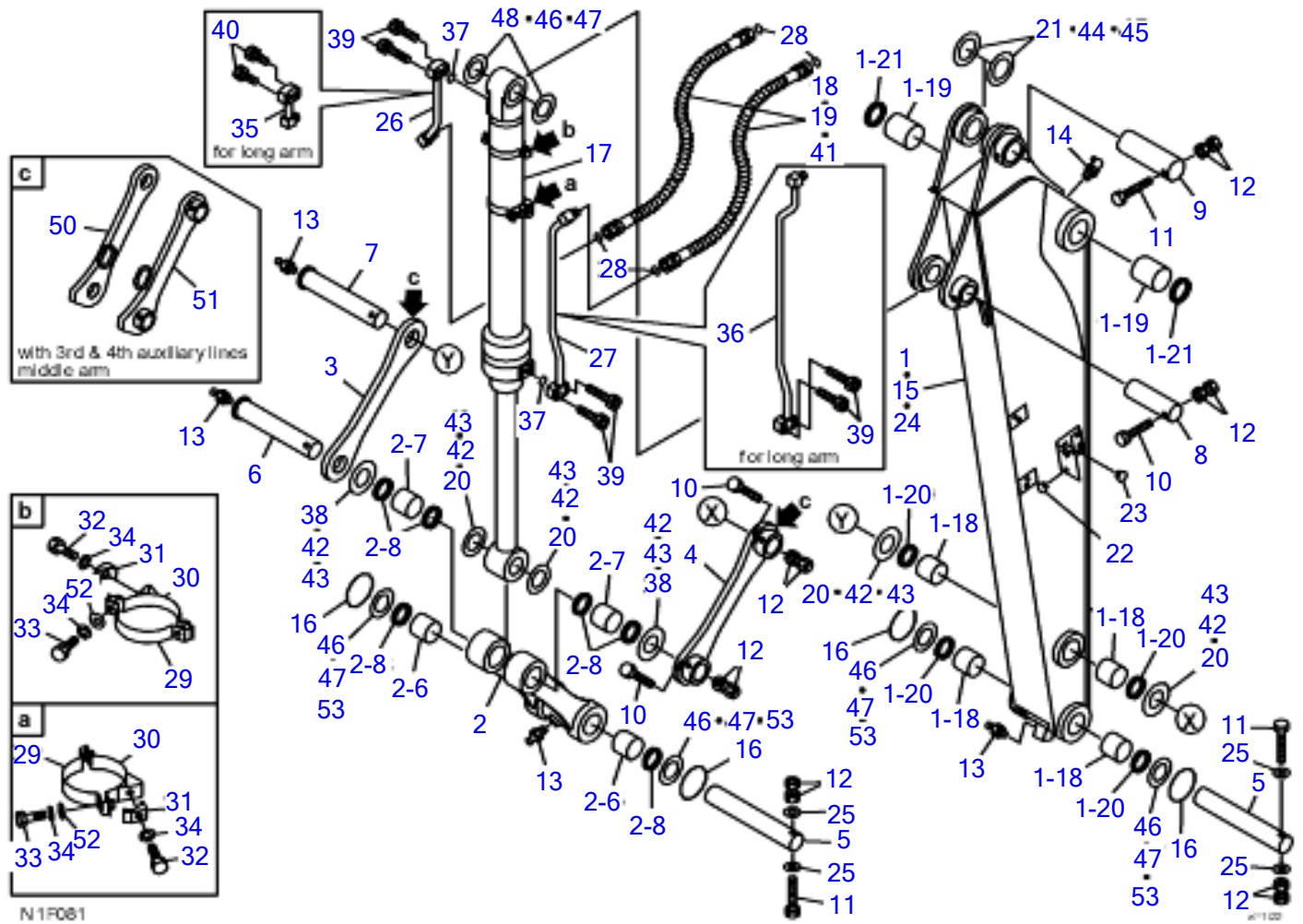
S=1/10

BOOM (5/5) (with emergency shut-off valve)

Item	Part number	Description	Q'ty	Chan.	Serial No.	Serv.	Remarks
		BOOM ASSY (with boom shut-off valve)					X05760-01800-3
		BOOM ASSY (with boom, arm shut-off valve)					X05760-01900-3
23	1100040825	BOLT	2				
28	1100040816	BOLT	2				
30	1140020008	WASHER, spring	6				
56	1100040855	BOLT	2				
59	0576001350	HOSE ASSY	2				18010-53128
60	0576001360	HOSE ASSY	2				18010-53120
61	1652201007	BAND	2				
67	1513390018	TEE	1				
	1513390018	TEE	2				with arm shut-off valve
68	0576014030	HOSE ASSY	1				18010-53220
69	0576014040	HOSE ASSY	1				18010-23225
70	0576018050	HOSE ASSY	1			M	18035-02160
71	0577000580	HOSE ASSY (18010-53330)	1				with arm shut-off valve
72	0577000590	HOSE ASSY (18010-23355)	1				with arm shut-off valve
73	1700100083	SWITCH, pressure	1				
	1420010110	• O-RING	1				
74	0565032710	BUSHING	1				
75	1511061102	ADAPTOR	1				
	1420010110	• O-RING	1				
76	1652231250	BAND	1				
77	1420310011	O-RING	3				
78	1700100061	COVER	1				
79	1501750003	PLUG	1				with shut-off valve
	1501750003	PLUG	2				without shut-off valve
	1420010140	• O-RING	1				
80	1515012041	ELBOW	1				with shut-off valve
	1515012041	ELBOW	2				with arm shut-off valve
	1420010140	• O-RING	1				
81	0576001081	PLATE	2				
82	0576001570	TEE	1				
83	0576001290	HOSE ASSY	2				18035-12133
84	0576001123	CLAMP	2				
94	1700000019	SWITCH, rotary	1				
95	0565017400	DECAL	1				
	N1f073						

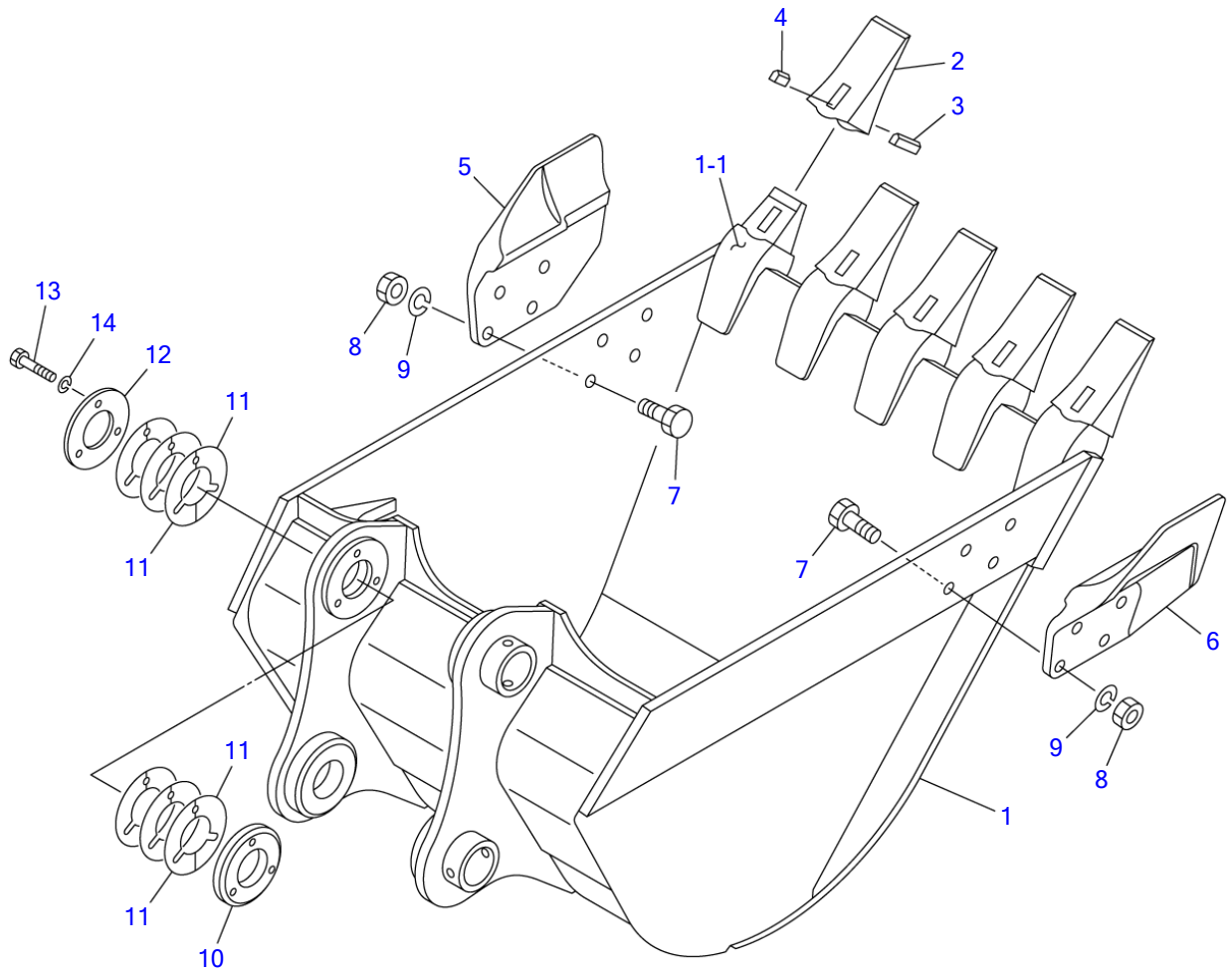


ARM								
Item	Part number	Description	Q'ty	Chan.	Serial No.	Serv.	Remarks	
		ARM ASSY					X05761-05500-2	
		ARM ASSY (for U.S.)					X05761-07000-2	
		ARM ASSY, middle					X05761-06000-2	
		ARM ASSY, middle (with 3rd & 4th aux. line)					X05761-06500-2	
		ARM ASSY, long					X05761-04300-2	
		ARM ASSY, long (for U.S.)					X05761-07500-2	
1	0576103000	ARM	1					
1-18	0576100118	• BUSHING	4					
1-19	0576100119	• BUSHING	2					
1-20	1432200065	• SEAL, dust	4					
1-21	1432200075	• SEAL, dust	2					
2	0576100700	ARM, link	1					
2-6	0576100118	• BUSHING	2					
2-7	0576100207	• BUSHING	2					
2-8	1432200065	• SEAL, dust	6					
3	0576100050	LINK, guide (R.H.)	1					
4	0576100060	LINK, guide (L.H.)	1					
5	0576100080	PIN	2					
6	0576100070	PIN	1					
7	0576100090	PIN	1					
8	0576100008	PIN	1					
9	0576100009	PIN	1					
10	1100141630	BOLT	3					
11	1100141640	BOLT	3					
12	1130040016	NUT	12					
13	1560001000	FITTING, grease	4					
14	1560001675	FITTING, grease	1					
15	0576103400	ARM	1				for long arm	
16	1432900049	O-RING	4				except for U.S.	
17	1900098400	CYLINDER, bucket	1					
18	1803605092	HOSE ASSY	2					
19	1803605116	HOSE ASSY	2				for long arm	
20	0003600211	SHIM	AR				t=1.0mm	
21	0003600208	SHIM	AR				t=1.0mm	
22	1652533017	CAP	10					
23	1652533016	CAP	2					
24	0576103200	ARM	1				for middle arm	
25	1141110016	WASHER	4					
26	0576100310	PIPE	1				except for long arm	
27	0576104540	PIPE	1				except for long arm	
28	1420310016	O-RING	4					
29	0576104529	BAND	2					
	0576104529	BAND	1				for long arm	
30	0576104530	BAND	2					
	0576104530	BAND	1				for long arm	
31	1534100218	CLAMP	2					
	1534100218	CLAMP	1				for long arm	
32	1100041045	BOLT	2					
	1100041045	BOLT	1				for long arm	
33	1100041035	BOLT	4					
	1100041035	BOLT	2				for long arm	
34	1140020010	WASHER, spring	5					
	1140020010	WASHER, spring	3				for long arm	
35	0576100530	PIPE	1				for long arm	
36	0576104960	PIPE	1				for long arm	
37	1420010240	O-RING	2					
38	0003600211	SHIM	AR			M	t=1.0mm	
39	1110040845	SCREW, cap	6					
	1110040845	SCREW, cap	2				for long arm	
40	1110040835	SCREW, cap	4				for long arm	
41	1803605114	HOSE ASSY	2				for middle arm	
42	0003600209	SHIM	AR				t=0.2mm	
43	0003600210	SHIM	AR				t=0.5mm	
44	0003600206	SHIM	AR				t=0.2mm	
45	0003600207	SHIM	AR				t=0.5mm	
46	0003600214	SHIM	AR				t=0.2mm	
47	0003600215	SHIM	AR				t=0.5mm	



Item	Part number	Description	Q'ty	Chan.	Serial No.	Serv.	Remarks
		ARM					
48	0003600216	SHIM					
50	0576104970	LINK, guide (R.H.) (middle arm)	1				with 3rd, 4th aux. line
51	0576104980	LINK, guide (L.H.) (middle arm)	1				with 3rd, 4th aux. line
52	1141110010	WASHER	4				
	1141110010	WASHER	2				
53	0003600251	SHIM					
	N1f082						

TB1140 Book No. BN1Z002 S/N 51410002-
BUCKET

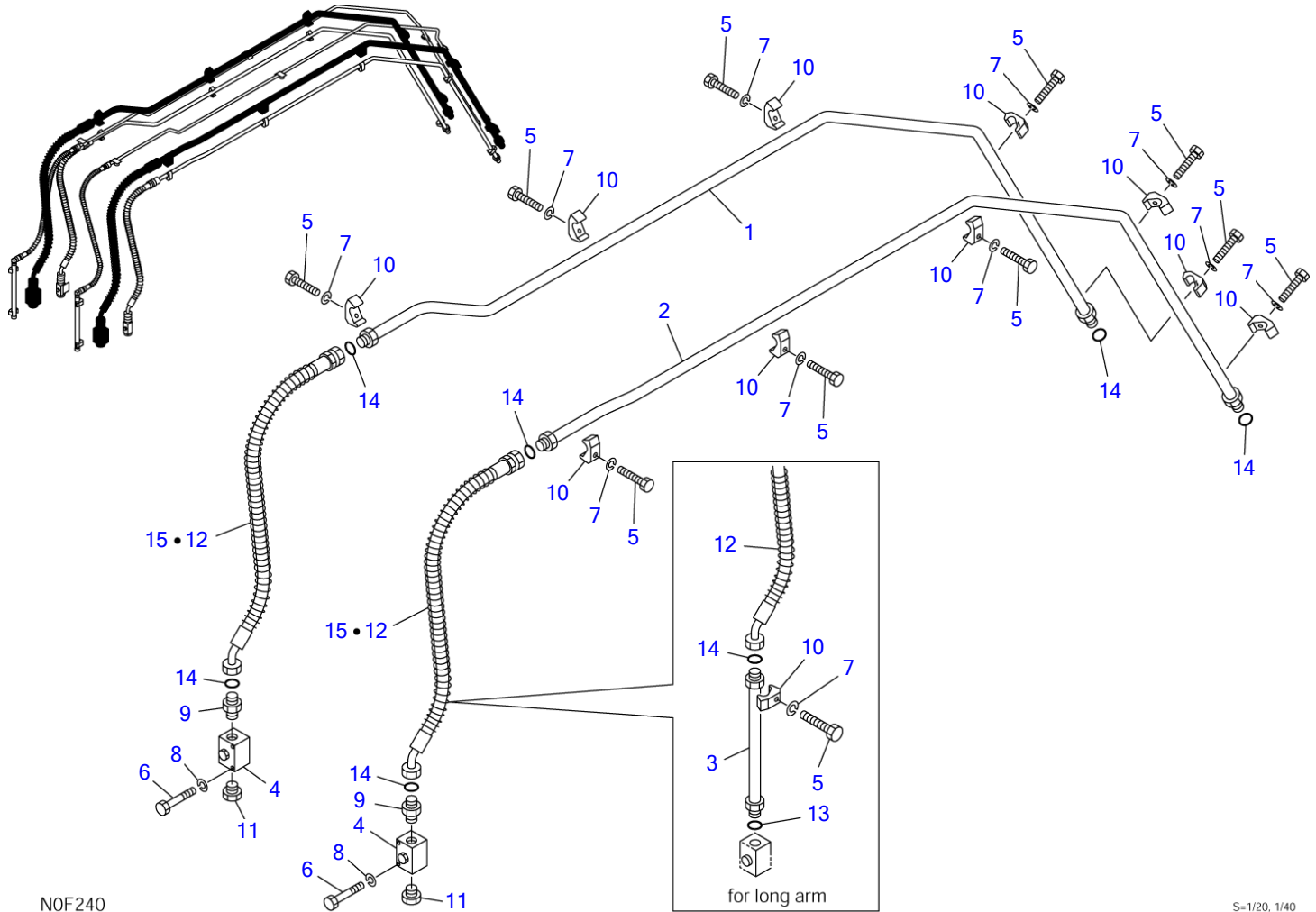


N0F060

S=1/12

BUCKET						
Item	Part number	Description	Q'ty	Chan.	Serial No.	Serv. Remarks
0	HIT9202104	BUCKET ASSY	1			
1	X *****	▪ BUCKET	1			
1-1	HIT4425500	▪ ▪ ADAPTOR, tooth	5			WK
2	HIT963228	▪ POINT, tooth	5			K
3	HIT963229	▪ PIN, lock	5			K
4	HIT963227	▪ RUBBER, lock	5			K
5	HIT2015428	▪ CUTTER, side	1			
6	HIT2015429	▪ CUTTER, side	1			
7	HITJ932060	▪ BOLT	8			
8	HITJ951020	▪ NUT	8			
9	HITA590920	▪ WASHER, spring	8			
10	HIT4445244	▪ BOSS	1			
11	HIT4276386	▪ SHIM (t=1.0mm)	12			R
12	HIT4276385	▪ PLATE	1			
13	HITJ901275	▪ BOLT	3			
14	HITA590912	▪ WASHER, spring	3			
	N0f060					

TB1140 Book No. BN1Z002 S/N 51410002-
AUXILIARY LINE



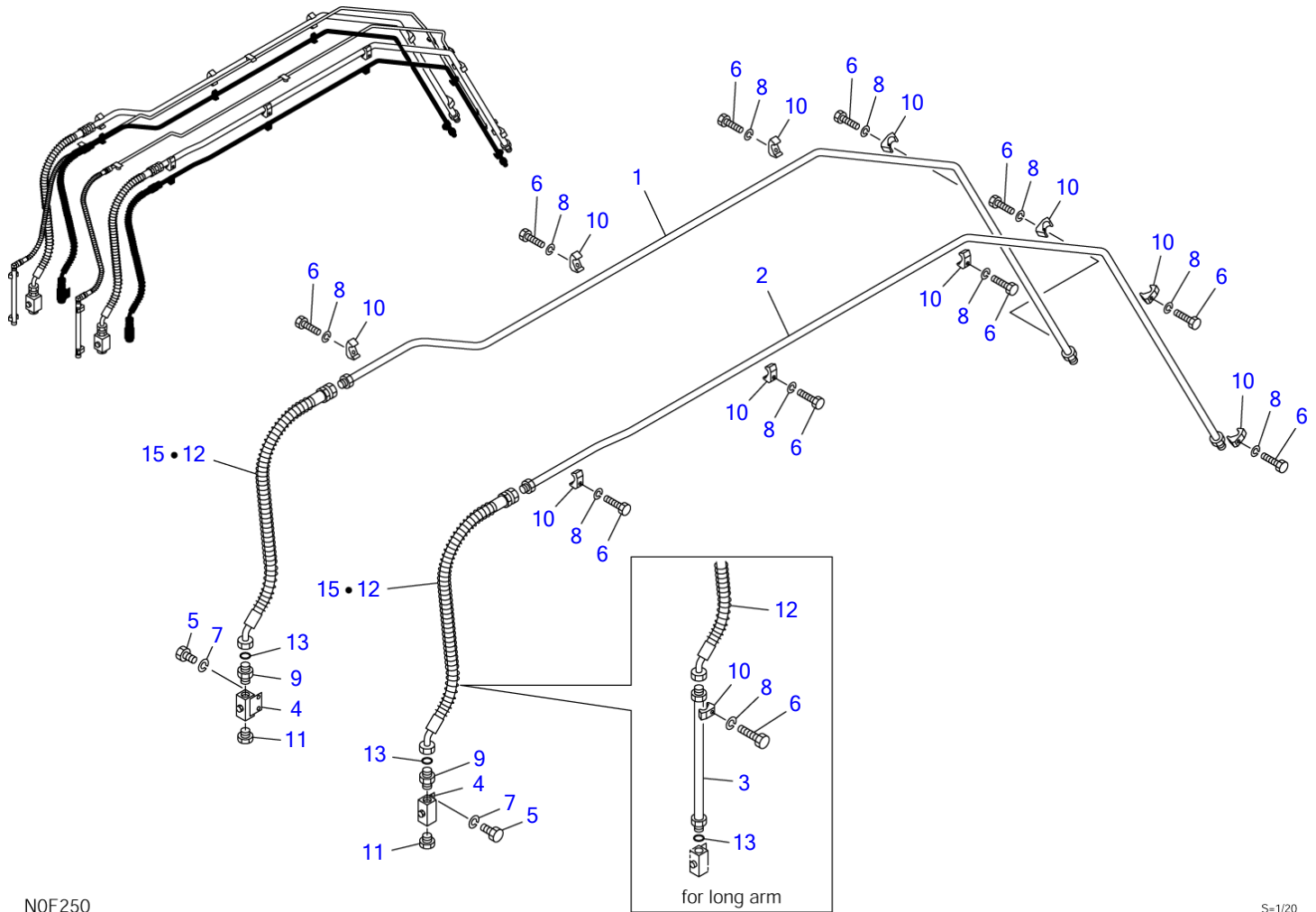
N0F240

S=1/20, 1/40

AUXILIARY LINE

Item	Part number	Description	Q'ty	Chan.	Serial No.	Serv.	Remarks
0	0577305000	AUXILIARY LINE ASSY	1				X05773-05000-1
	0577305700	AUXILIARY LINE ASSY (for long arm)	1				X05773-05700-1
	0577305300	AUXILIARY LINE ASSY (for middle arm)	1				X05773-05300-1
1	0577305010	• PIPE (R.H.)	1				
2	0577305020	• PIPE (L.H.)	1				
3	0577305030	• PIPE	2				for long arm
4	1901744200	• VALVE, stop	2				
5	1100041265	• BOLT	10				
	1100041265	• BOLT	12				for long arm
6	1100041080	• BOLT	4				
7	1140010012	• WASHER, spring	10				
	1140010012	• WASHER, spring	12				for long arm
8	1140010010	• WASHER, spring	4				
9	1511062310	• ADAPTOR	2				except for long arm
	1420010290	• • O-RING	1				except for long arm
10	1534102063	• CLAMP	10				
	1534102063	• CLAMP	12				for long arm
11	1501750010	• PLUG	2				
	1420010290	• • O-RING	1				
12	1804127142	• HOSE ASSY	2				except for middle arm
13	1420010290	• O-RING	2				for long arm
14	1420310021	• O-RING	6				
15	1804127165	• HOSE ASSY	2				for middle arm
	Nof241						

TB1140 Book No. BN1Z002 S/N 51410002-
2ND AUXILIARY LINES



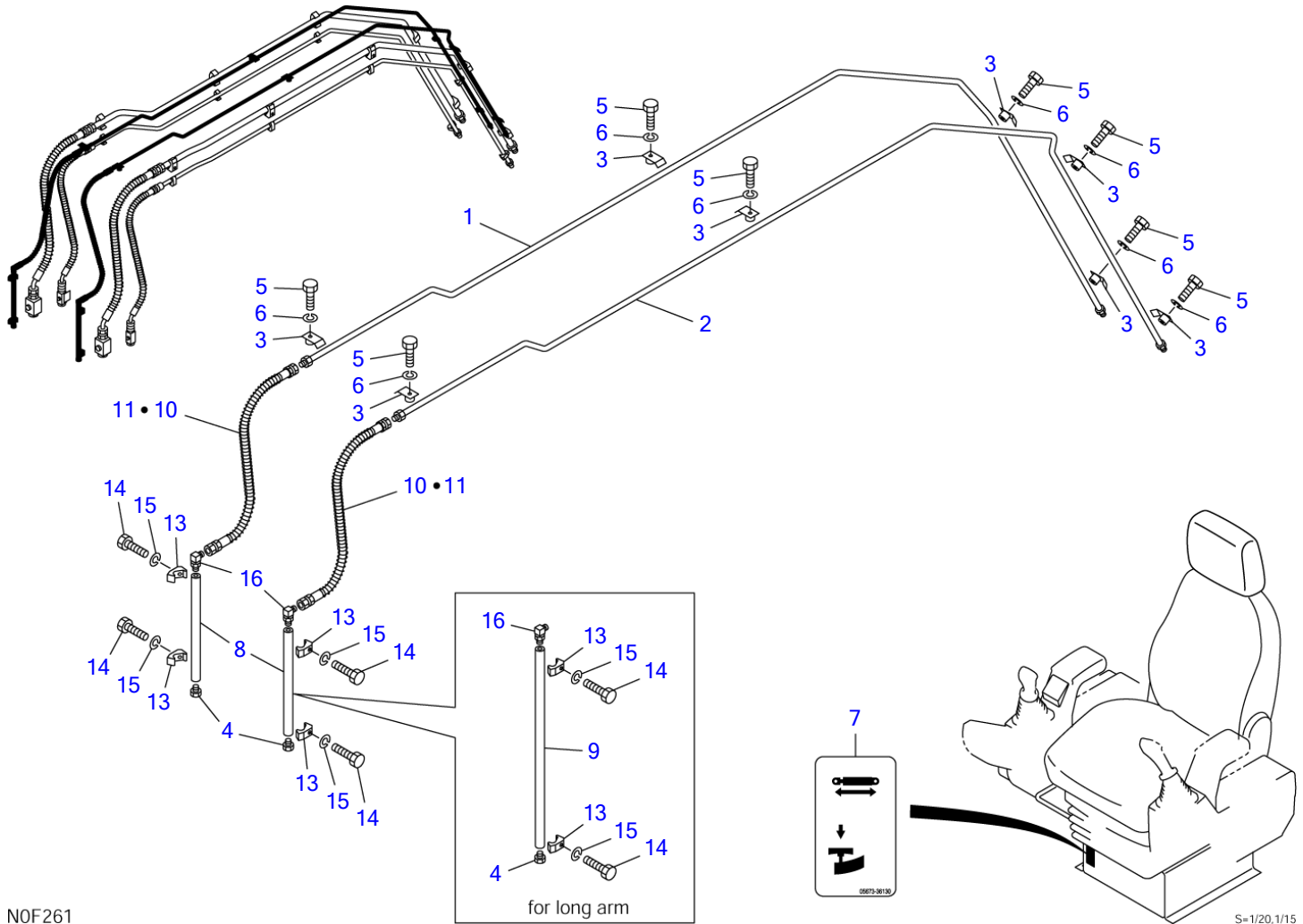
N0F250

S=1/20

2ND AUXILIARY LINES

Item	Part number	Description	Q'ty	Chan.	Serial No.	Serv.	Remarks
0	0577306000	LINE ASSY, 2nd auxiliary	1				X05773-06000-0
	0577306700	LINE ASSY, 2nd auxiliary (for long arm)	1				X05773-06700-0
	0577306300	LINE ASSY, 2nd auxiliary (for middle arm)	1				X05773-06300-0
1	0577306010	• PIPE (R.H.)	1				
2	0577306020	• PIPE (L.H.)	1				
3	0577306030	• PIPE	2				for long arm
4	1901719800	• VALVE, stop	2				
5	1100040816	• BOLT	4				
6	1100041045	• BOLT	10				
	1100041045	• BOLT	12				for long arm
7	1140010008	• WASHER, spring	4				
8	1140010010	• WASHER, spring	10				
	1140010010	• WASHER, spring	12				for long arm
9	1515600202	• ADAPTOR	2				except for long arm
	1420010180	• • O-RING	1				except for long arm
10	1534100218	• CLAMP	10				
	1534100218	• CLAMP	12				for long arm
11	1501750004	• PLUG	2				
	1420010180	• • O-RING	1				
12	0577306040	• HOSE ASSY (18026-42132)	2				except for middle arm
13	1420010180	• O-RING	2				
15	0577306050	• HOSE ASSY (18026-42156)	2				for middle arm

Nof250

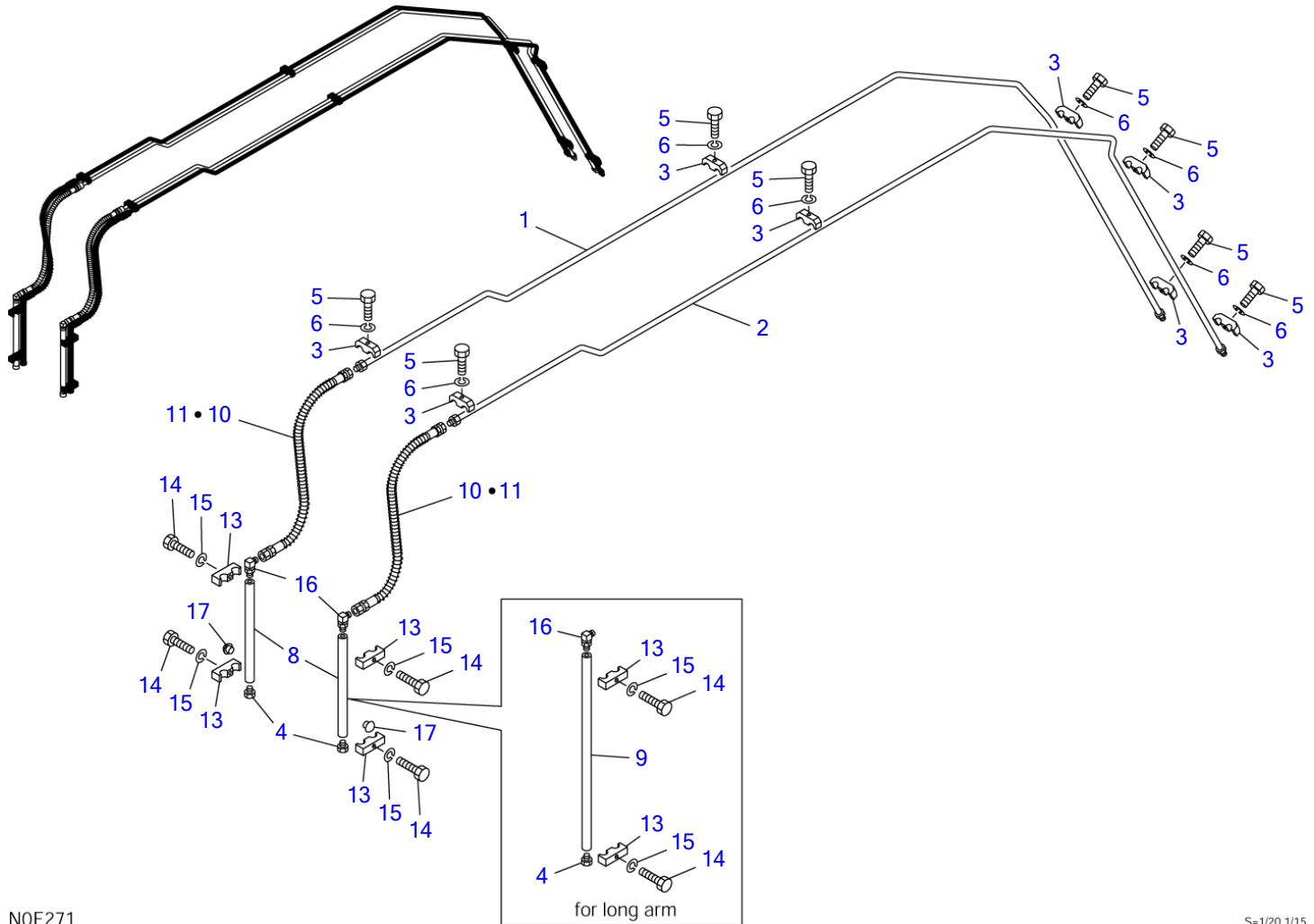


N0F261

S=1/20,1/15

3RD AUXILIARY LINES

Item	Part number	Description	Q'ty	Chan.	Serial No.	Serv.	Remarks
0	0577307000	LINE ASSY, 3rd auxiliary	1				X05773-07000-2
	0577307300	LINE ASSY, 3rd auxiliary (for middle arm)	1				X05773-07300-2
	0577307700	LINE ASSY, 3rd auxiliary (for long arm)	1				X05773-07700-2
1	0577307010	• PIPE (R.H.)	1				
2	0577307020	• PIPE (L.H.)	1				
3	0577307100	• CLAMP	8				
4	1501750003	• PLUG	2				
	1420010140	• • O-RING	1				
5	1100040830	• BOLT	8				
6	1140010008	• WASHER, spring	8				
7	0567336130	• DECAL	1				
8	0577307030	• PIPE	2				except for long arm
9	0577307040	• PIPE	2				for long arm
10	1802620125	• HOSE ASSY	2				standerd
11	1802620140	• HOSE ASSY	2				except for standerd
13	1534100273	• CLAMP	4				
14	1100041050	• BOLT	4				
15	1140010010	• WASHER, spring	4				
16	1515012041	• ELBOW	2				
	1420010140	• • O-RING	1				
	N0f261						

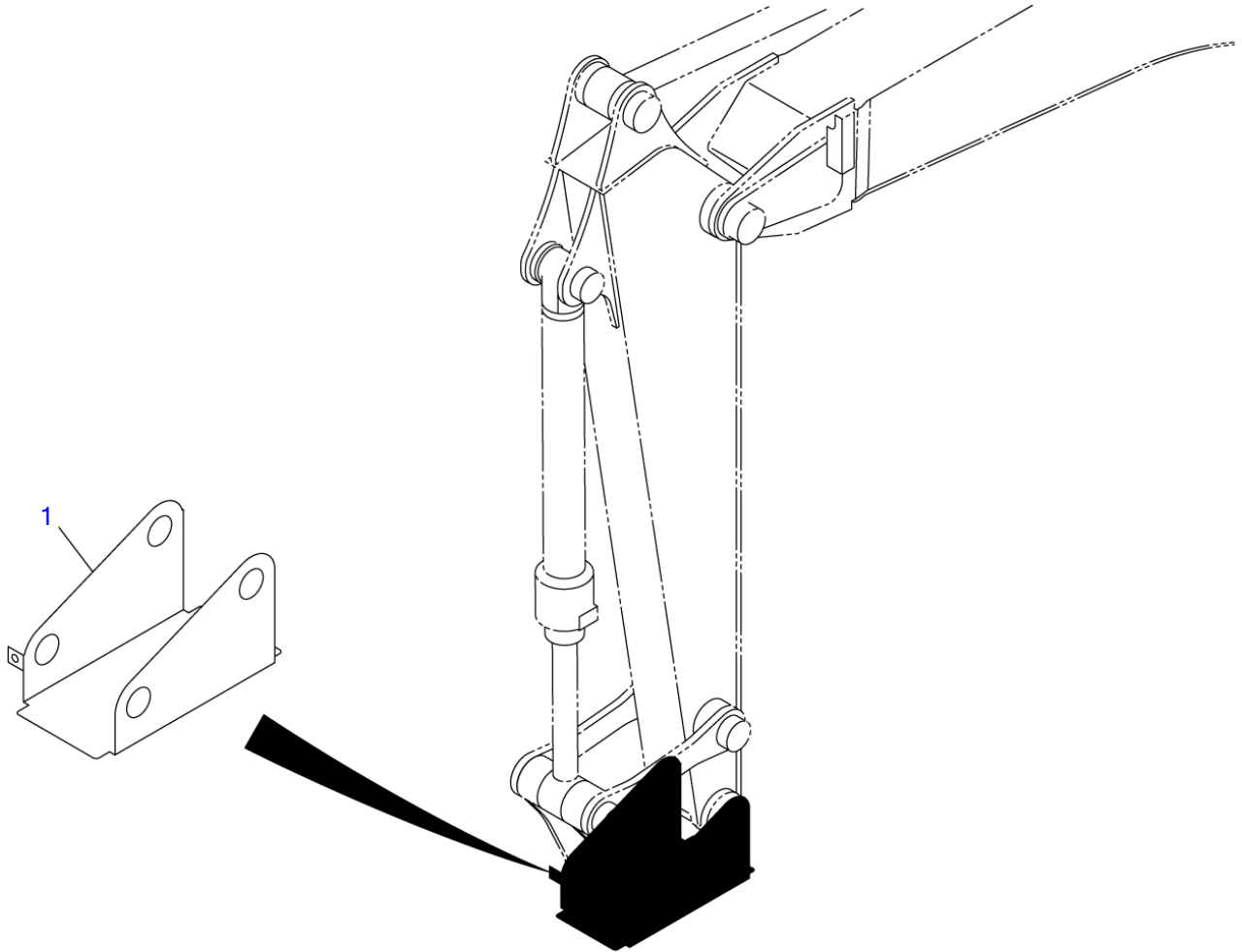


N0F271

S-1/20,1/15

4TH AUXILIARY LINES

Item	Part number	Description	Q'ty	Chan.	Serial No.	Serv.	Remarks
0	0577308000	LINE ASSY, 4th auxiliary	1				X05773-08000-2
	0577308300	LINE ASSY, 4th auxiliary (for middle arm)	1				X05773-08300-2
	0577308700	LINE ASSY, 4th auxiliary (for long arm)	1				X05773-08700-2
1	0577307010	• PIPE (R.H.)	1				
2	0577307020	• PIPE (L.H.)	1				
3	1534000015	• CLAMP	8				
4	1501750003	• PLUG	2				
	1420010140	• • O-RING	1				
5	1100040835	• BOLT	8				
6	1140010008	• WASHER, spring	8				
8	0577308030	• PIPE	2				
9	0577308040	• PIPE	2				for long arm
10	1802620129	• HOSE ASSY	2				standerd
11	1802620143	• HOSE ASSY	2				except for standerd
13	0577308013	• CLAMP	4				
14	1100041060	• BOLT	4				
15	1140010010	• WASHER, spring	4				
16	1515012041	• ELBOW	2				
	1420010140	• • O-RING	1				
17	1652533017	• CAP	4				
	N0f271						

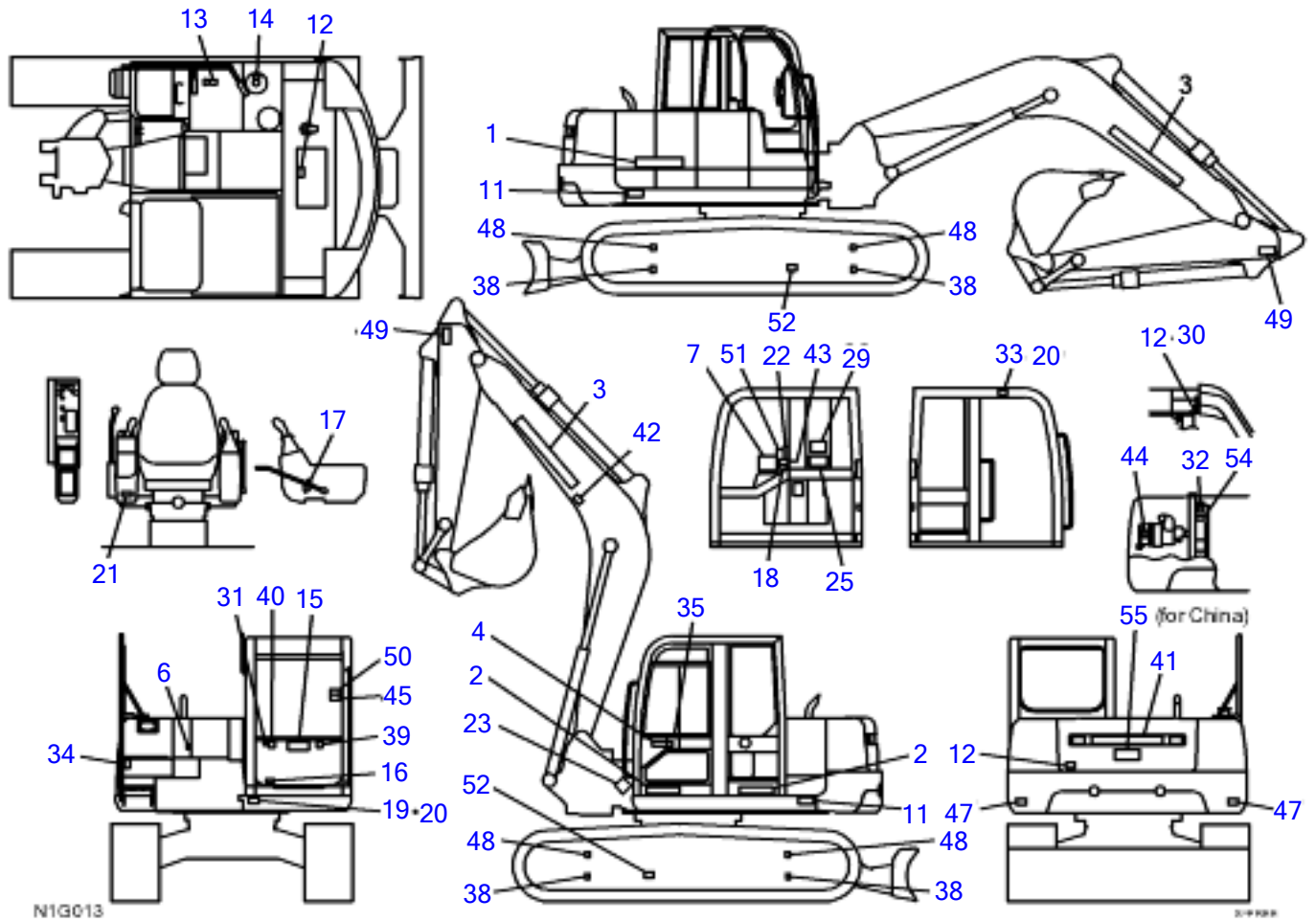


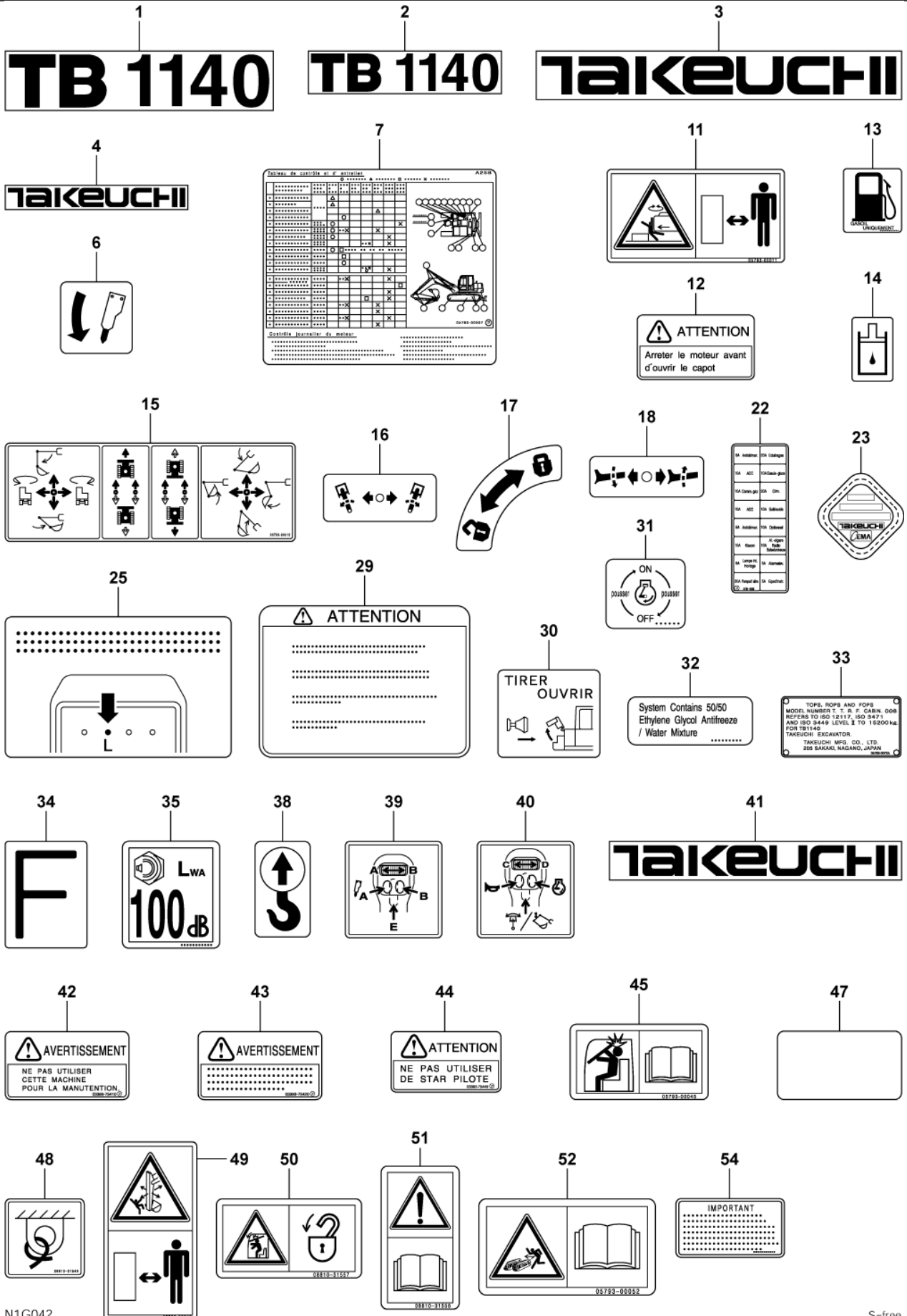
NOF150

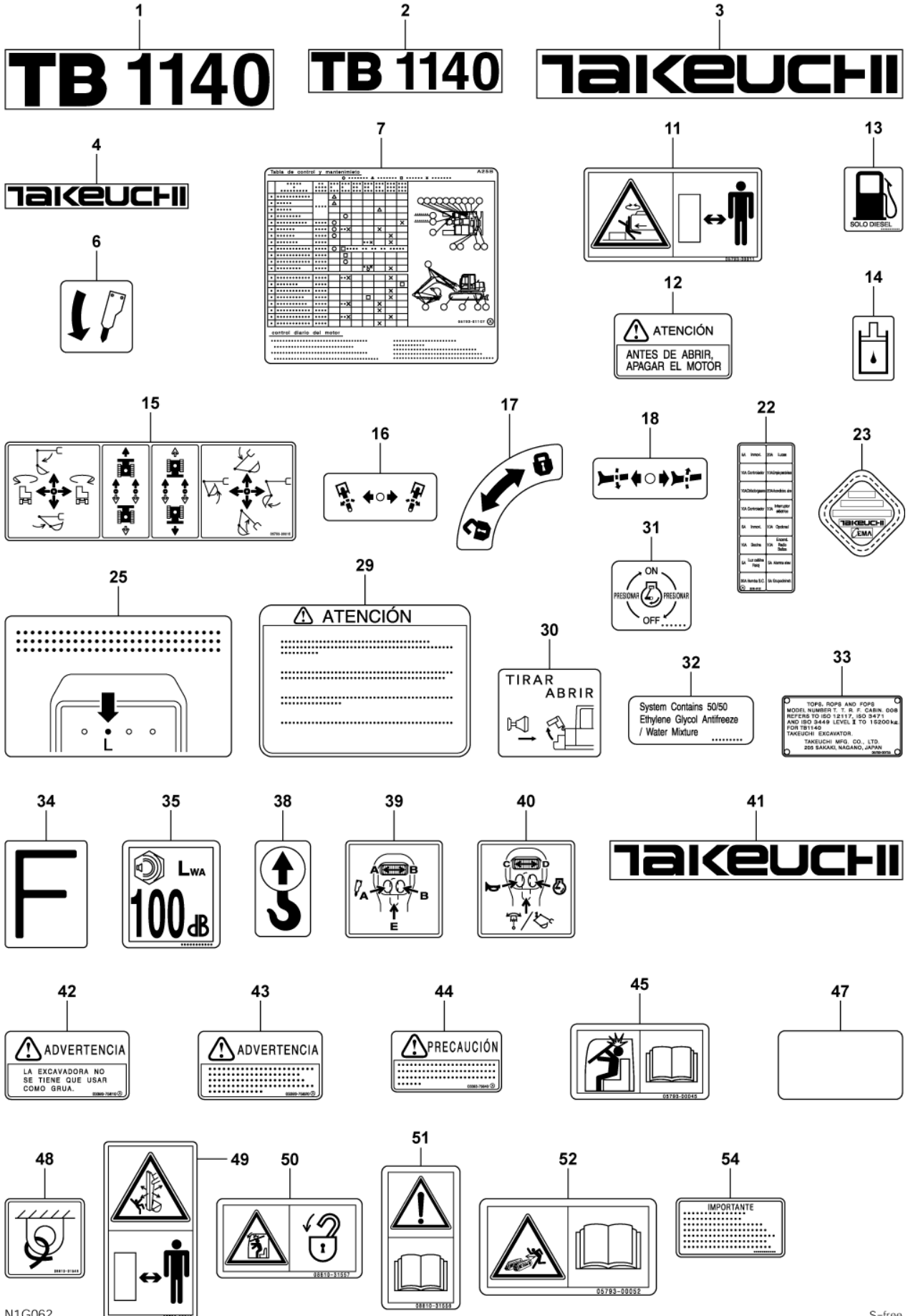
S=1/15, 1/20

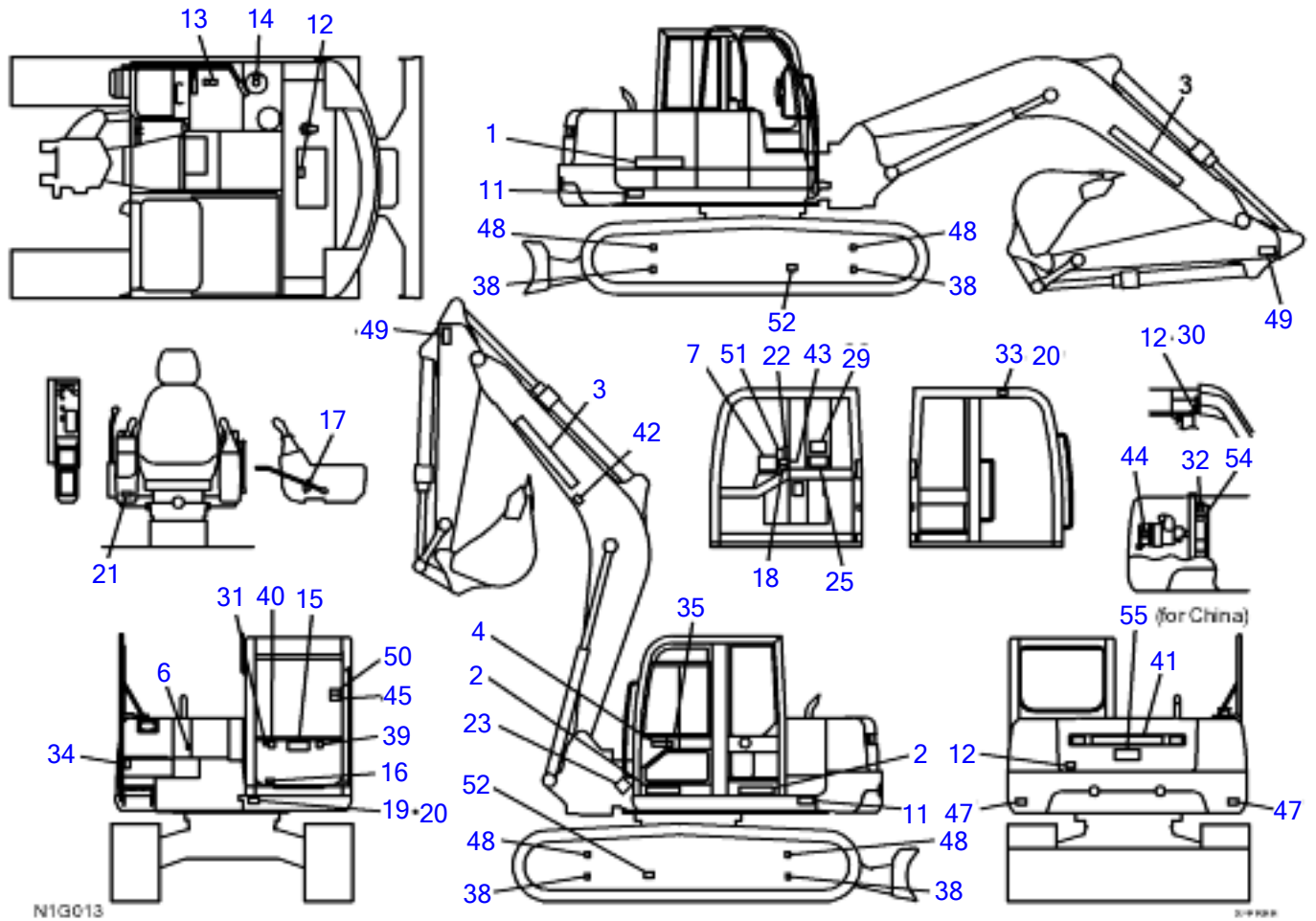
ARM STOPPER

Item	Part number	Description	Q'ty	Chan.	Serial No.	Serv.	Remarks
1	0576200011 N0f150	ARM STOPPER PLATE	1 1				X05762-00010-0

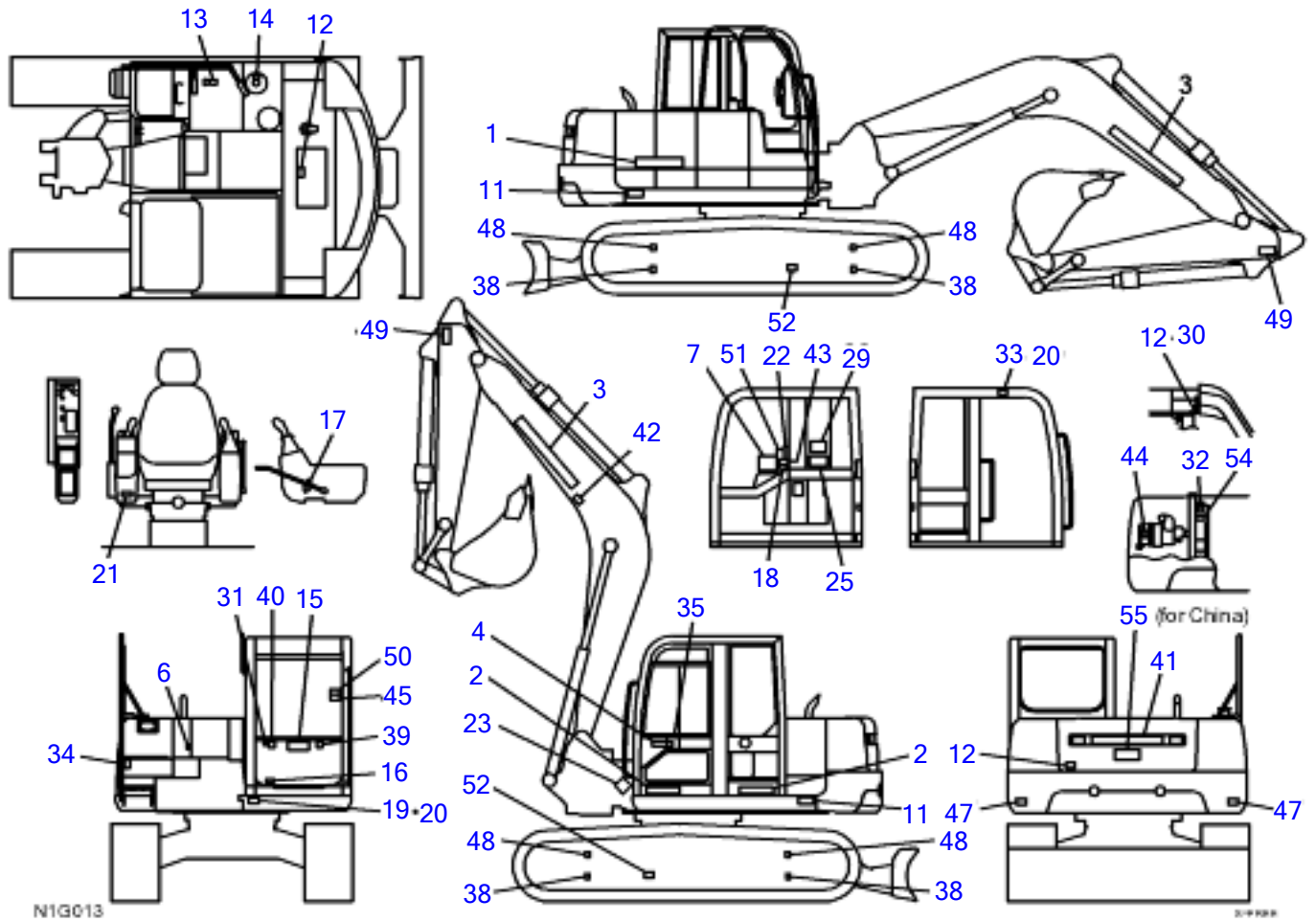




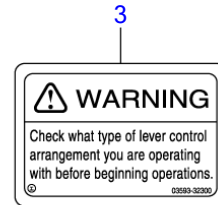
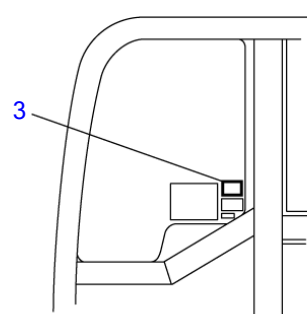
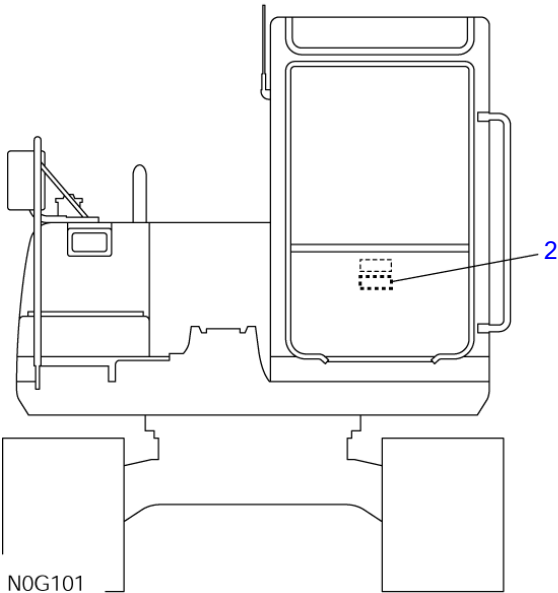
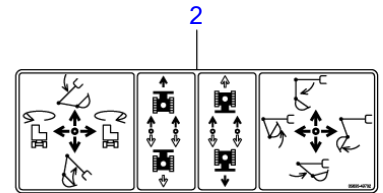
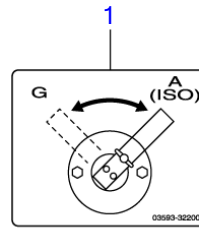
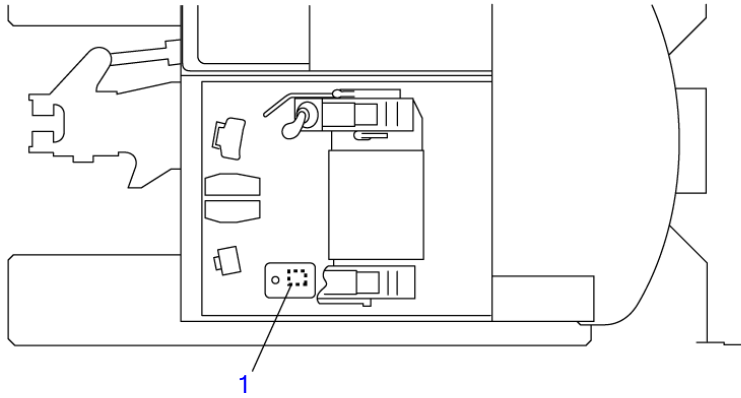




DECAL								
Item	Part number	Description	Q'ty	Chan.	Serial No.	Serv.	Remarks	
0	0579300700	DECAL SET (English)	1				X05793-00700-4	
	0579300900	DECAL SET (French)	1				X05793-00900-4	
	0579301100	DECAL SET (Spanish)	1				X05793-01100-4	
	0579301200	DECAL SET (US TAKEUCHI)	1				X05793-01200-4	
	0579301500	DECAL SET (UK TAKEUCHI)	1				X05793-01500-4	
1	0579300101	• DECAL	1					
2	0579300102	• DECAL	2					
3	0569321300	• DECAL	2					
4	0569321400	• DECAL	1					
6	0329360070	• DECAL	1					
7	0579300707	• DECAL (English)	1					
	0579300907	• DECAL (French)	1					
	0579301107	• DECAL (Spanish)	1					
11	0579300011	• DECAL	2					
12	0359307400	• DECAL (English)	3					
	0359315400	• DECAL (French)	3					
	0339364200	• DECAL (Spanish)	3					
13	0359306600	• DECAL (English)	1					
	0339375460	• DECAL (French)	1					
	0339375660	• DECAL (Italian, Spanish)	1					
14	0359306700	• DECAL	1					
15	0579300015	• DECAL	1					
16	0329360060	• DECAL	1					
17	0329360100	• DECAL	1					
18	0359325190	• DECAL	1					
19	X *****	• DECAL	1					for US TAKEUCHI
	X *****	• DECAL	1					except for US TAKEUCHI
20	X *****	• SCREW	8					
21	X *****	• DECAL	1					
22	0579300722	• DECAL (English, Dutch)	1					
	0579300922	• DECAL (French)	1					
	0579301122	• DECAL (Spanish)	1					
23	X *****	• DECAL	1					
25	0569321940	• DECAL (English)	1					
	0569328940	• DECAL (French)	1					
	0569348200	• DECAL (Spanish)	1					
29	0359313700	• DECAL (English)	1					
	0359315700	• DECAL (French)	1					
	0339364500	• DECAL (Spanish)	1					
30	0569326400	• DECAL (English)	1					
	0569328400	• DECAL (French)	1					
	0569348400	• DECAL (Spanish)	1					
31	0569335060	• DECAL (English)	1					
	0569328800	• DECAL (French)	1					
	0569348500	• DECAL (Spanish)	1					
32	0359313900	• DECAL	1					
33	X *****	• DECAL	1					
34	0399300400	• DECAL	1					
35	X *****	• DECAL	1					except for US TAKEUCHI
38	0399300500	• DECAL	4					
39	0569353036	• DECAL	1					
40	0569353035	• DECAL	1					
41	0399305100	• DECAL	1					
42	0359347010	• DECAL (English, US TAKEUCHI)	1					
	0339375410	• DECAL (French)	1					
	0339375810	• DECAL (Spanish)	1					
43	0359347020	• DECAL (English)	1					
	0339375420	• DECAL (French)	1					
	0339375820	• DECAL (Spanish)	1					
44	0339375040	• DECAL (English)	1					
	0339375440	• DECAL (French)	1					
	0339375840	• DECAL (Spanish)	1					
45	0579300045	• DECAL	1					
47	0379358560	• DECAL	2					
48	0881031549	• DECAL	4					
49	0579300049	• DECAL	2					
50	0881031557	• DECAL	1					



Item	Part number	Description	DECAL	Q'ty	Chan.	Serial No.	Serv.	Remarks
51	0881031556	• DECAL		1				
52	0579300052	• DECAL		2				
54	0339376240	• DECAL (English)		1				
54	0339379440	• DECAL (French)		1				
54	0339379640	• DECAL (Spanish)		1				
55	0399357520	* DECAL		1				
	N1g013							



(English)



(French)



(German)



(Italian)



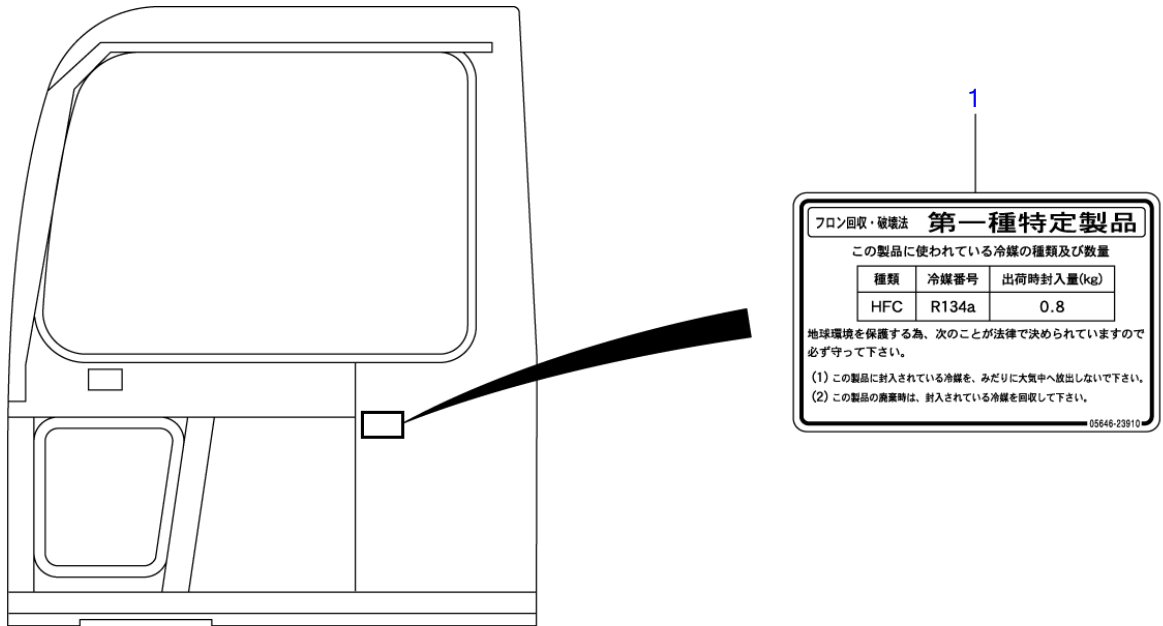
(Spanish)

N0G101

S=FREE

DECAL (selector valve)

Item	Part number	Description	Q'ty	Chan.	Serial No.	Serv.	Remarks
0	0569349700	DECAL SET (English)	1				X05693-49700-4
	0569349800	DECAL SET (German)	1				X05693-49800-4
	0569305600	DECAL SET (Spanish)	1				X05693-56000-4
	0569361300	DECAL SET (French)	1				X05693-61300-4
	0569361400	DECAL SET (Italian)	1				X05693-61400-4
	0359332200	• DECAL	1				ISO-JCB
1	0569349702	• DECAL	1				JCB
2	0359332300	• DECAL (English)	1				
3	0359332400	• DECAL (German)	1				
	0329364020	• DECAL (Spanish)	1				
	0399361101	• DECAL (French)	1				
	0399361201	• DECAL (Italian)	1				
	N0g101						

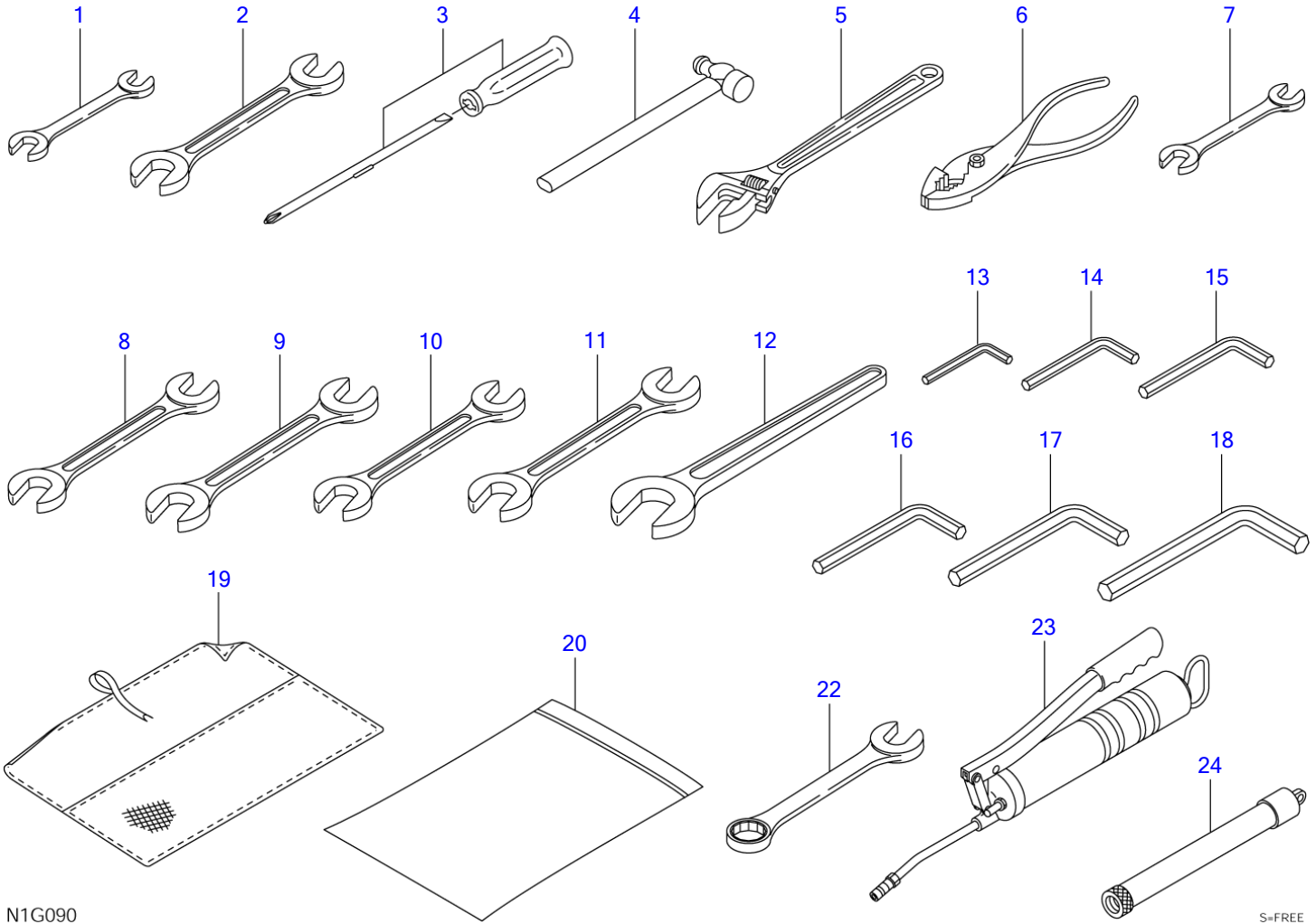


L3G130

S=FREE

Item	Part number	Description	DECAL (air conditioner)			Remarks
			Q'ty	Chan.	Serial No. Serv.	
1	0569348600	DECAL SET	1			X05693-48600-0
	0564623910	· DECAL	1			
	L3g130					

TB1140 Book No. BN1Z002 S/N 51410002-
TOOL & ACCESSORIES

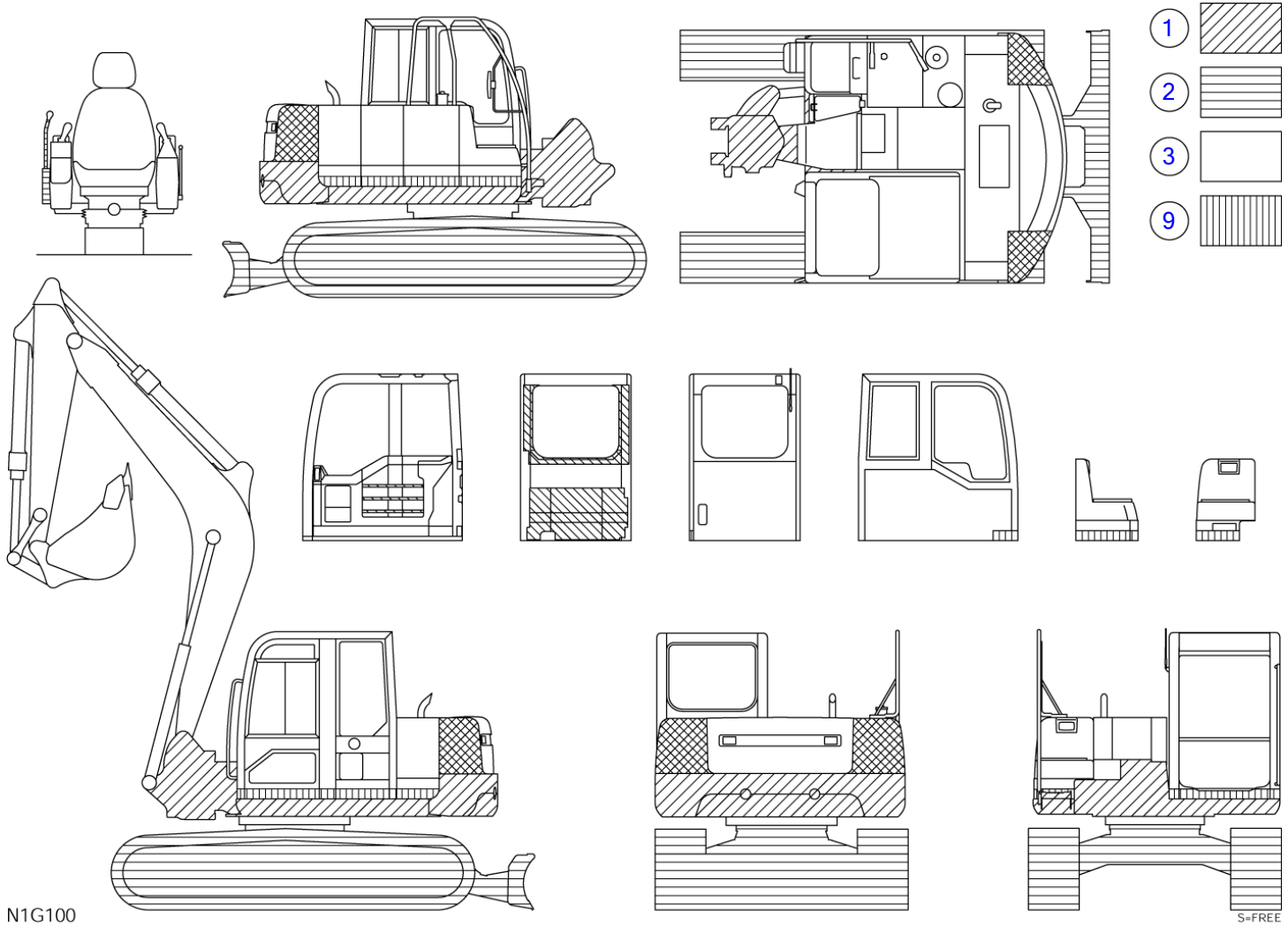


N1G090

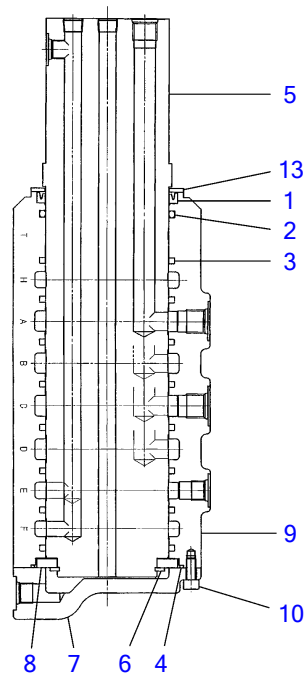
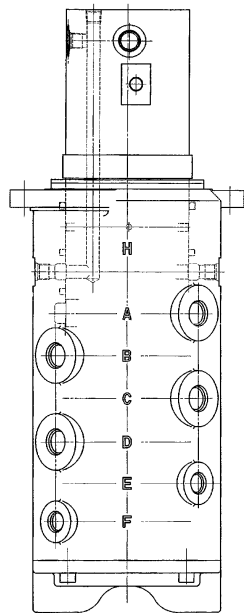
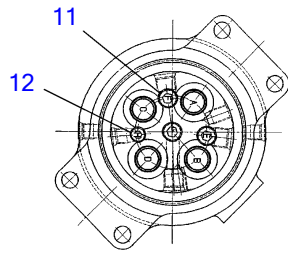
S=FREE

TOOL & ACCESSORIES

Item	Part number	Description	Q'ty	Chan.	Serial No.	Serv.	Remarks
		TOOL SET					X05792-00000-2
0-1	0579200050	TOOL ASSY	1				
1	1690001012	• SPANNER	1				
2	1690001417	• SPANNER	1				
3	1690220205	• SCREWDRIVER	1				
4	1690300330	• HAMMER	1				
5	1690400250	• WRENCH, monkey	1				
6	1690500200	• PLIER	1				
7	1690001013	• SPANNER	1				
8	1690001922	• SPANNER	1				
9	1690002427	• SPANNER	1				
10	1690002730	• SPANNER	1				
11	1690003236	• SPANNER	1				
12	1690100041	• SPANNER	1				
13	1690600250	• WRENCH, hex	1				
14	1690600500	• WRENCH, hex	1				
15	1690600600	• WRENCH, hex	1				
16	1690600800	• WRENCH, hex	1				
17	1690601000	• WRENCH, hex	1				
18	1690601200	• WRENCH, hex	1				
19	1691400001	• CASE, tool	1				
20	1691900001	• CASE	1				
22	1690900019	• SPANNER	1			M	
23	1691060610	GUN, grease	1				
24	1554502050	TUBE	1				
	N1g091						



PAINTED COLOR							
Item	Part number	Description	Q'ty	Chan.	Serial No.	Serv.	Remarks
		PAINTED COLOR(rubber crawler)					X05791-00600-0
		PAINTED COLOR(steel crawler)					X05791-00700-0
1	1919060105	RED	1				
	1919069105	RED	1				spray
2	1919060144	GRAY	1				
	1919069144	GRAY	1				spray
3	1919060142	LIGHT GRAY	1				
	1919069142	LIGHT GRAY	1				spray
9	1919060158	SILVER GRAY	1				
	1919069158	SILVER GRAY	1				spray
	N1g100						



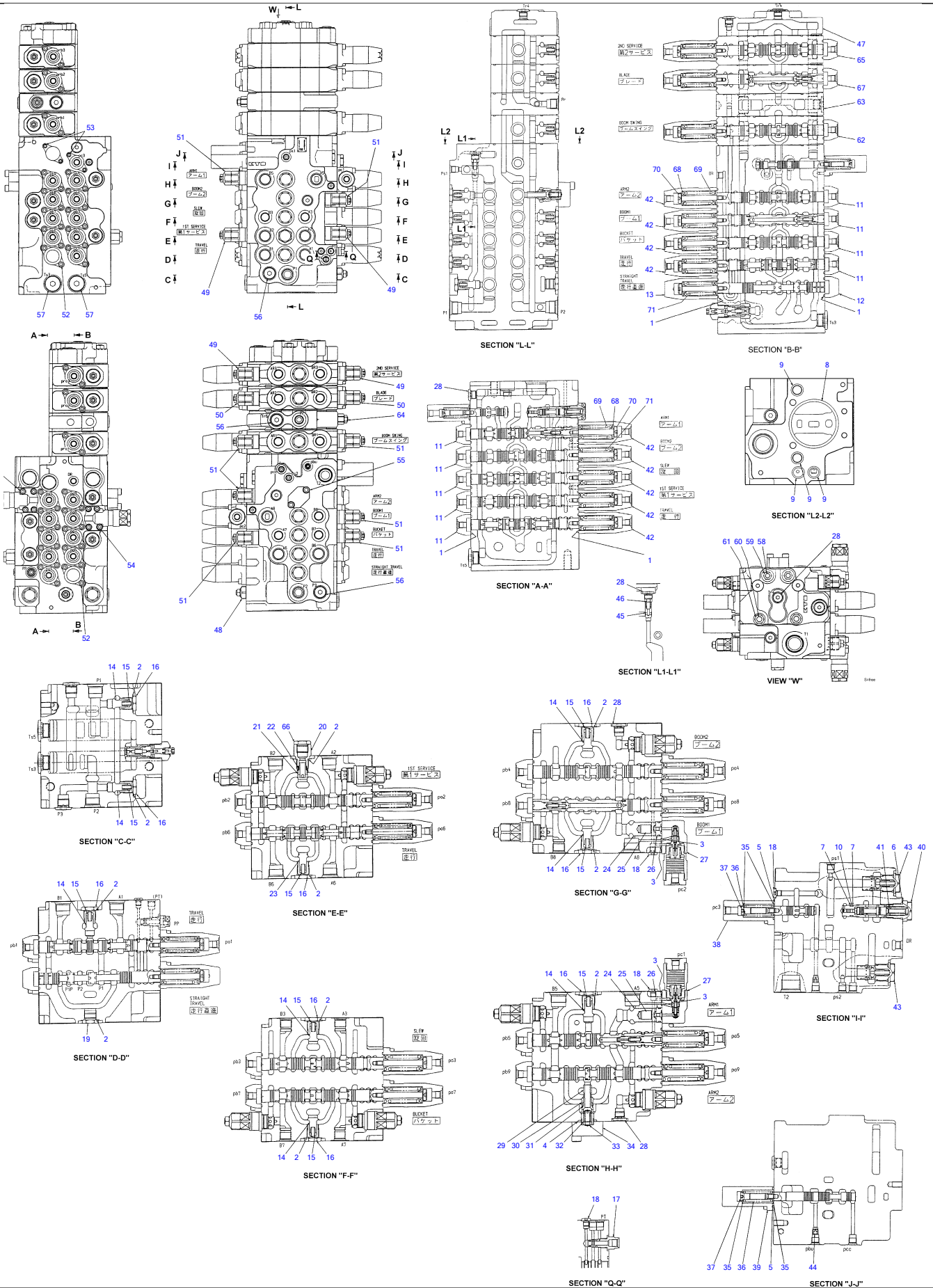
N1H040

S=free

SWIVEL JOINT

Item	Part number	Description	Q'ty	Chan.	Serial No.	Serv.	Remarks
0	1904008500	JOINT, swivel	1				
0-1	1904008599	• KIT, seal	1				
1	X 1411161125	• • PACKING	1				
2	X 1420011050	• • O-RING	1				
3	X 1904008504	• • PACKING	8				
4	X 1420111250	• • O-RING	1				
5	1904008511	• SHAFT	1				
6	1221000085	• RING, snap	1				
7	1904008521	• COVER	1				
8	1904008508	• RING, thrust	1				
9	1904008501	• HOUSING	1				
10	1110050820	• SCREW, cap	4				
11	1501810003	• PLUG	3				
12	1501810002	• PLUG	1				
13	1904008513	• COVER	1				
	N1h040						

TB1140 Book No. BN1Z002 S/N 51410002- CONTROL VALVE

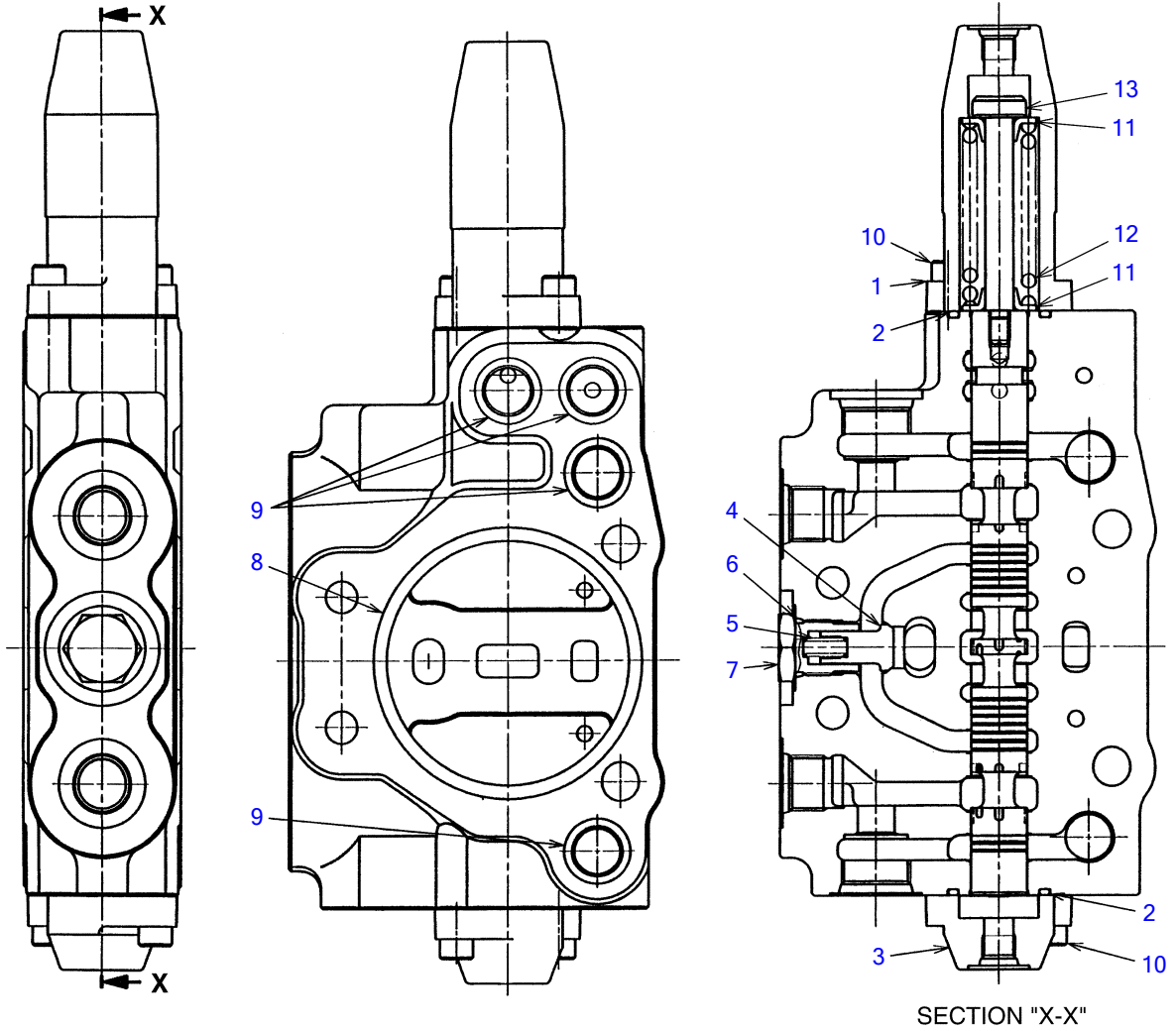


CONTROL VALVE

Item	Part number	Description	Q'ty	Chan.	Serial No.	Serv.	Remarks
0	1901042800	VALVE ASSY, control	1				
0-1	1901042299	• KIT, seal	1				
1	X 1420110350	• • O-RING	20				
2	X 1901025482	• • O-RING	11				
3	X 1420010060	• • O-RING	4				
4	X 1901042282	• • O-RING	1				
5	X 1420000260	• • O-RING	2				
6	X 1420010240	• • O-RING	1				
7	X 1421020160	• • RING, back-up	2				
8	X 1420111000	• • O-RING	1				
9	X 1901042283	• • O-RING	4				
10	X 1420010160	• • O-RING	1				
11	1901042267	• CAP	9				
12	1901042268	• CAP	1				
13	1901042269	• CAP	1				
14	1901042226	• POPPET	8				
15	1901042256	• SPRING	9				
16	1901042271	• PLUG	9				
17	1901042272	• PLUG ASSY	1				
	1420010110	• • O-RING	1				
18	1901036677	• PLUG ASSY	4				
	1420010110	• • O-RING	1				
19	1901025498	• PLUG	1				
20	1901042273	• PLUG	1				
21	1901042227	• POPPET	1				
22	1901042257	• SPRING	1				
23	1901042228	• POPPET	1				
24	1901042229	• POPPET	2				
25	1901042258	• SPRING	2				
26	1901042259	• SPACER ASSY	2				
27	1901042221	• VALVE ASSY, anti-solenoid	2				
28	1901036678	• PLUG ASSY	5				
	1420010140	• • O-RING	1				
29	1901042241	• SLEEVE	1				
30	1901042236	• POPPET	1				
31	1901042237	• SPRING	1				
32	1901042230	• POPPET	1				
33	1901042261	• SPRING	1				
34	1901042274	• FLANGE	1				
35	1901029754	• HOLDER, spring	4				
36	1901042262	• SPRING	2				
37	1901036531	• END, spool	2				
38	1901042270	• CAP	1				
39	1901042275	• CAP	1				
40	1901042276	• PLUG	1				
41	1901042238	• PLUG, orifice	1				
42	1901042266	• CAP	9				
43	1901042222	• VALVE, relief	2				
44	1901042277	• PLUG, orifice	1				
45	1901042231	• POPPET	1				
46	1901042278	• SPRING	1				
47	1901042204	• HOUSING ASSY, outlet	1				
48	1901042223	• VALVE, relief	1				
	1420310912	• • O-RING	1				
49	1901042224	• VALVE, relief	4				
	1420310912	• • O-RING	1				
50	1901042225	• VALVE, relief	2				
	1420310912	• • O-RING	1				
51	1901042234	• VALVE, relief	8				
	1420310912	• • O-RING	1				
52	1110020825	• SCREW, cap	40				
53	1110020620	• SCREW, cap	4				
54	1110020850	• SCREW, cap	8				
55	1110051040	• SCREW, cap	2				
56	1901036572	• PLUG ASSY	3				
	1420010180	• • O-RING	1				
57	1901042279	• PLUG ASSY	2				
	1420010240	• • O-RING	1				

CONTROL VALVE

Item	Part number	Description	Q'ty	Chan.	Serial No.	Serv.	Remarks
58	1901042207	• BOLT	2				
59	1901042232	• NUT	2				
60	1901042208	• BOLT	2				
61	1901042233	• NUT	2				
62	1901042218	• BLOCK ASSY; No.1	1				swing
63	1901042203	• HOUSING ASSY, inlet	1				
64	1901042235	• VALVE, relief	1				
64	1420310912	• • O-RING	1				
65	1901042205	• BLOCK ASSY; No.2	1				2nd. aux.
66	1901025493	• PLUG ASSY	1				
66	1420010180	• • O-RING	1				
67	1901042217	• BLOCK ASSY; No.3	1				blade
68	1901042851	• HOLDER, spring	20				
69	1901042856	• SPRING	8				
70	1901042831	• END, spool	10				
71	1901042857	• SPRING	2				
	N1h010						



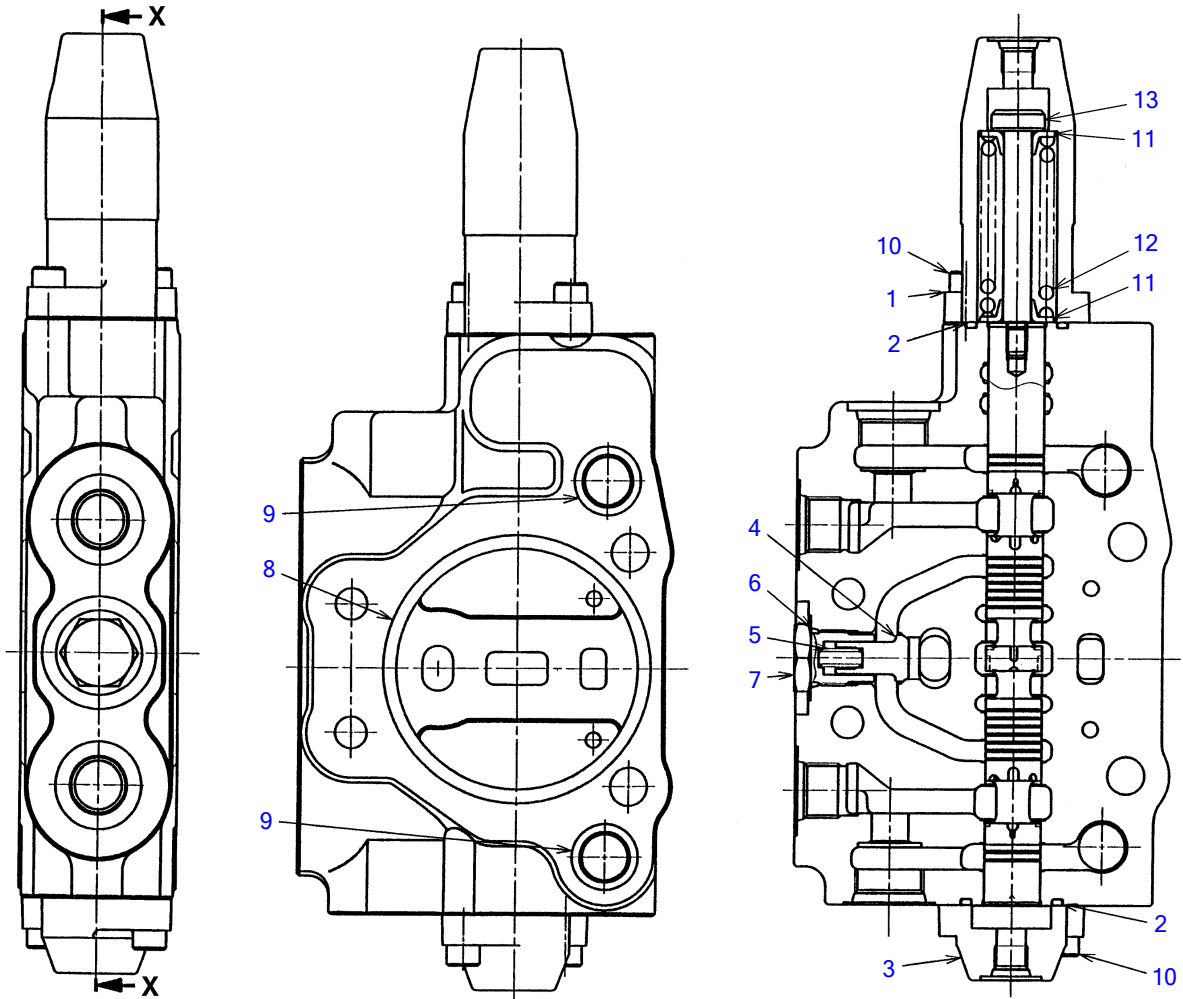
N0H271

SECTION "X-X"

S=FREE

BLOCK ASSY; No. 1

Item	Part number	Description	Q'ty	Chan.	Serial No.	Serv.	Remarks
0	1901042218	BLOCK ASSY; No.1	1				swing
1	1901042266	• CAP	1				
2	1420110350	• O-RING	2				
3	1901042267	• CAP	1				
4	1901042226	• POPPET	1				
5	1901042256	• SPRING	1				
6	1901025482	• O-RING	1				
7	1901042271	• PLUG	1				
8	1420111000	• O-RING	1				
9	1901042283	• O-RING	4				
10	1110020825	• SCREW, cap	4				
11	1901042851	• HOLDER, spring	2				
12	1901042856	• SPRING	1				
13	1901042831	• END, spool	1				
	N0h271						



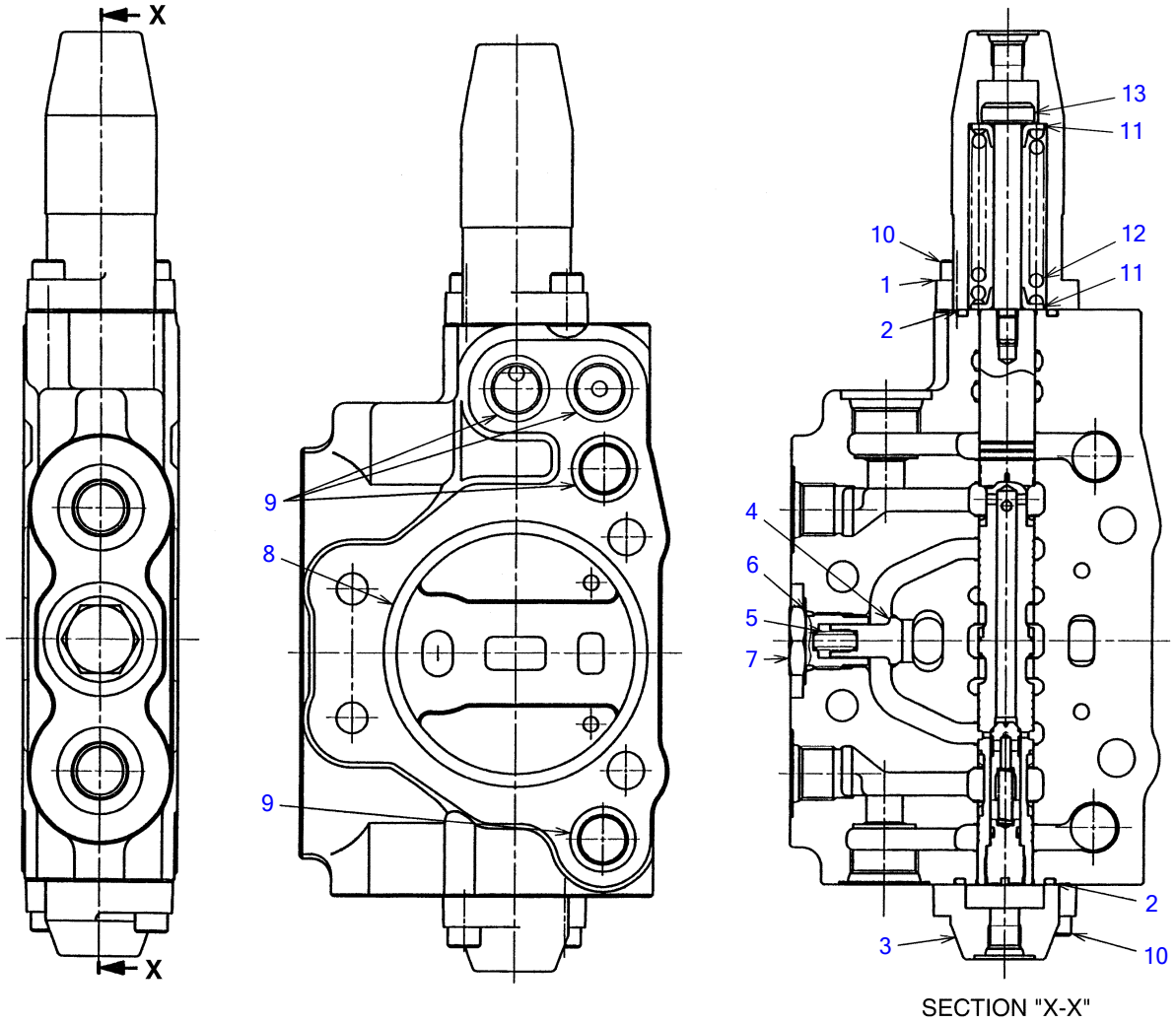
N0H281

SECTION "X-X"

S=FREE

BLOCK ASSY; No. 2

Item	Part number	Description	Q'ty	Chan.	Serial No.	Serv.	Remarks
0	1901042205	BLOCK ASSY; No.2	1				auxiliary 2
1	1901042266	• CAP	1				
2	1420110350	• O-RING	2				
3	1901042267	• CAP	1				
4	1901042226	• POPPET	1				
5	1901042256	• SPRING	1				
6	1901025482	• O-RING	1				
7	1901042271	• PLUG	1				
8	1420111000	• O-RING	1				
9	1901042283	• O-RING	2				
10	1110020825	• SCREW, cap	4				
11	1901042851	• HOLDER, spring	2				
12	1901042856	• SPRING	1				
13	1901042831	• END, spool	1				
	N0h281						

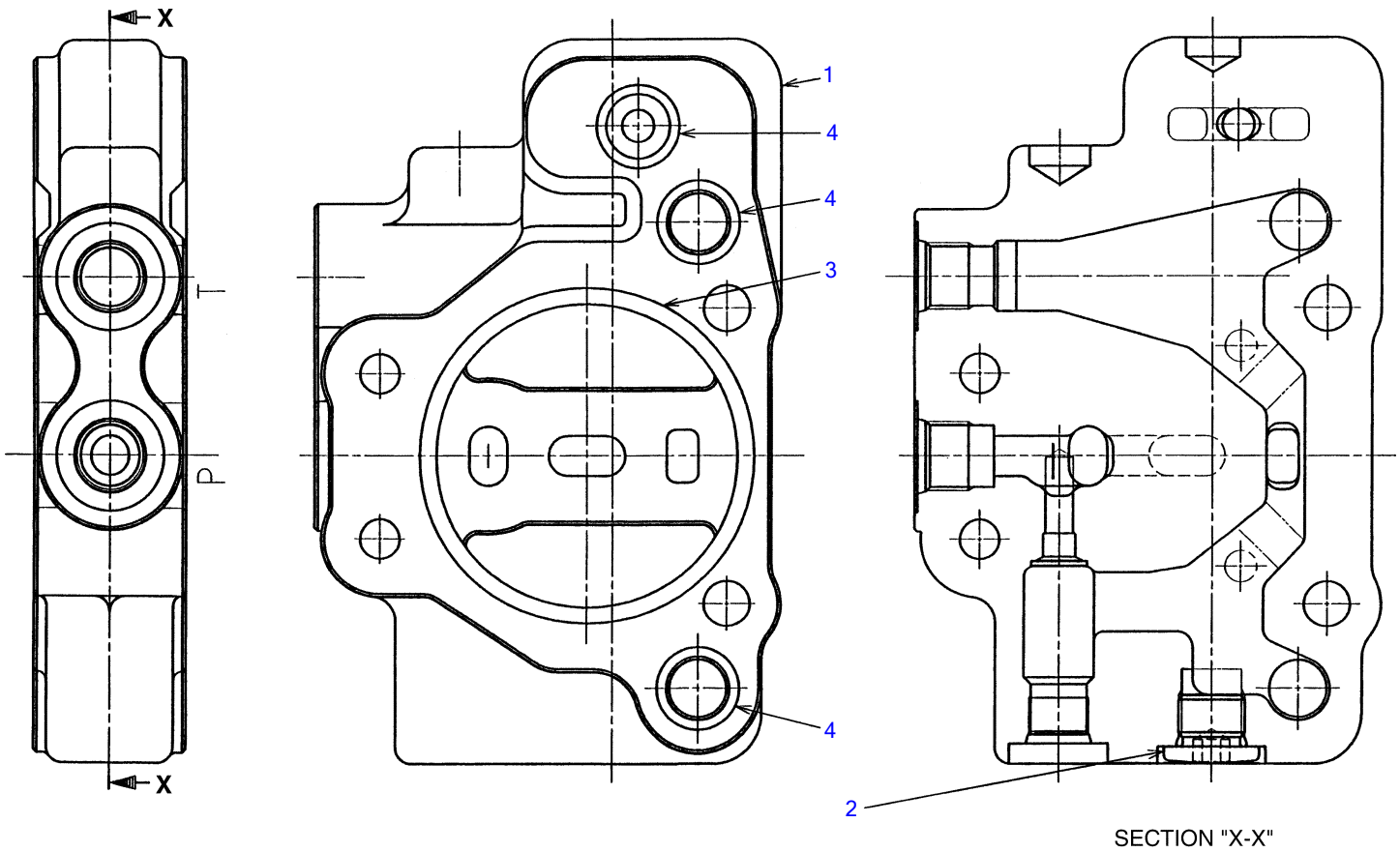


N0H291

S=FREE

BLOCK ASSY; No. 3

Item	Part number	Description	Q'ty	Chan.	Serial No.	Serv.	Remarks
0	1901042217	BLOCK ASSY; No.3	1				blade
1	1901042266	• CAP	1				
2	1420110350	• O-RING	2				
3	1901042267	• CAP	1				
4	1901042226	• POPPET	1				
5	1901042256	• SPRING	1				
6	1901025482	• O-RING	1				
7	1901042271	• PLUG	1				
8	1420111000	• O-RING	1				
9	1901042283	• O-RING	2				
10	1110020825	• SCREW, cap	4				
11	1901042851	• HOLDER, spring	2				
12	1901042856	• SPRING	1				
13	1901042831	• END, spool	1				
	N0h291						



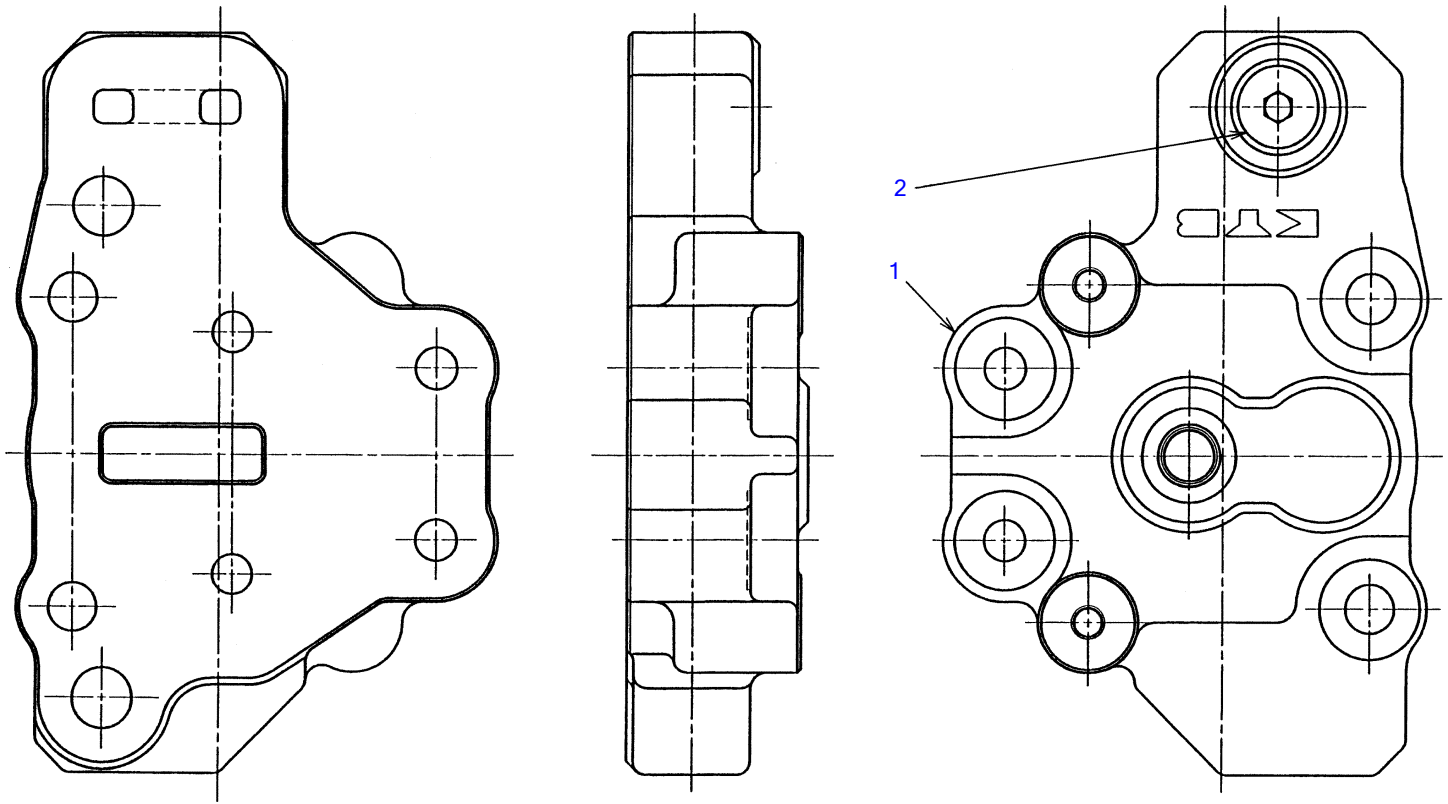
N0H300

S=FREE

INLET HOUSING ASSY

Item	Part number	Description	Q'ty	Chan.	Serial No.	Serv.	Remarks
0	1901042203	HOUSING ASSY, inlet	1				
1	1901042281	▪ HOUSING	1				
2	1901036572	▪ PLUG ASSY	1				
3	1420111000	▪ O-RING	1				
4	1901042283	▪ O-RING	3				

N0h300



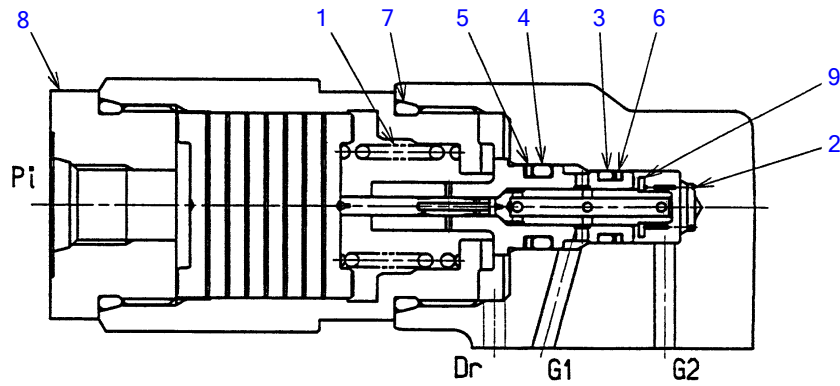
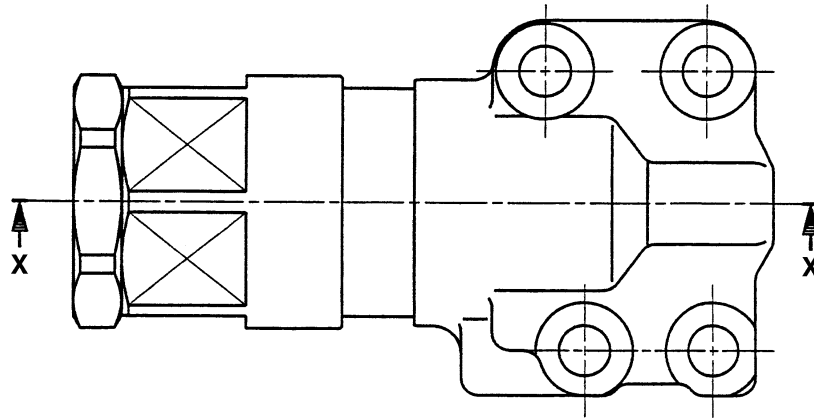
N0H310

S=FREE

OUTLET HOUSING ASSY

Item	Part number	Description	Q'ty	Chan.	Serial No.	Serv.	Remarks
0	1901042204	HOUSING ASSY, outlet	1				
1	1901042284	· HOUSING	1				
2	1901036678	· PLUG ASSY	1				
	N0h310						

TB1140 Book No. BN1Z002 S/N 51410002-
ANTI-SOLENOID VALVE ASSY



SECTION "X-X"

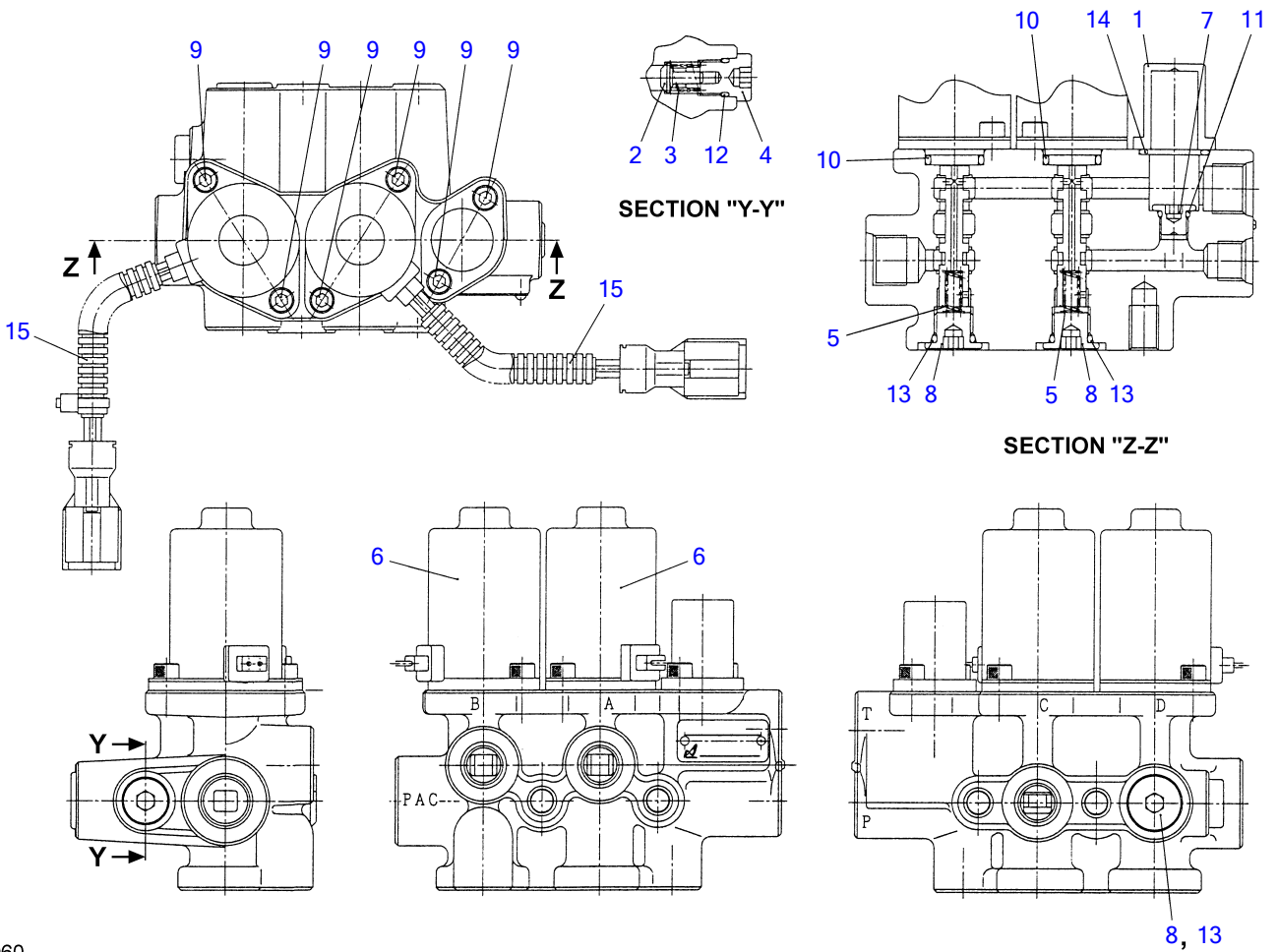
N0H320

S=FREE

ANTI-SOLENOID VALVE ASSY

Item	Part number	Description	Q'ty	Chan.	Serial No.	Serv.	Remarks
0	1901042221	VALVE ASSY, anti-solenoid	1				
1	1901042246	▪ SPRING	1				
2	1901042245	▪ SPRING	1				
3	1420000900	▪ O-RING	1				
4	1420000100	▪ O-RING	1				
5	1421020100	▪ RING, back-up	1				
6	1421020090	▪ RING, back-up	1				
7	1901042244	▪ O-RING	1				
8	1901042243	▪ PLUG ASSY	1				
9	1901042242	▪ SEAT, spring	1				
	N0h320						

TB1140 Book No. BN1Z002 S/N 51410002-
SOLENOID VALVE; 2 BLOCKS



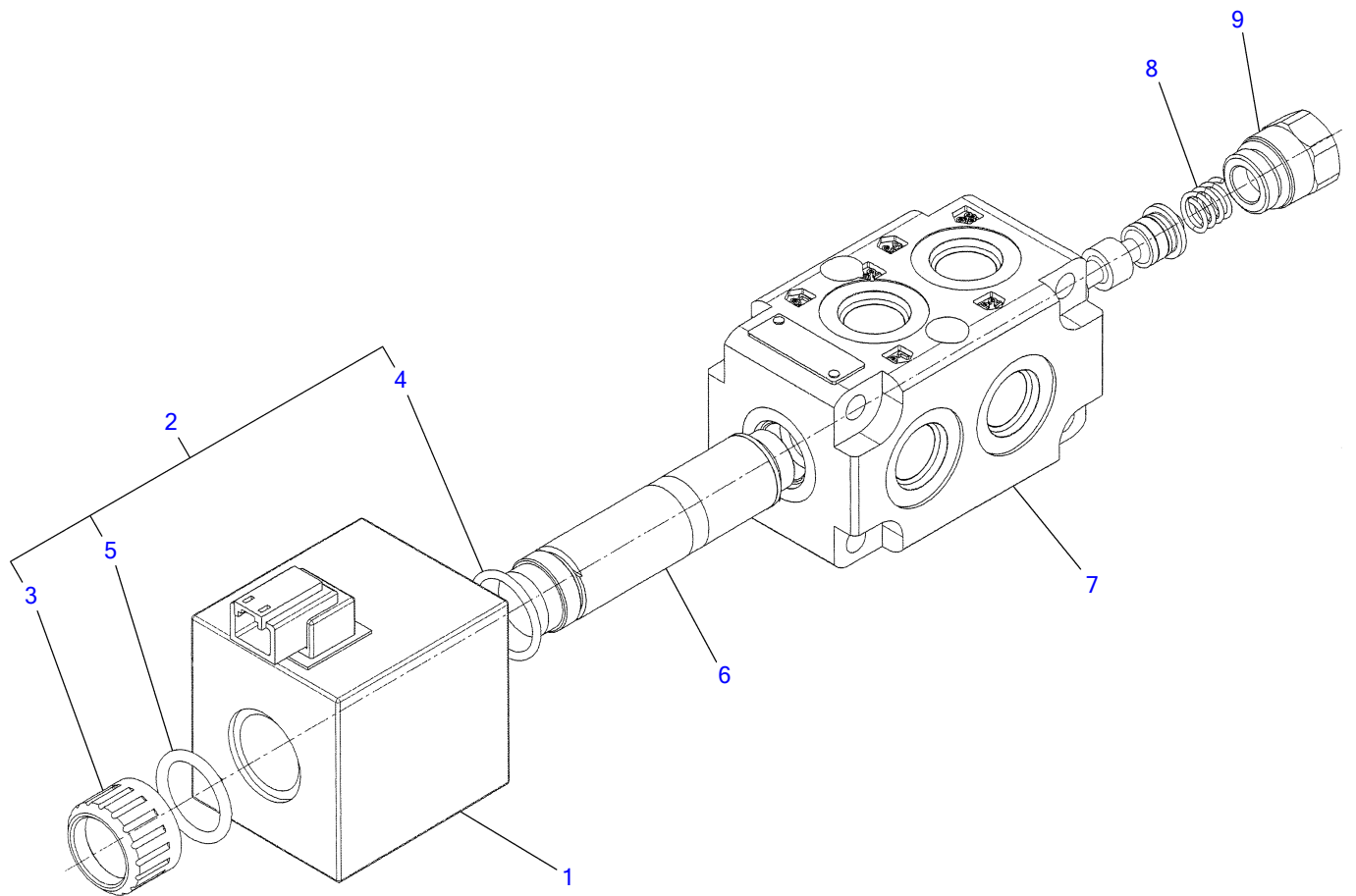
N0H060

S=FREE

SOLENOID VALVE; 2 BLOCKS

Item	Part number	Description	Q'ty	Chan.	Serial No.	Serv.	Remarks
0	1901744600	VALVE ASSY, solenoid (2-blocks)	1				
1	1901738303	▪ COVER	1				
2	1901035426	▪ PLUNGER	1				
3	1901004357	▪ SPRING	1				
4	1901035471	▪ PLUG	1				
5	1901735511	▪ SPRING	2				
6	1901744609	▪ SOLENOID	2				
7	1501750001	▪ PLUG	1				
	1420010080	▪ ▪ O-RING	1				
8	1501750002	▪ PLUG	3				
	1420010110	▪ ▪ O-RING	1				
9	1110020512	▪ SCREW, cap	6				
10	1420000160	▪ O-RING	2				
11	1420010080	▪ O-RING	1				
12	1420010100	▪ O-RING	1				
13	1420010110	▪ O-RING	3				
14	1420010200	▪ O-RING	1				
15	1901044619	▪ TUBE	2				
	N0h061						

TB1140 Book No. BN1Z002 S/N 51410002-
SOLENOID VALVE; 1 BLOCKS (with 4th aux. Lines)



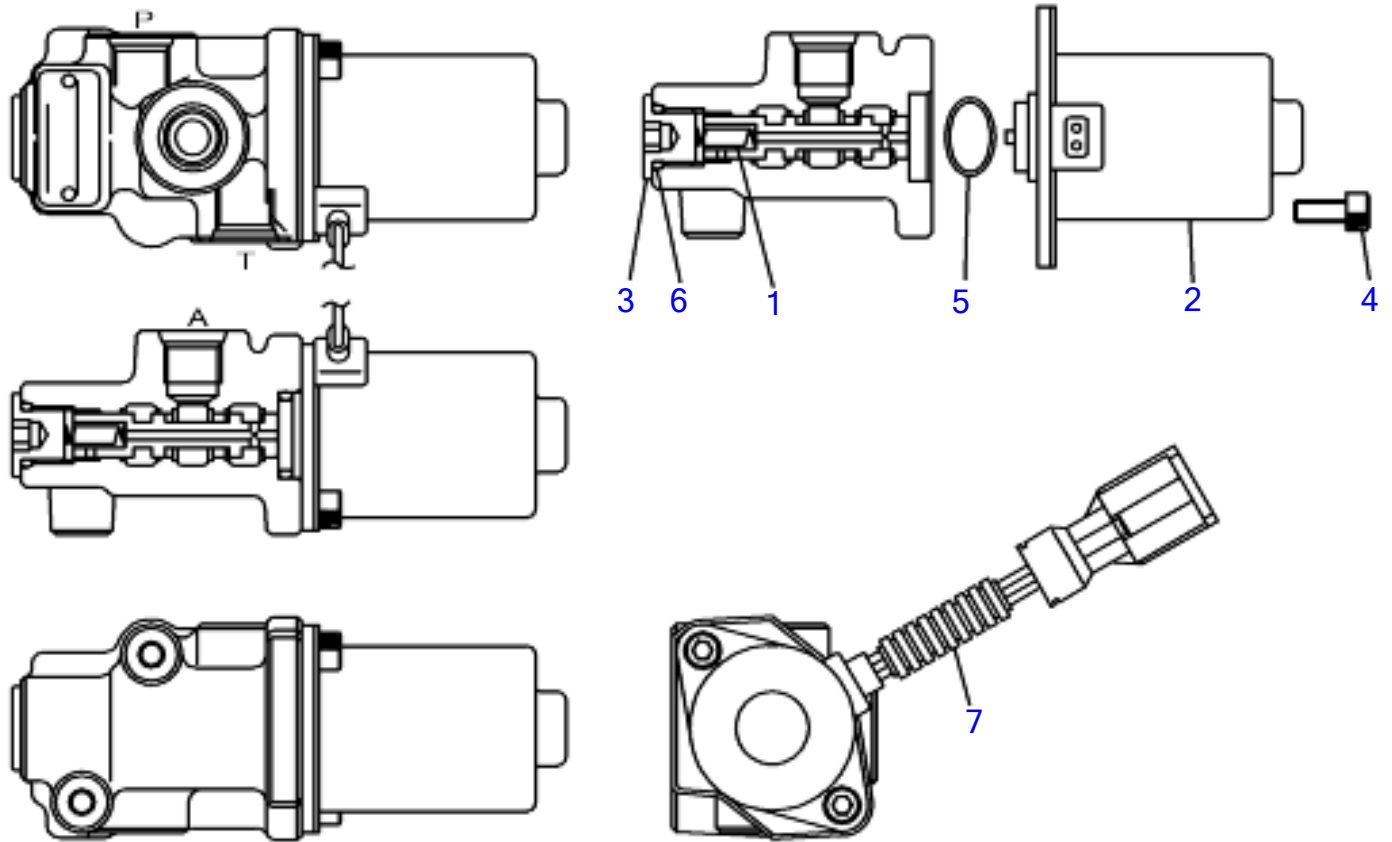
L5H040

S-free

SOLENOID VALVE; 1 BLOCKS (with 4th aux. Lines)

Item	Part number	Description	Q'ty	Chan.	Serial No.	Serv.	Remarks
0	1901748300	VALVE ASSY, solenoid (1-blocks)	1				
1	1901748301	▪ COIL	1				
2	1901748320	▪ NUT ASSY	1				
3	1901748321	▪ ▪ NUT	1				
4	1901748322	▪ ▪ O-RING	1				
5	1901748323	▪ ▪ O-RING	1				
6	1901748306	▪ TUBE KIT	1				
7	1901748307	▪ BODY	1				
8	1901748309	▪ SPRING	1				
9	1901748310	▪ PLUG	1				
	L3h541						

TB1140 Book No. BN1Z002 S/N 51410002-
SOLENOID VALVE BLOCK 1 SERVICE HIGH FLOW

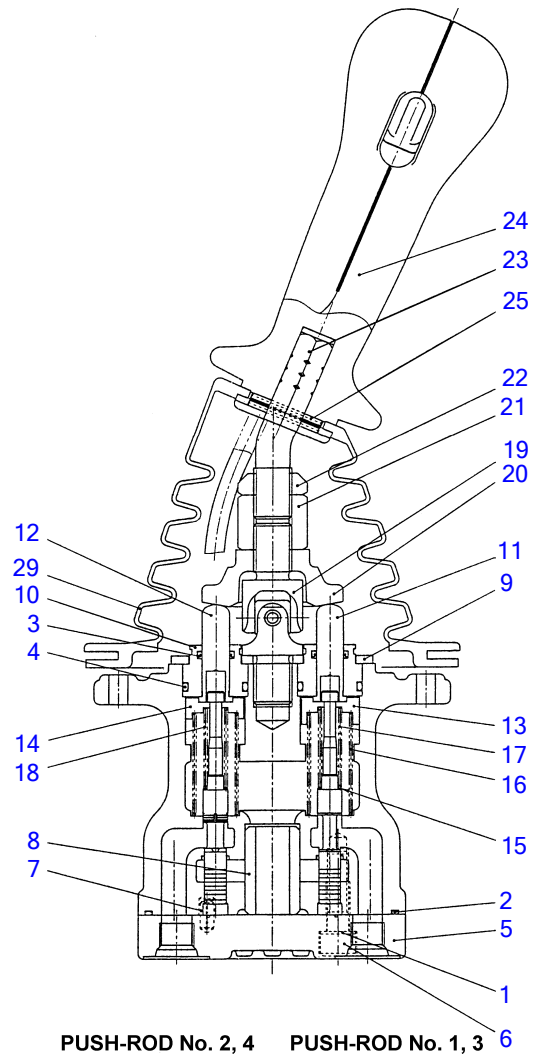
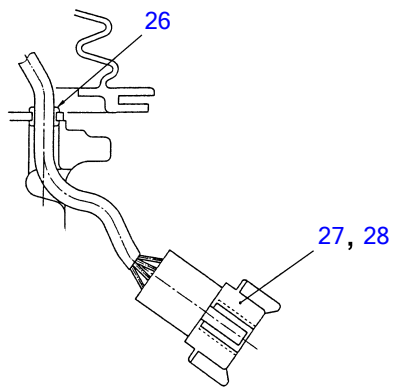
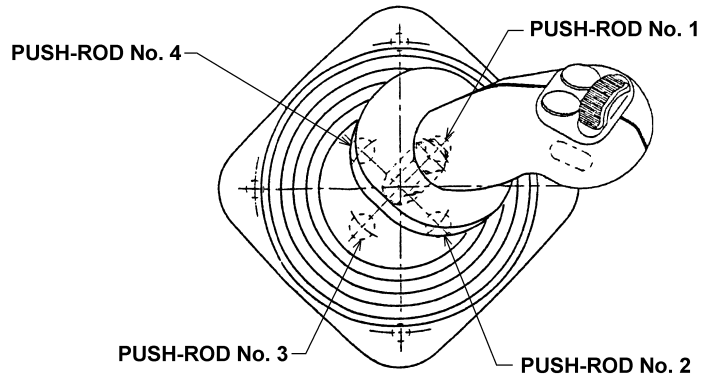


L3H350

S-free

SOLENOID VALVE BLOCK 1 SERVICE HIGH FLOW

Item	Part number	Description	Q'ty	Chan.	Serial No.	Serv.	Remarks
0	1901739600	SOLENOID VALVE ASSY 1 BLOCK	1				
1	1901734404	* SPRING	1				
2	1901738907	* SOLENOID	1				
3	1901738312	* PLUG	1				
4	1110040512	* CAP SCREW	2				
5	1420000160	* O-RING	1				
6	1420010110	* O-RING	1				
7	1901738919	* TUBE	1				
	L3H350						



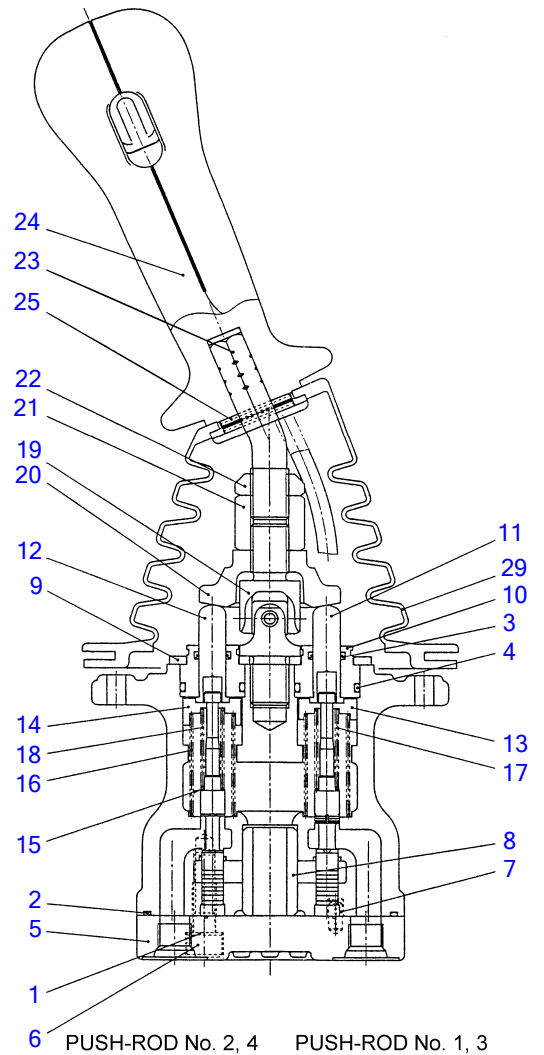
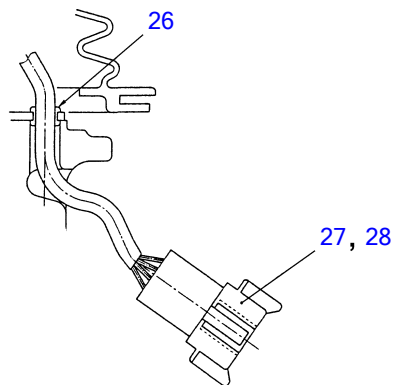
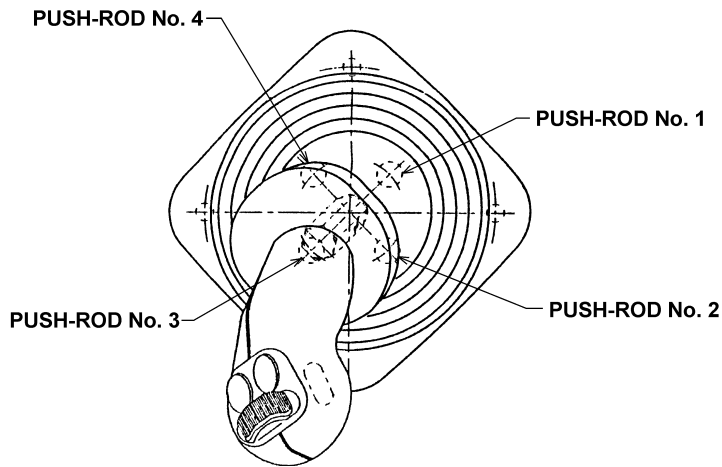
N0H070

S=free

PILOT VALVE (R.H.)

Item	Part number	Description	Q'ty	Chan.	Serial No.	Serv.	Remarks
0	1901743700	VALVE ASSY, pilot	1				RIGHT
0-1	1901743699	• KIT, seal	1				
1	X 1901715103	• • WASHER	2				
2	X 1420510850	• • O-RING	1				
3	X 1901710914	• • SEAL	4				
4	X 1420010200	• • O-RING	4				
5	1901743601	• PLATE	1				
6	1110020835	• SCREW, cap	2				
7	1213000510	• PIN, spring	1				
8	1901743606	• BUSHING	1				
9	1901735608	• PLATE	1				
10	1901710912	• PLUG	4				
11	1901719011	• ROD	2				
12	1901719012	• ROD	2				
13	1901743614	• HOLDER	2				
14	1901743615	• HOLDER	2				
15	1901710917	• WASHER	4				
16	1901743617	• SPRING	4				
17	1901743618	• SPRING	2				
18	1901743619	• SPRING	2				
19	1901720232	• JOINT	1				
20	1901743620	• PLATE	1				
21	1901735625	• NUT	1				
22	1901735626	• NUT	1				
23	1901740432	• LEVER	1				
24	1901740410	• HANDLE	1				
25	1213000528	• PIN, spring	1				
26	1901735630	• BUSHING	1				
27	1901740446	• RECEPTACLE	1				
28	1901740447	• WEDGE	1				
29	1901735632	• BOOT	1				
	N0h070						

TB1140 Book No. BN1Z002 S/N 51410002-
PILOT VALVE (L.H.)

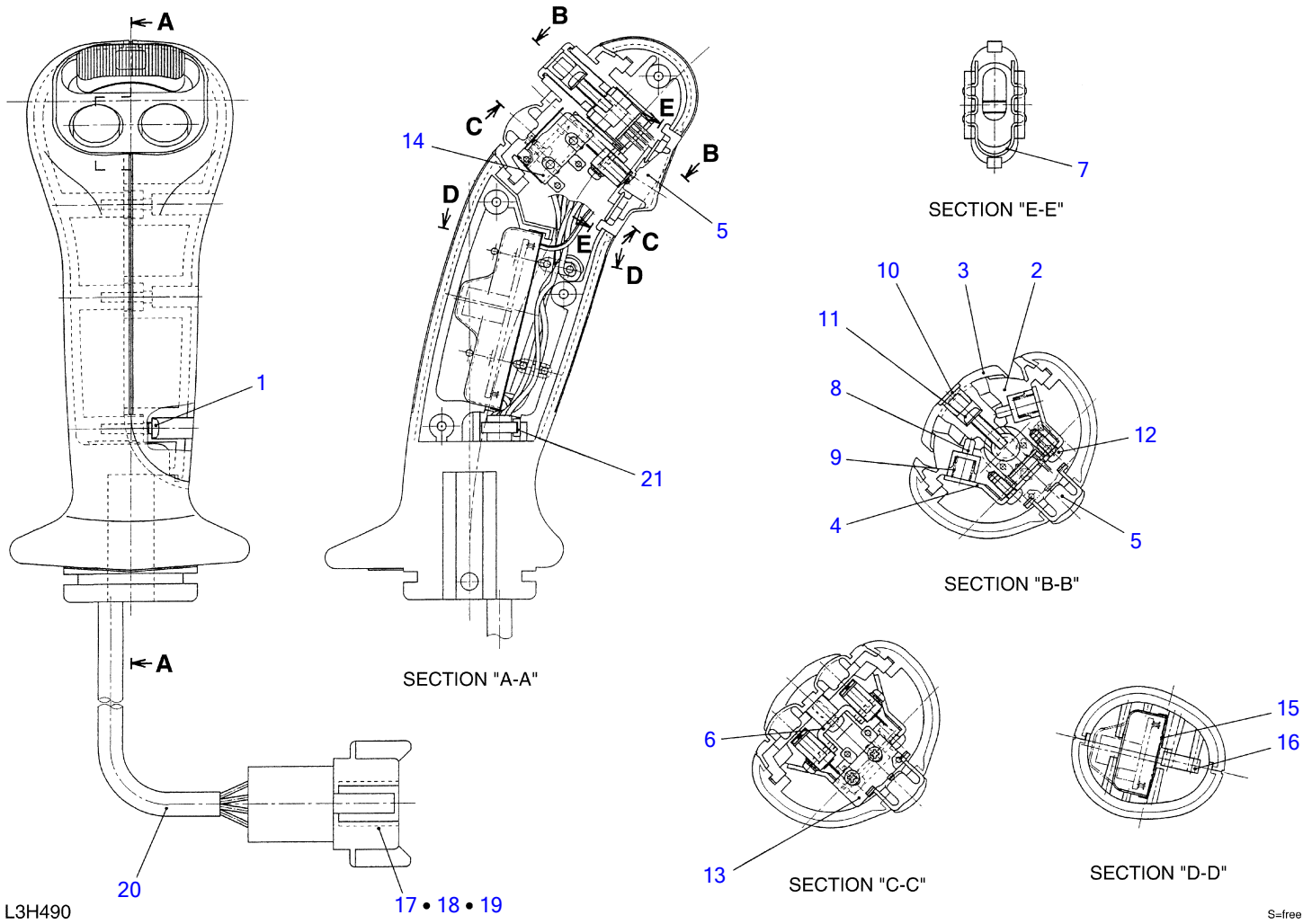


N0H080

S=free

PILOT VALVE (L.H.)

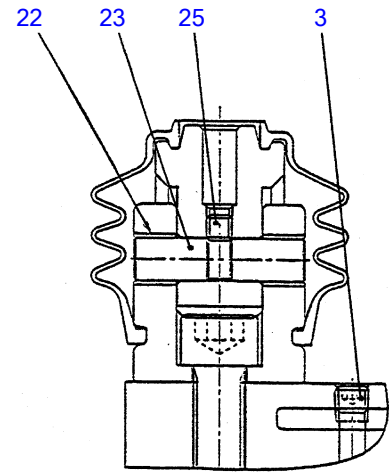
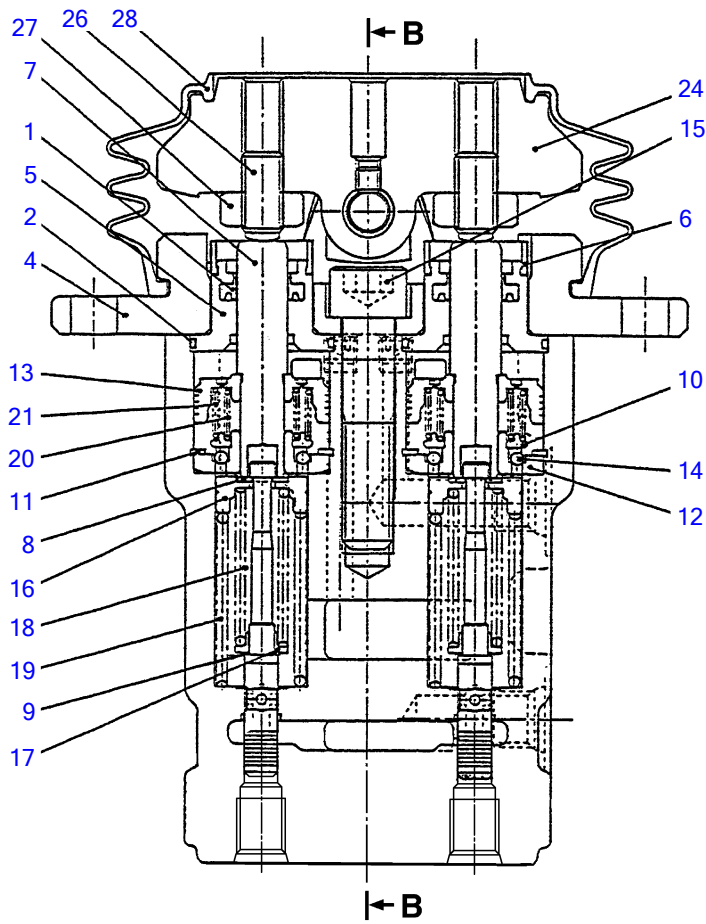
Item	Part number	Description	Q'ty	Chan.	Serial No.	Serv.	Remarks
0	1901743600	VALVE ASSY, pilot	1				LEFT
0-1	1901743699	• KIT, seal	1				
1	X 1901715103	• • WASHER	2				
2	X 1420510850	• • O-RING	1				
3	X 1901710914	• • SEAL	4				
4	X 1420010200	• • O-RING	4				
5	1901743601	• PLATE	1				
6	1110020835	• SCREW, cap	2				
7	1213000510	• PIN, spring	1				
8	1901743606	• BUSHING	1				
9	1901735608	• PLATE	1				
10	1901710912	• PLUG	4				
11	1901719011	• ROD	2				
12	1901719012	• ROD	2				
13	1901743614	• HOLDER	2				
14	1901743615	• HOLDER	2				
15	1901710917	• WASHER	4				
16	1901743617	• SPRING	4				
17	1901743618	• SPRING	2				
18	1901743619	• SPRING	2				
19	1901720232	• JOINT	1				
20	1901743620	• PLATE	1				
21	1901735625	• NUT	1				
22	1901735626	• NUT	1				
23	1901740432	• LEVER	1				
24	1901740410	• HANDLE	1				
25	1213000528	• PIN, spring	1				
26	1901735630	• BUSHING	1				
27	1901740446	• RECEPTACLE	1				
28	1901740447	• WEDGE	1				
29	1901735632	• BOOT	1				
	N0h080						



HANDLE (with slide switch)

Item	Part number	Description	Q'ty	Chan.	Serial No.	Serv.	Remarks
0	1901740410	HANDLE ASSY	1				
1	1122400312	• SCREW	4				
2	1901740417	• CASE	1				
3	1901740418	• CAM	1				
4	1901740401	• PLATE	1				
5	1901740402	• BUTTON	1				
6	1901740403	• BRACKET	1				
7	1901740404	• CLIP	1				
8	1901740405	• PISTON	2				
9	1901740406	• SPRING	2				
10	1901740407	• CAP	1				
11	1150010312	• SCREW	1				
12	1122400306	• SCREW	3				
13	1901740408	• SWITCH	1				
14	1901740409	• SWITCH	2				
15	1901740411	• COVER	1				
16	1901740412	• CAP	2				
17	1901740446	• RECEPTACLE	1				
18	1901740447	• WEDGE	1				
19	1901740413	• PIN	8				
20	1901740414	• PROTECTOR	1				
21	1901740415	• BAND	1				

L3h490



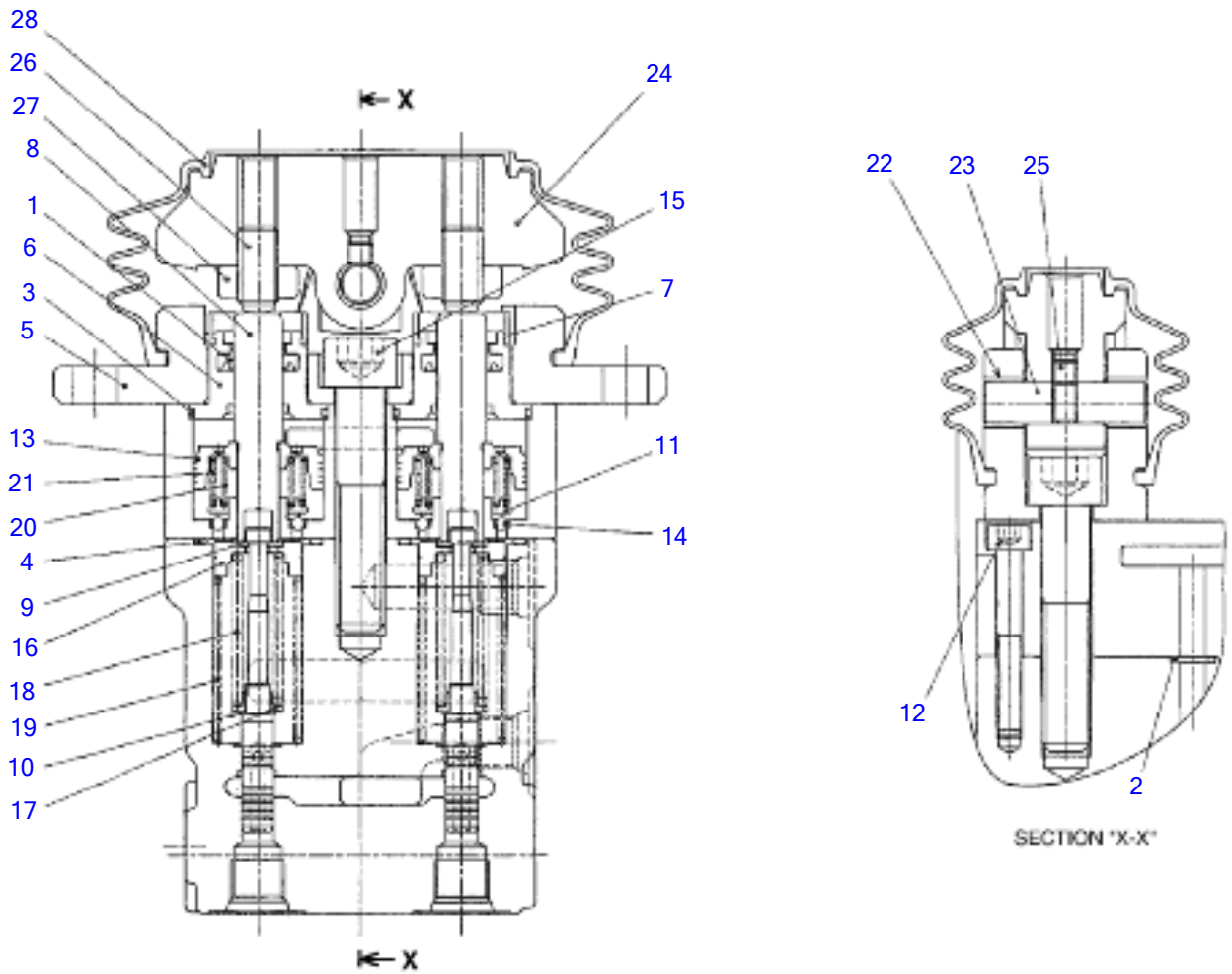
SECTION "B-B"

L3H360

S-free

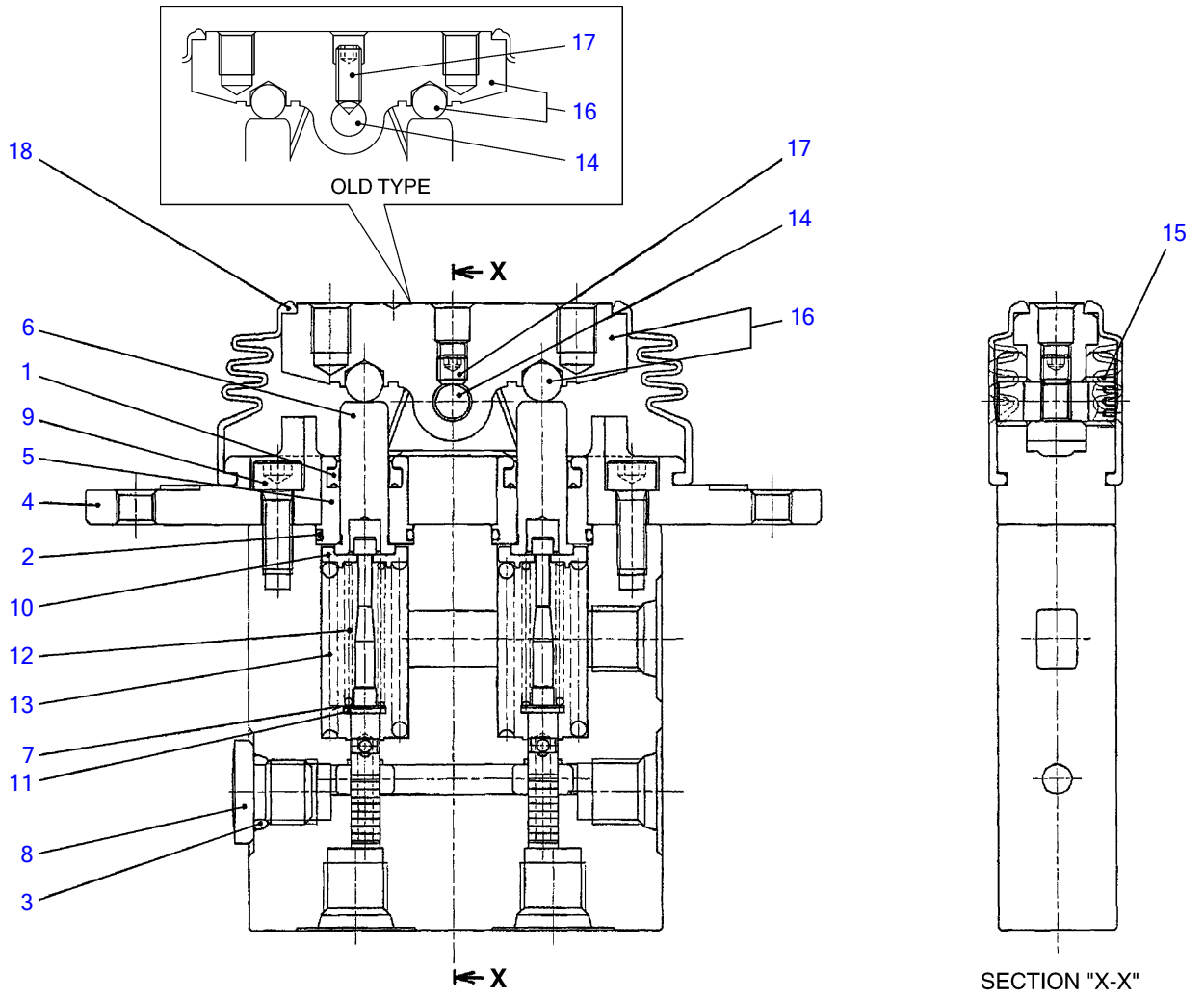
REMOTE CONTROL VALVE (travel)

Item	Part number	Description	Q'ty	Chan.	Serial No.	Serv.	Remarks
0	1901743800	VALVE ASSY, remote-control	1				travel
0-1	1901743899	· KIT, seal	1				
1	X 1901733515	· · PACKING	4				
2	X 1420300025	· · O-RING	4				
3	1901738851	· PLUG	2				
4	1901733512	· COVER	2				
5	1901733513	· PLUG	4				
6	1901733514	· CUP	4				
7	1901733517	· ROD	4				
8	1901710915	· WASHER	8				
9	1901710917	· WASHER	4				
10	1901733520	· HOLDER	4				
11	1901733521	· RING	4				
12	1901733522	· BUSHING	4				
13	1901733523	· PISTON	4				
14	1390010030	· BALL, steel	12				
15	1110021255	· SCREW, cap	2				
16	1901733527	· HOLDER	4				
17	1901733528	· WASHER	4				
18	1901743820	· SPRING	4				
19	1901733530	· SPRING	4				
20	1901733531	· SPRING	4				
21	1901733532	· SPRING	4				
22	1333001010	· BUSHING	4				
23	1901725215	· SHAFT	2				
24	1901725216	· CAM	2				
25	1121040606	· SET-SCREW	2				
26	1901725218	· SET-SCREW	4				
27	1130250010	· NUT	4				
28	1901725220	· BOOT	2				
	N0h090						



REMOTE CONTROL VALVE TRAVEL 51410491~

Item	Part number	Description	Q'ty	Chan.	Serial No.	Serv.	Remarks
0	1901754700	REMOTE CONTROL VALVE ASSY	1				
0-1	1901754799	* SEAL KIT	1				
1	1901733515	* * PACKING	4				
2	1420010080	* * O-RING	2				
3	1420300025	* * O-RING	4				
4	1420500280	* * O-RING	4				
5	1901733512	* COVER	2				
6	1901733513	* PLUG	4				
7	1901733514	* CUP	4				
8	1901733517	* ROD	4				
9	1901710915	* WASHER	8				
10	1901710917	* WASHER	4				
11	1901733520	* HOLDER	4				
12	1110020645	* CAP SCREW	2				
13	1901733523	* PISTON	4				
14	1390010030	* STEEL BALL	12				
15	1110021260	* CAP SCREW	2				
16	1901733527	* HOLDER	4				
17	1901733528	* WASHER	4				
18	1901743820	* SPRING	4				
19	1901733530	* SPRING	4				
20	1901733531	* SPRING	4				
21	1901733532	* SPRING	4				
22	1333001010	* BUSHING	4				
23	1901725215	* SHAFT	2				
24	1901725216	* CAM	2				
25	1121040606	* SET-SCREW	2				
26	1901725218	* SET-SCREW	4				
27	1130090010	* NUT	4				
28	1901754751	* BOOT	2				
	N6H080						



L3H151

SECTION "X-X"

S-FREE

REMOTE CONTROL VALVE (swing)

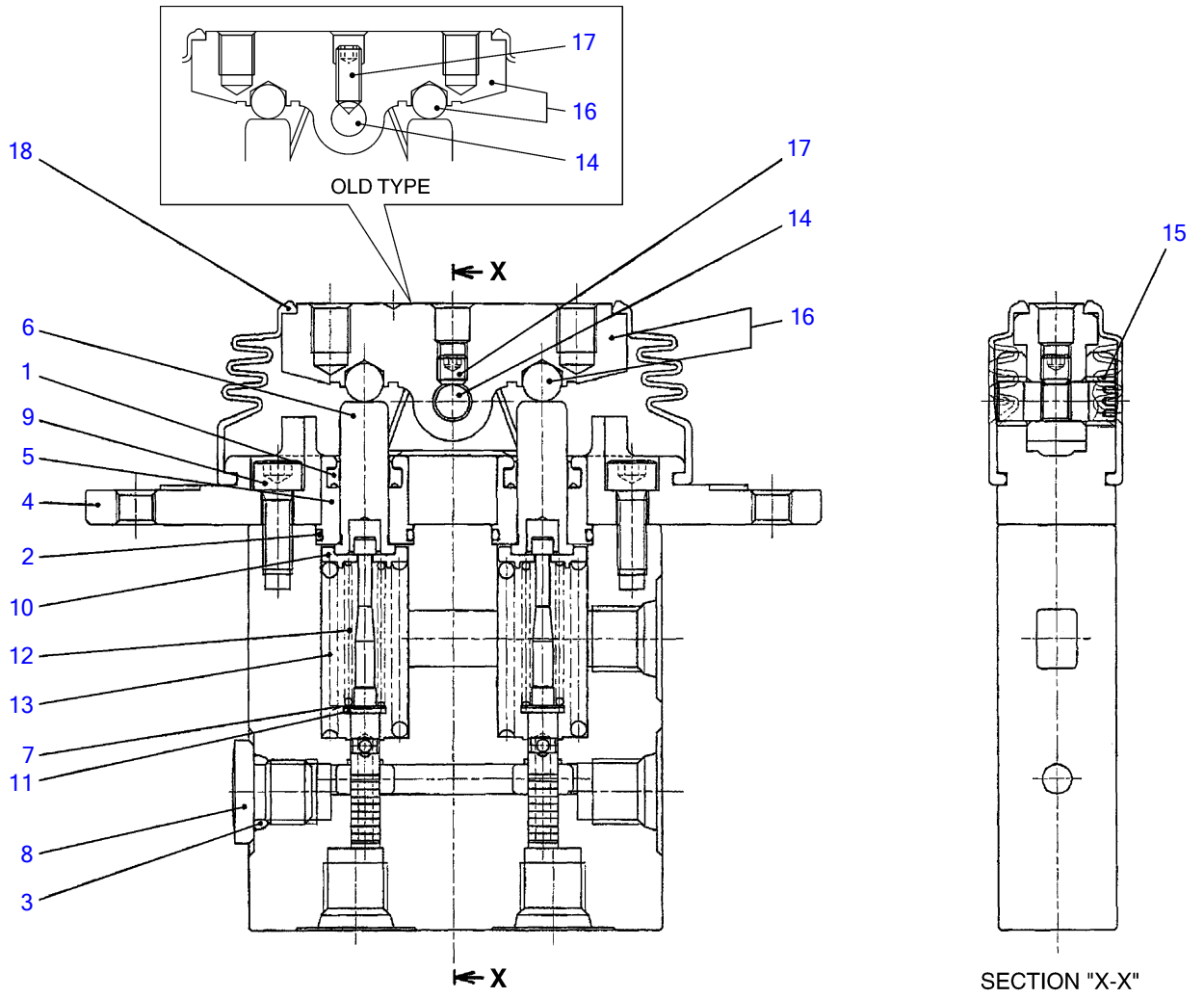
Item	Part number	Description	Q'ty	Chan.	Serial No.	Serv.	Remarks
0	1901735000	VALVE ASSY, remote-control	1				swing
0-1	1901745499	· KIT, seal	1				
1	X 1901745404	· · PACKING	2				
2	X 1420300017	· · O-RING	2				
3	X 1420010110	· · O-RING	1				
4	1901745402	· COVER	1				
5	1901745403	· PLUG	2				
6	1901745406	· ROD	2				
7	1901745407	· SHIM	2				
8	1501750002	· PLUG	1				
	1420010110	· · O-RING	1				
9	1110020616	· SCREW, cap	2				
10	1901745412	· HOLDER	2				
11	1901745413	· WASHER	2				
12	1901745414	· SPRING	2				
13	1901735015	· SPRING	2				
14	1901745416	· SHAFT	1	A	old type		
	1901735016	· SHAFT	1	a(H)	new type		No. 23759
15	1901745417	· BUSHING	2				
16	1901745418	· CAM ASSY	1	A	old type		
	1901735018	· CAM ASSY	1	a(H)	new type		No. 23759
17	1901745420	· SET-SCREW	1	A	old type		
	1121040606	· SET-SCREW	1	a(H)	new type		No. 23759
18	1901735001	· BOOT	1				

<<NOTE>>

SET "A" is interchangeable with SET "a".

L3h151

TB1140 Book No. BN1Z002 S/N 51410002-
REMOTE CONTROL VALVE (dozer blade)



N0H101

SECTION "X-X"

S=FREE

REMOTE CONTROL VALVE (dozer blade)

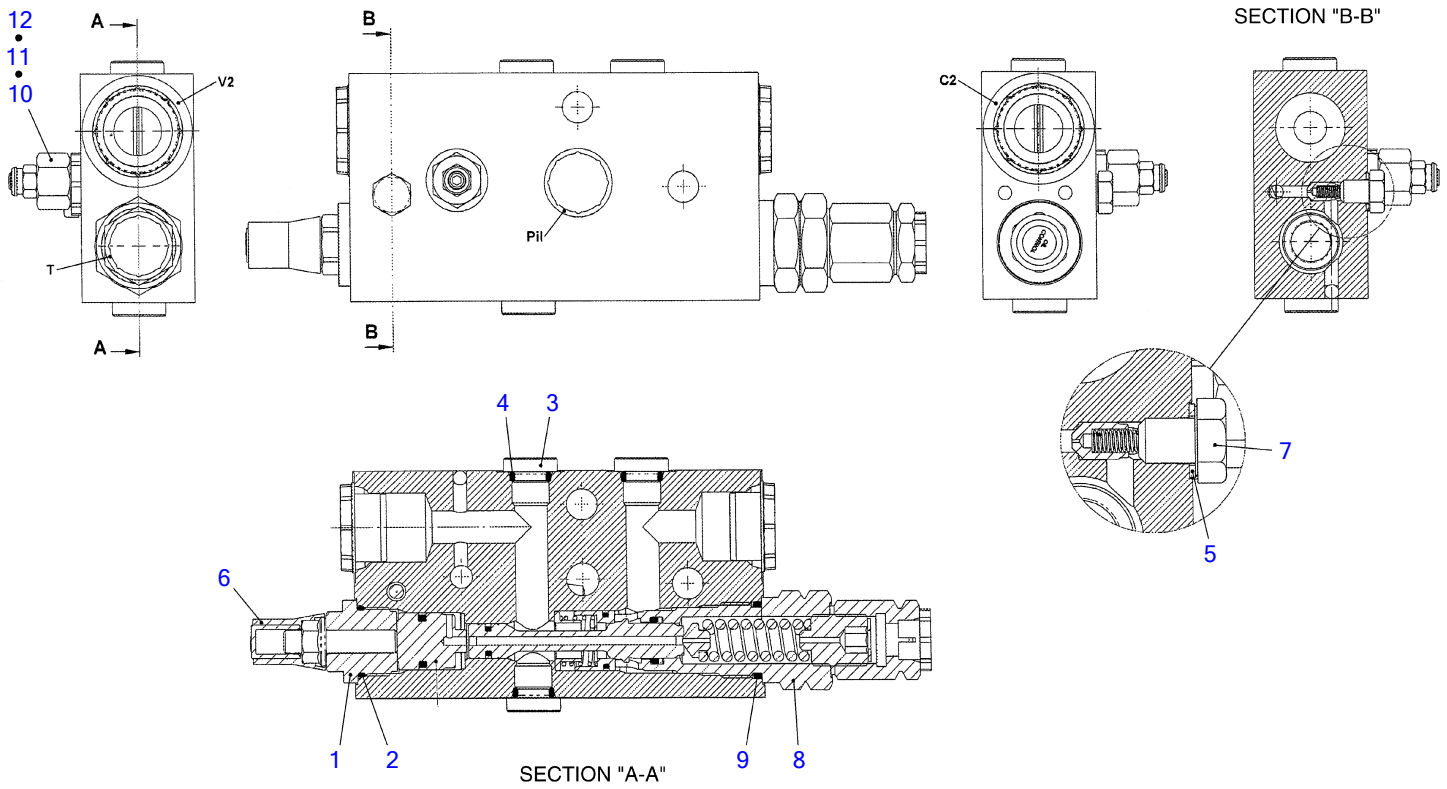
Item	Part number	Description	Q'ty	Chan.	Serial No.	Serv.	Remarks
0	1901745400	VALVE ASSY, remote-control	1				blade
0-1	1901745499	· KIT, seal	1				
1	X 1901745404	· · PACKING	2				
2	X 1420300017	· · O-RING	2				
3	X 1420010110	· · O-RING	1				
4	1901745402	· COVER	1				
5	1901745403	· PLUG	2				
6	1901745406	· ROD	2				
7	1901745407	· SHIM	2				
8	1501750002	· PLUG	1				
	1420010110	· · O-RING	1				
9	1110020616	· SCREW, cap	2				
10	1901745412	· HOLDER	2				
11	1901745413	· WASHER	2				
12	1901745414	· SPRING	2				
13	1901745415	· SPRING	2				
14	1901745416	· SHAFT	1	A	old type		
	1901735016	· SHAFT	1	a(H)	new type		No. 23759
15	1901745417	· BUSHING	2				
16	1901745418	· CAM ASSY	1	A	old type		
	1901735018	· CAM ASSY	1	a(H)	new type		No. 23759
17	1901745420	· SET-SCREW	1	A	old type		
	1121040606	· SET-SCREW	1	a(H)	new type		No. 23759
18	1901735001	· BOOT	1				

<<NOTE>>

SET "A" is interchangeable with SET "a".

N0h101

TB1140 Book No. BN1Z002 S/N 51410002-
SHUT-OFF VALVE (right boom)



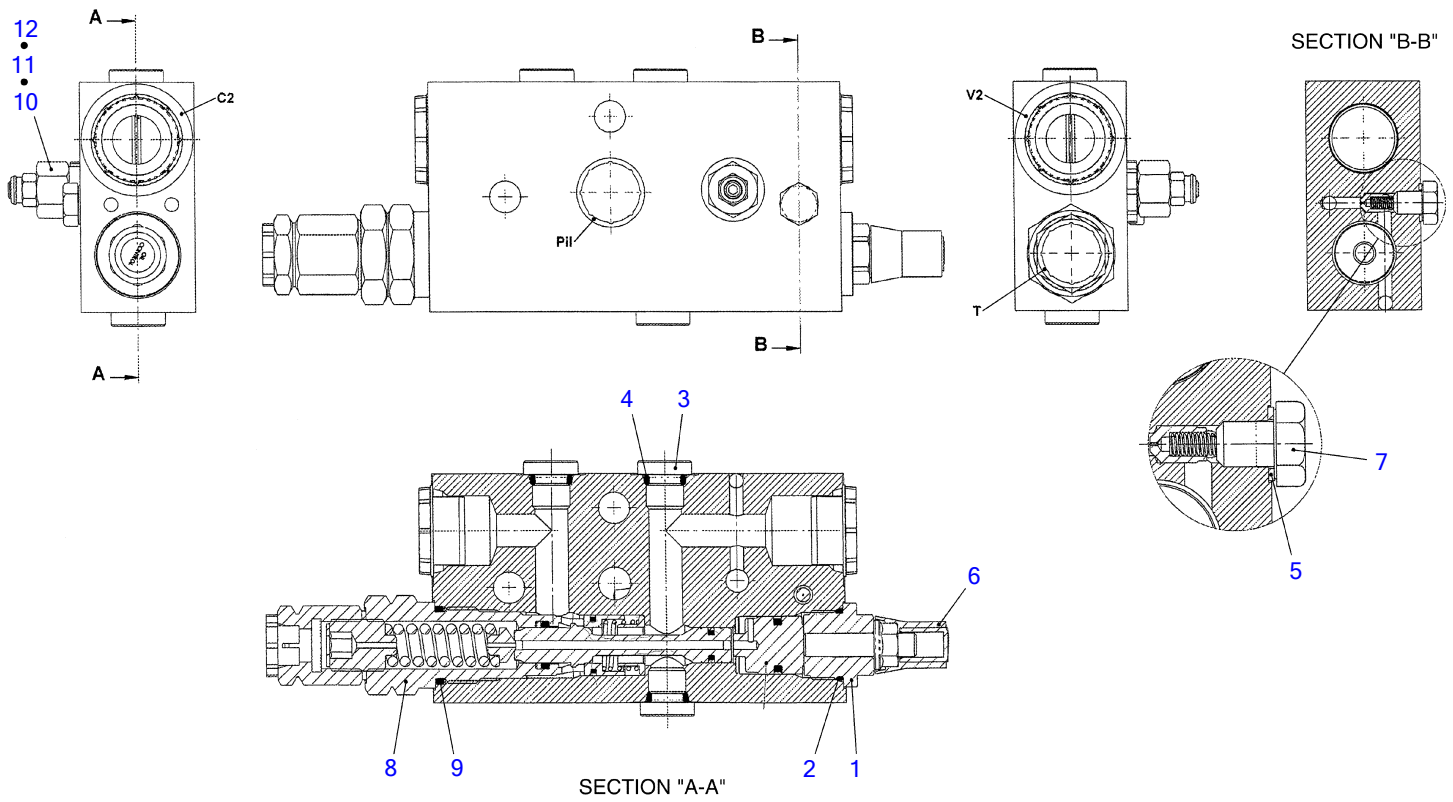
N0H400

S=free

SHUT-OFF VALVE (right boom)

Item	Part number	Description	Q'ty	Chan.	Serial No.	Serv.	Remarks
0	1901747600	VALVE ASSY, shut-off	1				right boom
1	1901747510	• PLUG ASSY	1				
2	1901747601	• • O-RING	1				
3	1901744305	• PLUG ASSY	3				
4	1420010110	• • O-RING	1				
5	1901746206	• SEAL	1				
6	1901746201	• CAP	1				
7	1901746207	• BOLT	1				
8	1901747603	• VALVE ASSY, check	1				
9	1901747512	• • O-RING	1				
10	1901747602	• VALVE ASSY, relief	1				
11	1901746208	• • RING, back-up	1				
12	1901746211	• • O-RING	1				
	N0h400						

TB1140 Book No. BN1Z002 S/N 51410002-
SHUT-OFF VALVE (left boom)



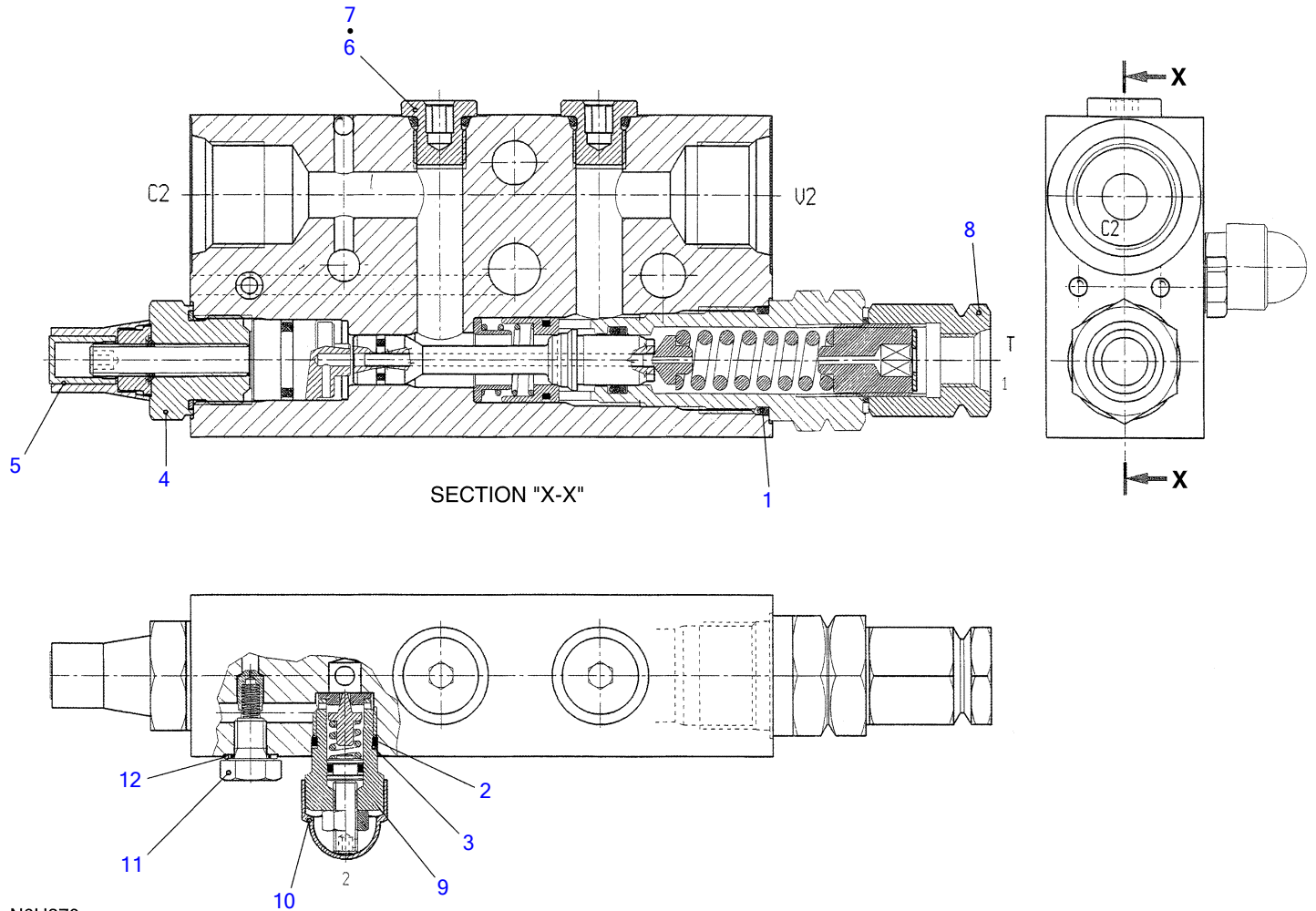
N0H410

S=free

SHUT-OFF VALVE (left boom)

Item	Part number	Description	Q'ty	Chan.	Serial No.	Serv.	Remarks
	1901747700	VALVE ASSY, shut-off	1				left boom
1	1901747510	• PLUG ASSY	1				
2	1901747601	• • O-RING	1				
3	1901744305	• PLUG ASSY	3				
4	1420010110	• • O-RING	1				
5	1901746206	• SEAL	1				
6	1901746201	• CAP	1				
7	1901746207	• BOLT	1				
8	1901747603	• VALVE ASSY, check	1				
9	1901747512	• • O-RING	1				
10	1901747602	• VALVE ASSY, relief	1				
11	1901746208	• • RING, back-up	1				
12	1901746211	• • O-RING	1				
	N0h410						

TB1140 Book No. BN1Z002 S/N 51410002-
SHUT-OFF VALVE (arm)



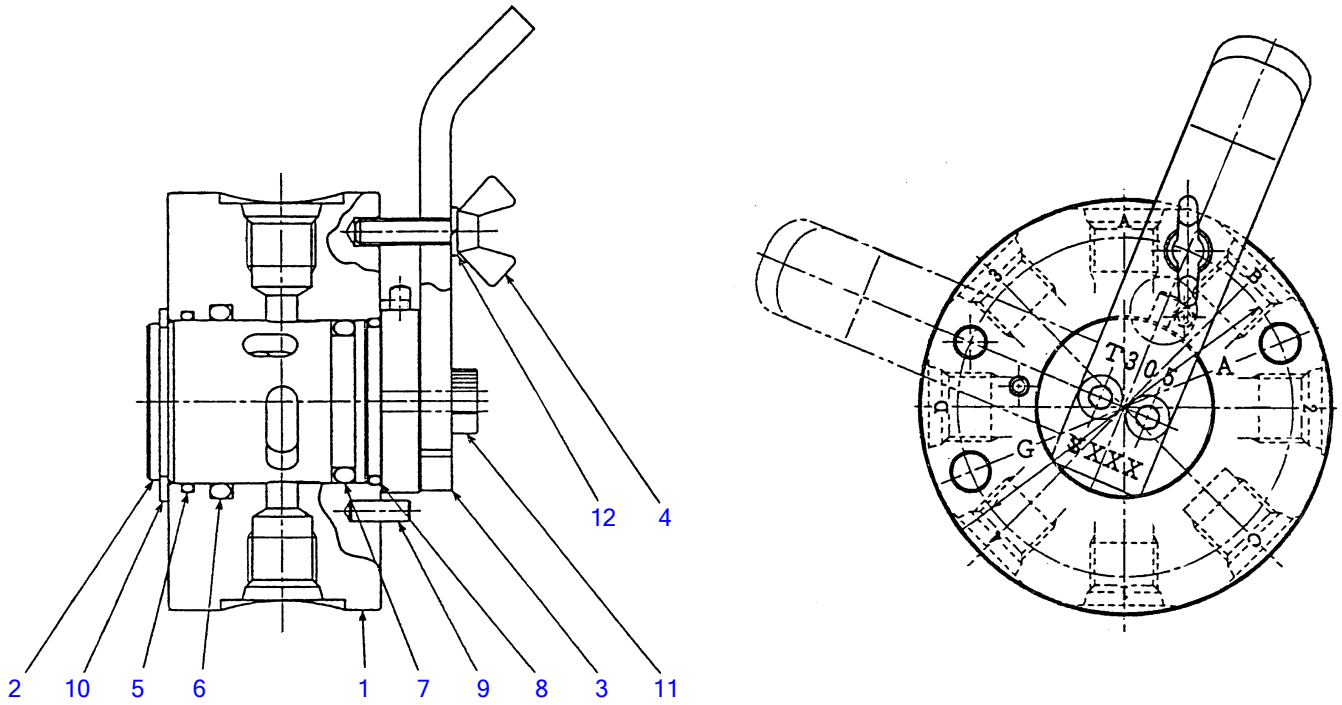
N0H370

S=FREE

SHUT-OFF VALVE (arm)

Item	Part number	Description	Q'ty	Chan.	Serial No.	Serv.	Remarks
0	1901744400	VALVE ASSY, shut-off	1				arm
0-1	1901744499	· KIT, seal	1				
1	1420300118	· · O-RING	1				
2	1420300014	· · O-RING	1				
3	1901742911	· · RING, back-up	1				
4	1901742902	· PLUG KIT	1				
5	1901742901	· CAP	1				
6	1901744305	· PLUG ASSY	2				
7	1420010110	· · O-RING	1				
8	1901744404	· VALVE, relief	1				
9	1901742909	· PLUG	1				
10	1901742910	· CAP	1				
11	1901742907	· SCREW	1				
12	1901742906	· SEAL	1				
	N0h370						

TB1140 Book No. BN1Z002 S/N 51410002-
SELECTOR VALVE (A-G pattern)



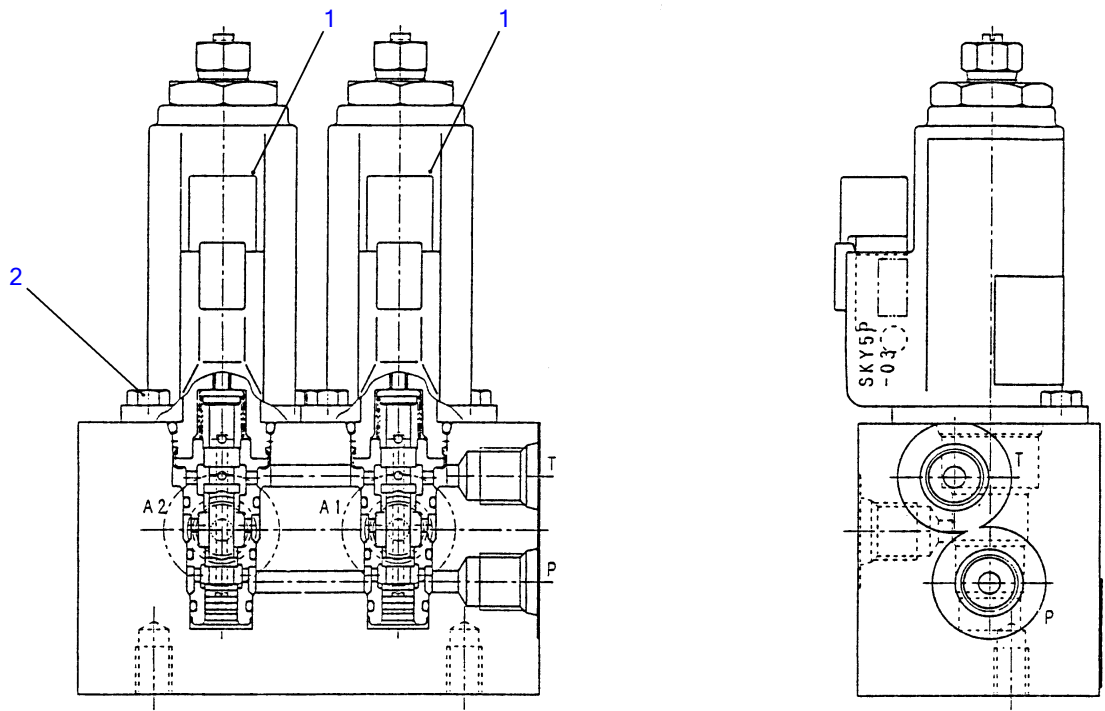
C4H180

S=FREE

SELECTOR VALVE (A-G pattern)

Item	Part number	Description	Q'ty	Chan.	Serial No.	Serv.	Remarks
0	1901730500	VALVE ASSY, selector	1				
1	1901730501	▪ BODY	1				
2	1901730502	▪ ROTOR	1				
3	1901730503	▪ LEVER	1				
4	1901730504	▪ BOLT	1				
5	1901730505	▪ O-RING	1				
6	1901730506	▪ O-RING	1				
7	1901730507	▪ O-RING	1				
8	1901730508	▪ O-RING	1				
9	1213000412	▪ PIN, spring	3				
10	1220000030	▪ RING, snap	1				
11	1110050514	▪ SCREW, cap	2				
12	1140010005	▪ WASHER, spring	1				
	C4h180						

TB1140 Book No. BN1Z002 S/N 51410002-
ELECTRICAL PROPORTION VALVE



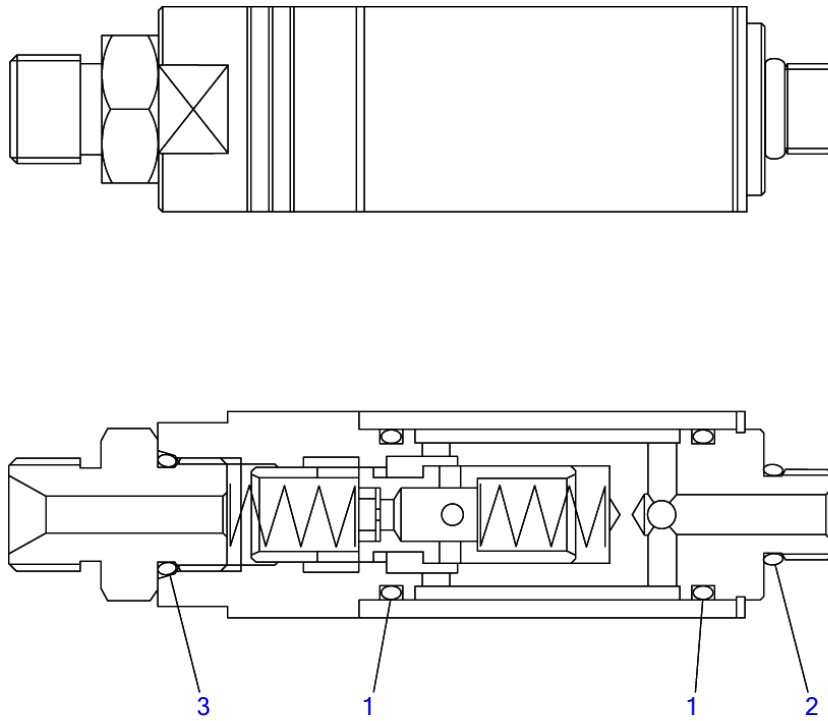
W2H140

S=FREE

ELECTRICAL PROPORTION VALVE

Item	Part number	Description	Q'ty	Chan.	Serial No.	Serv.	Remarks
0	1901738500	VALVE, proportional	1				
1	1901738560	· VALVE ASSY, proportional	2				
2	1100050512	· BOLT	4				
	W2h140						

TB1140 Book No. BN1Z002 S/N 51410002-
SHOCK-LESS VALVE (boom)



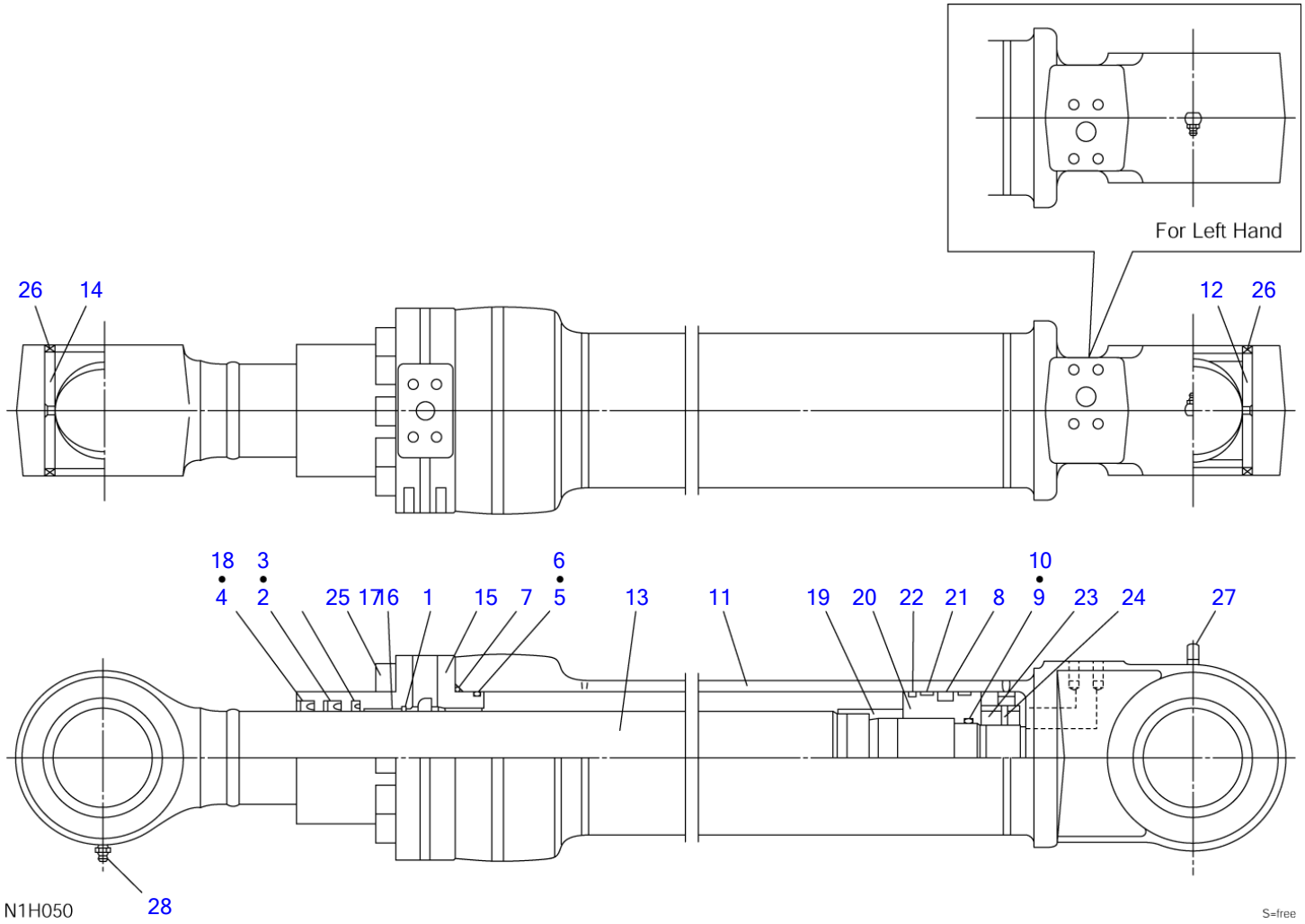
N0H141

S=free

SHOCK-LESS VALVE (boom)

Item	Part number	Description	Q'ty	Chan.	Serial No.	Serv.	Remarks
0	1901744700	VALVE ASSY	1				boom
1	1420000210	• O-RING	2				
2	1420010110	• O-RING	1				
3	1420010140	• O-RING	1				
	N0h140						

TB1140 Book No. BN1Z002 S/N 51410002-
BOOM CYLINDER



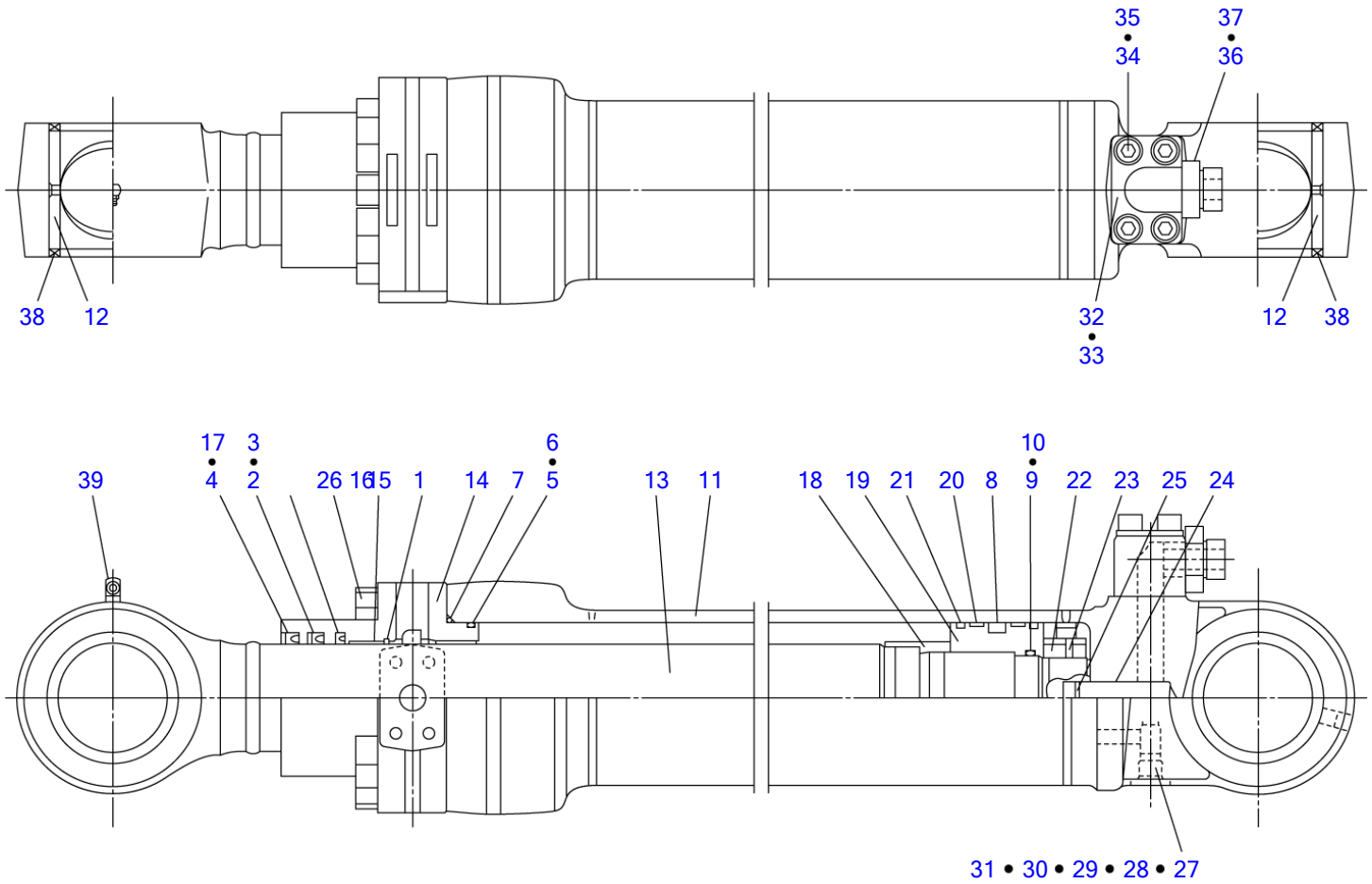
N1H050

S=free

BOOM CYLINDER

Item	Part number	Description	Q'ty	Chan.	Serial No.	Serv.	Remarks
0	1900098100	CYLINDER, boom (R.H.)	1				
	1900098200	CYLINDER, boom (L.H.)	1				
0-1	1900098199	• KIT, seal	1				
1	X 1900098135	• • SEAL	1				
2	X 1900098132	• • PACKING	1				
3	X 1900098133	• • RING, back-up	1				
4	X 1900098136	• • SEAL, dust	1				
5	X 1420110950	• • O-RING	1				
6	X 1900098128	• • RING, back-up	1				
7	X 1420111000	• • O-RING	1				
8	X 1900098134	• • PACKING, piston	1				
9	X 1900098137	• • O-RING	1				
10	X 1900098138	• • RING, back-up	2				
11	1900098107	• TUBE ASSY (R.H.)	1				
	1900098207	• TUBE ASSY (L.H.)	1				
12	0002400079	• BUSHING	1				
13	1900098101	• ROD ASSY	1				
14	1900098113	• BUSHING	1				
15	1900098103	• COVER, rod	1				
16	1900098102	• BUSHING	1				
17	1225620078	• RING, retaining	1				
18	1225620086	• RING, retaining	1				
19	1900098116	• BEARING, cushion	1				
20	1900098106	• PISTON	1				
21	1900098126	• RING, wear	2				
22	1900098117	• RING, dust	1				
23	1900098109	• NUT	1				
24	1121050816	• SET-SCREW	1				
25	1110021465	• SCREW, cap	10				
26	1900098140	• SEAL, dust	4				
27	1560001900	• FITTING, grease	1				
28	1560001000	• FITTING, grease	1				
	N1h050						

TB1140 Book No. BN1Z002 S/N 51410002-
ARM CYLINDER



N1H060

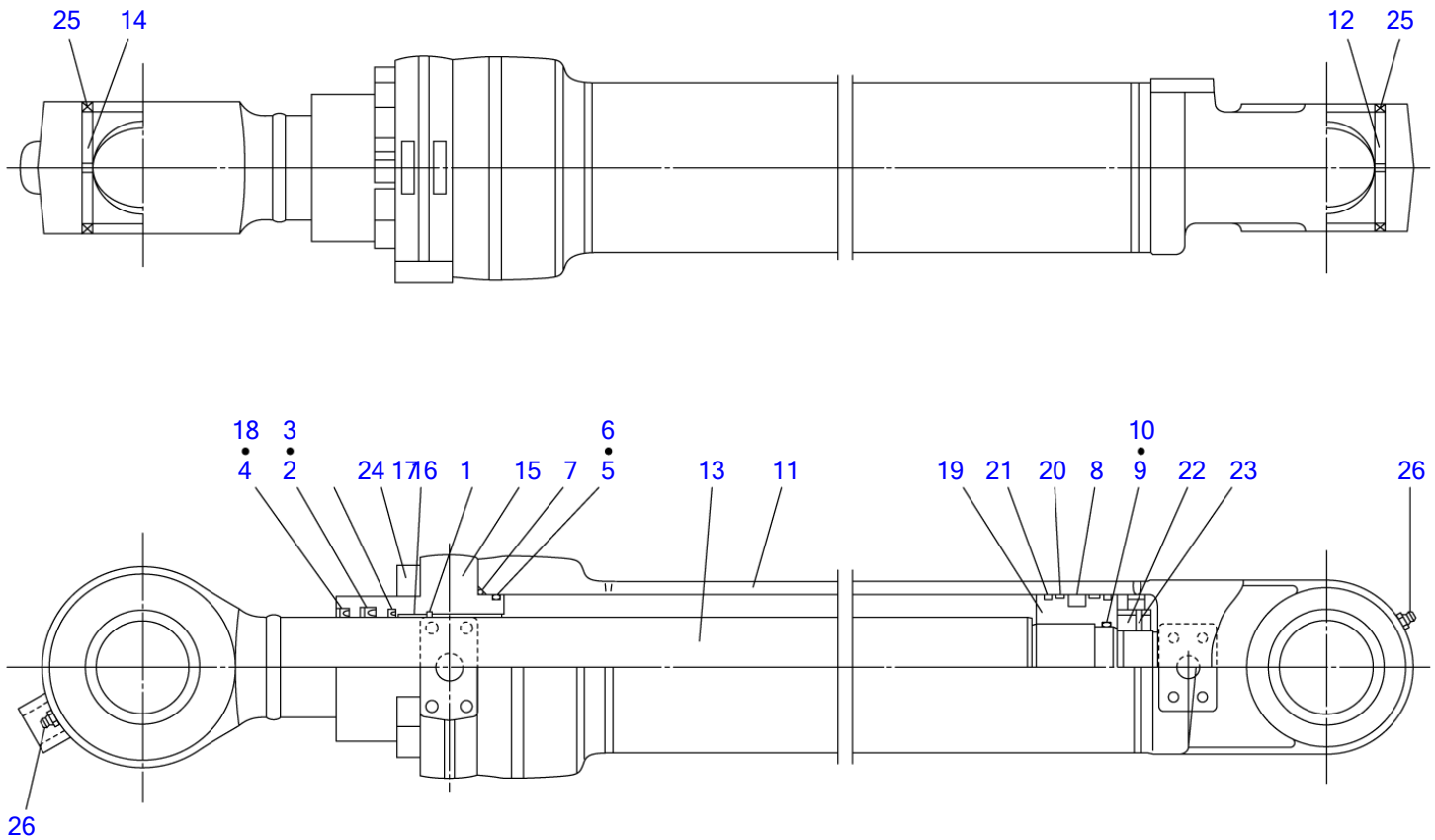
S-free

ARM CYLINDER

Item	Part number	Description	Q'ty	Chan.	Serial No.	Serv.	Remarks
0	1900098300	CYLINDER, arm	1				
0-1	1900098399	• KIT, seal	1				
1	X 1900098335	• • SEAL	1				
2	X 1900098332	• • PACKING	1				
3	X 1900098327	• • RING, back-up	1				
4	X 1900098336	• • SEAL, dust	1				
5	X 1420111050	• • O-RING	1				
6	X 1421121050	• • RING, back-up	1				
7	X 1420111100	• • O-RING	1				
8	X 1900098334	• • PACKING, piston	1				
9	X 1900098337	• • O-RING	1				
10	X 1900098338	• • RING, back-up	2				
11	1900098307	• TUBE ASSY	1				
12	1900098302	• BUSHING	2				
13	1900098301	• ROD ASSY	1				
14	1900098303	• COVER, rod	1				
15	1900098320	• BUSHING	1				
16	1225620086	• RING, retaining	1				
17	1225620097	• RING, retaining	1				
18	1900098316	• RING, cushion	1				
19	1900098306	• PISTON	1				
20	1900098330	• RING, wear	1				
21	1900098317	• RING, dust	2				
22	1900098309	• NUT	1				
23	1121050816	• SET-SCREW	1				
24	1900098325	• PLUNGER	1				
25	1900098326	• RING, stop	1				
26	1110041470	• SCREW, cap	14				
27	1900098328	• VALVE, check	1				
28	1900098311	• SPRING	1				
29	1900098312	• SUPPORT	1				
30	1420010140	• O-RING	1				
31	1501810003	• PLUG	1				
32	1900098333	• FLANGE	1				
33	1420010280	• O-RING	1				
34	1140020012	• WASHER, spring	4				
35	1110041265	• SCREW, cap	4				
36	1900098340	• ADAPTOR	1				
37	1420010240	• O-RING	1				
38	1900098339	• SEAL, dust	4				
39	1560001900	• FITTING, grease	1				

N1h060

TB1140 Book No. BN1Z002 S/N 51410002-
BUCKET CYLINDER



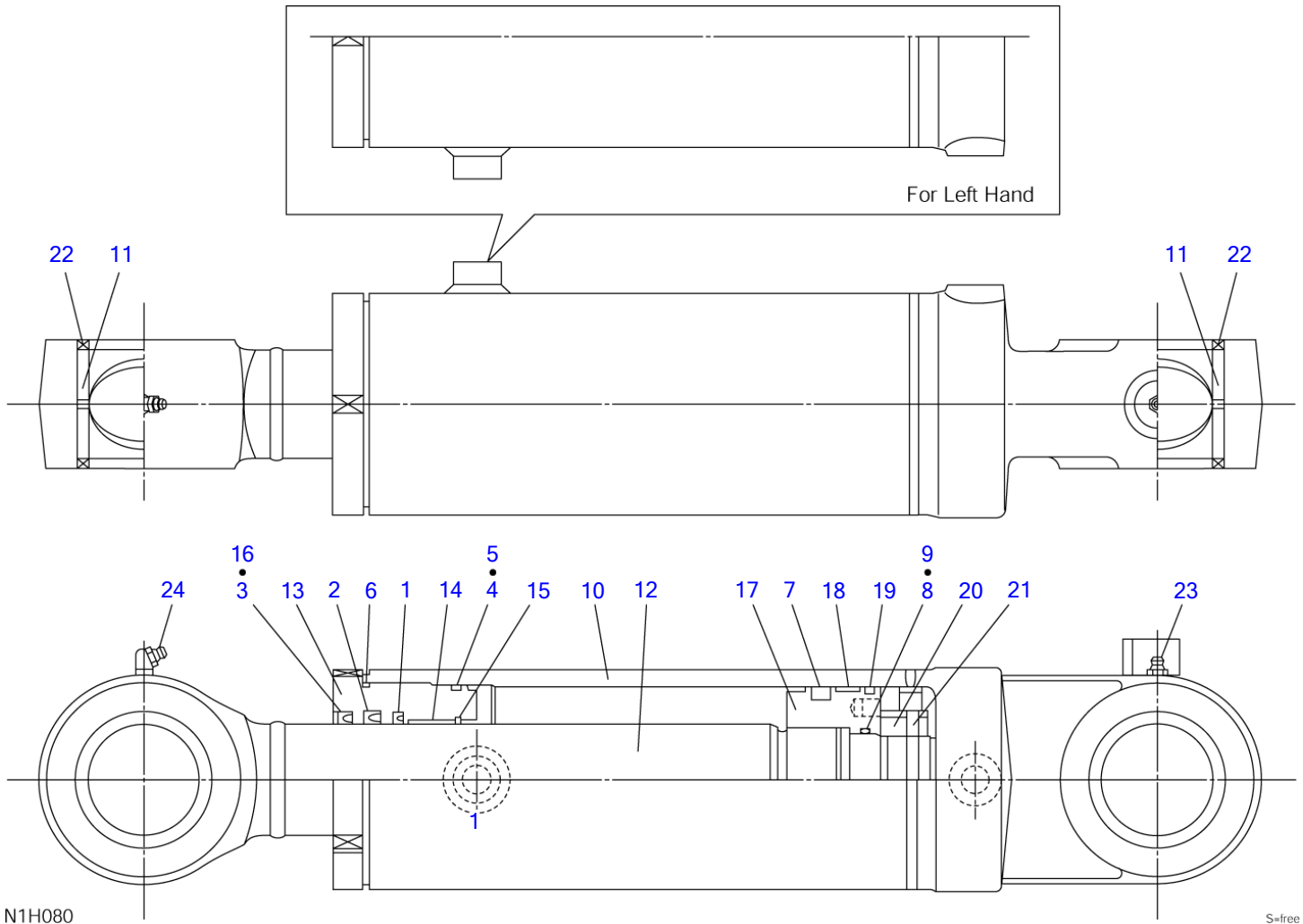
N1H070

S-free

BUCKET CYLINDER

Item	Part number	Description	Q'ty	Chan.	Serial No.	Serv.	Remarks
0	1900098400	CYLINDER, bucket	1				
0-1	1900098499	• KIT, seal	1				
1	X 1900098135	• • SEAL	1				
2	X 1900098132	• • PACKING	1				
3	X 1900098127	• • RING, back-up	1				
4	X 1900098136	• • SEAL, dust	1				
5	X 1420110950	• • O-RING	1				
6	X 1900098128	• • RING, back-up	1				
7	X 1420111000	• • O-RING	1				
8	X 1900098134	• • PACKING, piston	1				
9	X 1900098437	• • O-RING	1				
10	X 1900098438	• • RING, back-up	2				
11	1900098407	• TUBE ASSY	1				
12	1900098402	• BUSHING	1				
13	1900098401	• ROD ASSY	1				
14	1900098420	• BUSHING	1				
15	1900098403	• COVER, rod	1				
16	1900098102	• BUSHING	1				
17	1225620078	• RING, retaining	1				
18	1225620086	• RING, retaining	1				
19	1900098406	• PISTON	1				
20	1900098126	• RING, wear	2				
21	1900098117	• RING, dust	2				
22	1900098109	• NUT	1				
23	1121050816	• SET-SCREW	1				
24	1110021465	• SCREW, cap	10				
25	1900098440	• SEAL, dust	4				
26	1560001000	• FITTING, grease	2				
	N1h070						

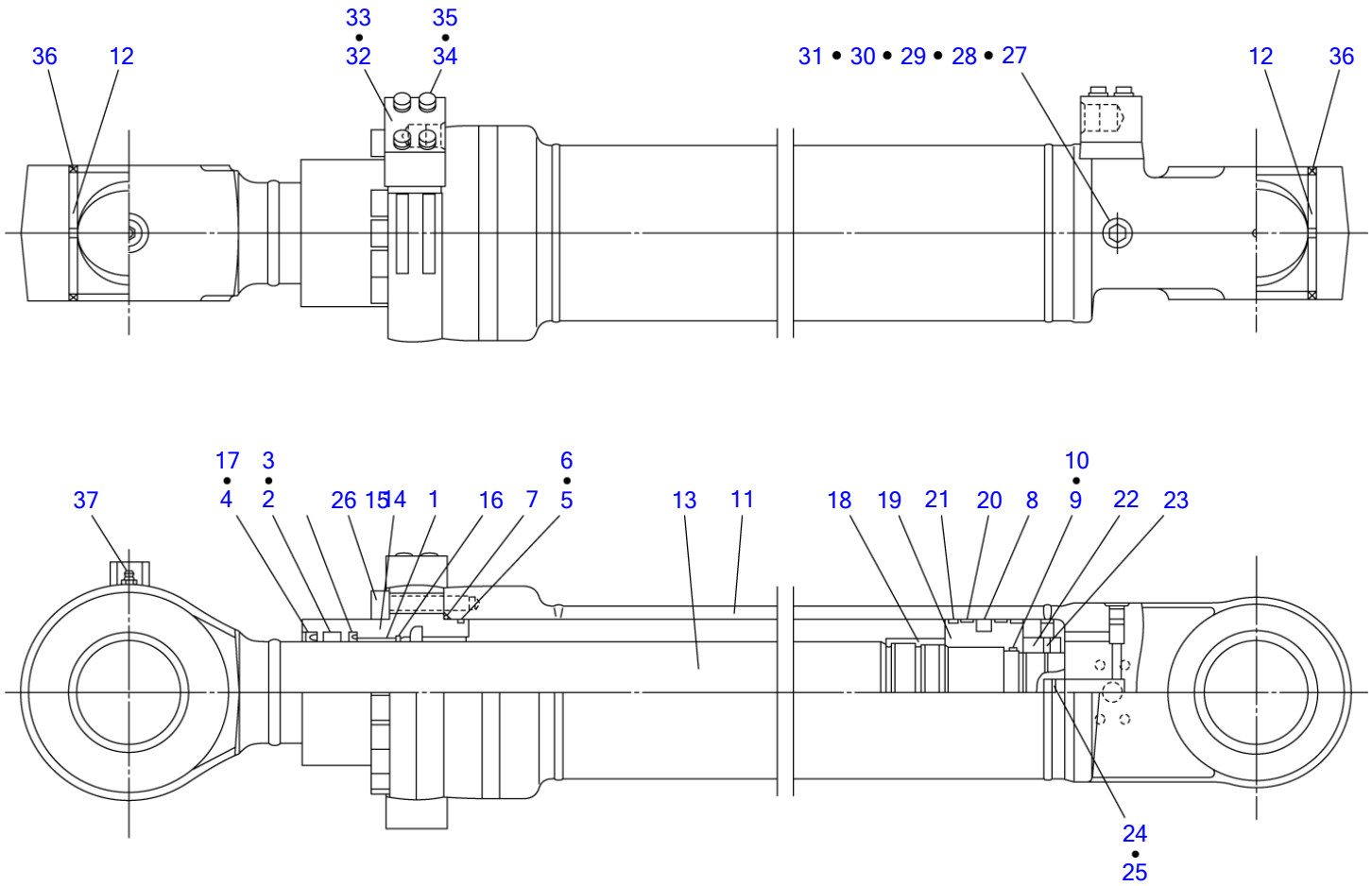
TB1140 Book No. BN1Z002 S/N 51410002-
DOZER BLADE CYLINDER



DOZER BLADE CYLINDER

Item	Part number	Description	Q'ty	Chan.	Serial No.	Serv.	Remarks
0	1900098600	CYLINDER, dozer blade (R.H.)	1				
	1900098700	CYLINDER, dozer blade (L.H.)	1				
0-1	1900098699	• KIT, seal	1				
1	X 1900098635	• • SEAL	1				
2	X 1900098632	• • PACKING	1				
3	X 1900098136	• • SEAL, dust	1				
4	X 1420111100	• • O-RING	1				
5	X 1900098628	• • RING, back-up	1				
6	X 1420111150	• • O-RING	1				
7	X 1900098634	• • PACKING, piston	1				
8	X 1900098637	• • O-RING	1				
9	X 1900098638	• • RING, back-up	2				
10	1900098607	• TUBE ASSY (R.H.)	1				
	1900098707	• TUBE ASSY (L.H.)	1				
11	1900098602	• BUSHING	2				
12	1900098601	• ROD ASSY	1				
13	1900098603	• COVER, rod	1				
14	1900098102	• BUSHING	1				
15	1225620078	• RING, retaining	1				
16	1225620086	• RING, retaining	1				
17	1900098606	• PISTON	1				
18	1900098626	• RING, wear	1				
19	1900098617	• RING, dust	1				
20	1900098609	• NUT	1				
21	1121050816	• SET-SCREW	1				
22	1900098640	• SEAL, dust	4				
23	1560001000	• FITTING, grease	1				
24	1560001675	• FITTING, grease	1				
	N1h080						

TB1140 Book No. BN1Z002 S/N 51410002-
SWING CYLINDER



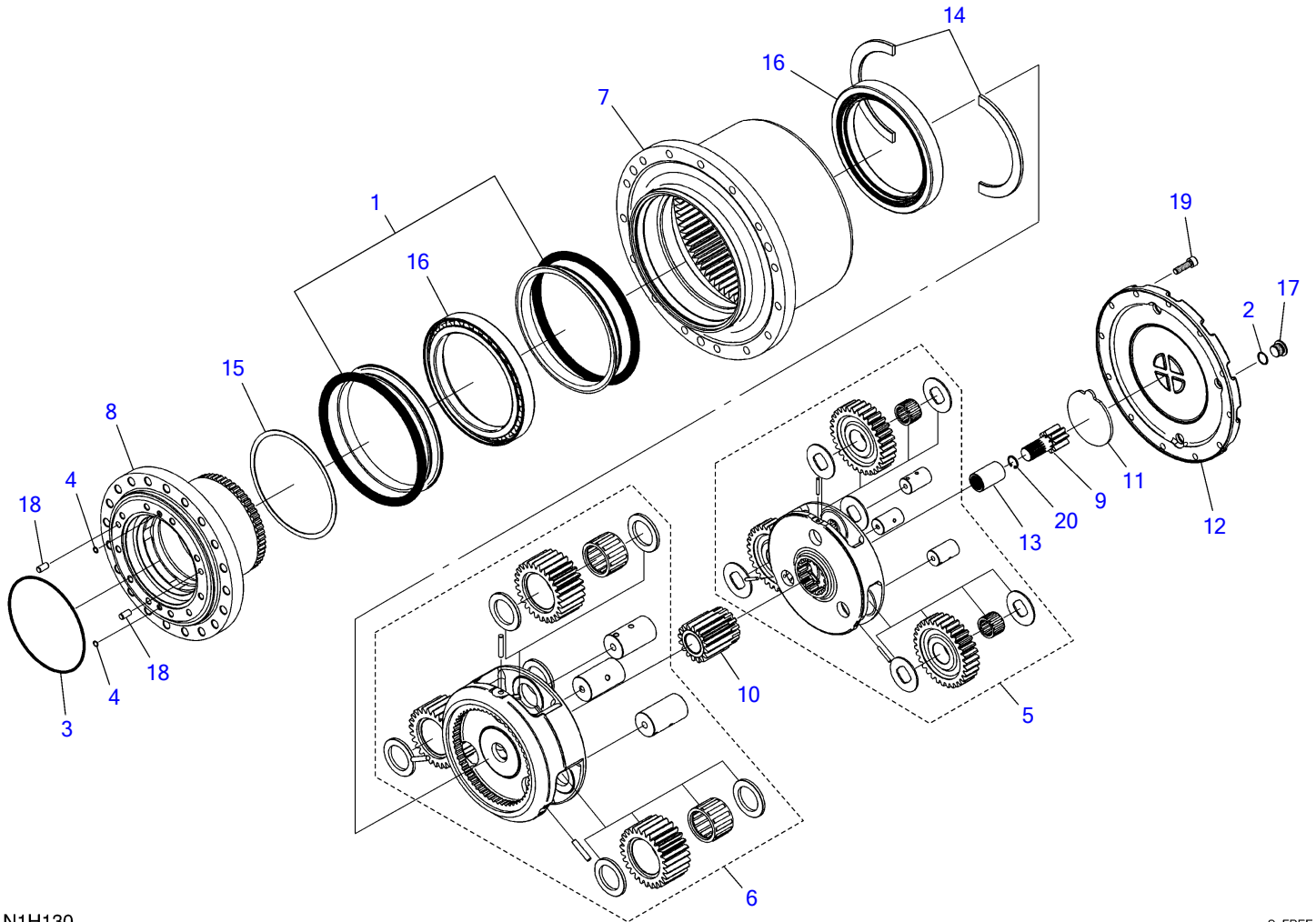
N1H090

S=free

SWING CYLINDER

Item	Part number	Description	Q'ty	Chan.	Serial No.	Serv.	Remarks
0	1900098500	CYLINDER, swing	1				
0-1	1900098599	• KIT, seal	1				
1	X 1900098535	• • SEAL	1				
2	X 1900098532	• • PACKING	1				
3	X 1900098527	• • RING, back-up	1				
4	X 1900098536	• • SEAL, dust	1				
5	X 1420111350	• • O-RING	1				
6	X 1900098528	• • RING, back-up	1				
7	X 1420300160	• • O-RING	1				
8	X 1900098534	• • PACKING, piston	1				
9	X 1420110700	• • O-RING	1				
10	X 1900098538	• • RING, back-up	2				
11	1900098507	• TUBE ASSY	1				
12	1900098502	• BUSHING	2				
13	1900098501	• ROD ASSY	1				
14	1900098503	• COVER, rod	1				
15	1900098520	• BUSHING	1				
16	1225620097	• RING, retaining	1				
17	1225620107	• RING, retaining	1				
18	1900098516	• RING, cushion	1				
19	1900098506	• PISTON	1				
20	1900098526	• RING, wear	2				
21	1900098517	• RING, slide	2				
22	1900098509	• NUT	1				
23	1121050816	• SET-SCREW	1				
24	1900098525	• PLUNGER	1				
25	1900098326	• RING, stop	1				
26	1110041680	• SCREW, cap	14				
27	1900098328	• VALVE, check	1				
28	1900098311	• SPRING	1				
29	1900098312	• SUPPORT	1				
30	1420010140	• O-RING	1				
31	1501810003	• PLUG	1				
32	1900098533	• BLOCK	2				
33	1420010280	• O-RING	2				
34	1140020010	• WASHER, spring	8				
35	1110021050	• SCREW, cap	8				
36	1900098539	• SEAL, dust	4				
37	1560001000	• FITTING, grease	1				
	N1h090						

TB1140 Book No. BN1Z002 S/N 51410002-
TRAVEL MOTOR (1/3) (reduction sec.)



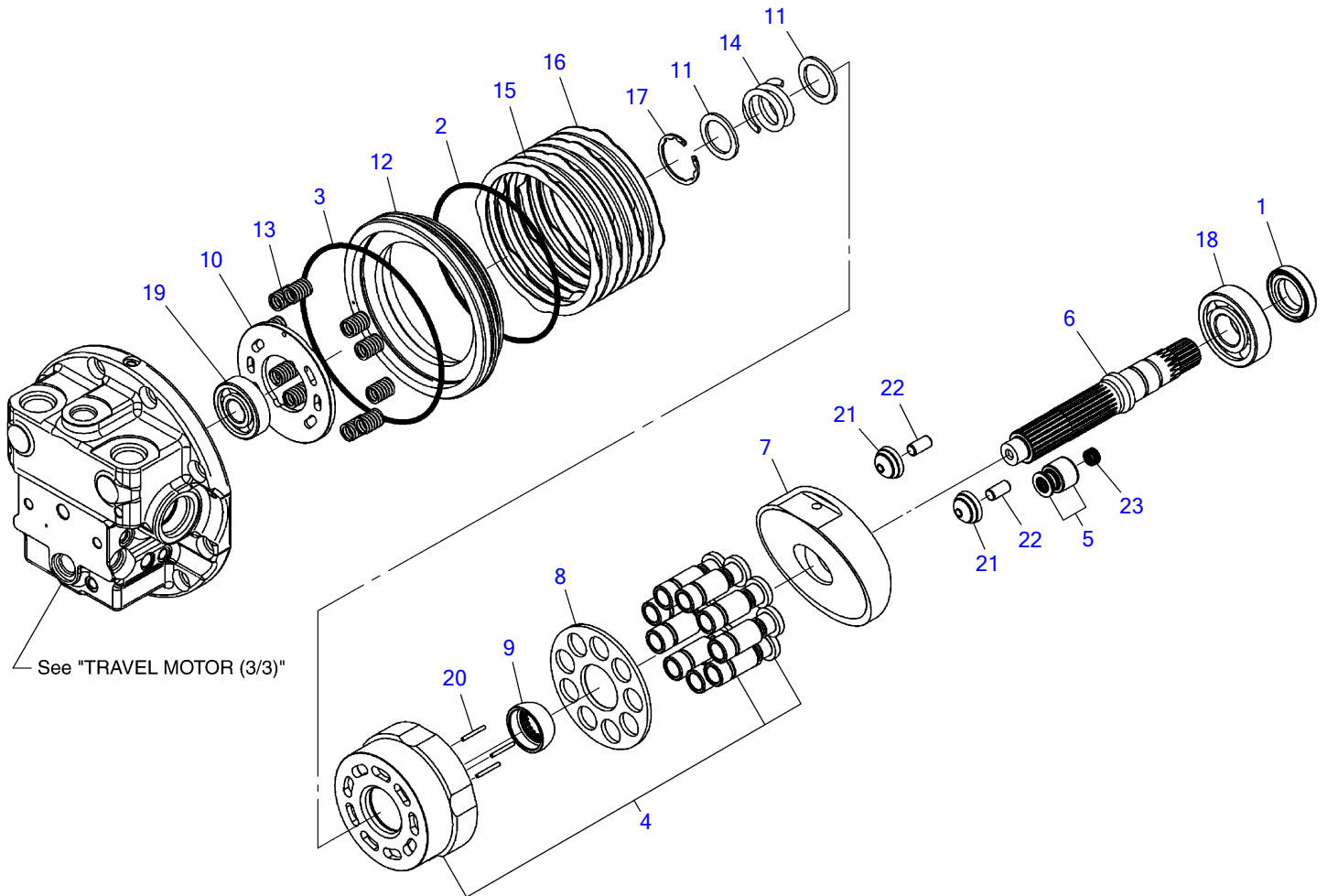
N1H130

S=FREE

TRAVEL MOTOR (1/3) (reduction sec.)

Item	Part number	Description	Q'ty	Chan.	Serial No.	Serv.	Remarks
0	1903126000	MOTOR ASSY, travel	1				
0-1	X *****	• REDUCTION ASSY	1				X19129-08400
0-2	1912908499	• • KIT, seal	1				
1	X 1912908401	• • • SEAL KIT, floating	1				
2	X 1420010180	• • • O-RING	3				
3	X 1420300261	• • • O-RING	1				
4	X 1420010070	• • • O-RING	2				
5	1912908498	• • CARRIER KIT (1)	1				
6	1912908489	• • CARRIER KIT (2)	1				
7	1912908402	• • HUB	1				
8	1912908403	• • SPINDLE	1				
9	1912908404	• • GEAR, sun	1				
10	1912908405	• • GEAR, sun	1				
11	1912908406	• • PLATE, thrust	1				
12	1912908407	• • COVER	1				
13	1912908408	• • COUPLING	1				
14	1912908409	• • WASHER, lock	2				
15	1912908410	• • SHIM SET	1				
16	1912908411	• • BEARING	2				
17	1912908412	• • PLUG	3				
18	1912908413	• • PIN, parallel	2				
19	1110021035	• • SCREW, cap	12				
20	1221000022	• • RING, retaining	1				
	N1h130						

TB1140 Book No. BN1Z002 S/N 51410002-
TRAVEL MOTOR (2/3) (motor sec.)



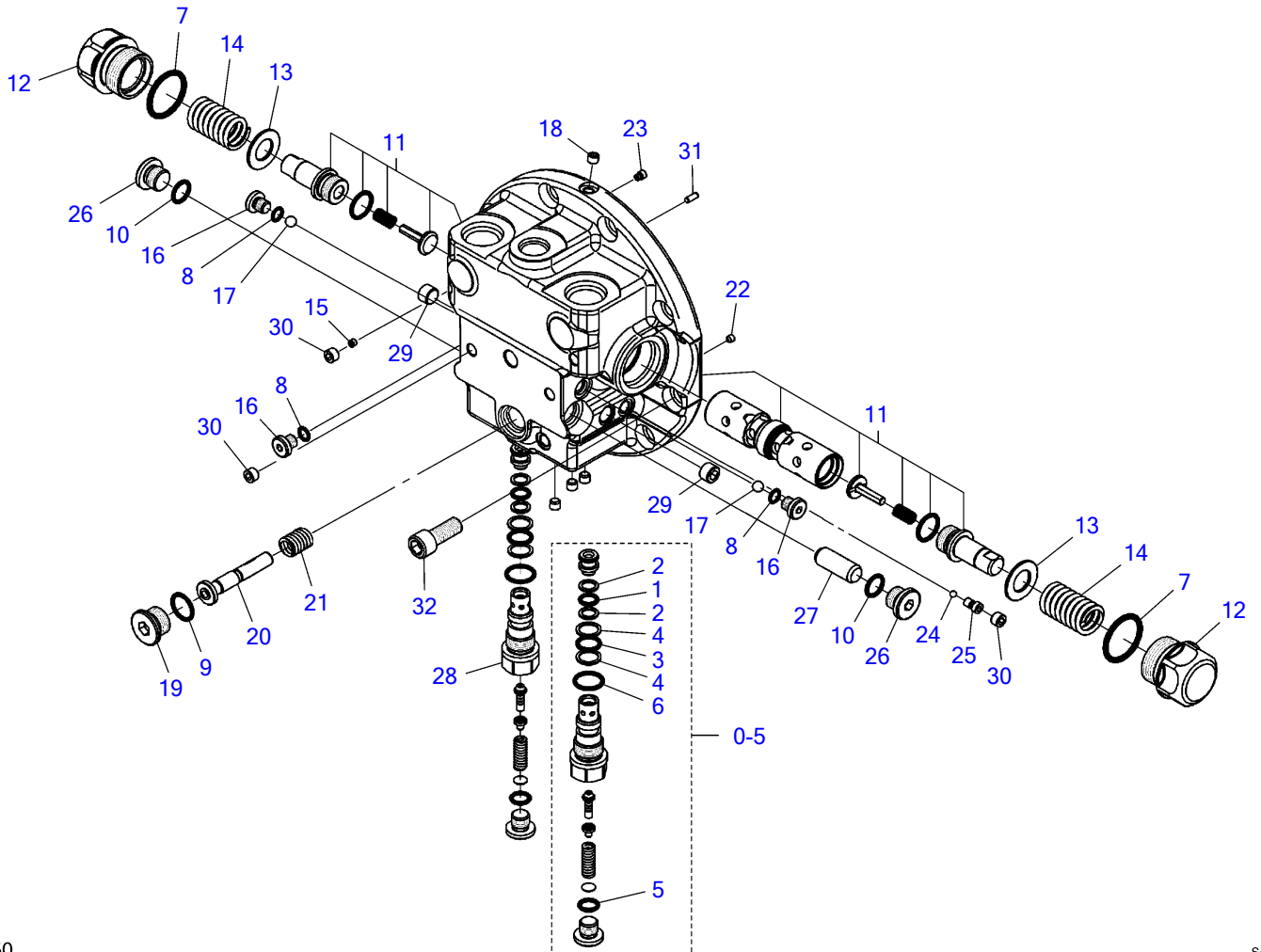
N1H140

S=FREE

TRAVEL MOTOR (2/3) (motor sec.)

Item	Part number	Description	Q'ty	Chan.	Serial No.	Serv.	Remarks
0	1903126000	MOTOR ASSY, travel	1				
0-3	X *****	· MOTOR ASSY	1				X19039-07900
0-4	1903907999	· · KIT, seal	1				
1	X 1903907912	· · · SEAL, oil	1				
2	X 1903907913	· · · O-RING	1				
3	X 1903907914	· · · O-RING	1				
4	1903907998	· · KIT, cylinder & piston	1				
5	1903907989	· · PISTON ASSY	1				
6	1903907901	· · SHAFT	1				
7	1903907902	· · PLATE, swash	1				
8	1903907903	· · PLATE, retainer	1				
9	1903907904	· · BALL, thrust	1				
10	1903907905	· · PLATE	1				
11	1903907906	· · WASHER	2				
12	1903907907	· · PISTON	1				
13	1903907908	· · SPRING	10				
14	1903907909	· · SPRING	1				
15	1903907910	· · PLATE	3				
16	1903907911	· · PLATE	4				
17	1903907915	· · RING, retaining	1				
18	1300006328	· · BEARING	1				28C3
19	1300006304	· · BEARING	1				JISB1521-6304C3
20	1903907916	· · NEEDLE	3				
21	1903907917	· · PIVOT	2				
22	1912908413	· · PIN, parallel	2				
23	1903907919	· · SPRING	1				
	N1h141						

TB1140 Book No. BN1Z002 S/N 51410002-
TRAVEL MOTOR (2/3) (valve sec.)

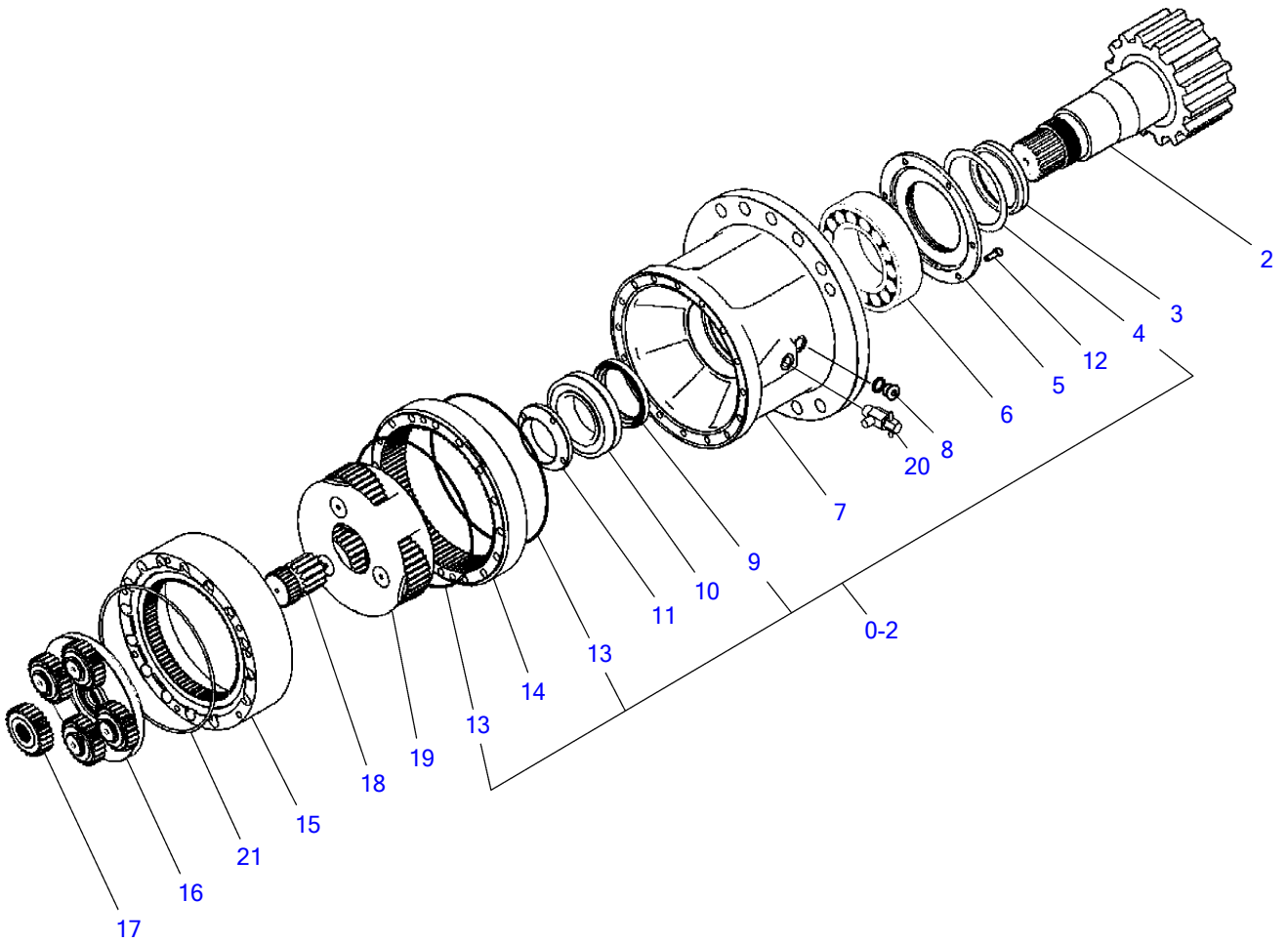


N1H150

S=FREE

TRAVEL MOTOR (2/3) (valve sec.)

Item	Part number	Description	Q'ty	Chan.	Serial No.	Serv.	Remarks
0	1903126000	MOTOR ASSY, travel	1				
0-5	1901810900	• VALVE ASSY, relief	2				
1	1420010101	• • O-RING	1				
2	1421020101	• • RING, back-up	2				
3	1420010140	• • O-RING	1				
4	1421020140	• • RING, back-up	2				
5	1420010110	• • O-RING	1				
6	1420010180	• • O-RING	1				
0-6	X *****	• VALVE ASSY	1				X19018-11100
0-7	1901811198	• • FLANGE ASSY, rear	1				
0-8	1901811199	• • • KIT, seal	1				
7	X 1420010320	• • • • O-RING	2				
8	X 1420010080	• • • • O-RING	3				
9	X 1420010180	• • • • O-RING	1				
10	X 1420010140	• • • • O-RING	2				
11	1901811197	• • • FLANGE KIT, rear	1				
12	1901811101	• • • PLUG	2				
13	1901811102	• • • WASHER	2				
14	1901811103	• • • SPRING	2				
15	1901811104	• • • ORIFICE	2				
16	1901811105	• • • PLUG	3				
17	1390010500	• • • BALL, steel	2				
18	1901811106	• • • PLUG	5				
19	1912908412	• • • PLUG	1				
20	1901811108	• • • SPOOL	1				
21	1901811109	• • • SPRING	1				
22	1901811110	• • • ORIFICE	1				
23	1901811111	• • • FILTER	1				
24	1390010300	• • • BALL, steel	1				
25	1901811112	• • • PLUG	1				
26	1901811113	• • • PLUG	2				
27	1901811114	• • • PISTON	1				
28	1901811115	• • • ORIFICE	2				
29	1901811116	• • • PLUG	2				
30	1901811117	• • • PLUG	8				
31	1212000410	• • PIN, parallel	1				
32	1110041230	• • SCREW, cap	10				
	N1h150						



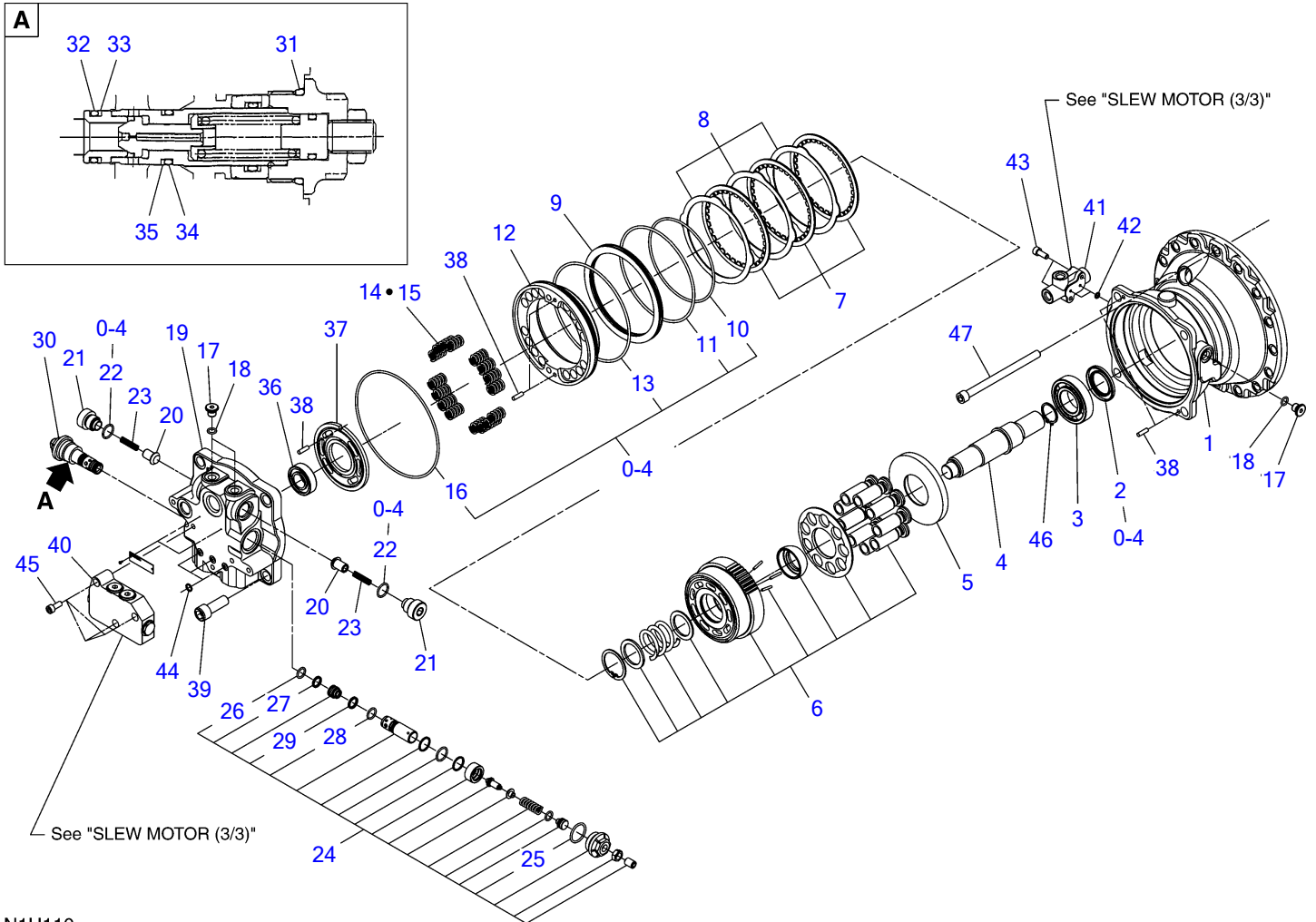
N1H100

S-free

SLEW MOTOR (1/3) (reduction sec.)

Item	Part number	Description	Q'ty	Chan.	Serial No.	Serv.	Remarks
0	1903126100	MOTOR ASSY, slew	1				reduction sec.
0-1	X *****	· REDUCTION ASSY	1				X19129-08300
1	1912908398	· · HOUSING ASSY	1				
2	1912908301	· · · SHAFT	1				
3	1912908302	· · · COLLAR	1				
4	X 1912908303	· · · SEAL	1				
5	1912908304	· · · COVER	1				
6	1912908305	· · · BEARING	1				
7	1912908306	· · · HOUSING	1				
8	1912908307	· · · PLUG	1				
9	X 1912908308	· · · SEAL, oil	1				
10	1912908309	· · · BEARING	1				
11	1912908310	· · · NUT	1				
12	1912908311	· · · SCREW	6				
13	X 1420300177	· · O-RING	2				
14	1912908312	· · GEAR	1				
15	1912908313	· · GEAR	1				
16	1912908397	· · HOLDER KIT (1)	1				
17	1912908314	· · GEAR	1				
18	1912908315	· · GEAR	1				
19	1912908396	· · HOLDER KIT (2)	1				
0-2	1912908399	· · KIT, seal (incl. 4, 9, 13)	1				
20	1903126115	· VALVE ASSY	1				
21	1420300178	· O-RING	1				
	N1h100						

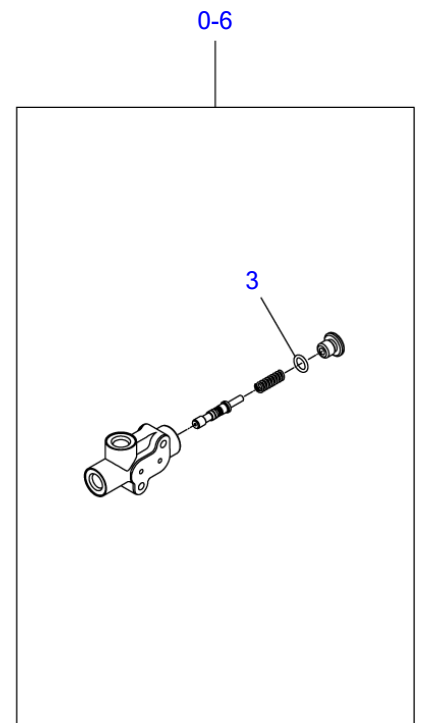
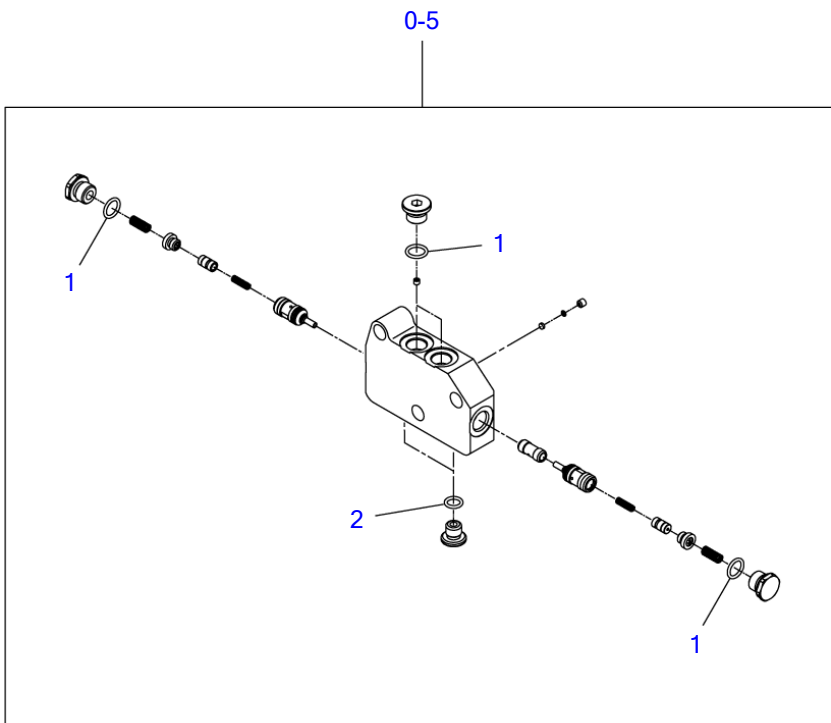
TB1140 Book No. BN1Z002 S/N 51410002-
SLEW MOTOR (2/3) (motor sec.)



N1H110

S-free

SLEW MOTOR (2/3) (motor sec.)							
Item	Part number	Description	Q'ty	Chan.	Serial No.	Serv.	Remarks
0	1903126100	MOTOR ASSY, slew	1				motor sec.
0-3	X *****	• MOTOR ASSY	1				X19039-07800
1	1903907801	• • CASE	1				
2	X 1903907802	• • SEAL, oil	1				
3	1903907803	• • BEARING	1				
4	1903907804	• • SHAFT	1				
5	1903907805	• • PLATE, thrust	1				
6	1903907806	• • BLOCK ASSY, cylinder	1				
7	1903907807	• • PLATE	3				
8	1903907808	• • PLATE	3				
9	1903907816	• • COLLAR	1				
10	X 1420310257	• • O-RING	1				
11	X 1420310260	• • O-RING	1				
12	1903907809	• • PISTON	1				
13	X 1420300261	• • O-RING	1				
14	1903907810	• • SPRING	16				
15	1903907811	• • SPRING	8				
16	X 1420310263	• • O-RING	1				
17	1903108655	• • PLUG	3				
18	1420010110	• • O-RING	3				
19	1903907812	• • COVER	1				
20	1903904722	• • POPPET	2				
21	1903904723	• • PLUG	2				
22	X 1420010210	• • O-RING	2				
23	1903904725	• • SPRING	2				
24	1903907813	• • VALVE ASSY, relief	1				
25	1420310916	• • • O-RING	1				
26	1420010150	• • • O-RING	1				
27	1421020150	• • • RING, back-up	1				
28	1420010160	• • • O-RING	1				
29	1421020160	• • • RING, back-up	1				
30	1903907814	• • VALVE ASSY, relief	1				
31	1420310916	• • • O-RING	1				
32	1420010150	• • • O-RING	1				
33	1421020150	• • • RING, back-up	1				
34	1420010160	• • • O-RING	1				
35	1421020160	• • • RING, back-up	1				
36	1903123328	• • BEARING	1				
37	1903123326	• • PLATE	1				
38	1903120119	• • PIN	5				
39	1110021645	• • SCREW, cap	4				
40	1903905529	• • VALVE ASSY	1				see page (3/3)
41	1901810800	• • VALVE ASSY	1				see page (3/3)
42	1420010070	• • O-RING	2				
43	1110020630	• • SCREW, cap	2				
44	1420010100	• • O-RING	3				
45	1110020820	• • SCREW, cap	3				
0-4	1903907899	• • KIT, seal (incl. 2, 10, 11, 13, 16, 22)	1				
46	1220000032	• RING, retaining	1				
47	1903126122	• BOLT	16				
	N1h110						



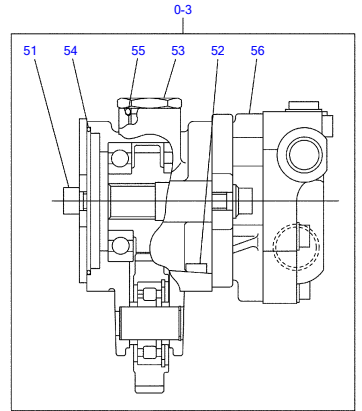
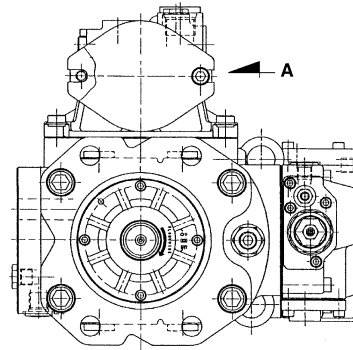
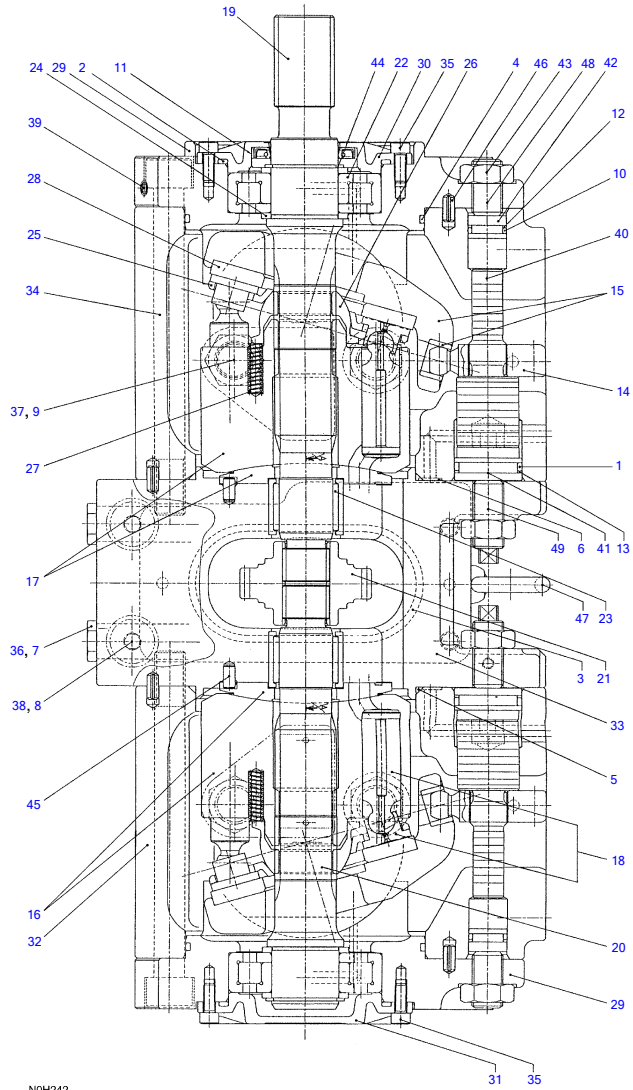
N1H120

S=free

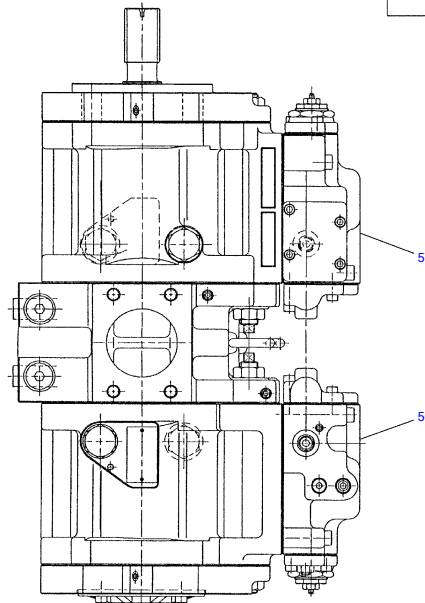
SLEW MOTOR (3/3) (valve sec.)

Item	Part number	Description	Q'ty	Chan.	Serial No.	Serv.	Remarks
0	1903126100	MOTOR ASSY, slew	1				valve sec.
0-3	X 1903907800	· MOTOR ASSY	1				
0-5	1903905529	· · VALVE ASSY	1				
1	1420010140	· · · O-RING	4				
2	1420010110	· · · O-RING	2				
0-6	1901810800	· · VALVE ASSY	1				
3	1420010110	· · · O-RING	1				
	N1h120						

TB1140 Book No. BN1Z002 S/N 51410002-
HYDRAULIC PUMP (1/3)



VIEW "A"



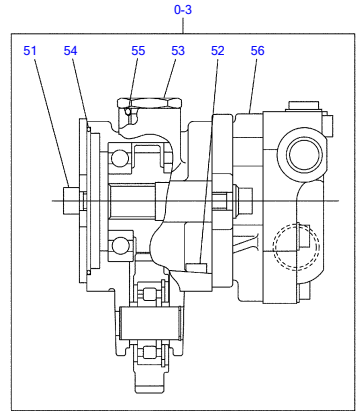
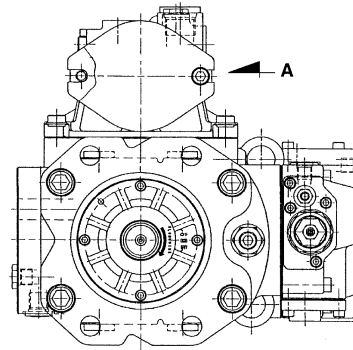
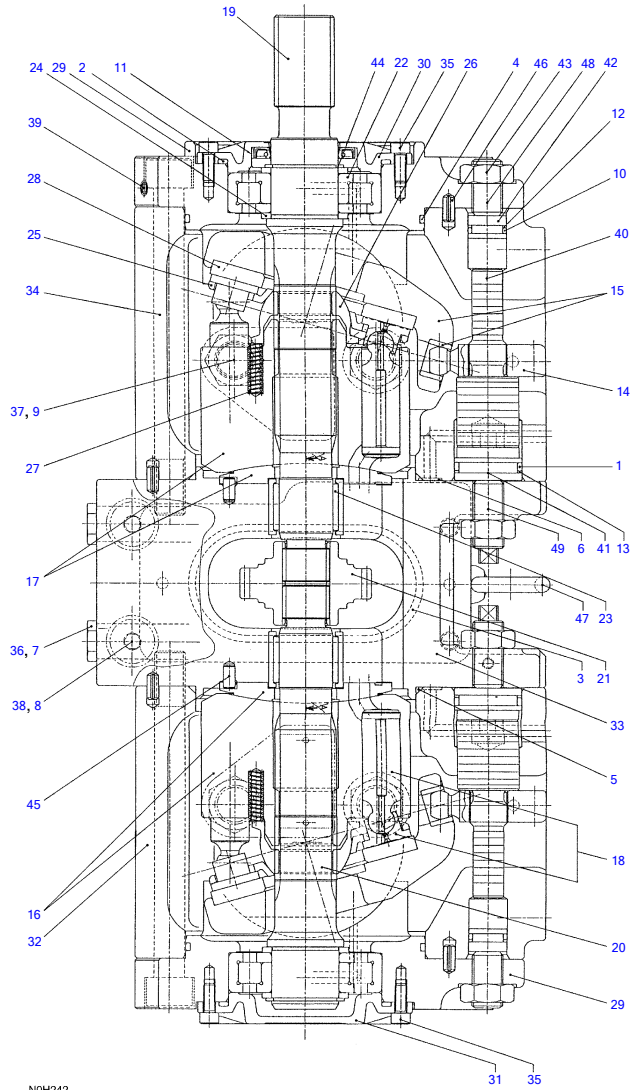
N0H242

8-Rev

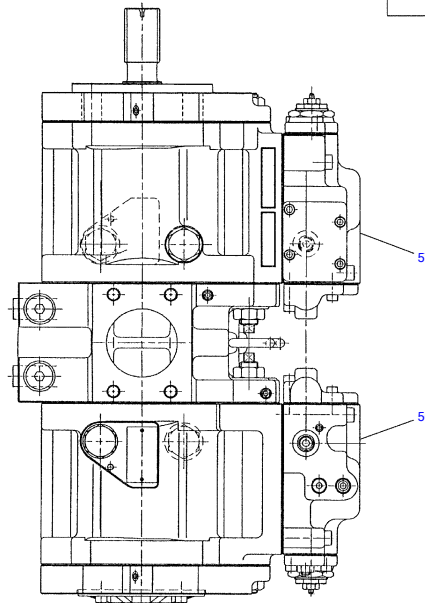
HYDRAULIC PUMP (1/3)

Item	Part number	Description	Q'ty	Chan.	Serial No.	Serv.	Remarks
0	1902020900	PUMP ASSY, hydraulic	1				
0-1	1902020999	• KIT, seal	1				
1	X 1420110300	• • O-RING	2				
2	X 1420110850	• • O-RING	2				
3	X 1420110950	• • O-RING	1				
4	X 1420111200	• • O-RING	2				
5	X 1420111150	• • O-RING	2				
6	1420010080	* * O-RING	18				
7	X 1420010110	• • O-RING	2				
8	X 1420010140	• • O-RING	2				
9	X 1420010180	• • O-RING	4				
10	X 1420010160	• • O-RING	2				
11	X 1902020920	• • SEAL, oil	1				
12	X 1421020160	• • RING, back-up	2				
13	X 1421120300	• • RING, back-up	2				
14	1902020998	• PIN	2				
15	1902020997	• PLATE ASSY	2				
16	1902020996	• CYLINDER ASSY	1				
17	1902020995	• CYLINDER ASSY	1				
18	1902020994	• PISTON ASSY	2				
19	1902020901	• SHAFT	1				
20	1902020902	• SHAFT	1				
21	1902020903	• GEAR	1				
22	1902020904	• BEARING	2				
23	1902020905	• BEARING	2				
24	1902020906	• SPACER	4				
25	1902020907	• PLATE	2				
26	1902017510	• BUSHING	2				
27	1902020908	• SPRING	18				
28	1902020910	• PLATE	2				
29	1902020911	• SUPPORT	2				
30	1902020912	• COVER	1				
31	1902020913	• COVER	1				
32	1902020914	• CASE	2				
33	1902020915	• BLOCK, valve	1				
34	1110121675	• SCREW, cap	8				
35	1110020616	• SCREW, cap	8				
36	1501750002	• PLUG	2				
	1420010110	• • O-RING	1				
37	1501750004	• PLUG	4				
	1420010180	• • O-RING	1				
38	1501750003	• PLUG	2				
	1420010140	• • O-RING	1				
39	1901738851	• PLUG	15				
40	1902020917	• PISTON	2				
41	1902020918	• STOPPER	2				
42	1902020919	• STOPPER	2				
43	1130050016	• NUT	4				
44	1220000035	• RING, retaining	2				
45	1902020921	• PIN	2				
46	1213000614	• PIN, spring	4				
47	1121610010	• BOLT	2				
48	1121051630	• SET-SCREW	2				
49	1902020923	• SET-SCREW	2				
50	1902911000	• REGULATOR ASSY (REAR)	1				see page (2/3)
0-3	1902020993	• PTO-UNIT	1				
51	1110051020	• • SCREW, cap	2				
52	1111551020	• • SCREW, cap	4				
53	1501750006	• • PLUG	1				
	1420010240	• • • O-RING	1				
54	1420110850	• • O-RING	1				
55	1420010240	• • O-RING	1				
56	1902910900	• • PUMP ASSY, SUB	1				see page (3/3)
57	1902911200	• REGULATOR ASSY (FRONT)	1				see page (2/3)
	N1H020						

TB1140 Book No. BN1Z002 S/N 51410002-
HYDRAULIC PUMP (1/3)



VIEW "A"



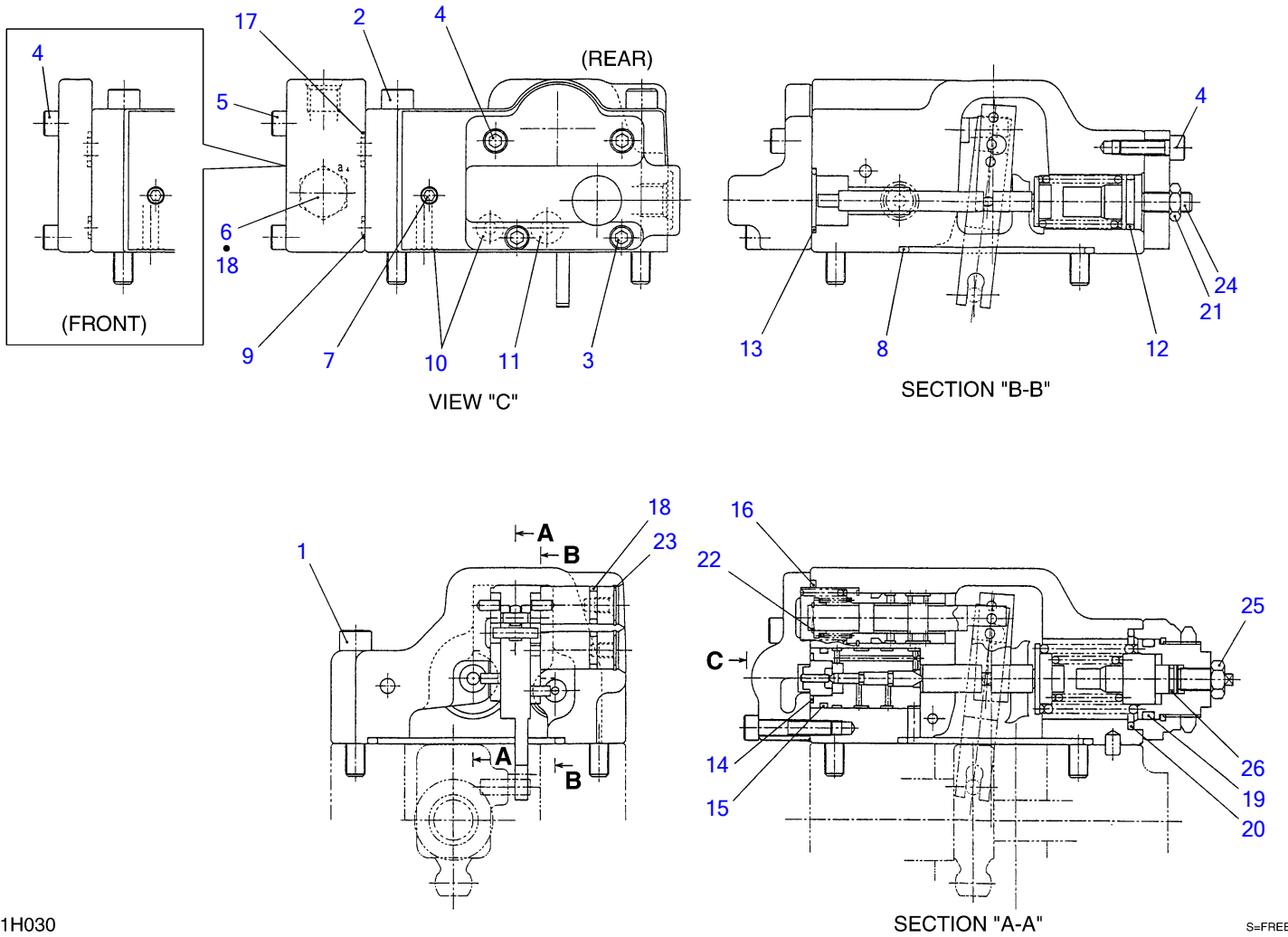
N0H242

8-40a

HYDRAULIC PUMP (1/3)

Item	Part number	Description	Q'ty	Chan.	Serial No.	Serv.	Remarks
0	1902023600	PUMP ASSY, hydraulic	1				
0-1	1902023699	• KIT, seal	1				
1	X 1902023672	• • O-RING	2				
2	X 1420110850	• • O-RING	2				
3	X 1420110950	• • O-RING	1				
4	X 1420111200	• • O-RING	2				
5	X 1420111150	• • O-RING	2				
7	X 1420010110	• • O-RING	2				
8	X 1420010140	• • O-RING	2				
9	X 1420010180	• • O-RING	4				
10	X 1902911001	• • O-RING	2				
11	X 1902020920	• • SEAL, oil	1				
12	X 1421020160	• • RING, back-up	2				
13	X 1421120300	• • RING, back-up	2				
14	1902020998	• PIN	2				
15	1902020997	• PLATE ASSY	2				
16	1902020996	• CYLINDER ASSY	1				
17	1902020995	• CYLINDER ASSY	1				
18	1902020994	• PISTON ASSY	2				
19	1902020901	• SHAFT	1				
20	1902020902	• SHAFT	1				
21	1902020903	• GEAR	1				
22	1902020904	• BEARING	2				
23	1902020905	• BEARING	2				
24	1902020906	• SPACER	4				
25	1902020907	• PLATE	2				
26	1902017510	• BUSHING	2				
27	1902020908	• SPRING	18				
28	1902020910	• PLATE	2				
29	1902020911	• SUPPORT	2				
30	1902020912	• COVER	1				
31	1902020913	• COVER	1				
32	1902020914	• CASE	2				
33	1902020915	• BLOCK, valve	1				
34	1110121675	• SCREW, cap	8				
35	1110020616	• SCREW, cap	8				
36	1501750002	• PLUG	2				
	1420010110	• • O-RING	1				
37	1501750004	• PLUG	4				
	1420010180	• • O-RING	1				
38	1501750003	• PLUG	2				
	1420010140	• • O-RING	1				
39	1901738851	• PLUG	15				
40	1902020917	• PISTON	2				
41	1902020918	• STOPPER	2				
42	1902020919	• STOPPER	2				
43	1130050016	• NUT	4				
44	1220000035	• RING, retaining	2				
45	1902020921	• PIN	2				
46	1213000614	• PIN, spring	4				
47	1121610010	• BOLT	2				
48	1121051630	• SET-SCREW	2				
49	1902020923	• SET-SCREW	2				
50	1902911000	• REGULATOR ASSY (REAR)	1				see page (2/3)
0-3	1902023693	• PTO-UNIT	1				
51	1110051020	• • SCREW, cap	2				
52	1111551020	• • SCREW, cap	4				
53	1501750006	• • PLUG	1				
	1420010240	• • • O-RING	1				
54	1420110850	• • O-RING	1				
55	1420010240	• • O-RING	1				
56	1902910900	• • PUMP ASSY, SUB	1				see page (3/3)
57	1902911200	• REGULATOR ASSY (FRONT)	1				see page (2/3)
	N6H150						

TB1140 Book No. BN1Z002 S/N 51410002-
HYDRAULIC PUMP (2/3)

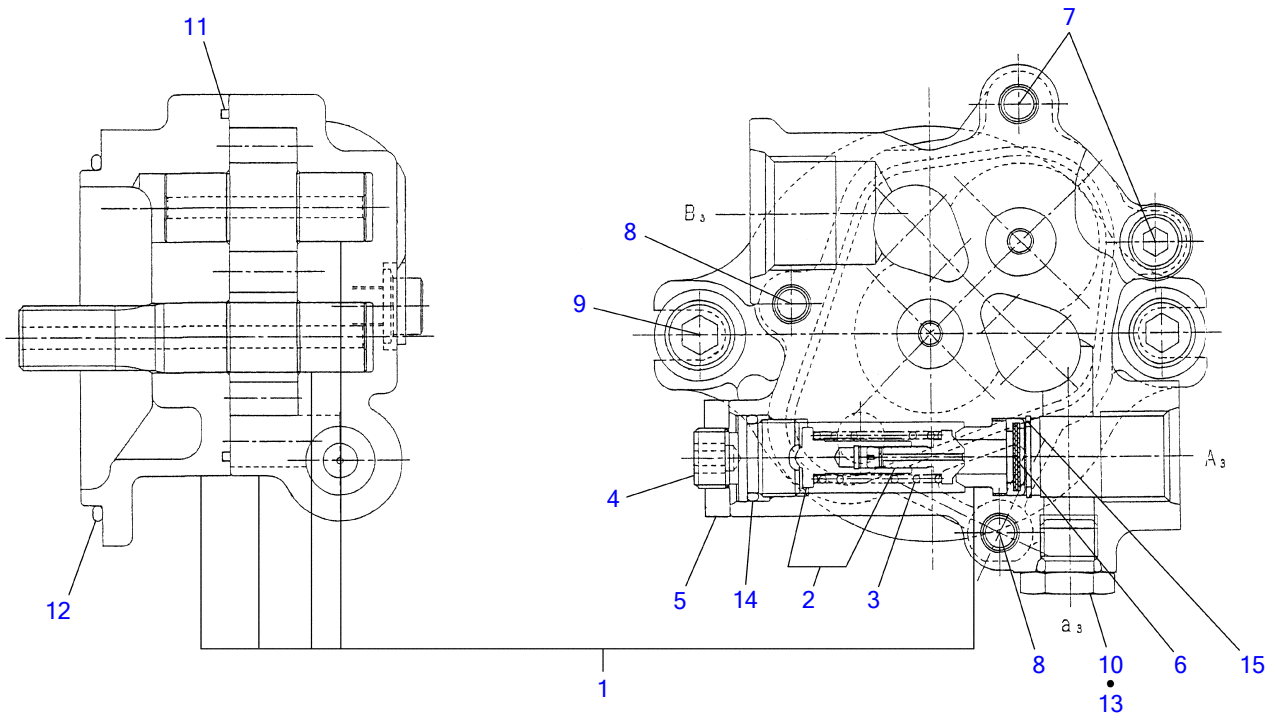


N1H030

S=FREE

HYDRAULIC PUMP (2/3)

Item	Part number	Description	Q'ty	Chan.	Serial No.	Serv.	Remarks
0-2	1902911000	REGULATOR ASSY (REAR)	1				
	1902911200	REGULATOR ASSY (FRONT)	1				
1	1110020850	▪ SCREW, cap	2				
2	1110020870	▪ SCREW, cap	2				
3	1110020630	▪ SCREW, cap	2				
4	1110020620	▪ SCREW, cap	6				REAR
	1110020620	▪ SCREW, cap	10				FRONT
5	1110020640	▪ SCREW, cap	4				REAR
6	1501750002	▪ PLUG	1				REAR
	1420010110	▪ ▪ O-RING	1				
7	1902020925	▪ PLUG	6				
8	1420110750	▪ O-RING	1				
9	1420010060	▪ O-RING	2				
10	1420010080	▪ O-RING	10				
11	1420010100	▪ O-RING	1				
12	1420010180	▪ O-RING	1				
13	1420010220	▪ O-RING	1				
14	1902911001	▪ O-RING	1				
15	1420010200	▪ O-RING	1				
16	1420110250	▪ O-RING	1				
17	1420010125	▪ O-RING	1				
18	1420010110	▪ O-RING	3				
19	1420010260	▪ O-RING	1				
20	1420110350	▪ O-RING	1				
21	1130250008	▪ NUT	1				
22	1220000010	▪ RING, retaining	1				
23	1902020926	▪ LINK	2				
24	1110020820	▪ SCREW, cap	1				
25	1130250010	▪ NUT	1				
26	1902911002	▪ O-RING	1				
	N1h030						



N0H390

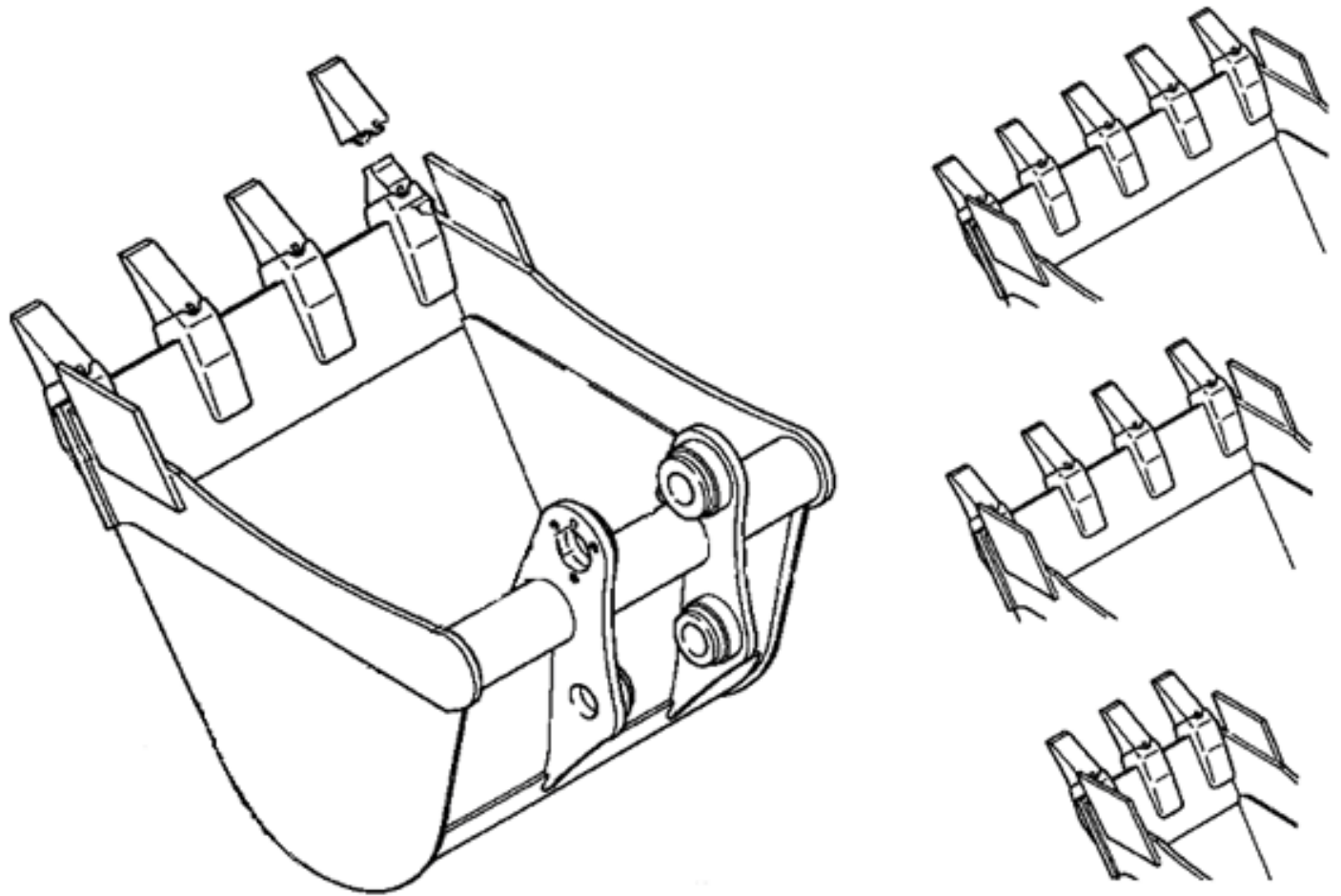
S=free

HYDRAULIC PUMP (3/3)

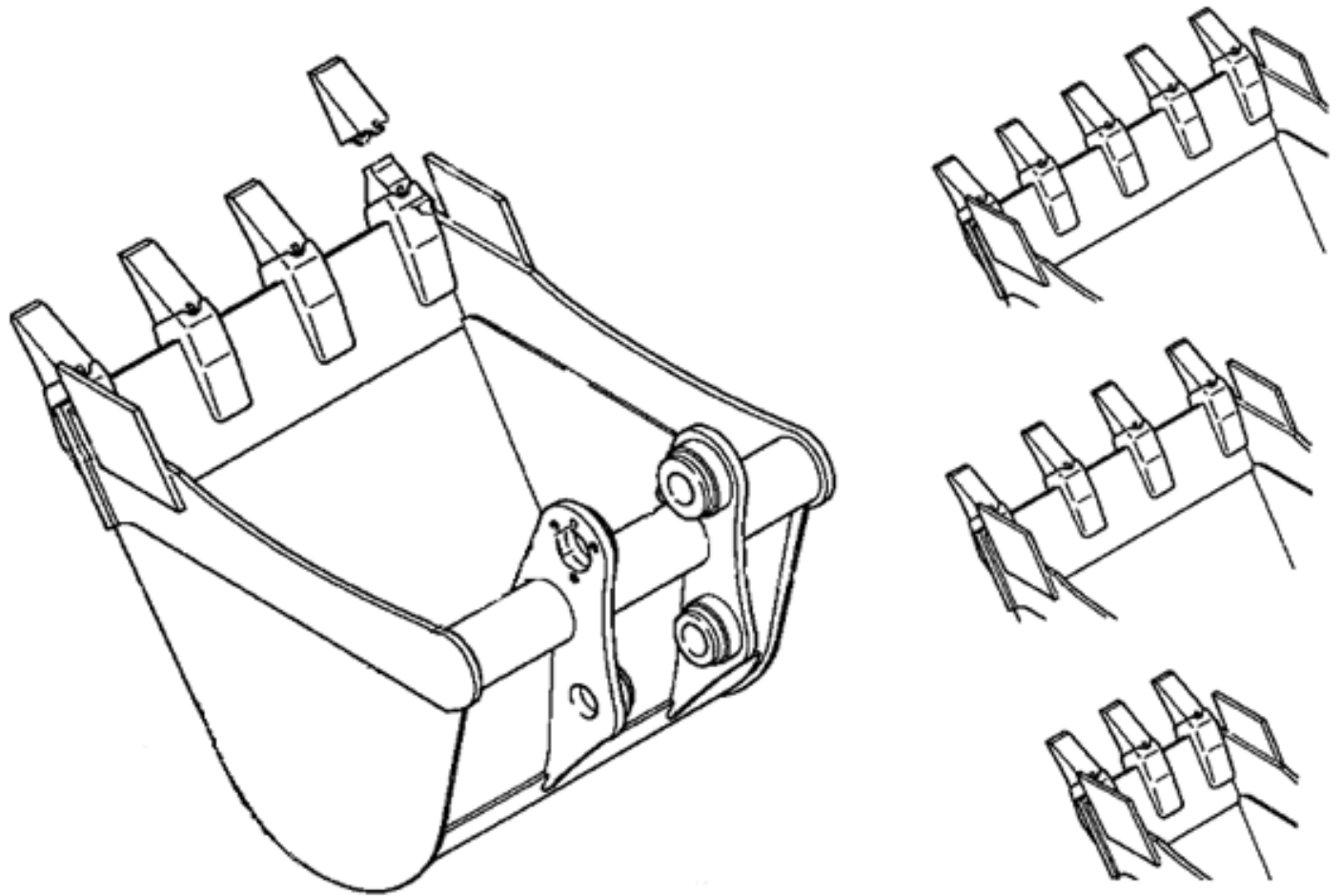
Item	Part number	Description	Q'ty	Chan.	Serial No.	Serv.	Remarks
0-4	1902910900	PUMP ASSY, SUB	1				
1	1902910998	▪ CASE ASSY, gear	1				
2	1902910997	▪ POPPET ASSY	1				
3	1902910904	▪ SPRING	1				
4	1902910905	▪ SCREW	1				
5	1902910906	▪ NUT	1				
6	1902910910	▪ FILTER	1				
7	1111550840	▪ SCREW, cap	2				
8	1111550855	▪ SCREW, cap	2				
9	1111551035	▪ SCREW, cap	2				
10	1501750002	▪ PLUG	1				
	1420010110	▪ ▪ O-RING	1				
11	1902910916	▪ RING	1				
12	1420110800	▪ O-RING	1				
13	1420010110	▪ O-RING	1				
14	1420010160	▪ O-RING	1				
15	1221000018	▪ RING, snap	1				
	N0h390						

GEAR PUMP

Item	Part number	Description	Q'ty	Chan.	Serial No.	Serv.	Remarks
0	1902021000	PUMP ASSY, gear	1				
0-1	1902021099	▪ KIT, seal	1				
1	X 1902017618	▪ ▪ SEAL, oil	1				
2	X 1902017616	▪ ▪ GASKET	2				
3	X 1902017613	▪ ▪ GASKET	2				
4	X 1902017615	▪ ▪ RING, back-up	2				
5	X 1221000036	▪ ▪ RING, snap	1				
	N0h380						



Item	Part number	Esco Buckets Description	Q'ty	Chan.	Serial No.	Serv.	Remarks
		Esco Buckets					
	BTB114018E	18" Pin-on Bucket TB1140 Esco V29 Teeth (cap. 0.41) (875 lbs)	1				
	BTB114024E	24" Pin-on Bucket TB1140 Esco V29 Teeth (cap. 0.57) (1025 lbs)	1				
	BTB114030E	30" Pin-on Bucket TB1140 Esco V29 Teeth (cap. 0.73) (1110 lbs)	1				
	BTB114036E	36" Pin-on Bucket TB1140 Esco V29 Teeth)cap. 0.89) (1295 lbs)	1				
	BTB114042E	42" Pin-on Bucket TB1140 Esco V29 Teeth (cap. 1.0) (1430 lbs)	1				



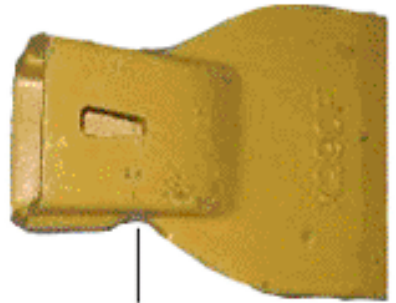
Item	Part number	Hensley Buckets		Q'ty	Chan.	Serial No.	Serv.	Remarks
			Description					
		TB1140	Hensley Buckets					
	BTB114018H	18"	Pin-on Bucket Hensley X29 Teeth (cap 0.41)(875 lbs)	1				
	BTB114024H	24"	Pin-on Bucket Hensley X29 Teeth (cap. 0.57)(1025 lbs)	1				
	BTB114030H	30"	Pin-on Bucket Hensley X29 Teeth (cap. 0.73)(1110 lbs)	1				
	BTB114036H	36"	Pin-on Bucket Hensley X29 Teeth (cap. 0.89)(1295 lbs)	1				
	BTB114042H	42"	Pin-on Bucket Hensley X29 Teeth (cap. 1.0)(1430 lbs)	1				



Item	Part number	Description	Esco Teeth			Remarks
			Q'ty	Chan.	Serial No.	
		Esco Bucket Teeth				
1	1914200292E	Esco Tooth TB1140	1			
2	1914200291E	Esco Adapotr TB1140	1			
3	1914200293E	Esco Lock Pin TB1140	1			



1



3



6



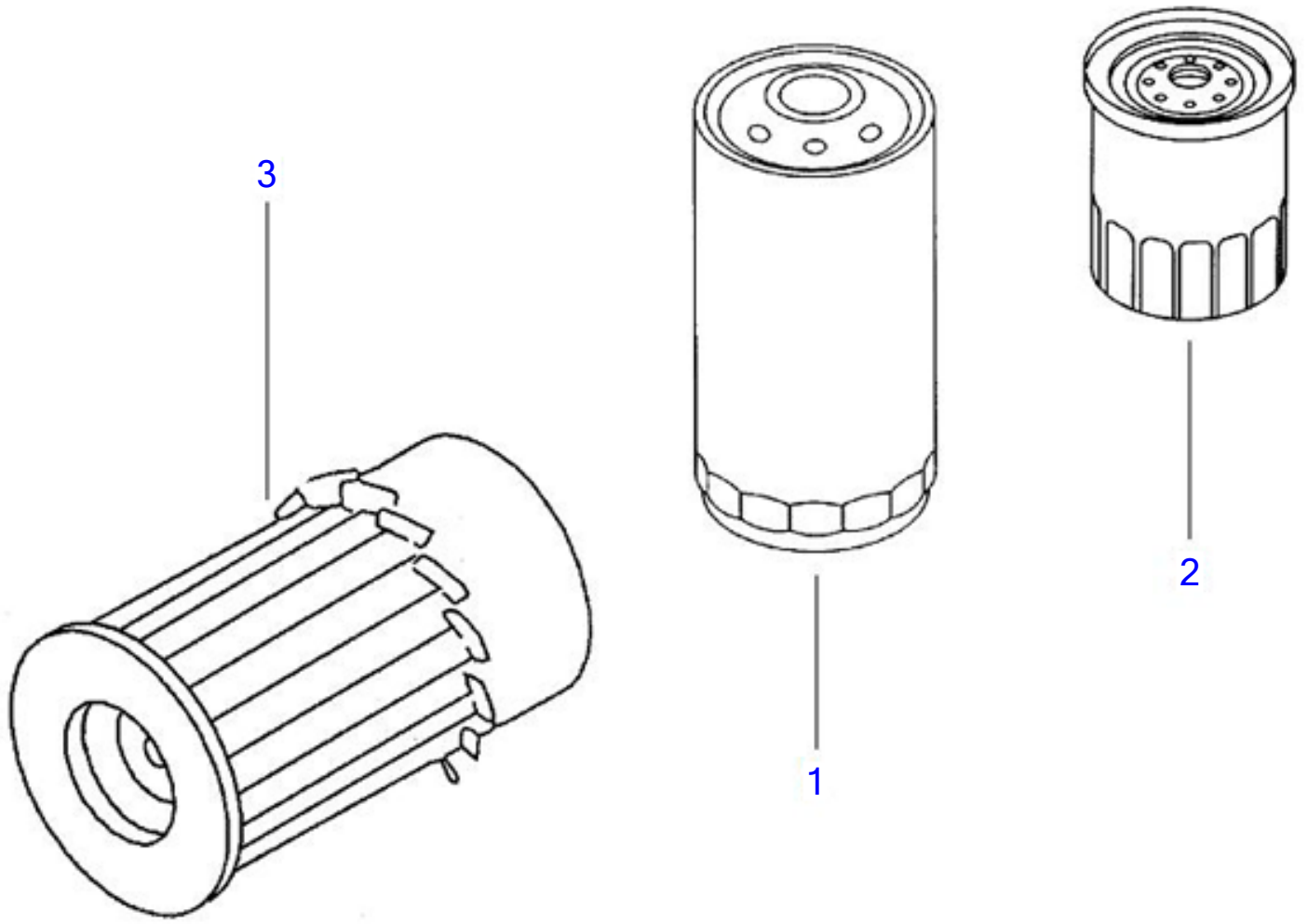
2

4 - not displayed



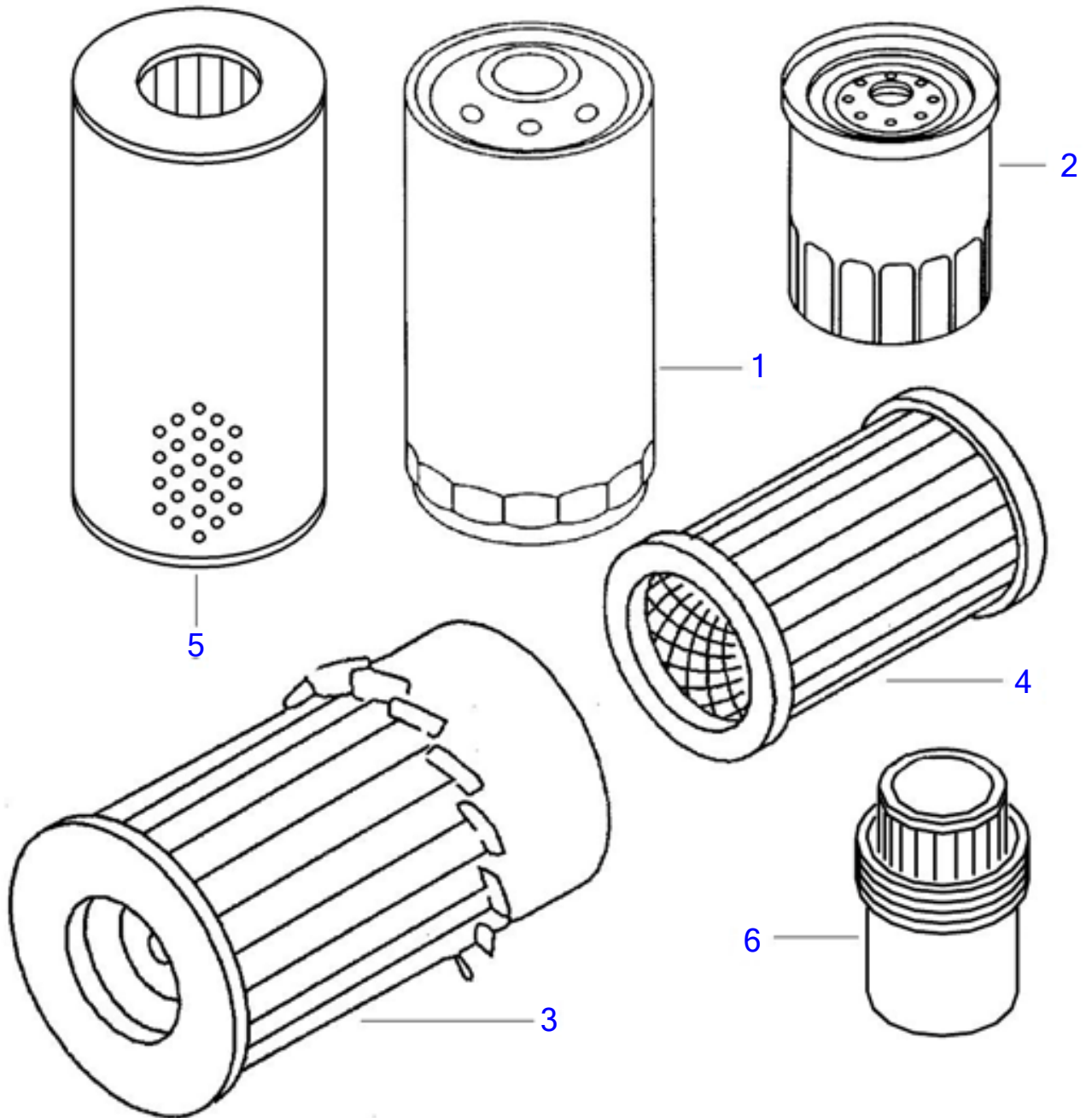
5

Hensley Teeth			Q'ty	Chan.	Serial No.	Serv.	Remarks
Item	Part number	Description					
		TB1140 Hensley Teeth					
1	1914200291H	Hensley Adaptor TB1140	1				
2	1914200292H	Hensley Tooth TB1140	1				
3	1914200292HFT	Hensley Duckbill Flare Tooth TB1140	1				
4	1914200292HT	Hensley Tiger Tooth TB1140	1				
5	1914200292HTT	Hensley Twin Tiger Tooth TB1140	1				
6	1914200293H	Hensley Steel Lock Pin TB1140	1				
	1914200290P	Hensley Flex Rubber Lock Pin TB1140 (optional)	1				

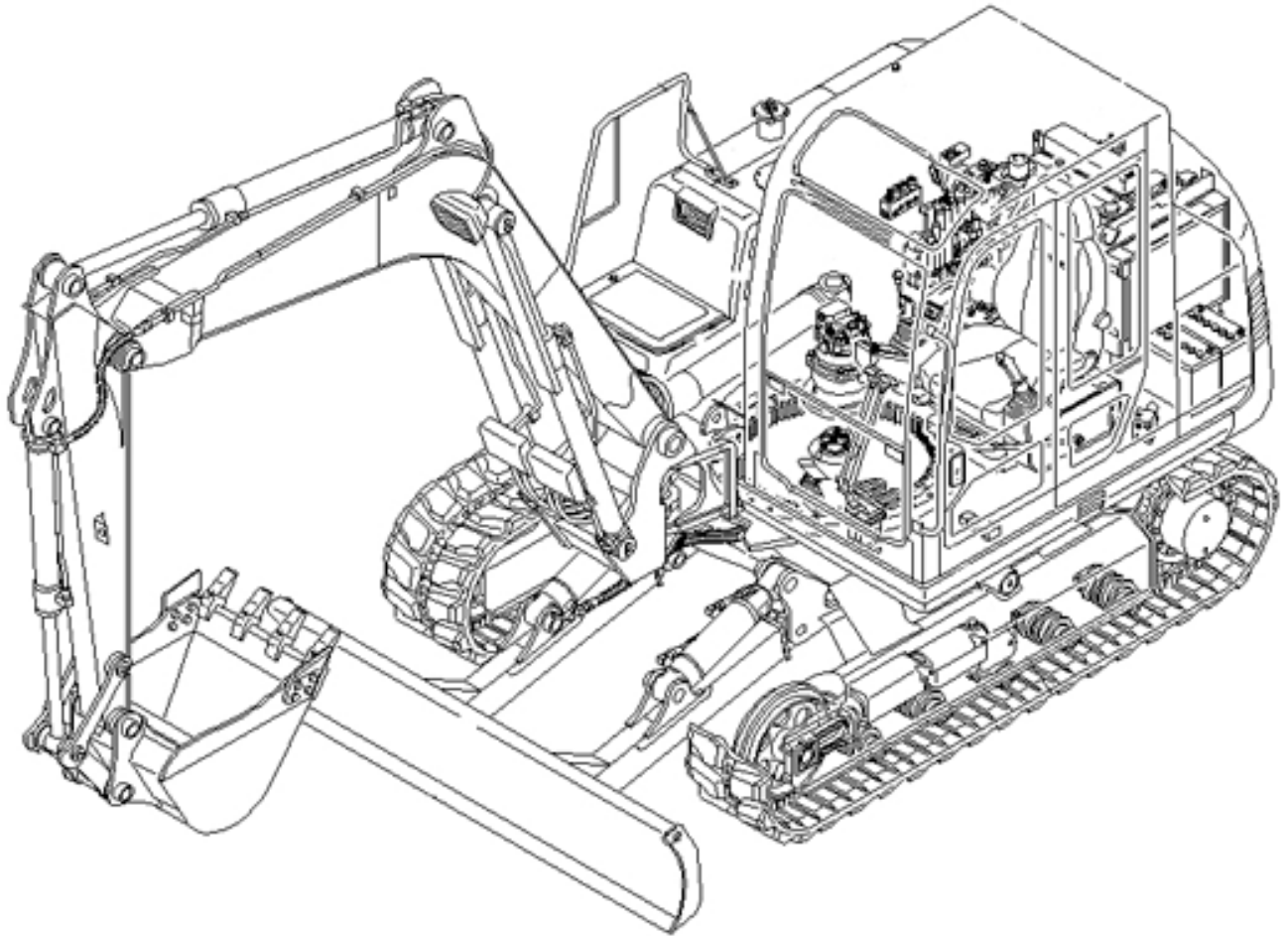


250 Hour Filter Kit

Item	Part number	Description	Q'ty	Chan.	Serial No.	Serv.	Remarks
1	1132402321	250 Hour Filter Kit					
2	X13240015	* Element Oil Filter	1				
3	Y119117-12560	* Fuel Filter	1				
		* Outer Air Filter	1				

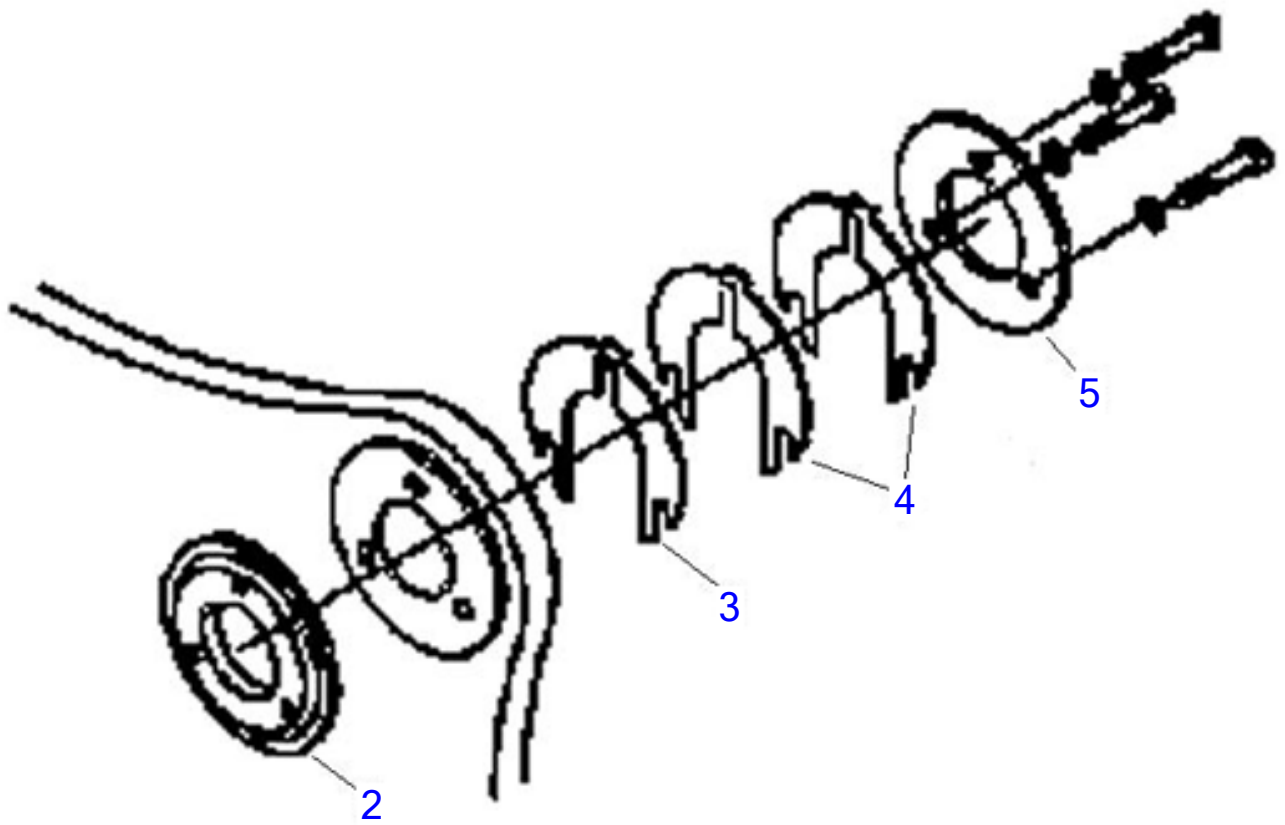


Annual Filter Kit						
Item	Part number	Description	Q'ty	Chan.	Serial No.	Serv. Remarks
		Annual Filter Kit				
1	1132402321	* Element Oil Filter	1			
2	X13240015	* Fuel Filter	1			
3	Y119117-12560	* Outer Air Filter	1			
4	Y119117-12570	* Inner Air Filter	1			
5	1551103400	* Hydraulic Filter	1			
6	1551200601	* Screen check SN for application TNE	1			

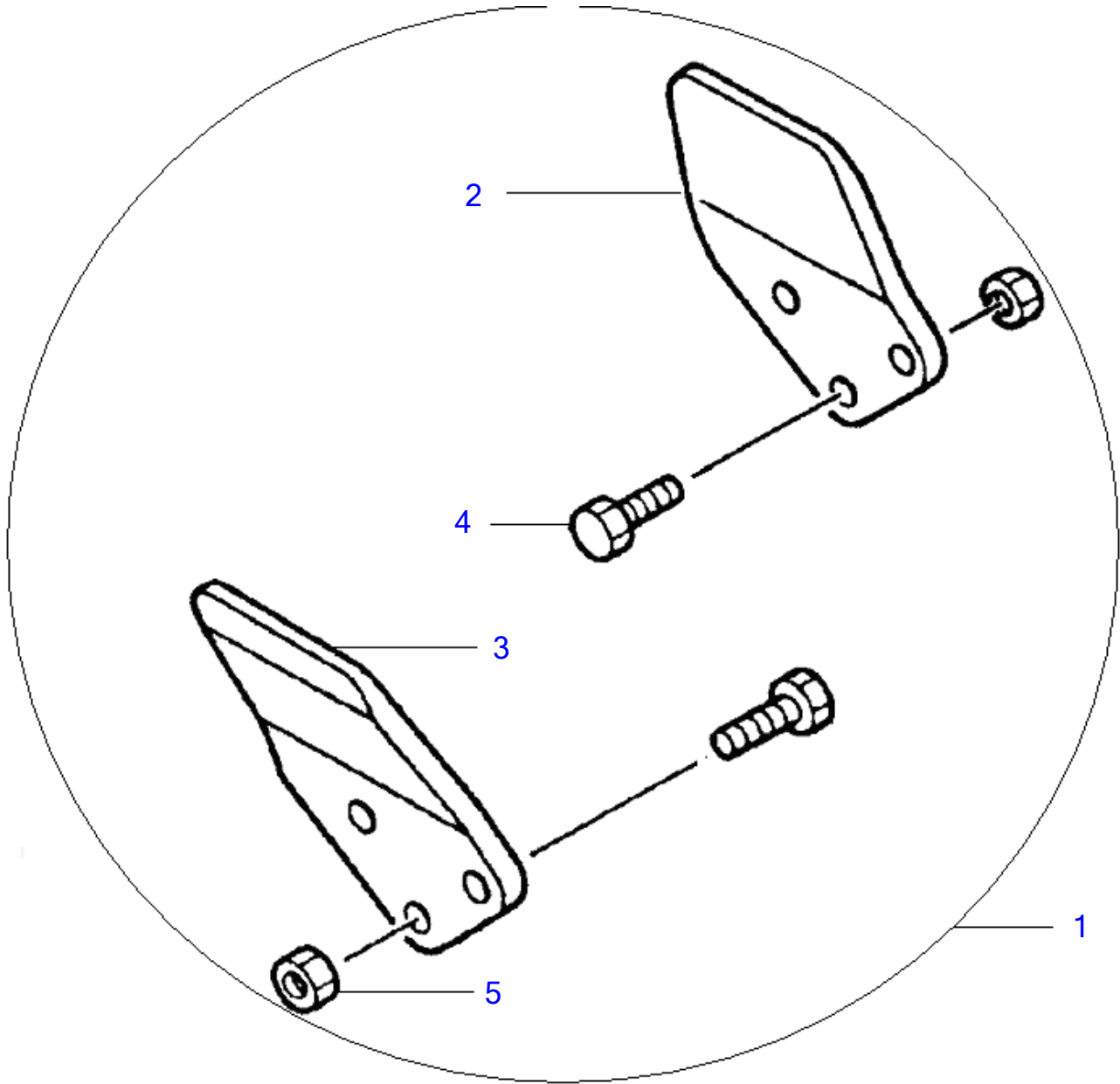


TAKEUCHI

Recommended Stock Order List					
Item	Part number	Description	Q'ty	Chan.	Serial No. Serv. Remarks
		Recommended Stock Order List			
	1551103400	Filter	5		
	Y119117-12570	Inner Air Filter	3		
	Y119117-12560	Outer Air Filter	3		
	1132402321	Element Oil Filter	6		
	X13240015	Fuel Filter	3		
	199099114000	250 Hour Filter Kit TB1140	1		
	19099114010	Annual Filter Kit TB1140	1		
	1900089999	Seal Kit TB1140	1		
	1900090099	Dozer Blade Cylinder Seal Kit	1		
	1900089599	Seal Kit	1		
	1900091895	Arm Cylinder Seal Kit	1		
	1900089599	Seal Kit	1		
	1914200291E	Esco Tooth Adaptor	8		
	1914200292E	Esco Tooth	8		
	1914200293E	Esco Lock Pin	8		
	1914200291H	Hensley Tooth Adaptor	8		
	1914200292H	Hensley Tooth	8		
	1914200293H	Hensley Lock Pin	8		
	1700100019	Key (qty 1 = 2 keys)	6		
	1554512600	Tube	2		
	1554502050	Plug	2		
	1541400520	Washer	2		
	0566015400	Lamp Assy OEM see K15614202 for lower cost alternative	2		
	18-97230-2520	Cooling Fan Belt	2		



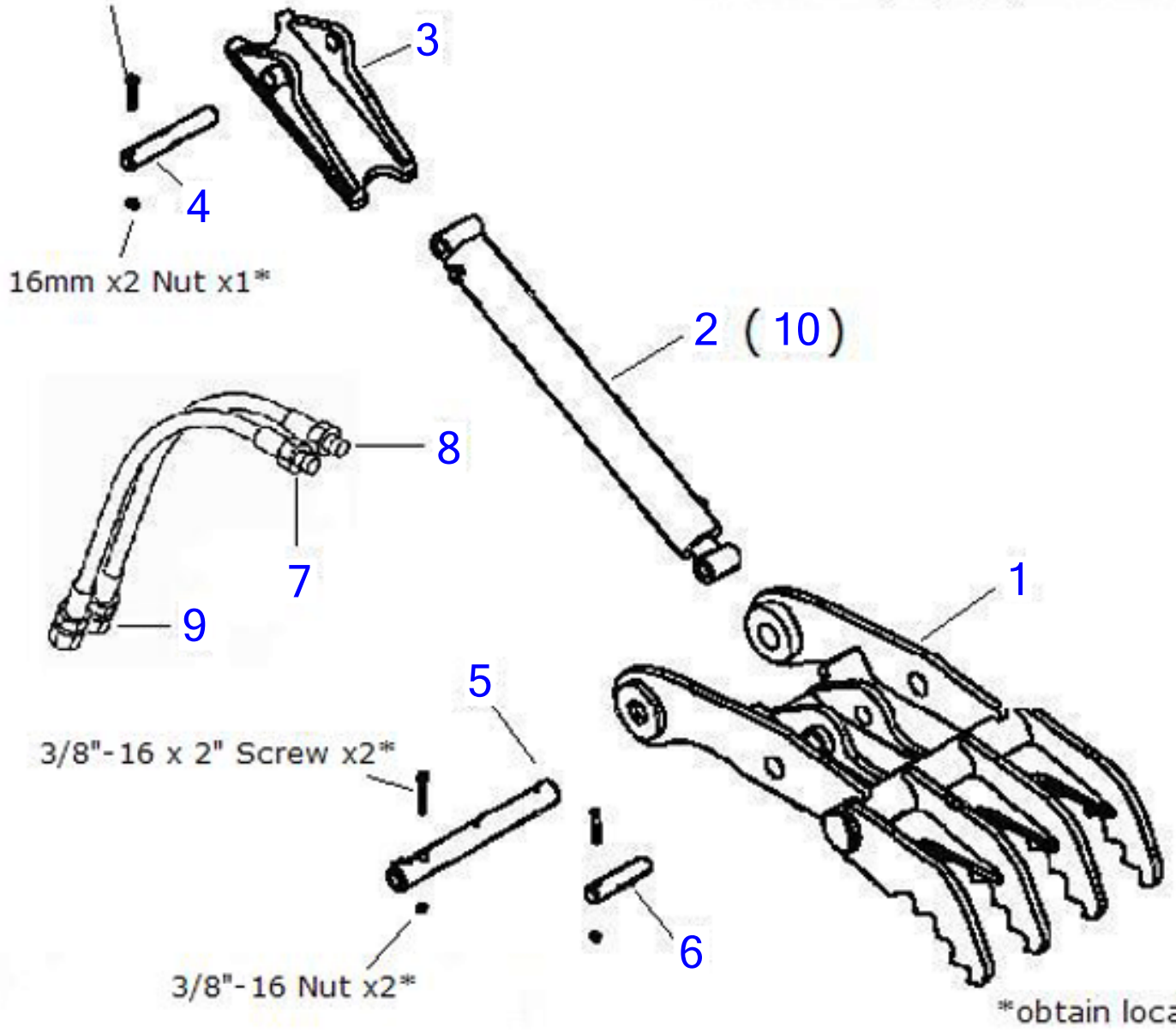
Item	Part number	Anitclatter Kit Description	Q'ty	Chan.	Serial No.	Serv.	Remarks
	TB1140BKTBUSH	Anticlatter Kit TB1140 Anit-clatter Bucket Bushing Kit (must be on bucket)	1				
2	TB1140BKTSHIMPACK	TB1140 Anit-clatter Bucket Shim Pack	1				
3	TB1140BKTSHIM11GA	TB1140 Anti-clatter Bucket Shim 11 gauge	1				
4	TB1140BKTSHIM16GA	TB1140 Anti-clatter Bucket Shim 16 gauge	1				
5	TB1140BKTCAPPLATE	TB1140 Anit-clatter Bucket Cap Plate	1				



Item	Part number	Side Cutter Description	Q'ty	Chan.	Serial No.	Serv.	Remarks
1	TB1140SIDECUTTERS	Sidecutter Set includes right and left with hardware	1				
2	TB1140SCR	* Right Hand Side cutter with Hardware	1				
3	TB1140SCL	* Left Hand Side cutter with Hardware	1				
4	TB1140SCBOLT	* Side cutter Plow Bolt	1				
5	TB1140SCNUT	* Side cutter Plow Nut	1				

16mm x 110mm Screw x1*

10 - not displayed, part of item 2



Item	Part number	Thumbs Old Style		Q'ty	Chan.	Serial No.	Serv.	Remarks
		Description						
		Thumbs Old Style						
1	TB1140THBRKT	TB1140 Body Weldment Old Style Thumb		1				
2	TB1140THCYL	TB1140 Thumb Cylinder		1				
3	TB1140THCYLBRKT	TB1140 Thumb Bracket Weldment for machine side		1				
4	TB1140THHPIN	TB1140 Thumb Cylinder Head Pin		1				
5	TB1140THMPINOLD	TB1140 Thumb Main Pivot Pin		1				
6	TB1140THRPIN	TB1140 Thumb Cylinder Rod Pin		1				
7	TB1140SHORTHOSE	Short Hose Assy Kit for Thumb		1				
8	TB1140LONGHOSE	Long Hose Assy Kit for Thumb		1				
9	1513110040	1/2" Jic X 1/2" Bspg adpt New Style Thumb (1513110038-39)		2				
10	TB1140THSEALKIT	TB1140 Thumb Cylinder Seal Kit		1				

All TB1140 Manuals Tier 3						
Item	Part number	Description	Q'ty	Chan.	Serial No.	Serv. Remarks
	L11400001TAK	TB1140 Manuals Takeuchi Undercarriage Operators Manual TB1140 AN1E000 SN 51410001-51419999 English	1			
	L11400001TAKSP	Operators Manual TB1140 AN1S001 SN 51410001-51419999 Spanish	1			
	L11400003TAK	Parts Manual TB1140 BN1Z002 SN 51410003-up TAK UC	1			
	L11400004TAK	Service Manual TB1140 CN1E000 Takeuci=hi Undercarriage	1			

Engine for TB1140 BB-4BG1-TRE (ISUZU)

How to read this Parts Catalog.

1. Parts mentioned in this Parts Catalog may not necessarily be standard equipping parts.
2. Parts change may be made without prior notice.
3. Form of this Parts Catalog.

Fig. 29 燃料噴射ポンプ(ブースコン用)
FUEL INJECTION PUMP (W/BOOST)

見出 REF.No.	部品番号 PARTS No.	部品名	DESCRIPTION	個数 (Q'ty)						備考
				A	B	C	D	E	F	
1	729595-51390	F0ポンプ ASY(ブ-コン用)	FULE INJECTION PUMP	1	1	1	1	1	1	
1-1	729595-51391	F0ポンプ ASY(ブ-コン用)	FULE INJECTION PUMP	1	1	1	1	1	1	
3	26022-060162	メネジ M 6X 16	SCREW M 6X 16	9	9	9	9	9		
I 3-1	26022-060162	メネジ M 6X 16	SCREW M 6X 16	4	4	4	4	4		K
(A=E/#00185) (B=E/#00200) (C=E/#00156) (D=E/#00156) (E=E/#00156)										
4	129470-51040	カムシャフト	CAMSHAFT	1	1	1	1	1		
5	122710-51050	ベアリングローラ	BEARING, ROLLER	2	2	2	2	2		
6	129470-51060	ベアリングガイ	RETAINER	1	1	1	1	1		
備考				Remarks						
(1) ブーストコンベンセータ付き。4JH-DT, 4JH-DTZとも E/# 00155 までは、特別注文仕様とします				(1) BOOST COMPENSATOR TYPE. OPTIONAL PART, TO E/# 00155. (4JH - DT, 4JH - DTZ)						

① Ref. No.

The Ref. No. in the list may not be accord with the Ref. No. on illustration.

(Ex.) Illustration No. List head No.

1 1 (Befor change) → 1 -1 (After change)

When interchangeable symbol N, R, and K, illustrations for new parts are sometimes omitted.

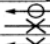

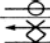
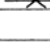
③ Change Mark

Change Mark "I" is given to the part for which a design change was made at this time.

The design change was not shown in the last published Parts Catalog.

④ Interchangeability Mark

In the case where a part change took place, one of the following interchangeability marks is indicated for that part.

Symbol	interchangeability	Contents note
N	Old  New	New Part is interchangeable for Old Part but not interchangeable conversely.
Q	Old  New	New Part is not interchangeable for Old Part but interchangeable conversely.
R	Old  New	New Part is interchangeable for Old Part and vice versa.
S	Old  New	New Part is not interchangeable for Old Part and vice versa.
W		Part newly added.
Z		Part discontinued.
F		Not interchangeable single part but interchangeable by set of the related parts.
K		Changed only in quantity used.

⑤ Effective Machine No.

When a part is changed, Effective Machine No. of a Model for which the part is applicable is indication in each column of (A) - (F).

Product Symbol	Product No.	Product Symbol	Product No.
C	Clutch No. Compressor No.	M	Machine No.
D	Drive No.	T	Tractor No.
E	Engine No.	Note1) ※	Date

Note1) Date may follow the symbol in some cases. (Ex.) ※ 1996.01

Note2) As far as engine models shown by "XXX" are concerned, the modification of the parts could not be predicted or the engine models themselves could not be identified.

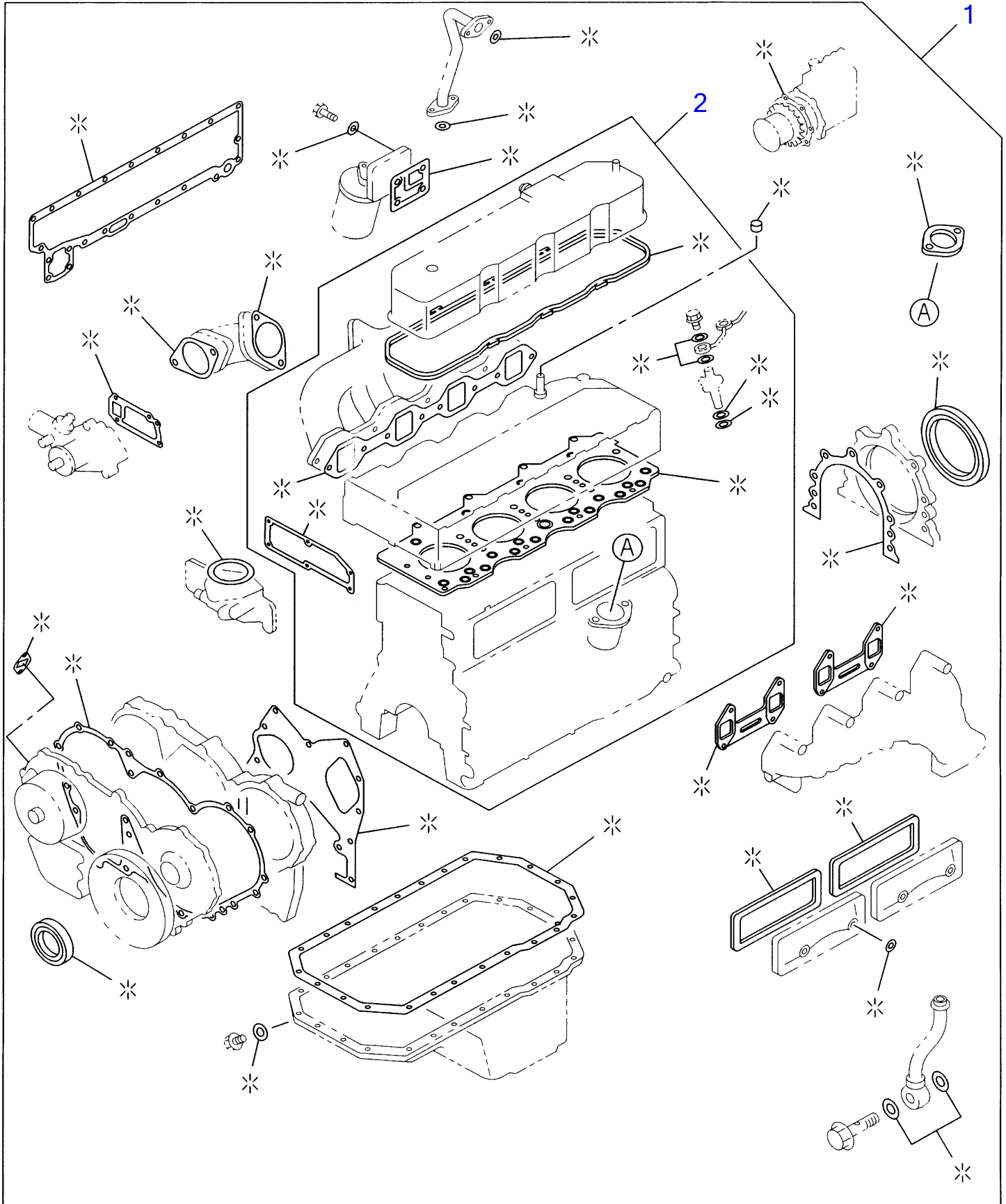
Note3) (A=E/#00185) means that the design change on the part has been effective for the model at the column (A) (in this case, for 4JH - DT) on and from E/# (Engine Serial Number) 00185.

⑥ Remarks Mark

Figures or alphabets (Symbols) are entered in the remark column.

The comments (remarks) on the pertinent parts are indicated in the lower part of the list by the same symbols as those stated above.

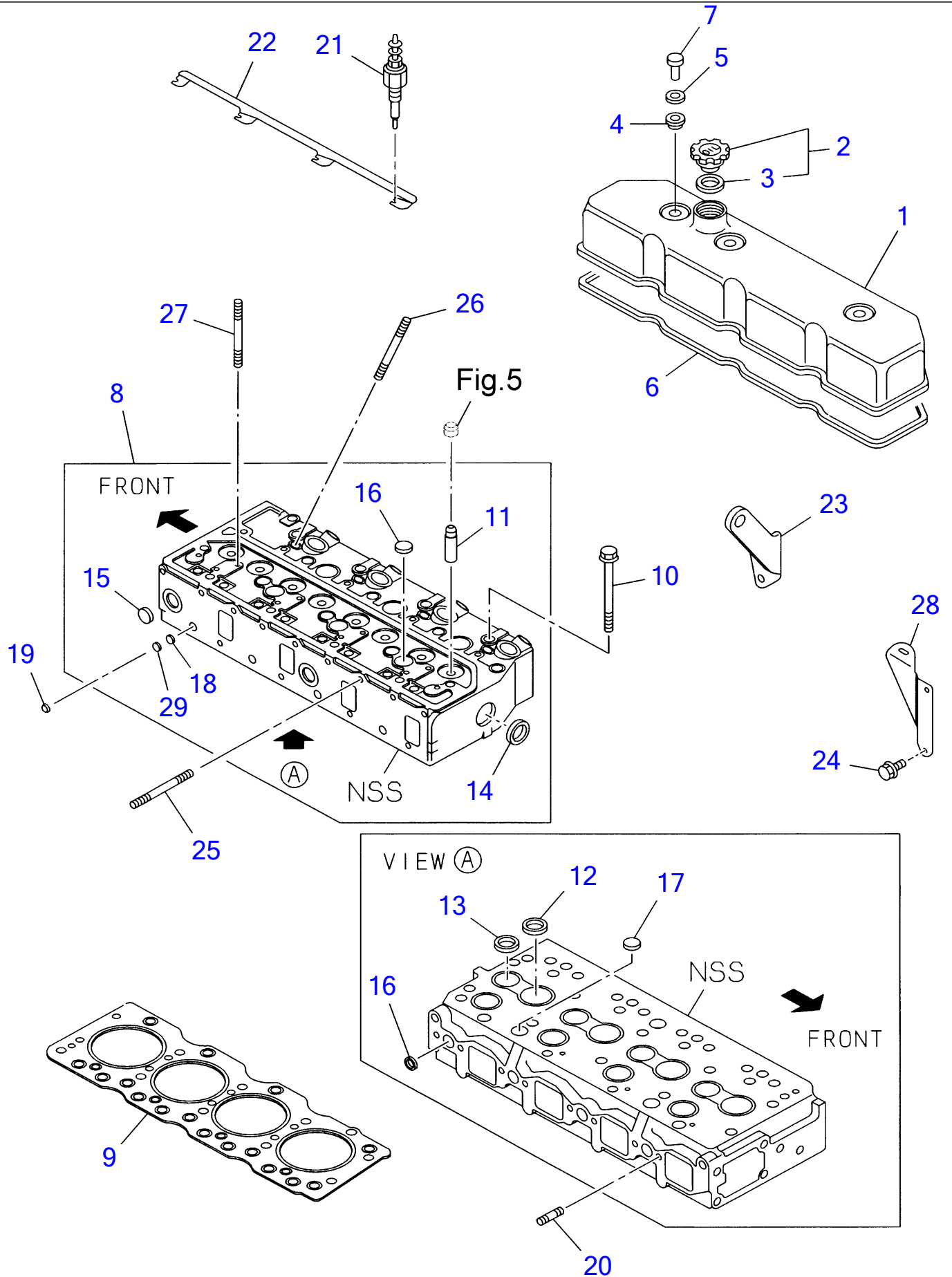
Engine for TB1140 BB-4BG1-TRE (ISUZU)
ENGINE GASKET KIT



Engine for TB1140 BB-4BG1-TRE (ISUZU)
ENGINE GASKET KIT

Item	Part No	Description	Qty
1	I5-87814-0024	GSKET SET; ENG OVERHAUL	1
2	I5-87813-8422	GSKET SET; ENG HD OVERHAUL	1

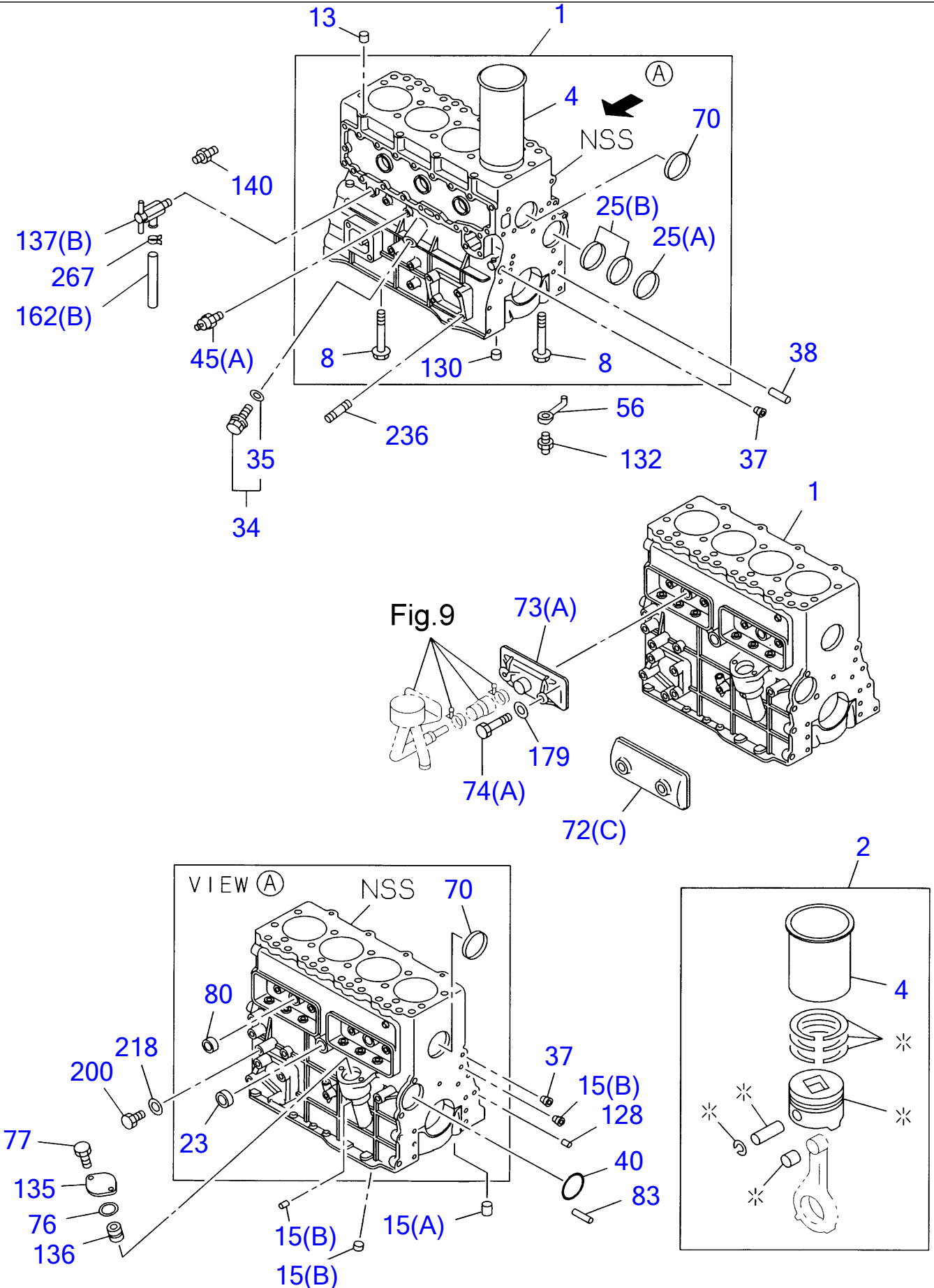
Engine for TB1140 BB-4BG1-TRE (ISUZU)
CYLINDER HEAD



**Engine for TB1140 BB-4BG1-TRE (ISUZU)
CYLINDER HEAD**

Item	Part No	Description	Qty
1	I8-97223-7600	COVER; CYL HD	1
2	I8-94399-7230	CAP; OIL FILLER	1
3	I8-94399-6890	GASKET; OIL FILLER	1
4	I9-11179-0300	GASKET; HD COVER	3
5	I9-11179-1050	WASHER; CAP NUT, HD COVER	3
6	I8-97326-2510	GASKET; HD TO COVER	1
7	I9-11175-0120	NUT; CAP, HD COVER	3
8	I8-97369-5500	HEAD ASM; CYL	1
9	I8-97222-1171	GASKET; CYL HD	1
10	I1-09070-1001	BOLT; CYL HD TO BLOCK (M12X100)	4
	I1-09070-1011	BOLT; CYL HD TO BLOCK (M12X113)	14
11	I1-11721-0130	GUIDE; VLV	8
12	I8-97037-6860	SEAT; VLV INSERT (OD=47 INLET)	4
13	I5-11711-0280	SEAT; VLV INSERT (OD=39 EXHAUST)	4
14	I1-09600-0051	CUP; SEALING, CYL HEAD (OD=45)	1
15	I5-11219-0150	CUP; SEALING, CYL HEAD (OD=32)	2
16	I1-09600-0160	CUP; SEALING, CYL HEAD (OD=25)	7
17	I9-11129-1280	CUP; SEALING, CYL HEAD (OD=20)	2
18	I5-09600-0130	CUP; SEALING, CYL HEAD (OD=12.3)	4
19	I9-11129-6010	CUP; SEALING, WATER JACKET	4
20	I9-04110-8250	STUD; INL MANIF	4
	I0-41010-8250	STUD; INL MANIF (2006, 05-)	4
21	I1-82513-0451	PLUG; GLOW	4
22	I5-19732-0022	CONNECTOR; GLOW PLUG	1
23	I9-11777-8050	HANGER; ENG, RR	1
24	I0-28081-0200	BOLT; HANGER	4
	I0-28051-0200	BOLT; HANGER (2006, 01-)	4
25	I8-94156-9390	STUD; EXH MANIF (M8X75 L=87)	2
	I8-94156-9400	STUD; EXH MANIF (M8X60 L=72)	2
26	I1-09300-0180	STUD; INJ NOZZLE	8
27	I5-09300-0650	STUD; ROCKER ARM	3
28	I5-11777-0640	HANGER; ENG, FRT	1
29	I9-09660-0340	PLUG; PLATE	4

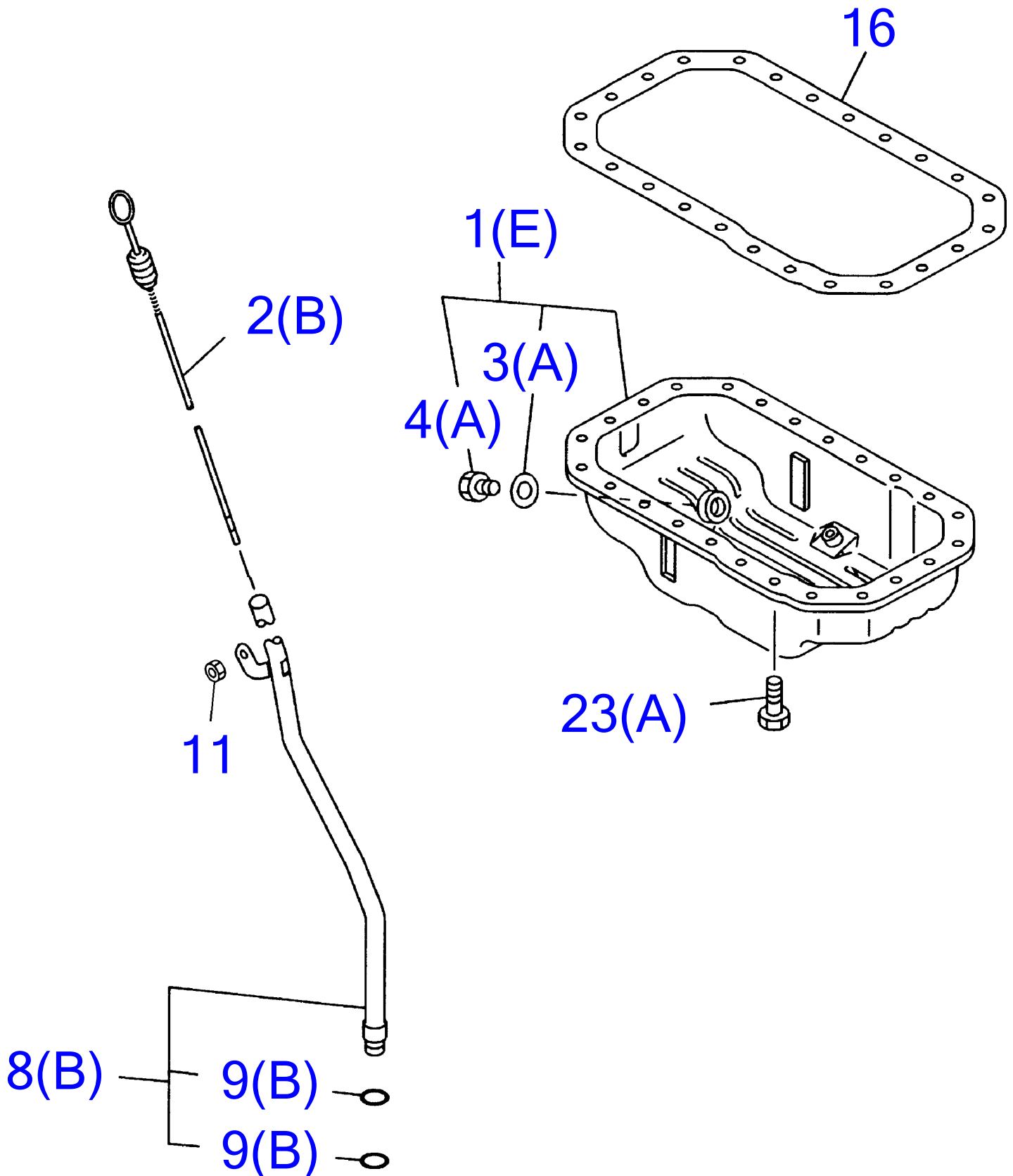
Engine for TB1140 BB-4BG1-TRE (ISUZU)
CYLINDER BLOCK



**Engine for TB1140 BB-4BG1-TRE (ISUZU)
CYLINDER BLOCK**

Item	Part No	Description	Qty
1	I8-97123-9542	BLOCK ASM; CYL	1
2	I5-87814-6611	LINER SET; ENG CYL (GRADE=1)	4
	I5-87814-6621	LINER SET; ENG CYL (GRADE=2)	4
	I5-87814-6631	LINER SET; ENG CYL (GRADE=3)	4
	I5-87814-6641	LINER SET; ENG CYL (GRADE=4)	4
4	I1-11261-3821	LINER; C/BL (OD GRD=1, ID GRD=AX)	4
	I1-11261-3831	LINER; C/BL (OD GRD=1, ID GRD=CX)	4
	I1-11261-3841	LINER; C/BL (OD GRD=2, ID GRD=AX)	4
	I1-11261-3851	LINER; C/BL (OD GRD=2, ID GRD=CX)	4
	I1-11261-3861	LINER; C/BL (OD GRD=3, ID GRD=AX)	4
	I1-11261-3871	LINER; C/BL (OD GRD=3, ID GRD=CX)	4
	I1-11261-3881	LINER; C/BL (OD GRD=4, ID GRD=AX)	4
	I1-11261-3891	LINER; C/BL (OD GRD=4, ID GRD=CX)	4
8	I1-09000-4692	BOLT; BRG CAP	10
13	I8-94148-0790	DOWEL; C/BL TO HD	2
15(A)	I9-99205-5170	PLUG; OIL GALLERY	1
15(B)	I5-09605-0180	PLUG; OIL GALLERY	7
23	I5-11219-0140	CUP; SEALING, C/BL FRT & RR (OD=28)	1
25(A)	I9-11611-0480	METAL; CM/SHF	1
25(B)	I9-11613-0350	METAL; CM/SHF	2
34	I8-97023-3390	VALVE; OIL RELIEF	1
35	I5-09623-0350	GASKET; RELIEF VLV	1
37	I1-09605-0681	PLUG; OIL GALLERY	2
38	I1-09740-0780	PIN; TIMING GEAR CASE	1
40	I8-94344-4620	CUP; SEALING, C/BL RR (OD=67)	3
45(A)	I1-82410-0082	SWITCH; OIL PRESSURE	1
56	I1-13342-1320	JET; OIL, PISTON COOLING	4
70	I1-09600-0521	CUP; SEALING, FRT & RR (OD=60)	2
72(C)	I8-97222-1041	COVER; TAPPET CHAMBER	1
73(A)	I1-11290-2541	COVER ASM; TAPPET CHAMBER	1
74(A)	I8-94367-5301	BOLT; COVER TO C/BL (8X56 FLANGE)	2
	I8-94429-9951	BOLT; COVER TO C/BL (8X84)	2
76	I1-09623-4650	GASKET; COVER TO C/BL	1
77	I0-28680-8200	BOLT; COVER TO C/BL	2
	I0-28650-8200	BOLT; COVER TO C/BL (2006, 01-)	2
80	I1-09600-0122	CUP; SEALING, TAPPET CHAMBER	2
83	I9-08151-0180	PIN; FLYWHEEL HSG	2
128	I9-08160-8160	PIN; STRAIGHT, OIL SEAL RET	2
130	I5-11257-0011	DOWEL; BRG CAP	1
132	I1-13161-0120	VALVE; CHECK, OIL	4
135	I1-11219-1291	COVER; OIL PUMP	1
136	I5-11224-0040	BUSHING; DRIVE SHAFT, OIL PUMP	1
137(B)	I5-09680-0110	COCK; DRAIN, WATER	1
140	I5-09660-0330	NIPPLE; INJ PUMP	1
162(B)	I9-09914-7010	HOSE; WATER DRAIN, C/BL	1
179	I9-09572-0080	GASKET; COVER TO BOLT	4
200	I9-99202-3140	PLUG; OIL GALLERY	1
218	I9-09572-0140	GASKET; PLUG, C/BL SIDE	1
236	I1-09300-0550	STUD; ENG FOOT	1
267	I5-09707-0041	CLIP; DRAIN HOSE	1

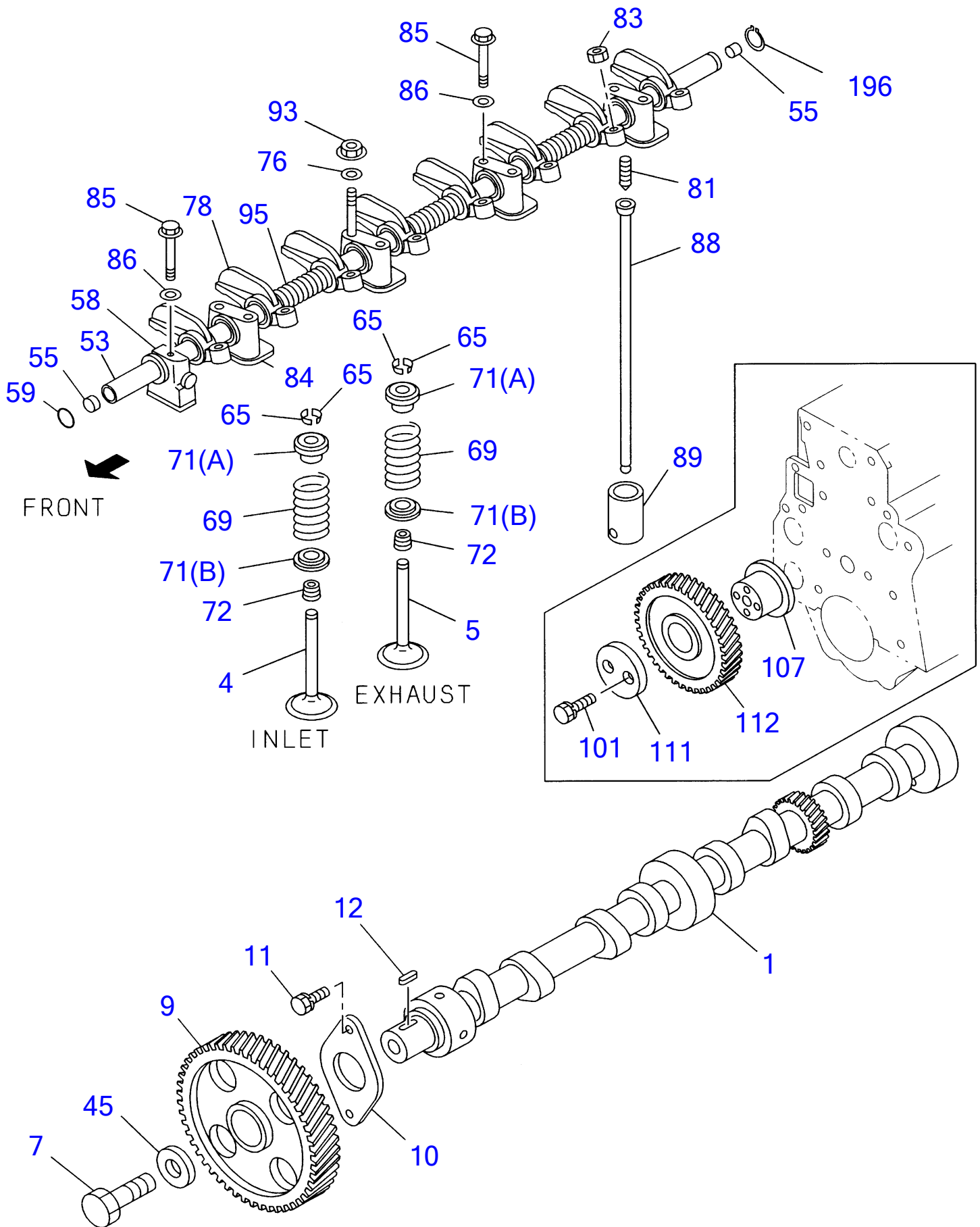
Engine for TB1140 BB-4BG1-TRE (ISUZU)
OIL PAN & LEVEL GAUGE



**Engine for TB1140 BB-4BG1-TRE (ISUZU)
OIL PAN & LEVEL GAUGE**

Item	Part No	Description	Qty
1(E)	I8-97128-0230	PAN ASM; OIL	1
2(B)	I8-94420-6610	GAUGE; OIL LEVEL	1
3(A)	I1-09623-0570	GASKET; DRAIN PLUG	1
4(A)	I9-09662-0120	PLUG; DRAIN, OIL	1
8(B)	I8-94416-7133	TUBE; GUIDE, OIL LEVEL GAUGE	1
9(B)	I5-09623-0020	GASKET; GUIDE TUBE, OIL LEVEL GAUGE	2
11	I0-91150-1080	NUT; GUIDE, OIL LEVEL GAUGE	1
	I0-91180-1080	NUT; GUIDE, OIL LEVEL GAUGE (2006, 01-)	1
16	I8-97352-4030	GASKET; OIL PAN TO C/BL	1
23(A)	I0-50040-8180	BOLT; OIL PAN	24

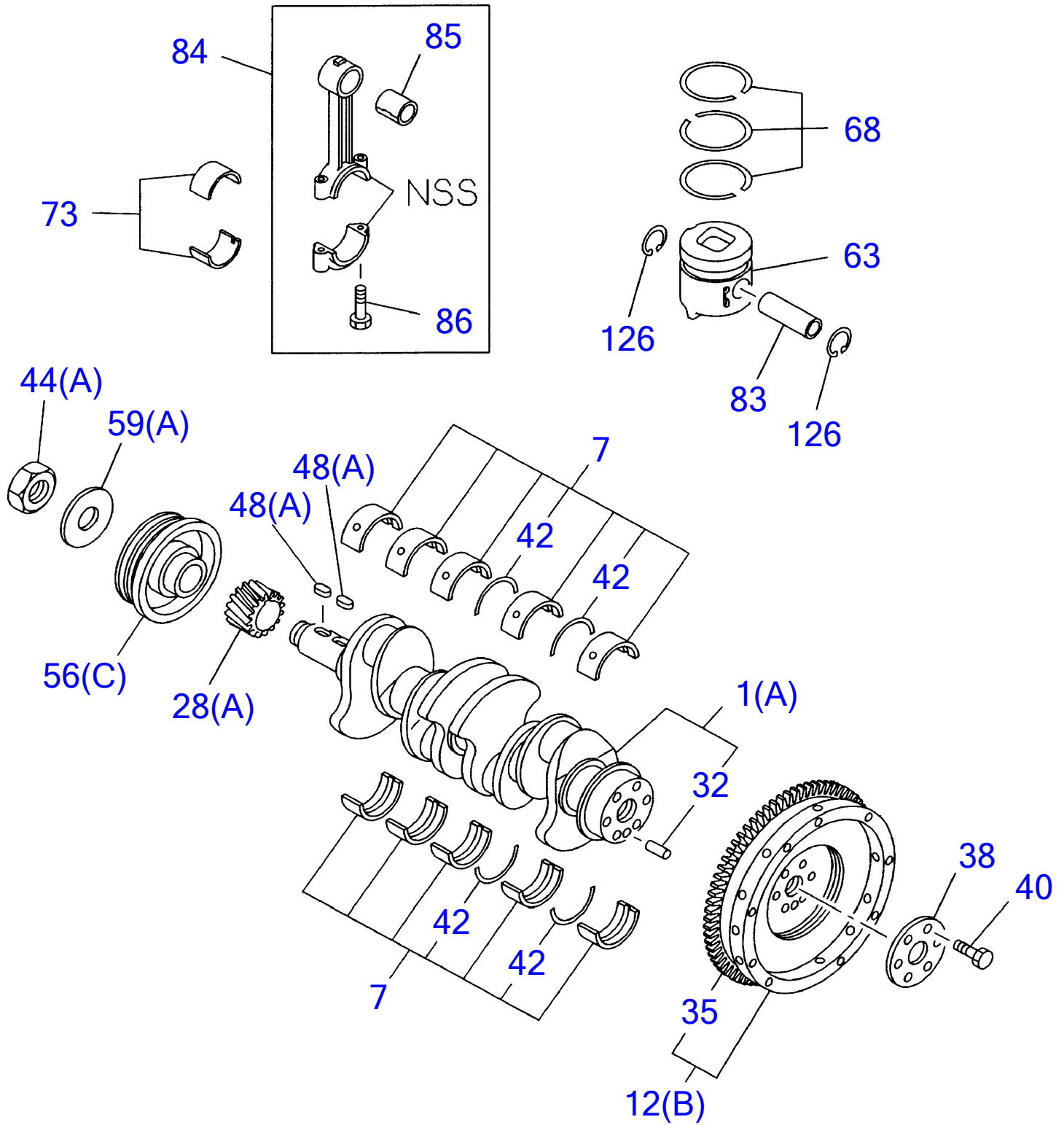
Engine for TB1140 BB-4BG1-TRE (ISUZU)
CAMSHAFT & VALVE



**Engine for TB1140 BB-4BG1-TRE (ISUZU)
CAMSHAFT & VALVE**

Item	Part No	Description	Qty
1	I8-94409-4120	CAMSHAFT	1
4	I1-12551-1650	VALVE; INL	4
5	I1-12552-1110	VALVE; EXH	4
7	I5-09000-2360	BOLT; CM/SHF GEAR	1
9	I1-12522-0162	GEAR; CM/SHF	1
10	I9-11681-0150	PLATE; THRUST	1
11	I0-50040-8250	BOLT; THRUST PLATE TO C/BL	2
	I0-50540-8250	BOLT; THRUST PLATE TO C/BL (2006, 01-)	2
12	I9-08010-7200	KEY; CAM GEAR SET	1
45	I9-09851-8503	WASHER; GEAR CAM	1
53	I8-97222-2450	SHAFT; ROCKER ARM	1
55	I9-12626-0050	PLUG; ROCKER SHAFT END	2
58	I5-12628-0120	BRACKET; ROCKER SHAFT, FRT	1
59	I5-09623-0600	GASKET; ROCKER SHAFT	1
65	I5-12565-0060	COLLAR; SPLIT	16
69	I1-12561-0991	SPRING; VLV, OUTER	8
71(A)	I8-94114-5790	SEAT; SPR	8
71(B)	I5-12563-0010	SEAT; SPR	8
72	I8-97120-1670	SEAL; VLV GUIDE	8
76	I9-09851-4300	WASHER; PL, BRKT	3
78	I1-12611-2490	ARM; ROCKER	8
81	I9-12616-0420	SCREW; ADJ, ROCKER ARM	8
83	I9-09111-5080	NUT; ADJ SCREW, LK	8
	I0-91111-5080	NUT; ADJ SCREW, LK (2006, 01-)	8
84	I9-12628-1050	BRACKET; ROCKER SHAFT, INTER	4
85	I1-09000-5670	BOLT; BRKT	6
86	I9-09851-4300	WASHER; ROCKER ARM FIX	6
88	I1-12575-0360	ROD; PUSH	8
89	I5-12571-0033	TAPPET; VLV	8
93	I1-09400-1160	NUT; BRKT	3
95	I1-09580-3350	SPRING; ROCKER SHAFT	3
101	I5-09030-0381	BOLT; THRUST COLLAR	2
107	I9-12531-0300	SHAFT; IDLE GEAR	1
111	I5-12535-0011	COLLAR; THRUST, IDLE GEAR	1
112	I8-94133-9373	GEAR; IDLE	1
196	I9-09180-0190	RING; SNAP	1

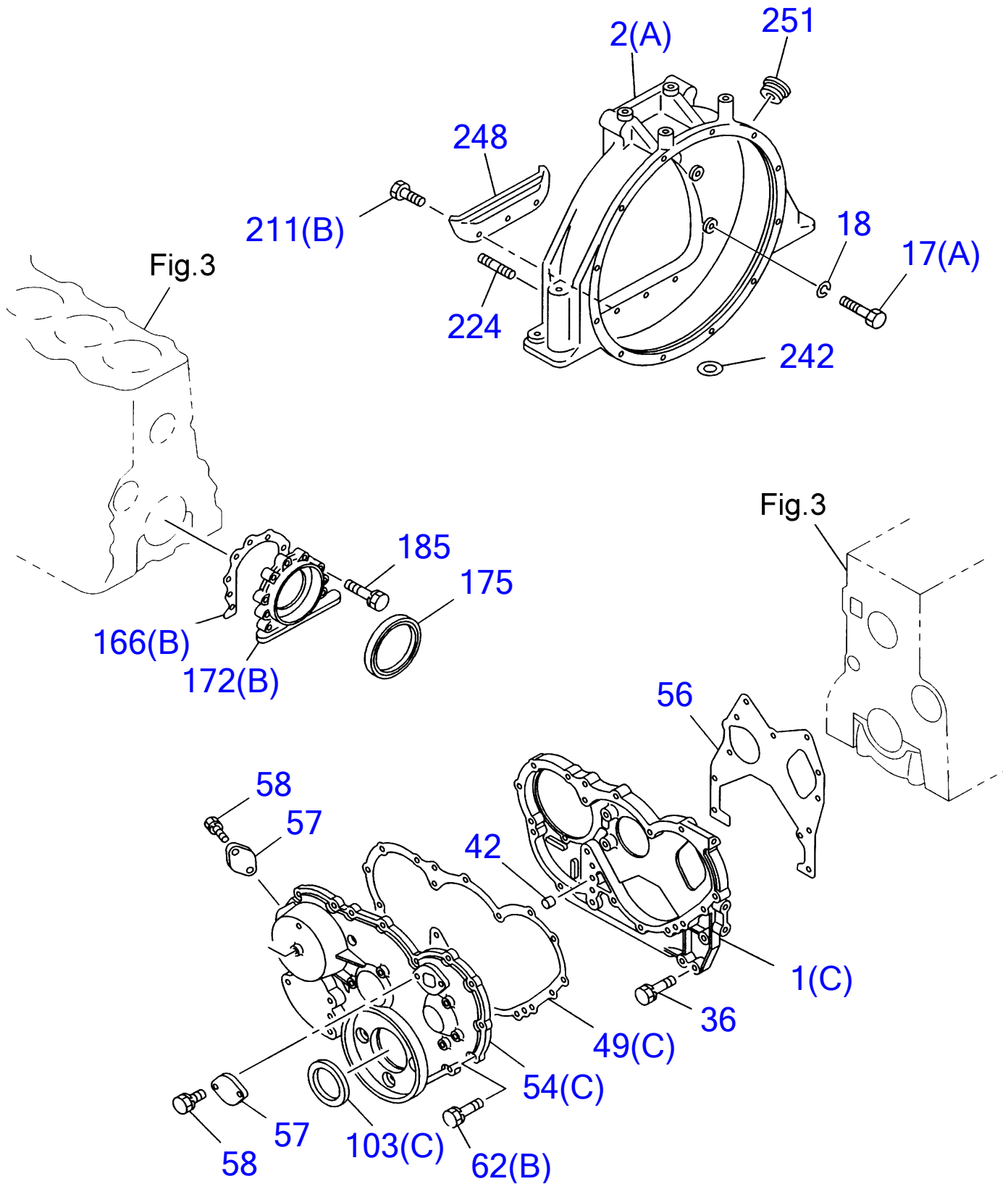
Engine for TB1140 BB-4BG1-TRE (ISUZU)
CRANKSHAFT, PISTON & FLYWHEEL



**Engine for TB1140 BB-4BG1-TRE (ISUZU)
CRANKSHAFT, PISTON & FLYWHEEL**

Item	Part No	Description	Qty
1(A)	18-94339-8951	CRANKSHAFT	1
	18-97358-1440	CRANKSHAFT (2003, 11-)	1
7	18-97071-6610	METAL KIT; CRANKSHAFT, STANDARD	1
12(B)	18-94406-7545	FLYWHEEL	1
28(A)	18-97137-9102	GEAR; CR/SHF	1
32	19-08161-2200	PIN; FLYWHEEL	1
35	18-97175-9020	GEAR; RING	1
38	15-12336-0030	WASHER; FLYWHEEL	1
40	15-12334-0030	BOLT; FLYWHEEL	6
42	18-97071-3580	WASHER; THRUST, CR/SHF	2
44(A)	15-12378-0020	NUT; CR/SHF FRT	1
48(A)	18-94107-5970	KEY; WOODRUFF, CR/SHF	2
56(C)	18-97172-0400	PULLEY; CR/SHF DAMPER	1
59(A)	15-09503-0240	WASHER; CR/SHF PULLEY	1
63	18-97358-5740	PISTON (GRADE=AX)	4
	18-97358-5750	PISTON (GRADE=CX)	4
68	11-12121-1460	RING SET; PISTON, STD	4
73	19-12271-6080	METAL SET; CONN ROD, STD	4
83	11-12211-0332	PIN; PISTON	4
84	11-12230-1291	ROD ASM; CONN	4
85	11-12251-0320	BUSHING; CONNROD	4
86	11-12235-0271	BOLT; CONNROD	8
126	18-94107-5751	RING; SNAP, PISTON PIN	8

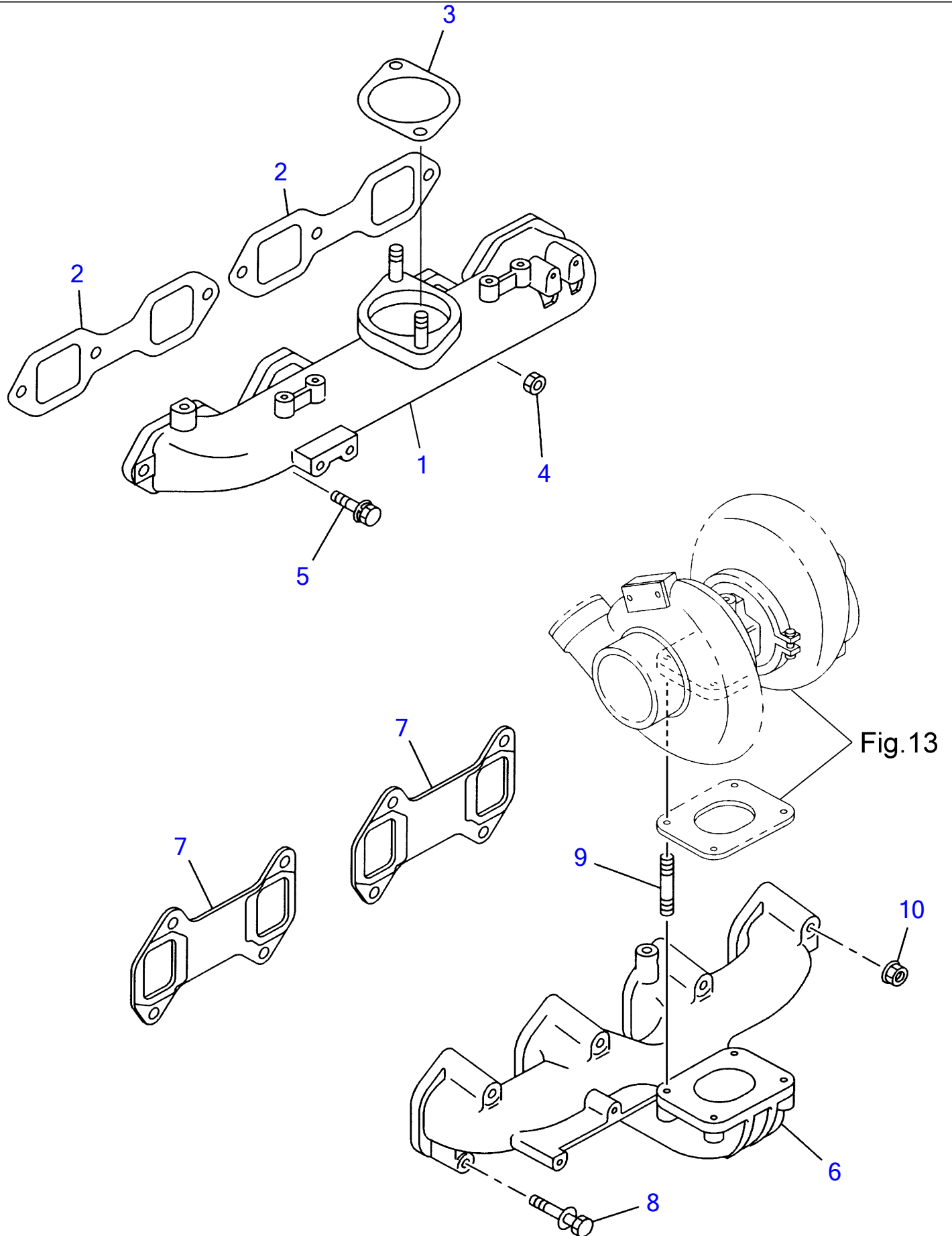
Engine for TB1140 BB-4BG1-TRE (ISUZU)
GEAR CASE & FLYWHEEL HOUSING



**Engine for TB1140 BB-4BG1-TRE (ISUZU)
GEAR CASE & FLYWHEEL HOUSING**

Item	Part No	Description	Qty
1(C)	I8-94450-9752	CASE; TIMING GEAR	1
2(A)	I8-97045-2072	HOUSING; FLYWHEEL	1
17(A)	I0-10806-4500	BOLT; COVER TO HSG	2
	I0-10856-4500	BOLT; COVER TO HSG (2006, 01-)	2
18	I9-09150-5140	WASHER; LK, COVER TO HSG	6
	I0-91510-5140	WASHER; LK, COVER TO HSG (2006, 04-)	6
36	I0-28080-8220	BOLT; GEAR CASE (M8X22 FLANGE)	4
	I0-28080-8450	BOLT; GEAR CASE (M8X45 FLANGE) (2002, 04-2005, 12)	2
	I0-28050-8450	BOLT; GEAR CASE (M8X45 FLANGE) (2006, 01-)	2
42	I9-11229-0581	DOWEL; GEAR CASE COVER	1
49(C)	I8-97233-3010	GASKET; GEAR CASE TO COVER	1
54(C)	I8-97129-8300	COVER; GEAR CASE	1
56	I8-94370-6710	GASKET; GEAR CASE TO COVER	1
57	I5-11321-0090	COVER; TIMING CHECK HOLE	2
58	I0-28080-6120	BOLT; CHECK HOLE COVER	4
	I0-28050-6120	BOLT; CHECK HOLE COVER (2006, 01-)	4
62(B)	I0-28080-8220	BOLT; COVER (M8X22 FLANGE)	8
	I0-28080-8800	BOLT; COVER (M8X80 FLANGE)	1
	I0-28081-0500	BOLT; COVER (M10X50 FLANGE)	3
	I1-09044-0711	BOLT; COVER (M8X55 FLANGE)	2
103(C)	I1-09625-4380	SEAL; OIL, CR/SHF, FRT	1
166(B)	I8-94370-6640	GASKET; RET TO C/BL	1
172(B)	I8-97079-5200	RETAINER; CR/SHF	1
175	I8-97072-8231	SEAL; OIL, CR/SHF, RR	1
185	I0-28680-8250	BOLT; RET TO C/BL	7
211(B)	I0-28080-6100	BOLT; HSG (M6X10 FLANGE)	3
224	I9-94411-2350	STUD; STARTER (M12X35 L=53)	2
248	I8-97042-8010	COVER; DUST, FLYWHEEL HSG RET	1
251	I9-11349-1341	COVER; TIMING, CHECK HOLE	1

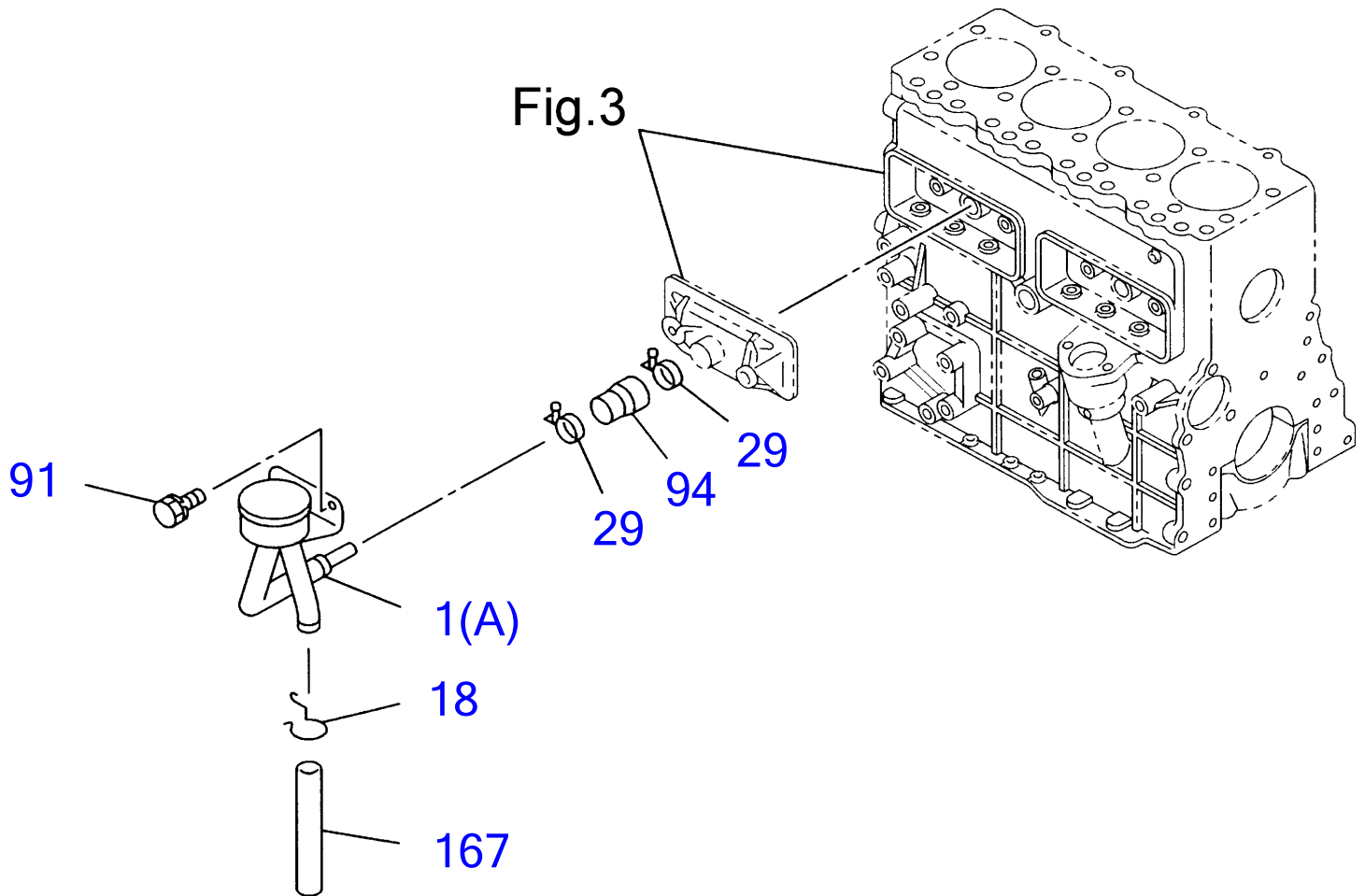
Engine for TB1140 BB-4BG1-TRE (ISUZU)
MANIFOLD



**Engine for TB1140 BB-4BG1-TRE (ISUZU)
MANIFOLD**

Item	Part No	Description	Qty
1	I8-97248-8530	MANIFOLD; INL	1
2	I8-97235-7881	GASKET; INL MANIF TO HD	2
	I1-14115-1040	GASKET; INL MANIF TO HD (2003, 06-)	2
3	I8-94370-6760	GASKET; INT DUCT	1
4	I0-91150-1080	NUT; INL MANIF	4
	I0-91180-1080	NUT; INL MANIF (2006, 03-)	4
5	I0-28080-8250	BOLT; BRKT FIX	4
	I0-28050-8250	BOLT; BRKT FIX (2006, 01-)	4
6	I8-94366-0210	MANIFOLD; EXHAUST	1
7	I8-94404-6100	GASKET; EXH MANIF TO HD	2
8	I8-94318-5540	BOLT; EXH MANIF (M8X63 W/PL WASHER)	2
	I8-94318-5550	BOLT; EXH MANIF (M8X75 W/PL WASHER)	2
9	I8-94141-7731	STUD; MANIF TO TURBOCHARGER	4
	I8-97378-0610	STUD; MANIF TO TURBOCHARGER (2004, 02-)	4
10	I8-97061-4011	NUT; EXH PIPE	4

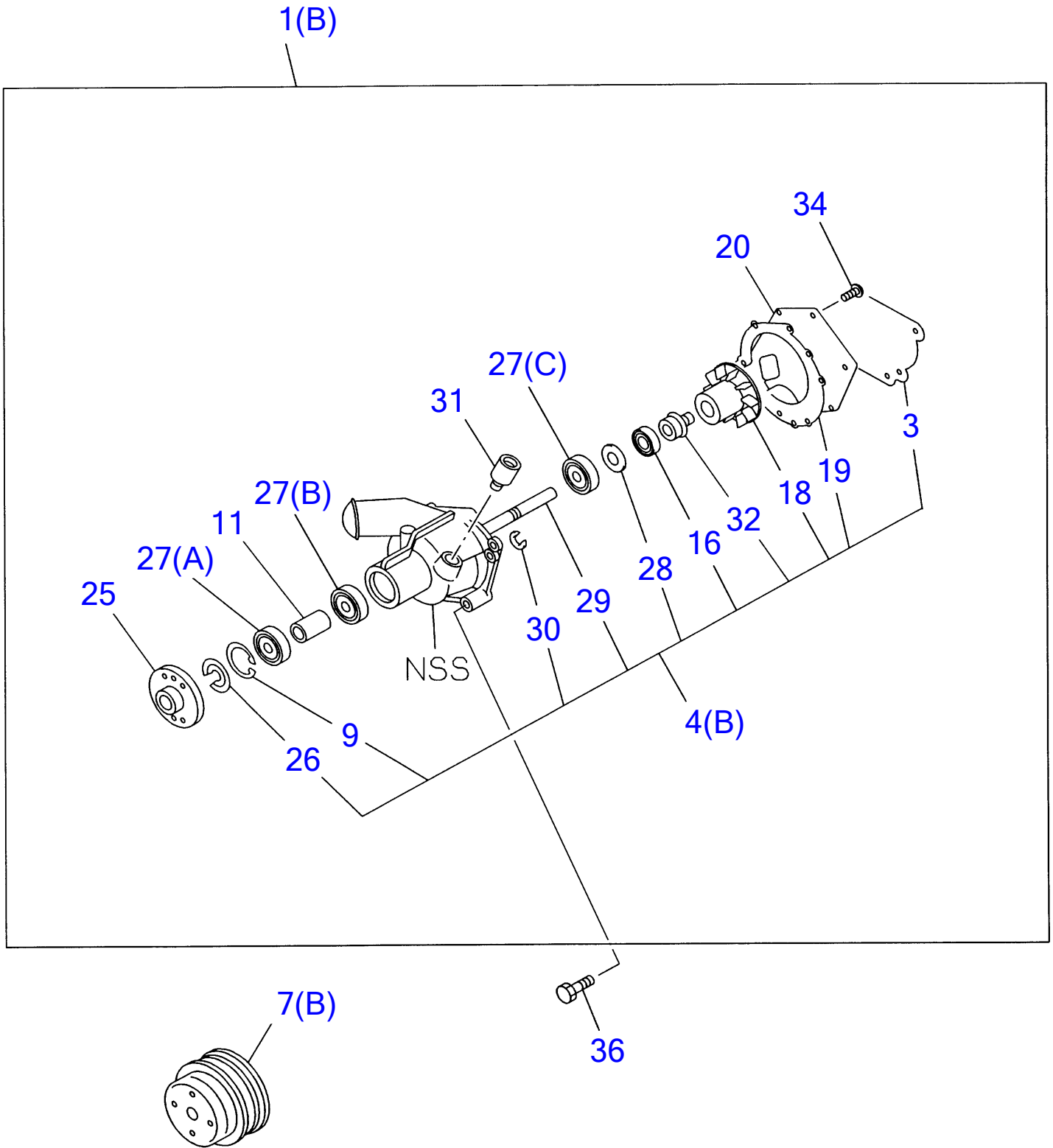
Engine for TB1140 BB-4BG1-TRE (ISUZU)
VENTILATION SYSTEM



**Engine for TB1140 BB-4BG1-TRE (ISUZU)
VENTILATION SYSTEM**

Item	Part No	Description	Qty
1(A)	I8-97253-3510	BREATHER; AIR	1
18	I5-09704-0331	CLIP; RUBBER HOSE, AIR BREATHER	1
29	I1-09704-0640	CLIP; RUBBER HOSE, BREATHER (ID=48)	1
	I1-09704-0730	CLIP; RUBBER HOSE, BREATHER (ID=54)	1
91	I0-28080-8120	BOLT; AIR BREATHER (M8X12 FLANGE)	2
	I0-28050-8120	BOLT; AIR BREATHER (M8X12 FLANGE) (2006, 01-)	2
94	I8-97224-2050	HOSE; BREATHER TO PIPE	1
167	I8-94137-6820	PIPE; BREATHER	1

Engine for TB1140 BB-4BG1-TRE (ISUZU)
WATER PUMP

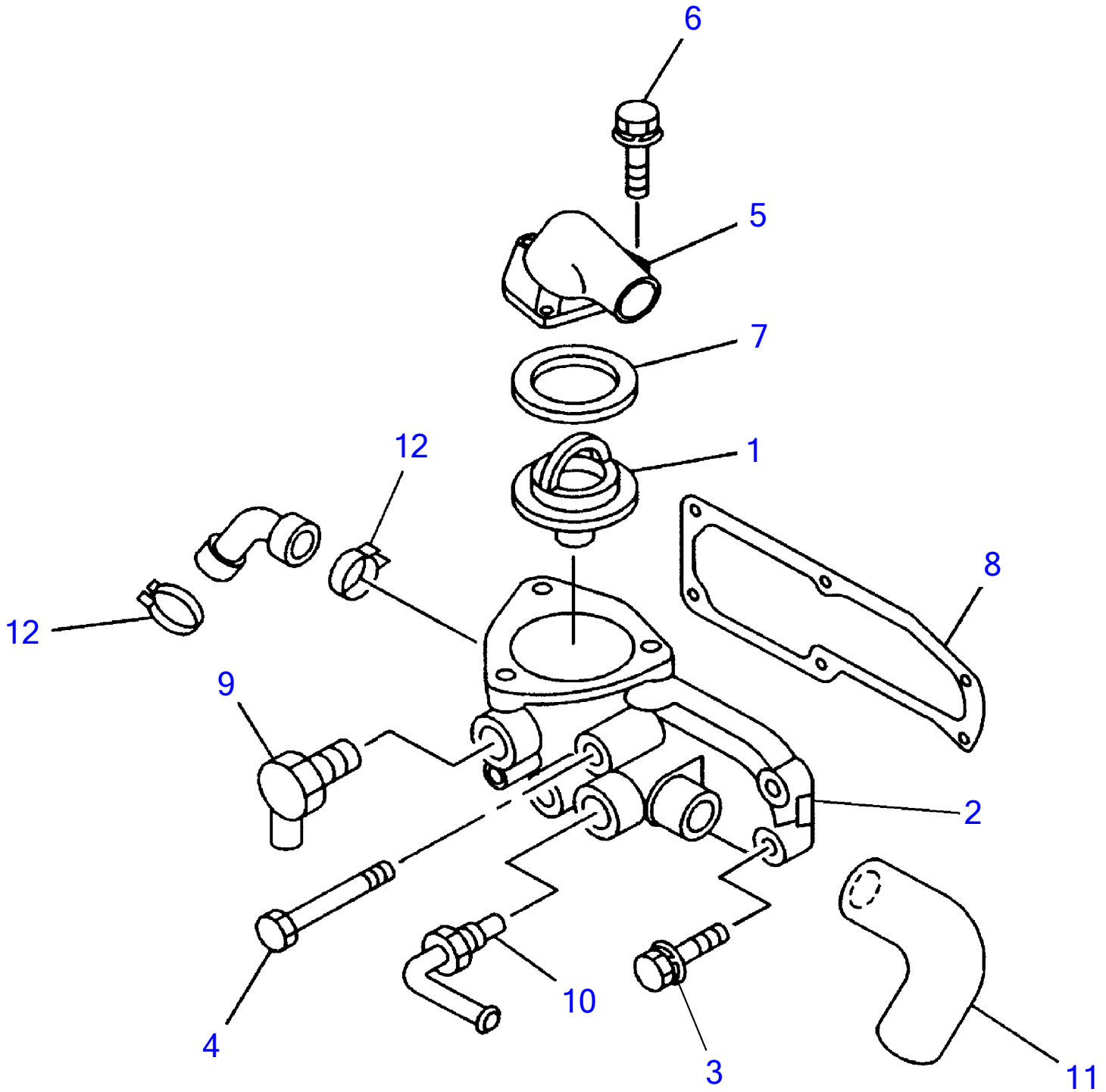


Engine for TB1140 BB-4BG1-TRE (ISUZU)

WATER PUMP

Item	Part No	Description	Qty
1(B)	I8-97253-0281	PUMP ASM; WATER, W/GASKET	1
3	I8-94370-6610	GASKET; PUMP TO C/BL	1
4(B)	I5-87814-3200	REPAIR KIT; WATER PUMP	1
7(B)	I1-13641-1870	PULLEY; WATER PUMP	1
	I1-13641-1650	PULLEY; WATER PUMP (f ³ 151mm) (2005, 10-)	1
	I5-13641-0330	PULLEY; WATER PUMP (2005, 12-)	1
	I1-13641-1650	PULLEY; WATER PUMP (f ³ 151mm) (2006, 12-)	1
	(A=machine serial No. 51400888-)		
	(A=machine serial No. 51410014-)		
9	I9-09180-1520	RING; SNAP, WATER PUMP	1
11	I5-13634-0020	SPACER; BRG, WATER PUMP	1
16	I5-09625-0550	SEAL; OIL, WATER PUMP	1
18	I8-97232-2500	IMPELLER; WATER PUMP	1
19	I8-97232-2480	GASKET; COVER TO BODY	1
20	I8-97232-2470	COVER; WATER PUMP	1
25	I5-13642-0072	CENTER; WATER PUMP	1
26	I5-13639-0010	COVER; DUST WATER PUMP	1
27(A)	I5-09800-0510	BEARING; WATER PUMP	1
27(B)	I5-09800-0500	BEARING; WATER PUMP	1
27(C)	I1-09800-1700	BEARING; WATER PUMP	1
28	I1-09503-0700	WASHER; WATER PUMP	1
29	I1-13631-0740	SHAFT; WATER PUMP	1
30	I9-09952-1430	RING; SNAP, WATER PUMP SHAFT	1
31	I8-97249-8951	PIPE; SUCTION, INL	1
32	I8-97232-2490	SEAL UNIT; WATER PUMP	1
34	I9-03090-8200	SCREW; COVER TO BODY, WATER PUMP	3
36	I0-28081-0350	BOLT; WATER PUMP TO C/BL (M10X35 FLANGE)	1
	I0-28051-0350	BOLT; WATER PUMP TO C/BL (M10X35 FLANGE) (2006, 01-)	1
	I0-28081-0450	BOLT; WATER PUMP TO C/BL (M10X45 FLANGE)	2
	I0-28051-0450	BOLT; WATER PUMP TO C/BL (M10X45 FLANGE) (2006, 01-)	2
	I0-28081-0700	BOLT; WATER PUMP TO C/BL (M10X70 FLANGE)	1
	I0-28051-0700	BOLT; WATER PUMP TO C/BL (M10X70 FLANGE) (2006, 01-)	1

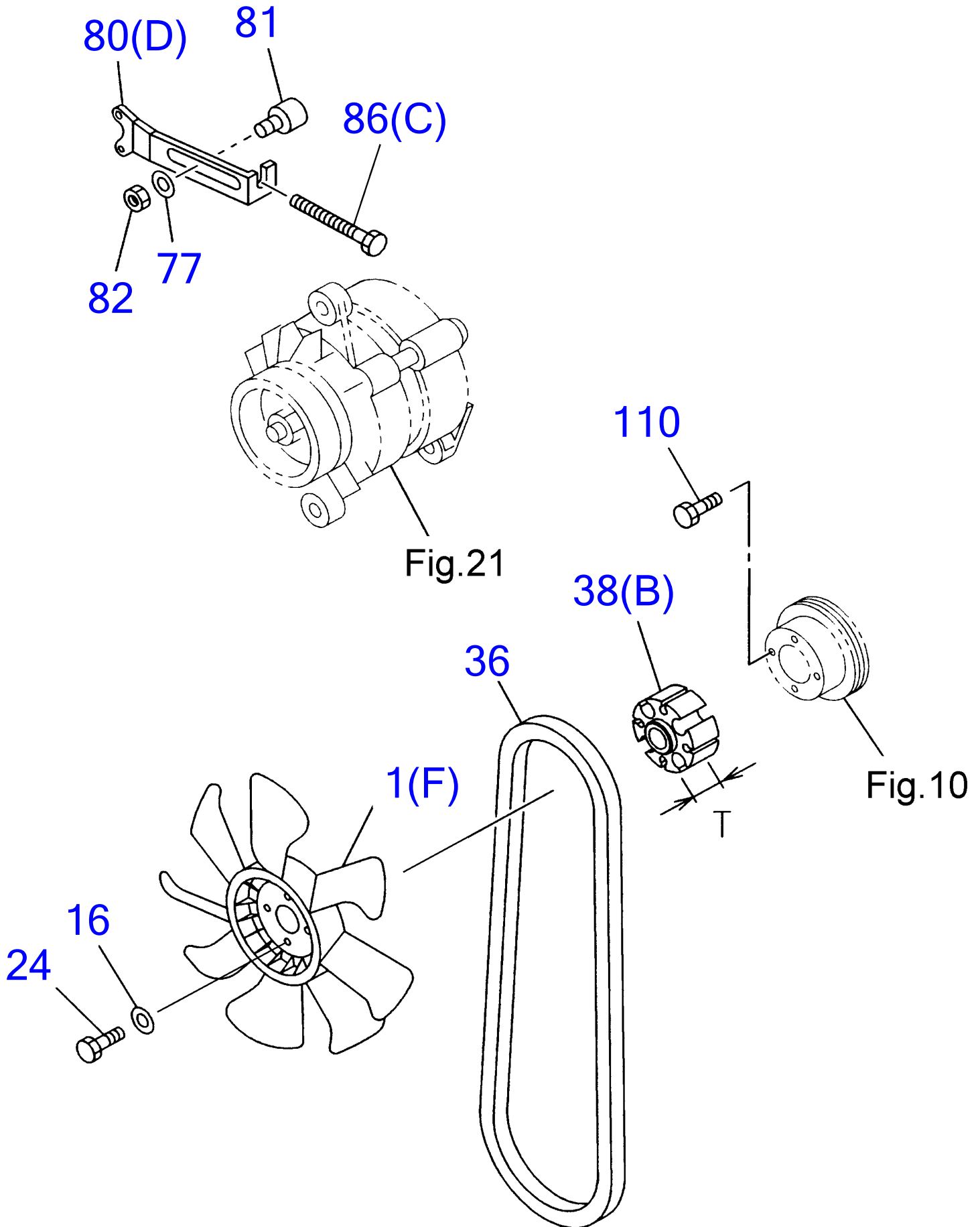
Engine for TB1140 BB-4BG1-TRE (ISUZU)
THERMOSTAT & HOUSING



**Engine for TB1140 BB-4BG1-TRE (ISUZU)
THERMOSTAT & HOUSING**

Item	Part No	Description	Qty
1	I1-13770-0700	THERMOSTAT	1
2	I1-13711-8042	HOUSING; THERMOSTAT	1
3	I0-50041-0400	BOLT; HSG TO HD (M10X40 W/LK WASHER)	2
	I0-50141-0350	BOLT; HSG TO HD (M10X35 W/LK & PLWASHER)	1
	I0-28051-0300	BOLT; HSG TO HD (M10X30 FLANGE)	1
	I0-28051-0300	BOLT; HSG TO HD (M10X30 FLANGE) (2006, 01-)	1
4	I0-28081-0800	BOLT; HSG TO HD (M10X80 FLANGE)	1
	I0-28051-0800	BOLT; HSG TO HD (M10X80 FLANGE) (2006, 01-)	1
5	I8-97163-2260	PIPE; WATER OUTLET	1
6	I0-28080-8220	BOLT; OUTLET PIPE	3
	I0-28050-8220	BOLT; OUTLET PIPE (2006, 01-)	3
7	I1-13743-0160	GASKET; OUTLET PIPE TO HSG	1
8	I8-97235-7891	GASKET; THERMOSTAT HSG	1
9	I8-97204-5090	PIPE; HTR (FEED)	1
10	I8-97204-5130	PIPE; HTR (RETURN)	1
11	I8-97224-2040	HOSE; WATER, BY-PASS	1
12	I5-09704-0460	CLIP; BYPASS HOSE	2

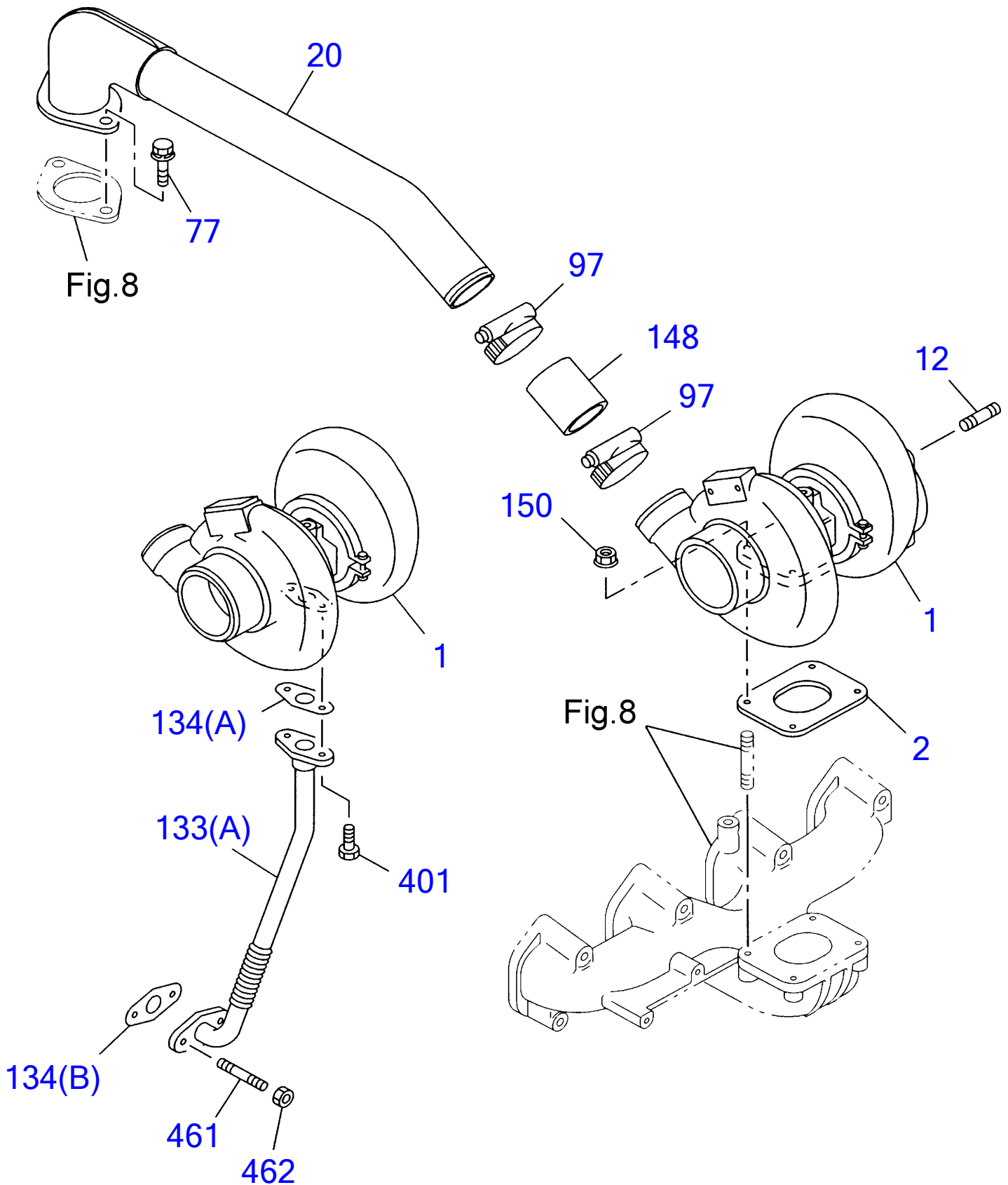
Engine for TB1140 BB-4BG1-TRE (ISUZU)
FAN & FAN BELT



**Engine for TB1140 BB-4BG1-TRE (ISUZU)
FAN & FAN BELT**

Item	Part No	Description	Qty
1(F)	I8-97161-5990	FAN; COOLING	1
16	I9-09160-6080	WASHER; PL, COOLING FAN	4
	I0-91610-6080	WASHER; PL, COOLING FAN (2006, 06-)	4
24	I0-50040-8800	BOLT; FAN	4
	I0-50040-8900	BOLT; FAN (2005, 10-2005, 11)	4
	I0-28050-8900	BOLT; FAN (2005, 12-)	4
36	I8-97232-2520	BELT; COOLING FAN	1
	I1-13671-2830	BELT; COOLING FAN (2005, 10-2005, 11)	1
	I8-97233-3820	BELT; COOLING FAN (2005, 12-)	1
38(B)	I1-13642-0630	SPACER; FAN	1
	I1-13642-0650	SPACER; FAN (2005, 12-)	1
77	I9-09164-7120	WASHER; PL, GEN TO ADJ PLATE	1
	I0-91614-7120	WASHER; PL, GEN TO ADJ PLATE (2006, 06-)	1
80(D)	I1-13674-1192	PLATE; ADJ	1
81	I1-13674-1600	PIECE; SLIDING	1
82	I0-91150-1120	NUT; ADJ PLATE	1
	I0-91180-1120	NUT; ADJ PLATE (2006, 01-)	1
86(C)	I1-09009-1131	BOLT; ADJ	1
110	I9-03490-6100	SCREW; PULLEY	2

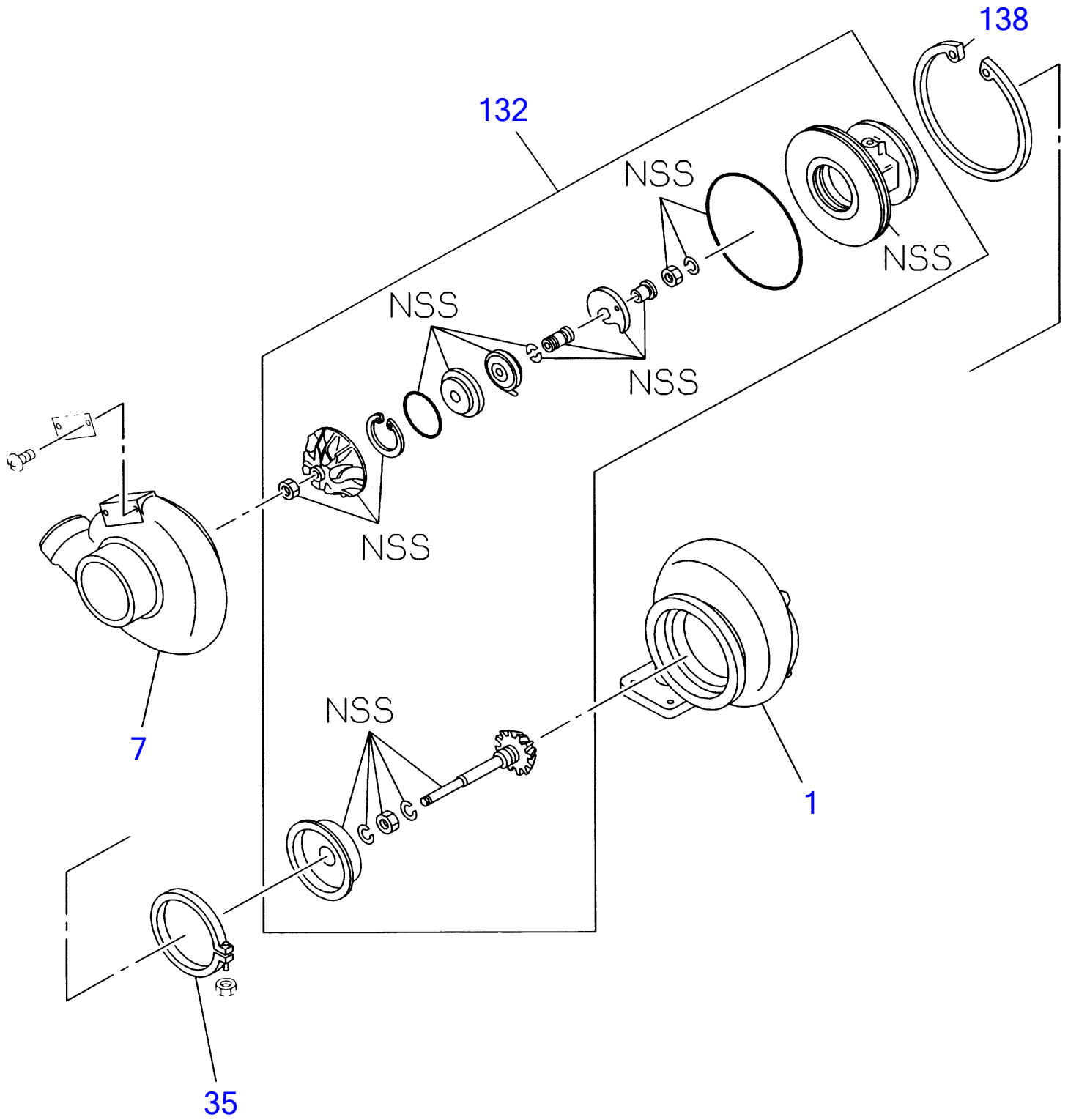
Engine for TB1140 BB-4BG1-TRE (ISUZU)
TURBOCHARGER SYSTEM



**Engine for TB1140 BB-4BG1-TRE (ISUZU)
TURBOCHARGER SYSTEM**

Item	Part No	Description	Qty
1	I8-97223-4280	TURBOCHARGER ASM	1
2	I8-94369-0230	GASKET; TURBOCHARGER TO EXH MANIF	1
12	I8-94476-2820	STUD; TURBOCHARGER	3
20	I8-97223-4342	PIPE; INL, TURBOCHARGER OUT	1
77	I0-28781-0250	BOLT; INL DUCT	2
	I0-28751-0250	BOLT; INL DUCT (2006, 01-)	2
97	I8-94316-9910	CLIP; HOSE, TURBOCHARGER, INL	2
133(A)	I8-97222-1210	PIPE; OIL DRAIN, TURBOCHARGER	1
	I8-97306-8770	PIPE; OIL DRAIN, TURBOCHARGER (2003, 11-)	1
134(A)	I8-94369-0220	GASKET; OIL PIPE, TURBOCHARGER DRAIN	1
134(B)	I8-94370-6630	GASKET; OIL PIPE, TURBOCHARGER DRAIN	1
148	I1-09360-7820	HOSE; TURBOCHARGER, INL	1
	I1-09360-7820	HOSE; TURBOCHARGER, INL (2006, 06-)	1
150	I8-97061-4011	NUT; INL DUCT	4
401	I0-28080-6160	BOLT; OIL PIPE, TURBO	2
	I0-28050-6160	BOLT; OIL PIPE, TURBO (2006, 01-)	2
461	I9-04110-8220	STUD; OIL PIPE, TURBO	2
	I0-41010-8220	STUD; OIL PIPE, TURBO (2006, 05-)	2
462	I0-91150-1080	NUT; OIL PIPE, TURBO	2
	I0-91180-1080	NUT; OIL PIPE, TURBO (2006, 03-)	2

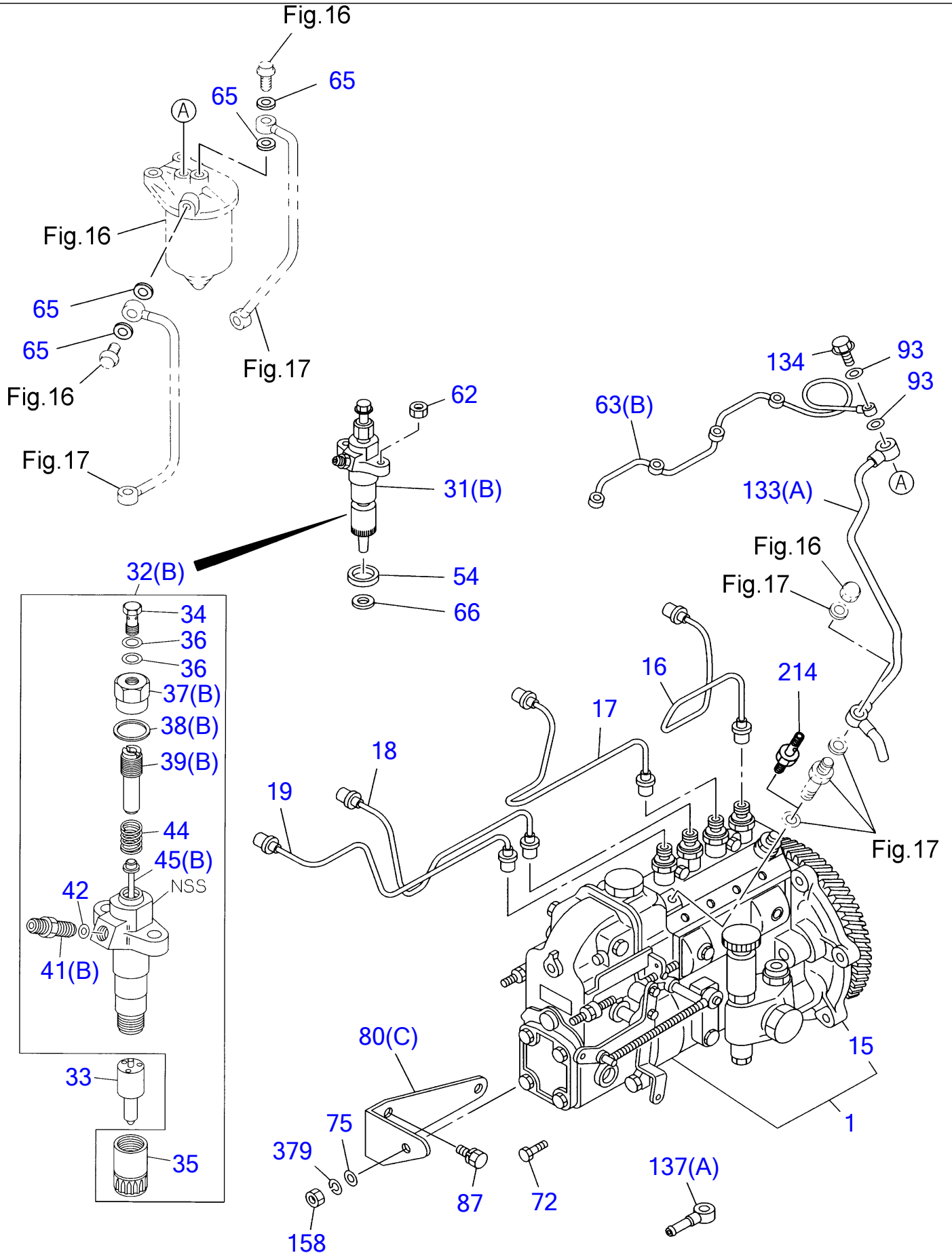
Engine for TB1140 BB-4BG1-TRE (ISUZU)
TURBOCHARGER



**Engine for TB1140 BB-4BG1-TRE (ISUZU)
TURBOCHARGER**

Item	Part No	Description	Qty
1	I8-97173-1310	HOUSING; TURBINE, TURBOCHARGER	1
7	I8-97233-3070	HOUSING; BLOWER, TURBOCHARGER	1
35	I8-97173-1460	CLAMP; TURBINE HSG, TURBOCHARGER	1
132	I8-97233-3090	CARTRIDGE; TURBO	1
138	I8-97173-1470	RING; SNAP, BLOWER HSG	1

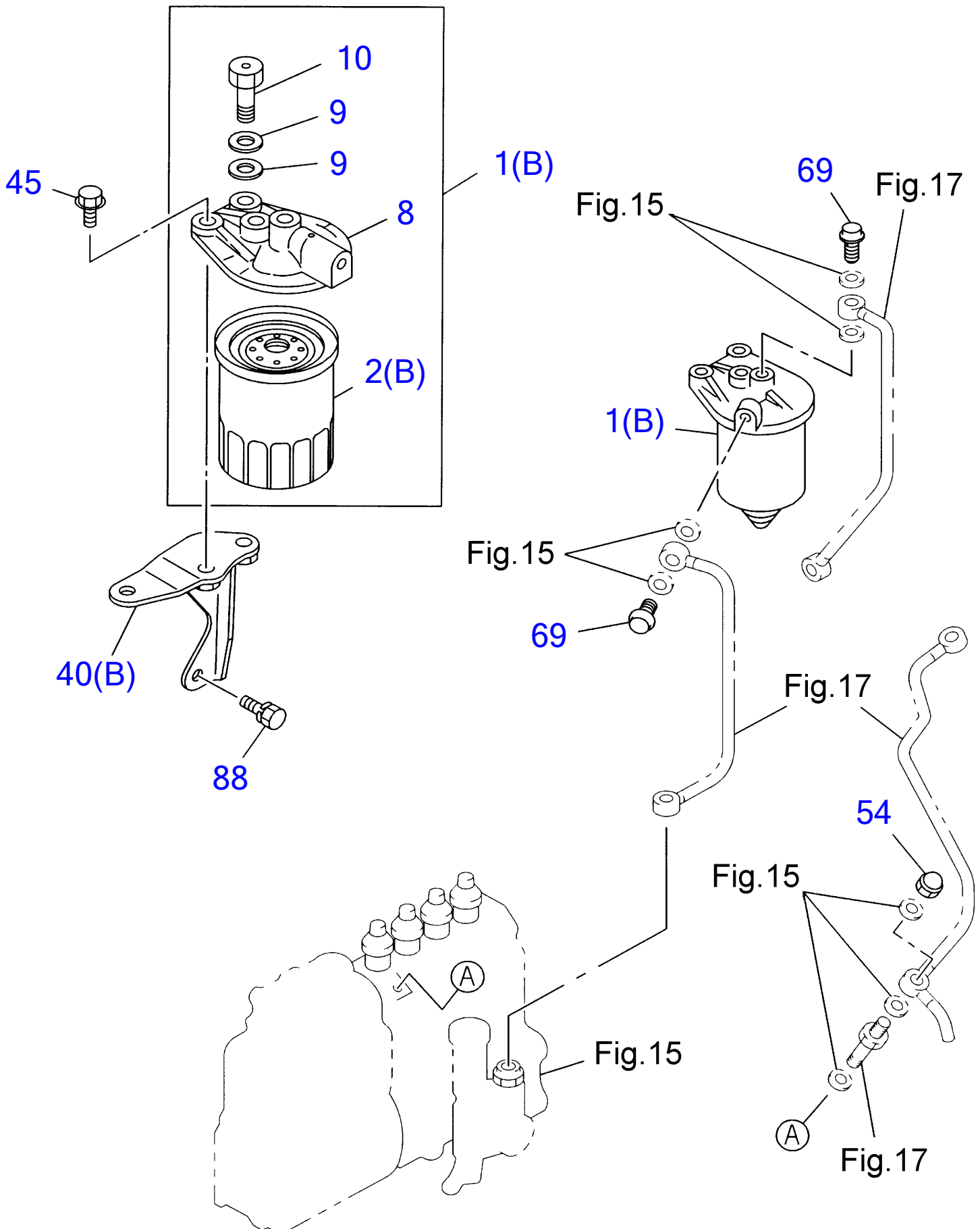
Engine for TB1140 BB-4BG1-TRE (ISUZU)
FUEL INJECTION SYSTEM



**Engine for TB1140 BB-4BG1-TRE (ISUZU)
FUEL INJECTION SYSTEM**

Item	Part No	Description	Qty
1	I8-97249-0950	PUMP ASM; INJ	1
15	I8-97247-5920	COUPLING ASM; INJ PUMP	1
16	I8-97031-4672	PIPE; INJ NO. 1	1
17	I8-97031-4682	PIPE; INJ NO. 2	1
18	I8-97031-4692	PIPE; INJ NO. 3	1
19	I8-97031-4702	PIPE; INJ NO. 4	1
31(B)	I8-97222-1700	NOZZLE ASM; INJ	4
32(B)	I8-97134-8410	HOLDER ASM; NOZZLE	4
33	I1-15311-3010	NOZZLE; INJ	4
34	I1-15339-0090	BOLT; EYE, NOZZLE HOLDER	4
35	I1-15332-0170	NUT; NOZZLE RET, NOZZLE HOLDER	4
36	I1-15339-0100	GASKET; RETURN PIPE, NOZZLE HOLDER	8
37(B)	I5-15332-0060	NUT; CAP, NOZZLE HOLDER	4
38(B)	I5-15339-0600	GASKET; CAP NUT, NOZZLE HOLDER	4
39(B)	I8-94169-5030	SCREW; ADJ, NOZZLE SPRING, NOZZLE HOLDER	4
41(B)	I8-94320-3080	CONNECTOR; FUEL INL, NOZZLE HOLDER	4
42	I5-51339-0030	GASKET; INL CONNECTOR, NOZZLE HOLDER	4
44	I5-15343-0050	SPRING; NOZZLE, NOZZLE HOLDER	4
45(B)	I8-94169-5020	ROD; PUSH, NOZZLE HOLDER	4
54	I9-15339-0510	COVER; DUST, NOZZLE HOLDER	4
62	I0-91150-1080	NUT; NOZZLE HOLDER	8
63(B)	I8-97020-9371	PIPE; FUEL, NOZZLE LEAK OFF	1
65	I9-09572-0140	GASKET; FUEL FILTER	4
66	I5-15315-0030	GASKET; INJ NOZZLE	4
72	I0-28081-0250	BOLT; BRKT TO INJ PUMP (M10X25 FLANGE)	1
	I0-28051-0250	BOLT; BRKT TO INJ PUMP (M10X22 FLANGE) (2006, 01-)	1
	I0-28081-0220	BOLT; BRKT TO INJ PUMP (M10X22 FLANGE)	1
	I0-28051-0220	BOLT; BRKT TO INJ PUMP (M10X22 FLANGE) (2006, 01-)	1
75	I9-09160-7100	WASHR; PL, BRKT TO INJ PUMP	1
80(C)	I8-97322-7300	BRACKET; PUMP	1
87	I0-28081-0200	BOLT; PUMP	2
	I0-28051-0200	BOLT; PUMP (2006, 01-)	2
93	I9-09571-4080	GASKET; LEAK OFF PIPE	2
133(A)	I8-97257-2570	PIPE; INJ NOZZLE LEAK OFF	1
134	I1-09675-0371	BOLT; JOINT, LEAK OFF PIPE	1
137(A)	I5-15411-2231	PIPE ASM; LEAK OFF	1
158	I0-91150-2100	NUT; INJ PUMP	1
	I0-91180-2100	NUT; INJ PUMP (2006, 03-)	1
214	I8-97213-6680	ORIFICE; INJ PUMP	1
379	I9-09160-5100	WASHER; PL, BRKT TO C/BL	1
349	I0-91610-5100	WASHER; PL, BRKT TO C/BL (2006, 06-)	1

Engine for TB1140 BB-4BG1-TRE (ISUZU)
FUEL FILTER & BRACKET



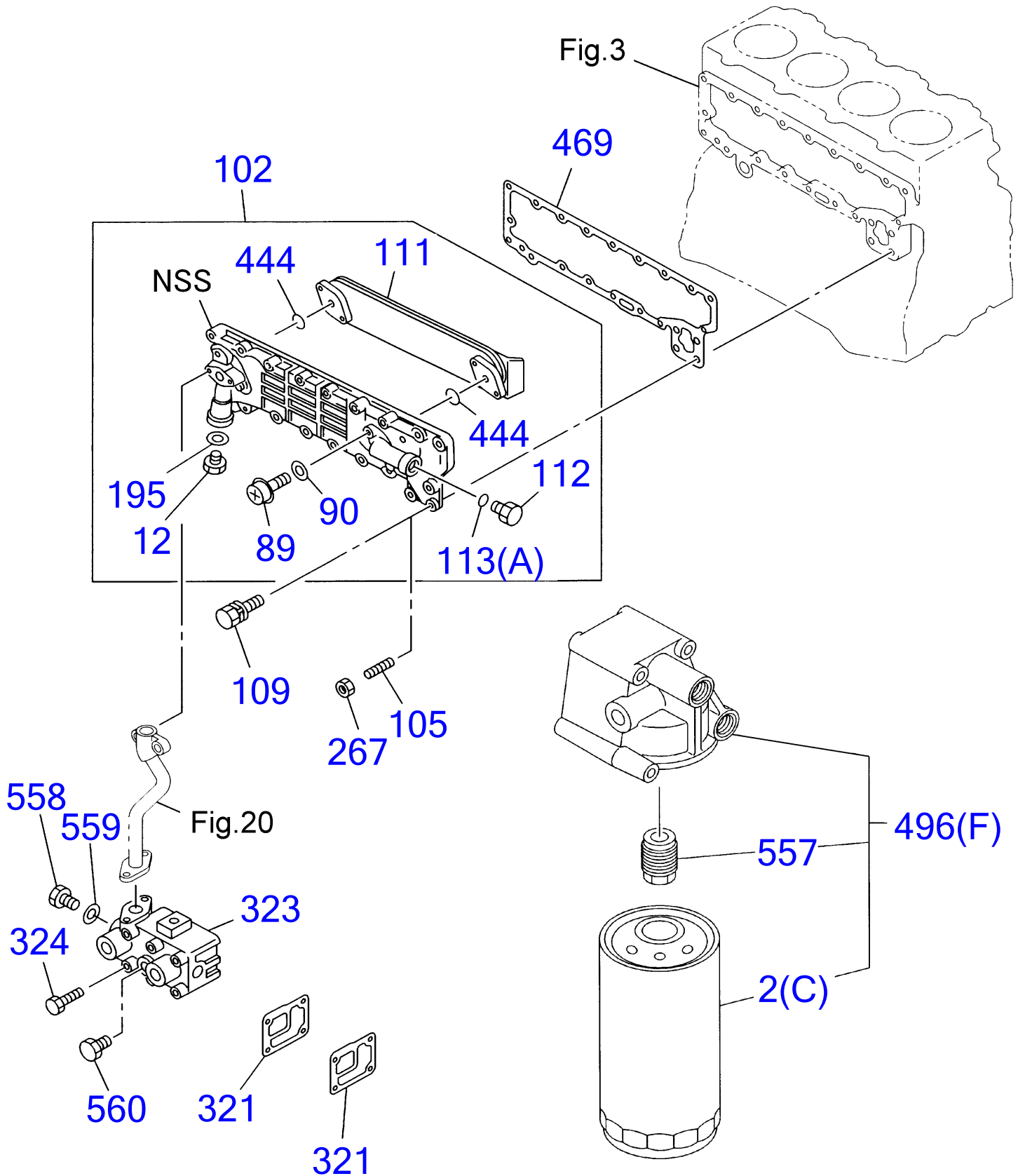
**Engine for TB1140 BB-4BG1-TRE (ISUZU)
FUEL FILTER & BRACKET**

Item	Part No	Description	Qty
1(B)	I8-97179-8541	FILTER ASM; FUEL	1
2(B)	I8-97172-5491	ELEMENT KIT; FUEL FILTER	1
8	I8-94132-9480	COVER; FUEL FILTER	1
9	I1-09630-0850	GASKET; EYE JOINT	2
10	I1-13260-0470	VALVE; OVERFLOW, FUEL FILTER	1
40(B)	I5-19755-0010	BRACKET; FUEL FILTER	1
45	I0-28681-0300	BOLT; FUEL FILTER	2
	I0-28651-0300	BOLT; FUEL FILTER (2006, 01-)	2
54	I1-09468-0021	NUT; CAP, OVERFLOW VLV	1
69	I9-09906-3251	BOLT; EYE, FUEL FILTER	2
88	I0-28081-0200	BOLT; BRKT, FUEL FILTER	2
	I0-28051-0200	BOLT; BRKT, FUEL FILTER (2006, 01-)	2

**Engine for TB1140 BB-4BG1-TRE (ISUZU)
FUEL PUMP & PIPE**

Item	Part No	Description	Qty
107(B)	I8-97020-9330	PIPE; FUEL, FEED PUMP TO FUEL FILTER	1
119(B)	I8-97020-9340	PIPE; FUEL, FUEL FILTER TO INJ PUMP	1
158(A)	I5-15419-0040	CLIP; INJ PIPE TO INL MANIF	1
158(B)	I5-15419-0051	CLIP; INJ PIPE TO INL MANIF	1
159	I0-28680-6160	BOLT; CLIP	1
	I0-28650-6160	BOLT; CLIP (2006, 01-)	1
217	I9-09572-0140	GASKET; OVERFLOW VLV	1

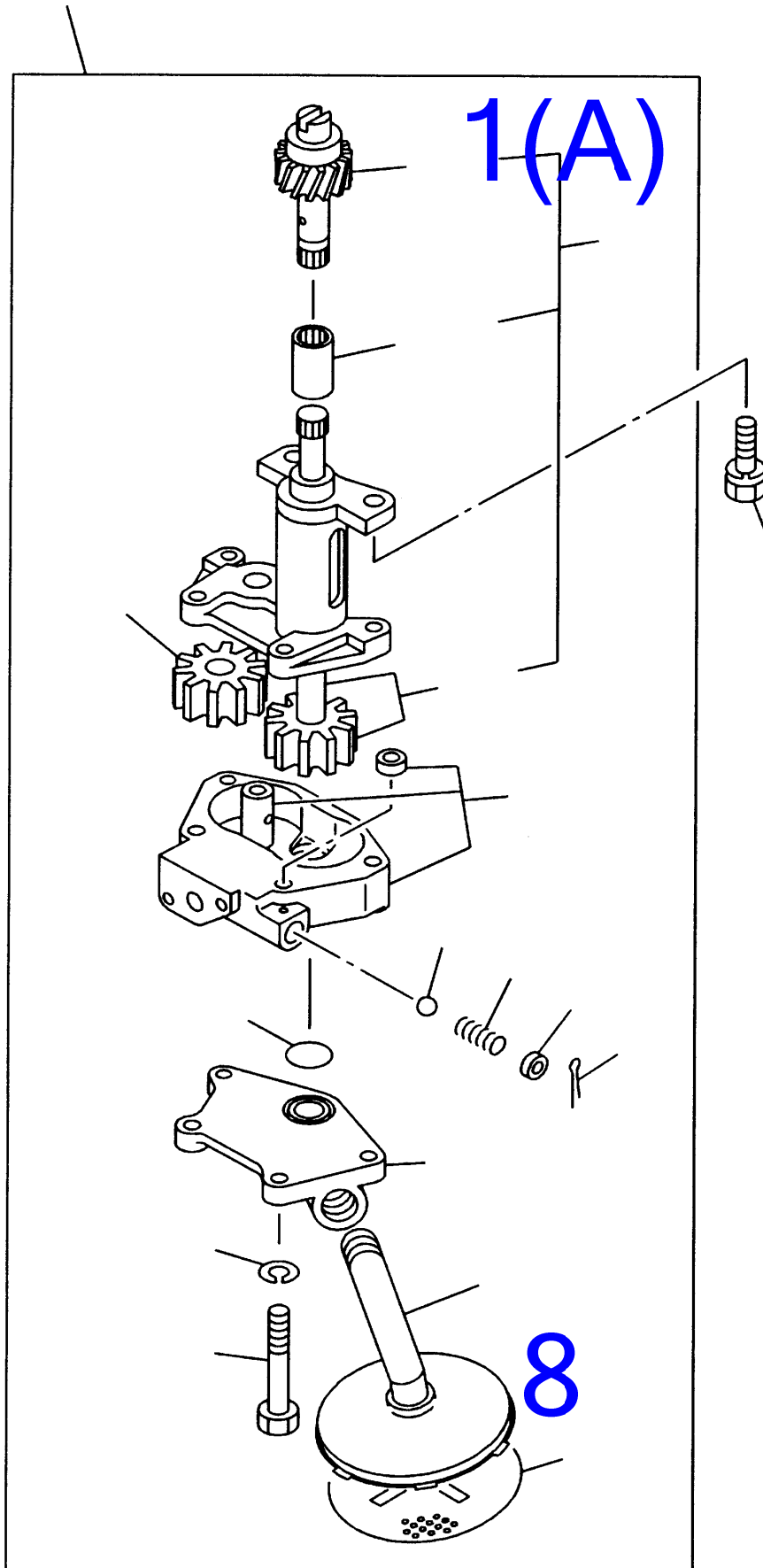
Engine for TB1140 BB-4BG1-TRE (ISUZU)
OIL COOLER & OIL FILTER



**Engine for TB1140 BB-4BG1-TRE (ISUZU)
OIL COOLER & OIL FILTER**

Item	Part No	Description	Qty
2(C)	I1-13240-2322	ELEMENT; OIL FILTER	1
12	I5-11288-0020	VALVE ASM; BYPASS	1
89	I0-28080-8160	BOLT; ELEMENT TO CASE	4
90	I1-21729-0430	GASKET; BOLT, OIL COOLER	4
102	I8-97020-0372	COOLER ASM; OIL	1
105	I8-94217-2270	STUD; OIL COOLER	2
109	I0-50040-8250	BOLT; OIL COOLER TO BODY (M8X25 W/LK WASHER)	11
	I0-50540-8250	BOLT; OIL COOLER TO BODY (M8X25 W/LK WASHER) (2006, 01-)	11
	I0-50040-8200	BOLT; OIL COOLER TO BODY (M8X20 W/LK WASHER)	2
	I8-94205-9861	BOLT; OIL COOLER TO BODY (M8X65 W/LK WASHER)	1
	I0-50040-8450	BOLT; OIL COOLER TO BODY (M8X65 W/LK WASHER)	6
111	I8-97032-0250	CORE; OIL COOLER	1
112	I8-97128-1500	PLUG; OIL COOLER CASE	1
113(A)	I9-09565-2250	GASKET; PLUG, OIL COOLER CASE	1
195	I9-09571-6200	GASKET; OIL COOLER	1
267	I0-91150-2080	NUT; OIL COOLER	2
	I0-91180-2080	NUT; OIL COOLER (2006, 03-)	2
321	I8-94370-6700	GASKET; OIL FILTER TO C/BL	1
323	I8-97223-4300	COVER; OIL PORT	1
324	I0-28081-0900	BOLT; COVER, OIL PORT	4
	I0-28051-0900	BOLT; COVER, OIL PORT (2006, 01-)	4
444	I5-11282-0110	GASKET; ELEMENT TO BODY	2
469	I8-97233-3022	GASKET; OIL COOLER TO C/BL	1
496(F)	I8-97324-3861	FILTER ASM; OIL	1
557	I8-97222-1250	NIPPLE; OIL FILTER	1
558	I8-94310-9170	PLUG; COVER, OIL PORT	1
559	I9-09571-4200	GASKET; PLUG, OIL PORT COVER	1
560	I1-13260-0980	VALVE; RELIEF, OIL PORT COVER	1

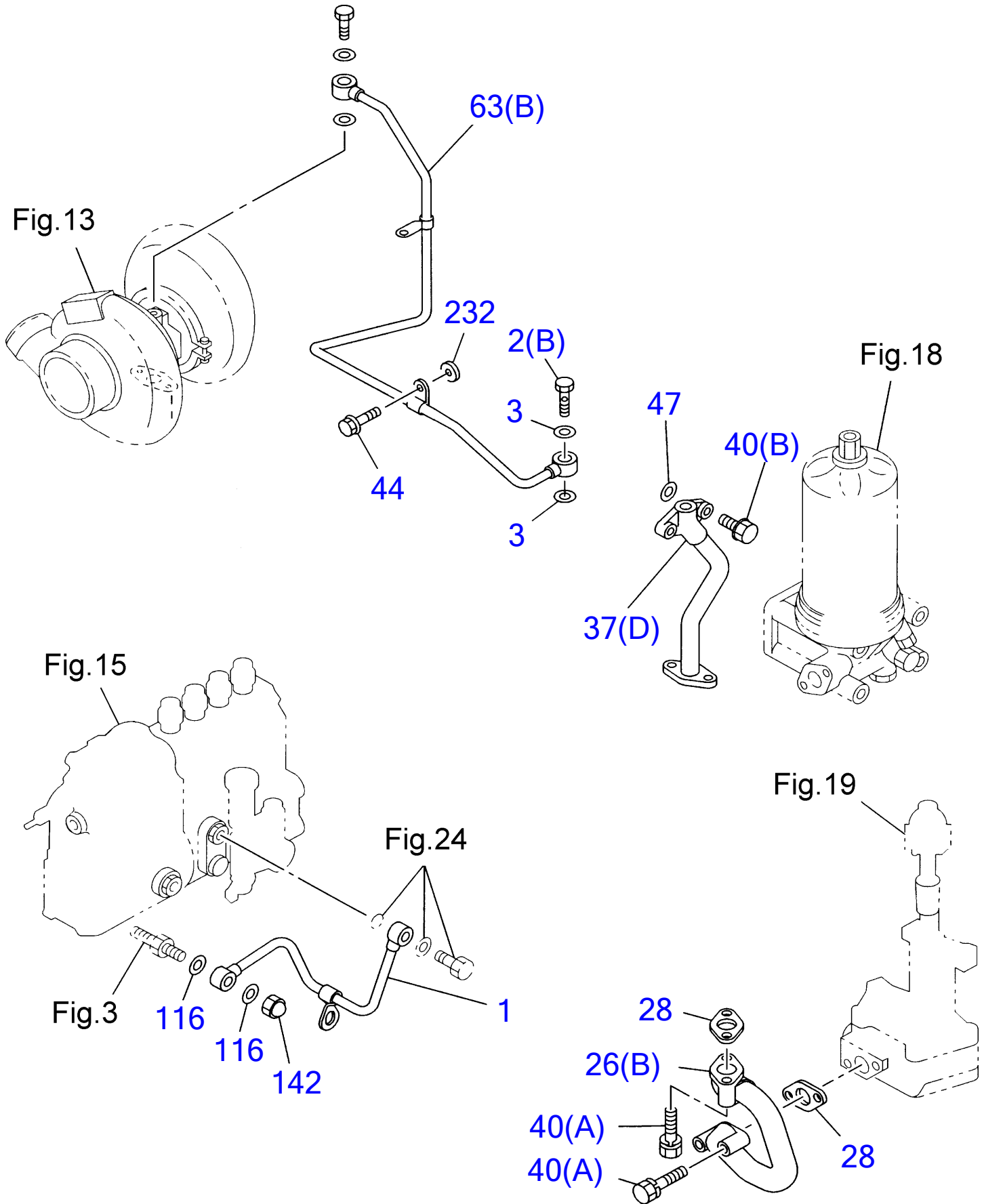
Engine for TB1140 BB-4BG1-TRE (ISUZU)
OIL PUMP & OIL STRAINER



**Engine for TB1140 BB-4BG1-TRE (ISUZU)
OIL PUMP & OIL STRAINER**

Item	Part No	Description	Qty
1(A)	I8-97128-1100	PUMP ASM; OIL	1
2	I5-13165-0040	SEAT; SPR	1
3	I9-08114-0300	PIN; SPLIT	1
5	I5-09580-0980	SPRING; COIL	1
8	I8-94163-5950	GEAR; DRIVEN, OIL PUMP	1
19	I5-87812-0080	GEAR SET; OIL PUMP	1
21	I9-09561-2230	GASKET; OIL PUMP	1
29	I0-28081-0250	BOLT; OIL PUMP	2
	I0-28051-0250	BOLT; OIL PUMP (2006, 01-)	2
31(A)	I5-13113-0380	COVER; OIL PUMP	1
32	I1-13128-0180	PINION; OIL PUMP DRIVING	1
34	I8-94163-5940	SHAFT; OIL PUMP	1
35	I8-94163-5970	COVER; OIL PUMP	1
40	I1-13123-0160	COUPLING; PINION TO SHAFT	1
41	I5-09843-0030	BALL; OIL RELIEF VLV	1
43	I5-09000-2140	BOLT; CASE	4
46	I9-13143-0100	GAUZE; OIL STRAINER	1
67	I9-09150-5080	WASHER; LK, OIL PUMP	4
	I0-91510-5080	WASHER; LK, OIL PUMP (2006, 04-)	4
76	I8-94167-1180	PIPE ASM; OIL	1

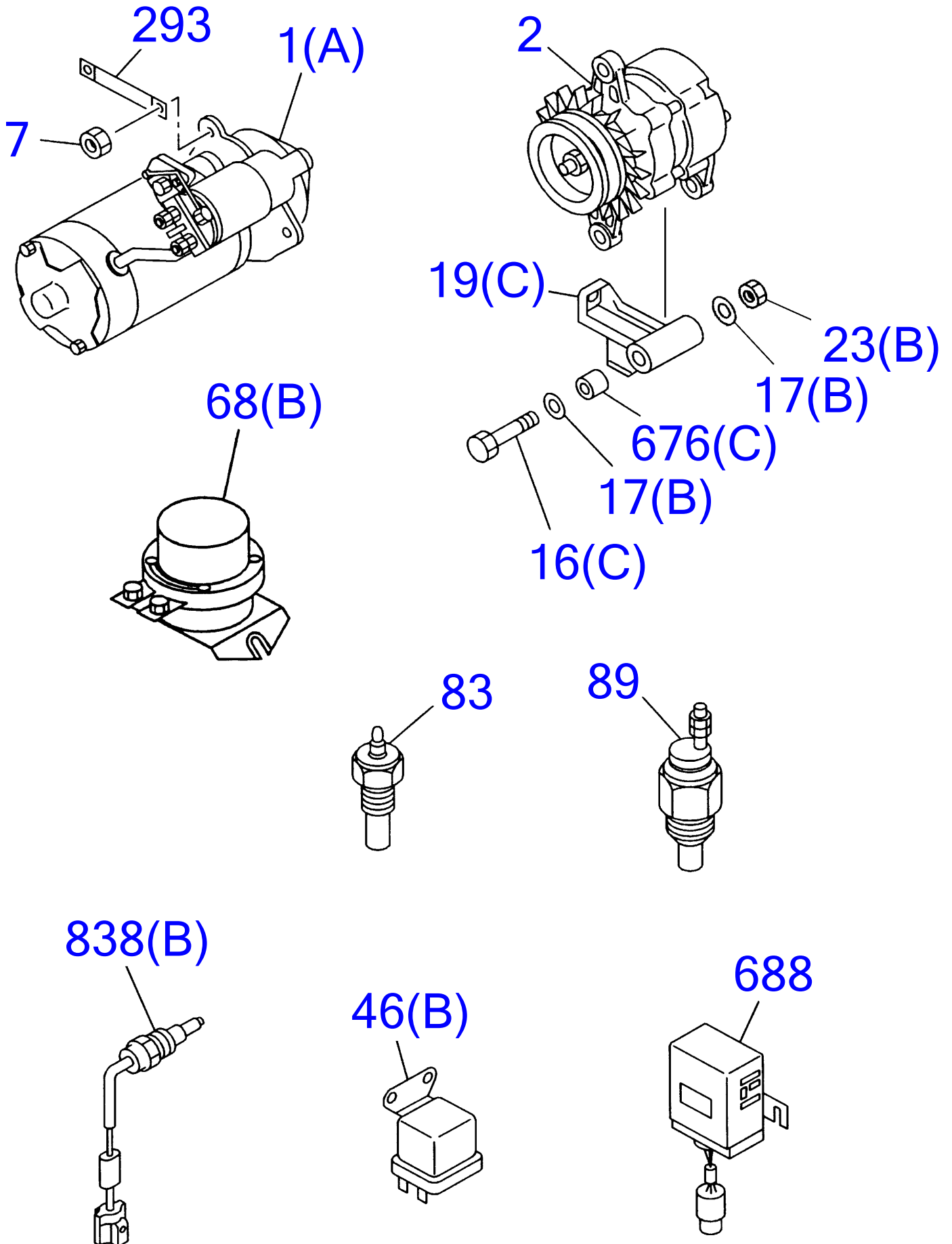
Engine for TB1140 BB-4BG1-TRE (ISUZU)
OIL & VACUUM PIPING; ENGINE



**Engine for TB1140 BB-4BG1-TRE (ISUZU)
OIL & VACUUM PIPING; ENGINE**

Item	Part No	Description	Qty
1	I8-97124-2340	PIPE; OIL, INJ PUMP TO C/BL	1
2(B)	I1-09675-0810	BOLT; EYE, OIL PIPE	1
3	I1-09630-0840	GASKET; EYE BOLT, OIL PIPE	2
26(B)	I8-94131-0603	PIPE; OIL, PUMP TO C/BL	1
28	I9-09921-1880	GASKET; OIL PIPE	2
37(D)	I8-97222-1220	PIPE; OIL, FILTER TO COOLER	1
40(A)	I0-50140-8450	BOLT; OIL PIPE (M8X45 W/LK & PLWASHER)	4
40(B)	I0-28080-8350	BOLT; OIL PIPE (M8X35 FLANGE)	1
	I0-28050-8350	BOLT; OIL PIPE (M8X35 FLANGE) (2006, 01-)	1
	I0-28080-8200	BOLT; OIL PIPE (M8X20 FLANGE)	1
44	I0-28080-8120	BOLT; CLIP, OIL PIPE (M8X12 FLANGE)	1
	I0-28050-8120	BOLT; CLIP, OIL PIPE (M8X12 FLANGE) (2006, 01-)	1
	I0-28681-0300	BOLT; OIL PIPE (M10X30 FLANGE)	1
	I0-28651-0300	BOLT; OIL PIPE (M10X30 FLANGE) (2006, 01-)	1
47	I8-97026-5900	GASKET; OIL PIPE	1
63(B)	I8-97222-1201	PIPE; OIL TURBOCHARGER FEED	1
116	I9-09572-0100	GASKET; CAP NUT, OIL PIPE	2
142	I9-09844-0220	NUT; CAP, OIL PIPE, INJ PUMP TO C/BL	1
232	I5-12379-0010	SPACER; OIL PIPE CLIP	1

Engine for TB1140 BB-4BG1-TRE (ISUZU)
ELECTRICAL CONTROL PARTS



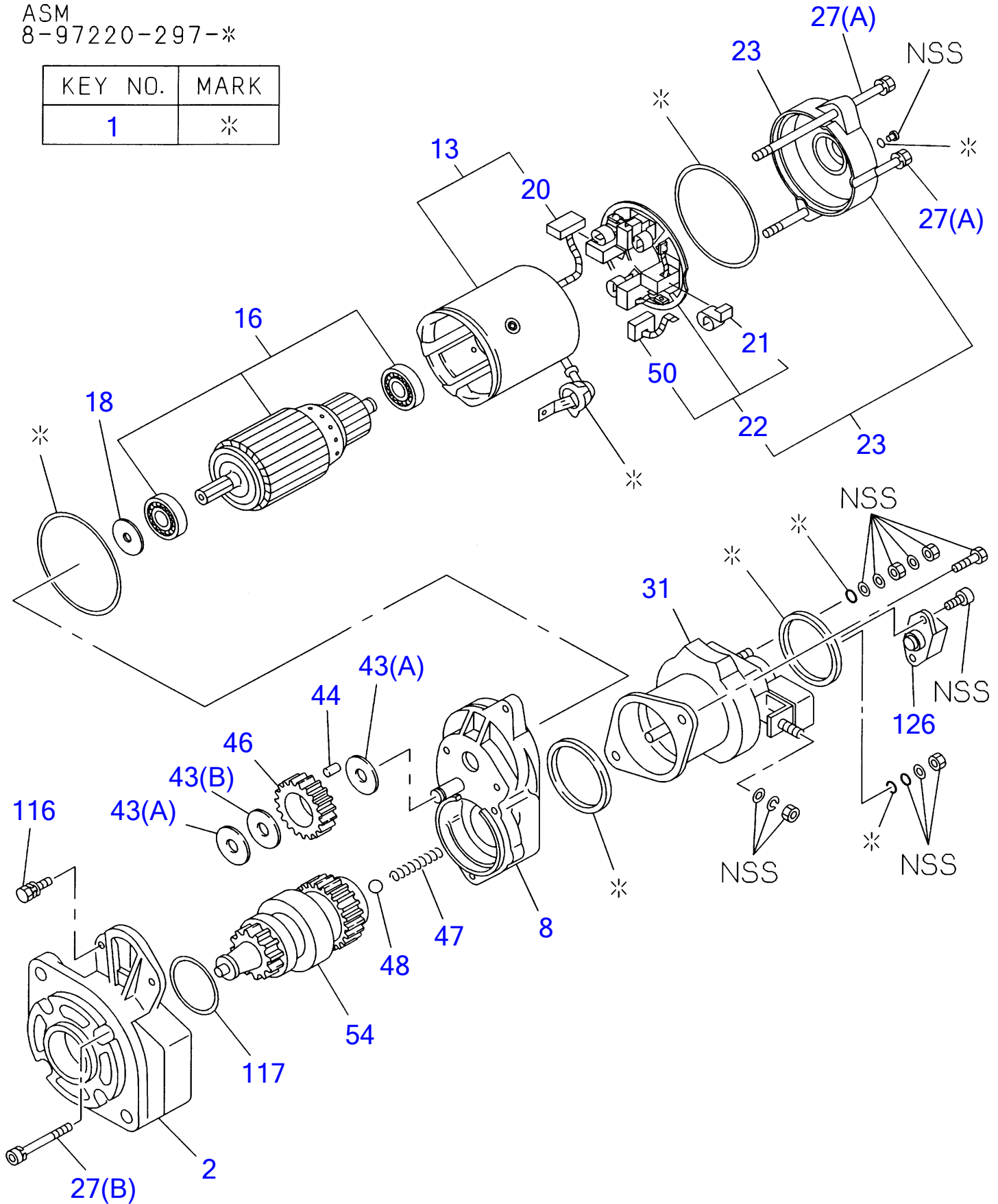
**Engine for TB1140 BB-4BG1-TRE (ISUZU)
ELECTRICAL CONTROL PARTS**

Item	Part No	Description	Qty
1(A)	I8-97220-2974	STARTER ASM	1
	I8-98062-0410	STARTER ASM (2006, 09-)	1
2	I1-81200-5304	GENERATOR ASM	1
7	I0-91150-2120	NUT; STARTER	2
	I0-91180-2120	NUT; STARTER (2006, 03-)	2
16(C)	I1-09000-1331	BOLT; GEN	1
17(B)	I9-09160-5140	WASHER; PL, GEN	1
	I0-91610-5140	WASHER; PL, GEN (2006, 06-)	1
19(C)	I8-97032-4991	BRACKET; GEN	1
23(B)	I0-91160-2140	NUT; GEN	1
	I0-91180-2140	NUT; GEN (2006, 03-)	1
46(B)	I8-94258-0140	RELAY; GLOW PLUG	1
68(B)	I8-94379-5431	RELAY; BATTERY	1
83	I8-97117-1860	THERMOMETER UNIT	1
89	I8-97125-6011	SWITCH; OVER HEAT WARNING	1
293	I8-97180-5560	CABLE; STARTER EARTH	1
676(C)	I8-94474-9260	PIECE; DIST, GEN	1
688	I1-82550-3250	CONROLLER; GLOW PLUG	1
838(B)	I1-83161-0330	SENSOR; THERMO, QOS	1

Engine for TB1140 BB-4BG1-TRE (ISUZU)
STARTER

ASM
 8-97220-297-*

KEY NO.	MARK
1	*



Engine for TB1140 BB-4BG1-TRE (ISUZU)

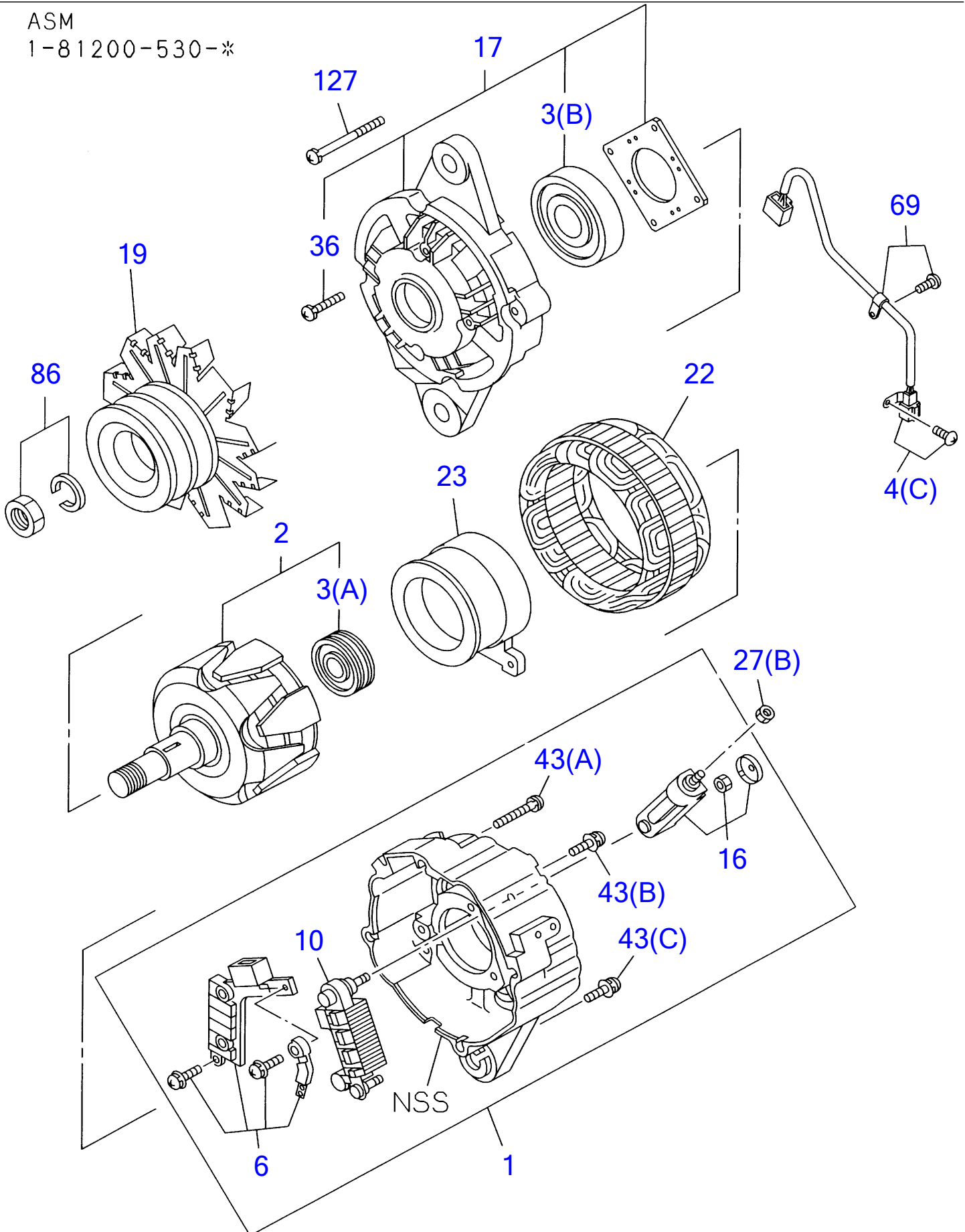
STARTER

Item	Part No	Description	Qty
1	I1-81129-7750	SEAL KIT; STARTER	1
2	I8-97251-5340	CASE; PINION, STARTER	1
8	I1-81118-0590	BRACKET; CENTER STARTER	1
13	I8-97234-7600	YOKE; STARTER	1
16	I1-81121-0620	ARMATURE; STARTER	1
18	I5-81129-1560	WASHER; THRUST, ARMATURE, STARTER	1
20	I1-81116-0600	BRUSH; (+), STARTER	2
21	I5-81117-0190	SPRING; BRUSH HOLDER ST	1
22	I1-81113-1310	HOLDER; BRUSH STARTER	1
23	I1-81115-2300	COVER; RR COVER STARTER	1
27(A)	I1-81129-7080	BOLT; THROUGH, STARTER	2
27(B)	I8-97251-5350	BOLT; THROUGH, STARTER	4
31	I1-81151-1180	SWITCH; ENGAGE STARTER	1
43(A)	I1-81129-7090	RETAINER; PINION STARTER	2
43(B)	I1-81118-0600	RETAINER; PINION STARTER	1
44	I1-81129-7150	ROLLER; PINION STARTER	5
46	I1-81129-7140	GEAR; CLU STARTER	1
47	I1-81129-7720	SPRING; PINION STARTER	1
48	I1-81129-7130	BALL; PINION, STARTER	1
50	I1-81116-0610	BRUSH; (-), STARTER	2
54	I1-81129-7730	CLUTCH; PINION, STARTER	1
116	I1-81129-7220	BOLT; BRKT	4
117	I1-81129-7740	WASHER; CLUTCH	1
126	I1-82553-0512	SWITCH; SAFETY	1

Engine for TB1140 BB-4BG1-TRE (ISUZU)
GENERATOR

ASM

1-81200-530-*

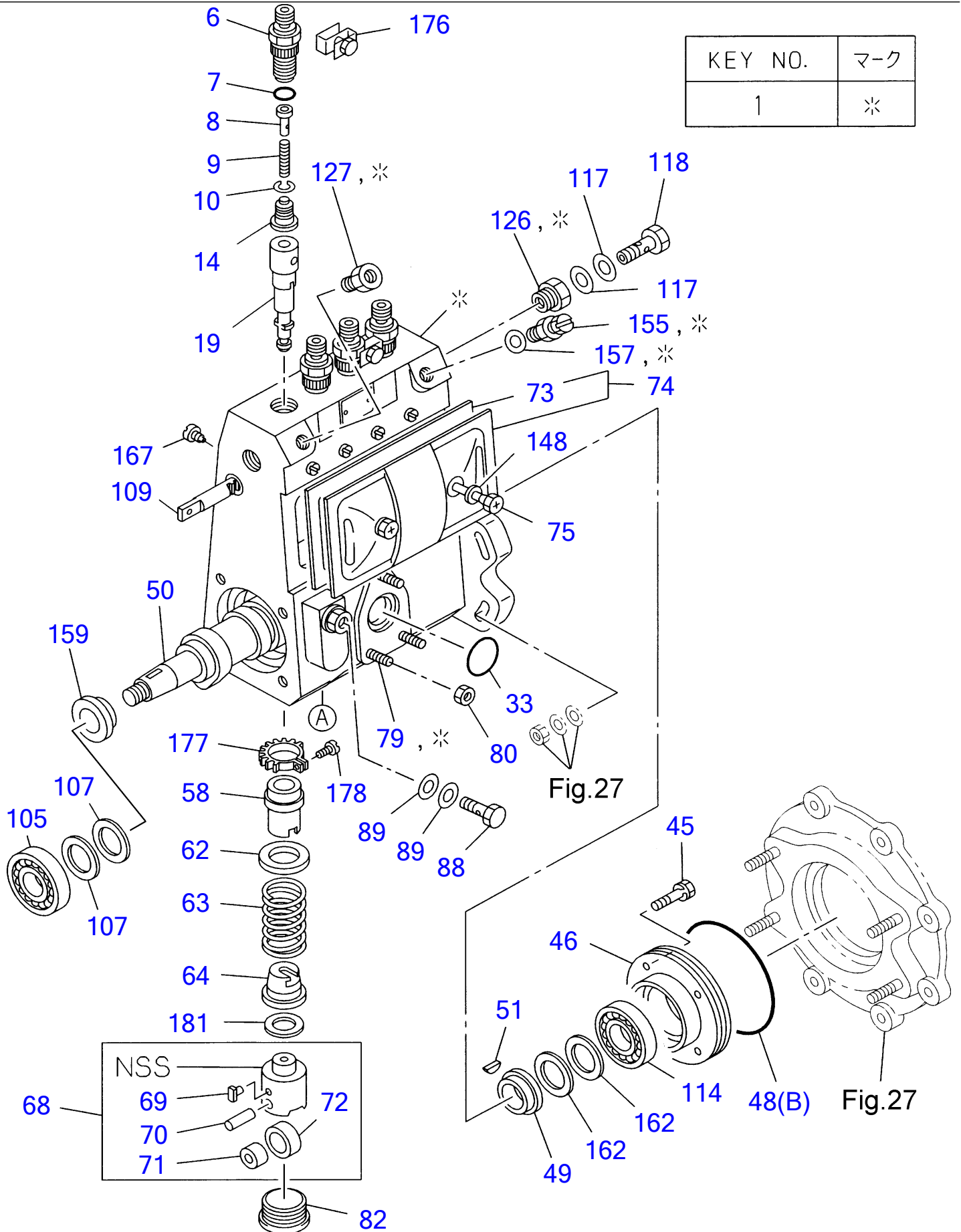


**Engine for TB1140 BB-4BG1-TRE (ISUZU)
GENERATOR**

Item	Part No	Description	Qty
1	I1-81214-3670	COVER ASM; RR, GEN	1
2	I1-81221-1020	ROTOR; GEN	1
3(A)	I1-81229-7690	BEARING; ROTOR, GEN	1
3(B)	I1-81229-7700	BEARING; ROTOR, GEN	1
4(C)	I1-81229-8390	TERMINAL; BRUSH, GEN	1
6	I1-81260-0170	REGULATOR ASM; VOLTAGE, GEN	1
10	I1-81229-8330	RECTIFIER; GEN	1
16	I1-81229-7710	TERMINAL ASM; RECTIFIER, GEN	1
17	I1-81213-1010	COVER ASM; FRT, GEN	1
19	I1-81222-1301	PULLEY; GEN	1
	I1-81222-1790	PULLEY; GEN (2006, 02-)	1
22	I1-81211-1290	STATOR; GEN	1
23	I1-81212-0160	COIL; ROTOR GEN	1
27(B)	I1-81229-7720	NUT; RECTIFIER, GEN	1
36	I1-81229-7680	SCREW; FRT COVER	1
43(A)	I1-81229-7740	SCREW; RR END COVER	1
43(B)	I1-81229-8320	SCREW; RR END COVER	1
43(C)	I1-81229-7730	SCREW; RR END COVER	1
69	I1-81229-8360	CLIP; WIRE, GEN	1
86	I8-97178-1340	NUT SET; PULLEY, GEN	1
127	I1-81229-7670	BOLT SET; GEN	1

Engine for TB1140 BB-4BG1-TRE (ISUZU)
INJECTION PUMP

KEY NO.	マーク
1	*



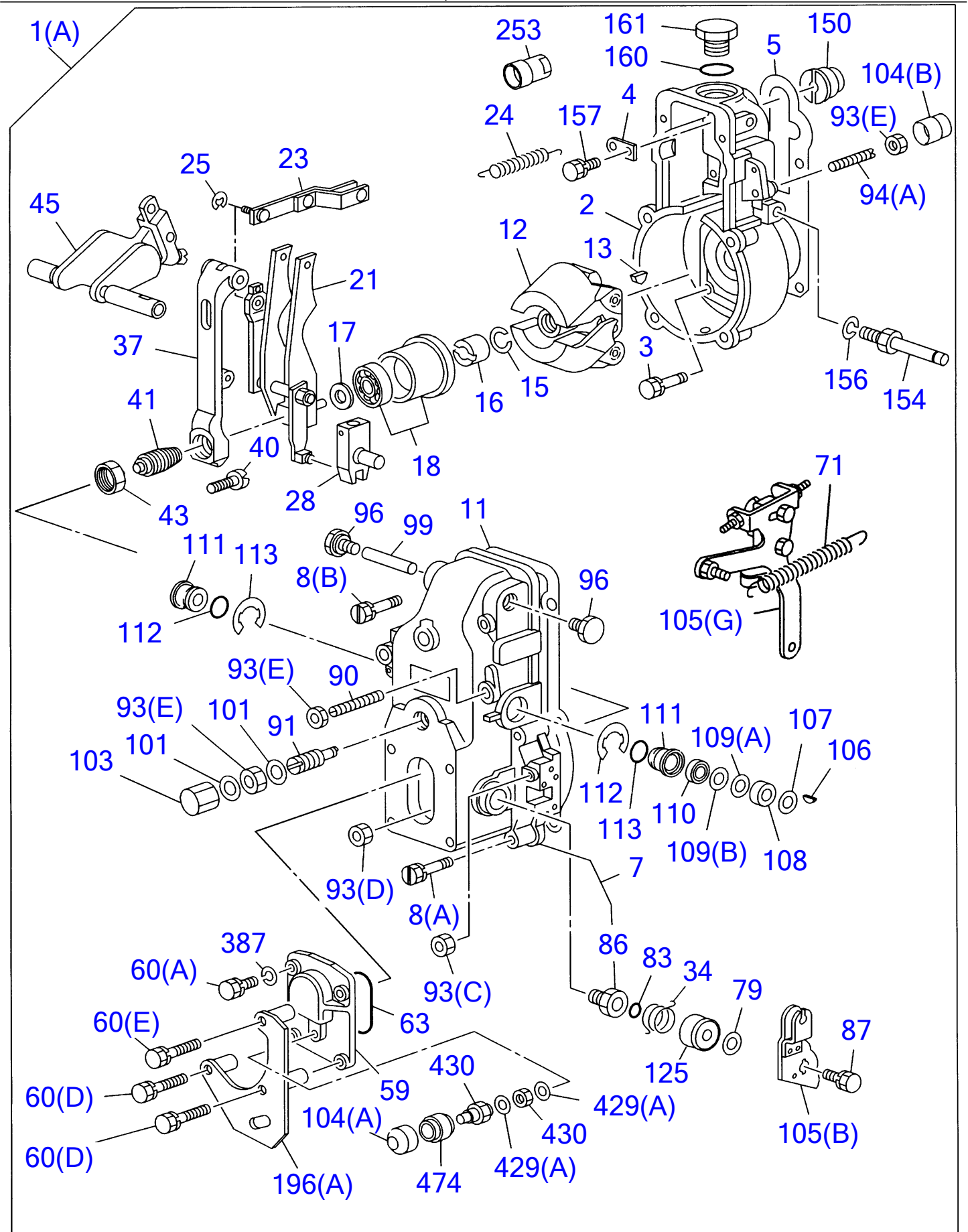
**Engine for TB1140 BB-4BG1-TRE (ISUZU)
INJECTION PUMP**

Item	Part No	Description	Qty
1	I5-15611-0590	HOUSING; PUMP, FUEL INJ	1
6	I5-15644-0170	HOLDER; DELIVERY VALVE, INJ PUMP	4
7	I1-09623-0520	GASKET; HOLDER, DELIVERY VALVE	4
8	I5-15629-0450	STOPPER; DELIVERY VALVE, INJ PUMP	4
9	I5-15643-0010	SPRING; DELIVERY VALVE	4
10	I1-15649-0010	GASKET; DELIVERY VALVE, INJ PUMP	4
14	I8-97123-6050	VALVE; DELIVERY, INJ PUMP	4
19	I1-15631-0690	PLUNGER ASM; INJ PUMP	4
33	I1-09623-0130	GASKET; FUEL FEED PUMP, INJ PUMP	1
45	I9-01900-6140	BOLT; FRT COVER TO HSG	4
46	I1-15619-2430	COVER; FRT, PUMP HSG	1
48(B)	I8-97037-2760	GASKET; FRT COVER TO HSG	1
49	I9-81225-0470	RING; FRT BRG, CM/SHF	1
50	I5-15621-0300	CAMSHAFT; INJ PUMP	1
51	I5-15619-0490	KEY; DRIVE GEAR, INJ PUMP	1
58	I9-81225-0580	SLEEVE; CONT, INJ PUMP	4
62	I9-81235-0150	SEAT; PLUNGER SPRING, INJ PUMP	4
63	I5-15643-0090	SPRING; PLUNGER, INJ PUMP	4
64	I9-81235-0210	SEAT; PLUNGER SPRING LWR, INJ PUMP	4
68	I9-81221-2230	TAPPET; CM/SHF, INJ PUMP	4
69	I5-15619-0410	GUIDE; TAPPET, INJ PUMP	4
70	I9-81222-2200	PIN; TAPPET ROLLER, INJ PUMP	4
71	I1-15629-0010	BUSHING; TAPPET ROLLER, INJ PUMP	4
72	I1-15622-0030	ROLLER; TAPPET, INJ PUMP	4
73	I8-94386-5960	GASKET; COVER TO HSG	1
74	I8-94171-1090	COVER; HSG, INJ PUMP	1
75	I1-15619-0030	SCREW; COVER TO HSG	2
79	I9-81215-1150	STUD; FUEL FEED PUMP TO HSG	3
80	I8-94171-1100	NUT; FUEL FEED PUMP FIX	3
82	I5-15619-1360	PLUG; HSG, INJ PUMP	4
88	I9-09706-0370	BOLT; EYE, OIL FEED, INJ PUMP	1
89	I9-09572-0100	GASKET; OIL FEED BOLT, INJ PUMP	2
105	I9-00090-6770	BEARING; CM/SHF RR, INJ PUMP (NSK)	?
	I5-09800-0380	BEARING; CM/SHF RR, INJ PUMP (NTN)	?
107	I5-15629-0150	SHIM; RR BEARING, CM/SHF (T=0.10)	?
	I5-15629-0160	SHIM; RR BEARING, CM/SHF (T=0.12)	?
	I5-15629-0170	SHIM; RR BEARING, CM/SHF (T=0.14)	?
	I5-15629-0180	SHIM; RR BEARING, CM/SHF (T=0.16)	?
	I5-15629-0190	SHIM; RR BEARING, CM/SHF (T=0.18)	?
	I5-15629-0200	SHIM; RR BEARING, CM/SHF (T=0.50)	?
	I5-15629-0380	SHIM; RR BEARING, CM/SHF (T=1.00)	?
	I9-81225-0330	SHIM; RR BEARING, CM/SHF (T=0.30)	?
	I5-15619-0390	SHIM; RR BEARING, CM/SHF (T=0.70)	?
	I5-15629-0900	SHIM; RR BEARING, CM/SHF (T=1.40)	?
	I1-15639-0880	SHIM; RR BEARING, CM/SHF (T=2.40)	?
109	I5-15637-0020	RACK; CONT, INJ PUMP	1
114	I9-00090-6770	BEARING; CM/SHF FRT, INJ PUMP (NSK)	1
	I5-09800-0380	BEARING; CM/SHF FRT, INJ PUMP (TOYO)	1
117	I1-15759-0010	GASKET; EYE BOLT, INJ PUMP	2
118	I1-15619-0820	BOLT; EYE, FUEL INL, INJ PUMP	1
126	I9-81235-0170	ADAPTER; EYE BOLT, PUMP HSG	1
127	I5-15619-0440	ADAPTER; FUEL PIPE	1
148	I9-81215-1440	GASKET; COVER FIX BOLT	2
155	I1-15619-0240	BOLT; AIR BLEED, INJ PUMP	1
157	I8-94144-5880	GASKET; BLEED BOLT, INJ PUMP	1
159	I9-81225-0470	RING; RR BEARING, CM/SHF, INJ PUMP	1
162	I5-15629-0150	SHIM; FRT BRG, CM/SHF (T=0.10)	1
	I5-15629-0160	SHIM; FRT BRG, CM/SHF (T=0.10)	?
	I5-15629-0170	SHIM; FRT BRG, CM/SHF (T=0.12)	?
	I5-15629-0180	SHIM; FRT BRG, CM/SHF (T=0.14)	?

**Engine for TB1140 BB-4BG1-TRE (ISUZU)
INJECTION PUMP**

Item	Part No	Description	Qty
162	I5-15629-0190	SHIM; FRT BRG, CM/SHF (T=0.16)	?
162	I5-15629-0200	SHIM; FRT BRG, CM/SHF (T=0.18)	?
162	I5-15629-0380	SHIM; FRT BRG, CM/SHF (T=0.50)	?
162	I9-81225-0330	SHIM; FRT BRG, CM/SHF (T=0.30)	?
162	I5-15619-0390	SHIM; FRT BRG, CM/SHF (T=0.70)	?
162	I5-15629-0900	SHIM; FRT BRG, CM/SHF (T=1.40)	?
162	I1-15639-0880	SHIM; FRT BRG, CM/SHF (T=2.40)	?
167	I1-15639-0030	BOLT; CONT RACK, INJ PUMP	1
176	I5-15625-0010	PLATE; LK, DELIVERY VALVE HOLDER	2
177	I9-81225-0570	PINION; CONT SLEEVE, INJ PUMP	4
178	I9-81235-0030	SCREW; PINION, INJ PUMP	4
181	I5-15619-0340	SHIM; TAPPET, INJ PUMP (T=0.30)	?
181	I5-15619-0350	SHIM; TAPPET, INJ PUMP (T=0.40)	?
181	I5-15619-0360	SHIM; TAPPET, INJ PUMP (T=0.50)	?
181	I5-15619-0010	SHIM; TAPPET, INJ PUMP (T=0.60)	?
181	I5-15619-0020	SHIM; TAPPET, INJ PUMP (T=0.70)	?
181	I5-15619-0030	SHIM; TAPPET, INJ PUMP (T=0.80)	?
181	I5-15619-0040	SHIM; TAPPET, INJ PUMP (T=0.90)	?
181	I5-15619-0050	SHIM; TAPPET, INJ PUMP (T=1.00)	?
181	I5-15619-0070	SHIM; TAPPET, INJ PUMP (T=1.10)	?
181	I5-15619-0080	SHIM; TAPPET, INJ PUMP (T=1.20)	?
181	I5-15619-0090	SHIM; TAPPET, INJ PUMP (T=1.30)	?
181	I5-15619-0100	SHIM; TAPPET, INJ PUMP (T=1.40)	?
181	I5-15619-0110	SHIM; TAPPET, INJ PUMP (T=0.55)	?
181	I5-15619-0120	SHIM; TAPPET, INJ PUMP (T=0.65)	?
181	I5-15619-0130	SHIM; TAPPET, INJ PUMP (T=0.75)	?
181	I5-15619-0150	SHIM; TAPPET, INJ PUMP (T=0.85)	?
181	I9-81235-0420	SHIM; TAPPET, INJ PUMP (T=0.95)	?
181	I9-81235-0430	SHIM; TAPPET, INJ PUMP (T=1.05)	?
181	I9-81235-0440	SHIM; TAPPET, INJ PUMP (T=1.15)	?
181	I9-81235-0450	SHIM; TAPPET, INJ PUMP (T=1.25)	?
181	I5-15619-0250	SHIM; TAPPET, INJ PUMP (T=0.20)	?
181	I5-15619-0260	SHIM; TAPPET, INJ PUMP (T=0.25)	?
181	I5-15619-0270	SHIM; TAPPET, INJ PUMP (T=0.35)	?
181	I5-15619-0370	SHIM; TAPPET, INJ PUMP (T=0.45)	?
181	I5-15619-1060	SHIM; TAPPET, INJ PUMP (T=1.50)	?
181	I5-15619-1070	SHIM; TAPPET, INJ PUMP (T=1.60)	?
181	I5-15619-1080	SHIM; TAPPET, INJ PUMP (T=1.35)	?
181	I5-15619-1090	SHIM; TAPPET, INJ PUMP (T=1.45)	?
181	I5-15619-1100	SHIM; TAPPET, INJ PUMP (T=1.55)	?

Engine for TB1140 BB-4BG1-TRE (ISUZU)
GOVERNOR; INJECTION PUMP



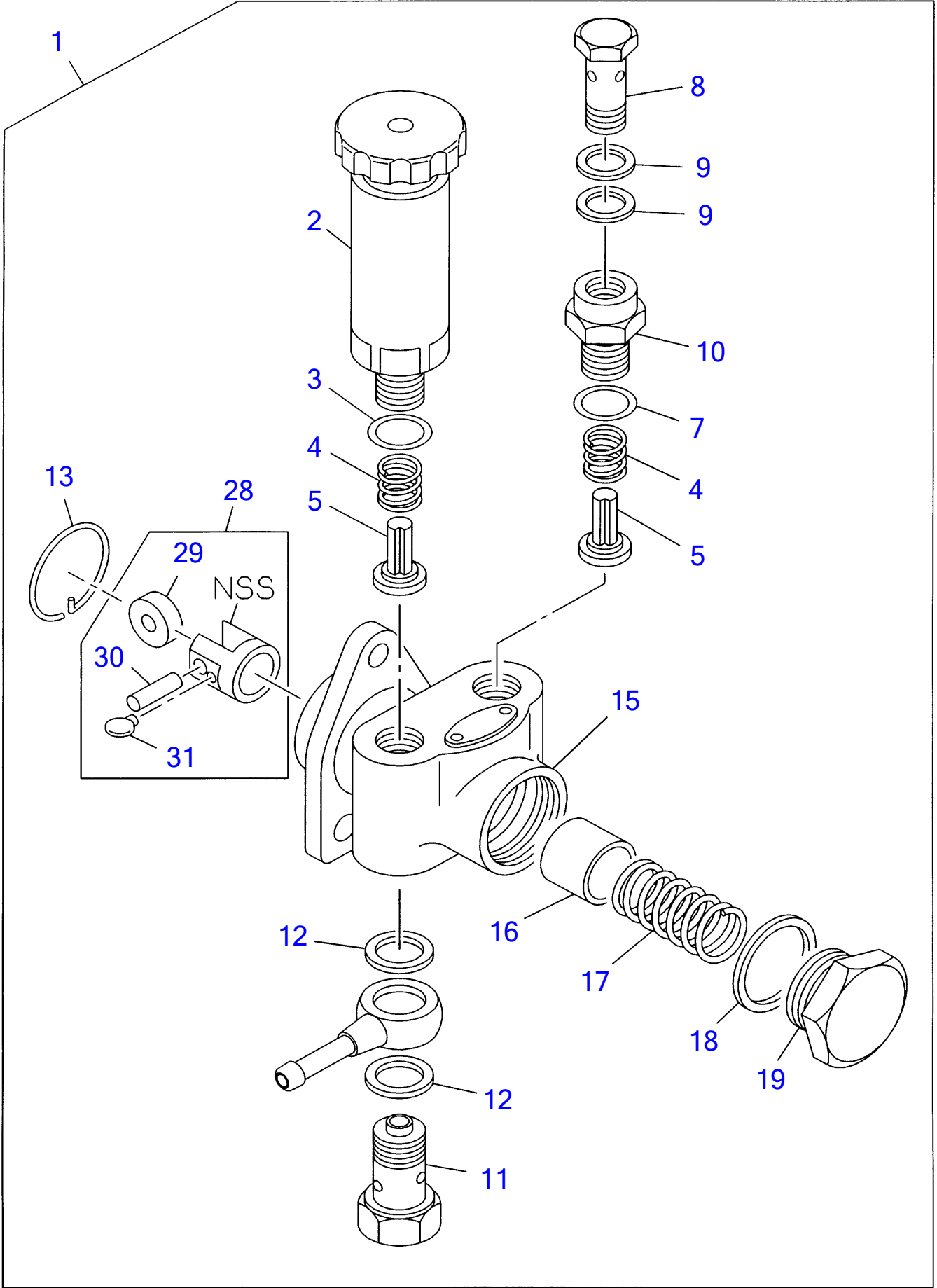
**Engine for TB1140 BB-4BG1-TRE (ISUZU)
GOVERNOR; INJECTION PUMP**

Item	Part No	Description	Qty
1(A)	18-97224-4521	GOVERNOR ASM; INJ PUMP	1
2	15-15721-0040	HOUSING; GOV, INJ PUMP	1
3	15-15729-0270	BOLT; GOV HSG, INJ PUMP	6
4	18-91325-3970	PLATE; START SPRING, GOV	1
5	11-15779-0930	GASKET; GOV TO INJ PUMP HSG	1
7	15-15721-0220	COVER; GOV HSG, INJ PUMP	1
8(A)	15-15729-0330	BOLT; GOV COVER, INJ PUMP	4
8(B)	15-15729-0540	BOLT; GOV COVER, INJ PUMP	2
11	11-15779-0940	GASKET; COVER TO HSG, GOV	1
12	11-15722-0170	FLYWEIGHT ASM; GOV	1
13	15-19619-0490	KEY; FLYWEIGHT, GOV	1
15	15-15729-0340	WASHER; LK, FLYWEIGHT FIX, GOV	1
16	19-81325-0860	NUT; FLYWEIGHT FIX, GOV	1
17	19-81325-0880	SHIM; FLYWEIGHT SLEEVE, GOV (T=0.20)	?
	19-81325-5510	SHIM; FLYWEIGHT SLEEVE, GOV (T=0.30)	?
	19-81325-5520	SHIM; FLYWEIGHT SLEEVE, GOV (T=0.40)	?
	19-81325-5530	SHIM; FLYWEIGHT SLEEVE, GOV (T=1.00)	?
	15-15729-2860	SHIM; FLYWEIGHT SLEEVE, GOV (T=0.50)	?
	15-15729-2870	SHIM; FLYWEIGHT SLEEVE, GOV (T=1.50)	?
	11-15729-8910	SHIM; FLYWEIGHT SLEEVE, GOV (T=2.00)	?
	11-15729-8920	SHIM; FLYWEIGHT SLEEVE, GOV (T=3.00)	?
	11-15729-8930	SHIM; FLYWEIGHT SLEEVE, GOV (T=4.00)	?
18	15-15719-0080	SLEEVE; GOV	1
21	15-15725-0570	LEVER ASM; GUIDE, GOV	1
23	11-15725-0110	LINK; LEVER TO CONT RACK, GOV	1
24	19-81322-2350	SPRING; START, GOV, INJ PUMP	1
25	19-09185-4040	RING; SNAP	1
28	15-15725-0420	LEVER; SUPPORTING, GOV	1
34	11-15723-2120	SPRING; SPD CONT LEVER, GOV	1
37	18-97250-3870	LEVER ASM; TENSION, GOV	1
40	11-15729-1010	SCREW; LEVER ADJ, GOV	1
41	11-15729-2790	SPRING CAPSULE; IDLE CONT, GOV	1
43	19-00813-0230	NUT; IDLING CONT SPRING, GOV	1
45	18-97024-2380	LEVER ASM; GOV, INJ PUMP	1
59	18-97239-2390	COVER; GOV COVER	1
60(A)	19-01900-6160	BOLT; COVER FIX, GOV COVER	1
60(D)	11-15729-1650	BOLT; COVER FIX, GOV COVER	2
60(E)	18-97250-3860	BOLT; COVER FIX, GOV COVER	1
63	11-15779-5740	GASKET; COVER TO GOV COVER	1
71	11-15723-2230	SPRING; CONT LEVER, GOV	1
79	11-15729-2940	SHIM; LEVER SETTING, GOV (T=0.20)	?
	11-15729-2950	SHIM; LEVER SETTING, GOV (T=0.25)	?
	11-15729-2960	SHIM; LEVER SETTING, GOV (T=0.30)	?
	11-15729-2970	SHIM; LEVER SETTING, GOV (T=0.35)	?
	11-15729-2980	SHIM; LEVER SETTING, GOV (T=0.40)	?
	11-15729-2990	SHIM; LEVER SETTING, GOV (T=0.50)	?
83	11-15729-8850	SEAL; OIL, CONT SHAFT, GOV	1
86	19-81325-4290	BUSHING; CONT SHAFT, GOV COVER	1
87	19-01900-6160	BOLT; RETURN SPRING, GOV	1
90	19-81325-1770	SCREW; FULL LOAD ADJ, GOV	1
91	15-15723-1240	SPRING CAPSULE; ADJ, GOV	1
93(B)	11-15729-6890	NUT; ADJ SCREW LK, INJ PUMP GOV	1
93(C)	11-15779-5080	NUT; ADJ SCREW LK, INJ PUMP GOV	1
93(D)	11-15779-0400	NUT; ADJ SCREW LK, INJ PUMP GOV	1
93(E)	19-84410-0270	NUT; ADJ SCREW LK, INJ PUMP GOV	1
94(A)	18-97179-6710	SCREW; ADJ, CONT LEVER, GOV	1
96	15-15729-0530	PLUG; LEVER SHAFT, GOV	2
99	19-81325-0620	PIN; TENSION LEVER, GOV	1
101	18-94144-5880	GASKET; ADJ SPRING CAPSULE, GOV	2
103	11-15729-0920	NUT; CAP, ADJ SPRING CAPSULE, GOV	1

**Engine for TB1140 BB-4BG1-TRE (ISUZU)
GOVERNOR; INJECTION PUMP**

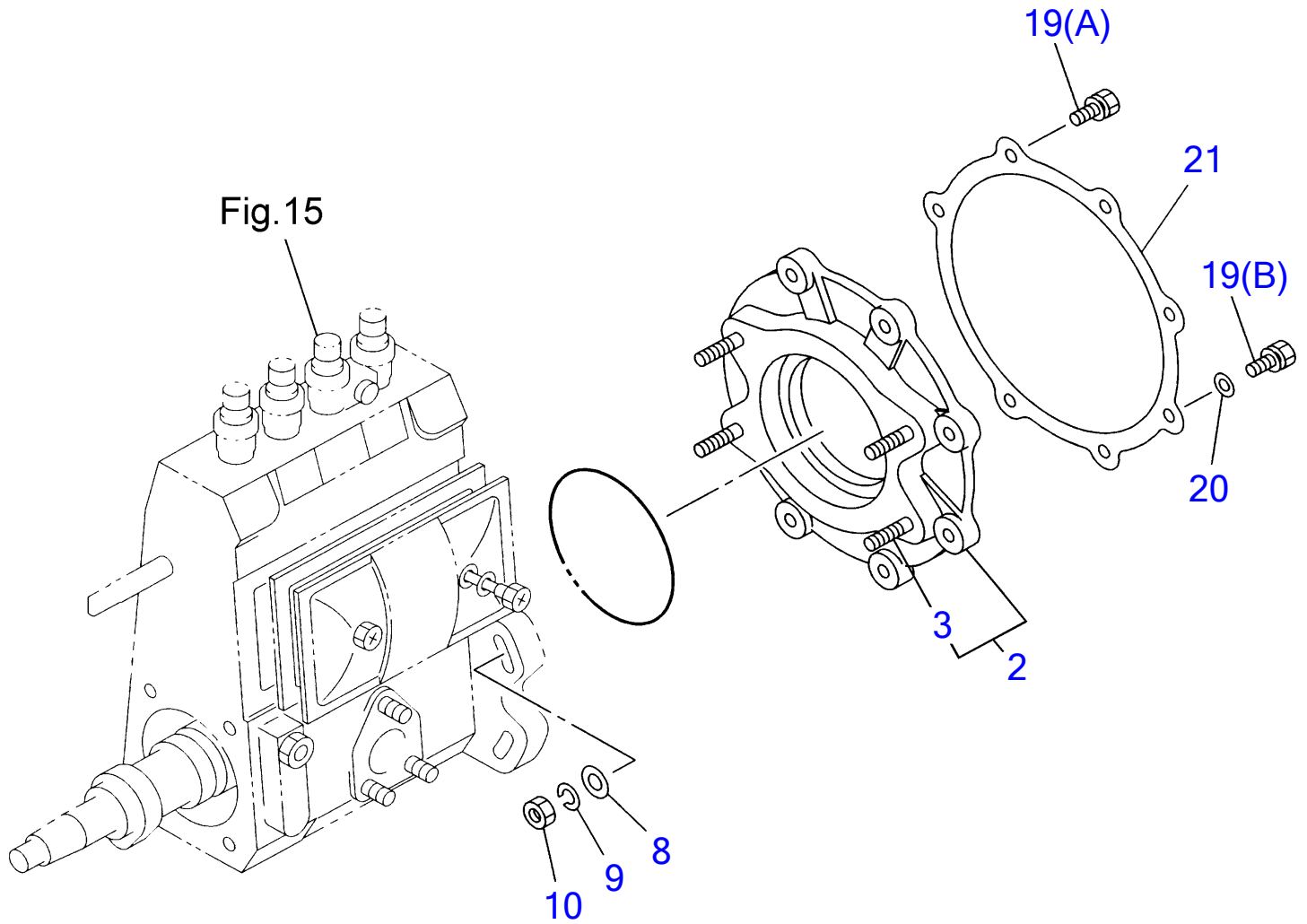
Item	Part No	Description	Qty
104(A)	I1-15779-5650	CAP; LOCK NUT, ADJ SCREW	1
104(B)	I8-97179-6700	CAP; LOCK NUT, ADJ SCREW	1
105(B)	I1-15725-6700	LEVER; SPD CONT, GOV	1
105(G)	I8-97222-4200	LEVER; SPD CONT, GOV	1
106	I9-81325-0300	KEY; SWIVEL LEVER, GOV	1
107	I9-81325-4880	WASHER; SWIVEL LEVER, GOV	1
108	I1-15729-3010	COLLAR; SWIVEL LEVER, GOV	1
109(A)	I1-15729-0990	SHIM; SWIVEL LEVER, GOV	1
109(B)	I9-81325-1730	SHIM; SWIVEL LEVER, GOV	1
110	I1-15779-5760	SEAL; OIL, SWIVEL LEVER, GOV	1
111	I8-97233-0850	BUSHING; SWIVEL LEVER, GOV (R)	1
111	I8-97233-0860	BUSHING; SWIVEL LEVER, GOV (L)	1
112	I1-15779-5730	GASKET; SWIVEL LEVER, GOV	2
113	I9-09185-4150	RING; SNAP, SWIVEL LEVER, GOV	2
125	I9-81325-2100	CAP; STOP LEVER SPRING, GOV	1
150	I9-81315-0650	ADAPTER; GOV HSG, INJ PUMP	1
154	I1-15779-5620	BOLT; GOV HSG	1
156	I1-83579-4920	WASHER; GOV HSG	1
157	I9-01900-8180	BOLT; START SPRING PLATE, GOV	1
160	I1-15729-0150	GASKET; PLUG TO HSG	1
161	I1-15729-0380	PLUG; HSG	1
196(A)	I8-97250-3880	BRACKET; COVER	1
253	I1-15729-6360	LIMITTER; GOV CONT	1
387	I9-09150-5060	WASHER; COVR	1
429(A)	I5-15729-0990	GASKET; CAP NUT	2
430	I1-15779-5640	CAP NUT; ADJ LEVER	1
474	I1-15779-5670	ADAPTER; GOV, INJ PUMP	1

Engine for TB1140 BB-4BG1-TRE (ISUZU)
FEED PUMP; INJECTION PUMP



**Engine for TB1140 BB-4BG1-TRE (ISUZU)
FEED PUMP; INJECTION PUMP**

Item	Part No	Description	Qty
1	I8-97121-9100	PUMP ASM; FUEL FEED, INJ PUMP	1
2	I1-15761-0060	PUMP; PRIMING, FUEL FEED PUMP	1
3	I1-19623-0160	GASKET; PRIMING PUMP, FUEL FEED PUMP	1
4	I9-81351-7020	SPRING; VLV, FUEL FEED PUMP	2
5	I1-15755-0020	VALVE; FUEL FEED PUMP	2
7	I1-19623-0160	GASKET; PLUG, FUEL FEED PUMP	1
8	I1-15619-0820	BOLT; EYE, FUEL OUTLET, FEED PUMP	1
9	I1-15759-0010	GASKET; EYE BOLT, OUTLET, FUEL FEED PUMP	2
10	I1-15759-0030	ADAPTER; EYE BOLT, FUEL FEED PUMP	1
11	I5-15759-0270	BOLT; EYE, FUEL INL, FEED PUMP	1
12	I1-15759-0010	GASKET; EYE BOLT, INL, FUEL FEED PUMP	2
13	I9-81355-0250	RING; SNAP, TAPPET, FUEL FEED PUMP	1
15	I5-15751-0120	HOUSING; FUEL FEED PUMP	1
16	I9-81351-2050	PISTON; FUEL FEED PUMP	1
17	I9-81351-3020	SPRING; PISTON, FUEL FEED PUMP	1
18	I9-81355-0350	GASKET; PISTON PLUG, FUEL FEED PUMP	1
19	I8-94171-1850	PLUG; PISTON SPRING, FUEL FEED PUMP	1
28	I5-15754-0010	TAPPET ASM; FUEL FEED PUMP	1
29	I9-81351-4030	ROLLER; TAPPET, FUEL FEED PUMP	1
30	I9-81351-4100	PIN; TAPPET ROLLER, FUEL FEED PUMP	1
31	I1-15759-0020	GUIDE; TAPPET, FUEL FEED PUMP	2

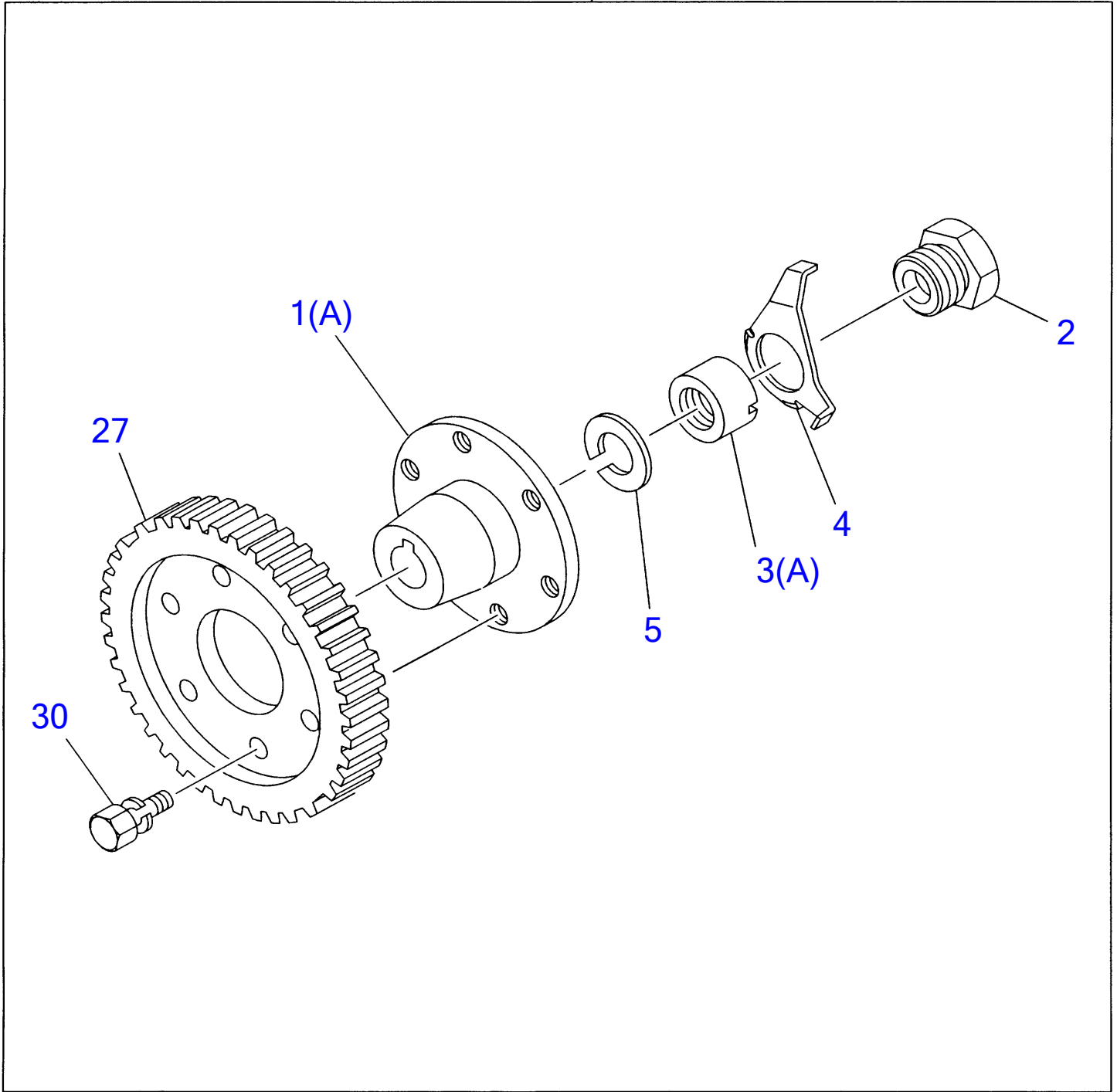


**Engine for TB1140 BB-4BG1-TRE (ISUZU)
MISCELLANEOUS PARTS; INJ PUMP**

Item	Part No	Description	Qty
2	I5-19751-0500	BRACKET; HSG & TIMER, INJ PUMP	1
3	I9-04101-0300	STUD; HSG BRKT, PUMP	4
8	I9-09164-5100	WASHER; PL HSG BRKY, INJ PUMP	4
9	I9-09150-6100	WASHER; LK HSG BRKY, INJ PUMP	4
10	I5-15639-0020	NUT; HSG BRKY, INJ PUMP	4
19(A)	I1-09044-0711	BOLT; INJ PUMP	6
19(B)	I1-09044-0711	BOLT; INJ PUMP	4
20	I9-09572-0080	GASKET; INJ PUMP	1
21	I8-94370-6750	GASKET; INJ PUMP	1

Engine for TB1140 BB-4BG1-TRE (ISUZU)
COUPLING; INJECTION PUMP

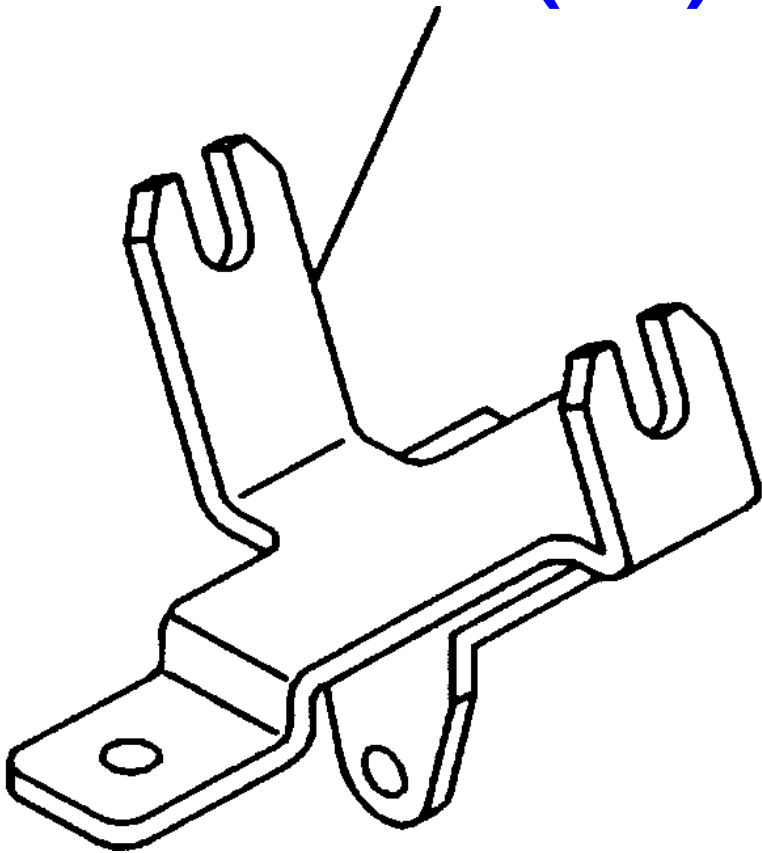
Fig.15



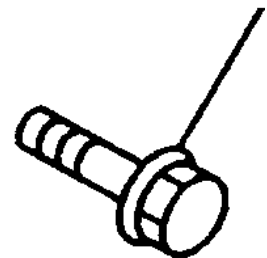
**Engine for TB1140 BB-4BG1-TRE (ISUZU)
COUPLING; INJECTION PUMP**

Item	Part No	Description	Qty
1(A)	I5-15781-0030	COUPLING; INJ PUMP DRIVE	1
2	I9-09662-0070	BOLT; COUPLING FIX, INJ PUMP	1
3(A)	I9-88410-5020	NUT; COUPLING FIX, INJ PUMP	1
4	I1-15619-2470	PLATE; LK, COUPLING FIX, INJ PUMP	1
5	I5-15619-0480	WASHER; COUPLING FIX, INJ PUMP	1
27	I1-12524-0520	GEAR; COUPLING	1
30	I8-94457-5170	BOLT; GEAR TO COUPLING	6

204(C)



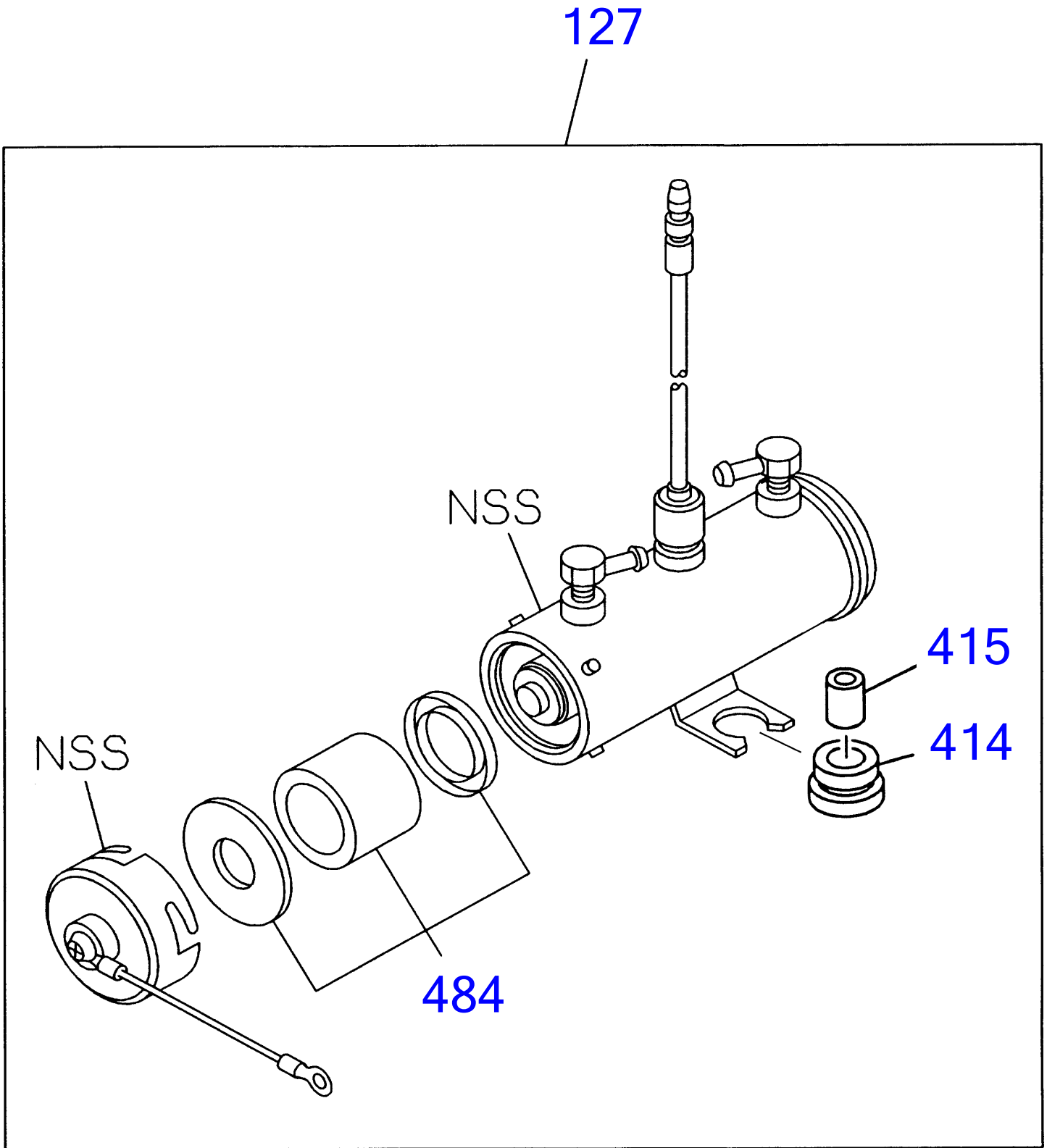
65



Engine for TB1140 BB-4BG1-TRE (ISUZU)
ACCELERATOR PEDAL AND CONTROL

Item	Part No	Description	Qty
65	I0-28081-0160	BOLT	2
	I0-28051-0160	BOLT (2006, 01-)	2
204(C)	I8-97222-1740	BRACKET; STOPPER CABLE	1

Engine for TB1140 BB-4BG1-TRE (ISUZU)
FUEL TANK

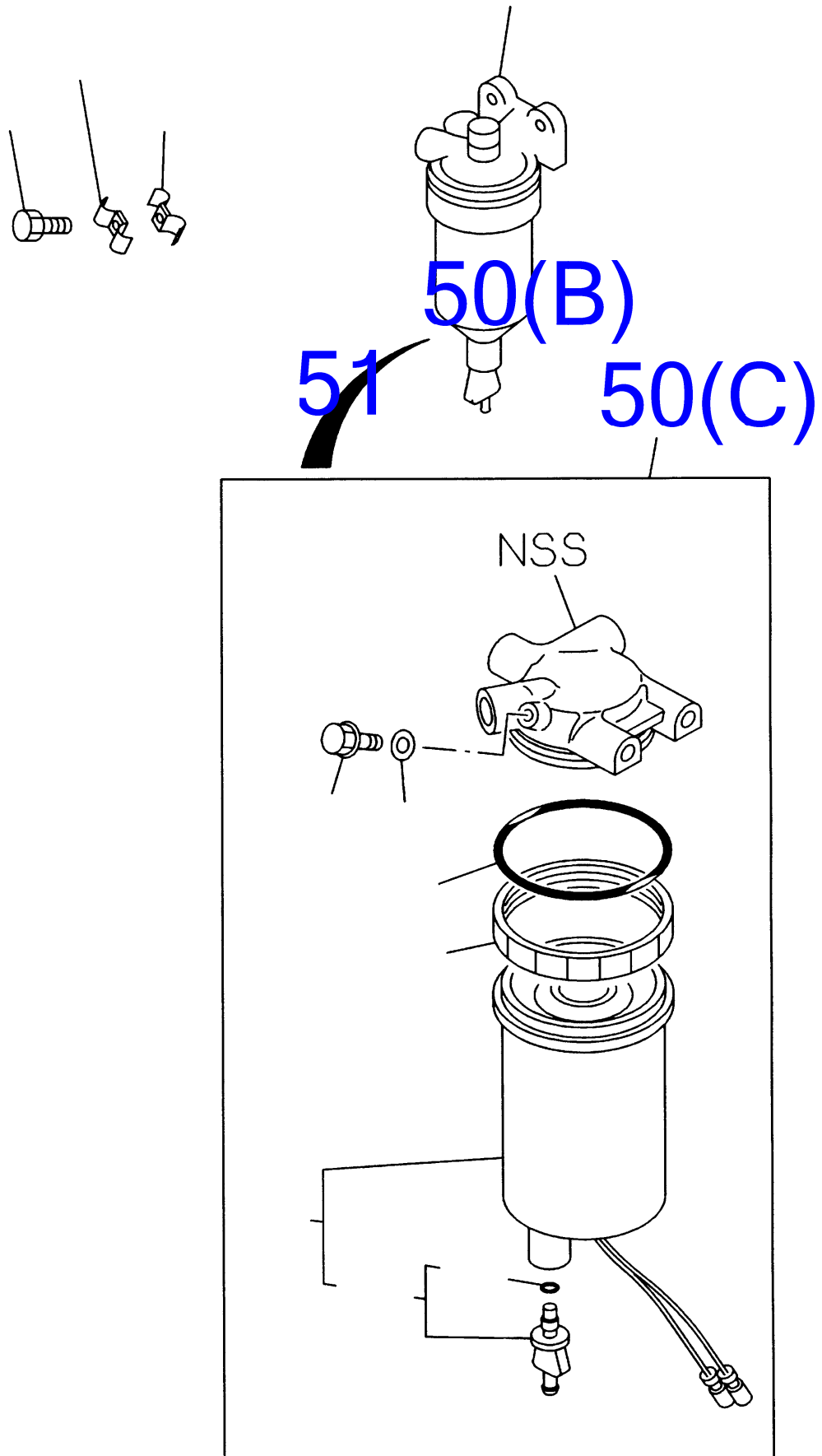


Engine for TB1140 BB-4BG1-TRE (ISUZU)

FUEL TANK

Item	Part No	Description	Qty
127	I8-97041-5211	PUMP ASM; FUEL, ELEC	1
414	I8-97047-2660	GROMMET; PUMP MTG, ELEC FUEL PUMP	2
415	I8-97047-2650	COLLAR; GROMMET, ELEC FUEL PUMP	2
484	I8-94337-0220	REPAIR KIT; FUEL PUMP	1

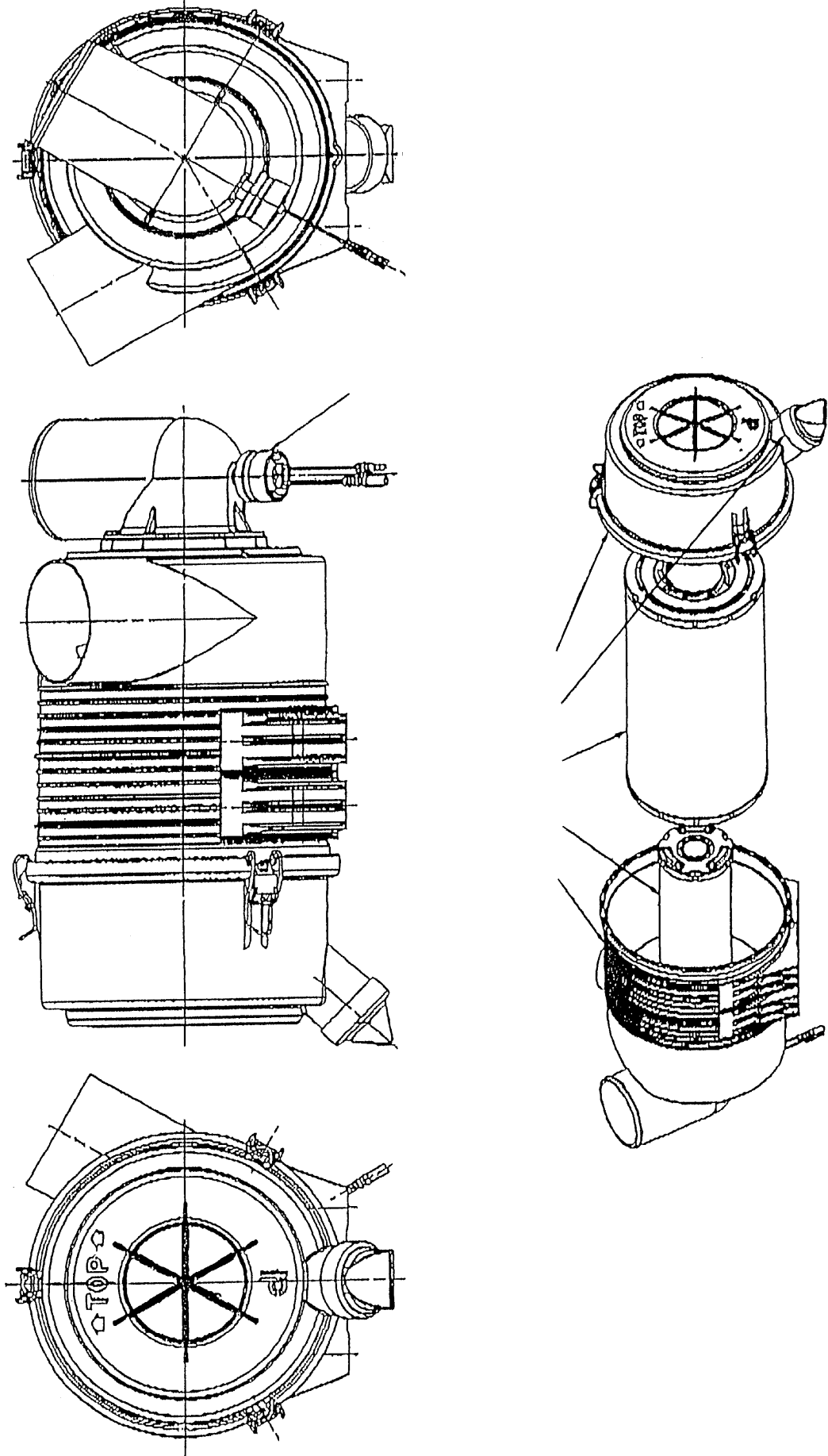
Engine for TB1140 BB-4BG1-TRE (ISUZU)
WATER SEDIMENTER; FUEL



**Engine for TB1140 BB-4BG1-TRE (ISUZU)
WATER SEDIMENTER; FUEL**

Item	Part No	Description	Qty
1(C)	I8-94144-9333	SEDIMENTER; FUEL	1
5	I5-09623-0750	GASKET; UPR COVER, SEDIMENTER	1
7	I8-94132-6740	PLUG; DRAIN, SEDIMENTER	1
9	I9-09571-4060	GASKET; DRAIN PLUG & CONNECTOR	1
34	I8-94453-7460	PLUG; DRAIN, FUEL FILTER	1
35	I8-94447-1560	GASKET; DRAIN PLUG	1
36	I5-13234-0010	RING; BODY TO CASE	1
50(B)	I1-09700-7590	CLIP; FUEL PIPE	2
50(C)	I1-09700-7600	CLIP; FUEL PIPE	2
51	I0-28680-6200	BOLT; CLIP	2
	I0-28650-6200	BOLT; CLIP (2006, 01-)	2
87	I8-97219-3630	CASE ASM; SEDIMENTER	1

Engine for TB1140 BB-4BG1-TRE (ISUZU)
AIR CLEANER ASM.

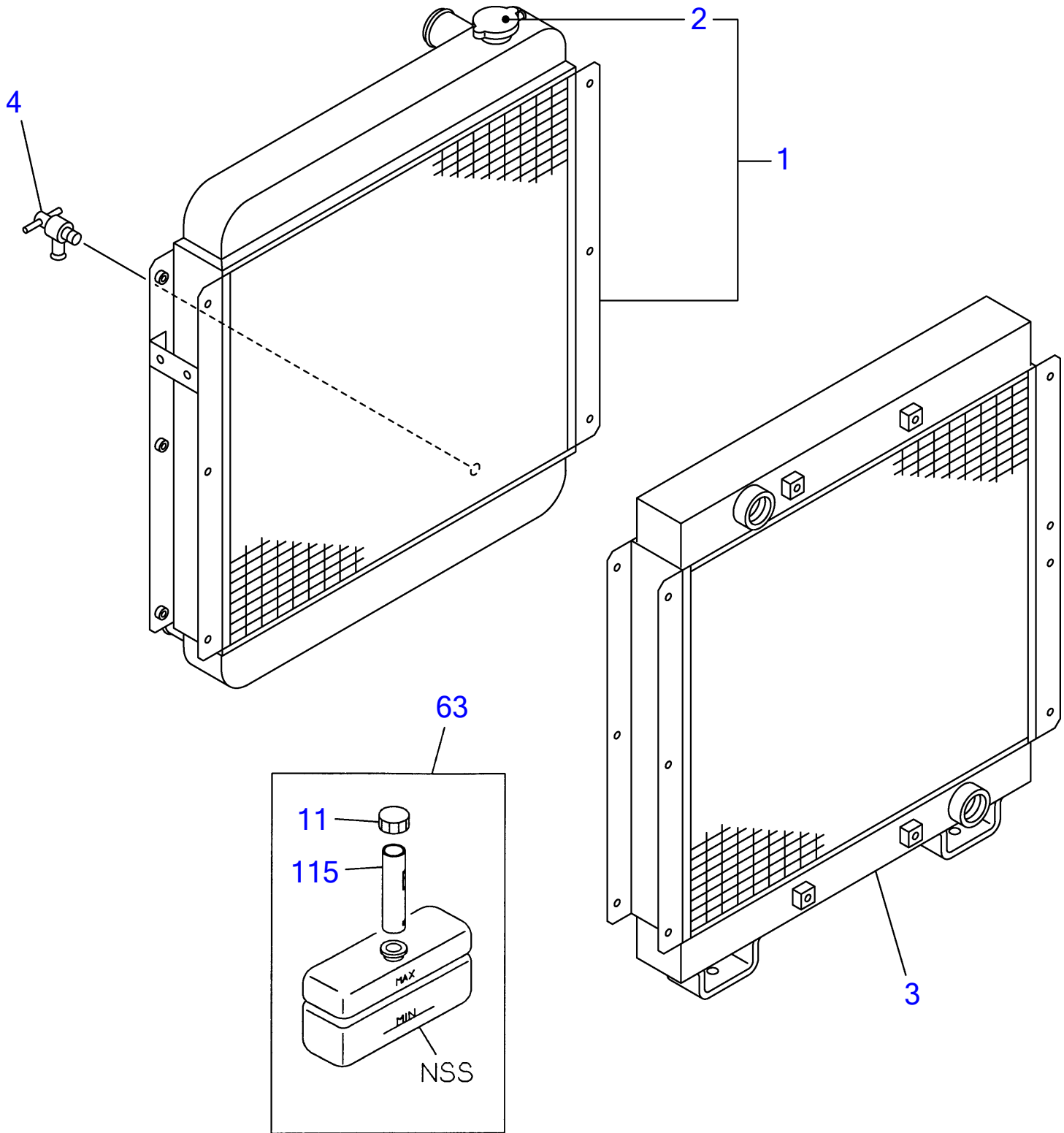


6

Engine for TB1140 BB-4BG1-TRE (ISUZU)
AIR CLEANER ASM.

Item	Part No	Description	Qty
1	not service	BODY ASSY	1
2	IF-10604002-F	ELEMENT ASSY, INNER	1
3	IF-10604003-F	ELEMENT ASSY, OUTER	1
4	IF-10704002-F	COVER ASSY	1
5	IF-10704003-F	VACUATOR VALVE	1
6	IF-10704004-F	INDICATOR KIT	1

Engine for TB1140 BB-4BG1-TRE (ISUZU)
RADIATOR & OIL COOLER



**Engine for TB1140 BB-4BG1-TRE (ISUZU)
RADIATOR & OIL COOLER**

Item	Part No	Description	Qty
1	IF-10806003-F	RADIATOR ASM.	1
2	IF-10804001-F	≠CAP	1
3	IF-10806004-F	COOLER ASM. OIL	1
4	IF-10806005-F	VALVE ASM.	1
11	I1-22440-0221	CAP; RESERVE TANK	1
63	I1-21480-0291	TANK; SUB	1
115	I1-21489-0180	BAFFLE; RESERVE TANK	1