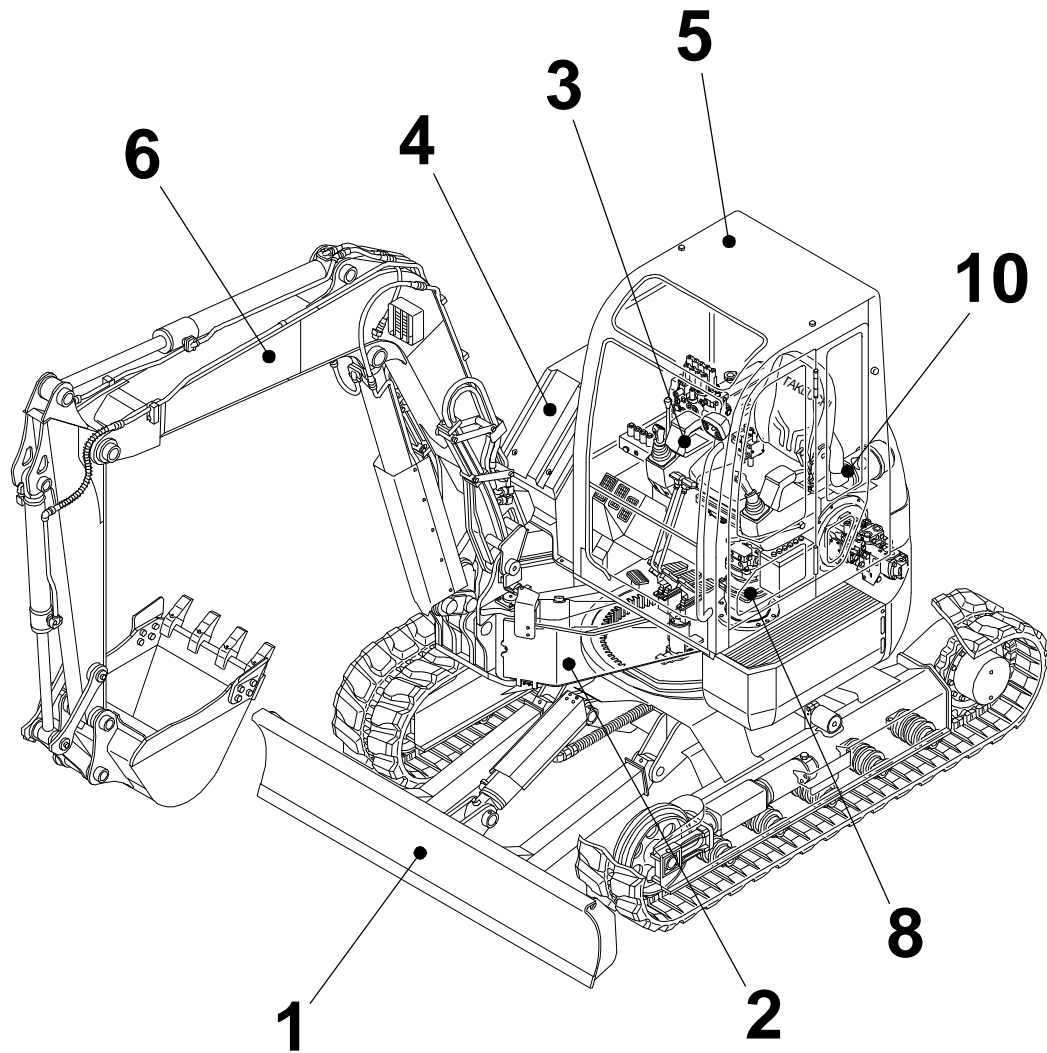


TB180FR

Book No.BL8Z001
Serial No.17840001 -

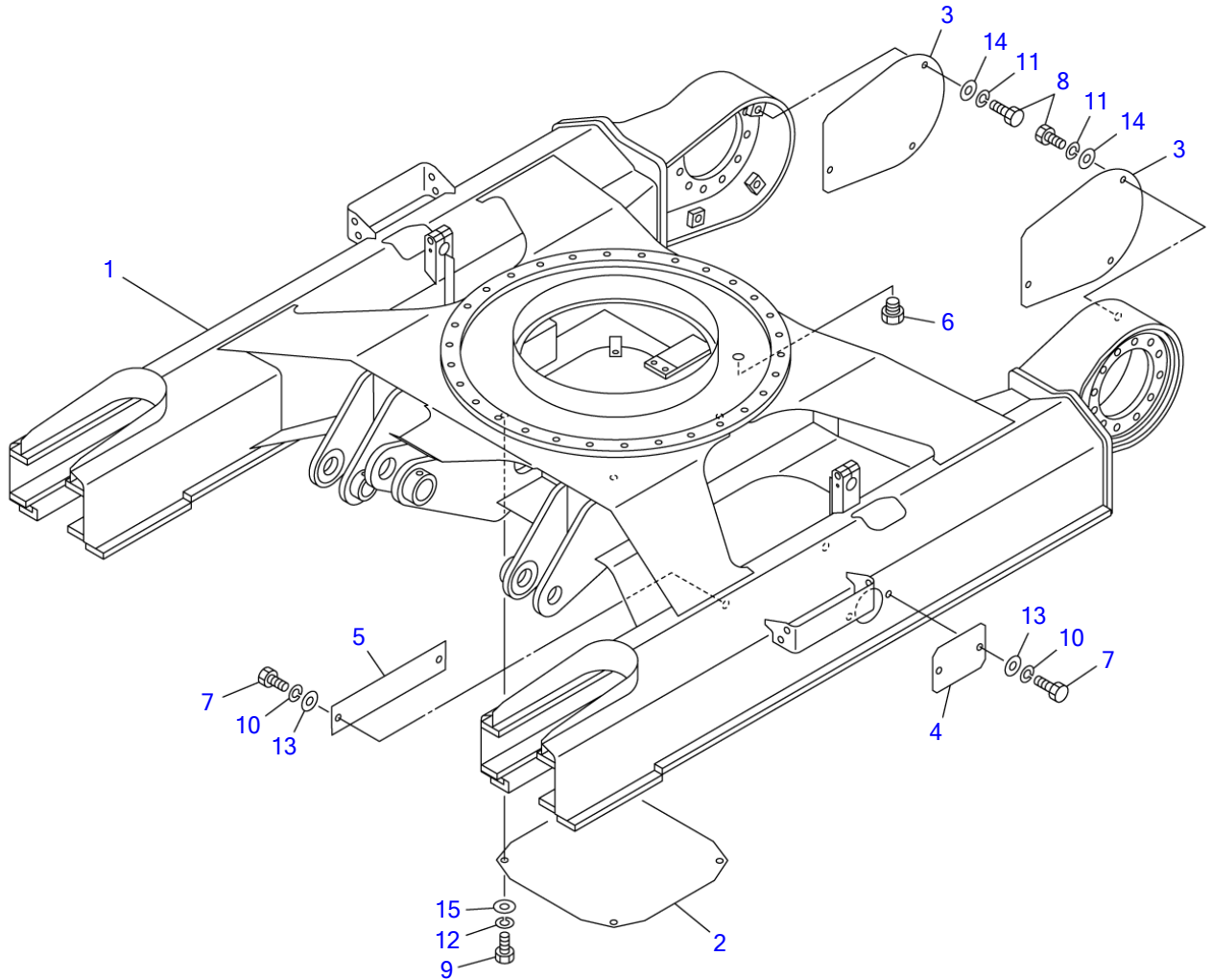


TAKEUCHI

INDEX

Item	Part number	Description	Q'ty	Chan.	Serial No.	Serv.	Remarks
1		UNDERCARRIAGE					
2		TURNTABLE & CONTROL LEVER					
3		ENGINE & ELECTRICAL SYSTEM					
4		HYDRAULIC PIPNG & TANK					
5		COVER & CAB					
6		HOE ATTACHMENT					
7		DECAL & TOOL					
8		HYDRAULIC DEVICE					
10		ENGINE (4TNV98-ZQTBZ) 2008.02.06					
99		KITS, ATTACHMENTS AND QUICK REFERENCE					

TB180FR Book No. BL8Z001 S/N 17840001-
LOWER FRAME

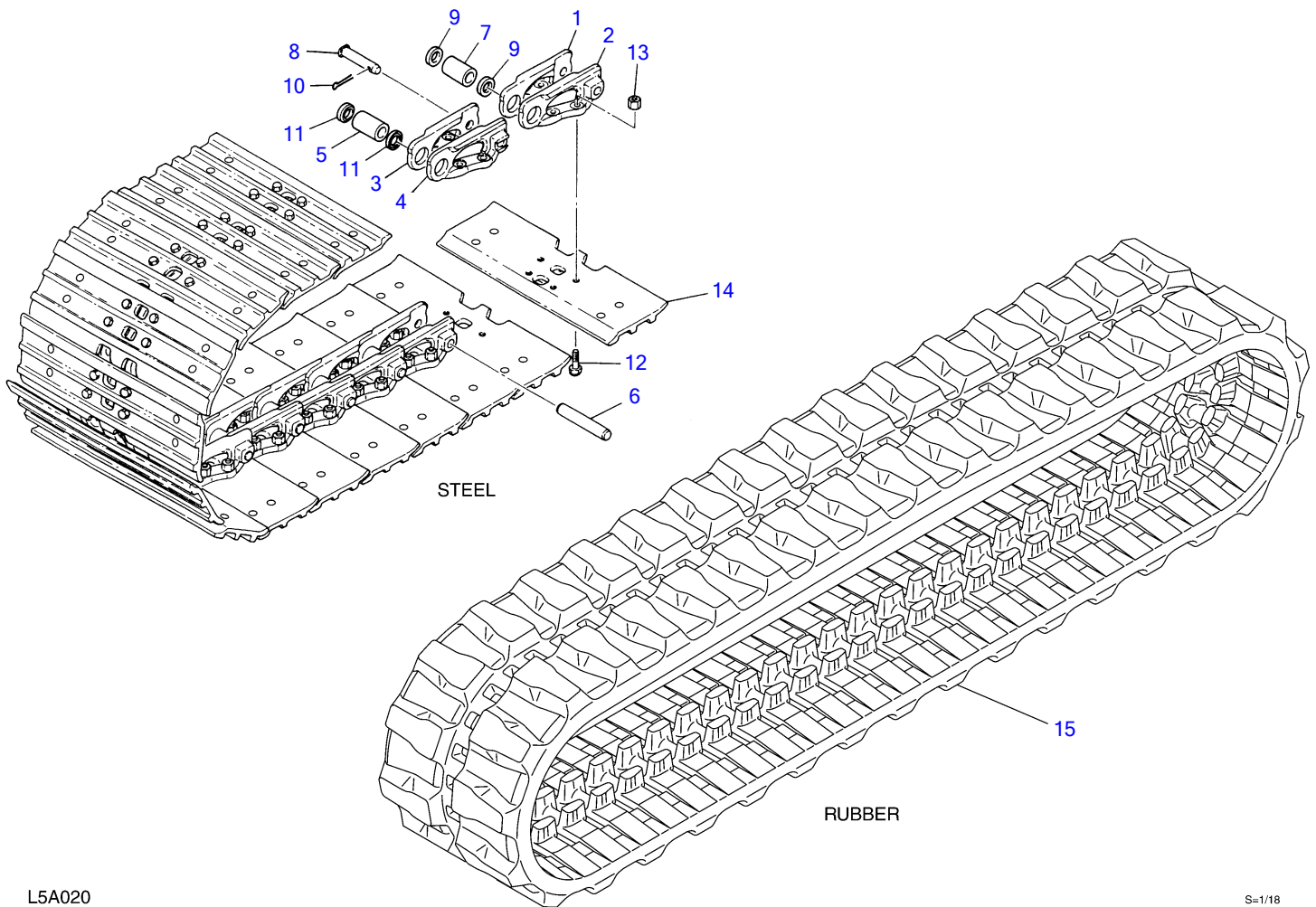


L5A010

S-1/18

LOWER FRAME

Item	Part number	Description	Q'ty	Chan.	Serial No.	Serv.	Remarks
		FRAME ASSY, lower					
1	X *****_*****	FRAME	1				
2	0561021010	COVER	1				
3	0561027020	COVER	2				
4	0561017400	COVER	2				
5	0561019400	COVER	2				
6	1501710010	PLUG	1				
7	1100040816	BOLT	8				
8	1100041020	BOLT	6				
9	1100041225	BOLT	4				
10	1140020008	WASHER, spring	8				
11	1140020010	WASHER, spring	6				
12	1140020012	WASHER, spring	4				
13	1141110008	WASHER	8				
14	1141110010	WASHER	6				
15	1141110012	WASHER	4				
	L5a011						



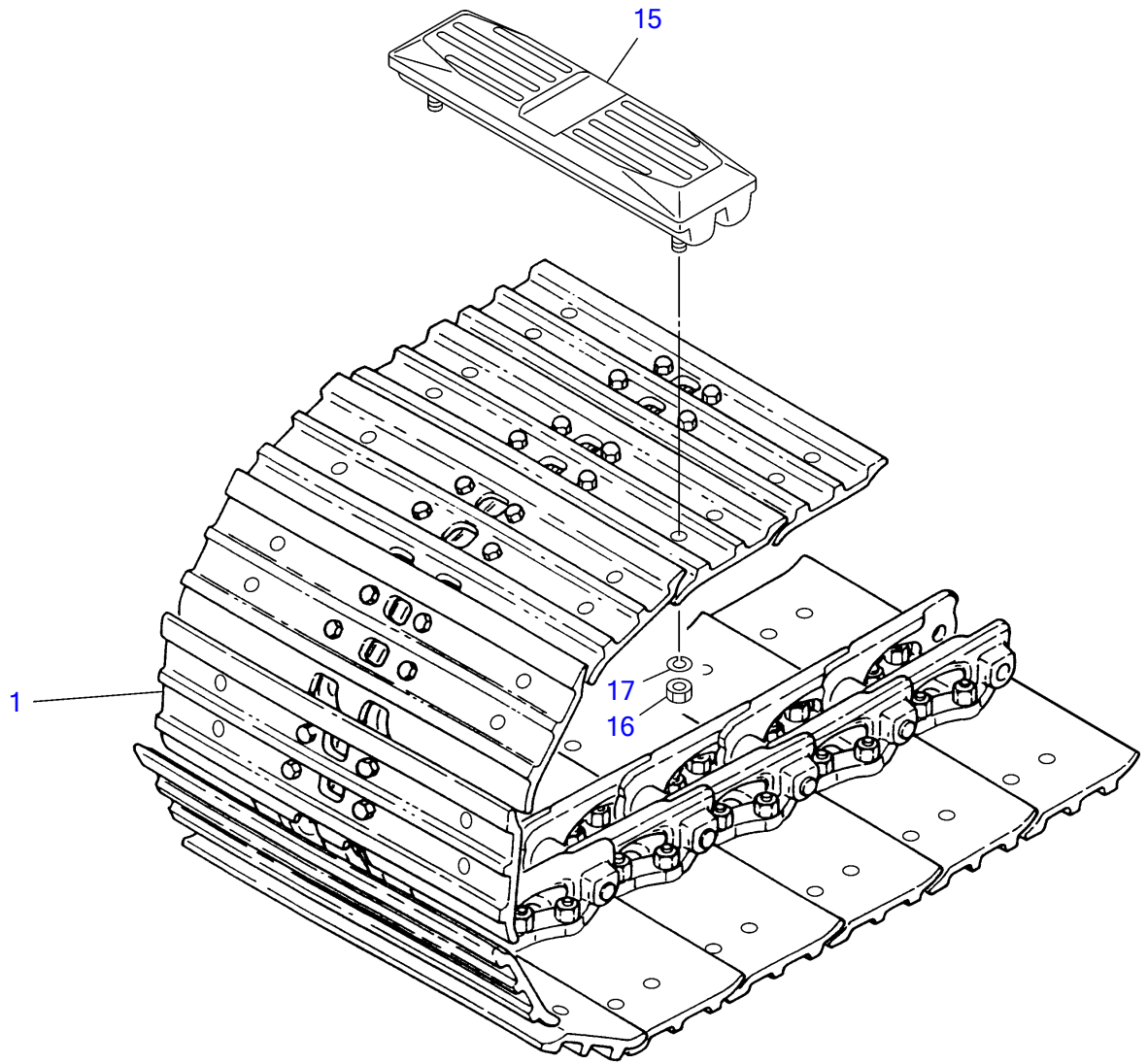
L5A020

S-1/18

CRAWLER BELT

Item	Part number	Description	Q'ty	Chan.	Serial No.	Serv.	Remarks
0	1914087300	BELT, steel crawler	2				
0-1	1914087199	• LINK ASSY	2				
1	1914087001	• • LINK (R.H.)	38				
2	1914087002	• • LINK (L.H.)	38				
3	1914087003	• • LINK, master (R.H.)	1				
4	1914087004	• • LINK, master (L.H.)	1				
5	1914087005	• • BUSHING	38				
6	1914087006	• • PIN, track	38				
7	1914087012	• • BUSHING	1				
8	1914087007	• • PIN, master	1				
9	1914087013	• • COLLAR	2				
10	1914087014	• • PIN, split	1				
11	1914087015	• • SEAL	76				
12	1914087009	• BOLT	156				
13	1914087010	• NUT	156				
14	1914087311	• PLATE	39				
15	1914086410	BELT, rubber crawler	2				
	L8a011						

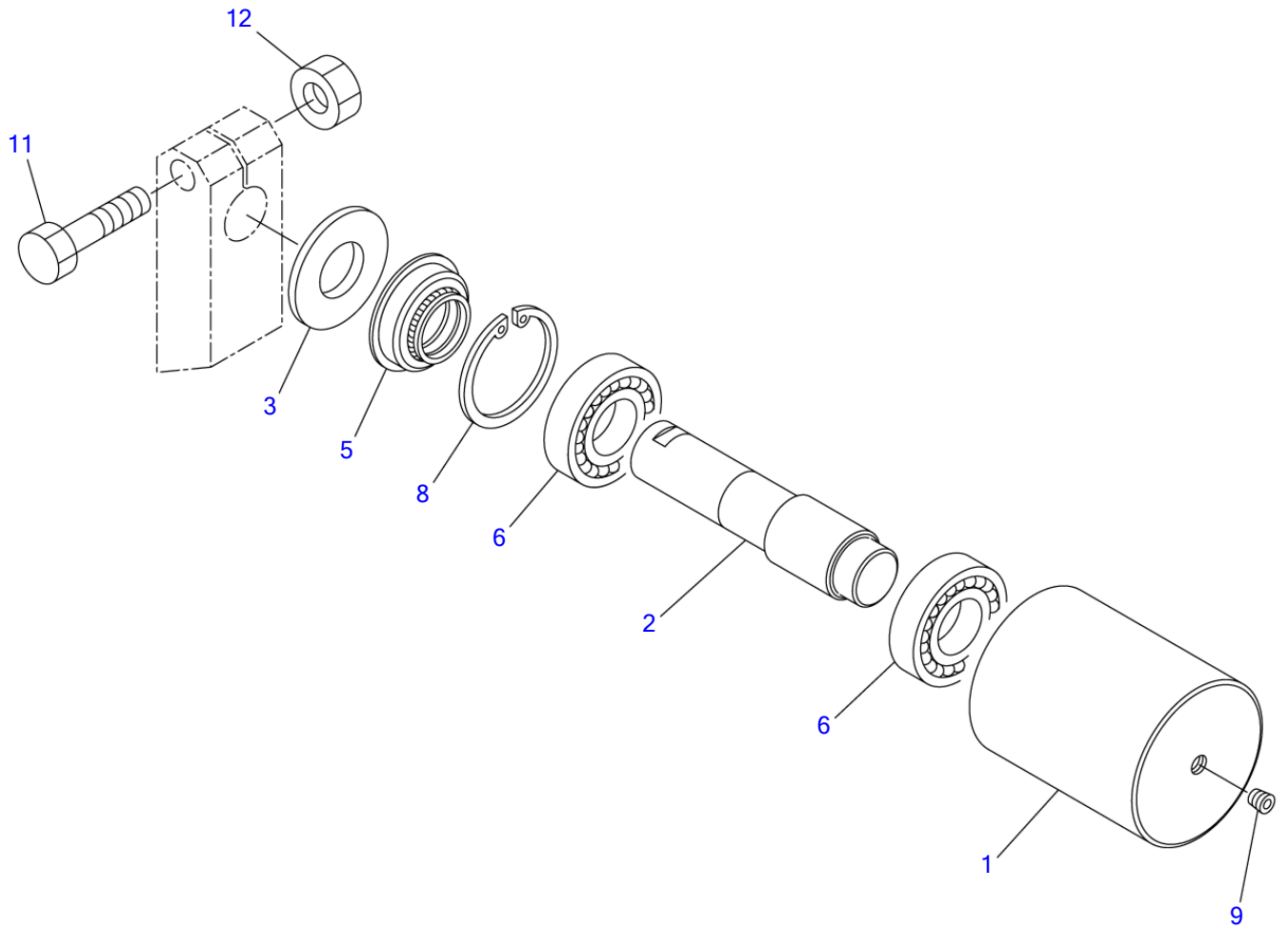
TB180FR Book No. BL8Z001 S/N 17840001-
CRAWLER BELT (with rubber pads)



L4A082

CRAWLER BELT (with rubber pads)

Item	Part number	Description	Q'ty	Chan.	Serial No.	Serv.	Remarks
0	1914087400	BELT ASSY, steel crawler (with rubber pads)	2				
1	1914087300	▪ BELT, steel crawler	1				
15	1914400600	▪ PAD, rubber	39				
16	1130050014	• • NUT	4				
17	1140010014	• • WASHER, spring	4				
	L4a083						



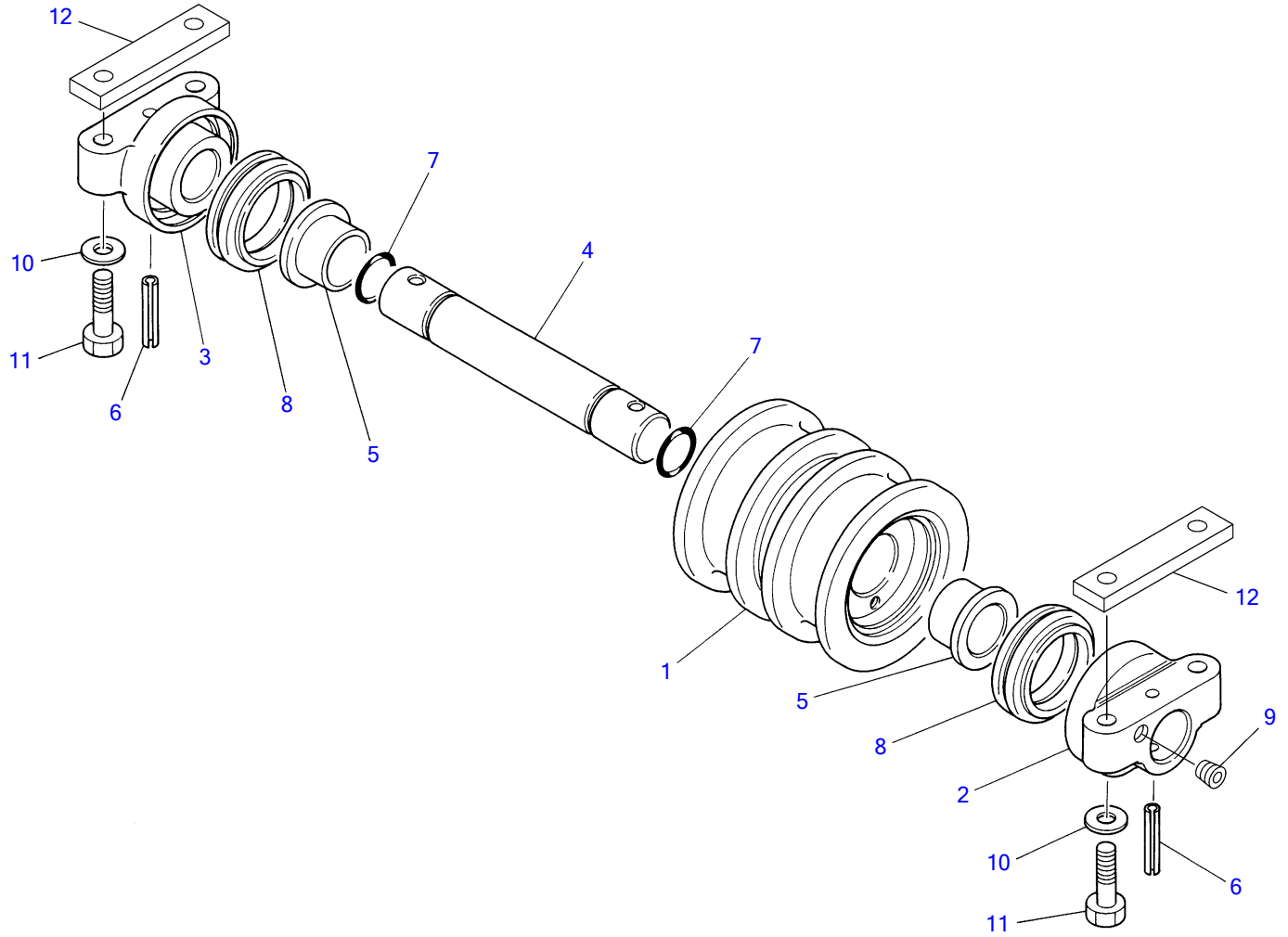
L3A030

S=1/4

CARRIER ROLLER

Item	Part number	Description	Q'ty	Chan.	Serial No.	Serv.	Remarks
0-1	0561204080	ROLLER ASSY, carrier	2				
1	0561202100	• ROLLER	1				
2	0561204100	• SHAFT	1				
3	0561202200	• COVER	1				
5	1431203572	• SEAL	1				
6	1300006207	• BEARING	2				
8	1221000072	• RING, snap	1				
9	1501810001	• PLUG	1				
11	1101041675	BOLT	2				
12	1130540016	NUT	2				
	L7A060						

TB180FR Book No. BL8Z001 S/N 17840001-
TRACK ROLLER



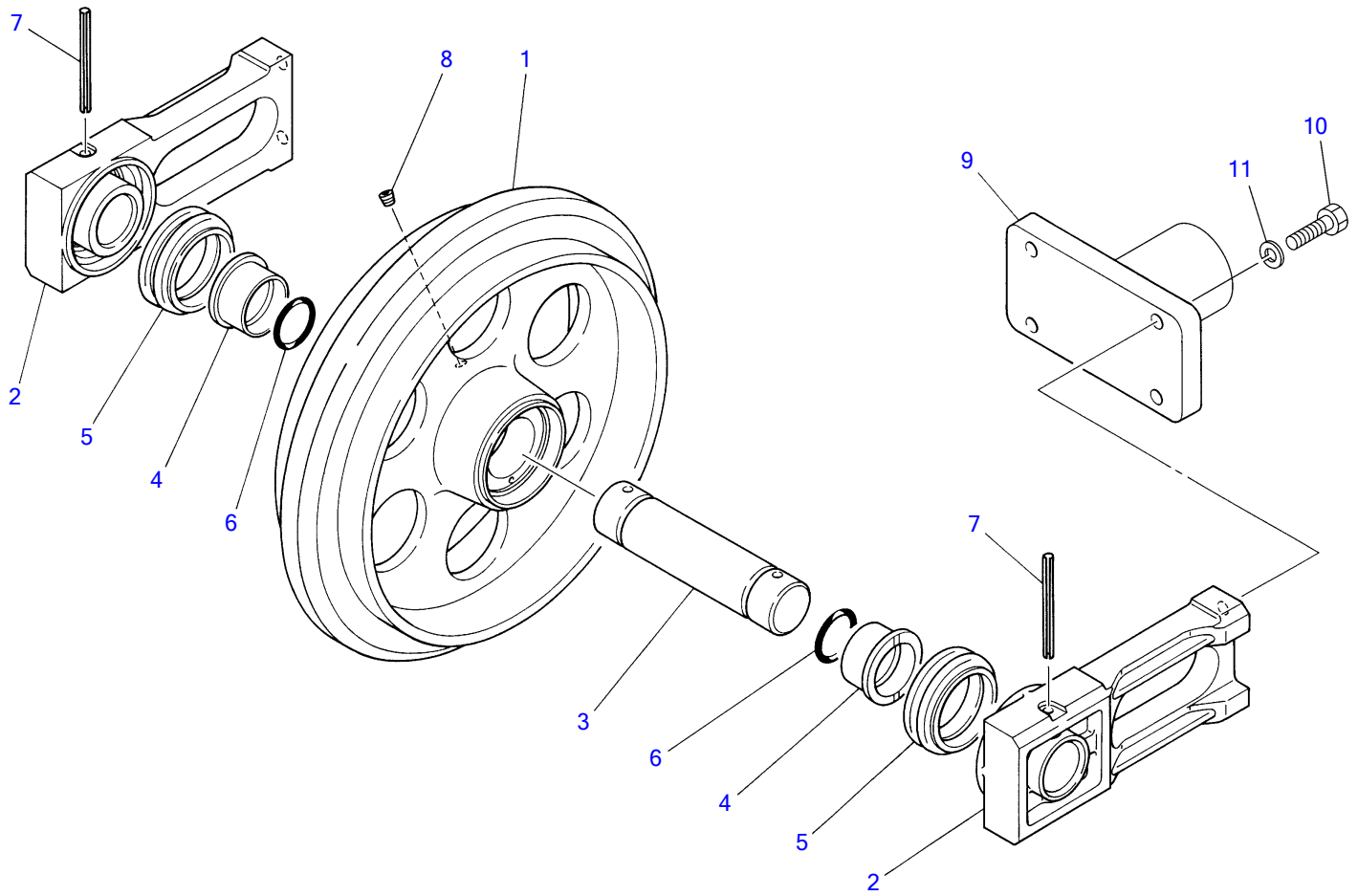
L5A100

S=1/5

TRACK ROLLER

Item	Part number	Description	Q'ty	Chan.	Serial No.	Serv.	Remarks
		ROLLER ASSY, track (rubber)					
		ROLLER ASSY, track (steel)					
0-1	0561308100	ROLLER SUB ASSY, track	10				
1	0561307200	• ROLLER	1				
2	0561308120	• COVER	1				
3	0561308130	• COVER	1				
4	0561304400	• SHAFT	1				
5	0561303500	• BUSHING	2				
6	1213001055	• PIN, spring	2				
7	1420100350	• O-RING	2				
8	1432500660	• SEAL, floating	2				
9	1501830001	• PLUG	1				
10	1141550014	WASHER	40				
11	1101041455	BOLT	40				rubber
	1101041470	BOLT	40				steel
12	0561308210	SPACER	20				steel
	L5a102						

TB180FR Book No. BL8Z001 S/N 17840001-
FRONT IDLER



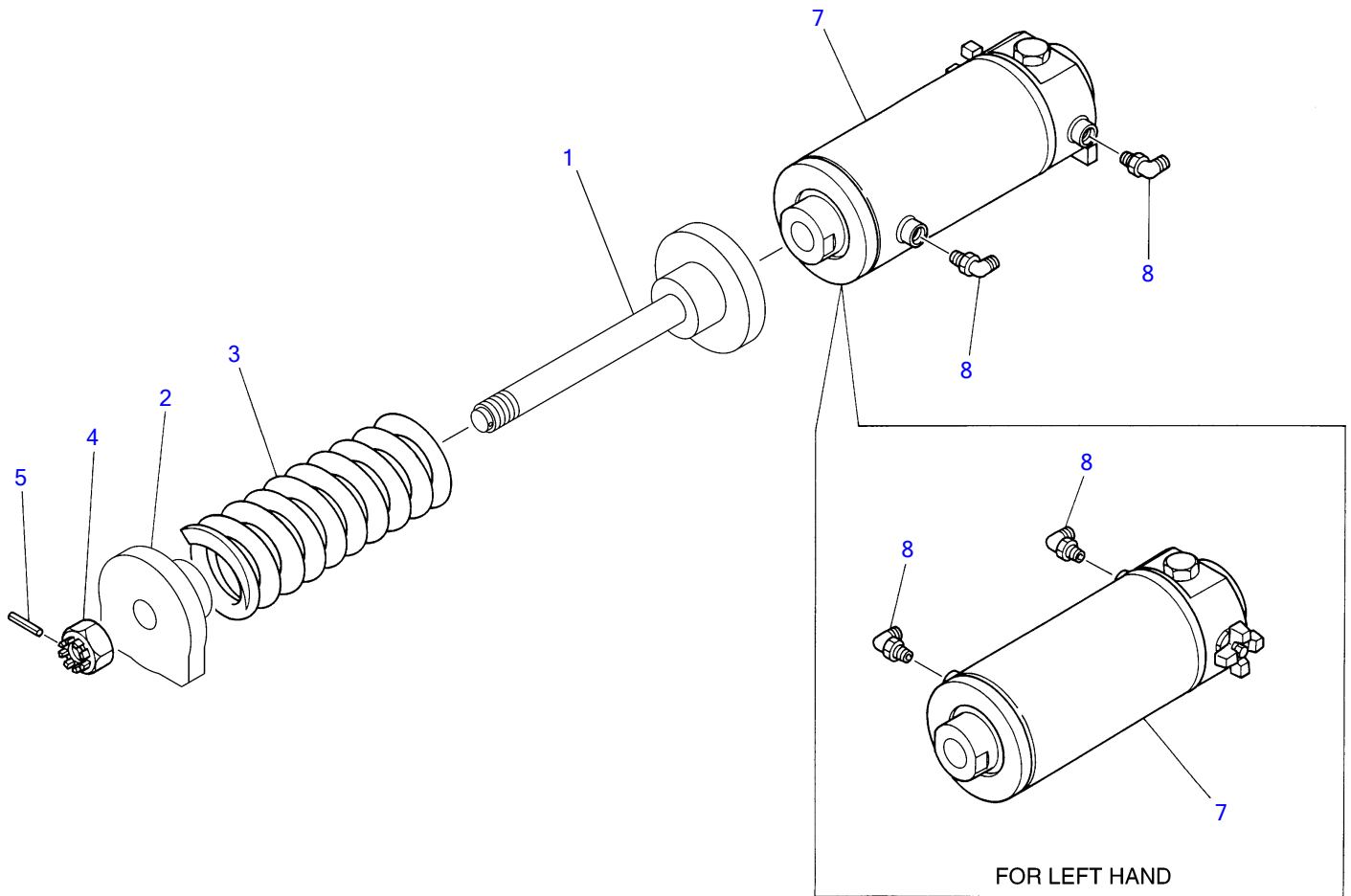
L5A040

S=1/7

FRONT IDLER

Item	Part number	Description	Q'ty	Chan.	Serial No.	Serv.	Remarks
		IDLER ASSY, front					
0-1	0561400600	DLER SUB ASSY, front	2				
1	0561400100	▪ IDLER	1				
2	0561400200	▪ BLOCK	2				
3	0561400300	▪ SHAFT	1				
4	0561400400	▪ BUSHING	2				
5	1432500800	▪ SEAL, floating	2				
6	1420700500	▪ O-RING	2				
7	1213101020	▪ PIN, spring	2				
8	1501810001	▪ PLUG	1				
9	0561412020	PLATE	2				
10	1101041450	BOLT	8				
11	1140020014	WASHER, spring	8				
	L5a041						

TB180FR Book No. BL8Z001 S/N 17840001-
TRACK ADJUSTER

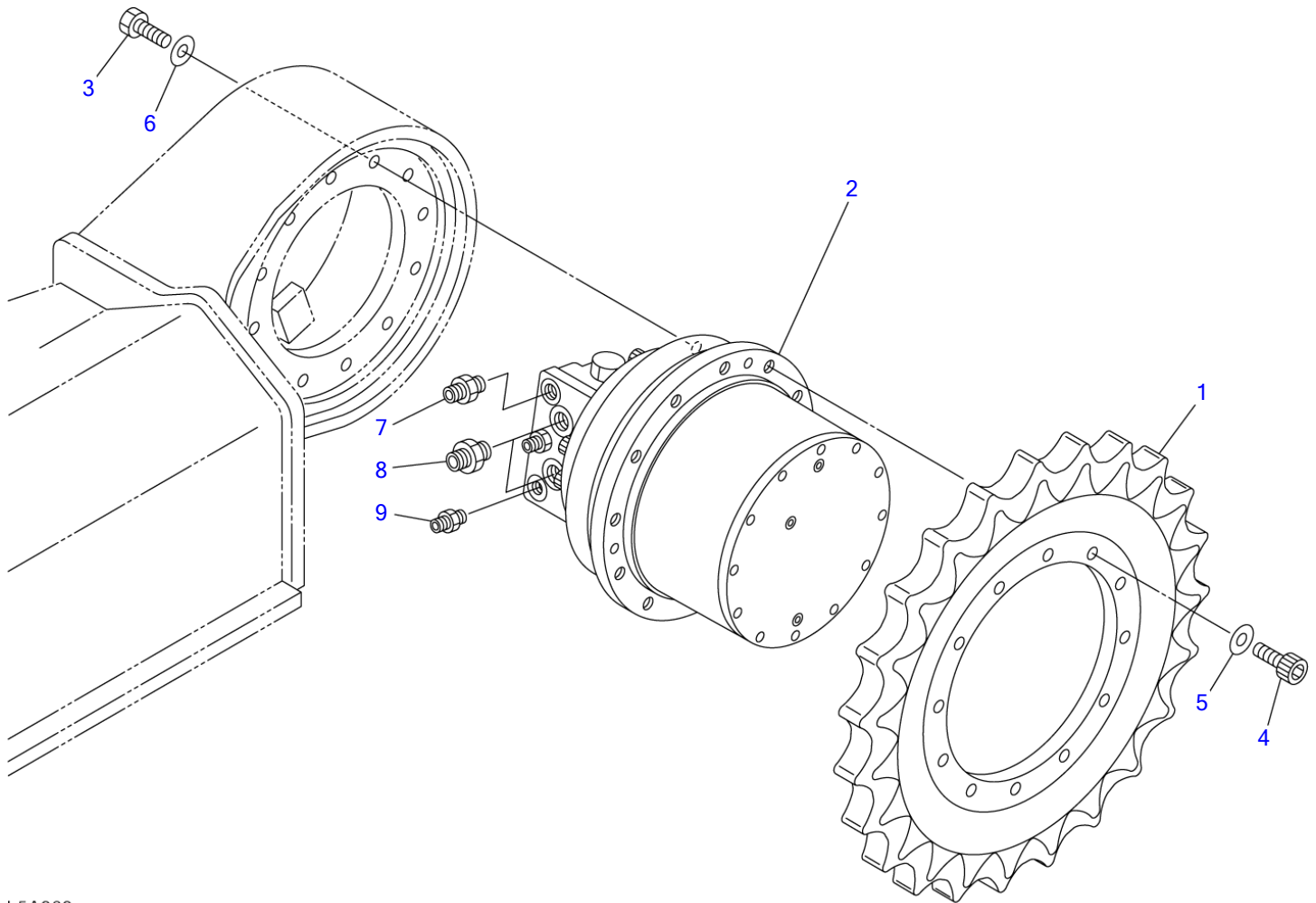


L5A050

S=1/7

TRACK ADJUSTER

Item	Part number	Description	Q'ty	Chan.	Serial No.	Serv.	Remarks
		SPRING ASSY (R.H.)					
		SPRING ASSY (L.H.)					
0-1	0561504100	SPRING ASSY	2				
1	0561504110	• ROD	1				
2	0561504120	• PLATE	1				
3	0007000121	• SPRING	1				
4	1132530033	• NUT	1				
5	1213000650	• PIN, spring	1				
0-2	0561503300	CYLINDER ASSY (R.H.)	1				
	0561503400	CYLINDER ASSY (L.H.)	1				
7	1900081000	• CYLINDER, tensioning (R.H.)	1				
	1900081100	• CYLINDER, tensioning (L.H.)	1				
8	1515012040	• ELBOW	2				
	1420010110	• • O-RING	1				
	L5a052						



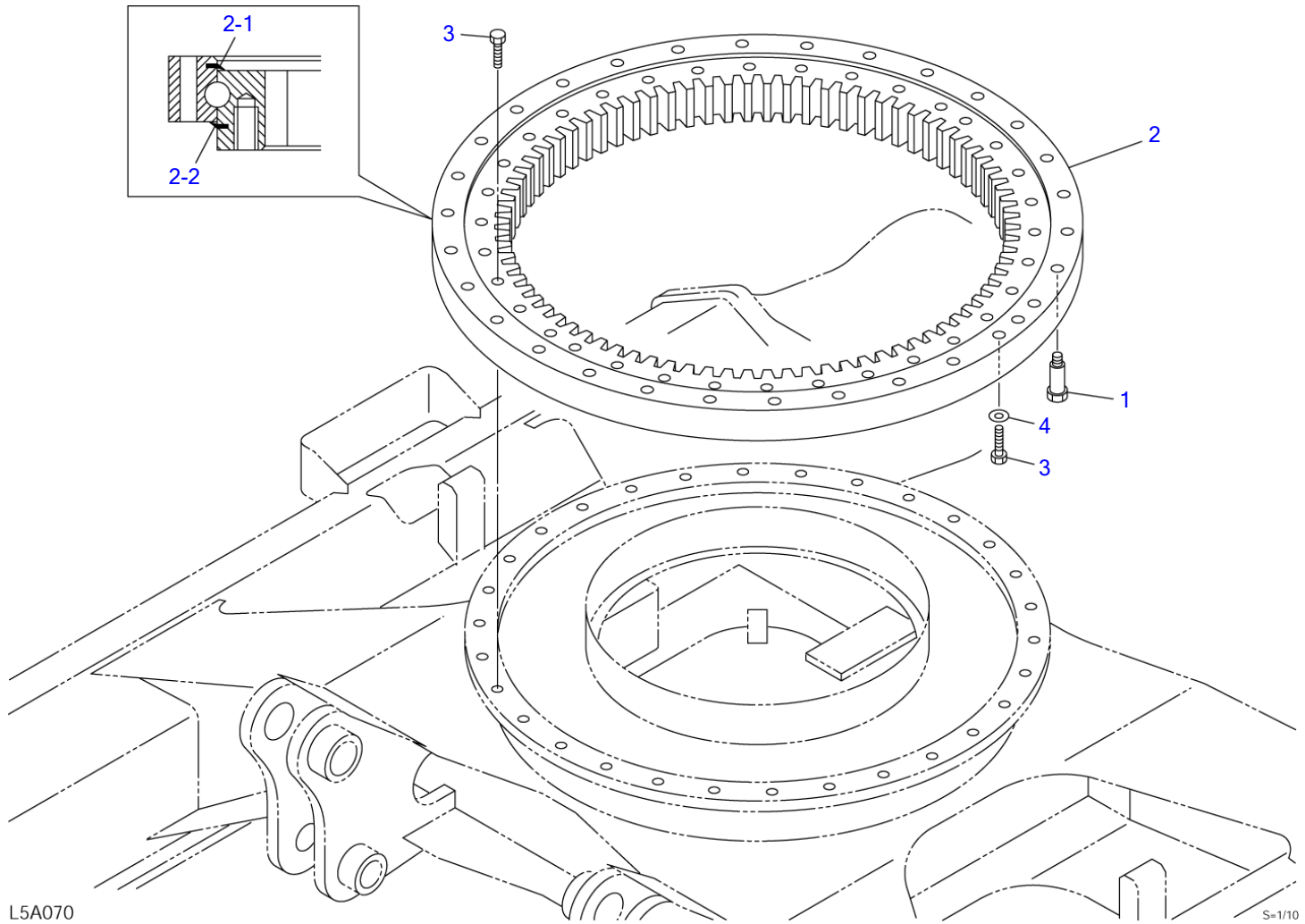
L5A060

S=1/7

TRAVEL DEVICE

Item	Part number	Description	Q'ty	Chan.	Serial No.	Serv.	Remarks
		MOTOR ASSY, travel					
1	0561615100	SPROCKET	2				
2	1903125800	MOTOR, travel	2				
3	1100041640	BOLT	24				
4	1110041440	SCREW, cap	24				
5	1141550014	WASHER	24				
6	1141550016	WASHER	24				
7	1515600201	ADAPTOR	2				
	1420010140	• O-RING	1				
8	1515600202	ADAPTOR	4				
	1420010180	• O-RING	1				
9	1515600576	ADAPTOR	2				
	1420010140	• O-RING	1				
	L5a061						

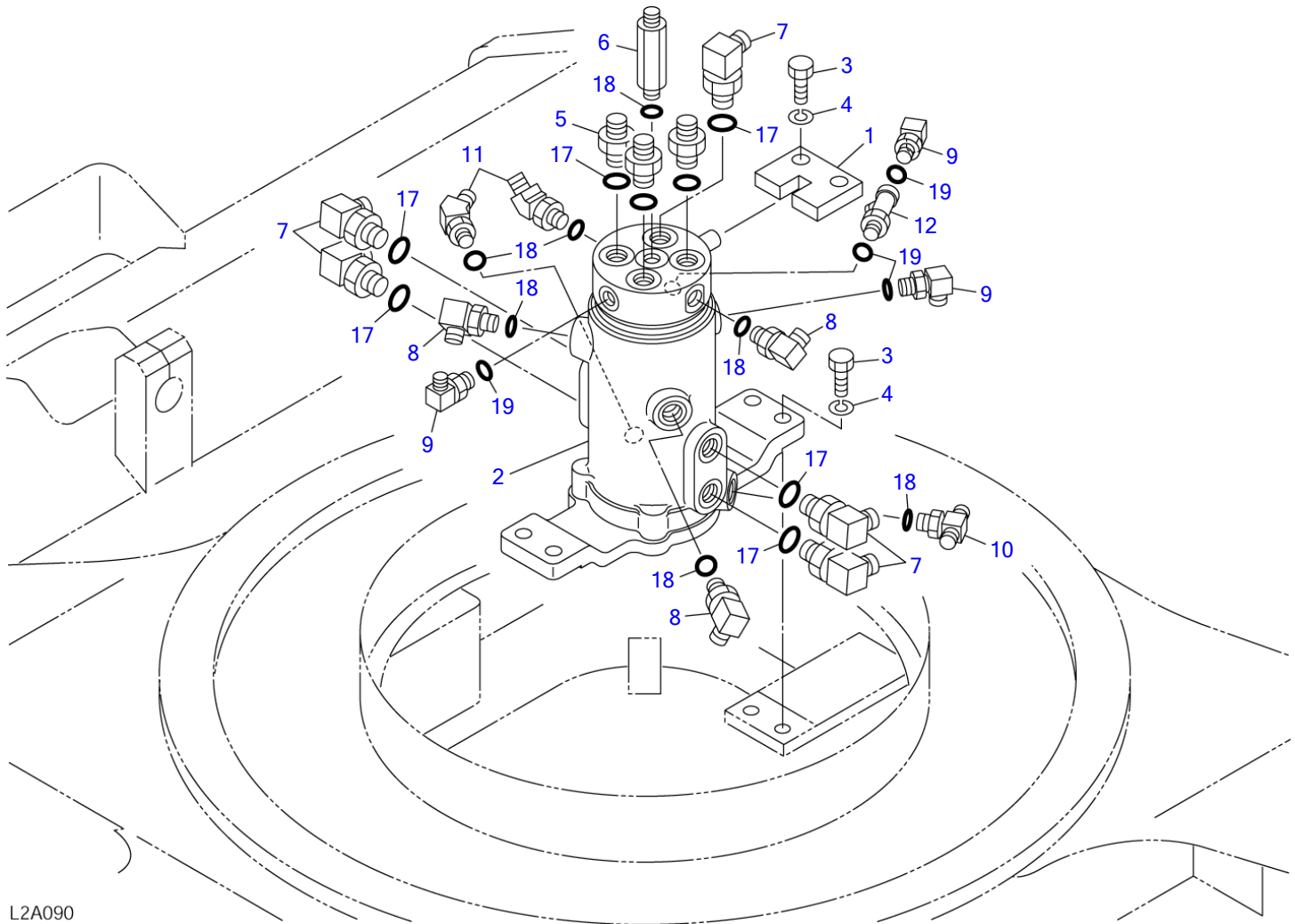
TB180FR Book No. BL8Z001 S/N 17840001-
SLEW BEARING



SLEW BEARING

Item	Part number	Description	Q'ty	Chan.	Serial No.	Serv.	Remarks
		BEARING ASSY, slew					
1	0562016100	BOLT	1				
2	1913004950	BEARING	1				
2-1	1913004958	• SEAL	1				
2-2	1913004959	• SEAL	1				
3	1101041685	BOLT	63				
4	1141550016	WASHER	29				
	L5a070						

TB180FR Book No. BL8Z001 S/N 17840001-
SWIVEL JOINT & ACCESSORIES

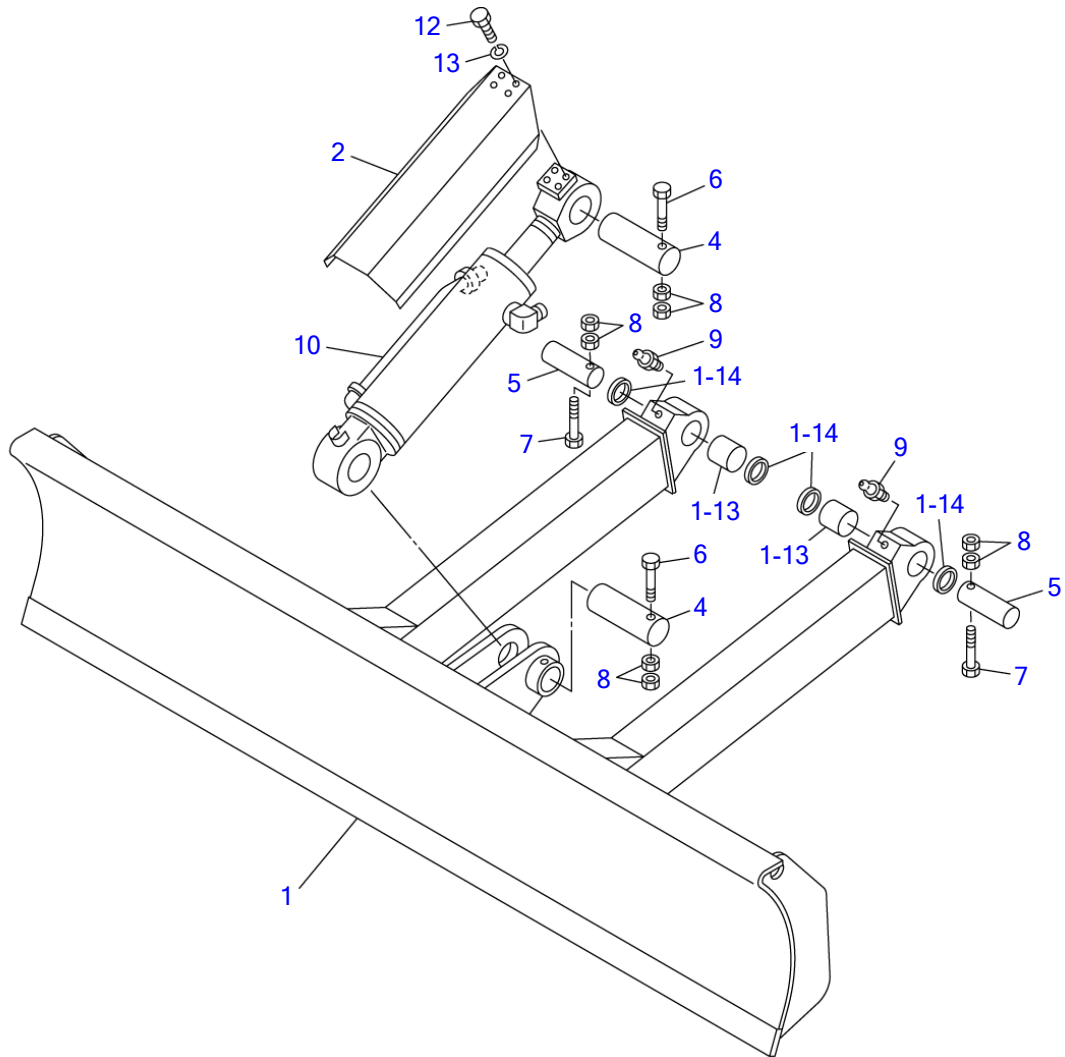


L2A090

S=1/6

SWIVEL JOINT & ACCESSORIES

Item	Part number	Description	Q'ty	Chan.	Serial No.	Serv.	Remarks
		JOINT ASSY, swivel					
1	0562100100	STOPPER	1				
2	1904008000	JOINT, swivel	1				
3	1101041440	BOLT	6				
4	1140020014	WASHER, spring	6				
5	1515600202	ADAPTOR	3				
	1420010180	• O-RING	1				
6	0007203027	ADAPTOR	1				
7	1515010042	ELBOW	5				
	1420010180	• O-RING	1				
8	1515010041	ELBOW	3				
	1420010140	• O-RING	1				
9	1515012040	ELBOW	3				
	1420010110	• O-RING	1				
10	1512374003	NIPPLE	1				
	1420010140	• O-RING	1				
11	1515100111	ELBOW	2				
	1420010140	• O-RING	1				
12	1512340001	ELBOW	1				
	1420010110	• O-RING	1				
17	1420010180	O-RING	8				
18	1420010140	O-RING	7				
19	1420010110	O-RING	4				
	L5a080						

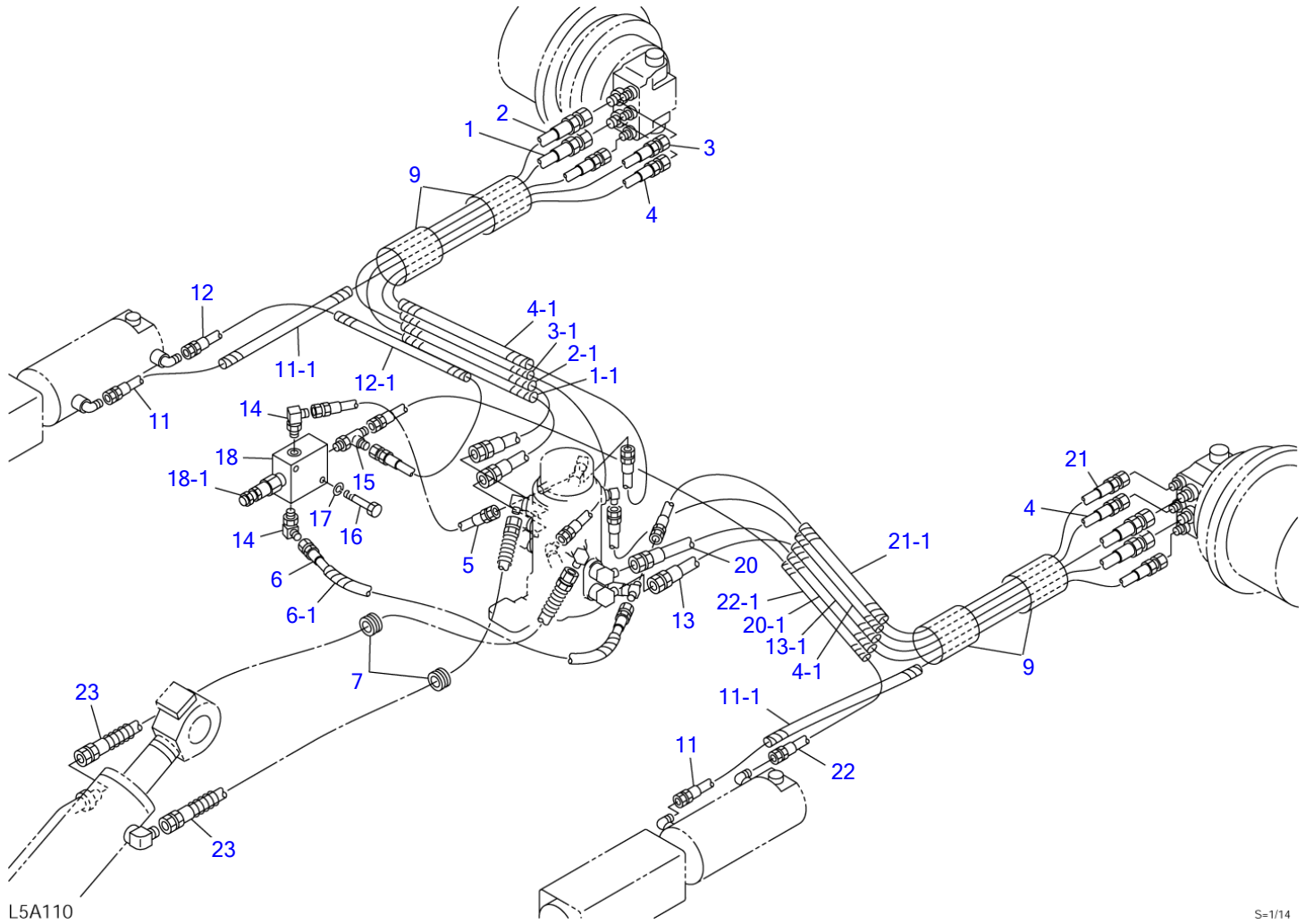


L8A020

S=1/16

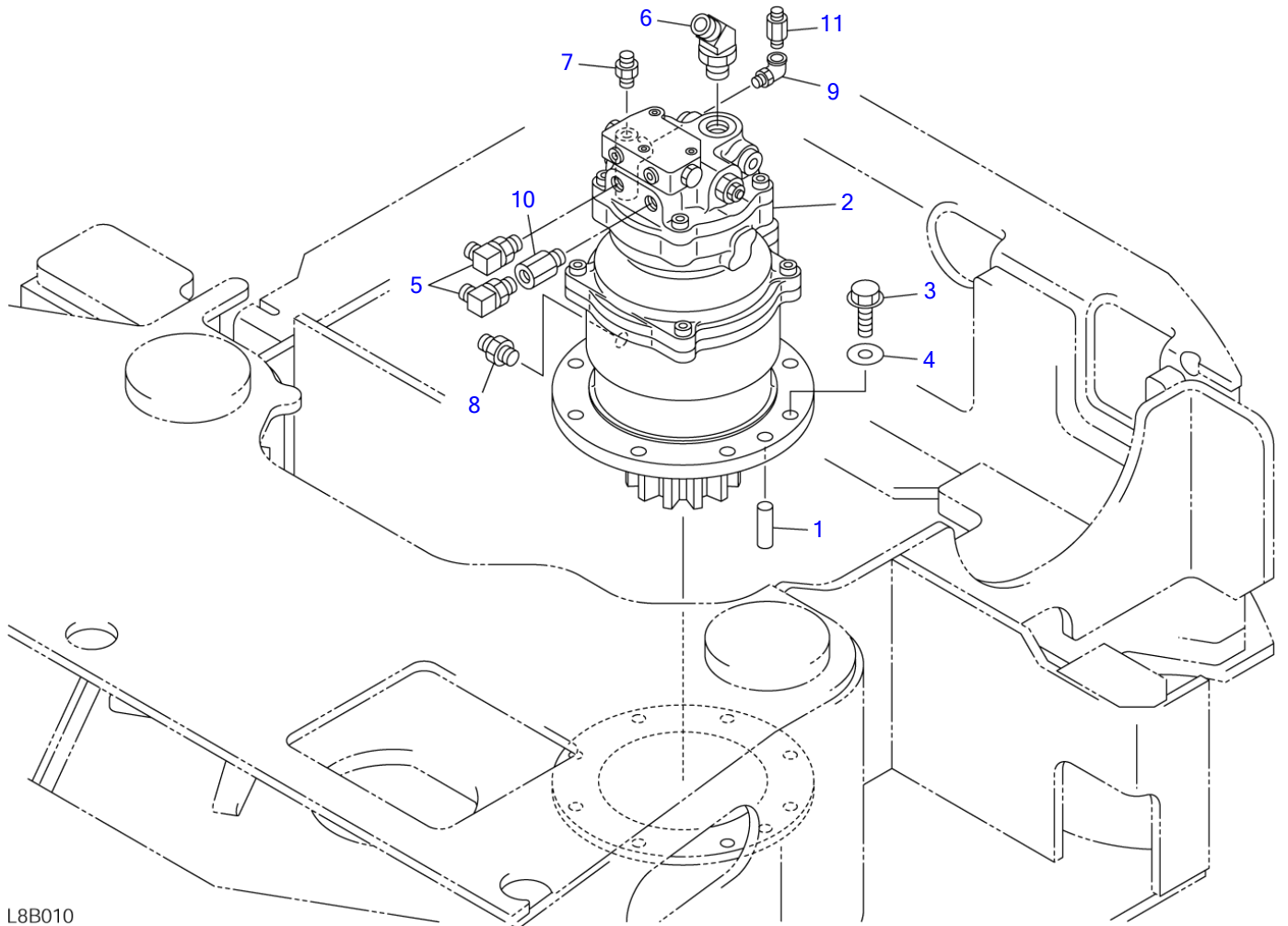
DOZER BLADE

Item	Part number	Description	Q'ty	Chan.	Serial No.	Serv.	Remarks
		BLADE ASSY, dozer					
		BLADE ASSY, dozer (long)					
1	0566317700	BLADE SUB ASSY, dozer	1				
	0566322100	BLADE SUB ASSY, dozer	1				long
1-13	0002200016	• BUSHING	2				
1-14	1432200050	• SEAL, dust	4				
2	0566322300	COVER	1				
4	0001607160	PIN	2				
5	0001605160	PIN	2				
6	1103141205	BOLT	2				
7	1103041295	BOLT	2				
8	1130240012	NUT	8				
9	1560001000	FITTING, grease	2				
10	1900101200	CYLINDER, dozer blade	1				
	1900101300	CYLINDER, dozer blade	1				long
	1900104300	CYLINDER, DOZER BLADE	1				
12	1100040820	BOLT	4				
13	1140020008	WASHER, spring	4				
	L8a021						



PIPING; LOWER

Item	Part number	Description	Q'ty	Chan.	Serial No.	Serv.	Remarks
		PIPING ASSY, lower					
1	0567220010	HOSE ASSY	1				
1-1	1532224065	• PROTECTOR	1				sold by the meter
2	0567220020	HOSE ASSY	1				
2-1	1532224065	• PROTECTOR	1				sold by the meter
3	0567220030	HOSE ASSY	1				1801023145
3-1	1532224000	• PROTECTOR	1				sold by the meter
4	0567220040	HOSE ASSY	2				1801022155
4-1	1532206060	• PROTECTOR	1				sold by the meter
5	0567220050	HOSE ASSY	1				1801022042
6	0567220060	HOSE ASSY	1				1801022057
6-1	1532212041	• PROTECTOR	1				sold by the meter
7	0437200100	GUARD	2				
9	1531350020	PROTECTOR	4				sold by the meter
11	0567220070	HOSE ASSY	2				1801022135
11-1	1532206050	• PROTECTOR	1				sold by the meter
12	0567220080	HOSE ASSY	1				1801022155
12-1	1532206095	• PROTECTOR	1				sold by the meter
13	0567220090	HOSE ASSY	1				
13-1	1532224065	• PROTECTOR	1				sold by the meter
14	1515012040	ELBOW	2				
	1420010110	• O-RING	1				
15	1512370011	TEE	1				
	1420010110	• O-RING	1				
16	1100040645	BOLT	2				
17	1140020006	WASHER, spring	2				
18	1901729800	VALVE, reducing	1				
18-1	1901729802	• VALVE, relief	1				
20	0567220100	HOSE ASSY	1				
20-1	1532224065	• PROTECTOR	1				sold by the meter
21	0567220110	HOSE ASSY	1				1801023165
21-1	1532224070	• PROTECTOR	1				sold by the meter
22	0567220120	HOSE ASSY	1				1801022170
22-1	1532206095	• PROTECTOR	1				sold by the meter
23	0567220130	HOSE ASSY	2				1804520112
	L5a111						



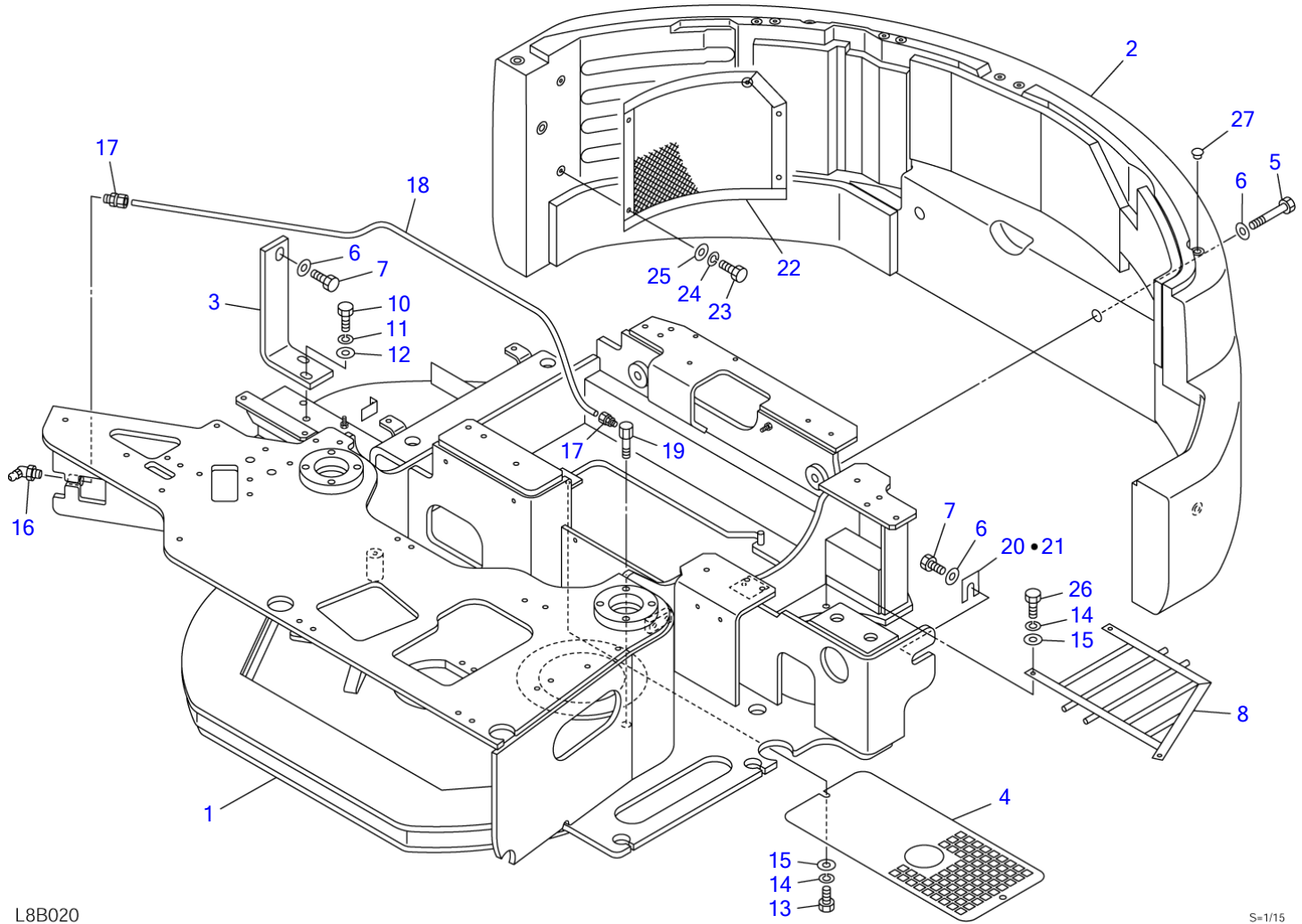
L8B010

S=1/8

SLEWING DEVICE

Item	Part number	Description	Q'ty	Chan.	Serial No.	Serv.	Remarks
		DEVICE ASSY, slewing					
1	0562313100	PIN, parallel	1				
2	1903125600	MOTOR, slew	1				
3	1106241650	BOLT	8				
4	1141550016	WASHER	8				
5	1515010042	ELBOW	2				
	1420010180	• O-RING	1				
6	1515100113	ELBOW	1				
	1420010240	• O-RING	1				
7	1515600200	ADAPTOR	1				
	1420010110	• O-RING	1				
8	1515600201	ADAPTOR	1				
	1420010140	• O-RING	1				
9	1513300022	ELBOW	1				
	1420010110	• O-RING	1				
10	0007213011	BUSHING	1				
	1420010180	• O-RING	1				
11	0007203034	ADAPTOR	1				
	1420010110	• O-RING	1				
	L8b010						

TB180FR Book No. BL8Z001 S/N 17840001-
TURNTABLE (1/2)

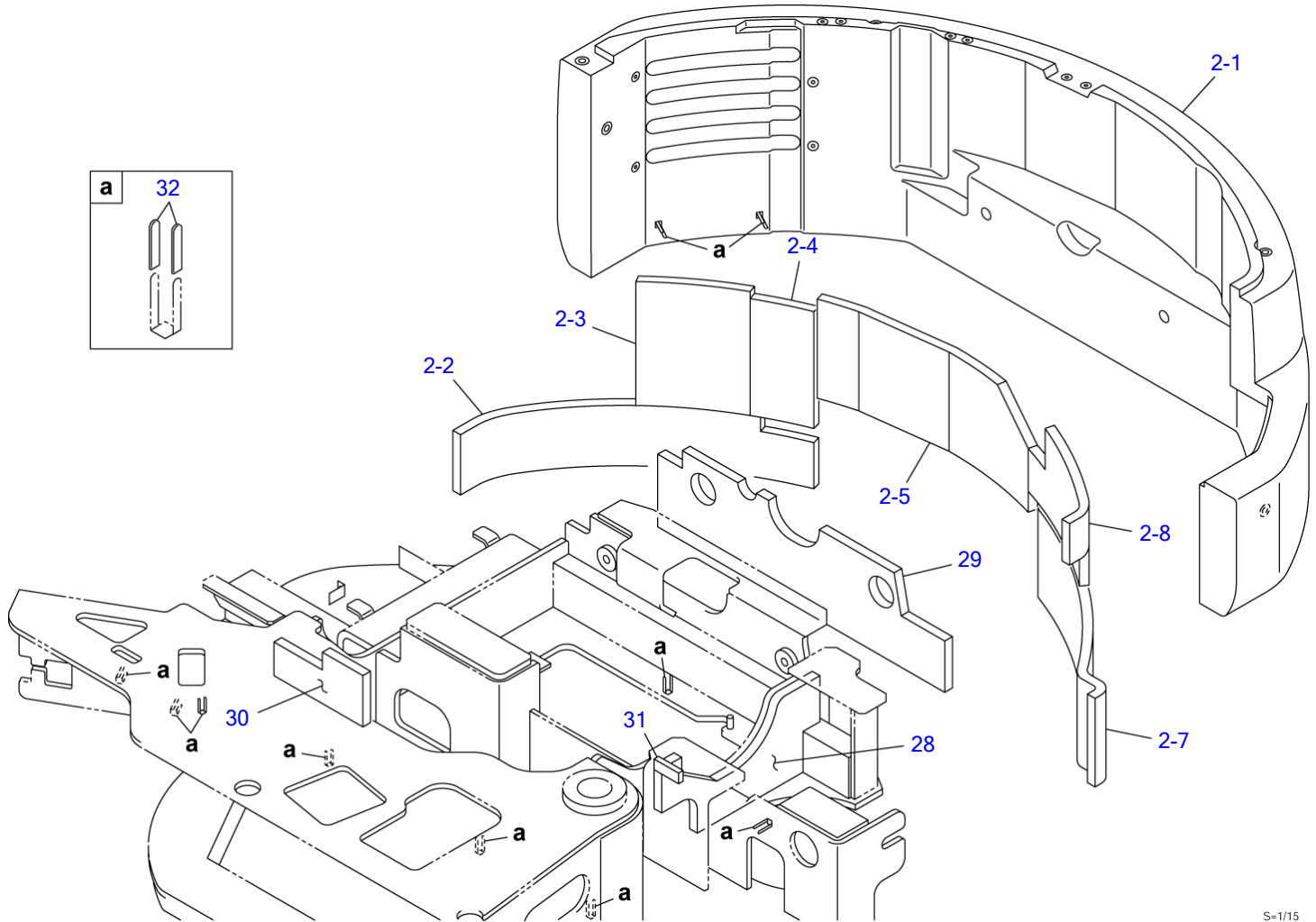


L8B020

S=1/15

TURNTABLE (1/2)

Item	Part number	Description	Q'ty	Chan.	Serial No.	Serv.	Remarks
		TURNTABLE ASSY					
1	X *****	TURNTABLE	1				
2	0563045400	COUNTERWEIGHT ASSY	1				see page (2/2)
3	0563045300	ANGLE	1				
4	0563052200	COVER ASSY	1				
5	1101442000	BOLT	2				
6	0003600236	WASHER	4				
7	1101042050	BOLT	2				
8	0563045380	GUARD	1				
10	1101041645	BOLT	2				
11	1140020016	WASHER, spring	2				
12	1141110016	WASHER	2				
13	1100041020	BOLT	2				
14	1140020010	WASHER, spring	5				
15	1141110010	WASHER	5				
16	1560001675	FITTING, grease	1				
17	1532520601	CONNECTOR	2				
18	1532120663	TUBE	1				sold by the meter
19	0007262005	ELBOW	1				
20	0563030600	SHIM	AR				t=1.2mm
21	0563030610	SHIM	AR				t=2.3mm
22	0563052150	NET	1				
23	1100040820	BOLT	4				
24	1140020008	WASHER, spring	4				
25	1141110008	WASHER	4				
26	1100041030	BOLT	3				
27	1652533001	CAP	3				
	L8b021						

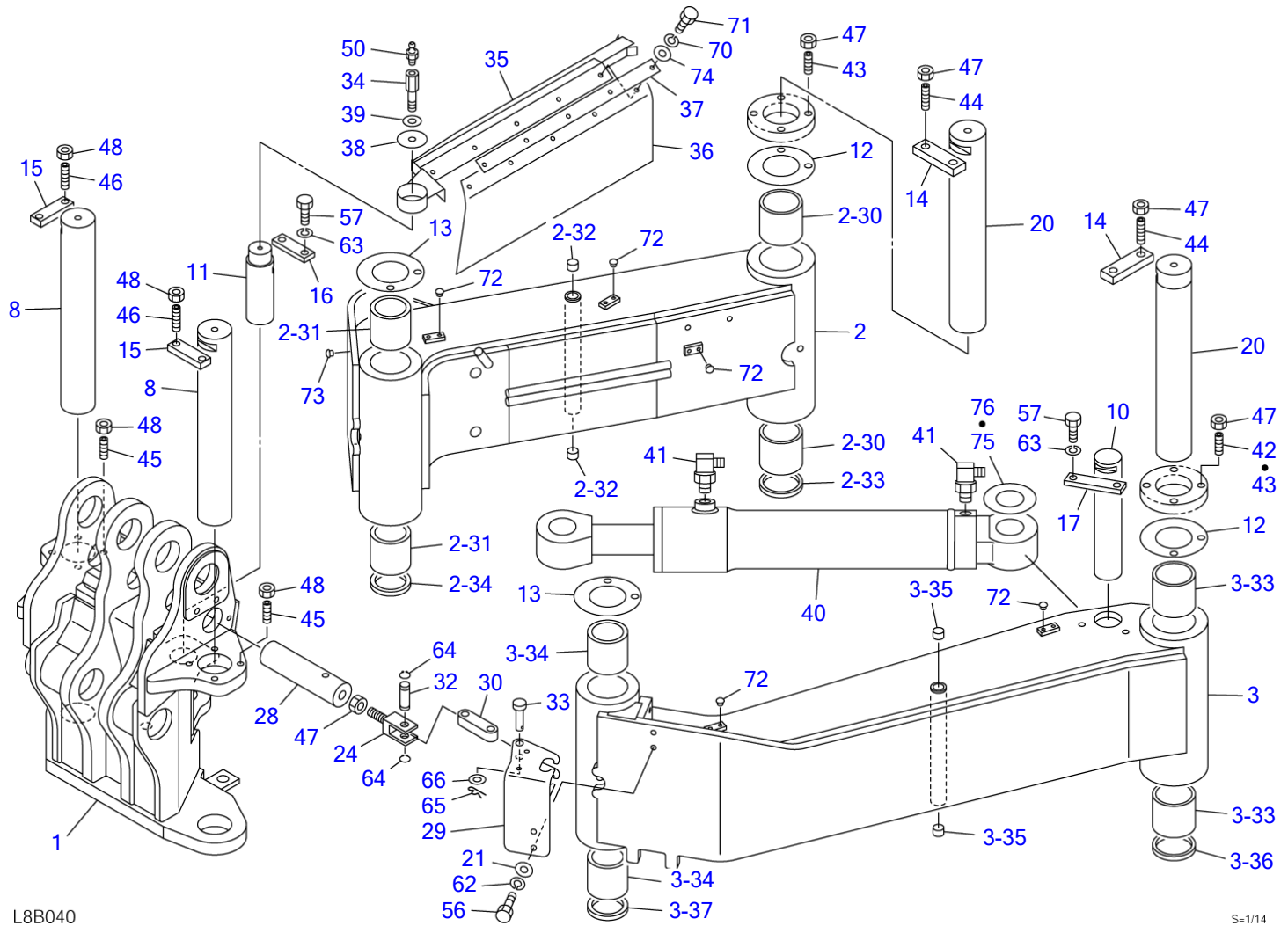


S=1/15

TURNTABLE (2/2)

Item	Part number	Description	Q'ty	Chan.	Serial No.	Serv.	Remarks
		TURNTABLE ASSY					
2	0563045400	COUNTERWEIGHT ASSY	1				
2-1	0563045200	· COUNTERWEIGHT	1				
2-2	0563045420	· ABSORBENT, noise	1				
2-3	0563045430	· ABSORBENT, noise	1				
2-4	0563045440	· ABSORBENT, noise	1				
2-5	0563045450	· ABSORBENT, noise	1				
2-7	0563045470	· ABSORBENT, noise	1				
2-8	0563045480	· ABSORBENT, noise	1				
28	0563045510	ABSORBENT, noise	1				
	0563052210	ABSORBENT, NOISE	1				
29	0563045530	ABSORBENT, noise	1				
	0563052211	ABSORBENT, NOISE	1				
30	0563045550	ABSORBENT, noise	1				
31	1654308008	SPONGE	1				sold by the meter
32	0872433150	TUBE	20				
	L8b031						

TB180FR Book No. BL8Z001 S/N 17840001-
BOOM OFFSET (1/2)

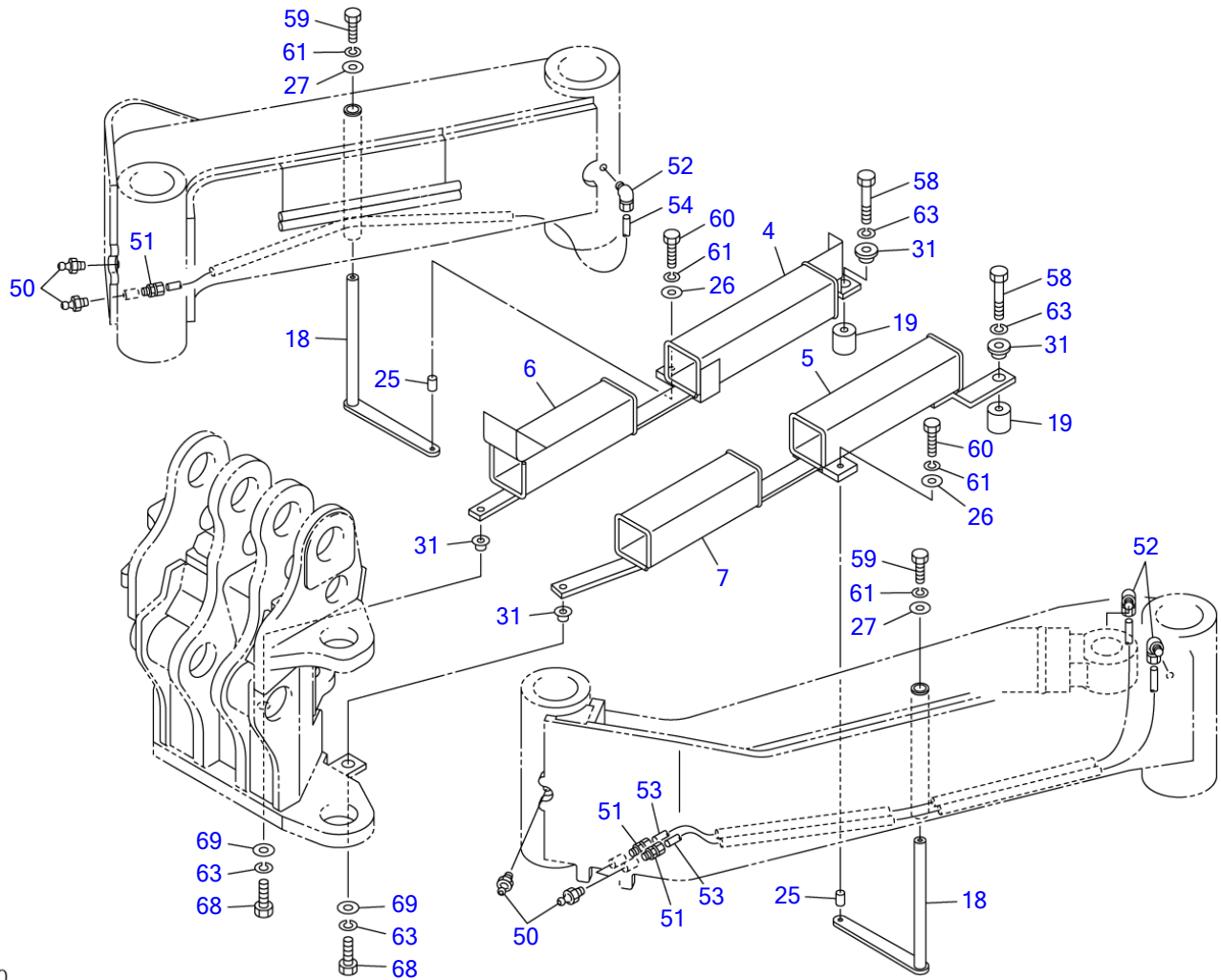


L8B040

S=1/14

BOOM OFFSET (1/2)

Item	Part number	Description	Q'ty	Chan.	Serial No.	Serv.	Remarks
		OFFSET ASSY, boom					
1	0563134400	BRACKET	1				
2	0563134200	ARM, offset (R.H)	1				
2-30	0563118330	• BUSHING	2				
2-31	0563118340	• BUSHING	2				
2-32	1333002015	• BUSHING	2				
2-33	1432200080	• SEAL, dust	1				
2-34	1432200075	• SEAL, dust	1				
3	0563134300	ARM, offset (L.H)	1				
3-33	0563118330	• BUSHING	2				
3-34	0563118340	• BUSHING	2				
3-35	1333002015	• BUSHING	2				
3-36	1432200080	• SEAL, dust	1				
3-37	1432200075	• SEAL, dust	1				
8	0563119440	PIN	2				
10	0563118530	PIN	1				
11	0563118540	PIN	1				
12	0563118550	WASHER	2				
13	0563118555	WASHER	2				
14	0563118560	PLATE	2				
15	0563118561	PLATE	2				
16	0563118562	PLATE	1				
17	0563118563	PLATE	1				
20	0563134600	PIN	2				
21	0003600025	WASHER	2				
24	0393109460	YOKE	1				
28	0563124490	PIN	1				
29	0563134710	BRACKET	1				
30	0563119720	LINK	1				
32	0004215032	SHAFT	1				
33	0004015003	SHAFT	1				
34	0007210027	BUSHING	1				
35	0563124350	GUARD	1				
36	0563119810	RUBBER	1				
37	0563119820	PLATE	1				
38	0563119830	WASHER	1				
39	0003600020	WASHER	1				
40	1900092900	CYLINDER, offset	1				
	1900104200	CYLINDER, OFFSET	1				
41	1515010051	ELBOW	2				
	1420010180	• O-RING	1				
42	1121041655	SET-SCREW	2				
43	1121041660	SET-SCREW	4				
44	1121041675	SET-SCREW	4				
45	1121041450	SET-SCREW	4				
46	1121041465	SET-SCREW	4				
47	1130040016	NUT	9				
48	1130040014	NUT	8				
50	1560001000	FITTING, grease	1				
56	1100041025	BOLT	3				
57	1101041435	BOLT	4				
62	1140020010	WASHER, spring	3				
63	1140020014	WASHER, spring	4				
64	1220000015	RING, retaining	2				
65	1214000012	PIN, snap	1				
66	1141110016	WASHER	1				
70	1140020006	WASHER, spring	5				
71	1100040620	BOLT	5				
72	1652533016	CAP	8				
73	1652533017	CAP	4				
74	1141110006	WASHER	5				
75	0003600094	SHIM	AR				t=0.2mm
76	0003600095	SHIM	AR				t=0.5mm
	L8b041						



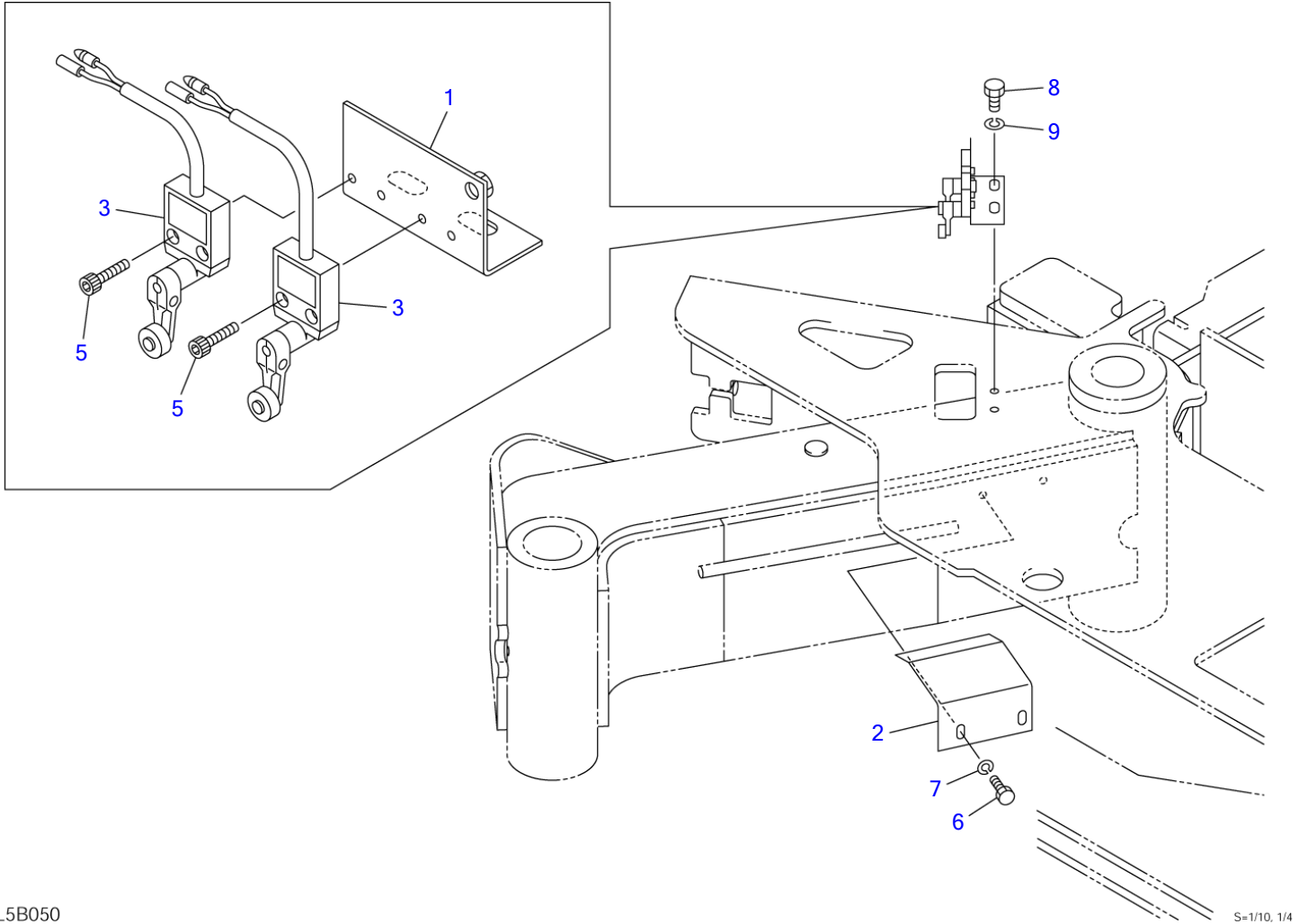
L8B050

S=1/14

BOOM OFFSET (2/2)

Item	Part number	Description	Q'ty	Chan.	Serial No.	Serv.	Remarks
		OFFSET ASSY, boom					
4	0563124400	GUIDE	1				
5	0563124410	GUIDE	1				
6	0563124420	GUIDE	1				
7	0563124430	GUIDE	1				
18	0563124460	LEVER	2				
19	0563124470	COLLAR	2				
25	0393108440	COLLAR	2				
26	0003608252	WASHER	2				
27	0003608003	WASHER	2				
31	0563118430	COLLAR	4				
50	1560001000	FITTING, grease	5				
51	1532520601	CONNECTOR	3				
52	1532620601	ELBOW	3				
53	1532120640	TUBE	2				sold by the meter
54	1532120620	TUBE	1				sold by the meter
58	1101041485	BOLT	2				
59	1100040820	BOLT	2				
60	1100040830	BOLT	2				
61	1140020008	WASHER, spring	4				
63	1140020014	WASHER, spring	4				
68	1101041440	BOLT	2				
69	1141110014	WASHER	2				
	L8b051						

TB180FR Book No. BL8Z001 S/N 17840001-
OFFSET SWITCH



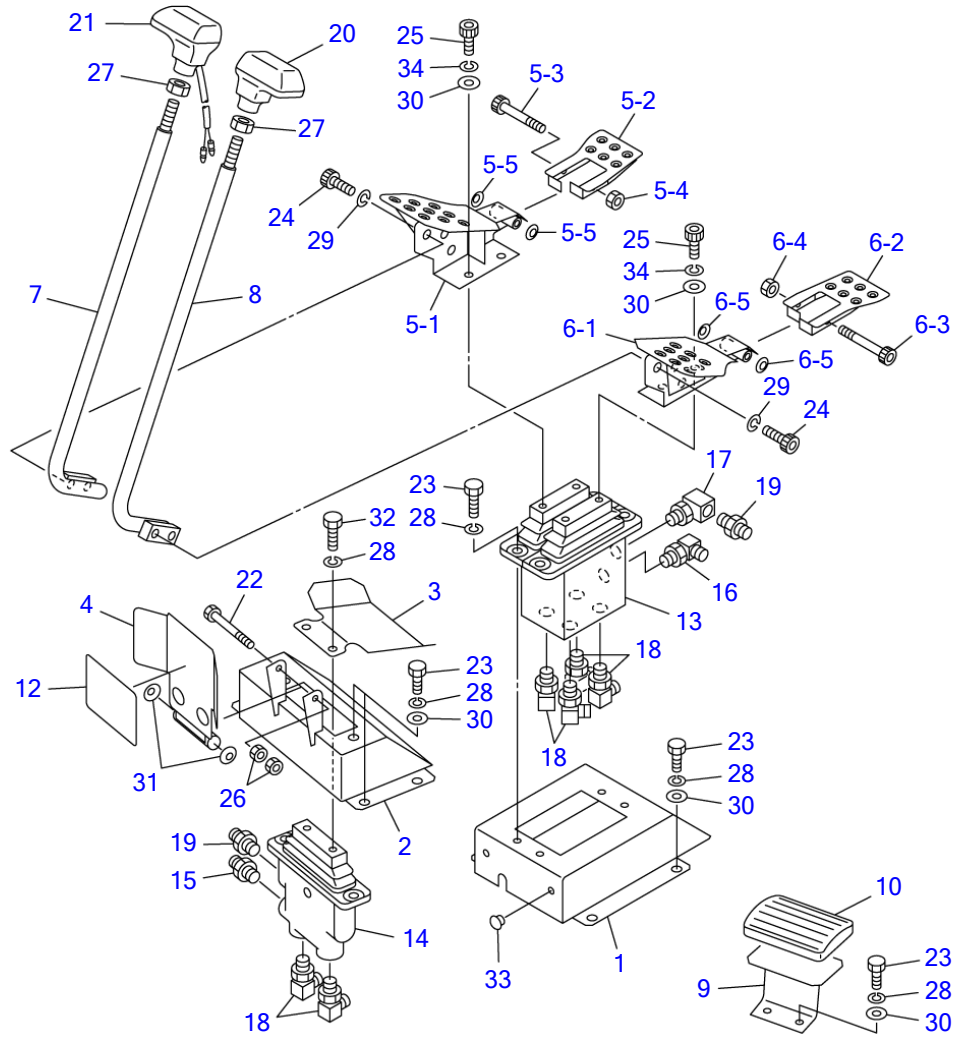
L5B050

S=1/10, 1/4

OFFSET SWITCH

Item	Part number	Description	Q'ty	Chan.	Serial No.	Serv.	Remarks
		SWITCH ASSY, offset					
1	0563124810	BRACKET	1				
2	0563134820	ANGLE	1				
3	0563124830	SWITCH, limit	2				
5	1110040520	SCREW, cap	4				
6	1100041020	BOLT	2				
7	1140020010	WASHER, spring	2				
8	1101041220	BOLT	2				
9	1140020012	WASHER, spring	2				
	L5b050						

TB180FR Book No. BL8Z001 S/N 17840001-
TRAVEL LEVER



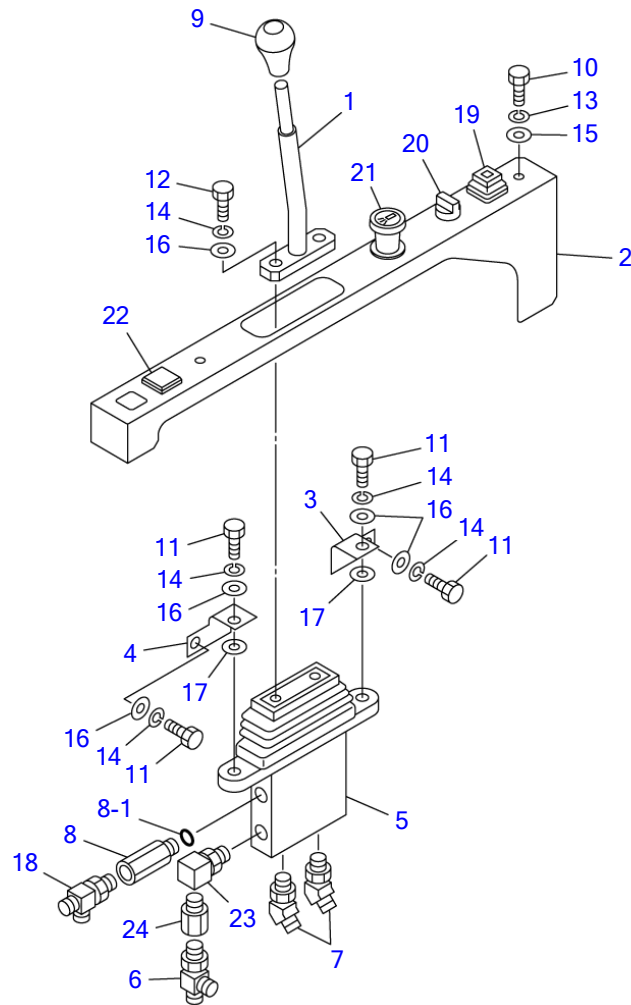
S=1/8

TRAVEL LEVER

Item	Part number	Description	Q'ty	Chan.	Serial No.	Serv.	Remarks
		LEVER ASSY, control					
1	0563230510	BRACKET	1				
2	0563230520	BRACKET	1				
3	0563230530	PEDAL	1				
4	0563230550	COVER	1				
5	0563230810	PEDAL ASSY (R.H.)	1				
5-1	0563230820	• PEDAL (R.H.)	1		17840001~17840121		
	0563230870	• PEDAL (R.H.)	1	(H)	17840122~		
5-2	0373208660	• PEDAL (R.H.)	1				
5-3	1110020655	• SCREW, cap	1				
5-4	1130040006	• NUT	1				
5-5	1225110006	• WASHER, conical	2				
6	0563230830	PEDAL ASSY (L.H.)	1				
6-1	0563230840	• PEDAL (L.H.)	1		17840001~17840121		
	0563230880	• PEDAL (L.H.)	1	(H)	17840122~		
6-2	0373208630	• PEDAL (L.H.)	1				
6-3	1110040655	• SCREW, cap	1				
6-4	1130040006	• NUT	2				
6-5	1225110006	• WASHER, conical	2				
7	0563230850	LEVER (R.H.)	1				
8	0563230860	LEVER (L.H.)	1				
9	0563219700	REST, foot	1				
10	0563218500	COVER	1				
12	0333241250	SHEET	1				
13	1901739100	VALVE, pilot	1				
14	1901746300	VALVE, pilot	1				
15	1512370008	ADAPTOR (with filter)	1				
	1420010110	• O-RING	1				
16	1512375004	ELBOW	1				
	1420010110	• O-RING	1				
17	1513300014	ELBOW	1				
	1420010110	• O-RING	1				
18	1515012040	ELBOW	6				
	1420010110	• O-RING	1				
19	1515600200	ADAPTOR	2				
	1420010110	• O-RING	1				
20	1650202610	GRIP	1				
21	1650203210	GRIP (with switch)	1				
22	1100040680	BOLT	1				
23	1100040820	BOLT	16				
24	1100041016	BOLT	4				
25	1110040816	SCREW, cap	4				
26	1130040006	NUT	2				
27	1131040012	NUT	2				
28	1140020008	WASHER, spring	18				
29	1140420010	WASHER, spring	4				
30	1141110008	WASHER	18				
31	1225110006	WASHER, conical	2				
32	1100040816	BOLT	2				
33	1652533016	CAP	2				
34	1140420008	WASHER, spring	4				

L8b061

TB180FR Book No. BL8Z001 S/N 17840001-
DOZER BLADE LEVER



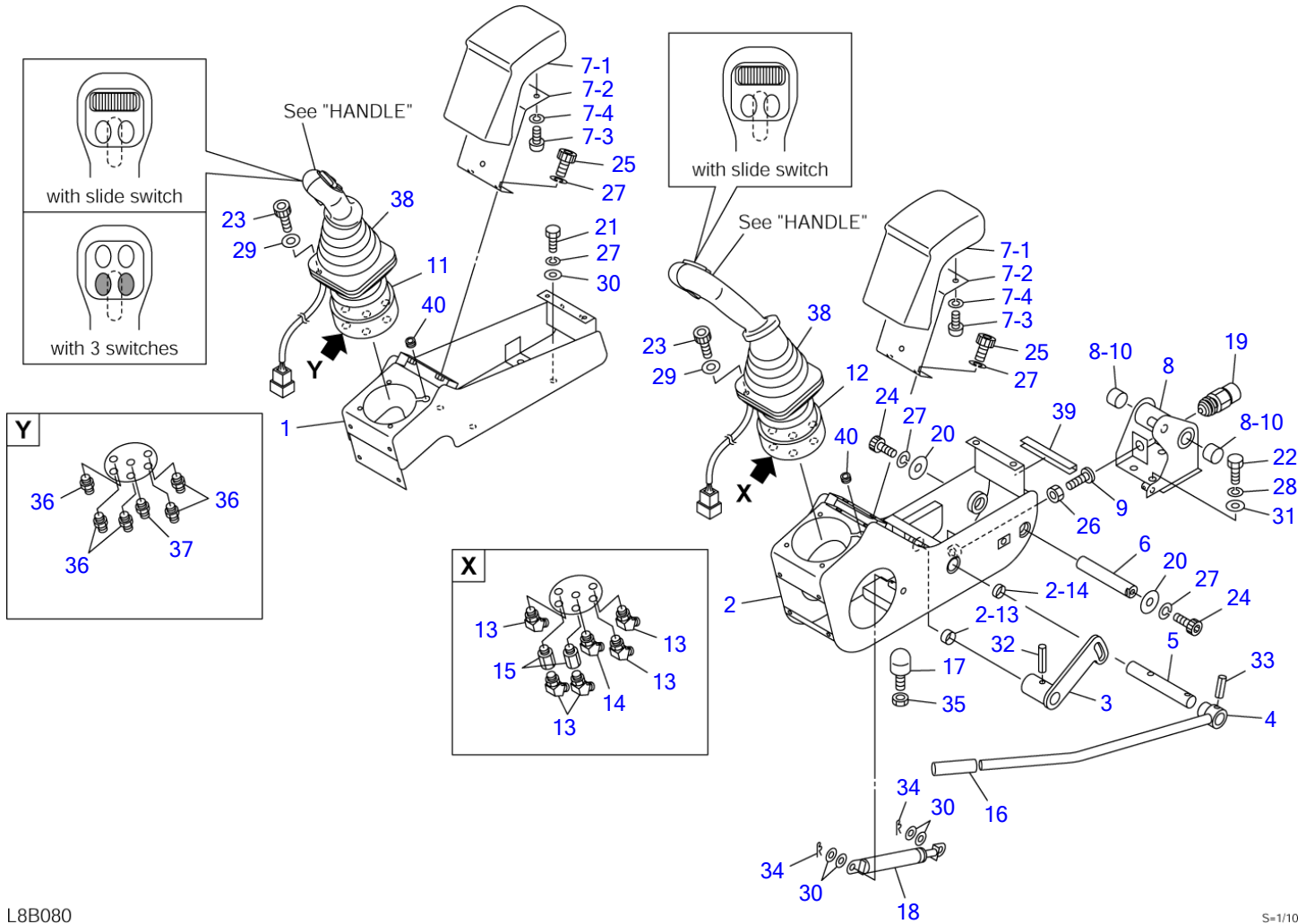
L8B070

S=1/6

DOZER BLADE LEVER

Item	Part number	Description	Q'ty	Chan.	Serial No.	Serv.	Remarks
		LEVER ASSY, blade					
1	0563311010	LEVER	1				
2	0563313010	COVER	1				
3	0563311030	BRACKET	1				
4	0563311040	BRACKET	1				
5	1901735000	VALVE, pilot	1				
6	1512370003	TEE (with filter)	1				
	1420010110	• O-RING	1				
7	1515102110	ELBOW	2				
	1420010110	• O-RING	1				
8	0007213028	BUSHING	1				
8-1	1420010110	O-RING	1				
9	1650153655	GRIP	1				
10	1100090612	BOLT	2				
11	1100040816	BOLT	4				
12	1100040820	BOLT	2				
13	1140090006	WASHER, spring	2				
14	1140020008	WASHER, spring	6				
15	1141190006	WASHER	2				
16	1141110008	WASHER	6				
17	1141550008	WASHER	2				
18	1512370011	TEE	1				
	1420010110	• O-RING	1				
19	1700000040	SWITCH	1				
20	1700000038	SWITCH	1				
21	1711900059	LIGHTER	1				
22	1700550017	LAMP, pilot	1				
23	1513300014	ELBOW	1				
	1420010110	• O-RING	1				
24	1513250202	BUSHING	1				
	1420010110	• O-RING	1				
	L8b070						

TB180FR Book No. BL8Z001 S/N 17840001-
OPERATION LEVER & STAND



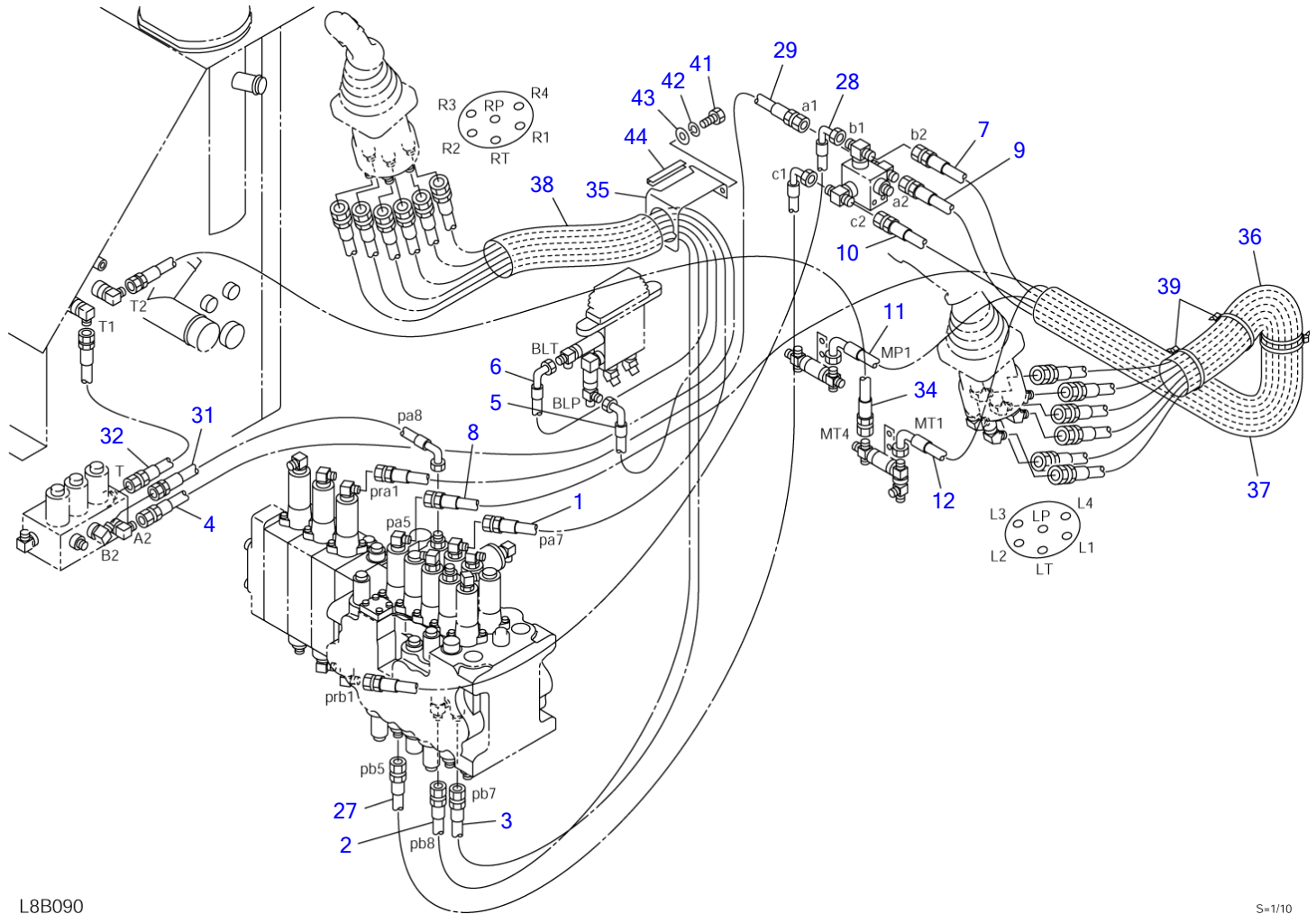
L8B080

S=1/10

OPERATION LEVER & STAND

Item	Part number	Description	Q'ty	Chan.	Serial No.	Serv.	Remarks
		VALVE ASSY (with 3 switch)					
		VALVE ASSY (with slide switch)					
1	0395116010	BOX, control (R.H.)	1				
2	0395116050	BOX, control (L.H.)	1				
2-13	1333002010	• BUSHING	1				
2-14	1333002015	• BUSHING	1				
3	0395113450	PLATE (L.H.)	1				
4	0375105400	LEVER (L.H.)	1				
5	0335124700	SHAFT	1				
6	0335124750	SHAFT	1				
7	0375105500	REST, arm	2				
7-1	0375105510	• URETHANE	1				
7-2	0375105520	• PLATE	1				
7-3	1120530812	• SCREW	3				
7-4	1140020008	• WASHER, spring	3				
8	0375104400	BRACKET (L.H.)	1				
8-10	1333002015	• BUSHING	2				
9	0335120970	BOLT	1				
11	1901753500	VALVE ASSY (R.H.)	1				3 switch
	1901753400	VALVE ASSY (R.H.)	1				slide switch
12	1901753200	VALVE ASSY (L.H.)	1				
13	1515100110	ELBOW	5				
	1420010110	• O-RING	1				
14	1512370012	ELBOW (with filter)	1				
	1420010110	• O-RING	1				
15	1513250202	BUSHING	2				
	1420010110	• O-RING	1				
16	1650202300	CAP	1				
17	1651101224	STOPPER	1				
18	1653900057	SPRING, gas	1				
19	1700000033	SWITCH, limit	1				
20	0003600011	WASHER	2				
21	1100040820	BOLT	4				
22	1100041020	BOLT	4				
23	1110040625	SCREW, cap	6				
24	1110040816	SCREW, cap	2				
25	1110040820	SCREW, cap	4				
26	1130040010	NUT	1				
27	1140020008	WASHER, spring	10				
28	1140020010	WASHER, spring	4				
29	1141110006	WASHER	6				
30	1141110008	WASHER	8				
31	1141110010	WASHER	4				
32	1213000832	PIN, spring	1				
33	1213000836	PIN, spring	1				
34	1214000008	PIN, snap	2				
35	1130040012	NUT	1				
36	1515600200	ADAPTOR	5				
	1420010110	• O-RING	1				
37	1512370008	ADAPTOR (with filter)	1				
	1420010110	• O-RING	1				
38	0375109110	BOOT	2				
39	1653917009	TRIM	1				sold by the meter
40	1700100092	GROMMET	2				
	L8b080						

TB180FR Book No. BL8Z001 S/N 17840001-
 PIPING; OPERATION LEVER (1/2)



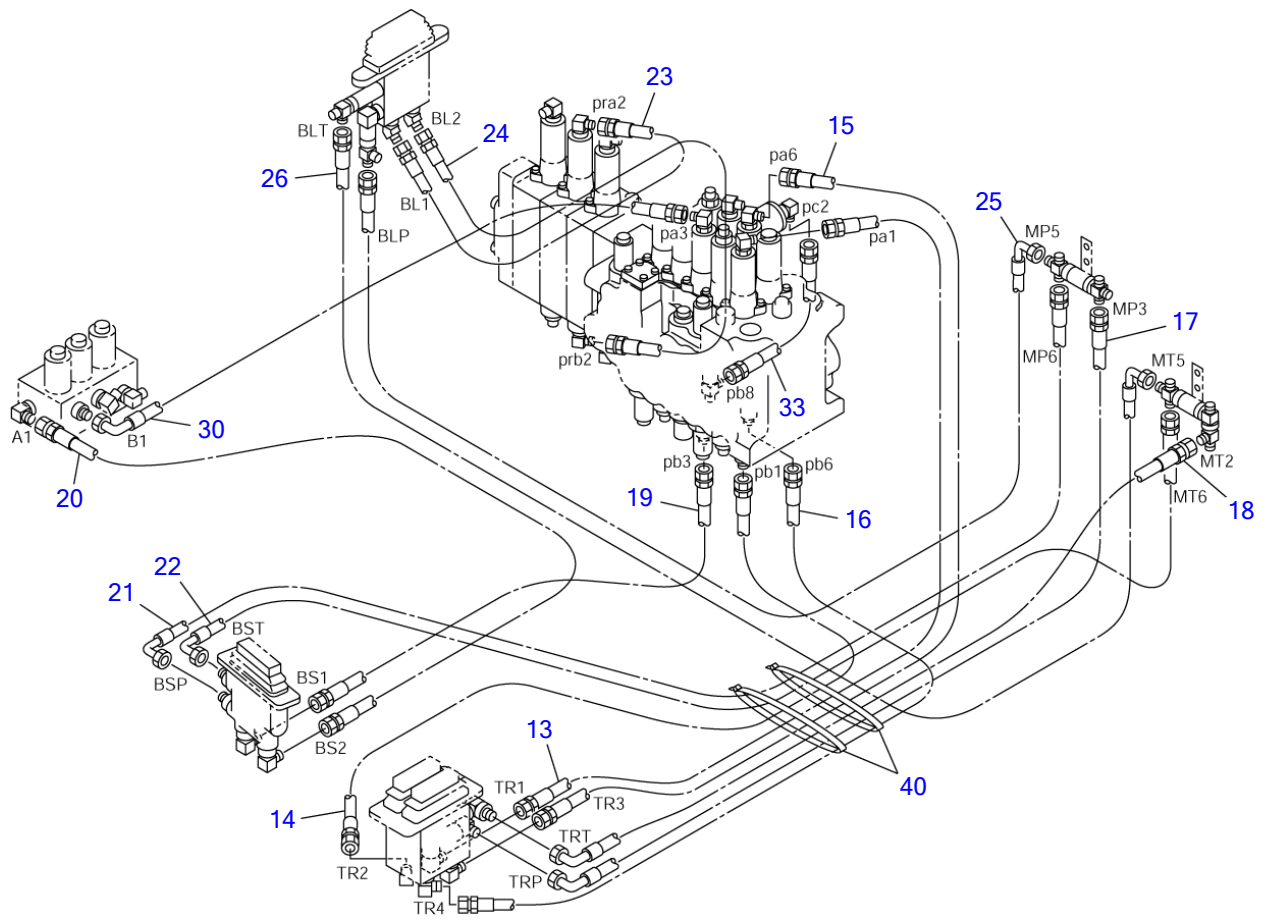
L8B090

S=1/10

PIPING; OPERATION LEVER (1/2)

Item	Part number	Description	Q'ty	Chan.	Serial No.	Serv.	Remarks
		PIPING ASSY					
1	0567149510	HOSE ASSY	1				1801022125
2	0567149520	HOSE ASSY	1				1801022170
3	0567149530	HOSE ASSY	1				1801022170
4	0567149540	HOSE ASSY	1				1801022185
5	0567149550	HOSE ASSY	1				1801052035
6	0567149560	HOSE ASSY	1				1801052035
7	0567149570	HOSE ASSY	1				1801022160
8	0567149580	HOSE ASSY	1				1801022185
9	0567149590	HOSE ASSY	1				1801022165
10	0567149600	HOSE ASSY	1				1801022165
11	0567149610	HOSE ASSY	1				1801052150
12	0567149620	HOSE ASSY	1				1801052140
27	0567149770	HOSE ASSY	1				1801052070
28	0567149780	HOSE ASSY	1				1801052060
29	0567149790	HOSE ASSY	1				1801022035
31	0567149810	HOSE ASSY	1				1801052077
32	0567149820	HOSE ASSY	1				1801023050
34	0567149840	HOSE ASSY	1				1801023150
35	0567149850	PLATE	1				
36	1531645030	PROTECTOR	1				sold by the meter
37	1567525080	PROTECTOR	1				sold by the meter
38	1567525070	PROTECTOR	1				sold by the meter
39	1652200007	BAND	3				
41	1100040816	BOLT	2				
42	1140020008	WASHER, spring	2				
43	1141110008	WASHER	2				
44	1654605007	TRIM	1				sold by the meter
	L8b090						

TB180FR Book No. BL8Z001 S/N 17840001-
PIPING; OPERATION LEVER (2/2)



L8B100

S-1/10

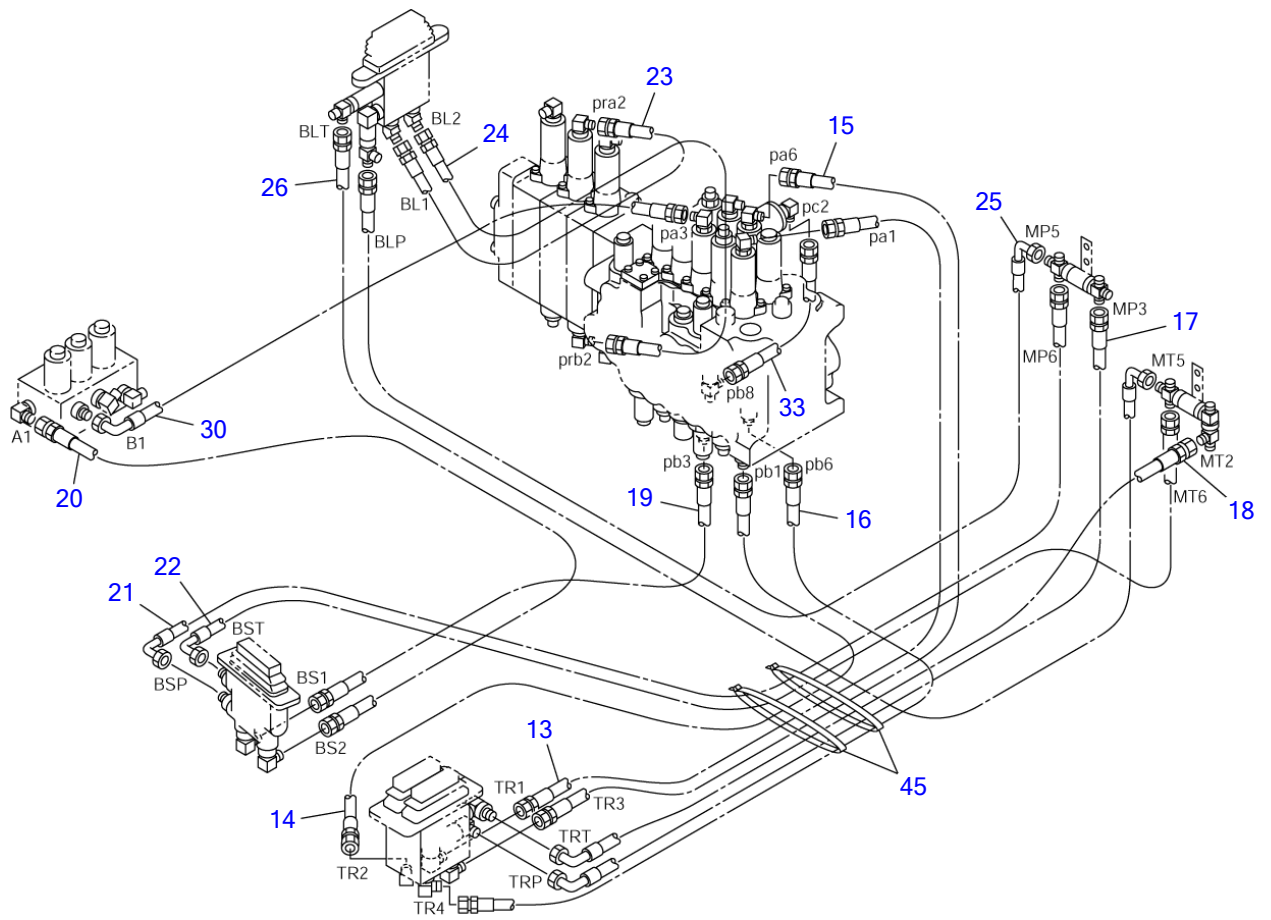
PIPING; OPERATION LEVER (2/2)

Item	Part number	Description	Q'ty	Chan.	Serial No.	Serv.	Remarks
		PIPING ASSY					
13	0567149630	HOSE ASSY	1				1801022110
14	0567149640	HOSE ASSY	1				1801022105
15	0567149650	HOSE ASSY	1				1801022110
16	0567149660	HOSE ASSY	1				1801022115
17	0567149670	HOSE ASSY	1				1801052100
18	0567149680	HOSE ASSY	1				1801052080
19	0567149690	HOSE ASSY	1				1801022110
20	0567149700	HOSE ASSY	1				1801022170
21	0567149710	HOSE ASSY	1				1801052120
22	0567149720	HOSE ASSY	1				1801052120
23	0567149730	HOSE ASSY	1				1801022155
24	0567149740	HOSE ASSY	1				1801022180
25	0567149750	HOSE ASSY	1				1801052130
26	0567149760	HOSE ASSY	1				1801052135
30	0567149800	HOSE ASSY	1				1801052095
33	0567149830	HOSE ASSY	1				1801022050
40	1652231250	BAND	2				
	L8b100						

PIPING; OPERATION LEVER (1/2) (ISO-JCB pattern)

Item	Part number	Description	Q'ty	Chan.	Serial No.	Serv.	Remarks
		PIPING ASSY					
1	0567149510	HOSE ASSY	1				1801022125
2	0567149410	HOSE ASSY	1				1801022120
3	0567149530	HOSE ASSY	1				1801022170
4	0567149420	HOSE ASSY	1				1801022130
5	0567149550	HOSE ASSY	1				1801052035
6	0567149560	HOSE ASSY	1				1801052035
7	0567149570	HOSE ASSY	1				1801022160
8	0567149430	HOSE ASSY	1				1801022155
9	0567149590	HOSE ASSY	1				1801022165
10	0567149390	HOSE ASSY	1				1801022160
11	0567149610	HOSE ASSY	1				1801052150
12	0567149620	HOSE ASSY	1				1801052140
27	0567149440	HOSE ASSY	1				1801052070
28	0567149780	HOSE ASSY	1				1801052060
29	0567149790	HOSE ASSY	1				1801022035
31	0567149810	HOSE ASSY	1				1801052077
32	0567149820	HOSE ASSY	1				1801023050
34	0567149840	HOSE ASSY	1				1801023150
35	0567149450	HOSE ASSY	1				1801022100
36	0567149460	HOSE ASSY	1				1801022100
37	0567149470	HOSE ASSY	1				1801022140
38	0567149480	HOSE ASSY	1				1801022095
39	0567149490	PLATE	1				
40	0567149850	PLATE	1				
41	1531645030	PROTECTOR	1				sold by the meter
42	1567525080	PROTECTOR	1				sold by the meter
43	1567525070	PROTECTOR	1				sold by the meter
44	1652200007	BAND	3				
46	1515012040	ELBOW	8				
	1420010110	· O-RING	1				
47	1101041225	BOLT	2				
48	1140020012	WASHER, spring	2				
49	1141110012	WASHER	2				
50	1100040650	BOLT	2				
51	1140020006	WASHER, spring	2				
52	1901730500	VALVE, selector	1				
53	1100040816	BOLT	2				
54	1140020008	WASHER, spring	2				
55	1141110008	WASHER	2				
56	1654605007	TRIM	1				sold by the meter
	L8b111						

TB180FR Book No. BL8Z001 S/N 17840001-
PIPING; OPERATION LEVER (2/2) (ISO-JCB pattern)

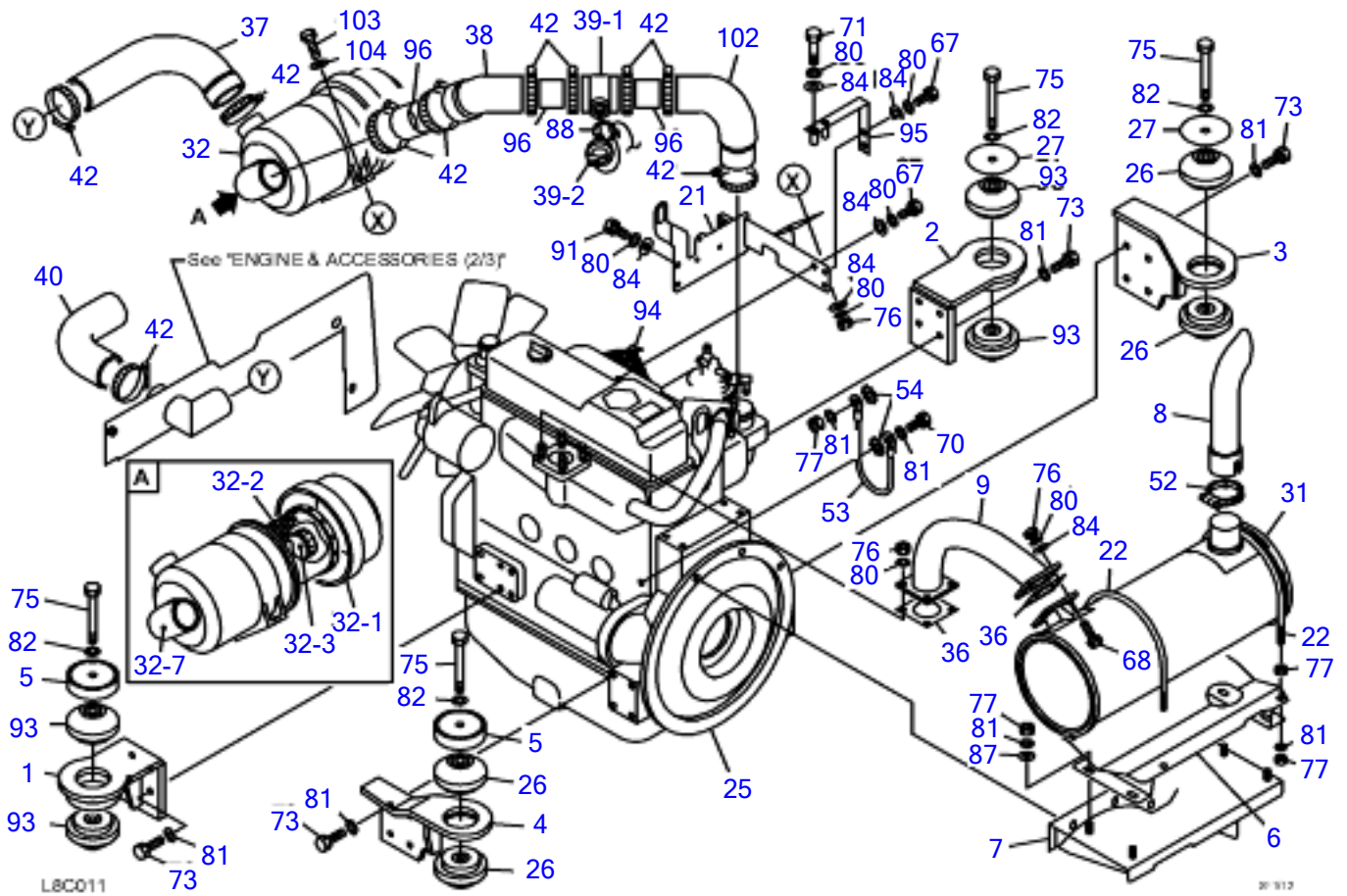


L8B120

S-1/10

PIPING; OPERATION LEVER (2/2) (ISO-JCB pattern)

Item	Part number	Description	Q'ty	Chan.	Serial No.	Serv.	Remarks
		PIPING ASSY					
13	0567149630	HOSE ASSY	1				1801022110
14	0567149640	HOSE ASSY	1				1801022105
15	0567149650	HOSE ASSY	1				1801022110
16	0567149660	HOSE ASSY	1				1801022115
17	0567149670	HOSE ASSY	1				1801052100
18	0567149680	HOSE ASSY	1				1801052080
19	0567149690	HOSE ASSY	1				1801022110
20	0567149700	HOSE ASSY	1				1801022170
21	0567149710	HOSE ASSY	1				1801052120
22	0567149720	HOSE ASSY	1				1801052120
23	0567149730	HOSE ASSY	1				1801022155
24	0567149740	HOSE ASSY	1				1801022180
25	0567149750	HOSE ASSY	1				1801052130
26	0567149760	HOSE ASSY	1				1801052135
30	0567149800	HOSE ASSY	1				1801052095
33	0567149830	HOSE ASSY	1				1801022050
45	1652231250	BAND	2				
	L8b121						

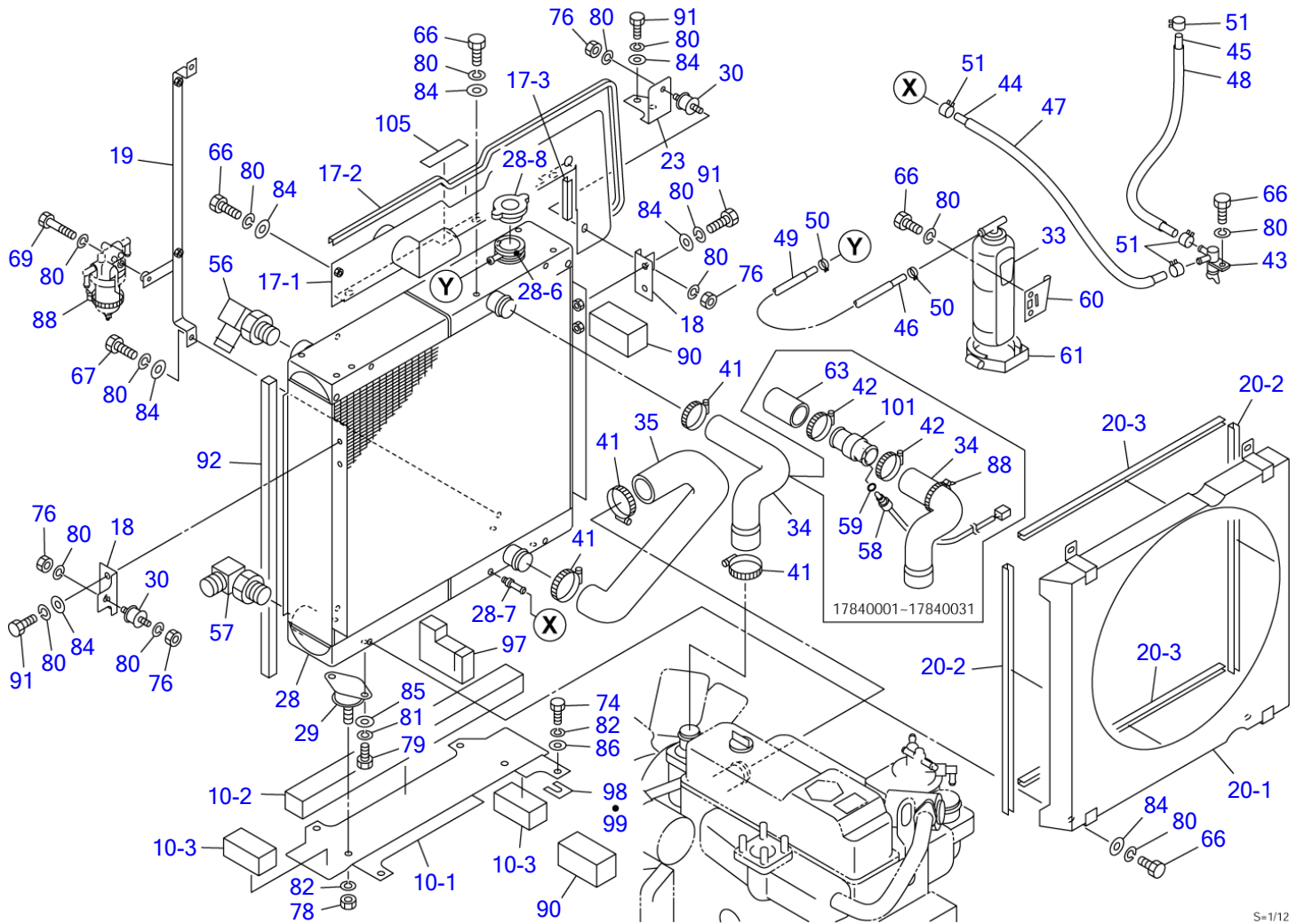


ENGINE & ACCESSORIES (1/3)

Item	Part number	Description	Q'ty	Chan.	Serial No.	Serv.	Remarks
	0564044000	ENGINE ASSY					
1	0564036490	FOOT, engine (F.L.)	1				
2	0564036600	FOOT, engine (F.R.)	1				
3	0564044010	FOOT, engine (R.R.)	1				
4	0564036560	FOOT, engine (R.L.)	1				
5	0564036520	STOPPER	2				
6	0564044020	BRACKET	1				
7	0564044030	BRACKET	1				
8	0564036170	PIPE	1				
9	0564044040	PIPE	1				
21	0564044140	BRACKET	1				
22	0564039920	U-BOLT	2				
25	1910263001	ENGINE	1				4TNV98-ZQTBZ
26	1651030020	RUBBER, cushion	4				
27	0564036028	WASHER	2				
31	1910197005	SILENCER	1				Y129940-13500
32	1910263007	CLEANER, air	1				Y129938-12520
32-1	X *****_*****	· COVER	1				Y129938-12630
32-2	X *****_*****	· ELEMENT	1				Y129939-12621
32-3	X *****_*****	· ELEMENT, secondary	1				Y129939-12630
32-7	X *****_*****	· ELBOW	1				Y129938-12660
36	1910197023	GASKET	2				Y129930-13201
37	0564040110	PIPE	1				
38	0564044150	PIPE	1				
39	1910263008	HOSE ASSY, joint	1				Y129938-12640
39-1	X *****_*****	· HOSE	1				Y129939-12650
39-2	X *****_*****	· INDICATER	1				Y129948-12660
40	0564036042	HOSE	1				
42	1533700071	BAND	10				
52	1910197027	CLAMP	1				Y129640-13590
53	1702430400	CABLE, earth	1				
54	1140330010	WASHER	2				
67	1100040820	BOLT	3				
68	1100040830	BOLT	4				
70	1100041016	BOLT	1				
71	1100040850	BOLT	2				
73	1100041030	BOLT	16				
75	1101141420	BOLT	4				
76	1130040008	NUT	10				
77	1130040010	NUT	13				
80	1140020008	WASHER, spring	17				
81	1140020010	WASHER, spring	26				
82	1140020012	WASHER, spring	4				
84	1141110008	WASHER	14				
87	0003600020	WASHER	4				
88	1652231250	BAND	1				
91	1100040825	BOLT	2				
93	1651030019	RUBBER, cushion	4				
94	1652200003	BAND	1				
95	0564044170	BRACKET	1				
96	0564040150	PIPE	3				
102	0564044180	PIPE	1				
103	1100040835	BOLT	2				
104	0003600011	WASHER	2				

L8c011

TB180FR Book No. BL8Z001 S/N 17840001-
ENGINE & ACCESSORIES (2/3)

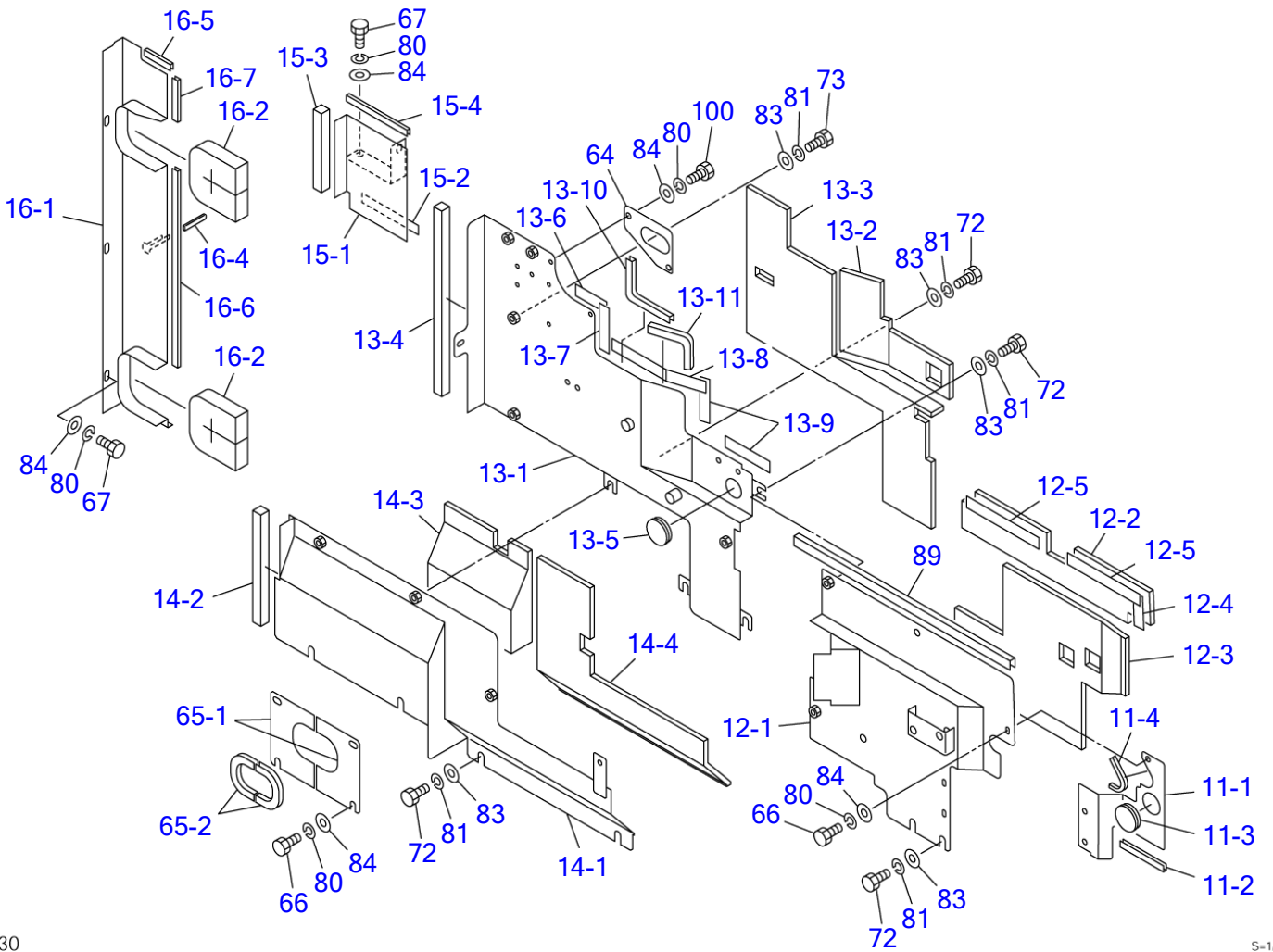


S=1/12

ENGINE & ACCESSORIES (2/3)

Item	Part number	Description	Q'ty	Chan.	Serial No.	Serv.	Remarks
	0564044000	ENGINE ASSY					
10	0564044050	BRACKET ASSY	1				
10-1	0564044051	· BRACKET	1				
10-2	1654346063	· SPONGE	1				sold by the meter
10-3	1654346010	· SPONGE	2				sold by the meter
17	0564044100	PLATE ASSY	1				
17-1	0564044110	· PLATE	1				
17-2	1654606106	· TRIM	1				sold by the meter
17-3	1654606009	· TRIM	1				sold by the meter
18	0564036020	PLATE	2				
19	0564040060	BRACKET	1				
20	0564044120	SHROUD ASSY	1				
20-1	0564044130	· SHROUD	1				
20-2	1654605058	· RUBBER	2				sold by the meter
20-3	1654606061	· TRIM	2				sold by the meter
20-4	1654623058	* TRIM	1				
23	0564036025	PLATE	1				
28	1911300360	RADIATOR & OIL COOLER	1				AKG
28-6	1911300076	· FITTING, hose	1				
28-7	1911300077	· NIPPLE	1				
28-8	1911300078	· CAP, radiator	1				
29	1651024009	RUBBER, cushion	2				
30	1651014003	RUBBER, cushion	2				
33	1910146020	TANK, sub	1				Y129466-44510
34	0564036062	HOSE	1		17840001~17840031		
	0564036035	HOSE	1		17840032~		
35	0564040100	HOSE	1				
41	1533700057	BAND	4				
42	1533700071	BAND	2		17840001~17840031		
43	1910078037	VALVE, drain	1				Y129150-49100
44	1530808070	HOSE	1				sold by the meter
45	1530808050	HOSE	1				sold by the meter
46	1531407048	HOSE	1				sold by the meter
47	1531118060	PROTECTOR	1				sold by the meter
48	1531118040	PROTECTOR	1				sold by the meter
49	1531115038	PROTECTOR	1				sold by the meter
50	1533120011	BAND	2				
51	1533120012	BAND	4				
56	1513350020	ELBOW	1				
57	1515010044	ELBOW	1				
58	1700100046	SENSOR	1		17840001~17840031		
59	1420000100	O-RING	1		17840001~17840031		
60	1910047052	BRACKET	1				Y121256-44600
61	1910047047	BAND	1				Y124450-44550
63	0564036063	HOSE	1		17840001~17840031		
66	1100040816	BOLT	11				
67	1100040820	BOLT	2				
69	1100040865	BOLT	1				
74	1100041230	BOLT	4				
76	1130040008	NUT	4				
78	1130040012	NUT	2				
79	1100041020	BOLT	4				
80	1140020008	WASHER, spring	24				
81	1140020010	WASHER, spring	4				
82	1140020012	WASHER, spring	6				
84	1141110008	WASHER	16				
85	1141110010	WASHER	4				
86	1141110012	WASHER	4				
88	1652231250	BAND	2		17840001~17840031		
90	0564036076	SPONGE	2				
91	1100040825	BOLT	6				
92	1654349066	SPONGE	1		17840001~17840031		sold by the meter
97	0564036075	SPONGE	1				
98	0563030600	SHIM	AR				t=1.2mm
99	0563030610	SHIM	AR				t=2.3mm
101	0881402595	JOINT	1		17840001~17840031		
105	1654353010	SPONGE	1				sold by the meter

L8c021



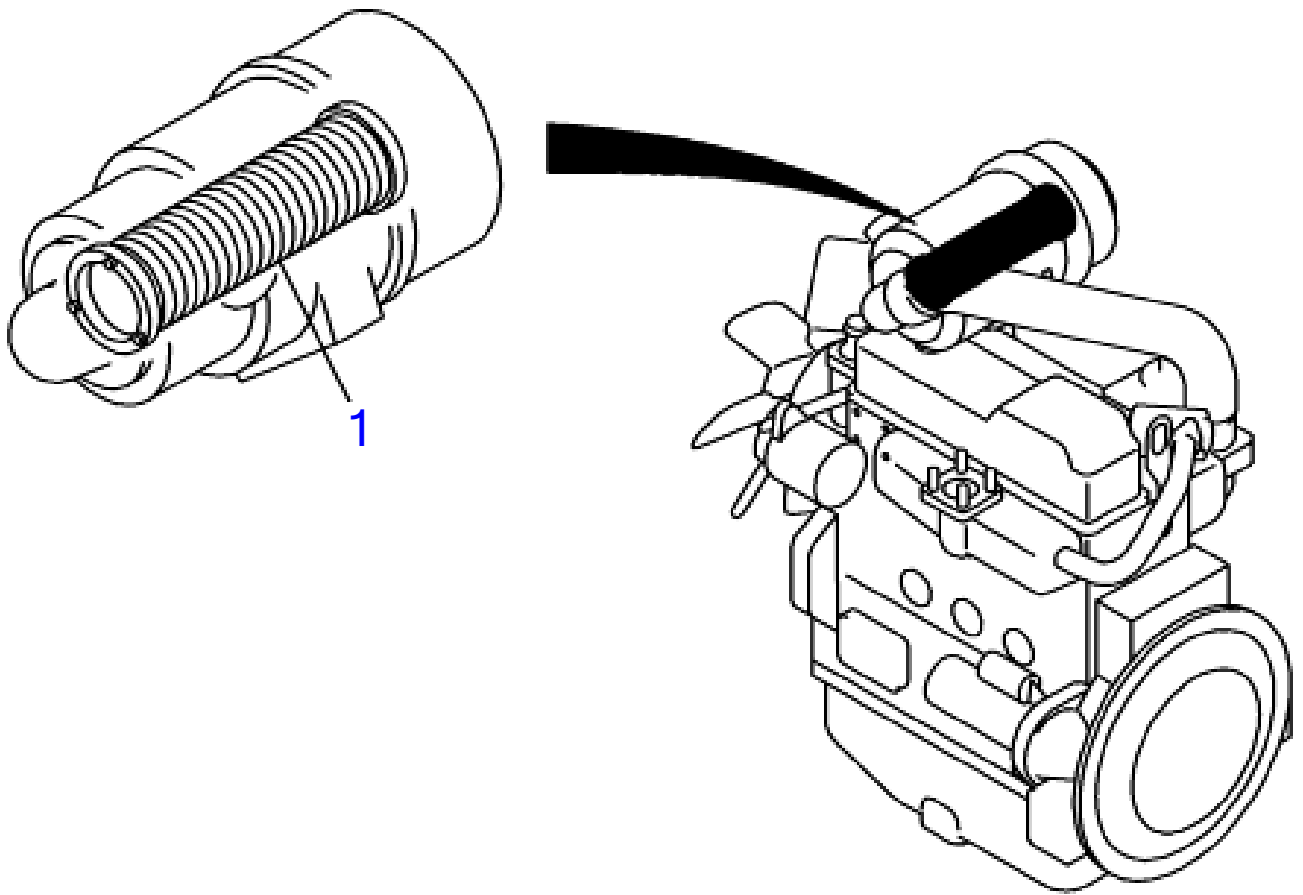
L8C030

S=1/12

ENGINE & ACCESSORIES (3/3)

Item	Part number	Description	Q'ty	Chan.	Serial No.	Serv.	Remarks
	0564044000	ENGINE ASSY					
11	0564036750	PLATE ASSY	1				
11-1	0564036760	• PLATE	1				
11-2	1654606012	• TRIM	1				sold by the meter
11-3	1652060042	• BUSHING	1				
11-4	1654606007	• TRIM	1				sold by the meter
12	0564036790	PLATE ASSY	1				
12-1	0564036800	• PLATE	1				
12-2	0564036792	• INSULATOR	1				
12-3	0564036463	• INSULATOR	1				
12-4	1654401009	• TAPE	1				sold by the meter
12-5	1654401018	• TAPE	2				sold by the meter
13	0564044060	PLATE ASSY	1				
13-1	0564044070	• PLATE	1				
13-2	0564036812	• INSULATOR	1				
13-3	0564036473	• INSULATOR	1				
13-4	1654349040	• SPONGE	1				sold by the meter
13-5	1652060038	• BUSHING	1				
13-6	1654401008	• TAPE	1				sold by the meter
13-7	1654401009	• TAPE	1				sold by the meter
13-8	1654401021	• TAPE	1				sold by the meter
13-9	1654401011	• TAPE	2				sold by the meter
13-10	1654625020	• TRIM	1				sold by the meter
13-11	1654625015	• TRIM	1				sold by the meter
14	0564036700	PLATE ASSY	1				
14-1	0564036710	• PLATE	1				
14-2	1654349024	• SPONGE	1				sold by the meter
14-3	0564036373	• INSULATOR	1				
14-4	0564036374	• INSULATOR	1				
15	0564036410	PLATE ASSY	1				
15-1	0564036250	• PLATE	1				
15-2	1654313014	• SPONGE	1				sold by the meter
15-3	1654349017	• SPONGE	1				sold by the meter
15-4	1654606015	• TRIM	1				sold by the meter
16	0564044200	PLATE ASSY	1				
16-1	0564044210	• PLATE	1				
16-2	0564044220	• SPONGE	2				
16-4	0872433150	TUBE	2				
16-5	1654606007	• TRIM	1				sold by the meter
16-6	1654606044	• TRIM	1				sold by the meter
16-7	1654606008	• TRIM	1				sold by the meter
64	0564044160	PLATE	1				
65	0564036540	PLATE ASSY	2				
65-1	0564036541	• PLATE	1				
65-2	1654606015	• SEAL	1				
66	1100040816	BOLT	7				
67	1100040820	BOLT	5				
72	1100041025	BOLT	12				
73	1100041030	BOLT	2				
80	1140020008	WASHER, spring	14				
81	1140020010	WASHER, spring	10				
83	1141550010	WASHER	14				
84	1141110008	WASHER	14				
89	1654625055	TRIM	1				sold by the meter
100	1100040812	BOLT	2				

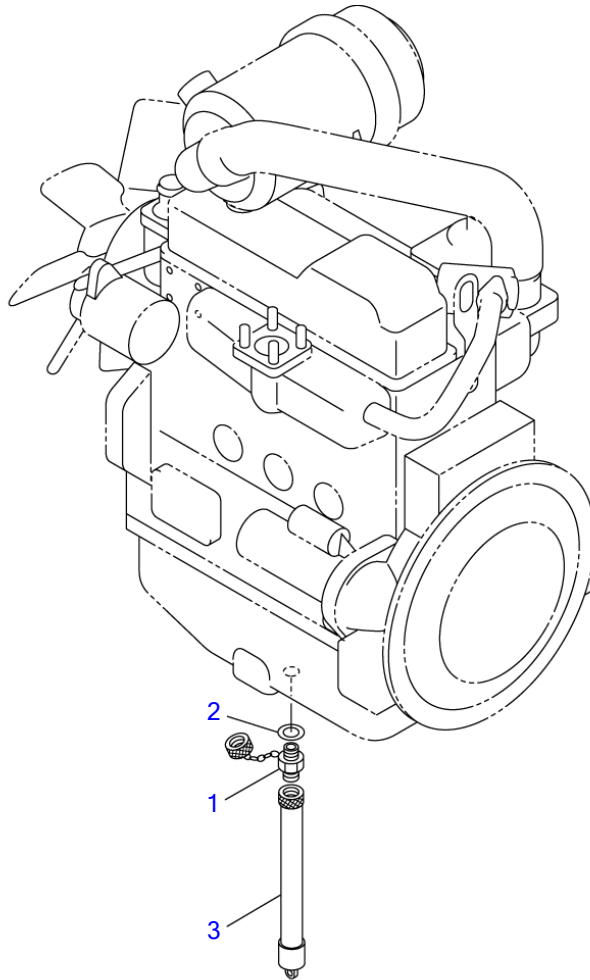
L8c031



L8C040

AIR CLEANER (DOUBLE ELEMENT)

Item	Part number	Description	Q'ty	Chan.	Serial No.	Serv.	Remarks
1	1911107692	SECONDARY ELEMENT ASSY					
	L4C110	SECONDARY ELEMENT	1				

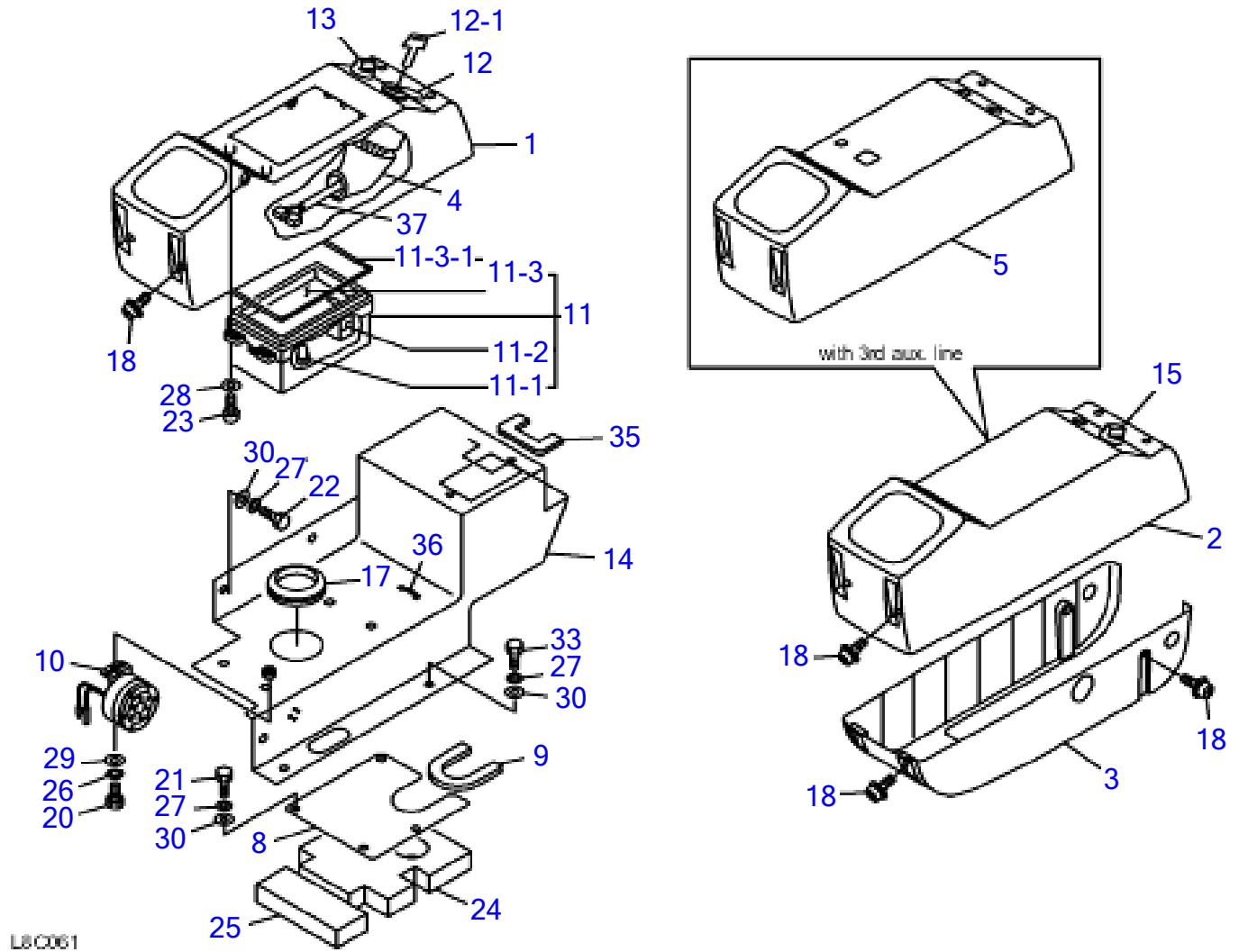


L8C050

S-1/10

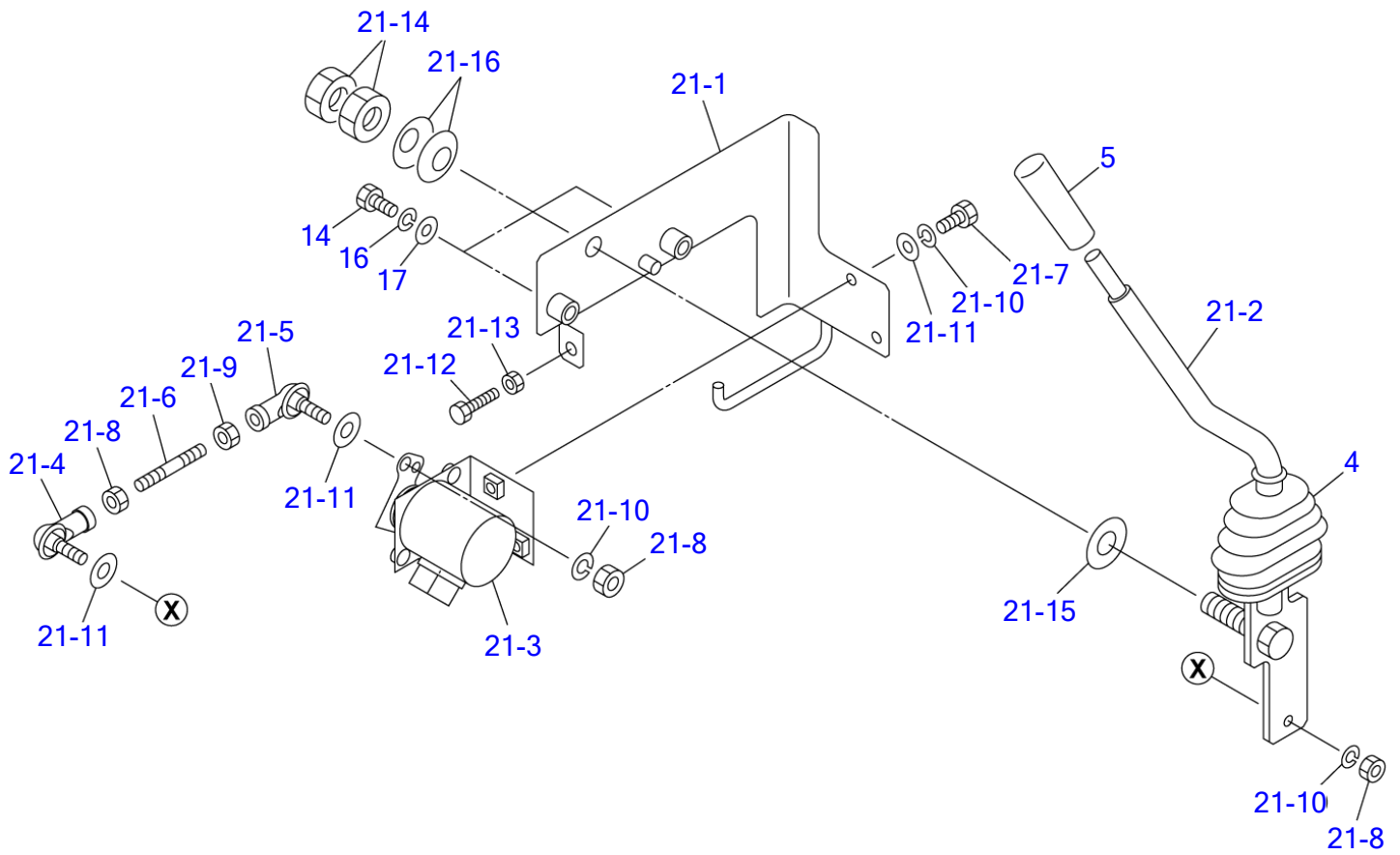
DRAIN PLUG

Item	Part number	Description	Q'ty	Chan.	Serial No.	Serv.	Remarks
1	1554502250	PLUG ASSY, drain PLUG	1				
2	1541400722	WASHER	1				
3	1554512600 L2c031	TUBE	1				



CONTROL BOX

Item	Part number	Description	Q'ty	Chan.	Serial No.	Serv.	Remarks
		BOX ASSY, control					
1	0334326150	COVER (R.H.)	1				
2	0334327150	COVER (L.H.)	1				
3	0334327250	COVER (L.H.)	1				
4	0870431821	COVER	1				
5	0374304100	COVER LH	1				
8	0564335050	PLATE	1				
9	1653916011	TRIM	1				sold by the meter
10	1703700010	BUZZER	1				
11	1730141330	GAUGE, cluster	1				
	1730142160	GAUGE CLUSTER	1				
11-1	1730140634	• BULB	10				
11-2	1730140652	• METER, hour	1				
11-3	1730140653	• GLASS	1				
11-3-1	1730140654	• • PACKING	1				
12	1700100052	SWITCH, starter	1				
12-1	1700100019	KEY	1				
13	1700000010	SWITCH, lamp	1				
14	0394394110	BOX	1				
15	1700000009	SWITCH, wiper	1				
17	1652060063	BUSHING	1				
18	1110540614	BOLT, sems	10				
20	1100040616	BOLT	1				
21	1100040816	BOLT	4				
22	1100040814	BOLT	3				
23	1120530416	SCREW	4				
24	0564335001	URETHANE	1				
25	0564335002	URETHANE	1				
26	1140020006	WASHER, spring	1				
27	1140020008	WASHER, spring	9				
28	1141110004	WASHER	4				
29	1141110006	WASHER	1				
30	1141110008	WASHER	9				
33	1100040820	BOLT	2				
35	1653916010	TRIM	1				sold by the meter
36	1652201005	BAND	1				
37	0564335070	HARNES, wiring	1				
	L8c061						

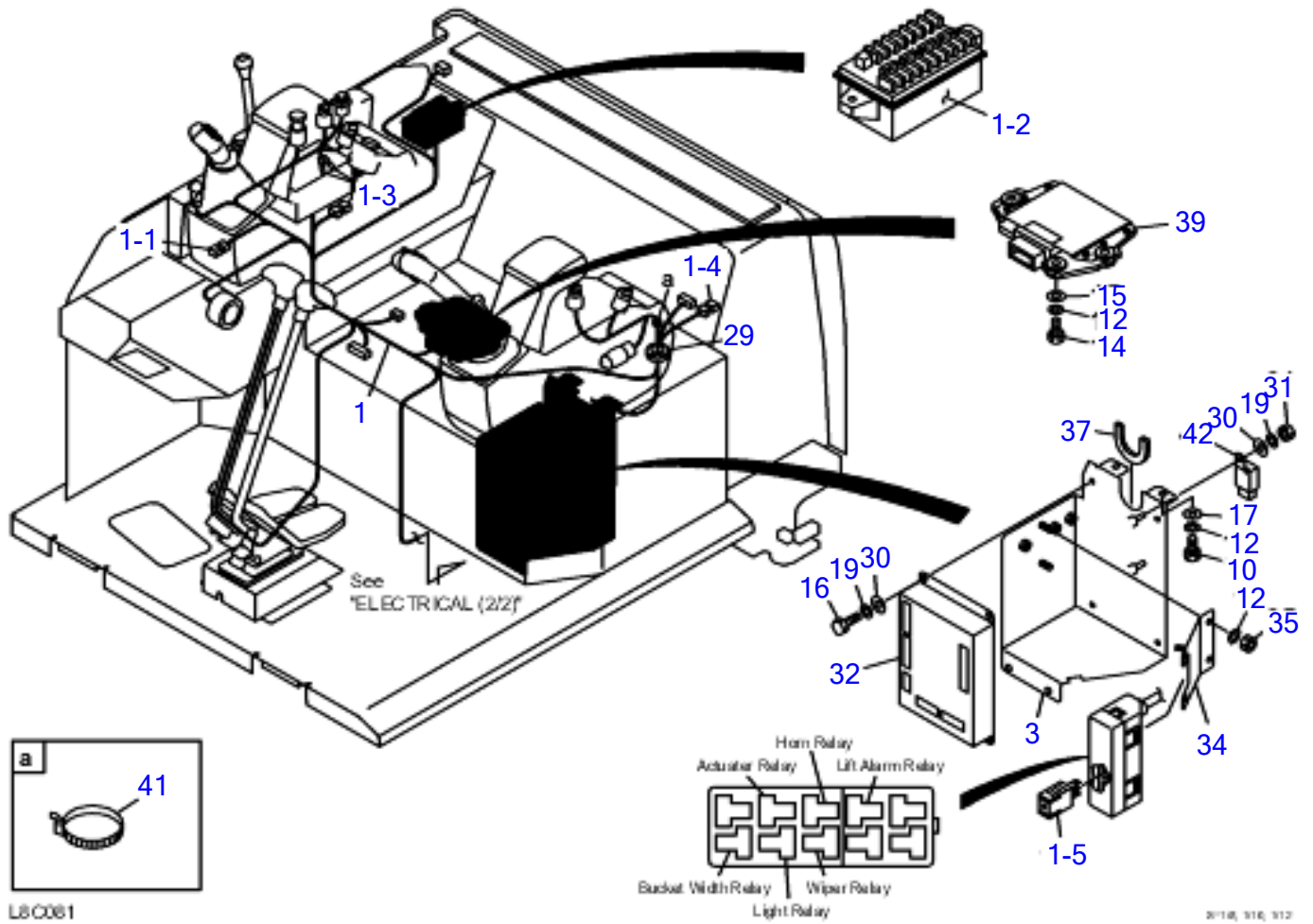


L8C070

S=1/4

ENGINE CONTROL

Item	Part number	Description	Q'ty	Chan.	Serial No.	Serv.	Remarks
		CONTROL ASSY, engine					
4	0334120100	BOOT	1				
5	1650132050	GRIP	1				
14	1100240830	BOLT	2				
16	1140020008	WASHER, spring	2				
17	1141110008	WASHER	2				
21	0564130540	CONTROL ASSY, engine	1				
21-1	0564130510	▪ BRACKET	1				
21-2	0564130520	▪ LEVER	1				
21-3	1910253126	▪ SENSOR, accel.	1				Y129938-77800
21-4	1340010060	▪ END, rod	1				
21-5	1340010065	▪ END, rod	1				
21-6	0005006080	▪ ROD	1		17840001~17840013		
	0005006050	▪ ROD	1		17840014~		
21-7	1100040616	▪ BOLT	2				
21-8	1130040006	▪ NUT	3				
21-9	1131540006	▪ NUT	1				
21-10	1140020006	▪ WASHER, spring	4				
21-11	1141110006	▪ WASHER	4				
21-12	1100240830	▪ BOLT	1				
21-13	1130040008	▪ NUT	1				
21-14	1130040012	▪ NUT	2				
21-15	1141550012	▪ WASHER	1				
21-16	1225110012	▪ WASHER, conical	2				
	L8c070						

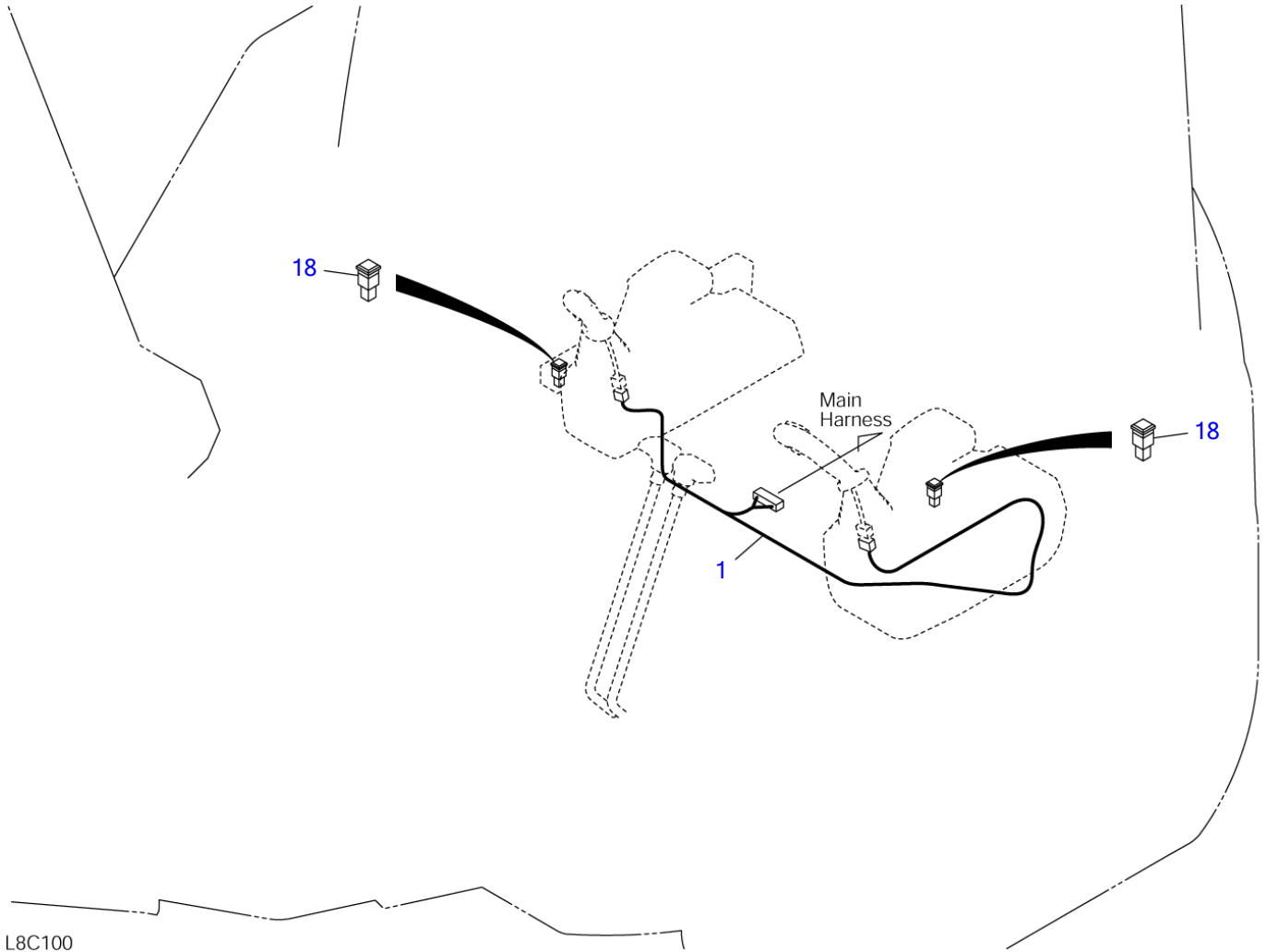


ELECTRICAL (1/2)

Item	Part number	Description	Q'ty	Chan.	Serial No.	Serv.	Remarks
		ELECTRICAL ASSY					
1	0564251020	HARNES ASSY, wiring	1				
1-1		▪ CONNECTOR, short	1				
1-2	1701204920	▪ BOX, fuse	1				
	1701311005	* * FUSE					
	1701311010	* * FUSE					
	1701311015	* * FUSE					
	1701311020	* * FUSE					
	1701311030	* * FUSE					
1-3	1730500023	▪ DIODE	2				
1-4		▪ CAP	1				
1-5	1711900132	* RELAY	6				
3	0564251040	BOX	1				
10	1100040816	BOLT	4				
12	1140020008	WASHER, spring	9				
14	1100040820	BOLT	3				
15	0003608252	WASHER	3				
16	1100040616	BOLT	4				
17	1141110008	WASHER	4				
19	1140020006	WASHER, spring	4				
29	1652022506	GROMMET	1				
30	1141110006	WASHER	4				
32	1730141670	CONTROLLER	1				
34	0564243910	BRACKET	1				
35	1130040008	NUT	2				
37	1653916011	TRIM	1				sold by the meter
39	1910046127	ECU	1				
	1910263127	ECU	1				
41	1652214300	BAND	1				
42	1910245135	RELAY	1				
	L8c081						

ELECTRICAL (2/2)

Item	Part number	Description	Q'ty	Chan.	Serial No.	Serv.	Remarks
		ELECTRICAL ASSY					
1	0564251020	HARNESS ASSY, wiring	1				
1-3	1730500023	• DIODE	5				
1-5	1701330045	• LINK, fusible	2				45A
2	0564251030	HARNESS ASSY, wiring	1				
8	1711900076	CLAMP	2				
9	1703500712	HORN	1				
10	1100040816	BOLT	2				
11	1100041016	BOLT	2				
12	1140020008	WASHER, spring	3				
13	1140020010	WASHER, spring	2				
17	1141110008	WASHER	3				
18	1140330008	WASHER	1				
20	0564243560	HARNESS, wiring	1				
21	1652001002	GROMMET	1				
22	0564243550	HARNESS, wiring	1				
23	1652201008	BAND	5				
24	0564243930	WIRE	1				
25	0394210350	WIRE	1				
26	0394216980	SPRING	2				
27	0394216800	ANGLE	1				
28	1711900076	CLAMP	3				
36	0564243580	BRACKET	1				
35	1130040008	NUT	1				
43	1652201005	BAND	2				
44	1652200010	BAND	2				
	L8c091						



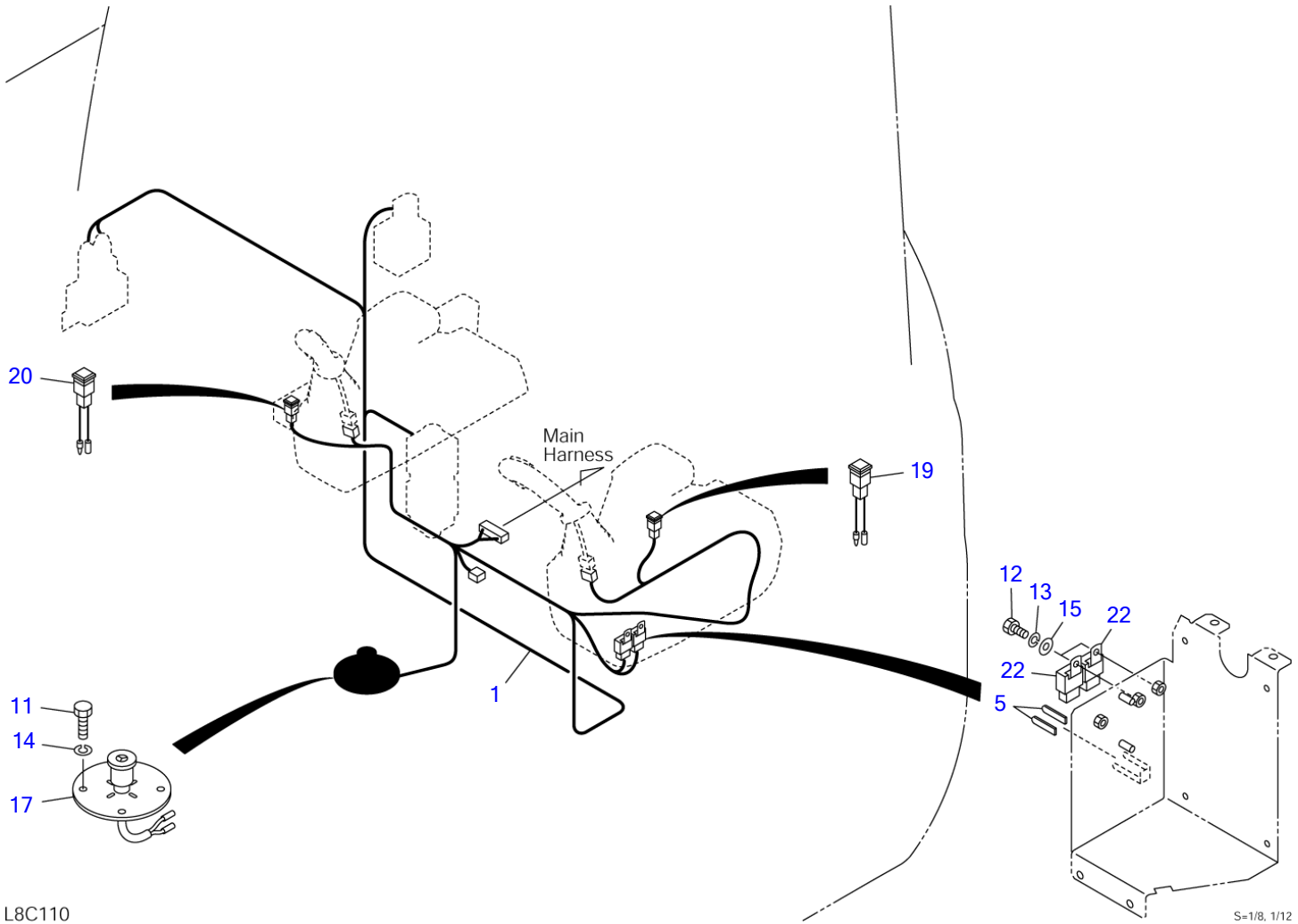
L8C100

S-1/8, 1/12

ELECTRICAL (with 1st auxiliary lines)

Item	Part number	Description	Q'ty	Chan.	Serial No.	Serv.	Remarks
		ELECTRICAL ASSY					
1	0564251510	HARNES ASSY, wiring	1				
18	1700550024	ORNAMENT	2				
	L8c101						

TB180FR Book No. BL8Z001 S/N 17840001-
ELECTRICAL (with 1st, 2nd, 3rd & 4th auxiliary lines)



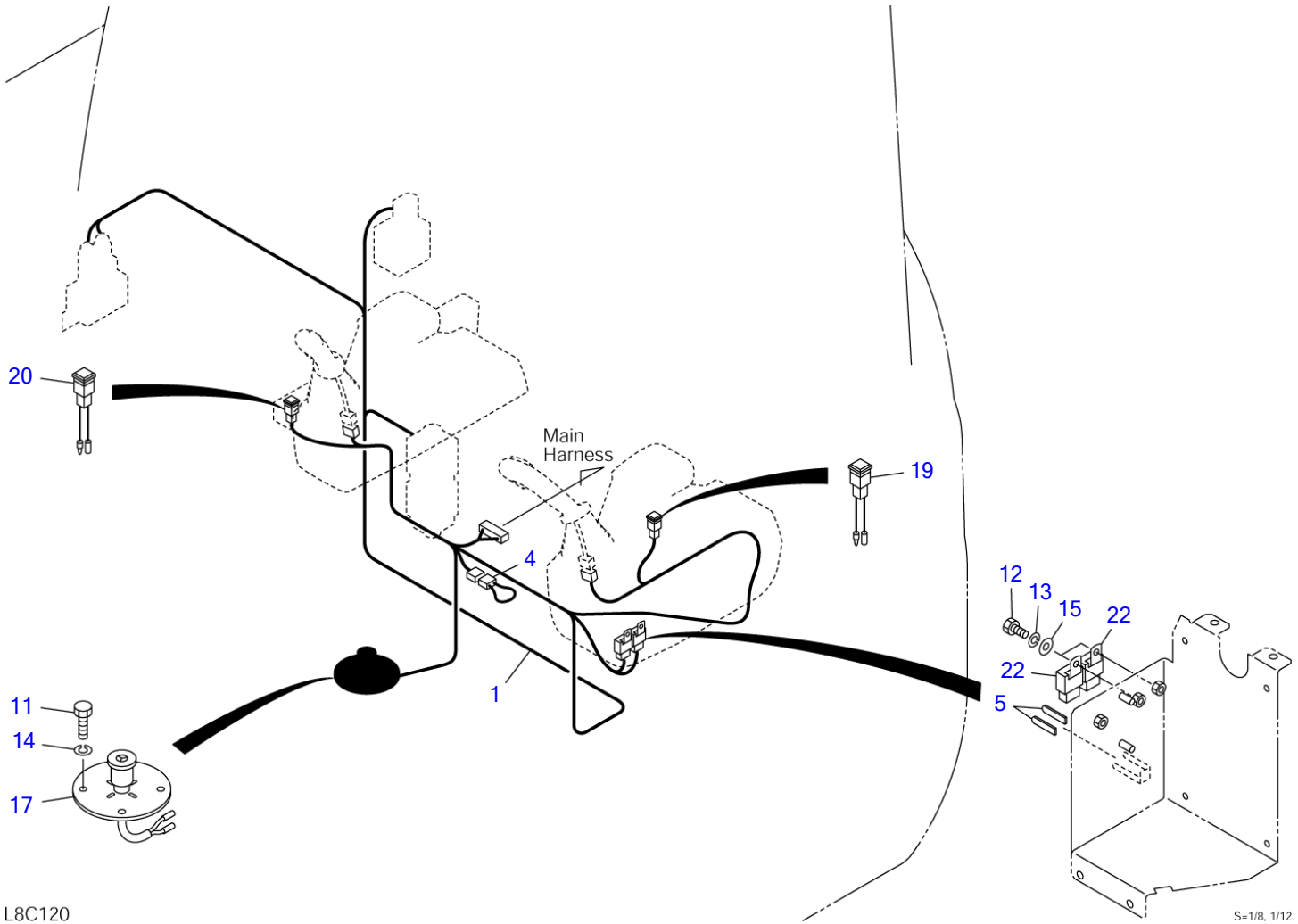
L8C110

S-1/8, 1/12

ELECTRICAL (with 1st, 2nd, 3rd & 4th auxiliary lines)

Item	Part number	Description	Q'ty	Chan.	Serial No.	Serv.	Remarks
		ELECTRICAL ASSY					
1	0564251560	HARNESS ASSY, wiring	1				
5	0872433150	TUBE	2				
11	1100040820	BOLT	4				
12	1100040616	BOLT	2				
13	1140020006	WASHER, spring	2				
14	1140020008	WASHER, spring	4				
15	1141110006	WASHER	2				
17	1700100064	SWITCH, foot	1				
19	1700550032	LAMP, pilot	1				
20	1700550035	LAMP, pilot	1				
22	1711900123	RELAY	2				
	L8c111						

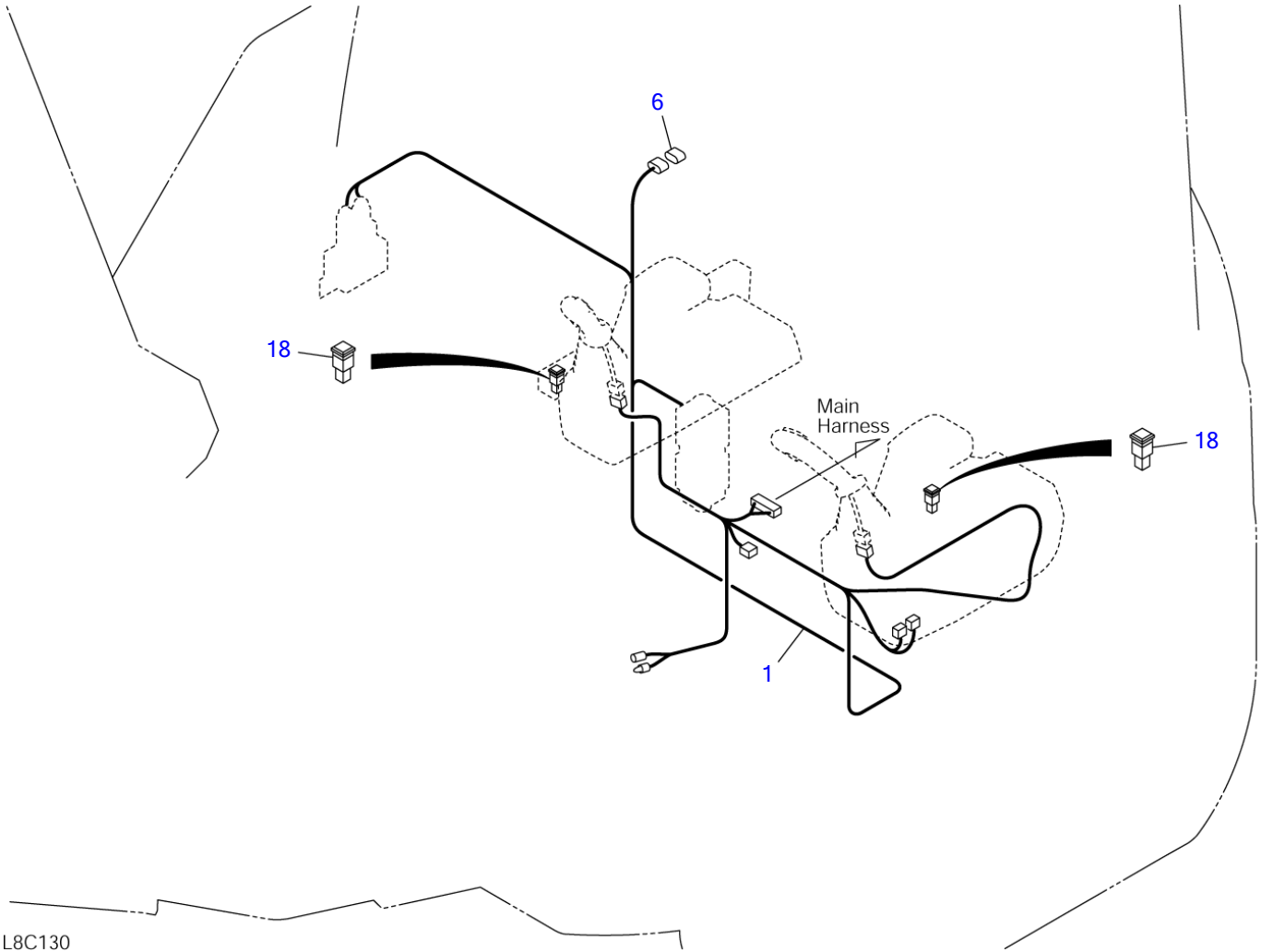
TB180FR Book No. BL8Z001 S/N 17840001-
ELECTRICAL (with 1st, 2nd, high pressure 3rd & 4th auxiliary lines)



ELECTRICAL (with 1st, 2nd, high pressure 3rd & 4th auxiliary lines)

Item	Part number	Description	Q'ty	Chan.	Serial No.	Serv.	Remarks
		ELECTRICAL ASSY					
1	0564251560	HARNES ASSY, wiring	1				
4	0334230400	CONNECTOR, short	1				
5	0872433150	TUBE	2				
11	1100040820	BOLT	4				
12	1100040616	BOLT	2				
13	1140020006	WASHER, spring	2				
14	1140020008	WASHER, spring	4				
15	1141110006	WASHER	2				
17	1700100064	SWITCH, foot	1				
19	1700550032	LAMP, pilot	1				
20	1700550035	LAMP, pilot	1				
22	1711900123	RELAY	2				
	L8c121						

TB180FR Book No. BL8Z001 S/N 17840001-
ELECTRICAL (with 1st & 2nd auxiliary lines)



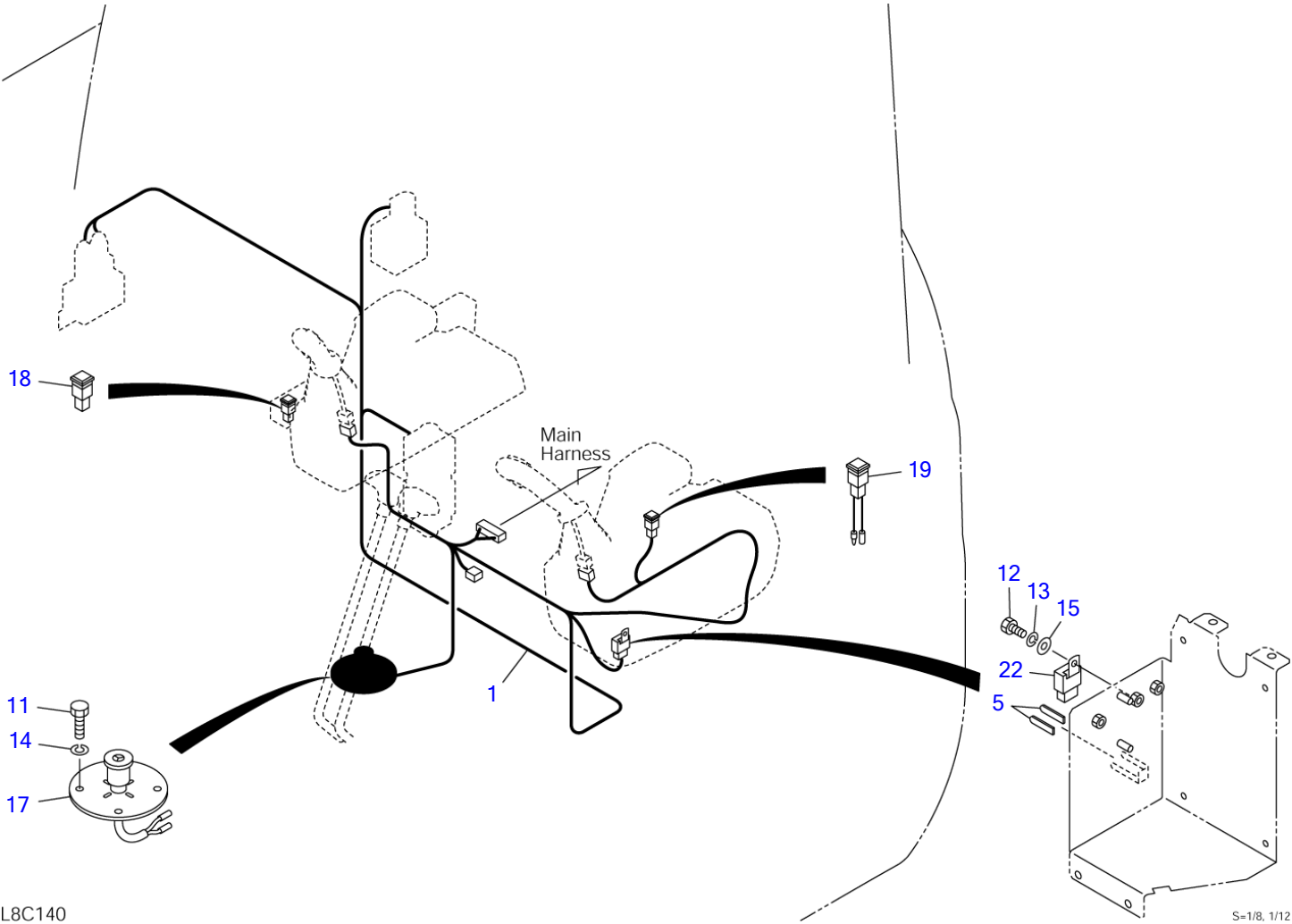
L8C130

S=1/8, 1/12

ELECTRICAL (with 1st & 2nd auxiliary lines)

Item	Part number	Description	Q'ty	Chan.	Serial No.	Serv.	Remarks
		ELECTRICAL ASSY					
1	0564251560	HARNES ASSY, wiring	1				
6	0564243920	CONNECTOR, short	1				
18	1700550024	ORNAMENT	2				
	L8c131						

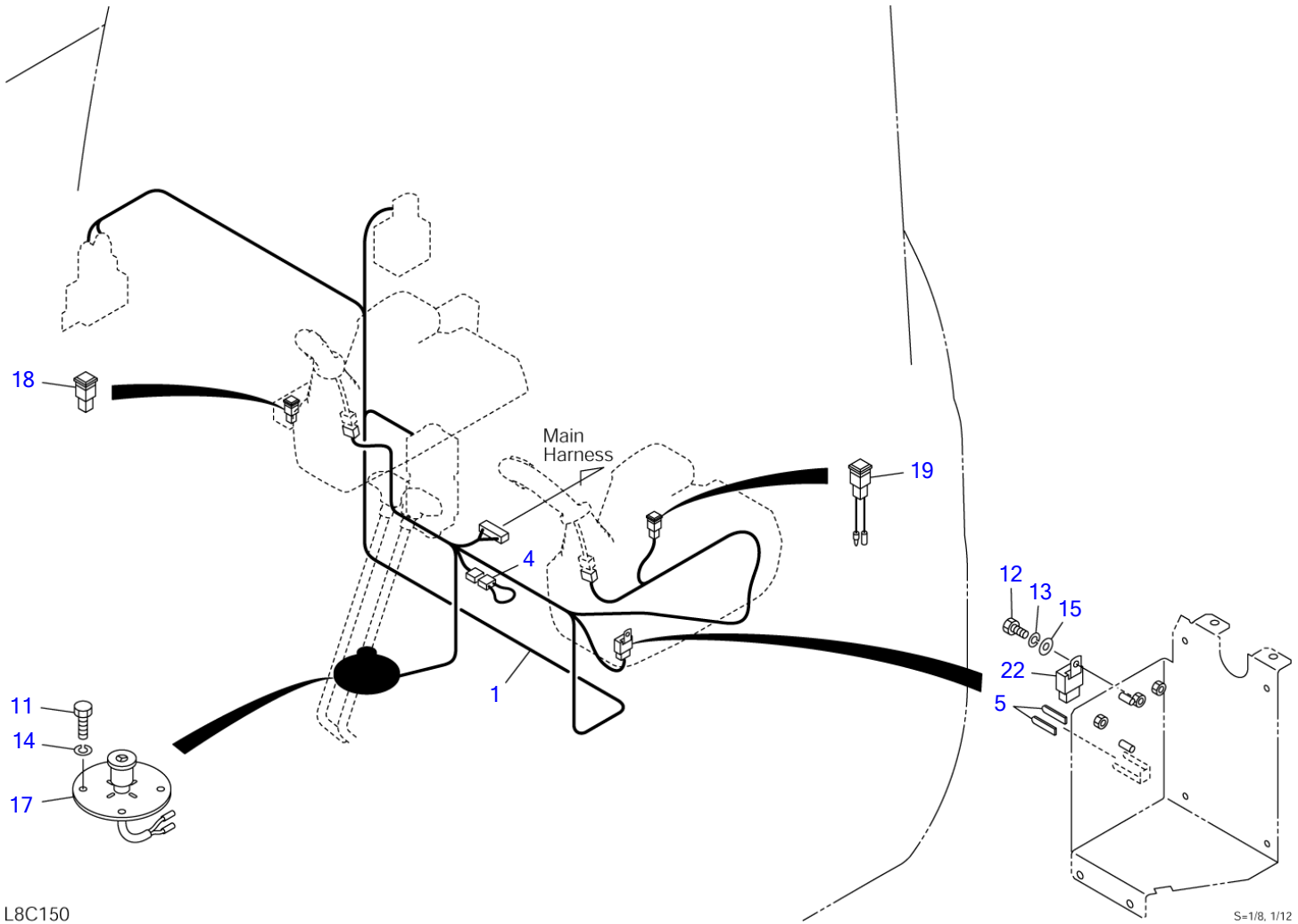
TB180FR Book No. BL8Z001 S/N 17840001-
ELECTRICAL (with 1st, 2nd & 3rd auxiliary lines)



ELECTRICAL (with 1st, 2nd & 3rd auxiliary lines)

Item	Part number	Description	Q'ty	Chan.	Serial No.	Serv.	Remarks
		ELECTRICAL ASSY					
1	0564251560	HARNESS ASSY, wiring	1				
5	0872433150	TUBE	2				
11	1100040820	BOLT	4				
12	1100040616	BOLT	2				
13	1140020006	WASHER, spring	2				
14	1140020008	WASHER, spring	4				
15	1141110006	WASHER	2				
17	1700100064	SWITCH, foot	1				
18	1700550024	ORNAMENT	1				
19	1700550032	LAMP, pilot	1				
22	1711900123	RELAY	1				
	L8c141						

TB180FR Book No. BL8Z001 S/N 17840001-
ELECTRICAL (with 1st, 2nd & high pressure 3rd auxiliary lines)

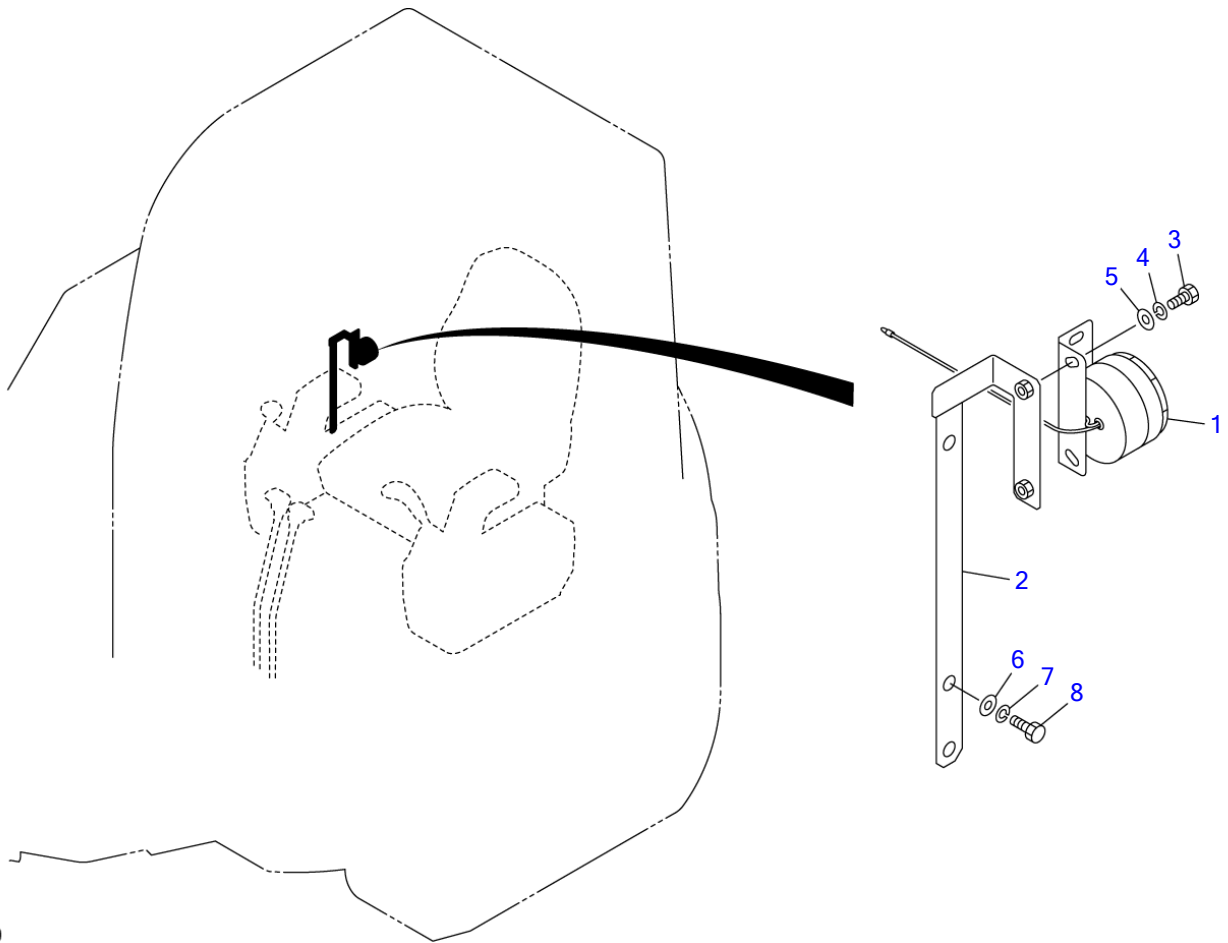


L8C150

S-1/8, 1/12

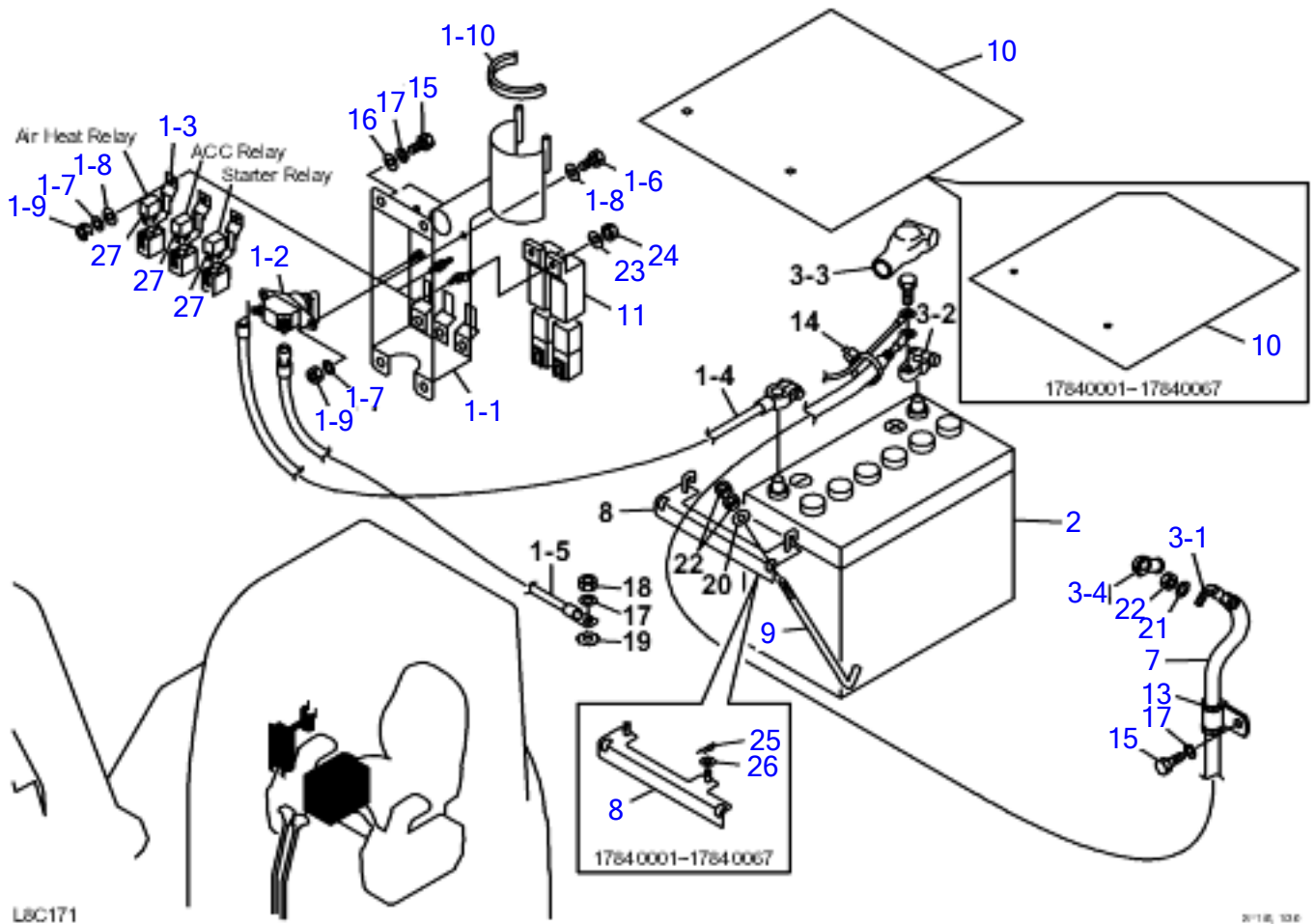
ELECTRICAL (with 1st, 2nd & high pressure 3rd auxiliary lines)

Item	Part number	Description	Q'ty	Chan.	Serial No.	Serv.	Remarks
		ELECTRICAL ASSY					
1	0564251560	HARNES ASSY, wiring	1				
4	0334230400	CONNECTOR, short	1				
5	0872433150	TUBE	2				
11	1100040820	BOLT	4				
12	1100040616	BOLT	2				
13	1140020006	WASHER, spring	2				
14	1140020008	WASHER, spring	4				
15	1141110006	WASHER	2				
17	1700100064	SWITCH, foot	1				
18	1700550024	ORNAMENT	1				
19	1700550032	LAMP, pilot	1				
22	1711900123	RELAY	1				
	L8c151						

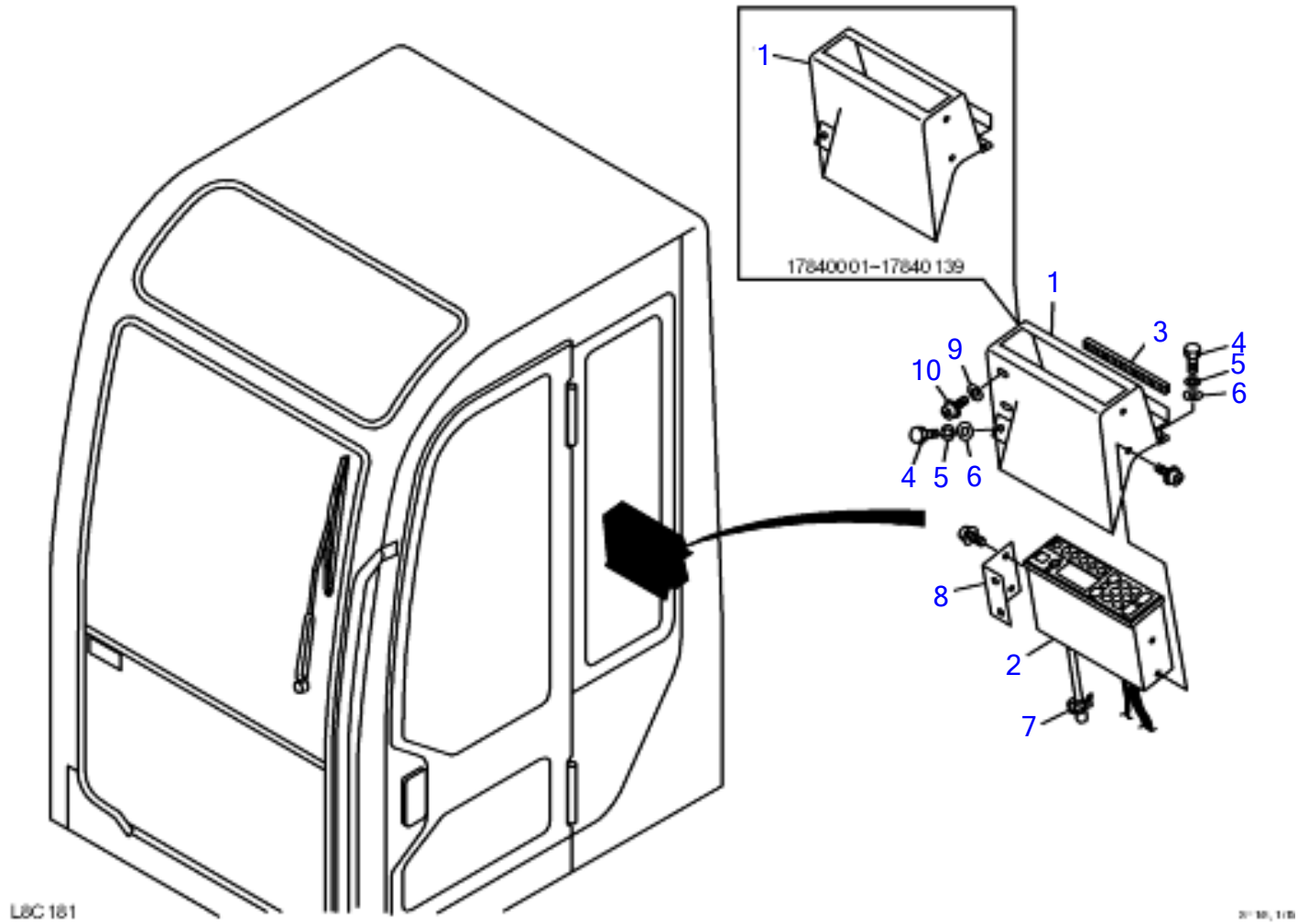


TRAVEL ALARM

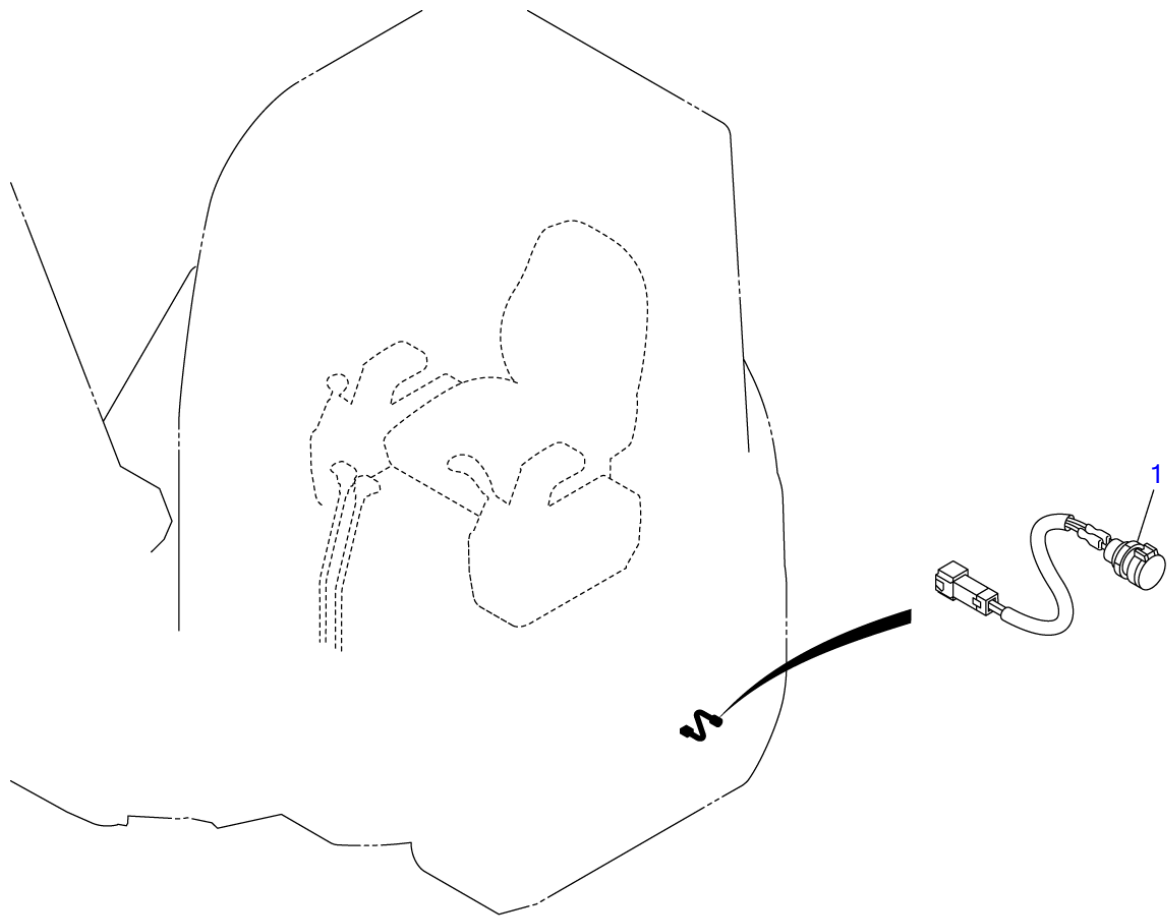
Item	Part number	Description	Q'ty	Chan.	Serial No.	Serv.	Remarks
		ALAME ASSY, travel					
1	1703700013	BUZZER	1				
2	0564247720	BRACKET	1				
3	1100040614	BOLT	2				
4	1140020006	WASHER, spring	2				
5	1141110006	WASHER	2				
6	1141110008	WASHER	2				
7	1140020008	WASHER, spring	2				
8	1100040825	BOLT	2				
	L8c160						



Item	Part number	Description	BATTERY		Serial No.	Serv.	Remarks
			Q'ty	Chan.			
		BATTERY ASSY					
1	0564427300	BOX ASSY, relay	1				
1-1	0564427310	• BOX	1				
1-2	1700100051	• SWITCH, battery	1				
1-3	1910245130	• BRACKET	3				Y129927-77910
1-4	1702230050	• CABLE, earth	1				
1-5	1702531055	• CABLE, earth	1				
1-6	1100040612	• BOLT	2				
1-7	1140020006	• WASHER, spring	5				
1-8	1141110006	• WASHER	5				
1-9	1130040006	• NUT	5				
1-10	1654601013	• TRIM	1				sold by the meter
2	1702051531	BATTERY	1				
3	0564427350	CABLE, battery	1				
3-1	0564427320	* BATTERY CABLE	1				
3-2	1702330000	* TERMINAL	1				
3-3	1702920060	* COVER	1				
3-4	1702901283	* CAP	1				
7	1531325150	PROTECTOR	1				
8	0564427330	CLAMP	1		17840001~17840067		
	0564427250	CLAMP	1	(H)	17840068~		
9	1702108245	BOLT	2				
10	0564427340	SHEET	1		17840001~17840067		
	0564427240	SHEET	1	(H)	17840068~		
11	1700100038	COVER	2				
13	1711900072	CLAMP	1				
14	1652231140	BAND	1				
15	1100041020	BOLT	5				
16	1141110010	WASHER	4				
17	1140020010	WASHER, spring	6				
18	1130040010	NUT	1				
19	1140330010	WASHER	1				
20	1141110008	WASHER	2				
21	1140020008	WASHER, spring	1				
22	1130040008	NUT	5				
23	1141110006	WASHER	2				
24	1130040006	NUT	2				
25	1214010006	PIN, snap	2		17840001~17840067		
26	0003600110	WASHER	2		17840001~17840067		
27	1910245125	RELAY	3				Y129927-77920
	L8c171						



RADIO							
Item	Part number	Description	Q'ty	Chan.	Serial No.	Serv.	Remarks
		RADIO ASSY (America)					
1	0394716210	COVER	1		17840001~17840139		
	0394716220	COVER	1	(H)	17840140~		
2	1705004670	CASSETTE STEREO (America)	1				
3	1653917005	TRIM	1				sold by the meter
4	1100040616	SCREW	3				
5	1140020006	SPRING WASHER	3				
6	1141110006	WASHER	3				
7	1652231100	BAND	1				
8	0394716230	PLATE	1		17840140~		
9	0003606202	WASHER	2		17840140~		
10	1150110614	SCREW	2		17840140~		
	L8c181						

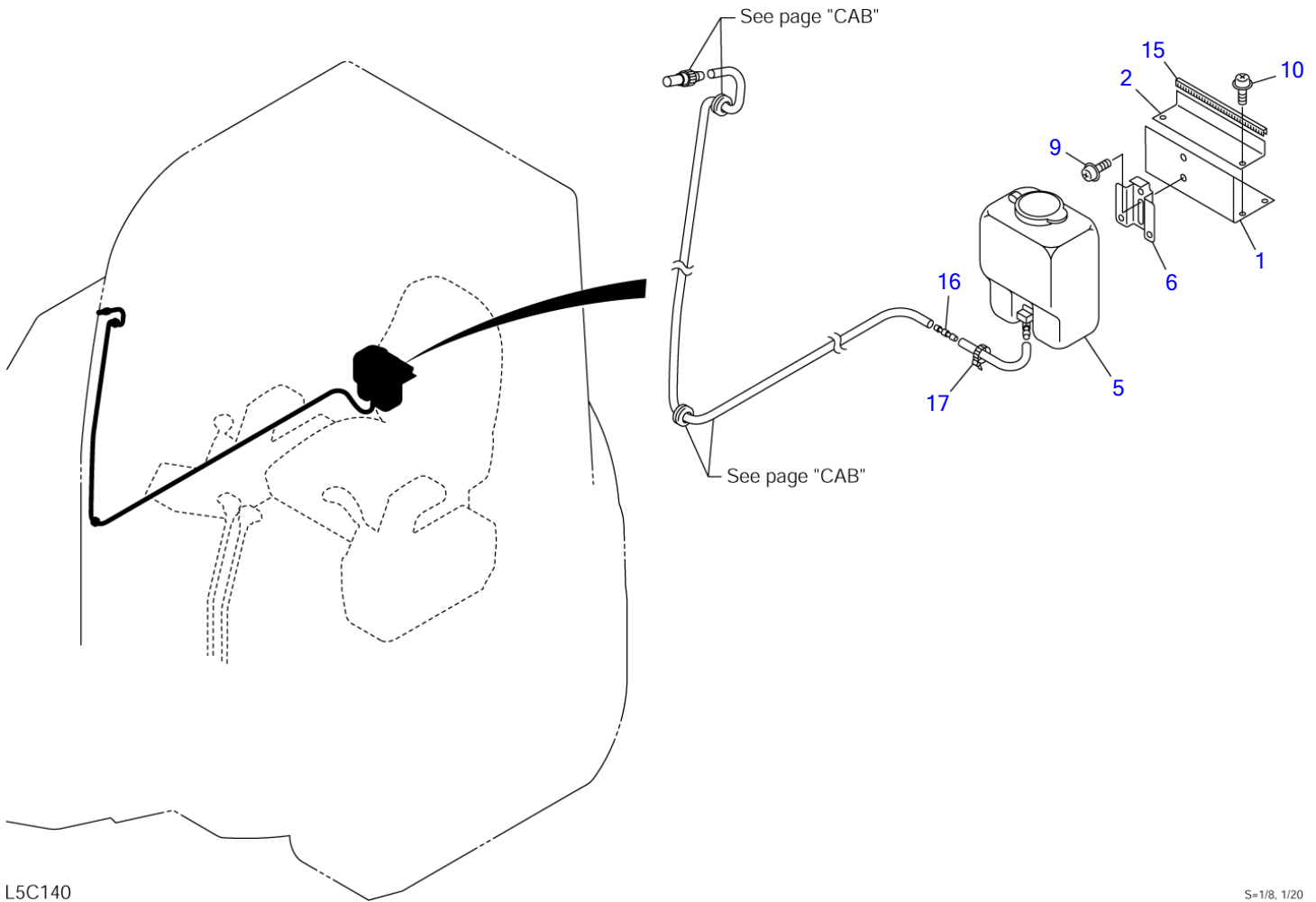


J2C110

S=1/5, 1/20

MAINTENANCE LIGHT SOCKET

Item	Part number	Description	Q'ty	Chan.	Serial No.	Serv.	Remarks
1	0394203100 G4c120	SOCKET ASSY, maintenance light SOCKET ASSY	1				



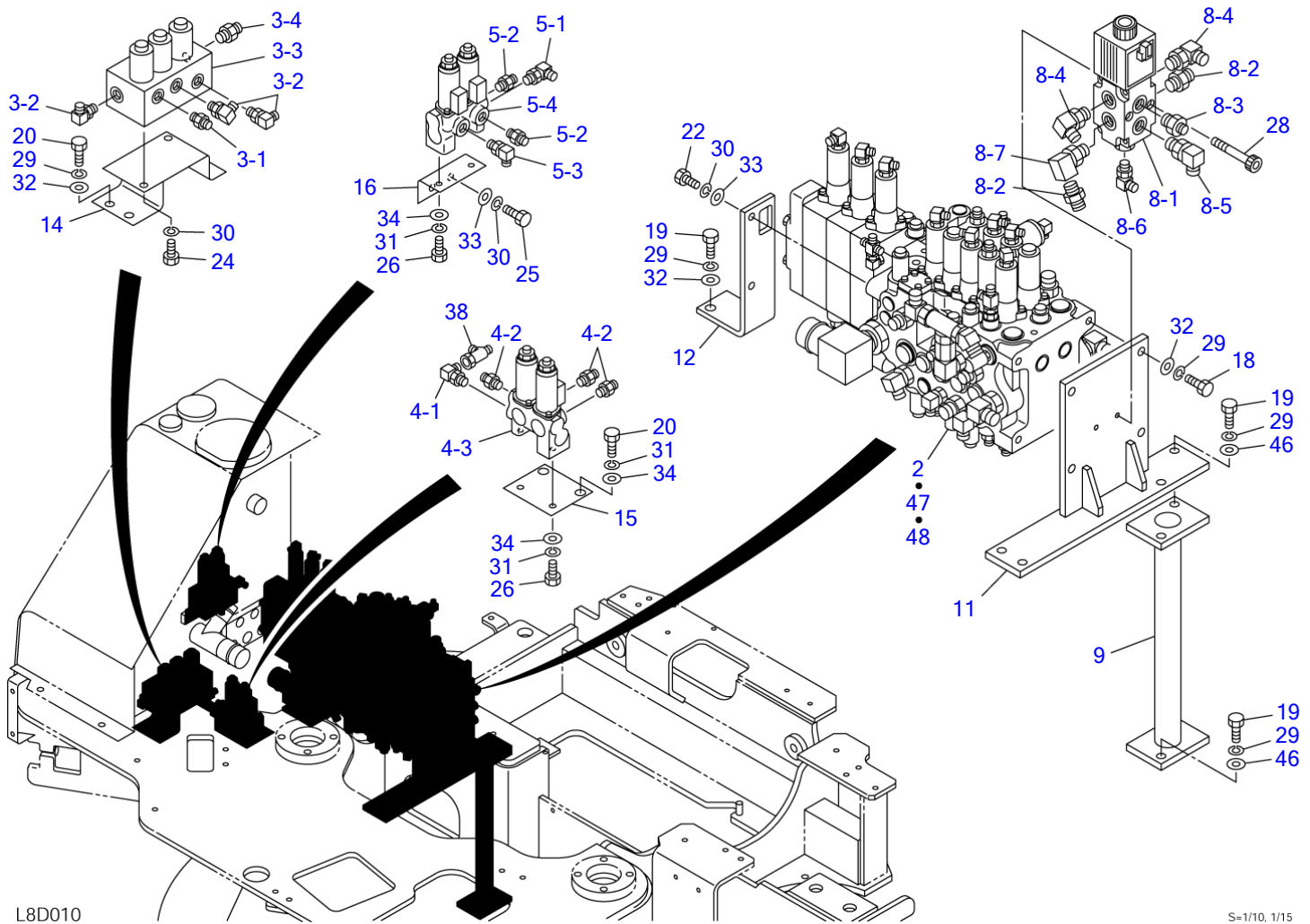
L5C140

S=1/8, 1/20

WINDOW WASHER

Item	Part number	Description	Q'ty	Chan.	Serial No.	Serv.	Remarks
		WASHER ASSY, window					
1	0568903100	PLATE	1				
2	0568903200	PLATE	1				
5	1711910101	TANK	1				
6	1711910062	BRACKET	1				
9	1150410612	SCREW	2				
10	1150120616	SCREW	4				
15	1653917011	TRIM	1				sold by the meter
16	1711910080	VALVE, check	1				
17	1652231250	BAND	1				
	L5c140						

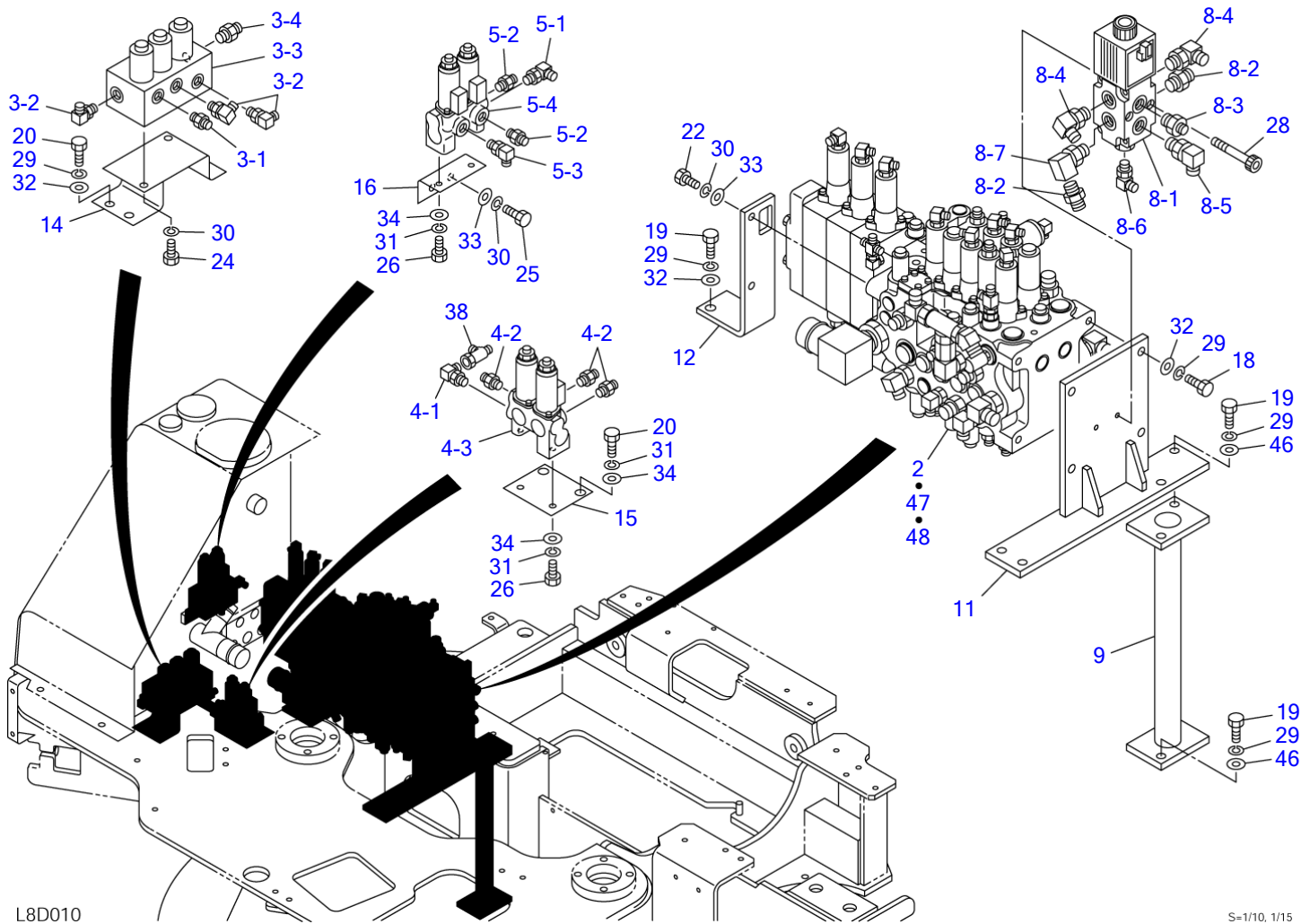
TB180FR Book No. BL8Z001 S/N 17840001-
VALVE & ACCESSORIES (1/3)



VALVE & ACCESSORIES (1/3)

Item	Part number	Description	Q'ty	Chan.	Serial No.	Serv.	Remarks
		VALVE ASSY					
		VALVE ASSY (with 2nd aux. lines)					
		VALVE ASSY (with 2nd & 3rd aux. lines)					
		VALVE ASSY (with 2nd, 3rd & 4th aux. lines)					
		VALVE ASSY (with 2nd & high press. 3rd aux. lines)					
		VALVE ASSY (with 2nd, high press. 3rd & 4th aux. lines)					
		VALVE ASSY (for US)					
2	X *****	VALVE ASSY, control	1				
	X *****	VALVE ASSY, control (with 2nd aux. lines)	1				
	X *****	VALVE ASSY, control (with 2nd & 3rd aux. lines)	1				
3	X *****	VALVE ASSY, solenoid	1				
3-1	1515600200	· ADAPTOR	1				
	1420010110	· · O-RING	1				
3-2	1515012040	· ELBOW	3				
	1420010110	· · O-RING	1				
3-3	1901748800	· VALVE, solenoid	1				
3-4	1515600577	· ADAPTOR	1				
	1420010180	· · O-RING	1				
4	X *****	VALVE ASSY, solenoid	1				
4-1	1512375004	· ELBOW	1				
	1420010110	· · O-RING	1				
4-2	1515600200	· ADAPTOR	3				
	1420010110	· · O-RING	1				
4-3	1901752100	· VALVE, solenoid	1				
5	X *****	VALVE ASSY, solenoid (with 2nd aux. lines)	1				
5-1	1512375004	· ELBOW	1				
	1420010110	· · O-RING	1				
5-2	1515600200	· ADAPTOR	2				
	1420010110	· · O-RING	1				
5-3	1515012040	· ELBOW	1				
	1420010110	· · O-RING	1				
5-4	1901752100	· VALVE, solenoid	1				
8	X *****	VALVE ASSY, solenoid (with 4th aux. lines)	1				
8-1	1901749100	· VALVE, solenoid	1				
8-2	1515600202	· ADAPTOR	2				
	1420010180	· · O-RING	1				
8-3	1515600577	· ADAPTOR	1				
	1420010180	· · O-RING	1				
8-4	1515010042	· ELBOW	2				
	1420010180	· · O-RING	1				
8-5	1515010051	· ELBOW	1				
	1420010180	· · O-RING	1				
8-6	1515012040	· ELBOW	1				
	1420010110	· · O-RING	1				
8-7	1513300016	· ELBOW	1				
	1420010180	· · O-RING	1				
9	0565050090	POLE	1				
11	0565050110	BRACKET (L.H.)	1				
12	0565050120	BRACKET (R.H.)	1				
14	0565050140	BRACKET	1				
15	0565050150	PLATE	1				
16	0565050160	BRACKET	1				with 2nd aux. lines
18	1100041235	BOLT	4				
19	1101041230	BOLT	8				
20	1101041220	BOLT	5				
22	1100041030	BOLT	2				
24	1100041020	BOLT	2				
25	1100041016	BOLT	2				with 2nd aux. lines
26	1100040816	BOLT	4				
28	1110040865	SCREW, cap	2				with 4th aux. lines

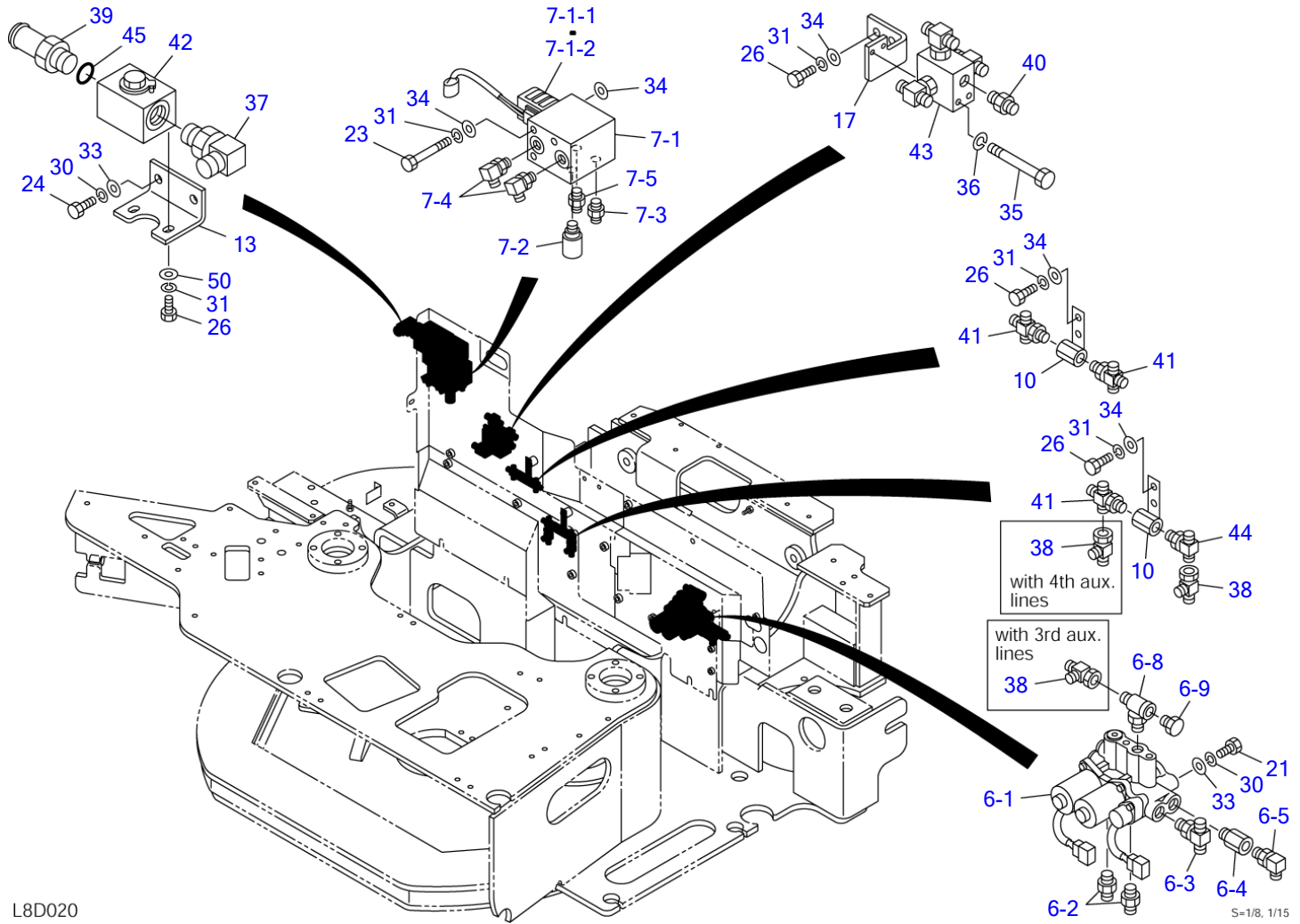
TB180FR Book No. BL8Z001 S/N 17840001-
VALVE & ACCESSORIES (1/3)



VALVE & ACCESSORIES (1/3)

Item	Part number	Description	Q'ty	Chan.	Serial No.	Serv.	Remarks
29	1140020012	WASHER, spring	15				
30	1140020010	WASHER, spring	2				
31	1140020008	WASHER, spring	7				
32	1141110012	WASHER	9				
33	1141110010	WASHER	4				
34	1141110008	WASHER	6				
38	1513390015	TEE	1				with 2nd aux. lines
46	1141550012	WASHER	6				
47	X *****_*****	VALVE ASSY, control (with high press. 3rd aux. lines)	1				
48	X *****_***** L8d010	VALVE ASSY, control (for US)	1				

TB180FR Book No. BL8Z001 S/N 17840001-
VALVE & ACCESSORIES (2/3)



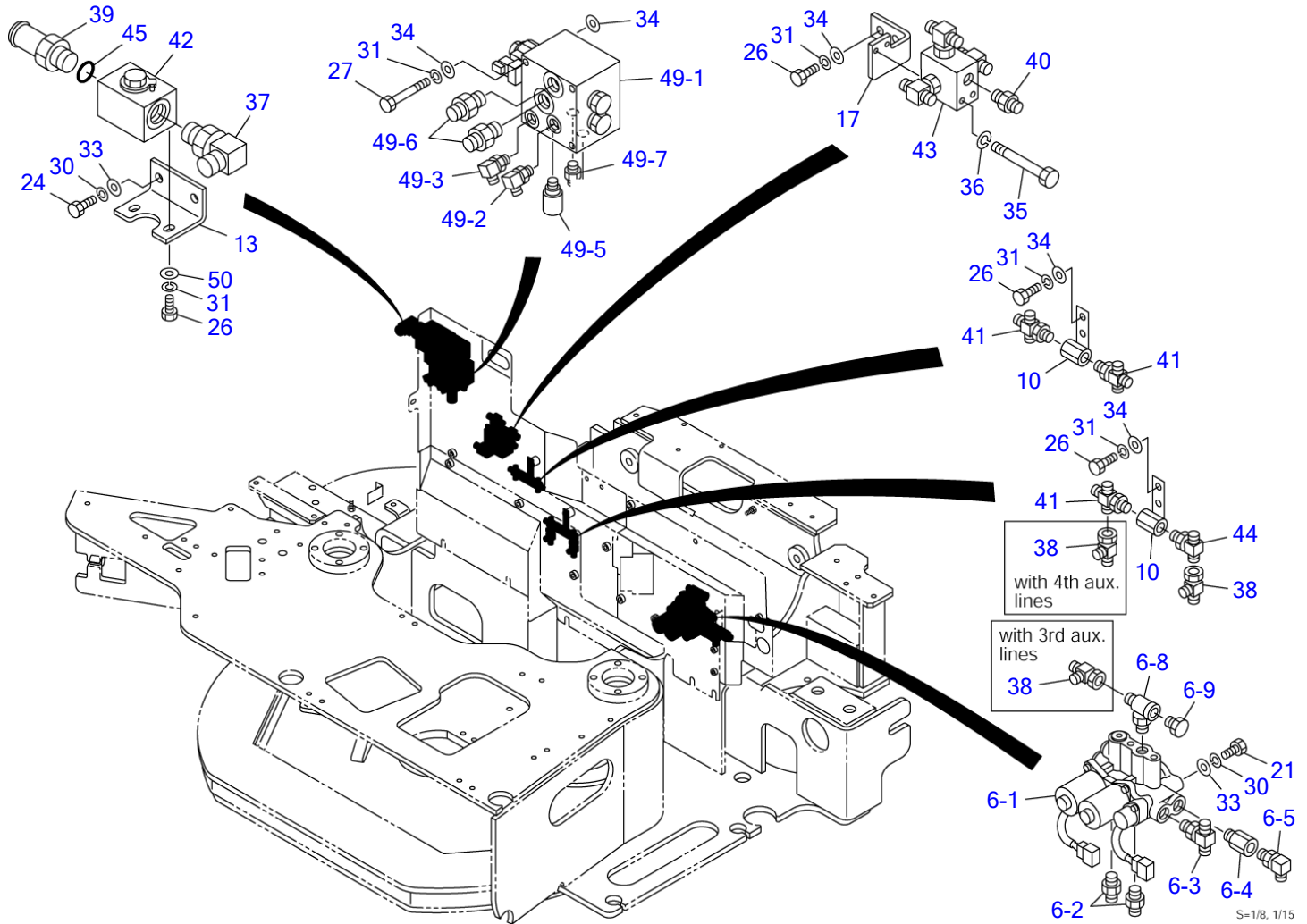
L8D020

S-1/8, 1/15

VALVE & ACCESSORIES (2/3)

Item	Part number	Description	Q'ty	Chan.	Serial No.	Serv.	Remarks
		VALVE ASSY					
		VALVE ASSY (with 2nd aux. lines)					
		VALVE ASSY (with 2nd & 3rd aux. lines)					
		VALVE ASSY (with 2nd, 3rd & 4th aux. lines)					
		VALVE ASSY (for US)					
6	X *****_*****	VALVE ASSY, solenoid	1				
6-1	1901748900	• VALVE, solenoid	1				
	1420010140	• • O-RING	1				
6-2	1515600200	• ADAPTOR	2				
	1420010110	• • O-RING	1				
6-3	1512374003	• ADAPTOR	1				
	1420010140	• • O-RING	1				
6-4	1513370046	• ADAPTOR (with filter)	1				
	1420010110	• • O-RING	1				
6-5	1515010130	• ELBOW	1				
	1420010110	• • O-RING	1				
6-8	1513390029	• TEE	1				
	1420010110	• • O-RING	1				
6-9	1501750002	• PLUG	1				
	1420010110	• • O-RING	1				
7	X *****_*****	VALVE ASSY, solenoid (with 3rd aux. lines)	1				
7-1	1901750700	• VALVE, solenoid	1				
7-1-1	1901741402	• • SOLENOID	1				
7-1-2	1901750703	• • COIL	1				
7-2	1700100065	• SWITCH, pressure	1				
	1420010110	• • O-RING	1				
7-3	1515600200	• ADAPTOR	1				
	1420010110	• • O-RING	1				
7-4	1515012040	• ELBOW	2				
	1420010110	• • O-RING	1				
7-5	1512370008	• ADAPTOR (with filter)	1				
	1420010110	• • O-RING	1				
10	0565032710	BUSHING	2				
13	0565050130	PLATE	1				
17	0565050170	PLATE	1				
21	1100041040	BOLT	2				
23	1100040875	BOLT	3				with 3rd aux. lines
24	1100041020	BOLT	2				
26	1100040816	BOLT	6				
30	1140020010	WASHER, spring	4				
31	1140020008	WASHER, spring	9				
33	1141110010	WASHER	4				
34	1141110008	WASHER	10				
35	1100040660	BOLT	2				
36	1140020006	WASHER, spring	2				
37	1515010043	ELBOW	1				
	1420010240	• O-RING	1				
38	1513390015	TEE	3				
39	0007223005	ADAPTOR	1				
40	1515600200	ADAPTOR	1				
	1420010110	• O-RING	1				
41	1513390027	CROSS	3				
	1420010110	• O-RING	1				
42	1901723700	VALVE, stop	1				
43	1901721800	VALVE, shuttle	1				
44	1512370010	ADAPTOR	1				
	1420010110	• O-RING	1				
45	1420010240	O-RING	1				
50	0003608252	WASHER	2				
	L8d020						

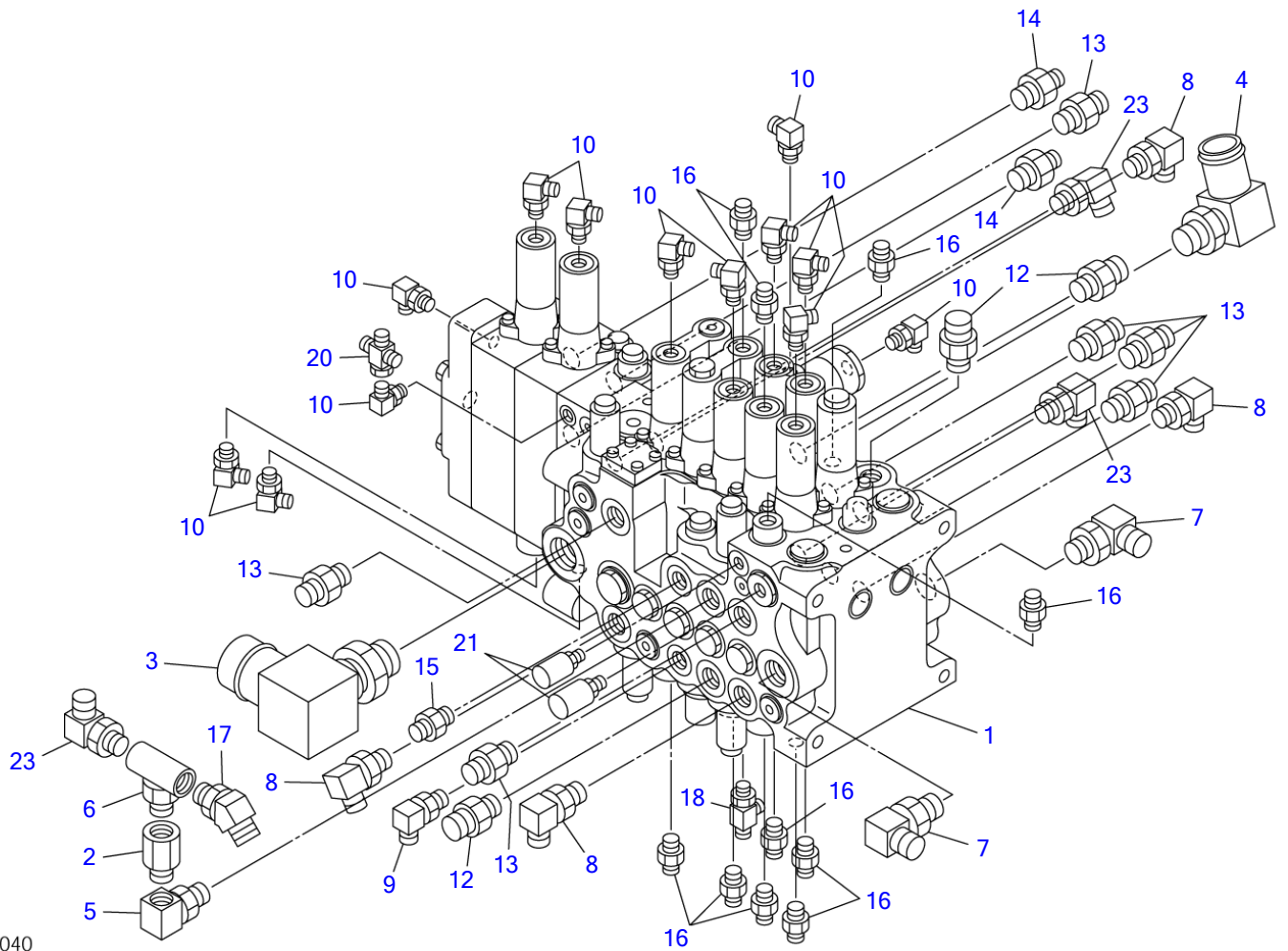
TB180FR Book No. BL8Z001 S/N 17840001-
VALVE & ACCESSORIES (2/3) (with high pressure 3rd auxiliary lines)



VALVE & ACCESSORIES (2/3) (with high pressure 3rd auxiliary lines)

Item	Part number	Description	Q'ty	Chan.	Serial No.	Serv.	Remarks
		VALVE ASSY (with 2nd & high press. 3rd aux. lines)					
		VALVE ASSY (with 2nd, high press. 3rd & 4th aux. lines)					
6	X *****_*****	VALVE ASSY, solenoid	1				
6-1	1901748900	• VALVE, solenoid	1				
	1420010140	• • O-RING	1				
6-2	1515600200	• ADAPTOR	2				
	1420010110	• • O-RING	1				
6-3	1512374003	• ADAPTOR	1				
	1420010140	• • O-RING	1				
6-4	1513370046	• ADAPTOR (with filter)	1				
	1420010110	• • O-RING	1				
6-5	1515010130	• ELBOW	1				
	1420010110	• • O-RING	1				
6-8	1513390029	• TEE	1				
	1420010110	• • O-RING	1				
6-9	1501750002	• PLUG	1				
	1420010110	• • O-RING	1				
10	0565032710	BUSHING	2				
13	0565050130	PLATE	1				
17	0565050170	PLATE	1				
21	1100041040	BOLT	2				
24	1100041020	BOLT	2				
26	1100040816	BOLT	6				
27	1100040885	BOLT	3				
30	1140020010	WASHER, spring	4				
31	1140020008	WASHER, spring	9				
33	1141110010	WASHER	4				
34	1141110008	WASHER	10				
35	1100040660	BOLT	2				
36	1140020006	WASHER, spring	2				
37	1515010043	ELBOW	1				
	1420010240	• O-RING	1				
38	1513390015	TEE	3				
39	0007223005	ADAPTOR	1				
40	1515600200	ADAPTOR	1				
	1420010110	• O-RING	1				
41	1513390027	CROSS	3				
	1420010110	• O-RING	1				
42	1901723700	VALVE, stop	1				
43	1901721800	VALVE, shuttle	1				
44	1512370010	ADAPTOR	1				
	1420010110	• O-RING	1				
45	1420010240	O-RING	1				
49	X *****_*****	VALVE ASSY, solenoid	1				
49-1	1901751600	• VALVE, solenoid	1				
49-2	0575003630	• ELBOW (with orifice)	1				
49-3	1515012040	• ELBOW	1				
	1420010110	• • O-RING	1				
49-5	1700100065	• SWITCH, pressure	1				
	1420010110	• • O-RING	1				
49-6	1515600202	• ADAPTOR	2				
	1420010180	• • O-RING	1				
49-7	1512370008	• ADAPTOR (with filter)	1				
	1420010110	• • O-RING	1				
50	0003608252	WASHER	2				
	L8d031						

TB180FR Book No. BL8Z001 S/N 17840001-
VALVE & ACCESSORIES (3/3)



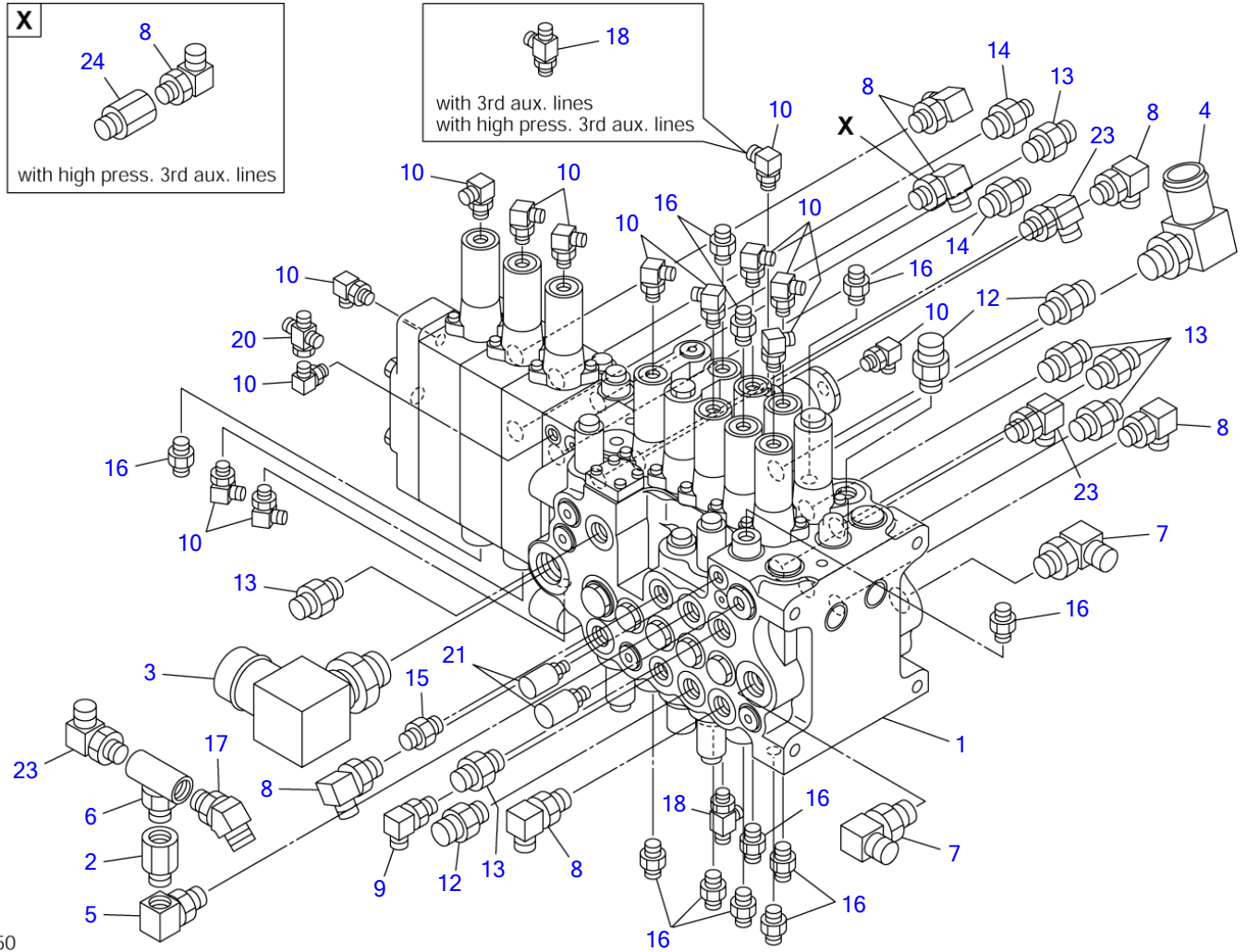
L8D040

S-1/6

VALVE & ACCESSORIES (3/3)

Item	Part number	Description	Q'ty	Chan.	Serial No.	Serv.	Remarks
0	0565062120	VALVE ASSY, control	1				
1	1901043400	• VALVE, control	1				
2	0007213055	• BUSHING	1				
3	0565050003	• ELBOW	1				
	1420010290	• • O-RING	1				
4	1513350020	• ELBOW	1				
	1420010290	• • O-RING	1				
5	1513300016	• ELBOW	1				
	1420010180	• • O-RING	1				
6	1513390011	• TEE	1				
	1420010180	• • O-RING	1				
7	1515010043	• ELBOW	2				
	1420010240	• • O-RING	1				
8	1515010042	• ELBOW	4				
	1420010180	• • O-RING	1				
9	1515010041	• ELBOW	1				
	1420010140	• • O-RING	1				
10	1515012040	• ELBOW	13				
	1420010110	• • O-RING	1				
12	1515600573	• ADAPTOR	3				
	1420010180	• • O-RING	1				
13	1515600202	• ADAPTOR	6				
	1420010180	• • O-RING	1				
14	1515600577	• ADAPTOR	2				
	1420010180	• • O-RING	1				
15	1515600201	• ADAPTOR	1				
	1420010140	• • O-RING	1				
16	1515600200	• ADAPTOR	10				
	1420010110	• • O-RING	1				
17	1515100138	• ELBOW	1				
	1420010180	• • O-RING	1				
18	1512370011	• TEE	1				
	1420010110	• • O-RING	1				
20	0007263004	• CROSS	1				
	1420010110	• • O-RING	1				
21	1700100069	• SWITCH, pressure	2				
	1420010110	• • O-RING	1				
23	1515010132	• ELBOW	3				
	1420010180	• • O-RING	1				
	L8d040						

TB180FR Book No. BL8Z001 S/N 17840001-
VALVE & ACCESSORIES (3/3) (with 2nd, 3rd & high pressure 3rd auxiliary lines)



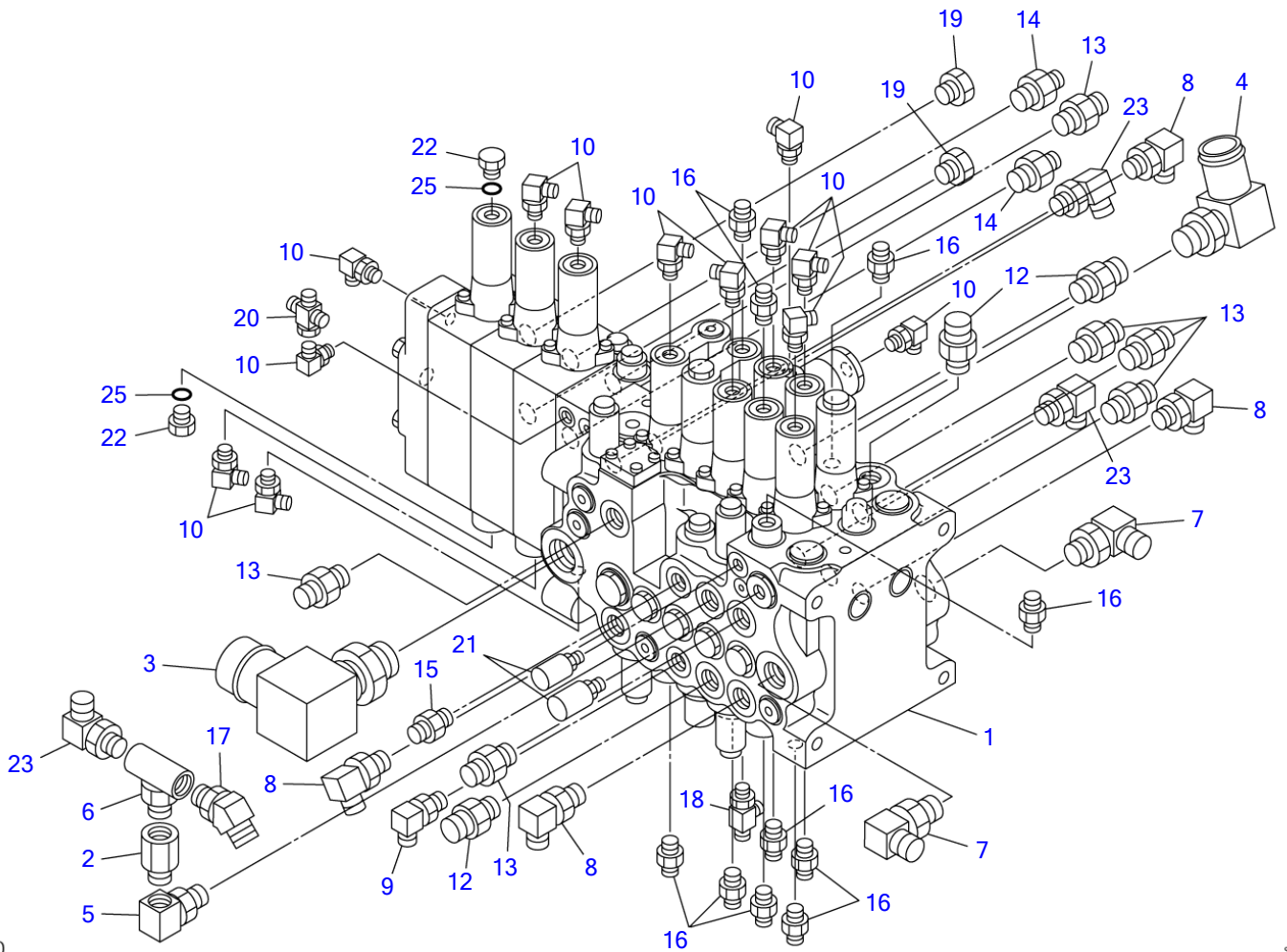
L8D050

S=1/6

VALVE & ACCESSORIES (3/3) (with 2nd, 3rd & high pressure 3rd auxiliary lines)

Item	Part number	Description	Q'ty	Chan.	Serial No.	Serv.	Remarks
0	0565062220	VALVE ASSY, control (with 2nd aux. lines)	1				
	0565062320	VALVE ASSY, control (with 3rd aux. lines)	1				
	0565062520	VALVE ASSY, control (with high press. 3rd aux. lines)	1				
1	1901043500	• VALVE, control	1				
2	0007213055	• BUSHING	1				
3	0565050003	• ELBOW	1				
	1420010290	• • O-RING	1				
4	1513350020	• ELBOW	1				
	1420010290	• • O-RING	1				
5	1513300016	• ELBOW	1				
	1420010180	• • O-RING	1				
6	1513390011	• TEE	1				
	1420010180	• • O-RING	1				
7	1515010043	• ELBOW	2				
	1420010240	• • O-RING	1				
8	1515010042	• ELBOW	6				
	1420010180	• • O-RING	1				
9	1515010041	• ELBOW	1				
	1420010140	• • O-RING	1				
10	1515012040	• ELBOW	13				
	1515012040	• ELBOW	14				with 2nd aux. lines
	1420010110	• • O-RING	1				
12	1515600573	• ADAPTOR	3				
	1420010180	• • O-RING	1				
13	1515600202	• ADAPTOR	6				
	1420010180	• • O-RING	1				
14	1515600577	• ADAPTOR	2				
	1420010180	• • O-RING	1				
15	1515600201	• ADAPTOR	1				
	1420010140	• • O-RING	1				
16	1515600200	• ADAPTOR	11				
	1420010110	• • O-RING	1				
17	1515100138	• ELBOW	1				
	1420010180	• • O-RING	1				
18	1512370011	• TEE	1				
	1512370011	• TEE	2				with 3rd aux. lines
	1420010110	• • O-RING	1				
20	0007263004	• CROSS	1				
	1420010110	• • O-RING	1				
21	1700100069	• SWITCH, pressure	2				
	1420010110	• • O-RING	1				
23	1515010132	• ELBOW	3				
	1420010180	• • O-RING	1				
24	0007213011	• BUSHING	1				with high press. 3rd aux. lines
	1420010180	• • O-RING	1				
	L8d050						

TB180FR Book No. BL8Z001 S/N 17840001-
VALVE & ACCESSORIES (3/3) (for US)



L8D060

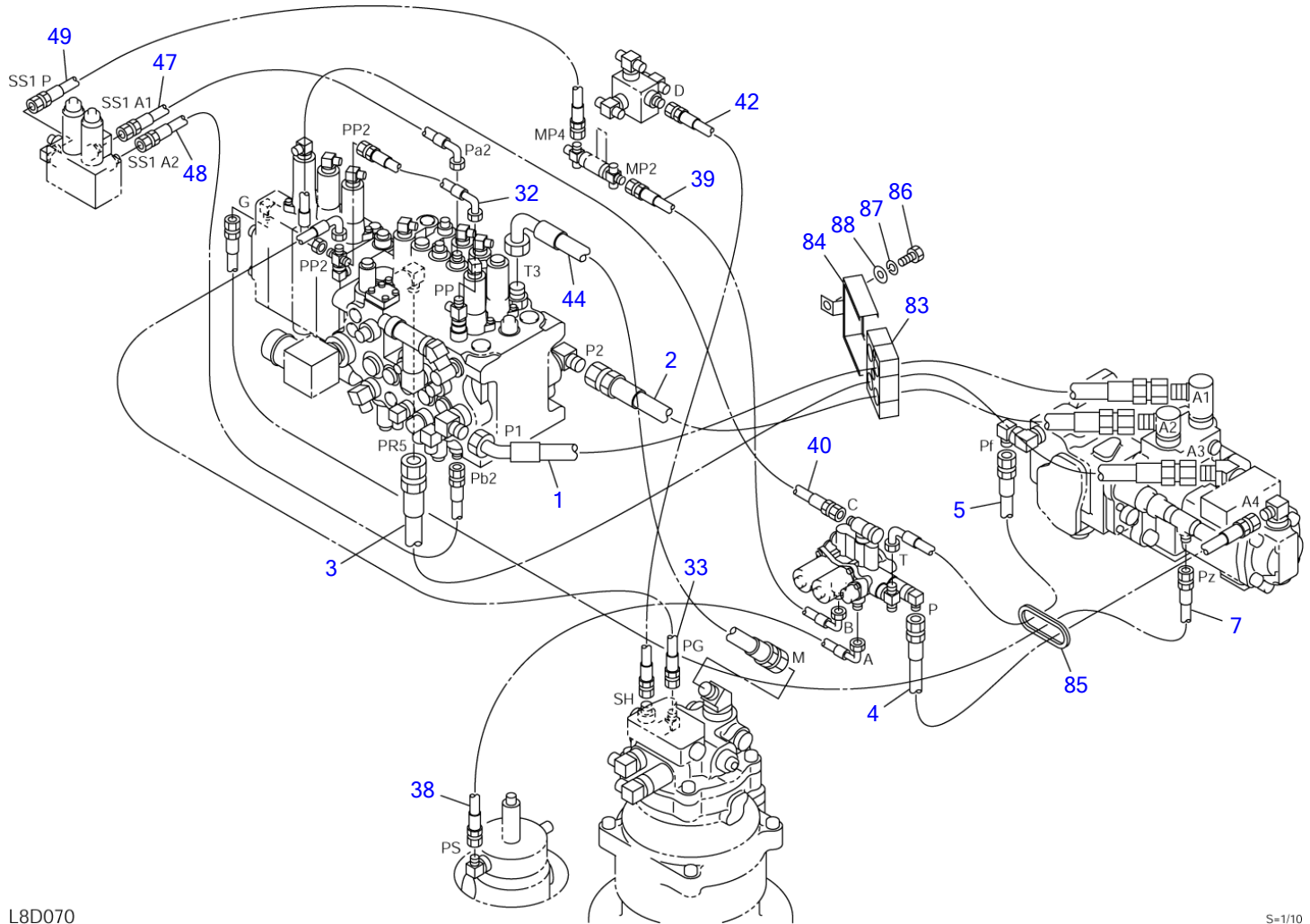
S=1/6

VALVE & ACCESSORIES (3/3) (for US)

Item	Part number	Description	Q'ty	Chan.	Serial No.	Serv.	Remarks
0	0565062020	VALVE ASSY, control (for US)	1				
1	1901043500	• VALVE, control	1				
2	0007213055	• BUSHING	1				
3	0565050003	• ELBOW	1				
	1420010290	• • O-RING	1				
4	1513350020	• ELBOW	1				
	1420010290	• • O-RING	1				
5	1513300016	• ELBOW	1				
	1420010180	• • O-RING	1				
6	1513390011	• TEE	1				
	1420010180	• • O-RING	1				
7	1515010043	• ELBOW	2				
	1420010240	• • O-RING	1				
8	1515010042	• ELBOW	6				
	1420010180	• • O-RING	1				
9	1515010041	• ELBOW	1				
	1420010140	• • O-RING	1				
10	1515012040	• ELBOW	14				
	1420010110	• • O-RING	1				
12	1515600573	• ADAPTOR	3				
	1420010180	• • O-RING	1				
13	1515600202	• ADAPTOR	6				
	1420010180	• • O-RING	1				
14	1515600577	• ADAPTOR	2				
	1420010180	• • O-RING	1				
15	1515600201	• ADAPTOR	1				
	1420010140	• • O-RING	1				
16	1515600200	• ADAPTOR	11				
	1420010110	• • O-RING	1				
17	1515100138	• ELBOW	1				
	1420010180	• • O-RING	1				
18	1512370011	• TEE	2				
	1420010110	• • O-RING	1				
19	1501750004	• PLUG	2				
	1420010180	• • O-RING	1				
20	0007263004	• CROSS	1				
	1420010110	• • O-RING	1				
21	1700100069	• SWITCH, pressure	2				
	1420010110	• • O-RING	1				
22	1901043476	• PLUG	2				
23	1515010132	• ELBOW	3				
	1420010180	• • O-RING	1				
25	1420010110	• O-RING	2				

L8d060

TB180FR Book No. BL8Z001 S/N 17840001-
PIPING; UPPER (1/5)

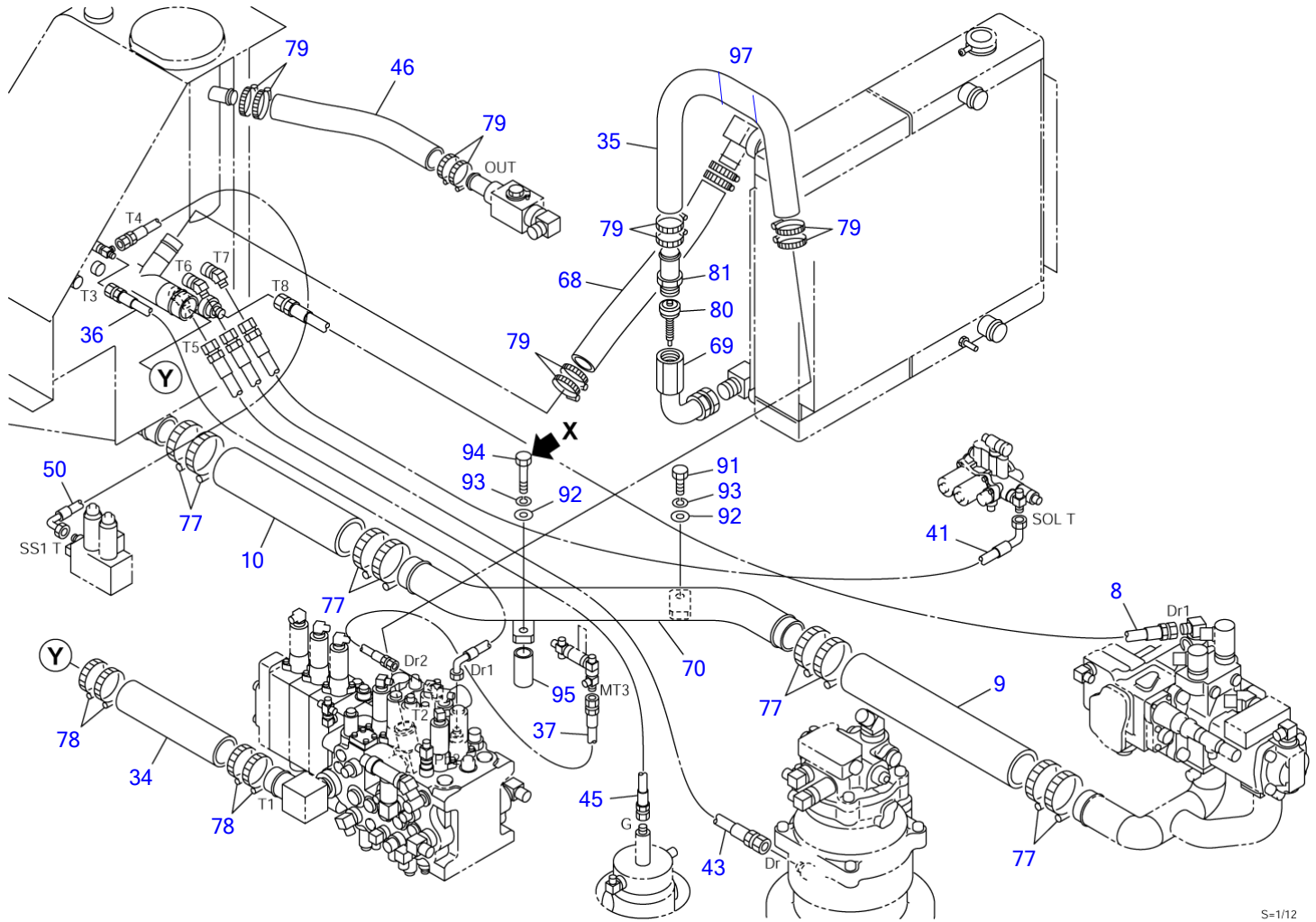


L8D070

S-1/10

Item	Part number	DESCRIPTION	Q'ty	Chan.	Serial No.	Serv.	Remarks
		PIPING; UPPER (1/5)					
		PIPING ASSY, upper					
		PIPING ASSY, upper (with 2nd aux. lines)					
		PIPING ASSY, upper (with 2nd & 3rd aux. lines)					
		PIPING ASSY, upper (with 2nd, 3rd & 4th aux. lines)					
		PIPING ASSY, upper (with 2nd & high press. 3rd aux. lines)					
		PIPING ASSY, upper (with 2nd, high press. 3rd & 4th aux. lines)					
1	0567037710	HOSE ASSY	1				1802582094
2	0567037720	HOSE ASSY	1				1802580078
3	0567037730	HOSE ASSY	1				1802860170
4	0567037740	HOSE ASSY	1				1801023040
5	0567037750	HOSE ASSY	1				1801052050
7	0567037070	HOSE ASSY	1				1801022175
32	0567037320	HOSE ASSY	1				1801052030
33	0567037330	HOSE ASSY	1				1801052105
38	0567037380	HOSE ASSY	1				1801052110
39	0567037390	HOSE ASSY	1				1801052060
40	0567037400	HOSE ASSY	1				1801052100
42	0567037420	HOSE ASSY	1				1801022060
44	0567037440	HOSE ASSY	1				1801056070
47	0567037470	HOSE ASSY	1				1801052070
48	0567037480	HOSE ASSY	1				1801022090
49	0567037490	HOSE ASSY	1				1801022130
83	0567037830	GUIDE	1				
84	0567037840	HOLDER	1				
85	1654625020	TRIM	1				sold by the meter
86	1100041020	BOLT	1				
87	1140020010	WASHER, spring	1				
88	1141110010	WASHER	1				
	L8d071						

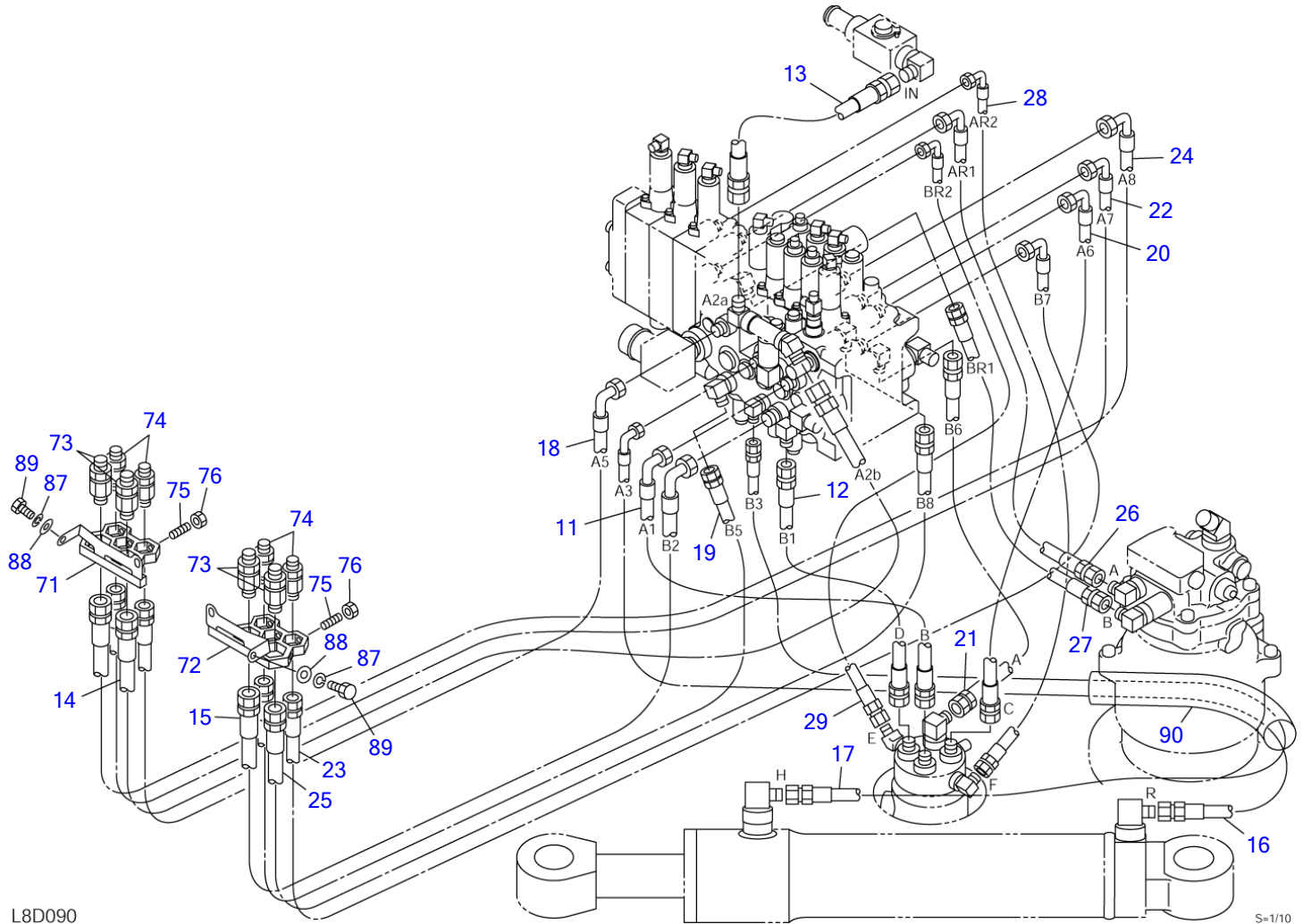
TB180FR Book No. BL8Z001 S/N 17840001-
PIPING; UPPER (2/5)



S=1/12

PIPING; UPPER (2/5)

Item	Part number	Description	Q'ty	Chan.	Serial No.	Serv.	Remarks
		PIPING ASSY, upper					
		PIPING ASSY, upper (with 2nd aux. lines)					
		PIPING ASSY, upper (with 2nd & 3rd aux. lines)					
		PIPING ASSY, upper (with 2nd, 3rd & 4th aux. lines)					
		PIPING ASSY, upper (with 2nd & high press. 3rd aux. lines)					
		PIPING ASSY, upper (with 2nd, high press. 3rd & 4th aux. lines)					
8	0567037080	HOSE ASSY	1				1801024160
9	1530558052	HOSE	1				sold by the meter
10	1530558032	HOSE	1				sold by the meter
34	1530547020	HOSE	1				sold by the meter
35	0567037682	HOSE	1				
36	0567037360	HOSE ASSY	1				1801052080
37	0567037370	HOSE ASSY	1				1801022085
41	0567037410	HOSE ASSY	1				1801053160
43	0567037430	HOSE ASSY	1				1801023110
45	0567037450	HOSE ASSY	1				1801023100
46	1530525032	HOSE	1				sold by the meter
50	0567037500	HOSE ASSY	1				1801052047
68	1530532040	HOSE	1				sold by the meter
69	0567037690	PIPE	1				
70	0567037700	PIPE	1				
77	1533700080	BAND	8				
78	1533700070	BAND	4				
79	1533700054	BAND	12				
80	1540140810	VALVE, check	1				
81	0007224013	ADAPTOR	1				
91	1101041230	BOLT	1				
92	1141550012	WASHER	2				
93	1140020012	WASHER, spring	2				
94	1101141210	BOLT	1		17830100~		
95	0567037850	PIPE	1		17830100~		
97	1531360015	PROTECTOR	1				
	L8d081						

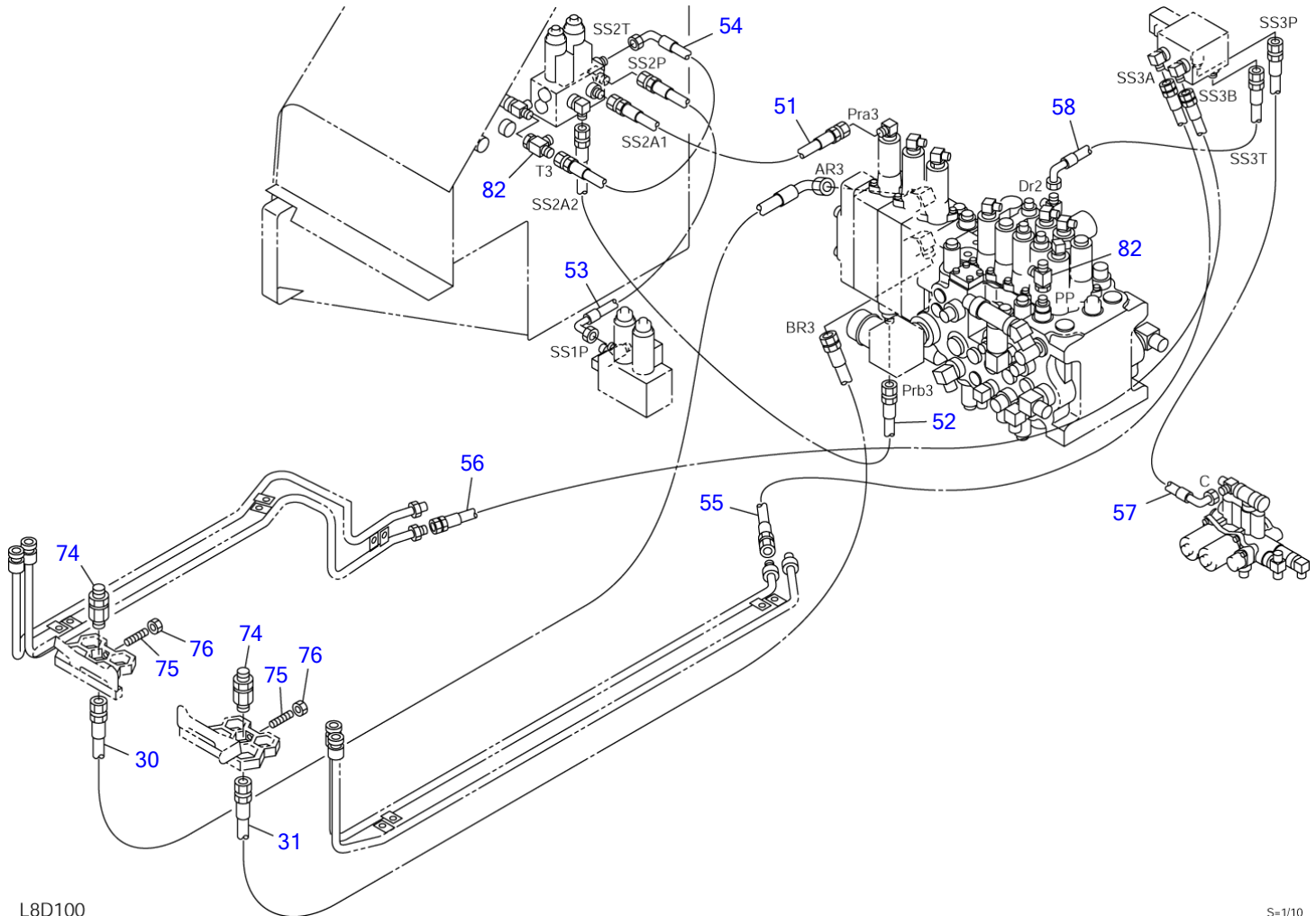


L8D090

S=1/10

Item	Part number	DESCRIPTION PIPING; UPPER (3/5)	Q'ty	Chan.	Serial No.	Serv.	Remarks
		PIPING ASSY, upper					
		PIPING ASSY, upper (with 2nd aux. lines)					
		PIPING ASSY, upper (with 2nd & 3rd aux. lines)					
		PIPING ASSY, upper (with 2nd, 3rd & 4th aux. lines)					
		PIPING ASSY, upper (with 2nd & high press. 3rd aux. lines)					
		PIPING ASSY, upper (with 2nd, high press. 3rd & 4th aux. lines)					
11	0567037110	HOSE ASSY	1				1802841060
12	0567037120	HOSE ASSY	1				1802840050
13	0567037130	HOSE ASSY	1				1802580032
14	0567037140	HOSE ASSY	1				1802880210
15	0567037150	HOSE ASSY	1				1802881187
16	0567037160	HOSE ASSY	1				1802821218
17	0567037170	HOSE ASSY	1				1802820155
18	0567037180	HOSE ASSY	1				1802841185
19	0567037190	HOSE ASSY	1				1802840175
20	0567037200	HOSE ASSY	1				1802841075
21	0567037210	HOSE ASSY	1				1802840065
22	0567037220	HOSE ASSY	1				1802841195
23	0567037230	HOSE ASSY	1				1802841210
24	0567037240	HOSE ASSY	1				1802881210
25	0567037250	HOSE ASSY	1				1802880215
26	0567037260	HOSE ASSY	1				1802841080
27	0567037270	HOSE ASSY	1				1802840080
28	0567037280	HOSE ASSY	1				1801921105
29	0567037290	HOSE ASSY	1				1801921080
71	0567037760	CLAMP	1				
72	0567037770	CLAMP	1				
73	1514011506	ADAPTOR	4				
74	1514011504	ADAPTOR	4				
75	1121040818	SET-SCREW	8				
76	1130040008	NUT	8				
87	1140020010	WASHER, spring	4				
88	1141110010	WASHER	4				
89	1100041016	BOLT	4				
90	1531335033	PROTECTOR	1				sold by the meter
	L8d091						

TB180FR Book No. BL8Z001 S/N 17840001-
PIPING; UPPER (4/5) (with 2nd & 3rd auxiliary lines)

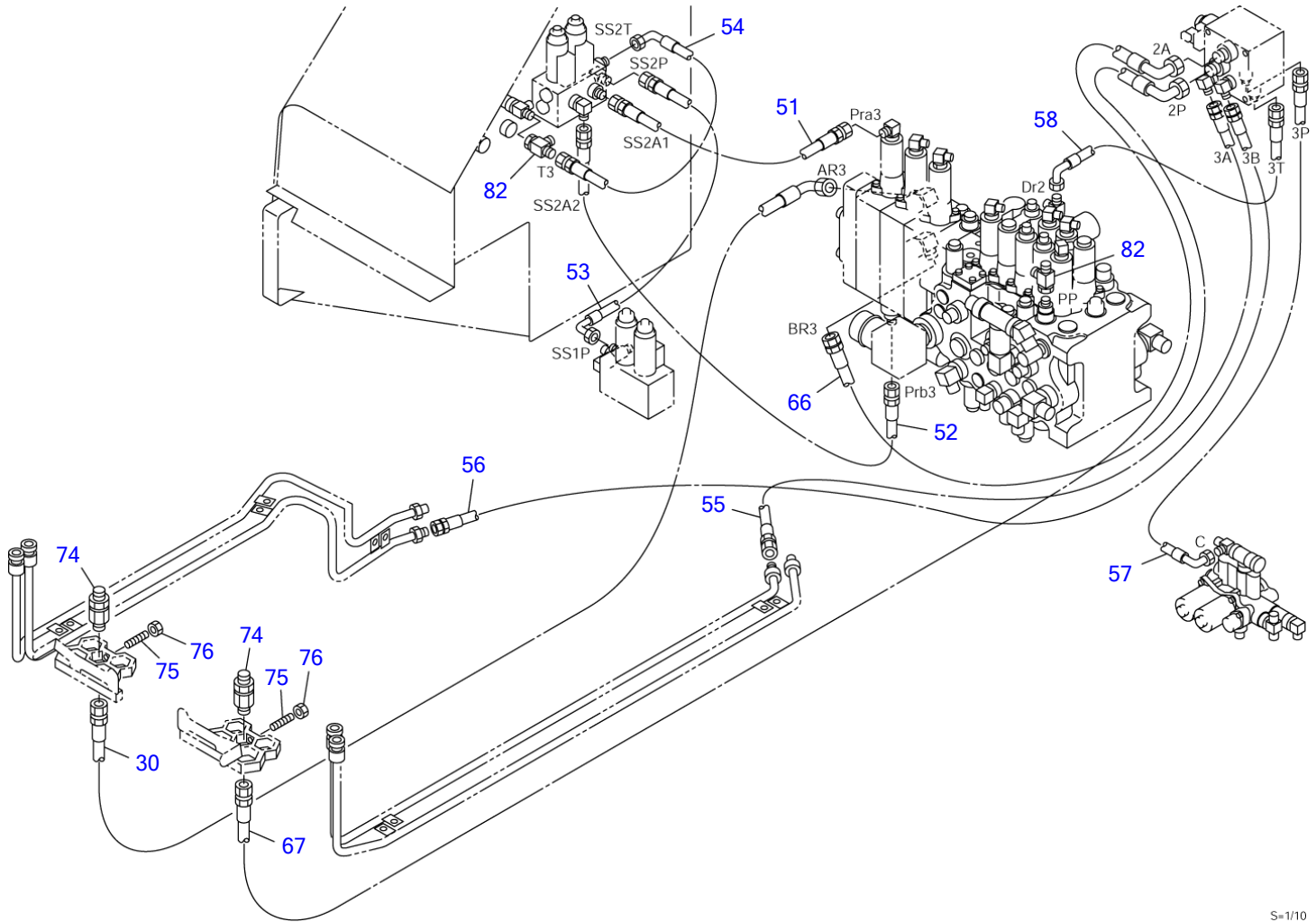


L8D100

S=1/10

PIPING; UPPER (4/5) (with 2nd & 3rd auxiliary lines)							
Item	Part number	Description	Q'ty	Chan.	Serial No.	Serv.	Remarks
		PIPING ASSY, upper (with 2nd aux. lines)					
		PIPING ASSY, upper (with 2nd & 3rd aux. lines)					
30	0567036910	HOSE ASSY	1				1801941220
31	0567036920	HOSE ASSY	1				1801940225
51	0567036930	HOSE ASSY	1				1801022035
52	0567036940	HOSE ASSY	1				1801022060
53	0567036950	HOSE ASSY	1				1801052045
54	0567036960	HOSE ASSY	1				1801052055
55	0567036810	HOSE ASSY (1801022120)	1				with 3rd aux. lines
56	0567041310	HOSE ASSY (1801500120)	1				with 3rd aux. lines
57	0567036830	HOSE ASSY (1801052130)	1				with 3rd aux. lines
58	0567036840	HOSE ASSY (1801052035)	1				with 3rd aux. lines
74	1514011504	ADAPTOR	2				
75	1121040818	SET-SCREW	2				
76	1130040008	NUT	2				
82	1513390015	TEE	2				
	L8d101						

TB180FR Book No. BL8Z001 S/N 17840001-
PIPING; UPPER (4/5) (with 2nd & high pressure 3rd auxiliary lines)

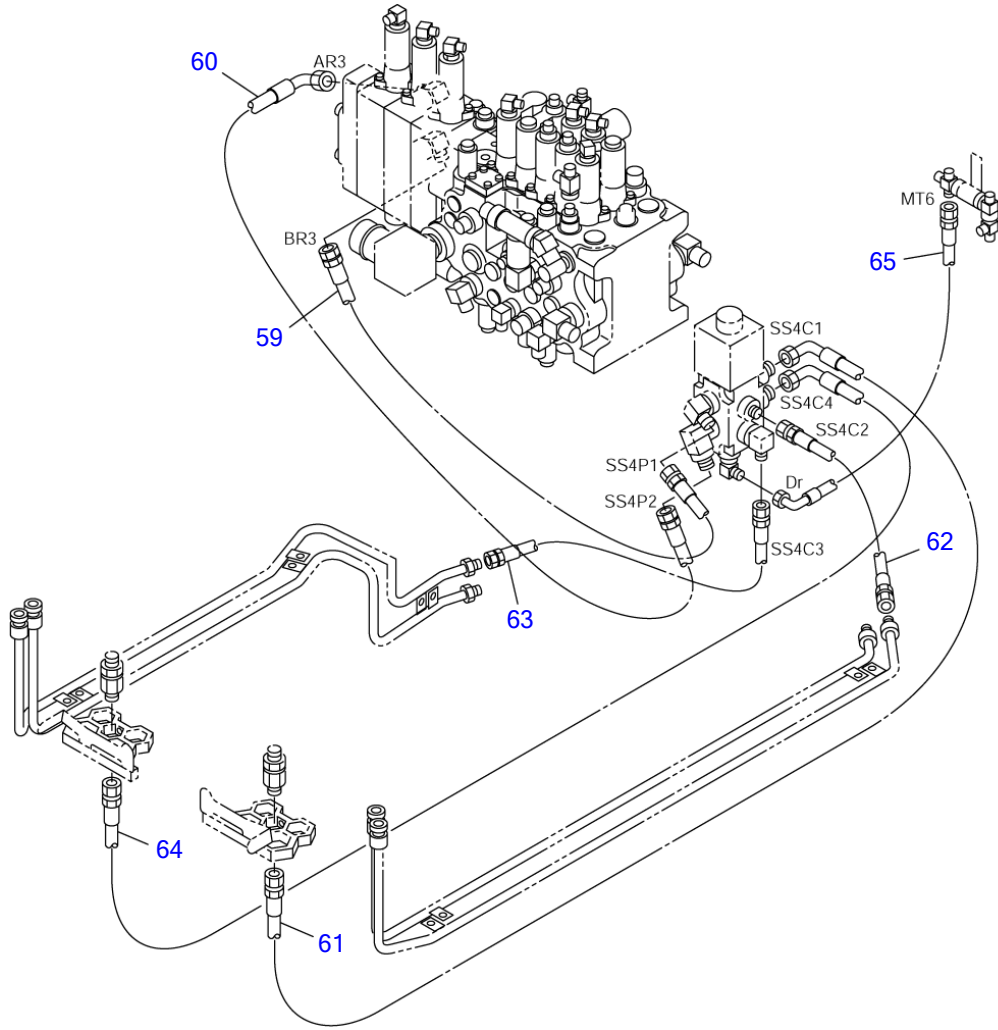


S=1/10

PIPING; UPPER (4/5) (with 2nd & high pressure 3rd auxiliary lines)

Item	Part number	Description	Q'ty	Chan.	Serial No.	Serv.	Remarks
		PIPING ASSY, upper (with 2nd & high press. 3rd aux. lines)					
30	0567036910	HOSE ASSY	1				1801941220
51	0567036930	HOSE ASSY	1				1801022035
52	0567036940	HOSE ASSY	1				1801022060
53	0567036950	HOSE ASSY	1				1801052045
54	0567036960	HOSE ASSY	1				1801052055
55	0567036810	HOSE ASSY	1				1801022120
56	0567041310	HOSE ASSY	1				1801500120
57	0567036830	HOSE ASSY	1				1801052130
58	0567036840	HOSE ASSY	1				1801052035
66	0567041510	HOSE ASSY	1				1801541050
67	0567041520	HOSE ASSY	1				1801941270
74	1514011504	ADAPTOR	2				
75	1121040818	SET-SCREW	2				
76	1130040008	NUT	2				
82	1513390015	TEE	2				
	L8d111						

TB180FR Book No. BL8Z001 S/N 17840001-
PIPING; UPPER (5/5) (with 2nd, 3rd & 4th auxiliary lines)

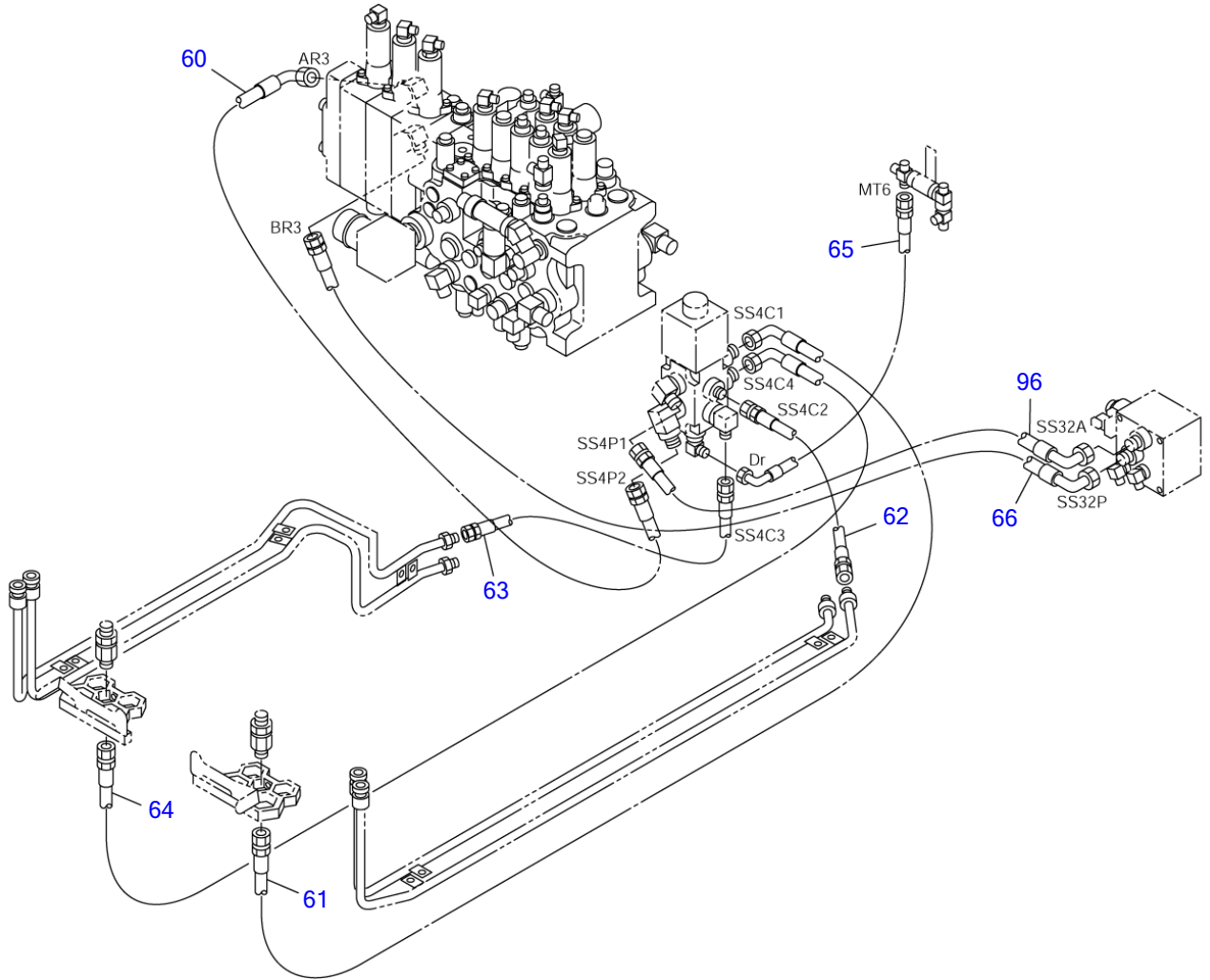


L8D120

S=1/10

PIPING; UPPER (5/5) (with 2nd, 3rd & 4th auxiliary lines)							
Item	Part number	Description	Q'ty	Chan.	Serial No.	Serv.	Remarks
		PIPING ASSY, upper (with 2nd, 3rd & 4th aux. lines)					
59	0567036710	HOSE ASSY	1				1801540105
60	0567036720	HOSE ASSY	1				1801541110
61	0567036730	HOSE ASSY	1				1801941190
62	0567036740	HOSE ASSY	1				1801900140
63	0567036750	HOSE ASSY	1				1801900075
64	0567036760	HOSE ASSY	1				1801941185
65	0567036770	HOSE ASSY	1				1801052045
	L8d121						

TB180FR Book No. BL8Z001 S/N 17840001-
PIPING; UPPER (5/5) (with 2nd, high pressure 3rd & 4th auxiliary lines)

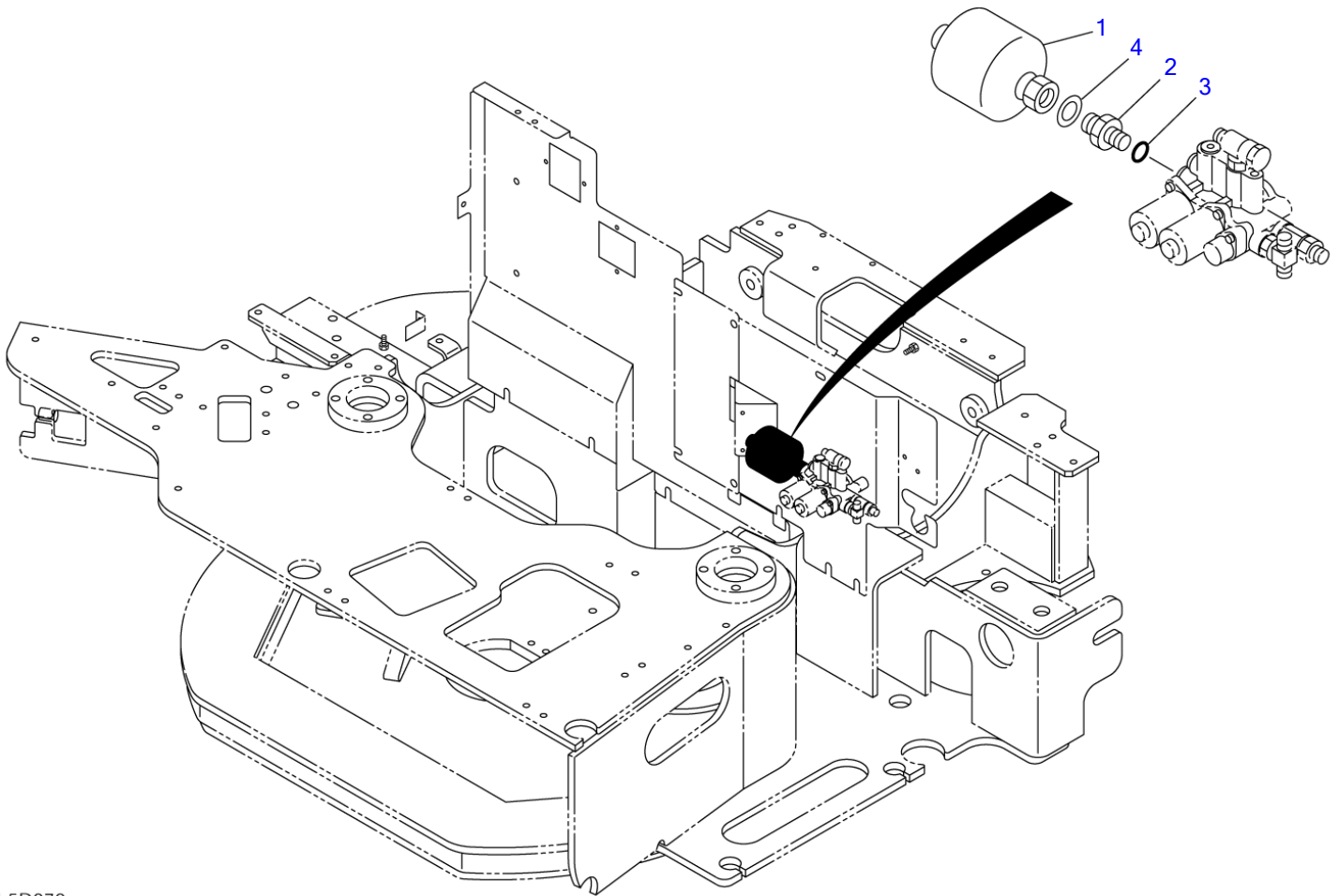


L8D130

S-1/10

PIPING; UPPER (5/5) (with 2nd, high pressure 3rd & 4th auxiliary lines)

Item	Part number	Description	Q'ty	Chan.	Serial No.	Serv.	Remarks
		PIPING ASSY, upper (with 2nd, high press. 3rd & 4th aux. lines)					
60	0567036720	HOSE ASSY	1				1801541110
61	0567036730	HOSE ASSY	1				1801941190
62	0567036740	HOSE ASSY	1				1801900140
63	0567036750	HOSE ASSY	1				1801900075
64	0567036760	HOSE ASSY	1				1801941185
65	0567036770	HOSE ASSY	1				1801052045
66	0567041510	HOSE ASSY	1				1801541050
96	0567041610	HOSE ASSY	1				1801541155
	L8d131						



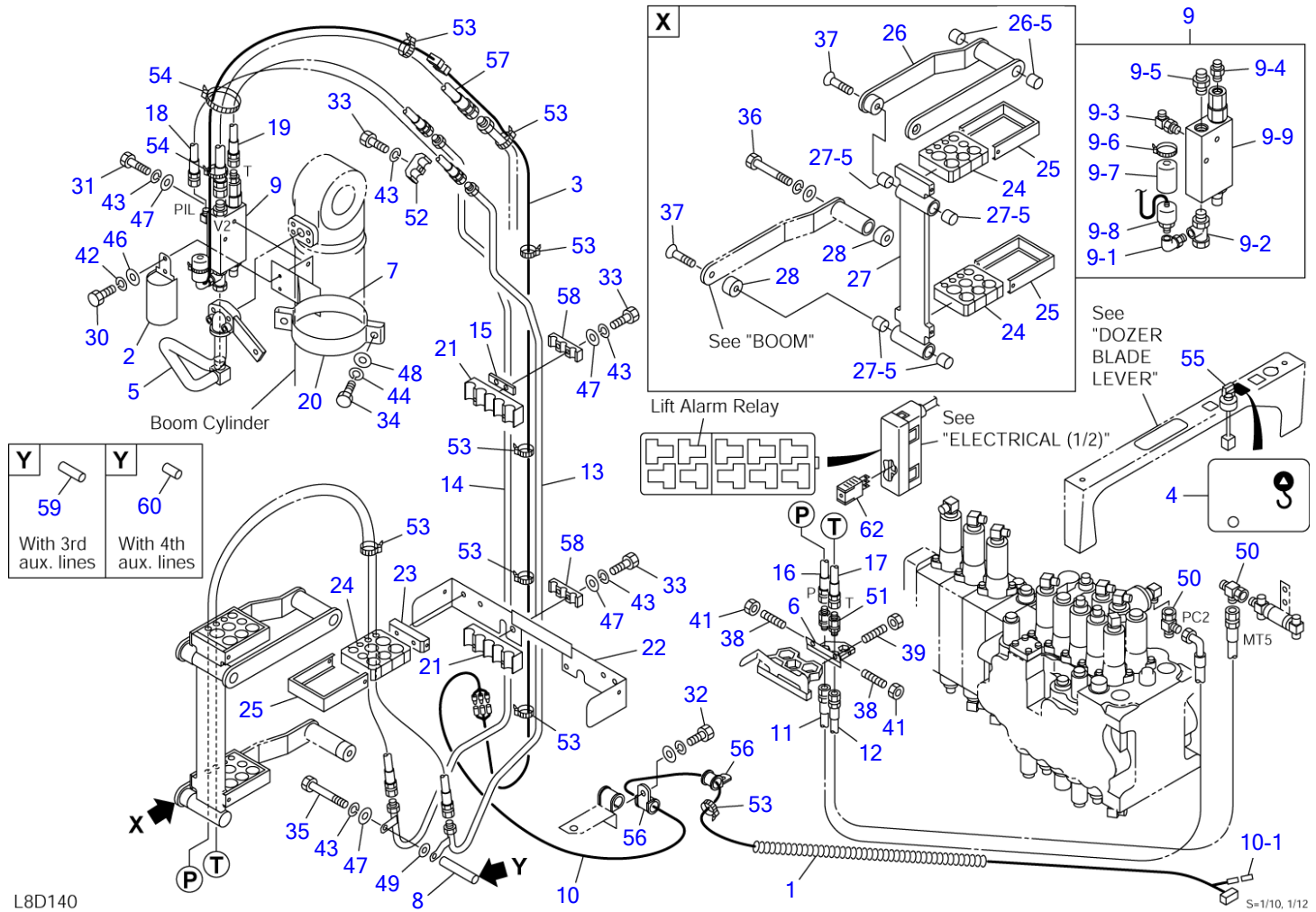
L5D070

S-1/6, 1/12

ACCUMULATOR

Item	Part number	Description	Q'ty	Chan.	Serial No.	Serv.	Remarks
0	0565035700	ACCUMULATOR ASSY	1				
1	1552200020	· ACCUMULATOR	1				
2	0007200223	· ADAPTOR	1				
3	1420010140	· O-RING	1				
4	1432160004	· WASHER	1				
	L5d070						

TB180FR Book No. BL8Z001 S/N 17840001-
BOOM EMERGENCY SHUT-OFF VALVE



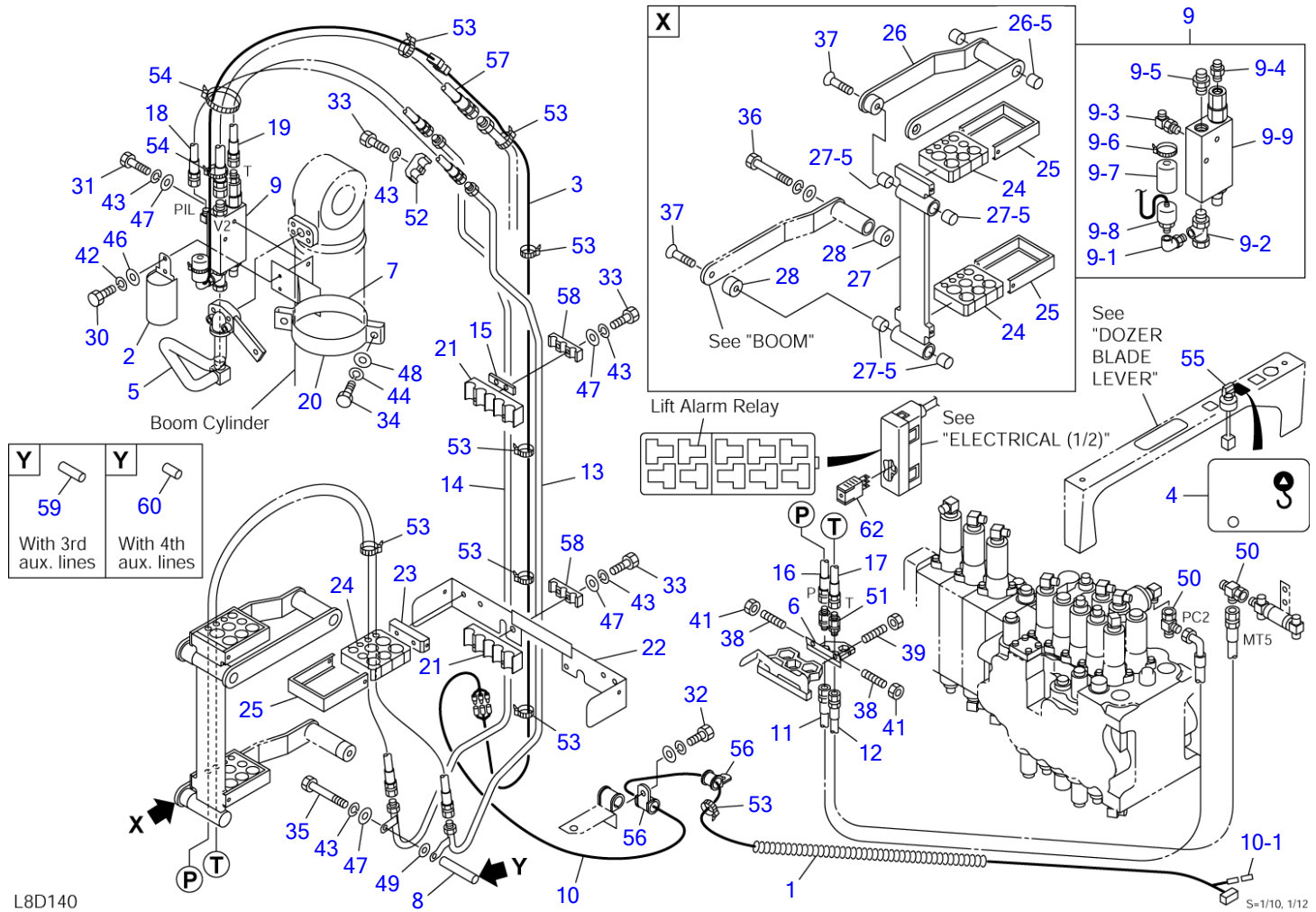
L8D140

S=1/10, 1/12

BOOM EMERGENCY SHUT-OFF VALVE

Item	Part number	Description	Q'ty	Chan.	Serial No.	Serv.	Remarks
0	0565050400	VALVE ASSY	1				
	0565050500	VALVE ASSY (with arm shut-off valve)	1				
	0565055000	VALVE ASSY (with 3rd aux. lines)	1				
	0565055100	VALVE ASSY (with 3rd aux. lines & arm shut-off valve)	1				
	0565055200	VALVE ASSY (with 4th aux. lines)	1				
	0565055300	VALVE ASSY (with 4th aux. lines & arm shut-off valve)	1				
1	0394216980	• SPRING	1				
2	0395009620	• COVER	1				
3	0395022070	• HARNESS, wiring	1				
4	0565017400	• DECAL	1				
5	0565048010	• PIPE	1				
6	0565050440	• CLAMP	1				
7	0565048030	• CLAMP	1				
8	0565048040	• PIPE	1				
9	0565050430	• VALVE ASSY, shut-off	1				
9-1	1513300022	• • ELBOW	1				
	1420010110	• • • O-RING	1				
9-2	1513390042	• • ADAPTOR	1				
	1420010240	• • • O-RING	1				
9-3	1515012040	• • ELBOW	1				
	1420010110	• • • O-RING	1				
9-4	1515600200	• • ADAPTOR	1				
	1420010110	• • • O-RING	1				
9-5	1515600203	• • ADAPTOR	1				
	1420010240	• • • O-RING	1				
9-6	1652231250	• • BAND	1				
9-7	1700100061	• • COVER	1				
9-8	1700100084	• • SWITCH, pressure	1				
	1420010110	• • • O-RING	1				
9-9	1901747500	• • VALVE, shut-off	1				
10	0565048060	• HARNESS, wiring	1				
10-1	1730500008	• • DIODE (3A yellow)	1				
11	0565050410	• HOSE ASSY	1				1801052230
12	0565050420	• HOSE ASSY	1				1801022200
13	0565050460	• PIPE	1				
14	0565050470	• PIPE	1				without arm shut-off valve
15	0565048130	• PLATE	1				
16	0565048140	• HOSE ASSY	1				1801022250
17	0565048150	• HOSE ASSY	1				1801022245
18	0565048160	• HOSE ASSY	1				1801022068
19	0565048170	• HOSE ASSY	1				1801022060
20	0566021980	• CLAMP	1				
21	0566045110	• CLAMP	2				
22	0566045120	• PLATE	1				
23	0566045130	• PLATE	1				
24	0566050450	• RUBBER	3				
25	0566045155	• HOLDER	3				
26	0566045160	• ARM	1				
26-5	1333002015	• • BUSHING	2				
27	0566045170	• LINK, hose	1				
27-5	1333002015	• • BUSHING	4				
28	0566045180	• SPACER	2				
30	1100040616	• BOLT	2				
31	1100040850	• BOLT	2				
32	1100040820	• BOLT	1				
33	1100040835	• BOLT	5				
34	1100041035	• BOLT	2				
35	1100140815	• BOLT	1				
36	1101141240	• BOLT	1				
37	1120801035	• SCREW	2				
38	1121040616	• SET-SCREW	2				
39	1121040820	• SET-SCREW	2				
41	1130040006	• NUT	2				
42	1140020006	• WASHER, spring	2				

TB180FR Book No. BL8Z001 S/N 17840001-
BOOM EMERGENCY SHUT-OFF VALVE



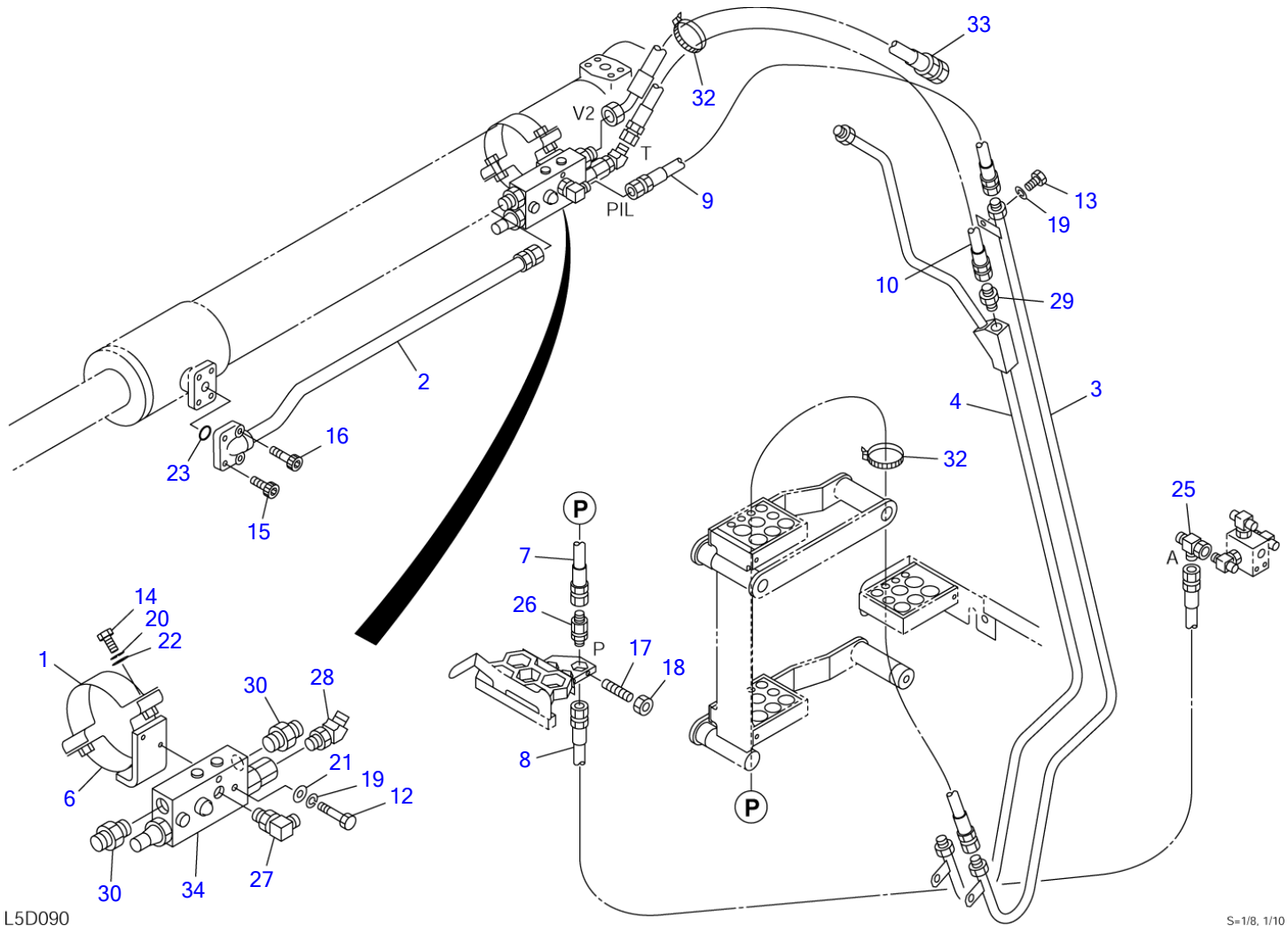
L8D140

S=1/10, 1/12

BOOM EMERGENCY SHUT-OFF VALVE

Item	Part number	Description	Q'ty	Chan.	Serial No.	Serv.	Remarks
43	1140020008	• WASHER, spring	8				
44	1140020010	• WASHER, spring	2				
46	1141110006	• WASHER	2				
47	1141110008	• WASHER	7				
48	1141110010	• WASHER	2				
49	1141550008	• WASHER	1				without arm shut-off valve
50	1513390015	• TEE	2				
51	1514011102	• ADAPTOR	2				
52	1534000012	• CLAMP	1				
53	1652201005	• BAND	7				
54	1652201007	• BAND	3				
55	1700000019	• SWITCH, rotary	1				
56	1711900076	• CLAMP	2				
57	1802760072	• HOSE ASSY	1				
58	0395012950	• CLAMP	2				
59	0565050480	• PIPE	1				with 3rd aux. lines
60	0567345440	• PIPE	1				with 4th aux. lines
62	1711900132	• RELAY	1				12V
	L8d141						

TB180FR Book No. BL8Z001 S/N 17840001-
ARM EMERGENCY SHUT-OFF VALVE



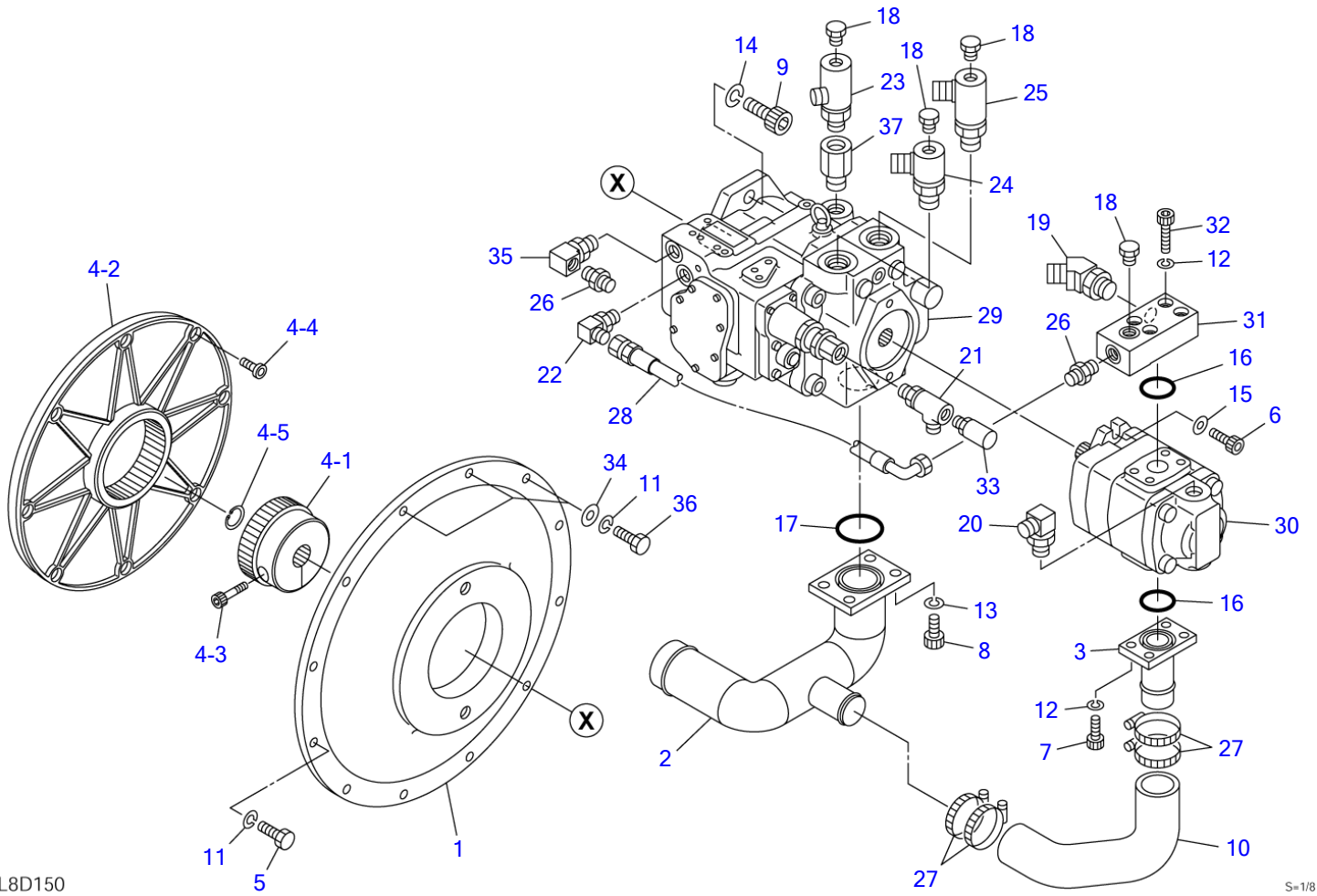
L5D090

S=1/8, 1/10

ARM EMERGENCY SHUT-OFF VALVE

Item	Part number	Description	Q'ty	Chan.	Serial No.	Serv.	Remarks
0	0565050600	VALVE ASSY, shut-off	1				
1	0565041030	· BAND	1				
2	0565048510	· PIPE	1				
3	0565050610	· PIPE	1				
4	0565050620	· PIPE	1				
6	0565048550	· BAND	1				
7	0565048560	· HOSE ASSY	1				1801022225
8	0565048570	· HOSE ASSY	1				1801022200
9	0565048580	· HOSE ASSY	1				1801022120
10	0565048590	· HOSE ASSY	1				1801022130
12	1100040645	· BOLT	2				
13	1100040650	· BOLT	1				
14	1100041035	· BOLT	2				
15	1110040840	· SCREW, cap	2				
16	1110040845	· BOLT	2				
17	1121040616	· SET-SCREW	1				
18	1130040006	· NUT	1				
19	1140020006	· WASHER, spring	3				
20	1140020010	· WASHER, spring	2				
21	1141110006	· WASHER	2				
22	1141110010	· WASHER	2				
23	1420010240	· O-RING	1				
25	1513390015	· TEE	1				
26	1514011102	· ADAPTOR	1				
27	1515012040	· ELBOW	1				
	1420010110	· · O-RING	1				
28	1515100110	· ELBOW	1				
	1420010110	· · O-RING	1				
29	1515600200	· ADAPTOR	1				
	1420010110	· · O-RING	1				
30	1515600202	· ADAPTOR	2				
	1420010180	· · O-RING	1				
32	1652201005	· BAND	2				
33	1802742068	· HOSE ASSY	1				
34	1901743100	· VALVE, shut-off	1				
	L5d091						

TB180FR Book No. BL8Z001 S/N 17840001-
PUMP DRIVE



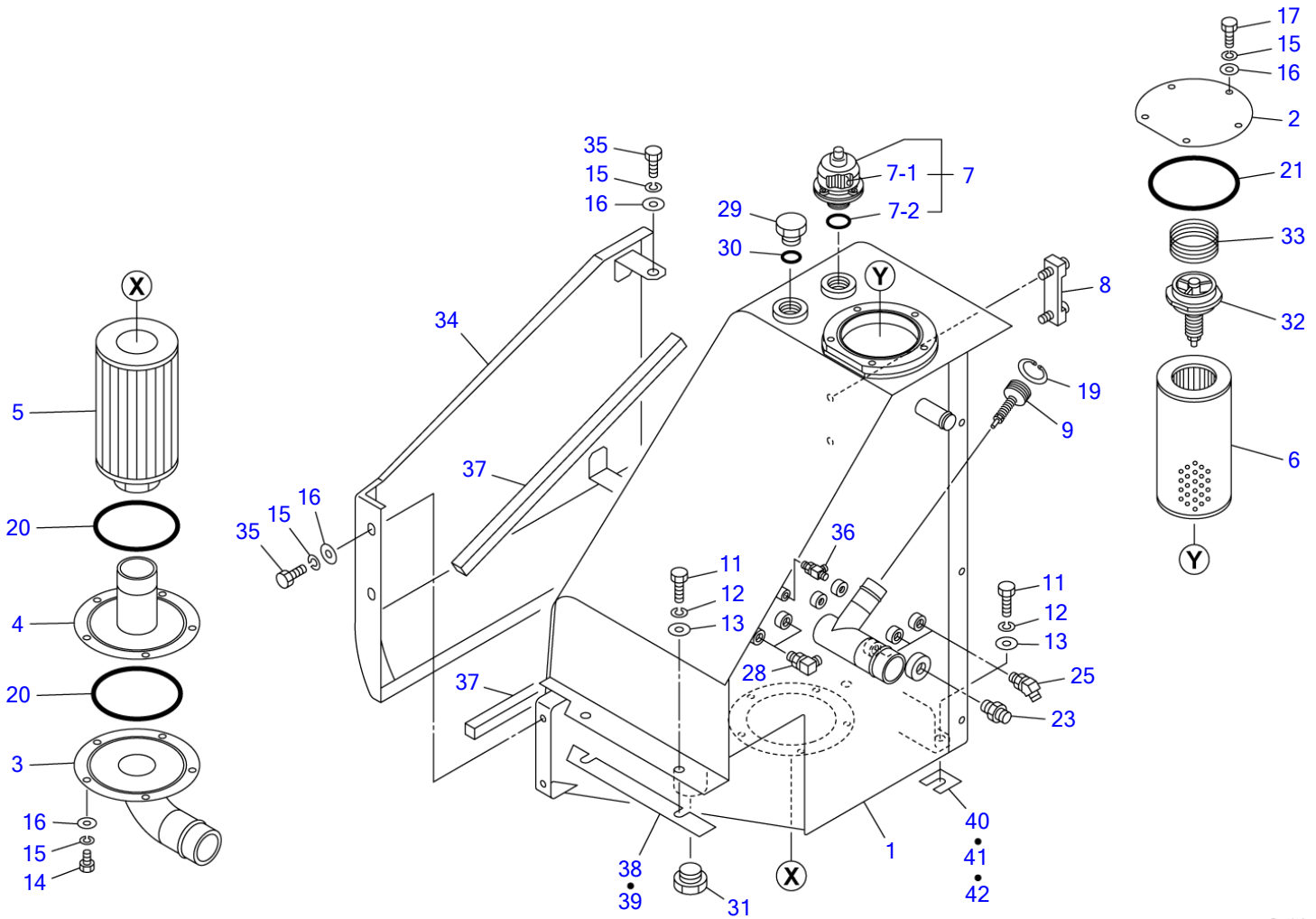
L8D150

S=1/8

PUMP DRIVE						
Item	Part number	Description	Q'ty	Chan.	Serial No.	Serv. Remarks
		PUMP ASSY, drive				
1	0565223550	HOUSING	1			
2	0565223510	FLANGE	1			
3	0565223540	FLANGE	1			
4	1607000030	COUPLING ASSY	1			
4-1	1607000031	• HUB	1			
4-2	1607000032	• FLANGE	1			
4-3	1110021235	• SCREW, cap	1			
4-4	1110021025	• BOLT	8			
4-5	1221000022	• RING, snap	1			
5	1100041030	BOLT	9			
6	1110041025	SCREW, cap	2			
7	1110041030	SCREW, cap	4			
8	1110041230	SCREW, cap	4			
9	1111041640	SCREW, cap	2			
10	0565223520	HOSE	1			
11	1140020010	WASHER, spring	12			
12	1140420010	WASHER, spring	8			
13	1140420012	WASHER, spring	4			
14	1140420016	WASHER, spring	2			
15	1141550010	WASHER	2			
16	1420110350	O-RING	2			
17	1420110500	O-RING	1			
18	1501750002	PLUG	4			
	1420010110	• O-RING	1			
19	1515100138	ELBOW	1			
	1420010180	• O-RING	1			
20	1515010051	ELBOW	1			
	1420010180	• O-RING	1			
21	1512340018	ELBOW	1			
	1420010140	• O-RING	1			
22	1515012040	ELBOW	1			
	1420010110	• O-RING	1			
23	1512340004	ELBOW	1			
	1420010180	• O-RING	1			
24	1512340015	ELBOW	1			
	1420010240	• O-RING	1			
25	1512340014	ELBOW	1			
	1420010240	• O-RING	1			
26	1515600200	ADAPTOR	2			
	1420010110	• O-RING	1			
27	1533700054	BAND	4			
28	1802501031	HOSE ASSY	1			
29	1902024200	PUMP, hydraulic	1			
30	1902017600	PUMP, gear	1			
31	0565223530	FLANGE	1			
32	1110041040	SCREW, cap	4			
33	1700100069	SWITCH, pressure	1			
	1420010110	• O-RING	1			
34	0003600025	WASHER	3			
35	1513300014	ELBOW	1			
	1420010110	• O-RING	1			
36	1100041035	BOLT	3			
37	0007213010	BUSHING	1			

L&d150

TB180FR Book No. BL8Z001 S/N 17840001-
HYDRAULIC TANK

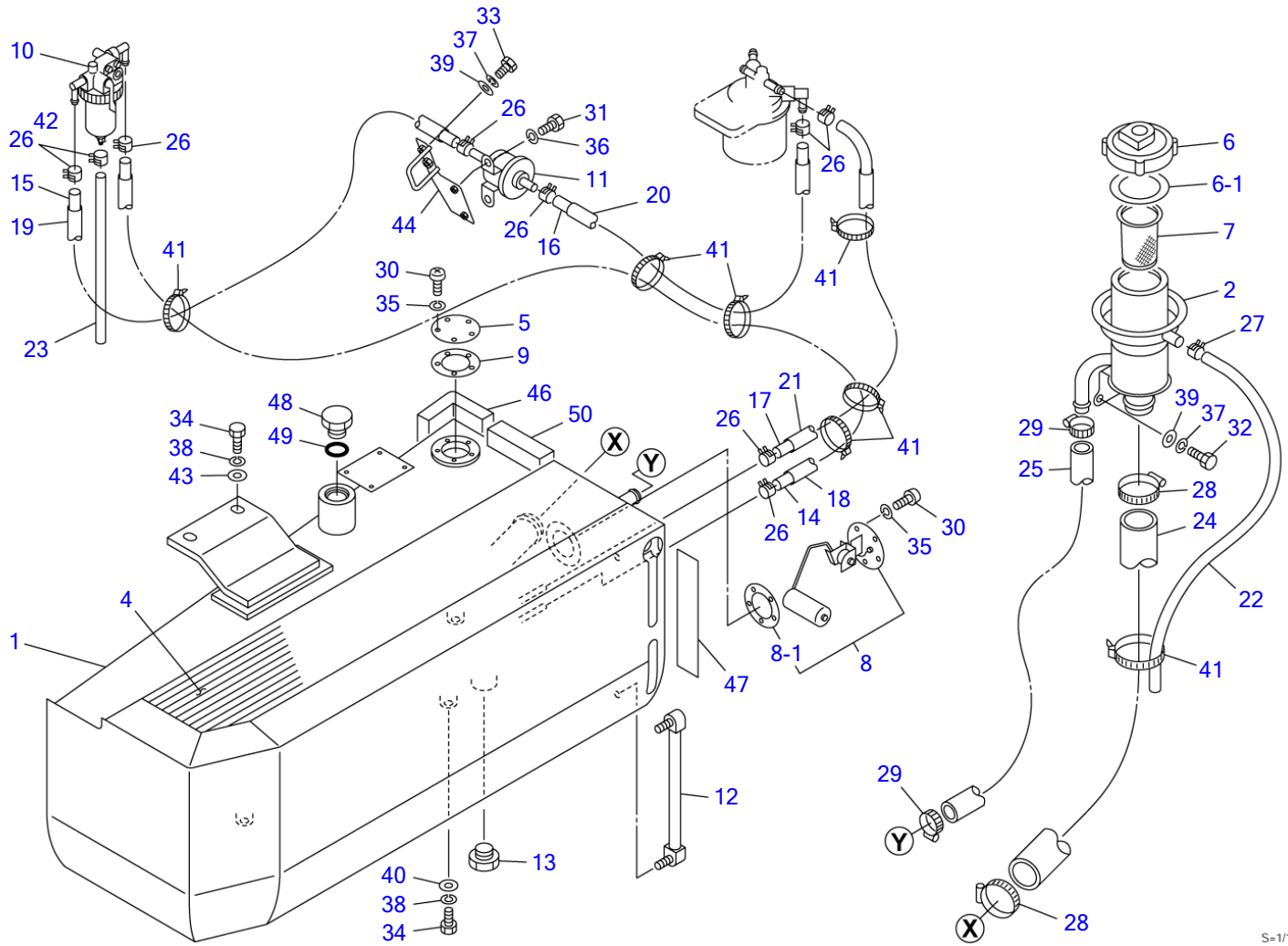


S=1/10

HYDRAULIC TANK

Item	Part number	Description	Q'ty	Chan.	Serial No.	Serv.	Remarks
		TANK ASSY, hydraulic					
1	0568038700	TANK	1				
2	0568035102	COVER	1				
3	0568035160	COVER	1				
4	0568035170	PLATE	1				
5	1550000116	FILTER	1				
6	1551102600	FILTER	1				
7	1552002700	BREATHER, air	1				
7-1	1552002715	· ELEMENT	1				
7-2	1420010300	· O-RING	1				
8	1553020685	GAUGE	1				
9	1540141025	VALVE, check	1				
11	1101041225	BOLT	4				
12	1140020012	WASHER, spring	4				
13	1141550012	WASHER	4				
14	1100041020	BOLT	5				
15	1140020010	WASHER, spring	14				
16	1141110010	WASHER	14				
17	1100040616	BOLT	5				
19	1221000042	RING, retaining	1				
20	1420101450	O-RING	2				
21	1420101250	O-RING	1				
23	1515600202	ADAPTOR	1				
	1420010180	· O-RING	1				
25	1515100111	ELBOW	3				
	1420010140	· O-RING	1				
28	1515010041	ELBOW	2				
	1420010140	· O-RING	1				
29	0007256006	PLUG	1				
30	1420010290	O-RING	1				
31	1501750010	PLUG	1				
	1420010290	· O-RING	1				
32	1551100300	VALVE ASSY	1				
33	0007000031	SPRING	1				
34	0568035190	COVER	1				
35	1100041025	BOLT	4				
36	1512370011	TEE	1				
	1420010110	· O-RING	1				
37	1654306056	SPONGE	2				
38	0568035138	SHIM	AR				sold by the meter t=1.6mm
39	0568035139	SHIM	AR				t=2.3mm
40	0323054001	SHIM	AR				t=1.0mm
41	0323054002	SHIM	AR				t=2.3mm
42	0323054003	SHIM	AR				t=3.2mm
	L8d161						

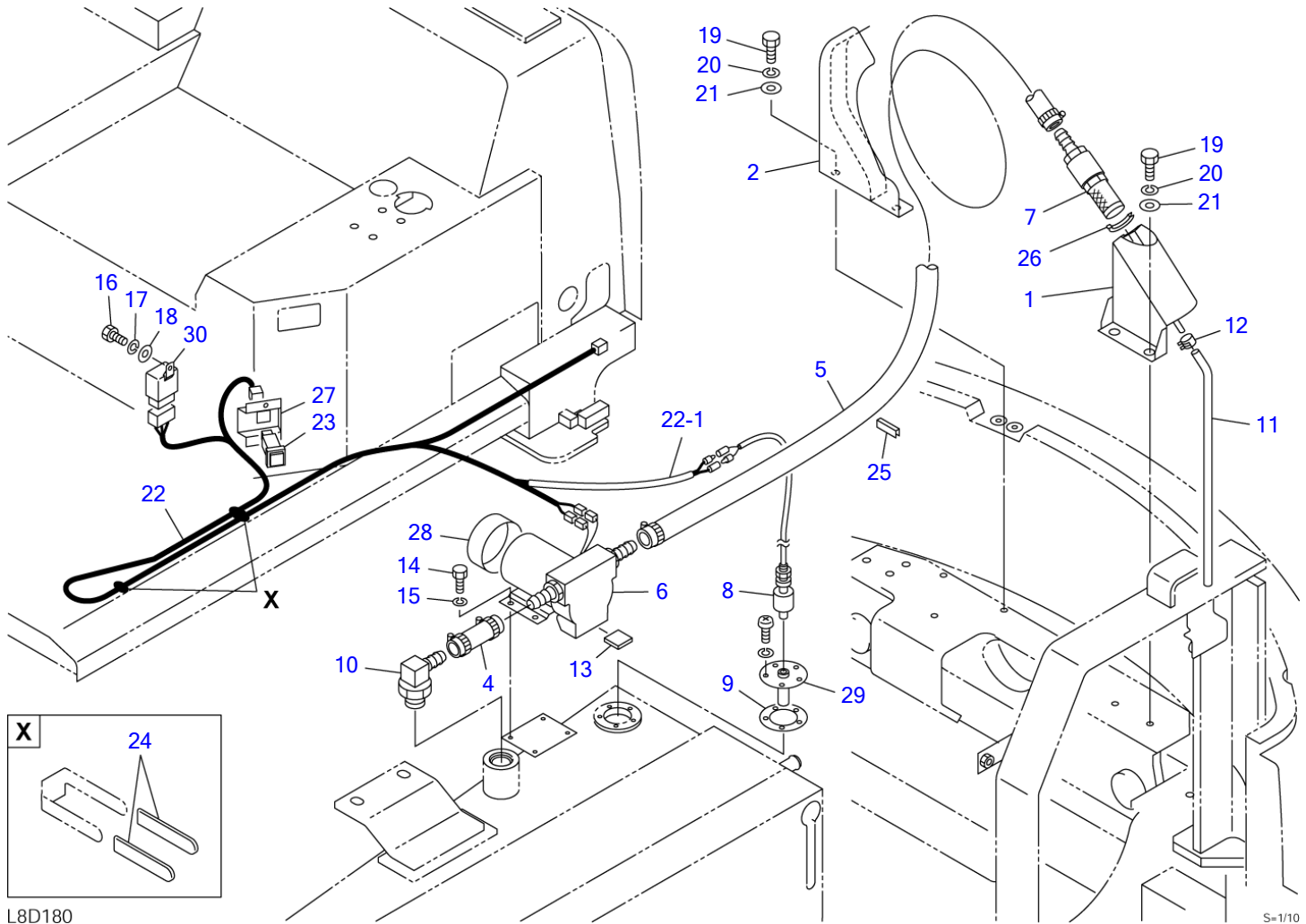
TB180FR Book No. BL8Z001 S/N 17840001-
FUEL TANK & FUEL PIPING



S=1/10

FUEL TANK & FUEL PIPING

Item	Part number	Description	Q'ty	Chan.	Serial No.	Serv.	Remarks
		TANK ASSY, fuel					
1	0568127600	TANK	1				
2	0568127510	PORT, supply	1				
4	0568127503	SHEET	1				
5	0568122560	COVER	1				
6	1552100500	CAP	1				
6-1	1552100507	• PACKING	1				
7	1552100320	STRAINER	1				
8	1553202000	UNIT, gauge	1				
8-1	1553200800	• PACKING	1				
9	1553200800	PACKING	1				
10	1910186033	SEPARATOR, water	1				Y129906-55700
11	1910199034	PUMP, feed	1				Y129612-52100
12	1553001250	GAUGE, level	1				
13	1501750006	PLUG	1				
	1420010240	• O-RING	1				
14	1531207230	HOSE	1				sold by the meter
15	1531207075	HOSE	1				sold by the meter
16	1531207092	HOSE	1				sold by the meter
17	1531207140	HOSE	1				sold by the meter
18	1531115220	PROTECTOR	1				sold by the meter
19	1531115065	PROTECTOR	1				sold by the meter
20	1531115087	PROTECTOR	1				sold by the meter
21	1531115130	PROTECTOR	1				sold by the meter
22	1531110080	HOSE	1				sold by the meter
23	1531007017	HOSE	1				sold by the meter
24	1530541090	HOSE	1				sold by the meter
25	1530519090	HOSE	1				sold by the meter
26	1533120511	BAND	9				
27	1533700016	BAND	1				
28	1533700060	BAND	2				
29	1533700028	BAND	2				
30	1120530510	SCREW	10				
31	1100040616	BOLT	2				
32	1100040825	BOLT	2				
33	1100040825	BOLT	2				
34	1101041225	BOLT	5				
35	1140020005	WASHER, spring	10				
36	1140020006	WASHER, spring	2				
37	1140020008	WASHER, spring	4				
38	1140020012	WASHER, spring	5				
39	1141110008	WASHER	4				
40	0003600023	WASHER	3				
41	1652201005	BAND	8				
42	1533120009	BAND	1				
43	1141550012	WASHER	2				
44	0568127520	BRACKET	1				
	0568127800	BRACKET	1				
46	0568127546	SPONGE	1				
47	0339330900	DECAL	1				
48	0007256006	PLUG	1				
49	1420010290	O-RING	1				
50	1654341011	SPONGE	1				sold by the meter
	L8d171						

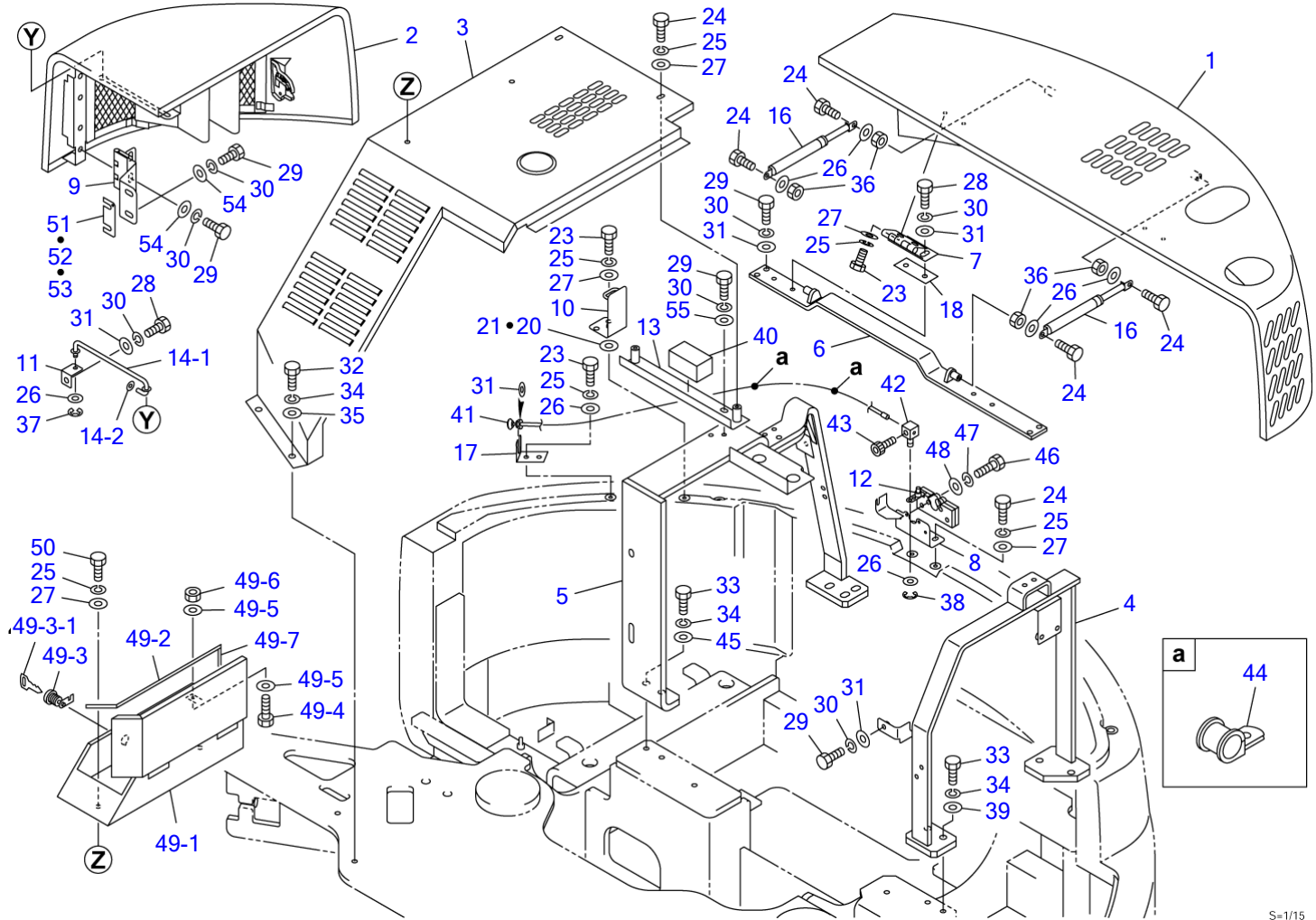


L8D180

S=1/10

FUEL SUPPLY PUMP

Item	Part number	Description	Q'ty	Chan.	Serial No.	Serv.	Remarks
0	0568130000	PUMP ASSY, fuel supply	1				
1	0568127410	▪ BRACKET	1				
2	0568127420	▪ GUIDE	1				
4	0568127440	▪ HOSE ASSY	1				
5	0568127450	▪ HOSE ASSY	1				
6	1711910230	▪ PUMP	1				
7	1552001100	▪ STRAINER	1				
8	0568127490	▪ SWITCH, level	1				
9	1553200800	▪ PACKING	1				
10	1513350018	▪ ELBOW	1				
	1420010290	▪ ▪ O-RING	1				
11	1531207050	▪ HOSE	1				sold by the meter
12	1533120511	▪ BAND	1				
13	0568121020	▪ RUBBER	1				
14	1100040512	▪ BOLT	4				
15	1140020005	▪ WASHER, spring	4				
16	1100040616	▪ BOLT	1				
17	1140020006	▪ WASHER, spring	1				
18	1141110006	▪ WASHER	1				
19	1100041020	▪ BOLT	4				
20	1140020010	▪ WASHER, spring	4				
21	1141110010	▪ WASHER	4				
22	0568130010	▪ HARNESS, wiring	1				
22-1	1531007020	▪ ▪ PROTECTOR	1				sold by the meter
23	1700000039	▪ SWITCH	1				
24	0872433150	▪ TUBE	6				
25	1653916003	▪ TRIM	1				sold by the meter
26	1653916008	▪ TRIM	1				sold by the meter
27	0568127470	▪ BRACKET	1				
28	1711910208	▪ COVER	1				
29	0568122590	▪ COVER	1				
30	1711900124	▪ RELAY	1				
	L8d181						

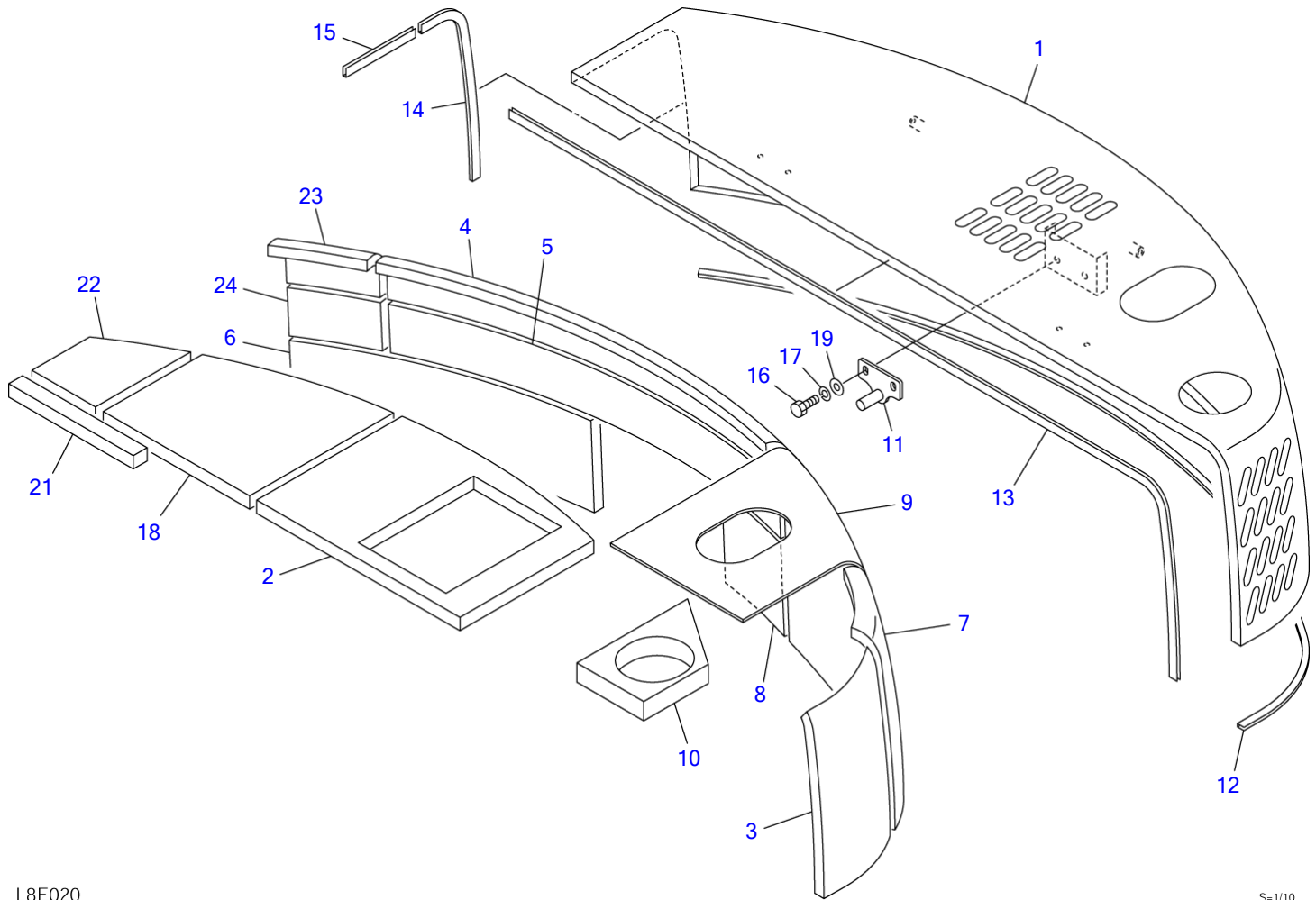


S=1/15

								COVER (1/4)
Item	Part number	Description	Q'ty	Chan.	Serial No.	Serv.	Remarks	
		COVER ASSY	1					
1	0568263100	HOOD, engine	1				see page (2/4)	
2	0568256300	COVER, side	1				see page (3/4)	
3	0568263300	COVER ASSY, center	1				see page (4/4)	
4	0568263400	BRACKET (L.H.)	1					
5	0568263050	BRACKET (R.H.)	1					
6	0568263060	BRACKET	1					
7	0568263070	HINGE	2					
8	0568256550	BRACKET	1					
9	0568256660	HINGE	2					
10	0568256570	BRACKET	1					
11	0568253510	PLATE	1					
12	1654011300	LOCK	1					
13	0568263080	BRACKET	1					
14	0398218010	ROD ASSY	1					
14-1	0398218011	• ROD	1					
14-2	0348204682	• WASHER	1					
16	1653900057	DAMPER	2					
17	0568256580	BRACKET	1					
18	0568239520	PLATE	1					
20	0003900049	SHIM	AR					
21	0003900050	SHIM	AR					
23	1100040820	BOLT	8					
24	1100040825	BOLT	8					
25	1140020008	WASHER, spring	14					
26	1141110008	WASHER	12					
27	0003608252	WASHER	12					
28	1100041020	BOLT	5					
29	1100041025	BOLT	15					
30	1140020010	WASHER, spring	20					
31	1141110010	WASHER	13					
32	1101041225	BOLT	2					
33	1101041235	BOLT	9					
34	1140020012	WASHER, spring	11					
35	1141110012	WASHER	2					
36	1130040008	NUT	4					
37	1224010008	RING, retaining	1					
38	1224010006	RING, retaining	1					
39	1141550012	WASHER	4					
40	1654346009	SPONGE	1				sold by the meter	
41	0358224600	ROPE, wire	1					
42	0007900023	PIN	1					
43	1110040510	SCREW, cap	1					
44	1711900076	CLAMP	2					
45	0003600006	WASHER	5					
46	1100040630	BOLT	4					
47	1140020006	WASHER, spring	4					
48	1141110006	WASHER	4					
49	0398218300	BOX ASSY, tool	1					
49-1	0398218310	• BOX, tool	1					
49-2	0398218320	• RUBBER	1					
49-3	1653612836	• LOCK	1					
49-3-1	1700100019	• KEY	1					
49-4	1100040620	• BOLT	1					
49-5	1141110006	• WASHER	2					
49-6	1130040006	• NUT	1					
49-7	0398218330	• RUBBER	1					
50	1100040830	BOLT	2					
51	0003900054	SHIM	AR				t=4.5mm	
52	0003900055	SHIM	AR				t=2.3mm	
53	0003900056	SHIM	AR				t=1.6mm	
54	0003600003	WASHER	8					
55	0003610003	WASHER	2					

L8e011

TB180FR Book No. BL8Z001 S/N 17840001-
COVER (2/4) (engine hood)



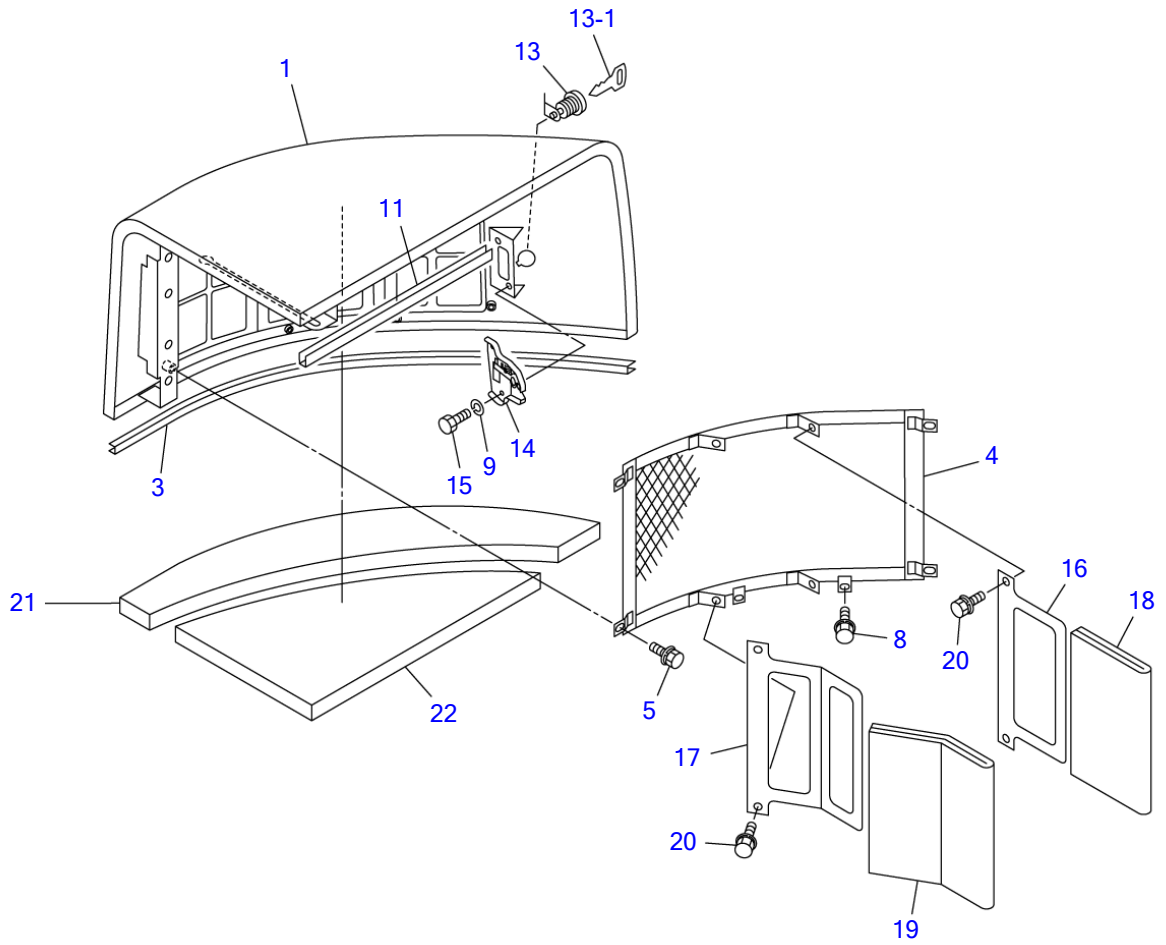
L8E020

S-1/10

COVER (2/4) (engine hood)

Item	Part number	Description	Q'ty	Chan.	Serial No.	Serv.	Remarks
0-1	0568263100	HOOD, engine	1				
1	0568263110	· COVER (steel)	1				
2	0568256204	· ABSORBENT, noise	1				
3	0568263103	· ABSORBENT, noise	1				
4	0568253281	· ABSORBENT, noise	1				
5	0568253282	· ABSORBENT, noise	1				
6	0568253283	· ABSORBENT, noise	1				
7	0568256207	· ABSORBENT, noise	1				
8	0568253285	· ABSORBENT, noise	1				
9	0568263109	· INSULATOR	1				
10	0568256230	· SPONGE	1				
11	0568256220	· PLATE	1				
12	1654605172	· RUBBER	1				sold by the meter
13	1654605175	· RUBBER	1				sold by the meter
14	1654605045	· RUBBER	1				sold by the meter
15	1654605015	· RUBBER	1				sold by the meter
16	1100040825	· BOLT	2				
17	1140020008	· WASHER, spring	2				
18	0568256205	· ABSORBENT, noise	1				
19	1141110008	· WASHER	2				
21	0568256212	· ABSORBENT, noise	1				
22	0568256213	· ABSORBENT, noise	1				
23	0568256214	· ABSORBENT, noise	1				
24	0568256215	· ABSORBENT, noise	1				
	L8e020						

TB180FR Book No. BL8Z001 S/N 17840001-
COVER (3/4) (side cover)

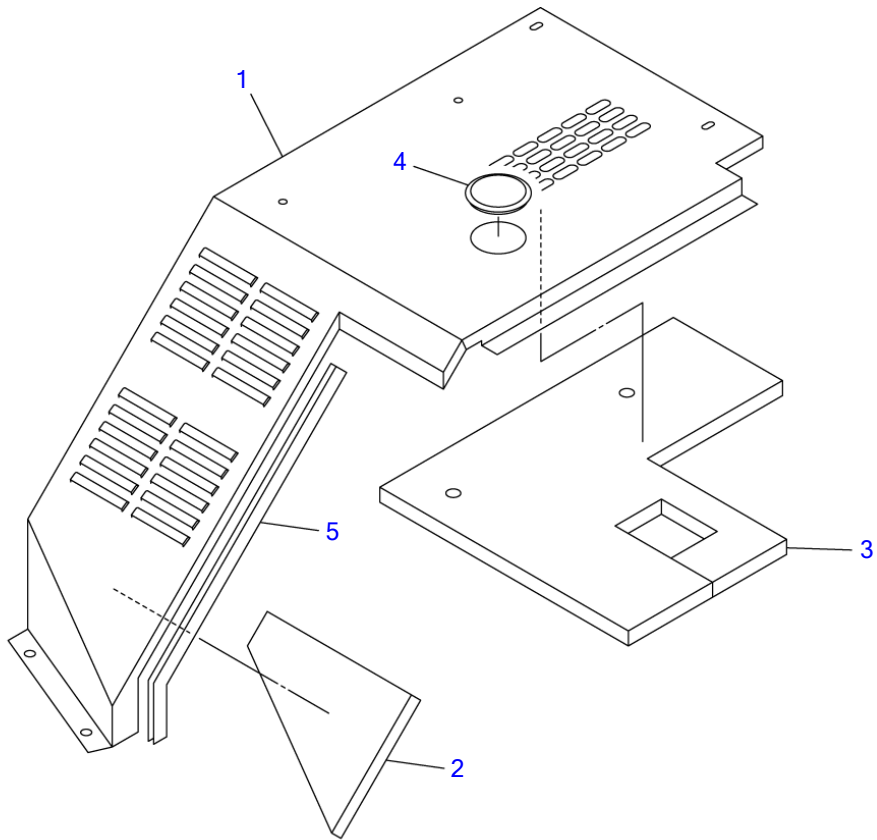


L8E030

S=1/10

COVER (3/4) (side cover)

Item	Part number	Description	Q'ty	Chan.	Serial No.	Serv.	Remarks
0-2	0568256300	COVER, side	1				
1	0568256310	• COVER	1				
3	1654605077	• RUBBER	1				sold by the meter
4	0568256390	• NET	1				
5	1150410814	• SCREW	4				
8	1150410614	• SCREW	2				
9	1140020006	• WASHER, spring	2				
11	1654606034	• RUBBER	1				sold by the meter
13	0568221700	• LOCK	1				
13-1	1700100019	• KEY	1				
14	1653900024	• CATCH	1				
15	1100040612	• BOLT	2				
16	0568256590	• BLADE	1				
17	0568256610	• BLADE	1				
18	0568256621	• ABSORBENT, noise	1				
19	0568256622	• ABSORBENT, noise	1				
20	1150410816	• SCREW	4				
21	0568256381	• ABSORBENT, noise	1				
22	0568256382	• ABSORBENT, noise	1				
	L8e030						



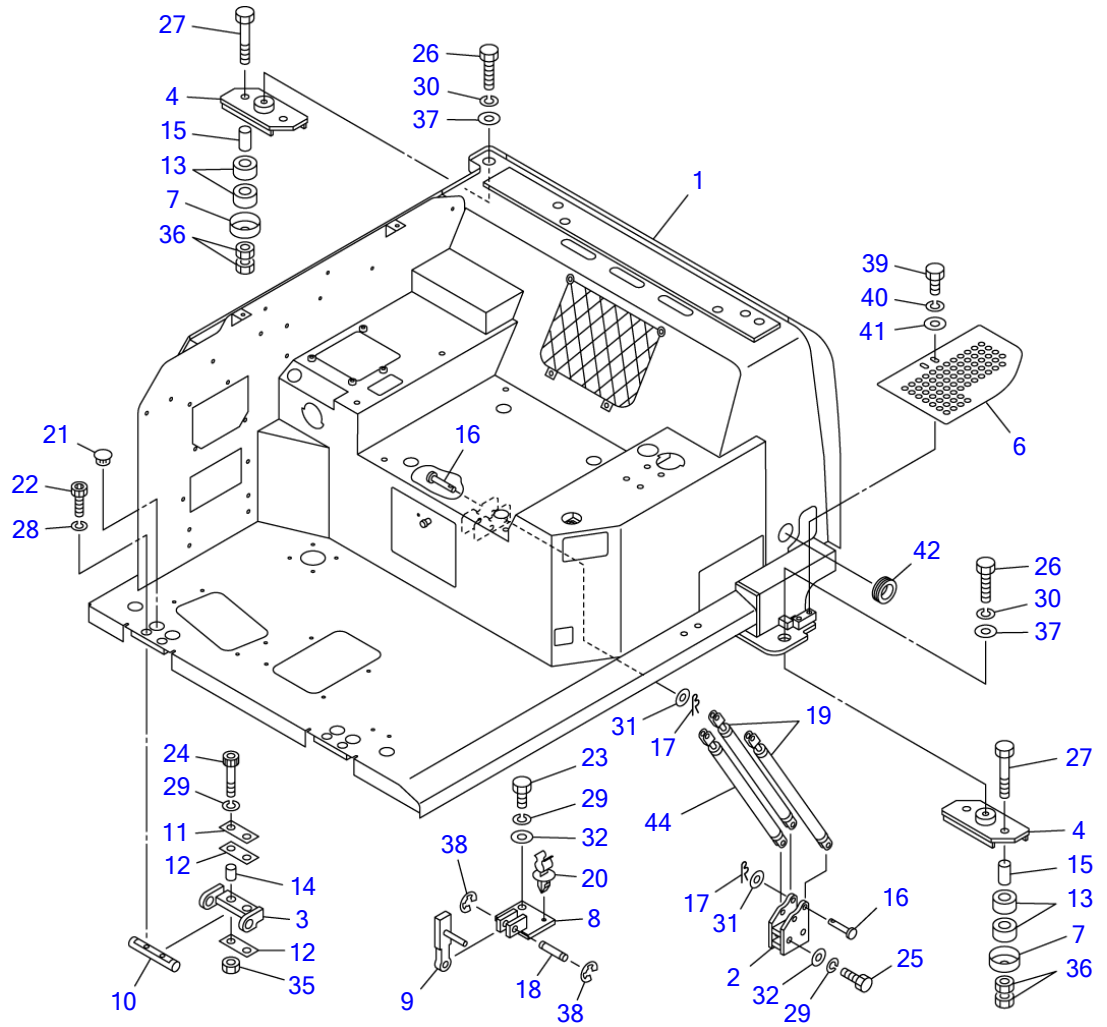
L8E040

S-1/10

COVER (4/4) (center cover)

Item	Part number	Description	Q'ty	Chan.	Serial No.	Serv.	Remarks
0-3	0568263300	COVER ASSY, center	1				
1	0568263310	▪ COVER	1				
2	0568256420	▪ ABSORBENT, noise	1				
3	0568263303	▪ ABSORBENT, noise	1				
4	1652060075	▪ BUSHING	1				
5	1654623063	▪ TRIM	1				sold by the meter
	L8e040						

TB180FR Book No. BL8Z001 S/N 17840001-
FLOOR FRAME (1/3)



L8E050

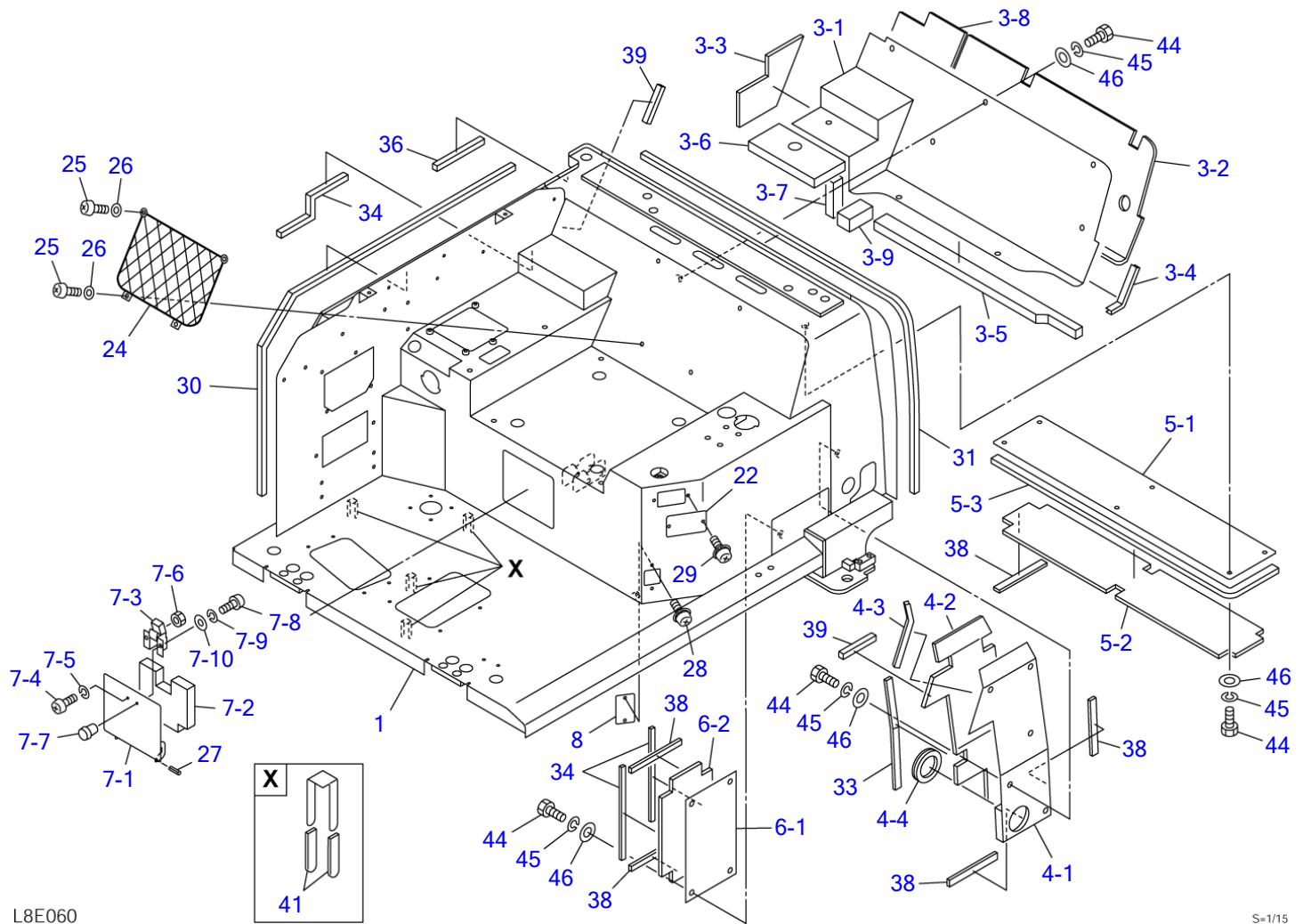
S=1/15

FLOOR FRAME (1/3)

Item	Part number	Description	Q'ty	Chan.	Serial No.	Serv.	Remarks
		FRAME ASSY, floor					
1	X *****	FRAME ASSY	1				see page (2/3, 3/3)
2	0563531300	BRACKET	1				
3	0563531310	BRACKET	2				
4	0373513010	MOUNT, floor	2				
6	0563532206	COVER	1				
7	0433503200	COVER	4				
8	0563511500	BRACKET	1				
9	0563511510	LEVER	1				
10	0343507070	SHAFT	2				
11	0343508102	PLATE	2				
12	0373502995	CUSHION	4				
13	0433503100	RUBBER	8				
14	0343515086	SPACER	4				
15	0393517250	PIPE	4				
16	0004010038	PIN	4				
17	1214000008	PIN, snap	4				
18	0004212040	SHAFT	1				
19	1653900043	SPRING, gas	2				
20	1652702023	HOLDER	1				
21	1652533008	CAP	4				
22	1110041035	SCREW, cap	4				
23	1101041225	BOLT	2				
24	1111041260	SCREW, cap	4				
25	1101041270	BOLT	2				
26	1101041440	BOLT	2				
27	1101041480	BOLT	4				
28	1140020010	WASHER, spring	4				
29	1140020012	WASHER, spring	8				
30	1140020014	WASHER, spring	2				
31	1141110010	WASHER	4				
32	1141110012	WASHER	4				
35	1130540012	NUT	4				
36	1130540014	NUT	8				
37	0003600013	WASHER	2				
38	1224010010	RING, retaining	2				
39	1100040820	BOLT	2				
40	1140020008	WASHER, spring	2				
41	0003608252	WASHER	2				
42	1652060038	BUSHING	1				
44	1653900047	SPRING, gas	1				

L8e050

TB180FR Book No. BL8Z001 S/N 17840001-
FLOOR FRAME (2/3)



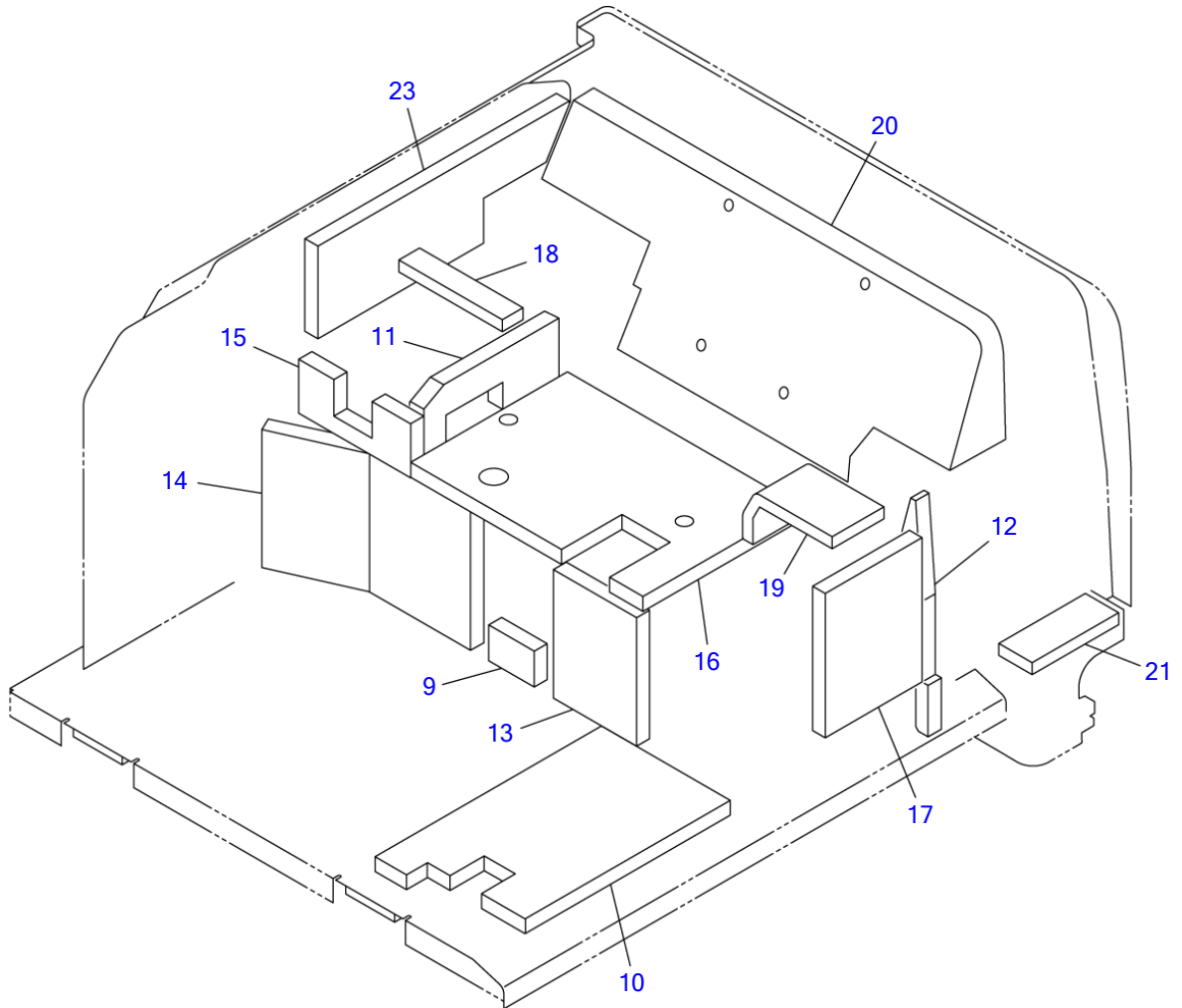
L8E060

S=1/15

FLOOR FRAME (2/3)

Item	Part number	Description	Q'ty	Chan.	Serial No.	Serv.	Remarks
0	0393526100	FRAME ASSY	1				
1	0393526200	· FRAME	1				
3	0563532330	· PLATE ASSY	1				
3-1	0563532331	· · BRACKET	1				
3-2	0563532336	· · INSULATOR	1				
3-3	0563532333	· · INSULATOR	1				
3-4	1654606012	· · SEAL	1				sold by the meter
3-5	0563532334	· · ABSORBENT, noise	1				
3-6	0563532339	· · ABSORBENT, noise	1				
3-7	0563532337	· · ABSORBENT, noise	1				
3-8	0563532338	· · INSULATOR	1				
3-9	0563532325	· · ABSORBENT, noise	1				
4	0563532340	· PLATE ASSY	1				
4-1	0563532390	· · BRACKET	1				
4-2	0563532343	· · INSULATOR	1				
4-3	1654601016	· · TRIM	1				sold by the meter
4-4	1652060075	· · BUSHING	1				
5	0563532350	· PLATE ASSY	1				
5-1	0563532351	· · PLATE	1				
5-2	0563532352	· · INSULATOR	1				
5-3	1654606087	· · SEAL	1				sold by the meter
6	0563532360	· PLATE ASSY	1				
6-1	0563532361	· · PLATE	1				
6-2	0563532362	· · INSULATOR	1				
7	0393526110	· PLATE ASSY	1				
7-1	0393526120	· · PLATE	1				
7-2	0393526112	· · ABSORBENT, noise	1				
7-3	1653900015	· · LATCH	1				
7-4	1120530510	· · SCREW	1				
7-5	1140020005	· · WASHER, spring	1				
7-6	1130030005	· · NUT	1				
7-7	1652760001	· · KNOB	1				
7-8	1120530410	· · SCREW	1				
7-9	1140020004	· · WASHER, spring	1				
7-10	1141110004	· · WASHER	1				
8	0563532380	· PLATE	1				
22	0338230850	· COVER	1				
24	1654010600	· POCKET	1				
25	1120530416	· SCREW	4				
26	1141190004	· WASHER	4				
27	1213000420	· PIN, spring	2				
28	1150410616	· BOLT, sems	2				
29	1150410612	· SCREW	2				
30	1654352067	· SPONGE	1				sold by the meter
31	1654356100	· SPONGE	1				sold by the meter
33	1654356030	· SPONGE	1				sold by the meter
34	1654356028	· SPONGE	3				sold by the meter
36	1654352023	· SPONGE	1				sold by the meter
38	1654356017	· SPONGE	5				sold by the meter
39	1654356011	· SPONGE	2				sold by the meter
41	0872433150	· TUBE	8				
44	1100040816	· BOLT	23				
45	1140020008	· WASHER, spring	23				
46	0003608252	· WASHER	23				

L8e060

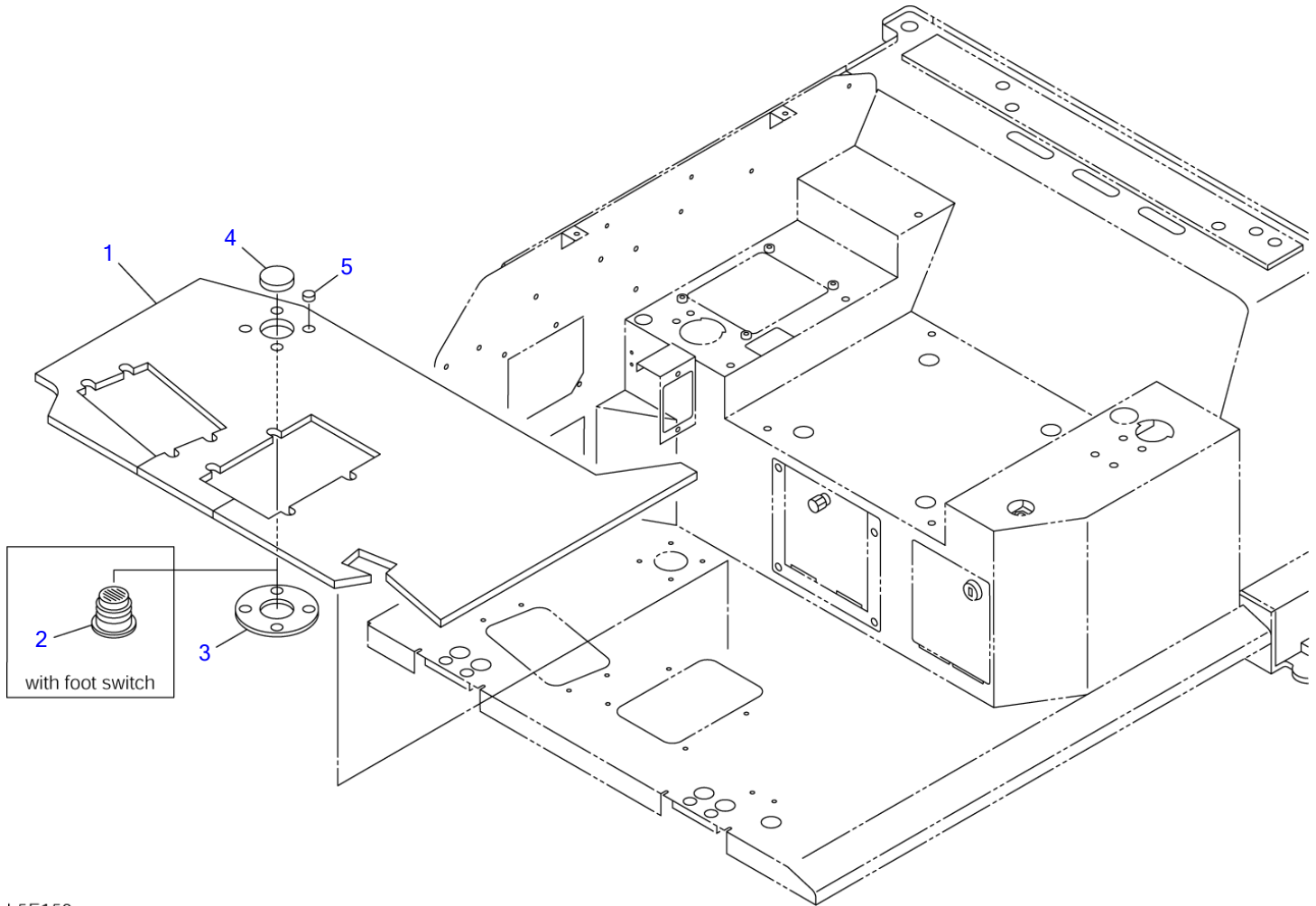


L8E070

S=1/10

FLOOR FRAME (3/3)

Item	Part number	Description	Q'ty	Chan.	Serial No.	Serv.	Remarks
0	0393526100	FRAME ASSY	1				
9	0393526109	▪ ABSORBENT, noise	1				
10	0563532310	▪ INSULATOR	1				
11	0563532311	▪ ABSORBENT, noise	1				
12	0563532312	▪ ABSORBENT, noise	1				
13	0393526103	▪ ABSORBENT, noise	1				
14	0393526104	▪ ABSORBENT, noise	1				
15	0563532315	▪ ABSORBENT, noise	1				
16	0563532316	▪ ABSORBENT, noise	1				
17	0563532317	▪ ABSORBENT, noise	1				
18	0563532318	▪ ABSORBENT, noise	1				
19	0563532319	▪ ABSORBENT, noise	1				
20	0563532320	▪ SHEET	1				
21	0378206720	▪ ABSORBENT, noise	1				
23	0563531123	▪ ABSORBENT, noise	1				
	L8e070						

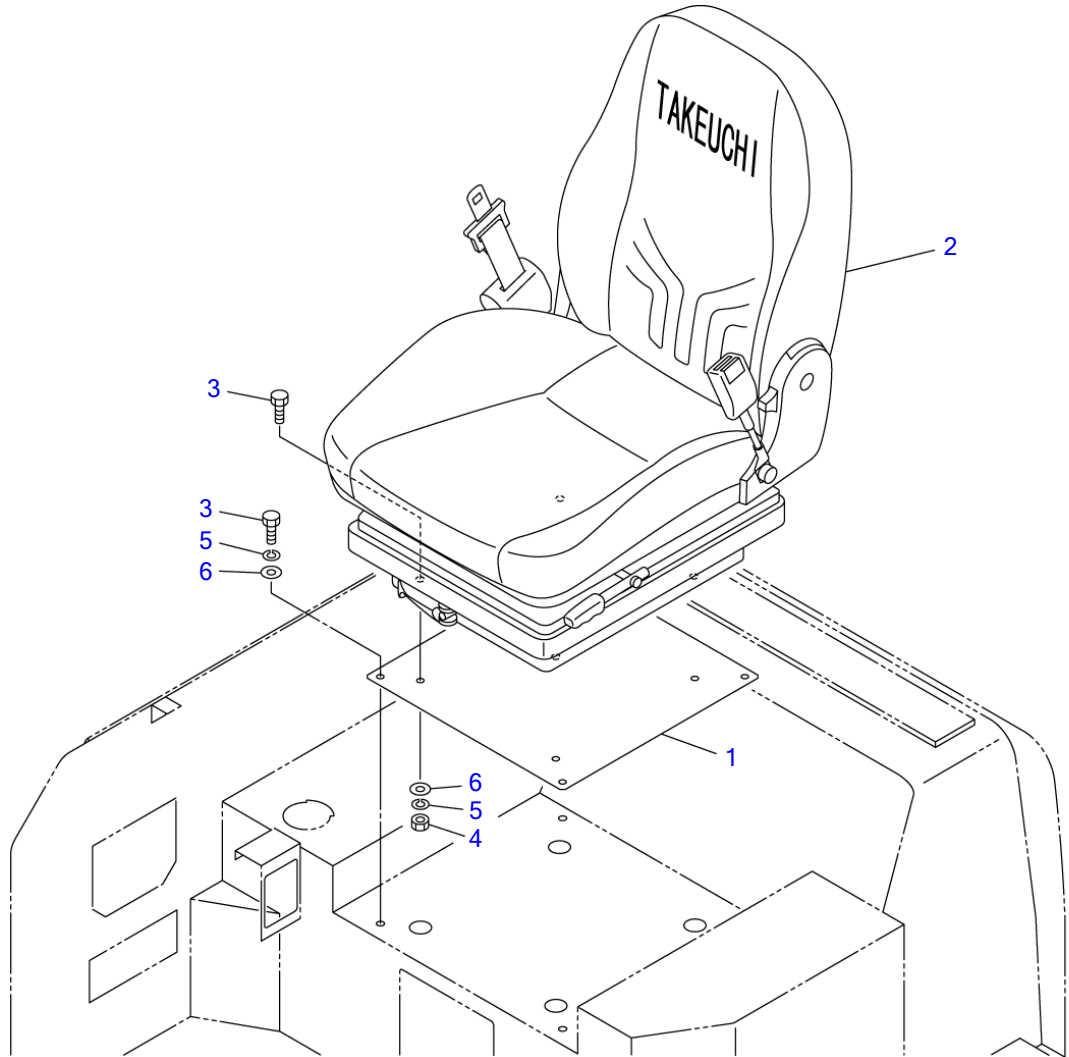


L5E150

S=1/10

FLOOR MAT

Item	Part number	Description	Q'ty	Chan.	Serial No.	Serv.	Remarks
		MAT ASSY, floor (without foot switch)					
		MAT ASSY, floor (with foot switch)					
1	0563532610	MAT, floor	1				
2	0573500240	BOOT	1				with foot switch
3	0573500225	SPONGE	1				without foot switch
4	1652533013	CAP	1				without foot switch
5	1652533002	CAP	4				
	L5e150						

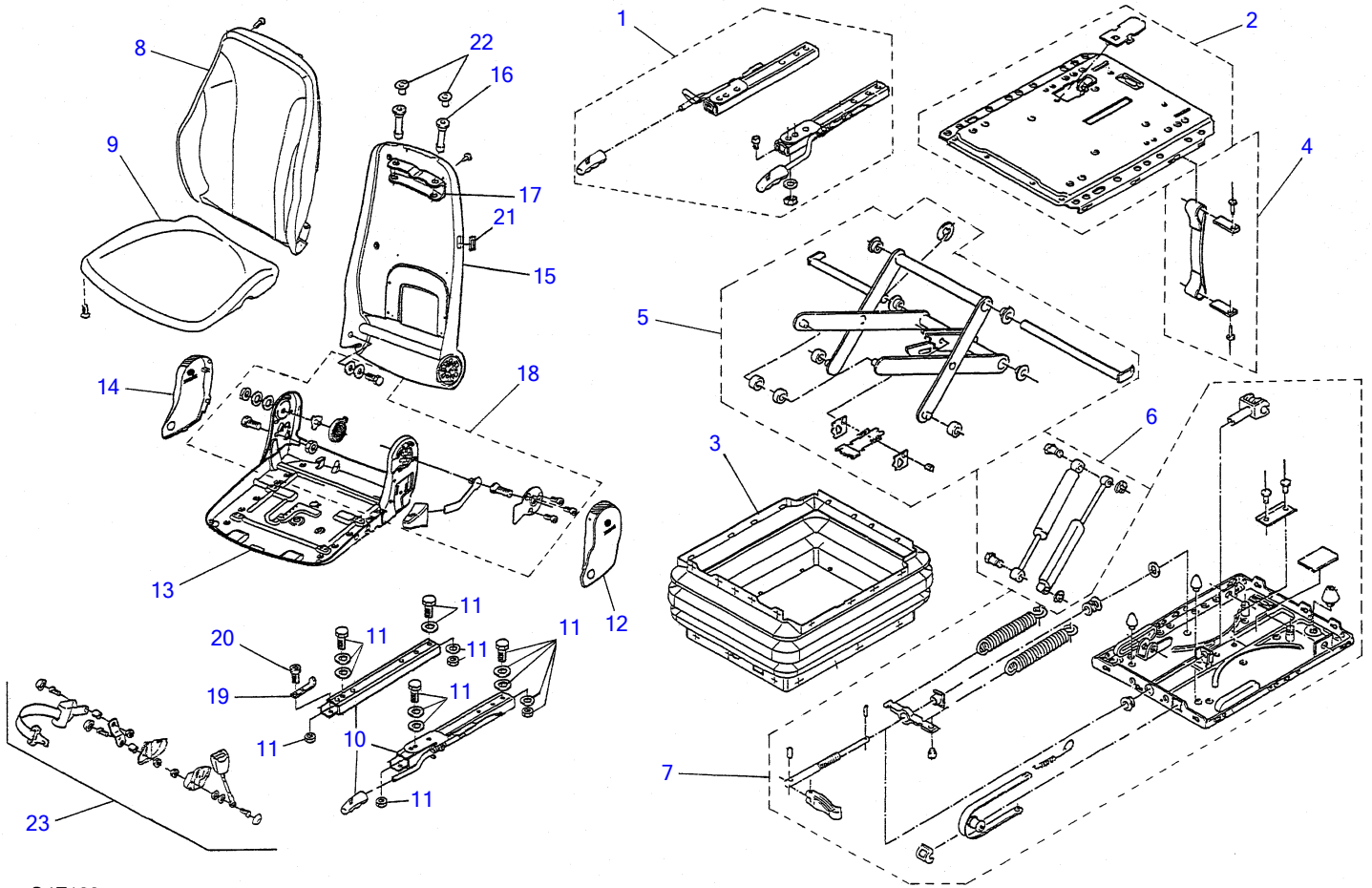


L5E070

S=1/10

SEAT (1/2)

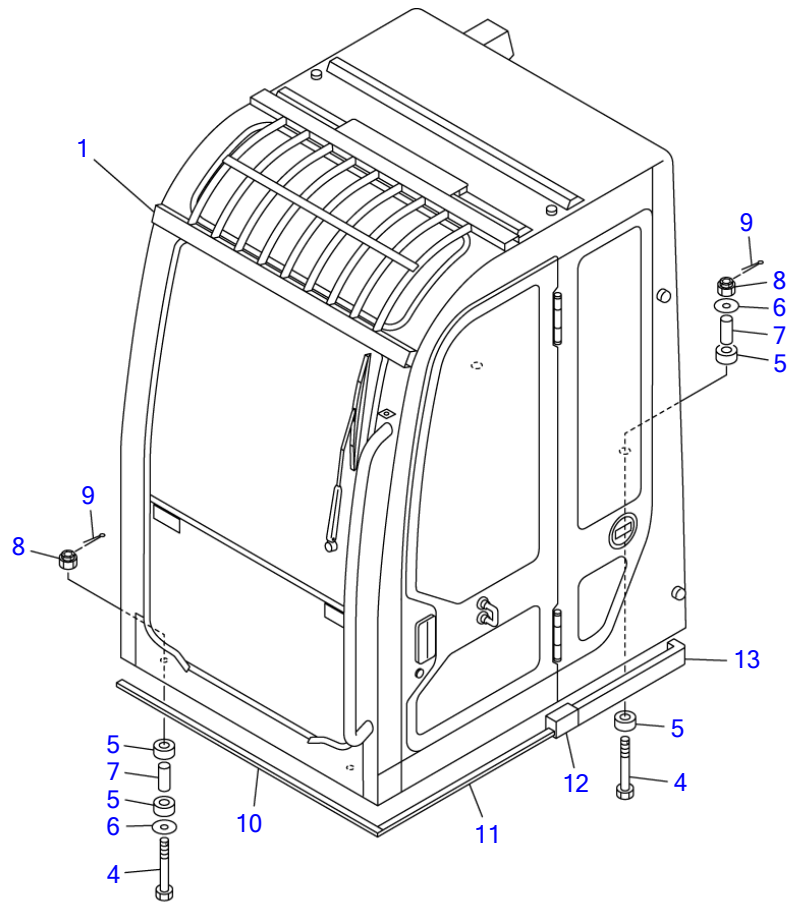
Item	Part number	Description	Q'ty	Chan.	Serial No.	Serv.	Remarks
		SEAT ASSY					
1	0563416510	PLATE	1				
2	1914100071	SEAT	1				see page (2/2)
3	1100040820	BOLT	8				
4	1130040008	NUT	4				
5	1140020008	WASHER, spring	8				
6	1141110008	WASHER	8				
	L5e070						



G4E180

S=Free

SEAT (2/2)						
Item	Part number	Description	Q'ty	Chan.	Serial No.	Serv. Remarks
0	1914100071	SEAT	1			
1	1914101072	▪ RAIL ASSY	1			
2	1914102072	▪ PLATE ASSY	1			
3	1914103071	▪ BOOT	1			
4	1914104072	▪ ANGLE ASSY	1			
5	1914105072	▪ LINK ASSY	1			
6	1914106072	▪ DAMPER ASSY	1			
7	1914107072	▪ SPRING ASSY	1			
8	1914108072	▪ TRIM	1			
9	1914109072	▪ TRIM	1			
10	1914110072	▪ RAIL ASSY	1			
11	1914111072	▪ BOLT ASSY	1			
12	1914112072	▪ COVER (L.H.)	1			
13	1914113072	▪ FRAME	1			
14	1914114072	▪ COVER (R.H.)	1			
15	1914115072	▪ FRAME	1			
16	1914116072	▪ GUIDE	2			
17	1914117072	▪ BRACKET	1			
18	1914118072	▪ JOINT ASSY	1			
19	1914119072	▪ PLATE	1			
20	1914120072	▪ SCREW, cap	1			
21	1914121072	▪ PLATE	1			
22	1914122072	▪ PLUG	2			
23	1914123072	▪ BELT ASSY, seat	1			
	L4e081					

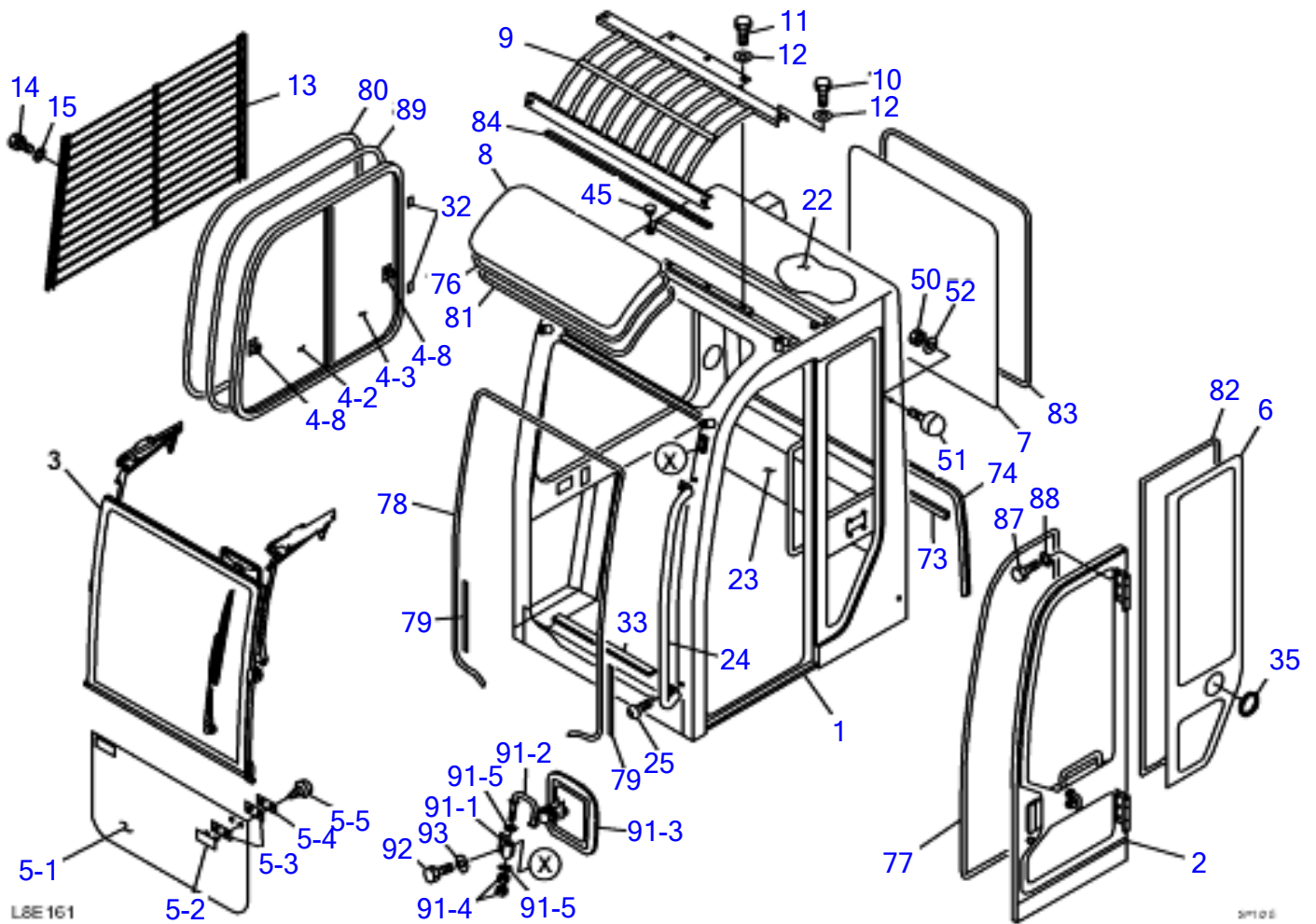


L5E081

S=1/20

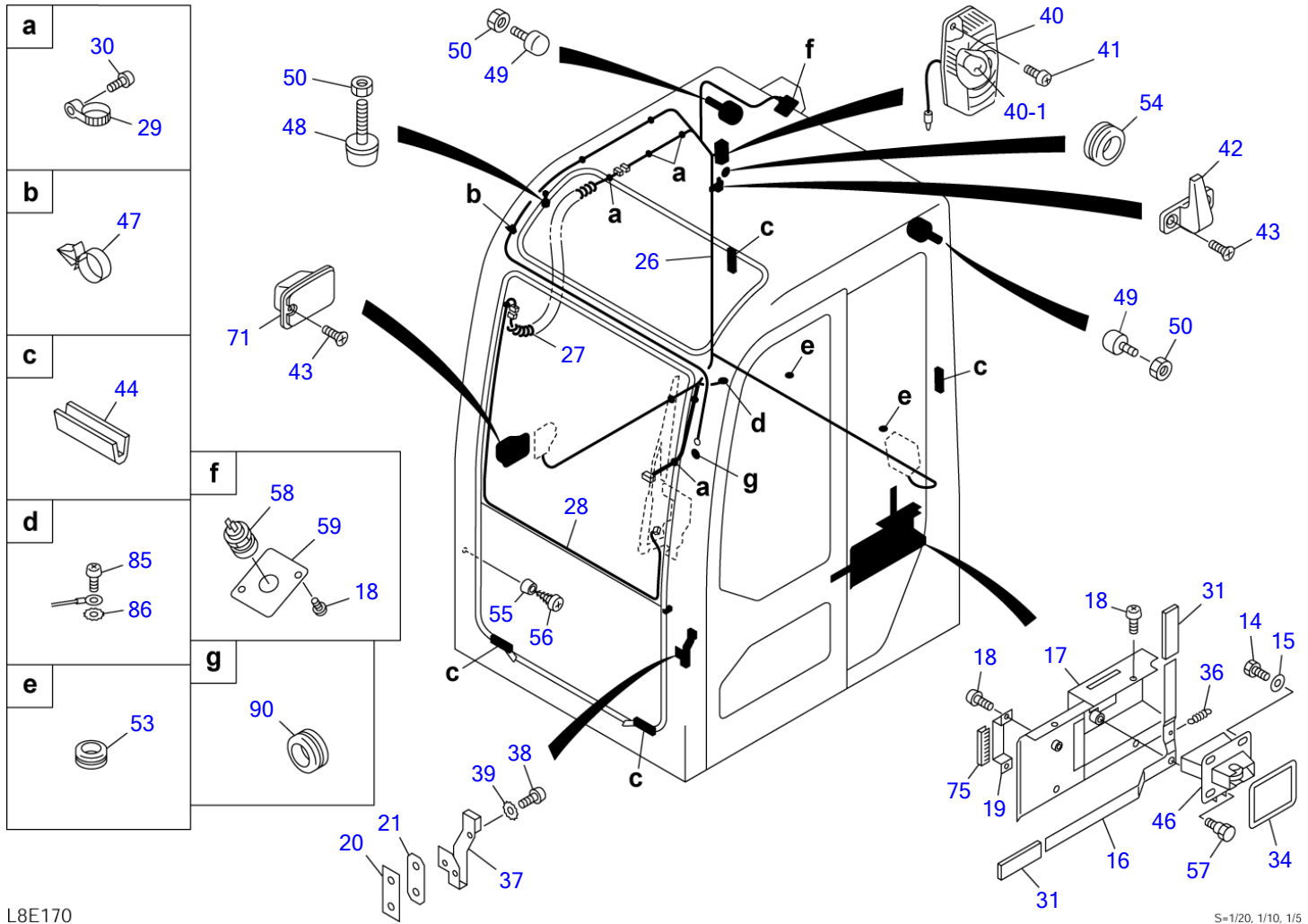
CAB MOUNT

Item	Part number	Description	Q'ty	Chan.	Serial No.	Serv.	Remarks
0	X *****	CAB MOUNT	1				
1	0568652300	• CAB ASSY	1				see page (1/7)
4	0568640900	• BOLT	4				
5	0433503100	• RUBBER	8				
6	0003000010	• WASHER	4				
7	0563500600	• TUBE	4				
8	1132080016	• NUT	4				
9	1210010430	• PIN, split	4				
10	1654312100	• SPONGE	1				sold by the meter
11	1654302090	• SPONGE	1				sold by the meter
12	0568652210	• SPONGE	1				
13	0568652220	• SPONGE	1				
	L5e081						



							CAB (1/7)			
Item	Part number	Description	Q'ty	Chan.	Serial No.	Serv.	Remarks			
0	0568652300	CAB ASSY	1							
1	X *****	• CAB	1							
2	0568652800	• DOOR ASSY	1							
3	0568652500	• ASSIST ASSY, front sash	1						see page (4/7)	
4	0378601300	• SASH ASSY, side	1						see page (5/7)	
4-2	0378601320	• • GLASS	1							
4-3	0378601330	• • GLASS	1							
4-8	0338630650	• • LOCK ASSY	2							
5	0378601600	• GLASS ASSY, front	1							
5-1	0378601610	• • GLASS	1							
5-2	1654010900	• • RETAINER	2							
5-3	1654011100	• • PACKING	4							
5-4	1654011000	• • PLATE	2							
5-5	1122410412	• • SCREW	4							
6	0568652306	• GLASS	1							
7	0378601900	• GLASS	1							
8	0358605300	• GLASS	1							
9	0568652850	• GUARD	1							
10	1100041020	• BOLT	4							
11	1100041016	• BOLT	3							
12	1141110010	• WASHER	7							
13	0398619500	• GUARD	1							
14	1100040825	• BOLT	6							
15	1141110008	• WASHER	6							
22	0568652900	• SPONGE	1							
23	0568640710	• SPONGE	1							
24	0568625500	• HANDRAIL	1							
25	1120991205	• BOLT	2							
32	0438601770	• SPACER	7							
33	0568634100	• SEAL	1							
35	0568626600	• GROMMET	1							
45	1653303010	• CAP	2							
50	1130090010	• NUT	6							
51	1651101042	• RUBBER	4							
52	1654011706	• WASHER	4							
73	1654636140	• TRIM	1						sold by the meter	
74	1654636260	• TRIM	1						sold by the meter	
76	1653916222	• TRIM	1						sold by the meter	
77	1654605326	• RUBBER	1						sold by the meter	
78	1654605374	• RUBBER	1						sold by the meter	
79	1654605033	• RUBBER	2						sold by the meter	
80	1653930355	• TRIM	1						sold by the meter	
81	1654615216	• DAM	1							
82	1654615278	• DAM	1							
83	1654231295	• H-RUBBER	1						sold by the meter	
84	1654606085	• TRIM	1						sold by the meter	
87	1100040814	• BOLT	6							
88	1140090008	• WASHER, spring	6							
89	1654620350	• TAPE	1						sold by the meter	
91	0378608400	* MIRROR ASSY LH	1							
91-1	0378607880	* * HOLDER	1							
91-2	0378608410	* * STAY	1							
91-3	1656500140	* * MIRROR	1							
91-4	1130040016	* * NUT	2							
91-5	1225110016	* * CONICAL WASHER	2							
92	1100041020	* BOLT	2							
93	1654011900	* WASHER	2							

L8e161

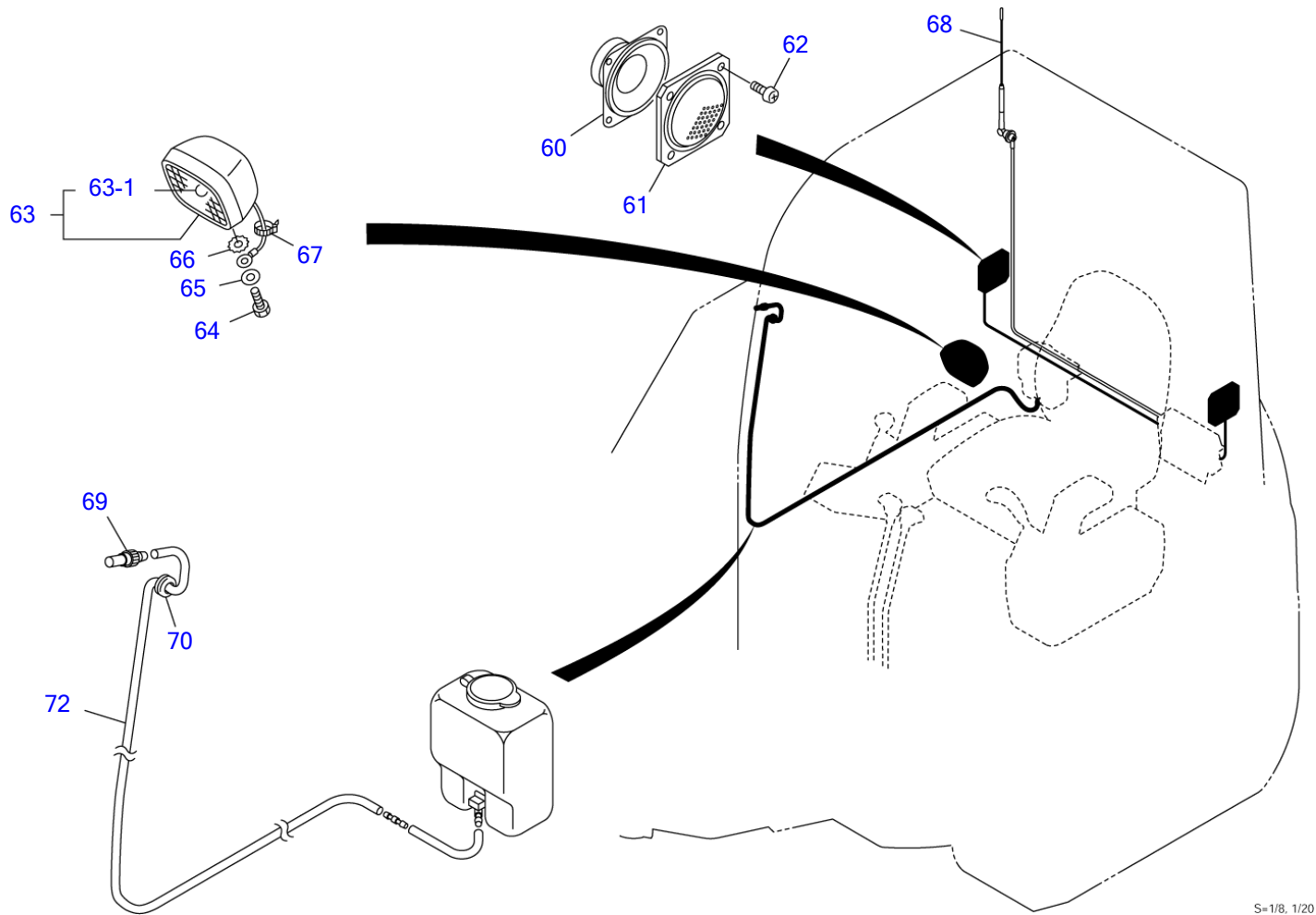


L8E170

S=1/20, 1/10, 1/5

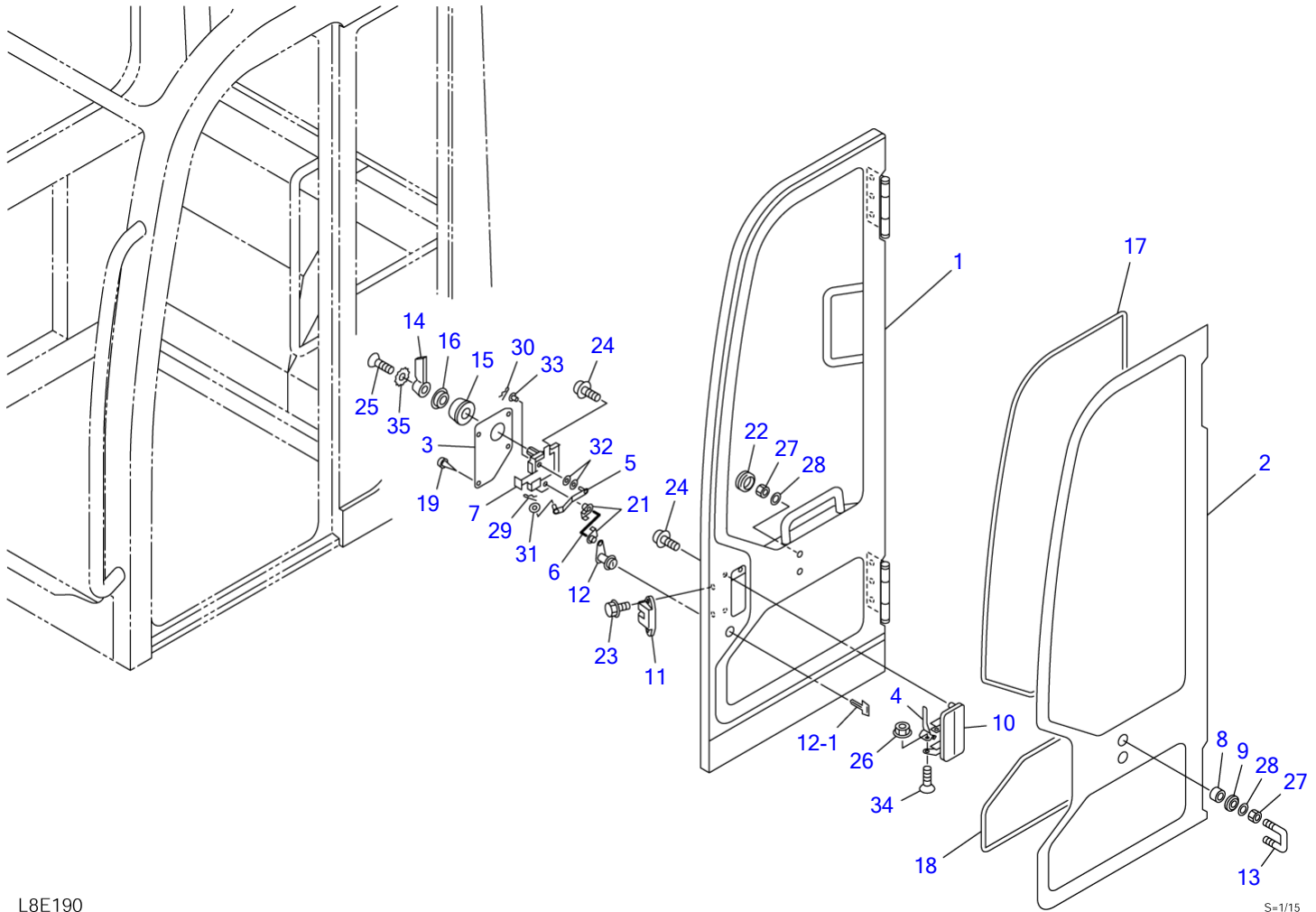
Item	Part number	Description	CAB (2/7)			Remarks
			Q'ty	Chan.	Serial No.	
0	0568652300	CAB ASSY	1			
14	1100040825	• BOLT	4			
15	1141110008	• WASHER	4			
16	0378601420	• PLATE	1			
17	0568652310	• COVER	1			
18	1150420512	• SCREW	8			
19	0338630870	• PLATE	1			
20	0338630880	• PLATE	1			
21	0338630930	• PACKING	1			
26	0568652910	• HARNESS, wiring	1			
27	0398802200	• HARNESS, wiring	1			
28	0338631010	• HARNESS, wiring	1			
29	1652221050	• BAND	3			
30	1120590512	• SCREW	3			
31	0438601760	• COVER	2			
34	0568634400	• SEAL	1			
36	0007000096	• SPRING	1			
37	0068620500	• STRIKER	1			
38	1120891025	• BOLT	2			
39	1140330010	• WASHER	2			
40	1703001700	• LAMP, room	1			
40-1	1703001701	• • BULB	1			
41	1150410420	• SCREW	2			
42	1654004800	• HANGER	1			
43	1120690412	• SCREW	4			
44	1654004900	• STOPPER	4			
46	1654005100	• LOCK ASSY	1			
47	1652351054	• CLAMP	3			
48	1651101028	• STOPPER	2			
49	1651101045	• STOPPER	2			
50	1130090010	• NUT	6			
53	1652060016	• GROMMET	2			
54	1652060031	• BUSHING	1			
55	1652102320	• RUBBER	2			
56	1122400416	• SCREW	2			
57	0378601510	• PIN	1			
58	1711900066	• SOCKET	1			
59	0578600143	• COVER	1			
71	1654010500	• ASHTRAY	1			
75	1653916007	• TRIM	1			sold by the meter
85	1150420516	• SCREW	1			
86	1140330005	• WASHER	1			
90	1652050900	• GROMMET	1			

L8e171



CAB (3/7)

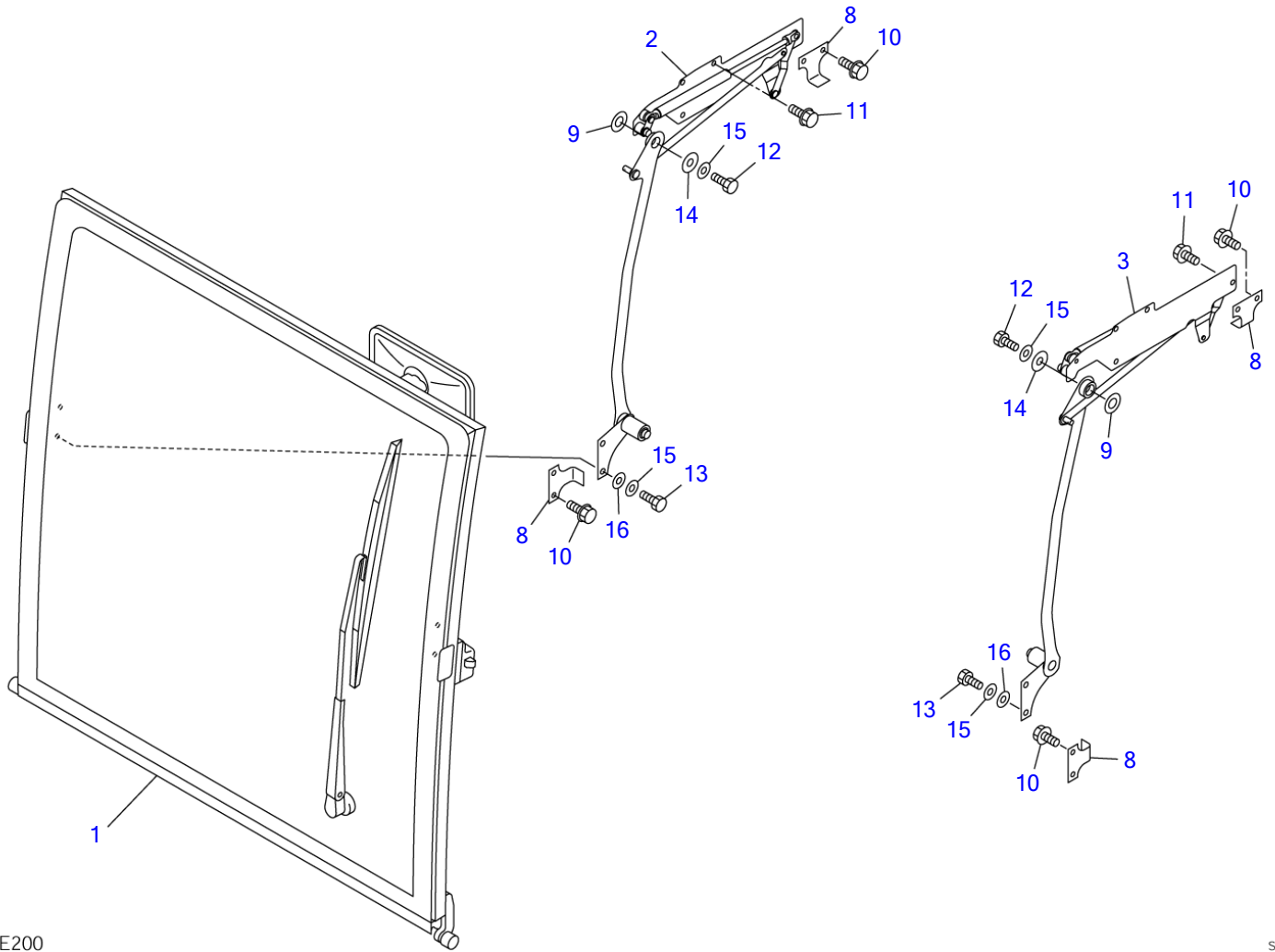
Item	Part number	Description	Q'ty	Chan.	Serial No.	Serv.	Remarks
0	0568652300	CAB ASSY	1				
60	1705003500	▪ SPEAKER	2				
61	1705003550	▪ GRILLE	2				
62	1120590412	▪ SCREW	8				
63	1703007600	▪ LAMP ASSY	1				
63-1	1703007605	▪ ▪ BULB	1				12V, 55W
64	1100040816	▪ BOLT	1				
65	1141110008	▪ WASHER	1				
66	1140330008	▪ WASHER	1				
67	1652231250	▪ BAND	1				
68	1705003460	▪ ANTENNA	1				
69	1711910040	▪ NOZZLE	1				
70	1652001002	▪ GROMMET	1				
72	1711919185	▪ HOSE	1				
	L8e181						



L8E190

S=1/15

CAB (4/7) (door)						
Item	Part number	Description	Q'ty	Chan.	Serial No.	Serv. Remarks
0-1	0568652800	DOOR ASSY	1			
1	0568652810	• DOOR	1			
2	0568652802	• GLASS	1			
3	0568623300	• COVER	1			
4	0338642610	• PLATE	1			
5	0338642600	• PLATE	1			
6	0568630600	• ROD	1			
7	0568623400	• CONTROL ASSY	1			
8	0568623500	• COLLAR	2			
9	0568623600	• SEAL	2			
10	1654005600	• HANDLE	1			
11	0068620400	• LOCK ASSY	1			
12	1653611527	• LOCK	1			
12-1	1700100019	• KEY	1			
13	1654005900	• STRIKER	1			
14	1654005500	• HANDLE	1			
15	1654005800	• BASE	1			
16	1654005700	• ESCUTCHEON	1			
17	1654615260	• DAM	1			sold by the meter
18	1654615145	• DAM	1			sold by the meter
19	1652711432	• CLIP	4			
21	0398610900	• SNAP	2			
22	1652053200	• GROMMET	2			
23	1106690612	• BOLT	2			
24	1150410612	• SCREW	4			
25	1120790516	• SCREW	1			
26	1131283006	• NUT	1			
27	1130090010	• NUT	4			
28	1654011706	• WASHER	4			
29	1214000006	• PIN, snap	1			
30	1214000004	• PIN, snap	1			
31	1654011711	• WASHER	1			
32	0338642620	• WASHER	2			
33	0578600380	• BUSHING	1			
34	1120730616	• SCREW	1			
35	0378605301	• WASHER	1			
	L8e190					

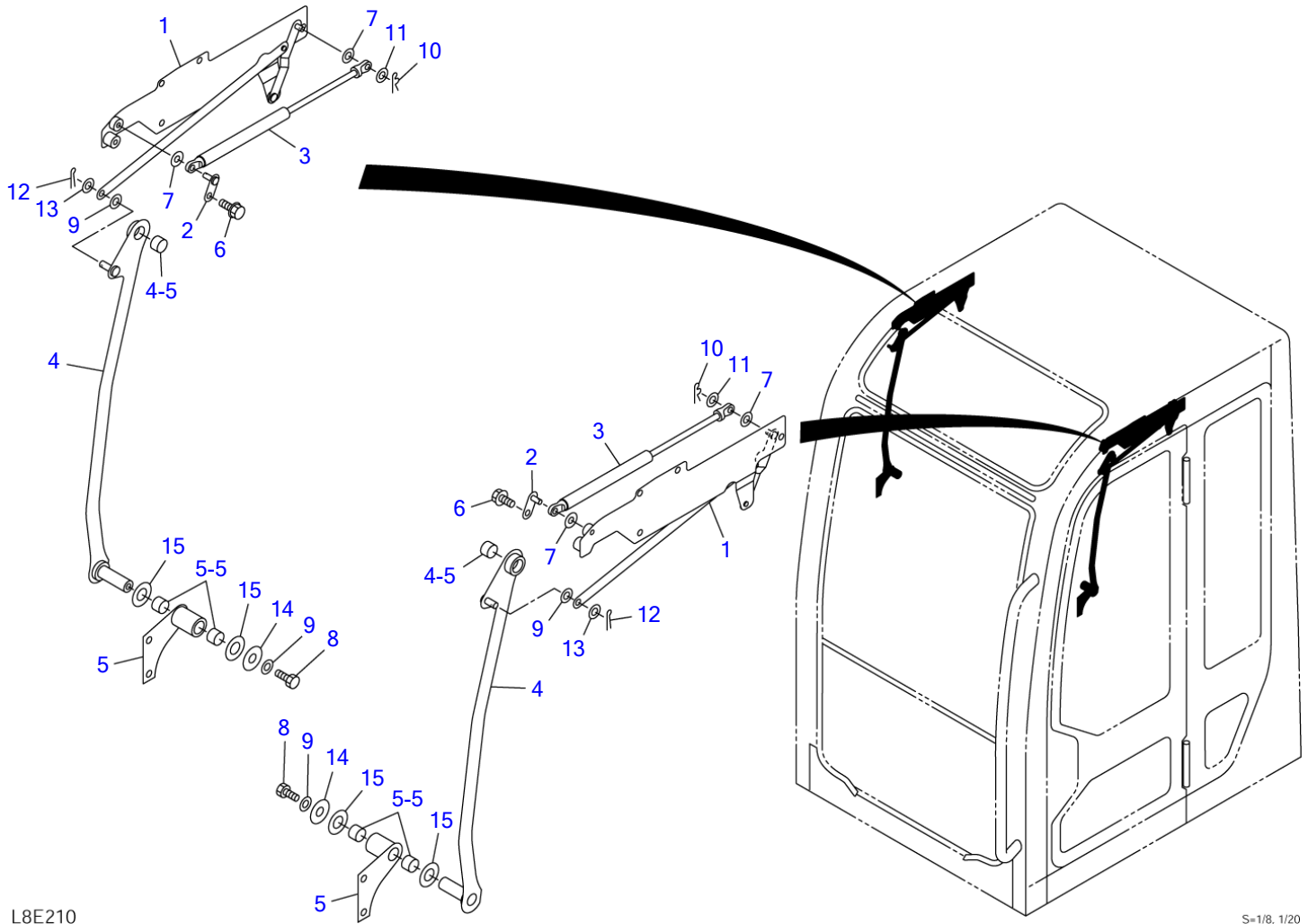


L8E200

S=1/10

CAB (5/7) (front sash assist)

Item	Part number	Description	Q'ty	Chan.	Serial No.	Serv.	Remarks
0-2	0568652500	ASSIST ASSY, front sash	1				
1	0568652600	▪ SASH ASSY, front	1				see page (7/7)
2	0568652700	▪ ASSIST ASSY (R.H.)	1				see page (6/7)
3	0568652750	▪ ASSIST ASSY (L.H.)	1				see page (6/7)
8	0378603710	▪ PLATE	4				
9	0083252100	▪ WASHER	2				
10	1106690616	▪ BOLT	8				
11	1106690620	▪ BOLT	8				
12	1100090820	▪ BOLT	2				
13	1100090816	▪ BOLT	4				
14	0578600401	▪ WASHER	2				
15	1654011705	▪ WASHER	6				
16	1141190008	▪ WASHER	4				
	L8e200						



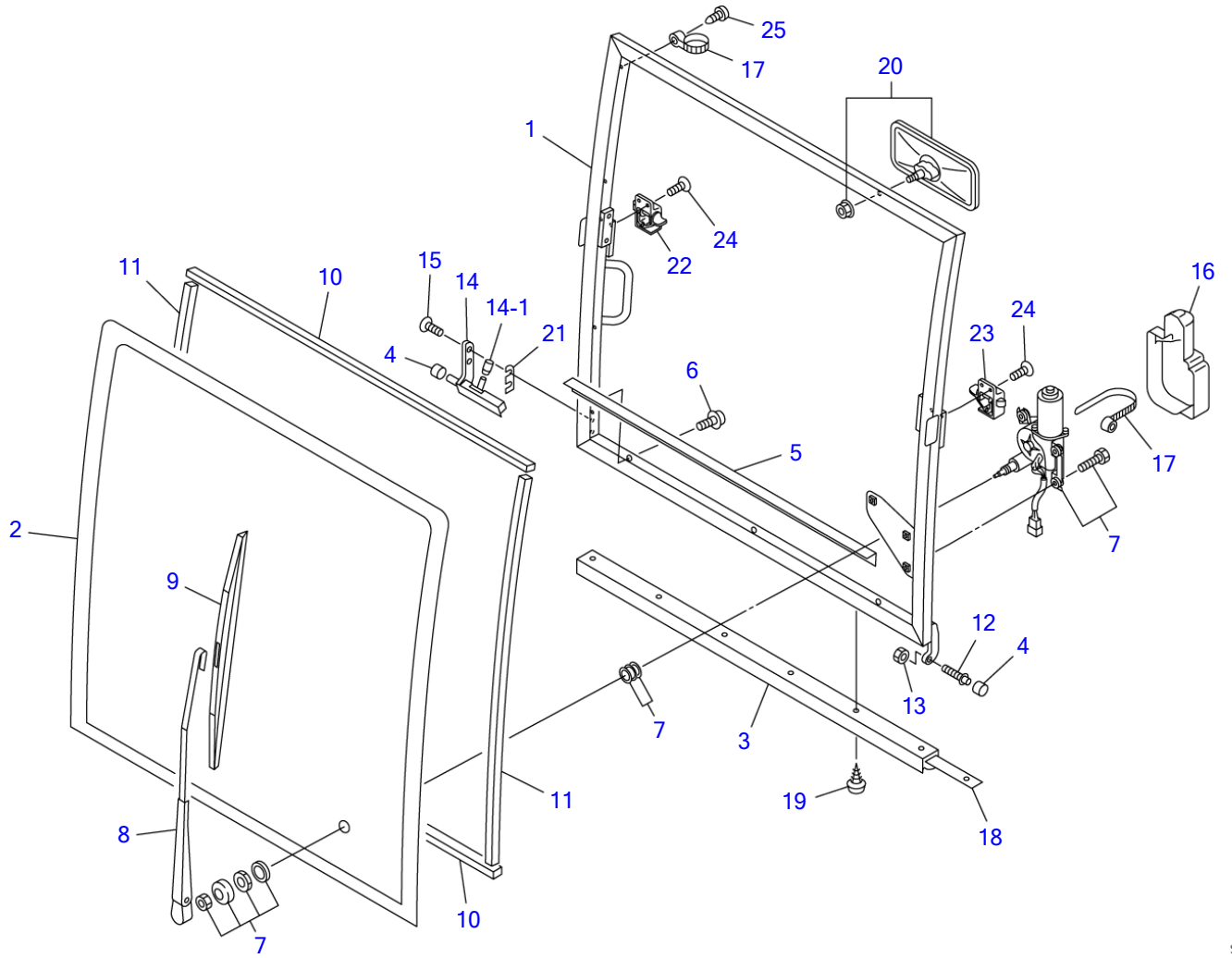
L8E210

S=1/8, 1/20

CAB (6/7) (assist)

Item	Part number	Description	Q'ty	Chan.	Serial No.	Serv.	Remarks
0-3	0568652700	ASSIST ASSY (R.H.)	1				
	0568652750	ASSIST ASSY (L.H.)	1				
1	0568652720	▪ LINK ASSY (R.H.)	1				
	0568652770	▪ LINK ASSY (L.H.)	1				
2	0358601840	▪ PLATE	1				
3	1653900063	▪ SPRING, gas	1				
4	0378603720	▪ ARM ASSY (R.H.)	1				
	0378603740	▪ ARM ASSY (L.H.)	1				
4-5	1333001512	▪ ▪ BUSHING	1				
5	0378603760	▪ PLATE ASSY (R.H.)	1				
	0378603780	▪ PLATE ASSY (L.H.)	1				
5-5	1333001515	▪ ▪ BUSHING	2				
6	1106690616	▪ BOLT	1				
7	1654011756	▪ WASHER	2				
8	1100090820	▪ BOLT	1				
9	1654011705	▪ WASHER	2				
10	1214000006	▪ PIN, snap	1				
11	1654011712	▪ WASHER	1				
12	1210002015	▪ PIN, split	1				
13	1141190008	▪ WASHER	1				
14	0578600401	▪ WASHER	1				
15	0083252100	▪ WASHER	2				
	L8e210						

TB180FR Book No. BL8Z001 S/N 17840001-
CAB (7/7) (front sash)



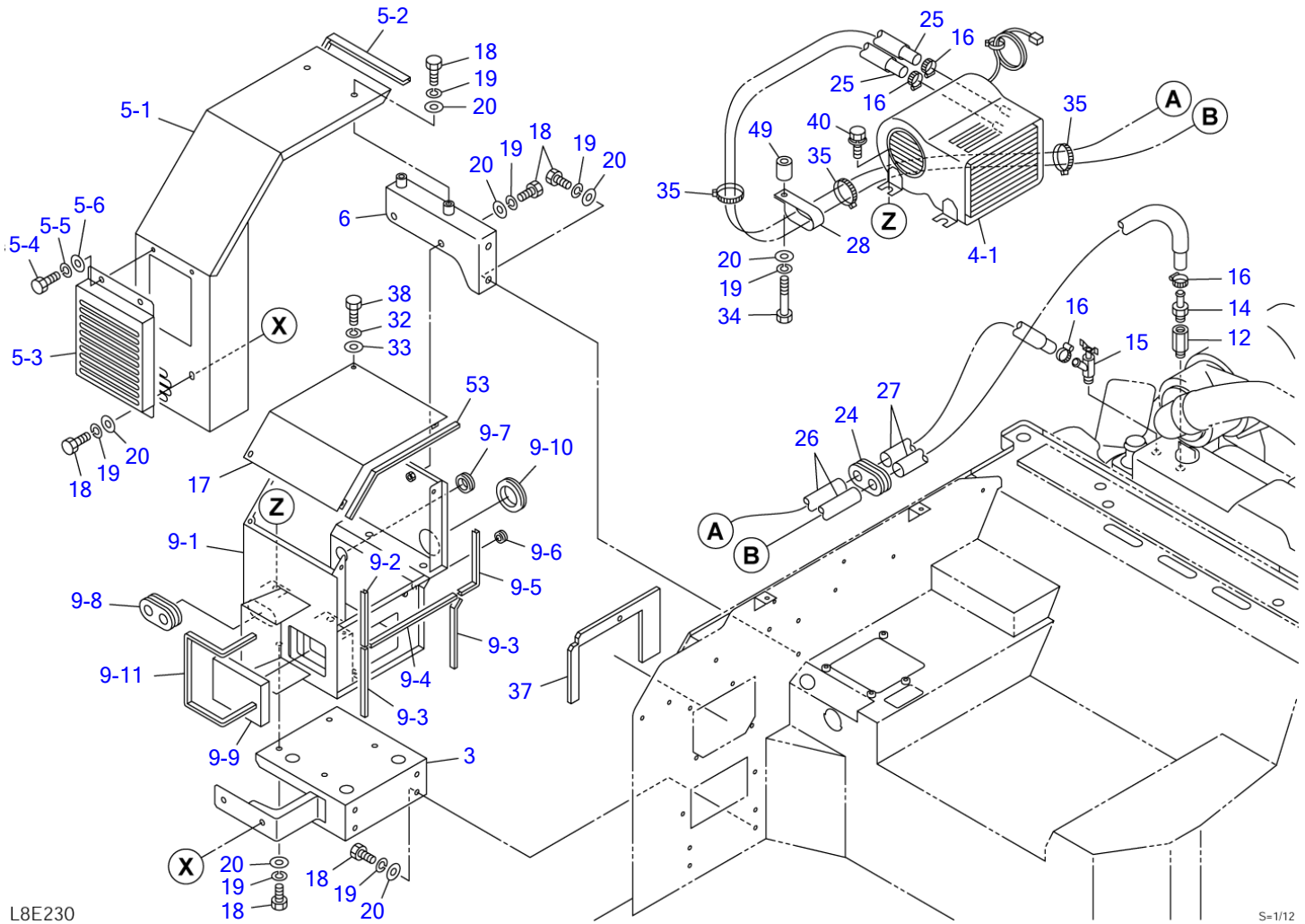
L8E220

S=1/12

CAB (7/7) (front sash)

Item	Part number	Description	Q'ty	Chan.	Serial No.	Serv.	Remarks
0-4	0568652600	SASH ASSY, front	1				
1	0568652610	▪ SASH, front	1				
2	0568652630	▪ GLASS	1				
3	0568621800	▪ SEAL	1				
4	0568622200	▪ ROLLER	2				
5	0338630440	▪ PLATE	1				
6	1150420512	▪ SCREW	3				
7	1704051212	▪ MOTOR, wiper	1				
8	1704100530	▪ ARM, wiper	1				
9	1704200530	▪ BLADE	1				
10	1654615080	▪ DAM	2				sold by the meter
11	1654616080	▪ DAM	2				sold by the meter
12	0578600406	▪ SHAFT	1				
13	1130090010	▪ NUT	1				
14	0568652640	▪ LATCH	1				
14-1	0568652647	▪ ▪ CAP	1				
15	1120890820	▪ BOLT	2				
16	1704400001	▪ COVER	1				
17	1652221050	▪ BAND	5				
18	0568621900	▪ PLATE	1				
19	1122500412	▪ SCREW	6				
20	1654005460	▪ MIRROR	1				
21	0568652650	▪ PLATE	2				
22	0578600490	▪ HANDLE (R.H.)	1				
23	0578600480	▪ HANDLE (L.H.)	1				
24	1120840612	▪ SCREW	4				
25	1122400510	▪ SCREW	4				
	L8e220						

TB180FR Book No. BL8Z001 S/N 17840001-
HEATER (1/2) (17840001-17840039)



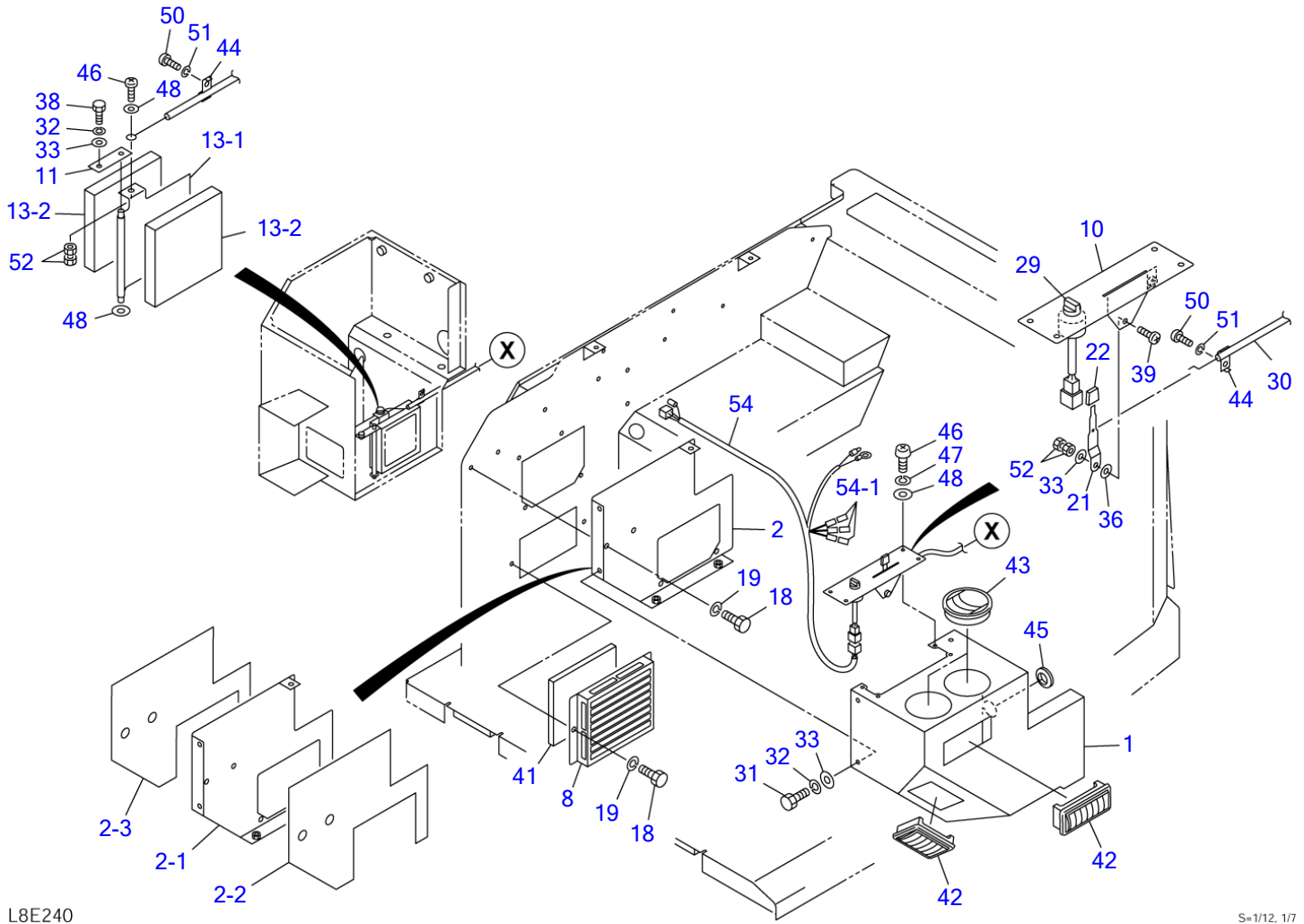
L8E230

S=1/12

HEATER (1/2) (17840001-17840039)

Item	Part number	Description	Q'ty	Chan.	Serial No.	Serv.	Remarks
		HEATER ASSY					
3	0564531730	BRACKET	1				
4	0564531910	HEATER UNIT ASSY	1				
4-1	1911508100	• HEATER UNIT	1				
5	0394513420	COVER ASSY	1				
5-1	0394617660	• COVER	1				
5-2	1654606036	• RUBBER	1				sold by the meter
5-3	0564531820	• COVER	1				
5-4	1100040816	• BOLT	2				
5-5	1140020008	• WASHER, spring	2				
5-6	1141110008	• WASHER	2				
6	0394513510	BRACKET	1				
9	0564531920	BOX ASSY, heater	1				
9-1	0564531930	• BOX	1				
9-2	1654606012	• TRIM	1				sold by the meter
9-3	1654606015	• TRIM	2				sold by the meter
9-4	1654606022	• TRIM	1				sold by the meter
9-5	1654606014	• TRIM	1				sold by the meter
9-6	1652051200	• GROMMET	1				
9-7	1652060028	• GROMMET	1				
9-8	0337017300	• GUARD	1				
9-9	0564519550	• FILTER	1				
9-10	1652060051	• GROMMET	1				
9-11	1654606048	• TRIM	1				sold by the meter
12	1501910303	CONNECTOR	1				
14	1911502200	ADAPTOR	1				
15	1911502100	VALVE	1				
16	1911500500	BAND	4				
17	0564531940	COVER	1				
18	1100040816	BOLT	16				
19	1140020008	WASHER, spring	17				
20	1141110008	WASHER	21				
24	0097210300	GUARD	1				
25	1911521815	HOSE	2				sold by the meter
26	1531325107	PROTECTOR	2				sold by the meter
27	1531325050	PROTECTOR	2				sold by the meter
28	0007300018	CLAMP	1				
32	1140020006	WASHER, spring	4				
33	1141110006	WASHER	4				
34	1100040850	BOLT	1				
35	1652231250	BAND	3				
37	0564531937	SPONGE	1				
38	1100040616	BOLT	4				
40	1110561016	SCREW	3				
49	0394211020	COLLAR	1				
53	1654606030	TRIM	1				sold by the meter
	L8e230						

TB180FR Book No. BL8Z001 S/N 17840001-
HEATER (2/2) (17840001-17840039)



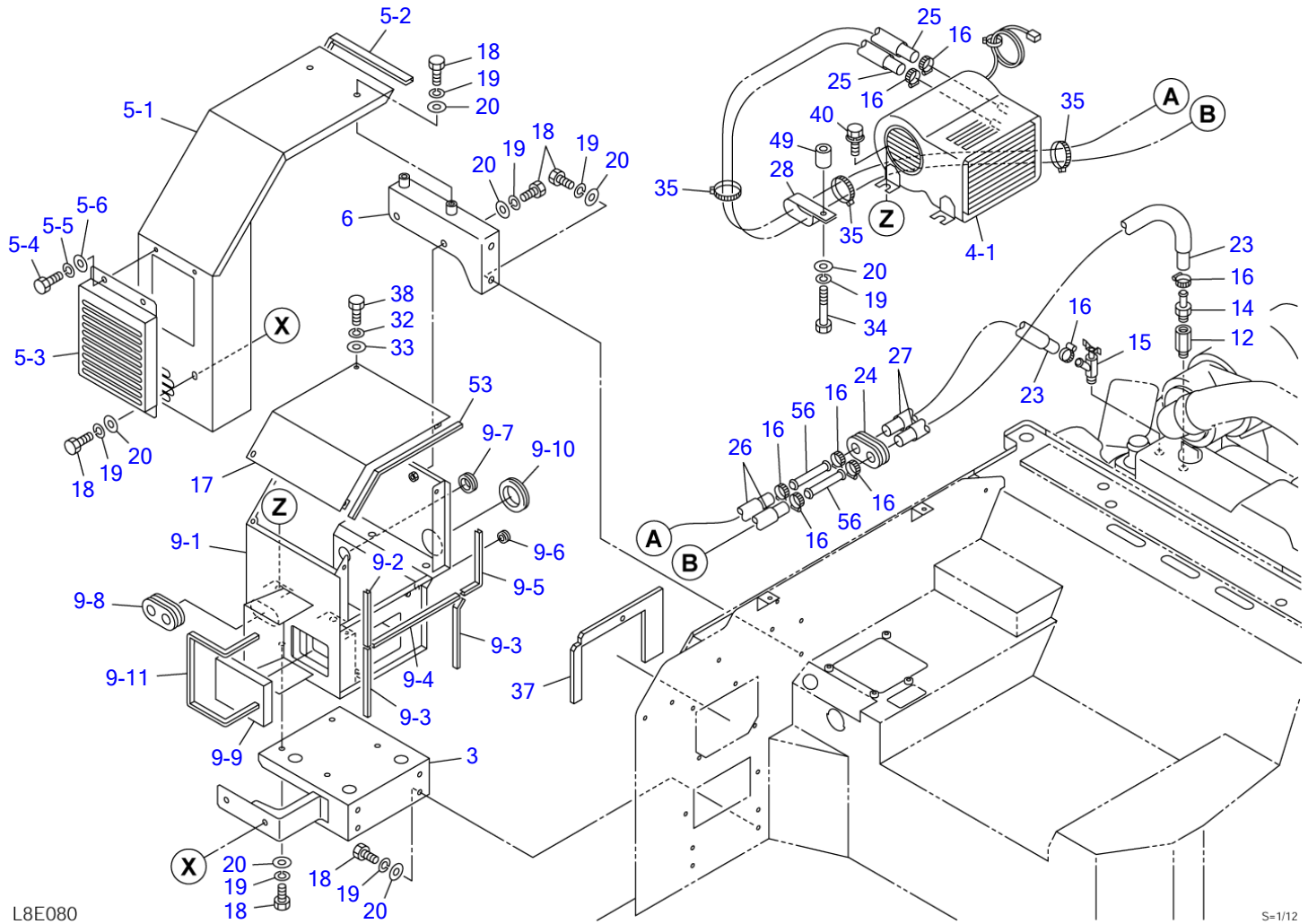
L8E240

S=1/12, 1/7

HEATER (2/2) (17840001-17840039)

Item	Part number	Description	Q'ty	Chan.	Serial No.	Serv.	Remarks
		HEATER ASSY					
1	0564531960	BOX	1				
2	0564531720	PLATE ASSY	1				
2-1	0564531721	· PLATE	1				
2-2	0564531722	· URETHANE	1				
2-3	0564531723	· RUBBER	1				
8	0564631180	COVER	1				
10	0394513550	PANEL, control	1				
11	0394513501	PLATE	1				
13	0394513560	DAMPER ASSY	1				
13-1	0394513570	· DAMPER	1				
13-2	0394513562	· SPONGE	2				
18	1100040816	BOLT	8				
19	1140020008	WASHER, spring	8				
21	0564525300	LEVER	1				
22	0564612550	KNOB	1				
29	1700000011	SWITCH, heater	1				
30	0564525460	WIRE	1				
31	1100040612	BOLT	5				
32	1140020006	WASHER, spring	6				
33	1141110006	WASHER	7				
36	1652540014	SPACER	1				
38	1100040616	BOLT	1				
39	1120590516	SCREW	1				
41	0564631190	FILTER	1				
42	1911505723	LOUVER	2				
43	1911505722	LOUVER	2				
44	0564612530	CLAMP	2				
45	1652053200	GROMMET	1				
46	1120590510	SCREW	5				
47	1140090005	WASHER, spring	4				
48	1141190005	WASHER	6				
50	1120530408	SCREW	2				
51	1141110004	WASHER	2				
52	1130040005	NUT	4				
54	0564531950	HARNES ASSY, wiring	1				
54-1	1730500008	· DIODE (3A yellow)	3				
	L8e240						

TB180FR Book No. BL8Z001 S/N 17840001-
HEATER (1/2) (17840040-)



L8E080

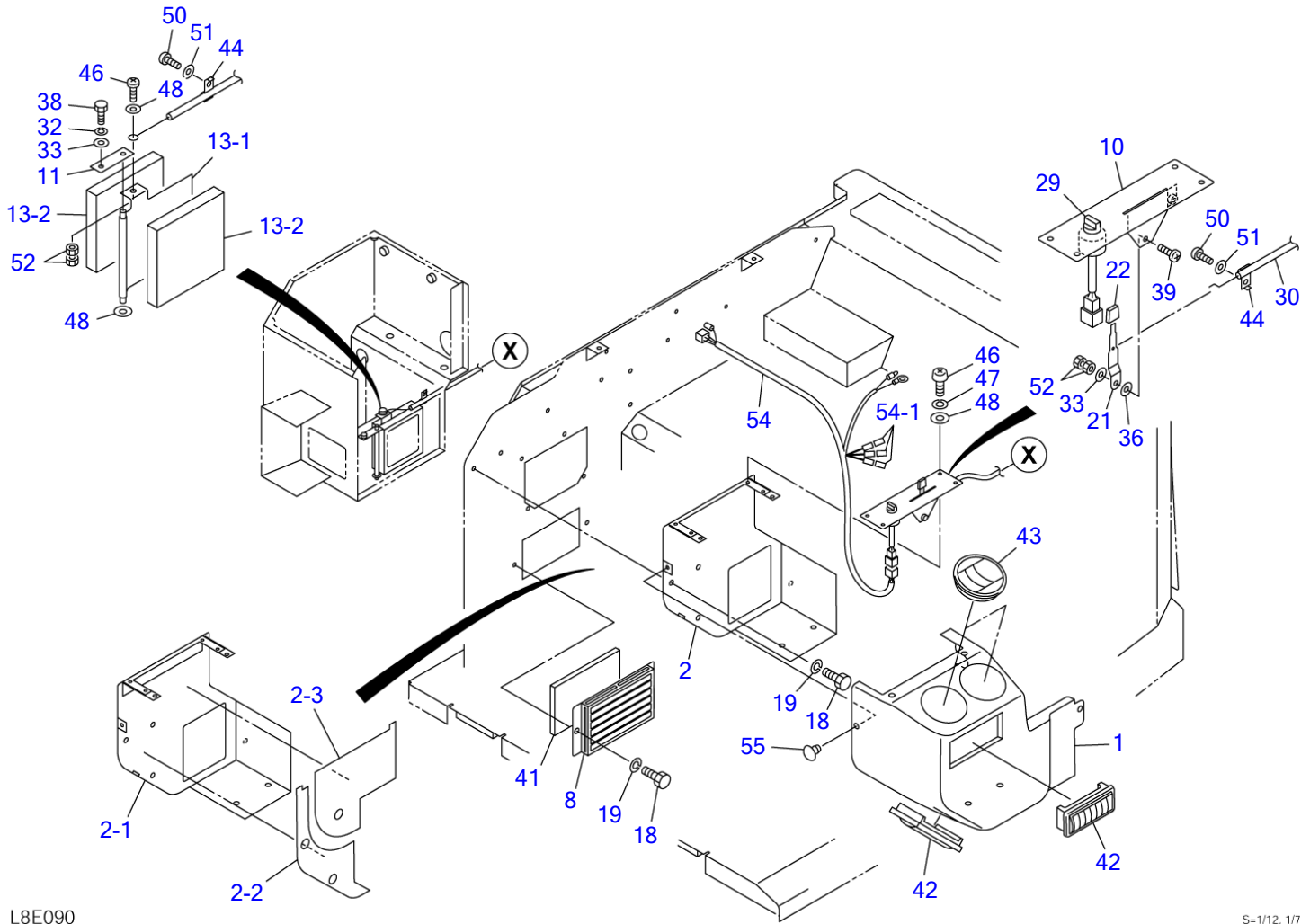
S=1/12

HEATER (1/2) (17840040-)

Item	Part number	Description	Q'ty	Chan.	Serial No.	Serv.	Remarks
		HEATER ASSY					
3	0564531730	BRACKET	1				
4	0564531910	HEATER UNIT ASSY	1				
4-1	1911508100	• HEATER UNIT	1				
5	0564531840	COVER ASSY	1				
5-1	0564531830	• COVER	1				
5-2	1654606027	• RUBBER	1				sold by the meter
5-3	0564531820	• COVER	1				
5-4	1100040816	• BOLT	2				
5-5	1140020008	• WASHER, spring	2				
5-6	1141110008	• WASHER	2				
6	0394513510	BRACKET	1				
9	0564531920	BOX ASSY, heater	1				
9-1	0564531930	• BOX	1				
9-2	1654606012	• TRIM	1				sold by the meter
9-3	1654606015	• TRIM	2				sold by the meter
9-4	1654606022	• TRIM	1				sold by the meter
9-5	1654606014	• TRIM	1				sold by the meter
9-6	1652051200	• GROMMET	1				
9-7	1652060028	• GROMMET	1				
9-8	0337017300	• GUARD	1				
9-9	0564519550	• FILTER	1				
9-10	1652060051	• GROMMET	1				
9-11	1654606048	• TRIM	1				sold by the meter
12	0007200016	CONNECTOR	1				
14	1911502200	ADAPTOR	1				
15	1911502300	VALVE	1				
16	1911500500	BAND	8				
17	0564531940	COVER	1				
18	1100040816	BOLT	16				
19	1140020008	WASHER, spring	17				
20	1141110008	WASHER	21				
23	1911501860	HOSE	2				sold by the meter
24	0097210300	GUARD	1				
25	1911511850	HOSE	2				sold by the meter
26	1531325100	PROTECTOR	2				sold by the meter
27	1531325040	PROTECTOR	2				sold by the meter
28	0007300018	CLAMP	1				
32	1140020006	WASHER, spring	4				
33	1141110006	WASHER	4				
34	1100040850	BOLT	1				
35	1652231250	BAND	3				
37	0564531937	SPONGE	1				
38	1100040616	BOLT	4				
40	1110561016	SCREW	3				
49	0394211020	COLLAR	1				
53	1654606030	TRIM	1				sold by the meter
56	0394617670	PIPE	2				

L8e081

TB180FR Book No. BL8Z001 S/N 17840001-
HEATER (2/2) (17840040-)

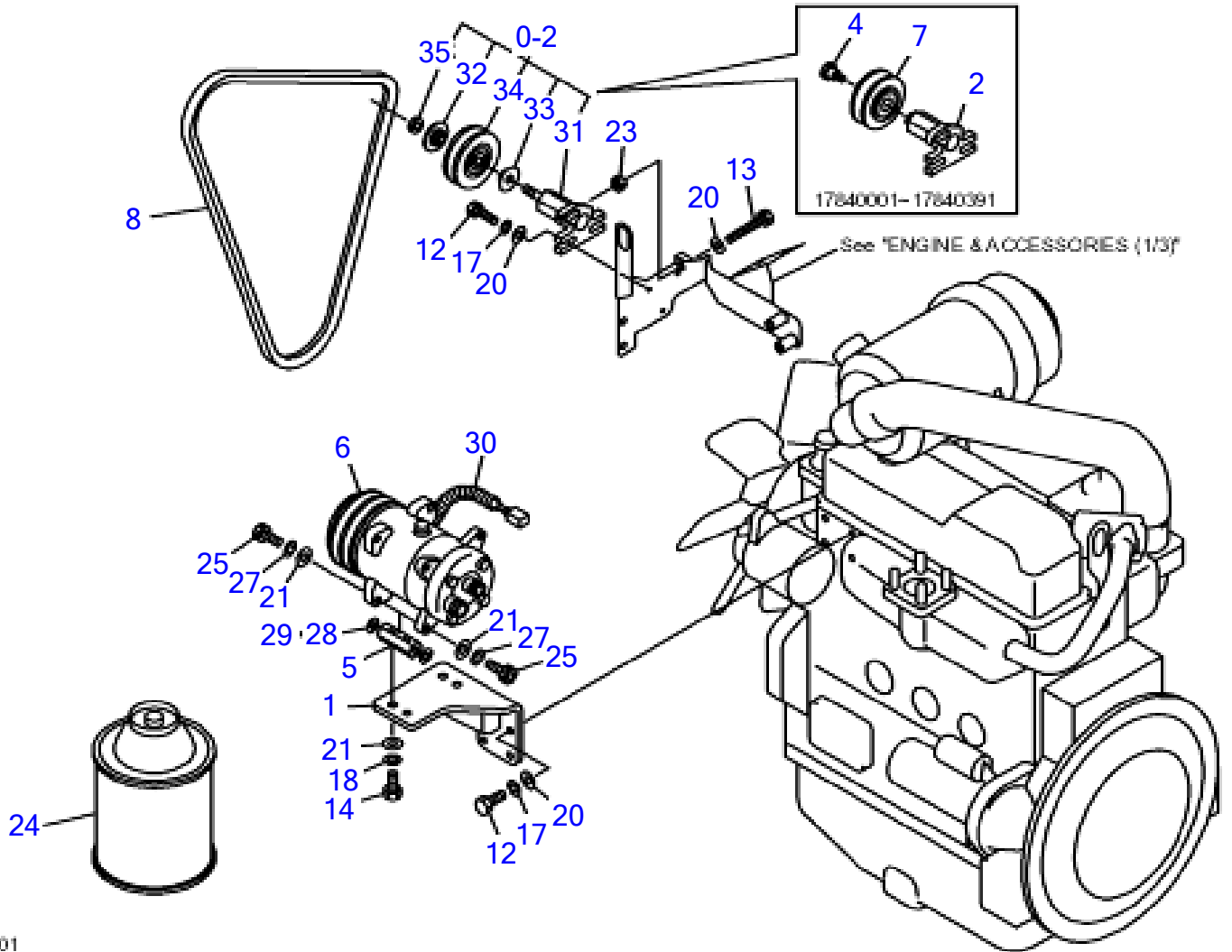


L8E090

S=1/12, 1/7

HEATER (2/2) (17840040-)

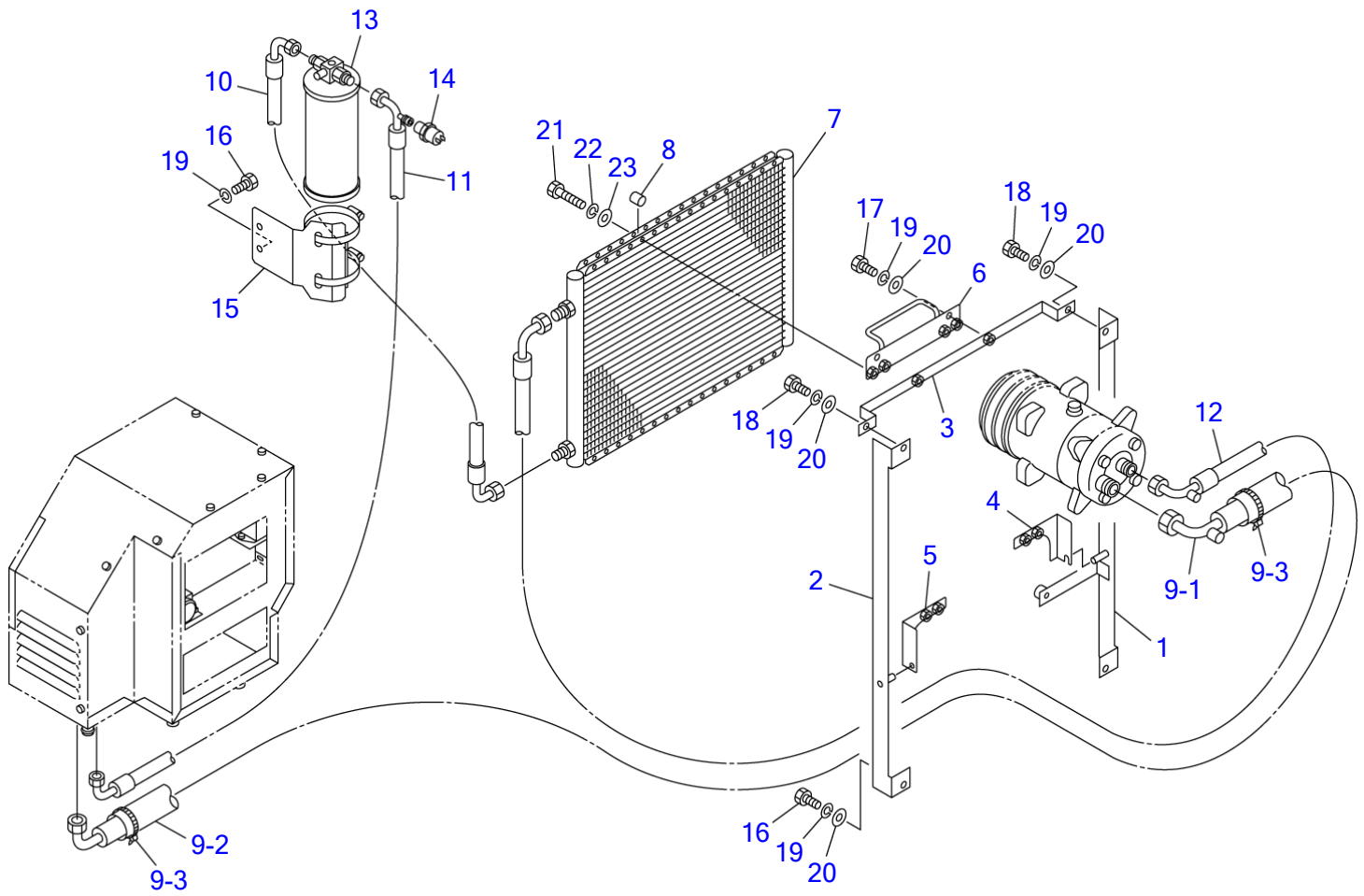
Item	Part number	Description	Q'ty	Chan.	Serial No.	Serv.	Remarks
		HEATER ASSY					
1	0564633600	BOX	1				
2	0564533300	PLATE ASSY	1				
2-1	0564533310	• PLATE	1				
2-2	0564633710	• SPONGE	1				
2-3	0564633720	• SPONGE	1				
8	0564633660	COVER	1				
10	0394513550	PANEL, control	1				
11	0394513501	PLATE	1				
13	0394513560	DAMPER ASSY	1				
13-1	0394513570	• DAMPER	1				
13-2	0394513562	• SPONGE	2				
18	1100040816	BOLT	8				
19	1140020008	WASHER, spring	8				
21	0564525300	LEVER	1				
22	0564612550	KNOB	1				
29	1700000011	SWITCH, heater	1				
30	0564525460	WIRE	1				
32	1140020006	WASHER, spring	1				
33	1141110006	WASHER	2				
36	1652540014	SPACER	1				
38	1100040616	BOLT	1				
39	1120590516	SCREW	1				
41	0564633665	FILTER	1				
42	1911505723	LOUVER	2				
43	1911505722	LOUVER	2				
44	0564612530	CLAMP	2				
46	1120590510	SCREW	5				
47	1140090005	WASHER, spring	4				
48	1141190005	WASHER	6				
50	1120530408	SCREW	2				
51	1141110004	WASHER	2				
52	1130040005	NUT	4				
54	0564531950	HARNESS ASSY, wiring	1				
54-1	1730500008	• DIODE (3A yellow)	3				
55	1652900015	RIVET	7				
	L8e091						



L8E101

AIR CONDITIONER (1/7) (compressor)						
Item	Part number	Description	Q'ty	Chan.	Serial No.	Serv. Remarks
		CONDITIONER ASSY, air				
0-1	X *****_*****	COMPRESSOR ASSY	1			
1	0564635110	▪ BRACKET	1			
2	0564635120	▪ BOSS	1			
4	0564630665	▪ SHAFT	1			
5	0564620110	▪ BOSS	2			
6	1911506010	▪ COMPRESSOR	1			
7	1911505700	▪ PULLEY	1			
8	1621071062	▪ V-BELT	1			
12	1100040825	▪ BOLT	7			
13	1100240885	▪ BOLT	1			
14	1100041030	▪ BOLT	4			
17	1140020008	▪ WASHER, spring	7			
18	1140020010	▪ WASHER, spring	4			
20	1141110008	▪ WASHER	8			
21	1141110010	▪ WASHER	8			
23	1130040008	▪ NUT	1			
24	1919055000	▪ GAS	8			100g
25	1110041025	▪ SCREW, cap	4			
27	1140420010	▪ WASHER, spring	4			
28	0003600222	▪ SHIM	AR			t=0.2mm
29	0003600223	▪ SHIM	AR			t=0.3mm
30	1703211350	▪ PROTECTOR	1			sold by the meter
31	0564635130	* BOSS	1			
32	0564634890	* COLLAR	1			
33	0564634895	* COLLAR	1			
34	0564634880	* PULLEY ASSY	1			
35	1133420012	* NUT	1			
0-2	0569617300	PULLEY KIT	1			
	L8e101					

TB180FR Book No. BL8Z001 S/N 17840001-
AIR CONDITIONER (2/7) (condenser)



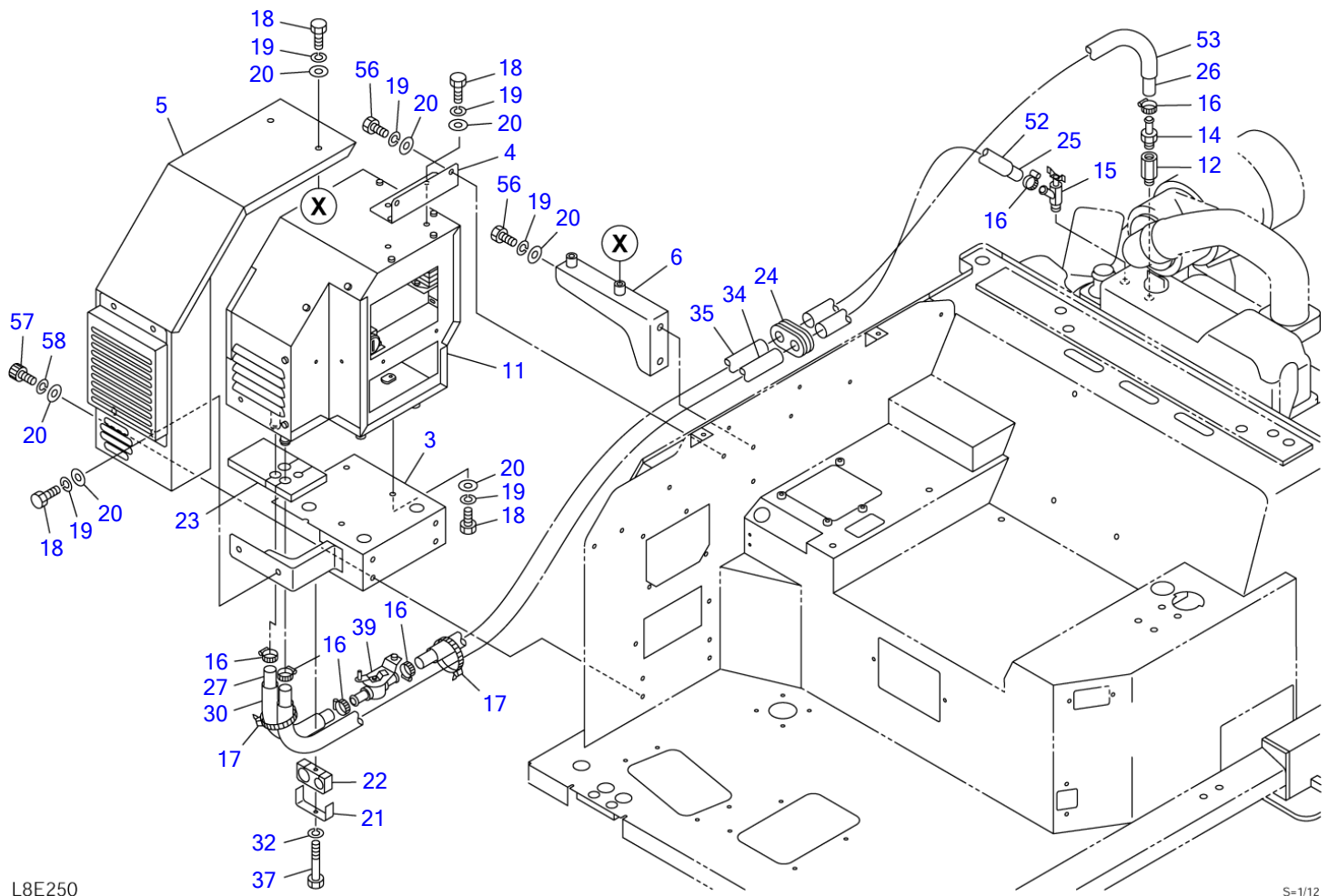
L8E110

S-1/10

AIR CONDITIONER (2/7) (condenser)

Item	Part number	Description	Q'ty	Chan.	Serial No.	Serv.	Remarks
		CONDITIONER ASSY, air					
0-2	X *****_*****	CONDENSER ASSY	1				
1	0564635210	· BRACKET	1				
2	0564635220	· BRACKET	1				
3	0564635230	· BRACKET	1				
4	0564635240	· BRACKET	1				
5	0564635250	· BRACKET	1				
6	0564635260	· BRACKET	1				
7	1911506620	· CONDENSER	1				
8	0574600250	· COLLAR	8				
9	0564631130	· HOSE ASSY	1				
9-1	1911509204	· · HOSE	1				
	1911505603	· · · O-RING	2				
9-2	0394615141	· · INSULATOR	1				
9-3	1652241150	· · BAND	2				
10	1911509201	· HOSE	1				
	1911505601	· · O-RING	2				
11	1911509202	· HOSE	1				
	1911505601	· · O-RING	2				
12	1911509203	· HOSE	1				
	1911505602	· · O-RING	2				
13	1911505511	· DRIER	1				
14	1911505514	· SWITCH, pressure	1				
15	1911506301	· BRACKET	1				
16	1100040816	· BOLT	4				
17	1100040820	· BOLT	2				
18	1100040825	· BOLT	2				
19	1140020008	· WASHER, spring	8				
20	1141110008	· WASHER	6				
21	1100040640	· BOLT	8				
22	1140020006	· WASHER, spring	8				
23	1141110006	· WASHER	8				
	L8e110						

TB180FR Book No. BL8Z001 S/N 17840001-
AIR CONDITIONER (3/7) (air conditioner unit; 17840001-17840039)



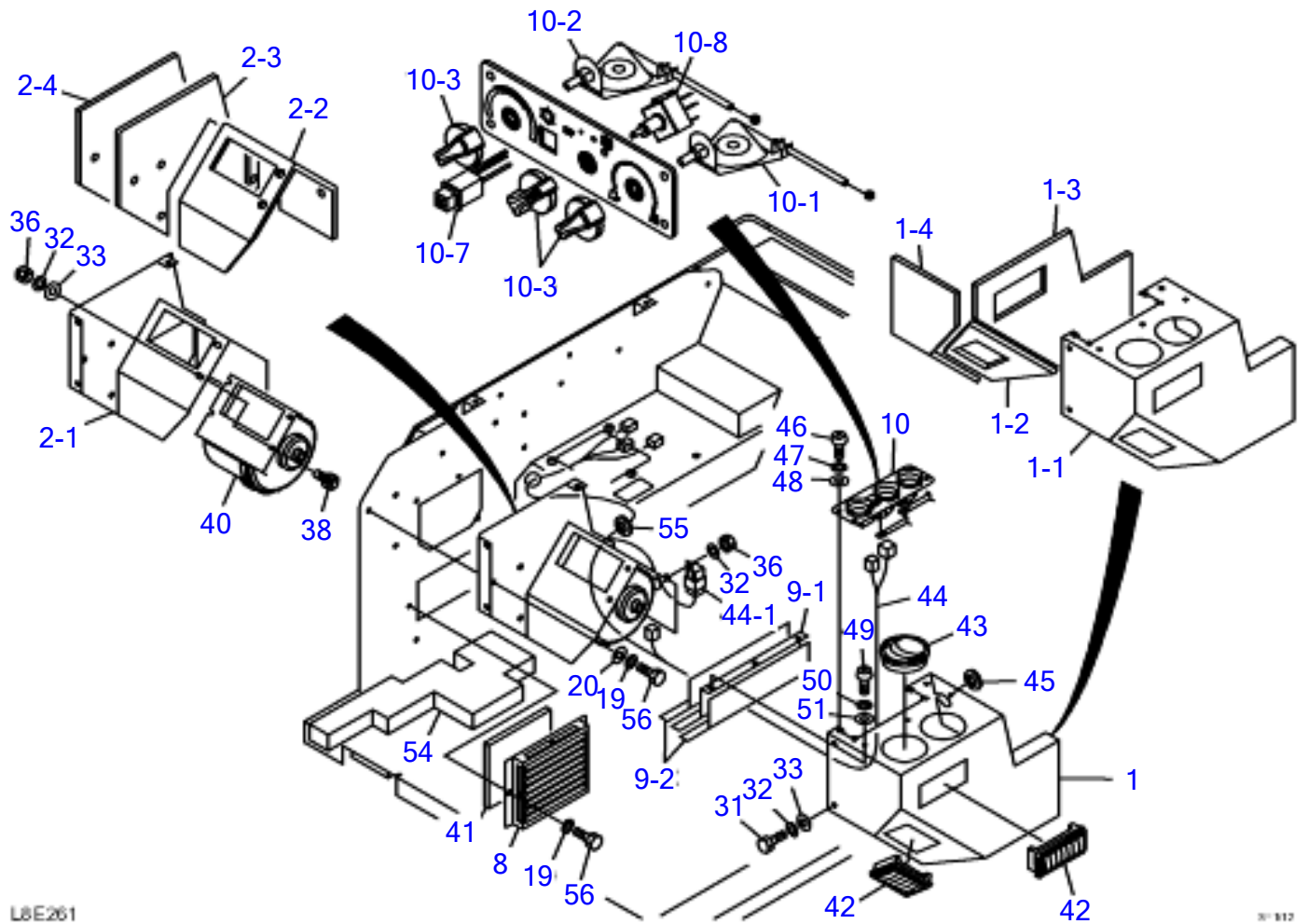
L8E250

S=1/12

AIR CONDITIONER (3/7) (air conditioner unit; 17840001-17840039)

Item	Part number	Description	Q'ty	Chan.	Serial No.	Serv.	Remarks
		CONDITIONER ASSY, air					
0-3	X *****_*****	UNIT ASSY	1				
3	0564531730	▪ BRACKET	1				
4	0564631230	▪ BRACKET	1				
5	0564631120	▪ COVER ASSY	1				see page (5/7)
6	0564630860	▪ BRACKET	1				
11	0564631240	▪ UNIT ASSY, air conditioner	1				see page (5/7)
12	0007200016	▪ CONNECTOR	1				
14	1911502200	▪ ADAPTOR	1				
15	1911502300	▪ VALVE	1				
16	1911500500	▪ BAND	6				
17	1652241300	▪ BAND	2				
18	1100040816	▪ BOLT	10				
19	1140020008	▪ WASHER, spring	14				
20	1141110008	▪ WASHER	18				
21	0564631200	▪ CLAMP	1				
22	0564631210	▪ RUBBER	1				
23	0564631220	▪ URETHANE	1				
24	0097210300	▪ GUARD	1				
25	1911511860	▪ HOSE	1				sold by the meter
26	1911515165	▪ HOSE	1				sold by the meter
27	1911501820	▪ HOSE	1				sold by the meter
30	1531325012	▪ PROTECTOR	1				sold by the meter
32	1140020006	▪ WASHER, spring	1				
34	1531325100	▪ PROTECTOR	1				sold by the meter
35	1531325090	▪ PROTECTOR	1				sold by the meter
37	1100040650	▪ BOLT	1				
39	1911506008	▪ VALVE, water	1				
52	1531325050	▪ PROTECTOR	1				sold by the meter
53	1531325070	▪ PROTECTOR	1				sold by the meter
56	1100040814	▪ BOLT	4				
57	1110040814	▪ SCREW, cap	4				
58	1140420008	▪ WASHER, spring	4				

L8e250

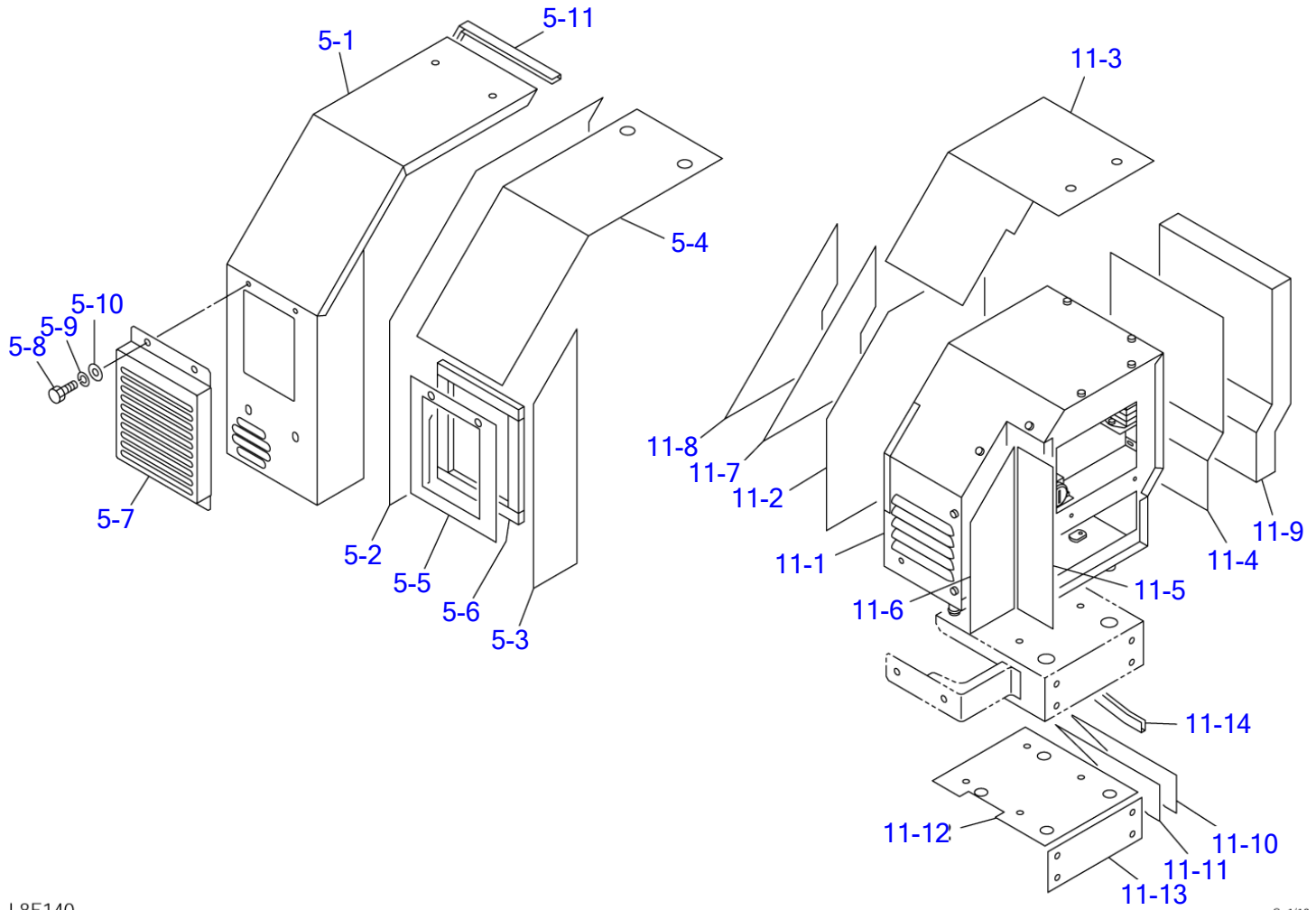


L8E261

301 812

AIR CONDITIONER (4/7) (air conditioner unit; 17840001-17840039)

Item	Part number	Description	Q'ty	Chan.	Serial No.	Serv.	Remarks
		CONDITIONER ASSY, air					
0-3	X *****_*****	UNIT ASSY	1				
1	0564532200	· BOX ASSY	1				
1-1	0564531870	· · BOX	1				
1-2	0564532210	· · INSULATOR	1				
1-3	0564532220	· · INSULATOR	1				
1-4	0564532230	· · INSULATOR	1				
2	0564532300	· PLATE ASSY	1				
2-1	0564532310	· · PLATE	1				
2-2	0564532320	· · INSULATOR	1				
2-3	0564532330	· · INSULATOR	1				
2-4	0564532340	· · INSULATOR	1				
8	0564631180	· COVER	1				
9	0564631300	· PLATE ASSY	1				
9-1	0564631310	· · PLATE	1				
9-2	0564631320	· · URETHANE	2				
10	1911509208	· PANEL ASSY, control	1				
10-1	1911509210	· · CONVERTER, cable control	1				
10-2	1911509220	· · CONVERTER, cable control	1				
10-3	1911505763	· · KNOB	3				
10-7	1911505767	· · SWTCH, air con.	1				
10-8	1911509280	· · ROTARY SWITCH, 3-speed	1				
19	1140020008	· WASHER, spring	6				
20	1141110008	· WASHER	4				
31	1100040612	· BOLT	5				
32	1140020006	· WASHER, spring	8				
33	1141110006	· WASHER	7				
36	1130040006	· NUT	3				
38	1100040616	· BOLT	2				
40	1911509206	· MOTOR, blower	1				
41	0564631190	· FILTER	1				
42	1911505723	· LOUVER	2				
43	1911505722	· LOUVER	2				
44	1911509205	· HARNESS, wiring	1				
44-1	1911506041	* * RELAY	1				
45	1652053200	· GROMMET	1				
46	1120590510	· SCREW	4				
47	1140090005	· WASHER, spring	4				
48	1141190005	· WASHER	4				
49	1120590610	· SCREW	3				
50	1140090006	· WASHER, spring	3				
51	1141190006	· WASHER	3				
54	0564631256	· INSULATOR	1				
55	1652053600	· GROMMET	1				
56	1100040814	· BOLT	6				
	L8e261						

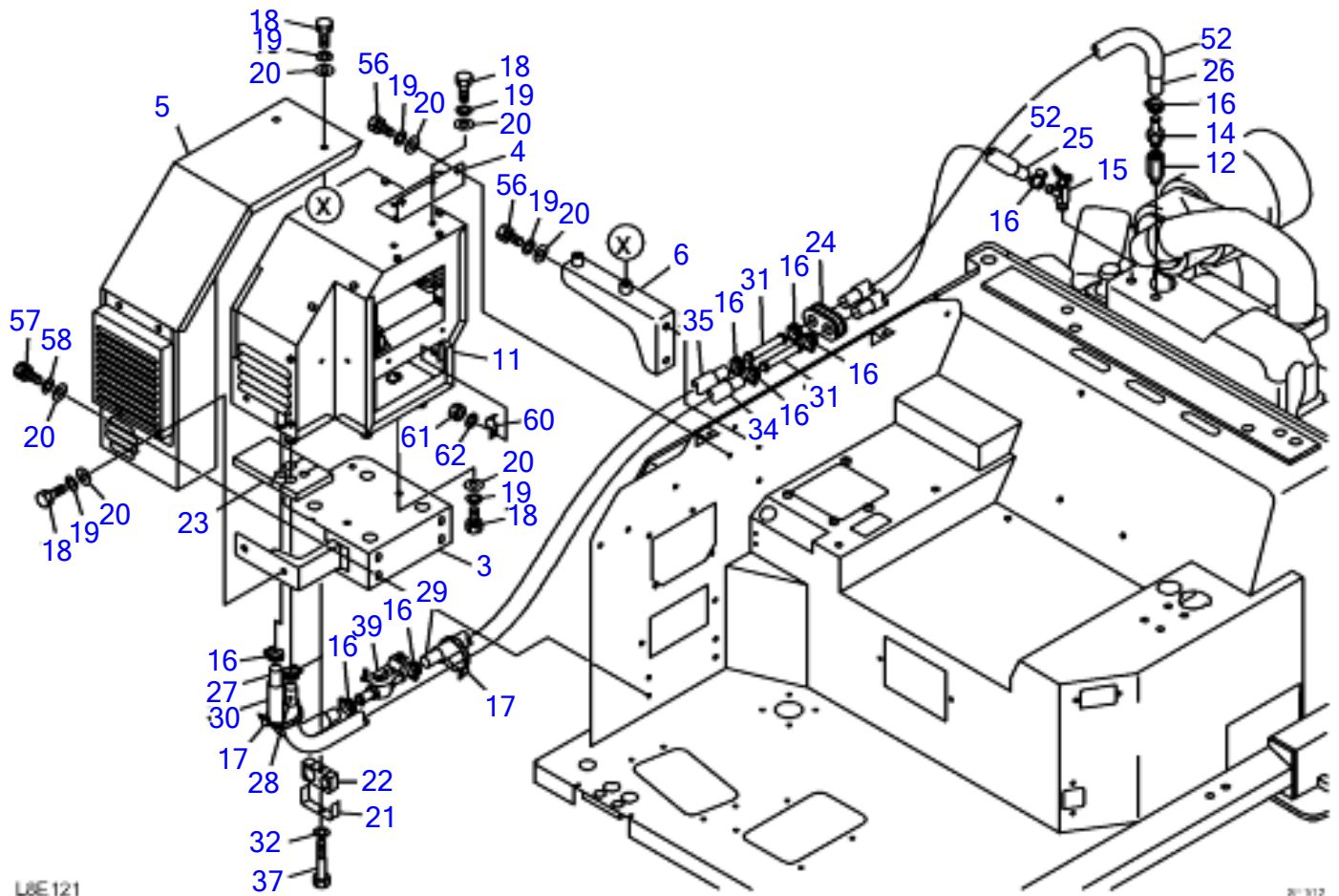


L8E140

S=1/10

AIR CONDITIONER (5/7) (air conditioner unit; 17840001-17840039)

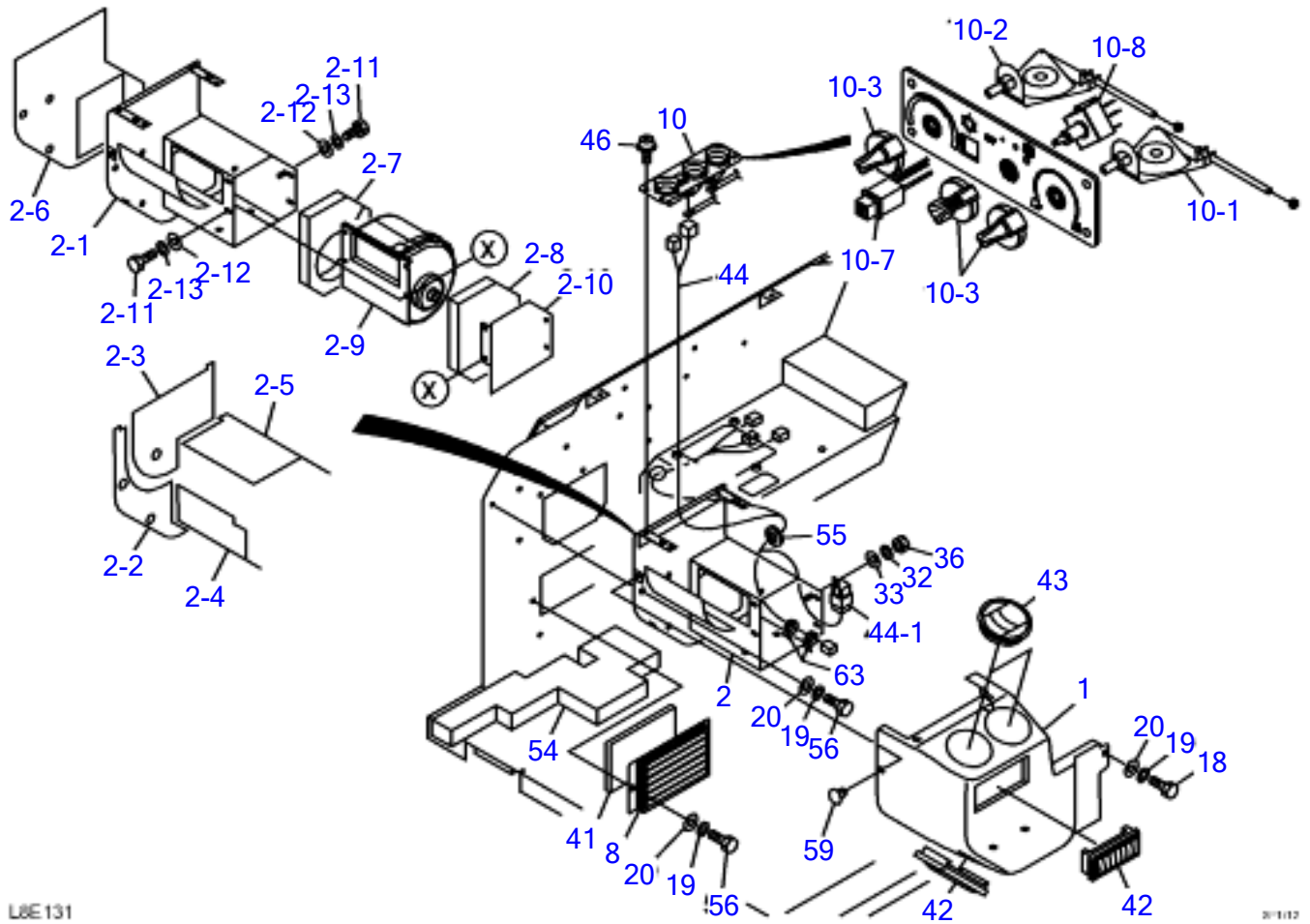
Item	Part number	Description	Q'ty	Chan.	Serial No.	Serv.	Remarks
		CONDITIONER ASSY, air					
0-3	X *****_*****	UNIT ASSY	1				
5	0564631120	· COVER ASSY	1				
5-1	0564531830	· · COVER	1				
5-2	0564631121	· · INSULATOR	1				
5-3	0564631122	· · INSULATOR	1				
5-4	0564631123	· · INSULATOR	1				
5-5	0564631124	· · INSULATOR	1				
5-6	1654304017	· · SPONGE	4				
5-7	0564531820	· · COVER	1				
5-8	1100040816	· · BOLT	2				
5-9	1140020008	· · WASHER, spring	2				
5-10	1141110008	· · WASHER	2				
5-11	1654606027	· · RUBBER	1				sold by the meter
11	0564631240	· UNIT ASSY, air conditioner	1				
11-1	1911509230	· UNIT, air conditioner	1				see page (7/7)
11-2	0564631113	· · INSULATOR	1				
11-3	0564631102	· · INSULATOR	1				
11-4	0564631115	· · INSULATOR	1				
11-5	0564631116	· · INSULATOR	1				
11-6	0564631117	· · INSULATOR	1				
11-7	0564631106	· · INSULATOR	1				
11-8	0564631107	· · URETHANE	1				
11-9	0564631114	· · URETHANE	1				
11-10	0564631109	· · INSULATOR	1				
11-11	0564631110	· · INSULATOR	1				
11-12	0564631111	· · INSULATOR	1				
11-13	0564631112	· · INSULATOR	1				
11-14	1653916022	· · TRIM	1				sold by the meter
	L8e270						



AIR CONDITIONER (3/7) (air conditioner unit; 17840040-)

Item	Part number	Description	Q'ty	Chan.	Serial No.	Serv.	Remarks
		CONDITIONER ASSY, air					
0-3	X *****_*****	UNIT ASSY	1				
3	0564531730	▪ BRACKET	1				
4	0564631230	▪ BRACKET	1				
5	0564631120	▪ COVER ASSY	1				see page (5/7)
6	0564630860	▪ BRACKET	1				
11	0564631240	▪ UNIT ASSY, air conditioner	1				see page (5/7)
	0394617940	* UNIT ASSY, AIR CONDITIONER	1				
12	0007200016	▪ CONNECTOR	1				
14	1911502200	▪ ADAPTOR	1				
15	1911502300	▪ VALVE	1				
16	1911500500	▪ BAND	10				
17	1652241300	▪ BAND	2				
18	1100040816	▪ BOLT	10				
19	1140020008	▪ WASHER, spring	14				
20	1141110008	▪ WASHER	18				
21	0564631200	▪ CLAMP	1				
22	0564631210	▪ RUBBER	1				
23	0564631220	▪ URETHANE	1				
24	0097210300	▪ GUARD	1				
25	1911501860	▪ HOSE	1				sold by the meter
26	1911505160	▪ HOSE	1				sold by the meter
27	1911501820	▪ HOSE	1				sold by the meter
28	1911501890	▪ HOSE	1				sold by the meter
29	1911505175	▪ HOSE	1				sold by the meter
30	1531325012	▪ PROTECTOR	1				sold by the meter
31	0394617670	▪ PIPE	2				
32	1140020006	▪ WASHER, spring	1				
34	1531325075	▪ PROTECTOR	1				sold by the meter
35	1531325060	▪ PROTECTOR	1				sold by the meter
37	1100040650	▪ BOLT	1				
39	1911506008	▪ VALVE, water	1				
52	1531325040	▪ PROTECTOR	2				sold by the meter
56	1100040814	▪ BOLT	4				
57	1110040814	▪ SCREW, cap	4				
58	1140420008	▪ WASHER, spring	4				
60	0564612530	* CLAMP	1				
61	1130040005	* NUT	1				
62	1140020005	* SPRING WASHER	1				
	L8e121						

TB180FR Book No. BL8Z001 S/N 17840001-
AIR CONDITIONER (4/7) (air conditioner unit; 17840040-)

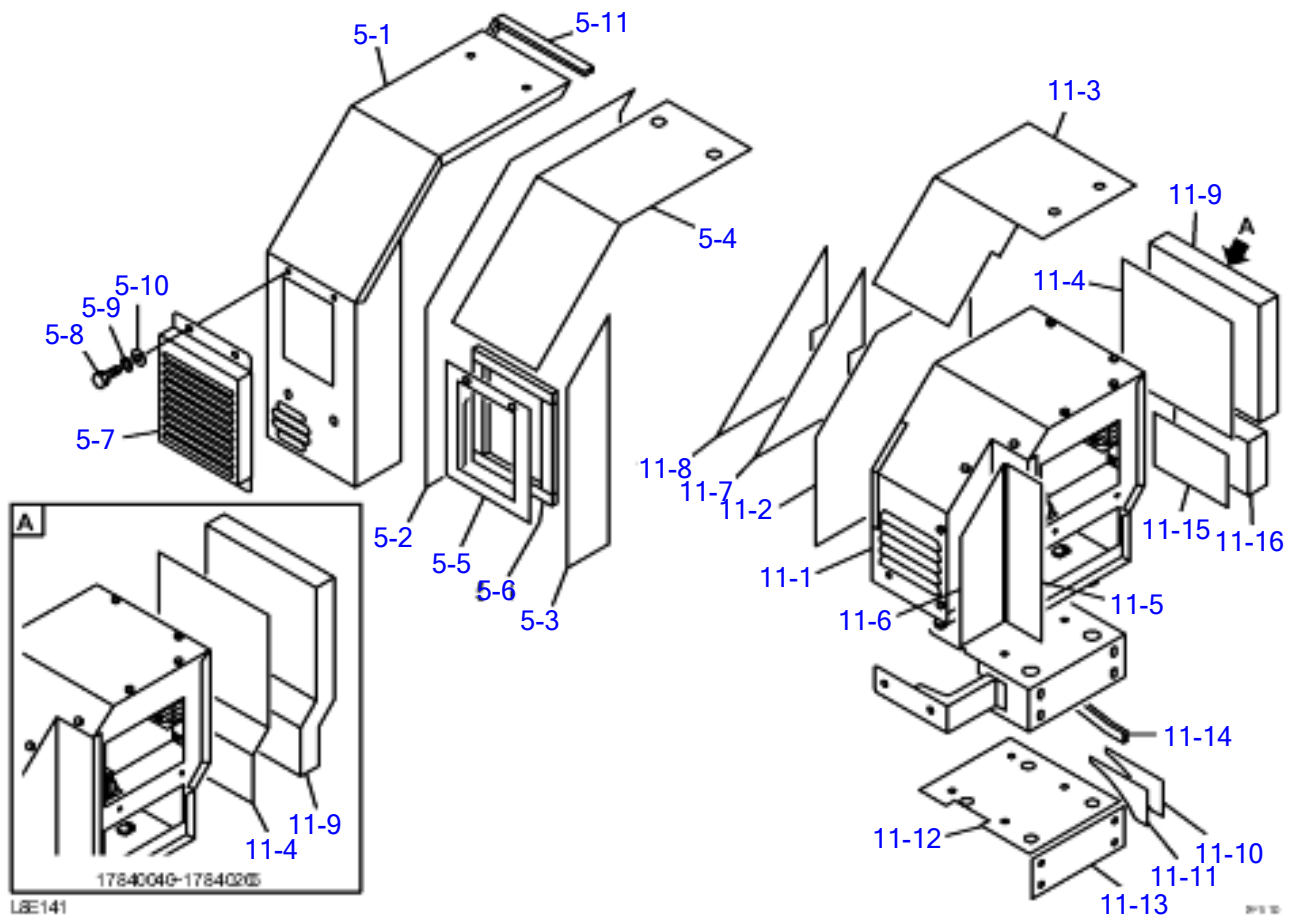


L8E131

201102

AIR CONDITIONER (4/7) (air conditioner unit; 17840040-)

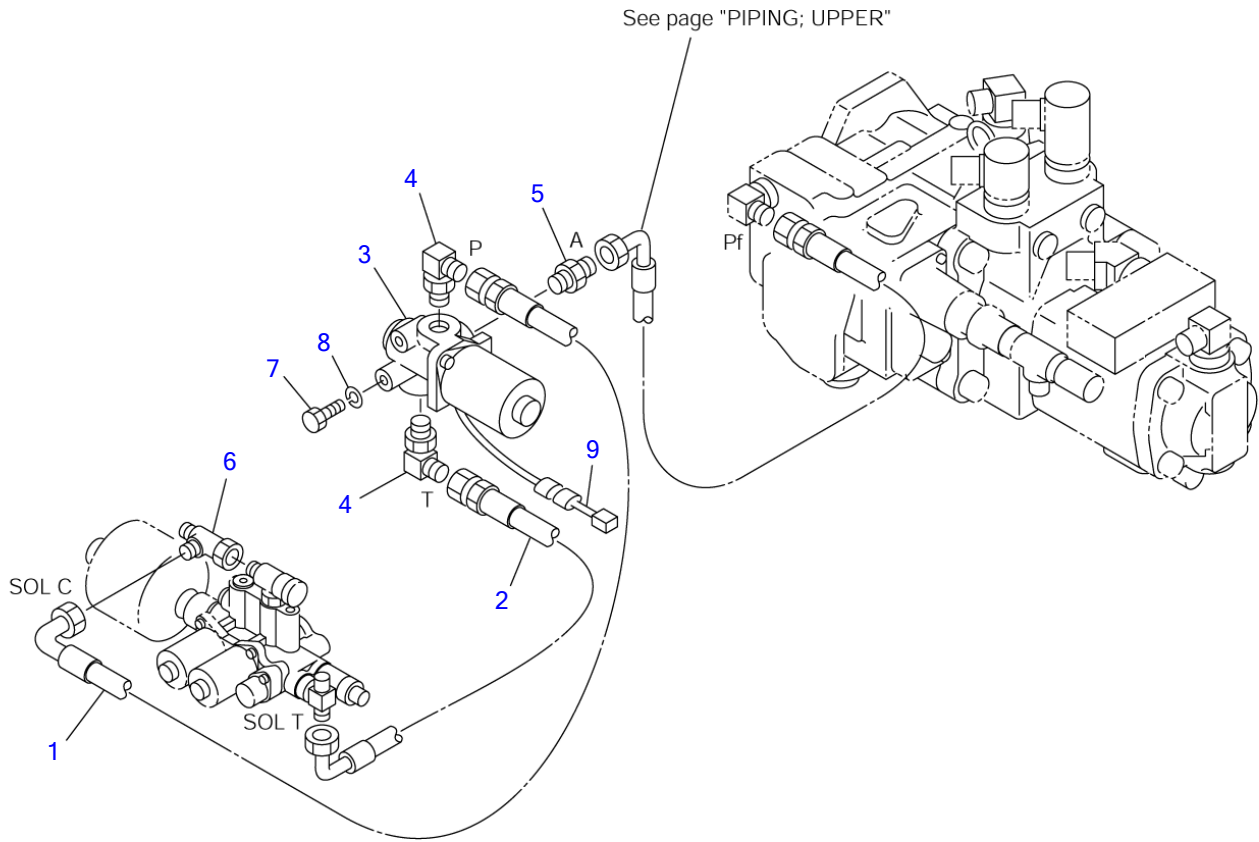
Item	Part number	Description	Q'ty	Chan.	Serial No.	Serv.	Remarks
		CONDITIONER ASSY, air					
0-3	X *****_*****	UNIT ASSY	1				
1	0564633600	• BOX ASSY	1				
2	0564633700	• PLATE ASSY	1				
2-1	0564633610	• • PLATE	1				
2-2	0564633710	• • SPONGE	1				
2-3	0564633720	• • SPONGE	1				
2-4	0564633730	• • SPONGE	1				
2-5	0564633740	• • SPONGE	1				
2-6	0564633750	• • SPONGE	1				
2-7	0564633760	* * SPONGE	1				
2-8	0564633770	* * SPONGE	1				
2-9	1911509206	* * BLOWER MOTOR	1				
2-10	0564633670	* * COVER	1				
2-11	1100040616	* * BOLT	4				
2-12	1141110006	* * WASHER	4				
2-13	1140020006	* * SPRING WASHER	4				
8	0564633660	• COVER	1				
10	1911509208	• PANEL ASSY, control	1				
10-1	1911509210	• • CONVERTER, cable control	1				
10-2	1911509220	• • CONVERTER, cable control	1				
10-3	1911505763	• • KNOB	3				
10-7	1911505767	• • SWTCH, air con.	1				
10-8	1911509280	• • ROTARY SWITCH, 3-speed	1				
18	1100040816	* BOLT	1				
19	1140020008	• WASHER, spring	7				
20	1141110008	• WASHER	7				
32	1140020006	• WASHER, spring	1				
33	1141110006	• WASHER	1				
36	1130040006	• NUT	1				
41	0564633665	• FILTER	1				
42	1911505723	• LOUVER	2				
43	1911505722	• LOUVER	2				
44	1911509205	• HARNESS, wiring	1				
44-1	1911506041	* * RELAY	1				
46	1150420510	• SCREW	4				
54	0564631256	• INSULATOR	1				
55	1652053600	• GROMMET	1				
56	1100040814	• BOLT	6				
59	1652900015	• RIVET	6				
63	1652201004	* BAND	2				
	L8e131						



AIR CONDITIONER (5/7) (air conditioner unit; 17840040-)

Item	Part number	Description	Q'ty	Chan.	Serial No.	Serv.	Remarks
		CONDITIONER ASSY, air					
0-3	X *****_*****	UNIT ASSY	1				
5	0564631120	· COVER ASSY	1				
5-1	0564531830	· · COVER	1				
5-2	0564631121	· · INSULATOR	1				
5-3	0564631122	· · INSULATOR	1				
5-4	0564631123	· · INSULATOR	1				
5-5	0564631124	· · INSULATOR	1				
5-6	1654304017	· · SPONGE	4				
5-7	0564531820	· · COVER	1				
5-8	1100040816	· · BOLT	2				
5-9	1140020008	· · WASHER, spring	2				
5-10	1141110008	· · WASHER	2				
5-11	1654606027	· · RUBBER	1				sold by the meter
11	0564631240	· UNIT ASSY, air conditioner	1				
	0394617940	* UNIT ASSY, AIR CONDITIONER	1				
11-1	1911509230	· UNIT, air conditioner	1				see page (7/7)
11-2	0564631113	· · INSULATOR	1				
11-3	0564631102	· · INSULATOR	1				
11-4	0564631115	· · INSULATOR	1				
	0564631241	* * INSULATOR	1				
11-5	0564631116	· · INSULATOR	1				
11-6	0564631117	· · INSULATOR	1				
11-7	0564631106	· · INSULATOR	1				
11-8	0564631107	· · URETHANE	1				
11-9	0564631114	· · URETHANE	1				
	0564631243	* * URETHANE	1				
11-10	0564631109	· · INSULATOR	1				
	0394617941	* * INSULATOR	1				
11-11	0564631110	· · INSULATOR	1				
	0394617942	* * INSULATOR	1				
11-12	0564631111	· · INSULATOR	1				
11-13	0564631112	· · INSULATOR	1				
11-14	1653916022	· · TRIM	1				sold by the meter
	1653916018	* * TRIM	1				
11-15	0564631242	* * INSULATOR	1				
11-16	0564631244	* * URETHANE	1				
	L8e141						

TB180FR Book No. BL8Z001 S/N 17840001-
AIR CONDITIONER (6/7) (air conditioner solenoid)

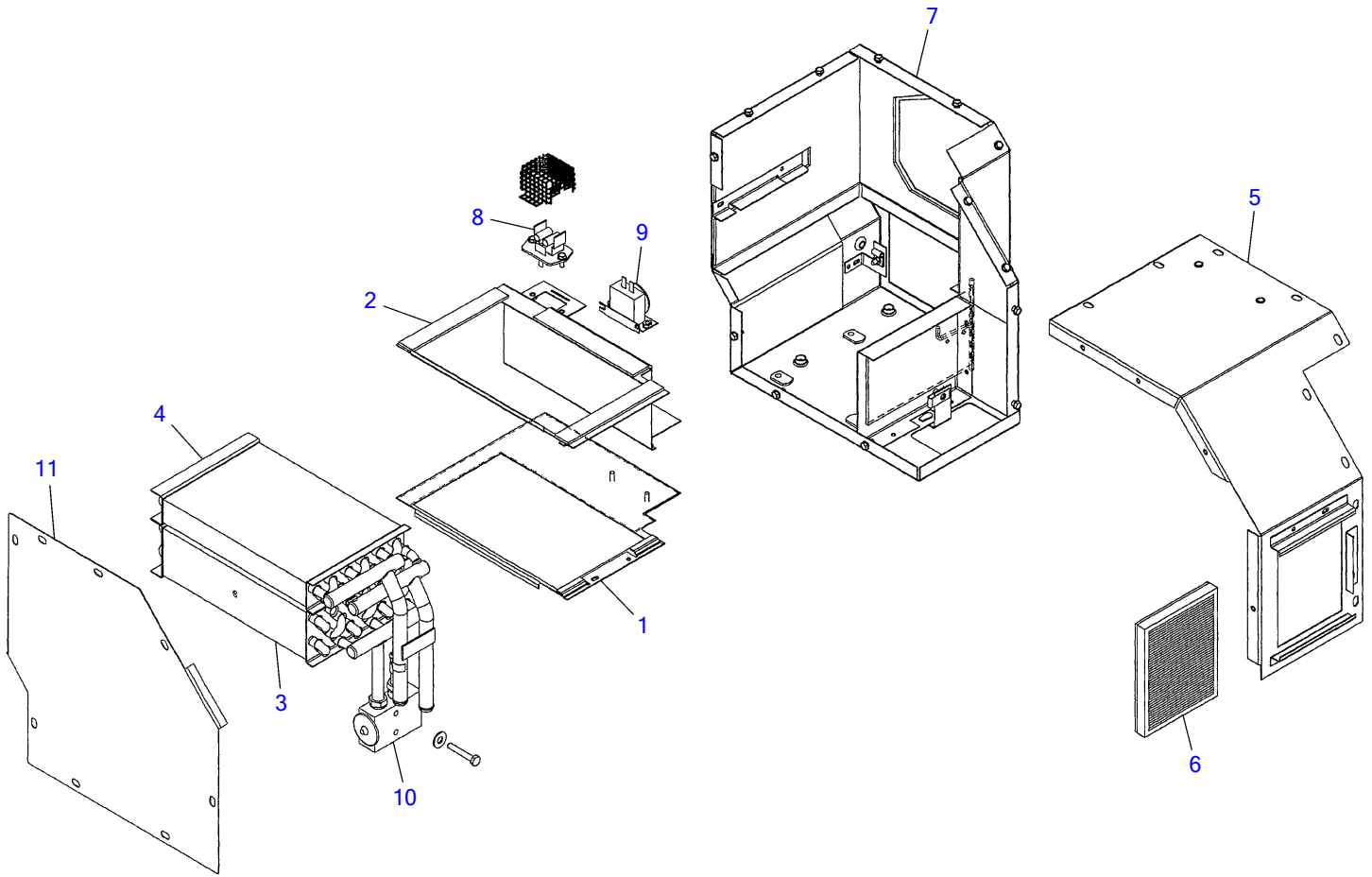


L8E150

S-1/6

AIR CONDITIONER (6/7) (air conditioner solenoid)

Item	Part number	Description	Q'ty	Chan.	Serial No.	Serv.	Remarks
		CONDITIONER ASSY, air					
0-4	X *****	SOLENOID ASSY, air conditioner	1				
1	0564630910	• HOSE ASSY	1				1801052055
2	0564630920	• HOSE ASSY	1				1801052035
3	1901746600	• VALVE, solenoid	1				
4	1515012040	• ELBOW	2				
	1420010110	• O-RING	1				
5	1515600200	• ADAPTOR	1				
	1420010110	• O-RING	1				
6	1513390015	• TEE	1				
7	1100040625	• BOLT	2				
8	1140020006	• WASHER, spring	2				
9	0564630901	• CONNECTOR	1				
	L8e150						

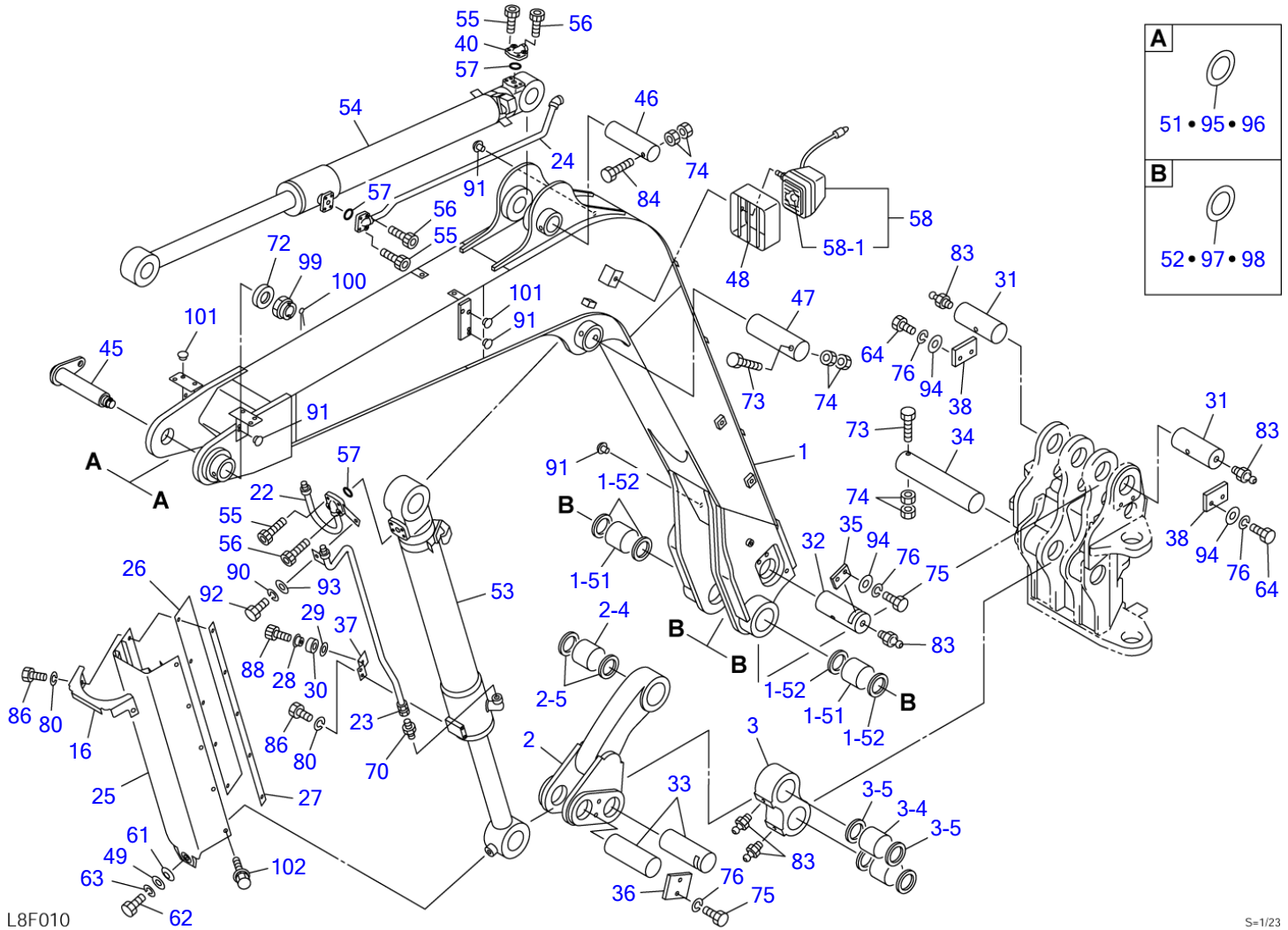


L5E230

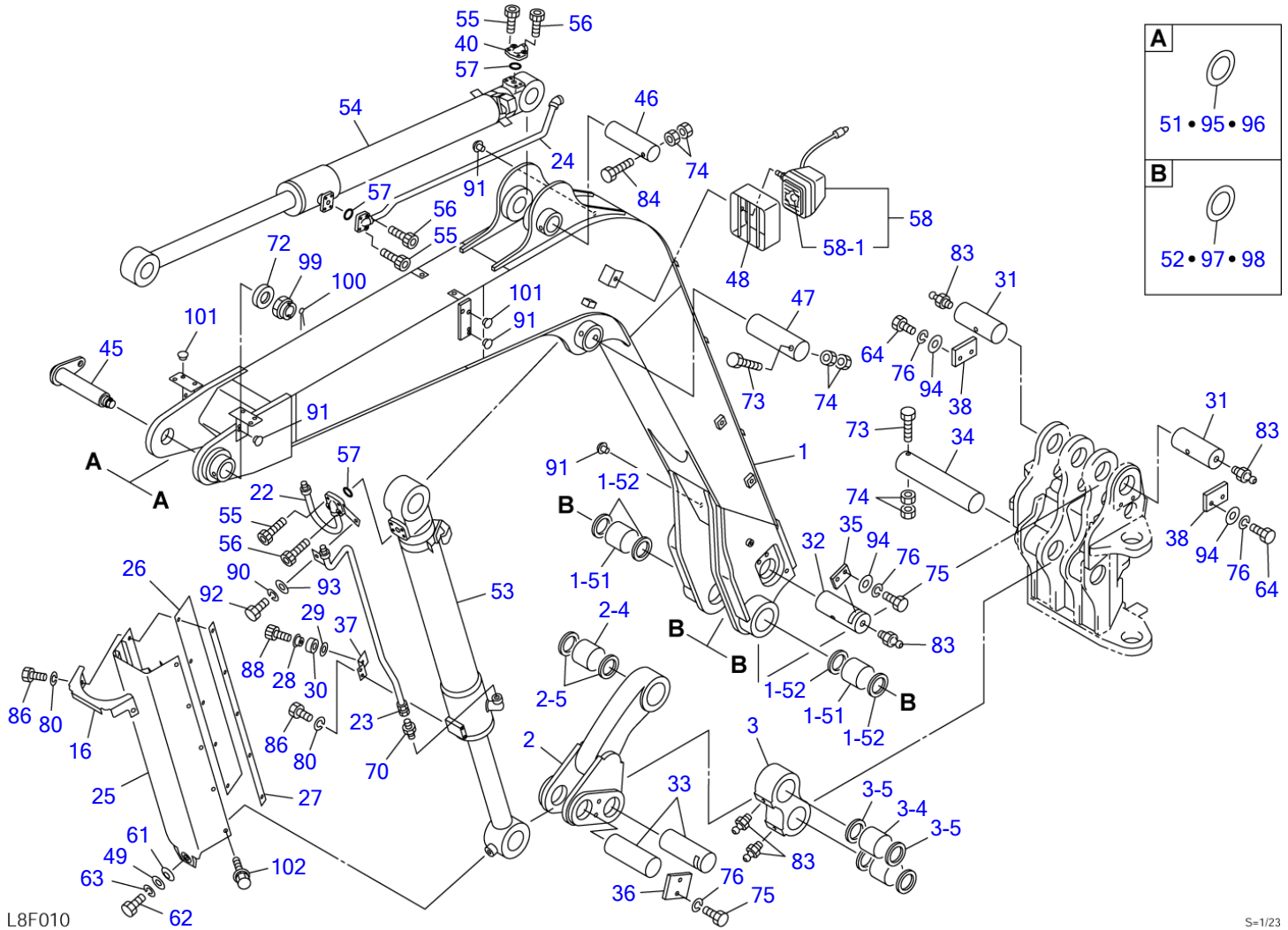
S=free

AIR CONDITIONER (7/7)

Item	Part number	Description	Q'ty	Chan.	Serial No.	Serv.	Remarks
0	1911509230	UNIT, air conditioner	1				
1	1911509231	▪ COVER	1				
2	1911509232	▪ COVER	1				
3	1911509233	▪ CORE, evaporator	1				
4	1911509234	▪ CORE, heater	1				
5	1911509235	▪ COVER	1				
6	1911509413	▪ FILTER	1				
7	1911509236	▪ HOUSING	1				
8	1911506343	▪ RESISTOR	1				
9	1911505421	▪ THERMOSTAT	1				
10	1911505422	▪ VALVE, expansion	1				
11	1911509411	▪ COVER	1				
	L5e231						

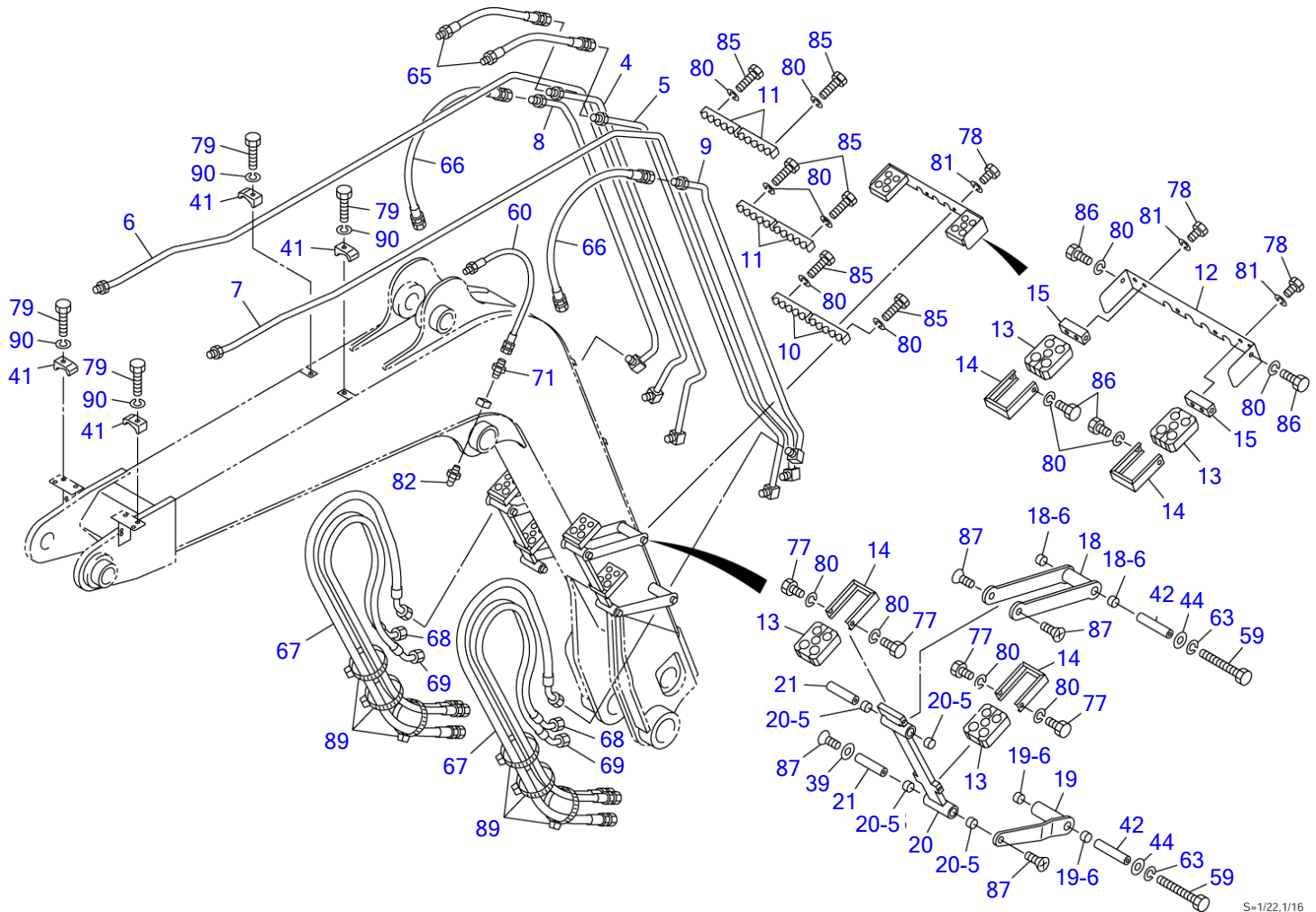


Item	Part number	Description	BOOM (1/2)			Remarks
			Q'ty	Chan.	Serial No.	
		BOOM ASSY				
1	0566045650	BOOM	1			
1-51	0566022250	• BUSHING	2			
1-52	1432200075	• SEAL, dust	4			
2	0566045520	LINK ASSY, boom	1			
2-4	0566022250	• BUSHING	1			
2-5	1432200075	• SEAL, dust	2			
3	0566045640	LINK	1			
3-4	0566045644	• BUSHING	2			
3-5	1432200075	• SEAL, dust	4			
16	0566030470	COVER	1			
22	0566022620	PIPE	1			
23	0566030480	PIPE	1			
24	0566030490	PIPE	1			
25	0566045580	PROTECTOR	1			
26	0566022655	RUBBER	2			
27	0566022656	PLATE	2			
28	0566024620	COLLAR	2			
29	0003608003	WASHER	2			
30	1300206005	BEARING	2			
31	0566023720	PIN	2			
32	0566022700	PIN	1			
33	0566022710	PIN	2			
34	0566030500	PIN	1			
35	0566022730	PLATE	1			
36	0566022735	PLATE	1			
37	0566024610	PLATE	2			
38	0566023730	PLATE	2			
40	0566017380	ELBOW	1			
45	0011907007	PIN	1			
46	0001607200	PIN	1			
47	0566021600	PIN	1			
48	0056031510	PROTECTOR	1			
49	0003600057	WASHER	1			
51	0003600099	SHIM	AR			t=1.0mm
52	0003600102	SHIM	AR			t=0.5mm
53	1900092500	CYLINDER, boom	1			
	1900103900	CYLINDER, BOOM	1			
54	1900092600	CYLINDER, arm	1			
	1900104000	CYLINDER, ARM	1			
55	1110040830	SCREW, cap	6			
56	1110040840	SCREW, cap	6			
57	1420010220	O-RING	3			
58	1703006100	LAMP ASSY	1			
58-1	1703006106	• BULB	1			
61	1225120022	WASHER, conical	1			
62	1101041225	BOLT	1			
63	1140020012	WASHER, spring	1			
64	1100041445	BOLT	4			
70	1515600203	ADAPTOR	1			
	1420010240	• O-RING	1			
72	0566040880	WASHER	1			
73	1103141220	BOLT	2			
74	1130040012	NUT	6			
75	1101041435	BOLT	4			
76	1140020014	WASHER, spring	8			
80	1140020006	WASHER, spring	6			
83	1560001000	FITTING, grease	6			
84	1103141205	BOLT	1			
86	1100040620	BOLT	6			
88	1110040816	SCREW, cap	2			
90	1140020010	WASHER, spring	1			
91	1652533016	CAP	11			
92	1100041020	BOLT	1			
93	0003600025	WASHER	1			
94	1141110014	WASHER	8			
95	0003600094	SHIM	AR			t=0.2mm
96	0003600095	SHIM	AR			t=0.5mm



Item	Part number	Description	BOOM (1/2)			Remarks
			Q'ty	Chan.	Serial No.	
97	0003600101	SHIM	AR			t=0.2mm
98	0003600170	SHIM	AR			t=1.0mm
99	1132130042	NUT	1			
100	1210010890	PIN, split	1			
101	1652533017	CAP	8			
102	1100560616	BOLT	8			
	L8f011					

TB180FR Book No. BL8Z001 S/N 17840001-
BOOM (2/2)

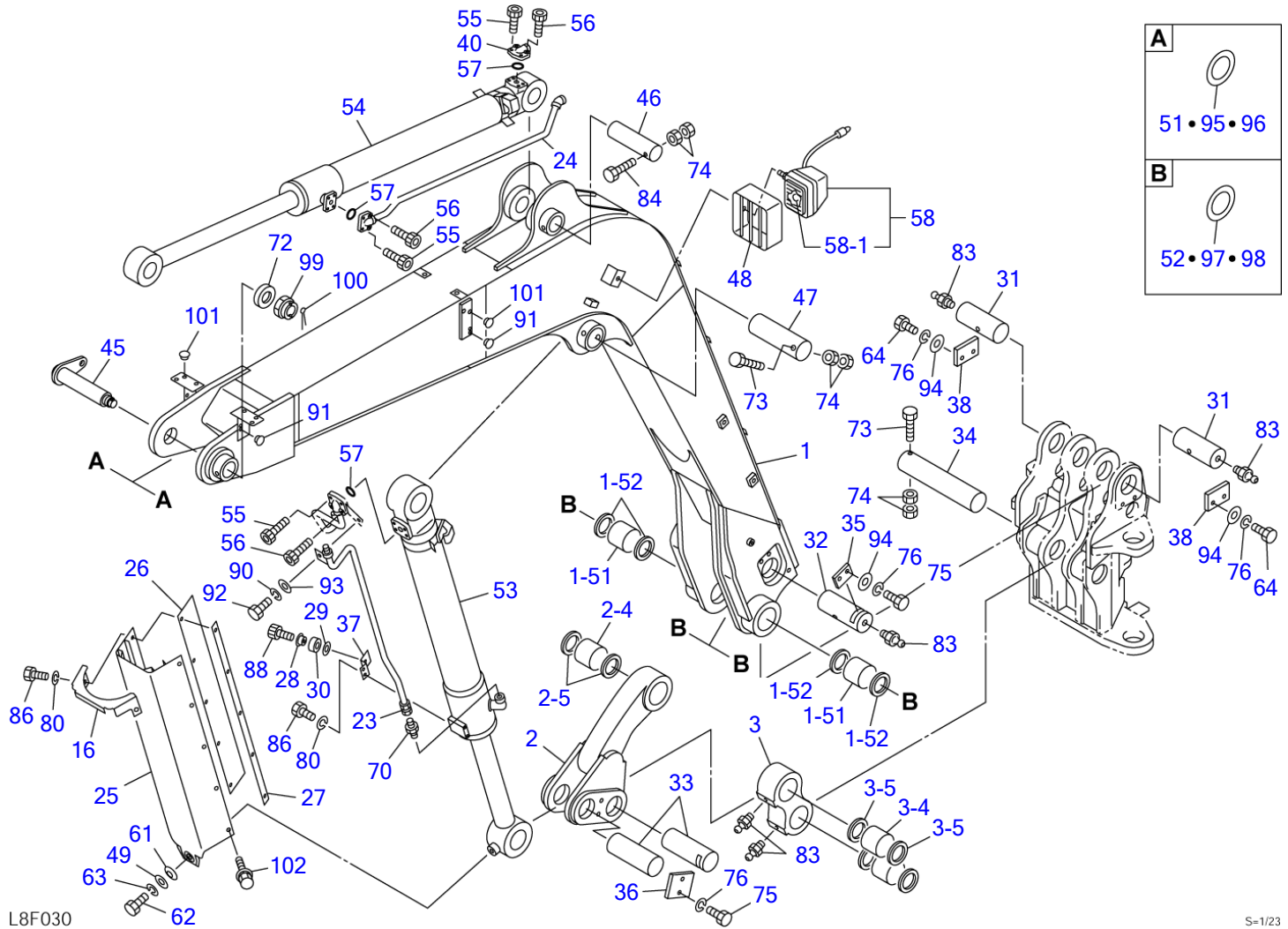


S=1/22,1/16

BOOM (2/2)

Item	Part number	Description	Q'ty	Chan.	Serial No.	Serv.	Remarks
		BOOM ASSY					
4	0566030310	PIPE (R.H.)	1				
5	0566030320	PIPE (L.H.)	1				
6	0566045530	PIPE (R.H.)	1				
7	0566045540	PIPE (L.H.)	1				
8	0566030350	PIPE (R.H.)	1				
9	0566030360	PIPE (L.H.)	1				
10	0566030370	CLAMP	2				
11	0566030380	CLAMP	4				
12	0566030390	PLATE	1				
13	0566030391	RUBBER	6				
14	0566030392	HOLDER	6				
15	0566023581	PLATE	2				
18	0566023940	ARM, hose	2				
18-6	1333002015	• BUSHING	2				
19	0567333980	ARM, hose	2				
19-6	1333002015	• BUSHING	2				
20	0567333960	LINK, hose	2				
20-5	1333002015	• BUSHING	4				
21	0566023870	SHAFT	4				
39	0566023885	WASHER	2				
41	1534100218	CLAMP	4				
42	0566023875	SHAFT	4				
44	0003600026	WASHER	4				
59	1101141220	BOLT	4				
60	1934802070	HOSE ASSY	1				
63	1140020012	WASHER, spring	4				
65	1802743049	HOSE ASSY	2				
66	1802760085	HOSE ASSY	2				
67	0566030420	HOSE ASSY	2				1802562230
68	0566030440	HOSE ASSY	2				1802542226
69	0566030450	HOSE ASSY	2				1802542230
71	1511050002	ADAPTOR	1				
77	1100040616	BOLT	8				
78	1100040816	BOLT	6				
79	1100061045	BOLT	4				
80	1140020006	WASHER, spring	24				
81	1140020008	WASHER, spring	6				
82	1560001675	FITTING, grease	1				
85	1100040645	BOLT	12				
86	1100040620	BOLT	4				
87	1120801020	SCREW	8				
89	1652201008	BAND	6				
90	1140020010	WASHER, spring	4				
	L8f021						

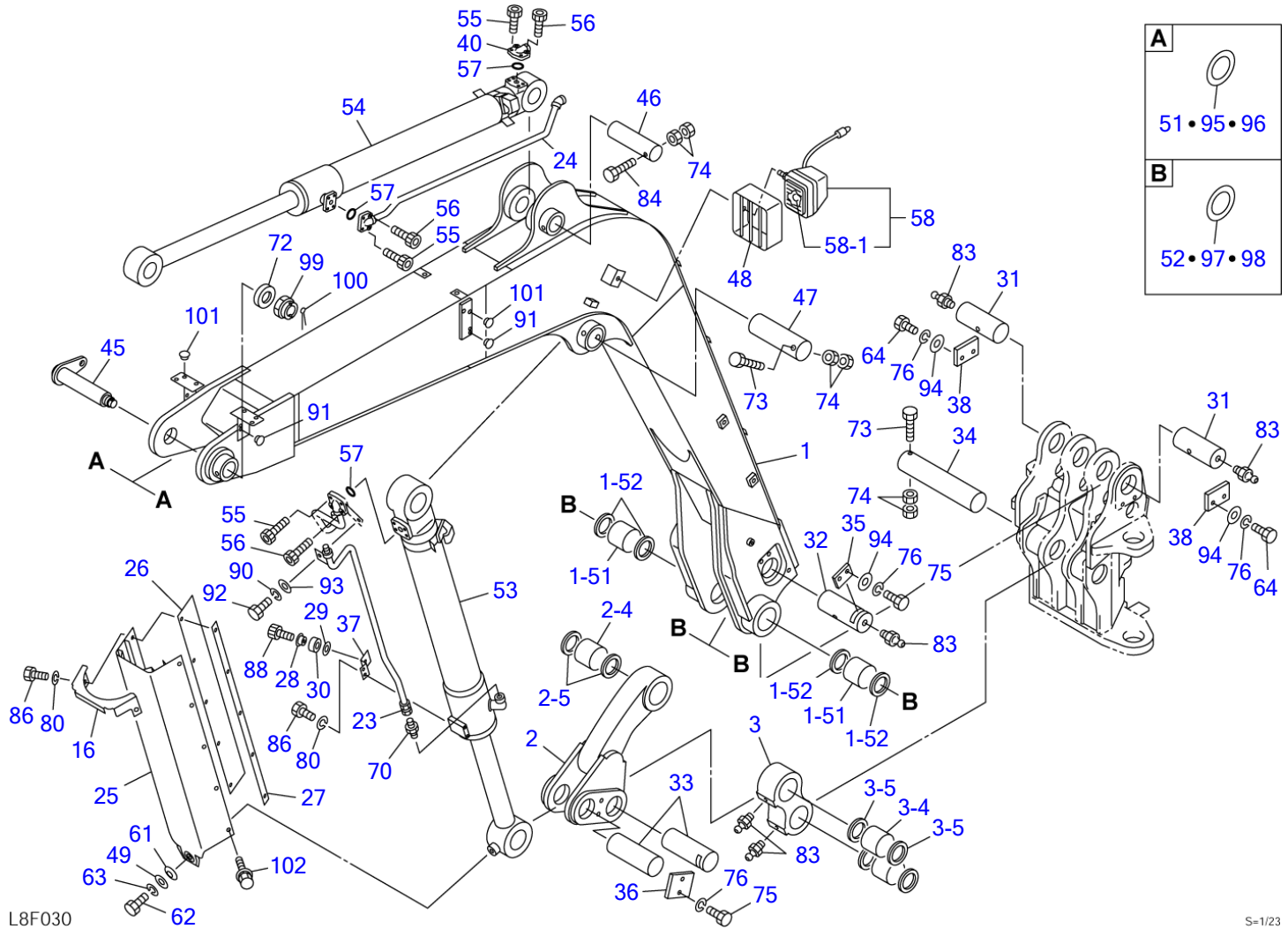
TB180FR Book No. BL8Z001 S/N 17840001-
BOOM (1/2) (with emergency shut-off valve)



BOOM (1/2) (with emergency shut-off valve)

Item	Part number	Description	Q'ty	Chan.	Serial No.	Serv.	Remarks
		BOOM ASSY (with boom shut-off valve)					
		BOOM ASSY (with boom & arm shut-off valve)					
1	0566045650	BOOM	1				
1-51	0566022250	• BUSHING	2				
1-52	1432200075	• SEAL, dust	4				
2	0566045520	LINK ASSY, boom	1				
2-4	0566022250	• BUSHING	1				
2-5	1432200075	• SEAL, dust	2				
3	0566045640	LINK	1				
3-4	0566045644	• BUSHING	2				
3-5	1432200075	• SEAL, dust	4				
16	0566030470	COVER	1				
23	0566030480	PIPE	1				
24	0566030490	PIPE	1				with boom shut-off valve
25	0566045580	PROTECTOR	1				
26	0566022655	RUBBER	2				
27	0566022656	PLATE	2				
28	0566024620	COLLAR	2				
29	0003608003	WASHER	2				
30	1300206005	BEARING	2				
31	0566023720	PIN	2				
32	0566022700	PIN	1				
33	0566022710	PIN	2				
34	0566030500	PIN	1				
35	0566022730	PLATE	1				
36	0566022735	PLATE	1				
37	0566024610	PLATE	2				
38	0566023730	PLATE	2				
40	0566017380	ELBOW	1				
45	0011907007	PIN	1				
46	0001607200	PIN	1				
47	0566021600	PIN	1				
48	0056031510	PROTECTOR	1				
49	0003600057	WASHER	1				
51	0003600099	SHIM	AR				t=1.0mm
52	0003600102	SHIM	AR				t=0.5mm
53	1900092500	CYLINDER, boom	1				
	1900103900	CYLINDER, BOOM	1				
54	1900092600	CYLINDER, arm	1				
	1900104000	CYLINDER, ARM	1				
55	1110040830	SCREW, cap	6				with boom shut-off valve
	1110040830	SCREW, cap	4				with boom & arm shut-off valve
56	1110040840	SCREW, cap	6				with boom shut-off valve
	1110040840	SCREW, cap	4				with boom & arm shut-off valve
57	1420010220	O-RING	3				with boom shut-off valve
	1420010220	O-RING	2				with boom & arm shut-off valve
58	1703006100	LAMP ASSY	1				
58-1	1703006106	• BULB	1				
61	1225120022	WASHER, conical	1				
62	1101041225	BOLT	1				
63	1140020012	WASHER, spring	1				
64	1100041445	BOLT	4				
70	1515600203	ADAPTOR	1				
	1420010240	• O-RING	1				
72	0566040880	WASHER	1				
73	1103141220	BOLT	2				
74	1130040012	NUT	6				
75	1101041435	BOLT	4				
76	1140020014	WASHER, spring	8				
80	1140020006	WASHER, spring	6				
83	1560001000	FITTING, grease	6				
84	1103141205	BOLT	1				
86	1100040620	BOLT	6				
88	1110040816	SCREW, cap	2				
90	1140020010	WASHER, spring	1				
91	1652533016	CAP	9				

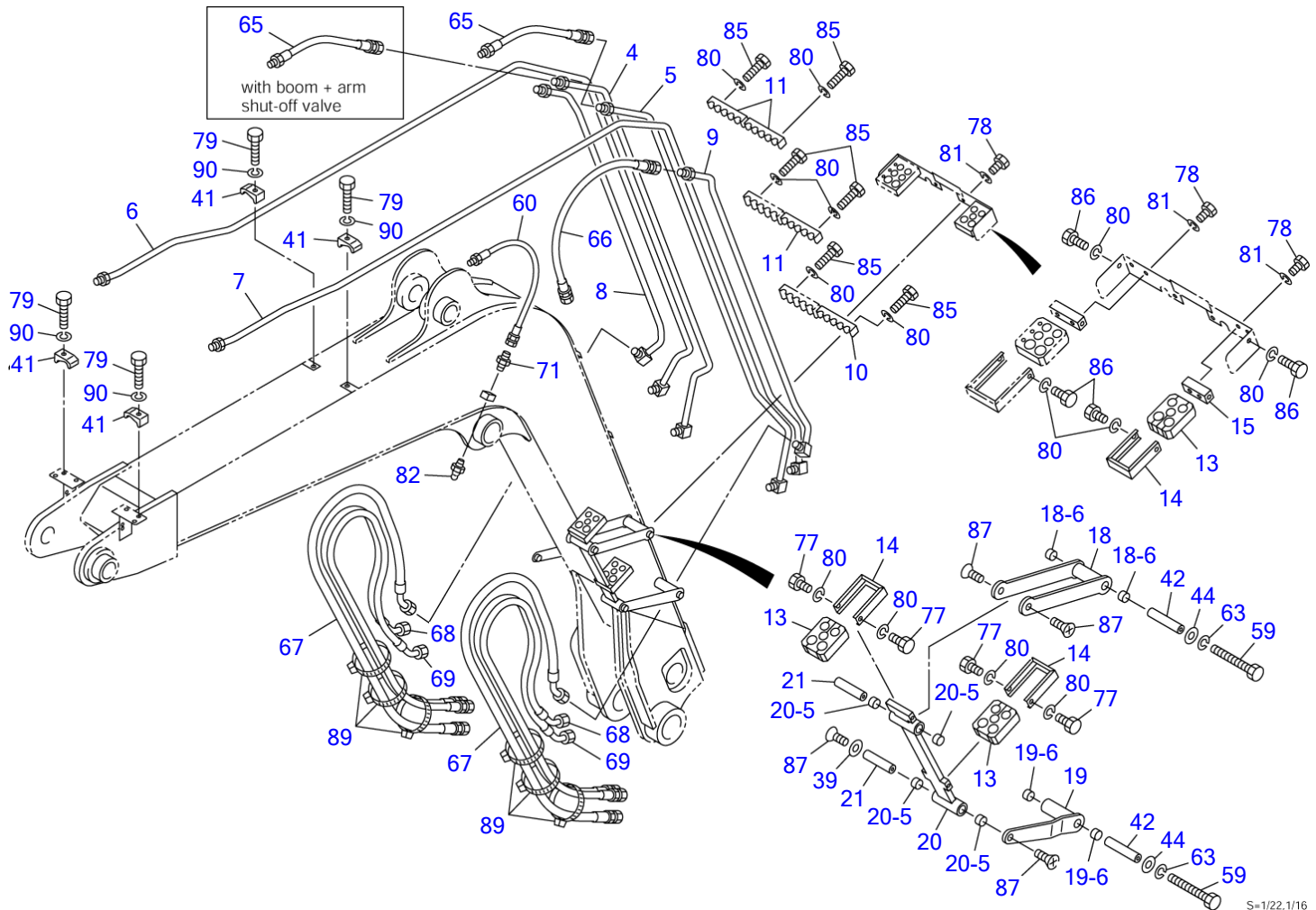
TB180FR Book No. BL8Z001 S/N 17840001-
BOOM (1/2) (with emergency shut-off valve)



BOOM (1/2) (with emergency shut-off valve)

Item	Part number	Description	Q'ty	Chan.	Serial No.	Serv.	Remarks
92	1100041020	BOLT	1				
93	0003600025	WASHER	1				
94	1141110014	WASHER	8				
95	0003600094	SHIM	AR				t=0.2mm
96	0003600095	SHIM	AR				t=0.5mm
97	0003600101	SHIM	AR				t=0.2mm
98	0003600170	SHIM	AR				t=1.0mm
99	1132130042	NUT	1				
100	1210010890	PIN, split	1				
101	1652533017	CAP	8				
102	1100560616	BOLT	8				
	L8f031						

TB180FR Book No. BL8Z001 S/N 17840001-
BOOM (2/2) (with emergency shut-off valve)



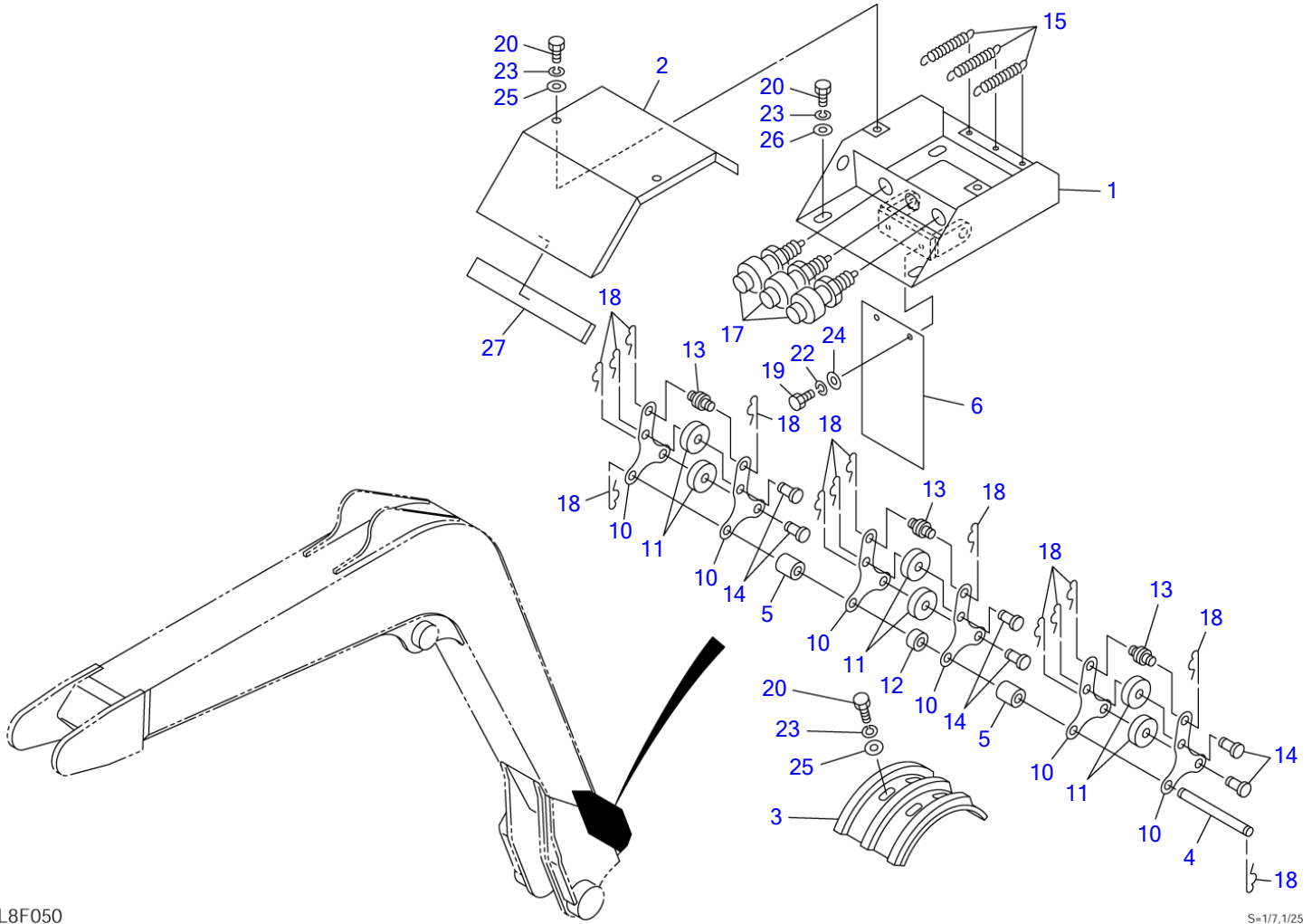
S=1/22,1/16

BOOM (2/2) (with emergency shut-off valve)

Item	Part number	Description	Q'ty	Chan.	Serial No.	Serv.	Remarks
		BOOM ASSY (with boom shut-off valve)					
		BOOM ASSY (with boom & arm shut-off valve)					
4	0566030310	PIPE (R.H.)	1				
5	0566030320	PIPE (L.H.)	1				
6	0566045530	PIPE (R.H.)	1				
7	0566045540	PIPE (L.H.)	1				
8	0566030350	PIPE (R.H.)	1				
9	0566030360	PIPE (L.H.)	1				
10	0566030370	CLAMP	1				
11	0566030380	CLAMP	3				
13	0566030391	RUBBER	3				
14	0566030392	HOLDER	3				
15	0566023581	PLATE	1				
18	0566023940	ARM, hose	1				
18-6	1333002015	• BUSHING	2				
19	0567333980	ARM, hose	2				
19-6	1333002015	• BUSHING	2				
20	0567333960	LINK, hose	1				
20-5	1333002015	• BUSHING	4				
21	0566023870	SHAFT	4				
39	0566023885	WASHER	2				
41	1534100218	CLAMP	4				
42	0566023875	SHAFT	4				
44	0003600026	WASHER	4				
59	1101141220	BOLT	3				
60	1934802070	HOSE ASSY	1				
63	1140020012	WASHER, spring	4				
65	1802743049	HOSE ASSY	2				with boom shut-off valve
	1802743049	HOSE ASSY	1				with boom+arm shut-off valve
66	1802760085	HOSE ASSY	1				
67	0566030420	HOSE ASSY	2				1802562230
68	0566030440	HOSE ASSY	2				1802542226
69	0566030450	HOSE ASSY	2				1802542230
71	1511050002	ADAPTOR	1				
77	1100040616	BOLT	8				
78	1100040816	BOLT	6				
79	1100061045	BOLT	4				
80	1140020006	WASHER, spring	24				
81	1140020008	WASHER, spring	6				
82	1560001675	FITTING, grease	1				
85	1100040645	BOLT	12				
86	1100040620	BOLT	4				
87	1120801020	SCREW	6				
89	1652201008	BAND	6				
90	1140020010	WASHER, spring	4				

L8f041

TB180FR Book No. BL8Z001 S/N 17840001-
INTERFERENCE SENSOR



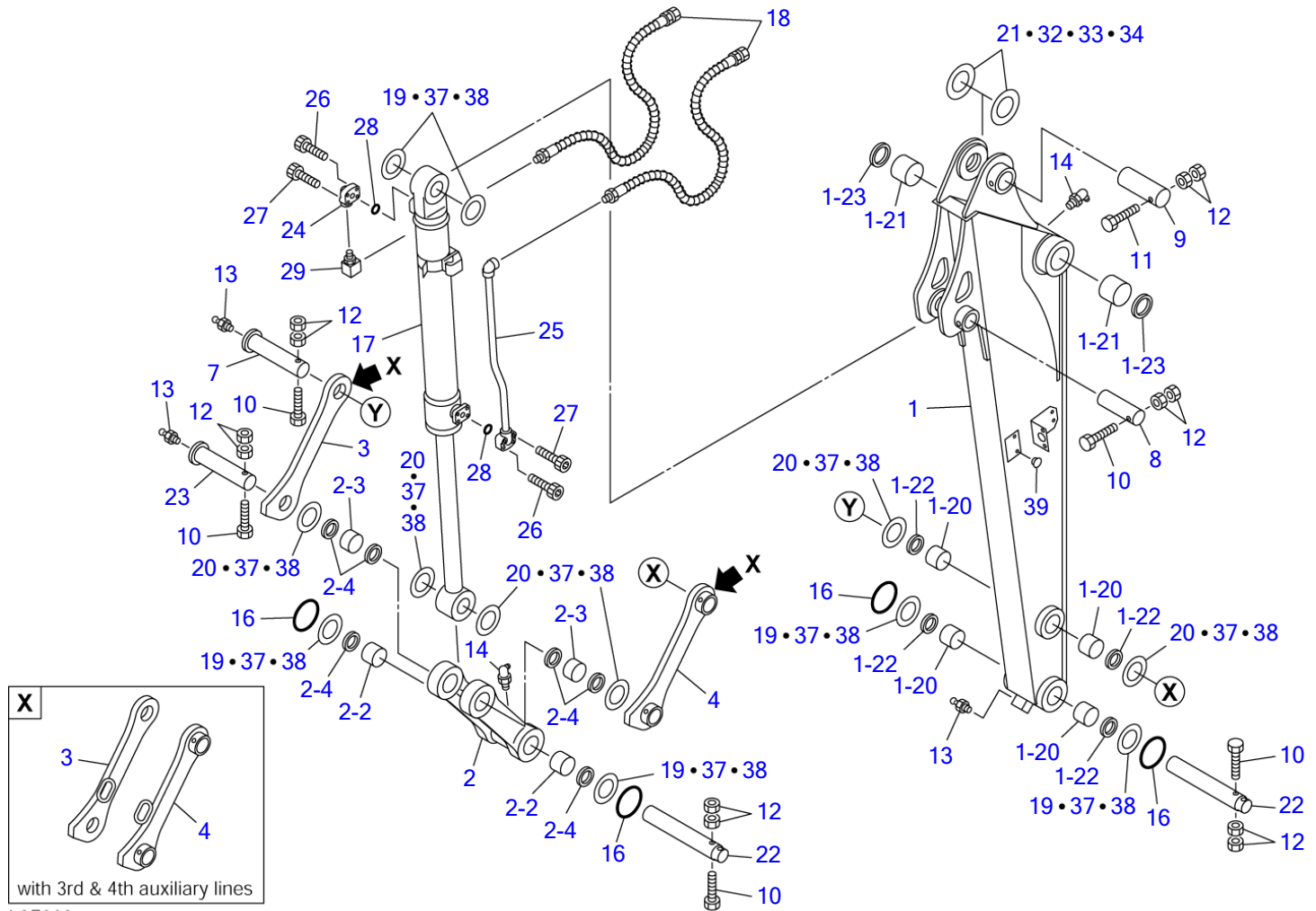
L8F050

S=1/7,1/25

INTERFERENCE SENSOR

Item	Part number	Description	Q'ty	Chan.	Serial No.	Serv.	Remarks
		SWITCH ASSY, boom					
1	0566049310	BOX, switch	1				
2	0566023820	COVER	1				
3	0566045810	PLATE	1				
4	0566023840	PIN	1				
5	0566023850	COLLAR	2				
6	0566023860	RUBBER	1				
10	0396007840	PLATE	6				
11	0356012550	COLLAR	6				
12	0396007870	COLLAR	1				
13	0396007850	PIN	3				
14	0356012590	PIN	6				
15	0007000074	SPRING	3				
17	1700000014	SWITCH	3				
18	1214000008	PIN, snap	14				
19	1100040616	BOLT	2				
20	1100040816	BOLT	10				
22	1140020006	WASHER, spring	2				
23	1140020008	WASHER, spring	10				
24	1141110006	WASHER	2				
25	1141110008	WASHER	6				
26	0003600011	WASHER	4				
27	1654319015	SPONGE	1				sold by the meter
	L8f050						

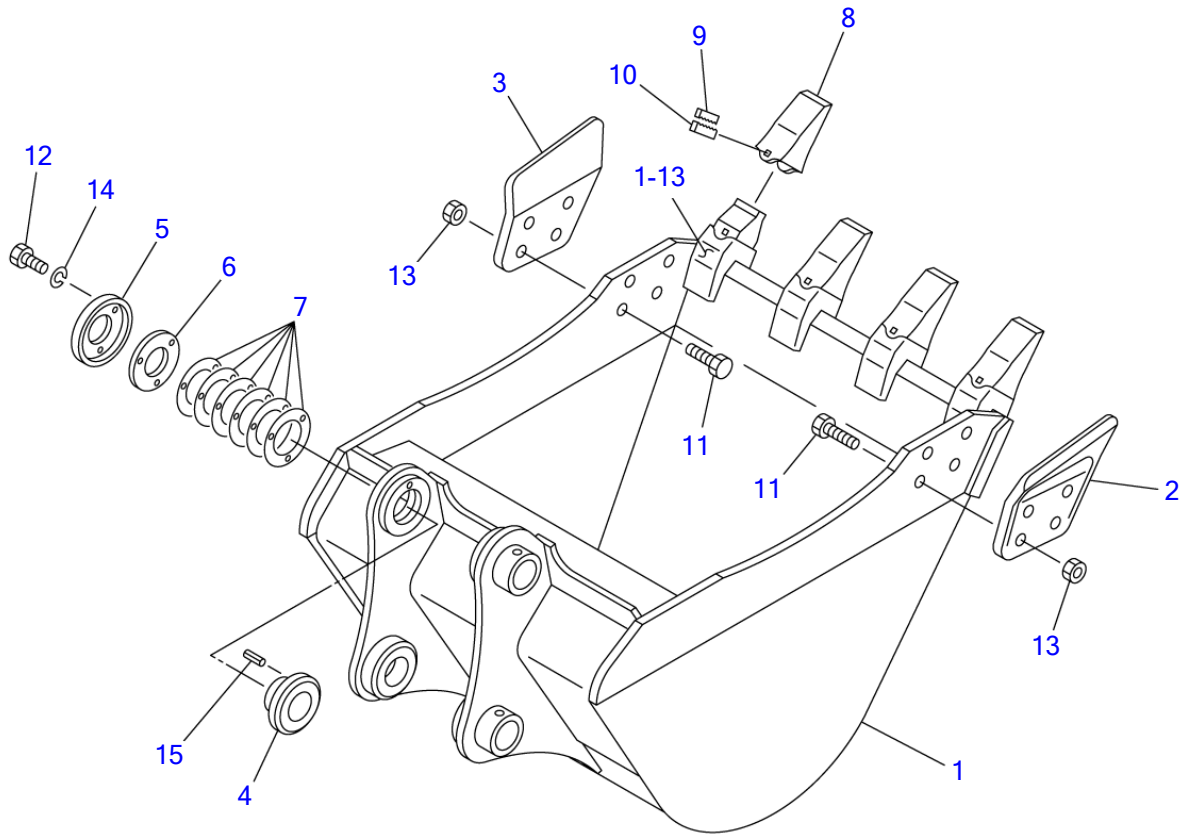
TB180FR Book No. BL8Z001 S/N 17840001-
ARM



S=1/20

Item	Part number	Description	ARM		Serial No.	Serv.	Remarks
			Q'ty	Chan.			
		ARM ASSY					
		ARM ASSY (with 3rd & 4th aux. lines)					
		ARM ASSY (long arm)					
		ARM ASSY (long arm, with 3rd & 4th aux. lines)					
1	0566142550	ARM SUB ASSY	1		17840001~17840067		
	0566142650	ARM SUB ASSY	1	(H)	17840068~		
	0566156400	ARM SUB ASSY	1		17840001~17840067		long arm
1-20	0002400025	BUSHING	4				
1-21	0002400036	BUSHING	2				
1-22	1432200050	SEAL, dust	4				
1-23	1432200060	SEAL, dust	2				
2	0566103900	LINK ASSY, bucket	1				
	0566104000	LINK ASSY, BUCKET	1				
2-2	0002400025	• BUSHING	2				
2-3	0002100028	• BUSHING	2				
2-4	1432200050	• SEAL, dust	6				
3	0566117500	LINK, guide (R.H.)	1				
	0566142710	LINK, guide (R.H.)	1				with 3rd & 4th aux. lines
4	0566117600	LINK, guide (L.H.)	1				
	0566142720	LINK, guide (L.H.)	1				with 3rd & 4th aux. lines
7	0001735001	PIN	1				
8	0001605150	PIN	1				
9	0001607160	PIN	1				
10	1103041295	BOLT	7				
11	1103141205	BOLT	1				
12	1130240012	NUT	16				
13	1560001000	FITTING, grease	3				
14	1560001675	FITTING, grease	2				
16	1432900048	O-RING	4				
17	1900101100	CYLINDER, bucket	1				
	1900100300	CYLINDER, BUCKET	1				
18	1802643075	HOSE ASSY	2				
	1802643109	HOSE ASSY	2				long arm
	1802643092	HOSE ASSY	2				
19	0003600096	SHIM	AR				t=1.0mm
20	0003600097	SHIM	AR				t=1.0mm
21	0003600157	SHIM	AR				t=1.0mm
22	0011595001	PIN	2				
23	0011025001	PIN	1				
24	0566017380	ELBOW	1				
25	0566017600	TUBE	1				
26	1110040830	SCREW, cap	4				
	1110040830	SCREW CAP	2				
27	1110040840	SCREW, cap	4				
	1110040840	SCREW CAP	2				
28	1420010220	O-RING	2				
	1420010220	O-RING	1				
29	1513300015	ELBOW	1				
	1420010180	• O-RING	1				
33	0003600095	SHIM	AR				t=0.5mm
34	0003600094	SHIM	AR				t=0.2mm
37	0003600061	SHIM	AR				t=0.5mm
38	0003600060	SHIM	AR				t=0.2mm
39	1652533016	CAP	12				without 3rd & 4th aux. lines
	L8f061						

TB180FR Book No. BL8Z001 S/N 17840001-
BUCKET



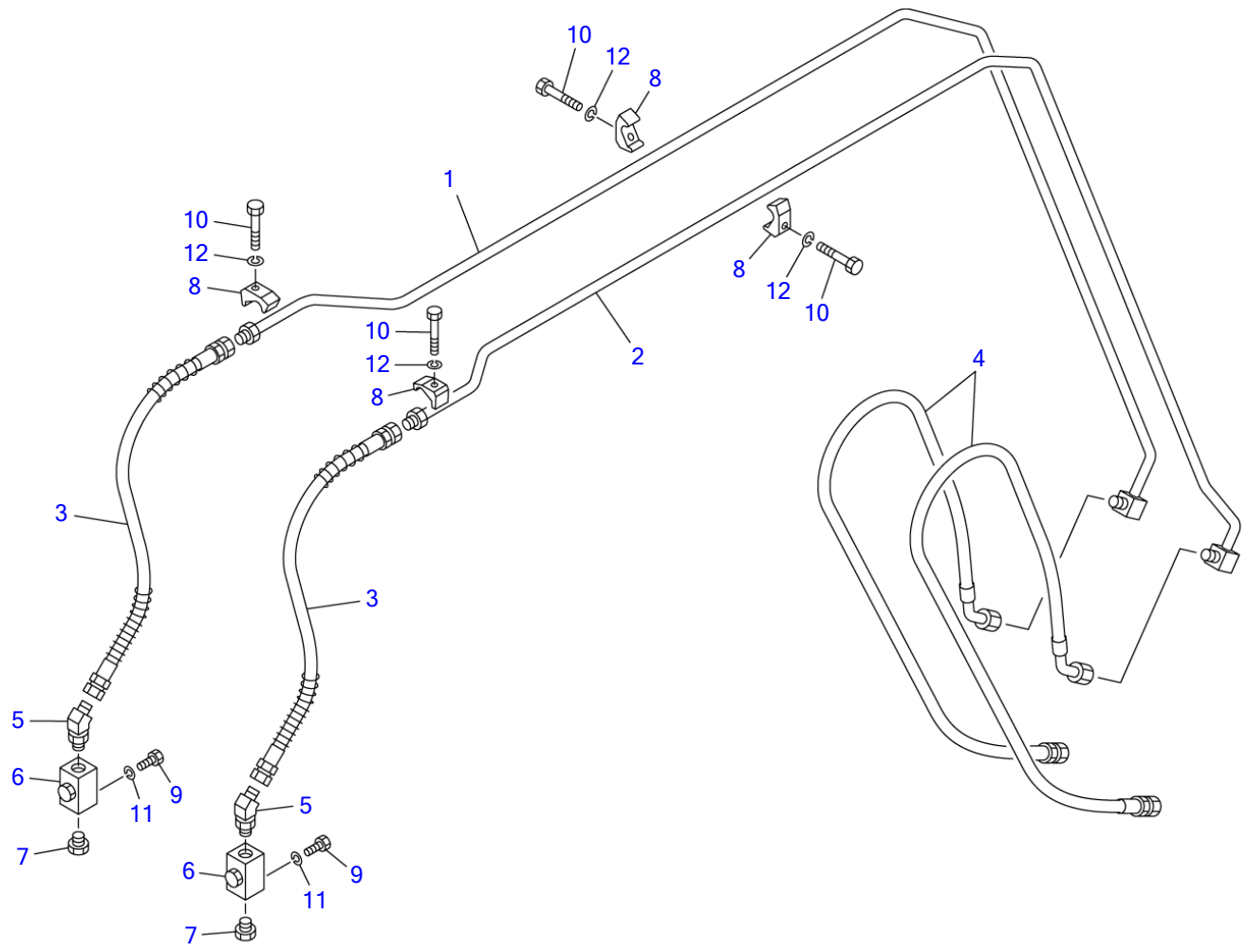
750mm WIDE / STANDARD

L2F050

S=1/12

Item	Part number	Description	BUCKET			Remarks
			Q'ty	Chan.	Serial No.	
0	0566216000	BUCKET ASSY	1			750mm wide
1	X *****_*****	▪ BUCKET	1			
1-13	1914201101	▪ ▪ ADAPTOR, tooth	4			
2	0546200200	▪ CUTTER (L.H.)	1			
3	0546200300	▪ CUTTER (R.H.)	1			
4	0566211400	▪ BUSHING	1			
5	0566211500	▪ PLATE	1			
6	0566211600	▪ FLANGE	1			
7	0566211700	▪ SHIM	AR			
8	1914201102	▪ POINT, tooth	4			
9	1914201103	▪ PIN	4			
10	1914201104	▪ PIN, lock	4			
11	1101051640	▪ BOLT	8			
12	1100051230	▪ BOLT	3			
13	1130550016	▪ NUT	8			
14	1140020012	▪ WASHER, spring	3			
15	1213000836	▪ PIN, spring	1			
	L2f050					

TB180FR Book No. BL8Z001 S/N 17840001-
AUXILIARY LINES



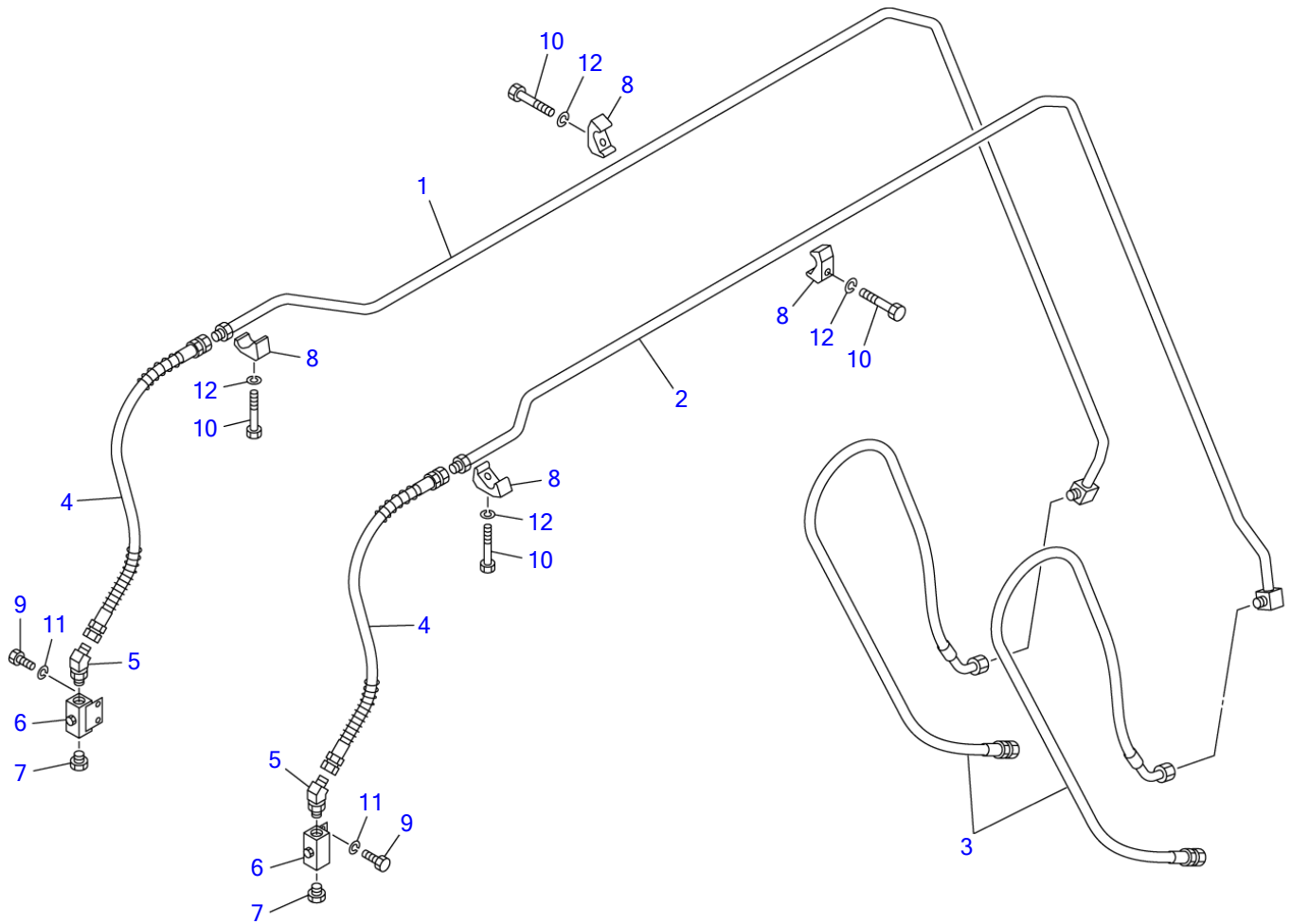
L8F070

S=1/15

AUXILIARY LINES

Item	Part number	Description	Q'ty	Chan.	Serial No.	Serv.	Remarks
0	0567345000	AUXILIARY LINE ASSY	1				
	0567345100	AUXILIARY LINE ASSY (long arm)	1				
	056735160	AUXILIARY LINE ASSY (MIDDLE ARM)	1				
1	0567345015	• PIPE (R.H.)	1				
2	0567345020	• PIPE (L.H.)	1				
3	1801630115	• HOSE ASSY	2				
	1801630146	• HOSE ASSY	2				long arm
	1801630132	* HOSE ASSY	2				
4	0566030430	• HOSE ASSY	2				1802562240
5	1515100113	• ELBOW	2				
	1420010240	• • O-RING	1				
6	1901723700	• VALVE , stop	2				
7	1515600503	• PLUG	2				
	1420010240	• • O-RING	1				
8	1534100218	• CLAMP	4				
9	1100040825	• BOLT	4				
10	1100061045	• BOLT	4				
11	1140020008	• WASHER, spring	4				
12	1140020010	• WASHER, spring	4				
	L8f071						

TB180FR Book No. BL8Z001 S/N 17840001-
2ND AUXILIARY LINES



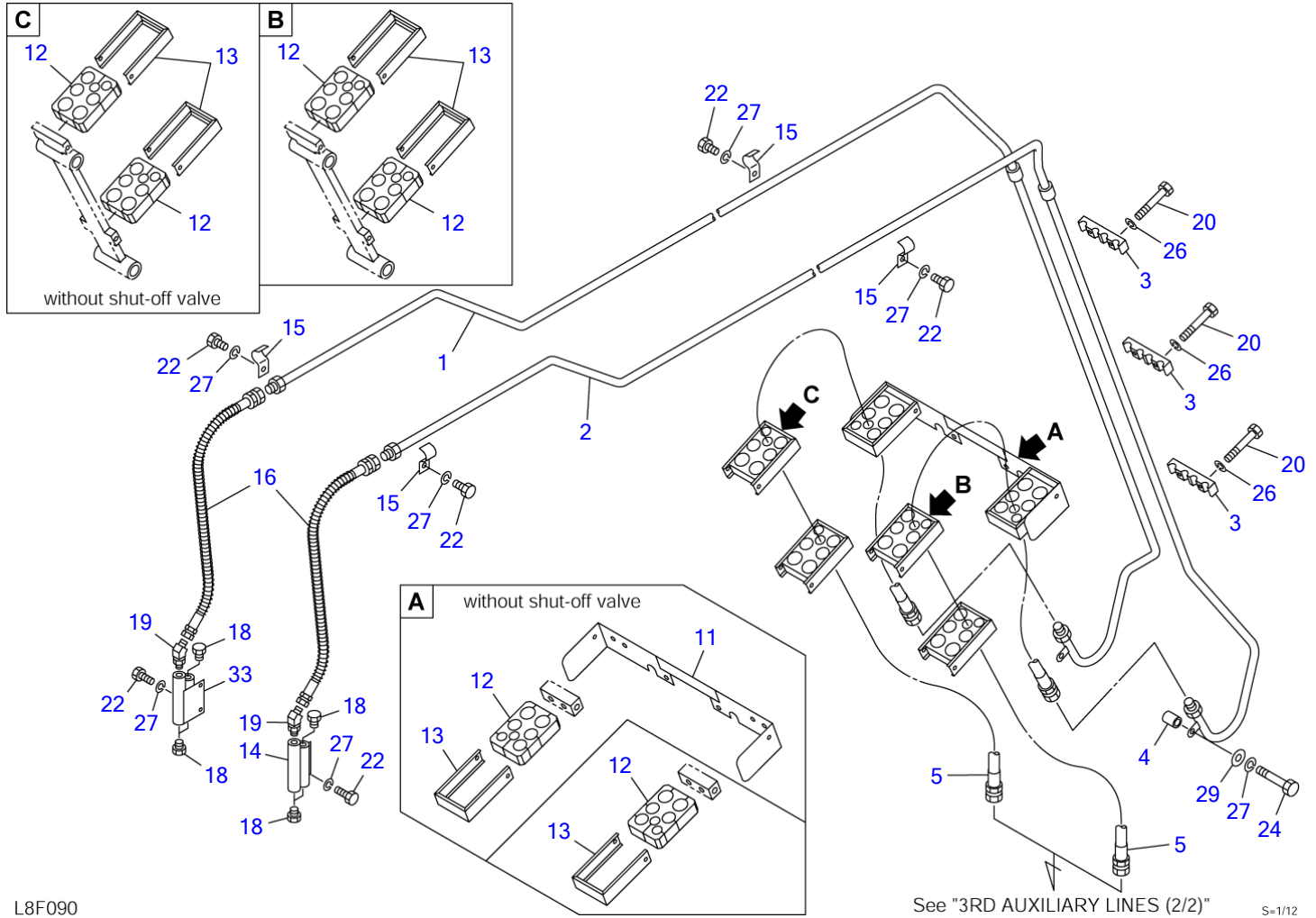
L8F080

S=1/15

2ND AUXILIARY LINES

Item	Part number	Description	Q'ty	Chan.	Serial No.	Serv.	Remarks
0	0567345200	LINE ASSY, 2nd aux.	1				
	0567345300	LINE ASSY, 2nd aux. (long arm)	1				
	0567351700	LINE ASSY, 2ND AUX (MIDDLE ARM)	1				
1	0567345210	• PIPE (R.H.)	1				
2	0567345220	• PIPE (L.H.)	1				
3	0566030460	• HOSE ASSY	2				1802542230
4	1801640101	• HOSE ASSY	2				
	1801640134	• HOSE ASSY	2				long arm
	1801640120	* HOSE ASSY	2				
5	1515100112	• ELBOW	2				
	1420010180	• • O-RING	1				
6	1901719800	• VALVE , stop	2				
7	1501750004	• PLUG	2				
	1420010180	• • O-RING	1				
8	1534100218	• CLAMP	4				
9	1100040816	• BOLT	4				
10	1100061045	• BOLT	4				
11	1140020008	• WASHER, spring	4				
12	1140020010	• WASHER, spring	4				
	L8f081						

TB180FR Book No. BL8Z001 S/N 17840001-
 3RD AUXILIARY LINES (1/2) (available only with 2nd aux. lines)



L8F090

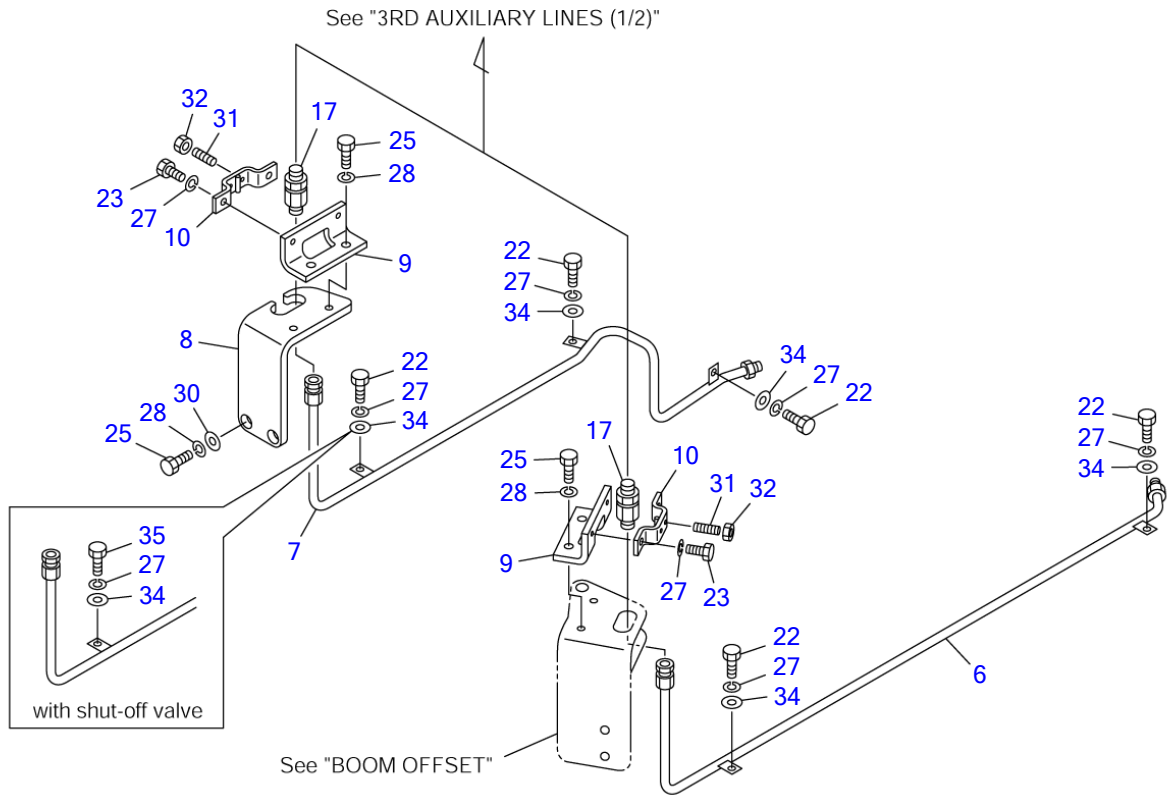
See "3RD AUXILIARY LINES (2/2)"

S=1/12

3RD AUXILIARY LINES (1/2) (available only with 2nd aux. lines)

Item	Part number	Description	Q'ty	Chan.	Serial No.	Serv.	Remarks
0	0567345400	LINE ASSY, 3rd aux.	1				
	0567348100	LINE ASSY, 3rd aux. (with shut-off valve)	1				
	0567345500	LINE ASSY, 3rd aux. (long arm)	1				
	0567348200	LINE ASSY, 3rd aux. (long arm, with shut-off valve)	1				
	0567351800	LINE ASSY 3RD AUX (MIDDLE ARM)	1				
	0567351900	LINE ASSY, 3RD AUX (MIDDLE ARM, WITH SHUT-OFF VALVE)	1				
1	0567345410	• PIPE (R.H.)	1				
2	0567345420	• PIPE (L.H.)	1				
3	0567345430	• CLAMP	3				
4	0567345460	• PIPE	2				
5	0567345450	• HOSE ASSY	2				1801500205
11	0567333880	• PLATE	1				without shut-off valve
12	0567345630	• RUBBER	6				without shut-off valve
	0567345630	• RUBBER	3				
13	0567333895	• HOLDER	6				without shut-off valve
	0567333895	• HOLDER	3				
14	0567346440	• ADAPTOR	1				
15	0567339570	• CLAMP	4				
16	1801600088	• HOSE ASSY	2				
	1801600123	• HOSE ASSY	2				long arm
	1801600108	* HOSE ASSY	2				
18	1501750002	• PLUG	6				
	1420010110	• • O-RING	1				
19	1515100110	• ELBOW	2				
	1420010110	• • O-RING	1				
20	1100040670	• BOLT	6				
22	1100040816	• BOLT	8				
24	1100040855	• BOLT	2				without shut-off valve
	1100040855	• BOLT	1				with shut-off valve
26	1140020006	• WASHER, spring	6				
27	1140020008	• WASHER, spring	10				without shut-off valve
	1140020008	• WASHER, spring	9				with shut-off valve
29	1141110008	• WASHER	2				without shut-off valve
	1141110008	• WASHER	1				with shut-off valve
33	0567346430	• ADAPTOR	1				
	L8f091						

TB180FR Book No. BL8Z001 S/N 17840001-
3RD AUXILIARY LINES (2/2) (available only with 2nd aux. lines)



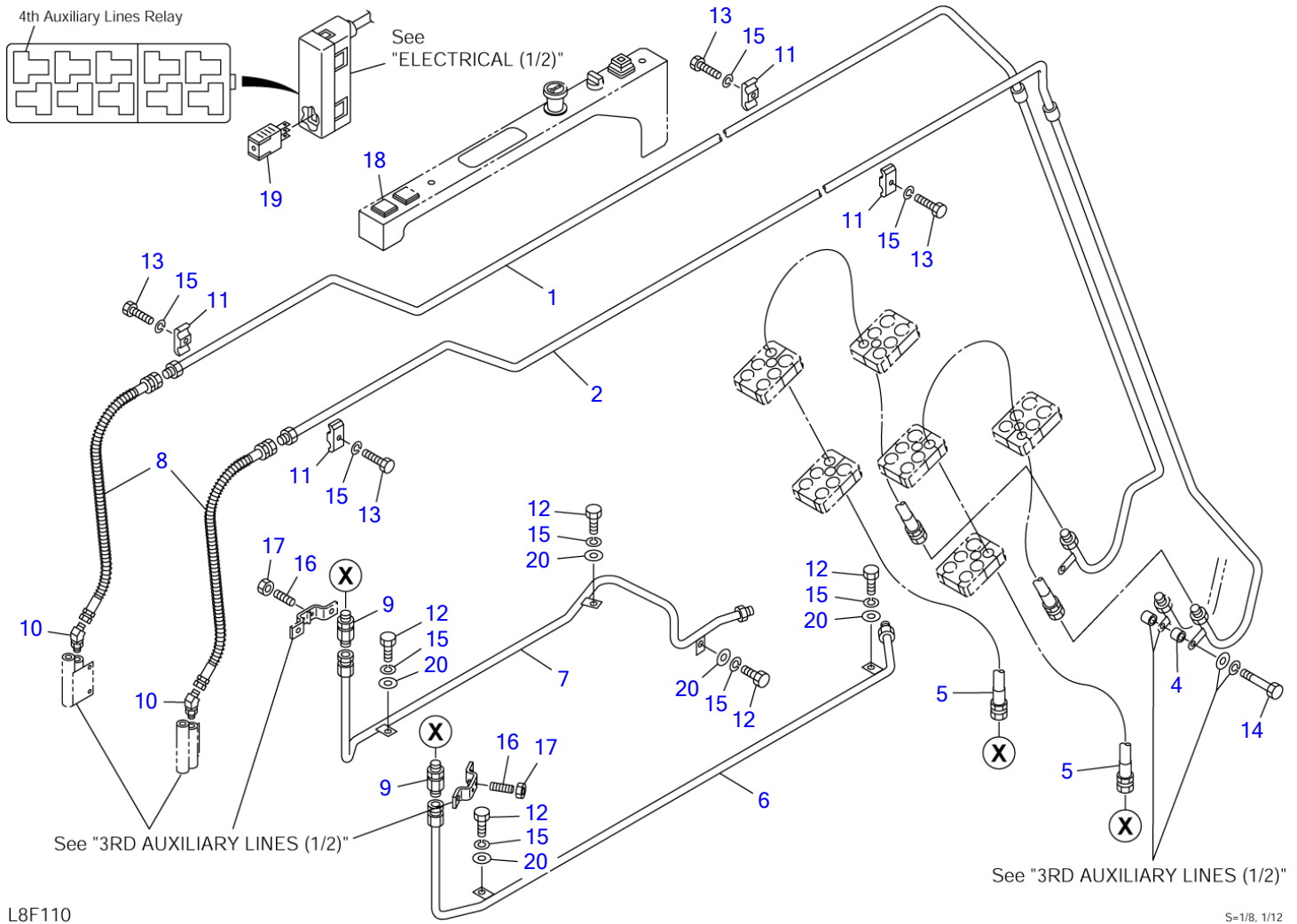
L8F100

S=1/10

3RD AUXILIARY LINES (2/2) (available only with 2nd aux. lines)

Item	Part number	Description	Q'ty	Chan.	Serial No.	Serv.	Remarks
0	0567345400	LINE ASSY, 3rd aux.	1				
	0567348100	LINE ASSY, 3rd aux. (with shut-off valve)	1				
	0567345500	LINE ASSY, 3rd aux. (long arm)	1				
	0567348200	LINE ASSY, 3rd aux. (long arm, with shut-off valve)	1				
	0567351800	LINE ASSY, 3RD AUX (MIDDLE ARM)	1				
	0567351900	LINE ASSY, 3RD AUX (MIDDLE ARM WITH SHUT-OFF VALVE)	1				
6	0567345510	• PIPE (L.H.)	1				
7	0567345520	• PIPE (R.H.)	1				
8	0567345530	• BRACKET	1				
9	0567345540	• BRACKET	2				
10	0567345550	• BRACKET	2				
17	1514011102	• ADAPTOR	2				
22	1100040816	• BOLT	5				without shut-off valve
	1100040816	• BOLT	4				with shut-off valve
23	1100040820	• BOLT	4				
25	1100041025	• BOLT	8				
27	1140020008	• WASHER, spring	9				
28	1140020010	• WASHER, spring	8				
30	0003600025	• WASHER	2				
31	1121040616	• SET-SCREW	2				
32	1130040006	• NUT	2				
34	1141550008	• WASHER	5				
35	1100040818	• BOLT	1				with shut-off valve
	L8f101						

TB180FR Book No. BL8Z001 S/N 17840001-
4TH AUXILIARY LINES (available only with 3rd aux. lines)



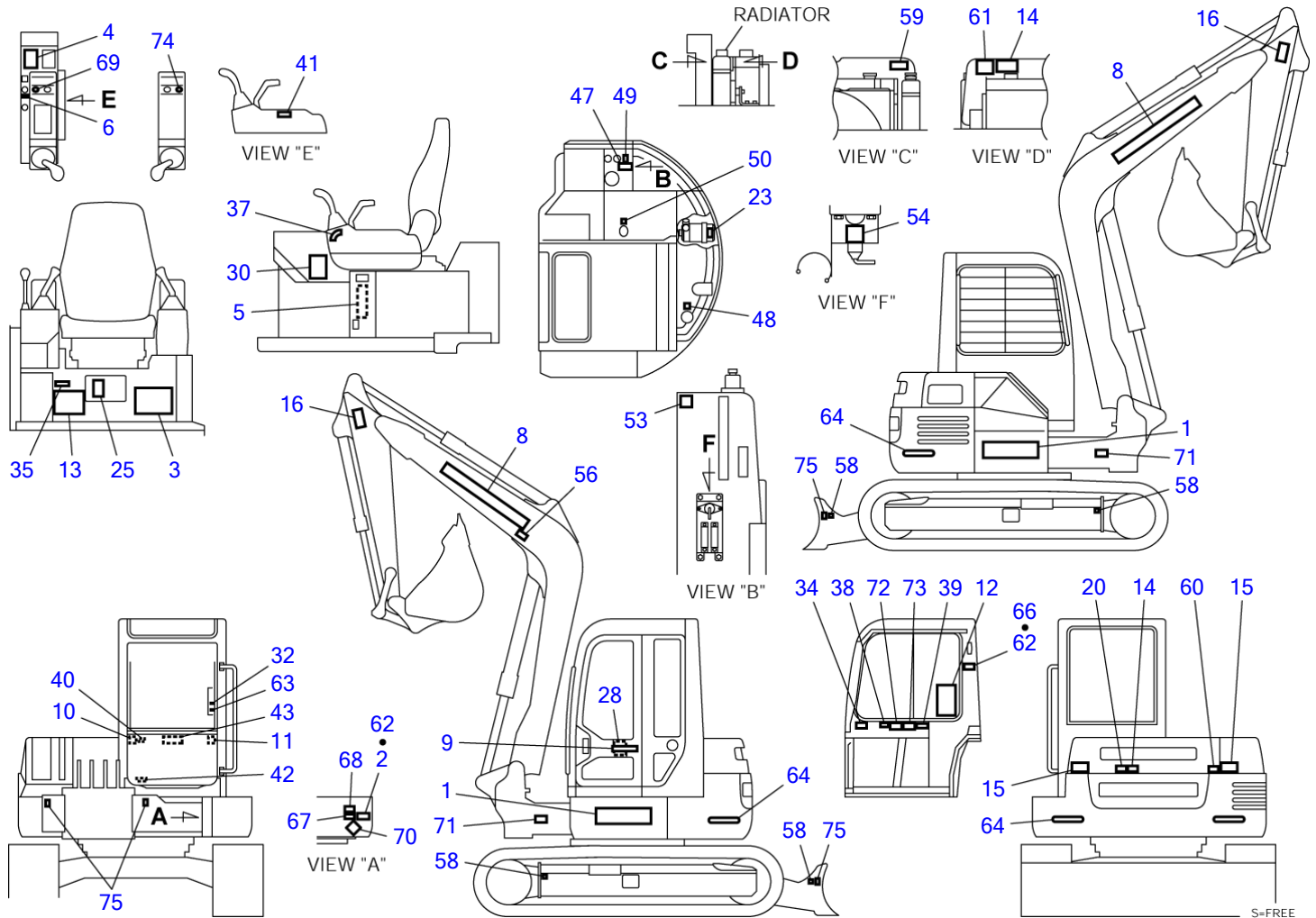
L8F110

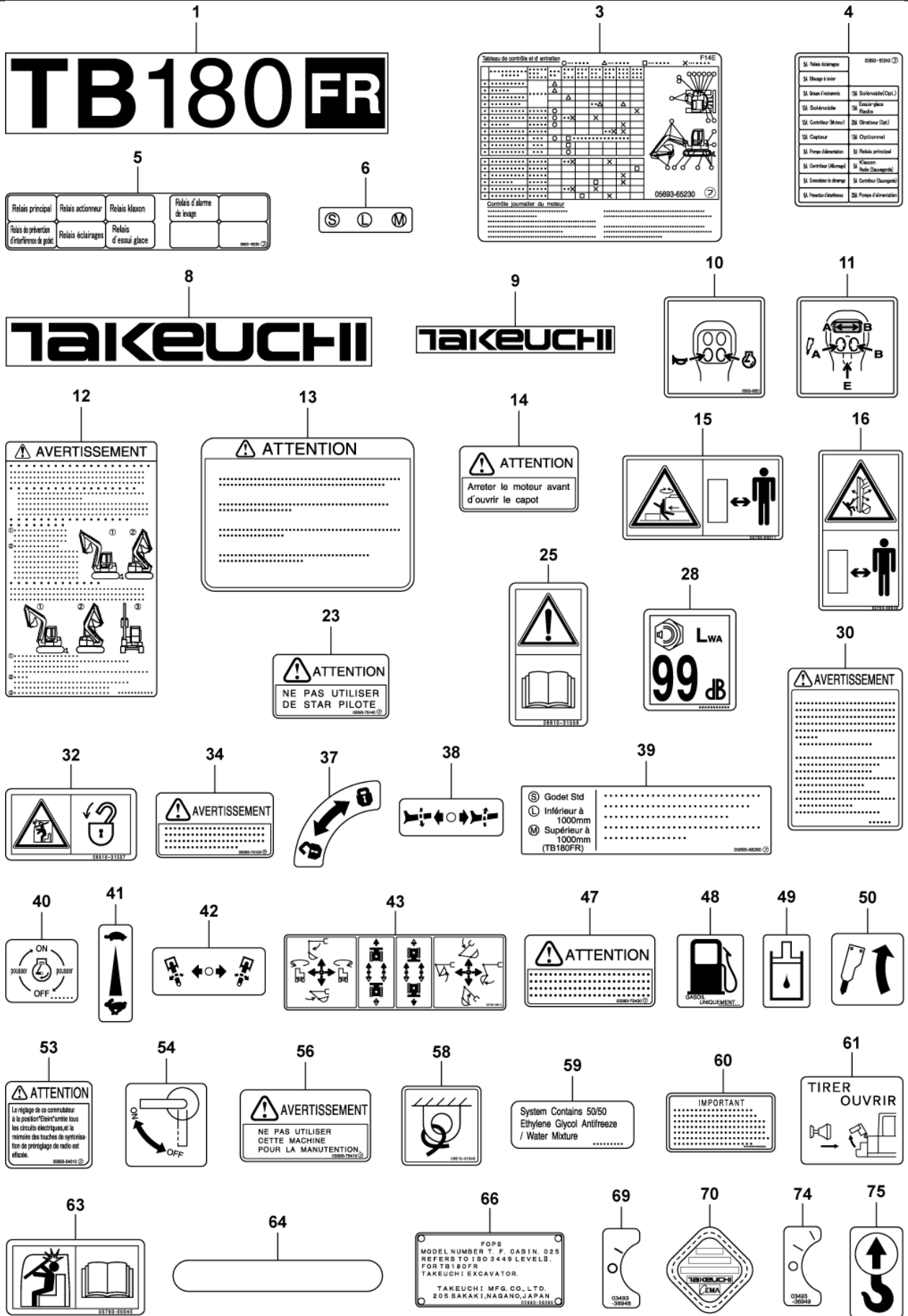
S=1/8, 1/12

4TH AUXILIARY LINES (available only with 3rd aux. lines)

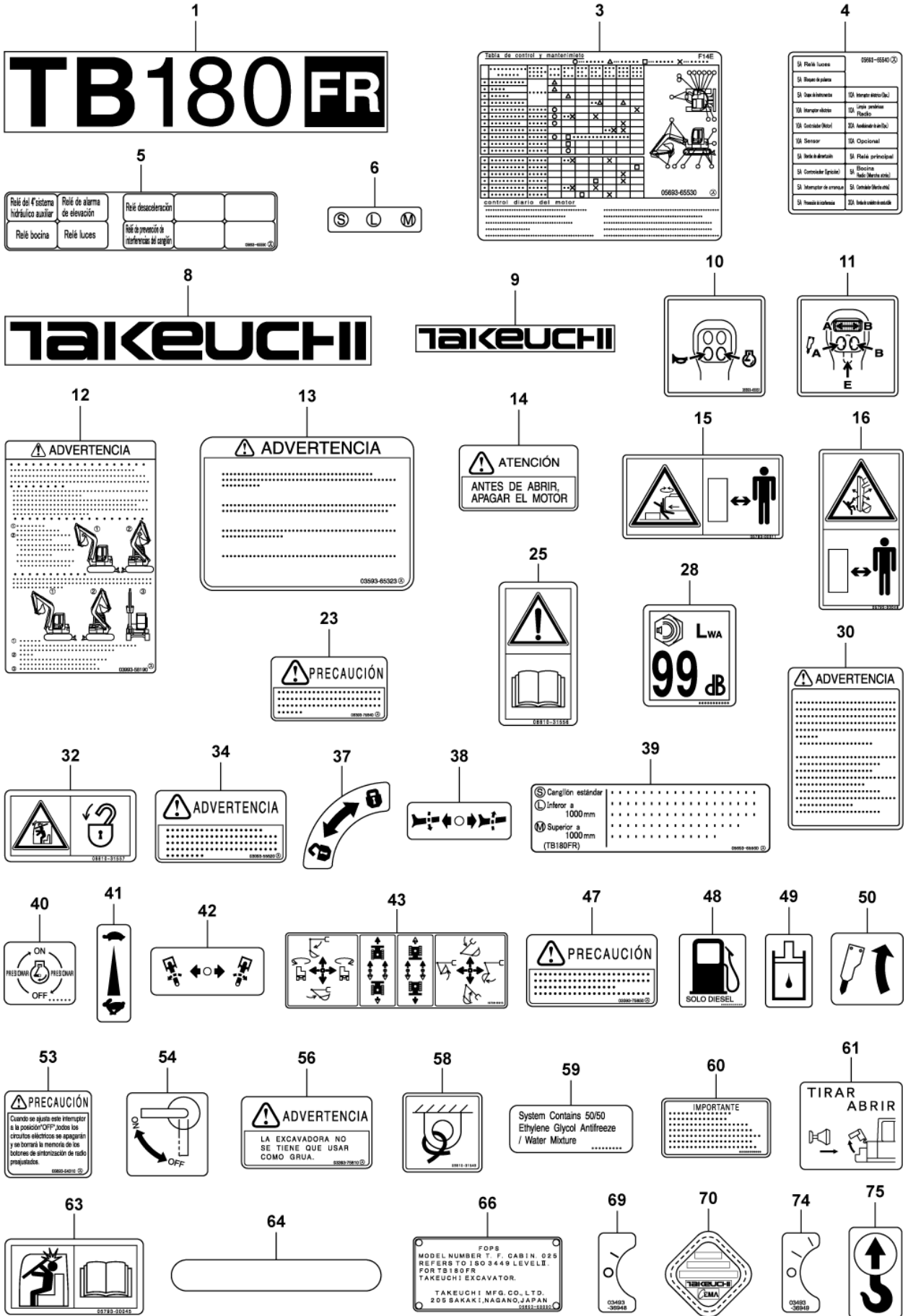
Item	Part number	Description	Q'ty	Chan.	Serial No.	Serv.	Remarks
0	0567345600	LINE ASSY, 4th aux.	1				
	0567345700	LINE ASSY, 4th aux. (long arm)	1				
	056735200	LINE ASSY, 4TH AUX (MIDDLE ARM)	1				
1	0567345610	• PIPE (R.H.)	1				
2	0567345620	• PIPE (L.H.)	1				
4	0567345640	• PIPE	2				
5	0567345650	• HOSE ASSY	2				1801500200
6	0567345710	• PIPE (L.H.)	1				
7	0567345720	• PIPE (R.H.)	1				
8	1801600088	• HOSE ASSY	2				
	1801600123	• HOSE ASSY	2				long arm
9	1514011102	• ADAPTOR	2				
10	1515100110	• ELBOW	2				
	1420010110	• • O-RING	1				
11	1534000015	• CLAMP	4				
12	1100040816	• BOLT	5				
13	1100040835	• BOLT	4				
14	1100040870	• BOLT	2				
15	1140020008	• WASHER, spring	9				
16	1121040616	• SET-SCREW	2				
17	1130040006	• NUT	2				
18	1700550035	• LAMP, pilot	1				
19	1711900132	• RELAY	1				
20	1141550008	• WASHER	5				
	L8f111						

TB180FR Book No. BL8Z001 S/N 17840001-
DECAL



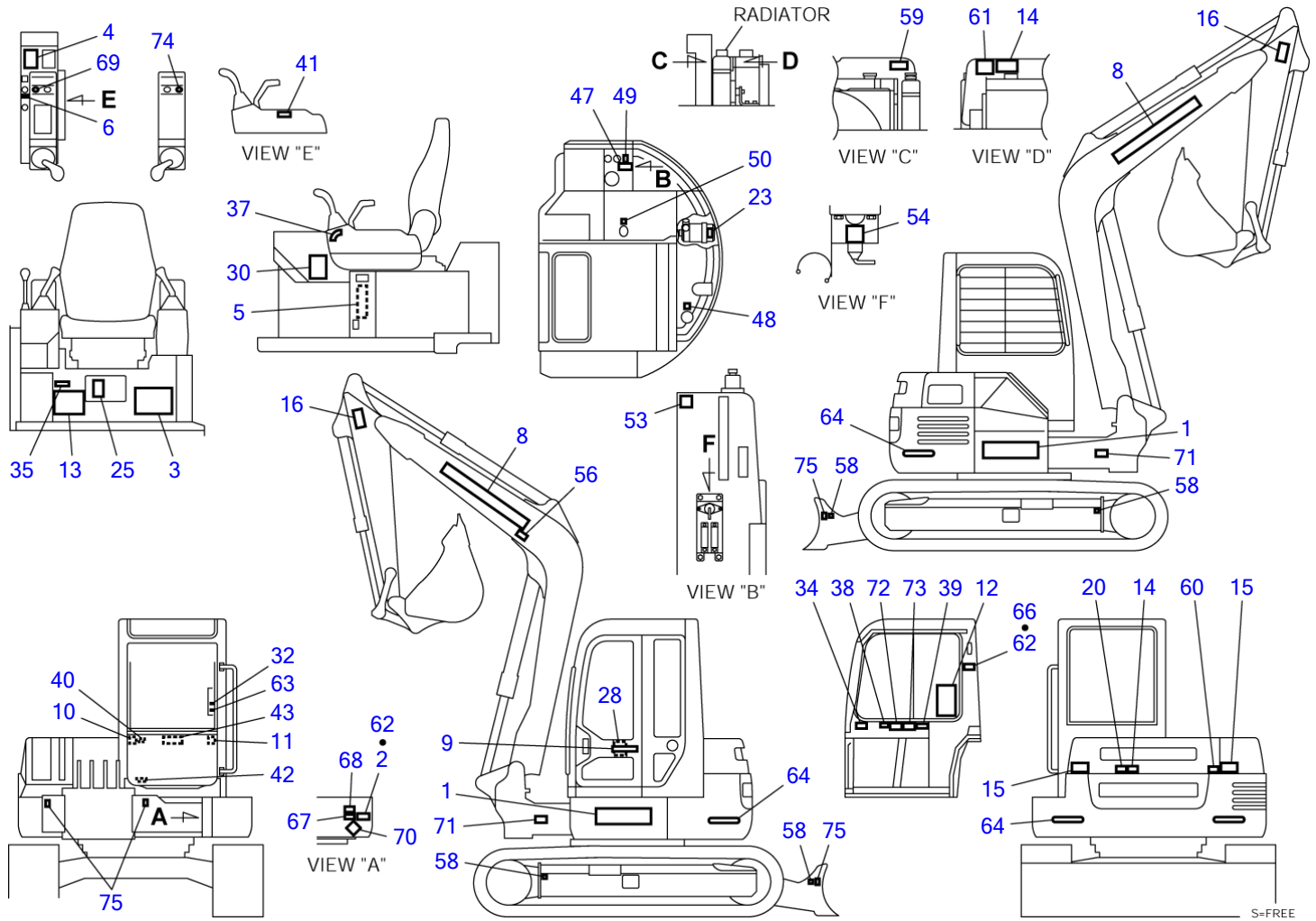


L8G040



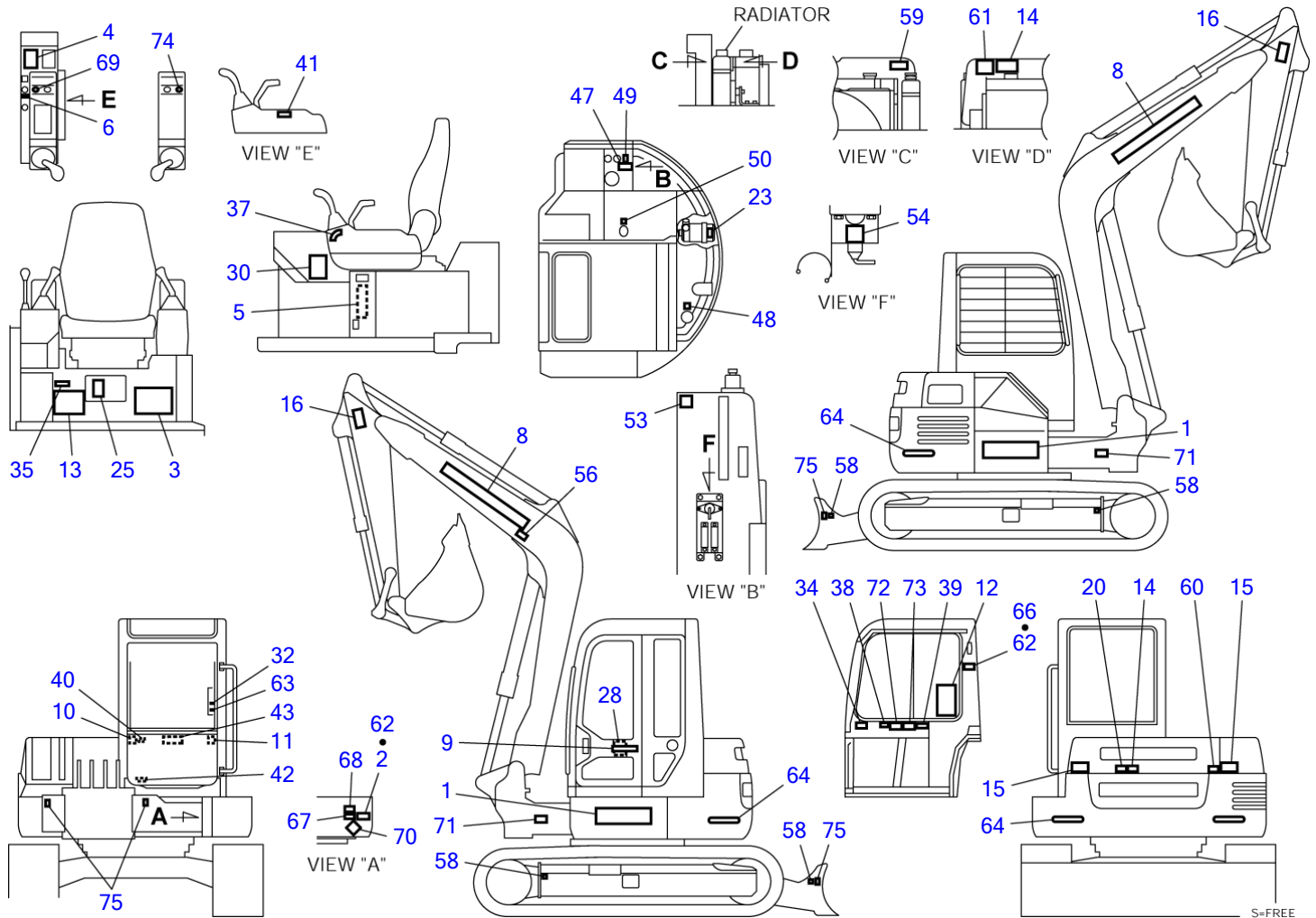
L8G060

TB180FR Book No. BL8Z001 S/N 17840001-
DECAL



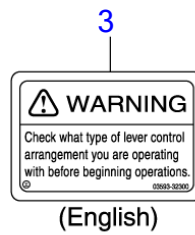
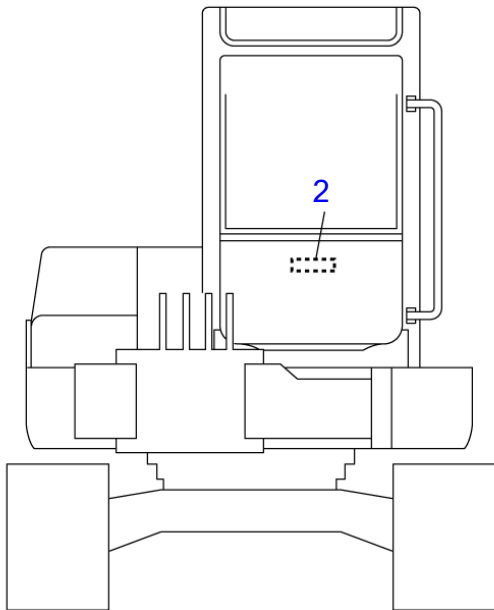
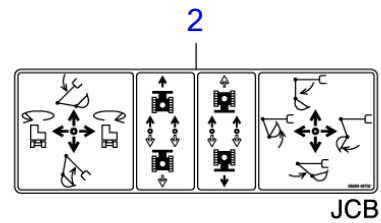
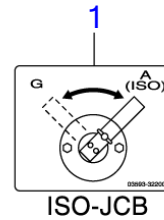
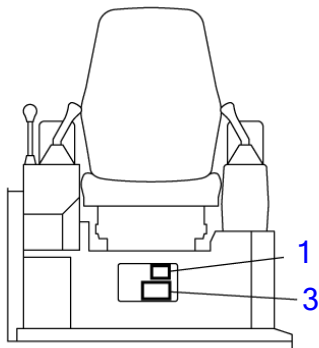
Item	Part number	Description	DECAL	Q'ty	Chan.	Serial No.	Serv.	Remarks
0	0569365000	DECAL SET (English)		1				
	0569365200	DECAL SET (French)		1				
	0569365400	DECAL SET (U.S. TAKEUCHI)		1				
	0569365500	DECAL SET (Spanish)		1				
	0569365800	DECAL SET (U.K. TAKEUCHI)		1				
1	0569358010	• DECAL		2				
2	X *****_*****	• DECAL		1				
3	0569365030	• DECAL (English)		1				
	0569365230	• DECAL (French)		1				
	0569365530	• DECAL (Spanish)		1				
4	0569365040	• DECAL (English, Dutch)		1				
	0569365240	• DECAL (French)		1				
	0569365540	• DECAL (Spanish)		1				
5	0569365050	• DECAL (English)		1				
	0569365250	• DECAL (French)		1				
	0569365550	• DECAL (Spanish)		1				
6	0569358060	• DECAL		1				
8	0008500073	• DECAL		2				
9	0008500017	• DECAL		1				
10	0569349951	• DECAL		1				
11	0569353036	• DECAL		1				
12	0569352506	• DECAL (English)		1				
	0569352306	• DECAL (French)		1				
	0399358190	• DECAL (Spanish)		1				
13	0359313700	• DECAL (English)		1				
	0359315700	• DECAL (French)		1				
	0359365323	• DECAL (Spanish)		1				
14	0359307400	• DECAL (English)		2				
	0359315400	• DECAL (French)		2				
	0339364200	• DECAL (Spanish)		2				
15	0579300011	• DECAL		2				
16	0579300049	• DECAL		2				
20	0569321980	• DECAL (English)		1				
23	0339375040	• DECAL (English)		1				
	0339375440	• DECAL (French)		1				
	0339375840	• DECAL (Spanish)		1				
25	0881031556	• DECAL		1				
28	X *****_*****	• DECAL		1				except for U.S. TAKEUCHI
30	0379337300	• DECAL (English)		1				
	0379339300	• DECAL (French)		1				
	0379354200	• DECAL (Spanish)		1				
32	0881031557	• DECAL		1				
34	0339368100	• DECAL (English)		1				
	0339370100	• DECAL (French)		1				
	0399355820	• DECAL (Spanish)		1				
35	X *****_*****	• DECAL		1				
37	0329360100	• DECAL		1				
38	0359325190	• DECAL		1				
39	0569358080	• DECAL (English)		1				
	0569358280	• DECAL (French)		1				
	0569365560	• DECAL (Spanish)		1				
	0569358580	• DECAL (U.S. TAKEUCHI)		1				
40	0569335060	• DECAL		1				
	0569328800	• DECAL (French)		1				
	0569348500	• DECAL (Spanish)		1				
41	0359317200	• DECAL		1				
42	0329360060	• DECAL		1				
43	0579300015	• DECAL		1				
47	0339375050	• DECAL (English)		1				
	0339375450	• DECAL (French)		1				
	0339375850	• DECAL (Spanish)		1				
48	0359306600	• DECAL (English)		1				
	0339375460	• DECAL (French)		1				
	0339375660	• DECAL (Italian, Spanish)		1				
49	0359306700	• DECAL		1				
50	0359325220	• DECAL		1				
51	0669300033	* DECAL		1				
53	0569353810	• DECAL (English)		1				

TB180FR Book No. BL8Z001 S/N 17840001-
DECAL



Item	Part number	Description	DECAL	Q'ty	Chan.	Serial No.	Serv.	Remarks
	0569354010	• DECAL (French)		1				
	0569354310	• DECAL (Spanish)		1				
54	0399351210	• DECAL		1				
56	0359347010	• DECAL (English)		1				except for U.K. TAKEUCHI
	0339375410	• DECAL (French)		1				
	0339375810	• DECAL (Spanish)		1				
58	0881031549	• ÅÐŦÛ		4				
59	0359313900	• DECAL		1				
60	0339376240	• DECAL (English)		1				
	0339379440	• DECAL (French)		1				
	0339379640	• DECAL (Spanish)		1				
61	0569326400	• DECAL (English)		1				
	0569328400	• DECAL (French)		1				
	0569348400	• DECAL (Spanish)		1				
62	X *****_*****	• SCREW		8				
63	0579300045	• DECAL		1				
64	0569358070	• DECAL		2				
66	X *****_*****	• DECAL		1				
67	X *****_*****	• DECAL		1				
68	X *****_*****	• DECAL		1				
69	0349336948	• DECAL		1				
70	X *****_*****	• DECAL		1				
71	0399352302	• DECAL (U.S. TAKEUCHI)		2				
72	0399352303	• DECAL (U.S. TAKEUCHI)		1				
73	0399352309	• DECAL (U.S. TAKEUCHI)		1				
74	0349336949	• DECAL		1				
75	0399300500	• DECAL		4				
	L8g011							

TB180FR Book No. BL8Z001 S/N 17840001-
DECAL (selecter valve)



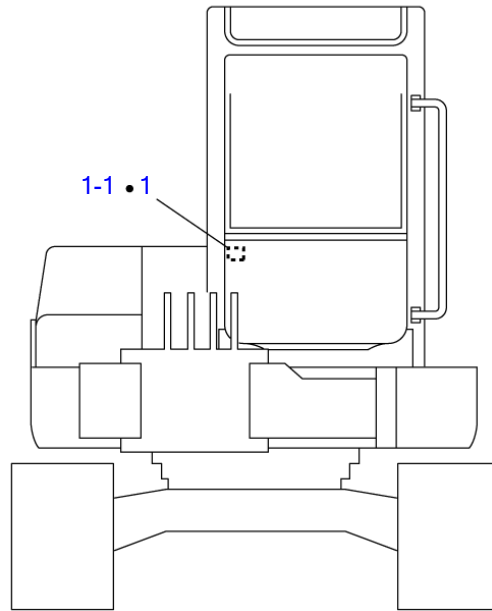
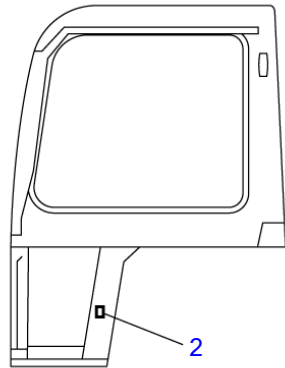
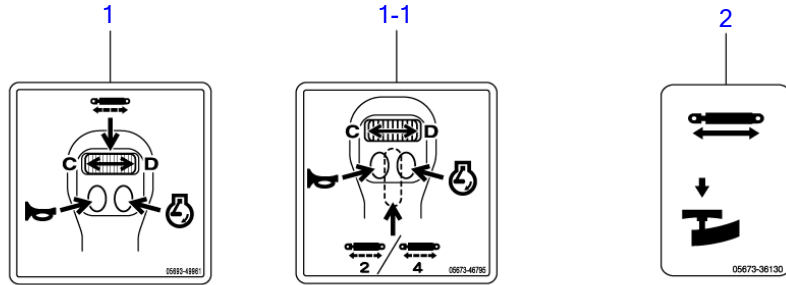
L5G080

S=FREE

DECAL (selecter valve)

Item	Part number	Description	Q'ty	Chan.	Serial No.	Serv.	Remarks
0	0569360000	DECAL SET (English)	1				
	0569360200	DECAL SET (Spanish)	1				
	0569361000	DECAL SET (French)	1				
1	0359332200	DECAL	1				ISO-JCB
2	0569349702	DECAL	1				JCB
3	0359332300	DECAL	1				English
	0329364020	DECAL	1				Spanish
	0399361101	DECAL	1				French
	L5g081						

TB180FR Book No. BL8Z001 S/N 17840001-
DECAL (operation lever)



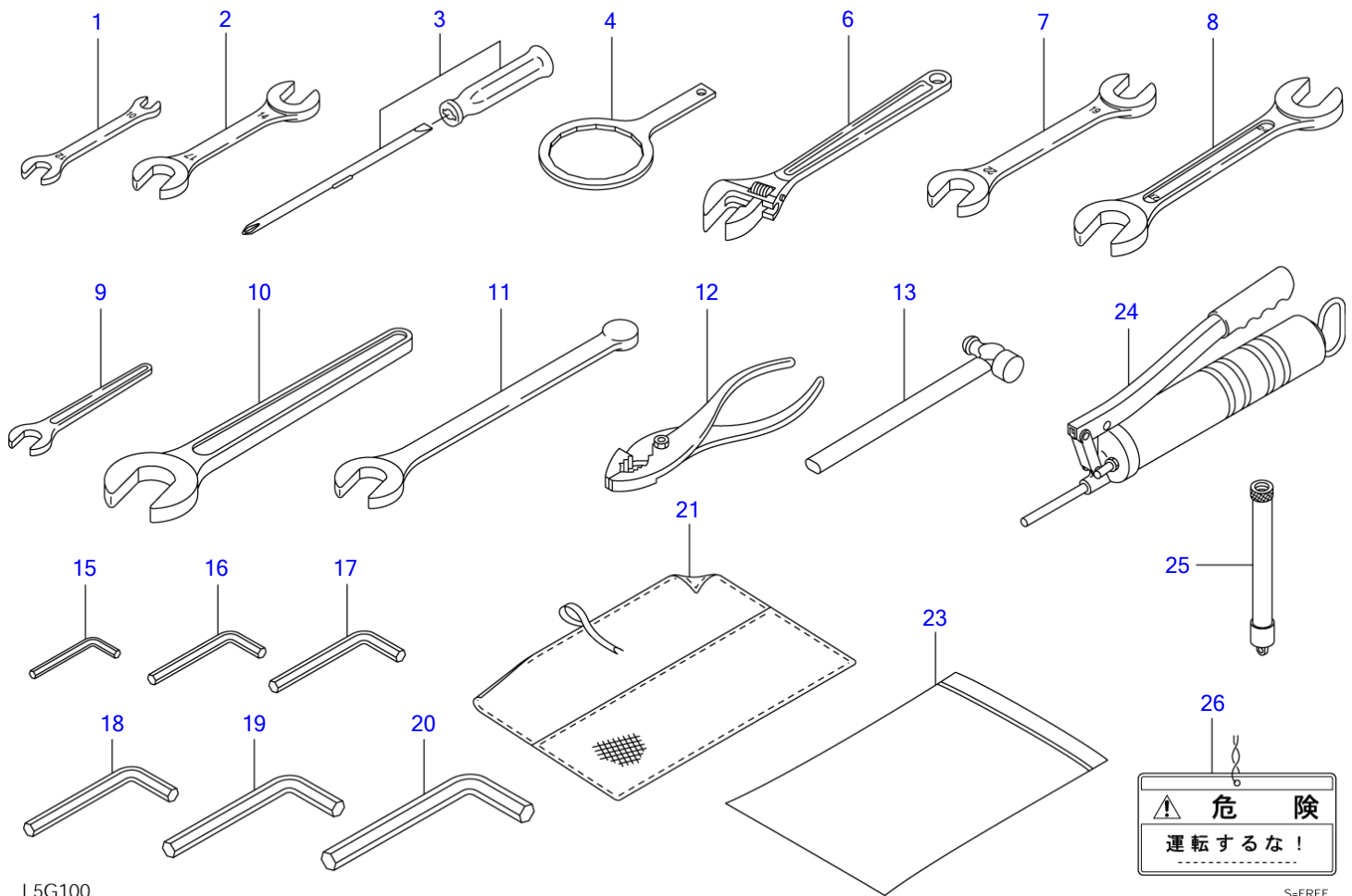
L5G090

S=FREE

DECAL (operation lever)

Item	Part number	Description	Q'ty	Chan.	Serial No.	Serv.	Remarks
0	0569360300	DECAL SET (with 2nd aux. lines)	1				
	0569360400	DECAL SET (with 3rd aux. lines)	1				
	0569360500	DECAL SET (with 4th aux. lines)	1				
1	0569349961	• DECAL	1				with 2nd & 3rd aux. lines
1-1	0567346795	• DECAL	1				with 3rd aux. lines
2	0567336130	• DECAL	1				with 3rd & 4th aux. lines
	L5g090						

TB180FR Book No. BL8Z001 S/N 17840001-
TOOL & ACCESSORIES

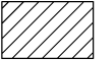




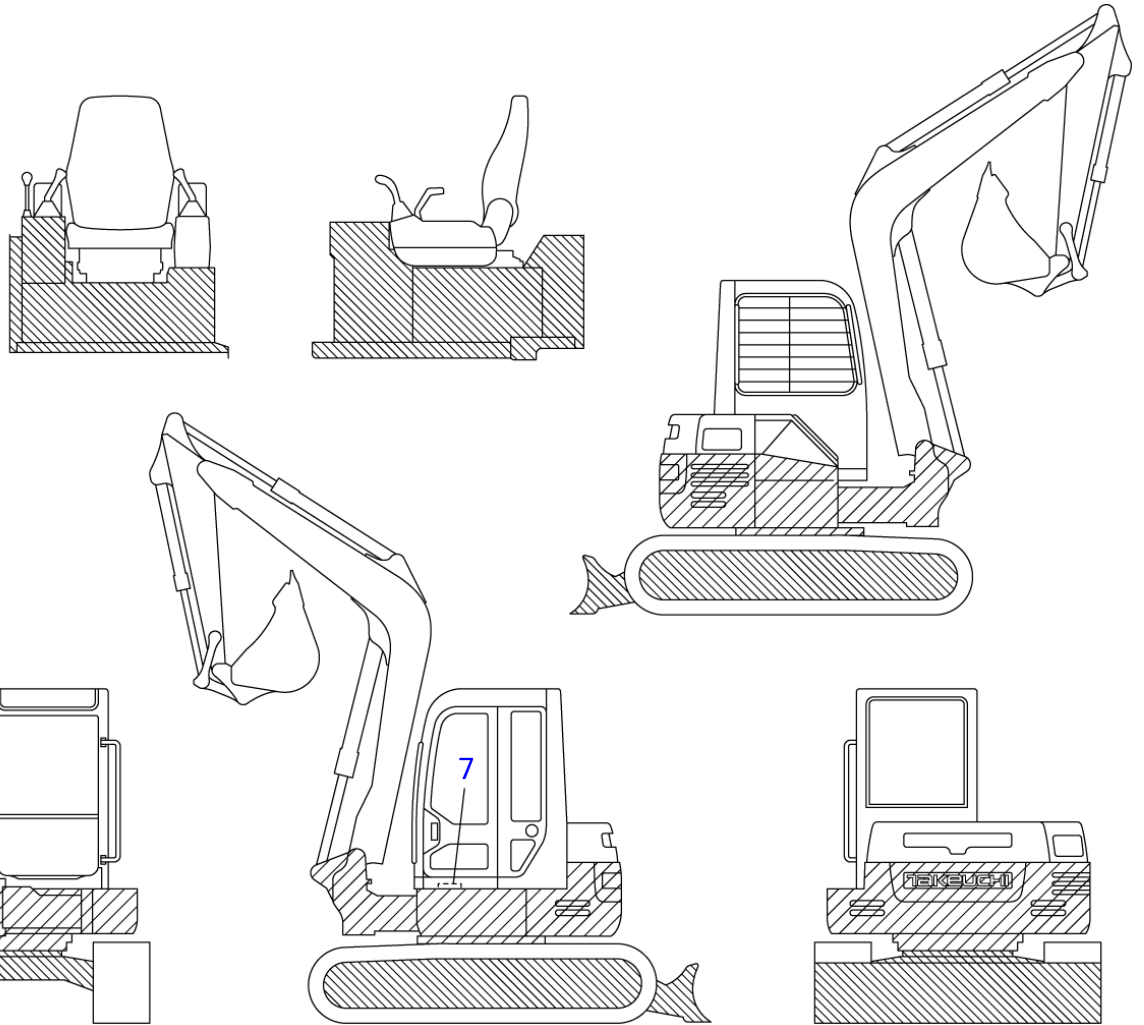
L5G100

S=FREE

TOOL & ACCESSORIES

Item	Part number	Description	Q'ty	Chan.	Serial No.	Serv.	Remarks
		TOOL ASSY (for Japan)					
		TOOL ASSY					
0	0379207010	TOOL ASSY	1				
1	1910047081	• SPANNER	1				Y28110-100120
2	1910047082	• SPANNER	1				Y28110-140170
3	1910006112	• SCREWDRIVER	1				Y104200-92350
4	1910065081	• WRENCH, filter	1				Y119640-92750
6	1690400250	• WRENCH, monkey	1				
7	1690001922	• SPANNER	1				
8	1690002427	• SPANNER	1				
9	1690100013	• SPANNER	1				
10	1690100041	• SPANNER	1				
11	1690900026	• SPANNER	1				
12	1690500200	• PLIER	1				
13	1690300330	• HAMMER	1				
15	1690600400	• WRENCH, hex.	1				
16	1690600500	• WRENCH, hex.	1				
17	1690600600	• WRENCH, hex.	1				
18	1690600800	• WRENCH, hex.	1				
19	1690601000	• WRENCH, hex.	1				
20	1690601400	• WRENCH, hex.	1				
21	1691400001	• CASE, tool	1				
23	1691900001	• CASE	1				
24	1691060600	GUN, grease	1				
	1691010800	GUN, grease	1				for Japan
25	1554512600	TUBE	1				for EU
26	0359325160	PLATE	1				for Japan
	L5g100						

- 1 
- 2 
- 3 

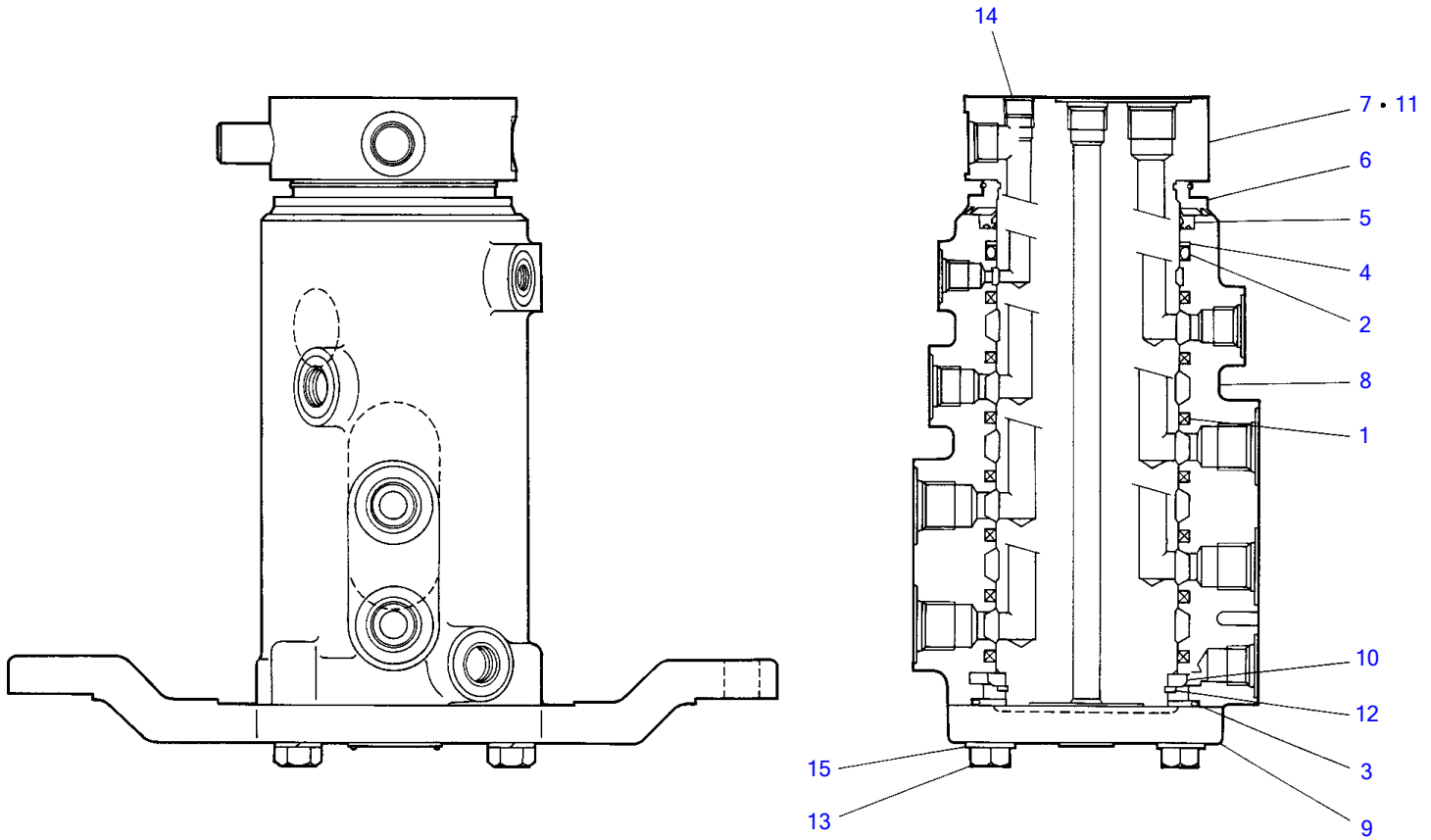


L8G090

S=FREE

PAINTED COLOR						
Item	Part number	Description	Q'ty	Chan.	Serial No.	Serv. Remarks
		PAINTED COLOR (rubber crawler)				
		PAINTED COLOR (steel crawler)				
1	1919060105	RED	1			
	1919069105	RED	1			spray
2	1919060144	GRAY	1			
	1919069144	GRAY	1			spray
3	1919060142	LIGHT GRAY	1			
	1919069142	LIGHT GRAY	1			spray
7	1919060175	YELLOW	1			
	1919069175	YELLOW	1			spray
		<<NOTE>>				
		The part of the steel carawler uses item 2.				
	L8g090					

TB180FR Book No. BL8Z001 S/N 17840001-
SWIVEL JOINT



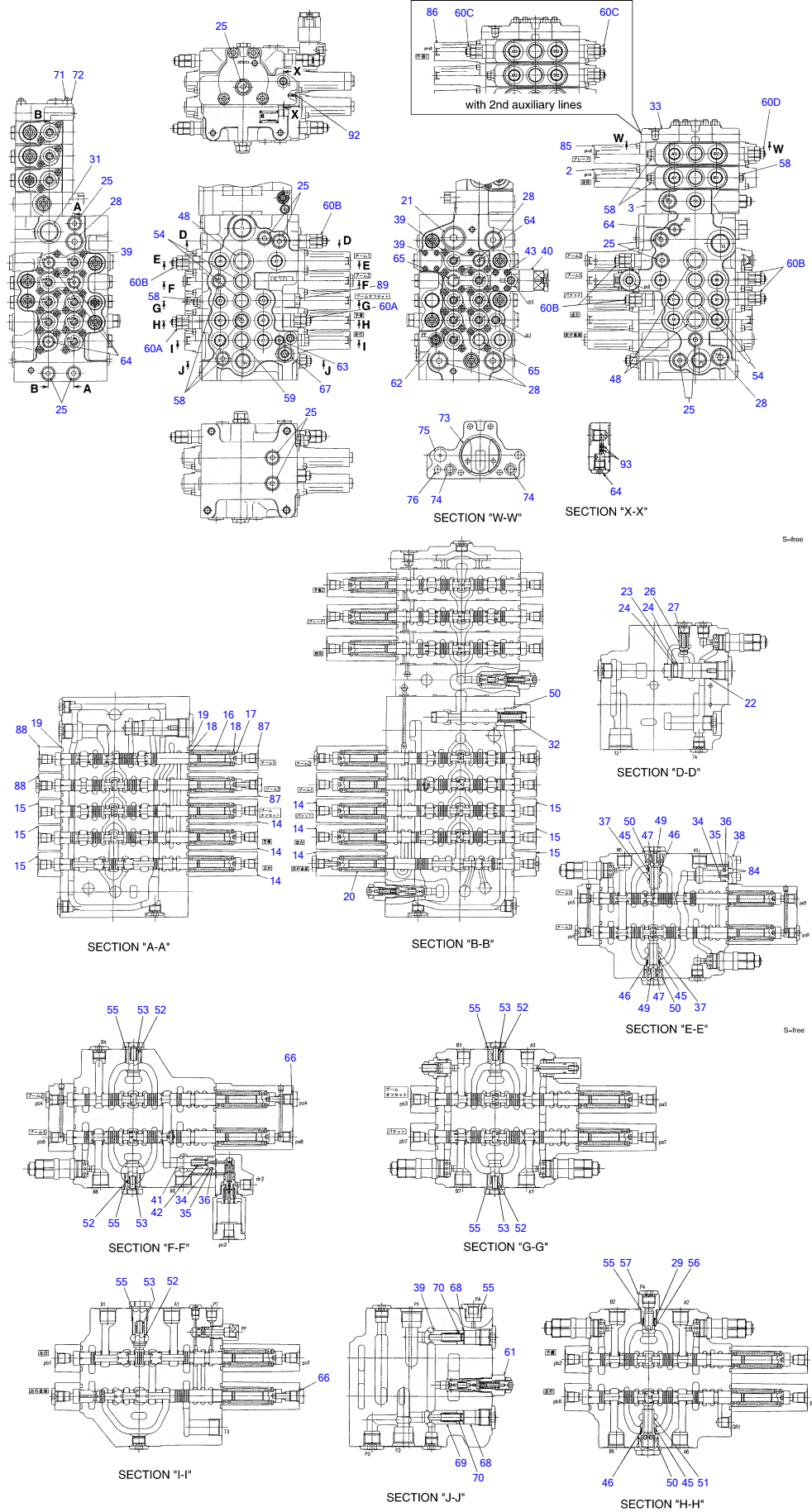
L2H010

S=FREE

SWIVEL JOINT

Item	Part number	Description	Q'ty	Chan.	Serial No.	Serv.	Remarks
0	1904008000	JOINT, swivel	1				
0-1	1904008099	▪ KIT, seal	1				
1	X 1904008006	▪ ▪ SEAL	7				
2	X 1420010800	▪ ▪ O-RING	1				
3	X 1420110950	▪ ▪ O-RING	1				
4	X 1421030800	▪ ▪ RING, back-up	1				
5	X 1904000494	▪ ▪ SEAL, dust	1				
6	X 1904002391	▪ ▪ SEAL, dust	1				
7	1904007401	▪ SHAFT	1				
8	1904007402	▪ HUBE	1				
9	1904003621	▪ FRANGE	1				
10	1904003691	▪ SPACER	1				
11	1904007405	▪ PIN	1				
12	1220000072	▪ RING, snap	1				
13	1100051030	▪ BOLT	4				
14	1501810002	▪ PLUG	3				
15	1140010010	▪ WASHER, spring	4				
	L2h010						

TB180FR Book No. BL8Z001 S/N 17840001- CONTROL VALVE (1/6)



S-free

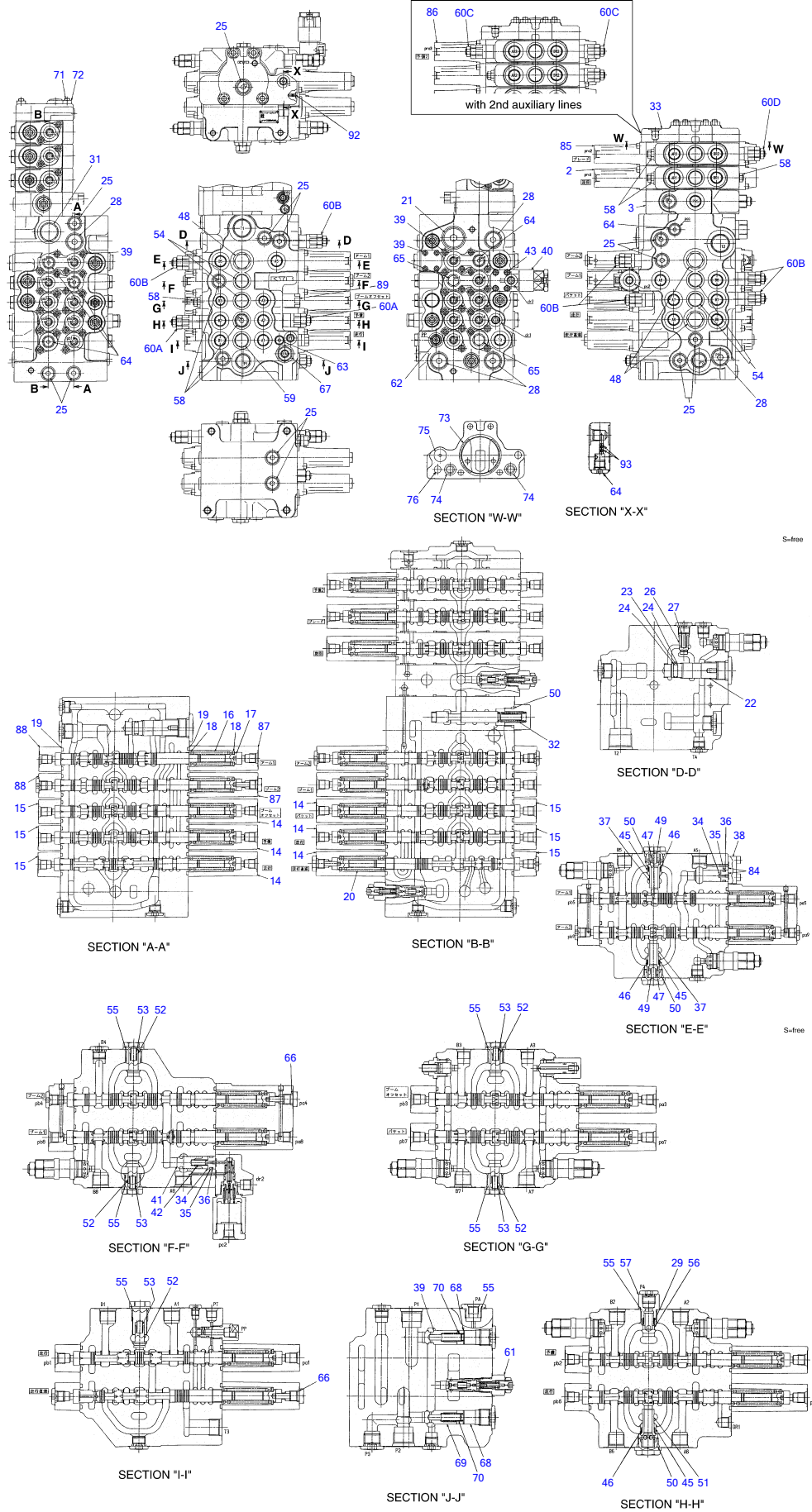
S-free

S-free

CONTROL VALVE (1/6)

Item	Part number	Description	Q'ty	Chan.	Serial No.	Serv.	Remarks
0	1901043400	VALVE ASSY, control	1				
	1901043500	VALVE ASSY, control	1				with 2nd aux. lines
2	1901043414	• BLOCK ASSY (slew)	1				see page (2/6)
3	1901043401	• HOUSING, inlet	1				see page (3/6)
14	1901043466	• CAP	6				
15	1901043467	• CAP	6				
16	1901031857	• SPRING	9				
17	1901036631	• END, spool	10				
18	1901029754	• HOLDER, spring	20				
19	X 1420000260	• O-RING	20				see note
20	1901043456	• SPRING	1				
21	1901042279	• PLUG ASSY	1				
	1420010240	• • O-RING	1				
22	1901043471	• SLEEVE	1				
23	X 1420010160	• O-RING	1				see note
24	X 1421020610	• RING, back-up	2				see note
25	1901036678	• PLUG ASSY	15				
	1420010140	• • O-RING	15				
26	1901043426	• POPPET	1				
27	1901031860	• SPRING	1				
28	1901036572	• PLUG	5				
	1420010180	• • O-RING	5				
29	1901040757	• SPRING	1				
31	1901036671	• PLUG	1				
	1420010240	• • O-RING	1				
32	1901031858	• SPRING	1				
33	1901043404	• HOUSING, outlet	1				
34	1901036641	• SPACER	2				
35	X 1420000125	• O-RING	2				see note
36	X 1421020125	• RING, back-up	2				see note
37	1901043472	• SLEEVE	2				
38	1901043480	• PLATE	1				
39	1110020620	• SCREW, cap	44				
40	1901043421	• VALVE, anti-drift	1				see page (6/6)
41	1901037827	• POPPET	1				
42	1901037857	• SPRING	1				
43	1110020640	• SCREW, cap	4				
44	1901043572	* SLEEVE	1				
45	1901031866	• POPPET	3				
46	1901031859	• SPRING	3				
47	1901025467	• POPPET	2				
48	1901036674	• PLUG	3				
	1420010240	• • O-RING	1				
49	1901034239	• SPRING	2				
50	X 1420010240	• O-RING	4				see note
51	1901043473	• SLEEVE	1				
52	1901036626	• POPPET	5				
53	1901031853	• SPRING	5				
54	1901036675	• PLUG	4				
	1420010180	• • O-RING	1				
55	X 1420010180	• O-RING	7				see note
56	1901040727	• POPPET	1				
57	1901040772	• PLUG	1				
58	1901042626	• VALVE, shut-off	4				
	1420310910	• • O-RING	1				
59	1901043475	• PLUG	1				
60A	1901043422	• VALVE, overload	2				
60B	1901043423	• VALVE, overload	6				
60C	1901043424	• VALVE, overload	2				with 2nd aux. lines
60D	1901043425	• VALVE, overload	1				
	1420310910	• • O-RING	1				
61	1901036621	• VALVE, relief	1				
	1420310908	• • O-RING	1				
62	1901042272	• PLUG ASSY	1				
	1420010140	• • O-RING	1				
63	1901036677	• PLUG ASSY	1				
	1420010080	• • O-RING	1				
64	1901036573	• PLUG	6				

TB180FR Book No. BL8Z001 S/N 17840001- CONTROL VALVE (1/6)



S-free

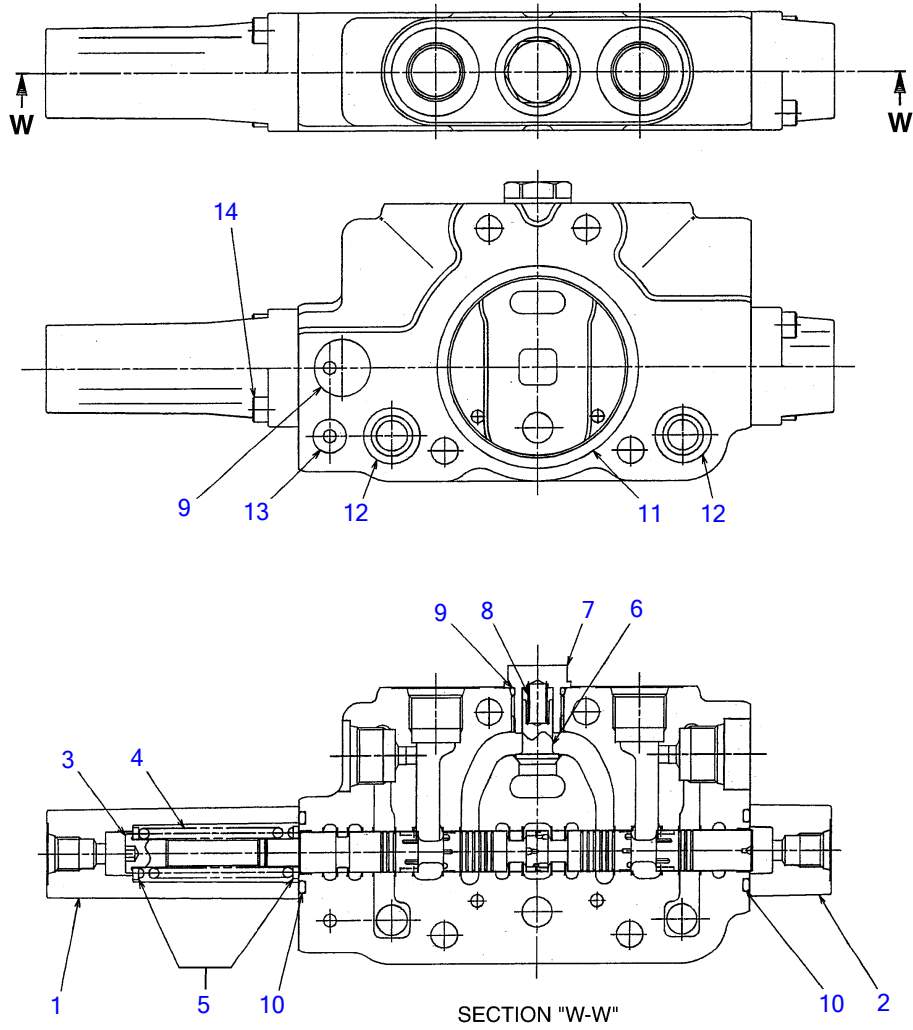
S-free

S-free

CONTROL VALVE (1/6)

Item	Part number	Description	Q'ty	Chan.	Serial No.	Serv.	Remarks
	1420010110	• • O-RING	1				
65	1901043476	• PLUG	2				
	1420010110	• • O-RING	1				
66	X 1420010110	• O-RING	2				see note
67	1901032590	• PLUG	1				
	1420010180	• • O-RING	1				
68	1901043481	• SPACER	2				
69	1901043427	• POPPET	2				
70	1901043457	• SPRING	2				
71	1901043407	• ROD, tie	4				
	1901043507	• ROD, tie	4				with 2nd aux. lines
72	1130050010	• NUT	4				
73	X 1420100750	• O-RING	1				see note
74	X 1901043482	• O-RING	2				see note
75	X 1420010200	• O-RING	1				see note
76	X 1420010100	• O-RING	1				see note
84	X 1420010070	• O-RING	2				see note
85	1901043417	• BLOCK ASSY (dozer blade)	1				see page (4/6)
86	1901043519	• BLOCK ASSY (with 2nd aux. lines)	1				see page (5/6)
87	1901043468	• CAP	2				
88	1901043469	• CAP	2				
89	1901042625	• VALVE, antvoid	1				
92	1901043477	• PLUG	1				
93	1901043458	• PLUG	2				
93		<<NOTE>>					
0-1	1901043499	• KIT, seal incl. item 19, 23, 24, 35, 36, 50, 55, 66, 73-76, 84.	1				
	L5h012						

TB180FR Book No. BL8Z001 S/N 17840001-
CONTROL VALVE (2/6) (slew)



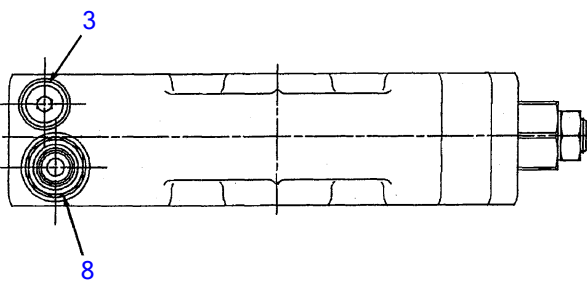
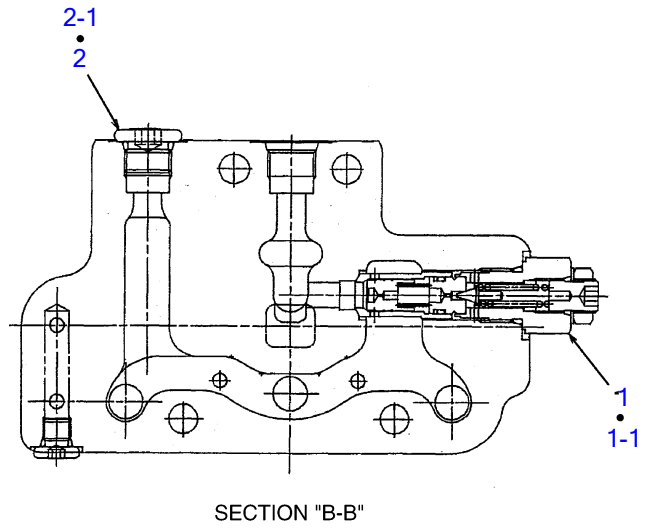
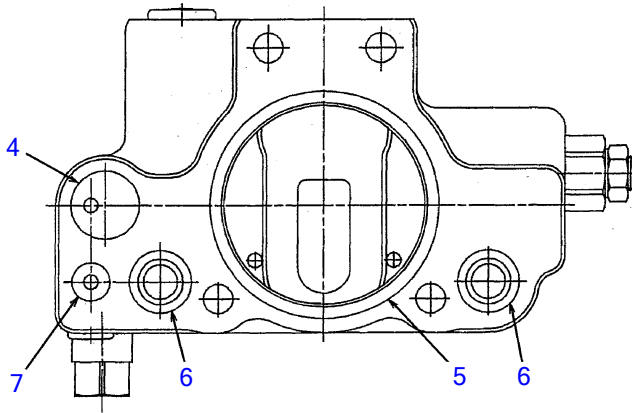
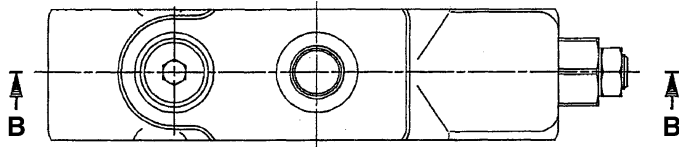
L5H150

S-free

CONTROL VALVE (2/6) (slew)

Item	Part number	Description	Q'ty	Chan.	Serial No.	Serv.	Remarks
0	1901043414	BLOCK ASSY (slew)	1				
1	1901043466	▪ CAP	1				
2	1901043467	▪ CAP	1				
3	1901036631	▪ END, spool	1				
4	1901031857	▪ SLEEVE	1				
5	1901029754	▪ HOLDER, spring	2				
6	1901036626	▪ POPPET	1				
7	1901036675	▪ PLUG	1				
8	1901031853	▪ SPRING	1				
9	1420010180	▪ O-RING	2				
10	1420000260	▪ O-RING	2				
11	1420100750	▪ O-RING	1				
12	1901043482	▪ O-RING	2				
13	1420010100	▪ O-RING	1				
14	1110020620	▪ SCREW, cap	4				
	L5h151						

TB180FR Book No. BL8Z001 S/N 17840001-
CONTROL VALVE (3/6) (inlet)

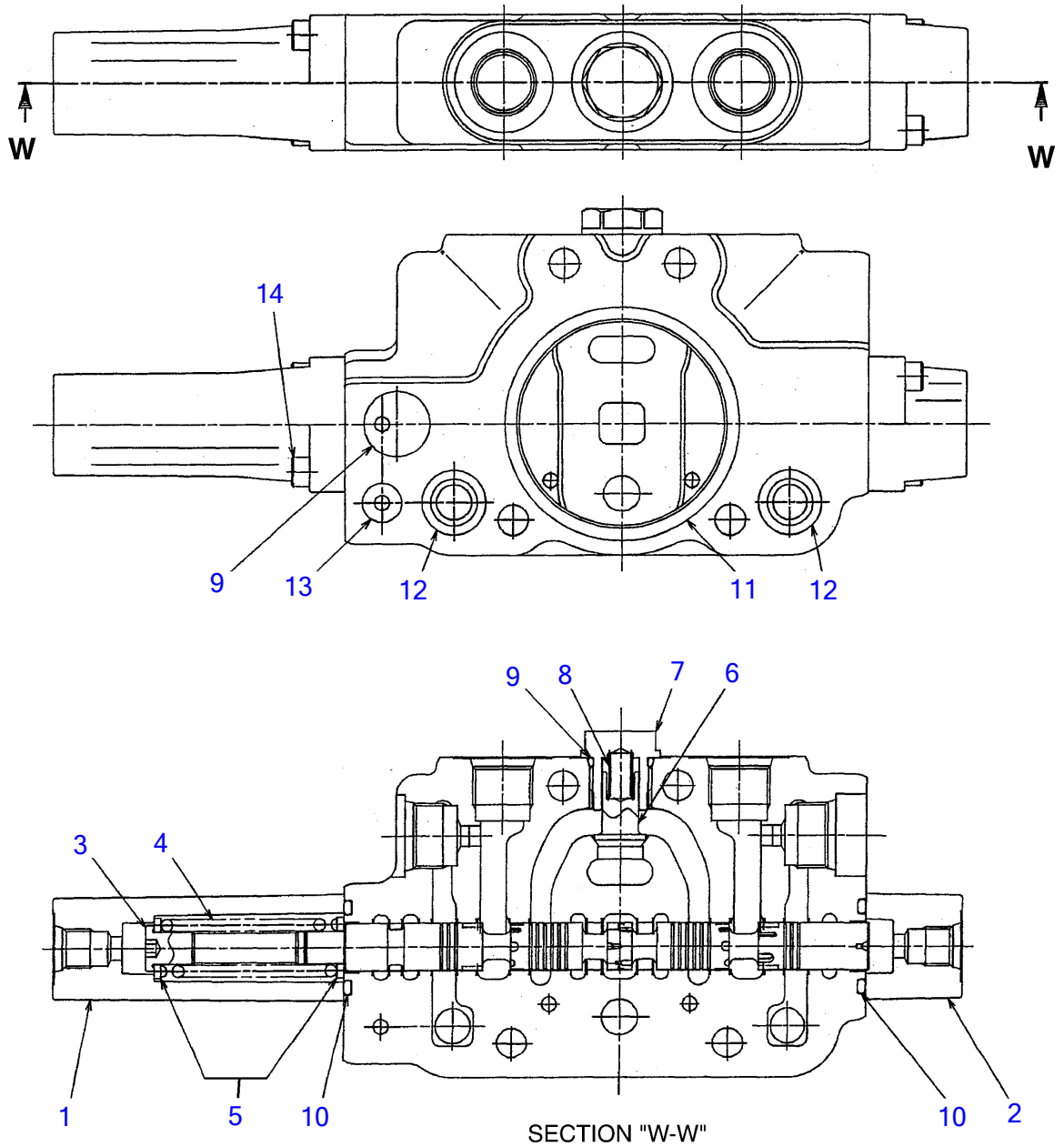


L5H160

S=free

CONTROL VALVE (3/6) (inlet)

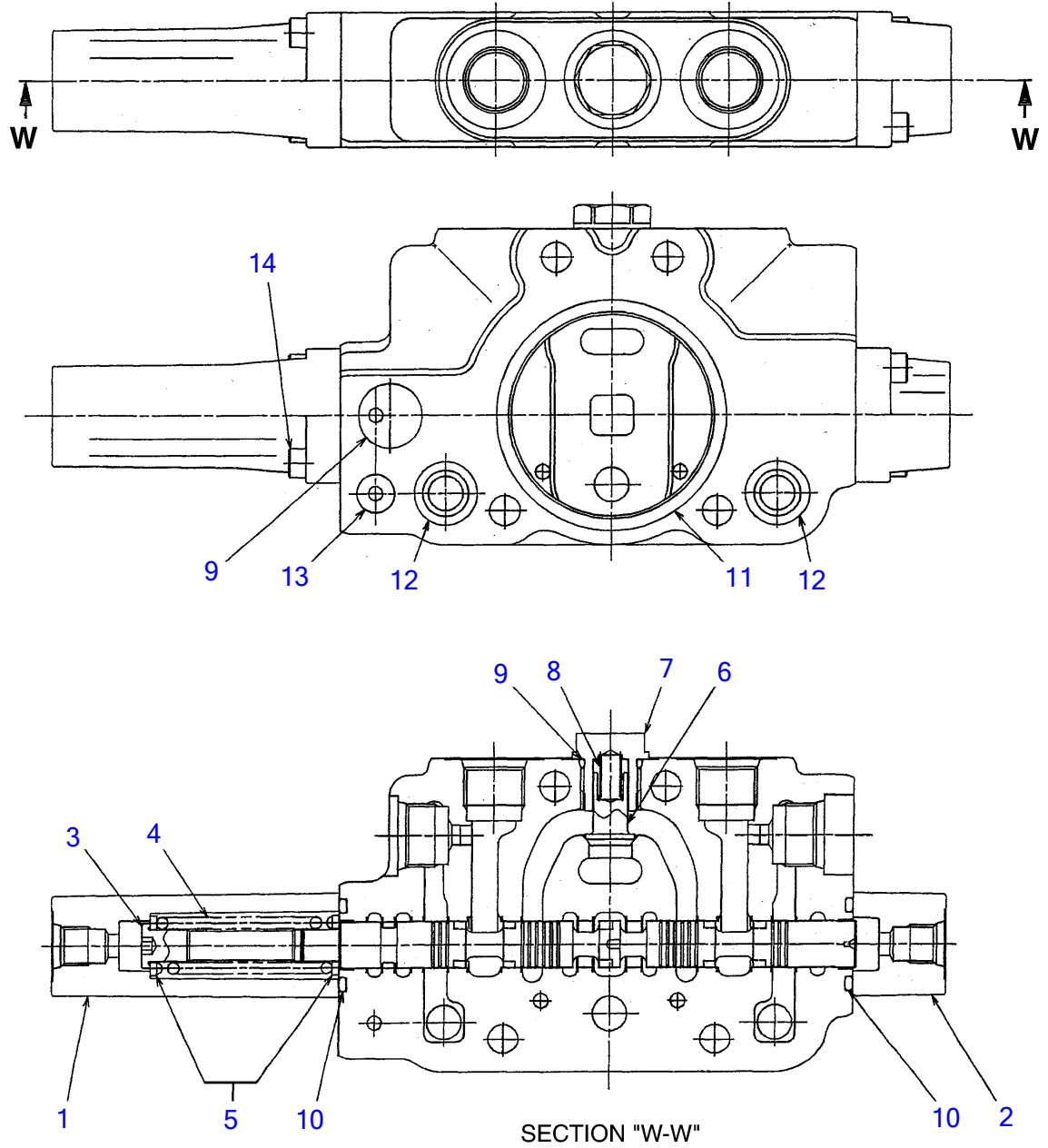
Item	Part number	Description	Q'ty	Chan.	Serial No.	Serv.	Remarks
0	1901043401	HOUSING, inlet	1				
1	1901043483	▪ VALVE, relief	1				
1-1	1420310903	▪ ▪ O-RING	1				
2	1901036678	▪ PLUG ASSY	1				
2-1	1420010140	▪ ▪ O-RING	1				
3	1901036677	▪ PLUG ASSY	1				
4	1420010200	▪ O-RING	1				
5	1420100750	▪ O-RING	1				
6	1901043482	▪ O-RING	2				
7	1420010100	▪ O-RING	1				
8	1901043474	▪ PLUG	1				
	L5h161						



L5H170

CONTROL VALVE (4/6) (dozer blade)

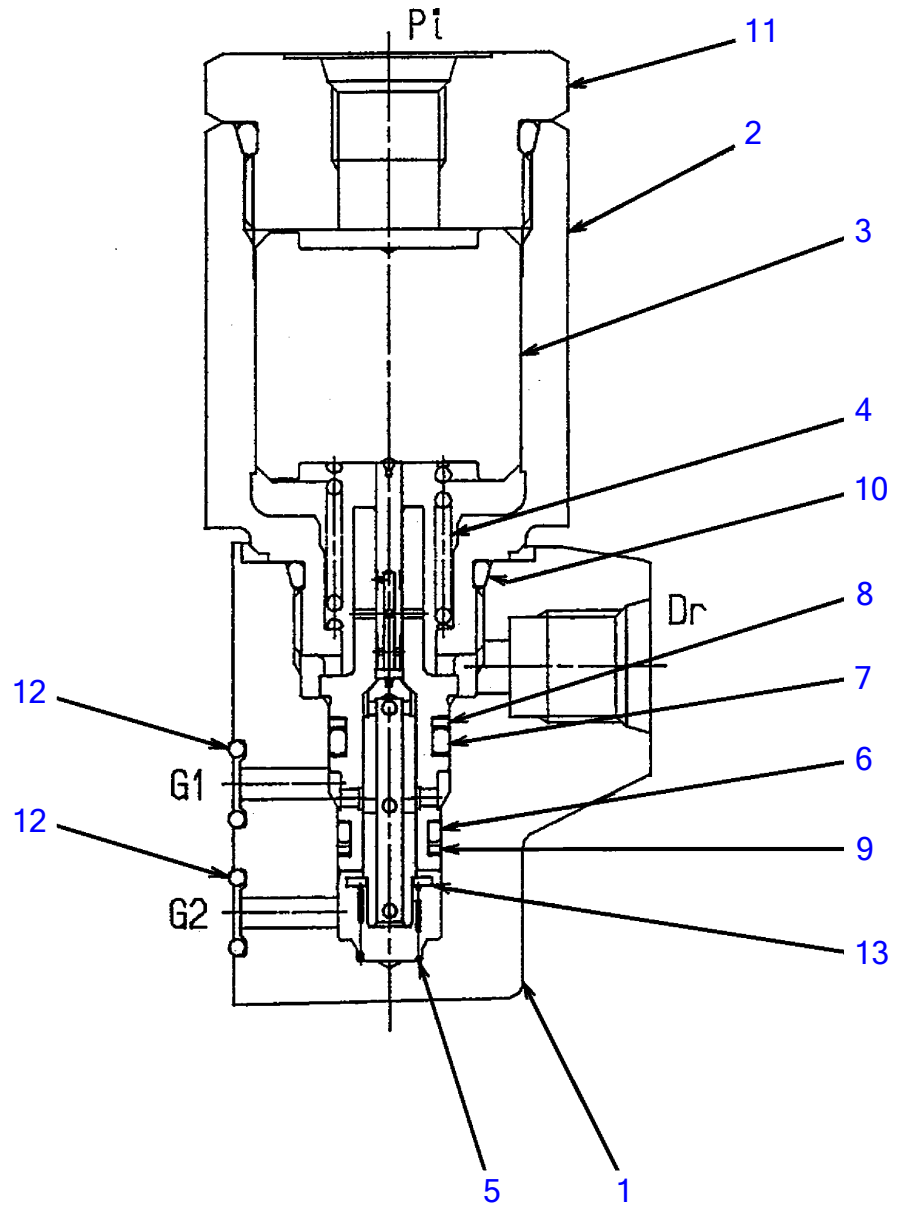
Item	Part number	Description	Q'ty	Chan.	Serial No.	Serv.	Remarks
0	1901043417	BLOCK ASSY (dozer blade)	1				
1	1901043466	▪ CAP	1				
2	1901043467	▪ CAP	1				
3	1901036631	▪ END, spool	1				
4	1901031857	▪ SPRING	1				
5	1901029754	▪ HOLDER, spring	2				
6	1901036626	▪ POPPET	1				
7	1901036675	▪ PLUG	1				
8	1901031853	▪ SPRING	1				
9	1420010180	▪ O-RING	2				
10	1420000260	▪ O-RING	2				
11	1420100750	▪ O-RING	1				
12	1901043482	▪ O-RING	2				
13	1420010100	▪ O-RING	1				
14	1110020620	▪ SCREW, cap	4				
	L5h170						



L5H180

CONTROL VALVE (5/6) (with 2nd aux. lines)

Item	Part number	Description	Q'ty	Chan.	Serial No.	Serv.	Remarks
0	1901043519	BLOCK ASSY (with 2nd aux. lines)	1				
1	1901043466	▪ CAP	1				
2	1901043467	▪ CAP	1				
3	1901036631	▪ END, spool	1				
4	1901031857	▪ SPRING	1				
5	1901029754	▪ HOLDER, spring	2				
6	1901036626	▪ POPPET	1				
7	1901036675	▪ PLUG	1				
8	1901031853	▪ SPRING	1				
9	1420010180	▪ O-RING	2				
10	1420000260	▪ O-RING	2				
11	1420100750	▪ O-RING	1				
12	1901043482	▪ O-RING	2				
13	1420010100	▪ O-RING	1				
14	1110020620	▪ SCREW, cap	4				
	L5h180						



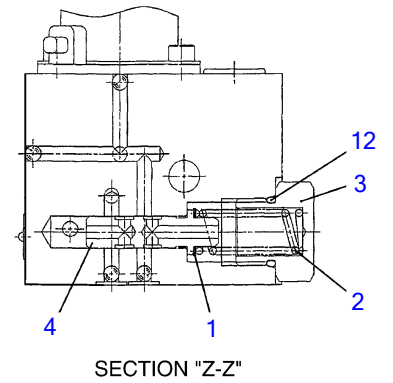
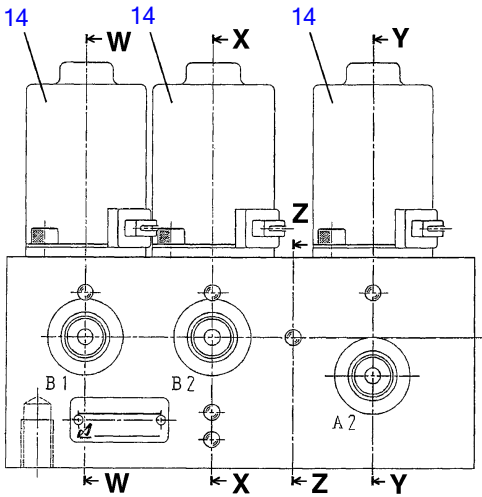
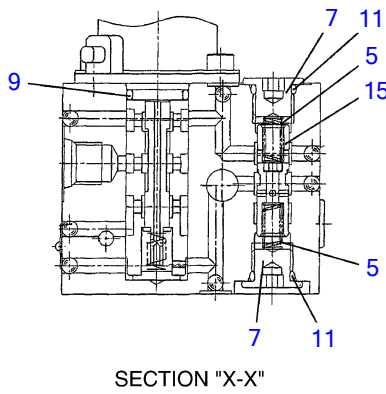
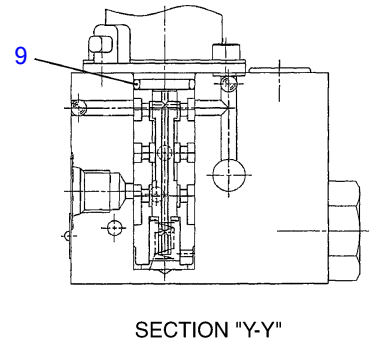
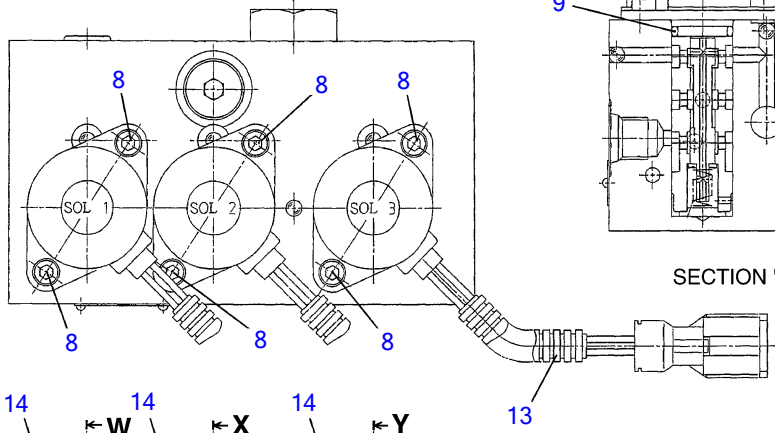
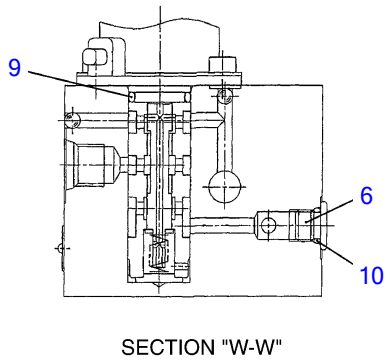
L5H190

CONTROL VALVE (6/6) (anti-drift valve)

Item	Part number	Description	Q'ty	Chan.	Serial No.	Serv.	Remarks
0	1901043421	VALVE ASSY, anti-drift	1				
1	1901043479	▪ BODY	1				
2	1901043478	▪ PLUG	1				
3	1901043446	▪ PISTON	1				
4	1901043445	▪ SPRING	1				
5	1901042245	▪ SPRING	1				
6	1420000090	▪ O-RING	1				
7	1420000101	▪ O-RING	1				
8	1421020101	▪ RING, back-up	1				
9	1421020090	▪ RING, back-up	1				
10	1420310910	▪ O-RING	1				
11	1901042243	▪ PLUG ASSY	1				
12	1420010070	▪ O-RING	2				
13	1901042242	▪ SEAT, spring	1				

L5h190

TB180FR Book No. BL8Z001 S/N 17840001-
SOLENOID VALVE; 3 BLOCKS



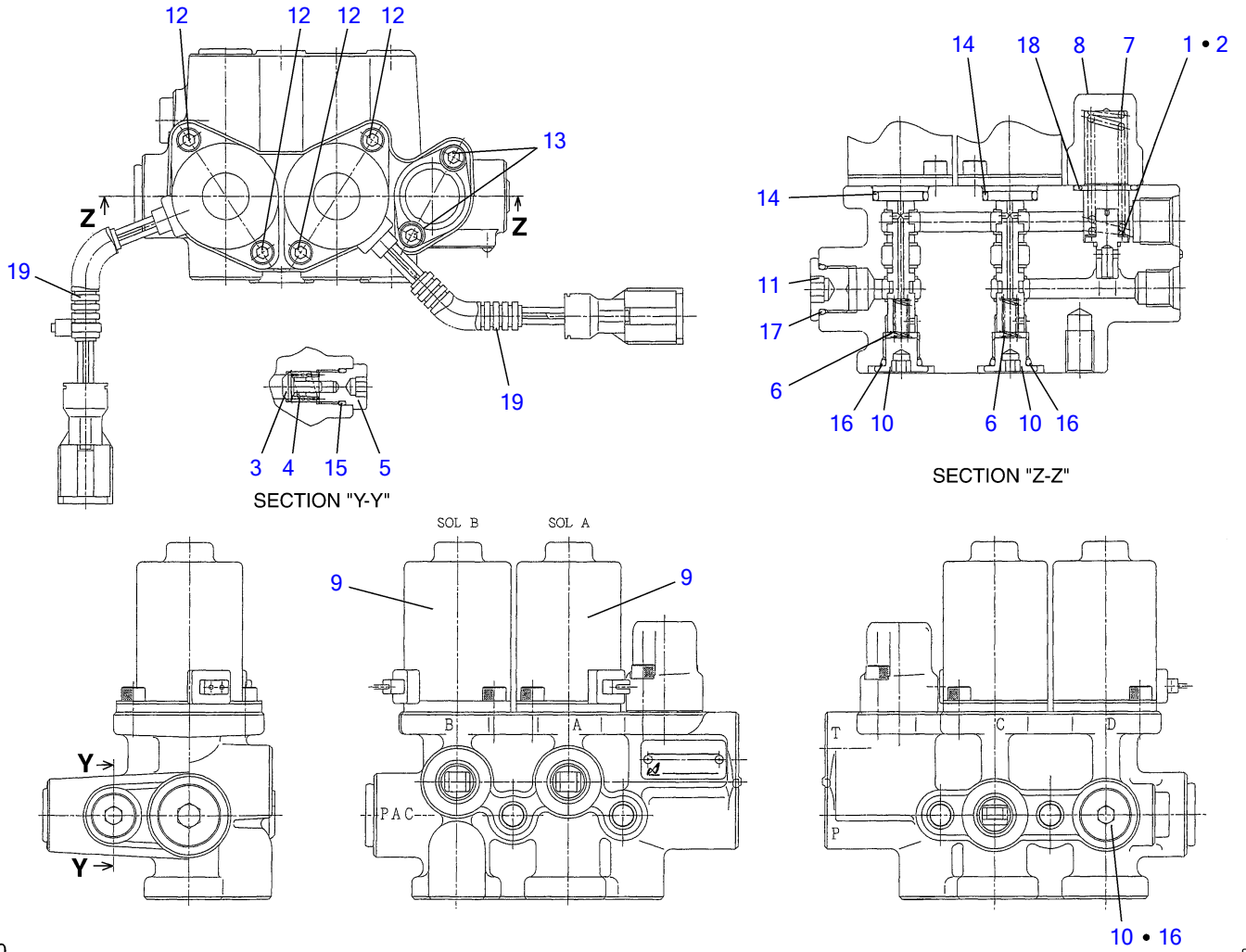
L5H020

S-free

SOLENOID VALVE; 3 BLOCKS

Item	Part number	Description	Q'ty	Chan.	Serial No.	Serv.	Remarks
0	1901748800	VALVE ASSY, solenoid	1				
1	1901732003	▪ SHIM	4				
2	1901732502	▪ SPRING	1				
3	1901732004	▪ PLUG	1				
4	1901748805	▪ SPOOL	1				
5	1901729605	▪ SPRING	2				
6	1901729618	▪ PLUG	1				
7	1901720720	▪ PLUG	2				
8	1110050510	▪ SCREW, cap	6				
9	1420010160	▪ O-RING	3				
10	1420010080	▪ O-RING	1				
11	1420010110	▪ O-RING	2				
12	1420010180	▪ O-RING	1				
13	1901748828	▪ TUBE	3				
14	1901748816	▪ SOLENOID	3				
15	1901737727	▪ PLUNGER	1				
	L5h020						

TB180FR Book No. BL8Z001 S/N 17840001-
SOLENOID VALVE; 2 BLOCKS

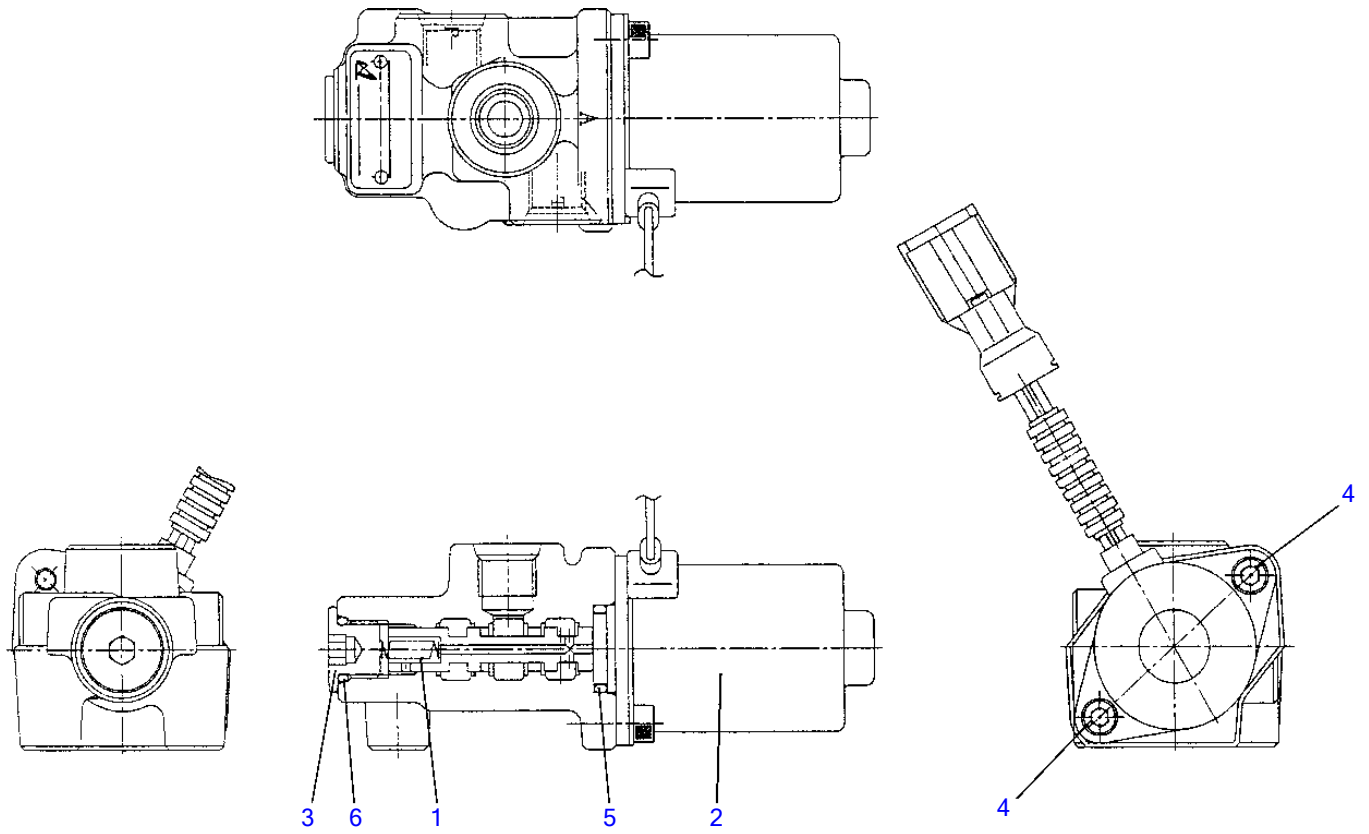


L5H030

S=free

SOLENOID VALVE; 2 BLOCKS

Item	Part number	Description	Q'ty	Chan.	Serial No.	Serv.	Remarks
0	1901748900	VALVE ASSY, solenoid	1				
1	1901729601	▪ SHIM	1				
2	1901728701	▪ SHIM	1				
3	1901035426	▪ PLUNGER	1				
4	1901004357	▪ SPRING	1				
5	1901035471	▪ PLUG	1				
6	1901735511	▪ SPRING	2				
7	1901738304	▪ SPRING	1				
8	1901742409	▪ COVER	1				
9	1901748816	▪ SOLENOID	2				
10	1501810002	▪ PLUG	3				
11	1501710003	▪ PLUG	1				
12	1110040512	▪ SCREW, cap	4				
13	1110040520	▪ SCREW, cap	2				
14	1420010160	▪ O-RING	2				
15	1420010100	▪ O-RING	1				
16	1420010110	▪ O-RING	3				
17	1420010140	▪ O-RING	1				
18	1420010200	▪ O-RING	1				
19	1901748828	▪ TUBE	2				
	L5h030						



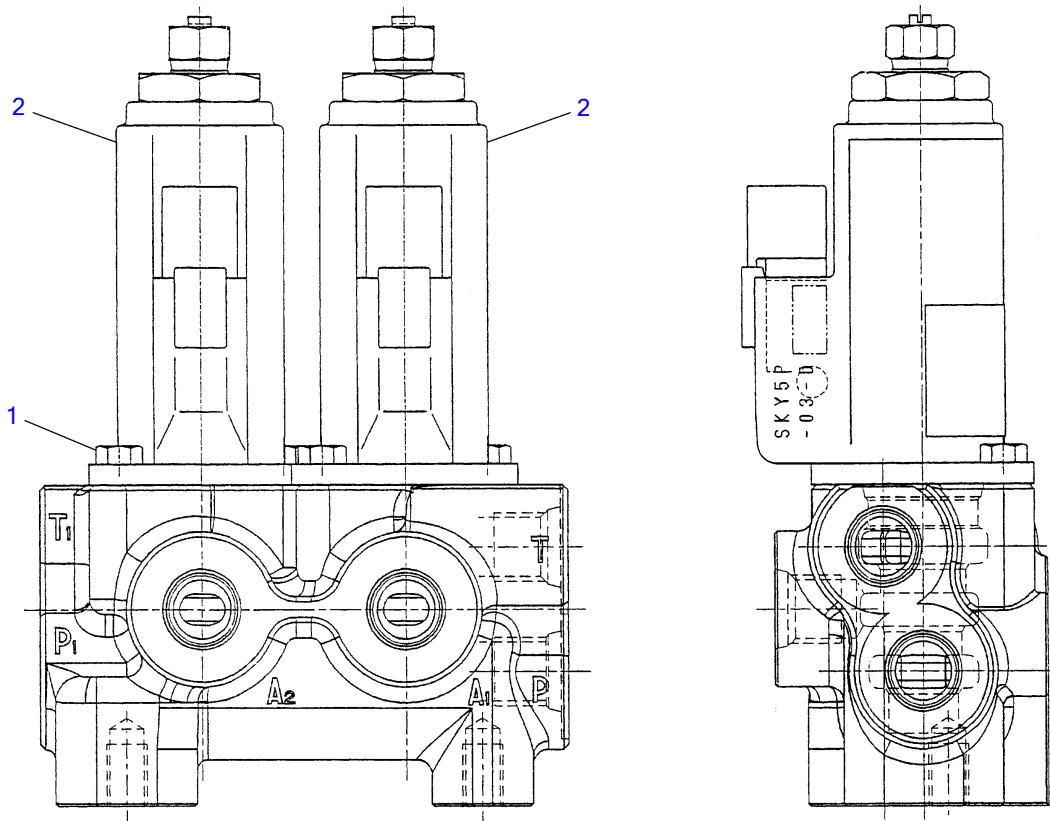
G4H310

S=FREE

SOLENOID VALVE (for air conditioner)

Item	Part number	Description	Q'ty	Chan.	Serial No.	Serv.	Remarks
0	1901746600	VALVE ASSY, solenoid	1				
1	1901734404	▪ SPRING	1				
2	1901746604	▪ SOLENOID	1				
3	1901738312	▪ PLUG	1				
4	1110050512	▪ SCREW, cap	2				
5	1420000160	▪ O-RING	1				
6	1420010110	▪ O-RING	1				
	G4h310						

TB180FR Book No. BL8Z001 S/N 17840001-
SOLENOID VALVE (for proportional control)



J3H020

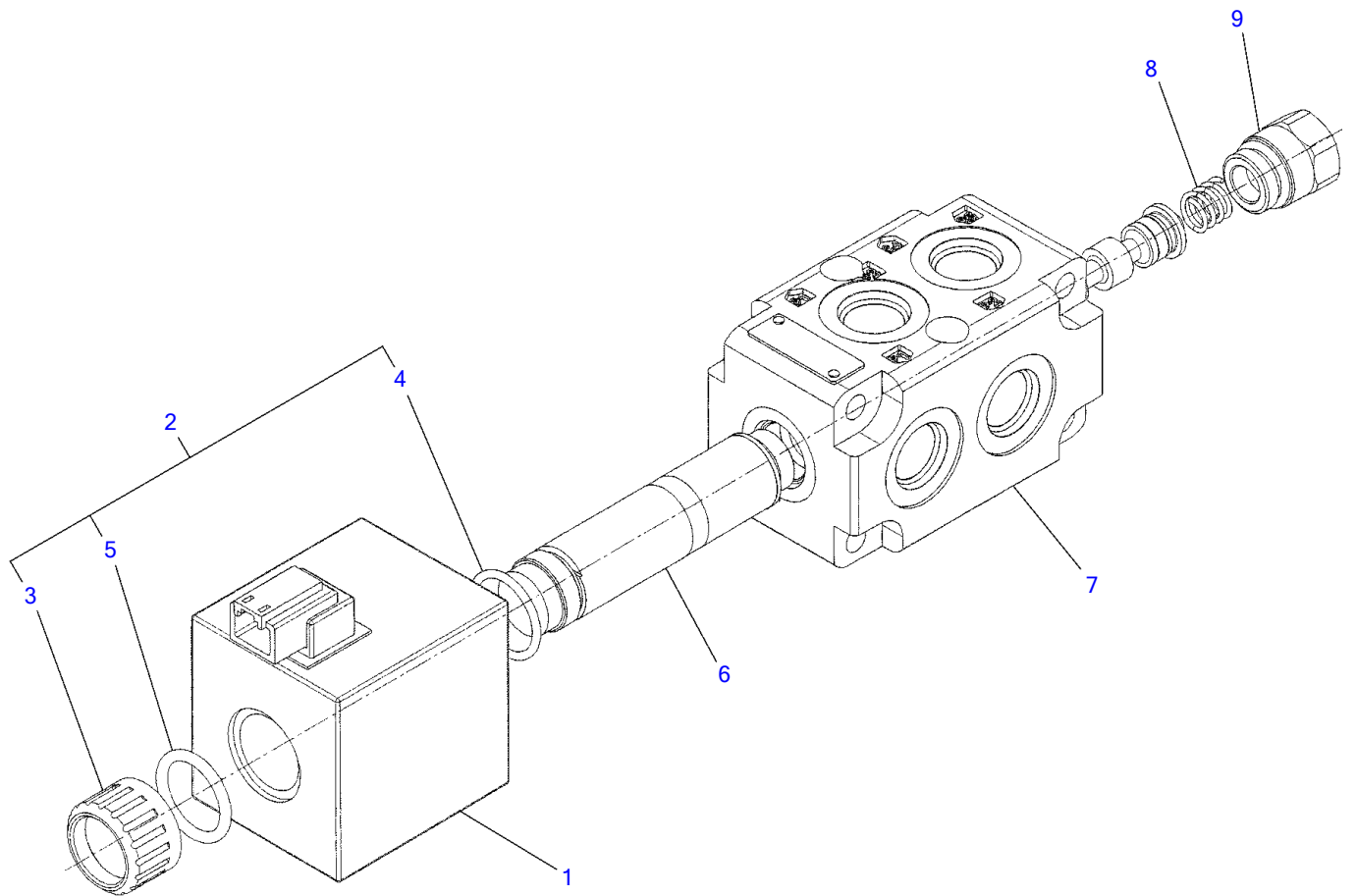
S=free

SOLENOID VALVE (for proportional control)

Item	Part number	Description	Q'ty	Chan.	Serial No.	Serv.	Remarks
0	1901752100	VALVE ASSY, proportional	1				
1	1110050512	▪ BOLT	4				
2	1901752103	▪ VALVE, proportional	2				

J3h020

TB180FR Book No. BL8Z001 S/N 17840001-
SOLENOID VALVE (for 4th auxiliary lines)



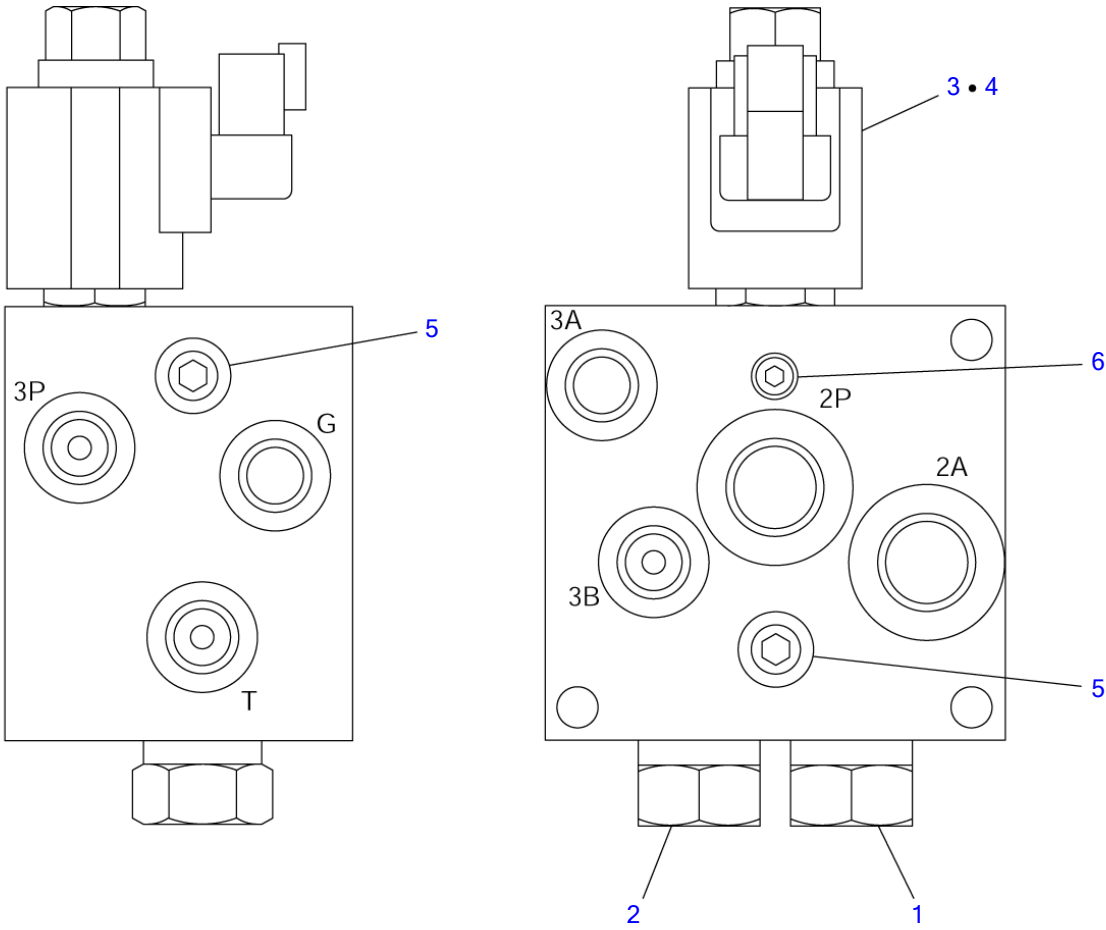
L5H040

S-free

SOLENOID VALVE (for 4th auxiliary lines)

Item	Part number	Description	Q'ty	Chan.	Serial No.	Serv.	Remarks
0	1901749100	VALVE ASSY, solenoid	1				
1	1901749101	▪ COIL	1				
2	1901748320	▪ NUT ASSY	1				
3	1901748321	▪ ▪ NUT	1				
4	1901748322	▪ ▪ O-RING	1				
5	1901748323	▪ ▪ O-RING	1				
6	1901748306	▪ TUBE KIT	1				
7	1901748307	▪ BODY	1				
8	1901748309	▪ SPRING	1				
9	1901748310	▪ PLUG	1				
	L5h040						

TB180FR Book No. BL8Z001 S/N 17840001-
SOLENOID VALVE (for high pressure 3rd auxiliary lines)



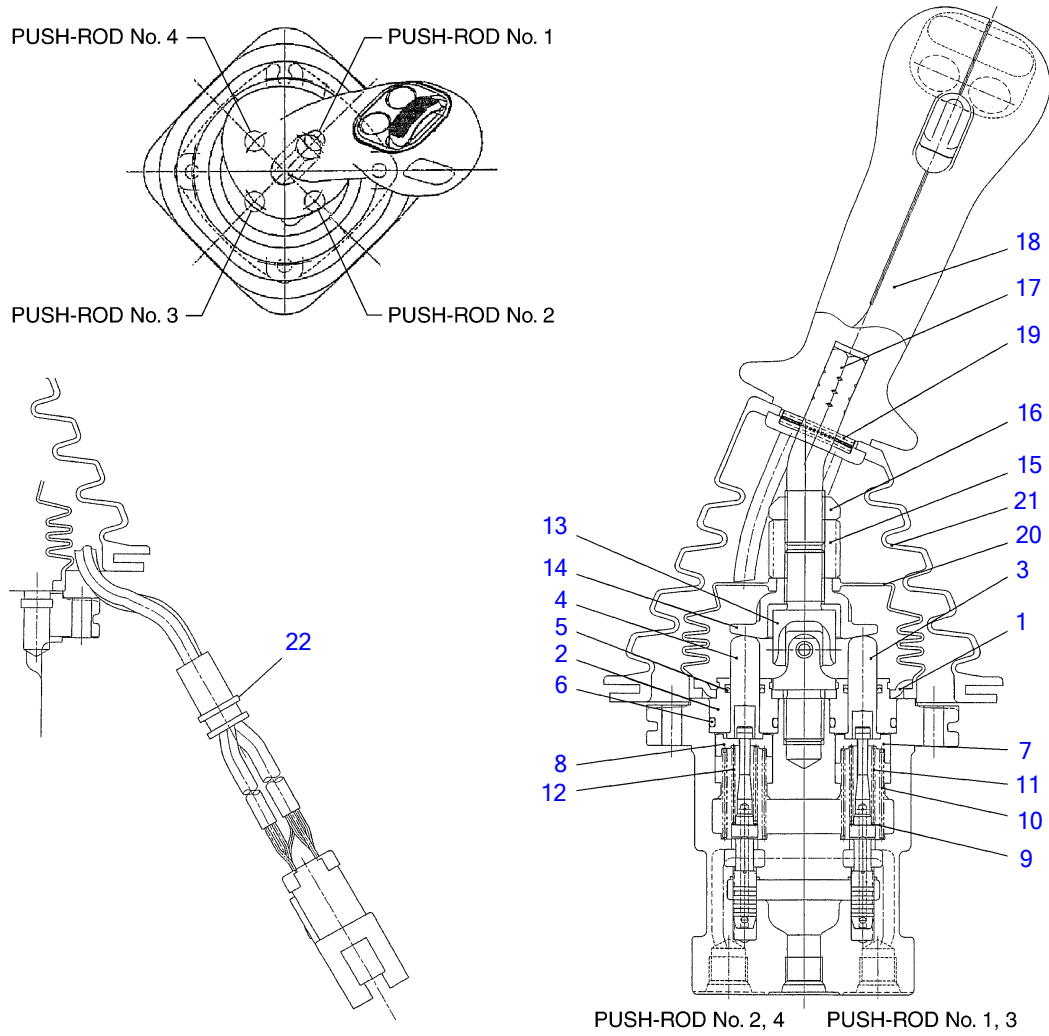
J3H011

S-free

SOLENOID VALVE (for high pressure 3rd auxiliary lines)

Item	Part number	Description	Q'ty	Chan.	Serial No.	Serv.	Remarks
0	1901751600	VALVE ASSY, solenoid	1				
1	1901751602	▪ VALVE, pilot	1				
2	1901751603	▪ VALVE, pilot	1				
3	1901741402	▪ SOLENOID	1				
4	1901750703	▪ COIL	1				
5	1501810002	▪ PLUG	2				
6	1501810000	▪ PLUG	8				
	J3h011						

TB180FR Book No. BL8Z001 S/N 17840001-
 PILOT VALVE (R.H.) (with slide switch)

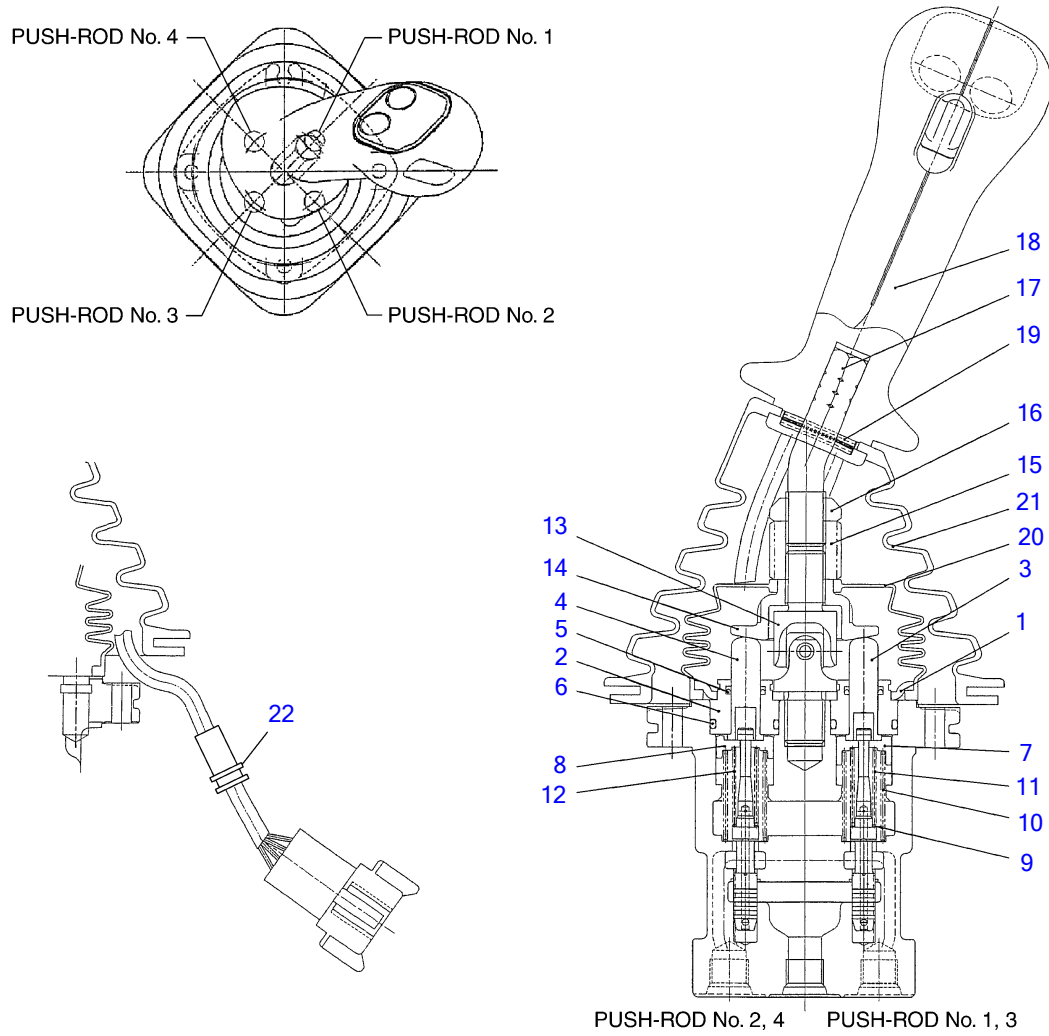


G7H340

S-free

PILOT VALVE (R.H.) (with slide switch)						
Item	Part number	Description	Q'ty	Chan.	Serial No.	Serv. Remarks
0	1901753400	VALVE ASSY, pilot (R.H.)	1			
1	1901742602	• PLATE	1			
2	1901710912	• PLUG	4			
3	1901719011	• ROD	2			
4	1901719012	• ROD	2			
5	1901710914	• SEAL	4			
6	1420010200	• O-RING	4			
7	1901745709	• HOLDER	2			
8	1901745710	• HOLDER	2			
9	1901710917	• WASHER	4			
10	1901745712	• SPRING	4			
11	1901745713	• SPRING	2			
12	1901745714	• SPRING	2			
13	1901720232	• JOINT	1			
14	1901743620	• PLATE	1			
15	1901735625	• NUT	1			
16	1901735626	• NUT	1			
17	1901740432	• LEVER	1			
18	1901751410	• HANDLE	1			
19	1213000528	• PIN, spring	1			
20	1901742619	• BOOT	1			
21	1901735632	• BOOT	1			
22	1700100092	• GROMMET	1			
	L7h050					

TB180FR Book No. BL8Z001 S/N 17840001-
PILOT VALVE (R.H.) (with 3 switch)



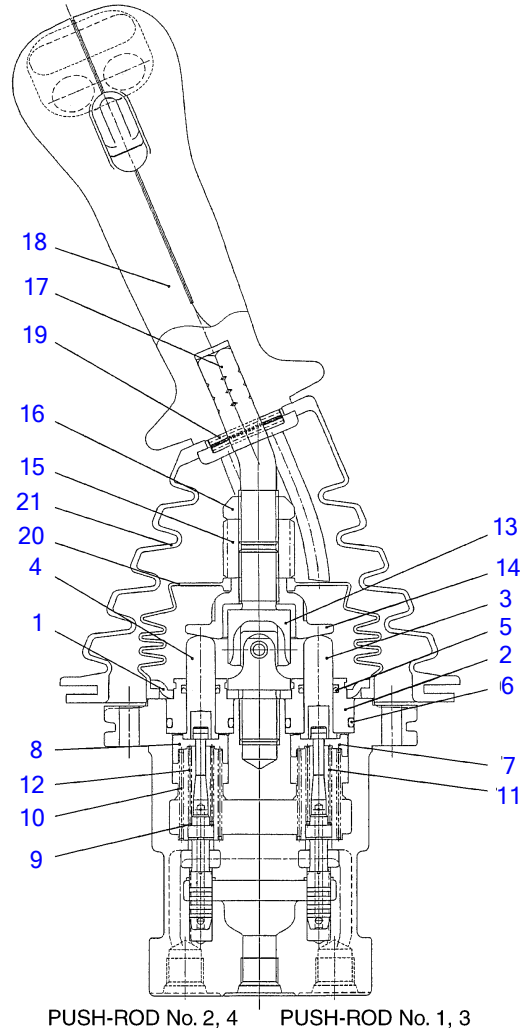
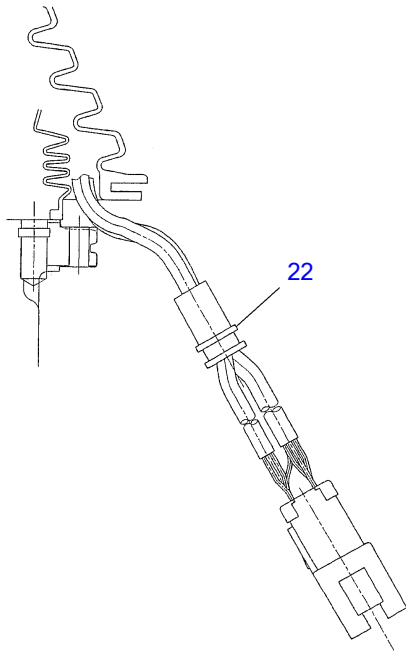
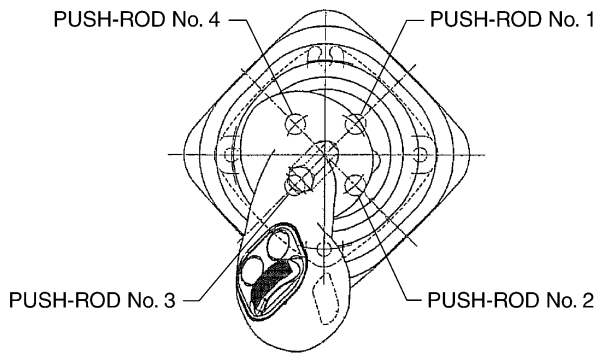
G7H150

S-free

PILOT VALVE (R.H.) (with 3 switch)

Item	Part number	Description	Q'ty	Chan.	Serial No.	Serv.	Remarks
0	1901753500	VALVE ASSY, pilot (R.H.)	1				
1	1901742602	• PLATE	1				
2	1901710912	• PLUG	4				
3	1901719011	• ROD	2				
4	1901719012	• ROD	2				
5	1901710914	• SEAL	4				
6	1420010200	• O-RING	4				
7	1901745709	• HOLDER	2				
8	1901745710	• HOLDER	2				
9	1901710917	• WASHER	4				
10	1901745712	• SPRING	4				
11	1901745713	• SPRING	2				
12	1901745714	• SPRING	2				
13	1901720232	• JOINT	1				
14	1901743620	• PLATE	1				
15	1901735625	• NUT	1				
16	1901735626	• NUT	1				
17	1901740432	• LEVER	1				
18	1901741210	• HANDLE	1				
19	1213000528	• PIN, spring	1				
20	1901742619	• BOOT	1				
21	1901735632	• BOOT	1				
22	1700100092	• GROMMET	1				
	L7h060						

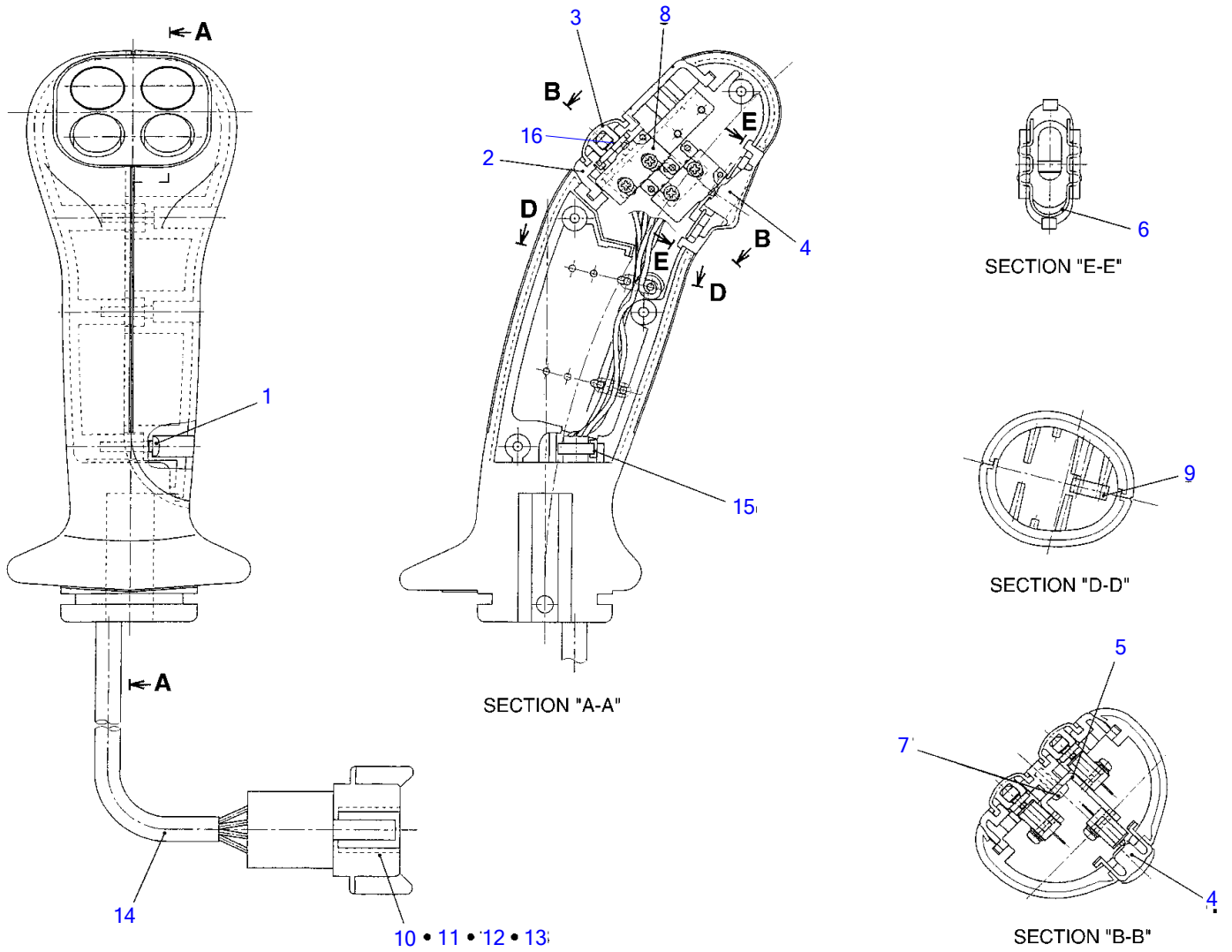
TB180FR Book No. BL8Z001 S/N 17840001-
 PILOT VALVE (L.H.) (with slide switch)



G7H350

S-free

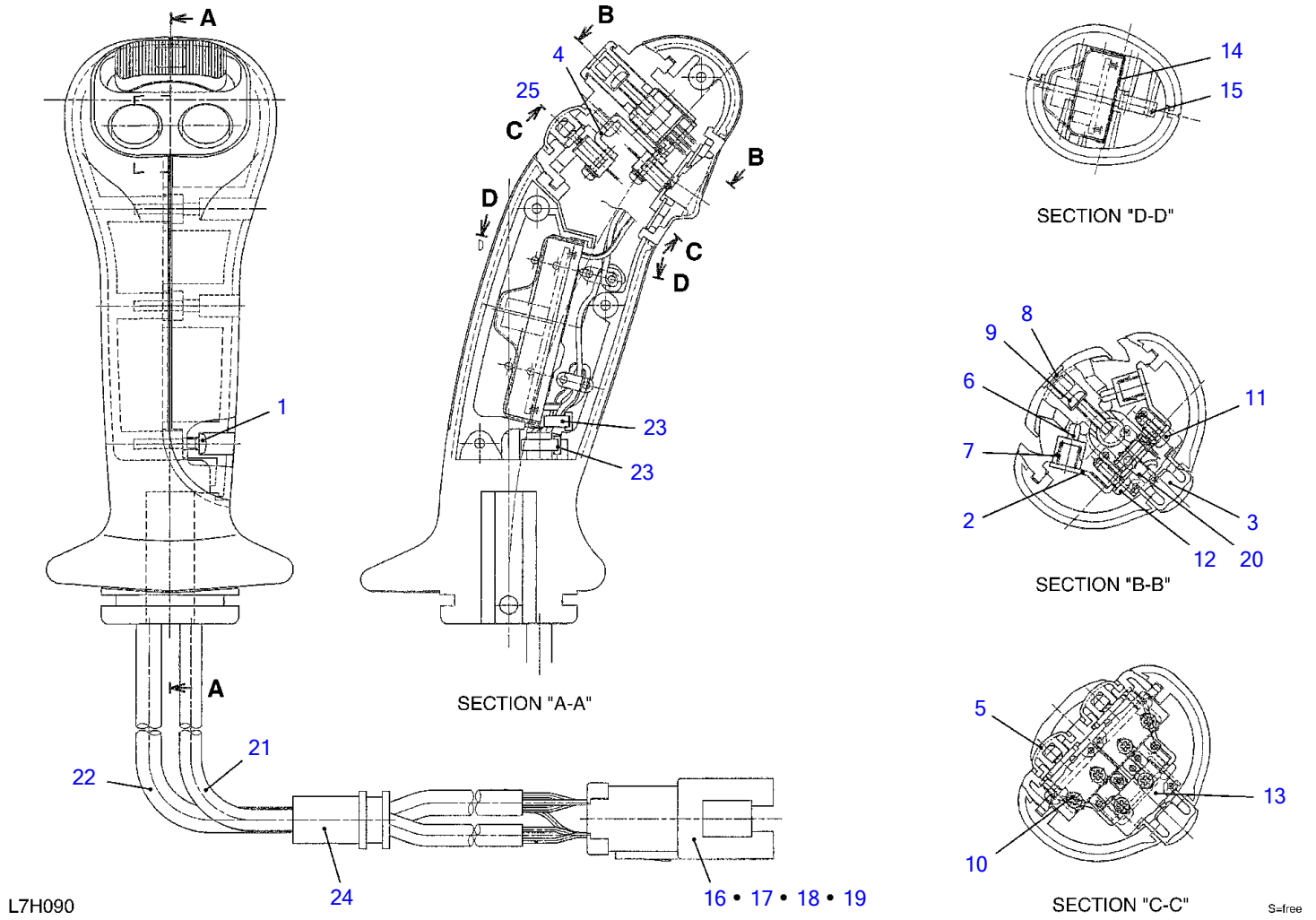
PILOT VALVE (L.H.) (with slide switch)						
Item	Part number	Description	Q'ty	Chan.	Serial No.	Serv. Remarks
0	1901753200	VALVE ASSY, pilot (L.H.)	1			
1	1901742602	• PLATE	1			
2	1901710912	• PLUG	4			
3	1901719011	• ROD	2			
4	1901719012	• ROD	2			
5	1901710914	• SEAL	4			
6	1420010200	• O-RING	4			
7	1901745709	• HOLDER	2			
8	1901745710	• HOLDER	2			
9	1901710917	• WASHER	4			
10	1901745712	• SPRING	4			
11	1901745713	• SPRING	2			
12	1901745714	• SPRING	2			
13	1901720232	• JOINT	1			
14	1901743620	• PLATE	1			
15	1901735625	• NUT	1			
16	1901735626	• NUT	1			
17	1901740432	• LEVER	1			
18	1901751410	• HANDLE	1			
19	1213000528	• PIN, spring	1			
20	1901742619	• BOOT	1			
21	1901735632	• BOOT	1			
22	1700100092	• GROMMET	1			
	L7h070					



S-free

HANDLE (with 3 switch)

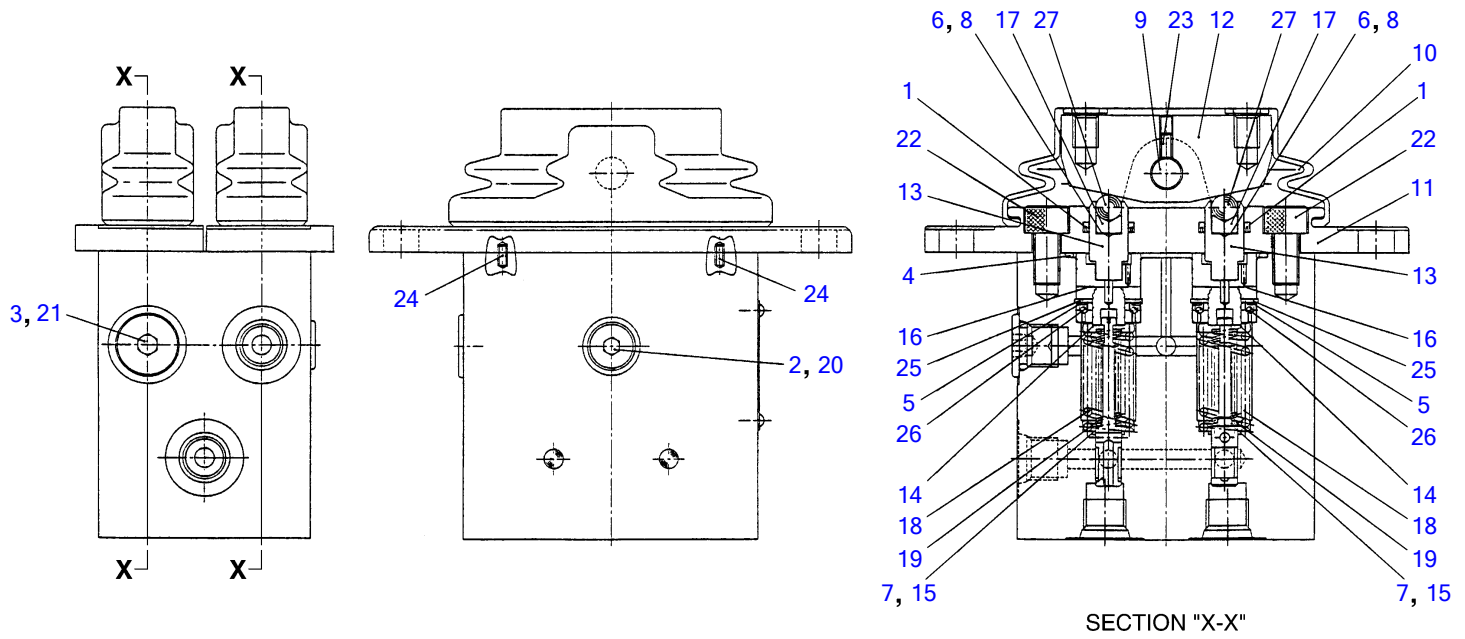
Item	Part number	Description	Q'ty	Chan.	Serial No.	Serv.	Remarks
0	1901741210	HANDLE ASSY	1				
1	1122400312	▪ SCREW	4				
2	1901741211	▪ CASE	1				
3	1901741216	▪ BUTTON	2				
4	1901740402	▪ BUTTON	1				
5	1901741218	▪ BRACKET	1				
6	1901740404	▪ CLIP	1				
7	1122400306	▪ SCREW	2				
8	1901740408	▪ SWITCH	3				
9	1901740412	▪ CAP	2				
10	1901740446	▪ RECEPTACLE	1				
11	1901740447	▪ WEDGE	1				
12	1901740413	▪ PIN	5				
13	1901741263	▪ PIN, BLANKING	3				
14	1901740414	▪ PROTECTOR	1				
15	1901740415	▪ BAND	1				
16	1901741312	* RETAINER	2				
	L3h501						



HANDLE (with slide switch)

Item	Part number	Description	Q'ty	Chan.	Serial No.	Serv.	Remarks
0	1901751410	HANDLE ASSY	1				
1	1122400316	• SCREW	4				
2	1901740401	• PLATE	1				
3	1901740402	• BUTTON	1				
4	1901751405	• BRACKET	1				
5	1901741216	• BUTTON	2				
6	1901740405	• PISTON	2				
7	1901740406	• SPRING	2				
8	1901740407	• CAP	1				
9	1150010312	• SCREW	1				
10	1901751472	• SCREW	6				
11	1122400306	• SCREW	3				
12	1122400308	• SCREW	1				
13	1901740408	• SWITCH	3				
14	1901751452	• COVER	1				
15	1901740412	• CAP	2				
16	1901751483	• RECEPTACLE	1				
17	1901751484	• WEDGE	1				
18	1901740413	• PIN	11				
19	1901741263	• CAP	1				
20	1901751489	• TERMINAL	1				
21	1901751490	• PROTECTOR	1				
22	1901751491	• PROTECTOR	1				
23	1901751492	• BAND	4				
24	1901751495	• GROMMET	1				
25	1901741312	* RETAINER	2				

L7h091



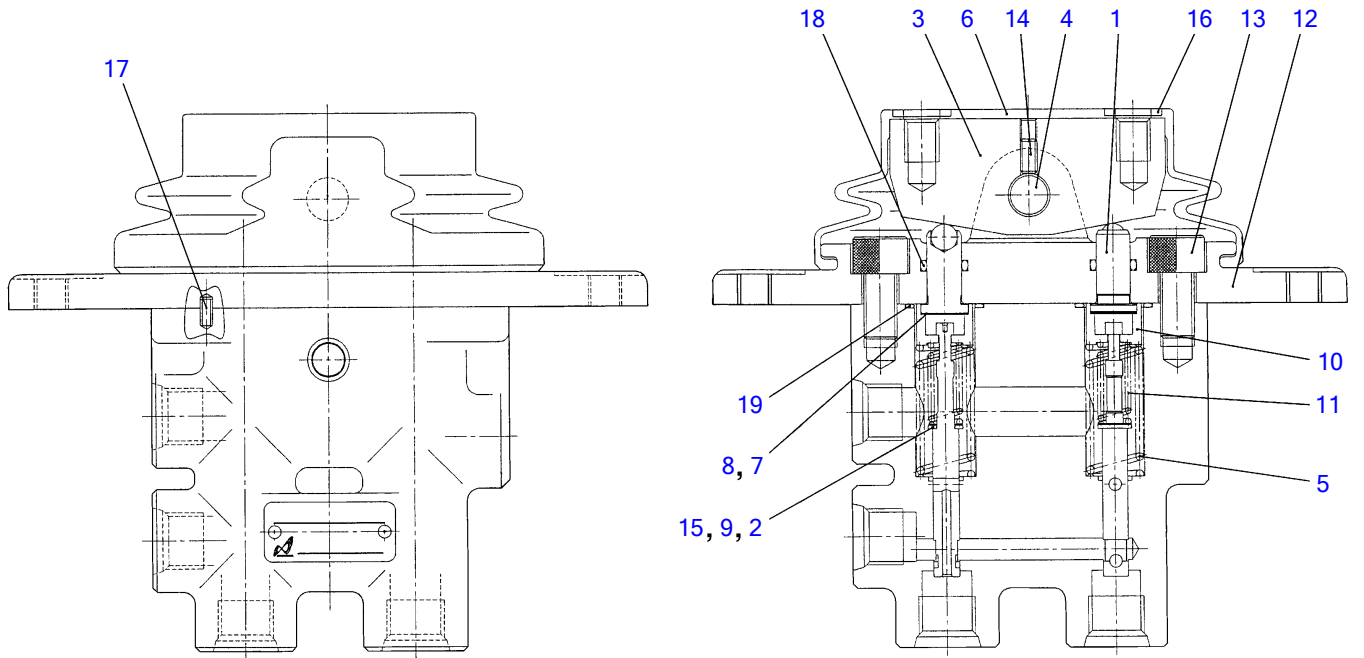
L4H110

S=FREE

REMOTE CONTROL VALVE (for travel)

Item	Part number	Description	Q'ty	Chan.	Serial No.	Serv.	Remarks
0	1901739100	VALVE ASSY, remote control	1				travel
0-1	1901739199	• KIT, seal	1				
1	X 1901728523	• • U-PACKING	4				
2	X 1420010080	• • O-RING	1				
3	X 1420010110	• • O-RING	1				
4	X 1420510460	• • O-RING	2				
5	1901739101	• SHIM	4				
6	1901739102	• ORIFICE	4				
7	1901739103	• SHIM	4				
8	1901739104	• ORIFICE	4				
9	1901729706	• PIN	2				
10	1901729708	• BOOT	2				
11	1901739108	• COVER	2				
12	1901739129	• CAM	2				
13	1901739113	• PUSHER	4				
14	1901739114	• RETAINER	4				
15	1901739115	• SHIM	4				
16	1901739116	• WASHER	4				
17	1901739118	• HOLDER	4				
18	1901739119	• SPRING	4				
19	1901739120	• SPRING	4				
20	1901729618	• PLUG	1				
21	1901720720	• PLUG	1				
22	1110050816	• SCREW, cap	4				
23	1121040606	• SET-SCREW	2				
24	1213040306	• PIN, spring	4				
25	1221000020	• RING, snap	4				
26	1390020020	• BALL, steel	8				
27	1390020500	• BALL, steel	4				
	L5h050						

TB180FR Book No. BL8Z001 S/N 17840001-
REMOTE CONTROL VALVE (offset)



J1H160

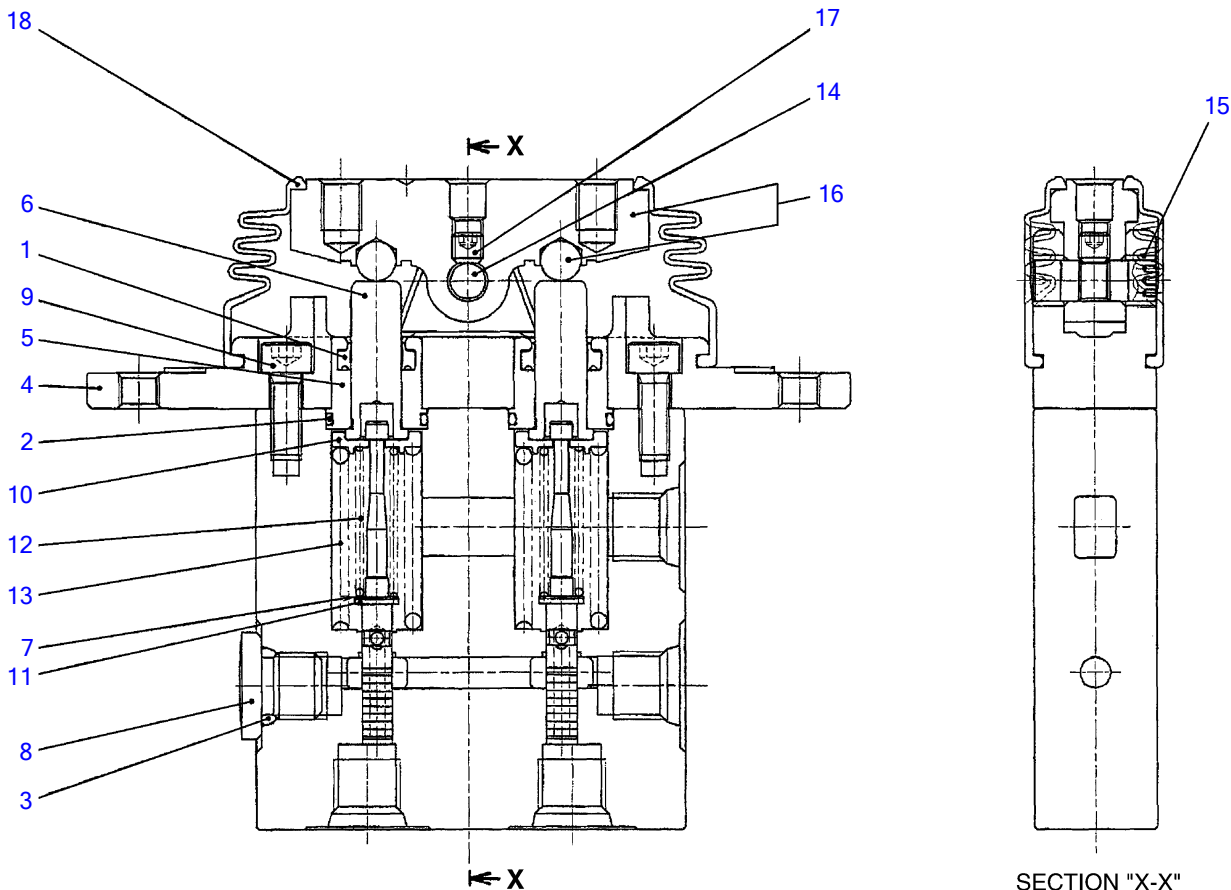
S-free

REMOTE CONTROL VALVE (offset)

Item	Part number	Description	Q'ty	Chan.	Serial No.	Serv.	Remarks
0	1901746300	VALVE ASSY, pilot	1				offset
1	1901746301	▪ PUSHER	2				
2	1901729704	▪ SHIM t=0.1	2				
3	1901729705	▪ CAM	1				
4	1901729706	▪ PIN	1				
5	1901729707	▪ SPRING	2				
6	1901729708	▪ BOOT	1				
7	1901729709	▪ SHIM t=0.1	2				
8	1901729710	▪ SHIM t=0.2	2				
9	1901729711	▪ SHIM t=0.2	2				
10	1901729713	▪ HOLDER, spring	2				
11	1901729714	▪ SPRING	2				
12	1901746315	▪ COVER	1				
13	1100040816	▪ SCREW, cap	2				
14	1121340408	▪ SET-SCREW	1				
15	1141100004	▪ WASHER	2				
16	1141100008	▪ WASHER	2				
17	1213000306	▪ PIN, spring	2				
18	1420000080	▪ O-RING	2				
19	1420310016	▪ O-RING	2				

J1h160

TB180FR Book No. BL8Z001 S/N 17840001-
REMOTE CONTROL VALVE (dozer blade)

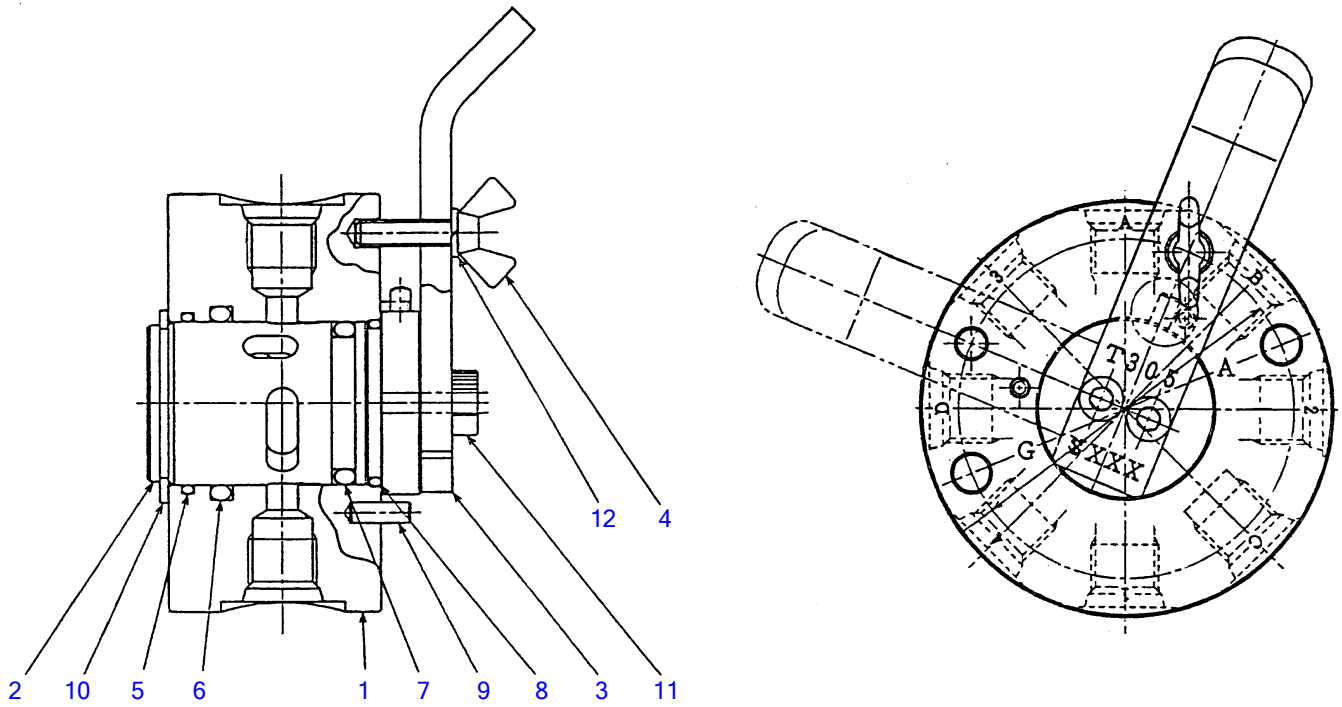


N2H010

S=FREE

REMOTE CONTROL VALVE (dozer blade)

Item	Part number	Description	Q'ty	Chan.	Serial No.	Serv.	Remarks
0	1901735000	VALVE ASSY, remote-control	1				
0-1	1901745499	▪ KIT, seal	1				
1	X 1901745404	▪ ▪ PACKING	2				
2	X 1420300017	▪ ▪ O-RING	2				
3	X 1420010110	▪ ▪ O-RING	1				
4	1901745402	▪ COVER	1				
5	1901745403	▪ PLUG	2				
6	1901745406	▪ ROD	2				
7	1901745407	▪ SHIM	2				
8	1501750002	▪ PLUG	1				
	1420010110	▪ ▪ O-RING	1				
9	1110020616	▪ SCREW, cap	2				
10	1901745412	▪ HOLDER	2				
11	1901745413	▪ WASHER	2				
12	1901745414	▪ SPRING	2				
13	1901735015	▪ SPRING	2				
14	1901735016	▪ SHAFT	1				
15	1901745417	▪ BUSHING	2				
16	1901735018	▪ CAM ASSY	1				
17	1121040606	▪ SET-SCREW	1				
18	1901735001	▪ BOOT	1				
	N2h010						



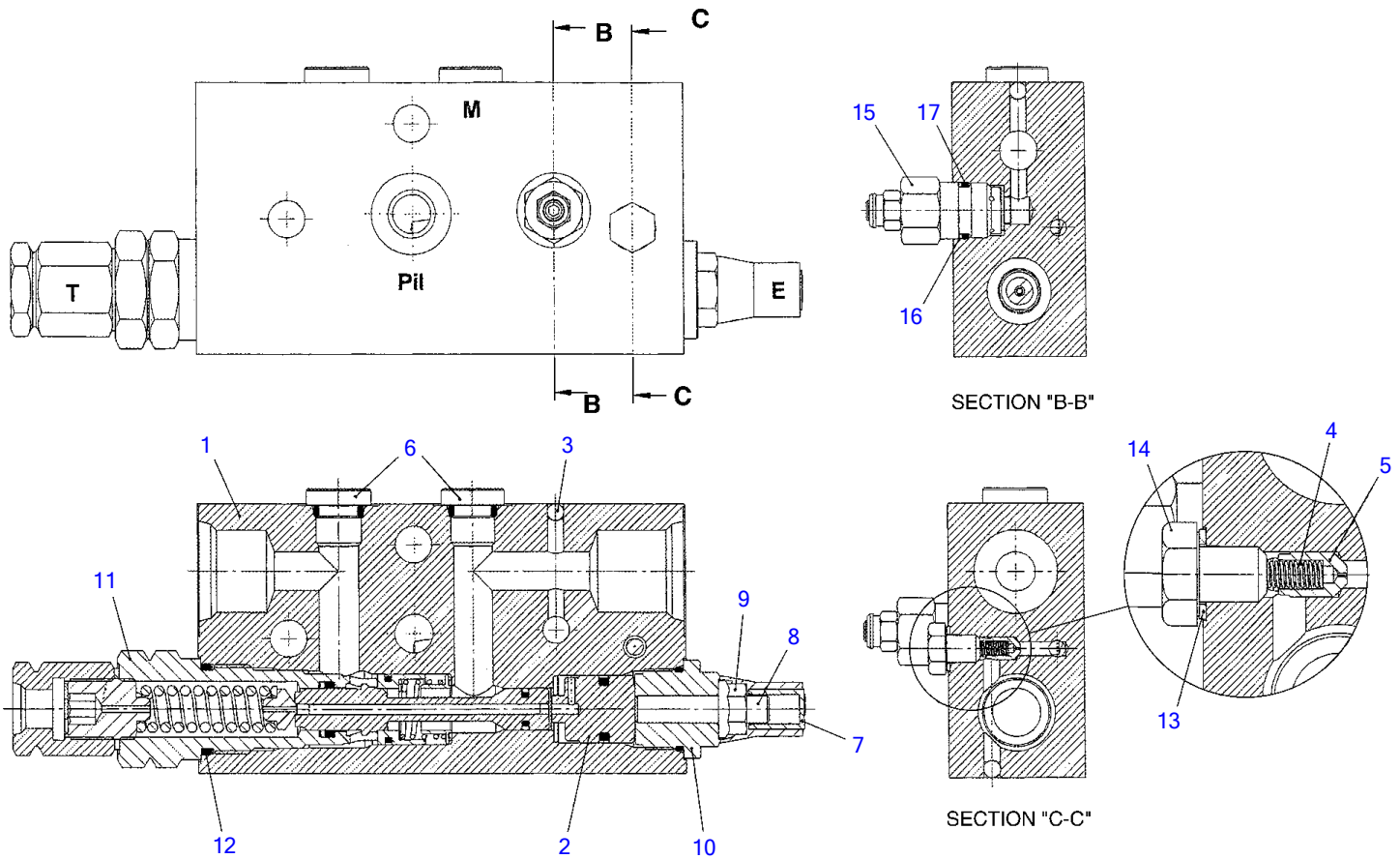
C4H180

S=FREE

SELECTOR VALVE (ISO-JCB pattern)

Item	Part number	Description	Q'ty	Chan.	Serial No.	Serv.	Remarks
0	1901730500	VALVE ASSY, selector	1				
1	1901730501	▪ BODY	1				
2	1901730502	▪ ROTOR	1				
3	1901730503	▪ LEVER	1				
4	1901730504	▪ BOLT	1				
5	1901730505	▪ O-RING	1				
6	1901730506	▪ O-RING	1				
7	1901730507	▪ O-RING	1				
8	1901730508	▪ O-RING	1				
9	1213000412	▪ PIN, spring	3				
10	1220000030	▪ RING, snap	1				
11	1110050514	▪ SCREW, cap	2				
12	1140010005	▪ WASHER, spring	1				
	C4h180						

TB180FR Book No. BL8Z001 S/N 17840001-
SHUT-OFF VALVE (boom)



L4H270

S-free

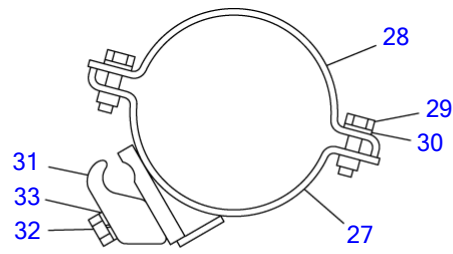
SHUT-OFF VALVE (boom)

Item	Part number	Description	Q'ty	Chan.	Serial No.	Serv.	Remarks
0	1901747500	VALVE ASSY, load holding	1				boom
1	1901747501	▪ BODY	1				
2	1901747502	▪ SLEEVE	1				
3	1901747503	▪ BALL, steel	4				
4	1901747504	▪ SPRING	1				
5	1901747505	▪ PIVOT	1				
6	1901744305	▪ PLUG ASSY	2				
7	1901742901	▪ CAP	1				
8	1901747508	▪ SET-SCREW	1				
9	1901747509	▪ NUT	1				
10	1901747510	▪ PLUG	1				
11	1901747511	▪ VALVE, check	1				
12	1901747512	▪ ▪ O-RING	1				
13	1901742906	▪ SEAL	1				
14	1901742907	▪ SCREW	1				
15	1901747514	▪ VLVE, relief	1				
16	1901742911	▪ ▪ RING, back-up	1				
17	1901742708	▪ ▪ O-RING	1				
	L4h270						

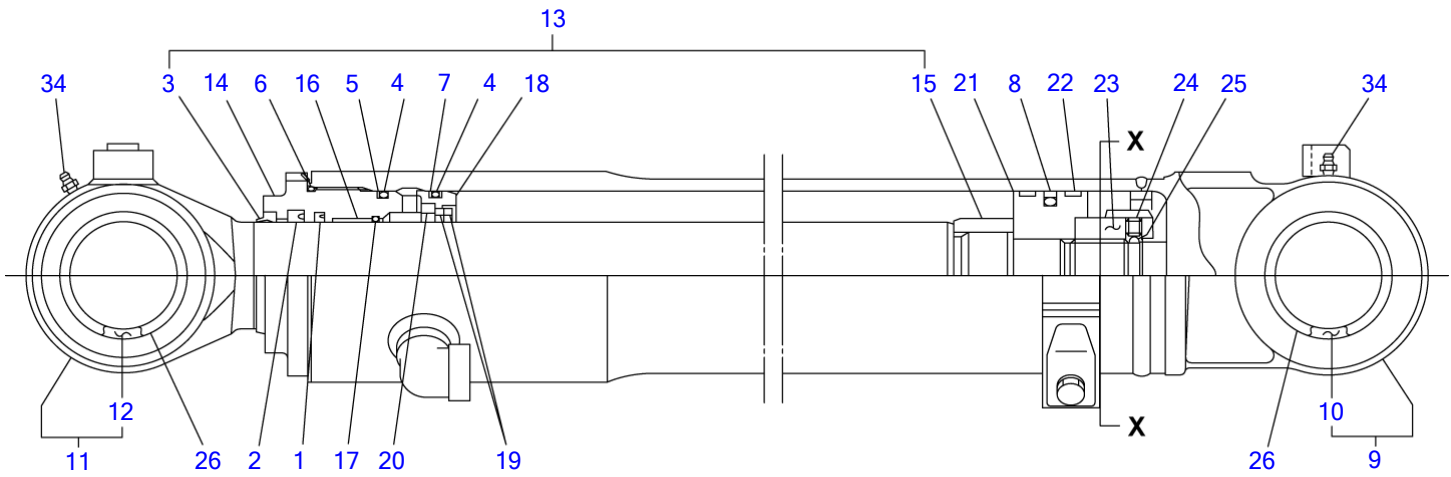
SHUT-OFF VALVE (arm)

Item	Part number	Description	Q'ty	Chan.	Serial No.	Serv.	Remarks
0	1901743100	VALVE ASSY, load holding	1				arm
0-1	1901742999	· KIT, seal	1				
1	1901742904	· · O-RING	1				
2	1901742908	· · RING, back-up	1				
3	1901742911	· · O-RING	1				
4	1901742901	· CAP	1				
5	1901742902	· PLUG	1				
6	1901742903	· PLUG	2				
7	1901742905	· SOCKET	1				
8	1901742906	· SEAL	1				
9	1901742907	· BOLT	1				
10	1901742909	· PLUG	1				
11	1901742910	· CAP	1				
	L4h280						

TB180FR Book No. BL8Z001 S/N 17840001-
BOOM CYLINDER



SECTION "X-X"



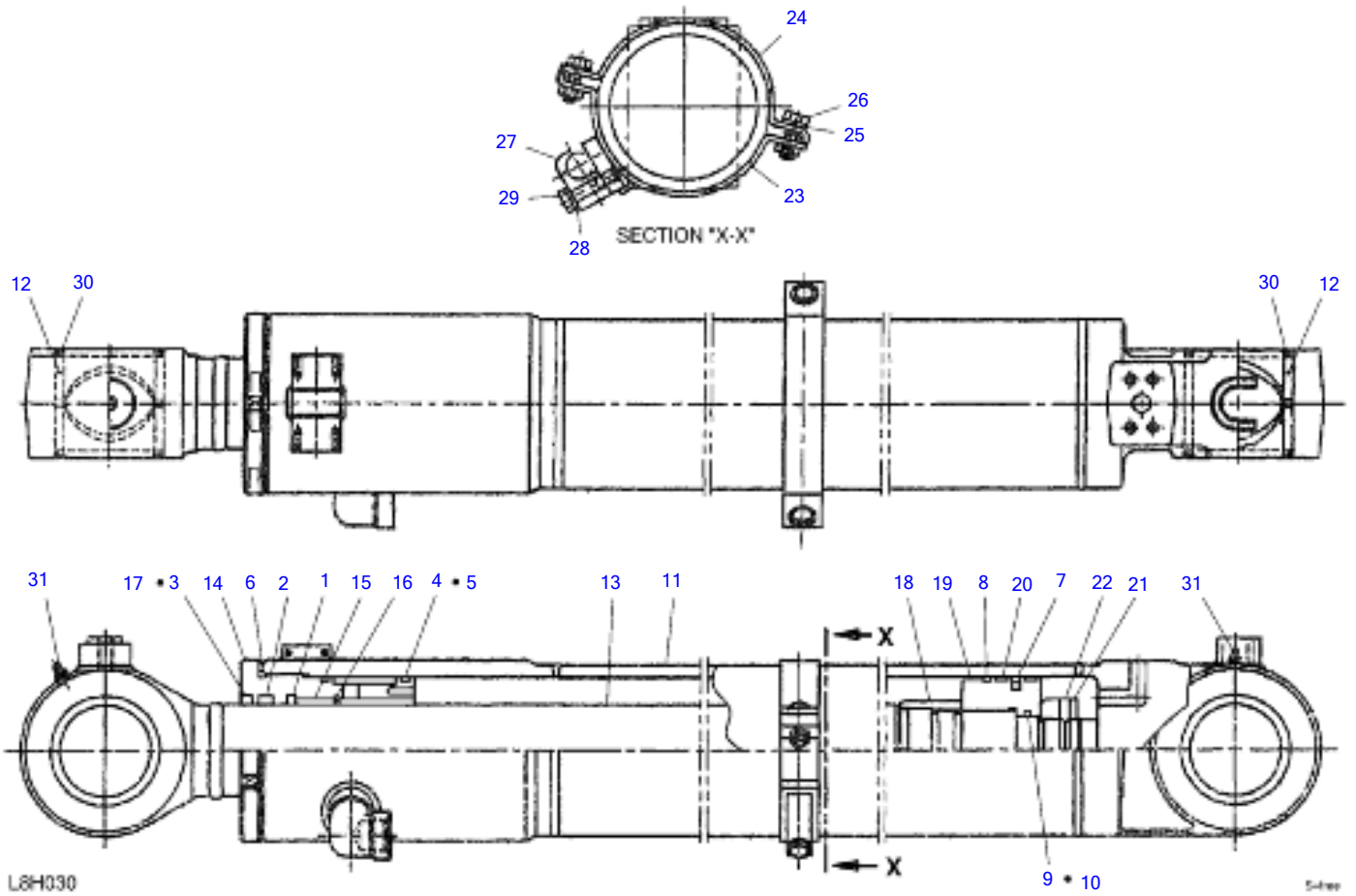
L4H180

S=FREE

BOOM CYLINDER

Item	Part number	Description	Q'ty	Chan.	Serial No.	Serv.	Remarks
0	1900092500	CYLINDER ASSY	1				boom
0-1	1900092599	• KIT, seal	1				
1	X 1900086827	• • RING, buffer	1				
2	X 1900063631	• • PACKING, rod	1				
3	X 1900071031	• • SEAL, dust	1				
4	X 1420111150	• • O-RING	2				
5	X 1900086828	• • RING, back-up	1				
6	X 1420101200	• • O-RING	1				
7	X 1900063628	• • RING, back-up	2				
8	X 1900063633	• • PACKING, piston	1				
9	1900092528	• TUBE KIT	1				
10	1900063602	• • BUSHING	1				
11	1900092597	• ROD KIT, piston	1				
12	1900092502	• • BUSHING	1				
13	1900092596	• COVER KIT	1				
14	1900091103	• • COVER, rod	1				
15	1900092505	• • RING, cushion	1				
16	1900091813	• BUSHING	1				
17	1900063614	• RING, snap	1				
18	1900086808	• HOLDER	1				
19	1900086816	• CUSHION, rod	2				
20	1900086819	• COLLAR	1				
21	1900086806	• PISTON	1				
22	1900086829	• RING, wear	2				
23	1900086809	• NUT	1				
24	1121051212	• SET-SCREW	1				
25	1390020450	• BALL, steel	1				
26	1900063642	• SEAL, dust	4				
27	1900076219	• BAND	1				
28	1900065521	• BAND	1				
29	1900065528	• BOLT	2				
30	1900065529	• WASHER	2				
31	1900070917	• HOLDER	1				
32	1100041250	• BOLT	1				
33	1140020012	• WASHER, spring	1				
34	1560001000	• FITTING, grease	2				
	L4h181						

TB180FR Book No. BL8Z001 S/N 17840001-
BOOM CYLINDER

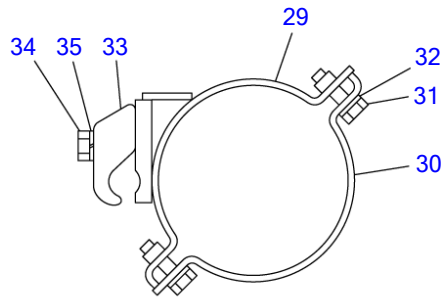


BOOM CYLINDER

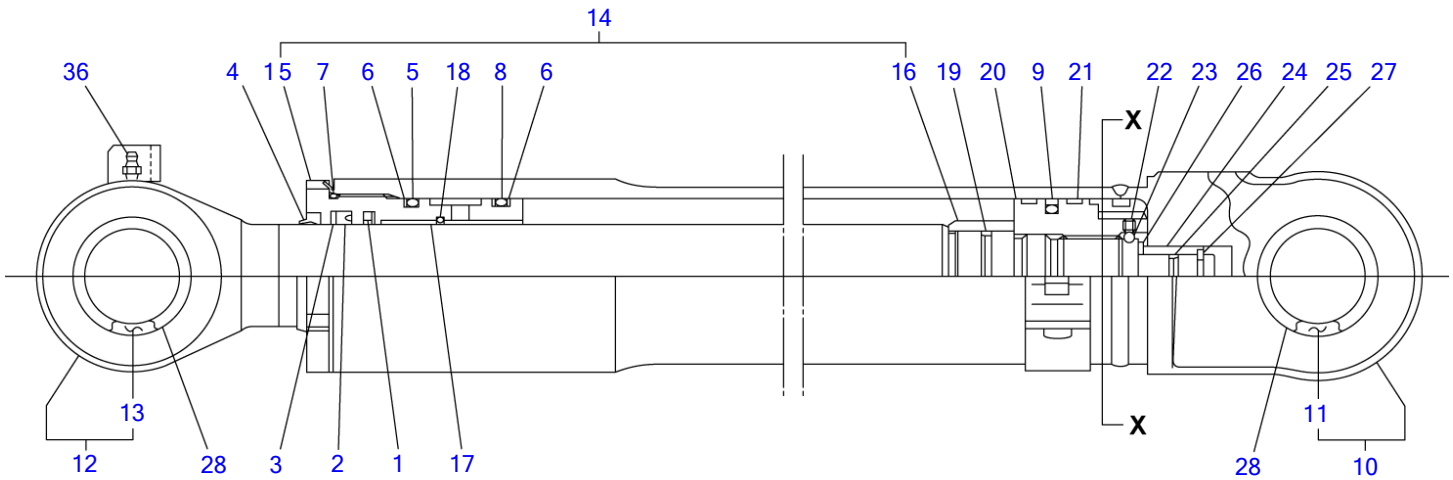
Item	Part number	Description	Q'ty	Chan.	Serial No.	Serv.	Remarks
0	1900103900	CYLINDER ASSY	1				
0-1	1900103999	* SEAL KIT	1				
1	1900103935	* * BUFFER RING	1				
2	1410575909	* * ROD PACKING	1				
3	1900103936	* * DUST SEAL	1				
4	1420111150	* * O-RING	2				
5	1900103927	* * BACKUP RING	3				
6	1420111200	* * O-RING	1				
7	1900103932	* * PISTON PACKING	1				
8	1900103929	* * DUST SEAL	1				
9	1900098637	* * O-RING	1				
10	1900098638	* * BACKUP RING	2				
11	1900103907	* TUBE	1				
12	1900103920	* BUSHING	2				
13	1900103901	* PISTON ROD	1				
14	1900103903	* ROD COVER	1				
15	1900103902	* BUSHING	1				
16	1900100228	* RETAINING RING	1				
17	1900103928	* RETAINING RING	1				
18	1900103916	* CUSHION RING	1				
19	1900103906	* PISTON	1				
20	1900103926	* WEAR RING	2				
21	1900098609	* NUT	1				
22	1121050816	* SET-SCREW	1				
23	1900103919	* BAND	1				
24	1900103970	* BAND	1				
25	1140020010	* SPRING WASHER	2				
26	1100041030	* BOLT	2				
27	1900103917	* HOLDER	1				
28	1140020010	* SPRING WASHER	1				
29	1100041040	* BOLT	1				
30	1432200075	* DUST SEAL	4				
31	1560001000	* GREASE FITTING	2				

L8H030

TB180FR Book No. BL8Z001 S/N 17840001-
ARM CYLINDER



SECTION "X-X"



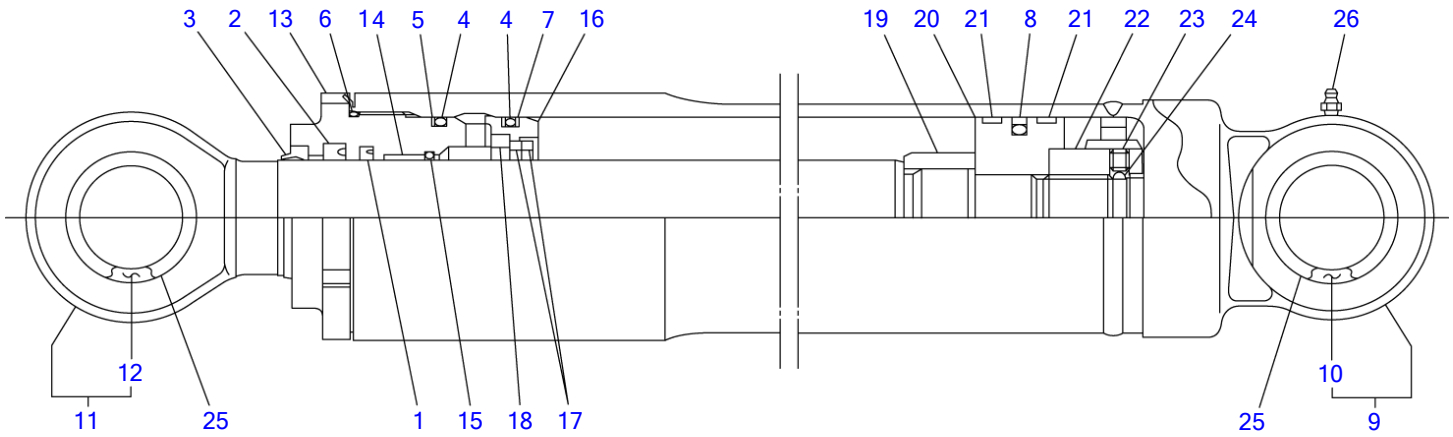
L4H190

S=FREE

ARM CYLINDER

Item	Part number	Description	Q'ty	Chan.	Serial No.	Serv.	Remarks
0	1900092600	CYLINDER ASSY	1				arm
0-1	1900092699	• KIT, seal	1				
1	X 1900063426	• • RING, buffer	1				
2	X 1900063431	• • PACKING, rod	1				
3	X 1900063427	• • RING, back-up	1				
4	X 1900069633	• • SEAL, dust	1				
5	X 1420110900	• • O-RING	1				
6	X 1900063428	• • RING, back-up	3				
7	X 1420100950	• • O-RING	1				
8	X 1420100850	• • O-RING	1				
9	X 1900050633	• • PACKING, piston	1				
10	1900092698	• TUBE KIT	1				
11	1900063402	• • BUSHING	1				
12	1900092697	• ROD KIT, piston	1				
13	1900063402	• • BUSHING	1				
14	1900092696	• COVER KIT	1				
15	1900063403	• • COVER, rod	1				
16	1900092605	• • RING, cushion	1				
17	1900063413	• BUSHING	1				
18	1900063414	• RING, snap	1				
19	1900092616	• SEAL, cushion	1				
20	1900092607	• PISTON	1				
21	1900090926	• RING, slide	2				
22	1121051010	• SET-SCREW	1				
23	1390020400	• BALL, steel	1				
24	1900063425	• BEARING, cushion	1				
25	1900076335	• SEAL, cushion	1				
26	1900063429	• RING, snap	1				
27	1900047122	• STOPPER	2				
28	1900083533	• SEAL, dust	4				
29	1900063435	• BAND	1				
30	1900063436	• BAND	1				
31	1900065528	• BOLT	2				
32	1900065529	• WASHER	2				
33	1900070917	• HOLDER	1				
34	1100041245	• BOLT	1				
35	1140020012	• WASHER, spring	1				
36	1560001000	• FITTING, grease	1				
	L8h020						

TB180FR Book No. BL8Z001 S/N 17840001-
OFFSET CYLINDER



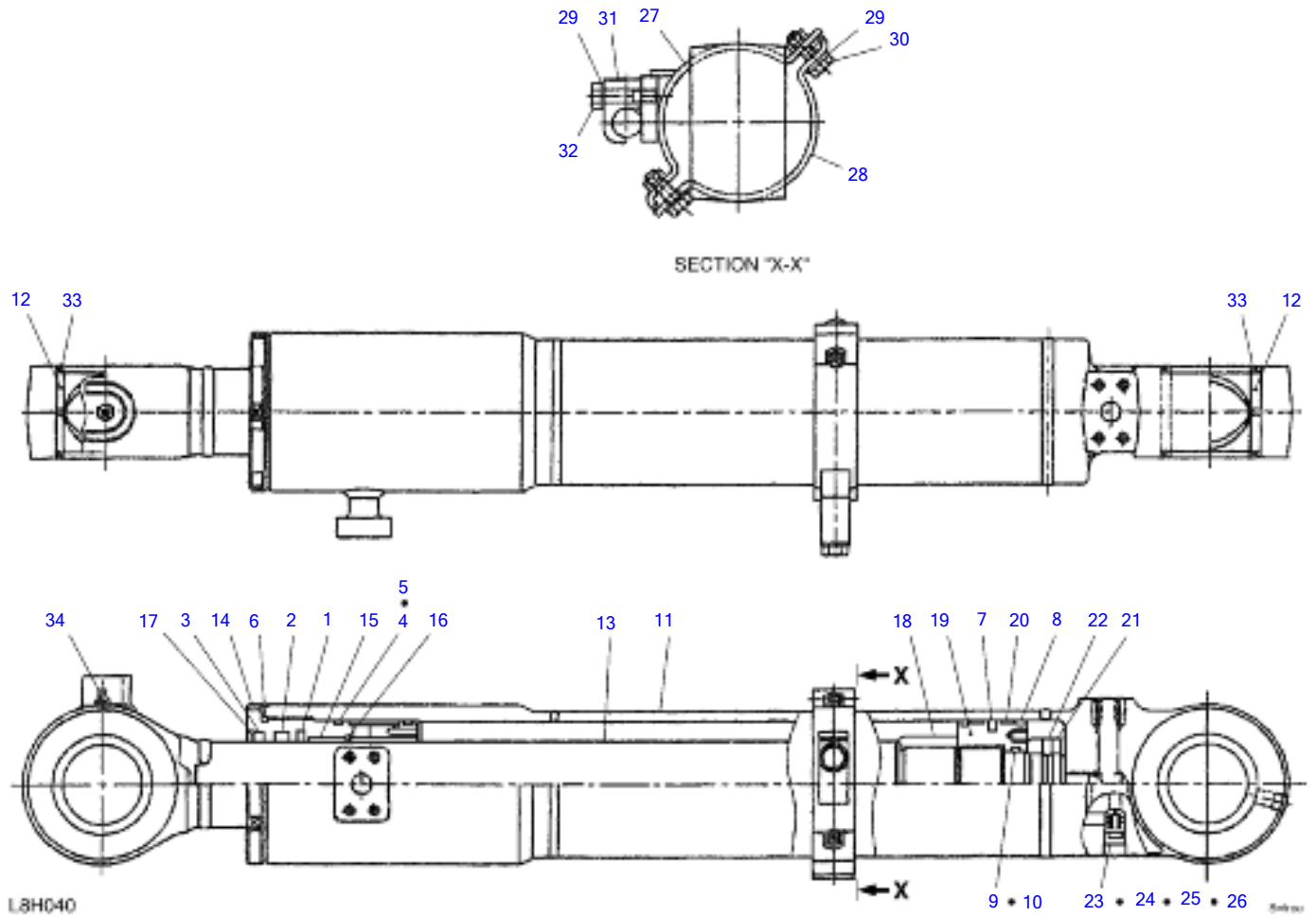
L4H200

S-FREE

OFFSET CYLINDER

Item	Part number	Description	Q'ty	Chan.	Serial No.	Serv.	Remarks
0	1900092900	CYLINDER ASSY	1				offset
0-1	1900092999	• KIT, seal	1				
1	X 1900089519	• • RING, buffer	1				
2	X 1900083436	• • PACKING, rod	1				
3	X 1900071832	• • SEAL, dust	1				
4	X 1420111100	• • O-RING	2				
5	X 1900090037	• • RING, back-up	1				
6	X 1420101150	• • O-RING	1				
7	X 1900067333	• • RING, back-up	2				
8	X 1900067331	• • PACKING, piston	1				
9	1900092998	• TUBE KIT	1				
10	1900063402	• • BUSHING	1				
11	1900092997	• ROD KIT, piston	1				
12	1900063702	• • BUSHING	1				
13	1900090003	• COVER, rod	1				
14	1900089513	• BUSHING	1				
15	1900083431	• RING, snap	1				
16	1900092908	• HOLDER	1				
17	1900092916	• SEAL, cushion	2				
18	1900092928	• COLLAR	1				
19	1900092905	• RING, cushion	1				
20	1900092906	• PISTON	1				
21	1900090026	• RING, wear	2				
22	1900090409	• NUT	1				
23	1121051212	• SET-SCREW	1				
24	1390020450	• BALL, steel	1				
25	1900063433	• SEAL, dust	4				
26	1560001000	• FITTING, grease	1				
	L4h201						

TB180FR Book No. BL8Z001 S/N 17840001-
ARM CYLINDER

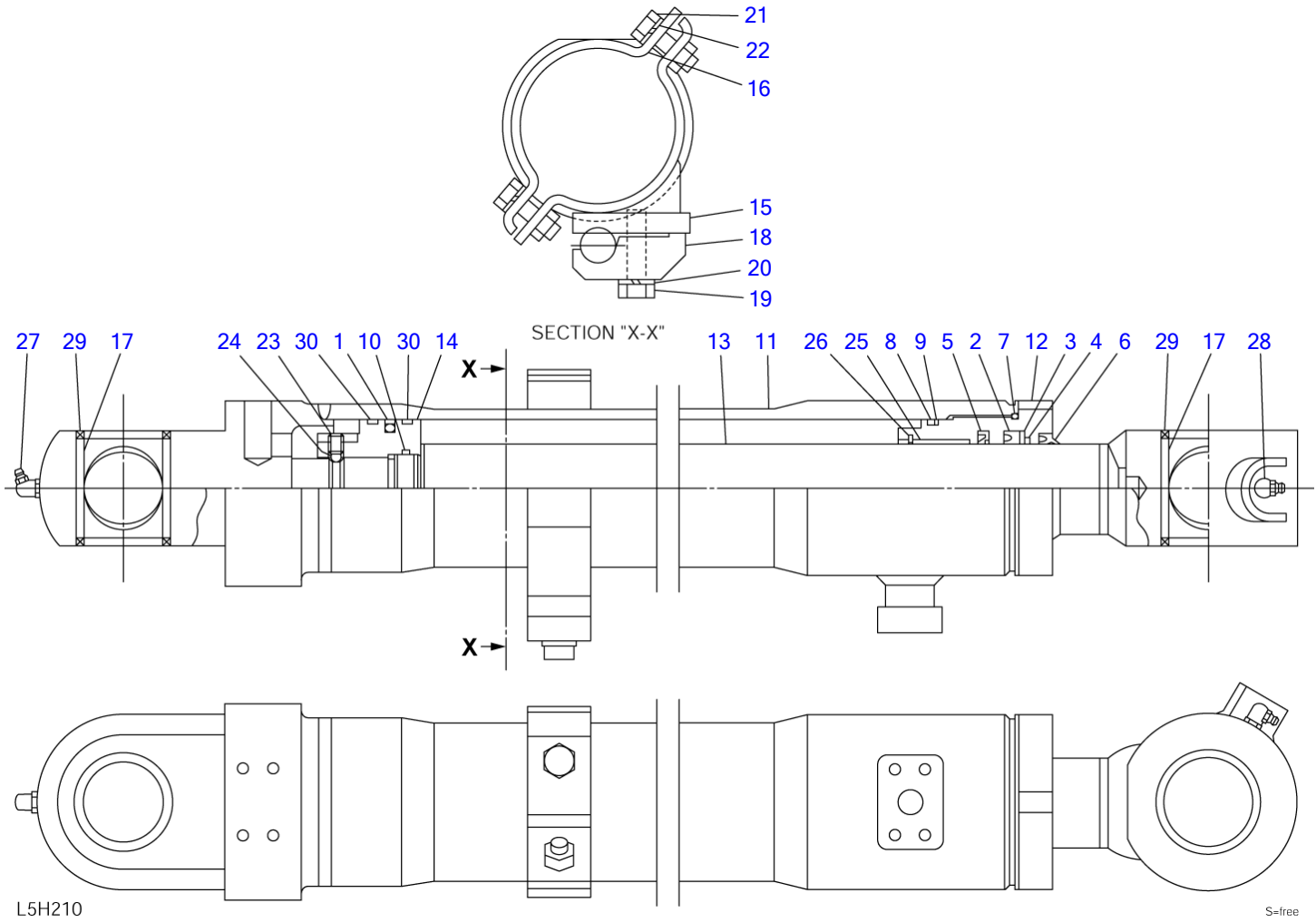


ARM CYLINDER

Item	Part number	Description	Q'ty	Chan.	Serial No.	Serv.	Remarks
0	1900104000	ARM CYLINDER ASSY	1				
0-1	19000104099	* SEAL KIT	1				
1	1900100235	* BUFFER SEAL	1				
2	1410565809	* * ROD PACKING	1				
3	1900100236	* * DUST SEAL	1				
4	1420110900	* * O-RING	3				
5	1900104027	* * BACK-UP RING	2				
6	1420110950	* * O-RING	1				
7	1900100234	* * PISTON PACKING	1				
8	1900104028	* * DUST RING	2				
9	1900100238	* * O-RING	1				
10	1900100239	* * BACK-UP RING	2				
11	1900104007	* TUBE	1				
12	1900100220	* BUSHING	2				
13	1900104001	* PISTON ROD	1				
14	1900104003	* ROD COVER	1				
15	1900104002	* BUSHING	1				
16	1900100214	* RETAINING RING	1				
17	1900100228	* RETAINING RING	1				
18	1900100216	* CUSHION RING	1				
19	1900104006	* PISTON	1				
20	1900100226	* WEAR RING	2				
21	1900100209	* NUT	1				
22	1121050816	* SET-SCREW	1				
23	1900104070	* CHECK VALVE	1				
24	1900099771	* SPRING	1				
25	1900098312	* SPRING SUPPORT	1				
26	1900099773	* PLUG	1				
27	1900104019	* BAND	1				
28	1900104029	* BAND	1				
29	1140020010	* SPRING WASHER	3				
30	1100041030	* BOLT	2				
31	1900103917	* HOLDER	1				
32	1100041040	* BOLT	1				
33	1432200060	* DUST SEAL	4				
34	1560001000	* GREASE FITTING	1				

L8H040

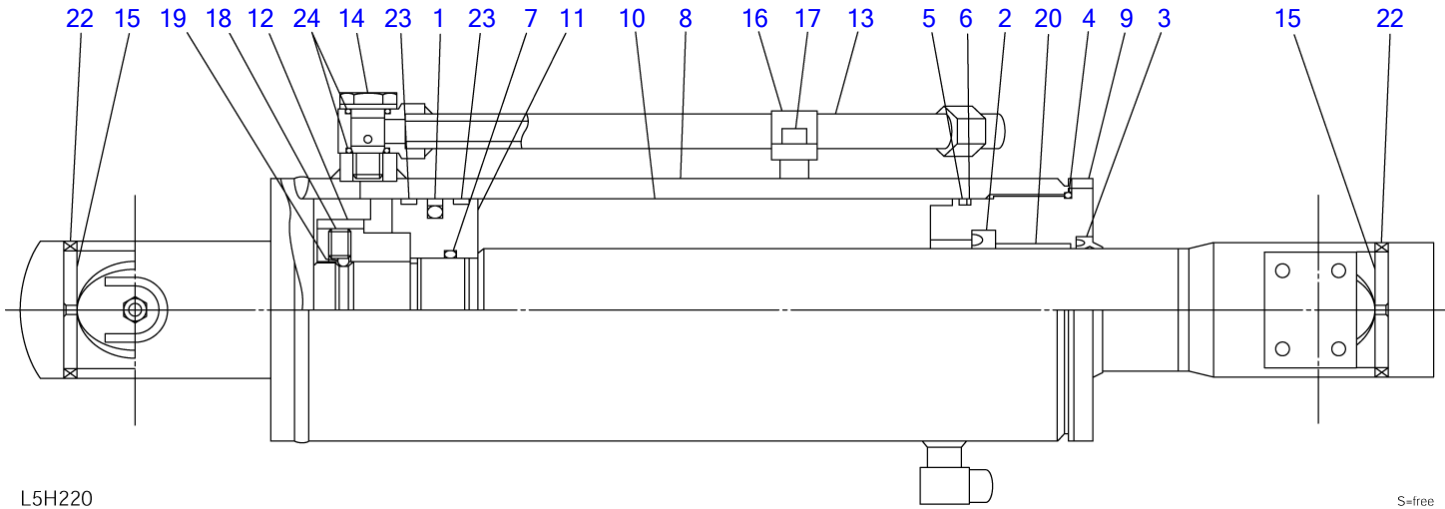
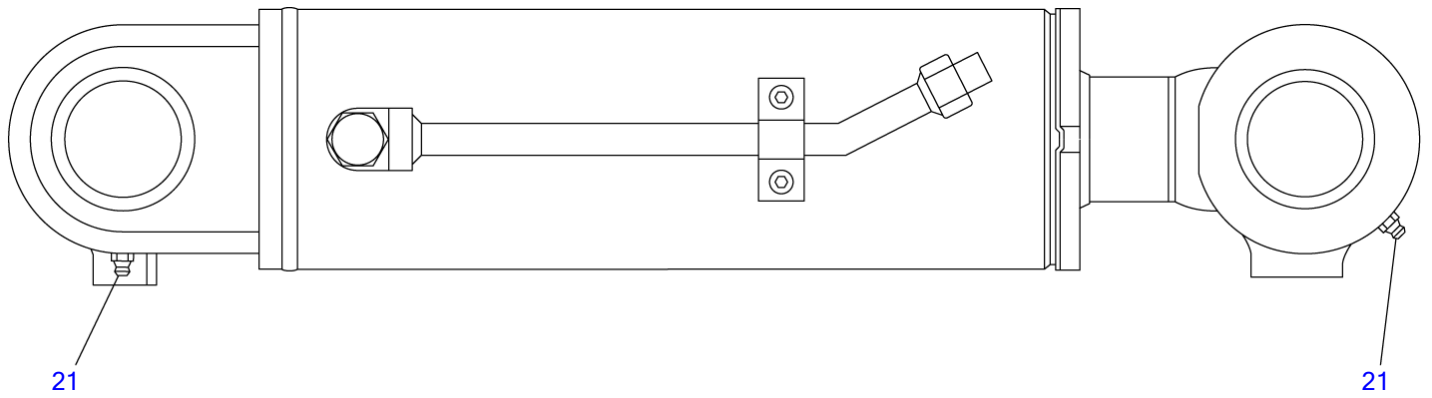
TB180FR Book No. BL8Z001 S/N 17840001-
BUCKET CYLINDER



BUCKET CYLINDER

Item	Part number	Description	Q'ty	Chan.	Serial No.	Serv.	Remarks
0	1900101100	CYLINDER, bucket	1				bucket
0-1	1900101199	• KIT, seal	1				
1	X 1900050932	• • PACKING, piston	1				
2	X 1900050631	• • PACKING, rod	1				
3	X 1411270553	• • RING, back-up	1				
4	X 1900100835	• • RING, back-up	1				
5	X 1900087027	• • RING, seal	1				
6	X 1900070831	• • SEAL, dust	1				
7	X 1420110850	• • O-RING	1				
8	X 1420110800	• • O-RING	1				
9	X 1421130800	• • RING, back-up	1				
10	X 1420010420	• • O-RING	1				
11	1900101107	• TUBE ASSY	1				
12	1900100803	• COVER, rod	1				
13	1900101101	• ROD ASSY, piston	1				
14	1900100806	• PISTON	1				
15	1900101118	• CLAMP ASSY	1				
16	1900101119	• CLAMP	1				
17	1900100802	• BUSHING	2				
18	1900101117	• HOLDER	1				
19	1100051245	• BOLT	1				
20	1140020012	• WASHER, spring	1				
21	1100051035	• BOLT	2				
22	1140020010	• WASHER, spring	2				
23	1121050810	• SET-SCREW	1				
24	1390010070	• BALL, steel	1				
25	1333005535	• BUSHING	1				
26	1221000060	• RING, retaining	1				
27	1560001675	• FITTING, grease	1				
28	1560001900	• FITTING, grease	1				
29	1900047023	• SEAL, dust	4				
30	1900091026	• RING, wear	2				
	L5h210						

TB180FR Book No. BL8Z001 S/N 17840001-
DOZER BLADE CYLINDER

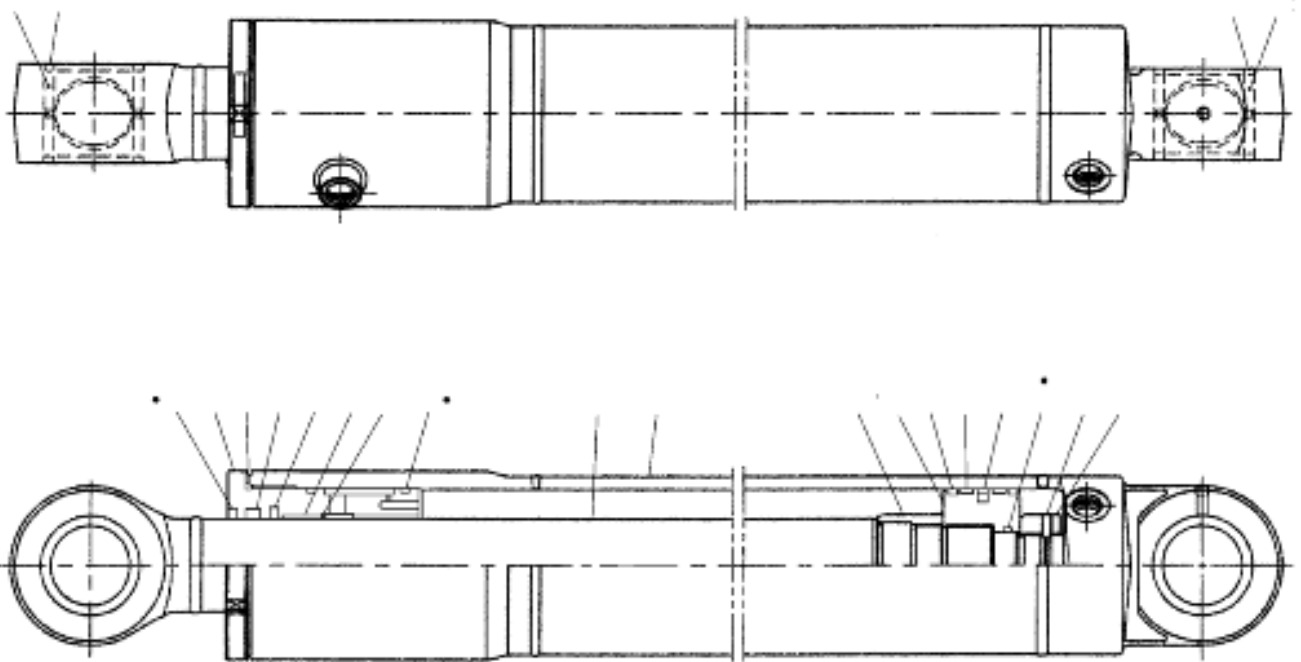


L5H220

S=free

DOZER BLADE CYLINDER

Item	Part number	Description	Q'ty	Chan.	Serial No.	Serv.	Remarks
0	1900101200	CYLINDER ASSY	1				dozer blade
0-1	1900101299	▪ KIT, seal	1				
1	X 1900067331	▪ ▪ PACKING, piston	1				
2	X 1900067332	▪ ▪ PACKING, rod	1				
3	X 1900069633	▪ ▪ SEAL, dust	1				
4	X 1420111150	▪ ▪ O-RING	1				
5	X 1420111100	▪ ▪ O-RING	1				
6	X 1421131100	▪ ▪ RING, back-up	1				
7	X 1420010520	▪ ▪ O-RING	1				
8	1900101207	▪ TUBE ASSY	1				
9	1900101203	▪ COVER, rod	1				
10	1900101201	▪ ROD ASSY, piston	1				
11	1900101206	▪ PISTON	1				
12	1900101209	▪ NUT	1				
13	1900101210	▪ PIPE	1				
14	1900101219	▪ PLUG	1				
15	1900101208	▪ BUSHING	2				
16	1900101217	▪ HOLDER	1				
17	1110040812	▪ SCREW, cap	2				
18	1121051212	▪ SET-SCREW	1				
19	1390010500	▪ BALL, steel	1				
20	1333006540	▪ BUSHING	1				
21	1560001000	▪ FITTING, grease	2				
22	1900063433	▪ SEAL, dust	4				
23	1900090026	▪ RING, wear	2				
24	1420010200	▪ O-RING	2				
	L5h220						



L8H050

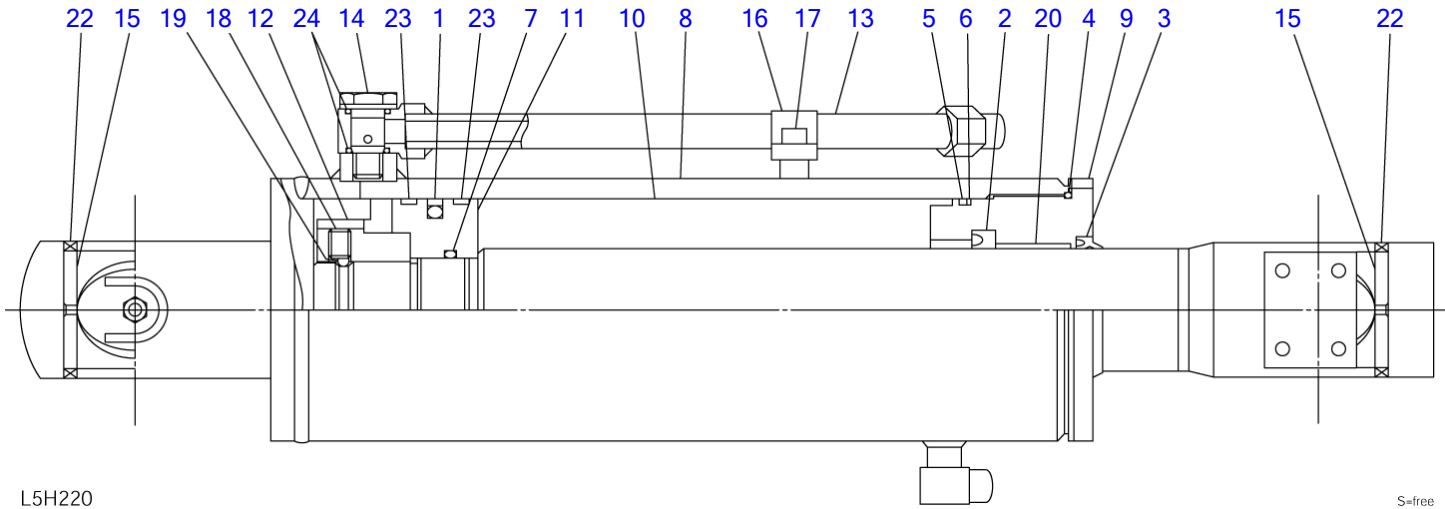
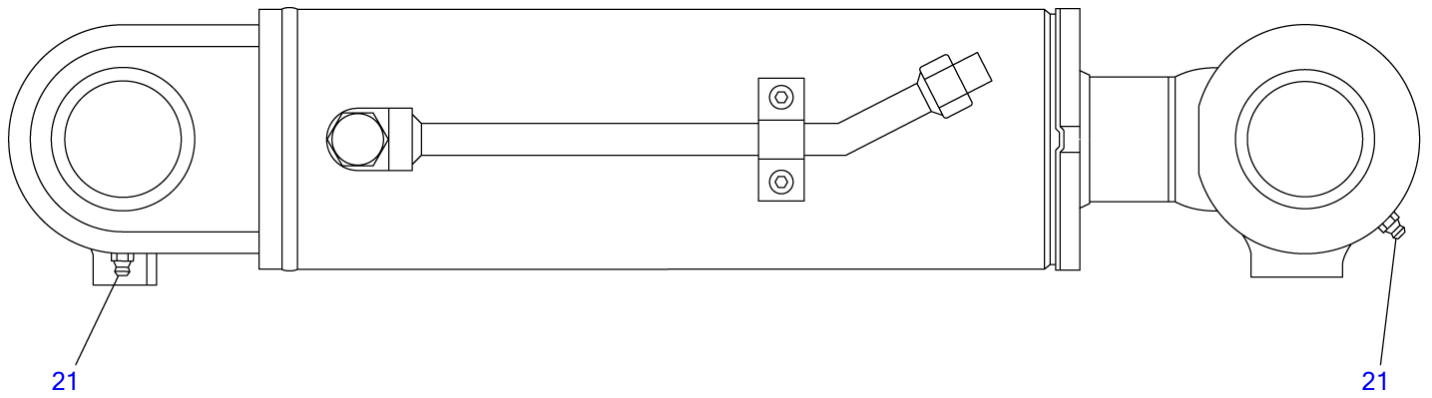
12 23

01/10/10

OFFSET CYLINDER

Item	Part number	Description	Q'ty	Chan.	Serial No.	Serv.	Remarks
0	1900104200	OFFSET CYLINDER ASSY	1				
0-1	1900104299	* SEAL KIT	1				
1	1900098635	* BUFFER SEAL	1				
2	1410570859	* * ROD PACKING	1				
3	1900098136	* * DUST SEAL	1				
4	1420111100	* * O-RING	2				
5	1900098628	* * BACK-UP RING	3				
6	1420111150	* * O-RING	1				
7	1900104234	* * PISTON PACKING	1				
8	1900104228	* * DUST SEAL	2				
9	1900098437	* * O-RING	1				
10	1900098438	* * BACK-UP RING	2				
11	1900104207	* TUBE	1				
12	1900100220	* BUSHING	2				
13	1900104201	* PISTON ROD	1				
14	1900104203	* ROD COVER	1				
15	1900104202	* BUSHING	1				
16	1900098114	* RETAINING RING	1				
17	1900098115	* RETAINING RING	1				
18	1900098116	* CUSHION RING	1				
19	1900104206	* PISTON	1				
20	1900104226	* WEAR RING	2				
21	1900098109	* NUT	1				
22	1121050816	* SET-SCREW	1				
23	1432200060	* DUST SEAL	4				
	L8H050						

TB180FR Book No. BL8Z001 S/N 17840001-
LONG DOZER BLADE CYLINDER



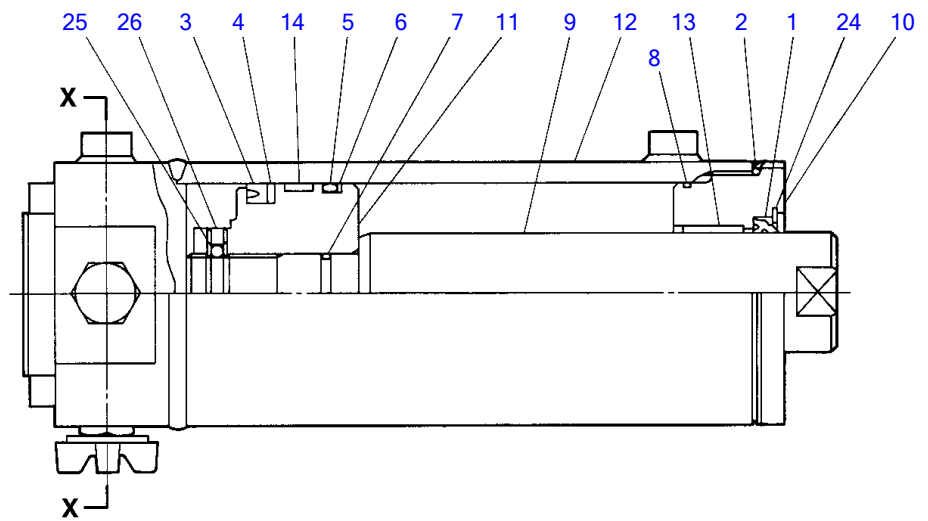
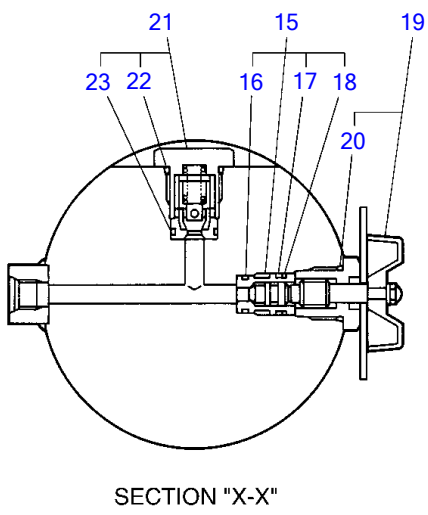
L5H220

S=free

LONG DOZER BLADE CYLINDER

Item	Part number	Description	Q'ty	Chan.	Serial No.	Serv.	Remarks
0	1900101300	CYLINDER ASSY	1				long dozer blade
0-1	1900101399	• KIT, seal	1				
1	X 1900063633	• • PACKING, piston	1				
2	X 1900067332	• • PACKING, rod	1				
3	X 1900069633	• • SEAL, dust	1				
4	X 1420111200	• • O-RING	1				
5	X 1420111150	• • O-RING	1				
6	X 1421131150	• • RING, back-up	1				
7	X 1420010520	• • O-RING	1				
8	1900101307	• TUBE ASSY	1				
9	1900101303	• COVER, rod	1				
10	1900101301	• ROD ASSY, piston	1				
11	1900101306	• PISTON	1				
12	1900101209	• NUT	1				
13	1900101310	• PIPE	1				
14	1900101219	• PLUG	1				
15	1900101208	• BUSHING	2				
16	1900101317	• HOLDER	1				
17	1110040812	• SCREW, cap	2				
18	1121051212	• SET-SCREW	1				
19	1390010500	• BALL, steel	1				
20	1333006540	• BUSHING	1				
21	1560001000	• FITTING, grease	2				
22	1900063433	• SEAL, dust	4				
23	1900086829	• RING, wear	2				
24	1420010200	• O-RING	2				
	L5h230						

TB180FR Book No. BL8Z001 S/N 17840001-
TENSION CYLINDER R.H.

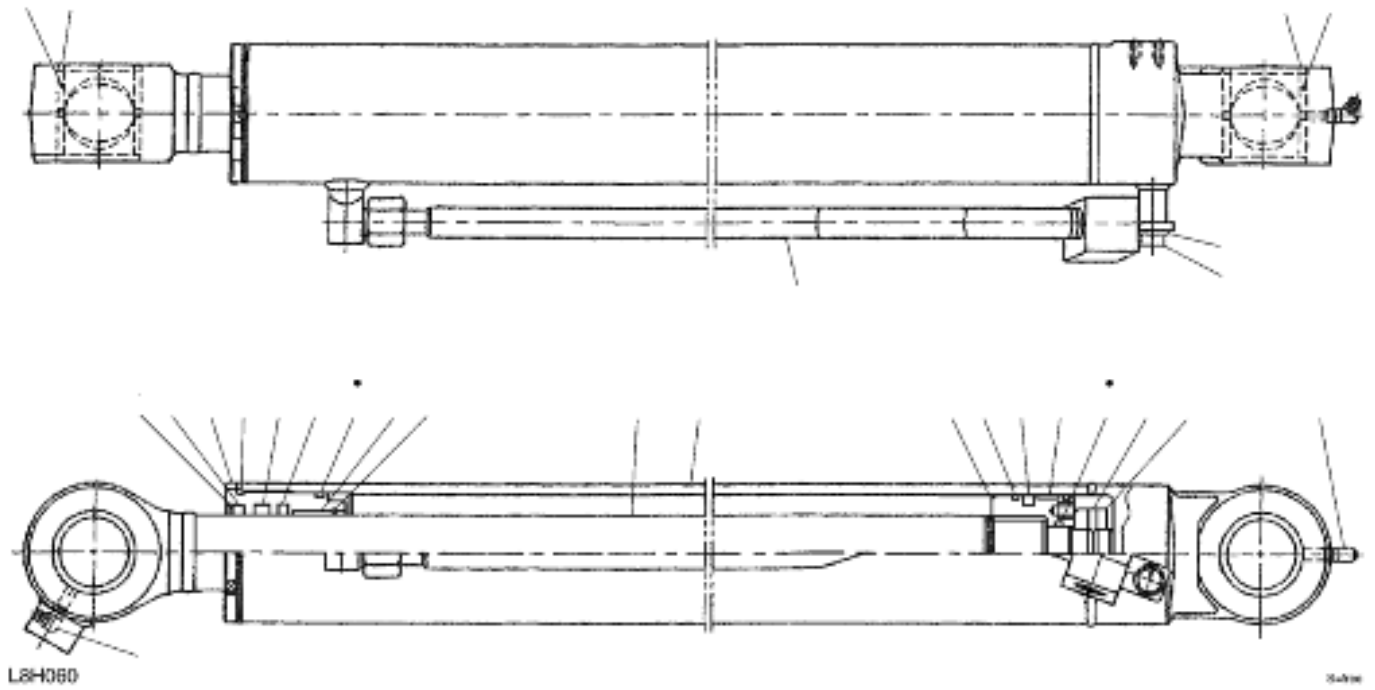


L2H181

S=FREE

TENSION CYLINDER R.H.

Item	Part number	Description	Q'ty	Chan.	Serial No.	Serv.	Remarks
0	1900081000	CYLINDER ASSY	1				tension (R.H.)
0-1	1900063999	• KIT, seal	1				
1	X 1411100060	• • SEAL, dust	1				
2	X 1420111150	• • O-RING	1				
3	X 1411131100	• • PACKING, piston	1				
4	X 1411310903	• • RING, back-up	1				
5	X 1420011000	• • O-RING	1				
6	X 1421021000	• • RING, back-up	1				
7	X 1420010320	• • O-RING	1				
8	X 1420501050	• • O-RING	1				
9	1900081001	• ROD, piston	1				
10	1900063903	• COVER, rod	1				
11	1900063906	• PISTON	1				
12	1900081007	• TUBE	1				
13	1333006030	• BUSHING	1				
14	1900063926	• RING, wear	1				
15	1900063928	• VALVE ASSY, seat	1				
16	1420010120	• • O-RING	1				
17	1420010140	• • O-RING	1				
18	1421020140	• • RING, back-up	1				
19	1900063929	• HANDLE ASSY	1				
20	1420500200	• • O-RING	1				
21	1900063933	• VALVE ASSY, check	1				
22	1420010220	• • O-RING	1				
23	1420010160	• • O-RING	1				
24	1221000082	• RING, snap	1				
25	1390010350	• BALL, steel	1				
26	1121040810	• SET-SCREW	1				
	L5h060						



L8H060

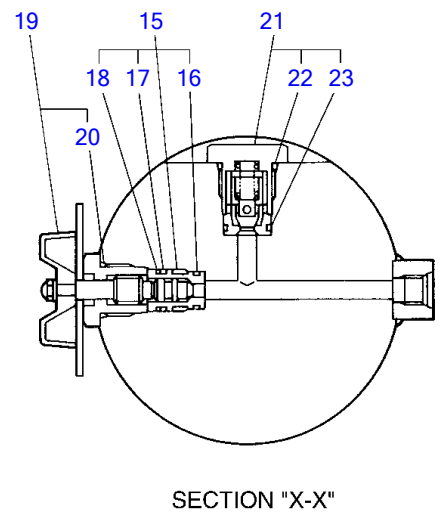
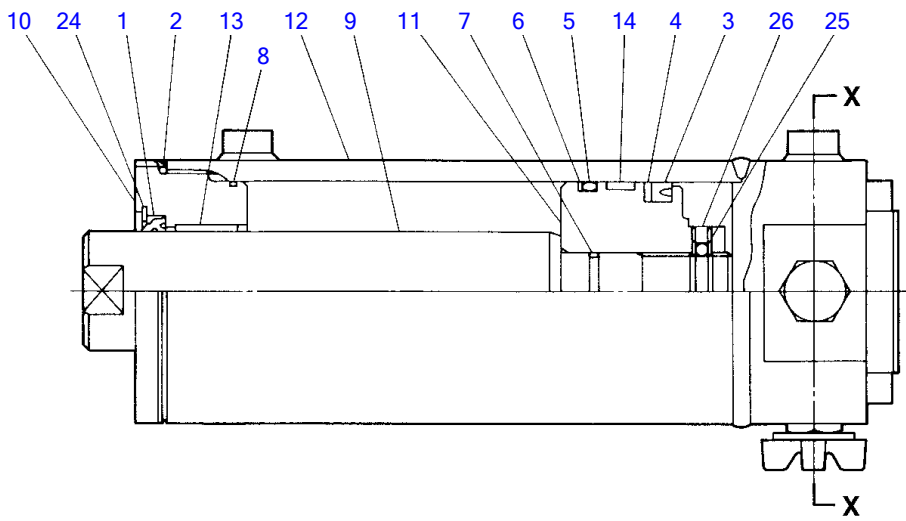
26/10/11

12 27

BUCKET CYLINDER

Item	Part number	Description	Q'ty	Chan.	Serial No.	Serv.	Remarks
0	1900100300	BUCKET CYLINDER	1				
0-1	1900100399	* SEAL KIT	1				
1	1900100035	* * BUFFER SEAL	1				
2	1900099632	* * ROD PACKING	1				
3	1900099635	* * DUST SEAL	1				
4	1420110800	* * O-RING	2				
5	1900100327	* * BACK-UP RING	2				
6	1420110850	* * O-RING	1				
7	1900100334	* * PISTON PACKING	1				
8	1900100329	* * DUST RING	2				
9	1420110450	* * O-RING	1				
10	1900100339	* * BACK-UP RING	2				
11	1900100307	* TUBE	1				
12	1900100302	* BUSHING	2				
13	1900100301	* PISTON ROD	1				
14	1900100303	* ROD COVER	1				
15	1333005530	* BUSHING	1				
16	1900100014	* RETAINING RING	1				
17	1900099614	* RETAINING RING	1				
18	1900100306	* PISTON	1				
19	1900100326	* WEAR RING	1				
20	1900100309	* NUT	1				
21	1121050816	* SET-SCREW	1				
22	1900100310	* PIPE	1				
23	1141110010	* WASHER	1				
24	1100041020	* BOLT	1				
25	1560001675	* GREASE FITTING	1				
26	1560001900	* GREASE FITTING	1				
27	1432200050	* DUST SEAL	4				
	L8H060						

TB180FR Book No. BL8Z001 S/N 17840001-
TENSION CYLINDER L.H.



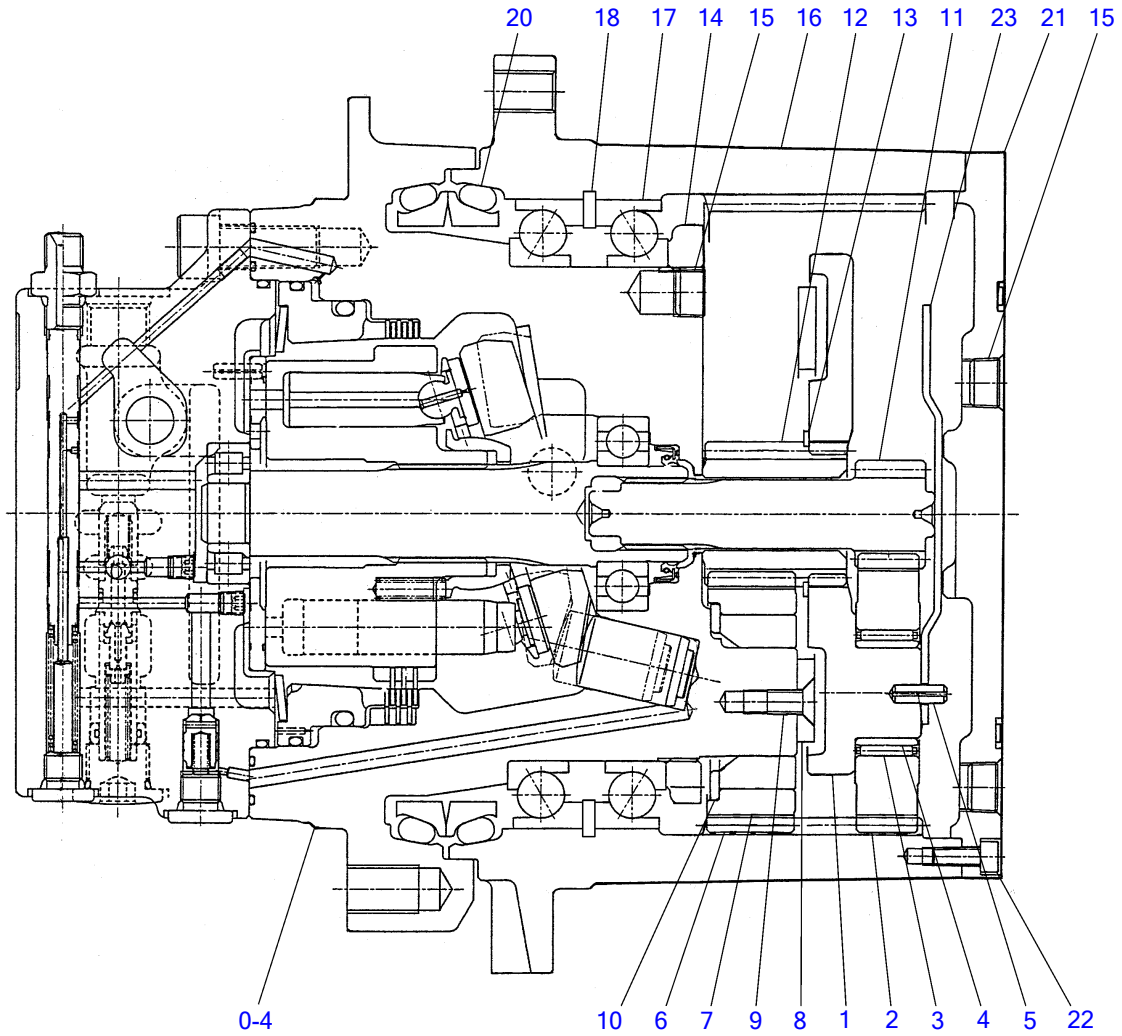
L2H191

S=FREE

TENSION CYLINDER L.H.

Item	Part number	Description	Q'ty	Chan.	Serial No.	Serv.	Remarks
0	1900081100	CYLINDER ASSY	1				tension (L.H.)
0-1	1900063999	• KIT, seal	1				
1	X 1411100060	• • SEAL, dust	1				
2	X 1420111150	• • O-RING	1				
3	X 1411131100	• • PACKING, piston	1				
4	X 1411310903	• • RING, back-up	1				
5	X 1420011000	• • O-RING	1				
6	X 1421021000	• • RING, back-up	1				
7	X 1420010320	• • O-RING	1				
8	X 1420501050	• • O-RING	1				
9	1900081001	• ROD, piston	1				
10	1900063903	• COVER, rod	1				
11	1900063906	• PISTON	1				
12	1900081007	• TUBE	1				
13	1333006030	• BUSHING	1				
14	1900063926	• RING, wear	1				
15	1900063928	• VALVE ASSY, seat	1				
16	1420010120	• • O-RING	1				
17	1420010140	• • O-RING	1				
18	1421020140	• • RING, back-up	1				
19	1900063929	• HANDLE ASSY	1				
20	1420500200	• • O-RING	1				
21	1900063933	• VALVE ASSY, check	1				
22	1420010220	• • O-RING	1				
23	1420010160	• • O-RING	1				
24	1221000082	• RING, snap	1				
25	1390010350	• BALL, steel	1				
26	1121040810	• SET-SCREW	1				
	L5h070						

TB180FR Book No. BL8Z001 S/N 17840001-
TRAVEL MOTOR (1/2) (reduction sec.)

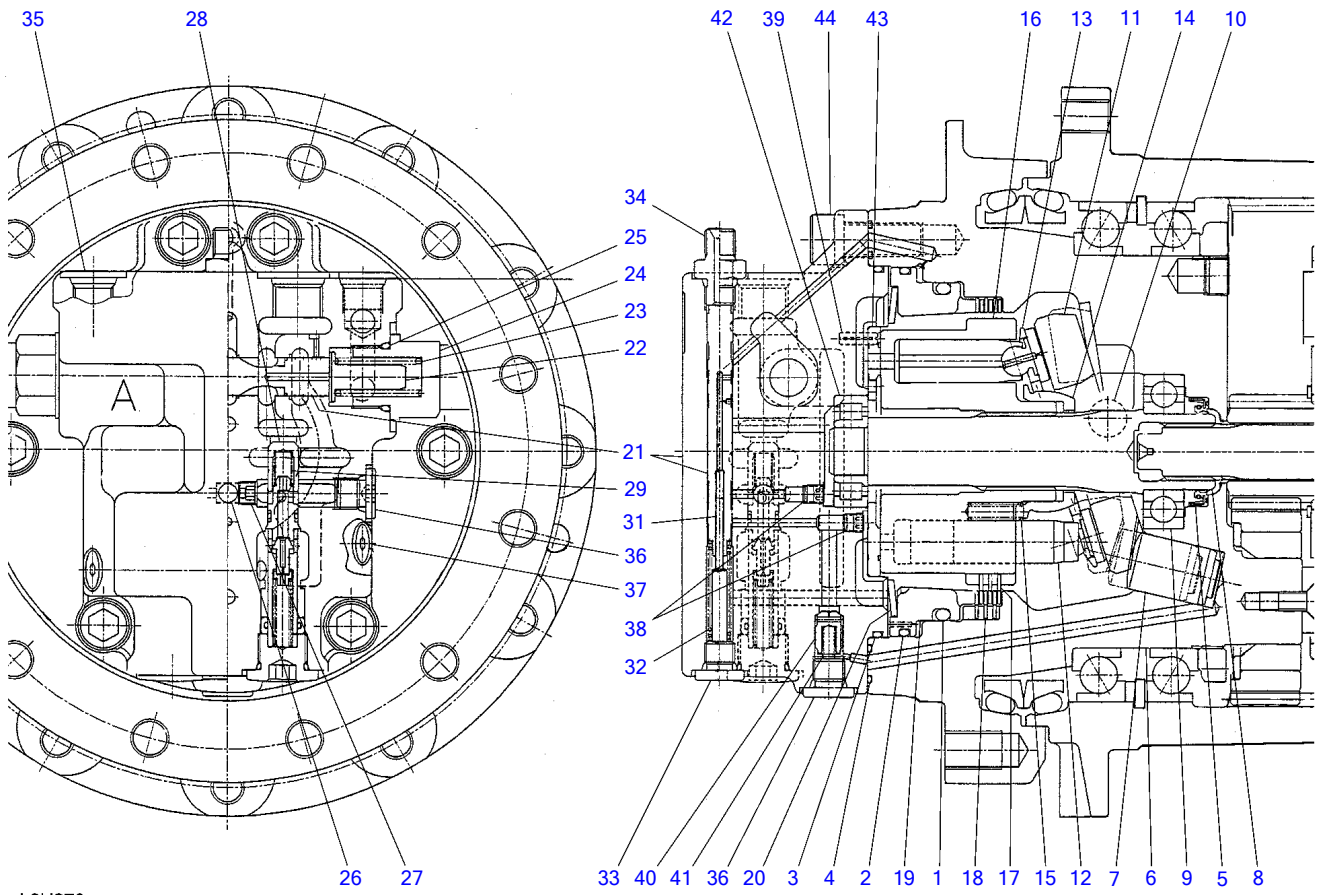


L5H080

S-FREE

TRAVEL MOTOR (1/2) (reduction sec.)							
Item	Part number	Description	Q'ty	Chan.	Serial No.	Serv.	Remarks
0	1903125800	MOTOR ASSY, travel	2				
0-1	X *****_*****	• GEAR ASSY, reduction	1				
0-2	1912906298	• • CARRIER (A) ASSY	1				
1	1912906201	• • • CARRIER (A)	1				
2	1912906202	• • • GEAR	3				
3	1912906203	• • • BEARING	3				
4	1912906204	• • • RACE, inner	3				
5	1213000618	• • • PIN, spring	3				
0-3	1912908107	• • CARRIER (B) ASSY	1				
0-4	1903907400	• • • MOTOR ASSY	1				see page (2/2)
6	1912906206	• • • GEAR	4				
7	1912906207	• • • RACE, inner	4				
8	1912906208	• • • PLATE	1				
9	1912906209	• • • SCREW, cap	4				
10	1912906210	• • • WASHER	4				
11	1912906211	• • GEAR	1				
12	1912906212	• • GEAR	1				
13	1220000048	• • RING, snap	1				
14	1912906213	• • NUT	1				
15	1501810003	• • PLUG	7				
16	1912906231	• • CASE	1				
17	1912906232	• • BEARING	2				
18	1912906216	• • RING, snap	1				
20	1912906218	• • SEAL, floating	1				
21	1912906220	• • COVER	1				
22	1110050616	• • SCREW, cap	12				
23	1912908126	• • PLATE KIT, thrust	1				
	1912908127	• • • PLATE, thrust t=6.0	1				
	1912908128	• • • PLATE, thrust t=6.2	1				
	1912908129	• • • PLATE, thrust t=6.4	1				
	1912908130	• • • PLATE, thrust t=6.6	1				
	1912908131	• • • PLATE, thrust t=6.8	1				
	1912908132	• • • PLATE, thrust t=7.0	1				
	1912908133	• • • PLATE, thrust t=7.2	1				
	1912908134	• • • PLATE, thrust t=7.4	1				
	1912908135	• • • PLATE, thrust t=7.6	1				
	L5h080						

TB180FR Book No. BL8Z001 S/N 17840001-
TRAVEL MOTOR (2/2) (motor sec.)



L3H270

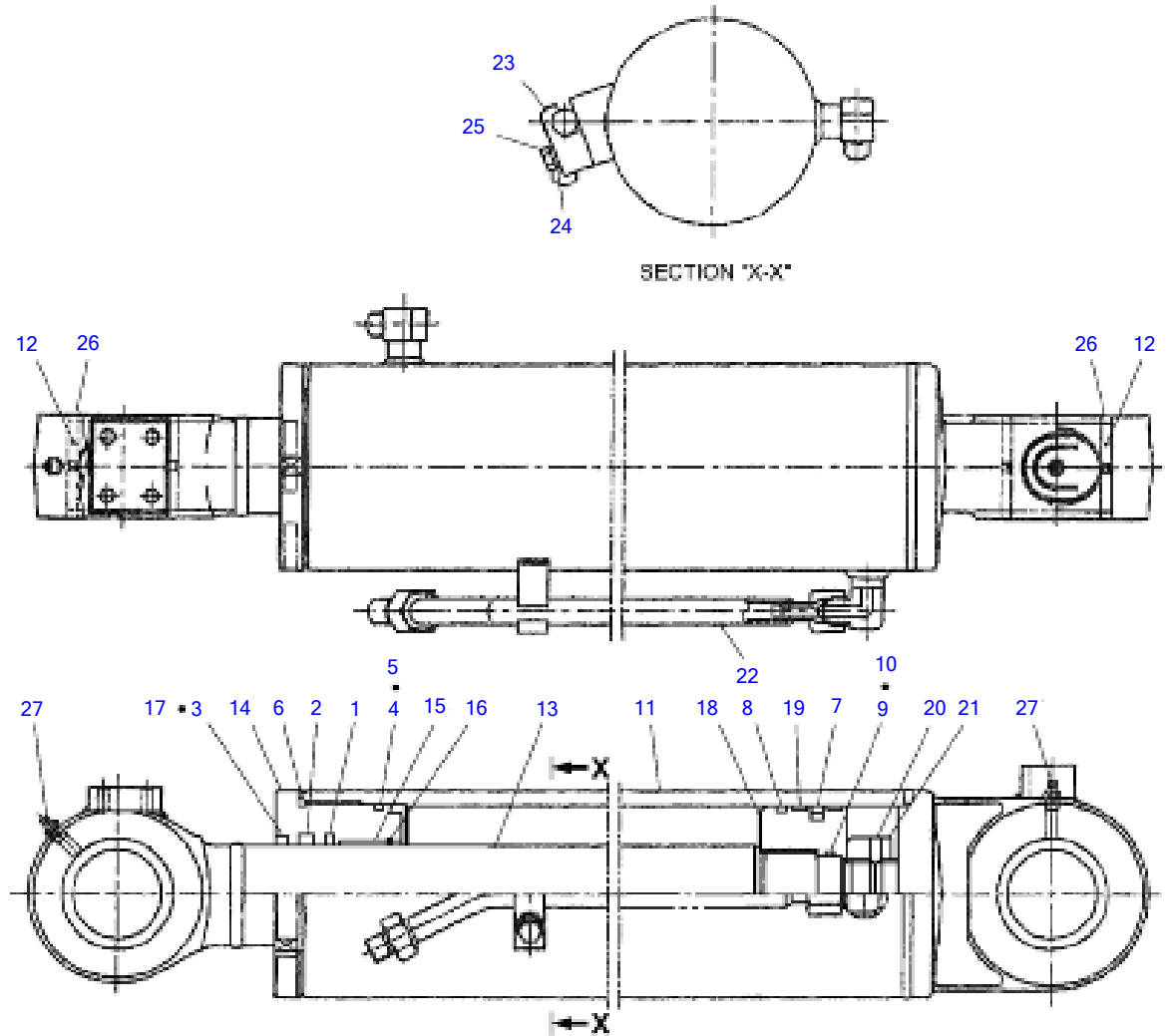
S=FREE

TRAVEL MOTOR (2/2) (motor sec.)

Item	Part number	Description	Q'ty	Chan.	Serial No.	Serv.	Remarks
0	1903125800	MOTOR ASSY, travel	2				
0-4	X *****_*****	• MOTOR ASSY	1				
0-5	1903905499	• • KIT, seal	1				
1	X 1903905416	• • • O-RING	1				
2	X 1903905417	• • • O-RING	1				
3	X 1903905419	• • • O-RING	1				
4	X 1420010120	• • • O-RING	2				
5	X 1903905402	• • • SEAL, oil	1				
6	1903907401	• • HOUSING	1				
7	1903907403	• • PISTON	1				
8	1903905404	• • SHAFT	1				
9	1903905405	• • BEARING	1				
10	1903907409	• • BALL	2				
11	1903905407	• • PLATE	1				
12	1903905408	• • PISTON ASSY	9				
13	1903905409	• • RETAINER	1				
14	1903905410	• • BUSHING	1				
15	1903905411	• • SPRING	6				
16	1903905412	• • ROTOR	1				
17	1903905413	• • PLATE	3				
18	1903905414	• • PLATE	3				
19	1903905415	• • PISTON	1				
20	1903905418	• • DISK	1				
0-6	1901809500	• • VALVE, brake	1				
21	1901809501	• • • CASE	1				
22	1901809503	• • • SPOOL	2				
23	1901809504	• • • SPRING	2				
24	1901809505	• • • PLUG	2				
25	1420110240	• • • O-RING	2				
26	1901809506	• • • BALL	1				
27	1901809507	• • • PLUG	1				
28	1901809508	• • • PLUNGER	2				
29	1901809509	• • • SPRING	2				
31	1901809511	• • • NEEDLE	1				
32	1901809512	• • • SPRING	1				
33	1901809513	• • • PLUG	1				
34	1901809514	• • • ADAPTOR	1				
35	1501810003	• • • PLUG	1				
36	1501810002	• • • PLUG	2				
37	1501810001	• • • PLUG	2				
38	1901809515	• • • PLUG	2				
39	1901809516	• • • PIN, spring	1				
40	1901809517	• • • PLUNGER	1				
41	1901809518	• • • SPRING	1				
42	1903905421	• • BEARING	1				
43	1903905422	• • PLATE	1				
44	1110021432	• • SCREW, cap	6				

L5h090

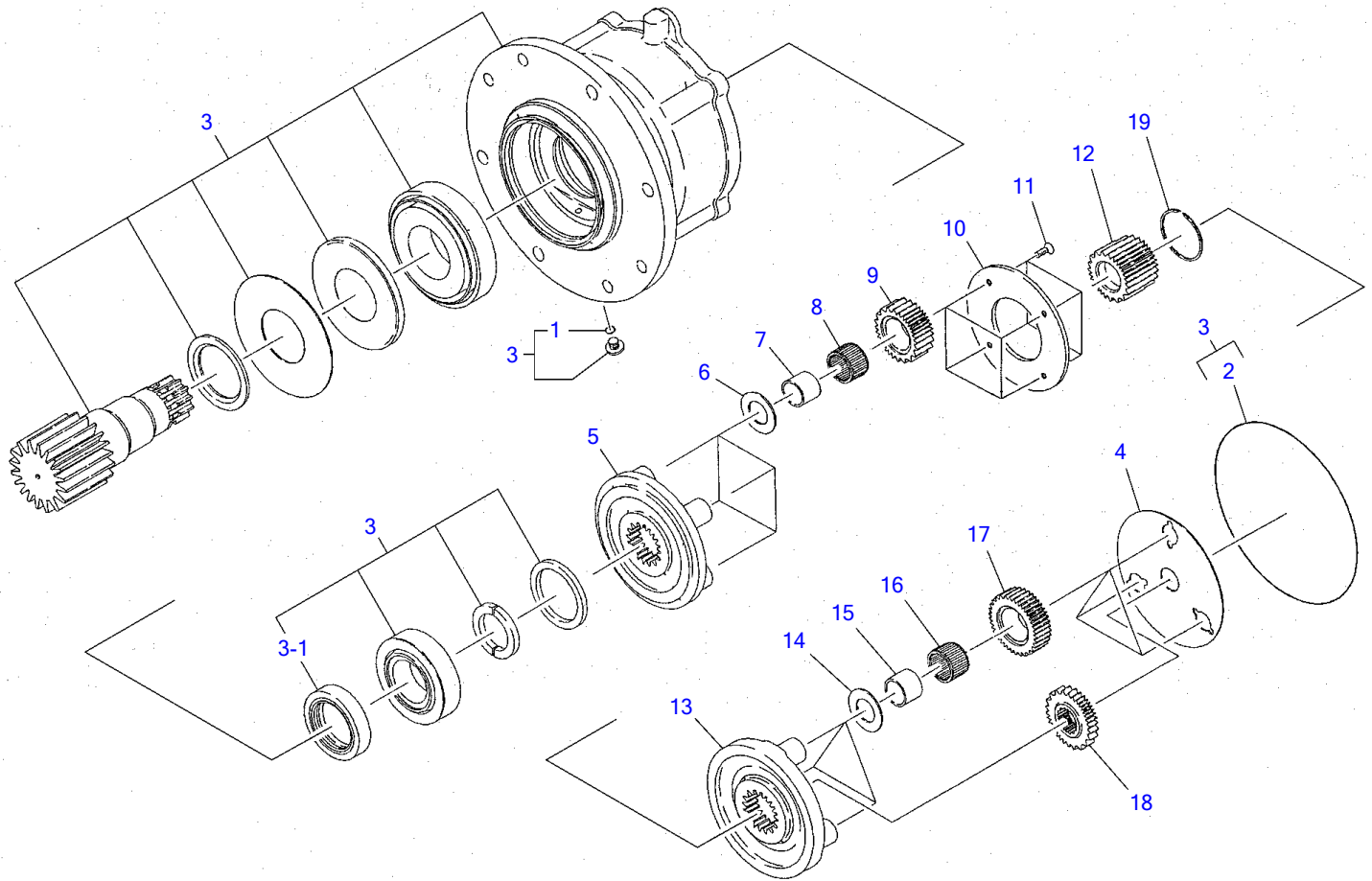
TB180FR Book No. BL8Z001 S/N 17840001-
DOZER BLADE CYLINDER



DOZER BLADE CYLINDER

Item	Part number	Description	Q'ty	Chan.	Serial No.	Serv.	Remarks
0	1900104300	DOZER BLADE CYLINDER ASSY	1				
0-1	1900104399	* SEAL KIT	1				
1	1900100235	* * BUFFER SEAL	1				
2	1410565809	* * ROD PACKING	1				
3	1900100236	* * DUST SEAL	1				
4	1420111150	* * O-RING	1				
5	1900103927	* * BACK-UP RING	1				
6	1420111200	* * O-RING	1				
7	1900103932	* * PISTON PACKING	1				
8	1900103929	* * DUST RING	1				
9	1900098437	* * O-RING	1				
10	1900098438	* * BACK-UP RING	2				
11	1900104307	* TUBE	1				
12	1900100220	* BUSHING	2				
13	1900104301	* PISTON ROD	1				
14	1900104303	* ROD COVER	1				
15	1900104002	* BUSHING	1				
16	1900100214	* RETAINING RING	1				
17	1900100228	* RETAINING RING	1				
18	1900104306	* PISTON	1				
19	1900103926	* WEAR RING	2				
20	1900098109	* NUT	1				
21	1121050816	* SET-SCREW	1				
22	1900104310	* PIPE	1				
23	1900104317	* HOLDER	1				
24	1140020008	* SPRING WASHER	1				
25	1100040835	* BOLT	1				
26	1432200060	* DUST SEAL	4				
27	1560001000	* GREASE FITTING	2				
	L8H070						

TB180FR Book No. BL8Z001 S/N 17840001-
SLEW MOTOR (1/2) (reduction sec.)



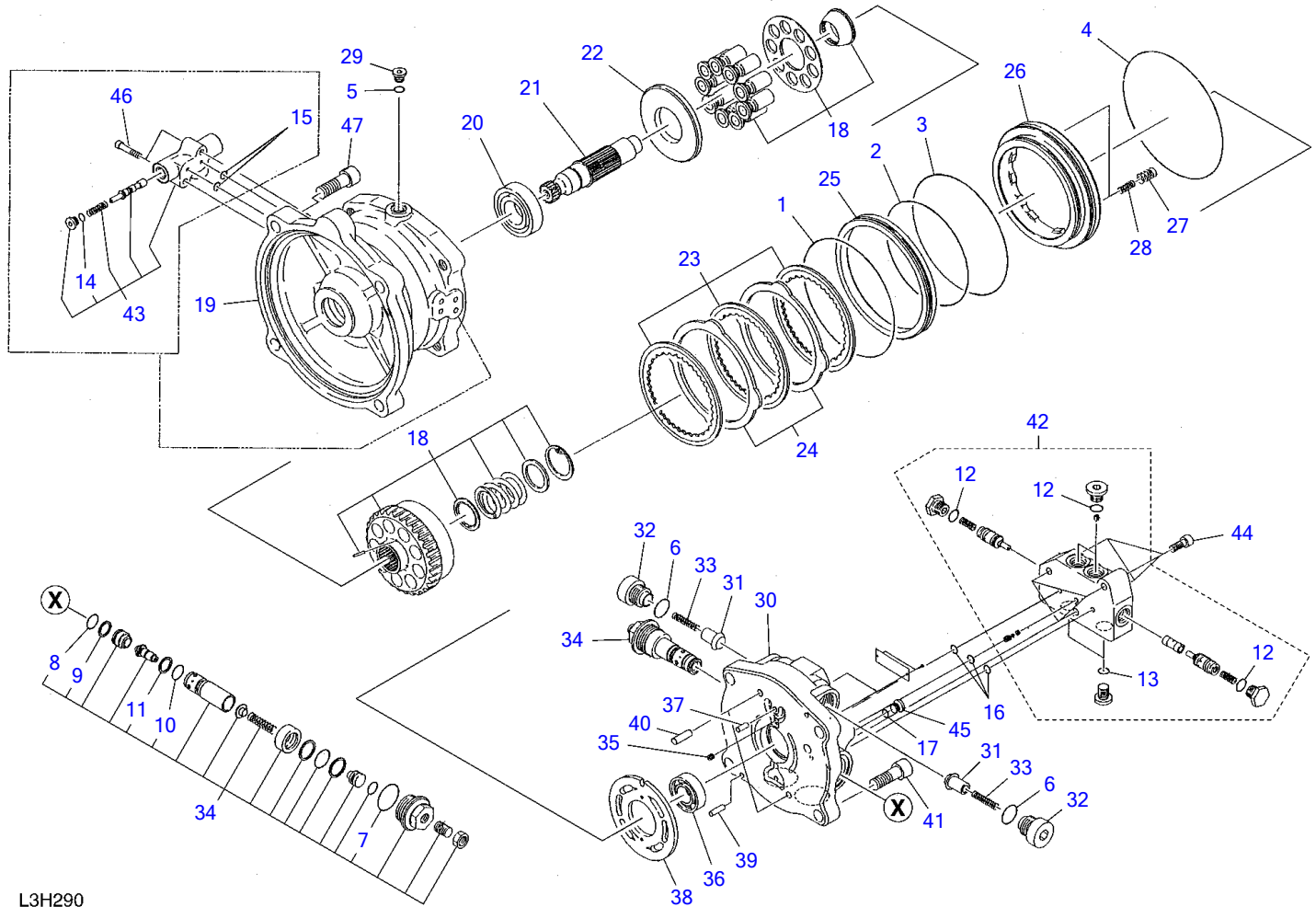
L3H281

S=FREE

SLEW MOTOR (1/2) (reduction sec.)

Item	Part number	Description	Q'ty	Chan.	Serial No.	Serv.	Remarks
0	1903125600	MOTOR ASSY, slew	1				
0-1	X *****_*****	• GEAR ASSY, reduction	1				
0-2	1912906399	• • KIT, seal	1				
1	X 1420010080	• • • O-RING	1				
2	X 1420310267	• • • O-RING	1				
3	1912906398	• • HOUSING ASSY	1				
3-1	1912906307	• • • SEAL, oil	1				
4	1912906397	• • PLATE KIT, thrust	1				
5	1912906311	• • HOLDER	1				
6	1912906008	• • PLATE, thrust	4				
7	1912906340	• • RACE, inner	4				
8	1912906341	• • BEARING	4				
9	1912906315	• • GEAR	4				
10	1912904213	• • PLATE, thrust	1				
11	1120640816	• • SCREW	4				
12	1912906318	• • GEAR	1				
13	1912906319	• • HOLDER	1				
14	1912905612	• • WASHER, thrust	3				
15	1912905611	• • RACE, inner	3				
16	1912905610	• • BEARING	3				
17	1912906323	• • GEAR	3				
18	1912906325	• • GEAR	1				
19	1912906326	• • RING, snap	1				
	L8h010						

TB180FR Book No. BL8Z001 S/N 17840001-
SLEW MOTOR (2/2) (motor sec.)



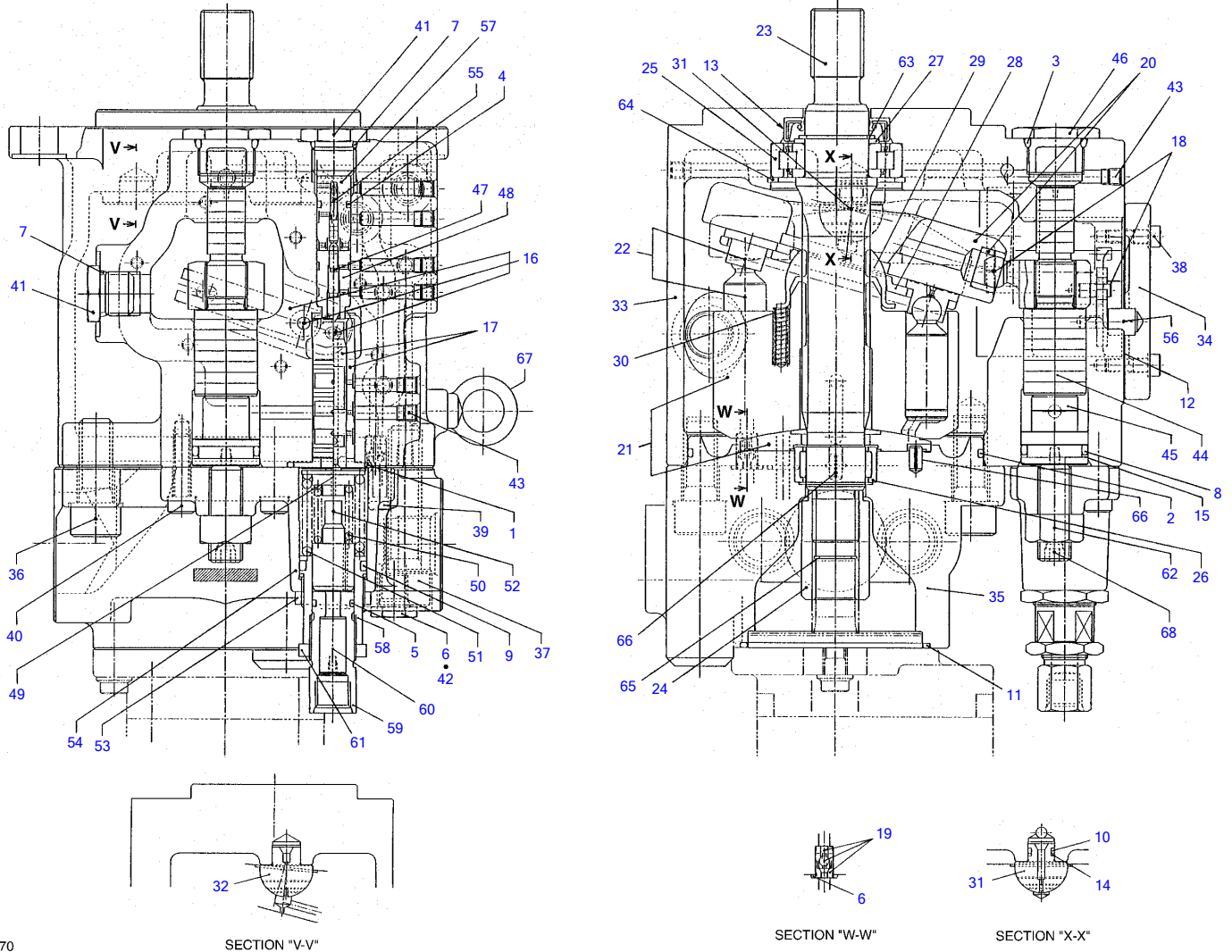
L3H290

S=FREE

SLEW MOTOR (2/2) (motor sec.)

Item	Part number	Description	Q'ty	Chan.	Serial No.	Serv.	Remarks
0	1903125600	MOTOR ASSY, slew	1				
0-3	X *****_*****	· MOTOR ASSY	1				
0-4	1903905599	· · KIT, seal	1				
1	X 1420111450	· · · O-RING	1				
2	X 1420111300	· · · O-RING	1				
3	X 1420300257	· · · O-RING	1				
4	X 1420300259	· · · O-RING	1				
5	X 1420010110	· · · O-RING	1				
6	X 1420010210	· · · O-RING	2				
7	X 1420310916	· · · O-RING	1				
8	X 1420010150	· · · O-RING	1				
9	X 1421020150	· · · RING, back-up	1				
10	X 1420010160	· · · O-RING	1				
11	X 1421020160	· · · RING, back-up	1				
12	X 1420010140	· · · O-RING	4				
13	X 1420010110	· · · O-RING	2				
14	X 1420010110	· · · O-RING	1				
15	X 1420010070	· · · O-RING	2				
16	X 1420010100	· · · O-RING	3				
17	X 1420010080	· · · O-RING	1				
18	1903905598	· · BLOCK ASSY, cylinder	1				
19	1903907501	· · CASE	1				
20	1903102003	· · BEARING	1				
21	1903905504	· · SHAFT	1				
22	1903905505	· · PLATE, thrust	1				
23	1903905515	· · DISK	3				
24	1903905516	· · PLATE	2				
25	1903905517	· · COLLAR	1				
26	1903905519	· · PISTON, brake	1				
27	1903905522	· · SPRING	12				
28	1903905523	· · SPRING	8				
29	1501750002	· · PLUG	1				
	1420010110	· · · O-RING	1				
30	1903905527	· · COVER	1				
31	1903904722	· · POPPET	2				
32	1903904723	· · PLUG	2				
33	1903904725	· · SPRING	2				
34	1903907528	· · VALVE, relief	2				
35	1901802713	· · ORIFICE	1				
36	1903115927	· · BEARING	1				
37	1212000610	· · PIN	1				
38	1903115925	· · PLATE	1				
39	1903120119	· · PIN	2				
40	1212000820	· · PIN	2				
41	1110021440	· · SCREW, cap	4				
42	1903905529	· · VALVE ASSY	1				
43	1903905532	· · VALVE ASSY	1				
44	1110020820	· · SCREW, cap	3				
45	1501750003	· · PLUG	1				
	1420010140	· · · O-RING	1				
46	1110020630	· · SCREW, cap	2				
47	1110021440	· SCREW, cap	4				
	L5h110						

TB180FR Book No. BL8Z001 S/N 17840001-
HYDRAULIC PUMP



L7H170

SECTION "V-V"

SECTION "W-W"

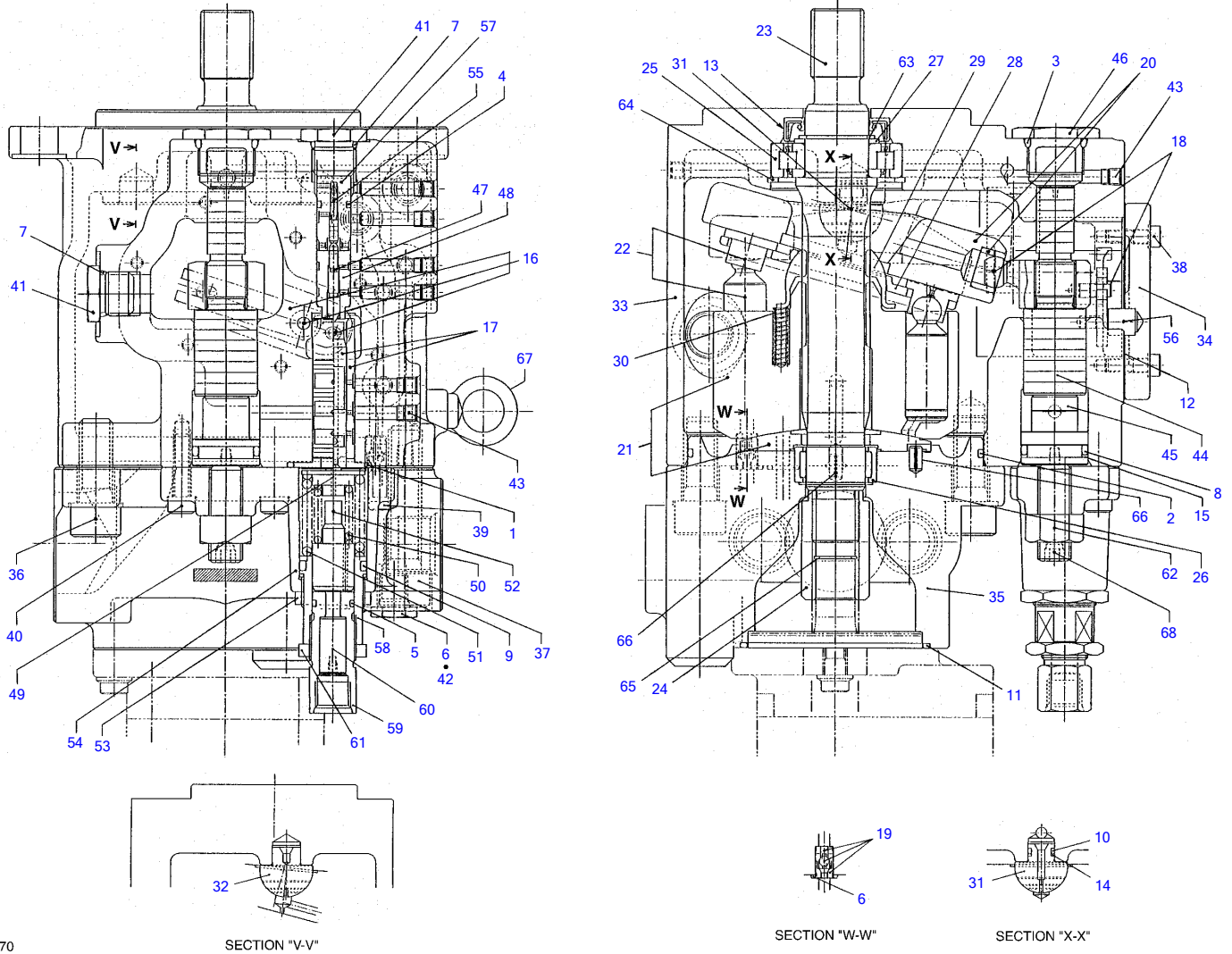
SECTION "X-X"

Saifee

HYDRAULIC PUMP

Item	Part number	Description	Q'ty	Chan.	Serial No.	Serv.	Remarks
0	1902024200	PUMP ASSY, hydraulic	1				
0-1	1902017599	• KIT, seal	1				
1	X 1420110350	• • O-RING	1				
2	X 1420111350	• • O-RING	1				
3	X 1420010240	• • O-RING	1				
4	X 1420010120	• • O-RING	1				
5	X 1420010160	• • O-RING	1				
6	X 1420010110	• • O-RING	6				
7	X 1420010180	• • O-RING	1				
8	X 1902017555	• • O-RING	1				
9	X 1420010260	• • O-RING	1				
10	X 1902017556	• • O-RING	1				
11	X 1420110850	• • O-RING	1				
12	X 1902017557	• • GASKET	1				
13	X 1902017558	• • SEAL, oil	1				
14	X 1902017559	• • RING, back-up	1				
15	X 1421020260	• • RING, back-up	1				
16	1902017598	• LEVER ASSY	1				
17	1902017597	• SPOOL ASSY	1				
18	1902017596	• PIN ASSY	1				
19	1902017595	• VALVE ASSY, check	1				
20	1902017594	• PLATE ASSY	1				
21	1902017593	• CYLINDER ASSY	1				
	1902024193	* CYLINDER ASSY	1				
22	1902024292	• PISTON ASSY	1				
	1902024192	* PISTON ASSY	1				
23	1902017501	• SHAFT	1				
24	1902017502	• COUPLING	1				
25	1902017503	• BEARING	1				
26	1902017504	• BEARING	1				
27	1902017505	• SPACER	1				
28	1902017509	• PLATE	1				
29	1902017510	• BUSHING	1				
30	1902017511	• SPRING	10				
31	1902017514	• BALL	1				
32	1902017515	• BALL	1				
33	1902017516	• CASE	1				
34	1902017517	• COVER	1				
35	1902017518	• COVER	1				
36	1110021640	• SCREW, cap	4				
37	1110021670	• SCREW, cap	1				
38	1110020620	• SCREW, cap	7				
39	1110020625	• SCREW, cap	2				
40	1110020830	• SCREW, cap	4				
41	1501750004	• PLUG	1				
	1420010180	• • O-RING	1				
42	1501750002	• PLUG	2				
	1420010110	• • O-RING	1				
43	1501810000	• PLUG	16				
44	1902017529	• PISTON	1				
45	1902024230	• STOPPER	1				
46	1902017531	• PLUG	1				
47	1902017537	• PISTON	1				
48	1902017538	• CASE	1				
49	1902017539	• WASHER, spring	1				
50	1902017540	• SPRING	1				
51	1902017541	• SPRING	1				
52	1902017562	• PIN	1				
53	1902017543	• NUT	1				
54	1902017544	• COVER	1				
55	1902022149	• PISTON	1				
56	1902017550	• PIN	1				
57	1902022151	• CASE	1				
58	1902017552	• SCREW	1				
59	1902017553	• RING	1				
60	1902017554	• PISTON	1				
61	1902017560	• NUT	1				
62	1130050016	• NUT	1				

TB180FR Book No. BL8Z001 S/N 17840001-
HYDRAULIC PUMP



L7H170

SECTION "V-V"

SECTION "W-W"

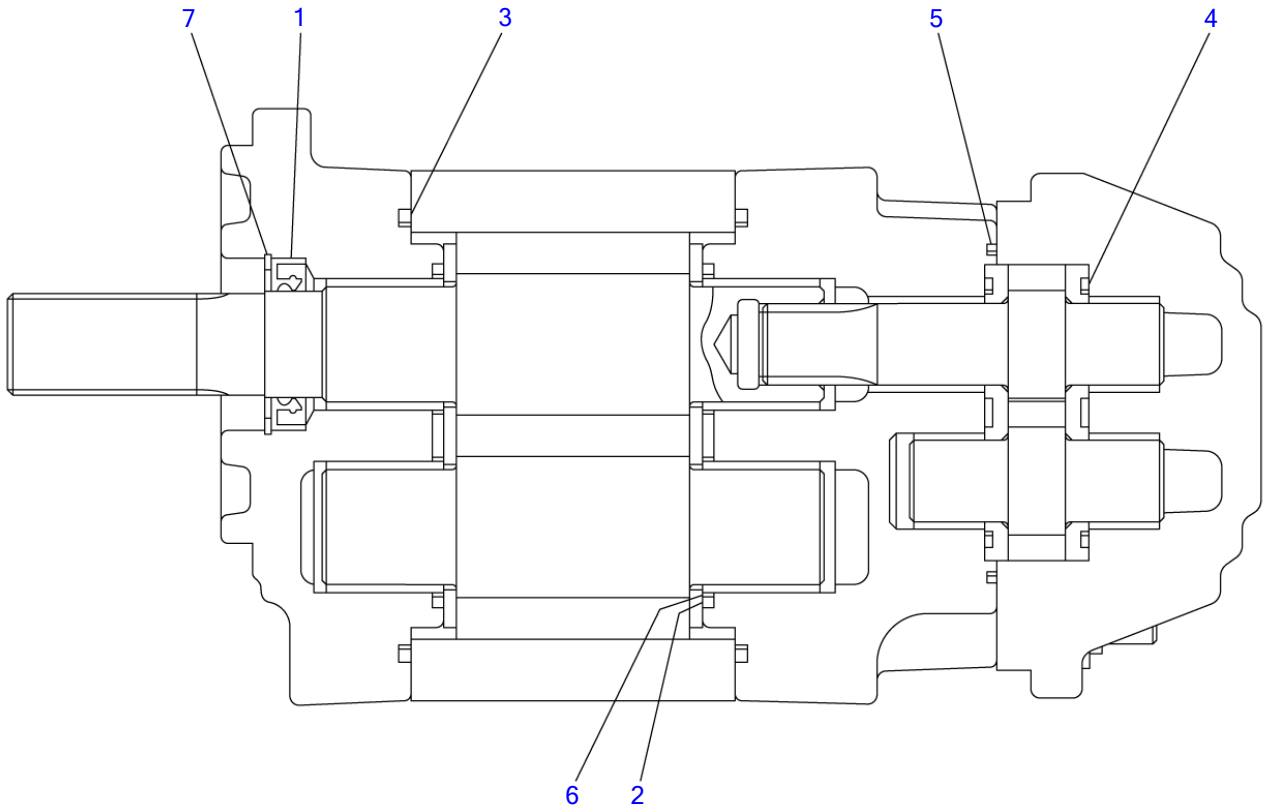
SECTION "X-X"

Safran

HYDRAULIC PUMP

Item	Part number	Description	Q'ty	Chan.	Serial No.	Serv.	Remarks
63	122000030	• RING, snap	1				
64	122100062	• RING, snap	1				
65	122100019	• RING, snap	1				
66	1213000612	• PIN, spring	2				
67	1121600008	• BOLT	1				
68	1121051645	• SET-SCREW	1				
	L8H080						

TB180FR Book No. BL8Z001 S/N 17840001-
GEAR PUMP

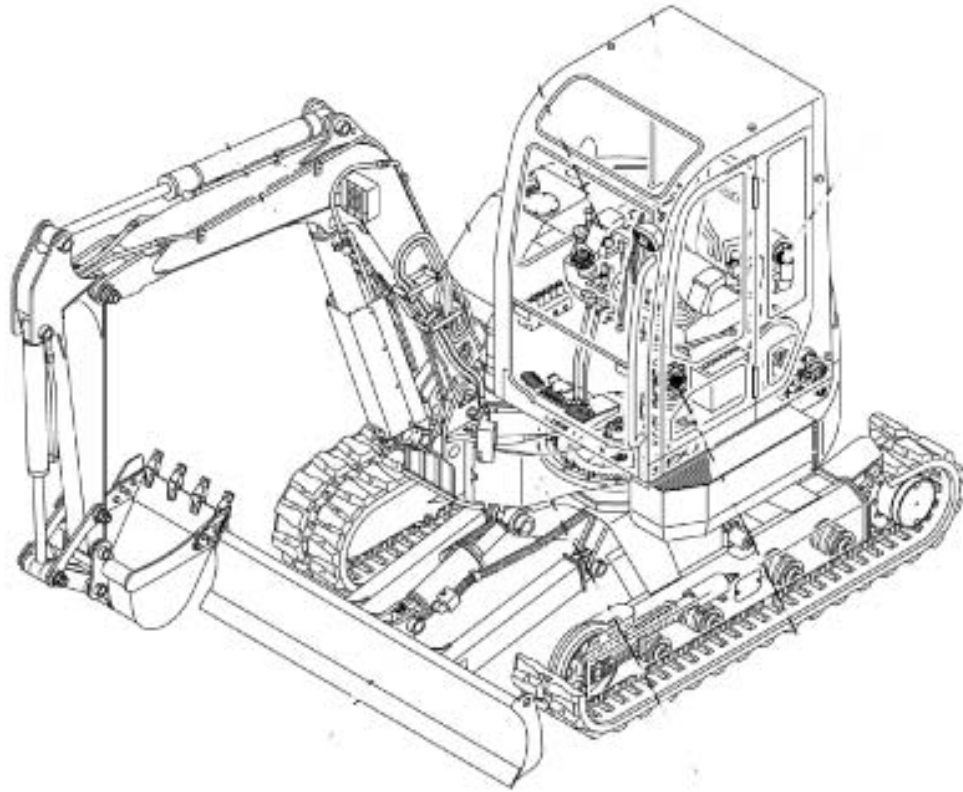


L3H300

S=FREE

GEAR PUMP

Item	Part number	Description	Q'ty	Chan.	Serial No.	Serv.	Remarks
0	1902017600	PUMP ASSY, gear	1				
0-1	1902017699	▪ KIT, seal	1				
1	X 1902017618	▪ ▪ SEAL, oil	1				
2	X 1902017616	▪ ▪ GASKET	2				
3	X 1902017613	▪ ▪ GASKET	2				
4	X 1902011050	▪ ▪ GASKET	2				
5	X 1902011151	▪ ▪ GASKET	1				
6	X 1902017615	▪ ▪ RING, back-up	2				
7	X 1221000036	▪ ▪ RING, snap	1				
	L3h301						

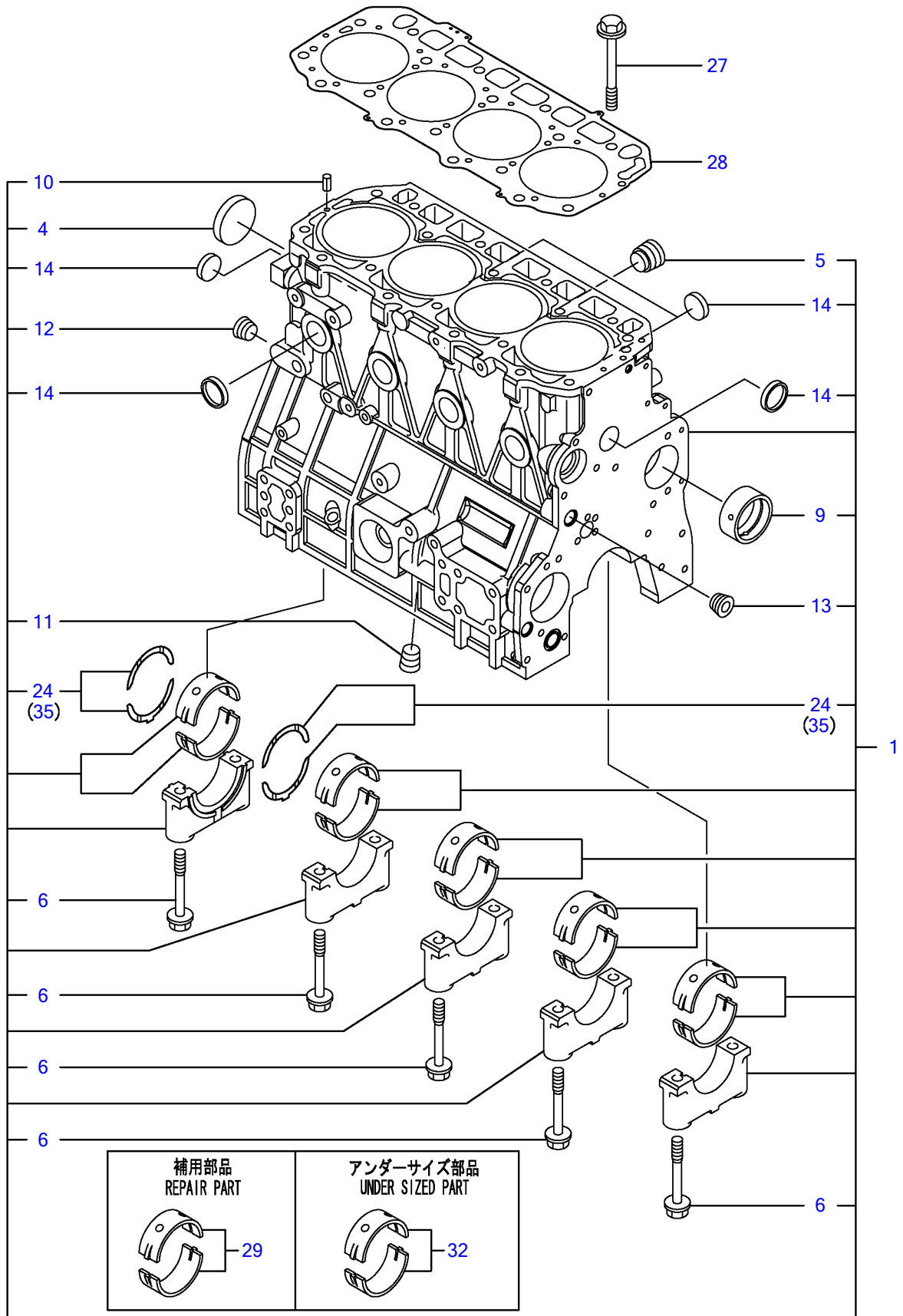


TAKEUCHI

Recommended Stock List						
Item	Part number	Description	Q'ty	Chan.	Serial No.	Serv. Remarks
		Recommended Stock List				
	1551100200	Hydraulic Filter	3			
	Y129062-12560	Outer Air Filter	6			
	Y129150-35150	Engine Oil Filter	12			
	Y129004-55801	Fuel Filter	6			
	1900092999	Boom Offset Cylinder Seal Kit	1			
	1900092899	Blade Cylinder Seal Kit SN 17830004-17830349	1			
	1900092799	Bucket Cylinder Seal Kit SN 17830004-17830324	2			
	1900092699	Arm Cylinder Seal Kit SN 17830004-up	2			
	1900092599	Boom Cylinder Seal Kit SN 17830004-up	2			
	1914200230	Tooth	12			
	1914200023	Lock	12			
	1703006100	Lamp Assy	1			
	1554512600	Tube	1			
	1552100500	Fuel Cap	1			
	1919060140	Medium Gray Aerosol Paint (070)	6			
	1919060139	Light Gray Aerosol Paint	6			
	1919060104	Red Aerosol Paint	6			
	1700100019	Key (qty 1 = 2 keys)	4			
	1700100052	Starter Switch	1			
	1914086410	Rubber Track	2			
	0561615100	Sprocket	2			
	Y25152-004200	Fan Belt	1			
	1560001000	Straight Grease Fitting	10			
	1560001675	Grease Fitting 67.5 degree	6			
	1560001900	Grease Fitting 90 degree	6			

All TB180FR Manuals						
Item	Part number	Description	Q'ty	Chan.	Serial No.	Serv. Remarks
		TB180FR Manuals				
	L153000001	Operators Manual TB180FR AL5E003 English	1			
	L153000001IT4	Operators Manual TB180FR AJ3E002 Interim Tier 4 English	1			
	L180000003	Parts Manual TB180FR BL5Z004 SN 17830004-17839999	1			
	L180000003IT4	Parts Manual TB180FR BL8Z001 SN 17840001-up Interim Tier 4	1			
	L180000004	Service Manual TB180FR CL5E000 Tier 3	1			
	L180000004IT4	Service Manual TB180FR CL8E000 Interim Tier 4	1			

Engine for TB180FR 4TNV98-ZQTBZ CYLINDER BLOCK

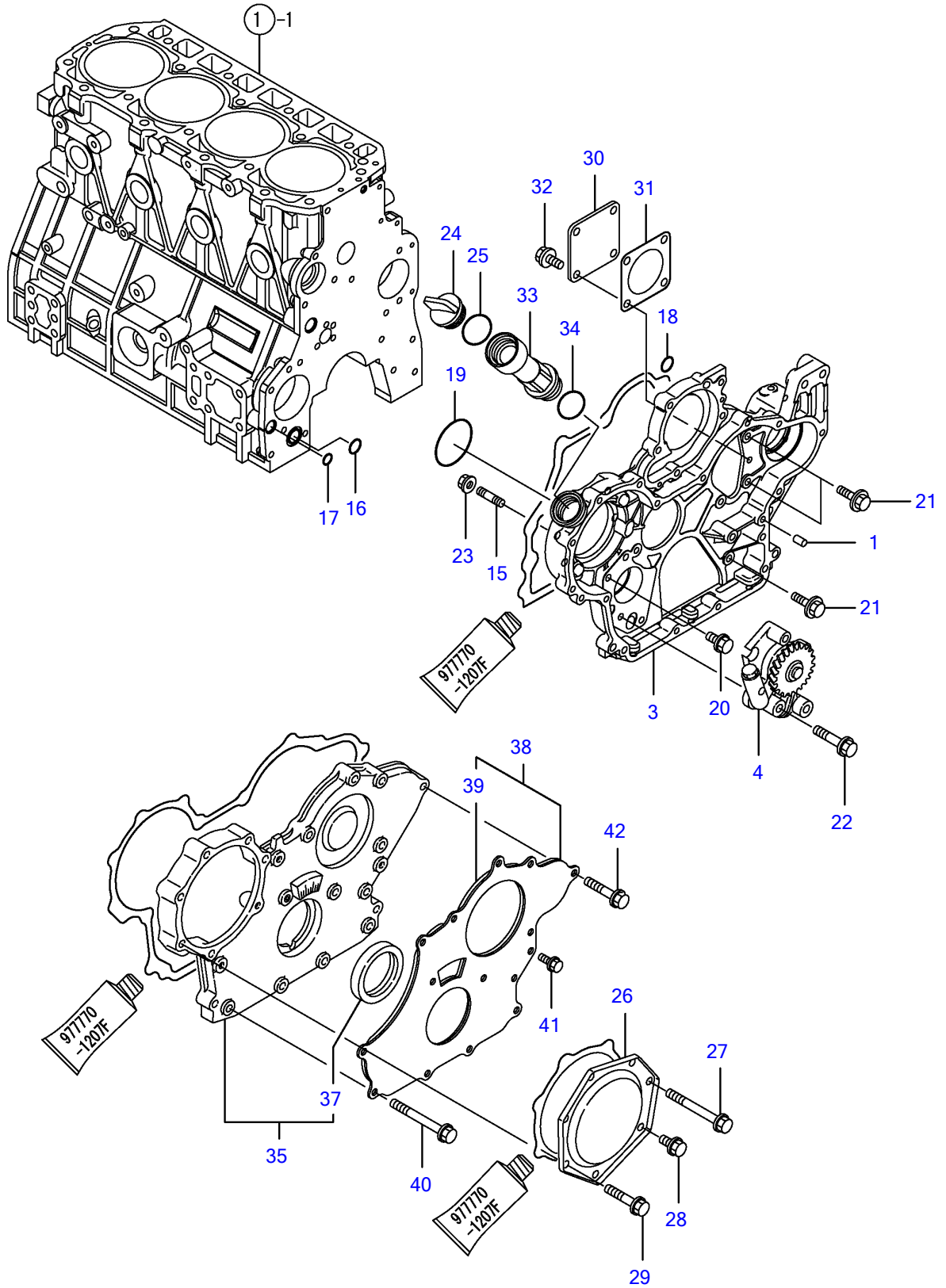


Y00D9930	1, シリンダブロック			
4TNV98-ZQTBZ		1, 07/12	2	3 PLUS

¼ØÝÀÞÌÞÙÄ, CYLINDER BLOCK

REF NO.	PARTS NO.	Description	Q'ty	I	R	Notes
1	Y729927-01560	¼ØÝÀÞÌÞÙÄ, CMP	1			
4	Y129900-01250	• »×ŕÞÀÌß×, Þ 55	1			
5	Y171051-01921	• Ìß×, Þ NPTF1	1			
6	Y129900-02020	• ÌÞÙÄ(ÒÀÙ·ÒÀÌß	10			
9	Y129900-02410	• ŕŕŕ¼Þ, ÌÞÀ¼Ö	1			
10	Y22351-060012	• ½ÌßØÝ, ÞÈßÝ 6.0AX 12	2			
11	Y23876-030000	• È¼ÞÌß×, ÞPT 3/8	1			
12	Y23876-030000	• È¼ÞÌß×, ÞPT 3/8	1			
13	Y23876-030000	• È¼ÞÌß×, ÞPT 3/8	1			
14	Y27241-300000	• ÙÝŕÞÀÌß×, Þ 30	8			
24	Y129900-02931	• ½×½ÄÒÀÙ CMP	2			
27	Y129900-01200	ÍÄÄÞÌÞÙÄ	18			
28	Y129907-01331	ÍÄÄÞŕÞ½¹ÄÄ	1			
29	Y729900-02801	Ò²ÝÒÀÙCMP(STDÎÖ³ÈÝ)	5			(1) ÎÖ³ÌÞÈÝÄÞ½
32	Y129900-02341	Ò²ÝÍÞ±ØÝ, Þ U.S=0.25	5			(2) ±ÝÄÞ°»²½Þ(U.S=0.25)ÌÞÈÝÄ
35	Y129900-02941	½×½ÄÒÀÙ O.S=0.25	2			(3) μ°ÈÞ°»²½Þ(O.S=0.25)ÌÞÈÝÄ

Engine for TB180FR 4TNV98-ZQTBZ GEAR HOUSING

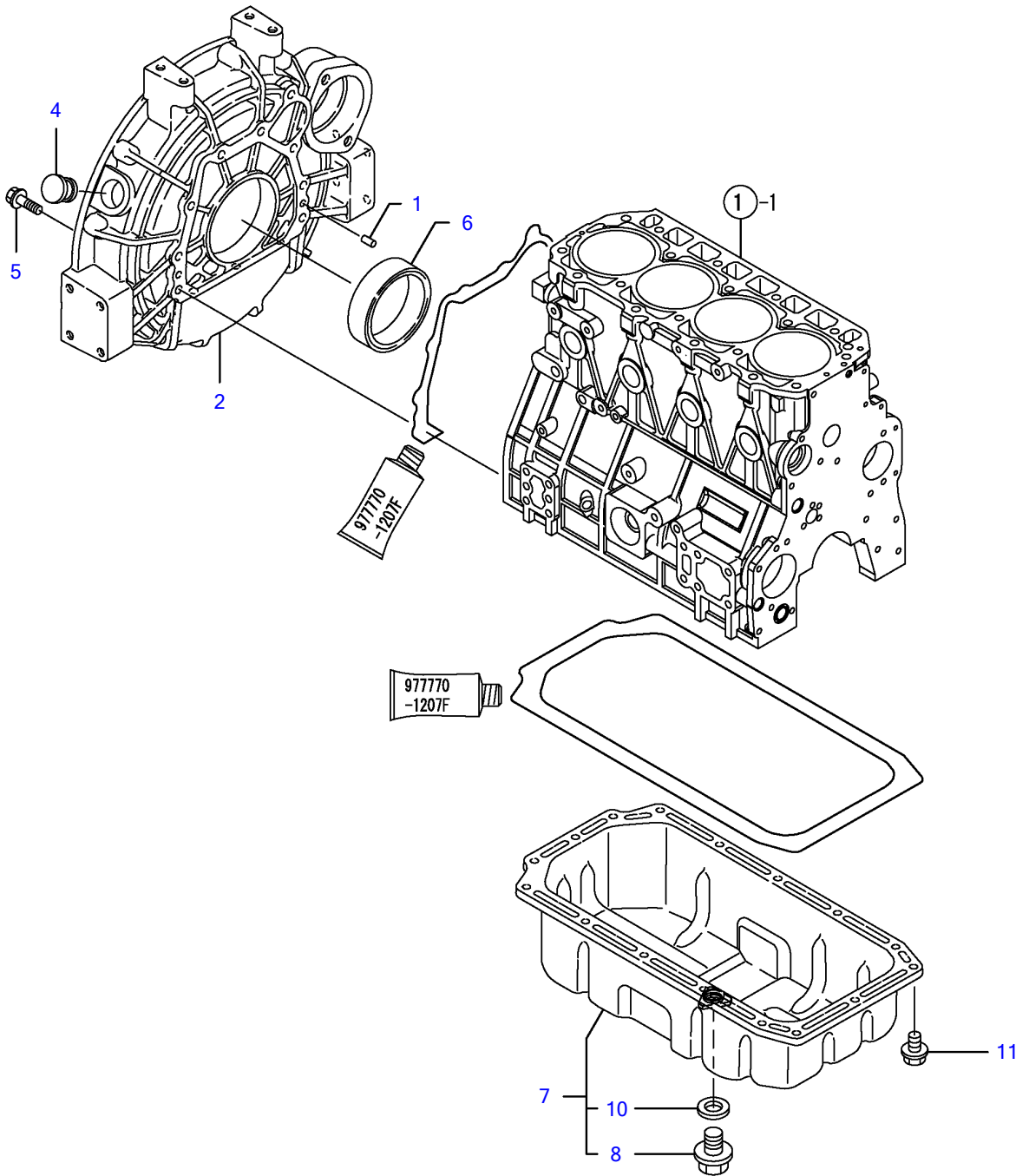


Y00D9930	2. ギヤケース			
4TNV98-ZQTBZ		1, 07/12	2	3 PLUS

·PÔ¹-½ GEAR HOUSING

REF NO.	PARTS NO.	Description	Q'ty
1	Y129100-01580	PARALLEL PIN 8X16	4
3	Y129938-01510	HOUSING,GEARS	1
4	Y129900-32001	PUMP ASSY, LUB.OIL	1
15	Y26216-100302	STUD BOLT	4
16	Y129900-32030	O-RING P20	1
17	Y129900-32040	O-RING P14	1
18	Y24311-000070	O-RING 1A P-7.0	1
19	Y24351-030750	PACKING, 3075	1
20	Y26106-080162	BOLT M 8X 16 PLATED	1
21	Y26106-080202	BOLT M 8X 20 PLATED	3
22	Y26106-080452	BOLT M 8X 45 PLATED	3
23	Y26306-100002	NUT	4
24	Y124160-01751	COVER,FILLER	1
25	Y24311-000320	O-RING 1A P-32.0	1
26	Y129900-01740	COVER, F.I. PUMP	1
27	Y129001-91810	BOLT M 8X 70 PLATED	1
28	Y26106-080162	BOLT M 8X 16 PLATED	1
29	Y26106-080402	BOLT M 8X 40 PLATED	5
30	Y124240-01871	COVER, HO-P	1
31	Y124240-01883	GASKET, (NON-ASB.)	1
32	Y26106-080162	BOLT M 8X 16 PLATED	4
33	Y121027-11743	PIPE	1
34	Y24311-000320	O-RING 1A P-32.0	1
35	Y729906-01550	HOUSING ASSY,COVER,G	1
37	Y129916-01800	· SEAL, OIL	1
38	Y129900-01850	COVER ASSY	1
39	Y129900-01870	· SPONGE	1
40	Y129001-91810	BOLT M 8X 70 PLATED	6
41	Y26106-080162	BOLT M 8X 16 PLATED	3
42	Y26106-080402	BOLT M 8X 40 PLATED	5

Engine for TB180FR 4TNV98-ZQTBZ
 FLYWHEEL HOUSING & OIL SUMP

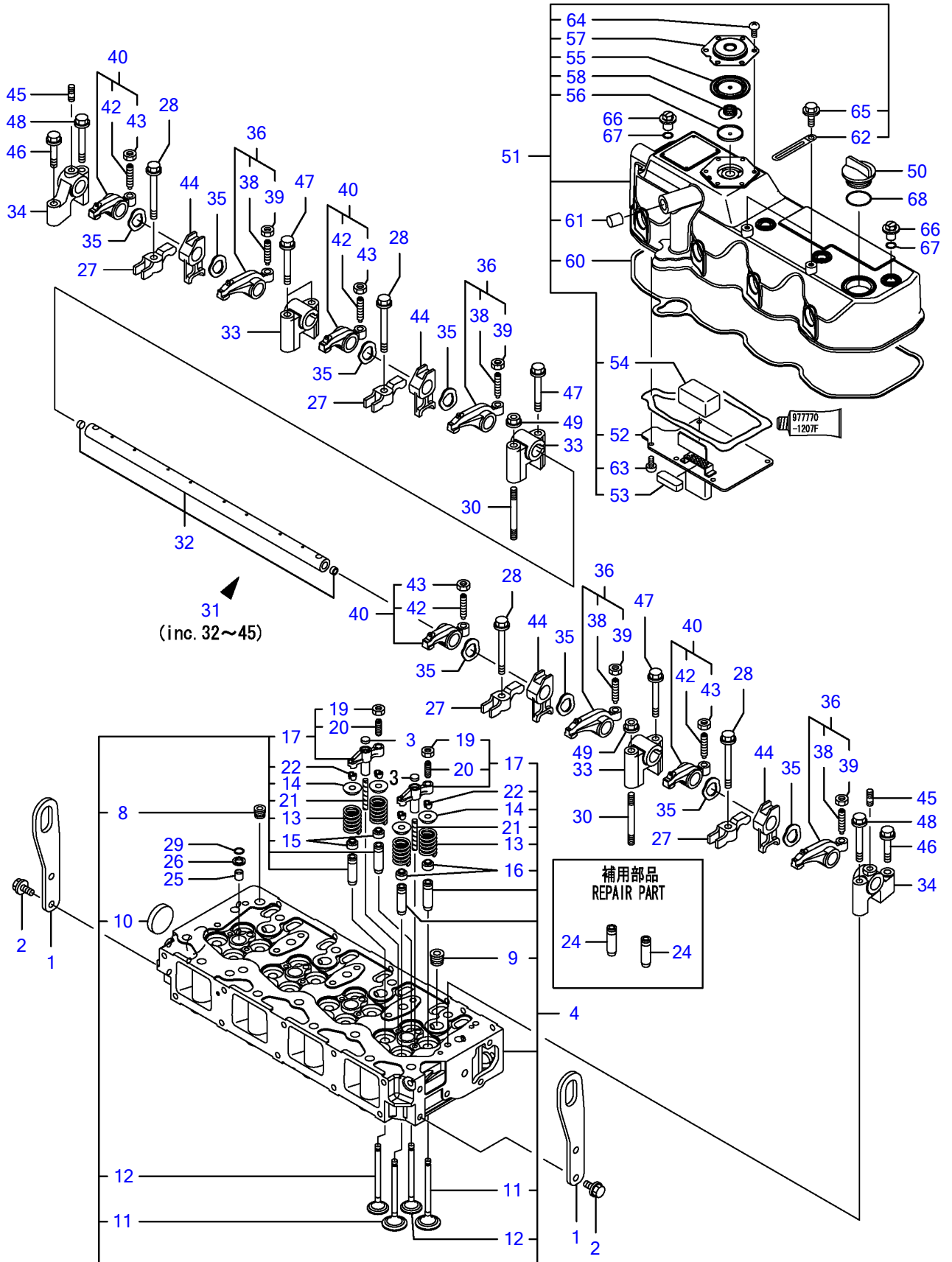


Y00D9930	3. フライホイールハウジング & オイルパン			
4TNV98-ZQTBZ	1, 07/12	2	3	PLUS

FLYWHEEL HOUSING & OIL SUMP

REF NO.	PARTS NO.	Description	Q'ty
1	Y129100-01580	PARALLEL PIN 8X16	2
2	Y129951-01620	HOUSING, FLYWHEEL	1
4	Y119000-01840	PLUG 25,RUBBER	1
5	Y26206-100352	BOLT M10X 35 PLATED	9
6	Y129916-01790	SEAL, OIL	1
7	Y129953-01710	SUMP ASSY, OIL	1
8	Y119640-01640	DRAIN PLUG M22	1
10	Y22190-220002	SEAL WASHER 22S	1
11	Y26106-080122	BOLT M 8X 12 PLATED	76

Engine for TB180FR 4TNV98-ZQTBZ CYLINDER HEAD & BONNET

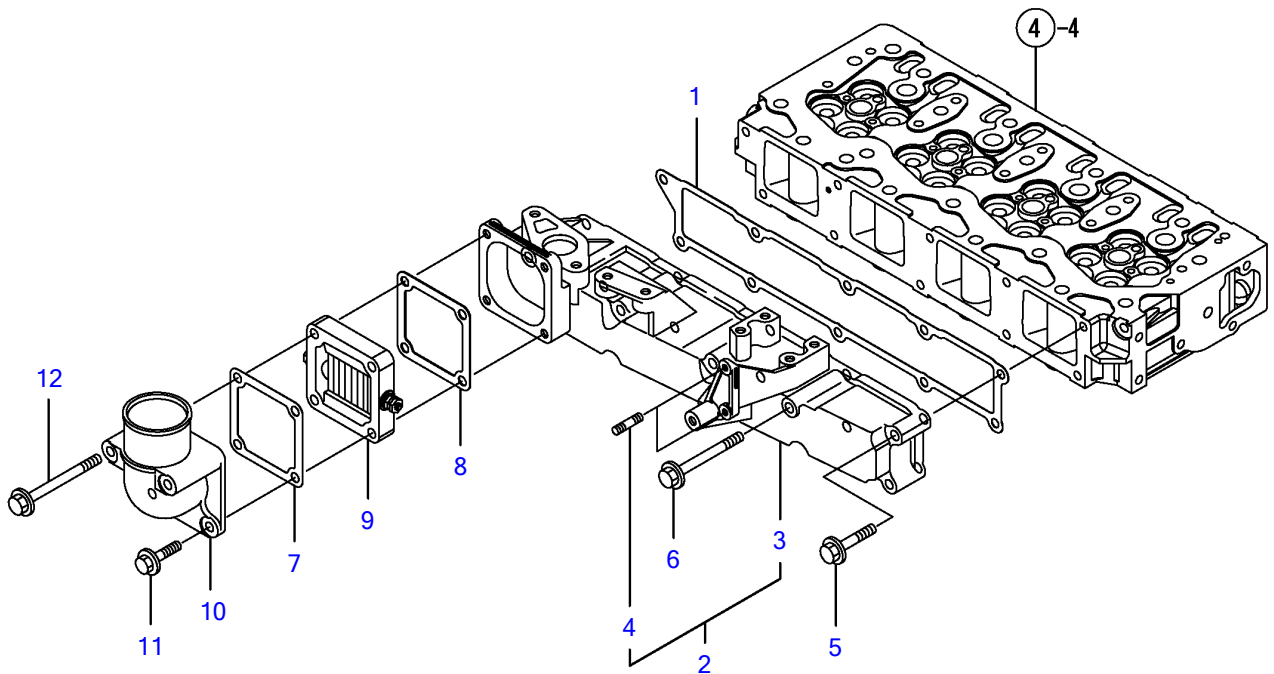
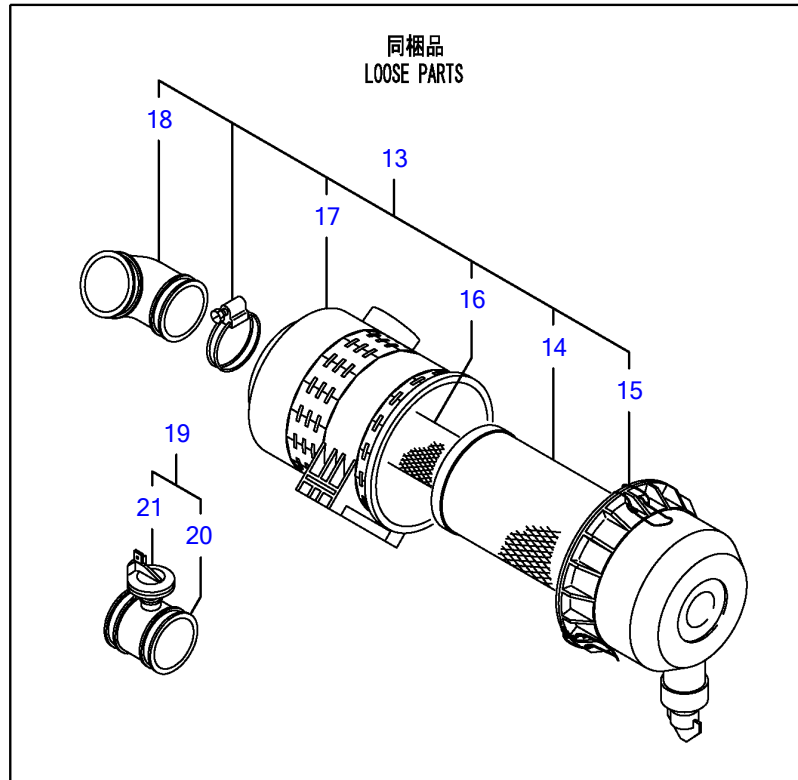


Y00D9930	4, シリンダヘッド & ボンネット			
4TNV98-ZQTBZ	1, 07/12	2	3	PLUS

ԿՕՂԱՐԻԱՅԻ ԵՒ ԻԲՅԷԱԱ CYLINDER HEAD & BONNET

REF NO.	PARTS NO.	Description	Q'ty	I	R	"ճՈՒ
1	Y129907-07900	ԱՓԷԻԲՊԱ, Բ	2			
2	Y26106-080162	ԱԷԲԻԲՍԱ 8X 16	4			
3	Y123907-11550	¼-Ա(ԷԲՍԻԲԻԲՓԱ¼Բ	8			
4	Y129927-11700	¼ՕՂԱՐԻԱՅԻ CMP	1			
8	Y23876-020000	• Է¼ԲԻՐx, ԲPT1/4	1			
9	Y23876-030000	• Է¼ԲԻՐx, ԲPT 3/8	4			
10	Y27241-400000	• ՍԿՊԻՐԱԻՐx, Բ 40	1			
11	Y129907-11100	• ԷԲՍԻԲ(SUC	8			
12	Y129907-11110	• ԷԲՍԻԲ(EXH	8			
13	Y129907-11120	• ԻԲՅԷԲԷ	16			
14	Y119620-11180	• ԻԲՅԷԲԷμ´	16			
15	Y119803-11340	• ԷԲՍԻԲ½ԱՆ¼-Ս	8			
16	Y124160-11340	• ԷԲՍԻԲ½ԱՆ¼-Ս(INT	8			
17	Y129907-11510	• ԷԲՍԻԲԻԲՓԱ¼Բ CMP	8			
19	Y129150-11750	• • ԱԱ M8XP1.0	8			
20	Y123907-11830	• • ±¼ԲՕ½Ա(ԷԲՍԻԲԻԲՓԱ¼Բ	8			
21	Y123907-11820	• ԻԲՓԱ¼ԲՊԲԷԲ	8			
22	Y27310-070001	• ԳԱ-(½ԱՆ)7 2¹=1SET	16			
24	Y129907-11800	ԷԲՍԻԲՊԲԷԲ(ԻՕԷԿ	16			(1) ԻՕԷԿԷԿԷԿ
25	Y119802-11870	ԻՐՍԱ, Ա(Է½ԲՍ	4			
26	Y119625-11880	Է½ԲՍ¼-Ա	4			
27	Y129907-11910	Է½ԲՍμ´	4			
28	Y129907-11950	ԱԷԲԻԲՍԱ(Է½ԲՍμ´ 8X75	4			
29	Y24311-000120	ՕՕԿ, Բ 1A P 12.0	4			
30	Y119593-11301	• ԳՏԻԲՍԱ 8X80	2			
31	Y129907-11341	ԻԲՅՍԿԱՆՆ-Ա CMP	1			
32	Y129907-11250	• ԻԲՅՍԿԱՆՆ¼Բ	1			
33	Y129907-11260	• ԻԲՅՍԿԱՆՆ-Ա(A	3			
34	Y129907-11270	• ԻԲՅՍԿԱՆՆ-Ա(B	2			
35	Y123907-11280	• ԱՏՍԱ¼Օ-(ԻԲՅՍԿԱՆՆ¼Բ,	8			
36	Y129907-11650	• ԻԲՅՍԿԱՆՆ(SUC KIT	4			
38	Y129150-11230	• • ±¼ԲՕ½Ա (ԻԲՅ½Ի	4			
39	Y129150-11750	• • ԱԱ M8XP1.0	4			
40	Y129907-11660	• ԻԲՅՍԿԱՆՆ(EXH KIT	4			
42	Y129150-11230	• • ±¼ԲՕ½Ա (ԻԲՅ½Ի	4			
43	Y129150-11750	• • ԱԱ M8XP1.0	4			
44	Y129907-11920	• ԱԲԷԲ(Է½ԲՍμ´	4			
45	Y26226-080222	• ԳՏԻԲՍԱ(2D 8X 22	2			
46	Y26106-080402	ԱԷԲԻԲՍԱ 8X 40	2			
47	Y26106-080602	ԱԷԲԻԲՍԱ 8X 60	4			
48	Y26106-080602	ԱԷԲԻԲՍԱ 8X 60	2			
49	Y26306-080002	ԱԷԲԱ-ԱԱ(UBS 8	2			
50	Y124160-01751	ԻԱ(ԻՕԷԿ)	1			
51	Y129927-11320	ԻԲՅՍԿԱՆՆ¼ԲCMP	1			
52	Y129907-03011	• ԷԲԱԻՍԻԲՍԱ-Ա	1			
53	Y129907-03061	• ԷԲԱԻՍ(ԻԲՓ-»Բ	1			
54	Y129907-03070	• ԷԲԱԻՍ(ԻԲՓ-»Բ	1			
55	Y123907-03100	• ԱԲԷՕԻxՆ(ԻԲՓ-»Բ	1			
56	Y123907-03110	• ¾ԿԱ-ԻՐՍԱ-Ա	1			
57	Y123907-03120	• ԻԱ(ԻԲՓ-»Բ	1			
58	Y123907-03140	• ԷԲԷ(ԱԲԷՕԻxՆ	1			
60	Y129933-11310	• ԷՐԱ-Կ(ԻԲՅԷԱԱ	1			
61	Y119640-61400	• ԻՐx, Բ	1			
62	Y175339-79700	• ՓԱԻՐ110-M6	2			
63	Y22857-500100	• ԱԱԷՐԿԷ¼Բ 5.0X10	6			
64	Y22857-500100	• ԱԱԷՐԿԷ¼Բ 5.0X10	6			
65	Y26106-060122	• ԱԷԲԻԲՍԱ M 6X 12	2			
66	Y124160-11360	ԱԱԱ	4			
67	Y24311-000120	ՕՕԿ, Բ 1A P 12.0	4			
68	Y24311-000320	ՕՕԿ, Բ 1A P 32.0	1			

Engine for TB180FR 4TNV98-ZQTBZ
 SUCTION MANIFOLD & AIR CLEANER

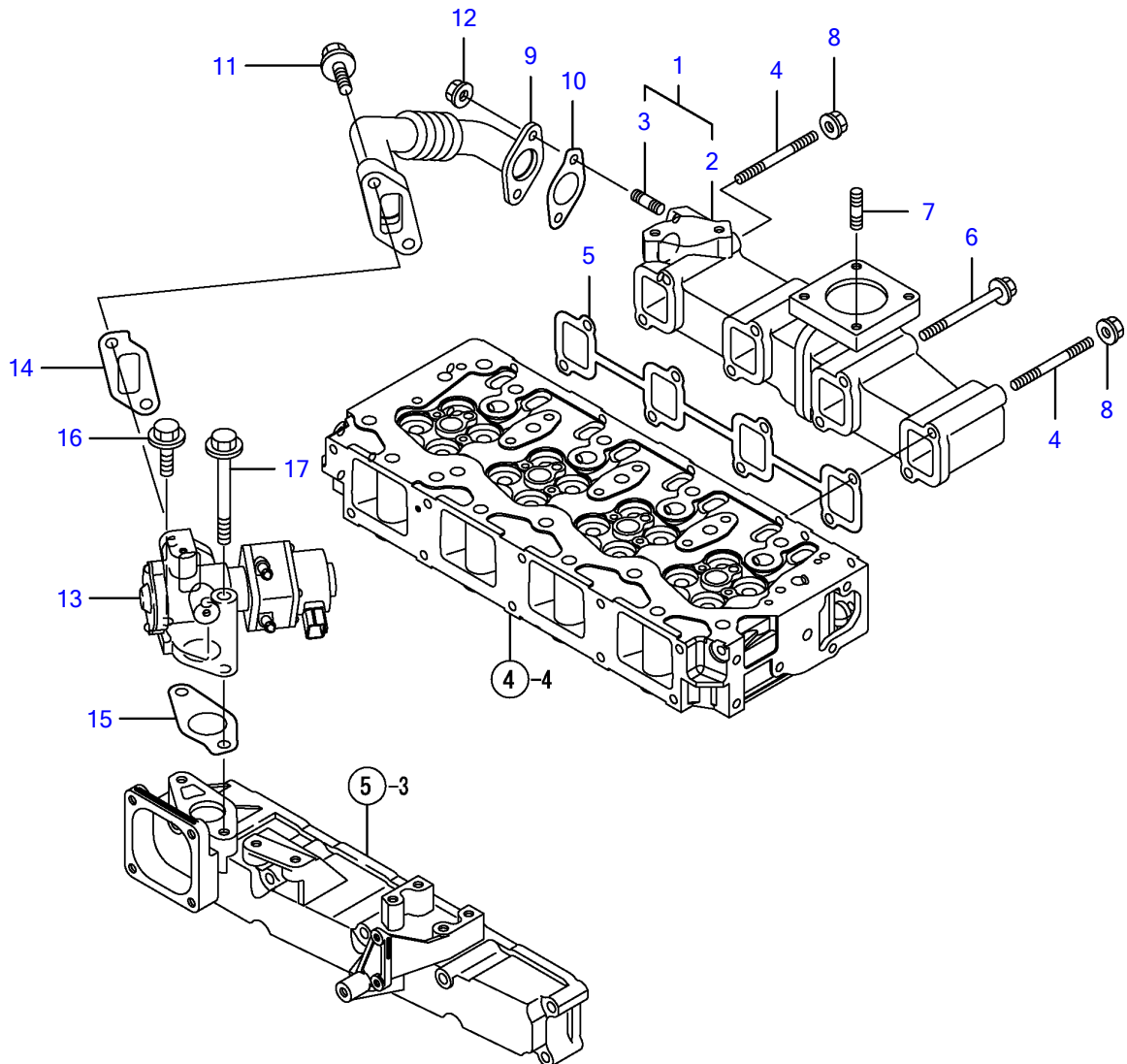
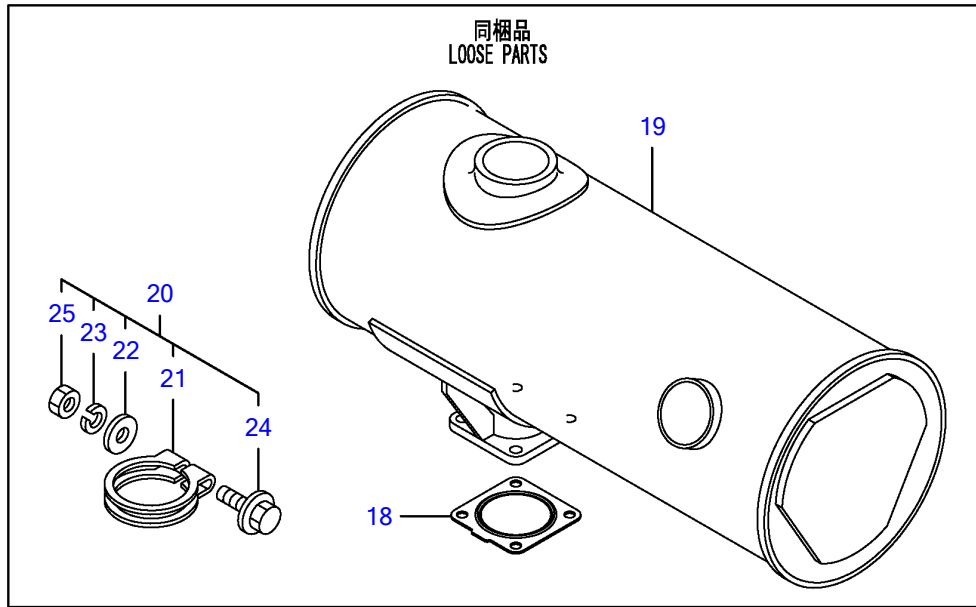


Y00D9930	5. キュウキマニホールド & エアクリーナ		
4TNV98-ZQTBZ	1, 07/12	2	3 PLUS

·Ö³·ĪÆĪ·ÛÄÞ & '±,Ø°Ä SUCTION MANIFOLD & AIR CLEANER

REF NO.	PARTS NO.	Description	Q'ty	I	R	ö
1	Y129907-12110	PK(SUCĪÆĪ·ÛÄÞ	PACKING(INT.MANIFOLD	1		
2	Y129927-12150	ĪÆĪ°ÛÄÞCMP(·Ö³·	MANIFOLD CMP,INTAKE	1		
3	Y129927-12100	· ĪÆĪ°ÛÄÞ(·Ö³·	· MANIFOLD,INTAKE	1		
4	Y26216-060202	· ³°ÐĪÞÛÄ 6X 20	· STUD M 6X 20 PLATED	2		
5	Y26106-080452	ÂÊÞĪÞÛÄ 8X 45	BOLT M 8X 45 PLATED	6		
6	Y26106-080802	ÂÊÞĪÞÛÄ 8X 80	BOLT M 8X 80 PLATED	4		
7	Y119129-77020	ÊßÄ·Ý	GASKET	1		
8	Y121850-77021	PK('±Ê-Ä)(ÉÝ±½)	GASKET, (NON-ASB.)	1		
9	Y119005-77051	'±Ê-Ä	HEATER, AIR	1		
10	Y119129-77520	ĪÞÝÄÞ(²Ø, ÞÁ)	BEND	1		
11	Y26106-080402	ÂÊÞĪÞÛÄ 8X 40	BOLT M 8X 40 PLATED	2		
12	Y26106-080902	ÂÊÞĪÞÛÄ 8X 90	BOLT M 8X 90 PLATED	2		
13	Y129938-12520	'±,Ø-Ä CMP	CLEANER ASSY, AIR	1		
14	Y129939-12621	· Ö²Ý·ÛÖÝÄ	· MAIN ELEMENT	1		
15	Y129938-12630	· Ê³¼ÞÝ, Þ ĪÞÄÑ('±,Ø°Ä	· HOUSING BOTTOM	1		
16	Y129939-12630	· ¾ĪÝÄÞØ·ÛÖÝÄ	· SECONDARY ELEMENT	1		
17	Y129939-12640	· ĪÞ×¹ÄÄ	· BLACKET	1		
18	Y129938-12660	· ĪÆĪ°ÛÄÞ	· MANIFOLD	1		
19	Y129938-12640	»°ÊÞ½·-Ä	SEAVICE KIT	1		
20	Y129939-12650	· Ä·ÞÄ	· CONNECTINNG SOCKET	1		
21	Y129948-12660	· ²Ý¼Þ¹°Ä	· SERVICE SWITCH	1		

Engine for TB180FR 4TNV98-ZQTBZ EXHAUST MANIFOLD & SILENCER

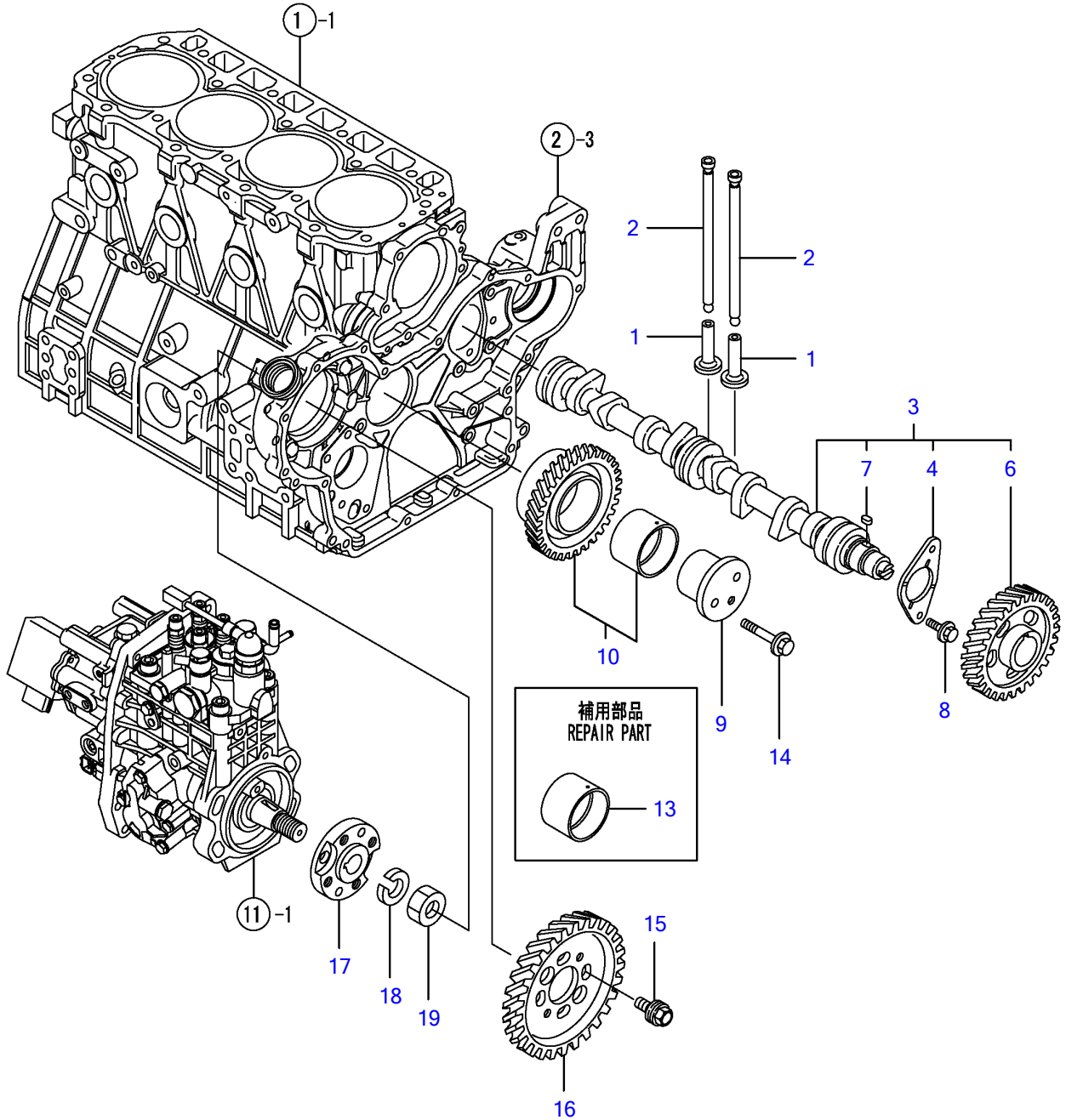


Y00D9930	6, ハイキマニホールド & サイレンサ			
4TNV98-ZQTBZ		1, 07/12	2	3 PLUS

Ê²·ĪÆĪ-ÛÄĖ & »²ÚÝ» EXHAUST MANIFOLD & SILENCER

REF NO.	PARTS NO.	Description	Q'ty	I	R	»õĪĪ
1	Y129927-13150	ĪÆĪ°ÛÄĖCMP(EXH	MANIFOLD ASSY,EXH	1		
2	Y129927-13100	· ĪÆĪ°ÛÄĖ(EXH	· MANIFOLD,EXHAUST	1		
3	Y129418-18320	· ½ÄÄÄĖĪĖÛÄ M8X20	· STUD BOLT M8X20	2		
4	Y129263-13210	³°ĎĪĖÛÄ M8*90	STUD	2		
5	Y129900-13251	PK(EXHĪÆĪ-ÛÄĖ	GASKET	1		
6	Y119802-13680	ÂÊĖĪĖÛÄ 8X90(10.9T	BOLT, M8X90	6		
7	Y119131-18320	³°ĎĪĖÛÄ M8X22	BOLT M 8X 22	4		
8	Y26306-080002	ÂÊĖÄ·ÄÄÄ(UBS 8	NUT	2		
9	Y129927-13800	ÊĖ²ĪĖ(EGRCMP	PIPE(EGRCMP	1		
10	Y129927-13810	¶ĪĖ½¹ÄÄ(EGREĖ²ĪĖ	GASKET, EGR PIPE	1		
11	Y26106-100302	ÂÊĖĪĖÛÄ 10X 30	BOLT M10X 30 PLATED	2		
12	Y26306-080002	ÂÊĖÄ·ÄÄÄ(UBS 8	NUT	2		
13	Y129927-13900	EGREĖÛĪĖ	EGR VALVE	1		
14	Y129927-13910	¶ĪĖ½¹ÄÄ(EGR-V IN	GASKET(EGR-V IN	1		
15	Y129927-13920	¶ĪĖ½¹ÄÄ(EGR-V OUT	GASKET(EGR-V OUT	1		
16	Y26106-100302	ÂÊĖĪĖÛÄ 10X 30	BOLT M10X 30 PLATED	1		
17	Y26106-100952	ÂÊĖĪĖÛÄ 10X 95	BOLT M10X 95 PLATED	1		
18	Y129930-13201	¶ĪĖ½¹ÄÄ(»²ÚÝ»	GASKET, SILENCER	2		
19	Y129940-13500	»²ÚÝ»	SILENCER	1		
20	Y129640-13590	· ×ÝĪĖ(»²ÚÝ»)CMP	CLAMP ASSY, SILENCER	1		
21	Y129640-13580	· ×ÝĪĖ	· CLAMP	1		
22	Y22117-100000	· »Ī¶ĪĖ(ĕĪÛ 10	· WASHER 10	1		
23	Y22217-100000	· ÊĖÊ»Ī¶ĪĖ 10	· SPRING WASHER 10	1		
24	Y26106-100652	· ÂÊĖĪĖÛÄ M10X65	· BOLT M10X 65 PLATED	1		
25	Y26706-100002	· ÄÄÄ 10	· NUT M10	1		

Engine for TB180FR 4TNV98-ZQTBZ CAMSHAFT & DRIVING GEAR

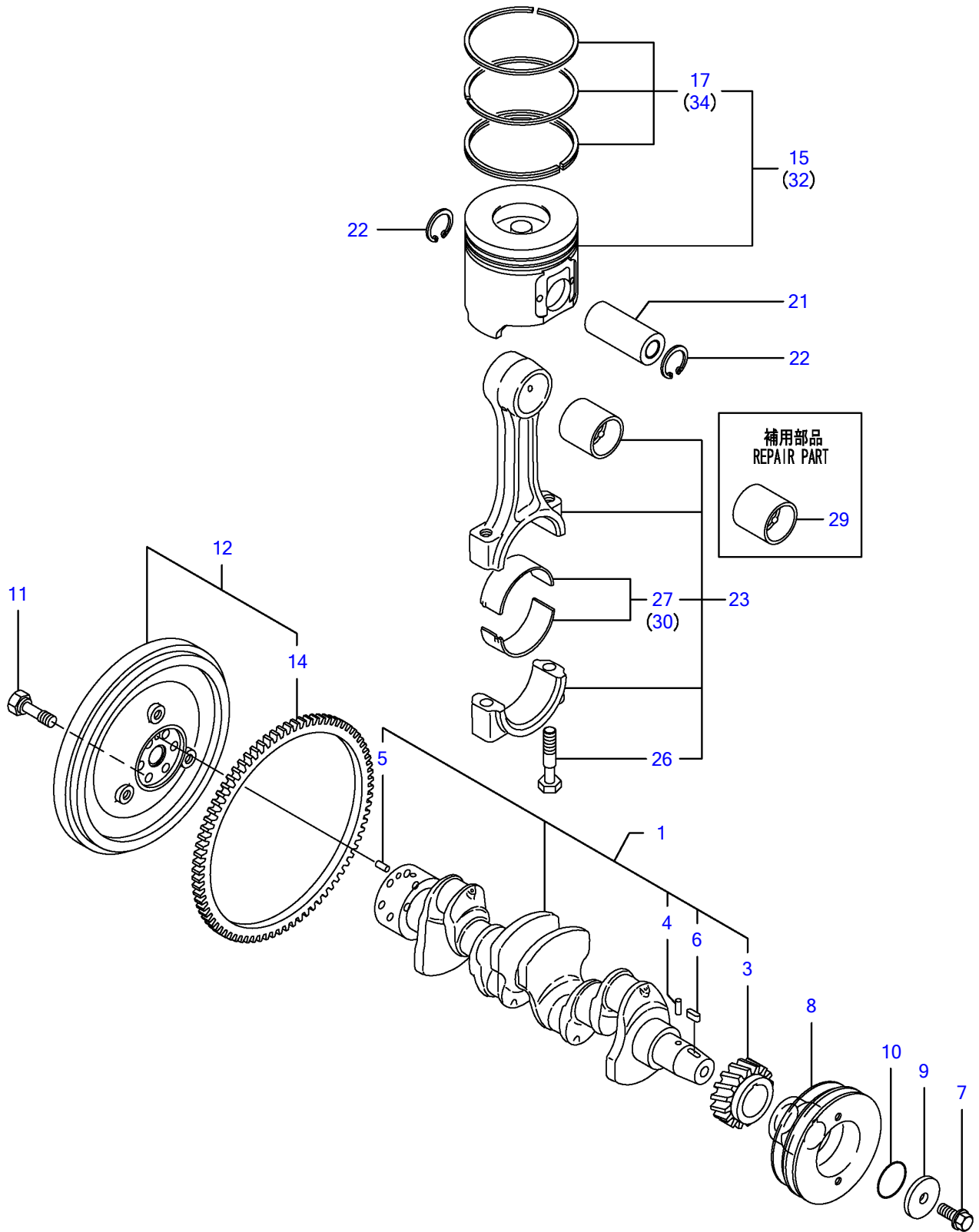


Y00D9930	7, カムシャフト & クドウギヤ			
4TNV98-ZQTBZ	1, 07/12	2	3	PLUS

CAMSHAFT & DRIVING GEAR

REF NO.	PARTS NO.	Description	Q'ty	I	R	"ö
1	Y129150-14200	TAPPET	8			
2	Y129907-14400	PUSH ROD	8			
3	Y129908-14581	CAMSHFT ASSY	1			
4	Y129150-02450	METAL,THRUST(CAM	1			
6	Y129900-14100	GEAR, CAMSHAFT	1			
7	Y22512-070140	KEY 7X 14	1			
8	Y26106-080162	BOLT M 8X 16 PLATED	2			
9	Y123900-25060	SHAFT(GEAR, IDLE	1			
10	Y129900-25100	GEAR ASSY, IDLE	1			
13	Y129150-25920	BUSH, IDLE GEAR	1			(1) 1/2
14	Y26106-080552	BOLT M 8X 55 PLATED	3			
15	Y129953-25300	BOLT	4			
16	Y129907-25900	GEAR,F.I.PUMP	1			
17	Y158563-51150	FLANGE	1			
18	Y22217-180000	SPRING WASHER 18	1			
19	Y26776-180002	NUT M18,LOCK	1			

Engine for TB180FR 4TNV98-ZQTBZ
CRANKSHAFT & PISTON

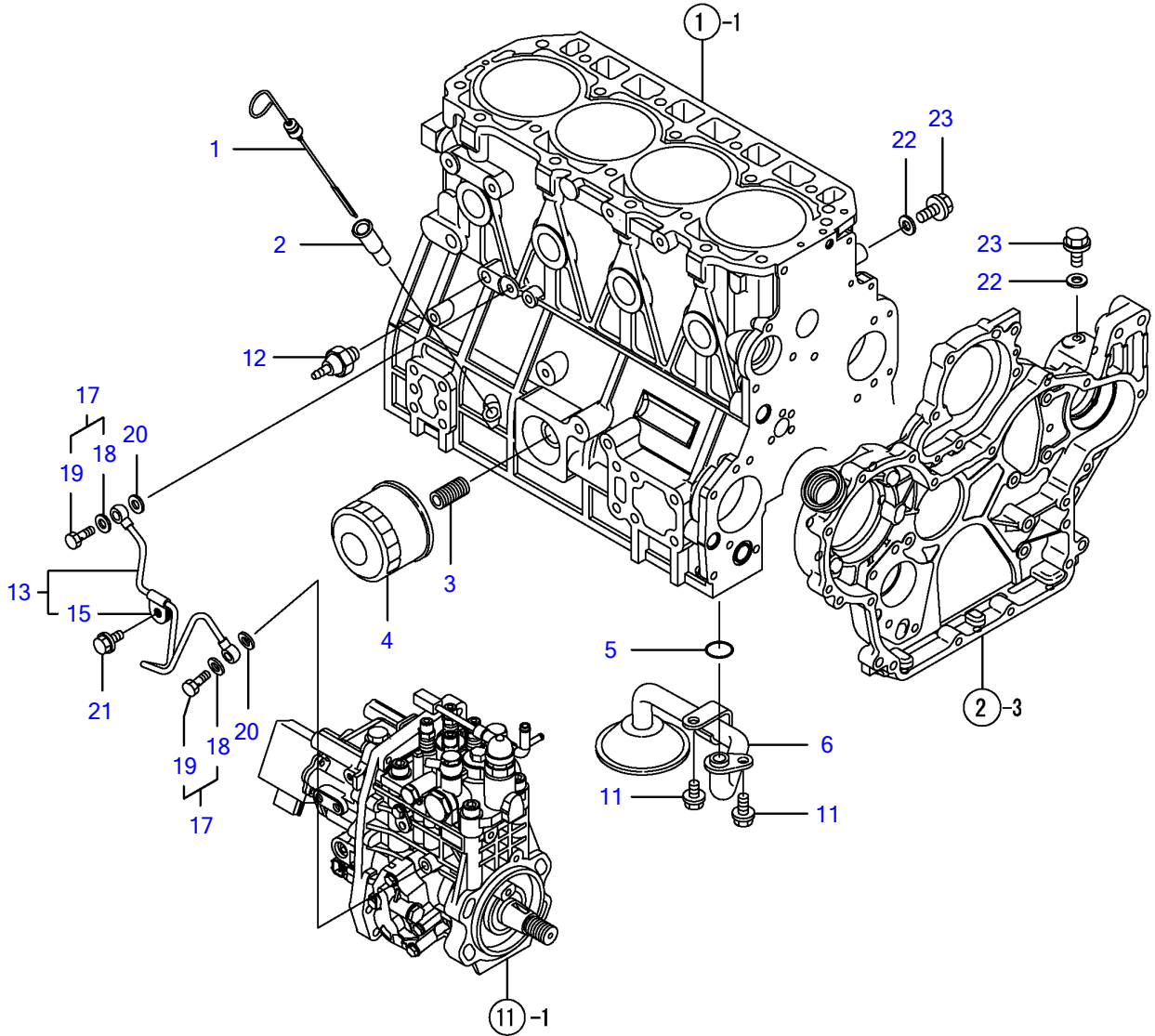


Y00D9930	8. クランクシャフト & ピストン			
4TNV98-ZQTBZ		1, 07/12	2	3 PLUS

CRANKSHAFT & PISTON

REF NO.	PARTS NO.	Description	Q'ty		R	"ö
1	Y129902-21000	CRANKSHAFT COMP	1			
3	Y129900-21200	GEAR, CRANKSHAFT	1			
4	Y121850-21290	PARALLEL PIN	1			
5	Y121850-21920	PARALLEL PIN 10X22	1			
6	Y22512-070140	KEY 7X 14	1			
7	Y129916-21610	BOLT, V-PULLEY	1			
8	Y129948-21610	V-PULLEY, CRANKSHAFT	1			
9	Y129960-21640	WASHER	1			
10	Y24341-000530	O-RING 1A S-53.0	1			
11	Y121850-21130	BOLT, FLYWHEEL	6			
12	Y129902-21580	FLYWHEEL ASSY	1			
14	Y127410-21480	RING GEAR Z=129	1			
15	Y129927-22080	PISTON ASSY	4			
17	Y129927-22050	RING SET, PISTON	4			
21	Y120130-22301	PIN, PISTON	4			
22	Y22252-000300	CIRCLIP 30	8			
23	Y129900-23001	ROD ASSY, CONNECTING	4			
26	Y129900-23200	BOLT, ROD	8			
27	Y129900-23601	METAL ASSY, CRANKPIN	4			
29	Y129900-23911	BUSH, PISTON PIN	4			(1) 1/2
30	Y129900-23611	BEARING, PIN U.S=0.25	4			(2) 1/2 (U.S=0.25) 1/2
32	Y729927-22900	PISTON W/RING, 0.25OS	4			(3) 1/2 (O.S=0.25) 1/2
34	Y729927-22950	RING SET, 0.25OS	4			(3) 1/2 (O.S=0.25) 1/2

Engine for TB180FR 4TNV98-ZQTBZ
LUB.OIL SYSTEM

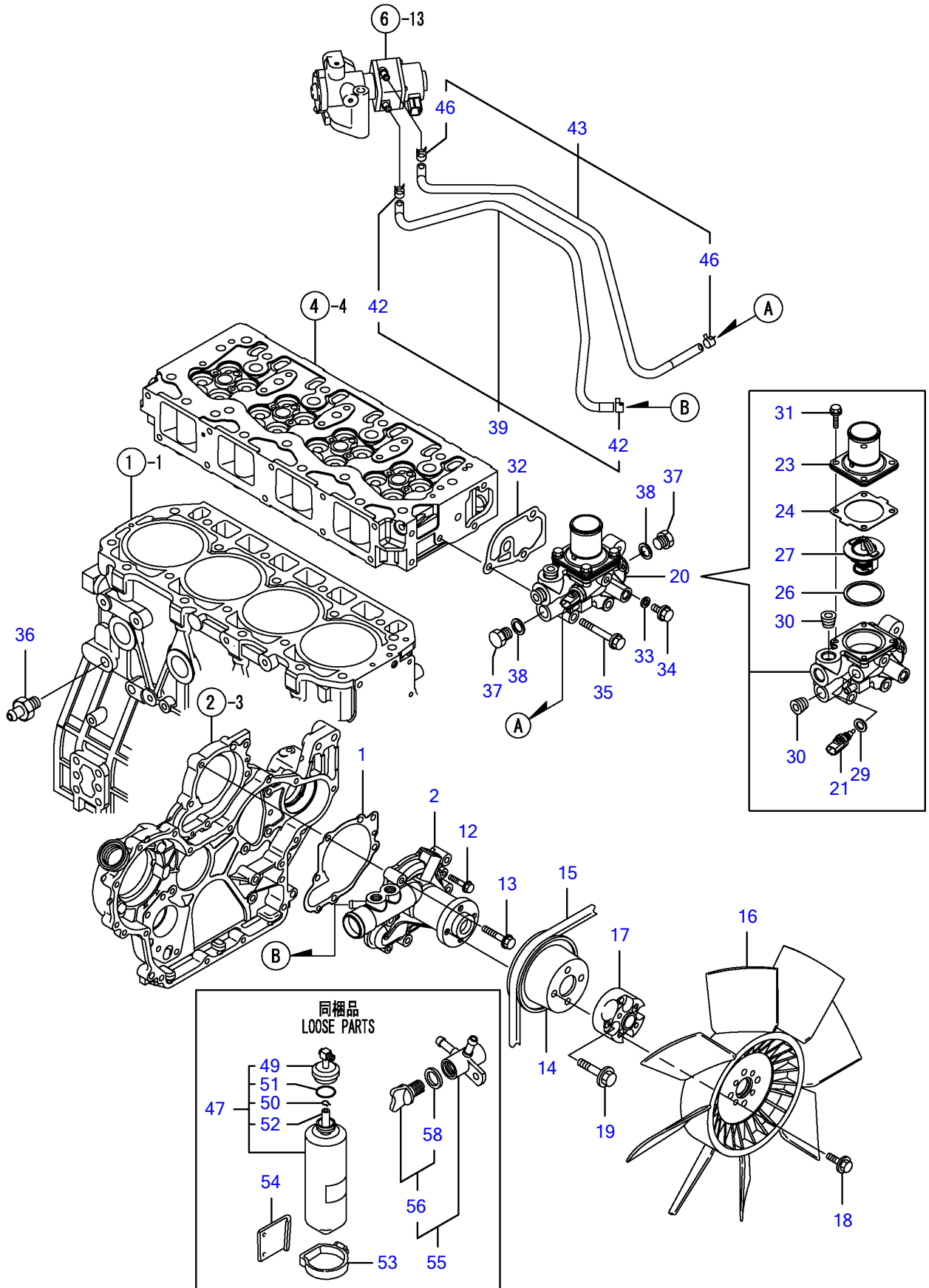


Y00D9930	9. LOシステム			
4TNV98-ZQTBZ		1, 07/12	2	3 PLUS

LO $\frac{1}{2}$ ÅÑ LUB.OIL SYSTEM

REF NO.	PARTS NO.	Description	Q'ty	I	R	ø
1	Y129900-34800	DIPSTICK	1			
2	Y121520-34810	GUIDE, DIPSTICK	1			
3	Y119000-35140	STUD, LUB.OIL FILTER	1			
4	Y129150-35160	FILTER 80X80L	1			
5	Y129900-32030	O-RING P20	1			
6	Y129900-35000	PIPE ASSY, LUB. OIL	1			
11	Y26106-080122	BOLT M 8X 12 PLATED	2			
12	Y114250-39450	SWITCH,(0.5KG)L.O.	1			
13	Y129927-39060	PIPE ASSY, LUB.OIL	1			
15	Y123907-39500	• SUPPORT,PIPE	1			
17	Y129005-59830	BOLT ASSY, JOINT	2			
18	Y22190-080002	• SEAL WASHER 8S	2			
19	Y23857-030000	• JOINT BOLT 3	2			
20	Y22190-080002	SEAL WASHER 8S	2			
21	Y26106-080122	BOLT M 8X 12 PLATED	1			
22	Y22190-080002	SEAL WASHER 8S	2			
23	Y26106-080122	BOLT M 8X 12 PLATED	2			

Engine for TB180FR 4TNV98-ZQTBZ COOLING WATER SYSTEM



Y00D9930	10, CWシステム			
4TNV98-ZQTBZ		1, 07/12	2	3 PLUS

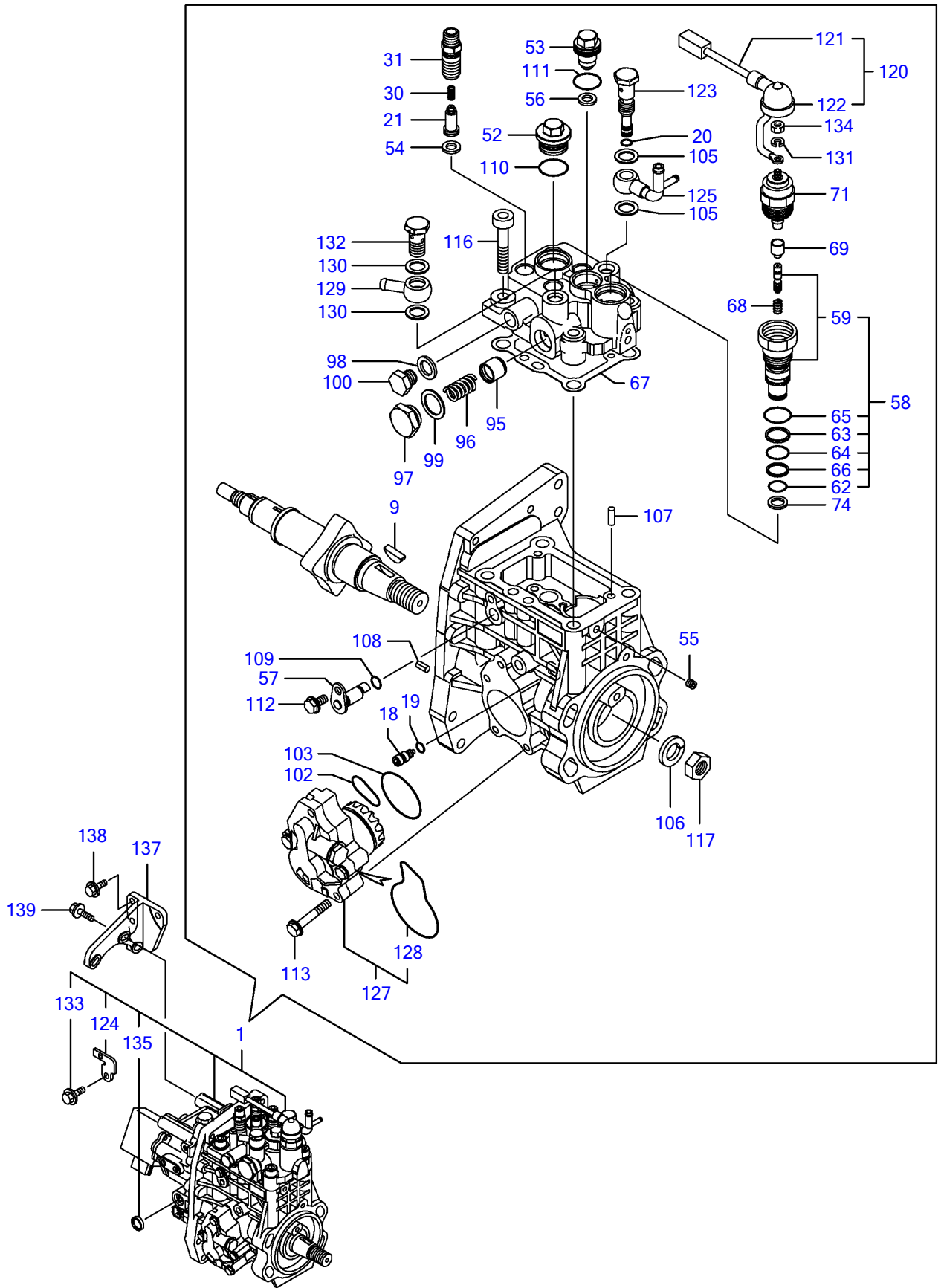
CW¼½ÄÑ COOLING WATER SYSTEM

REF NO.	PARTS NO.	Description	Q'ty
1	Y129900-42020	PK(CWP	1
2	Y129948-42100	CWÍßÝÍß(Low CMP	1
12	Y26106-060302	ÄËßÍßÜÄ 6X 30	2
13	Y26106-080552	ÄËßÍßÜÄ 8X 55	5
14	Y123900-42470	VÍß-Ø(CWP B 130	1
15	Y129948-42240	VÍßÜÄ(B°ß 43.0	1
16	Y129953-44710	Í±Ý(D=460	1
17	Y129948-44760	¶Ý»ß(Í±Ý	1
18	Y26106-080162	ÄËßÍßÜÄ 8X 16	4
19	Y26106-100452	ÄËßÍßÜÄ 10X 45	4
20	Y129938-49800	»-Ó½ÄÄÄ¹-½(82 CMP	1
21	Y129927-44900	·¾Ý»(CWµYÄß	1
23	Y129916-49530	·¶Ëß-(»-Ó½ÄÄÄ	1
24	Y121850-49540	·»-ÓÖ³ËßÄ·Ý	1
26	Y121850-49550	·ËßÄ·Ý(»-Ó½ÄÄÄ)	1
27	Y121850-49800	·»-Ó½ÄÄÄ	1
29	Y22190-120002	·¼-ÜÜÄ¼Ö(øÍÜ 12	1
30	Y23875-030000	·Ë¼ßÍß×ßPT3/8(ÄÝ ⁹³)	2
31	Y26106-060202	·ÄËßÍßÜÄ 6X 20	4
32	Y129900-49870	PK(»-Ó½ÄÄÄ¹-½	1
33	Y23414-080000	ËßÄ·Ý(ÍÜ 8	1
34	Y26106-080122	ÄËßÍßÜÄ 8X 12	1
35	Y26106-080602	ÄËßÍßÜÄ 8X 60	3
36	Y121550-49111	¼ßÖ²ÝÄ PT1/4	1
37	Y121450-42450	Íß×ß M16	2
38	Y124465-44950	ËßÄ·Ý16	2
39	Y129927-49610	CW-T A(EGR-V CMP	1
42	Y23080-012000	·Í-½×ÝÍß 12	2
43	Y129927-49620	CW-T B(EGR-V CMP	1
46	Y23080-012000	·Í-½×ÝÍß 12	2
47	Y171064-44510	»ÍßÄÝ, CMP	1
49	Y121450-44531	·ÖÄÍß	1
50	Y124450-44560	·µ»(µ-Ëß-ÍÜ-Ëß²Íß	1
51	Y121470-44581	·ËßÄ·Ý	1
52	Y23065-070225	·ËßÆËß²Íß²ßÑ 7X 9X225	1
53	Y124450-44550	ËßÝÄß(»ÍßÄÝ	1
54	Y121256-44600	Íß×¹ÄÄ (Íß×Ä,12)	1
55	Y129150-49100	»ÝÍß³²Ä, CMP	1
56	Y129150-49080	·ÄßÜÝ²Ä	1
58	Y119629-49080	·ËßÄ·Ý	1

FOIY¼ØÍBÝÍB FUEL INJECTION PUMP

REF NO.	PARTS NO.	Description	Q'ty	Notes
1	Y729938-51320	INJECTON PUMP ASSY	1	(1) ÐÀÞ¼NO.1 FOIY¼ØÍBÝÍB ASSY ÆÉºÓ, NO.12 ¶ÞÉÞÁ µ Í, Ñ.
9	Y144626-51090	• KEY 5X19	1	
18	Y158600-51270	• STOPPER	1	
19	Y158563-51281	• O-RING	1	
20	Y158563-51281	• O-RING	1	
21	Y129927-51300	• VALVE ASSY, DILEVERY	4	
30	Y158563-51330	• SPRING	4	
31	Y129927-51340	• HOLDER, DELIVERY	4	
52	Y158601-51550	• PLUG	1	
53	Y129907-51560	• PLUG	1	
54	Y158552-51570	• PK(BARREL PLUG	4	
55	Y158557-51570	• PLUG	1	
56	Y129906-51580	• PACKING, PLUG	1	
57	Y158552-51580	• LIFTER	1	
58	Y129657-51590	• TIMER SET	1	
59	Y129657-51600	• • TIMER CMP	1	
62	Y158553-51670	• • O-RING, 1011	1	
63	Y119802-51680	• • BACKUP RING	1	
64	Y119802-51690	• • O RING	1	
65	Y24356-010200	• • PACKING, 1020	1	
66	Y24372-000150	• • RING, BACKUP T2 P 15	1	
67	Y158560-51600	• PACKING, HEAD	1	
68	Y119852-51630	• SPRING, TIMER	1	
69	Y119852-51640	• CAP, TIMER	1	
71	Y119852-51650	• VALVE, SOLENOIDE	1	
74	Y158553-51680	• PACKING, TIMER	1	
95	Y158601-51770	• PISTON	1	
96	Y158552-51781	• SPRING	1	
97	Y158601-51790	• PLUG	1	
98	Y22190-120002	• SEAL WASHER 12	1	
99	Y22190-180002	• SEAL WASHER 18	1	
100	Y23887-120002	• PLUG M12, HEX.	1	
102	Y158552-52310	• O-RING	1	
103	Y158552-52400	• O-RING 4E S42	1	
105	Y22190-120002	• SEAL WASHER 12	2	
106	Y22217-180000	• SPRING WASHER 18	1	
107	Y22312-050140	• PARALLEL PIN 5X14	2	
108	Y22351-050010	• SPRING PIN 5X10	2	
109	Y24311-000070	• O-RING 1A P-7.0	1	
110	Y24356-010200	• PACKING, 1020	1	
111	Y24356-020210	• O RING	1	
112	Y26106-060102	• BOLT 6X 10 PLATED	1	
113	Y26106-060352	• BOLT M 6X 35 PLATED	4	
116	Y26450-100452	• BOLT M10X 45	4	
117	Y26776-180002	• NUT M18, LOCK	1	
120	Y129927-51650	• HARNESS CMP	1	
121	Y129927-51660	• HARNESS ,CSD	1	
122	Y129263-77941	• CAP, RUBBER	1	
123	Y158601-51650	• JOINT	1	
124	Y129927-51670	• BRACKET ,CSD	1	
125	Y158552-51670	• JOINT	1	
127	Y158552-52100	• PUMP ASSY, FEED	1	
128	Y158552-52500	• O-RING(FEED P INNER	1	
129	Y129916-59020	• JOINT 12, PIPE	1	
130	Y22190-120002	• SEAL WASHER 12	2	
131	Y22217-050000	• SPRING WASHER 5	1	
132	Y23857-060000	• JOINT BOLT 6, PIPE	1	
133	Y26106-060122	• BOLT M 6X 12 PLATED	1	

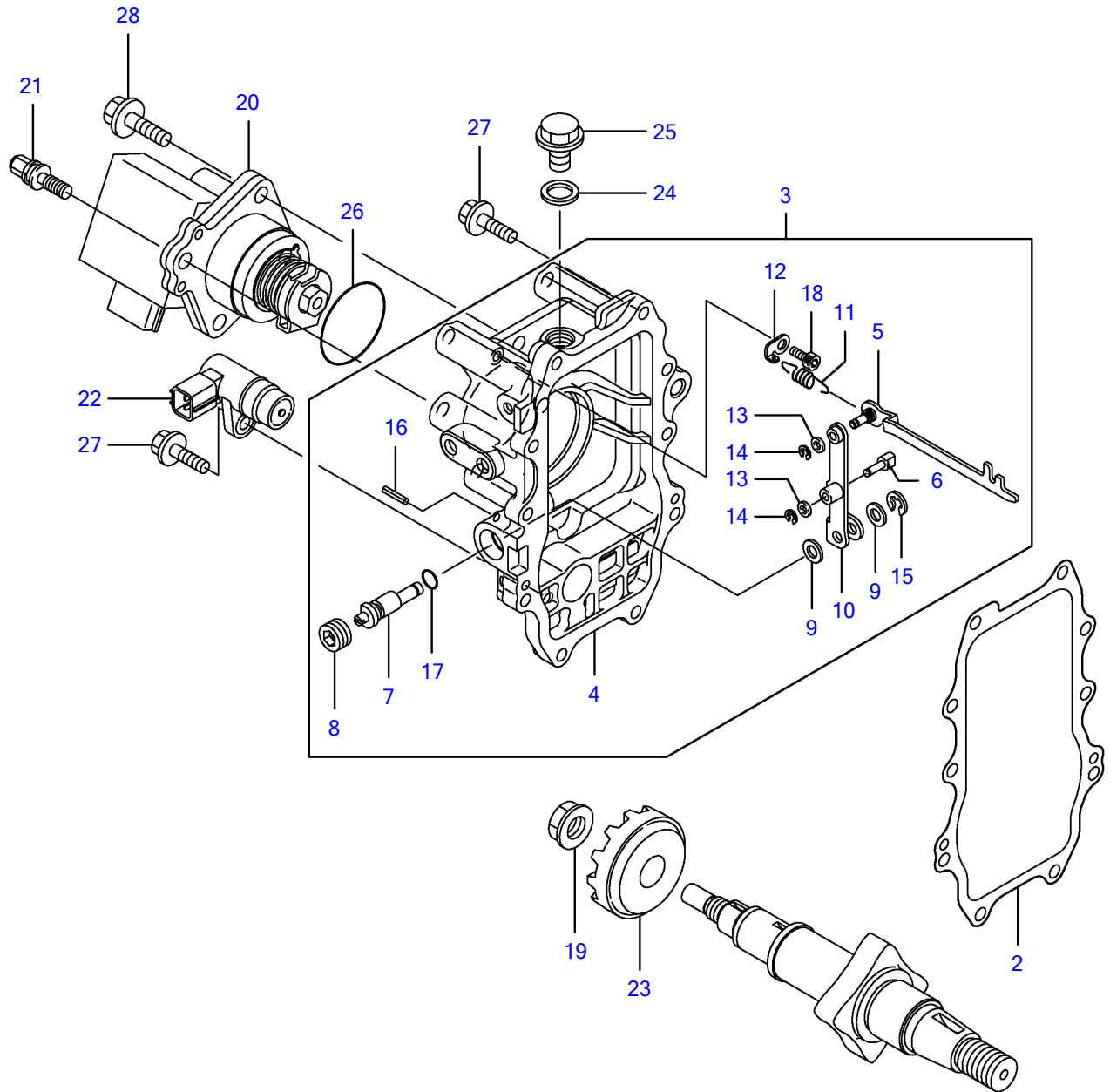
Engine for TB180FR 4TNV98-ZQTBZ FUEL INJECTION PUMP



Y00D9930	11. F07ンシャポンプ			
4TNV98-ZQTBZ		1, 07/12	2	3 PLUS

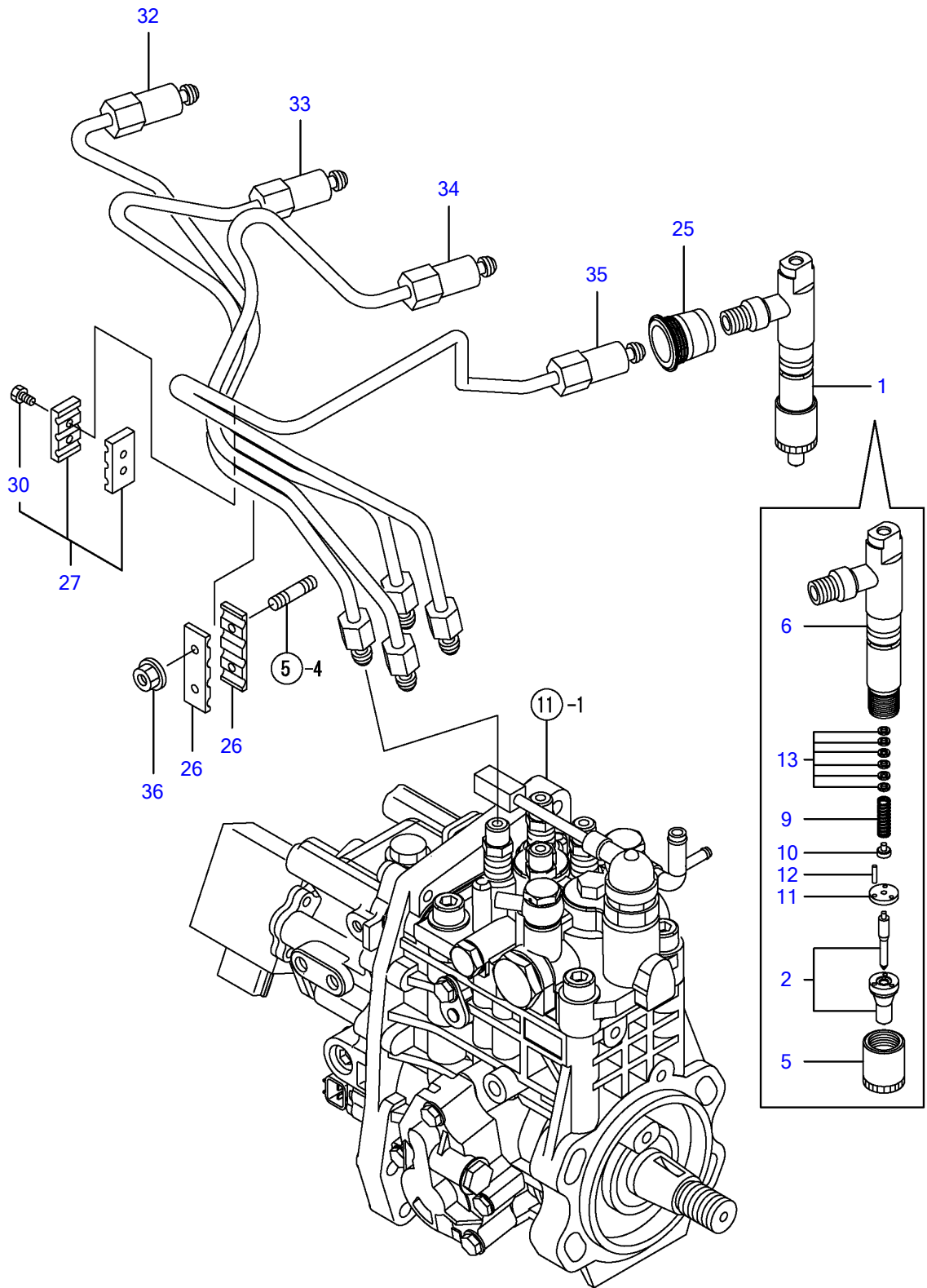
REF NO.	PARTS NO.	Description	Q'ty	I	R	"δ
134	Y26716-050002	• NUT M 5	1			
135	Y27241-160000	• PLUG 16	1			
137	Y129927-51250	RETAINER(FOP	1			
138	Y26106-080202	BOLT M 8X 20 PLATED	3			
139	Y26106-080302	BOLT M 8X 30 PLATED	3			

Engine for TB180FR 4TNV98-ZQTBZ
GOVERNOR



Y00D9930	12, ガバナ			
4TNV98-ZQTBZ		1, 07/12	2	3 PLUS

Engine for TB180FR 4TNV98-ZQTBZ
FUEL INJECTION VALVE

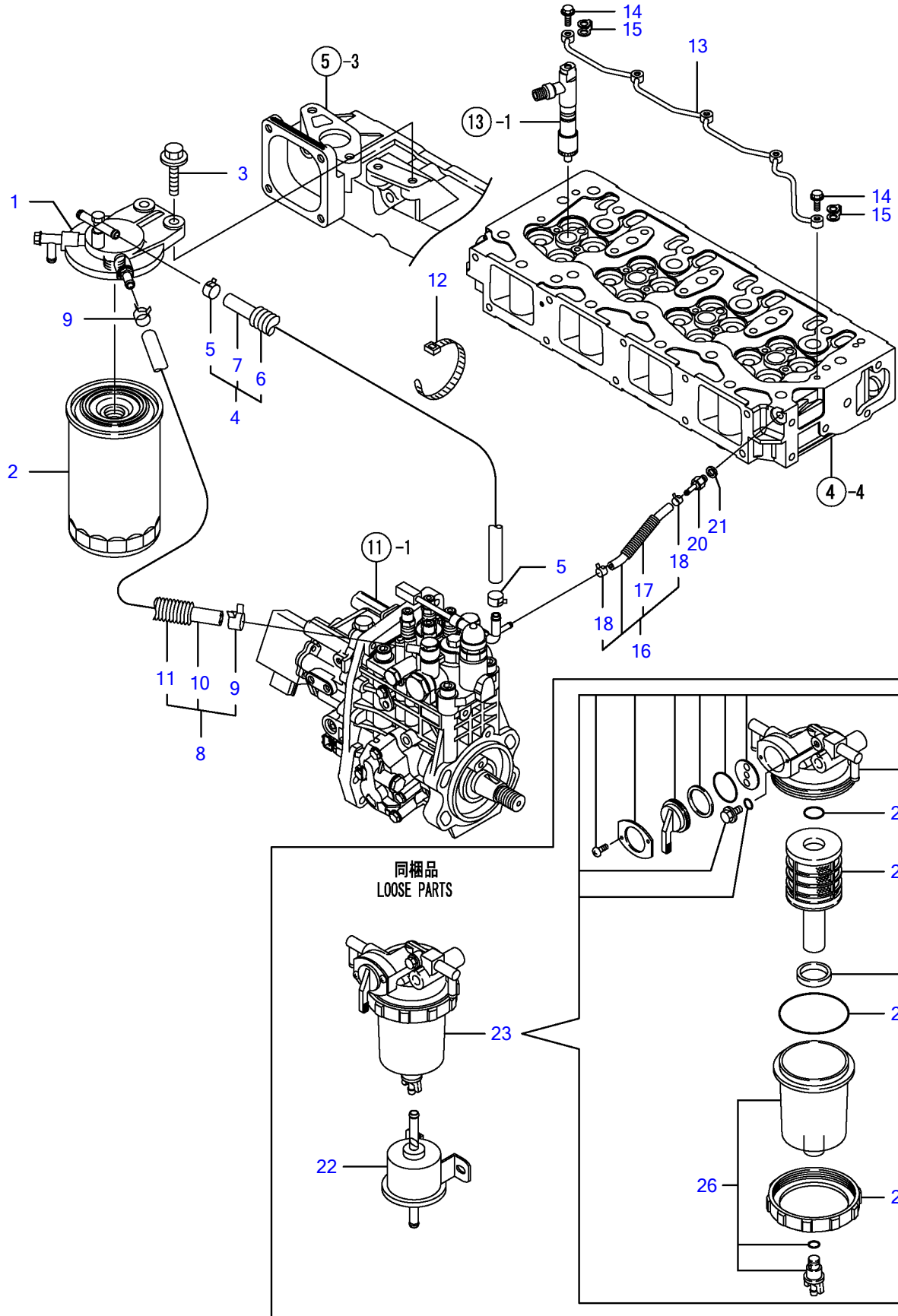


Y00D9930	13, F07ンシャペン			
4TNV98-ZQTBZ		1, 07/12	2	3 PLUS

FOI¼-ÍPÝ FUEL INJECTION VALVE

REF NO.	PARTS NO.	Description	Q'ty
1	Y729927-53100	FOÍPÝ ASSY(RDG FUEL INJECTOR(RDG	4
2	Y129927-53000	• É½PÙ CMP • NOZZLE ASSY	4
5	Y114250-53080	• 1-½ÄÄÄ(D16.95) • NUT, NOZZLE CASE	4
6	Y129927-53100	• É½PÙÍÛÄP CMP • HOLDER ASSY, NOZZLE	4
9	Y114250-53120	• ½ÍØÝ, P(É½PÙ • SPRING, NOZZLE	4
10	Y114250-53130	• ¼-Ä(É½PÙ½ÍØÝ, P • SEAT, NOZZLE SPRING	4
11	Y114250-53140	• ½ÄÄÍØÍÙ-Ä • PLATE, STOP	4
12	Y114250-53210	• ÉÛÝ(É½PÙ²Á·PÒ • PIN	8
13	Y114250-53400	• ¼Ñ CMP • SHIM PACK	4
25	Y123907-11601	ÉÛ²ÍØ¼-Ù PIPE SEAL	4
26	Y123472-59120	FO¶ÝÍÛÄPÒ4°Ö³ BRACKET	2
27	Y129150-59120	ÌÛÄPÒ(ÍÝ¼Ö¶Ý CMP RETAINER, INJ. PIPE	1
30	Y129150-59131	• HB4X14 • BOLT M4X14,HEX.SCKT.	2
32	Y129927-59810	FO-TÍÝ¼Ö(NO.1 CMP PIPE ASSY, INJECTION	1
33	Y129927-59820	FO-TÍÝ¼Ö(NO.2 CMP PIPE ASSY, INJECTION	1
34	Y129927-59830	FO-TÍÝ¼Ö(NO.3 CMP PIPE ASSY, INJECTION	1
35	Y129927-59840	FO-TÍÝ¼Ö(NO.4 CMP PIPE ASSY, INJECTION	1
36	Y26366-060002	ÄÊPÄ·ÄÄÄ 6 NUT M 6	2

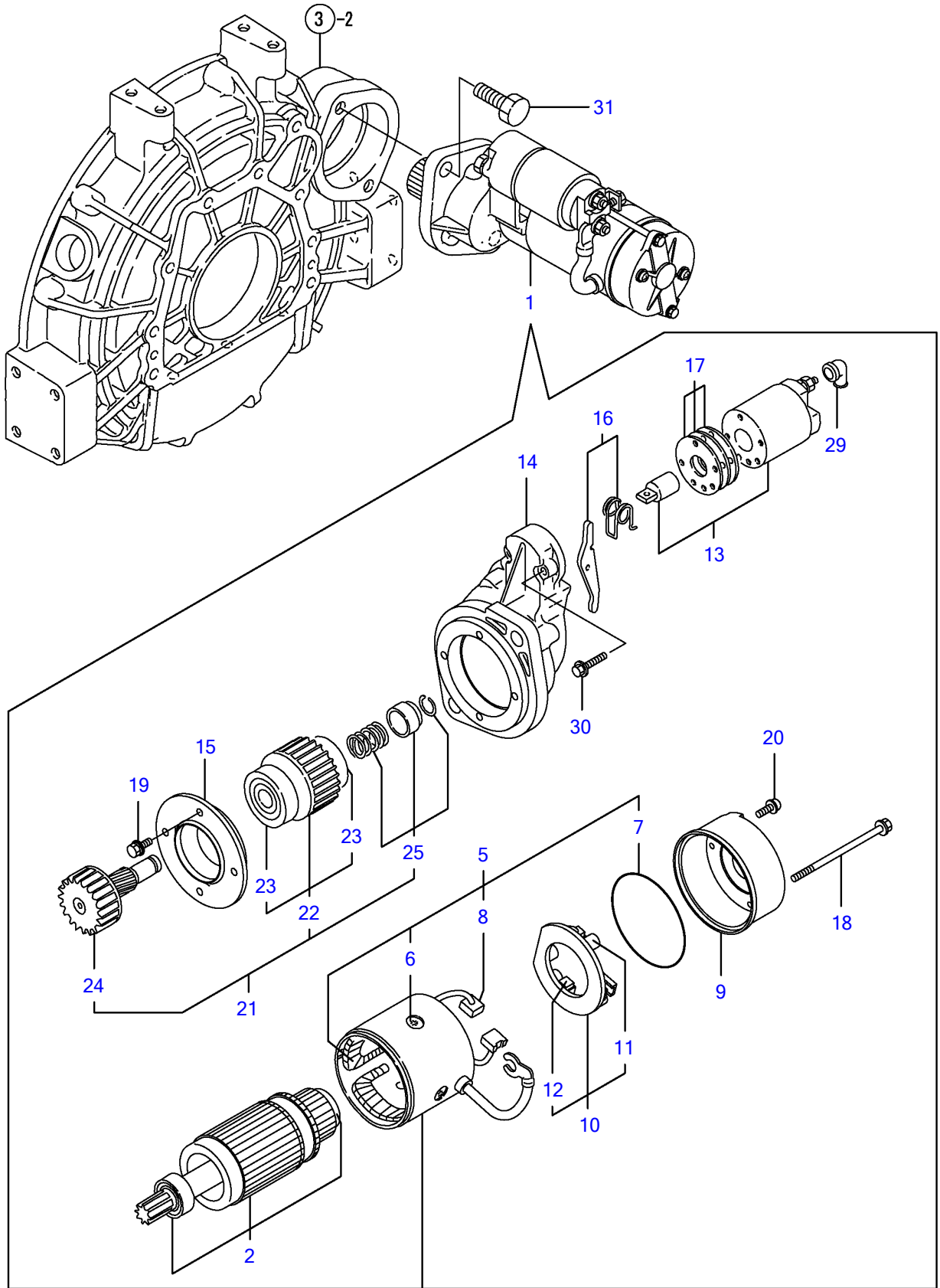
Engine for TB180FR 4TNV98-ZQTBZ
FUEL LINE



Y00D9930	14, FOパイプ			
4TNV98-ZQTBZ		1, 07/12	2	3 PLUS

REF NO.	PARTS NO.	Description	Q'ty
1	Y129004-55612	BRACKET,FUEL FILTER	1
2	Y129907-55801	FILTER, FUEL OIL	1
3	Y26106-080302	BOLT M 8X 30 PLATED	2
4	Y129457-59010	PIPE ASSY, FUEL	1
5	Y124766-59050	• CLAMP 12	2
6	Y129957-59120	• PROTECTOR, FUEL PIPE	1
7	Y105025-59750	• PIPE, FUEL OIL	1
8	Y129961-59310	PIPE ASSY, FUEL	1
9	Y124766-59050	• CLAMP 12	2
10	Y129136-59110	• PIPE, FUEL OIL	1
11	Y129961-59110	• TUBE	1
12	Y121750-59890	CLAMP 140	1
13	Y129907-59140	PIPE ASSY,F.O.RETURN	1
14	Y123907-59540	JOINT BOLT M6	5
15	Y123907-59550	PACKING,FUEL RETURN	5
16	Y129927-59550	PIPE, FUEL RETURN	1
17	Y129263-49750	• CORRUGATED TUBE	1
18	Y124722-59050	• CLAMP 9	2
20	Y123907-59560	HOSE JOINT 4	1
21	Y22190-080002	SEAL WASHER 8S	1
22	Y129612-52100	FUEL PUMP	1
23	Y129906-55700	SEPARATOR ASSY	1
24	Y129100-55690	• RING, RETAINING	1
25	Y119802-55710	• ELEMENT	1
26	Y119802-55730	• CUP ASSY(SERVICE PAR	1
27	Y24311-000160	• O-RING 1A P-16.0	1
28	Y24321-000650	• O-RING 1A G-65.0	1

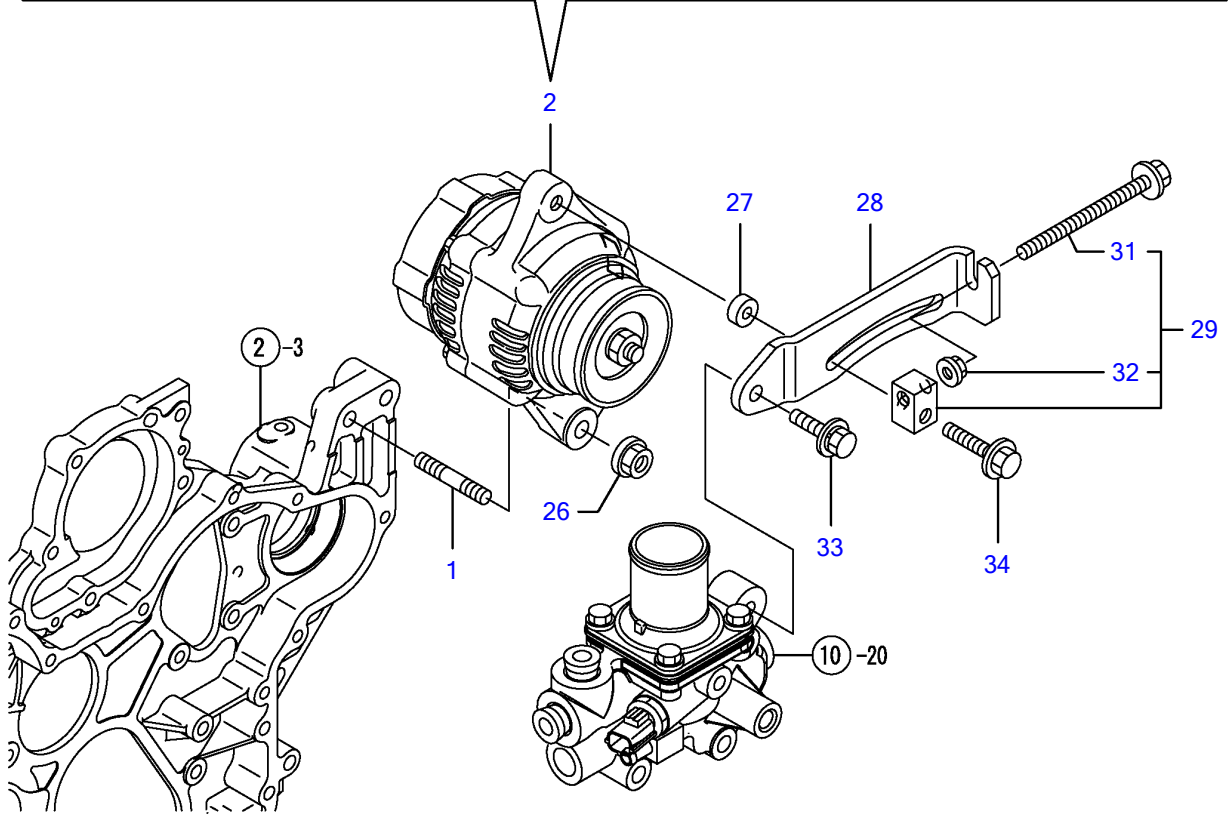
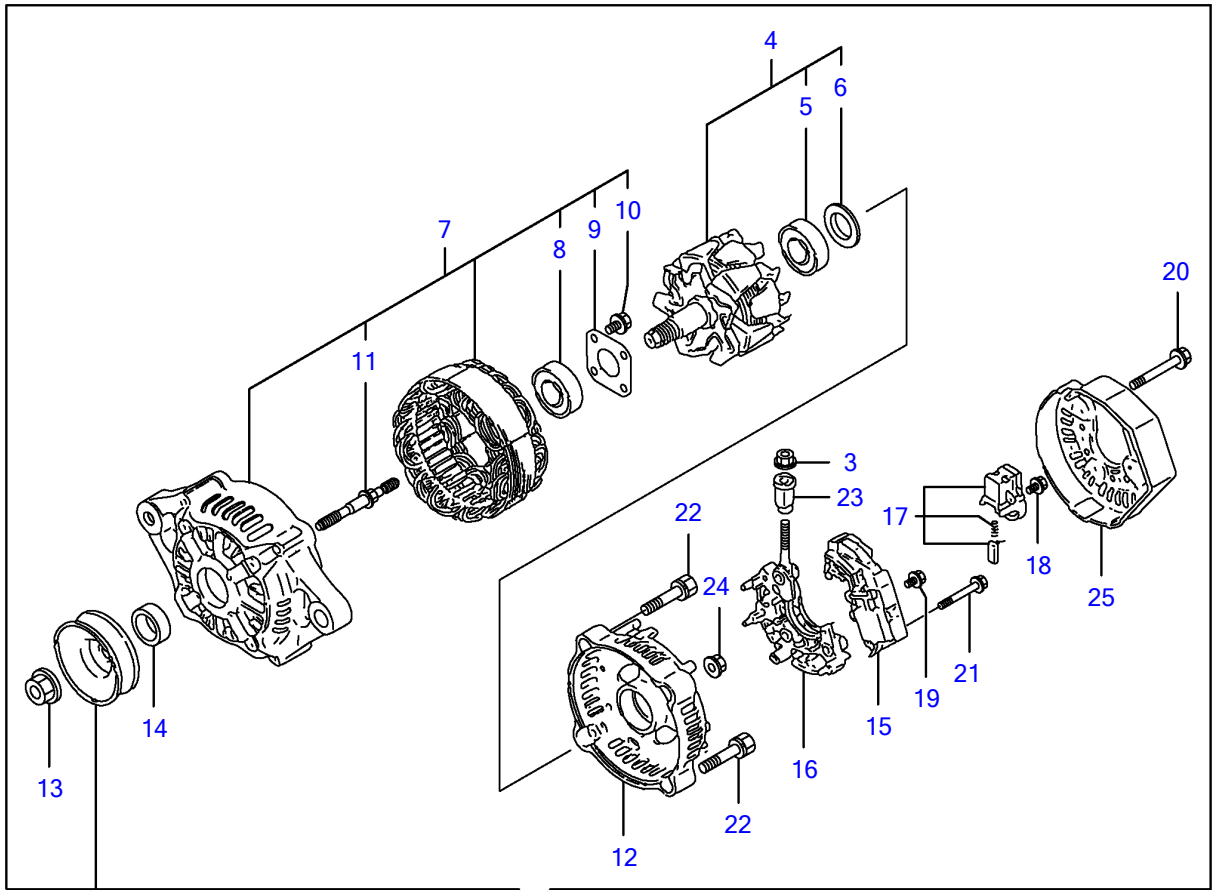
Engine for TB180FR 4TNV98-ZQTBZ
STARTING MOTOR



Y00D9930	15, スターティングモータ			
4TNV98-ZQTBZ		1, 07/12	2	3 PLUS

REF NO.	PARTS NO.	Description	Q'ty
1	Y129940-77010	STARTER 12V,3KW	1
2	Y129940-77100	• ARMATURE ASSY	1
5	Y129940-77130	• COIL ASSY, FIELD	1
6	Y129940-77140	• SCREW, POLE CORE SET	4
7	Y129940-77150	• O-RING	1
8	Y129940-77160	• BRUSH (+)	2
9	Y129940-77170	• COVER, REAR	1
10	Y129940-77180	• HOLDER, BRUSH	1
11	Y129940-77190	• SPRING, BRUSH	1
12	Y129940-77200	• BRUSH (-)	2
13	Y129940-77210	• SWITCH ASSY, MAGNETIC	1
14	Y129940-77220	• HOUSING, GEARS	1
15	Y129940-77230	• RETAINER, BEARING	1
16	Y129940-77240	• SHIFT LEVER SET	1
17	Y129940-77250	• COVER ASSY, DUST	1
18	Y129940-77260	• THROUGHT BOLT	2
19	Y129940-77270	• BOLT M6X 20	4
20	Y129940-77280	• SCREW M4X 10	2
21	Y123900-77510	• PINION ASSY	1
22	Y123900-77520	• CLUTCH ASSY	1
23	YX2240610100	• BALL BEARING (3)	2
24	Y123900-77540	• SHAFT, PINION	1
25	Y119131-77550	• STOPPER KIT, PINION	1
29	Y121254-77810	• TERMINAL COVER	1
30	Y114371-79070	• BOLT M 6X 37	2
31	Y26116-120302	BOLT M12X 30 PLATED	2

Engine for TB180FR 4TNV98-ZQTBZ GENERATOR

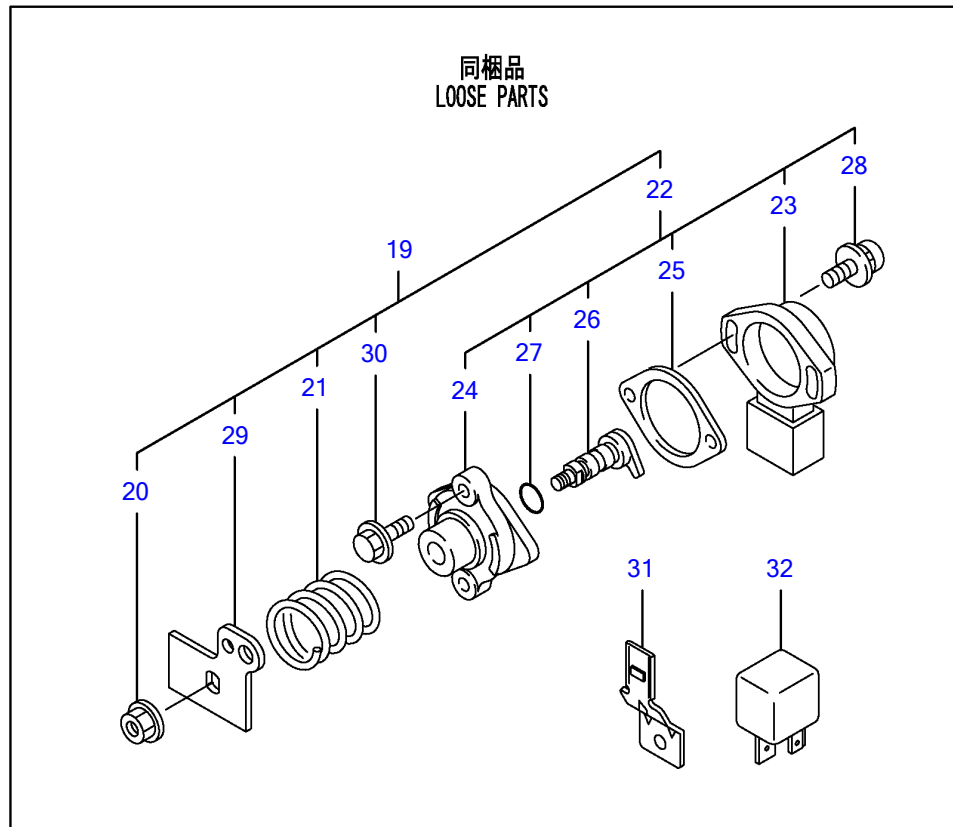
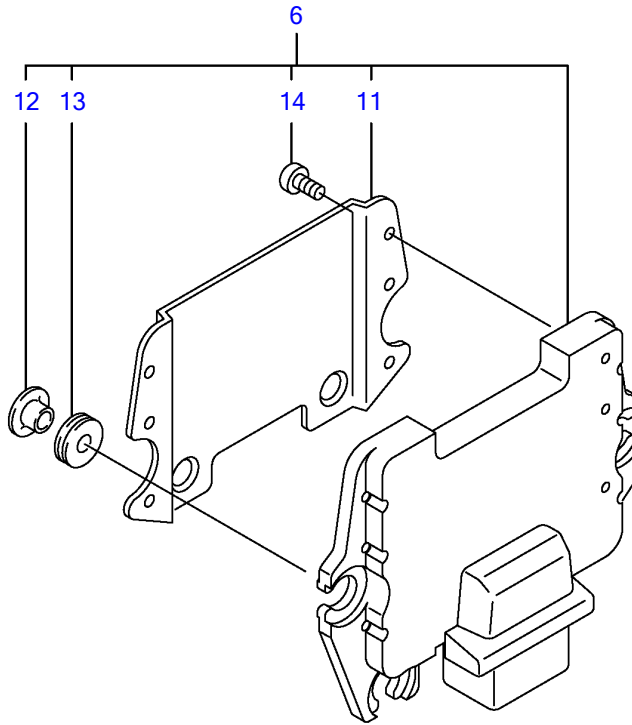


Y00D9930	16, ジェネレ-9			
4TNV98-ZQTBZ		1, 07/12	2	3 PLUS

¼P'ÈÚ-À GENERATOR

REF NO.	PARTS NO.	Description	Q'ty	I	R	»õ
1	Y129795-01900	STUD	1			
2	Y123951-77200	GENERATOR	1			
3	YX9490561001	• NUT	1			
4	Y129052-77380	• ROTATOR ASSY	1			
5	Y125301-79240	• • BALL BEARING	1			
6	Y119620-79250	• • COVER, BEARING	1			
7	Y129052-77421	• FRAME ASSY	1			
8	Y119620-79200	• • BALL BEARING	1			
9	Y119620-79210	• • PLATE	1			
10	Y119620-79220	• • SCREW	4			
11	Y119620-79230	• • BOLT, STUD	2			
12	Y128401-77440	• FLAME	1			
13	Y119620-77470	• NUT	1			
14	Y119620-77490	• COLLAR	1			
15	Y119626-77710	• REGULATOR ASSY	1			
16	Y129052-79260	• HOLDER,SUB,RECTIFIER	1			
17	Y129052-79270	• HOLDER, BRUSH	1			
18	Y119620-79290	• SCREW	6			
19	Y119620-79300	• SCREW	1			
20	Y119620-79310	• BOLT	3			
21	Y119620-79320	• SCREW W/WASHER	2			
22	Y119620-79330	• BOLT	2			
23	Y119620-79340	• INSULATION BUSH	1			
24	Y119620-79350	• NUT	2			
25	Y119626-77450	• COVER, END, RR	1			
26	Y26306-100002	NUT	1			
27	Y119940-77270	ADJUSTER, BELT	1			
28	Y129906-77300	ADJUSTER, BELT	1			
29	Y119624-77351	BROCK,GENERATOR CMP	1			
31	Y26106-081004	• BOLT 8*100	1			
32	Y26306-080002	• NUT	1			
33	Y26014-080252	BOLT M 8X 25	1			
34	Y26106-080552	BOLT M 8X 55 PLATED	1			

Engine for TB180FR 4TNV98-ZQTBZ
ELECTRIC PARTS

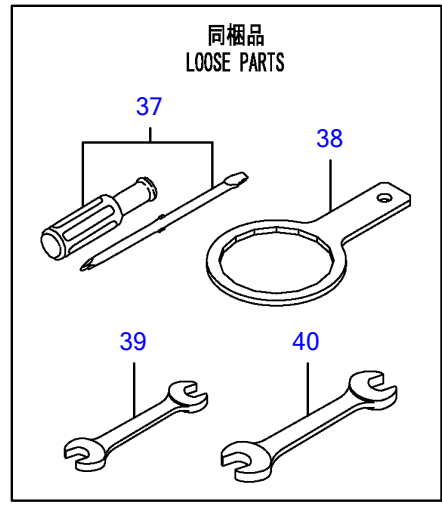
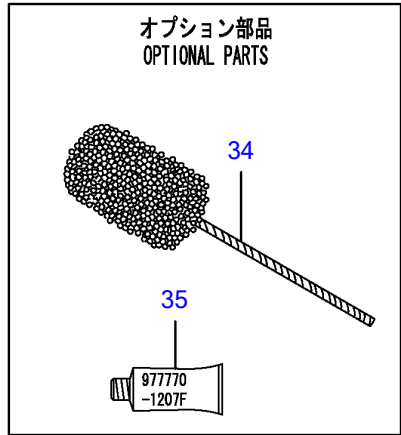
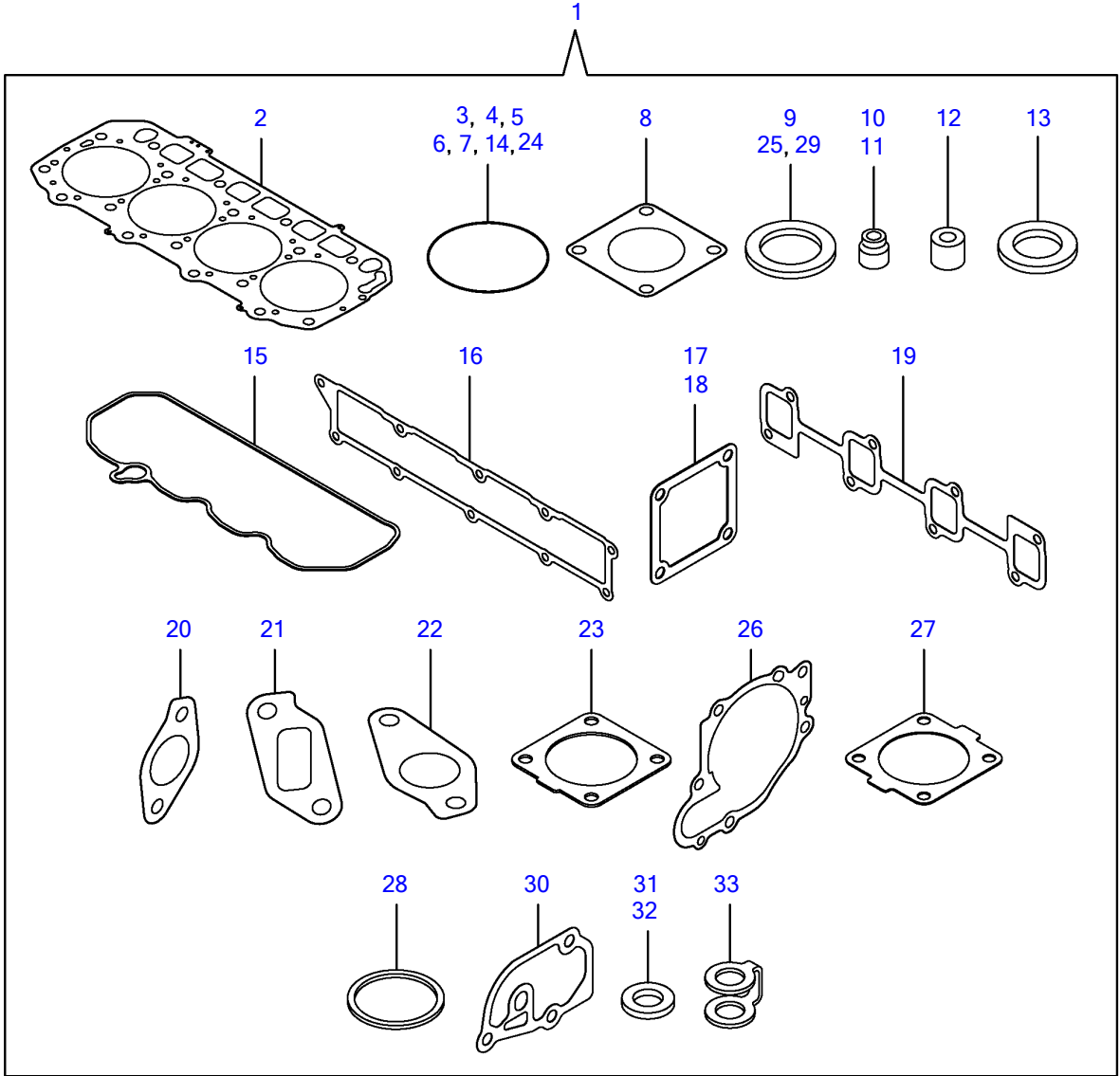


Y00D9930	17, デンソウセン			
4TNV98-ZQTBZ		1, 07/12	2	3 PLUS

ÄPÝj³ËÝ ELECTRIC PARTS

REF NO.	PARTS NO.	Description	Q'ty	QTY
6	Y129938-75080	CONTROLLER CMP	1	(1)
11	Y129927-77600	• SHIELD,ECU	1	
12	Y129927-77680	• COLLAR, CONTROLLER	3	
13	Y119578-91351	• RUBBER, CUSHION	3	
14	Y22877-500080	• SCREW, 5.0 X 8	6	
19	Y129938-77800	ACCEL SENSOR ASSY	1	
20	Y194990-22130	• NUT W/WASHER 6	1	
21	Y119060-61990	• SPRING, RETURN	1	
22	Y129054-77800	• SENSOR COMP.,ACCEL	1	
23	Y185100-50070	• • BODY	1	
24	Y129054-77811	• • SUPPORT	1	
25	Y129054-77820	• • GASKET, SUPPORT	1	
26	Y129054-77830	• • SHAFT ASY	1	
27	Y24311-000070	• • O-RING 1A P-7.0	1	
28	Y26023-040202	• • SCREW M 4X 20	2	
29	Y129938-77810	• ACCEL SENSOR LEVER	1	
30	Y26106-060122	• BOLT M 6X 12 PLATED	2	
31	Y129927-77910	BRACKET,CONNECTOR	3	
32	Y129927-77920	RELAY(ISO,70A)	3	

Engine for TB180FR 4TNV98-ZQTBZ GASKET SET



Y00D9930 18, パッキンセット				
4TNV98-ZQTBZ	1, 07/12	2	3	PLUS

ÊËÄ·Ý¾ÄÄ GASKET SET

REF NO.	PARTS NO.	Description	Q'ty	I	R	"ö
1	Y729927-92710	GASKET SET(NON-ASB.)	1		(1)	µ ß¼@Ý pËÝÄp½
2	Y129907-01331	• GASKET,CYLINDER HEAD	1			
3	Y129900-32030	• O-RING P20	2			
4	Y129900-32040	• O-RING P14	1			
5	Y24311-000070	• O-RING 1A P-7.0	1			
6	Y24351-030750	• PACKING, 3075	1			
7	Y24311-000320	• O-RING 1A P-32.0	3			
8	Y124240-01883	• GASKET, (NON-ASB.)	1			
9	Y22190-220002	• SEAL WASHER 22S	1			
10	Y119803-11340	• SEAL, VALVE STEM(EXH)	8			
11	Y124160-11340	• SEAL, VALVE STEM(INT)	8			
12	Y119802-11870	• PROTECTOR, NOZZLE	4			
13	Y119625-11880	• SEAT, NOZZLE	4			
14	Y24311-000120	• O-RING 1A P 12.0	8			
15	Y129933-11310	• GASKET, BONNET	1			
16	Y129907-12110	• PACKING(INT.MANIFOLD)	1			
17	Y119129-77020	• GASKET	1			
18	Y121850-77021	• GASKET, (NON-ASB.)	1			
19	Y129900-13251	• GASKET	1			
20	Y129927-13810	• GASKET, EGR PIPE	1			
21	Y129927-13910	• GASKET(EGR-V IN)	1			
22	Y129927-13920	• GASKET(EGR-V OUT)	1			
23	Y129930-13201	• GASKET, SILENCER	2			
24	Y24341-000530	• O-RING 1A S-53.0	1			
25	Y22190-080002	• SEAL WASHER 8S	7			
26	Y129900-42020	• GASKET, CW-P	1			
27	Y121850-49540	• GASKET, THERMOSTAT	1			
28	Y121850-49550	• GASKET, THERMOSTAT	1			
29	Y22190-120002	• SEAL WASHER 12	1			
30	Y129900-49870	• GASKET, CASE	1			
31	Y23414-080000	• GASKET 8, ROUND	1			
32	Y124465-44950	• GASKET 16	2			
33	Y123907-59550	• PACKING,FUEL RETURN	5			
34	Y129400-92450	FLEX HONE	1		(1)	µ ß¼@Ý pËÝÄp½
35	Y977770-1207F	GASKET.LIQUID	1		(1)	µ ß¼@Ý pËÝÄp½
37	Y104200-92350	DRIVER, SCREW	1			
38	Y119640-92750	WRENCH, FILTER	1			
39	Y28110-100120	WRENCH 10X12	1			
40	Y28110-140170	WRENCH 14X17	1			