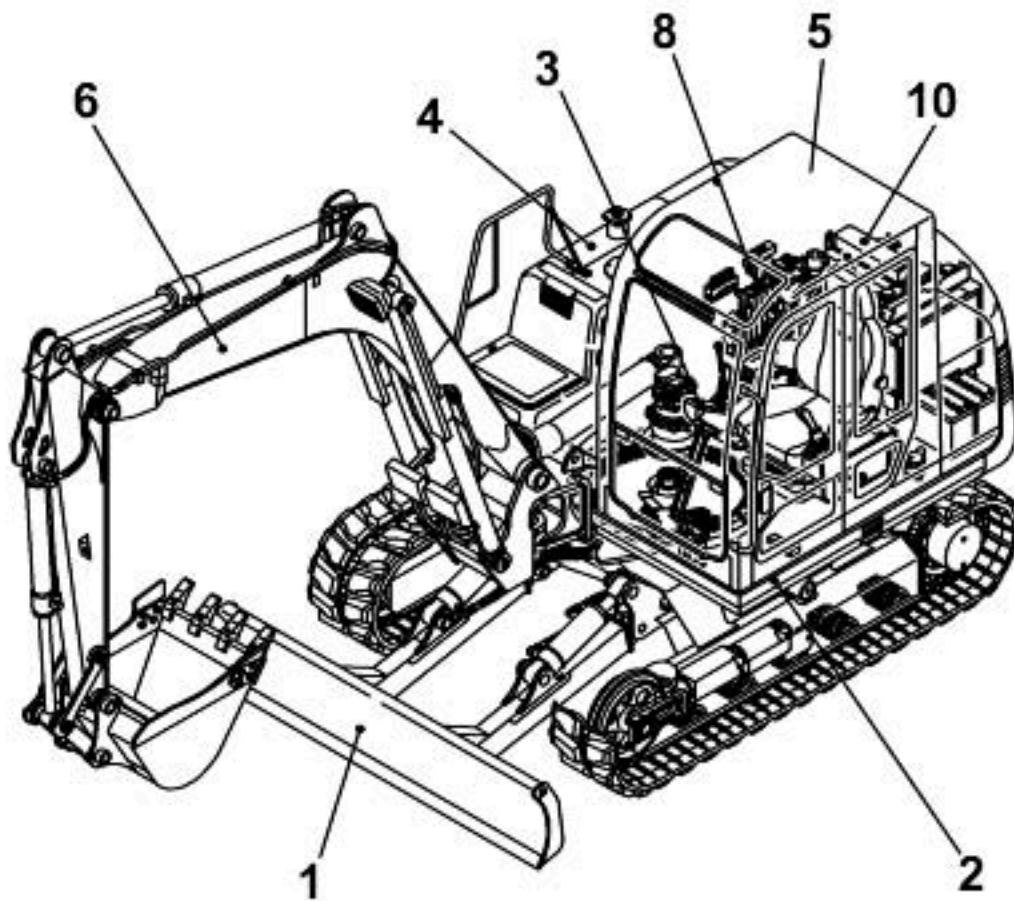


# TB175

BookNo.BL7Z002  
SerialNo.17530001-



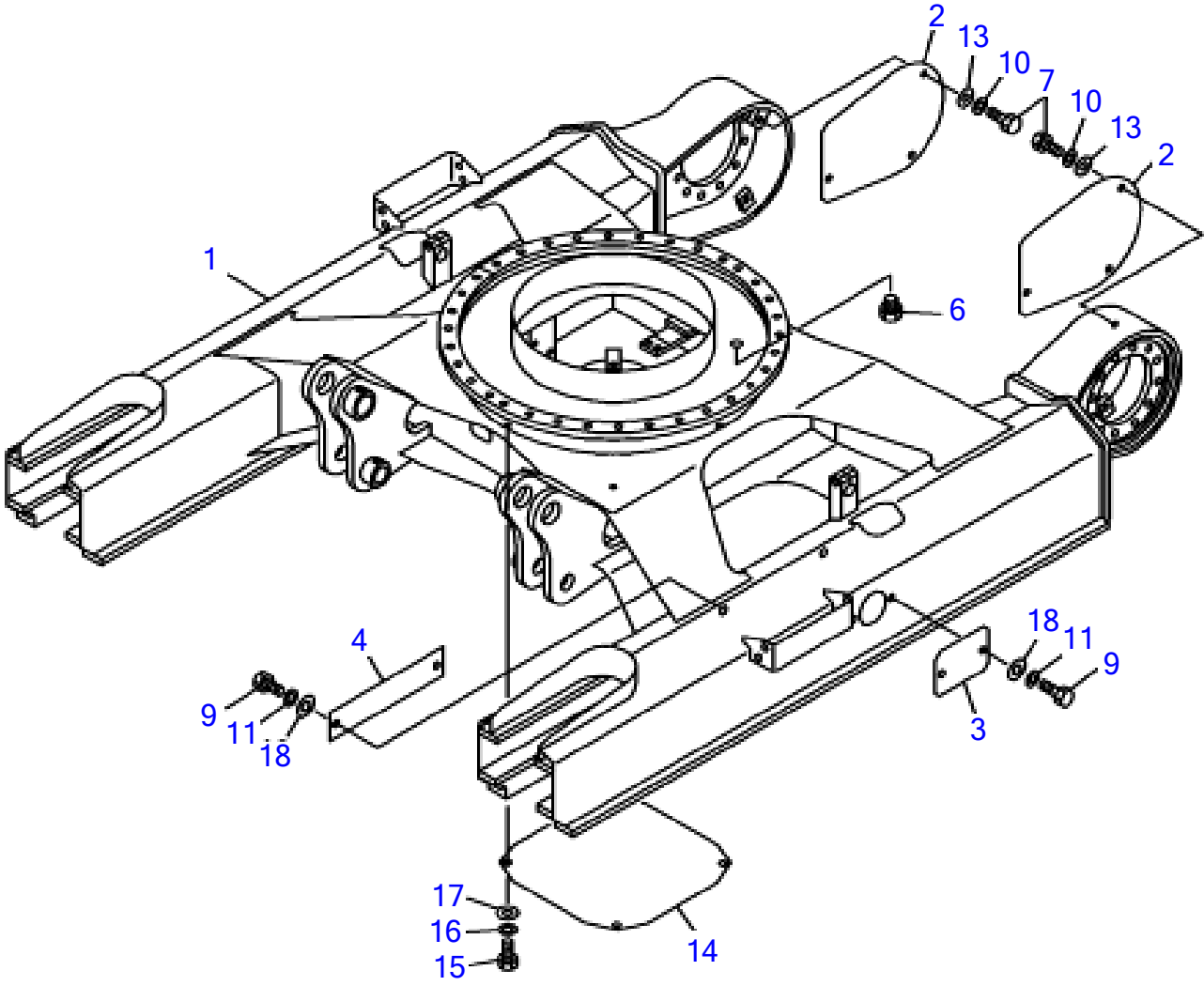
# TAKEUCHI



**INDEX**

Item	Part number	Description	Q'ty	Chan.	Serial No.	Serv.	Remarks
1		UNDERCARRIAGE					
2		TURNTABLE & CONTROL LEVER					
3		ENGINE & ELECTRICAL SYSTEM					
4		HYDRAULIC PIPNG & TANK					
5		COVER & CAB					
6		HOE ATTACHMENT					
7		DECAL & TOOL					
8		HYDRAULIC DEVICE					
10		ENGINE(4TNV98-ZQTB)					
		2008.7.11					
99		Kits, Attachments and Quick Reference					

TB175 Book No. BL7Z000 S/N 17530001-  
LOWER FRAME

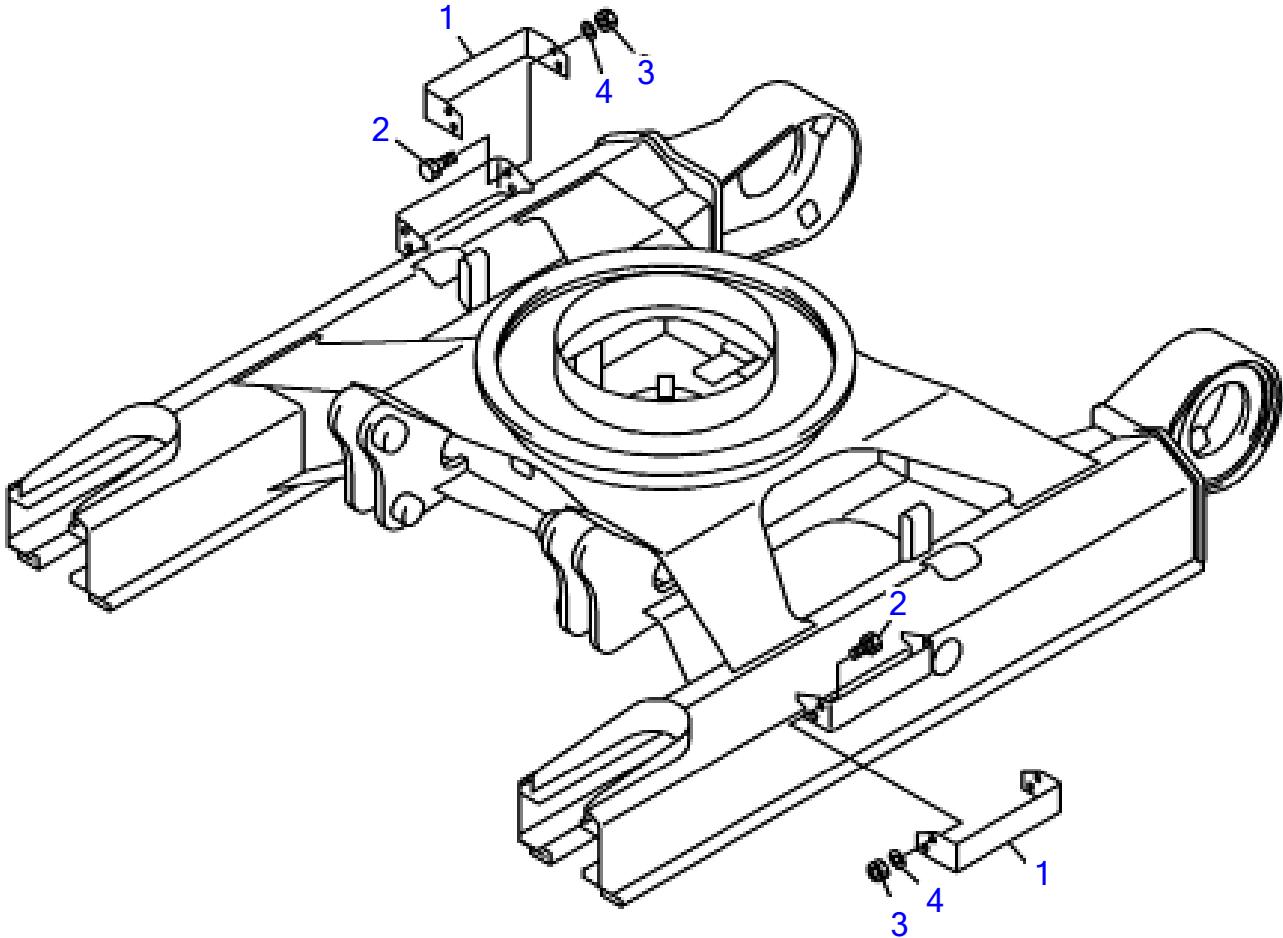


L7A011



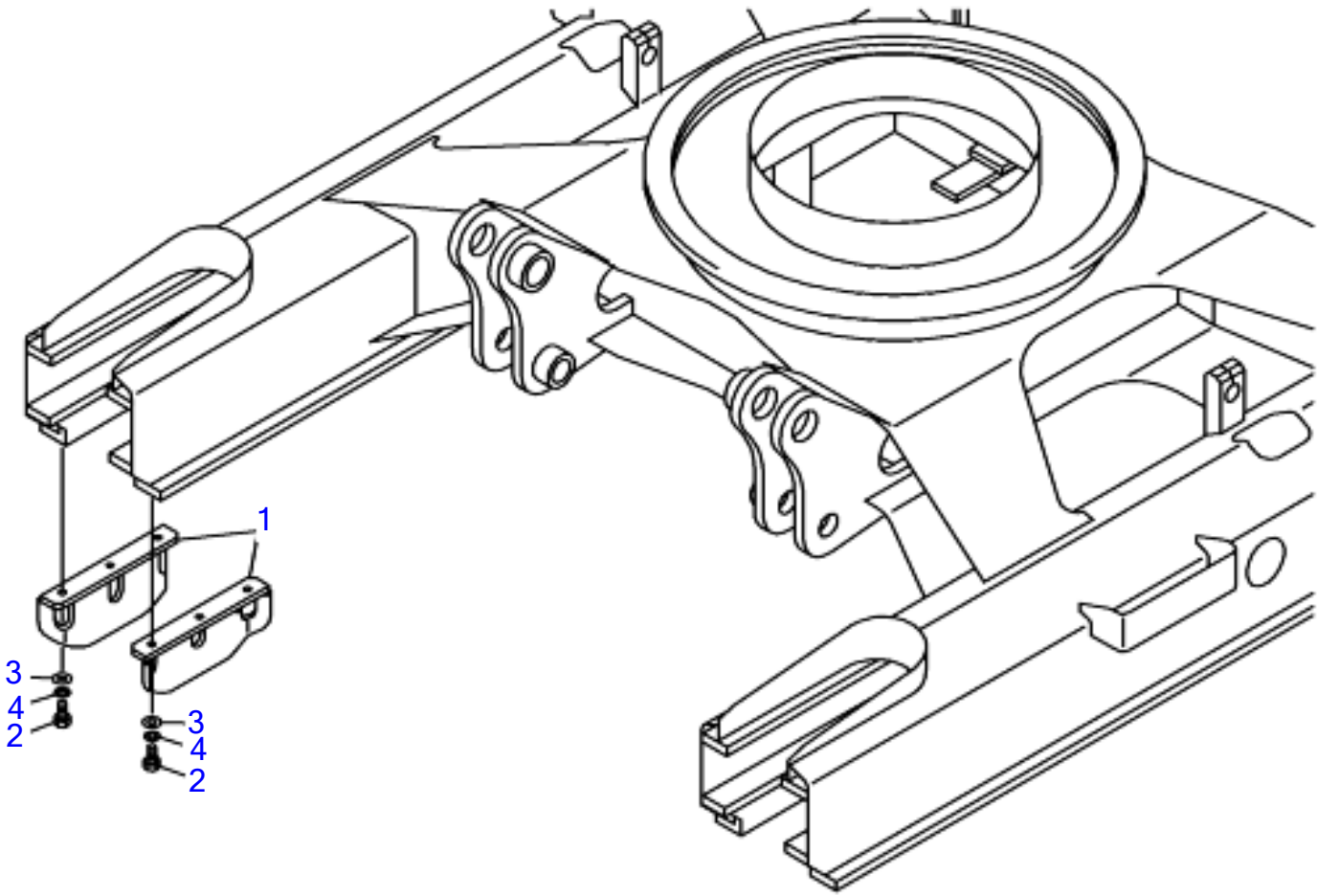
**LOWER FRAME**

Item	Part number	Description	Q'ty	Chan.	Serial No.	Serv.	Remarks
		FRAME ASSY, lower					
		FRAME ASSY, lower (550mm shoe)					
1	X *****	FRAME	1				
2	0561027020	COVER	2				
3	0561017400	COVER	2				
4	0561019400	COVER	2				
6	1501710010	PLUG	1				
7	1100041020	BOLT	6				
9	1100040816	BOLT	8				
10	1140020010	WASHER, spring	6				
11	1140020008	WASHER, spring	8				
13	1141110010	WASHER	6				
14	0561021010	COVER	1				
15	1100041225	BOLT	4				
16	1140020012	WASHER, spring	4				
17	1141110012	WASHER	4				
18	1141110008	WASHER	8				
	L7a011						



L7A090

Item	Part number	Description	STEP	Q'ty	Chan.	Serial No.	Serv.	Remarks
		STEP ASSY (550MM SHOE)						
1	0561019500	STEP		2				
	0571001520	STEP		2				
2	1100041025	BOLT		8				
	1100041225	BOLT		8				
3	1130040010	NUT		8				
	11300040012	NUT		8				
4	1140020010	SPRING WASHER		8				
	1140020012	SPRING WASHER		8				
	L7A090							



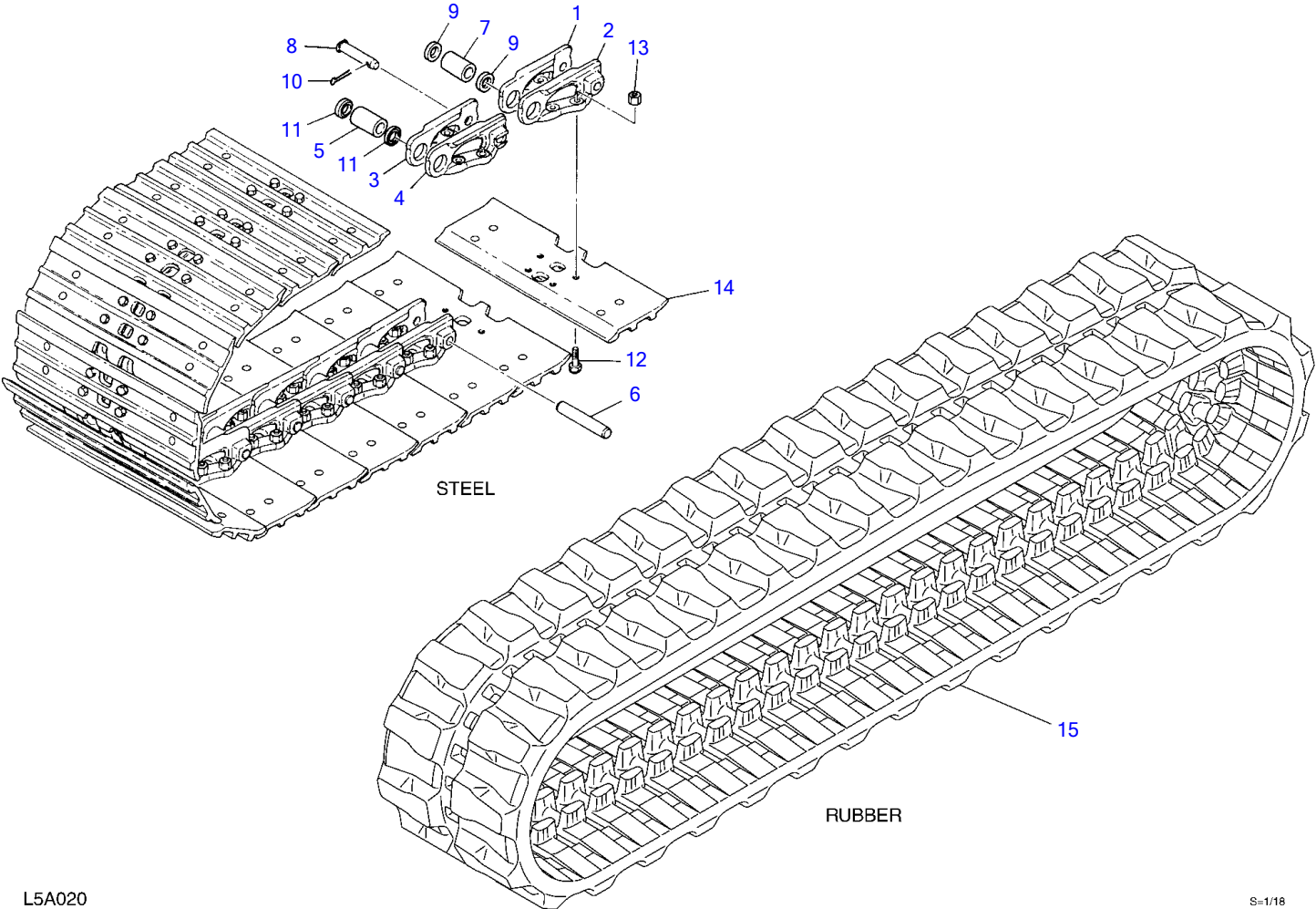
L6A021

20-1-0

**CRAWLER GUIDE**

Item	Part number	Description	Q'ty	Chan.	Serial No.	Serv.	Remarks
		CRAWLER GUIDE					
1	0391700110	GUIDE	4				
2	1101041230	BOLT	12				
3	1141110012	WASHER	12				
4	1140020012	SPRING WASHER	12				
	L6A021						

TB175 Book No. BL7Z000 S/N 17530001-  
CRAWLER BELT



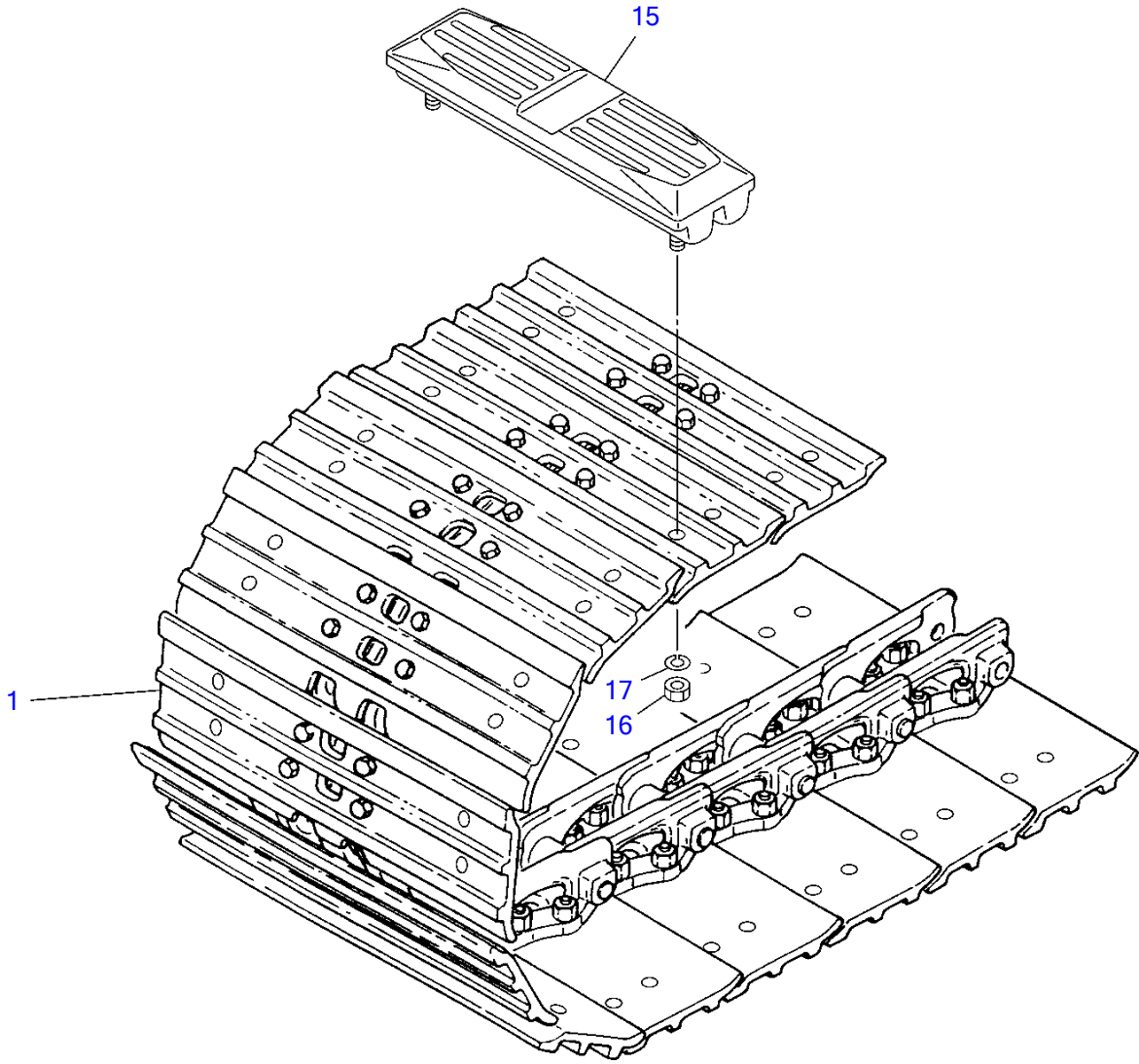
L5A020

S-1/18

**CRAWLER BELT**

Item	Part number	Description	Q'ty	Chan.	Serial No.	Serv.	Remarks
0	<b>1914087300</b>	BELT, steel crawler	2				450mm shoe
	<b>1914088100</b>	BELT, steel crawler	2				550mm shoe
0-1	<b>1914087199</b>	· LINK ASSY	2				
1	<b>1914087001</b>	· · LINK(R.H.)	38				
2	<b>1914087002</b>	· · LINK(L.H.)	38				
3	<b>1914087003</b>	· · LINK, master(R.H.)	1				
4	<b>1914087004</b>	· · LINK, master(L.H.)	1				
5	<b>1914087005</b>	· · BUSHING	38				
6	<b>1914087006</b>	· · PIN, track	38				
7	<b>1914087012</b>	· · BUSHING	1				
8	<b>1914087007</b>	· · PIN, master	1				
9	<b>1914087013</b>	· · COLLAR	2				
10	<b>1914087014</b>	· · PIN, split	1				
11	<b>1914087015</b>	· · SEAL	76				
12	<b>1914087009</b>	· BOLT	156				
13	<b>1914087010</b>	· NUT	156				
14	<b>1914087311</b>	· PLATE	39				450mm shoe
	<b>1914088011</b>	· PLATE	39				550mm shoe
15	<b>1914086300</b>	BELT, rubber crawler	2				
	<b>L7a020</b>						

TB175 Book No. BL7Z000 S/N 17530001-  
CRAWLER BELT (with rubber pads)



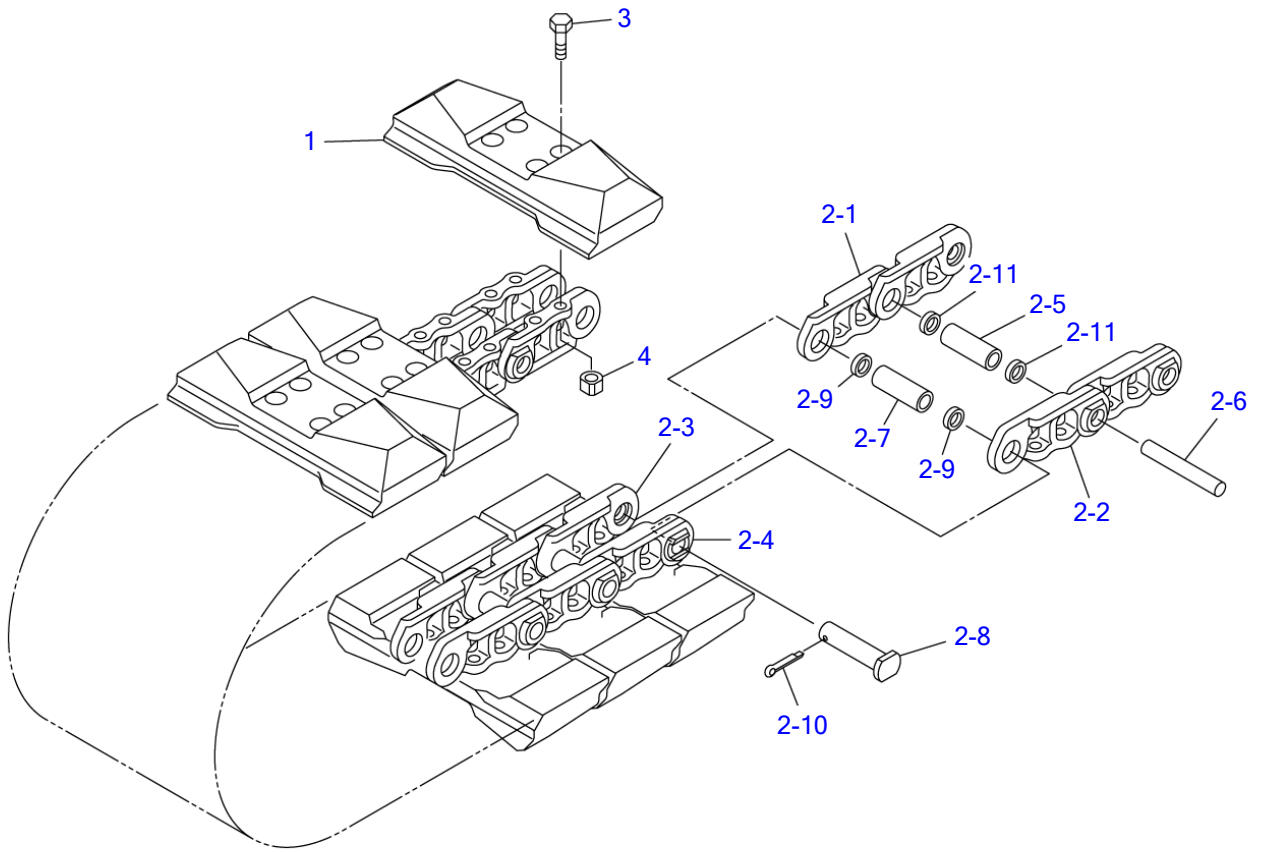
L4A082



**CRAWLER BELT (with rubber pads)**

Item	Part number	Description	Q'ty	Chan.	Serial No.	Serv.	Remarks
0	<b>1914087400</b>	BELT ASSY, steel crawler (with rubber pads)	2				
1	<b>1914087300</b>	▪ BELT, steel crawler	1				
15	<b>1914400600</b>	▪ PAD, rubber	39				
16	<b>1130050014</b>	• • NUT	4				
17	<b>1140010014</b>	• • WASHER, spring	4				
	<b>L4a083</b>						

TB175 Book No. BL7Z000 S/N 17530001-  
CRAWLER BELT (segment rubber crawler)



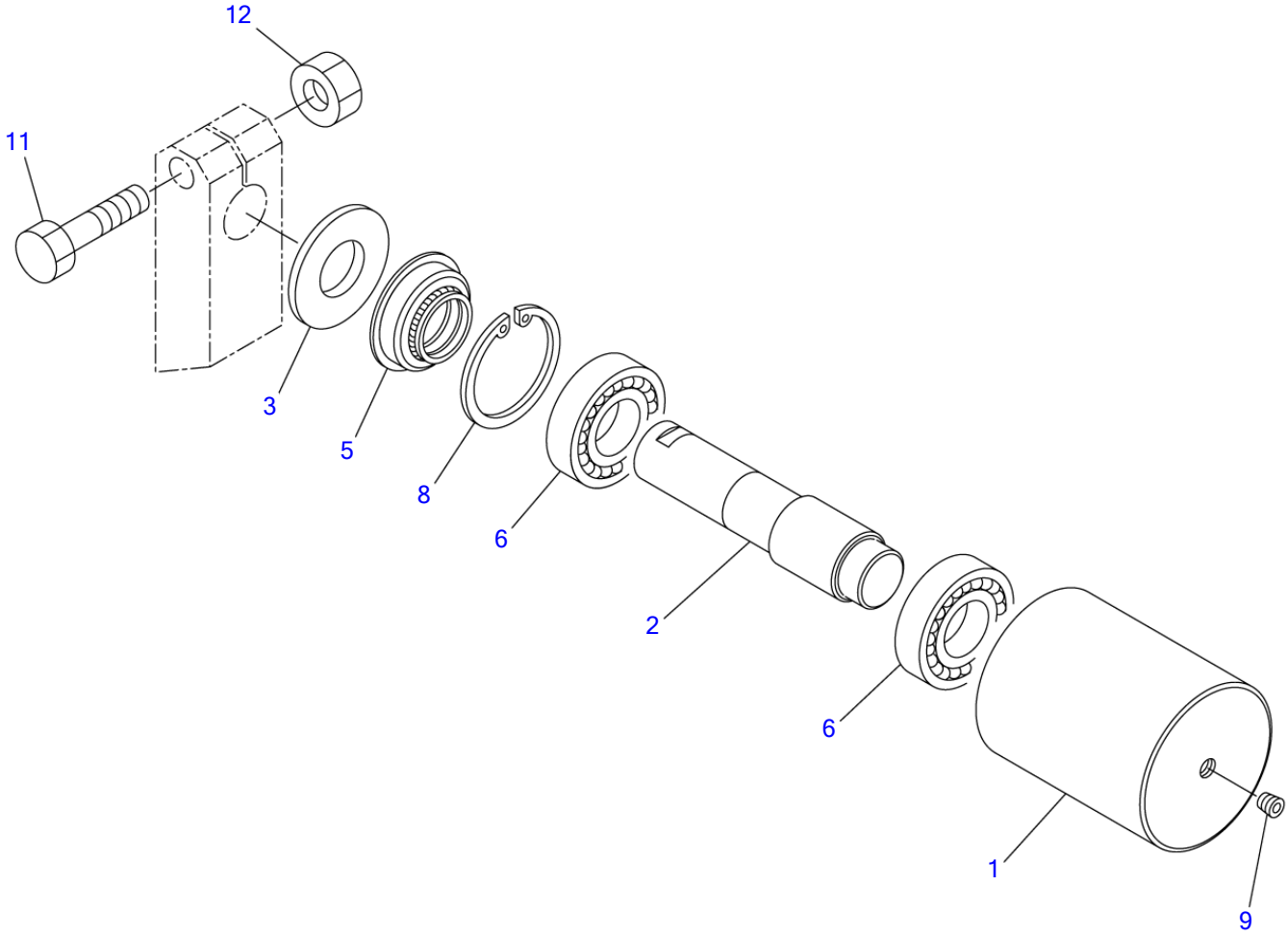
L3A130

S=1/12

**CRAWLER BELT (segment rubber crawler)**

Item	Part number	Description	Q'ty	Chan.	Serial No.	Serv.	Remarks
0	<b>0561100000</b>	BELT, segment rubber crawler	2				
1	<b>1914401100</b>	▪ PAD, rubber	39				
2	<b>1914087199</b>	▪ LINK ASSY	2				
2-1	<b>1914087001</b>	▪ ▪ LINK(R.H.)	38				
2-2	<b>1914087002</b>	▪ ▪ LINK(L.H.)	38				
2-3	<b>1914087003</b>	▪ ▪ LINK, master(R.H.)	1				
2-4	<b>1914087004</b>	▪ ▪ LINK, master(L.H.)	1				
2-5	<b>1914087005</b>	▪ ▪ BUSHING	38				
2-6	<b>1914087006</b>	▪ ▪ PIN, track	38				
2-7	<b>1914087012</b>	▪ ▪ BUSHING	1				
2-8	<b>1914087007</b>	▪ ▪ PIN, master	1				
2-9	<b>1914087013</b>	▪ ▪ COLLAR	2				
2-10	<b>1914087014</b>	▪ ▪ PIN, split	1				
2-11	<b>1914087015</b>	▪ ▪ SEAL	76				
3	<b>1914087009</b>	▪ BOLT	156				
4	<b>1914087010</b>	▪ NUT	156				
	<b>L3a130</b>						

TB175 Book No. BL7Z000 S/N 17530001-  
CARRIER ROLLER



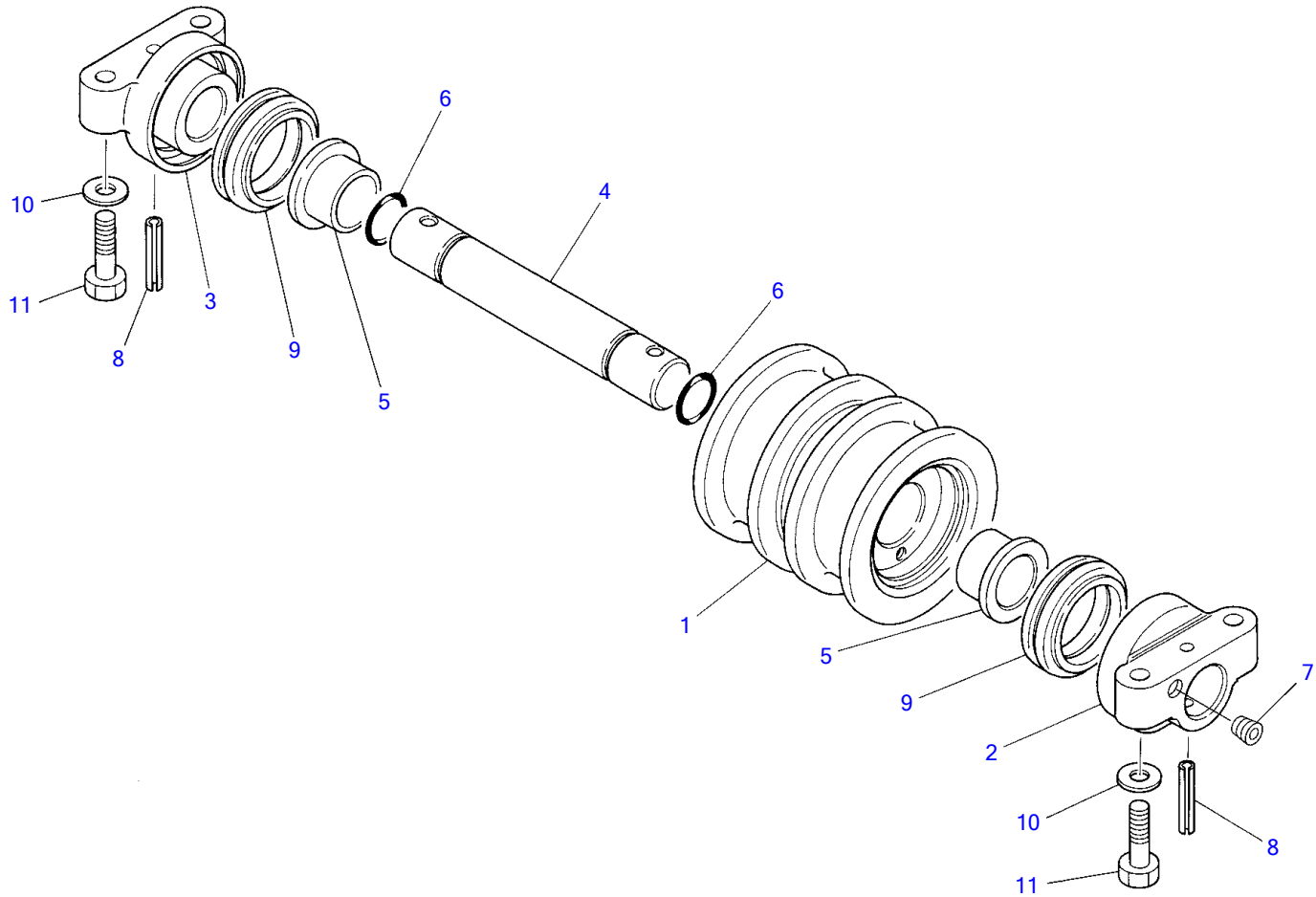
L3A030

S=1/4

**CARRIER ROLLER**

Item	Part number	Description	Q'ty	Chan.	Serial No.	Serv.	Remarks
0-1	<b>0561204080</b>	ROLLER ASSY, carrier	2				
1	<b>0561202100</b>	• ROLLER	1				
2	<b>0561204100</b>	• SHAFT	1				
3	<b>0561202200</b>	• COVER	1				
5	<b>1431203572</b>	• SEAL	1				
6	<b>1300006207</b>	• BEARING	2				
8	<b>1221000072</b>	• RING, snap	1				
9	<b>1501810001</b>	• PLUG	1				
11	<b>1101041675</b>	BOLT	2				
12	<b>1130540016</b>	NUT	2				
	<b>L3A030</b>						

TB175 Book No. BL7Z000 S/N 17530001-  
TRACK ROLLER



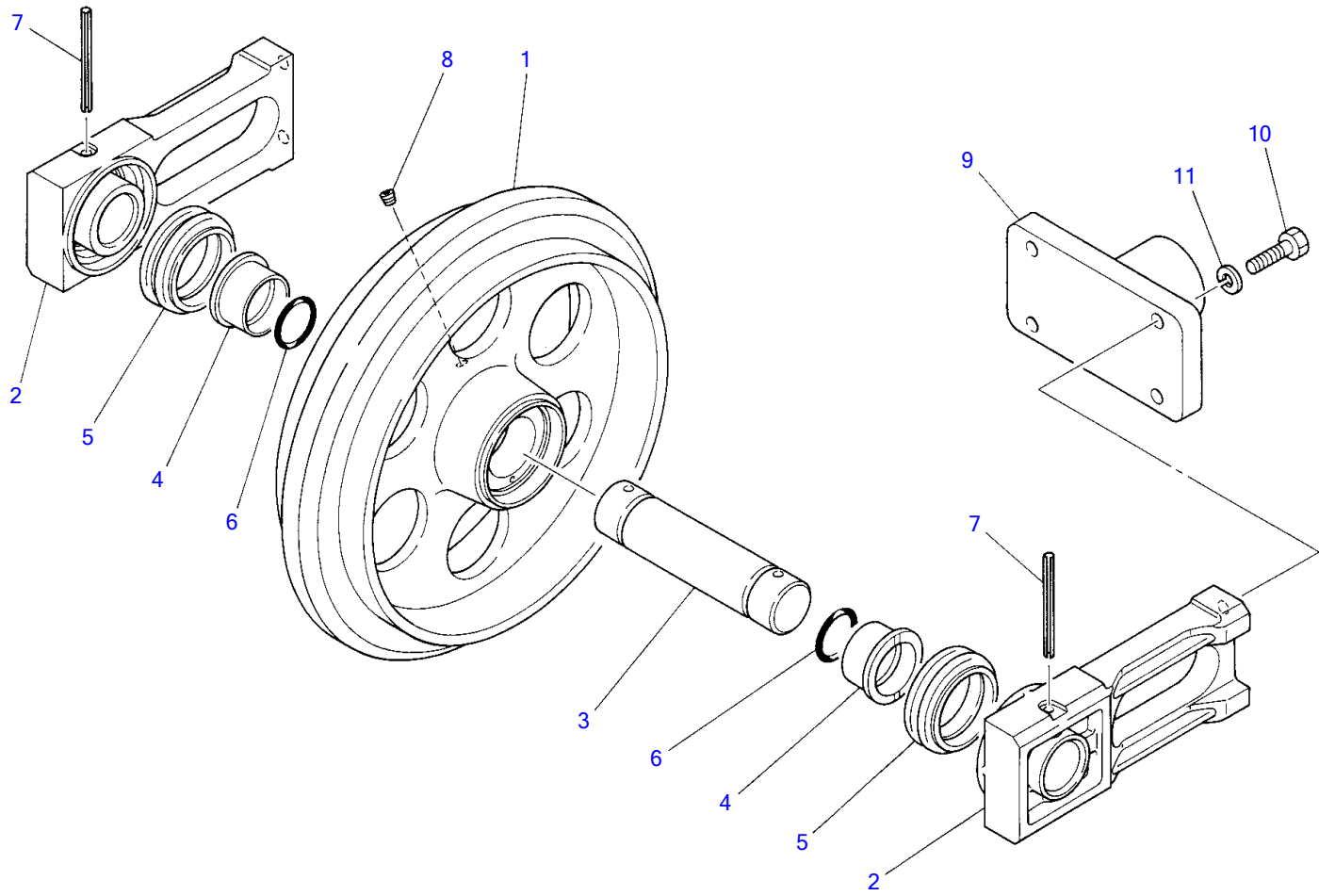
L7A030

S=1/5

**TRACK ROLLER**

Item	Part number	Description	Q'ty	Chan.	Serial No.	Serv.	Remarks
		ROLLER ASSY, track					
0-1	<b>0561307100</b>	ROLLER SUB ASSY, track	10				
1	<b>0561307200</b>	▪ ROLLER	1				
2	<b>0561307120</b>	▪ COVER	1				
3	<b>0561304300</b>	▪ COVER	1				
4	<b>0561304400</b>	▪ SHAFT	1				
5	<b>0561303500</b>	▪ BUSHING	2				
6	<b>1420100350</b>	▪ O-RING	2				
7	<b>1501830001</b>	▪ PLUG	1				
8	<b>1213001055</b>	▪ PIN, spring	2				
9	<b>1432500660</b>	▪ SEAL, floating	2				
10	<b>1141540012</b>	WASHER	40				
11	<b>1101041250</b>	BOLT	40				
	<b>L7a031</b>						

TB175 Book No. BL7Z000 S/N 17530001-  
FRONT IDLER



L2A050

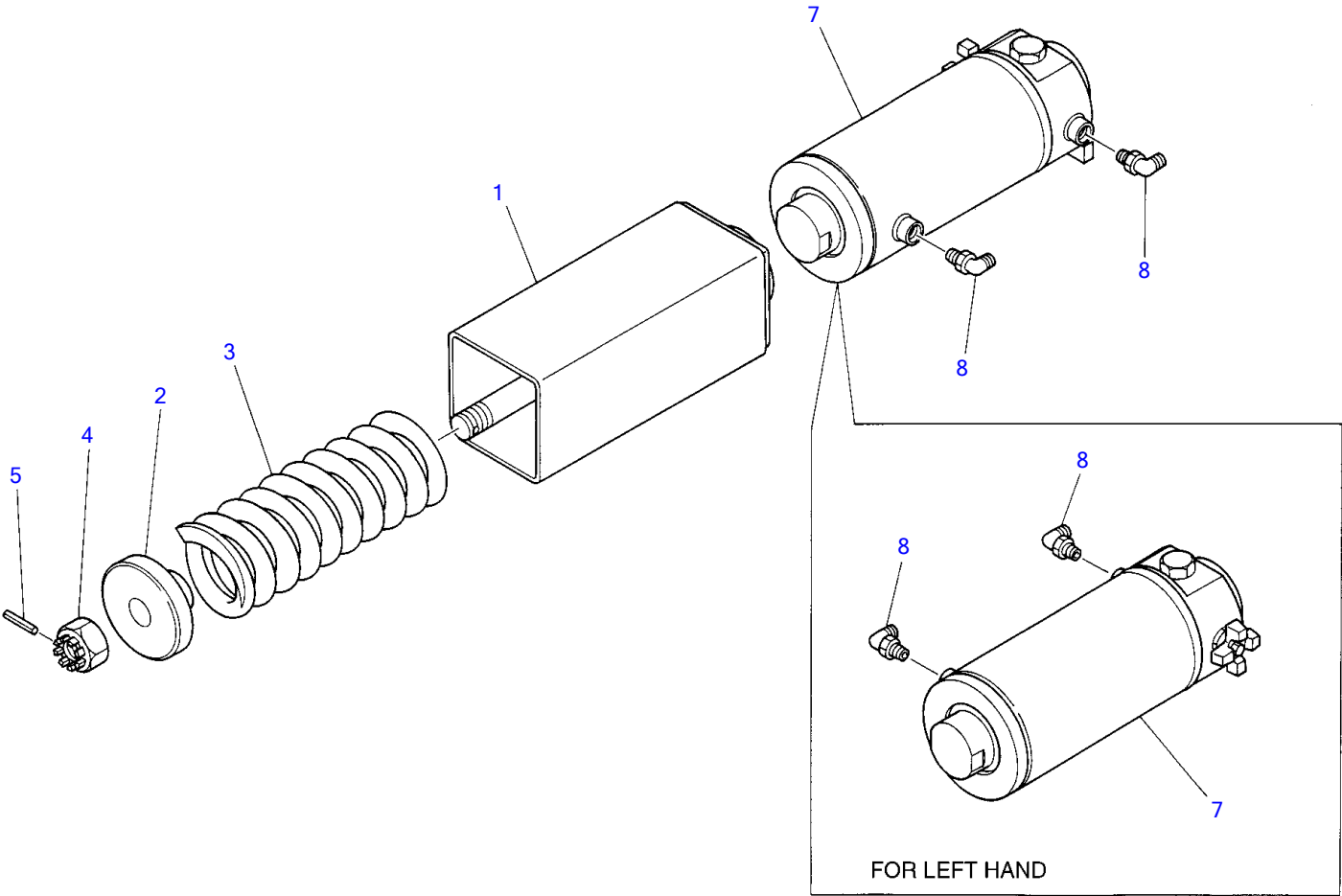
S=1/7



**FRONT IDLER**

Item	Part number	Description	Q'ty	Chan.	Serial No.	Serv.	Remarks
		IDLER ASSY, front					
0-1	<b>0561400600</b>	IDLER SUB ASSY, front	2				
1	<b>0561400100</b>	· IDLER	1				
2	<b>0561400200</b>	· BLOCK	2				
3	<b>0561400300</b>	· SHAFT	1				
4	<b>0561400400</b>	· BUSHING	2				
5	<b>1432500800</b>	· SEAL, floating	2				
6	<b>1420100500</b>	· O-RING	2				
7	<b>1213101020</b>	· PIN, spring	2				
8	<b>1501810001</b>	· PLUG	1				
9	<b>0561401500</b>	PLATE	2				
10	<b>1101041450</b>	BOLT	8				
11	<b>1140020014</b>	WASHER, spring	8				
	<b>L3a052</b>						

TB175 Book No. BL7Z000 S/N 17530001-  
TRACK ADJUSTER

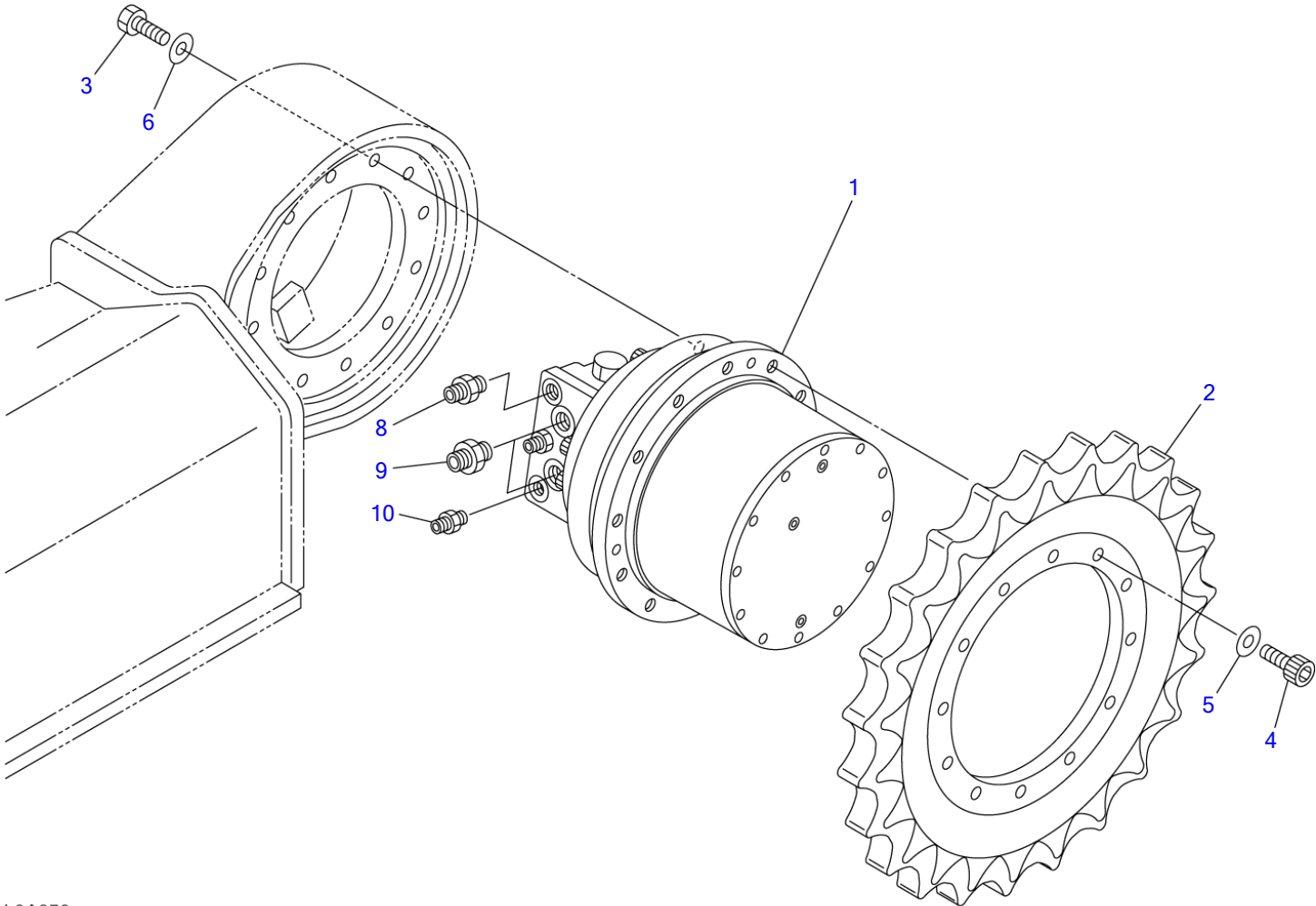


L3A060

S=1/7

**TRACK ADJUSTER**

Item	Part number	Description	Q'ty	Chan.	Serial No.	Serv.	Remarks
		SPRING ASSY (R.H.)					
		SPRING ASSY (L.H.)					
0-1	<b>0561503100</b>	SPRING ASSY	2				
1	<b>0561503200</b>	• ROD	1				
2	<b>0391506350</b>	• PLATE	1				
3	<b>0007000077</b>	• SPRING	1				
4	<b>1132530027</b>	• NUT	1				
5	<b>1213000540</b>	• PIN, spring	1				
0-2	<b>0561503300</b>	CYLINDER ASSY (R.H.)	1				
	<b>0561503400</b>	CYLINDER ASSY (L.H.)	1				
7	<b>1900081000</b>	• CYLINDER, tensioning (R.H.)	1				
	<b>1900081100</b>	• CYLINDER, tensioning (L.H.)	1				
8	<b>1515012040</b>	• ELBOW	2				
	<b>1420010110</b>	• • O-RING	1				
	<b>L3a063</b>						



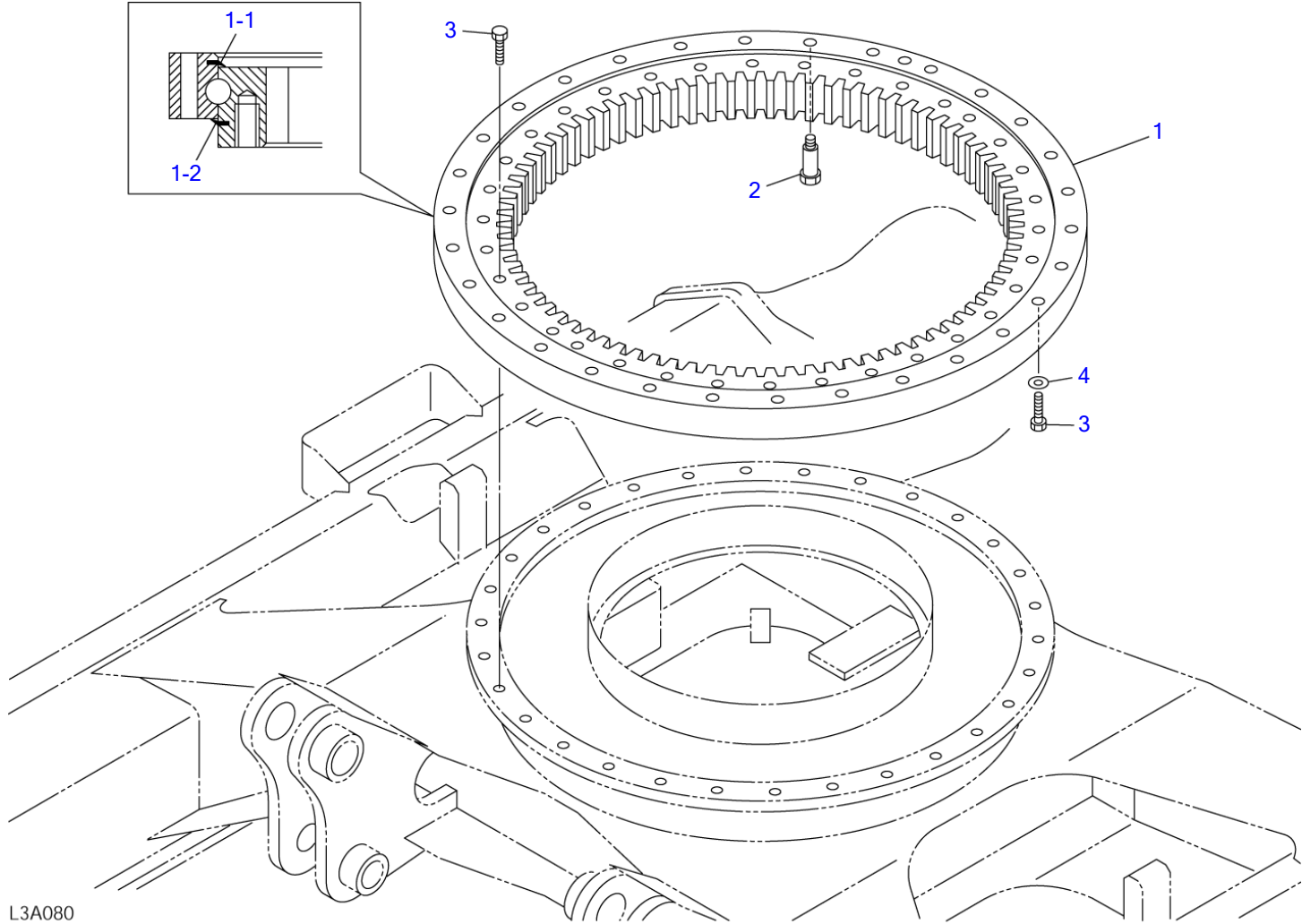
L3A070

S=1/7

**TRAVEL DEVICE**

Item	Part number	Description	Q'ty	Chan.	Serial No.	Serv.	Remarks
		MOTOR ASSY, travel					
1	1903120800	MOTOR, travel	2				
2	0561615100	SPROCKET	2				
3	1100041640	BOLT	24				
4	1110021440	SCREW, cap	24				
5	1141540014	WASHER	24				
6	1141540016	WASHER	24				
8	1515600201	ADAPTOR	2				
	1420010140	• O-RING	1				
9	1515600202	ADAPTOR	4				
	1420010180	• O-RING	1				
10	1515600576	ADAPTOR	2				
	1420010140	• O-RING	1				
	L7A080						

TB175 Book No. BL7Z000 S/N 17530001-  
SLEW BEARING



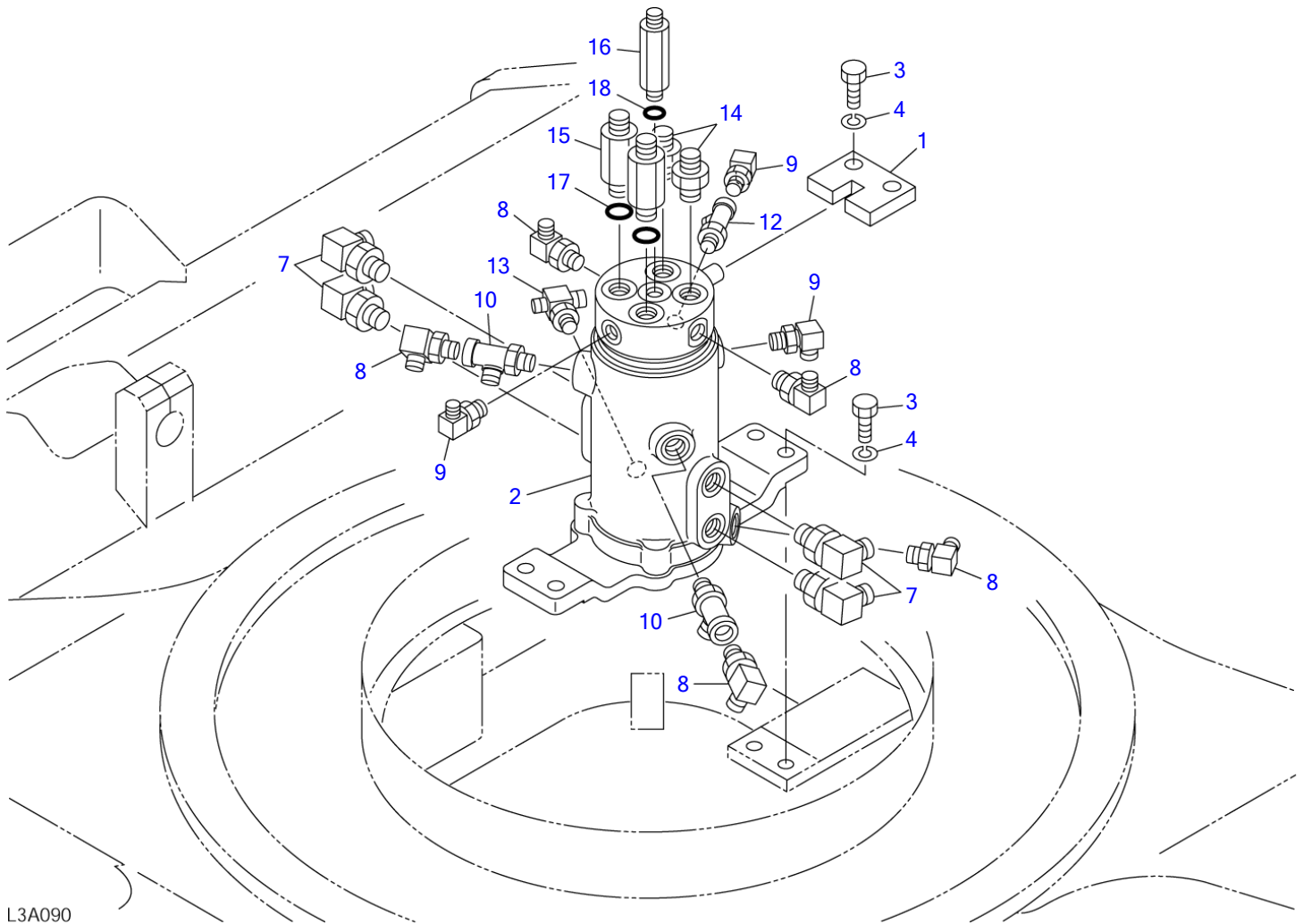
L3A080

S=1/10

**SLEW BEARING**

Item	Part number	Description	Q'ty	Chan.	Serial No.	Serv.	Remarks
		BEARING ASSY, slew					
1	<b>1913004650</b>	BEARING	1				
1-1	<b>1913004658</b>	• SEAL	1				
1-2	<b>1913004659</b>	• SEAL	1				
2	<b>0562016100</b>	BOLT	1				
3	<b>1101041685</b>	BOLT	63				
4	<b>1141550016</b>	WASHER	29				
	<b>L7a040</b>						

TB175 Book No. BL7Z000 S/N 17530001-  
SWIVEL JOINT & ACCESSORIES



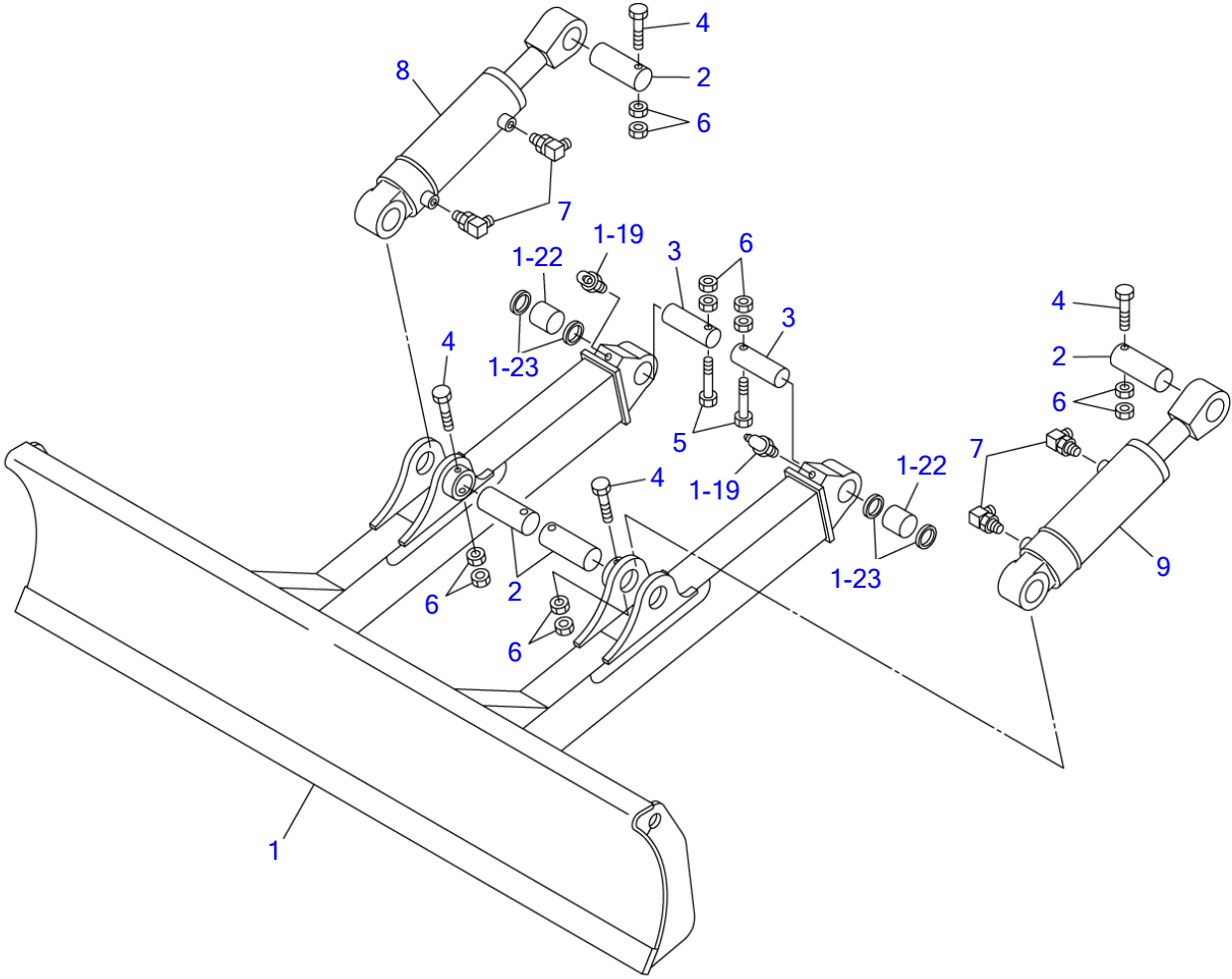
L3A090

S=1/6



**SWIVEL JOINT & ACCESSORIES**

Item	Part number	Description	Q'ty	Chan.	Serial No.	Serv.	Remarks
		JOINT ASSY, swivel					
1	0562100100	COLLAR	1				
2	1904008000	JOINT, swivel	1				
3	1101041440	BOLT	6				
4	1140020014	WASHER, spring	6				
7	1515010042	ELBOW	4				
	1420010180	• O-RING	1				
8	1515010041	ELBOW	5				
	1420010140	• O-RING	1				
9	1515012040	ELBOW	3				
	1420010110	• O-RING	1				
10	1512340011	ELBOW	2				
	1420010140	• O-RING	1				
12	1512340001	ELBOW	1				
	1420010110	• O-RING	1				
13	1512374003	NIPPLE	1				
	1420010140	• O-RING	1				
14	1515600202	ADAPTOR	2				
	1420010180	• O-RING	1				
15	0007203006	ADAPTOR	2				
16	0007203027	ADAPTOR	1				
17	1420010180	O-RING	2				
18	1420010140	O-RING	1				
	L7A070						

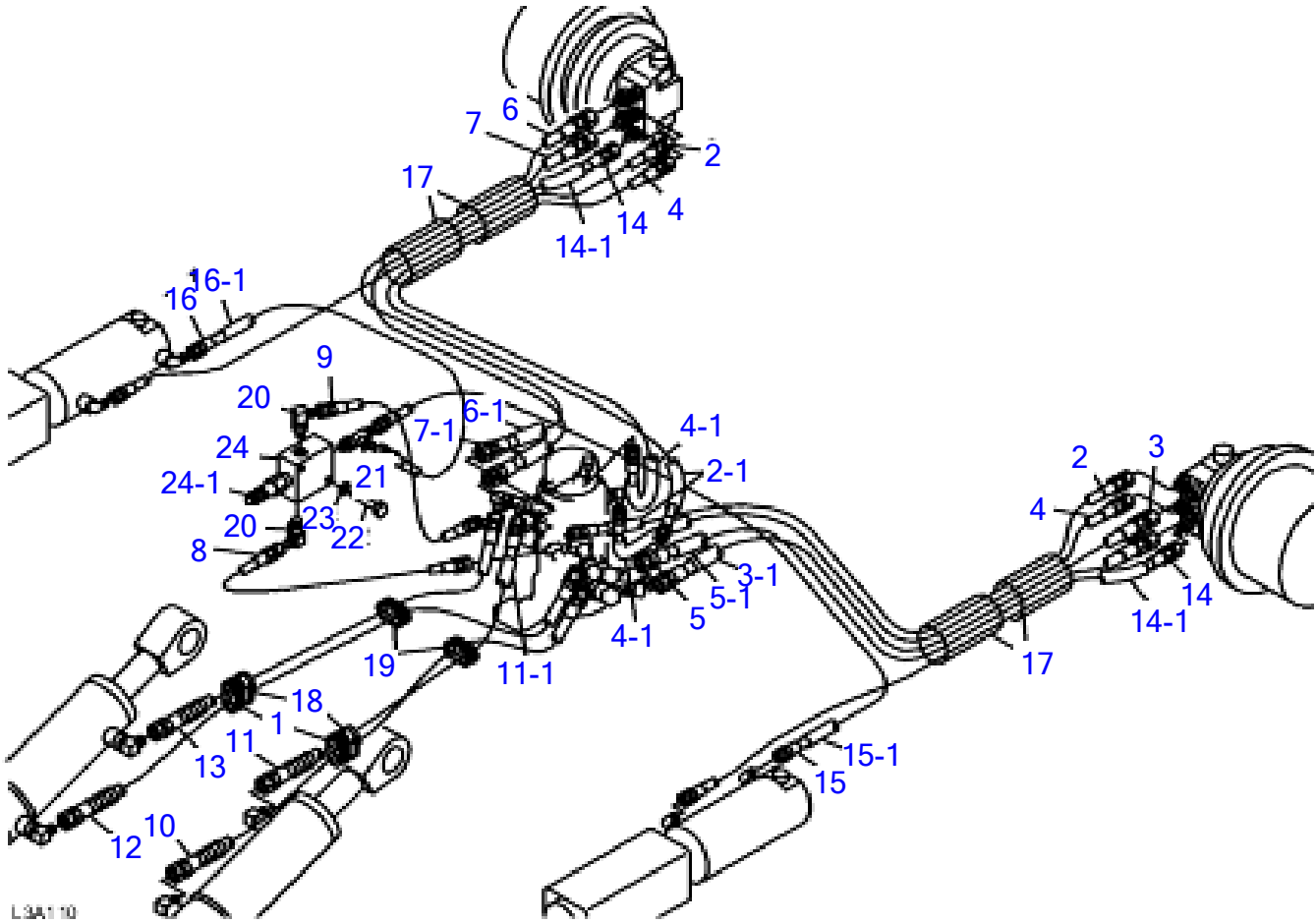


L3A101

S=1/18

**DOZER BLADE**

Item	Part number	Description	Q'ty	Chan.	Serial No.	Serv.	Remarks
		BLADE ASSY, dozer					
		BLADE ASSY, wide dozer					
1	<b>0566320100</b>	BLADE SUB ASSY, dozer	1				2150mm wide
	<b>0566321100</b>	BLADE SUB ASSY, wide dozer	1				2250mm wide
1-19	<b>1560001675</b>	• FITTING, grease	2				
1-22	<b>0002200016</b>	• BUSHING	2				
1-23	<b>1432200050</b>	• SEAL, dust	4				
2	<b>0001607160</b>	PIN	4				
3	<b>0001605160</b>	PIN	2				
4	<b>1103141205</b>	BOLT	4				
5	<b>1103041295</b>	BOLT	2				
6	<b>1130240012</b>	NUT	12				
7	<b>1515010041</b>	ELBOW	4				
	<b>1420010140</b>	• O-RING	1				
8	<b>1900100900</b>	CYLINDER, dozer blade (R.H.)	1				MITSUO
9	<b>1900101000</b>	CYLINDER, dozer blade (L.H.)	1				MITSUO
	<b>L7a050</b>						

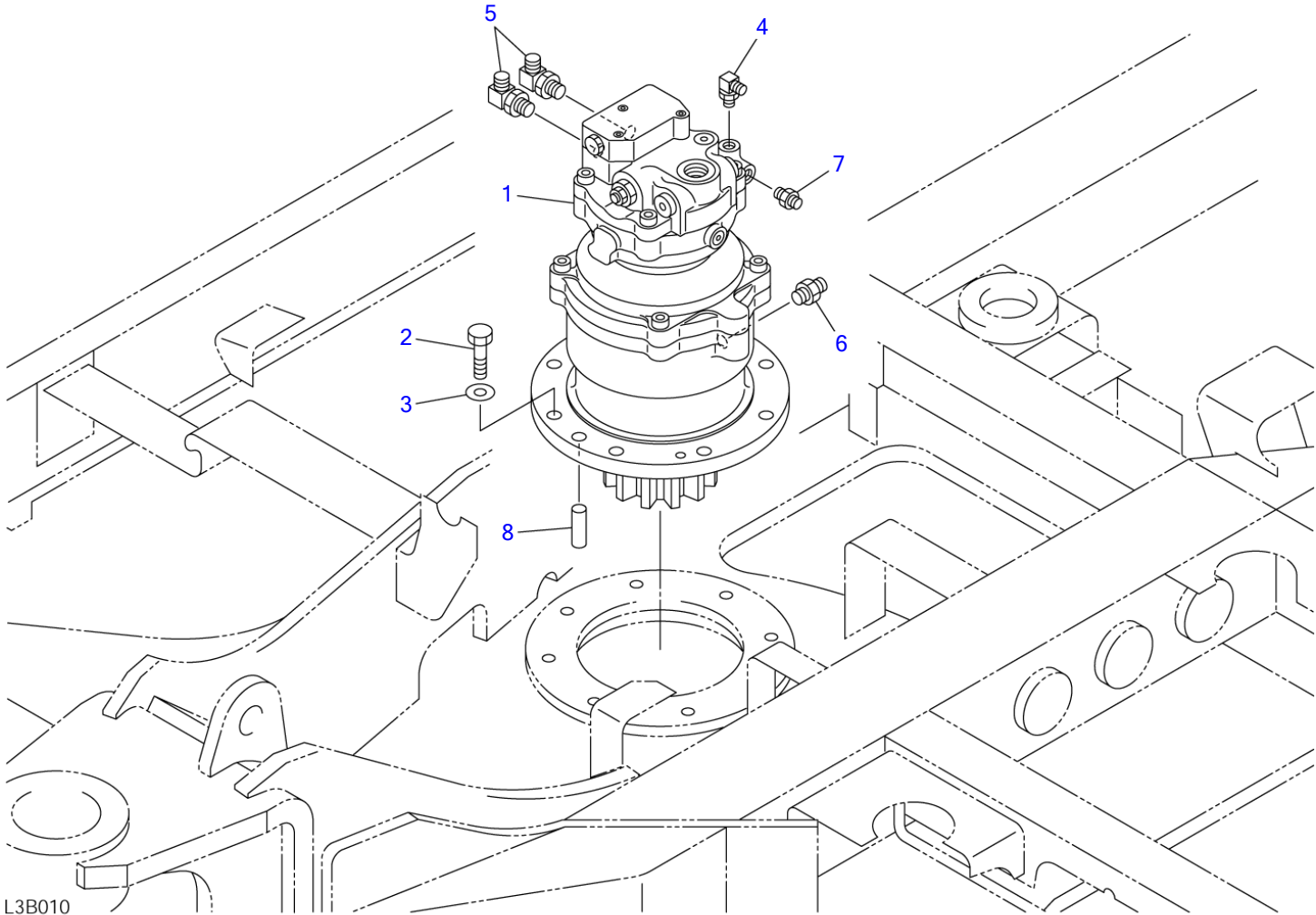


L3A110

8-1114

PIPING; LOWER

Item	Part number	Description	Q'ty	Chan.	Serial No.	Serv.	Remarks
		PIPING ASSY, lower					
1	0097210300	GUARD	2				
2	0567219010	HOSE ASSY	2				18010-23150
2-1	1532215060	• TUBE	1				sold by the meter
2-2	1801023150	* HOSE ASSY	1				
3	0567219020	HOSE ASSY	1				
3-1	1532224050	• TUBE	1				sold by the meter
4	0567219030	HOSE ASSY	2				18010-22150
4-1	1532206060	• TUBE	1				sold by the meter
4-2	1801022150	* HOSE ASSY	1				
5	0567219040	HOSE ASSY	1				
5-1	1532224050	• TUBE	1				sold by the meter
6	0567219050	HOSE ASSY	1				
6-1	1532224050	• TUBE	1				sold by the meter
7	0567219060	HOSE ASSY	1				
7-1	1532224050	• TUBE	1				sold by the meter
8	0567219070	HOSE ASSY	1				18010-22040
8-1	1801022040	* HOSE ASSY	1				
9	0567219080	HOSE ASSY	1				18010-22042
9-1	1801022042	* HOSE ASSY	1				
10	0567219090	HOSE ASSY	1				18045-20120
10-1	1804520120	* HOSE ASSY	1				
11	0567219100	HOSE ASSY	1				18045-20108
11-1	1532215030	• TUBE	1				sold by the meter
11-2	1804520108	* HOSE ASSY	1				
12	0567219110	HOSE ASSY	1				18045-20135
12-1	1804520135	* HOSE ASSY	1				
13	0567219120	HOSE ASSY	1				18045-20096
13-1	1804520096	* HOSE ASSY	1				
14	0567219130	HOSE ASSY	2				18010-22135
14-1	1532206050	• TUBE	1				sold by the meter
14-2	1801022135	* HOSE ASSY	1				
15	0567219140	HOSE ASSY	1				18010-22177
15-1	1532206095	• TUBE	1				sold by the meter
15-2	1801022177	* HOSE ASSY	1				
16	0567219150	HOSE ASSY	1				18010-22133
16-1	1532206095	• TUBE	1				sold by the meter
16-2	1801022133	* HOSE ASSY	1				
17	1531350020	PROTECTOR	4				sold by the meter
18	1652200007	BAND	2				
19	0567215100	GUARD	2				
20	1515012040	ELBOW	2				
	1420010110	• O-RING	1				
21	1512370011	TEE	1				
	1420010110	• O-RING	1				
22	1100040645	BOLT	2				
23	1140020006	WASHER, spring	2				
24	1901729800	VALVE, reducing	1				
24-1	1901729802	• VALVE, relief	1				
	L7A100						



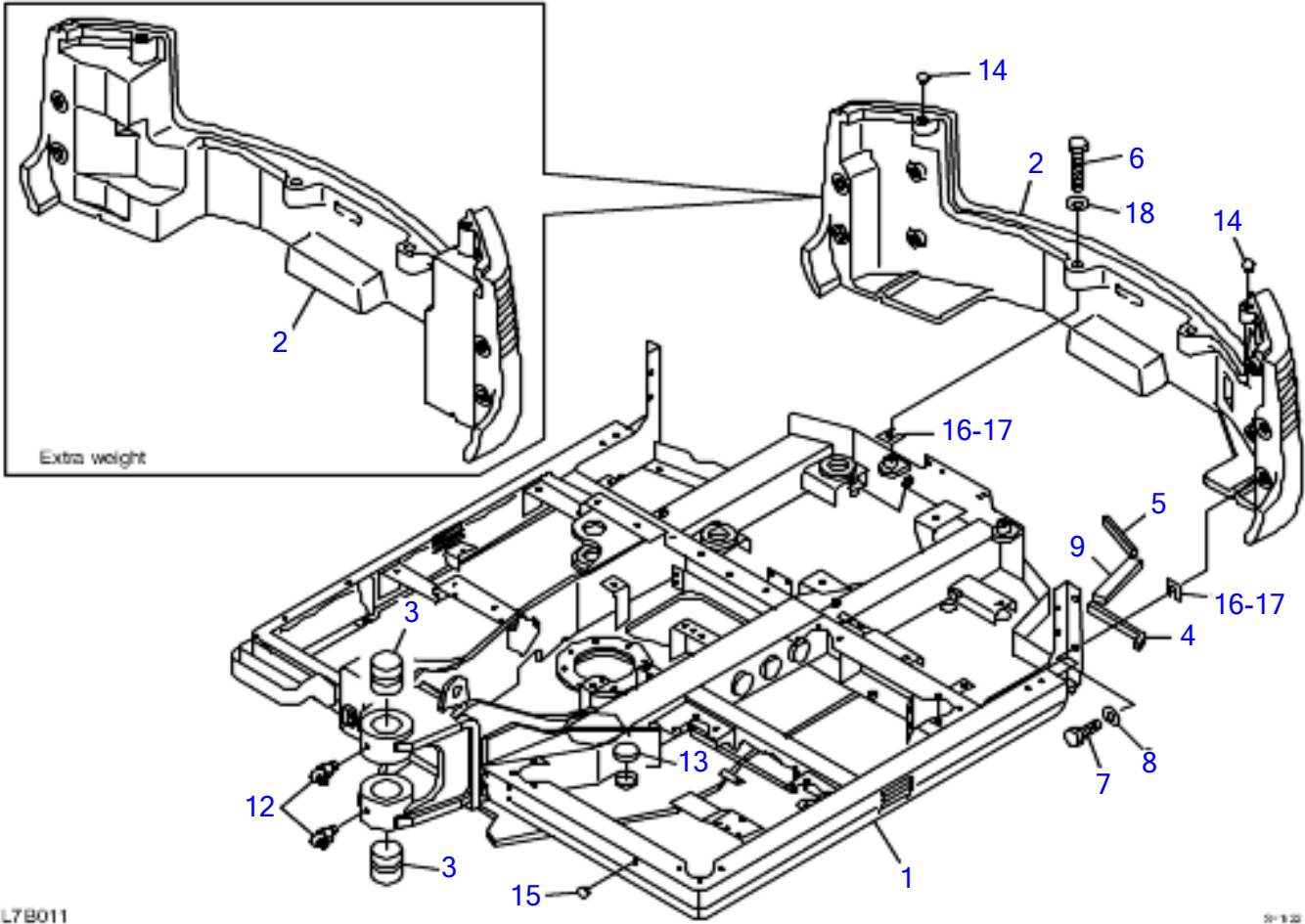
L3B010

S=1/8

**SLEWING DEVICE**

Item	Part number	Description	Q'ty	Chan.	Serial No.	Serv.	Remarks
		DEVICE ASSY, slewing					
1	1903120900	MOTOR, slew	1				
2	1106241650	BOLT	8				
3	1141550016	WASHER	8				
4	1515012040	ELBOW	1				
	1420010110	• O-RING	1				
5	1515010042	ELBOW	2				
	1420010180	• O-RING	1				
6	1515600201	ADAPTOR	1				
	1420010140	• O-RING	1				
7	1515600200	ADAPTOR	1				
	1420010110	• O-RING	1				
8	0562313100	PIN, parallel	1				
	L7B140						

TB175 Book No. BL7Z000 S/N 17530001-  
TURNTABLE



L7B011

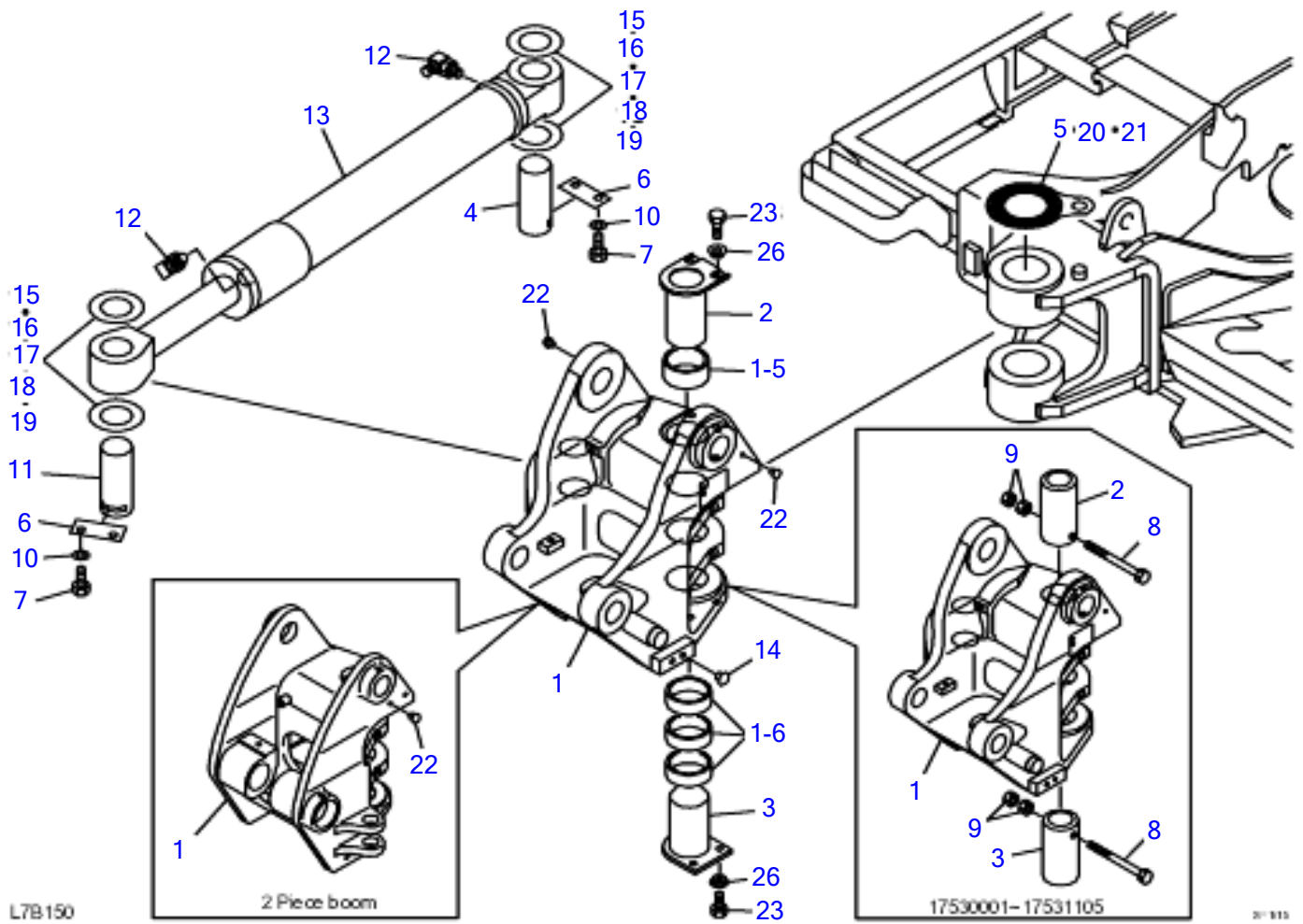
20-1-22



**TURNTABLE**

Item	Part number	Description	Q'ty	Chan.	Serial No.	Serv.	Remarks
		TURNTABLE ASSY					
		TURNTABLE ASSY (extra weight)					
1	X *****	TURNTABLE	1				
2	0563030500	COUNTERWEIGHT	1				
	0563031500	COUNTERWEIGHT	1				extra weight
3	0563041003	BUSHING	2				
4	0563037004	SPONGE	1			M	
5	0563049005	SPONGE	1			M	
6	1101142020	BOLT	2				
7	1101042050	BOLT	4				
8	1141550020	WASHER	6				
9	0563049009	SPONGE	1			M	
12	1560001900	FITTING, grease	2				
13	0173216600	COVER	1				
14	1652533020	CAP	2				
15	1652533023	CAP	1				
16	0563030600	SHIM	AR				t=1.2mm
17	0563030610	SHIM	AR				t=2.3mm
18	0003600247	WASHER	2				
	L7b011						

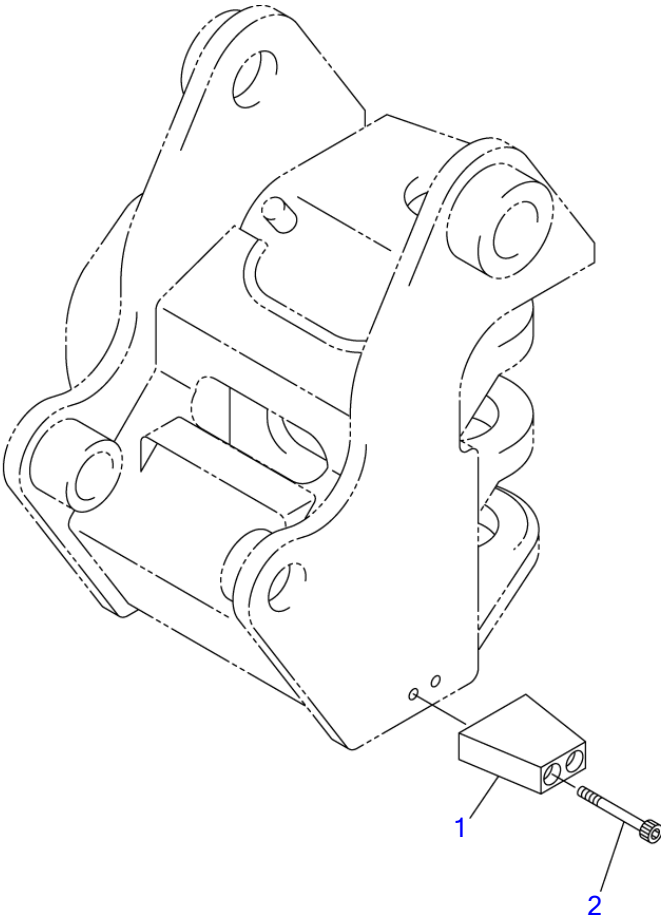
TB175 Book No. BL7Z000 S/N 17530001-  
**BOOM SWING**



L7B150

**BOOM SWING**

Item	Part number	Description	Q'ty	Chan.	Serial No.	Serv.	Remarks
		SWING ASSY, boom					
		SWING ASSY, boom (2-piece boom)					
1	0563131100	BRACKET	1				
	0563132100	BRACKET (2-piece boom)	1				
	0563135110	BRACKET	1				
	0563135610	BRACKET (2 PIECE BOOM)	1				
1-5	0563135165	* BUSHING	1				
1-6	0563135166	* BUSHING	3				
2	0563131205	PIN	1				f <sup>3</sup> 125
	0563135920	PIN	1				
3	0563131305	PIN	1				f <sup>3</sup> 125
	0563135930	PIN	1				
4	0563114200	PIN	1				
5	0563135021	WASHER	1				t=4.5mm
6	0563114300	PLATE	2				
7	1101041450	BOLT	4				
8	1100341430	BOLT	2				
9	1130040014	NUT	4				
10	1140020014	WASHER, spring	4				
11	0563122700	PIN	1				
12	1515010042	ELBOW	2				
	1420010180	· O-RING	1				
13	1900091100	CYLINDER, swing	1				
14	1652533018	CAP	2				
15	0003600148	WASHER	AR				t=2.9mm
16	0003600104	WASHER	AR				t=1.6mm
17	0003600103	WASHER	AR				t=1.0mm
18	0003600102	WASHER	AR				t=0.5mm
19	0003600101	WASHER	AR				t=0.2mm
20	0563135022	WASHER	1				t=5.0mm
21	0563135023	WASHER	1				t=5.5mm
22	1652533016	CAP	2				
23	1101041225	BOLT	4				
26	0003900081	WASHER	4				
	L7B150						

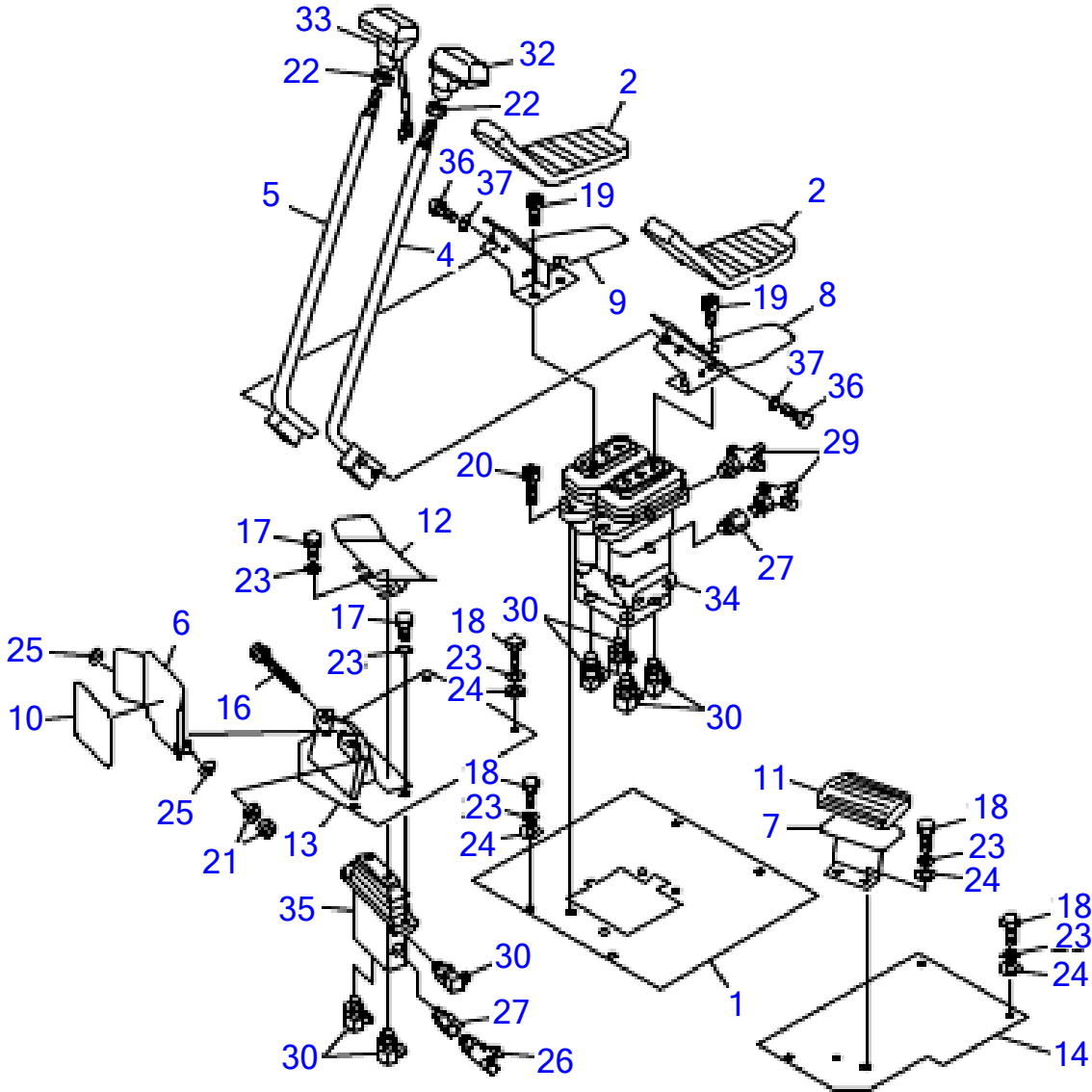


L3B040

S=1/8

**SWING STOPPER**

Item	Part number	Description	Q'ty	Chan.	Serial No.	Serv.	Remarks
1	<b>0563900100</b>	STOPPER ASSY PLATE	1				
2	<b>1111141200</b> <b>L3b040</b>	SCREW, cap	2				

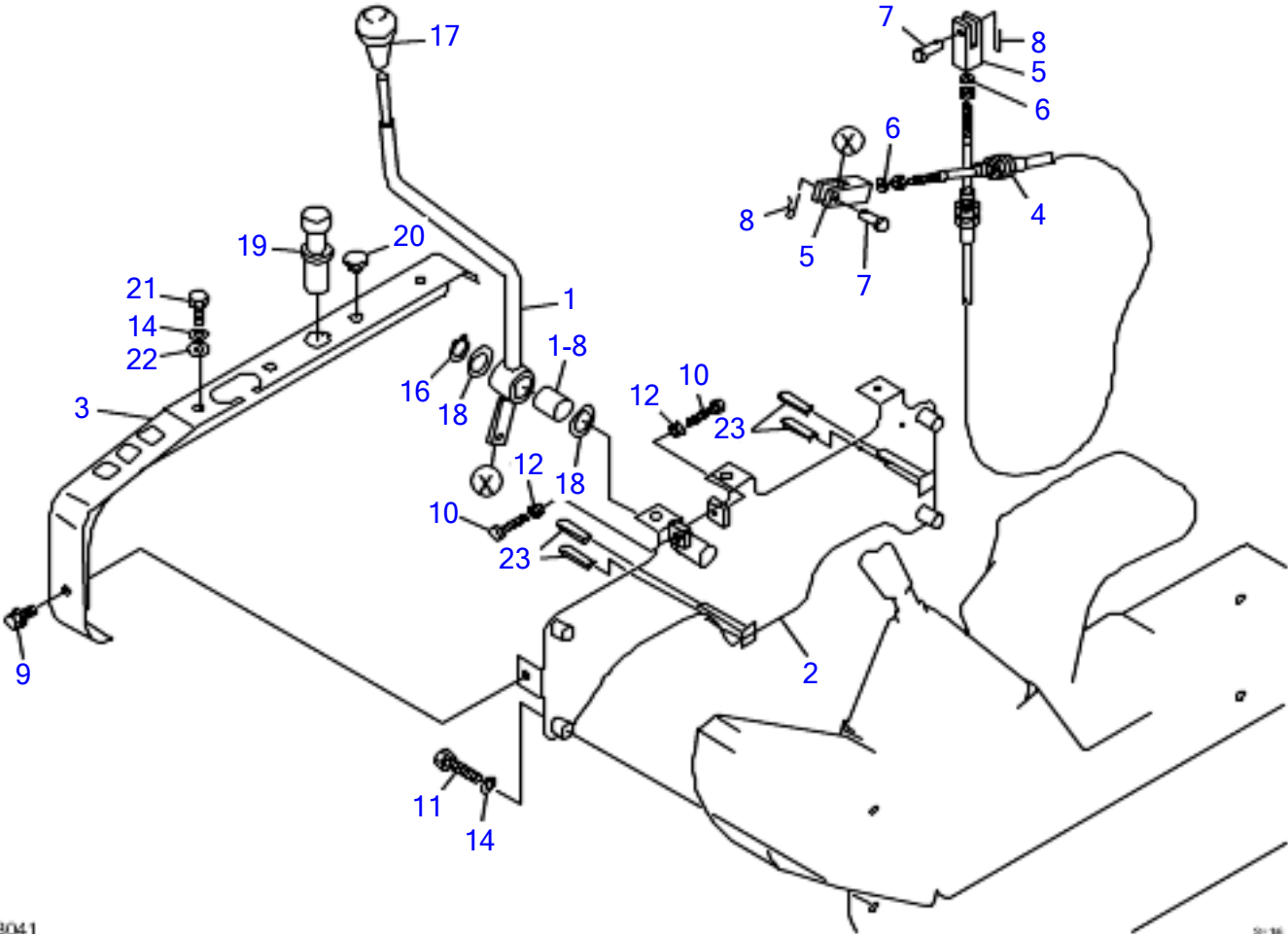


L7B031

**TRAVEL LEVER & SWING PEDAL**

Item	Part number	Description	Q'ty	Chan.	Serial No.	Serv.	Remarks
		LEVER ASSY, control (with travel alarm)					
		LEVER ASSY, control					
1	0563228050	BRACKET	1				
2	0563226200	COVER	2				
4	0563226300	LEVER (L.H.)	1				
5	0563226400	LEVER (R.H.)	1				
6	0333234260	COVER	1				
7	0563219700	REST, foot	1				
8	0563226600	PEDAL (L.H.)	1				
9	0563226700	PEDAL (R.H.)	1				
10	0333241250	SEET	1				
11	0563218500	COVER	1				
12	0563228060	PEDAL	1				
13	0563228070	BRACKET	1				
14	0563228080	BRACKET	1				
16	1100040680	BOLT	1				
17	1100040814	BOLT	4				
18	1100040820	BOLT	12				
19	1110041016	BOLT	4				
20	1110041025	SCREW, cap	4				
21	1130040006	NUT	2				
22	1131040012	NUT	2				
23	1140020008	WASHER, spring	16				
24	1141110008	WASHER	12				
25	1225110006	WASHER, conical	2				
26	1512370011	TEE	1				
	1420010110	• O-RING	1				
27	1513370046	BUSHING	2				
	1420010110	• O-RING	1				
29	1513390027	TEE	2				
	1420010110	• O-RING	1				
30	1515012040	ELBOW	7				
	1420010110	• O-RING	1				
32	1650202610	GRIP	1				
33	1650203210	GRIP (with switch)	1				
34	1901733500	REMOTE CONTROL VALVE SN 17530001-715 WITH TRAVEL ALARM	1				with travel alarm
	1901754900	REMOTE CONTROL VALVE SN 17530716~ WITH TRAVEL ALARM	1				
	1901740000	REMOTE CONTROL VALVE SN 17530001-715	1				
	1901754800	REMOTE CONTROL VALVE SN 17530716~	1				
35	1901735000	VALVE, remote control	1				
36	1100041020	BOLT	4				
37	1140020010	SPRING WASHER	4				
	L7b031						

TB175 Book No. BL7Z000 S/N 17530001-  
DOZER BLADE LEVER



L7B041

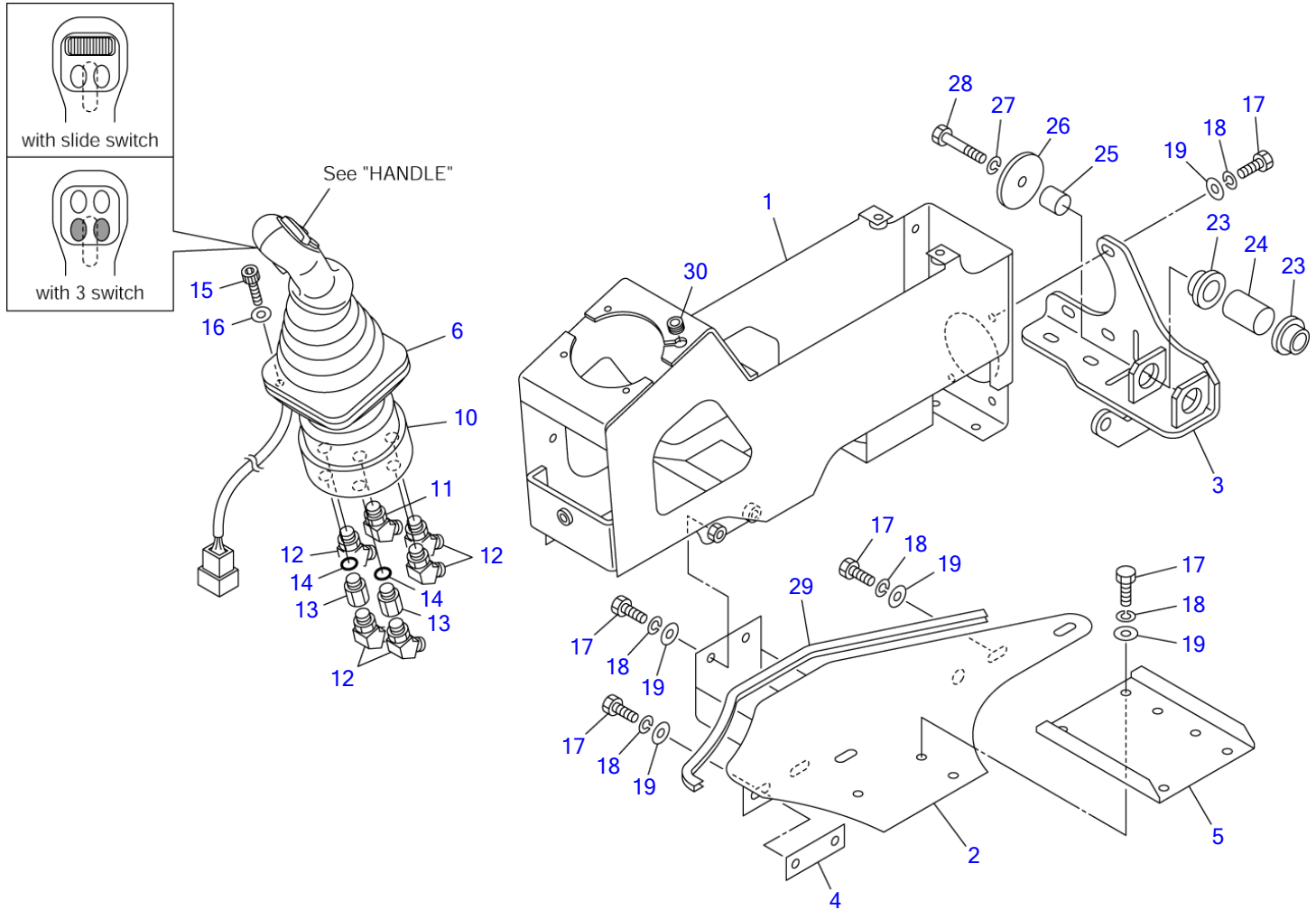
50-16



**DOZER BLADE LEVER**

Item	Part number	Description	Q'ty	Chan.	Serial No.	Serv.	Remarks
		LEVER ASSY, blade					
1	0563302100	LEVER	1				
1-8	1333002025	• BUSHING	1				
2	0563308210	BRACKET	1				M
3	0563308220	COVER	1				M
4	0563300300	CABLE, control	1				
5	0563217400	YOKE	2				
6	1225000005	WASHER	2				
7	0004006017	PIN	2				
8	1214000006	PIN, snap	2				
9	1100560612	BOLT	2				
10	1100040630	BOLT	2				
11	1100090835	BOLT	4				
12	1130040006	NUT	2				
14	1140090008	WASHER, spring	6				
16	1222016020	RING, seeger	1				
17	1650153655	GRIP	1				
18	0093208300	WASHER	2				
19	1711900059	LIGHTER	1				M
20	1652533019	CAP	1				
21	1100090820	BOLT	2				
22	1141190008	WASHER	2				
23	0872433150	TUBE	4				
	L7b042						

TB175 Book No. BL7Z000 S/N 17530001-  
OPERATION LEVER & STAND (R.H.)



L7B050

S=1/6

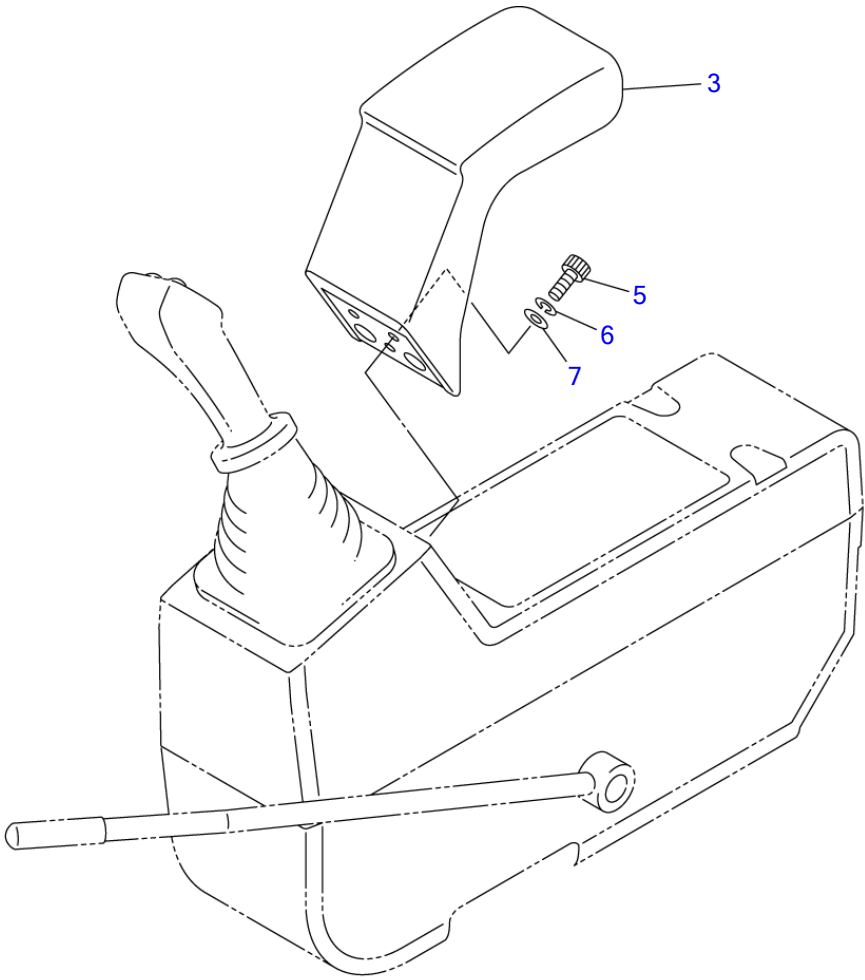
**OPERATION LEVER & STAND (R.H.)**

Item	Part number	Description	Q'ty	Chan.	Serial No.	Serv.	Remarks
		VALVE ASSY (R.H.) (slide switch)					
		VALVE ASSY (R.H.) (3 switch)					
1	0565126010	BOX, console (R.H.)	1			M	
2	0565104000	BRACKET (R.H.)	1				
3	0565114200	BRACKET (R.H.)	1				
4	0565103800	PLATE	1				
5	0565104200	PLATE	1				
6	0375109110	BOOT	1			M	
10	1901753400	VALVE, pilot	1			M	slide switch
	1901753500	VALVE, pilot	1			M	3 switch
11	1512370012	FILTER	1				
	1420010110	· O-RING	1				
12	1515100110	ELBOW	5				
	1420010110	· O-RING	1				
13	0007213042	BUSHING	2				
14	1420010110	O-RING	2				
15	1110040625	SCREW, cap	4				
16	1141110006	WASHER	4				
17	1100090820	BOLT	13				
18	1140090008	WASHER, spring	13				
19	1141190008	WASHER	13				
23	0565102405	BEARING	2				
24	0565103810	SPACER	1				
25	0565103820	SPACER	1				
26	0565103830	RETAINER	1				
27	0565103840	WASHER, spring	1				
28	0565103850	BOLT	1				
29	1653916038	TRIM	1				sold by the meter
30	1700100092	GROMMET	1			M	
	L7b050						



**OPERATION LEVER & STAND (L.H.)**

Item	Part number	Description	Q'ty	Chan.	Serial No.	Serv.	Remarks
		VALVE ASSY (L.H.)					
1	0565126210	BOX, console (L.H.)	1			M	
1-13	1333002010	• BUSHING	1				
1-14	1333002015	• BUSHING	1				
2	0565113250	BRACKET	1				
3	0565115300	LEVER (L.H.)	1				
4	0565115310	SHAFT	1				
5	0565125300	PLATE (L.H.)	1				
6	0565115320	GUIDE	1				
7	0565115400	BRACKET	1				
8	0375109110	BOOT	1			M	
9	0565103800	PLATE	1				
11	0335120970	BOLT	1				
17	1651101225	STOPPER	2				
18	1653900057	SPRING, gas	1				
19	1901753200	VALVE, pilot	1			M	slide switch
20	1512370012	FILTER	1				
	1420010110	• O-RING	1				
21	1515100110	ELBOW	5				
	1420010110	• O-RING	1				
22	1650202300	CAP	1				
23	1653916022	TRIM	1				sold by the meter
24	1700000033	SWITCH, limit	1				
25	0007213042	BUSHING	2				
26	1420010110	O-RING	2				
28	1110040625	SCREW, cap	4				
29	1141110006	WASHER	4				
30	0003600090	WASHER	2				
31	1130040012	NUT	2				
32	1214000008	PIN, snap	2				
33	1130040010	NUT	1				
34	1100090820	BOLT	11				
35	1140090008	WASHER, spring	11				
36	1141190008	WASHER	16				
37	1130090008	NUT	2				
38	1213000832	PIN, spring	1				
39	1213000836	PIN, spring	1				
40	1141190006	WASHER	4				
41	1130090006	NUT	4				
42	1533207020	U-BOLT	1				
45	0565103810	SPACER	1				
46	0565115060	SPACER	1				
47	0565103830	RETAINER	1				
48	0565103840	WASHER, spring	1				
49	0565103850	BOLT	1				
50	0565102405	BEARING	2				
51	1700100092	GROMMET	1			M	
	L7b060						



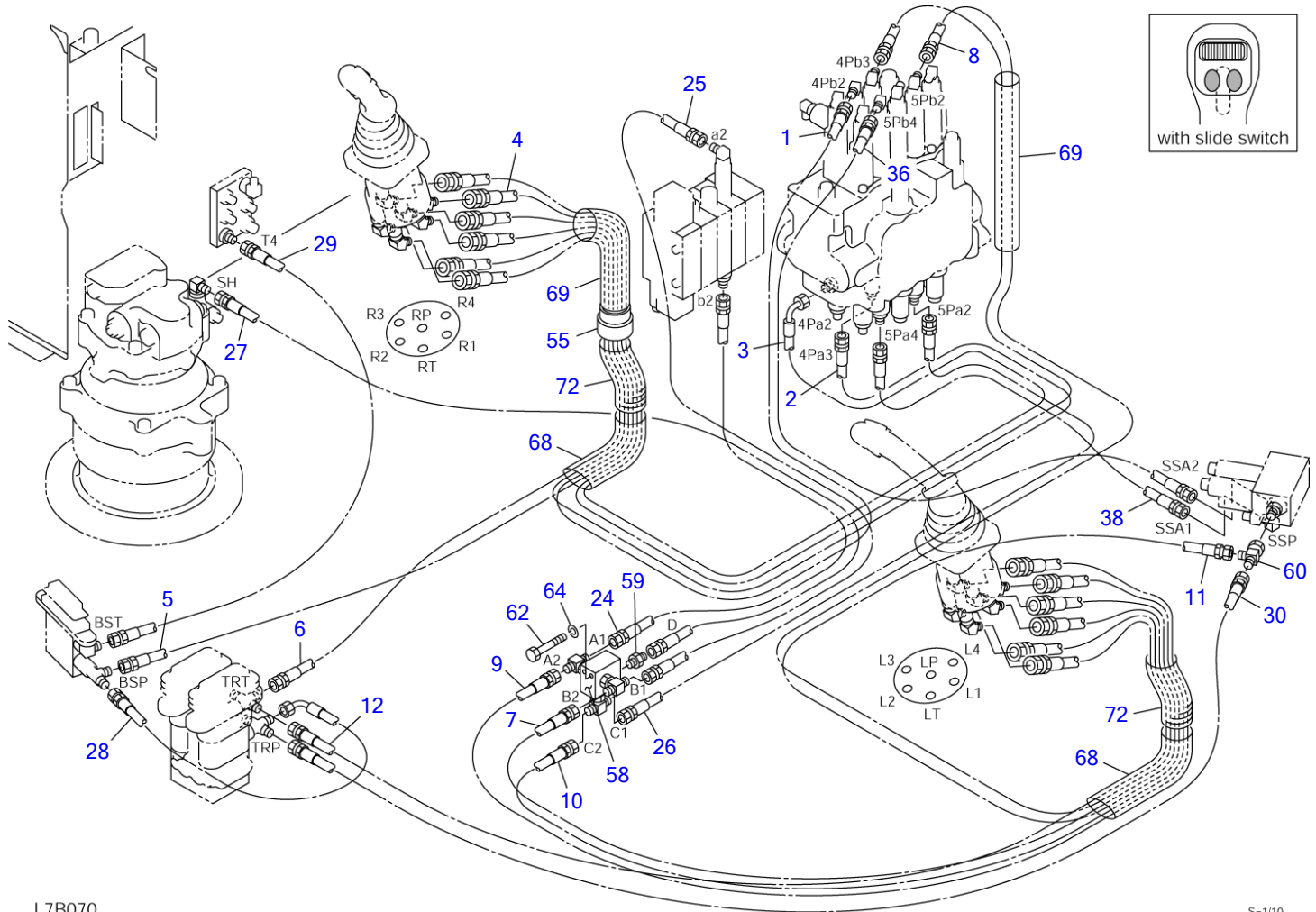
L3B090

S=1/5

**ARM REST**

Item	Part number	Description	Q'ty	Chan.	Serial No.	Serv.	Remarks
		REST ASSY, arm					
3	<b>0563600300</b>	REST, arm	1				
5	<b>1110090820</b>	SCREW, cap	3				
6	<b>1140490008</b>	WASHER, spring	3				
7	<b>1141190008</b>	WASHER	3				
	<b>L3b090</b>						

TB175 Book No. BL7Z000 S/N 17530001-  
 PIPING; OPERATION LEVER (1/2)



L7B070

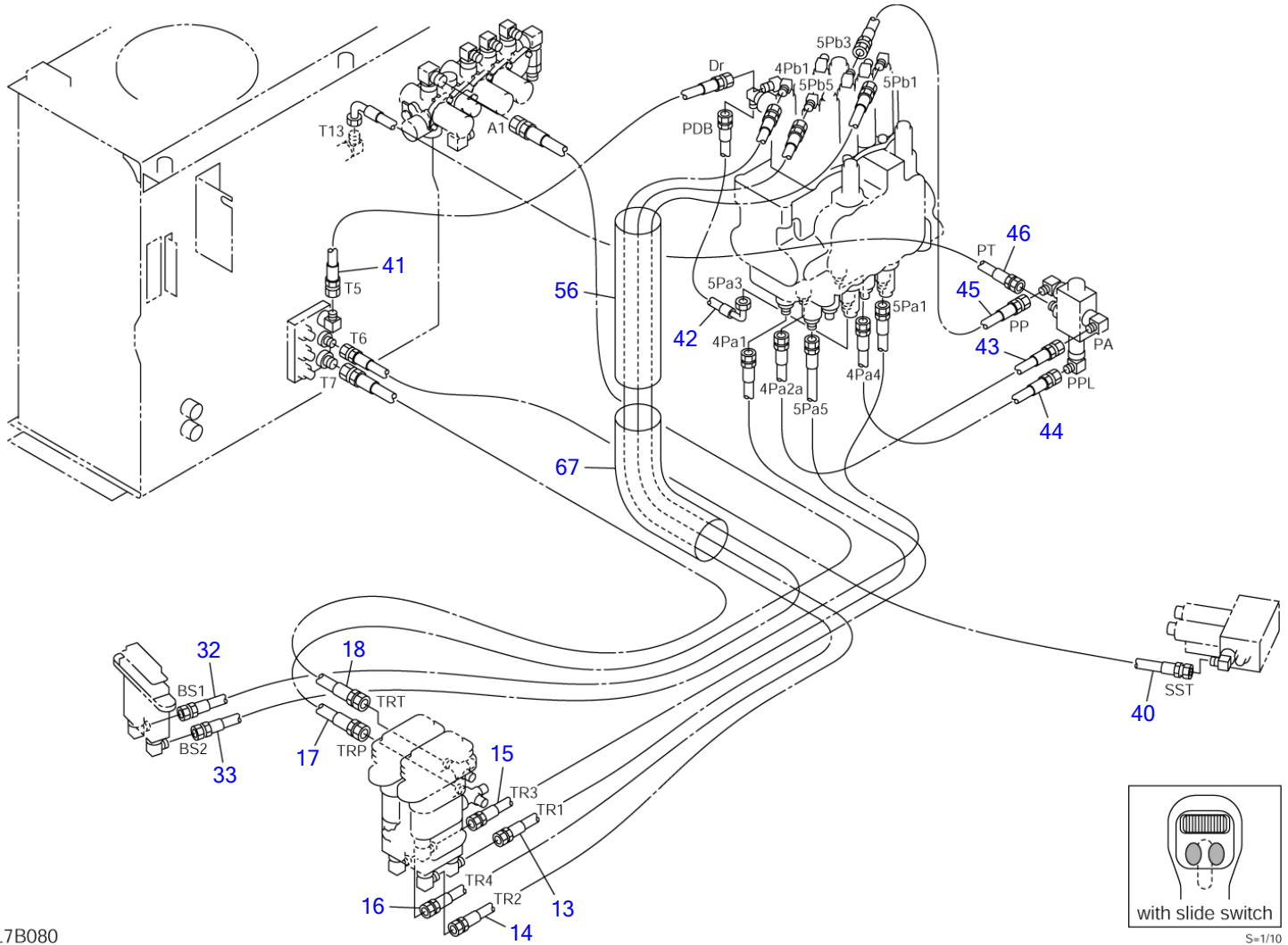
S=1/10



**PIPING; OPERATION LEVER (1/2)**

Item	Part number	Description	Q'ty	Chan.	Serial No.	Serv.	Remarks
		PIPING ASSY					
1	0567137010	HOSE ASSY	1				19348-22255
	1934822255	* HOSE ASSY	1				
2	0567137020	HOSE ASSY	1				19348-22215
	1934822215	* HOSE ASSY	1				
3	0567137030	HOSE ASSY	1				19348-52215
	1934852215	* HOSE ASSY	1				
4	0567137040	HOSE ASSY	1				19348-22255
	1834822255	* HOSE ASSY	1				
5	0567137050	HOSE ASSY	1				19348-22175
	1934822175	* HOSE ASSY	1				
6	0567137060	HOSE ASSY	1				19348-22175
	1934822175	* HOSE ASSY	1				
7	0567137070	HOSE ASSY	1				19348-22170
	1934822170	* HOSE ASSY	1				
8	0567137080	HOSE ASSY	1				19348-22275
	1934822275	* HOSE ASSY	1				
9	0567137090	HOSE ASSY	1				19348-22175
	1934822175	* HOSE ASSY	1				
10	0567137100	HOSE ASSY	1				19348-22165
	1934822165	* HOSE ASSY	1				
11	0567148510	HOSE ASSY	1				19348-22140
	1934822140	* HOSE ASSY	1				
12	0567148520	HOSE ASSY	1				19348-22170
	1934822170	* HOSE ASSY	1				
24	0567137240	HOSE ASSY	1				19348-22125
	1934822125	* HOSE ASSY	1				
25	0567137250	HOSE ASSY	1				19348-22165
	1934822165	* HOSE ASSY	1				
26	0567137260	HOSE ASSY	1				19348-22140
	1934822140	* HOSE ASSY	1				
27	0567137270	HOSE ASSY	1				19348-22125
	1934822125	* HOSE ASSY	1				
28	0567137280	HOSE ASSY	1				19348-52065
	1934852065	* HOSE ASSY	1				
29	0567137290	HOSE ASSY	1				19348-22185
	1934822185	* HOSE ASSY	1				
30	0567148530	HOSE ASSY	1				19348-22110
	1934822110	* HOSE ASSY	1				
36	0567147360	HOSE ASSY	1				19348-22170
	1934822170	* HOSE ASSY	1				
38	0567147380	HOSE ASSY	1				19348-22115
	1934822115	* HOSE ASSY	1				
55	1567535000	CUFF	1				
58	1901721800	VALVE, shuttle	1				
59	1515600200	ADAPTOR	1				
	1420010110	* O-RING	1				
60	1513390015	TEE	1				
62	1100040660	BOLT	2				
64	1140020006	WASHER, spring	2				
68	1531335020	PROTECTOR	2				sold by the meter
69	1531335050	PROTECTOR	2				sold by the meter
72	1567525045	HOSE	2				sold by the meter
	L7b071						

TB175 Book No. BL7Z000 S/N 17530001-  
PIPING; OPERATION LEVER (2/2)

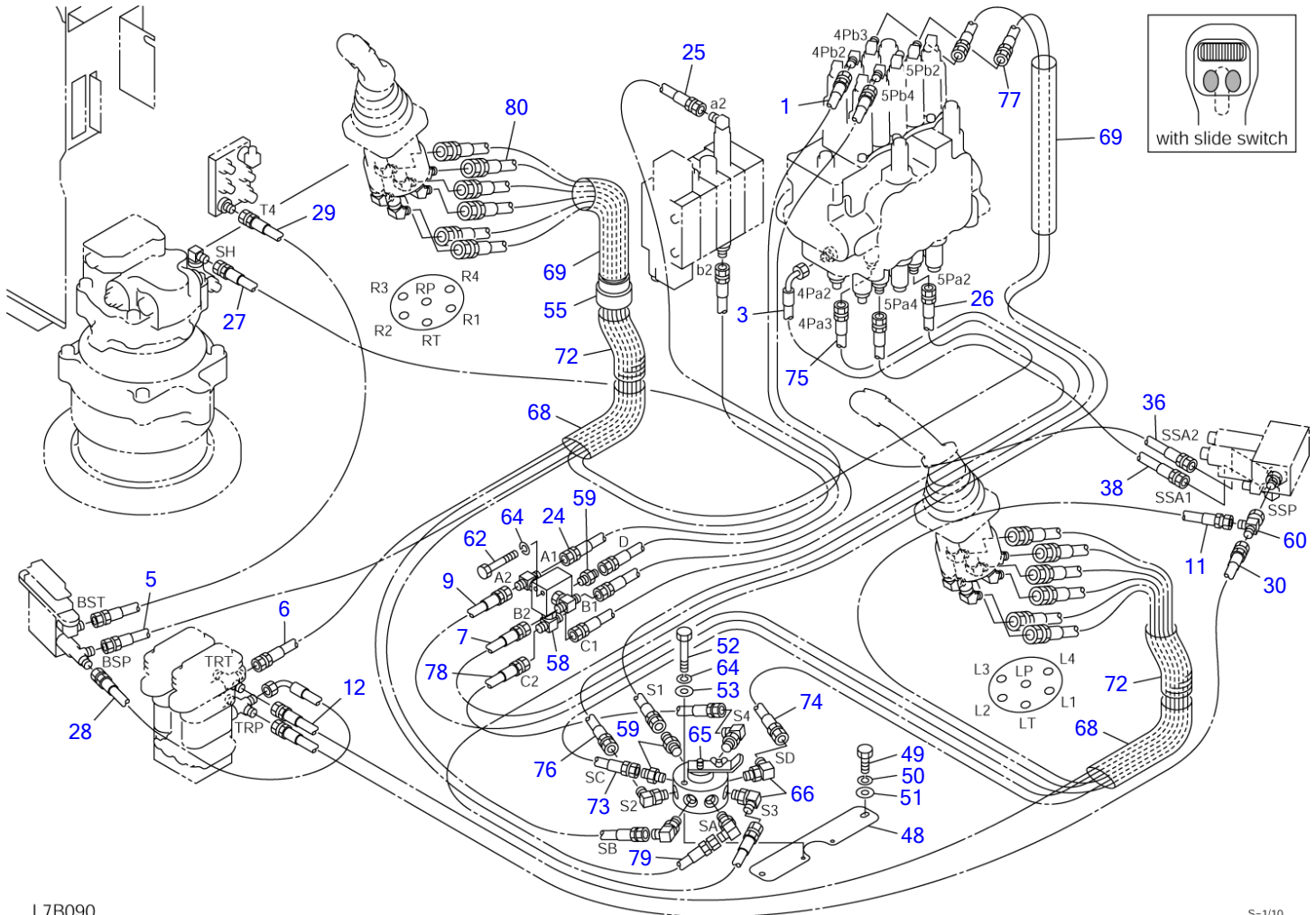


L7B080

**PIPING; OPERATION LEVER (2/2)**

Item	Part number	Description	Q'ty	Chan.	Serial No.	Serv.	Remarks
		PIPING ASSY					
13	<b>0567137130</b>	HOSE ASSY	1				18010-22195
	<b>1801022195</b>	* HOSE ASSY	1				
14	<b>0567137140</b>	HOSE ASSY	1				18010-22215
	<b>1801022215</b>	* HOSE ASSY	1				
15	<b>0567137150</b>	HOSE ASSY	1				18010-22195
	<b>1801022195</b>	* HOSE ASSY	1				
16	<b>0567137160</b>	HOSE ASSY	1				18010-22215
	<b>1801022215</b>	* HOSE ASSY	1				
17	<b>0567148780</b>	HOSE ASSY	1				
18	<b>0567137180</b>	HOSE ASSY	1				
32	<b>0567148320</b>	HOSE ASSY	1				19348-22230
	<b>1934822230</b>	* HOSE ASSY	1				
33	<b>0567148330</b>	HOSE ASSY	1				19348-22125
	<b>1934822125</b>	* HOSE ASSY	1				
40	<b>0567147400</b>	HOSE ASSY	1				19348-22135
	<b>1934822135</b>	* HOSE ASSY	1				
41	<b>0567137410</b>	HOSE ASSY	1				19348-22050
	<b>1934822050</b>	* HOSE ASSY	1				
42	<b>0567137420</b>	HOSE ASSY	1				19348-52044
	<b>1934852044</b>	* HOSE ASSY	1				
43	<b>0567137430</b>	HOSE ASSY	1				18010-22040
	<b>1801022040</b>	* HOSE ASSY	1				
44	<b>0567137440</b>	HOSE ASSY	1				19348-22026
	<b>1934822026</b>	* HOSE ASSY	1				
45	<b>0567137450</b>	HOSE ASSY	1				19348-22090
	<b>1934822090</b>	* HOSE ASSY	1				
46	<b>0567137460</b>	HOSE ASSY	1				19348-52052
	<b>1934852052</b>	* HOSE ASSY	1				
56	<b>1531345045</b>	PROTECTOR	1				sold by the meter
67	<b>1531350035</b>	PROTECTOR	1				sold by the meter
	<b>L7b081</b>						

TB175 Book No. BL7Z000 S/N 17530001-  
PIPING; OPERATION LEVER (1/2) (ISO-JCB pattern)



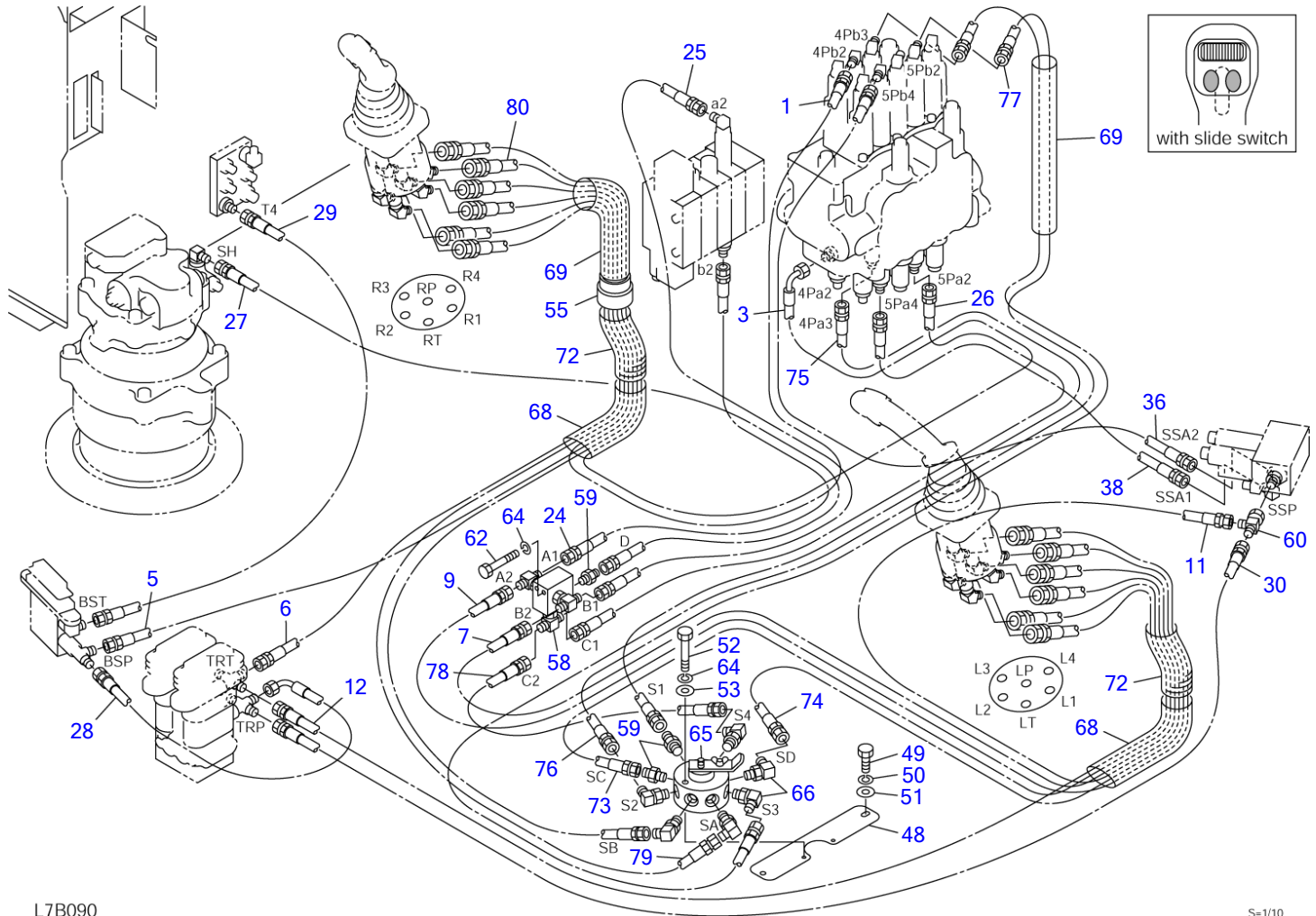
L7B090

S=1/10

**PIPING; OPERATION LEVER (1/2) (ISO-JCB pattern)**

Item	Part number	Description	Q'ty	Chan.	Serial No.	Serv.	Remarks
		PIPING ASSY					
1	0567137010	HOSE ASSY	1				19348-22255
	1934822255	* HOSE ASSY	1				
3	0567137030	HOSE ASSY	1				19348-52215
	1934852215	* HOSE ASSY	1				
5	0567137050	HOSE ASSY	1				19348-22175
	1934822175	* HOSE ASSY	1				
6	0567137060	HOSE ASSY	1				19348-22175
	1934822175	* HOSE ASSY	1				
7	0567137070	HOSE ASSY	1				19348-22170
	1934822170	* HOSE ASSY	1				
9	0567137090	HOSE ASSY	1				19348-22175
	1934822175	* HOSE ASSY	1				
11	0567148510	HOSE ASSY	1				19348-22140
	1934822140	* HOSE ASSY	1				
12	0567148520	HOSE ASSY	1				19348-22170
	1934822170	* HOSE ASSY	1				
24	0567137240	HOSE ASSY	1				19348-22125
	1934822125	* HOSE ASSY	1				
25	0567137250	HOSE ASSY	1				19348-22165
	1934822165	* HOSE ASSY	1				
26	0567137260	HOSE ASSY	1				19348-22140
	1934822140	* HOSE ASSY	1				
27	0567137270	HOSE ASSY	1				19348-22125
	1934822125	* HOSE ASSY	1				
28	0567137280	HOSE ASSY	1				19348-52065
	1934852065	* HOSE ASSY	1				
29	0567137290	HOSE ASSY	1				19348-22185
	1934822185	* HOSE ASSY	1				
30	0567148530	HOSE ASSY	1				19348-22110
	1934822110	* HOSE ASSY	1				
36	0567147360	HOSE ASSY	1				19348-22150
	1934822150	* HOSE ASSY	1				
38	0567147380	HOSE ASSY	1				19348-22110
	1934822110	* HOSE ASSY	1				
48	0377103300	PLATE	1				
49	1100040820	BOLT	2				
50	1140020008	WASHER, spring	2				
51	1141110008	WASHER	2				
52	1100040650	BOLT	2				
53	1141110006	WASHER	2				
55	1567535000	CUFF	1				
58	1901721800	VALVE, shuttle	1				
59	1515600200	ADAPTOR	3				
	1420010110	* O-RING	1				
60	1513390015	TEE	1				
62	1100040660	BOLT	2				
64	1140020006	WASHER, spring	4				
65	1901730500	VALVE, selector	1				
66	1515012040	ELBOW	6				
	1420010110	* O-RING	1				
68	1531335020	PROTECTOR	2				sold by the meter
69	1531335050	PROTECTOR	2				sold by the meter
72	1567525045	HOSE	2				sold by the meter
73	0567136730	HOSE ASSY	1				19348-22160
	1934822160	* HOSE ASSY	1				
74	0567136740	HOSE ASSY	1				19348-22135
	1934822135	* HOSE ASSY	1				
75	0567136750	HOSE ASSY	1				19348-22185
	1934822185	* HOSE ASSY	1				
76	0567136760	HOSE ASSY	1				19348-22250
	1934822250	* HOSE ASSY	1				
77	0567136770	HOSE ASSY	1				19348-22255
	1934822255	* HOSE ASSY	1				
78	0567136780	HOSE ASSY	1				19348-22040
	1934822040	* HOSE ASSY	1				
79	0567136710	HOSE ASSY	1				19348-22195
	1934822195	* HOSE ASSY	1				

TB175 Book No. BL7Z000 S/N 17530001-  
 PIPING; OPERATION LEVER (1/2) (ISO-JCB pattern)



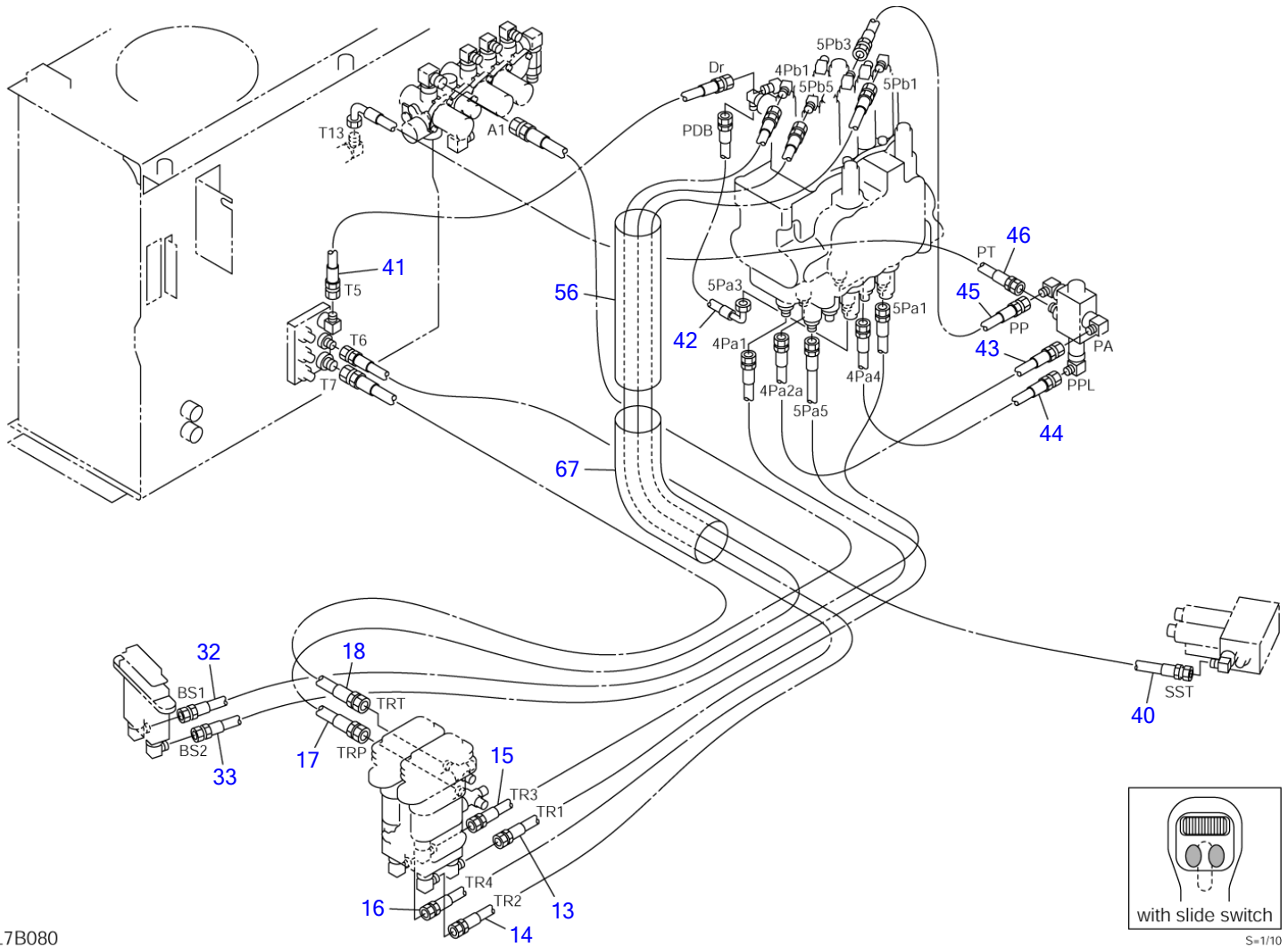
L7B090

S=1/10

**PIPING; OPERATION LEVER (1/2) (ISO-JCB pattern)**

Item	Part number	Description	Q'ty	Chan.	Serial No.	Serv.	Remarks
80	<b>0567136720</b>	HOSE ASSY	1				19348-22195
	<b>1934822195</b>	* HOSE ASSY	1				
	<b>L7b091</b>						

TB175 Book No. BL7Z000 S/N 17530001-  
 PIPING; OPERATION LEVER (2/2) (ISO-JCB pattern)



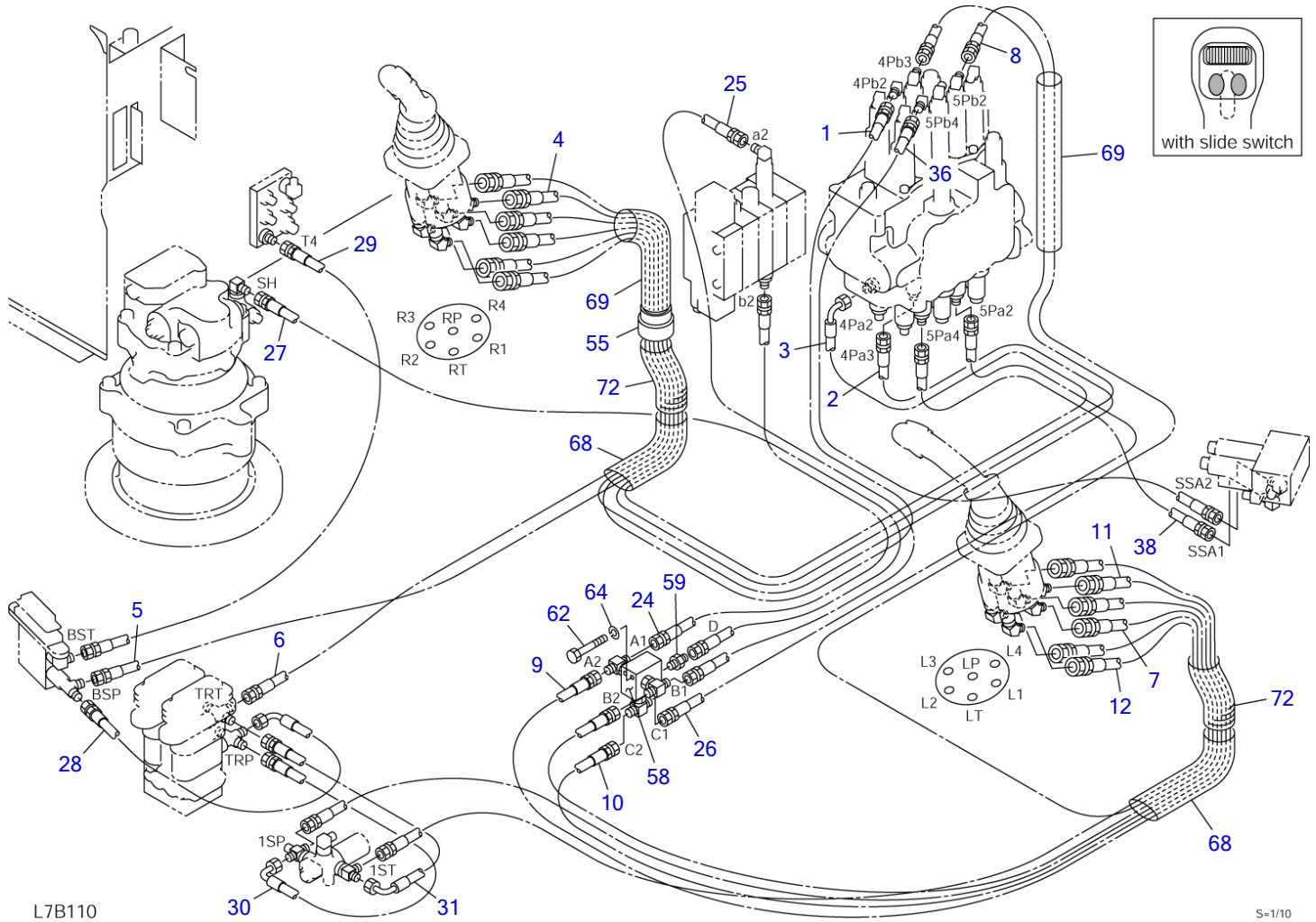
L7B080



**PIPING; OPERATION LEVER (2/2) (ISO-JCB pattern)**

Item	Part number	Description	Q'ty	Chan.	Serial No.	Serv.	Remarks
		PIPING ASSY					
13	0567137130	HOSE ASSY	1				18010-22195
	1801022195	* HOSE ASSY	1				
14	0567137140	HOSE ASSY	1				18010-22215
	1801022215	* HOSE ASSY	1				
15	0567137150	HOSE ASSY	1				18010-22195
	1801022195	* HOSE ASSY	1				
16	0567137160	HOSE ASSY	1				18010-22215
	1801022215	* HOSE ASSY	1				
17	0567148780	HOSE ASSY	1				
18	0567137180	HOSE ASSY	1				
32	0567148320	HOSE ASSY	1				19348-22230
	1934822230	* HOSE ASSY	1				
33	0567148330	HOSE ASSY	1				19348-22200
	1934822200	* HOSE ASSY	1				
40	0567147400	HOSE ASSY	1				19348-22135
	1934822135	* HOSE ASSY	1				
41	0567137410	HOSE ASSY	1				19348-22050
	1934822050	* HOSE ASSY	1				
42	0567137420	HOSE ASSY	1				19348-52044
	1934852044	* HOSE ASSY	1				
43	0567137430	HOSE ASSY	1				18010-22040
	1801022040	* HOSE ASSY	1				
44	0567137440	HOSE ASSY	1				19348-22026
	1934822026	* HOSE ASSY	1				
45	0567137450	HOSE ASSY	1				19348-22090
	1934822090	* HOSE ASSY	1				
46	0567137460	HOSE ASSY	1				19348-52052
	1934852052	* HOSE ASSY	1				
56	1531345045	PROTECTOR	1				sold by the meter
67	1531350035	PROTECTOR	1				sold by the meter
	L7b101						

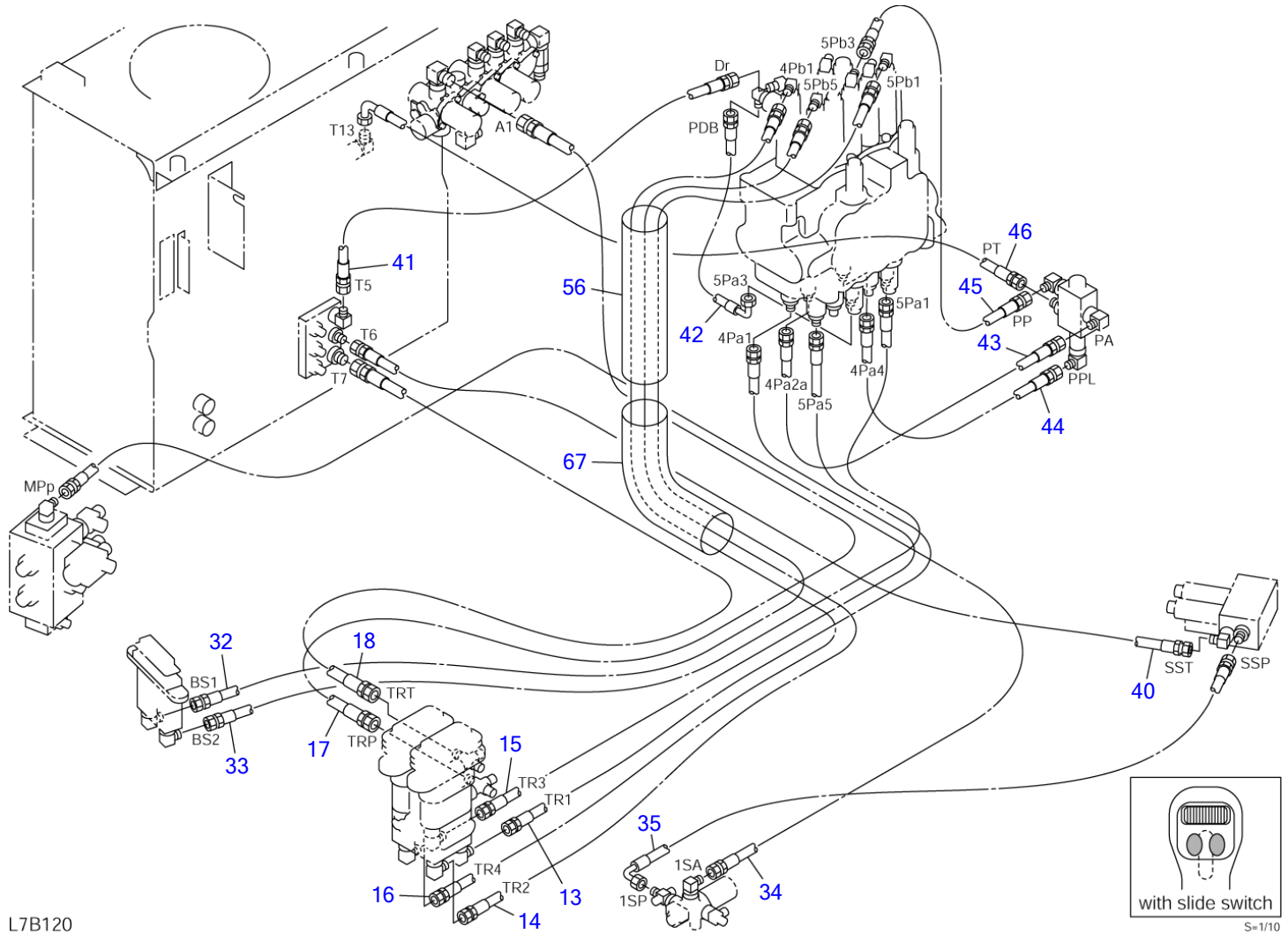
TB175 Book No. BL7Z000 S/N 17530001-  
 PIPING; OPERATION LEVER (1/2) (2-piece boom)



**PIPING; OPERATION LEVER (1/2) (2-piece boom)**

Item	Part number	Description	Q'ty	Chan.	Serial No.	Serv.	Remarks
		PIPING ASSY					
1	0567137010	HOSE ASSY	1				19348-22255
	1934822255	* HOSE ASSY	1				
2	0567137020	HOSE ASSY	1				19348-22215
	1934822215	* HOSE ASSY	1				
3	0567137030	HOSE ASSY	1				19348-52215
	1934852215	* HOSE ASSY	1				
4	0567137040	HOSE ASSY	1				19348-22255
	1934822255	* HOSE ASSY	1				
5	0567137050	HOSE ASSY	1				19348-22175
	1934822175	* HOSE ASSY	1				
6	0567137060	HOSE ASSY	1				19348-22175
	1934822175	* HOSE ASSY	1				
7	0567137070	HOSE ASSY	1				19348-22170
	1934822170	* HOSE ASSY	1				
8	0567137080	HOSE ASSY	1				19348-22275
	1934822275	* HOSE ASSY	1				
9	0567137090	HOSE ASSY	1				19348-22175
	1934822175	* HOSE ASSY	1				
10	0567137100	HOSE ASSY	1				19348-22165
	1934822165	* HOSE ASSY	1				
11	0567148110	HOSE ASSY	1				19348-22160
	1934822160	* HOSE ASSY	1				
12	0567148120	HOSE ASSY	1				19348-22165
	1934822165	* HOSE ASSY	1				
24	0567137240	HOSE ASSY	1				19348-22125
	1934822125	* HOSE ASSY	1				
25	0567137250	HOSE ASSY	1				19348-22165
	1934822165	* HOSE ASSY	1				
26	0567137260	HOSE ASSY	1				19348-22140
	1934822140	* HOSE ASSY	1				
27	0567137270	HOSE ASSY	1				19348-22125
	1934822125	* HOSE ASSY	1				
28	0567137280	HOSE ASSY	1				19348-52065
	1934852065	* HOSE ASSY	1				
29	0567137290	HOSE ASSY	1				19348-22185
	1934822185	* HOSE ASSY	1				
30	0567148300	HOSE ASSY	1				19348-52060
	1934852060	* HOSE ASSY	1				
31	0567148310	HOSE ASSY	1				19348-52060
	1934852060	* HOSE ASSY	1				
36	0567147360	HOSE ASSY	1				19348-22170
	1934822170	* HOSE ASSY	1				
38	0567147380	HOSE ASSY	1				19348-22115
	1934822115	* HOSE ASSY	1				
55	1567535000	CUFF	1				
58	1901721800	VALVE, shuttle	1				
59	1515600200	ADAPTOR	1				
	1420010110	• O-RING	1				
62	1100040660	BOLT	2				
64	1140020006	WASHER, spring	2				
68	1531335020	PROTECTOR	2				sold by the meter
69	1531335050	PROTECTOR	2				sold by the meter
72	1567525045	HOSE	2				sold by the meter
	L7b111						

TB175 Book No. BL7Z000 S/N 17530001-  
 PIPING; OPERATION LEVER (2/2) (2-piece boom)



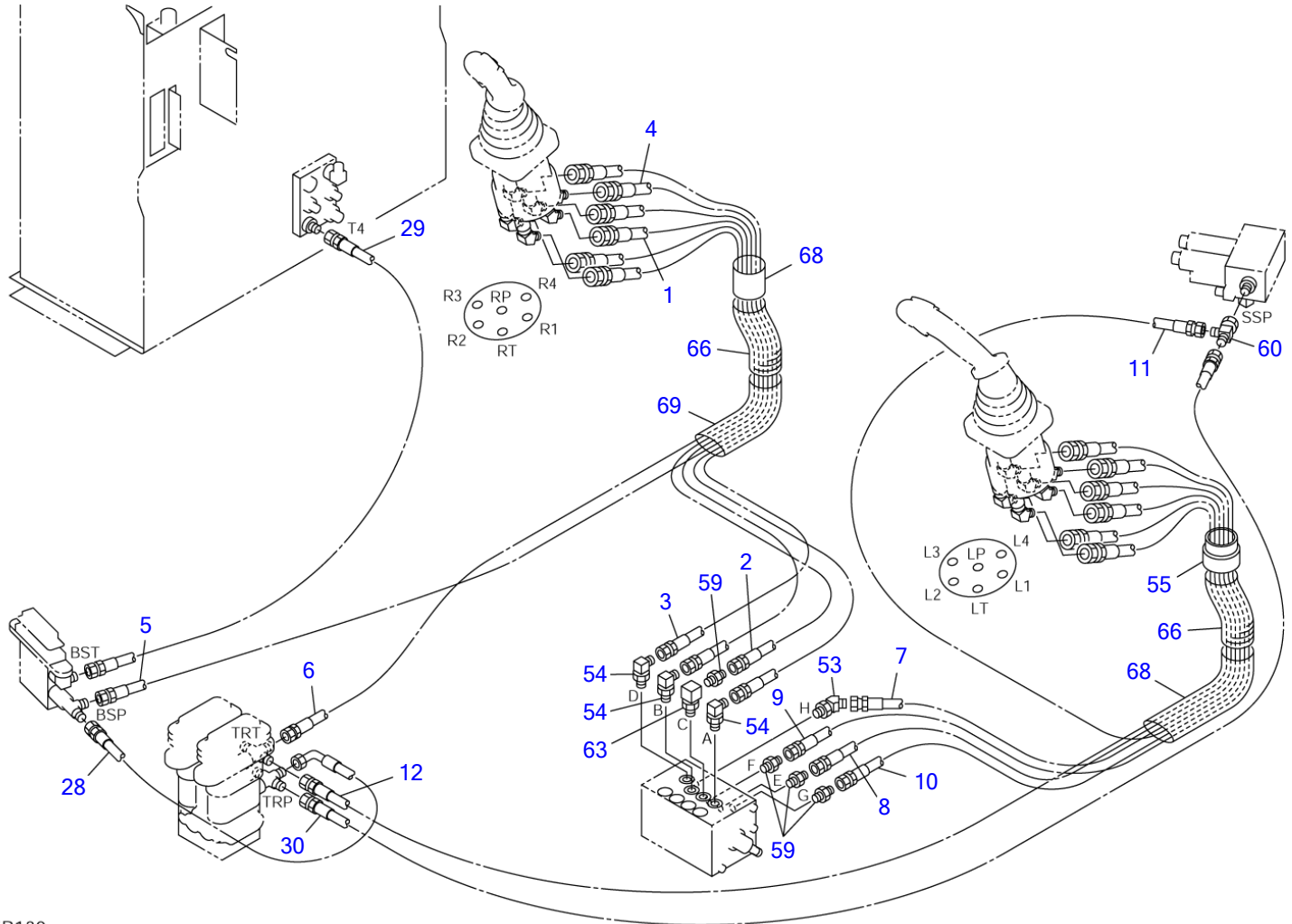
L7B120

**PIPING; OPERATION LEVER (2/2) (2-piece boom)**

Item	Part number	Description	Q'ty	Chan.	Serial No.	Serv.	Remarks
		PIPING ASSY					
13	0567137130	HOSE ASSY	1				18010-22195
	1801022195	* HOSE ASSY	1				
14	0567137140	HOSE ASSY	1				18010-22215
	1801022215	* HOSE ASSY	1				
15	0567137150	HOSE ASSY	1				18010-22195
	1801022195	* HOSE ASSY	1				
16	0567137160	HOSE ASSY	1				18010-22215
	1801022215	* HOSE ASSY	1				
17	0567148780	HOSE ASSY	1				
18	0567137180	HOSE ASSY	1				
32	0567148320	HOSE ASSY	1				19348-22230
	1934822230	* HOSE ASSY	1				
33	0567148330	HOSE ASSY	1				19348-22200
	1934822200	* HOSE ASSY	1				
34	0567148340	HOSE ASSY	1				19348-22255
	1934822255	* HOSE ASSY	1				
35	0567148350	HOSE ASSY	1				19348-52105
	1934852105	* HOSE ASSY	1				
40	0567147400	HOSE ASSY	1				19348-22135
	1934822135	* HOSE ASSY	1				
41	0567137410	HOSE ASSY	1				19348-22050
	1934822050	* HOSE ASSY	1				
42	0567137420	HOSE ASSY	1				19348-52044
	1934852044	* HOSE ASSY	1				
43	0567137430	HOSE ASSY	1				18010-22040
	1801022040	* HOSE ASSY	1				
44	0567137440	HOSE ASSY	1				19348-22026
	1934822026	* HOSE ASSY	1				
45	0567137450	HOSE ASSY	1				19348-22090
	1934822090	* HOSE ASSY	1				
46	0567137460	HOSE ASSY	1				19348-52052
	1934852052	* HOSE ASSY	1				
56	1531345045	PROTECTOR	1				sold by the meter
67	1531350035	PROTECTOR	1				sold by the meter
	L7b121						

M

TB175 Book No. BL7Z000 S/N 17530001-  
 PIPING; OPERATION LEVER (1/4) (multi pattern)



L7B130

S=1/10

**PIPING; OPERATION LEVER (1/4) (multi pattern)**

Item	Part number	Description	Q'ty	Chan.	Serial No.	Serv.	Remarks
		PIPING ASSY					
1	0567140100	HOSE ASSY	1				19348-22175
	1934822175	* HOSE ASSY	1				
2	0567140110	HOSE ASSY	1				19348-22175
	1934822175	* HOSE ASSY	1				
3	0567140120	HOSE ASSY	1				19348-22175
	1934822175	* HOSE ASSY	1				
4	0567140130	HOSE ASSY	1				19348-22175
	1934822175	* HOSE ASSY	1				
5	0567137050	HOSE ASSY	1				19348-22175
	1934822175	* HOSE ASSY	1				
6	0567137060	HOSE ASSY	1				19348-22175
	1934822175	* HOSE ASSY	1				
7	0567140140	HOSE ASSY	1				19348-22138
	1934822138	* HOSE ASSY	1				
8	0567140150	HOSE ASSY	1				19348-22146
	1934822146	* HOSE ASSY	1				
9	0567140160	HOSE ASSY	1				19348-22136
	1934822136	* HOSE ASSY	1				
10	0567140170	HOSE ASSY	1				19348-22136
	1934822136	* HOSE ASSY	1				
11	0567148510	HOSE ASSY	1				19348-22140
	1934822140	* HOSE ASSY	1				
12	0567148520	HOSE ASSY	1				19348-22170
	1934822170	* HOSE ASSY	1				
28	0567137280	HOSE ASSY	1				19348-52065
	1934852065	* HOSE ASSY	1				
29	0567137290	HOSE ASSY	1				19348-22185
	1934822185	* HOSE ASSY	1				
30	0567148530	HOSE ASSY	1				19348-22110
	1934822110	* HOSE ASSY	1				
53	1515100110	ELBOW	1				
	1420010110	• O-RING	1				
54	1515012040	ELBOW	3				
	1420010110	• O-RING	1				
55	1567535000	CUFF	1				
59	1515600200	ADAPTOR	4				
	1420010110	• O-RING	1				
60	1513390015	TEE	1				
63	1513300022	ELBOW	1				
	1420010110	• O-RING	1				
66	1567525045	HOSE	2				sold by the meter
68	1531335020	PROTECTOR	2				sold by the meter
69	1531335050	PROTECTOR	1				sold by the meter
	L7b131						

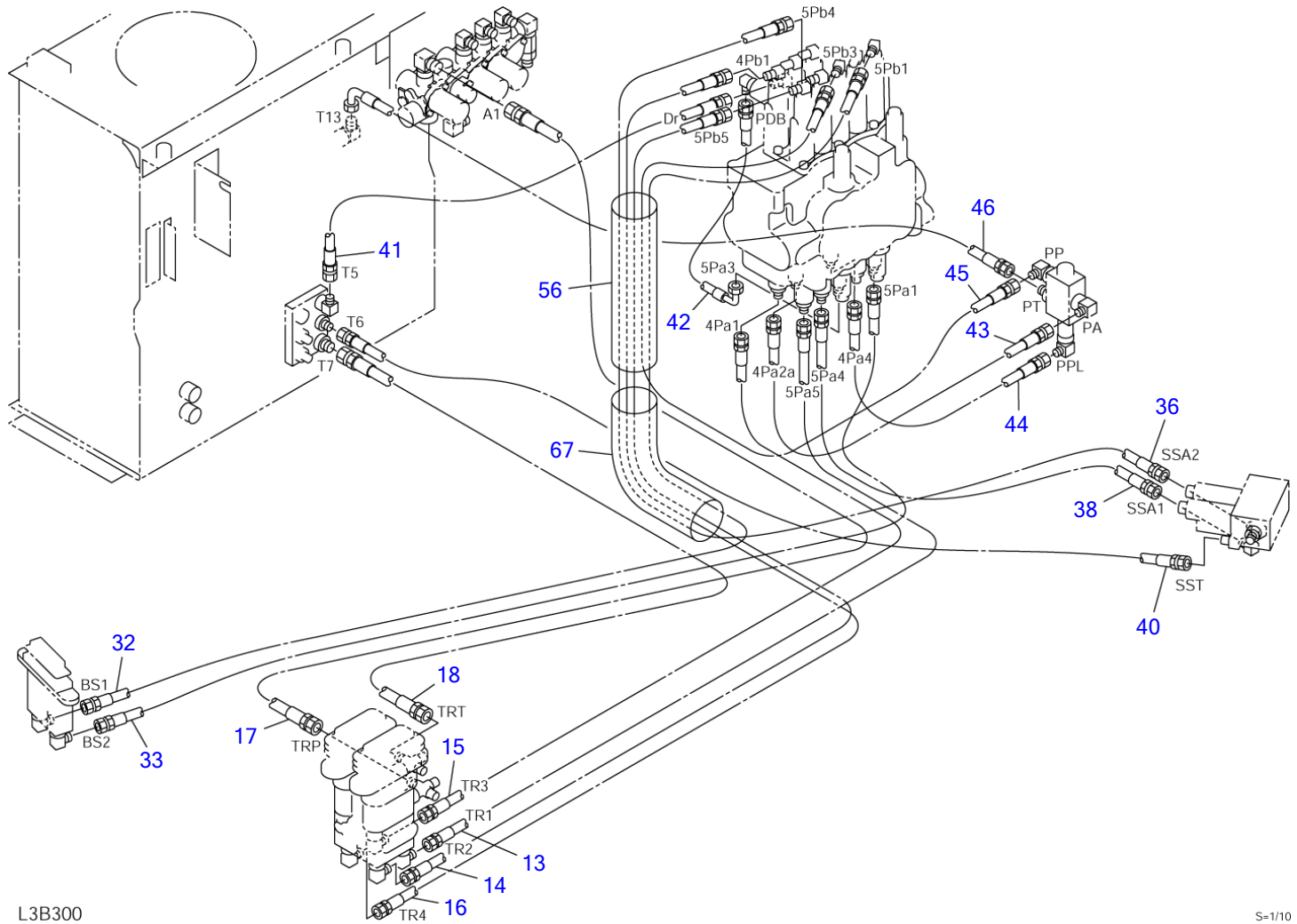




**PIPING; OPERATION LEVER (2/4) (multi pattern)**

Item	Part number	Description	Q'ty	Chan.	Serial No.	Serv.	Remarks
		PIPING ASSY					
24	<b>0567137240</b>	HOSE ASSY	1				19348-22125
	<b>1934822125</b>	* HOSE ASSY	1				
25	<b>0567137250</b>	HOSE ASSY	1				19348-22165
	<b>1934822165</b>	* HOSE ASSY	1				
26	<b>0567137260</b>	HOSE ASSY	1				19348-22140
	<b>1934822140</b>	* HOSE ASSY	1				
27	<b>0567137270</b>	HOSE ASSY	1				19348-22125
	<b>1934822125</b>	* HOSE ASSY	1				
47	<b>1901746700</b>	VALVE, rotally	1				
48	<b>1100041225</b>	BOLT	3				
49	<b>1140020012</b>	WASHER, spring	3				
53	<b>1515100110</b>	ELBOW	1				
	<b>1420010110</b>	• O-RING	1				
54	<b>1515012040</b>	ELBOW	3				
	<b>1420010110</b>	• O-RING	1				
58	<b>1901721800</b>	VALVE, shuttle	1				
59	<b>1515600200</b>	ADAPTOR	5				
	<b>1420010110</b>	• O-RING	1				
62	<b>1100040660</b>	BOLT	2				
63	<b>1513300022</b>	ELBOW	2				
	<b>1420010110</b>	• O-RING	1				
64	<b>1140020006</b>	WASHER, spring	2				
69	<b>1531335050</b>	PROTECTOR	1				sold by the meter
71	<b>0567140180</b>	HOSE ASSY	1				19348-22060
	<b>1934822060</b>	* HOSE ASSY	1				
72	<b>0567140190</b>	HOSE ASSY	1				19348-52034
	<b>1934852034</b>	* HOSE ASSY	1				
73	<b>0567140200</b>	HOSE ASSY	1				19348-52055
	<b>1934852055</b>	* HOSE ASSY	1				
74	<b>0567140210</b>	HOSE ASSY	1				19348-22240
	<b>1934822240</b>	* HOSE ASSY	1				
75	<b>0567140220</b>	HOSE ASSY	1				19348-22240
	<b>1934822240</b>	* HOSE ASSY	1				
76	<b>0567140230</b>	HOSE ASSY	1				19348-22200
	<b>1934822200</b>	* HOSE ASSY	1				
77	<b>0567140240</b>	HOSE ASSY	1				19348-52200
	<b>1934852200</b>	* HOSE ASSY	1				
78	<b>0567140250</b>	HOSE ASSY	1				19348-22270
	<b>1934822270</b>	* HOSE ASSY	1				
	<b>L7B160</b>						

TB175 Book No. BL7Z000 S/N 17530001-  
 PIPING; OPERATION LEVER (3/4) (multi pattern)

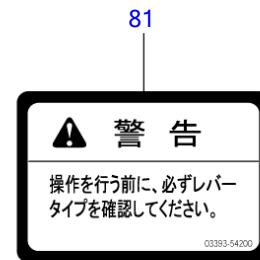
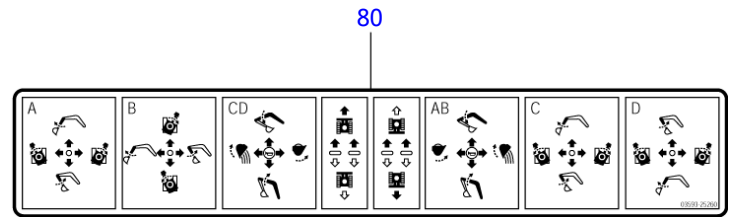
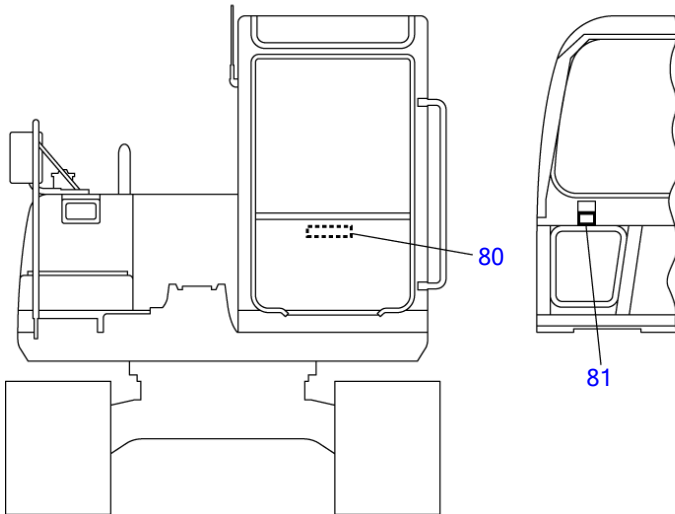
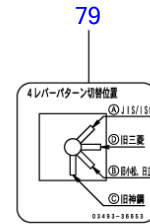
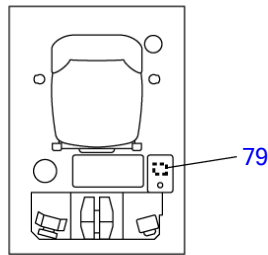


L3B300

S-1/10

**PIPING; OPERATION LEVER (3/4) (multi pattern)**

Item	Part number	Description	Q'ty	Chan.	Serial No.	Serv.	Remarks
		PIPING ASSY					
13	0567137130	HOSE ASSY	1				18010-22195
	1801022195	* HOSE ASSY	1				
14	0567137140	HOSE ASSY	1				18010-22215
	1801022215	* HOSE ASSY	1				
15	0567137150	HOSE ASSY	1				18010-22195
	1801022195	* HOSE ASSY	1				
16	0567137160	HOSE ASSY	1				18010-22215
	1801022215	* HOSE ASSY	1				
17	0567148780	HOSE ASSY	1				
18	0567137180	HOSE ASSY	1				
32	0567148320	HOSE ASSY	1				19348-22230
	1934822230	* HOSE ASSY	1				
33	0567148330	HOSE ASSY	1				19348-22125
	1934822125	* HOSE ASSY	1				
36	0567147360	HOSE ASSY	1				19348-22170
	1934822170	* HOSE ASSY	1				
38	0567147380	HOSE ASSY	1				19348-22115
	1934822115	* HOSE ASSY	1				
40	0567147400	HOSE ASSY	1				19348-22135
	1934822135	* HOSE ASSY	1				
41	0567137410	HOSE ASSY	1				19348-22050
	1934822050	* HOSE ASSY	1				
42	0567137420	HOSE ASSY	1				19348-52044
	1934852044	* HOSE ASSY	1				
43	0567137430	HOSE ASSY	1				18010-22040
	1801022040	* HOSE ASSY	1				
44	0567137440	HOSE ASSY	1				19348-22026
	1934822026	* HOSE ASSY	1				
45	0567137450	HOSE ASSY	1				19348-22090
	1934822090	* HOSE ASSY	1				
46	0567137460	HOSE ASSY	1				19348-52052
	1934852052	* HOSE ASSY	1				
56	1531345045	PROTECTOR	1				sold by the meter
67	1531350035	PROTECTOR	1				sold by the meter
	L7B170						



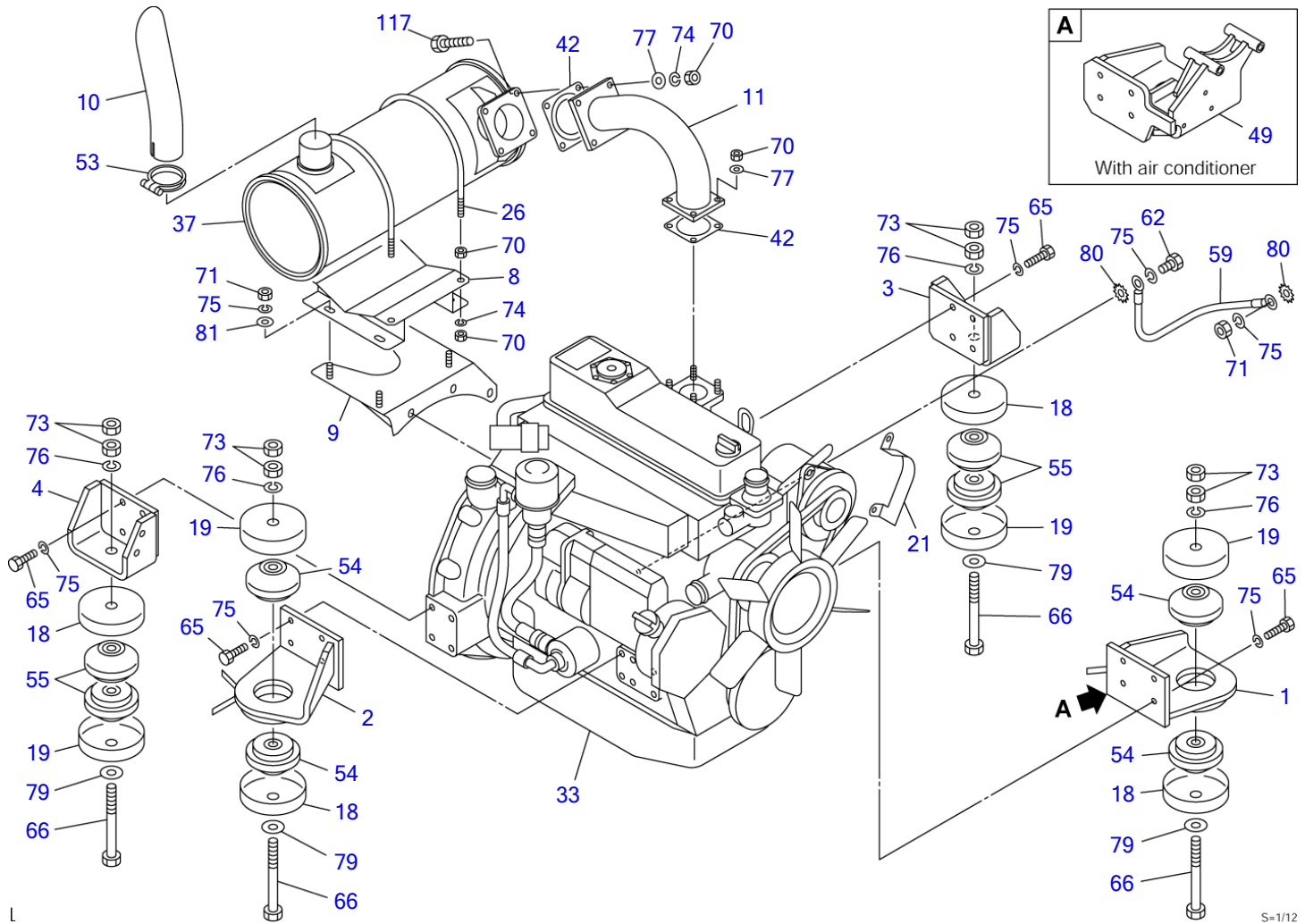
L3B310

S-FREE

**PIPING; OPERATION LEVER (4/4) (multi pattern)**

Item	Part number	Description	Q'ty	Chan.	Serial No.	Serv.	Remarks
		PIPING ASSY					
79	<b>0349336653</b>	DECAL	1				
80	<b>0359325260</b>	DECAL	1				
81	<b>0339354200</b>	DECAL	1				
	<b>L3b312</b>						

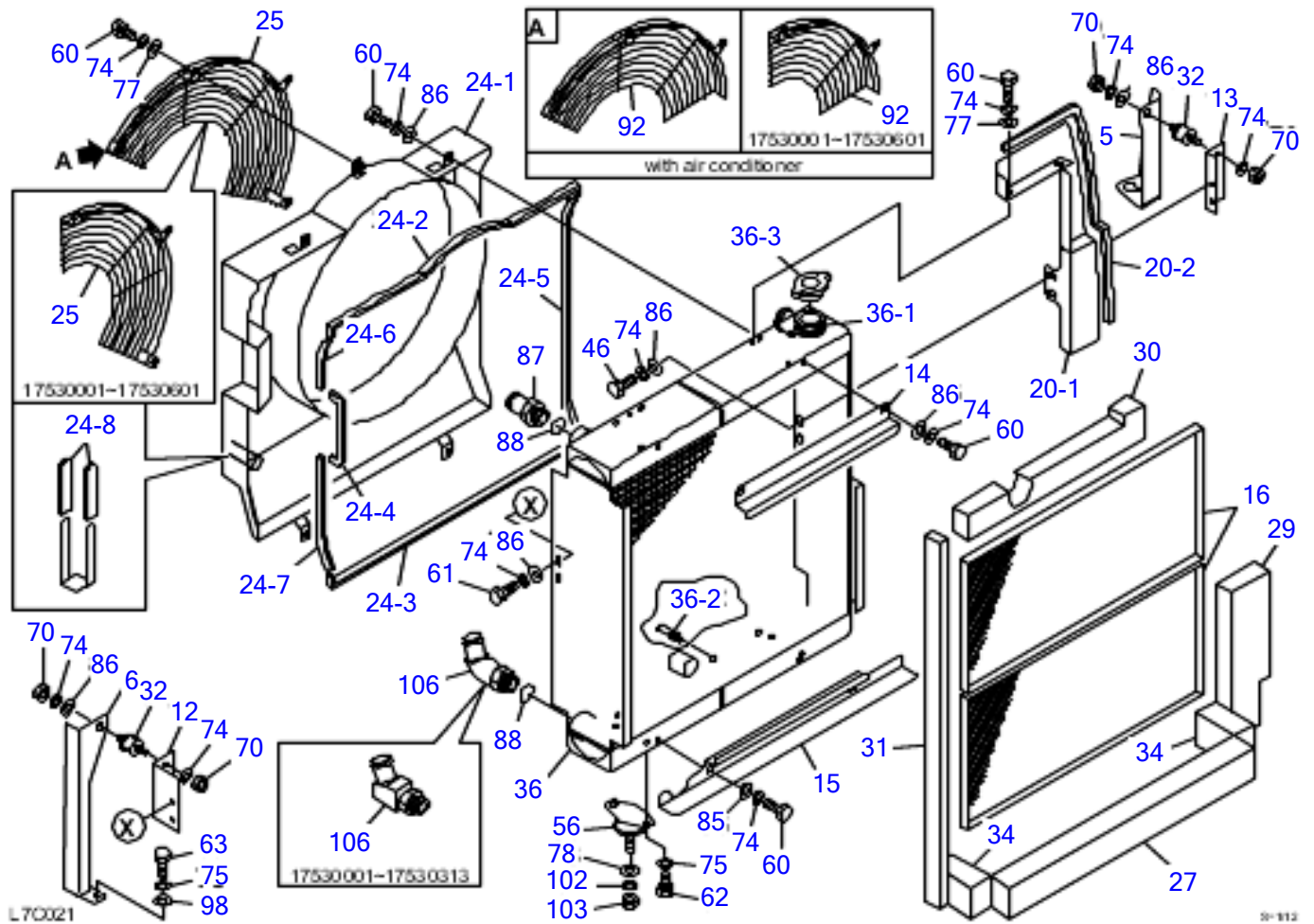
TB175 Book No. BL7Z000 S/N 17530001-  
ENGINE & ACCESSORIES (1/3)



S=1/12

**ENGINE & ACCESSORIES (1/3)**

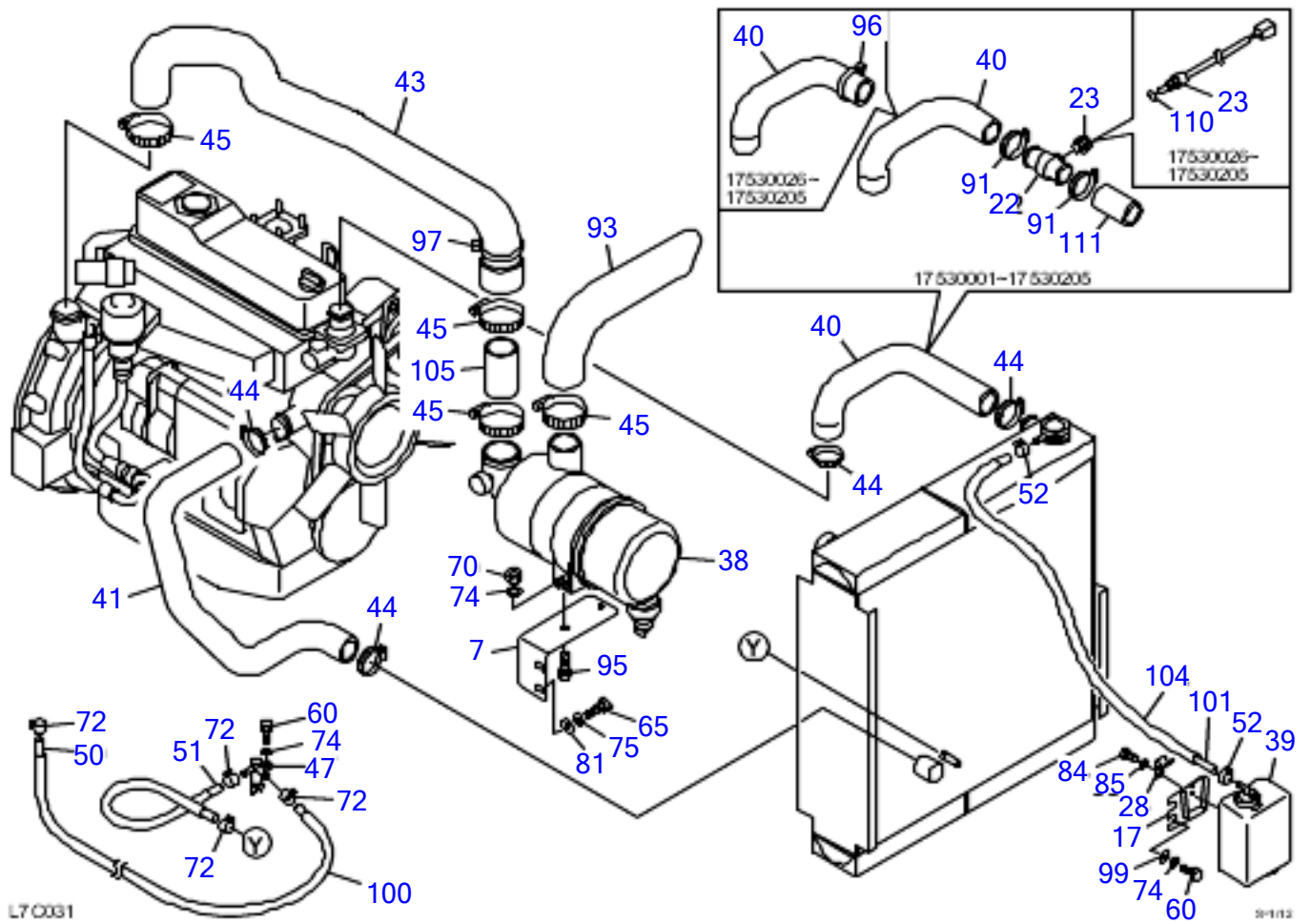
Item	Part number	Description	Q'ty	Chan.	Serial No.	Serv.	Remarks
		ENGINE ASSY					
		ENGINE ASSY (with air conditioner)					
1	0564028150	FOOT, engine (F.L.)	1			M	
2	0564030240	FOOT, engine (F.R.)	1			M	
3	0564042300	FOOT, engine (R.L.)	1			M	
4	0564026130	FOOT, engine (R.R.)	1				
8	0564042310	BRACKET	1			M	
9	0564026280	BRACKET	1				
10	0564032060	PIPE	1				
11	0564042230	PIPE	1			M	
18	0564017460	STOPPER	4				
19	0564017470	STOPPER	4				
21	0564039790	GUARD SN 17530001-25	1			M	
	0564039980	GUARD SN 175300026~	1				
26	0564025370	U-BOLT	2				
33	1910245001	ENGINE SN 1753001-25	1			M	4TNV98-ZQTB
	1910272001	ENGINE SN 1753006~	1				
37	Y129940-13500	SILENCER	1				Y129940-13500
42	Y129930-13201	GASKET	2				Y129930-13201
49	0564634210	FOOT, engine (F.L.)	1			M	with air con.
53	Y129640-13590	CLAMP	1				Y129640-13590
54	1651030004	RUBBER, cushion	4				
55	1651030005	RUBBER, cushion	4				
59	1702430400	CABLE, earth	1				
62	1100041016	BOLT	1				
65	1100041030	BOLT	16				
66	1100141650	BOLT	4				
70	1130040008	NUT	16				
71	1130040010	NUT	5				
73	1130040016	NUT	8				
74	1140020008	WASHER, spring	8				
75	1140020010	WASHER, spring	22				
76	1140020016	WASHER, spring	4				
77	1141110008	WASHER	8				
79	1141110016	WASHER	4				
80	1140330010	WASHER	2				
81	0003600020	WASHER	4				
117	1100040830	BOLT	4				
	L7c012						





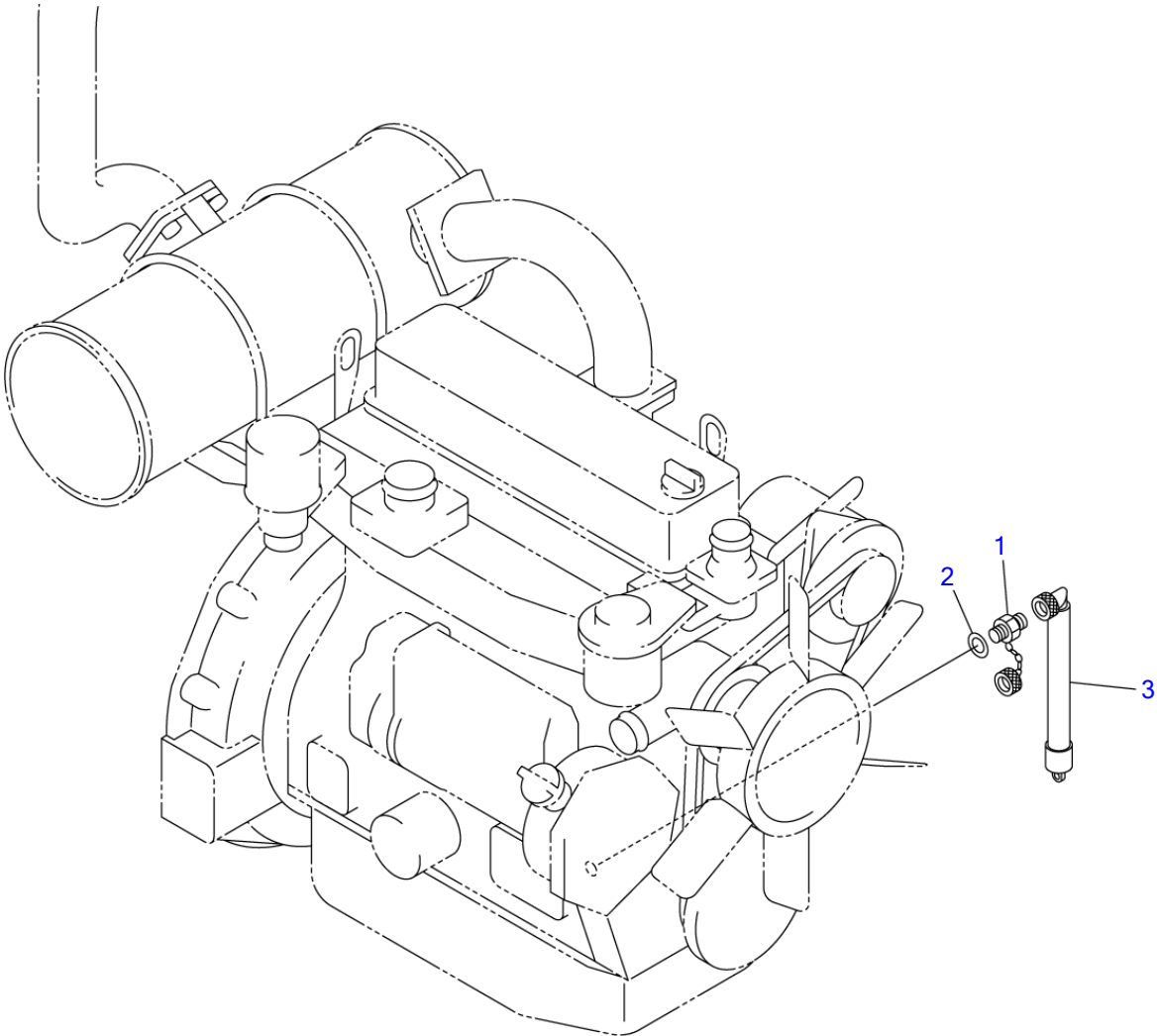
**ENGINE & ACCESSORIES (2/3)**

Item	Part number	Description	Q'ty	Chan.	Serial No.	Serv.	Remarks
		ENGINE ASSY					
		ENGINE ASSY (with air conditioner)					
5	0564039600	STAY	1			M	
6	0564039690	STAY	1			M	
12	0564039700	ANGLE	1			M	
13	0564042290	ANGLE	1			M	
14	0564037050	PLATE	1				
15	0564037060	PLATE	1				
16	0564039710	NET	2			M	
20	0564047020	PLATE ASSY	1			M	
20-1	0564039900	* PLATE	1				
20-2	1654601069	* TRIM	1				
24	0564039670	SHROUD ASSY SN 17530001-601	1			M	
	0564047070	SHROUD ASSY SN 17530602~	1				
24-1	0564039680	• SHROUD SN 1753001-601	1			M	
	0564047080	* SHROUD SN 17530602~	1				
24-2	1654606060	• SEAL	1			M	sold by the meter
24-3	1654606057	• SEAL	1			M	sold by the meter
24-4	1654606019	• SEAL	1				sold by the meter
24-5	1654605058	• RUBBER, sash	1			M	sold by the meter
24-6	1654605015	• RUBBER, sash	1			M	sold by the meter
24-7	1654605028	• RUBBER, sash	1			M	sold by the meter
24-8	0872433150	• TUBE	2				
25	0564032400	GUARD SN 17530001-601	1				
	0564047050	GUARD SN 17530602~	1				
27	0564039727	SPONGE	1			M	
29	0564039629	SPONGE	1			M	
30	0564042030	SPONGE	1			M	
31	0564039950	SPONGE	1			M	
32	1651014003	RUBBER, cushion	2				
34	0564039734	SPONGE	2			M	
36	1911300330	RADIATOR & OIL COOLER	1			M	AKG
36-1	1911300076	• FITTING, hose	1				
36-2	1911300077	• NIPPLE	1				
36-3	1911300078	• CAP, radiator	1				
46	1100040825	BOLT	2				
56	1651024009	RUBBER, cushion	2				
60	1100040816	BOLT	12				
61	1100040820	BOLT	2				
62	1100041016	BOLT	4				
63	1100041025	BOLT	2				
70	1130040008	NUT	4				
74	1140020008	WASHER, spring	18				
75	1140020010	WASHER, spring	4				
77	1141110008	WASHER	4				
78	1141110012	WASHER	2				
86	0003600079	WASHER	14				
87	0007224013	NIPPLE	1				
88	1420010290	O-RING	2				
92	0564032450	GUARD SN 17530001-601 WITH AC	1				with air con.
	0564047510	GUARD SN 17530602~ WITH AC	1				
98	1141550010	WASHER	2				
102	1140020012	WASHER, spring	2				
103	1130040012	NUT	2				
106	0564039720	ELBOW SN 17530001-313	1			M	
	0564039990	ELBOW SN 17530314~	1			M	sold by the meter
	L7c022						



**ENGINE & ACCESSORIES (3/3)**

Item	Part number	Description	Q'ty	Chan.	Serial No.	Serv.	Remarks
		ENGINE ASSY					
		ENGINE ASSY (with air conditioner)					
7	0564042120	BRACKET	1			M	
17	0564025260	BRACKET	1				
22	0881402595	JOINT SN 17530001-205	1				
23	0007256010	PLUG SN 17530001-205	1			M	
	1700100046	SENSOR SN 17530026-205	1				
28	0564026340	PLATE	1				
38	y129938-12510	CLEANER, air	1			M	Y129938-12510
39	y129466-44510	TANK, sub	1				Y129466-44510
40	0564042040	HOSE SN 1753001-205	1			M	
	0564047040	HOSE SN 17530206~	1				
41	0564039741	HOSE	1			M	
43	0564042270	HOSE	1			M	
44	Y230000-54000	BAND	4				Y23000-054000
45	Y230000-80000	BAND	4				Y23000-080000
47	Y129150-49100	VALVE, drain	1				Y129150-49100
50	1530808110	HOSE	1				sold by the meter
51	1530808017	HOSE	1			M	sold by the meter
52	1533120010	BAND	2				
60	1100040816	BOLT	3				
65	1100041030	BOLT	2				
70	1130040008	NUT	2				
72	1533120012	BAND	4				
74	1140020008	WASHER, spring	5				
75	1140020010	WASHER, spring	2				
81	0003600020	WASHER	2				
84	1120530406	SCREW	2				
85	1140020004	WASHER, spring	2				
91	1533700057	CLIP SN 1753001-205	2				
93	Y129953-12250	PIPE	1				Y129953-12250
95	1100040835	BOLT	2				
96	1652231250	BAND SN 17530026-205	1				
97	1652200007	BAND	1				
99	0003608252	WASHER	2				
100	1531118100	PROTECTOR	1				sold by the meter
101	1531211105	HOSE	1				sold by the meter
104	1531115090	PROTECTOR	1				sold by the meter
105	0564042105	PIPE	1			M	
110	1420000100	O-RING SN 17530026-205	1				
111	0564042041	HOSE SN 17530001-205	1			M	
	L7c032					M	



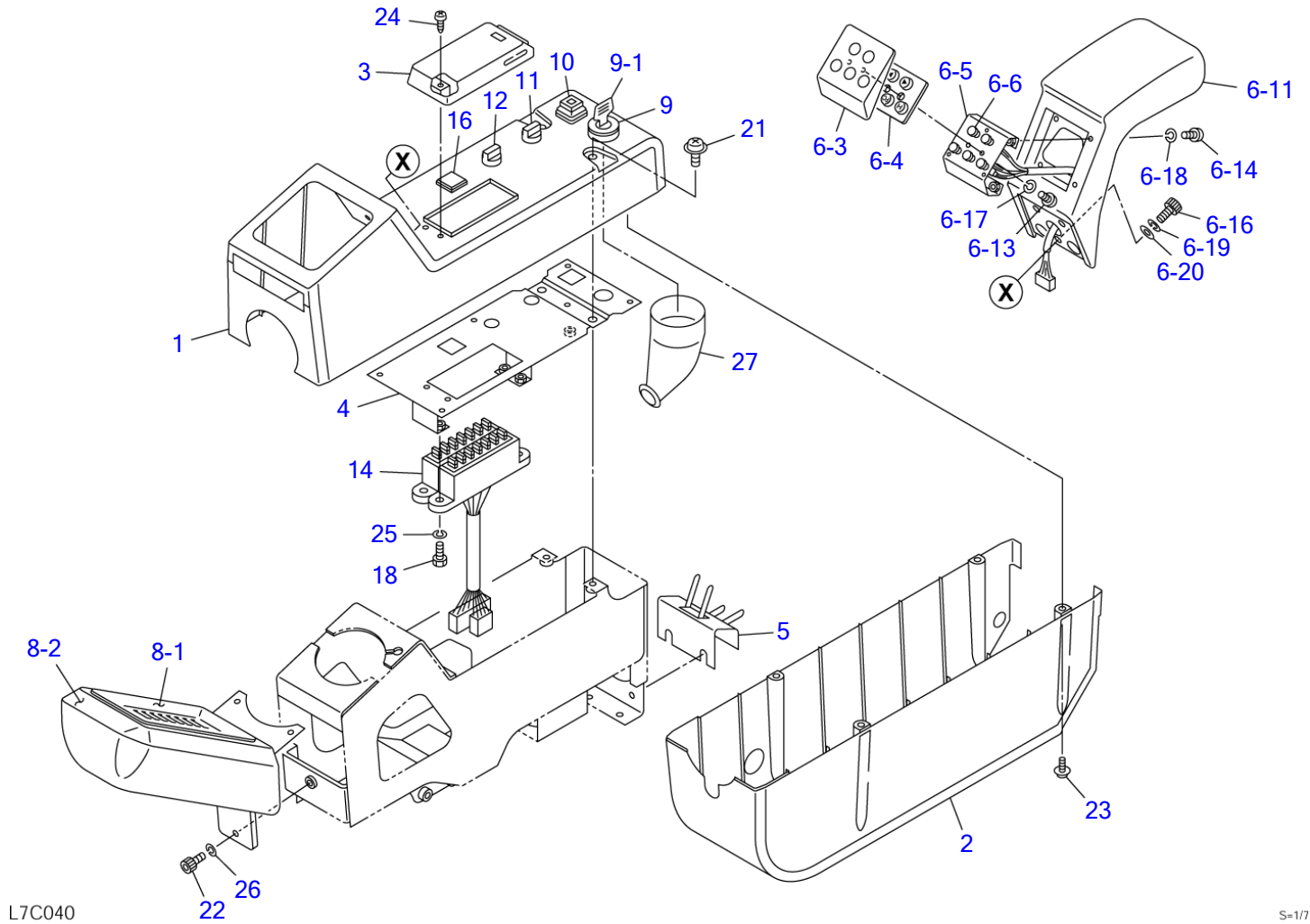
L3C040

S=1/8

**DRAIN PLUG**

Item	Part number	Description	Q'ty	Chan.	Serial No.	Serv.	Remarks
1	1554502250	PLUG ASSY, drain	1				
2	1432122302	PLUG	1				
3	1554512601	WASHER	1				
	L3c041	TUBE	1				

TB175 Book No. BL7Z000 S/N 17530001-  
CONTROL BOX (R.H.)



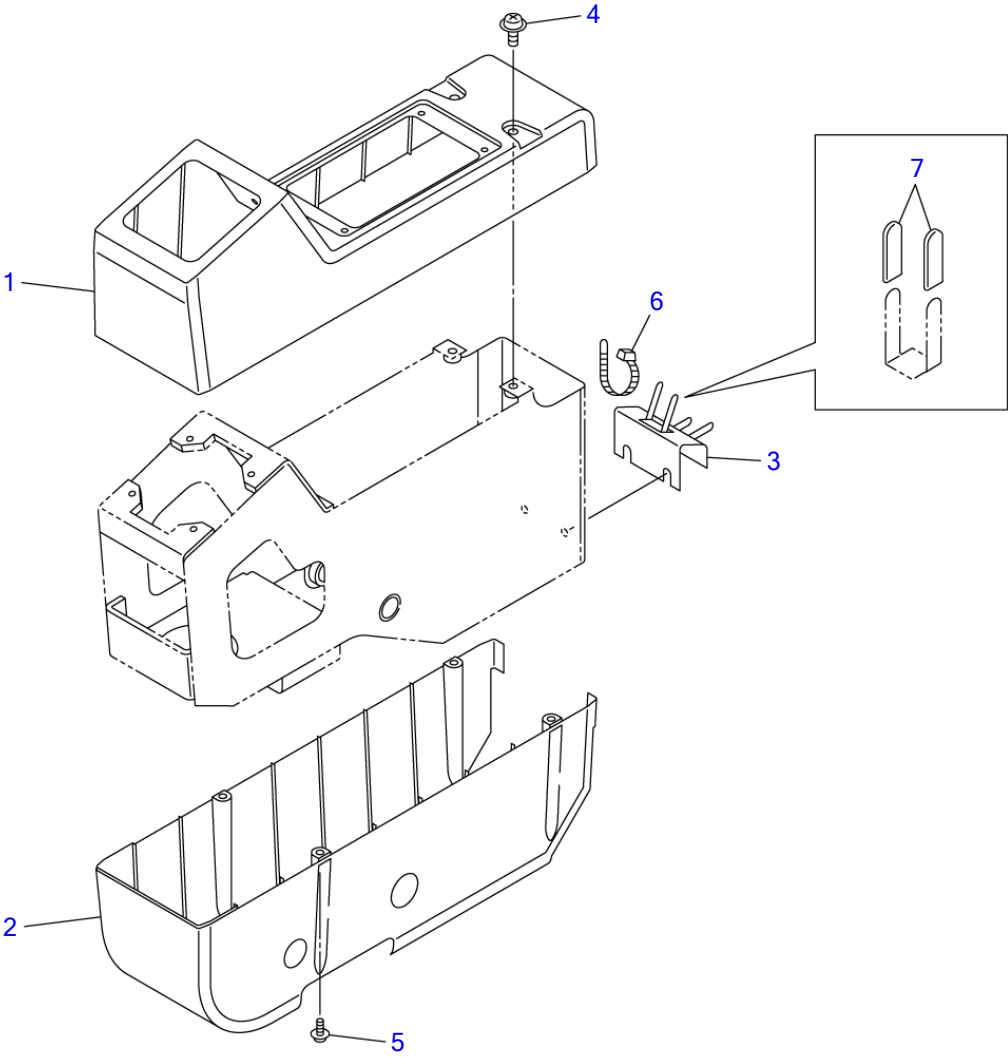
L7C040

S=1/7

**CONTROL BOX (R.H.)**

Item	Part number	Description	Q'ty	Chan.	Serial No.	Serv.	Remarks
		BOX ASSY, control (R.H.)					
1	0564318100	COVER (R.H.)	1				
2	0564318200	COVER	1				
3	0564318300	COVER	1				
4	0564323100	COVER (R.H.)	1				
5	0564320200	CLAMP (R.H.)	1				
6	0574100500	REST ASSY, arm	1				
6-3	0564115300	• COVER	1				
6-4	0564115400	• CAP	1				
6-5	0564115500	• BRACKET	1				
6-6	0574100510	• SWITCH ASSY	1				
6-11	0564116100	• REST, arm (R.H.)	1				
6-13	1120590406	• SCREW	2				
6-14	1120590512	• SCREW	4				
6-16	1110090820	• SCREW, cap	3				
6-17	1140090004	• WASHER, spring	2				
6-18	1140090005	• WASHER, spring	4				
6-19	1140490008	• WASHER, spring	3				
6-20	1141190008	• WASHER	3				
8	1730141600	GAUGE, cluster	1				M
8-1	1730141601	• GLASS	1				M
8-2	1730141609	• VISOR	1				M
9	1700100052	SWITCH, starter	1				
9-1	1700100019	KEY	1				
10	1700000039	SWITCH, slew speed	1				M
11	1700000010	SWITCH, lamp	1				
12	1700000009	SWITCH, wiper	1				
14	0564336010	BOX, fuse	1				M
	1701310005	* FUSE 5 AMP	1				
	1701310010	* FUSE 10 AMP	1				
	1701310030	* FUSE 30 AMP	1				
16	1700550017	LAMP, pilot	1				M
18	1100040614	BOLT	4				
21	1150420816	BOLT, sems	4				
22	1110090816	SCREW, cap	1				
23	1150120412	SCREW	4				
24	1122410314	SCREW	2				
25	1140020006	WASHER, spring	4				
26	1140090008	WASHER, spring	1				
27	0870431821	COVER	1				
	L7c041						

TB175 Book No. BL7Z000 S/N 17530001-  
CONTROL BOX (L.H.)



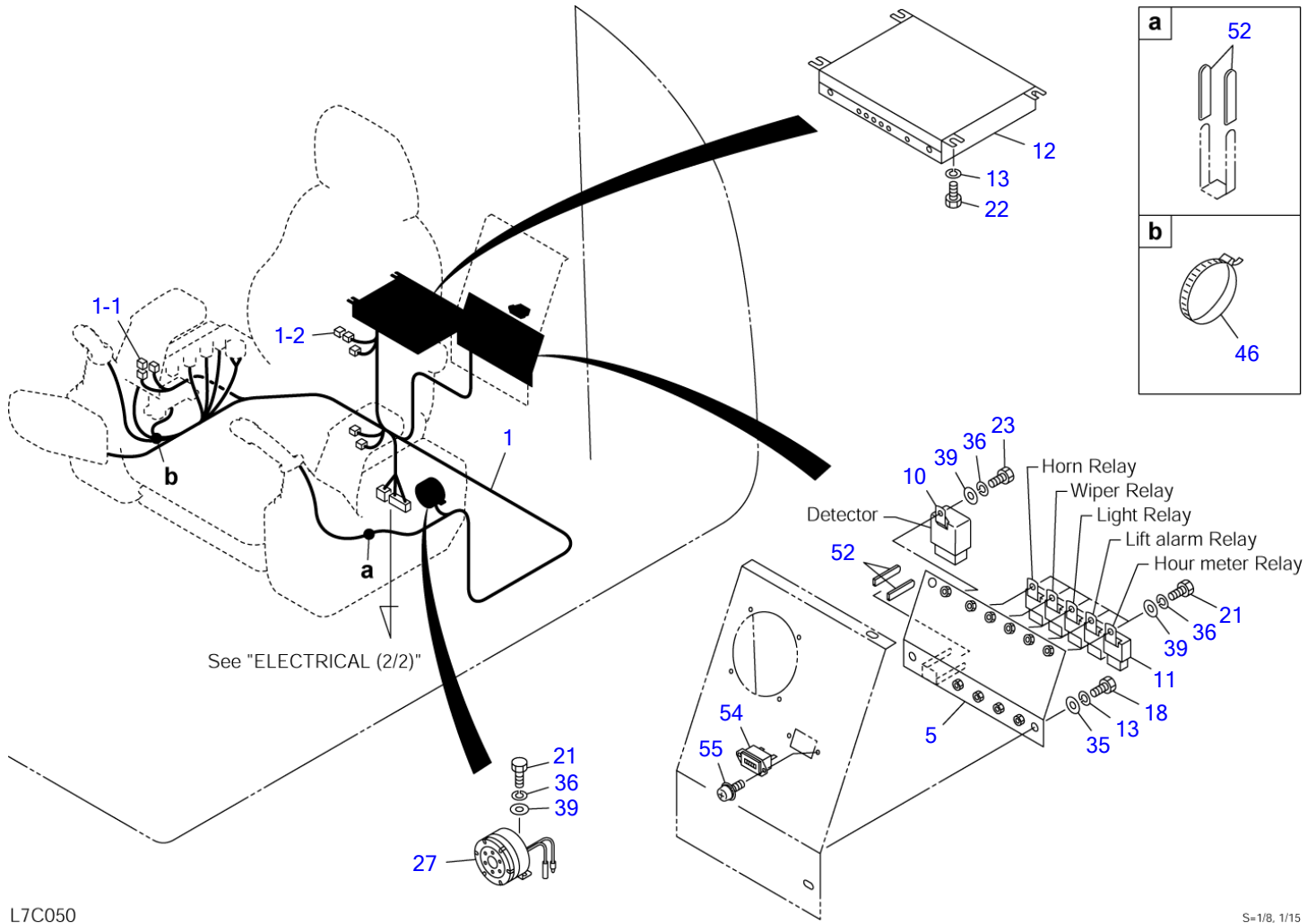
L3C060

S=1/7



**CONTROL BOX (L.H.)**

Item	Part number	Description	Q'ty	Chan.	Serial No.	Serv.	Remarks
		BOX ASSY, control (L.H.)					
1	<b>0564319100</b>	COVER (L.H.)	1				
2	<b>0564328100</b>	COVER	1				
3	<b>0564319300</b>	CLAMP	1				
4	<b>1150420816</b>	BOLT, sems	4				
5	<b>1150120412</b>	SCREW	4				
6	<b>1652231100</b>	BAND	1				
7	<b>0872433150</b>	CLAMP	4				
	<b>L7C320</b>						

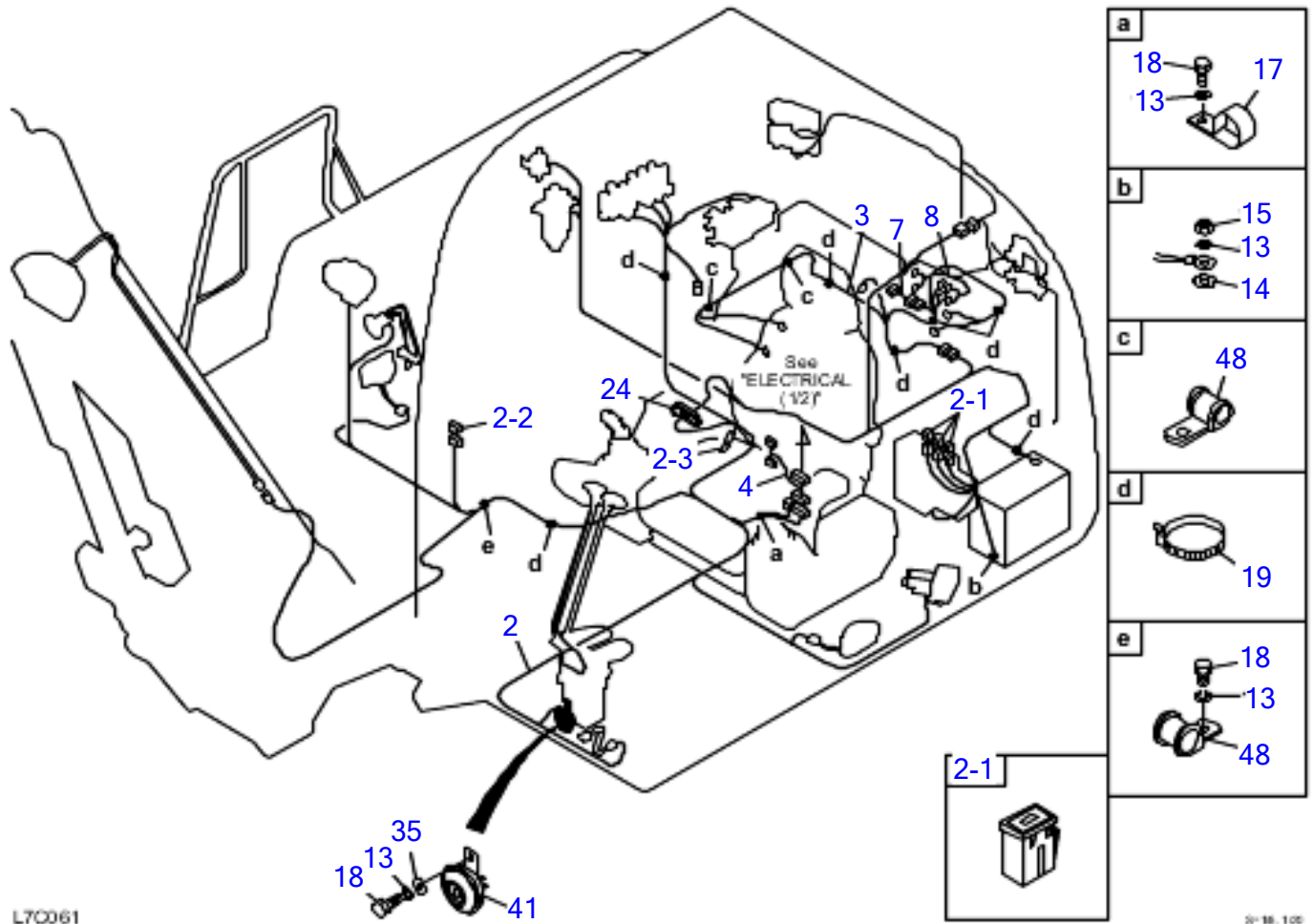


L7C050

S=1/8, 1/15

**ELECTRICAL (1/2)**

Item	Part number	Description	Q'ty	Chan.	Serial No.	Serv.	Remarks
		ELECTRICAL ASSY					
1	<b>0564250060</b>	HARNES ASSY, wiring	1			M	
1-1		· CONNECTOR, short	1				
1-2		· CAP	1				
5	<b>0564250040</b>	PLATE	1			M	
10	<b>1711900131</b>	DETECTOR	1			M	
11	<b>1711900124</b>	RELAY	5			M	
12	<b>1730141650</b>	CONTROLLER	1			M	
13	<b>1140020008</b>	WASHER, spring	7				
18	<b>1100040816</b>	BOLT	3				
21	<b>1100040612</b>	BOLT	7				
22	<b>1100040812</b>	BOLT	4				
23	<b>1100040616</b>	BOLT	1				
27	<b>1703700010</b>	BUZZER	1			M	
35	<b>1141110008</b>	WASHER	3				
36	<b>1140020006</b>	WASHER, spring	12				
38	<b>1130040006</b>	NUT	4				
39	<b>1141110006</b>	WASHER	12				
46	<b>1652201005</b>	BAND	1				
52	<b>0872433150</b>	TUBE	4				
54	<b>1730000500</b>	METER, hour	1			M	
55	<b>1150110312</b>	SCREW	2			M	
	<b>L7c051</b>						

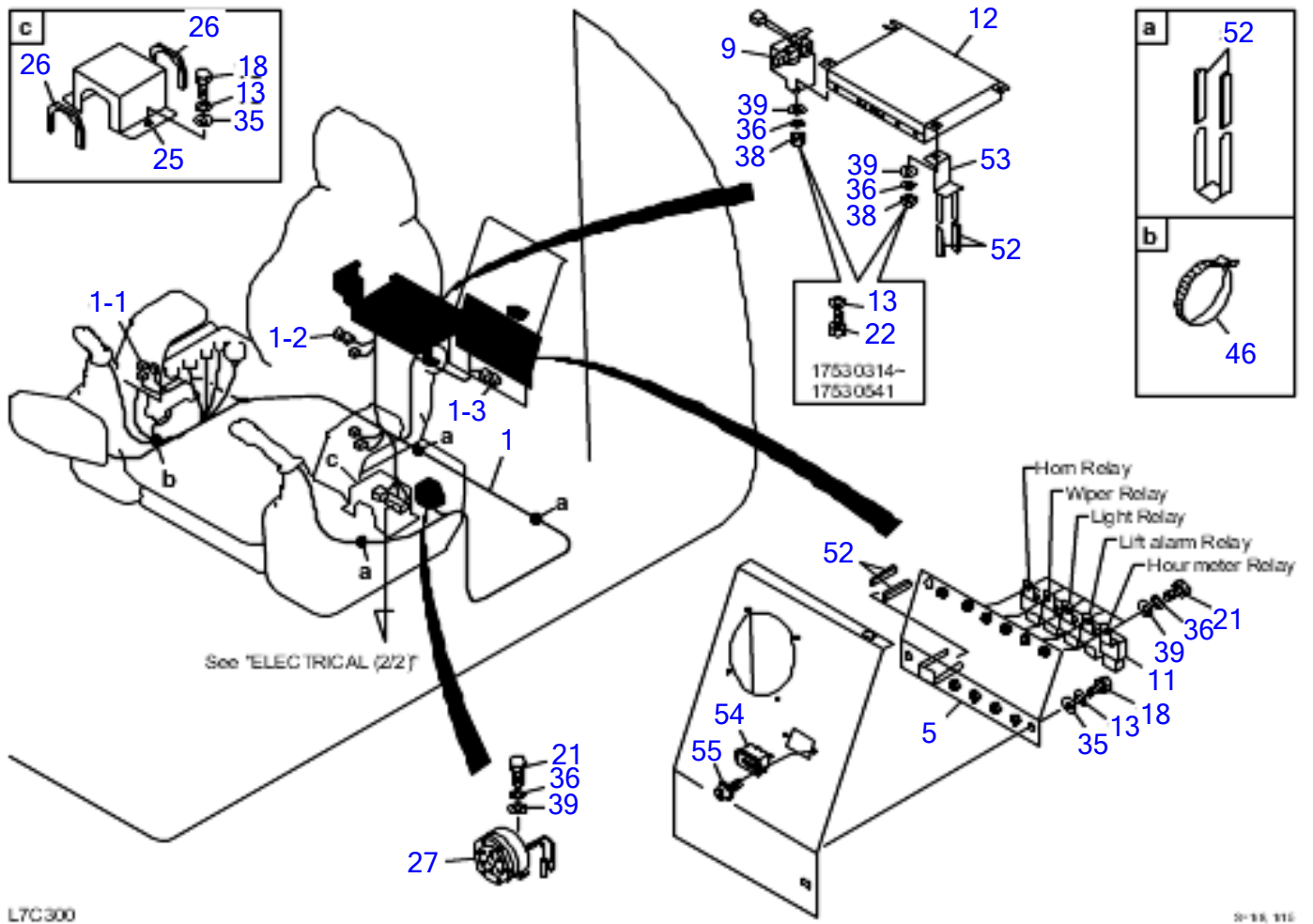


L7C061

20-18, 100

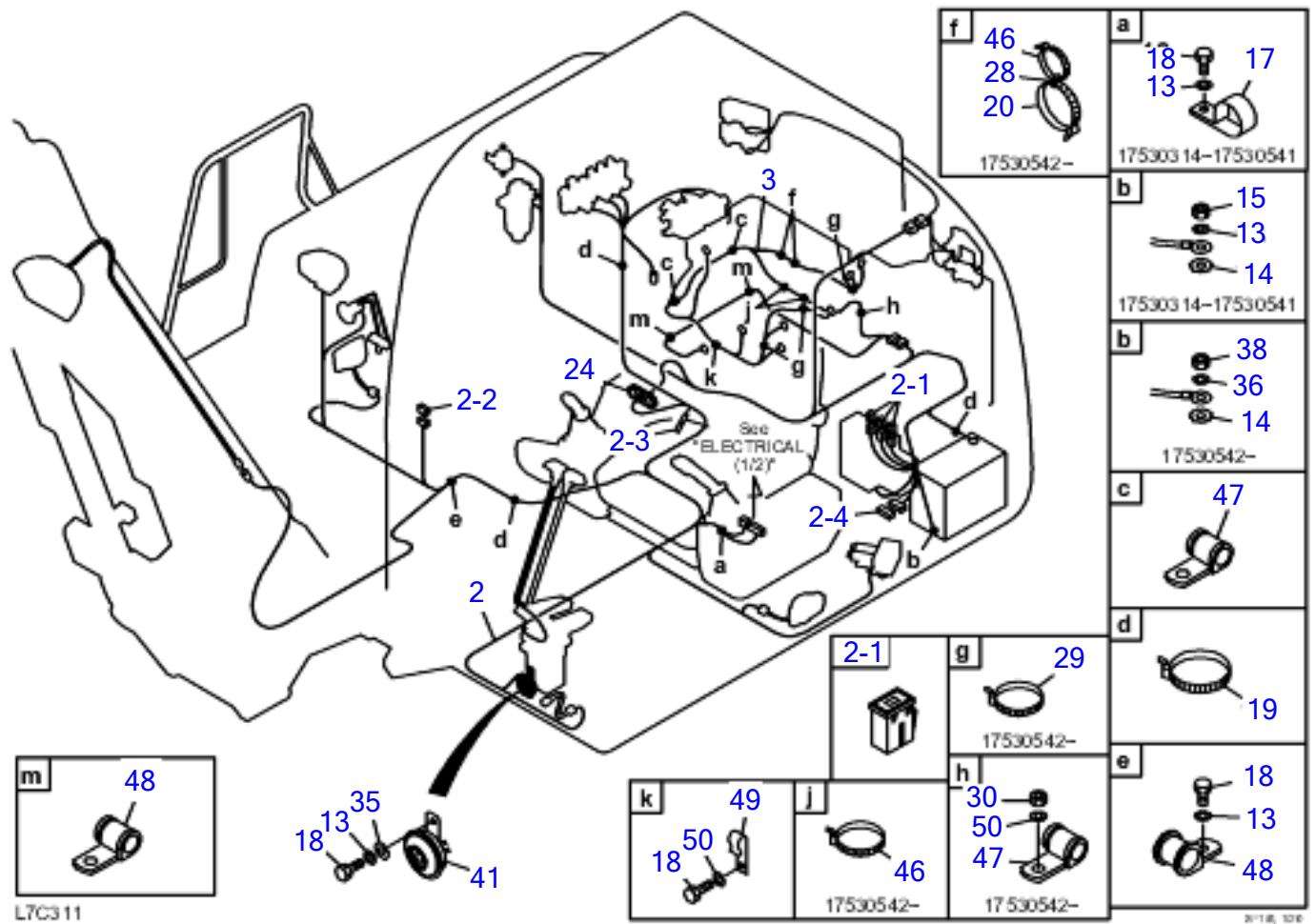
**ELECTRICAL (2/2)**

Item	Part number	Description	Q'ty	Chan.	Serial No.	Serv.	Remarks
		ELECTRICAL ASSY					
2	0564250070	HARNESS ASSY, wiring	1			M	
2-1	1701330045	· LINK, fusible	3				45A
2-2		· CONNECTOR, short	1				
2-3	1730500008	· DIODE (3A yellow)	1				
3	0564249030	HARNESS, wiring	1			M	
4	0564250080	WIRING HARNESS SN 17530026-313	1				
7	0564249031	WIRING HARNESS SN 17530026-313	1				
8	564249032	WIRING HARNESS SN 17530026-313	1				
13	1140020008	WASHER, spring	4				
14	1140330008	WASHER	1				
15	1130040008	NUT	1				
17	0007300039	CLAMP	1				
18	1100040816	BOLT	3				
19	1652231250	BAND	7				
24	0097022400	GUARD	1				
35	1141110008	WASHER	1				
41	1703500712	HORN	1			M	
48	1711900105	CLAMP	3				
	L7c061						



**Electrical (1/2) (17530314~)**

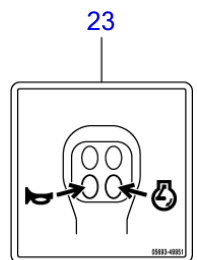
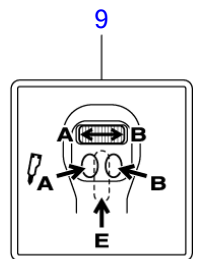
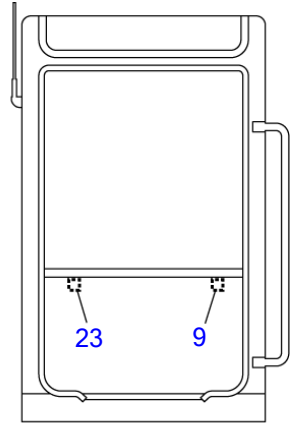
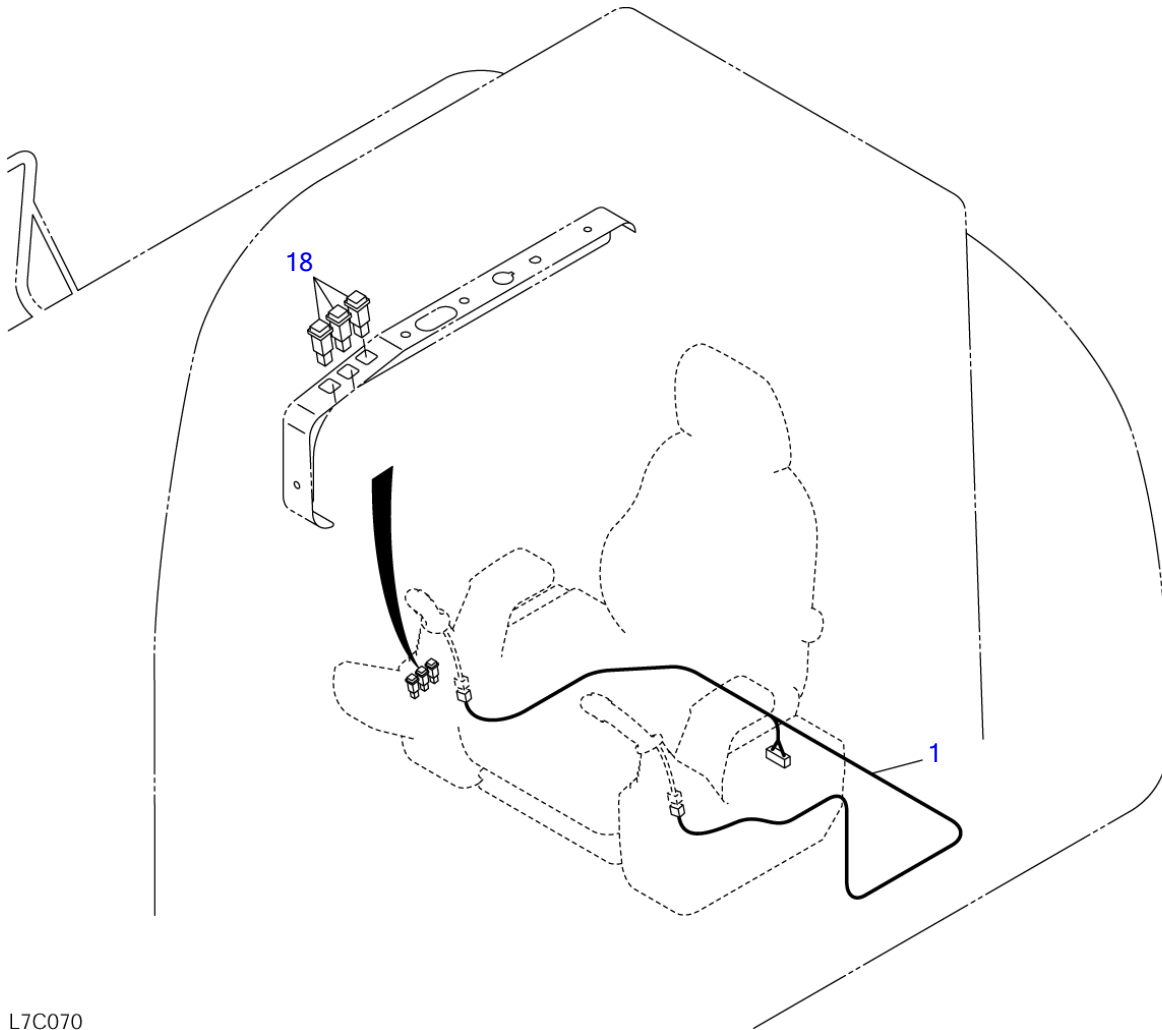
Item	Part number	Description	Q'ty	Chan.	Serial No.	Serv.	Remarks
		Electrical (1/2) SN 17530314~					
1	<b>0564250160</b>	Wiring Harness Assy	1				
1-1	<b>0564250066</b>	* Short Connector	1				
1-2	<b>0564250065</b>	* Cap	1				
1-3	<b>1730500008</b>	* Diode (3A yellow)	1				
5	<b>0564250040</b>	Plate	1				
9	<b>0564250092</b>	Resistor Assy	1				
11	<b>1711900123</b>	Relay	5				
12	<b>1730141650</b>	Controller	1				
13	<b>1140020008</b>	Spring Washer	5				
18	<b>1100040816</b>	Bolt	5				
21	<b>1100040612</b>	Bolt	7				
22	<b>1100040812</b>	Bolt SN 17530314-30541	4				
25	<b>0564250110</b>	Box	1				
26	<b>1653917015</b>	Trim	2				
27	<b>1703700010</b>	Buzzer	1				
35	<b>1141110008</b>	Washer	5				
36	<b>1140020006</b>	Spring Washer	16				
38	<b>1130040006</b>	Nut	4				
39	<b>1141110006</b>	Washer	11				
46	<b>1652201005</b>	Band	1				
52	<b>0872433150</b>	Tube	10				
53	<b>0564249910</b>	Bracket SN 17530542~	1				
54	<b>1730000500</b>	Hour Meter	1				
55	<b>1150110312</b>	Screw	2				
	<b>LI7C301</b>						





**Electrical (2/2) (17530314~)**

Item	Part number	Description	Q'ty	Chan.	Serial No.	Serv.	Remarks
		Electrical (2/2) SN 17530314~					
2	<b>0564250170</b>	Wiring Harness Assy	1				
2-1	<b>1701330045</b>	* Fusible Link 45A	3				
2-2	<b>0564250067</b>	* Short Connector	1				
2-3	<b>1730500008</b>	* Diode (3A yellow)	1				
2-4	<b>0564250068</b>	* Cap	1				
3	<b>0564249930</b>	Wiring Harness	1				
13	<b>1140020008</b>	Spring Washer	2				
14	<b>1140330008</b>	Washer	1				
	<b>1140330006</b>	Washer	1				
15	<b>1130040008</b>	Nut	1				
17	<b>0007300039</b>	Clamp	1				
18	<b>1100040816</b>	Bolt	3				
19	<b>1652231250</b>	Band	7				
20	<b>1652201008</b>	Band	2				
24	<b>0097022400</b>	Guard	1				
28	<b>1652200010</b>	Ring	2				
29	<b>1652231140</b>	Band	3				
30	<b>1130040010</b>	Nut	1				
35	<b>1141110008</b>	Washer	1				
36	<b>1140020006</b>	Spring Washer	1				
38	<b>1130040006</b>	Nut	1				
41	<b>1703500712</b>	Horn	1				
46	<b>1652201005</b>	Band	4				
47	<b>1711900076</b>	Clamp	3				
48	<b>1711900105</b>	Clamp	3				
49	<b>0007300004</b>	Clamp	1				
50	<b>1140020010</b>	Spring Washer	2				
	<b>L7C311</b>						



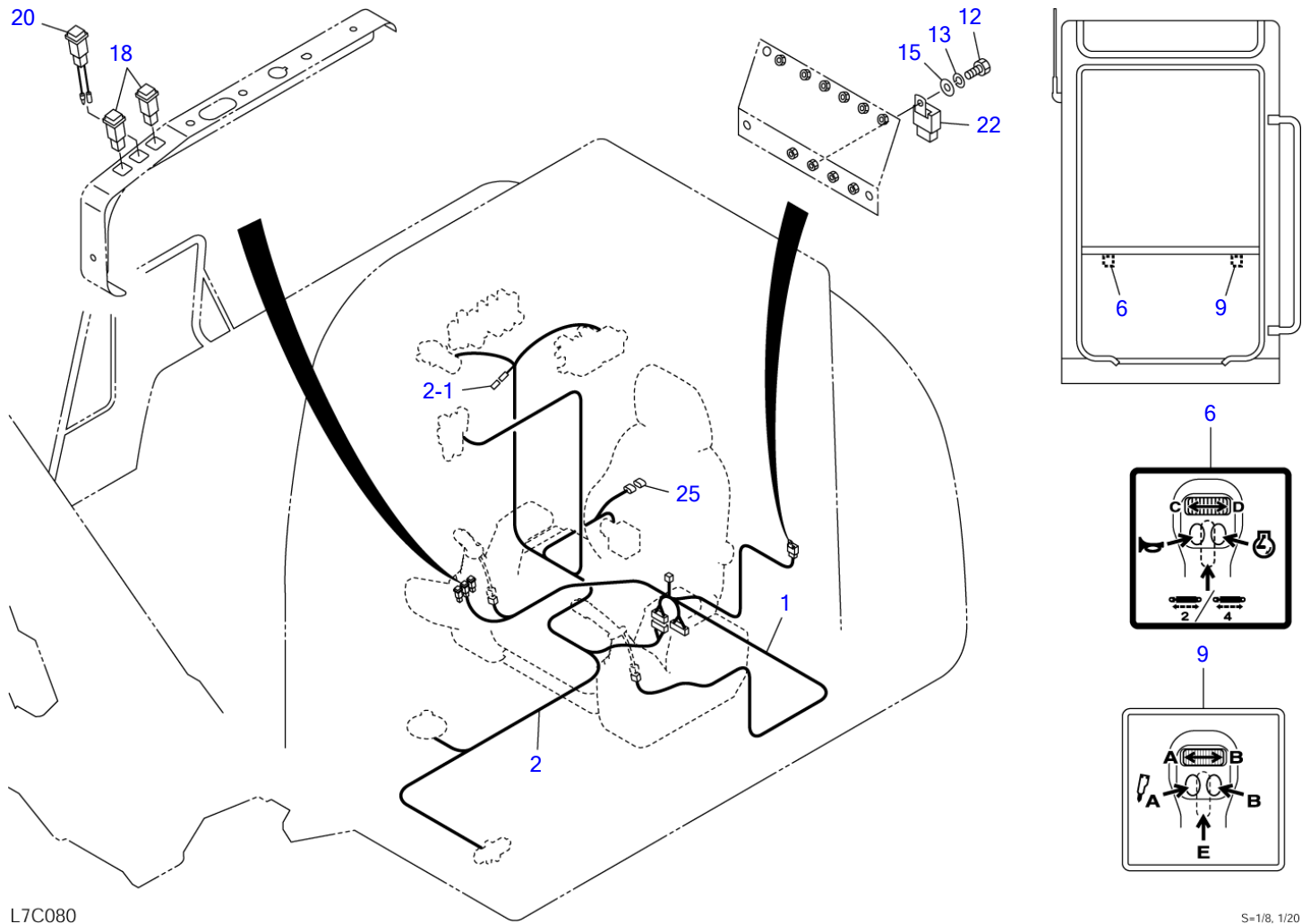
L7C070

S=1/8, 1/15

**ELECTRICAL (with 1st auxiliary lines)**

Item	Part number	Description	Q'ty	Chan.	Serial No.	Serv.	Remarks
0	<b>0564249100</b>	ELECTRICAL ASSY (OPTION)	1			M	
1	<b>0564249110</b>	• HARNESS ASSY, wiring SN 17530001-313	1			M	
	<b>0564249120</b>	* HARNESS ASSY, WIRING SN 17530314~	1				
9	<b>0569353036</b>	• DECAL	1				
18	<b>1700550024</b>	• ORNAMENT	3				
23	<b>0569349951</b>	• DECAL	1				
	<b>L7C071</b>						

TB175 Book No. BL7Z000 S/N 17530001-  
ELECTRICAL (with 1st, 2nd & 4th auxiliary lines)



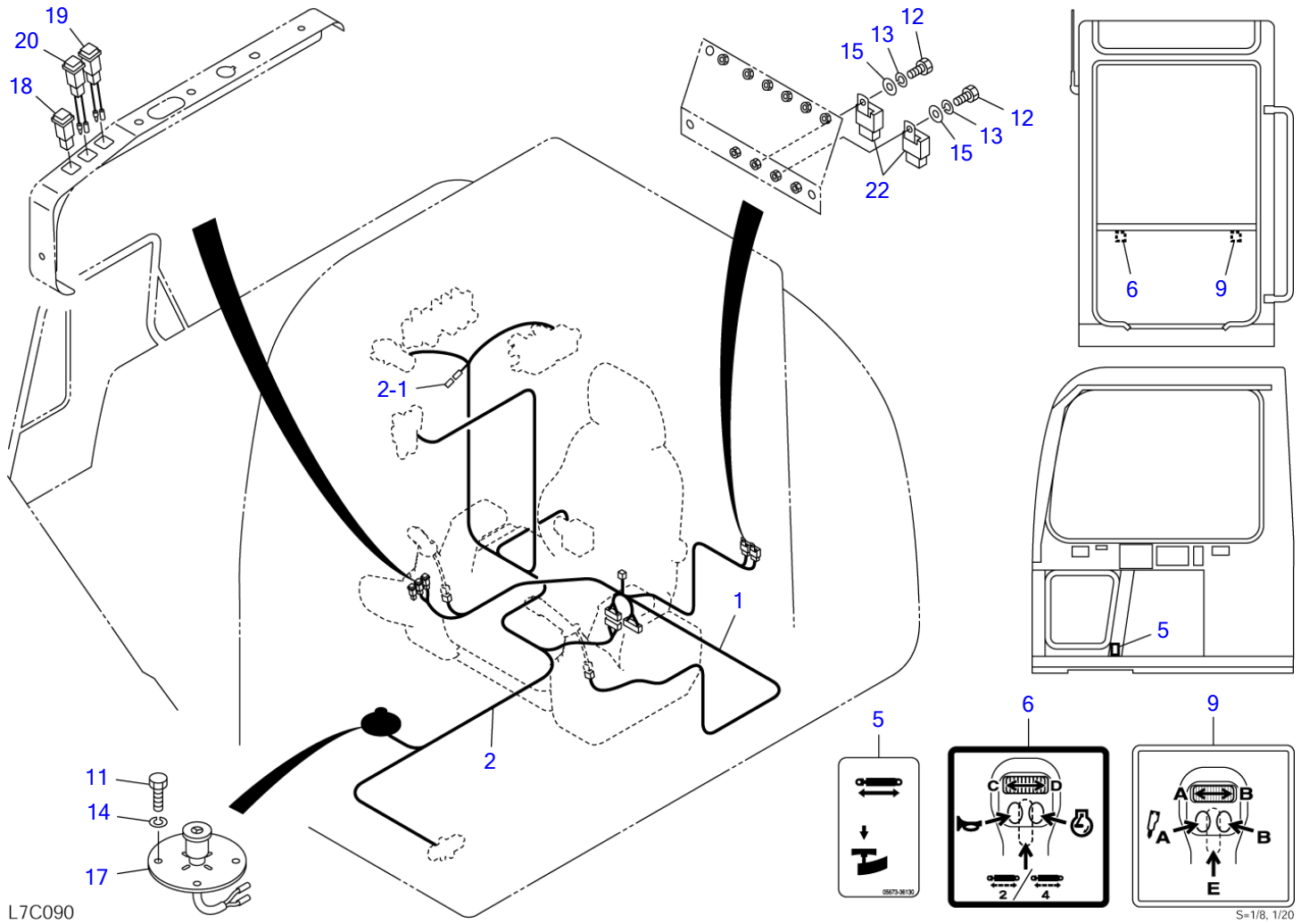
L7C080

S=1/8, 1/20

**ELECTRICAL (with 1st, 2nd & 4th auxiliary lines)**

Item	Part number	Description	Q'ty	Chan.	Serial No.	Serv.	Remarks
0	<b>0564249150</b>	ELECTRICAL ASSY (OPTION)	1			M	
1	<b>0564249210</b>	▪ HARNESS ASSY, wiring SN 17530001-30313	1			M	
	<b>0564249220</b>	* HARNESS ASSY, WIRING SN 17530314~	1				
2	<b>0564249770</b>	▪ HARNESS ASSY, wiring	1			M	
2-1	<b>1730500008</b>	▪ ▪ DIODE (3A yellow)	1				
6	<b>0567346795</b>	▪ DECAL	1				
9	<b>0569353036</b>	▪ DECAL	1				
12	<b>1100040612</b>	▪ BOLT	1				
13	<b>1140020006</b>	▪ WASHER, spring	1				
15	<b>1141110006</b>	▪ WASHER	1				
18	<b>1700550024</b>	▪ ORNAMENT	2				
20	<b>1700550035</b>	▪ LAMP, pilot	1			M	
22	<b>1711900124</b>	▪ RELAY SN 17530001-30313	1			M	
	<b>1711900123</b>	* RELAY SN 17530314~	1				
25	<b>0564243920</b>	▪ CONNECTOR, short	1			M	
	<b>L7c081</b>						

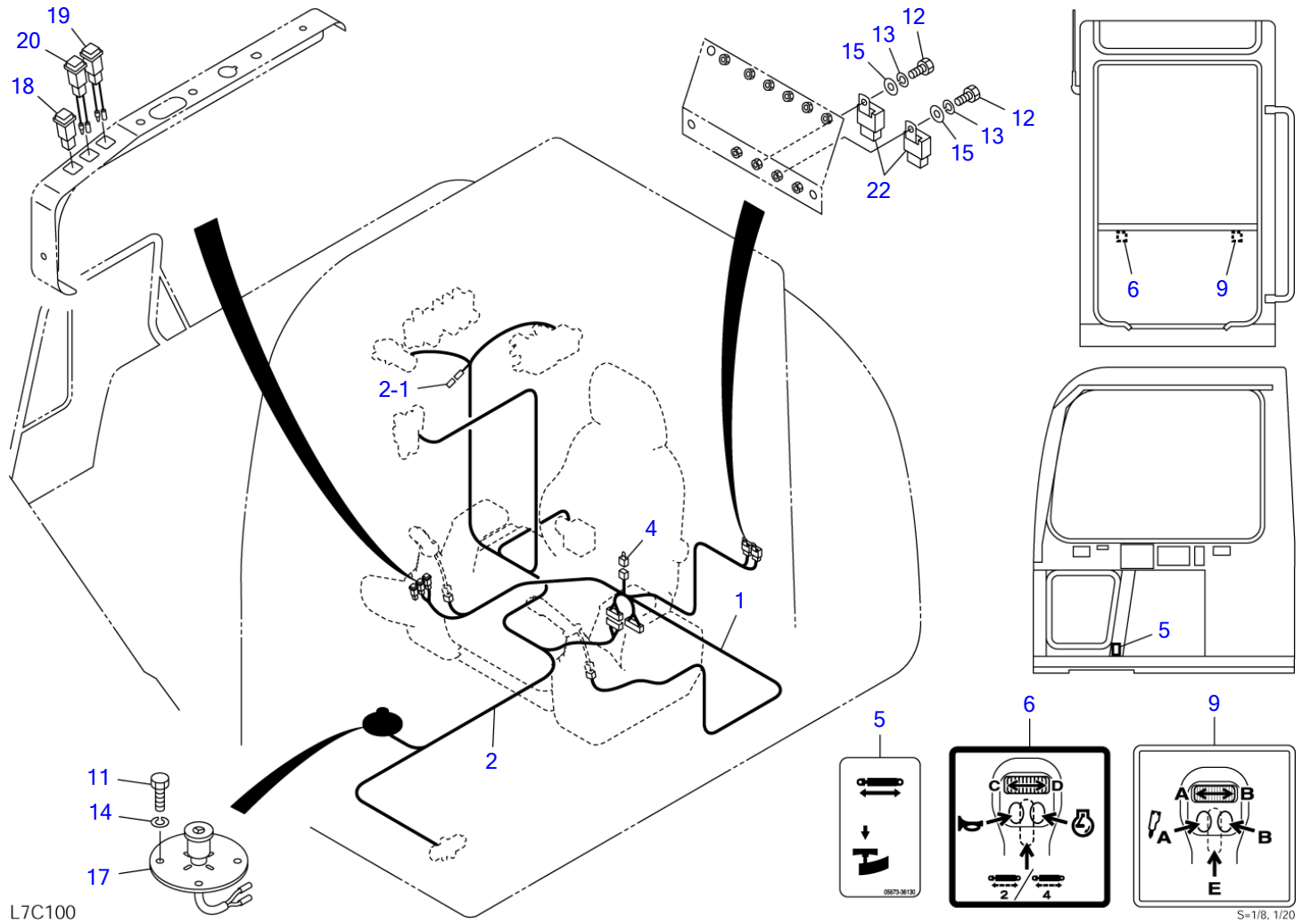
TB175 Book No. BL7Z000 S/N 17530001-  
**ELECTRICAL (with 1st, 2nd, 3rd & 4th auxiliary lines)**



**ELECTRICAL (with 1st, 2nd, 3rd & 4th auxiliary lines)**

Item	Part number	Description	Q'ty	Chan.	Serial No.	Serv.	Remarks
0	<b>0564249200</b>	ELECTRICAL ASSY (OPTION)	1			M	
1	<b>0564249210</b>	▪ HARNESS ASSY, wiring SN 17530001-30313	1			M	
	<b>0564249220</b>	* HARNESS ASSY, WIRING SN 17530314~	1				
2	<b>0564249770</b>	▪ HARNESS ASSY, wiring	1			M	
2-1	<b>1730500008</b>	▪ ▪ DIODE (3A yellow)	1				
5	<b>0567336130</b>	▪ DECAL	1				
6	<b>0567346795</b>	▪ DECAL	1				
9	<b>0569353036</b>	▪ DECAL	1				
11	<b>1100040820</b>	▪ BOLT	4				
12	<b>1100040612</b>	▪ BOLT	2				
13	<b>1140020006</b>	▪ WASHER, spring	2				
14	<b>1140020008</b>	▪ WASHER, spring	4				
15	<b>1141110006</b>	▪ WASHER	2				
17	<b>1700100064</b>	▪ SWITCH, foot	1				
18	<b>1700550024</b>	▪ ORNAMENT	1				
19	<b>1700550032</b>	▪ LAMP, pilot	1			M	
20	<b>1700550035</b>	▪ LAMP, pilot	1			M	
22	<b>1711900124</b>	▪ RELAY SN 1753001-30313	2			M	
	<b>1711900123</b>	* RELAY SN 17530314~	2				
	<b>L7c091</b>						

TB175 Book No. BL7Z000 S/N 17530001-  
**ELECTRICAL** (with 1st, 2nd, high pressure 3rd & 4th auxiliary lines)



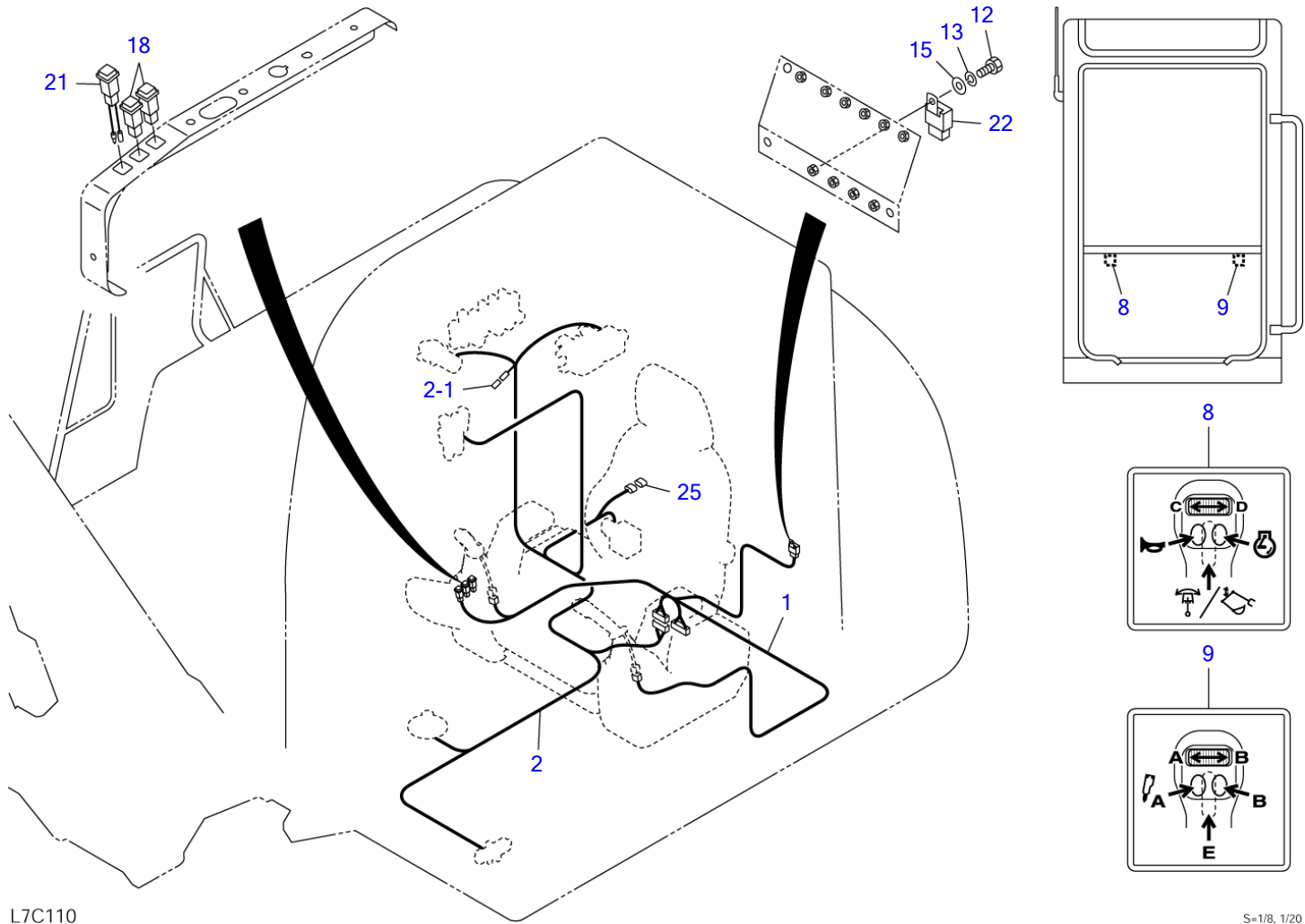
S=1/8, 1/20



**ELECTRICAL (with 1st, 2nd, high pressure 3rd & 4th auxiliary lines)**

Item	Part number	Description	Q'ty	Chan.	Serial No.	Serv.	Remarks
0	<b>0564249250</b>	ELECTRICAL ASSY (OPTION)	1			M	
1	<b>0564249210</b>	▪ HARNESS ASSY, wiring SN 17530001-30313	1			M	
	<b>0564249220</b>	* HARNESS ASSY, WIRING SN 17530314~	1				
2	<b>0564249770</b>	▪ HARNESS ASSY, wiring	1			M	
2-1	<b>1730500008</b>	▪ ▪ DIODE (3A yellow)	1				
4	<b>0334230400</b>	▪ CONNECTOR, short	1			M	
5	<b>0567336130</b>	▪ DECAL	1				
6	<b>0567346795</b>	▪ DECAL	1				
9	<b>0569353036</b>	▪ DECAL	1				
11	<b>1100040820</b>	▪ BOLT	4				
12	<b>1100040612</b>	▪ BOLT	2				
13	<b>1140020006</b>	▪ WASHER, spring	2				
14	<b>1140020008</b>	▪ WASHER, spring	4				
15	<b>1141110006</b>	▪ WASHER	2				
17	<b>1700100064</b>	▪ SWITCH, foot	1				
18	<b>1700550024</b>	▪ ORNAMENT	1				
19	<b>1700550032</b>	▪ LAMP, pilot	1			M	
20	<b>1700550035</b>	▪ LAMP, pilot	1			M	
22	<b>1711900124</b>	▪ RELAY SN 17530001-30313	1			M	
	<b>1711900123</b>	* RELAY SN 17530314~	1				
	<b>L7c101</b>						

TB175 Book No. BL7Z000 S/N 17530001-  
**ELECTRICAL (2-piece boom; with 1st auxiliary lines)**

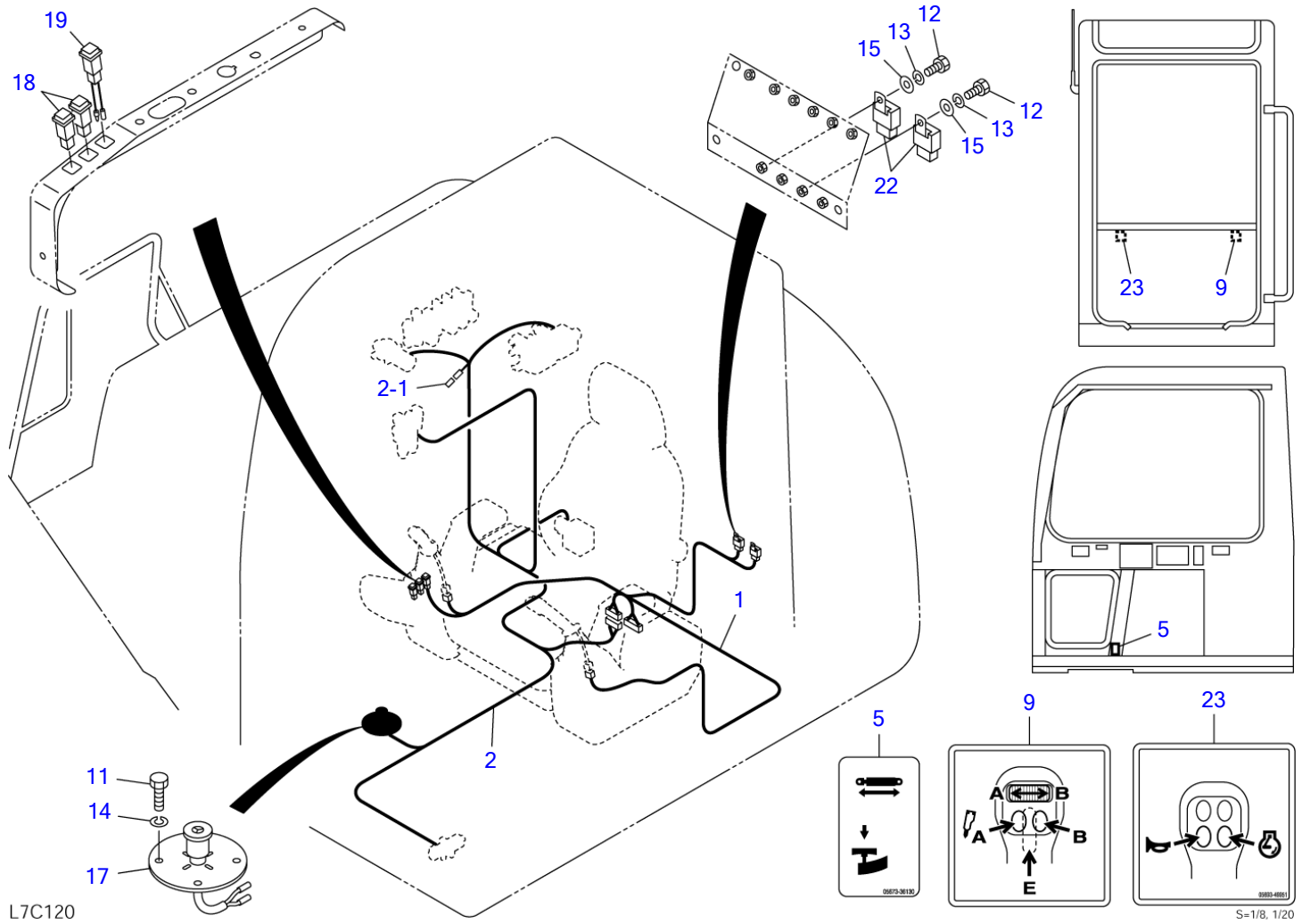


S=1/8, 1/20

**ELECTRICAL (2-piece boom; with 1st auxiliary lines)**

Item	Part number	Description	Q'ty	Chan.	Serial No.	Serv.	Remarks
0	<b>0564249300</b>	ELECTRICAL ASSY (OPTION)	1			M	
1	<b>0564249410</b>	▪ HARNESS ASSY, wiring SN 17530001-30313	1			M	
	<b>0564249420</b>	* HARNESS ASSY, WIRING SN 17530314~	1				
2	<b>0564249770</b>	▪ HARNESS ASSY, wiring	1			M	
2-1	<b>1730500008</b>	▪ ▪ DIODE (3A yellow)	1				
8	<b>0569353035</b>	▪ DECAL	1				
9	<b>0569353036</b>	▪ DECAL	1				
12	<b>1100040612</b>	▪ BOLT	1				
13	<b>1140020006</b>	▪ WASHER, spring	1				
15	<b>1141110006</b>	▪ WASHER	1				
18	<b>1700550024</b>	▪ ORNAMENT	2				
21	<b>1700550040</b>	▪ LAMP, pilot	1			M	
22	<b>1711900124</b>	▪ RELAY SN 17530001-30313	1			M	
	<b>1711900123</b>	* RELAY SN 17530314~	1				
25	<b>0564243920</b>	▪ CONNECTOR, short	1			M	
	<b>L7c111</b>						

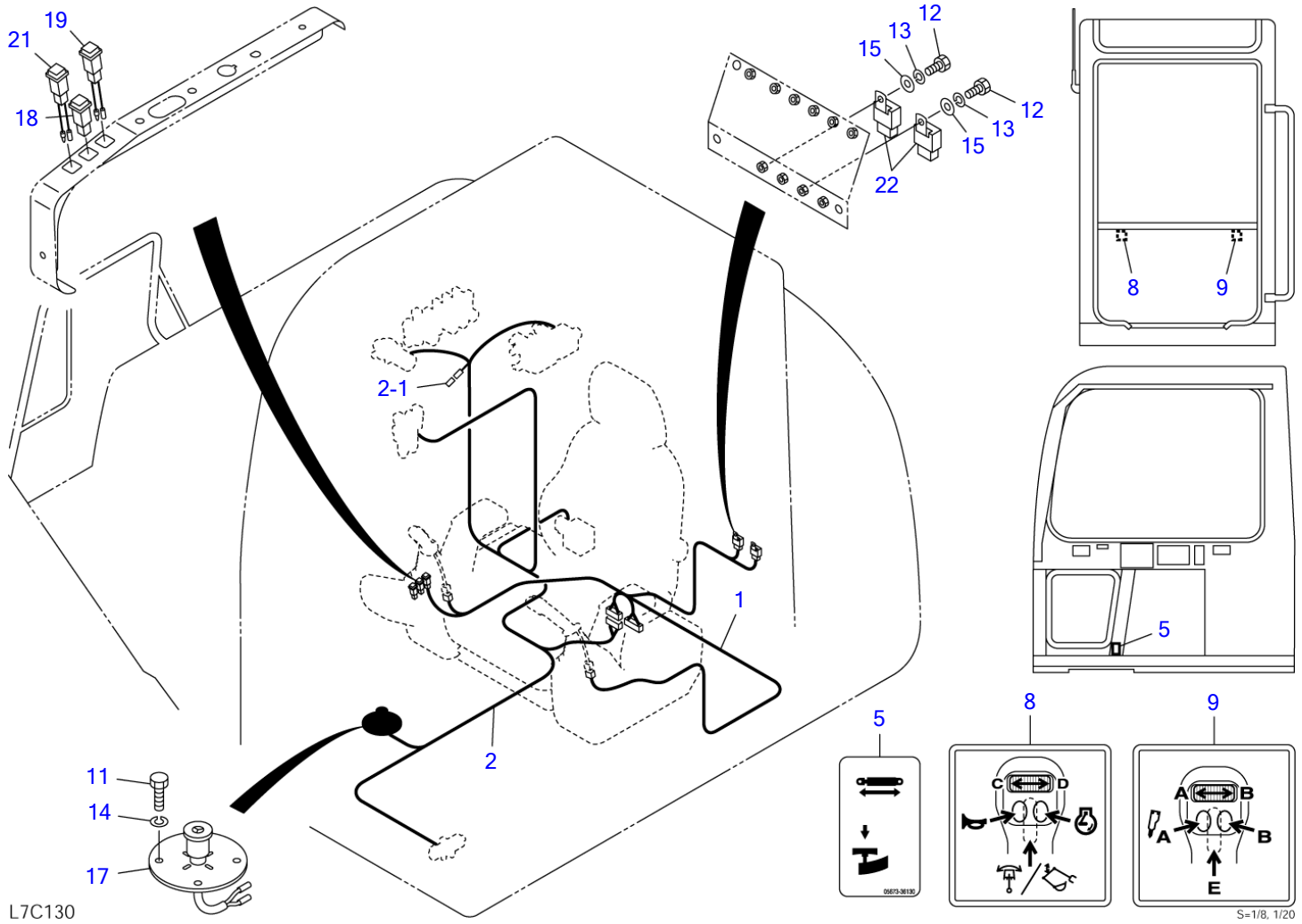
TB175 Book No. BL7Z000 S/N 17530001-  
ELECTRICAL (with 1st & 3rd auxiliary lines)



**ELECTRICAL (with 1st & 3rd auxiliary lines)**

Item	Part number	Description	Q'ty	Chan.	Serial No.	Serv.	Remarks
0	<b>0564249350</b>	ELECTRICAL ASSY (OPTION)	1			M	
1	<b>0564249410</b>	▪ HARNESS ASSY, wiring SN 17530001-30313	1			M	
	<b>0564249420</b>	* HARNESS ASSY, WIRING SN 17530314~	1				
2	<b>0564249770</b>	▪ HARNESS ASSY, wiring	1			M	
2-1	<b>1730500008</b>	▪ ▪ DIODE (3A yellow)	1				
5	<b>0567336130</b>	▪ DECAL	1				
9	<b>0569353036</b>	▪ DECAL	1				
11	<b>1100040820</b>	▪ BOLT	4				
12	<b>1100040612</b>	▪ BOLT	2				
13	<b>1140020006</b>	▪ WASHER, spring	2				
14	<b>1140020008</b>	▪ WASHER, spring	4				
15	<b>1141110006</b>	▪ WASHER	2				
17	<b>1700100064</b>	▪ SWITCH, foot	1				
18	<b>1700550024</b>	▪ ORNAMENT	2				
19	<b>1700550032</b>	▪ LAMP, pilot	1			M	
22	<b>1711900124</b>	▪ RELAY SN 17530001-30313	2			M	
	<b>1711900123</b>	* RELAY SN 17530314~	2				
23	<b>0569349951</b>	▪ DECAL	1				
	<b>L7c121</b>						

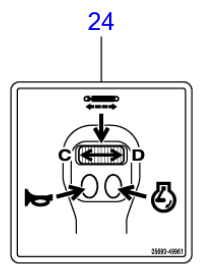
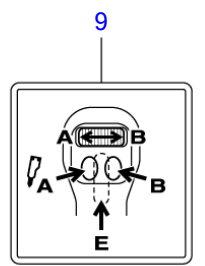
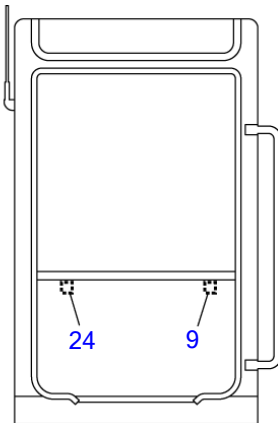
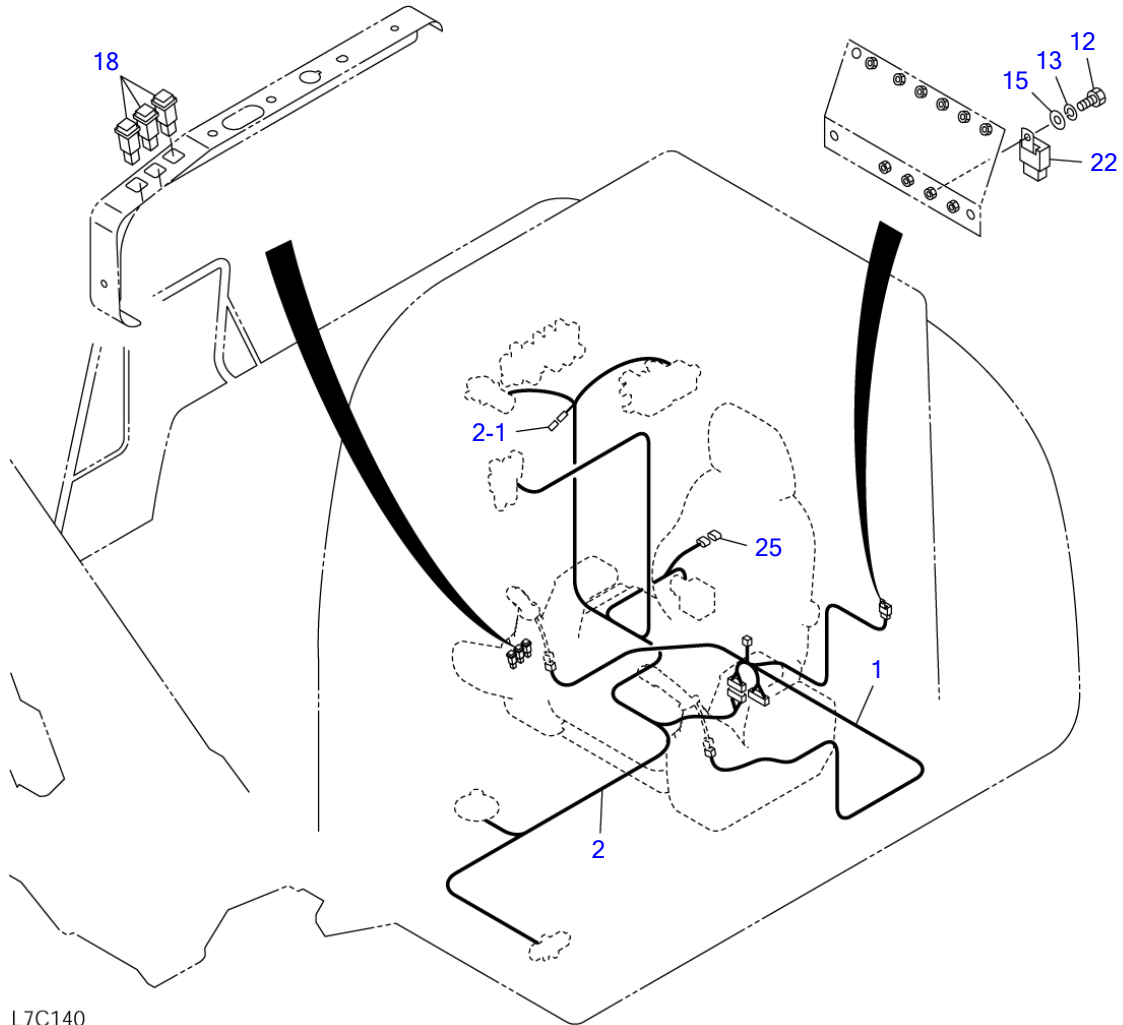
TB175 Book No. BL7Z000 S/N 17530001-  
**ELECTRICAL (2-piece boom; with 1st & 3rd auxiliary lines)**



**ELECTRICAL (2-piece boom; with 1st & 3rd auxiliary lines)**

Item	Part number	Description	Q'ty	Chan.	Serial No.	Serv.	Remarks
0	<b>0564249400</b>	ELECTRICAL ASSY (OPTION)	1			M	
1	<b>0564249410</b>	▪ HARNESS ASSY, wiring SN 17530001-30313	1			M	
	<b>0564249420</b>	* HARNESS ASSY, WIRING SN 17530314~	1				
2	<b>0564249770</b>	▪ HARNESS ASSY, wiring	1			M	
2-1	<b>1730500008</b>	▪ ▪ DIODE (3A yellow)	1				
5	<b>0567336130</b>	▪ DECAL	1				
8	<b>0569353035</b>	▪ DECAL	1				
9	<b>0569353036</b>	▪ DECAL	1				
11	<b>1100040820</b>	▪ BOLT	4				
12	<b>1100040612</b>	▪ BOLT	2				
13	<b>1140020006</b>	▪ WASHER, spring	2				
14	<b>1140020008</b>	▪ WASHER, spring	4				
15	<b>1141110006</b>	▪ WASHER	2				
17	<b>1700100064</b>	▪ SWITCH, foot	1				
18	<b>1700550024</b>	▪ ORNAMENT	1				
19	<b>1700550032</b>	▪ LAMP, pilot	1			M	
21	<b>1700550040</b>	▪ LAMP, pilot	1			M	
22	<b>1711900124</b>	▪ RELAY SN 17530001-30313	2			M	
	<b>1711900123</b>	* RELAY SN 17530314~	2				
	<b>L7c131</b>						

TB175 Book No. BL7Z000 S/N 17530001-  
ELECTRICAL (with 1st & 2nd auxiliary lines)



L7C140

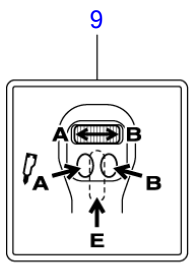
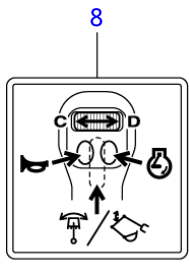
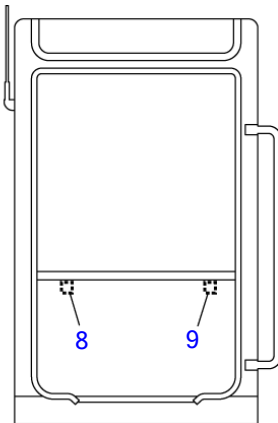
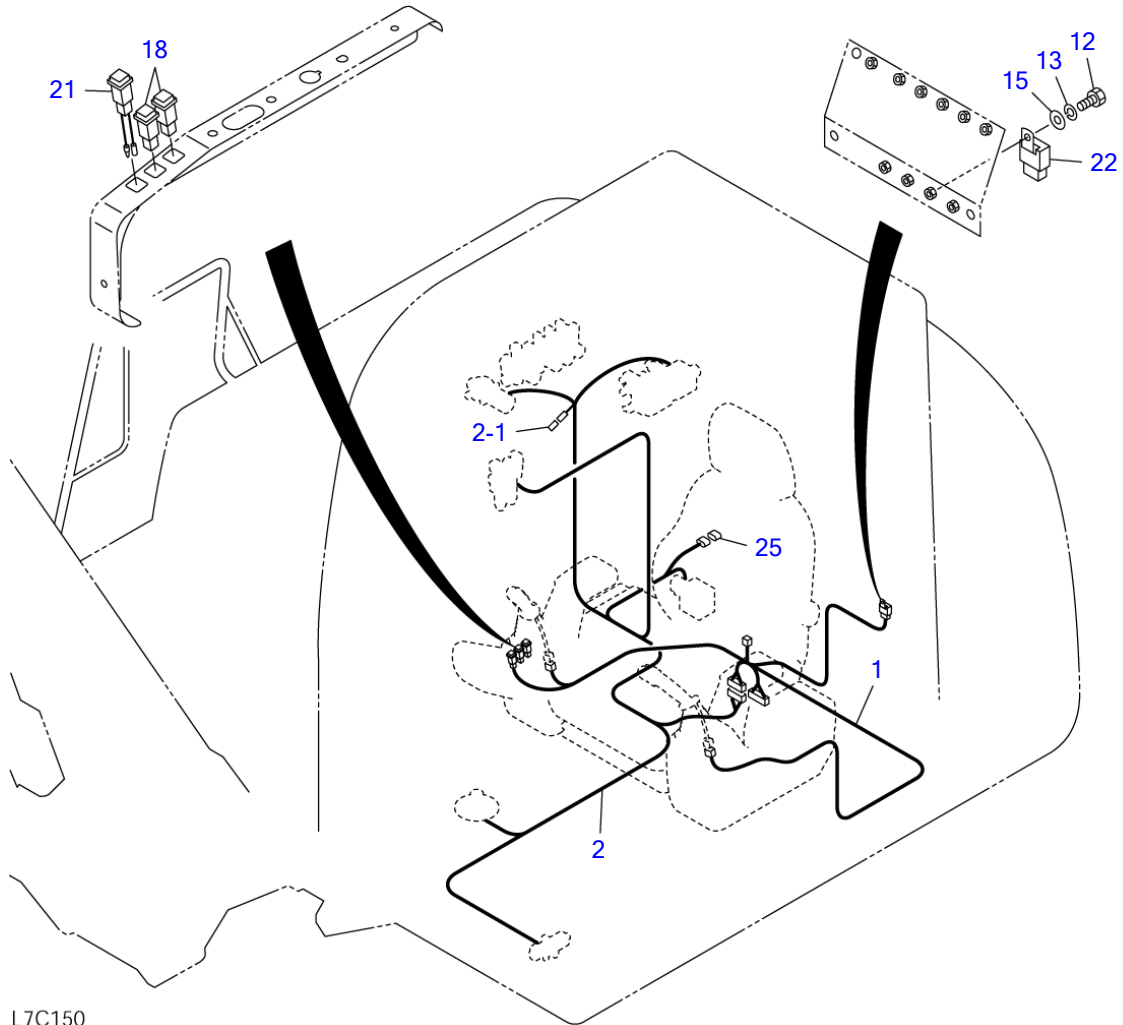
S=1/8, 1/20



**ELECTRICAL (with 1st & 2nd auxiliary lines)**

Item	Part number	Description	Q'ty	Chan.	Serial No.	Serv.	Remarks
0	<b>0564249450</b>	ELECTRICAL ASSY (OPTION)	1			M	
1	<b>0564249660</b>	▪ HARNESS ASSY, wiring SN 17530001-30313	1			M	
	<b>0564249670</b>	* HARNESS ASSY, WIRING SN 17530314~	1				
2	<b>0564249770</b>	▪ HARNESS ASSY, wiring	1			M	
2-1	<b>1730500008</b>	▪ ▪ DIODE (3A yellow)	1				
9	<b>0569353036</b>	▪ DECAL	1				
12	<b>1100040612</b>	▪ BOLT	1				
13	<b>1140020006</b>	▪ WASHER, spring	1				
15	<b>1141110006</b>	▪ WASHER	1				
18	<b>1700550024</b>	▪ ORNAMENT	2				
22	<b>1711900124</b>	▪ RELAY SN 17530001-30313	1			M	
	<b>1711900123</b>	* RELAY SN 17530314~	1				
24	<b>0569349961</b>	▪ DECAL	1				
25	<b>0564243920</b>	▪ CONNECTOR, short	1			M	
	<b>L7c141</b>						

TB175 Book No. BL7Z000 S/N 17530001-  
**ELECTRICAL (2-piece boom; with 1st & 2nd auxiliary lines)**



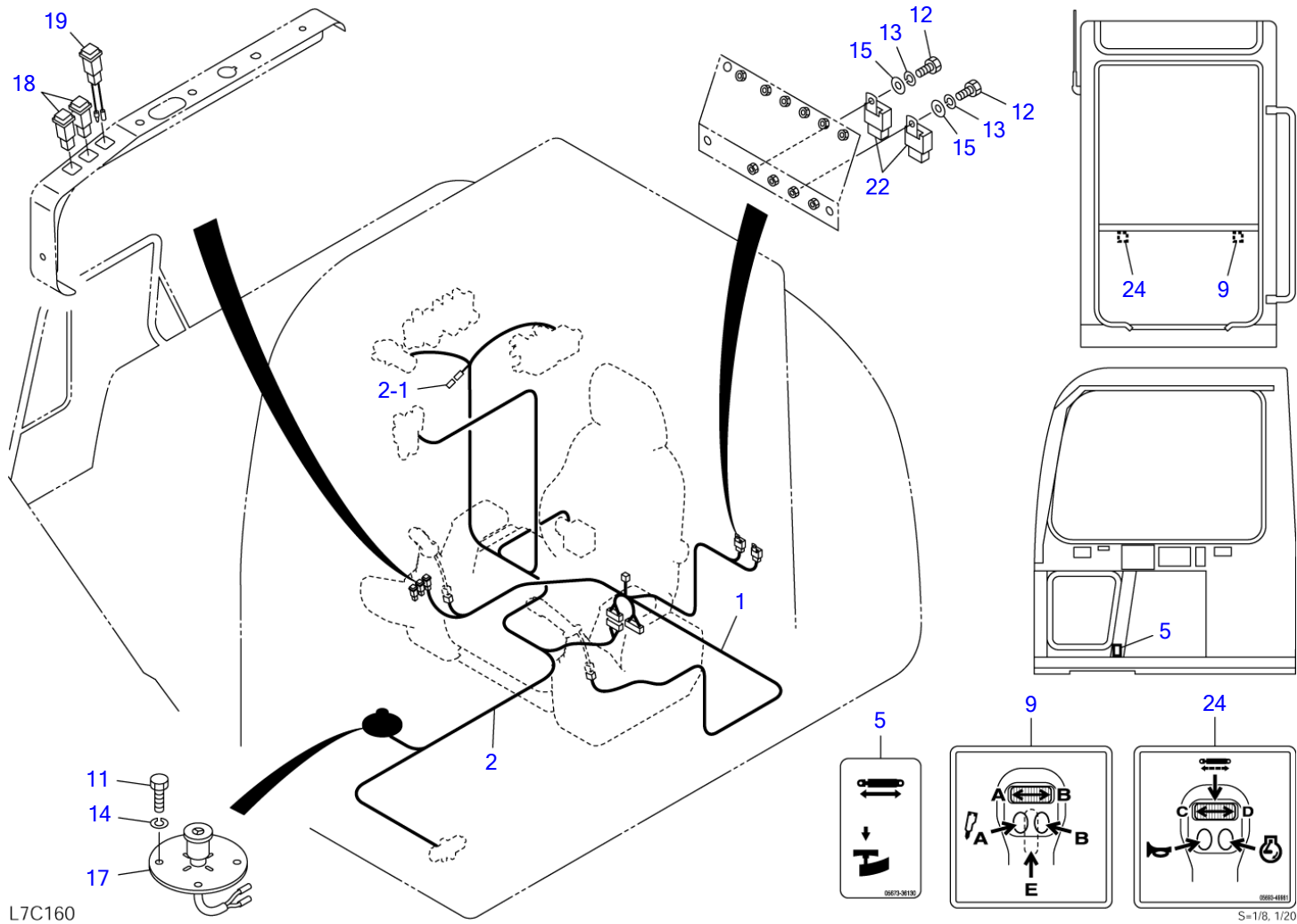
S=1/8, 1/20

L7C150

**ELECTRICAL (2-piece boom; with 1st & 2nd auxiliary lines)**

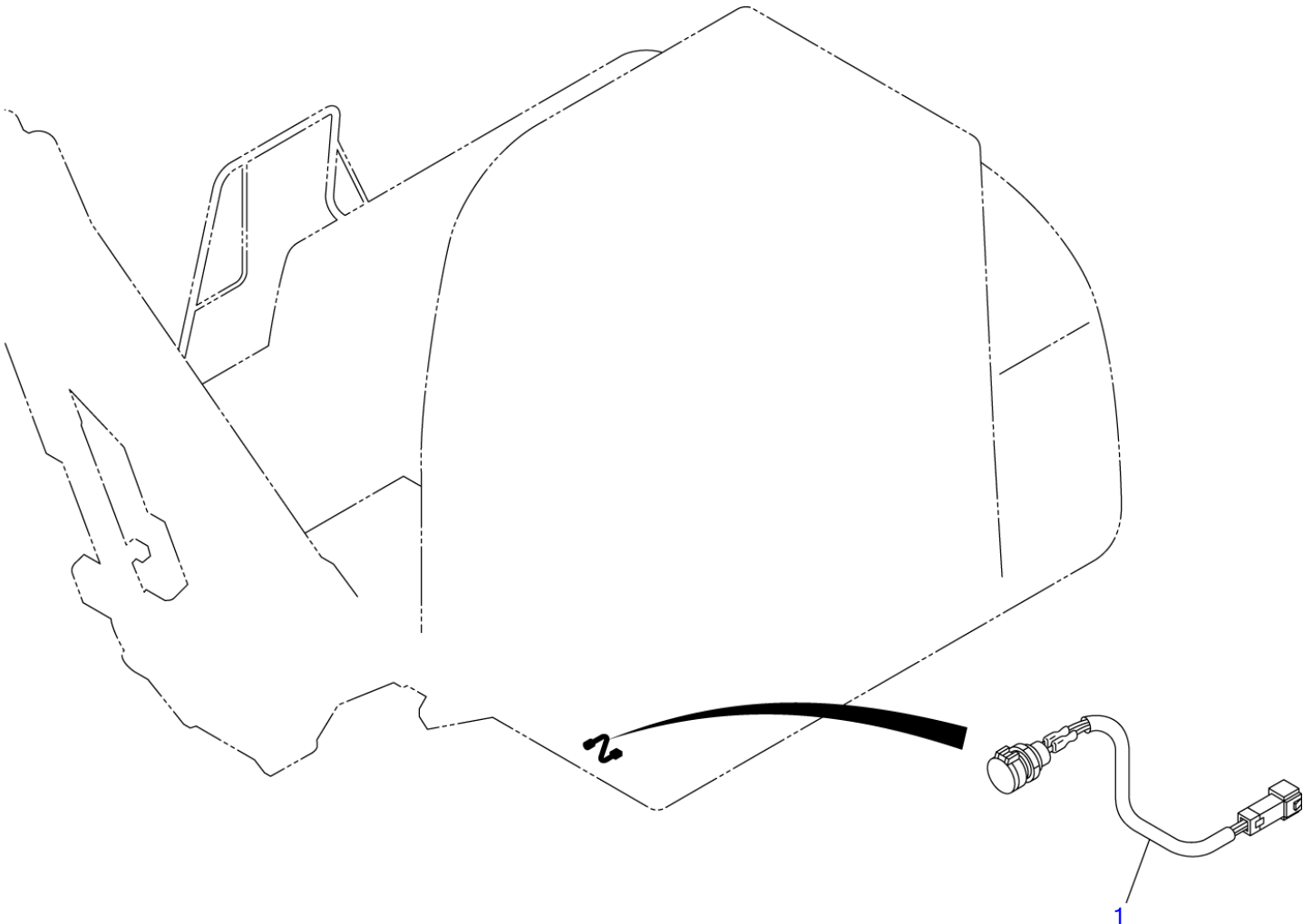
Item	Part number	Description	Q'ty	Chan.	Serial No.	Serv.	Remarks
0	<b>0564249500</b>	ELECTRICAL ASSY (OPTION)	1			M	
1	<b>0564249660</b>	▪ HARNESS ASSY, wiring SN 17530001-30313	1			M	
	<b>0564249670</b>	* HARNESS ASSY, WIRING SN 17530314~	1				
2	<b>0564249770</b>	▪ HARNESS ASSY, wiring	1			M	
2-1	<b>1730500008</b>	▪ ▪ DIODE (3A yellow)	1				
8	<b>0569353035</b>	▪ DECAL	1				
9	<b>0569353036</b>	▪ DECAL	1				
12	<b>1100040612</b>	▪ BOLT	1				
13	<b>1140020006</b>	▪ WASHER, spring	1				
15	<b>1141110006</b>	▪ WASHER	1				
18	<b>1700550024</b>	▪ ORNAMENT	2				
21	<b>1700550040</b>	▪ LAMP, pilot	1			M	
22	<b>1711900124</b>	▪ RELAY SN 17530001-30313	1			M	
	<b>1711900123</b>	* RELAY SN 17530314~	1				
25	<b>0564243920</b>	▪ CONNECTOR, short	1			M	
	<b>L7c151</b>						

TB175 Book No. BL7Z000 S/N 17530001-  
**ELECTRICAL (with 1st, 2nd & 3rd auxiliary lines)**



**ELECTRICAL (with 1st, 2nd & 3rd auxiliary lines)**

Item	Part number	Description	Q'ty	Chan.	Serial No.	Serv.	Remarks
0	<b>0564249550</b>	ELECTRICAL ASSY (OPTION)	1			M	
1	<b>0564249660</b>	▪ HARNESS ASSY, wiring SN 17530001-30313	1			M	
	<b>0564249670</b>	* HARNESS ASSY, WIRING SN 17530314~	1				
2	<b>0564249770</b>	▪ HARNESS ASSY, wiring	1			M	
2-1	<b>1730500008</b>	▪ ▪ DIODE (3A yellow)	1				
5	<b>0567336130</b>	▪ DECAL	1				
9	<b>0569353036</b>	▪ DECAL	1				
11	<b>1100040820</b>	▪ BOLT	4				
12	<b>1100040612</b>	▪ BOLT	2				
13	<b>1140020006</b>	▪ WASHER, spring	2				
14	<b>1140020008</b>	▪ WASHER, spring	4				
15	<b>1141110006</b>	▪ WASHER	2				
17	<b>1700100064</b>	▪ SWITCH, foot	1				
18	<b>1700550024</b>	▪ ORNAMENT	2				
19	<b>1700550032</b>	▪ LAMP, pilot	1			M	
22	<b>1711900124</b>	▪ RELAY SN 17530001-30313	2			M	
	<b>1711900123</b>	* RELAY SN 17530314~	2				
24	<b>0569349961</b>	▪ DECAL	1				
	<b>L7c161</b>						



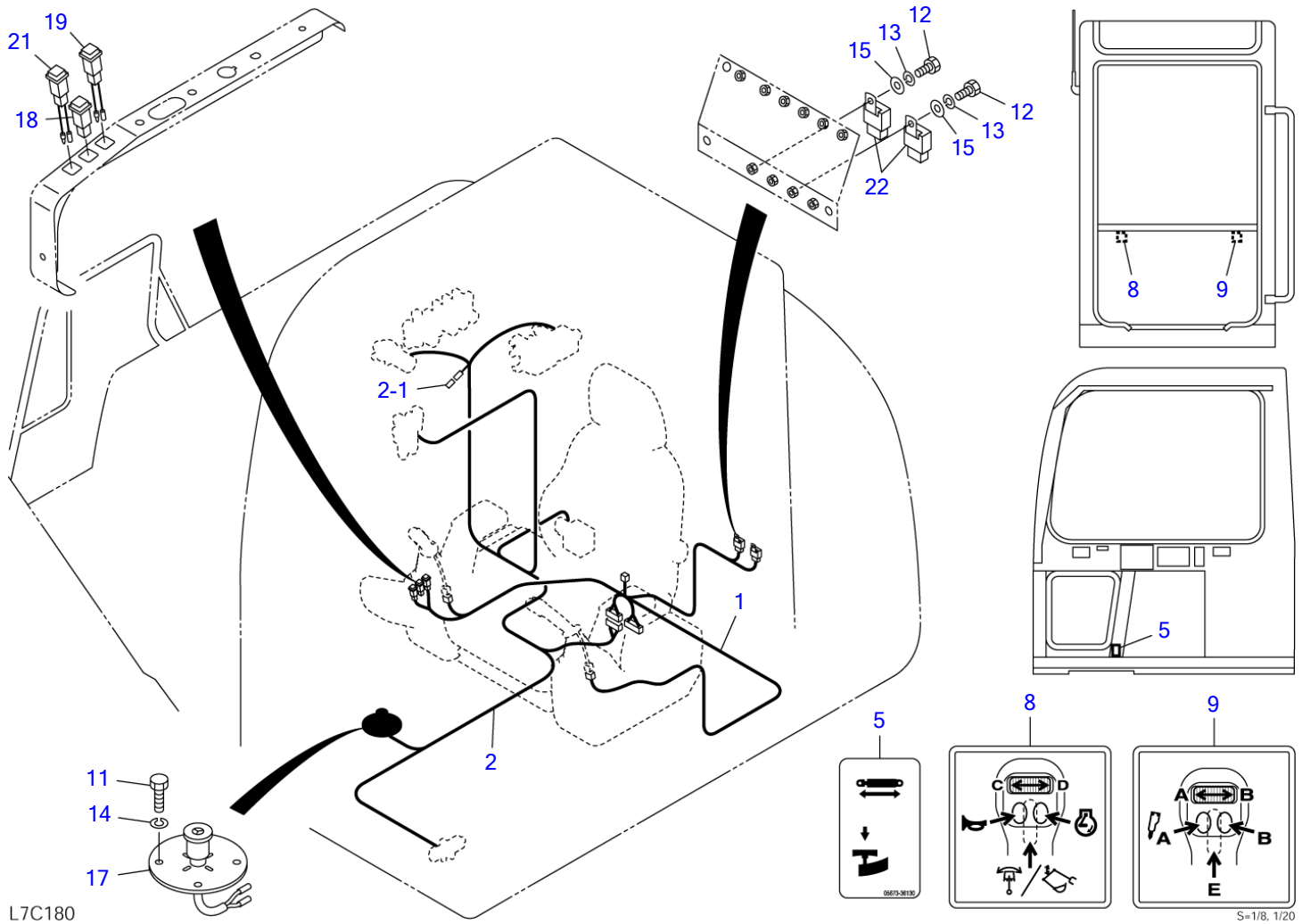
L3C150

S=1/20

**MAINTENANCE LIGHT SOCKET**

Item	Part number	Description	Q'ty	Chan.	Serial No.	Serv.	Remarks
1	<b>0394203100</b> <b>L3c150</b>	SOCKET ASSY, maintenance light SOCKET ASSY	1				

TB175 Book No. BL7Z000 S/N 17530001-  
**ELECTRICAL (2-piece boom; with 1st, 2nd & 3rd auxiliary lines)**





**ELECTRICAL (2-piece boom; with 1st, 2nd & 3rd auxiliary lines)**

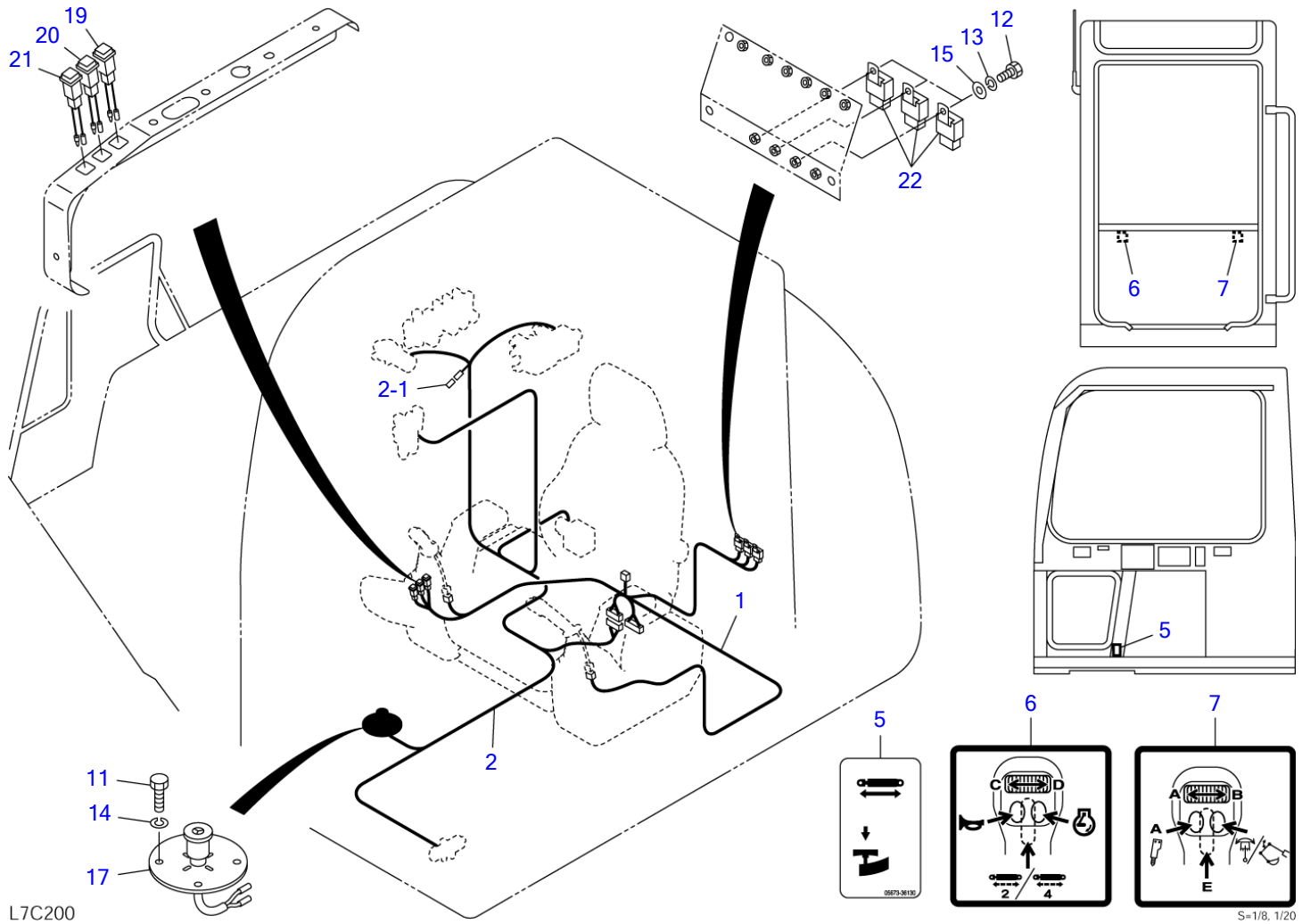
Item	Part number	Description	Q'ty	Chan.	Serial No.	Serv.	Remarks
0	<b>0564249650</b>	ELECTRICAL ASSY (OPTION)	1			M	
1	<b>0564249660</b>	▪ HARNESS ASSY, wiring SN 17530001-30313	1			M	
	<b>0564249670</b>	* HARNESS ASSY, WIRING SN 17530314~	1				
2	<b>0564249770</b>	▪ HARNESS ASSY, wiring	1			M	
2-1	<b>1730500008</b>	▪ ▪ DIODE (3A yellow)	1				
5	<b>0567336130</b>	▪ DECAL	1				
8	<b>0569353035</b>	▪ DECAL	1				
9	<b>0569353036</b>	▪ DECAL	1				
11	<b>1100040820</b>	▪ BOLT	4				
12	<b>1100040612</b>	▪ BOLT	2				
13	<b>1140020006</b>	▪ WASHER, spring	2				
14	<b>1140020008</b>	▪ WASHER, spring	4				
15	<b>1141110006</b>	▪ WASHER	2				
17	<b>1700100064</b>	▪ SWITCH, foot	1				
18	<b>1700550024</b>	▪ ORNAMENT	1				
19	<b>1700550032</b>	▪ LAMP, pilot	1			M	
21	<b>1700550040</b>	▪ LAMP, pilot	1			M	
22	<b>1711900124</b>	▪ RELAY SN 17530001-30313	2			M	
	<b>1711900123</b>	* RELAY SN 17530314~	2				
	<b>L7c181</b>						



**ELECTRICAL (with 1st, 2nd & high pressure 3rd auxiliary lines)**

Item	Part number	Description	Q'ty	Chan.	Serial No.	Serv.	Remarks
0	<b>0564249600</b>	ELECTRICAL ASSY (OPTION)	1			M	
1	<b>0564249660</b>	▪ HARNESS ASSY, wiring SN 17530001-30313	1			M	
	<b>0564249770</b>	* HARNESS ASSY, WIRING SN 1753014~	1				
2	<b>0564249770</b>	▪ HARNESS ASSY, wiring	1			M	
2-1	<b>1730500008</b>	▪ ▪ DIODE (3A yellow)	1				
4	<b>0334230400</b>	▪ CONNECTOR, short	1			M	
5	<b>0567336130</b>	▪ DECAL	1				
9	<b>0569353036</b>	▪ DECAL	1				
11	<b>1100040820</b>	▪ BOLT	4				
12	<b>1100040612</b>	▪ BOLT	2				
13	<b>1140020006</b>	▪ WASHER, spring	2				
14	<b>1140020008</b>	▪ WASHER, spring	4				
15	<b>1141110006</b>	▪ WASHER	2				
17	<b>1700100064</b>	▪ SWITCH, foot	1				
18	<b>1700550024</b>	▪ ORNAMENT	2				
19	<b>1700550032</b>	▪ LAMP, pilot	1			M	
22	<b>1711900124</b>	▪ RELAY SN 17530001-30313	2			M	
	<b>1711900123</b>	* RELAY SN 17530314~	2				
24	<b>0569349961</b>	▪ DECAL	1				
	<b>L7c171</b>						

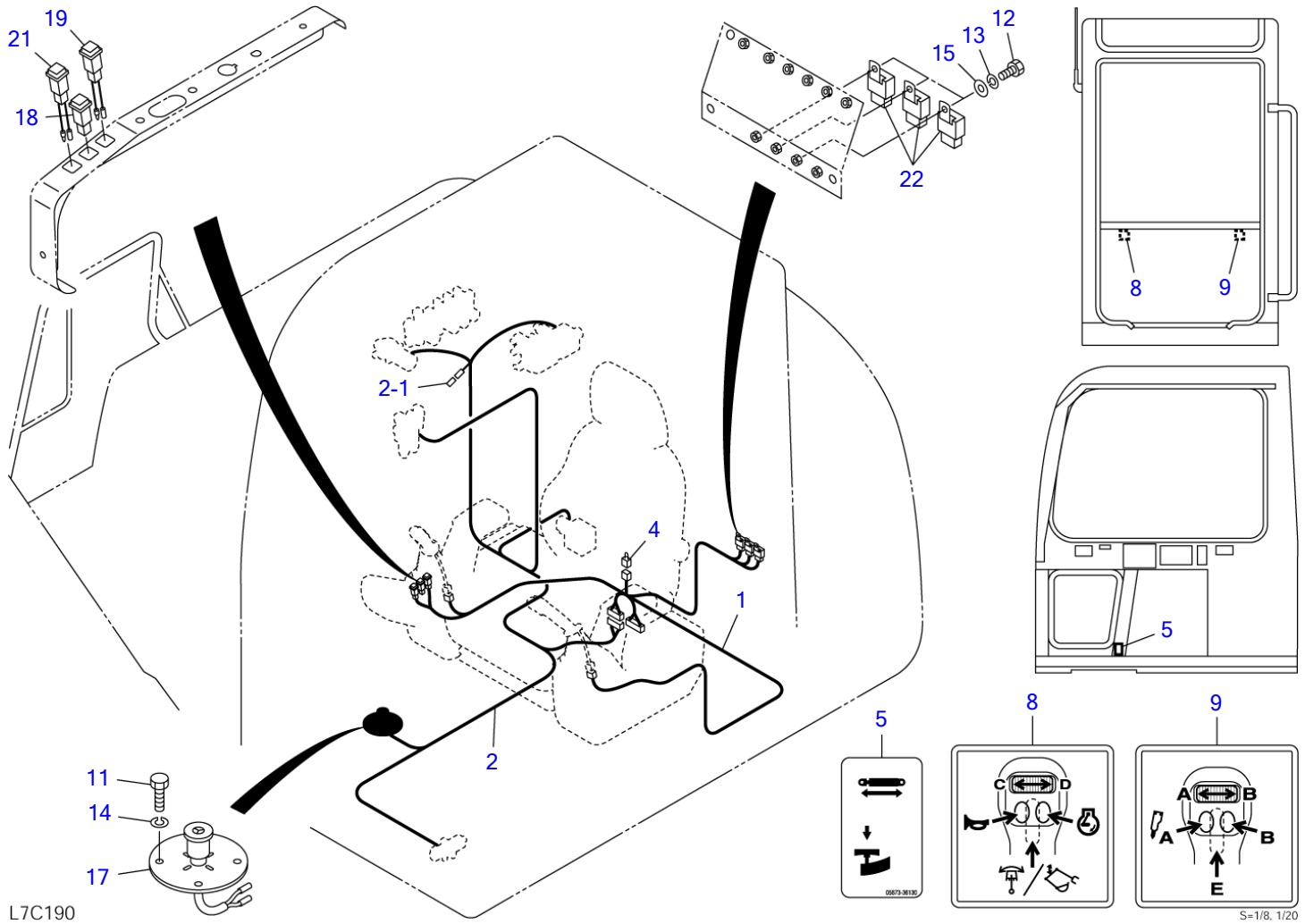
TB175 Book No. BL7Z000 S/N 17530001-  
**ELECTRICAL (2-piece boom; with 1st, 2nd, 3rd & 4th auxiliary lines)**



**ELECTRICAL (2-piece boom; with 1st, 2nd, 3rd & 4th auxiliary lines)**

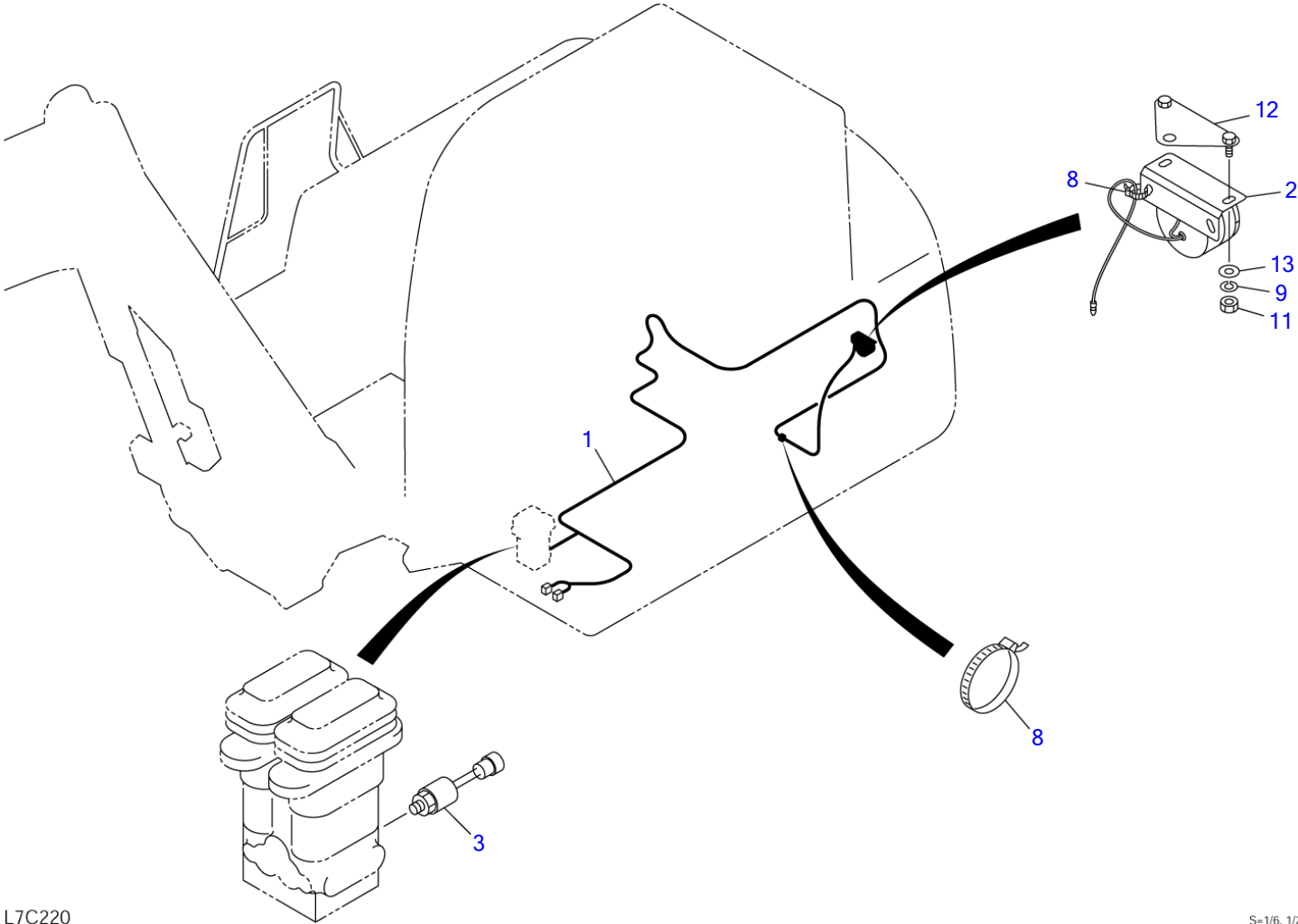
Item	Part number	Description	Q'ty	Chan.	Serial No.	Serv.	Remarks
0	<b>0564249750</b>	ELECTRICAL ASSY (OPTION)	1			M	
1	<b>0564249760</b>	▪ HARNESS ASSY, wiring SN 17530001-30313	1			M	
	<b>0564249780</b>	* HARNESS ASSY, WIRING SN 17530314~	1				
2	<b>0564249770</b>	▪ HARNESS ASSY, wiring	1			M	
2-1	<b>1730500008</b>	▪ ▪ DIODE (3A yellow)	1				
5	<b>0567336130</b>	▪ DECAL	1				
6	<b>0567346795</b>	▪ DECAL	1				
7	<b>0567346796</b>	▪ DECAL	1				
11	<b>1100040820</b>	▪ BOLT	4				
12	<b>1100040612</b>	▪ BOLT	3				
13	<b>1140020006</b>	▪ WASHER, spring	3				
14	<b>1140020008</b>	▪ WASHER, spring	4				
15	<b>1141110006</b>	▪ WASHER	3				
17	<b>1700100064</b>	▪ SWITCH, foot	1				
19	<b>1700550032</b>	▪ LAMP, pilot	1			M	
20	<b>1700550035</b>	▪ LAMP, pilot	1			M	
21	<b>1700550040</b>	▪ LAMP, pilot	1			M	
22	<b>1711900124</b>	▪ RELAY SN 17530001-30313	3			M	
	<b>1711900123</b>	* RELAY SN 17530314~	3				
	<b>L7c201</b>						

TB175 Book No. BL7Z000 S/N 17530001-  
**ELECTRICAL (2-piece boom; with 1st, 2nd & high pressure 3rd auxiliary lines)**



**ELECTRICAL (2-piece boom; with 1st, 2nd & high pressure 3rd auxiliary lines)**

Item	Part number	Description	Q'ty	Chan.	Serial No.	Serv.	Remarks
0	<b>0564249700</b>	ELECTRICAL ASSY (OPTION)	1			M	
1	<b>0564249760</b>	▪ HARNESS ASSY, wiring SN 17530001-30313	1			M	
	<b>0564249670</b>	* HARNESS ASSY, WIRING SN 17530314~	1				
2	<b>0564249770</b>	▪ HARNESS ASSY, wiring	1			M	
2-1	<b>1730500008</b>	▪ ▪ DIODE (3A yellow)	1				
4	<b>0334230400</b>	▪ CONNECTOR, short	1			M	
5	<b>0567336130</b>	▪ DECAL	1				
8	<b>0569353035</b>	▪ DECAL	1				
9	<b>0569353036</b>	▪ DECAL	1				
11	<b>1100040820</b>	▪ BOLT	4				
12	<b>1100040612</b>	▪ BOLT	3				
13	<b>1140020006</b>	▪ WASHER, spring	3				
14	<b>1140020008</b>	▪ WASHER, spring	4				
15	<b>1141110006</b>	▪ WASHER	3				
17	<b>1700100064</b>	▪ SWITCH, foot	1				
18	<b>1700550024</b>	▪ ORNAMENT	1				
19	<b>1700550032</b>	▪ LAMP, pilot	1			M	
21	<b>1700550040</b>	▪ LAMP, pilot	1			M	
22	<b>1711900124</b>	▪ RELAY SN 17530001-30313	2			M	
	<b>1711900123</b>	* RELAY SN 17530314~	2				
	<b>L7c191</b>						



L7C220

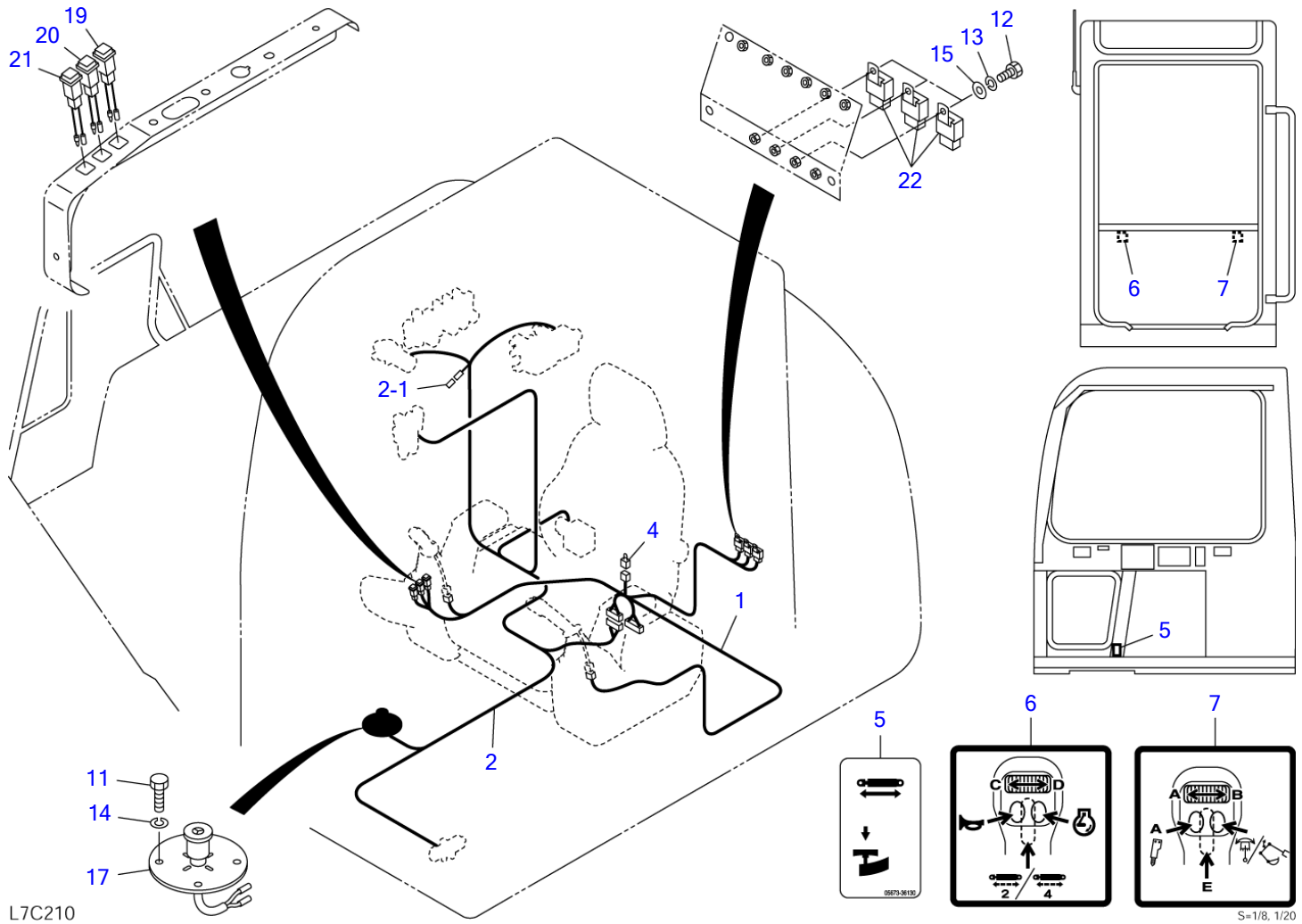
S=1/6, 1/25



**TRAVEL ARAM**

Item	Part number	Description	Q'ty	Chan.	Serial No.	Serv.	Remarks
		ALAME ASSY, travel					
1	0564253010	HARNES, wiring	1			M	
2	1703700013	BUZZER	1			M	
3	1700100060	SWITCH , pressure	1			M	
	1420010110	* O-RING	1				
8	1652231250	BAND	2				
9	1140020006	WASHER, spring	2				
11	1130040006	NUT	2				
12	0564228010	BRACKET	1				
13	0003600110	WASHER	2				
	L7c221						

TB175 Book No. BL7Z000 S/N 17530001-  
**ELECTRICAL (2-piece boom; with 1st, 2nd, high pressure 3rd & 4th auxiliary lines)**

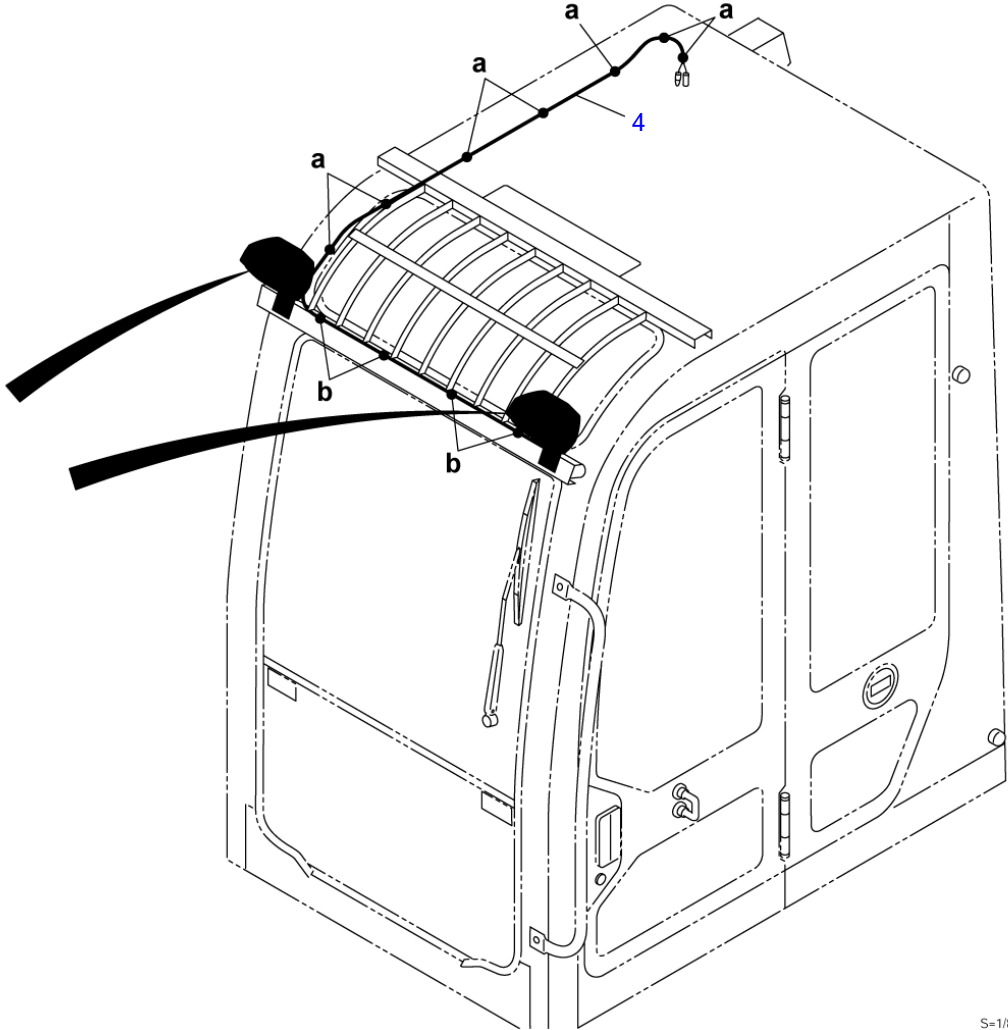
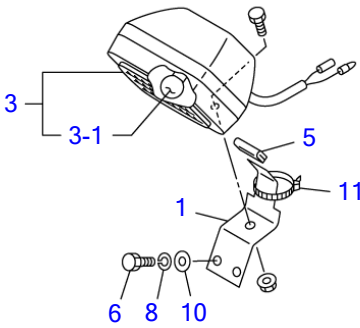
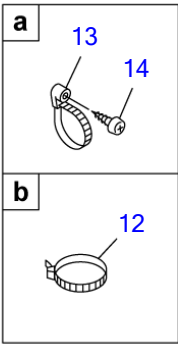


L7C210

S=1/8, 1/20

**ELECTRICAL (2-piece boom; with 1st, 2nd, high pressure 3rd & 4th auxiliary lines)**

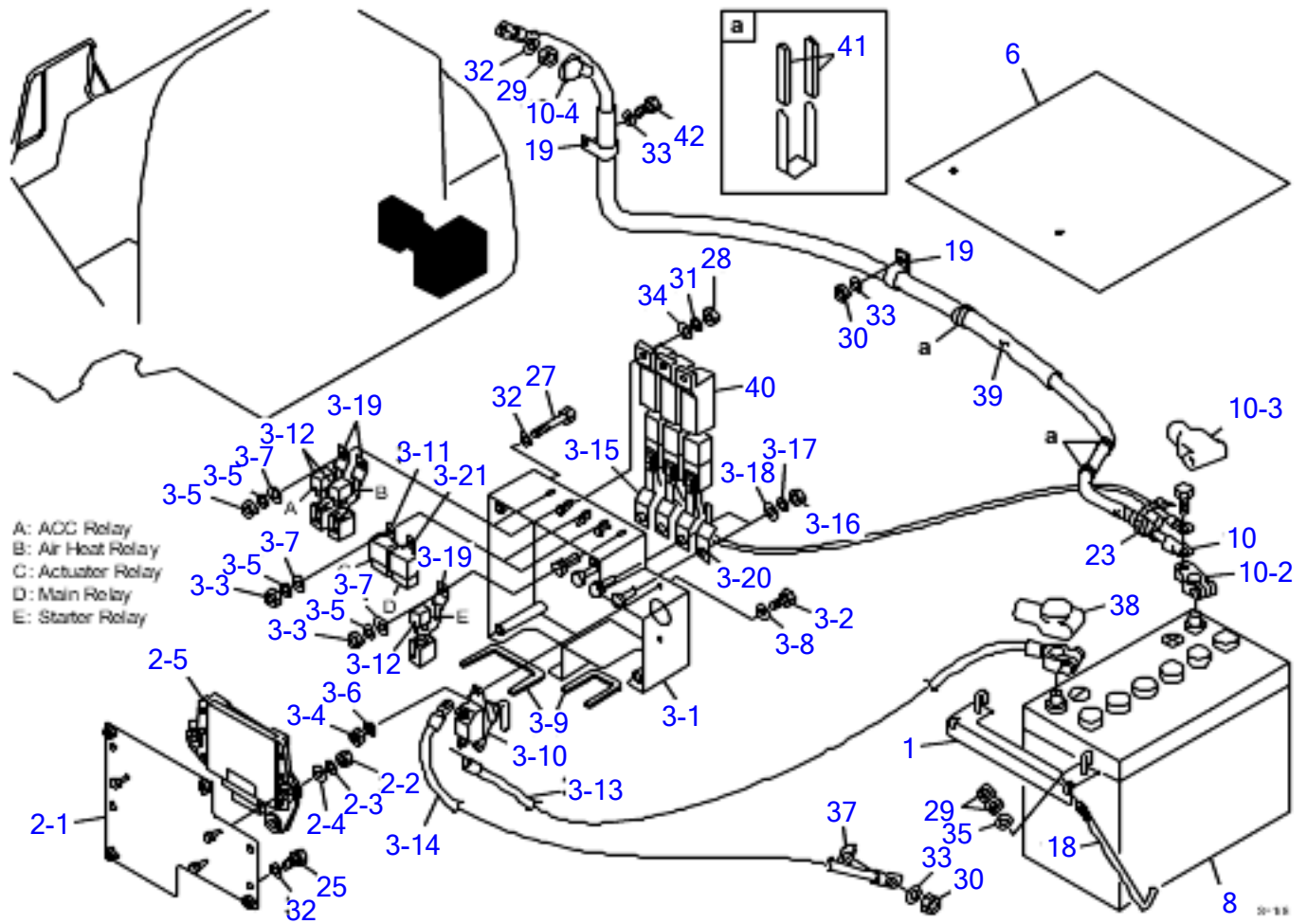
Item	Part number	Description	Q'ty	Chan.	Serial No.	Serv.	Remarks
0	<b>0564249800</b>	ELECTRICAL ASSY (OPTION)	1			M	
1	<b>0564249760</b>	▪ HARNESS ASSY, wiring SN 17530001-30313	1			M	
	<b>0564249780</b>	* HARNESS ASSY, WIRING SN 17530314~	1				
2	<b>0564249770</b>	▪ HARNESS ASSY, wiring	1			M	
2-1	<b>1730500008</b>	▪ ▪ DIODE (3A yellow)	1				
4	<b>0334230400</b>	▪ CONNECTOR, short	1			M	
5	<b>0567336130</b>	▪ DECAL	1				
6	<b>0567346795</b>	▪ DECAL	1				
7	<b>0567346796</b>	▪ DECAL	1				
11	<b>1100040820</b>	▪ BOLT	4				
12	<b>1100040612</b>	▪ BOLT	3				
13	<b>1140020006</b>	▪ WASHER, spring	3				
14	<b>1140020008</b>	▪ WASHER, spring	4				
15	<b>1141110006</b>	▪ WASHER	3				
17	<b>1700100064</b>	▪ SWITCH, foot	1				
19	<b>1700550032</b>	▪ LAMP, pilot	1			M	
20	<b>1700550035</b>	▪ LAMP, pilot	1			M	
21	<b>1700550040</b>	▪ LAMP, pilot	1			M	
22	<b>1711900124</b>	▪ RELAY SN 17530001-30313	3			M	
	<b>1711900123</b>	* RELAY SN 17530314~	3				
	<b>L7c211</b>					M	



L7C280

S=1/8, 1/16

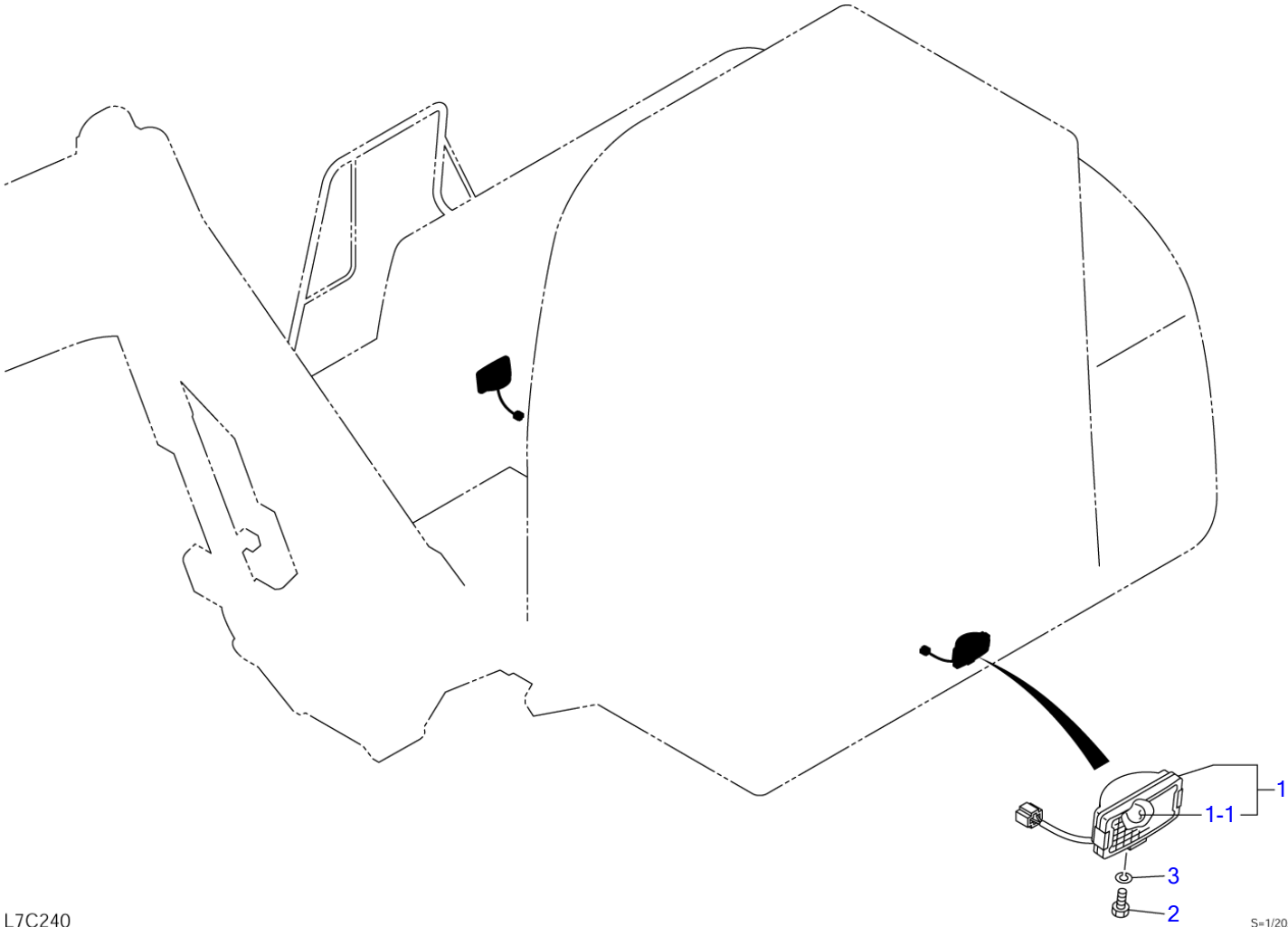
Item	Part number	Description	CAB LIGHT			Remarks
			Q'ty	Chan.	Serial No.	
		LIGHT ASSY, cab				
1	0568655100	BRACKET	2			M
3	1703005500	LAMP ASSY	2			M
3-1	1703005506	• BULB	1			M
4	0568655150	HARNES, wiring	1			M
5	1654628003	TRIM	2			M sold by the meter
6	1100040820	BOLT	4			
8	1140020008	WASHER, spring	4			
10	1141110008	WASHER	4			
11	1652241200	BAND	2			M
12	1652200003	BAND	4			
13	1652221050	BAND	7			
14	1122400512	SCREW	7			
	L7c280					



**BATTERY**

Item	Part number	Description	Q'ty	Chan.	Serial No.	Serv.	Remarks
		BATTERY ASSY					
1	0564427250	CLAMP	1			M	
2	0564429100	PLATE ASSY	1			M	
2-1	0564426270	• PLATE	1			M	
2-2	1130040008	• NUT	3				
2-3	1140020008	• WASHER, spring	3				
2-4	0003608252	• WASHER	3				
2-5	Y129938-75030	• ECU	1			M	Y129927-75101
3	0564426230	COVER ASSY	1			M	
3-1	0564426280	• BOX	1			M	
3-2	1100040616	• BOLT	2				
3-3	1130040005	• NUT	5				
3-4	1130040006	• NUT	2				
3-5	1140020005	• WASHER, spring	5				
3-6	1140020006	• WASHER, spring	2				
3-7	1141110005	• WASHER	5				
3-8	1141110006	• WASHER	2				
3-9	1653917018	• TRIM	2			M	sold by the meter
3-10	1700100051	• SWITCH	1				
3-11	1711900124	• RELAY	2			M	
	1711900123	* RELAY	2				
	1711900123	* RELAY	1				
3-12	Y129927-77920	• RELAY	3			M	Y129927-77920
3-13	1702230045	• CABLE, battery	1			M	
3-14	1702531040	• CABLE, earth	1			M	
3-15	1711900064	• CLAMP	3				
3-16	1130040010	• NUT	3				
3-17	1140020010	• WASHER, spring	3				
3-18	1141110010	• WASHER	3				
3-19	Y129927-77910	• BRACKET	3			M	Y129927-77910
3-20	1711900144	* CLAMP	1				
3-21	Y198461-52950	* RELAY					
6	0564427240	SHEET	1			M	
8	1702051531	BATTERY	1			M	
10	0564426020	CABLE ASSY, battery	1			M	
10-2	1702330000	• TERMINAL	1				
10-3	1702920060	• COVER	1				
10-4	1702901283	• CAP	1			M	
18	1702108245	BOLT	2			M	
19	1711900072	CLAMP	1				
23	1652231140	BAND	1				
25	1100040812	BOLT	4				
27	1100040895	BOLT	4				
28	1130040006	NUT	3				
29	1130040008	NUT	5				
30	1130040010	NUT	2				
31	1140020006	WASHER, spring	3				
32	1140020008	WASHER, spring	9				
33	1140020010	WASHER, spring	2				
34	1141110006	WASHER	3				
35	1141110008	WASHER	6				
37	1140330010	WASHER	1				
38	1702910016	COVER	1				
39	1531325140	PROTECTOR	1			M	
40	1700100038	COVER	3				
41	0872433150	TUBE	6				
42	1100041020	BOLT	1				

L7c232



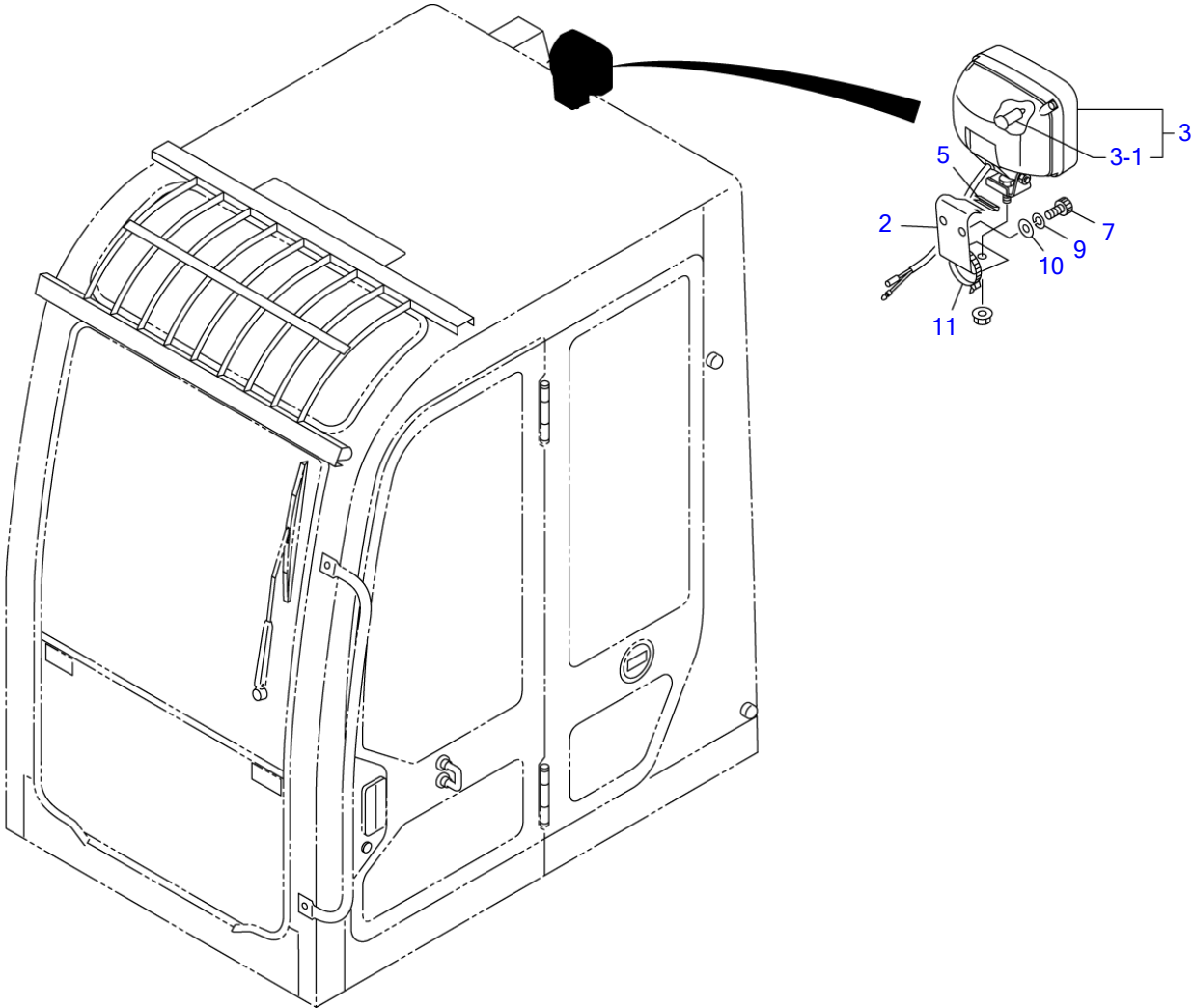
L7C240

S=1/20, 1/7



Item	Part number	Description	SIDE LIGHT			Remarks
			Q'ty	Chan.	Serial No.	
1	<b>1703006800</b>	LIGHT ASSY, side	2			M
1-1	<b>1703006801</b>	• BULB	1			M
2	<b>1100040816</b>	BOLT	2			
3	<b>1140020008</b>	WASHER, spring	2			
	<b>L7c240</b>					

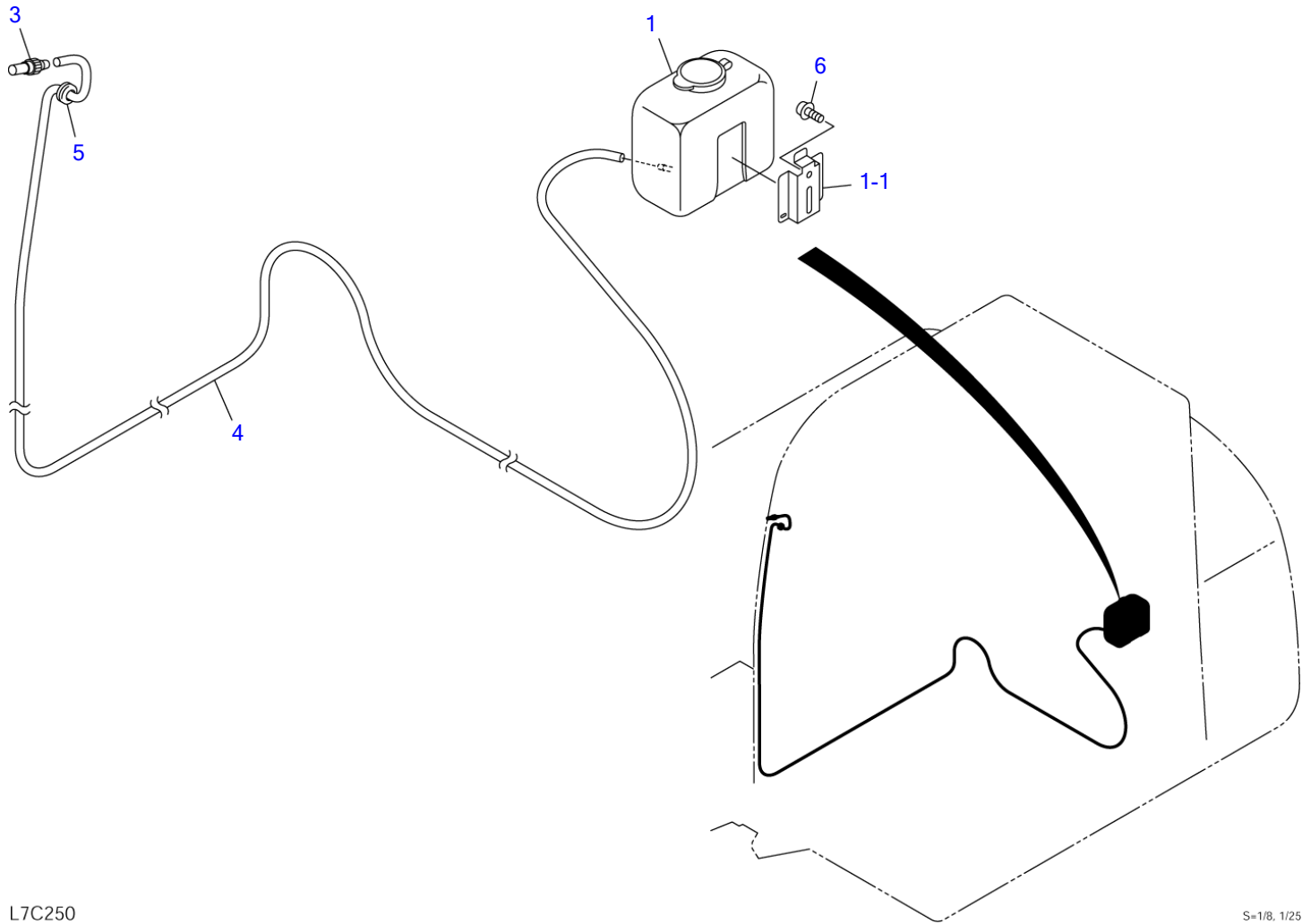
TB175 Book No. BL7Z000 S/N 17530001-  
REAR LIGHT



L7C290

S=1/8, 1/16

REAR LIGHT						
Item	Part number	Description	Q'ty	Chan.	Serial No.	Serv. Remarks
		LIGHT ASSY, rear				
2	0568655110	BRACKET	1			M
3	1703005500	LAMP ASSY	1			M
3-1	1703005506	• BULB	1			M
5	1654628003	TRIM	1			M sold by the meter
7	1110040820	SCREW, cap	2			
9	1140420008	WASHER, spring	2			
10	1141110008	WASHER	2			
11	1652241200	BAND	1			M
	L7c290					



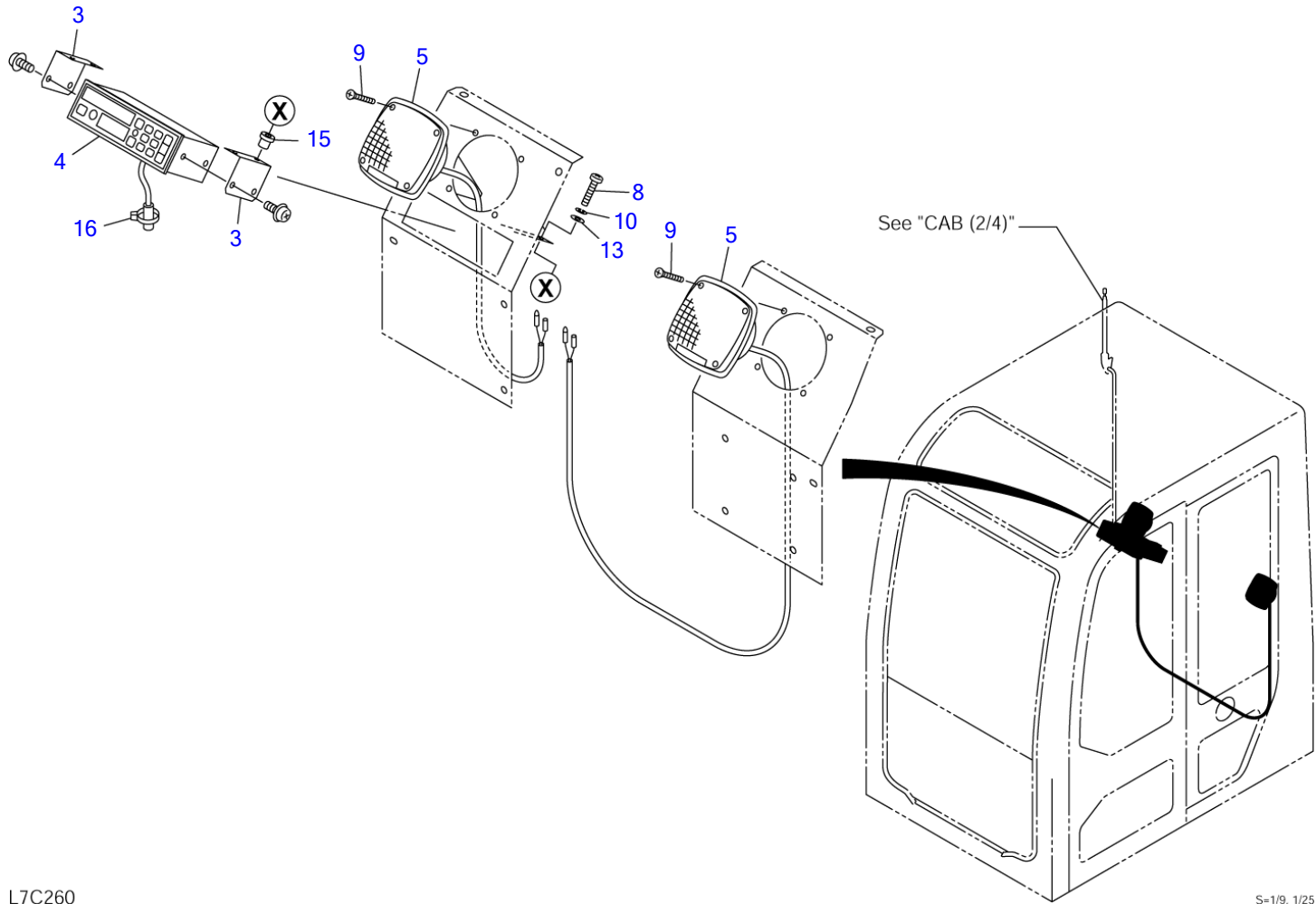
L7C250

S=1/8, 1/25

WINDOW WASHER

Item	Part number	Description	Q'ty	Chan.	Serial No.	Serv.	Remarks
		WASHER ASSY, window					
1	1711910290	TANK	1			M	
1-1	1711910291	• BRACKET	1			M	
3	1711910070	NOZZLE	1				
4	1711910063	HOSE	1				sold by the meter
5	1652001002	GROMMET	2				
6	1150410612	SCREW	2			M	
	L7c250						

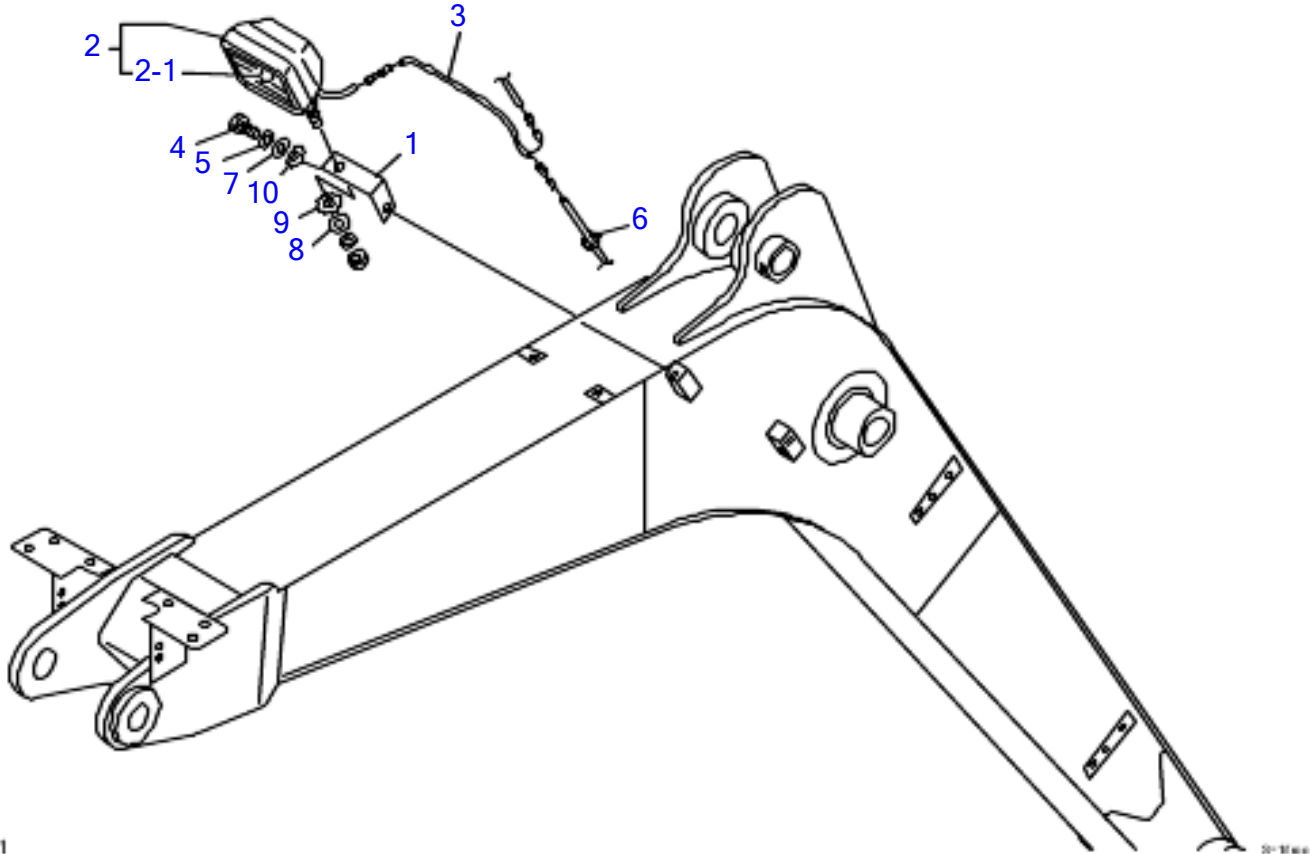
TB175 Book No. BL7Z000 S/N 17530001-  
RADIO



L7C260

S=1/9, 1/25

RADIO						
Item	Part number	Description	Q'ty	Chan.	Serial No.	Serv. Remarks
		RADIO ASSY (Japan)				
		RADIO ASSY (America)				
		RADIO ASSY (Europe, Asia, Oceania)				
3	0564770310	BRACKET	2			M
4	1705004660	AM/FM RADIO (Europe, Asia, Oceania)	1			M
	1705004670	AM/FM RADIO (America)	1			M
	1705004680	AM/FM RADIO (Japan)	1			M
5	1705002150	SPEAKER	2			
8	1120530520	SCREW	4			
9	1120730420	SCREW	8			
10	1140020005	WASHER, spring	4			
13	1141110005	WASHER	4			
15	1652520005	NUT	4			
16	1652231100	BAND	1			
	L7c261					



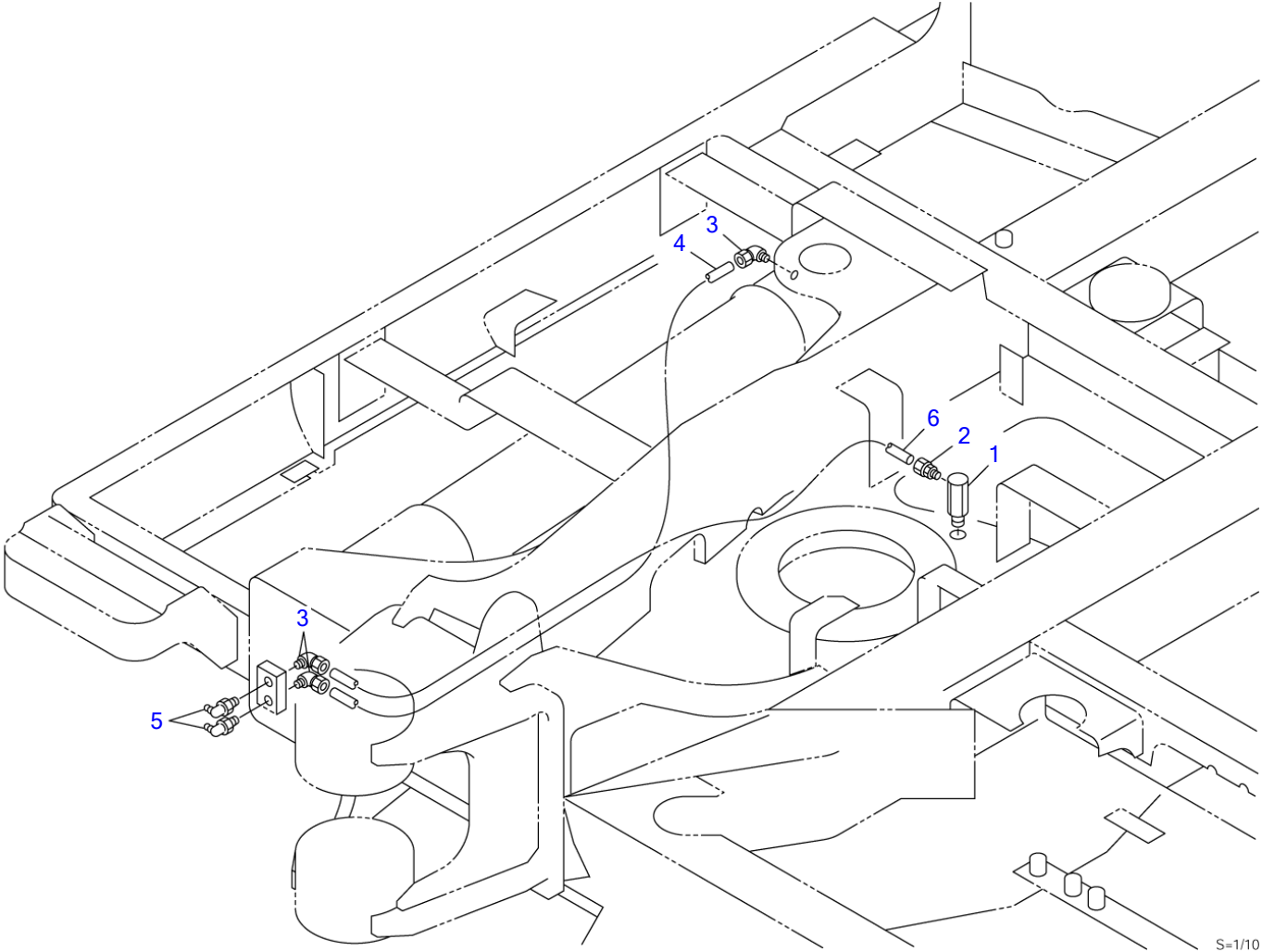
L7C271

30-Min



**BOOM LIGHT**

Item	Part number	Description	Q'ty	Chan.	Serial No.	Serv.	Remarks
0	<b>0566060000</b>	BOOM LAMP ASSY				M	
1	<b>0566013100</b>	▪ BRACKET	1				
2	<b>1703002700</b>	▪ LAMP ASSY	1			M	
2-1	<b>1703002706</b>	▪ ▪ BULB	1			M	
3	<b>0566060010</b>	▪ HARNESS, wiring	1			M	
4	<b>1100041020</b>	▪ BOLT	1				
5	<b>1140020010</b>	▪ WASHER, spring	1				
6	<b>1652201005</b>	▪ BAND	1				
7	<b>1141110010</b>	▪ WASHER	1				
8	<b>1141110012</b>	▪ WASHER	1				
9	<b>1140330012</b>	▪ WASHER	1			M	
10	<b>1140330010</b>	* WASHER	1				
	<b>L7c271</b>						



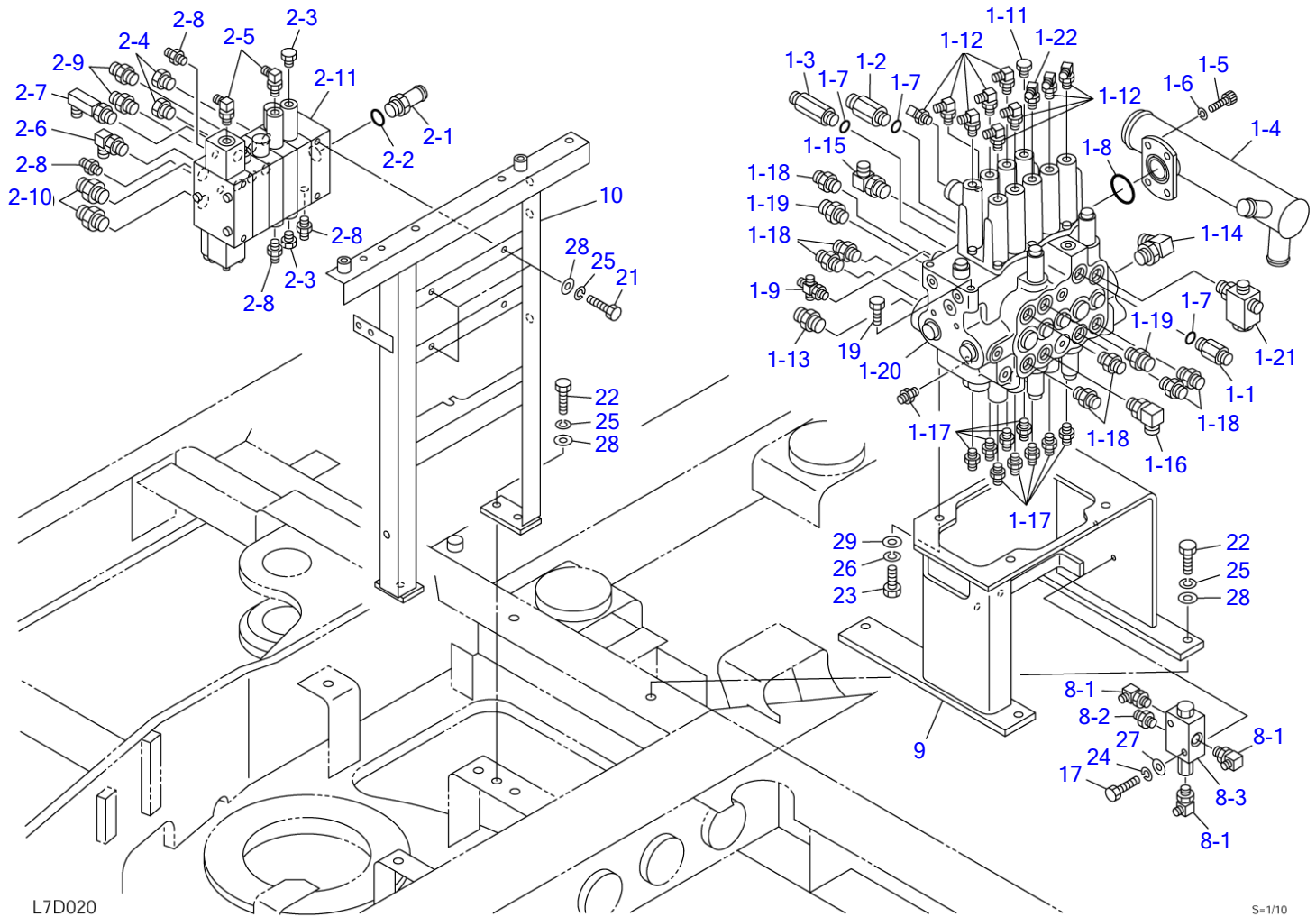
L7D010

S=1/10

**GREASE PIPING**

Item	Part number	Description	Q'ty	Chan.	Serial No.	Serv.	Remarks
		PIPING ASSY, grease					
1	<b>0007262005</b>	ELBOW	1				
2	<b>1532520601</b>	CONNECTOR	1				
3	<b>1532620601</b>	ELBOW	3				
4	<b>1532120640</b>	TUBE	1				sold by the meter
5	<b>1560001675</b>	FITTING, grease	2				
6	<b>1532120630</b>	TUBE	1				sold by the meter
	<b>L7d010</b>						

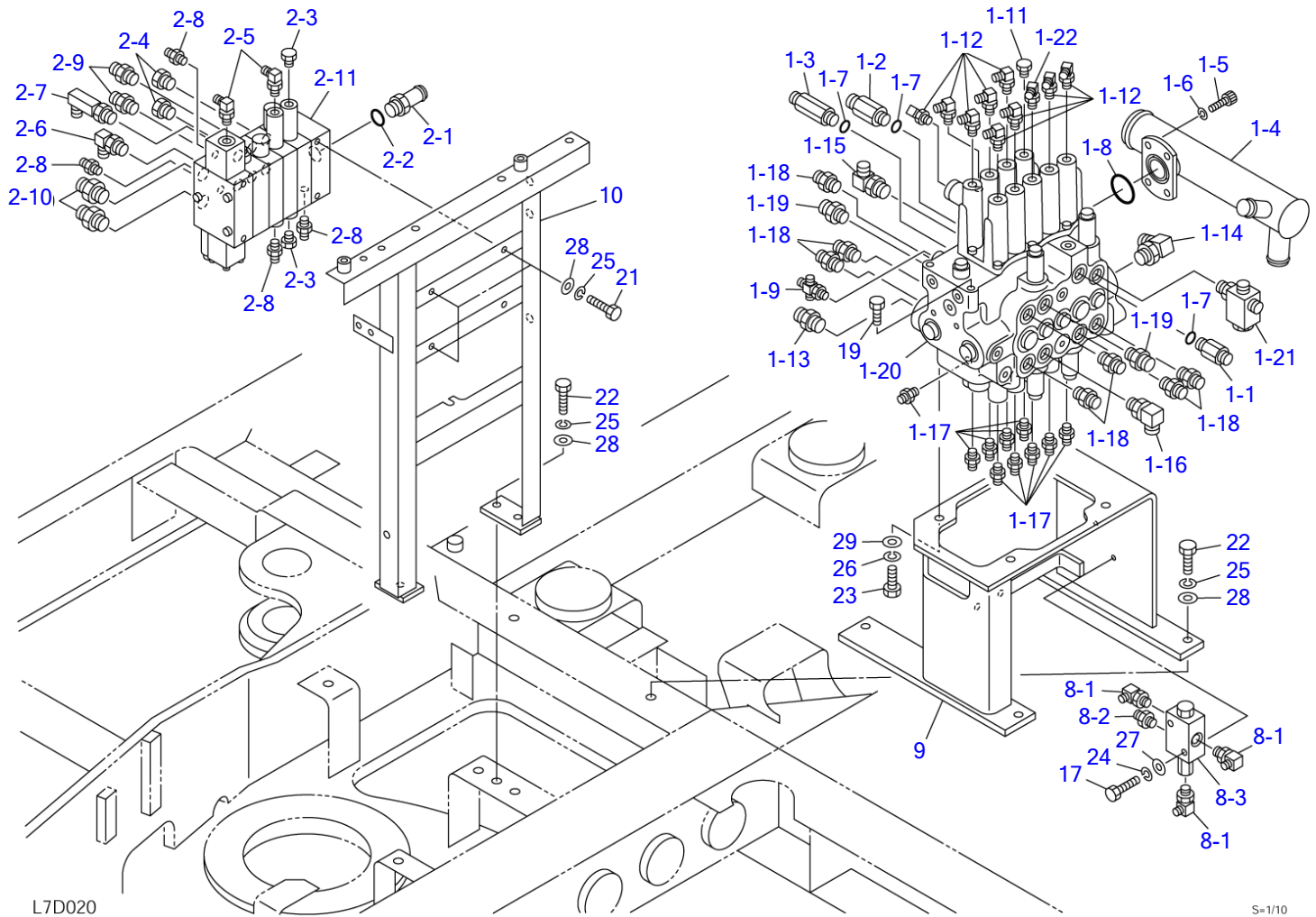
TB175 Book No. BL7Z000 S/N 17530001-  
VALVE & ACCESSORIES (1/2) 17530001-17531117



**VALVE & ACCESSORIES (1/2) 17530001-17531117**

Item	Part number	Description	Q'ty	Chan.	Serial No.	Serv.	Remarks
		VALVE ASSY, control					
1	X *****	VALVE, control	1				
1-1	0007203033	· ADAPTOR	1				
1-2	0007203076	· ADAPTOR	1				
1-3	0007203074	· ADAPTOR	1				
	1420010180	· · O-RING	1				
1-4	0565029140	· MANIFOLD	1				
1-5	1110041025	· SCREW, cap	4				
1-6	1140020010	· WASHER, spring	4				
1-7	1420010180	· O-RING	3				
1-8	1420100450	· O-RING	1				
1-9	1513390027	· TEE	1				
	1420010110	· · O-RING	1				
1-11	1501750002	· PLUG	1				
	1420010110	· · O-RING	1				
1-12	1515012040	· ELBOW	9				
	1420010110	· · O-RING	1				
1-13	1515600203	· ADAPTOR	1				
	1420010240	· · O-RING	1				
1-14	1515010043	· ELBOW	1				
	1420010240	· · O-RING	1				
1-15	1515010052	· ELBOW	1				
	1420010240	· · O-RING	1				
1-16	1515010132	· ELBOW	1				
	1420010180	· · O-RING	1				
1-17	1515600200	· ADAPTOR	10				
	1420010110	· · O-RING	1				
1-18	1515600202	· ADAPTOR	7				
	1420010180	· · O-RING	1				
1-19	1515600573	· ADAPTOR	2				
	1420010180	· · O-RING	1				
1-20	1901040700	· VALVE, control	1				
1-21	1901735400	· ADAPTOR	1				
	1420010180	* * O-RING	1				
1-22	0565029150	· ELBOW (with orifice)	1				
	1420010110	* * O-RING	1				
2	X *****	VALVE, control	1				
2-1	0007224006	· ADAPTOR	1				
2-2	1420010180	· O-RING	1				
2-3	1501750002	· PLUG	2				
	1420010110	· · O-RING	1				
2-4	1501750003	· PLUG	2				
	1420010140	· · O-RING	1				
2-5	1515012040	· ELBOW	2				
	1420010110	· · O-RING	1				
2-6	1515010041	· ELBOW	1				
	1420010140	· · O-RING	1				
2-7	1515010511	· ELBOW	1				
	1420010140	· · O-RING	1				
2-8	1515600200	· ADAPTOR	4				
	1420010110	· · O-RING	1				
2-9	1515600572	· ADAPTOR	2				
	1420010140	· · O-RING	1				
2-10	1515600573	· ADAPTOR	2				
	1420010180	· · O-RING	1				
2-11	1901043800	· VALVE, control	1				
8	X *****	VALVE ASSY	1				
8-1	1515012040	· ELBOW	3				
	1420010110	· · O-RING	1				
8-2	1515600200	· ADAPTOR	1				
	1420010110	· · O-RING	1				
8-3	1901734800	· VALVE	1				
9	0565029900	BRACKET	1				
10	0565051050	BRACKET	1				
17	1100040850	BOLT	2				
19	1100041016	BOLT	3				
21	1100041025	BOLT	3				
22	1100041030	BOLT	7				

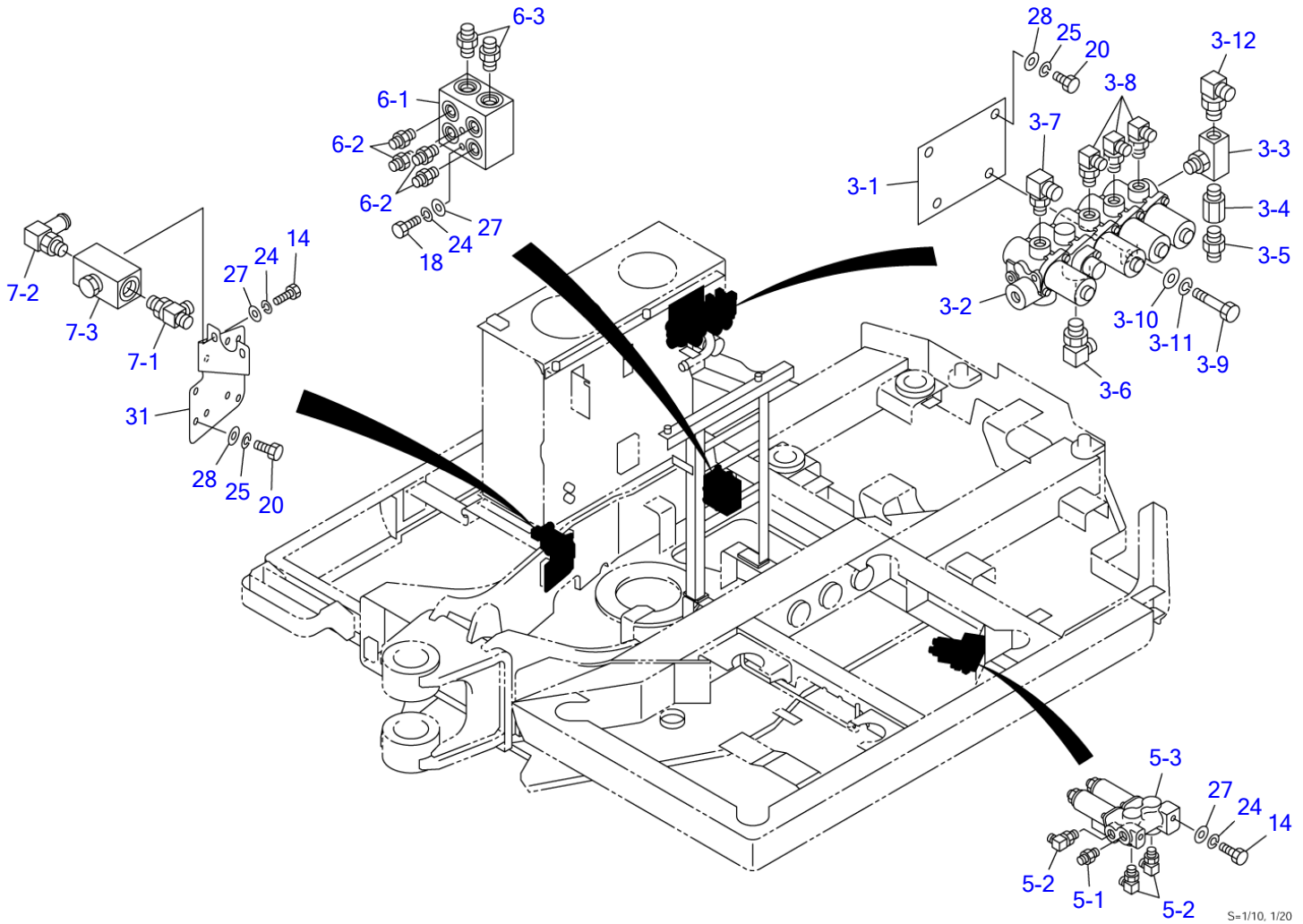
TB175 Book No. BL7Z000 S/N 17530001-  
VALVE & ACCESSORIES (1/2) 17530001-17531117



**VALVE & ACCESSORIES (1/2) 17530001-17531117**

Item	Part number	Description	Q'ty	Chan.	Serial No.	Serv.	Remarks
23	<b>1100041230</b>	BOLT	4				
24	<b>1140020008</b>	WASHER, spring	2				
25	<b>1140020010</b>	WASHER, spring	10				
26	<b>1140020012</b>	WASHER, spring	4				
27	<b>1141110008</b>	WASHER	2				
28	<b>1141110010</b>	WASHER	10				
29	<b>1141110012</b>	WASHER	4				
	<b>L7d022</b>						

TB175 Book No. BL7Z000 S/N 17530001-  
VALVE & ACCESSORIES (1/2)



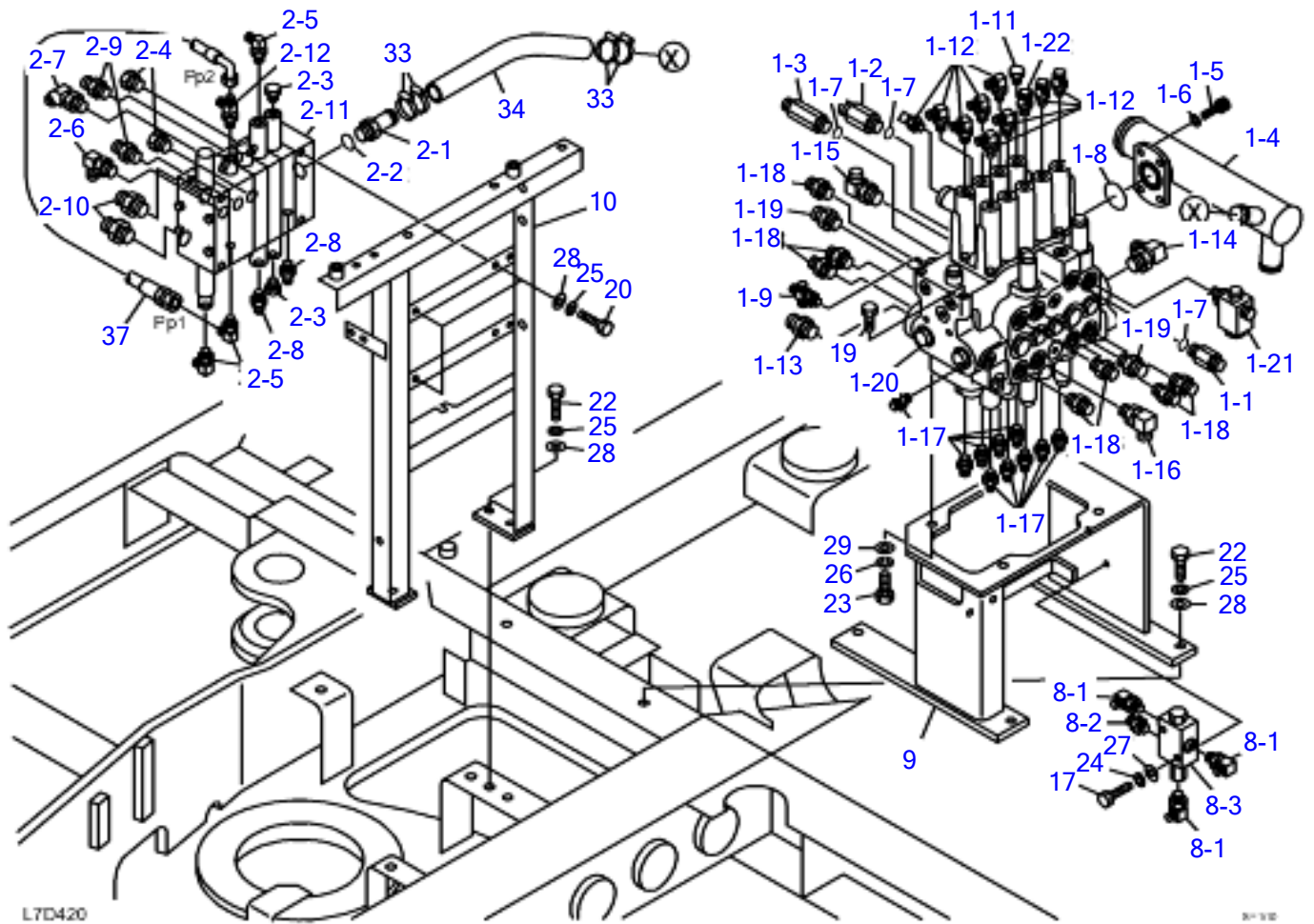
S-1/10, 1/20



**VALVE & ACCESSORIES (1/2)**

Item	Part number	Description	Q'ty	Chan.	Serial No.	Serv.	Remarks
		VALVE ASSY, control					
3	X *****	VALVE, solenoid	1				
3-1	0565051040	• PLATE	1				
3-2	1901752300	• VALVE, solenoid	1			M	
3-3	1513370801	• TEE	1			M	
	1420010140	• • O-RING	1				
3-4	1513370047	• ADAPTOR (with filter)	1				
	1420010140	• • O-RING	1				
3-5	1515600577	• ADAPTOR	1				
	1420010180	• • O-RING	1				
3-6	1515010051	• ELBOW	1				
	1420010180	• • O-RING	1				
3-7	1515010130	• ELBOW	1				
	1420010110	• • O-RING	1				
3-8	1515012040	• ELBOW	3				
	1420010110	• • O-RING	1				
3-9	1100041090	• BOLT	2			M	
3-10	1141110010	• WASHER	2				
3-11	1140020010	• WASHER, spring	2				
3-12	1515010050	• ELBOW	1				
	1420010140	• • O-RING	1				
5	X *****	VALVE, solenoid	1				
5-1	1512370008	• ADAPTOR (with filter)	1				
	1420010110	• • O-RING	1				
5-2	1515012040	• ELBOW	3				
	1420010110	• • O-RING	1				
5-3	1901752100	• VALVE, proportional control	1			M	
6	X *****	MANIFOLD	1				
6-1	0565029610	• MANIFOLD	1				
6-2	1515600202	• ADAPTOR	4				
	1420010180	• • O-RING	1				
6-3	1515600203	• ADAPTOR	2				
	1420010240	• • O-RING	1				
7	X *****	VALVE, stop	1				
7-1	1512373008	• TEE	1				
	1420010240	• • O-RING	1				
7-2	1513350005	• CONNECTOR	1				
	1420010240	• • O-RING	1				
7-3	1901723700	• VALVE, stop	1				
14	1100040820	BOLT	4				
18	1100040875	BOLT	2				
20	1100041020	BOLT	6				
24	1140020008	WASHER, spring	6				
25	1140020010	WASHER, spring	6				
27	1141110008	WASHER	4				
28	1141110010	WASHER	6				
31	0565033601	PLATE	1				
	L7d032						

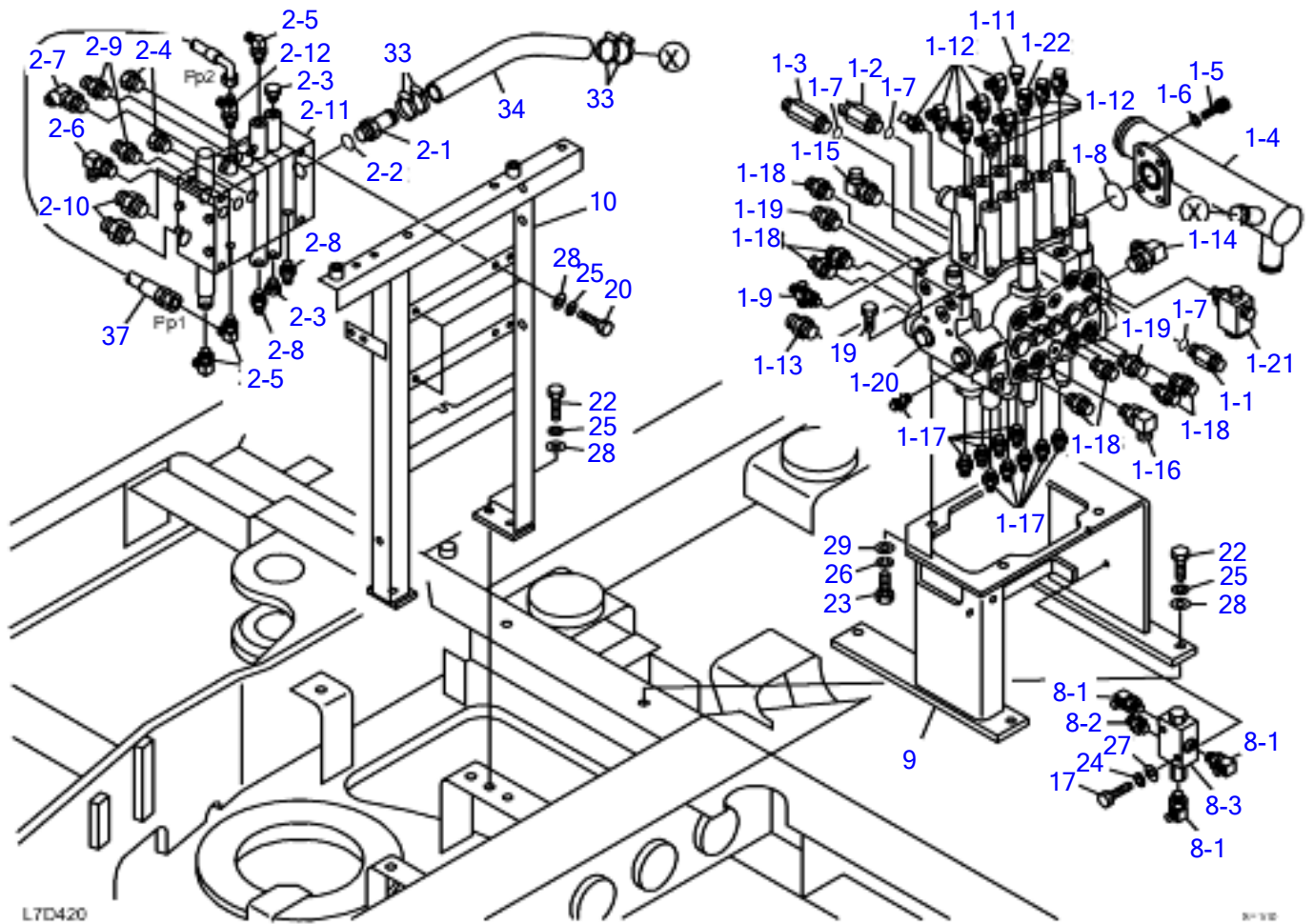
TB175 Book No. BL7Z000 S/N 17530001-  
VALVE & ACCESSORIES (1/2) 17531118~



VALVE & ACCESSORIES (1/2) 17531118~

Item	Part number	Description	Q'ty	Chan.	Serial No.	Serv.	Remarks
		VALVE ASSY, control					
1	X *****	VALVE, control	1				
1-1	0007203033	· ADAPTOR	1				
1-2	0007203076	· ADAPTOR	1				
1-3	0007203074	· ADAPTOR	1				
	1420010180	· · O-RING	1				
1-4	0565029140	· MANIFOLD	1				
1-5	1110041025	· SCREW, cap	4				
1-6	1140020010	· WASHER, spring	4				
1-7	1420010180	· O-RING	3				
1-8	1420100450	· O-RING	1				
1-9	1513390027	· TEE	1				
	1420010110	· · O-RING	1				
1-11	1501750002	· PLUG	1				
	1420010110	· · O-RING	1				
1-12	1515012040	· ELBOW	9				
	1420010110	· · O-RING	1				
1-13	1515600203	· ADAPTOR	1				
	1420010240	· · O-RING	1				
1-14	1515010043	· ELBOW	1				
	1420010240	· · O-RING	1				
1-15	1515010052	· ELBOW	1				
	1420010240	· · O-RING	1				
1-16	1515010132	· ELBOW	1				
	1420010180	· · O-RING	1				
1-17	1515600200	· ADAPTOR	10				
	1420010110	· · O-RING	1				
1-18	1515600202	· ADAPTOR	7				
	1420010180	· · O-RING	1				
1-19	1515600573	· ADAPTOR	2				
	1420010180	· · O-RING	1				
1-20	1901040700	· VALVE, control	1				
1-21	1901735400	· ADAPTOR	1				
	1420010180	* * O-RING	1				
1-22	0565029150	· ELBOW (with orifice)	1				
	1420010110	* * O-RING	1				
2	X *****	VALVE, control	1				
2-1	0007224006	· ADAPTOR	1				
2-2	1420010180	· O-RING	1				
2-3	1501750002	· PLUG	2				
	1420010110	· · O-RING	1				
2-4	1501750003	· PLUG	2				
	1420010140	· · O-RING	1				
2-5	1515012040	· ELBOW	2				
	1420010110	· · O-RING	1				
2-6	1515010041	· ELBOW	1				
	1420010140	· · O-RING	1				
2-7	1515100111	· ELBOW	1				
	1420010140	· · O-RING	1				
2-8	1515600200	· ADAPTOR	4				
	1420010110	· · O-RING	1				
2-9	1515600572	· ADAPTOR	2				
	1420010140	· · O-RING	1				
2-10	1515600573	· ADAPTOR	2				
	1420010180	· · O-RING	1				
2-11	1901048200	· VALVE, control	1				
2-12	1512370011	* TEE	1				
	1420010110	* * O-RING	1				
8	X *****	VALVE ASSY	1				
8-1	1515012040	· ELBOW	3				
	1420010110	· · O-RING	1				
8-2	1515600200	· ADAPTOR	1				
	1420010110	· · O-RING	1				
8-3	1901734800	· VALVE	1				
9	0565029900	BRACKET	1				
10	0565051080	BRACKET	1				
17	1100040850	BOLT	2				
19	1100041016	BOLT	3				

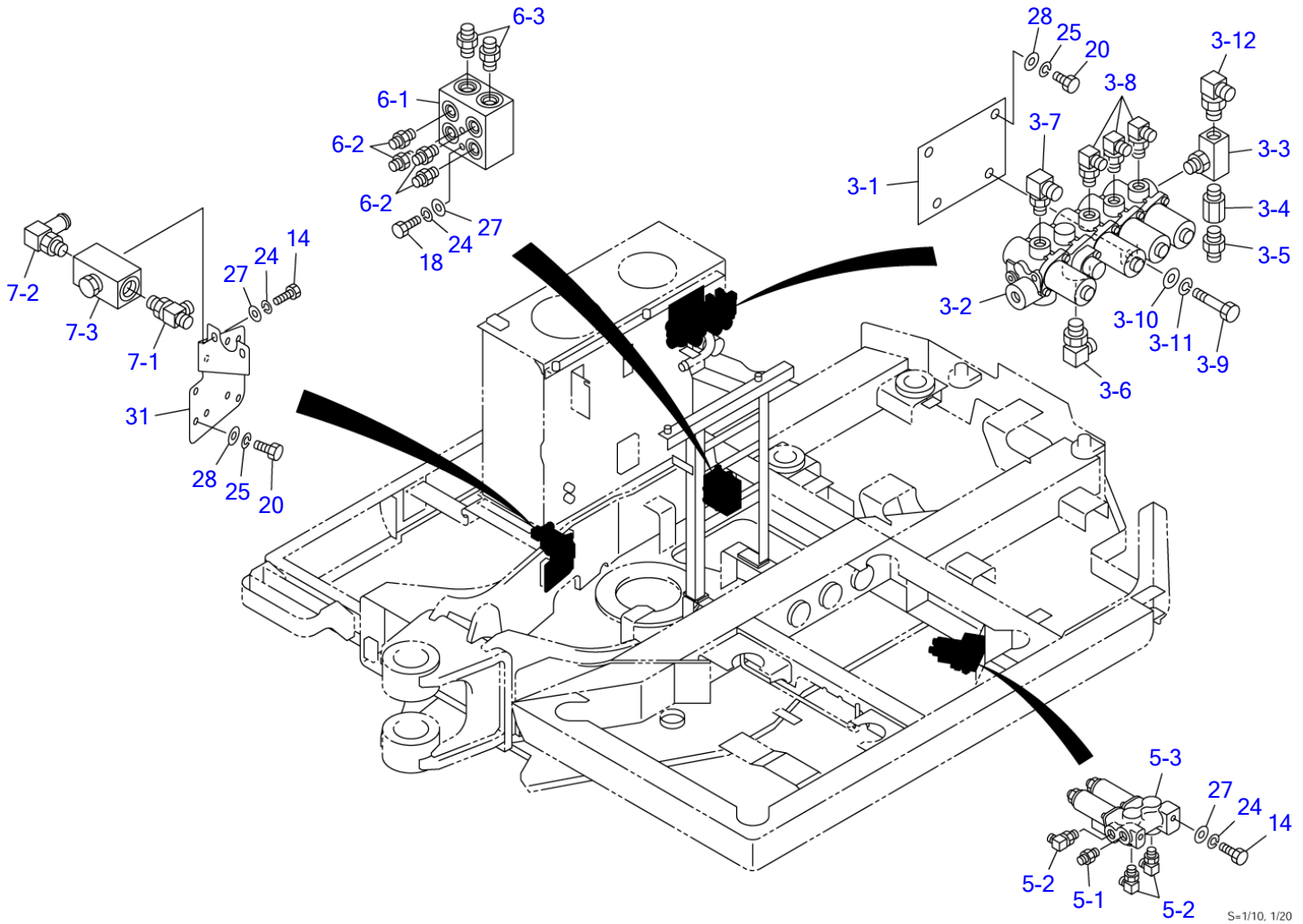
TB175 Book No. BL7Z000 S/N 17530001-  
VALVE & ACCESSORIES (1/2) 17531118~



**VALVE & ACCESSORIES (1/2) 17531118~**

Item	Part number	Description	Q'ty	Chan.	Serial No.	Serv.	Remarks
20	<b>1100041020</b>	BOLT	3				
22	<b>1100041030</b>	BOLT	7				
23	<b>1100041230</b>	BOLT	4				
24	<b>1140020008</b>	WASHER, spring	2				
25	<b>1140020010</b>	WASHER, spring	10				
26	<b>1140020012</b>	WASHER, spring	4				
27	<b>1141110008</b>	WASHER	2				
28	<b>1141110010</b>	WASHER	10				
29	<b>1141110012</b>	WASHER	4				
33	<b>1533700041</b>	BAND	4				
34	<b>1530525032</b>	HOSE	1				
37	<b>0565060040</b>	HOSE ASSY	1				
37-1	<b>1934852050</b>	* HOSE ASSY	1				
	<b>L7D420</b>						

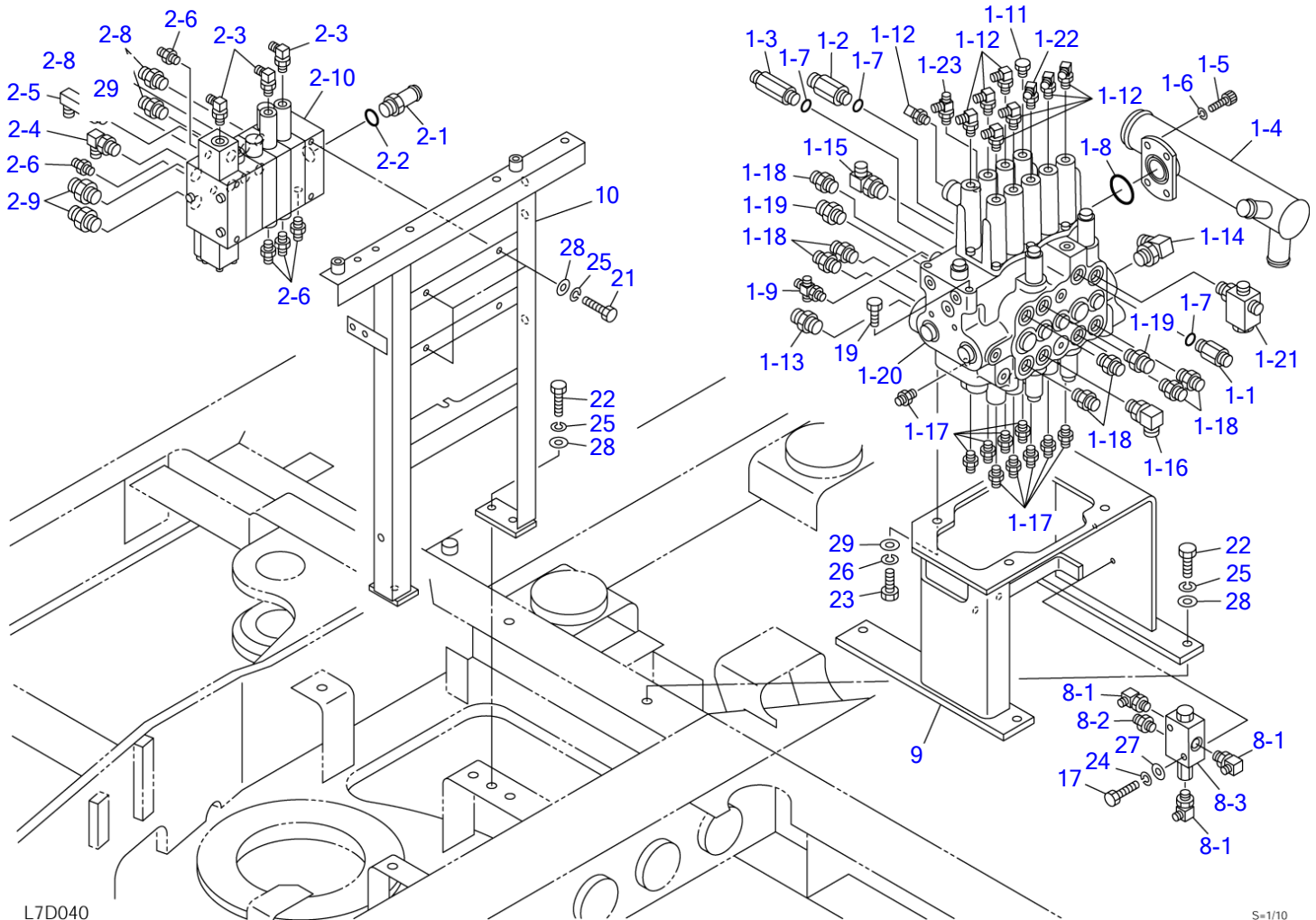
TB175 Book No. BL7Z000 S/N 17530001-  
VALVE & ACCESSORIES (2/2)



**VALVE & ACCESSORIES (2/2)**

Item	Part number	Description	Q'ty	Chan.	Serial No.	Serv.	Remarks
		VALVE ASSY, control					
3	X *****	VALVE, solenoid	1				
3-1	0565051040	• PLATE	1				
3-2	1901752300	• VALVE, solenoid	1			M	
3-3	1513370801	• TEE	1			M	
	1420010140	• • O-RING	1				
3-4	1513370047	• ADAPTOR (with filter)	1				
	1420010140	• • O-RING	1				
3-5	1515600577	• ADAPTOR	1				
	1420010180	• • O-RING	1				
3-6	1515010051	• ELBOW	1				
	1420010180	• • O-RING	1				
3-7	1515010130	• ELBOW	1				
	1420010110	• • O-RING	1				
3-8	1515012040	• ELBOW	3				
	1420010110	• • O-RING	1				
3-9	1100041090	• BOLT	2			M	
3-10	1141110010	• WASHER	2				
3-11	1140020010	• WASHER, spring	2				
3-12	1515010050	• ELBOW	1				
	1420010140	• • O-RING	1				
5	X *****	VALVE, solenoid	1				
5-1	1512370008	• ADAPTOR (with filter)	1				
	1420010110	• • O-RING	1				
5-2	1515012040	• ELBOW	3				
	1420010110	• • O-RING	1				
5-3	1901752100	• VALVE, proportional control	1			M	
6	X *****	MANIFOLD	1				
6-1	0565029610	• MANIFOLD	1				
6-2	1515600202	• ADAPTOR	4				
	1420010180	• • O-RING	1				
6-3	1515600203	• ADAPTOR	2				
	1420010240	• • O-RING	1				
7	X *****	VALVE, stop	1				
7-1	1512373008	• TEE	1				
	1420010240	• • O-RING	1				
7-2	1513350005	• CONNECTOR	1				
	1420010240	• • O-RING	1				
7-3	1901723700	• VALVE, stop	1				
14	1100040820	BOLT	4				
18	1100040875	BOLT	2				
20	1100041020	BOLT	6				
24	1140020008	WASHER, spring	6				
25	1140020010	WASHER, spring	6				
27	1141110008	WASHER	4				
28	1141110010	WASHER	6				
31	0565033601	PLATE	1				
	L7d032						

TB175 Book No. BL7Z000 S/N 17530001-  
VALVE & ACCESSORIES (1/3) (with 2nd auxiliary lines)

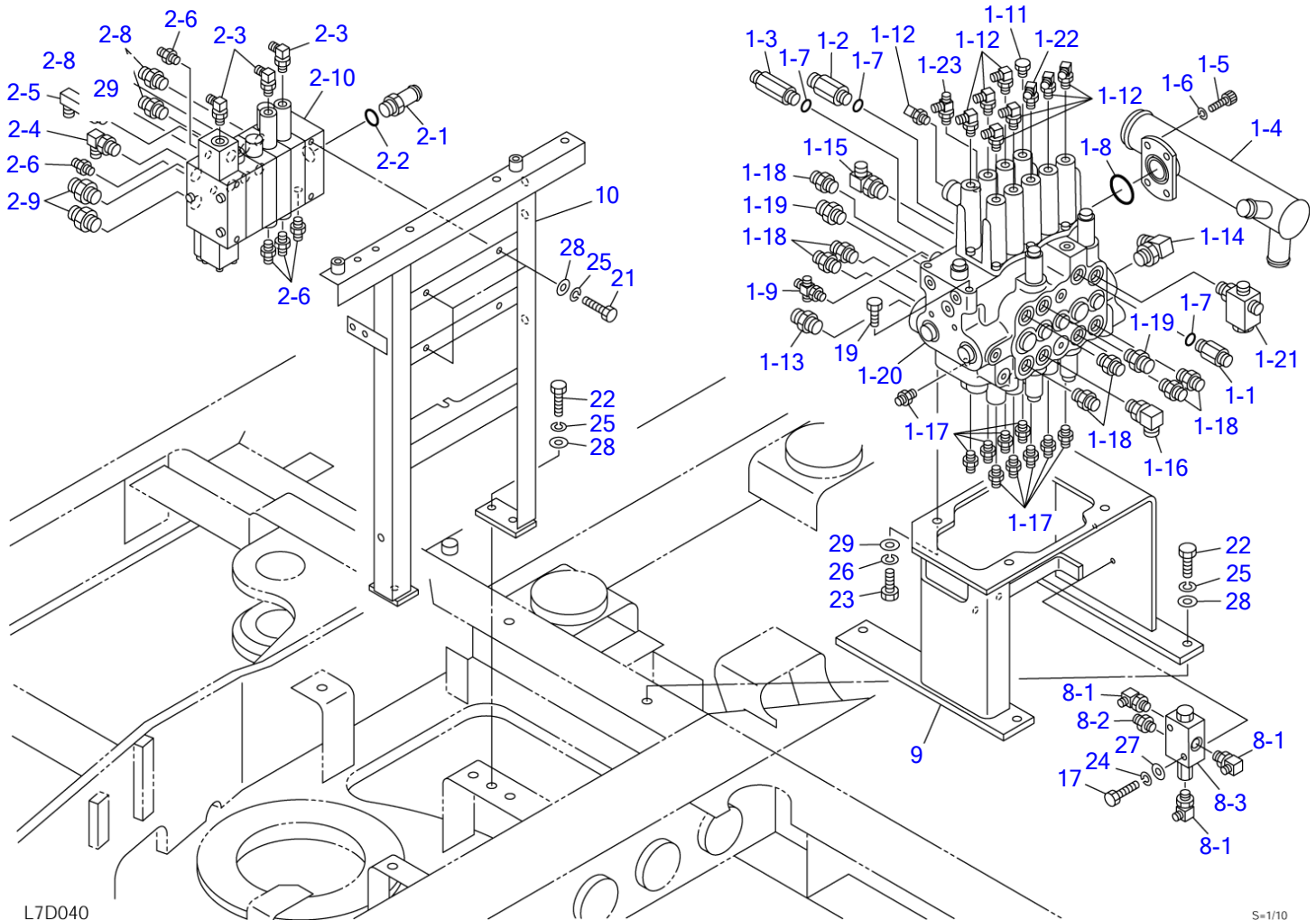




**VALVE & ACCESSORIES (1/3) (with 2nd auxiliary lines)**

Item	Part number	Description	Q'ty	Chan.	Serial No.	Serv.	Remarks
		VALVE ASSY, control					
1	X *****	VALVE, control	1				
1-1	0007203033	· ADAPTOR	1				
1-2	0007203076	· ADAPTOR	1				
1-3	0007203074	· ADAPTOR	1				
	1420010180	· · O-RING	1				
1-4	0565029140	· MANIFOLD	1				
1-5	1110041025	· SCREW, cap	4				
1-6	1140020010	· WASHER, spring	4				
1-7	1420010180	· O-RING	3				
1-8	1420100450	· O-RING	1				
1-9	1513390027	· TEE	1				
	1420010110	· · O-RING	1				
1-11	1501750002	· PLUG	1				
	1420010110	· · O-RING	1				
1-12	1515012040	· ELBOW	8				
	1420010110	· · O-RING	1				
1-13	1515600203	· ADAPTOR	1				
	1420010240	· · O-RING	1				
1-14	1515010043	· ELBOW	1				
	1420010240	· · O-RING	1				
1-15	1515010052	· ELBOW	1				
	1420010240	· · O-RING	1				
1-16	1515010132	· ELBOW	1				
	1420010180	· · O-RING	1				
1-17	1515600200	· ADAPTOR	10				
	1420010110	· · O-RING	1				
1-18	1515600202	· ADAPTOR	7				
	1420010180	· · O-RING	1				
1-19	1515600573	· ADAPTOR	2				
	1420010180	· · O-RING	1				
1-20	1901040700	· VALVE, control	1				
1-21	1901735400	· ADAPTOR	1				
	1420010180	* * O-RING	1				
1-22	0565029150	· ELBOW (with orifice)	1				
	1420010110	* * O-RING	1				
1-23	1512370011	· TEE	1				
	1420010110	· · O-RING	1				
2	X *****	VALVE, control	1				
2-1	0007224006	· ADAPTOR	1				
2-2	1420010180	· O-RING	1				
2-3	1515012040	· ELBOW	3				
	1420010110	· · O-RING	1				
2-4	1515010041	· ELBOW	1				
	1420010140	· · O-RING	1				
2-5	1515012511	· ELBOW	1				
	1420010140	· · O-RING	1				
2-6	1515600200	· ADAPTOR	5				
	1420010110	· · O-RING	1				
2-8	1515600572	· ADAPTOR	4				
	1420010140	· · O-RING	1				
2-9	1515600573	· ADAPTOR	2				
	1420010180	· · O-RING	1				
2-10	1901043800	· VALVE, control	1				
8	X *****	VALVE ASSY	1				
8-1	1515012040	· ELBOW	3				
	1420010110	· · O-RING	1				
8-2	1515600200	· ADAPTOR	1				
	1420010110	· · O-RING	1				
8-3	1901734800	· VALVE	1				
9	0565029900	BRACKET	1				
10	0565051050	BRACKET	1				
17	1100040850	BOLT	2				
19	1100041016	BOLT	3				
21	1100041025	BOLT	3				
22	1100041030	BOLT	7				
23	1100041230	BOLT	4				
24	1140020008	WASHER, spring	2				

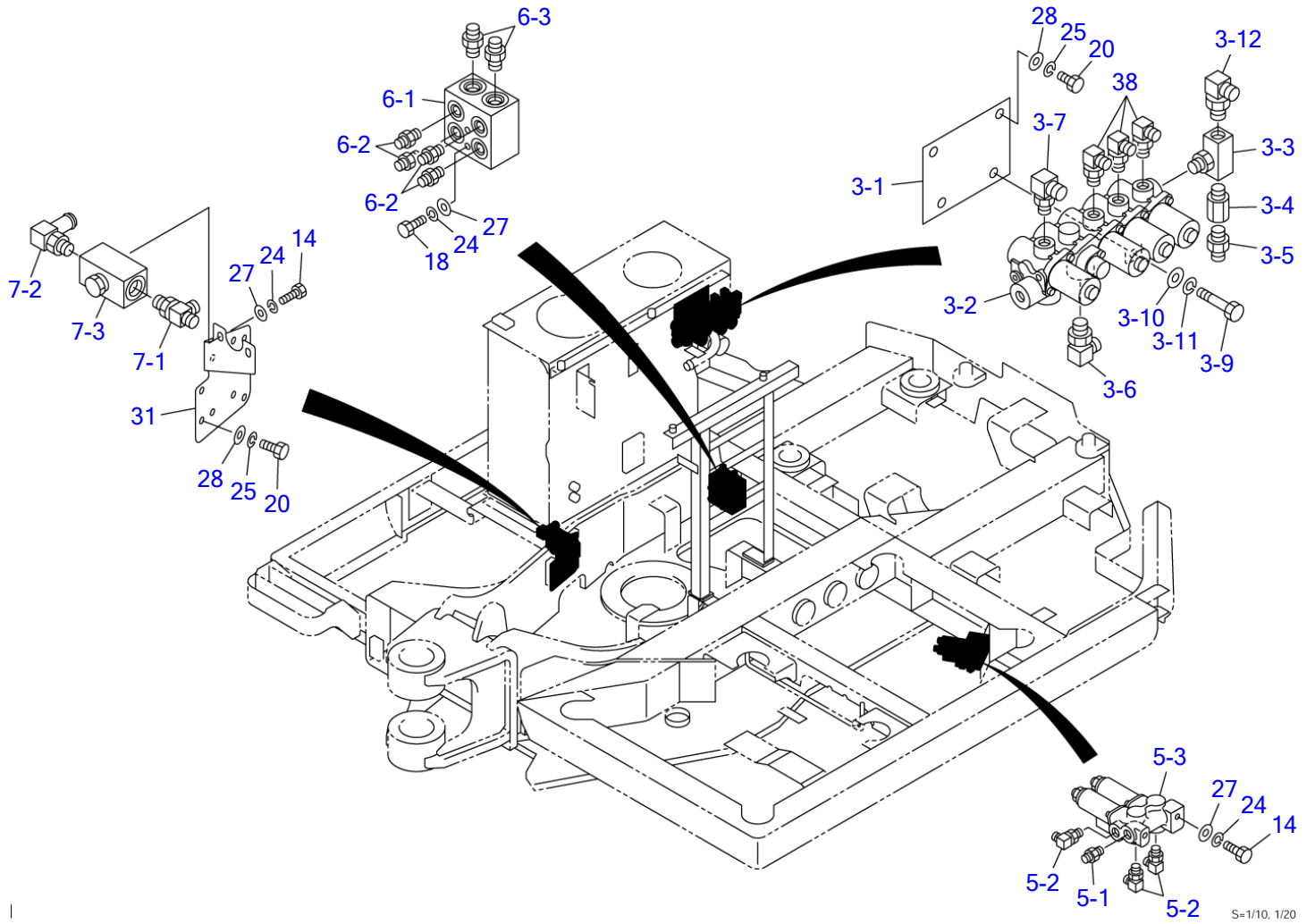
TB175 Book No. BL7Z000 S/N 17530001-  
VALVE & ACCESSORIES (1/3) (with 2nd auxiliary lines)



**VALVE & ACCESSORIES (1/3) (with 2nd auxiliary lines)**

Item	Part number	Description	Q'ty	Chan.	Serial No.	Serv.	Remarks
25	1140020010	WASHER, spring	10				
26	1140020012	WASHER, spring	4				
27	1141110008	WASHER	2				
28	1141110010	WASHER	10				
29	1141110012	WASHER	4				
	L7d042						

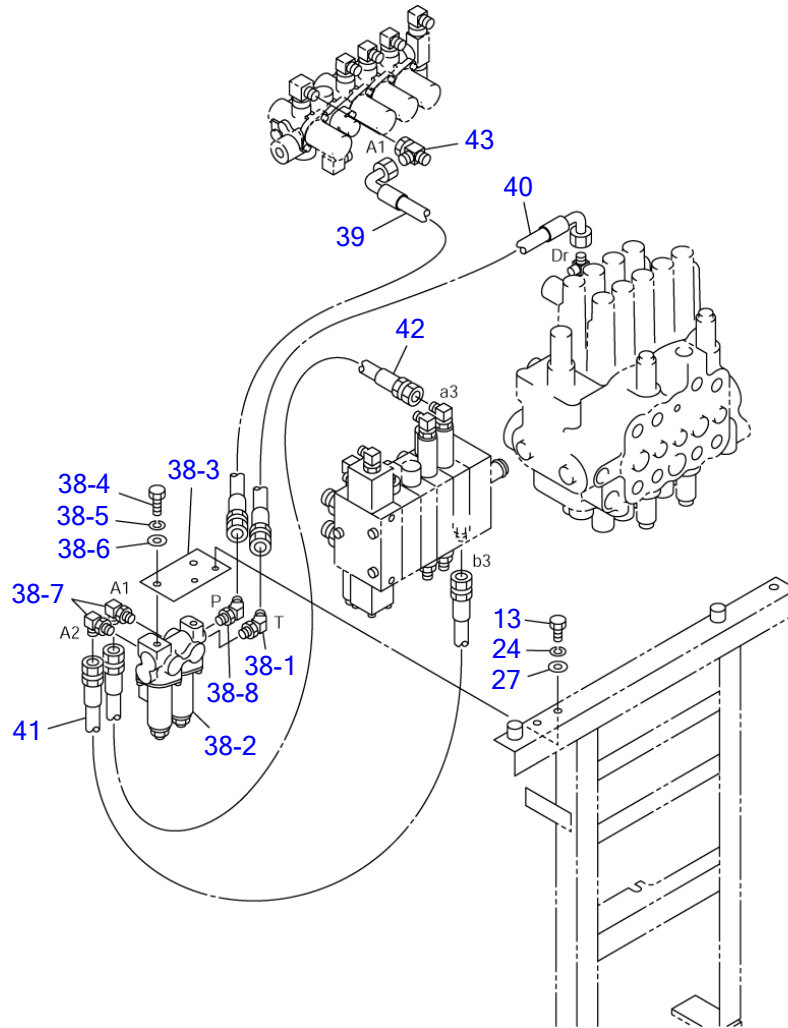
TB175 Book No. BL7Z000 S/N 17530001-  
VALVE & ACCESSORIES (2/3) (with 2nd auxiliary lines)



**VALVE & ACCESSORIES (2/3) (with 2nd auxiliary lines)**

Item	Part number	Description	Q'ty	Chan.	Serial No.	Serv.	Remarks
		VALVE ASSY, control					
3	X *****	VALVE, solenoid	1				
3-1	0565051040	• PLATE	1				
3-2	1901752300	• VALVE, solenoid	1				M
3-3	1513370801	• TEE	1				M
	1420010140	• • O-RING	1				
3-4	1513370047	• ADAPTOR (with filter)	1				
	1420010140	• • O-RING	1				
3-5	1515600577	• ADAPTOR	1				
	1420010180	• • O-RING	1				
3-6	1515010051	• ELBOW	1				
	1420010180	• • O-RING	1				
3-7	1515010130	• ELBOW	1				
	1420010110	• • O-RING	1				
3-8	1515012040	• ELBOW	3				
	1420010110	• • O-RING	1				
3-9	1100041090	• BOLT	2				M
3-10	1141110010	• WASHER	2				
3-11	1140020010	• WASHER, spring	2				
3-12	1515010050	• ELBOW	1				
	1420010140	• • O-RING	1				
5	X *****	VALVE, solenoid	1				
5-1	1512370008	• ADAPTOR (with filter)	1				
	1420010110	• • O-RING	1				
5-2	1515012040	• ELBOW	3				
	1420010110	• • O-RING	1				
5-3	1901752100	• VALVE, proportional control	1				M
6	X *****	MANIFOLD	1				
6-1	0565029610	• MANIFOLD	1				
6-2	1515600202	• ADAPTOR	4				
	1420010180	• • O-RING	1				
6-3	1515600203	• ADAPTOR	2				
	1420010240	• • O-RING	1				
7	X *****	VALVE, stop	1				
7-1	1512373008	• TEE	1				
	1420010240	• • O-RING	1				
7-2	1513350005	• CONNECTOR	1				
	1420010240	• • O-RING	1				
7-3	1901723700	• VALVE, stop	1				
14	1100040820	BOLT	4				
18	1100040875	BOLT	2				
20	1100041020	BOLT	6				
24	1140020008	WASHER, spring	6				
25	1140020010	WASHER, spring	6				
27	1141110008	WASHER	6				
28	1141110010	WASHER	6				
31	0565033601	PLATE	1				
	L7d052						

TB175 Book No. BL7Z000 S/N 17530001-  
VALVE & ACCESSORIES (3/3) (with 2nd auxiliary lines)

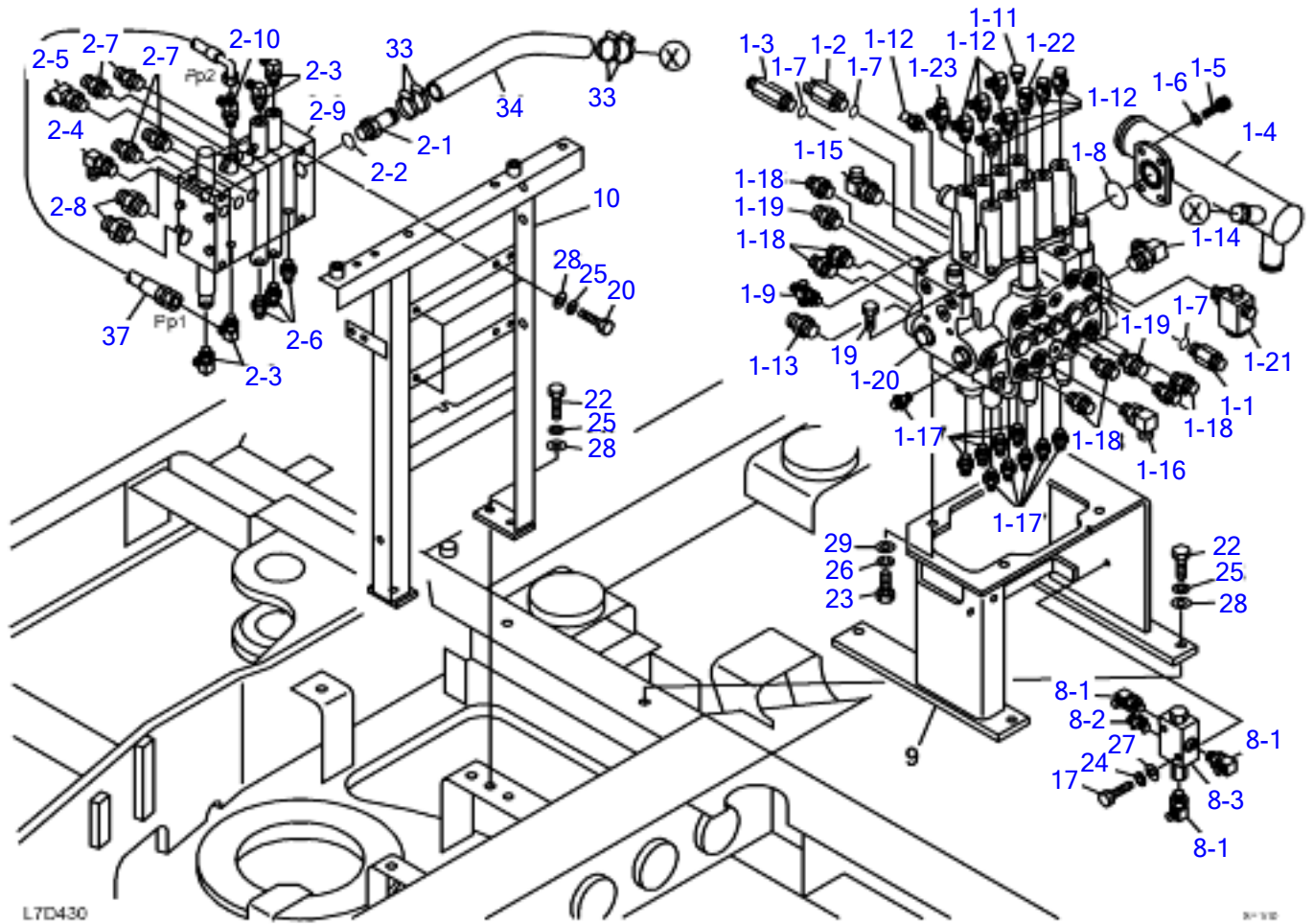


S=1/10

**VALVE & ACCESSORIES (3/3) (with 2nd auxiliary lines)**

Item	Part number	Description	Q'ty	Chan.	Serial No.	Serv.	Remarks
		VALVE ASSY, control					
13	1100040816	BOLT	2				
24	1140020008	WASHER, spring	2				
27	1141110008	WASHER	2				
38	X *****	VALVE ASSY, solenoid	1				
38-1	1515100110	· ELBOW	1				
	1420010110	· · O-RING	1				
38-2	1901752100	· VALVE, proportional control	1			M	
38-3	0565033815	· PLATE	1				
38-4	1100040820	· BOLT	2				
38-5	1140020008	· WASHER, spring	2				
38-6	1141110008	· WASHER	2				
38-7	1515012040	· ELBOW	2				
	1420010110	· · O-RING	1				
38-8	1512370012	· ELBOW (with filter)	1				
	1420010110	· · O-RING	1				
39	0565051060	HOSE ASSY	1				19348-52050
39-1	1934852050	* HOSE ASSY	1				
40	0565033830	HOSE ASSY	1				
40-1	1934852050	* HOSE ASSY	1				
41	0565033840	HOSE ASSY	1				
41-1	1934822075	* HOSE ASSY	1				
42	0565033850	HOSE ASSY	1				
42-1	1934822070	* HOSE ASSY	1				
43	1513390043	TEE	1				
	L7d062						

TB175 Book No. BL7Z000 S/N 17530001-  
VALVE & ACCESSORIES (1/3) (with 2nd auxiliary lines)

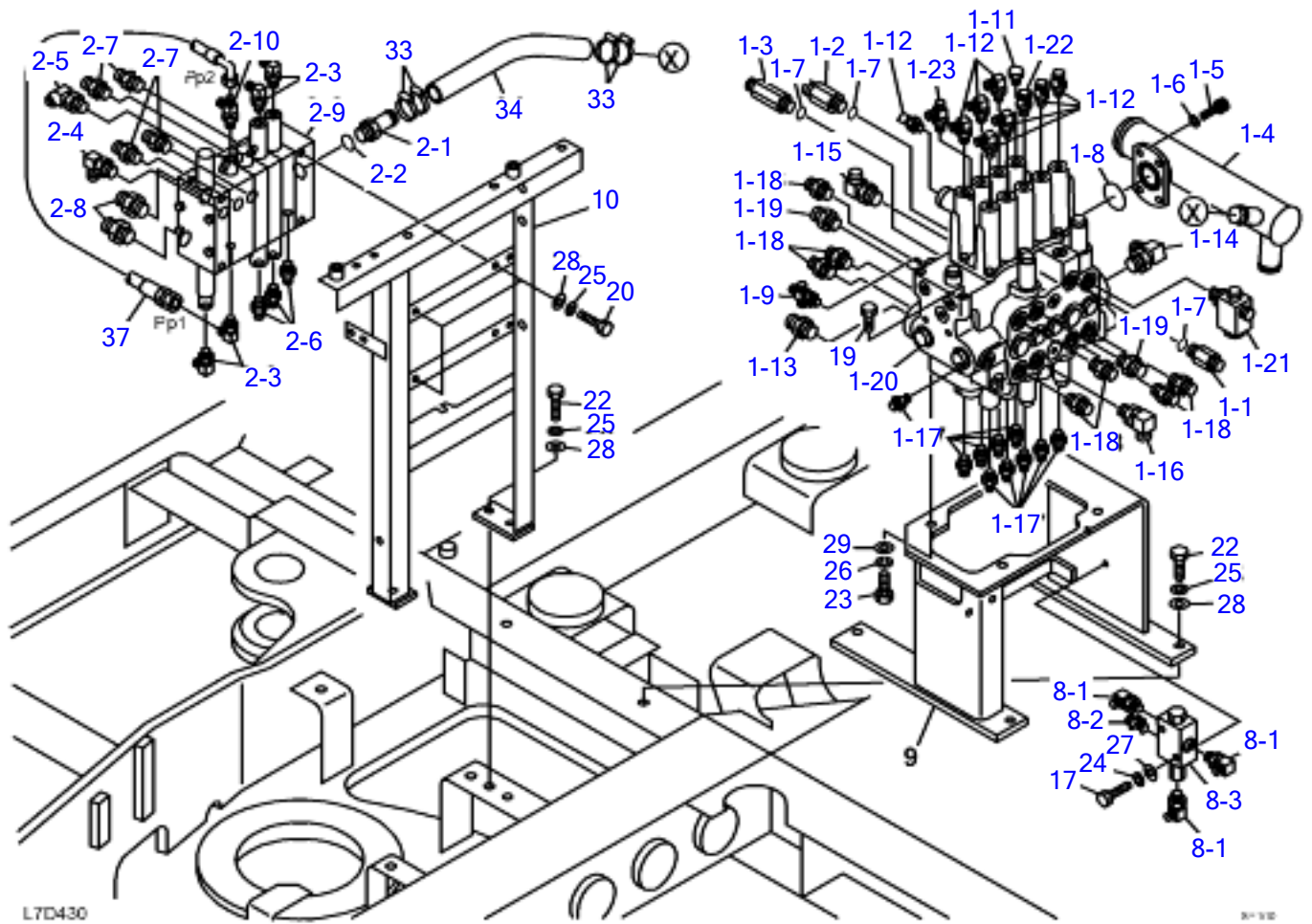




**VALVE & ACCESSORIES (1/3) (with 2nd auxiliary lines)**

Item	Part number	Description	Q'ty	Chan.	Serial No.	Serv.	Remarks
		VALVE ASSY, control					
1	X *****	VALVE, control	1				
1-1	0007203033	· ADAPTOR	1				
1-2	0007203076	· ADAPTOR	1				
1-3	0007203074	· ADAPTOR	1				
	1420010180	· · O-RING	1				
1-4	0565029140	· MANIFOLD	1				
1-5	1110041025	· SCREW, cap	4				
1-6	1140020010	· WASHER, spring	4				
1-7	1420010180	· O-RING	3				
1-8	1420100450	· O-RING	1				
1-9	1513390027	· TEE	1				
	1420010110	· · O-RING	1				
1-11	1501750002	· PLUG	1				
	1420010110	· · O-RING	1				
1-12	1515012040	· ELBOW	8				
	1420010110	· · O-RING	1				
1-13	1515600203	· ADAPTOR	1				
	1420010240	· · O-RING	1				
1-14	1515010043	· ELBOW	1				
	1420010240	· · O-RING	1				
1-15	1515010052	· ELBOW	1				
	1420010240	· · O-RING	1				
1-16	1515010132	· ELBOW	1				
	1420010180	· · O-RING	1				
1-17	1515600200	· ADAPTOR	10				
	1420010110	· · O-RING	1				
1-18	1515600202	· ADAPTOR	7				
	1420010180	· · O-RING	1				
1-19	1515600573	· ADAPTOR	2				
	1420010180	· · O-RING	1				
1-20	1901040700	· VALVE, control	1				
1-21	1901735400	· ADAPTOR	1				
	1420010180	* * O-RING	1				
1-22	0565029150	· ELBOW (with orifice)	1				
	1420010110	* * O-RING	1				
1-23	1512370011	· TEE	1				
	1420010110	· · O-RING	1				
2	X *****	VALVE, control	1				
2-1	0007224006	· ADAPTOR	1				
2-2	1420010180	· O-RING	1				
2-3	1515012040	· ELBOW	3				
	1420010110	· · O-RING	1				
2-4	1515010041	· ELBOW	1				
	1420010140	· · O-RING	1				
2-5	1515100111	· ELBOW	1				
	1420010140	· · O-RING	1				
2-6	1515600200	· ADAPTOR	5				
	1420010110	· · O-RING	1				
2-7	1515600572	· ADAPTOR	4				
	1420010140	· · O-RING	1				
2-8	1515600573	* ADAPTOR	2				
	1420010180	* * O-RING	1				
2-9	1901048200	· * CONTROL VALVE	1				
2-10	1512370011	· * TEE	1				
	1420010110	* * O-RING	1				
8	X *****	VALVE ASSY	1				
8-1	1515012040	· ELBOW	3				
	1420010110	· · O-RING	1				
8-2	1515600200	· ADAPTOR	1				
	1420010110	· · O-RING	1				
8-3	1901734800	· VALVE	1				
9	0565029900	BRACKET	1				
10	0565051080	BRACKET	1				
17	1100040850	BOLT	2				
19	1100041016	BOLT	3				
20	1100041020	BOLT	3				
22	1100041030	BOLT	7				

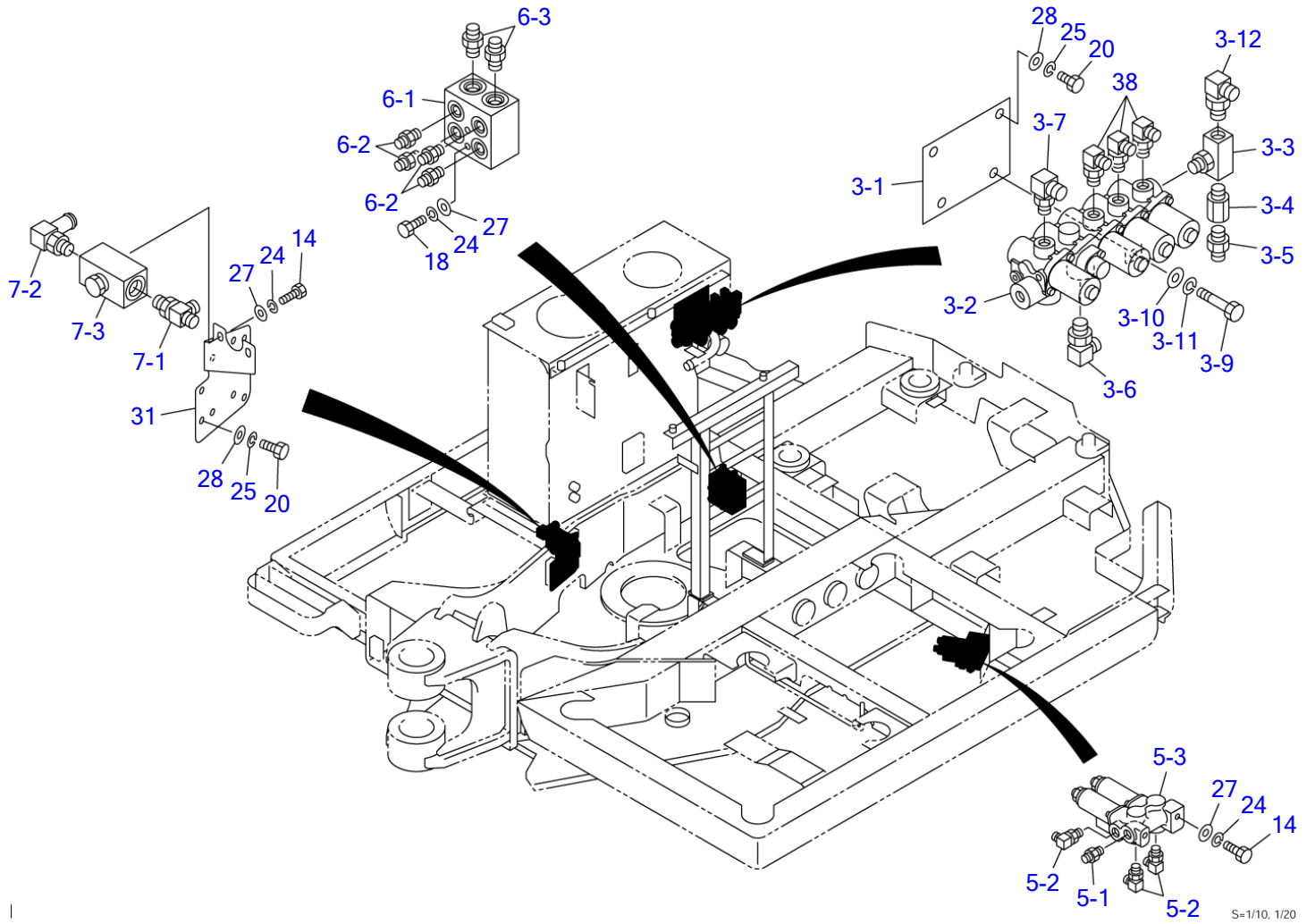
TB175 Book No. BL7Z000 S/N 17530001-  
VALVE & ACCESSORIES (1/3) (with 2nd auxiliary lines)



**VALVE & ACCESSORIES (1/3) (with 2nd auxiliary lines)**

Item	Part number	Description	Q'ty	Chan.	Serial No.	Serv.	Remarks
23	<b>1100041230</b>	BOLT	4				
24	<b>1140020008</b>	WASHER, spring	2				
25	<b>1140020010</b>	WASHER, spring	10				
26	<b>1140020012</b>	WASHER, spring	4				
27	<b>1141110008</b>	WASHER	2				
28	<b>1141110010</b>	WASHER	10				
29	<b>1141110012</b>	WASHER	4				
33	<b>1533700041</b>	BAND	4				
34	<b>1530525032</b>	HOSE	1				
37	<b>0565060040</b>	HOSE ASSY	1				
37-1	<b>1934852050</b>	* HOSE ASSY	1				
	<b>L7D430</b>						

TB175 Book No. BL7Z000 S/N 17530001-  
VALVE & ACCESSORIES (2/3) (with 2nd auxiliary lines)

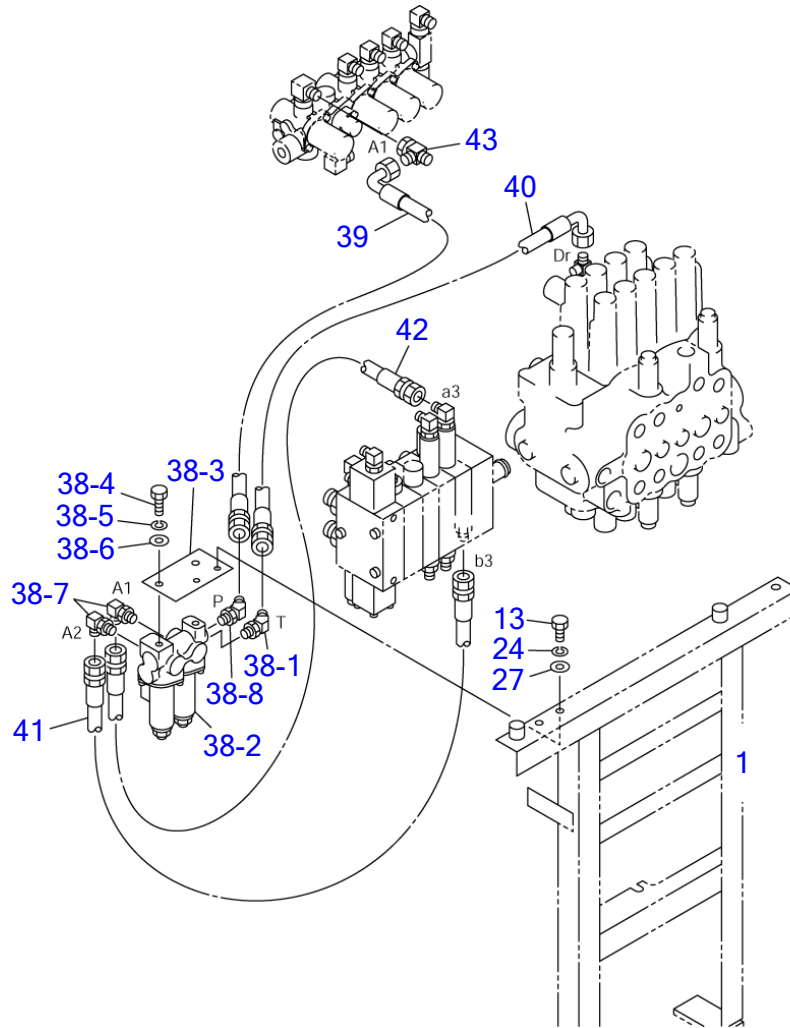


S-1/10, 1/20

**VALVE & ACCESSORIES (2/3) (with 2nd auxiliary lines)**

Item	Part number	Description	Q'ty	Chan.	Serial No.	Serv.	Remarks
		VALVE ASSY, control					
3	X *****	VALVE, solenoid	1				
3-1	0565051040	• PLATE	1				
3-2	1901752300	• VALVE, solenoid	1				M
3-3	1513370801	• TEE	1				M
	1420010140	• • O-RING	1				
3-4	1513370047	• ADAPTOR (with filter)	1				
	1420010140	• • O-RING	1				
3-5	1515600577	• ADAPTOR	1				
	1420010180	• • O-RING	1				
3-6	1515010051	• ELBOW	1				
	1420010180	• • O-RING	1				
3-7	1515010130	• ELBOW	1				
	1420010110	• • O-RING	1				
3-8	1515012040	• ELBOW	3				
	1420010110	• • O-RING	1				
3-9	1100041090	• BOLT	2				M
3-10	1141110010	• WASHER	2				
3-11	1140020010	• WASHER, spring	2				
3-12	1515010050	• ELBOW	1				
	1420010140	• • O-RING	1				
5	X *****	VALVE, solenoid	1				
5-1	1512370008	• ADAPTOR (with filter)	1				
	1420010110	• • O-RING	1				
5-2	1515012040	• ELBOW	3				
	1420010110	• • O-RING	1				
5-3	1901752100	• VALVE, proportional control	1				M
6	X *****	MANIFOLD	1				
6-1	0565029610	• MANIFOLD	1				
6-2	1515600202	• ADAPTOR	4				
	1420010180	• • O-RING	1				
6-3	1515600203	• ADAPTOR	2				
	1420010240	• • O-RING	1				
7	X *****	VALVE, stop	1				
7-1	1512373008	• TEE	1				
	1420010240	• • O-RING	1				
7-2	1513350005	• CONNECTOR	1				
	1420010240	• • O-RING	1				
7-3	1901723700	• VALVE, stop	1				
14	1100040820	BOLT	4				
18	1100040875	BOLT	2				
20	1100041020	BOLT	6				
24	1140020008	WASHER, spring	6				
25	1140020010	WASHER, spring	6				
27	1141110008	WASHER	6				
28	1141110010	WASHER	6				
31	0565033601	PLATE	1				
	L7d052						

TB175 Book No. BL7Z000 S/N 17530001-  
VALVE & ACCESSORIES (3/3) (with 2nd auxiliary lines)

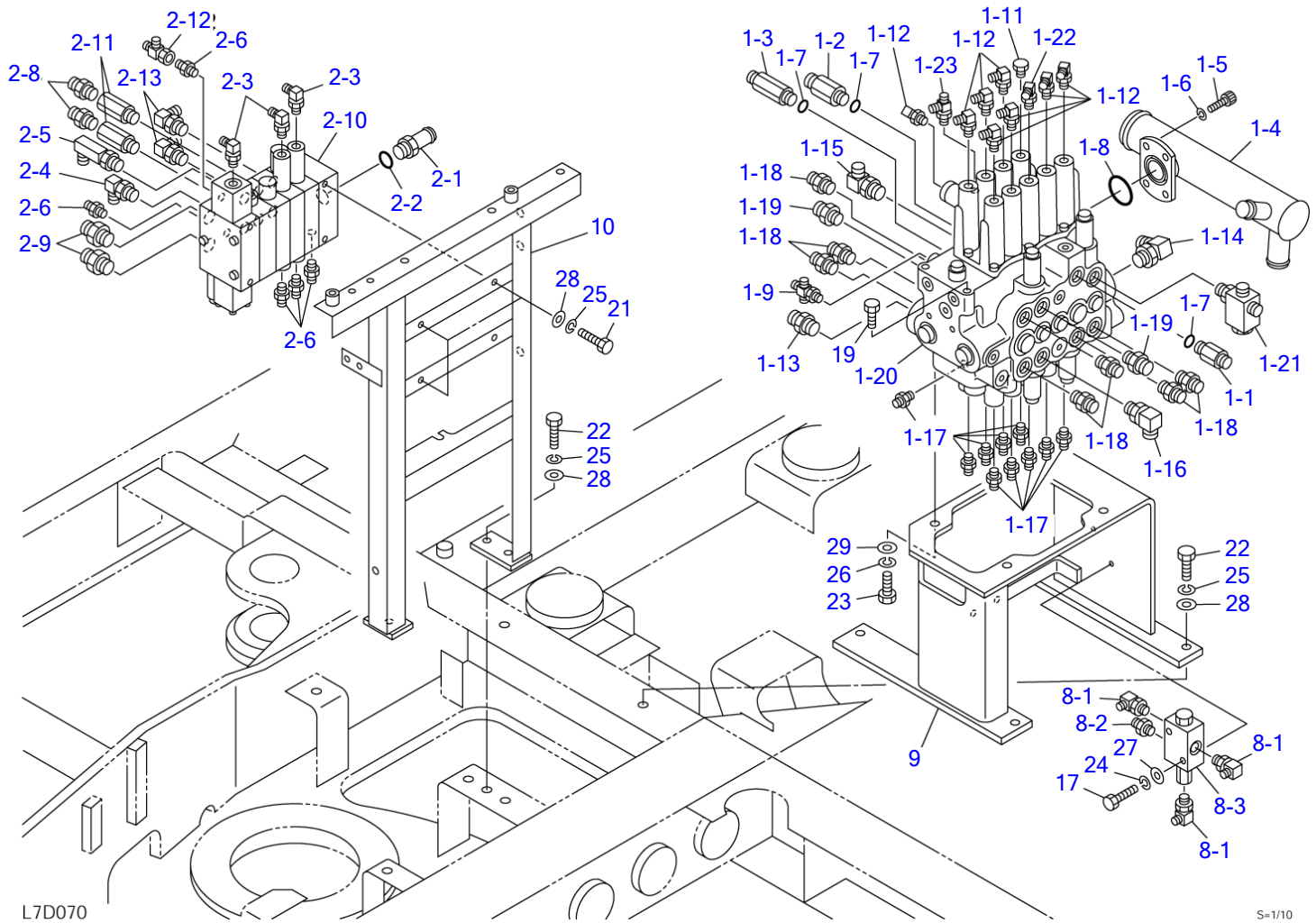


S=1/10

**VALVE & ACCESSORIES (3/3) (with 2nd auxiliary lines)**

Item	Part number	Description	Q'ty	Chan.	Serial No.	Serv.	Remarks
		VALVE ASSY, control					
13	<b>1100040816</b>	BOLT	2				
24	<b>1140020008</b>	WASHER, spring	2				
27	<b>1141110008</b>	WASHER	2				
38	X <b>*****</b>	VALVE ASSY, solenoid	1				
38-1	<b>1515100110</b>	· ELBOW	1				
	<b>1420010110</b>	· · O-RING	1				
38-2	<b>1901752100</b>	· VALVE, proportional control	1			M	
38-3	<b>0565033815</b>	· PLATE	1				
38-4	<b>1100040820</b>	· BOLT	2				
38-5	<b>1140020008</b>	· WASHER, spring	2				
38-6	<b>1141110008</b>	· WASHER	2				
38-7	<b>1515012040</b>	· ELBOW	2				
	<b>1420010110</b>	· · O-RING	1				
38-8	<b>1512370012</b>	· ELBOW (with filter)	1				
	<b>1420010110</b>	· · O-RING	1				
39	<b>0565051060</b>	HOSE ASSY	1				19348-52050
39-1	<b>1934852050</b>	* HOSE ASSY	1				
40	<b>0565033830</b>	HOSE ASSY	1				
40-1	<b>1934852050</b>	* HOSE ASSY	1				
41	<b>0565033840</b>	HOSE ASSY	1				
41-1	<b>1934822075</b>	* HOSE ASSY	1				
42	<b>0565033850</b>	HOSE ASSY	1				
42-1	<b>1934822070</b>	* HOSE ASSY	1				
43	<b>1513390043</b>	TEE	1				
	<b>L7d062</b>						

TB175 Book No. BL7Z000 S/N 17530001-  
VALVE & ACCESSORIES (1/3) (with 2nd & 4th auxiliary lines)



L7D070

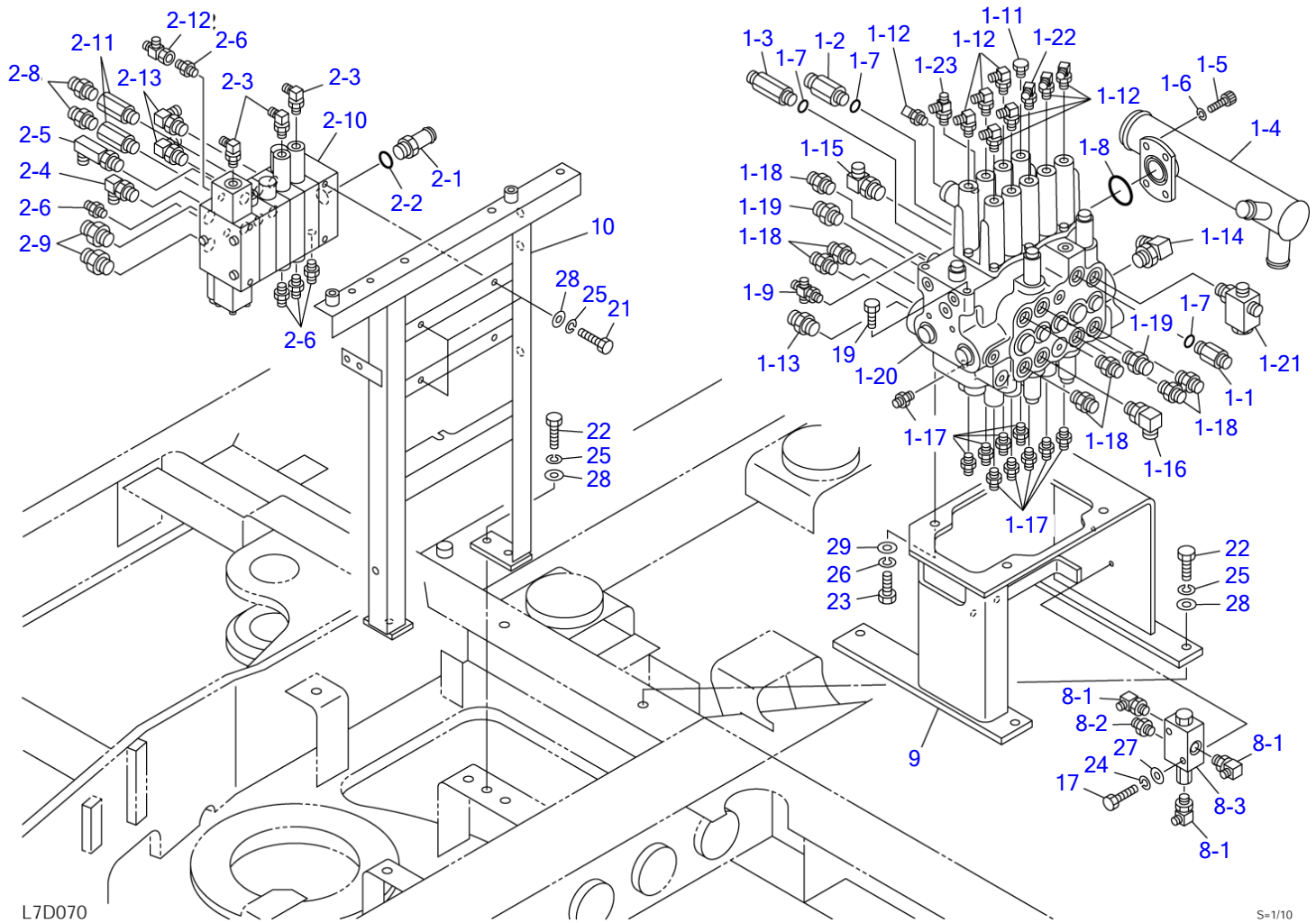
S=1/10



**VALVE & ACCESSORIES (1/3) (with 2nd & 4th auxiliary lines)**

Item	Part number	Description	Q'ty	Chan.	Serial No.	Serv.	Remarks
		VALVE ASSY, control					
1	X *****	VALVE, control	1				
1-1	0007203033	· ADAPTOR	1				
1-2	0007203076	· ADAPTOR	1				
1-3	0007203074	· ADAPTOR	1				
	1420010180	· · O-RING	1				
1-4	0565029140	· MANIFOLD	1				
1-5	1110041025	· SCREW, cap	4				
1-6	1140020010	· WASHER, spring	4				
1-7	1420010180	· O-RING	3				
1-8	1420100450	· O-RING	1				
1-9	1513390027	· TEE	1				
	1420010110	· · O-RING	1				
1-11	1501750002	· PLUG	1				
	1420010110	· · O-RING	1				
1-12	1515012040	· ELBOW	8				
	1420010110	· · O-RING	1				
1-13	1515600203	· ADAPTOR	1				
	1420010240	· · O-RING	1				
1-14	1515010043	· ELBOW	1				
	1420010240	· · O-RING	1				
1-15	1515010052	· ELBOW	1				
	1420010240	· · O-RING	1				
1-16	1515010132	· ELBOW	1				
	1420010180	· · O-RING	1				
1-17	1515600200	· ADAPTOR	10				
	1420010110	· · O-RING	1				
1-18	1515600202	· ADAPTOR	7				
	1420010180	· · O-RING	1				
1-19	1515600573	· ADAPTOR	2				
	1420010180	· · O-RING	1				
1-20	1901040700	· VALVE, control	1				
1-21	1901735400	· ADAPTOR	1				
	1420010180	* * O-RING	1				
1-22	0565029150	· ELBOW (with orifice)	1				
	1420010110	* * O-RING	1				
1-23	1512370011	· TEE	1				
	1420010110	· · O-RING	1				
2	X *****	VALVE, control	1				
2-1	0007224006	· ADAPTOR	1				
2-2	1420010180	· O-RING	1				
2-3	1515012040	· ELBOW	3				
	1420010110	· · O-RING	1				
2-4	1515010041	· ELBOW	1				
	1420010140	· · O-RING	1				
2-5	1515012511	· ELBOW	1				
	1420010140	· · O-RING	1				
2-6	1515600200	· ADAPTOR	5				
	1420010110	· · O-RING	1				
2-8	1515600572	· ADAPTOR	2				
	1420010140	· · O-RING	1				
2-9	1515600573	· ADAPTOR	2				
	1420010180	· · O-RING	1				
2-10	1901043800	· VALVE, control	1				
2-11	0007213023	· BUSHING	2				
	1420010140	· · O-RING	1				
2-12	1513390015	· TEE	1				
2-13	1515010131	· ELBOW	2				
	1420010140	· · O-RING	1				
8	X *****	VALVE ASSY					
8-1	1515012040	· ELBOW	3				
	1420010110	· · O-RING	1				
8-2	1515600200	· ADAPTOR	1				
	1420010110	· · O-RING	1				
8-3	1901734800	· VALVE	1				
9	0565029900	BRACKET	1				
10	0565051050	BRACKET	1				
17	1100040850	BOLT	2				

TB175 Book No. BL7Z000 S/N 17530001-  
VALVE & ACCESSORIES (1/3) (with 2nd & 4th auxiliary lines)



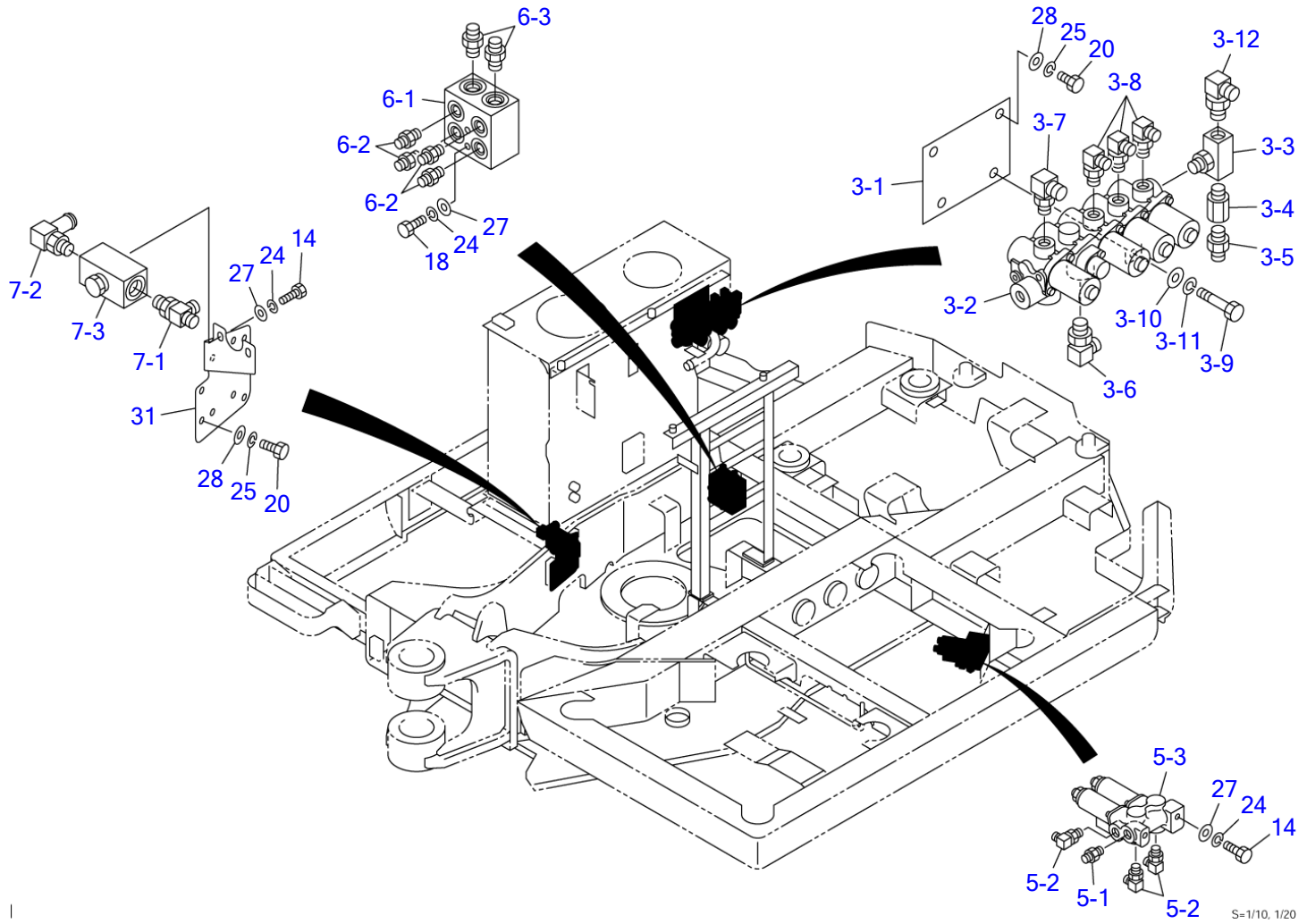
L7D070

S=1/10

**VALVE & ACCESSORIES (1/3) (with 2nd & 4th auxiliary lines)**

Item	Part number	Description	Q'ty	Chan.	Serial No.	Serv.	Remarks
19	<b>1100041016</b>	BOLT	3				
21	<b>1100041025</b>	BOLT	3				
22	<b>1100041030</b>	BOLT	7				
23	<b>1100041230</b>	BOLT	4				
24	<b>1140020008</b>	WASHER, spring	2				
25	<b>1140020010</b>	WASHER, spring	10				
26	<b>1140020012</b>	WASHER, spring	4				
27	<b>1141110008</b>	WASHER	2				
28	<b>1141110010</b>	WASHER	10				
29	<b>1141110012</b>	WASHER	4				
	<b>L7d072</b>						

TB175 Book No. BL7Z000 S/N 17530001-  
VALVE & ACCESSORIES (2/3) (with 2nd & 4th auxiliary lines)

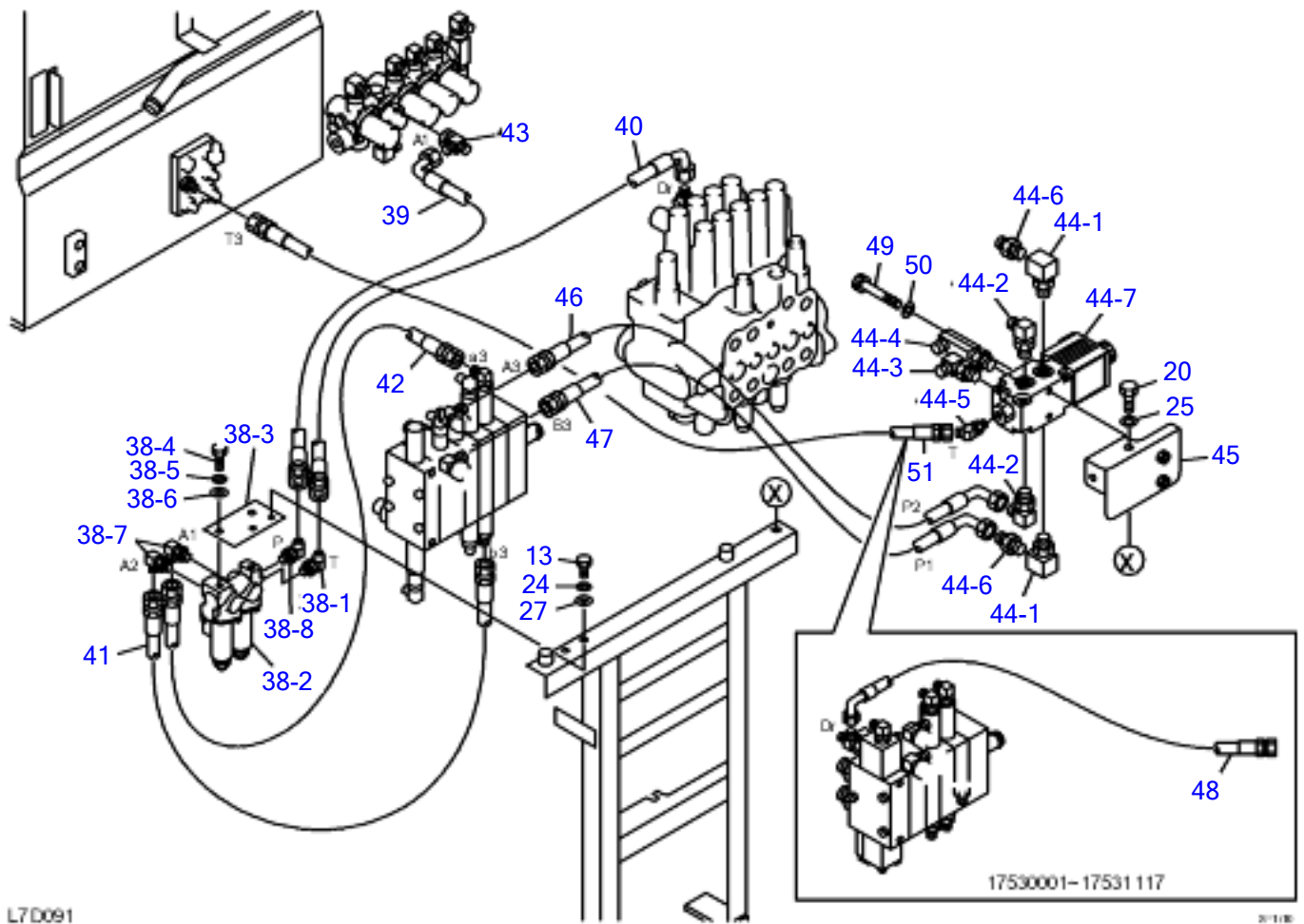


S-1/10, 1/20

**VALVE & ACCESSORIES (2/3) (with 2nd & 4th auxiliary lines)**

Item	Part number	Description	Q'ty	Chan.	Serial No.	Serv.	Remarks
		VALVE ASSY, control					
3	X *****	VALVE, solenoid	1				
3-1	0565051040	· PLATE	1				
3-2	1901752300	· VALVE, solenoid	1				M
3-3	1513370801	· TEE	1				M
	1420010140	· · O-RING	1				
3-4	1513370047	· ADAPTOR (with filter)	1				
	1420010140	· · O-RING	1				
3-5	1515600577	· ADAPTOR	1				
	1420010180	· · O-RING	1				
3-6	1515010051	· ELBOW	1				
	1420010180	· · O-RING	1				
3-7	1515010130	· ELBOW	1				
	1420010110	· · O-RING	1				
3-8	1515012040	· ELBOW	3				
	1420010110	· · O-RING	1				
3-9	1100041090	· BOLT	2				M
3-10	1141110010	· WASHER	2				
3-11	1140020010	· WASHER, spring	2				
3-12	1515010050	· ELBOW	1				
	1420010140	· · O-RING	1				
5	X *****	VALVE, solenoid	1				
5-1	1512370008	· ADAPTOR (with filter)	1				
	1420010110	· · O-RING	1				
5-2	1515012040	· ELBOW	3				
	1420010110	· · O-RING	1				
5-3	1901752100	· VALVE, proportional control	1				M
6	X *****	MANIFOLD	1				
6-1	0565029610	· MANIFOLD	1				
6-2	1515600202	· ADAPTOR	4				
	1420010180	· · O-RING	1				
6-3	1515600203	· ADAPTOR	2				
	1420010240	· · O-RING	1				
7	X *****	VALVE, stop	1				
7-1	1512373008	· TEE	1				
	1420010240	· · O-RING	1				
7-2	1513350005	· CONNECTOR	1				
	1420010240	· · O-RING	1				
7-3	1901723700	· VALVE, stop	1				
14	1100040820	BOLT	4				
18	1100040875	BOLT	2				
20	1100041020	BOLT	6				
24	1140020008	WASHER, spring	6				
25	1140020010	WASHER, spring	6				
27	1141110008	WASHER	6				
28	1141110010	WASHER	6				
31	0565033601	PLATE	1				
	L7d082						

TB175 Book No. BL7Z000 S/N 17530001-  
 VALVE & ACCESSORIES (3/3) (with 2nd & 4th auxiliary lines)

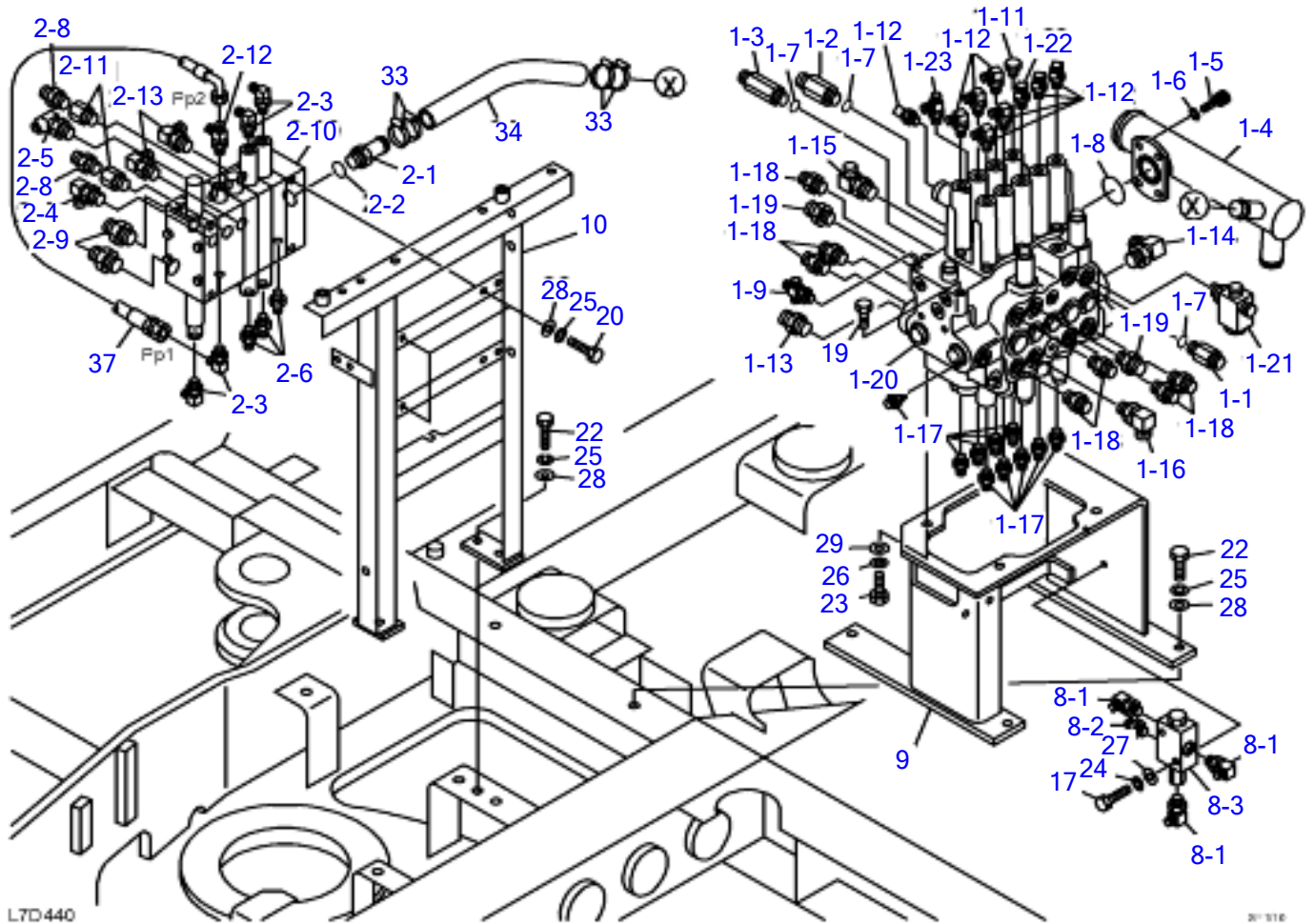


**VALVE & ACCESSORIES (3/3) (with 2nd & 4th auxiliary lines)**

Item	Part number	Description	Q'ty	Chan.	Serial No.	Serv.	Remarks
		VALVE ASSY, control					
13	1100040816	BOLT	2				
20	1100041020	BOLT	2				
24	1140020008	WASHER, spring	2				
25	1140020010	WASHER, spring	2				
27	1141110008	WASHER	2				
38	X *****	VALVE ASSY, solenoid	1				
38-1	1515100110	• ELBOW	1				
	1420010110	• • O-RING	1				
38-2	1901752100	• VALVE, proportional control	1			M	
38-3	0565033815	• PLATE	1				
38-4	1100040820	• BOLT	2				
38-5	1140020008	• WASHER, spring	2				
38-6	1141110008	• WASHER	2				
38-7	1515012040	• ELBOW	2				
	1420010110	• • O-RING	1				
38-8	1512370012	• ELBOW (with filter)	1				
	1420010110	• • O-RING	1				
39	0565051060	HOSE ASSY	1				19348-52050
39-1	1934852050	* HOSE ASSY	1				
40	0565033830	HOSE ASSY	1				
40-1	1934852050	* HOSE ASSY	1				
41	0565033840	HOSE ASSY	1				
41-1	1934822075	* HOSE ASSY	1				
42	0565033850	HOSE ASSY	1				
42-1	1934822070	* HOSE ASSY	1				
43	1513390043	TEE	1				
44	X *****	VALVE ASSY, solenoid	1				
44-1	1513300016	• ELBOW	2				
	1420010180	• • O-RING	1				
44-2	1515010042	• ELBOW	2				
	1420010180	• • O-RING	1				
44-3	1515010051	• ELBOW	1				
	1420010180	• • O-RING	1				
44-4	1515010517	• ELBOW	1				
	1420010180	• • O-RING	1				
44-5	1515100110	• ELBOW	1				
	1420010110	• • O-RING	1				
44-6	1515600202	• ADAPTOR	2				
	1420010180	• • O-RING	1				
44-7	1901749100	• VALVE, solenoid	1			M	
45	0565051230	BRACKET	1				
46	0565051240	HOSE ASSY	1				18015-41020
	0565051280	HOSE	1				
46-1	1801541020	* HOSE ASSY	1				
	1801541021	* HOSE ASSY	1				
47	0565051250	HOSE ASSY	1				18015-41027
	0565051290	HOSE ASSY	1				
47-1	1801541027	* HOSE ASSY	1				
	1801541028	* HOSE ASSY	1				
48	0565051260	HOSE ASSY	1				19348-52030
48-1	1934852030	* HOSE ASSY	1				
49	1110040870	SCREW, cap	2				
50	1140420008	WASHER, spring	2				
51	0565063230	HOSE ASSY	1				
51-1	1801022080	* HOSE ASSY	1				

L7d092

TB175 Book No. BL7Z000 S/N 17530001-  
VALVE & ACCESSORIES (1/3) (with 2nd & 4th auxiliary lines)

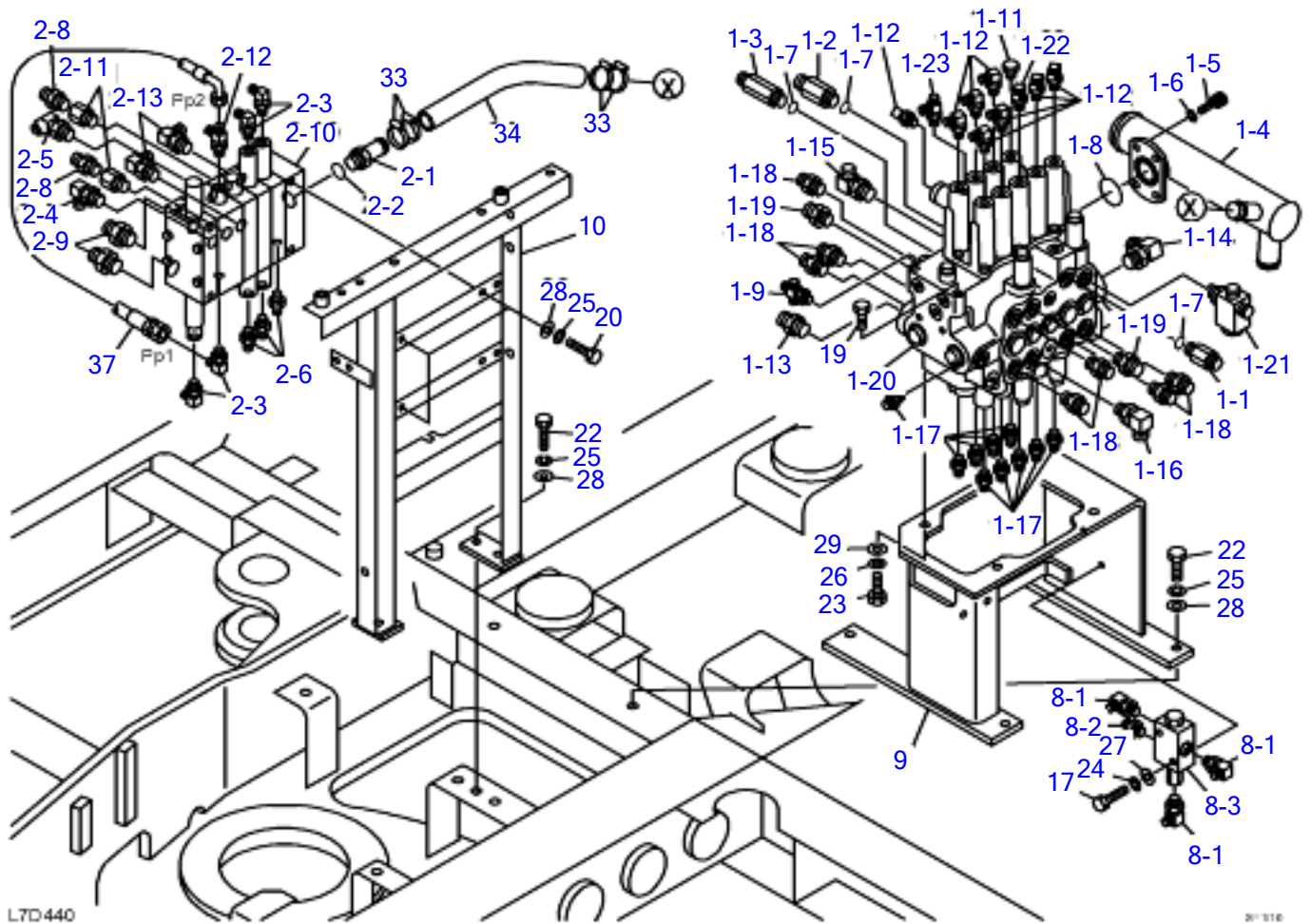




**VALVE & ACCESSORIES (1/3) (with 2nd & 4th auxiliary lines)**

Item	Part number	Description	Q'ty	Chan.	Serial No.	Serv.	Remarks
		VALVE ASSY, control					
1	X *****	VALVE, control	1				
1-1	0007203033	· ADAPTOR	1				
1-2	0007203076	· ADAPTOR	1				
1-3	0007203074	· ADAPTOR	1				
	1420010180	· · O-RING	1				
1-4	0565029140	· MANIFOLD	1				
1-5	1110041025	· SCREW, cap	4				
1-6	1140020010	· WASHER, spring	4				
1-7	1420010180	· O-RING	3				
1-8	1420100450	· O-RING	1				
1-9	1513390027	· TEE	1				
	1420010110	· · O-RING	1				
1-11	1501750002	· PLUG	1				
	1420010110	· · O-RING	1				
1-12	1515012040	· ELBOW	8				
	1420010110	· · O-RING	1				
1-13	1515600203	· ADAPTOR	1				
	1420010240	· · O-RING	1				
1-14	1515010043	· ELBOW	1				
	1420010240	· · O-RING	1				
1-15	1515010052	· ELBOW	1				
	1420010240	· · O-RING	1				
1-16	1515010132	· ELBOW	1				
	1420010180	· · O-RING	1				
1-17	1515600200	· ADAPTOR	10				
	1420010110	· · O-RING	1				
1-18	1515600202	· ADAPTOR	7				
	1420010180	· · O-RING	1				
1-19	1515600573	· ADAPTOR	2				
	1420010180	· · O-RING	1				
1-20	1901040700	· VALVE, control	1				
1-21	1901735400	· ADAPTOR	1				
	1420010180	* * O-RING	1				
1-22	0565029150	· ELBOW (with orifice)	1				
	1420010110	* * O-RING	1				
1-23	1512370011	· TEE	1				
	1420010110	· · O-RING	1				
2	X *****	VALVE, control	1				
2-1	0007224006	· ADAPTOR	1				
2-2	1420010180	· O-RING	1				
2-3	1515012040	· ELBOW	3				
	1420010110	· · O-RING	1				
2-4	1515010041	· ELBOW	1				
	1420010140	· · O-RING	1				
2-5	1515100111	· ELBOW	1				
	1420010140	· · O-RING	1				
2-6	1515600200	· ADAPTOR	5				
	1420010110	· · O-RING	1				
2-8	1515600572	· ADAPTOR	2				
	1420010140	· · O-RING	1				
2-9	1515600573	· ADAPTOR	2				
	1420010180	· · O-RING	1				
2-10	1901048200	· VALVE, control	1				
2-11	0007213023	· BUSHING	2				
	1420010140	· · O-RING	1				
2-12	1512370011	· TEE	1				
	1420010110	* * O-RING	1				
2-13	1515010131	· ELBOW	2				
	1420010140	· · O-RING	1				
8	X *****	VALVE ASSY	1				
8-1	1515012040	· ELBOW	3				
	1420010110	· · O-RING	1				
8-2	1515600200	· ADAPTOR	1				
	1420010110	· · O-RING	1				
8-3	1901734800	· VALVE	1				
9	0565029900	BRACKET	1				
10	0565051080	BRACKET	1				

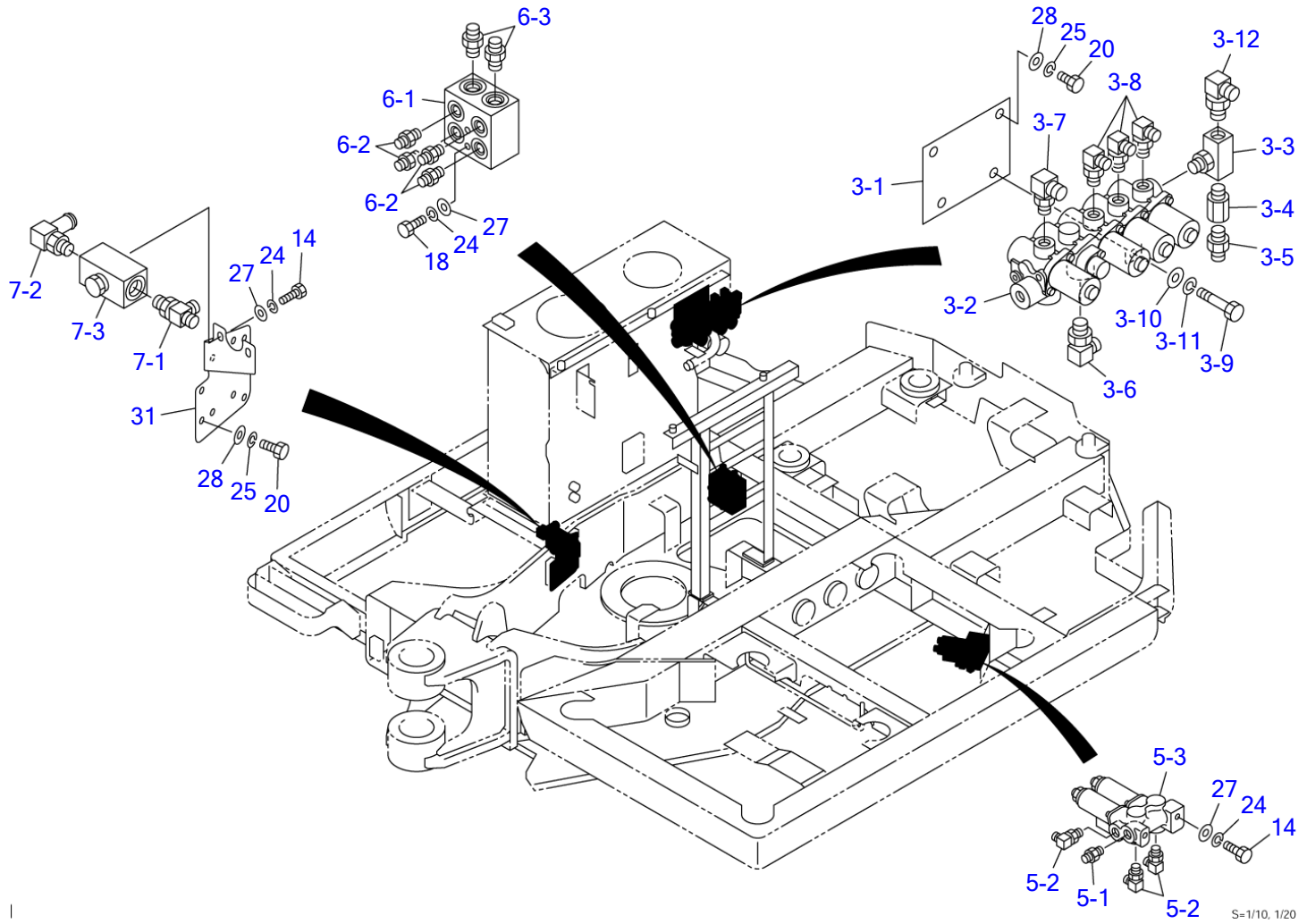
TB175 Book No. BL7Z000 S/N 17530001-  
VALVE & ACCESSORIES (1/3) (with 2nd & 4th auxiliary lines)



**VALVE & ACCESSORIES (1/3) (with 2nd & 4th auxiliary lines)**

Item	Part number	Description	Q'ty	Chan.	Serial No.	Serv.	Remarks
17	<b>1100040850</b>	BOLT	2				
19	<b>1100041016</b>	BOLT	3				
20	<b>1100041020</b>	BOLT	3				
22	<b>1100041030</b>	BOLT	7				
23	<b>1100041230</b>	BOLT	4				
24	<b>1140020008</b>	WASHER, spring	2				
25	<b>1140020010</b>	WASHER, spring	10				
26	<b>1140020012</b>	WASHER, spring	4				
27	<b>1141110008</b>	WASHER	2				
28	<b>1141110010</b>	WASHER	10				
29	<b>1141110012</b>	WASHER	4				
33	<b>1533700041</b>	BAND	4				
34	<b>1530525032</b>	HOSE	1				
37	<b>0565060040</b>	HOSE ASSY	1				
37-1	<b>1934852050</b>	* HOSE ASSY	1				
	<b>L7D440</b>						

TB175 Book No. BL7Z000 S/N 17530001-  
VALVE & ACCESSORIES (2/3) (with 2nd & 4th auxiliary lines)

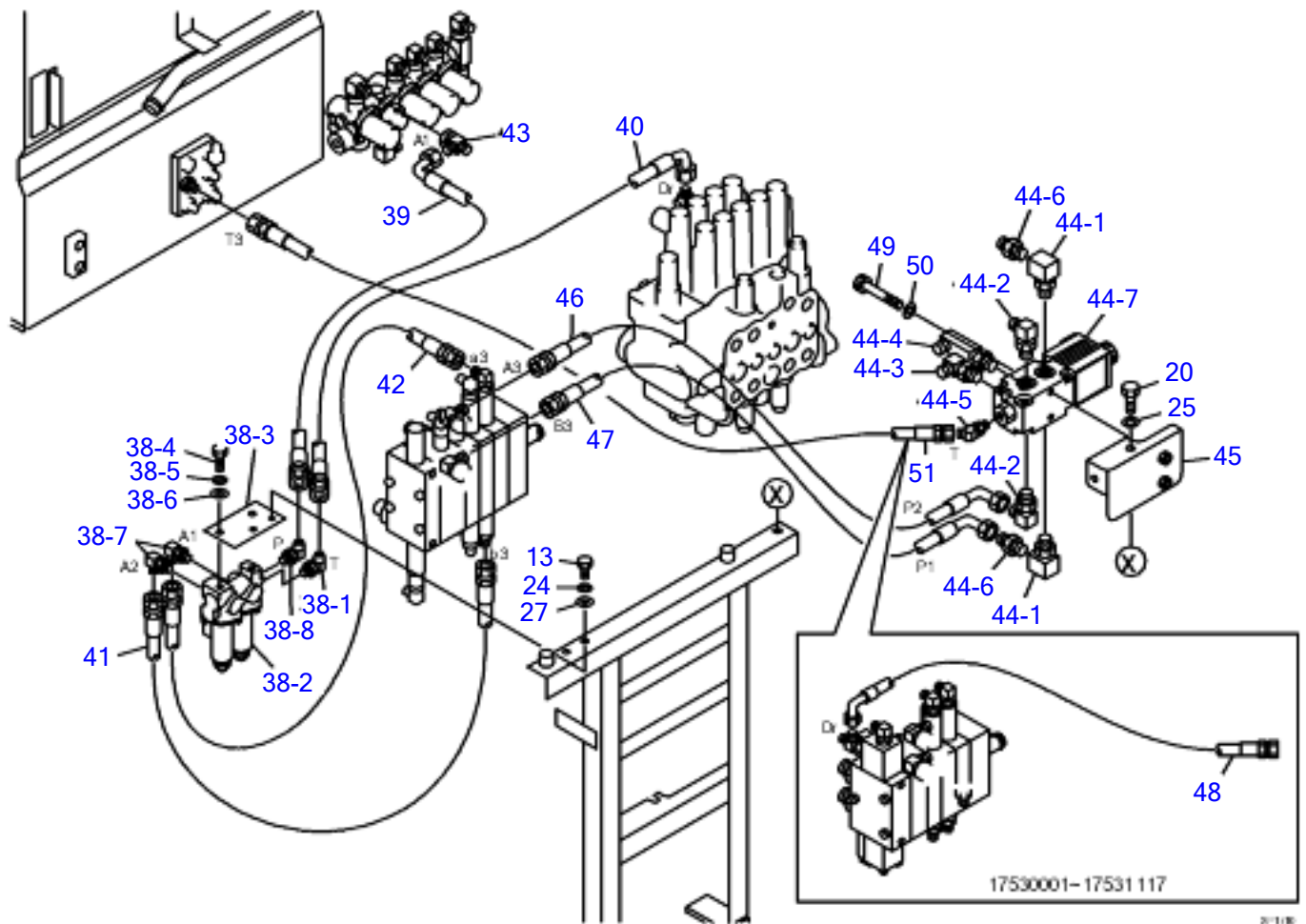


S-1/10, 1/20

**VALVE & ACCESSORIES (2/3) (with 2nd & 4th auxiliary lines)**

Item	Part number	Description	Q'ty	Chan.	Serial No.	Serv.	Remarks
		VALVE ASSY, control					
3	X *****	VALVE, solenoid	1				
3-1	0565051040	• PLATE	1				
3-2	1901752300	• VALVE, solenoid	1				M
3-3	1513370801	• TEE	1				M
	1420010140	• • O-RING	1				
3-4	1513370047	• ADAPTOR (with filter)	1				
	1420010140	• • O-RING	1				
3-5	1515600577	• ADAPTOR	1				
	1420010180	• • O-RING	1				
3-6	1515010051	• ELBOW	1				
	1420010180	• • O-RING	1				
3-7	1515010130	• ELBOW	1				
	1420010110	• • O-RING	1				
3-8	1515012040	• ELBOW	3				
	1420010110	• • O-RING	1				
3-9	1100041090	• BOLT	2				M
3-10	1141110010	• WASHER	2				
3-11	1140020010	• WASHER, spring	2				
3-12	1515010050	• ELBOW	1				
	1420010140	• • O-RING	1				
5	X *****	VALVE, solenoid	1				
5-1	1512370008	• ADAPTOR (with filter)	1				
	1420010110	• • O-RING	1				
5-2	1515012040	• ELBOW	3				
	1420010110	• • O-RING	1				
5-3	1901752100	• VALVE, proportional control	1				M
6	X *****	MANIFOLD	1				
6-1	0565029610	• MANIFOLD	1				
6-2	1515600202	• ADAPTOR	4				
	1420010180	• • O-RING	1				
6-3	1515600203	• ADAPTOR	2				
	1420010240	• • O-RING	1				
7	X *****	VALVE, stop	1				
7-1	1512373008	• TEE	1				
	1420010240	• • O-RING	1				
7-2	1513350005	• CONNECTOR	1				
	1420010240	• • O-RING	1				
7-3	1901723700	• VALVE, stop	1				
14	1100040820	BOLT	4				
18	1100040875	BOLT	2				
20	1100041020	BOLT	6				
24	1140020008	WASHER, spring	6				
25	1140020010	WASHER, spring	6				
27	1141110008	WASHER	6				
28	1141110010	WASHER	6				
31	0565033601	PLATE	1				
	L7d082						

TB175 Book No. BL7Z000 S/N 17530001-  
VALVE & ACCESSORIES (3/3) (with 2nd & 4th auxiliary lines)

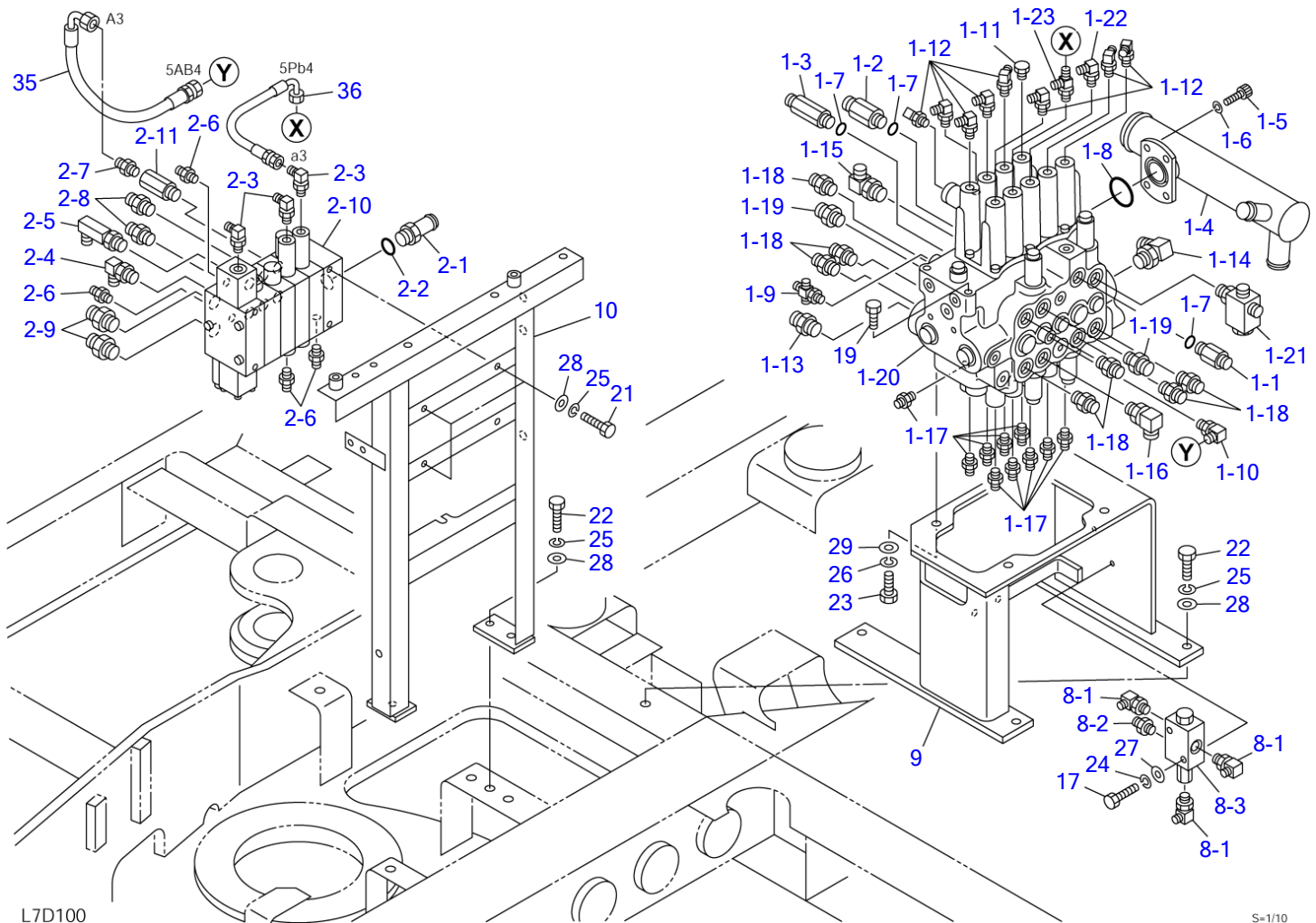


**VALVE & ACCESSORIES (3/3) (with 2nd & 4th auxiliary lines)**

Item	Part number	Description	Q'ty	Chan.	Serial No.	Serv.	Remarks
		VALVE ASSY, control					
13	1100040816	BOLT	2				
20	1100041020	BOLT	2				
24	1140020008	WASHER, spring	2				
25	1140020010	WASHER, spring	2				
27	1141110008	WASHER	2				
38	X *****	VALVE ASSY, solenoid	1				
38-1	1515100110	• ELBOW	1				
	1420010110	• • O-RING	1				
38-2	1901752100	• VALVE, proportional control	1			M	
38-3	0565033815	• PLATE	1				
38-4	1100040820	• BOLT	2				
38-5	1140020008	• WASHER, spring	2				
38-6	1141110008	• WASHER	2				
38-7	1515012040	• ELBOW	2				
	1420010110	• • O-RING	1				
38-8	1512370012	• ELBOW (with filter)	1				
	1420010110	• • O-RING	1				
39	0565051060	HOSE ASSY	1				19348-52050
39-1	1934852050	* HOSE ASSY	1				
40	0565033830	HOSE ASSY	1				
40-1	1934852050	* HOSE ASSY	1				
41	0565033840	HOSE ASSY	1				
41-1	1934822075	* HOSE ASSY	1				
42	0565033850	HOSE ASSY	1				
42-1	1934822070	* HOSE ASSY	1				
43	1513390043	TEE	1				
44	X *****	VALVE ASSY, solenoid	1				
44-1	1513300016	• ELBOW	2				
	1420010180	• • O-RING	1				
44-2	1515010042	• ELBOW	2				
	1420010180	• • O-RING	1				
44-3	1515010051	• ELBOW	1				
	1420010180	• • O-RING	1				
44-4	1515010517	• ELBOW	1				
	1420010180	• • O-RING	1				
44-5	1515100110	• ELBOW	1				
	1420010110	• • O-RING	1				
44-6	1515600202	• ADAPTOR	2				
	1420010180	• • O-RING	1				
44-7	1901749100	• VALVE, solenoid	1			M	
45	0565051230	BRACKET	1				
46	0565051240	HOSE ASSY	1				18015-41020
	0565051280	HOSE	1				
46-1	1801541020	* HOSE ASSY	1				
	1801541021	* HOSE ASSY	1				
47	0565051250	HOSE ASSY	1				18015-41027
	0565051290	HOSE ASSY	1				
47-1	1801541027	* HOSE ASSY	1				
	1801541028	* HOSE ASSY	1				
48	0565051260	HOSE ASSY	1				19348-52030
48-1	1934852030	* HOSE ASSY	1				
49	1110040870	SCREW, cap	2				
50	1140420008	WASHER, spring	2				
51	0565063230	HOSE ASSY	1				
51-1	1801022080	* HOSE ASSY	1				

L7d092

TB175 Book No. BL7Z000 S/N 17530001-  
VALVE & ACCESSORIES (1/2) (high flow)



L7D100

S=1/10



**VALVE & ACCESSORIES (1/2) (high flow)**

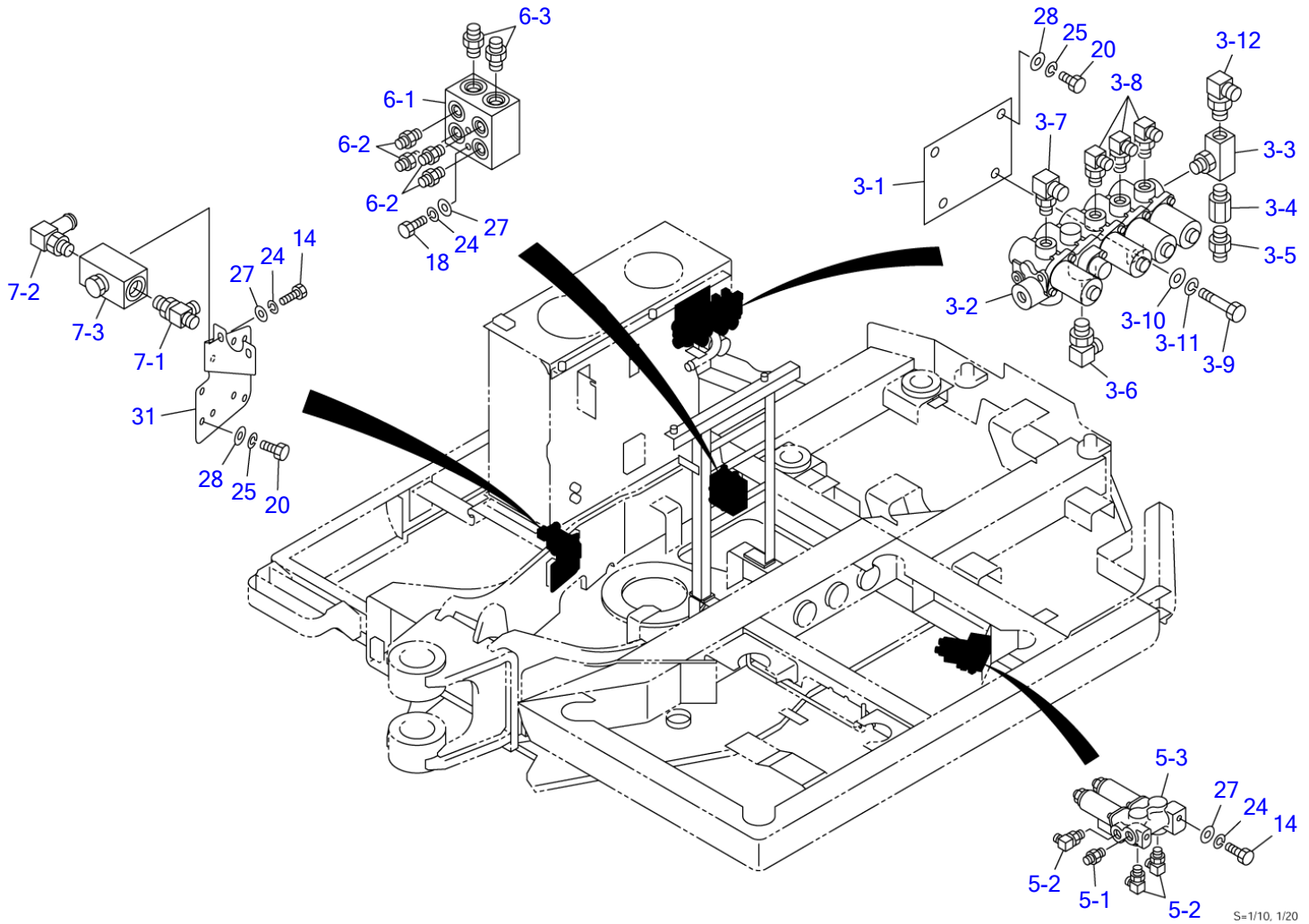
Item	Part number	Description	Q'ty	Chan.	Serial No.	Serv.	Remarks
		VALVE ASSY, control					
1	X *****	VALVE SUB ASSY, control	1				
1-1	0007203033	• ADAPTOR	1				
1-2	0007203076	• ADAPTOR	1				
1-3	0007203074	• ADAPTOR	1				
	1420010180	• • O-RING	1				
1-4	0565029140	• MANIFOLD	1				
1-5	1110041025	• SCREW, cap	4				
1-6	1140020010	• WASHER, spring	4				
1-7	1420010180	• O-RING	3				
1-8	1420100450	• O-RING	1				
1-9	1513390027	• TEE	1				
	1420010110	• • O-RING	1				
1-10	1515010041	• ELBOW	1				
	1420010140	• • O-RING	1				
1-11	1501750002	• PLUG	1				
	1420010110	• • O-RING	1				
1-12	1515012040	• ELBOW	9				
	1420010110	• • O-RING	1				
1-13	1515600203	• ADAPTOR	1				
	1420010240	• • O-RING	1				
1-14	1515010043	• ELBOW	1				
	1420010240	• • O-RING	1				
1-15	1515010052	• ELBOW	1				
	1420010240	• • O-RING	1				
1-16	1515010132	• ELBOW	1				
	1420010180	• • O-RING	1				
1-17	1515600200	• ADAPTOR	10				
	1420010110	• • O-RING	1				
1-18	1515600202	• ADAPTOR	7				
	1420010180	• • O-RING	1				
1-19	1515600573	• ADAPTOR	2				
	1420010180	• • O-RING	1				
1-20	1901040700	• VALVE, control	1				
1-21	1901735400	• ADAPTOR	1				
1-22	0565029150	• ELBOW (with orifice)	1				
1-23	1512370011	• TEE	1				
	1420010110	• • O-RING	1				
2	X *****	VALVE ASSY, control	1				
2-1	0007224006	• ADAPTOR	1				
2-2	1420010180	• O-RING	1				
2-3	1515012040	• ELBOW	3				
	1420010110	• • O-RING	1				
2-4	1515010041	• ELBOW	1				
	1420010140	• • O-RING	1				
2-5	1515012511	• ELBOW	1				
	1420010140	• • O-RING	1				
2-6	1515600200	• ADAPTOR	4				
	1420010110	• • O-RING	1				
2-7	1515600201	• ADAPTOR	1				
	1420010140	• • O-RING	1				
2-8	1515600572	• ADAPTOR	2				
	1420010140	• • O-RING	1				
2-9	1515600573	• ADAPTOR	2				
	1420010180	• • O-RING	1				
2-10	1901043900	• VALVE, control	1				
2-11	1901739500	• VALVE, check	1				
8	X *****	VALVE ASSY	1				
8-1	1515012040	• ELBOW	3				
	1420010110	• • O-RING	1				
8-2	1515600200	• ADAPTOR	1				
	1420010110	• • O-RING	1				
8-3	1901734800	• VALVE	1				
9	0565029900	BRACKET	1				
10	0565051050	BRACKET	1				
17	1100040850	BOLT	2				
19	1100041016	BOLT	3				
21	1100041025	BOLT	3				



**VALVE & ACCESSORIES (1/2) (high flow)**

Item	Part number	Description	Q'ty	Chan.	Serial No.	Serv.	Remarks
22	<b>1100041030</b>	BOLT	7				
23	<b>1100041230</b>	BOLT	4				
24	<b>1140020008</b>	WASHER, spring	2				
25	<b>1140020010</b>	WASHER, spring	10				
26	<b>1140020012</b>	WASHER, spring	4				
27	<b>1141110008</b>	WASHER	2				
28	<b>1141110010</b>	WASHER	10				
29	<b>1141110012</b>	WASHER	4				
35	<b>0565030550</b>	HOSE ASSY	1				
36	<b>0565030560</b>	HOSE ASSY	1				19348-52026
36-1	<b>1934852026</b>	* * HOSE ASSY	1				
	<b>L7d102</b>						

TB175 Book No. BL7Z000 S/N 17530001-  
VALVE & ACCESSORIES (2/2) (high flow)

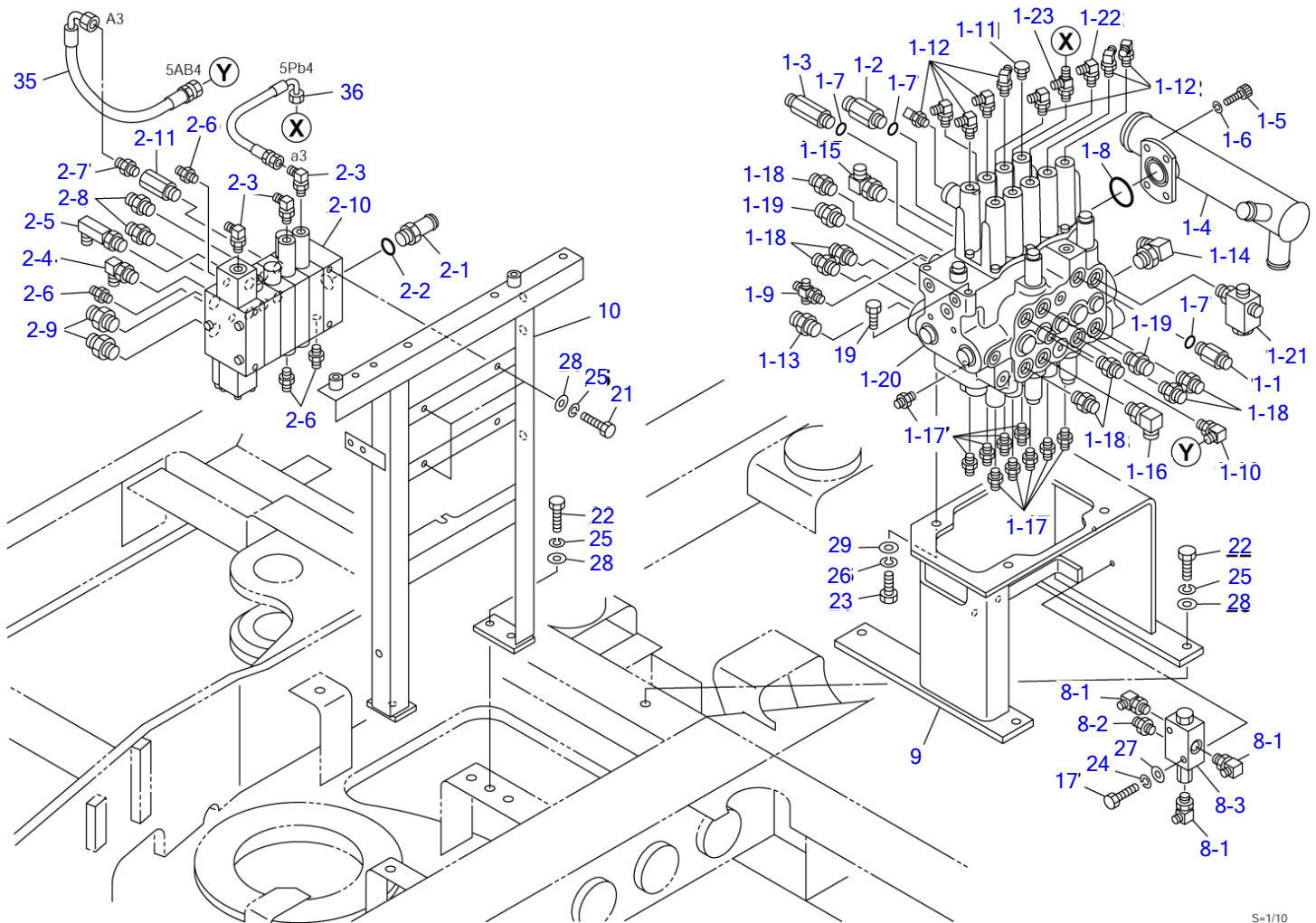


S-1/10, 1/20

**VALVE & ACCESSORIES (2/2) (high flow)**

Item	Part number	Description	Q'ty	Chan.	Serial No.	Serv.	Remarks
		VALVE ASSY, control					
3	X *****	VALVE, solenoid	1				
3-1	0565051040	• PLATE	1				
3-2	1901752300	• VALVE, solenoid	1			M	
3-3	1513370801	• TEE	1			M	
	1420010140	• • O-RING	1				
3-4	1513370047	• ADAPTOR (with filter)	1				
	1420010140	• • O-RING	1				
3-5	1515600577	• ADAPTOR	1				
	1420010180	• • O-RING	1				
3-6	1515010051	• ELBOW	1				
	1420010180	• • O-RING	1				
3-7	1515010130	• ELBOW	1				
	1420010110	• • O-RING	1				
3-8	1515012040	• ELBOW	3				
	1420010110	• • O-RING	1				
3-9	1100041090	• BOLT	2			M	
3-10	1141110010	• WASHER	2				
3-11	1140020010	• WASHER, spring	2				
3-12	1515010050	• ELBOW	1				
	1420010140	• • O-RING	1				
5	X *****	VALVE, solenoid	1				
5-1	1512370008	• ADAPTOR (with filter)	1				
	1420010110	• • O-RING	1				
5-2	1515012040	• ELBOW	3				
	1420010110	• • O-RING	1				
5-3	1901752100	• VALVE, proportional control	1			M	
6	X *****	MANIFOLD	1				
6-1	0565029610	• MANIFOLD	1				
6-2	1515600202	• ADAPTOR	4				
	1420010180	• • O-RING	1				
6-3	1515600203	• ADAPTOR	2				
	1420010240	• • O-RING	1				
7	X *****	VALVE, stop	1				
7-1	1512373008	• TEE	1				
	1420010240	• • O-RING	1				
7-2	1513350005	• CONNECTOR	1				
	1420010240	• • O-RING	1				
7-3	1901723700	• VALVE, stop	1				
14	1100040820	BOLT	4				
18	1100040875	BOLT	2				
20	1100041020	BOLT	6				
24	1140020008	WASHER, spring	6				
25	1140020010	WASHER, spring	6				
27	1141110008	WASHER	6				
28	1141110010	WASHER	6				
31	0565033601	PLATE	1				
	L7d112						

TB175 Book No. BL7Z000 S/N 17530001-  
**VALVE & ACCESSORIES (1/2) (high flow)**

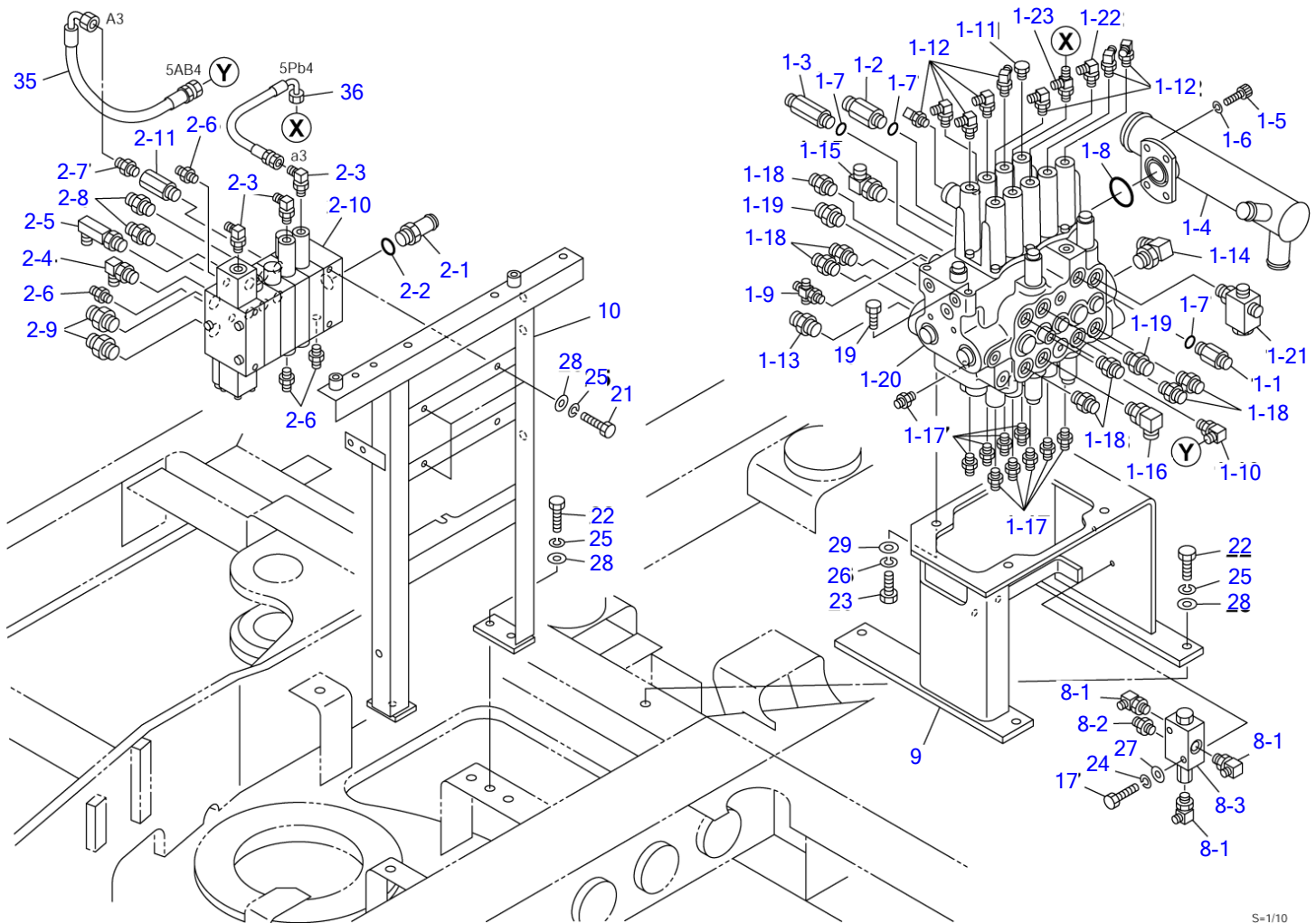


S=1/10

**VALVE & ACCESSORIES (1/2) (high flow)**

Item	Part number	Description	Q'ty	Chan.	Serial No.	Serv.	Remarks
		VALVE ASSY, control					
1	X *****	VALVE SUB ASSY, control	1				
1-1	0007203033	· ADAPTOR	1				
1-2	0007203076	· ADAPTOR	1				
1-3	0007203074	· ADAPTOR	1				
	1420010180	· · O-RING	1				
1-4	0565029140	· MANIFOLD	1				
1-5	1110041025	· SCREW, cap	4				
1-6	1140020010	· WASHER, spring	4				
1-7	1420010180	· O-RING	3				
1-8	1420100450	· O-RING	1				
1-9	1513390027	· TEE	1				
	1420010110	· · O-RING	1				
1-10	1515010041	* ELBOW	1				
	1420010140	* * O-RING	1				
1-11	1501750002	· PLUG	1				
	1420010110	· · O-RING	1				
1-12	1515012040	· ELBOW	9				
	1420010110	· · O-RING	1				
1-13	1515600203	· ADAPTOR	1				
	1420010240	· · O-RING	1				
1-14	1515010043	· ELBOW	1				
	1420010240	· · O-RING	1				
1-15	1515010052	· ELBOW	1				
	1420010240	· · O-RING	1				
1-16	1515010132	· ELBOW	1				
	1420010180	· · O-RING	1				
1-17	1515600200	· ADAPTOR	10				
	1420010110	· · O-RING	1				
1-18	1515600202	· ADAPTOR	7				
	1420010180	· · O-RING	1				
1-19	1515600573	· ADAPTOR	2				
	1420010180	· · O-RING	1				
1-20	1901040700	· VALVE, control	1				
1-21	1901735400	· ADAPTOR	1				
	1420010180	* * O-RING	1				
1-22	0565029150	· ELBOW (with orifice)	1				
	1420010110	* * O-RING	1				
1-23	1512370011	· TEE	1				
	1420010110	· · O-RING	1				
2	X *****	VALVE ASSY, control	1				
2-1	0007224006	· ADAPTOR	1				
2-2	1420010180	· O-RING	1				
2-3	1515012040	· ELBOW	3				
	1420010110	· · O-RING	1				
2-4	1515010041	· ELBOW	1				
	1420010140	· · O-RING	1				
2-5	1515100111	· ELBOW	1				
	1420010140	· · O-RING	1				
2-6	1515600200	· ADAPTOR	4				
	1420010110	· · O-RING	1				
2-7	1515600201	* ADAPTOR	1				
	1420010140	* * O-RING	1				
2-8	1515600572	· ADAPTOR	2				
	1420010140	· · O-RING	1				
2-9	1515600573	· ADAPTOR	2				
	1420010180	· · O-RING	1				
2-10	1901048200	· VALVE, control	1				
2-11	1901739500	* CHECK VALVE	1				
2-12	0007213023	* BUSHING	1				
	1420010140	* * O-RING	1				
2-13	1512370011	* TEE	1				
	1420010110	* * O-RING	1				
8	X *****	VALVE ASSY	1				
8-1	1515012040	· ELBOW	3				
	1420010110	· · O-RING	1				
8-2	1515600200	· ADAPTOR	1				
	1420010110	· · O-RING	1				

TB175 Book No. BL7Z000 S/N 17530001-  
**VALVE & ACCESSORIES (1/2) (high flow)**



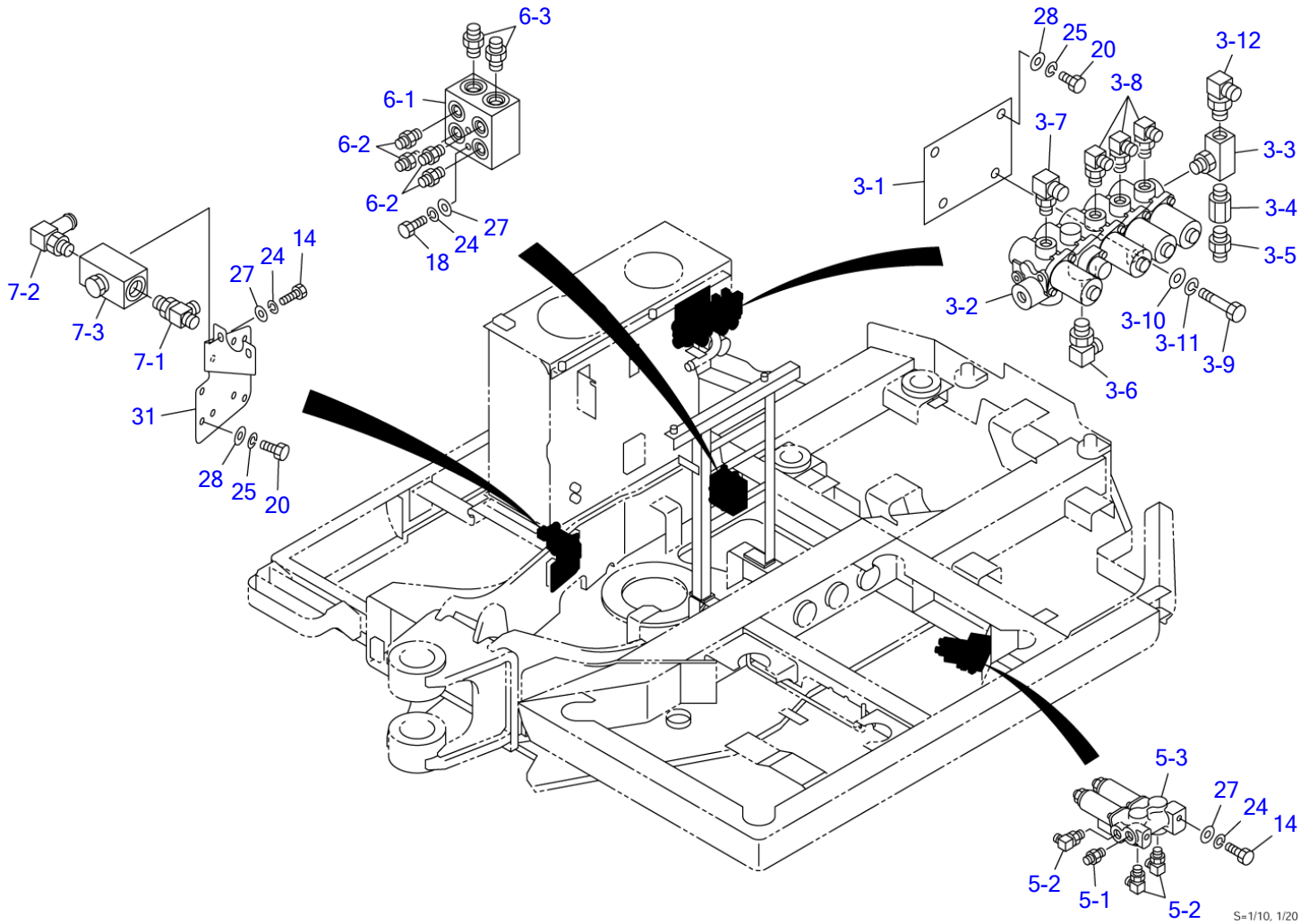
S=1/10



**VALVE & ACCESSORIES (1/2) (high flow)**

Item	Part number	Description	Q'ty	Chan.	Serial No.	Serv.	Remarks
8-3	<b>1901734800</b>	• VALVE	1				
9	<b>0565029900</b>	BRACKET	1				
10	<b>0565051080</b>	BRACKET	1				
17	<b>1100040850</b>	BOLT	2				
19	<b>1100041016</b>	BOLT	3				
20	<b>1100041020</b>	BOLT	3				
22	<b>1100041030</b>	BOLT	7				
23	<b>1100041230</b>	BOLT	4				
24	<b>1140020008</b>	WASHER, spring	2				
25	<b>1140020010</b>	WASHER, spring	10				
26	<b>1140020012</b>	WASHER, spring	4				
27	<b>1141110008</b>	WASHER	2				
28	<b>1141110010</b>	WASHER	10				
29	<b>1141110012</b>	WASHER	4				
33	<b>1533700041</b>	BAND	4				
34	<b>1530525032</b>	HOSE	1				
35	<b>0565063330</b>	HOSE ASSY	1				
35-1	<b>1802521040</b>	* HOSE ASSY	1				
36	<b>0565063340</b>	HOSE ASSY	1				
36-1	<b>1934852030</b>	* HOSE ASSY	1				
37	<b>0565060040</b>	HOSE ASSY	1				
37-1	<b>1934852050</b>	* HOSE ASSY	1				
	<b>L7D450</b>						

TB175 Book No. BL7Z000 S/N 17530001-  
VALVE & ACCESSORIES (2/2) (high flow)

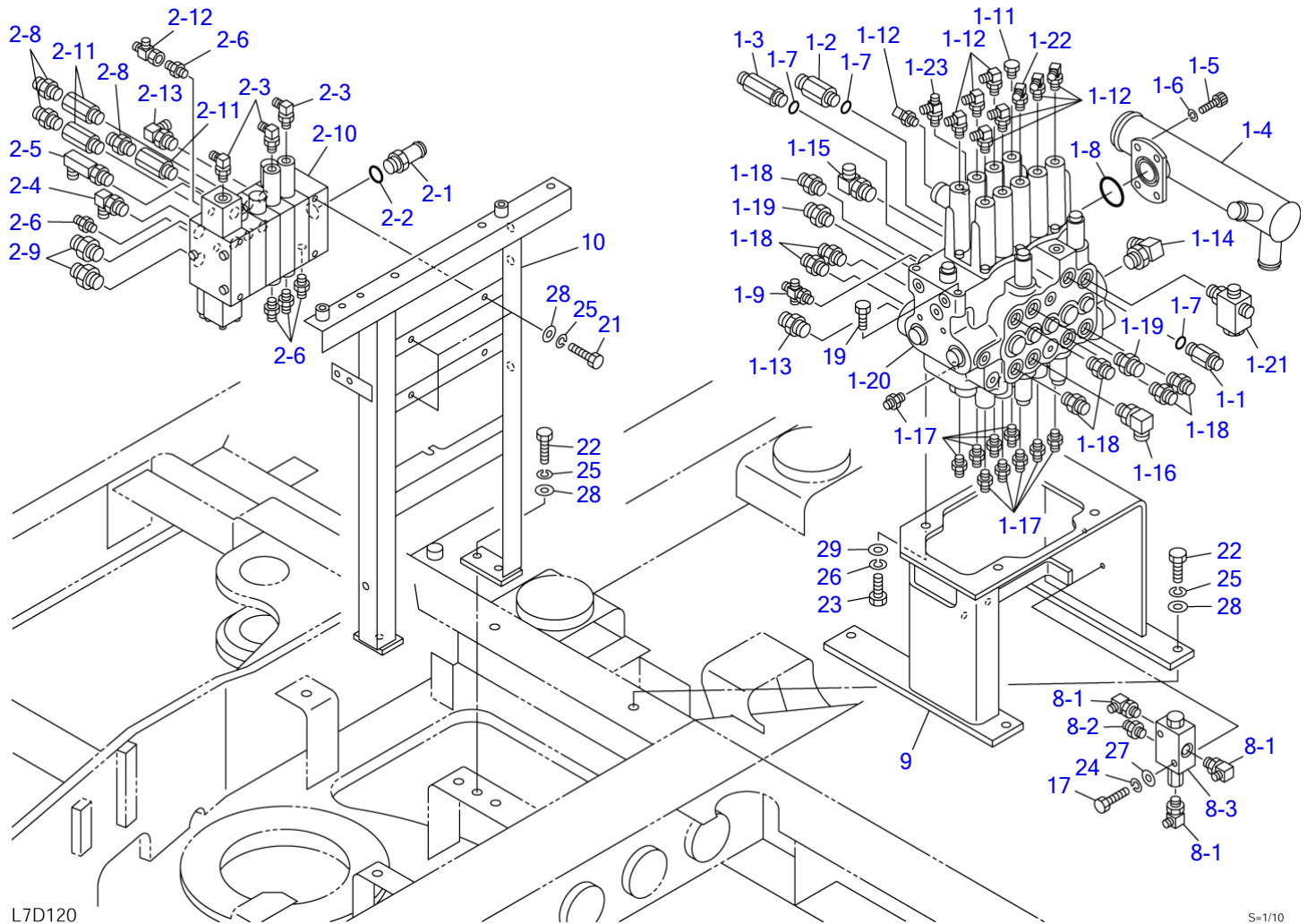


S-1/10, 1/20

**VALVE & ACCESSORIES (2/2) (high flow)**

Item	Part number	Description	Q'ty	Chan.	Serial No.	Serv.	Remarks
		VALVE ASSY, control					
3	X *****	VALVE, solenoid	1				
3-1	0565051040	• PLATE	1				
3-2	1901752300	• VALVE, solenoid	1			M	
3-3	1513370801	• TEE	1			M	
	1420010140	• • O-RING	1				
3-4	1513370047	• ADAPTOR (with filter)	1				
	1420010140	• • O-RING	1				
3-5	1515600577	• ADAPTOR	1				
	1420010180	• • O-RING	1				
3-6	1515010051	• ELBOW	1				
	1420010180	• • O-RING	1				
3-7	1515010130	• ELBOW	1				
	1420010110	• • O-RING	1				
3-8	1515012040	• ELBOW	3				
	1420010110	• • O-RING	1				
3-9	1100041090	• BOLT	2			M	
3-10	1141110010	• WASHER	2				
3-11	1140020010	• WASHER, spring	2				
3-12	1515010050	• ELBOW	1				
	1420010140	• • O-RING	1				
5	X *****	VALVE, solenoid	1				
5-1	1512370008	• ADAPTOR (with filter)	1				
	1420010110	• • O-RING	1				
5-2	1515012040	• ELBOW	3				
	1420010110	• • O-RING	1				
5-3	1901752100	• VALVE, proportional control	1			M	
6	X *****	MANIFOLD	1				
6-1	0565029610	• MANIFOLD	1				
6-2	1515600202	• ADAPTOR	4				
	1420010180	• • O-RING	1				
6-3	1515600203	• ADAPTOR	2				
	1420010240	• • O-RING	1				
7	X *****	VALVE, stop	1				
7-1	1512373008	• TEE	1				
	1420010240	• • O-RING	1				
7-2	1513350005	• CONNECTOR	1				
	1420010240	• • O-RING	1				
7-3	1901723700	• VALVE, stop	1				
14	1100040820	BOLT	4				
18	1100040875	BOLT	2				
20	1100041020	BOLT	6				
24	1140020008	WASHER, spring	6				
25	1140020010	WASHER, spring	6				
27	1141110008	WASHER	6				
28	1141110010	WASHER	6				
31	0565033601	PLATE	1				
	L7d112						

TB175 Book No. BL7Z000 S/N 17530001-  
VALVE & ACCESSORIES (1/3) (with high pressure 3rd & 4th auxiliary lines)



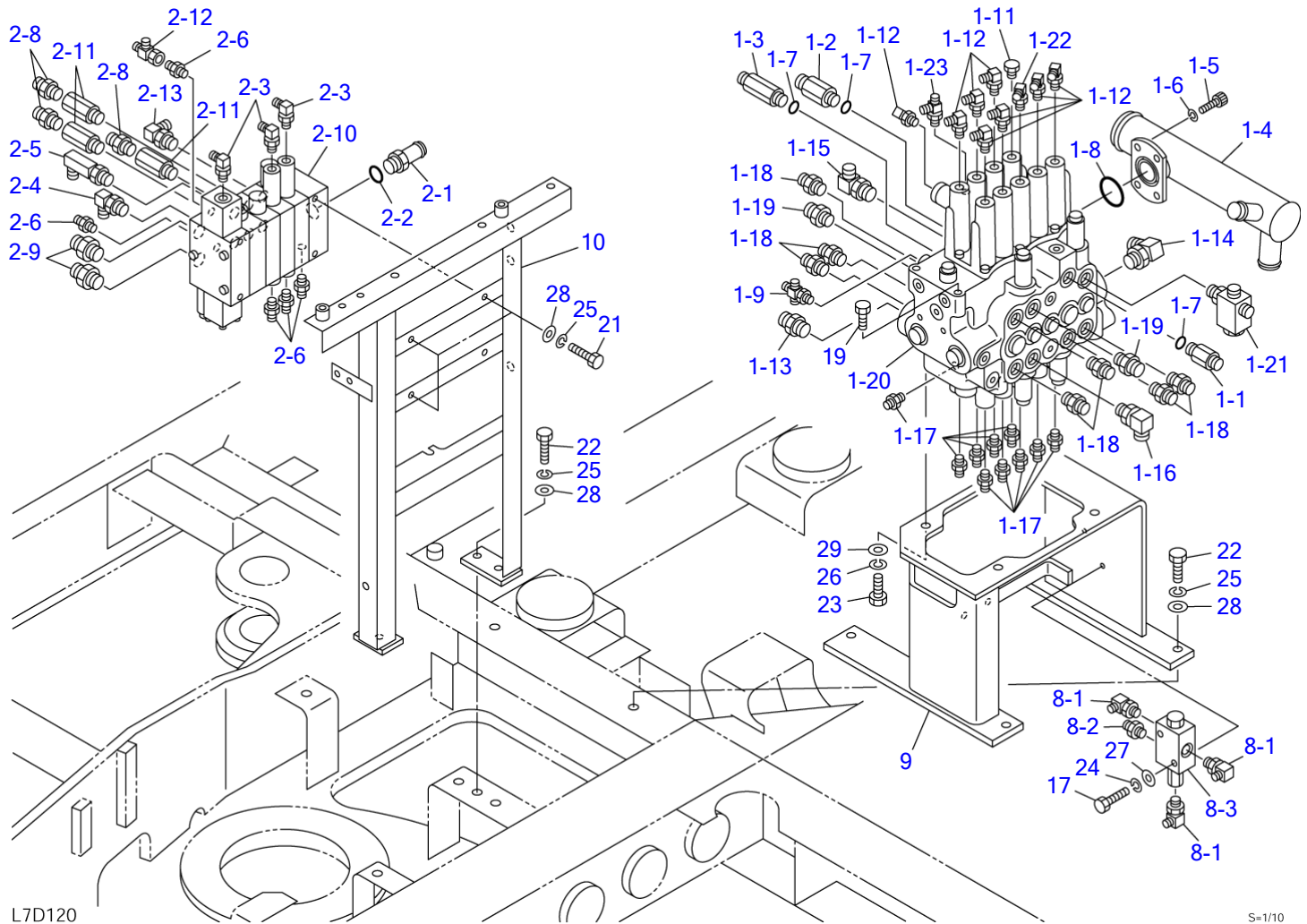
L7D120

S-1/10

**VALVE & ACCESSORIES (1/3) (with high pressure 3rd & 4th auxiliary lines)**

Item	Part number	Description	Q'ty	Chan.	Serial No.	Serv.	Remarks
		VALVE ASSY, control					
1	X *****	VALVE, control	1				
1-1	0007203033	· ADAPTOR	1				
1-2	0007203076	· ADAPTOR	1				
1-3	0007203074	· ADAPTOR	1				
	1420010180	· · O-RING	1				
1-4	0565029140	· MANIFOLD	1				
1-5	1110041025	· SCREW, cap	4				
1-6	1140020010	· WASHER, spring	4				
1-7	1420010180	· O-RING	3				
1-8	1420100450	· O-RING	1				
1-9	1513390027	· TEE	1				
	1420010110	· · O-RING	1				
1-11	1501750002	· PLUG	1				
	1420010110	· · O-RING	1				
1-12	1515012040	· ELBOW	8				
	1420010110	· · O-RING	1				
1-13	1515600203	· ADAPTOR	1				
	1420010240	· · O-RING	1				
1-14	1515010043	· ELBOW	1				
	1420010240	· · O-RING	1				
1-15	1515010052	· ELBOW	1				
	1420010240	· · O-RING	1				
1-16	1515010132	· ELBOW	1				
	1420010180	· · O-RING	1				
1-17	1515600200	· ADAPTOR	10				
	1420010110	· · O-RING	1				
1-18	1515600202	· ADAPTOR	7				
	1420010180	· · O-RING	1				
1-19	1515600573	· ADAPTOR	2				
	1420010180	· · O-RING	1				
1-20	1901040700	· VALVE, control	1				
1-21	1901735400	· ADAPTOR	1				
	1420010180	* * O-RING	1				
1-22	0565029150	· ELBOW (with orifice)	1				
	1420010110	* * O-RING	1				
1-23	1512370011	· TEE	1				
	1420010110	· · O-RING	1				
2	X *****	VALVE, control	1				
2-1	0007224006	· ADAPTOR	1				
2-2	1420010180	· O-RING	1				
2-3	1515012040	· ELBOW	3				
	1420010110	· · O-RING	1				
2-4	1515010041	· ELBOW	1				
	1420010140	· · O-RING	1				
2-5	1515012511	· ELBOW	1				
	1420010140	· · O-RING	1				
2-6	1515600200	· ADAPTOR	5				
	1420010110	· · O-RING	1				
2-8	1515600572	· ADAPTOR	3				
	1420010140	· · O-RING	1				
2-9	1515600573	· ADAPTOR	2				
	1420010180	· · O-RING	1				
2-10	1901043800	· VALVE, control	1				
2-11	0007213023	· BUSHING	3				
	1420010140	· · O-RING	1				
2-12	1513390015	· TEE	1				
2-13	1515010131	· ELBOW	1				
	1420010140	· · O-RING	1				
8	X *****	VALVE ASSY	1				
8-1	1515012040	· ELBOW	3				
	1420010110	· · O-RING	1				
8-2	1515600200	· ADAPTOR	1				
	1420010110	· · O-RING	1				
8-3	1901734800	· VALVE	1				
9	0565029900	BRACKET	1				
10	0565051050	BRACKET	1				
17	1100040850	BOLT	2				

TB175 Book No. BL7Z000 S/N 17530001-  
VALVE & ACCESSORIES (1/3) (with high pressure 3rd & 4th auxiliary lines)



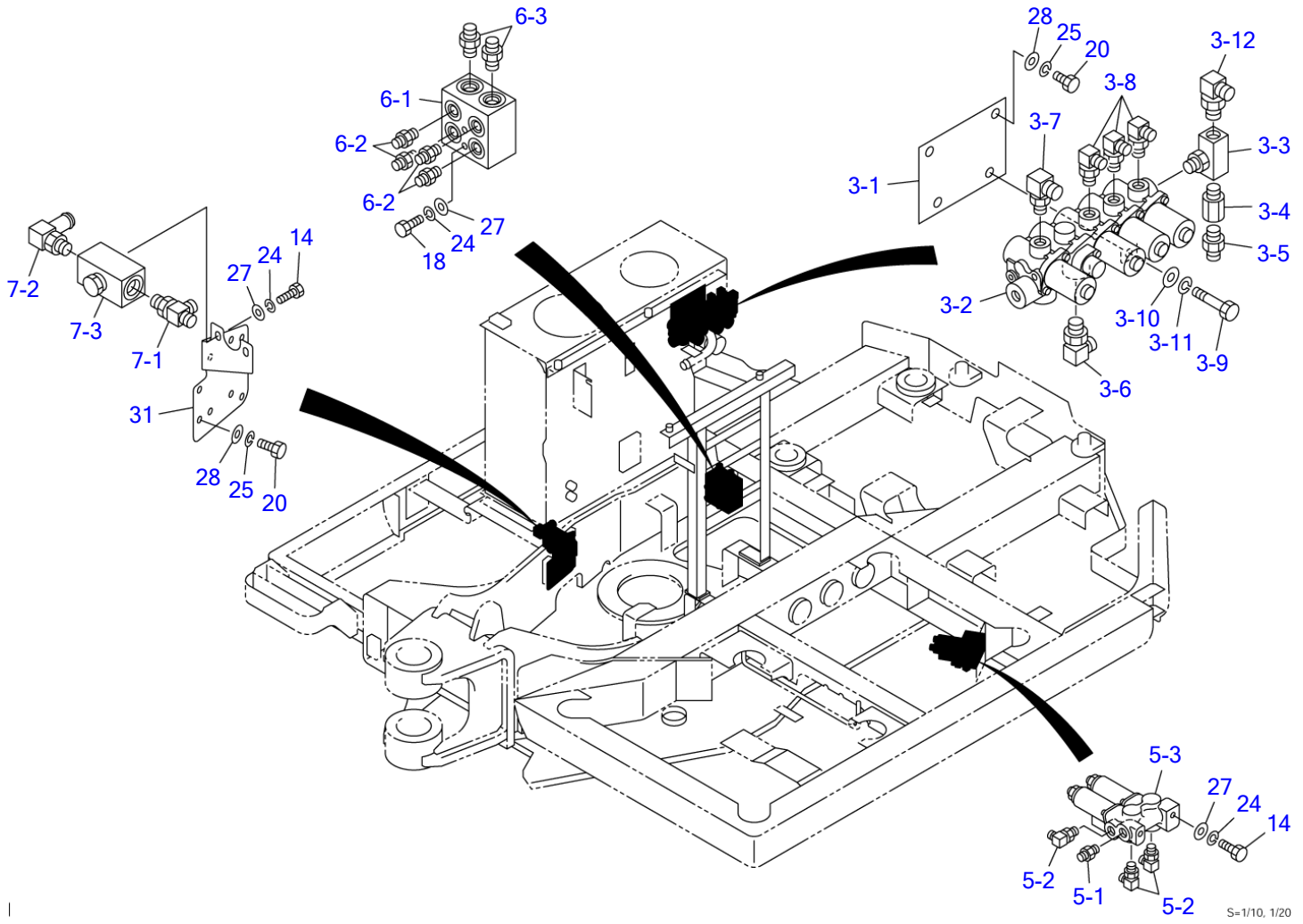
L7D120

S-1/10

**VALVE & ACCESSORIES (1/3) (with high pressure 3rd & 4th auxiliary lines)**

Item	Part number	Description	Q'ty	Chan.	Serial No.	Serv.	Remarks
19	<b>1100041016</b>	BOLT	3				
21	<b>1100041025</b>	BOLT	3				
22	<b>1100041030</b>	BOLT	7				
23	<b>1100041230</b>	BOLT	4				
24	<b>1140020008</b>	WASHER, spring	2				
25	<b>1140020010</b>	WASHER, spring	10				
26	<b>1140020012</b>	WASHER, spring	4				
27	<b>1141110008</b>	WASHER	2				
28	<b>1141110010</b>	WASHER	10				
29	<b>1141110012</b>	WASHER	4				
	<b>L7d122</b>						

TB175 Book No. BL7Z000 S/N 17530001-  
VALVE & ACCESSORIES (2/3) (with high pressure 3rd & 4th auxiliary lines)



S-1/10, 1/20

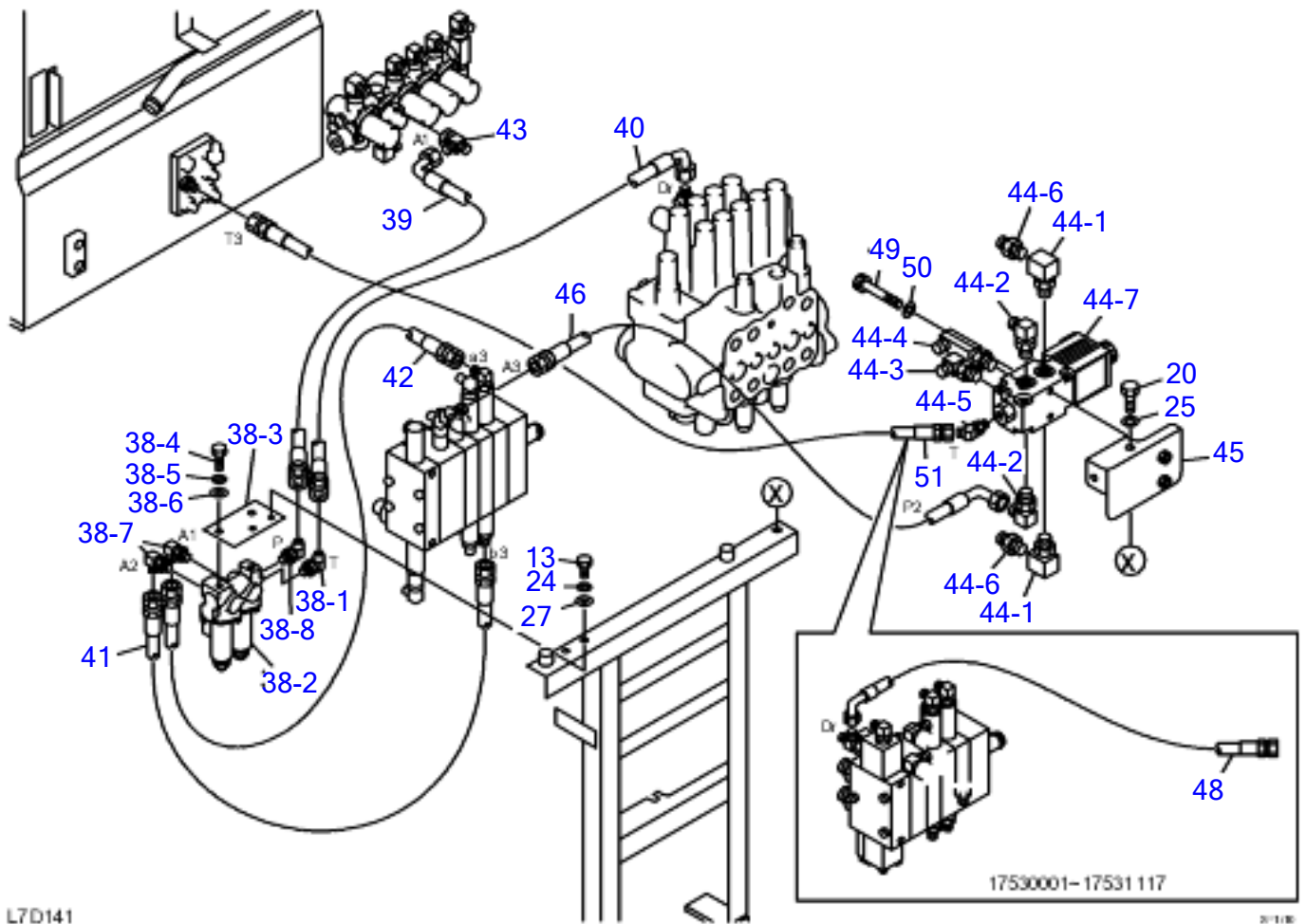


**VALVE & ACCESSORIES (2/3) (with high pressure 3rd & 4th auxiliary lines)**

Item	Part number	Description	Q'ty	Chan.	Serial No.	Serv.	Remarks
		VALVE ASSY, control					
3	X *****	VALVE, solenoid	1				
3-1	0565051040	• PLATE	1				
3-2	1901752300	• VALVE, solenoid	1				M
3-3	1513370801	• TEE	1				M
	1420010140	• • O-RING	1				
3-4	1513370047	• ADAPTOR (with filter)	1				
	1420010140	• • O-RING	1				
3-5	1515600577	• ADAPTOR	1				
	1420010180	• • O-RING	1				
3-6	1515010051	• ELBOW	1				
	1420010180	• • O-RING	1				
3-7	1515010130	• ELBOW	1				
	1420010110	• • O-RING	1				
3-8	1515012040	• ELBOW	3				
	1420010110	• • O-RING	1				
3-9	1100041090	• BOLT	2				M
3-10	1141110010	• WASHER	2				
3-11	1140020010	• WASHER, spring	2				
3-12	1515010050	• ELBOW	1				
	1420010140	• • O-RING	1				
5	X *****	VALVE, solenoid	1				
5-1	1512370008	• ADAPTOR (with filter)	1				
	1420010110	• • O-RING	1				
5-2	1515012040	• ELBOW	3				
	1420010110	• • O-RING	1				
5-3	1901752100	• VALVE, proportional control	1				M
6	X *****	MANIFOLD	1				
6-1	0565029610	• MANIFOLD	1				
6-2	1515600202	• ADAPTOR	4				
	1420010180	• • O-RING	1				
6-3	1515600203	• ADAPTOR	2				
	1420010240	• • O-RING	1				
7	X *****	VALVE, stop	1				
7-1	1512373008	• TEE	1				
	1420010240	• • O-RING	1				
7-2	1513350005	• CONNECTOR	1				
	1420010240	• • O-RING	1				
7-3	1901723700	• VALVE, stop	1				
14	1100040820	BOLT	4				
18	1100040875	BOLT	2				
20	1100041020	BOLT	6				
24	1140020008	WASHER, spring	6				
25	1140020010	WASHER, spring	6				
27	1141110008	WASHER	6				
28	1141110010	WASHER	6				
31	0565033601	PLATE	1				

L7d132

TB175 Book No. BL7Z000 S/N 17530001-  
**VALVE & ACCESSORIES (3/3) (with high pressure 3rd & 4th auxiliary lines)**



L7D141

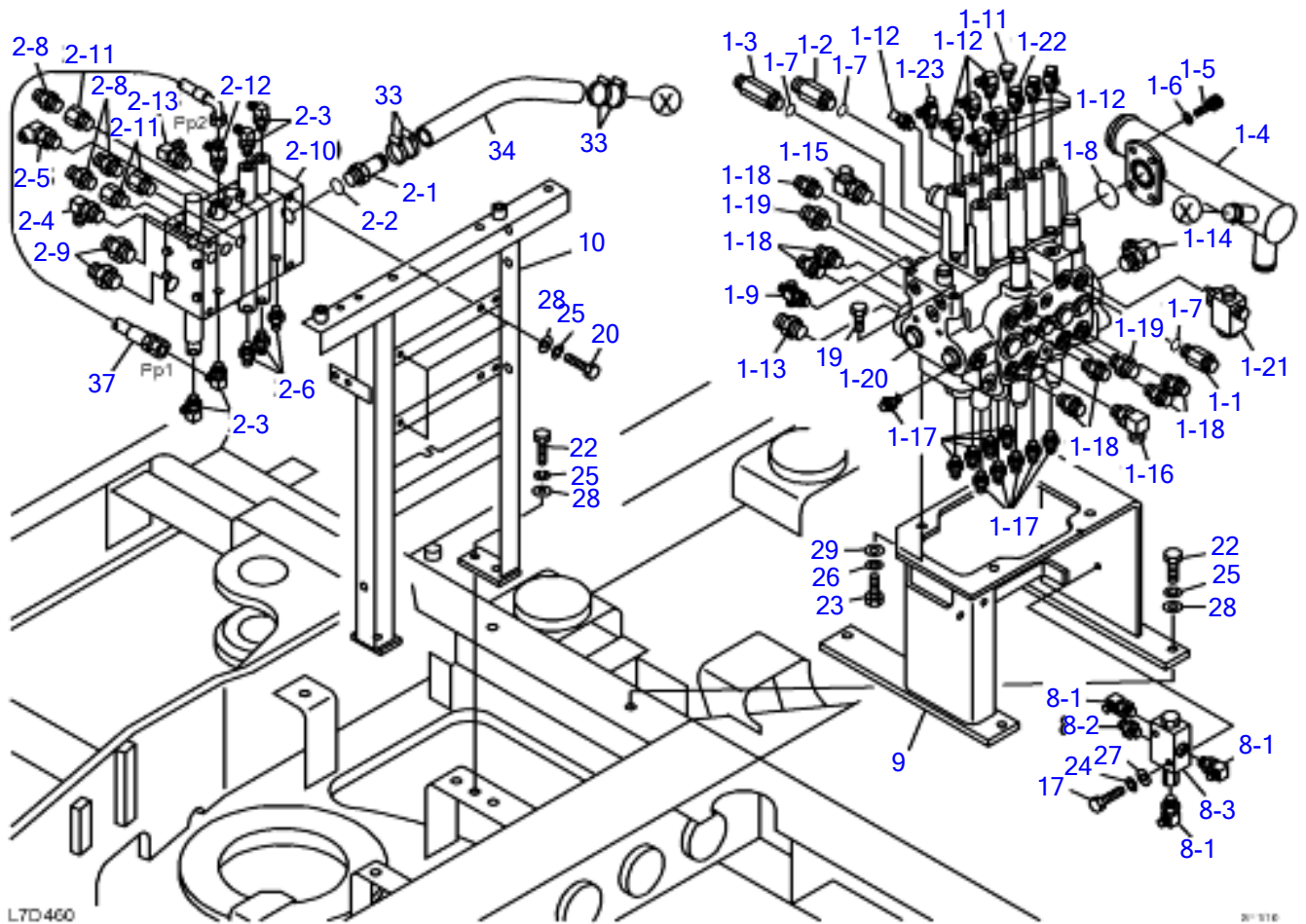
2/1/88

**VALVE & ACCESSORIES (3/3) (with high pressure 3rd & 4th auxiliary lines)**

Item	Part number	Description	Q'ty	Chan.	Serial No.	Serv.	Remarks
		VALVE ASSY, control					
13	1100040816	BOLT	2				
20	1100041020	BOLT	2				
24	1140020008	WASHER, spring	2				
25	1140020010	WASHER, spring	2				
27	1141110008	WASHER	2				
38	X *****	VALVE ASSY, solenoid	1				
38-1	1515100110	• ELBOW	1				
	1420010110	• • O-RING	1				
38-2	1901752100	• VALVE, proportional control	1			M	
38-3	0565033815	• PLATE	1				
38-4	1100040820	• BOLT	2				
38-5	1140020008	• WASHER, spring	2				
38-6	1141110008	• WASHER	2				
38-7	1515012040	• ELBOW	2				
	1420010110	• • O-RING	1				
38-8	1512370012	• ELBOW (with filter)	1				
	1420010110	• • O-RING	1				
39	0565051060	HOSE ASSY	1				19348-52050
39-1	1934852050	* HOSE ASSY	1				
40	0565033830	HOSE ASSY	1				
40-1	1934852050	* HOSE ASSY	1				
41	0565033840	HOSE ASSY	1				
41-1	1934822075	* HOSE ASSY	1				
42	0565033850	HOSE ASSY	1				
42-1	1934822070	* HOSE ASSY	1				
43	1513390043	TEE	1				
44	X *****	VALVE ASSY, solenoid	1				
44-1	1513300016	• ELBOW	2				
	1420010180	• • O-RING	1				
44-2	1515010042	• ELBOW	2				
	1420010180	• • O-RING	1				
44-3	1515010051	• ELBOW	1				
	1420010180	• • O-RING	1				
44-4	1515010517	• ELBOW	1				
	1420010180	• • O-RING	1				
44-5	1515100110	• ELBOW	1				
	1420010110	• • O-RING	1				
44-6	1515600202	• ADAPTOR	2				
	1420010180	• • O-RING	1				
44-7	1901749100	• VALVE, solenoid	1			M	
45	0565051230	BRACKET	1				
46	0565051240	HOSE ASSY	1				18015-41020
	0565051280	HOSE ASSY	1				
46-1	1801541020	* HOSE ASSY	1				
	1801541021	* HOSE ASSY	1				
48	0565051260	HOSE ASSY	1				19348-52030
48-1	1934852030	* HOSE ASSY	1				
49	1110040870	SCREW, cap	2				
50	1140420008	WASHER, spring	2				
51	0565063230	HOSE ASSY	1				
51-1	1801022080	* HOSE ASSY	1				

L7d142

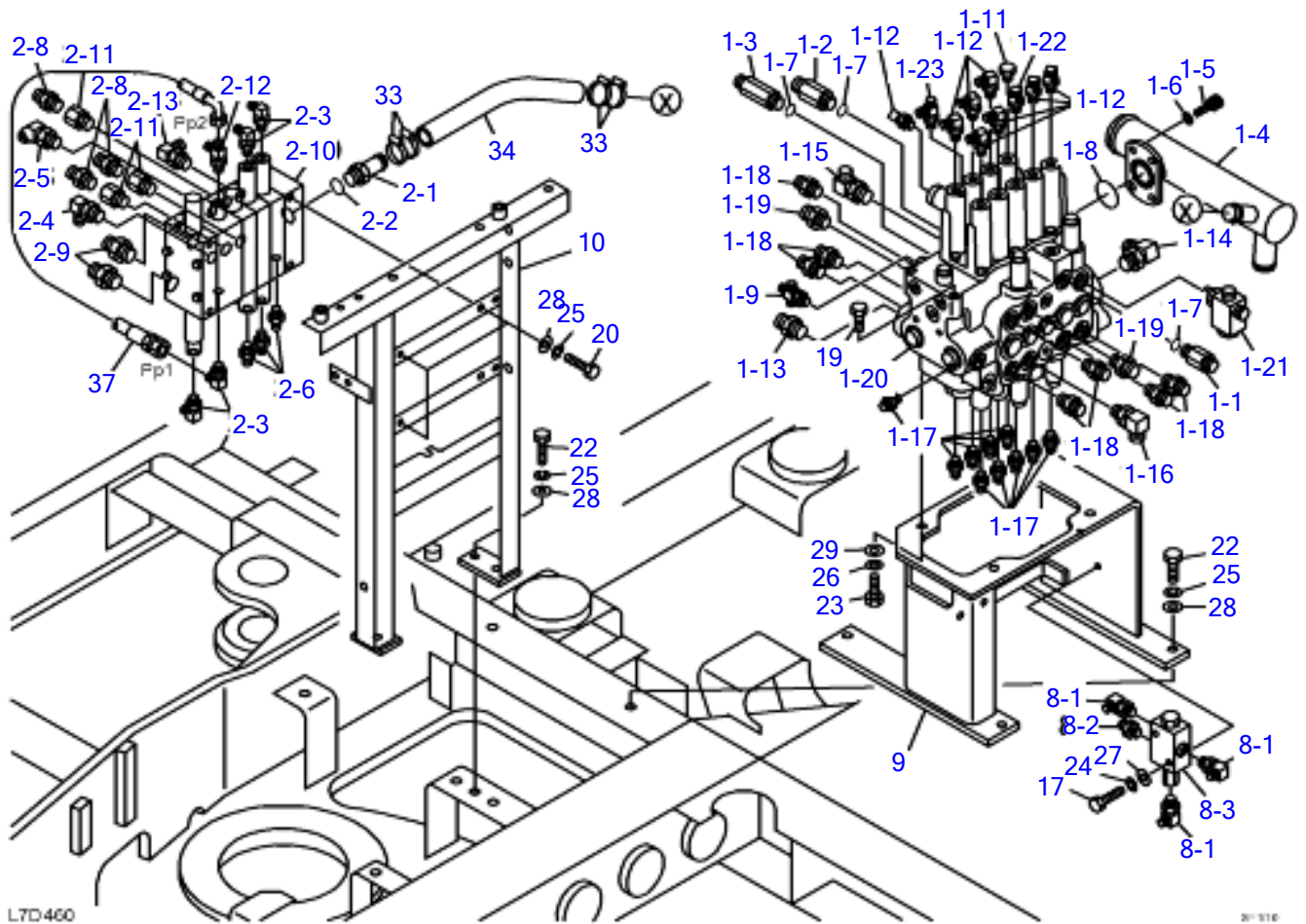
TB175 Book No. BL7Z000 S/N 17530001-  
VALVE & ACCESSORIES (1/2) (high flow)



**VALVE & ACCESSORIES (1/2) (high flow)**

Item	Part number	Description	Q'ty	Chan.	Serial No.	Serv.	Remarks
		VALVE ASSY, control					
1	X *****	VALVE SUB ASSY, control	1				
1-1	0007203033	· ADAPTOR	1				
1-2	0007203076	· ADAPTOR	1				
1-3	0007203074	· ADAPTOR	1				
	1420010180	· · O-RING	1				
1-4	0565029140	· MANIFOLD	1				
1-5	1110041025	· SCREW, cap	4				
1-6	1140020010	· WASHER, spring	4				
1-7	1420010180	· O-RING	3				
1-8	1420100450	· O-RING	1				
1-9	1513390027	· TEE	1				
	1420010110	· · O-RING	1				
1-11	1501750002	· PLUG	1				
	1420010110	· · O-RING	1				
1-12	1515012040	· ELBOW	9				
	1420010110	· · O-RING	1				
1-13	1515600203	· ADAPTOR	1				
	1420010240	· · O-RING	1				
1-14	1515010043	· ELBOW	1				
	1420010240	· · O-RING	1				
1-15	1515010052	· ELBOW	1				
	1420010240	· · O-RING	1				
1-16	1515010132	· ELBOW	1				
	1420010180	· · O-RING	1				
1-17	1515600200	· ADAPTOR	10				
	1420010110	· · O-RING	1				
1-18	1515600202	· ADAPTOR	7				
	1420010180	· · O-RING	1				
1-19	1515600573	· ADAPTOR	2				
	1420010180	· · O-RING	1				
1-20	1901040700	· VALVE, control	1				
1-21	1901735400	· ADAPTOR	1				
	1420010180	* * O-RING	1				
1-22	0565029150	· ELBOW (with orifice)	1				
	1420010110	* * O-RING	1				
1-23	1512370011	· TEE	1				
	1420010110	· · O-RING	1				
2	X *****	VALVE ASSY, control	1				
2-1	0007224006	· ADAPTOR	1				
2-2	1420010180	· O-RING	1				
2-3	1515012040	· ELBOW	3				
	1420010110	· · O-RING	1				
2-4	1515010041	· ELBOW	1				
	1420010140	· · O-RING	1				
2-5	1515100111	· ELBOW	1				
	1420010140	· · O-RING	1				
2-6	1515600200	· ADAPTOR	4				
	1420010110	· · O-RING	1				
2-8	1515600572	· ADAPTOR	2				
	1420010140	· · O-RING	1				
2-9	1515600573	· ADAPTOR	2				
	1420010180	· · O-RING	1				
2-10	1901048200	· VALVE, control	1				
2-11	0007213023	* BUSHING	1				
	1420010140	* * O-RING	1				
2-12	1512370011	* TEE	1				
	1420010110	* * O-RING	1				
2-13	1515010131	* ELBOW	1				
	1420010140	* * O-RING	1				
8	X *****	VALVE ASSY	1				
8-1	1515012040	· ELBOW	3				
	1420010110	· · O-RING	1				
8-2	1515600200	· ADAPTOR	1				
	1420010110	· · O-RING	1				
8-3	1901734800	· VALVE	1				
9	0565029900	BRACKET	1				
10	0565051080	BRACKET	1				

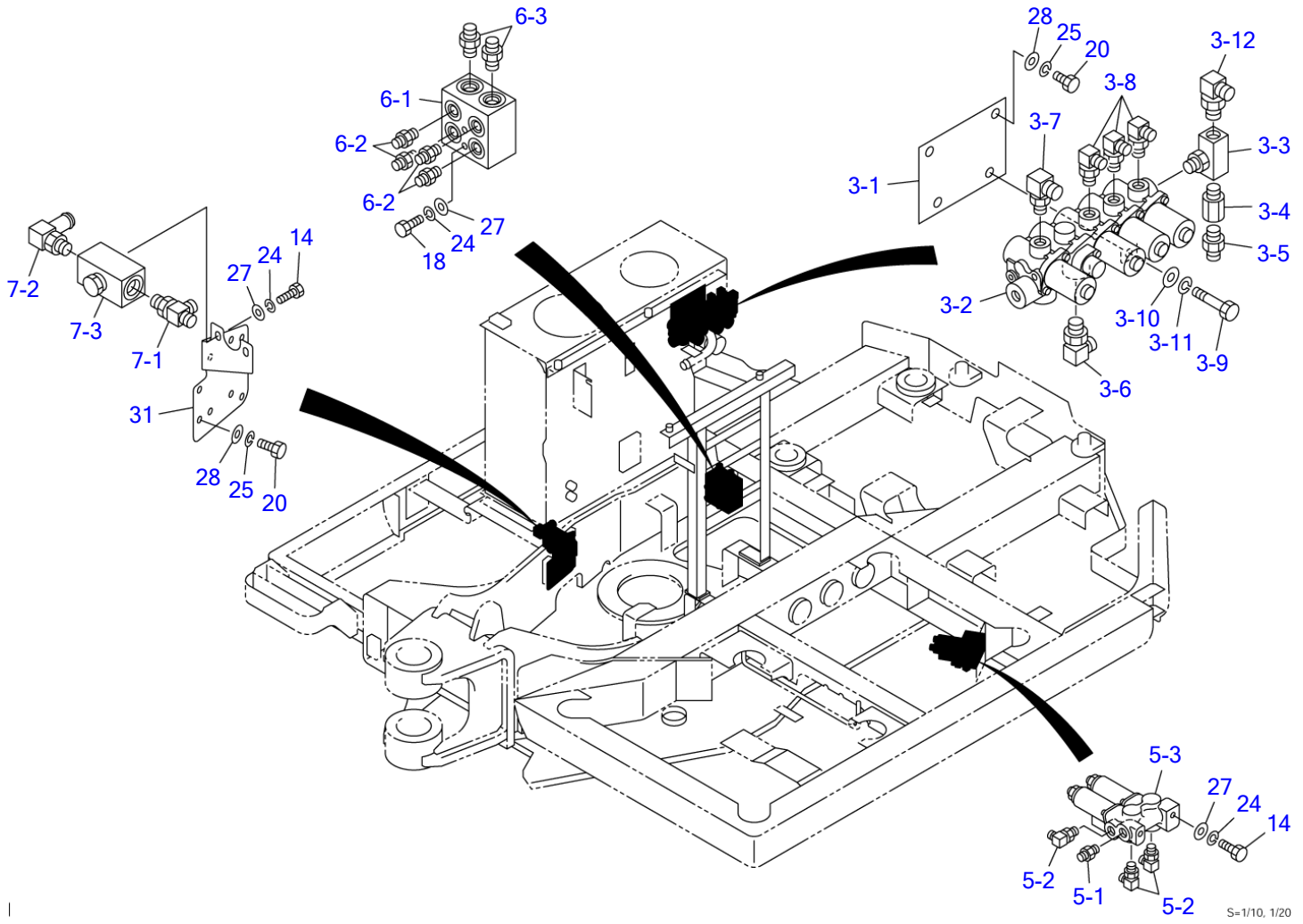
TB175 Book No. BL7Z000 S/N 17530001-  
VALVE & ACCESSORIES (1/2) (high flow)



**VALVE & ACCESSORIES (1/2) (high flow)**

Item	Part number	Description	Q'ty	Chan.	Serial No.	Serv.	Remarks
17	<b>1100040850</b>	BOLT	2				
19	<b>1100041016</b>	BOLT	3				
20	<b>1100041020</b>	BOLT	3				
22	<b>1100041030</b>	BOLT	7				
23	<b>1100041230</b>	BOLT	4				
24	<b>1140020008</b>	WASHER, spring	2				
25	<b>1140020010</b>	WASHER, spring	10				
26	<b>1140020012</b>	WASHER, spring	4				
27	<b>1141110008</b>	WASHER	2				
28	<b>1141110010</b>	WASHER	10				
29	<b>1141110012</b>	WASHER	4				
33	<b>1533700041</b>	BAND	4				
34	<b>1530525032</b>	HOSE	1				
37	<b>0565060040</b>	HOSE ASSY	1				
37-1	<b>1934852050</b>	* HOSE ASSY	1				
	<b>L7D460</b>						

TB175 Book No. BL7Z000 S/N 17530001-  
VALVE & ACCESSORIES (2/3) (with high pressure 3rd & 4th auxiliary lines)



S-1/10, 1/20

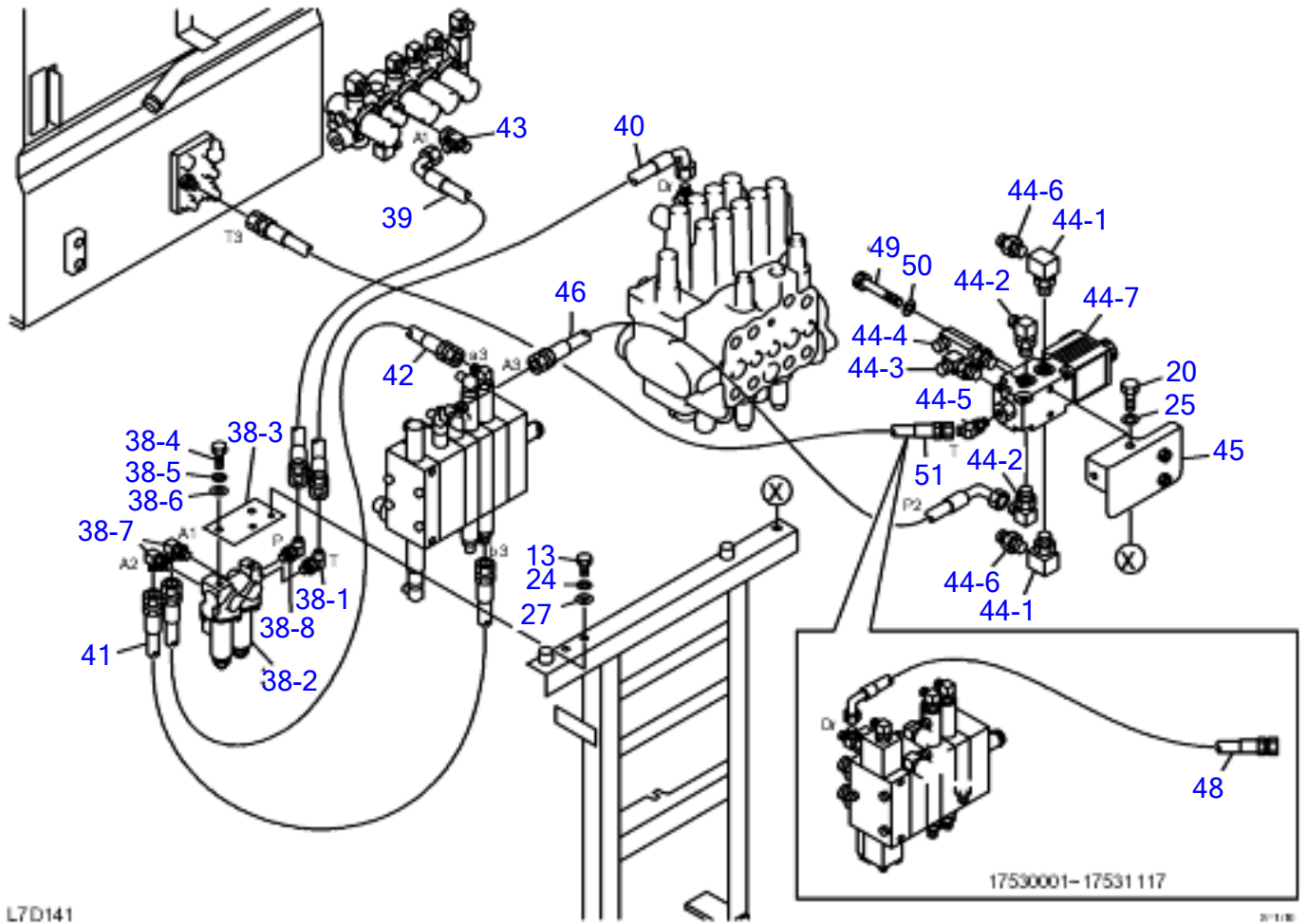


**VALVE & ACCESSORIES (2/3) (with high pressure 3rd & 4th auxiliary lines)**

Item	Part number	Description	Q'ty	Chan.	Serial No.	Serv.	Remarks
		VALVE ASSY, control					
3	X *****	VALVE, solenoid	1				
3-1	0565051040	• PLATE	1				
3-2	1901752300	• VALVE, solenoid	1				M
3-3	1513370801	• TEE	1				M
	1420010140	• • O-RING	1				
3-4	1513370047	• ADAPTOR (with filter)	1				
	1420010140	• • O-RING	1				
3-5	1515600577	• ADAPTOR	1				
	1420010180	• • O-RING	1				
3-6	1515010051	• ELBOW	1				
	1420010180	• • O-RING	1				
3-7	1515010130	• ELBOW	1				
	1420010110	• • O-RING	1				
3-8	1515012040	• ELBOW	3				
	1420010110	• • O-RING	1				
3-9	1100041090	• BOLT	2				M
3-10	1141110010	• WASHER	2				
3-11	1140020010	• WASHER, spring	2				
3-12	1515010050	• ELBOW	1				
	1420010140	• • O-RING	1				
5	X *****	VALVE, solenoid	1				
5-1	1512370008	• ADAPTOR (with filter)	1				
	1420010110	• • O-RING	1				
5-2	1515012040	• ELBOW	3				
	1420010110	• • O-RING	1				
5-3	1901752100	• VALVE, proportional control	1				M
6	X *****	MANIFOLD	1				
6-1	0565029610	• MANIFOLD	1				
6-2	1515600202	• ADAPTOR	4				
	1420010180	• • O-RING	1				
6-3	1515600203	• ADAPTOR	2				
	1420010240	• • O-RING	1				
7	X *****	VALVE, stop	1				
7-1	1512373008	• TEE	1				
	1420010240	• • O-RING	1				
7-2	1513350005	• CONNECTOR	1				
	1420010240	• • O-RING	1				
7-3	1901723700	• VALVE, stop	1				
14	1100040820	BOLT	4				
18	1100040875	BOLT	2				
20	1100041020	BOLT	6				
24	1140020008	WASHER, spring	6				
25	1140020010	WASHER, spring	6				
27	1141110008	WASHER	6				
28	1141110010	WASHER	6				
31	0565033601	PLATE	1				

L7d132

TB175 Book No. BL7Z000 S/N 17530001-  
VALVE & ACCESSORIES (3/3) (with high pressure 3rd & 4th auxiliary lines)

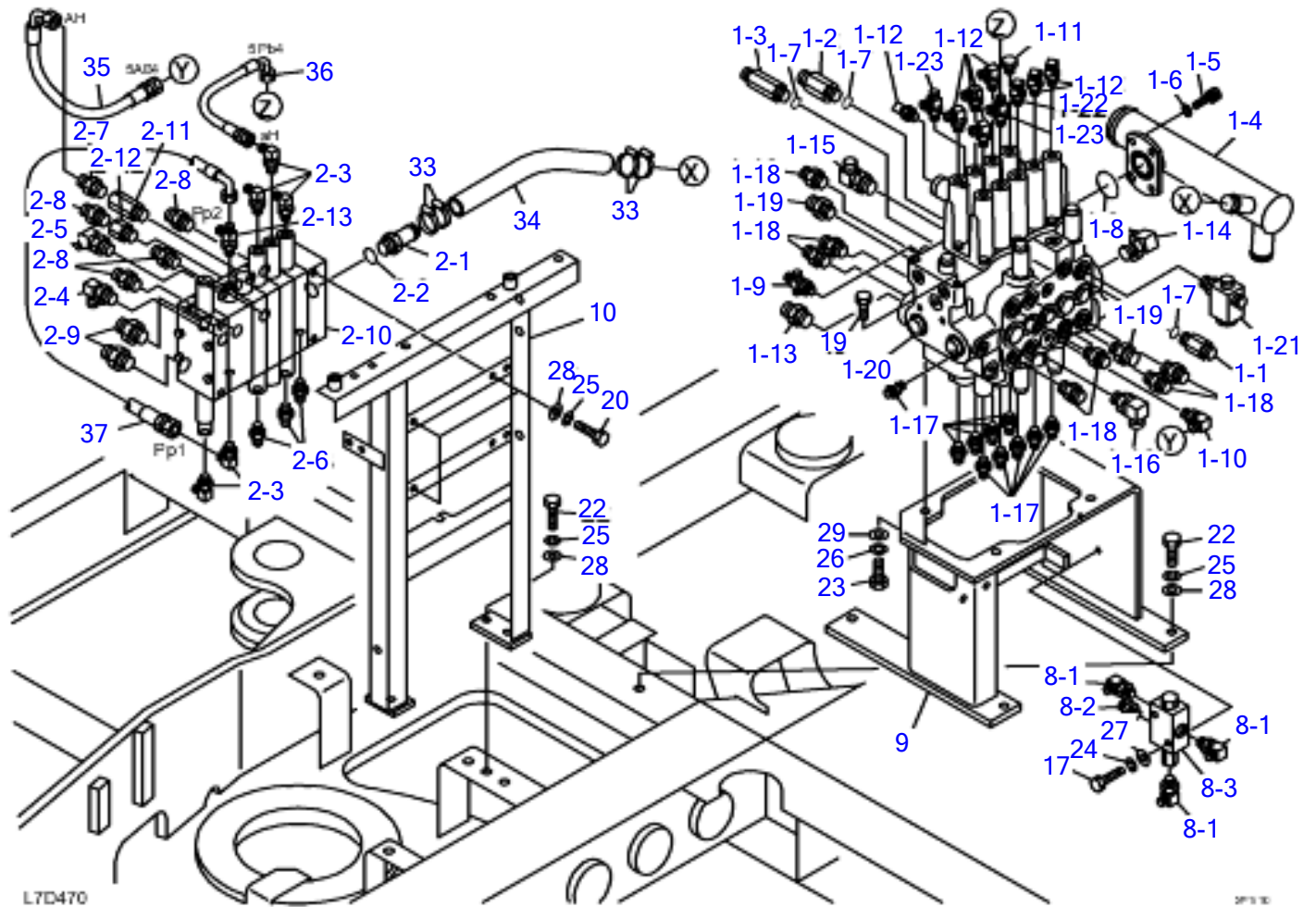


**VALVE & ACCESSORIES (3/3) (with high pressure 3rd & 4th auxiliary lines)**

Item	Part number	Description	Q'ty	Chan.	Serial No.	Serv.	Remarks
		VALVE ASSY, control					
13	1100040816	BOLT	2				
20	1100041020	BOLT	2				
24	1140020008	WASHER, spring	2				
25	1140020010	WASHER, spring	2				
27	1141110008	WASHER	2				
38	X *****	VALVE ASSY, solenoid	1				
38-1	1515100110	• ELBOW	1				
	1420010110	• • O-RING	1				
38-2	1901752100	• VALVE, proportional control	1			M	
38-3	0565033815	• PLATE	1				
38-4	1100040820	• BOLT	2				
38-5	1140020008	• WASHER, spring	2				
38-6	1141110008	• WASHER	2				
38-7	1515012040	• ELBOW	2				
	1420010110	• • O-RING	1				
38-8	1512370012	• ELBOW (with filter)	1				
	1420010110	• • O-RING	1				
39	0565051060	HOSE ASSY	1				19348-52050
39-1	1934852050	* HOSE ASSY	1				
40	0565033830	HOSE ASSY	1				
40-1	1934852050	* HOSE ASSY	1				
41	0565033840	HOSE ASSY	1				
41-1	1934822075	* HOSE ASSY	1				
42	0565033850	HOSE ASSY	1				
42-1	1934822070	* HOSE ASSY	1				
43	1513390043	TEE	1				
44	X *****	VALVE ASSY, solenoid	1				
44-1	1513300016	• ELBOW	2				
	1420010180	• • O-RING	1				
44-2	1515010042	• ELBOW	2				
	1420010180	• • O-RING	1				
44-3	1515010051	• ELBOW	1				
	1420010180	• • O-RING	1				
44-4	1515010517	• ELBOW	1				
	1420010180	• • O-RING	1				
44-5	1515100110	• ELBOW	1				
	1420010110	• • O-RING	1				
44-6	1515600202	• ADAPTOR	2				
	1420010180	• • O-RING	1				
44-7	1901749100	• VALVE, solenoid	1			M	
45	0565051230	BRACKET	1				
46	0565051240	HOSE ASSY	1				18015-41020
	0565051280	HOSE ASSY	1				
46-1	1801541020	* HOSE ASSY	1				
	1801541021	* HOSE ASSY	1				
48	0565051260	HOSE ASSY	1				19348-52030
48-1	1934852030	* HOSE ASSY	1				
49	1110040870	SCREW, cap	2				
50	1140420008	WASHER, spring	2				
51	0565063230	HOSE ASSY	1				
51-1	1801022080	* HOSE ASSY	1				

L7d142

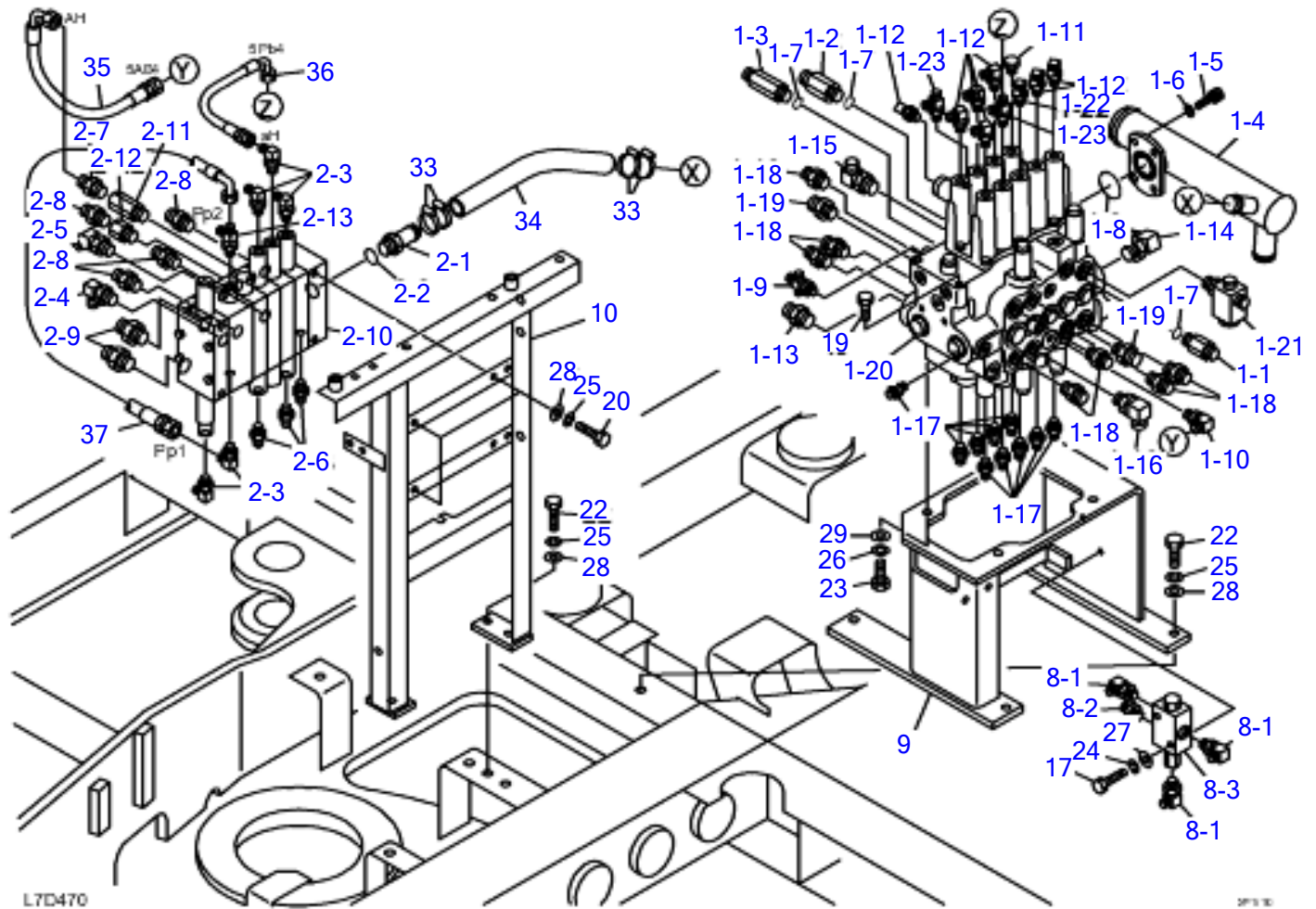
TB175 Book No. BL7Z000 S/N 17530001-  
VALVE & ACCESSORIES (1/3) 2ND AUX LINE; HIGH FLOW



VALVE & ACCESSORIES (1/3) 2ND AUX LINE; HIGH FLOW

Item	Part number	Description	Q'ty	Chan.	Serial No.	Serv.	Remarks
		CONTROL VALVE ASSY					
1	*****	CONTROL VALVE	1				
1-1	0007203033	* ADAPTOR	1				
1-2	0007203076	* ADAPTOR	1				
1-3	0007203074	* ADAPTOR	1				
	1420010180	* * O-RING	1				
1-4	0565029140	* MANIFOLD	1				
1-5	1110041025	* CAP SCREW	4				
1-6	1140020010	* SPRING WASHER	4				
1-7	1420010180	* O-RING	3				
1-8	1420100450	* O-RING	1				
1-9	1513390027	* CROSS	1				
	1420010110	* * O-RING	1				
1-10	1515010041	* ELBOW	1				
	1420010140	* * O-RING	1				
1-11	1501750002	* PLUG	1				
	1420010110	* * O-RING	1				
1-12	1515012040	* ELBOW	8				
	1420010110	* * O-RING	1				
1-13	1515600203	* ADAPTOR	1				
	1420010240	* * O-RING	1				
1-14	1515010043	* ELBOW	1				
	1420010240	* * O-RING	1				
1-15	1515010052	* ELBOW	1				
	1420010240	* * O-RING	1				
1-16	1515010132	* ELBOW	1				
	1420010180	* * O-RING	1				
1-17	1515600200	* ADAPTOR	10				
	1420010110	* * O-RING	1				
1-18	1515600202	* ADAPTOR	7				
	1420010180	* * O-RING	1				
1-19	1515600573	* ADAPTOR	2				
	1420010180	* * O-RING	1				
1-20	1901040700	* CONTROL VALVE	1				
1-21	1901735400	* ADAPTOR	1				
	1420010180	* * O-RING	1				
1-22	0565029150	* ELBOW (WITH ORIFICE)	1				
	1420010110	* * O-RING	1				
1-23	1512370011	* TEE	2				
	1420010110	* * O-RING	1				
2	*****	CONTROL VALVE	1				
2-1	0007224006	* ADAPTOR	1				
2-2	1420010180	* O-RING	1				
2-3	1515012040	* ELBOW	5				
	1420010110	* * O-RING	1				
2-4	1515010041	* ELBOW	1				
	1420010140	* * O-RING	1				
2-5	1515100111	* ELBOW	1				
	1420010140	* * O-RING	1				
2-6	1515600200	* ADAPTOR	3				
	1420010110	* * O-RING	1				
2-7	1515600201	* ADAPTOR	1				
	1420010140	* * O-RING	1				
2-8	1515600572	* ADAPTOR	4				
	1420010140	* * O-RING	1				
2-9	1515600573	* ADAPTOR	2				
	1420010180	* * O-RING	1				
2-10	1901047900	* CONTROL VALVE	1				
2-11	1901739500	* CHECK VALVE	1				
2-12	0007213023	* BUSHING	1				
	1420010140	* * O-RING	1				
2-13	1512370011	* TEE	1				
	1420010110	* * O-RING	1				
8	*****	VALVE ASSY	1				
8-1	1515012040	* ELBOW	3				
	1420010110	* * O-RING	1				
8-2	1515600200	* ADAPTOR	1				
	1420010110	* * O-RING	1				

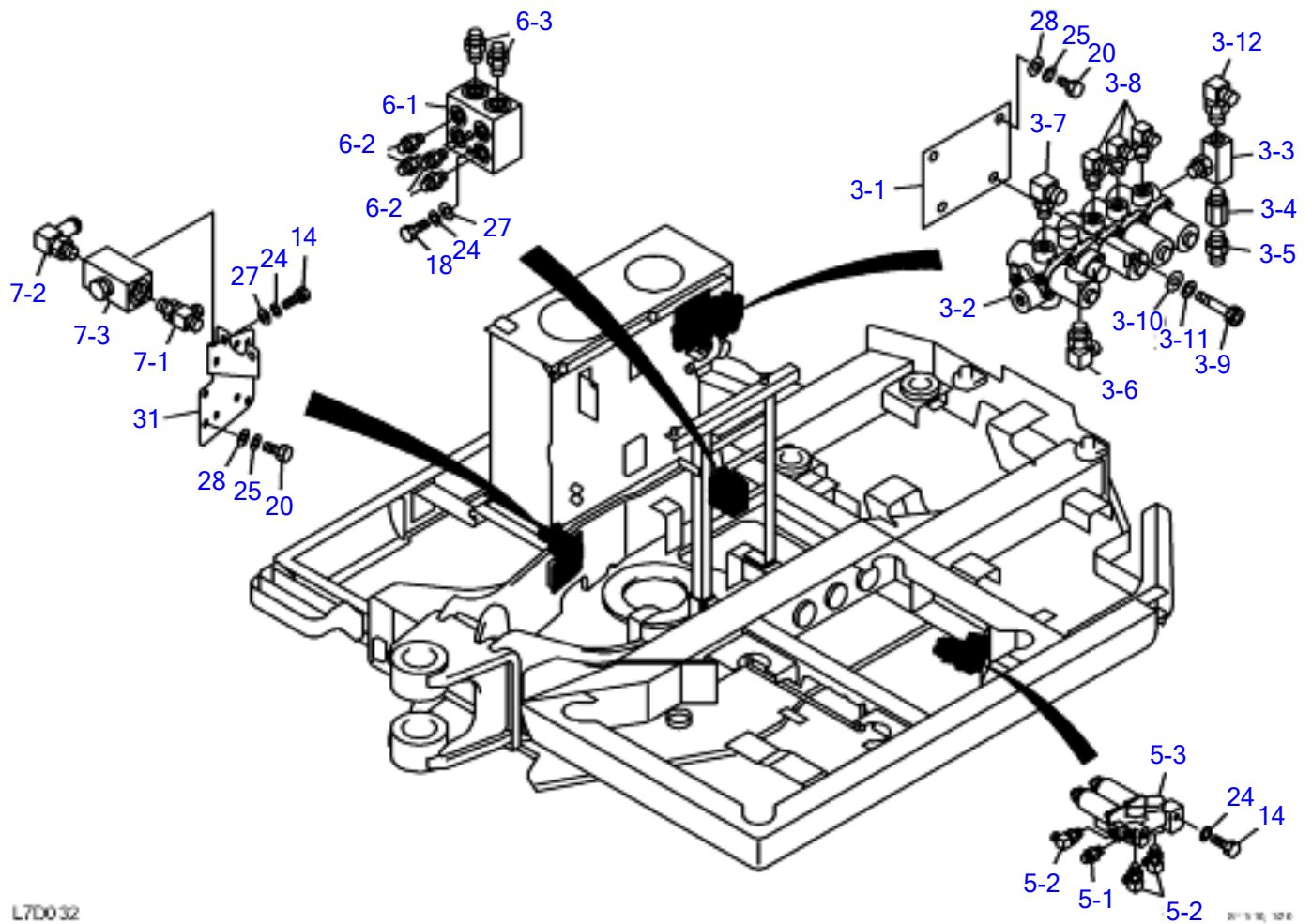
TB175 Book No. BL7Z000 S/N 17530001-  
VALVE & ACCESSORIES (1/3) 2ND AUX LINE; HIGH FLOW



**VALVE & ACCESSORIES (1/3) 2ND AUX LINE; HIGH FLOW**

Item	Part number	Description	Q'ty	Chan.	Serial No.	Serv.	Remarks
8-3	<b>1901734800</b>	* VALVE	1				
9	<b>0565029900</b>	BRACKET	1				
10	<b>0565051080</b>	BRACKET	1				
17	<b>1100040850</b>	BOLT	2				
19	<b>1100041016</b>	BOLT	3				
20	<b>1100041020</b>	BOLT	3				
22	<b>1100041030</b>	BOLT	7				
23	<b>1100041230</b>	BOLT	4				
24	<b>1140020008</b>	SPRING WASHER	2				
25	<b>1140020010</b>	SPRING WASHER	10				
26	<b>1140020012</b>	SPRING WASHER	4				
27	<b>1141110008</b>	WASHER	2				
28	<b>1141110010</b>	WASHER	10				
29	<b>1141110012</b>	WASHER	4				
33	<b>1533700041</b>	BAND	4				
34	<b>1530525029</b>	HOSE	1				
35	<b>0565063330</b>	HOSE ASSY	1				
35-1	<b>1802521040</b>	* HOSE ASSY	1				
36	<b>0565063340</b>	HOSE ASSY	1				
36-1	<b>1934852030</b>	* HOSE ASSY	1				
37	<b>0565060040</b>	HOSE ASSY	1				
37-1	<b>1934852050</b>	* HOSE ASSY	1				
	<b>L7D470</b>						

TB175 Book No. BL7Z000 S/N 17530001-  
VALVE & ACCESSORIES (2/3) 2ND AUX; HIGH FLOW



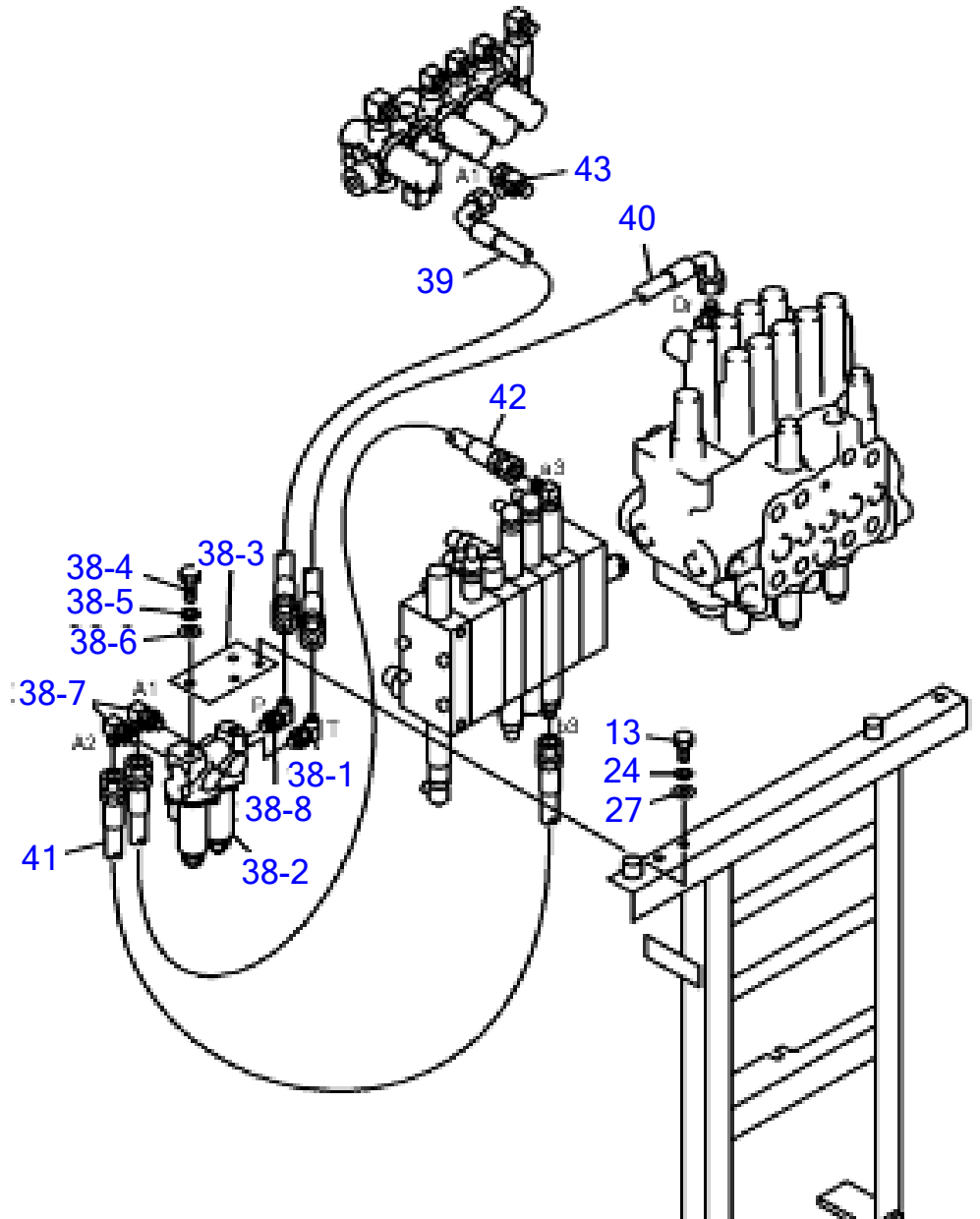
L7D032

2011.10.10



**VALVE & ACCESSORIES (2/3) 2ND AUX LINE; HIGH FLOW**

Item	Part number	Description	Q'ty	Chan.	Serial No.	Serv.	Remarks
		VALVE ASSY, control					
3	X *****	VALVE, solenoid	1				
3-1	0565051040	· PLATE	1				
3-2	1901752300	· VALVE, solenoid	1				M
3-3	1513370801	· TEE	1				M
	1420010140	· · O-RING	1				
3-4	1513370047	· ADAPTOR (with filter)	1				
	1420010140	· · O-RING	1				
3-5	1515600577	· ADAPTOR	1				
	1420010180	· · O-RING	1				
3-6	1515010051	· ELBOW	1				
	1420010180	· · O-RING	1				
3-7	1515010130	· ELBOW	1				
	1420010110	· · O-RING	1				
3-8	1515012040	· ELBOW	3				
	1420010110	· · O-RING	1				
3-9	1100041090	· BOLT	2				M
3-10	1141110010	· WASHER	2				
3-11	1140020010	· WASHER, spring	2				
3-12	1515010050	· ELBOW	1				
	1420010140	· · O-RING	1				
5	X *****	VALVE, solenoid	1				
5-1	1512370008	· ADAPTOR (with filter)	1				
	1420010110	· · O-RING	1				
5-2	1515012040	· ELBOW	3				
	1420010110	· · O-RING	1				
5-3	1901752100	· VALVE, proportional control	1				M
6	X *****	MANIFOLD	1				
6-1	0565029610	· MANIFOLD	1				
6-2	1515600202	· ADAPTOR	4				
	1420010180	· · O-RING	1				
6-3	1515600203	· ADAPTOR	2				
	1420010240	· · O-RING	1				
7	X *****	VALVE, stop	1				
7-1	1512373008	· TEE	1				
	1420010240	· · O-RING	1				
7-2	1513350005	· CONNECTOR	1				
	1420010240	· · O-RING	1				
7-3	1901723700	· VALVE, stop	1				
14	1100040820	BOLT	4				
18	1100040875	BOLT	2				
20	1100041020	BOLT	6				
24	1140020008	WASHER, spring	6				
25	1140020010	WASHER, spring	6				
27	1141110008	WASHER	4				
28	1141110010	WASHER	6				
31	0565033601	PLATE	1				
	L7D480						

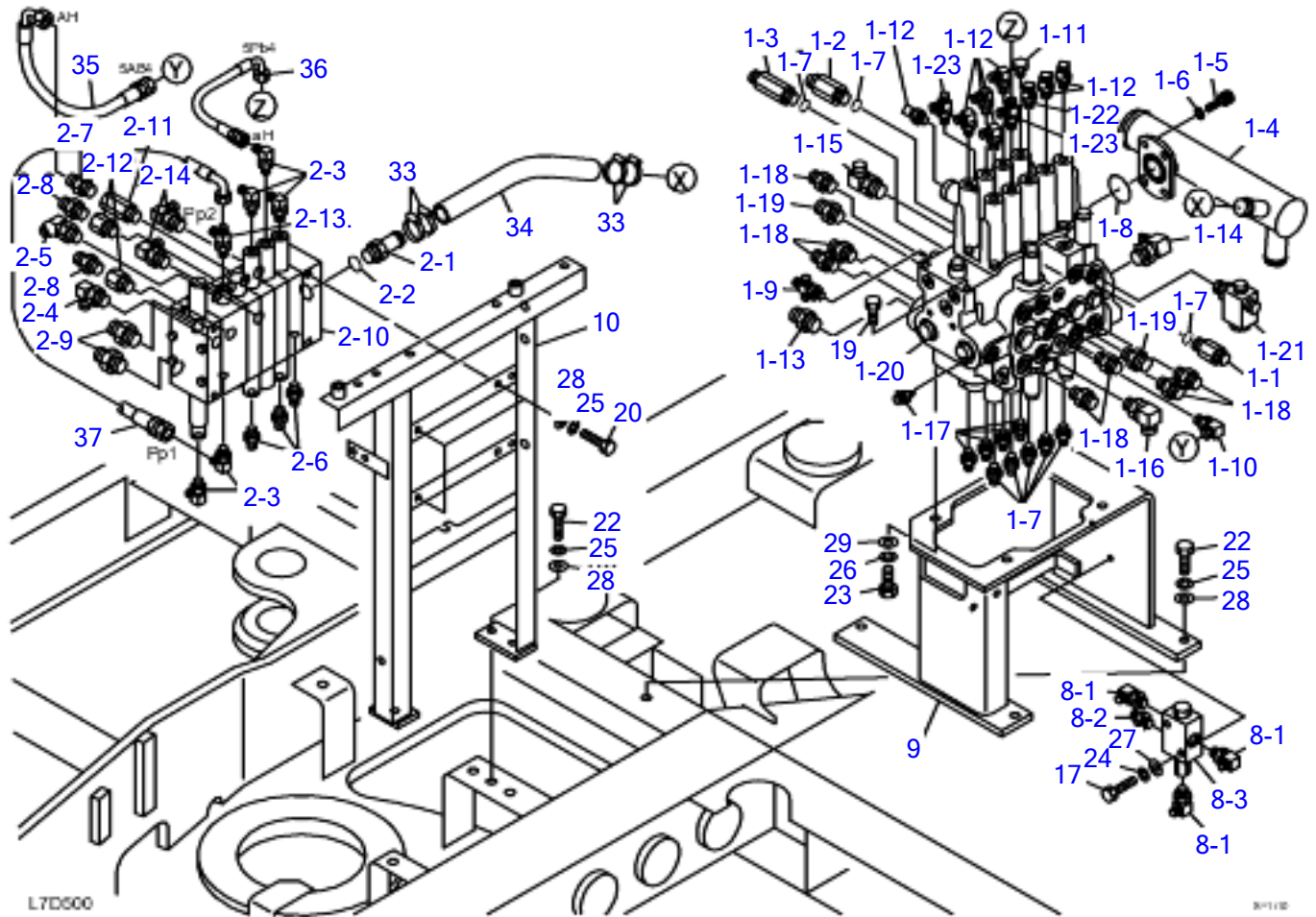


L7D490

**VALVE & ACCESSORIES (3/3) 2ND AUX LINE; HIGH FLOW**

Item	Part number	Description	Q'ty	Chan.	Serial No.	Serv.	Remarks
		VALVE ASSY, control					
13	<b>1100040816</b>	BOLT	2				
24	<b>1140020008</b>	WASHER, spring	2				
27	<b>1141110008</b>	WASHER	2				
38	X *****	VALVE ASSY, solenoid	1				
38-1	<b>1515100110</b>	· ELBOW	1				
	<b>1420010110</b>	· · O-RING	1				
38-2	<b>1901752100</b>	· VALVE, proportional control	1			M	
38-3	<b>0565033815</b>	· PLATE	1				
38-4	<b>1100040820</b>	· BOLT	2				
38-5	<b>1140020008</b>	· WASHER, spring	2				
38-6	<b>1141110008</b>	· WASHER	2				
38-7	<b>1515012040</b>	· ELBOW	2				
	<b>1420010110</b>	· · O-RING	1				
38-8	<b>1512370012</b>	· ELBOW (with filter)	1				
	<b>1420010110</b>	· · O-RING	1				
39	<b>0565051060</b>	HOSE ASSY	1				19348-52050
39-1	<b>1934852050</b>	* HOSE ASSY	1				
40	<b>0565033830</b>	HOSE ASSY	1				
40-1	<b>1934852050</b>	* HOSE ASSY	1				
41	<b>0565033840</b>	HOSE ASSY	1				
41-1	<b>1934822075</b>	* HOSE ASSY	1				
42	<b>0565033850</b>	HOSE ASSY	1				
42-1	<b>1934822070</b>	* HOSE ASSY	1				
43	<b>1513390043</b>	TEE	1				
	<b>L7D490</b>						

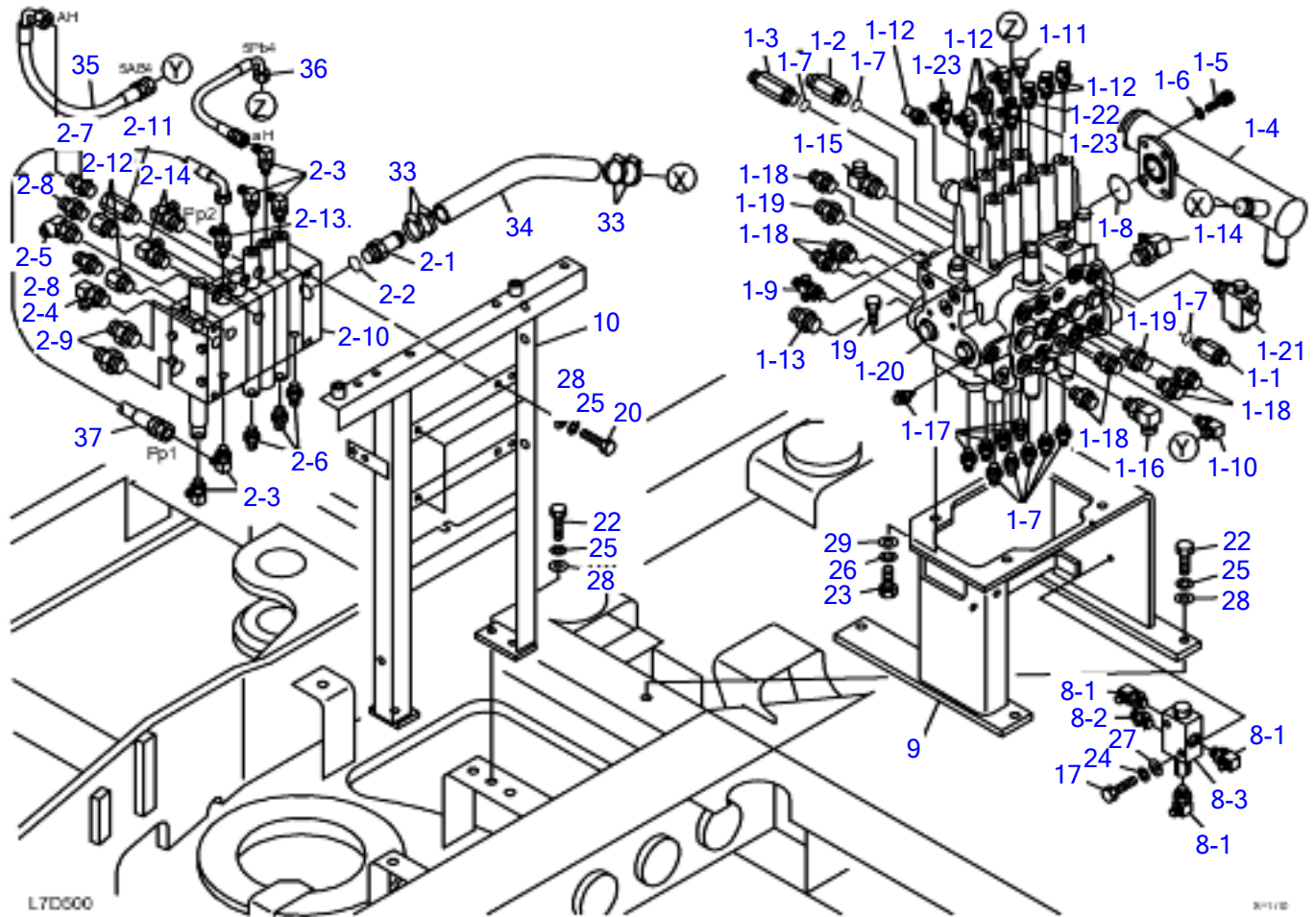
TB175 Book No. BL7Z000 S/N 17530001-  
VALVE & ACCESSORIES (1/3) 2ND & 4TH AUX LINE HIGH FLOW



**VALVE & ACCESSORIES (1/3) 2ND & 4TH AUX LINE HIGH FLOW**

Item	Part number	Description	Q'ty	Chan.	Serial No.	Serv.	Remarks
		VALVE ASSY, control					
1	X *****	VALVE SUB ASSY, control	1				
1-1	0007203033	· ADAPTOR	1				
1-2	0007203076	· ADAPTOR	1				
1-3	0007203074	· ADAPTOR	1				
	1420010180	· · O-RING	1				
1-4	0565029140	· MANIFOLD	1				
1-5	1110041025	· SCREW, cap	4				
1-6	1140020010	· WASHER, spring	4				
1-7	1420010180	· O-RING	3				
1-8	1420100450	· O-RING	1				
1-9	1513390027	· TEE	1				
	1420010110	· · O-RING	1				
1-10	1515010041	* ELBOW	1				
	1420010140	* * O-RING	1				
1-11	1501750002	· PLUG	1				
	1420010110	· · O-RING	1				
1-12	1515012040	· ELBOW	9				
	1420010110	· · O-RING	1				
1-13	1515600203	· ADAPTOR	1				
	1420010240	· · O-RING	1				
1-14	1515010043	· ELBOW	1				
	1420010240	· · O-RING	1				
1-15	1515010052	· ELBOW	1				
	1420010240	· · O-RING	1				
1-16	1515010132	· ELBOW	1				
	1420010180	· · O-RING	1				
1-17	1515600200	· ADAPTOR	10				
	1420010110	· · O-RING	1				
1-18	1515600202	· ADAPTOR	7				
	1420010180	· · O-RING	1				
1-19	1515600573	· ADAPTOR	2				
	1420010180	· · O-RING	1				
1-20	1901040700	· VALVE, control	1				
1-21	1901735400	· ADAPTOR	1				
	1420010180	* * O-RING	1				
1-22	0565029150	· ELBOW (with orifice)	1				
	1420010110	* * O-RING	1				
1-23	1512370011	· TEE	1				
	1420010110	· · O-RING	1				
2	X *****	VALVE ASSY, control	1				
2-1	0007224006	· ADAPTOR	1				
2-2	1420010180	· O-RING	1				
2-3	1515012040	· ELBOW	3				
	1420010110	· · O-RING	1				
2-4	1515010041	· ELBOW	1				
	1420010140	· · O-RING	1				
2-5	1515100111	· ELBOW	1				
	1420010140	· · O-RING	1				
2-6	1515600200	· ADAPTOR	4				
	1420010110	· · O-RING	1				
2-7	1515600201	* ADAPTOR	1				
	1420010140	* * O-RING	1				
2-8	1515600572	· ADAPTOR	2				
	1420010140	· · O-RING	1				
2-9	1515600573	· ADAPTOR	2				
	1420010180	· · O-RING	1				
2-10	1901048200	· VALVE, control	1				
2-11	1901739500	* CHECK VALVE	1				
2-12	0007213023	* BUSHING	2				
	1420010140	* * O-RING	1				
2-13	1512370011	* TEE	1				
	1420010110	* * O-RING	1				
2-14	1515010131	* ELBOW	2				
	1420010140	* * O-RING	1				
8	X *****	VALVE ASSY	1				
8-1	1515012040	· ELBOW	3				
	1420010110	· · O-RING	1				

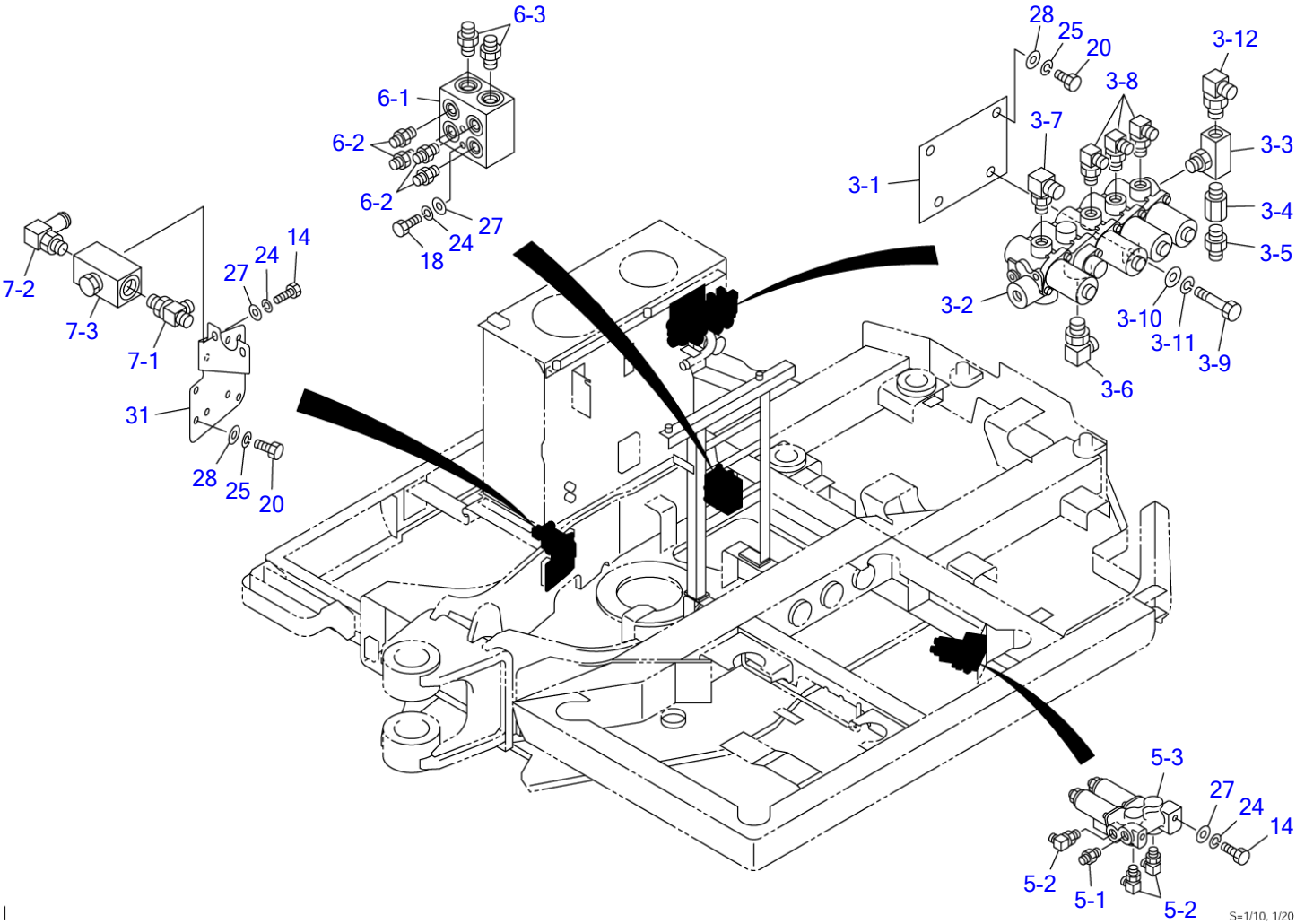
TB175 Book No. BL7Z000 S/N 17530001-  
VALVE & ACCESSORIES (1/3) 2ND & 4TH AUX LINE HIGH FLOW



**VALVE & ACCESSORIES (1/3) 2ND & 4TH AUX LINE HIGH FLOW**

Item	Part number	Description	Q'ty	Chan.	Serial No.	Serv.	Remarks
8-2	<b>1515600200</b>	• ADAPTOR	1				
	<b>1420010110</b>	• • O-RING	1				
8-3	<b>1901734800</b>	• VALVE	1				
9	<b>0565029900</b>	BRACKET	1				
10	<b>0565051080</b>	BRACKET	1				
17	<b>1100040850</b>	BOLT	2				
19	<b>1100041016</b>	BOLT	3				
20	<b>1100041020</b>	BOLT	3				
22	<b>1100041030</b>	BOLT	7				
23	<b>1100041230</b>	BOLT	4				
24	<b>1140020008</b>	WASHER, spring	2				
25	<b>1140020010</b>	WASHER, spring	10				
26	<b>1140020012</b>	WASHER, spring	4				
27	<b>1141110008</b>	WASHER	2				
28	<b>1141110010</b>	WASHER	10				
29	<b>1141110012</b>	WASHER	4				
33	<b>1533700041</b>	BAND	4				
34	<b>1530525029</b>	HOSE	1				
35	<b>0565063330</b>	HOSE ASSY	1				
35-1	<b>1802521040</b>	* HOSE ASSY	1				
36	<b>0565063340</b>	HOSE ASSY	1				
36-1	<b>1934852030</b>	* HOSE ASSY	1				
37	<b>0565060040</b>	HOSE ASSY	1				
37-1	<b>1934852050</b>	* HOSE ASSY	1				
	<b>L7D500</b>						

TB175 Book No. BL7Z000 S/N 17530001-  
VALVE & ACCESSORIES (2/3) 2ND & 4TH AUX LINE HIGH FLOW

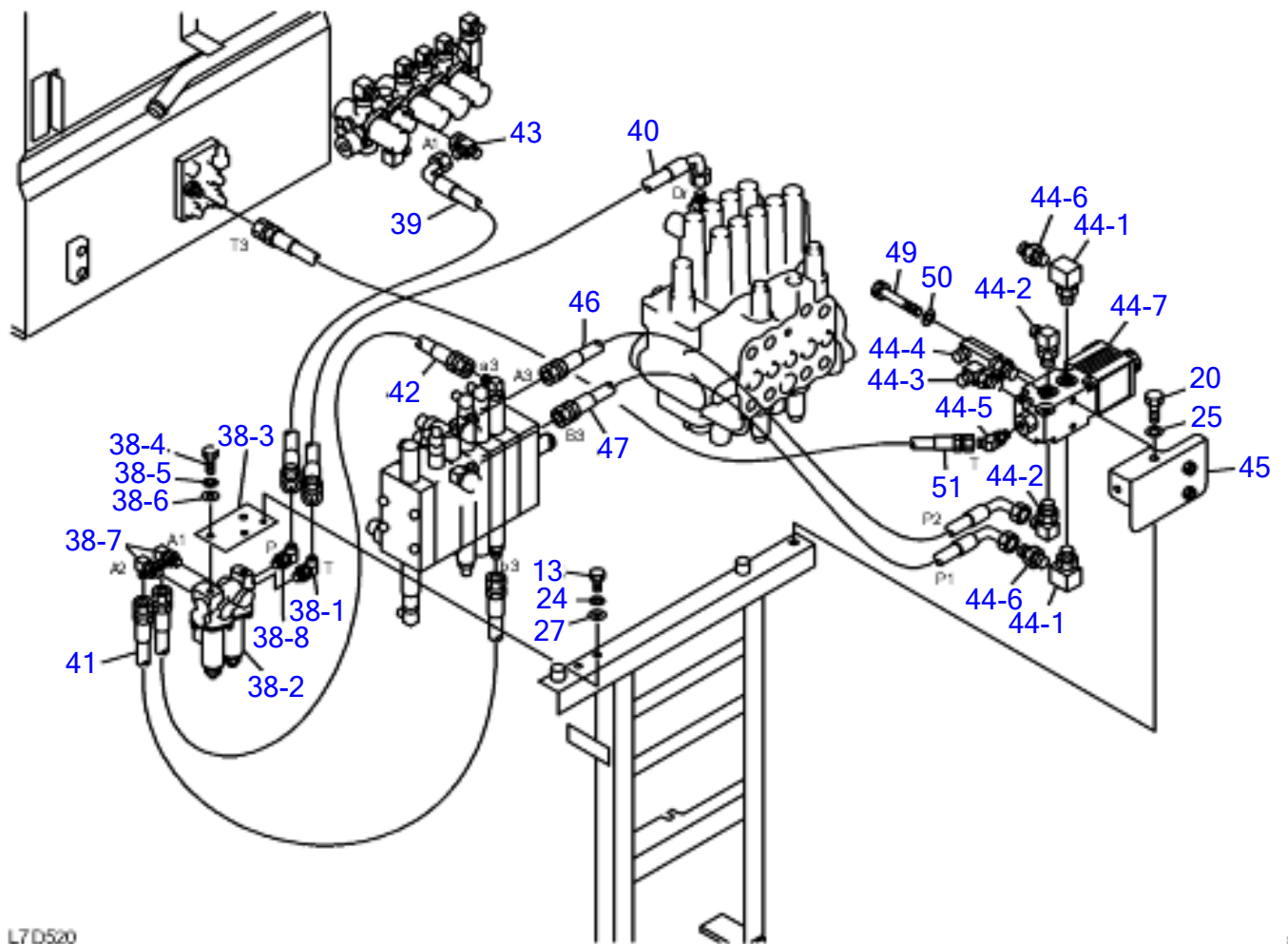




**VALVE & ACCESSORIES (2/3) 2ND & 4TH AUX LINE HIGHFLOW**

Item	Part number	Description	Q'ty	Chan.	Serial No.	Serv.	Remarks
		VALVE ASSY, control					
3	X *****	VALVE, solenoid	1				
3-1	0565051040	• PLATE	1				
3-2	1901752300	• VALVE, solenoid	1				M
3-3	1513370801	• TEE	1				M
	1420010140	• • O-RING	1				
3-4	1513370047	• ADAPTOR (with filter)	1				
	1420010140	• • O-RING	1				
3-5	1515600577	• ADAPTOR	1				
	1420010180	• • O-RING	1				
3-6	1515010051	• ELBOW	1				
	1420010180	• • O-RING	1				
3-7	1515010130	• ELBOW	1				
	1420010110	• • O-RING	1				
3-8	1515012040	• ELBOW	3				
	1420010110	• • O-RING	1				
3-9	1100041090	• BOLT	2				M
3-10	1141110010	• WASHER	2				
3-11	1140020010	• WASHER, spring	2				
3-12	1515010050	• ELBOW	1				
	1420010140	• • O-RING	1				
5	X *****	VALVE, solenoid	1				
5-1	1512370008	• ADAPTOR (with filter)	1				
	1420010110	• • O-RING	1				
5-2	1515012040	• ELBOW	3				
	1420010110	• • O-RING	1				
5-3	1901752100	• VALVE, proportional control	1				M
6	X *****	MANIFOLD	1				
6-1	0565029610	• MANIFOLD	1				
6-2	1515600202	• ADAPTOR	4				
	1420010180	• • O-RING	1				
6-3	1515600203	• ADAPTOR	2				
	1420010240	• • O-RING	1				
7	X *****	VALVE, stop	1				
7-1	1512373008	• TEE	1				
	1420010240	• • O-RING	1				
7-2	1513350005	• CONNECTOR	1				
	1420010240	• • O-RING	1				
7-3	1901723700	• VALVE, stop	1				
14	1100040820	BOLT	4				
18	1100040875	BOLT	2				
20	1100041020	BOLT	6				
24	1140020008	WASHER, spring	6				
25	1140020010	WASHER, spring	6				
27	1141110008	WASHER	4				
28	1141110010	WASHER	6				
31	0565033601	PLATE	1				
	L7D032F						

TB175 Book No. BL7Z000 S/N 17530001-  
VALVE & ACCESSORIES (3/3) 2ND & 4TH AUX LINE HIGH FLOW

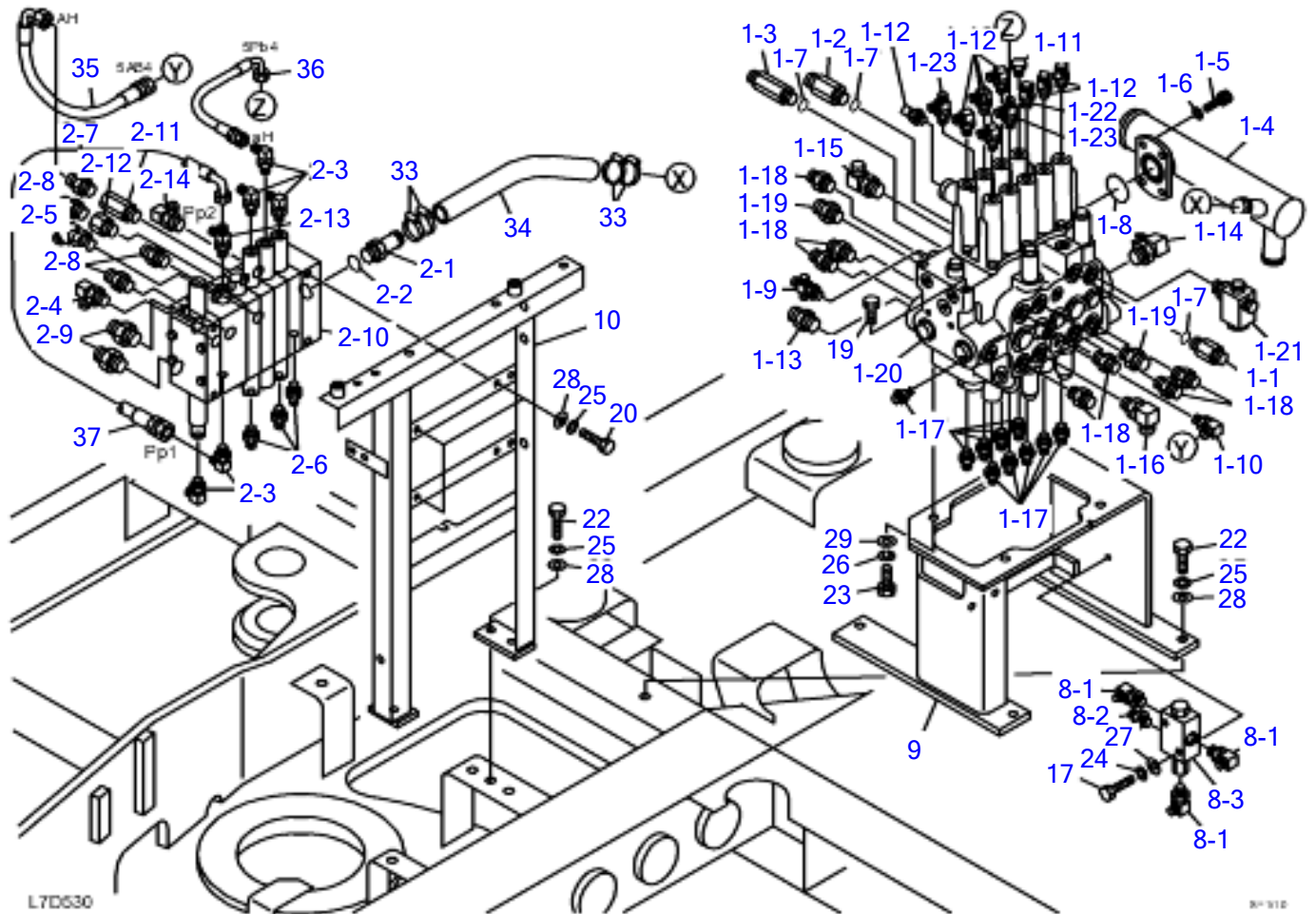


**VALVE & ACCESSORIES (3/3) 2ND & 4TH AUX LINE HIGH FLOW**

Item	Part number	Description	Q'ty	Chan.	Serial No.	Serv.	Remarks
		VALVE ASSY, control					
13	1100040816	BOLT	2				
20	1100041020	BOLT	2				
24	1140020008	WASHER, spring	2				
25	1140020010	WASHER, spring	2				
27	1141110008	WASHER	2				
38	X *****	VALVE ASSY, solenoid	1				
38-1	1515100110	• ELBOW	1				
	1420010110	• • O-RING	1				
38-2	1901752100	• VALVE, proportional control	1			M	
38-3	0565033815	• PLATE	1				
38-4	1100040820	• BOLT	2				
38-5	1140020008	• WASHER, spring	2				
38-6	1141110008	• WASHER	2				
38-7	1515012040	• ELBOW	2				
	1420010110	• • O-RING	1				
38-8	1512370012	• ELBOW (with filter)	1				
	1420010110	• • O-RING	1				
39	0565051060	HOSE ASSY	1				19348-52050
39-1	1934852050	* HOSE ASSY	1				
40	0565033830	HOSE ASSY	1				
40-1	1934852050	* HOSE ASSY	1				
41	0565033840	HOSE ASSY	1				
41-1	1934822075	* HOSE ASSY	1				
42	0565033850	HOSE ASSY	1				
42-1	1934822070	* HOSE ASSY	1				
43	1513390043	TEE	1				
44	X *****	VALVE ASSY, solenoid	1				
44-1	1513300016	• ELBOW	2				
	1420010180	• • O-RING	1				
44-2	1515010042	• ELBOW	2				
	1420010180	• • O-RING	1				
44-3	1515010051	• ELBOW	1				
	1420010180	• • O-RING	1				
44-4	1515010517	• ELBOW	1				
	1420010180	• • O-RING	1				
44-5	1515100110	• ELBOW	1				
	1420010110	• • O-RING	1				
44-6	1515600202	• ADAPTOR	2				
	1420010180	• • O-RING	1				
44-7	1901749100	• VALVE, solenoid	1			M	
45	0565051230	BRACKET	1				
46	0565051280	HOSE ASSY	1				
46-1	1801541021	* HOSE ASSY	1				
47	0565051290	HOSE ASSY	1				19348-52030
47-1	1801541028	* HOSE ASSY	1				
49	1110040870	SCREW, cap	2				
50	1140420008	WASHER, spring	2				
51	0565063230	HOSE ASSY	1				
51-1	1801022080	* HOSE ASSY	1				

L7D520

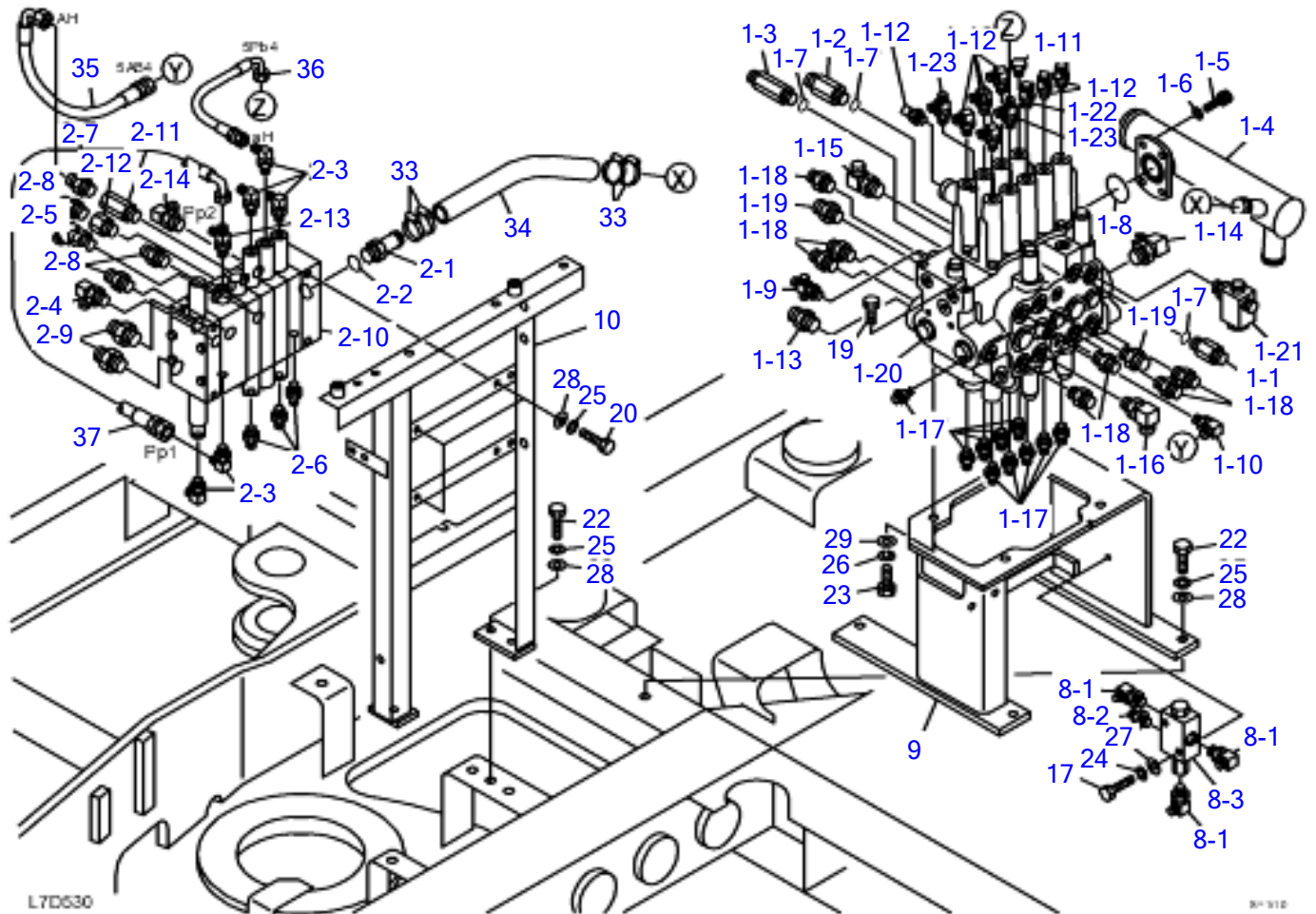
TB175 Book No. BL7Z000 S/N 17530001-  
VALVE & ACCESSORIES (1/3) HIGH PRESSURE 3RD & 4TH AUX LINE HIGH  
FLOW



**VALVE & ACCESSORIES (1/3)HIGH PRESSURE 3RD & 4H AUX LINE HIGH FLOW**

Item	Part number	Description	Q'ty	Chan.	Serial No.	Serv.	Remarks
		CONTROL VALVE ASSY					
1	*****	CONTROL VALVE	1				
1-1	0007203033	* ADAPTOR	1				
1-2	0007203076	* ADAPTOR	1				
1-3	0007203074	* ADAPTOR	1				
	1420010180	* * O-RING	1				
1-4	0565029140	* MANIFOLD	1				
1-5	1110041025	* CAP SCREW	4				
1-6	1140020010	* SPRING WASHER	4				
1-7	1420010180	* O-RING	3				
1-8	1420100450	* O-RING	1				
1-9	1513390027	* CROSS	1				
	1420010110	* * O-RING	1				
1-10	1515010041	* ELBOW	1				
	1420010140	* * O-RING	1				
1-11	1501750002	* PLUG	1				
	1420010110	* * O-RING	1				
1-12	1515012040	* ELBOW	8				
	1420010110	* * O-RING	1				
1-13	1515600203	* ADAPTOR	1				
	1420010240	* * O-RING	1				
1-14	1515010043	* ELBOW	1				
	1420010240	* * O-RING	1				
1-15	1515010052	* ELBOW	1				
	1420010240	* * O-RING	1				
1-16	1515010132	* ELBOW	1				
	1420010180	* * O-RING	1				
1-17	1515600200	* ADAPTOR	10				
	1420010110	* * O-RING	1				
1-18	1515600202	* ADAPTOR	7				
	1420010180	* * O-RING	1				
1-19	1515600573	* ADAPTOR	2				
	1420010180	* * O-RING	1				
1-20	1901040700	* CONTROL VALVE	1				
1-21	1901735400	* ADAPTOR	1				
	1420010180	* * O-RING	1				
1-22	0565029150	* ELBOW (WITH ORIFICE)	1				
	1420010110	* * O-RING	1				
1-23	1512370011	* TEE	2				
	1420010110	* * O-RING	1				
2	*****	CONTROL VALVE	1				
2-1	0007224006	* ADAPTOR	1				
2-2	1420010180	* O-RING	1				
2-3	1515012040	* ELBOW	5				
	1420010110	* * O-RING	1				
2-4	1515010041	* ELBOW	1				
	1420010140	* * O-RING	1				
2-5	1515100111	* ELBOW	1				
	1420010140	* * O-RING	1				
2-6	1515600200	* ADAPTOR	3				
	1420010110	* * O-RING	1				
2-7	1515600201	* ADAPTOR	1				
	1420010140	* * O-RING	1				
2-8	1515600572	* ADAPTOR	4				
	1420010140	* * O-RING	1				
2-9	1515600573	* ADAPTOR	2				
	1420010180	* * O-RING	1				
2-10	1901047900	* CONTROL VALVE	1				
2-11	1901739500	* CHECK VALVE	1				
2-12	0007213023	* BUSHING	1				
	1420010140	* * O-RING	1				
2-13	1512370011	* TEE	1				
	1420010110	* * O-RING	1				
2-14	1515010131	* ELBOW	1				
	1420010140	* * O-RING	1				
8	*****	VALVE ASSY	1				
8-1	1515012040	* ELBOW	3				
	1420010110	* * O-RING	1				

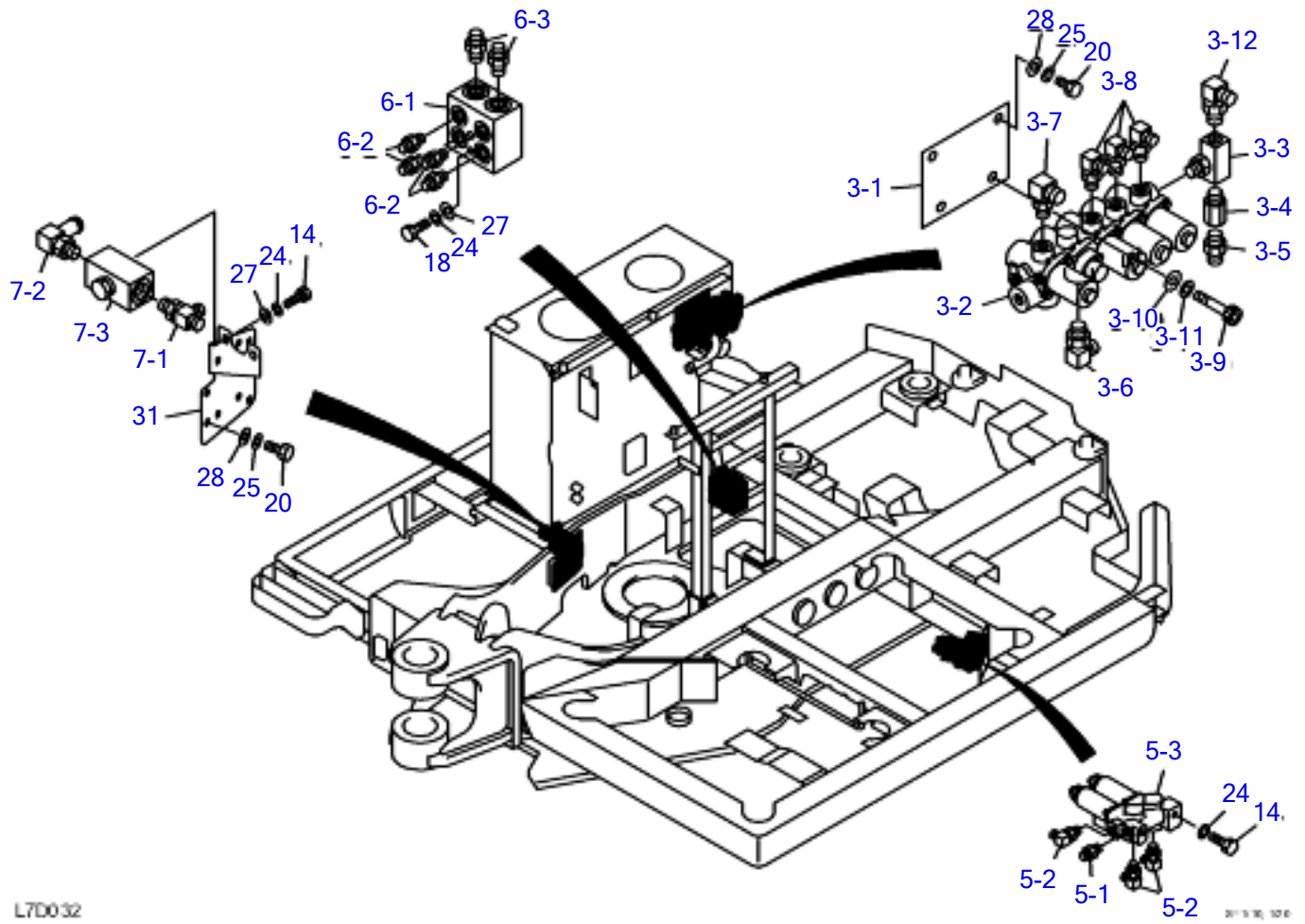
TB175 Book No. BL7Z000 S/N 17530001-  
VALVE & ACCESSORIES (1/3) HIGH PRESSURE 3RD & 4TH AUX LINE HIGH  
FLOW



**VALVE & ACCESSORIES (1/3)HIGH PRESSURE 3RD & 4H AUX LINE HIGH FLOW**

Item	Part number	Description	Q'ty	Chan.	Serial No.	Serv.	Remarks
8-2	<b>1515600200</b>	* ADAPTOR	1				
	<b>1420010110</b>	* * O-RING	1				
8-3	<b>1901734800</b>	* VALVE	1				
9	<b>0565029900</b>	BRACKET	1				
10	<b>0565051080</b>	BRACKET	1				
17	<b>1100040850</b>	BOLT	2				
19	<b>1100041016</b>	BOLT	3				
20	<b>1100041020</b>	BOLT	3				
22	<b>1100041030</b>	BOLT	7				
23	<b>1100041230</b>	BOLT	4				
24	<b>1140020008</b>	SPRING WASHER	2				
25	<b>1140020010</b>	SPRING WASHER	10				
26	<b>1140020012</b>	SPRING WASHER	4				
27	<b>1141110008</b>	WASHER	2				
28	<b>1141110010</b>	WASHER	10				
29	<b>1141110012</b>	WASHER	4				
33	<b>1533700041</b>	BAND	4				
34	<b>1530525029</b>	HOSE	1				
35	<b>0565063330</b>	HOSE ASSY	1				
35-1	<b>1802521040</b>	* HOSE ASSY	1				
36	<b>0565063340</b>	HOSE ASSY	1				
36-1	<b>1934852030</b>	* HOSE ASSY	1				
37	<b>0565060040</b>	HOSE ASSY	1				
37-1	<b>1934852050</b>	* HOSE ASSY	1				
	<b>L7D530</b>						

TB175 Book No. BL7Z000 S/N 17530001-  
VALVE & ACCESSORIES (2/3) HIGH PRESSURE 3RD & 4TH AUX LINE HIGH  
FLOW



L7D032

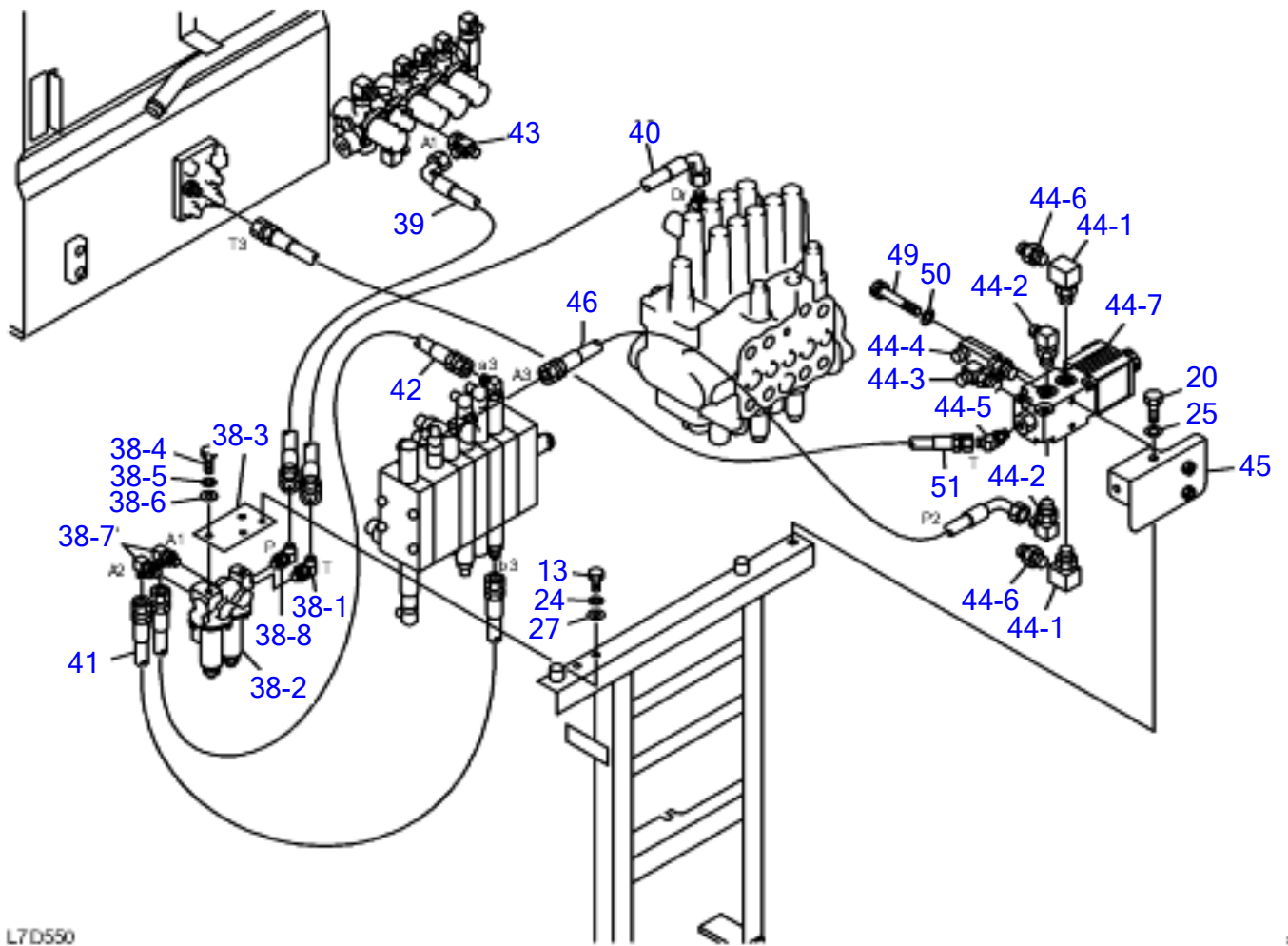
2013 10 10 E



**VALVE & ACCESSORIES (2/3) HIGH PRESSURE 3RD & 4TH AUX LINE HIGH FLOW**

Item	Part number	Description	Q'ty	Chan.	Serial No.	Serv.	Remarks
		VALVE ASSY, control					
3	X *****	VALVE, solenoid	1				
3-1	0565051040	• PLATE	1				
3-2	1901752300	• VALVE, solenoid	1				M
3-3	1513370801	• TEE	1				M
	1420010140	• • O-RING	1				
3-4	1513370047	• ADAPTOR (with filter)	1				
	1420010140	• • O-RING	1				
3-5	1515600577	• ADAPTOR	1				
	1420010180	• • O-RING	1				
3-6	1515010051	• ELBOW	1				
	1420010180	• • O-RING	1				
3-7	1515010130	• ELBOW	1				
	1420010110	• • O-RING	1				
3-8	1515012040	• ELBOW	3				
	1420010110	• • O-RING	1				
3-9	1100041090	• BOLT	2				M
3-10	1141110010	• WASHER	2				
3-11	1140020010	• WASHER, spring	2				
3-12	1515010050	• ELBOW	1				
	1420010140	• • O-RING	1				
5	X *****	VALVE, solenoid	1				
5-1	1512370008	• ADAPTOR (with filter)	1				
	1420010110	• • O-RING	1				
5-2	1515012040	• ELBOW	3				
	1420010110	• • O-RING	1				
5-3	1901752100	• VALVE, proportional control	1				M
6	X *****	MANIFOLD	1				
6-1	0565029610	• MANIFOLD	1				
6-2	1515600202	• ADAPTOR	4				
	1420010180	• • O-RING	1				
6-3	1515600203	• ADAPTOR	2				
	1420010240	• • O-RING	1				
7	X *****	VALVE, stop	1				
7-1	1512373008	• TEE	1				
	1420010240	• • O-RING	1				
7-2	1513350005	• CONNECTOR	1				
	1420010240	• • O-RING	1				
7-3	1901723700	• VALVE, stop	1				
14	1100040820	BOLT	4				
18	1100040875	BOLT	2				
20	1100041020	BOLT	6				
24	1140020008	WASHER, spring	6				
25	1140020010	WASHER, spring	6				
27	1141110008	WASHER	4				
28	1141110010	WASHER	6				
31	0565033601	PLATE	1				
	L7D540						

TB175 Book No. BL7Z000 S/N 17530001-  
VALVE & ACCESSORIES (3/3) HIGH PRESSURE 3RD & 4TH AUX LINE HIGH  
FLOW



**VALVE & ACCESSORIES (3/3) HIGH PRESSURE 3RD & 4TH AUX LINE HIGH FLOW**

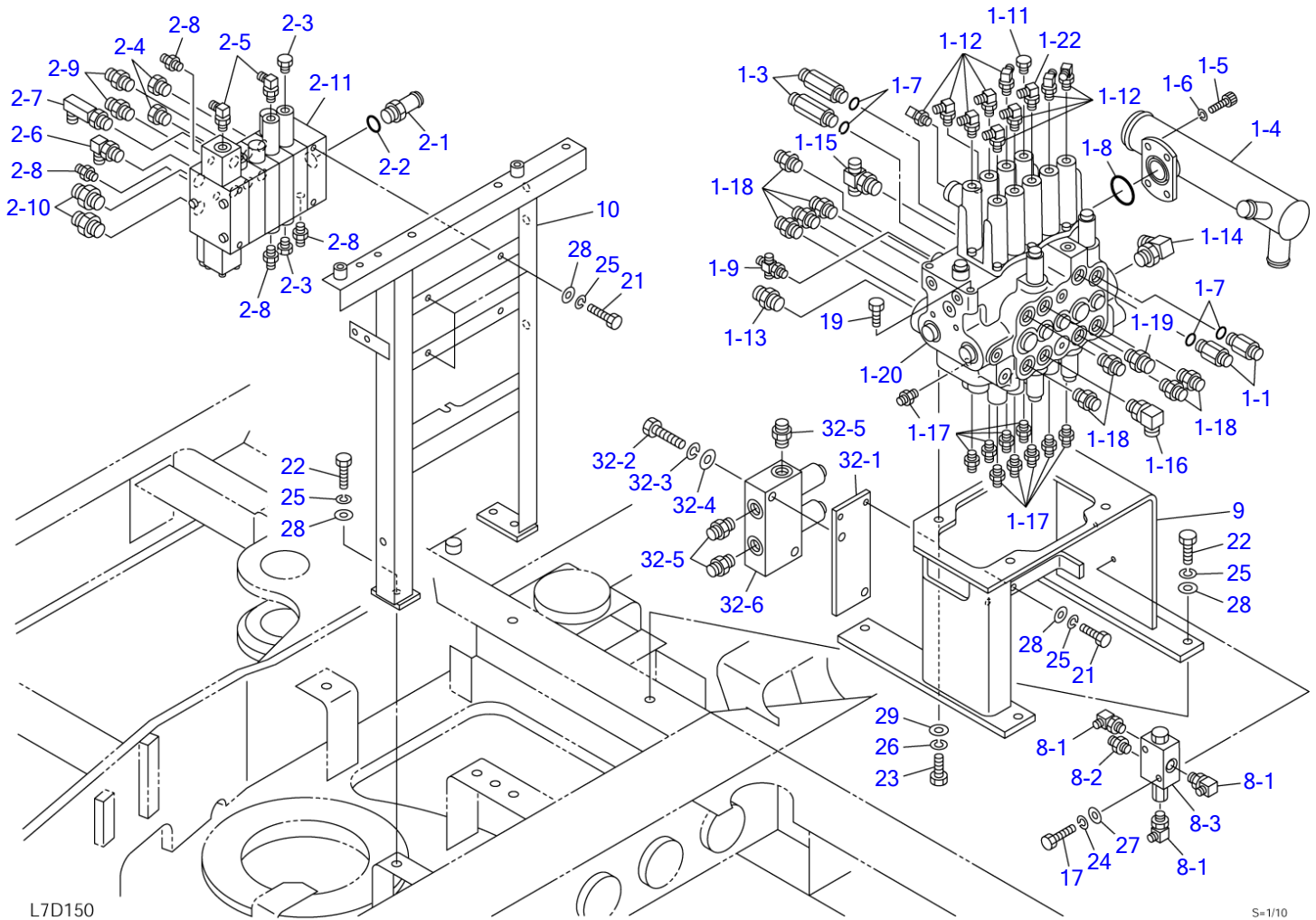
Item	Part number	Description	Q'ty	Chan.	Serial No.	Serv.	Remarks
		VALVE ASSY, control					
13	1100040816	BOLT	2				
20	1100041020	BOLT	2				
24	1140020008	WASHER, spring	2				
25	1140020010	WASHER, spring	2				
27	1141110008	WASHER	2				
38	X *****	VALVE ASSY, solenoid	1				
38-1	1515100110	• ELBOW	1				
	1420010110	• • O-RING	1				
38-2	1901752100	• VALVE, proportional control	1				M
38-3	0565033815	• PLATE	1				
38-4	1100040820	• BOLT	2				
38-5	1140020008	• WASHER, spring	2				
38-6	1141110008	• WASHER	2				
38-7	1515012040	• ELBOW	2				
	1420010110	• • O-RING	1				
38-8	1512370012	• ELBOW (with filter)	1				
	1420010110	• • O-RING	1				
39	0565051060	HOSE ASSY	1				19348-52050
39-1	1934852050	* HOSE ASSY	1				
40	0565033830	HOSE ASSY	1				
40-1	1934852050	* HOSE ASSY	1				
41	0565033840	HOSE ASSY	1				
41-1	1934822075	* HOSE ASSY	1				
42	0565033850	HOSE ASSY	1				
42-1	1934822070	* HOSE ASSY	1				
43	1513390043	TEE	1				
44	X *****	VALVE ASSY, solenoid	1				
44-1	1513300016	• ELBOW	2				
	1420010180	• • O-RING	1				
44-2	1515010042	• ELBOW	2				
	1420010180	• • O-RING	1				
44-3	1515010051	• ELBOW	1				
	1420010180	• • O-RING	1				
44-4	1515010517	• ELBOW	1				
	1420010180	• • O-RING	1				
44-5	1515100110	• ELBOW	1				
	1420010110	• • O-RING	1				
44-6	1515600202	• ADAPTOR	2				
	1420010180	• • O-RING	1				
44-7	1901749100	• VALVE, solenoid	1				M
45	0565051230	BRACKET	1				
46	0565051280	HOSE ASSY	1				
46-1	1801541021	* HOSE ASSY	1				
49	1110040870	SCREW, cap	2				
50	1140420008	WASHER, spring	2				
51	0565063230	HOSE ASSY	1				
51-1	1801022080	* HOSE ASSY	1				
	L7D550						



**VALVE & ACCESSORIES (1/2) (2-piece boom)**

Item	Part number	Description	Q'ty	Chan.	Serial No.	Serv.	Remarks
		VALVE ASSY, control					
1	X *****	VALVE, control	1				
1-1	0007203033	· ADAPTOR	2				
1-3	0007203074	· ADAPTOR	2				
	1420010180	· · O-RING	1				
1-4	0565029140	· MANIFOLD	1				
1-5	1110041025	· SCREW, cap	4				
1-6	1140020010	· WASHER, spring	4				
1-7	1420010180	· O-RING	4				
1-8	1420100450	· O-RING	1				
1-9	1513390027	· TEE	1				
	1420010110	· · O-RING	1				
1-11	1501750002	· PLUG	1				
	1420010110	· · O-RING	1				
1-12	1515012040	· ELBOW	9				
	1420010110	· · O-RING	1				
1-13	1515600203	· ADAPTOR	1				
	1420010240	· · O-RING	1				
1-14	1515010043	· ELBOW	1				
	1420010240	· · O-RING	1				
1-15	1512374011	· TEE	1				
	1420010240	· · O-RING	1				
1-16	1515010132	· ELBOW	1				
	1420010180	· · O-RING	1				
1-17	1515600200	· ADAPTOR	10				
	1420010110	· · O-RING	1				
1-18	1515600202	· ADAPTOR	8				
	1420010180	· · O-RING	1				
1-19	1515600573	· ADAPTOR	1				
	1420010180	· · O-RING	1				
1-20	1901040700	· VALVE, control	1				
1-22	0565029150	· ELBOW (with orifice)	1				
	1420010110	* * O-RING	1				
2	X *****	VALVE, control	1				
2-1	0007224006	· ADAPTOR	1				
2-2	1420010180	· O-RING	1				
2-3	1501750002	· PLUG	2				
	1420010110	· · O-RING	1				
2-4	1501750003	· PLUG	2				
	1420010140	· · O-RING	1				
2-5	1515012040	· ELBOW	2				
	1420010110	· · O-RING	1				
2-6	1515010041	· ELBOW	1				
	1420010140	· · O-RING	1				
2-7	1515012511	· ELBOW	1				
	1420010140	· · O-RING	1				
2-8	1515600200	· ADAPTOR	4				
	1420010110	· · O-RING	1				
2-9	1515600572	· ADAPTOR	2				
	1420010140	· · O-RING	1				
2-10	1515600573	· ADAPTOR	2				
	1420010180	· · O-RING	1				
2-11	1901043800	· VALVE, control	1				
8	X *****	VALVE ASSY	1				
8-1	1515012040	· ELBOW	3				
	1420010110	· · O-RING	1				
8-2	1515600200	· ADAPTOR	1				
	1420010110	· · O-RING	1				
8-3	1901734800	· VALVE	1				
9	0565029900	BRACKET	1				
10	0565051050	BRACKET	1				
17	1100040850	BOLT	2				
19	1100041016	BOLT	3				
21	1100041025	BOLT	5				
22	1100041030	BOLT	7				
23	1100041230	BOLT	4				
24	1140020008	WASHER, spring	2				
25	1140020010	WASHER, spring	12				

TB175 Book No. BL7Z000 S/N 17530001-  
**VALVE & ACCESSORIES (1/2) (2-piece boom)**



L7D150

S=1/10

**VALVE & ACCESSORIES (1/2) (2-piece boom)**

Item	Part number	Description	Q'ty	Chan.	Serial No.	Serv.	Remarks
26	<b>1140020012</b>	WASHER, spring	4				
27	<b>1141110008</b>	WASHER	2				
28	<b>1141110010</b>	WASHER	12				
29	<b>1141110012</b>	WASHER	4				
32	X <b>*****</b>	VALVE, overload	1				
32-1	<b>0565032510</b>	• PLATE	1				
32-2	<b>1100041460</b>	• BOLT	2				
32-3	<b>1140020014</b>	• WASHER, spring	2				
32-4	<b>1141110014</b>	• WASHER	2				
32-5	<b>1515600202</b>	• ADAPTOR	3				
	<b>1420010180</b>	• • O-RING	1				
32-6	<b>1901737500</b>	• VALVE, overload	1				
	<b>L7d152</b>						





**VALVE & ACCESSORIES (2/2) (2-piece boom)**

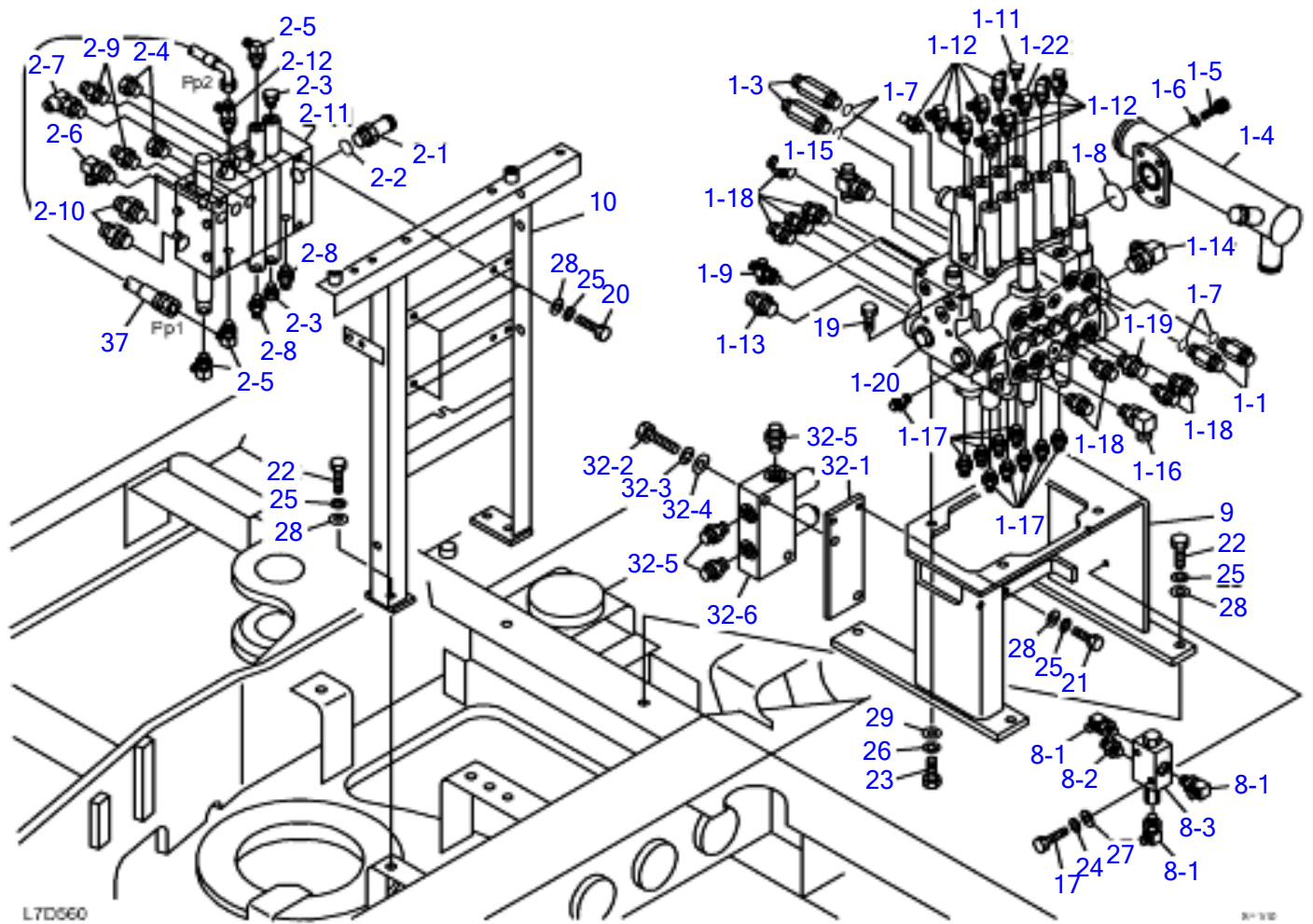
Item	Part number	Description	Q'ty	Chan.	Serial No.	Serv.	Remarks
		VALVE ASSY, control					
3	X *****	VALVE, solenoid	1				
3-1	0565051040	· PLATE	1				
3-2	1901752300	· VALVE, solenoid	1			M	
3-3	1513370801	· TEE	1			M	
	1420010140	· · O-RING	1				
3-4	1513370047	· ADAPTOR (with filter)	1				
	1420010140	· · O-RING	1				
3-5	1515600577	· ADAPTOR	1				
	1420010180	· · O-RING	1				
3-6	1515010051	· ELBOW	1				
	1420010180	· · O-RING	1				
3-7	1515010130	· ELBOW	1				
	1420010110	· · O-RING	1				
3-8	1515012040	· ELBOW	3				
	1420010110	· · O-RING	1				
3-9	1100041090	· BOLT	2			M	
3-10	1141110010	· WASHER	2				
3-11	1140020010	· WASHER, spring	2				
3-12	1515010050	· ELBOW	1				
	1420010140	· · O-RING	1				
4	X *****	VALVE, solenoid	1				
4-1	0565037410	· PLATE	1				
4-2	1513390027	· TEE	1				
	1420010110	· · O-RING	1				
4-3	1515012040	· ELBOW	1				
	1420010110	· · O-RING	1				
4-4	1100040616	· BOLT	2				
4-5	1141110006	· WASHER	2				
4-6	1140020006	· WASHER, spring	2				
4-7	1901746600	· VALVE, solenoid	1			M	
4-8	1512370011	· TEE	1				
	1420010110	· · O-RING	1				
4-9	0565060550	* HARNESS WIRING	1				
4-9-1	1730500008	** DIODE (3A YELLOW)	1				
5	X *****	VALVE, solenoid	1				
5-1	1512370008	· FILTER	1				
	1420010110	· · O-RING	1				
5-2	1515012040	· ELBOW	3				
	1420010110	· · O-RING	1				
5-3	1901752100	· VALVE, proportional control	1			M	
7	X *****	VALVE , stop	1				
7-1	1512373008	· TEE	1				
	1420010240	· · O-RING	1				
7-2	1513350005	· CONNECTOR	1				
	1420010240	· · O-RING	1				
7-3	1901723700	· VALVE, stop	1				
14	1100040820	BOLT	4				
20	1100041020	BOLT	8				
24	1140020008	WASHER, spring	4				
25	1140020010	WASHER, spring	8				
27	1141110008	WASHER	4				
28	1141110010	WASHER	6				
31	X *****	SELECTOR	1				
31-1	0565033601	· PLATE	1				
31-2	1100041020	· BOLT	4				
31-3	1140020010	· WASHER, spring	4				
31-4	1512373005	· TEE	2				
	1420010180	· · O-RING	1				
31-5	1515012040	· ELBOW	1				
	1420010110	· · O-RING	1				
31-6	1515600200	· ADAPTOR	1				
	1420010110	· · O-RING	1				
31-7	0007213010	· BUSHING	2				
	1420010180	* * O-RING	1				
31-8	1901736900	· VALVE, selector	1				
31-9	1901735400	· ADAPTOR	1				
31-10	1515600202	· ADAPTOR	3				



**VALVE & ACCESSORIES (2/2) (2-piece boom)**

Item	Part number	Description	Q'ty	Chan.	Serial No.	Serv.	Remarks
	<b>1420010180</b>	• • O-RING	1				
31-11	<b>1420010180</b>	• O-RING	2				
	<b>L7d162</b>						

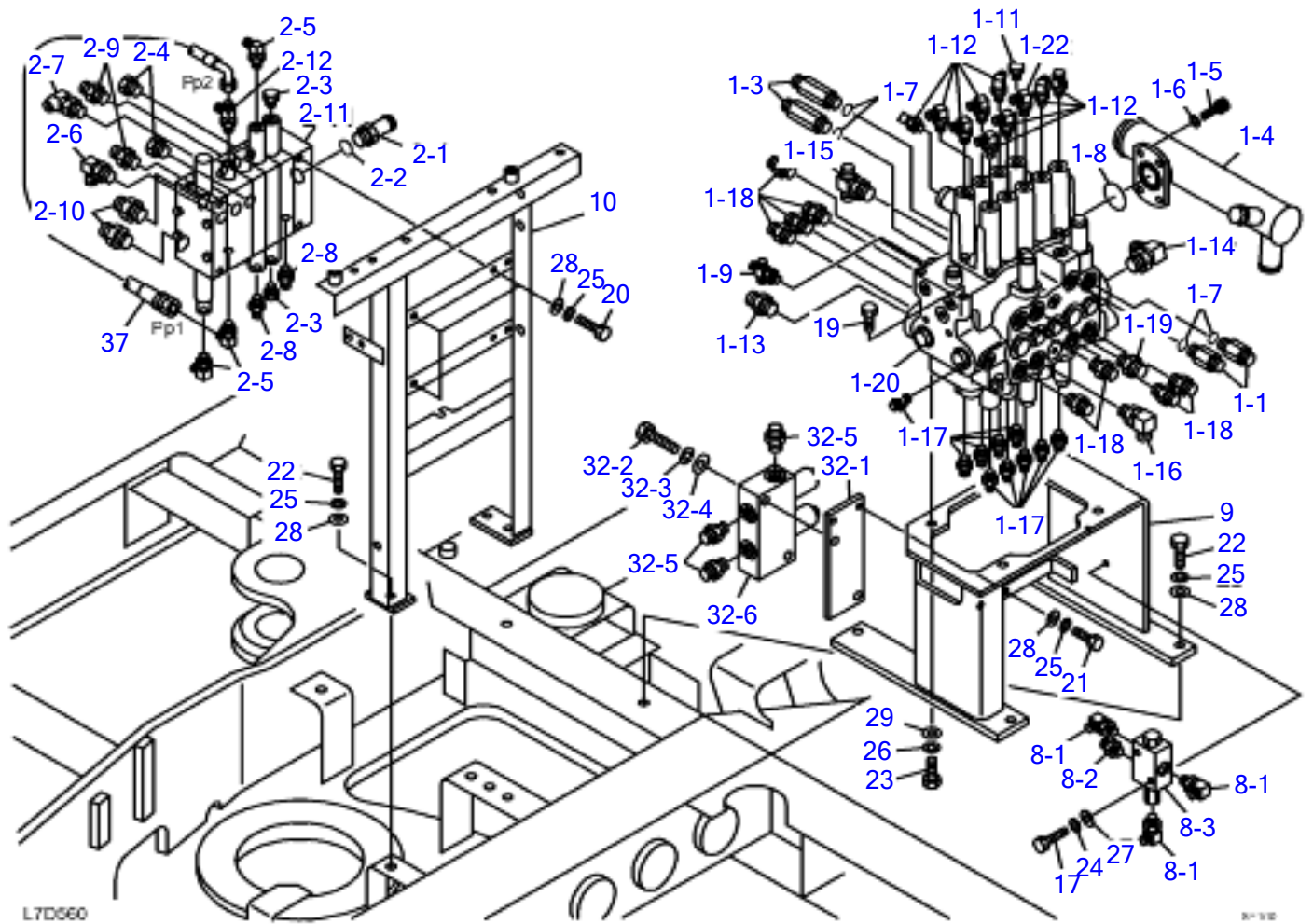
TB175 Book No. BL7Z000 S/N 17530001-  
VALVE & ACCESSORIES (1/2) (2-piece boom)



**VALVE & ACCESSORIES (1/2) (2-piece boom)**

Item	Part number	Description	Q'ty	Chan.	Serial No.	Serv.	Remarks
		VALVE ASSY, control					
1	X *****	VALVE, control	1				
1-1	0007203033	· ADAPTOR	2				
1-3	0007203074	· ADAPTOR	2				
	1420010180	· · O-RING	1				
1-4	0565029140	· MANIFOLD	1				
1-5	1110041025	· SCREW, cap	4				
1-6	1140020010	· WASHER, spring	4				
1-7	1420010180	· O-RING	4				
1-8	1420100450	· O-RING	1				
1-9	1513390027	· TEE	1				
	1420010110	· · O-RING	1				
1-11	1501750002	· PLUG	1				
	1420010110	· · O-RING	1				
1-12	1515012040	· ELBOW	9				
	1420010110	· · O-RING	1				
1-13	1515600203	· ADAPTOR	1				
	1420010240	· · O-RING	1				
1-14	1515010043	· ELBOW	1				
	1420010240	· · O-RING	1				
1-15	1512374011	· TEE	1				
	1420010240	· · O-RING	1				
1-16	1515010132	· ELBOW	1				
	1420010180	· · O-RING	1				
1-17	1515600200	· ADAPTOR	10				
	1420010110	· · O-RING	1				
1-18	1515600202	· ADAPTOR	8				
	1420010180	· · O-RING	1				
1-19	1515600573	· ADAPTOR	1				
	1420010180	· · O-RING	1				
1-20	1901040700	· VALVE, control	1				
1-22	0565029150	· ELBOW (with orifice)	1				
	1420010110	* * O-RING	1				
2	X *****	VALVE, control	1				
2-1	0007224006	· ADAPTOR	1				
2-2	1420010180	· O-RING	1				
2-3	1501750002	· PLUG	2				
	1420010110	· · O-RING	1				
2-4	1501750003	· PLUG	2				
	1420010140	· · O-RING	1				
2-5	1515012040	· ELBOW	2				
	1420010110	· · O-RING	1				
2-6	1515010041	· ELBOW	1				
	1420010140	· · O-RING	1				
2-7	1515100111	· ELBOW	1				
	1420010140	· · O-RING	1				
2-8	1515600200	· ADAPTOR	4				
	1420010110	· · O-RING	1				
2-9	1515600572	· ADAPTOR	2				
	1420010140	· · O-RING	1				
2-10	1515600573	· ADAPTOR	2				
	1420010180	· · O-RING	1				
2-11	1901048200	· VALVE, control	1				
2-12	1512370011	* TEE	1				
	1420010110	* * O-RING	1				
8	X *****	VALVE ASSY	1				
8-1	1515012040	· ELBOW	3				
	1420010110	· · O-RING	1				
8-2	1515600200	· ADAPTOR	1				
	1420010110	· · O-RING	1				
8-3	1901734800	· VALVE	1				
9	0565029900	BRACKET	1				
10	0565051080	BRACKET	1				
17	1100040850	BOLT	2				
19	1100041016	BOLT	3				
20	1100041020	BOLT	3				
21	1100041025	BOLT	2				
22	1100041030	BOLT	7				

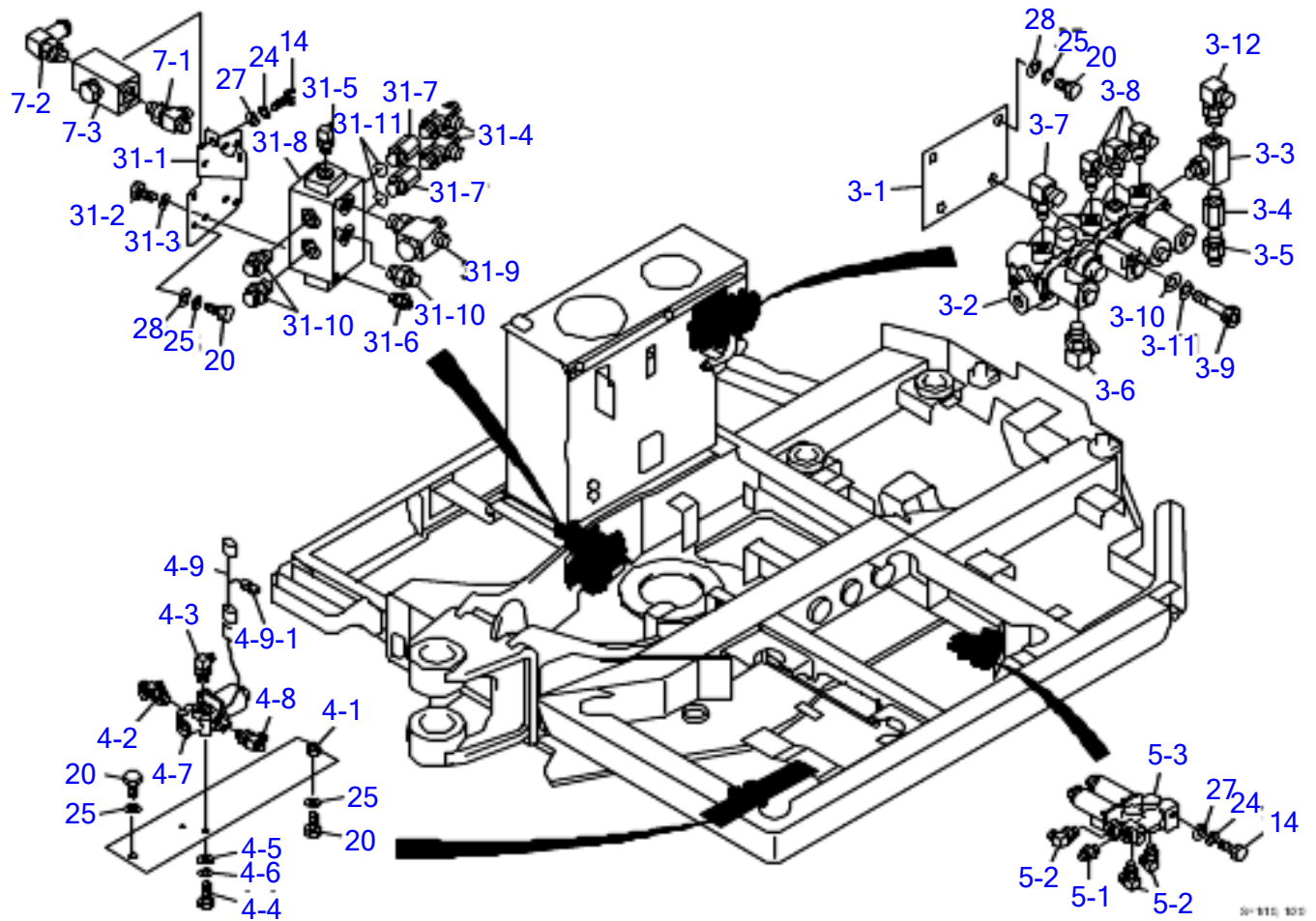
TB175 Book No. BL7Z000 S/N 17530001-  
VALVE & ACCESSORIES (1/2) (2-piece boom)



**VALVE & ACCESSORIES (1/2) (2-piece boom)**

Item	Part number	Description	Q'ty	Chan.	Serial No.	Serv.	Remarks
23	<b>1100041230</b>	BOLT	4				
24	<b>1140020008</b>	WASHER, spring	2				
25	<b>1140020010</b>	WASHER, spring	12				
26	<b>1140020012</b>	WASHER, spring	4				
27	<b>1141110008</b>	WASHER	2				
28	<b>1141110010</b>	WASHER	12				
29	<b>1141110012</b>	WASHER	4				
32	X *****	VALVE, overload	1				
32-1	<b>0565032510</b>	• PLATE	1				
32-2	<b>1100041460</b>	• BOLT	2				
32-3	<b>1140020014</b>	• WASHER, spring	2				
32-4	<b>1141110014</b>	• WASHER	2				
32-5	<b>1515600202</b>	• ADAPTOR	3				
	<b>1420010180</b>	• • O-RING	1				
32-6	<b>1901737500</b>	• VALVE, overload	1				
37	<b>0565060040</b>	HOSE ASSY	1				
37-1	<b>1934852050</b>	* HOSE ASSY	1				
	<b>L7D560</b>						

TB175 Book No. BL7Z000 S/N 17530001-  
VALVE & ACCESSORIES (2/2) (2-piece boom)



30-1110-1005



**VALVE & ACCESSORIES (2/2) (2-piece boom)**

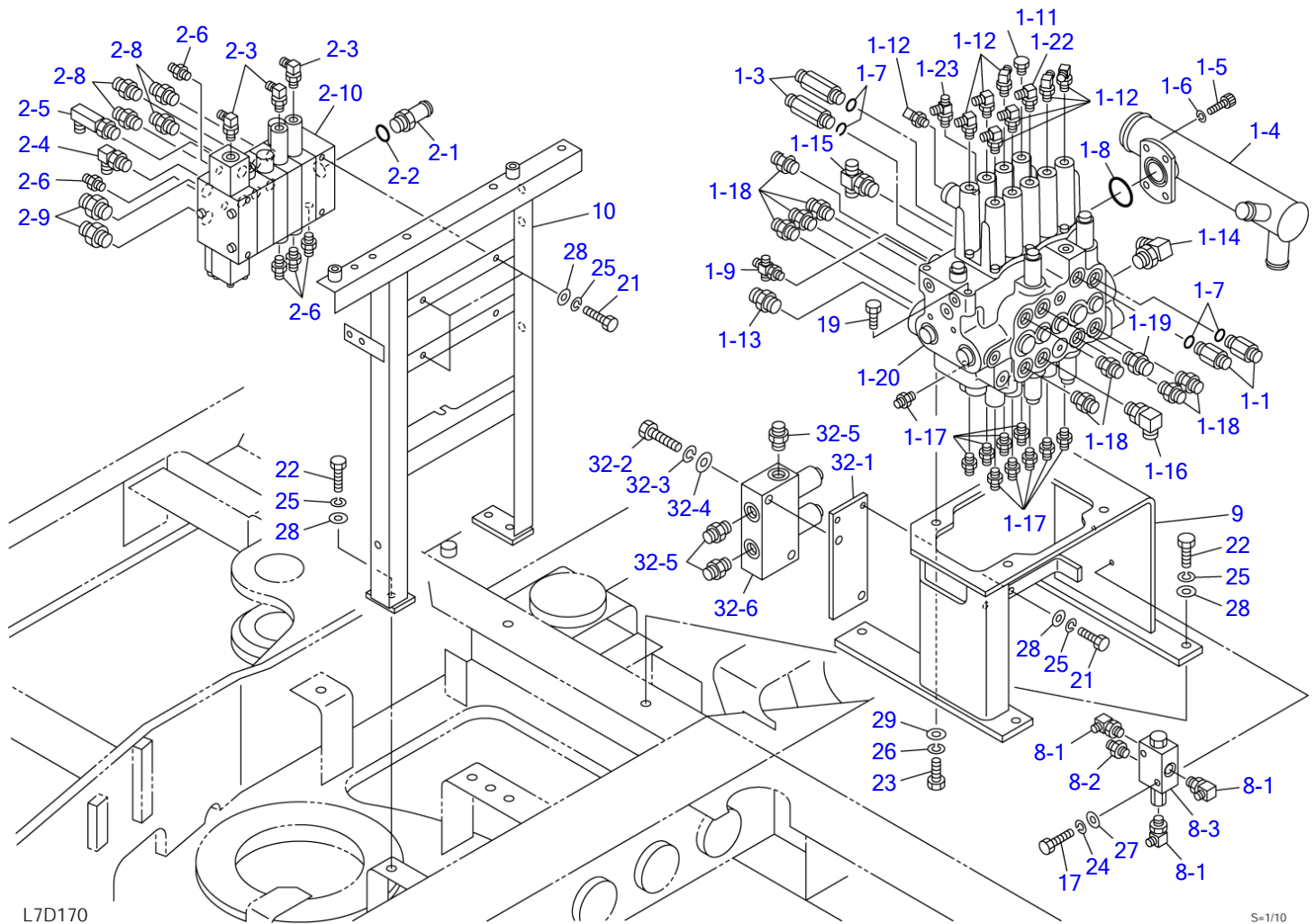
Item	Part number	Description	Q'ty	Chan.	Serial No.	Serv.	Remarks
		VALVE ASSY, control					
3	X *****	VALVE, solenoid	1				
3-1	0565051040	· PLATE	1				
3-2	1901752300	· VALVE, solenoid	1			M	
3-3	1513370801	· TEE	1			M	
	1420010140	· · O-RING	1				
3-4	1513370047	· ADAPTOR (with filter)	1				
	1420010140	· · O-RING	1				
3-5	1515600577	· ADAPTOR	1				
	1420010180	· · O-RING	1				
3-6	1515010051	· ELBOW	1				
	1420010180	· · O-RING	1				
3-7	1515010130	· ELBOW	1				
	1420010110	· · O-RING	1				
3-8	1515012040	· ELBOW	3				
	1420010110	· · O-RING	1				
3-9	1100041090	· BOLT	2			M	
3-10	1141110010	· WASHER	2				
3-11	1140020010	· WASHER, spring	2				
3-12	1515010050	· ELBOW	1				
	1420010140	· · O-RING	1				
4	X *****	VALVE, solenoid	1				
4-1	0565037410	· PLATE	1				
4-2	1513390027	· TEE	1				
	1420010110	· · O-RING	1				
4-3	1515012040	· ELBOW	1				
	1420010110	· · O-RING	1				
4-4	1100040616	· BOLT	2				
4-5	1141110006	· WASHER	2				
4-6	1140020006	· WASHER, spring	2				
4-7	1901746600	· VALVE, solenoid	1			M	
4-8	1512370011	· TEE	1				
	1420010110	· · O-RING	1				
4-9	0565060550	* HARNESS WIRING	1				
4-9-1	1730500008	** DIODE (3A YELLOW)	1				
5	X *****	VALVE, solenoid	1				
5-1	1512370008	· FILTER	1				
	1420010110	· · O-RING	1				
5-2	1515012040	· ELBOW	3				
	1420010110	· · O-RING	1				
5-3	1901752100	· VALVE, proportional control	1			M	
7	X *****	VALVE , stop	1				
7-1	1512373008	· TEE	1				
	1420010240	· · O-RING	1				
7-2	1513350005	· CONNECTOR	1				
	1420010240	· · O-RING	1				
7-3	1901723700	· VALVE, stop	1				
14	1100040820	BOLT	4				
20	1100041020	BOLT	8				
24	1140020008	WASHER, spring	4				
25	1140020010	WASHER, spring	8				
27	1141110008	WASHER	4				
28	1141110010	WASHER	6				
31	X *****	SELECTOR	1				
31-1	0565033601	· PLATE	1				
31-2	1100041020	· BOLT	4				
31-3	1140020010	· WASHER, spring	4				
31-4	1512373005	· TEE	2				
	1420010180	· · O-RING	1				
31-5	1515012040	· ELBOW	1				
	1420010110	· · O-RING	1				
31-6	1515600200	· ADAPTOR	1				
	1420010110	· · O-RING	1				
31-7	0007213010	· BUSHING	2				
	1420010180	* * O-RING	1				
31-8	1901736900	· VALVE, selector	1				
31-9	1901735400	· ADAPTOR	1				
31-10	1515600202	· ADAPTOR	3				



**VALVE & ACCESSORIES (2/2) (2-piece boom)**

Item	Part number	Description	Q'ty	Chan.	Serial No.	Serv.	Remarks
	<b>1420010180</b>	• • O-RING	1				
31-11	<b>1420010180</b>	• O-RING	2				
	<b>L7d162-1</b>						

TB175 Book No. BL7Z000 S/N 17530001-  
VALVE & ACCESSORIES (1/3) (2-piece boom; with 2nd auxiliary lines)



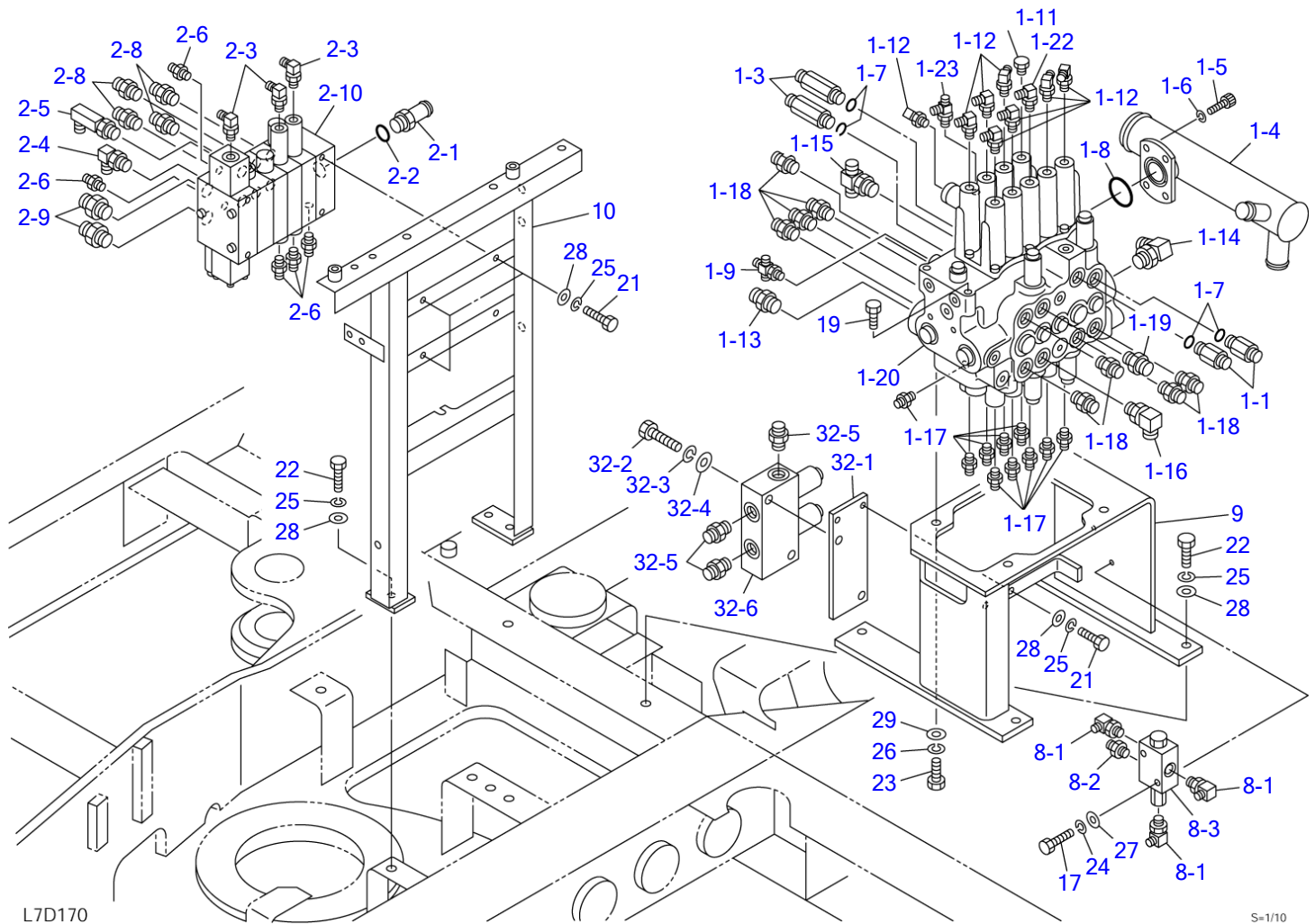
L7D170

S=1/10

**VALVE & ACCESSORIES (1/3) (2-piece boom; with 2nd auxiliary lines)**

Item	Part number	Description	Q'ty	Chan.	Serial No.	Serv.	Remarks
		VALVE ASSY, control					
1	X *****	VALVE, control	1				
1-1	0007203033	· ADAPTOR	2				
1-3	0007203074	· ADAPTOR	2				
	1420010180	· · O-RING	1				
1-4	0565029140	· MANIFOLD	1				
1-5	1110041025	· SCREW, cap	4				
1-6	1140020010	· WASHER, spring	4				
1-7	1420010180	· O-RING	4				
1-8	1420100450	· O-RING	1				
1-9	1513390027	· TEE	1				
	1420010110	· · O-RING	1				
1-11	1501750002	· PLUG	1				
	1420010110	· · O-RING	1				
1-12	1515012040	· ELBOW	8				
	1420010110	· · O-RING	1				
1-13	1515600203	· ADAPTOR	1				
	1420010240	· · O-RING	1				
1-14	1515010043	· ELBOW	1				
	1420010240	· · O-RING	1				
1-15	1512374011	· TEE	1				
	1420010240	· · O-RING	1				
1-16	1515010132	· ELBOW	1				
	1420010180	· · O-RING	1				
1-17	1515600200	· ADAPTOR	10				
	1420010110	· · O-RING	1				
1-18	1515600202	· ADAPTOR	8				
	1420010180	· · O-RING	1				
1-19	1515600573	· ADAPTOR	1				
	1420010180	· · O-RING	1				
1-20	1901040700	· VALVE, control	1				
1-22	0565029150	· ELBOW (with orifice)	1				
	1420010110	* * O-RING	1				
1-23	1512370011	· TEE	1				
	1420010110	· · O-RING	1				
2	X *****	VALVE, control	1				
2-1	0007224006	· ADAPTOR	1				
2-2	1420010180	· O-RING	1				
2-3	1515012040	· ELBOW	3				
	1420010110	· · O-RING	1				
2-4	1515010041	· ELBOW	1				
	1420010140	· · O-RING	1				
2-5	1515012511	· ELBOW	1				
	1420010140	· · O-RING	1				
2-6	1515600200	· ADAPTOR	3				
	1420010110	· · O-RING	1				
2-8	1515600572	* ADAPTOR	4				
	1420010140	* * O-RING	1				
2-9	1515600573	· ADAPTOR	2				
	1420010180	· · O-RING	1				
2-10	1901043800	· CONTROL VALVE	1				
8	X *****	VALVE ASSY	1				
8-1	1515012040	· ELBOW	3				
	1420010110	· · O-RING	1				
8-2	1515600200	· ADAPTOR	1				
	1420010110	· · O-RING	1				
8-3	1901734800	· VALVE	1				
9	0565029900	BRACKET	1				
10	0565051080	BRACKET	1				
17	1100040850	BOLT	2				
19	1100041016	BOLT	3				
21	1100041025	BOLT	5				
22	1100041030	BOLT	7				
23	1100041230	BOLT	4				
24	1140020008	WASHER, spring	2				
25	1140020010	WASHER, spring	12				
26	1140020012	WASHER, spring	4				
27	1141110008	WASHER	2				

TB175 Book No. BL7Z000 S/N 17530001-  
VALVE & ACCESSORIES (1/3) (2-piece boom; with 2nd auxiliary lines)



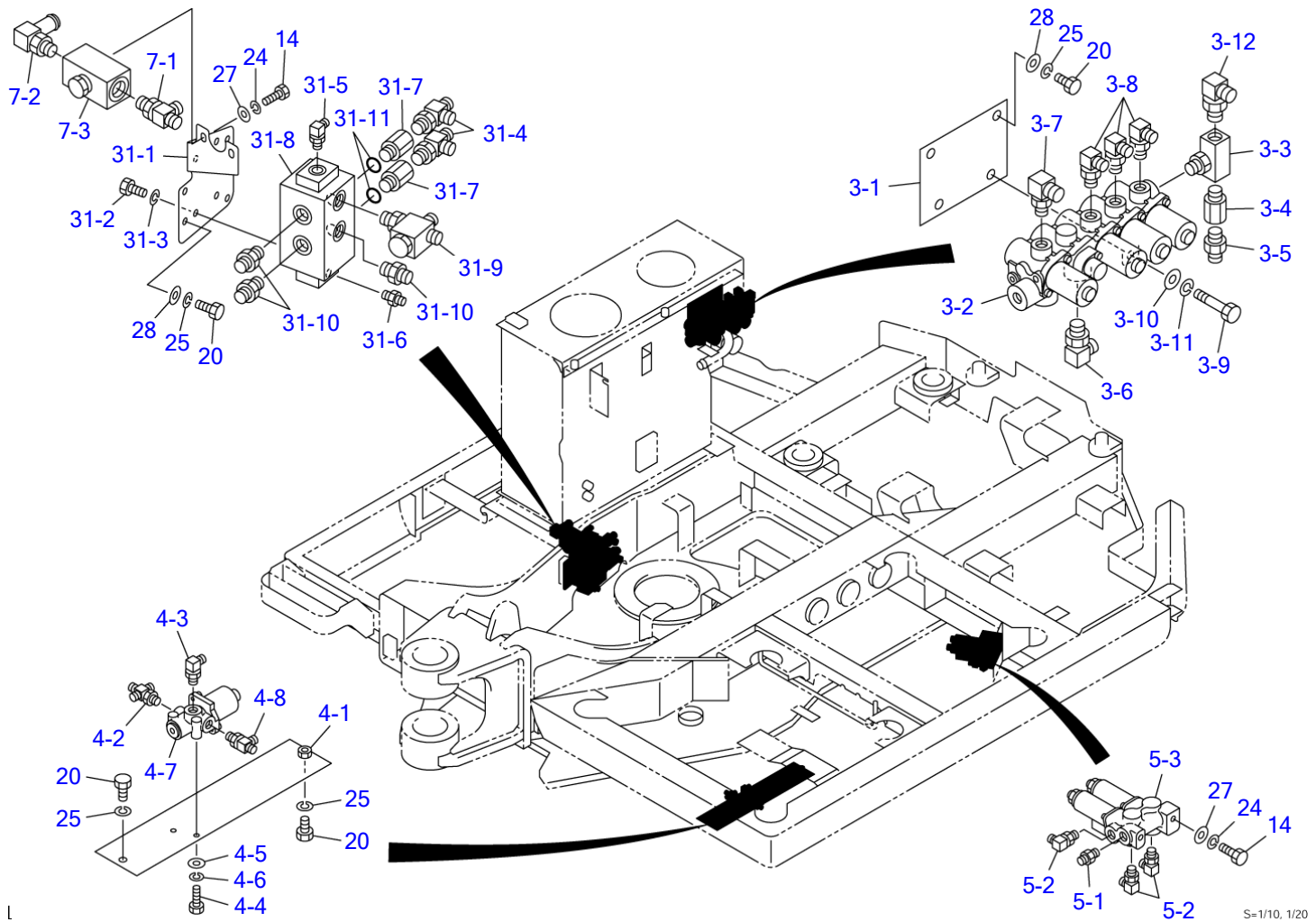
L7D170

S=1/10

**VALVE & ACCESSORIES (1/3) (2-piece boom; with 2nd auxiliary lines)**

Item	Part number	Description	Q'ty	Chan.	Serial No.	Serv.	Remarks
28	<b>1141110010</b>	WASHER	12				
29	<b>1141110012</b>	WASHER	4				
32	X *****	VALVE, overload	1				
32-1	<b>0565032510</b>	• PLATE	1				
32-2	<b>1100041460</b>	• BOLT	2				
32-3	<b>1140020014</b>	• WASHER, spring	2				
32-4	<b>1141110014</b>	• WASHER	2				
32-5	<b>1515600202</b>	• ADAPTOR	3				
	<b>1420010180</b>	• • O-RING	1				
32-6	<b>1901737500</b>	• VALVE, overload	1				
	<b>L7D172</b>						

TB175 Book No. BL7Z000 S/N 17530001-  
VALVE & ACCESSORIES (2/3) (2-piece boom; with 2nd auxiliary lines)

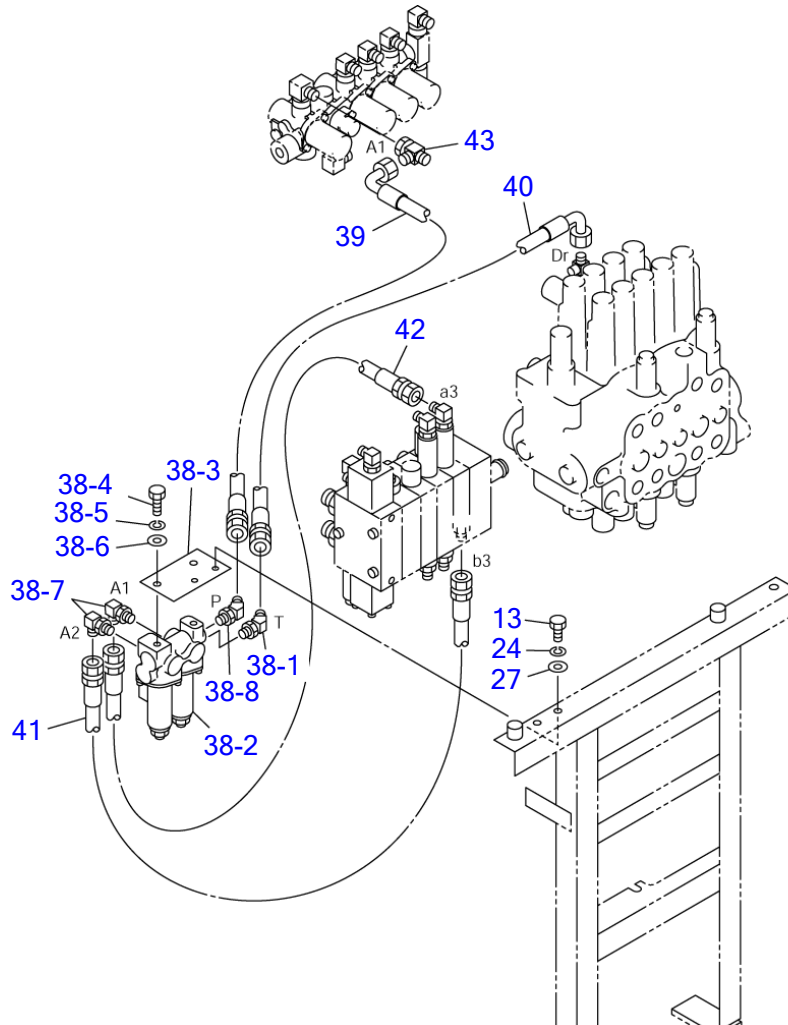




**VALVE & ACCESSORIES (2/3) (2-piece boom; with 2nd auxiliary lines)**

Item	Part number	Description	Q'ty	Chan.	Serial No.	Serv.	Remarks
		VALVE ASSY, control					
3	X *****	VALVE, solenoid	1				
3-1	0565051040	• PLATE	1				
3-2	1901752300	• VALVE, solenoid	1			M	
3-3	1513370801	• TEE	1			M	
	1420010140	• • O-RING	1				
3-4	1513370047	• ADAPTOR (with filter)	1				
	1420010140	• • O-RING	1				
3-5	1515600577	• ADAPTOR	1				
	1420010180	• • O-RING	1				
3-6	1515010051	• ELBOW	1				
	1420010180	• • O-RING	1				
3-7	1515010130	• ELBOW	1				
	1420010110	• • O-RING	1				
3-8	1515012040	• ELBOW	3				
	1420010110	• • O-RING	1				
3-9	1100041090	• BOLT	2			M	
3-10	1141110010	• WASHER	2				
3-11	1140020010	• WASHER, spring	2				
3-12	1515010050	• ELBOW	1				
	1420010140	• • O-RING	1				
4	X *****	VALVE, solenoid	1				
4-1	0565037410	• PLATE	1				
4-2	1513390027	• TEE	1				
	1420010110	• • O-RING	1				
4-3	1515012040	• ELBOW	1				
	1420010110	• • O-RING	1				
4-4	1100040616	• BOLT	2				
4-5	1141110006	• WASHER	2				
4-6	1140020006	• WASHER, spring	2				
4-7	1901746600	• VALVE, solenoid	1			M	
4-8	1512370011	• TEE	1				
	1420010110	• • O-RING	1				
5	X *****	VALVE, solenoid	1				
5-1	1512370008	• FILTER	1				
	1420010110	• • O-RING	1				
5-2	1515012040	• ELBOW	3				
	1420010110	• • O-RING	1				
5-3	1901752100	• VALVE, proportional control	1			M	
7	X *****	VALVE , stop	1				
7-1	1512373008	• TEE	1				
	1420010240	• • O-RING	1				
7-2	1513350005	• CONNECTOR	1				
	1420010240	• • O-RING	1				
7-3	1901723700	• VALVE, stop	1				
14	1100040820	BOLT	4				
20	1100041020	BOLT	8				
24	1140020008	WASHER, spring	4				
25	1140020010	WASHER, spring	8				
27	1141110008	WASHER	4				
28	1141110010	WASHER	6				
31	X *****	SELECTOR	1				
31-1	0565033601	• PLATE	1				
31-2	1100041020	• BOLT	3				
31-3	1140020010	• WASHER, spring	3				
31-4	1512373005	• TEE	2				
	1420010180	• • O-RING	1				
31-5	1515012040	• ELBOW	1				
	1420010110	• • O-RING	1				
31-6	1515600200	• ADAPTOR	1				
	1420010110	• • O-RING	1				
31-7	0007213010	• BUSHING	2				
	14200210180	* * O-RING	1				
31-8	1901736900	• VALVE, selector	1				
31-9	1901735400	• ADAPTOR	1				
31-10	1515600202	• ADAPTOR	3				
	1420010180	• • O-RING	1				
31-11	1420010180	• O-RING	2				

TB175 Book No. BL7Z000 S/N 17530001-  
VALVE & ACCESSORIES (3/3) (2-piece boom; with 2nd auxiliary lines)

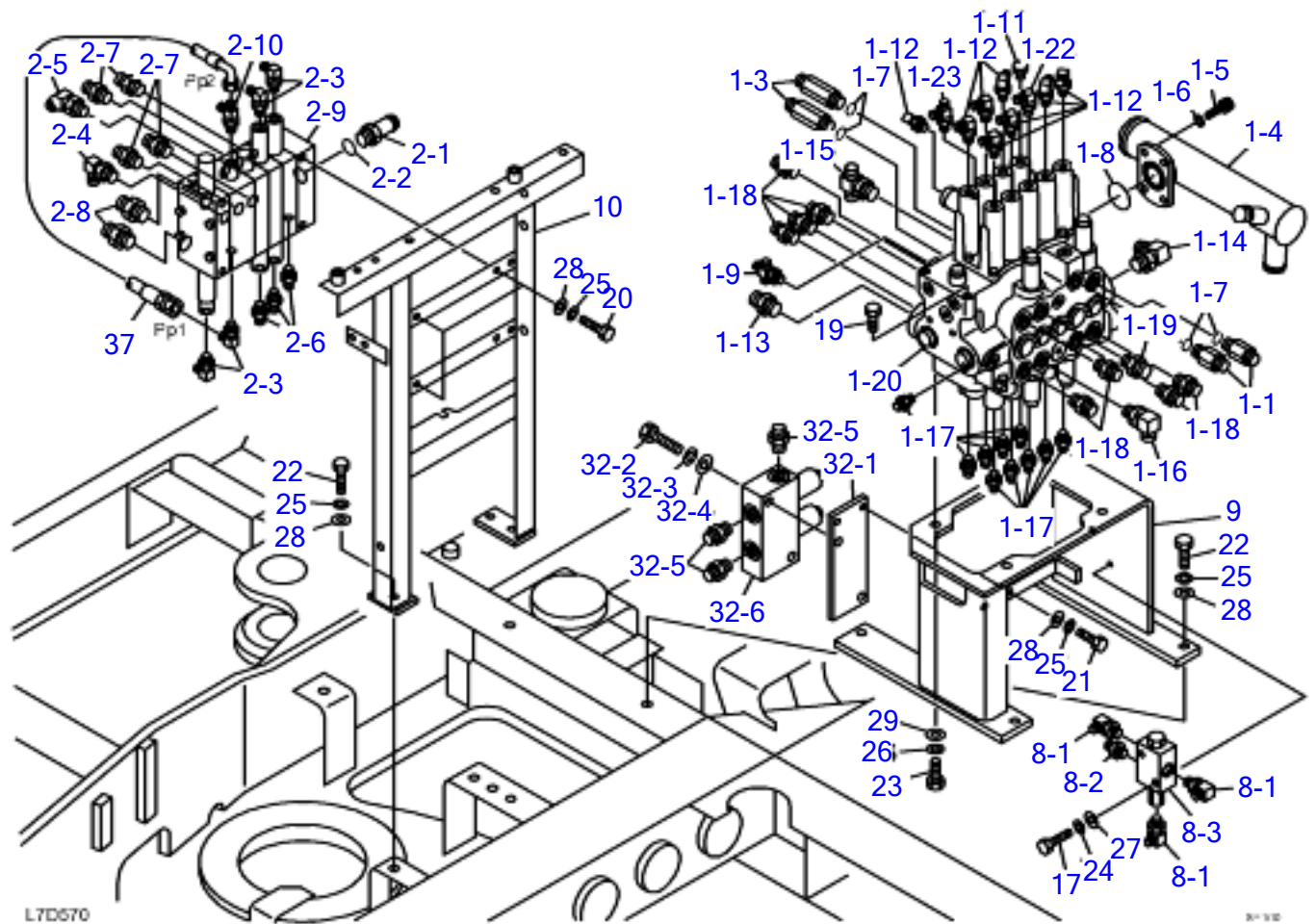


S=1/10

**VALVE & ACCESSORIES (3/3) (2-piece boom; with 2nd auxiliary lines)**

Item	Part number	Description	Q'ty	Chan.	Serial No.	Serv.	Remarks
		VALVE ASSY, control					
13	<b>1100040816</b>	BOLT	2				
24	<b>1140020008</b>	WASHER, spring	2				
27	<b>1141110008</b>	WASHER	2				
38	X <b>*****</b>	VALVE ASSY, solenoid	1				
38-1	<b>1515100110</b>	· ELBOW	1				
	<b>1420010110</b>	· · O-RING	1				
38-2	<b>1901752100</b>	· VALVE, proportional control	1			M	
38-3	<b>0565033815</b>	· PLATE	1				
38-4	<b>1100040820</b>	· BOLT	2				
38-5	<b>1140020008</b>	· WASHER, spring	2				
38-6	<b>1141110008</b>	· WASHER	2				
38-7	<b>1515012040</b>	· ELBOW	2				
	<b>1420010110</b>	· · O-RING	1				
38-8	<b>1512370012</b>	· ELBOW (with filter)	1				
	<b>1420010110</b>	· · O-RING	1				
39	<b>0565051060</b>	HOSE ASSY	1				19348-52050
39-1	<b>1934852050</b>	* HOSE ASSY	1				
40	<b>0565033830</b>	HOSE ASSY	1				
40-1	<b>1934852050</b>	* HOSE ASSY	1				
41	<b>0565033840</b>	HOSE ASSY	1				
41-1	<b>1934822075</b>	* HOSE ASSY	1				
42	<b>0565033850</b>	HOSE ASSY	1				
42-1	<b>1934822070</b>	* HOSE ASSY	1				
43	<b>1513390043</b>	TEE	1				
	<b>L7d192</b>						

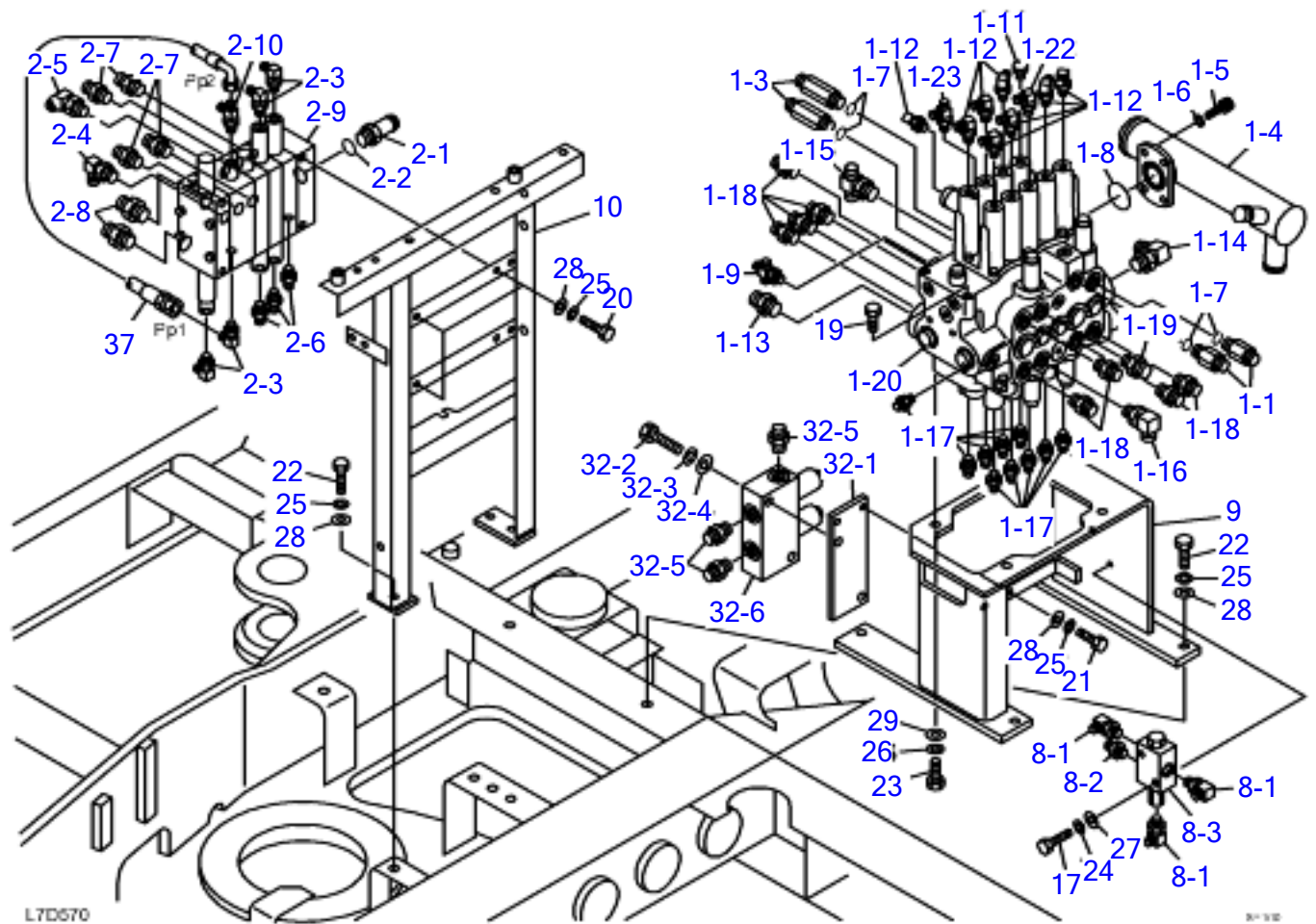
TB175 Book No. BL7Z000 S/N 17530001-  
VALVE & ACCESSORIES (1/3) (2-piece boom; with 2nd auxiliary lines)



**VALVE & ACCESSORIES (1/3) (2-piece boom; with 2nd auxiliary lines)**

Item	Part number	Description	Q'ty	Chan.	Serial No.	Serv.	Remarks
		VALVE ASSY, control					
1	X *****	VALVE, control	1				
1-1	0007203033	· ADAPTOR	2				
1-3	0007203074	· ADAPTOR	2				
	1420010180	· · O-RING	1				
1-4	0565029140	· MANIFOLD	1				
1-5	1110041025	· SCREW, cap	4				
1-6	1140020010	· WASHER, spring	4				
1-7	1420010180	· O-RING	4				
1-8	1420100450	· O-RING	1				
1-9	1513390027	· TEE	1				
	1420010110	· · O-RING	1				
1-11	1501750002	· PLUG	1				
	1420010110	· · O-RING	1				
1-12	1515012040	· ELBOW	8				
	1420010110	· · O-RING	1				
1-13	1515600203	· ADAPTOR	1				
	1420010240	· · O-RING	1				
1-14	1515010043	· ELBOW	1				
	1420010240	· · O-RING	1				
1-15	1512374011	· TEE	1				
	1420010240	· · O-RING	1				
1-16	1515010132	· ELBOW	1				
	1420010180	· · O-RING	1				
1-17	1515600200	· ADAPTOR	10				
	1420010110	· · O-RING	1				
1-18	1515600202	· ADAPTOR	8				
	1420010180	· · O-RING	1				
1-19	1515600573	· ADAPTOR	1				
	1420010180	· · O-RING	1				
1-20	1901040700	· VALVE, control	1				
1-22	0565029150	· ELBOW (with orifice)	1				
	1420010110	* * O-RING	1				
1-23	1512370011	· TEE	1				
	1420010110	· · O-RING	1				
2	X *****	VALVE, control	1				
2-1	0007224006	· ADAPTOR	1				
2-2	1420010180	· O-RING	1				
2-3	1515012040	· ELBOW	3				
	1420010110	· · O-RING	1				
2-4	1515010041	· ELBOW	1				
	1420010140	· · O-RING	1				
2-5	1515100111	· ELBOW	1				
	1420010140	· · O-RING	1				
2-6	1515600200	· ADAPTOR	3				
	1420010110	· · O-RING	1				
2-7	1515600572	* ADAPTOR	4				
	1420010140	* * O-RING	1				
2-8	1515600573	· ADAPTOR	2				
	1420010180	· · O-RING	1				
2-9	1901048200	· CONTROL VALVE	1				
2-10	1512370011	* TEE	1				
	1420010110	* * O-RING	1				
8	X *****	VALVE ASSY	1				
8-1	1515012040	· ELBOW	3				
	1420010110	· · O-RING	1				
8-2	1515600200	· ADAPTOR	1				
	1420010110	· · O-RING	1				
8-3	1901734800	· VALVE	1				
9	0565029900	BRACKET	1				
10	0565051080	BRACKET	1				
17	1100040850	BOLT	2				
19	1100041016	BOLT	3				
20	1100041020	BOLT	3				
21	1100041025	BOLT	2				
22	1100041030	BOLT	7				
23	1100041230	BOLT	4				
24	1140020008	WASHER, spring	2				

TB175 Book No. BL7Z000 S/N 17530001-  
VALVE & ACCESSORIES (1/3) (2-piece boom; with 2nd auxiliary lines)



**VALVE & ACCESSORIES (1/3) (2-piece boom; with 2nd auxiliary lines)**

Item	Part number	Description	Q'ty	Chan.	Serial No.	Serv.	Remarks
25	1140020010	WASHER, spring	12				
26	1140020012	WASHER, spring	4				
27	1141110008	WASHER	2				
28	1141110010	WASHER	12				
29	1141110012	WASHER	4				
32	X *****	VALVE, overload	1				
32-1	0565032510	· PLATE	1				
32-2	1100041460	· BOLT	2				
32-3	1140020014	· WASHER, spring	2				
32-4	1141110014	· WASHER	2				
32-5	1515600202	· ADAPTOR	3				
	1420010180	· · O-RING	1				
32-6	1901737500	· VALVE, overload	1				
37	0565060040	HOSE ASSY	1				
37-1	1934852050	* HOSE ASSY	1				
	L7D570						

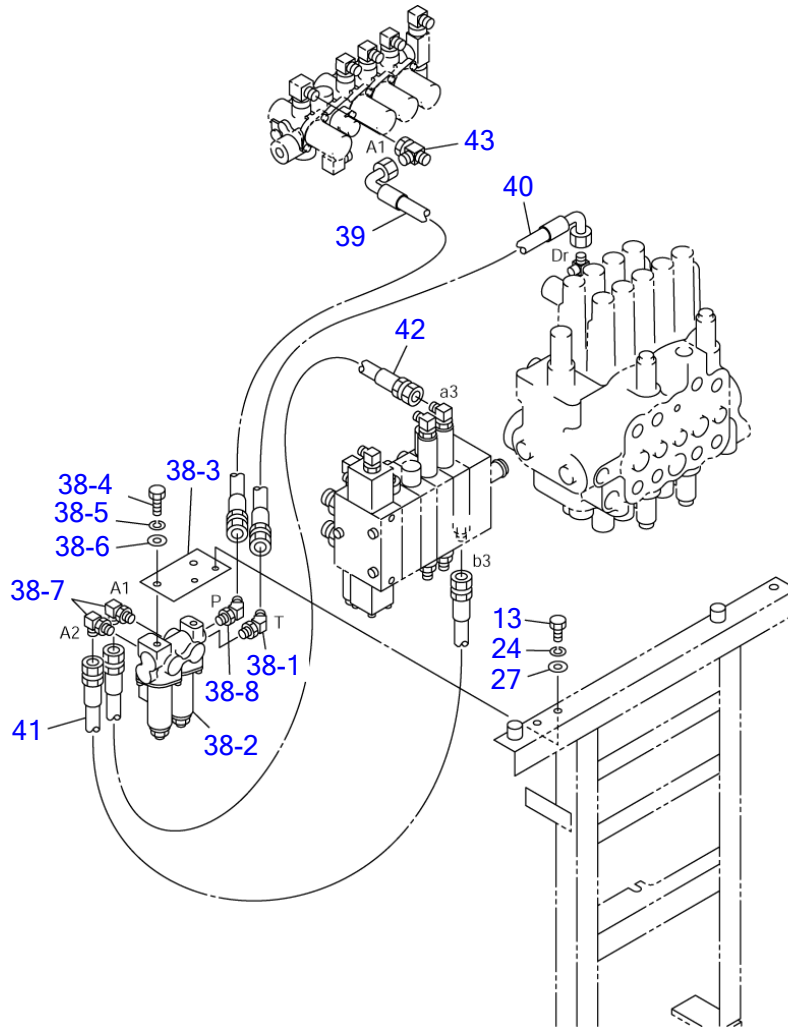




**VALVE & ACCESSORIES (2/3) (2-piece boom; with 2nd auxiliary lines)**

Item	Part number	Description	Q'ty	Chan.	Serial No.	Serv.	Remarks
		VALVE ASSY, control					
3	X *****	VALVE, solenoid	1				
3-1	0565051040	• PLATE	1				
3-2	1901752300	• VALVE, solenoid	1			M	
3-3	1513370801	• TEE	1			M	
	1420010140	• • O-RING	1				
3-4	1513370047	• ADAPTOR (with filter)	1				
	1420010140	• • O-RING	1				
3-5	1515600577	• ADAPTOR	1				
	1420010180	• • O-RING	1				
3-6	1515010051	• ELBOW	1				
	1420010180	• • O-RING	1				
3-7	1515010130	• ELBOW	1				
	1420010110	• • O-RING	1				
3-8	1515012040	• ELBOW	3				
	1420010110	• • O-RING	1				
3-9	1100041090	• BOLT	2			M	
3-10	1141110010	• WASHER	2				
3-11	1140020010	• WASHER, spring	2				
3-12	1515010050	• ELBOW	1				
	1420010140	• • O-RING	1				
4	X *****	VALVE, solenoid	1				
4-1	0565037410	• PLATE	1				
4-2	1513390027	• TEE	1				
	1420010110	• • O-RING	1				
4-3	1515012040	• ELBOW	1				
	1420010110	• • O-RING	1				
4-4	1100040616	• BOLT	2				
4-5	1141110006	• WASHER	2				
4-6	1140020006	• WASHER, spring	2				
4-7	1901746600	• VALVE, solenoid	1			M	
4-8	1512370011	• TEE	1				
	1420010110	• • O-RING	1				
5	X *****	VALVE, solenoid	1				
5-1	1512370008	• FILTER	1				
	1420010110	• • O-RING	1				
5-2	1515012040	• ELBOW	3				
	1420010110	• • O-RING	1				
5-3	1901752100	• VALVE, proportional control	1			M	
7	X *****	VALVE , stop	1				
7-1	1512373008	• TEE	1				
	1420010240	• • O-RING	1				
7-2	1513350005	• CONNECTOR	1				
	1420010240	• • O-RING	1				
7-3	1901723700	• VALVE, stop	1				
14	1100040820	BOLT	4				
20	1100041020	BOLT	8				
24	1140020008	WASHER, spring	4				
25	1140020010	WASHER, spring	8				
27	1141110008	WASHER	4				
28	1141110010	WASHER	6				
31	X *****	SELECTOR	1				
31-1	0565033601	• PLATE	1				
31-2	1100041020	• BOLT	3				
31-3	1140020010	• WASHER, spring	3				
31-4	1512373005	• TEE	2				
	1420010180	• • O-RING	1				
31-5	1515012040	• ELBOW	1				
	1420010110	• • O-RING	1				
31-6	1515600200	• ADAPTOR	1				
	1420010110	• • O-RING	1				
31-7	0007213010	• BUSHING	2				
	14200210180	* * O-RING	1				
31-8	1901736900	• VALVE, selector	1				
31-9	1901735400	• ADAPTOR	1				
31-10	1515600202	• ADAPTOR	3				
	1420010180	• • O-RING	1				
31-11	1420010180	• O-RING	2				

TB175 Book No. BL7Z000 S/N 17530001-  
VALVE & ACCESSORIES (3/3) (2-piece boom; with 2nd auxiliary lines)

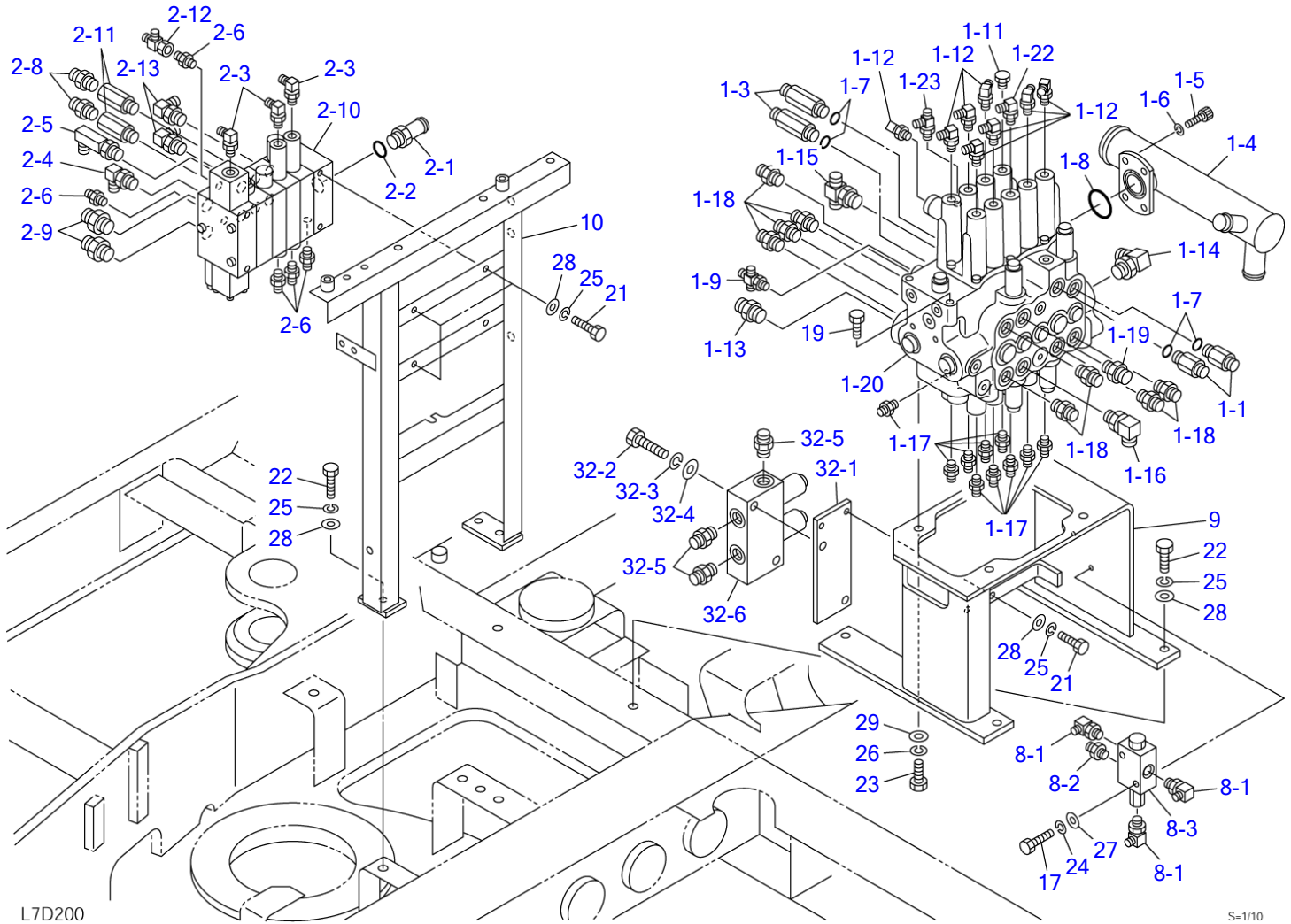


S=1/10

**VALVE & ACCESSORIES (3/3) (2-piece boom; with 2nd auxiliary lines)**

Item	Part number	Description	Q'ty	Chan.	Serial No.	Serv.	Remarks
		VALVE ASSY, control					
13	1100040816	BOLT	2				
24	1140020008	WASHER, spring	2				
27	1141110008	WASHER	2				
38	X *****	VALVE ASSY, solenoid	1				
38-1	1515100110	· ELBOW	1				
	1420010110	· · O-RING	1				
38-2	1901752100	· VALVE, proportional control	1			M	
38-3	0565033815	· PLATE	1				
38-4	1100040820	· BOLT	2				
38-5	1140020008	· WASHER, spring	2				
38-6	1141110008	· WASHER	2				
38-7	1515012040	· ELBOW	2				
	1420010110	· · O-RING	1				
38-8	1512370012	· ELBOW (with filter)	1				
	1420010110	· · O-RING	1				
39	0565051060	HOSE ASSY	1				19348-52050
39-1	1934852050	* HOSE ASSY	1				
40	0565033830	HOSE ASSY	1				
40-1	1934852050	* HOSE ASSY	1				
41	0565033840	HOSE ASSY	1				
41-1	1934822075	* HOSE ASSY	1				
42	0565033850	HOSE ASSY	1				
42-1	1934822070	* HOSE ASSY	1				
43	1513390043	TEE	1				
	L7d192						

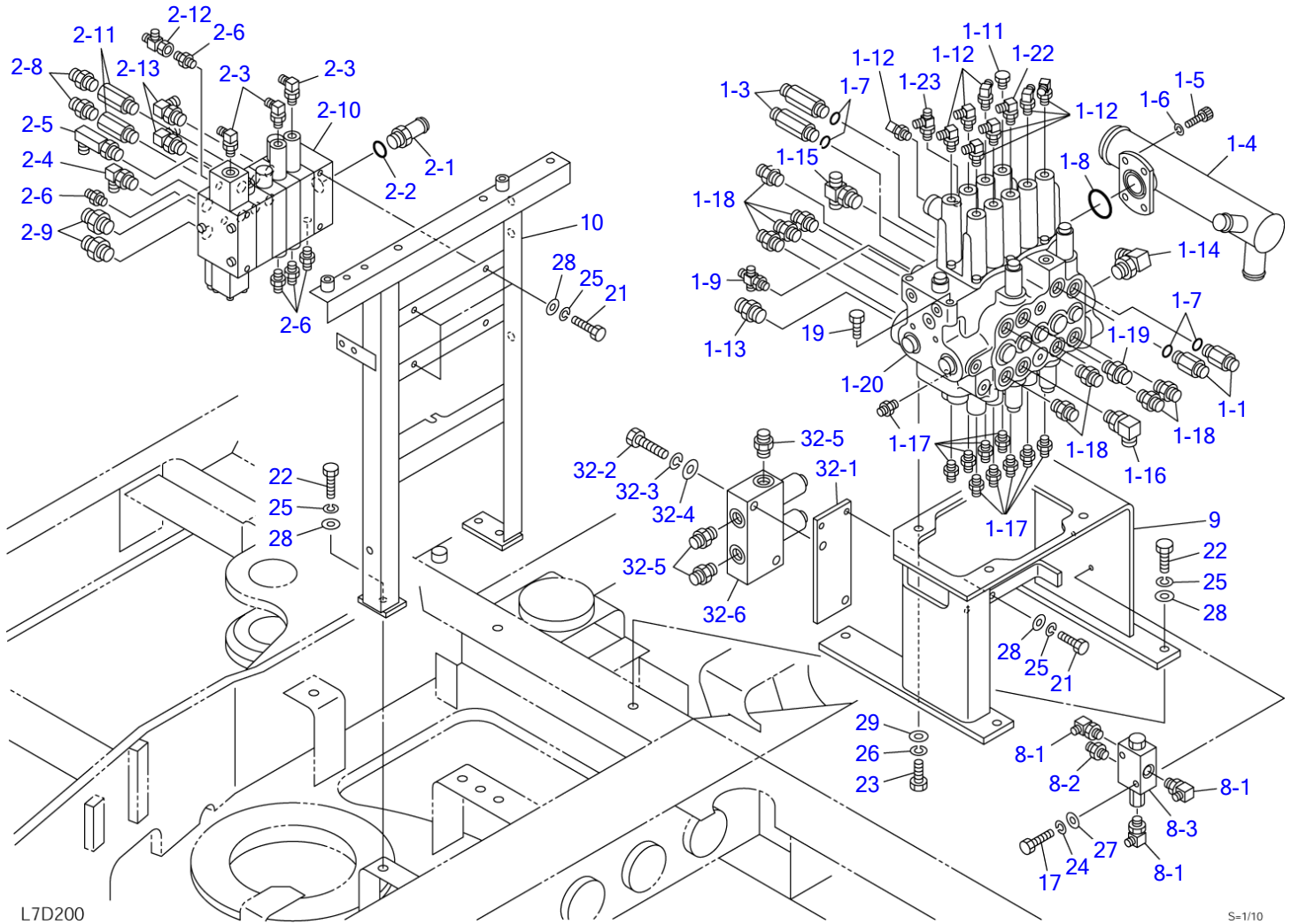
TB175 Book No. BL7Z000 S/N 17530001-  
VALVE & ACCESSORIES (1/3) (2-piece boom; with 2nd & 4th auxiliary lines)



**VALVE & ACCESSORIES (1/3) (2-piece boom; with 2nd & 4th auxiliary lines)**

Item	Part number	Description	Q'ty	Chan.	Serial No.	Serv.	Remarks
		VALVE ASSY, control					
1	X *****	VALVE, control	1				
1-1	0007203033	· ADAPTOR	2				
1-3	0007203074	· ADAPTOR	2				
	1420010180	· · O-RING	1				
1-4	0565029140	· MANIFOLD	1				
1-5	1110041025	· SCREW, cap	4				
1-6	1140020010	· WASHER, spring	4				
1-7	1420010180	· O-RING	4				
1-8	1420100450	· O-RING	1				
1-9	1513390027	· TEE	1				
	1420010110	· · O-RING	1				
1-11	1501750002	· PLUG	1				
	1420010110	· · O-RING	1				
1-12	1515012040	· ELBOW	8				
	1420010110	· · O-RING	1				
1-13	1515600203	· ADAPTOR	1				
	1420010240	· · O-RING	1				
1-14	1515010043	· ELBOW	1				
	1420010240	· · O-RING	1				
1-15	1512374011	· TEE	1				
	1420010240	· · O-RING	1				
1-16	1515010132	· ELBOW	1				
	1420010180	· · O-RING	1				
1-17	1515600200	· ADAPTOR	10				
	1420010110	· · O-RING	1				
1-18	1515600202	· ADAPTOR	8				
	1420010180	· · O-RING	1				
1-19	1515600573	· ADAPTOR	1				
	1420010180	· · O-RING	1				
1-20	1901040700	· VALVE, control	1				
1-22	0565029150	· ELBOW (with orifice)	1				
	1420010110	* * O-RING	1				
1-23	1512370011	· TEE	1				
	1420010110	· · O-RING	1				
2	X *****	VALVE, control	1				
2-1	0007224006	· ADAPTOR	1				
2-2	1420010180	· O-RING	1				
2-3	1515012040	· ELBOW	3				
	1420010110	· · O-RING	1				
2-4	1515010041	· ELBOW	1				
	1420010140	· · O-RING	1				
2-5	1515010511	· ELBOW	1				
	1420010140	· · O-RING	1				
2-6	1515600200	· ADAPTOR	5				
	1420010110	· · O-RING	1				
2-8	1515600572	· ADAPTOR	2				
	1420010140	· · O-RING	1				
2-9	1515600573	· ADAPTOR	2				
	1420010180	· · O-RING	1				
2-10	1901043800	· VALVE, control	1				
2-11	0007213023	· BUSHING	2				
	1420010140	· · O-RING	1				
2-12	1513390015	· TEE	1				
2-13	1515010131	· ELBOW	2				
	1420010140	· · O-RING	1				
8	X *****	VALVE ASSY	1				
8-1	1515012040	· ELBOW	3				
	1420010110	· · O-RING	1				
8-2	1515600200	· ADAPTOR	1				
	1420010110	· · O-RING	1				
8-3	1901734800	· VALVE	1				
9	0565029900	BRACKET	1				
10	0565051050	BRACKET	1				
17	1100040850	BOLT	2				
19	1100041016	BOLT	3				
21	1100041025	BOLT	5				
22	1100041030	BOLT	7				

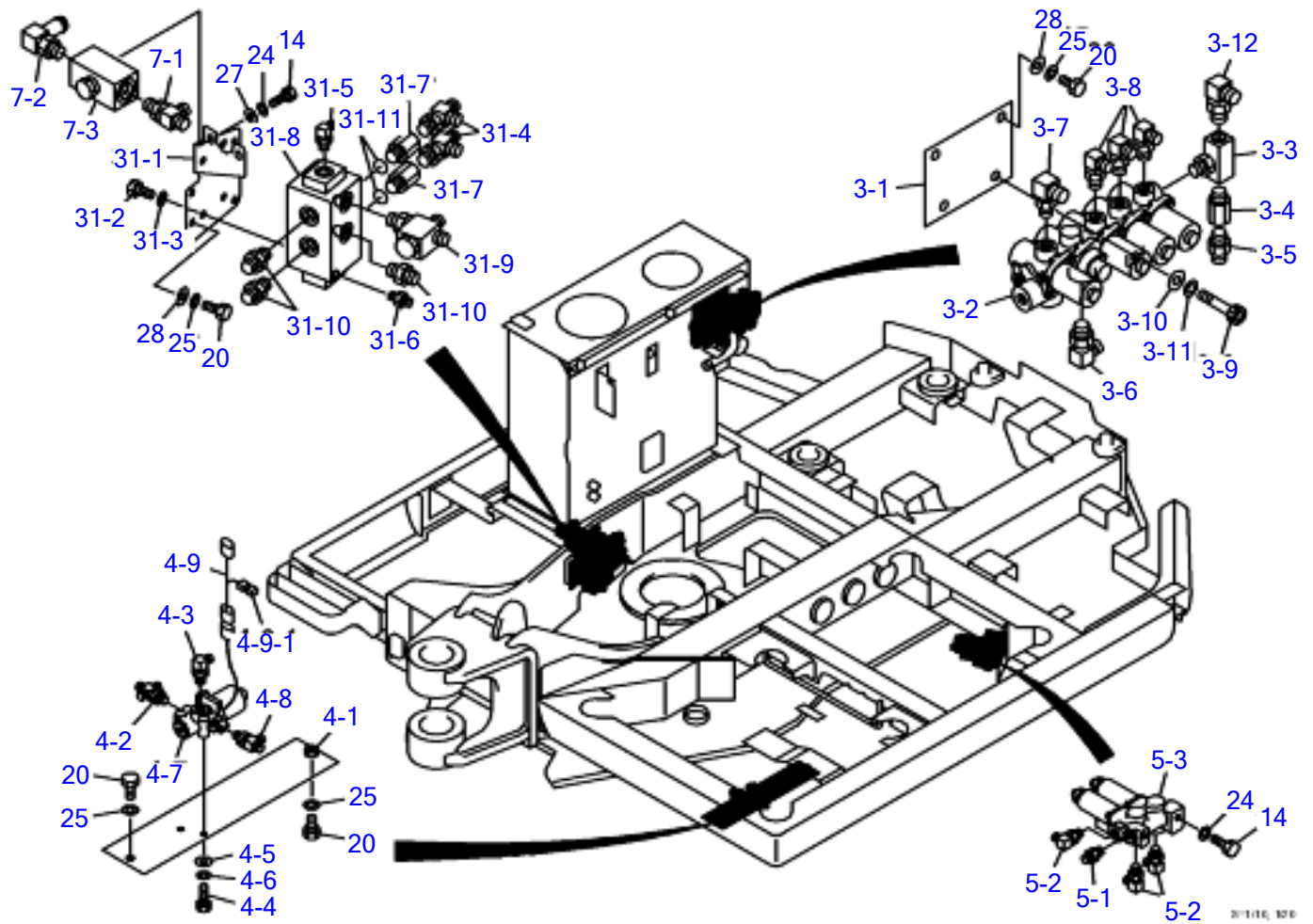
TB175 Book No. BL7Z000 S/N 17530001-  
VALVE & ACCESSORIES (1/3) (2-piece boom; with 2nd & 4th auxiliary lines)



**VALVE & ACCESSORIES (1/3) (2-piece boom; with 2nd & 4th auxiliary lines)**

Item	Part number	Description	Q'ty	Chan.	Serial No.	Serv.	Remarks
23	<b>1100041230</b>	BOLT	4				
24	<b>1140020008</b>	WASHER, spring	2				
25	<b>1140020010</b>	WASHER, spring	12				
26	<b>1140020012</b>	WASHER, spring	4				
27	<b>1141110008</b>	WASHER	2				
28	<b>1141110010</b>	WASHER	12				
29	<b>1141110012</b>	WASHER	4				
32	X *****	VALVE, overload	1				
32-1	<b>0565032510</b>	• PLATE	1				
32-2	<b>1100041460</b>	• BOLT	2				
32-3	<b>1140020014</b>	• WASHER, spring	2				
32-4	<b>1141110014</b>	• WASHER	2				
32-5	<b>1515600202</b>	• ADAPTOR	3				
	<b>1420010180</b>	• • O-RING	1				
32-6	<b>1901737500</b>	• VALVE, overload	1				
	<b>L7d202</b>						

TB175 Book No. BL7Z000 S/N 17530001-  
VALVE & ACCESSORIES (2/3) (2-piece boom; with high pressure 3rd & 4th  
auxiliary lines)

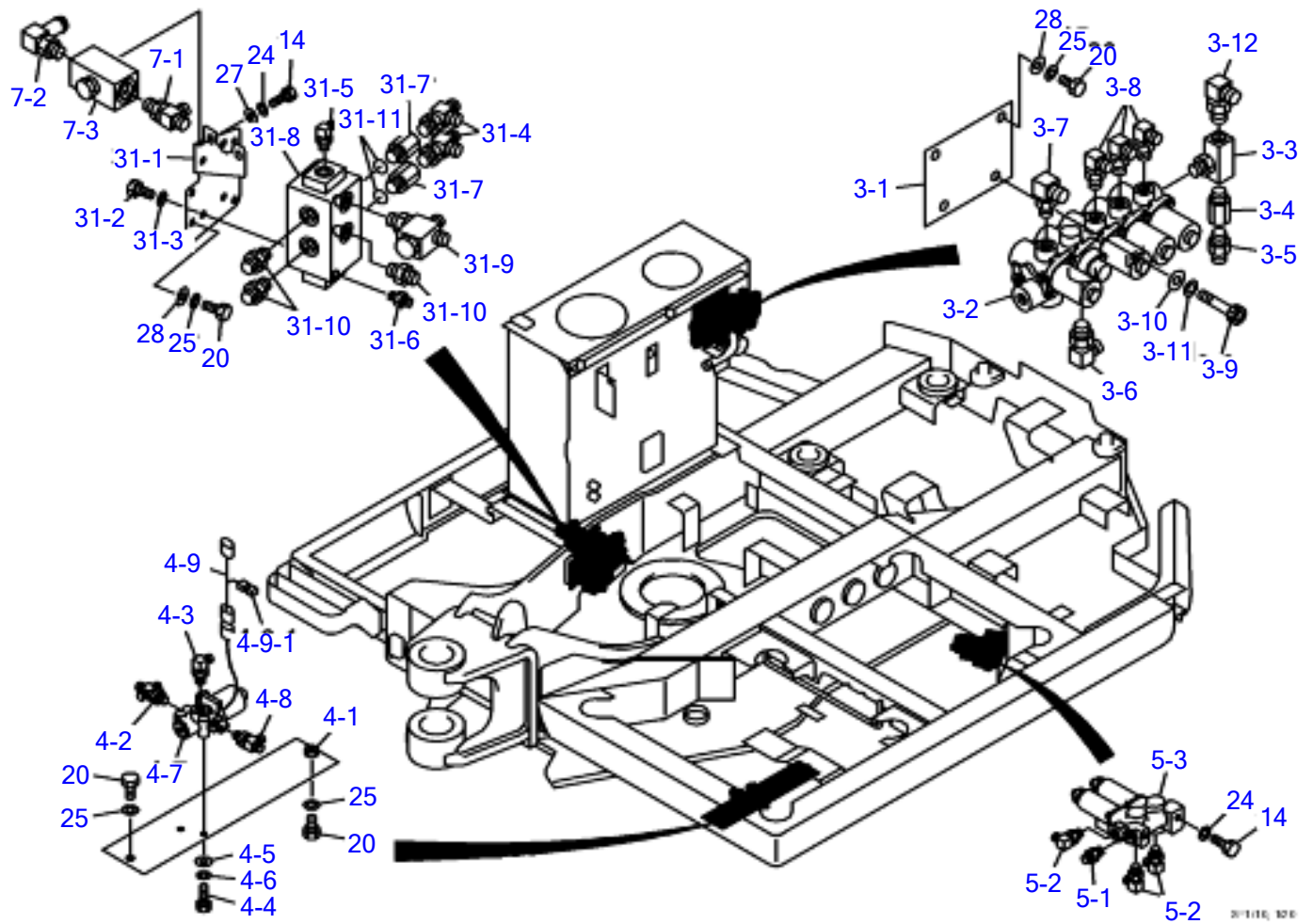




**VALVE & ACCESSORIES (2/3) (2-piece boom; with high pressure 3rd & 4th auxiliary lines)**

Item	Part number	Description	Q'ty	Chan.	Serial No.	Serv.	Remarks
		VALVE ASSY, control					
3	X *****	VALVE, solenoid	1				
3-1	0565051040	• PLATE	1				
3-2	1901752300	• VALVE, solenoid	1				M
3-3	1513370801	• TEE	1				M
	1420010140	• • O-RING	1				
3-4	1513370047	• ADAPTOR (with filter)	1				
	1420010140	• • O-RING	1				
3-5	1515600577	• ADAPTOR	1				
	1420010180	• • O-RING	1				
3-6	1515010051	• ELBOW	1				
	1420010180	• • O-RING	1				
3-7	1515010130	• ELBOW	1				
	1420010110	• • O-RING	1				
3-8	1515012040	• ELBOW	3				
	1420010110	• • O-RING	1				
3-9	1100041090	• BOLT	2				M
3-10	1141110010	• WASHER	2				
3-11	1140020010	• WASHER, spring	2				
3-12	1515010050	• ELBOW	1				
	1420010140	• • O-RING	1				
4	X *****	VALVE, solenoid	1				
4-1	0565037410	• PLATE	1				
4-2	1513390027	• TEE	1				
	1420010110	• • O-RING	1				
4-3	1515012040	• ELBOW	1				
	1420010110	• • O-RING	1				
4-4	1100040616	• BOLT	2				
4-5	1141110006	• WASHER	2				
4-6	1140020006	• WASHER, spring	2				
4-7	1901746600	• VALVE, solenoid	1				M
4-8	1512370011	• TEE	1				
	1420010110	• • O-RING	1				
4-9	0565060550	* WIRING HARNESS	1				
5	X *****	VALVE, solenoid	1				
5-1	1512370008	• FILTER	1				
	1420010110	• • O-RING	1				
5-2	1515012040	• ELBOW	3				
	1420010110	• • O-RING	1				
5-3	1901752100	• VALVE, proportional control	1				M
7	X *****	VALVE , stop	1				
7-1	1512373008	• TEE	1				
	1420010240	• • O-RING	1				
7-2	1513350005	• CONNECTOR	1				
	1420010240	• • O-RING	1				
7-3	1901723700	• VALVE, stop	1				
14	1100040820	BOLT	4				
20	1100041020	BOLT	8				
24	1140020008	WASHER, spring	4				
25	1140020010	WASHER, spring	8				
27	1141110008	WASHER	4				
28	1141110010	WASHER	6				
31	X *****	SELECTOR	1				
31-1	0565033601	• PLATE	1				
31-2	1100041020	• BOLT	4				
31-3	1140020010	• WASHER, spring	4				
31-4	1512373005	• TEE	2				
	1420010180	• • O-RING	1				
31-5	1515012040	• ELBOW	1				
	1420010110	• • O-RING	1				
31-6	1515600200	• ADAPTOR	1				
	1420010110	• • O-RING	1				
31-7	0007213010	• BUSHING	2				
	1420010180	* * O-RING	1				
31-8	1901736900	• VALVE, selector	1				
31-9	1901735400	• ADAPTOR	1				
	1420010180	* * O-RING	1				
31-10	1515600202	• ADAPTOR	3				

TB175 Book No. BL7Z000 S/N 17530001-  
VALVE & ACCESSORIES (2/3) (2-piece boom; with high pressure 3rd & 4th  
auxiliary lines)

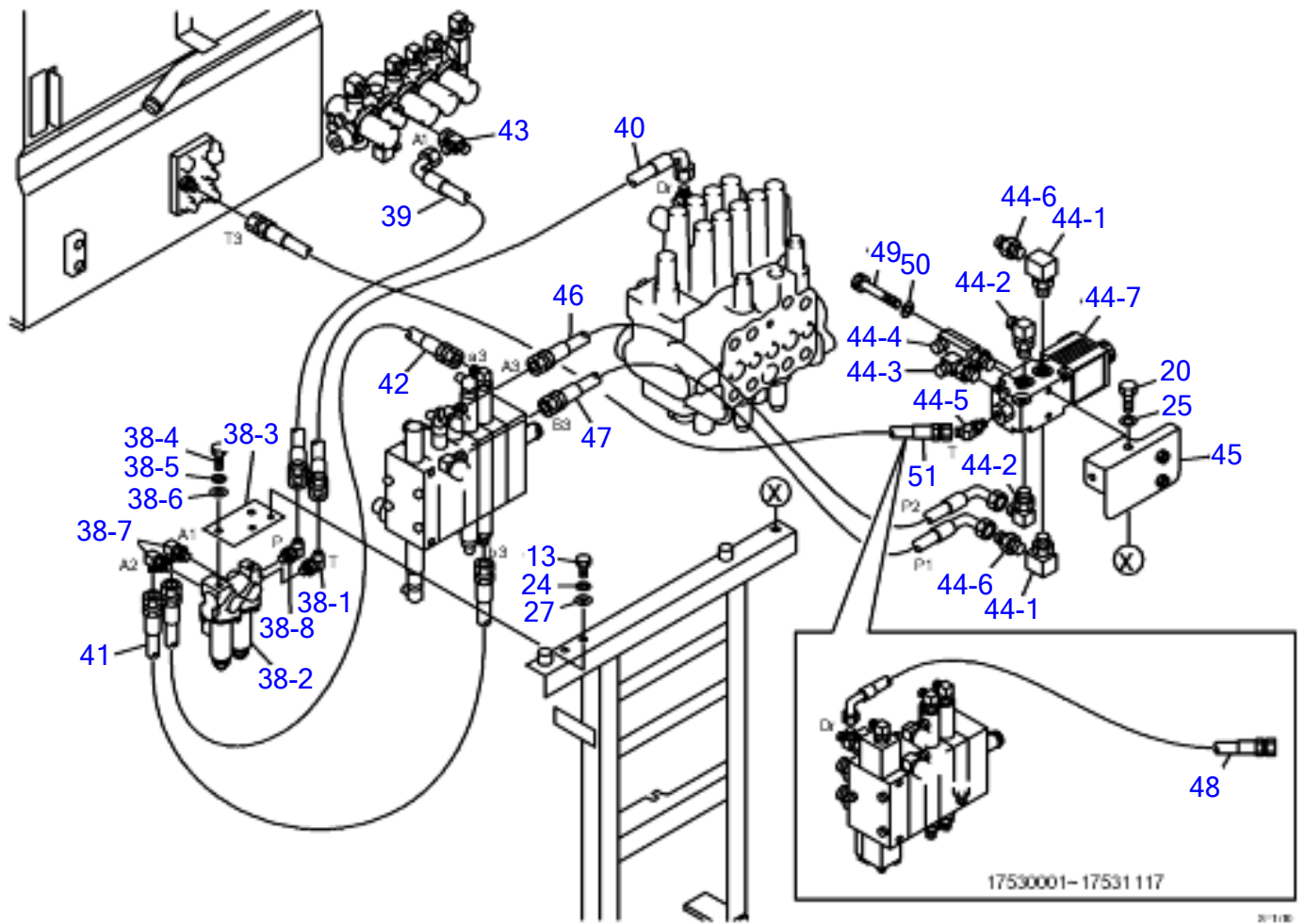


31-110, 320

**VALVE & ACCESSORIES (2/3) (2-piece boom; with high pressure 3rd & 4th auxiliary lines)**

Item	Part number	Description	Q'ty	Chan.	Serial No.	Serv.	Remarks
	<b>1420010180</b>	• • O-RING	1				
31-11	<b>1420010180</b>	• O-RING	2				
	<b>L7D212</b>						

TB175 Book No. BL7Z000 S/N 17530001-  
**VALVE & ACCESSORIES (3/3) (2-piece boom; with 2nd & 4th auxiliary lines)**



3/11/00

**VALVE & ACCESSORIES (3/3) (2-piece boom; with 2nd & 4th auxiliary lines)**

Item	Part number	Description	Q'ty	Chan.	Serial No.	Serv.	Remarks
		VALVE ASSY, control					
13	1100040816	BOLT	2				
20	1100041020	BOLT	2				
24	1140020008	WASHER, spring	2				
25	1140020010	WASHER, spring	2				
27	1141110008	WASHER	2				
38	X *****	VALVE ASSY, solenoid	1				
38-1	1515100110	• ELBOW	1				
	1420010110	• • O-RING	1				
38-2	1901752100	• VALVE, proportional control	1			M	
38-3	0565033815	• PLATE	1				
38-4	1100040820	• BOLT	2				
38-5	1140020008	• WASHER, spring	2				
38-6	1141110008	• WASHER	2				
38-7	1515012040	• ELBOW	2				
	1420010110	• • O-RING	1				
38-8	1512370012	• ELBOW (with filter)	1				
	1420010110	• • O-RING	1				
39	0565051060	HOSE ASSY	1				19348-52050
39-1	1934852050	* HOSE ASSY	1				
40	0565033830	HOSE ASSY	1				
40-1	1934852050	* HOSE ASSY	1				
41	0565033840	HOSE ASSY	1				
41-1	1934822075	* HOSE ASSY	1				
42	0565033850	HOSE ASSY	1				
42-1	1934822070	* HOSE ASSY	1				
43	1513390043	TEE	1				
44	X *****	VALVE ASSY, solenoid	1				
44-1	1513300016	• ELBOW	2				
	1420010180	• • O-RING	1				
44-2	1515010042	• ELBOW	2				
	1420010180	• • O-RING	1				
44-3	1515010051	• ELBOW	1				
	1420010180	• • O-RING	1				
44-4	1515010517	• ELBOW	1				
	1420010180	• • O-RING	1				
44-5	1515100110	• ELBOW	1				
	1420010110	• • O-RING	1				
44-6	1515600202	• ADAPTOR	2				
	1420010180	• • O-RING	1				
44-7	1901749100	• VALVE, solenoid	1			M	
45	0565051230	BRACKET	1				
46	0565051280	HOSE ASSY	1				18015-41020
46-1	1801541021	* HOSE ASSY	1				
47	0565051290	HOSE ASSY	1				18015-41027
47-1	1801541028	* HOSE ASSY	1				
48	0565051260	HOSE ASSY	1				19348-52030
48-1	1934852030	* HOSE ASSY	1				
49	1110040870	SCREW, cap	2				
50	1140420008	WASHER, spring	2				
51	0565063230	HOSE ASSY	1				
51-1	1801022080	* HOSE ASSY	1				
	L7D222						



**VALVE & ACCESSORIES (1/3) (2-piece boom; with 2nd & 4TH AUX LINES)**

Item	Part number	Description	Q'ty	Chan.	Serial No.	Serv.	Remarks
		VALVE ASSY, control					
1	X *****	VALVE, control	1				
1-1	0007203033	· ADAPTOR	2				
1-3	0007203074	· ADAPTOR	2				
	1420010180	· · O-RING	1				
1-4	0565029140	· MANIFOLD	1				
1-5	1110041025	· SCREW, cap	4				
1-6	1140020010	· WASHER, spring	4				
1-7	1420010180	· O-RING	4				
1-8	1420100450	· O-RING	1				
1-9	1513390027	· TEE	1				
	1420010110	· · O-RING	1				
1-11	1501750002	· PLUG	1				
	1420010110	· · O-RING	1				
1-12	1515012040	· ELBOW	8				
	1420010110	· · O-RING	1				
1-13	1515600203	· ADAPTOR	1				
	1420010240	· · O-RING	1				
1-14	1515010043	· ELBOW	1				
	1420010240	· · O-RING	1				
1-15	1512374011	· TEE	1				
	1420010240	· · O-RING	1				
1-16	1515010132	· ELBOW	1				
	1420010180	· · O-RING	1				
1-17	1515600200	· ADAPTOR	10				
	1420010110	· · O-RING	1				
1-18	1515600202	· ADAPTOR	8				
	1420010180	· · O-RING	1				
1-19	1515600573	· ADAPTOR	1				
	1420010180	· · O-RING	1				
1-20	1901040700	· VALVE, control	1				
1-22	0565029150	· ELBOW (with orifice)	1				
	1420010110	* * O-RING	1				
1-23	1512370011	· TEE	1				
	1420010110	· · O-RING	1				
2	X *****	VALVE, control	1				
2-1	0007224006	· ADAPTOR	1				
2-2	1420010180	· O-RING	1				
2-3	1515012040	· ELBOW	3				
	1420010110	· · O-RING	1				
2-4	1515010041	· ELBOW	1				
	1420010140	· · O-RING	1				
2-5	1515100111	· ELBOW	1				
	1420010140	· · O-RING	1				
2-6	1515600200	· ADAPTOR	3				
	1420010110	· · O-RING	1				
2-9	1515600573	· ADAPTOR	2				
	1420010180	· · O-RING	1				
2-10	1901048200	· CONTROL VALVE	1				
2-11	0007213023	* BUSHING	2				
	1420010140	* * O-RING	1				
2-12	1512370011	* TEE	1				
	1420010110	* * O-RING	1				
2-13	1515010131	* ELBOW	2				
	1420010140	* * O-RING	1				
8	X *****	VALVE ASSY	1				
8-1	1515012040	· ELBOW	3				
	1420010110	· · O-RING	1				
8-2	1515600200	· ADAPTOR	1				
	1420010110	· · O-RING	1				
8-3	1901734800	· VALVE	1				
9	0565029900	BRACKET	1				
10	0565051080	BRACKET	1				
17	1100040850	BOLT	2				
19	1100041016	BOLT	3				
20	1100041020	BOLT	3				
21	1100041025	BOLT	2				
22	1100041030	BOLT	7				

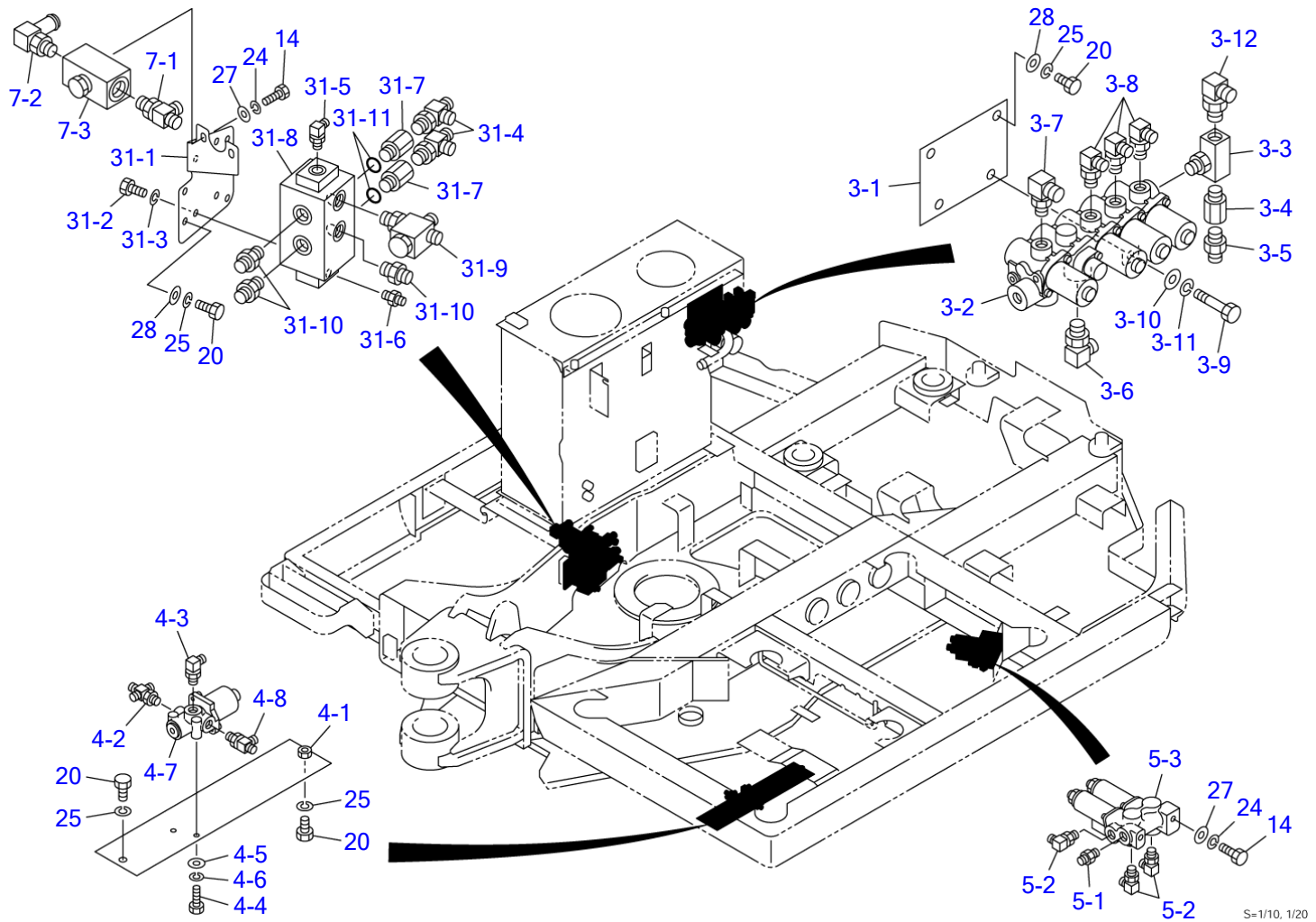




**VALVE & ACCESSORIES (1/3) (2-piece boom; with 2nd & 4TH AUX LINES)**

Item	Part number	Description	Q'ty	Chan.	Serial No.	Serv.	Remarks
23	<b>1100041230</b>	BOLT	4				
24	<b>1140020008</b>	WASHER, spring	2				
25	<b>1140020010</b>	WASHER, spring	12				
26	<b>1140020012</b>	WASHER, spring	4				
27	<b>1141110008</b>	WASHER	2				
28	<b>1141110010</b>	WASHER	12				
29	<b>1141110012</b>	WASHER	4				
32	X <b>*****</b>	VALVE, overload	1				
32-1	<b>0565032510</b>	• PLATE	1				
32-2	<b>1100041460</b>	• BOLT	2				
32-3	<b>1140020014</b>	• WASHER, spring	2				
32-4	<b>1141110014</b>	• WASHER	2				
32-5	<b>1515600202</b>	• ADAPTOR	3				
	<b>1420010180</b>	• • O-RING	1				
32-6	<b>1901737500</b>	• VALVE, overload	1				
37	<b>0565060040</b>	HOSE ASSY	1				
37-1	<b>1934852050</b>	* HOSE ASSY	1				
	<b>L7D580</b>						

TB175 Book No. BL7Z000 S/N 17530001-  
VALVE & ACCESSORIES (2/3) (2-piece boom 2nd & 4th auxiliary lines)

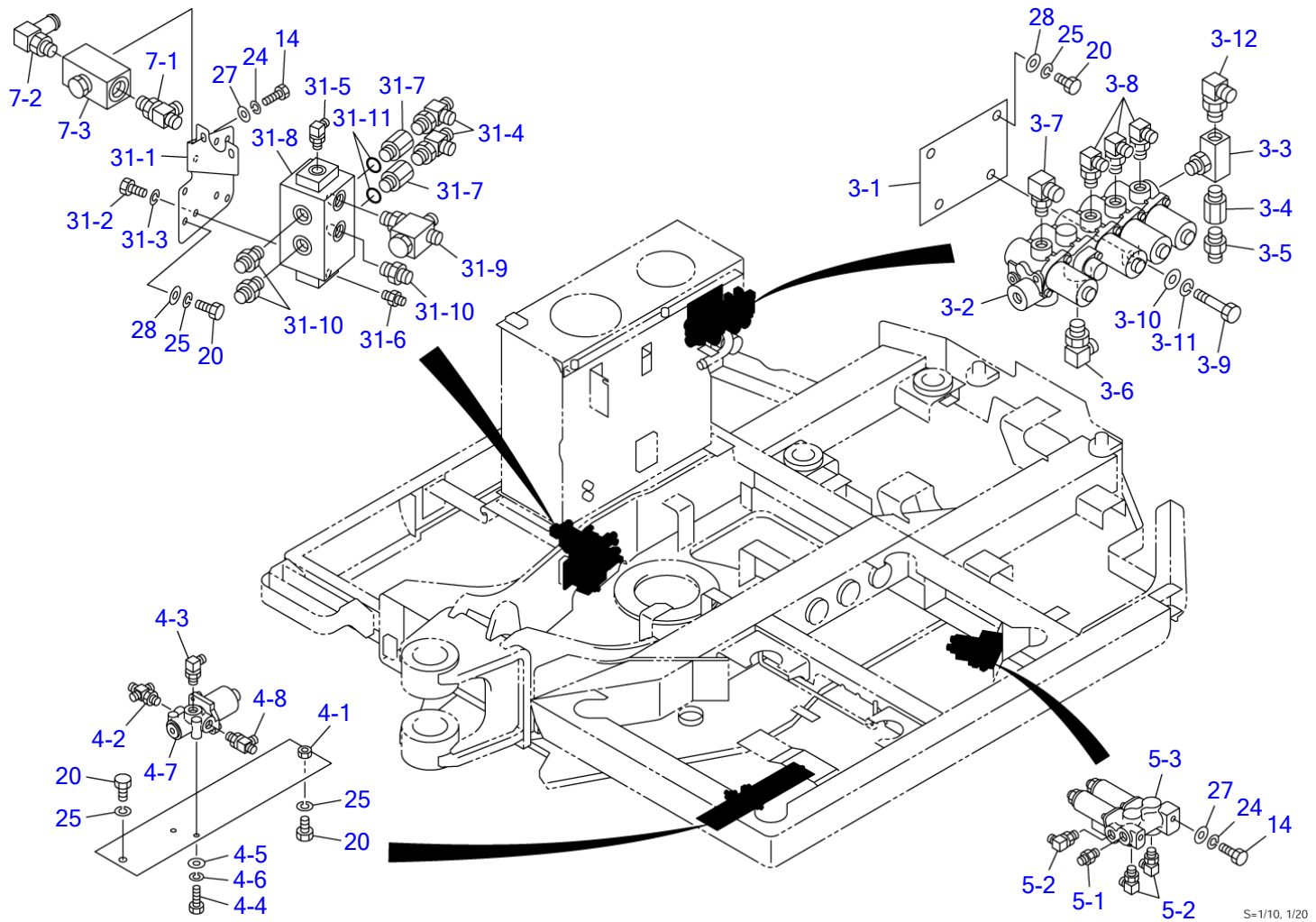


S=1/10, 1/20

**VALVE & ACCESSORIES (2/3) (2-piece boom; 2nd & 4th auxiliary lines)**

Item	Part number	Description	Q'ty	Chan.	Serial No.	Serv.	Remarks
		VALVE ASSY, control					
3	X *****	VALVE, solenoid	1				
3-1	0565051040	• PLATE	1				
3-2	1901752300	• VALVE, solenoid	1				M
3-3	1513370801	• TEE	1				M
	1420010140	• • O-RING	1				
3-4	1513370047	• ADAPTOR (with filter)	1				
	1420010140	• • O-RING	1				
3-5	1515600577	• ADAPTOR	1				
	1420010180	• • O-RING	1				
3-6	1515010051	• ELBOW	1				
	1420010180	• • O-RING	1				
3-7	1515010130	• ELBOW	1				
	1420010110	• • O-RING	1				
3-8	1515012040	• ELBOW	3				
	1420010110	• • O-RING	1				
3-9	1100041090	• BOLT	2				M
3-10	1141110010	• WASHER	2				
3-11	1140020010	• WASHER, spring	2				
3-12	1515010050	• ELBOW	1				
	1420010140	• • O-RING	1				
4	X *****	VALVE, solenoid	1				
4-1	0565037410	• PLATE	1				
4-2	1513390027	• TEE	1				
	1420010110	• • O-RING	1				
4-3	1515012040	• ELBOW	1				
	1420010110	• • O-RING	1				
4-4	1100040616	• BOLT	2				
4-5	1141110006	• WASHER	2				
4-6	1140020006	• WASHER, spring	2				
4-7	1901746600	• VALVE, solenoid	1				M
4-8	1512370011	• TEE	1				
	1420010110	• • O-RING	1				
4-9	0565060550	* WIRING HARNESS	1				
5	X *****	VALVE, solenoid	1				
5-1	1512370008	• FILTER	1				
	1420010110	• • O-RING	1				
5-2	1515012040	• ELBOW	3				
	1420010110	• • O-RING	1				
5-3	1901752100	• VALVE, proportional control	1				M
7	X *****	VALVE , stop	1				
7-1	1512373008	• TEE	1				
	1420010240	• • O-RING	1				
7-2	1513350005	• CONNECTOR	1				
	1420010240	• • O-RING	1				
7-3	1901723700	• VALVE, stop	1				
14	1100040820	BOLT	4				
20	1100041020	BOLT	8				
24	1140020008	WASHER, spring	4				
25	1140020010	WASHER, spring	8				
27	1141110008	WASHER	4				
28	1141110010	WASHER	6				
31	X *****	SELECTOR	1				
31-1	0565033601	• PLATE	1				
31-2	1100041020	• BOLT	4				
31-3	1140020010	• WASHER, spring	4				
31-4	1512373005	• TEE	2				
	1420010180	• • O-RING	1				
31-5	1515012040	• ELBOW	1				
	1420010110	• • O-RING	1				
31-6	1515600200	• ADAPTOR	1				
	1420010110	• • O-RING	1				
31-7	0007213010	• BUSHING	2				
	1400010180	* * O-RING	1				
31-8	1901736900	• VALVE, selector	1				
31-9	1901735400	• ADAPTOR	1				
	1420010180	* * O-RING	1				
31-10	1515600202	• ADAPTOR	3				

TB175 Book No. BL7Z000 S/N 17530001-  
VALVE & ACCESSORIES (2/3) (2-piece boom 2nd & 4th auxiliary lines)

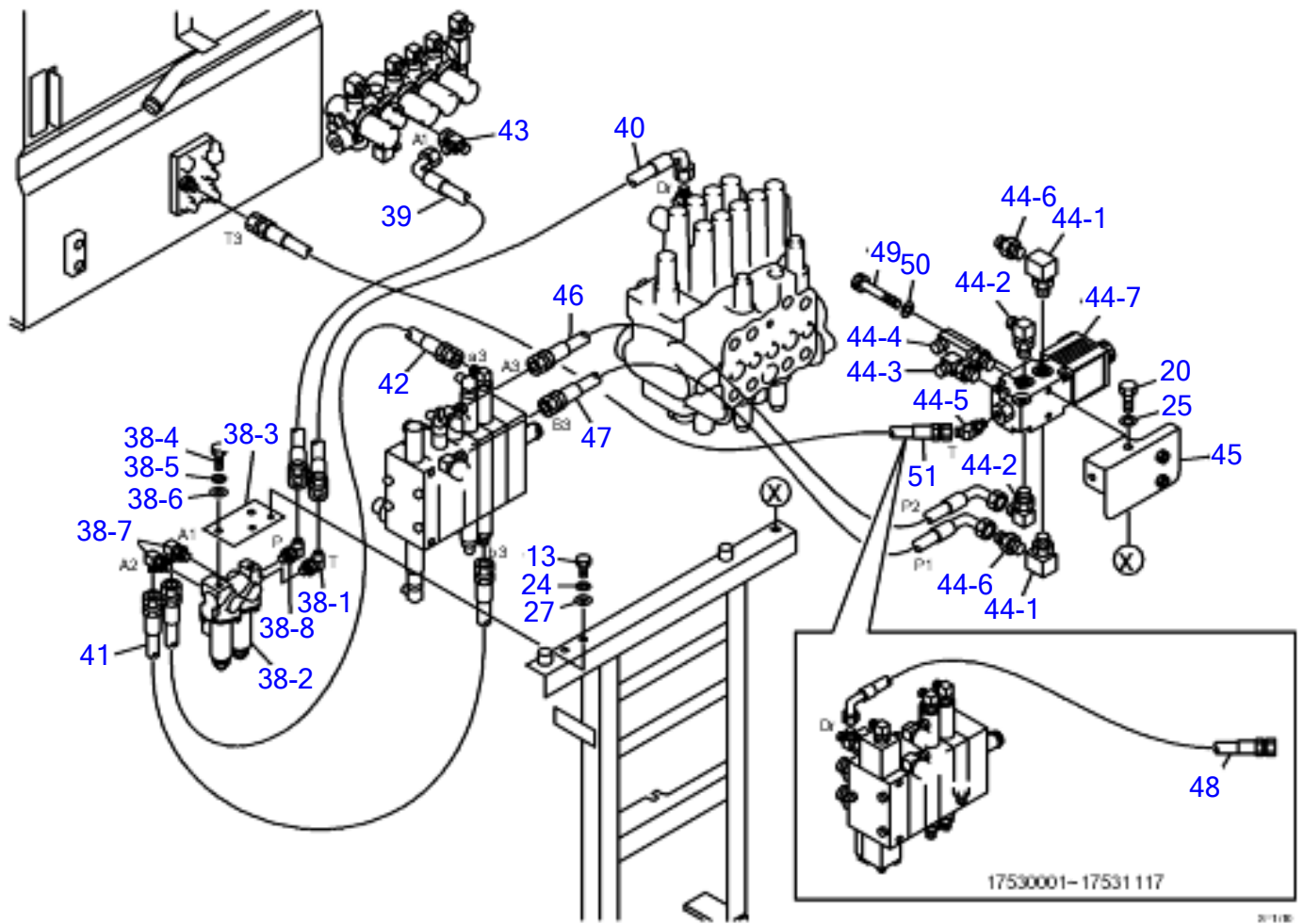


S=1/10, 1/20

**VALVE & ACCESSORIES (2/3) (2-piece boom; 2nd & 4th auxiliary lines)**

Item	Part number	Description	Q'ty	Chan.	Serial No.	Serv.	Remarks
31-11	1420010180	• • O-RING	1				
	1420010180	• O-RING	2				
	L7D212						

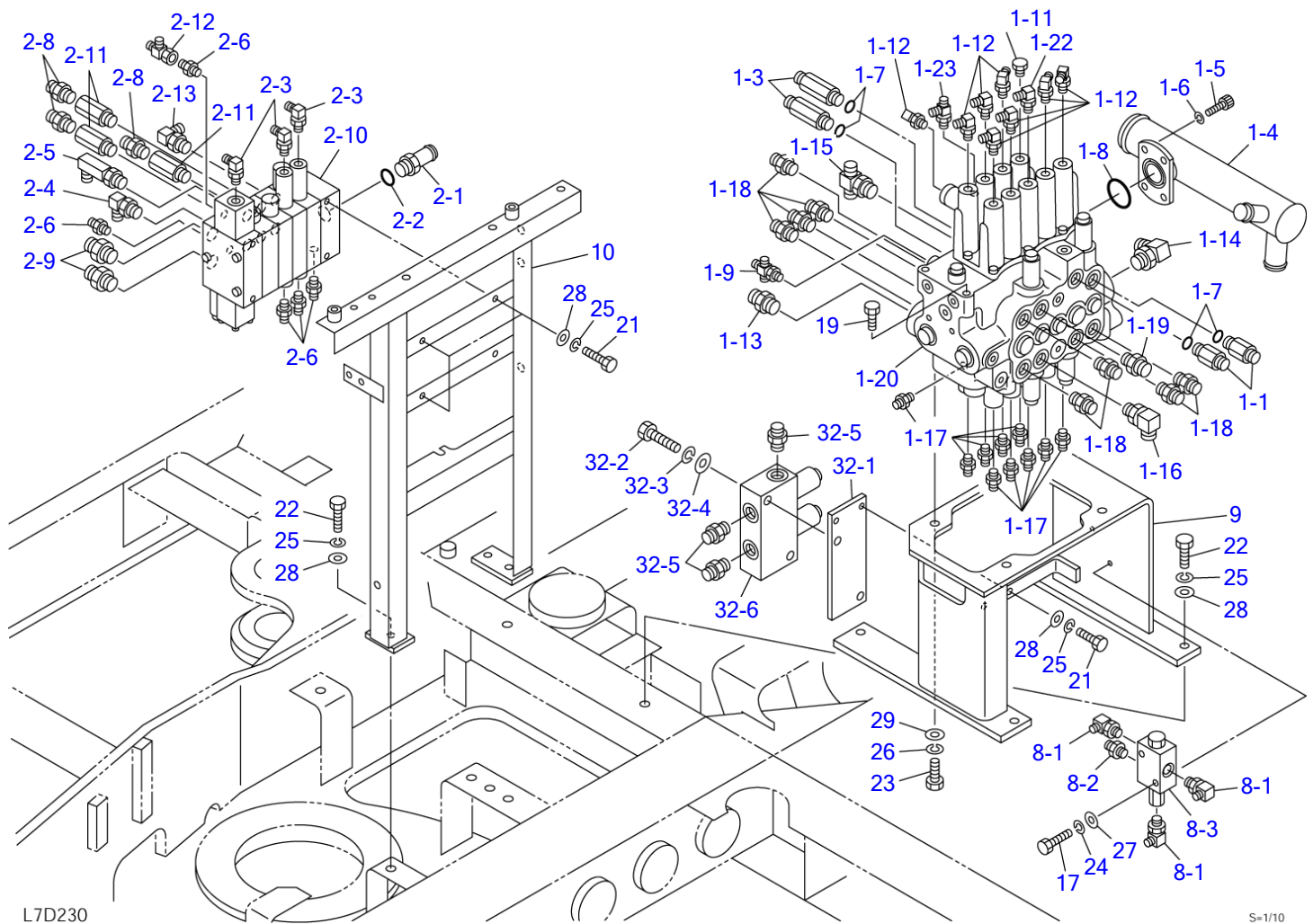
TB175 Book No. BL7Z000 S/N 17530001-  
VALVE & ACCESSORIES (3/3) (2-piece boom; with 2nd & 4th auxiliary lines)



**VALVE & ACCESSORIES (3/3) (2-piece boom; with 2nd & 4th auxiliary lines)**

Item	Part number	Description	Q'ty	Chan.	Serial No.	Serv.	Remarks
		VALVE ASSY, control					
13	1100040816	BOLT	2				
20	1100041020	BOLT	2				
24	1140020008	WASHER, spring	2				
25	1140020010	WASHER, spring	2				
27	1141110008	WASHER	2				
38	X *****	VALVE ASSY, solenoid	1				
38-1	1515100110	• ELBOW	1				
	1420010110	• • O-RING	1				
38-2	1901752100	• VALVE, proportional control	1			M	
38-3	0565033815	• PLATE	1				
38-4	1100040820	• BOLT	2				
38-5	1140020008	• WASHER, spring	2				
38-6	1141110008	• WASHER	2				
38-7	1515012040	• ELBOW	2				
	1420010110	• • O-RING	1				
38-8	1512370012	• ELBOW (with filter)	1				
	1420010110	• • O-RING	1				
39	0565051060	HOSE ASSY	1				19348-52050
39-1	1934852050	* HOSE ASSY	1				
40	0565033830	HOSE ASSY	1				
40-1	1934852050	* HOSE ASSY	1				
41	0565033840	HOSE ASSY	1				
41-1	1934822075	* HOSE ASSY	1				
42	0565033850	HOSE ASSY	1				
42-1	1934822070	* HOSE ASSY	1				
43	1513390043	TEE	1				
44	X *****	VALVE ASSY, solenoid	1				
44-1	1513300016	• ELBOW	2				
	1420010180	• • O-RING	1				
44-2	1515010042	• ELBOW	2				
	1420010180	• • O-RING	1				
44-3	1515010051	• ELBOW	1				
	1420010180	• • O-RING	1				
44-4	1515010517	• ELBOW	1				
	1420010180	• • O-RING	1				
44-5	1515100110	• ELBOW	1				
	1420010110	• • O-RING	1				
44-6	1515600202	• ADAPTOR	2				
	1420010180	• • O-RING	1				
44-7	1901749100	• VALVE, solenoid	1			M	
45	0565051230	BRACKET	1				
46	0565051280	HOSE ASSY	1				18015-41020
46-1	1801541021	* HOSE ASSY	1				
47	0565051290	HOSE ASSY	1				18015-41027
47-1	1801541028	* HOSE ASSY	1				
48	0565051260	HOSE ASSY	1				19348-52030
48-1	1934852030	* HOSE ASSY	1				
49	1110040870	SCREW, cap	2				
50	1140420008	WASHER, spring	2				
51	0565063230	HOSE ASSY	1				
51-1	1801022080	* HOSE ASSY	1				
	L7D222						

TB175 Book No. BL7Z000 S/N 17530001-  
VALVE & ACCESSORIES (1/3) (2-piece boom; with high pressure 3rd & 4th  
auxiliary lines)



L7D230

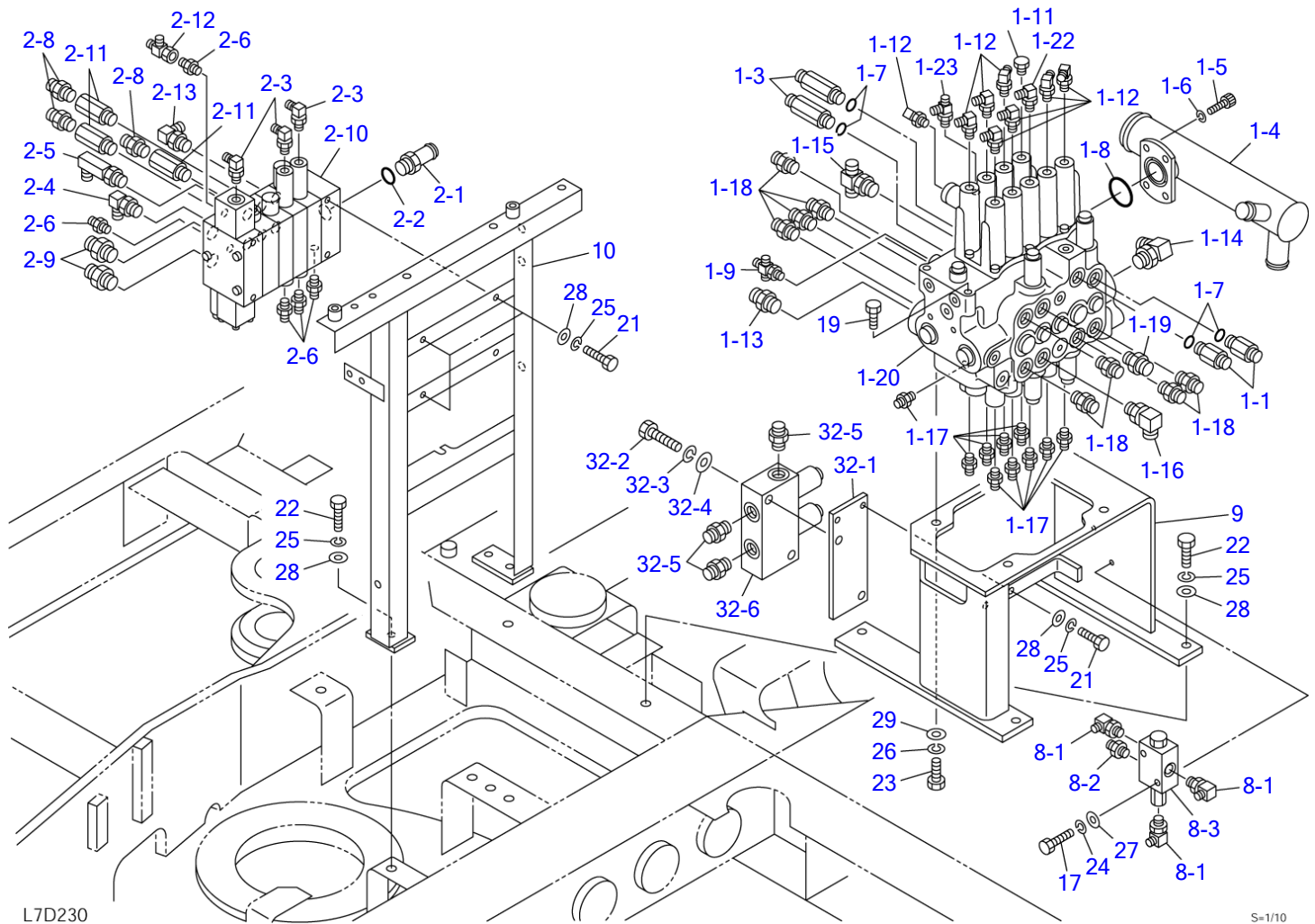
S-1/10



**VALVE & ACCESSORIES (1/3) (2-piece boom; with high pressure 3rd & 4th auxiliary lines)**

Item	Part number	Description	Q'ty	Chan.	Serial No.	Serv.	Remarks
		VALVE ASSY, control					
1	X *****	VALVE, control	1				
1-1	0007203033	· ADAPTOR	2				
1-3	0007203074	· ADAPTOR	2				
	1420010180	· · O-RING	1				
1-4	0565029140	· MANIFOLD	1				
1-5	1110041025	· SCREW, cap	4				
1-6	1140020010	· WASHER, spring	4				
1-7	1420010180	· O-RING	4				
1-8	1420100450	· O-RING	1				
1-9	1513390027	· TEE	1				
	1420010110	· · O-RING	1				
1-11	1501750002	· PLUG	1				
	1420010110	· · O-RING	1				
1-12	1515012040	· ELBOW	8				
	1420010110	· · O-RING	1				
1-13	1515600203	· ADAPTOR	1				
	1420010240	· · O-RING	1				
1-14	1515010043	· ELBOW	1				
	1420010240	· · O-RING	1				
1-15	1512374011	· TEE	1				
	1420010240	· · O-RING	1				
1-16	1515010132	· ELBOW	1				
	1420010180	· · O-RING	1				
1-17	1515600200	· ADAPTOR	10				
	1420010110	· · O-RING	1				
1-18	1515600202	· ADAPTOR	8				
	1420010180	· · O-RING	1				
1-19	1515600573	· ADAPTOR	1				
	1420010180	· · O-RING	1				
1-20	1901040700	· VALVE, control	1				
1-22	0565029150	· ELBOW (with orifice)	1				
	1420010110	* * O-RING	1				
1-23	1512370011	· TEE	1				
	1420010110	· · O-RING	1				
2	X *****	VALVE, control	1				
2-1	0007224006	· ADAPTOR	1				
2-2	1420010180	· O-RING	1				
2-3	1515012040	· ELBOW	3				
	1420010110	· · O-RING	1				
2-4	1515010041	· ELBOW	1				
	1420010140	· · O-RING	1				
2-5	1515100111	· ELBOW	1				
	1420010140	· · O-RING	1				
2-6	1515600200	· ADAPTOR	5				
	1420010110	· · O-RING	1				
2-8	1515600572	· ADAPTOR	3				
	1420010140	· · O-RING	1				
2-9	1515600573	· ADAPTOR	2				
	1420010180	· · O-RING	1				
2-10	1901048200	· VALVE, control	1				
2-11	0007213023	· BUSHING	3				
	1420010140	· · O-RING	1				
2-12	1512370011	· TEE	1				
	1420010110	* * O-RING	1				
2-13	1515010131	· ELBOW	1				
	1420010140	· · O-RING	1				
8	X *****	VALVE ASSY	1				
8-1	1515012040	· ELBOW	3				
	1420010110	· · O-RING	1				
8-2	1515600200	· ADAPTOR	1				
	1420010110	· · O-RING	1				
8-3	1901734800	· VALVE	1				
9	0565029900	BRACKET	1				
10	0565051080	BRACKET	1				
17	1100040850	BOLT	2				
19	1100041016	BOLT	3				
20	1100041020	BOLT	3				

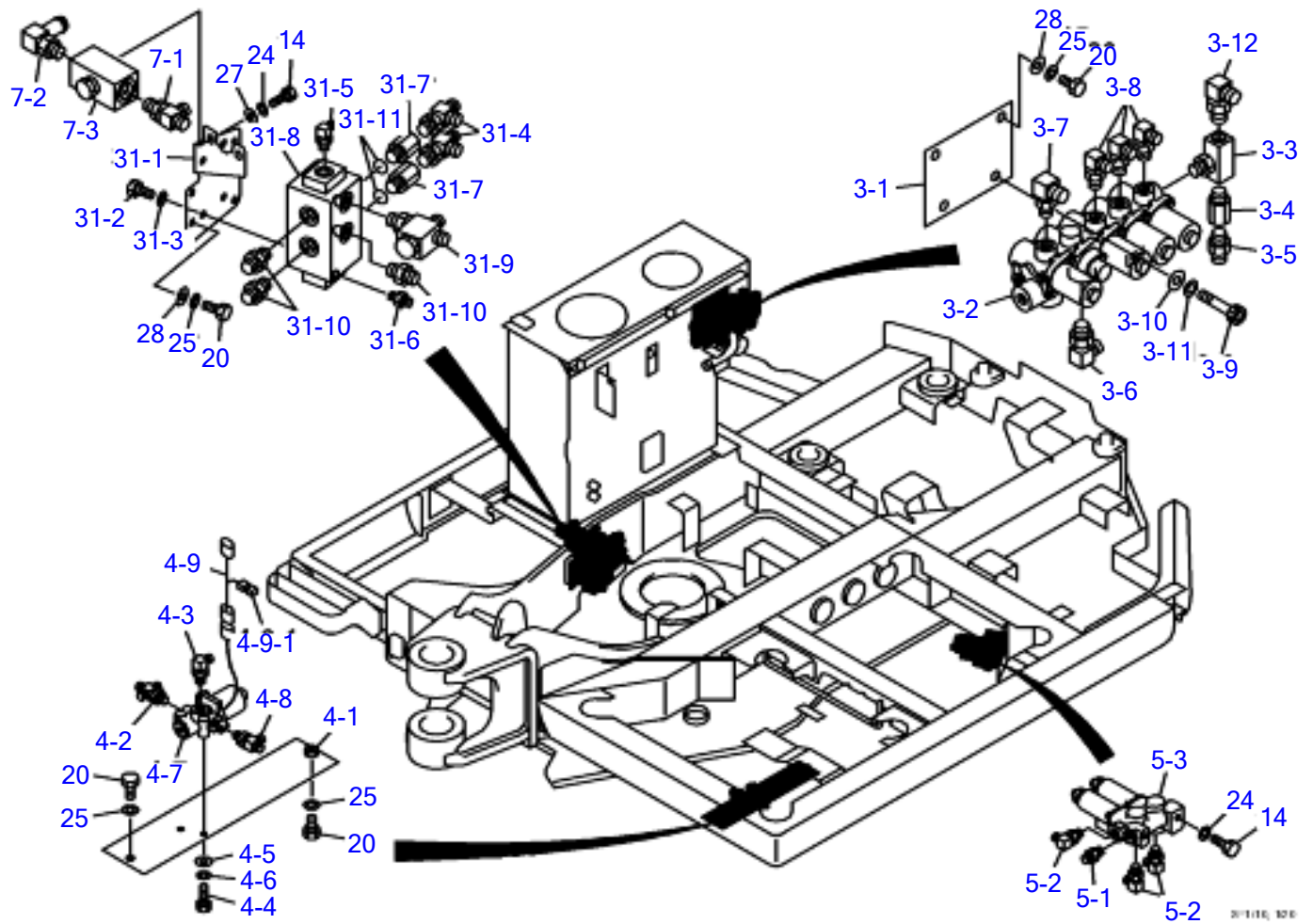
TB175 Book No. BL7Z000 S/N 17530001-  
VALVE & ACCESSORIES (1/3) (2-piece boom; with high pressure 3rd & 4th  
auxiliary lines)



**VALVE & ACCESSORIES (1/3) (2-piece boom; with high pressure 3rd & 4th auxiliary lines)**

Item	Part number	Description	Q'ty	Chan.	Serial No.	Serv.	Remarks
21	<b>1100041025</b>	BOLT	2				
22	<b>1100041030</b>	BOLT	7				
23	<b>1100041230</b>	BOLT	4				
24	<b>1140020008</b>	WASHER, spring	2				
25	<b>1140020010</b>	WASHER, spring	12				
26	<b>1140020012</b>	WASHER, spring	4				
27	<b>1141110008</b>	WASHER	2				
28	<b>1141110010</b>	WASHER	12				
29	<b>1141110012</b>	WASHER	4				
32	X *****	VALVE, overload	1				
32-1	<b>0565032510</b>	• PLATE	1				
32-2	<b>1100041460</b>	• BOLT	2				
32-3	<b>1140020014</b>	• WASHER, spring	2				
32-4	<b>1141110014</b>	• WASHER	2				
32-5	<b>1515600202</b>	• ADAPTOR	3				
	<b>1420010180</b>	• • O-RING	1				
32-6	<b>1901737500</b>	• VALVE, overload	1				
37	<b>0565060040</b>	HOSE ASSY	1				
37-1	<b>1934852050</b>	* HISE ASSY	1				
	<b>L7D590</b>						

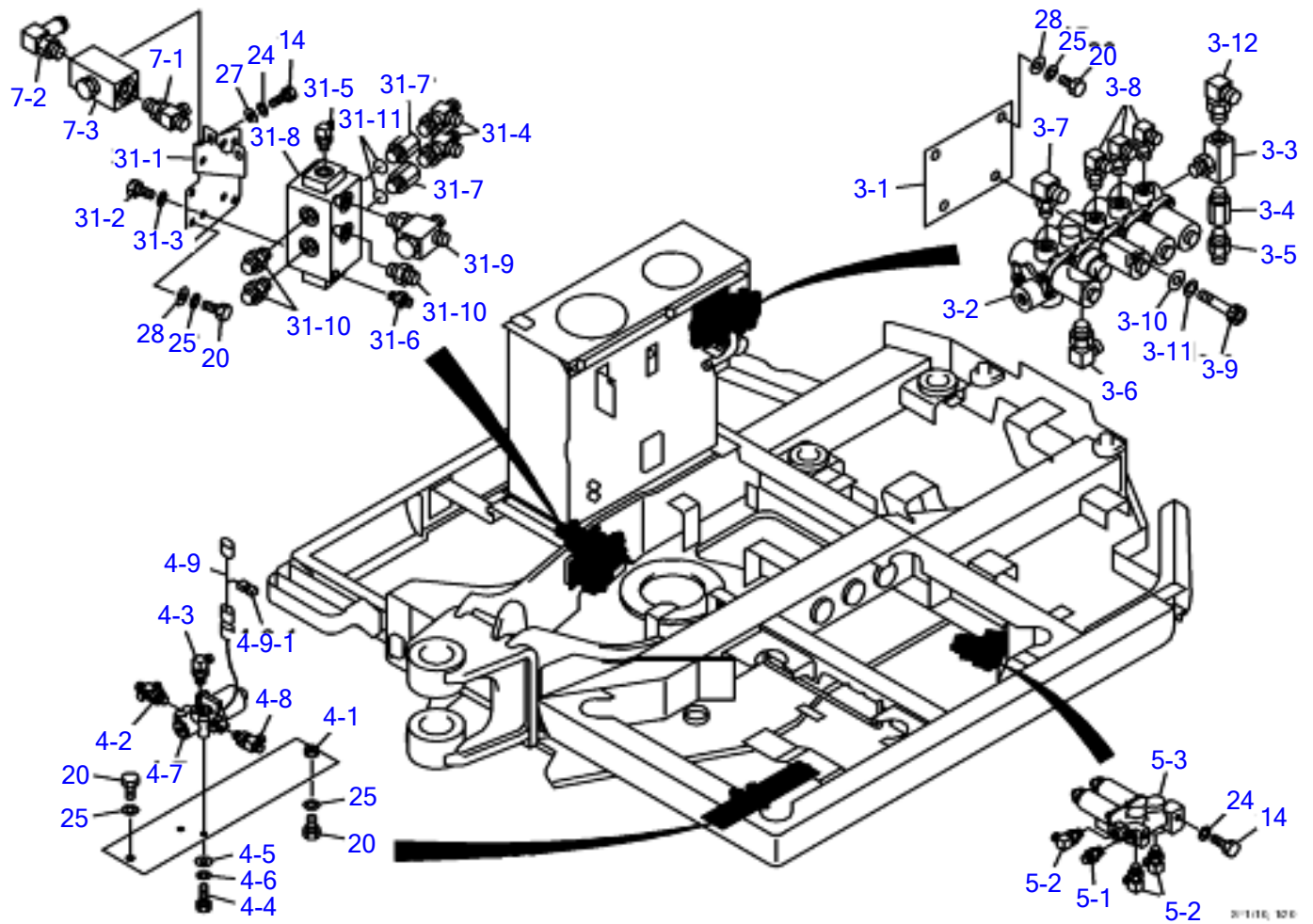
TB175 Book No. BL7Z000 S/N 17530001-  
VALVE & ACCESSORIES (2/3) (2-piece boom; with high pressure 3rd & 4th  
auxiliary lines)



**VALVE & ACCESSORIES (2/3) (2-piece boom; with high pressure 3rd & 4th auxiliary lines)**

Item	Part number	Description	Q'ty	Chan.	Serial No.	Serv.	Remarks
		VALVE ASSY, control					
3	X *****	VALVE, solenoid	1				
3-1	0565051040	• PLATE	1				
3-2	1901752300	• VALVE, solenoid	1				M
3-3	1513370801	• TEE	1				M
	1420010140	• • O-RING	1				
3-4	1513370047	• ADAPTOR (with filter)	1				
	1420010140	• • O-RING	1				
3-5	1515600577	• ADAPTOR	1				
	1420010180	• • O-RING	1				
3-6	1515010051	• ELBOW	1				
	1420010180	• • O-RING	1				
3-7	1515010130	• ELBOW	1				
	1420010110	• • O-RING	1				
3-8	1515012040	• ELBOW	3				
	1420010110	• • O-RING	1				
3-9	1100041090	• BOLT	2				M
3-10	1141110010	• WASHER	2				
3-11	1140020010	• WASHER, spring	2				
3-12	1515010050	• ELBOW	1				
	1420010140	• • O-RING	1				
4	X *****	VALVE, solenoid	1				
4-1	0565037410	• PLATE	1				
4-2	1513390027	• TEE	1				
	1420010110	• • O-RING	1				
4-3	1515012040	• ELBOW	1				
	1420010110	• • O-RING	1				
4-4	1100040616	• BOLT	2				
4-5	1141110006	• WASHER	2				
4-6	1140020006	• WASHER, spring	2				
4-7	1901746600	• VALVE, solenoid	1				M
4-8	1512370011	• TEE	1				
	1420010110	• • O-RING	1				
4-9	0565060550	* WIRING HARNESS	1				
5	X *****	VALVE, solenoid	1				
5-1	1512370008	• FILTER	1				
	1420010110	• • O-RING	1				
5-2	1515012040	• ELBOW	3				
	1420010110	• • O-RING	1				
5-3	1901752100	• VALVE, proportional control	1				M
7	X *****	VALVE , stop	1				
7-1	1512373008	• TEE	1				
	1420010240	• • O-RING	1				
7-2	1513350005	• CONNECTOR	1				
	1420010240	• • O-RING	1				
7-3	1901723700	• VALVE, stop	1				
14	1100040820	BOLT	4				
20	1100041020	BOLT	8				
24	1140020008	WASHER, spring	4				
25	1140020010	WASHER, spring	8				
27	1141110008	WASHER	4				
28	1141110010	WASHER	6				
31	X *****	SELECTOR	1				
31-1	0565033601	• PLATE	1				
31-2	1100041020	• BOLT	4				
31-3	1140020010	• WASHER, spring	4				
31-4	1512373005	• TEE	2				
	1420010180	• • O-RING	1				
31-5	1515012040	• ELBOW	1				
	1420010110	• • O-RING	1				
31-6	1515600200	• ADAPTOR	1				
	1420010110	• • O-RING	1				
31-7	0007213010	• BUSHING	2				
	1420010180	* * O-RING	1				
31-8	1901736900	• VALVE, selector	1				
31-9	1901735400	• ADAPTOR	1				
	1420010180	* * O-RING	1				
31-10	1515600202	• ADAPTOR	3				

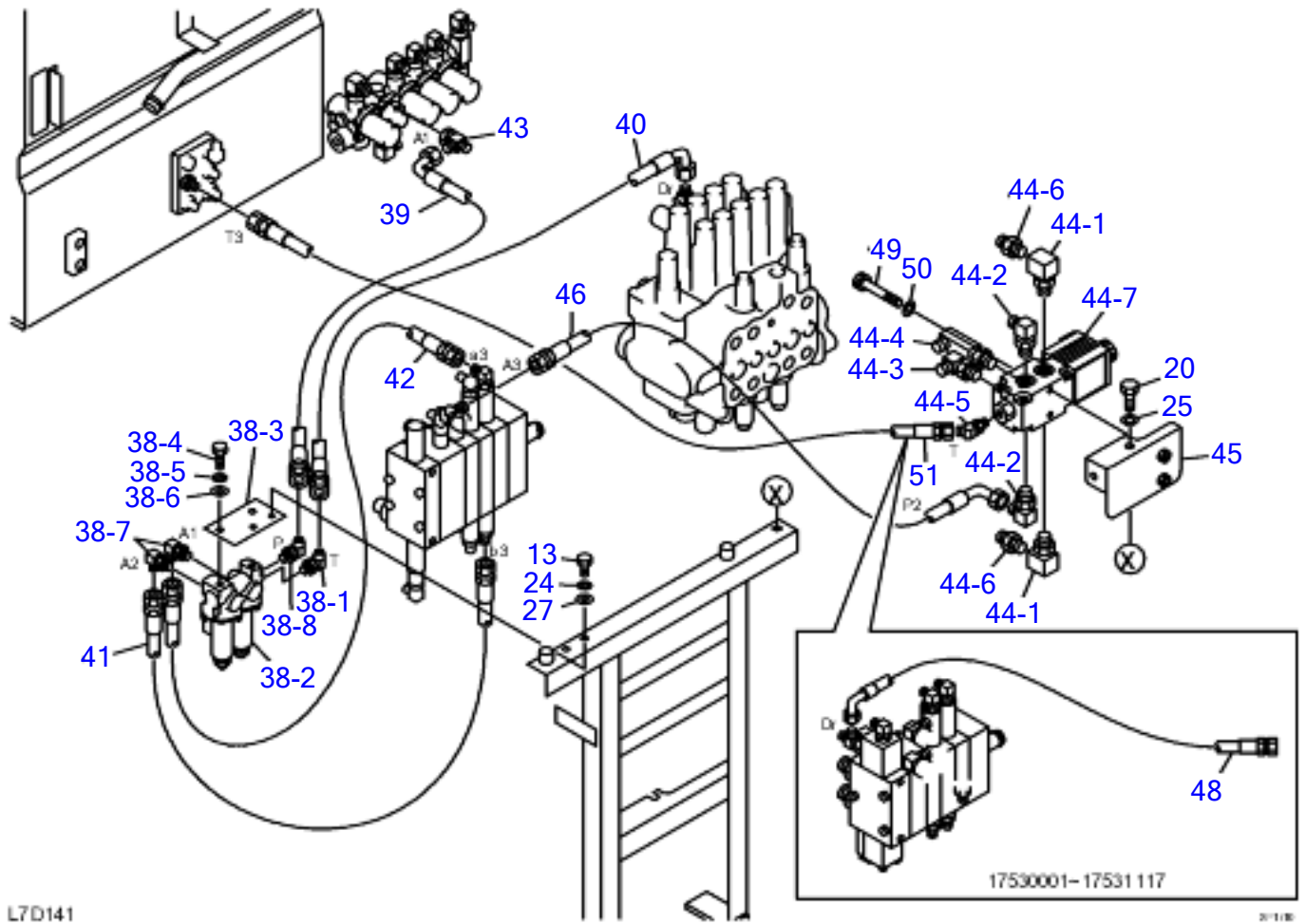
TB175 Book No. BL7Z000 S/N 17530001-  
VALVE & ACCESSORIES (2/3) (2-piece boom; with high pressure 3rd & 4th  
auxiliary lines)



**VALVE & ACCESSORIES (2/3) (2-piece boom; with high pressure 3rd & 4th auxiliary lines)**

Item	Part number	Description	Q'ty	Chan.	Serial No.	Serv.	Remarks
	<b>1420010180</b>	• • O-RING	1				
31-11	<b>1420010180</b>	• O-RING	2				
	<b>L7D242</b>						

TB175 Book No. BL7Z000 S/N 17530001-  
**VALVE & ACCESSORIES (3/3) (2-piece boom; with high pressure 3rd & 4th  
 auxiliary lines)**



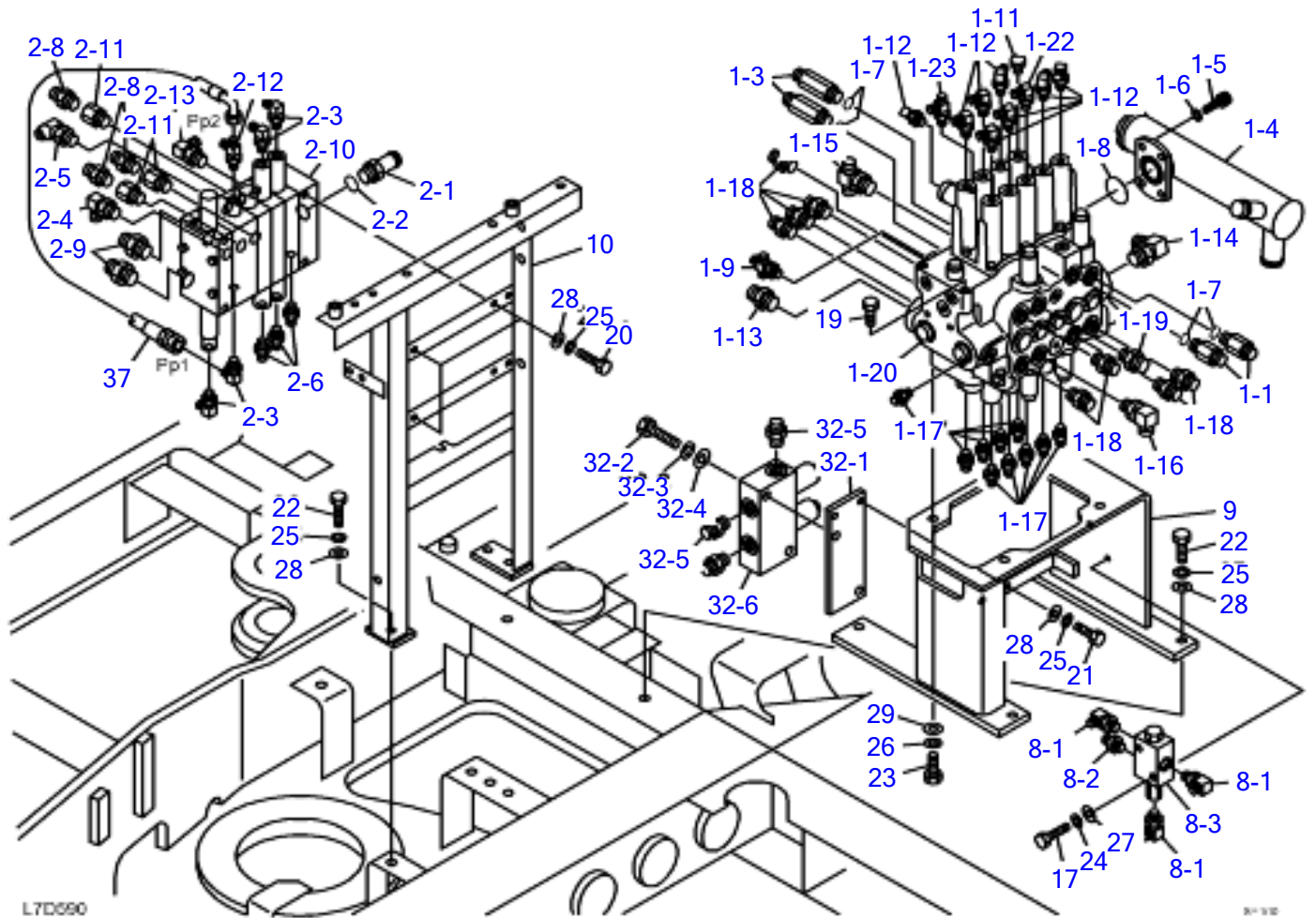


**VALVE & ACCESSORIES (3/3) (2-piece boom; with high pressure 3rd & 4th auxiliary lines)**

Item	Part number	Description	Q'ty	Chan.	Serial No.	Serv.	Remarks
		VALVE ASSY, control					
13	1100040816	BOLT	2				
20	1100041020	BOLT	2				
24	1140020008	WASHER, spring	2				
25	1140020010	WASHER, spring	2				
27	1141110008	WASHER	2				
38	X *****	VALVE ASSY, solenoid	1				
38-1	1515100110	• ELBOW	1				
	1420010110	• • O-RING	1				
38-2	1901752100	• VALVE, proportional control	1			M	
38-3	0565033815	• PLATE	1				
38-4	1100040820	• BOLT	2				
38-5	1140020008	• WASHER, spring	2				
38-6	1141110008	• WASHER	2				
38-7	1515012040	• ELBOW	2				
	1420010110	• • O-RING	1				
38-8	1512370012	• ELBOW (with filter)	1				
	1420010110	• • O-RING	1				
39	0565051060	HOSE ASSY	1				19348-52050
39-1	1934852050	* HOSE ASSY	1				
40	0565033830	HOSE ASSY	1				
40-1	1934852050	* HOSE ASSY	1				
41	0565033840	HOSE ASSY	1				
41-1	1934822075	* HOSE ASSY	1				
42	0565033850	HOSE ASSY	1				
42-1	1934822070	* HOSE ASSY	1				
43	1513390043	TEE	1				
44	X *****	VALVE ASSY, solenoid	1				
44-1	1513300016	• ELBOW	2				
	1420010180	• • O-RING	1				
44-2	1515010042	• ELBOW	2				
	1420010180	• • O-RING	1				
44-3	1515010051	• ELBOW	1				
	1420010180	• • O-RING	1				
44-4	1515010517	• ELBOW	1				
	1420010180	• • O-RING	1				
44-5	1515100110	• ELBOW	1				
	1420010110	• • O-RING	1				
44-6	1515600202	• ADAPTOR	2				
	1420010180	• • O-RING	1				
44-7	1901749100	• VALVE, solenoid	1			M	
45	0565051230	BRACKET	1				
46	0565051280	HOSE ASSY	1				18015-41020
46-1	1801541021	* HOSE ASSY	1				
48	0565051260	HOSE ASSY	1				19348-52030
48-1	1934852030	* HOSE ASSY	1				
49	1110040870	SCREW, cap	2				
50	1140420008	WASHER, spring	2				
51	0565063230	HOSE ASSY	1				
51-1	1801022080	* HOSE ASSY	1				

L7d252

TB175 Book No. BL7Z000 S/N 17530001-  
VALVE & ACCESSORIES (1/3) (2-piece boom; with high pressure 3rd & 4th  
auxiliary lines)



**VALVE & ACCESSORIES (1/3) (2-piece boom; with high pressure 3rd & 4th auxiliary lines)**

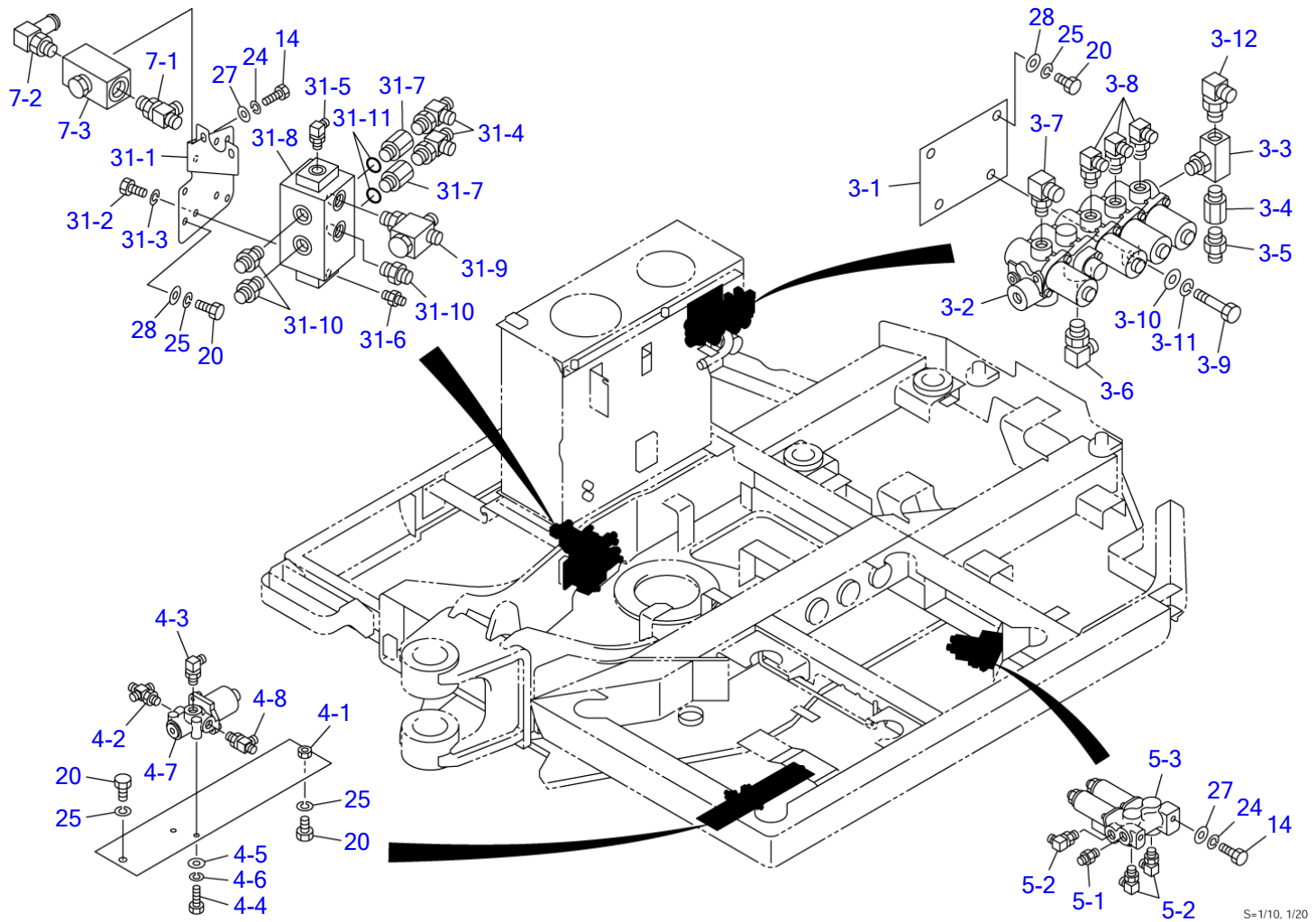
Item	Part number	Description	Q'ty	Chan.	Serial No.	Serv.	Remarks
		VALVE ASSY, control					
1	X *****	VALVE, control	1				
1-1	0007203033	· ADAPTOR	2				
1-3	0007203074	· ADAPTOR	2				
	1420010180	· · O-RING	1				
1-4	0565029140	· MANIFOLD	1				
1-5	1110041025	· SCREW, cap	4				
1-6	1140020010	· WASHER, spring	4				
1-7	1420010180	· O-RING	4				
1-8	1420100450	· O-RING	1				
1-9	1513390027	· TEE	1				
	1420010110	· · O-RING	1				
1-11	1501750002	· PLUG	1				
	1420010110	· · O-RING	1				
1-12	1515012040	· ELBOW	8				
	1420010110	· · O-RING	1				
1-13	1515600203	· ADAPTOR	1				
	1420010240	· · O-RING	1				
1-14	1515010043	· ELBOW	1				
	1420010240	· · O-RING	1				
1-15	1512374011	· TEE	1				
	1420010240	· · O-RING	1				
1-16	1515010132	· ELBOW	1				
	1420010180	· · O-RING	1				
1-17	1515600200	· ADAPTOR	10				
	1420010110	· · O-RING	1				
1-18	1515600202	· ADAPTOR	8				
	1420010180	· · O-RING	1				
1-19	1515600573	· ADAPTOR	1				
	1420010180	· · O-RING	1				
1-20	1901040700	· VALVE, control	1				
1-22	0565029150	· ELBOW (with orifice)	1				
	1420010110	* * O-RING	1				
1-23	1512370011	· TEE	1				
	1420010110	· · O-RING	1				
2	X *****	VALVE, control	1				
2-1	0007224006	· ADAPTOR	1				
2-2	1420010180	· O-RING	1				
2-3	1515012040	· ELBOW	3				
	1420010110	· · O-RING	1				
2-4	1515010041	· ELBOW	1				
	1420010140	· · O-RING	1				
2-5	1515100111	· ELBOW	1				
	1420010140	· · O-RING	1				
2-6	1515600200	· ADAPTOR	5				
	1420010110	· · O-RING	1				
2-8	1515600572	· ADAPTOR	3				
	1420010140	· · O-RING	1				
2-9	1515600573	· ADAPTOR	2				
	1420010180	· · O-RING	1				
2-10	1901048200	· VALVE, control	1				
2-11	0007213023	· BUSHING	3				
	1420010140	· · O-RING	1				
2-12	1512370011	· TEE	1				
	1420010110	* * O-RING	1				
2-13	1515010131	· ELBOW	1				
	1420010140	· · O-RING	1				
8	X *****	VALVE ASSY	1				
8-1	1515012040	· ELBOW	3				
	1420010110	· · O-RING	1				
8-2	1515600200	· ADAPTOR	1				
	1420010110	· · O-RING	1				
8-3	1901734800	· VALVE	1				
9	0565029900	BRACKET	1				
10	0565051080	BRACKET	1				
17	1100040850	BOLT	2				
19	1100041016	BOLT	3				
20	1100041020	BOLT	3				



**VALVE & ACCESSORIES (1/3) (2-piece boom; with high pressure 3rd & 4th auxiliary lines)**

Item	Part number	Description	Q'ty	Chan.	Serial No.	Serv.	Remarks
21	<b>1100041025</b>	BOLT	2				
22	<b>1100041030</b>	BOLT	7				
23	<b>1100041230</b>	BOLT	4				
24	<b>1140020008</b>	WASHER, spring	2				
25	<b>1140020010</b>	WASHER, spring	12				
26	<b>1140020012</b>	WASHER, spring	4				
27	<b>1141110008</b>	WASHER	2				
28	<b>1141110010</b>	WASHER	12				
29	<b>1141110012</b>	WASHER	4				
32	X *****	VALVE, overload	1				
32-1	<b>0565032510</b>	• PLATE	1				
32-2	<b>1100041460</b>	• BOLT	2				
32-3	<b>1140020014</b>	• WASHER, spring	2				
32-4	<b>1141110014</b>	• WASHER	2				
32-5	<b>1515600202</b>	• ADAPTOR	3				
	<b>1420010180</b>	• • O-RING	1				
32-6	<b>1901737500</b>	• VALVE, overload	1				
37	<b>0565060040</b>	HOSE ASSY	1				
37-1	<b>1934852050</b>	* HISE ASSY	1				
	<b>L7D590</b>						

TB175 Book No. BL7Z000 S/N 17530001-  
VALVE & ACCESSORIES (2/3) (2-piece boom 2nd & 4th auxiliary lines)

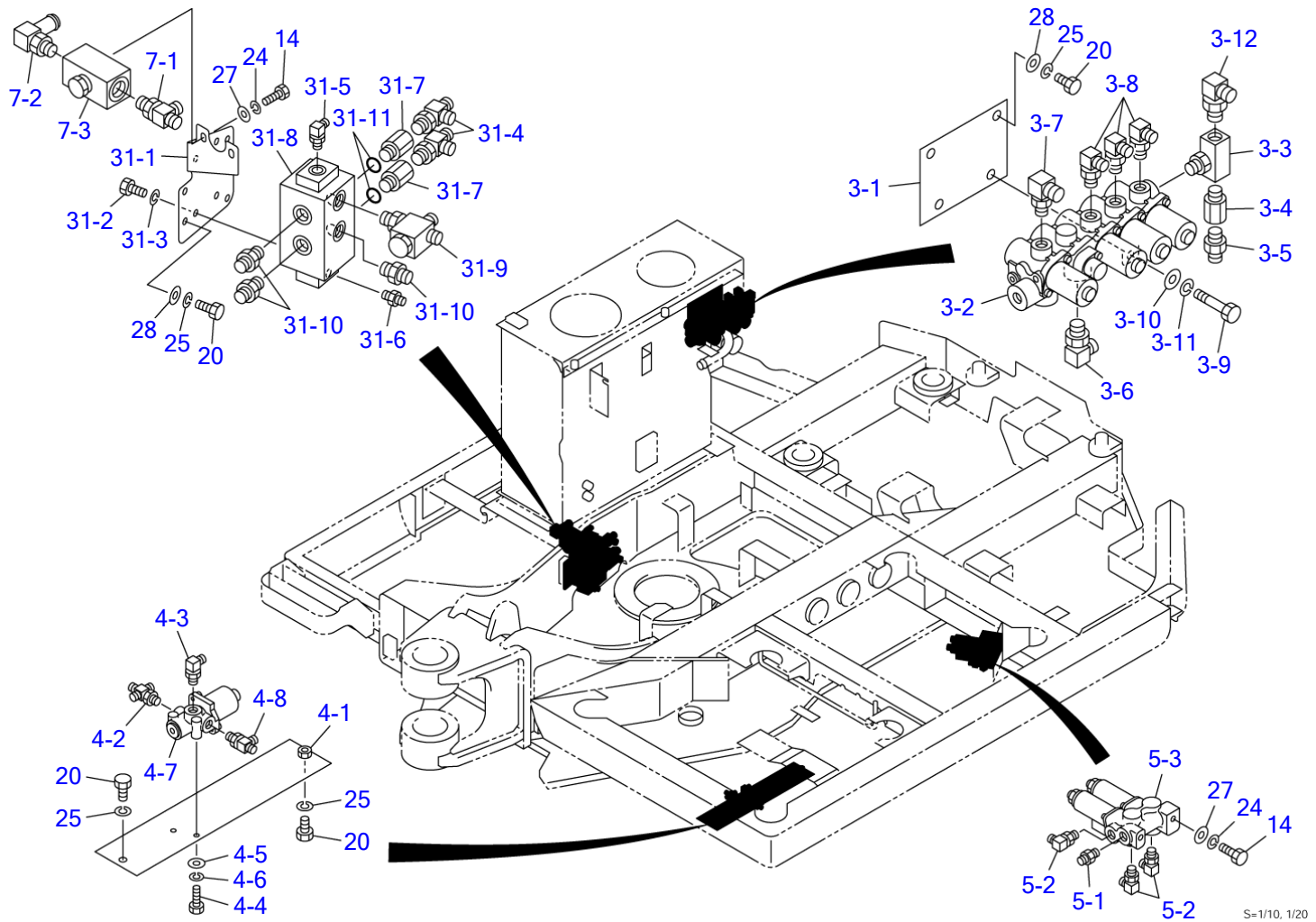


S=1/10, 1/20

**VALVE & ACCESSORIES (2/3) (2-piece boom; 2nd & 4th auxiliary lines)**

Item	Part number	Description	Q'ty	Chan.	Serial No.	Serv.	Remarks
		VALVE ASSY, control					
3	X *****	VALVE, solenoid	1				
3-1	0565051040	• PLATE	1				
3-2	1901752300	• VALVE, solenoid	1				M
3-3	1513370801	• TEE	1				M
	1420010140	• • O-RING	1				
3-4	1513370047	• ADAPTOR (with filter)	1				
	1420010140	• • O-RING	1				
3-5	1515600577	• ADAPTOR	1				
	1420010180	• • O-RING	1				
3-6	1515010051	• ELBOW	1				
	1420010180	• • O-RING	1				
3-7	1515010130	• ELBOW	1				
	1420010110	• • O-RING	1				
3-8	1515012040	• ELBOW	3				
	1420010110	• • O-RING	1				
3-9	1100041090	• BOLT	2				M
3-10	1141110010	• WASHER	2				
3-11	1140020010	• WASHER, spring	2				
3-12	1515010050	• ELBOW	1				
	1420010140	• • O-RING	1				
4	X *****	VALVE, solenoid	1				
4-1	0565037410	• PLATE	1				
4-2	1513390027	• TEE	1				
	1420010110	• • O-RING	1				
4-3	1515012040	• ELBOW	1				
	1420010110	• • O-RING	1				
4-4	1100040616	• BOLT	2				
4-5	1141110006	• WASHER	2				
4-6	1140020006	• WASHER, spring	2				
4-7	1901746600	• VALVE, solenoid	1				M
4-8	1512370011	• TEE	1				
	1420010110	• • O-RING	1				
4-9	0565060550	* WIRING HARNESS	1				
5	X *****	VALVE, solenoid	1				
5-1	1512370008	• FILTER	1				
	1420010110	• • O-RING	1				
5-2	1515012040	• ELBOW	3				
	1420010110	• • O-RING	1				
5-3	1901752100	• VALVE, proportional control	1				M
7	X *****	VALVE , stop	1				
7-1	1512373008	• TEE	1				
	1420010240	• • O-RING	1				
7-2	1513350005	• CONNECTOR	1				
	1420010240	• • O-RING	1				
7-3	1901723700	• VALVE, stop	1				
14	1100040820	BOLT	4				
20	1100041020	BOLT	8				
24	1140020008	WASHER, spring	4				
25	1140020010	WASHER, spring	8				
27	1141110008	WASHER	4				
28	1141110010	WASHER	6				
31	X *****	SELECTOR	1				
31-1	0565033601	• PLATE	1				
31-2	1100041020	• BOLT	4				
31-3	1140020010	• WASHER, spring	4				
31-4	1512373005	• TEE	2				
	1420010180	• • O-RING	1				
31-5	1515012040	• ELBOW	1				
	1420010110	• • O-RING	1				
31-6	1515600200	• ADAPTOR	1				
	1420010110	• • O-RING	1				
31-7	0007213010	• BUSHING	2				
	1400010180	* * O-RING	1				
31-8	1901736900	• VALVE, selector	1				
31-9	1901735400	• ADAPTOR	1				
	1420010180	* * O-RING	1				
31-10	1515600202	• ADAPTOR	3				

TB175 Book No. BL7Z000 S/N 17530001-  
VALVE & ACCESSORIES (2/3) (2-piece boom 2nd & 4th auxiliary lines)



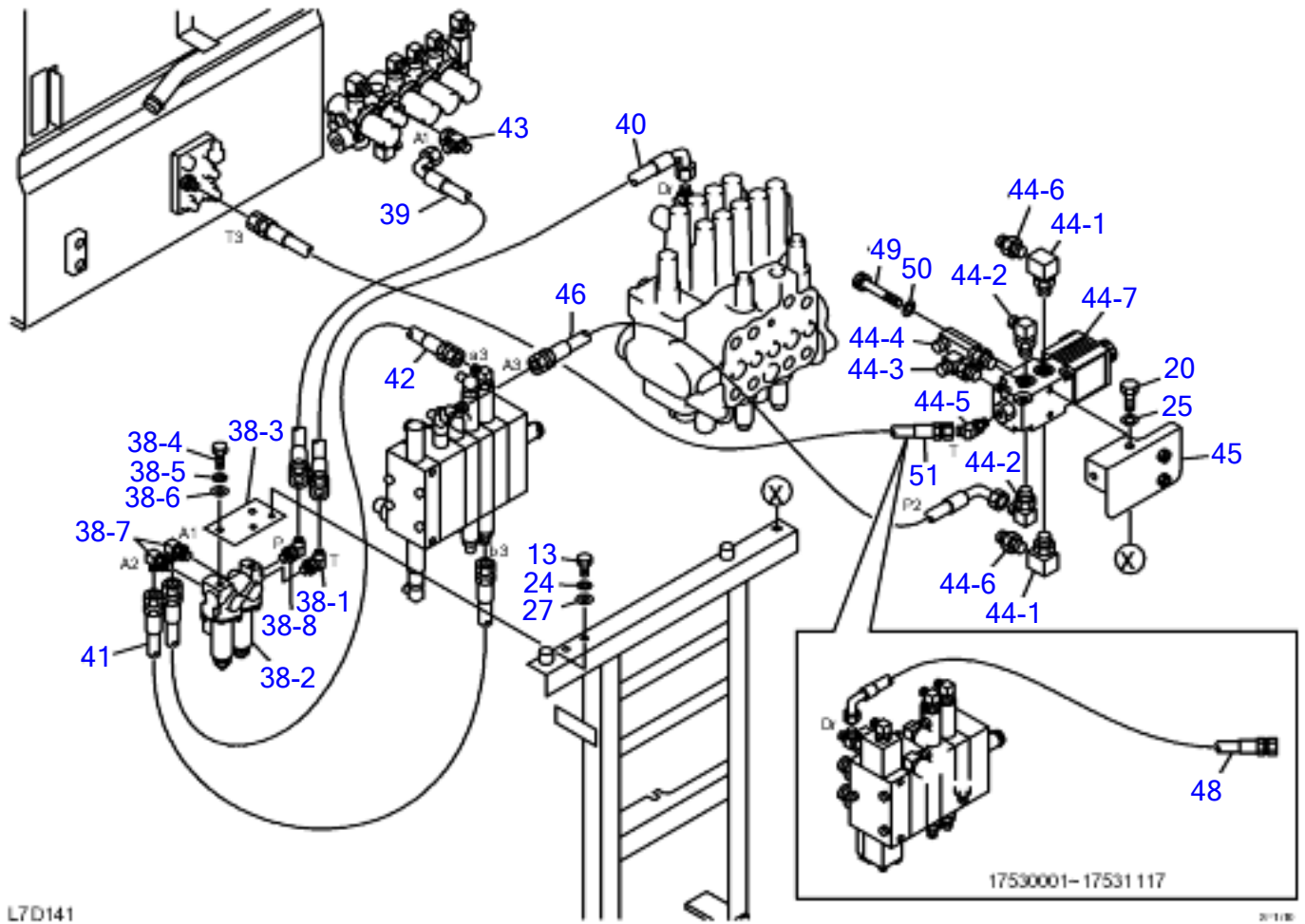
S=1/10, 1/20



**VALVE & ACCESSORIES (2/3) (2-piece boom; 2nd & 4th auxiliary lines)**

Item	Part number	Description	Q'ty	Chan.	Serial No.	Serv.	Remarks
	<b>1420010180</b>	• • O-RING	1				
31-11	<b>1420010180</b>	• O-RING	2				
	<b>L7D242</b>						

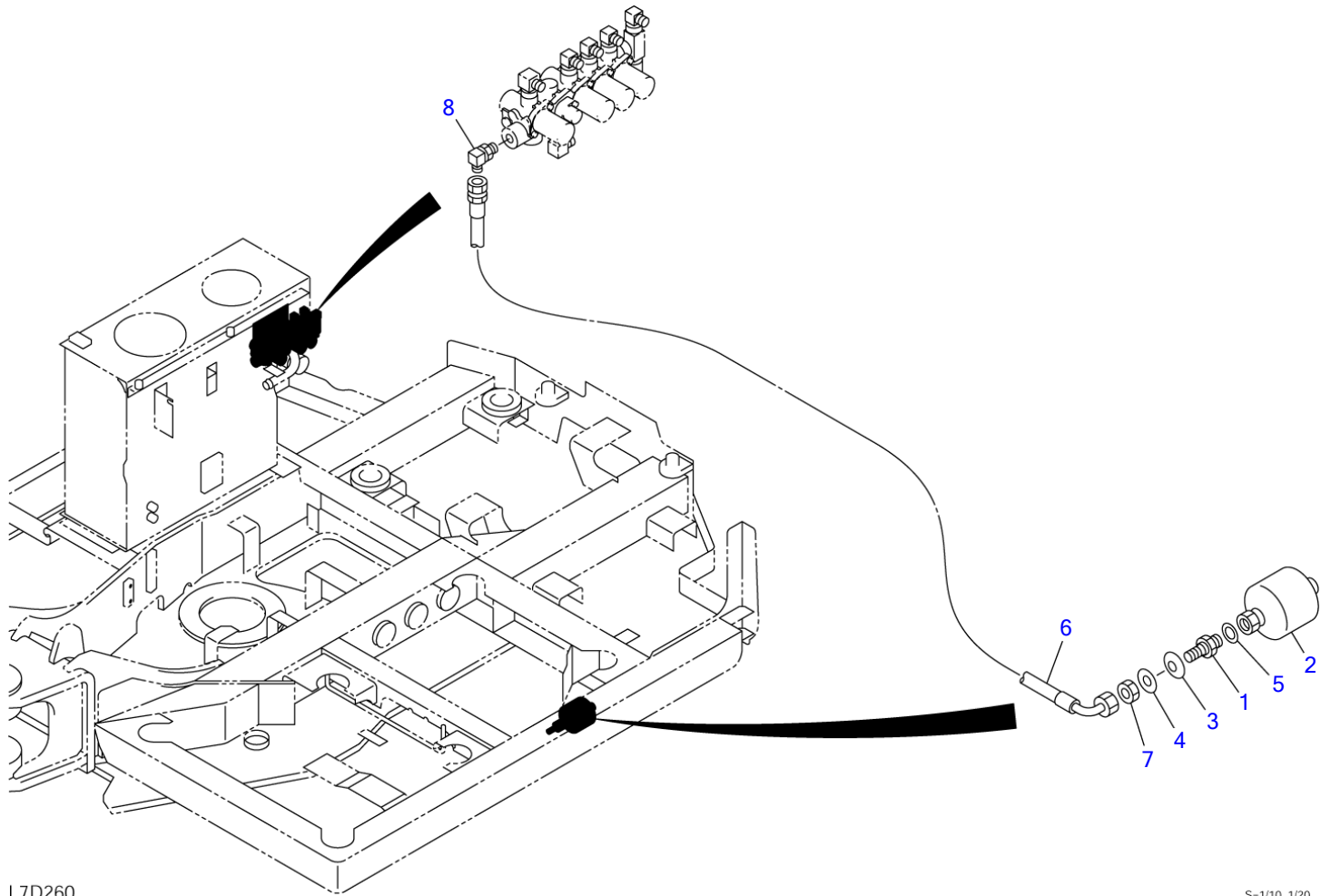
TB175 Book No. BL7Z000 S/N 17530001-  
VALVE & ACCESSORIES (3/3) (2-piece boom; with high pressure 3rd & 4th  
auxiliary lines)



**VALVE & ACCESSORIES (3/3) (2-piece boom; with high pressure 3rd & 4th auxiliary lines)**

Item	Part number	Description	Q'ty	Chan.	Serial No.	Serv.	Remarks
		VALVE ASSY, control					
13	1100040816	BOLT	2				
20	1100041020	BOLT	2				
24	1140020008	WASHER, spring	2				
25	1140020010	WASHER, spring	2				
27	1141110008	WASHER	2				
38	X *****	VALVE ASSY, solenoid	1				
38-1	1515100110	• ELBOW	1				
	1420010110	• • O-RING	1				
38-2	1901752100	• VALVE, proportional control	1				M
38-3	0565033815	• PLATE	1				
38-4	1100040820	• BOLT	2				
38-5	1140020008	• WASHER, spring	2				
38-6	1141110008	• WASHER	2				
38-7	1515012040	• ELBOW	2				
	1420010110	• • O-RING	1				
38-8	1512370012	• ELBOW (with filter)	1				
	1420010110	• • O-RING	1				
39	0565051060	HOSE ASSY	1				19348-52050
39-1	1934852050	* HOSE ASSY	1				
40	0565033830	HOSE ASSY	1				
40-1	1934852050	* HOSE ASSY	1				
41	0565033840	HOSE ASSY	1				
41-1	1934822075	* HOSE ASSY	1				
42	0565033850	HOSE ASSY	1				
42-1	1934822070	* HOSE ASSY	1				
43	1513390043	TEE	1				
44	X *****	VALVE ASSY, solenoid	1				
44-1	1513300016	• ELBOW	2				
	1420010180	• • O-RING	1				
44-2	1515010042	• ELBOW	2				
	1420010180	• • O-RING	1				
44-3	1515010051	• ELBOW	1				
	1420010180	• • O-RING	1				
44-4	1515010517	• ELBOW	1				
	1420010180	• • O-RING	1				
44-5	1515100110	• ELBOW	1				
	1420010110	• • O-RING	1				
44-6	1515600202	• ADAPTOR	2				
	1420010180	• • O-RING	1				
44-7	1901749100	• VALVE, solenoid	1				M
45	0565051230	BRACKET	1				
46	0565051280	HOSE ASSY	1				18015-41020
46-1	1801541021	* HOSE ASSY	1				
48	0565051260	HOSE ASSY	1				19348-52030
48-1	1934852030	* HOSE ASSY	1				
49	1110040870	SCREW, cap	2				
50	1140420008	WASHER, spring	2				
51	0565063230	HOSE ASSY	1				
51-1	1801022080	* HOSE ASSY	1				

L7d252



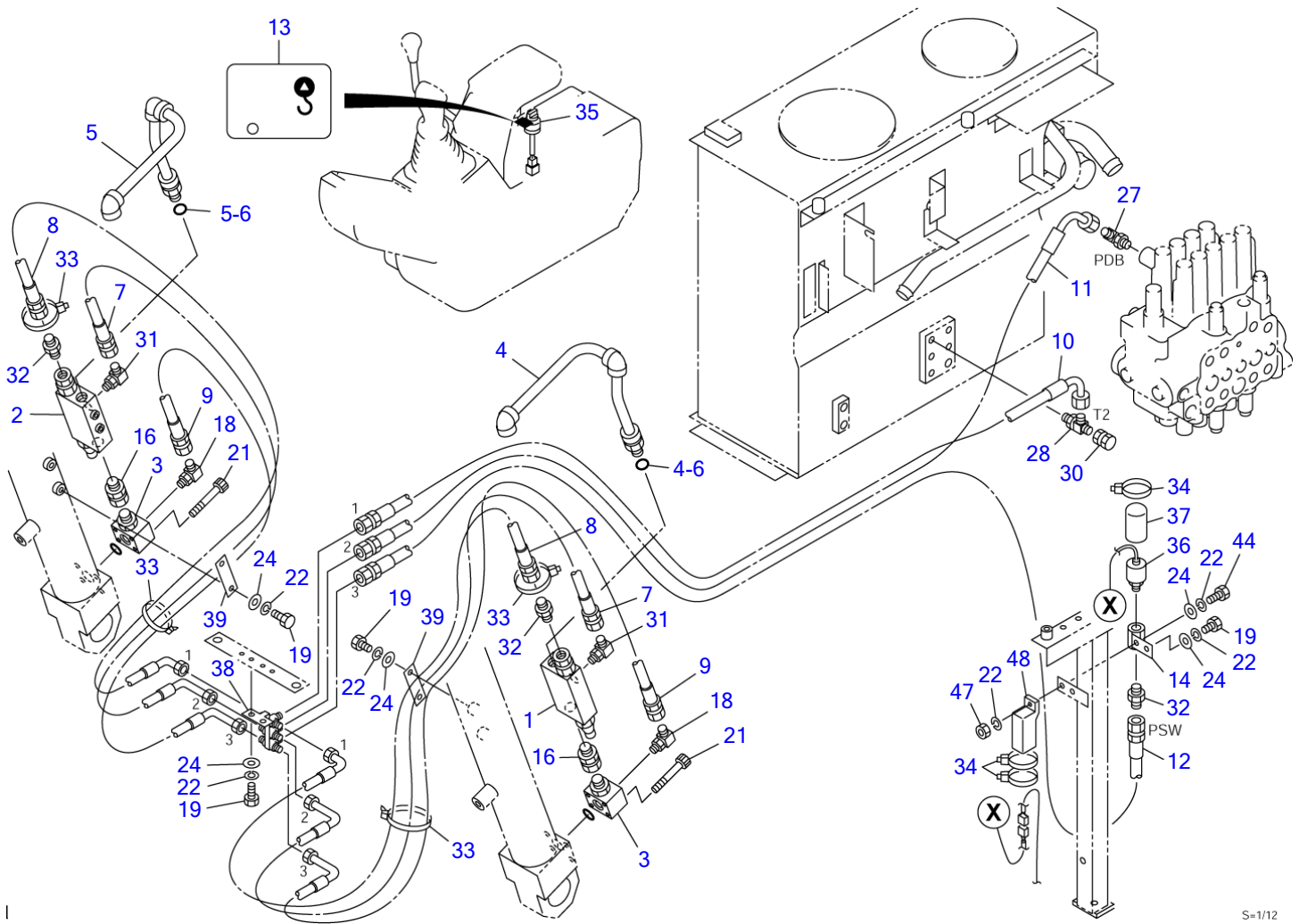
L7D260

S=1/10, 1/20

**ACCUMULATOR**

Item	Part number	Description	Q'ty	Chan.	Serial No.	Serv.	Remarks
		ACCUMULATOR ASSY					
1	0007200222	ADAPTOR	1				
2	1552200020	ACCUMULATOR	1				
3	1140020020	WASHER, spring	1				
4	1141110016	WASHER	1				
5	1432160004	SEAL	1				
6	0565048620	HOSE ASSY	1				18010-53200
7	0007200154	NUT	1				
8	1515010041	ELBOW	1				
	1420010140	· O-RING	1				
	L7d260						

TB175 Book No. BL7Z000 S/N 17530001-  
EMERGENCY SHUT-OFF VALVE (boom)



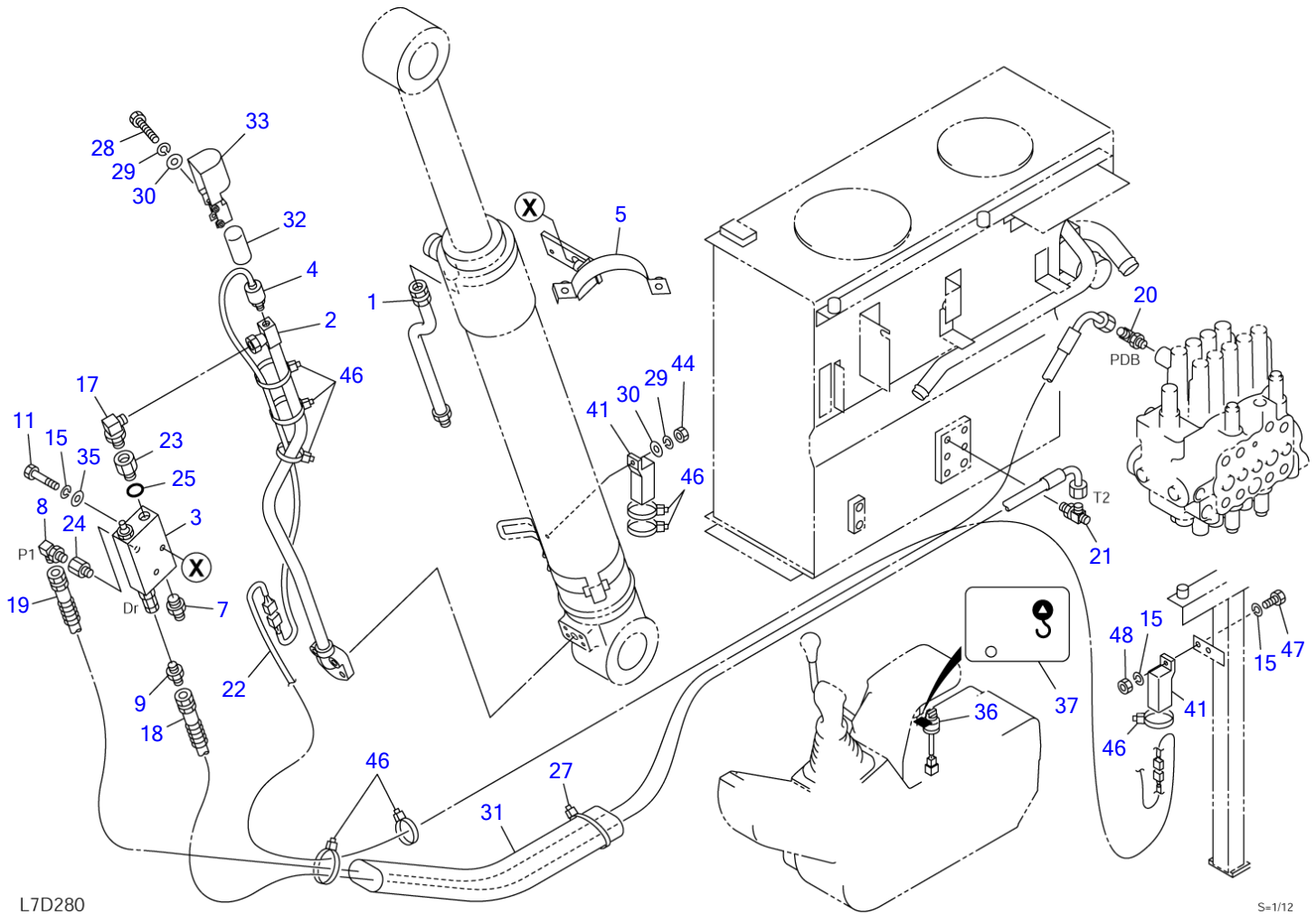
S-1/12

**EMERGENCY SHUT-OFF VALVE (boom)**

Item	Part number	Description	Q'ty	Chan.	Serial No.	Serv.	Remarks
0		VALVE ASSY, emergency shut-off	1			M	
1	1901742900	• VALVE, shut-off (L.H.)	1				
2	1901743000	• VALVE, shut-off (R.H.)	1				
3	0565040010	• ADAPTOR	2				
4	0565046310	• TUBE (L.H.)	1				
4-6	1420010180	• • O-RING	1				
5	0565046320	• TUBE (R.H.)	1				
5-6	1420010180	• • O-RING	1				
7	0565046370	• HOSE ASSY	2				18010-52090
7-1	1801052090	* HOSE ASSY	1				
8	0565046380	• HOSE ASSY	2				18010-52089
8-1	1801052089	* HOSE ASSY	1				
9	0565046390	• HOSE ASSY	2				18025-01110
9-1	1802501110	* HOSE ASSY	1				
10	0565046400	• HOSE ASSY	1				18010-52170
10-1	1801052170	* HOSE ASSY	1				
11	0565046410	• HOSE ASSY	1				18010-52200
11-1	1801052200	* HOSE ASSY	1				
12	0565046420	• HOSE ASSY	1				18025-00165
12-1	1802500165	* HOSE ASSY	1				
13	0565017400	• DECAL	1				
14	0565032710	• BUSHING	1				
16	0007236041	• ADAPTOR	2				
	1420010180	• • O-RING	1				
18	0881710311	• ELBOW (with orifice)	2				
19	1100040816	• BOLT	7				
21	1110040850	• SCREW, cap	8				
22	1140020008	• WASHER, spring	9				
24	1141110008	• WASHER	8				
27	1512370010	• ADAPTOR	1				
	1420010110	• • O-RING	1				
28	1512370011	• TEE	1				
	1420010110	• • O-RING	1				
30	1513900002	• SOCKET	1				
	1420310908	• • O-RING	1				
31	1515012040	• ELBOW	2				
	1420010110	• • O-RING	1				
32	1515600200	• ADAPTOR	3				
	1420010110	• • O-RING	1				
33	1652201005	• BAND	4				
34	1652231250	• BAND	3				
35	1700000019	• SWITCH, rotary	1				
36	1700100083	• SWITCH, pressure	1				
	1420010110	• • O-RING	1				
37	1700100061	• COVER	1				
38	0565046230	• TEE	1				
39	0565046260	• PLATE	2				
44	1100040830	• BOLT	1				
47	1130040008	• NUT	1				
48	1700100038	• COVER	1				

L7d271

TB175 Book No. BL7Z000 S/N 17530001-  
EMERGENCY SHUT-OFF VALVE (2-piece boom)

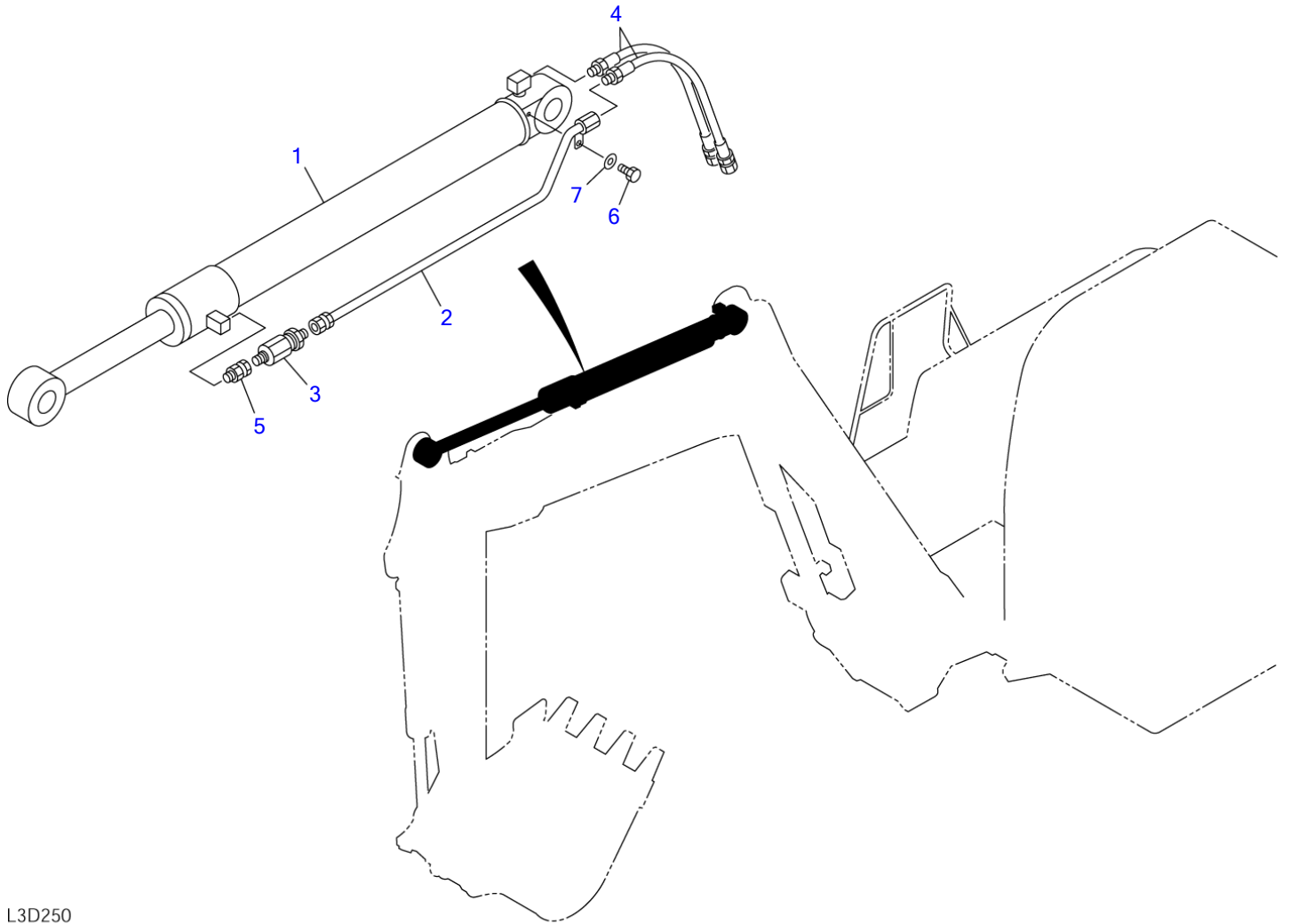




**EMERGENCY SHUT-OFF VALVE (2-piece boom)**

Item	Part number	Description	Q'ty	Chan.	Serial No.	Serv.	Remarks
0		VALVE ASSY, emergency shut-off	1			M	
1	0565033980	• TUBE(R.H.)	1				
2	0565044160	• TUBE	1				
3	1901747500	• VALVE, load holding	1				
4	1700100084	• SWITCH, pressure	1				
	1420010110	• • O-RING	1				
5	0565033930	• BAND	1				
7	1515600578	• ADAPTOR	1				
	1420010240	• • O-RING	1				
8	1515012040	• ELBOW	1				
	1420010110	• • O-RING	1				
9	1515600200	• ADAPTOR	1				
	1420010110	• • O-RING	1				
11	1100040855	• BOLT	2				
15	1140020008	• WASHER, spring	4				
17	1515010052	• ELBOW	1				
	1420010240	• • O-RING	1				
18	0565043950	• HOSE ASSY	1				18010-52255
18-1	1801052255	* HOSE ASSY	1				
19	0565043960	• HOSE ASSY	1				18010-52290
19-1	1801052290	* HOSE ASSY	1				
20	1512370010	• TEE	1				
	1420010110	• • O-RING	1				
21	1512370011	• TEE	1				
	1420010110	• • O-RING	1				
22	0565052010	• HARNESS, wiring	1				
23	0007213034	• BUSHING	1				
24	1513250202	• BUSHING	1				
	1420010110	• • O-RING	1				
25	1420010240	• O-RING	1				
27	1652200004	• BAND	1				
28	1100040640	• BOLT	2				
29	1140020006	• WASHER, spring	3				
30	1141110006	• WASHER	3				
31	1531335035	• PROTECTOR	1			M	sold by the meter
32	1700100061	• COVER	1				
33	0565033920	• COVER	1				
35	0003608252	• WASHER	2				
36	1700000019	• SWITCH, rotary	1				
37	0565017400	• DECAL	1				
41	1700100038	• COVER	2				
44	1130040006	• NUT	1				
46	1652231250	• BAND	8				
47	1100040825	• BOLT	1				
48	1130040008	• NUT	1				
	L7d281						

TB175 Book No. BL7Z000 S/N 17530001-  
EMERGENCY SHUT-OFF VALVE (arm)



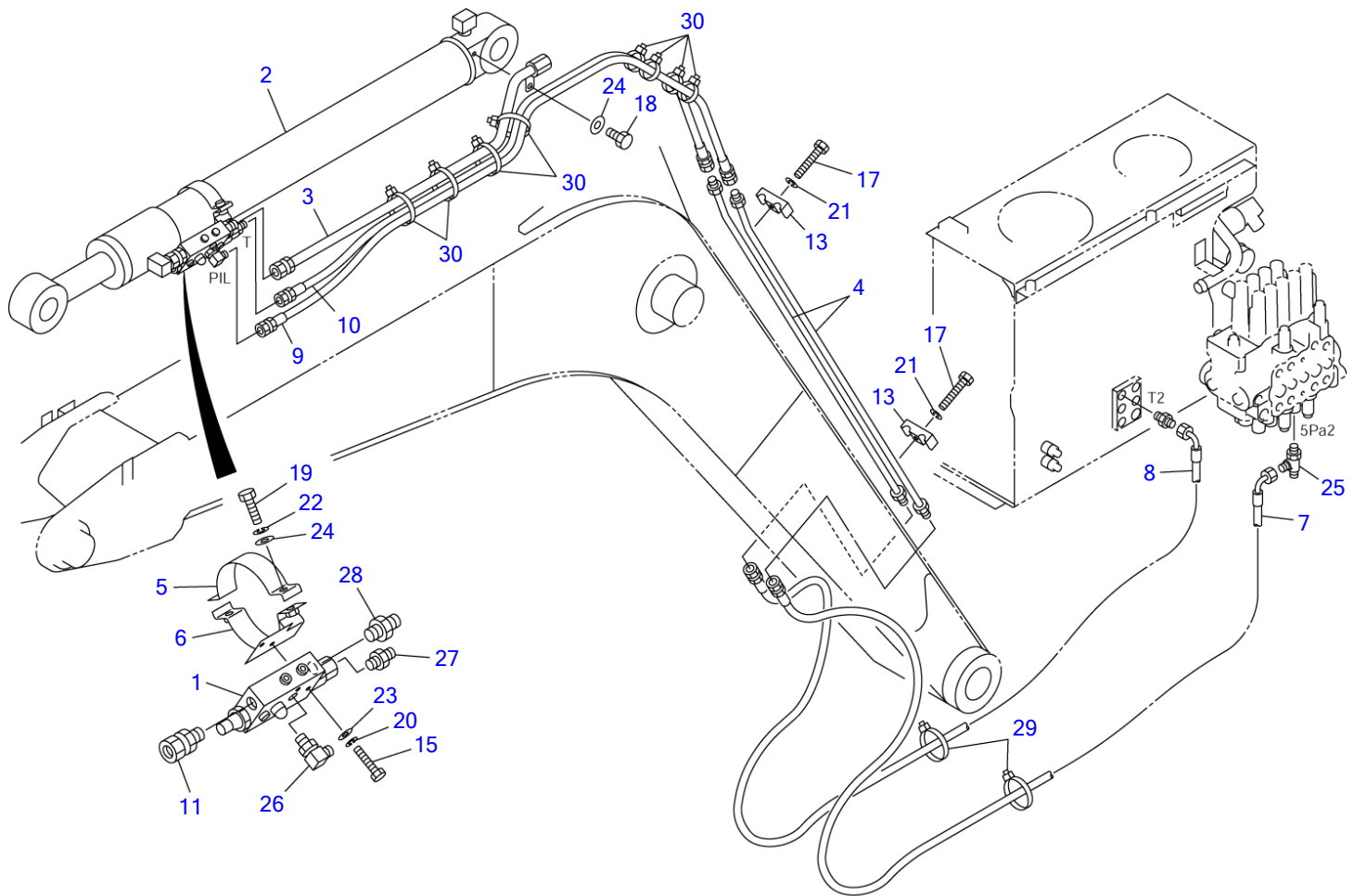
L3D250

S=1/15, 1/30

**EMERGENCY SHUT-OFF VALVE (arm)**

Item	Part number	Description	Q'ty	Chan.	Serial No.	Serv.	Remarks
0		VALVE ASSY, emergency shut-off	1			M	
1	<b>1900085100</b>	▪ CYLINDER, arm	1				
2	<b>0565031520</b>	▪ PIPE	1				
3	<b>1901739200</b>	▪ VALVE, shut-off	1				
4	<b>0565031540</b>	▪ HOSE ASSY	2				
5	<b>1511430004</b>	▪ ADAPTOR	1				
6	<b>1100041018</b>	▪ BOLT	1				
7	<b>1141110010</b>	▪ WASHER	1				
	<b>L7D600</b>						

TB175 Book No. BL7Z000 S/N 17530001-  
EMERGENCY SHUT-OFF VALVE (arm; with pilot)



L7D290

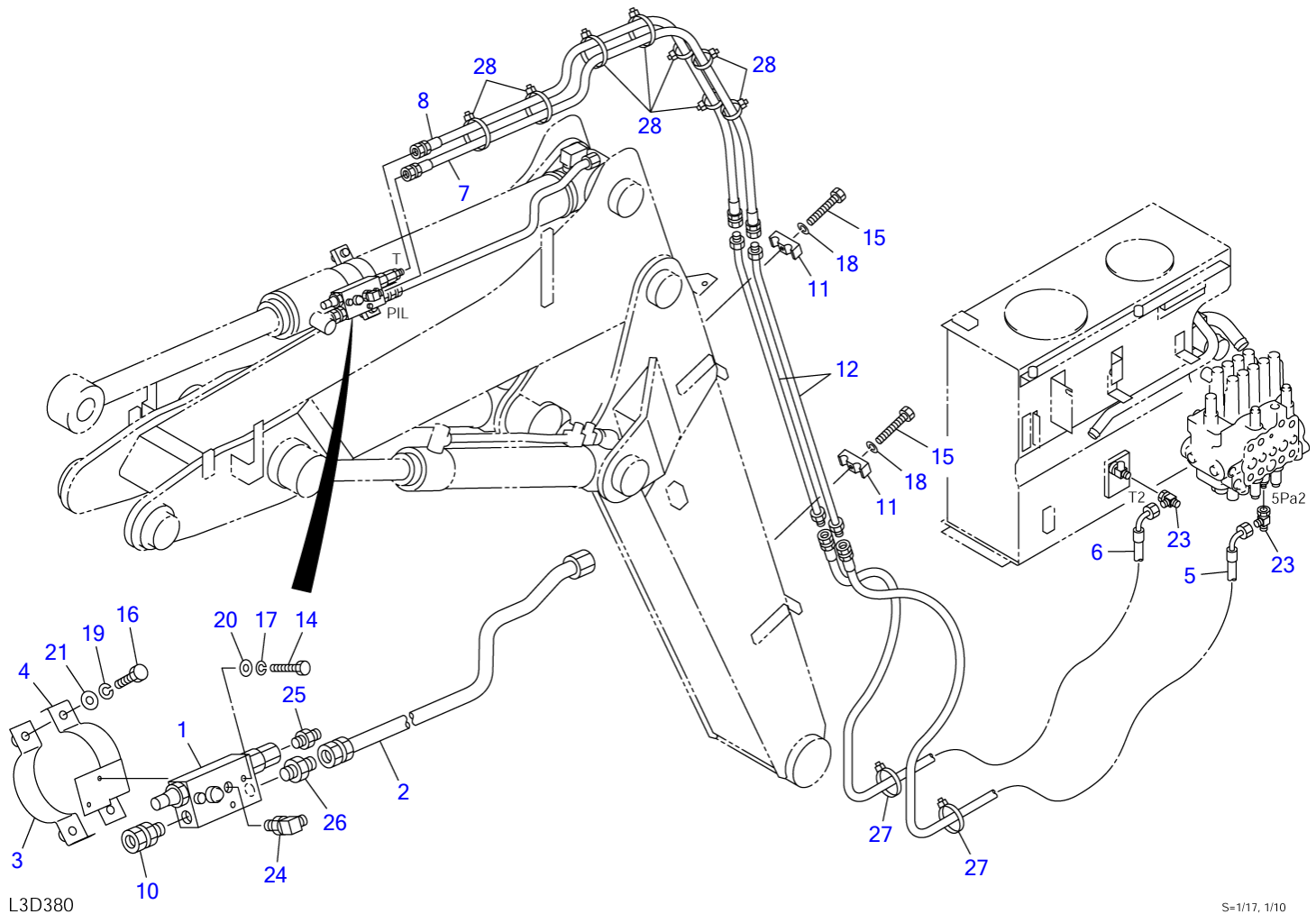
S=1/10, 1/15

**EMERGENCY SHUT-OFF VALVE (arm; with pilot)**

Item	Part number	Description	Q'ty	Chan.	Serial No.	Serv.	Remarks
0		VALVE ASSY, emergency shut-off	1				
1	1901743100	• VALVE, shut off	1				
2	1900085100	• CYLINDER, arm	1				
3	0565041010	• PIPE	1				
4	0565041020	• PIPE	2				
5	0565041030	• CLAMP	1				
6	0565041040	• CLAMP	1				
7	0565041540	• HOSE ASSY	1				18010-52330
7-1	1801052330	* HOSE ASSY	1				
8	0565041550	• HOSE ASSY	1				18010-52330
8-1	1801052330	* HOSE ASSY	1				
9	0565041070	• HOSE ASSY	1				18010-22180
9-1	0565041070	* HOSE ASSY	1				
10	0565041080	• HOSE ASSY	1				18010-22170
10-1	1801022170	* HOSE ASSY	1				
11	0007236041	• ADAPTOR	1				
	1420010180	• • O-RING	1				
13	1534000012	• CLAMP	2				
15	1100040645	• BOLT	2				
17	1100040865	• BOLT	2				
18	1100041018	• BOLT	1				
19	1100041035	• BOLT	2				
20	1140020006	• WASHER, spring	2				
21	1140020008	• WASHER, spring	2				
22	1140020010	• WASHER, spring	2				
23	1141110006	• WASHER	2				
24	1141110010	• WASHER	3				
25	1512370011	• TEE	1				
	1420010110	• • O-RING	1				
26	1515012040	• ELBOW	1				
	1420010110	• • O-RING	1				
27	1515600200	• ADAPTOR	1				
	1420010110	• • O-RING	1				
28	1515600202	• ADAPTOR	1				
	1420010180	• • O-RING	1				
29	1652201005	• BAND	2				
30	1652201008	• BAND	8				

L7d291

TB175 Book No. BL7Z000 S/N 17530001-  
EMERGENCY SHUT-OFF VALVE (2-piece boom; arm)



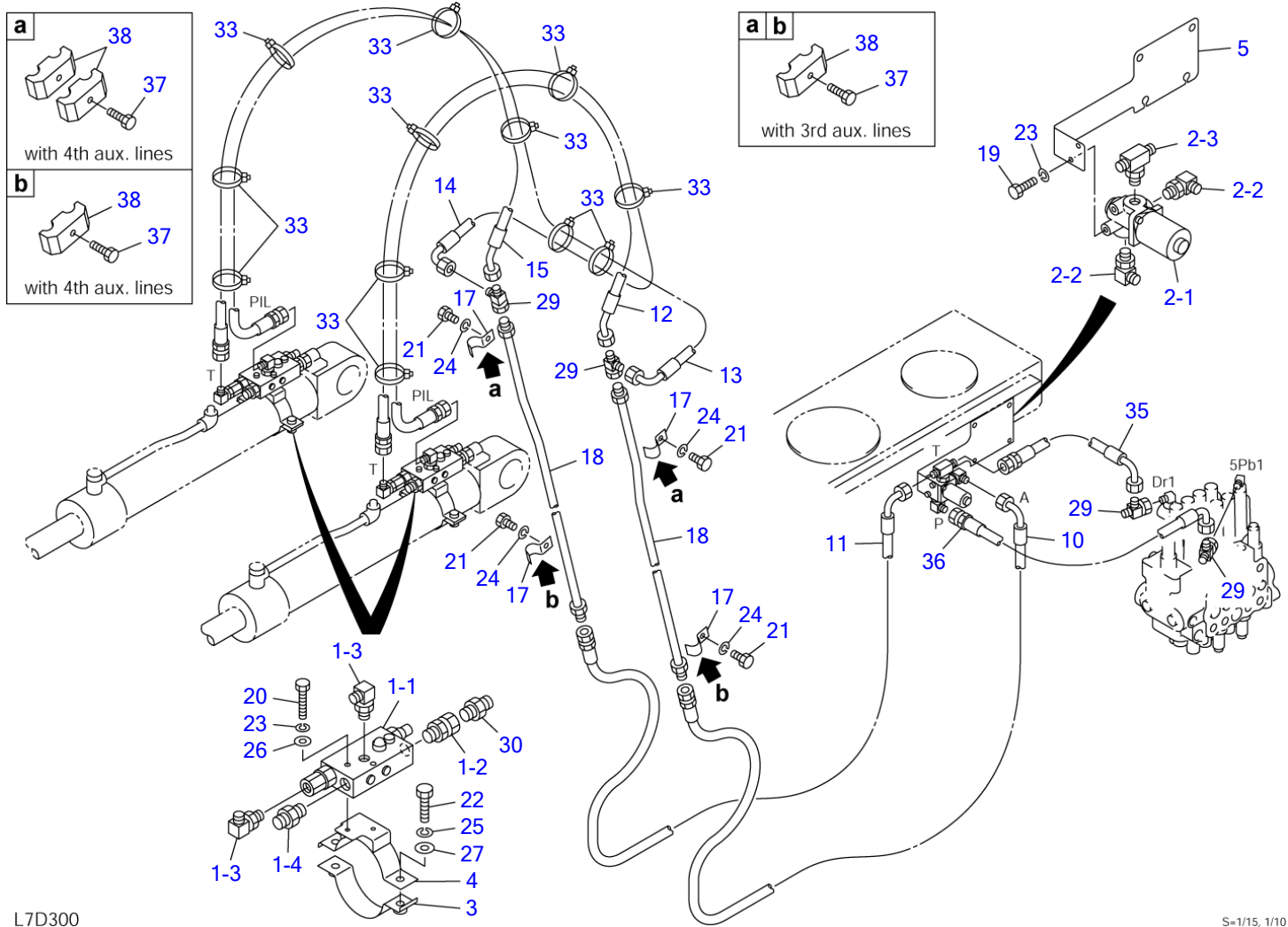
L3D380

S=1/17, 1/10

**EMERGENCY SHUT-OFF VALVE (2-piece boom; arm)**

Item	Part number	Description	Q'ty	Chan.	Serial No.	Serv.	Remarks
0		VALVE ASSY, emergency shut-off	1				
1	1901743300	• VALVE, shut off	1				
2	0565043010	• PIPE	1				
3	0565043020	• CLAMP	1				
4	0565043030	• CLAMP	1				
5	0565041540	• HOSE ASSY	1				18010-52330
5-1	1801052330	* HOSE ASSY	1				
6	0565041550	• HOSE ASSY	1				18010-52330
6-1	1801052330	* HOSE ASSY	1				
7	0565043060	• HOSE ASSY	1				18010-22193
7-1	0565043060	* HOSE ASSY	1				
8	0565043070	• HOSE ASSY	1				18010-22183
8-1	1801022183	* HOSE ASSY	1				
10	0007236041	• ADAPTOR	1				
	1420010180	• • O-RING	1				
11	1534000012	• CLAMP	2				
12	0395013120	• PIPE	2				
14	1100040645	• BOLT	2				
15	1100040865	• BOLT	2				
16	1100041035	• BOLT	2				
17	1140020006	• WASHER, spring	2				
18	1140020008	• WASHER, spring	2				
19	1140020010	• WASHER, spring	2				
20	1141110006	• WASHER	2				
21	1141110010	• WASHER	2				
23	1513390015	• TEE	2				
24	1515012040	• ELBOW	1				
	1420010110	• • O-RING	1				
25	1515600200	• ADAPTOR	1				
	1420010110	• • O-RING	1				
26	1515600202	• ADAPTOR	1				
	1420010180	• • O-RING	1				
27	1652201005	• BAND	2				
28	1652201008	• BAND	8				
	L7D610						

TB175 Book No. BL7Z000 S/N 17530001-  
**EMERGENCY SHUT-OFF VALVE (adjust)**



L7D300

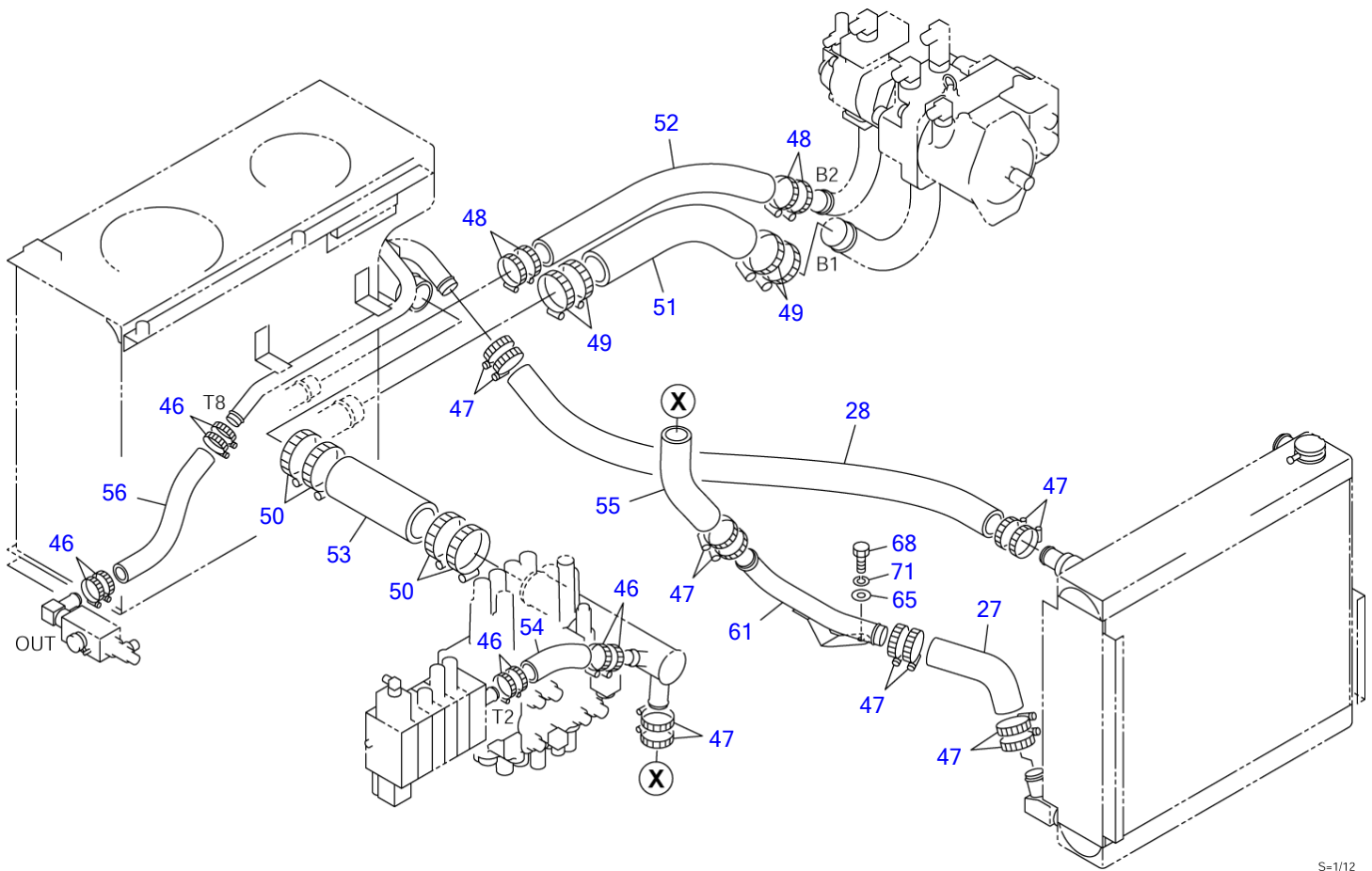
S=1/15, 1/10



**EMERGENCY SHUT-OFF VALVE (adjust)**

Item	Part number	Description	Q'ty	Chan.	Serial No.	Serv.	Remarks
0		VALVE ASSY, shut-off	1			M	
		VALVE ASSY, shut-off (with 3rd aux. lines)	1			M	
		VALVE ASSY, shut-off (with 4th aux. lines)	1			M	
1	0565044010	• VALVE ASSY, shut off	2				
1-1	1901746200	• • VALVE, shut off	1				
1-2	0007236041	• • ADAPTOR	1				
	1420010180	• • • O-RING	1				
1-3	1515012040	• • ELBOW	2				
	1420010110	• • • O-RING	1				
1-4	1515600202	• • ADAPTOR	1				
	1420010180	• • • O-RING	1				
2	0565061010	• VALVE ASSY, solenoid	1			M	
2-1	1901746600	• • VALVE, solenoid	1			M	
2-2	1515012040	• • ELBOW	2				
	1420010110	• • • O-RING	1				
2-3	1512370010	• • NIPPLE	1				
	1420010110	• • • O-RING	1				
3	0565044030	• CLAMP	2				
4	0565044040	• CLAMP	2				
5	0565061020	• BRACKET	1			M	
10	0565061530	• HOSE ASSY	1			M	18010-52315
11	0565061540	• HOSE ASSY	1			M	18010-52315
11-1	1801052315	* HOSE ASSY	1				
12	0565061050	• HOSE ASSY	1			M	18010-79138
12-1	1801079138	* HOSE ASSY	1				
13	0565061060	• HOSE ASSY	1			M	18010-52188
13-1	1801052188	* HOSE ASSY	1				
14	0565061070	• HOSE ASSY	1			M	18010-52177
14-1	1801052177	* HOSE ASSY	1				
15	0565061080	• HOSE ASSY	1			M	18010-79135
15-1	1801079135	* HOSE ASSY	1				
17	0567339570	• CLAMP	4				standard
18	0567338010	• PIPE	2				
19	1100040620	• BOLT	2				
20	1100040645	• BOLT	4				
21	1100040816	• BOLT	4				standard
22	1100041035	• BOLT	4				
23	1140020006	• WASHER, spring	6				
24	1140020008	• WASHER, spring	4				standard
25	1140020010	• WASHER, spring	4				
26	1141110006	• WASHER	4				
27	1141110010	• WASHER	4				
29	1513390015	• TEE	4				
30	1515600202	• ADAPTOR	2				
	1420010180	• • O-RING	1				
33	1652201008	• BAND	12				
35	0565061110	• HOSE ASSY	1			M	18010-52033
35-1	18010852033	* HOSE ASSY	1				
36	0565061120	• HOSE ASSY	1			M	18010-52044
36-1	1801052044	* HOSE ASSY	1				
37	1100040835	• BOLT	4				with 3rd aux. lines
	1100040835	• BOLT	6				with 4th aux. lines
38	1534000015	• CLAMP	4				with 3rd aux. lines
	1534000015	• CLAMP	6				with 4th aux. lines
	L7d301						

TB175 Book No. BL7Z000 S/N 17530001-  
PIPING; UPPER (1/3)



S=1/12

**PIPING; UPPER (1/3)**

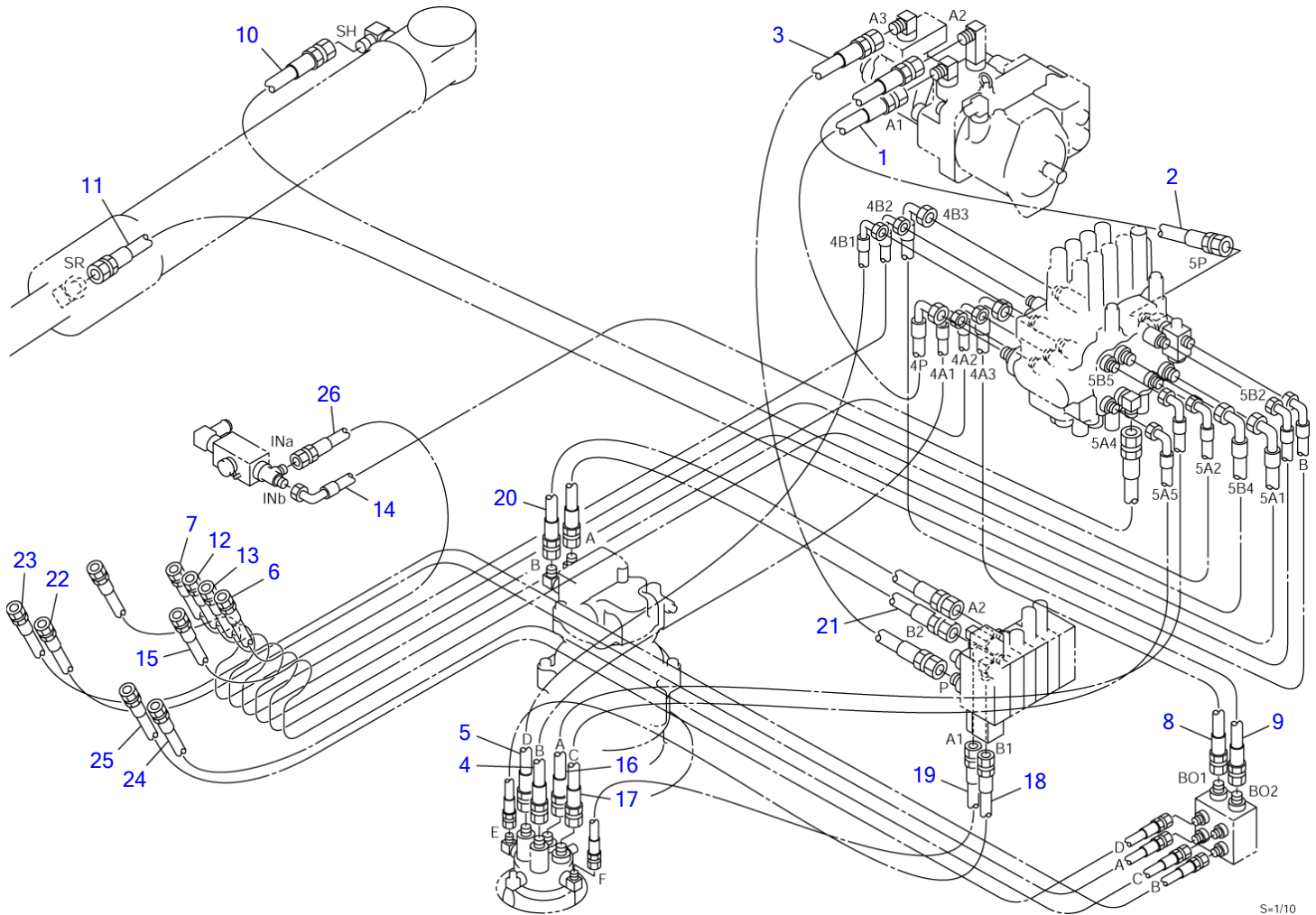
Item	Part number	Description	Q'ty	Chan.	Serial No.	Serv.	Remarks
		PIPING ASSY, upper					
27	0567038861	HOSE	1			M	
	0567038840	HOSE	1				
28	1530532100	HOSE	1				sold by the meter
46	1533700041	BAND	8				
	1533700041	BAND	4				
47	1533700048	BAND	12			M	
48	1533700060	BAND	4				
49	1533700070	BAND	4				
50	1533700080	BAND	4				
51	0567025510	HOSE	1			M	
52	1530738050	HOSE	1				sold by the meter
53	1530558028	HOSE	1			M	sold by the meter
54	1530525031	HOSE	1				sold by the meter
55	1530532027	HOSE	1				sold by the meter
56	1530525040	HOSE	1			M	sold by the meter
61	0567038820	PIPE	1			M	
	0567038830	PIPE	1				
65	0003600020	WASHER	1				
68	1100041020	BOLT	1				
71	1140020010	WASHER, spring	1				
	L7d312						



**PIPING; UPPER (2/3)**

Item	Part number	Description	Q'ty	Chan.	Serial No.	Serv.	Remarks
		PIPING ASSY, upper					
31	<b>0567038010</b>	HOSE ASSY	1				18010-53090
31-1	<b>1801053090</b>	* HOSE ASSY	1				
32	<b>0567038810</b>	HOSE ASSY	1			M	18010-22160
32-1	<b>1801022160</b>	* HOSE ASSY	1				
33	<b>0567025050</b>	HOSE ASSY	1			M	18010-22165
33-1	<b>1801022165</b>	* HOSE ASSY	1				
34	<b>0567024340</b>	HOSE ASSY	1				18010-24056
34-1	<b>1801024056</b>	* HOSE ASSY	1				
35	<b>0567038910</b>	HOSE ASSY	1			M	18010-22050
35-1	<b>1801022050</b>	* HOSE ASSY	1				
36	<b>0567024360</b>	HOSE ASSY	1				18010-22050
36-1	<b>1801022050</b>	* HOSE ASSY	1				
37	<b>0567024370</b>	HOSE ASSY	1				18010-24068
37-1	<b>1801024068</b>	* HOSE ASSY	1				
38	<b>0567038070</b>	HOSE ASSY	1				
39	<b>0567024390</b>	HOSE ASSY	1				18010-22068
	<b>0567041820</b>	HOSE ASSY	1				
39-1	<b>1801022068</b>	* HOSE ASSY	1				
	<b>1801022073</b>	* HOSE ASSY	1				
40	<b>0567037050</b>	HOSE ASSY	1				18010-23055
40-1	<b>1801023055</b>	* HOSE ASSY	1				
41	<b>0567024410</b>	HOSE ASSY	1				18010-52050
	<b>0567041810</b>	HOSE ASSY	1				
41-1	<b>1801052050</b>	* HOSE ASSY	1				
	<b>1801052057</b>	* HOSE ASSY	1				
42	<b>0567024420</b>	HOSE ASSY	1				18010-06050
42-1	<b>1801006050</b>	* HOSE ASSY	1				
43	<b>0567024430</b>	HOSE ASSY	1				18010-22080
43-1	<b>1801022080</b>	* HOSE ASSY	1				
44	<b>0567024440</b>	HOSE ASSY	1				18010-53082
44-1	<b>1801053082</b>	* HOSE ASSY	1				
45	<b>0567024450</b>	HOSE ASSY	1				18010-23070
45-1	<b>1801023070</b>	* HOSE ASSY	1				
73	<b>1532215053</b>	PROTECTOR	1				sold by the meter
	<b>L7d322</b>						

TB175 Book No. BL7Z000 S/N 17530001-  
PIPING; UPPER (3/3)

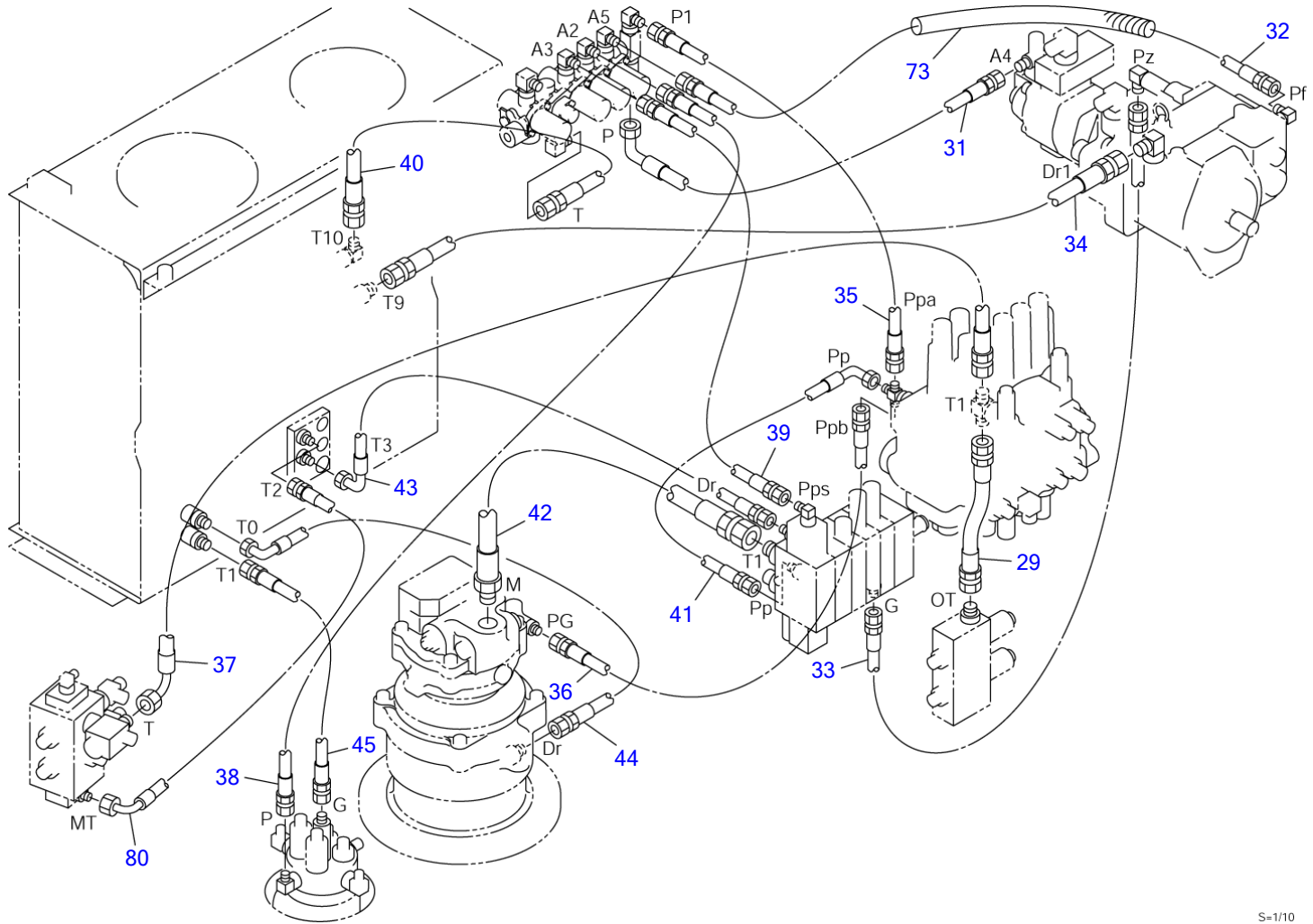


S=1/10

**PIPING; UPPER (3/3)**

Item	Part number	Description	Q'ty	Chan.	Serial No.	Serv.	Remarks
		PIPING ASSY, upper					
1	0567026010	HOSE ASSY	1			M	4X840
2	0567026020	HOSE ASSY	1			M	4X860
3	0567025030	HOSE ASSY	1			M	18025-60140
3-1	1802560135	* HOSE ASSY	1				
4	0567024040	HOSE ASSY	1				18025-41090
4-1	1802541090	* HOSE ASSY	1				
5	0567024050	HOSE ASSY	1				18025-41095
5-1	1802541095	* HOSE ASSY	1				
6	0567024060	HOSE ASSY	1				18025-41300
6-1	1802541300	* HOSE ASSY	1				
7	0567024070	HOSE ASSY	1				18025-41305
7-1	1802541305	* HOSE ASSY	1				
8	0567024080	HOSE ASSY	1				
9	0567024090	HOSE ASSY	1				
10	0567024100	HOSE ASSY	1				18025-41180
10-1	1802541180	* HOSE ASSY	1				
11	0567024110	HOSE ASSY	1				18025-41185
11-1	1802541185	* HOSE ASSY	1				
12	0567024120	HOSE ASSY	1				18025-41325
12-1	1802541325	* HOSE ASSY	1				
13	0567024130	HOSE ASSY	1				18025-41330
13-1	1802541330	* HOSE ASSY	1				
14	0567024140	HOSE ASSY	1				
15	0567024150	HOSE ASSY	1				
16	0567024160	HOSE ASSY	1				18025-41080
16-1	1802541080	* HOSE ASSY	1				
17	0567024170	HOSE ASSY	1				18025-41085
17-1	1802541085	* HOSE ASSY	1				
18	0567024180	HOSE ASSY	1				18025-20076
18-1	1802520076	* HOSE ASSY	1				
19	0567024190	HOSE ASSY	1				18025-20076
19-1	1802520076	* HOSE ASSY	1				
20	0567024200	HOSE ASSY	1				18025-40064
20-1	1802540064	* HOSE ASSY	1				
21	0567026210	HOSE ASSY	1				18025-40054
21-1	1802540054	* HOSE ASSY	1				
22	0567024220	HOSE ASSY	1				
23	0567038030	HOSE ASSY	1				
24	0567038040	HOSE ASSY	1				
25	0567024250	HOSE ASSY	1				
26	0567024260	HOSE ASSY	1				
	L7d332						

TB175 Book No. BL7Z000 S/N 17530001-  
PIPING; UPPER (2/4) (2-piece boom)

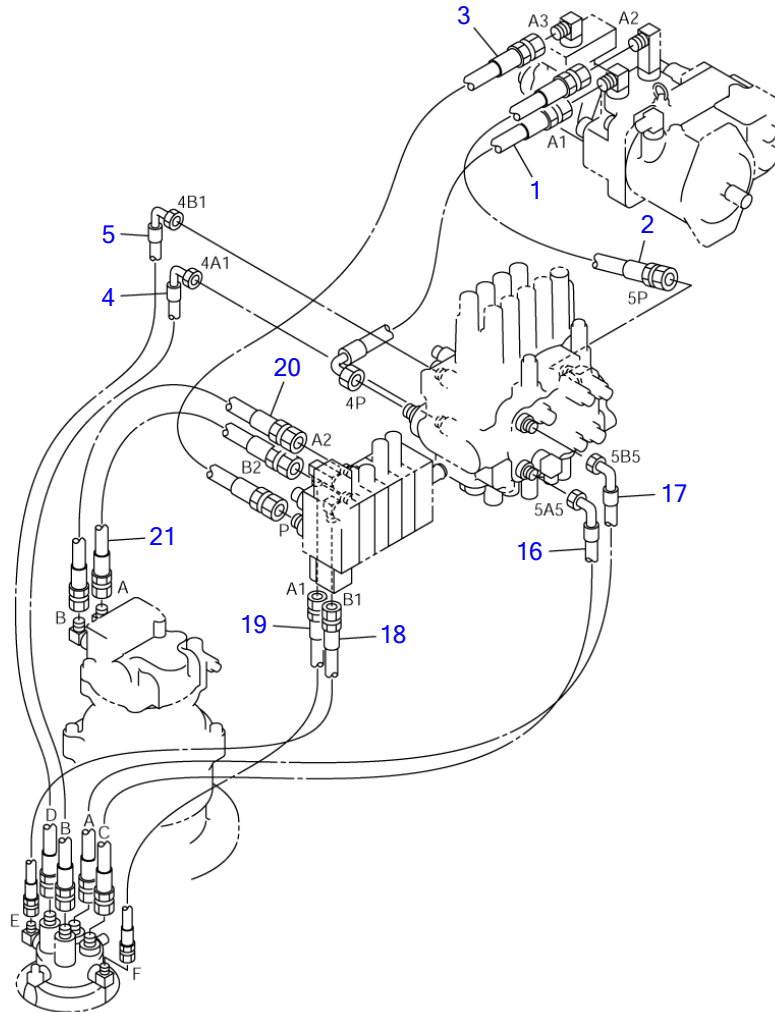


S=1/10



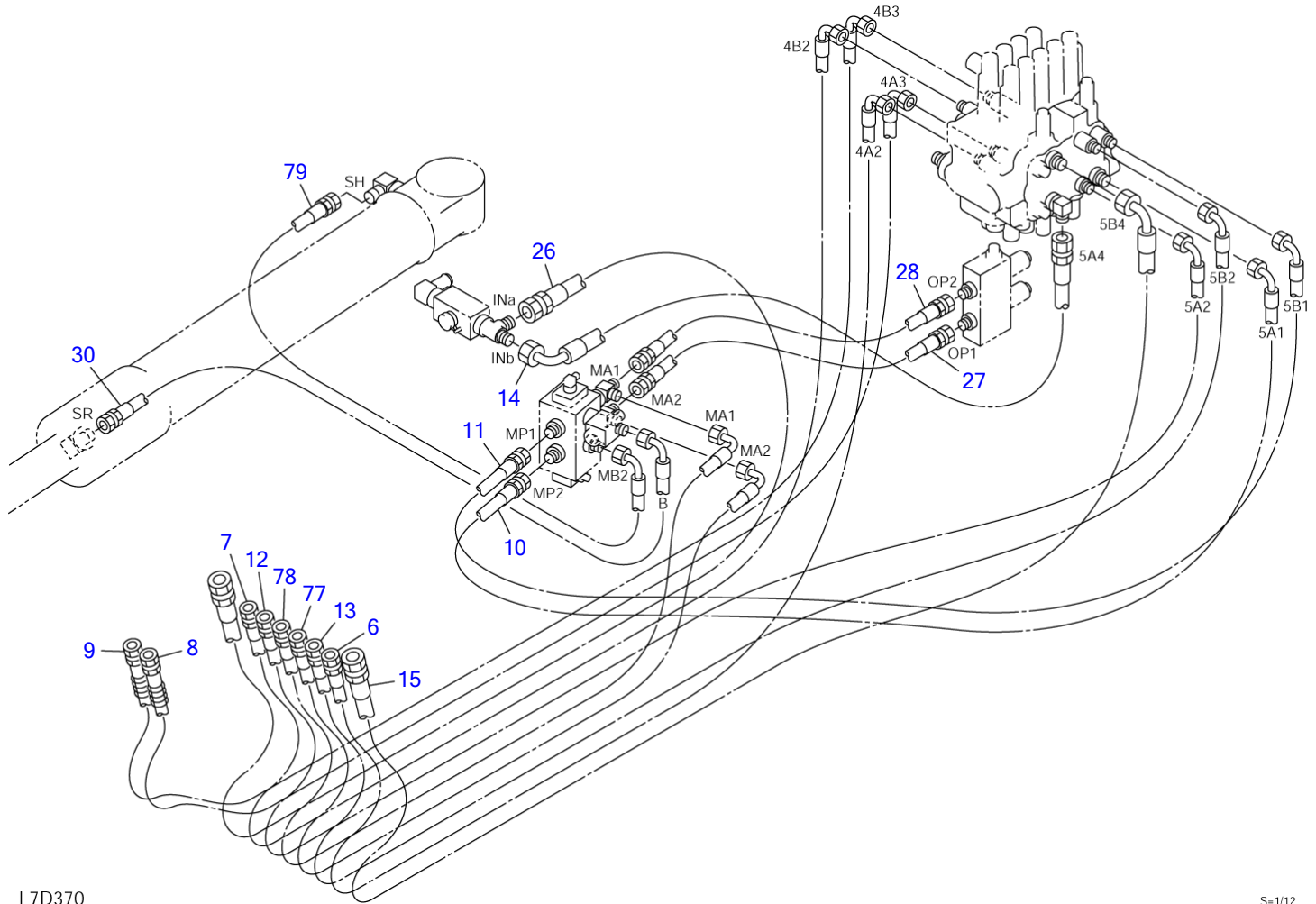
**PIPING; UPPER (2/4) (2-piece boom)**

Item	Part number	Description	Q'ty	Chan.	Serial No.	Serv.	Remarks
		PIPING ASSY, upper					
29	0567025470	HOSE ASSY	1				18010-24026
29-1	1801024026	* HOSE ASSY	1				
31	0567038010	HOSE ASSY	1				18010-53090
31-1	1801053090	* HOSE ASSY	1				
32	0567038810	HOSE ASSY	1			M	18010-22160
32-1	1801022160	* HOSE ASSY	1				
33	0567025050	HOSE ASSY	1			M	18010-22165
33-1	1801022165	* HOSE ASSY	1				
34	0567024340	HOSE ASSY	1				18010-24056
34-1	1801024056	* HOSE ASSY	1				
35	0567038910	HOSE ASSY	1			M	18010-22050
35-1	1801022050	* HOSE ASSY	1				
36	0567024360	HOSE ASSY	1				18010-22050
36-1	1801022050	* HOSE ASSY	1				
37	0567026370	HOSE ASSY	1				18010-54110
37-1	1801054110	* HOSE ASSY	1				
38	0567038070	HOSE ASSY	1				
39	0567024390	HOSE ASSY	1				18010-22068
	0567041820	HOSE ASSY	1				
39-1	1801022068	* HOSE ASSY	1				
	1801022073	* HOSE ASSY	1				
40	0567037050	HOSE ASSY	1				18010-23055
40-1	1801023055	* HOSE ASSY	1				
41	0567024410	HOSE ASSY	1				18010-52050
	0567041810	HOSE ASSY	1				
41-1	1801052050	* HOSE ASSY	1				
	1801052057	* HOSE ASSY	1				
42	0567024420	HOSE ASSY	1				18010-06050
42-1	1801006050	* HOSE ASSY	1				
43	0567024430	HOSE ASSY	1				18010-22080
43-1	1801022080	* HOSE ASSY	1				
44	0567024440	HOSE ASSY	1				18010-24440
44-1	1801053082	* HOSE ASSY	1				
45	0567024450	HOSE ASSY	1				18010-23070
45-1	1801023070	* HOSE ASSY	1				
73	1532215053	PROTECTOR	1				sold by the meter
80	0567025410	HOSE ASSY	1				18010-52080
80-1	1801052080	* HOSE ASSY	1				
	L7d352						



**PIPING; UPPER (3/4) (2-piece boom)**

Item	Part number	Description	Q'ty	Chan.	Serial No.	Serv.	Remarks
		PIPING ASSY, upper					
1	0567026010	HOSE ASSY	1			M	4X840
2	0567026020	HOSE ASSY	1			M	4X860
3	0567025030	HOSE ASSY	1			M	18025-60140
3-1	1802060135	* HOSE ASSY	1				
4	0567024040	HOSE ASSY	1				18025-41090
4-1	1802541090	* HOSE ASSY	1				
5	0567024050	HOSE ASSY	1				18025-41095
5-1	1802541095	* HOSE ASSY	1				
16	0567024160	HOSE ASSY	1				18025-41080
16-1	1802541080	* HOSE ASSY	1				
17	0567024170	HOSE ASSY	1				18025-41085
17-1	1802541085	* HOSE ASSY	1				
18	0567024180	HOSE ASSY	1				18025-20076
18-1	1802520076	* HOSE ASSY	1				
19	0567024190	HOSE ASSY	1				18025-20076
19-1	1802520076	* HOSE ASSY	1				
20	0567024200	HOSE ASSY	1				18025-40064
20-1	1802540064	* HOSE ASSY	1				
21	0567026210	HOSE ASSY	1				18025-40054
21-1	1802540054	* HOSE ASSY	1				
	L7d362						



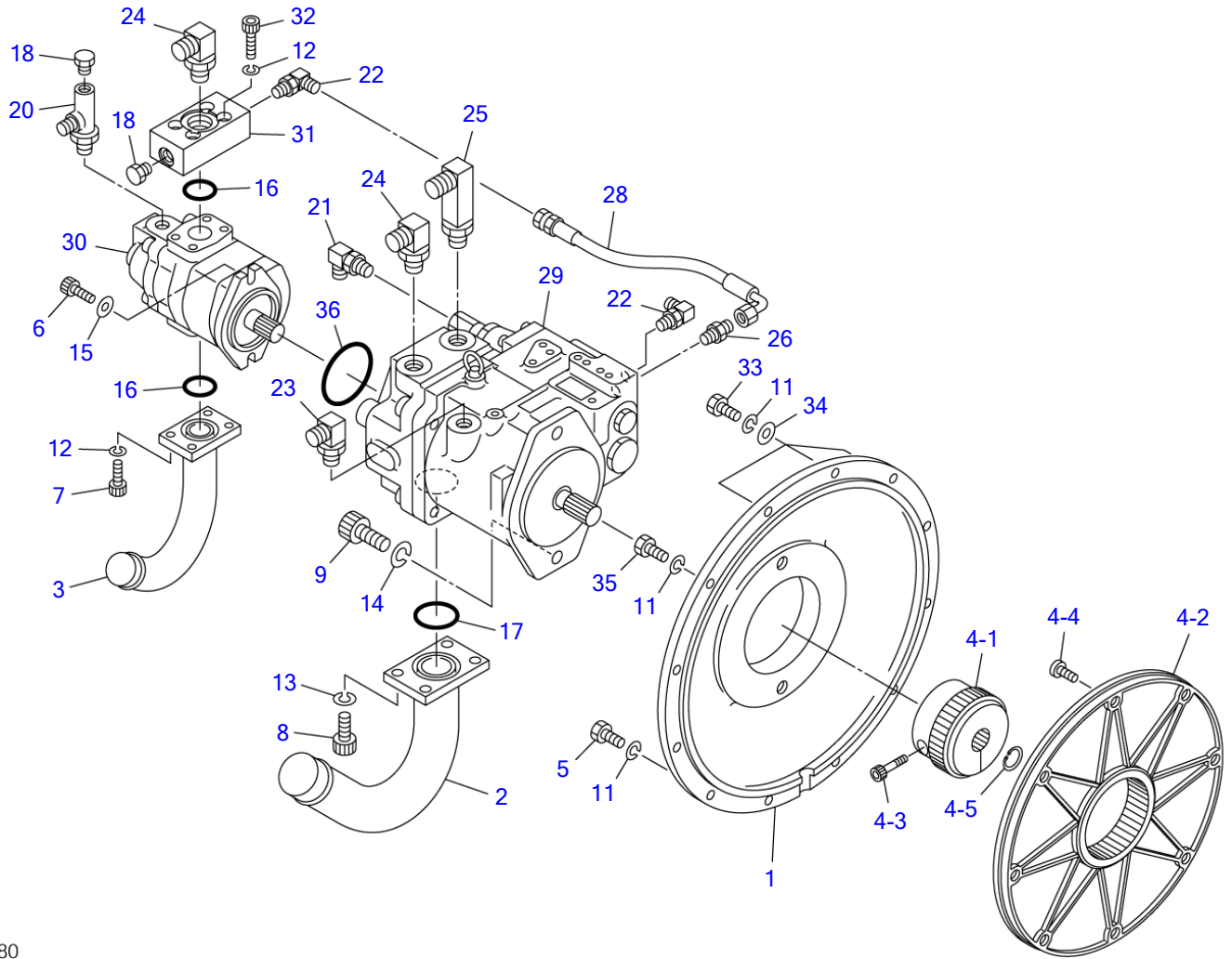
L7D370

S-1/12

**PIPING; UPPER (4/4) (2-piece boom)**

Item	Part number	Description	Q'ty	Chan.	Serial No.	Serv.	Remarks
		PIPING ASSY, upper					
6	<b>0567024060</b>	HOSE ASSY	1				18025-41300
6-1	<b>1802541300</b>	* HOSE ASSY	1				
7	<b>0567024070</b>	HOSE ASSY	1				18025-41305
7-1	<b>1802541305</b>	* HOSE ASSY	1				
8	<b>0567024800</b>	HOSE ASSY	1				18030-41285
8-1	<b>1803041285</b>	* HOSE ASSY	1				
9	<b>0567024810</b>	HOSE ASSY	1				18030-41295
9-1	<b>1803041295</b>	* HOSE ASSY	1				
10	<b>0567026100</b>	HOSE ASSY	1				2X1600
11	<b>0567026480</b>	HOSE ASSY	1				2X1800
12	<b>0567024120</b>	HOSE ASSY	1				18025-41325
12-1	<b>1802541325</b>	* HOSE ASSY	1				
13	<b>0567024130</b>	HOSE ASSY	1				18025-41330
13-1	<b>1802541330</b>	* HOSE ASSY	1				
14	<b>0567024140</b>	HOSE ASSY	1				
15	<b>0567024150</b>	HOSE ASSY	1				
26	<b>0567024260</b>	HOSE ASSY	1				
27	<b>0567026450</b>	HOSE ASSY	1				2X500
28	<b>0567026460</b>	HOSE ASSY	1				2X500
30	<b>0567026110</b>	HOSE ASSY	1				18025-41086
30-1	<b>1802541086</b>	* HOSE ASSY	1				
77	<b>0567024820</b>	HOSE ASSY	1				18030-41227
77-1	<b>1803041227</b>	* HOSE ASSY	1				
78	<b>0567024830</b>	HOSE ASSY	1				18030-41227
78-1	<b>1803041227</b>	* HOSE ASSY	1				
79	<b>0567026380</b>	HOSE ASSY	1				18025-41092
79-1	<b>1802541092</b>	* HOSE ASSY	1				
	<b>L7d372</b>						

TB175 Book No. BL7Z000 S/N 17530001-  
PUMP DRIVE



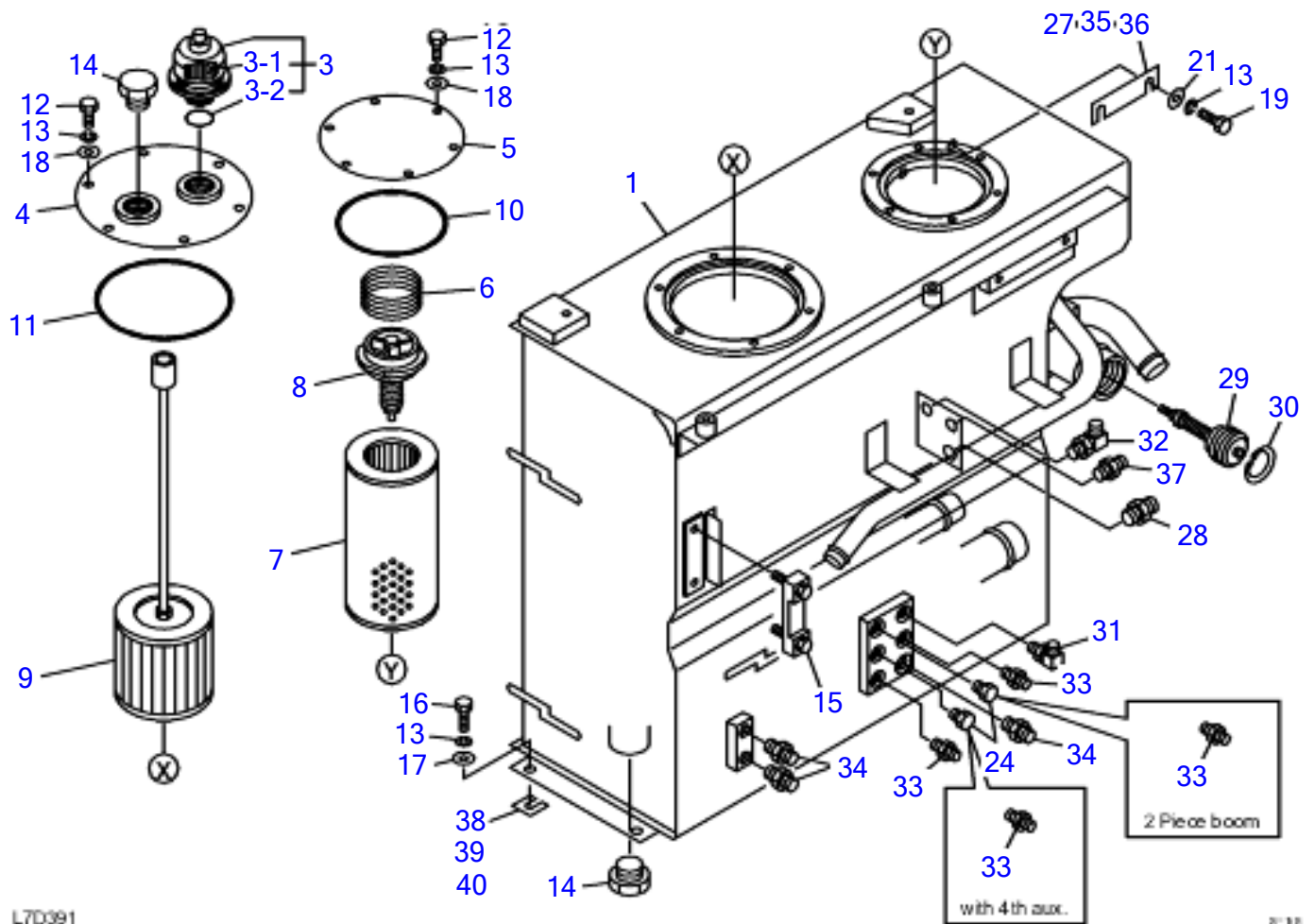
L7D380

S=1/8

PUMP DRIVE						
Item	Part number	Description	Q'ty	Chan.	Serial No.	Serv. Remarks
		PUMP ASSY, drive				
1	0565223550	HOUSING	1			M
2	0565212100	FLANGE	1			
3	0565224160	FLANGE	1			M
4	1607000030	COUPLING ASSY	1			M
4-1	1607000031	• HUB	1			M
4-2	1607000032	• FLANGE	1			M
4-3	1110021235	• SCREW, cap	1			M
4-4	1110021025	• BOLT	8			M
4-5	1221000022	• RING, snap	1			M
5	1100041025	BOLT	8			
6	1110041025	SCREW, cap	2			
7	1110041030	SCREW, cap	4			
8	1110041230	SCREW, cap	4			
9	1111041640	SCREW, cap	2			
11	1140020010	WASHER, spring	12			
12	1140420010	WASHER, spring	8			
13	1140420012	WASHER, spring	4			
14	1140420016	WASHER, spring	2			
15	1141550010	WASHER	2			
16	1420110350	O-RING	2			
17	1420110500	O-RING	1			
18	1501750002	PLUG	2			
	1420010110	• O-RING	1			
20	1512340003	ELBOW	1			
	1420010180	• O-RING	1			
21	1515010050	ELBOW	1			
	1420010140	• O-RING	1			
22	1515012040	ELBOW	2			
	1420010110	• O-RING	1			
23	1515010042	ELBOW	1			
	1420010180	• O-RING	1			
24	1515010043	ELBOW	2			
	1420010240	• O-RING	1			
25	1515010513	ELBOW	1			
	1420010240	• O-RING	1			
26	1515600200	ADAPTOR	1			
	1420010110	• O-RING	1			
28	1802501034	HOSE ASSY	1			M
29	1902024200	PUMP, hydraulic	1			M
30	1902017600	PUMP, gear	1			
31	0565224210	FLANGE	1			M
32	1110041040	SCREW, cap	4			
33	1100041035	BOLT	3			
34	0003600025	WASHER	3			
35	1100041030	BOLT	1			
36	1420110850	O-RING	1			

L7d380

TB175 Book No. BL7Z000 S/N 17530001-  
HYDRAULIC TANK



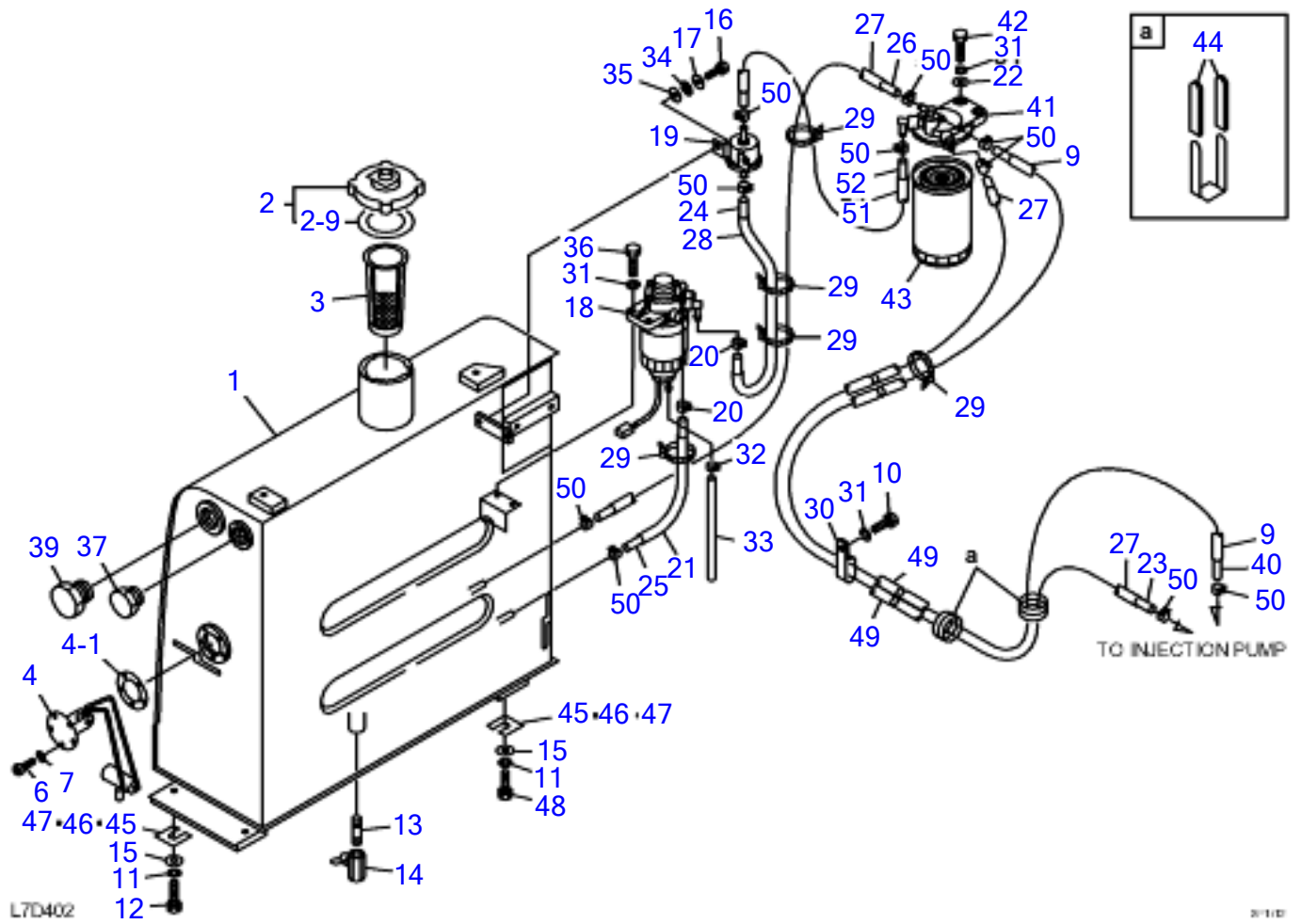
L7D391

20/13



HYDRAULIC TANK						
Item	Part number	Description	Q'ty	Chan.	Serial No.	Serv. Remarks
		TANK ASSY, hydraulic				
		TANK ASSY, hydraulic (2-piece boom)				
		TANK ASSY, HYDRAULIC (2-PIECE BOOM, 4TH AUX LINE)				
		TANK ASSY, HYDRAULIC (4TH AUX LINE)				
1	0568038110	TANK, hydraulic	1			M
3	1552002700	BREATHER, air	1			M
3-1	1552002715	• ELEMENT	1			M
3-2	1420010300	• O-RING	1			M
4	0568038340	COVER	1			M
5	0568014500	COVER	1			
6	0007000031	SPRING	1			
7	1551102600	FILTER	1			
8	1551100300	VALVE	1			
9	1550216490	FILTER	1			
10	1420101250	O-RING	1			
11	1420101600	O-RING	1			
12	1100041020	BOLT	12			
13	1140020010	WASHER, spring	18			
14	1501750010	PLUG	1			
	1420010290	• O-RING	1			
15	1553020685	GAUGE	1			
16	1100041030	BOLT	4			
17	0003600243	WASHER	4			M
18	1141110010	WASHER	12			
19	1100041035	BOLT	2			
21	0003600025	WASHER	2			
24	1501750002	PLUG	2			mono boom
	1501750002	PLUG	1			
	1420010110	• O-RING	1			
27	0568037535	SHIM	AR			t=1.0mm
28	1515600202	ADAPTOR	1			
	1420010180	• O-RING	1			
29	1540141220	VALVE, check	1			
30	1221010050	RING, snap	1			
31	1515012040	ELBOW	1			
	1420010110	• O-RING	1			
32	1515010041	ELBOW	1			
	1420010140	• O-RING	1			
33	1515600200	ADAPTOR	2			
	1515600200	ADAPTOR	3			2-piece boom
	1515600200	ADAPTOR	4			
	1420010110	• O-RING	1			
34	1515600201	ADAPTOR	3			
	1420010140	• O-RING	1			
35	0568037536	SHIM	AR			t=2.3mm
36	0568037537	SHIM	AR			t=3.2mm
37	1515600576	ADAPTOR	2			
	1420010140	• O-RING	1			
38	0323054001	SHIM	AR			t=1.0mm
39	0323054002	SHIM	AR			t=2.3mm
40	0323054003	SHIM	AR			t=3.2mm
	L7d392					

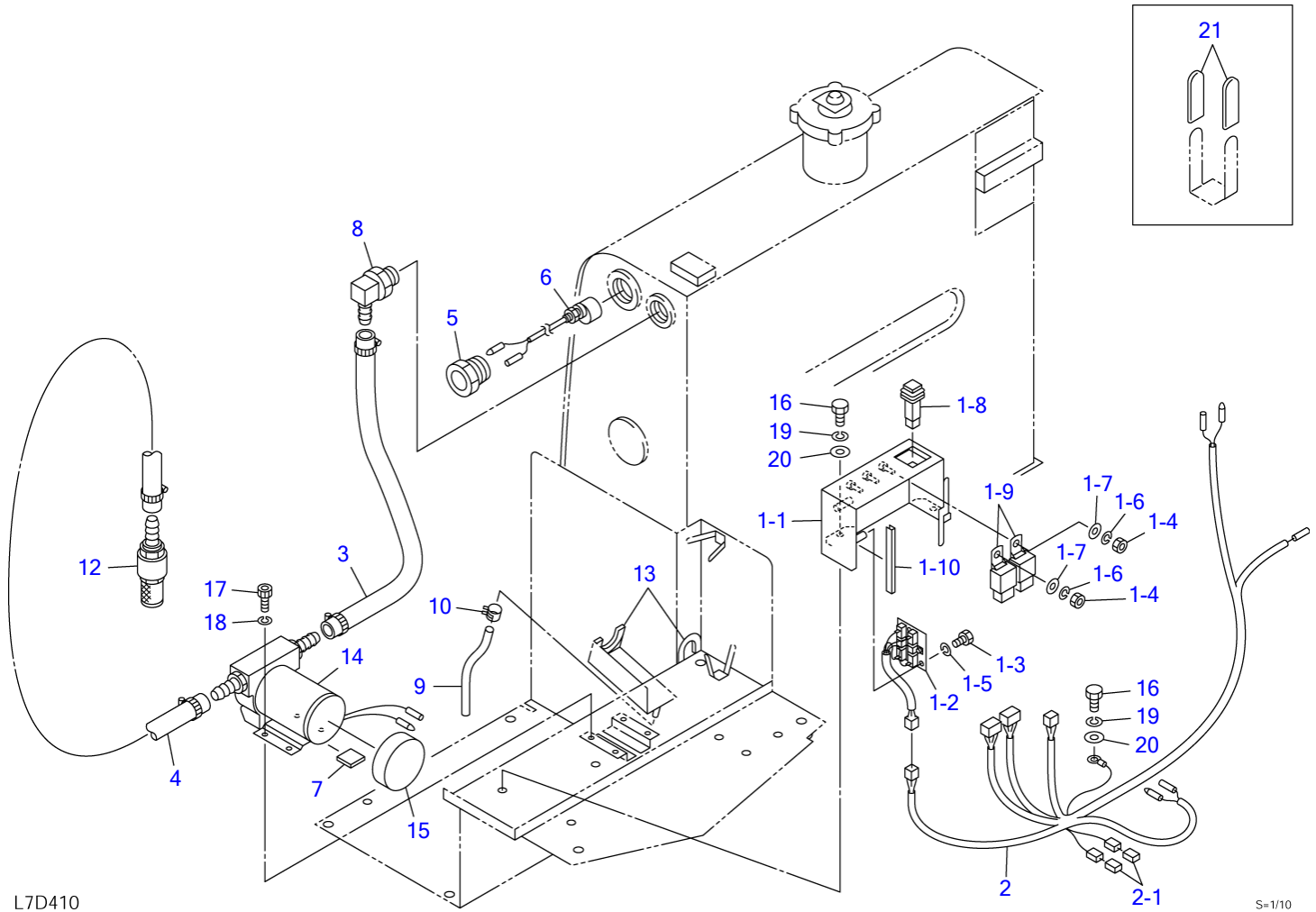
TB175 Book No. BL7Z000 S/N 17530001-  
FUEL TANK & FUEL PIPING



**FUEL TANK & FUEL PIPING**

Item	Part number	Description	Q'ty	Chan.	Serial No.	Serv.	Remarks
		TANK ASSY, fuel					
1	0568126100	TANK	1				
2	1552100800	CAP	1				
2-9	1552100809	• PACKING	1				
3	1552100720	STRAINER	1				
4	1553201500	SENDER, fuel	1				
4-1	1553202520	• PACKING	1				
6	1120530512	SCREW	5				
7	1140020005	WASHER, spring	5				
9	1531118075	PROTECTOR	3				sold by the meter
	1531118075	PROTECTOR	2				
10	1100040816	BOLT	1				
11	1140020010	WASHER, spring	4				
12	1100041040	BOLT	2				
13	1513000003	NIPPLE	1				
14	1521500003	VALVE, ball	1				
15	0003600025	WASHER	4				
16	1100040612	BOLT	2				
17	1141110006	WASHER	2				
18	Y129917-55800	STRAINER	1				Y129917-55800
19	Y129612-52100	PUMP, feed	1			M	Y129612-52100
20	1533120012	BAND	2				
21	1531118025	PROTECTOR	1				sold by the meter
22	1141110008	WASHER	2				
23	1531207200	HOSE	1				sold by the meter
24	1531207043	HOSE	1				sold by the meter
25	1531207035	HOSE	1				sold by the meter
26	1531207080	HOSE	1				sold by the meter
27	1531118070	PROTECTOR	2				sold by the meter
	1531118070	PROTECTOR	3				
28	1531118032	PROTECTOR	1				sold by the meter
29	1652201005	BAND	5				
30	0007300040	CLAMP	1				
31	1140020008	WASHER, spring	5				
32	1533120009	BAND	1				
33	1531007025	HOSE	1				sold by the meter
34	1140330006	WASHER	2				
35	0003600110	WASHER	2				
36	1100040825	BOLT	2				
37	1501750010	PLUG	1				
	1420010290	O-RING	1				
39	1501710012	PLUG	1				
40	1531207215	HOSE	1				sold by the meter
41	Y129004-55611	BRACKET	1				Y129004-55611
42	1100040825	BOLT	2				
43	Y129907-55800	FILTER, fuel	1				Y129907-55800
44	0872433150	CLAMP	4				
45	0323054001	SHIM	AR				t=1.0mm
46	0323054002	SHIM	AR				t=2.3mm
47	0323054003	SHIM	AR				t=3.2mm
48	1100041035	BOLT	2				
49	1531118052	PROTECTOR	2				
50	1533120511	BAND	10			M	
51	1531118040	PROTECTOR	1				
52	1531207050	HOSE	1				
	L7d402						

TB175 Book No. BL7Z000 S/N 17530001-  
FUEL SUPPLY PUMP

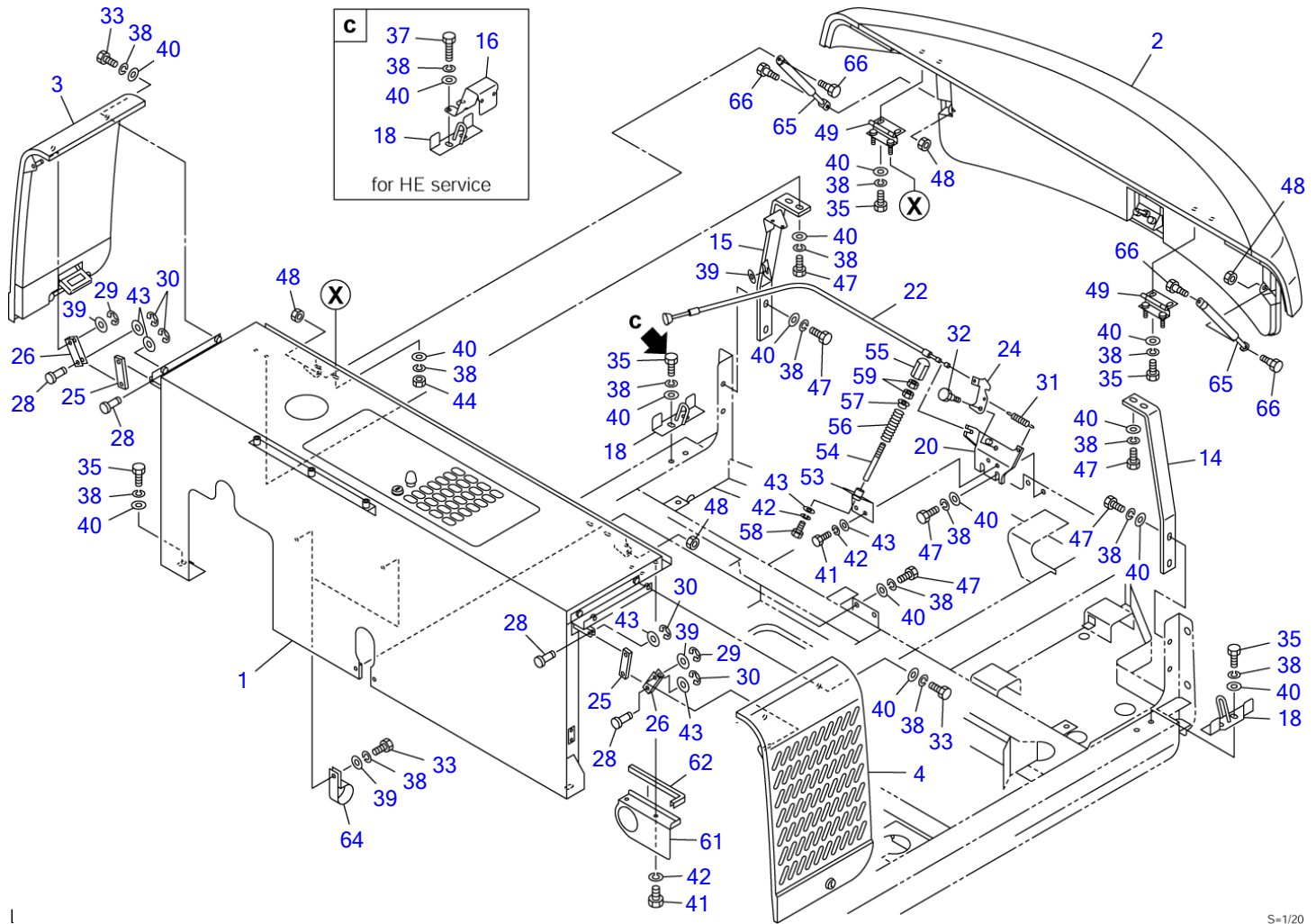


L7D410

S=1/10

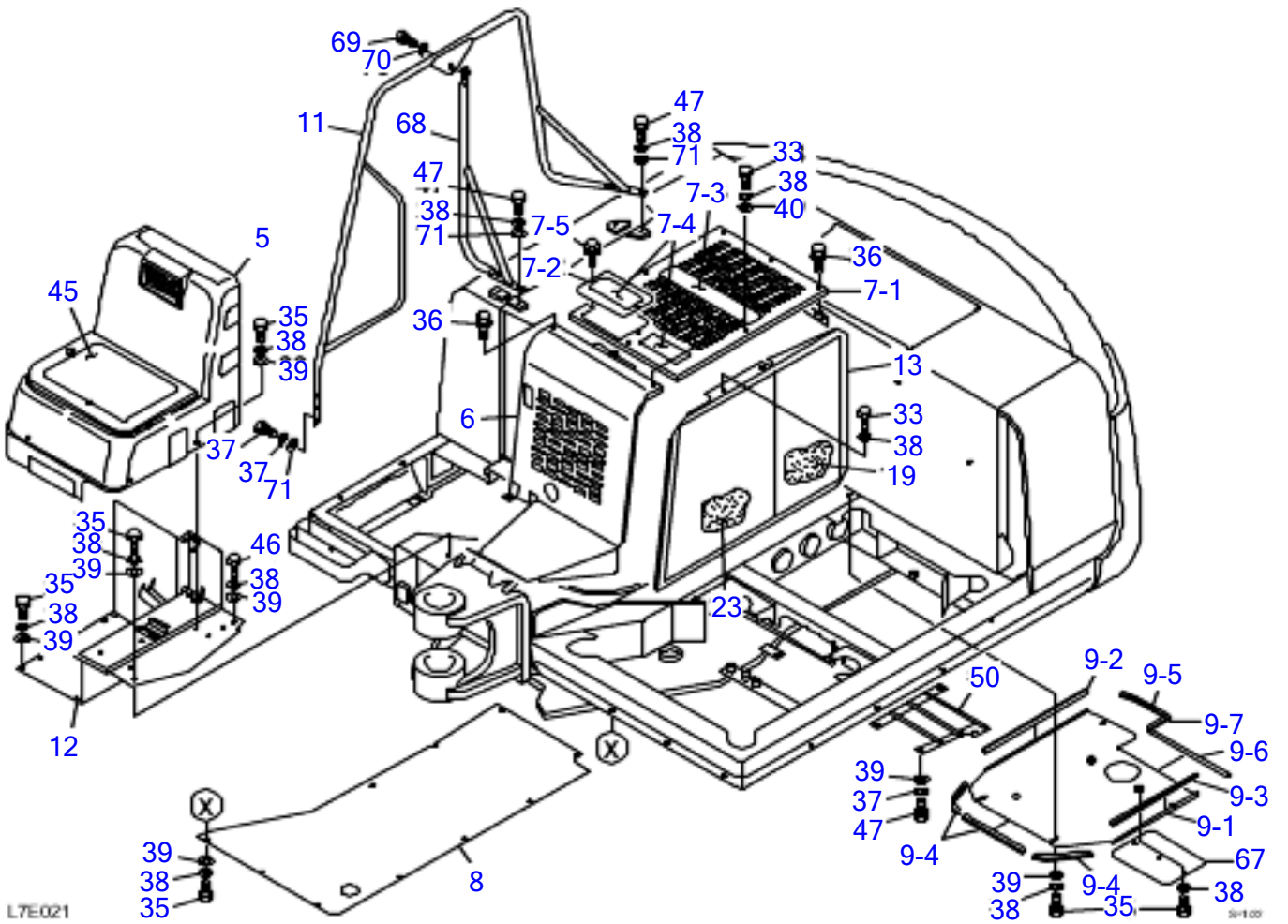
**FUEL SUPPLY PUMP**

Item	Part number	Description	Q'ty	Chan.	Serial No.	Serv.	Remarks
0	<b>0568129100</b>	PUMP ASSY, fuel supply	1			M	
1	<b>0568129200</b>	• BOX ASSY	1			M	
1-1	<b>0568121110</b>	• • BOX	1				
1-2	<b>0334230120</b>	• • RESISTOR ASSY	1			M	
1-3	<b>1100040510</b>	• • BOLT	2				
1-4	<b>1130030006</b>	• • NUT	2				
1-5	<b>1140020005</b>	• • WASHER, spring	2				
1-6	<b>1140020006</b>	• • WASHER, spring	2				
1-7	<b>1141110006</b>	• • WASHER	2				
1-8	<b>1700000039</b>	• • SWITCH	1			M	
1-9	<b>1711900124</b>	• • RELAY	2			M	
1-10	<b>1653916011</b>	• • TRIM	1				sold by the meter
2	<b>0568121900</b>	• HARNESS, wiring	1				
2-1	<b>1730500008</b>	• • DIODE (3A yellow)	2				
3	<b>0568121410</b>	• HOSE ASSY	1			M	
4	<b>0568121420</b>	• HOSE ASSY	1			M	
5	<b>0568121400</b>	• PLUG	1				
6	<b>0568120500</b>	• SWITCH, level	1				
7	<b>0568121020</b>	• RUBBER	1				
8	<b>1513350018</b>	• ELBOW	1				
	<b>1420010290</b>	• • O-RING	1				
9	<b>1531207020</b>	• HOSE	1				sold by the meter
10	<b>1533120511</b>	• BAND	1				
12	<b>1552001100</b>	• STRAINER	1				
13	<b>1653916008</b>	• TRIM	2				sold by the meter
14	<b>1711910230</b>	• PUMP (12V)	1			M	
15	<b>1711910208</b>	• COVER	1				
16	<b>1100040816</b>	• BOLT	2				
17	<b>1110040512</b>	• SCREW, cap	4				
18	<b>1140020005</b>	• WASHER, spring	4				
19	<b>1140020008</b>	• WASHER, spring	2				
20	<b>1141110008</b>	• WASHER	2				
21	<b>0872433150</b>	• TUBE	8				
	<b>L7d411</b>						



S=1/20

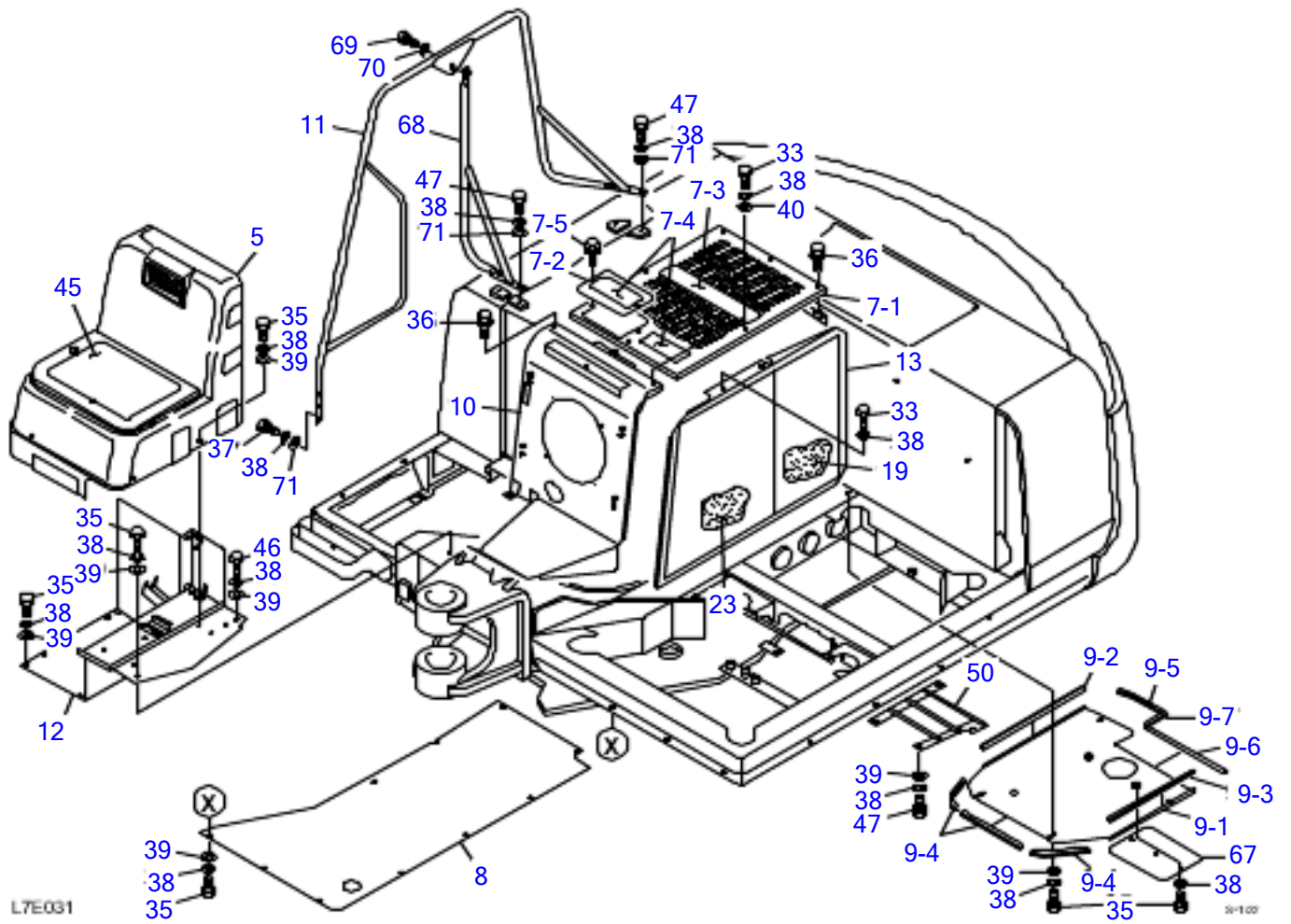
COVER (1/7)								
Item	Part number	Description	Q'ty	Chan.	Serial No.	Serv.	Remarks	
		COVER ASSY						
		COVER ASSY (with air conditioner)						
		COVER ASSY (for HE service)						
		COVER ASSY (for HE service, with air conditioner)						
1	0568262100	HOOD, front engine	1			M	see page (3/7)	
2	0568262300	HOOD, engine	1			M	see page (4/7)	
3	0568243300	COVER , side (R.H.)	1				see page (5/7)	
4	0568259620	COVER , side (L.H.)	1			M	see page (6/7)	
	0568262030	COVER, SIDE (LH)	1					
14	0568242014	STAY	1					
15	0568262010	STAY (R.H.)	1			M		
16	0568248016	PLATE	1				for HE service	
18	0568242850	HOOK	2					
20	0564619220	BRACKET	1			M		
22	0568225380	WIRE	1					
24	0568245800	PLATE	1					
25	0568243499	LINK	2					
26	0568243498	YOKE	2					
28	0004300013	PIN	4					
29	1224010008	E-RING	2					
30	1224010006	E-RING	4					
31	0007000105	SPRING	1					
32	0568243840	BOLT	1					
33	1100041020	BOLT	6					
35	1100041025	BOLT	10					
37	1100041035	BOLT	2				for HE service	
38	1140020010	WASHER, spring	30					
39	1141110010	WASHER	2					
40	0003600025	WASHER	30					
41	1100040816	BOLT	4					
42	1140020008	WASHER, spring	5					
43	1141110008	WASHER	3					
44	1130040010	NUT	4					
47	1100041030	BOLT	10					
48	1130040008	NUT	4					
49	0568243450	HINGE	2					
53	0568249050	BRACKET	1					
54	0568223100	ROD	1					
55	0568223250	BOSS	1					
56	0007000078	SPRING	1					
57	0871320240	COLLAR	1					
58	1100040820	BOLT	3					
59	1130240012	NUT	2					
61	0568245830	COVER	1					
62	1654613025	PACKING	1				sold by the meter	
64	0007300060	CLAMP	2					
65	1653900046	SPRING, gas	2					
66	0138255300	BOLT	4					
	L7e011							





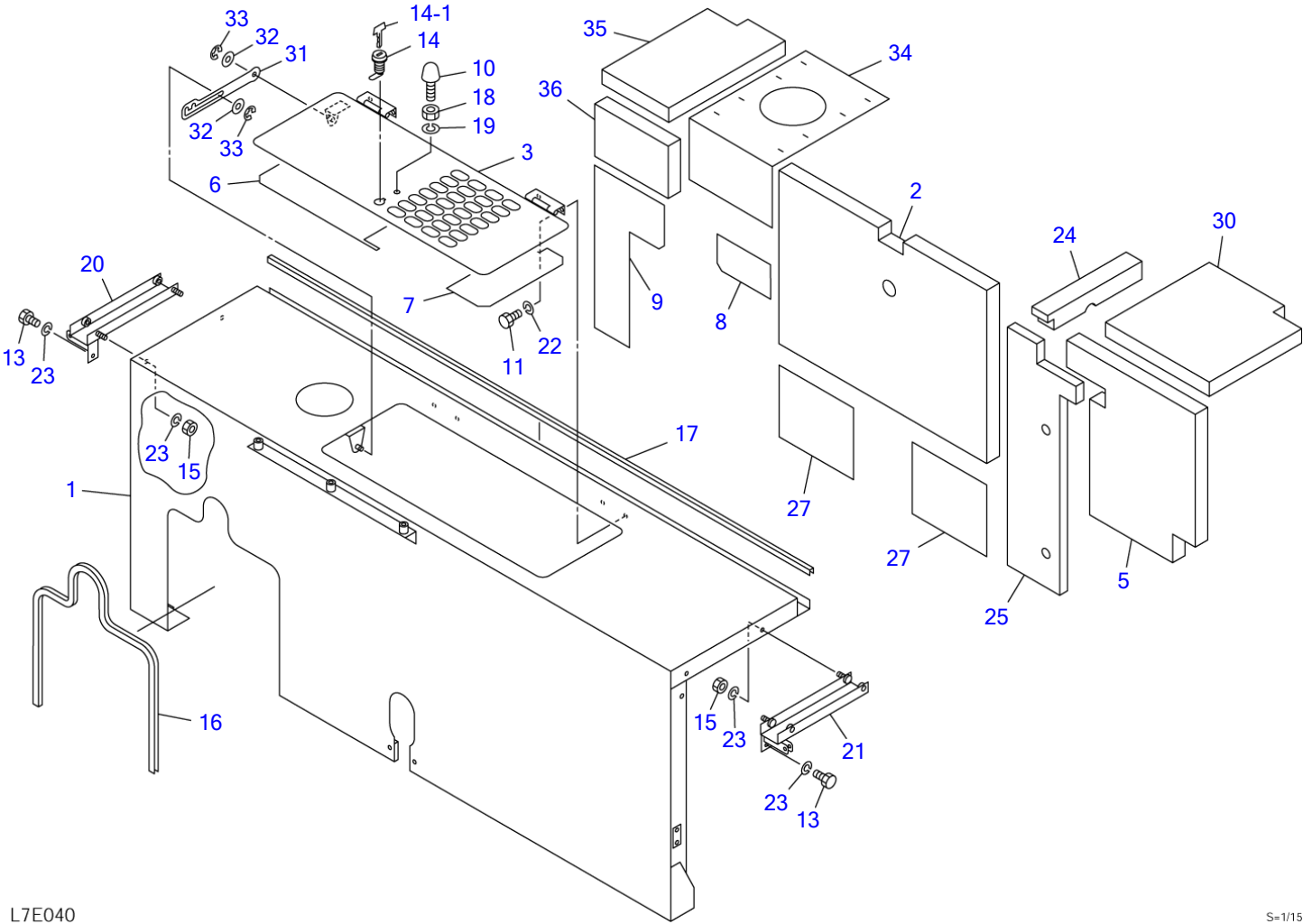
## COVER (2/7)

Item	Part number	Description	Q'ty	Chan.	Serial No.	Serv.	Remarks
		COVER ASSY					
		COVER ASSY (for HE service)					
5	0568261250	COVER, front	1			M	see page (7/7)
6	0568243900	COVER	1				
7	0568254150	COVER ASSY	1				
7-1	0568254160	• COVER	1				
7-2	0568254170	• COVER	1				
7-3	0568222800	• SHEET	1				
7-4	0568254180	• SHEET	2				
7-5	1100560612	• BOLT	2				
8	0568243670	COVER	1				
9	0568262210	COVER ASSY, under	1			M	
9-1	0568262220	• COVER	1			M	
9-2	1654520050	• RUBBER	1				sold by the meter
9-3	1654520041	• RUBBER	1			M	sold by the meter
9-4	1654619021	• SEAL	3				sold by the meter
9-5	1654619025	• SEAL	1			M	sold by the meter
9-6	1654619035	• SEAL	1				sold by the meter
9-7	1654619010	• SEAL	1				sold by the meter
11	0568249030	HANDRAIL	1				
12	0568121200	BOX, tool	1				
13	0568243950	PLATE	1				
19	0568242780	SEAL	1				
23	0568243790	SEAL	1				
33	1100041020	BOLT	7				
35	1100041025	BOLT	19				
36	1100561020	BOLT, sems	9				
37	1100041035	BOLT	2				
38	1140020010	WASHER, spring	41				
39	1141110010	WASHER	33				
40	0003600025	WASHER	2				
45	0568222700	SHEET	1				
46	1100041040	BOLT	2				
47	1100041030	BOLT	22				
50	0568251020	GUARD	1			M	
67	0568228730	COVER	1				
68	0568249040	HANDRAIL	1				
69	1101041235	BOLT	1				
70	1140020012	WASHER, spring	1				
71	0003610003	WASHER	6				
	L7e021						



COVER (2/7) (with air-conditioner)							
Item	Part number	Description	Q'ty	Chan.	Serial No.	Serv.	Remarks
		COVER ASSY (with air conditioner)					
		COVER ASSY (for HE service, with air conditioner)					
5	0568261250	COVER, front	1			M	see page (7/7)
7	0568254150	COVER ASSY	1				
7-1	0568254160	• COVER	1				
7-2	0568254170	• COVER	1				
7-3	0568222800	• SHEET	1				
7-4	0568254180	• SHEET	2				
7-5	1100560612	• BOLT	2				
8	0568243670	COVER	1				
9	0568262210	COVER ASSY, under	1			M	
9-1	0568262220	• COVER	1			M	
9-2	1654520050	• RUBBER	1				sold by the meter
9-3	1654520041	• RUBBER	1			M	sold by the meter
9-4	1654619021	• SEAL	3				sold by the meter
9-5	1654619025	• SEAL	1			M	sold by the meter
9-6	1654619035	• SEAL	1				sold by the meter
9-7	1654619010	• SEAL	1				sold by the meter
10	0564634410	COVER ASSY	1			M	
11	0568249030	HANDRAIL	1				
12	0568121200	BOX, tool	1				
13	0568243950	PLATE	1				
19	0568242780	SEAL	1				
23	0568243790	SEAL	1				
33	1100041020	BOLT	7				
35	1100041025	BOLT	19				
36	1100561020	BOLT, sems	9				
37	1100041035	BOLT	2				
38	1140020010	WASHER, spring	41				
39	1141110010	WASHER	33				
40	0003600025	WASHER	2				
45	0568222700	SHEET	1				
46	1100041040	BOLT	2				
47	1100041030	BOLT	22				
50	0568251020	COVER	1			M	
67	0568228730	COVER	1				
68	0568249040	HANDRAIL	1				
69	1101041235	BOLT	1				
70	1140020012	WASHER, spring	1				
71	0003610003	WASHER	6				
	L7e031						

TB175 Book No. BL7Z000 S/N 17530001-  
COVER (3/7) (front engine hood)



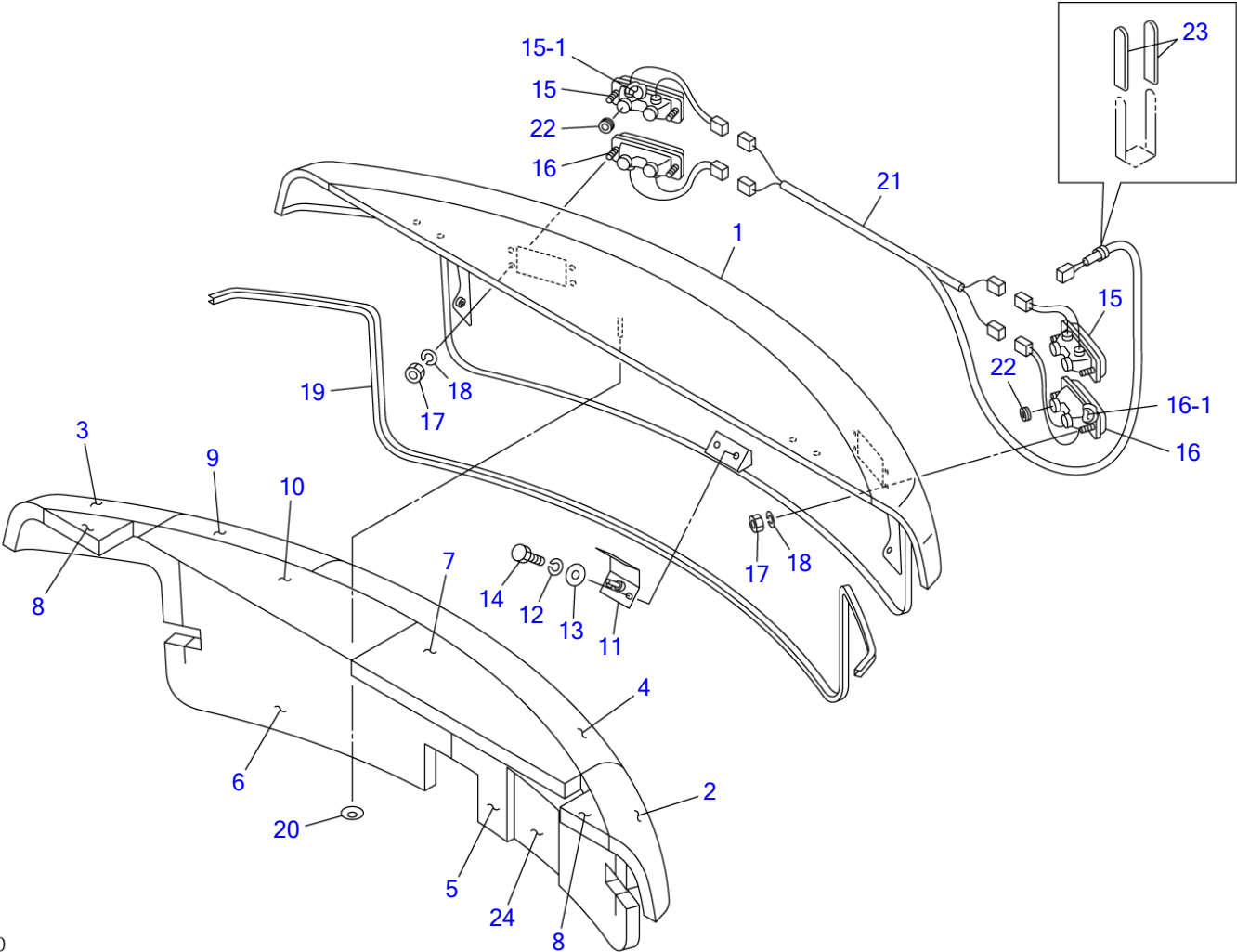
L7E040

S-1/15

**COVER (3/7) (front engine hood)**

Item	Part number	Description	Q'ty	Chan.	Serial No.	Serv.	Remarks
0-1	0568262100	HOOD, engine	1			M	
1	0568262250	• HOOD, engine	1			M	
2	0568251102	• ABSORBENT, noise	1			M	
3	0568261120	• COVER	1			M	
5	0568262105	• ABSORBENT, noise	1			M	
6	0568261112	• SPONGE	1			M	
7	0568261107	• SPONGE	1			M	
8	0568251108	• URETHANE	1			M	
9	0568244309	• URETHANE	1				
10	1651101224	• STOPPER	1				
11	1100040612	• BOLT	4				
13	1100040816	• BOLT	2				
14	1653611836	• LOCK	1				
14-1	1700100019	• KEY	1				
15	1130040008	• NUT	4				
16	1654605116	• RUBBER	1				sold by the meter
17	1654606173	• RUBBER	1				sold by the meter
18	1130040012	• NUT	1				
19	1140020012	• WASHER, spring	1				
20	0568247130	• BRACKET (R.H.)	1				
21	0568247140	• BRACKET (L.H.)	1				
22	1140020006	• WASHER, spring	4				
23	1140020008	• WASHER, spring	6				
24	0568262230	• URETHANE	1			M	
25	0568251125	• ABSORBENT, noise	1			M	
27	0568251127	• URETHANE	2			M	
30	0568262130	• ABSORBENT, noise	1			M	
31	0568247131	• PLATE	1				
32	1141110010	• WASHER	2				
33	1224010009	• RING, retaining	2				
34	0568262134	• INSULATOR	1			M	
35	0568261135	• ABSORBENT, noise	1			M	
36	0568261136	• ABSORBENT, noise	1			M	
	L7e040						

TB175 Book No. BL7Z000 S/N 17530001-  
COVER (4/7) (engine hood)

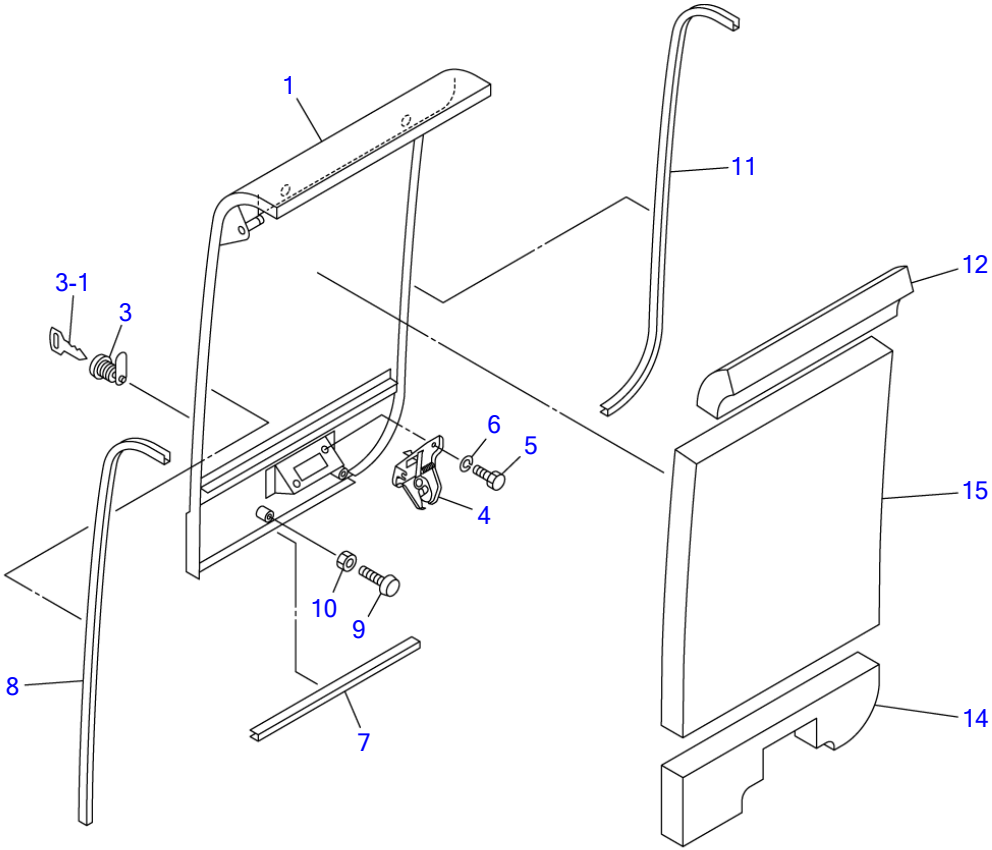


L7E050

S=1/15

## COVER (4/7) (engine hood)

Item	Part number	Description	Q'ty	Chan.	Serial No.	Serv.	Remarks
0-2	0568262300	HOOD ASSY, engine	1			M	
1	0568243750	• HOOD, engine	1				
2	0568243972	• ABSORBENT, noise	1				
3	0568243973	• ABSORBENT, noise	1				
4	0568243974	• ABSORBENT, noise	1				
5	0568244350	• ABSORBENT, noise	1				
6	0568243976	• ABSORBENT, noise	1				
7	0568243977	• ABSORBENT, noise	1				
8	0568243978	• ABSORBENT, noise	2				
9	0568243979	• ABSORBENT, noise	1				
10	0568243971	• ABSORBENT, noise	1				
11	0568242270	• STRIKER	1				
12	1140020008	• WASHER, spring	2				
13	1141110008	• WASHER	2				
14	1100040820	• BOLT	2				
15	1703007000	• LAMP, tail	2			M	
15-1	1703007003	• • BULB	2			M	
16	1703007700	• LAMP, tail	2			M	
16-1	1703007701	• • BULB	2			M	
17	1130030004	• NUT	8				
18	1140020004	• WASHER, spring	8				
19	1654606282	• SEAL	1				sold by the meter
20	1652436025	• WASHER	10				
21	0578200209	• HARNESS, wiring	1				
22	1652051400	• GROMMET	8				
23	0872433150	• CLAMP	2				
24	0568244360	• ABSORBENT, noise	1				
	L7e052						



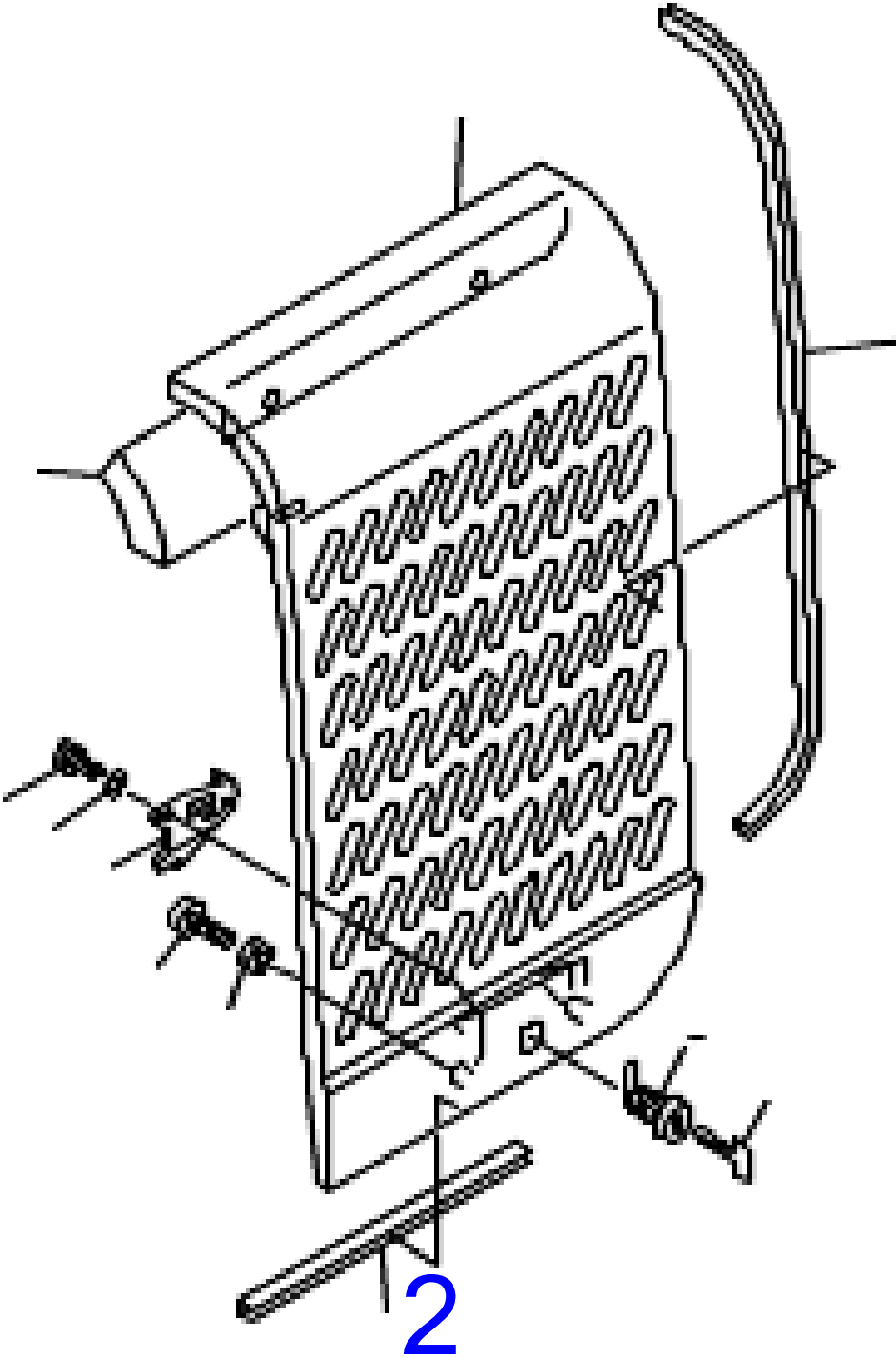
L7E060

S=1/10



**COVER (5/7) (side cover; R.H.)**

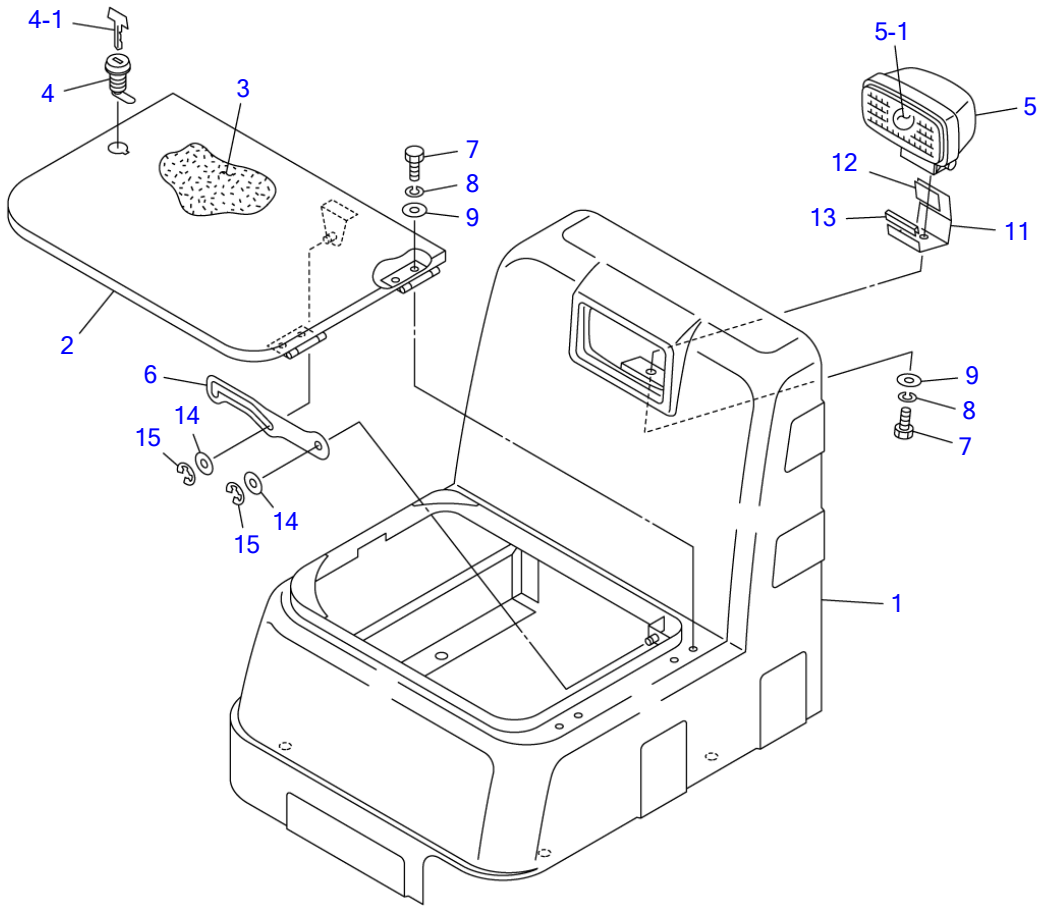
Item	Part number	Description	Q'ty	Chan.	Serial No.	Serv.	Remarks
0-3	<b>0568243300</b>	COVER ASSY, side (R.H.)					
1	<b>0568243320</b>	▪ COVER, side (R.H.)	1				
3	<b>0568221700</b>	▪ LOCK	1				
3-1	<b>1700100019</b>	▪ KEY	1				
4	<b>1653900024</b>	▪ CATCH	1				
5	<b>1100040612</b>	▪ BOLT	2				
6	<b>1140020006</b>	▪ WASHER, spring	2				
7	<b>1654605030</b>	▪ STRIP, weather	1				sold by the meter
8	<b>1654606081</b>	▪ RUBBER	1			M	sold by the meter
9	<b>1652515100</b>	▪ RUBBER, cushion	2				
10	<b>1130040005</b>	▪ NUT	2				
11	<b>1654520076</b>	▪ RUBBER	1			M	sold by the meter
12	<b>0568242312</b>	▪ ABSORBENT, noise	1				
14	<b>0568242314</b>	▪ ABSORBENT, noise	1				
15	<b>0568242315</b>	▪ ABSORBENT, noise	1				
	<b>L7e061</b>						



**COVER (6/7) (side cover; L.H.)**

Item	Part number	Description	Q'ty	Chan.	Serial No.	Serv.	Remarks
0-4	<b>0568262030</b>	COVER ASSY, side (L.H.)				M	
1	<b>0568259630</b>	• COVER, side (L.H.)	1			M	
2	<b>0568242312</b>	* NOISE ABSORBENT	1				
3	<b>0568221700</b>	• LOCK	1				
3-1	<b>1700100019</b>	• KEY	1				
4	<b>1653900024</b>	• CATCH	1				
5	<b>1100040612</b>	• BOLT	2				
6	<b>1140020006</b>	• WASHER, spring	2				
7	<b>1654605030</b>	• STRIP, weather	1				sold by the meter
8	<b>1654520081</b>	• RUBBER	1				sold by the meter
9	<b>1652515100</b>	• RUBBER, cushion	2				
10	<b>1130040005</b>	• NUT	2				
	<b>L7e071</b>						

TB175 Book No. BL7Z000 S/N 17530001-  
COVER (7/7) (front cover)



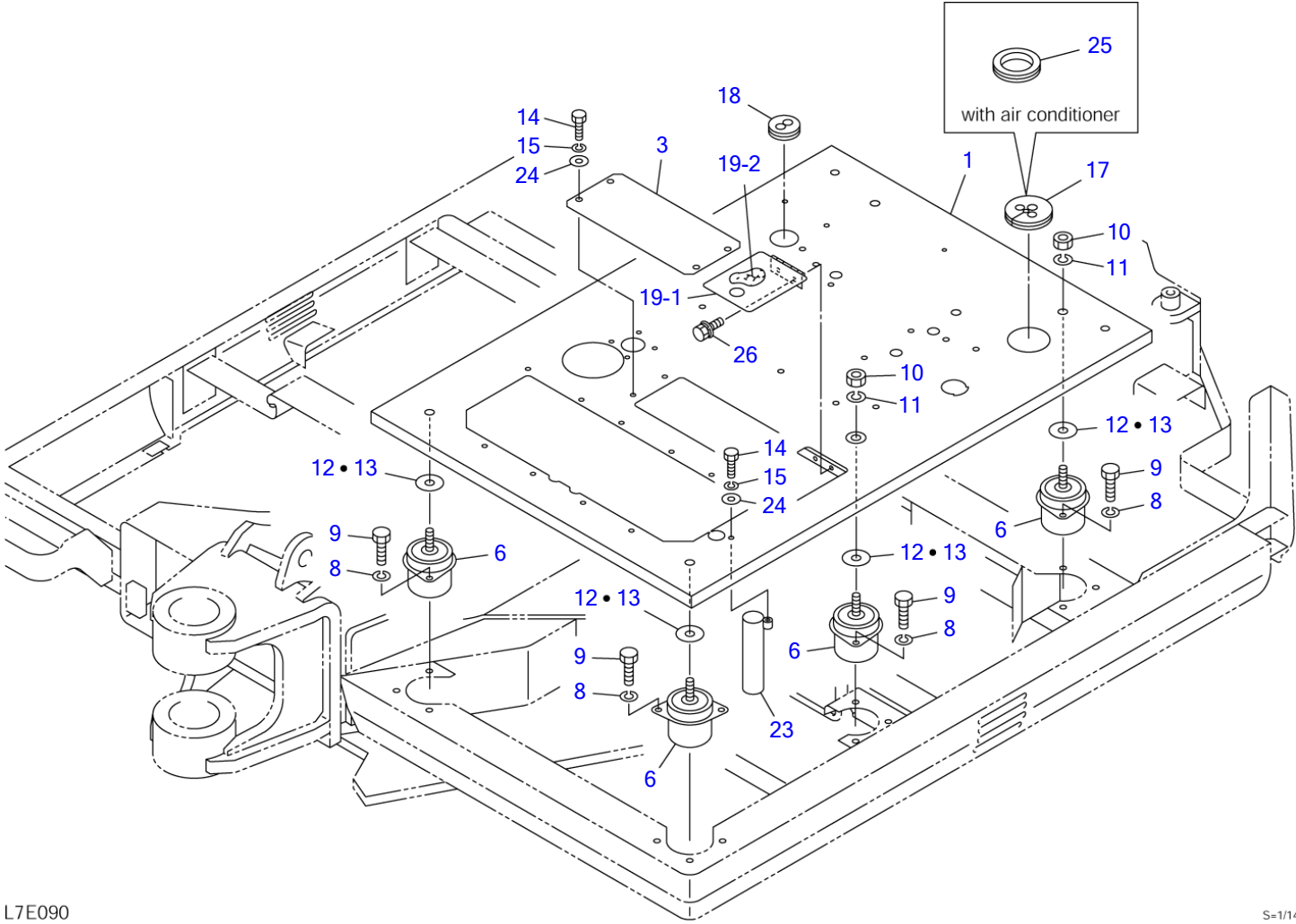
L7E080

S=1/10

**COVER (7/7) (front cover)**

Item	Part number	Description	Q'ty	Chan.	Serial No.	Serv.	Remarks
0-5	<b>0568261250</b>	COVER ASSY, front	1			M	
1	<b>0568243400</b>	· COVER	1				
2	<b>0568243410</b>	· COVER	1				
3	<b>0568243480</b>	· SEAL	1				
4	<b>1653602395</b>	· LOCK	1				
4-1	<b>1700100019</b>	· KEY	1				
5	<b>1703006200</b>	· LAMP	1			M	
5-1	<b>1703006205</b>	· · BULB	1			M	
6	<b>0568243505</b>	· PLATE	1				
7	<b>1100040820</b>	· BOLT	5				
8	<b>1140020008</b>	· WASHER, spring	5				
9	<b>1141110008</b>	· WASHER	5				
11	<b>0378206310</b>	· PLATE	1				
12	<b>0880841210</b>	· RUBBER	1				
13	<b>1654613006</b>	· PACKING	1				sold by the meter
14	<b>1141110010</b>	· WASHER	2				
15	<b>1224010009</b>	· E-RING	2				
	<b>L7e081</b>						

TB175 Book No. BL7Z000 S/N 17530001-  
FLOOR PLATE



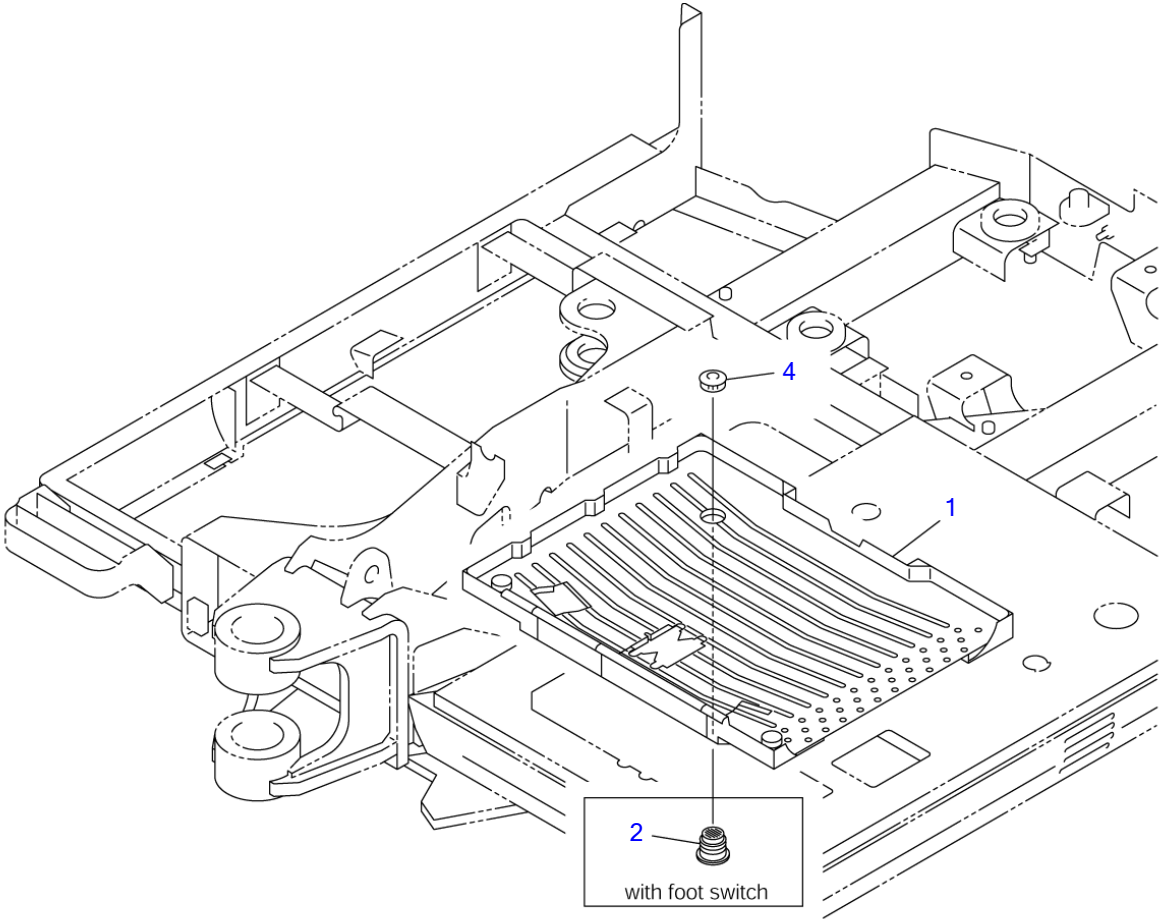
L7E090

S-1/14

**FLOOR PLATE**

Item	Part number	Description	Q'ty	Chan.	Serial No.	Serv.	Remarks
		PLATE ASSY, floor					
		PLATE ASSY, floor (with air conditioner)					
1	0563536600	PLATE	1			M	
3	0563502300	COVER	1				
6	0573500180	MOUNT	6			M	
	0573500670	MOUNT	6				
8	1140020012	WASHER, spring	12				
9	1101041235	BOLT	12				
10	1130040016	NUT	4				
11	1140020016	WASHER, spring	4				
12	0003600121	WASHER	AR			M	t=1.2mm
13	0003600062	WASHER	AR				t=3.2mm
14	1100040820	BOLT	5				
15	1140020008	WASHER, spring	5				
17	1652030001	GROMMET	1				without air conditioner
18	1652030006	GROMMET	1				
19	0563515300	COVER ASSY	1				
19-1	0563515310	· COVER	1				
19-2	0563515320	· RUBBER	1				
23	0563517300	PIPE	1				
24	1141110008	WASHER	5				
25	1652030005	GROMMET	1				with air conditioner
26	1100560612	BOLT	2				
	L7e091						

TB175 Book No. BL7Z000 S/N 17530001-  
FLOOR MAT



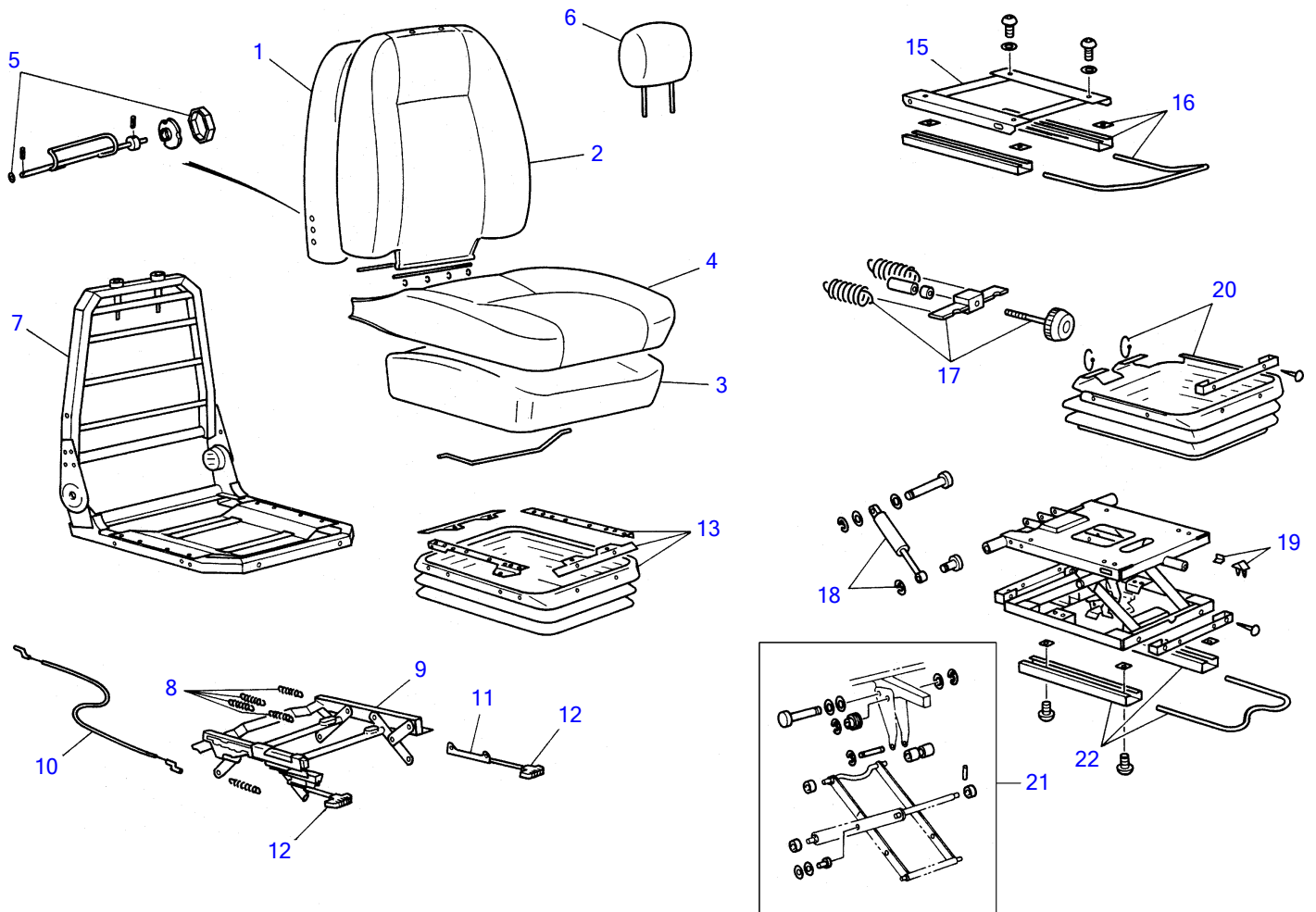
L7E100

S=1/15



FLOOR MAT

Item	Part number	Description	Q'ty	Chan.	Serial No.	Serv.	Remarks
		MAT ASSY, floor (with foot switch)					
		MAT ASSY, floor (without foot switch)					
1	0563533220	MAT, floor	1				
2	0573500240	RUBBER	1				with foot switch
4	1652533013	CAP	1				without foot switch
	L7e100						

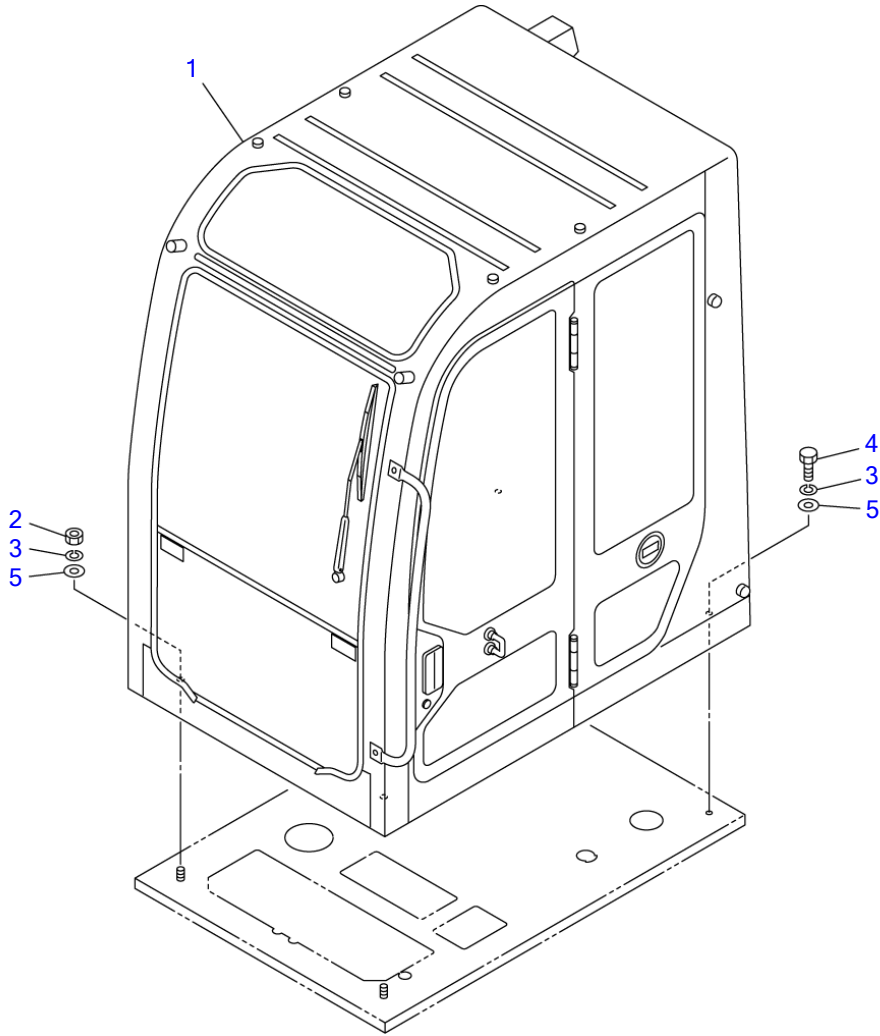


L3E102

S-free

SEAT (2/2)						
Item	Part number	Description	Q'ty	Chan.	Serial No.	Serv. Remarks
1	1914102049	FORM	1			
2	1914103049	COVER	1			
3	1914104049	FORM	1			
4	1914124049	COVER	1			
5	1914106049	SUPPORT	1			
6	1914107049	REST ASSY, head	1			
7	1914108049	FORM	1			
8	1914109049	SPRING	1			
9	1914110049	HEIGHT RISER	1			
10	1914111049	CABLE	1			
11	1914112049	LATCH	1			
12	1914113049	KNOB	1			
13	1914114049	COVER	1			
15	1914116049	MOUNTING	1			
16	1914117049	RAIL, slide	1			
17	1914118049	ADJUSTER	1			
18	1914119049	DAMPER	1			
19	1914120049	STOPPER	1			
20	1914122049	COVER	1			
21	1914123049	PIVOT	1			
22	1914115049	RAIL, slide	1			
	L3e102					

TB175 Book No. BL7Z000 S/N 17530001-  
CAB MOUNT

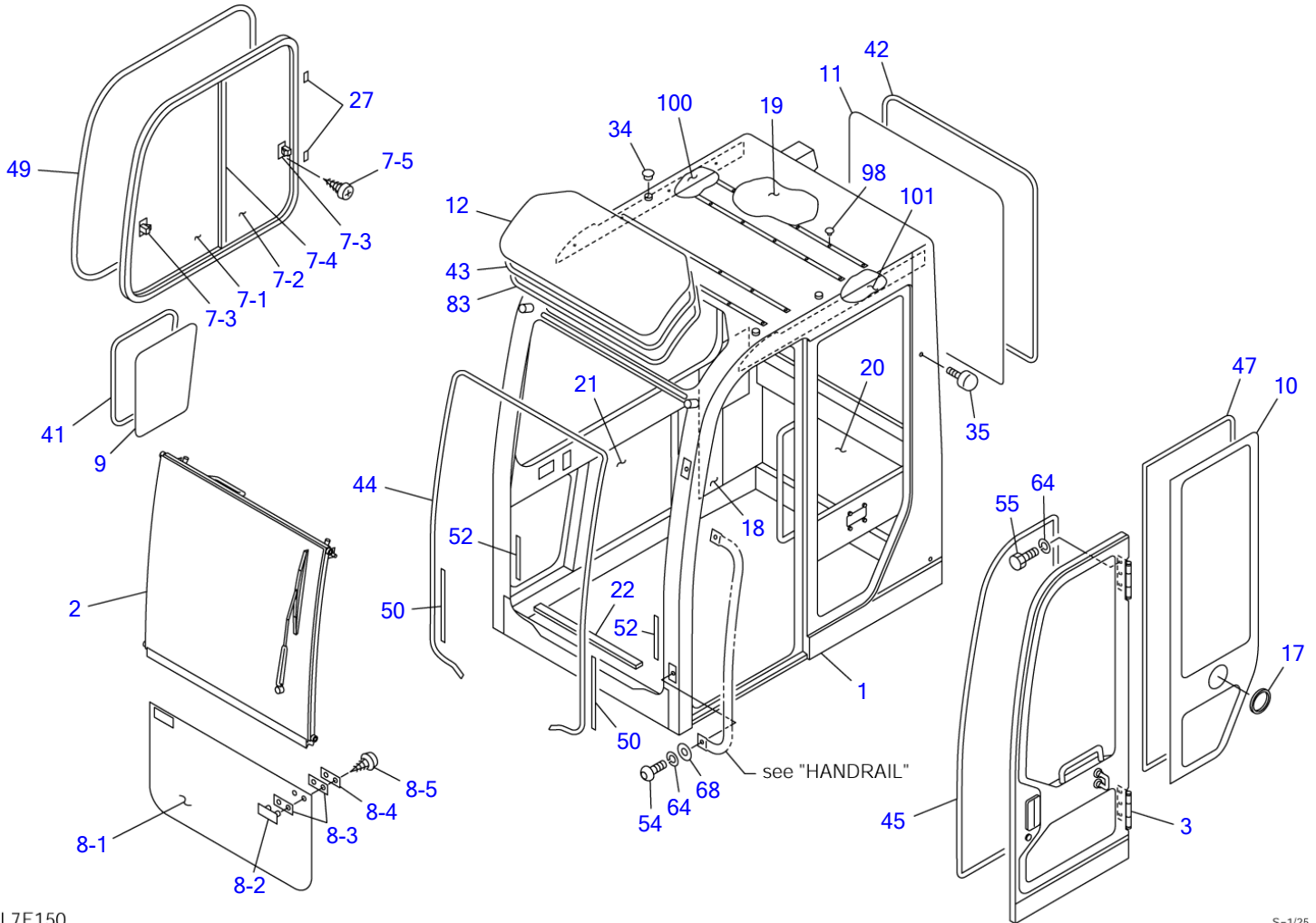


L7E120

S=1/20

**CAB MOUNT**

Item	Part number	Description	Q'ty	Chan.	Serial No.	Serv.	Remarks
		CAB MOUNT					
		CAB MOUNT (for air con., FOPS, BEACON)					
1	<b>0568654600</b>	CAB	1			M	see page (1/4)
	<b>0568654700</b>	CAB (for air con., FOPS, BEACON)	1			M	see page (1/4)
2	<b>1130040016</b>	NUT	2				
3	<b>1140020016</b>	WASHER, spring	4				
4	<b>1100041640</b>	BOLT	2				
5	<b>1141110016</b>	WASHER	4				
	<b>L7e120</b>					M	

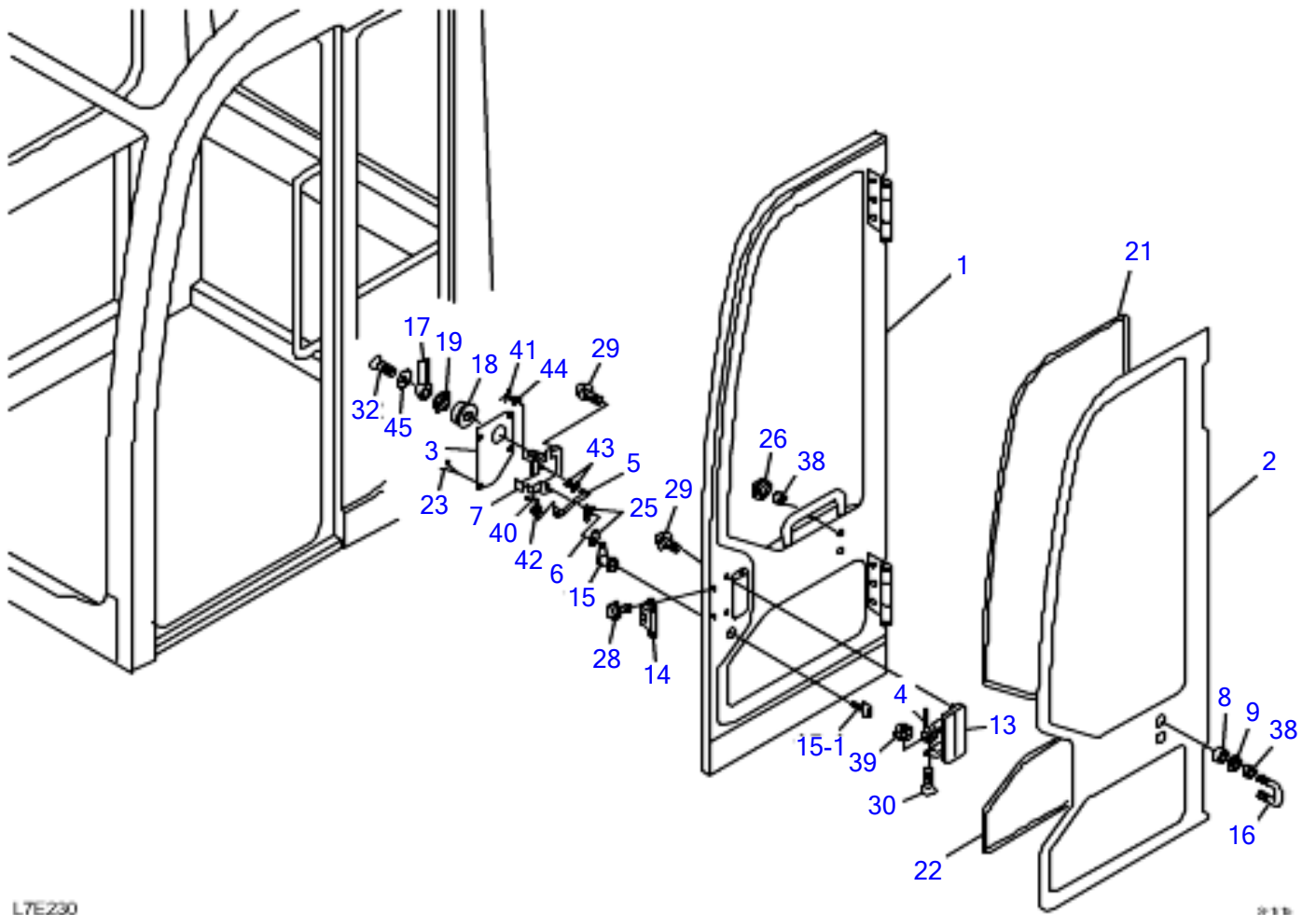


L7E150

S=1/25

CAB (1/4)							
Item	Part number	Description	Q'ty	Chan.	Serial No.	Serv.	Remarks
0	0568654600	CAB	1			M	
	0568654700	CAB (for air con., FOPS, BEACON)	1			M	
1	X *****	• CAB	1				
2	0568654310	• SASH, front	1			M	see page (3/4)
3	0568629200	• DOOR	1				see page (4/4)
7	0568644500	• SASH ASSY	1				
7-1	0568644520	• • GLASS	1				
7-2	0568644530	• • GLASS	1				
7-3	0338630650	• • LOCK ASSY	2				
7-4	1654008200	• • STRIP, weather	1				
7-5	1122420410	• • SCREW	4				
8	0378601600	• GLASS ASSY, front	1				
8-1	0378601610	• • GLASS	1				
8-2	1654010900	• • RETAINER	2				
8-3	1654011100	• • PACKING	4				
8-4	1654011000	• • PLATE	2				
8-5	1122410412	• • SCREW	4				
9	0568639530	• GLASS	1				
10	0568639540	• GLASS	1				
11	0568639550	• GLASS	1				
12	0358605300	• GLASS	1				
17	0568626600	• GROMMET	1				
18	0568654320	• ABSORBENT, noise	1			M	for air con., FOPS
19	0568641110	• ABSORBENT, noise	4				
	0568648570	• ABSORBENT, noise	1				for air con., FOPS
20	0568654330	• ABSORBENT, noise	1			M	
21	0568634520	• ABSORBENT, noise	1				
22	0568634100	• SEAL	1				
27	0438601770	• SPACER	7				
34	1653303010	CAP	6				
35	1651101042	• RUBBER	2				
41	1654262150	• H-RUBBER	1				sold by the meter
42	1654231325	• H-RUBBER	1				sold by the meter
43	1654615216	• DAM	1				sold by the meter
44	1654605440	• RUBBER	1				sold by the meter
45	1654605341	• RUBBER	1				sold by the meter
47	1654615235	• DAM	1				sold by the meter
49	1653930375	• RUBBER	1				sold by the meter
50	1654605033	• RUBBER	2				sold by the meter
52	1653916019	• RUBBER	2				sold by the meter
54	1120991025	• SCREW	2				
55	1100290820	• BOLT	6				
64	1140090010	• WASHER, spring	8				
68	1141190010	• WASHER	2				
83	1653916222	• TRIM	1				sold by the meter
98	1654011725	• CAP	24				
100	0568655140	• ABSORBENT, noise	1			M	for air con., FOPS
101	0568649530	• ABSORBENT, noise	1				for air con., FOPS

L7e150



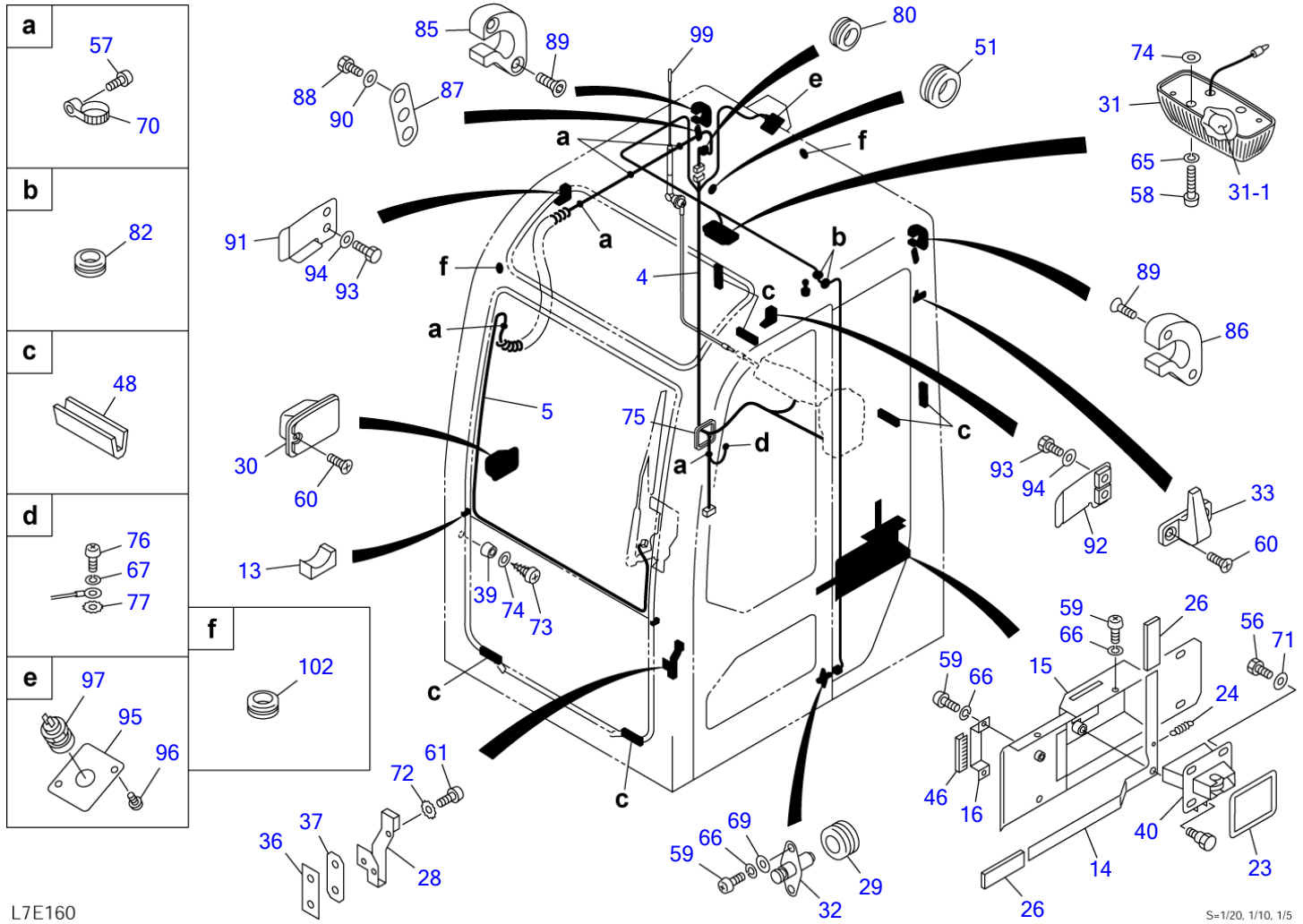
L7E230

2/12



**CAB (4/4) door SN 17530029~**

Item	Part number	Description	Q'ty	Chan.	Serial No.	Serv.	Remarks
		CAB (4/4) door SN 17530029~					
0-3	<b>0568629200</b>	DOOR ASSY	1				
1	<b>0568623100</b>	* DOOR	1				
2	<b>0568639430</b>	* GLASS	1				
3	<b>0568623300</b>	* COVER	1				
4	<b>0338642610</b>	* PLATE	1				
5	<b>0338642600</b>	* PLATE	1				
6	<b>0568630600</b>	* ROD	1				
7	<b>0568623400</b>	* CONTROL ASSY	1				
8	<b>0568623500</b>	* COLLAR	2				
9	<b>0568623600</b>	* SEAL	2				
13	<b>1654005600</b>	* HANDLE	1				
14	<b>0068620400</b>	* LOCK	1				
15	<b>1653611527</b>	* LOCK	1				
15-1	<b>1700100019</b>	* KEY	1				
16	<b>1654005900</b>	* STRIKER	1				
17	<b>1654005500</b>	* HANDLE	1				
18	<b>1654005800</b>	* BASE	1				
19	<b>1654005700</b>	* ESCUTPHEON	1				
21	<b>1654615280</b>	* DAM	1				
22	<b>1654615160</b>	* DAM	1				
23	<b>1652711432</b>	* CLIP	4				
25	<b>0398610900</b>	* SNAP	2				
26	<b>1652053200</b>	* GROMMET	2				
28	<b>1106690612</b>	* BOLT	2				
29	<b>1150410612</b>	* SCREW	4				
30	<b>1120730616</b>	* SCREW	1				
32	<b>1120790516</b>	* SCREW	1				
38	<b>1130040010</b>	* NUT	2				
39	<b>1131283006</b>	* NUT	1				
40	<b>1214000005</b>	* SNAP PIN	1				
41	<b>1214000004</b>	* SNAP PIN	1				
42	<b>1654011711</b>	* WASHER	1				
43	<b>0338642620</b>	* WASHER	2				
44	<b>0578600380</b>	* BUSHING	1				
45	<b>0378605301</b>	* WASHER	1				
	<b>L7E230</b>						

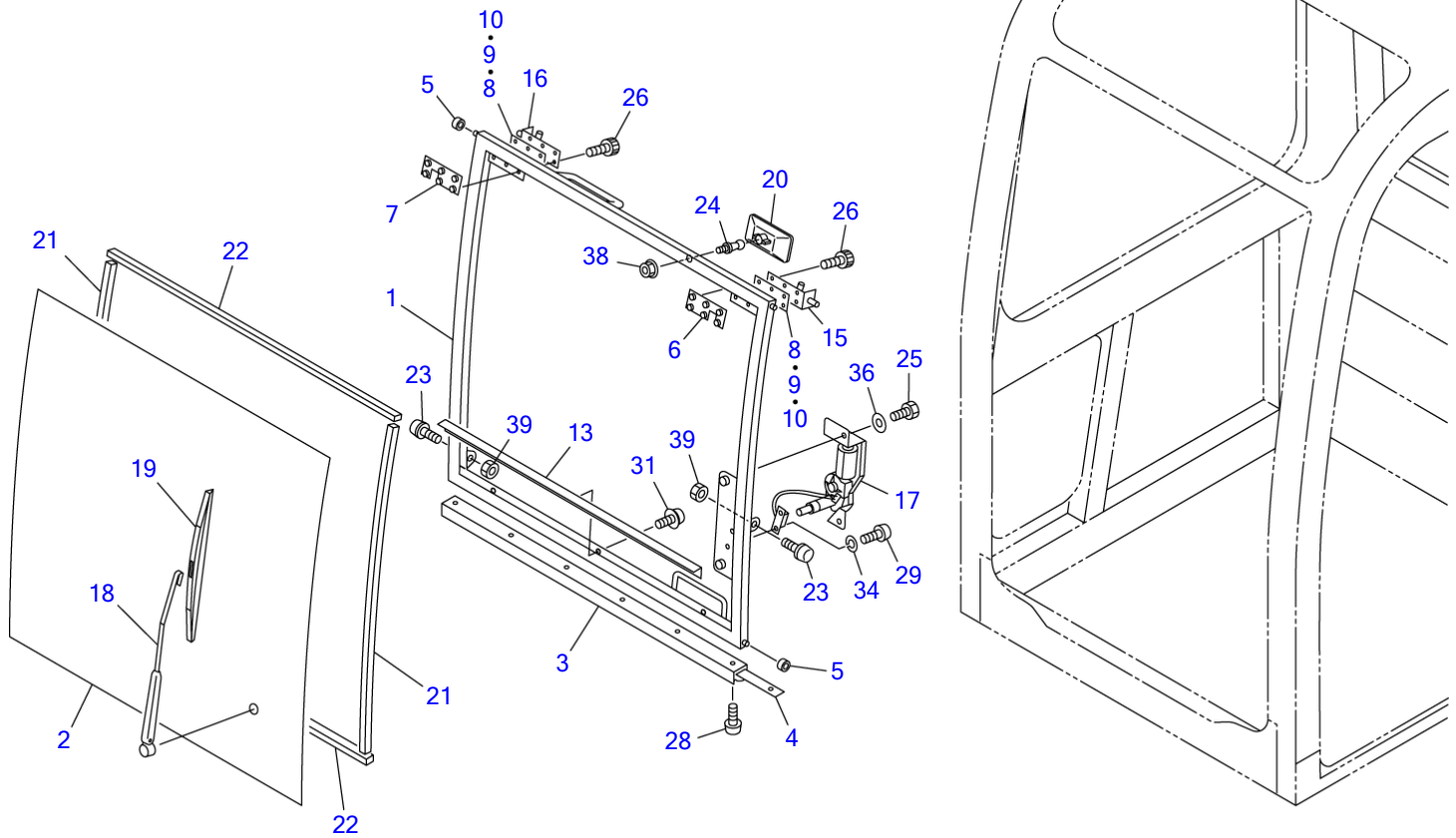


L7E160

S-1/20, 1/10, 1/5

CAB (2/4)								
Item	Part number	Description	Q'ty	Chan.	Serial No.	Serv.	Remarks	
0	0568654600	CAB	1			M		
	0568654700	CAB (for air con., FOPS, BEACON)	1			M		
4	0568655120	• HARNESS, wiring	1			M		
5	0568801200	• HARNESS, wiring	1					
13	0568633300	• STOPPER	2					
14	0378601420	• PLATE	1					
15	0568644300	• COVER	1					
16	0338630870	• PLATE	1					
23	0568634400	• SEAL	1					
24	0007000096	• SPRING	1					
26	0438601760	• COVER	2					
28	0068620500	• STRIKER	1					
29	1652051600	• GROMMET	1					
30	1654010500	• ASHTRAY	1					
31	1703001700	• LAMP, room	1			M		
31-1	1703001701	• • BULB	1			M		
32	1700000015	• SWITCH	1					
33	1654004800	• HANGER	1					
36	0338630880	• PLATE	1					
37	0338630930	• PACKING	1					
39	1652102320	• RUBBER	2					
40	1654005100	• LOCK	1					
46	1653916007	• RUBBER	1				sold by the meter	
48	1654004900	• STOPPER	6					
51	1652060031	• GROMMET	2					
56	1100040825	• BOLT	4					
57	1120590512	• SCREW	5					
58	1120530520	• SCREW	2					
59	1120590408	• SCREW	8					
60	1120690412	• SCREW	4					
61	0068621300	• SCREW	2					
65	1140020005	• WASHER, spring	2					
66	1140090004	• WASHER, spring	8					
67	1140020006	• WASHER, spring	1					
69	1141190004	• WASHER	2					
70	1652221050	• BAND	5					
71	1141110008	• WASHER	4					
72	1140330010	• WASHER	2					
73	1122410416	• SCREW	2					
74	1141190005	• WASHER	3					
75	1653916020	• SEAL	1				sold by the meter	
76	1120530616	• SCREW	1					
77	1140330006	• WASHER	1					
80	1652001602	• GROMMET	1					
82	1652001002	• GROMMET	2					
85	0338630910	• STOPPER (R.H.)	1					
86	0338630960	• STOPPER (L.H.)	1					
87	0338630920	• PLATE	2					
88	1100090820	• BOLT	4					
89	1120800830	• SCREW	4					
90	1141190008	• WASHER	4					
91	0568648162	• STOPPER(R.H.)	1					
92	0568648163	• STOPPER(L.H.)	1					
93	1100090612	• BOLT	4					
94	1141190006	• WASHER	4					
95	0578600143	• COVER	1					
96	1150420512	• SCREW	2					
97	1711900066	• SOCKET	1					
99	1705003460	• ANTENNA	1					
102	1652051200	• GROMMET	1					

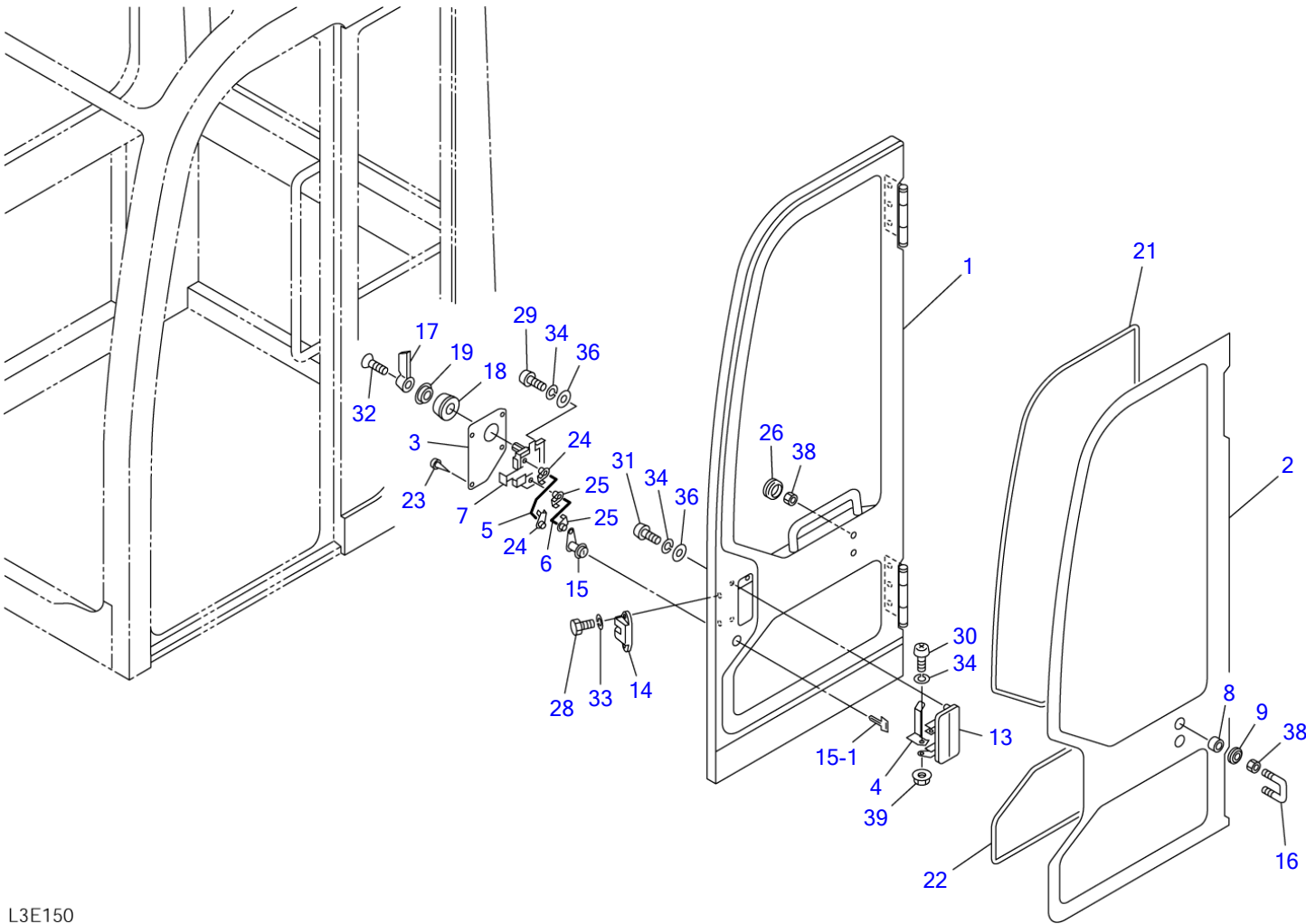
L7e161



L7E170

S=1/15

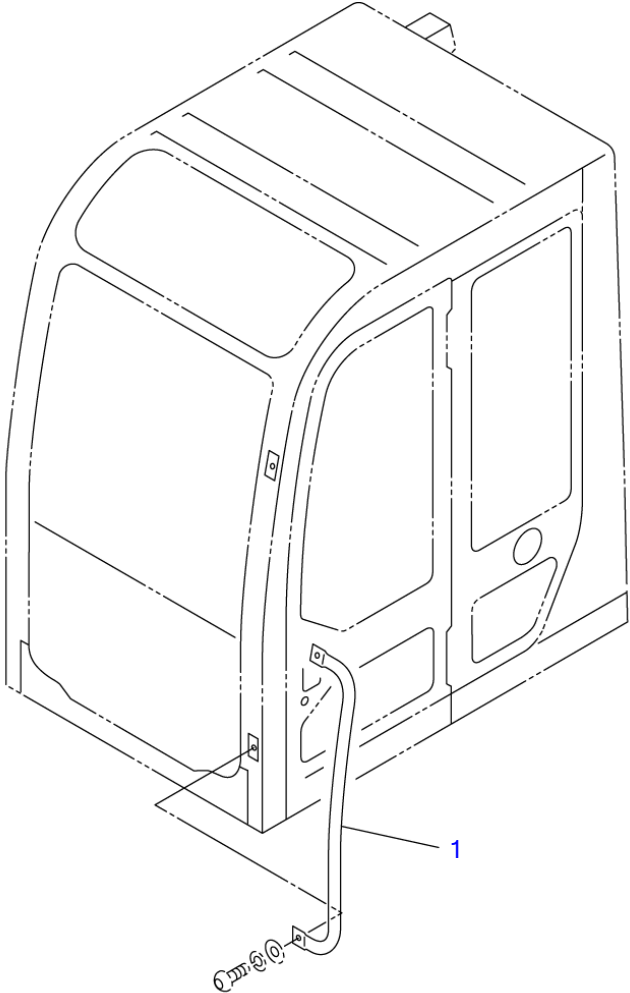
CAB (3/4) (front sash)							
Item	Part number	Description	Q'ty	Chan.	Serial No.	Serv.	Remarks
0-1	0568654310	SASH, front	1			M	
1	0568648310	▪ SASH, front	1				
2	0568639330	▪ GLASS	1				
3	0568621800	▪ SEAL	1				
4	0568621900	▪ PLATE	1				
5	0568622200	▪ ROLLER	4				
6	0568622400	▪ PLATE (L.H.)	1				
7	0568622300	▪ PLATE (R.H.)	1				
8	0468605031	▪ SHIM t=0.7	AR				
9	0468605032	▪ SHIM t=1.2	AR				
10	0468605033	▪ SHIM t=1.6	AR				
13	0338630440	▪ PLATE	1				
15	1654005360	▪ LATCH (L.H.)	1				
16	1654005310	▪ LATCH (R.H.)	1				
17	1704078912	▪ MOTOR, wiper	1			M	
18	1704100530	▪ ARM, wiper	1				
19	1704200530	▪ BLADE	1				
20	1654005400	▪ MIRROR	1				
21	1654616080	▪ DAM	2				sold by the meter
22	1654615085	▪ DAM	2				sold by the meter
23	1651101028	▪ STOPPER	2				
24	1654006000	▪ BOLT	1				
25	1100290820	▪ BOLT	2				
26	1110090516	▪ SCREW, cap	12				
28	1120530408	▪ SCREW	6				
29	1120590408	▪ SCREW	2				
31	1120590512	▪ SCREW	3				
34	1140090004	▪ WASHER, spring	2				
36	1141190008	▪ WASHER	2				
38	1131242008	▪ NUT	1				
39	1130090010	▪ NUT	2				
	L7e170						



L3E150

S=1/15

Item	Part number	Description	CAB (4/4) (door)			Remarks
			Q'ty	Chan.	Serial No.	
0-2	0568629200	DOOR ASSY	1			
1	0568623100	• DOOR	1			
2	0568639430	• GLASS	1			
3	0568623300	• COVER	1			
4	0568630900	• PLATE	1			
5	0568630800	• ROD	1			
6	0568630600	• ROD	1			
7	0568623400	• CONTROL ASSY	1			
8	0568623500	• COLLAR	2			
9	0568623600	• SEAL	2			
13	1654005600	• HANDLE	1			
14	0068620400	• LOCK	1			
15	1653611527	• LOCK	1			
15-1	1700100019	• KEY	1			
16	1654005900	• STRIKER	1			
17	1654005500	• HANDLE	1			
18	1654005800	• BASE	1			
19	1654005700	• ESCUTCHEON	1			
21	1654615280	• DAM	1			sold by the meter
22	1654615160	• DAM	1			sold by the meter
23	1652711432	• CLIP	4			
24	0068621500	• SNAP	2			
25	0398610900	• SNAP	2			
26	1652053200	• GROMMET	2			
28	1100290616	• BOLT	2			
29	1120530612	• SCREW	2			
30	1120530616	• SCREW	1			
31	1120530608	• SCREW	2			
32	1120790516	• SCREW	1			
33	1140090006	• WASHER, spring	2			
34	1140020006	• WASHER, spring	5			
36	1141110006	• WASHER	4			
38	1130040010	• NUT	2			
39	1131242006	• NUT	1			
	L3e152					



L3E380

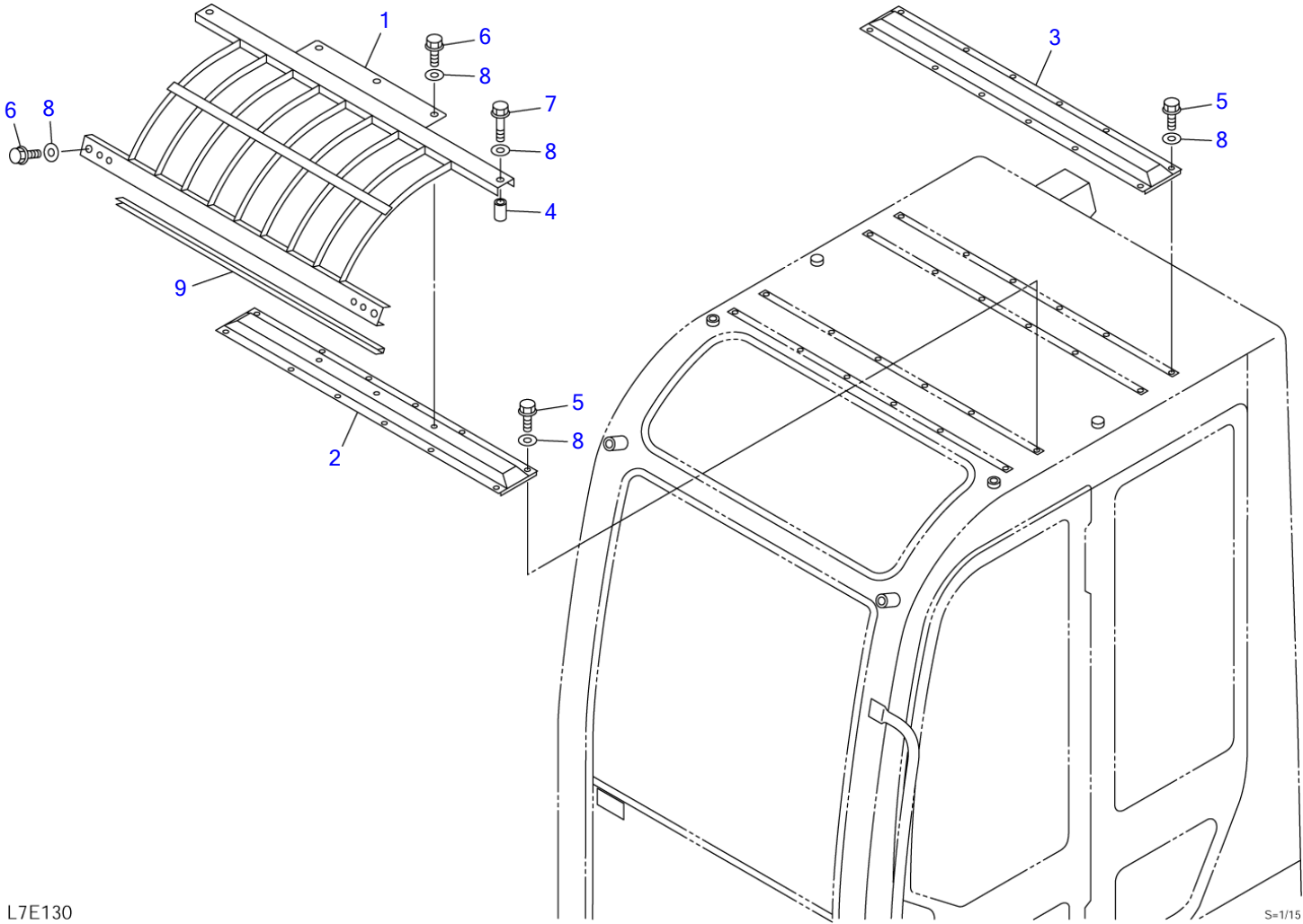
S=1/20



**HANDRAIL**

Item	Part number	Description	Q'ty	Chan.	Serial No.	Serv.	Remarks
1	<b>0568625500</b>	HANDRAIL ASSY	1				
	<b>L3e380</b>	HANDRAIL	1				

TB175 Book No. BL7Z000 S/N 17530001-  
ROOF GUARD



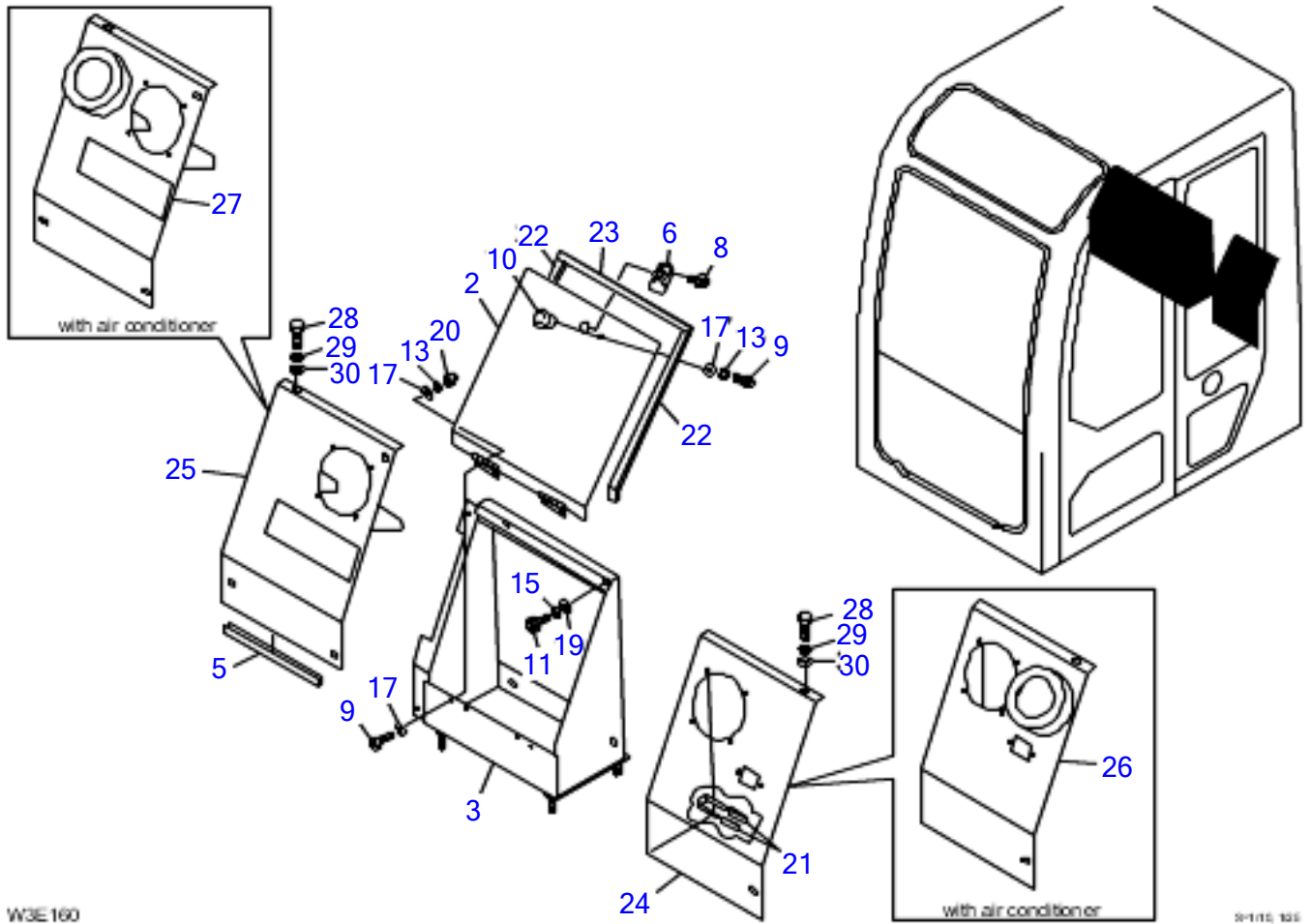
L7E130

S=1/15

**ROOF GUARD**

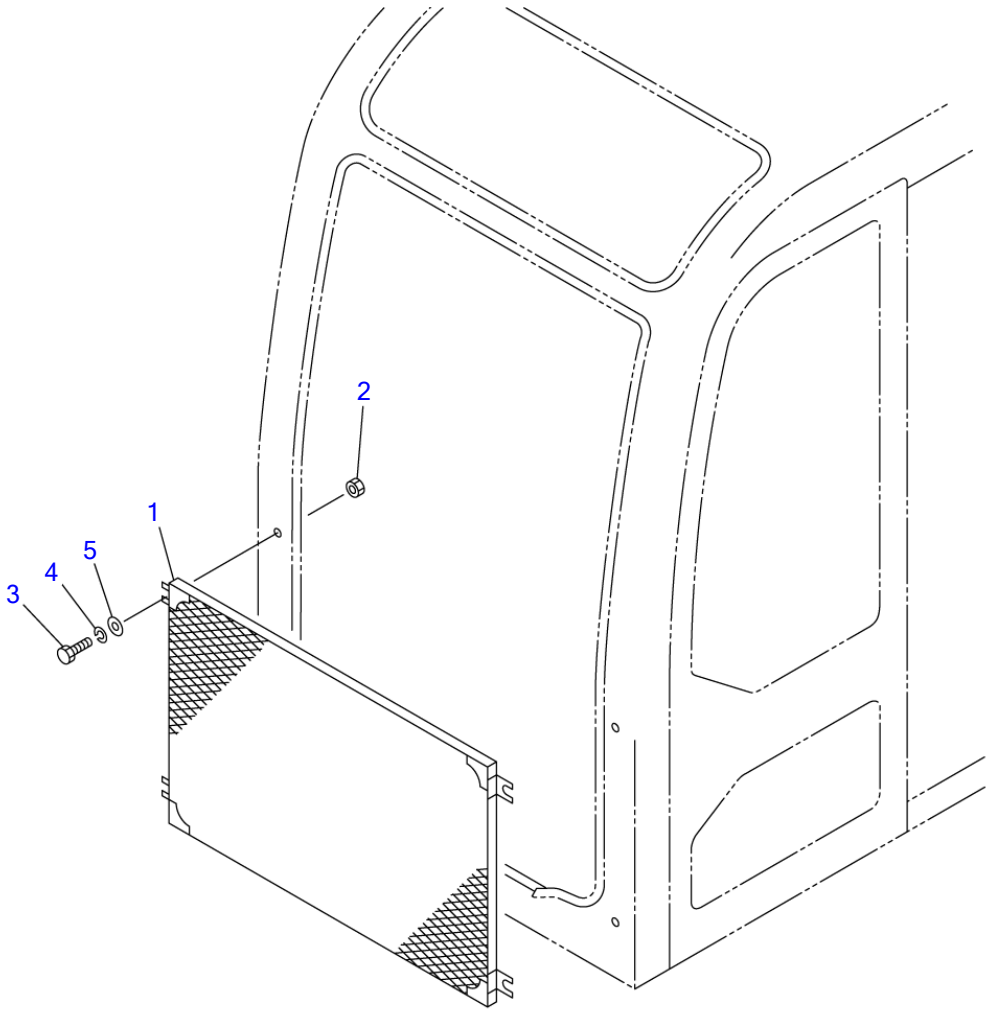
Item	Part number	Description	Q'ty	Chan.	Serial No.	Serv.	Remarks
0	<b>0568657000</b>	ROOF GUARD ASSY	1			M	
1	<b>0568655200</b>	▪ GURD, roof	1			M	
2	<b>0568651250</b>	▪ PLATE	1				
3	<b>0568651260</b>	▪ PLATE	1				
4	<b>0568651270</b>	▪ SPACER	2				
5	<b>1106041016</b>	▪ BOLT	24				
6	<b>1106041025</b>	▪ BOLT	5				
7	<b>1106041060</b>	▪ BOLT	2				
8	<b>1654011706</b>	▪ WASHER	31				
9	<b>1654606085</b>	▪ TRIM	1				sold by the meter
	<b>L7e130</b>						

TB175 Book No. BL7Z000 S/N 17530001-  
CONSOLE BOX



**CONSOLE BOX**

Item	Part number	Description	Q'ty	Chan.	Serial No.	Serv.	Remarks
		BOX ASSY, console					
		BOX ASSY, console (with air conditioner)					
2	<b>0564813160</b>	COVER	1			M	
3	<b>0564813200</b>	BOX	1			M	
5	<b>1653917020</b>	TRIM	1				sold by the meter
6	<b>1653321500</b>	LATCH	1				
8	<b>1150420308</b>	SCREW	4				
9	<b>1120590410</b>	SCREW	5				
10	<b>1652760001</b>	HANDLE	1				
11	<b>1110041020</b>	SCREW, cap	4				
13	<b>1140090004</b>	WASHER, spring	5				
15	<b>1140020010</b>	WASHER, spring	4				
17	<b>1141190004</b>	WASHER	9				
19	<b>1141110010</b>	WASHER	4				
20	<b>1134230004</b>	NUT	4				
21	<b>0872433150</b>	TUBE	2				
22	<b>1654313020</b>	SPONGE	2				sold by the meter
23	<b>1654313030</b>	SPONGE	1				sold by the meter
24	<b>0564813240</b>	COVER (L.H.)	1			M	
25	<b>0564813250</b>	COVER (R.H.)	1			M	
26	<b>0564813230</b>	COVER (L.H.)	1			M	with air conditioner
27	<b>0564813260</b>	COVER (R.H.)	1			M	with air conditioner
28	<b>1100290816</b>	BOLT	7			M	
29	<b>1140090008</b>	WASHER, spring	7				
30	<b>1141190008</b>	WASHER	7				
	<b>W3E160</b>						

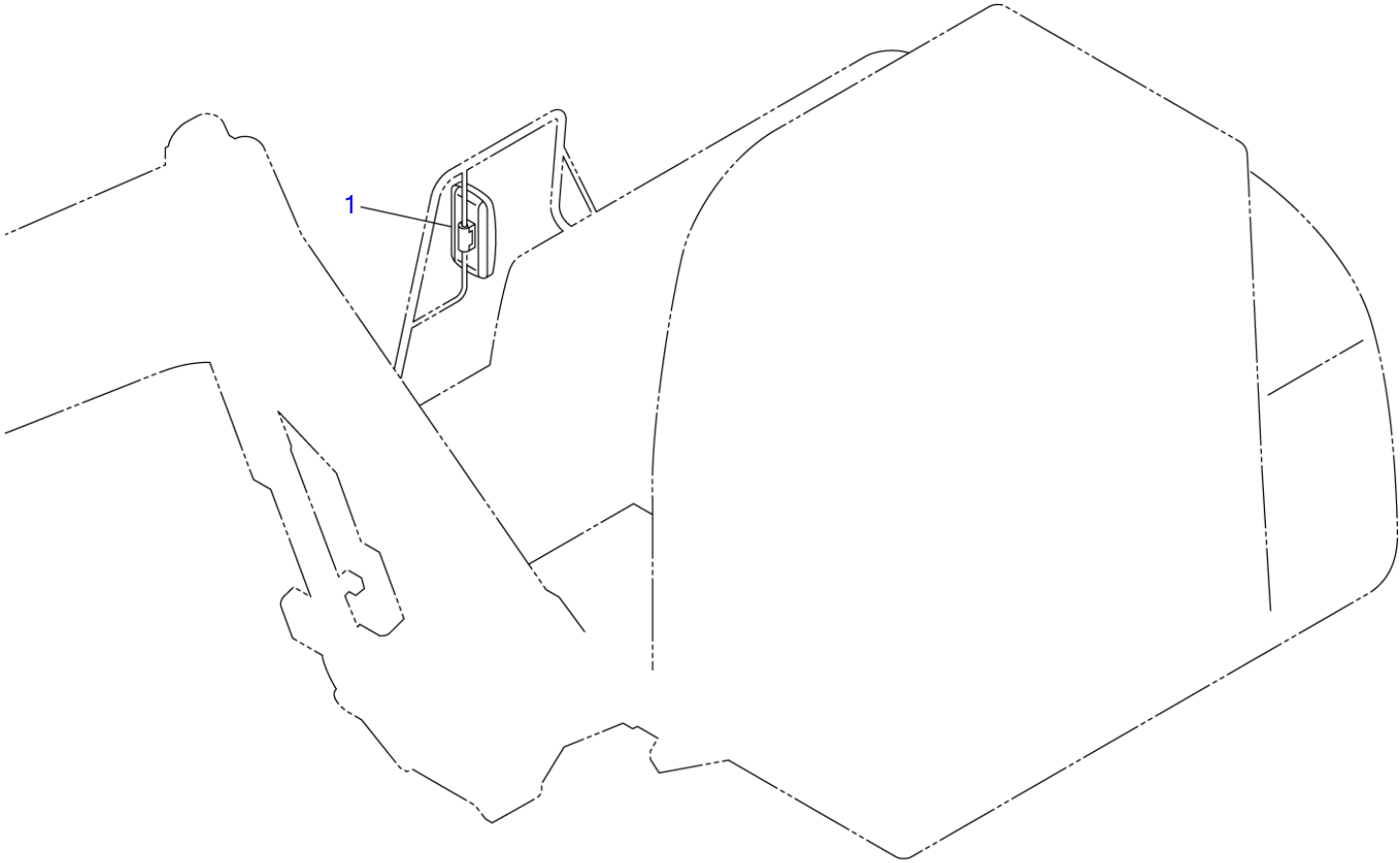


L3E170

S=1/14

**FRONT GUARD**

Item	Part number	Description	Q'ty	Chan.	Serial No.	Serv.	Remarks
1	<b>0568636100</b>	GUARD ASSY, front	1				
2	<b>1135611025</b>	GUARD	4				
3	<b>1100291025</b>	NUT	4				
4	<b>1140090010</b>	BOLT	4				
5	<b>1141190010</b>	WASHER, spring	4				
	<b>L3e170</b>	WASHER	4				



L3E180

S=1/20



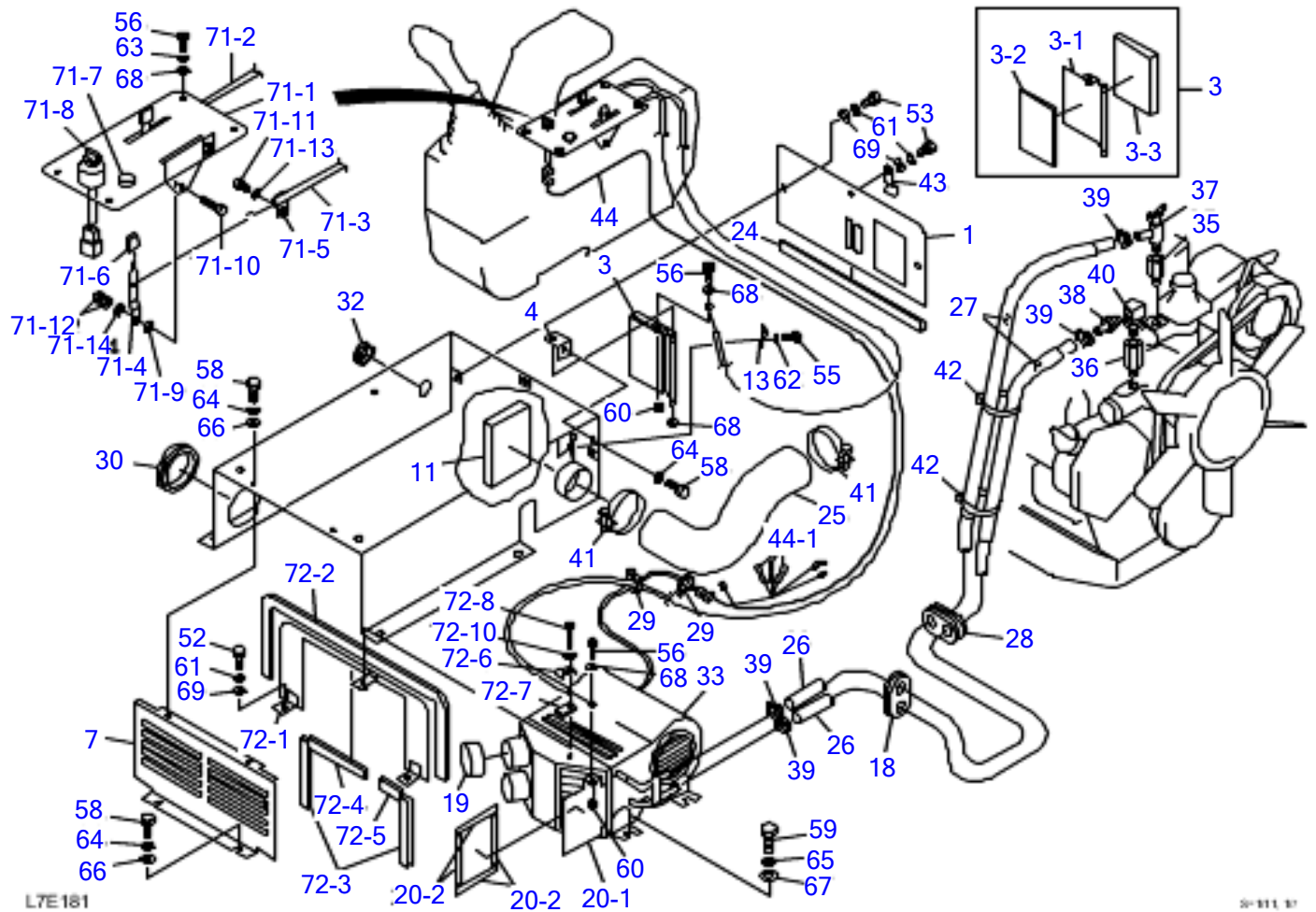
**OUT SIDE REARVIEW MIRROR**

Item	Part number	Description	Q'ty	Chan.	Serial No.	Serv.	Remarks
1	<b>1656500010</b> <b>L3e180</b>	MIRROR ASSY MIRROR	1				

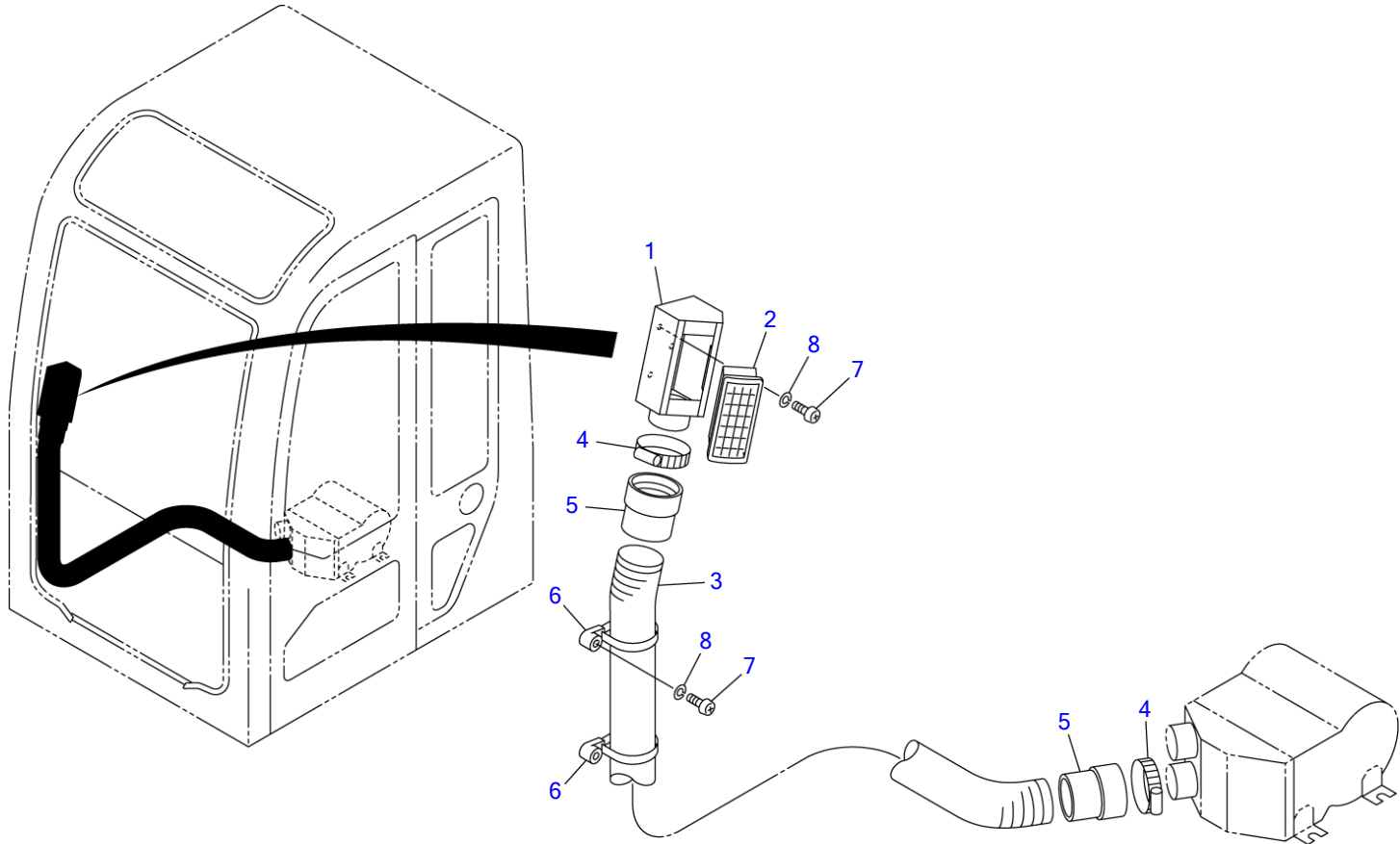


Item	Part number	Description	HEATER Q'ty	Chan.	Serial No.	Serv.	Remarks
		HEATER ASSY					
1	0564525400	COVER	1				
3	0564525500	DAMPER ASSY	1				
3-1	0564525510	• DAMPER	1				
3-2	0564519320	• SPONGE	1				
3-3	0564520220	• SPONGE	1				
4	0564525420	BRACKET	1				
6	0564525200	PANEL	1				
7	0564525440	COVER	1				
11	0564519550	FILTER	1				
12	0564525300	LEVER	2				
13	0564612530	CLAMP	4				
18	0337017300	GUARD	1				
19	1911503000	COVER	1				
20	0564525560	DAMPER ASSY	1				
20-1	0564525570	• DAMPER	1				
20-2	0564525563	• SPONGE	4				
21	1654606010	SEAL	1				sold by the meter
24	1654613034	PACKING	1				sold by the meter
25	1567526540	HOSE	1				
26	1911521800	HOSE	2			M	sold by the meter
27	1531335100	PROTECTOR	2				sold by the meter
28	0097210300	GUARD	1				
29	1652231100	BAND	1				
30	1652030007	BUSHING	1				
32	1652060028	GROMMET	1				
33	1911508080	HEATER	1			M	
34	1700000011	SWITCH, heater	1				
35	0007210028	BUSHING	1			M	
36	0007213075	BUSHING	1			M	
37	1911502100	VALVE	1				
38	0007224009	ADAPTOR	1				
39	1911500500	CLAMP	4				
40	1513300013	ELBOW	1			M	
	1420010080	• O-RING	1				
41	1533001070	CLAMP	2				
42	1652201007	BAND	2				
43	0007300035	CLAMP	1				
44	0564533210	WIRING HARNESS ASSY	1				
44-1	1730500008	* DIODE (3A YELLOW)	3				
52	1100040820	BOLT	2				
53	1100040812	BOLT	3				
55	1120530408	SCREW	3				
56	1120590510	SCREW	6				
58	1100040616	BOLT	5				
59	1100041020	BOLT	4				
60	1130090005	NUT	2				
61	1140020008	WASHER, spring	5				
62	1140020004	WASHER, spring	4				
63	1140090005	WASHER, spring	4				
64	1140020006	WASHER, spring	5				
65	1140020010	WASHER, spring	4				
66	1141110006	WASHER	6				
67	1141110010	WASHER	4				
68	1141190005	WASHER	7				
69	1141110008	WASHER	5				
71	0564532000	PANEL ASSY	1				
71-1	0564525200	* PANEL	1				
71-2	0564525450	* WIRE	1				
71-3	0564525460	* WIRE	1				
71-4	0564525300	* LEVER	2				
71-5	0564612530	* CLAMP	2				
71-6	0564612550	* KNOB	2				
71-7	1652051200	* GROMMET	1				
71-8	1700000011	* SWITCH , HEALER	1				
71-9	1652540014	* SPACER	2				
71-10	1100040516	* BOLT	2				
71-11	1100230408	* BOLT	2				

TB175 Book No. BL7Z000 S/N 17530001-  
HEATER



Item	Part number	Description	HEATER Q'ty	Chan.	Serial No.	Serv.	Remarks
71-12	1130090005	* NUT	4				
71-13	1140020004	* SPRING WASHER	2				
71-14	1141190005	* WASHER	2				
72	0564532100	PLATE ASSY	1				
72-1	0564525490	* PLATE	1				
72-2	1654606063	* SEAL	1				
72-3	1654606014	* SEAL	2				
72-4	1654606010	* SEAL	1				
72-5	1654606005	* SEAL	1				
72-6	0564612530	* CLAMP	1				
72-7	0564525470	* PLATE	1				
72-8	1120530414	* SCREW	1				
72-10	1140020004	* SPRING WASEHR	1				
	L7E181						

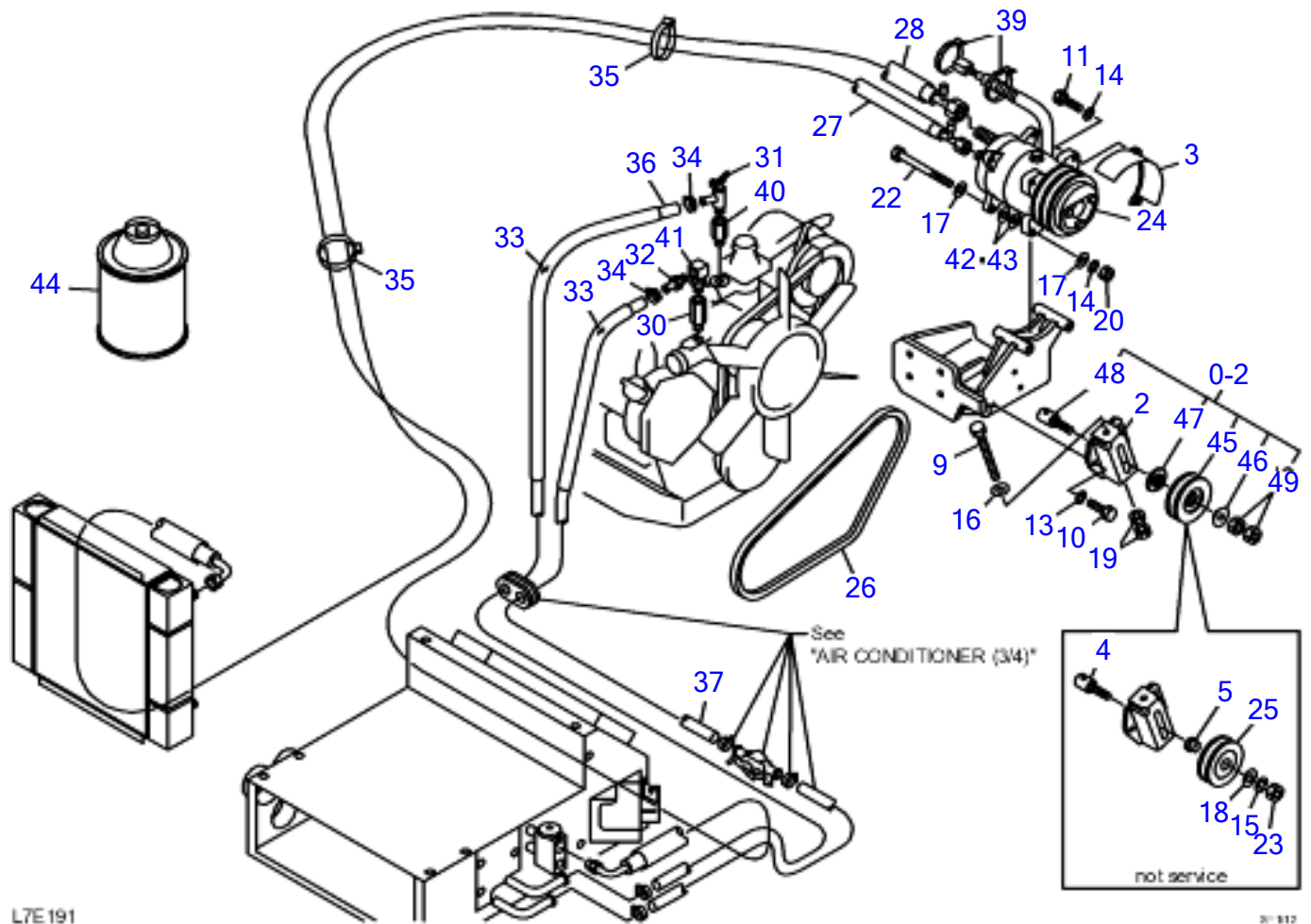


L3E202

S=1/10, 1/20

				<b>DEFROSTER</b>		
Item	Part number	Description	Q'ty	Chan.	Serial No.	Serv. Remarks
		DEFROSTER ASSY				
1	<b>0872453510</b>	DEFROSTER	1			
2	<b>1911504000</b>	LOUVER	1			
3	<b>1567415060</b>	HOSE	1			
4	<b>1533700070</b>	BAND	2			
5	<b>1567325000</b>	CUFF	2			
6	<b>1652261410</b>	BAND	5			
7	<b>1120590512</b>	SCREW	8			
8	<b>1140090005</b>	WASHER, spring	8			
	<b>L3e202</b>					

TB175 Book No. BL7Z000 S/N 17530001-  
 AIR CONDITIONER (1/4) (compressor)





**AIR CONDITIONER (1/4) (compressor)**

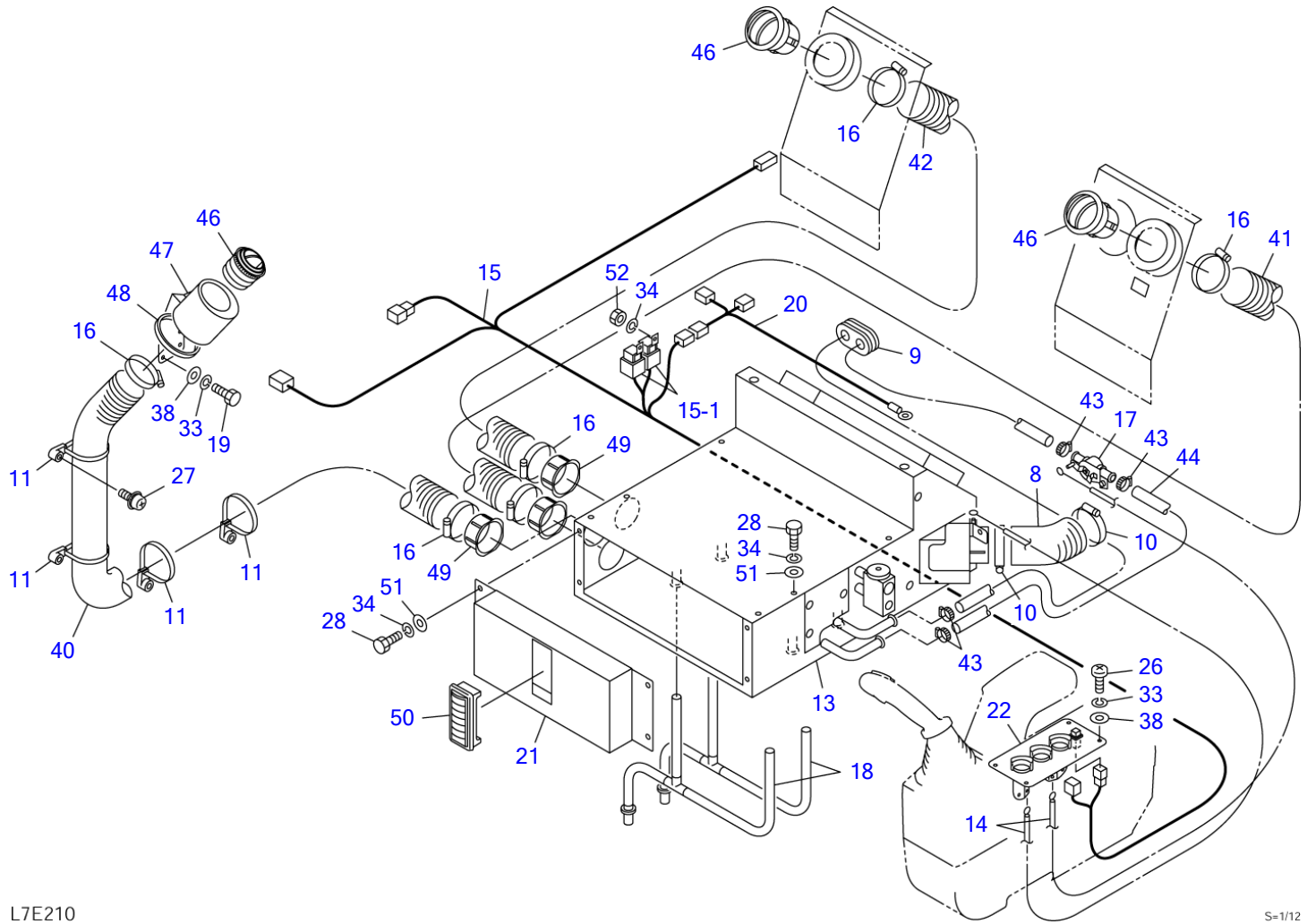
Item	Part number	Description	Q'ty	Chan.	Serial No.	Serv.	Remarks
0-1	<b>0564634200</b>	COMPRESSOR ASSY	1			M	
2	<b>0564618790</b>	▪ BRACKET	1				
3	<b>0564624290</b>	▪ GUARD	1				
4	*****	▪ SHAFT	1				
5	*****	▪ COLLAR	1				
9	<b>1100440810</b>	▪ BOLT	1				
10	<b>1100040825</b>	▪ BOLT	3				
11	<b>1100041030</b>	▪ BOLT	2				
13	<b>1140020008</b>	▪ WASHER, spring	3				
14	<b>1140020010</b>	▪ WASHER, spring	4				
15	*****	▪ WASHER, spring	1				
16	<b>1141110008</b>	▪ WASHER	1				
17	<b>1141110010</b>	▪ WASHER	4				
18	*****	▪ WASHER	1			M	
19	<b>1130040008</b>	▪ NUT	2				
20	<b>1130040010</b>	▪ NUT	2				
22	<b>1100141025</b>	▪ BOLT	2			M	
23	*****	▪ NUT	1				
24	<b>1911512030</b>	▪ COMPRESSOR	1			M	
25	*****	▪ PULLY	1				
26	<b>1621071044</b>	▪ V-BELT	1			M	
27	<b>1911512011</b>	▪ HOSE ASSY	1			M	
	<b>1911505602</b>	▪ ▪ O-RING	1				
28	<b>1911512012</b>	▪ HOSE ASSY	1			M	
	<b>1911505603</b>	▪ ▪ O-RING	1				
30	<b>0007213075</b>	▪ BUSHING	1			M	
31	<b>1911502100</b>	▪ VALVE	1				
32	<b>0007224009</b>	▪ ADAPTOR	1				
33	<b>1531325100</b>	▪ PROTECTOR	2				sold by the meter
34	<b>1911500500</b>	▪ BAND	2				
35	<b>1652201007</b>	▪ BAND	4				
36	<b>1911515190</b>	▪ HOSE	1			M	sold by the meter
37	<b>1911511860</b>	▪ HOSE	1			M	sold by the meter
39	<b>1652231100</b>	▪ BAND	2				
40	<b>0007210028</b>	▪ BUSHING	1			M	
41	<b>1513300013</b>	▪ ELBOW	1			M	
	<b>1420010140</b>	▪ ▪ O-RING	1				
42	<b>0003600222</b>	▪ SHIM	AR				t=0.2mm
43	<b>0003600223</b>	▪ SHIM	AR				t=0.3mm
44	<b>1919055000</b>	▪ GAS	12			M	
0-2	<b>0569617280</b>	PULLEY KIT	1				
45	<b>0564634880</b>	* PULLEY ASSY	1				
46	<b>0564634890</b>	* COLLAR	1				
47	<b>0564634895</b>	* COLLAR	1				
48	<b>0564626010</b>	* SHAFT	1				
49	<b>1130140012</b>	* NUT	2				
	<b>L7E192</b>						



**AIR CONDITIONER (2/4) (condenser)**

Item	Part number	Description	Q'ty	Chan.	Serial No.	Serv.	Remarks
0-2	<b>0564634700</b>	CONDENSER ASSY	1			M	
1	<b>0564634450</b>	▪ BRACKET	2			M	
2	<b>0564634430</b>	▪ COVER	1			M	
3	<b>1911300380</b>	▪ CONDENSER	1			M	
4	<b>1911506083</b>	▪ FUN	1			M	
5	<b>1911505511</b>	▪ DRYER	1				
6	<b>1654349034</b>	▪ SPONGE	2			M	sold by the meter
7	<b>1654349030</b>	▪ SPONGE	2			M	sold by the meter
8	<b>1911506301</b>	▪ BRACKET ASSY	1			M	
9	<b>1911512014</b>	▪ HOSE ASSY	1			M	
	<b>1911505601</b>	▪ ▪ O-RING	1				
10	<b>1911512013</b>	▪ HOSE ASSY	1			M	
	<b>1911505601</b>	▪ ▪ O-RING	1				
11	<b>1911505514</b>	▪ SWITCH	1				
12	<b>1100040516</b>	▪ BOLT	4				
13	<b>1100040614</b>	▪ BOLT	8				
14	<b>1100040816</b>	▪ BOLT	2				
15	<b>1100041020</b>	▪ BOLT	8				
16	<b>1140020005</b>	▪ WASHER, spring	4				
17	<b>1140020006</b>	▪ WASHER, spring	8				
18	<b>1140020008</b>	▪ WASHER, spring	2				
19	<b>1140020010</b>	▪ WASHER, spring	8				
20	<b>1141110005</b>	▪ WASHER	4				
21	<b>1141110006</b>	▪ WASHER	8				
22	<b>1141110008</b>	▪ WASHER	2				
23	<b>1141110010</b>	▪ WASHER	8				
24	<b>0564630901</b>	▪ CONNECTOR	1			M	
	<b>L7e201</b>						

TB175 Book No. BL7Z000 S/N 17530001-  
AIR CONDITIONER (3/4) (air-conditioner unit)



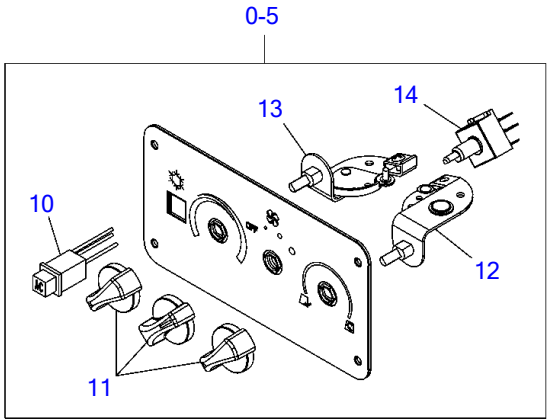
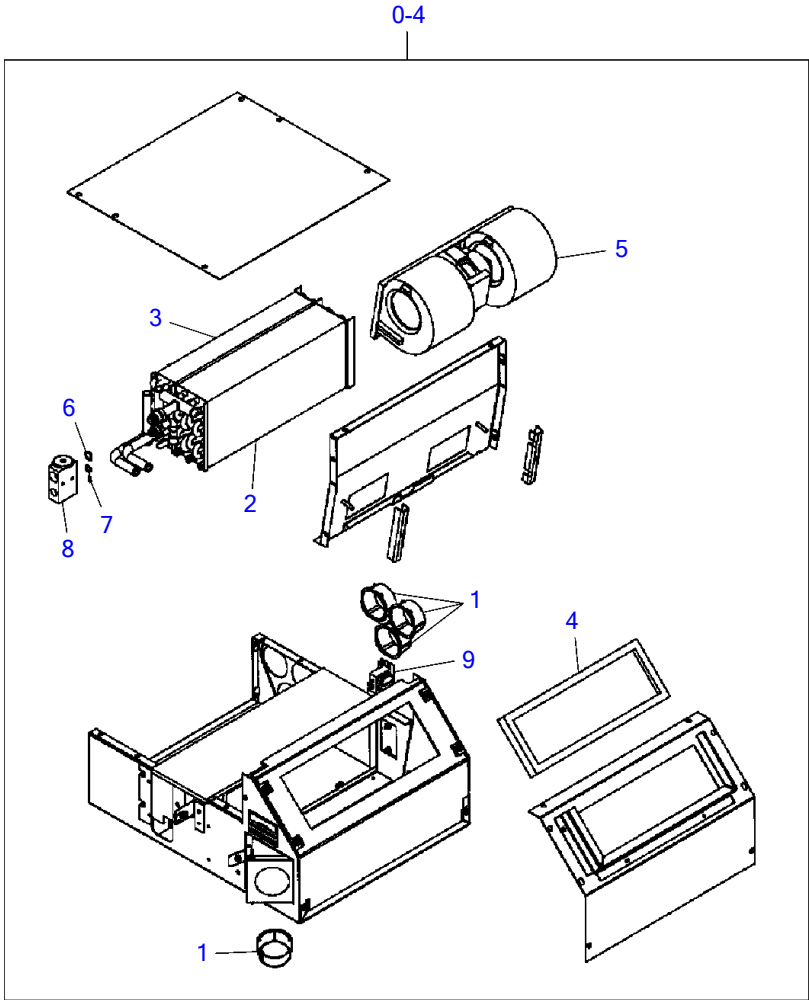
L7E210

S=1/12

**AIR CONDITIONER (3/4) (air-conditioner unit)**

Item	Part number	Description	Q'ty	Chan.	Serial No.	Serv.	Remarks
0-3	<b>0564634600</b>	AIR CONDITIONER UNIT ASSY	1			M	
8	<b>1911508512</b>	• HOSE	1			M	
9	<b>0097210300</b>	• GUARD	1				
10	<b>1533001070</b>	• BAND	2				
11	<b>1652261410</b>	• BAND	4				
13	<b>1911512060</b>	• UNIT ASSY, air con.	1			M	see page (4/4)
14	<b>1911505640</b>	• WIRE	2				
15	<b>1911512010</b>	• HARNESS, wiring	1			M	
15-1	<b>1911506041</b>	• • RELAY	2				
16	<b>1911505670</b>	• BAND	6				
17	<b>1911505690</b>	• VALVE	1				
18	<b>1911505710</b>	• TUBE ASSY	2				
19	<b>1100040512</b>	• BOLT	3				
20	<b>0564634310</b>	• HARNESS, wiring	1			M	
21	<b>0564634610</b>	• COVER	1			M	
22	<b>1911505760</b>	• PANEL ASSY	1				see page (4/4)
26	<b>1120590510</b>	• SCREW	4				
27	<b>1120590512</b>	• SCREW	4				
28	<b>1100040616</b>	• BOLT	10				
33	<b>1140090005</b>	• WASHER, spring	7				
34	<b>1140020006</b>	• WASHER, spring	12				
38	<b>1141190005</b>	• WASHER	7				
40	<b>1911508552</b>	• HOSE	1			M	
41	<b>1911508578</b>	• HOSE	1			M	
42	<b>1911508552</b>	• HOSE	1			M	
43	<b>1911500500</b>	• BAND	4				
44	<b>1911501840</b>	• HOSE	1				sold by the meter
46	<b>1911506060</b>	• LOUVER	3				
47	<b>0394612710</b>	• BRACKET	1			M	
48	<b>1653916026</b>	• TRIM	1				sold by the meter
49	<b>1911506711</b>	• ADAPTOR	3			M	
50	<b>1911505723</b>	• LOUVER	1			M	
51	<b>0003600090</b>	• WASHER	10				
52	<b>1130040006</b>	• NUT	2				

L7e212

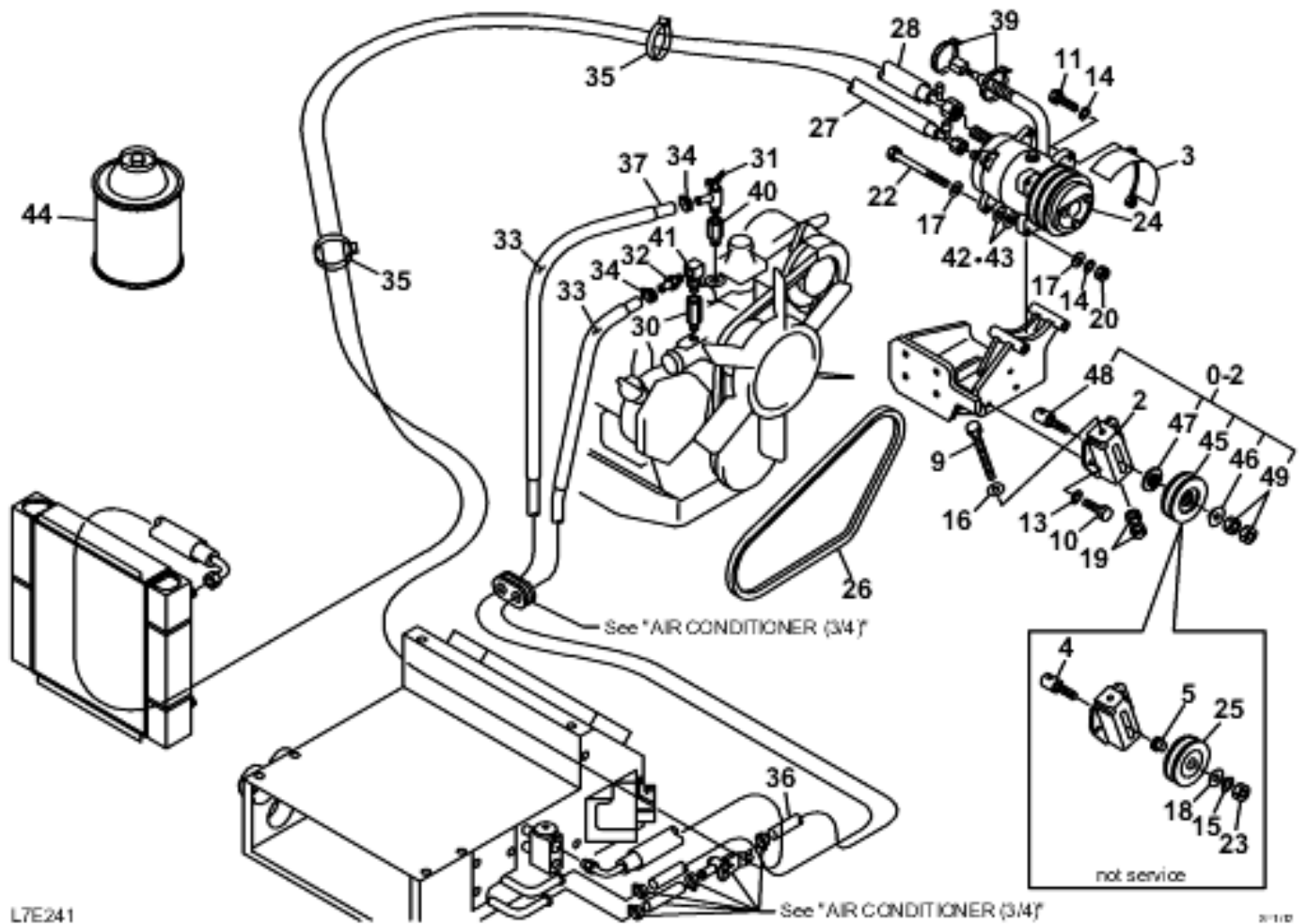


S-free

**AIR CONDITIONER (4/4)**

Item	Part number	Description	Q'ty	Chan.	Serial No.	Serv.	Remarks
0-4	<b>1911512060</b>	UNIT ASSY, air con.	1			M	
1	<b>1911506711</b>	▪ ADAPTOR	4			M	
2	<b>1911512062</b>	▪ EVAPORATOR ASSY	1			M	
3	<b>1911512063</b>	▪ CORE ASSY, heater	1			M	
4	<b>1911512064</b>	▪ FILTER	1			M	
5	<b>1911512065</b>	▪ MOTOR ASSY, blower	1			M	
6	<b>1911505603</b>	▪ O-RING	1			M	
7	<b>1911505602</b>	▪ O-RING	1			M	
8	<b>1911512068</b>	▪ VALVE, expansion	1			M	
9	<b>1911505421</b>	▪ THERMOSTAT	1			M	
0-5	<b>1911505760</b>	PANEL ASSY	1				
10	<b>1911505767</b>	▪ SWTCH, air con.	1				
11	<b>1911505763</b>	▪ KNOB	3				
12	<b>1911505761</b>	▪ CONVERTER, cable control	1				
13	<b>1911505762</b>	▪ CONVERTER, cable control	1				
14	<b>1911505768</b>	▪ ROTARY SWITCH, 3-speed	1				
	<b>L7E221</b>						

TB175 Book No. BL7Z000 S/N 17530001-  
AIR CONDITIONER (1/4) COMPRESSOR SN 17530476~



L7E241

20110



AIR CONDITIONER (1/4) COMPRESSOR SN 17530476~

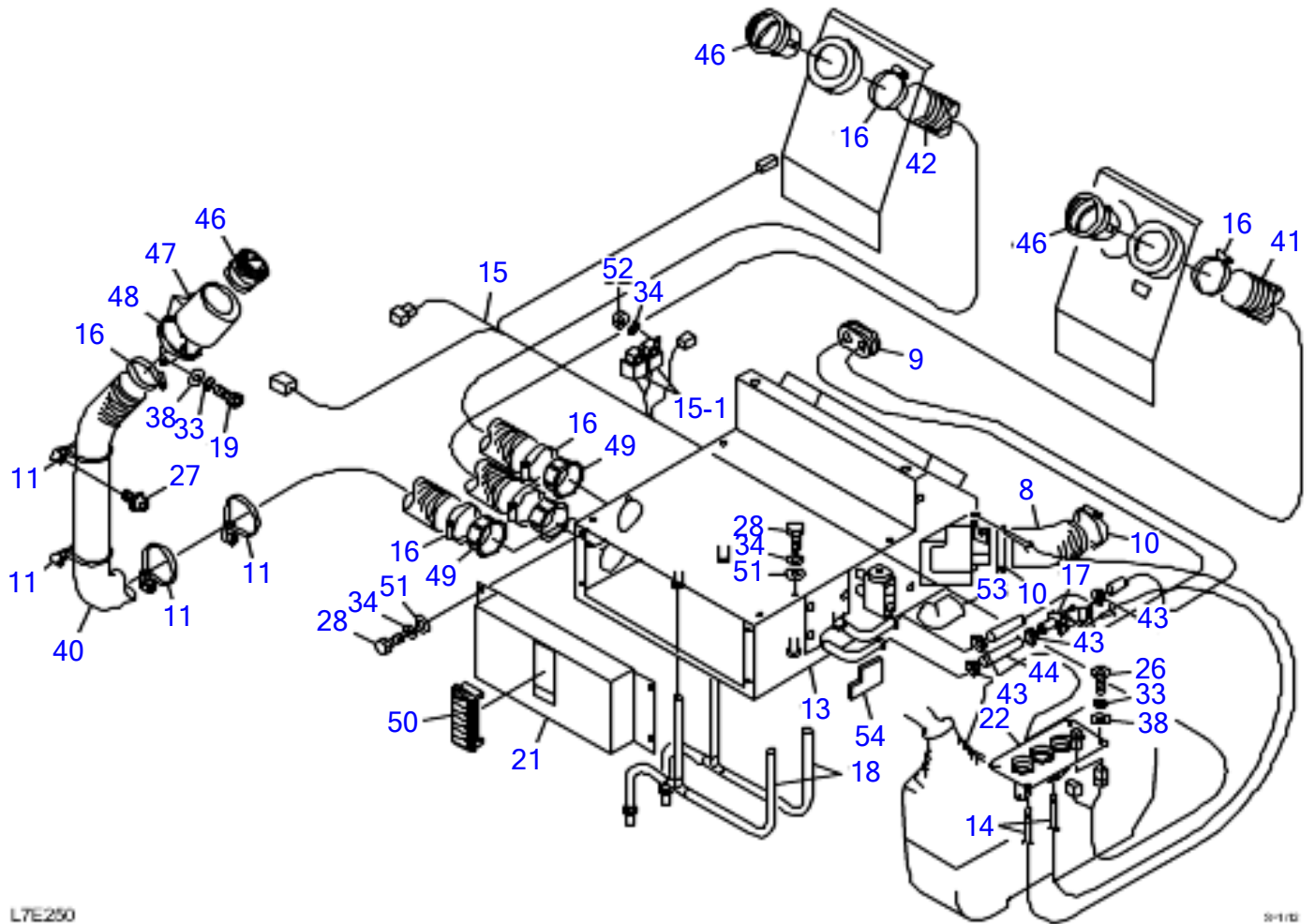
Item	Part number	Description	Q'ty	Chan.	Serial No.	Serv.	Remarks
		A/C (1/4) COMPRESSOR					
0-1	0564634200	COMPRESSOR ASSY	1				
2	0564618790	* BRACKET	1				
3	0564624290	* GUARD	1				
4	*****	* SHAFT	1				
5	*****	* COLLAR	1				
9	1100440810	* BOLT	1				
10	1100040825	* BOLT	3				
11	1100041030	* BOLT	2				
13	1140020008	* SPRING WASHER	3				
14	1140020010	* SPRING WASHER	4				
15	*****	* SPRING WASHER	1				
16	1141110008	* WASHER	1				
17	1141110010	* WASHER	4				
18	*****	* WASHER	1				
19	1130040008	* NUT	2				
20	1130040010	* NUT	2				
22	1100141030	* BOLT	2				
23	*****	* NUT	1				
24	1911512030	* COMPRESSOR	1				
25	*****	* PULLY	1				
26	1621071044	* V-BELT	1				
	1621073044	* V-BELT	1				
27	1911512011	* HOSE ASSY	1				
	1911505602	* * O-RING	1				
28	1911512012	* HOSE ASSY	1				
	1911505603	* * O-RING	1				
30	0007213075	* BUSHING	1				
31	1911502100	* VALVE	1				
32	0007224009	* ADAPTOR	1				
33	1531325100	* PROTECTOR	2				
34	1911500500	* BAND	2				
35	1652201007	* BAND	4				
36	1911515184	* HOSE	1				
37	1911511890	* HOSE	1				
39	1652231100	* BAND	2				
40	0007210028	* BUSHING	1				
41	1513300013	* ELBOW	1				
	1420010140	* * O-RING	1				
42	0003600222	* SHIM	1				
43	0003600223	* SHIM	1				
44	1919055000	* GAS	17				
0-2	0569617280	PULLEY KIT	1				
45	0564634880	* PULLEY ASSY	1				
46	0564534890	* COLLAR	1				
47	0564634895	* COLLAR	1				
48	0564626010	* SHAFT	1				
49	1130140012	* NUT	2				
	L7E241						



**AIR CONDITIONER (2/4) (condenser)**

Item	Part number	Description	Q'ty	Chan.	Serial No.	Serv.	Remarks
0-2	<b>0564634700</b>	CONDENSER ASSY	1			M	
1	<b>0564634450</b>	▪ BRACKET	2			M	
2	<b>0564634430</b>	▪ COVER	1			M	
3	<b>1911300380</b>	▪ CONDENSER	1			M	
4	<b>1911506083</b>	▪ FUN	1			M	
5	<b>1911505511</b>	▪ DRYER	1				
6	<b>1654349034</b>	▪ SPONGE	2			M	sold by the meter
7	<b>1654349030</b>	▪ SPONGE	2			M	sold by the meter
8	<b>1911506301</b>	▪ BRACKET ASSY	1			M	
9	<b>1911512014</b>	▪ HOSE ASSY	1			M	
	<b>1911505601</b>	▪ ▪ O-RING	1				
10	<b>1911512013</b>	▪ HOSE ASSY	1			M	
	<b>1911505601</b>	▪ ▪ O-RING	1				
11	<b>1911505514</b>	▪ SWITCH	1				
12	<b>1100040516</b>	▪ BOLT	4				
13	<b>1100040614</b>	▪ BOLT	8				
14	<b>1100040816</b>	▪ BOLT	2				
15	<b>1100041020</b>	▪ BOLT	8				
16	<b>1140020005</b>	▪ WASHER, spring	4				
17	<b>1140020006</b>	▪ WASHER, spring	8				
18	<b>1140020008</b>	▪ WASHER, spring	2				
19	<b>1140020010</b>	▪ WASHER, spring	8				
20	<b>1141110005</b>	▪ WASHER	4				
21	<b>1141110006</b>	▪ WASHER	8				
22	<b>1141110008</b>	▪ WASHER	2				
23	<b>1141110010</b>	▪ WASHER	8				
24	<b>0564630901</b>	▪ CONNECTOR	1			M	
	<b>L7e200-1</b>						

TB175 Book No. BL7Z000 S/N 17530001-  
AIR CONDITIONER (3/4) AC UNIT SN 17530476~

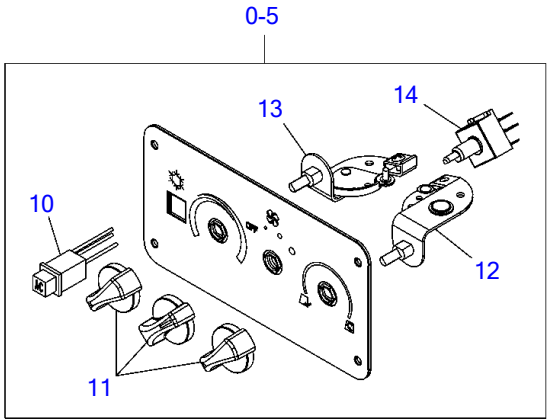
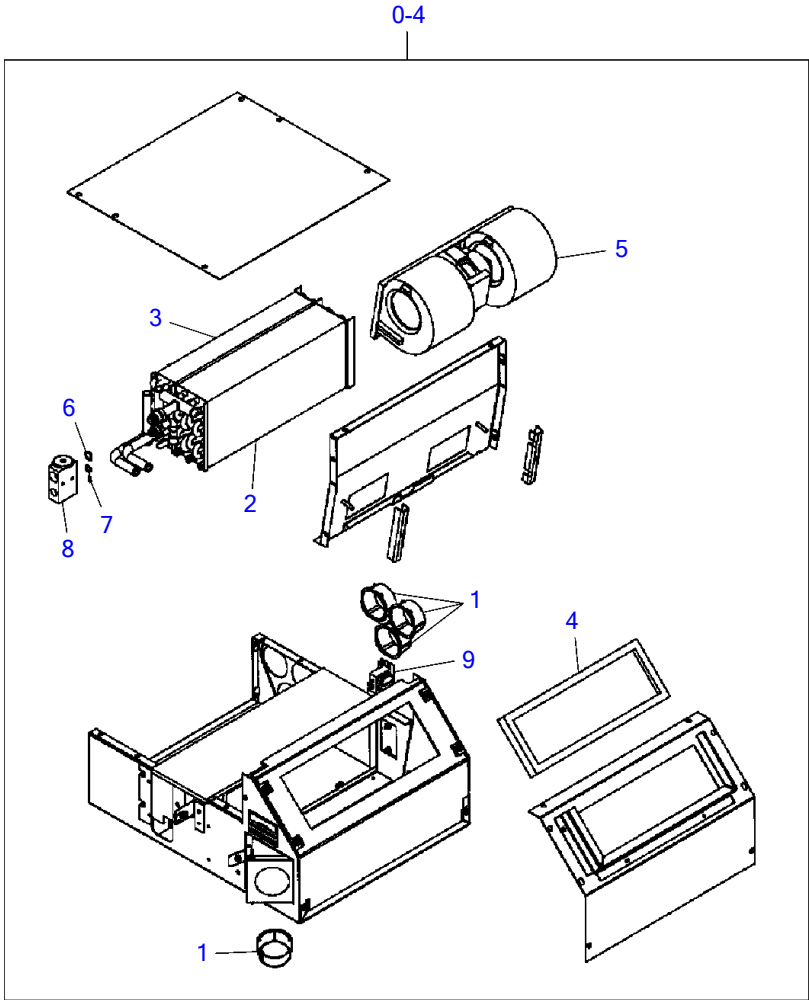


L7E250

8-118

**AIR CONDITIONER (3/4) AC UNIT SN 17530476~**

Item	Part number	Description	Q'ty	Chan.	Serial No.	Serv.	Remarks
		AC (3/4) AC UNIT SN 17530476~					
0-3	<b>0564634600</b>	AIR CONDITIONER UNIT ASSY	1				
8	<b>1911508512</b>	* HOSE	1				
9	<b>0097210300</b>	* GUARD	1				
10	<b>1533001070</b>	* BAND	2				
11	<b>1652261410</b>	* BAND	4				
13	<b>1911512060</b>	* AC UNIT ASSY	1				
14	<b>1911505640</b>	* WIRE	2				
15	<b>1911512010</b>	* WIRING HARNESS	1				
15-1	<b>1911506041</b>	** RELAY	2				
16	<b>1911505670</b>	* BAND	6				
17	<b>1911505690</b>	* VALVE	1				
18	<b>1911505710</b>	* TUBE ASSY	2				
19	<b>1110090512</b>	* CAP SCREW	3				
21	<b>0564634610</b>	* COVER	1				
22	<b>1911505760</b>	* PANEL ASSY	1				
26	<b>1120590510</b>	* SCREW	4				
27	<b>1120590512</b>	* SCREW	4				
28	<b>1100040616</b>	* BOLT	10				
33	<b>1140090005</b>	* SPRING WASHER	7				
34	<b>1140020006</b>	* SPRING WASHER	12				
38	<b>1141190005</b>	* WASHER	7				
40	<b>1911508552</b>	* HOSE	1				
41	<b>1911508578</b>	* HOSE	1				
42	<b>1911508552</b>	* HOSE	1				
43	<b>1911500500</b>	* BAND	4				
44	<b>1911501806</b>	* HOSE	1				
45	<b>1911506060</b>	* LOUVER	3				
47	<b>0394612710</b>	* BRACKET	1				
48	<b>1653916026</b>	* TRIM	1				
49	<b>1911506711</b>	* ADAPTOR	3				
50	<b>1911505723</b>	* LOUVER	1				
51	<b>0003600090</b>	* WASHER	10				
52	<b>1130040006</b>	* NUT	2				
53	<b>0564634655</b>	* SPONGE SN 17531106~	1				
54	<b>0564634656</b>	* SPONGE SN 17531106~	1				
	<b>L7E251</b>						

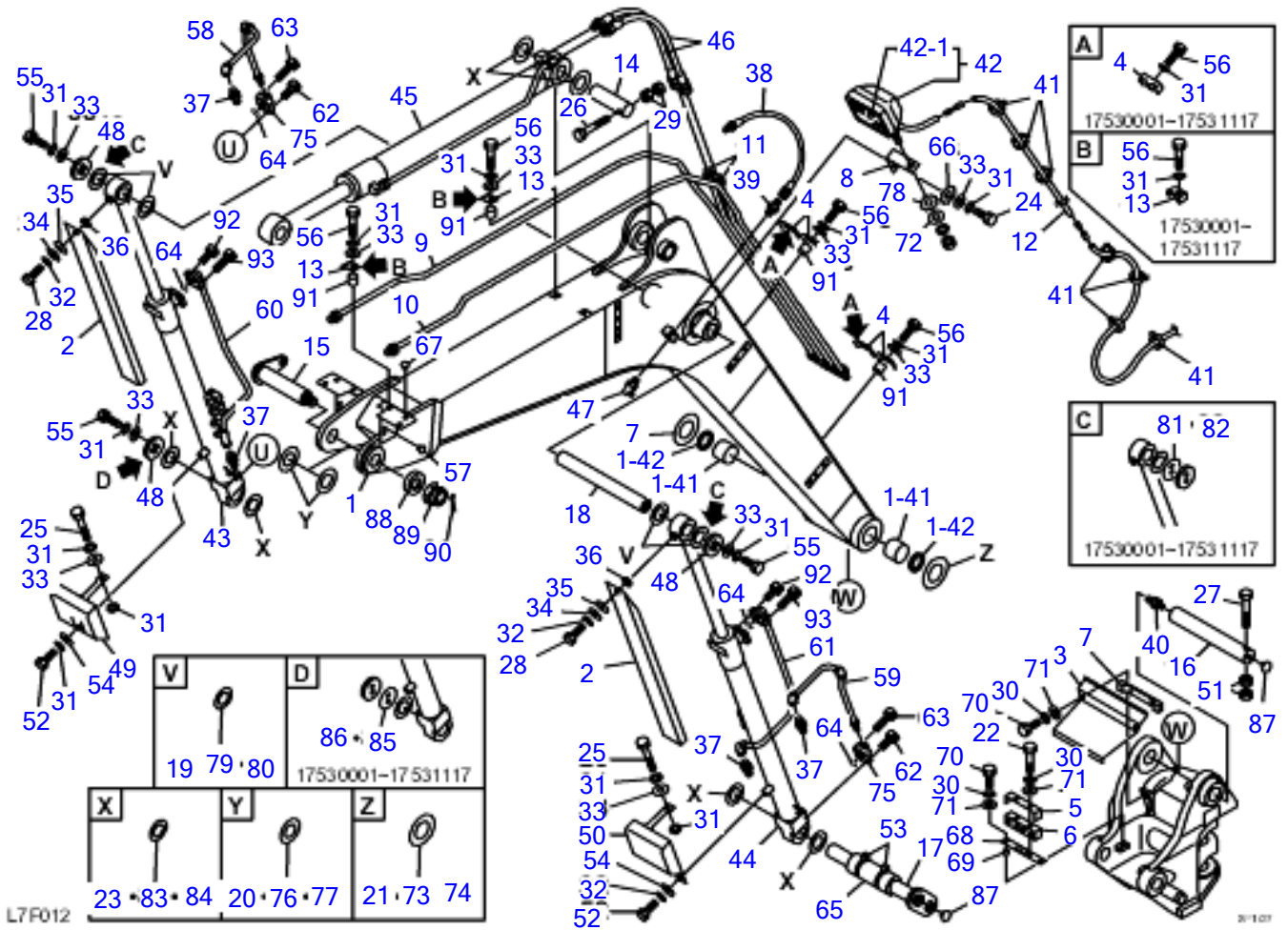


S-free

**AIR CONDITIONER (4/4)**

Item	Part number	Description	Q'ty	Chan.	Serial No.	Serv.	Remarks
0-4	<b>1911512060</b>	UNIT ASSY, air con.	1			M	
1	<b>1911506711</b>	▪ ADAPTOR	4			M	
2	<b>1911512062</b>	▪ EVAPORATOR ASSY	1			M	
3	<b>1911512063</b>	▪ CORE ASSY, heater	1			M	
4	<b>1911512064</b>	▪ FILTER	1			M	
5	<b>1911512065</b>	▪ MOTOR ASSY, blower	1			M	
6	<b>1911505603</b>	▪ O-RING	1			M	
7	<b>1911505602</b>	▪ O-RING	1			M	
8	<b>1911512068</b>	▪ VALVE, expansion	1			M	
9	<b>1911505421</b>	▪ THERMOSTAT	1			M	
0-5	<b>1911505760</b>	PANEL ASSY	1				
10	<b>1911505767</b>	▪ SWTCH, air con.	1				
11	<b>1911505763</b>	▪ KNOB	3				
12	<b>1911505761</b>	▪ CONVERTER, cable control	1				
13	<b>1911505762</b>	▪ CONVERTER, cable control	1				
14	<b>1911505768</b>	▪ ROTARY SWITCH, 3-speed	1				
	<b>L7E221</b>						

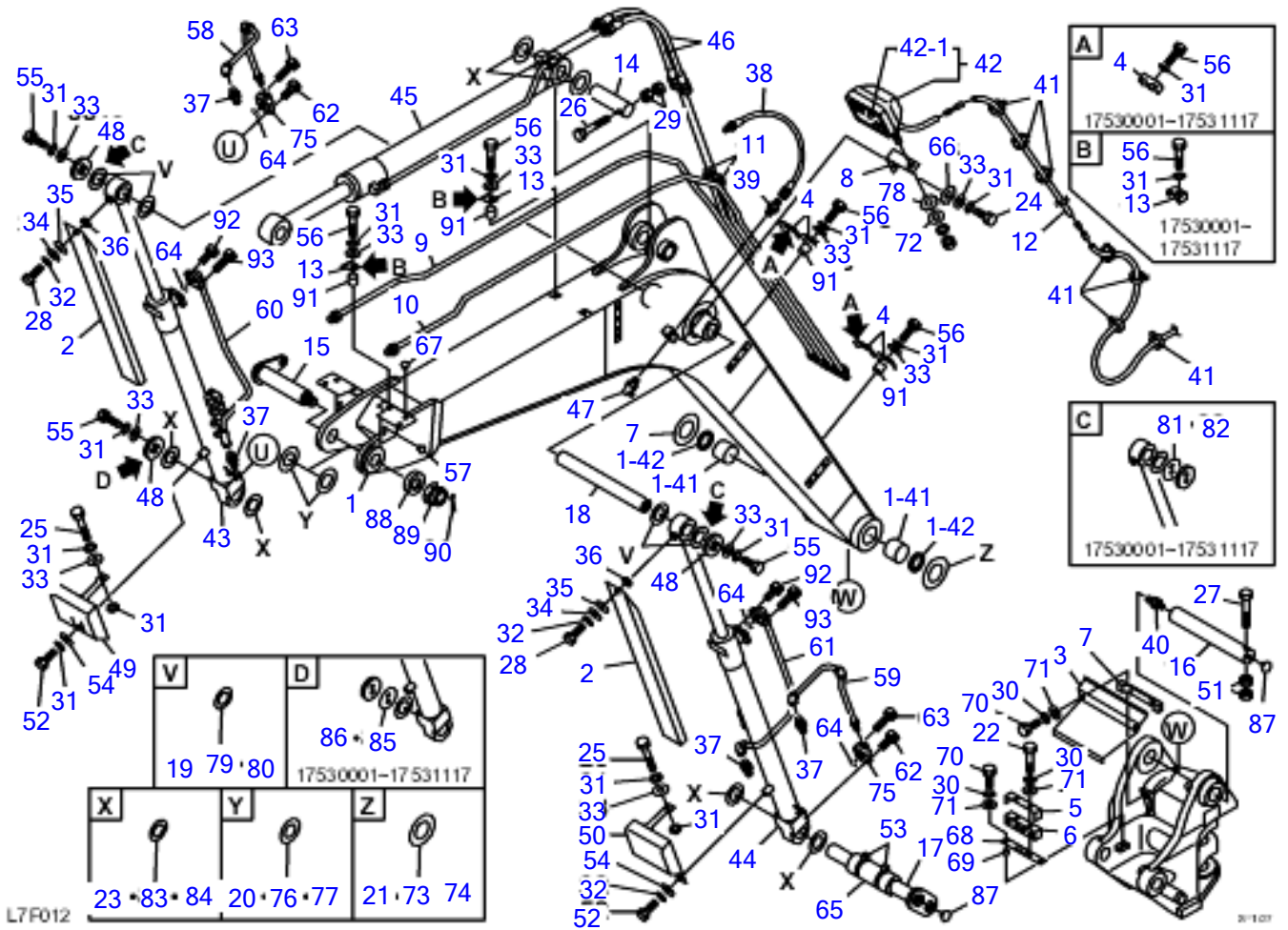
TB175 Book No. BL7Z000 S/N 17530001-  
BOOM





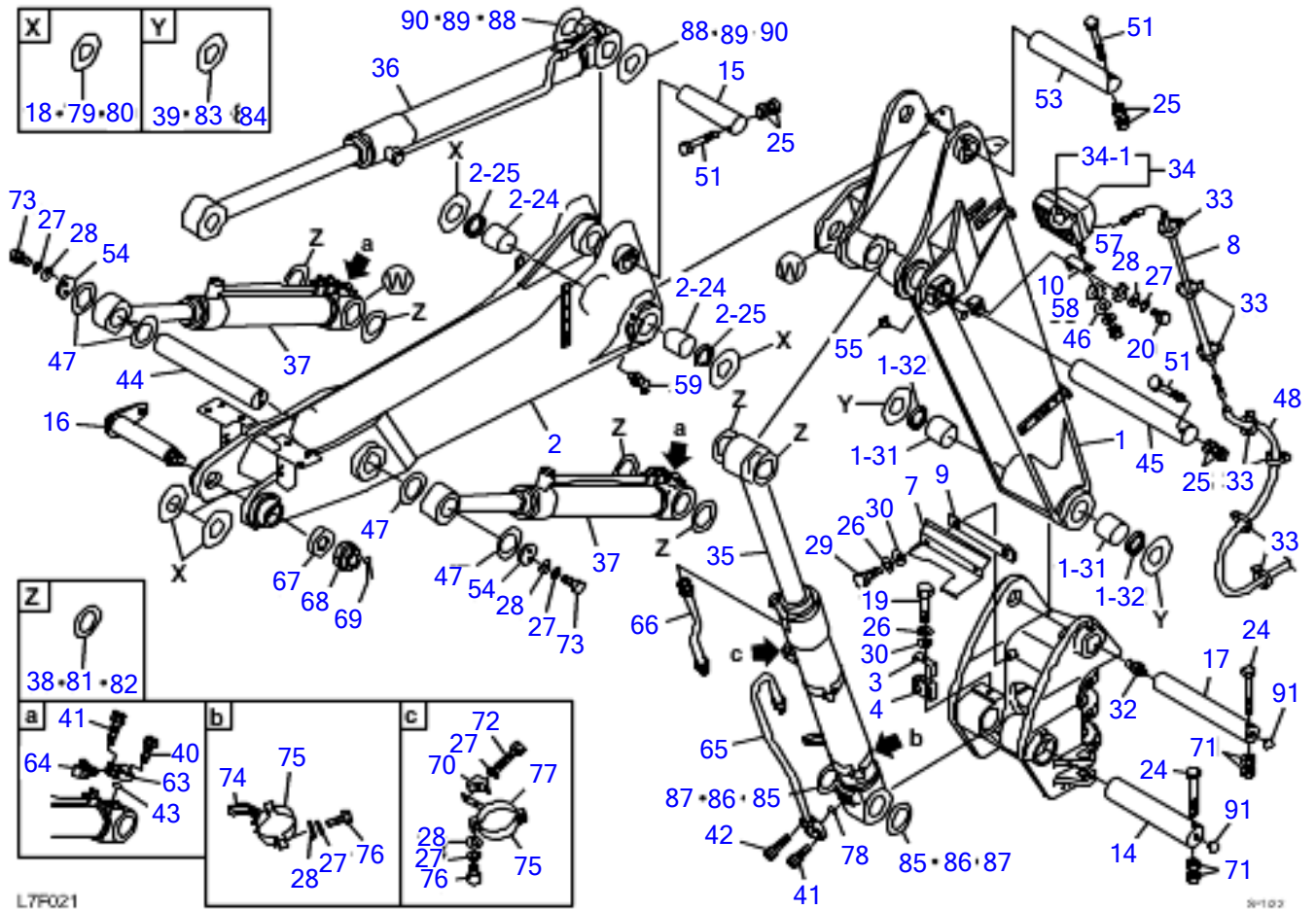
							BOOM		
Item	Part number	Description	Q'ty	Chan.	Serial No.	Serv.	Remarks		
		BOOM ASSY							
		BOOM ASSY (with shut-off valve)							
1	0566044800	BOOM SUB ASSY	1						
	0566060100	BOOM SUB ASSY	1						
1-41	0002400074	• BUSHING	2						
1-42	1432200070	• SEAL, dust	2						
2	0566026300	COVER	2						
3	0566038100	COVER	1						
4	1534000022	CLAMP	4						
	0566052094	CLAMP	4						
5	0566014500	CLAMP	1						
6	0566014600	PROTECTOR	1						
7	0566038200	RUBBER	1						
8	0566013100	BRACKET	1						
9	0566046200	PIPE (R.H.)	1						
10	0566046300	PIPE (L.H.)	1						
11	0566019500	PIPE	2						
12	0566051310	HARNESS, wiring	1				M		
13	1534100218	CLAMP	4						
	0566052095		4						
14	0001607200	PIN	1						
15	0011907007	PIN	1						
16	0011578006	PIN	1						
17	0011796003	PIN	1						
	0011796004	PIN	1						
18	0011596005	PIN	1						
	0011596006	PIN	1						
19	0003600156	SHIM	AR					t=1.0mm	
20	0003600157	SHIM	AR					t=1.0mm	
21	0003600218	SHIM	AR					t=1.0mm	
22	1100040850	BOLT	2						
23	0003600221	SHIM	AR					t=1.0mm	
24	1100041020	BOLT	1						
25	1100041050	BOLT	2						
26	1100141205	BOLT	1						
27	1100141240	BOLT	1						
28	1102041225	BOLT	2						
29	1130040012	NUT	2						
30	1140020008	WASHER, spring	6						
31	1140020010	WASHER, spring	9						
32	1140020012	WASHER, spring	4						
33	1141110010	WASHER	9						
34	0003600057	WASHER	2						
35	1225120022	WASHER, conical	2						
36	0003600159	COLLAR	2						
37	1515600202	ADAPTOR	4						
	1420010180	• O-RING	1						
38	1934802070	HOSE ASSY	1						
39	1511050002	ADAPTOR	1						
	1420010240	* O-RING	1						
40	1560001000	FITTING, grease	1						
41	1652201005	BAND	10						
42	1703002700	LAMP ASSY	1				M		
42-1	1703002706	• BULB	1				M		
43	1900097700	CYLINDER, boom (R.H.)	1						
44	1900097600	CYLINDER, boom (L.H.)	1						
45	1900097500	CYLINDER, arm	1						
46	1802743062	HOSE ASSY	2						
47	1560001675	FITTING, grease	1						
48	0566054648	PLATE	3						
49	0566039140	PROTECTOR (R.H.)	1						
50	0566039130	PROTECTOR (L.H.)	1						
51	1130240012	NUT	2						
52	1100041225	BOLT	2						
53	1652201007	BAND	2						
54	1141110012	WASHER	2						
55	1100041035	BOLT	12						
56	1100041040	BOLT	8				M		

TB175 Book No. BL7Z000 S/N 17530001-  
BOOM



BOOM								
Item	Part number	Description	Q'ty	Chan.	Serial No.	Serv.	Remarks	
57	1652533016	CAP	22					
58	0566046320	PIPE (R.H.)	1				standard	
59	0566046310	PIPE (L.H.)	1				standard	
60	0566039120	PIPE (R.H.)	1					
61	0566039110	PIPE (L.H.)	1					
62	1110040830	SCREW, cap	8					
63	1110040840	SCREW, cap	8					
64	1420010220	O-RING	4					
65	0566046065	PROTECTOR	1				sold by the meter	
66	1140330010	WASHER	1					
67	1652533017	CAP	17					
68	0566039150	PLATE	1					
69	0566038400	COLLAR	2					
70	1100040825	BOLT	4					
71	1141110008	WASHER	6					
72	1141110012	WASHER	1					
73	0003600199	SHIM	AR				t=0.2mm	
74	0003600217	SHIM	AR				t=0.5mm	
75	0566017380	ELBOW	2				standard	
76	0003600095	SHIM	AR				t=0.5mm	
77	0003600094	SHIM	AR				t=0.2mm	
78	1140330012	WASHER	1			M		
79	0003600109	SHIM	AR				t=0.5mm	
80	0003600108	SHIM	AR				t=0.2mm	
81	0566019200	SHIM	AR				t=2.3mm	
82	0566019100	SHIM	AR				t=1.0mm	
83	0003600220	SHIM	AR				t=0.5mm	
84	0003600219	SHIM	AR				t=0.2mm	
85	0566040300	SHIM	AR				t=1.0mm	
86	0566040350	SHIM	AR				t=2.3mm	
87	1652533021	CAP	2					
88	0566040880	WASHER	1					
89	1132130042	NUT	1					
90	1210010890	PIN, split	1					
91	0003600273	COLLAR	8					
92	1110040835	CAP SCREW	4					
93	1110040845	CAP SCREW	4					
	L7F012							

TB175 Book No. BL7Z000 S/N 17530001-  
BOOM (1/2) (2-piece boom)



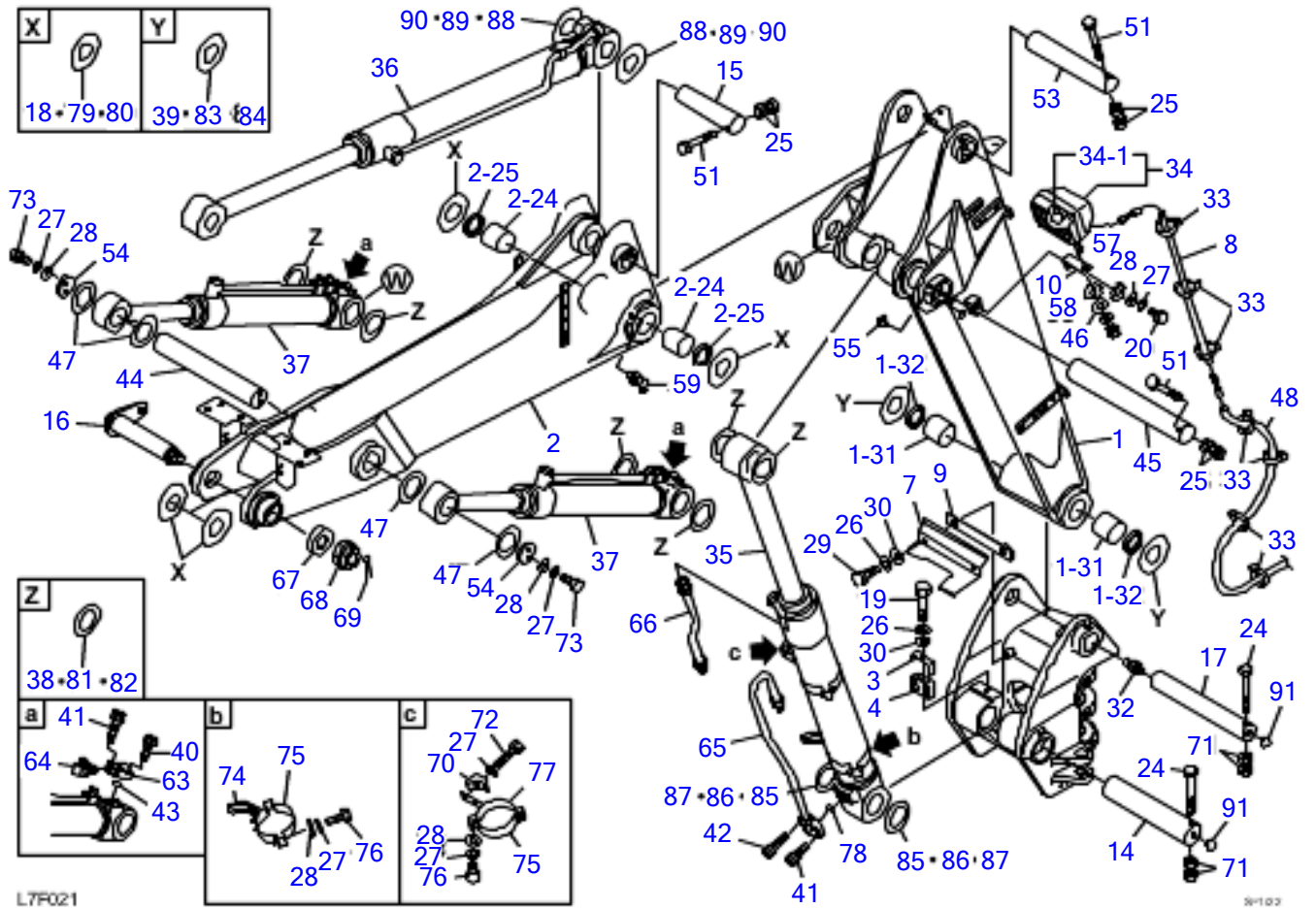
L7F021

5/102

**BOOM (1/2) (2-piece boom)**

Item	Part number	Description	Q'ty	Chan.	Serial No.	Serv.	Remarks
		BOOM ASSY					
1	0566048910	BOOM 1	1				
1-24	0002400074	• BUSHING	2				
1-25	1432200070	• SEAL, dust	2				
2	0566047030	BOOM 2	1				
2-24	0002400038	• BUSHING	2				
2-25	1432200065	• SEAL, dust	2				
3	0566041030	PLATE	1				
4	0566032800	PROTECTOR	1				
7	0566041070	COVER	1				
8	0566050510	HARNESS, wiring	1			M	
9	0566041090	RUBBER	1				
10	0566013100	BRACKET	1				
14	0566041015	PIN	1				
15	0001608265	PIN	1				
16	0011908001	PIN	1				
17	0011578006	PIN	1				
18	0003600158	SHIM	AR				t=1.0mm
19	1100040865	BOLT	1				
20	1100041020	BOLT	1				
24	1100141240	BOLT	2				
25	1130040012	NUT	6				
26	1140020008	WASHER, spring	3				
27	1140020010	WASHER, spring	11				
28	1141110010	WASHER	9				
29	1100040825	BOLT	2				
30	1141110008	WASHER	3				
32	1560001000	FITTING, grease	1				
33	1652201005	BAND	7				
34	1703002700	LAMP ASSY	1			M	
34-1	1703002706	• BULB	1			M	
35	1900093900	CYLINDER, boom	1				
36	1900086900	CYLINDER, arm	1				
37	1900087000	CYLINDER, adjust	2				
38	0003600170	SHIM	AR				t=1.0mm
39	0003600218	SHIM	AR				t=1.0mm
40	1110040830	SCREW, cap	4				
41	1110040840	SCREW, cap	6				
42	1110040845	SCREW, cap	2				
43	1420010220	O-RING	2				
44	0566027070	PIN	1				
45	0566032450	PIN	1				
46	1141110012	WASHER	1				
47	0003600181	SHIM	AR				
48	1531312100	PROTECTOR	1				sold by the meter
51	1100141220	BOLT	3				
53	0566032530	PIN	1				
54	0566032990	PLATE	2				
55	1652533016	CAP	1				
57	1140330010	WASHER	1				
58	1140330012	WASHER	1			M	
59	1560001675	FITTING, grease	1				
63	0566017380	ELBOW	2				
64	1515010042	ELBOW	2				
	1420010180	• O-RING	1				
65	0566032570	TUBE	1				
66	0566032660	TUBE	1				
67	0566048080	WASHER	1				
68	1132130045	NUT	1				
69	1210010890	PIN, split	1				
70	1534100218	CLAMP	2				
71	1130240012	NUT	4				
72	1100061045	BOLT	2			M	
73	1100041025	BOLT	4				
74	0566021970	BAND	1				
75	0566021980	BAND	2				
76	1100041035	BOLT	4				
77	0566032010	BAND	1				

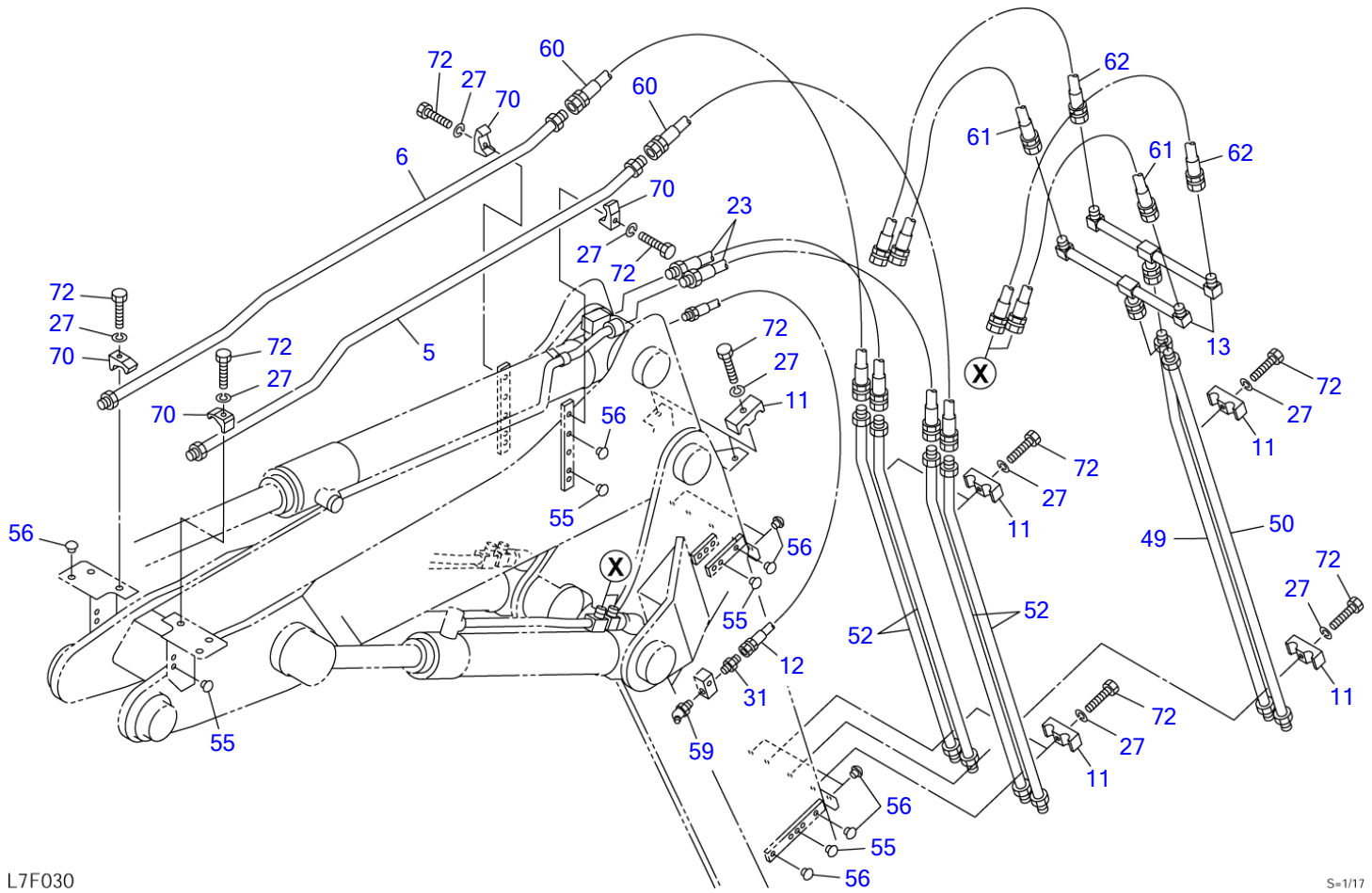
TB175 Book No. BL7Z000 S/N 17530001-  
BOOM (1/2) (2-piece boom)



**BOOM (1/2) (2-piece boom)**

Item	Part number	Description	Q'ty	Chan.	Serial No.	Serv.	Remarks
78	1420010240	O-RING	1				
79	0003600105	SHIM	AR				t=0.2mm
80	0003600106	SHIM	AR				t=0.5mm
81	0003600101	SHIM	AR				t=0.2mm
82	0003600102	SHIM	AR				t=0.5mm
83	0003600199	SHIM	AR				t=0.2mm
84	0003600217	SHIM	AR				t=0.5mm
85	0003600224	SHIM	AR				t=0.2mm
86	0003600225	SHIM	AR				t=0.5mm
87	0003600226	SHIM	AR				t=1.0mm
88	0003600214	SHIM	AR				t=0.2mm
89	0003600215	SHIM	AR				t=0.5mm
90	0003600216	SHIM	AR				t=1.0mm
91	1652533021	CAP	2				
	L7f021						

TB175 Book No. BL7Z000 S/N 17530001-  
BOOM (2/2) (2-piece boom)



L7F030

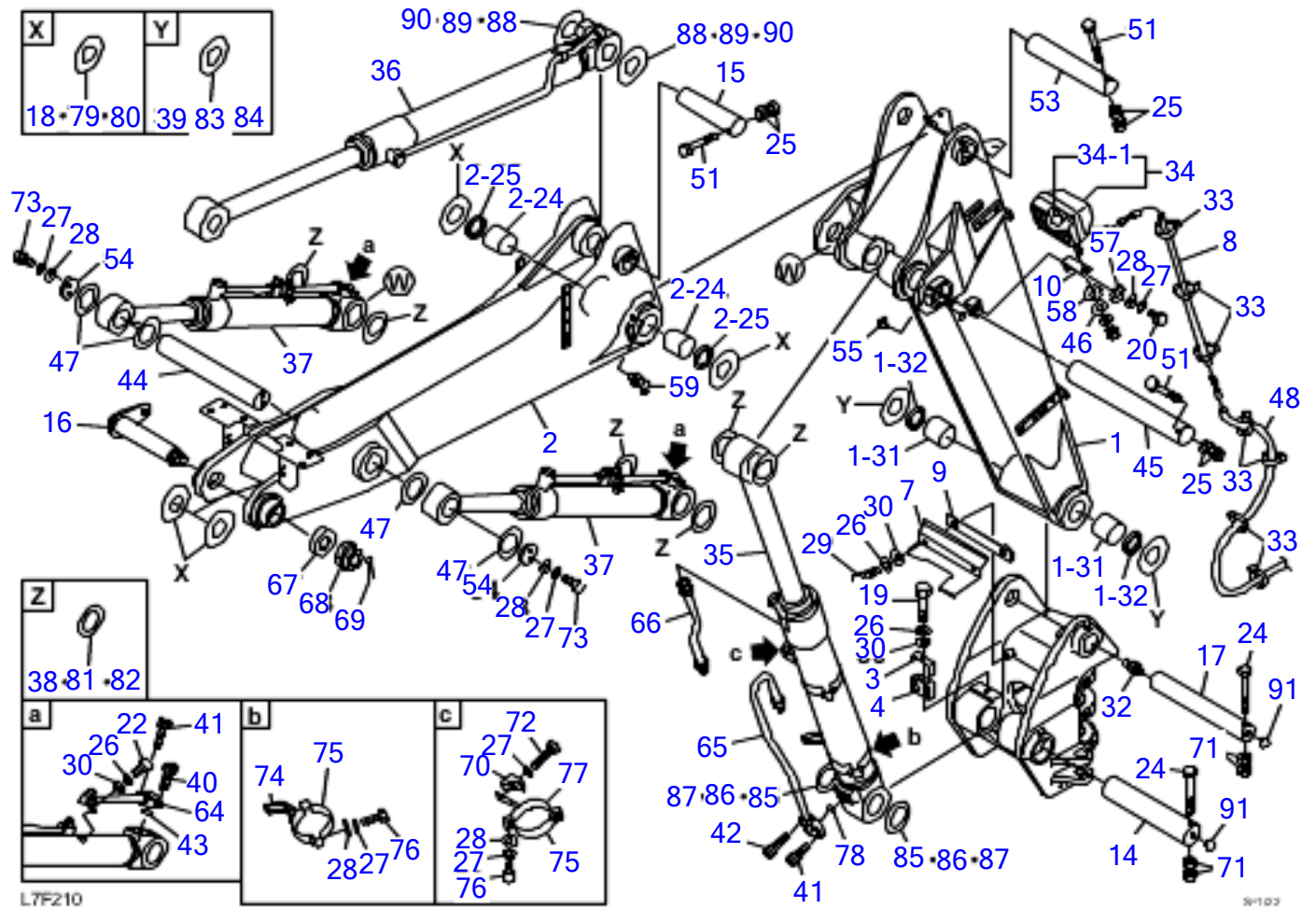
S=1/17



**BOOM (2/2) (2-piece boom)**

Item	Part number	Description	Q'ty	Chan.	Serial No.	Serv.	Remarks
		BOOM ASSY					
5	0566047040	PIPE (L.H.)	1				
6	0566047050	PIPE (R.H.)	1				
11	1534000022	CLAMP	8				
12	1934802135	HOSE ASSY	1				
13	0566027050	PIPE	2				
23	1802743090	HOSE ASSY	2				
27	1140020010	WASHER, spring	12				
31	1511050002	ADAPTOR	1				
49	0566027430	PIPE (R.H.)	1				
50	0566027440	PIPE (L.H.)	1				
52	0566027450	PIPE	4				
55	1652533016	CAP	24				
56	1652533017	CAP	18				
59	1560001675	FITTING, grease	1				
60	1802740100	HOSE ASSY	2				
61	1802740094	HOSE ASSY	2				
62	1802740110	HOSE ASSY	2				
70	1534100218	CLAMP	4				
72	1100061045	BOLT	12				M
	L7F032						

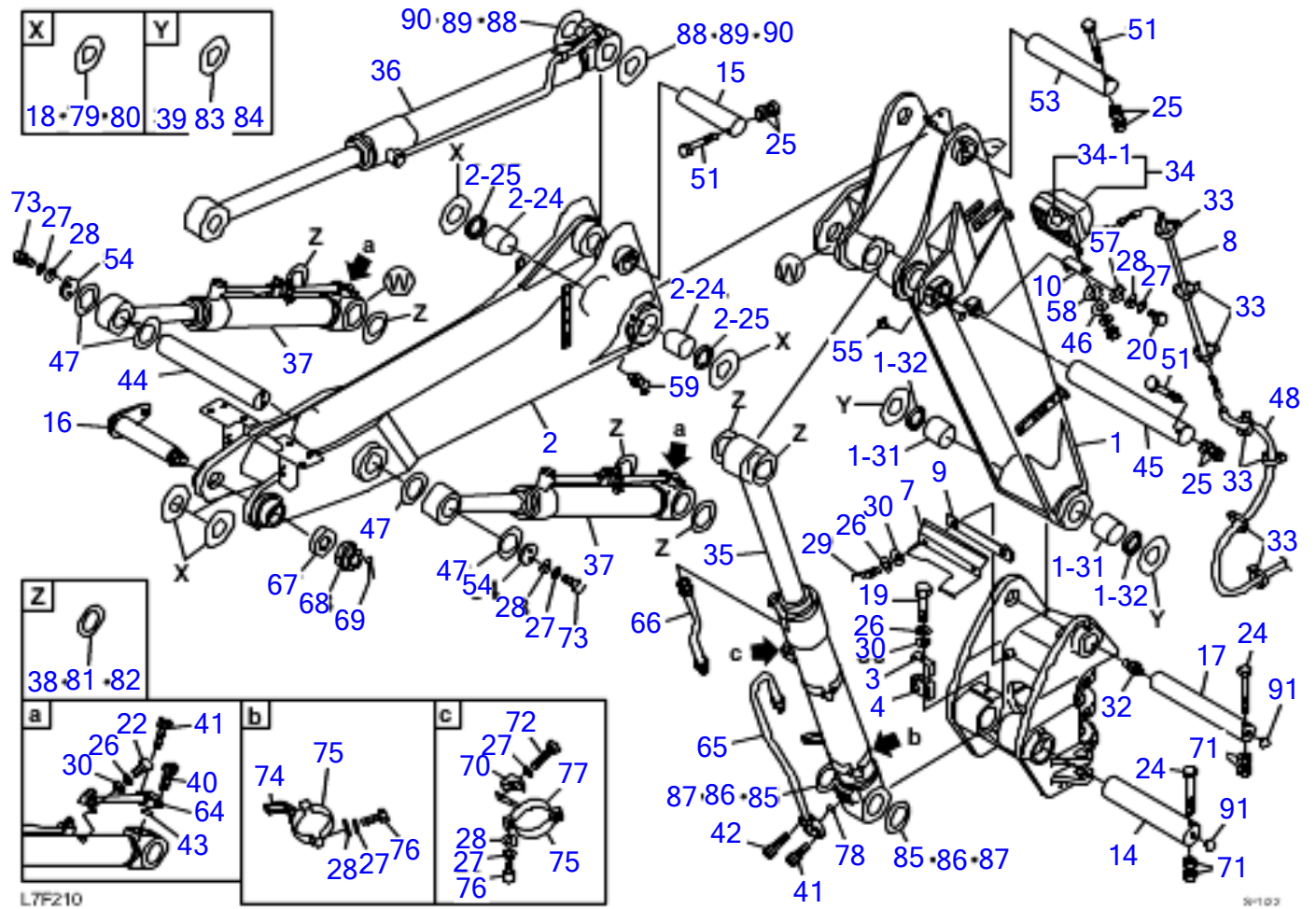
TB175 Book No. BL7Z000 S/N 17530001-  
BOOM (1/2) 2 piece



**BOOM (1/2) 2 piece**

Item	Part number	Description	Q'ty	Chan.	Serial No.	Serv.	Remarks
		BOOM ASSY					
1	0566048910	BOOM 1	1				
1-31	0002400074	* BUSHING	2				
1-32	1432200070	* DUST SEAL	2				
2	0566047030	BOOM 2	1				
2-24	0002400038	* BUSHING	2				
2-25	1432200065	* DUST SEAL	2				
3	0566041030	PLATE	1				
4	0566032800	PROJECTOR	1				
7	0556041070	COVER	1				
8	0566050510	WIRING HARNESS	1				
9	0566041090	RUBBER	1				
10	0566013100	BRACKET	1				
14	0566041015	PIN	1				
15	0001608265	PIN	1				
16	0011908001	PIN	1				
17	0011578006	PIN	1				
18	0003600158	SHIM					
19	1100040865	BOLT	1				
20	1100041030	BOLT	1				
22	1100040820	BOLT	2				
24	1100141240	BOLT	2				
25	1130040012	NUT	6				
26	1140020008	SPRING WASHER	5				
27	1140020010	SPRING WASHER	11				
28	1141110010	WASHER	9				
29	1100040825	BOLT	2				
30	1141110008	WASHER	5				
32	1560001000	GREASE FITTING	1				
33	1652201005	BAND	7				
34	1703002700	LAMP ASSY	1				
34-1	1703002706	* BULB	1				
35	1900093900	BOOM CYLINDER	1				
36	1900106300	ARM CYLINDER	1				
37	1900089100	ADJUST CYLINDER	2				
38	0003600170	SHIM					
39	0003600218	SHIM					
40	1110040830	CAP SCREW	4				
41	1110040840	CAP SCREW	6				
42	1110040845	CAP SCREW	2				
43	1420010220	O-RING	2				
44	0566027070	PIN	1				
45	0566032450	PIN	1				
46	1141110012	WASHER	1				
47	0003600181	SHIM					
48	1531312100	PROTECTOR	1				
51	1100141220	BOLT	3				
53	0566032530	PIN	1				
54	0566032990	PLATE	2				
55	1652533016	CAP	1				
57	1140330010	WASHER	1				
58	1140330012	WASHER	1				
59	1560001675	GREASE FITTING	1				
64	0566052910	PIPE	2				
65	0566032570	TUBE	1				
66	0566032660	TUBE	1				
67	0566048080	WASHER	1				
68	1132130045	NUT	1				
69	1210010890	SPLIT PIN	1				
70	1534100218	CLAMP	2				
71	1130240012	NUT	4				
72	1100061045	BOLT	2				
73	1100041025	BOLT	4				
74	0566021970	BAND	1				
75	0566021980	BAND	2				
76	1100041035	BOLT	4				
77	0566032010	BAND	1				
78	1420010240	O-RING	1				

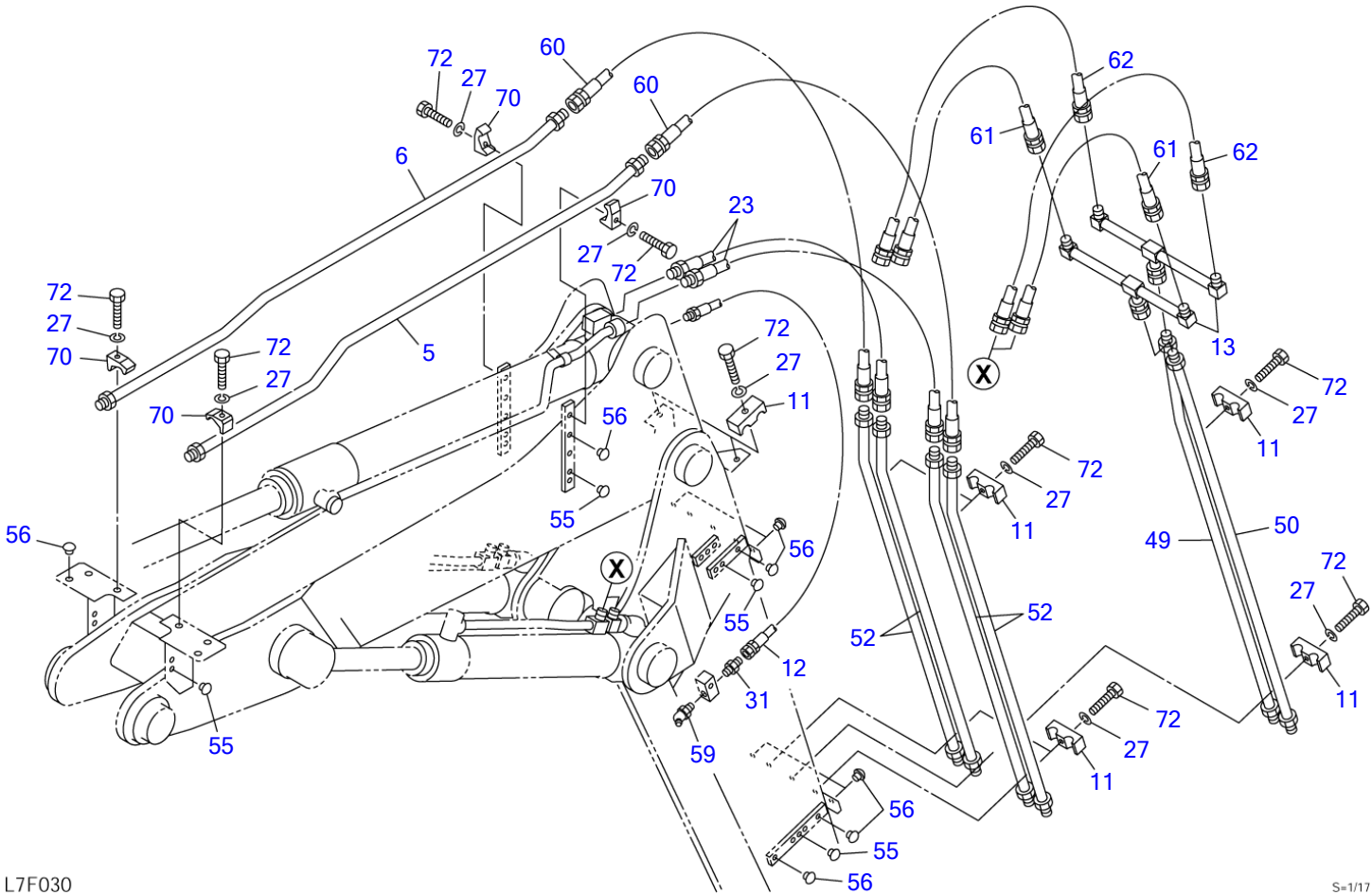
TB175 Book No. BL7Z000 S/N 17530001-  
BOOM (1/2) 2 piece



**BOOM (1/2) 2 piece**

Item	Part number	Description	Q'ty	Chan.	Serial No.	Serv.	Remarks
79	0003600105	SHIM					
80	0003600106	SHIM					
81	0003600101	SHIM					
82	0003600102	SHIM					
83	0003600199	SHIM					
84	00039600217	SHIM					
85	0003600224	SHIM					
86	0003600225	SHIM					
87	0003600226	SHIM					
88	0003600214	SHIM					
89	0003600215	SHIM					
90	0003600216	SHIM					
91	1652533021 L7F210	CAP	2				

TB175 Book No. BL7Z000 S/N 17530001-  
BOOM (2/2) (2-piece boom)



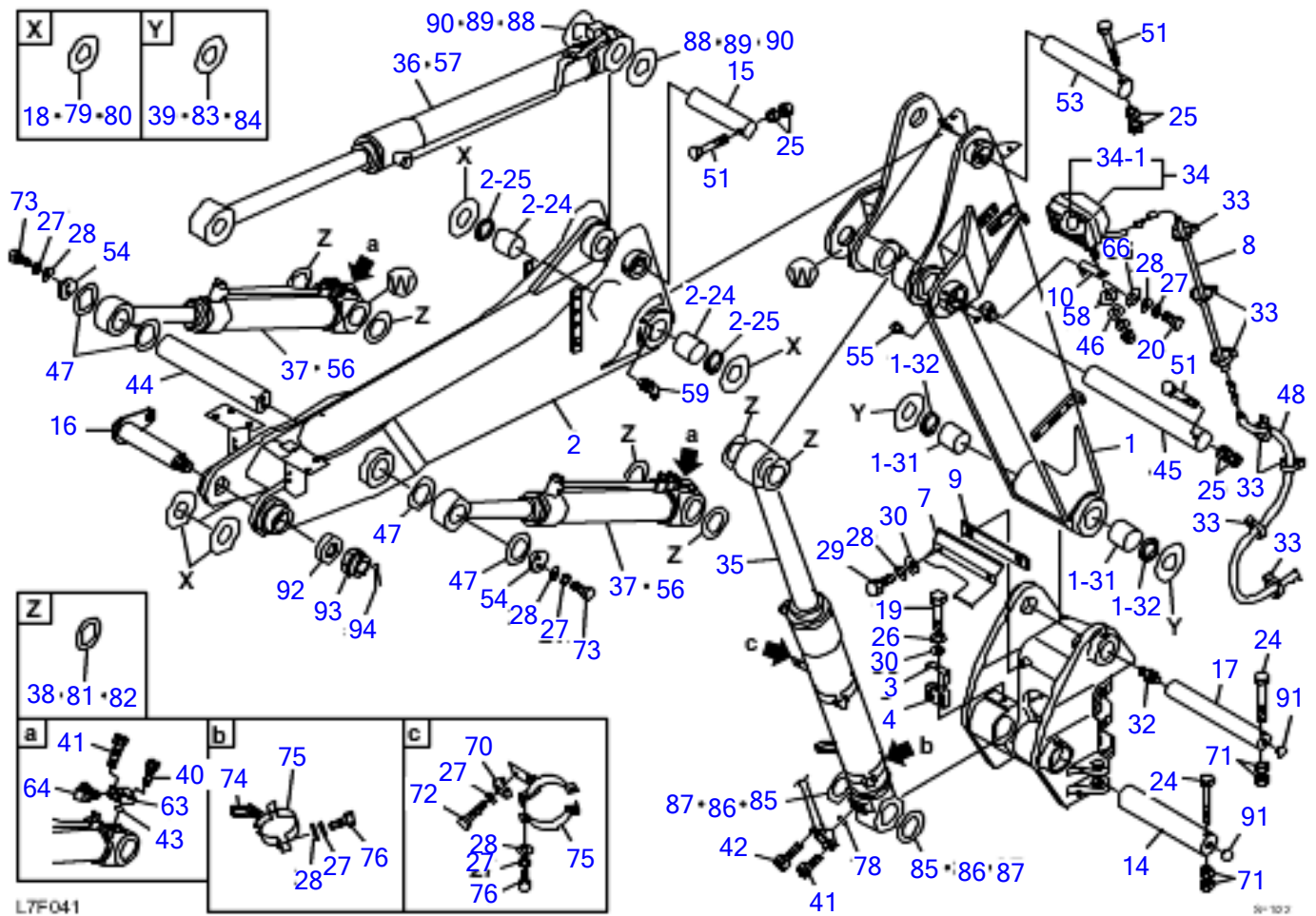
L7F030

S=1/17

**BOOM (2/2) (2-piece boom)**

Item	Part number	Description	Q'ty	Chan.	Serial No.	Serv.	Remarks
		BOOM ASSY					
5	0566047040	PIPE (L.H.)	1				
6	0566047050	PIPE (R.H.)	1				
11	1534000022	CLAMP	8				
12	1934802135	HOSE ASSY	1				
13	0566027050	PIPE	2				
23	1802743090	HOSE ASSY	2				
27	1140020010	WASHER, spring	12				
31	1511050002	ADAPTOR	1				
	1420010240	* O-RING	1				
49	0566027430	PIPE (R.H.)	1				
50	0566027440	PIPE (L.H.)	1				
52	0566027450	PIPE	4				
55	1652533016	CAP	24				
56	1652533017	CAP	18				
59	1560001675	FITTING, grease	1				
60	1802740100	HOSE ASSY	2				
61	1802740125	HOSE ASSY	2				
62	1802740137	HOSE ASSY	2				
70	1534100218	CLAMP	4				
72	1100061045	BOLT	12				M
	L7F221						

TB175 Book No. BL7Z000 S/N 17530001-  
 BOOM (1/2) (2-piece boom; with shut-off valve)

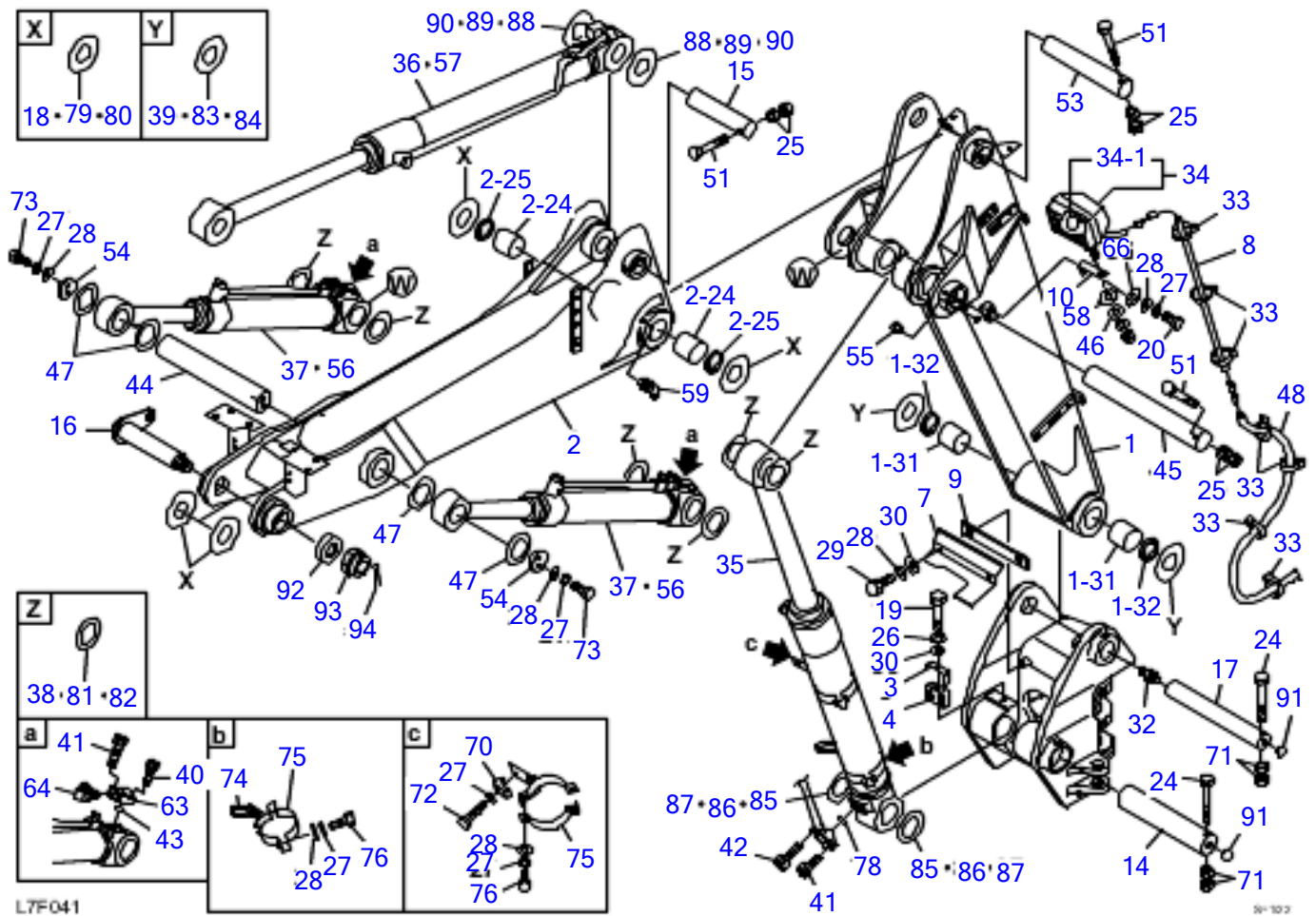




**BOOM (1/2) (2-piece boom; with shut-off valve)**

Item	Part number	Description	Q'ty	Chan.	Serial No.	Serv.	Remarks
		BOOM ASSY (for boom)					
		BOOM ASSY (for boom+arm)					
		BOOM ASSY (for boom+arm+adjust)					
		BOOM ASSY (for boom+adjust)					
1	0566048910	BOOM 1	1				
1-31	0002400074	• BUSHING	2				
1-32	1432200070	• SEAL, dust	2				
2	0566047030	BOOM 2	1				
2-24	0002400038	• BUSHING	2				
2-25	1432200065	• SEAL, dust	2				
3	0566041030	PLATE	1				
4	0566032800	PROTECTOR	1				
7	0566041070	COVER	1				
8	0566050510	HARNESS, wiring	1			M	
9	0566041090	RUBBER	1				
10	0566013100	BRACKET	1				
14	0566041015	PIN	1				
15	0001608265	PIN	1				
16	0011908001	PIN	1				
17	0011578006	PIN	1				
18	0003600158	SHIM	AR				t=1.0mm
19	1100040865	BOLT	1				
20	1100041020	BOLT	1				
24	1100141240	BOLT	2				
25	1130040012	NUT	6				
26	1140020008	WASHER, spring	3				
27	1140020010	WASHER, spring	12				
28	1141110010	WASHER	9				
29	1100040825	BOLT	2				
30	1141110008	WASHER	3				
32	1560001000	FITTING, grease	1				
33	1652201005	BAND	7				
34	1703002700	LAMP ASSY	1			M	
34-1	1703002706	• BULB	1			M	
35	1900093900	CYLINDER, boom	1				
36	1900086900	CYLINDER, arm	1				for boom, boom+adjust
37	1900087000	CYLINDER, adjust	2				for boom, boom+arm
38	0003600170	SHIM	AR				t=1.0mm
39	0003600218	SHIM	AR				t=1.0mm
40	1110040830	SCREW, cap	4				
41	1110040840	SCREW, cap	6				
42	1110040845	SCREW, cap	2				
43	1420010220	O-RING	2				
44	0566027070	PIN	1				
45	0566032450	PIN	1				
46	1141110012	WASHER	1				
47	0003600181	SHIM	AR				
48	1531312100	PROTECTOR	1				sold by the meter
51	1100141220	BOLT	3				
53	0566032530	PIN	1				
54	0566032990	PLATE	2				
55	1652533016	CAP	1				
56	1900089100	CYLINDER, adjust (with shut-off valve)	2				for boom+arm+adjust, boom+adjust
57	1900089200	CYLINDER, arm (with shut-off valve)	1				for boom+arm+adjust, boom+arm
58	1140330012	WASHER	1			M	
59	1560001675	FITTING, grease	1				
63	0566017380	ELBOW	2				
64	1515010042	ELBOW	2				for boom, boom+arm
	1420010180	• O-RING	1				
66	1140330010	WASHER	1				
70	1534100218	CLAMP	1				
71	1130240012	NUT	4				

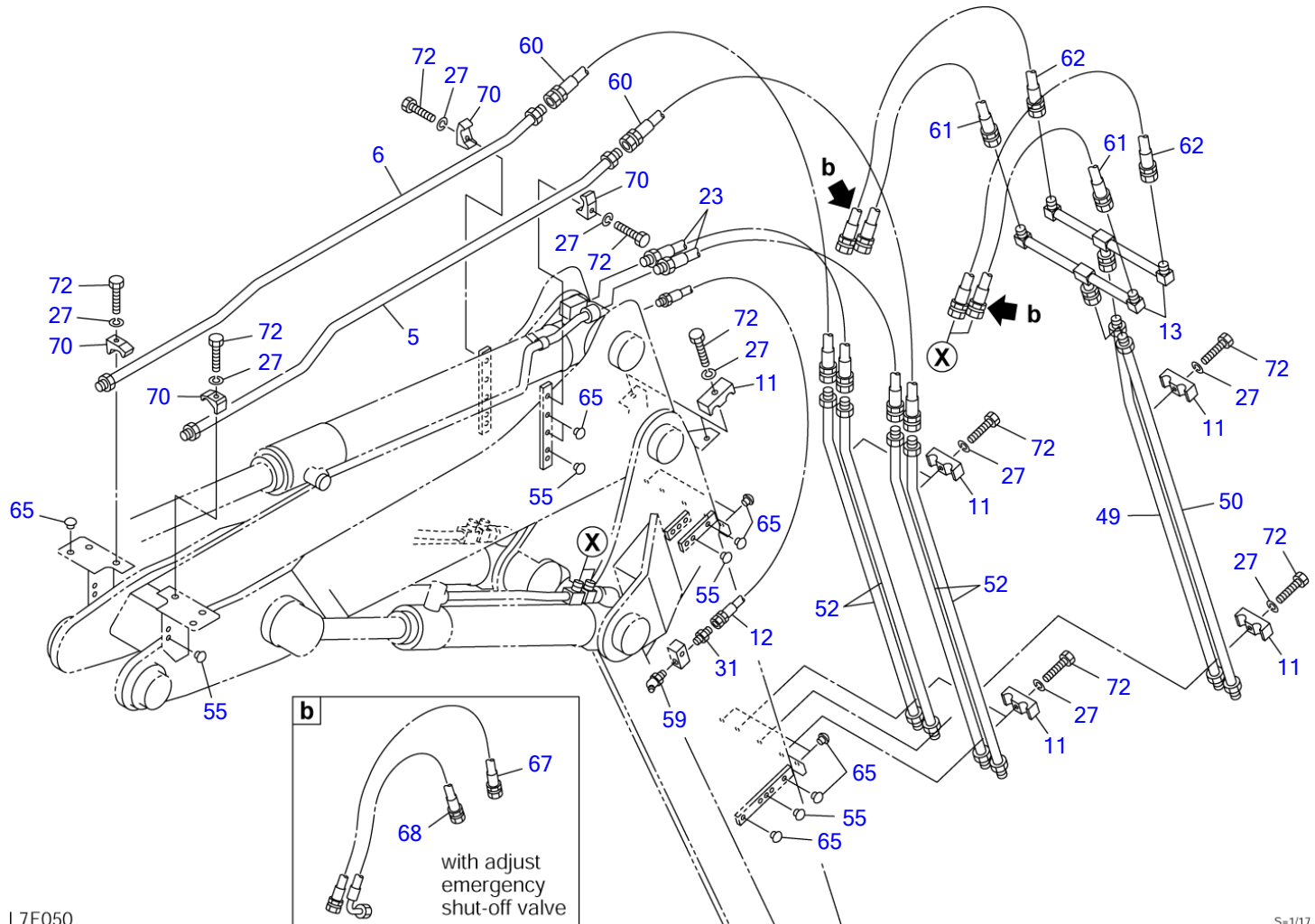
TB175 Book No. BL7Z000 S/N 17530001-  
 BOOM (1/2) (2-piece boom; with shut-off valve)



**BOOM (1/2) (2-piece boom; with shut-off valve)**

Item	Part number	Description	Q'ty	Chan.	Serial No.	Serv.	Remarks
72	1100061045	BOLT	1			M	
73	1100041025	BOLT	4				
74	0566021970	BAND	1				
75	0566021980	BAND	2				
76	1100041035	BOLT	4				
78	1420010240	O-RING	1				
79	0003600105	SHIM	AR				t=0.2mm
80	0003600106	SHIM	AR				t=0.5mm
81	0003600101	SHIM	AR				t=0.2mm
82	0003600102	SHIM	AR				t=0.5mm
83	0003600199	SHIM	AR				t=0.2mm
84	0003600217	SHIM	AR				t=0.5mm
85	0003600224	SHIM	AR				t=0.2mm
86	0003600225	SHIM	AR				t=0.5mm
87	0003600226	SHIM	AR				t=1.0mm
88	0003600214	SHIM	AR				t=0.2mm
89	0003600215	SHIM	AR				t=0.5mm
90	0003600216	SHIM	AR				t=1.0mm
91	1652533021	CAP	2				
92	0566048080	WASHER	1				
93	1132130045	NUT	1				
94	1210010890	PIN, split	1				
	L7F041						

TB175 Book No. BL7Z000 S/N 17530001-  
 BOOM (2/2) (2-piece boom; with shut-off valve)17530001-31015



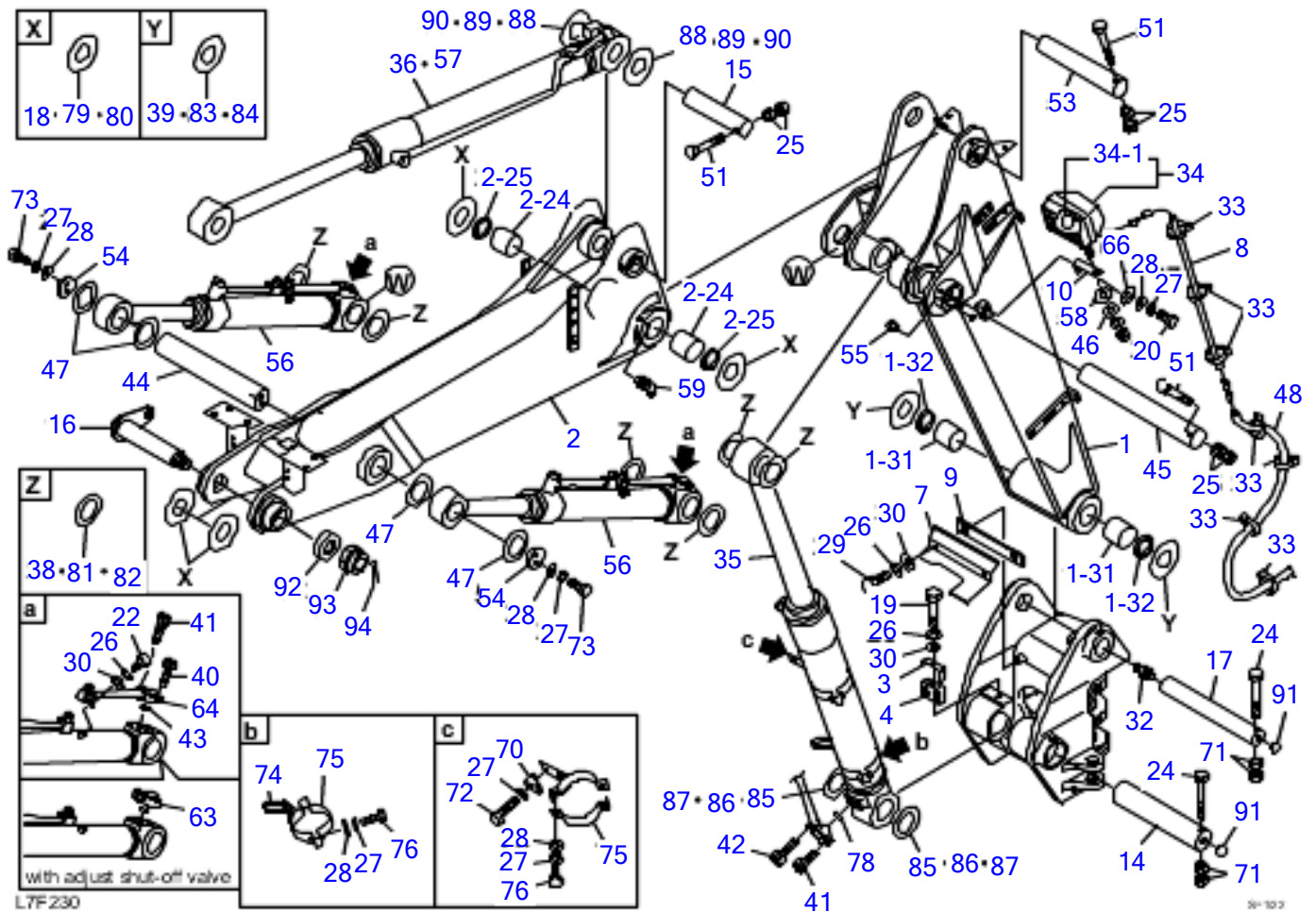
L7F050

S=1/17

**BOOM (2/2) (2-piece boom; with shut-off valve)17530001-31015**

Item	Part number	Description	Q'ty	Chan.	Serial No.	Serv.	Remarks
		BOOM ASSY (for boom)					
		BOOM ASSY (for boom+arm)					
		BOOM ASSY (for boom+arm+adjust)					
		BOOM ASSY (for boom+adjust)					
5	0566047040	PIPE (L.H.)	1				
6	0566047050	PIPE (R.H.)	1				
11	1534000022	CLAMP	8				
12	1934802135	HOSE ASSY	1				
13	0566027050	PIPE	2				
23	1802743090	HOSE ASSY	2				
27	1140020010	WASHER, spring	12				
31	1511050002	ADAPTOR	1				
	1420010240	* O-RING	1				
49	0566027430	PIPE (R.H.)	1				
50	0566027440	PIPE (L.H.)	1				
52	0566027450	PIPE	4				
55	1652533016	CAP	22				
	1652533016	CAP BOOM PLUS ARM	20				for boom+arm
	1652533016	CAP BOOM, ARM AND ADJUST	16				for boom+arm+adjust
	1652533016	CAP BOOM PLUS ADJUST	18				for boom+adjust
59	1560001675	FITTING, grease	1				
60	1802740100	HOSE ASSY	2				
61	1802740094	HOSE ASSY	2				for boom, boom+arm
62	1802740110	HOSE ASSY	2				for boom, boom+arm
65	1652533017	CAP	18				
67	1802740137	HOSE ASSY (with shut-off valve)	2				for boom+arm+adjust, boom+adjust
68	1802741124	HOSE ASSY (with shut-off valve)	2				for boom+arm+adjust, boom+adjust
70	1534100218	CLAMP	4				
72	1100061045	BOLT	12				M
	L7f052						

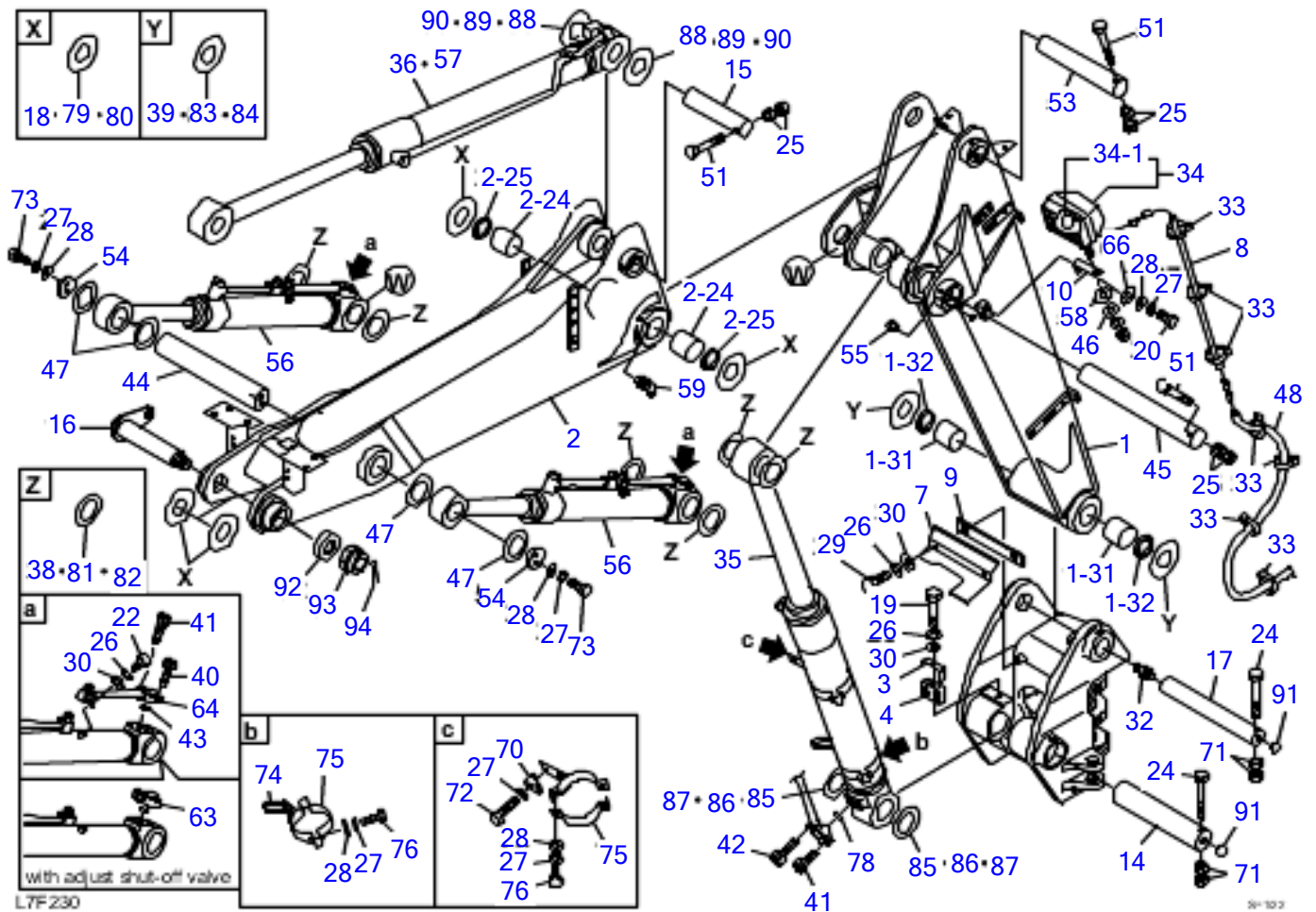
TB175 Book No. BL7Z000 S/N 17530001-  
 BOOM (1/2) (2-piece boom; with shut-off valve) SN 17531016~



**BOOM (1/2) (2-piece boom; with shut-off valve)SN 17531016~**

Item	Part number	Description	Q'ty	Chan.	Serial No.	Serv.	Remarks
		BOOM ASSY (for boom)					
		BOOM ASSY (for boom+arm)					
		BOOM ASSY (for boom+arm+adjust)					
		BOOM ASSY (for boom+adjust)					
1	0566048910	BOOM 1	1				
1-31	0002400074	• BUSHING	2				
1-32	1432200070	• SEAL, dust	2				
2	0566047030	BOOM 2	1				
2-24	0002400038	• BUSHING	2				
2-25	1432200065	• SEAL, dust	2				
3	0566041030	PLATE	1				
4	0566032800	PROTECTOR	1				
7	0566041070	COVER	1				
8	0566050510	HARNESS, wiring	1			M	
9	0566041090	RUBBER	1				
10	0566013100	BRACKET	1				
14	0566041015	PIN	1				
15	0001608265	PIN	1				
16	0011908001	PIN	1				
17	0011578006	PIN	1				
18	0003600158	SHIM	AR				t=1.0mm
19	1100040865	BOLT	1				
20	1100041020	BOLT	1				
22	1100040820	BOLT BOOM+ARM	2				
24	1100141240	BOLT	2				
25	1130040012	NUT	6				
26	1140020008	WASHER, spring	3				
27	1140020010	WASHER, spring	12				
28	1141110010	WASHER	9				
29	1100040825	BOLT	2				
30	1141110008	WASHER	3				
32	1560001000	FITTING, grease	1				
33	1652201005	BAND	7				
34	1703002700	LAMP ASSY	1			M	
34-1	1703002706	• BULB	1			M	
35	1900093900	CYLINDER, boom	1				
36	1900086900	CYLINDER, arm W/O SHUTOFF SN	1				for boom, boom+adjust
		17531016-31117					
	1900105300	CYLINDER, ARM W/O SHUTOFF SN	1				
		17531118~					
38	0003600170	SHIM	AR				t=1.0mm
39	0003600218	SHIM	AR				t=1.0mm
40	1110040830	SCREW, cap	4				
41	1110040840	SCREW, cap	6				
42	1110040845	SCREW, cap	2				
43	1420010220	O-RING	2				
44	0566027070	PIN	1				
45	0566032450	PIN	1				
46	1141110012	WASHER	1				
47	0003600181	SHIM	AR				
48	1531312100	PROTECTOR	1				sold by the meter
51	1100141220	BOLT	3				
53	0566032530	PIN	1				
54	0566032990	PLATE	2				
55	1652533016	CAP	1				
56	1900089100	CYLINDER, adjust (with shut-off valve)	2				for boom+arm+adjust, boom+adjust
57	1900089200	CYLINDER, arm (with shut-off SN	1				for boom+arm+adjust, boom+arm
		17531016-31117					

TB175 Book No. BL7Z000 S/N 17530001-  
 BOOM (1/2) (2-piece boom; with shut-off valve) SN 17531016~

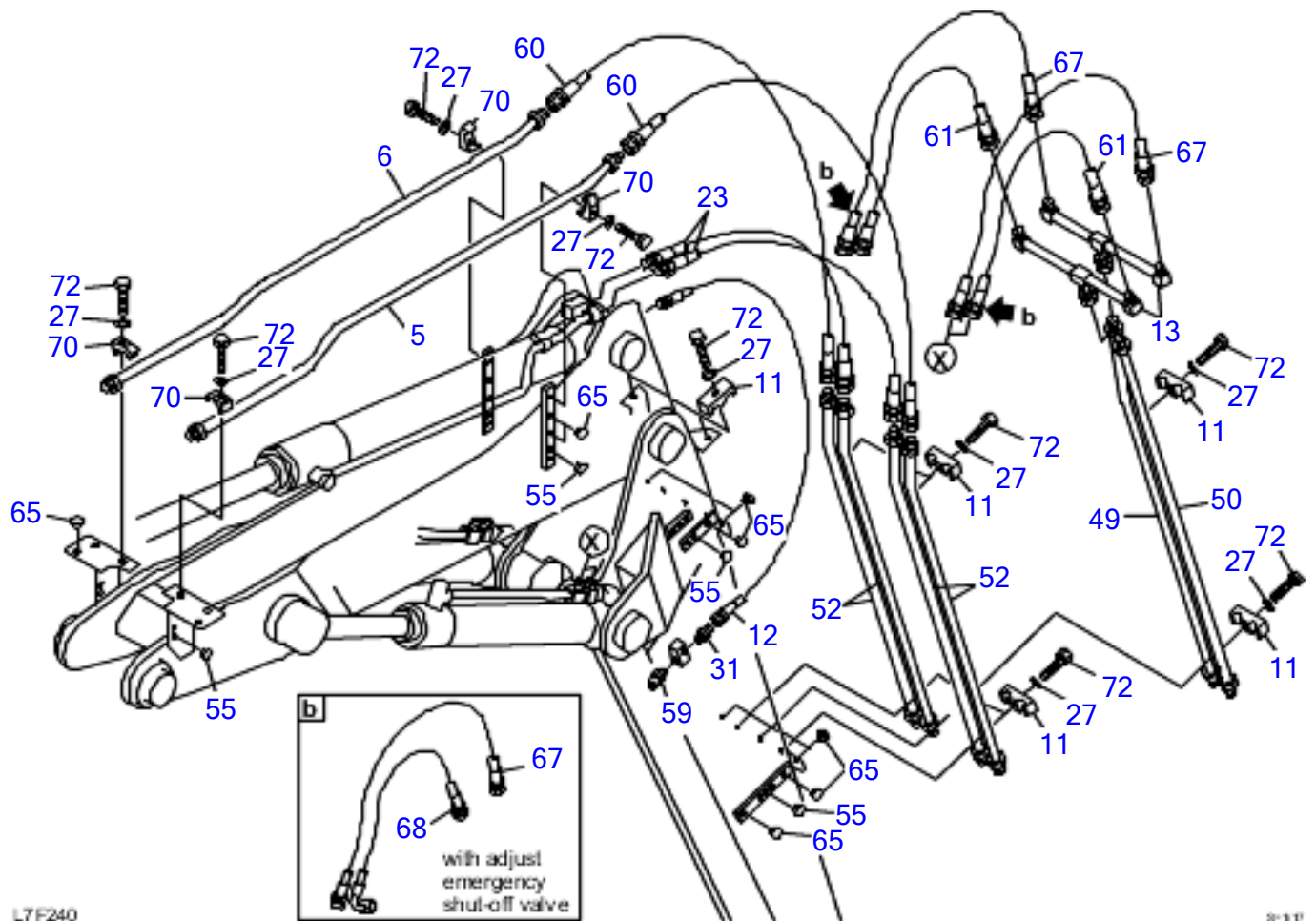




**BOOM (1/2) (2-piece boom; with shut-off valve)SN 17531016~**

Item	Part number	Description	Q'ty	Chan.	Serial No.	Serv.	Remarks
	<b>1900107100</b>	CYLINDER, ARM WITH SHUTOFF SN 1753118~	1				
58	<b>1140330012</b>	WASHER	1			M	
59	<b>1560001675</b>	FITTING, grease	1				
63	<b>0566017380</b>	ELBOW	2				
64	<b>0566052910</b>	PIPE	2				for boom, boom+arm
66	<b>1140330010</b>	WASHER	1				
70	<b>1534100218</b>	CLAMP	1				
71	<b>1130240012</b>	NUT	4				
72	<b>1100061045</b>	BOLT	1			M	
73	<b>1100041025</b>	BOLT	4				
74	<b>0566021970</b>	BAND	1				
75	<b>0566021980</b>	BAND	2				
76	<b>1100041035</b>	BOLT	4				
78	<b>1420010240</b>	O-RING	1				
79	<b>0003600105</b>	SHIM	AR				t=0.2mm
80	<b>0003600106</b>	SHIM	AR				t=0.5mm
81	<b>0003600101</b>	SHIM	AR				t=0.2mm
82	<b>0003600102</b>	SHIM	AR				t=0.5mm
83	<b>0003600199</b>	SHIM	AR				t=0.2mm
84	<b>0003600217</b>	SHIM	AR				t=0.5mm
85	<b>0003600224</b>	SHIM	AR				t=0.2mm
86	<b>0003600225</b>	SHIM	AR				t=0.5mm
87	<b>0003600226</b>	SHIM	AR				t=1.0mm
88	<b>0003600214</b>	SHIM	AR				t=0.2mm
89	<b>0003600215</b>	SHIM	AR				t=0.5mm
90	<b>0003600216</b>	SHIM	AR				t=1.0mm
91	<b>1652533021</b>	CAP	2				
92	<b>0566048080</b>	WASHER	1				
93	<b>1132130045</b>	NUT	1				
94	<b>1210010890</b>	PIN, split	1				
	<b>L7F230</b>						

TB175 Book No. BL7Z000 S/N 17530001-  
BOOM (2/2) 2 PIECE W/SHUTOFF SN 17531016~

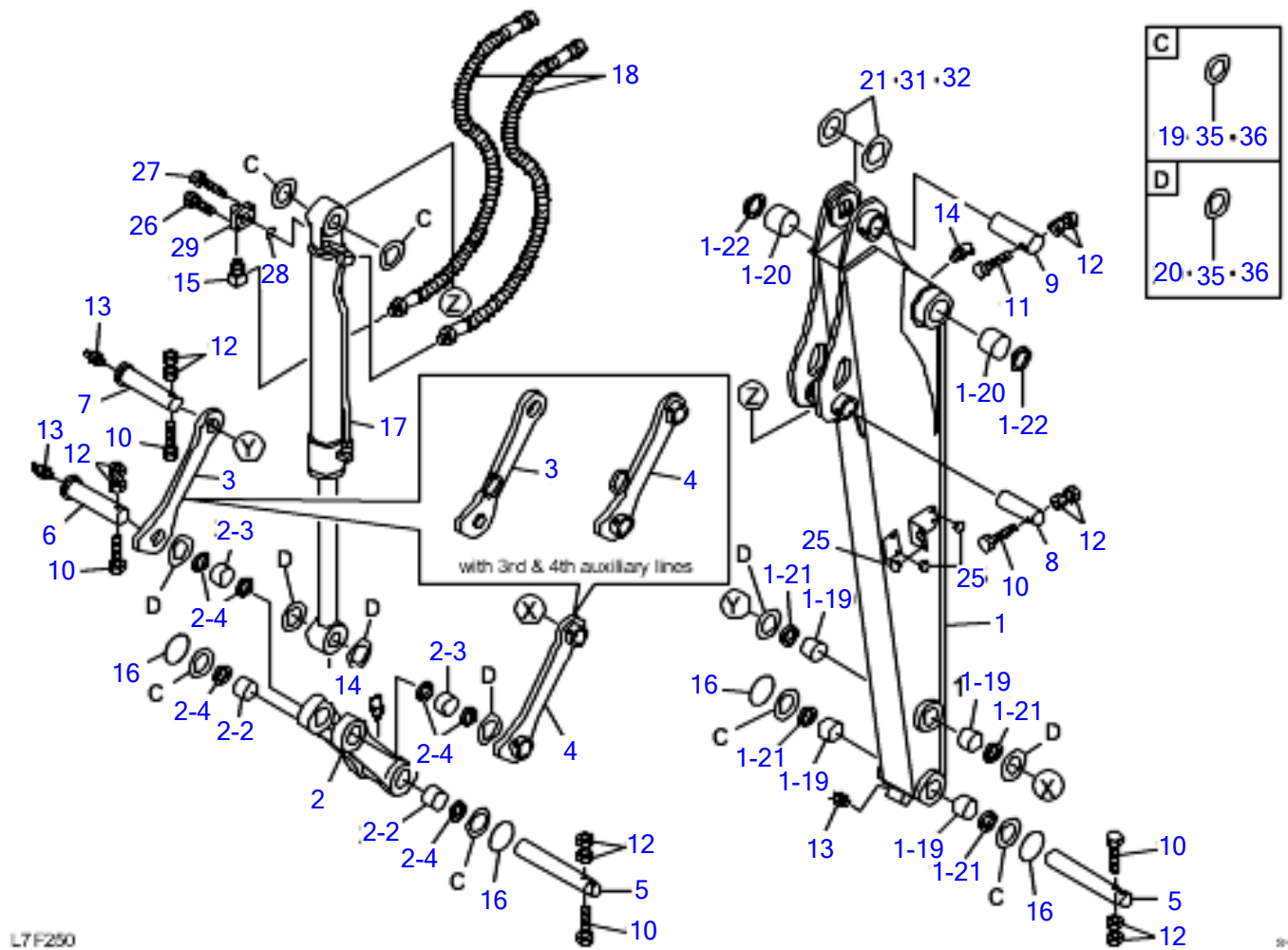


L7F240

20-1117

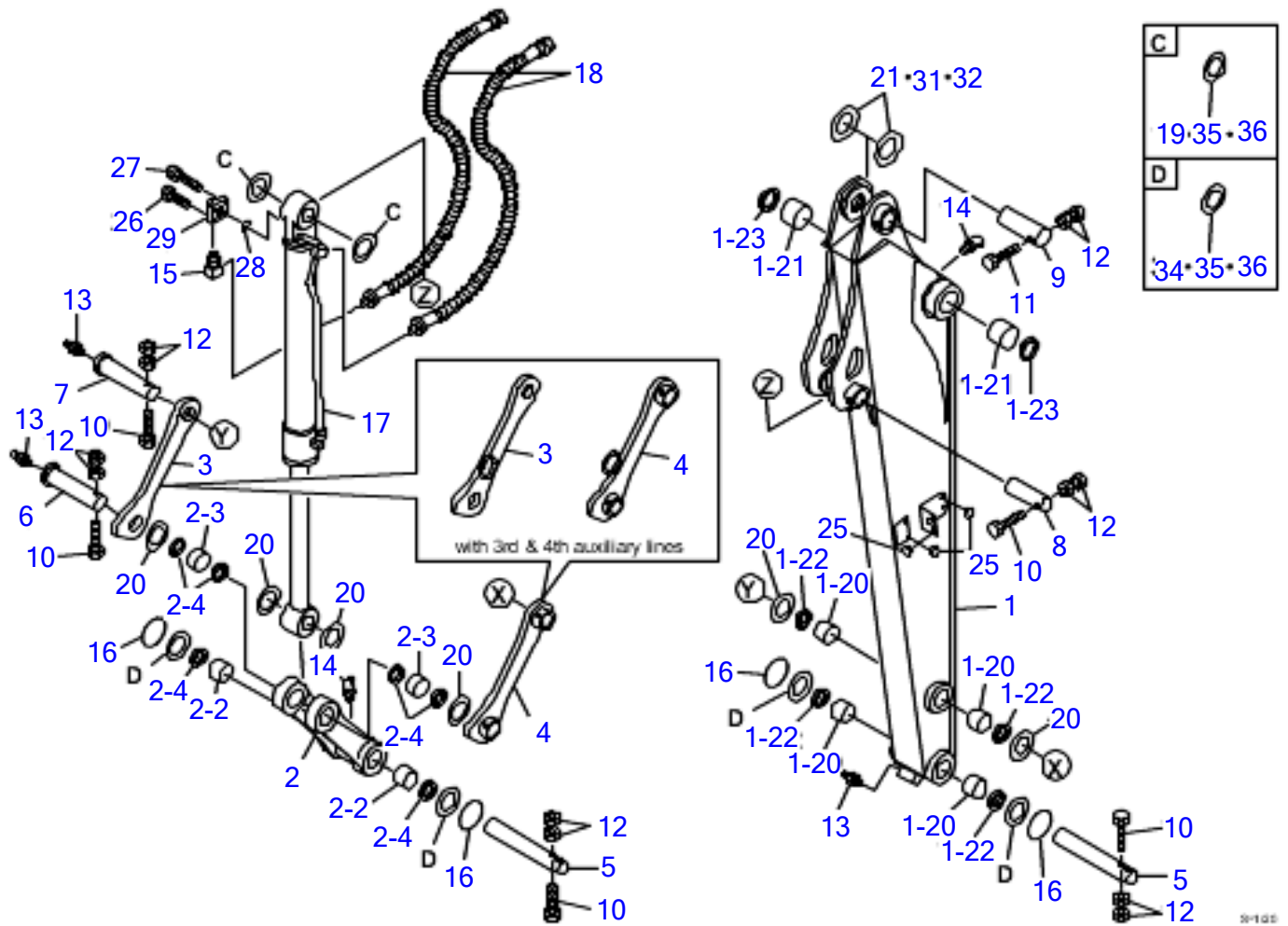
**BOOM (2/2) 2 PIECE W/SHUTOFF SN 17531016~**

Item	Part number	Description	Q'ty	Chan.	Serial No.	Serv.	Remarks
		BOOM ASSY (FOR BOOM)					
		BOOM ASSY (FOR BOOM+ARM)					
		BOOM ASSY (FOR BOOM+ARM+ADJUST)					
		BOOM ASSY (FOR BOOM+ADJUST)					
5	0566047040	LH PIPE	1				
6	0566047050	RH PIPE	1				
11	1534000022	CLAMP	8				
12	1934802135	HOSE ASSY	1				
13	0566027050	PIPE	2				
23	1802743090	HOSE ASSY	2				
27	1140020010	SPRING WASHER	12				
31	1511050002	ADAPTOR	1				
49	0566027430	RH PIPE	1				
50	0566027440	LH PIPE	1				
52	0566027450	PIPE	4				
55	1652533016	CAP	22				
	1652533016	CAP FOR BOOM+ARM	20				
	1652533016	CAP FOR BOOM+ARM+ADJUST	16				
	1652533016	CAP FOR BOOM+ADJUST	18				
59	1560001675	GREASE FITTING	1				
60	1802740100	HOSE ASSY	2				
61	1802740125	HOSE ASSY FOR BOOM, BOOM+ARM	2				
65	1652533017	CAP	18				
67	1802740137	HOSE ASSY	2				
68	1802741124	HOSE ASSY WITH ADJUST SHUTOFF VALVE	2				
70	1534100218	CLAMP	4				
72	1100061045	BOLT	12				
	L7F241						



ARM SN 1753001-30901

Item	Part number	Description	Q'ty	Chan.	Serial No.	Serv.	Remarks
		ARM SN 1753001-30901					
		ARM ASSY					
		ARM ASSY, LONG					
		ARM ASSY, MIDDLE					
		ARM ASSY, MIDDLE WITH 3RD & 4TH AUX					
1	0566143100	ARM SUB ASSY	1				
	0566145100	ARM SUB ASSY, LONG 2130 MM	1				
	0566144100	ARM SUB ASSY, MIDDLE 1960 mm	1				
1-19	0002400025	* BUSHING	4				
1-20	0002400036	* BUSHING	2				
1-21	1432200050	* DUST SEAL	4				
1-22	1432200060	* DUST SEAL	2				
2	0566103900	BUCKET LINK	1				
2-2	0002400025	* BUSHING	2				
2-3	0002100028	* BUSHING	2				
2-4	1432200050	* DUST SEAL	6				
3	0566117500	RH GUIDE LINK	1				
	0566142710	RH GUIDE LINK (MIDDLE 3RD & 4TH AUX)	1				
4	0566117600	LH GUIDE LINK	1				
	0566142720	LH GUID LINK (MIDDLE 3RD & 4TH AUX)	1				
5	0011595001	PIN	2				
6	0011025001	PIN	1				
7	0001735001	PIN	1				
8	0001605150	PIN	1				
9	0001607160	PIN	1				
10	1100041295	BOLT	5				
11	1100141210	BOLT	1				
12	1130040012	NUT	12				
13	1560001000	GREASE FITTING	3				
14	1560001675	GREASE FITTING	2				
15	1513300015	ELBOW	1				
	1420010180	* O-RING	1				
16	1432900048	O-RING	4				
17	1900100800	BUCKET CYLINDER	1				
18	1802643092	HOSE ASSY	2				
	1802643126	HOSE ASSY FOR LONG ARM	2				
	1802643109	HOSE ASSY FOR MIDDLE ARM	2				
19	0003600154	SHIM					
20	0003600155	SHIM					
21	0003600157	SHIM					
25	1652533016	CAP	12				
26	1110040840	CAP SCREW	2				
27	1110040855	CAP SCREW	2				
28	1420010220	O-RING	1				
29	0566017380	ELBOW	1				
31	0003600095	SHIM					
32	0003600094	SHIM					
35	0003600061	SHIM					
36	0003600060	SHIM					
	L7F250						

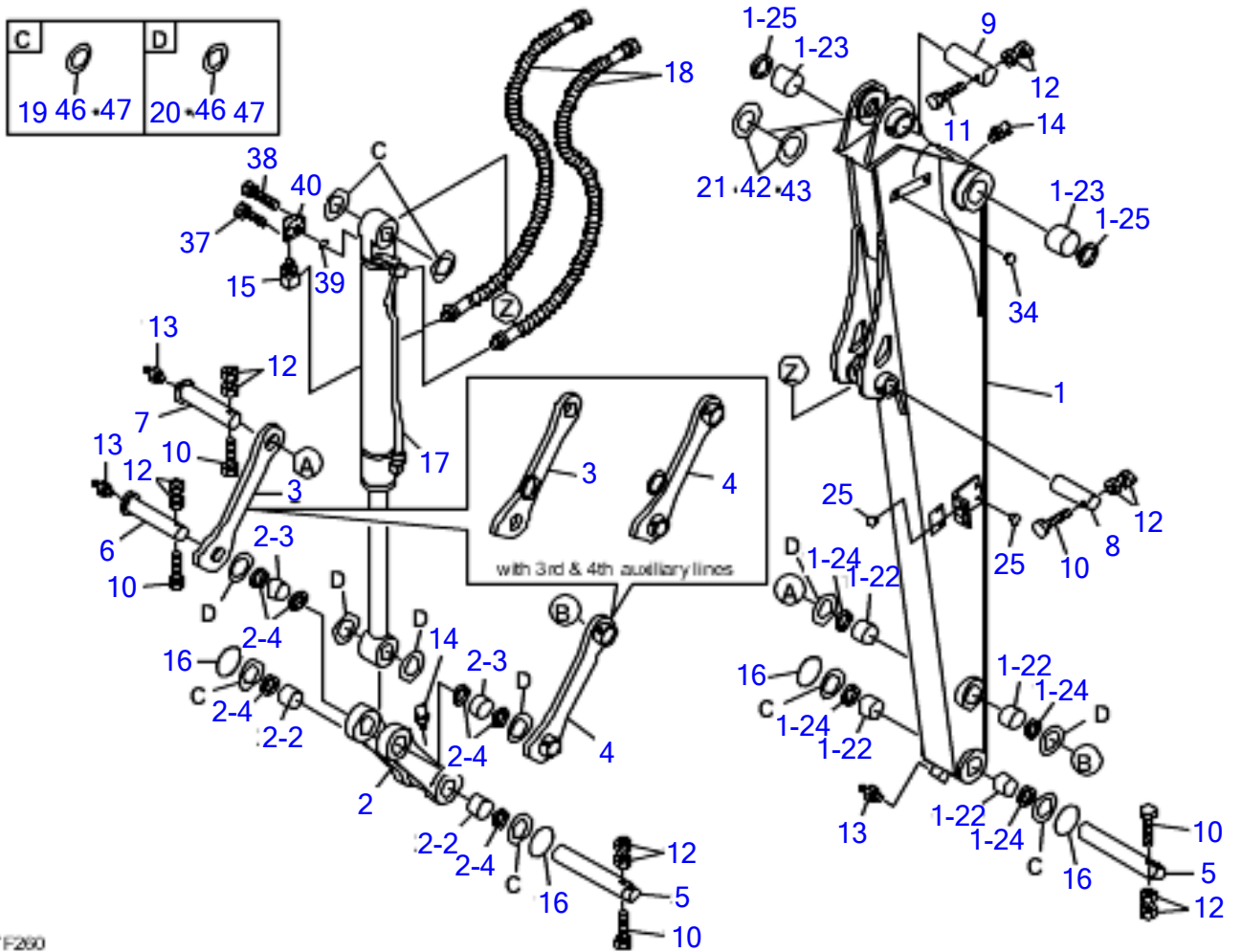


2-102

ARM SN 17530902~

Item	Part number	Description	Q'ty	Chan.	Serial No.	Serv.	Remarks
		ARM ASSY					
		ARM ASSY, long					
		ARM ASSY, middle					
		ARM ASSY, middle(with 3rd & 4th aux. lines)					
1	0566143100	ARM SUB ASSY	1			M	
	0566145100	ARM SUB ASSY, long	1			M	2130mm long
	0566144100	ARM SUB ASSY, middle	1			M	1960mm long
1-20	0002400025	• BUSHING	4				
1-21	0002400036	• BUSHING	2				
1-22	1432200050	• SEAL, dust	4				
1-23	1432200060	• SEAL, dust	2				
2	0566103900	LINK, bucket SN 17530001-30649	1				
	0566104000	LINK, BUCKET SN 17530650~	1				
2-2	0002400025	• BUSHING	2				
2-3	0002100028	• BUSHING	2				
2-4	1432200050	• SEAL, dust	6				
3	0566117500	LINK, guide (R.H.)	1				
	0566142710	LINK, guide (R.H.) (for middle arm)	1				with 3rd & 4th aux. lines
4	0566117600	LINK, guide (L.H.)	1				
	0566142720	LINK, guide (L.H.) (for middle arm)	1				with 3rd & 4th aux. lines
5	0011595001	PIN	2				
6	0011025001	PIN	1				
7	0001735001	PIN	1				
8	0001605150	PIN	1				
9	0001607160	PIN	1				
10	1103041295	BOLT	5				
11	1103141205	BOLT	1				standard
12	1130240012	NUT	12				
13	1560001000	FITTING, grease	3				
14	1560001675	FITTING, grease	2				
15	1513300015	ELBOW	1				
	1420010180	• O-RING	1				
16	1432900048	O-RING	4				
17	1900100800	CYLINDER, bucket	1				
18	1802643092	HOSE ASSY	2				
	1802643126	HOSE ASSY FOR LONG ARM	2				for long arm
	1802643109	HOSE ASSY FOR MIDDLE ARM	2				for middle arm
19	0003600154	SHIM	AR				t=1.0mm
20	0003600155	SHIM	AR				t=1.0mm
21	0003600157	SHIM	AR				t=1.0mm
25	1652533016	CAP	12				
26	1110040840	SCREW, cap	2				
27	1110040830	SCREW, cap	2				
28	1420010220	O-RING	1				
29	0566017380	ELBOW	1				
31	0003600095	SHIM	AR				t=0.5mm
32	0003600094	SHIM	AR				t=0.2mm
34	0003600265	SHIM					
35	0003600061	SHIM	AR				t=0.5mm
36	0003600060	SHIM	AR				t=0.2mm
	L7f062						

TB175 Book No. BL7Z000 S/N 17530001-  
 ARM 2 PIECE BOOM SN 17530902~



L7F260

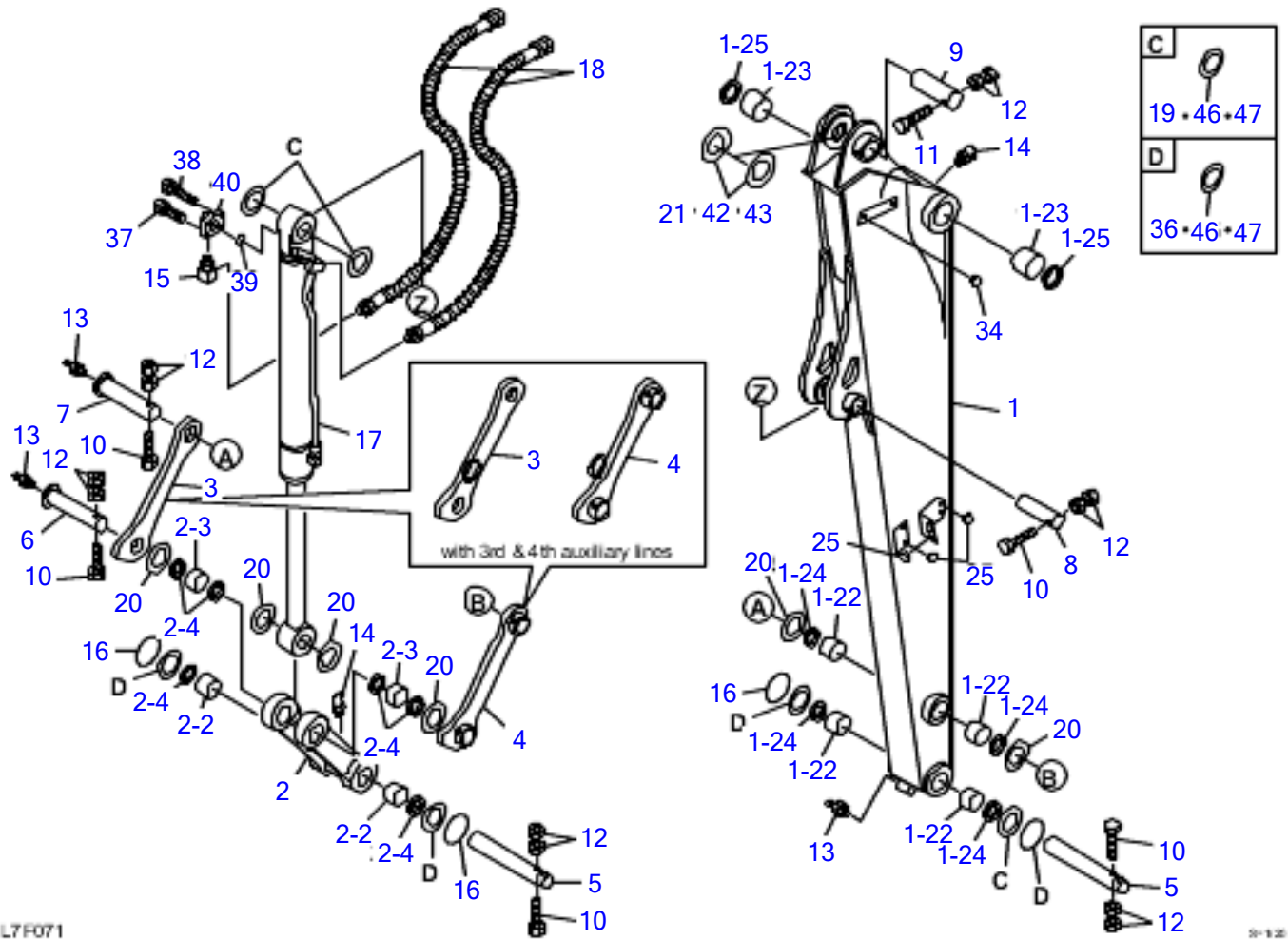
3/1/05



ARM 2 PIEC E BOOM SN 17530902

Item	Part number	Description	Q'ty	Chan.	Serial No.	Serv.	Remarks
		ARM ASSY					
		ARM ASSY WITH 3RD & 4TH AUX					
1	0566146100	ARM	1				
1-22	0002400025	* BUSHING	4				
1-23	0002400038	* BUSHING	2				
1-24	1432200050	* DUST SEAL	4				
1-25	1432200065	* DUST SEAL	2				
2	0566103900	BUCKET LINK	1				
2-2	0002400025	* BUSHING	2				
2-3	0002100028	* BUSHING	2				
2-4	1432200050	* DUST SEAL	6				
3	0566117500	RH GUIDE LINK	1				
	0566142710	RH GUIDE LINK WITH 3RD & 4TH AUX	1				
4	0566117600	LH GUIDE LINK	1				
	0566142720	LH GUIDE LINK WITH 3RD & 4TH AUX	1				
5	0011595001	PIN	2				
6	0011025001	PIN	1				
7	0001735001	PIN	1				
8	0001605150	PIN	1				
9	0001608165	PIN	1				
10	1100041295	BOLT	5				
11	1100141220	BOLT	1				
12	1130041012	NUT	12				
13	1560001000	GREASE FITTING	3				
14	1560001675	GREASE FITTING	2				
15	1513300015	ELBOW	1				
	1420010180	* O-RING	1				
16	1432900048	O-RING	4				
17	1900100800	BUCKET CYLINDER	1				
18	1802643126	HOSE ASSY	2				
19	0003600154	SHIM					
20	0003600155	SHIM					
21	0003600157	SHIM					
25	1652533016	CAP	12				
34	1652533015	CAP	2				
37	1110040840	CAP SCREW	2				
38	1110040855	CAP SCREW	2				
39	1420010220	O-RING	1				
40	0566017380	ELBOW	1				
42	0003600095	SHIM					
43	0003600094	SHIM					
46	0003600061	SHIM					
47	0003600060	SHIM					
	L7F260						

TB175 Book No. BL7Z000 S/N 17530001-  
 ARM (2-piece boom)



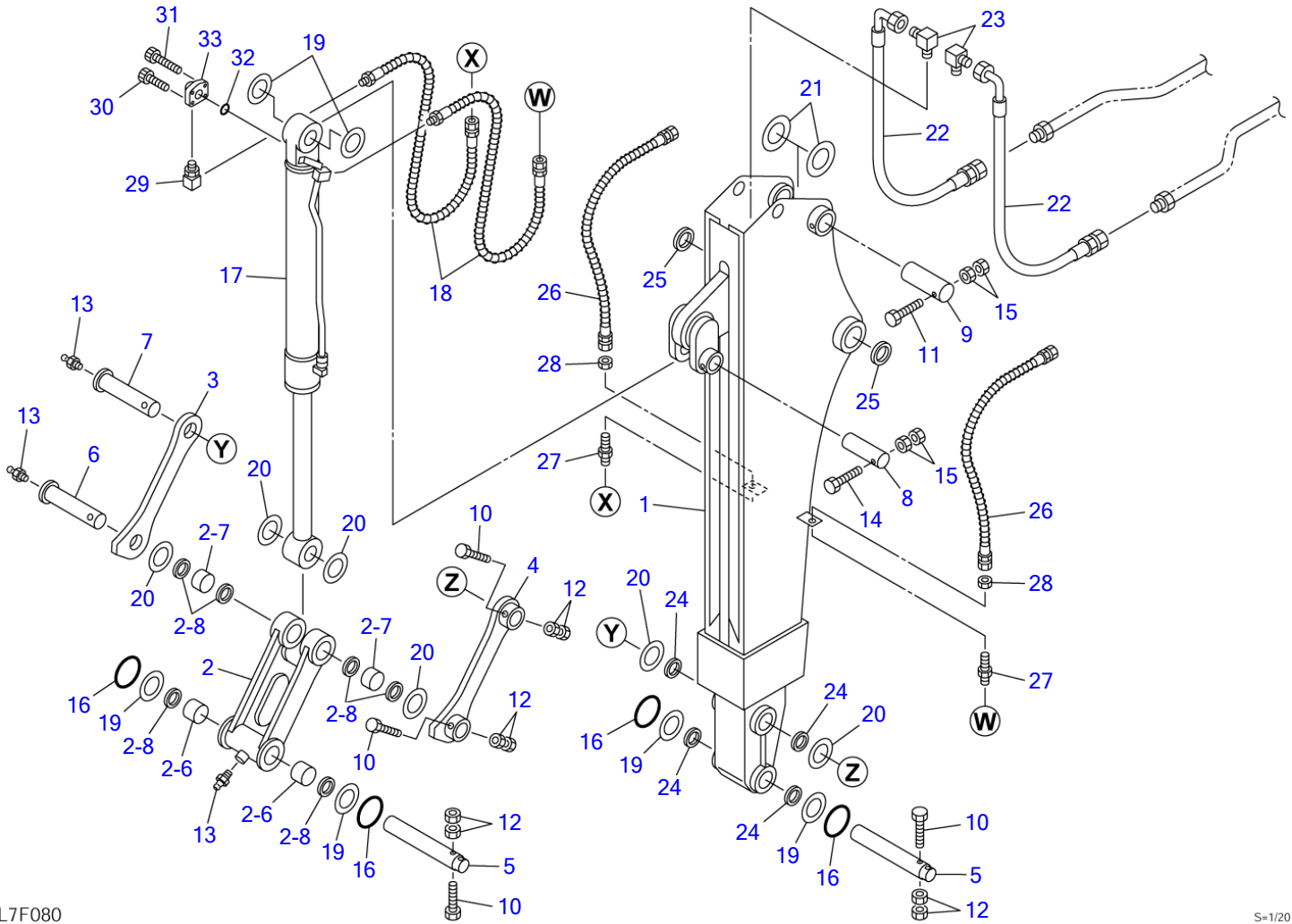
L7F071

39-125

**ARM (2-piece boom) 17530902~**

Item	Part number	Description	Q'ty	Chan.	Serial No.	Serv.	Remarks
		ARM ASSY					
		ARM ASSY (with 3rd & 4th aux. lines)					
1	0566146100	ARM	1			M	
1-22	0002400025	• BUSHING	4				
1-23	0002400038	• BUSHING	2				
1-24	1432200050	• SEAL, dust	4				
1-25	1432200065	• SEAL, dust	2				
2	0566103900	LINK, bucket	1				
	056610400	LINK, BUCKET	1				
2-2	0002400025	• BUSHING	2				
2-3	0002100028	• BUSHING	2				
2-4	1432200050	• SEAL, dust	6				
3	0566117500	LINK, guide(R.H.)	1				
	0566142710	LINK, guide (R.H.)	1				with 3rd & 4th aux. lines
4	0566117600	LINK, guide (L.H.)	1				
	0566142720	LINK, guide (L.H.)	1				with 3rd & 4th aux. lines
5	0011595001	PIN	2				
6	0011025001	PIN	1				
7	0001735001	PIN	1				
8	0001605150	PIN	1				
9	0001608165	PIN	1				
10	1103041295	BOLT	5				
11	1103141205	BOLT	1			M	
12	1130240012	NUT	12				
13	1560001000	FITTING, grease	3				
14	1560001675	FITTING, grease	2				
15	1513300015	ELBOW	1				
	1420010180	• O-RING	1				
16	1432900048	O-RING	4				
17	1900100800	CYLINDER, bucket	1				
18	1802643126	HOSE ASSY	2				
19	0003600154	SHIM	AR				t=1.0mm
20	0003600155	SHIM	AR				t=1.0mm
21	0003600157	SHIM	AR				t=1.0mm
25	1652533016	CAP	12				
34	1652533015	CAP	2				
36	0003600265	SHIM SN 17531118~					
37	1110040840	SCREW, cap	2				
38	1110040830	SCREW, cap	2				
39	1420010220	O-RING	1				
40	0566017380	ELBOW	1				
42	0003600095	SHIM	AR				t=0.5mm
43	0003600094	SHIM	AR				t=0.2mm
46	0003600061	SHIM	AR				t=0.5mm
47	0003600060	SHIM	AR				t=0.2mm
	L7f072						

TB175 Book No. BL7Z000 S/N 17530001-  
TERESCOPIC ARM (1/2)



L7F080

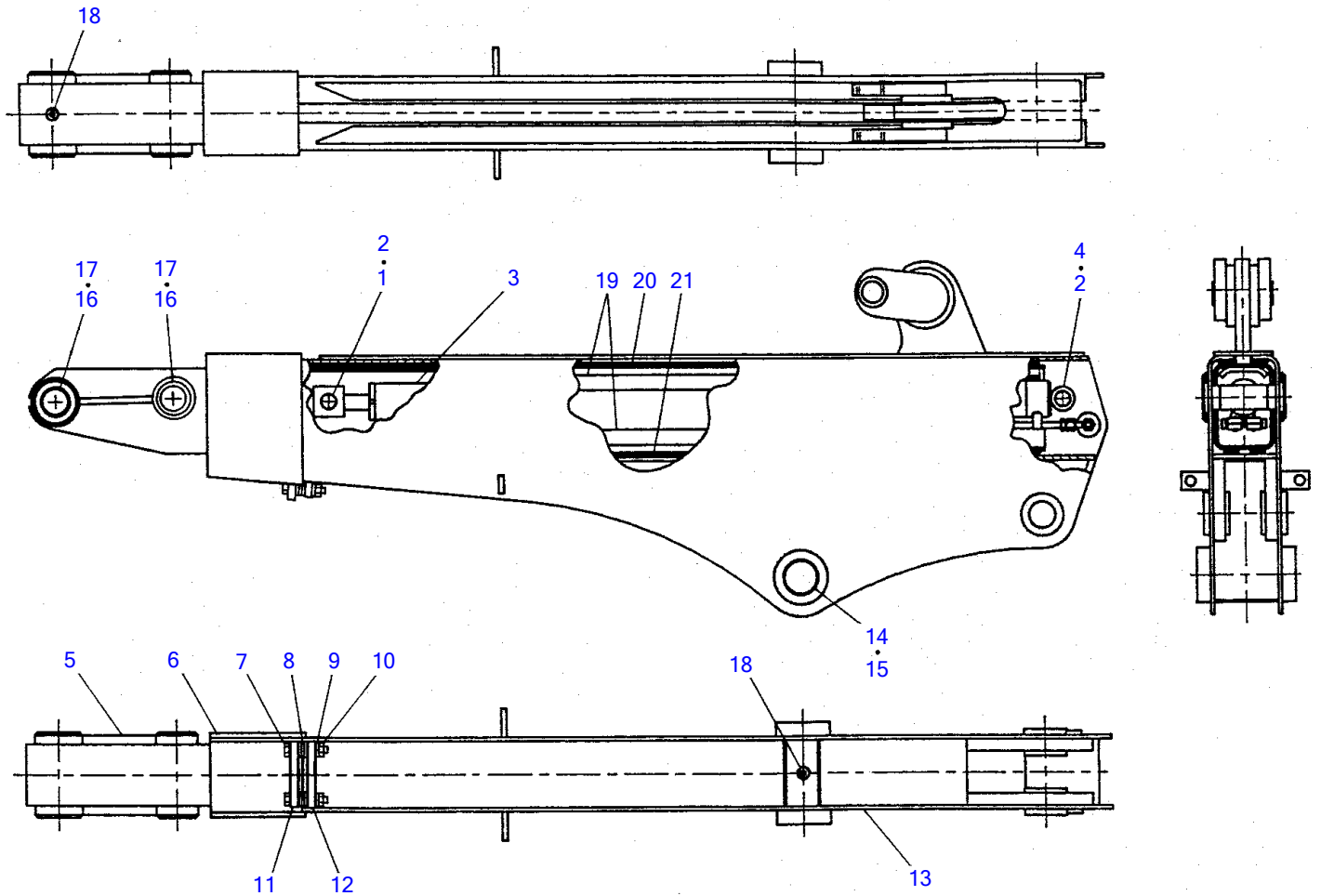
S-1/20

**TERESCOPIC ARM (1/2)**

Item	Part number	Description	Q'ty	Chan.	Serial No.	Serv.	Remarks
		ARM ASSY, telescopic					
1	9TB070000	ARM	1				
2	0566117300	LINK, bucket	1				
2-6	0002400025	• BUSHING	2				
2-7	0002100028	• BUSHING	2				
2-8	1432200050	• SEAL, dust	6				
3	0566117500	LINK, guide (R.H.)	1				
4	0566117600	LINK, guide (L.H.)	1				
5	0011595001	PIN	2				
6	0011025001	PIN	1				
7	0001735001	PIN	1				
8	0001605160	PIN	1				
9	0001607170	PIN	1				
10	1100041295	BOLT	4				
11	1103141215	BOLT	1				
12	1130040012	NUT	8				
13	1560001000	FITTING, grease	3				
14	1103141200	BOLT	1				
15	1130240012	NUT	4				
16	1432900048	O-RING	4				
17	1900091000	CYLINDER, bucket	1				
18	1802643120	HOSE ASSY	2				
19	0003600096	SHIM	AR				t=1.0mm
	0003600060	SHIM	AR				t=0.2mm
	0003600061	SHIM	AR				t=0.5mm
20	0003600097	SHIM	AR				t=1.0mm
	0003600060	SHIM	AR				t=0.2mm
	0003600061	SHIM	AR				t=0.5mm
21	0003600099	SHIM	AR				t=1.0mm
	0003600094	SHIM	AR				t=0.2mm
	0003600095	SHIM	AR				t=0.5mm
22	1938900054	HOSE ASSY	2				
23	0007200214	ELBOW	2				
24	1432200050	SEAL, dust	4				
25	1432200060	SEAL, dust	2				
26	1802640100	HOSE ASSY	2				
27	0007200189	ADAPTOR	2				
28	0007200156	NUT	2				
29	1513300015	ELBOW	1				
	1420010180	• O-RING	1				
30	1110040840	SCREW, cap	2				
31	1110040855	SCREW, cap	2				
32	1420010220	O-RING	1				
33	0566017380	ELBOW	1				

L7f080

TB175 Book No. BL7Z000 S/N 17530001-  
TERESCOPIC ARM (2/2)



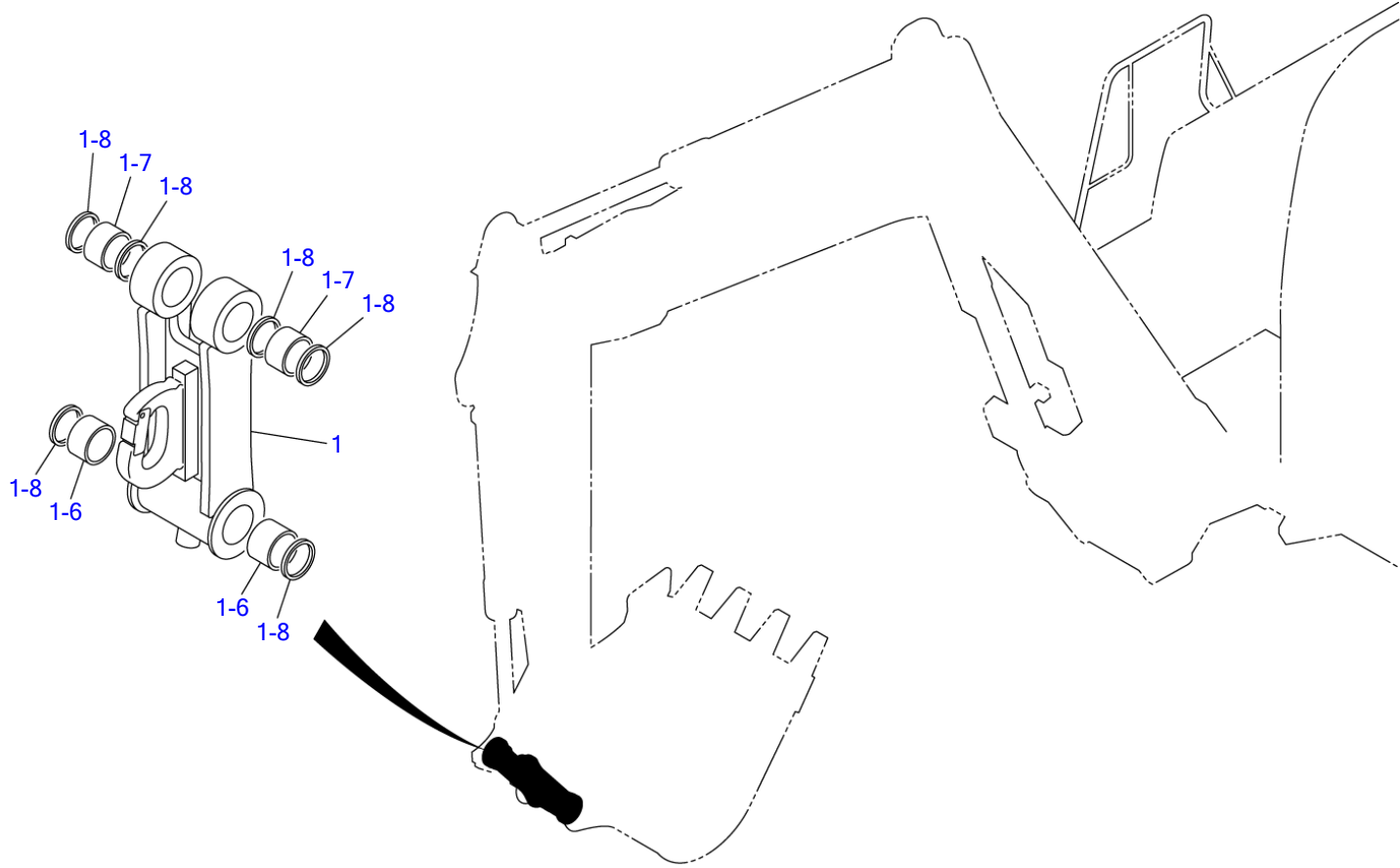
L3F040

S=FREE

**TERESCOPIC ARM (2/2)**

Item	Part number	Description	Q'ty	Chan.	Serial No.	Serv.	Remarks
0	<b>9TB070000</b>	ARM SUB ASSY	1				
1	<b>P701167</b>	• PIN	1				
2	<b>H50607</b>	• RING, snap	4				
3	<b>R725410</b>	• CYLINDER, telescopic	1				
4	<b>P701165</b>	• PIN	1				
5	<b>9TB070200</b>	• PLATE	1				
6	<b>9TB070010</b>	• COLLAR	1				
7	<b>H30667</b>	• BOLT	2				
8	<b>H30805</b>	• WASHER	16				
9	<b>H30617</b>	• WASHER, spring	2				
10	<b>H30630</b>	• NUT	2				
11	<b>728030</b>	• COLLAR	1				
12	<b>H910552</b>	• BRACKET	1				
13	<b>9TB070100</b>	• HOUSING	1				
14	<b>0002400036</b>	• BUSHING	2				
15	<b>1432200060</b>	• SEAL, dust	2				
16	<b>0002400025</b>	• BUSHING	4				
17	<b>1432200050</b>	• SEAL, dust	4				
18	<b>H50601</b>	• NIPPLE, grease	2				
19	<b>M302417</b>	• STRIP, side	4				
20	<b>M302432</b>	• STRIP, top	2				
21	<b>M302425</b>	• STRIP, bottom	1				
	<b>L3f041</b>						

TB175 Book No. BL7Z000 S/N 17530001-  
HANGING HOOK



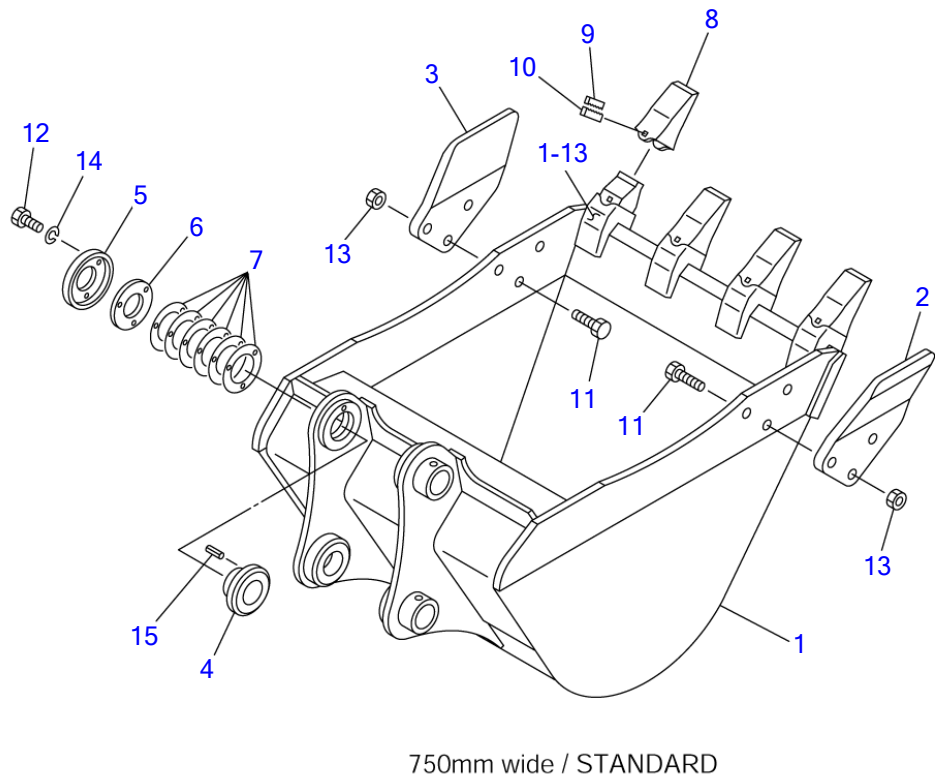
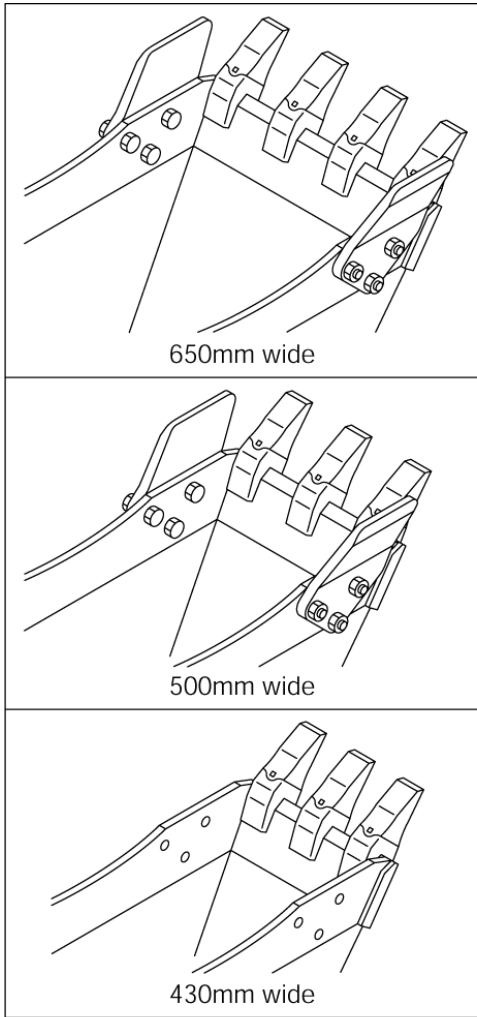
L3F050

S=1/6, 1/25



### HANGING HOOK

Item	Part number	Description	Q'ty	Chan.	Serial No.	Serv.	Remarks
1	<b>0566126100</b>	HOOK ASSY					
1-6	<b>0002400025</b>	LINK, bucket	1				
1-7	<b>0002100028</b>	▪ BUSHING	2				
1-8	<b>1432200050</b>	▪ BUSHING	2				
	<b>L3f050</b>	▪ SEAL, dust	6				

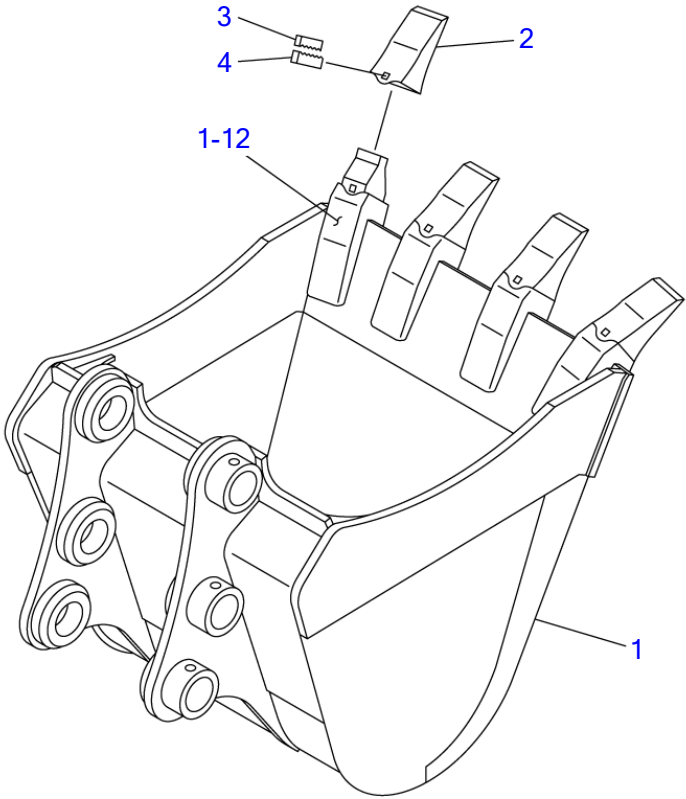


L3F060

S=1/14

							<b>BUCKET</b>
Item	Part number	Description	Q'ty	Chan.	Serial No.	Serv.	Remarks
0	<b>0566212000</b>	BUCKET ASSY	1				750mm wide
	<b>0566213000</b>	BUCKET ASSY	1				500mm wide
	<b>0566214000</b>	BUCKET ASSY	1				650mm wide
	<b>0566215000</b>	BUCKET ASSY	1				430mm wide
1	X *****	· BUCKET	1				750W
	X *****	· BUCKET	1				650W
	X *****	· BUCKET	1				500W
	X *****	· BUCKET	1				430W
1-13	<b>1914201101</b>	· · ADAPTOR, tooth	4				650W, 750W
	<b>1914201101</b>	· · ADAPTOR, tooth	3				500W, 430W
2	<b>0566212200</b>	· CUTTER, side (L.H.)	1				500W, 650W, 750W
3	<b>0566212300</b>	· CUTTER, side (R.H.)	1				500W, 650W, 750W
4	<b>0566211400</b>	· BUSHING	1				
5	<b>0566211500</b>	· PLATE	1				
6	<b>0566211600</b>	· FLANGE	1				
7	<b>0566211700</b>	· SHIM	6				
8	<b>1914201102</b>	· POINT, tooth	4				650W, 750W
	<b>1914201102</b>	· POINT, tooth	3				500W, 430W
9	<b>1914201103</b>	· PIN, lock	4				650W, 750W
	<b>1914201103</b>	· PIN, lock	3				500W, 430W
10	<b>1914201104</b>	· PIN	4				650W, 750W
	<b>1914201104</b>	· PIN	3				500W, 430W
11	<b>1100052050</b>	· BOLT	6				500W, 650W, 750W
12	<b>1100051230</b>	· BOLT	3				
13	<b>1130050020</b>	· NUT	6				500W, 650W, 750W
14	<b>1140020012</b>	· WASHER, spring	3				
15	<b>1213000836</b>	· PIN, spring	1				
	<b>L3f060</b>						

TB175 Book No. BL7Z000 S/N 17530001-  
3-HOLE BUCKET (for U.S.A.)



610mm wide

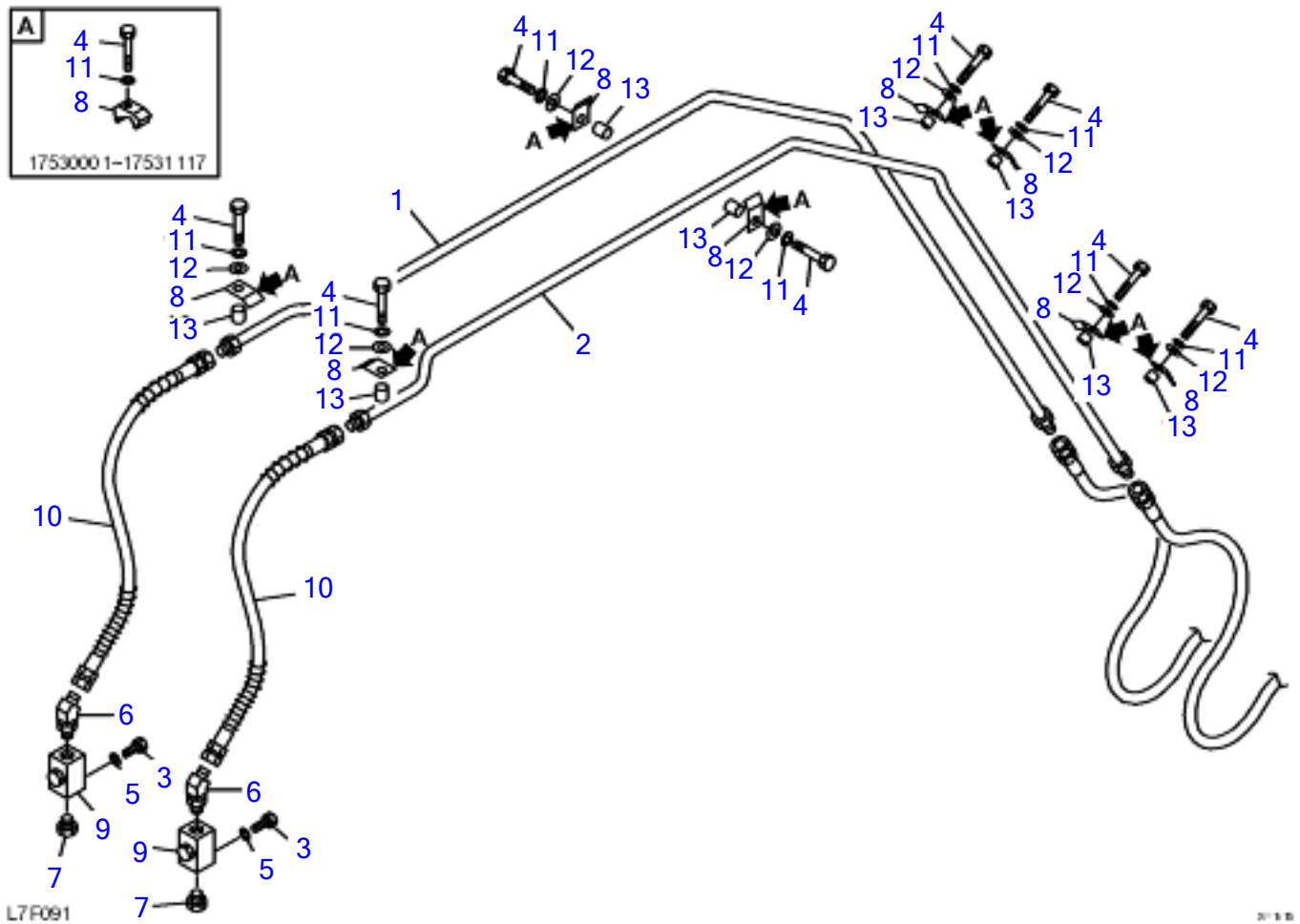
L3F070

S=1/10

**3-HOLE BUCKET (for U.S.A.)**

Item	Part number	Description	Q'ty	Chan.	Serial No.	Serv.	Remarks
0	<b>0566218000</b>	BUCKET ASSY	1				610mm wide
1	X *****	▪ BUCKET	1				
1-12	<b>1914201101</b>	▪ ▪ ADAPTOR, tooth	4				
2	<b>1914201102</b>	▪ POINT, tooth	4				
3	<b>1914201103</b>	▪ PIN, lock	4				
4	<b>1914201104</b>	▪ PIN	4				
	<b>L3f070</b>						

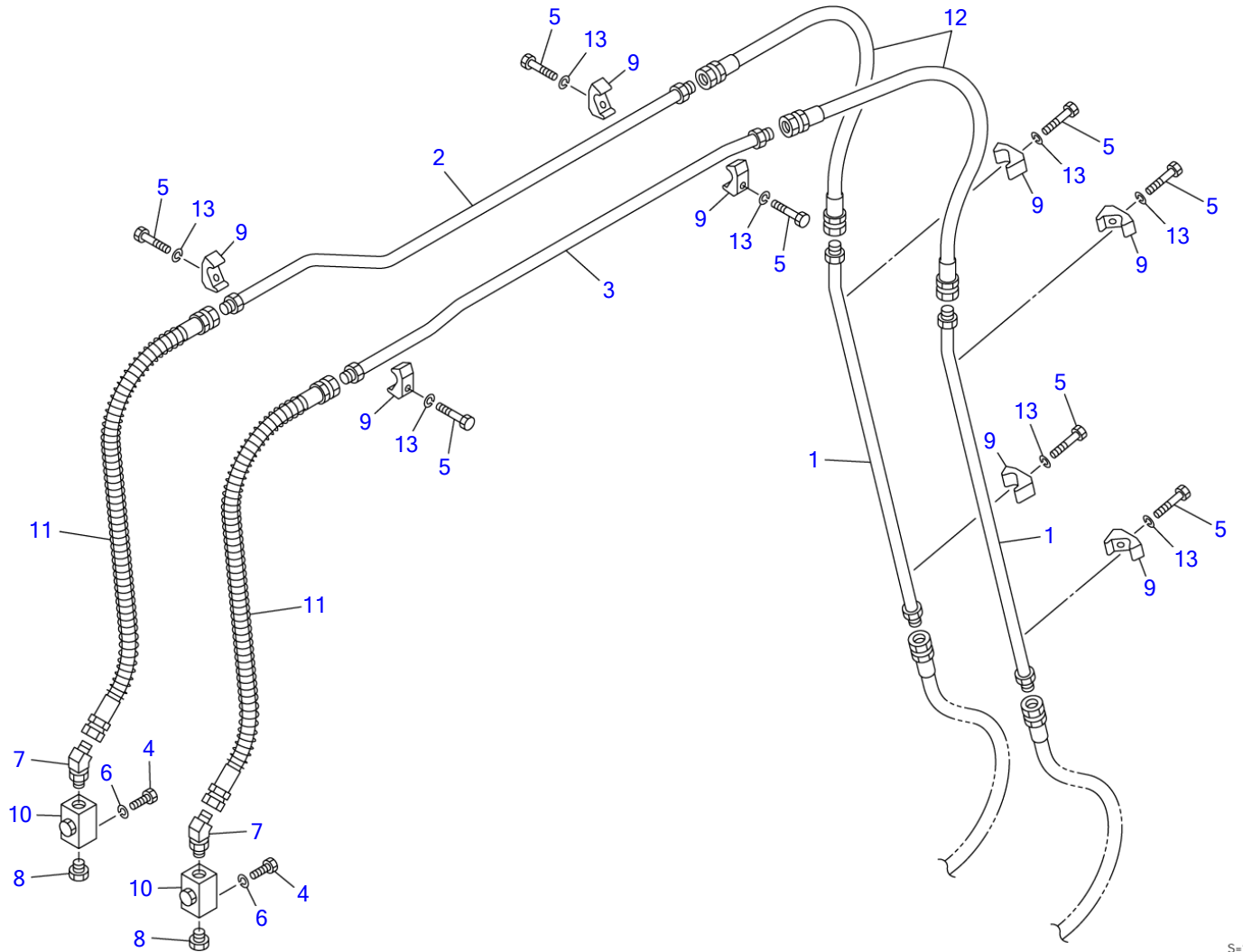
TB175 Book No. BL7Z000 S/N 17530001-  
AUXILIARY LINE



**AUXILIARY LINE**

Item	Part number	Description	Q'ty	Chan.	Serial No.	Serv.	Remarks
0		LINE ASSY, auxiliary	1				
		LINE ASSY, auxiliary (for long arm)	1				
		LINE ASSY, auxiliary (for middle arm)	1				
1	<b>0567345810</b>	• PIPE (R.H.)	1				
2	<b>0567345820</b>	• PIPE (L.H.)	1				
3	<b>1100040825</b>	• BOLT	4				
4	<b>1100041045</b>	• BOLT	8			M	
5	<b>1140020008</b>	• WASHER, spring	4				
6	<b>1515100113</b>	• ELBOW	2				
	<b>1420010240</b>	• • O-RING	1				
7	<b>1515600503</b>	• PLUG	2				
	<b>1420010240</b>	• • O-RING	1				
8	<b>1534100273</b>	• CLAMP	8				
	<b>0566052096</b>	* CLAMP	8				
9	<b>1901723700</b>	• VALVE , stop	2				
10	<b>1805150128</b>	• HOSE ASSY	2				
	<b>1805150158</b>	• HOSE ASSY FOR LONG ARM	2				for long arm
	<b>1805150144</b>	• HOSE ASSY FOR MIDDLE ARM	2				for middle arm
11	<b>1140020010</b>	• WASHER, spring	8				
12	<b>1141110010</b>	* WASHER	8				
13	<b>0003600274</b>	* COLLAR	8				
	<b>L7f092</b>						

TB175 Book No. BL7Z000 S/N 17530001-  
AUXILIARY LINE (2-piece boom)



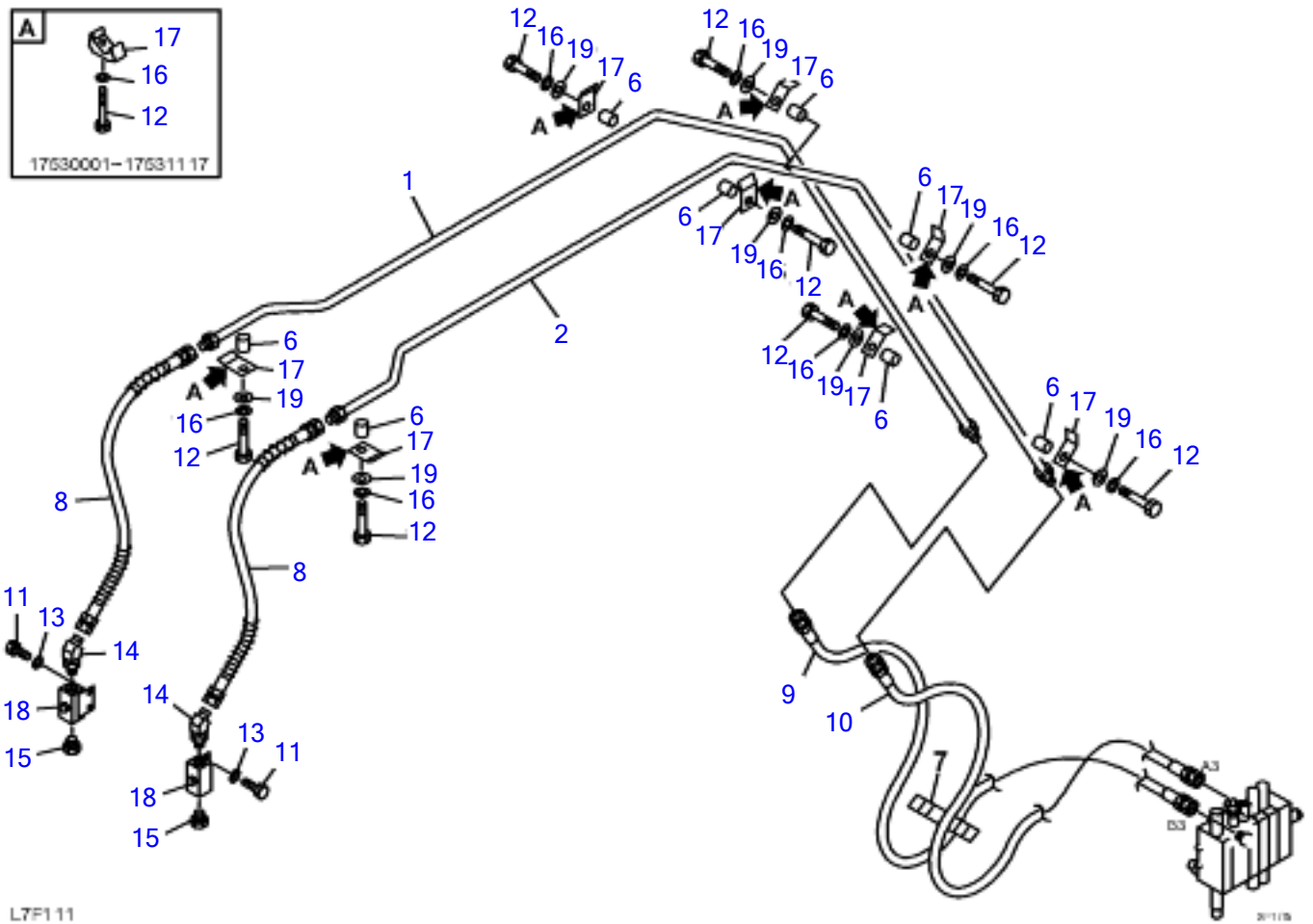
S=1/15



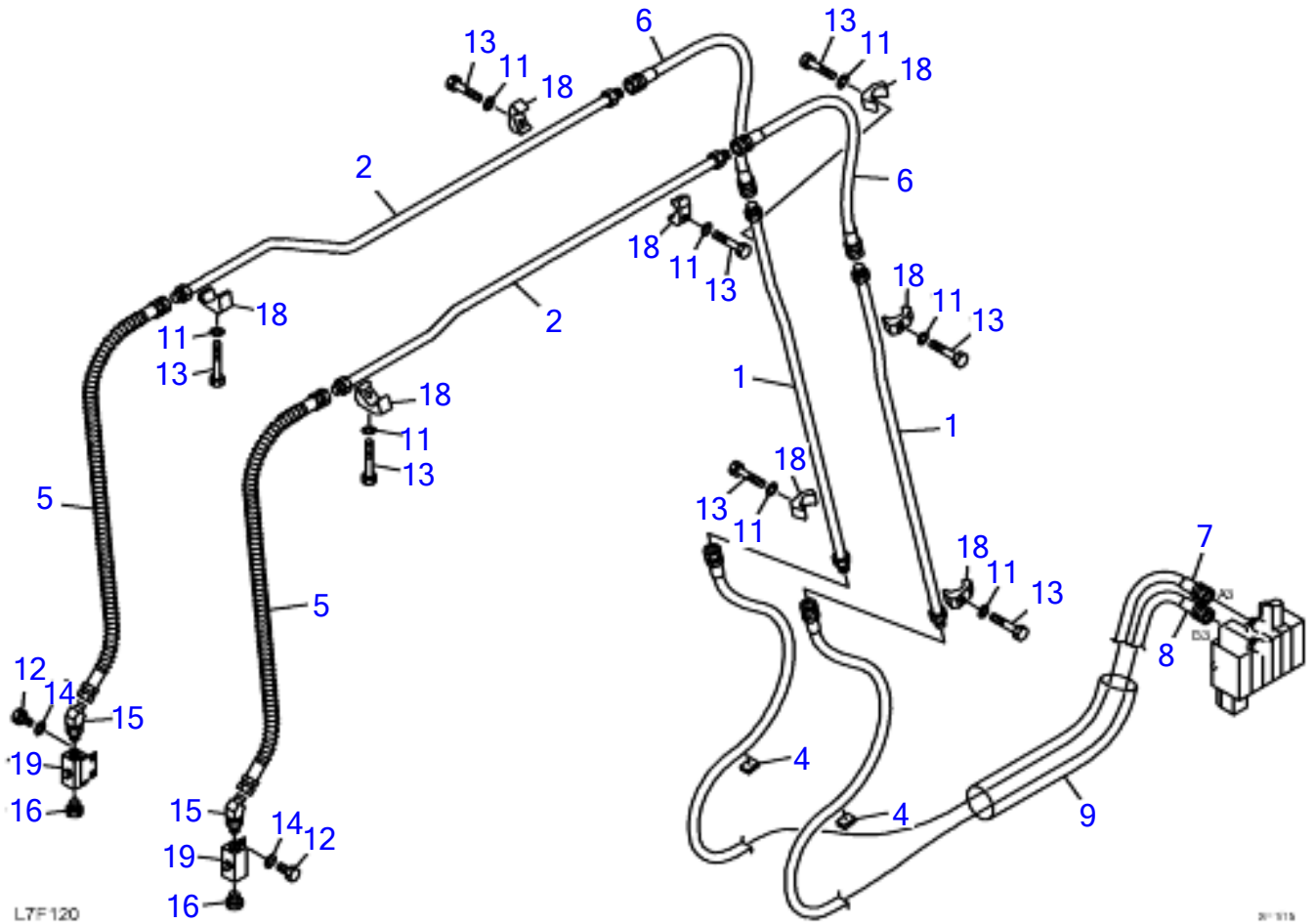
**AUXILIARY LINE (2-piece boom)**

Item	Part number	Description	Q'ty	Chan.	Serial No.	Serv.	Remarks
0	<b>0567347400</b>	LINE ASSY, auxiliary					
1	<b>0567331100</b>	▪ PIPE	2				
2	<b>0567347410</b>	▪ PIPE (R.H.)	1				
3	<b>0567347420</b>	▪ PIPE (L.H.)	1				
4	<b>1100040825</b>	▪ BOLT	4				
5	<b>1100061050</b>	▪ BOLT	8				
6	<b>1140020008</b>	▪ WASHER, spring	4				
7	<b>1515100113</b>	▪ ELBOW	2				
	<b>1420010240</b>	▪ ▪ O-RING	1				
8	<b>1515600503</b>	▪ PLUG	2				
	<b>1420010240</b>	▪ ▪ O-RING	1				
9	<b>1534100273</b>	▪ CLAMP	8				
10	<b>1901723700</b>	▪ VALVE , stop	2				
11	<b>1805150158</b>	▪ HOSE ASSY	2				
12	<b>0567335012</b>	▪ HOSE ASSY	2				4X920
13	<b>1140020010</b>	▪ WASHER, spring	8				
	<b>L7f101</b>						

TB175 Book No. BL7Z000 S/N 17530001-  
2ND AUXILIARY LINE



2ND AUXILIARY LINE					
Item	Part number	Description	Q'ty	Chan.	Serial No. Serv. Remarks
		LINE ASSY, 2nd auxiliary	1		
		LINE ASSY, 2nd auxiliary (for long arm)	1		
		LINE ASSY, 2nd auxiliary (for middle arm)	1		
1	0567346110	• PIPE (R.H.)	1		
2	0567346120	• PIPE (L.H.)	1		
6	0003600273	* COLLAR	8		
7	0567329300	• RUBBER	1		
8	1805140115	• HOSE ASSY	2		
	1805140146	• HOSE ASSY	2		for long arm
	1805140131	• HOSE ASSY	2		for middle arm
9	0567329200	• HOSE ASSY	1		
10	0567329400	• HOSE ASSY	1		
11	1100040816	• BOLT	4		
12	1100041040	• BOLT	8		M
13	1140020008	• WASHER, spring	4		
14	1515100112	• ELBOW	2		
	1420010180	• • O-RING	1		
15	1501750004	• PLUG	2		
	1420010180	• • O-RING	1		
16	1140020010	• WASHER, spring	8		
17	1534100218	• CLAMP	8		
	0566052095	* CLAMP	8		
18	1901719800	• VALVE , stop	2		
19	1141110010	* WASHER	8		
	L7f111				

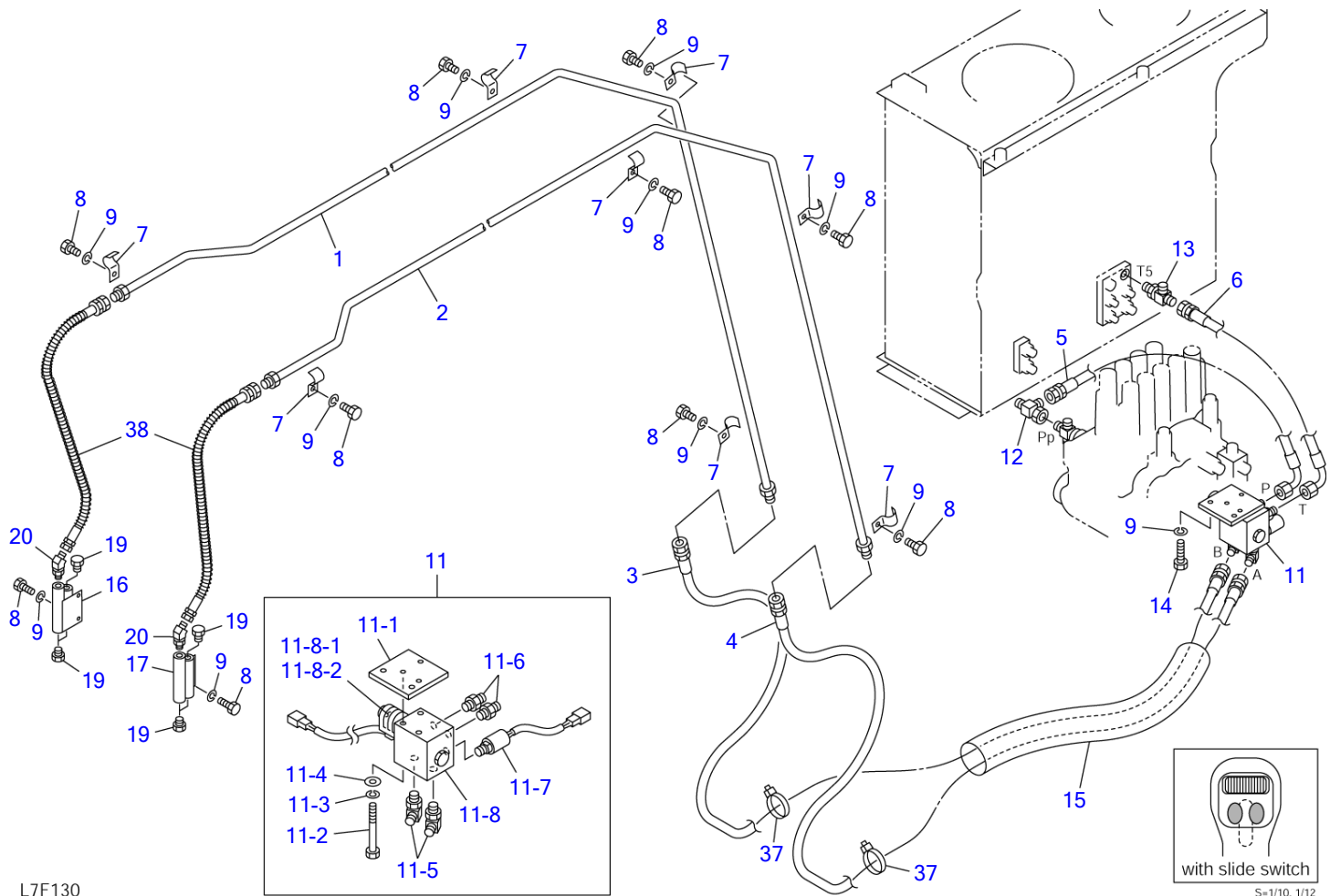


201 010

**2ND AUXILIARY LINE (2-piece boom)**

Item	Part number	Description	Q'ty	Chan.	Serial No.	Serv.	Remarks
		LINE ASSY, 2nd auxiliary					
1	0567332100	• PIPE	2				
2	0567347810	• PIPE	2				
4	0567332400	* RUBBER	2				
5	1805140146	• HOSE ASSY	2				
6	1805240077	• HOSE ASSY	2				
7	0567329200	• HOSE ASSY	1				2X3200
8	0567329400	• HOSE ASSY	1				2X3200
9	1531345050	• PROTECTOR	1				sold by the meter
11	1140020010	• WASHER, spring	8				
12	1100040816	• BOLT	4				
13	1100061045	• BOLT	8			M	
14	1140020008	• WASHER, spring	4				
15	1515100112	• ELBOW	2				
	1420010180	• • O-RING	1				
16	1501750004	• PLUG	2				
	1420010180	• • O-RING	1				
18	1534100218	• CLAMP	8				
19	1901719800	• VALVE, stop	2				
	L7f121						

TB175 Book No. BL7Z000 S/N 17530001-  
3RD AUXILIARY LINE

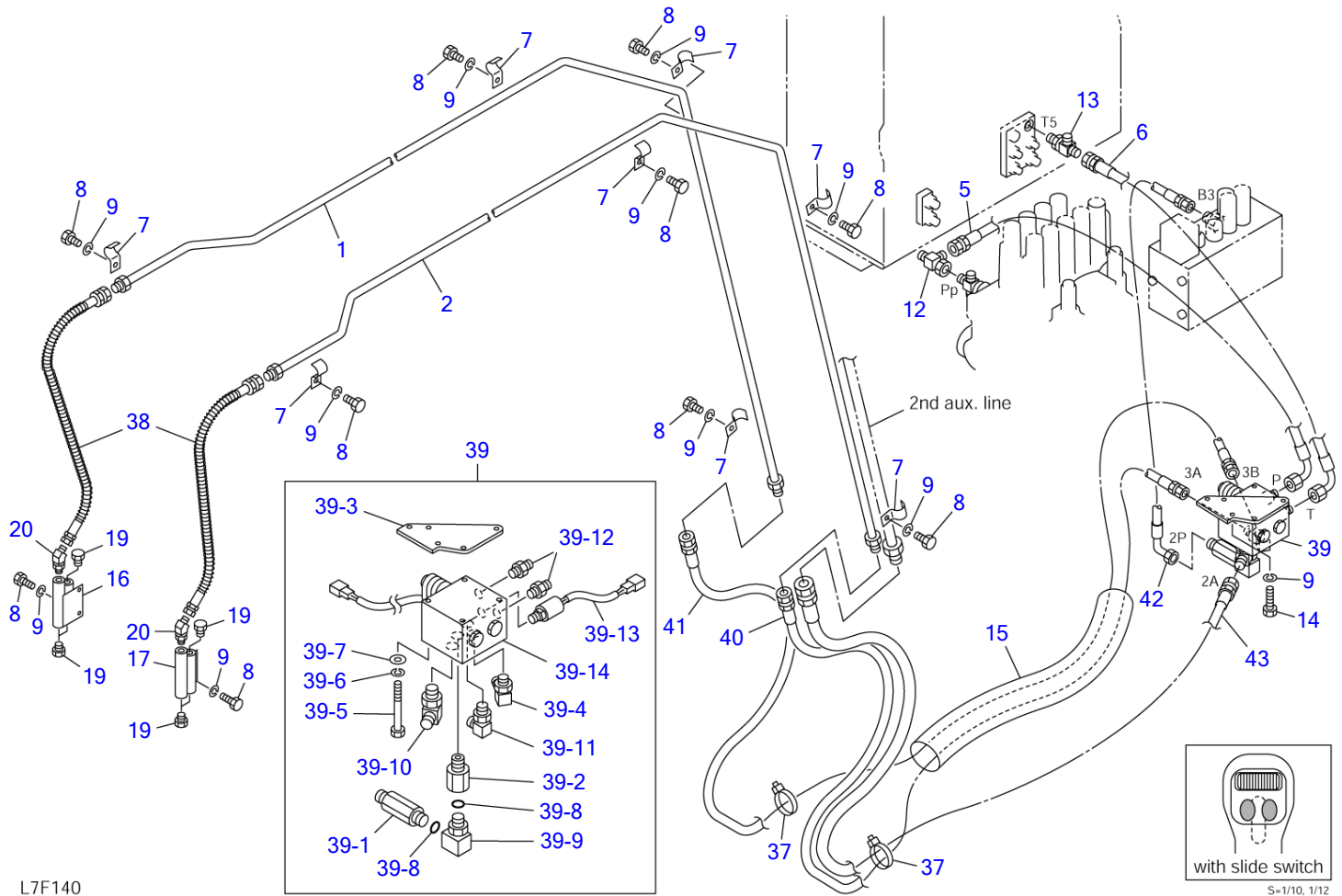


L7F130

**3RD AUXILIARY LINE**

Item	Part number	Description	Q'ty	Chan.	Serial No.	Serv.	Remarks
	0567350000	LINE ASSY, 3rd aux.	1			M	
	0567350100	LINE ASSY, 3rd aux. (for middle arm)	1			M	
	0567350200	LINE ASSY, 3rd aux. (for long arm)	1			M	
1	0567346410	· PIPE (R.H.)	1				
2	0567346420	· PIPE (L.H.)	1				
3	0567339030	· HOSE ASSY	1				18010-22260
3-1	1801022260	* * HOSE ASSY	1				
4	0567339040	· HOSE ASSY	1				18010-22260
4-1	1801022260	* * HOSE ASSY	1				
5	0567336050	· HOSE ASSY	1				18010-52066
5-1	1801052066	* * HOSE ASSY	1				
6	0567336060	· HOSE ASSY	1				18010-52056
6-1	1801052056	* * HOSE ASSY	1				
7	0567339570	· CLAMP	8				
8	1100040816	· BOLT	12				
9	1140020008	· WASHER, spring	14				
11	X *****	· VALVE ASSY, solenoid	1				
11-1	0567336101	· · PLATE	1				
11-2	1100040890	· · BOLT	3				
11-3	1140020008	· · WASHER, spring	3				
11-4	1141110008	· · WASHER	3				
11-5	1515012040	· · ELBOW	2				
	1420010110	· · · O-RING	1				
11-6	1515600200	· · ADAPTOR	2				
	1420010110	· · · O-RING	1				
11-7	1700100065	· · SWITCH, pressure	1				
	1420010110	· · · O-RING	1				
11-8	1901750700	· · VALVE, solenoid	1			M	12V
11-8-1	1901741402	· · · SOLENOID	1				
11-8-2	1901750703	· · · COIL	1			M	
12	1513390015	· TEE	1				
13	1512370011	· TEE	1				
	1420010110	· · O-RING	1				
14	1100040825	· BOLT	2				
15	1531335070	· PROTECTOR	1				sold by the meter
16	0567346430	· ADAPTOR	1				
17	0567346440	· ADAPTOR	1				
19	1501750002	· PLUG	6				
	1420010110	· · O-RING	1				
20	1515100110	· ELBOW	2				
	1420010110	· · O-RING	1				
37	1652201005	· BAND	2				
38	1805100102	· HOSE ASSY	1				
	1805100120	· HOSE ASSY FOR MIDDLE ARM	1				for middle arm
	1805100135	· HOSE ASSY FOR LONG ARM	1				for long arm
	L7f132						

TB175 Book No. BL7Z000 S/N 17530001-  
**3RD AUXILIARY LINE (high pressure type)**



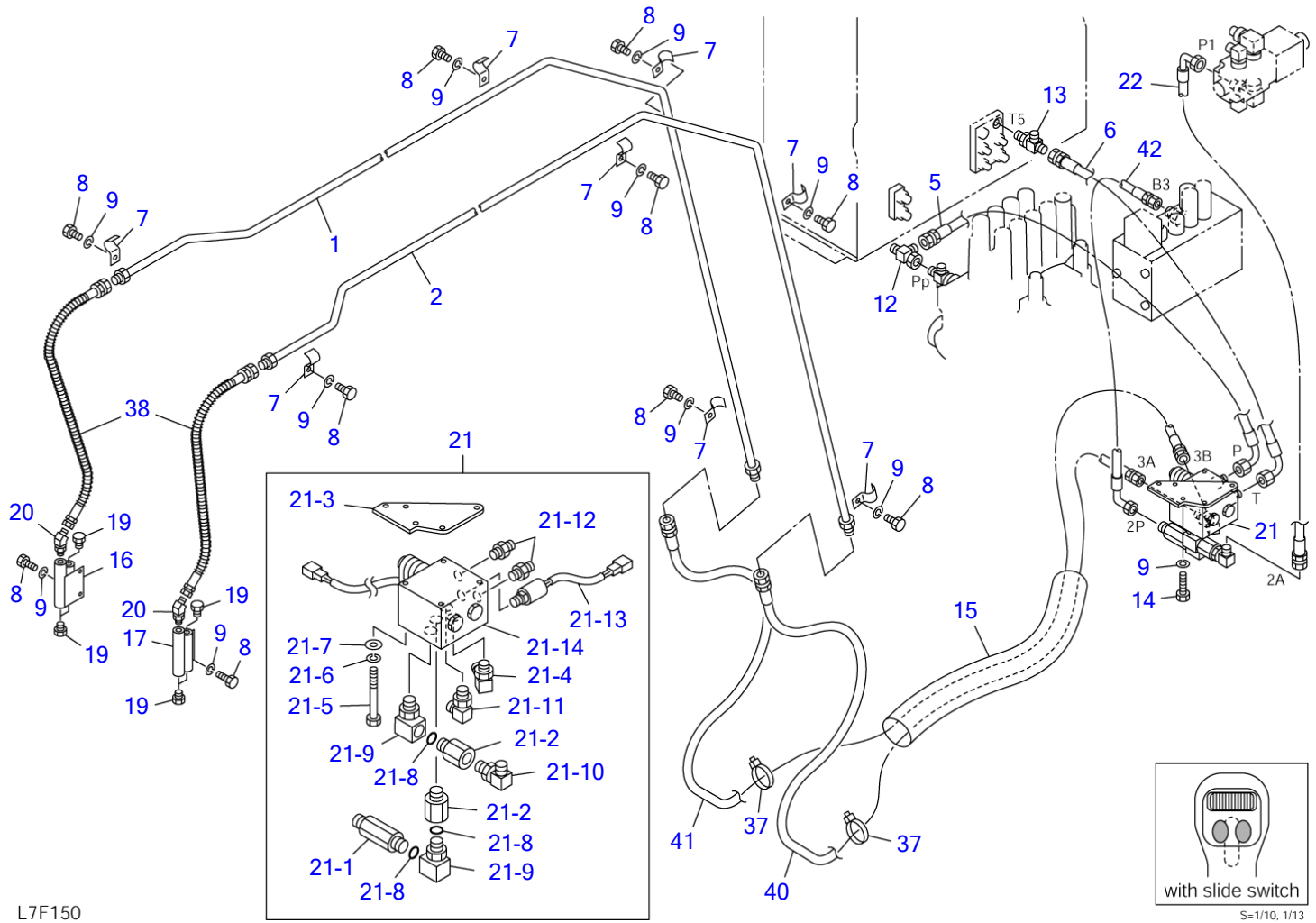
L7F140



**3RD AUXILIARY LINE (high pressure type)**

Item	Part number	Description	Q'ty	Chan.	Serial No.	Serv.	Remarks
		LINE ASSY, 3rd aux.	1			M	
		LINE ASSY, 3rd aux. (for middle arm)	1			M	
		LINE ASSY, 3rd aux. (for long arm)	1			M	
1	0567346410	• PIPE (R.H.)	1				
2	0567346420	• PIPE (L.H.)	1				
5	0567336050	• HOSE ASSY	1				18010-52066
5-1	1801052066	* * HOSE ASSY	1				
6	0567336060	• HOSE ASSY	1				
7	0567339570	• CLAMP	8				
8	1100040816	• BOLT	12				
9	1140020008	• WASHER, spring	14				
12	1513390015	• TEE	1				
13	1512370011	• TEE	1				
	1420010110	• • O-RING	1				
14	1100040825	• BOLT	2				
15	1531335070	• PROTECTOR	1				sold by the meter
16	0567346430	• ADAPTOR	1				
17	0567346440	• ADAPTOR	1				
19	1501750002	• PLUG	6				
	1420010110	• • O-RING	1				
20	1515100110	• ELBOW	2				
	1420010110	• • O-RING	1				
37	1652201005	• BAND	2				
38	1805100102	• HOSE ASSY	1				
	1805100120	• HOSE ASSY	1				for middle arm
	1805100135	• HOSE ASSY	1				for long arm
39	X *****	• VALVE ASSY, solenoid	1				
39-1	0007203074	• • ADAPTOR	1				
	1420010180	• • • O-RING	1				
39-2	0007213010	• • BUSHING	1				
	1420010180	* * * O-RING	1				
39-3	0567339740	• • PLATE	1				
39-4	0575003630	• • ELBOW	1				
39-5	1100040890	• • BOLT	3				
39-6	1140020008	• • WASHER, spring	3				
39-7	1141110008	• • WASHER	3				
39-8	1420010180	• • O-RING	2				
39-9	1513300016	• • ELBOW	1				
	1420010110	• • • O-RING	1				
39-10	1515010042	• • ELBOW	1				
	1420010180	• • • O-RING	1				
39-11	1515012040	• • ELBOW	1				
	1420010180	• • • O-RING	1				
39-12	1515600200	• • ADAPTOR	2				
	1420010110	• • • O-RING	1				
39-13	1700100065	• • SWITCH, pressure	1				
	1420010110	• • • O-RING	1				
39-14	1901751600	• • VALVE, solenoid	1			M	12V
40	0567348320	• HOSE ASSY	1				18010-22300
40-1	1801022300	* * HOSE ASSY	1				
41	0567348330	• HOSE ASSY	1				18050-00305
41-1	1805000305	* * HOSE ASSY	1				
42	0567348340	• HOSE ASSY	1				18052-41082
42-1	1805241082	* * HOSE ASSY	1				
43	0567350350	• HOSE ASSY	1			M	18050-40260
43-1	1805040260	* * hose assy	1				
	L7f142						

TB175 Book No. BL7Z000 S/N 17530001-  
**3RD AUXILIARY LINE (high pressure type; with 4th auxiliary lines)**

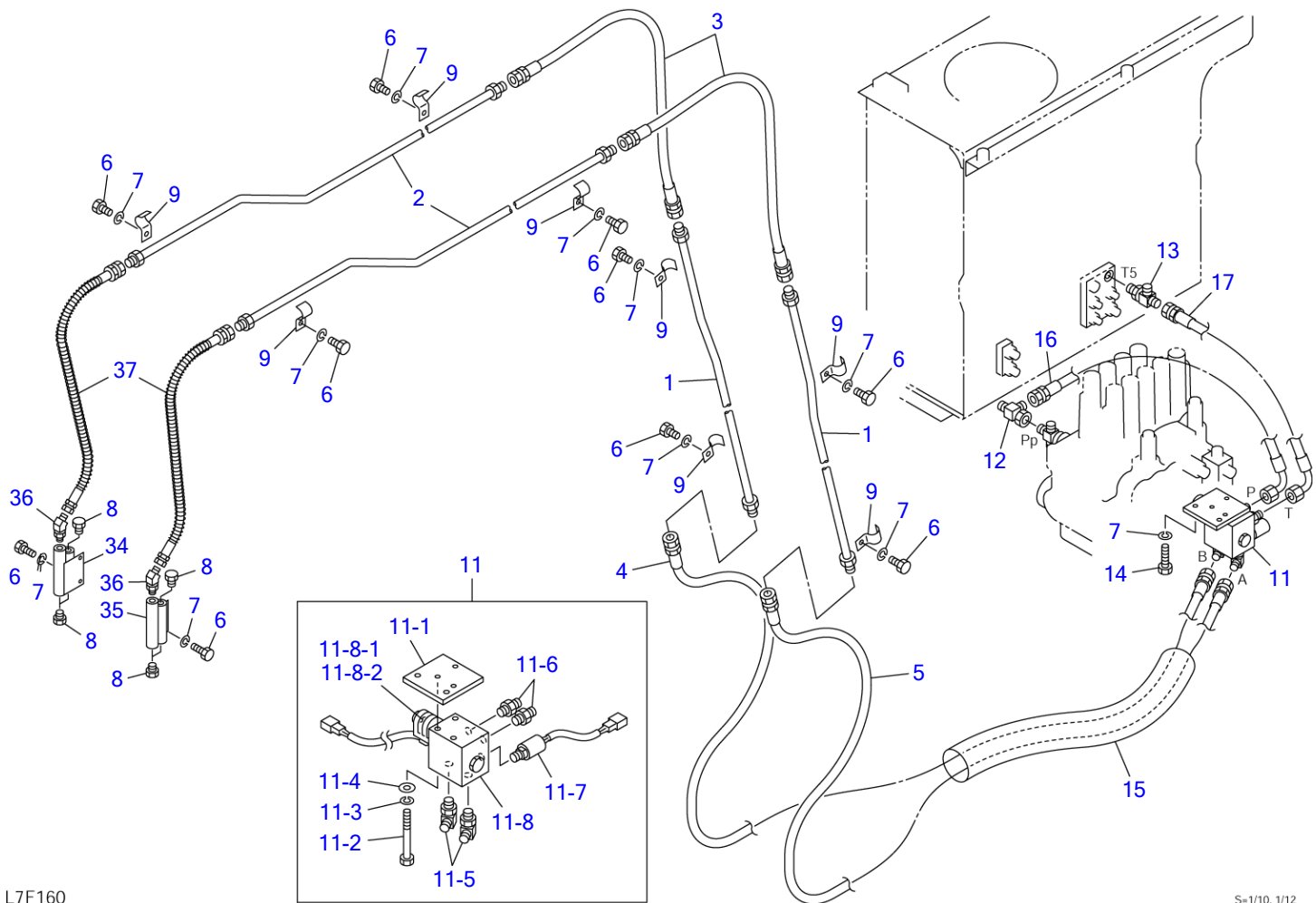


L7F150

**3RD AUXILIARY LINE (high pressure type; with 4th auxiliary lines)**

Item	Part number	Description	Q'ty	Chan.	Serial No.	Serv.	Remarks
		LINE ASSY, 3rd aux.	1			M	
		LINE ASSY, 3rd aux. (for middle arm)	1			M	
		LINE ASSY, 3rd aux. (for long arm)	1			M	
1	0567346410	• PIPE (R.H.)	1				
2	0567346420	• PIPE (L.H.)	1				
5	0567336050	• HOSE ASSY	1				18010-52066
5-1	1801052066	** ** hose assy	1				
6	0567336060	• HOSE ASSY	1				
7	0567339570	• CLAMP	8				
8	1100040816	• BOLT	12				
9	1140020008	• WASHER, spring	14				
12	1513390015	• TEE	1				
13	1512370011	• TEE	1				
	1420010110	• • O-RING	1				
14	1100040825	• BOLT	2				
15	1531335070	• PROTECTOR	1				sold by the meter
16	0567346430	• ADAPTOR	1				
17	0567346440	• ADAPTOR	1				
19	1501750002	• PLUG	6				
	1420010110	• • O-RING	1				
20	1515100110	• ELBOW	2				
	1420010110	• • O-RING	1				
21	X *****	• VALVE ASSY, solenoid	1				
21-1	0007203074	• • ADAPTOR	1				
	1420010180	• • • O-RING	1				
21-2	0007213010	• • BUSHING	2				
	1420010180	* * * O-RING	1				
21-3	0567339740	• • PLATE	1				
21-4	0575003630	• • ELBOW	1				
21-5	1100040890	• • BOLT	3				
21-6	1140020008	• • WASHER, spring	3				
21-7	1141110008	• • WASHER	3				
21-8	1420010180	• • O-RING	3				
21-9	1513300016	• • ELBOW	2				
	1420010110	• • • O-RING	1				
21-10	1515010042	• • ELBOW	1				
	1420010180	• • • O-RING	1				
21-11	1515012040	• • ELBOW	1				
	1420010180	• • • O-RING	1				
21-12	1515600200	• • ADAPTOR	2				
	1420010110	• • • O-RING	1				
21-13	1700100065	• • SWITCH , pressure	1				
	1420010110	• • • O-RING	1				
21-14	1901751600	• • VALVE, solenoid	1			M	12V
22	0567349320	• HOSE ASSY	1			M	18050-41066
37	1652201005	• BAND	2				
38	1805100102	• HOSE ASSY	1				
	1805100120	• HOSE ASSY	1				for middle arm
	1805100135	• HOSE ASSY	1				for long arm
40	0567348320	• HOSE ASSY	1				18010-22300
40-1	1801022300	* * HOSE ASSY	1				
41	0567348330	• HOSE ASSY	1				18050-00305
41-1	1805000305	* * HOSE ASSY	1				
42	0567348340	• HOSE ASSY	1				18052-41082
42-1	1805241082	* * HOSE ASSY	1				
	L7f152						

TB175 Book No. BL7Z000 S/N 17530001-  
3RD AUXILIARY LINE (2-piece boom)



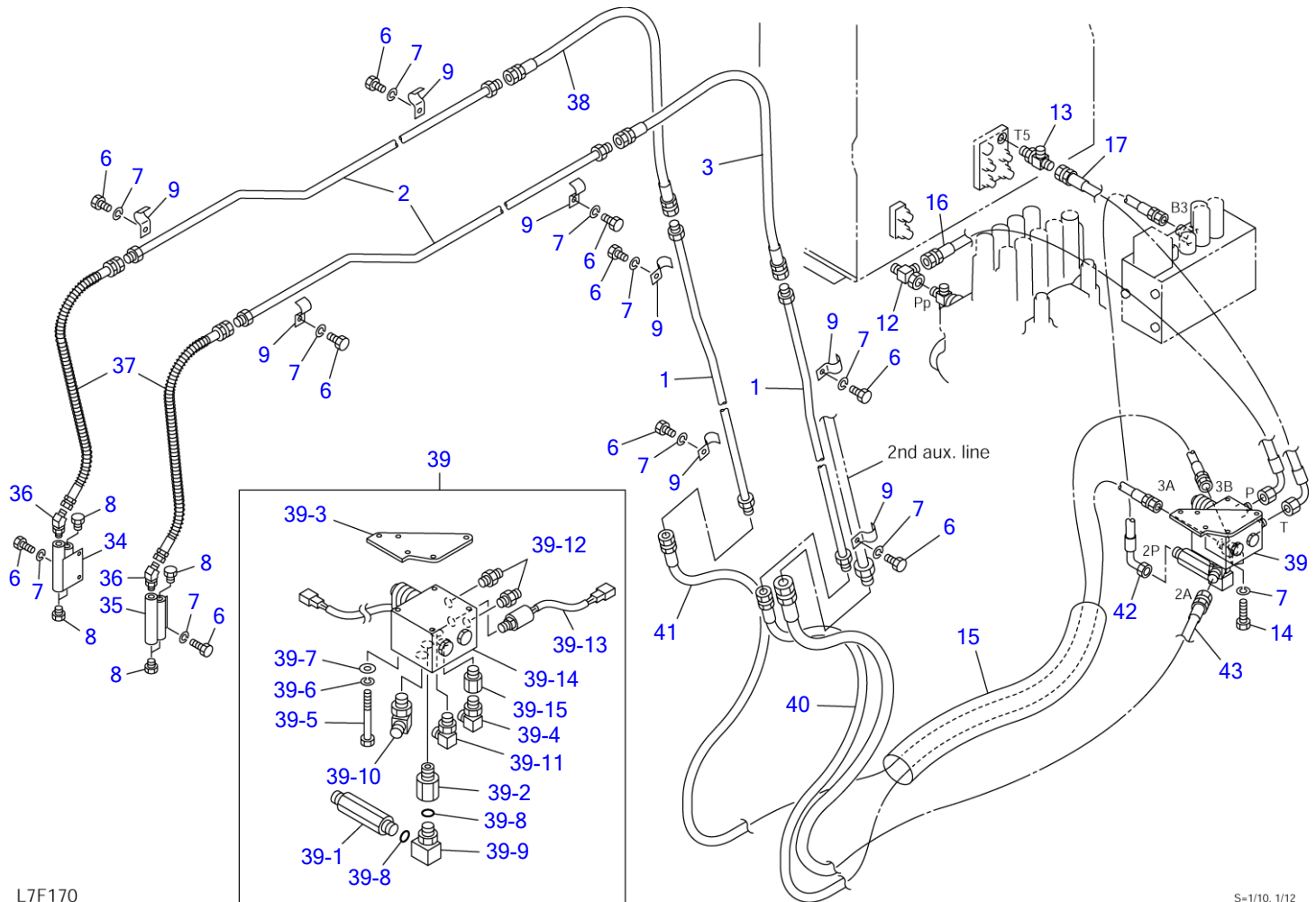
L7F160

S-1/10, 1/12

**3RD AUXILIARY LINE (2-piece boom)**

Item	Part number	Description	Q'ty	Chan.	Serial No.	Serv.	Remarks
		LINE ASSY, 3rd aux.				M	
1	0567338010	· PIPE	2				
2	0567347910	· PIPE	2				
3	0567338030	· HOSE ASSY	2				
4	0567338530	· HOSE ASSY	1				18010-22260
4-1	1801022260	* * HOSE ASSY	1				
5	0567338540	· HOSE ASSY	1				18010-22260
5-1	1801022260	* * HOSE ASSY	1				
6	1100040816	· BOLT	12				
7	1140020008	· WASHER, spring	14				
8	1501750002	· PLUG	6				
	1420010110	· · O-RING	1				
9	0567339570	· CLAMP	8				
11	X *****	· VALVE ASSY, solenoid	1				
11-1	0567336101	· · PLATE	1				
11-2	1100040890	· · BOLT	3				
11-3	1140020008	· · WASHER, spring	3				
11-4	1141110008	· · WASHER	3				
11-5	1515012040	· · ELBOW	2				
	1420010110	· · · O-RING	1				
11-6	1515600200	· · ADAPTOR	2				
	1420010110	· · · O-RING	1				
11-7	1700100065	· · SWITCH , pressure	1				
	1420010110	· · · O-RING	1				
11-8	1901750700	· · VALVE, solenoid	1			M	12V
11-8-1	1901741402	· · · SOLENOID	1				
11-8-2	1901741403	· · · COIL	1				
12	1513390015	· TEE	1				
13	1512370011	· TEE	1				
	1420010110	· · O-RING	1				
14	1100040825	· BOLT	2				
15	1531335070	· PROTECTOR	1				sold by the meter
16	0567336050	· HOSE ASSY	1				18010-52066
16-1	1801052066	* * HOSE ASSY	1				
17	0567336060	· HOSE ASSY	1				18010-52056
17-1	1801052056	* * HOSE ASSY	1				
34	0567346430	· ADAPTOR	1				
35	0567346440	· ADAPTOR	1				
36	1515100110	· ELBOW	2				
	1420010110	· · O-RING	1				
37	1805100135	· HOSE ASSY	2				
	L7f161						

TB175 Book No. BL7Z000 S/N 17530001-  
**3RD AUXILIARY LINE (2-piece boom; high pressure type)**



L7F170

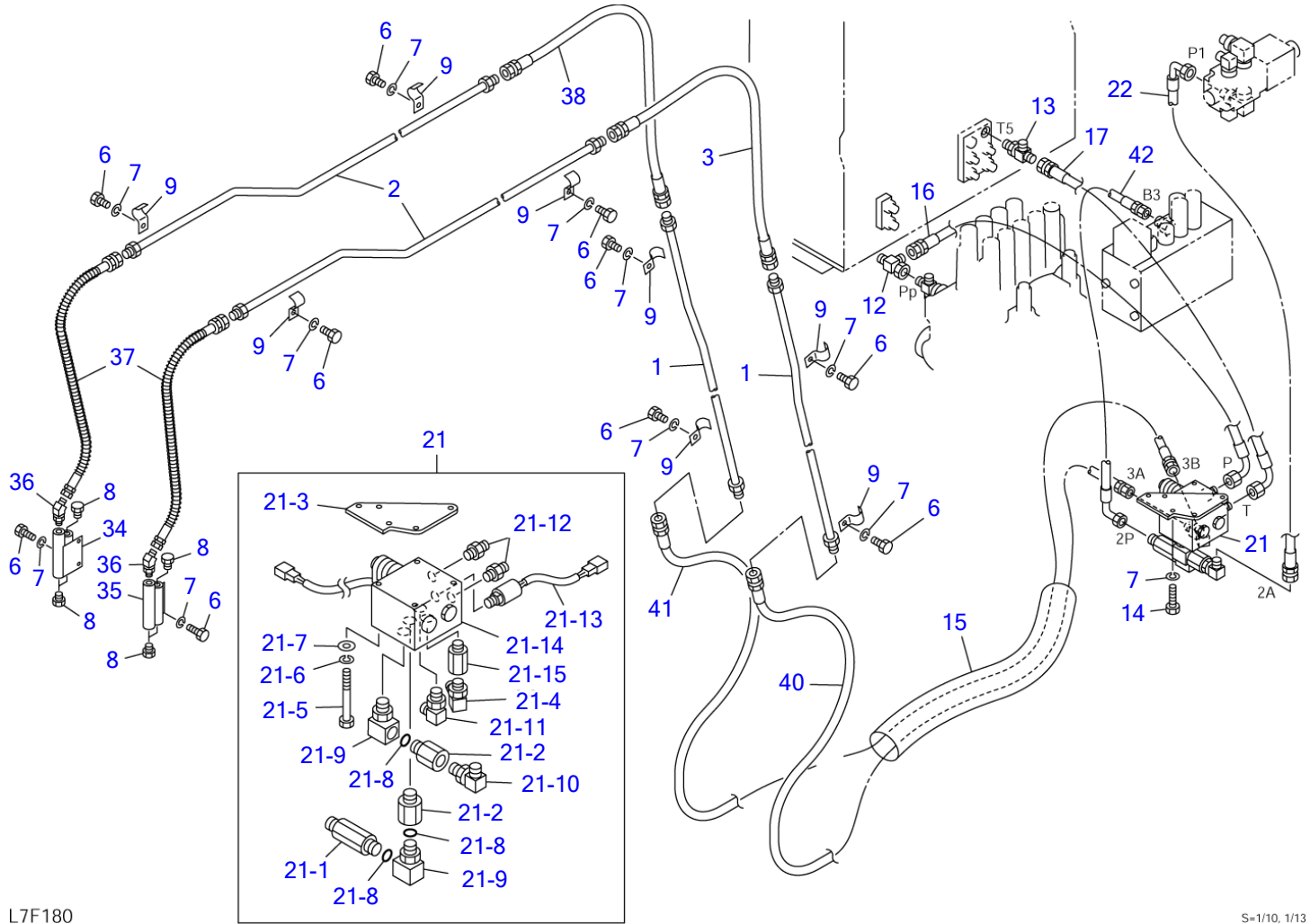
S=1/10, 1/12

3RD AUXILIARY LINE (2-piece boom; high pressure type)

Item	Part number	Description	Q'ty	Chan.	Serial No.	Serv.	Remarks
		LINE ASSY, 3rd aux.	1			M	
1	0567338010	• PIPE	2				
2	0567347910	• PIPE	2				
3	0567338030	• HOSE ASSY	2				
6	1100040816	• BOLT	12				
7	1140020008	• WASHER, spring	14				
8	1501750002	• PLUG	6				
	1420010110	• • O-RING	1				
9	0567339570	• CLAMP	8				
12	1513390015	• TEE	1				
13	1512370011	• TEE	1				
	1420010110	• • O-RING	1				
14	1100040825	• BOLT	2				
15	1531335070	• PROTECTOR	1				sold by the meter
16	0567336050	• HOSE ASSY	1				18010-52066
16-1	1801052066	* * HOSE ASSY	1				
17	0567336060	• HOSE ASSY	1				18010-52056
17-1	1801052056	* * HOSE ASSY	1				
34	0567346430	• ADAPTOR	1				
35	0567346440	• ADAPTOR	1				
36	1515100110	• ELBOW	2				
	1420010110	• • O-RING	1				
37	1805100135	• HOSE ASSY	2				
38	1801700070	• HOSE ASSY	1				
39	X *****	• VALVE ASSY, solenoid	1				
39-1	0007203077	• • ADAPTOR	1				
39-2	0007213010	• • BUSHING	1				
	1420010180	* * * O-RING	1				
39-3	0567339740	• • PLATE	1				
39-4	0575003630	• • ELBOW	1				
39-5	1100040890	• • BOLT	3				
39-6	1140020008	• • WASHER, spring	3				
39-7	1141110008	• • WASHER	3				
39-8	1420010180	• • O-RING	2				
39-9	1513300016	• • ELBOW	1				
	1420010110	• • • O-RING	1				
39-10	1515010042	• • ELBOW	1				
	1420010180	• • • O-RING	1				
39-11	1515012040	• • ELBOW	1				
	1420010180	• • • O-RING	1				
39-12	1515600200	• • ADAPTOR	2				
	1420010110	• • • O-RING	1				
39-13	1700100065	• • SWITCH , pressure	1				
	1420010110	• • • O-RING	1				
39-14	1901751600	• • VALVE, solenoid	1			M	12V
39-15	1513250202	• • BUSHING	1				
	1420010110	• • • O-RING	1				
40	0567348320	• HOSE ASSY	1				18010-22300
40-1	1801022300	* * HOSE ASSY	1				
41	0567348330	• HOSE ASSY	1				18015-00305
41-1	1801500305	* * HOSE ASSY	1				
42	0567348340	• HOSE ASSY	1				18052-41082
42-1	1805241082	* * HOSE ASSY	1				
43	0567350350	• HOSE ASSY	1			M	18050-42060
43-1	1805042060	* * HOSE ASSY	1				

L7f171

TB175 Book No. BL7Z000 S/N 17530001-  
**3RD AUXILIARY LINE (2-piece boom; high pressure type, with 4th auxiliary lines)**



L7F180

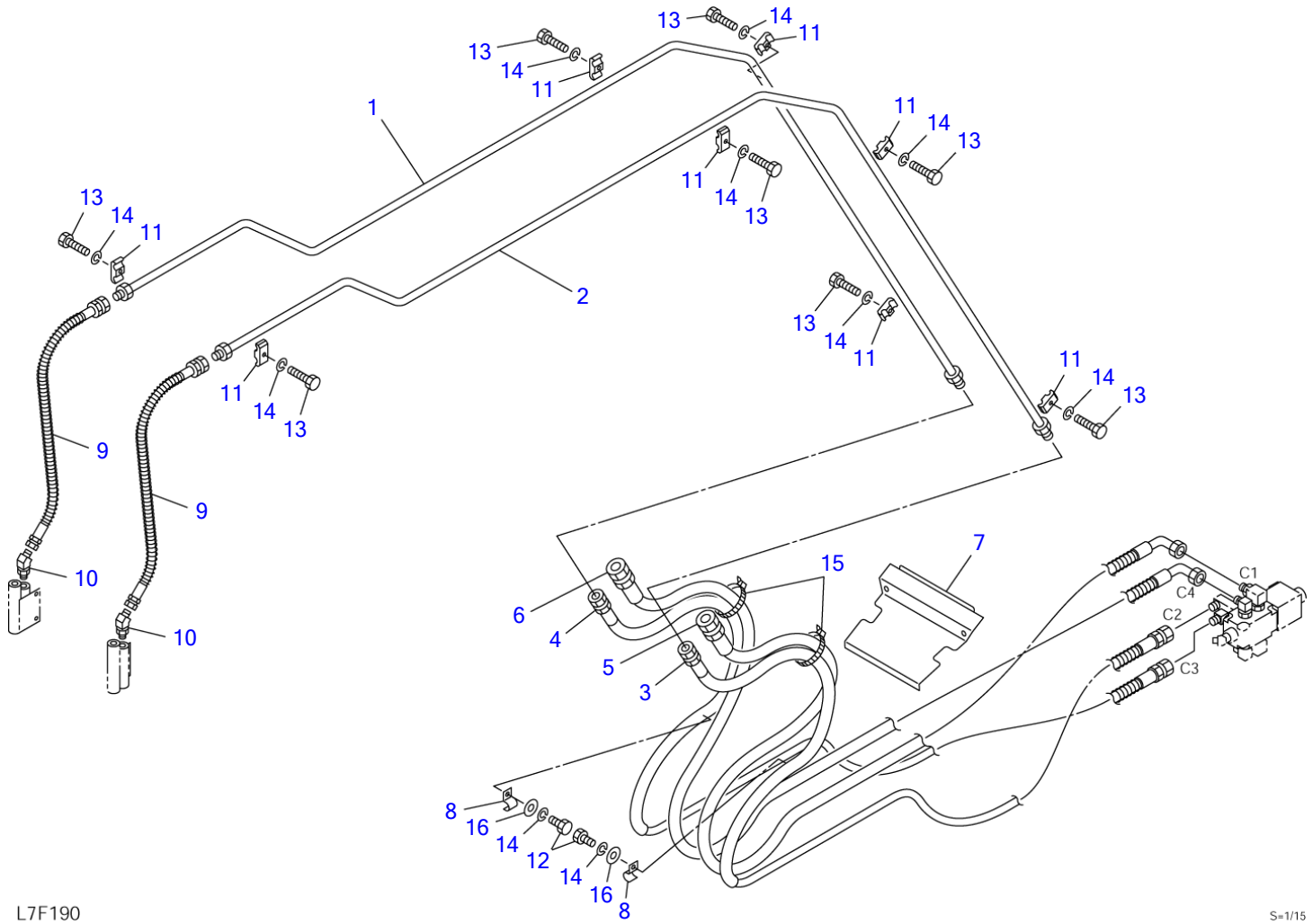
S=1/10, 1/13



**3RD AUXILIARY LINE (2-piece boom; high pressure type, with 4th auxiliary lines)**

Item	Part number	Description	Q'ty	Chan.	Serial No.	Serv.	Remarks
		LINE ASSY, 3rd aux.	1			M	
1	0567338010	· PIPE	2				
2	0567347910	· PIPE	2				
3	0567338030	· HOSE ASSY	2				
6	1100040816	· BOLT	12				
7	1140020008	· WASHER, spring	14				
8	1501750002	· PLUG	6				
	1420010110	· · O-RING	1				
9	0567339570	· CLAMP	8				
12	1513390015	· TEE	1				
13	1512370011	· TEE	1				
	1420010110	· · O-RING	1				
14	1100040825	· BOLT	2				
15	1531335070	· PROTECTOR	1				sold by the meter
16	0567336050	· HOSE ASSY	1				18010-52066
16-1	1801052066	* * HOSE ASSY	1				
17	0567336060	· HOSE ASSY	1				18010-52056
17-1	1801052056	* * HOSE ASSY	1				
21	X *****	· VALVE ASSY, solenoid	1				
21-1	0007203077	· · ADAPTOR	1				
21-2	0007213010	· · BUSHING	2				
	1420010180	* * * O-RING	1				
21-3	0567339740	· · PLATE	1				
21-4	0575003630	· · ELBOW	1				
21-5	1100040890	· · BOLT	3				
21-6	1140020008	· · WASHER, spring	3				
21-7	1141110008	· · WASHER	3				
21-8	1420010180	· · O-RING	3				
21-9	1513300016	· · ELBOW	2				
	1420010110	· · · O-RING	1				
21-10	1515010042	· · ELBOW	1				
	1420010180	· · · O-RING	1				
21-11	1515012040	· · ELBOW	1				
	1420010180	· · · O-RING	1				
21-12	1515600200	· · ADAPTOR	2				
	1420010110	· · · O-RING	1				
21-13	1700100065	· · SWITCH , pressure	1				
	1420010110	· · · O-RING	1				
21-14	1901751600	· · VALVE, solenoid	1			M	12V
21-15	1513250202	· · BUSHING	1				
	1420010110	· · · O-RING	1				
22	0567349320	· HOSE ASSY	1			M	18015-41066
22-1	1801541066	* * HOSE ASSY	1				
34	0567346430	· ADAPTOR	1				
35	0567346440	· ADAPTOR	1				
36	1515100110	· ELBOW	2				
	1420010110	· · O-RING	1				
37	1805100135	· HOSE ASSY	2				
38	1801700070	· HOSE ASSY	1				
40	0567348320	· HOSE ASSY	1				18010-22300
40-1	1801022300	* HOSE ASSY	1				
41	0567348330	· HOSE ASSY	1				18015-00305
41-1	1801500305	* * HOSE ASSY	1				
42	0567348340	· HOSE ASSY	1				18052-41082
42-1	1805241082	* * HOSE ASSY	1				
	L7f181						

TB175 Book No. BL7Z000 S/N 17530001-  
4TH AUXILIARY LINE



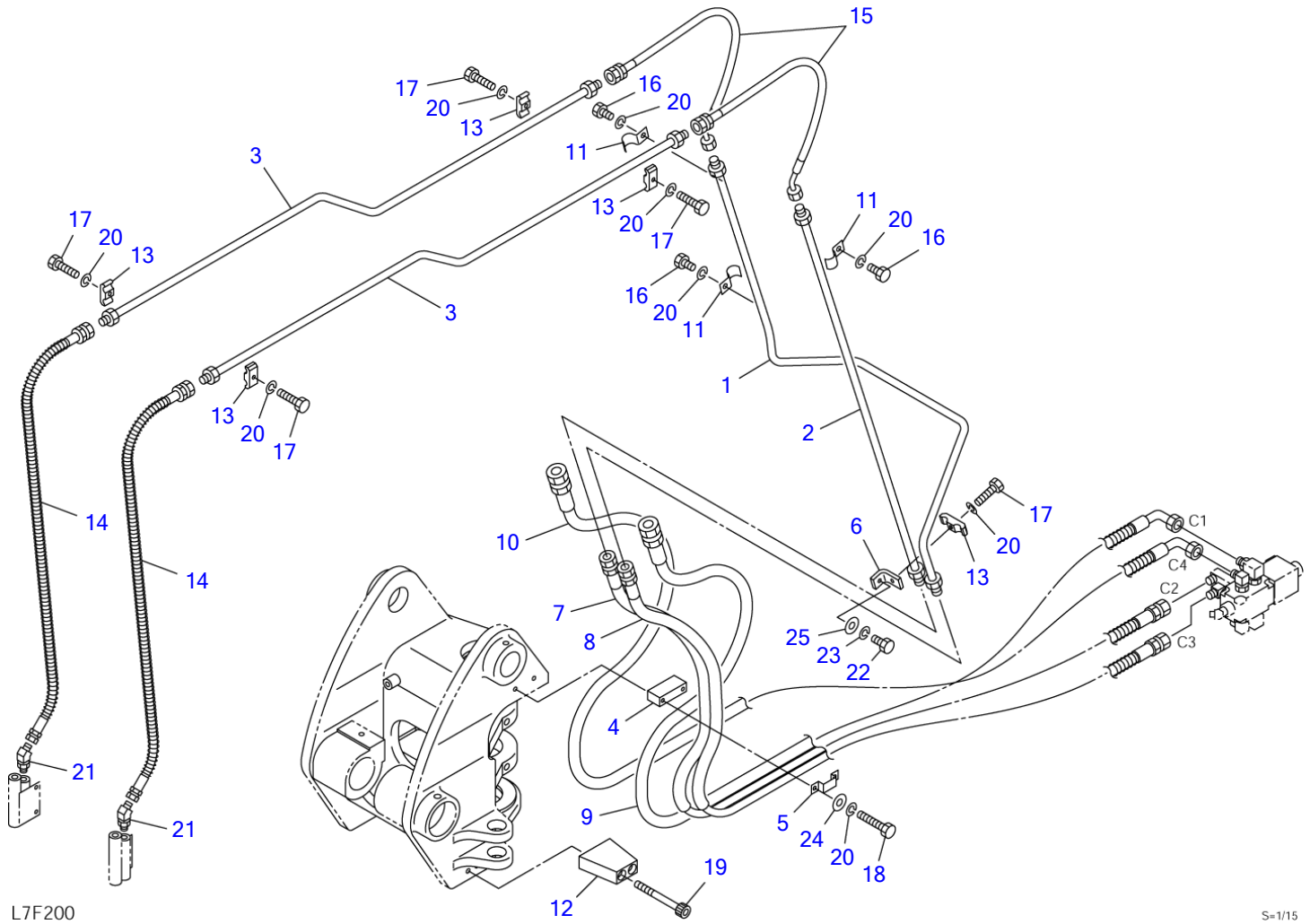
L7F190

S=1/15

**4TH AUXILIARY LINE**

Item	Part number	Description	Q'ty	Chan.	Serial No.	Serv.	Remarks
1	0567346715	PIPE (R.H.)	1				
2	0567346725	PIPE (L.H.)	1				
3	0567346730	HOSE ASSY	1				
4	0567346740	HOSE ASSY	1				
5	0567346750	HOSE ASSY	1				18015-41335
5-1	1801541335	* * HOSE ASSY	1				
6	0567346760	HOSE ASSY	1				18015-41330
6-1	1801541330	* * HOSE ASSY	1				
7	0567346770	COVER	1				
8	0567339540	CLAMP	2				
9	1805100102	HOSE ASSY	2				
	1805100120	HOSE ASSY	2				for middle arm
	1805100135	HOSE ASSY	2				for long arm
10	1515100110	ELBOW	2				
	1420010110	· O-RING	1				
11	1534000015	CLAMP	8				
12	1100040820	BOLT	2				
13	1100040835	BOLT	8				
14	1140020008	WASHER, spring	10				
15	1652201007	BAND	2				
16	1141110008	WASHER	2				
	L7f191						

TB175 Book No. BL7Z000 S/N 17530001-  
4TH AUXILIARY LINE (2-piece boom)



L7F200

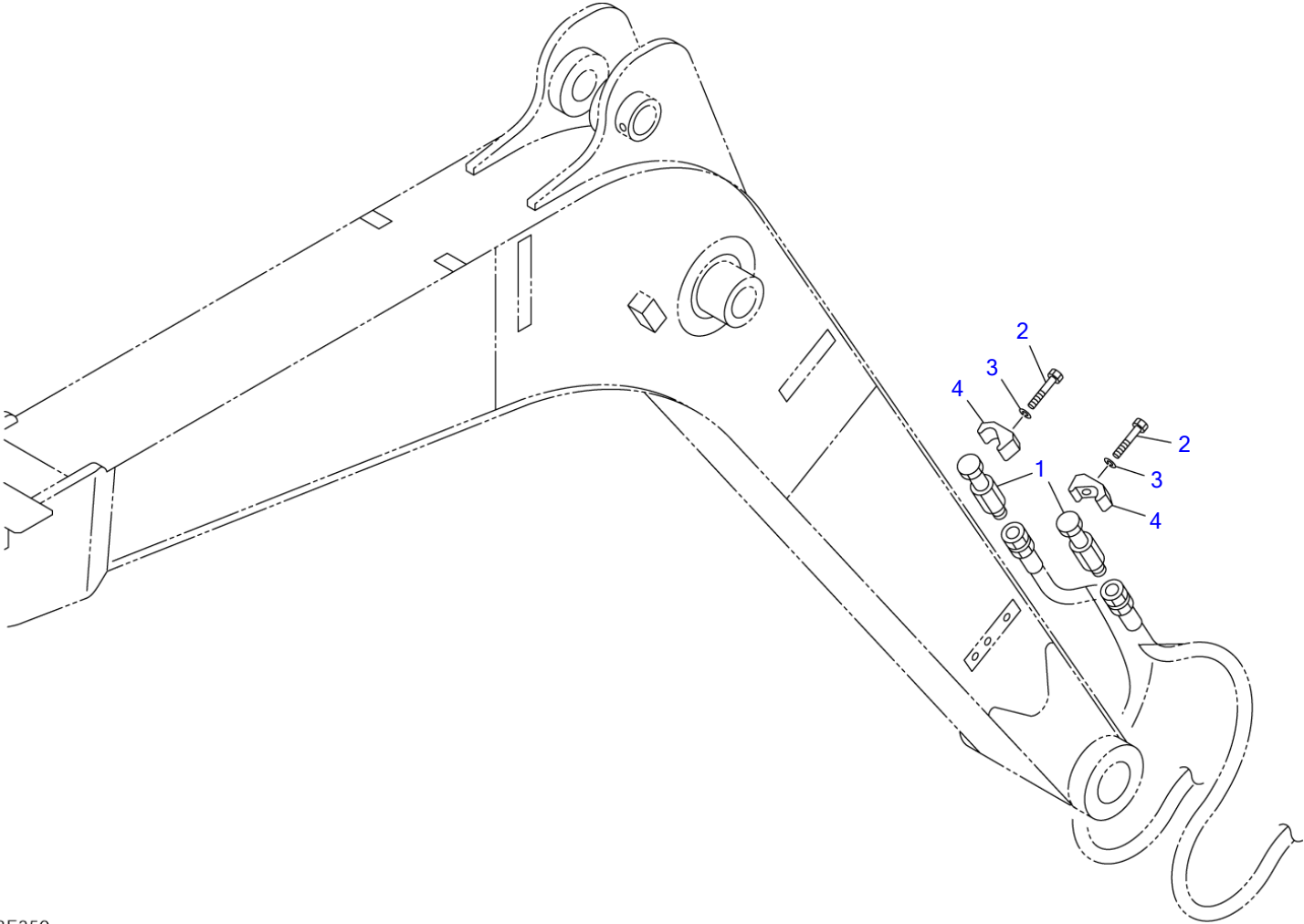
S=1/15

**4TH AUXILIARY LINE (2-piece boom)**

Item	Part number	Description	Q'ty	Chan.	Serial No.	Serv.	Remarks
		LINE ASSY, 4th aux.	1			M	
1	0567348010	• PIPE (R.H.)	1				
2	0567348020	• PIPE (L.H.)	1				
3	0567348030	• PIPE	2				
4	0567348040	• BLOCK	1				
5	0567348050	• CLAMP	1				
6	0567348060	• BRACKET	1				
7	0567348070	• HOSE ASSY	1				
8	0567348080	• HOSE ASSY	1				
9	0567346750	• HOSE ASSY	1				18015-41335
9-1	1801541335	* * HOSE ASSY	1				
10	0567346760	• HOSE ASSY	1				18015-41330
10-1	1801541330	* * HOSE ASSY	1				
11	0567339570	• CLAMP	3				
12	0563900100	• PLATE	1				
13	1534000015	• CLAMP	5				
14	1805100135	• HOSE ASSY	2				
15	1805207071	• HOSE ASSY	2				
16	1100040816	• BOLT	3				
17	1100040835	• BOLT	5				
18	1100040860	• BOLT	2			M	
19	1111141200	• SCREW, cap	2				
20	1140020008	• WASHER, spring	10				
21	1515100110	• ELBOW	2				
	1420010110	• • O-RING	1				
22	1100041020	• BOLT	1				
23	1140020010	• WASHER	1				
24	1141110008	• WASHER	2				
25	1141110010	• WASHER	1				

**L7f201**

TB175 Book No. BL7Z000 S/N 17530001-  
PLUG ASSY



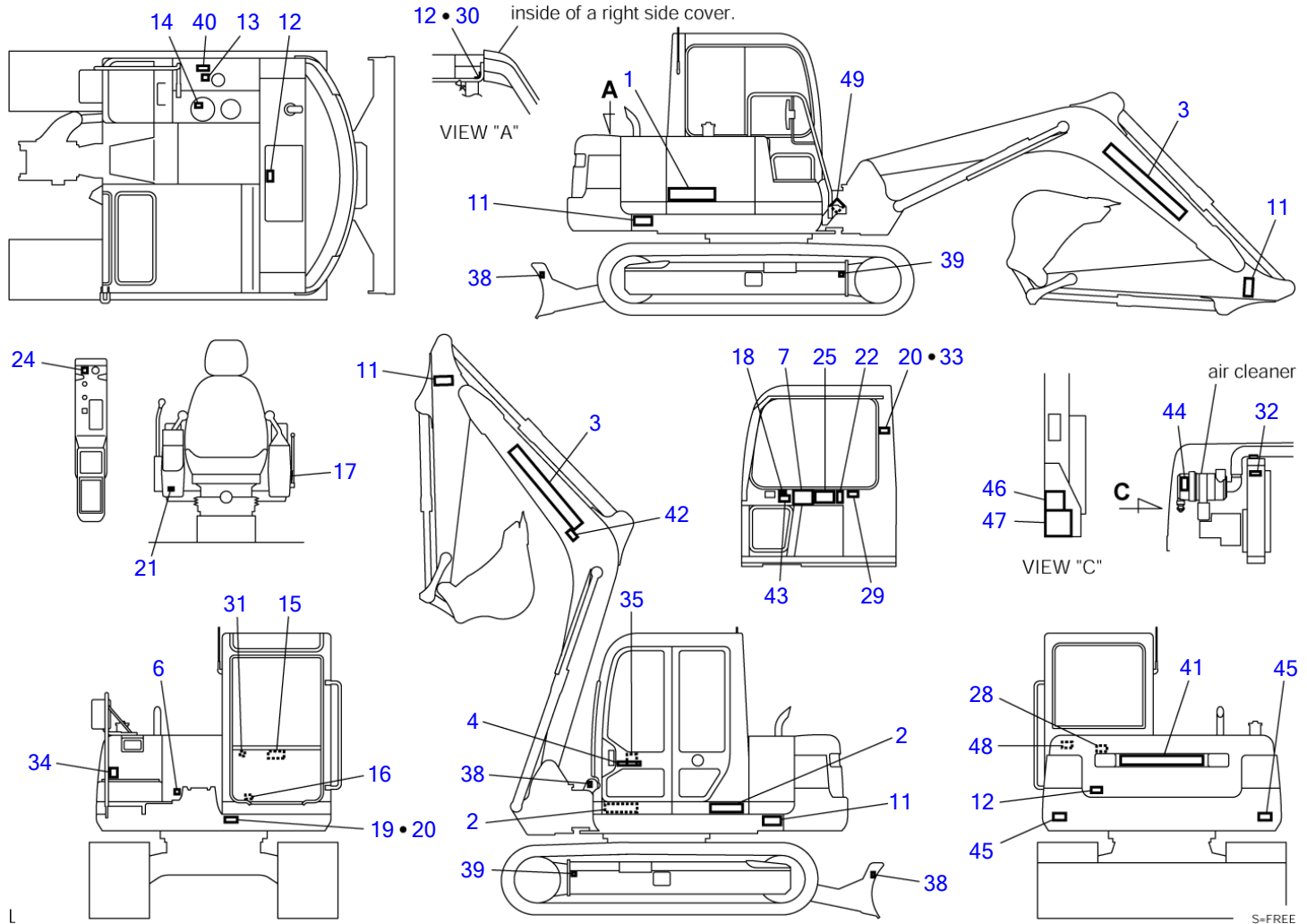
L3F350

S=1/12

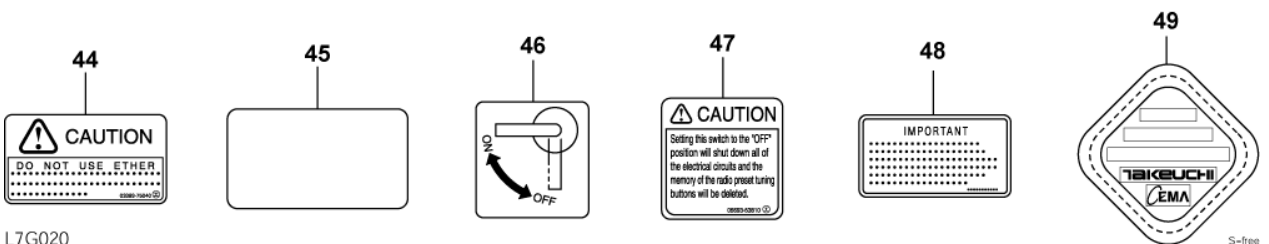
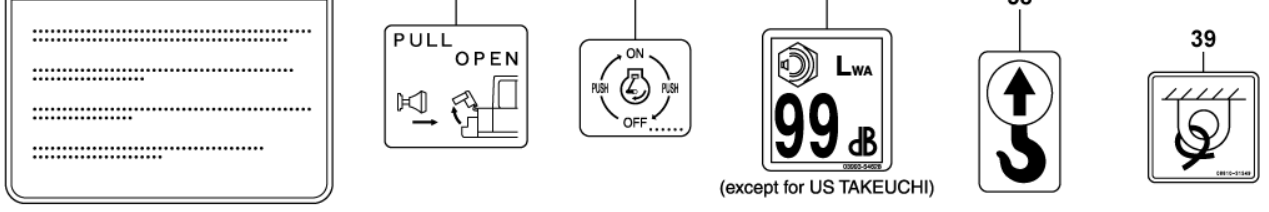
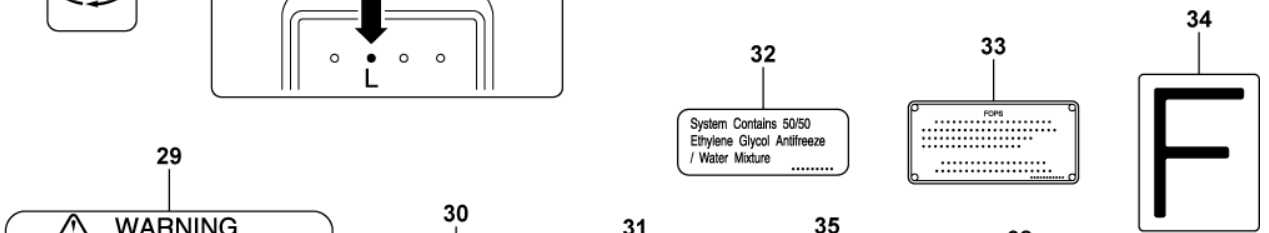
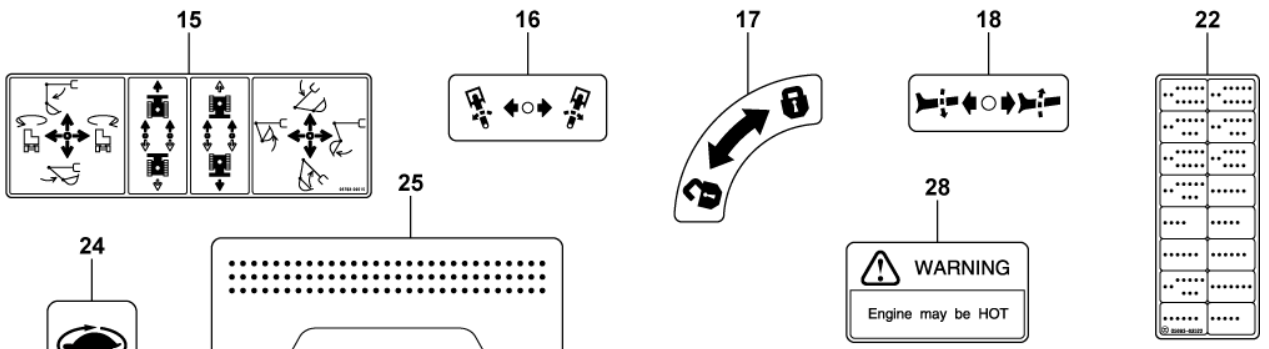
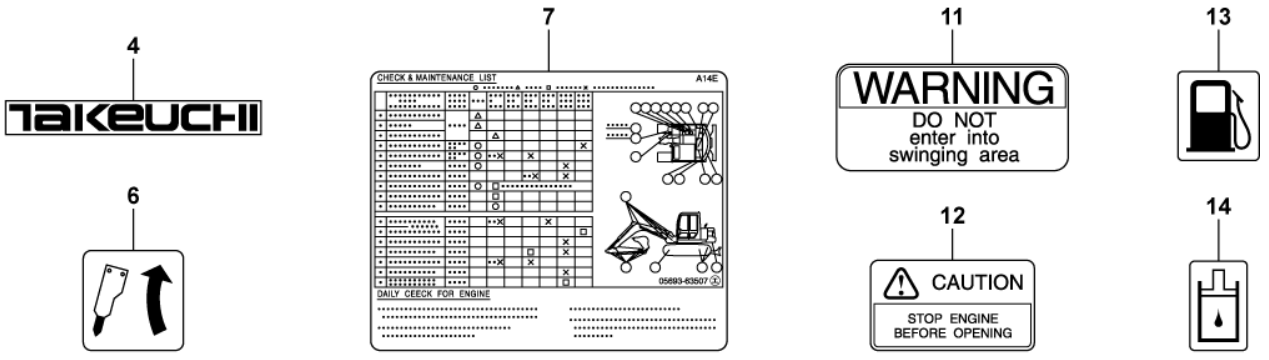
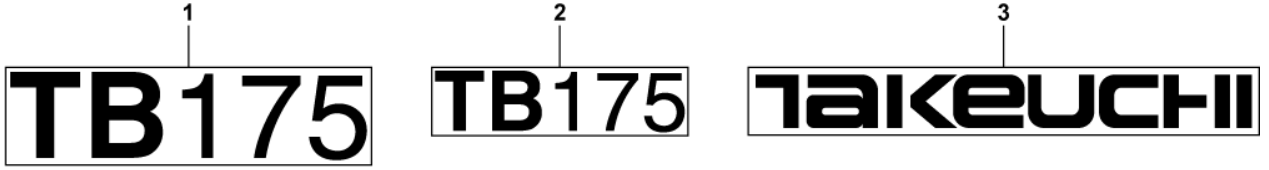
**PLUG ASSY**

Item	Part number	Description	Q'ty	Chan.	Serial No.	Serv.	Remarks
		PLUG ASSY					
1	<b>0567800010</b>	PLUG	2				
2	<b>1100041050</b>	BOLT	2				
3	<b>1140020010</b>	WASHER, spring	2				
4	<b>1534100273</b>	CLAMP	2				
	<b>L3f350</b>						

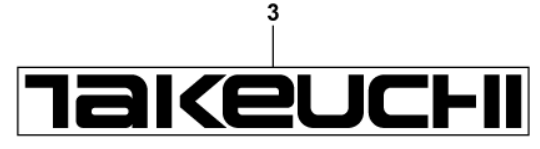
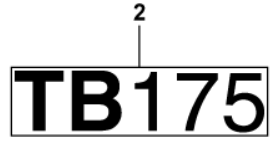
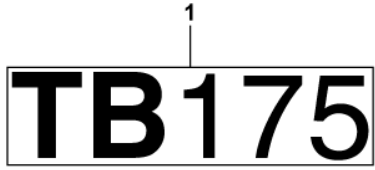
TB175 Book No. BL7Z000 S/N 17530001-  
DECAL









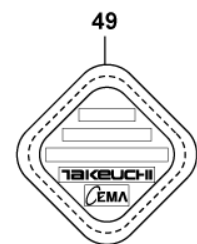
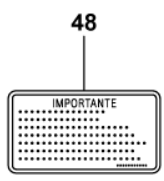
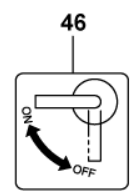
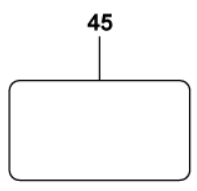
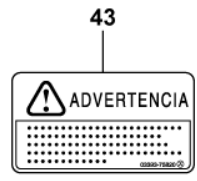
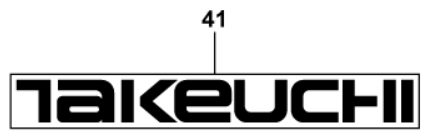
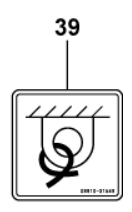
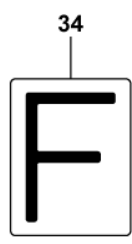
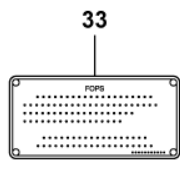
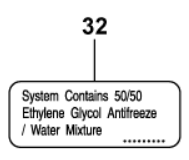
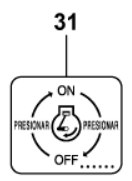
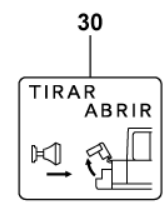
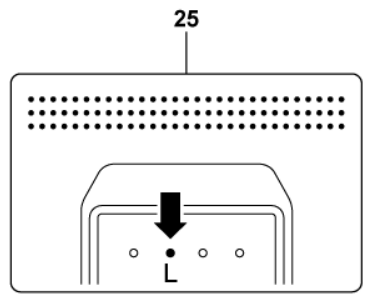
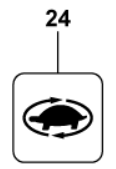
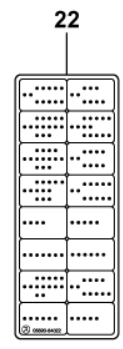
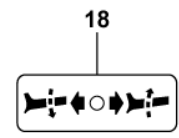
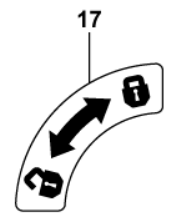
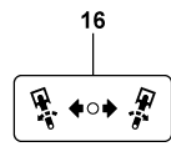
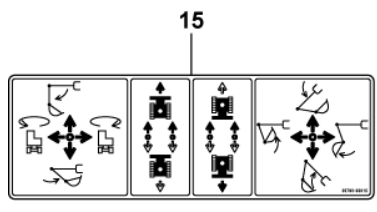
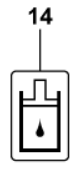
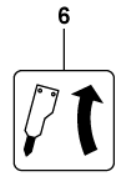
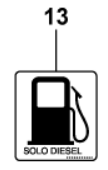


7

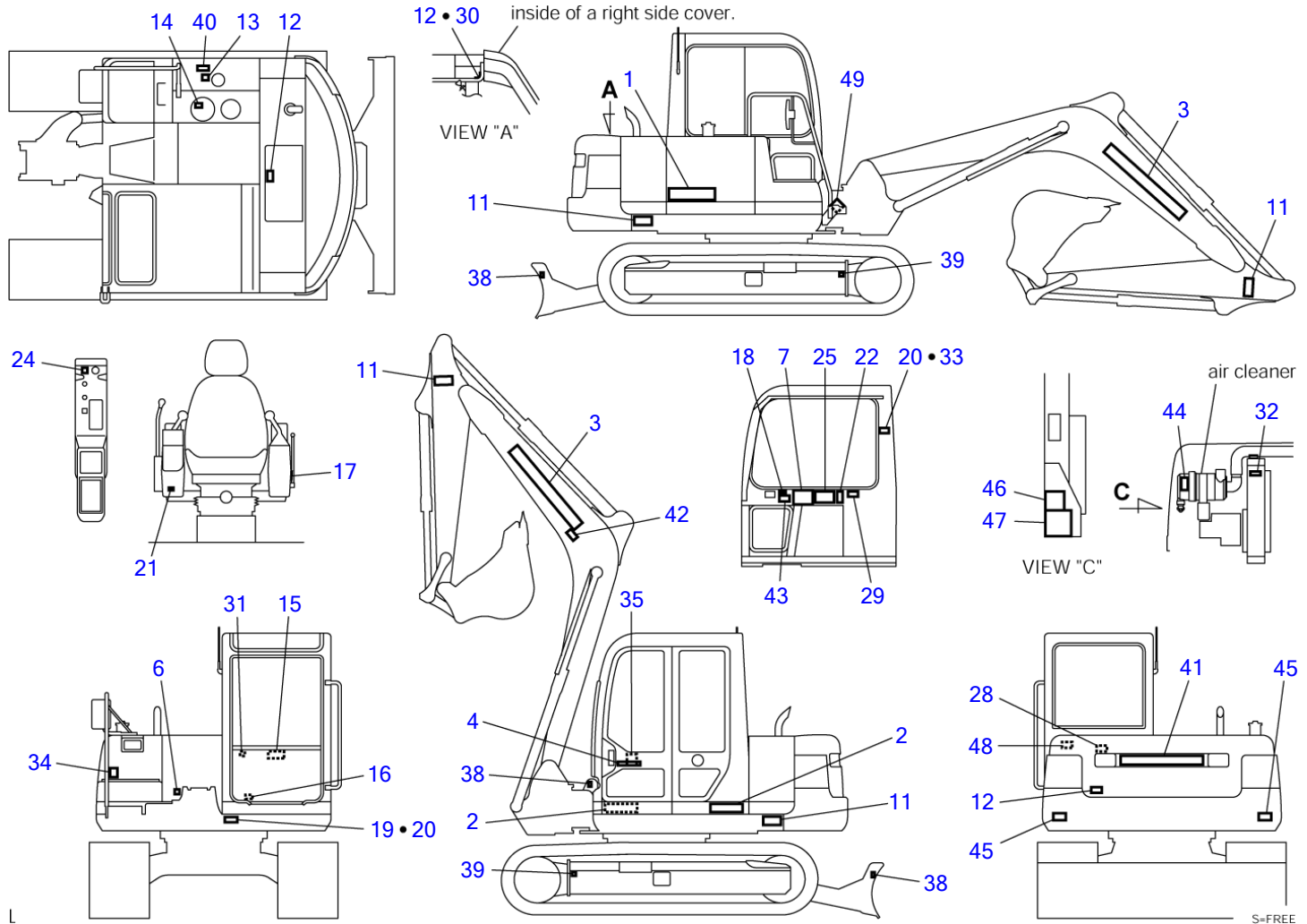
Tabla de control y mantenimiento

Item	Interval	Unit	Frequency	Remarks
1	1000	h	●	
2	1000	h	●	
3	1000	h	●	
4	1000	h	●	
5	1000	h	●	
6	1000	h	●	
7	1000	h	●	
8	1000	h	●	
9	1000	h	●	
10	1000	h	●	
11	1000	h	●	
12	1000	h	●	
13	1000	h	●	
14	1000	h	●	
15	1000	h	●	
16	1000	h	●	
17	1000	h	●	
18	1000	h	●	
19	1000	h	●	
20	1000	h	●	
21	1000	h	●	
22	1000	h	●	
23	1000	h	●	
24	1000	h	●	
25	1000	h	●	
26	1000	h	●	
27	1000	h	●	
28	1000	h	●	
29	1000	h	●	
30	1000	h	●	
31	1000	h	●	
32	1000	h	●	
33	1000	h	●	
34	1000	h	●	
35	1000	h	●	
36	1000	h	●	
37	1000	h	●	
38	1000	h	●	
39	1000	h	●	
40	1000	h	●	
41	1000	h	●	
42	1000	h	●	
43	1000	h	●	
44	1000	h	●	
45	1000	h	●	
46	1000	h	●	
47	1000	h	●	
48	1000	h	●	
49	1000	h	●	

control: abrir del motor

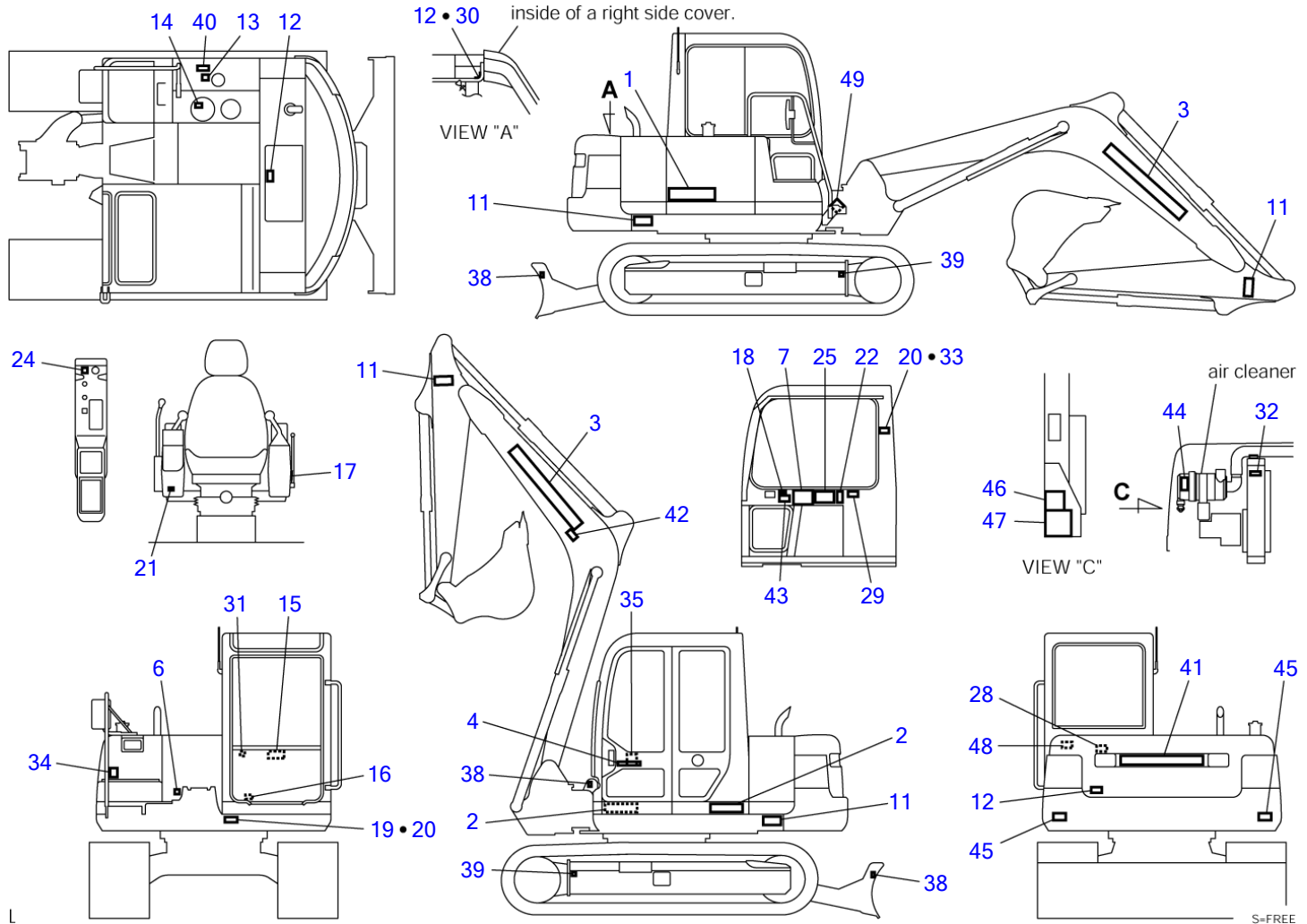


TB175 Book No. BL7Z000 S/N 17530001-  
**DECAL**



								DECAL		
Item	Part number	Description	Q'ty	Chan.	Serial No.	Serv.	Remarks			
0	0569363500	DECAL SET (English)	1			M				
	0569363900	DECAL SET (U.S.TAKEUCHI)	1			M				
	0569364000	DECAL SET (Spanish)	1			M				
	0569364300	DECAL SET (U.K.TAKEUCHI)	1			M				
	0569364600	DECAL SET (CANADA; English)	1			M				
	0569364700	DECAL SET (CANADA; French)	1			M				
1	0569349001	• DECAL	1							
2	0569349002	• DECAL	2							
3	0008500090	• DECAL	2			M				
4	0008500017	• DECAL	1			M				
5	0579300049	* DECAL	2							
6	0359325220	• DECAL	1							
7	0569363507	• DECAL (English)	1			M				
	0569363707	• DECAL (French)	1			M				
	0569364007	• DECAL (Spanish)	1			M				
11	0579300011	• DECAL	2							
12	0359307400	• DECAL (English)	3							
	0359315400	• DECAL (French)	3							
	0339364200	• DECAL (Spanish)	3							
13	0359306600	• DECAL (English)	1							
	0339375460	• DECAL (French)	1							
	0339375660	• DECAL (Italian, Spanish)	1							
14	0359306700	• DECAL	1							
15	0579300015	• DECAL	1							
16	0329360060	• DECAL	1							
17	0329360100	• DECAL	1							
18	0359325190	• DECAL	1							
19	X *****	• DECAL	1							
20	X *****	• SCREW	8							
21	X *****	• DECAL	1							
22	0569363522	• DECAL (English, Dutch)	1			M				
	0569363722	• DECAL (French)	1			M				
	0569364022	• DECAL (Spanish)	1			M				
24	0569321910	• DECAL	1							
25	0569321940	• DECAL (English)	1							
	0569328940	• DECAL (French)	1							
	0569348200	• DECAL (Spanish)	1							
28	0569321980	• DECAL (English)	1							
29	0359313700	• DECAL (English)	1							
	0359315700	• DECAL (French)	1							
	0339364500	• DECAL (Spanish)	1							
30	0569326400	• DECAL (English)	1							
	0569328400	• DECAL (French)	1							
	0569348400	• DECAL (Spanish)	1							
31	0569335060	• DECAL (English)	1							
	0569328800	• DECAL (French)	1							
	0569348500	• DECAL (Spanish)	1							
32	0359313900	• DECAL	1							
33	X *****	• DECAL	1							
34	0399300400	• DECAL	1							
35	X *****	• DECAL (except for U.S. TAKEUCHI)	1				LWA99			
38	0399300500	• DECAL	3							
39	0881031549	• DECAL	2			M				
40	0669300033	• DECAL (French, CANADA)	1			M				
41	0008500073	• DECAL	1			M				
42	0359347010	• DECAL (English)	1				except for U.j. TAKEUCHI			
	0339375410	• DECAL (French)	1							
	0339375810	• DECAL (Spanish)	1							
43	0359347020	• DECAL (English)	1							
	0339375420	• DECAL (French)	1							
	0339375820	• DECAL (Spanish)	1							
44	0339375040	• DECAL (English)	1							
	0339375240	• DECAL (German)	1							
	0339375440	• DECAL (French)	1							
	0339375840	• DECAL (Spanish)	1							
45	0379358560	• DECAL	2							
46	0399351210	• DECAL	1							

TB175 Book No. BL7Z000 S/N 17530001-  
**DECAL**



Item	Part number	Description	DECAL	Q'ty	Chan.	Serial No.	Serv.	Remarks
47	<b>0569353810</b>	• DECAL (English)		1				
	<b>0569354010</b>	• DECAL (French)		1				
	<b>0569354310</b>	• DECAL (Spanish)		1				
48	<b>0339376240</b>	• DECAL (English)		1				
	<b>0339379440</b>	• DECAL (French)		1				
	<b>0339379640</b>	• DECAL (Spanish)		1				
49	X *****	• DECAL		1				
	<b>L7g012</b>							

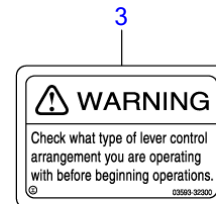
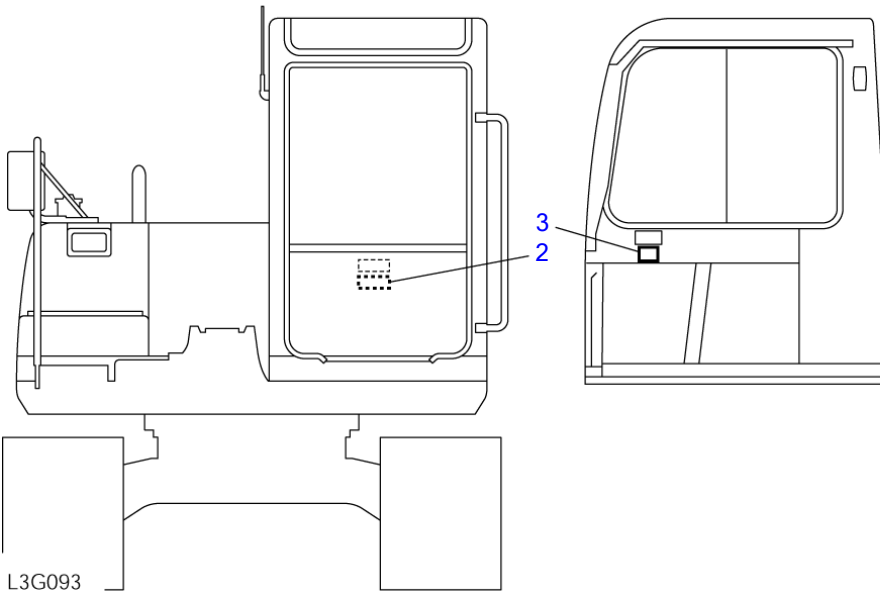
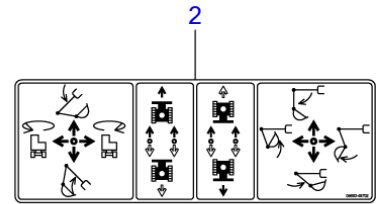
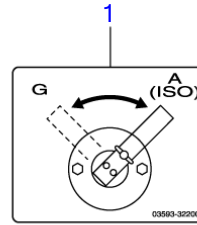
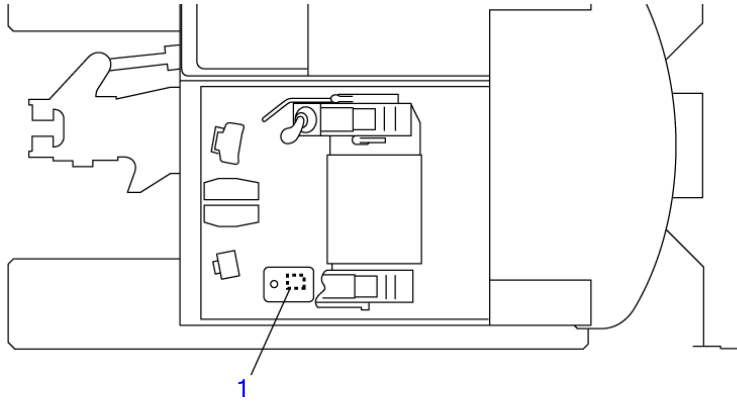




**DECAL (telescopic arm)**

Item	Part number	Description	Q'ty	Chan.	Serial No.	Serv.	Remarks
0	<b>0569338000</b>	DECAL SET (English)	1				
	<b>0569339000</b>	DECAL SET (German)	1				
1	<b>0359338100</b>	• DECAL (English)	2				
	<b>0359339100</b>	• DECAL (German)	2				
	<b>L3g080</b>						

TB175 Book No. BL7Z000 S/N 17530001-  
DECAL (selector valve)



(English)



(French)



(German)



(Italian)



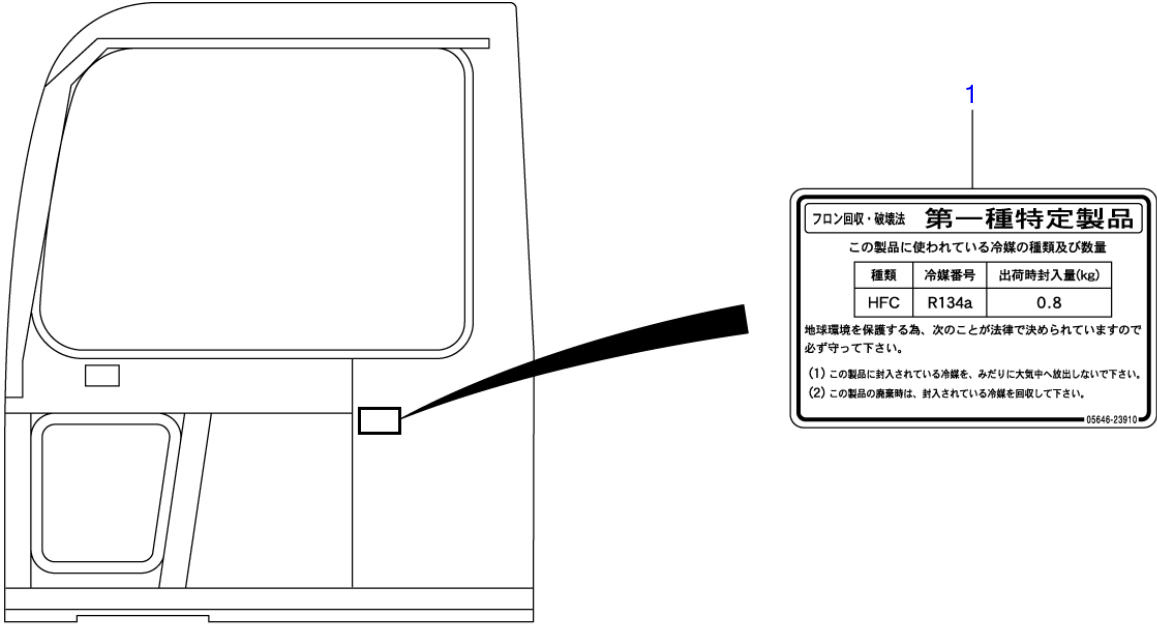
(Spanish)

L3G093

S=FREE

**DECAL (selector valve)**

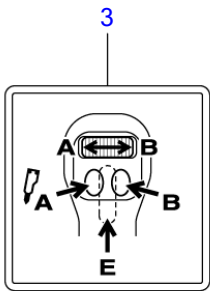
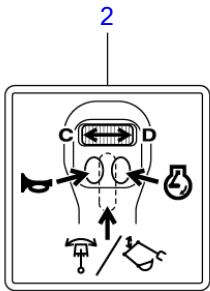
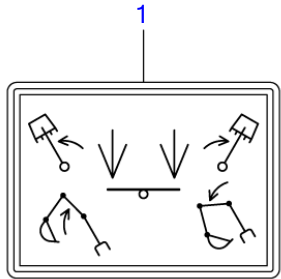
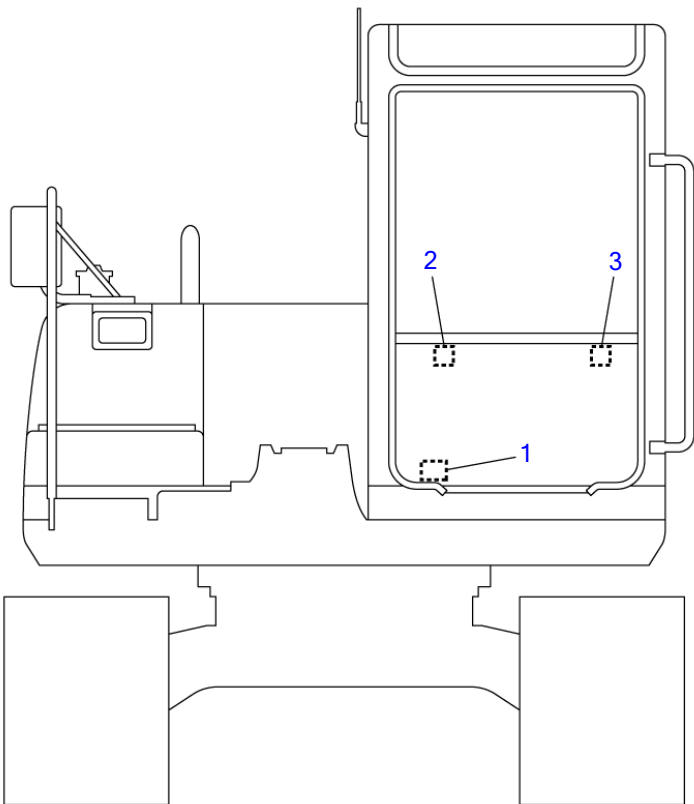
Item	Part number	Description	Q'ty	Chan.	Serial No.	Serv.	Remarks
0	<b>0569349700</b>	DECAL SET (English)	1				
	<b>0569349800</b>	DECAL SET (German)	1				
	<b>0569356000</b>	DECAL SET (Spanish)	1				
	<b>0569361300</b>	DECAL SET (French)	1				
	<b>0569361400</b>	DECAL SET (Italian)	1				
1	<b>0359332200</b>	• DECAL	1				ISO-JCB
2	<b>0569349702</b>	• DECAL	1				JCB
3	<b>0359332300</b>	• DECAL (English)	1				
	<b>0359332400</b>	• DECAL (German)	1				
	<b>0329364020</b>	• DECAL (Spanish)	1				
	<b>0399361101</b>	• DECAL (French)	1				
	<b>0399361201</b>	• DECAL (Italian)	1				
	<b>L3g093</b>						



L3G130

S=FREE

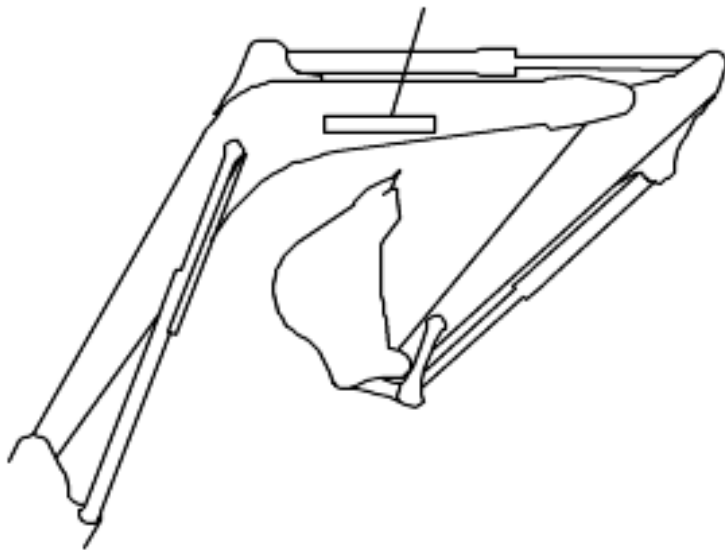
DECAL (air-conditioner)						
Item	Part number	Description	Q'ty	Chan.	Serial No.	Serv. Remarks
0	<b>0569348600</b>	DECAL SET	1			
1	<b>0564623910</b> <b>L3g130</b>	· DECAL	1			



L3G140

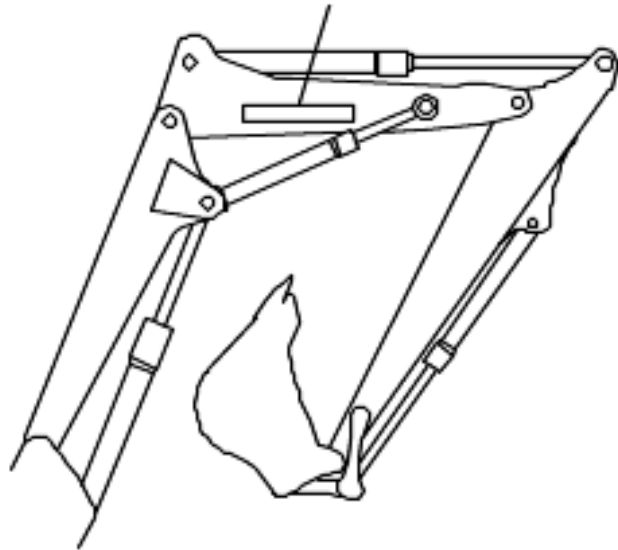
S=FREE

DECAL (2-piece boom)						
Item	Part number	Description	Q'ty	Chan.	Serial No.	Serv. Remarks
0	<b>0569349900</b>	DECAL SET	1			
1	<b>0569349910</b>	• DECAL	1			
2	<b>0569353035</b>	• DECAL	1			
3	<b>0569353036</b>	• DECAL	1			
	<b>L3g140</b>					



MONO BOOM

L7G110



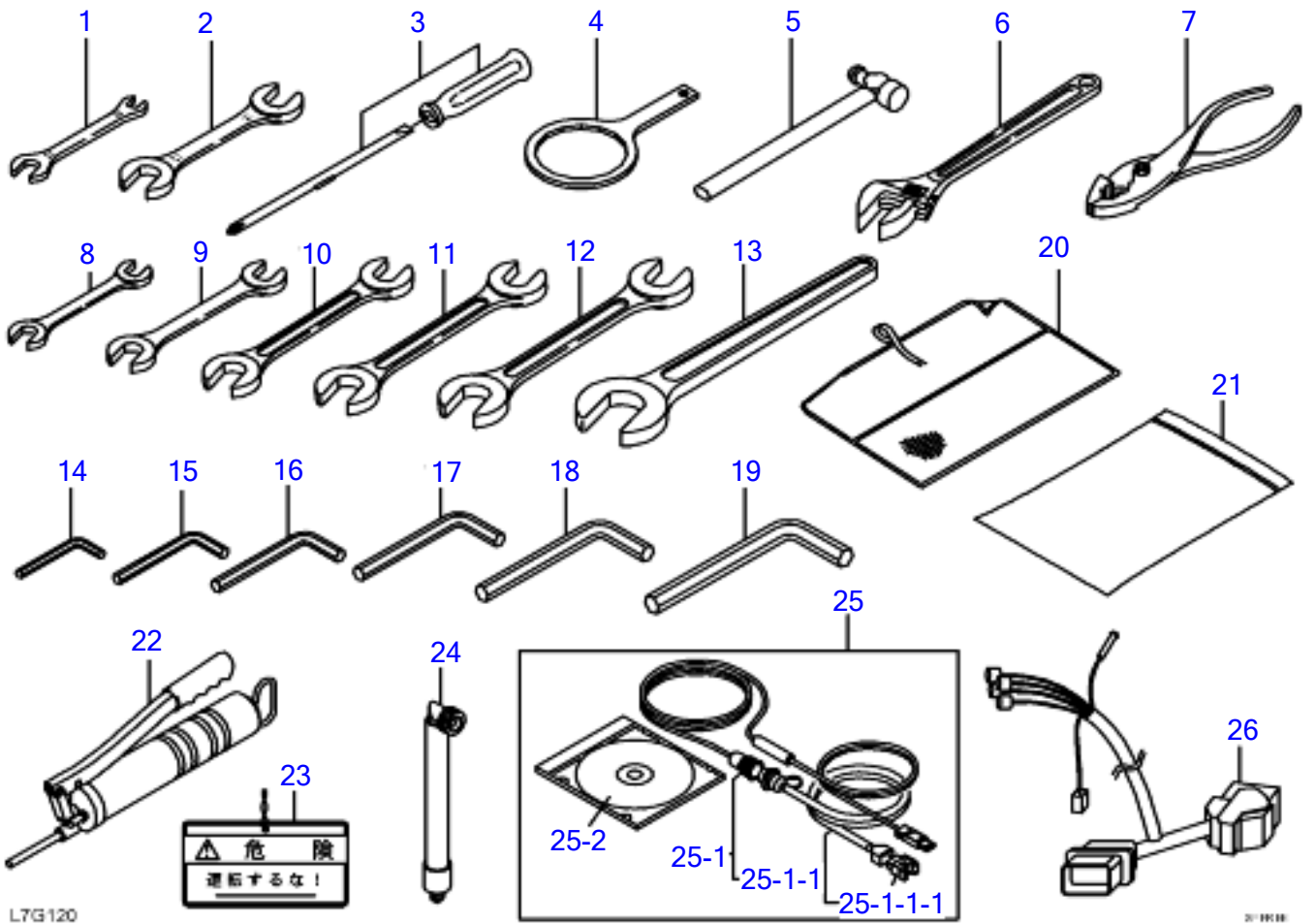
2PIECE BOOM

2-PIECE



**DECAL (4TH AUXILIARY LINE)**



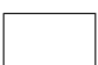

Item	Part number	Description	Q'ty	Chan.	Serial No.	Serv.	Remarks
0	<b>0569364400</b>	DECAL SET	1				
	<b>0569364500</b>	DECAL SET (2 PIECE BOOM)	1				
1	<b>0008500073</b>	DECAL	2				
	<b>L7G110</b>						

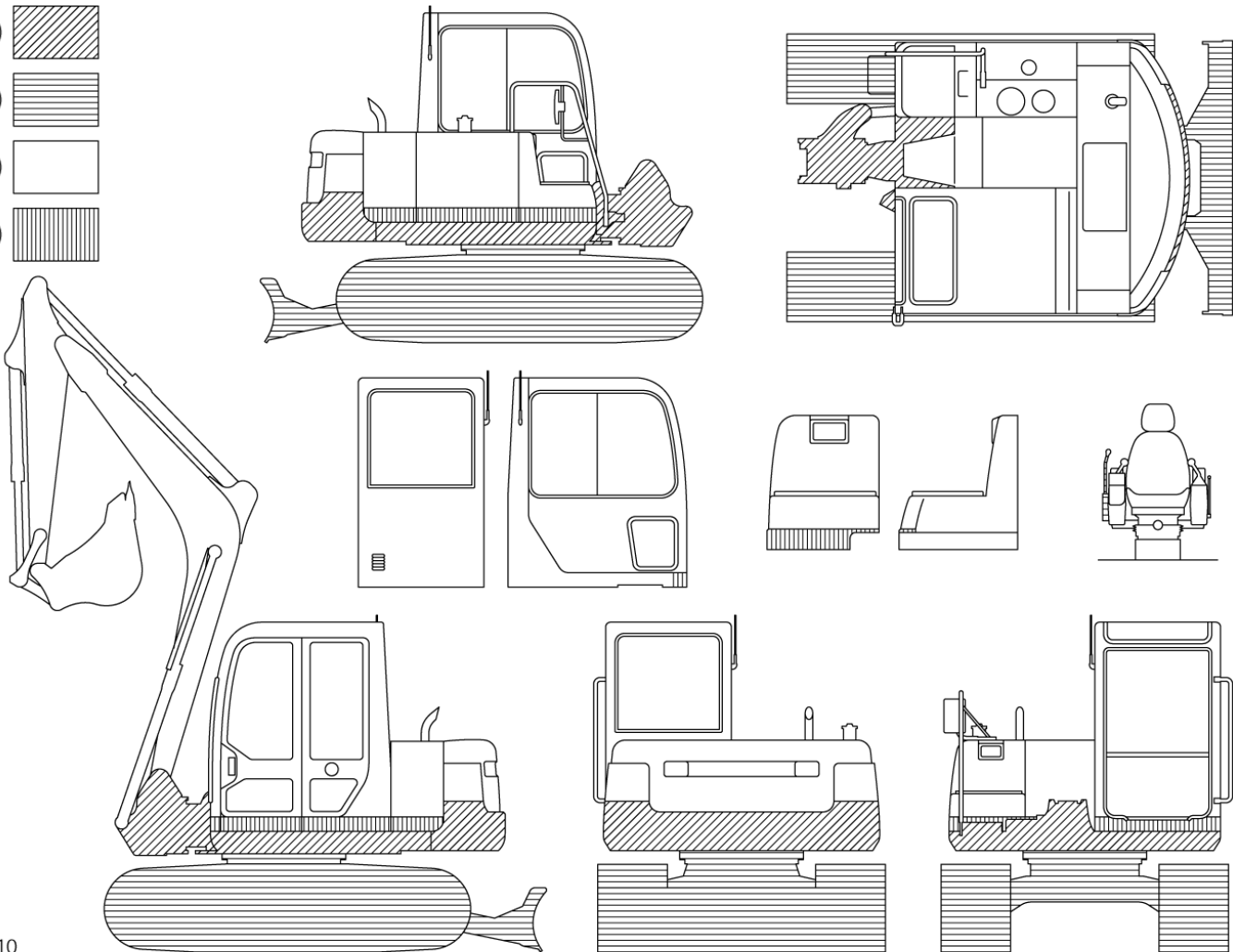


**TOOL & ACCESSORIES**

Item	Part number	Description	Q'ty	Chan.	Serial No.	Serv.	Remarks
		TOOL SET	1				
		TOOL SET (for JAPAN)	1				
0-1	<b>0569218050</b>	TOOL ASSY	1				
1	<b>Y281101-00120</b>	• SPANNER	1				Y28110-100120
2	<b>Y281101-40170</b>	• SPANNER	1				Y28110-140170
3	<b>Y104200-92350</b>	• SCREWDRIVER	1				Y104200-92350
4	<b>Y119640-92750</b>	• WRENCH, filter	1				Y119640-92750
5	<b>1690300330</b>	• HAMMER	1				
6	<b>1690400250</b>	• WRENCH, monkey	1				
7	<b>1690500200</b>	• PLIER	1				
8	<b>1690001013</b>	• SPANNER	1				
9	<b>1690001922</b>	• SPANNER	1				
10	<b>1690002427</b>	• SPANNER	1				
11	<b>1690002730</b>	• SPANNER	1				
12	<b>1690003236</b>	• SPANNER	1				
13	<b>1690100041</b>	• SPANNER	1				
14	<b>1690600250</b>	• WRENCH, hex	1				
15	<b>1690600500</b>	• WRENCH, hex	1				
16	<b>1690600600</b>	• WRENCH, hex	1				
17	<b>1690600800</b>	• WRENCH, hex	1				
18	<b>1690601000</b>	• WRENCH, hex	1				
19	<b>1690601200</b>	• WRENCH, hex	1				
20	<b>1691400001</b>	• CASE, tool	1				
21	<b>1691900001</b>	• CASE	1				
22	<b>1691060600</b>	GUN, grease	1				
	<b>1691010800</b>	GUN, grease	1				for JAPAN
23	<b>0359325160</b>	PLATE	1				for JAPAN
24	<b>1554512601</b>	TUBE	1				
25	<b>1730142830</b>	MAINTENANCE TOOL KIT	1				
25-1	<b>1730142720</b>	* MAINTENANCE CABLE ASSY	1				
25-1-1	<b>1730142722</b>	* * MAINTENANCE JOINT	1				
		HARNESS					
25-1-1-1	<b>1730143060</b>	* * * CONNECTOR KIT	1				
25-2	<b>1730142680</b>	* MAINTENANCE CD	1				
26	<b>0654205620</b>	2G ECO-CHECKER HARNESS	1				
	<b>L7G120</b>						

TB175 Book No. BL7Z000 S/N 17530001-  
PAINTED COLOR

- 1 
- 2 
- 3 
- 9 

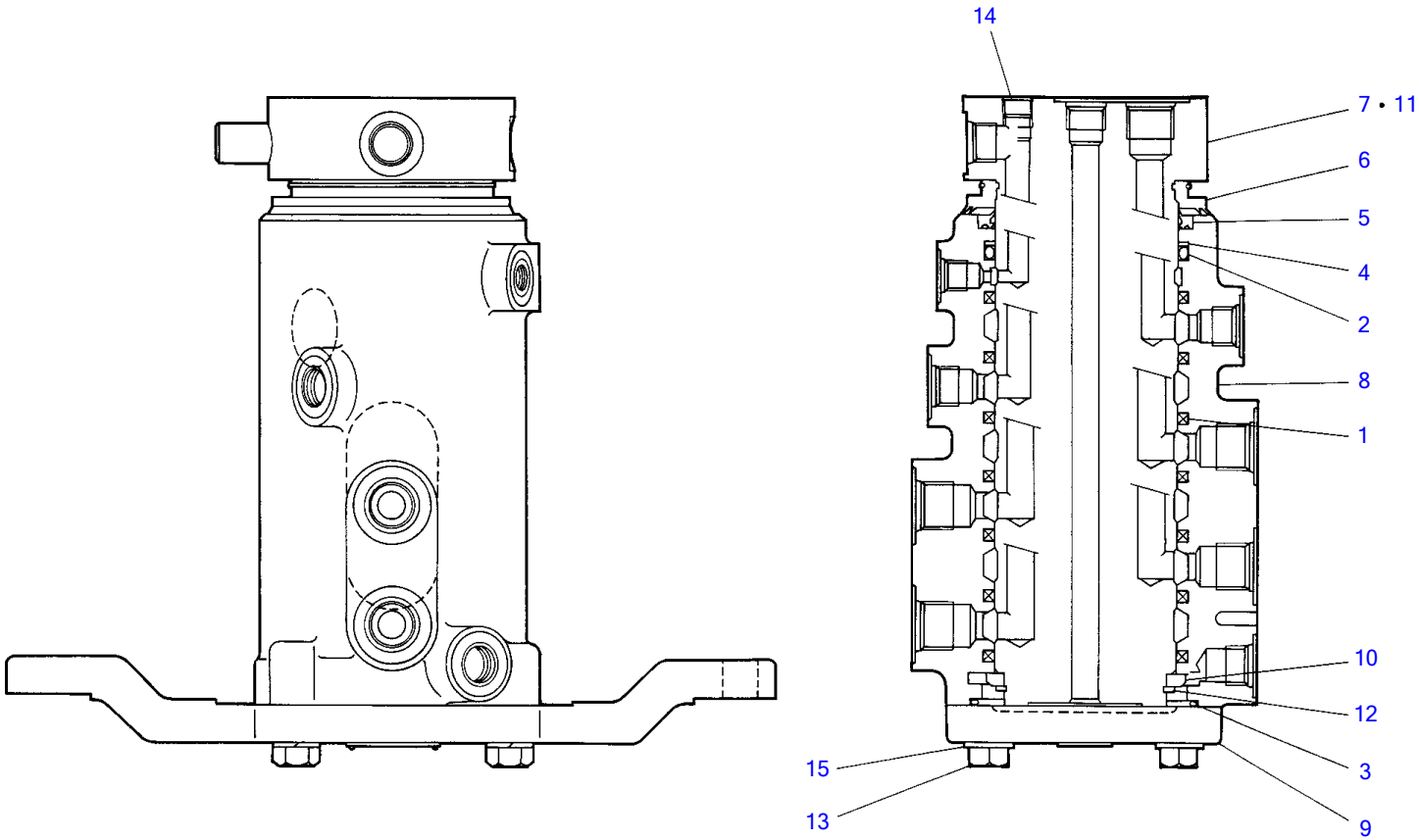


L3G110

S=1/FREE

Item	Part number	Description	PAINTED COLOR			Remarks
			Q'ty	Chan.	Serial No.	
		PAINTED COLOR				
		PAINTED COLOR				
1	1919060105	RED	1			
	1919069105	RED	1			spray
2	1919060144	GRAY	1			
	1919069144	GRAY	1			spray
3	1919060142	LIGHT GRAY	1			
	1919069142	LIGHT GRAY	1			spray
5	1919060090	ORANGE YELLOW	1			FITTING,grease
9	1919060158	SILVER GRAY	1			
	1919069158	SILVER GRAY	1			spray
	L3g110					

TB175 Book No. BL7Z000 S/N 17530001-  
SWIVEL JOINT



L2H010

S=FREE

**SWIVEL JOINT**

Item	Part number	Description	Q'ty	Chan.	Serial No.	Serv.	Remarks
0	<b>1904008000</b>	JOINT, swivel	1				
0-1	<b>1904008099</b>	▪ KIT, seal	1				
1	X <b>1904008006</b>	▪ ▪ SEAL	7				
2	X <b>1420010800</b>	▪ ▪ O-RING	1				
3	X <b>1420110950</b>	▪ ▪ O-RING	1				
4	X <b>1421030800</b>	▪ ▪ RING, back-up	1				
5	X <b>1904000494</b>	▪ ▪ SEAL, dust	1				
6	X <b>1904002391</b>	▪ ▪ SEAL, dust	1				
7	<b>1904007401</b>	▪ SHAFT	1				
8	<b>1904007402</b>	▪ HUBE	1				
9	<b>1904003621</b>	▪ FRANGE	1				
10	<b>1904003691</b>	▪ SPACER	1				
11	<b>1904007405</b>	▪ PIN	1				
12	<b>1220000072</b>	▪ RING, snap	1				
13	<b>1100051030</b>	▪ BOLT	4				
14	<b>1501810002</b>	▪ PLUG	3				
15	<b>1140010010</b>	▪ WASHER, spring	4				
	<b>L2h010</b>						

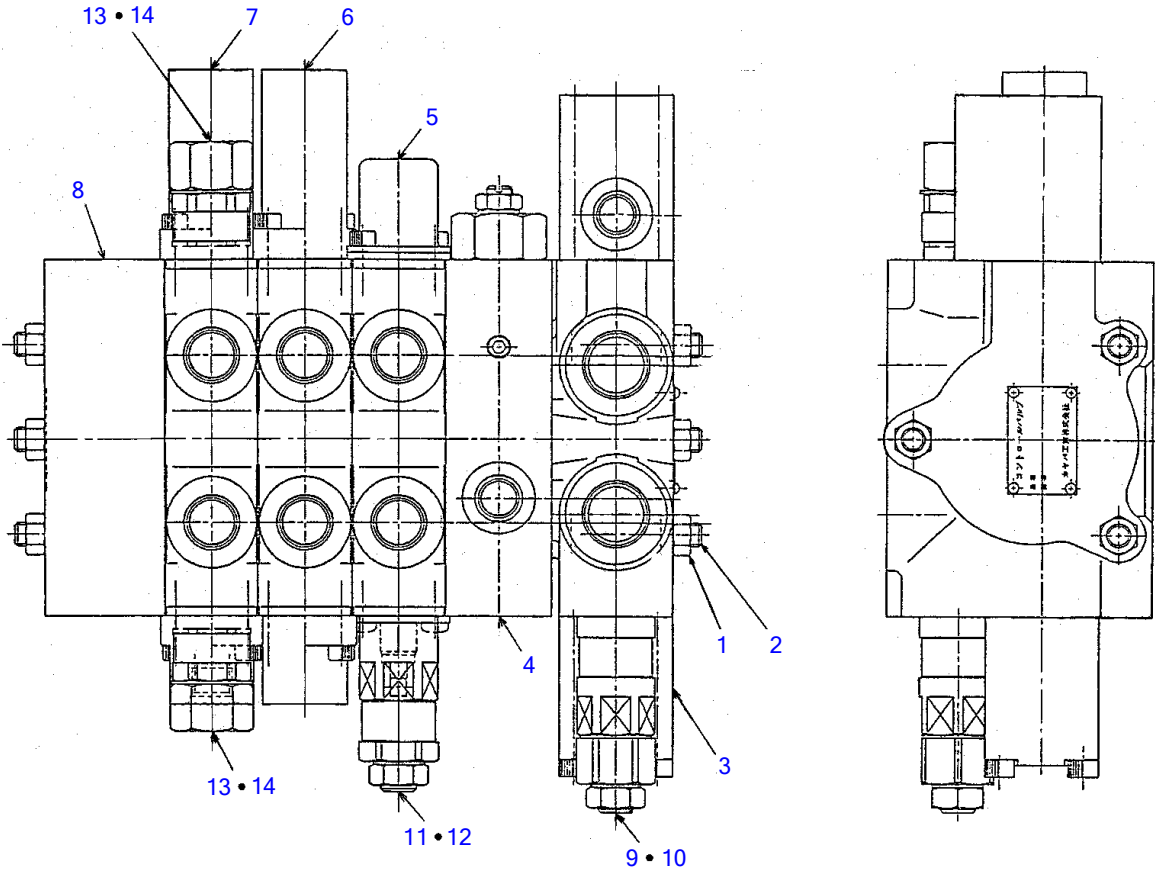




**CONTROL VALVE 1**

Item	Part number	Description	Q'ty	Chan.	Serial No.	Serv.	Remarks
0	1901040700	VALVE ASSY, control	1				
0-1	1901037899	• KIT, seal	1				
1	X 1420000260	• • O-RING	18				
2	X 1420010240	• • O-RING	4				
3	X 1420010180	• • O-RING	8				
4	X 1420000125	• • O-RING	4				
5	X 1421020125	• • RING, back-up	3				
6	1901037856	• SPRING	1				
7	1901037866	• COVER	1				
8	1901037867	• COVER	1				
9	1901029754	• HOLDER, spring	18				
10	1901031857	• SPRING	8				
11	1901036631	• END, spool	9				
12	1901037826	• SHUTTLE	1				
13	1901031858	• SPRING	1				
14	1901036671	• PLUG	1				
15	1901036672	• PLUG ASSY	1				
16	1420010140	• • O-RING	1				
17	1901031864	• POPPET	1				
18	1901031860	• SPRING	2				
19	1901036673	• SLEEVE	1				
20	1901031896	• SLEEVE	1				
21	1901031866	• POPPET	2				
22	1901031859	• SPRING	2				
23	1901025467	• POPPET	2				
24	1901034239	• SPRING	2				
25	1901036674	• PLUG	3				
26	1901031867	• POPPET	1				
27	1901031897	• PLUG	1				
28	1901036626	• POPPET	7				
29	1901031853	• SPRING	7				
30	1901036675	• PLUG	7				
31	1901031875	• SLEEVE	1				
32	1901036676	• PLUG	1				
33	1110020620	• SCREW, cap	17				
34	1110020632	• SCREW, cap	2				
35	1110020650	• SCREW, cap	3				
36	1903008232	• PLUG	5				
37	1901036677	• PLUG ASSY	3				
38	1420010080	• • O-RING	1				
39	1901036573	• PLUG ASSY	4				
40	1420010110	• • O-RING	1				
41	1901036678	• PLUG ASSY	7				
42	1420010140	• • O-RING	1				
43	1901036572	• PLUG ASSY	3				
44	1420010180	• • O-RING	1				
45	1901040722	• VALVE, relief	1				
46	1901025481	• • O-RING	1				
47	1901037822	• VALVE, relief	6				
48	1901025482	• • O-RING	1				
49	1110020640	• SCREW, cap	4				
50	1901040724	• VALVE, anti-drift	1				
51	1420310910	• • O-RING	1				
52	1901037827	• POPPET	1				
53	1901037857	• SPRING	1				
54	1901037823	• VALVE, relief	2				
55	1901025482	• • O-RING	1				
56	1901036641	• SPACER	1				
57	1901037871	• PISTON	1				
58	1901037872	• PLUG	1				
59	1420310910	• • O-RING	1				
60	1901040727	• POPPET	1				
61	1901040757	• SPRING	1				
62	1901040772	• PLUG	1				
63	1420010070	* O-RING	2				
	L3h012						

TB175 Book No. BL7Z000 S/N 17530001-  
CONTROL VALVE 2



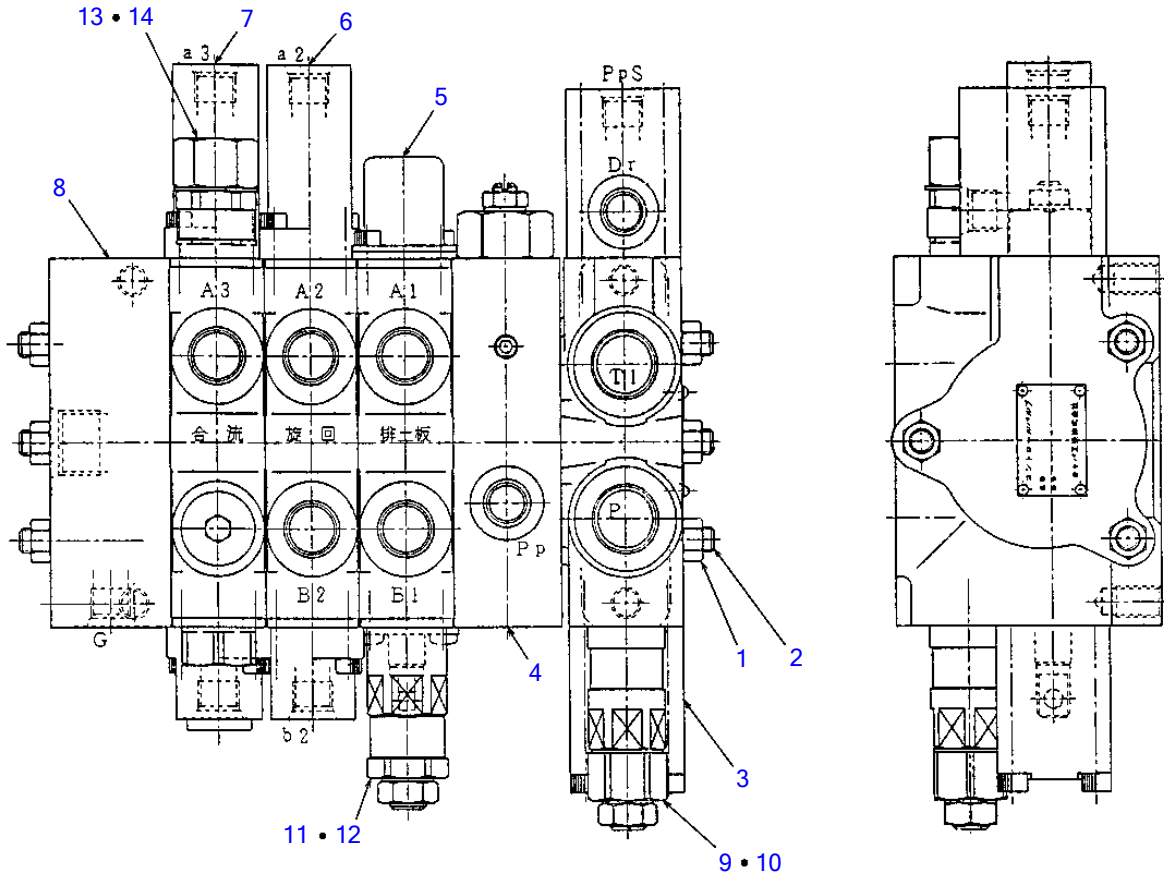
L3H040

S-FREE

**CONTROL VALVE 2**

Item	Part number	Description	Q'ty	Chan.	Serial No.	Serv.	Remarks
0	<b>1901043800</b>	VALVE ASSY, control	1				
1	<b>1901034907</b>	▪ NUT	6				
2	<b>1901039007</b>	▪ BOLT	3				
3	<b>1901039003</b>	▪ HOUSING, inlet	1				
4	<b>1901039002</b>	▪ HOUSING, middle	1				
5	<b>1901039017</b>	▪ BLOCK ASSY, NO.1	1				blade
6	<b>1901039014</b>	▪ BLOCK ASSY, NO.2	1				slew
7	<b>1901039019</b>	▪ BLOCK ASSY, NO.3	1				service
8	<b>1901043808</b>	▪ HOUSING, outlet	1				
9	<b>1901039124</b>	▪ VALVE ASSY	1				relief
10	<b>1901025482</b>	▪ ▪ O-RING	1				
11	<b>1901031922</b>	▪ VALVE ASSY	1				over load
12	<b>1901025482</b>	▪ ▪ O-RING	1				
13	<b>1901035623</b>	▪ VALVE ASSY	2				over load
14	<b>1901025482</b>	▪ ▪ O-RING	1				
	<b>L7h010</b>						

TB175 Book No. BL7Z000 S/N 17530001-  
**CONTROL VALVE 2 (high flow)**



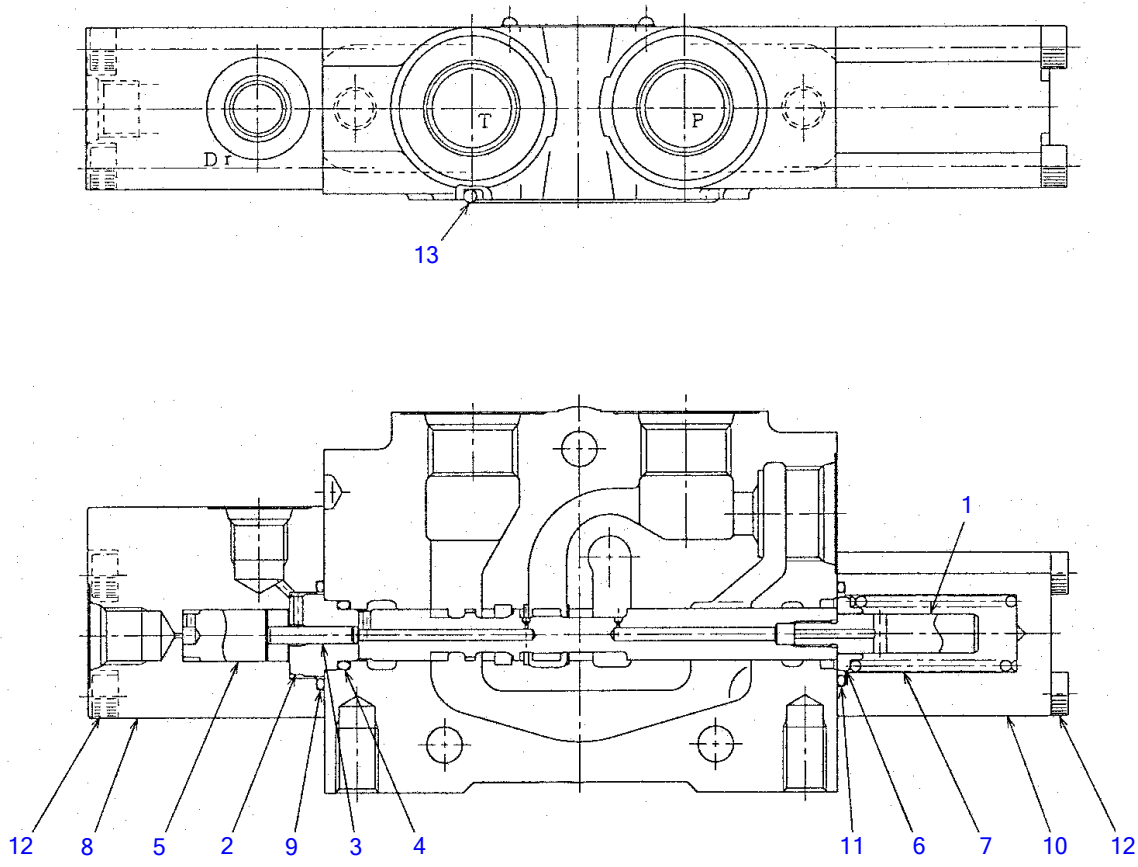
L3H330

S=FREE

**CONTROL VALVE 2 (high flow)**

Item	Part number	Description	Q'ty	Chan.	Serial No.	Serv.	Remarks
0	<b>1901043900</b>	VALVE ASSY, control	1				high flow
1	<b>1901034907</b>	▪ NUT	6				
2	<b>1901039007</b>	▪ BOLT	3				
3	<b>1901039003</b>	▪ HOUSING, inlet	1				
4	<b>1901039002</b>	▪ HOUSING, middle	1				
5	<b>1901039017</b>	▪ BLOCK ASSY, NO.1	1				blade
6	<b>1901039014</b>	▪ BLOCK ASSY, NO.2	1				slew
7	<b>1901040819</b>	▪ BLOCK ASSY, NO.3	1				merge
8	<b>1901043808</b>	▪ HOUSING, outlet	1				
9	<b>1901039124</b>	▪ VALVE ASSY	1				relief
10	<b>1901025482</b>	▪ ▪ O-RING	1				
11	<b>1901031922</b>	▪ VALVE ASSY	1				over load
12	<b>1901025482</b>	▪ ▪ O-RING	1				
13	<b>1901035623</b>	▪ VALVE ASSY	1				over load
14	<b>1901025482</b>	▪ ▪ O-RING	1				
	<b>L7h020</b>						

TB175 Book No. BL7Z000 S/N 17530001-  
INLET HOUSING ASSY



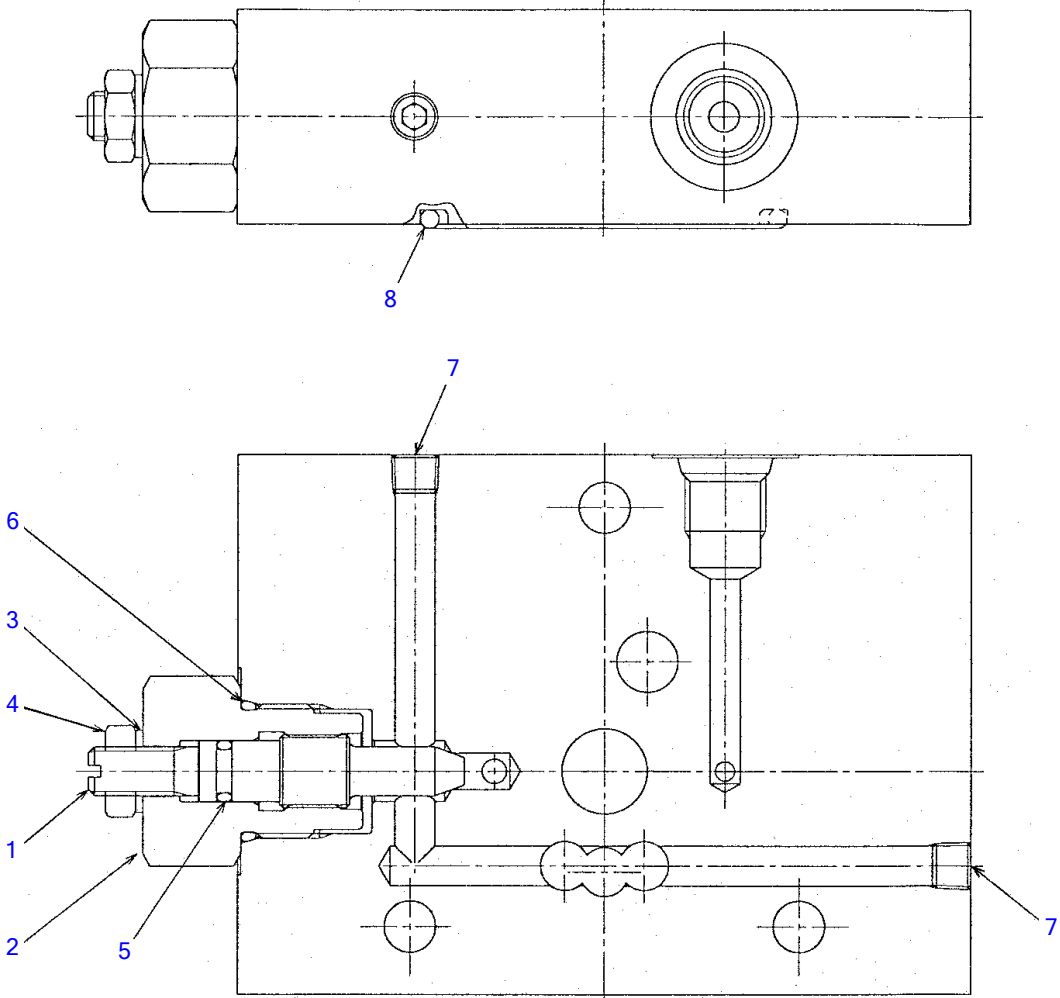
L3H050

S=FREE

**INLET HOUSING ASSY**

Item	Part number	Description	Q'ty	Chan.	Serial No.	Serv.	Remarks
0	<b>1901039003</b>	HOUSING, inlet	1				
1	<b>1901031791</b>	▪ SCREW, cap	1				
2	<b>1901031793</b>	▪ SLEEVE	1				
3	<b>1901031794</b>	▪ PIN	1				
4	<b>1420010120</b>	▪ O-RING	1				
5	<b>1901031795</b>	▪ PISTON	1				
6	<b>1901031751</b>	▪ HOLDER, spring	1				
7	<b>1901031756</b>	▪ SPRING	1				
8	<b>1901031762</b>	▪ CAP	1				
9	<b>1420010210</b>	▪ O-RING	1				
10	<b>1901031763</b>	▪ CAP	1				
11	<b>1420010200</b>	▪ O-RING	1				
12	<b>1110020660</b>	▪ SCREW, cap	8				
13	<b>1420100550</b>	▪ O-RING	1				
	<b>L3h050</b>						

TB175 Book No. BL7Z000 S/N 17530001-  
MIDDLE HOUSING ASSY



L3H060

S=FREE

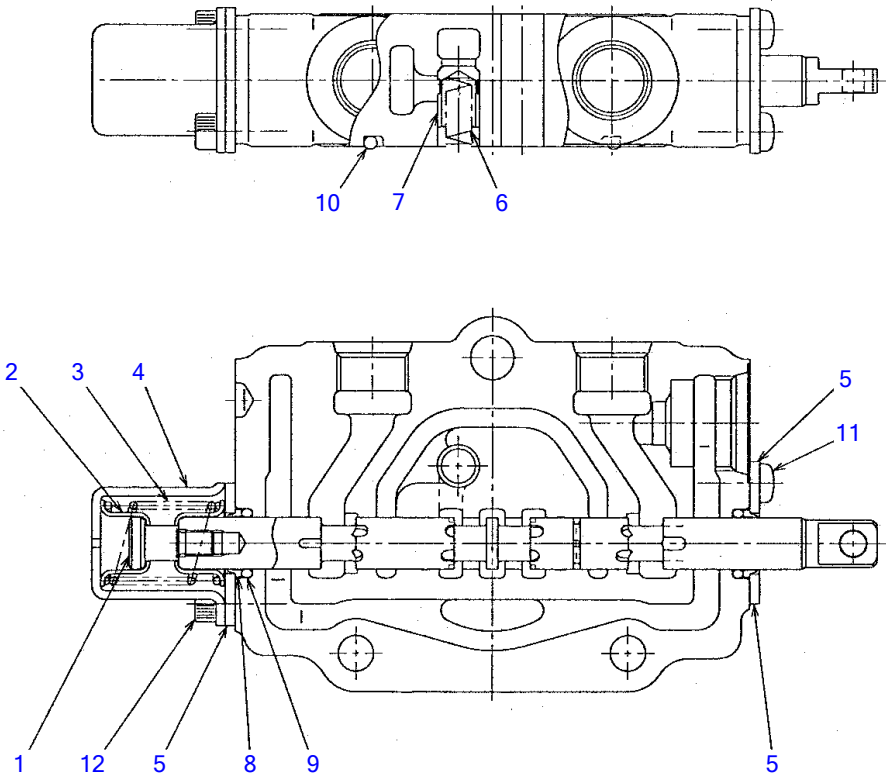


MIDDLE HOUSING ASSY

Item	Part number	Description	Q'ty	Chan.	Serial No.	Serv.	Remarks
0	1901039002	HOUSING, middle	1				
1	1901039090	▪ NEEDLE	1				
2	1901039072	▪ PLUG	1				
3	1901039041	▪ WASHER	1				
4	1140000008	▪ WASHER, spring	1				
5	1420000070	▪ O-RING	1				
6	1420000200	▪ O-RING	1				
7	1901804213	▪ PLUG	2				
8	1420100550	▪ O-RING	1				

L3h060

TB175 Book No. BL7Z000 S/N 17530001-  
BLOCK ASSY; No. 1



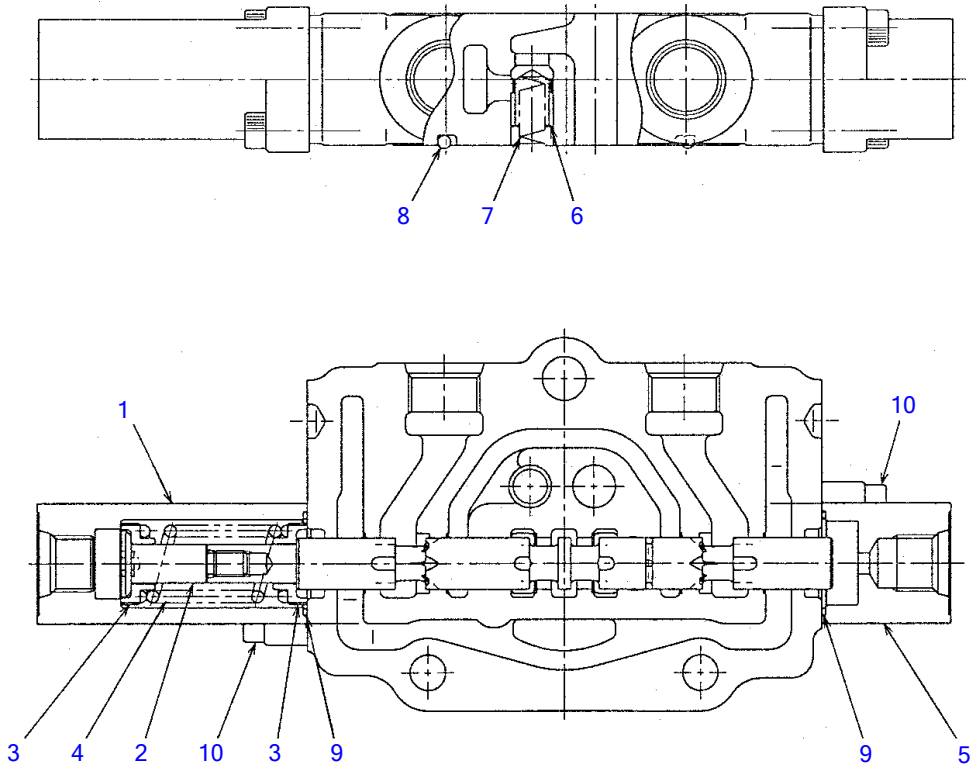
L3H070

S=FREE

**BLOCK ASSY; No. 1**

Item	Part number	Description	Q'ty	Chan.	Serial No.	Serv.	Remarks
0	<b>1901039017</b>	BLOCK ASSY, NO. 1	1				blade
1	<b>1901031790</b>	▪ SCREW, cap	1				
2	<b>1901027792</b>	▪ HOLDER, spring	2				
3	<b>1901027857</b>	▪ SPRING	1				
4	<b>1901027761</b>	▪ CAP	1				
5	<b>1901027772</b>	▪ PLATE	2				
6	<b>1901027768</b>	▪ PLUNGER	1				
7	<b>1901027757</b>	▪ SPRING	1				
8	<b>1901027771</b>	▪ WIPER	2				
9	<b>1420000120</b>	▪ O-RING	2				
10	<b>1420100550</b>	▪ O-RING	1				
11	<b>1120540510</b>	▪ SCREW	2				
12	<b>1110020512</b>	▪ SCREW, cap	2				

**L3h070**



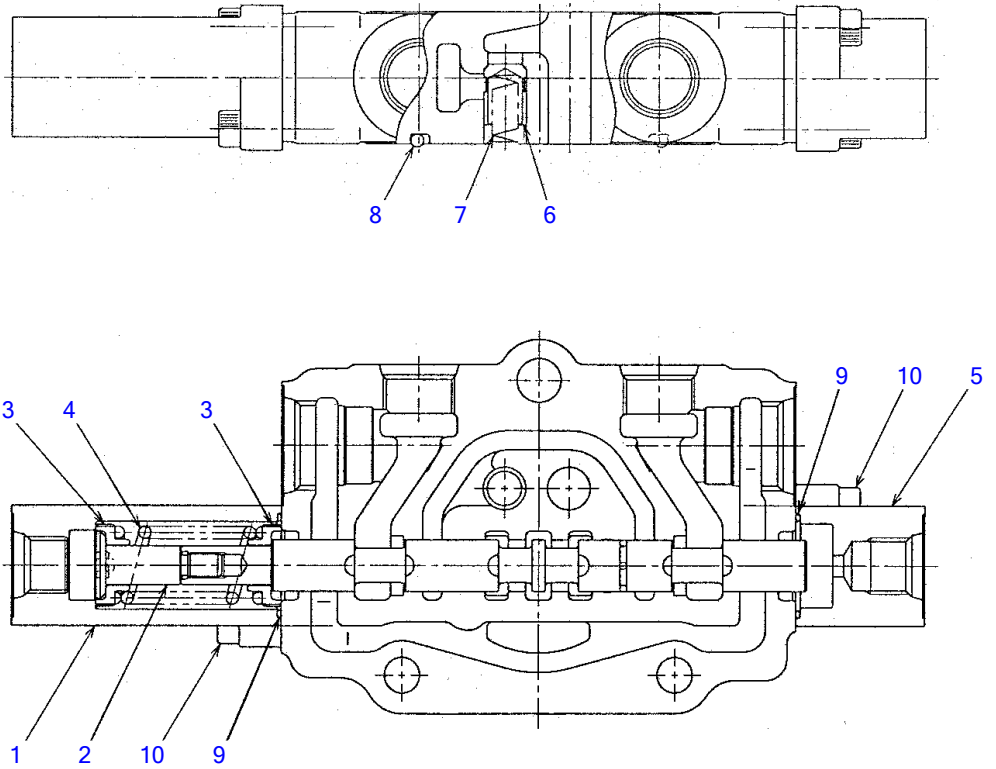
L3H080

S=FREE

**BLOCK ASSY; No. 2**

Item	Part number	Description	Q'ty	Chan.	Serial No.	Serv.	Remarks
0	<b>1901039014</b>	BLOCK ASSY, NO.2	1				slew
1	<b>1901035666</b>	• CAP	1				
2	<b>1901034591</b>	• SCREW, cap	1				
3	<b>1901031752</b>	• HOLDER, spring	2				
4	<b>1901027956</b>	• SPRING	1				
5	<b>1901035667</b>	• CAP	1				
6	<b>1901027768</b>	• PLUNGER	1				
7	<b>1901027757</b>	• SPRING	1				
8	<b>1420100550</b>	• O-RING	1				
9	<b>1420500220</b>	• O-RING	2				
10	<b>1110020518</b>	• SCREW, cap	4				
	<b>L3h080</b>						

TB175 Book No. BL7Z000 S/N 17530001-  
BLOCK ASSY; No. 3 (with 2nd auxiliary lines)



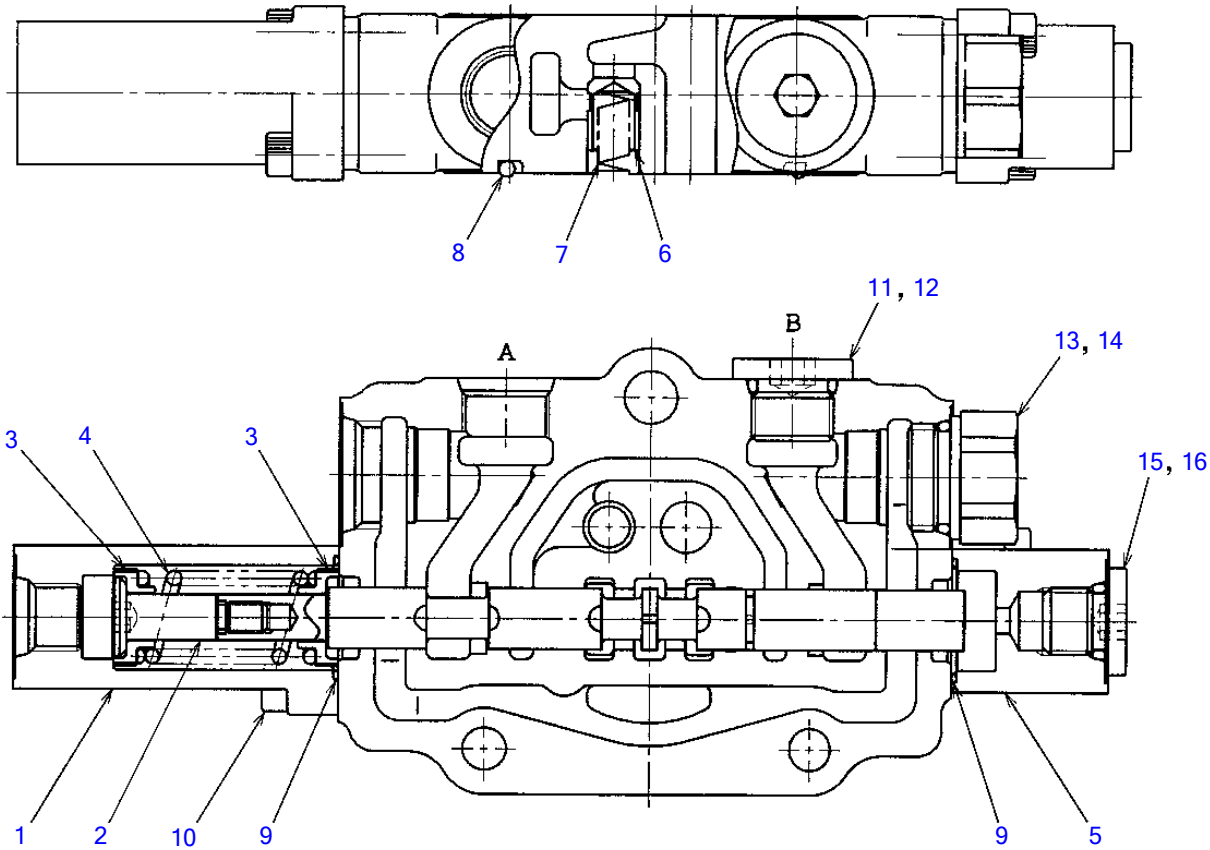
L3H310

S=FREE

**BLOCK ASSY; No. 3 (with 2nd auxiliary lines)**

Item	Part number	Description	Q'ty	Chan.	Serial No.	Serv.	Remarks
0	<b>1901039019</b>	BLOCK ASSY, NO.3	1				service
1	<b>1901035666</b>	• CAP	1				
2	<b>1901034591</b>	• SCREW, cap	1				
3	<b>1901031752</b>	• HOLDER, spring	2				
4	<b>1901027956</b>	• SPRING	1				
5	<b>1901035667</b>	• CAP	1				
6	<b>1901027768</b>	• PLUNGER	1				
7	<b>1901027757</b>	• SPRING	1				
8	<b>1420100550</b>	• O-RING	1				
9	<b>1420500220</b>	• O-RING	2				
10	<b>1110020518</b>	• SCREW, cap	4				
	<b>L3h310</b>						

TB175 Book No. BL7Z000 S/N 17530001-  
BLOCK ASSY; No. 3 (high flow)



L3H340

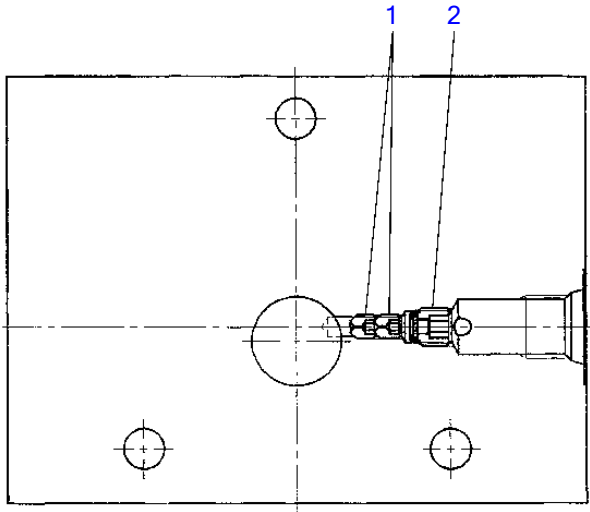
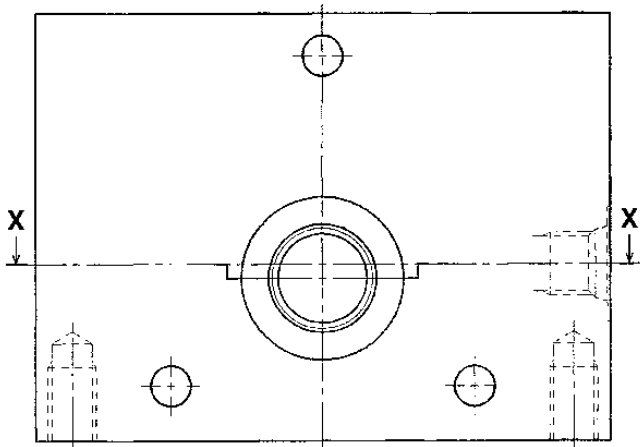
S=FREE



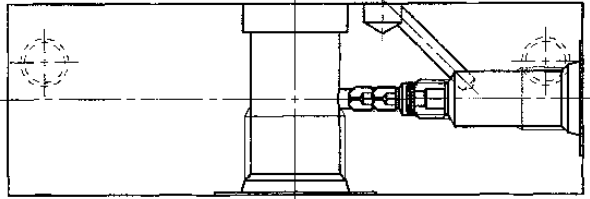
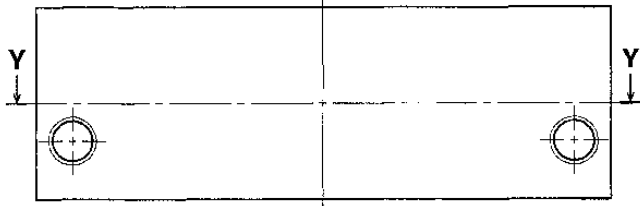
**BLOCK ASSY; No. 3 (high flow)**

Item	Part number	Description	Q'ty	Chan.	Serial No.	Serv.	Remarks
0	<b>1901040819</b>	BLOCK ASSY, NO.3	1				merge
1	<b>1901035666</b>	▪ CAP	1				
2	<b>1901034591</b>	▪ SCREW, cap	1				
3	<b>1901031752</b>	▪ HOLDER, spring	2				
4	<b>1901031757</b>	▪ SPRING	1				
5	<b>1901035667</b>	▪ CAP	1				
6	<b>1901027768</b>	▪ PLUNGER	1				
7	<b>1901027757</b>	▪ SPRING	1				
8	<b>1420100550</b>	▪ O-RING	1				
9	<b>1420500220</b>	▪ O-RING	2				
10	<b>1110020518</b>	▪ SCREW, cap	4				
11	<b>1901036678</b>	▪ PLUG ASSY	1				
12	<b>1420010140</b>	▪ ▪ O-RING	1				
13	<b>1901040878</b>	▪ PLUG ASSY	1				
14	<b>1901025482</b>	▪ ▪ O-RING	1				
15	<b>1901036573</b>	▪ PLUG ASSY	1				
16	<b>1420010110</b>	▪ ▪ O-RING	1				
	<b>L3h340</b>						

TB175 Book No. BL7Z000 S/N 17530001-  
OUTLET HOUSING ASSY



SECTION "X-X"



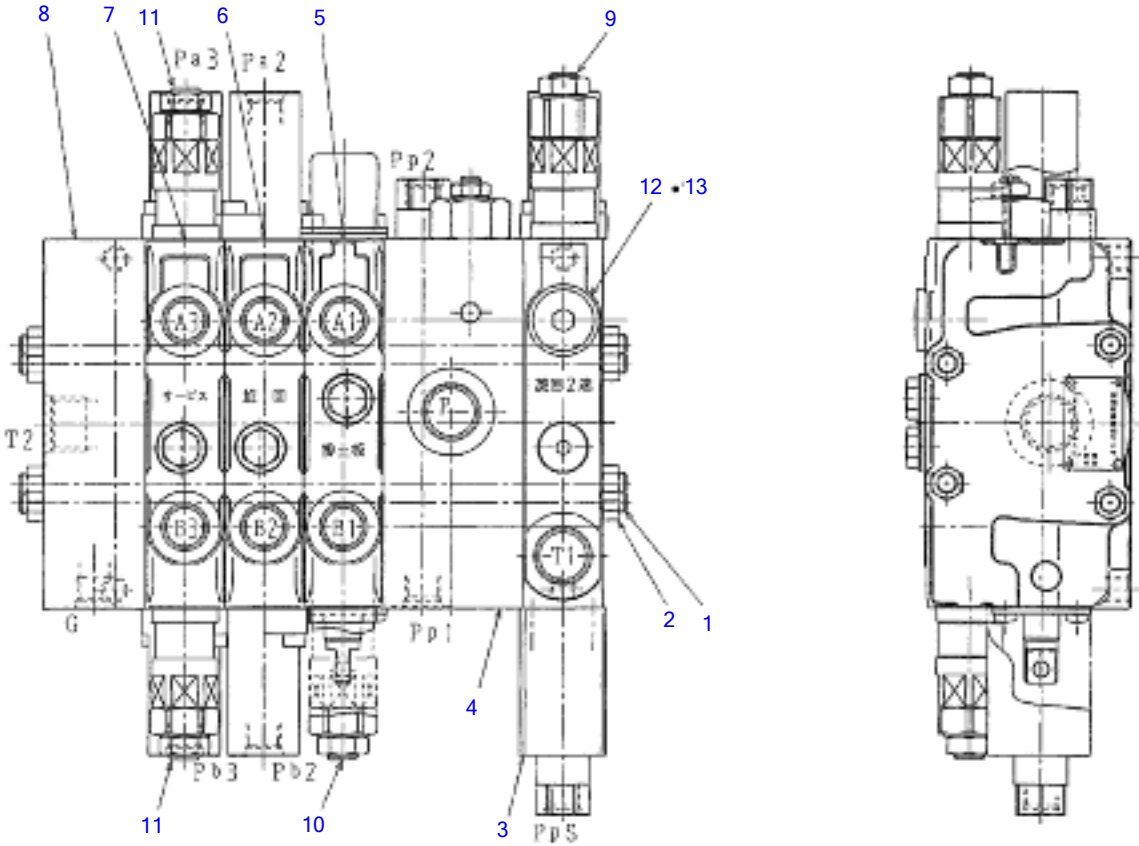
SECTION "Y-Y"

L3H560

S-FREE

**OUTLET HOUSING ASSY**

Item	Part number	Description	Q'ty	Chan.	Serial No.	Serv.	Remarks
0	<b>1901043808</b>	HOUSING, outlet	1				
1	<b>1901042665</b>	· ORIFICE	2				
2	<b>1901043880</b>	· FILTER	1				
	<b>L3h560</b>						

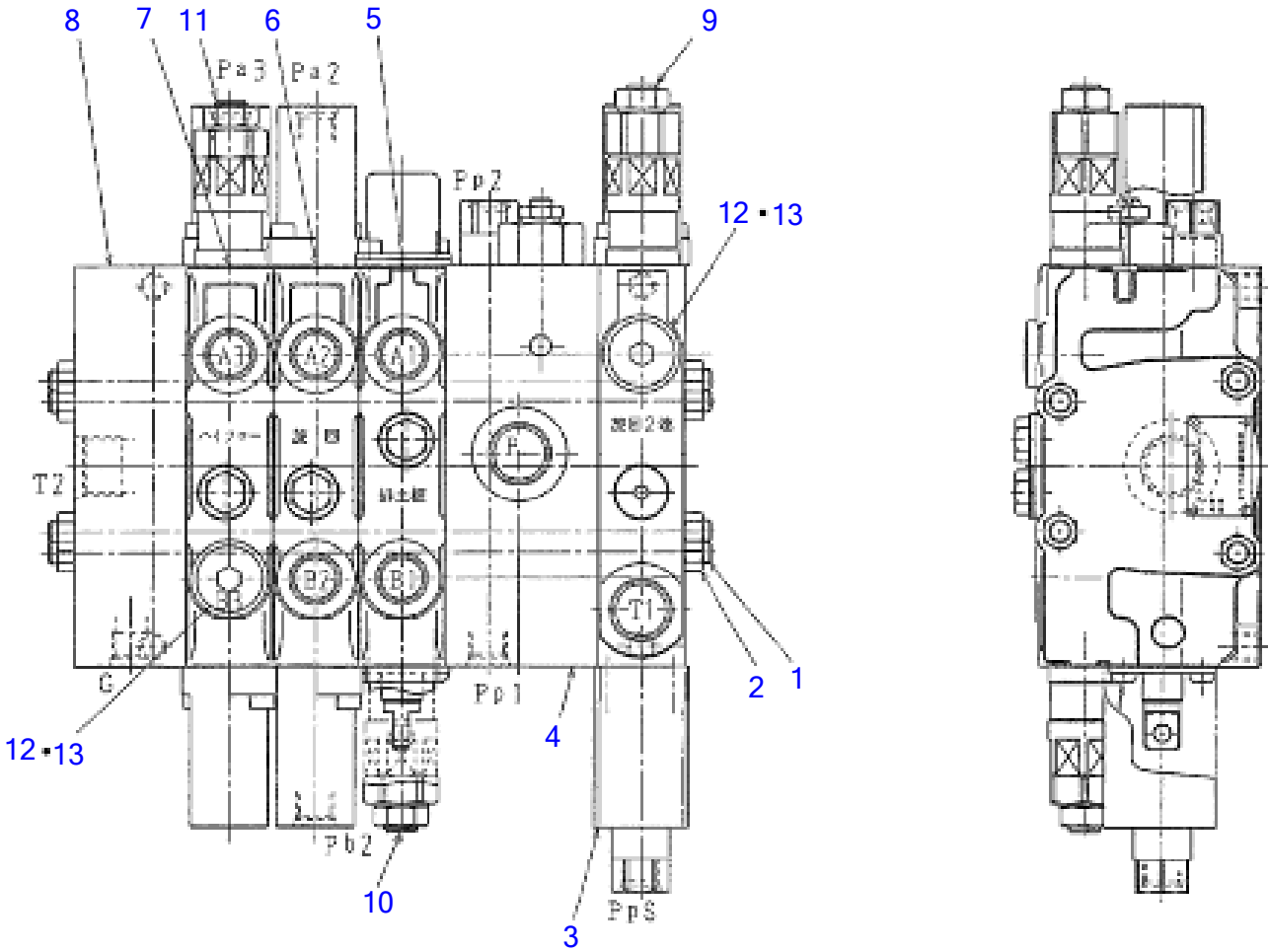


L7H220

6/FREZ

**CONTROL VALVE 2**

Item	Part number	Description	Q'ty	Chan.	Serial No.	Serv.	Remarks
0	<b>1901048200</b>	CONTROL VALVE ASSY	1				
1	<b>1901048207</b>	* TIE ROD	4				
2	<b>1901034907</b>	* NUT	8				
3	<b>1901047910</b>	* INLET HOUSING	1				
4	<b>1901047902</b>	* MIDDLE HOUSING	1				
5	<b>1901047917</b>	* BLOCK ASSY NO. 1	1				
6	<b>1901047914</b>	* BLOCK ASSY NO. 2	1				
7	<b>1901047919</b>	* BLOCK ASSY NO. 4	1				
8	<b>1901047904</b>	* OUTLET HOUSING	1				
9	<b>1901039124</b>	* VALVE ASSY	1				
10	<b>1901047921</b>	* VALVE ASSY	1				
11	<b>1901047922</b>	* VALVE ASSY	2				
12	<b>1901036678</b>	* PLUG ASSY	1				
13	<b>1420010140</b>	* * O-RING	1				
	<b>L7H220</b>						

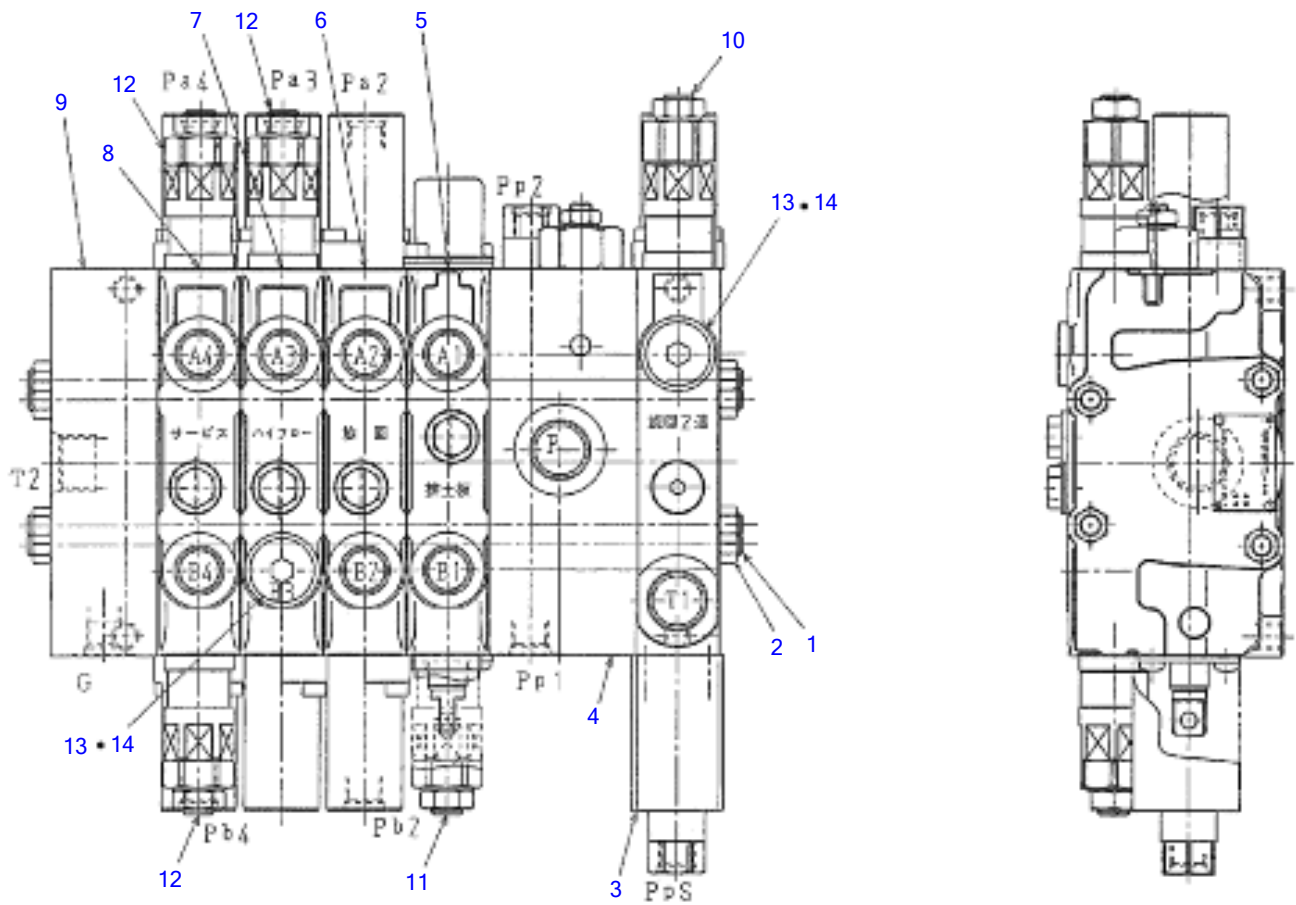


L7H230

**CONTROL VALVE 2 (HIGH FLOW)**

Item	Part number	Description	Q'ty	Chan.	Serial No.	Serv.	Remarks
0	<b>1901048300</b>	CONTROL VALVE ASSY	1				
1	<b>1901048207</b>	* TIE ROD	4				
2	<b>1901034907</b>	* NUT	8				
3	<b>1901047910</b>	* INLET HOUSING	1				
4	<b>1901047902</b>	* MIDDLE HOUSING	1				
5	<b>1901047917</b>	* BLOCK ASSY NO. 1	1				
6	<b>1901047914</b>	* BLOCK ASSY NO. 2	1				
7	<b>1901047993</b>	* BLOCK ASSY NO. 3	1				
8	<b>1901047904</b>	* OUTLET HOUSING	1				
9	<b>1901039124</b>	* VALVE ASSY	1				
10	<b>1901047921</b>	* VALVE ASSY	1				
11	<b>1901047922</b>	* VALVE ASSY	1				
12	<b>1901036678</b>	* PLUG ASSY	2				
13	<b>1420010140</b>	* * O-RING	1				
	<b>L7H230</b>						

TB175 Book No. BL7Z000 S/N 17530001-  
**CONTROL VALVE 2 HIGH FLOW WITH 2ND AUX LINE**



L7H240

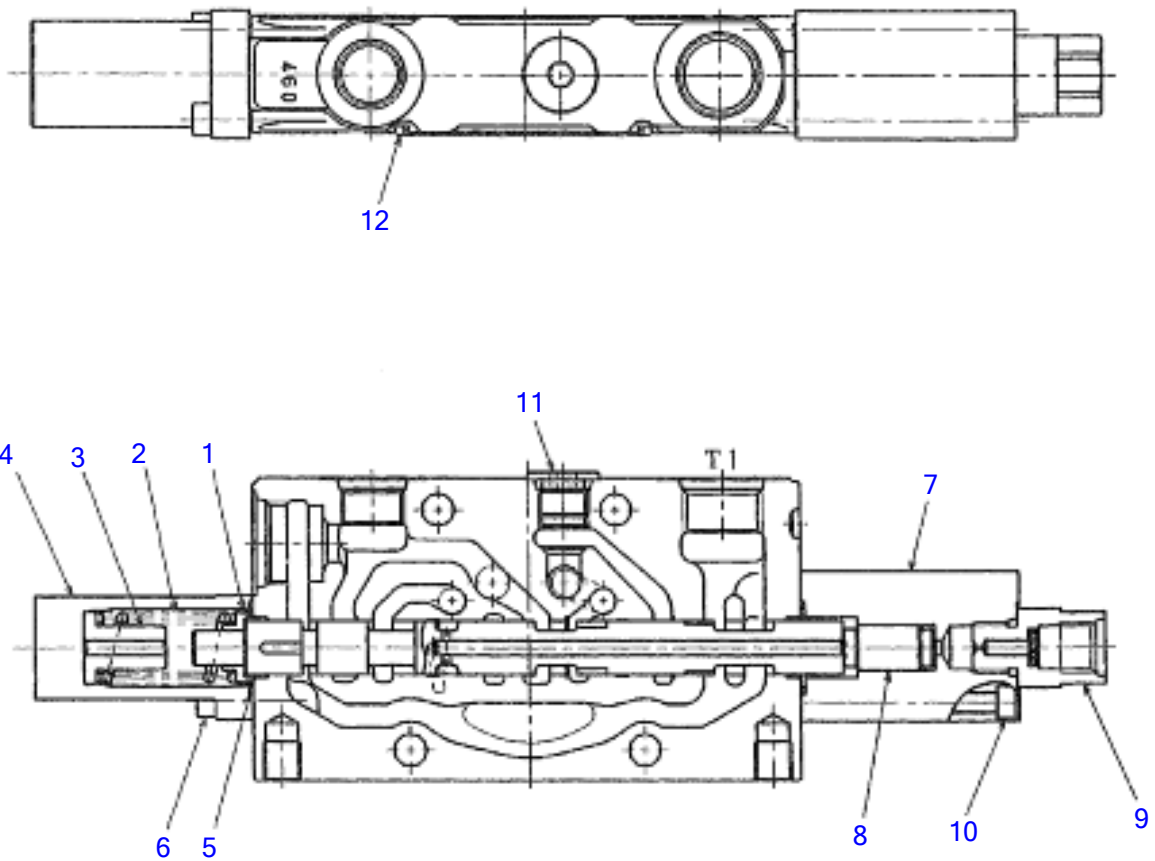
9FRE1



**CONTROL VALVE 2 HIGH FLOW WITH 2ND AUX LINE**

Item	Part number	Description	Q'ty	Chan.	Serial No.	Serv.	Remarks
0	<b>1901047900</b>	CONTROL VALVE ASSY	1				
1	<b>1901025506</b>	* TIE ROD	4				
2	<b>1901034907</b>	* NUT	8				
3	<b>1901047910</b>	* INLET HOUSING	1				
4	<b>1901047902</b>	* MIDDLE HOUSING	1				
5	<b>1901047917</b>	* BLOCK ASSY NO. 1	1				
6	<b>1901047914</b>	* BLOCK ASSY NO. 2	1				
7	<b>1901047993</b>	* BLOCK ASSY NO. 3	1				
8	<b>1901047919</b>	* BLOCK ASSY NO. 4	1				
9	<b>1901047904</b>	* OUTLET HOUSING	1				
10	<b>1901039124</b>	* VALVE ASSY	1				
11	<b>1901047921</b>	* VALVE ASSY	1				
12	<b>1901047922</b>	* VALVE ASSY	3				
13	<b>1901036678</b>	* PLUG ASSY	2				
14	<b>1420010140</b>	* * O-RING	1				
	<b>L7H240</b>						

TB175 Book No. BL7Z000 S/N 17530001-  
INLET HOUSING ASSY

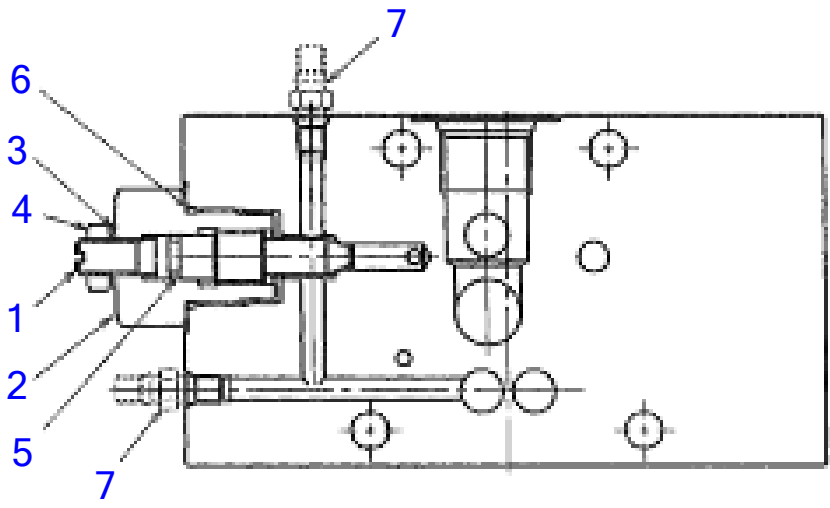
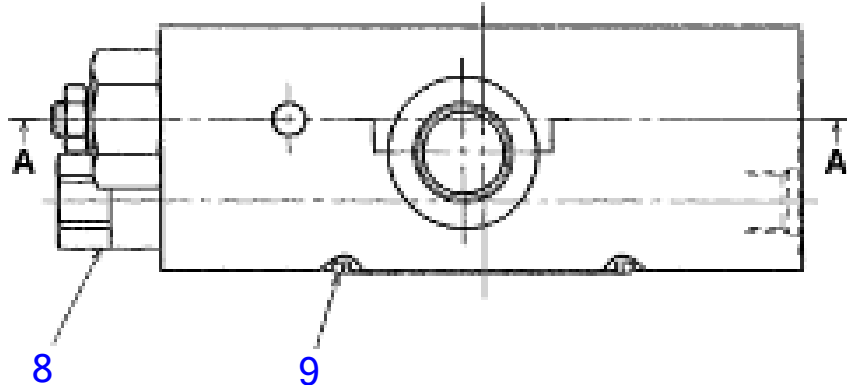


L7H250

G-FREZ

**INLET HOUSING ASSY**

Item	Part number	Description	Q'ty	Chan.	Serial No.	Serv.	Remarks
0	<b>1901047910</b>	INLET HOUSING	1				
1	<b>1901031752</b>	* SPRING HOLDER	1				
2	<b>1901038859</b>	* SPRING	1				
3	<b>1901038851</b>	* SPRING HOLDER	1				
4	<b>1901038868</b>	* CAP	1				
5	<b>1420500220</b>	* O-RING	2				
6	<b>1110020518</b>	* CAP SCREW	2				
7	<b>1901047966</b>	* CAP	1				
8	<b>1901047990</b>	* PISTON	1				
9	<b>1901047991</b>	* PLUG ASSY	1				
10	<b>1901047931</b>	* CAP SCREW	2				
11	<b>1901038893</b>	* PLUG ASSY	1				
12	<b>1901038881</b>	* O-RING	1				
	<b>L7H250</b>						

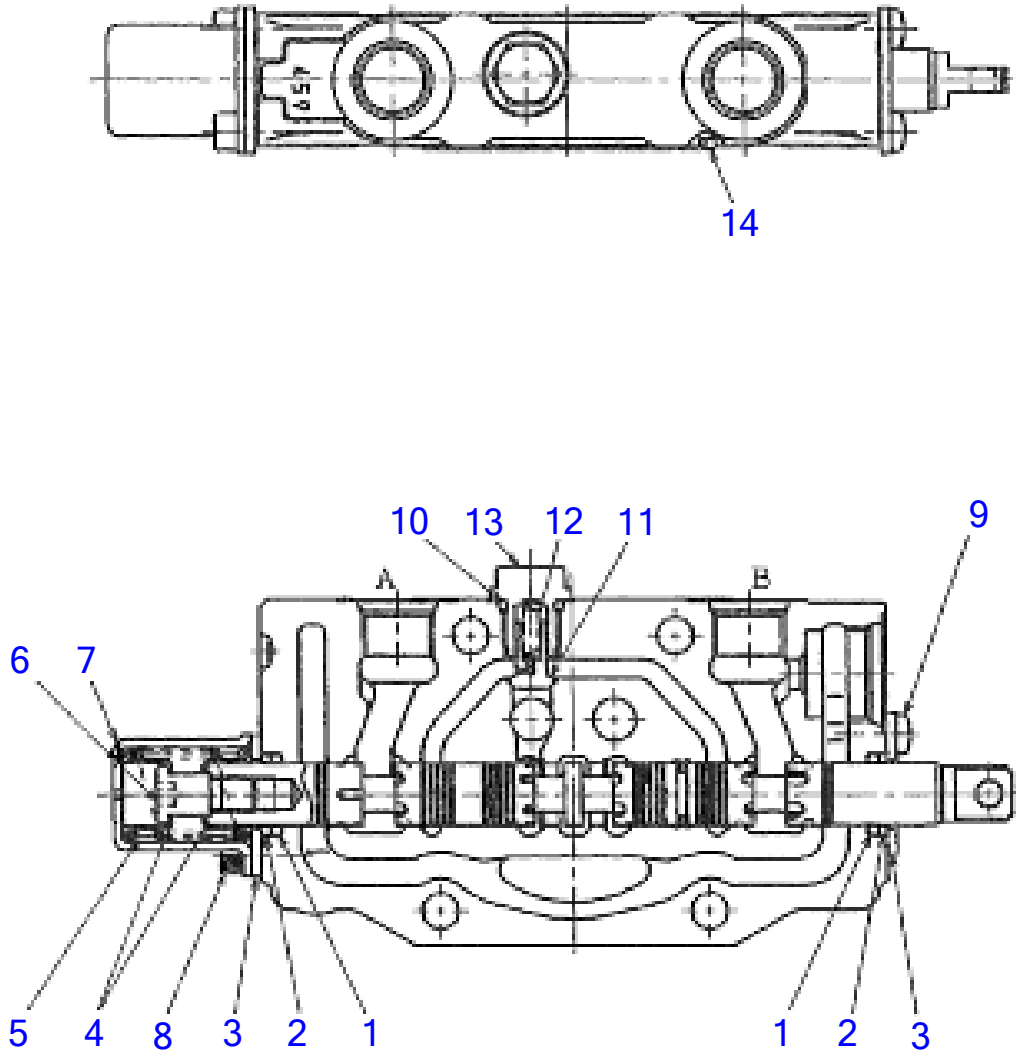


SECTION "A-A"

L7H260

**MIDDLE HOUSING ASSY**

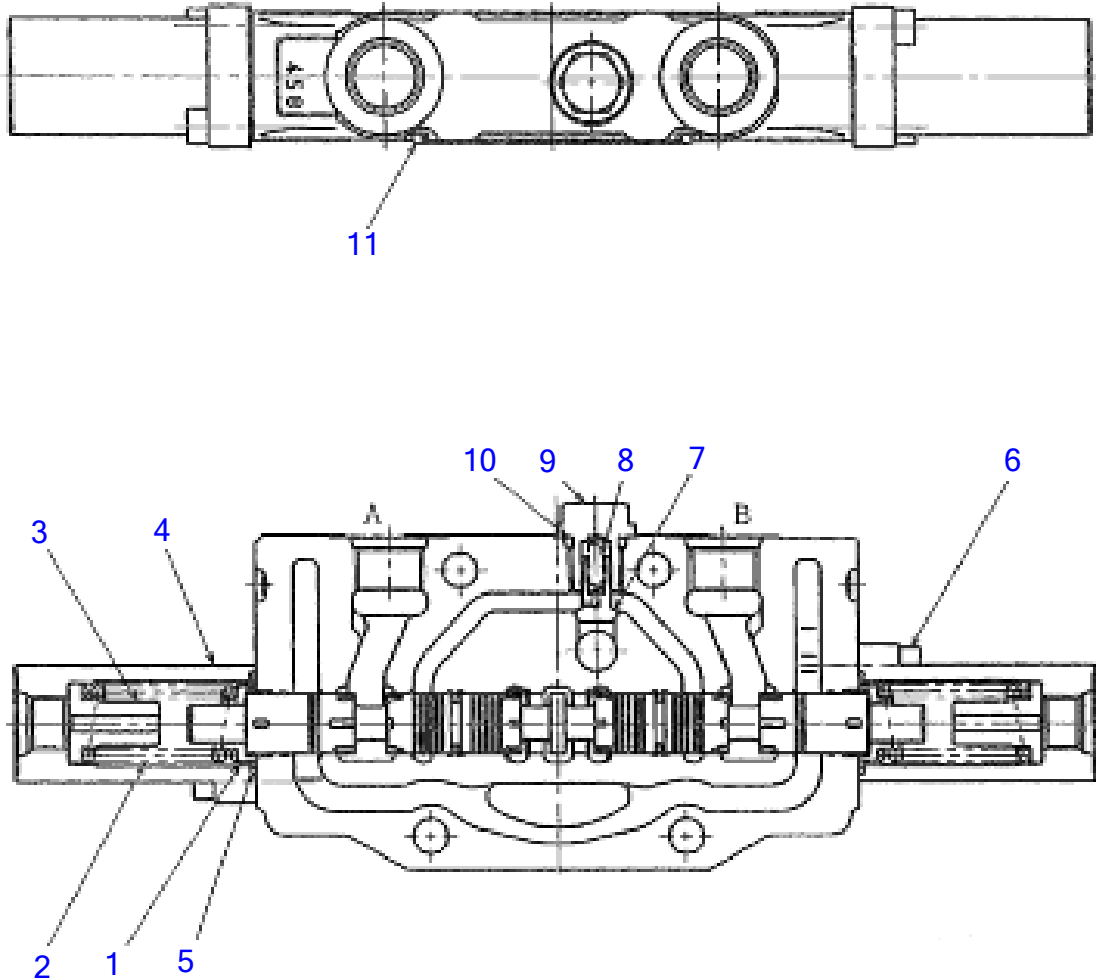
Item	Part number	Description	Q'ty	Chan.	Serial No.	Serv.	Remarks
0	<b>1901047902</b>	MIDDLE HOUSING	1				
1	<b>1901039090</b>	* NEEDLE	1				
2	<b>1901039072</b>	* PLUG	1				
3	<b>1901039041</b>	* WASHER	1				
4	<b>1901047992</b>	* NUT	1				
5	<b>1420000070</b>	* O-RING	1				
6	<b>1420000200</b>	* O-RING	1				
7	<b>1903121758</b>	* PLUG	2				
8	<b>1901047991</b>	* PLUG ASSY	1				
9	<b>1901038881</b>	* O-RING	1				
	<b>L7H260</b>						



L7H270

**BLOCK ASSY NO. 1**

Item	Part number	Description	Q'ty	Chan.	Serial No.	Serv.	Remarks
0	1901047917	BLOCK ASSY NO. 1	1				
1	1901025484	* O-RING	2				
2	1901025485	* WIPER	2				
3	1901048641	* SEAL PLATE	2				
4	1901025453	* SPRING HOLDER	2				
5	1901047757	* SPRING	1				
6	1901043232	* CAP SCREW	1				
7	1901048666	* CAP	1				
8	1110020512	* CAP SCREW	2				
9	1120540510	* SCREW	2				
10	1420010110	* O-RING	1				
11	1901038826	* PLUNGER	1				
12	1901038857	* SPRING	1				
13	1901038890	* PLUG	1				
14	1901038881	* O-RING	1				
	L7H270						

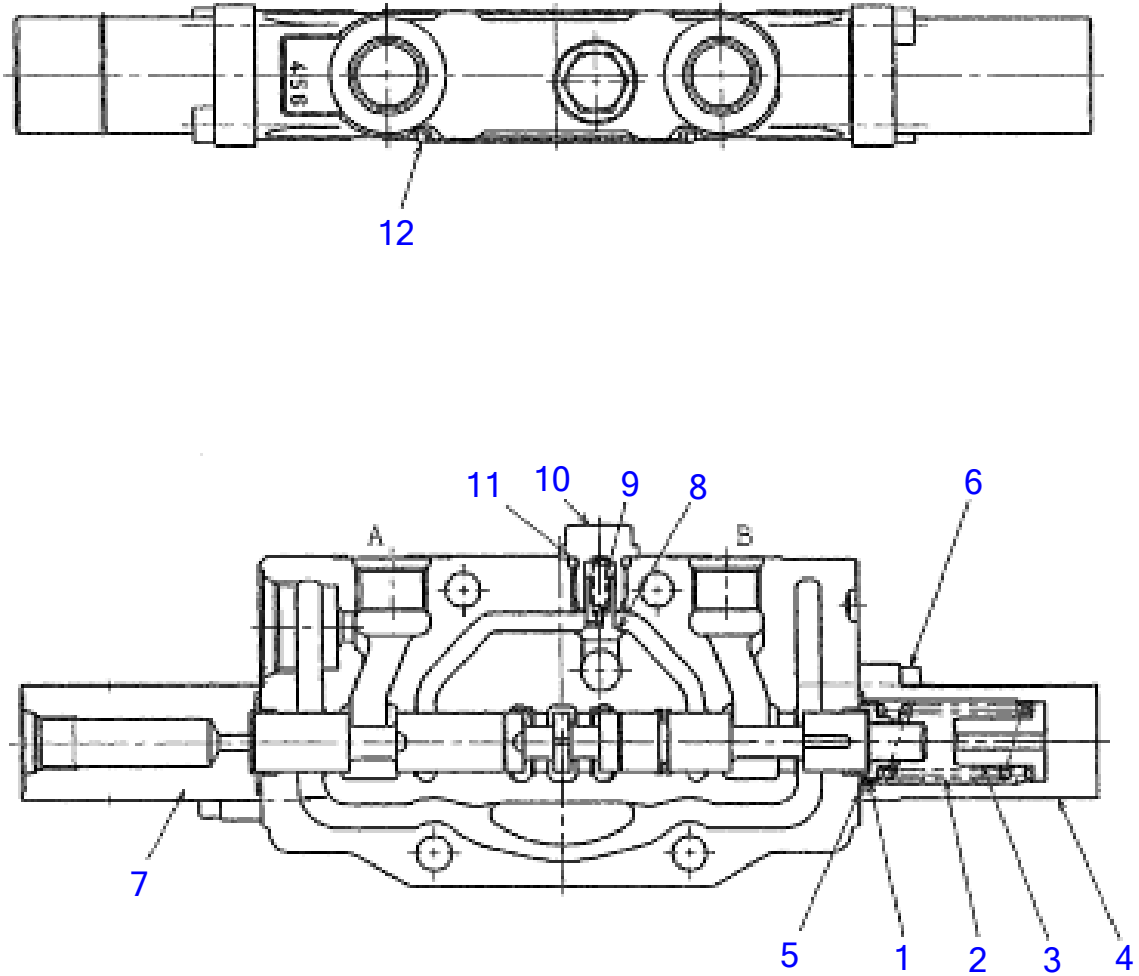


L7H280



**BLOCK ASSY NO. 2**

Item	Part number	Description	Q'ty	Chan.	Serial No.	Serv.	Remarks
0	<b>1901047914</b>	BLOCK ASSY NO. 2	1				
1	<b>1901031752</b>	* SPRING HOLDER	2				
2	<b>1901047957</b>	* SPRING	2				
3	<b>1901038851</b>	* SPRING HOLDER	2				
4	<b>1901038866</b>	* CAP	2				
5	<b>1420500220</b>	* O-RING	2				
6	<b>1110020518</b>	* CAP SCREW	4				
7	<b>1901038826</b>	* PLUNGER	1				
8	<b>1901038857</b>	* SPRING	1				
9	<b>1901038890</b>	* PLUG	1				
10	<b>1420010110</b>	* O-RING	1				
11	<b>1901038881</b>	* O-RING	1				
	<b>L7H280</b>						

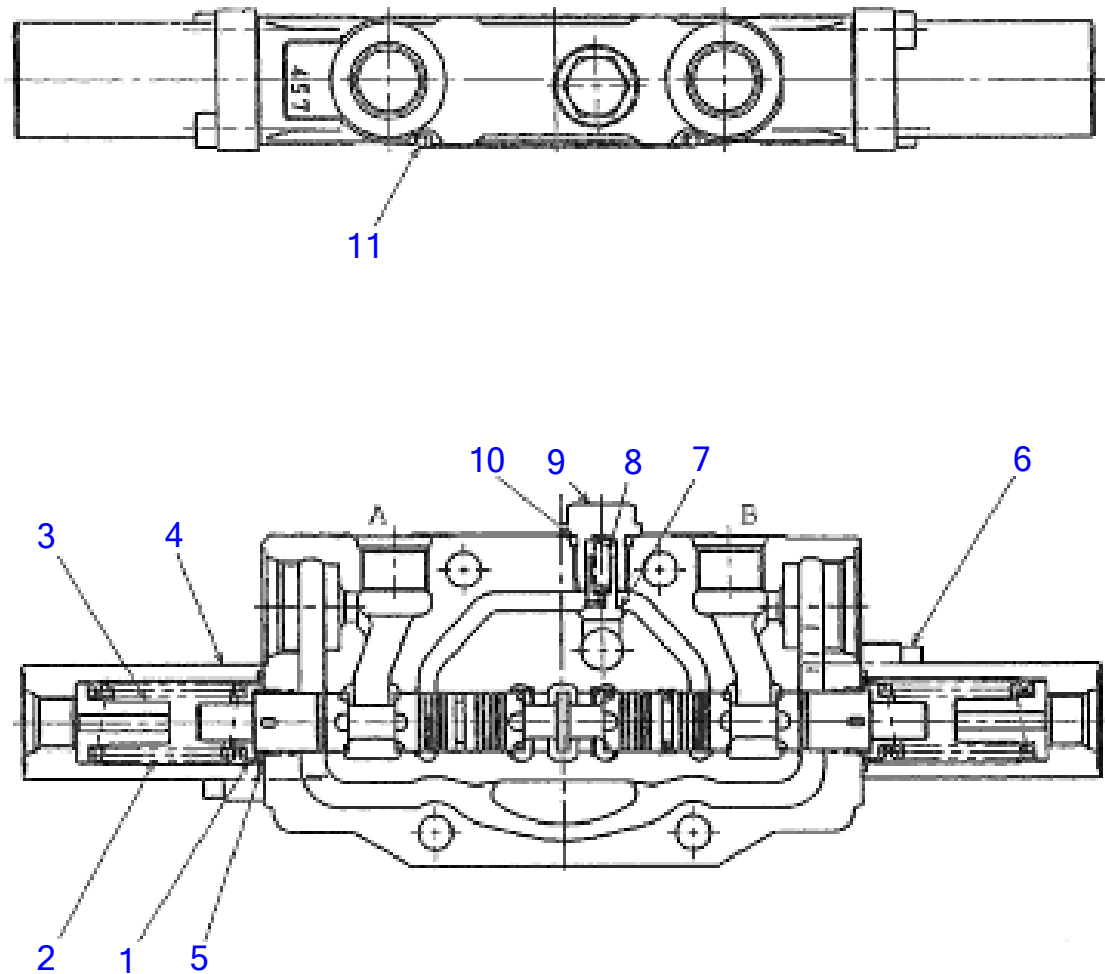


L7H290

**BLOCK ASSY NO. 3 HIGH FLOW**

Item	Part number	Description	Q'ty	Chan.	Serial No.	Serv.	Remarks
0	<b>1901047993</b>	BLOCK ASY NO. 3	1				
1	<b>1901031752</b>	* SPRING HOLDER	1				
2	<b>1901038859</b>	* SPRING	1				
3	<b>1901038851</b>	* SPRING HOLDER	1				
4	<b>1901038868</b>	* CAP	1				
5	<b>1420500220</b>	* O-RING	2				
6	<b>1110020518</b>	* CAP SCREW	4				
7	<b>1901044466</b>	* CAP	1				
8	<b>1901038826</b>	* PLUNGER	1				
9	<b>1901038857</b>	* SPRING	1				
10	<b>1901038890</b>	* PLUG	1				
11	<b>1420010110</b>	* O-RING	1				
12	<b>1901038881</b>	* O-RING	1				
	<b>L7H290</b>						

TB175 Book No. BL7Z000 S/N 17530001-  
BLOCK ASSY NO. 4 WITH 2ND AUX LINE

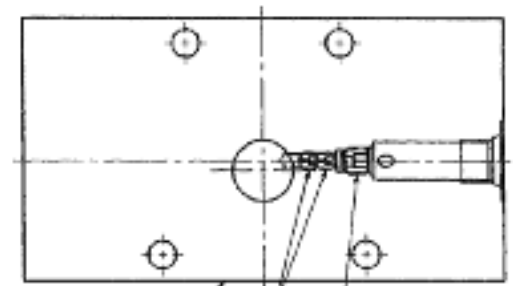
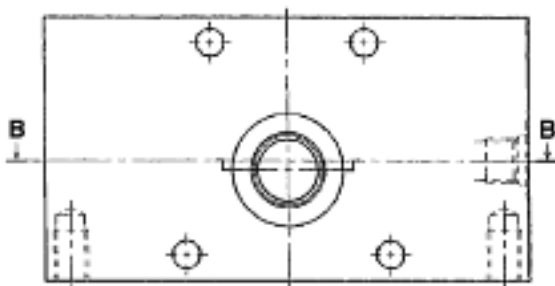
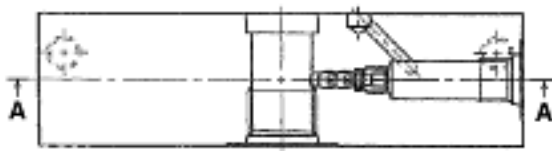


L7H300

**BLOCK ASSY NO. 4 WITH 2ND AUX LINE**

Item	Part number	Description	Q'ty	Chan.	Serial No.	Serv.	Remarks
0	<b>1901047919</b>	BLOCK ASSY NO. 4	1				
1	<b>1901031752</b>	* SPRING HOLDER	2				
2	<b>1901047957</b>	* SPRING	2				
3	<b>1901038851</b>	* SPRING HOLDER	2				
4	<b>1901038866</b>	* CAP	2				
5	<b>1420500220</b>	* O-RING	2				
6	<b>1110020518</b>	* CAP SCREW	4				
7	<b>1901038826</b>	* PLUNGER	1				
8	<b>1901038857</b>	* SPRING	1				
9	<b>1901038890</b>	* PLUG	1				
10	<b>1420010110</b>	* O-RING	1				
11	<b>1901038881</b>	* O-RING	1				
	<b>L7H300</b>						

TB175 Book No. BL7Z000 S/N 17530001-  
OUTLET HOUSING ASSY



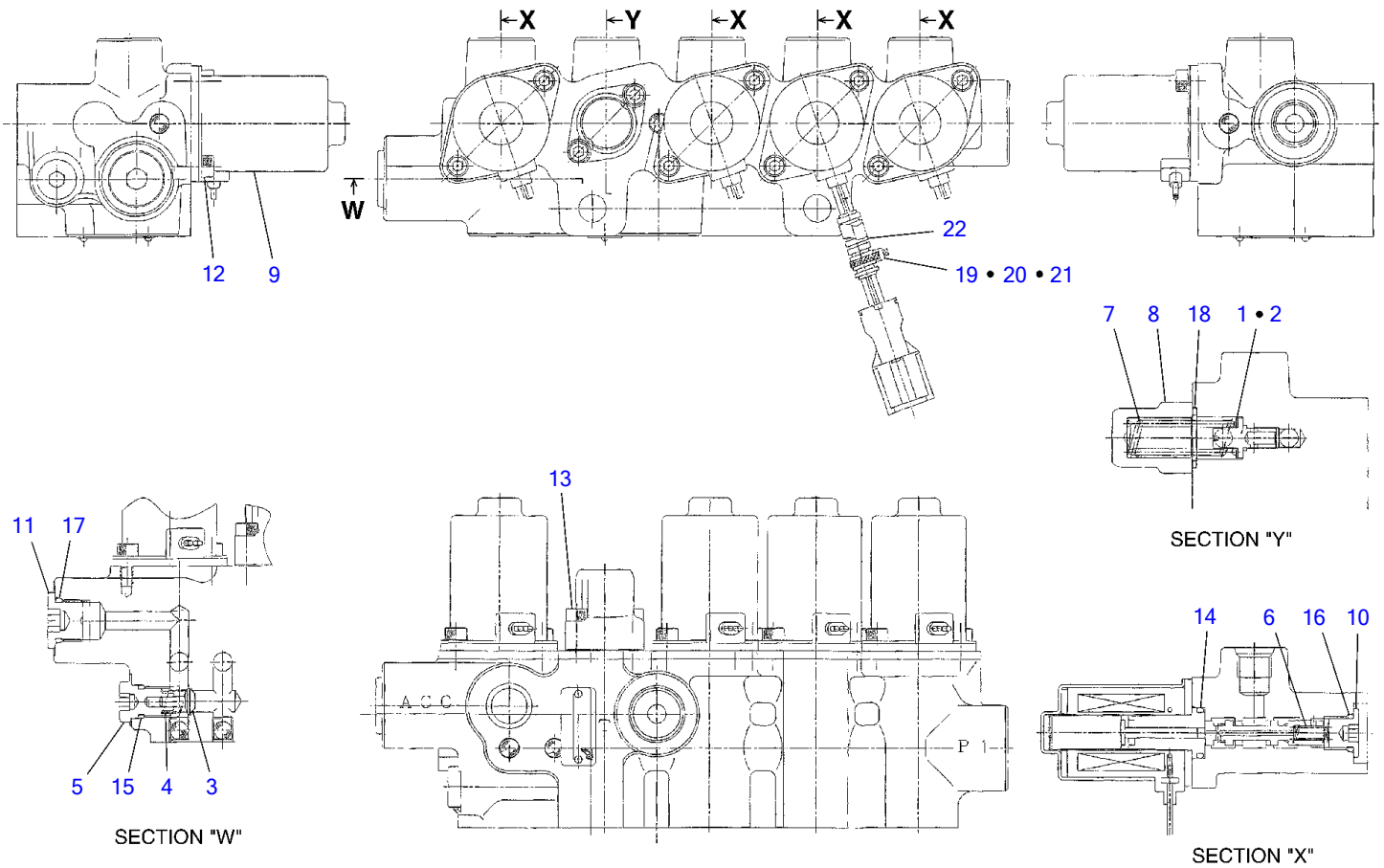
L7H310

G-FREE

**OUTLET HOUSING ASSY**

Item	Part number	Description	Q'ty	Chan.	Serial No.	Serv.	Remarks
0	<b>1901047904</b>	OUTLET HOUSING ASSY	1				
1	<b>1901047905</b>	* OUTLET HOUSING	1				
2	<b>1901042665</b>	* ORIFICE	2				
3	<b>1901043880</b>	* FILTER	1				
	<b>L7H310</b>						

TB175 Book No. BL7Z000 S/N 17530001-  
SOLENOID VALVE; 4 BLOCKS



L7H030

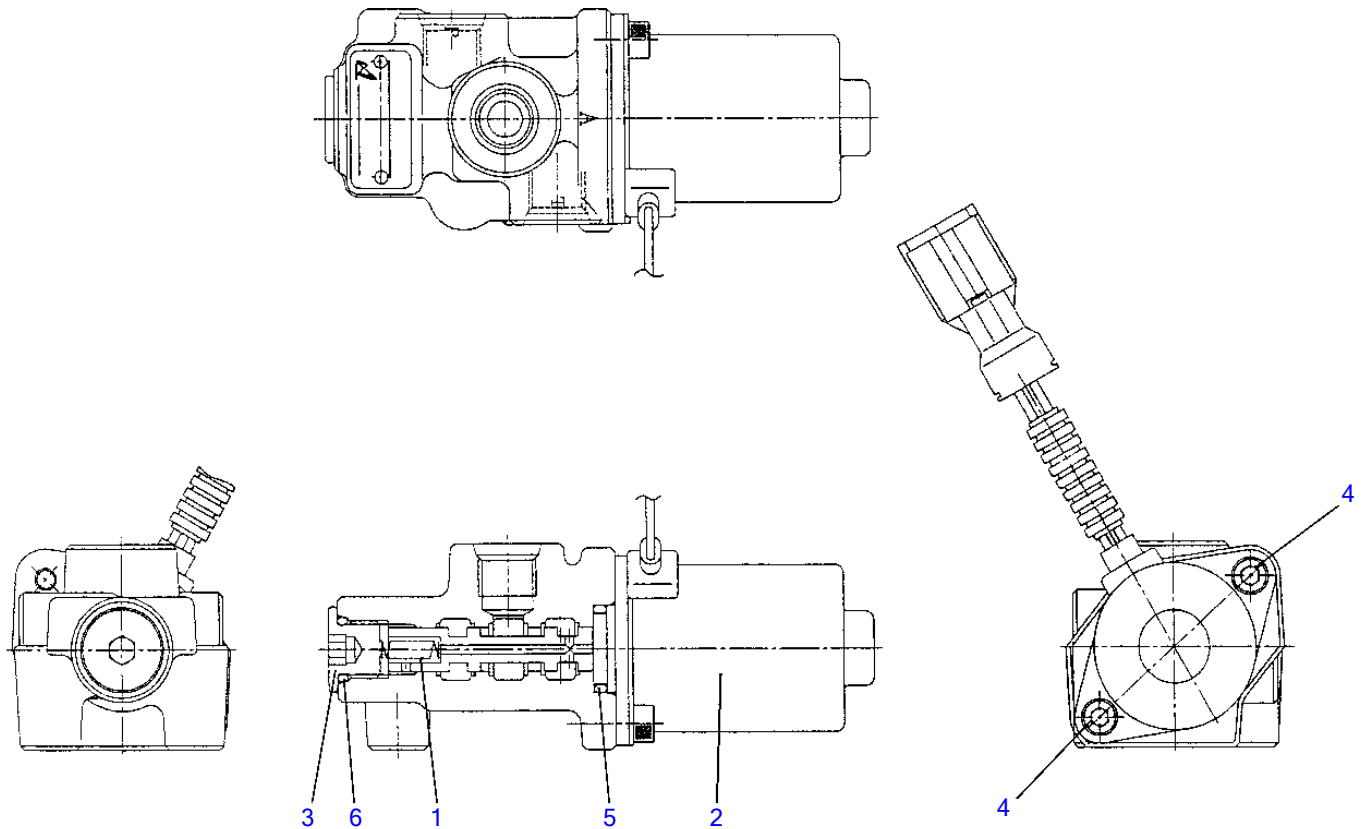
S-free



**SOLENOID VALVE; 4 BLOCKS**

Item	Part number	Description	Q'ty	Chan.	Serial No.	Serv.	Remarks
0	<b>1901752300</b>	VALVE ASSY, solenoid	1			M	
1	<b>1901729601</b>	▪ SHIM	1				t=0.5mm
2	<b>1901728701</b>	▪ SHIM	1				t=0.2mm
3	<b>1901035426</b>	▪ PLUNGER	1				
4	<b>1901004357</b>	▪ SPRING	1				
5	<b>1901035471</b>	▪ PLUG	1				
6	<b>1901735511</b>	▪ SPRING	4				
7	<b>1901738304</b>	▪ SPRING	1				
8	<b>1901742409</b>	▪ COVER	1				
9	<b>1901748816</b>	▪ SOLENOID	4			M	
10	<b>1901738312</b>	▪ PLUG	4				
11	<b>1901752316</b>	▪ PLUG	1			M	
12	<b>1110040512</b>	▪ SCREW, cap	8				
13	<b>1110040520</b>	▪ SCREW, cap	2				
14	<b>1420010160</b>	▪ O-RING	4				
15	<b>1420010100</b>	▪ O-RING	1				
16	<b>1420010110</b>	▪ O-RING	4				
17	<b>1420010140</b>	▪ O-RING	1				
18	<b>1420010200</b>	▪ O-RING	1				
19	<b>1901740218</b>	▪ BAND	1			M	
20	<b>1901740220</b>	▪ BAND	1			M	
21	<b>1901752328</b>	▪ BAND	1			M	
22	<b>1901044619</b>	▪ PROTECTOR	3			M	
	<b>L7h030</b>						

TB175 Book No. BL7Z000 S/N 17530001-  
SOLENOID VALVE; 1 BLOCKS (2-piece boom; with adjust shut-off valve)



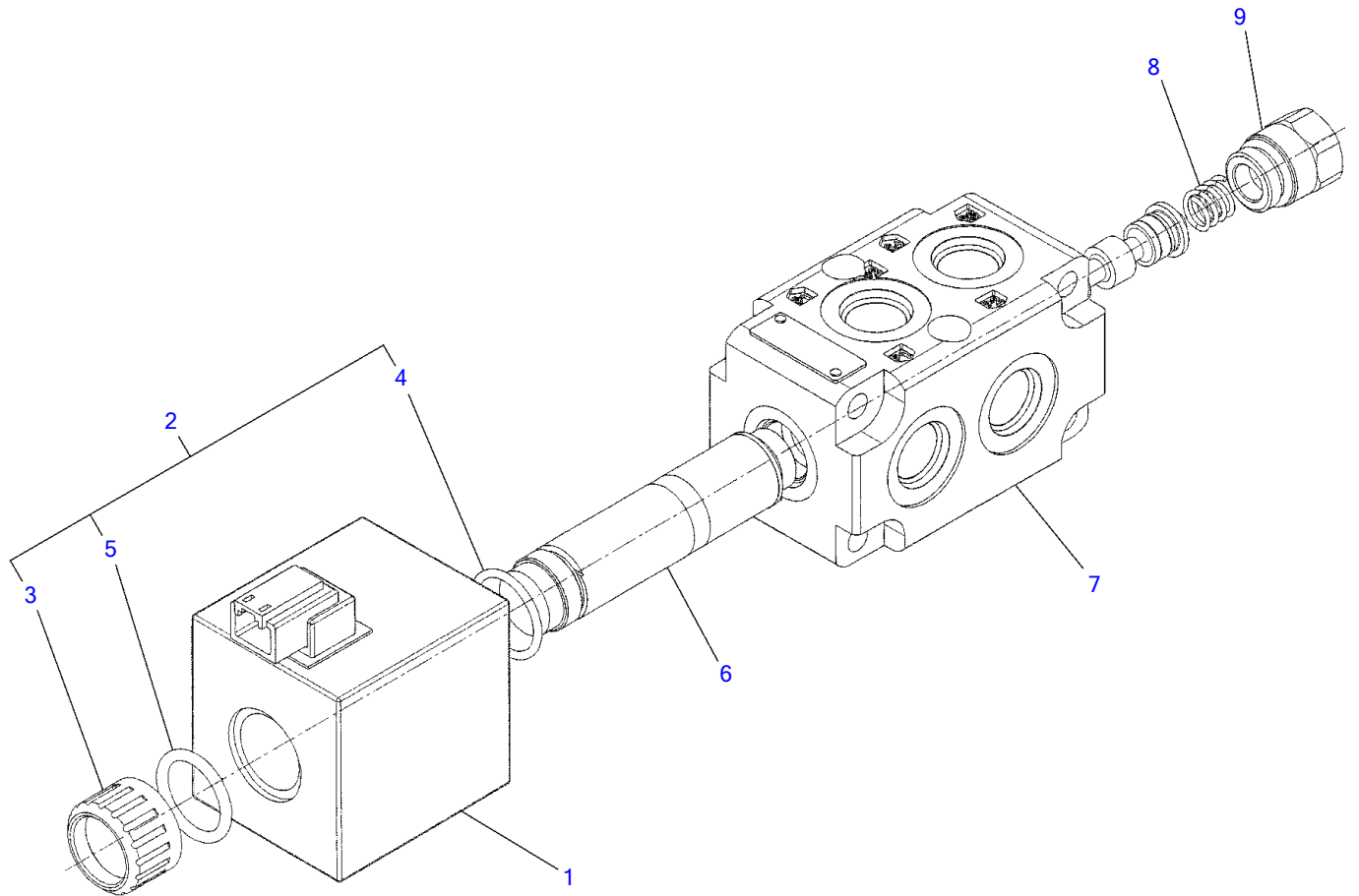
G4H310

S=FREE

**SOLENOID VALVE; 1 BLOCKS (2-piece boom; with adjust shut-off valve)**

Item	Part number	Description	Q'ty	Chan.	Serial No.	Serv.	Remarks
0	<b>1901746600</b>	VALVE ASSY, solenoid	1			M	
1	<b>1901734404</b>	▪ SPRING	1				
2	<b>1901746604</b>	▪ SOLENOID	1			M	
3	<b>1901738312</b>	▪ PLUG	1				
4	<b>1110050512</b>	▪ SCREW, cap	2			M	
5	<b>1420000160</b>	▪ O-RING	1				
6	<b>1420010110</b>	▪ O-RING	1				
	<b>G4h310</b>						

TB175 Book No. BL7Z000 S/N 17530001-  
SOLENOID VALVE; 1 BLOCKS (with 4th auxiliary lines)



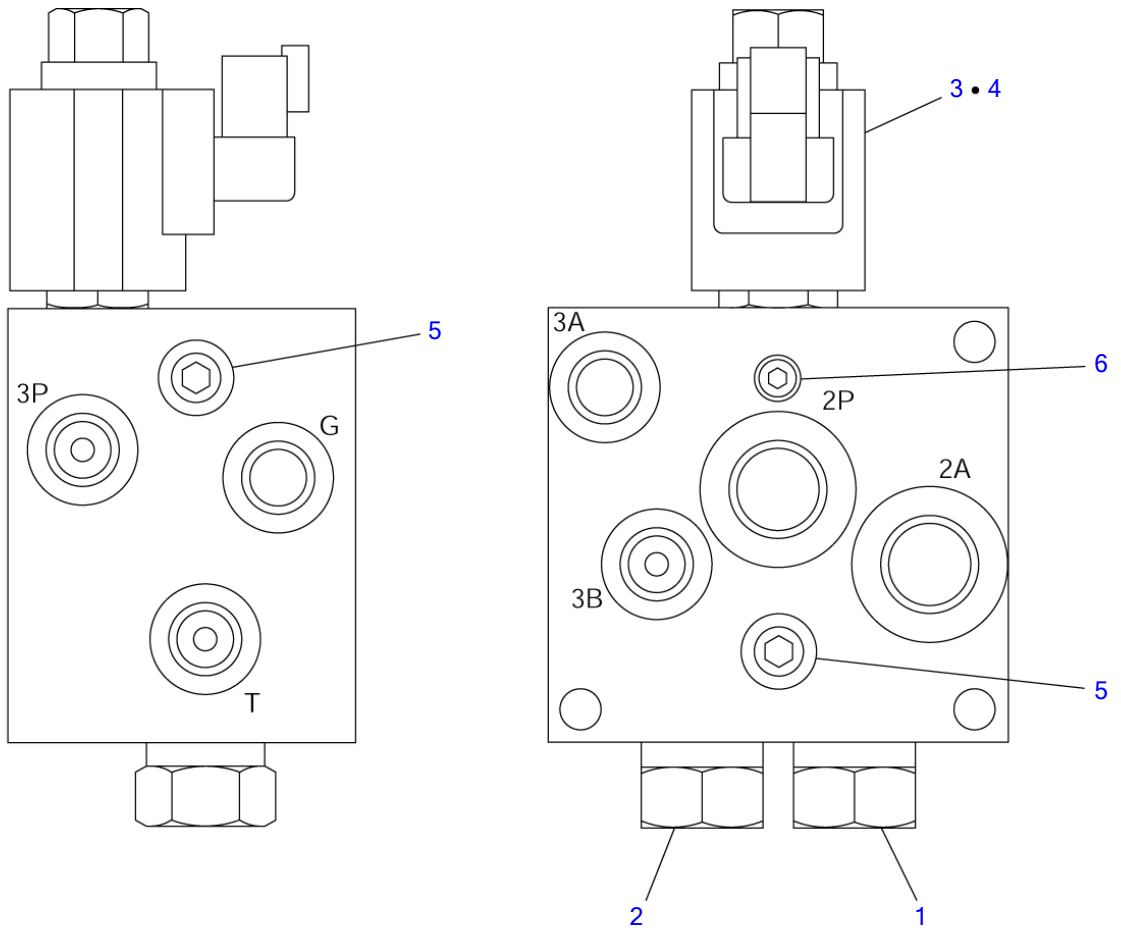
L5H040

S-free

**SOLENOID VALVE; 1 BLOCKS (with 4th auxiliary lines)**

Item	Part number	Description	Q'ty	Chan.	Serial No.	Serv.	Remarks
0	<b>1901749100</b>	VALVE ASSY, solenoid	1			M	
1	<b>1901749101</b>	· COIL	1			M	
2	<b>1901748320</b>	· NUT ASSY	1				
3	<b>1901748321</b>	· · NUT	1				
4	<b>1901748322</b>	· · O-RING	1				
5	<b>1901748323</b>	· · O-RING	1				
6	<b>1901748306</b>	· TUBE KIT	1				
7	<b>1901748307</b>	· BODY	1				
8	<b>1901748309</b>	· SPRING	1				
9	<b>1901748310</b>	· PLUG	1				
	<b>L5h040</b>						

TB175 Book No. BL7Z000 S/N 17530001-  
SOLENOID VALVE; 1 BLOCKS (with high pressure 3rd auxiliary lines)



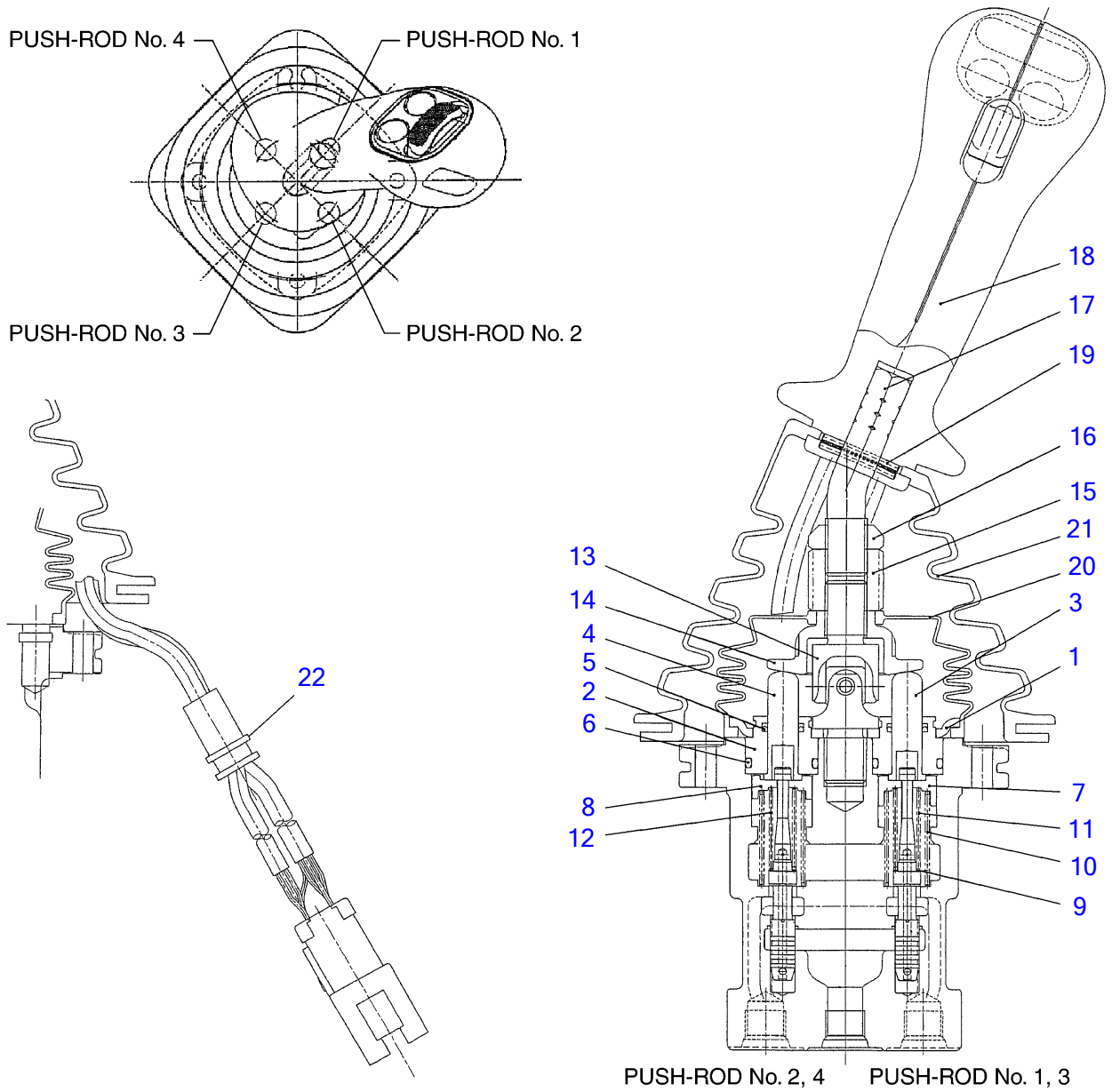
J3H011

S-free

**SOLENOID VALVE; 1 BLOCKS (with high pressure 3rd auxiliary lines)**

Item	Part number	Description	Q'ty	Chan.	Serial No.	Serv.	Remarks
0	<b>1901751600</b>	VALVE ASSY, solenoid	1			M	
1	<b>1901751602</b>	▪ VALVE, pilot	1			M	
2	<b>1901751603</b>	▪ VALVE, pilot	1			M	
3	<b>1901741402</b>	▪ SOLENOID	1				
4	<b>1901750703</b>	▪ COIL	1			M	
5	<b>1501810002</b>	▪ PLUG	2				
6	<b>1501810000</b>	▪ PLUG	8				
	<b>J3h011</b>						

TB175 Book No. BL7Z000 S/N 17530001-  
PILOT VALVE (R.H.) (with slide switch)

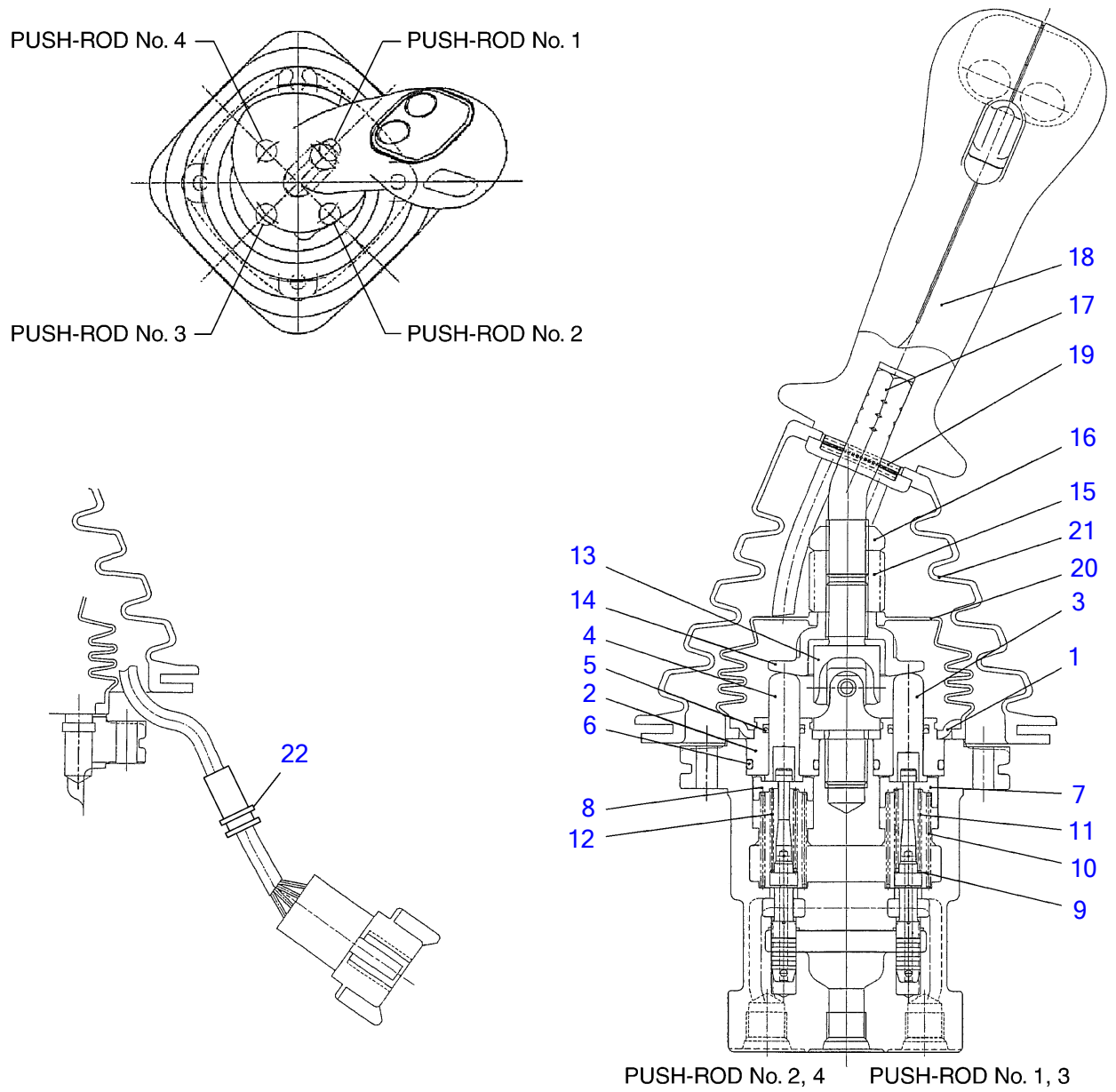


G7H340



PILOT VALVE (R.H.) (with slide switch)						
Item	Part number	Description	Q'ty	Chan.	Serial No.	Serv. Remarks
0	1901753400	VALVE ASSY, pilot (R.H.)	1			M
1	1901742602	• PLATE	1			M
2	1901710912	• PLUG	4			
3	1901719011	• ROD	2			
4	1901719012	• ROD	2			
5	1901710914	• SEAL	4			
6	1420010200	• O-RING	4			
7	1901745709	• HOLDER	2			
8	1901745710	• HOLDER	2			
9	1901710917	• WASHER	4			
10	1901745712	• SPRING	4			
11	1901745713	• SPRING	2			
12	1901745714	• SPRING	2			
13	1901720232	• JOINT	1			
14	1901743620	• PLATE	1			
15	1901735625	• NUT	1			
16	1901735626	• NUT	1			
17	1901740432	• LEVER	1			
18	1901751410	• HANDLE	1			M
19	1213000528	• PIN, spring	1			
20	1901742619	• BOOT	1			M
21	1901735632	• BOOT	1			
22	1700100092	• GROMMET	1			M
	L7h050					

TB175 Book No. BL7Z000 S/N 17530001-  
PILOT VALVE (R.H.) (with 3 switches)

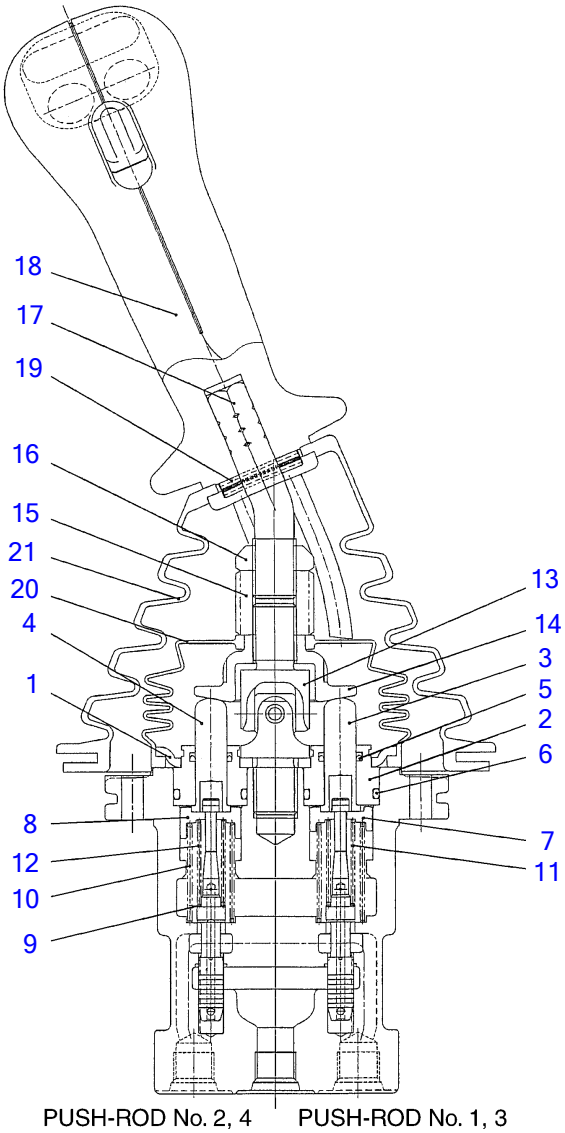
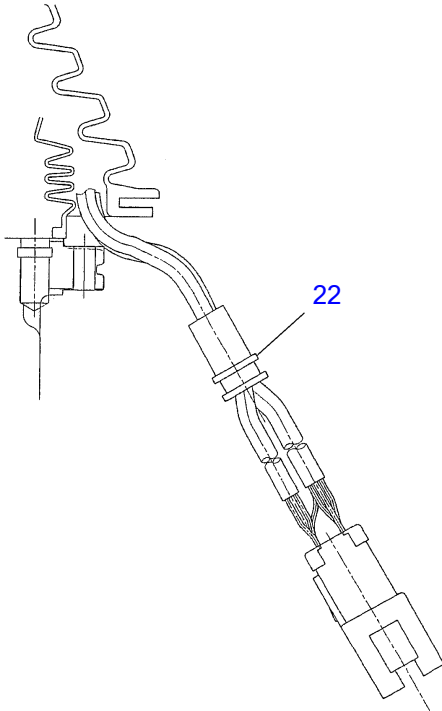
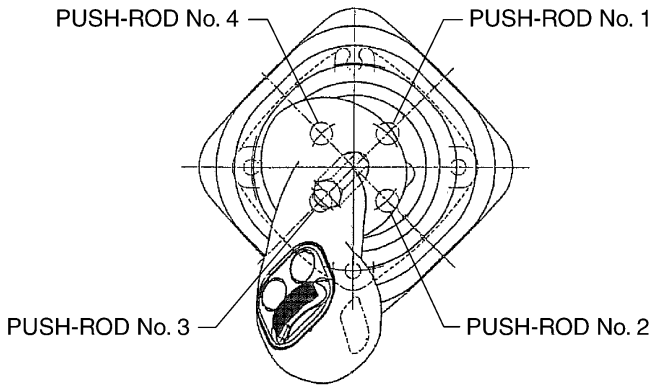


G7H150

**PILOT VALVE (R.H.) (with 3 switches)**

Item	Part number	Description	Q'ty	Chan.	Serial No.	Serv.	Remarks
0	<b>1901753500</b>	VALVE ASSY, pilot (R.H.)	1			M	
1	<b>1901742602</b>	• PLATE	1			M	
2	<b>1901710912</b>	• PLUG	4				
3	<b>1901719011</b>	• ROD	2				
4	<b>1901719012</b>	• ROD	2				
5	<b>1901710914</b>	• SEAL	4				
6	<b>1420010200</b>	• O-RING	4				
7	<b>1901745709</b>	• HOLDER	2				
8	<b>1901745710</b>	• HOLDER	2				
9	<b>1901710917</b>	• WASHER	4				
10	<b>1901745712</b>	• SPRING	4				
11	<b>1901745713</b>	• SPRING	2				
12	<b>1901745714</b>	• SPRING	2				
13	<b>1901720232</b>	• JOINT	1				
14	<b>1901743620</b>	• PLATE	1				
15	<b>1901735625</b>	• NUT	1				
16	<b>1901735626</b>	• NUT	1				
17	<b>1901740432</b>	• LEVER	1				
18	<b>1901741210</b>	• HANDLE	1				
19	<b>1213000528</b>	• PIN, spring	1				
20	<b>1901742619</b>	• BOOT	1			M	
21	<b>1901735632</b>	• BOOT	1				
22	<b>1700100092</b>	• GROMMET	1			M	
	<b>L7h060</b>						

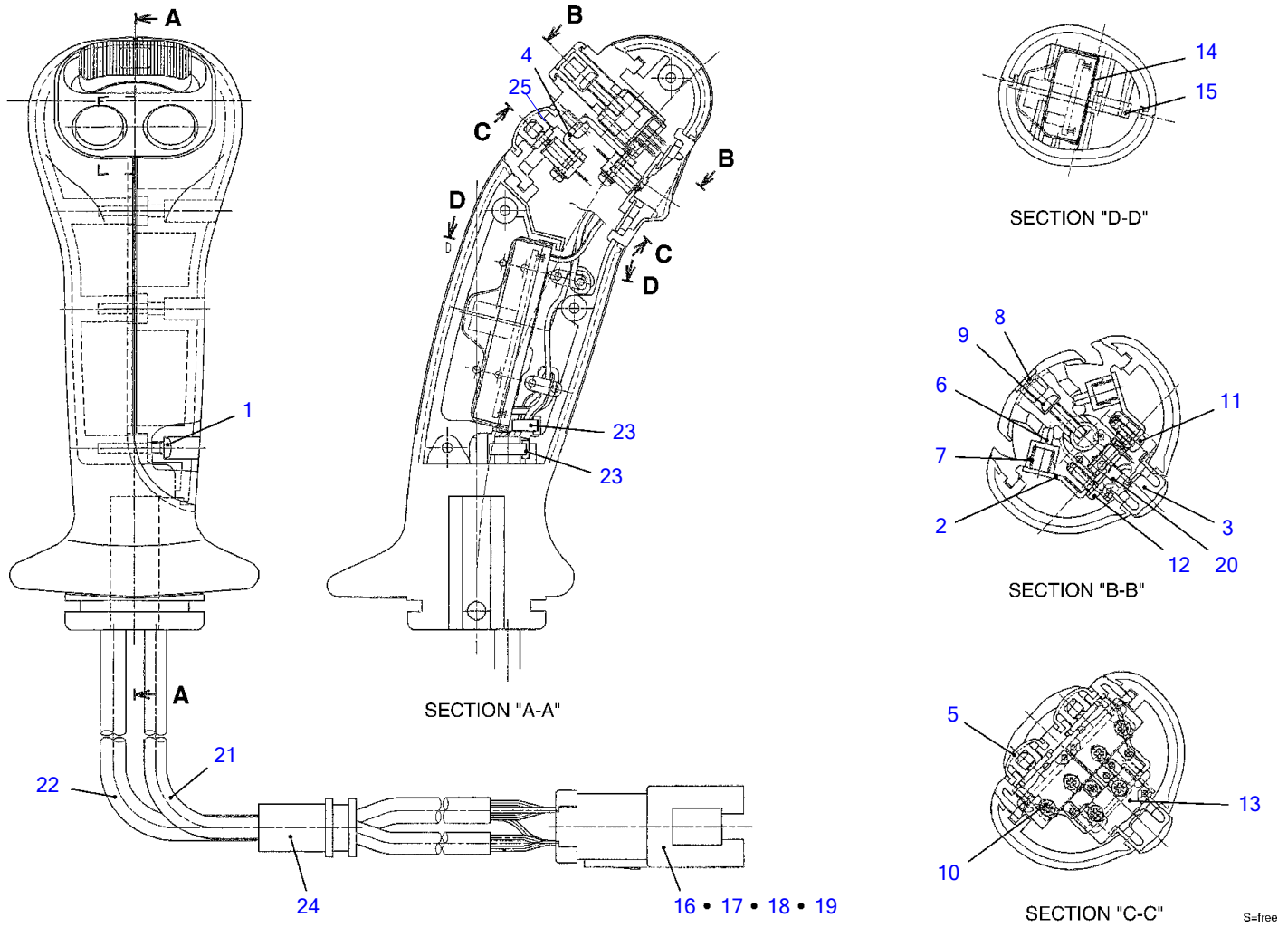
TB175 Book No. BL7Z000 S/N 17530001-  
PILOT VALVE (L.H.) (with slide switch)



G7H350

PILOT VALVE (L.H.) (with slide switch)						
Item	Part number	Description	Q'ty	Chan.	Serial No.	Serv. Remarks
0	1901753200	VALVE ASSY, pilot (L.H.)	1			M
1	1901742602	• PLATE	1			M
2	1901710912	• PLUG	4			
3	1901719011	• ROD	2			
4	1901719012	• ROD	2			
5	1901710914	• SEAL	4			
6	1420010200	• O-RING	4			
7	1901745709	• HOLDER	2			
8	1901745710	• HOLDER	2			
9	1901710917	• WASHER	4			
10	1901745712	• SPRING	4			
11	1901745713	• SPRING	2			
12	1901745714	• SPRING	2			
13	1901720232	• JOINT	1			
14	1901743620	• PLATE	1			
15	1901735625	• NUT	1			
16	1901735626	• NUT	1			
17	1901740432	• LEVER	1			
18	1901751410	• HANDLE	1			M
19	1213000528	• PIN, spring	1			
20	1901742619	• BOOT	1			M
21	1901735632	• BOOT	1			
22	1700100092	• GROMMET	1			M
	L7h070					

TB175 Book No. BL7Z000 S/N 17530001-  
HANDLE (with slide switch)



I

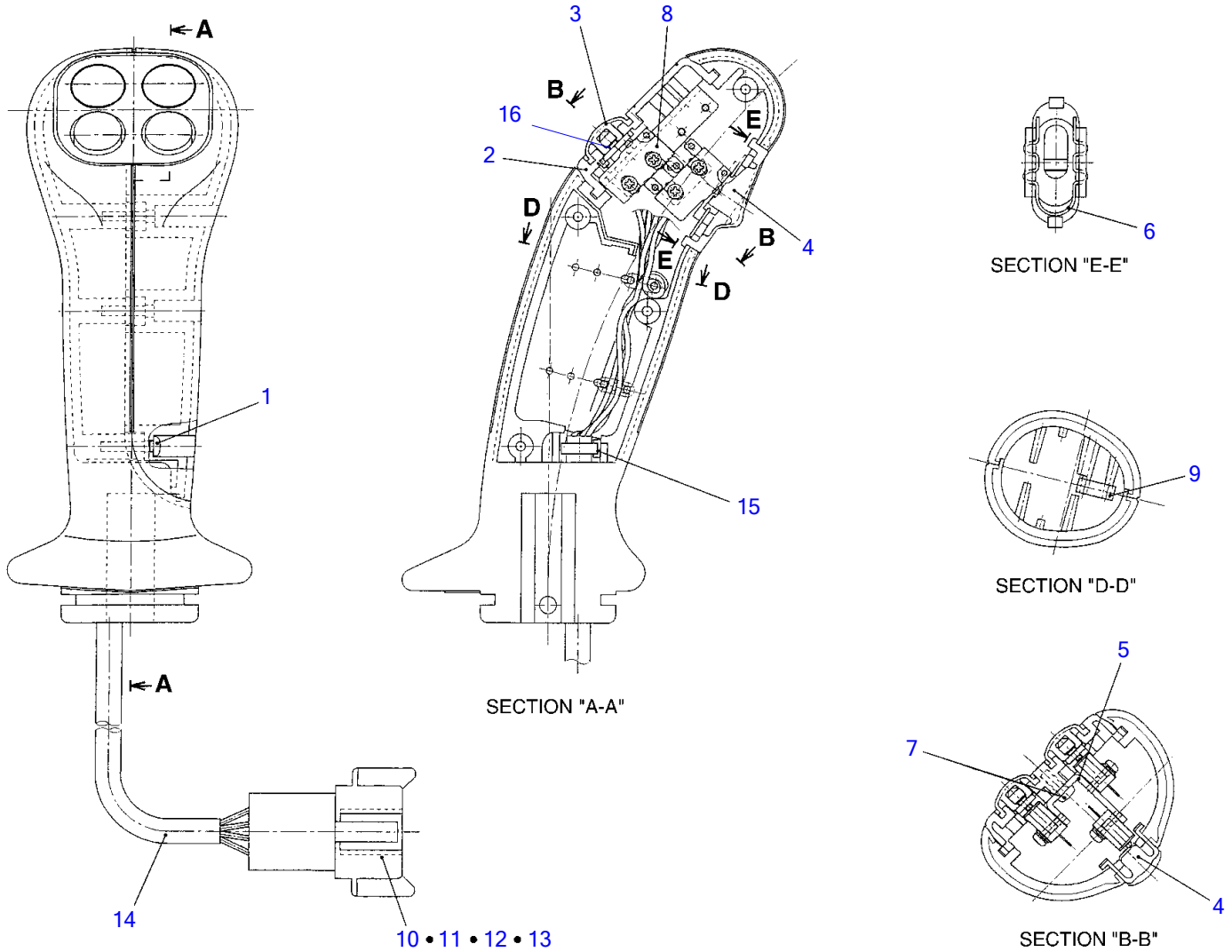
S=free

**HANDLE (with slide switch)**

Item	Part number	Description	Q'ty	Chan.	Serial No.	Serv.	Remarks
0	1901751410	HANDLE ASSY	1			M	
1	1122400316	• SCREW	4			M	
2	1901740401	• PLATE	1				
3	1901740402	• BUTTON	1				
4	1901751405	• BRACKET	1			M	
5	1901741216	• BUTTON	2				
6	1901740405	• PISTON	2				
7	1901740406	• SPRING	2				
8	1901740407	• CAP	1				
9	1150010312	• SCREW	1				
10	1901751472	• SCREW	6			M	
11	1122400306	• SCREW	3				
12	1122400308	• SCREW	1			M	
13	1901740408	• SWITCH	3				
14	1901751452	• COVER	1			M	
15	1901740412	• CAP	2				
16	1901751483	• RECEPTACLE	1			M	
17	1901751484	• WEDGE	1			M	
18	1901740413	• PIN	11				
19	1901741263	• CAP	1				
20	1901751489	• TERMINAL	1			M	
21	1901751490	• PROTECTOR	1			M	
22	1901751491	• PROTECTOR	1			M	
23	1901751492	• BAND	4			M	
24	1901751495	• GROMMET	1			M	
25	1901741312	* RETAINER	2				

L7h091

TB175 Book No. BL7Z000 S/N 17530001-  
HANDLE (with 3 switches)



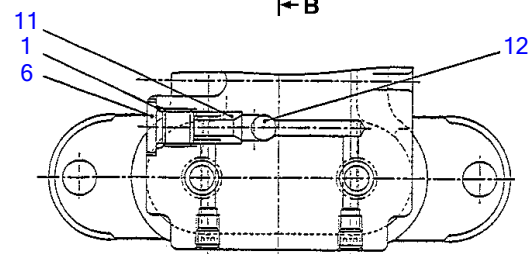
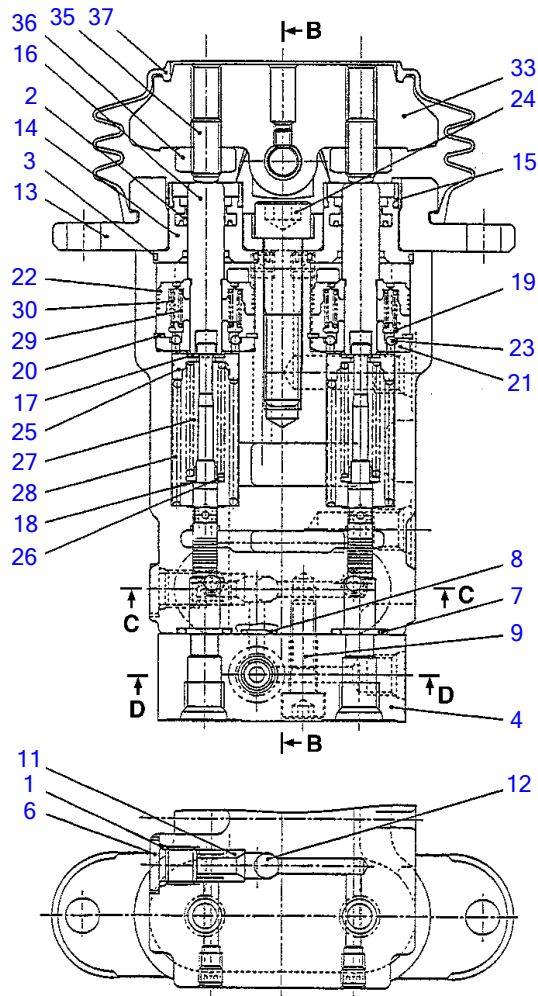
S-free



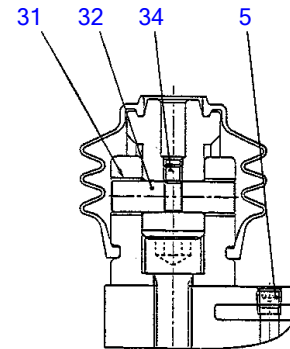
**HANDLE (with 3 switches)**

Item	Part number	Description	Q'ty	Chan.	Serial No.	Serv.	Remarks
0	1901741210	HANDLE ASSY	1				
1	1122400312	▪ SCREW	4				
2	1901741211	▪ CASE	1				
3	1901741216	▪ BUTTON	2				
4	1901740402	▪ BUTTON	1				
5	1901741218	▪ BRACKET	1				
6	1901740404	▪ CLIP	1				
7	1122400306	▪ SCREW	2				
8	1901740408	▪ SWITCH	3				
9	1901740412	▪ CAP	2				
10	1901740446	▪ RECEPTACLE	1				
11	1901740447	▪ WEDGE	1				
12	1901740413	▪ PIN	5				
13	1901741263	▪ PIN, BLANKING	3				
14	1901740414	▪ PROTECTOR	1				
15	1901740415	▪ BAND	1				
16	1901741312	* RETAINER	2				
	L3h501						

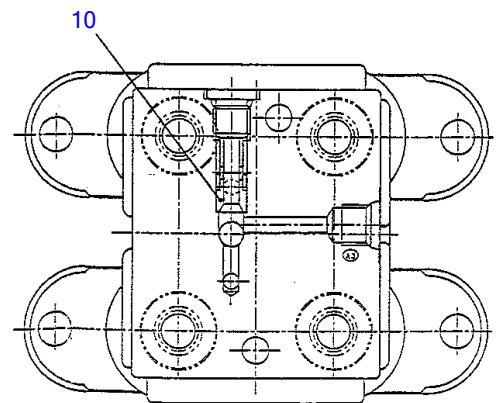
TB175 Book No. BL7Z000 S/N 17530001-  
**REMOTE CONTROL VALVE (travel; with alarm)**



SECTION "C-C"



SECTION "B-B"



SECTION "D-D"

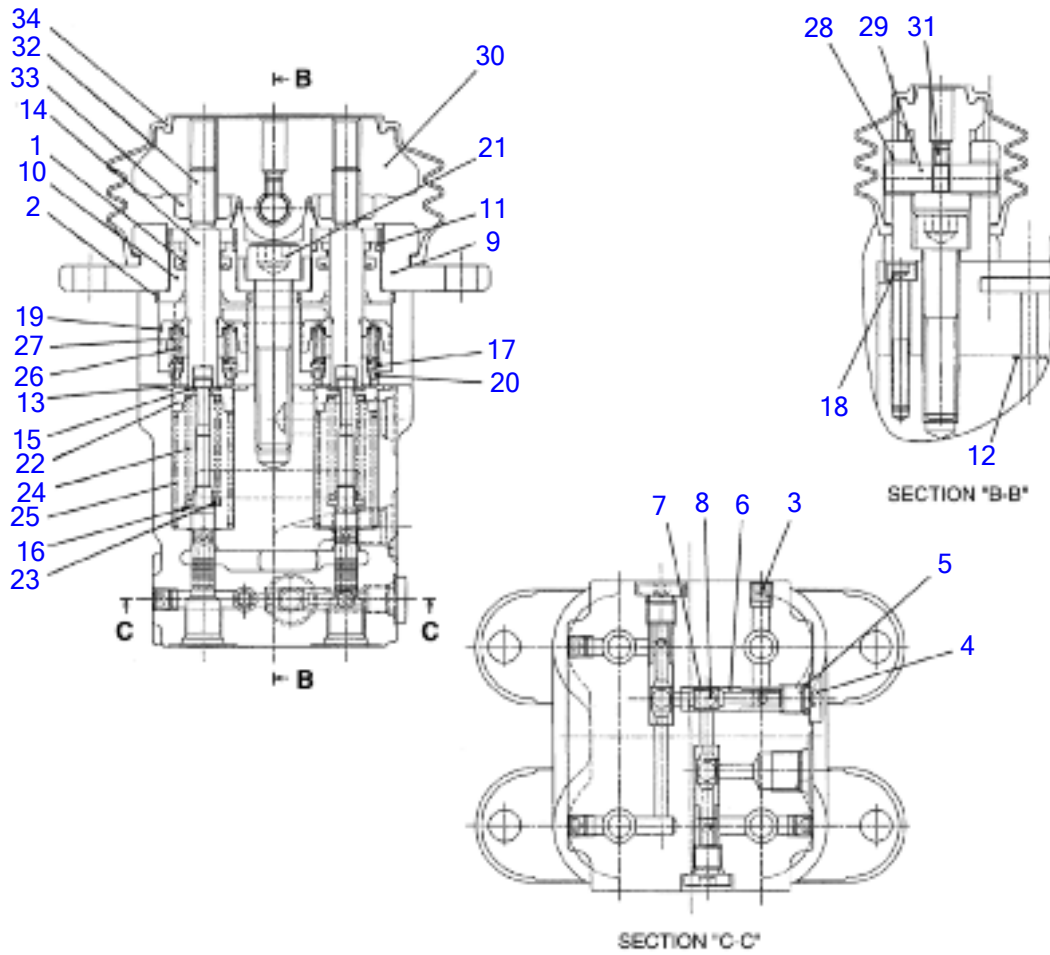
L3H140

S=FREE

**REMOTE CONTROL VALVE (travel; with alarm)**

Item	Part number	Description	Q'ty	Chan.	Serial No.	Serv.	Remarks
0	<b>1901733500</b>	VALVE, remote-control	1				
0-1	<b>1901733599</b>	· KIT, seal	1				
1	X <b>1420010100</b>	· · O-RING	3				
2	X <b>1901733515</b>	· · PACKING	4				
3	X <b>1420300025</b>	· · O-RING	4				
4	<b>1901733502</b>	· PLATE	1				
5	<b>1501810000</b>	· PLUG	6				
6	<b>1901733504</b>	· PLUG	3				
7	<b>1420010140</b>	· O-RING	4				
8	<b>1420010070</b>	· O-RING	2				
9	<b>1110020830</b>	· SCREW, cap	2				
10	<b>1901733509</b>	· SEET	1				
11	<b>1901733510</b>	· SEET	2				
12	<b>1390010500</b>	· BALL, steel	3				
13	<b>1901733512</b>	· COVER	2				
14	<b>1901733513</b>	· PLUG	4				
15	<b>1901733514</b>	· CUP	4				
16	<b>1901733517</b>	· ROD	4				
17	<b>1901710915</b>	· WASHER	8				
18	<b>1901710917</b>	· WASHER	4				
19	<b>1901733520</b>	· HOLDER	4				
20	<b>1901733521</b>	· RING	4				
21	<b>1901733522</b>	· BUSHING	4				
22	<b>1901733523</b>	· PISTON	4				
23	<b>1390010030</b>	· BALL, steel	12				
24	<b>1110021255</b>	· SCREW, cap	2				
25	<b>1901733527</b>	· HOLDER	4				
26	<b>1901733528</b>	· WASHER	4				
27	<b>1901733529</b>	· SPRING	4				
28	<b>1901733530</b>	· SPRING	4				
29	<b>1901733531</b>	· SPRING	4				
30	<b>1901733532</b>	· SPRING	4				
31	<b>1333001010</b>	· BUSHING	4				
32	<b>1901725215</b>	· SHAFT	2				
33	<b>1901725216</b>	· CAM	2				
34	<b>1121040605</b>	· SET-SCREW	2				
35	<b>1901725218</b>	· SET-SCREW	4				
36	<b>1130090010</b>	· NUT	4				
37	<b>1901725220</b>	· BOOT	2				
	<b>L3h140</b>						

TB175 Book No. BL7Z000 S/N 17530001-  
REMOTE CONTROL VALVE SN 17530716~

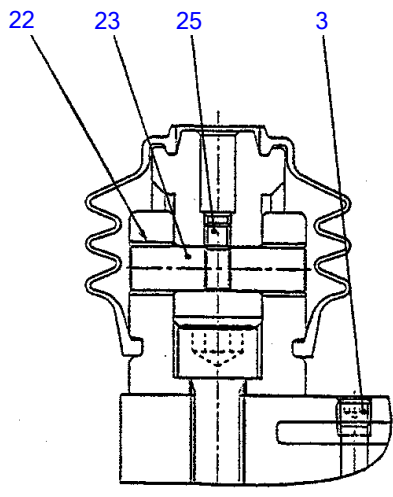
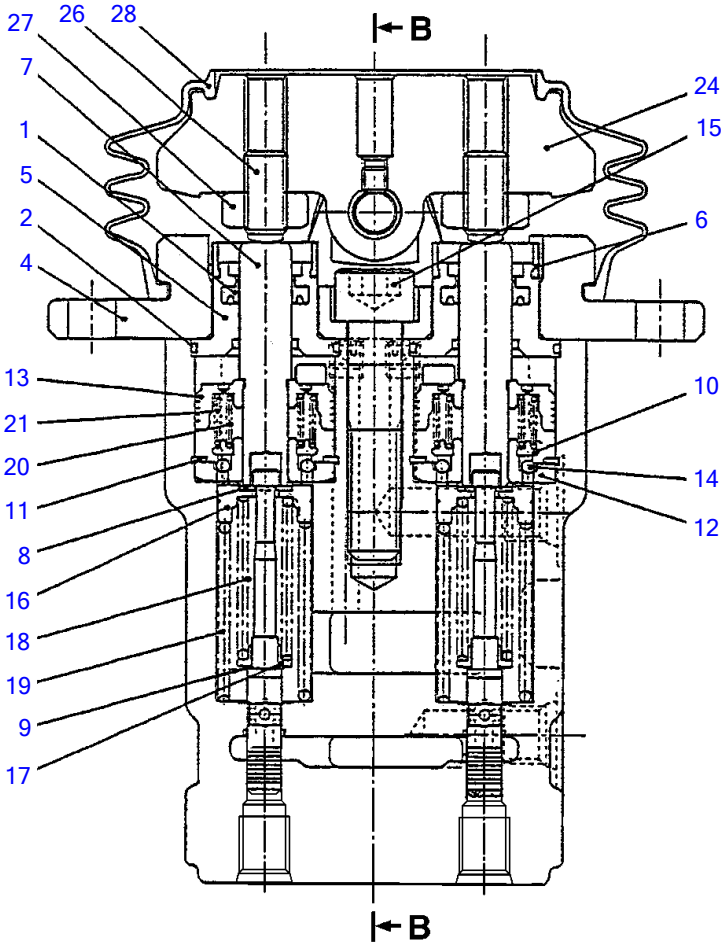


L7H180

8480

**REMOTE CONTROL VALVE SN 17530716~**

Item	Part number	Description	Q'ty	Chan.	Serial No.	Serv.	Remarks
		REMOTE CONTROL VALVE WITH ALARM SN 17530716~					
0	<b>1901754900</b>	REMOTE CONTROL VALVE	1				
0-1	<b>1901740099</b>	* SEAL KIT	1				
1	<b>1901733515</b>	** PACKING	4				
2	<b>1420300025</b>	** O-RING	4				
3	<b>1901738851</b>	* PLUG	4				
4	<b>1501750001</b>	* PLUG	3				
5	<b>1420010080</b>	* O-RING	3				
6	<b>1901754907</b>	* SHEET	3				
7	<b>1901754908</b>	* BUSHING	3				
8	<b>1390010400</b>	* STEEL BALL	3				
9	<b>1901733512</b>	* COVER	2				
10	<b>1901733513</b>	* PLUG	4				
11	<b>1901733514</b>	* CUP	4				
12	<b>1420010080</b>	* O-RING	2				
13	<b>1420500280</b>	* O-RING	4				
14	<b>1901733517</b>	* ROD	4				
15	<b>1901710915</b>	* WASHER	8				
16	<b>1901710917</b>	* WASHER	4				
17	<b>1901733520</b>	* HOLDER	4				
18	<b>1110040645</b>	* CAP SCREW	2				
19	<b>1901733523</b>	* PISTON	4				
20	<b>1390010030</b>	* STEEL BALL	12				
21	<b>1110041260</b>	* CAP SCREW	2				
22	<b>1901733527</b>	* HOLDER	4				
23	<b>1901733528</b>	* WASHER	4				
24	<b>1901733529</b>	* SPRING	4				
25	<b>1901733530</b>	* SPRING	4				
26	<b>1901733531</b>	* SPRING	4				
27	<b>1901733532</b>	* SPRING	4				
28	<b>1333001010</b>	* BUSHING	4				
29	<b>1901725215</b>	* SHAFT	2				
30	<b>1901725216</b>	* CAM	2				
31	<b>1121040606</b>	* SET SCREW	2				
32	<b>1901725218</b>	* SET SCREW	4				
33	<b>1901738872</b>	* NUT	4				
34	<b>1901754751</b>	* BOOT	2				



SECTION "B-B"

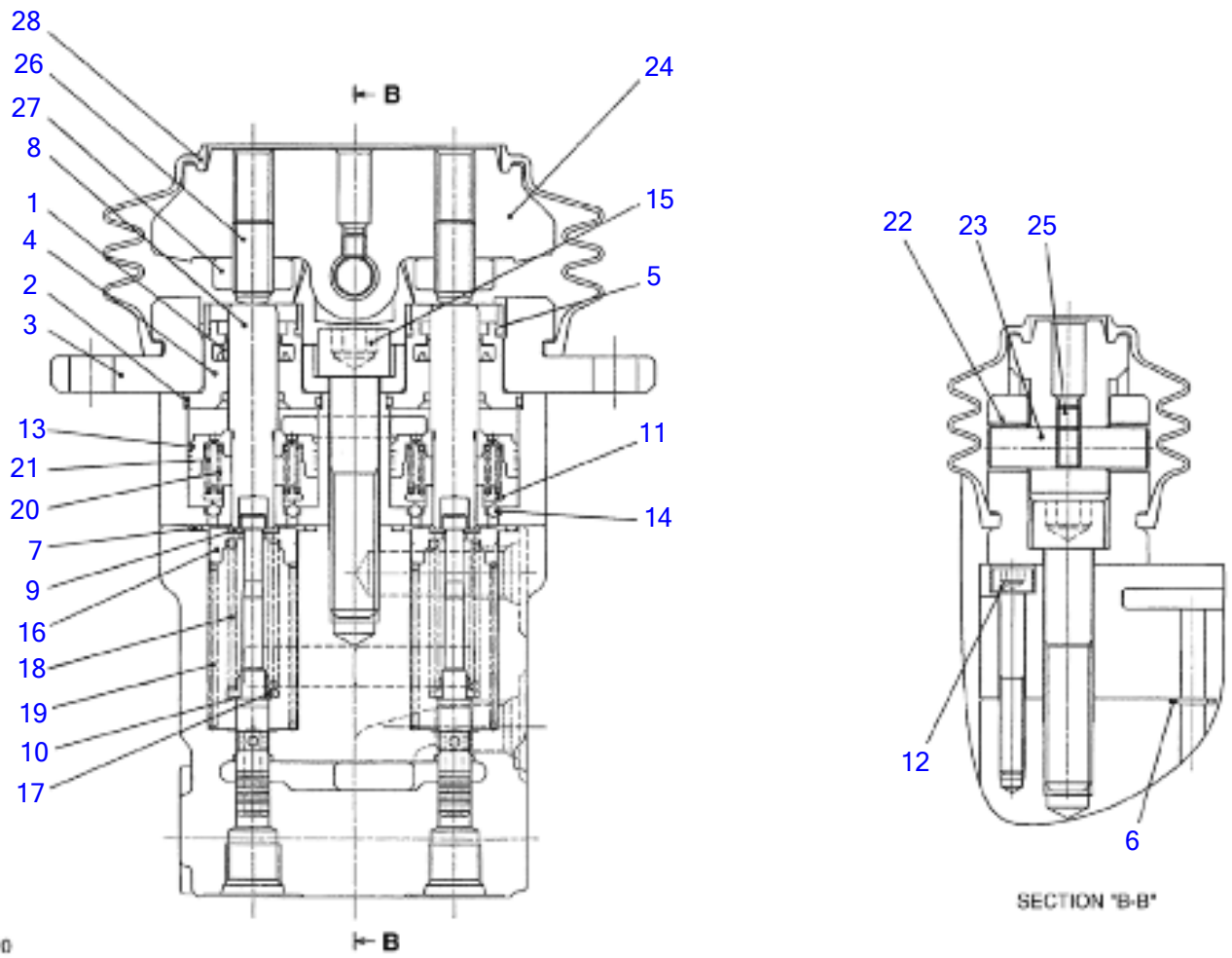
L3H360

S=free

**REMOTE CONTROL VALVE (travel)**

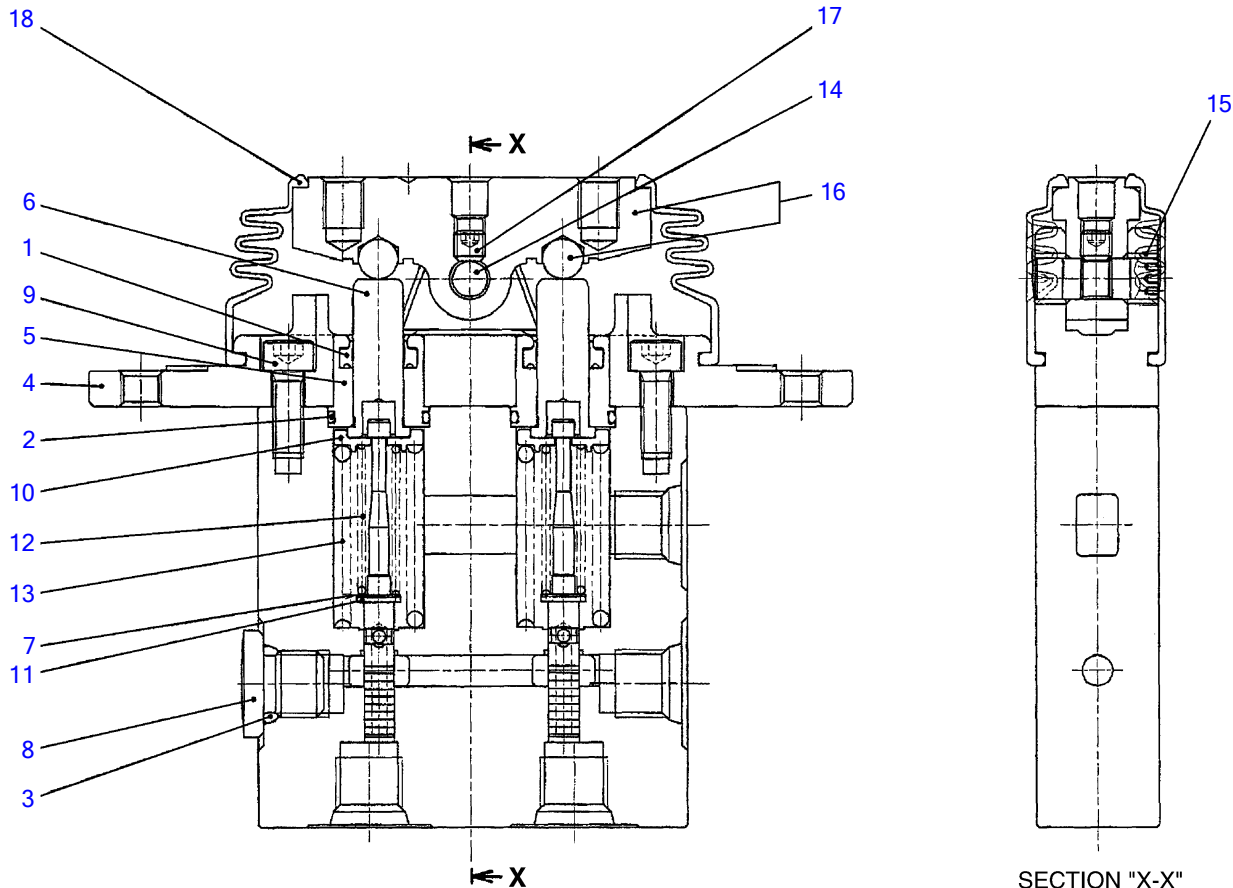
Item	Part number	Description	Q'ty	Chan.	Serial No.	Serv.	Remarks
0	<b>1901740000</b>	VALVE, remote-control	1				
0-1	<b>1901740099</b>	· KIT, seal	1				
1	X <b>1901733515</b>	· · PACKING	4				
2	X <b>1420300025</b>	· · O-RING	4				
3	<b>1501810000</b>	· PLUG	6				
4	<b>1901733512</b>	· COVER	2				
5	<b>1901733513</b>	· PLUG	4				
6	<b>1901733514</b>	· CUP	4				
7	<b>1901733517</b>	· ROD	4				
8	<b>1901710915</b>	· WASHER	8				
9	<b>1901710917</b>	· WASHER	4				
10	<b>1901733520</b>	· HOLDER	4				
11	<b>1901733521</b>	· RING	4				
12	<b>1901733522</b>	· BUSHING	4				
13	<b>1901733523</b>	· PISTON	4				
14	<b>1390010030</b>	· BALL, steel	12				
15	<b>1110021255</b>	· SCREW, cap	2				
16	<b>1901733527</b>	· HOLDER	4				
17	<b>1901733528</b>	· WASHER	4				
18	<b>1901733529</b>	· SPRING	4				
19	<b>1901733530</b>	· SPRING	4				
20	<b>1901733531</b>	· SPRING	4				
21	<b>1901733532</b>	· SPRING	4				
22	<b>1333001010</b>	· BUSHING	4				
23	<b>1901725215</b>	· SHAFT	2				
24	<b>1901725216</b>	· CAM	2				
25	<b>1121040605</b>	· SET-SCREW	2				
26	<b>1901725218</b>	· SET-SCREW	4				
27	<b>1130090010</b>	· NUT	4				
28	<b>1901725220</b>	· BOOT	2				
	<b>L3h360</b>						

TB175 Book No. BL7Z000 S/N 17530001-  
REMOTE CONTROL VALVE TRAVEL SN 17530716~





Item	Part number	Description	Q'ty	Chan.	Serial No.	Serv.	Remarks
		<b>REMOTE CONTROL VALVE TRAVEL SN 17530716~</b>					
		REMOTE CONTROL VAVLE (TRAVEL) SN 17530716~					
0	<b>1901754800</b>	REMOTE CONTROL VALVE	1				
0-1	<b>1901740099</b>	* SEAL KIT	1				
1	<b>1901733515</b>	** PACKING	4				
2	<b>1420300025</b>	** O-RING	4				
3	<b>1901733512</b>	* COVER	2				
4	<b>1901733513</b>	* PLUG	4				
5	<b>1901733514</b>	* CUP	4				
6	<b>1420010080</b>	* O-RING	2				
7	<b>1420500280</b>	* O-RING	4				
8	<b>1901733517</b>	* ROD	4				
9	<b>1901710915</b>	* WASHER	8				
10	<b>1901710917</b>	* WASHER	4				
11	<b>1901733520</b>	* HOLDER	4				
12	<b>1110040645</b>	* CAP SCREW	2				
13	<b>1901733523</b>	* PISTON	4				
14	<b>1390010030</b>	* STEEL BALL	12				
15	<b>1110041260</b>	* CAP SCREW	2				
16	<b>1901733527</b>	* HOLDER	4				
17	<b>1901733528</b>	* WASHER	4				
18	<b>1901733529</b>	* SPRING	4				
19	<b>1901733530</b>	* SPRING	4				
20	<b>1901733531</b>	* SPRING	4				
21	<b>1901733532</b>	* SPRING	4				
22	<b>13333001010</b>	* BUSHING	4				
23	<b>1901725215</b>	* SHAFT	2				
24	<b>1901725216</b>	* CAM	2				
25	<b>1121040606</b>	* SET SCREW	2				
26	<b>1901725218</b>	* SET SCREW	4				
27	<b>1901738872</b>	* NUT	4				
28	<b>1901754751</b>	* BOOT	2				
	<b>L7H190</b>						



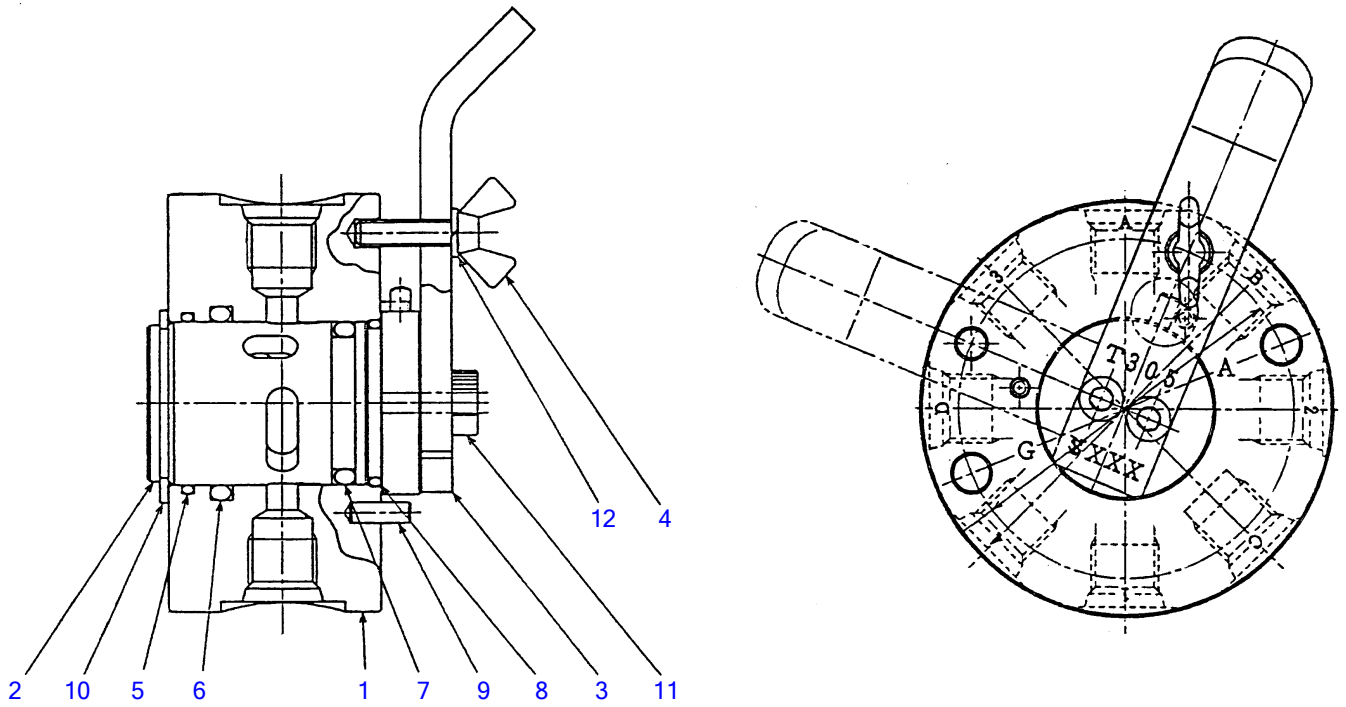
N2H010

S=FREE

**REMOTE CONTROL VALVE (swing)**

Item	Part number	Description	Q'ty	Chan.	Serial No.	Serv.	Remarks
0	<b>1901735000</b>	VALVE ASSY, remote-control	1				
0-1	<b>1901745499</b>	▪ KIT, seal	1				
1	X <b>1901745404</b>	▪ ▪ PACKING	2				
2	X <b>1420300017</b>	▪ ▪ O-RING	2				
3	X <b>1420010110</b>	▪ ▪ O-RING	1				
4	<b>1901745402</b>	▪ COVER	1				
5	<b>1901745403</b>	▪ PLUG	2				
6	<b>1901745406</b>	▪ ROD	2				
7	<b>1901745407</b>	▪ SHIM	2				
8	<b>1501750002</b>	▪ PLUG	1				
	<b>1420010110</b>	▪ ▪ O-RING	1				
9	<b>1110020616</b>	▪ SCREW, cap	2				
10	<b>1901745412</b>	▪ HOLDER	2				
11	<b>1901745413</b>	▪ WASHER	2				
12	<b>1901745414</b>	▪ SPRING	2				
13	<b>1901735015</b>	▪ SPRING	2				
14	<b>1901735016</b>	▪ SHAFT	1				
15	<b>1901745417</b>	▪ BUSHING	2				
16	<b>1901735018</b>	▪ CAM ASSY	1				
17	<b>1121040606</b>	▪ SET-SCREW	1				
18	<b>1901735001</b>	▪ BOOT	1				
	<b>N2h010</b>						

TB175 Book No. BL7Z000 S/N 17530001-  
SELECTOR VALVE (ISO-JCB pattern)



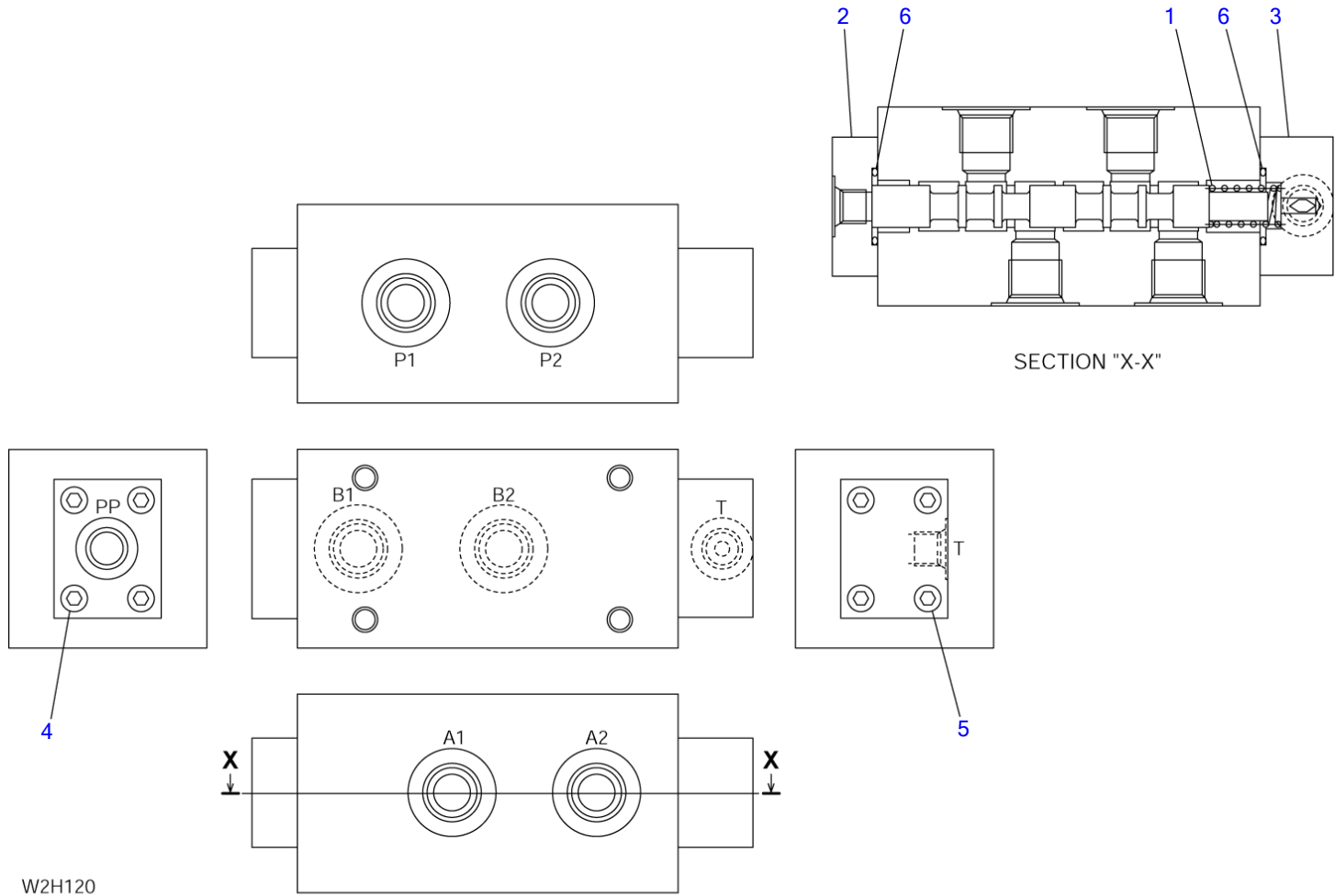
C4H180

S=FREE

**SELECTOR VALVE (ISO-JCB pattern)**

Item	Part number	Description	Q'ty	Chan.	Serial No.	Serv.	Remarks
0	<b>1901730500</b>	VALVE ASSY, selector	1				
1	<b>1901730501</b>	▪ BODY	1				
2	<b>1901730502</b>	▪ ROTOR	1				
3	<b>1901730503</b>	▪ LEVER	1				
4	<b>1901730504</b>	▪ BOLT	1				
5	<b>1901730505</b>	▪ O-RING	1				
6	<b>1901730506</b>	▪ O-RING	1				
7	<b>1901730507</b>	▪ O-RING	1				
8	<b>1901730508</b>	▪ O-RING	1				
9	<b>1213000412</b>	▪ PIN, spring	3				
10	<b>1220000030</b>	▪ RING, snap	1				
11	<b>1110050514</b>	▪ SCREW, cap	2				
12	<b>1140010005</b>	▪ WASHER, spring	1				
	<b>C4h180</b>						

TB175 Book No. BL7Z000 S/N 17530001-  
SELECTOR VALVE (2-piece boom)



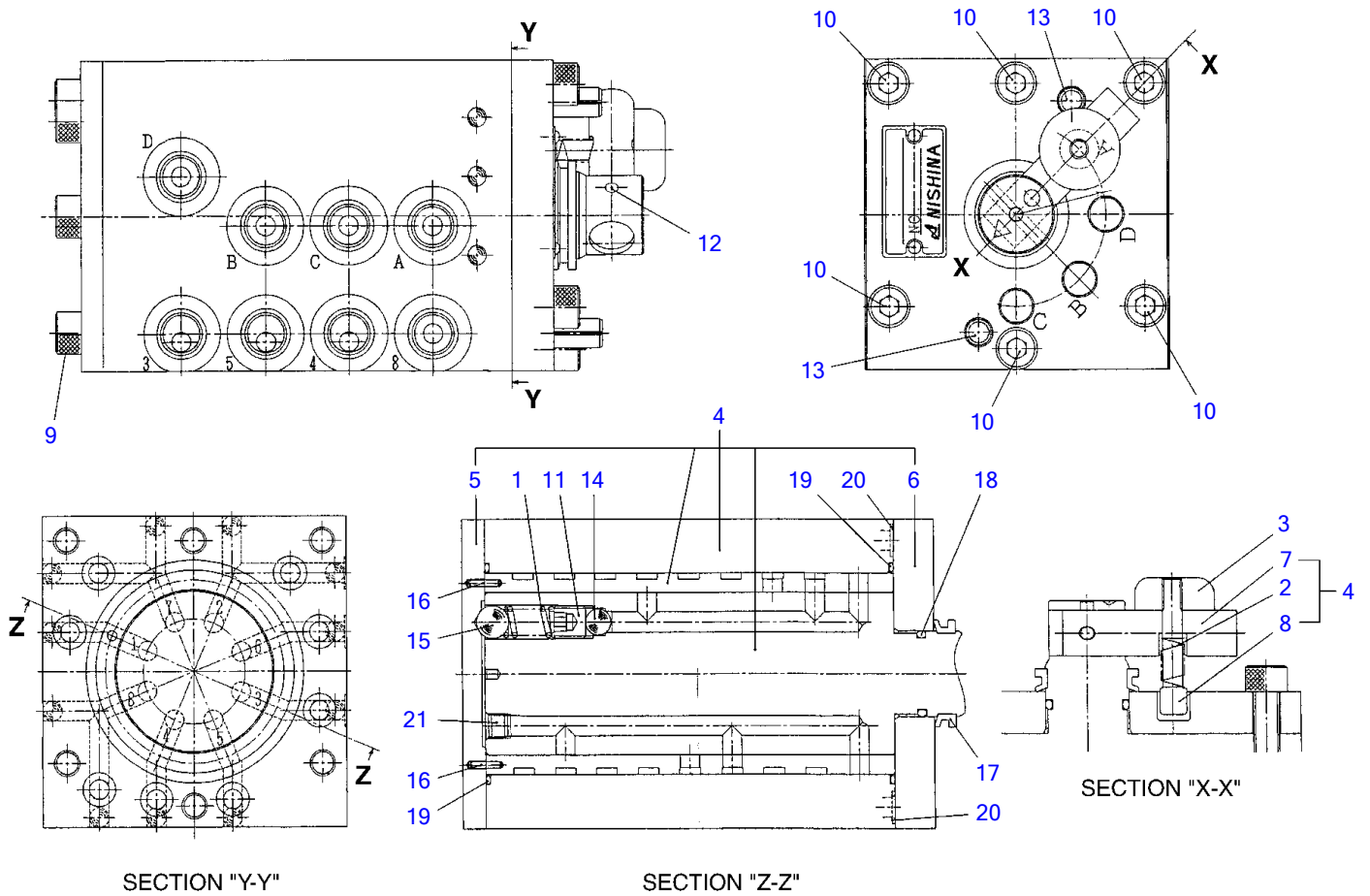
W2H120

S-free

**SELECTOR VALVE (2-piece boom)**

Item	Part number	Description	Q'ty	Chan.	Serial No.	Serv.	Remarks
0	<b>1901736900</b>	VALVE ASSY, selector	1				
1	<b>1901736901</b>	▪ SPRING	1				
2	<b>1901736902</b>	▪ COVER	1				
3	<b>1901736903</b>	▪ COVER	1				
4	<b>1110020620</b>	▪ SCREW, cap	4				
5	<b>1110020630</b>	▪ SCREW, cap	4				
6	<b>1420110250</b>	▪ O-RING	2				
	<b>W2h120</b>						

TB175 Book No. BL7Z000 S/N 17530001-  
 ROTARY VALVE



D5H160

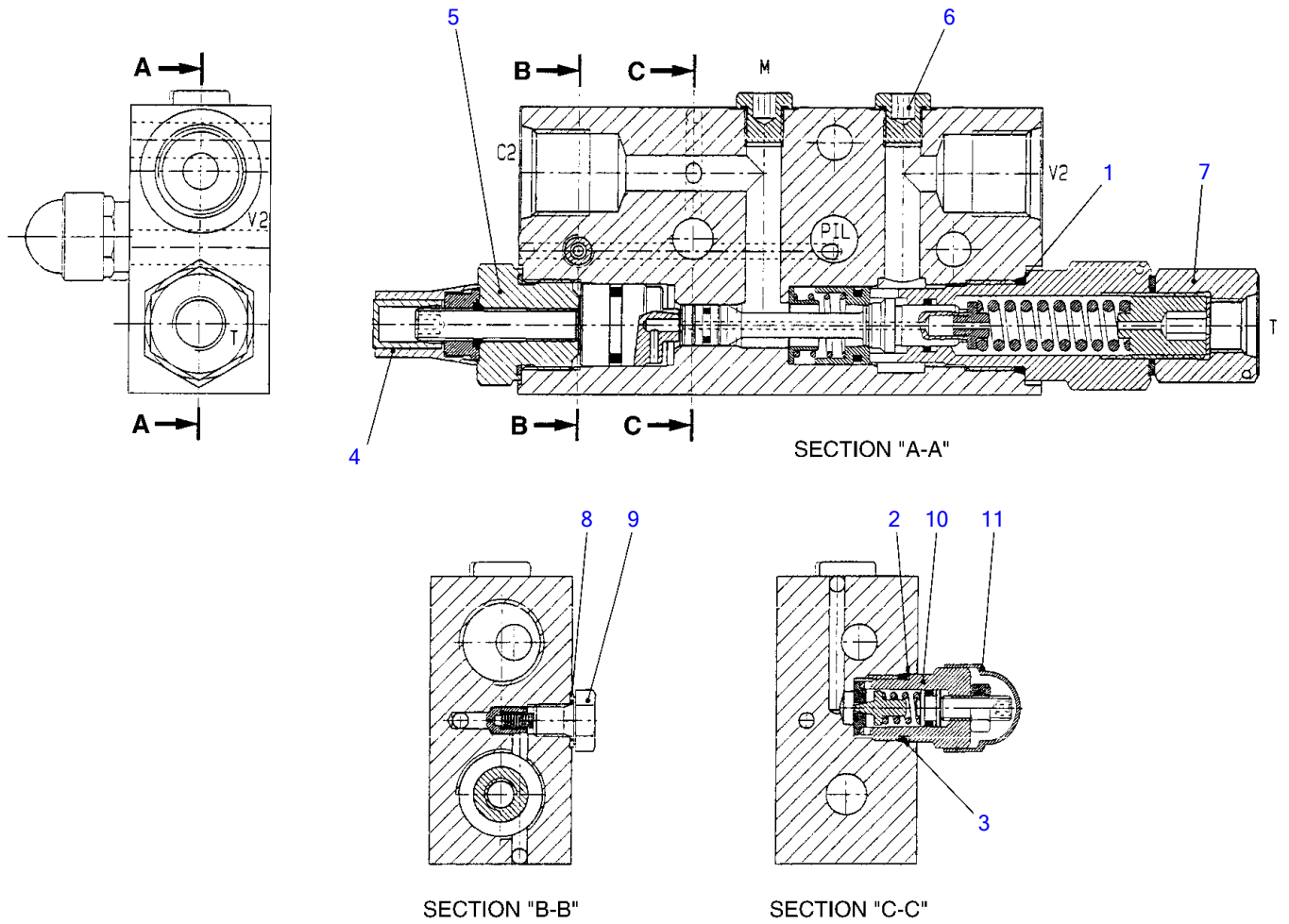
S-free



**ROTARY VALVE**

Item	Part number	Description	Q'ty	Chan.	Serial No.	Serv.	Remarks
0	<b>1901746700</b>	VALVE, rotary	1				
1	<b>1901746704</b>	▪ SPRING	1				
2	<b>1901746710</b>	▪ SPRING	1				
3	<b>1901746711</b>	▪ KNOB	1				
4	<b>1901746712</b>	▪ SET, body	1				
5	<b>1901746709</b>	▪ ▪ COVER	1				
6	<b>1901746710</b>	▪ ▪ COVER	1				
7	<b>1901746711</b>	▪ ▪ LEVER	1				
8	<b>1901746712</b>	▪ ▪ PIN	1				
9	<b>1110050816</b>	▪ SCREW, cap	6				
10	<b>1110051020</b>	▪ SCREW, cap	6				
11	<b>1121041010</b>	▪ SET-SCREW	1				
12	<b>1213000410</b>	▪ PIN, spring	1				
13	<b>1213000824</b>	▪ PIN, spring	2				
14	<b>1901746719</b>	▪ BALL, steel	1				
15	<b>1901746720</b>	▪ BALL, steel	1				
16	<b>1901733716</b>	▪ NEEDLE	4				
17	<b>1901733717</b>	▪ SEAL, oil	1				
18	<b>1420300118</b>	▪ O-RING	1				
19	<b>1420500065</b>	▪ O-RING	2				
20	<b>1420500008</b>	▪ O-RING	8				
21	<b>1501810000</b>	▪ PLUG	7				
	<b>D5h160</b>						

TB175 Book No. BL7Z000 S/N 17530001-  
SHUT-OFF VALVE (boom, arm)



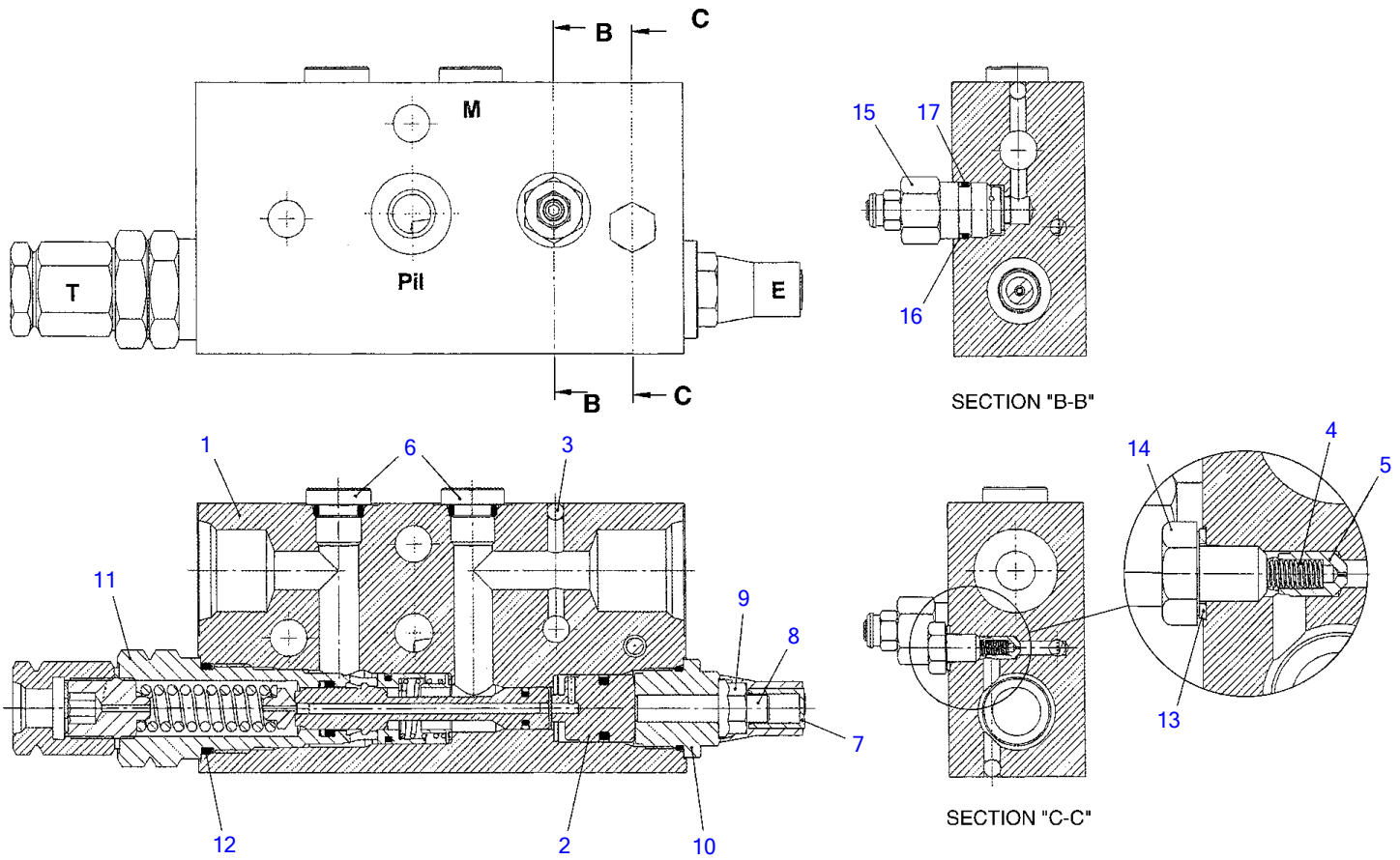
L3H400

S=free

**SHUT-OFF VALVE (boom, arm)**

Item	Part number	Description	Q'ty	Chan.	Serial No.	Serv.	Remarks
0	<b>1901742900</b>	VALVE ASSY, load holding	1				boom
	<b>1901743000</b>	VALVE ASSY, load holding	1				boom
	<b>1901743100</b>	VALVE ASSY, load holding	1				arm
0-1	<b>1901742999</b>	• KIT, seal	1				
1	X <b>1901742904</b>	• • O-RING	1				
2	X <b>1901742908</b>	• • RING, back-up	1				
3	X <b>1901742911</b>	• • O-RING	1				
4	<b>1901742901</b>	• CAP	1				
5	<b>1901742902</b>	• PLUG	1				
6	<b>1901742903</b>	• PLUG	2				
7	<b>1901742905</b>	• SOCKET	1				
8	<b>1901742906</b>	• SEAL	1				
9	<b>1901742907</b>	• BOLT	1				
10	<b>1901742909</b>	• VALVE, relief	1				
11	<b>1901742910</b>	• CAP	1				
	<b>L3h400</b>						

TB175 Book No. BL7Z000 S/N 17530001-  
SHUT-OFF VALVE (2-piece boom; boom)



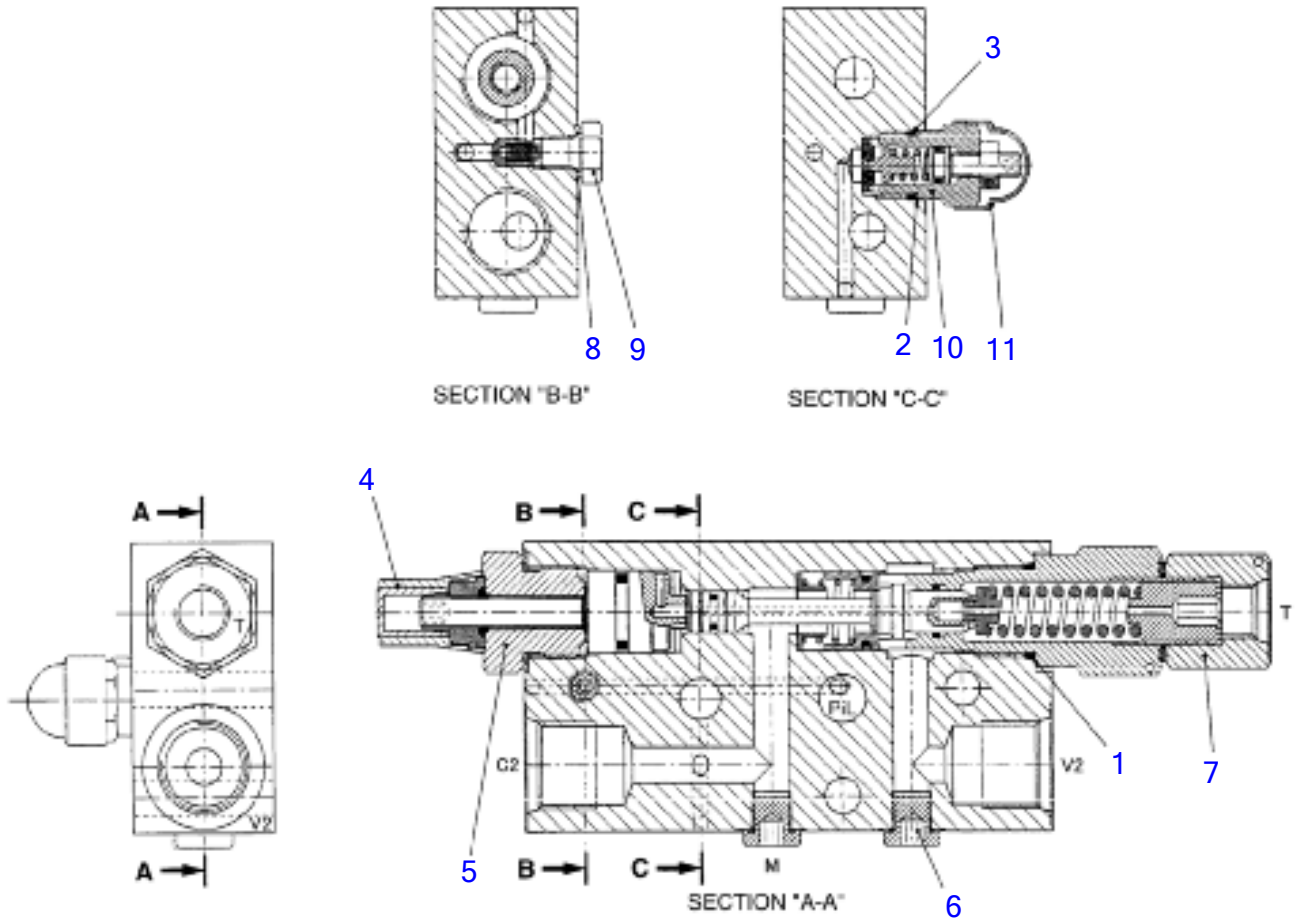
L4H270

S-free

**SHUT-OFF VALVE (2-piece boom; boom)**

Item	Part number	Description	Q'ty	Chan.	Serial No.	Serv.	Remarks
0	<b>1901747500</b>	VALVE ASSY, load holding	1				
1	<b>1901747501</b>	▪ BODY	1				
2	<b>1901747502</b>	▪ SLEEVE	1				
3	<b>1901747503</b>	▪ BALL, steel	4				
4	<b>1901747504</b>	▪ SPRING	1				
5	<b>1901747505</b>	▪ PIVOT	1				
6	<b>1901744305</b>	▪ PLUG ASSY	2				
7	<b>1901742901</b>	▪ CAP	1				
8	<b>1901747508</b>	▪ SET-SCREW	1				
9	<b>1901747509</b>	▪ NUT	1				
10	<b>1901747510</b>	▪ PLUG	1				
11	<b>1901747511</b>	▪ VALVE, check	1				
12	<b>1901747512</b>	▪ ▪ O-RING	1				
13	<b>1901742906</b>	▪ SEAL	1				
14	<b>1901742907</b>	▪ SCREW	1				
15	<b>1901747514</b>	▪ VLVE, relief	1				
16	<b>1901742911</b>	▪ ▪ RING, back-up	1				
17	<b>1901742708</b>	▪ ▪ O-RING	1				
	<b>L4h270</b>						

TB175 Book No. BL7Z000 S/N 17530001-  
SHUT OFF VALVE (2 PIECE BOOM, ARM)

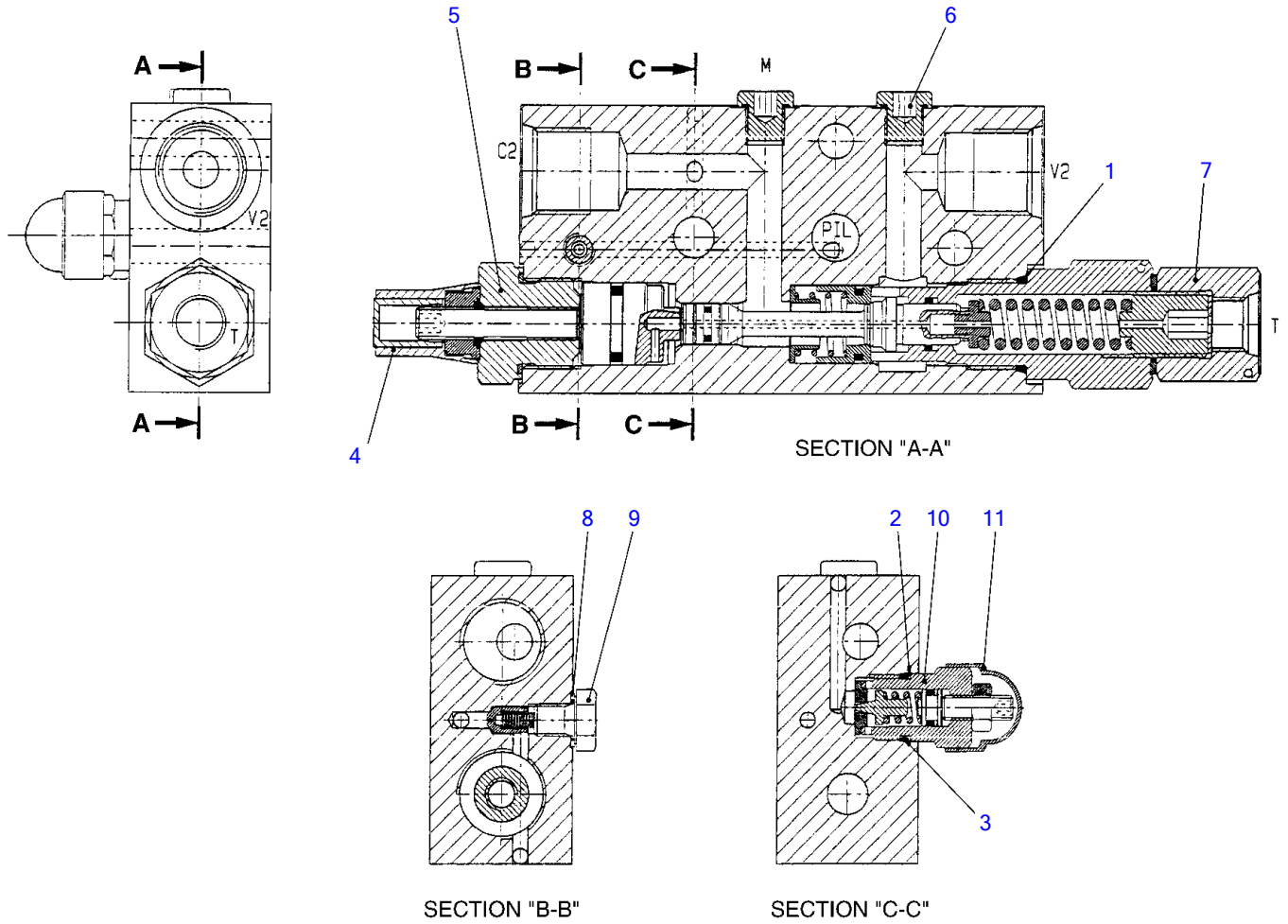


W3H090

Subno

**SHUT OFF VALVE (2 PIECE BOOM, ARM)**

Item	Part number	Description	Q'ty	Chan.	Serial No.	Serv.	Remarks
		SHUT-OFF VALVE (2 PIECE BOOM, ARM)					
0	<b>1901743300</b>	LOAD HOLDING VALVE ASSY	1				
0-1	<b>1901746299</b>	* SEAL KIT	1				
1	<b>1901746204</b>	** O-RING	1				
2	<b>1901746208</b>	** BACKUP RING	1				
3	<b>1901746211</b>	** O-RING	1				
4	<b>1901746201</b>	* CAP	1				
5	<b>1901746202</b>	* PLUG	1				
6	<b>1901746203</b>	* PLUG	2				
7	<b>1901743304</b>	* SOCKET	1				
8	<b>1901746206</b>	* SEAL	1				
9	<b>1901746207</b>	* BOLT	1				
10	<b>1901741023</b>	* RELIEF VALVE	1				
11	<b>1901743311</b>	* CAP	1				
	<b>W3H090</b>						



L3H520

S=free

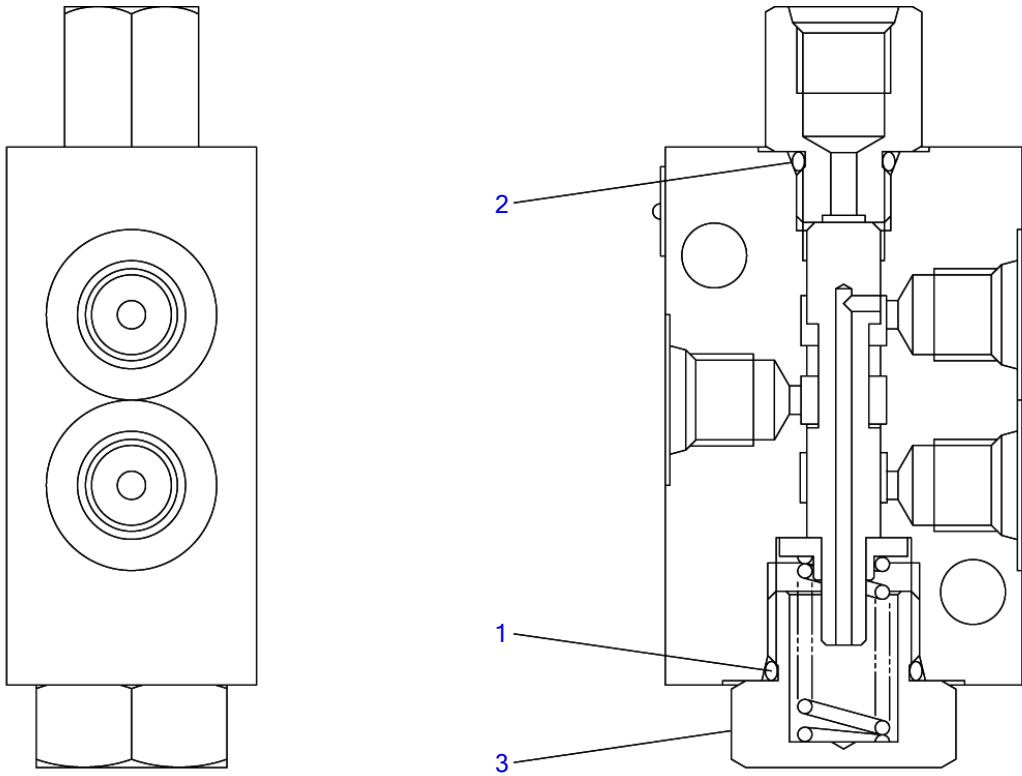


**SHUT-OFF VALVE (adjust)**

Item	Part number	Description	Q'ty	Chan.	Serial No.	Serv.	Remarks
0	<b>1901746200</b>	VALVE ASSY, load holding	1				
0-1	<b>1901746299</b>	· KIT, seal	1				
1	X <b>1901746204</b>	· · O-RING	1				
2	X <b>1901746208</b>	· · RING, back-up	1				
3	X <b>1901746211</b>	· · O-RING	1				
4	<b>1901746201</b>	· CAP	1				
5	<b>1901746202</b>	· PLUG	1				
6	<b>1901746203</b>	· PLUG	2				
7	<b>1901746205</b>	· SOCKET	1				
8	<b>1901746206</b>	· SEAL	1				
9	<b>1901742907</b>	· BOLT	1				
10	<b>1901741023</b>	· VALVE, relief	1				
11	<b>1901746210</b>	· CAP	1				
	<b>L3h520</b>						

TB175 Book No. BL7Z000 S/N 17530001-  
PILOT CHANGE VALVE

---

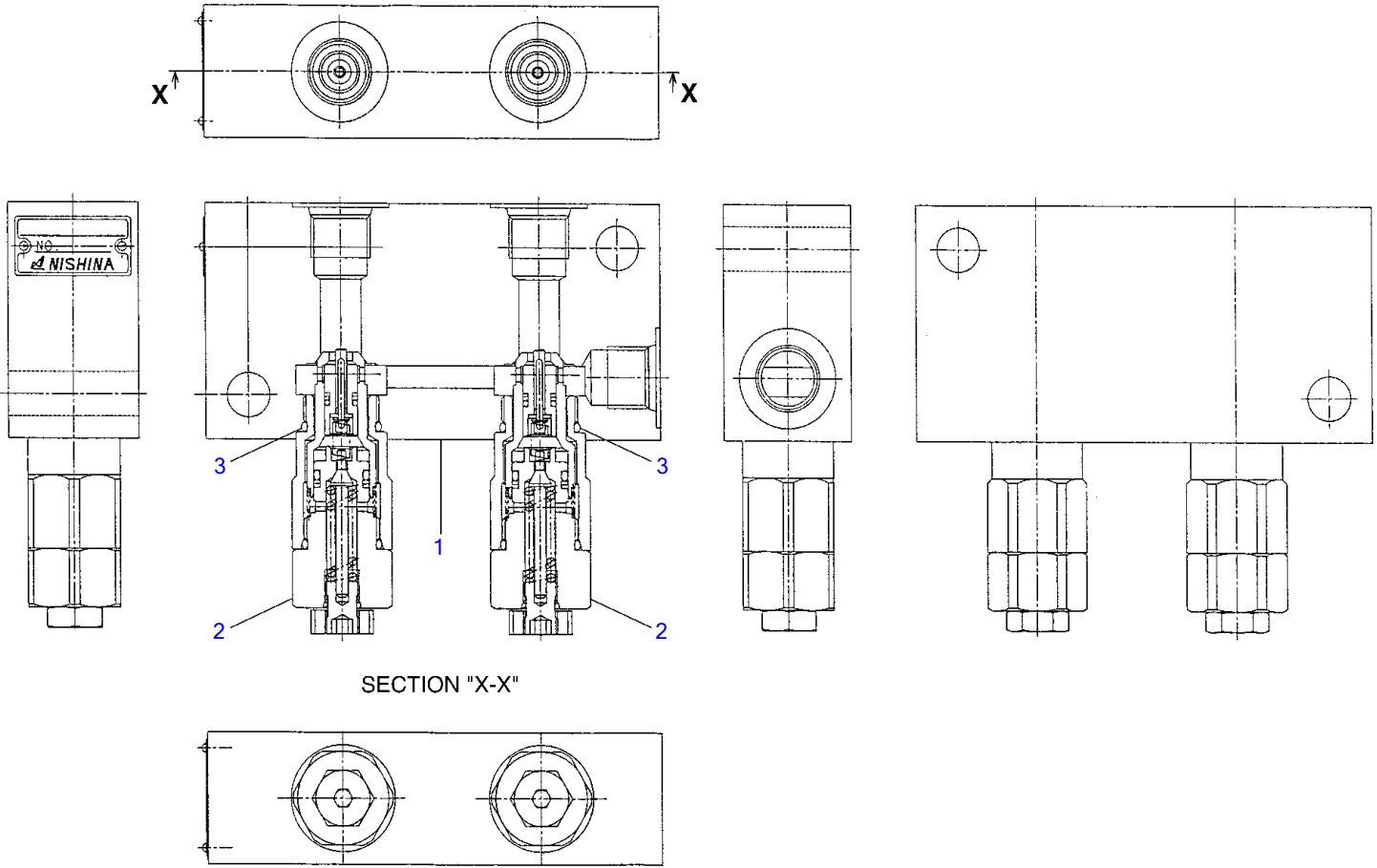


L3H170

S=FREE

**PILOT CHANGE VALVE**

Item	Part number	Description	Q'ty	Chan.	Serial No.	Serv.	Remarks
0	<b>1901734800</b>	VALVE ASSY	1				
1	<b>1420010180</b>	• O-RING	1				
2	<b>1420010110</b>	• O-RING	1				
3	<b>1901732004</b>	• PLUG	1				
	<b>L3h170</b>						

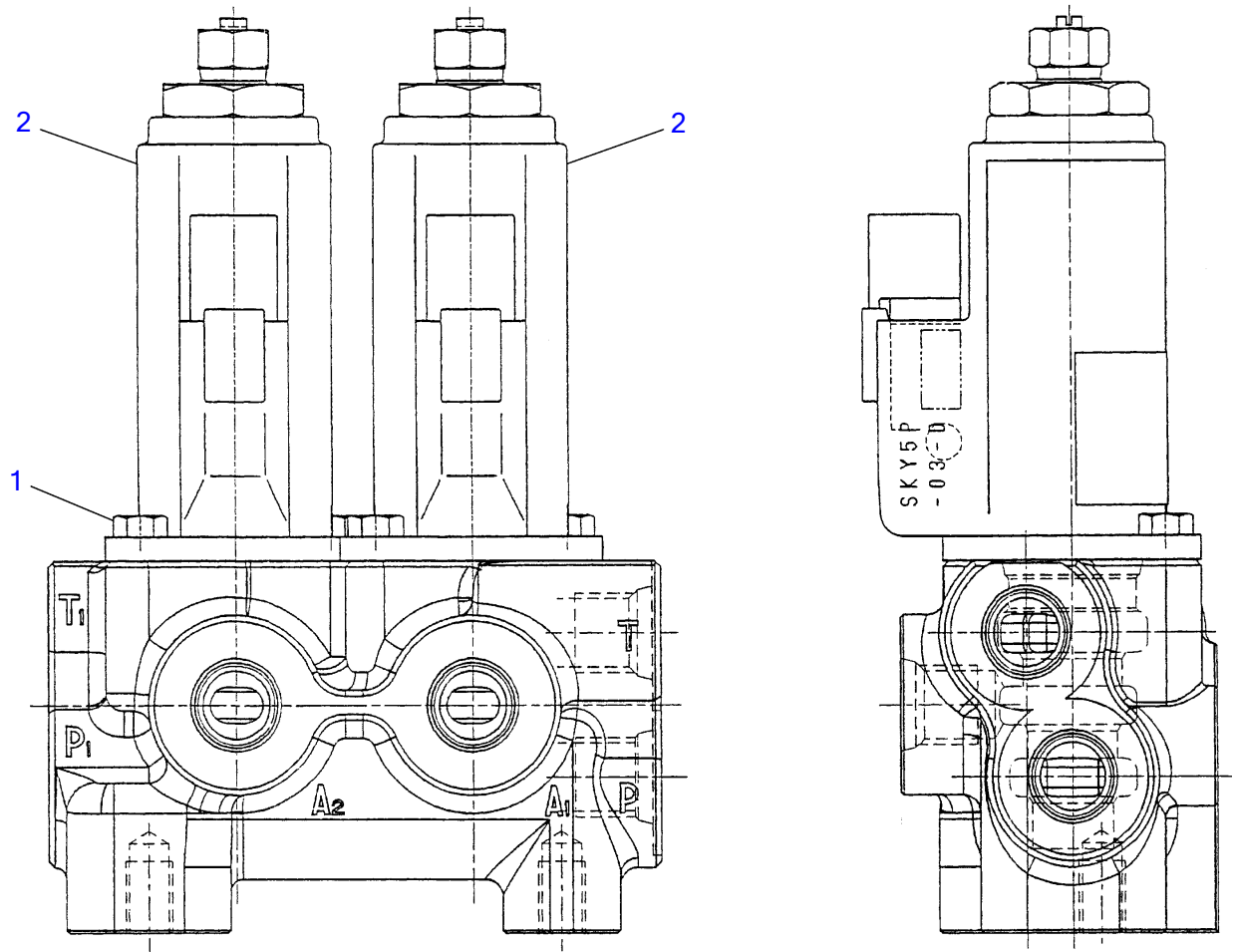


W2H130

S=free

**OVER LOAD VALVE**

Item	Part number	Description	Q'ty	Chan.	Serial No.	Serv.	Remarks
0	<b>1901737500</b>	VALVE ASSY, overload	1				
1	<b>1901737514</b>	▪ BODY	1				
2	<b>1901737501</b>	▪ VALVE, relief	2				
3	<b>1420310912</b>	▪ O-RING	2				
	<b>W2h130</b>						



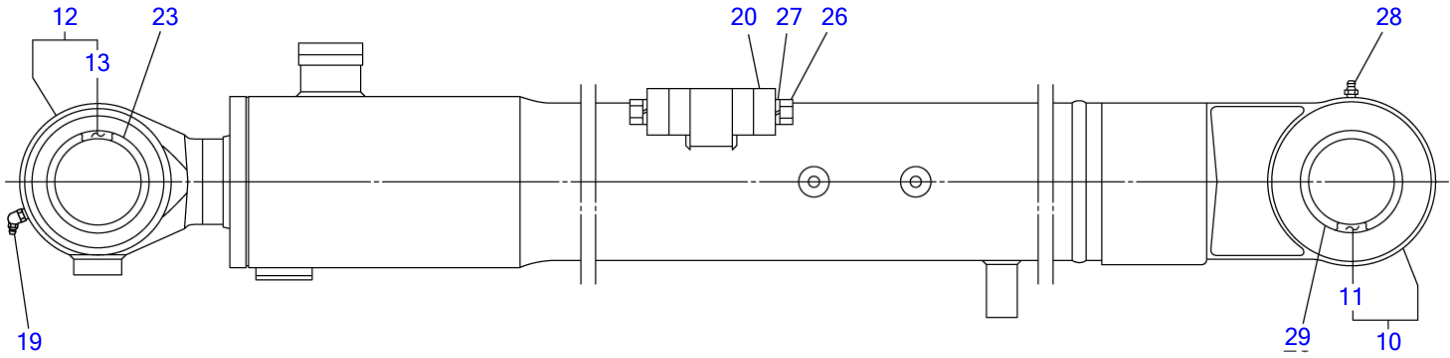
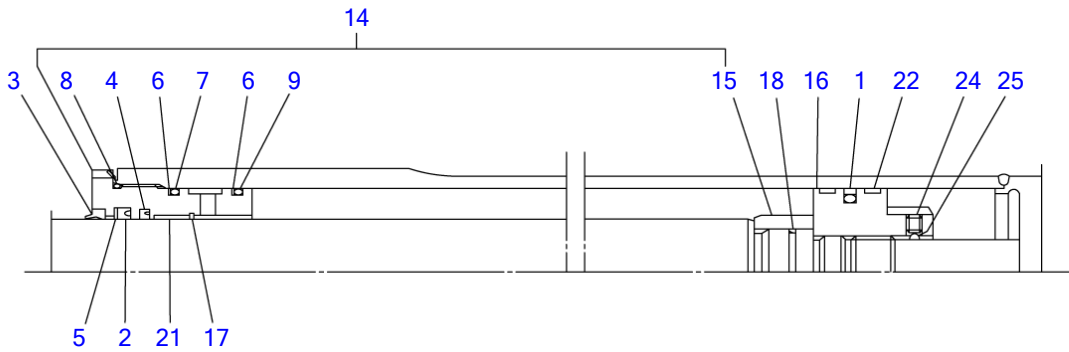
J3H020

**ELECTRICAL PROPORTION VALVE**

Item	Part number	Description	Q'ty	Chan.	Serial No.	Serv.	Remarks
0	<b>1901752100</b>	VALVE ASSY, proportional	1			M	
1	<b>1110050512</b>	▪ BOLT	4			M	
2	<b>1901752103</b>	▪ VALVE, proportional	2			M	

**J3h020**

TB175 Book No. BL7Z000 S/N 17530001-  
BOOM CYLINDER



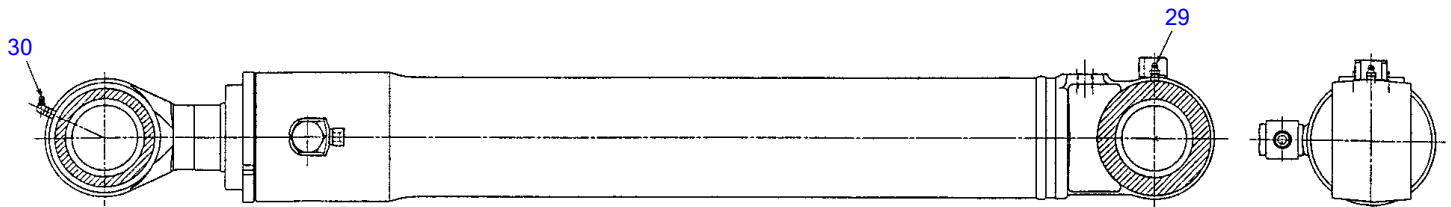
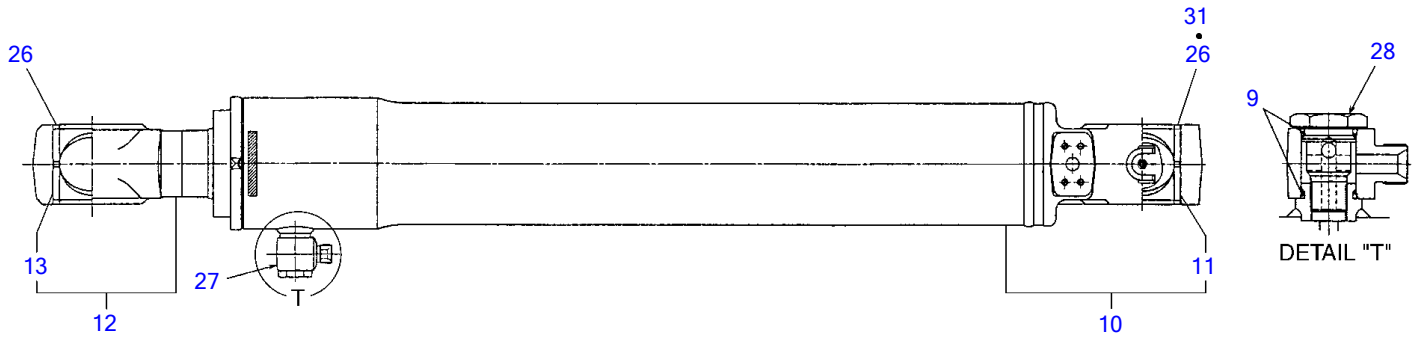
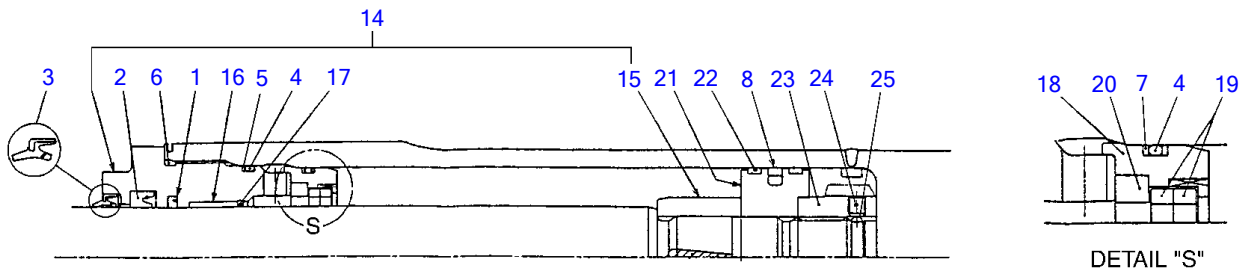
S=FREE



**BOOM CYLINDER**

Item	Part number	Description	Q'ty	Chan.	Serial No.	Serv.	Remarks
0	<b>1900097600</b>	CYLINDER ASSY (L.H.)	1				boom
	<b>1900097700</b>	CYLINDER ASSY (R.H.)	1				
0-1	<b>1900078999</b>	• KIT, seal	1				
1	X <b>1900047231</b>	• • PACKING, piston	1				
2	X <b>1900050631</b>	• • PACKING, rod	1				
3	X <b>1900070831</b>	• • SEAL, dust	1				
4	X <b>1900063226</b>	• • RING, seal	1				
5	X <b>1900063227</b>	• • RING, back-up	1				
6	X <b>1900078927</b>	• • RING, back-up	3				
7	X <b>1420110750</b>	• • O-RING	1				
8	X <b>1420100800</b>	• • O-RING	1				
9	X <b>1420110700</b>	• • O-RING	1				
10	<b>1900097698</b>	• TUBE ASSY (L.H.)	1				
	<b>1900097798</b>	• TUBE ASSY (R.H.)	1				
11	<b>1900097720</b>	• • BUSHING	1				
12	<b>1900097697</b>	• ROD ASSY, piston	1				
13	<b>1900065102</b>	• • BUSHING	1				
14	<b>1900065196</b>	• COVER ASSY, rod	1				
15	<b>1900068205</b>	• • CUSHION, rod	1				
16	<b>1900090706</b>	• PISTON	1				
17	<b>1900063214</b>	• RING, snap	1				
18	<b>1900090741</b>	• SEAL, cushion	1				
19	<b>1560001675</b>	• FITTING, grease	1				
20	<b>1900065128</b>	• HOLDER	2				
21	<b>1900063213</b>	• BUSHING	1				
22	<b>1900047232</b>	• RING, wear	2				
23	<b>1900047423</b>	• SEAL, dust	4				
24	<b>1121040808</b>	• SET-SCREW	1				
25	<b>1390010350</b>	• BALL, steel	1				
26	<b>1100051040</b>	• BOLT	2				
27	<b>1140010010</b>	• WASHER, spring	2				
28	<b>1560001000</b>	• FITTING, grease	1				
29	<b>1900063433</b>	* DUST SEAL	2				
	<b>L3h572</b>						

TB175 Book No. BL7Z000 S/N 17530001-  
BOOM CYLINDER (2-piece boom)



W2H151

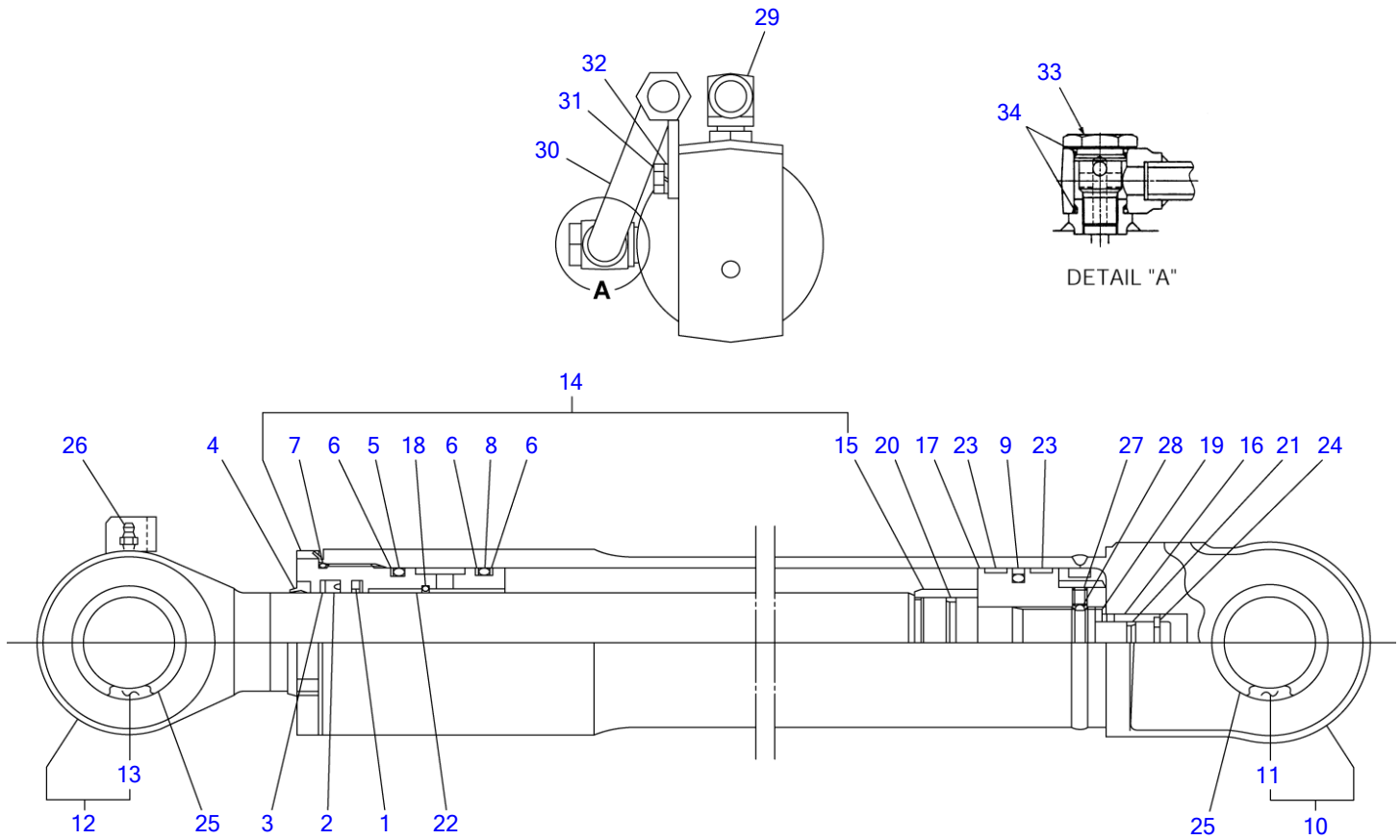
S-free

**BOOM CYLINDER (2-piece boom)**

Item	Part number	Description	Q'ty	Chan.	Serial No.	Serv.	Remarks
0	<b>1900093900</b>	CYLINDER	1				boom
0-1	<b>1900086899</b>	• KIT, seal	1				
1	X <b>1900086827</b>	• • RING	1				
2	X <b>1900063631</b>	• • PACKING, rod	1				
3	X <b>1900071031</b>	• • SEAL, dust	1				
4	X <b>1420111150</b>	• • O-RING	2				
5	X <b>1900086828</b>	• • RING, back-up	1				
6	X <b>1420101200</b>	• • O-RING	1				
7	X <b>1900063628</b>	• • RING, back-up	2				
8	X <b>1900063633</b>	• • PACKING, piston	1				
9	X <b>1420010260</b>	• • O-RING	2				
10	<b>1900093998</b>	• TUBE KIT	1				
11	<b>1900093920</b>	• • BUSHING	1				
12	<b>1900086897</b>	• ROD KIT, piston	1				
13	<b>1900063602</b>	• • BUSHING	1				
14	<b>1900086896</b>	• COVER KIT	1				
15	<b>1900086805</b>	• • BEARING, cushion	1				
16	<b>1900086820</b>	• BUSHING	1				
17	<b>1900063614</b>	• RING, retaining	1				
18	<b>1900086808</b>	• HOLDER	1				
19	<b>1900086816</b>	• RING, cushion	2				
20	<b>1900086819</b>	• COLLAR	1				
21	<b>1900086806</b>	• PISTON	1				
22	<b>1900086829</b>	• RING, wear	2				
23	<b>1900086809</b>	• NUT	1				
24	<b>1121051212</b>	• SET-SCREW	1				
25	<b>1390020450</b>	• BALL, steel	1				
26	<b>1900063642</b>	• SEAL, dust	2				
27	<b>1900086857</b>	• NIPPLE	1				
28	<b>1900086958</b>	• PLUG	1				
29	<b>1560001000</b>	• FITTING, grease	1				
30	<b>1560001675</b>	• FITTING, grease	1				
31	<b>1900093942</b>	• SEAL, dust	2				

**L7h120**

TB175 Book No. BL7Z000 S/N 17530001-  
ARM CYLINDER



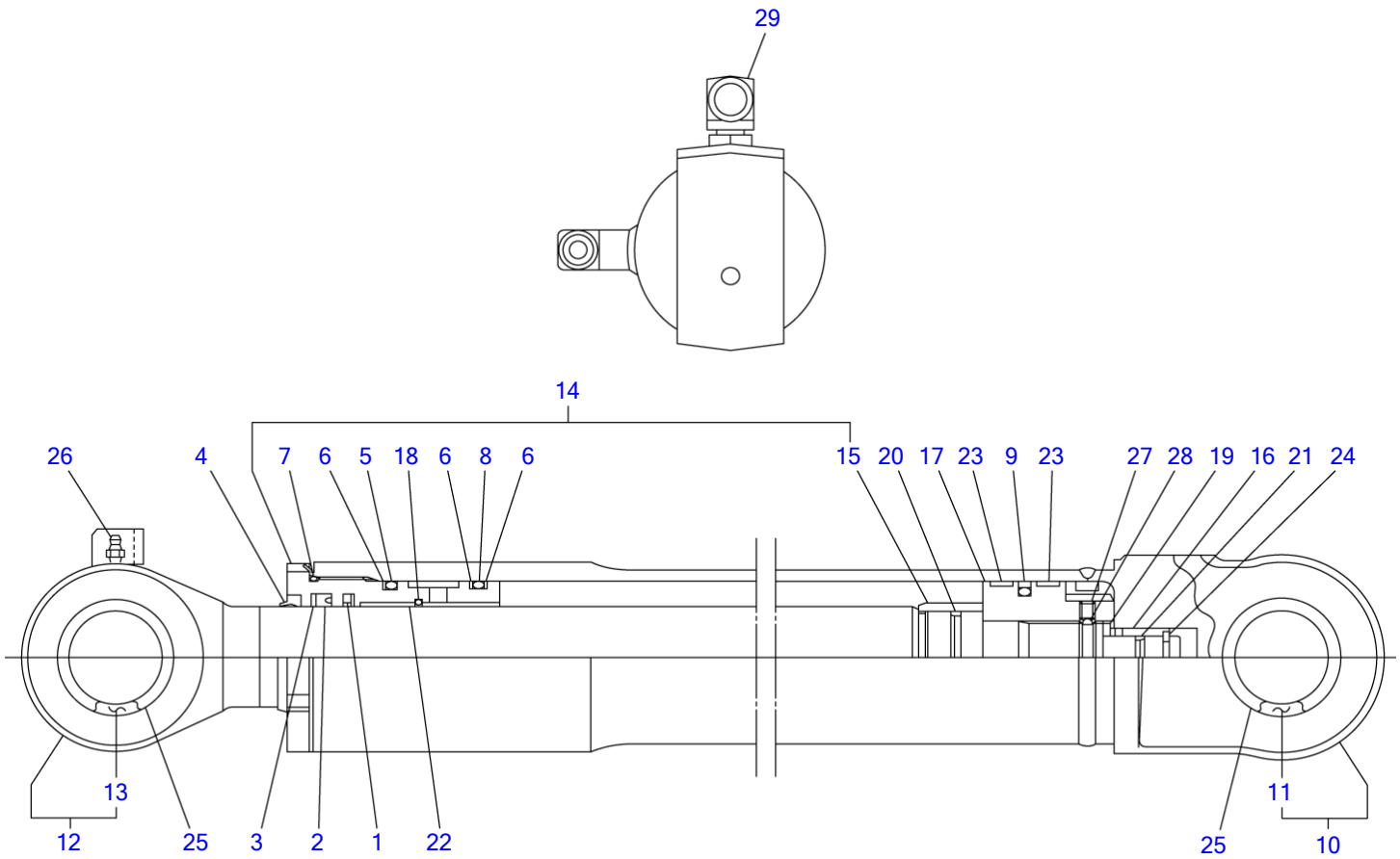
L3H450

S-FREE

**ARM CYLINDER**

Item	Part number	Description	Q'ty	Chan.	Serial No.	Serv.	Remarks
0	<b>1900097500</b>	CYLINDER ASSY	1				arm
0-1	<b>1900076399</b>	• KIT, seal	1				
1	X <b>1900063426</b>	• • RING, seal	1				
2	X <b>1900063431</b>	• • PACKING, rod	1				
3	X <b>1900063427</b>	• • RING, back-up	1				
4	X <b>1900069633</b>	• • SEAL, dust	1				
5	X <b>1420110900</b>	• • O-RING	1				
6	X <b>1900063428</b>	• • RING, back-up	3				
7	X <b>1420100950</b>	• • O-RING	1				
8	X <b>1420110850</b>	• • O-RING	1				
9	X <b>1900050633</b>	• • RING, seal	1				
10	<b>1900097598</b>	• TUBE ASSY	1				
11	<b>1900063402</b>	• • BUSHING	1				
12	<b>1900097597</b>	• ROD ASSY, piston	1				
13	<b>1900079120</b>	• • BUSHING	1				
14	<b>1900063496</b>	• COVER ASSY, rod	1				
15	<b>1900068405</b>	• • CUSHION, rod	1				
16	<b>1900063425</b>	• CUSHION, rod	1				
17	<b>1900097506</b>	• PISTON	1				
18	<b>1900063414</b>	• RING, snap	1				
19	<b>1900063429</b>	• RING, snap	1				
20	<b>1900097516</b>	• SEAL, cushion	1				
21	<b>1900076335</b>	• SEAL, cushion	1				
22	<b>1900063413</b>	• BUSHING	1				
23	<b>1900050632</b>	• RING, wear	2				
24	<b>1900047122</b>	• STOPPER	2				
25	<b>1900063433</b>	• SEAL, dust	4				
26	<b>1560001000</b>	• FITTING, grease	1				
27	<b>1121041010</b>	• SET-SCREW	1				
28	<b>1390010400</b>	• BALL, steel	1				
29	<b>1900079161</b>	• ELBOW	1				
30	<b>1900097510</b>	• PIPE ASSY	1				
31	<b>1100051016</b>	• BOLT	1				
32	<b>1141190010</b>	• WASHER	1				
33	<b>1900086958</b>	• PLUG	1				
34	<b>1420010260</b>	• O-RING	2				
	<b>L7h130</b>						

TB175 Book No. BL7Z000 S/N 17530001-  
ARM CYLINDER (with shut-off valve)



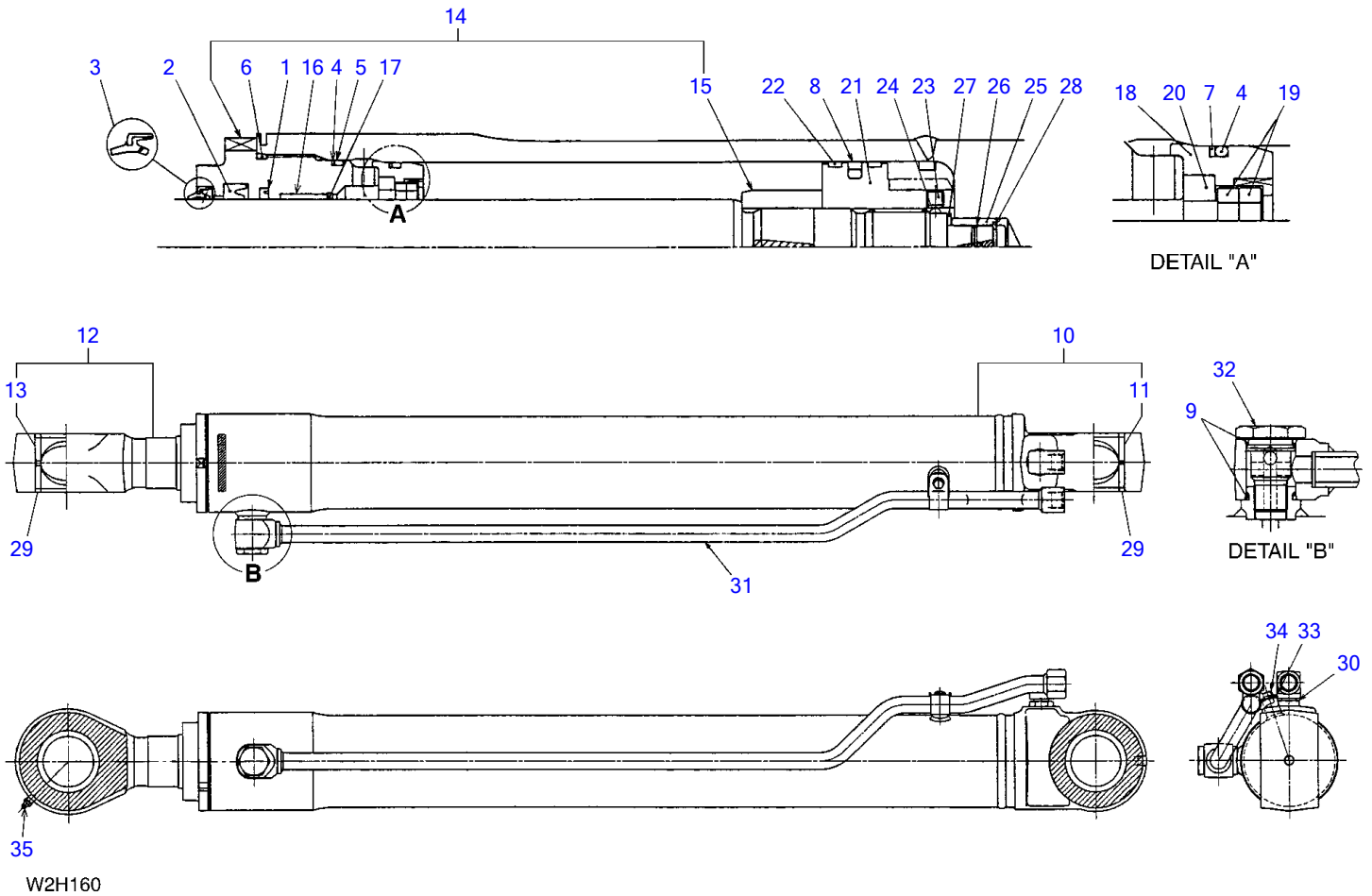
L7H140

S=FREE

**ARM CYLINDER (with shut-off valve)**

Item	Part number	Description	Q'ty	Chan.	Serial No.	Serv.	Remarks
0	<b>1900085100</b>	CYLINDER ASSY	1				arm
0-1	<b>1900076399</b>	• KIT, seal	1				
1	X <b>1900063426</b>	• • RING, seal	1				
2	X <b>1900063431</b>	• • PACKING, rod	1				
3	X <b>1900063427</b>	• • RING, back-up	1				
4	X <b>1900069633</b>	• • SEAL, dust	1				
5	X <b>1420110900</b>	• • O-RING	1				
6	X <b>1900063428</b>	• • RING, back-up	3				
7	X <b>1420100950</b>	• • O-RING	1				
8	X <b>1420110850</b>	• • O-RING	1				
9	X <b>1900050633</b>	• • RING, seal	1				
10	<b>1900079198</b>	• TUBE ASSY	1				
11	<b>1900063402</b>	• • BUSHING	1				
12	<b>1900079197</b>	• ROD ASSY, piston	1				
13	<b>1900079120</b>	• • BUSHING	1				
14	<b>1900063496</b>	• COVER ASSY, rod	1				
15	<b>1900068405</b>	• • CUSHION, rod	1				
16	<b>1900063425</b>	• CUSHION, rod	1				
17	<b>1900079106</b>	• PISTON	1				
18	<b>1900063414</b>	• RING, snap	1				
19	<b>1900063429</b>	• RING, snap	1				
20	<b>1900063416</b>	• SEAL, cushion	1				
21	<b>1900047116</b>	• SEAL, cushion	1				
22	<b>1900063413</b>	• BUSHING	1				
23	<b>1900050632</b>	• RING, wear	2				
24	<b>1900047122</b>	• STOPPER	2				
25	<b>1900083533</b>	• SEAL, dust	4				
26	<b>1560001000</b>	• FITTING, grease	1				
27	<b>1121041010</b>	• SET-SCREW	1				
28	<b>1390010400</b>	• BALL, steel	1				
29	<b>1900079161</b>	• ELBOW	1				
	<b>L7h140</b>						

TB175 Book No. BL7Z000 S/N 17530001-  
ARM CYLINDER (2-piece boom)



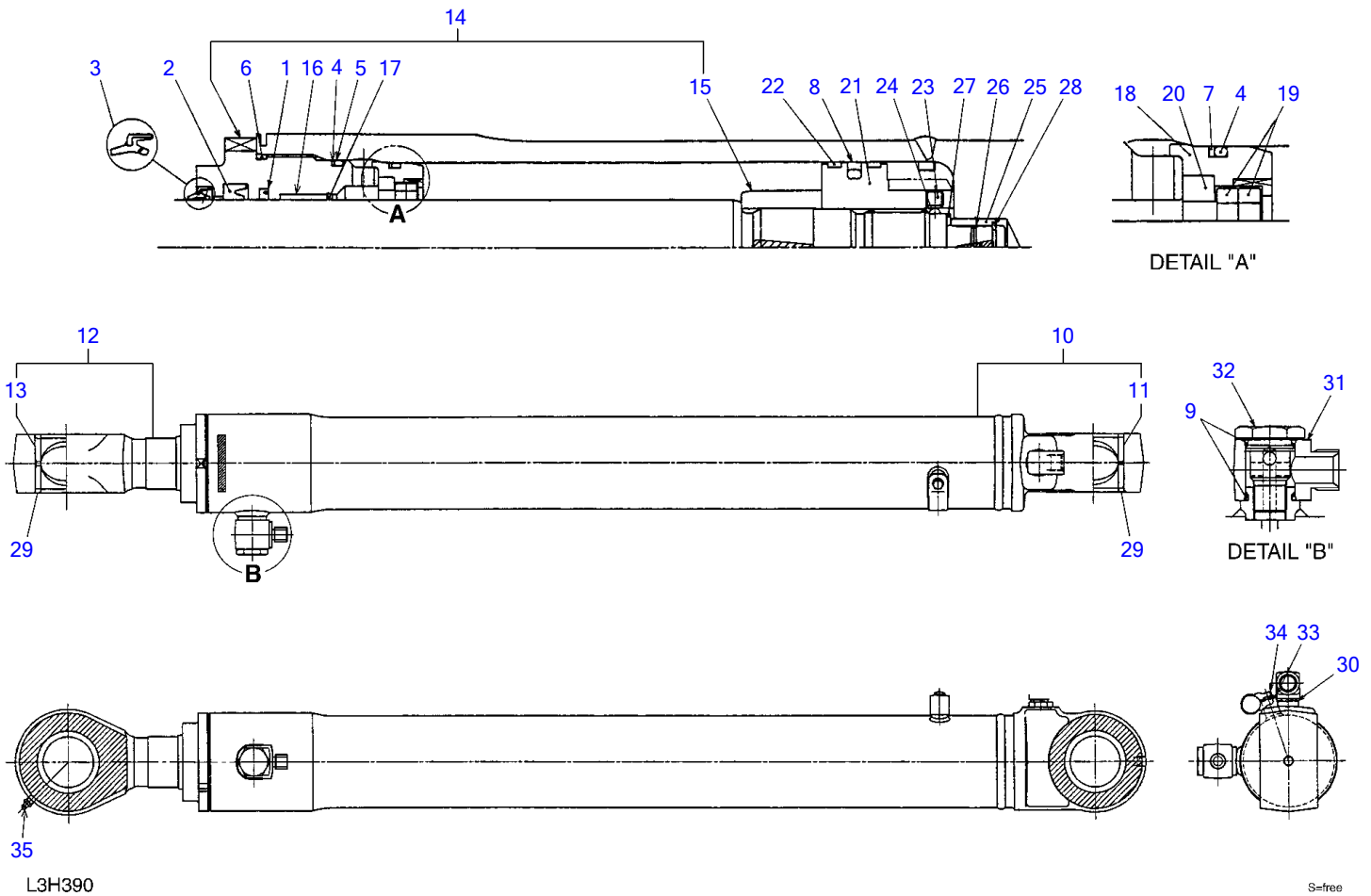
S=free



**ARM CYLINDER (2-piece boom)**

Item	Part number	Description	Q'ty	Chan.	Serial No.	Serv.	Remarks
0	<b>1900086900</b>	CYLINDER SN 1753001-31117	1				arm
	<b>1900106300</b>	CYLINDER SN 17531118~	1				
0-1	<b>1900086999</b>	• KIT, seal	1				
1	X <b>1900086972</b>	• • BUFFER RING	1				
2	X <b>1900063431</b>	• • PACKING, rod	1				
3	X <b>1900069633</b>	• • SEAL, dust	1				
4	X <b>1420110950</b>	• • O-RING	2				
5	X <b>1900086928</b>	• • RING, back-up	1				
6	X <b>1420101000</b>	• • O-RING	1				
7	X <b>1900063728</b>	• • RING, back-up	1				
8	X <b>1900047031</b>	• • PACKING, piston	1				
9	X <b>1420010260</b>	• • O-RING	2				
10	<b>1900086998</b>	• TUBE KIT	1				
11	<b>1900065702</b>	• • BUSHING	1				
12	<b>1900086997</b>	• ROD KIT, piston SN 17530001-31117	1				
	<b>1900107197</b>	* ROD KIT, PISTON SN 17531118~	1				
13	<b>1900065702</b>	• • BUSHING	1				
14	<b>1900086996</b>	• COVER KIT SN 17530001-31117	1				
	<b>1900107196</b>	* COVER KIT SN 17531118~	1				
15	<b>1900086905</b>	• • BEARING, cushion SN 17530001-31117	1				
	<b>1900107105</b>	* * BEARING, CUSHION SN 17531118~	1				
16	<b>1900086920</b>	• BUSHING	1				
17	<b>1900063414</b>	• RING, retaining	1				
18	<b>1900086908</b>	• HOLDER	1				
19	<b>1900086916</b>	• RING, cushion	2				
20	<b>1900086919</b>	• COLLAR	1				
21	<b>1900086906</b>	• PISTON SN 17530001-31117	1				
	<b>1900107106</b>	* PISTON SN 17531118~	1				
22	<b>1900089525</b>	• RING, wear	2				
23	<b>1121051010</b>	• SET-SCREW	1				
24	<b>1390020400</b>	• BALL, steel	1				
25	<b>1900063625</b>	• BEARING, cushion	1				
26	<b>1900086956</b>	• RING, cushion	1				
27	<b>1900063641</b>	• RING, retaining	1				
28	<b>1900063640</b>	• STOPPER	2				
29	<b>1900065719</b>	• SEAL, dust	4				
30	<b>1900079161</b>	• NIPPLE	1				
31	<b>1900086910</b>	• PIPE ASSY	1				
32	<b>1900086958</b>	• PLUG	1				
33	<b>1900086917</b>	• HOLDER	1				
34	<b>1100050830</b>	• BOLT	1				
35	<b>1560001000</b>	• FITTING, grease	1				
	<b>L7H200</b>						

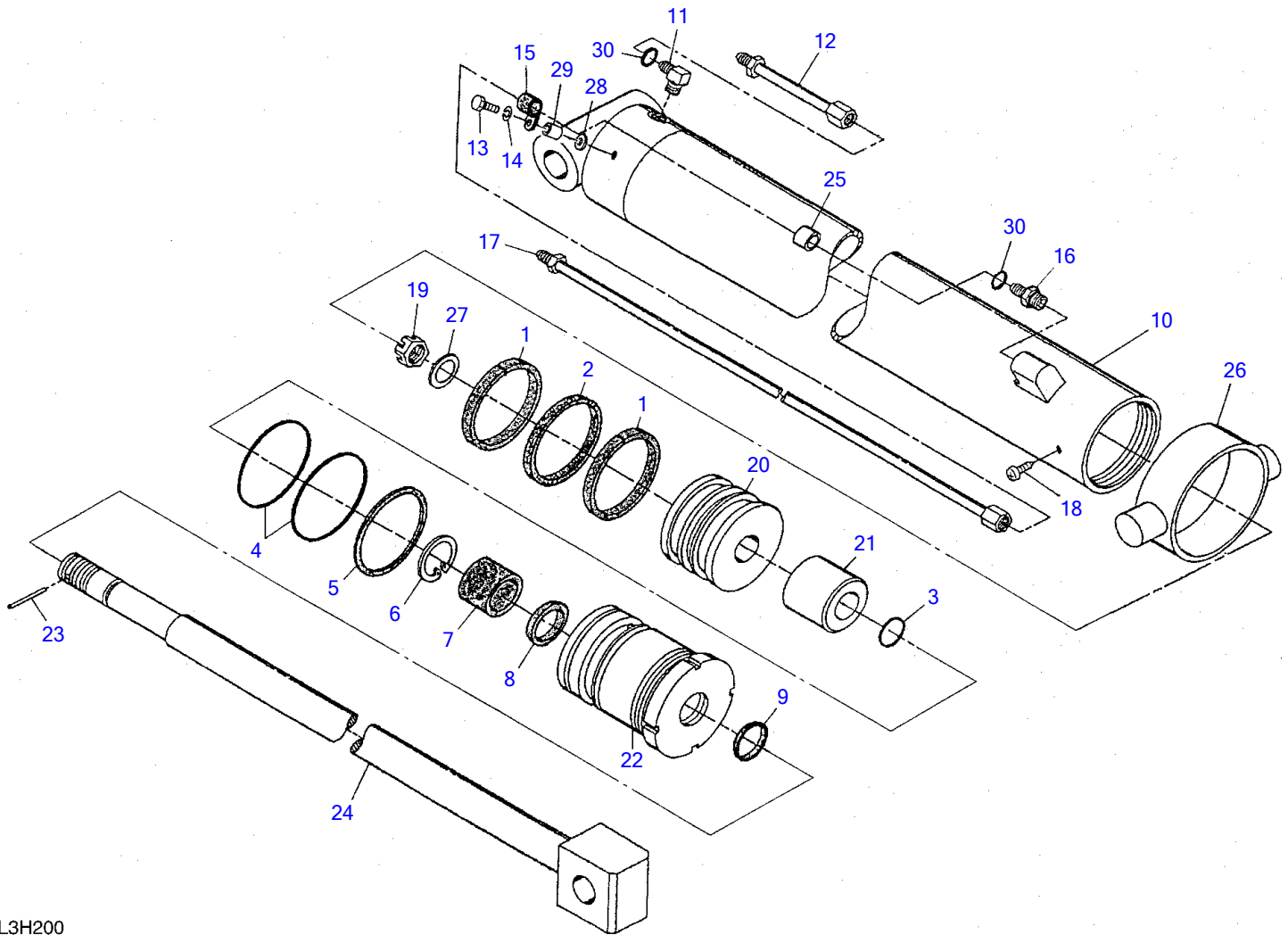
TB175 Book No. BL7Z000 S/N 17530001-  
ARM CYLINDER (2-piece boom; with shut-off valve)



**ARM CYLINDER (2-piece boom; with shut-off valve)**

Item	Part number	Description	Q'ty	Chan.	Serial No.	Serv.	Remarks
0	<b>1900089200</b>	CYLINDER SN 17530001-31117	1				arm
	<b>1900107100</b>	CYLINDER SN 17531118~	1				
0-1	<b>1900086999</b>	• KIT, seal	1				
1	X <b>1900086972</b>	• • BUFFER RING	1				
2	X <b>1900063431</b>	• • PACKING, rod	1				
3	X <b>1900069633</b>	• • SEAL, dust	1				
4	X <b>1420110950</b>	• • O-RING	2				
5	X <b>1900086928</b>	• • RING, back-up	1				
6	X <b>1420101000</b>	• • O-RING	1				
7	X <b>1900063728</b>	• • RING, back-up	1				
8	X <b>1900047031</b>	• • PACKING, piston	1				
9	X <b>1420010260</b>	• • O-RING	2				
10	<b>1900086998</b>	• TUBE KIT	1				
11	<b>1900065702</b>	• • BUSHING	1				
12	<b>1900086997</b>	• ROD KIT, piston SN 17530001-31117	1				
	<b>1900107197</b>	* ROD KIT, PISTON SN 17531118~	1				
13	<b>1900065702</b>	• • BUSHING	1				
14	<b>1900086996</b>	• COVER KIT SN 17530001-31117	1				
	<b>19000107196</b>	* COVER KIT SN 17531118~	1				
15	<b>1900086905</b>	• • BEARING, cushion SN 17530001-31117	1				
	<b>1900107105</b>	* * BEARING, CUSHION SN 17531118~	1				
16	<b>1900086920</b>	• BUSHING	1				
17	<b>1900063414</b>	• RING, retaining	1				
18	<b>1900086908</b>	• HOLDER	1				
19	<b>1900086916</b>	• RING, cushion	2				
20	<b>1900086919</b>	• COLLAR	1				
21	<b>1900086906</b>	• PISTON SN 17530001-31117	1				
	<b>1900107106</b>	* PISTON SN 17531118~	1				
22	<b>1900089525</b>	• RING, wear	2				
23	<b>1121051010</b>	• SET-SCREW	1				
24	<b>1390020400</b>	• BALL, steel	1				
25	<b>1900063625</b>	• BEARING, cushion	1				
26	<b>1900086956</b>	• RING, cushion	1				
27	<b>1900063641</b>	• RING, retaining	1				
28	<b>1900063640</b>	• STOPPER	2				
29	<b>1900065719</b>	• SEAL, dust	4				
30	<b>1900079161</b>	• NIPPLE	1				
31	<b>1900086857</b>	• NIPPLE	1				
32	<b>1900086958</b>	• PLUG	1				
33	<b>1900086917</b>	• HOLDER	1				
34	<b>1100050830</b>	• BOLT	1				
35	<b>1560001000</b>	• FITTING, grease	1				
	<b>L7H210</b>						

TB175 Book No. BL7Z000 S/N 17530001-  
TELESCOPIC CYLINDER



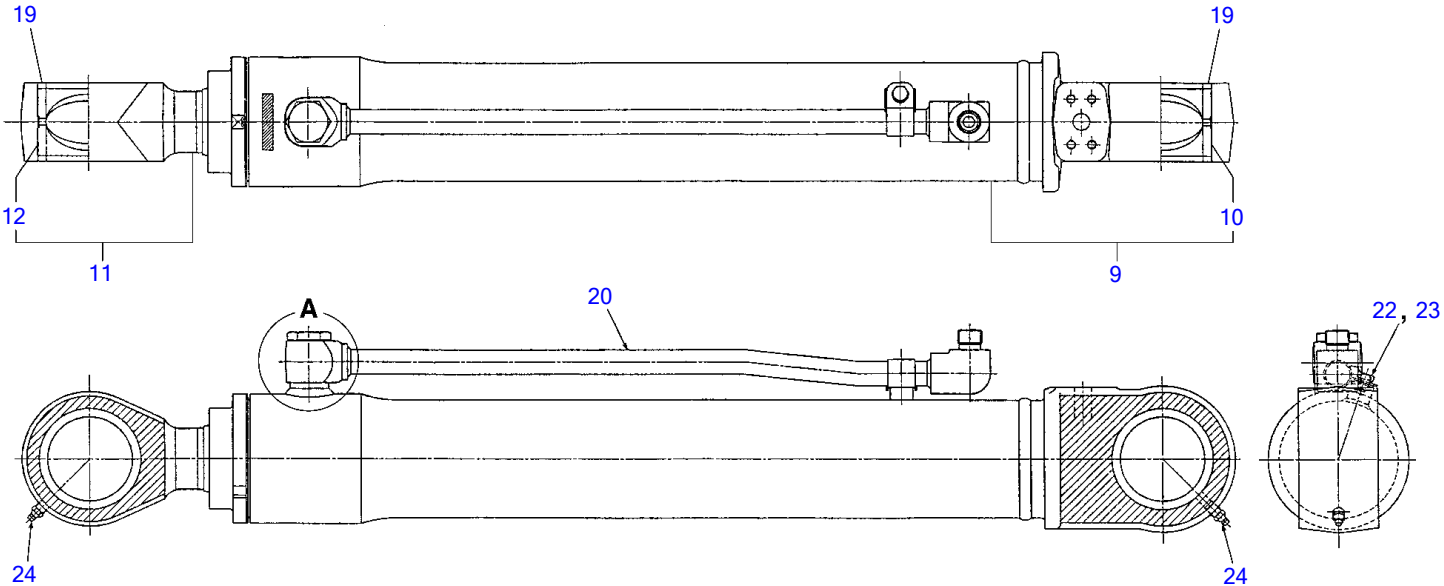
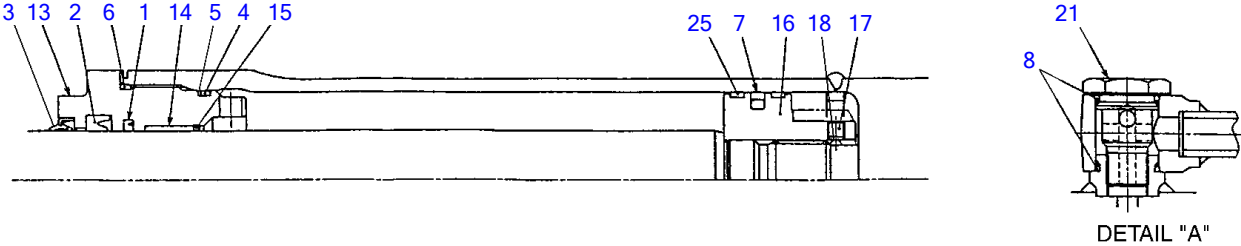
L3H200

S=FREE

**TELESCOPIC CYLINDER**

Item	Part number	Description	Q'ty	Chan.	Serial No.	Serv.	Remarks
0	<b>R725410</b>	CYLINDER ASSY	1				telescopic
0-1	<b>7250</b>	• KIT, seal	1				
1	X <b>R702800</b>	• • RING, wear	2				
2	X <b>R902802</b>	• • SEAL	1				
3	X <b>R28418</b>	• • O-RING	1				
4	X <b>R28412</b>	• • O-RING	2				
5	X <b>R28411</b>	• • RING, back-up	1				
6	X <b>H50785</b>	• • RING, snap	1				
7	X <b>R29806</b>	• • BEARING	1				
8	X <b>R29806</b>	• • SEAL	1				
9	X <b>R703804</b>	• • SEAL, dust	1				
10	<b>R702100</b>	• TUBE ASSY	1				
11	<b>F89652</b>	• ELBOW	1				
12	<b>R702803</b>	• NIPPLE	1				
13	<b>H30673</b>	• BOLT	1				
14	<b>H30616</b>	• WASHER, spring	1				
15	<b>H50738</b>	• CLAMP	1				
16	<b>F80646</b>	• NIPPLE	1				
17	<b>R702860</b>	• NIPPLE	1				
18	<b>H30787</b>	• SCREW	1				
19	<b>H30786</b>	• NUT	1				
20	<b>R702500</b>	• PISTON	1				
21	<b>R702550</b>	• CUSHION	1				
22	<b>R702600</b>	• COVER ASSY, rod	1				
23	<b>H50729</b>	• PIN	1				
24	<b>R702200</b>	• ROD ASSY, piston	1				
25	<b>R308241</b>	• GUARD	1				
26	<b>N/A</b>		1				
27	<b>H30813</b>	• WASHER	1				
28	<b>H30644</b>	• WASHER	1				
29	<b>H307503</b>	• SPACER	1				
30	<b>R702802</b>	• O-RING	2				
	<b>L3h200</b>						

TB175 Book No. BL7Z000 S/N 17530001-  
ADJUST CYLINDER (2-piece boom)



W2H170

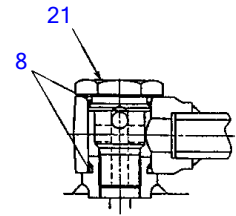
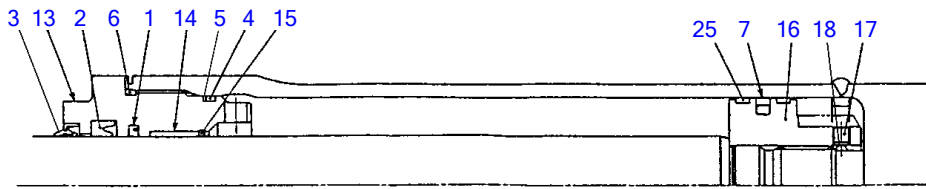
S-free

**ADJUST CYLINDER (2-piece boom)**

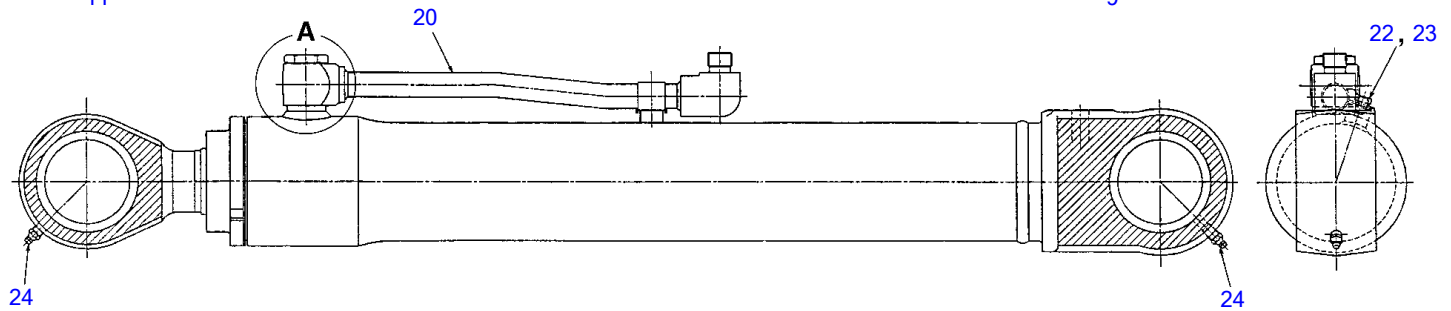
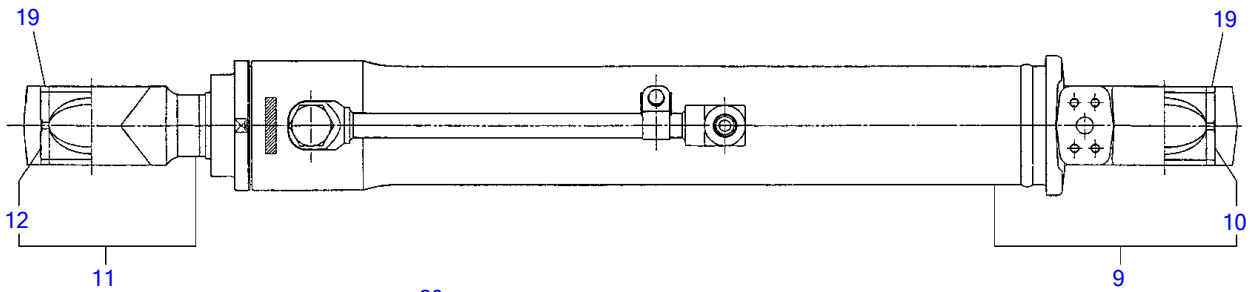
Item	Part number	Description	Q'ty	Chan.	Serial No.	Serv.	Remarks
0	<b>1900087000</b>	CYLINDER	1				adjust
0-1	<b>1900087099</b>	• KIT, seal	1				
1	X <b>1900087027</b>	• • BUFFER RING	1				
2	X <b>1900050631</b>	• • PACKING, rod	1				
3	X <b>1900070831</b>	• • SEAL, dust	1				
4	X <b>1420110850</b>	• • O-RING	1				
5	X <b>1900087028</b>	• • RING, back-up	1				
6	X <b>1420100900</b>	• • O-RING	1				
7	X <b>1900047131</b>	• • PACKING, piston	1				
8	X <b>1420010260</b>	• • O-RING	2				
9	<b>1900087098</b>	• TUBE KIT	1				
10	<b>1900008702</b>	• • BUSHING	1				
11	<b>1900087097</b>	• ROD KIT, piston	1				
12	<b>1900008702</b>	• • BUSHING	1				
13	<b>1900087003</b>	• COVER, rod	1				
14	<b>1900087013</b>	• BUSHING	1				
15	<b>1900063214</b>	• RING, retaining	1				
16	<b>1900087006</b>	• PISTON	1				
17	<b>1121051010</b>	• SET-SCREW	1				
18	<b>1390020400</b>	• BALL, steel	1				
19	<b>1900063642</b>	• SEAL, dust	4				
20	<b>1900087010</b>	• PIPE ASSY	1				
21	<b>1900086958</b>	• PLUG	1				
22	<b>1900086917</b>	• HOLDER	1				
23	<b>1100050830</b>	• BOLT	1				
24	<b>1560001000</b>	• FITTING, grease	2				
25	<b>1900087026</b>	• RING, wear	2				

**W2h170**

TB175 Book No. BL7Z000 S/N 17530001-  
ADJUST CYLINDER (2-piece boom; with shut-off valve)



DETAIL "A"



L3H420

S=free

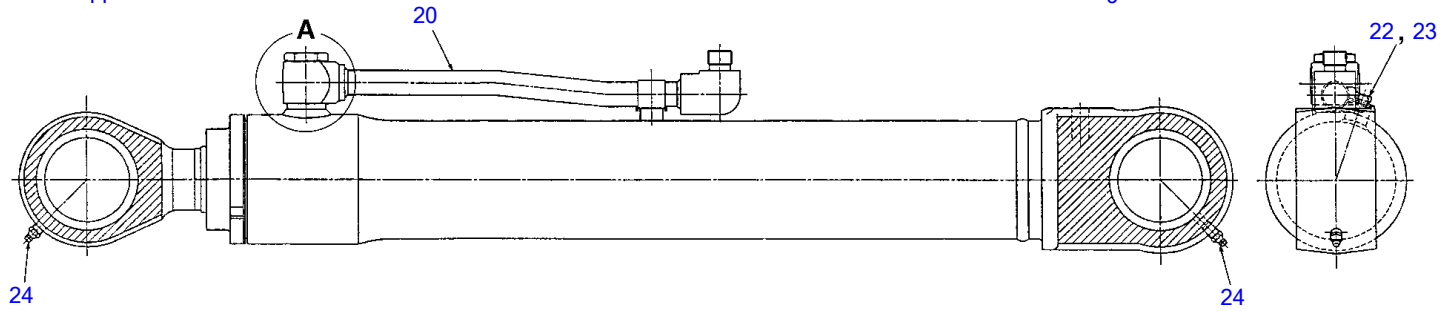
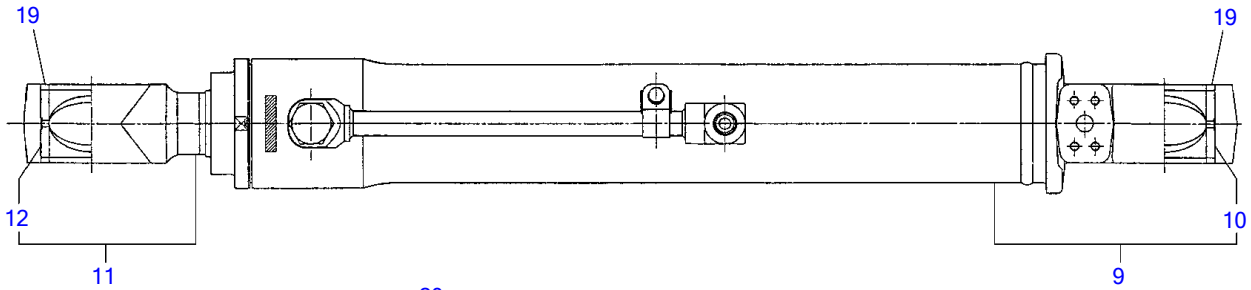
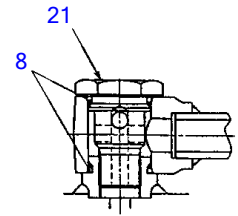
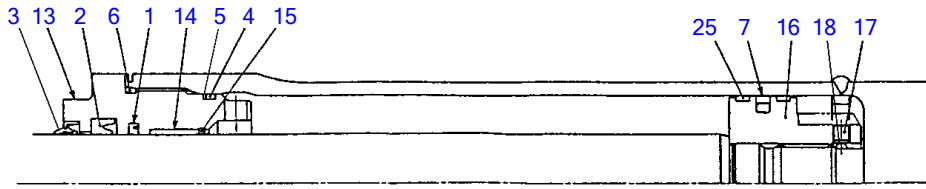


**ADJUST CYLINDER (2-piece boom; with shut-off valve)**

Item	Part number	Description	Q'ty	Chan.	Serial No.	Serv.	Remarks
0	<b>1900089100</b>	CYLINDER	1				adjust
0-1	<b>1900087099</b>	• KIT, seal	1				
1	X <b>1900087027</b>	• • BUFFER RING	1				
2	X <b>1900050631</b>	• • PACKING, rod	1				
3	X <b>1900070831</b>	• • SEAL, dust	1				
4	X <b>1420110850</b>	• • O-RING	1				
5	X <b>1900087028</b>	• • RING, back-up	1				
6	X <b>1420100900</b>	• • O-RING	1				
7	X <b>1900047131</b>	• • PACKING, piston	1				
8	X <b>1420010260</b>	• • O-RING	2				
9	<b>1900089198</b>	• TUBE KIT	1				
10	<b>1900008702</b>	• • BUSHING	1				
11	<b>1900087097</b>	• ROD KIT, piston	1				
12	<b>1900008702</b>	• • BUSHING	1				
13	<b>1900087003</b>	• COVER, rod	1				
14	<b>1900087013</b>	• BUSHING	1				
15	<b>1900063214</b>	• RING, retaining	1				
16	<b>1900087006</b>	• PISTON	1				
17	<b>1121051010</b>	• SET-SCREW	1				
18	<b>1390020400</b>	• BALL, steel	1				
19	<b>1900063642</b>	• SEAL, dust	4				
20	<b>1900089110</b>	• PIPE ASSY	1				
21	<b>1900086958</b>	• PLUG	1				
22	<b>1900086917</b>	• HOLDER	1				
23	<b>1100050830</b>	• BOLT	1				
24	<b>1560001000</b>	• FITTING, grease	2				
25	<b>1900087026</b>	• RING, wear	2				

**L3h420**

TB175 Book No. BL7Z000 S/N 17530001-  
ADJUST CYLINDER (2-piece boom; with shut-off valve)

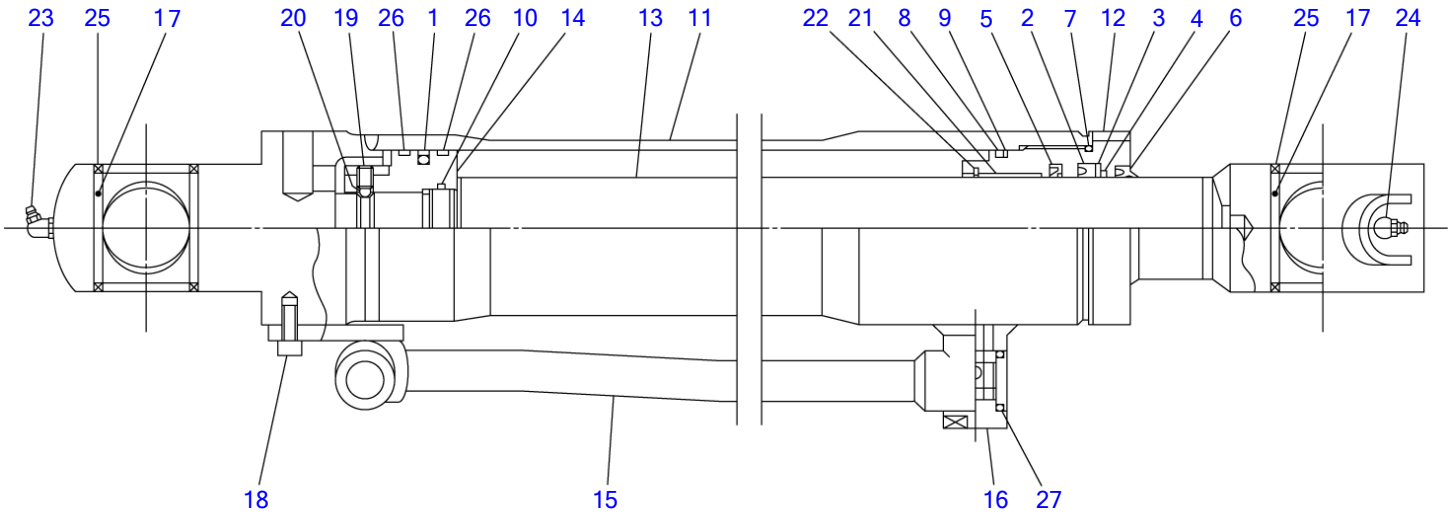


L3H420

S=free

<b>ADJUST CYLINDER (2-piece boom; with shut-off valve)</b>						
Item	Part number	Description	Q'ty	Chan.	Serial No.	Serv. Remarks
		ADJUST CYLINDER (2 PIECE BOOM) SN				
		1753001-31015				
0	<b>1900089100</b>	CYLINDER	1			
0-1	<b>1900087099</b>	• KIT, seal	1			adjust
1	X <b>1900087027</b>	• • BUFFER RING	1			
2	X <b>1900050631</b>	• • PACKING, rod	1			
3	X <b>1900070831</b>	• • SEAL, dust	1			
4	X <b>1420110850</b>	• • O-RING	1			
5	X <b>1900087028</b>	• • RING, back-up	1			
6	X <b>1420100900</b>	• • O-RING	1			
7	X <b>1900047131</b>	• • PACKING, piston	1			
8	X <b>1420010260</b>	• • O-RING	2			
9	<b>1900089198</b>	• TUBE KIT	1			
10	<b>1900008702</b>	• • BUSHING	1			
11	<b>1900087097</b>	• ROD KIT, piston	1			
12	<b>1900008702</b>	• • BUSHING	1			
13	<b>1900087003</b>	• COVER, rod	1			
14	<b>1900087013</b>	• BUSHING	1			
15	<b>1900063214</b>	• RING, retaining	1			
16	<b>1900087006</b>	• PISTON	1			
17	<b>1121051010</b>	• SET-SCREW	1			
18	<b>1390020400</b>	• BALL, steel	1			
19	<b>1900063642</b>	• SEAL, dust	4			
20	<b>1900089110</b>	• PIPE ASSY	1			
21	<b>1900086958</b>	• PLUG	1			
22	<b>1900086917</b>	• HOLDER	1			
23	<b>1100050830</b>	• BOLT	1			
24	<b>1560001000</b>	• FITTING, grease	2			
25	<b>1900087026</b>	• RING, wear	2			
	<b>L3h420</b>					

TB175 Book No. BL7Z000 S/N 17530001-  
BUCKET CYLINDER



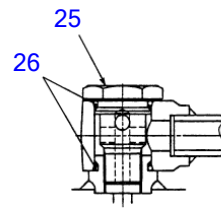
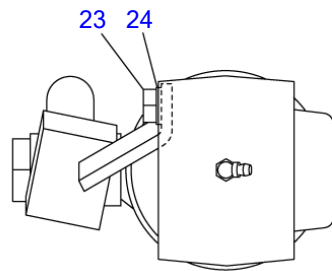
L3H590

S=FREE

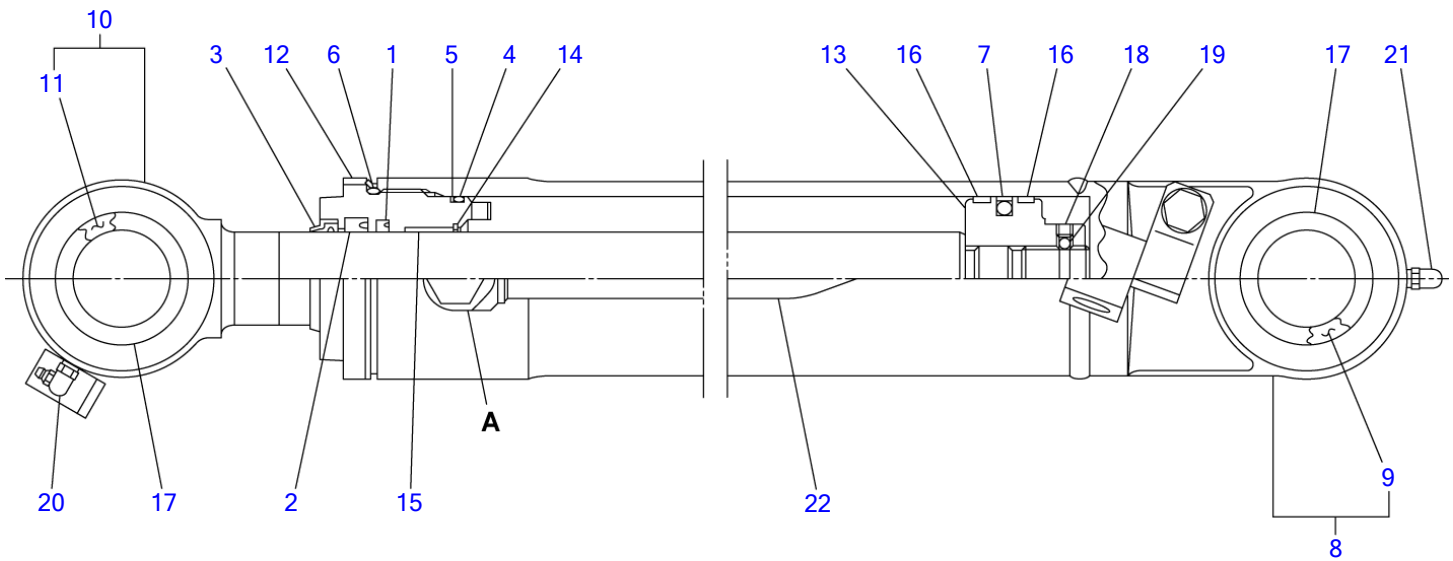
**BUCKET CYLINDER**

Item	Part number	Description	Q'ty	Chan.	Serial No.	Serv.	Remarks
0	<b>1900100800</b>	CYLINDER (MITSUO)	1				bucket
0-1	<b>1900100899</b>	• KIT, seal	1				
1	X <b>1900050932</b>	• • PACKING, piston	1				
2	X <b>1900050631</b>	• • PACKING, rod	1				
3	X <b>1411270553</b>	• • RING, back-up	1				
4	X <b>1900100835</b>	• • RING, back-up	1				
5	X <b>1900087027</b>	• • BUFFER RING	1				
6	X <b>1900070831</b>	• • SEAL, dust	1				
7	X <b>1420110850</b>	• • O-RING	1				
8	X <b>1420110800</b>	• • O-RING	1				
9	X <b>1421130800</b>	• • RING, back-up	1				
10	X <b>1420010420</b>	• • O-RING	1				
11	<b>1900100807</b>	• TUBE ASSY	1				
12	<b>1900100803</b>	• COVER, rod	1				
13	<b>1900100801</b>	• ROD ASSY, piston	1				
14	<b>1900100806</b>	• PISTON	1				
15	<b>1900100810</b>	• PIPE	1				
16	<b>1900100819</b>	• PLUG	1				
17	<b>1900100802</b>	• BUSHING	2				
18	<b>1110040820</b>	• SCREW, cap	1				
19	<b>1121050810</b>	• SET-SCREW	1				
20	<b>1390010070</b>	• BALL, steel	1				
21	<b>1333005535</b>	• BUSHING	1				
22	<b>1221000060</b>	• RING, retaining	1				
23	<b>1560001675</b>	• FITTING, grease	1				
24	<b>1560001900</b>	• FITTING, grease	1				
25	<b>1900047023</b>	• SEAL, dust	4				
26	<b>1900091026</b>	• RING, wear	2				
27	<b>1420310119</b>	• O-RING	2				
	<b>L3h590</b>						

TB175 Book No. BL7Z000 S/N 17530001-  
BUCKET CYLINDER (telescopic arm)



DETAIL "A"



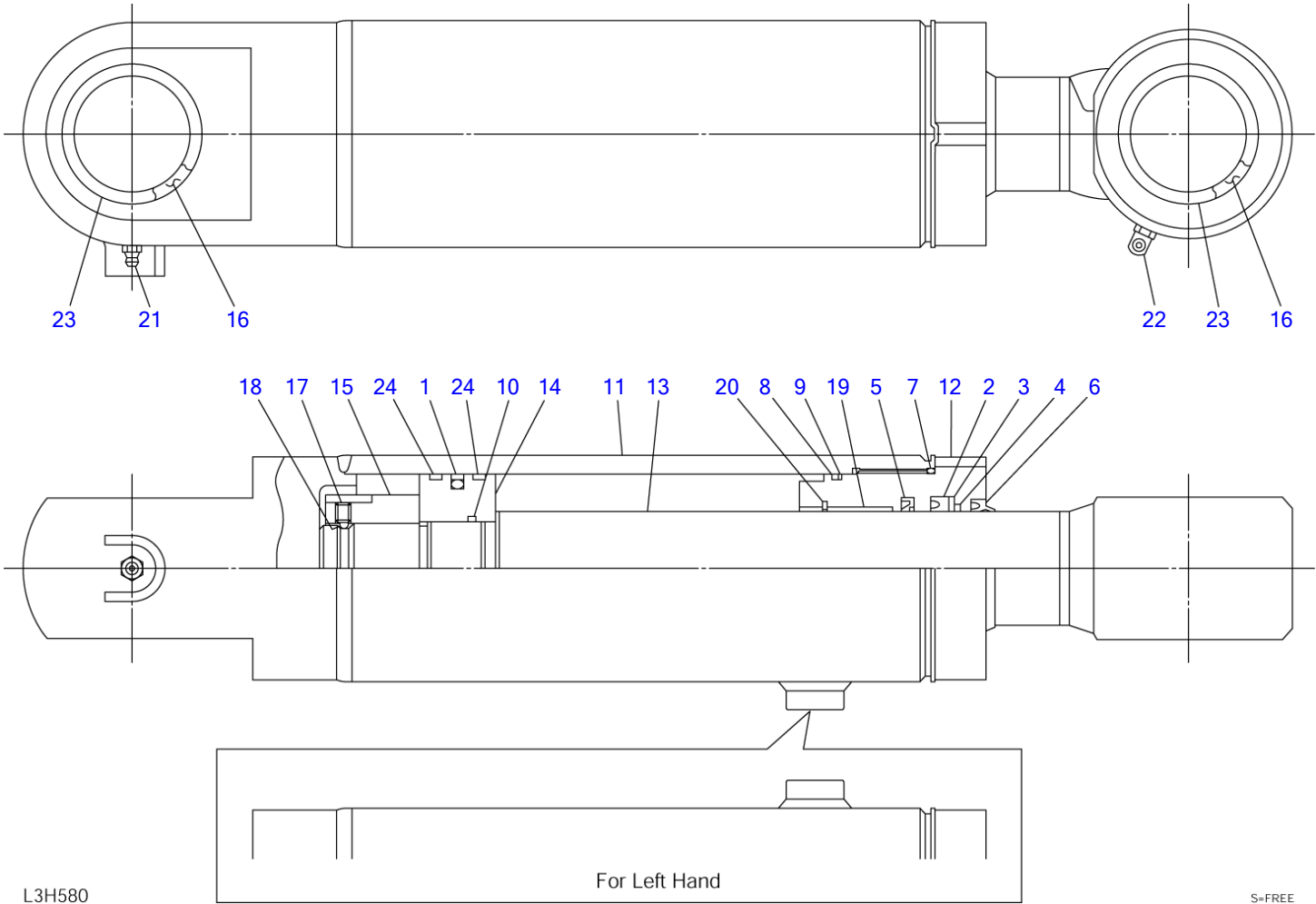
L3H460

S=FREE

**BUCKET CYLINDER (telescopic arm)**

Item	Part number	Description	Q'ty	Chan.	Serial No.	Serv.	Remarks
0	<b>1900091000</b>	CYLINDER	1				bucket
0-1	<b>1900091099</b>	• KIT, seal	1				
1	X <b>1900087027</b>	• • BUFFER RING	1				
2	X <b>1900050631</b>	• • PACKING, rod	1				
3	X <b>1900070831</b>	• • SEAL, dust	1				
4	X <b>1420110800</b>	• • O-RING	1				
5	X <b>1900091027</b>	• • RING, back-up	1				
6	X <b>1420100850</b>	• • O-RING	1				
7	X <b>1900050932</b>	• • PACKING, piston	1				
8	<b>1900091098</b>	• TUBE KIT	1				
9	<b>1900047002</b>	• • BUSHING	1				
10	<b>1900091097</b>	• ROD KIT, piston	1				
11	<b>1900047002</b>	• • BUSHING	1				
12	<b>1900091003</b>	• COVER, rod	1				
13	<b>1900091006</b>	• PISTON	1				
14	<b>1900063214</b>	• RING, retaining	1				
15	<b>1900087013</b>	• BUSHING	1				
16	<b>1900091026</b>	• RING, wear	2				
17	<b>1900047023</b>	• SEAL, dust	4				
18	<b>1121041010</b>	• SET-SCREW	1				
19	<b>1390020400</b>	• BALL, steel	1				
20	<b>1560001900</b>	• FITTING, grease	1				
21	<b>1560001675</b>	• FITTING, grease	1				
22	<b>1900091010</b>	• PIPE ASSY	1				
23	<b>1100041016</b>	• BOLT	1				
24	<b>1141110010</b>	• WASHER	1				
25	<b>1900086958</b>	• PLUG	1				
26	<b>1420010260</b>	• O-RING	2				
	<b>L3h460</b>						

TB175 Book No. BL7Z000 S/N 17530001-  
DOZER BLADE CYLINDER

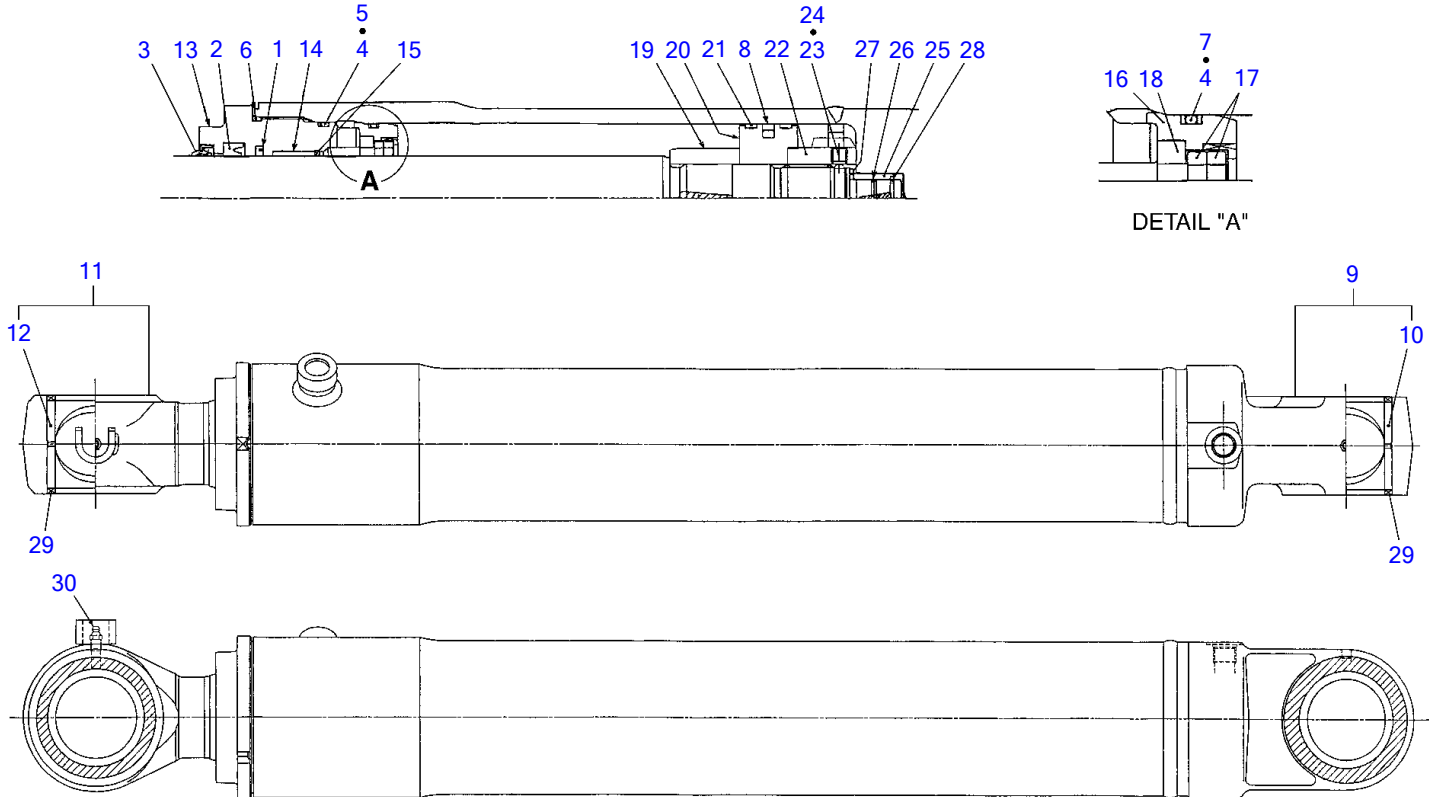




**DOZER BLADE CYLINDER**

Item	Part number	Description	Q'ty	Chan.	Serial No.	Serv.	Remarks
0	<b>1900100900</b>	CYLINDER ASSY (R.H.) (MITSUO)	1				dozer blade
	<b>1900101000</b>	CYLINDER ASSY (L.H.) (MITSUO)	1				
0-1	<b>1900100999</b>	• KIT, seal	1				
1	X <b>1900047031</b>	• • PACKING, piston	1				
2	X <b>1900063731</b>	• • PACKING, rod	1				
3	X <b>1411275603</b>	• • RING, back-up	1				
4	X <b>1900100935</b>	• • RING, back-up	1				
5	X <b>1900091227</b>	• • BUFFER RING	1				
6	X <b>1900071532</b>	• • SEAL, dust	1				
7	X <b>1420111000</b>	• • O-RING	1				
8	X <b>1420110950</b>	• • O-RING	1				
9	X <b>1421130950</b>	• • RING, back-up	1				
10	X <b>1420110500</b>	• • O-RING	1				
11	<b>1900100907</b>	• TUBE ASSY (R.H.)	1				
	<b>1900101007</b>	• TUBE ASSY (L.H.)	1				
12	<b>1900100903</b>	• COVER, rod	1				
13	<b>1900100901</b>	• ROD ASSY, piston	1				
14	<b>1900100906</b>	• PISTON	1				
15	<b>1900100909</b>	• NUT	1				
16	<b>1900100902</b>	• BUSHING	2				
17	<b>1121050810</b>	• SET-SCREW	1				
18	<b>1390010070</b>	• BALL, steel	1				
19	<b>1333006040</b>	• BUSHING	1				
20	<b>1221000065</b>	• RING, retaining	1				
21	<b>1560001000</b>	• FITTING, grease	1				
22	<b>1560001675</b>	• FITTING, grease	1				
23	<b>1900063433</b>	• SEAL, dust	4				
24	<b>1900089525</b>	• RING, wear	2				
	<b>L3h580</b>						

TB175 Book No. BL7Z000 S/N 17530001-  
SWING CYLINDER



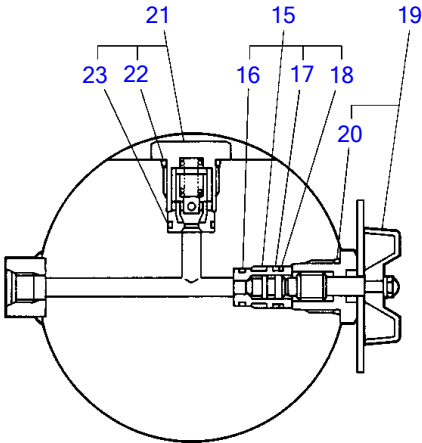
L3H480

S=FREE

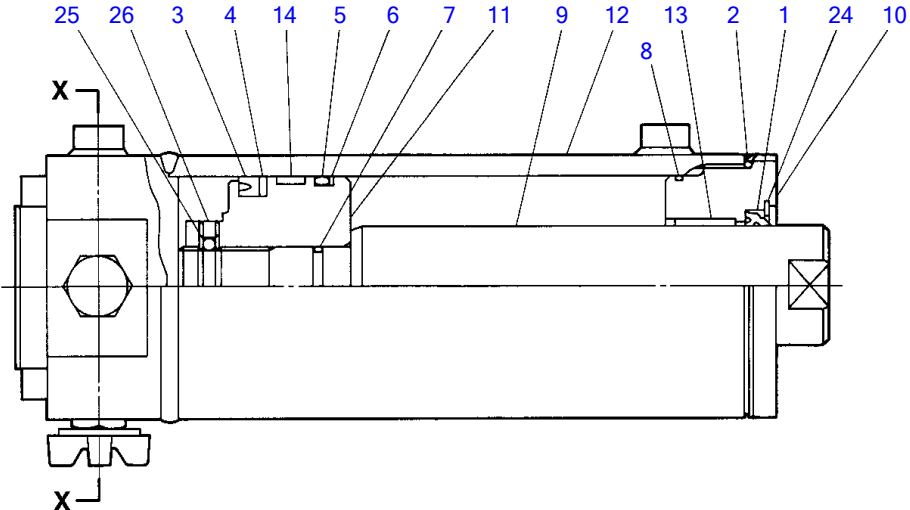
**SWING CYLINDER**

Item	Part number	Description	Q'ty	Chan.	Serial No.	Serv.	Remarks
0	<b>1900091100</b>	CYLINDER ASSY	1				swing
0-1	<b>1900091199</b>	• KIT, seal	1				
1	X <b>1900086827</b>	• • RING, seal	1				
2	X <b>1900063631</b>	• • PACKING, rod	1				
3	X <b>1900071031</b>	• • SEAL, dust	1				
4	X <b>1420111150</b>	• • O-RING	2				
5	X <b>1900086828</b>	• • RING, back-up	1				
6	X <b>1420101200</b>	• • O-RING	1				
7	X <b>1900063628</b>	• • RING, back-up	2				
8	X <b>1900063633</b>	• • PACKING, piston	1				
9	<b>1900091198</b>	• TUBE ASSY	1				
10	<b>1900063602</b>	• • BUSHING	1				
11	<b>1900091197</b>	• ROD ASSY, piston	1				
12	<b>1900079320</b>	• • BUSHING	1				
13	<b>1900091103</b>	• COVER, rod	1				
14	<b>1900091813</b>	• BUSHING	1				
15	<b>1900063614</b>	• RING, snap	1				
16	<b>1900086808</b>	• HOLDER	1				
17	<b>1900086816</b>	• SEAL, cushion	2				
18	<b>1900091115</b>	• COLLAR	1				
19	<b>1900086805</b>	• BEARING, cushion	1				
20	<b>1900086806</b>	• PISTON	1				
21	<b>1900086829</b>	• RING, wear	2				
22	<b>1900086809</b>	• NUT	1				
23	<b>1121051212</b>	• SET-SCREW	1				
24	<b>1390020450</b>	• BALL, steel	1				
25	<b>1900063625</b>	• BEARING, cushion	1				
26	<b>1900086956</b>	• SEAL, cushion	1				
27	<b>1900063640</b>	• STOPPER	2				
28	<b>1900063641</b>	• RING, snap	1				
29	<b>1900063642</b>	• SEAL, dust	4				
30	<b>1560001000</b>	• FITTING, grease	1				
	<b>L3h481</b>						

TB175 Book No. BL7Z000 S/N 17530001-  
TENSIONING CYLINDER (R.H.)



SECTION "X-X"



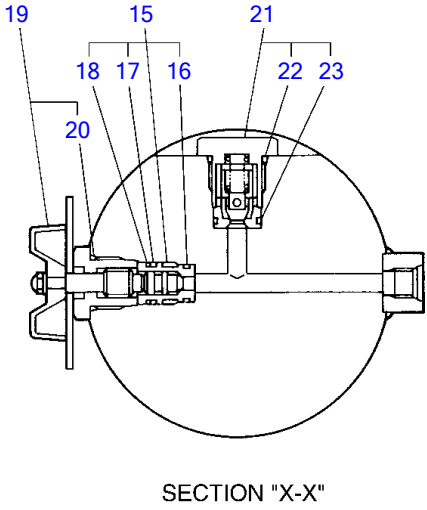
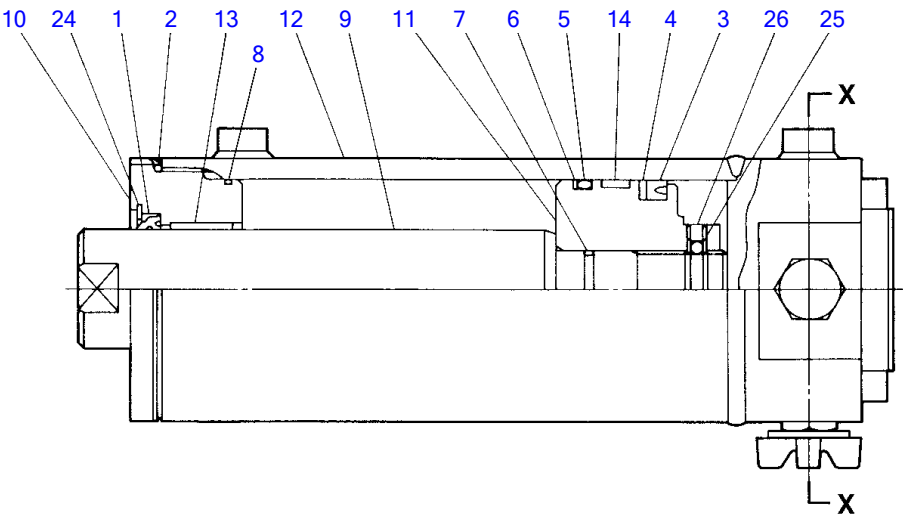
L2H181

S=FREE

**TENSIONING CYLINDER (R.H.)**

Item	Part number	Description	Q'ty	Chan.	Serial No.	Serv.	Remarks
0	<b>1900081000</b>	CYLINDER ASSY	1				tension (R.H.)
0-1	<b>1900063999</b>	• KIT, seal	1				
1	X <b>1411100060</b>	• • SEAL, dust	1				
2	X <b>1420111150</b>	• • O-RING	1				
3	X <b>1411131100</b>	• • PACKING, piston	1				
4	X <b>1411310903</b>	• • RING, back-up	1				
5	X <b>1420011000</b>	• • O-RING	1				
6	X <b>1421021000</b>	• • RING, back-up	1				
7	X <b>1420010320</b>	• • O-RING	1				
8	X <b>1420501050</b>	• • O-RING	1				
9	<b>1900081001</b>	• ROD, piston	1				
10	<b>1900063903</b>	• COVER, rod	1				
11	<b>1900063906</b>	• PISTON	1				
12	<b>1900081007</b>	• TUBE	1				
13	<b>1333006030</b>	• BUSHING	1				
14	<b>1900063926</b>	• RING, wear	1				
15	<b>1900063928</b>	• VALVE ASSY, seat	1				
16	<b>1420010120</b>	• • O-RING	1				
17	<b>1420010140</b>	• • O-RING	1				
18	<b>1421020140</b>	• • RING, back-up	1				
19	<b>1900063929</b>	• HANDLE ASSY	1				
20	<b>1420500200</b>	• • O-RING	1				
21	<b>1900063933</b>	• VALVE ASSY, check	1				
22	<b>1420010220</b>	• • O-RING	1				
23	<b>1420010160</b>	• • O-RING	1				
24	<b>1221000082</b>	• RING, snap	1				
25	<b>1390010350</b>	• BALL, steel	1				
26	<b>1121040810</b>	• SET-SCREW	1				
	<b>L5h060</b>						

TB175 Book No. BL7Z000 S/N 17530001-  
TENSIONING CYLINDER (L.H.)



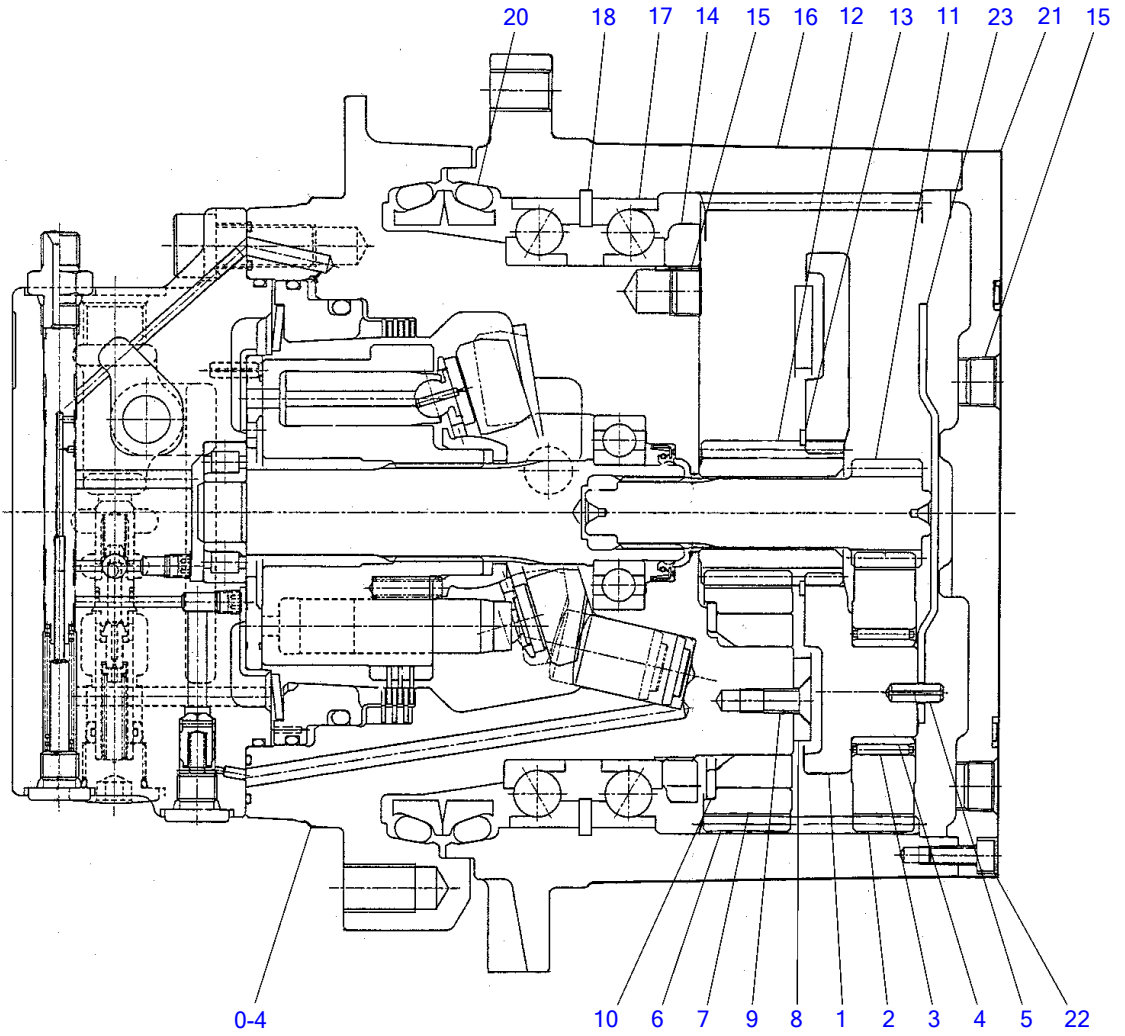
L2H191

S=FREE

**TENSIONING CYLINDER (L.H.)**

Item	Part number	Description	Q'ty	Chan.	Serial No.	Serv.	Remarks
0	<b>1900081100</b>	CYLINDER ASSY	1				tension (L.H.)
0-1	<b>1900063999</b>	• KIT, seal	1				
1	X <b>1411100060</b>	• • SEAL, dust	1				
2	X <b>1420111150</b>	• • O-RING	1				
3	X <b>1411131100</b>	• • PACKING, piston	1				
4	X <b>1411310903</b>	• • RING, back-up	1				
5	X <b>1420011000</b>	• • O-RING	1				
6	X <b>1421021000</b>	• • RING, back-up	1				
7	X <b>1420010320</b>	• • O-RING	1				
8	X <b>1420501050</b>	• • O-RING	1				
9	<b>1900081001</b>	• ROD, piston	1				
10	<b>1900063903</b>	• COVER, rod	1				
11	<b>1900063906</b>	• PISTON	1				
12	<b>1900081007</b>	• TUBE	1				
13	<b>1333006030</b>	• BUSHING	1				
14	<b>1900063926</b>	• RING, wear	1				
15	<b>1900063928</b>	• VALVE ASSY, seat	1				
16	<b>1420010120</b>	• • O-RING	1				
17	<b>1420010140</b>	• • O-RING	1				
18	<b>1421020140</b>	• • RING, back-up	1				
19	<b>1900063929</b>	• HANDLE ASSY	1				
20	<b>1420500200</b>	• • O-RING	1				
21	<b>1900063933</b>	• VALVE ASSY, check	1				
22	<b>1420010220</b>	• • O-RING	1				
23	<b>1420010160</b>	• • O-RING	1				
24	<b>1221000082</b>	• RING, snap	1				
25	<b>1390010350</b>	• BALL, steel	1				
26	<b>1121040810</b>	• SET-SCREW	1				
	<b>L5h070</b>						

TB175 Book No. BL7Z000 S/N 17530001-  
TRAVEL MOTOR (1/2) (reduction sec.)



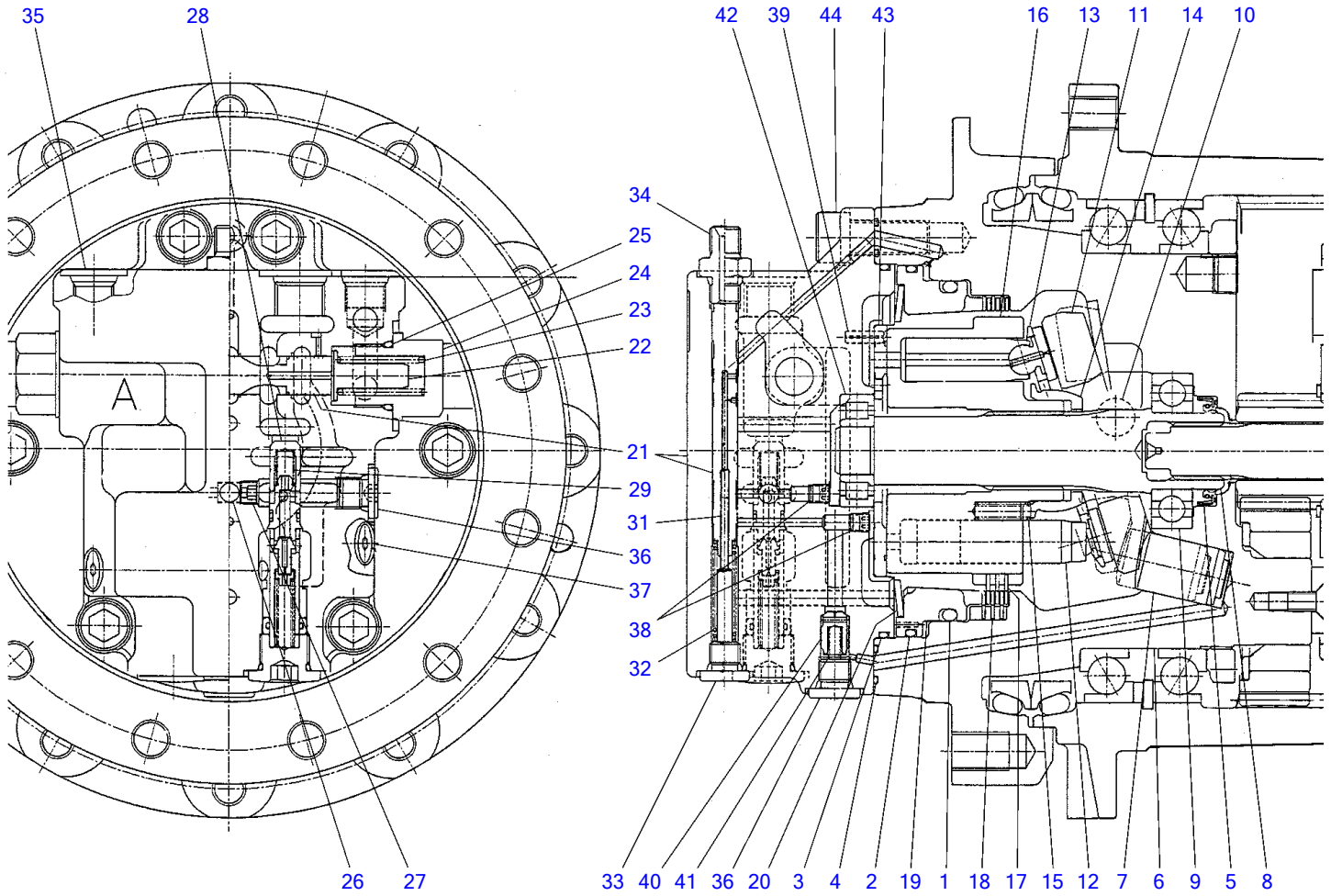
L7H150

S-FREE



TRAVEL MOTOR (1/2) (reduction sec.)							
Item	Part number	Description	Q'ty	Chan.	Serial No.	Serv.	Remarks
0	1903120800	MOTOR ASSY, travel	2				
0-1	X *****	• GEAR ASSY, reduction	1				
0-2	1912906298	• • CARRIER (A) ASSY	1				
1	1912906201	• • • CARRIER (A)	1				
2	1912906202	• • • GEAR	3				
3	1912906203	• • • BEARING	3				
4	1912906204	• • • RACE, inner	3				
5	1213000618	• • • PIN, spring	3				
0-3	1912906297	• • CARRIER (B) ASSY	1				
0-4	1903905400	• • • MOTOR ASSY	1				see page (2/2)
6	1912906206	• • • GEAR	4				
7	1912906207	• • • RACE, inner	4				
8	1912906208	• • • PLATE	1				
9	1912906209	• • • SCREW	4				
10	1912906210	• • • WASHER	4				
11	1912906211	• • GEAR	1				
12	1912906212	• • GEAR	1				
13	1220000048	• • RING, snap	1				
14	1912906213	• • NUT	1				
15	1501810003	• • PLUG	7				
16	1912906231	• • CASE	1				
17	1912906232	• • BEARING	2				
18	1912906216	• • RING, snap	1				
20	1912906218	• • SEAL, floating	1				
21	1912906220	• • COVER	1				
22	1110050616	• • SCREW, cap	12				
23	1912906296	• • PLATE KIT, thrust	1				
23-1	1912906221	• • • PLATE, thrust t=6.0	1				
23-2	1912906222	• • • PLATE, thrust t=6.2	1				
23-3	1912906223	• • • PLATE, thrust t=6.4	1				
23-4	1912906224	• • • PLATE, thrust t=6.6	1				
23-5	1912906225	• • • PLATE, thrust t=6.8	1				
23-6	1912906226	• • • PLATE, thrust t=7.0	1				
23-7	1912906227	• • • PLATE, thrust t=7.2	1				
23-8	1912906228	• • • PLATE, thrust t=7.4	1				
23-9	1912906229	• • • PLATE, thrust t=7.6	1				
	L7h151						

TB175 Book No. BL7Z000 S/N 17530001-  
TRAVEL MOTOR (2/2) (motor sec.)

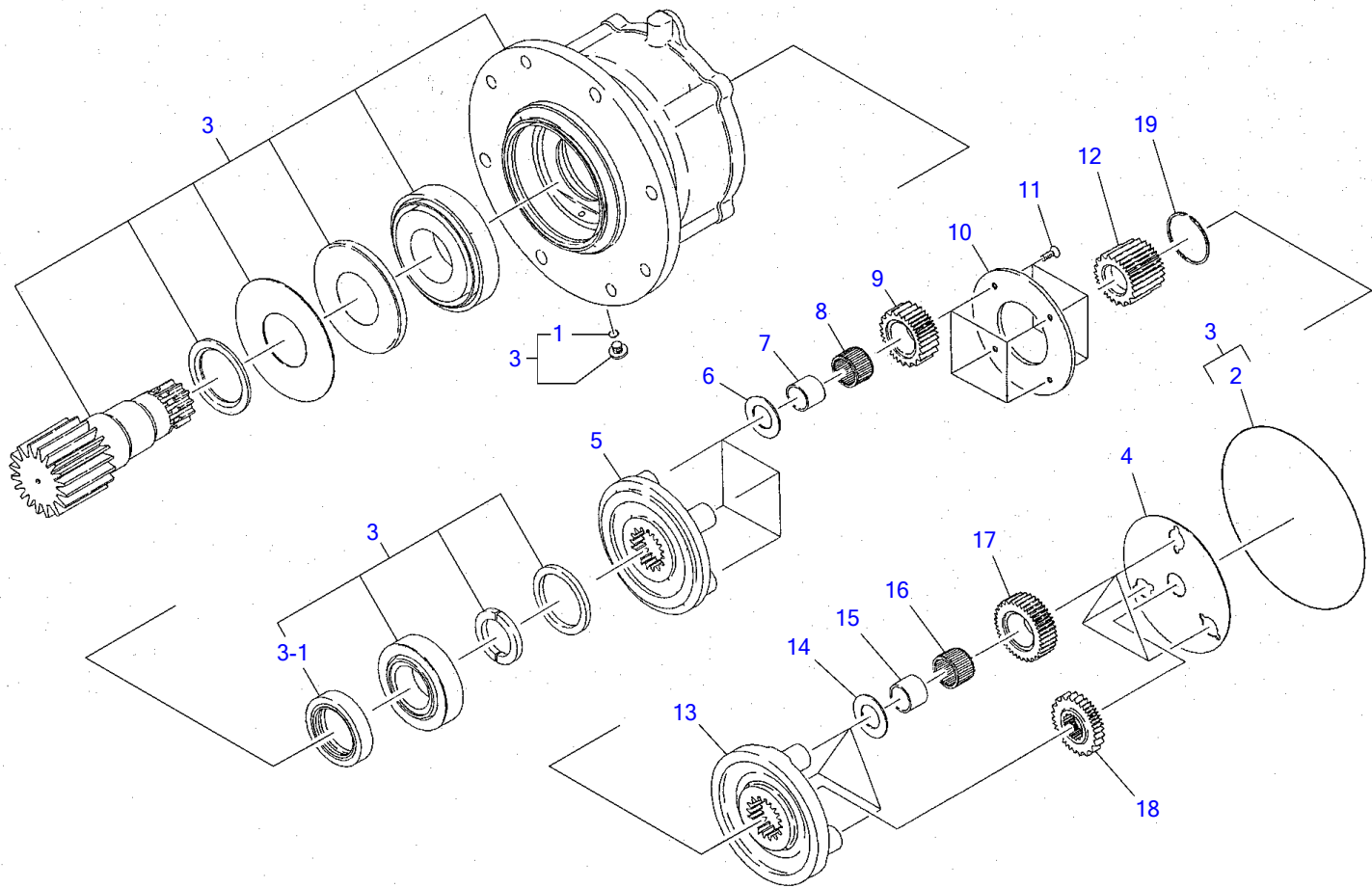


S=FREE

TRAVEL MOTOR (2/2) (motor sec.)

Item	Part number	Description	Q'ty	Chan.	Serial No.	Serv.	Remarks
0	1903120800	MOTOR ASSY, travel	2				
0-4	X *****	· MOTOR ASSY	1				
0-5	1903905499	· · KIT, seal	1				
1	X 1903905416	· · · O-RING	1				
2	X 1903905417	· · · O-RING	1				
3	X 1903905419	· · · O-RING	1				
4	X 1420010120	· · · O-RING	2				
5	X 1903905402	· · · SEAL, oil	1				
6	1903905401	· · HOUSING	1				
7	1903905403	· · PISTON	1				
8	1903905404	· · SHAFT	1				
9	1903905405	· · BEARING	1				
10	1903905406	· · BALL	2				
11	1903905407	· · PLATE	1				
12	1903905408	· · PISTON ASSY	9				
13	1903905409	· · RETAINER	1				
14	1903905410	· · BUSHING	1				
15	1903905411	· · SPRING	6				
16	1903905412	· · ROTOR	1				
17	1903905413	· · PLATE	3				
18	1903905414	· · PLATE	3				
19	1903905415	· · PISTON	1				
20	1903905418	· · DISK	1				
0-6	1901809500	· · VALVE, brake	1				
21	1901809501	· · · CASE	1				
22	1901809503	· · · SPOOL	2				
23	1901809504	· · · SPRING	2				
24	1901809505	· · · PLUG	2				
25	1420110240	· · · O-RING	2				
26	1901809506	· · · BALL	1				
27	1901809507	· · · PLUG	1				
28	1901809508	· · · PLUNGER	2				
29	1901809509	· · · SPRING	2				
30	1901809510	· · · VALVE, relief	2				
31	1901809511	· · · NEEDLE	1				
32	1901809512	· · · SPRING	1				
33	1901809513	· · · PLUG	1				
34	1901809514	· · · ADAPTOR	1				
35	1501810003	· · · PLUG	1				
36	1501810002	· · · PLUG	2				
37	1501810001	· · · PLUG	2				
38	1901809515	· · · PLUG	2				
39	1901809516	· · · PIN, spring	1				
40	1901809517	· · · PLUNGER	1				
41	1901809518	· · · SPRING	1				
42	1903905421	· · BEARING	1				
43	1903905422	· · PLATE	1				
44	1110021432	· · SCREW, cap	6				

L3h270



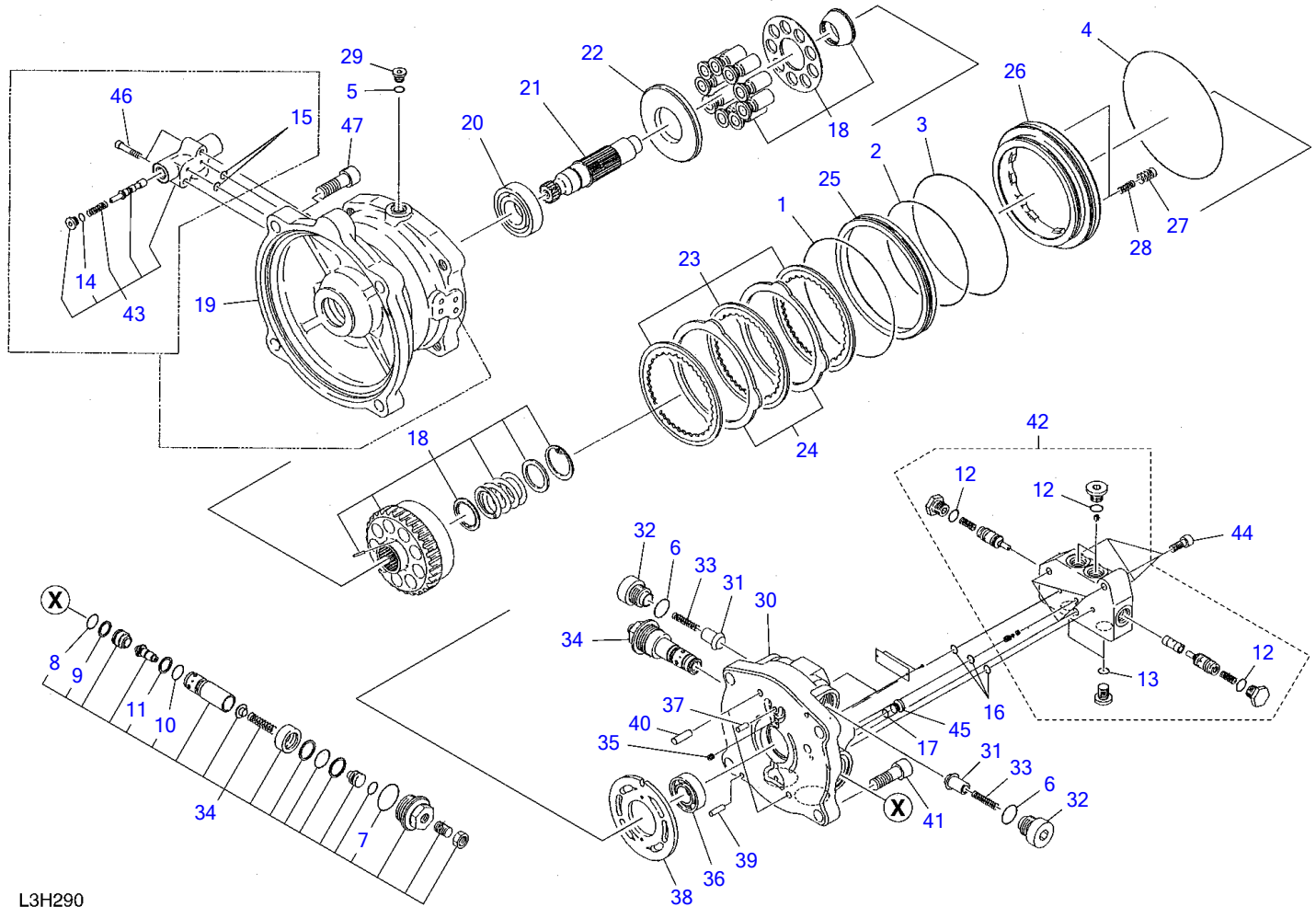
L3H281

S=FREE

**SLEW MOTOR (1/2) (reduction sec.)**

Item	Part number	Description	Q'ty	Chan.	Serial No.	Serv.	Remarks
0	<b>1903120900</b>	MOTOR ASSY, slew	1				
0-1	X *****	• GEAR ASSY, reduction	1				
0-2	<b>1912906399</b>	• • KIT, seal	1				
1	X <b>1420010080</b>	• • • O-RING	1				
2	X <b>1420310267</b>	• • • O-RING	1				
3	<b>1912906398</b>	• • HOUSING ASSY	1				
3-1	<b>1912906307</b>	• • • SEAL, oil	1				
4	<b>1912906397</b>	• • PLATE KIT, thrust	1				
5	<b>1912906311</b>	• • HOLDER	1				
6	<b>1912906008</b>	• • PLATE, thrust	4				
7	<b>1912906340</b>	• • RACE, inner	4				
8	<b>1912906341</b>	• • BEARING	4				
9	<b>1912906315</b>	• • GEAR	4				
10	<b>1912904213</b>	• • PLATE, thrust	1				
11	<b>1120640816</b>	• • SCREW	4				
12	<b>1912906318</b>	• • GEAR	1				
13	<b>1912906319</b>	• • HOLDER	1				
14	<b>1912905612</b>	• • WASHER, thrust	3				
15	<b>1912905611</b>	• • RACE, inner	3				
16	<b>1912905610</b>	• • BEARING	3				
17	<b>1912906323</b>	• • GEAR	3				
18	<b>1912906325</b>	• • GEAR	1				
19	<b>1912906326</b>	• • RING, snap	1				
	<b>L7h160</b>						

TB175 Book No. BL7Z000 S/N 17530001-  
SLEW MOTOR (2/2) (motor sec.)



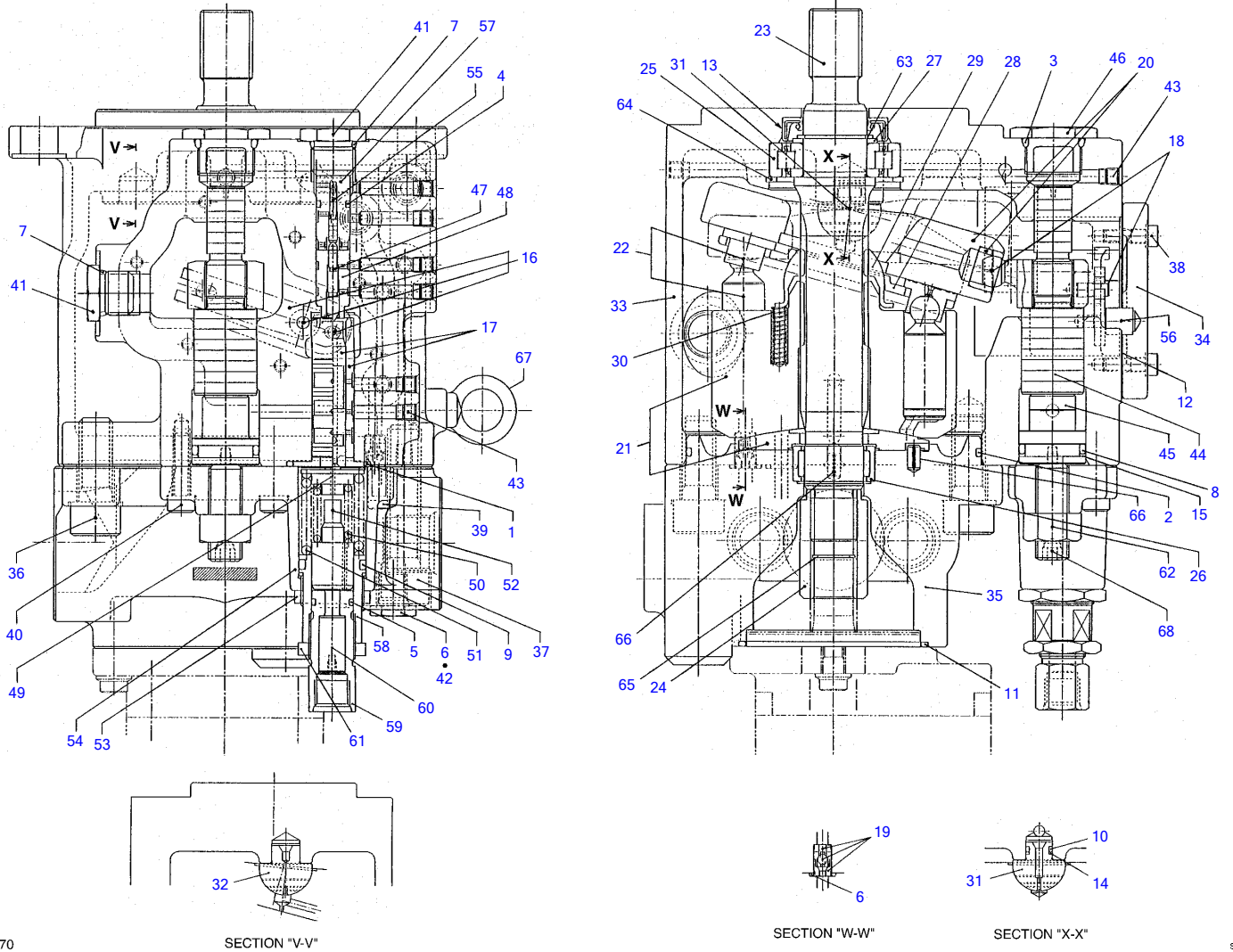
L3H290

S=FREE

**SLEW MOTOR (2/2) (motor sec.)**

Item	Part number	Description	Q'ty	Chan.	Serial No.	Serv.	Remarks
0	<b>1903120900</b>	MOTOR ASSY, slew	1				
0-3	X *****	· MOTOR ASSY	1				
0-4	<b>1903905599</b>	· · KIT, seal	1				
1	X <b>1420111450</b>	· · · O-RING	1				
2	X <b>1420111300</b>	· · · O-RING	1				
3	X <b>1420300257</b>	· · · O-RING	1				
4	X <b>1420300259</b>	· · · O-RING	1				
5	X <b>1420010110</b>	· · · O-RING	1				
6	X <b>1420010210</b>	· · · O-RING	2				
7	X <b>1420310916</b>	· · · O-RING	1				
8	X <b>1420010150</b>	· · · O-RING	1				
9	X <b>1421020150</b>	· · · RING, back-up	1				
10	X <b>1420010160</b>	· · · O-RING	1				
11	X <b>1421020160</b>	· · · RING, back-up	1				
12	X <b>1420010140</b>	· · · O-RING	4				
13	X <b>1420010110</b>	· · · O-RING	2				
14	X <b>1420010110</b>	· · · O-RING	1				
15	X <b>1420010070</b>	· · · O-RING	2				
16	X <b>1420010100</b>	· · · O-RING	3				
17	X <b>1420010080</b>	· · · O-RING	1				
18	<b>1903905598</b>	· · BLOCK ASSY, cylinder	1				
19	<b>1903905501</b>	· · CASE	1				
20	<b>1903102003</b>	· · BEARING	1				
21	<b>1903905504</b>	· · SHAFT	1				
22	<b>1903905505</b>	· · PLATE, thrust	1				
23	<b>1903905515</b>	· · DISK	3				
24	<b>1903905516</b>	· · PLATE	2				
25	<b>1903905517</b>	· · COLLAR	1				
26	<b>1903905519</b>	· · PISTON, brake	1				
27	<b>1903905522</b>	· · SPRING	12				
28	<b>1903905523</b>	· · SPRING	8				
29	<b>1501750002</b>	· · PLUG	1				
	<b>1420010110</b>	· · · O-RING	1				
30	<b>1903905527</b>	· · COVER	1				
31	<b>1903904722</b>	· · POPPET	2				
32	<b>1903904723</b>	· · PLUG	2				
33	<b>1903904725</b>	· · SPRING	2				
34	<b>1903905528</b>	· · VALVE, relief	2				
35	<b>1901802713</b>	· · ORIFICE	1				
36	<b>1903115927</b>	· · BEARING	1				
37	<b>1212000610</b>	· · PIN	1				
38	<b>1903115925</b>	· · PLATE	1				
39	<b>1903120119</b>	· · PIN	2				
40	<b>1212000820</b>	· · PIN	2				
41	<b>1110021440</b>	· · SCREW, cap	4				
42	<b>1903905529</b>	· · VALVE ASSY	1				
43	<b>1903905532</b>	· · VALVE ASSY	1				
44	<b>1110020820</b>	· · SCREW, cap	3				
45	<b>1501750003</b>	· · PLUG	1				
	<b>1420010140</b>	· · · O-RING	1				
46	<b>1110020630</b>	· · SCREW, cap	2				
47	<b>1110021440</b>	· SCREW, cap	4				
	<b>L3h290</b>						

TB175 Book No. BL7Z000 S/N 17530001-  
HYDRAULIC PUMP



L7H170

SECTION "V-V"

SECTION "W-W"

SECTION "X-X"

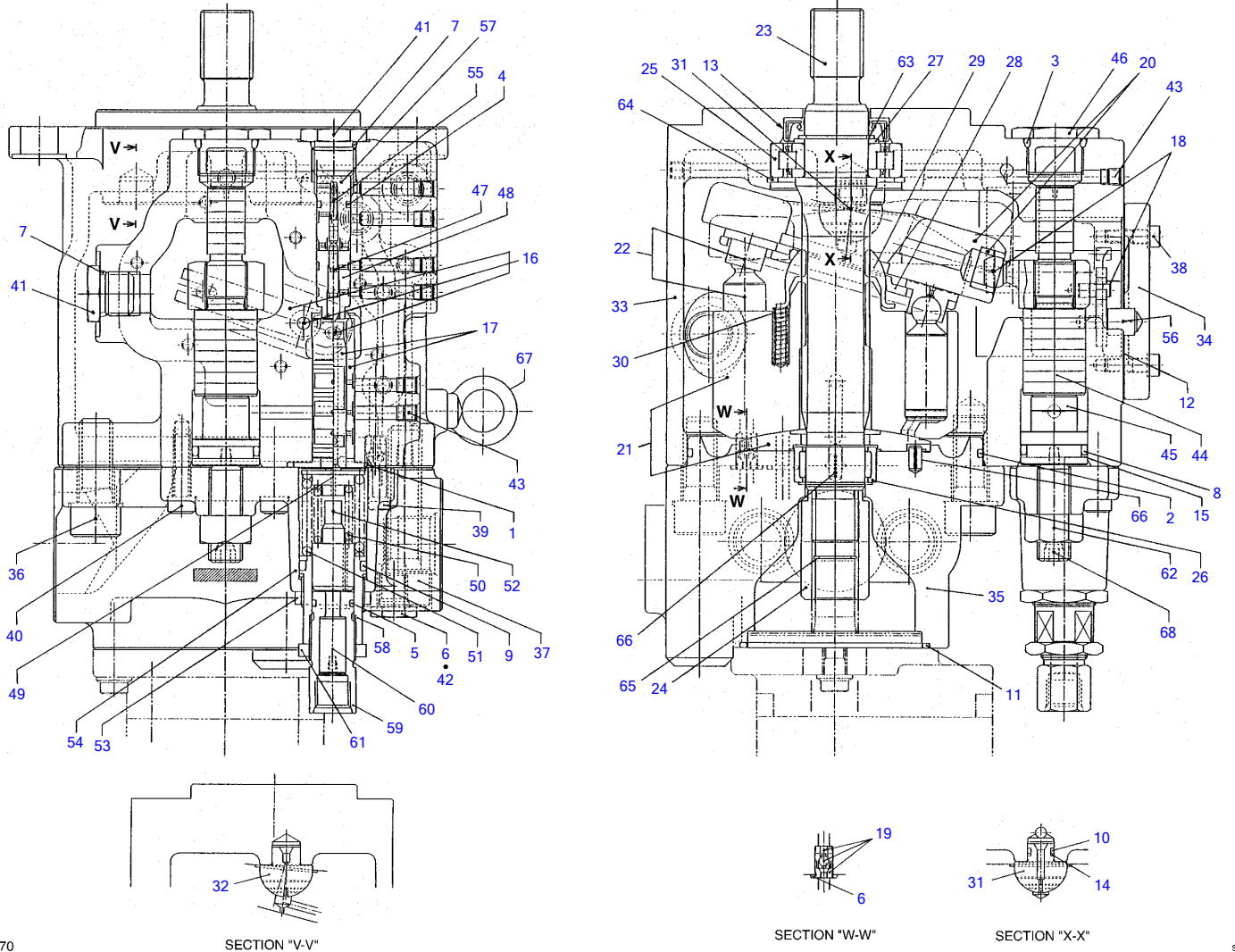
Safe



**HYDRAULIC PUMP**

Item	Part number	Description	Q'ty	Chan.	Serial No.	Serv.	Remarks
0	1902024200	PUMP ASSY, hydraulic	1			M	
0-1	1902017599	• KIT, seal	1				
1	X 1420110350	• • O-RING	1				
2	X 1420111350	• • O-RING	1				
3	X 1420010240	• • O-RING	1				
4	X 1420010120	• • O-RING	1				
5	X 1420010160	• • O-RING	1				
6	X 1420010110	• • O-RING	6				
7	X 1420010180	• • O-RING	1				
8	X 1902017555	• • O-RING	1				
9	X 1420010260	• • O-RING	1				
10	X 1902017556	• • O-RING	1				
11	X 1420110850	• • O-RING	1				
12	X 1902017557	• • GASKET	1				
13	X 1902017558	• • SEAL, oil	1				
14	X 1902017559	• • RING, back-up	1				
15	X 1421020260	• • RING, back-up	1				
16	1902017598	• LEVER ASSY	1				
17	1902017597	• SPOOL ASSY	1				
18	1902017596	• PIN ASSY	1				
19	1902017595	• VALVE ASSY, check	1				
20	1902017594	• PLATE ASSY	1				
21	1902017593	• CYLINDER ASSY	1				
22	1902024292	• PISTON ASSY	1			M	
23	1902017501	• SHAFT	1				
24	1902017502	• COUPLING	1				
25	1902017503	• BEARING	1				
26	1902017504	• BEARING	1				
27	1902017505	• SPACER	1				
28	1902017509	• PLATE	1				
29	1902017510	• BUSHING	1				
30	1902017511	• SPRING	10				
31	1902017514	• BALL	1				
32	1902017515	• BALL	1				
33	1902017516	• CASE	1				
34	1902017517	• COVER	1				
35	1902017518	• COVER	1				
36	1110021640	• SCREW, cap	4				
37	1110021670	• SCREW, cap	1				
38	1110020620	• SCREW, cap	7				
39	1110020625	• SCREW, cap	2				
40	1110020830	• SCREW, cap	4				
41	1501750004	• PLUG	1				
	1420010180	• • O-RING	1				
42	1501750002	• PLUG	2				
	1420010110	• • O-RING	1				
43	1501810000	• PLUG	16				
44	1902017529	• PISTON	1				
45	1902024230	• STOPPER	1			M	
46	1902017531	• PLUG	1				
47	1902017537	• PISTON	1				
48	1902017538	• CASE	1				
49	1902017539	• WASHER, spring	1				
50	1902017540	• SPRING	1				
51	1902017541	• SPRING	1				
52	1902017562	• PIN	1				
53	1902017543	• NUT	1				
54	1902017544	• COVER	1				
55	1902022149	• PISTON	1			M	
56	1902017550	• PIN	1				
57	1902022151	• CASE	1			M	
58	1902017552	• SCREW	1				
59	1902017553	• RING	1				
60	1902017554	• PISTON	1				
61	1902017560	• NUT	1				
62	1130050016	• NUT	1				
63	1220000030	• RING, snap	1				
64	1221000062	• RING, snap	1				

TB175 Book No. BL7Z000 S/N 17530001-  
HYDRAULIC PUMP



L7H170

SECTION "V-V"

SECTION "W-W"

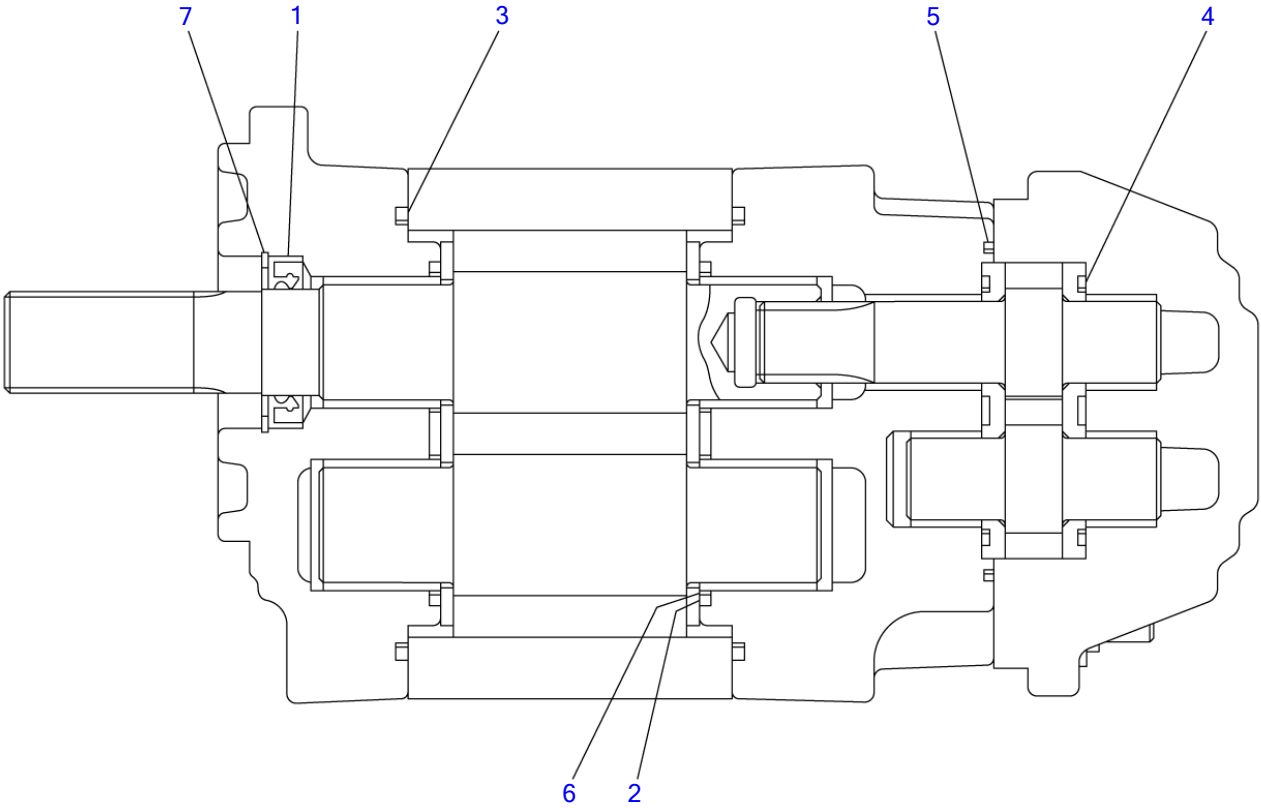
SECTION "X-X"

Safe

**HYDRAULIC PUMP**

Item	Part number	Description	Q'ty	Chan.	Serial No.	Serv.	Remarks
65	<b>1221000019</b>	• RING, snap	1				
66	<b>1213000612</b>	• PIN, spring	2				
67	<b>1121600008</b>	• BOLT	1				
68	<b>1121051645</b>	• SET-SCREW	1				
	<b>L7h170</b>						

TB175 Book No. BL7Z000 S/N 17530001-  
GEAR PUMP

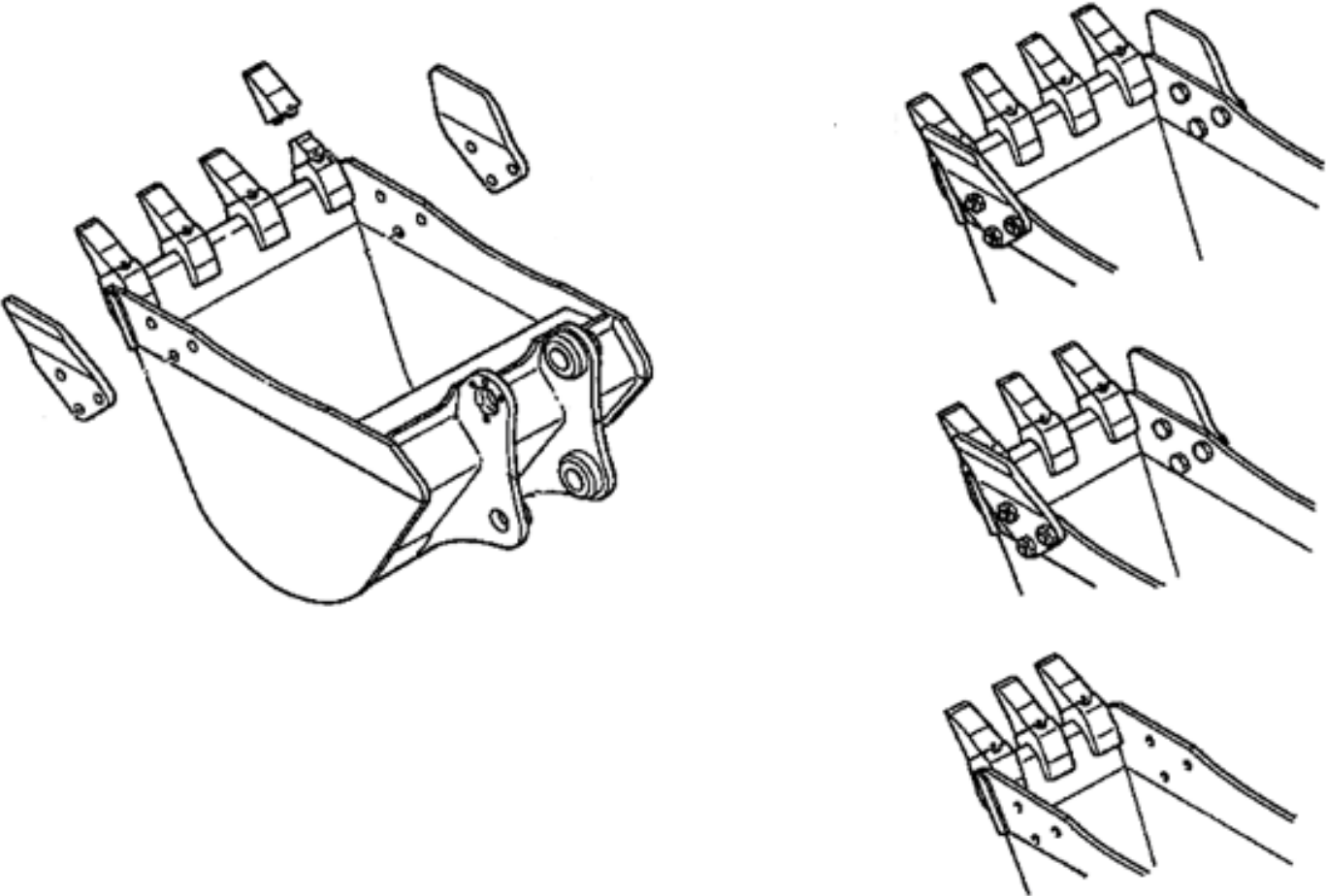


L3H300

S=FREE

**GEAR PUMP**

Item	Part number	Description	Q'ty	Chan.	Serial No.	Serv.	Remarks
0	<b>1902017600</b>	PUMP ASSY, gear	1				
0-1	<b>1902017699</b>	▪ KIT, seal	1				
1	X <b>1902017618</b>	▪ ▪ SEAL, oil	1				
2	X <b>1902017616</b>	▪ ▪ GASKET	2				
3	X <b>1902017613</b>	▪ ▪ GASKET	2				
4	X <b>1902011050</b>	▪ ▪ GASKET	2				
5	X <b>1902011151</b>	▪ ▪ GASKET	1				
6	X <b>1902017615</b>	▪ ▪ RING, back-up	2				
7	X <b>1221000036</b>	▪ ▪ RING, snap	1				
	<b>L3h301</b>						



		<b>TB175 Buckets</b>						
Item	Part number	Description	Q'ty	Chan.	Serial No.	Serv.	Remarks	
		TB175 Buckets						
	<b>BQC07012</b>	12" Coupler Bucket TB070/TB175/TB180FR(requires BQC07000)	1					
	<b>BQC07016</b>	16" Coupler Bucket TB070/TB175/TB180FR(requires BQC07000)	1					
	<b>BQC07018</b>	18" Coupler Bucket TB070/TB175/TB180fR(requires BQC07000)	1					
	<b>BQC07024</b>	24" Coupler Bucket TB070/TB175/TB180fR(requires BQC07000)	1					
	<b>BQC07030</b>	30" Coupler Bucket TB070/TB175/TB180fR(requires BQC07000)	1					
	<b>BQC07036</b>	36" Coupler Bucket TB070/TB175/TB180fR(requires BQC07000)	1					
	<b>BQC07042</b>	42" Coupler Bucket TB070/TB175/TB180fR(requires BQC07000)	1					
	<b>BQC07048</b>	48" Coupler Bucket TB070/TB175/TB180fR(requires BQC07000)	1					
	<b>BQC07060</b>	60" CouplerDitchCleaning Bucket TB070/TB175/TB180fR(requires BQC07000)	1					
	<b>BTB07012</b>	12" Pin-on Bucket TB070/TB175/TB180FR	1					
	<b>BTB07016</b>	16" Pin-on Bucket TB070/TB175/TB180FR(special)	1					
	<b>BTB07018</b>	18" Pin-on Bucket TB070/TB175/TB180FR	1					
	<b>BTB07024</b>	24" Pin-on Bucket TB070/TB175/TB180FR	1					
	<b>BTB07030</b>	30" Pin-on Bucket TB070/TB175/TB180FR(special)	1					
	<b>BTB07036</b>	36" Pin-on Bucket TB070/TB175/TB180FR	1					
	<b>BTB07048</b>	48" Pin-on Bucket TB070/TB175/TB180FR(special)	1					
	<b>BTB07060</b>	60" Pin-on Bucket TB070/TB175/TB180FR(special)	1					



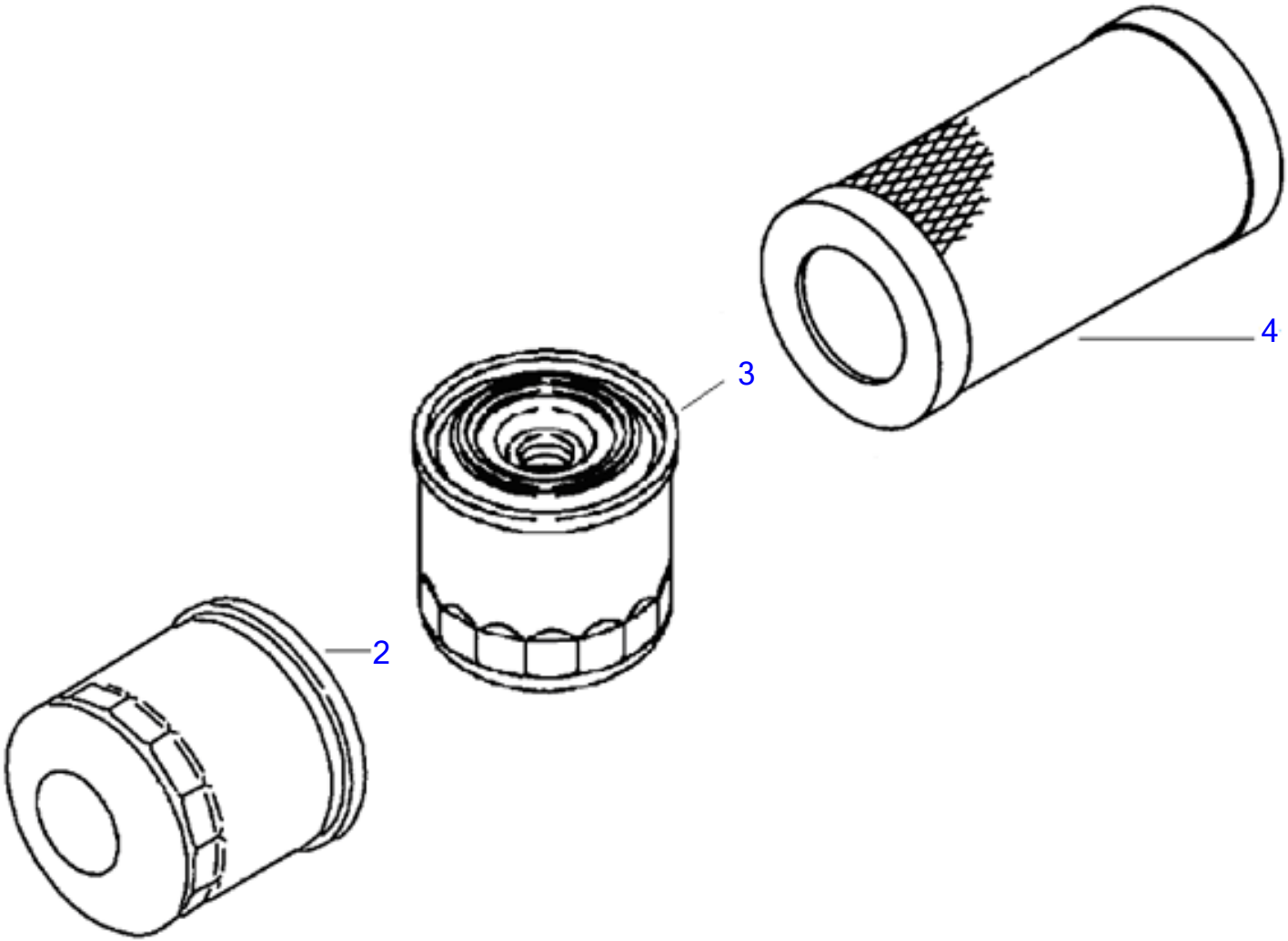


**Teeth New Style**

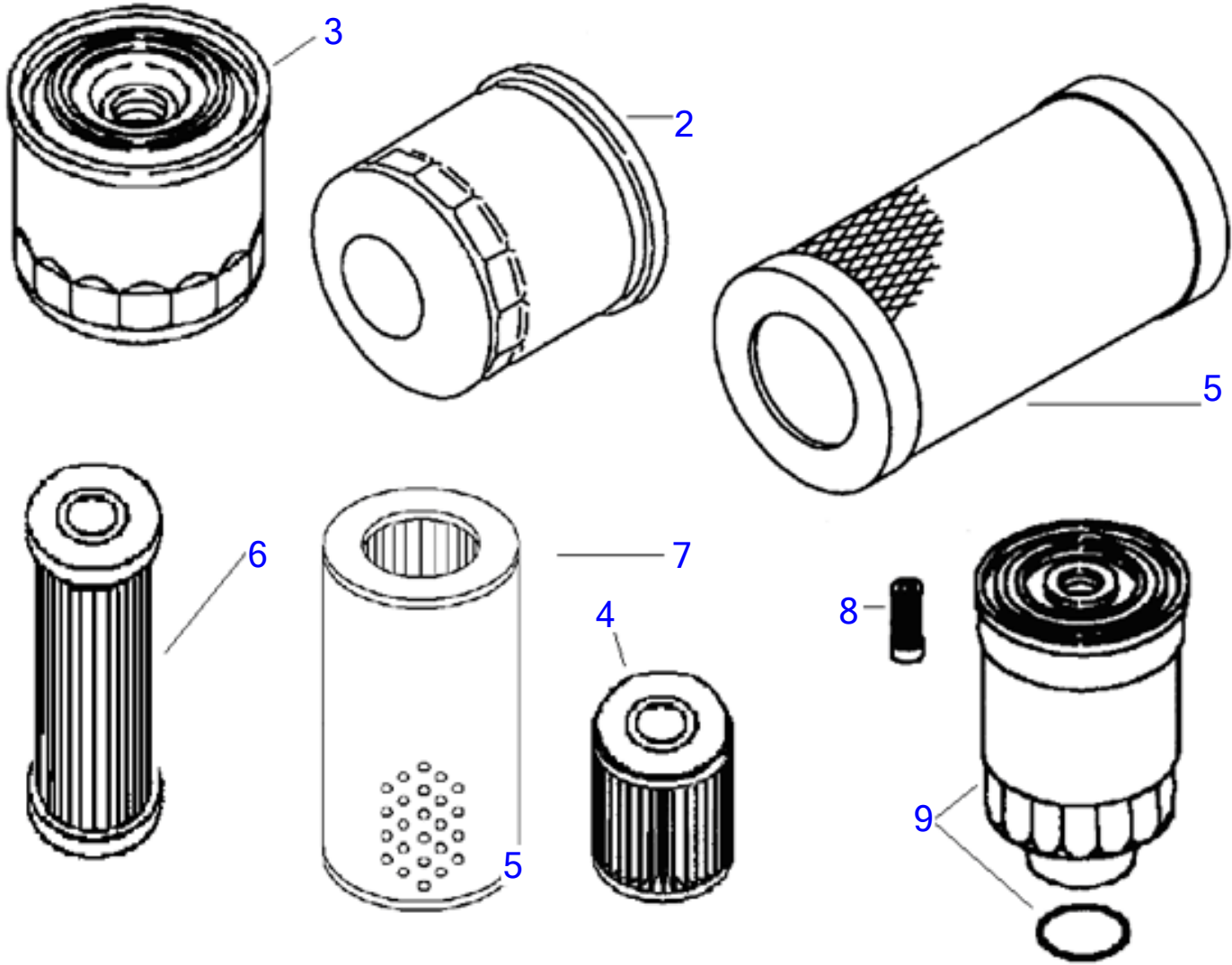
Item	Part number	Description	Q'ty	Chan.	Serial No.	Serv.	Remarks
		Teeth New Style					
1	1914200230	Tooth	1				
2	1914290230	Double Tiger Rock Tooth	1				
3	1914202300	Adaptor	1				
	1914202300X	Adaptor Shank for 230 Tooth	1				
4	1914200023	Lock	1				



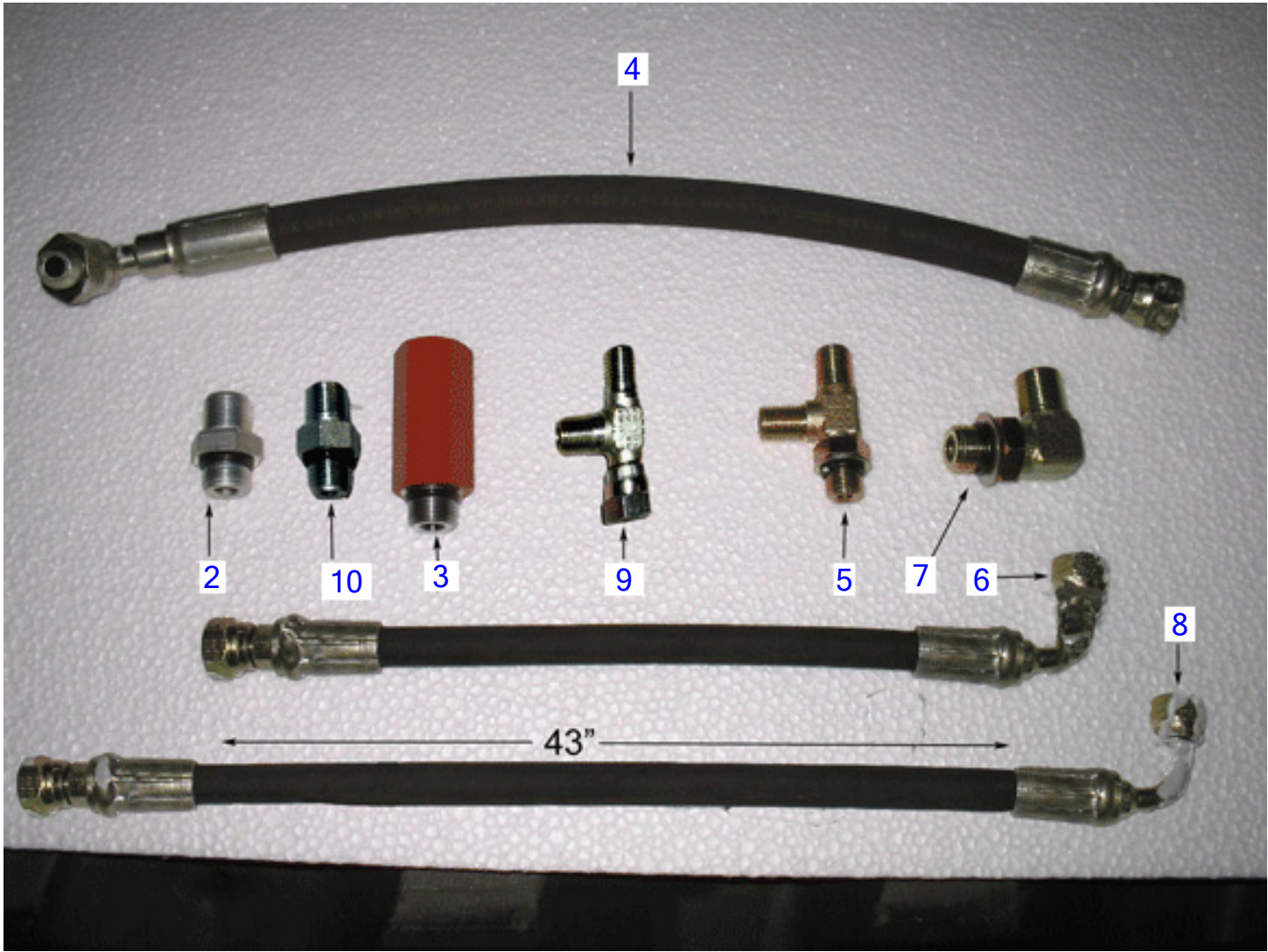
Item	Part number	Description	Teeth Old Style			Remarks
			Q'ty	Chan.	Serial No.	
		Teeth Old Style				
1	1914201102	Tooth Point	1			
2	1914201101	Tooth Adaptor	1			
3	1914201103	Lock Pin	1			
4	1914201104	Pin	1			



Item	Part number	250 Hour Filter Kit Description	Q'ty	Chan.	Serial No.	Serv.	Remarks
		250 Hour Filter Kit					
	<b>1909917501</b>	TB175 250 Hour Filter Kit SN 17512105-up	1				
	<b>1909917500</b>	TB175 250 Hour Filter Kit SN 17510003-17512104	1				
2	<b>Y129150-35150</b>	* Engine Oil Filter	1				
3	<b>Y129004-55801</b>	* Fuel Filter	1				
4	<b>Y129062-12560</b>	* Outer Air Filter SN 17510003-up	1				



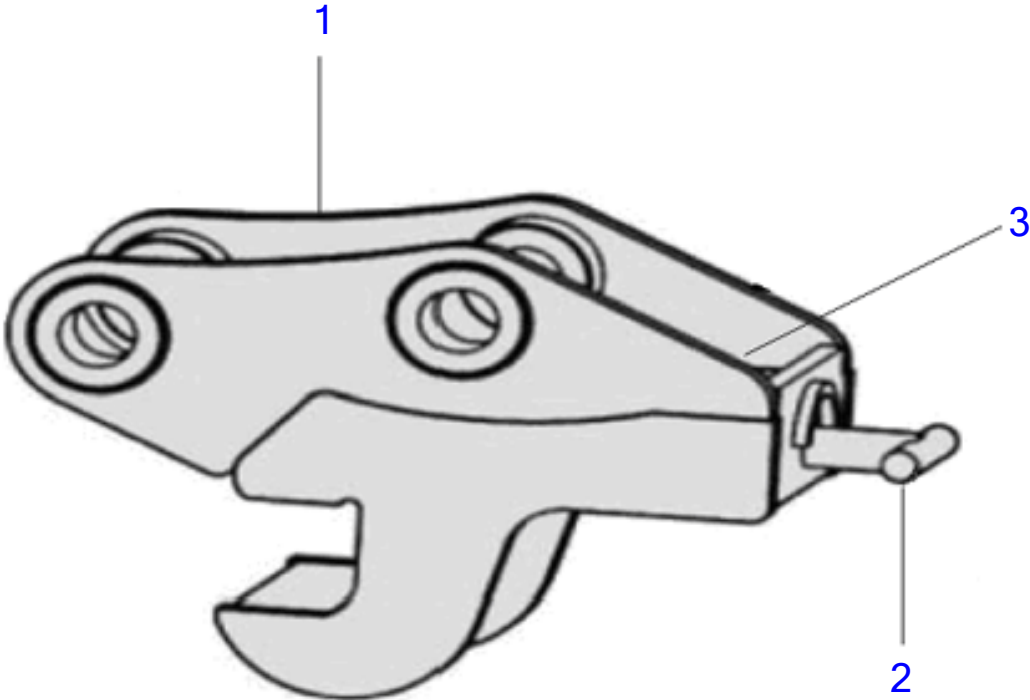
Annual Filter Kit						
Item	Part number	Description	Q'ty	Chan.	Serial No.	Serv. Remarks
	<b>1909917511</b>	Annual Filter Kit				
2	<b>Y129150-35150</b>	Annual Filter Kit SN 17510003-up	1			
3	<b>Y129004-55801</b>	* Engine Oil Filter	1			
4	<b>Y129535-52150</b>	* Fuel Filter	1			
5	<b>Y129062-12560</b>	* Fuel Filter Feed Pump	1			
6	<b>Y129062-12560</b>	* Outer Air Filter SN 17510003-up	1			
7	<b>Y119005-12571</b>	* Inner Air Filter SN 17510003-up	1			
8	<b>1551100200</b>	* Hydraulic Filter	1			
9	<b>Y129901-55860</b>	* Sedimetn Filter	1			
	<b>Y129901-55850</b>	* Water Seperator	1			



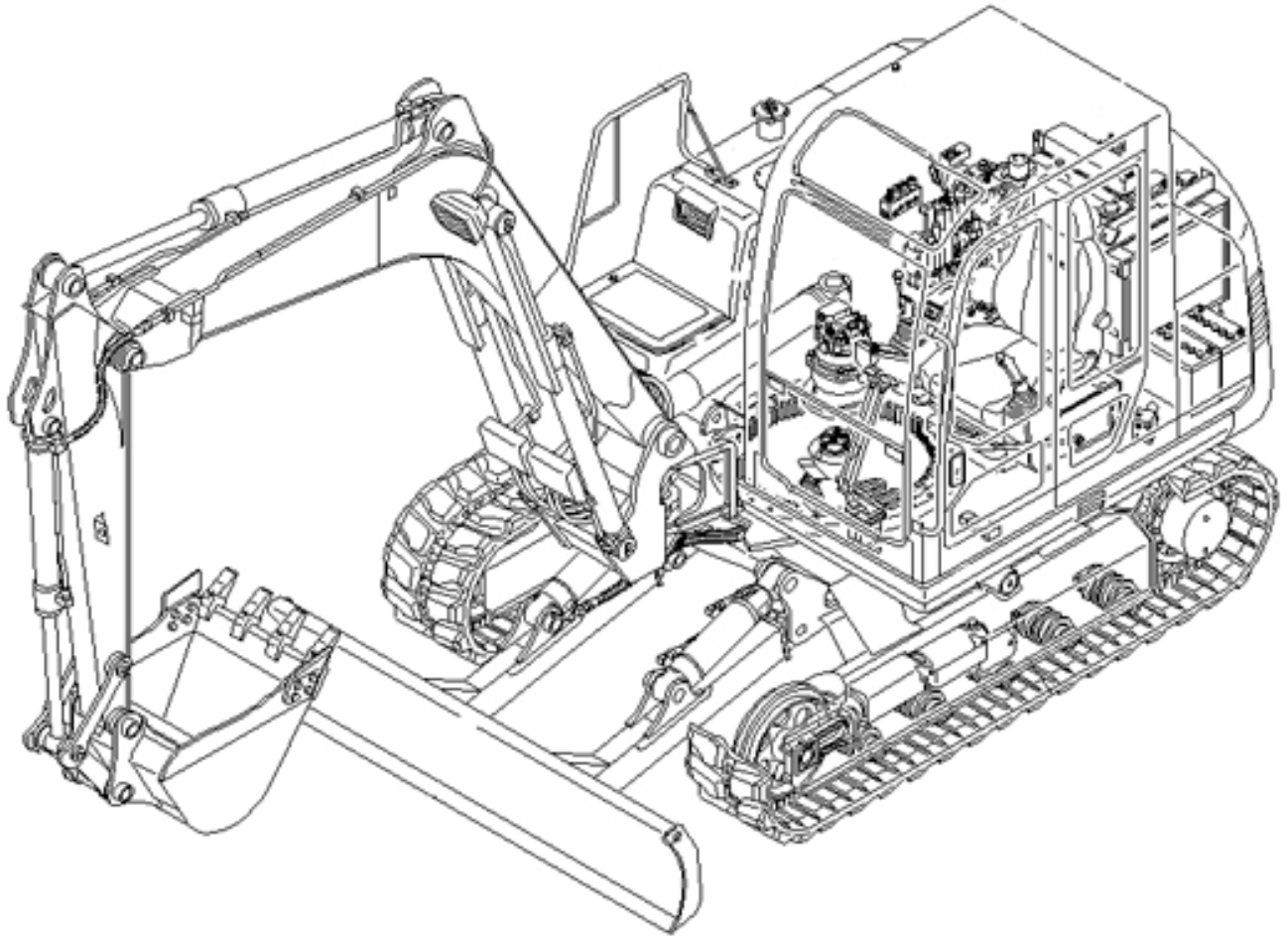


**High Flow Kit SN 1751205-up**

Item	Part number	Description	Q'ty	Chan.	Serial No.	Serv.	Remarks
		High Flow Kit SN 17512105-up					
	<b>19099175HI</b>	High Flow Kit SN 17512105-up	1				
2	<b>1515600201</b>	* Adaptor	1				
3	<b>1901739500</b>	* Valve Assy	1				
4	<b>1934852026</b>	* Hose Assy	1				
5	<b>1512370011</b>	* Tee	1				
6	<b>1802521040</b>	* Hose Assy	1				
7	<b>1515010041</b>	* Elbow	1				
8	<b>1801052110</b>	* Hose Assy	1				
9	<b>1513390015</b>	* Adaptor T	1				
10	<b>1515600200</b>	* Adaptor	1				

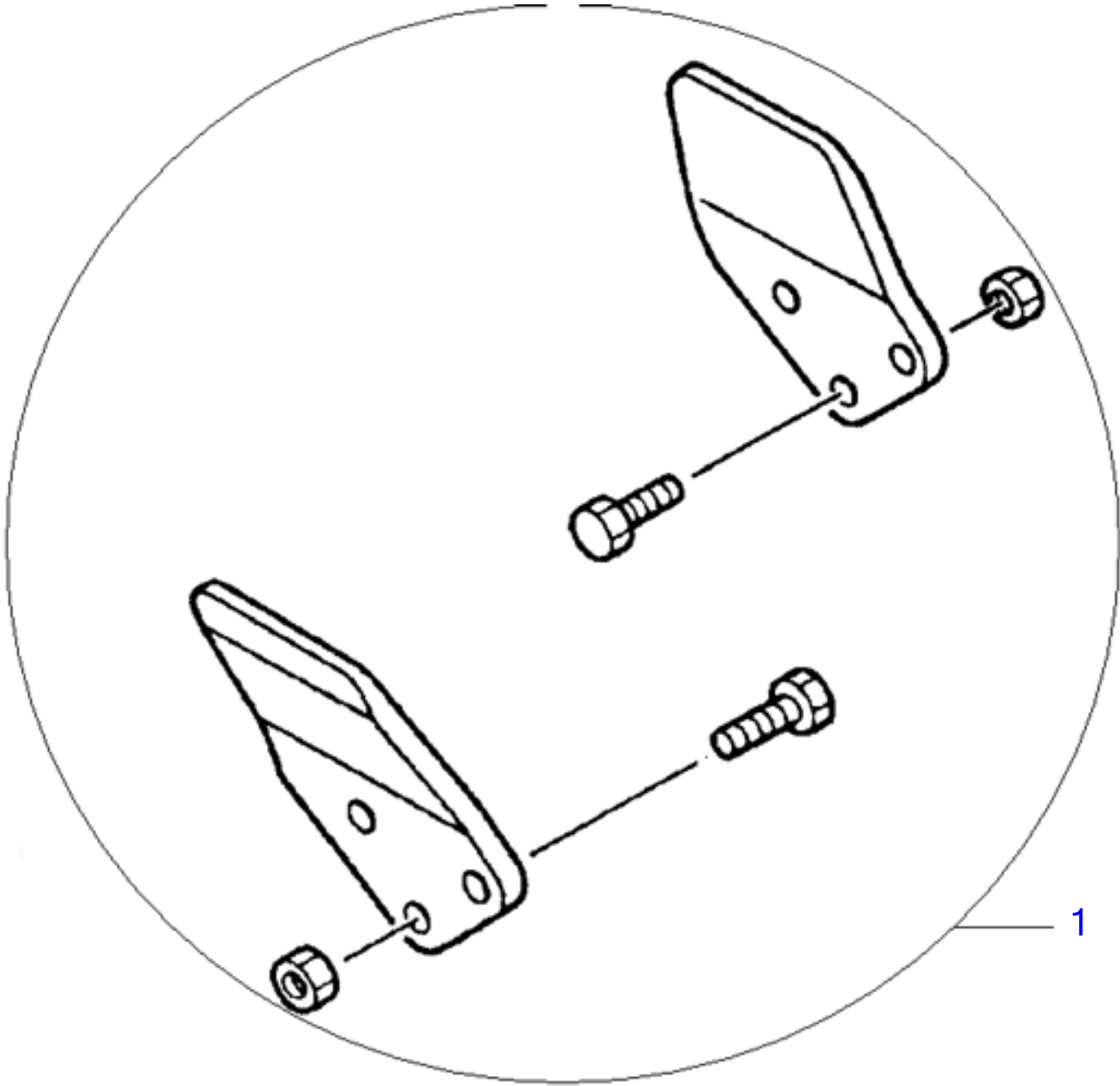


Quick Coupler							
Item	Part number	Description	Q'ty	Chan.	Serial No.	Serv.	Remarks
		Quick Coupler					
1	<b>BQC07000</b>	Coupler TB070/TB175/TB180FR	1				
2	<b>BQC07001</b>	Coupler T Pin TB175	1				
3	<b>BQCCLEVIS</b>	Clevis Pin for all BQC T-pins	1				

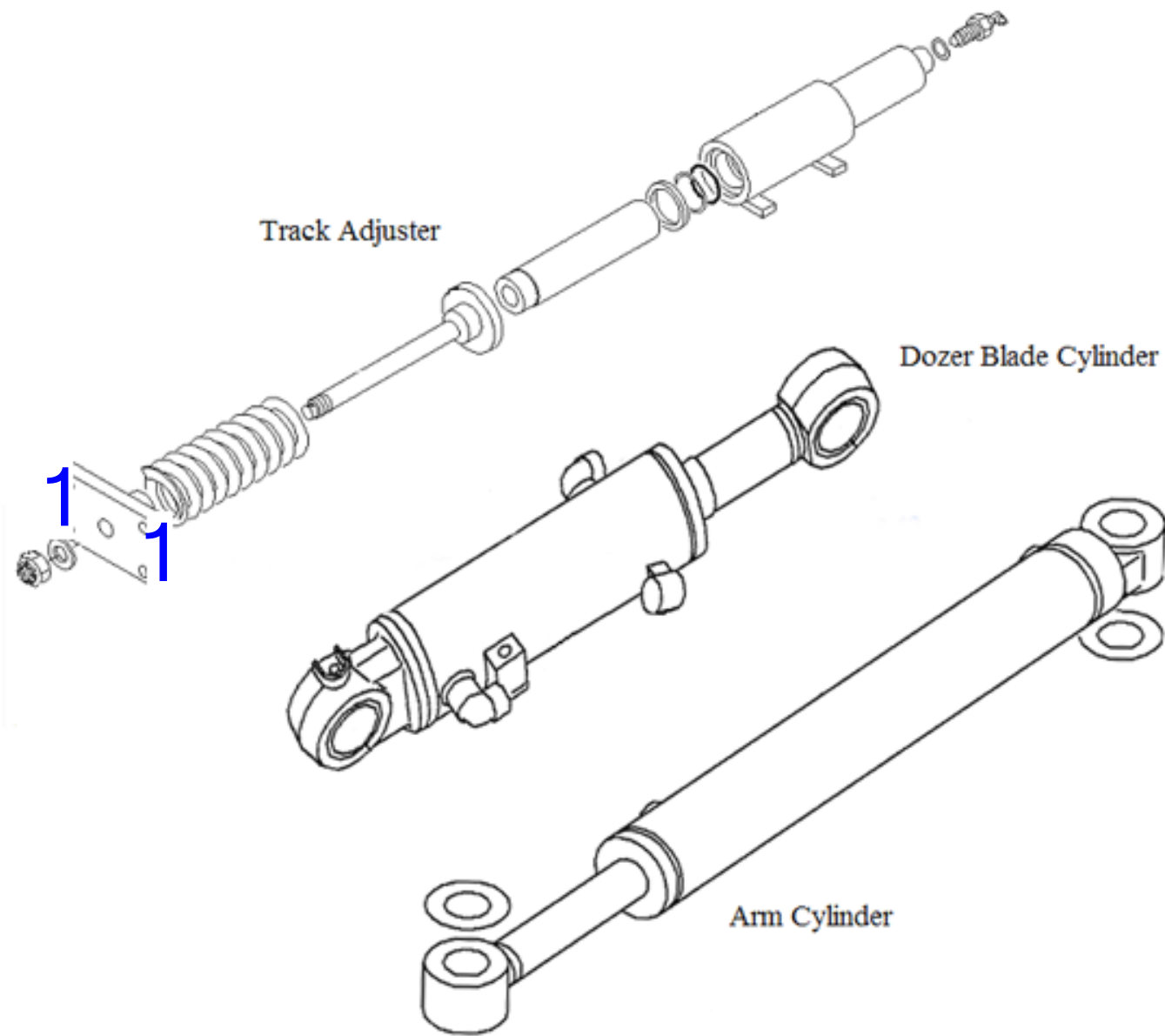


TAKEUCHI

Recommended Stock List			Q'ty	Chan.	Serial No.	Serv.	Remarks
Item	Part number	Description					
		Recommended Stock List					
	1551100200	Hydraulick Filter	5				
	Y129062-12560	Outer Air Filter SN 17510003-up	3				
	Y129150-35150	Engine Oil Filter	6				
	Y129004-55801	Fuel Filter	3				
	1909917500	250 Hour Filter Kit SN 17510003-17512104	1				
	1909917501	250 Hour Filter Kit SN 17512105-up	1				
	1909917511	Annual Filter Kit SN 17510003-up	1				
	1900063599	Bucket Cylinder Seal Kit SN 17510003-17510308	1				
	1900083299	Bucket Cylinder Seal Kit SN 17510309-17512104	1				
	1900079399	Swing Cylinder Seal Kit SN 17510003-17512104	1				
	1900076399	Arm Cylinder Seal Kit	1				
	1900078999	Boom Cylinder Seal Kit	1				
	1914201102	Tooth	5				
	1914201104	Pin	5				
	1914201103	Lock Pin	5				
	1515600202	Adaptor	2				
	1511050002	Adaptor	2				
	1513107001	Adaptor	2				
	1515100113	Elbow	2				
	1420111250	O-Ring G-125	2				
	1420111600	O-Ring	2				
	1560001000	Straight Grease Fitting	10				
	1560001675	Grease Fitting 67.5 degree	6				
	1560001900	Grease Fitting 90 degree	6				
	0566015400	Lamp Assy	1				
	1650202610	Grip	1				
	1650203210	Grip with switch	1				
	1552100500	Fuel Cap	1				
	1554512601	Tube	1				
	1919060104	Red Aerosol Paint	6				
	1919060140	Medium Gray Aerosol Paint (070)	6				
	1919060139	Light Gray Aerosol Paint	6				
	1909921906	Male Plug 1/4" 6 MM	4				
	1909921909	Male Plug 3/8" 9 MM	4				
	1501750004	Plug	4				
	1515600503	Plug	2				
	1909924906	Female Cap 1/4" 6 MM	4				
	1909924909	Female Cap 3/8" 9 MM	4				
	1909924912	Cap 12 MM	2				
	Y25132-004500	Fan Belt	1				
	Y129911-49020	Hose Assy	1				
	Y129915-49010	Hose Assy	1				
	1700100019	Key (qty 1 = 2 keys)	6				

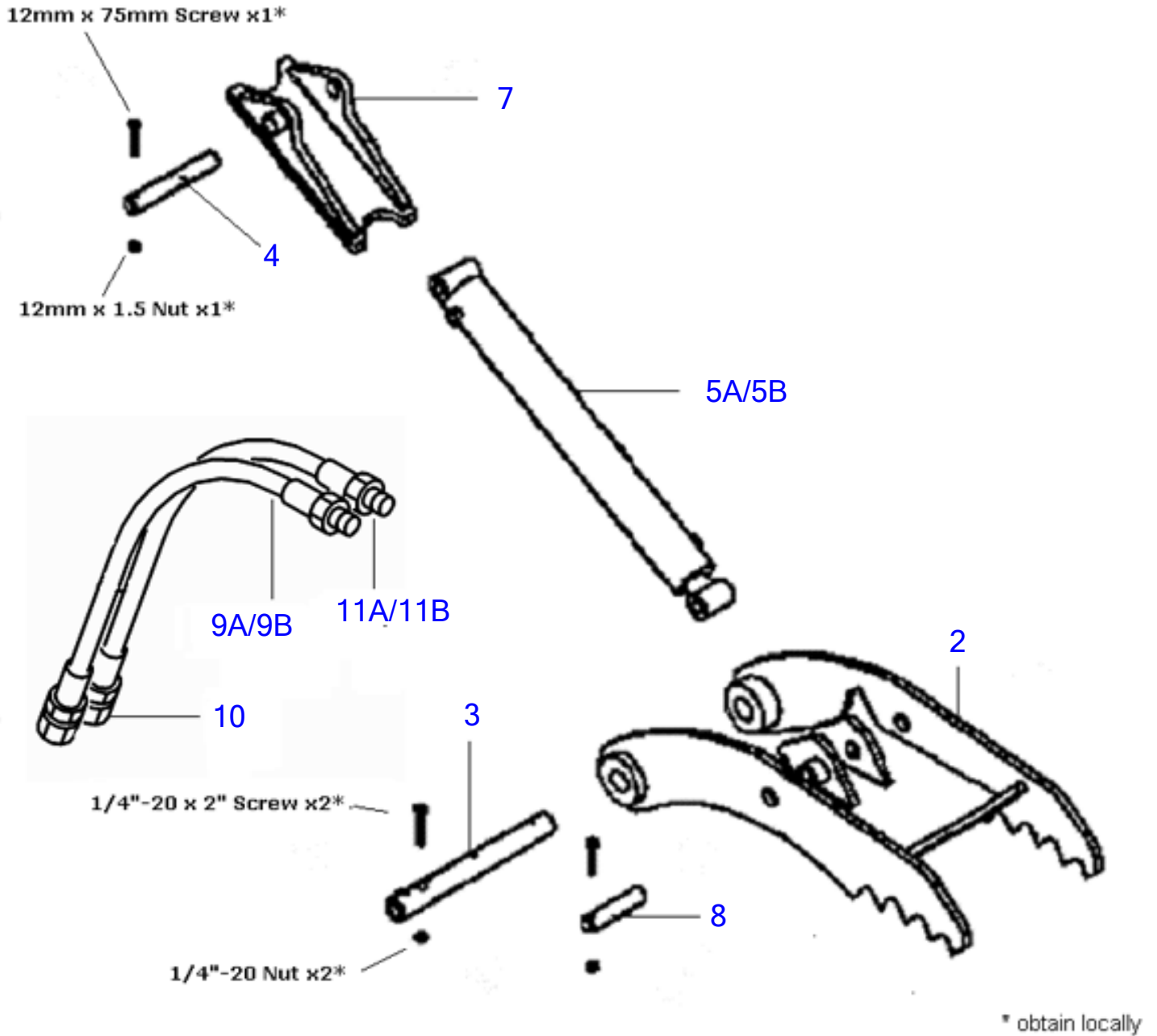


Item	Part number	Description	Q'ty	Side Cutter			Remarks
				Chan.	Serial No.	Serv.	
1	1914210099	Side Cutter Side Cutter Set	1				





		<b>Seal Kits</b>						
Item	Part number	Description	Q'ty	Chan.	Serial No.	Serv.	Remarks	
		Seal Kits						
	<b>1900079399</b>	Swing Cylinder Seal Kit SN 17510003-17512104	1					
	<b>1900063599</b>	Bucket Cylinder Seal Kit SN 17510003-17510308	1					
	<b>1900083299</b>	Bucket Cylinder Seal Kit SN 17510309-17512104	1					
	<b>1900091099</b>	Bucket Cylinder Seal Kit SN 17512105-up	1					
	<b>1900076399</b>	Arm Cylinder Seal Kit	1					
	<b>1900078999</b>	Boom Cylinder Seal Kit	1					
	<b>1900079499</b>	Blade Cylinder Seal Kit SN 17510003-17512104	1					
	<b>1900091299</b>	Blade Cylinder Seal Kit SN 17512105-up	1					
	<b>1900063999</b>	Track Adjuster Seal Kit	1					

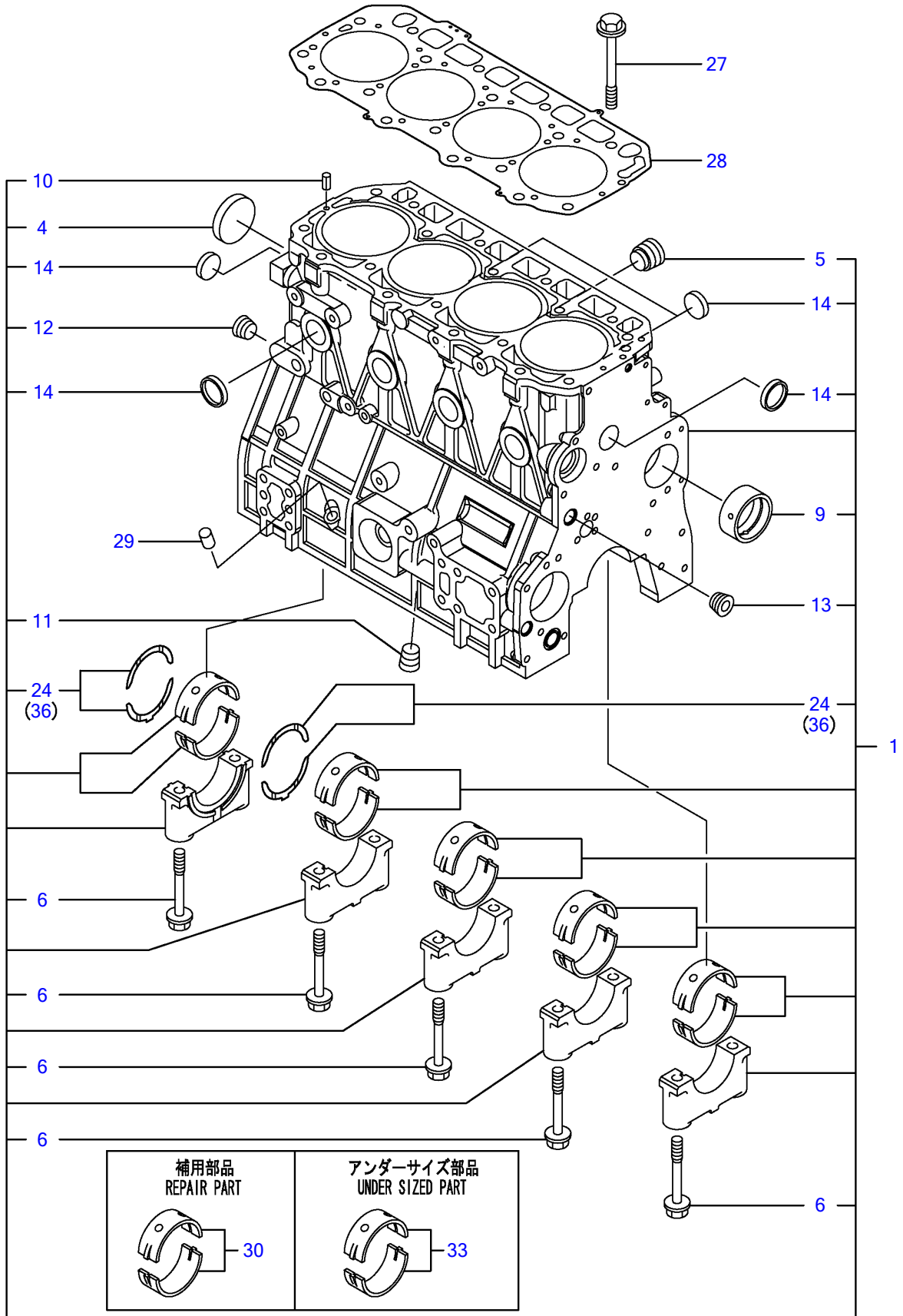


		<b>Thumbs</b>						
Item	Part number	Description	Q'ty	Chan.	Serial No.	Serv.	Remarks	
		Thumbs						
1	<b>BTH070K</b>	Hydraulic Thumb Kit TB070/TB175/TB180FR	1					
2	<b>00710071TA</b>	Body Weldment TB070/TB175 Old Style	1					
3	<b>00710071PA</b>	Pin	1					
4	<b>00710071P2</b>	Pin	1					
5A	<b>1900021400</b>	Hydraulic Cylinder TB070/TB175 Old Style	1					
5B	<b>1900021400A</b>	Hydraulic Cylinder TB070/TB175 New Style	1					
	<b>1900021499</b>	Seal Kit TB070/TB175	1					
7	<b>00710071HB</b>	Bracket Weldment	1					
8	<b>00710071P3</b>	Pin	1					
9A	<b>0377099999</b>	Short Hose Assy TB070/TB175 Old Style	1					
9B	<b>0377099999-1</b>	Short Hose Assy TB070/TB175 New Style	1					
10	<b>1513110013</b>	3/4" JIC X 3/4" BSPP Adaptor	1					
11A	<b>0377099998</b>	Long Hose Assy TB070/TB175 Old Style	1					
11B	<b>0377099998-1</b>	Long Hose Assy TB070/TB175 New Style	1					

		<b>All TB175 Manuals</b>				
Item	Part number	Description	Q'ty	Chan.	Serial No.	Serv. Remarks
		TB175 Manuals				
	<b>L175000001</b>	Operators Manual TB175 AL3E008 TNE	1			
	<b>L175000001IT4</b>	Operators Manual TB175 AL7E001 Interim Tier 4 English	1			
	<b>L175000001IT4SP</b>	Operators Manual TB175 AL7S001 Interim Tier 4 Spanish	1			
	<b>L175000001TNV</b>	Operators Manual TB175 AL3E016 TNV English	1			
	<b>L175000001TNVSP</b>	Operators Manual TB175 AL3S000 TNV Spanish	1			
	<b>L175000003</b>	Parts Manual TB175 BL3Z009 SN 17510003-17529999	1			
	<b>L175000003T3</b>	Parts Manual TB175 BL7Z000 Tier 3 SN 17530001-up	1			
	<b>L175000004</b>	Service Manual TB175 CL3E003 SN 17510003-17529999	1			
	<b>L17500004IT4</b>	Service Manual TB175 CL7E001 SN 17530001-up Interim Tier 4	1			



Engine for TB175 4TNV98-ZQTB  
CYLINDER BLOCK

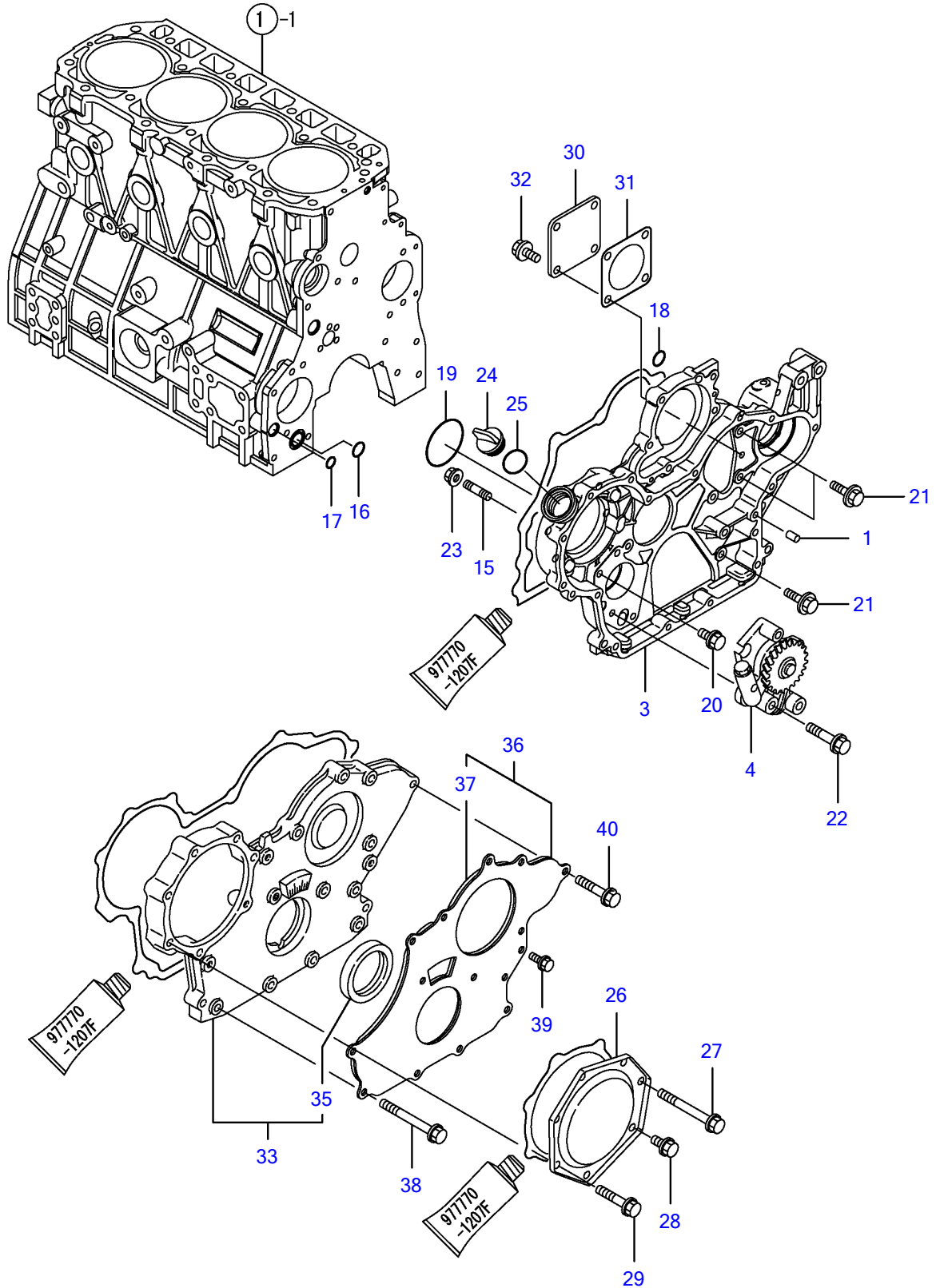


Y00D9940	1, シリンダブロック			
4TNV98-ZQTB		1, 07/12	2	3 PLUS

**Engine for TB175 4TNV98-ZQTB  
CYLINDER BLOCK**

Item	Part No	Description	Qty
1	Y729927-01560	BLOCKASSY,CYLINDER	1
4	Y129900-01250	• PLUG55	1
5	Y171051-01921	• PLUG	1
6	Y129900-02020	• BOLT,METALCAP	10
9	Y129900-02410	• BUSH,CAMSHAFT	1
10	Y22351-060012	• SPRINGPIN6X12	2
11	Y23876-030000	• PLUGPT3/8,SCREW	1
12	Y23876-030000	• PLUGPT3/8,SCREW	1
13	Y23876-030000	• PLUGPT3/8,SCREW	1
14	Y27241-300000	• PLUG30	8
24	Y129900-02931	• BEARINGASSY,THRUST	2
27	Y129900-01200	BOLT,HEAD	18
28	Y129907-01331	GASKET,CYLINDERHEAD	1
29	Y119309-01810	PLUG	1
30	Y729900-02801	MAINBEARINGSET	5
33	Y129900-02341	MAINBEARINGUS=0.25	5
36	Y129900-02941	BEARING,THRUST.25OS	2

# Engine for TB175 4TNV98-ZQTB GEAR HOUSING



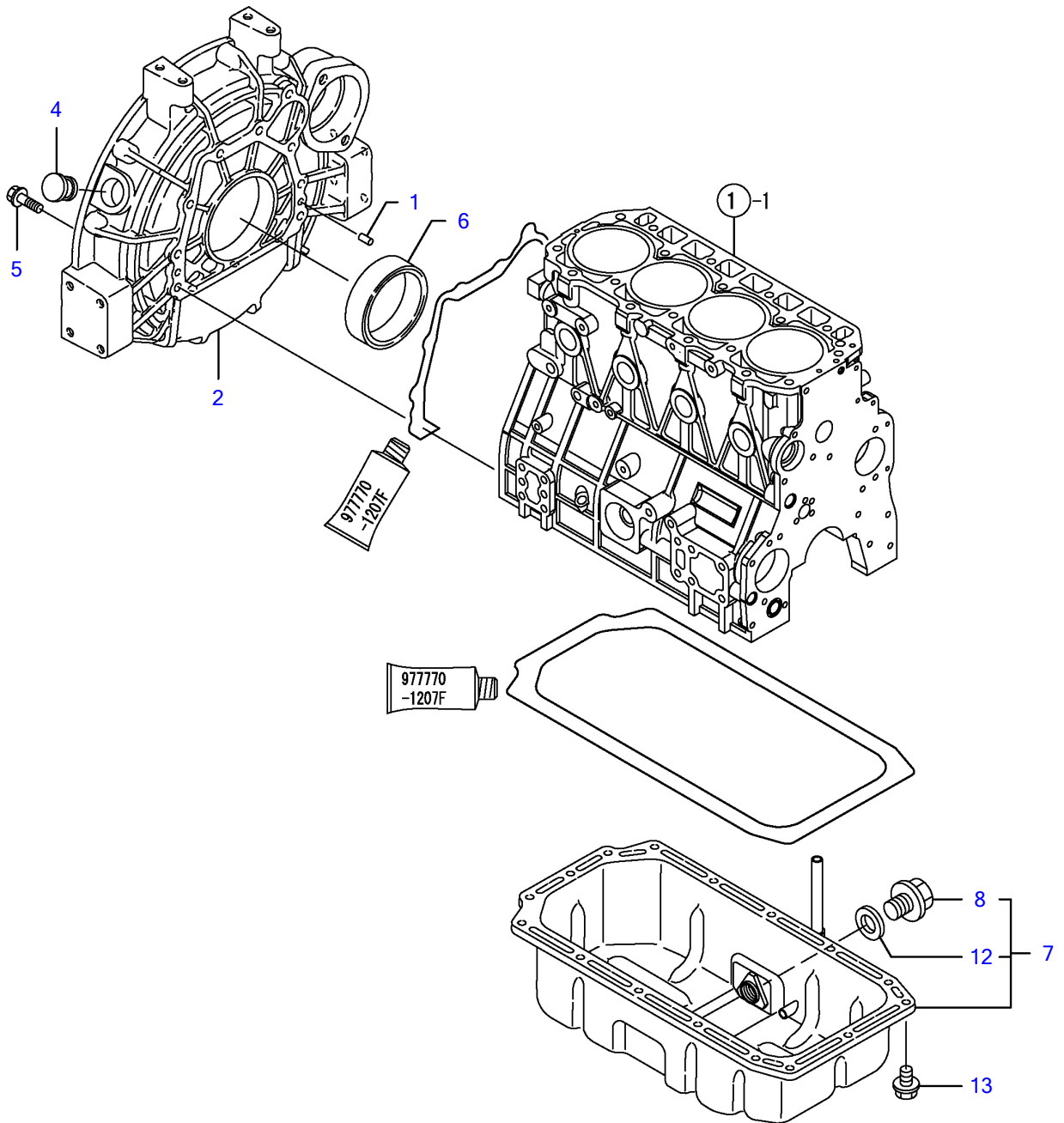
Y00D9940	2. ギヤケース			
4TNV98-ZQTB		1, 07/12	2	3 PLUS



**Engine for TB175 4TNV98-ZQTB  
GEAR HOUSING**

Item	Part No	Description	Qty
1	Y129100-01580	PARALLELPIN8X16	4
3	Y129907-01500	HOUSING,GEARS	1
4	Y129900-32001	PUMPASSY,LUB.OIL	1
15	Y26216-100302	STUDBOLT	4
16	Y129900-32030	O-RINGP20	1
17	Y129900-32040	O-RINGP14	1
18	Y24311-000070	O-RING1AP-7.0	1
19	Y24351-030750	PACKING,3075	1
20	Y26106-080162	BOLTM8X16PLATED	1
21	Y26106-080202	BOLTM8X20PLATED	3
22	Y26106-080452	BOLTM8X45PLATED	3
23	Y26306-100002	NUT	4
24	Y124160-01751	COVER,FILLER	1
25	Y24311-000320	O-RING1AP-32.0	1
26	Y129900-01740	COVER,F.I.PUMP	1
27	Y129001-91810	BOLTM8X70PLATED	1
28	Y26106-080162	BOLTM8X16PLATED	1
29	Y26106-080402	BOLTM8X40PLATED	5
30	Y124240-01871	COVER,HO-P	1
31	Y124240-01883	GASKET,(NON-ASB.)	1
32	Y26106-080162	BOLTM8X16PLATED	4
33	Y729906-01550	HOUSINGASSY,COVER,G	1
35	Y129916-01800	· SEAL,OIL	1
36	Y129900-01850	COVERASSY	1
37	Y129900-01870	· SPONGE	1
38	Y129001-91810	BOLTM8X70PLATED	6
39	Y26106-080162	BOLTM8X16PLATED	3
40	Y26106-080402	BOLTM8X40PLATED	5

Engine for TB175 4TNV98-ZQTB  
 FLYWHEEL HOUSING & OIL SUMP

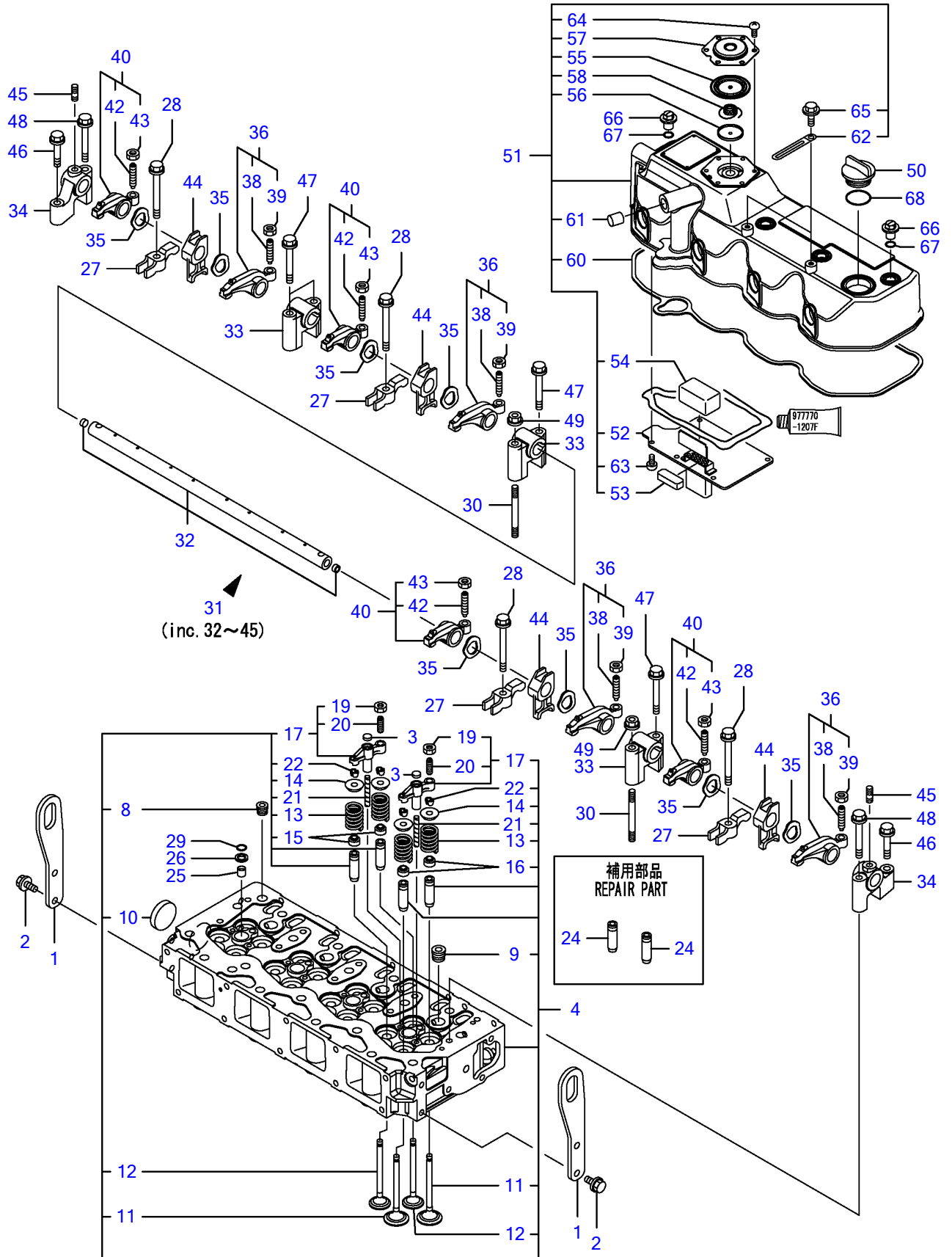


Y00D9940	3, フライホイールハウジング & オイルパン			
4TNV98-ZQTB	1, 07/12	2	3	PLUS

**Engine for TB175 4TNV98-ZQTB  
FLYWHEEL HOUSING & OIL SUMP**

Item	Part No	Description	Qty
1	Y129100-01580	PARALLELPIN8X16	2
2	Y129951-01620	HOUSING,FLYWHEEL	1
4	Y119000-01840	PLUG25,RUBBER	1
5	Y26206-100352	BOLTM10X35PLATED	9
6	Y129916-01790	SEAL,OIL	1
7	Y129953-01730	PANASSY,LUB.OIL	1
8	Y119640-01640	· DRAINPLUGM22	1
12	Y22190-220002	· SEALWASHER22S	1
13	Y26106-080122	BOLTM8X12PLATED	16

# Engine for TB175 4TNV98-ZQTB CYLINDER HEAD & BONNET

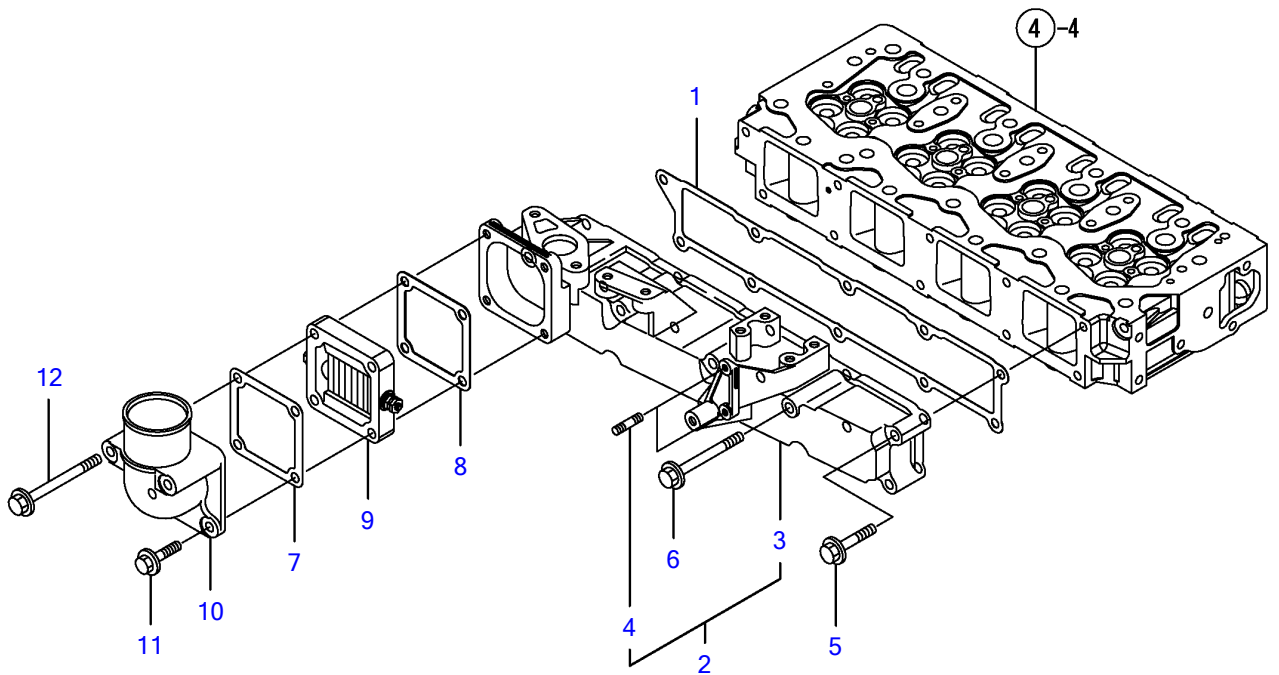
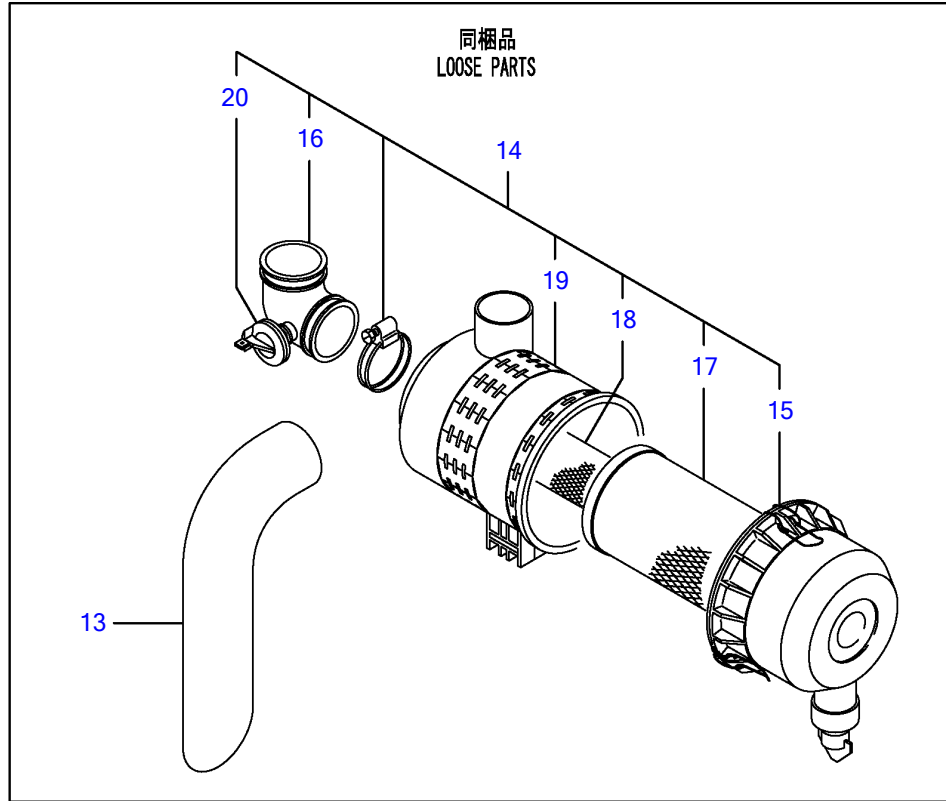


Y00D9940	4, シリンダヘッド & ボンネット			
4TNV98-ZQTB		1, 07/12	2	3 PLUS

**Engine for TB175 4TNV98-ZQTB  
CYLINDER HEAD & BONNET**

Item	Part No	Description	Qty
1	Y129907-07900	LIFTER,ENGINE	2
2	Y26106-080162	BOLTM8X16PLATED	4
3	Y123907-11550	SEATA,VALVEBRIDGE	8
4	Y129927-11700	HEADASSY,CYLINDER	1
8	Y23876-020000	• PLUGPT1/4,SCREW	1
9	Y23876-030000	• PLUGPT3/8,SCREW	4
10	Y27241-400000	• PLUG40	1
11	Y129907-11100	• VALVE(INT	8
12	Y129907-11110	• VALVE(EXH	8
13	Y129907-11120	• VALVESPRING	16
14	Y119620-11180	• RETAINER,SPRING	16
15	Y119803-11340	• SEAL,VALVESTEM(EXH	8
16	Y124160-11340	• SEAL,VALVESTEM(INT	8
17	Y129907-11510	• BRIDGEASSY,VALVE	8
19	Y129150-11750	• • NUTM8XP1.0	8
20	Y123907-11830	• • SCRWE,VALVEBRIDGE	8
21	Y123907-11820	• GUIDE,VALVEBRIDGE	8
22	Y27310-070001	• COTTERASSY	16
24	Y129907-11800	GUIDE,VALVE	16
25	Y119802-11870	PROTECTOR,NOZZLE	4
26	Y119625-11880	SEAT,NOZZLE	4
27	Y129907-11910	RETAINER,F.I.VALVE	4
28	Y129907-11950	FLANGEBOLT,RETAINER	4
29	Y24311-000120	O-RING1AP12.0	4
30	Y119593-11301	BOLT8X80	2
31	Y129907-11341	SUPPORTCMP	1
32	Y129907-11250	• SHAFT,ROCKERARM	1
33	Y129907-11260	• SUPPORTA	3
34	Y129907-11270	• SUPPORTB	2
35	Y123907-11280	• WAVEWASHER	8
36	Y129907-11650	• ARMASSY,ROCKER	4
38	Y129150-11230	• • SCREW,VALVE	4
39	Y129150-11750	• • NUTM8XP1.0	4
40	Y129907-11660	• ARMASSY,ROCKER	4
42	Y129150-11230	• • SCREW,VALVE	4
43	Y129150-11750	• • NUTM8XP1.0	4
44	Y129907-11920	• PEDESTAL,RETAINER	4
45	Y26226-080222	• STUDM8X22PLATED	2
46	Y26106-080402	BOLTM8X40PLATED	2
47	Y26106-080602	BOLTM8X60PLATED	4
48	Y26106-080602	BOLTM8X60PLATED	2
49	Y26306-080002	NUT	2
50	Y124160-01751	COVER,FILLER	1
51	Y129927-11320	BONNETASSY	1
52	Y129907-03011	• BAFFLEPLATE	1
53	Y129907-03061	• BAFFLE	1
54	Y129907-03070	• BAFFLE	1
55	Y123907-03100	• DIAPHRAGM,BREATHER	1
56	Y123907-03110	• CENTERPLATE	1
57	Y123907-03120	• PLATE,BREATHER	1
58	Y123907-03140	• SPRING,DIAPHRAGM	1
60	Y129933-11310	• GASKET,BONNET	1
61	Y119640-61400	• PLUG	1
62	Y175339-79700	• CLIP	2
63	Y22857-500100	• SCREW5X10,TAPPING	6
64	Y22857-500100	• SCREW5X10,TAPPING	6
65	Y26106-060122	• BOLTM6X12PLATED	2
66	Y124160-11360	KNOB	4
67	Y24311-000120	O-RING1AP12.0	4
68	Y24311-000320	O-RING1AP-32.0	1

Engine for TB175 4TNV98-ZQTB  
 SUCTION MANIFOLD & AIR CLEANER

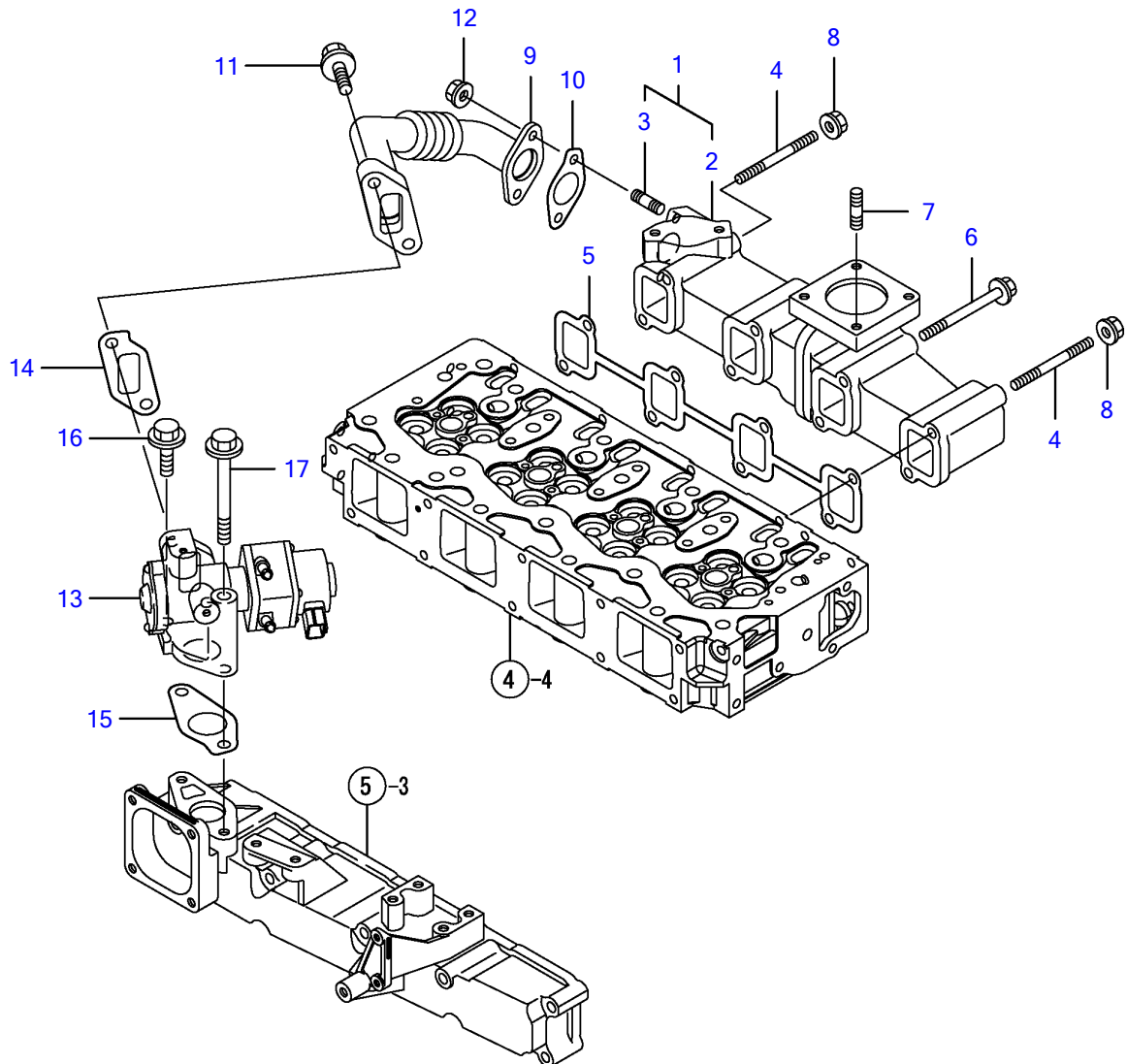
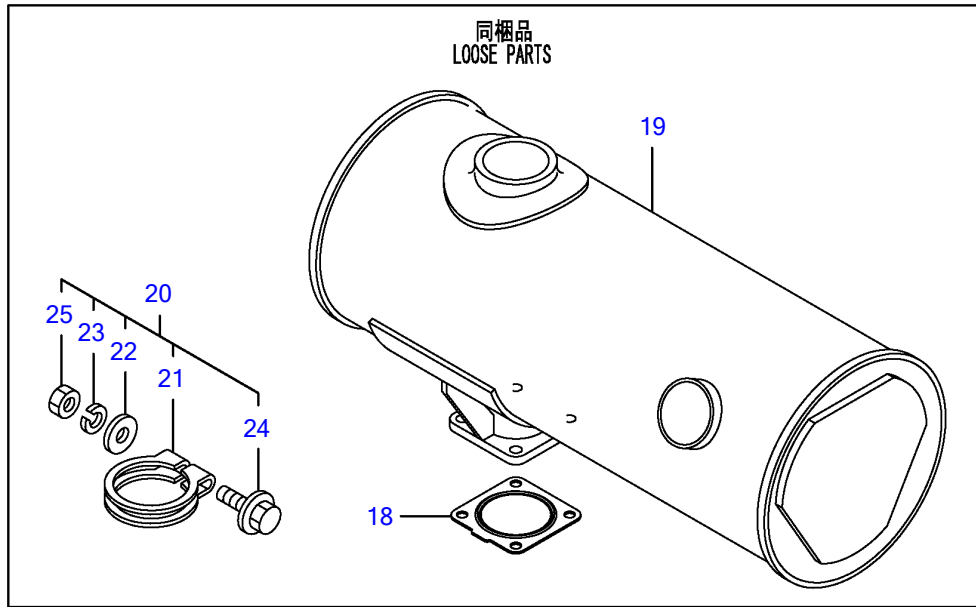


Y00D9940	5, キュウキマニホールド & エアクリーナ			
4TNV98-ZQTB	1, 07/12	2	3	PLUS

**Engine for TB175 4TNV98-ZQTB**  
**SUCTION MANIFOLD & AIR CLEANER**

Item	Part No	Description	Qty
1	Y129907-12110	PACKING(INT.MANIFOLD	1
2	Y129927-12150	MANIFOLD,INTAKE	1
3	Y129927-12100	• MANIFOLD,INTAKE	1
4	Y26216-060202	• STU DM6X20PLATED	2
5	Y26106-080452	BOL TM8X45PLATED	6
6	Y26106-080802	BOL TM8X80PLATED	4
7	Y119129-77020	GASKET	1
8	Y121850-77021	GASKET,(NON-ASB.)	1
9	Y119005-77051	HEATER,AIR	1
10	Y119129-77520	BEND	1
11	Y26106-080402	BOL TM8X40PLATED	2
12	Y26106-080902	BOL TM8X90PLATED	2
13	Y129953-12250	PIPE,AIRINTAKE	1
14	Y129938-12510	CLEANER ASSY,AIR	1
15	Y129938-12610	• HOUSING BOTTOM	1
16	Y129938-12620	• MANIFOLD	1
17	Y129939-12621	• MAIN ELEMENT	1
18	Y129939-12630	• SECONDARY ELEMENT	1
19	Y129939-12640	• BLACKET	1
20	Y129948-12660	• SERVICE SWITCH	1

# Engine for TB175 4TNV98-ZQTB EXHAUST MANIFOLD & SILENCER



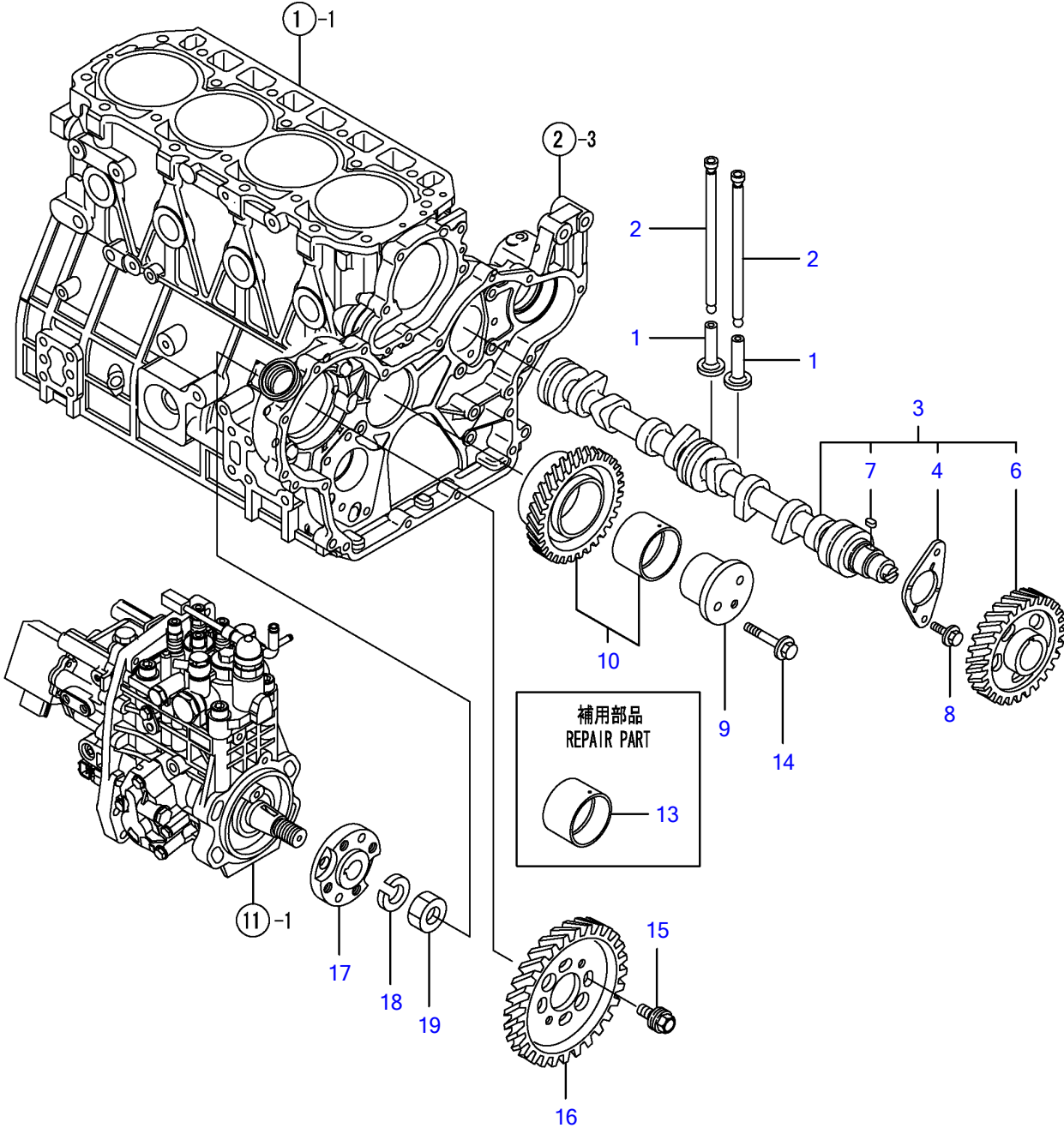
Y00D9940	6, ハイキマニホールド & サイレンサ			
4TNV98-ZQTB		1, 07/12	2	3 PLUS



**Engine for TB175 4TNV98-ZQTB  
EXHAUST MANIFOLD & SILENCER**

Item	Part No	Description	Qty
1	Y129927-13150	MANIFOLDASSY,EXH	1
2	Y129927-13100	· MANIFOLD,EXHAUST	1
3	Y129418-18320	· STUDBOLTM8X20	2
4	Y129263-13210	STUD	2
5	Y129900-13251	GASKET	1
6	Y119802-13680	BOLT,M8X90	6
7	Y119131-18320	BOLTM8X22	4
8	Y26306-080002	NUT	2
9	Y129927-13800	PIPE(EGRCMP	1
10	Y129927-13810	GASKET,EGRPIPE	1
11	Y26106-100302	BOLTM10X30PLATED	2
12	Y26306-080002	NUT	2
13	Y129927-13900	EGRVALVE	1
14	Y129927-13910	GASKET(EGR-VIN	1
15	Y129927-13920	GASKET(EGR-VOUT	1
16	Y26106-100302	BOLTM10X30PLATED	1
17	Y26106-100952	BOLTM10X95PLATED	1
18	Y129930-13201	GASKET,SILENCER	2
19	Y129940-13500	SILENCER	1
20	Y129640-13590	CLAMPASSY,SILENCER	1
21	Y129640-13580	· CLAMP	1
22	Y22117-100000	· WASHER10	1
23	Y22217-100000	· SPRINGWASHER10	1
24	Y26106-100652	· BOLTM10X65PLATED	1
25	Y26706-100002	· NUTM10	1

Engine for TB175 4TNV98-ZQTB  
CAMSHAFT & DRIVING GEAR

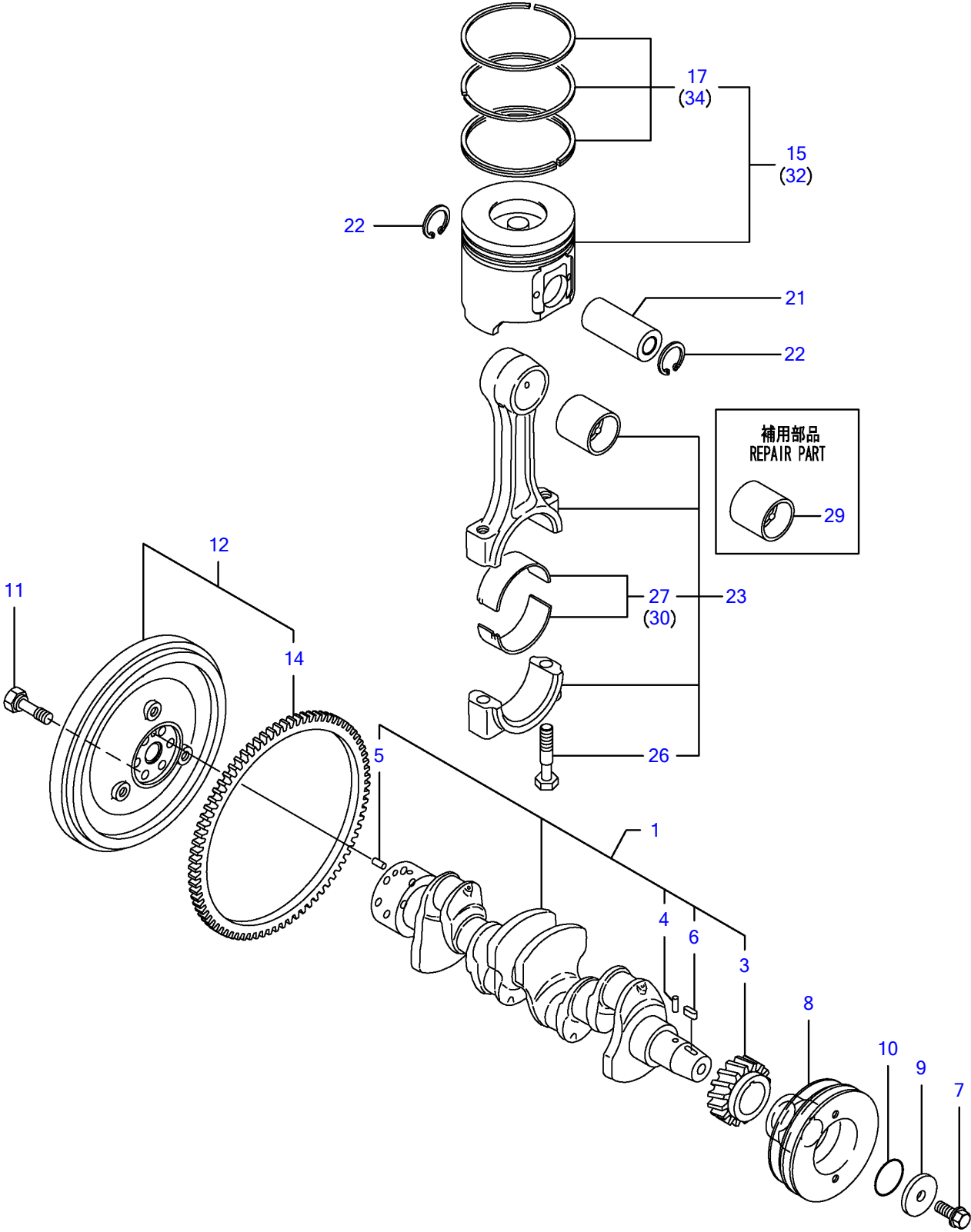


Y00D9940	7, カムシャフト & クドウギヤ			
4TNV98-ZQTB		1, 07/12	2	3 PLUS

**Engine for TB175 4TNV98-ZQTB  
CAMSHAFT & DRIVING GEAR**

Item	Part No	Description	Qty
1	Y129150-14200	TAPPET	8
2	Y129907-14400	PUSHROD	8
3	Y129908-14581	CAMSHFTASSY	1
4	Y129150-02450	· METAL,THRUST(CAM	1
6	Y129900-14100	· GEAR,CAMSHAFT	1
7	Y22512-070140	· KEY7X14	1
8	Y26106-080162	BOLTM8X16PLATED	2
9	Y123900-25060	SHAFT(GEAR,IDLE	1
10	Y129900-25100	GEARASSY,IDLE	1
13	Y129150-25920	BUSH,IDLEGEAR	1
14	Y26106-080552	BOLTM8X55PLATED	3
15	Y129953-25300	BOLT	4
16	Y129907-25900	GEAR,F.I.PUMP	1
17	Y158563-51150	FLANGE	1
18	Y22217-180000	SPRINGWASHER18	1
19	Y26776-180002	NUTM18,LOCK	1

Engine for TB175 4TNV98-ZQTB  
**CRANKSHAFT & PISTON**

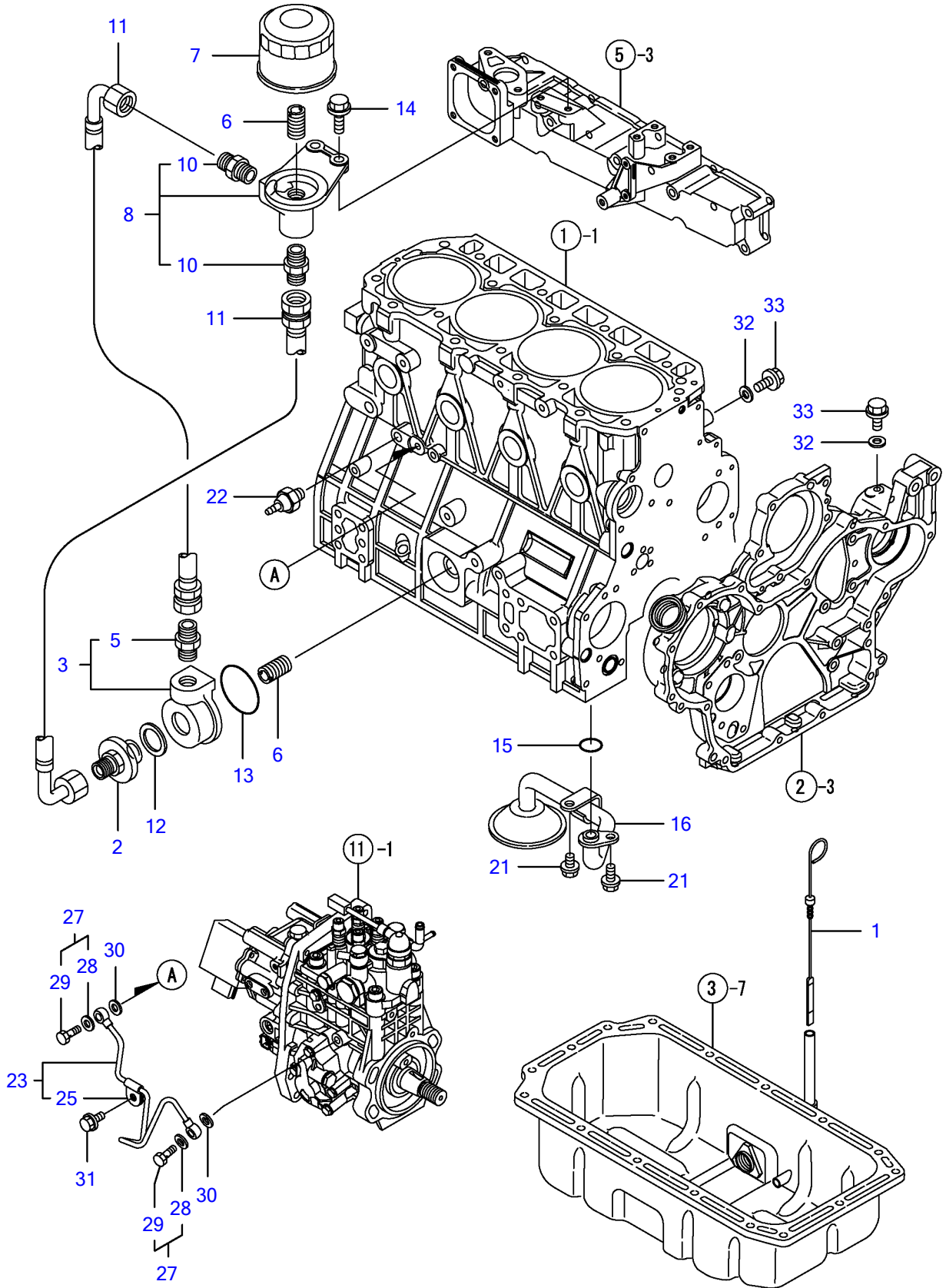


Y00D9940	8, クランクシャフト & ピストン			
4TNV98-ZQTB		1, 07/12	2	3 PLUS

**Engine for TB175 4TNV98-ZQTB  
CRANKSHAFT & PISTON**

Item	Part No	Description	Qty
1	Y129902-21000	CRANKSHAFTCOMP	1
3	Y129900-21200	• GEAR,CRANKSHAFT	1
4	Y121850-21290	• PARALLELPIN	1
5	Y121850-21920	• PARALLELPIN10X22	1
6	Y22512-070140	• KEY7X14	1
7	Y129916-21610	BOLT,V-PULLEY	1
8	Y129948-21610	V-PULLEY,CRANKSHAFT	1
9	Y129960-21640	WASHER	1
10	Y24341-000530	O-RING1AS-53.0	1
11	Y121850-21130	BOLT,FLYWHEEL	6
12	Y129902-21580	FLYWHEELASSY	1
14	Y127410-21480	• RINGGEARZ=129	1
15	Y129927-22080	PISTONASSY	4
17	Y129927-22050	• RINGSET,PISTON	4
21	Y120130-22301	PIN,PISTON	4
22	Y22252-000300	CIRCLIP30	8
23	Y129900-23001	RODASSY,CONNECTING	4
26	Y129900-23200	• BOLT,ROD	8
27	Y129900-23601	• METALASSY,CRANKPIN	4
29	Y129900-23911	BUSH,PISTONPIN	4
30	Y129900-23611	BEARING,PINU.S=0.25	4
32	Y729927-22900	PISTONW/RING,0.25OS	4
34	Y729927-22950	• RINGSET,0.25OS	4

Engine for TB175 4TNV98-ZQTB  
LUB.OIL SYSTEM

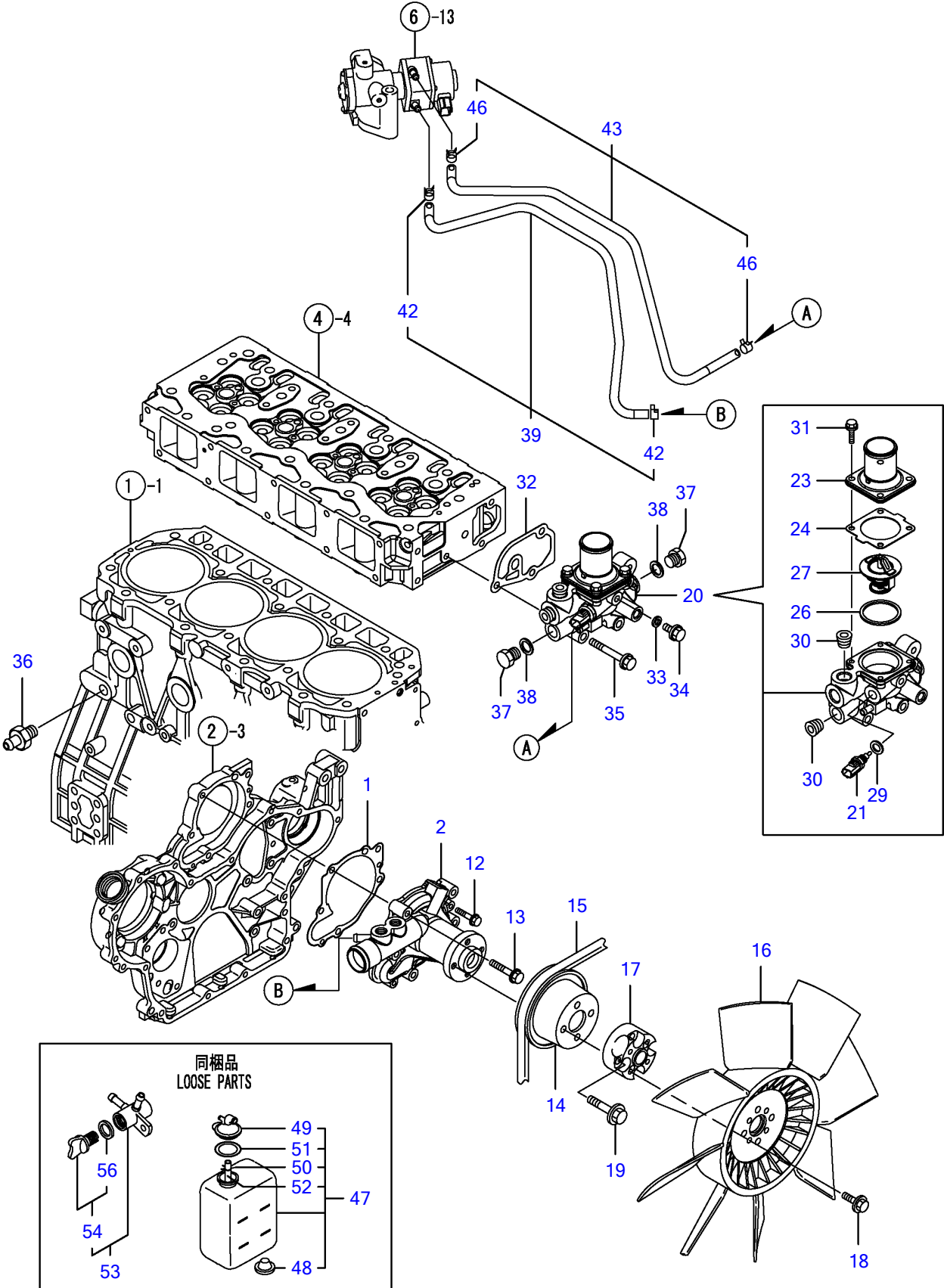


Y00D9940	9. LOシステム			
4TNV98-ZQTB		1, 07/12	2	3 PLUS

**Engine for TB175 4TNV98-ZQTB  
LUB.OIL SYSTEM**

Item	Part No	Description	Qty
1	Y119812-34800	DIPSTIC,LUBOIL	1
2	Y129953-35110	COVER	1
3	Y129953-35121	CASEASSY	1
5	Y129953-39500	· ADAPTER	1
6	Y119000-35140	STUD,LUB.OILFILTER	2
7	Y129150-35160	FILTER80X80L	1
8	Y129938-35200	BRACKETCMP	1
10	Y129953-39500	· ADAPTER	2
11	Y129953-39101	PIPE,LUB.OIL	2
12	Y22190-300002	SEALWASHER30S	1
13	Y24321-000600	O-RING1AG-60.0	1
14	Y26106-080252	BOLTM8X25PLATED	2
15	Y129900-32030	O-RINGP20	1
16	Y129900-35000	PIPEASSY,LUB.OIL	1
21	Y26106-080122	BOLTM8X12PLATED	2
22	Y114250-39450	SWITCH,(0.5KG)L.O.	1
23	Y129927-39060	PIPEASSY,LUB.OIL	1
25	Y123907-39500	· SUPPORT,PIPE	1
27	Y129005-59830	BOLTASSY,JOINT	2
28	Y22190-080002	· SEALWASHER8S	2
29	Y23857-030000	· JOINTBOLT3	2
30	Y22190-080002	SEALWASHER8S	2
31	Y26106-080122	BOLTM8X12PLATED	1
32	Y22190-080002	SEALWASHER8S	2
33	Y26106-080122	BOLTM8X12PLATED	2

Engine for TB175 4TNV98-ZQTB  
**COOLING WATER SYSTEM**



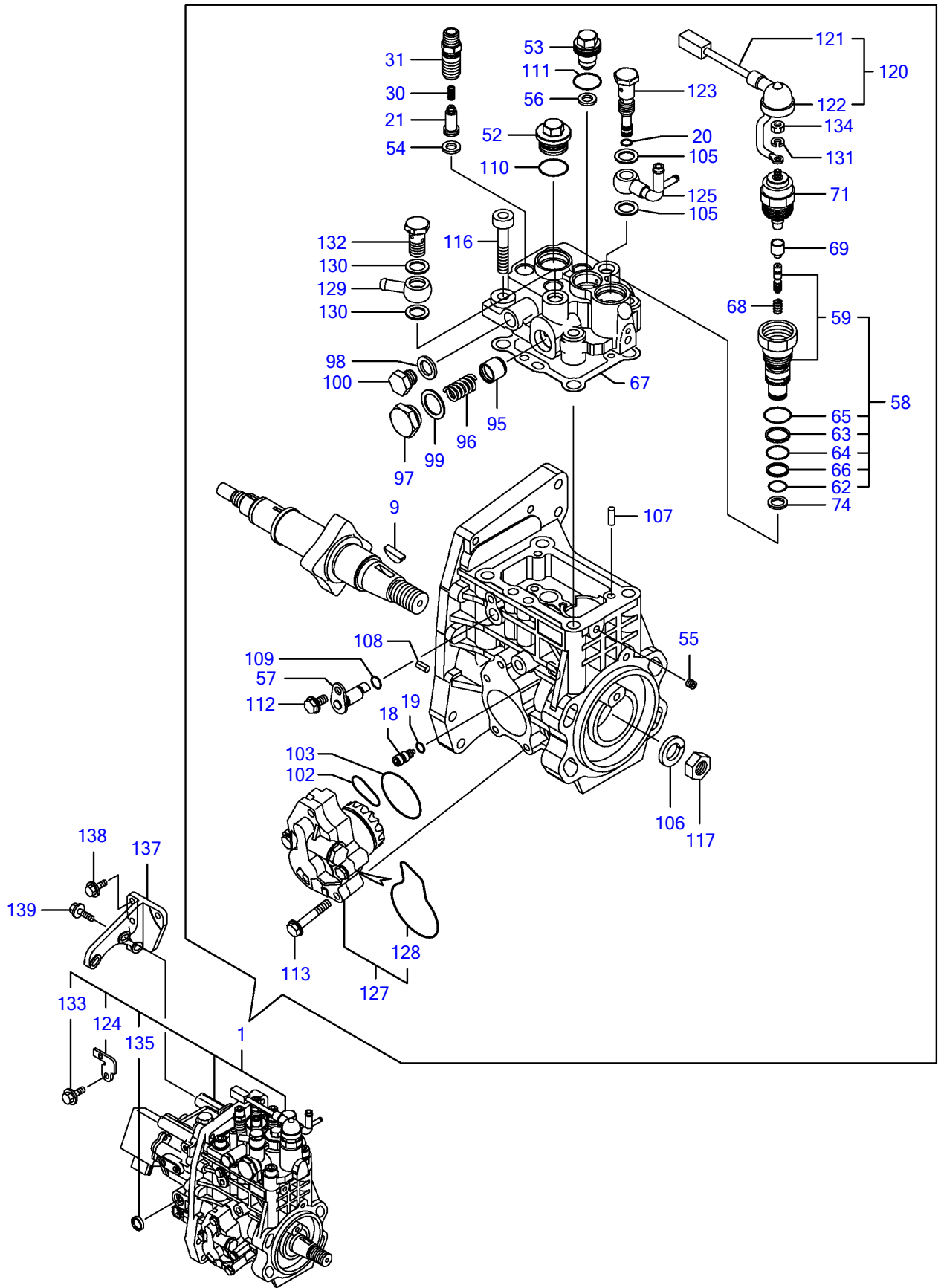
Y00D9940	10, CWシステム			
4TNV98-ZQTB		1, 07/12	2	3 PLUS



**Engine for TB175 4TNV98-ZQTB  
COOLING WATER SYSTEM**

Item	Part No	Description	Qty
1	Y129900-42020	GASKET,CW-P	1
2	Y129948-42100	PUMPASSY,WATER	1
12	Y26106-060302	BOLTM6X30PLATED	2
13	Y26106-080552	BOLTM8X55PLATED	5
14	Y123900-42470	V-PULLEY	1
15	Y25153-004500	V-BELTB45	1
16	Y129953-44710	FAN,COOLING460	1
17	Y129948-44760	SPACER,FAN	1
18	Y26106-080162	BOLTM8X16PLATED	4
19	Y26106-100452	BOLTM10X45PLATED	4
20	Y129938-49800	CASEASSY,THERMOSTAT	1
21	Y129927-44900	• THERMOMETER	1
23	Y129916-49530	• COVER,THERMOSTAT	1
24	Y121850-49540	• GASKET,THERMOSTAT	1
26	Y121850-49550	• GASKET,THERMOSTAT	1
27	Y121850-49800	• THERMOSTAT	1
29	Y22190-120002	• SEALWASHER12	1
30	Y23875-030000	• PLUGPT3/8,STEEL	2
31	Y26106-060202	• BOLTM6X20PLATED	4
32	Y129900-49870	GASKET,CASE	1
33	Y23414-080000	GASKET8,ROUND	1
34	Y26106-080122	BOLTM8X12PLATED	1
35	Y26106-080602	BOLTM8X60PLATED	3
36	Y121550-49111	JOINTPT1/4	1
37	Y121450-42450	PLUGM16	2
38	Y124465-44950	GASKET16	2
39	Y129927-49610	PIPEASSY,WATERA	1
42	Y23080-012000	• CLAMP12	2
43	Y129927-49620	PIPEASSY,WATERB	1
46	Y23080-012000	• CLAMP12	2
47	Y129466-44510	SUBTANK	1
48	Y121468-44540	• PLUG,SUB-TANK	1
49	Y121450-44531	• CAP	1
50	Y124450-44560	• CLAMP	1
51	Y121470-44581	• GASKET	1
52	Y121267-44590	• PIPE	1
53	Y129150-49100	COCKASSY,3-WAY	1
54	Y129150-49080	• COCK,DRAIN	1
56	Y119629-49080	• • GASKET	1

# Engine for TB175 4TNV98-ZQTB FUEL INJECTION PUMP

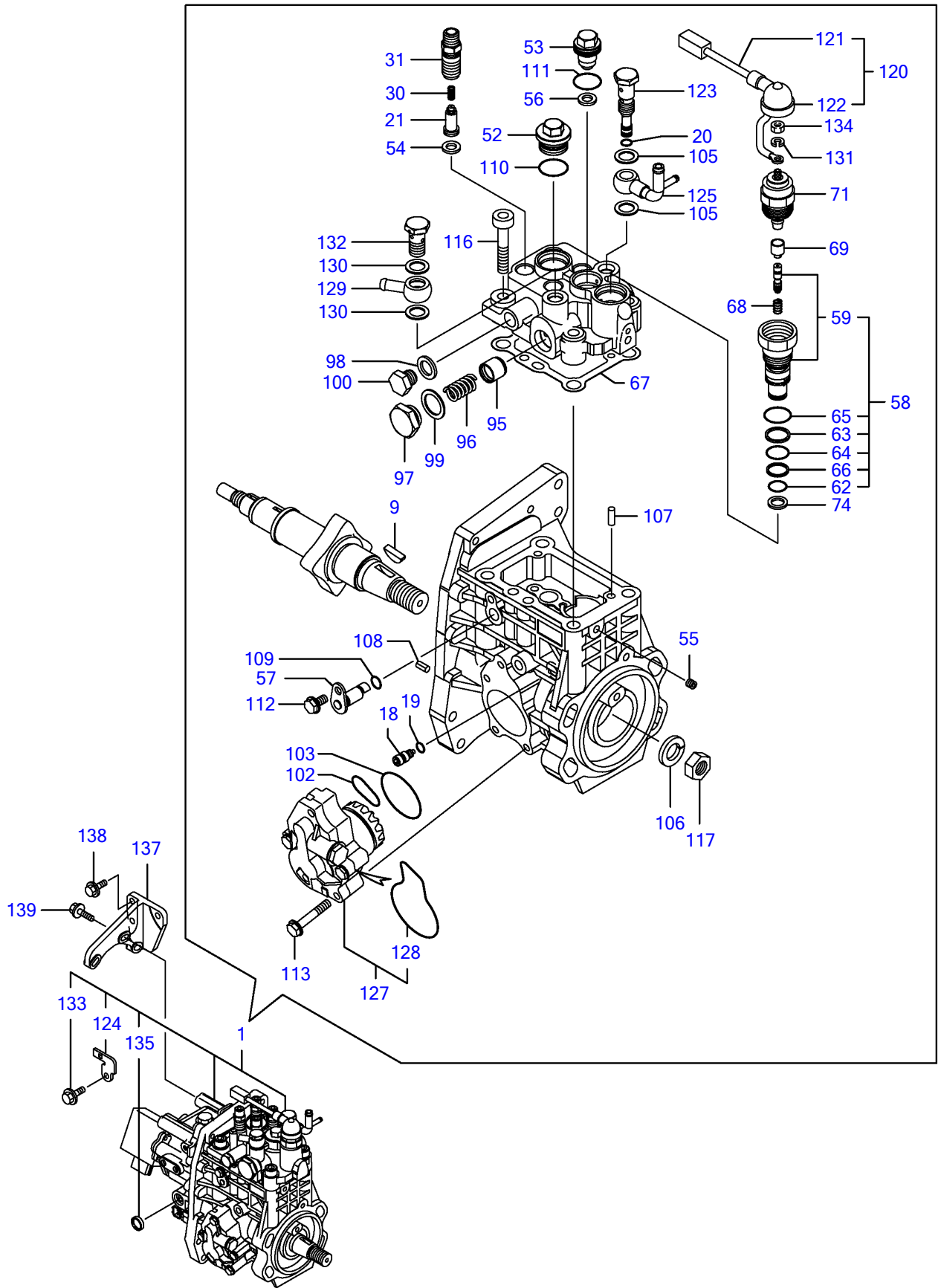


Y00D9940	11. F07ンシャポンプ			
4TNV98-ZQTB		1, 07/12	2	3 PLUS

**Engine for TB175 4TNV98-ZQTB  
FUEL INJECTION PUMP**

Item	Part No	Description	Qty
1	Y729938-51320	INJECTONPUMPASSY	1
9	Y144626-51090	• KEY5X19	1
18	Y158600-51270	• STOPPER	1
19	Y158563-51281	• O-RING	1
20	Y158563-51281	• O-RING	1
21	Y129927-51300	• VALVEASSY,DILEVERY	4
30	Y158563-51330	• SPRING	4
31	Y129927-51340	• HOLDER,DELIVERY	4
52	Y158601-51550	• PLUG	1
53	Y129907-51560	• PLUG	1
54	Y158552-51570	• PK(BARRELPLUG	4
55	Y158557-51570	• PLUG	1
56	Y129906-51580	• PACKING,PLUG	1
57	Y158552-51580	• LIFTER	1
58	Y129657-51590	• TIMERSET	1
59	Y129657-51600	• • TIMERCMP	1
62	Y158553-51670	• • O-RING,1011	1
63	Y119802-51680	• • BACKUPRING	1
64	Y119802-51690	• • ORING	1
65	Y24356-010200	• • PACKING,1020	1
66	Y24372-000150	• • RING,BACKUPT2P15	1
67	Y158560-51600	• PACKING,HEAD	1
68	Y119852-51630	• SPRING,TIMER	1
69	Y119852-51640	• CAP,TIMER	1
71	Y119852-51650	• VALVE,SOLENOIDE	1
74	Y158553-51680	• PACKING,TIMER	1
95	Y158601-51770	• PISTON	1
96	Y158552-51781	• SPRING	1
97	Y158601-51790	• PLUG	1
98	Y22190-120002	• SEALWASHER12	1
99	Y22190-180002	• SEALWASHER18	1
100	Y23887-120002	• PLUGM12,HEX.	1
102	Y158552-52310	• O-RING	1
103	Y158552-52400	• O-RING4ES42	1
105	Y22190-120002	• SEALWASHER12	2
106	Y22217-180000	• SPRINGWASHER18	1
107	Y22312-050140	• PARALLELPIN5X14	2
108	Y22351-050010	• SPRINGPIN5X10	2
109	Y24311-000070	• O-RING1AP-7.0	1
110	Y24356-010200	• PACKING,1020	1
111	Y24356-020210	• ORING	1
112	Y26106-060102	• BOLT6X10PLATED	1
113	Y26106-060352	• BOLTM6X35PLATED	4
116	Y26450-100452	• BOLTM10X45	4
117	Y26776-180002	• NUTM18,LOCK	1
120	Y129927-51650	• HARNESSCMP	1
121	Y129927-51660	• • HARNESS,CSD	1
122	Y129263-77941	• • CAP,RUBBER	1
123	Y158601-51650	• JOINT	1
124	Y129927-51670	• BRACKET,CSD	1
125	Y158552-51670	• JOINT	1
127	Y158552-52100	• PUMPASSY,FEED	1
128	Y158552-52500	• • O-RING(FEEDPINNER	1
129	Y129916-59020	• JOINT12,PIPE	1
130	Y22190-120002	• SEALWASHER12	2
131	Y22217-050000	• SPRINGWASHER5	1
132	Y23857-060000	• JOINTBOLT6,PIPE	1
133	Y26106-060122	• BOLTM6X12PLATED	1
134	Y26716-050002	• NUTM5	1
135	Y27241-160000	• PLUG16	1

# Engine for TB175 4TNV98-ZQTB FUEL INJECTION PUMP

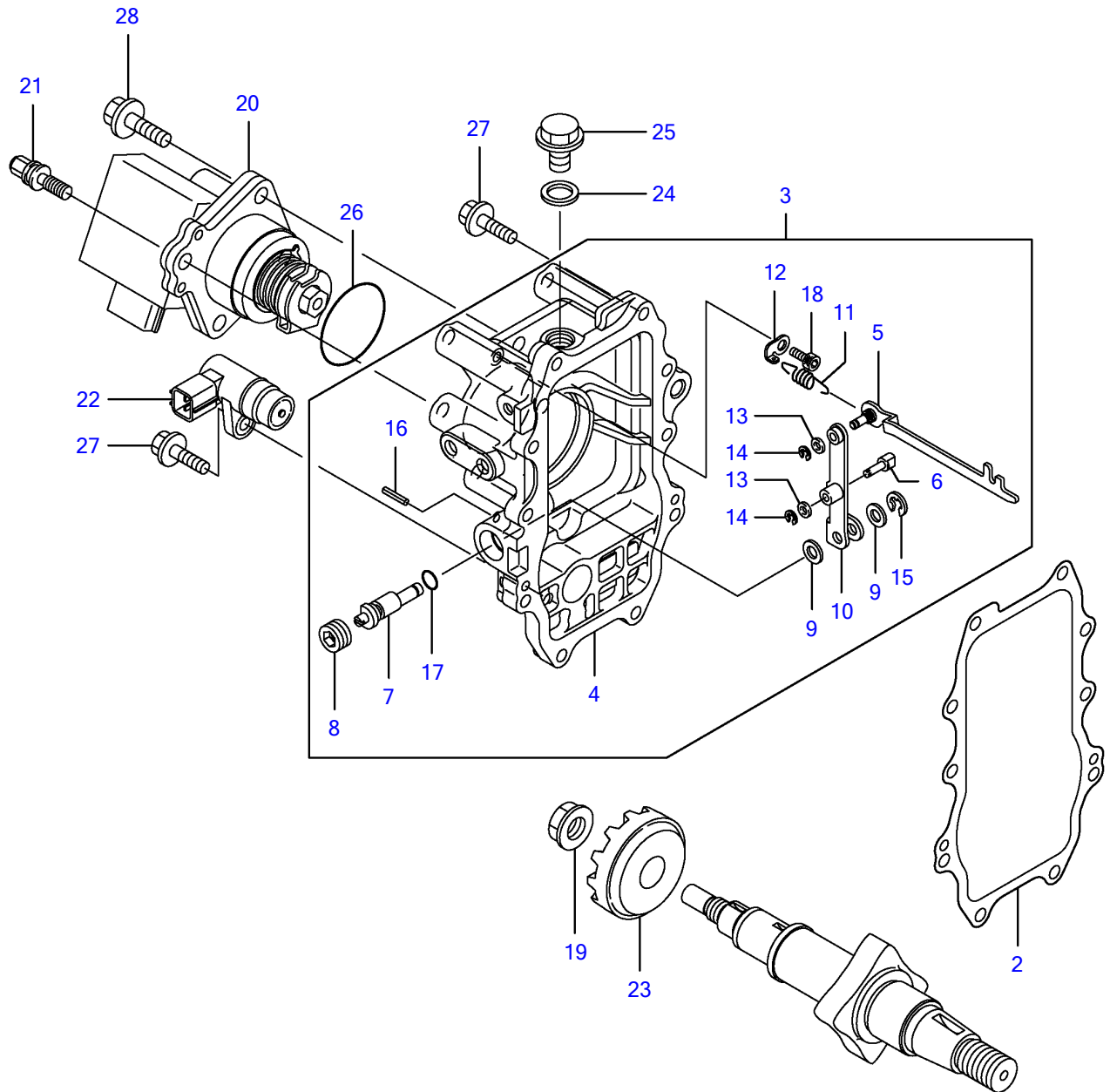


Y00D9940	11. F07ンシャポンプ			
4TNV98-ZQTB		1, 07/12	2	3 PLUS

Engine for TB175 4TNV98-ZQTB  
FUEL INJECTION PUMP

Item	Part No	Description	Qty
137	Y129927-51250	RETAINER(FOP	1
138	Y26106-080202	BOLTM8X20PLATED	3
139	Y26106-080302	BOLTM8X30PLATED	3

Engine for TB175 4TNV98-ZQTB  
GOVERNOR

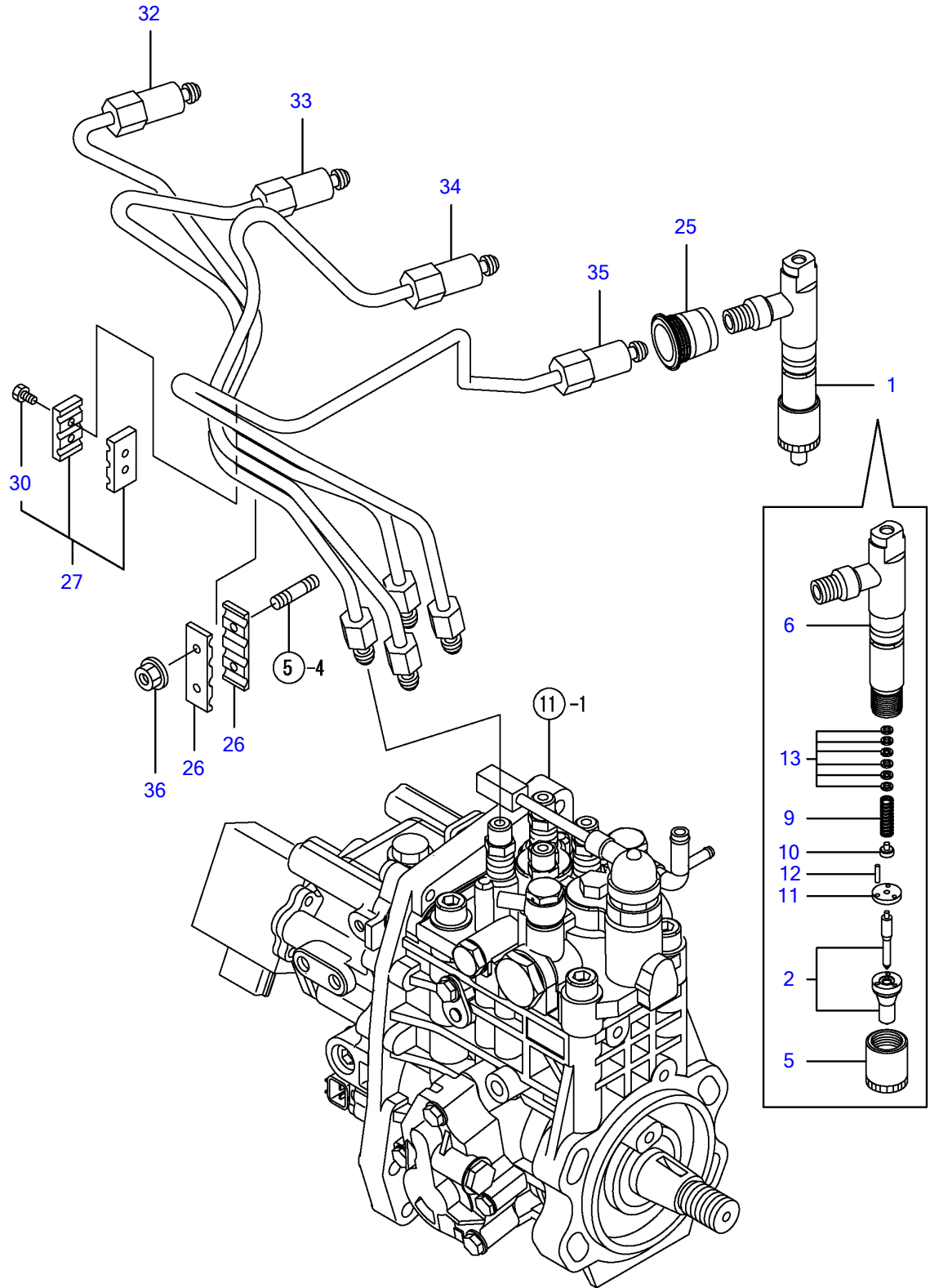


Y00D9940	12, ガバナ			
4TNV98-ZQTB		1, 07/12	2	3 PLUS

**Engine for TB175 4TNV98-ZQTB  
GOVERNOR**

Item	Part No	Description	Qty
2	Y158560-61050	PACKING,CASE	1
3	Y129927-61100	CASEASSY,GOVERNOR	1
4	Y129927-61010	• CASE,GOVERNOR	1
5	Y129927-61121	• LINK	1
6	Y129928-61130	• PIN,GOVERNORLEVER	1
7	Y158557-61390	• SHAFT,GOV.LEVER	1
8	Y158557-61411	• SCREW	1
9	Y158557-61480	• SPACER,GOV.LEVER	2
10	Y129927-61521	• LEVER,GOVERNOR	1
11	Y158557-61640	• SPRING	1
12	Y158557-61650	• PUCK,SPRING	1
13	Y22117-040000	• WASHER4	2
14	Y22272-000030	• CIRCLIP-3	2
15	Y22272-000040	• CIRCLIP-4	1
16	Y22351-020010	• SPRINGPIN2X10	1
17	Y24311-000060	• O-RING1AP-6.0	1
18	Y26450-050102	• BOLTM5X10	1
19	Y129008-61301	NUT	1
20	Y129927-61601	ACTUATOR	1
21	Y129927-61610	BOLT,ECO	1
22	Y158557-61720	SENSOR	1
23	Y158553-61780	GEAR,SENSOR	1
24	Y23414-120000	GASKET12,ROUND	1
25	Y23887-120002	PLUGM12,HEX.	1
26	Y24341-000480	O-RING1AS-48.0	1
27	Y26106-060252	BOLTM6X25PLATED	10
28	Y26106-080252	BOLTM8X25PLATED	3
29			
30			
31			

# Engine for TB175 4TNV98-ZQTB FUEL INJECTION VALVE



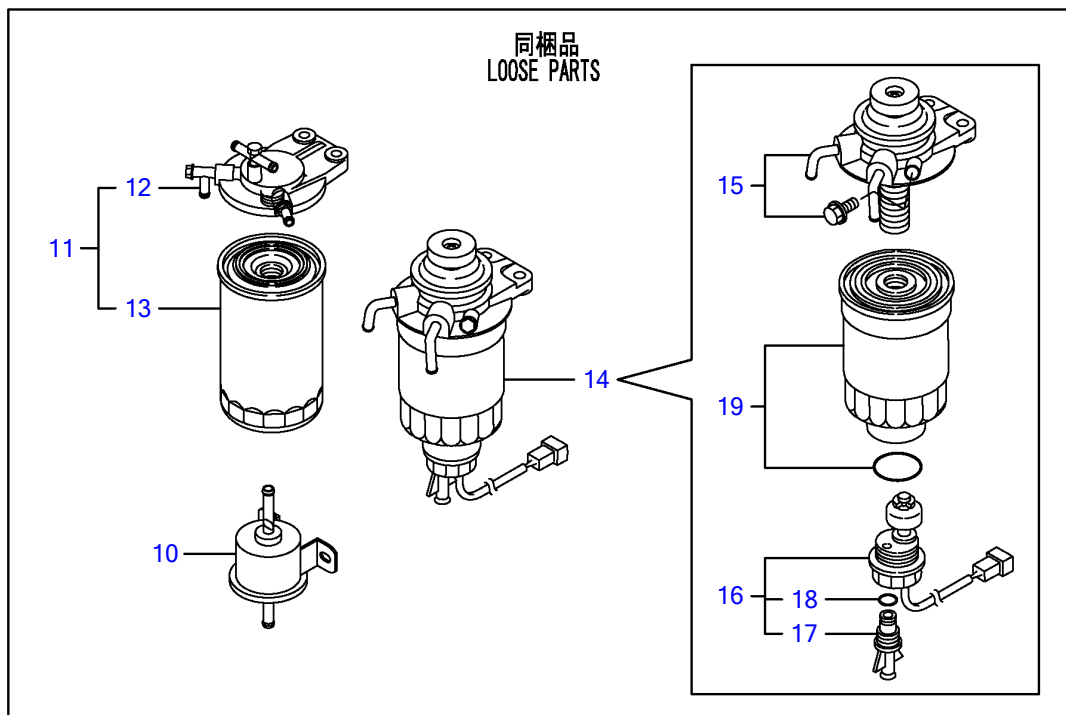
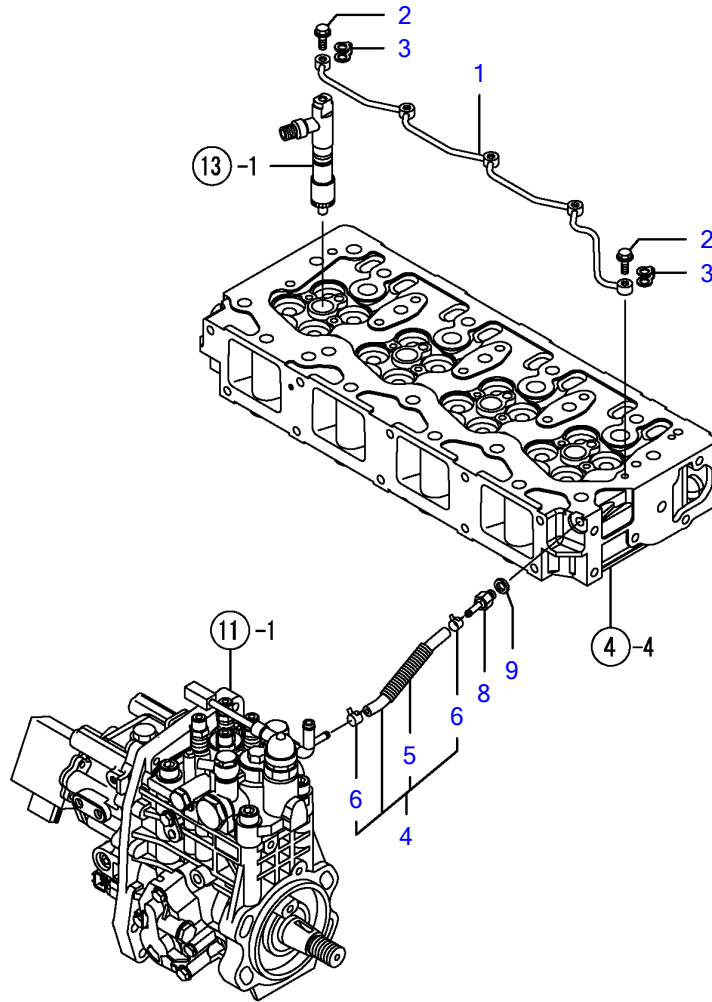
Y00D9940	13, F07ンシャペン			
4TNV98-ZQTB		1, 07/12	2	3 PLUS



**Engine for TB175 4TNV98-ZQTB  
FUEL INJECTION VALVE**

Item	Part No	Description	Qty
1	Y729927-53100	FUELINJECTOR(RDG	4
2	Y129927-53000	• NOZZLEASSY	4
5	Y114250-53080	• NUT,NOZZLECASE	4
6	Y129927-53100	• HOLDERASSY,NOZZLE	4
9	Y114250-53120	• SPRING,NOZZLE	4
10	Y114250-53130	• SEAT,NOZZLESPRING	4
11	Y114250-53140	• PLATE,STOP	4
12	Y114250-53210	• PIN	8
13	Y114250-53400	• SHIMPACK	4
25	Y123907-11601	PIPESEAL	4
26	Y123472-59120	BRACKET	2
27	Y129150-59120	RETAINER,INJ.PIPE	1
30	Y129150-59131	• BOLTM4X14,HEX.SCKT.	2
32	Y129927-59810	PIPEASSY,INJECTION	1
33	Y129927-59820	PIPEASSY,INJECTION	1
34	Y129927-59830	PIPEASSY,INJECTION	1
35	Y129927-59840	PIPEASSY,INJECTION	1
36	Y26366-060002	NUTM6	2

Engine for TB175 4TNV98-ZQTB  
**FUEL LINE**

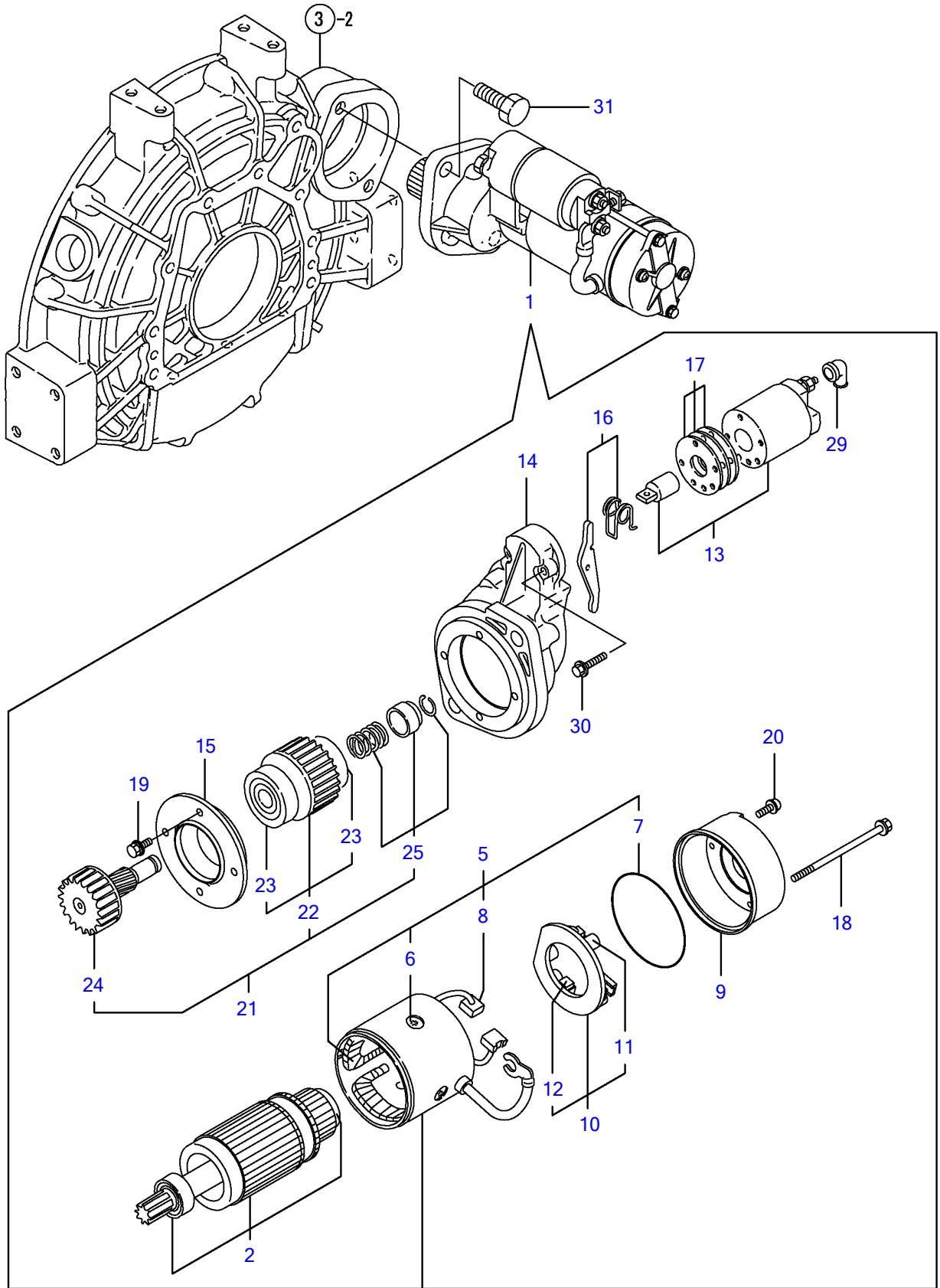


Y00D9940	14, FOパイプ			
4TNV98-ZQTB		1, 07/12	2	3 PLUS

**Engine for TB175 4TNV98-ZQTB  
FUEL LINE**

Item	Part No	Description	Qty
1	Y129907-59140	PIPEASSY,F.O.RETURN	1
2	Y123907-59540	JOINTBOLTM6	5
3	Y123907-59550	PACKING,FUELRETURN	5
4	Y129927-59550	PIPE,FUELRETURN	1
5	Y129263-49750	· CORRUGATEDTUBE	1
6	Y124722-59050	· CLAMP9	2
8	Y123907-59560	HOSEJOINT4	1
9	Y22190-080002	SEALWASHER8S	1
10	Y129612-52100	FUELPUMP	1
11	Y129940-55610	FILTERASSY,FUEL	1
12	Y129004-55612	· BRACKET,FUELFILTER	1
13	Y129907-55801	· FILTER,FUELOIL	1
14	Y129917-55801	FILTERASSY,FUELOI	1
15	Y129917-55810	· BODYASSY,FILTER	1
16	Y129917-55821	· SENSORASSY,LEVEL	1
17	Y129917-55830	· · PLUG,DRAIN	1
18	Y129917-55840	· · O-RING	1
19	Y129917-55850	· ELEMENTASSY,FILTER	1

Engine for TB175 4TNV98-ZQTB  
STARTING MOTOR

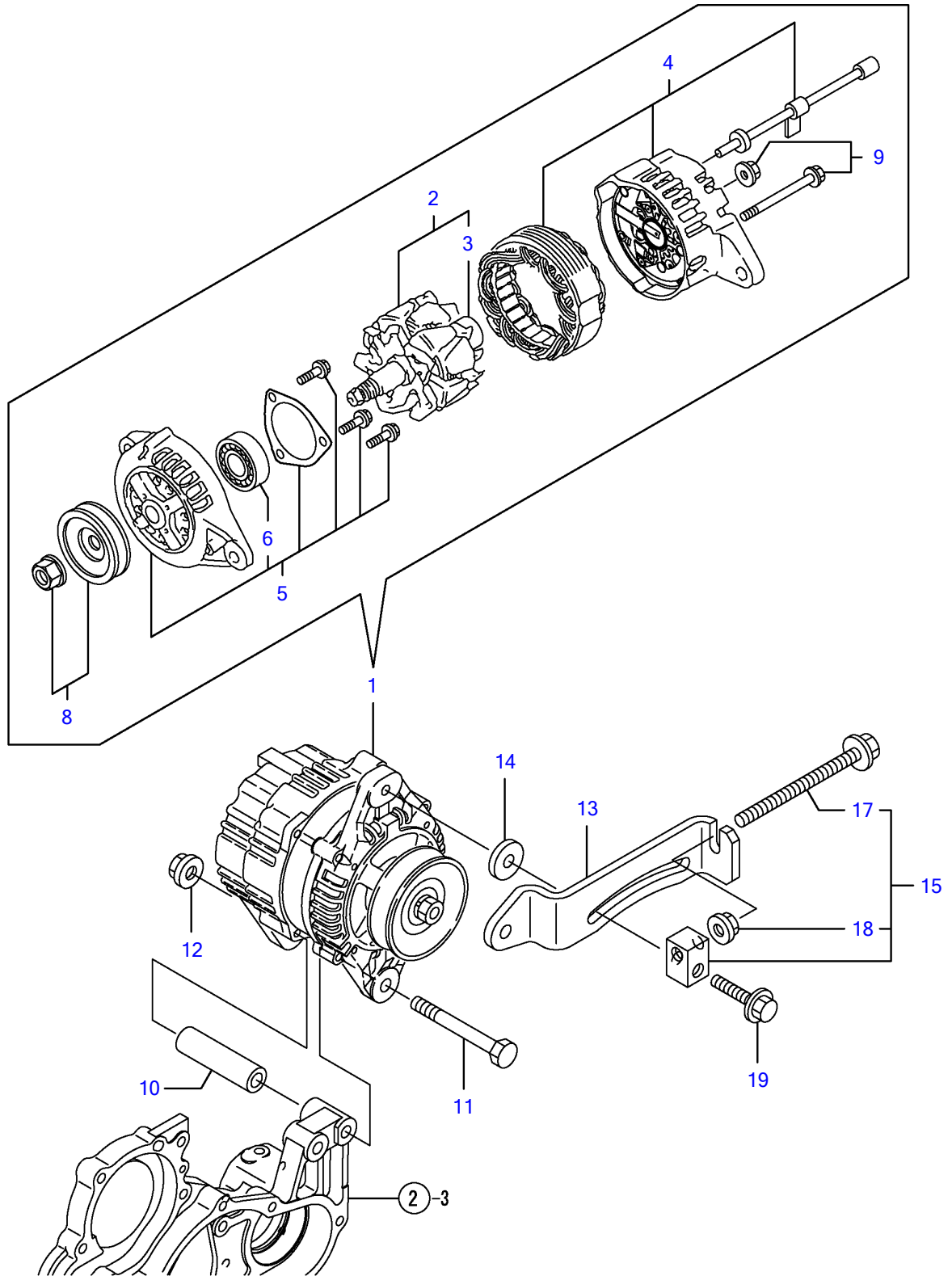


Y00D9940	15, スターティングモータ			
4TNV98-ZQTB		1, 07/12	2	3 PLUS

**Engine for TB175 4TNV98-ZQTB  
STARTING MOTOR**

Item	Part No	Description	Qty
1	Y129940-77010	STARTER12V,3KW	1
2	Y129940-77100	· ARMATUREASSY	1
5	Y129940-77130	· COILASSY,FIELD	1
6	Y129940-77140	· · SCREW,POLECORESET	4
7	Y129940-77150	· · O-RING	1
8	Y129940-77160	· · BRUSH(+)	2
9	Y129940-77170	· COVER,REAR	1
10	Y129940-77180	· HOLDER,BRUSH	1
11	Y129940-77190	· · SPRING,BRUSH	1
12	Y129940-77200	· · BRUSH(-)	2
13	Y129940-77210	· SWITCHASSY,MAGNETIC	1
14	Y129940-77220	· HOUSING,GEARS	1
15	Y129940-77230	· RETAINER,BEARING	1
16	Y129940-77240	· SHIFTLEVERSET	1
17	Y129940-77250	· COVERASSY,DUST	1
18	Y129940-77260	· THROUGHTBOLT	2
19	Y129940-77270	· BOLTM6X20	4
20	Y129940-77280	· SCREWM4X10	2
21	Y123900-77510	· PINIONASSY	1
22	Y123900-77520	· · CLUTCHASSY	1
23	YX2240610100	· · · BALLBEARING(3	2
24	Y123900-77540	· · SHAFT,PINION	1
25	Y119131-77550	· · STOPPERKIT,PINION	1
29	Y121254-77810	· TERMINALCOVER	1
30	Y114371-79070	· BOLTM6X37	2
31	Y26116-120302	BOLTM12X30PLATED	2

# Engine for TB175 4TNV98-ZQTB GENERATOR

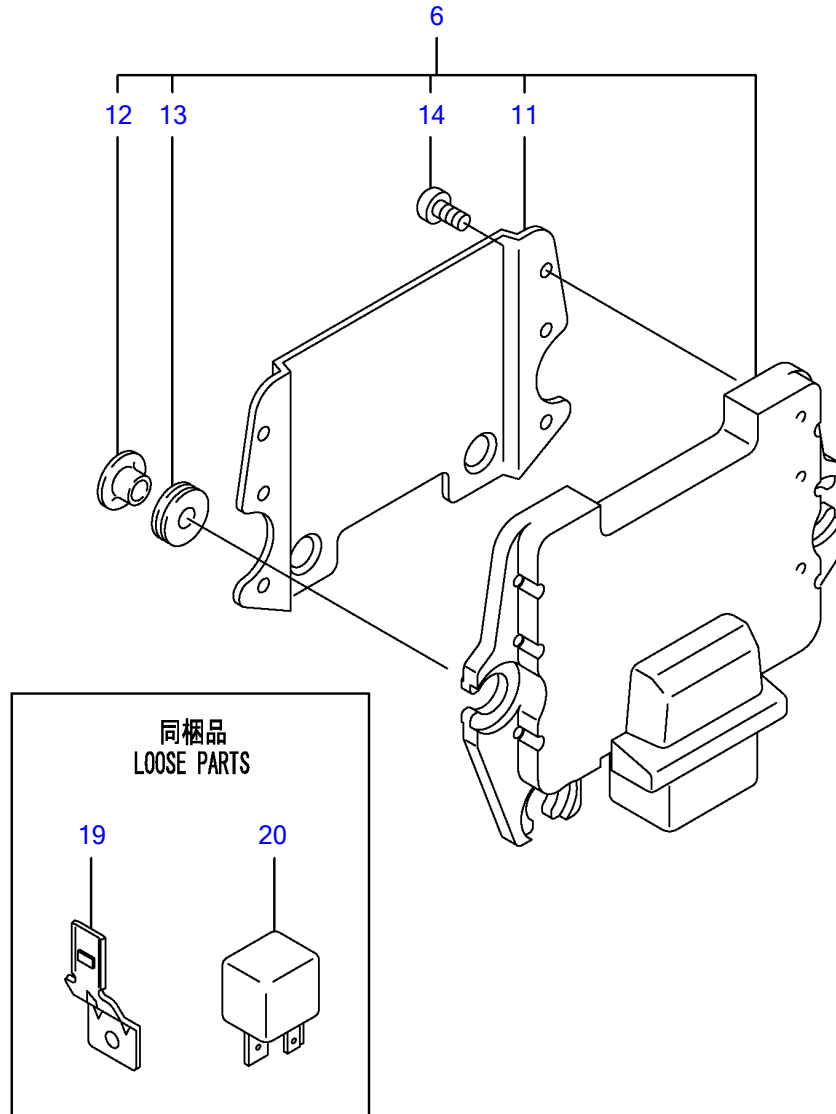


Y00D9940	16, ジェネレータ			
4TNV98-ZQTB		1, 07/12	2	3 PLUS

**Engine for TB175 4TNV98-ZQTB  
GENERATOR**

Item	Part No	Description	Qty
1	Y123910-77210	ALTERNATOR	1
2	Y123910-77740	· ROTORASSY	1
3	Y129900-77810	· · BALLBEARING	1
4	Y123910-77760	· REARBLAKETASSY	1
5	Y129900-77890	· BRACKET,FRONT	1
6	Y129900-77900	· · BALLBEARING	1
8	Y123910-77910	· PULLY	1
9	Y129900-77920	· SCREWKIT	1
10	Y129470-77340	SPACER	1
11	Y26116-101202	BOLTM10X120PLATED	1
12	Y26306-100002	NUT	1
13	Y129953-77300	STRAR,GENERATOR	1
14	Y121236-77340	SPACER	1
15	Y119624-77351	BROCK,GENERATORCMP	1
17	Y26106-081004	· BOLT8*100	1
18	Y26306-080002	· NUT	1
19	Y26106-080452	BOLTM8X45PLATED	1

Engine for TB175 4TNV98-ZQTB  
ELECTRIC PARTS

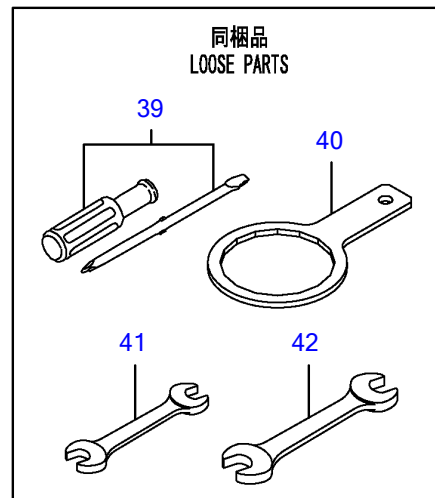
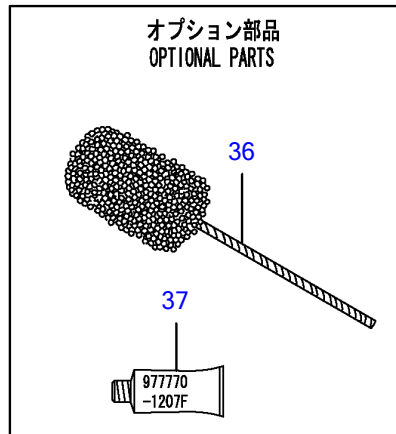
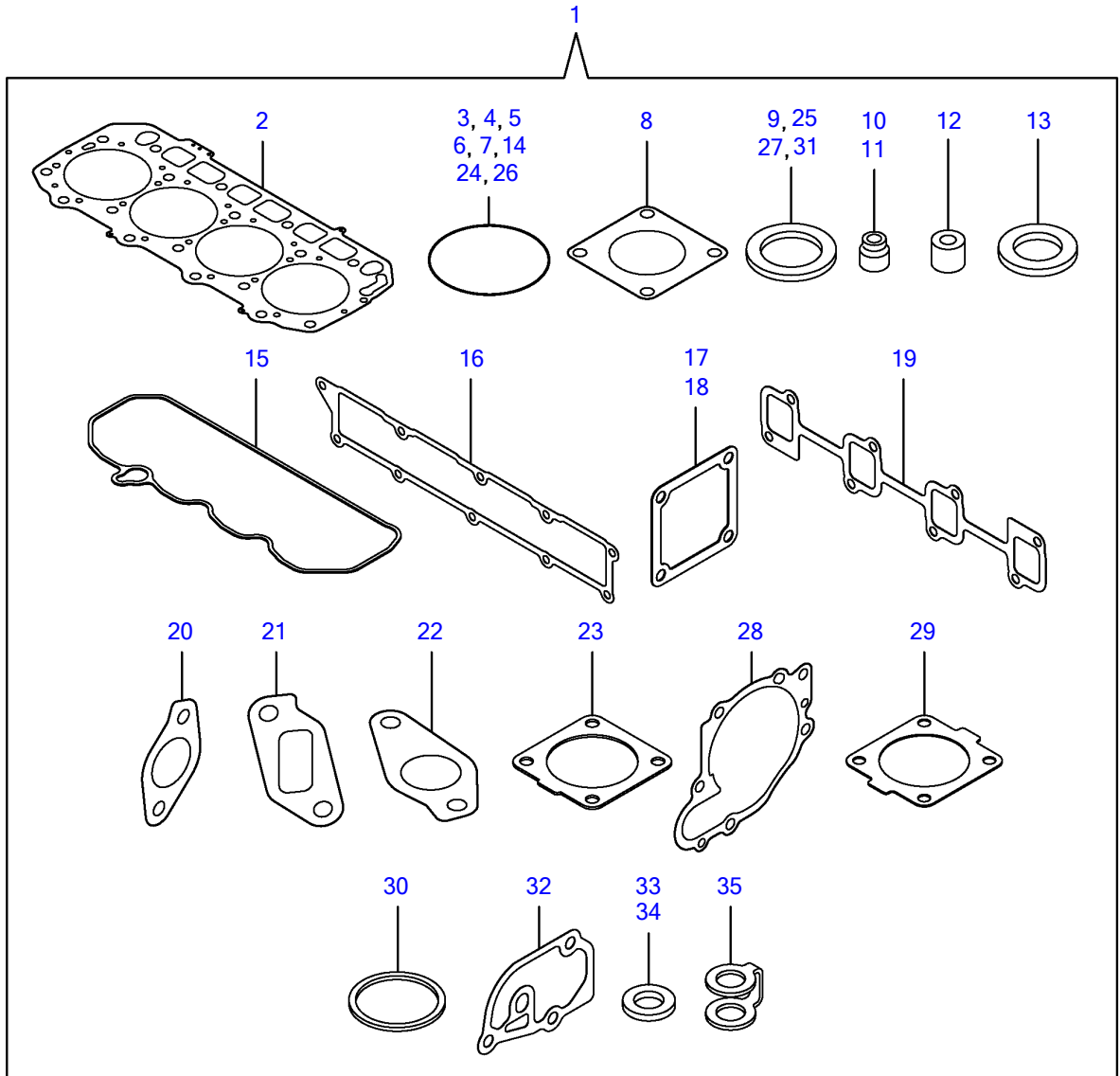


Y00D9940	17. デンソウヒン			
4TNV98-ZQTB	1, 07/12	2	3	PLUS



Engine for TB175 4TNV98-ZQTB  
ELECTRIC PARTS

Item	Part No	Description	Qty
6	Y129938-75030	CONTROLLERCMP	1
11	Y129927-77600	• SHIELD,ECU	1
12	Y129927-77680	• COLLAR,CONTROLLER	3
13	Y119578-91351	• RUBBER,CUSHION	3
14	Y22877-500080	• SCREW,5.0X8	6
19	Y129927-77910	BRACKET,CONNECTOR	3
20	Y129927-77920	RELAY(ISO,70A	3



Y00D9940	18, パッキンセット			
4TNV98-ZQTB	1, 07/12	2	3	PLUS

**Engine for TB175 4TNV98-ZQTB  
FIG18**

Item	Part No	Description	Qty
1	Y729927-92700	GASKETSET(NON-ASB.)	1
2	Y129907-01331	· GASKET,CYLINDERHEAD	1
3	Y129900-32030	· O-RINGP20	2
4	Y129900-32040	· O-RINGP14	1
5	Y24311-000070	· O-RING1AP-7.0	1
6	Y24351-030750	· PACKING,3075	1
7	Y24311-000320	· O-RING1AP-32.0	2
8	Y124240-01883	· GASKET,(NON-ASB.)	1
9	Y22190-220002	· SEALWASHER22S	1
10	Y119803-11340	· SEAL,VALVESTEM(EXH	8
11	Y124160-11340	· SEAL,VALVESTEM(INT	8
12	Y119802-11870	· PROTECTOR,NOZZLE	4
13	Y119625-11880	· SEAT,NOZZLE	4
14	Y24311-000120	· O-RING1AP12.0	8
15	Y129933-11310	· GASKET,BONNET	1
16	Y129907-12110	· PACKING(INT.MANIFOLD	1
17	Y119129-77020	· GASKET	1
18	Y121850-77021	· GASKET,(NON-ASB.)	1
19	Y129900-13251	· GASKET	1
20	Y129927-13810	· GASKET,EGRPIPE	1
21	Y129927-13910	· GASKET(EGR-VIN	1
22	Y129927-13920	· GASKET(EGR-VOUT	1
23	Y129930-13201	· GASKET,SILENCER	2
24	Y24341-000530	· O-RING1AS-53.0	1
25	Y22190-300002	· SEALWASHER30S	1
26	Y24321-000600	· O-RING1AG-60.0	1
27	Y22190-080002	· SEALWASHER8S	7
28	Y129900-42020	· GASKET,CW-P	1
29	Y121850-49540	· GASKET,THERMOSTAT	1
30	Y121850-49550	· GASKET,THERMOSTAT	1
31	Y22190-120002	· SEALWASHER12	1
32	Y129900-49870	· GASKET,CASE	1
33	Y23414-080000	· GASKET8,ROUND	1
34	Y124465-44950	· GASKET16	2
35	Y123907-59550	· PACKING,FUELRETURN	5
36	Y129400-92450	FLEXHONE	1
37	Y977770-1207F	GASKET.LIQUID	1
39	Y104200-92350	DRIVER,SCREW	1
40	Y119640-92750	WRENCH,FILTER	1
41	Y28110-100120	WRENCH10X12	1
42	Y28110-140170	WRENCH14X17	1