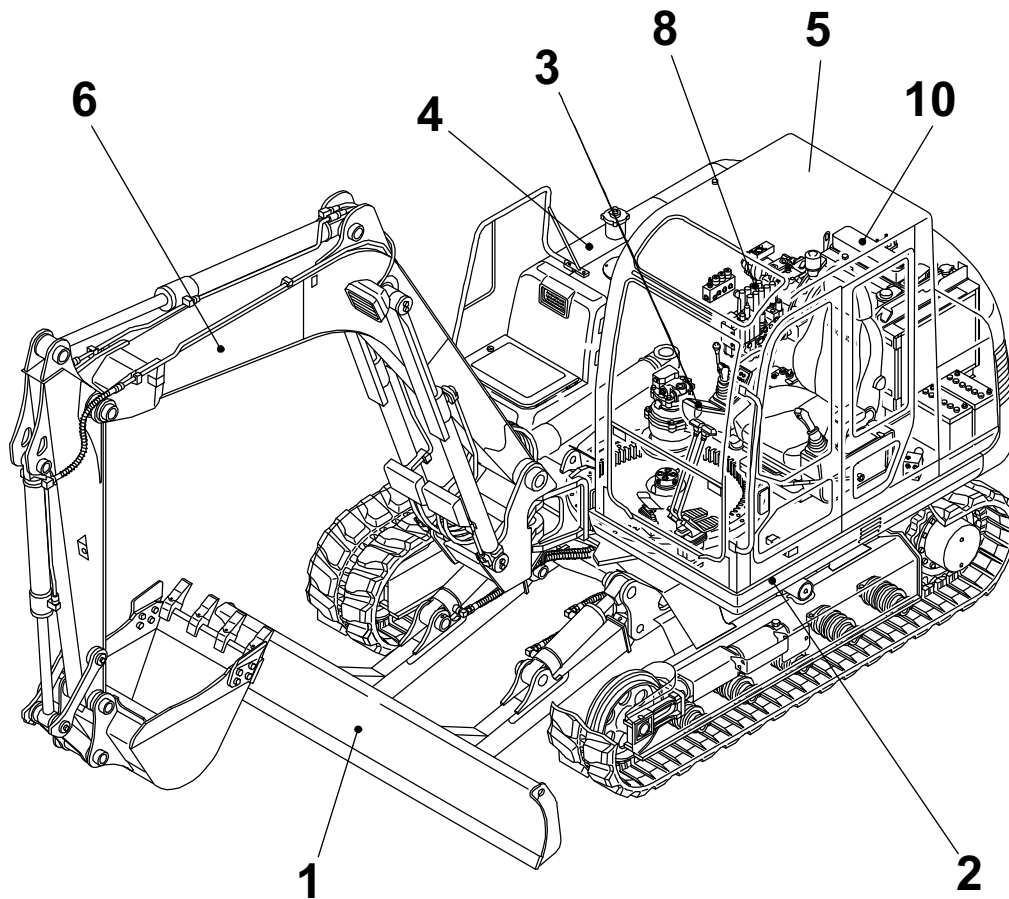


TB175

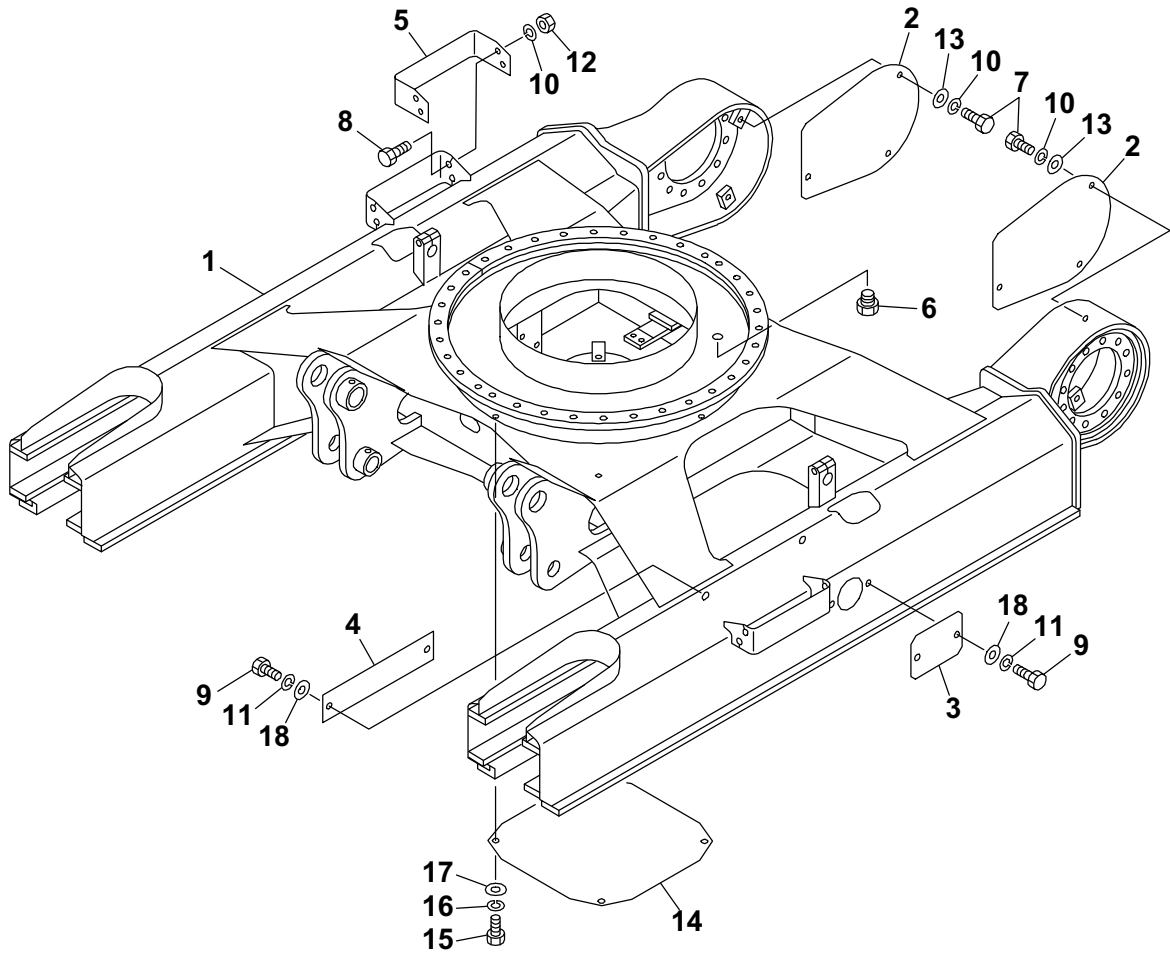
Book No.BL3Z010
Serial No.17510003-



TAKEUCHI

INDEX						
Item	Part number	Description	Q'ty	Chan.	Serial No.	Serv. Remarks
1		UNDERCARRIAGE				
2		TURNTABLE & CONTROL LEVER				
3		ENGINE & ELECTRICAL SYSTEM				
4		HYDRAULIC PIPNG & TANK				
5		COVER & CAB				
6		HOE ATTACHMENT				
7		DECAL & TOOL				
8		HYDRAULIC DEVICE				
10		ENGINE(4TNE98-TBZ)				
		ENGINE(4TNV98-VTBZ)				
		2009.06.02				
		P-TB175BAB				

TB175(P-TB175BAB) Book No. BL3Z010 S/N 17510003-
LOWER FRAME



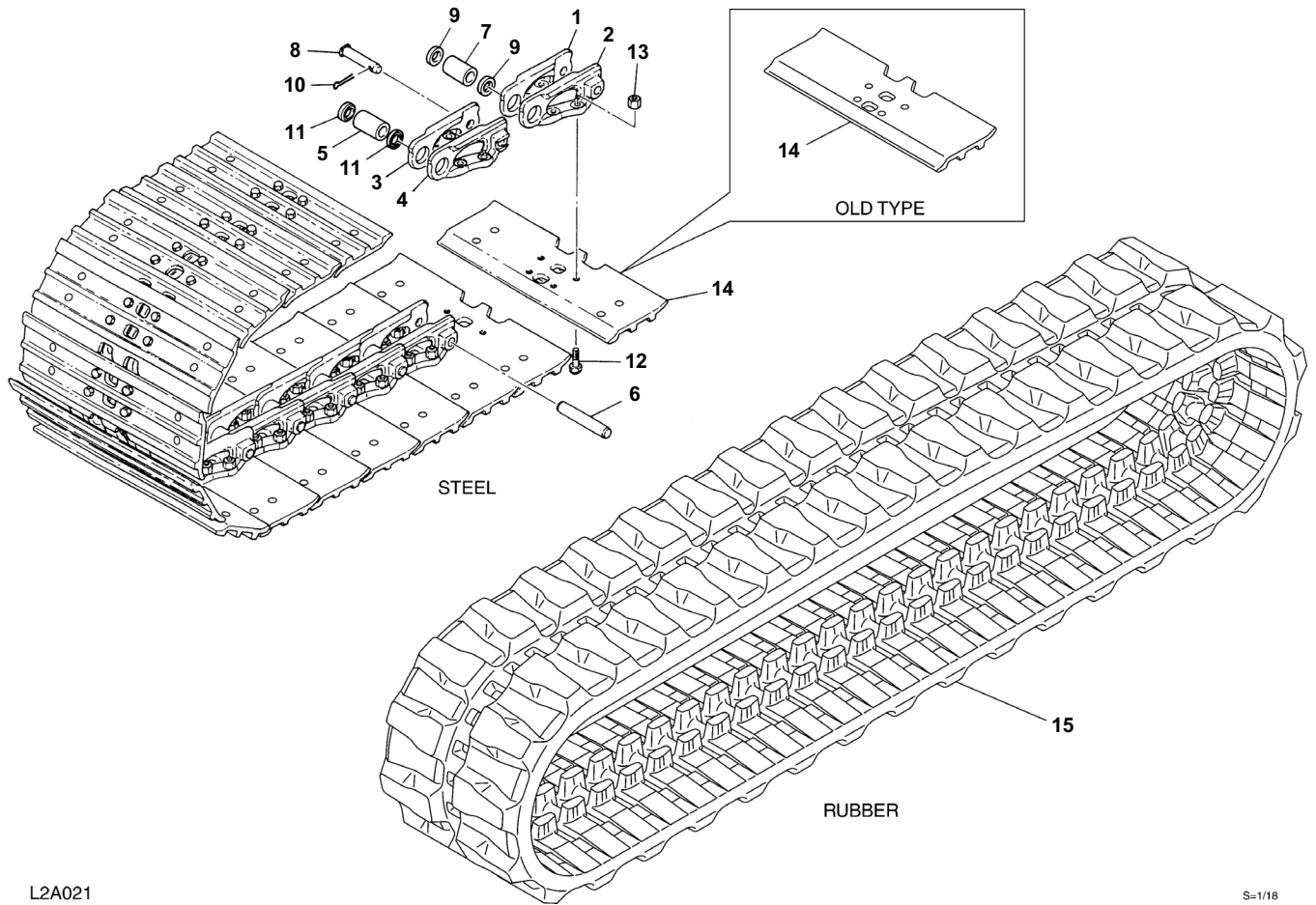
L3A011

S=1/18

LOWER FRAME

Item	Part number	Description	Q'ty	Chan.	Serial No.	Serv.	Remarks
		FRAME ASSY, lower					
		FRAME ASSY, lower (550mm shoe)					
1	X *****	FRAME	1				
2	0561027020	COVER	2				
3	0561017400	COVER	2				
4	0561019400	COVER	2				
5	0561019500	STEP	2				550mm shoe
6	1501710010	PLUG	1				
7	1100041020	BOLT	6				
8	1100041025	BOLT	8				550mm shoe
9	1100040816	BOLT	8				
10	1140020010	WASHER, spring	6				
	1140020010	WASHER, spring	14				550mm shoe
11	1140020008	WASHER, spring	8				
12	1130040010	NUT	8				550mm shoe
13	1141110010	WASHER	6				
14	0561021010	COVER	1				
15	1100041225	BOLT	4				
16	1140020012	WASHER, spring	4				
17	1141110012	WASHER	4				
18	1141110008	WASHER	8				
	L3a011						

TB175(P-TB175BAB) Book No. BL3Z010 S/N 17510003-
CRAWLER BELT



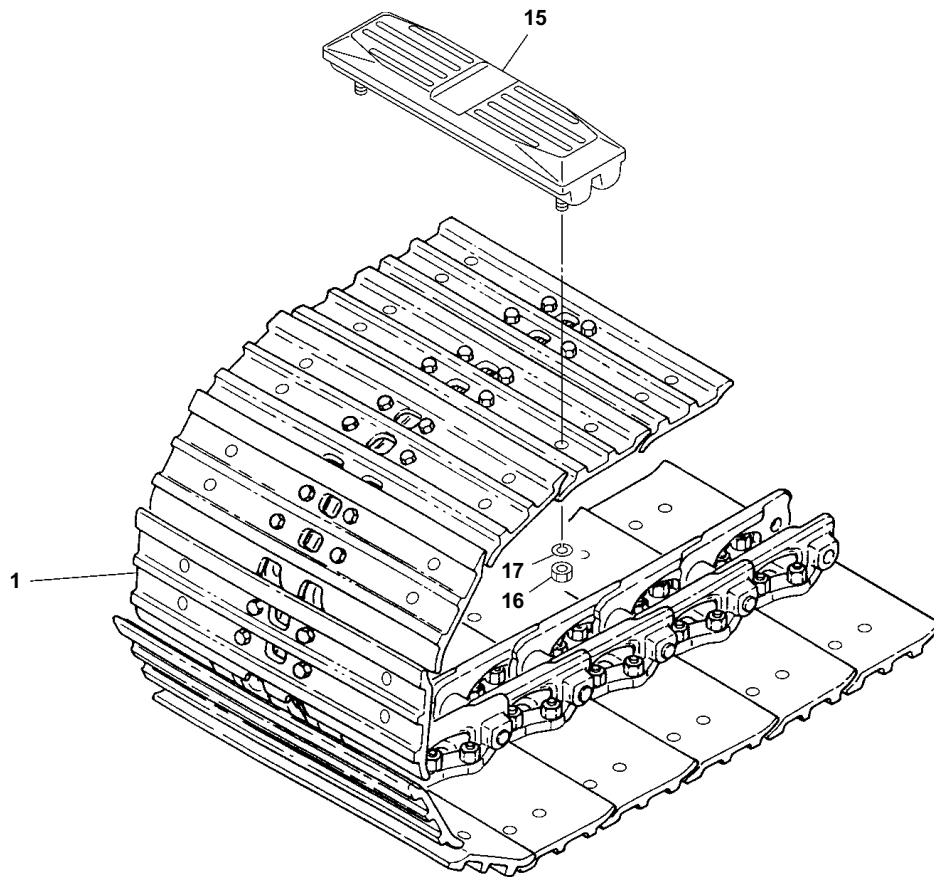
L2A021

S=1/18

CRAWLER BELT

Item	Part number	Description	Q'ty	Chan.	Serial No.	Serv.	Remarks
0	1914087100	BELT, steel crawler	2		old type		450mm shoe
	1914087300	BELT, steel crawler	2		new type		450mm shoe
	1914088100	BELT, steel crawler	2				550mm shoe
0-1	1914087199	· LINK ASSY	2				
1	1914087001	· · LINK(R.H.)	38				
2	1914087002	· · LINK(L.H.)	38				
3	1914087003	· · LINK, master(R.H.)	1				
4	1914087004	· · LINK, master(L.H.)	1				
5	1914087005	· · BUSHING	38				
6	1914087006	· · PIN, track	38				
7	1914087012	· · BUSHING	1				
8	1914087007	· · PIN, master	1				
9	1914087013	· · COLLAR	2				
10	1914087014	· · PIN, split	1				
11	1914087015	· · SEAL	76				
12	1914087009	· BOLT	156				
13	1914087010	· NUT	156				
14	1914087011	· PLATE	39		old type		450mm shoe
	1914087311	· PLATE	39		new type		450mm shoe
	1914088011	· PLATE	39				550mm shoe
15	1914086300	BELT, rubber crawler	2				
	1914086410	BELT, rubber crawler	2	(H)			
	L3a022						

TB175(P-TB175BAB) Book No. BL3Z010 S/N 17510003-
CRAWLER BELT (with rubber pads)



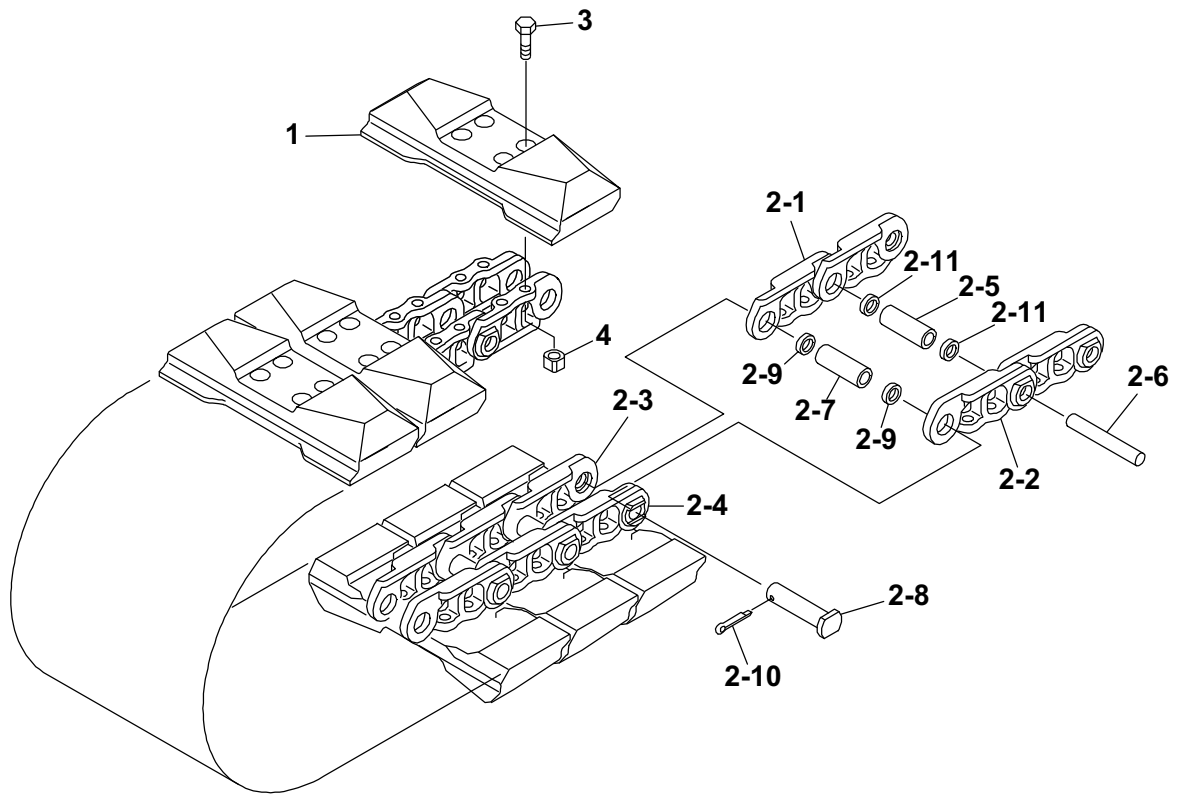
L4A082

S=1/12

CRAWLER BELT (with rubber pads)

Item	Part number	Description	Q'ty	Chan.	Serial No.	Serv.	Remarks
0	1914087400	BELT ASSY, steel crawler (with rubber pads)	2				
1	1914087300	· BELT, steel crawler	1				
15	1914400600	· PAD, rubber	39				
16	1130050014	· · NUT	4				
17	1140010014	· · WASHER, spring	4				
	L4a083						

TB175(P-TB175BAB) Book No. BL3Z010 S/N 17510003-
CRAWLER BELT (segment rubber crawler)



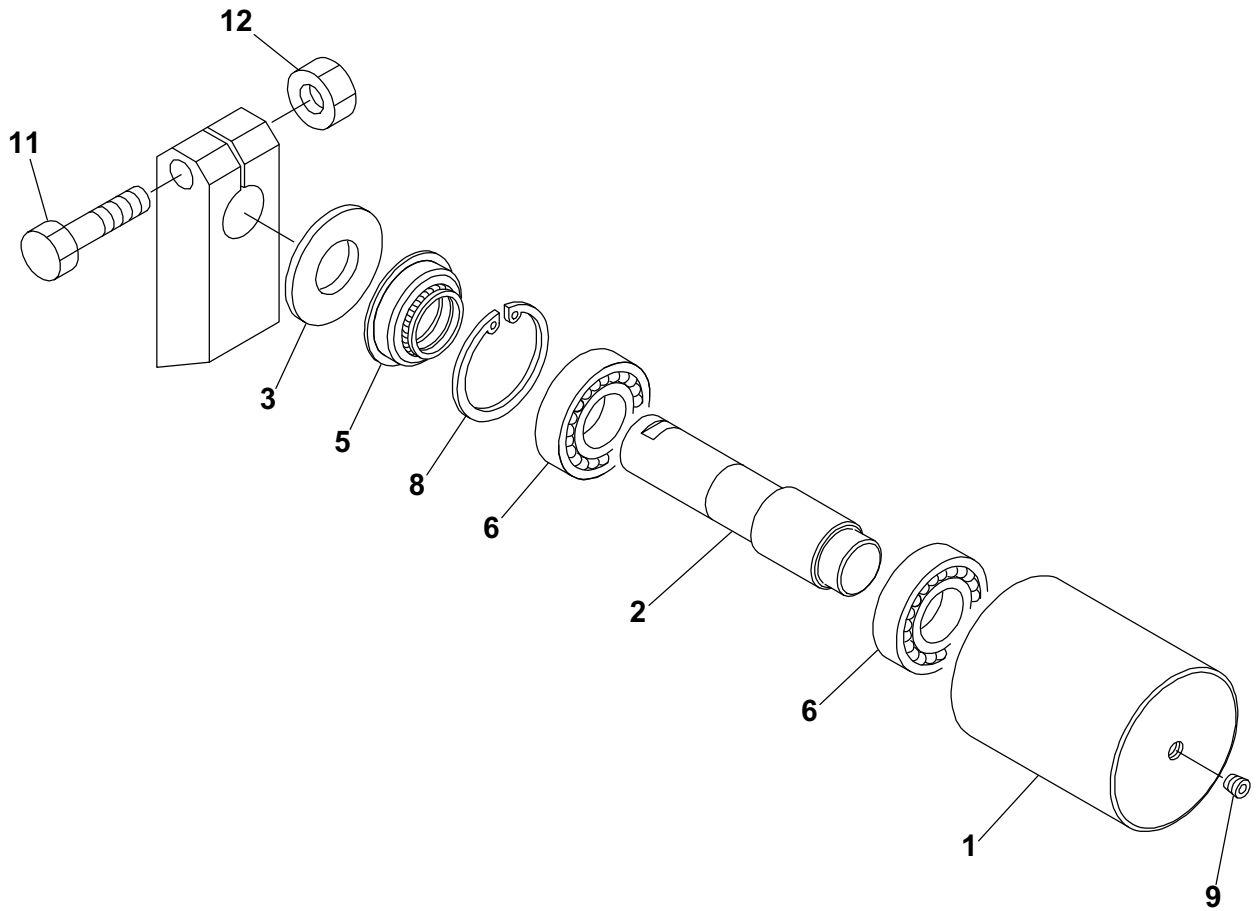
L3A130

S=1/12

CRAWLER BELT (segment rubber crawler)

Item	Part number	Description	Q'ty	Chan.	Serial No.	Serv.	Remarks
0	0561100000	BELT, segment rubber crawler	2				
1	1914401100	· PAD, rubber	39				
2	1914087199	· LINK ASSY	2				
2-1	1914087001	· · LINK(R.H.)	38				
2-2	1914087002	· · LINK(L.H.)	38				
2-3	1914087003	· · LINK, master(R.H.)	1				
2-4	1914087004	· · LINK, master(L.H.)	1				
2-5	1914087005	· · BUSHING	38				
2-6	1914087006	· · PIN, track	38				
2-7	1914087012	· · BUSHING	1				
2-8	1914087007	· · PIN, master	1				
2-9	1914087013	· · COLLAR	2				
2-10	1914087014	· · PIN, split	1				
2-11	1914087015	· · SEAL	76				
3	1914087009	· BOLT	156				
4	1914087010	· NUT	156				
	L3a130						

TB175(P-TB175BAB) Book No. BL3Z010 S/N 17510003-
CARRIER ROLLER



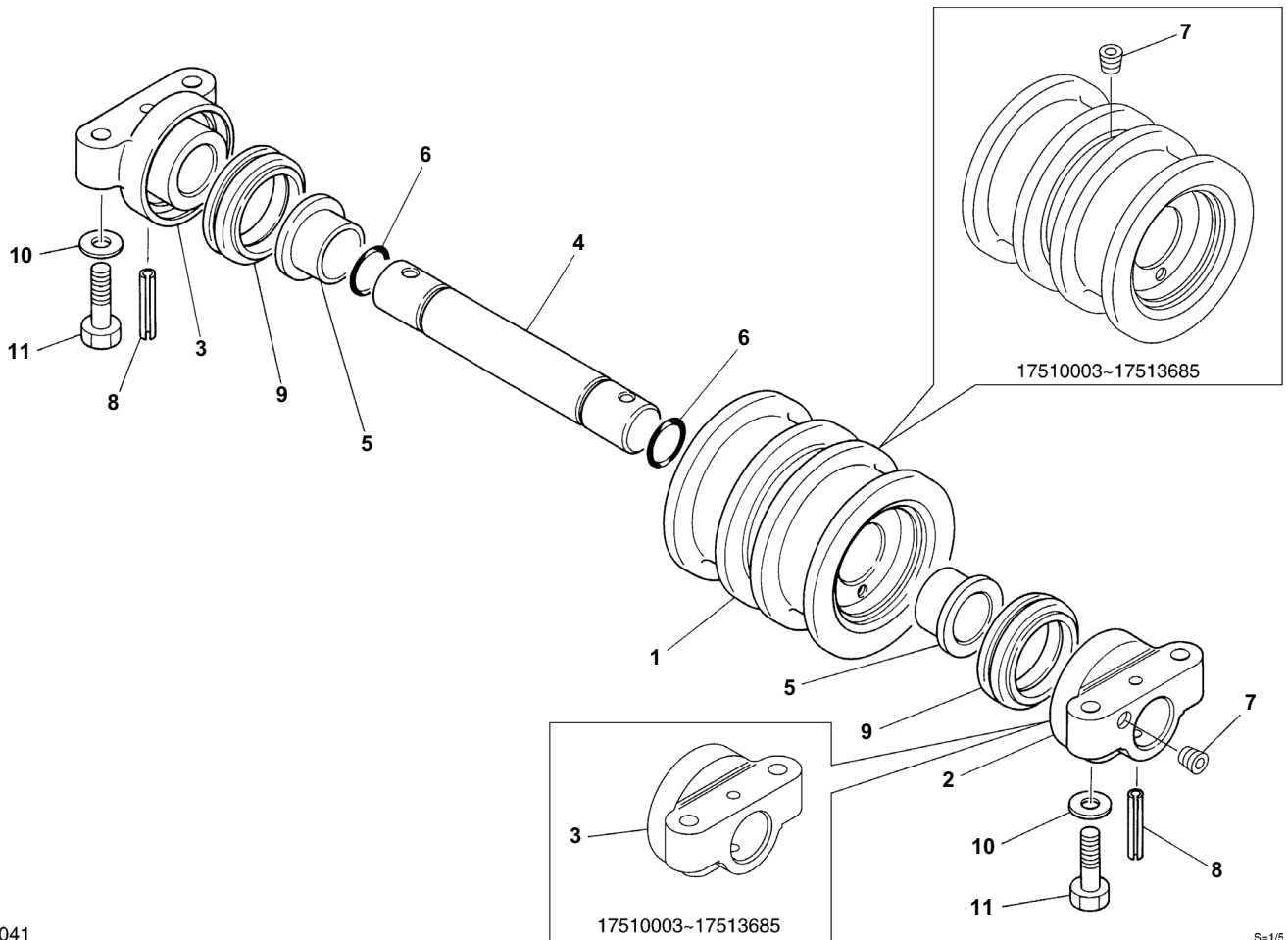
L3A030

S=1/4

CARRIER ROLLER

Item	Part number	Description	Q'ty	Chan.	Serial No.	Serv.	Remarks
		ROLLER ASSY, carrier					
0-1	0561204080	ROLLE SUB ASSY	2				
1	0561202100	· ROLLER	1				
2	0561204100	· SHAFT	1				
3	0561202200	· COVER	1				
5	1431203572	· SEAL	1				
6	1300006207	· BEARING	2				
8	1221000072	· RING, snap	1				
9	1501820001	· PLUG	1				
11	1101041675	BOLT	2				
12	1130540016	NUT	2				
	L7a060						

TB175(P-TB175BAB) Book No. BL3Z010 S/N 17510003-
TRACK ROLLER



L3A041

S=1/5

TRACK ROLLER

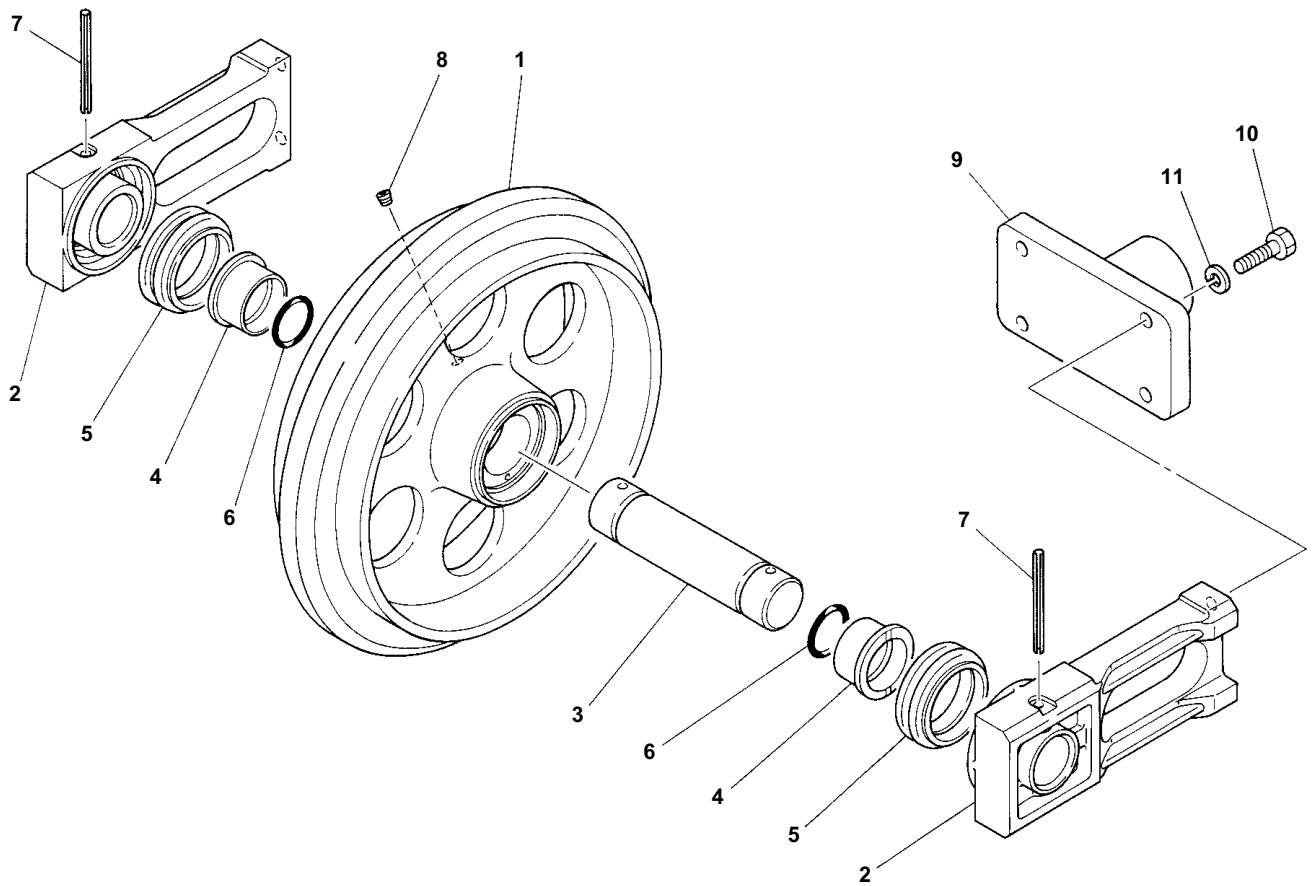
Item	Part number	Description	Q'ty	Chan.	Serial No.	Serv.	Remarks
		ROLLER ASSY, track					
0-1	0561304100	ROLLER SUB ASSY, track	10		17510003~17510098		
	0561307100	ROLLER SUB ASSY, track	10	(H)	17510099~		
1	0561304200	· ROLLER	1	(L)A	17510003~17510098		
	0561307200	· ROLLER	1	(H)a	17510099~		
2	0561307120	· COVER	1		17513686~		
3	0561304300	· COVER	2		17510003~17513685		
	0561304300	· COVER	1		17513686~		
4	0561304400	· SHAFT	1				
5	0561303500	· BUSHING	2				
6	1420100350	· O-RING	2				
7	1501810001	· PLUG	1	(L)A	17510003~17510098		
	1501810002	· PLUG	1	(H)a	17510099~17513685		
	1501830001	· PLUG	1		17513686~		
8	1213001055	· PIN, spring	2				
9	1432500660	· SEAL, floating	2				
10	1141540012	WASHER	40				
11	1101041250	BOLT	40				

<<NOTE>>

SET "A" is interchangeable with SET "a".

L3a044

TB175(P-TB175BAB) Book No. BL3Z010 S/N 17510003-
FRONT IDLER



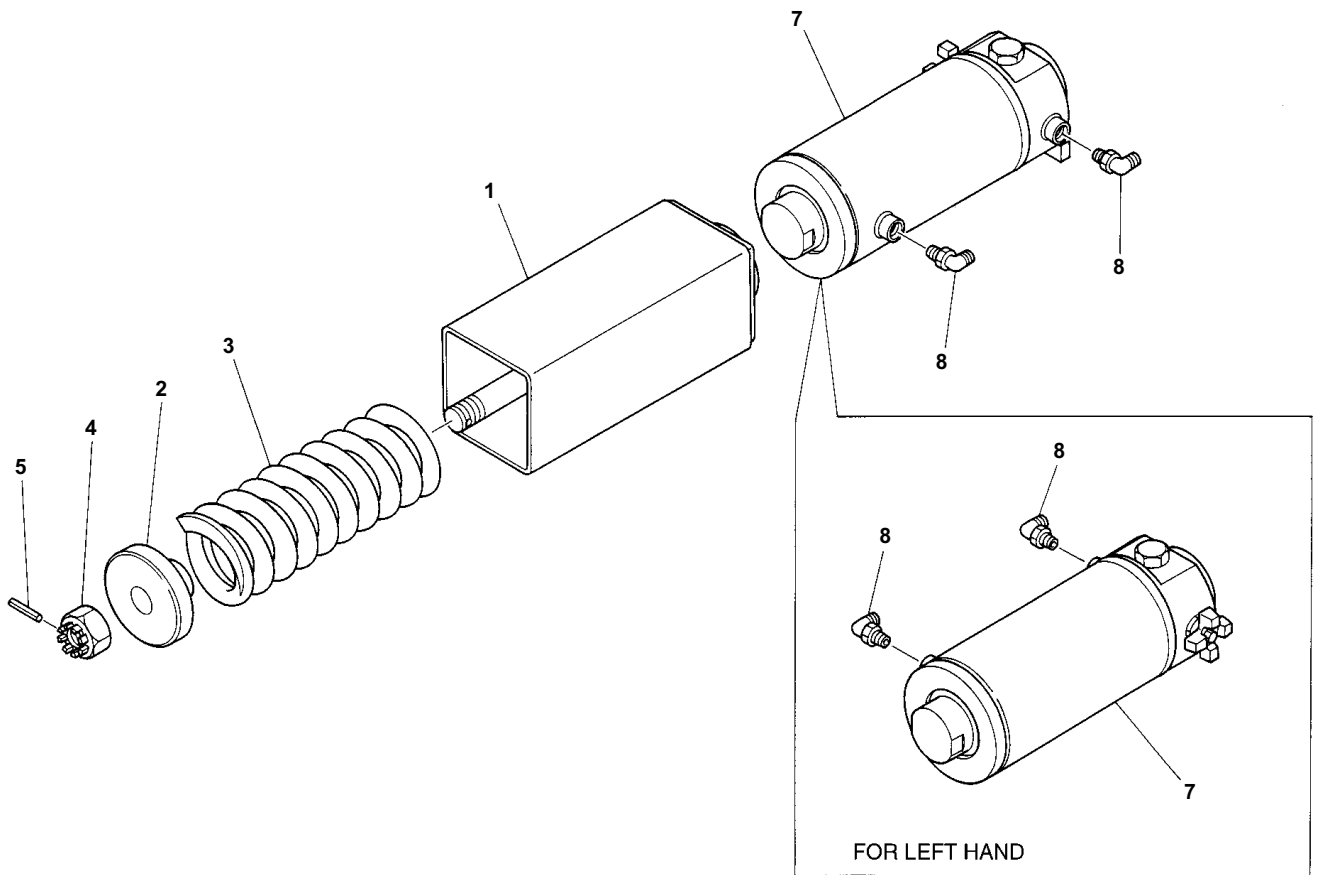
L2A050

S=1/7

FRONT IDLER

Item	Part number	Description	Q'ty	Chan.	Serial No.	Serv.	Remarks
0-1	0561400600	IDLER ASSY, front	2				
1	0561400100	IDLER SUB ASSY, front	2				
		· IDLER	1				
2	0561400200	· BLOCK	2				
3	0561400300	· SHAFT	1				
4	0561400400	· BUSHING	2				
5	1432500800	· SEAL, floating	2				
6	1420100500	· O-RING	2				
7	1213101020	· PIN, spring	2				
8	1501810001	· PLUG	1				
9	0561401500	PLATE	2				
10	1101041450	BOLT	8				
11	1140020014	WASHER, spring	8				
	L3a052						

TB175(P-TB175BAB) Book No. BL3Z010 S/N 17510003-
TRACK ADJUSTER



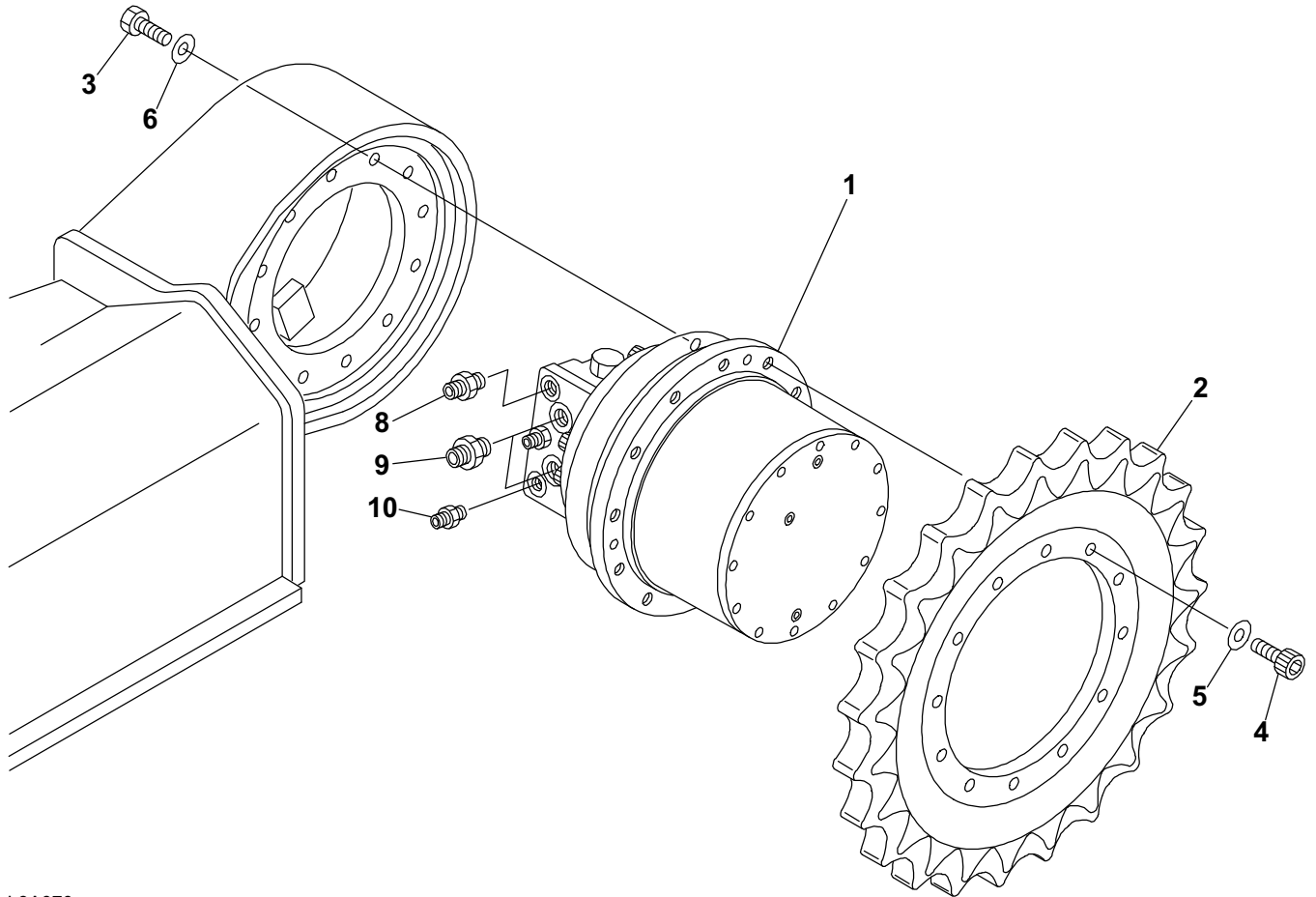
L3A060

S=1/7

TRACK ADJUSTER

Item	Part number	Description	Q'ty	Chan.	Serial No.	Serv.	Remarks
		SPRING ASSY (R.H.)					
		SPRING ASSY (L.H.)					
0-1	0561503100	SPRING ASSY	2				
1	0561503200	· ROD	1				
2	0391506350	· PLATE	1				
3	0007000077	· SPRING	1				
4	1132530027	· NUT	1				
5	1213000540	· PIN, spring	1				
0-2	0561503300	CYLINDER ASSY (R.H.)	1				
	0561503400	CYLINDER ASSY (L.H.)	1				
7	1900081000	· CYLINDER, tensioning (R.H.)	1				
	1900081100	· CYLINDER, tensioning (L.H.)	1				
8	1515012040	· ELBOW	2				
	1420010110	· · O-RING	1				
	L3a063						

TB175(P-TB175BAB) Book No. BL3Z010 S/N 17510003-
TRAVEL DEVICE



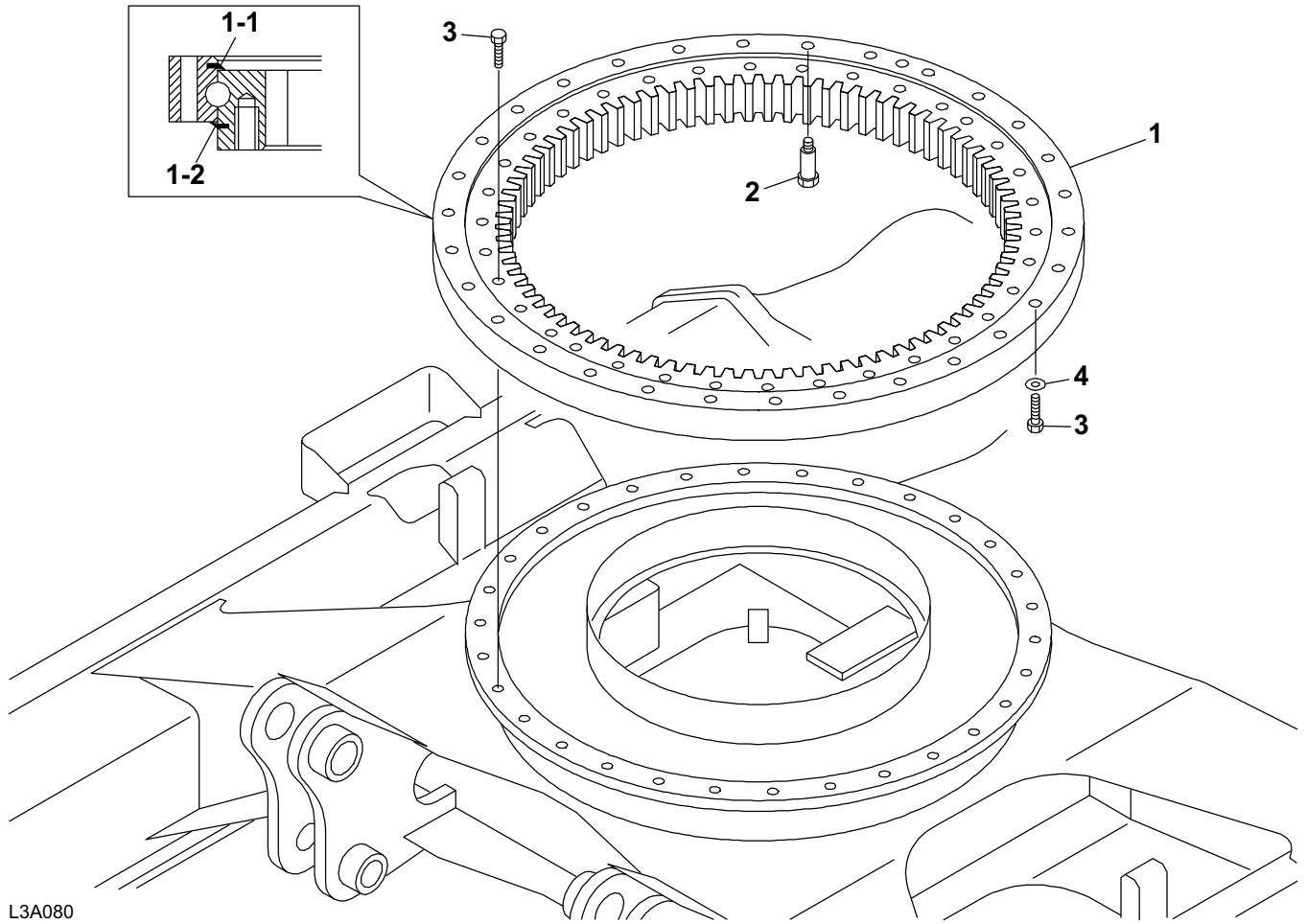
L3A070

S=1/7

TRAVEL DEVICE

Item	Part number	Description	Q'ty	Chan.	Serial No.	Serv.	Remarks
1	1903120800	MOTOR ASSY, travel	2				
2	0561615100	MOTOR, travel	2				
3	1100041640	SPROCKET	24				
4	1100051440	BOLT	24				
5	1110051440	SCREW, cap	24				
6	1141540014	WASHER	24				
7	1141540016	WASHER	24				
8	1515600201	ADAPTOR	2				
	1420010140	· O-RING	1				
9	1515600202	ADAPTOR	4				
	1420010180	· O-RING	1				
10	1515600576	ADAPTOR	2				
	1420010140	· O-RING	1				
	L3a071						

TB175(P-TB175BAB) Book No. BL3Z010 S/N 17510003-
SLEW BEARING



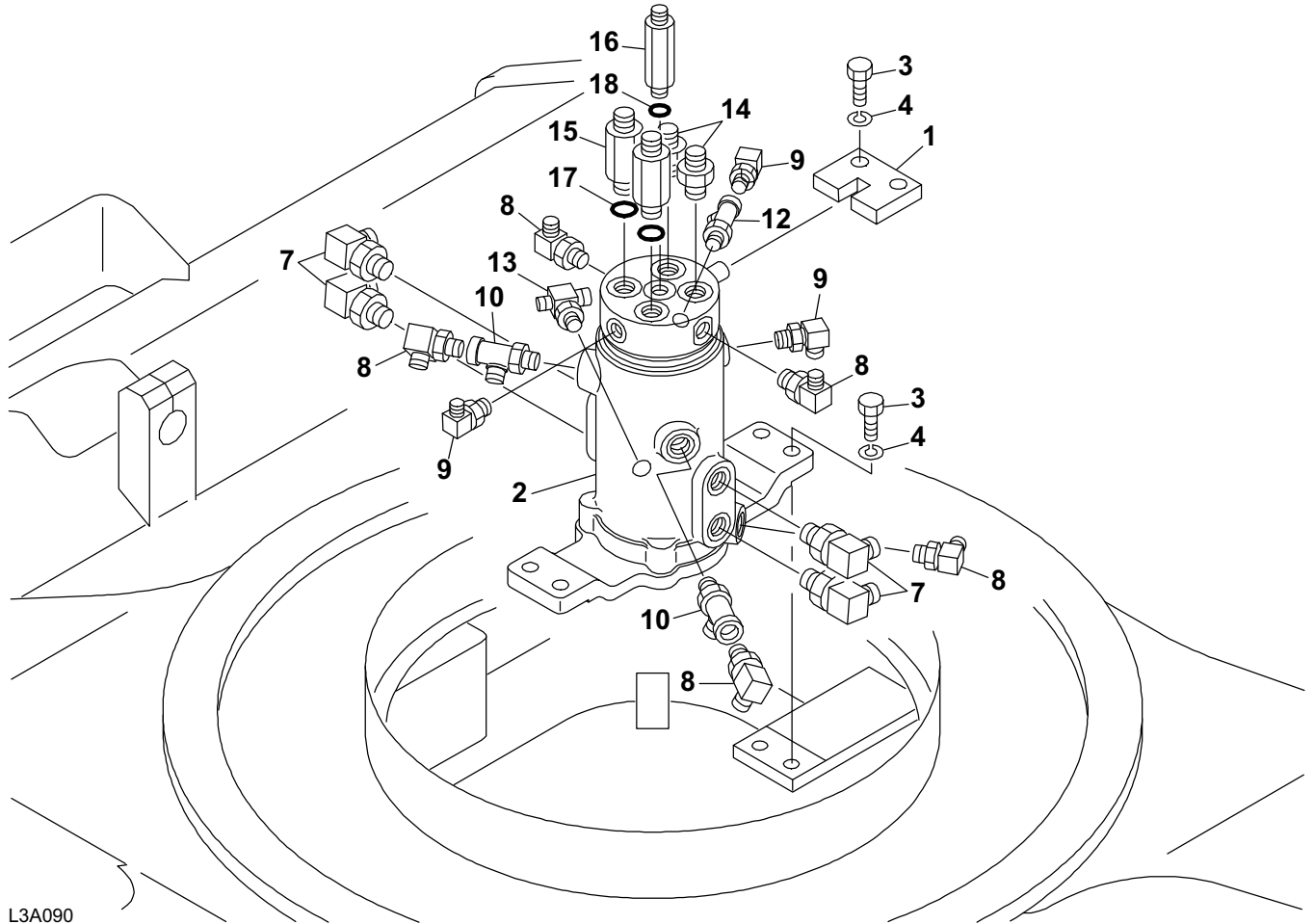
L3A080

S=1/10

SLEW BEARING

Item	Part number	Description	Q'ty	Chan.	Serial No.	Serv.	Remarks
1	1913004650	BEARING ASSY, slew	1	(L)	17510003~17515754		
	1913004950	BEARING	1	(H)	17515755~17516925		
	1913004650	BEARING	1	(H)	17516926~		
1-1	1913004658	· SEAL	1				
1-2	1913004659	· SEAL	1				
2	0562016100	BOLT	1				
3	1101041685	BOLT	63				
4	1141550016	WASHER	29				
	L3a082						

TB175(P-TB175BAB) Book No. BL3Z010 S/N 17510003-
SWIVEL JOINT & ACCESSORIES



L3A090

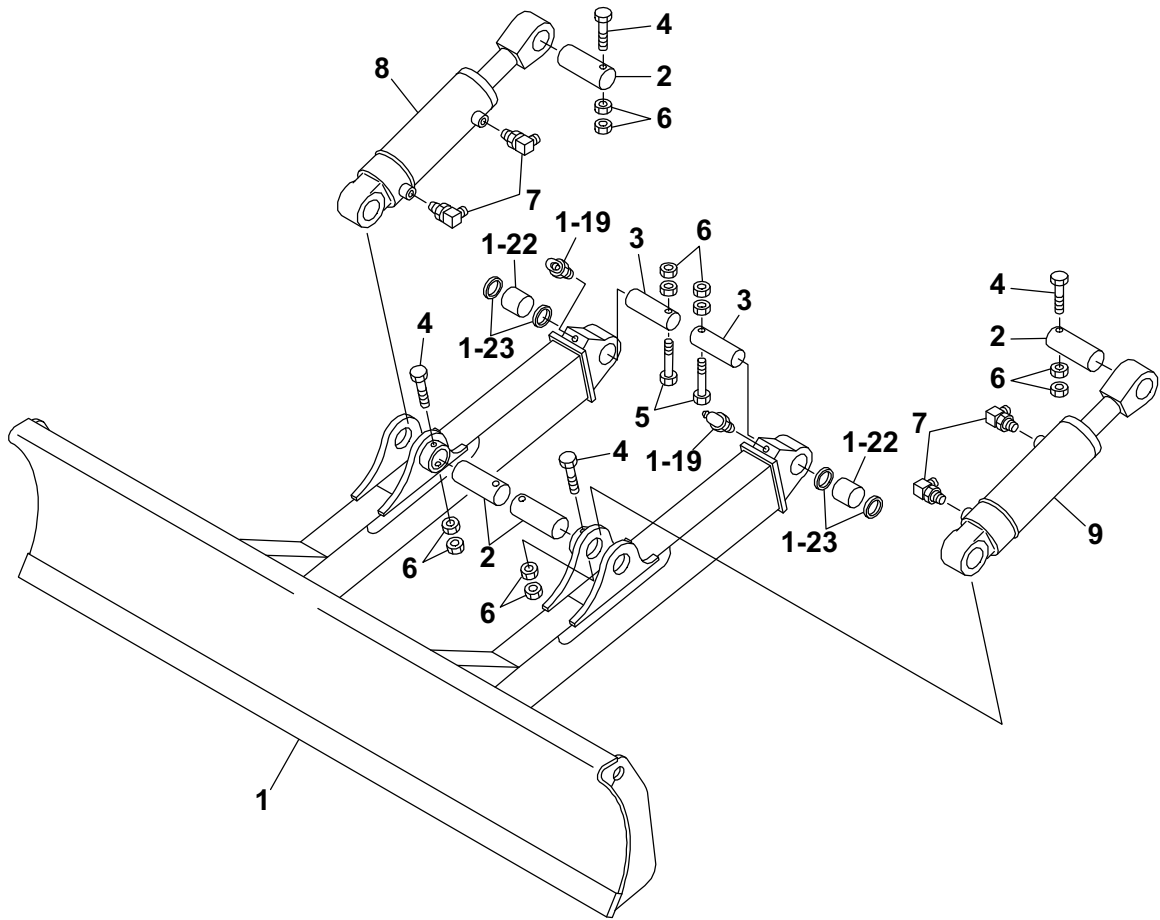
S=1/6

SWIVEL JOINT & ACCESSORIES

Item	Part number	Description	Q'ty	Chan.	Serial No.	Serv.	Remarks
		JOINT ASSY, swivel					
1	0562100100	COLLAR	1				
2	1904008000	JOINT, swivel	1				
3	1101041440	BOLT	6				
4	1140020014	WASHER, spring	6				
7	1515010042	ELBOW	4				
	1420010180	· O-RING	1				
8	1515010041	ELBOW	5				
	1420010140	· O-RING	1				
9	1515012040	ELBOW	3				
	1420010110	· O-RING	1				
10	1512340011	ELBOW	2				
	1420010140	· O-RING	1				
12	1512340001	ELBOW	1				
	1420010110	· O-RING	1				
13	1512374003	NIPPLE	1				
	1420010140	· O-RING	1				
14	1515600202	ADAPTOR	2				
	1420010180	· O-RING	1				
15	0007203006	ADAPTOR	2				
16	0007203027	ADAPTOR	1				
17	1420010180	O-RING	2				
18	1420010140	O-RING	1				

L3a092

TB175(P-TB175BAB) Book No. BL3Z010 S/N 17510003-
DOZER BLADE

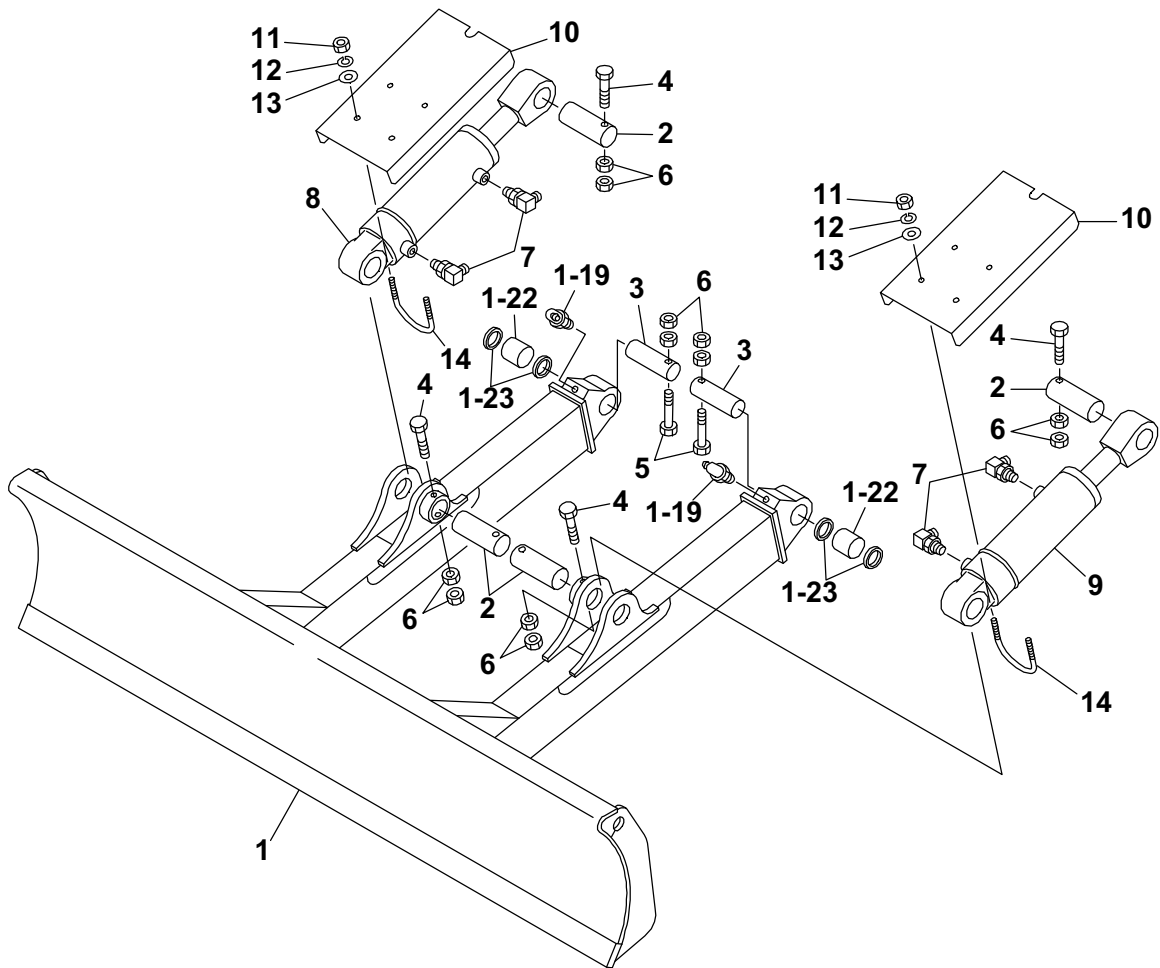


L3A101

S=1/18

DOZER BLADE							
Item	Part number	Description	Q'ty	Chan.	Serial No.	Serv.	Remarks
		BLADE ASSY, dozer					
		BLADE ASSY, wide dozer					
1	0566320100	BLADE SUB ASSY, dozer	1				2150mm wide
	0566321100	BLADE SUB ASSY, wide dozer	1				2250mm wide
1-19	1560001675	· FITTING, grease	2				
1-22	0002200016	· BUSHING	2				
1-23	1432200050	· SEAL, dust	4				
2	0001607160	PIN	4				
3	0001605160	PIN	2				
4	1103141205	BOLT	4				
5	1103041295	BOLT	2				
6	1130240012	NUT	12				
7	1515010041	ELBOW	4				
	1420010140	· O-RING	1				
8	1900079400	CYLINDER, dozer blade (R.H.)	1		17510003~17512104		
	1900091200	CYLINDER, dozer blade (R.H.)	1	(H)	17512105~17516302		KYB
	1900100900	CYLINDER, dozer blade (R.H.)	1	(H)	17516303~17516307		MITSUO
	1900091200	CYLINDER, dozer blade (R.H.)	1		17516308~17516324		KYB
	1900100900	CYLINDER, dozer blade (R.H.)	1	(H)	17516325~		MITSUO
9	1900079500	CYLINDER, dozer blade (L.H.)	1		17510003~17512104		
	1900092100	CYLINDER, dozer blade (L.H.)	1	(H)	17512105~17516302		KYB
	1900101000	CYLINDER, dozer blade (L.H.)	1	(H)	17516303~17516307		MITSUO
	1900092100	CYLINDER, dozer blade (L.H.)	1		17516308~17516324		KYB
	1900101000	CYLINDER, dozer blade (L.H.)	1	(H)	17516325~		MITSUO
	L3a103						

TB175(P-TB175BAB) Book No. BL3Z010 S/N 17510003-
DOZER BLADE (for China; 17515468-)



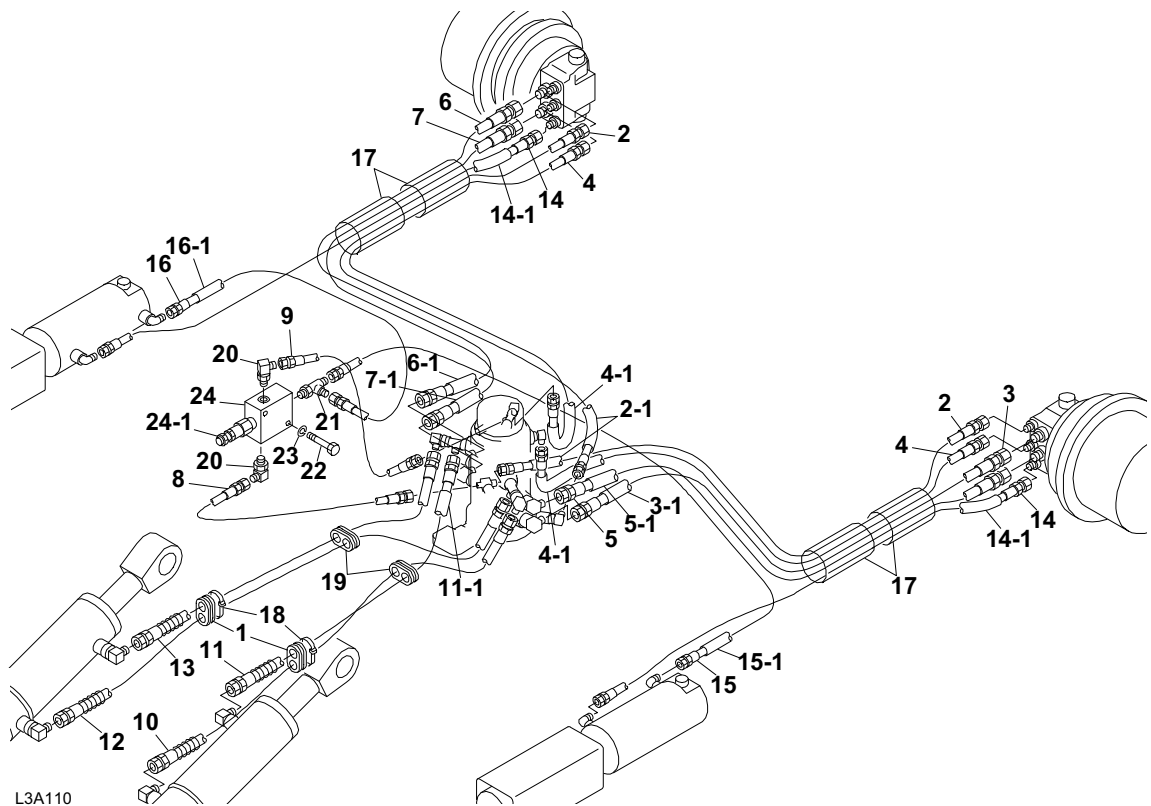
L3A121

S-1/18

DOZER BLADE (for China; 17515468-)

Item	Part number	Description	Q'ty	Chan.	Serial No.	Serv.	Remarks
		BLADE ASSY, dozer					
		BLADE ASSY, wide dozer					
1	0566320100	BLADE SUB ASSY, dozer	1				2150mm wide
	0566321100	BLADE SUB ASSY, wide dozer	1				2250mm wide
1-19	1560001675	· FITTING, grease	2				
1-22	0002200016	· BUSHING	2				
1-23	1432200050	· SEAL, dust	4				
2	0001607160	PIN	4				
3	0001605160	PIN	2				
4	1103141205	BOLT	4				
5	1103041295	BOLT	2				
6	1130240012	NUT	12				
7	1515010041	ELBOW	4				
	1420010140	· O-RING	1				
8	1900091200	CYLINDER, dozer blade (R.H.)	1		17515468~17516302		KYB
	1900100900	CYLINDER, dozer blade (R.H.)	1	(H)	17516303~17516307		MITSUO
	1900091200	CYLINDER, dozer blade (R.H.)	1		17516308~17516324		KYB
	1900100900	CYLINDER, dozer blade (R.H.)	1	(H)	17516325~		MITSUO
9	1900092100	CYLINDER, dozer blade (L.H.)	1		17515468~17516302		KYB
	1900101000	CYLINDER, dozer blade (L.H.)	1	(H)	17516303~17516307		MITSUO
	1900092100	CYLINDER, dozer blade (L.H.)	1		17516308~17516324		KYB
	1900101000	CYLINDER, dozer blade (L.H.)	1	(H)	17516325~		MITSUO
10	0566327010	COVER	2				
11	1130040010	NUT	8				
12	1140020010	WASHER, spring	8				
13	1141110010	WASHER	8				
14	1533203040	U-BOLT	4				
	L3a122						

TB175(P-TB175BAB) Book No. BL3Z010 S/N 17510003-
PIPING; LOWER



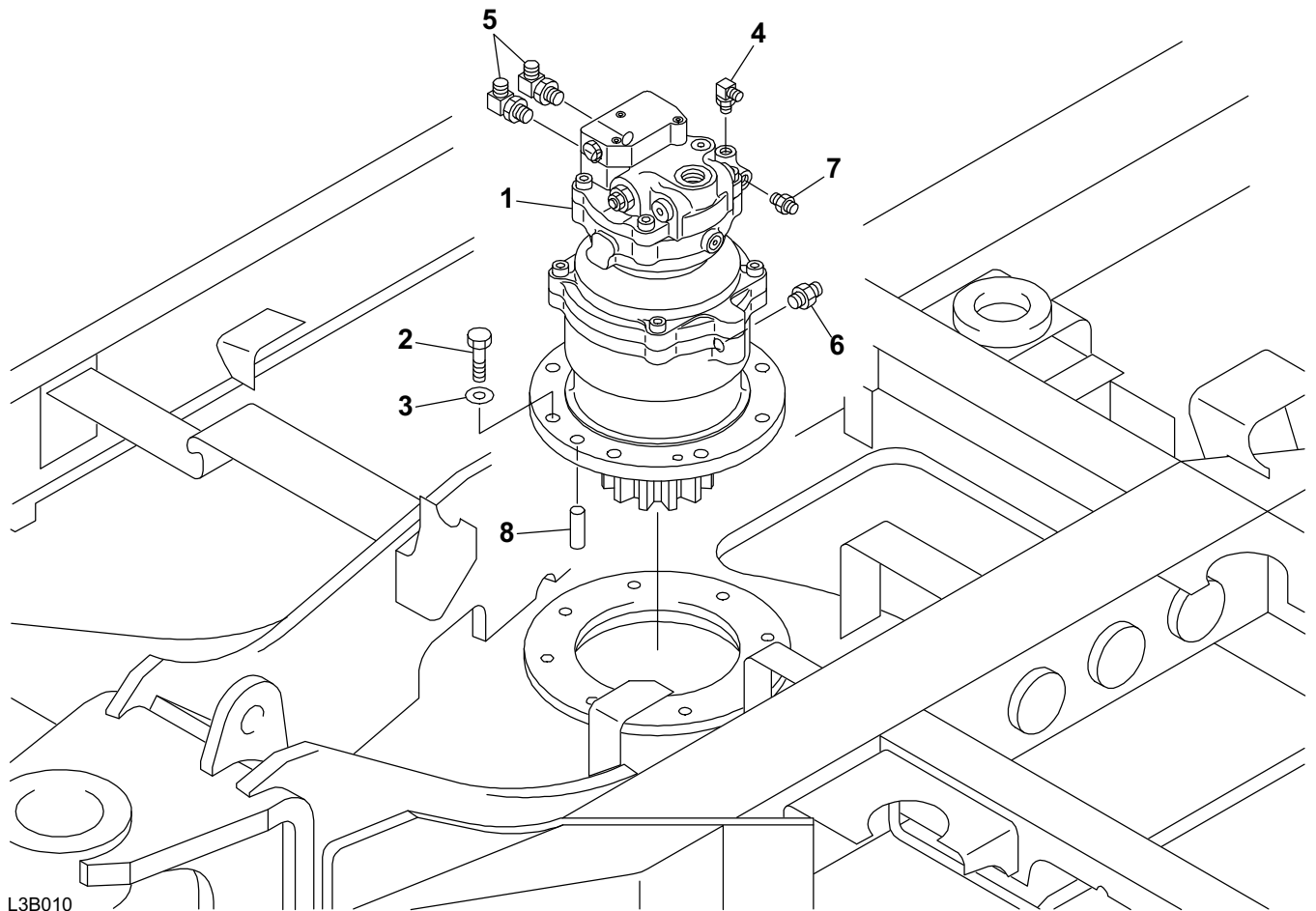
L3A110

S=1/14

PIPING; LOWER

Item	Part number	Description	Q'ty	Chan.	Serial No.	Serv.	Remarks
		PIPING ASSY, lower					
1	0097210300	GUARD	2				
2	0567219010	HOSE ASSY	2				18010-23150
2-1	1532224060	· TUBE	1				sold by the meter
3	0567219020	HOSE ASSY	1				
3-1	1532224050	· TUBE	1				sold by the meter
4	0567219030	HOSE ASSY	2				18010-22150
4-1	1532206060	· TUBE	1				sold by the meter
5	0567219040	HOSE ASSY	1				
5-1	1532224050	· TUBE	1				sold by the meter
6	0567219050	HOSE ASSY	1				
6-1	1532224050	· TUBE	1				sold by the meter
7	0567219060	HOSE ASSY	1				
7-1	1532224050	· TUBE	1				sold by the meter
8	0567219070	HOSE ASSY	1				18010-22040
9	0567219080	HOSE ASSY	1				18010-22042
10	0567219090	HOSE ASSY	1				18045-20120
11	0567219100	HOSE ASSY	1				18045-20108
11-1	1532224030	· TUBE	1				sold by the meter
12	0567219110	HOSE ASSY	1				18045-20135
13	0567219120	HOSE ASSY	1				18045-20096
14	0567219130	HOSE ASSY	2				18010-22135
14-1	1532206050	· TUBE	1				sold by the meter
15	0567219140	HOSE ASSY	1				18010-22177
15-1	1532206095	· TUBE	1				sold by the meter
16	0567219150	HOSE ASSY	1				18010-22133
16-1	1532206095	· TUBE	1				sold by the meter
17	1531350020	PROTECTOR	4				sold by the meter
18	1652200007	BAND	2				
19	0567215100	GUARD	2				
20	1515012040	ELBOW	2				
	1420010110	· O-RING	1				
21	1512370011	TEE	1				
	1420010110	· O-RING	1				
22	1100040645	BOLT	2				
23	1140020006	WASHER, spring	2				
24	1901729800	VALVE, reducing	1				
24-1	1901729802	· VALVE, relief	1				
	L3a112						

TB175(P-TB175BAB) Book No. BL3Z010 S/N 17510003-
SLEWING DEVICE



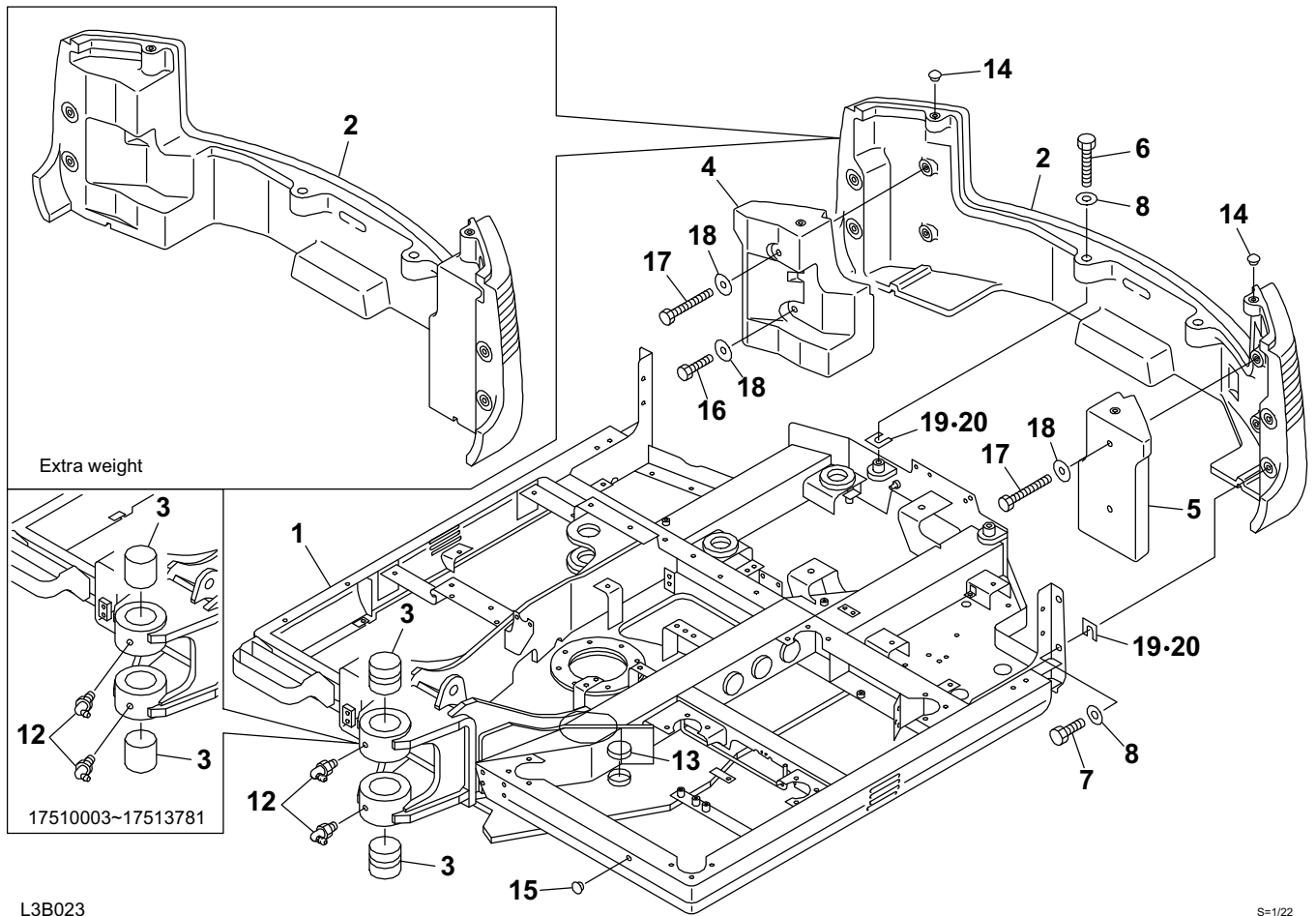
L3B010

S=1/8

SLEWING DEVICE

Item	Part number	Description	Q'ty	Chan.	Serial No.	Serv.	Remarks
		DEVICE ASSY, slewing					
1	1903120900	MOTOR, slew	1				
2	1106241650	BOLT	8				
3	1141540016	WASHER	8				
4	1515012040	ELBOW	1				
	1420010110	· O-RING	1				
5	1515010042	ELBOW	2				
	1420010180	· O-RING	1				
6	1515600201	ADAPTOR	1				
	1420010140	· O-RING	1				
7	1515600200	ADAPTOR	1				
	1420010110	· O-RING	1				
8	0562313100	PIN, parallel	1				
	L3b011						

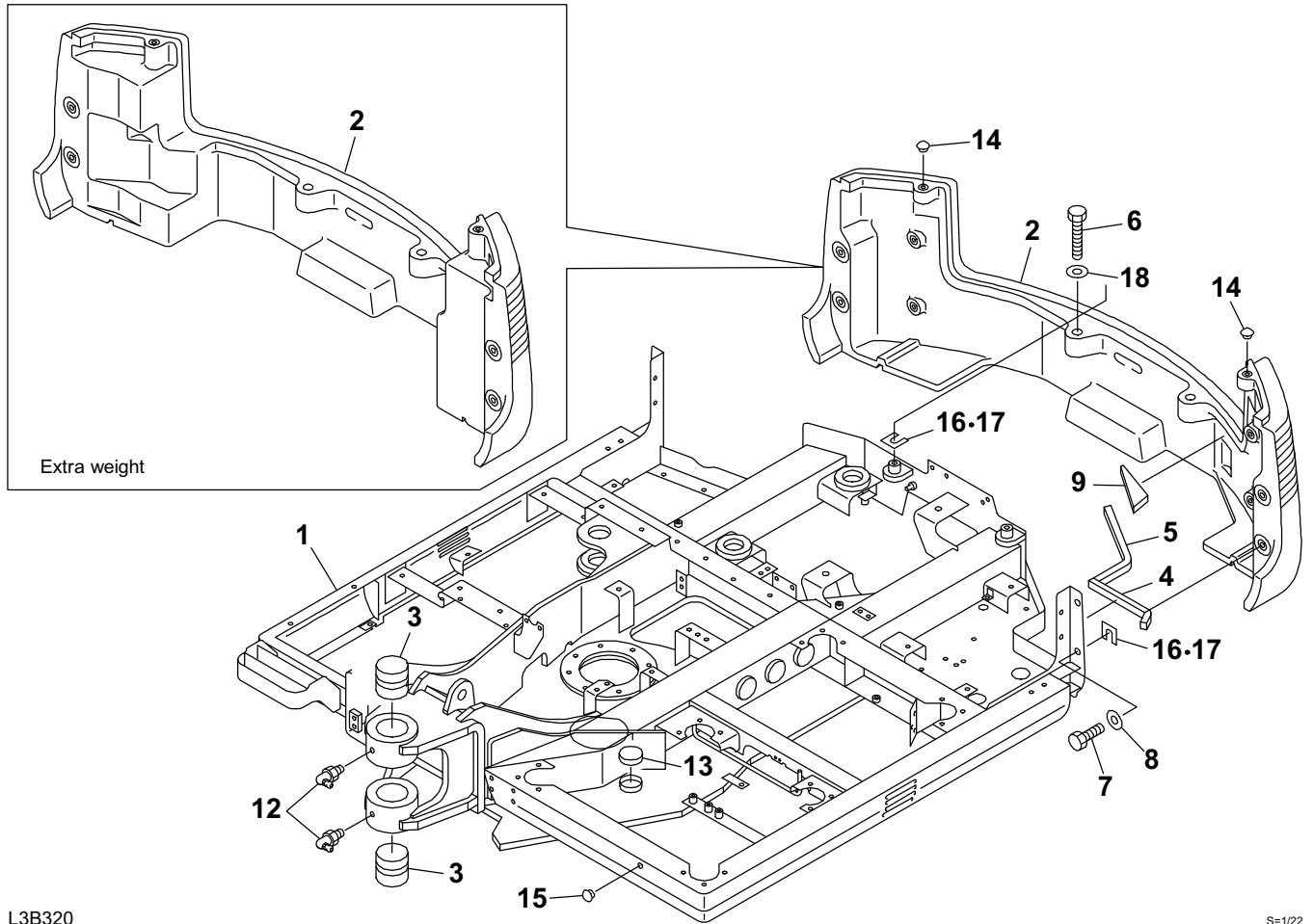
TB175(P-TB175BAB) Book No. BL3Z010 S/N 17510003-
TURNTABLE (17510003-17517153)



TURNTABLE (17510003-17517153)

Item	Part number	Description	Q'ty	Chan.	Serial No.	Serv.	Remarks
		TURNTABLE ASSY					
		TURNTABLE ASSY (extra weight)					
1	X *****	TURNTABLE	1				
2	0563030500	COUNTERWEIGHT	1				
	0563031500	COUNTERWEIGHT	1				extra weight
3	0563029601	BUSHING	2		17510003~17513781		f ³ 100
	0563041003	BUSHING	2		17513782~		f ³ 125
4	0563031200	EXTRA WEIGHT (R.H.)	1				add-on type
5	0563031300	EXTRA WEIGHT (L.H.)	1				add-on type
6	1101142020	BOLT	2				
7	1101042050	BOLT	4				
8	1141550020	WASHER	6				
12	1560001675	FITTING, grease	2		17510003~17513781		
	1560001900	FITTING, grease	2		17513782~		
13	0173216600	COVER	1				
14	1652533020	CAP	2				
15	1652533023	CAP	1				
16	1101041465	BOLT	1				add-on type
17	1101141450	BOLT	3				add-on type
18	0003900029	WASHER	4				add-on type
19	0563030600	SHIM	AR				t=1.2mm
20	0563030610	SHIM	AR				t=2.3mm
	L3b025						

TB175(P-TB175BAB) Book No. BL3Z010 S/N 17510003-
TURNTABLE (17517154-)



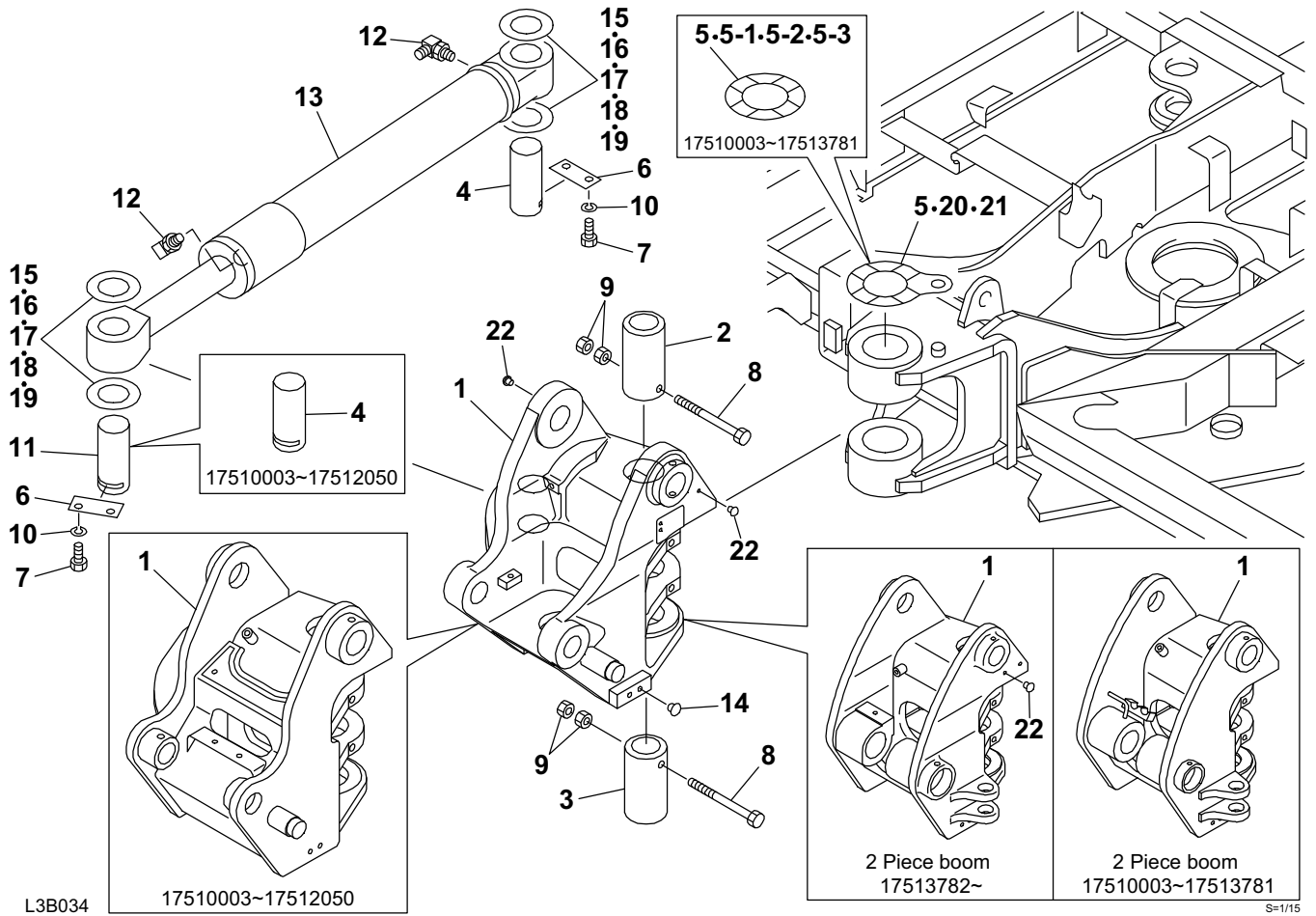
L3B320

S-1/22

TURNTABLE (17517154-)

Item	Part number	Description	Q'ty	Chan.	Serial No.	Serv.	Remarks
		TURNTABLE ASSY					
		TURNTABLE ASSY (extra weight)					
1	X *****	TURNTABLE	1				
2	0563030500	COUNTERWEIGHT	1				
	0563031500	COUNTERWEIGHT	1				extra weight
3	0563041003	BUSHING	2				f ³ 125
4	0563037004	SPONGE	1			M	
5	0563037005	SPONGE	1			M	
6	1101142020	BOLT	2				
7	1101042050	BOLT	4				
8	1141550020	WASHER	4				
9	0563051009	SPONGE	1		17517804~	M	
12	1560001900	FITTING, grease	2				
13	0173216600	COVER	1				
14	1652533020	CAP	2				
15	1652533023	CAP	1				
16	0563030600	SHIM	AR				t=1.2mm
17	0563030610	SHIM	AR				t=2.3mm
18	0003600247	WASHER	2			M	
	L3b320						

**TB175(P-TB175BAB) Book No. BL3Z010 S/N 17510003-
BOOM SWING**



BOOM SWING

Item	Part number	Description	Q'ty	Chan.	Serial No.	Serv.	Remarks
		SWING ASSY, boom					
		SWING ASSY, boom (2-piece boom)					
1	0563121100	BRACKET	1		17510003~17510824		
	0563126100	BRACKET	1	A	17510825~17511034		
	0563127100	BRACKET	1	a, C	17511035~17512050		
	0563122600	BRACKET	1	c	17512051~17513781		
	0563131100	BRACKET	1		17513782~		
	0563125100	BRACKET (2-piece boom)	1	B	17510003~17510070		
	0563128100	BRACKET (2-piece boom)	1	b	17510071~17513781		
	0563132100	BRACKET (2-piece boom)	1		17513782~		
2	0563121200	PIN	1	A, B	17510003~17511034		
	0563127200	PIN	1	a, b	17511035~17513781		
	0563131200	PIN	1	(L)	17513782~17514609		f ³ 125
	0563131205	PIN	1		17514610~		f ³ 125
3	0563121300	PIN	1	A, B	17510003~17511034		
	0563127300	PIN	1	a, b	17511035~17513781		
	0563131300	PIN	1	(L)	17513782~17514609		f ³ 125
	0563131305	PIN	1		17514610~		f ³ 125
4	0563114200	PIN	2	C	17510003~17512050		
	0563114200	PIN	1	c	17512051~		
5	0563120400	WASHER	1		17510003~17513781		
	0563135021	WASHER	1		17513782~	M	t=4.5mm
5-1	0563120401	· WASHER	1		17510003~17513781		t=4.5mm
5-2	0563120402	· WASHER	1		17510003~17513781		t=5.0mm
5-3	0563120403	· WASHER	1		17510003~17513781		t=5.5mm
6	0563114300	PLATE	2				
7	1101041450	BOLT	4				
8	1100341400	BOLT	2		17510003~17513781		
	1100341430	BOLT	2		17513782~		
9	1130040014	NUT	4				
10	1140020014	WASHER, spring	4				
11	0563122700	PIN	1	c	17512051~		
12	1515010042	ELBOW	2				
	1420010180	· O-RING	1				
13	1900079300	CYLINDER, swing	1		17510003~17512104		
	1900091100	CYLINDER, swing	1	(H)	17512105~		
14	1652533018	CAP	2				
15	0003600148	WASHER	AR				t=2.9mm
	0003600170	WASHER (2-piece boom)	AR		17510003~17512104		t=1.0mm
16	0003600104	WASHER	AR				t=1.6mm
17	0003600103	WASHER	AR				t=1.0mm
18	0003600102	WASHER	AR				t=0.5mm
19	0003600101	WASHER	AR				t=0.2mm
20	0563135022	WASHER	1		17513782~	M	t=5.0mm
21	0563135023	WASHER	1		17513782~	M	t=5.5mm
22	1652533016	CAP	2				

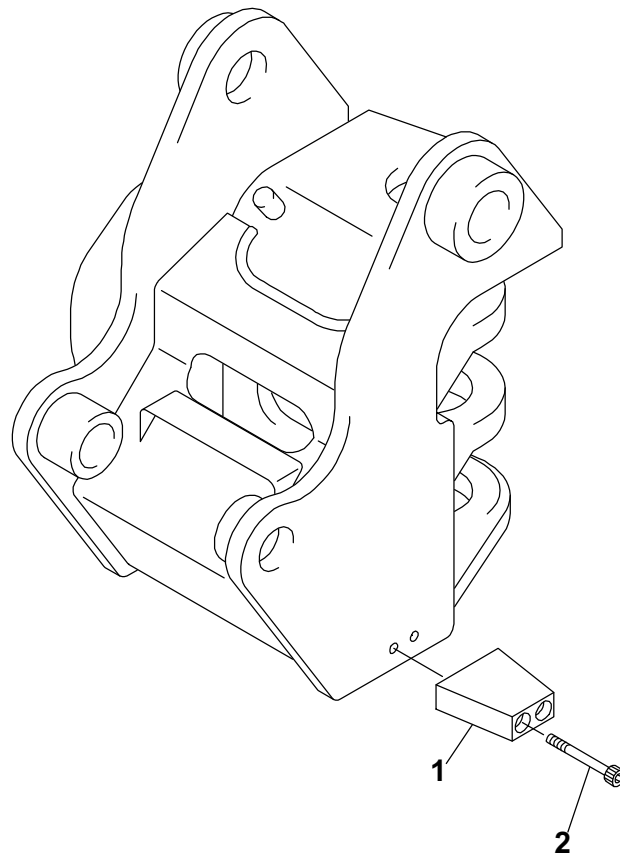
<<NOTE>>

SET "A" is interchangeable with SET "a".

SET "B" is interchangeable with SET "b".

SET "C" is interchangeable with SET "c".

L3b039



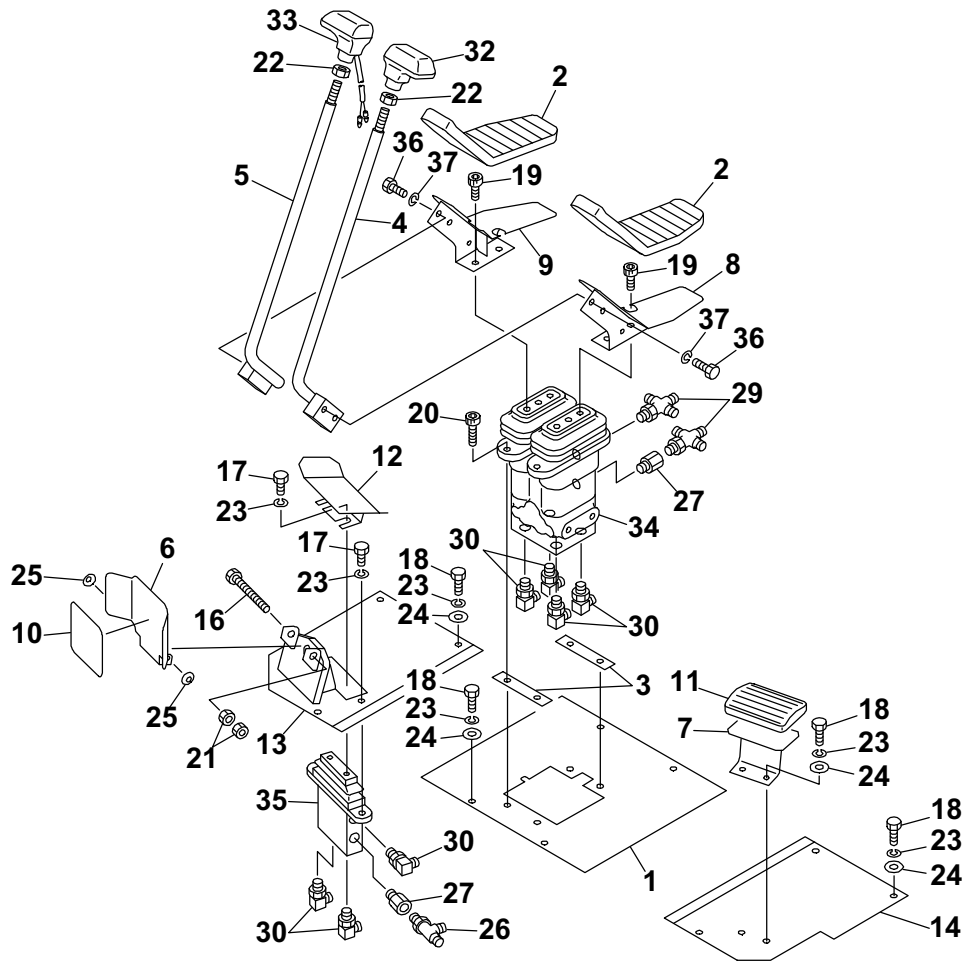
L3B040

S=1/8

SWING STOPPER

Item	Part number	Description	Q'ty	Chan.	Serial No.	Serv.	Remarks
1	0563900100	STOPPER ASSY PLATE	1				
2	1111141200 L3b040	SCREW, cap	2				

TB175(P-TB175BAB) Book No. BL3Z010 S/N 17510003-
TRAVEL LEVER & SWING PEDAL



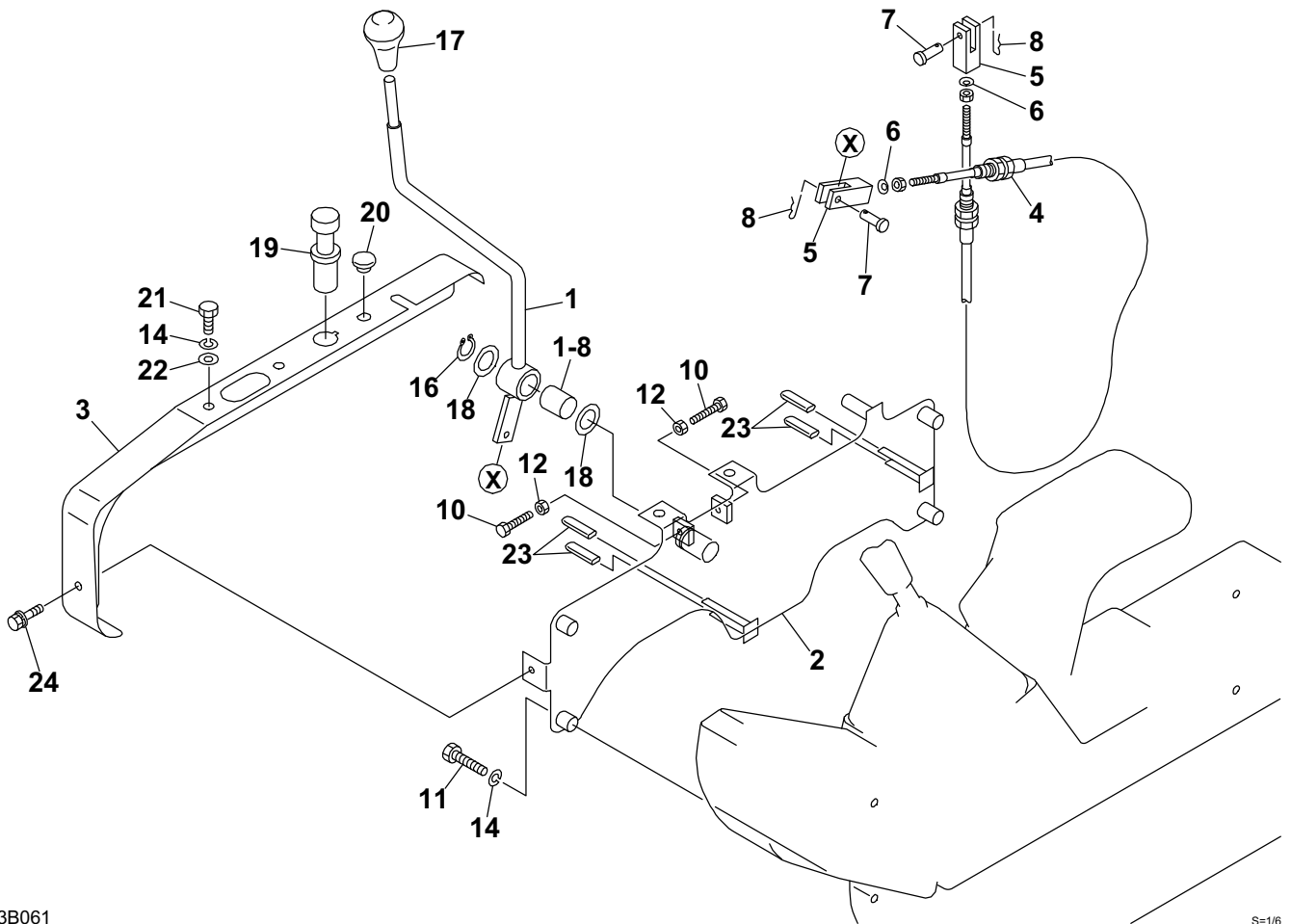
L3B051

S=1/10

TRAVEL LEVER & SWING PEDAL

Item	Part number	Description	Q'ty	Chan.	Serial No.	Serv.	Remarks
		LEVER ASSY, control (with travel alarm)					
		LEVER ASSY, control					
1	0563228050	BRACKET	1				
2	0563226200	COVER	2				
3	0563226120	PLATE	2		17510003~17513331		
4	0563226300	LEVER (L.H.)	1				
5	0563226400	LEVER (R.H.)	1				
6	0333234260	COVER	1				
7	0563219700	REST, foot	1				
8	0563226600	PEDAL (L.H.)	1				
9	0563226700	PEDAL (R.H.)	1				
10	0333241250	SEET	1				
11	0563218500	COVER	1				
12	0563228060	PEDAL	1				
13	0563228070	BRACKET	1				
14	0563228080	BRACKET	1				
16	1100040680	BOLT	1				
17	1100040814	BOLT	4				
18	1100040820	BOLT	12				
19	1110041016	BOLT	4				
20	1110041025	SCREW, cap	4				
21	1130040006	NUT	2				
22	1131040012	NUT	2				
23	1140020008	WASHER, spring	16				
24	1141110008	WASHER	12				
25	1225110006	WASHER, conical	2				
26	1512370011	TEE	1				
	1420010110	· O-RING	1				
27	1513370046	BUSHING	2				
	1420010110	· O-RING	1				
29	1513390027	TEE	2				
	1420010110	· O-RING	1				
30	1515012040	ELBOW	7				
	1420010110	· O-RING	1				
32	1650202610	GRIP	1				
33	1650203210	GRIP (with switch)	1				
34	1901733500	VALVE, remote control	1	(L)	17510003~17518141		with travel alarm
	1901754900	VALVE, remote control	1	(H)	17518142~	M	with travel alarm
	1901740000	VALVE, remote control	1	(L)	17510003~17518141		
	1901754800	VALVE, remote control	1	(H)	17518142~	M	
35	1901735000	VALVE, remote control	1				
36	1100041020	BOLT	4				
37	1140020010	WASHER, spring	4				
	L3b053						

TB175(P-TB175BAB) Book No. BL3Z010 S/N 17510003-
DOZER BLADE LEVER



L3B061

S=1/6

DOZER BLADE LEVER

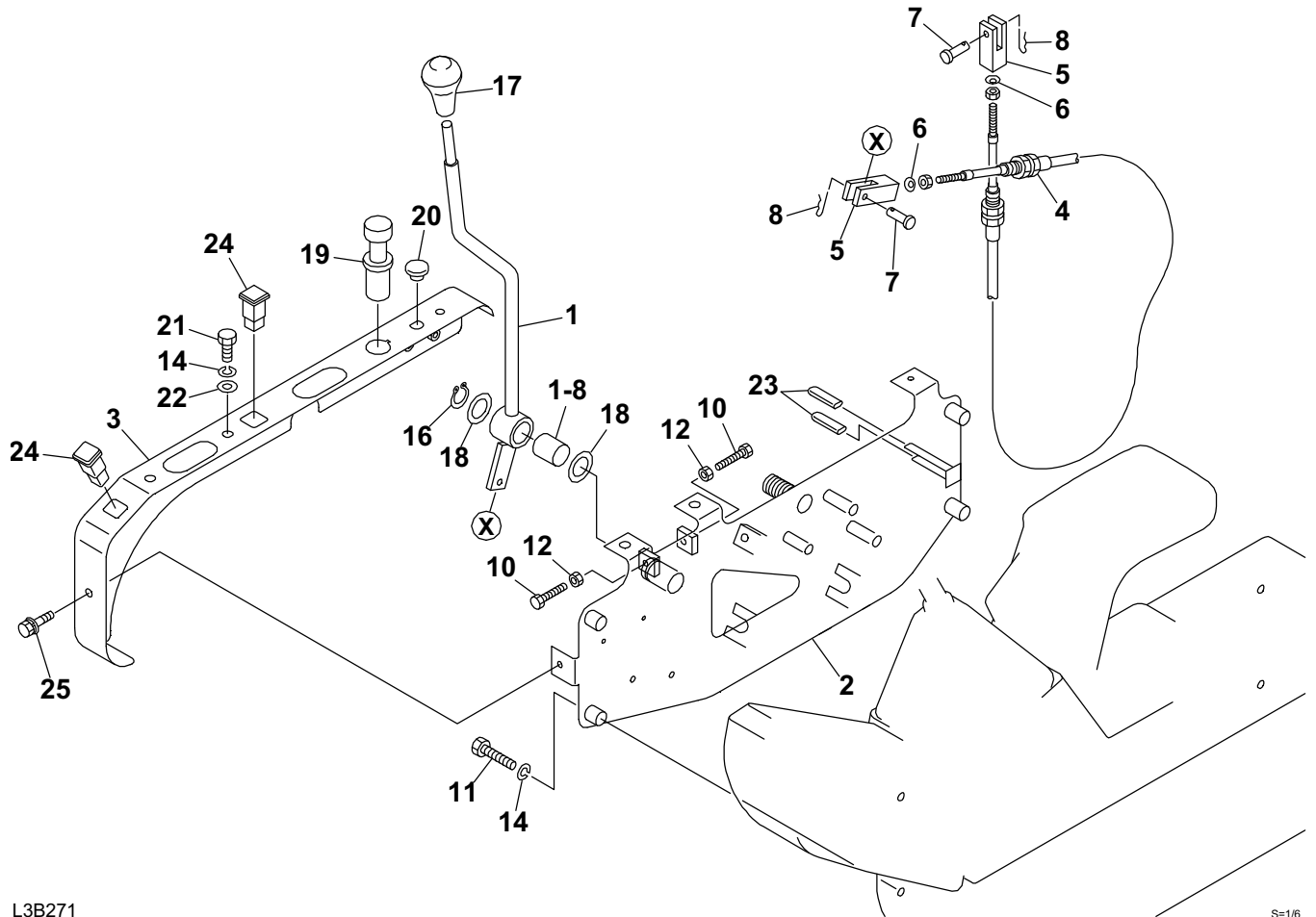
Item	Part number	Description	Q'ty	Chan.	Serial No.	Serv.	Remarks
		LEVER ASSY, blade					
1	0563302100	LEVER	1				
1-8	1333002025	· BUSHING	1				
2	0563306100	BRACKET	1	A	17510003~17510248		
	0563306300	BRACKET	1	a(H)	17510249~		
3	0563306200	COVER	1	A	17510003~17510248		
	0563306400	COVER	1	a(H)	17510249~		
4	0563300300	CABLE, control	1				
5	0563217400	YOKE	2				
6	1225000005	WASHER	2				
7	0004006017	PIN	2				
8	1214000006	PIN, snap	2				
10	1100040630	BOLT	2				
11	1100090835	BOLT	4				
12	1130040006	NUT	2				
14	1140090008	WASHER, spring	6				
16	1222016020	RING, seeger	1				
17	1650153655	GRIP	1				
18	0093208300	WASHER	2				
19	1711900039	LIGHTER	1				
20	1652533019	CAP	1				
21	1100090816	BOLT	2				
22	1141190008	WASHER	2				
23	0872433150	CLAMP	4				
24	1100560612	BOLT	2				

<<NOTE>>

SET "A" is interchangeable with SET "a".

L3b062

TB175(P-TB175BAB) Book No. BL3Z010 S/N 17510003-
DOZER BLADE LEVER (manual engine control; 17513782-)



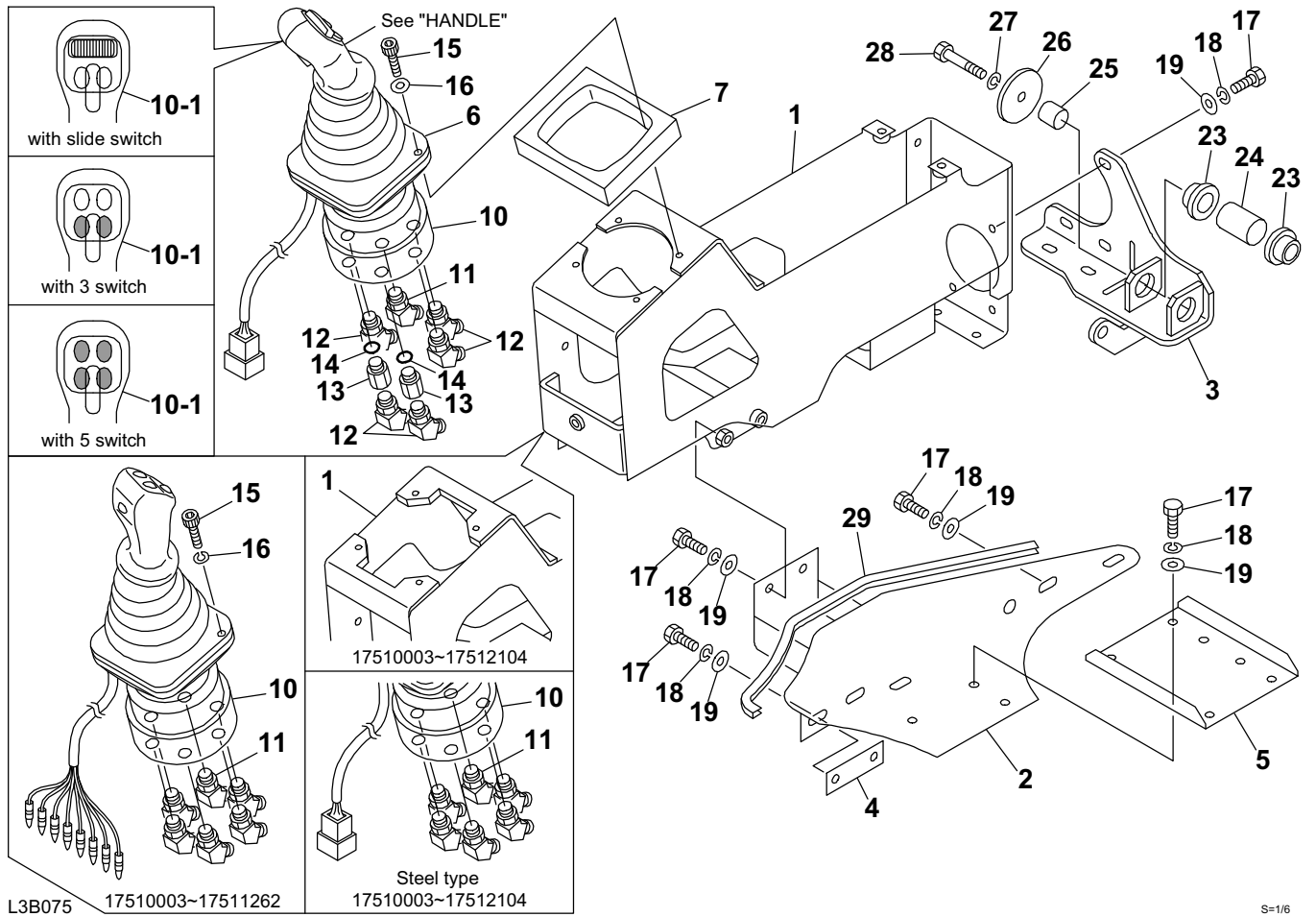
L3B271

S=1/6

DOZER BLADE LEVER (manual engine control; 17513782-)

Item	Part number	Description	Q'ty	Chan.	Serial No.	Serv.	Remarks
		LEVER ASSY, blade					
		LEVER ASSY, blade (with 3rd aux. line)					
		LEVER ASSY, blade (with 4th aux. line)					
1	0563309100	LEVER	1				
1-8	1333002025	· BUSHING	1				
2	0563309200	BRACKET	1				
3	0563309300	COVER	1				
4	0563300300	CABLE, control	1				
5	0563217400	YOKE	2				
6	1225000005	WASHER	2				
7	0004006017	PIN	2				
8	1214000006	PIN, snap	2				
10	1100040630	BOLT	2				
11	1100090835	BOLT	4				
12	1130040006	NUT	2				
14	1140090008	WASHER, spring	6				
16	1222016020	RING, seeger	1				
17	1650153655	GRIP	1				
18	0093208300	WASHER	2				
19	1711900039	LIGHTER	1				
20	1652533019	CAP	1				
21	1100090816	BOLT	2				
22	1141190008	WASHER	2				
23	0872433150	CLAMP	6				
24	1700550024	ORNAMENT	2				
	1700550024	ORNAMENT	1				with 3rd aux. line
25	1100560612	BOLT	2				
	L3b271						

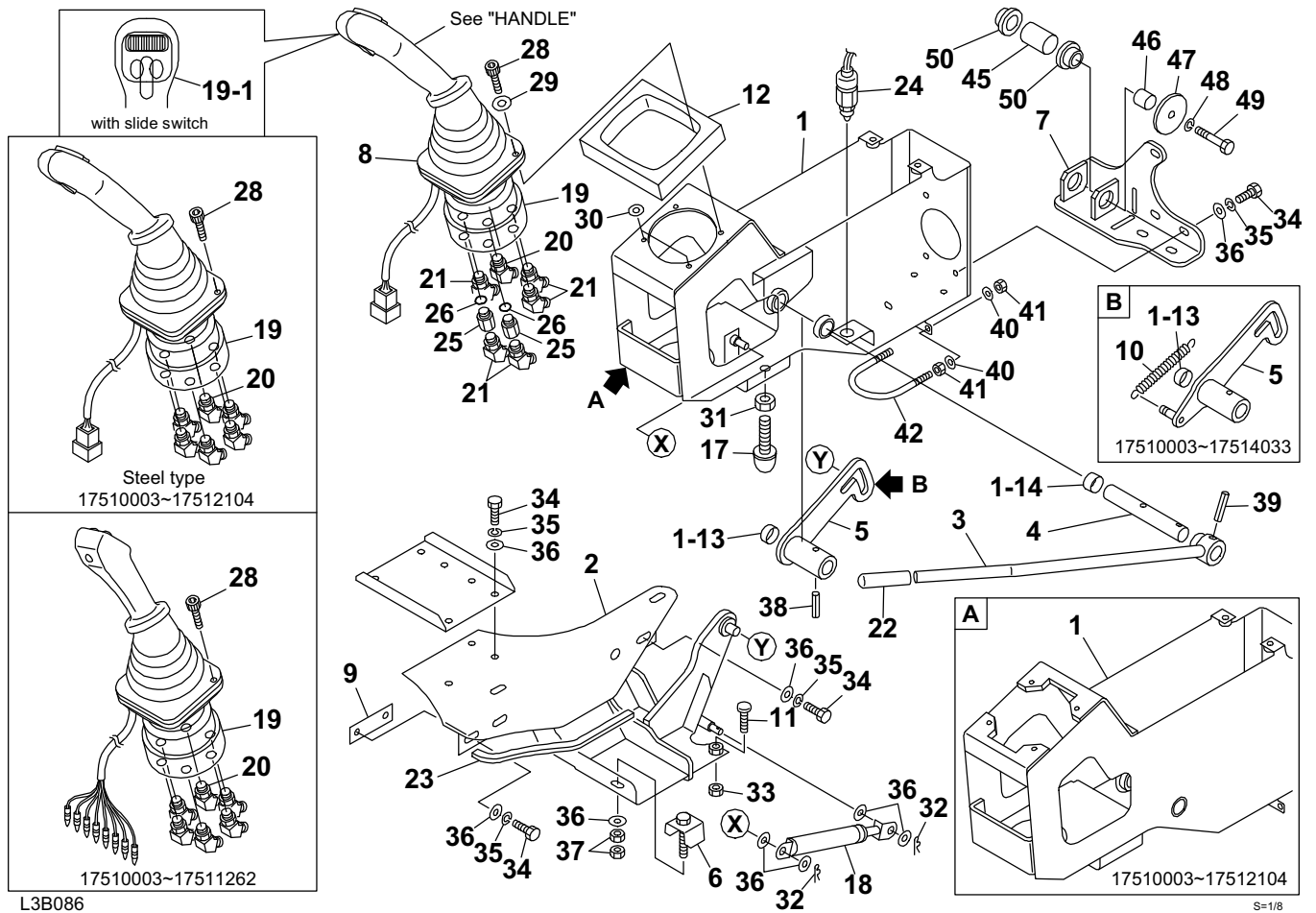
**TB175(P-TB175BAB) Book No. BL3Z010 S/N 17510003-
OPERATION LEVER & STAND (R.H.)**



OPERATION LEVER & STAND (R.H.)

Item	Part number	Description	Q'ty	Chan.	Serial No.	Serv.	Remarks
		VALVE ASSY (R.H.)			17510003~17511262		
		VALVE ASSY (R.H.) (slide switch)					
		VALVE ASSY (R.H.) (3 switch)					
		VALVE ASSY (R.H.) (5 switch)					
1	0565114100	BOX, console (R.H.)	1		17510003~17512104		
	0565124100	BOX, console (R.H.)	1		17512105~		
2	0565104000	BRACKET (R.H.)	1				
3	0565114200	BRACKET (R.H.)	1				
4	0565103800	PLATE	1				
5	0565104200	PLATE	1				
6	0881510020	BOOT	1				
7	0565124050	SPONGE	1		17512105~		
10	1901735600	VALVE, pilot	1		17510003~17511262		
	1901740500	VALVE, pilot (steel)	1		17510003~17512104		slide switch
	1901745800	VALVE, pilot (aluminum)	1		17512105~		slide switch
	1901741200	VALVE, pilot (steel)	1		17510003~17512104		3 switch
	1901745900	VALVE, pilot (aluminum)	1		17512105~		3 switch
	1901741300	VALVE, pilot	1				5 switch
10-1	1901741210	· HANDLE	1				3 switch
	1901741310	· HANDLE	1				5 switch
10-2	1901740410	· HANDLE	1				slide switch
11	1512370012	FILTER	1				
	1420010110	· O-RING	1				
12	1515100110	ELBOW	5				
	1420010110	· O-RING	1				
13	0007213042	BUSHING	2		17512105~		
14	1420010110	O-RING	2				M
15	1110040630	SCREW, cap	4		17510003~17512104		
	1110040625	SCREW, cap	4		17512105~		
16	1140020006	WASHER, spring	4		17510003~17512104		
	1141110006	WASHER	4		17512105~		
17	1100090820	BOLT	13				
18	1140090008	WASHER, spring	13				
19	1141190008	WASHER	13				
23	0565102405	BEARING	2				
24	0565103810	SPACER	1				
25	0565103820	SPACER	1				
26	0565103830	RETAINER	1				
27	0565103840	WASHER, spring	1				
28	0565103850	BOLT	1				
29	1653916038	TRIM	1				sold by the meter
	L3b075						

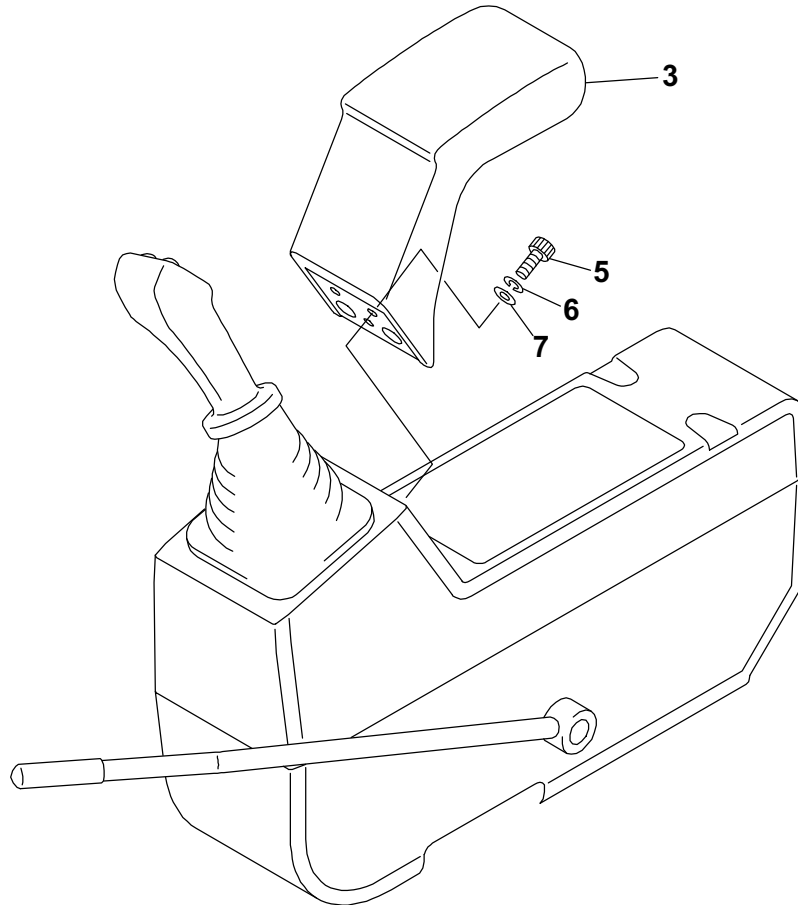
**TB175(P-TB175BAB) Book No. BL3Z010 S/N 17510003-
OPERATION LEVER & STAND (L.H.)**



OPERATION LEVER & STAND (L.H.)

Item	Part number	Description	Q'ty	Chan.	Serial No.	Serv.	Remarks
		VALVE ASSY (L.H.)					
1	0565115100	BOX, console (L.H.)	1		17510003~17510936		
	0565121500	BOX, console (L.H.)	1		17510937~17512104		
	0565125100	BOX, console (L.H.)	1		17512105~17514033		
	0565125200	BOX, console (L.H.)	1		17514034~		
1-13	1333002010	· BUSHING	1				
1-14	1333002015	· BUSHING	1				
2	0565113250	BRACKET	1				
3	0565115300	LEVER (L.H.)	1				
4	0565115310	SHAFT	1				
5	0565113320	PLATE (L.H.)	1		17510003~17514033		
	0565125300	PLATE (L.H.)	1		17514034~		
6	0565115320	GUIDE	1				
7	0565115400	BRACKET	1				
8	0881510020	BOOT	1				
9	0565103800	PLATE	1				
10	0425105100	SPRING	1		17510003~17514033		
11	0335120970	BOLT	1				
12	0565124050	SPONGE	1		17512105~		
17	1651101225	STOPPER	2				
18	1653900057	SPRING, gas	1				
19	1901735700	VALVE, pilot	1		17510003~17511262		
	1901740400	VALVE, pilot (steel)	1		17510003~17512104		slide switch
	1901745700	VALVE, pilot (aluminum)	1		17512105~		slide switch
19-1	1901740410	· HANDLE	1				slide switch
20	1512370012	FILTER	1				
	1420010110	· O-RING	1				
21	1515100110	ELBOW	5				
	1420010110	· O-RING	1				
22	1650202300	CAP	1				
23	1653916022	TRIM	1				sold by the meter
24	1700000033	SWITCH, limit	1				
25	0007213042	BUSHING	2		17512105~		
26	1420010110	O-RING	2			M	
28	1110040630	SCREW, cap	4		17510003~17512104		
	1110040625	SCREW, cap	4		17512105~		
29	1141110006	WASHER	4		17512105~		
30	0003600090	WASHER	2				
31	1130040012	NUT	2				
32	1214000008	PIN, snap	2				
33	1130040010	NUT	1				
34	1100090820	BOLT	11				
35	1140090008	WASHER, spring	11				
36	1141190008	WASHER	16				
37	1130090008	NUT	2				
38	1213000832	PIN, spring	1				
39	1213000836	PIN, spring	1				
40	1141190006	WASHER	4		17510937~		
41	1130090006	NUT	4		17510937~		
42	1533207020	U-BOLT	1		17510937~		
45	0565103810	SPACER	1				
46	0565115060	SPACER	1				
47	0565103830	RETAINER	1				
48	0565103840	WASHER, spring	1				
49	0565103850	BOLT	1				
50	0565102405	BEARING	2				
	L3b086						

TB175(P-TB175BAB) Book No. BL3Z010 S/N 17510003-
ARM REST



L3B090

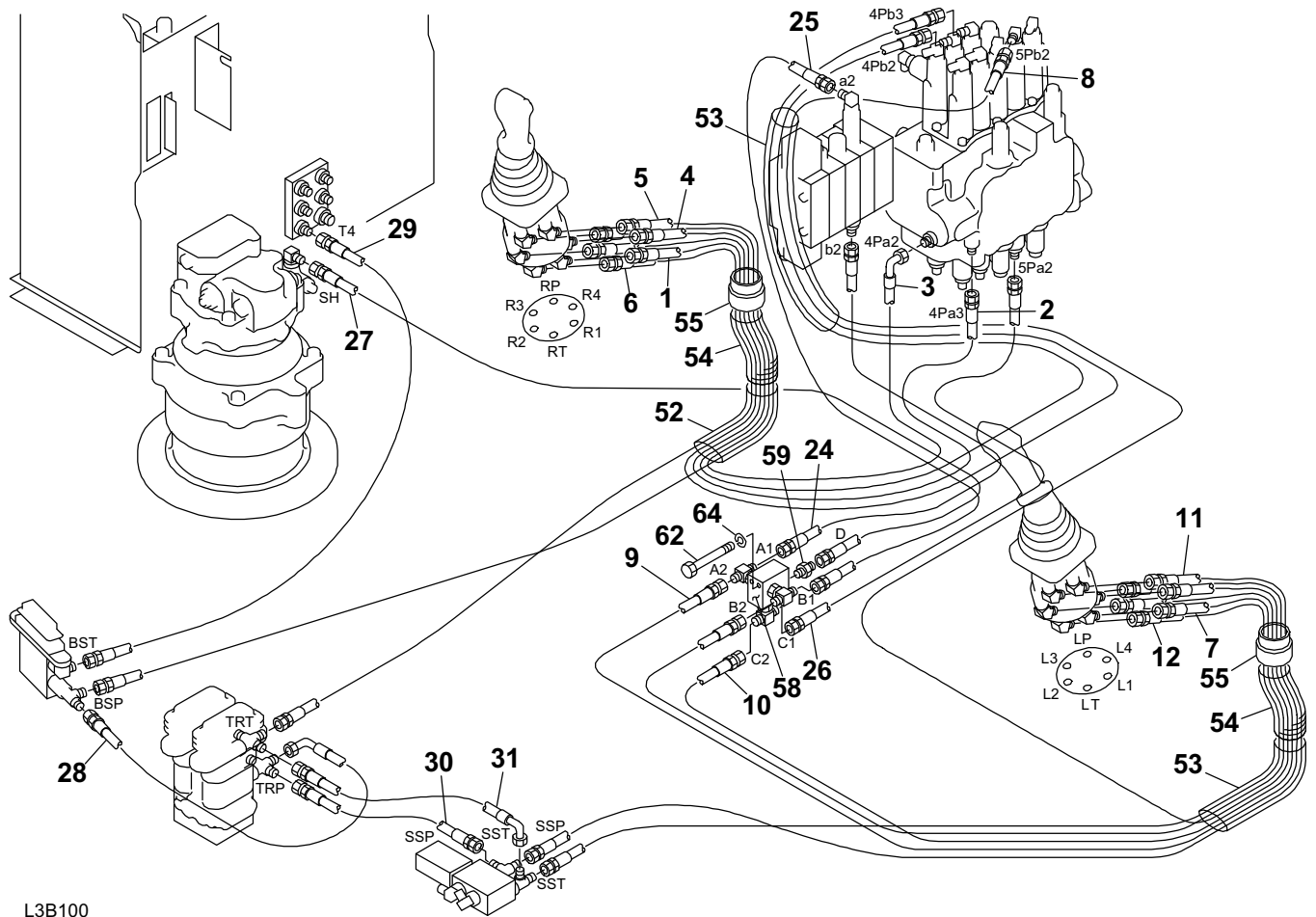
S=1/5

ARM REST

Item	Part number	Description	Q'ty	Chan.	Serial No.	Serv.	Remarks
3	0563600300	REST ASSY, arm					
		REST, arm	1				
5	1110090820	SCREW, cap	3				
6	1140490008	WASHER, spring	3				
7	1141190008	WASHER	3				

L3b090

**TB175(P-TB175BAB) Book No. BL3Z010 S/N 17510003-
PIPING; OPERATION LEVER (1/2) (17510003-17511262)**

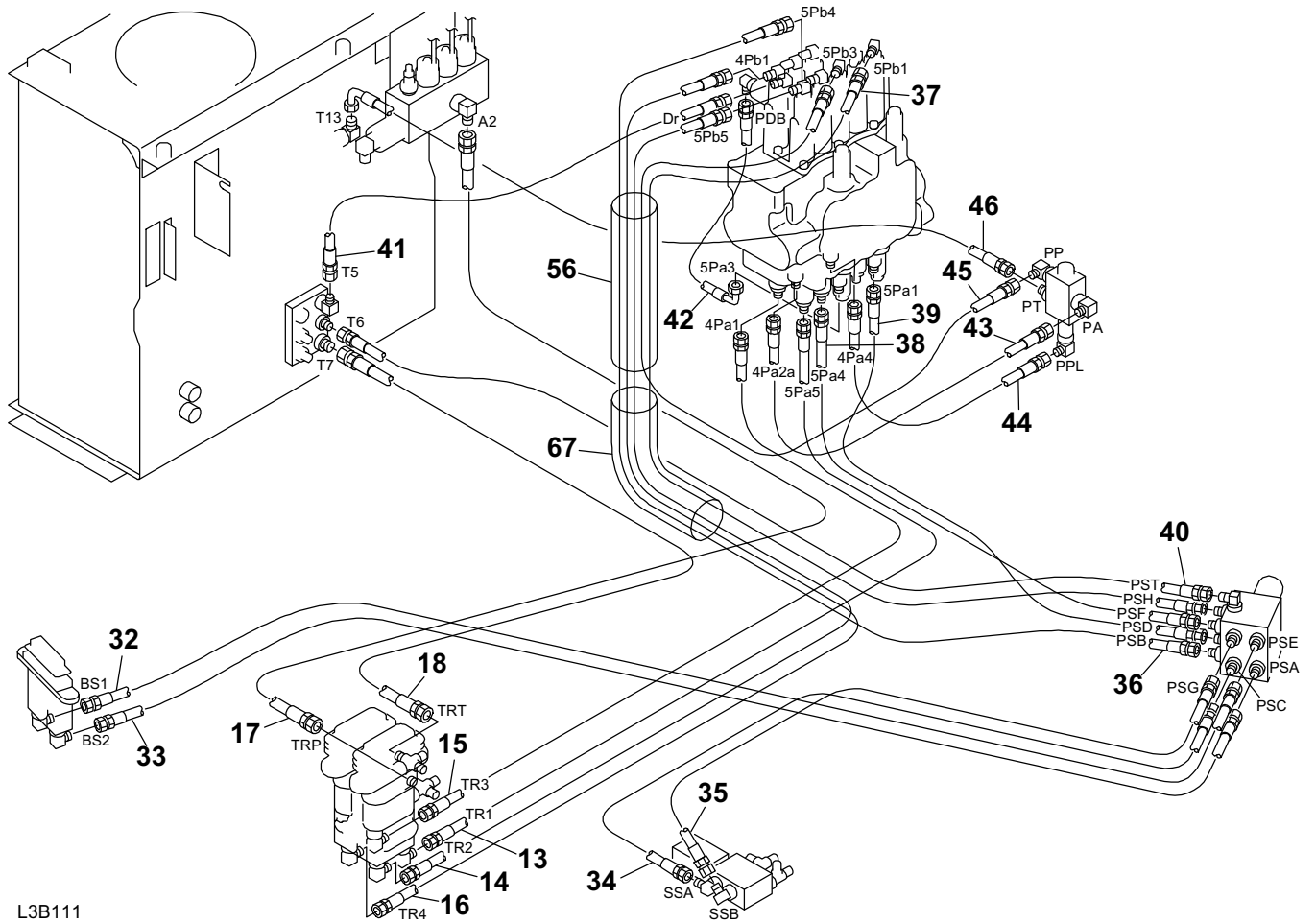


S=1/10

PIPING; OPERATION LEVER (1/2) (17510003-17511262)

Item	Part number	Description	Q'ty	Chan.	Serial No.	Serv.	Remarks
		PIPING ASSY					
1	0567137010	HOSE ASSY	1				19348-22255
2	0567137020	HOSE ASSY	1				19348-22215
3	0567137030	HOSE ASSY	1				19348-52215
4	0567137040	HOSE ASSY	1				19348-22255
5	0567137050	HOSE ASSY	1				19348-22175
6	0567137060	HOSE ASSY	1				19348-22175
7	0567137070	HOSE ASSY	1				19348-22170
8	0567137080	HOSE ASSY	1				19348-22275
9	0567137090	HOSE ASSY	1				19348-22175
10	0567137100	HOSE ASSY	1				19348-22165
11	0567137110	HOSE ASSY	1				19348-22150
12	0567137120	HOSE ASSY	1				19348-22150
24	0567137240	HOSE ASSY	1				19348-22125
25	0567137250	HOSE ASSY	1				19348-22165
26	0567137260	HOSE ASSY	1				19348-22140
27	0567137270	HOSE ASSY	1				19348-22125
28	0567137280	HOSE ASSY	1				19348-52065
29	0567137290	HOSE ASSY	1				19348-22185
30	0567137300	HOSE ASSY	1				19348-22040
31	0567137310	HOSE ASSY	1				19348-52045
52	1531335020	PROTECTOR	1				sold by the meter
53	1531335050	PROTECTOR	2				sold by the meter
54	1567525045	DUCT	2				
55	1567535000	CUFF	2				
58	1901721800	VALVE, shuttle	1				
59	1515600200	ADAPTOR	1				
	1420010110	· O-RING	1				
62	1100040660	BOLT	2				
64	1140020006	WASHER, spring	2				
	L3b101						

**TB175(P-TB175BAB) Book No. BL3Z010 S/N 17510003-
PIPING; OPERATION LEVER (2/2) (17510003-17511262)**



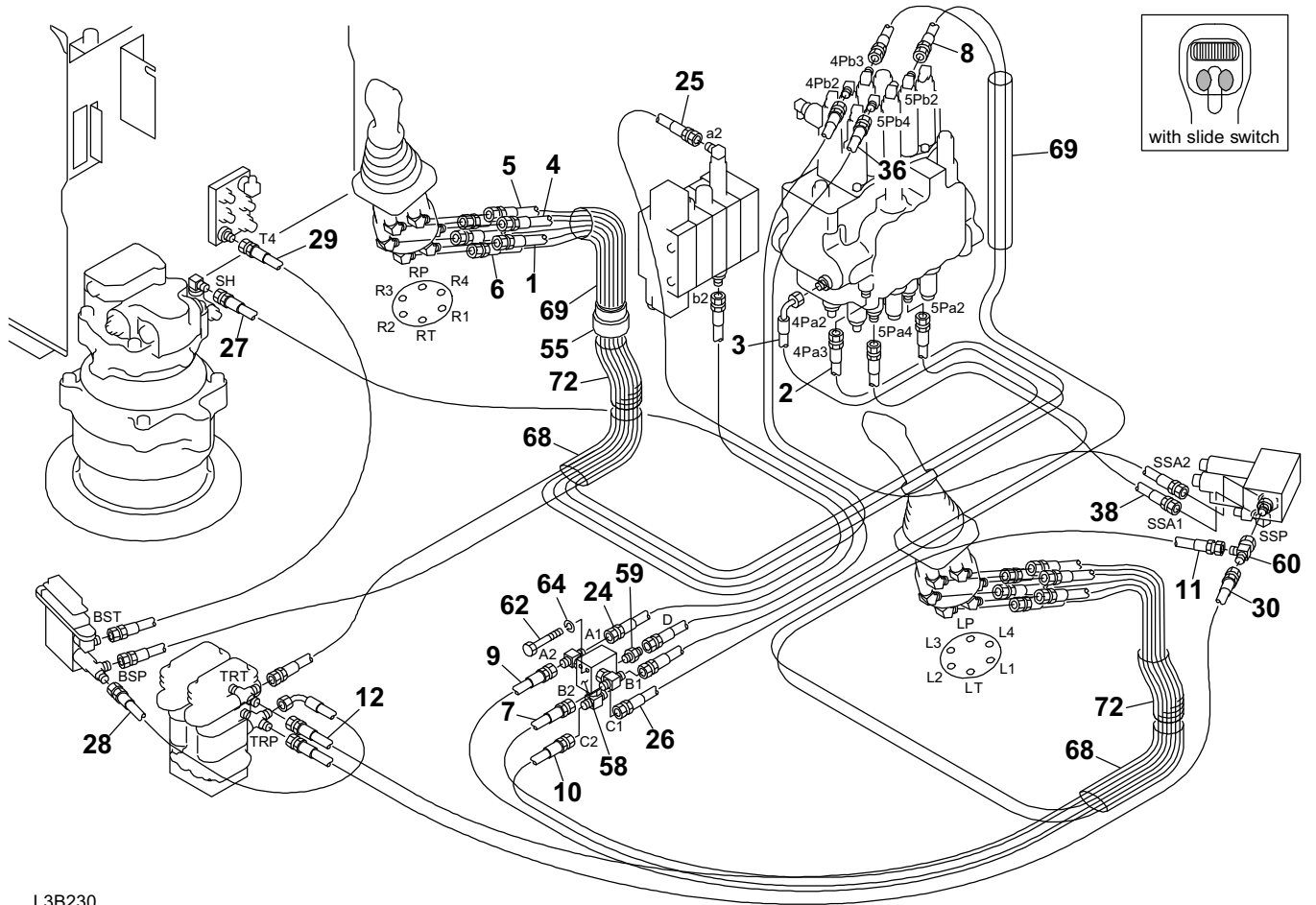
L3B111

S=1/10

PIPING; OPERATION LEVER (2/2) (17510003-17511262)

Item	Part number	Description	Q'ty	Chan.	Serial No.	Serv.	Remarks
		PIPING ASSY					
13	0567137130	HOSE ASSY	1				18010-22195
14	0567137140	HOSE ASSY	1				18010-22215
15	0567137150	HOSE ASSY	1				18010-22195
16	0567137160	HOSE ASSY	1				18010-22215
17	0567137170	HOSE ASSY	1				
18	0567137180	HOSE ASSY	1				
32	0567137320	HOSE ASSY	1				19348-22125
33	0567137330	HOSE ASSY	1				19348-22125
34	0567137340	HOSE ASSY	1				19348-22120
35	0567137350	HOSE ASSY	1				19348-22125
36	0567137360	HOSE ASSY	1				19348-22150
37	0567137370	HOSE ASSY	1				19348-22160
38	0567137380	HOSE ASSY	1				19348-22110
39	0567137390	HOSE ASSY	1				19348-22105
40	0567137400	HOSE ASSY	1				19348-22135
41	0567137410	HOSE ASSY	1				19348-22050
42	0567137420	HOSE ASSY	1				19348-52044
43	0567137430	HOSE ASSY	1				19348-22045
44	0567137440	HOSE ASSY	1				19348-22026
45	0567137450	HOSE ASSY	1				19348-22090
46	0567137460	HOSE ASSY	1				19348-52052
56	1531345050	PROTECTOR	1				sold by the meter
67	1531345025	PROTECTOR	1				sold by the meter
	L3b111						

**TB175(P-TB175BAB) Book No. BL3Z010 S/N 17510003-
PIPING; OPERATION LEVER (1/2) (17511263-)**



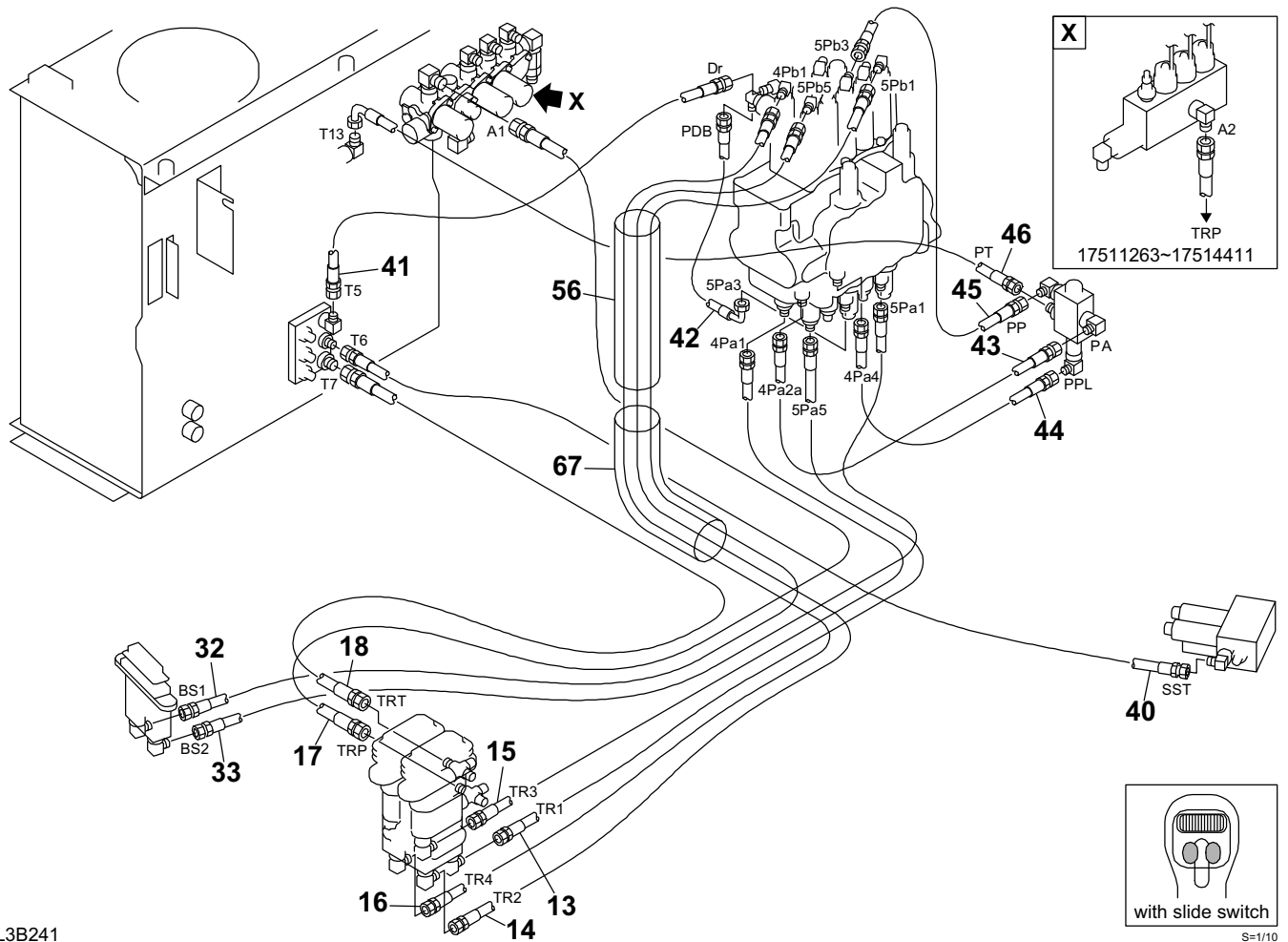
L3B230

S=1/10

PIPING; OPERATION LEVER (1/2) (17511263-)

Item	Part number	Description	Q'ty	Chan.	Serial No.	Serv.	Remarks
		PIPING ASSY					
1	0567137010	HOSE ASSY	1				19348-22255
2	0567137020	HOSE ASSY	1				19348-22215
3	0567137030	HOSE ASSY	1				19348-52215
4	0567137040	HOSE ASSY	1				19348-22255
5	0567137050	HOSE ASSY	1				19348-22175
6	0567137060	HOSE ASSY	1				19348-22175
7	0567137070	HOSE ASSY	1				19348-22170
8	0567137080	HOSE ASSY	1				19348-22275
9	0567137090	HOSE ASSY	1				19348-22175
10	0567137100	HOSE ASSY	1				19348-22165
11	0567148510	HOSE ASSY	1				19348-22140
12	0567148520	HOSE ASSY	1				19348-22170
24	0567137240	HOSE ASSY	1				19348-22125
25	0567137250	HOSE ASSY	1				19348-22165
26	0567137260	HOSE ASSY	1				19348-22140
27	0567137270	HOSE ASSY	1				19348-22125
28	0567137280	HOSE ASSY	1				19348-52065
29	0567137290	HOSE ASSY	1				19348-22185
30	0567148530	HOSE ASSY	1				19348-22110
36	0567147360	HOSE ASSY	1				19348-22170
38	0567147380	HOSE ASSY	1				19348-22115
55	1567535000	CUFF	1				
58	1901721800	VALVE, shuttle	1				
59	1515600200	ADAPTOR	1				
	1420010110	· O-RING	1				
60	1513390015	TEE	1				
62	1100040660	BOLT	2				
64	1140020006	WASHER, spring	2				
68	1531335020	PROTECTOR	2				sold by the meter
69	1531335050	PROTECTOR	2				sold by the meter
72	1567525045	HOSE	2				sold by the meter
	L3b234						

**TB175(P-TB175BAB) Book No. BL3Z010 S/N 17510003-
PIPING; OPERATION LEVER (2/2) (17511263-)**

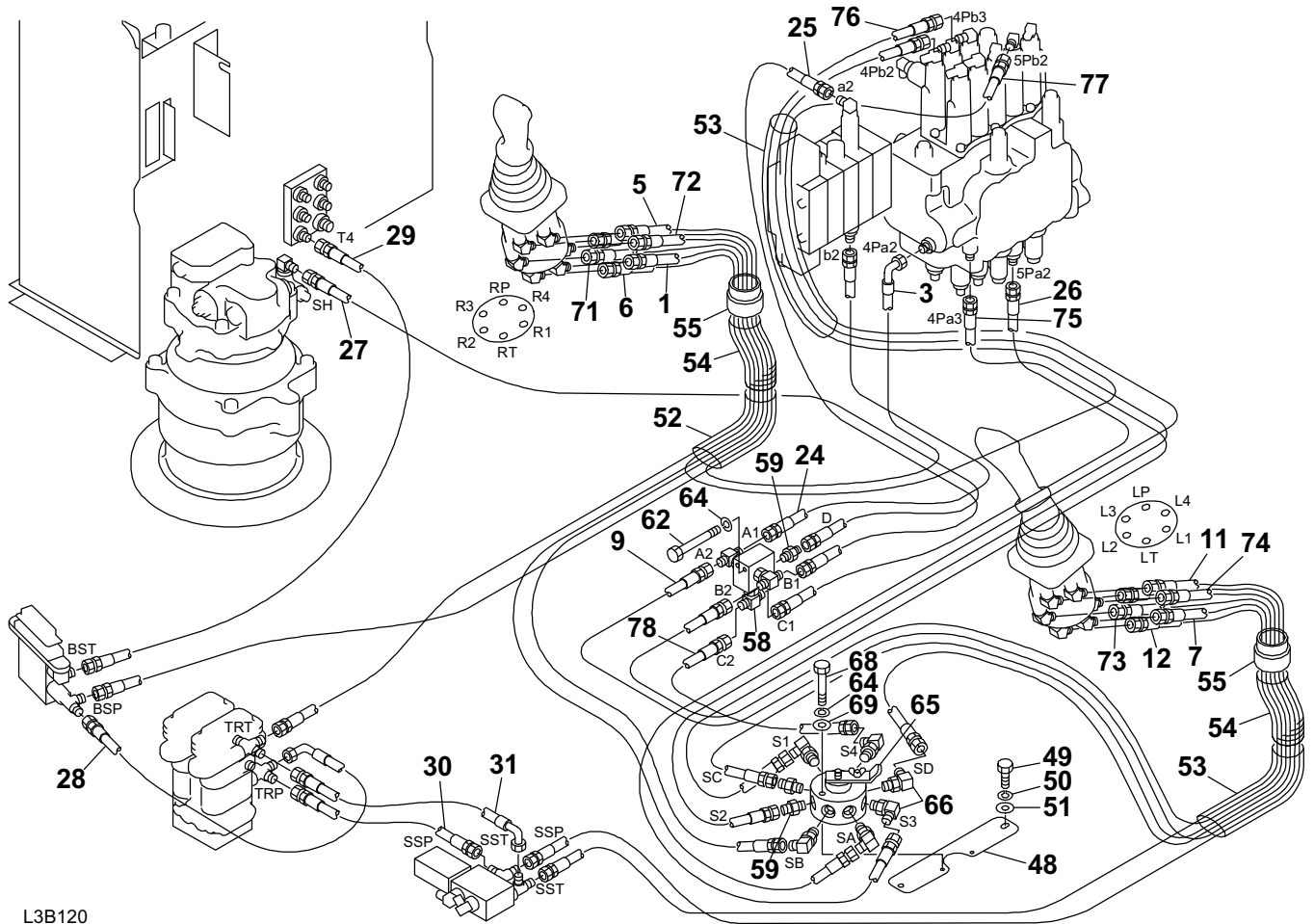


L3B241

PIPING; OPERATION LEVER (2/2) (17511263-)

Item	Part number	Description	Q'ty	Chan.	Serial No.	Serv.	Remarks
		PIPING ASSY					
13	0567137130	HOSE ASSY	1				18010-22195
14	0567137140	HOSE ASSY	1				18010-22215
15	0567137150	HOSE ASSY	1				18010-22195
16	0567137160	HOSE ASSY	1				18010-22215
17	0567137170	HOSE ASSY	1		17511263~17514411		
	0567148780	HOSE ASSY	1		17514412~		
18	0567137180	HOSE ASSY	1				
32	0567148320	HOSE ASSY	1				19348-22230
33	0567148330	HOSE ASSY	1				19348-22125
40	0567147400	HOSE ASSY	1				19348-22135
41	0567137410	HOSE ASSY	1				19348-22050
42	0567137420	HOSE ASSY	1				19348-52044
43	0567137430	HOSE ASSY	1				18010-22040
44	0567137440	HOSE ASSY	1				19348-22026
45	0567137450	HOSE ASSY	1				19348-22090
46	0567137460	HOSE ASSY	1				19348-52052
56	1531345045	PROTECTOR	1				sold by the meter
67	1531350035	PROTECTOR	1				sold by the meter
	L3b244						

**TB175(P-TB175BAB) Book No. BL3Z010 S/N 17510003-
 PIPING; OPERATION LEVER (1/2) (ISO-JCB pattern; 17510003-17511262)**



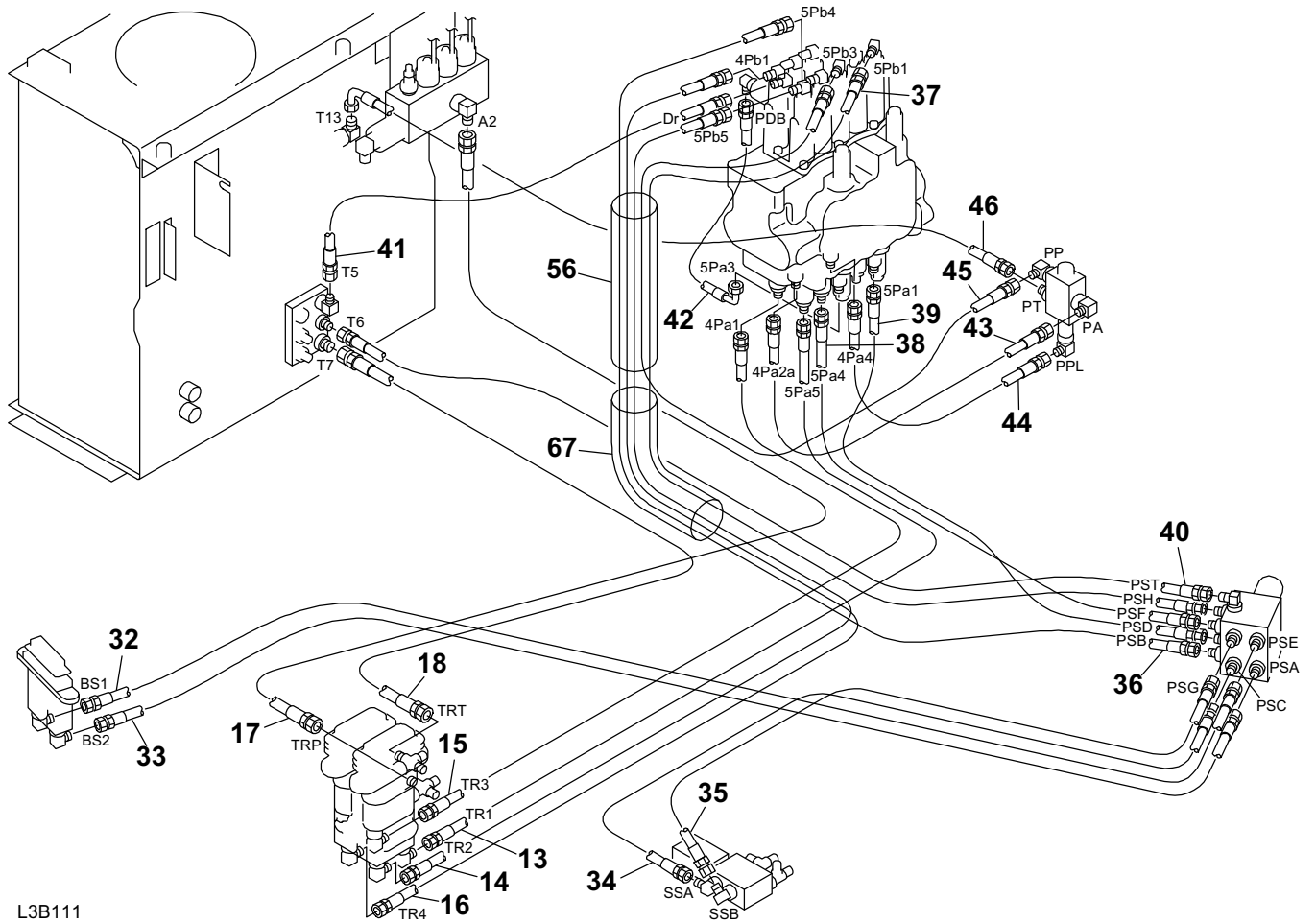
L3B120

S=1/10

PIPING; OPERATION LEVER (1/2) (ISO-JCB pattern; 17510003-17511262)

Item	Part number	Description	Q'ty	Chan.	Serial No.	Serv.	Remarks
		PIPING ASSY					
1	0567137010	HOSE ASSY	1				19348-22255
3	0567137030	HOSE ASSY	1				19348-52215
5	0567137050	HOSE ASSY	1				19348-22175
6	0567137060	HOSE ASSY	1				19348-22175
7	0567137070	HOSE ASSY	1				19348-22170
9	0567137090	HOSE ASSY	1				19348-22175
11	0567137110	HOSE ASSY	1				19348-22150
12	0567137120	HOSE ASSY	1				19348-22150
24	0567137240	HOSE ASSY	1				19348-22125
25	0567137250	HOSE ASSY	1				19348-22165
26	0567137260	HOSE ASSY	1				19348-22140
27	0567137270	HOSE ASSY	1				19348-22125
28	0567137280	HOSE ASSY	1				19348-52065
29	0567137290	HOSE ASSY	1				19348-22185
30	0567137300	HOSE ASSY	1				19348-22040
31	0567137310	HOSE ASSY	1				19348-52045
48	0377103300	PLATE	1				
49	1100040820	BOLT	2				
50	1140020008	WASHER, spring	2				
51	1141110008	WASHER	2				
52	1531335020	PROTECTOR	1				sold by the meter
53	1531335050	PROTECTOR	2				sold by the meter
54	1567525045	DUCT	2				
55	1567535000	CUFF	2				
58	1901721800	VALVE, shuttle	1				
59	1515600200	ADAPTOR	3				
	1420010110	· O-RING	1				
62	1100040660	BOLT	2				
64	1140020006	WASHER, spring	4				
65	1901730500	VALVE, selector	1				
66	1515012040	ELBOW	6				
	1420010110	· O-RING	1				
68	1100040650	BOLT	2				
69	1141110006	WASHER	2				
71	0567136710	HOSE ASSY	1				19348-22195
72	0567136720	HOSE ASSY	1				19348-22195
73	0567136730	HOSE ASSY	1				19348-22160
74	0567136740	HOSE ASSY	1				19348-22135
75	0567136750	HOSE ASSY	1				19348-22185
76	0567136760	HOSE ASSY	1				19348-22250
77	0567136770	HOSE ASSY	1				19348-22255
78	0567136780	HOSE ASSY	1				19348-22040
	L3b121						

**TB175(P-TB175BAB) Book No. BL3Z010 S/N 17510003-
 PIPING; OPERATION LEVER (2/2) (ISO-JCB pattern; 17510003-17511262)**



L3B111

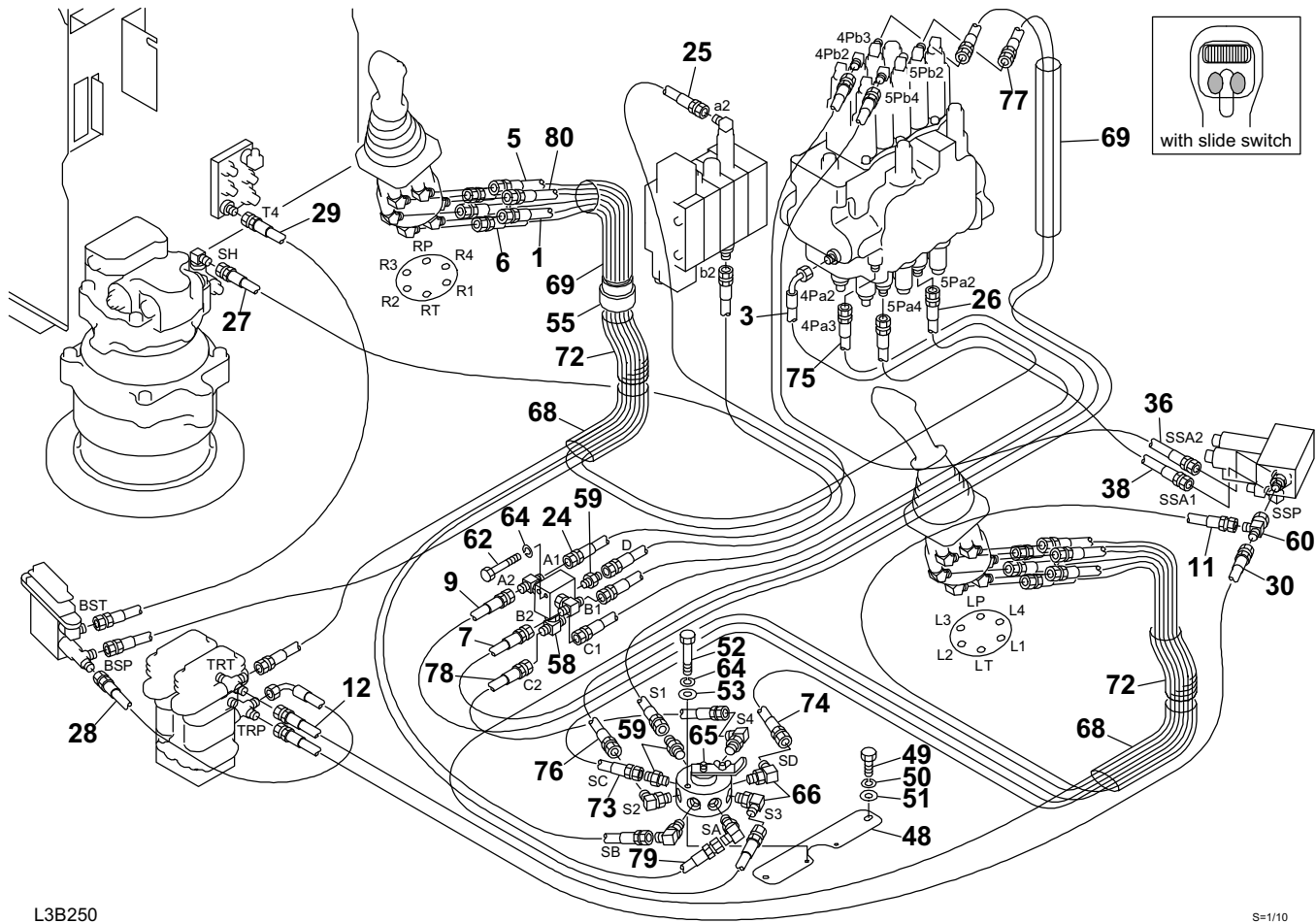
S=1/10

PIPING; OPERATION LEVER (2/2) (ISO-JCB pattern; 17510003-17511262)

Item	Part number	Description	Q'ty	Chan.	Serial No.	Serv.	Remarks
		PIPING ASSY					
13	0567137130	HOSE ASSY	1				18010-22195
14	0567137140	HOSE ASSY	1				18010-22215
15	0567137150	HOSE ASSY	1				18010-22195
16	0567137160	HOSE ASSY	1				18010-22215
17	0567137170	HOSE ASSY	1				
18	0567137180	HOSE ASSY	1				
32	0567137320	HOSE ASSY	1				19348-22125
33	0567137330	HOSE ASSY	1				19348-22125
34	0567137340	HOSE ASSY	1				19348-22120
35	0567137350	HOSE ASSY	1				19348-22125
36	0567137360	HOSE ASSY	1				19348-22150
37	0567137370	HOSE ASSY	1				19348-22160
38	0567137380	HOSE ASSY	1				19348-22110
39	0567137390	HOSE ASSY	1				19348-22105
40	0567137400	HOSE ASSY	1				19348-22135
41	0567137410	HOSE ASSY	1				19348-22050
42	0567137420	HOSE ASSY	1				19348-52044
43	0567137430	HOSE ASSY	1				19348-22045
44	0567137440	HOSE ASSY	1				19348-22026
45	0567137450	HOSE ASSY	1				19348-22090
46	0567137460	HOSE ASSY	1				19348-52052
56	1531345050	PROTECTOR	1				sold by the meter
67	1531345025	PROTECTOR	1				sold by the meter

L3b131

**TB175(P-TB175BAB) Book No. BL3Z010 S/N 17510003-
PIPING; OPERATION LEVER (1/2) (ISO-JCB pattern; 17511263-)**



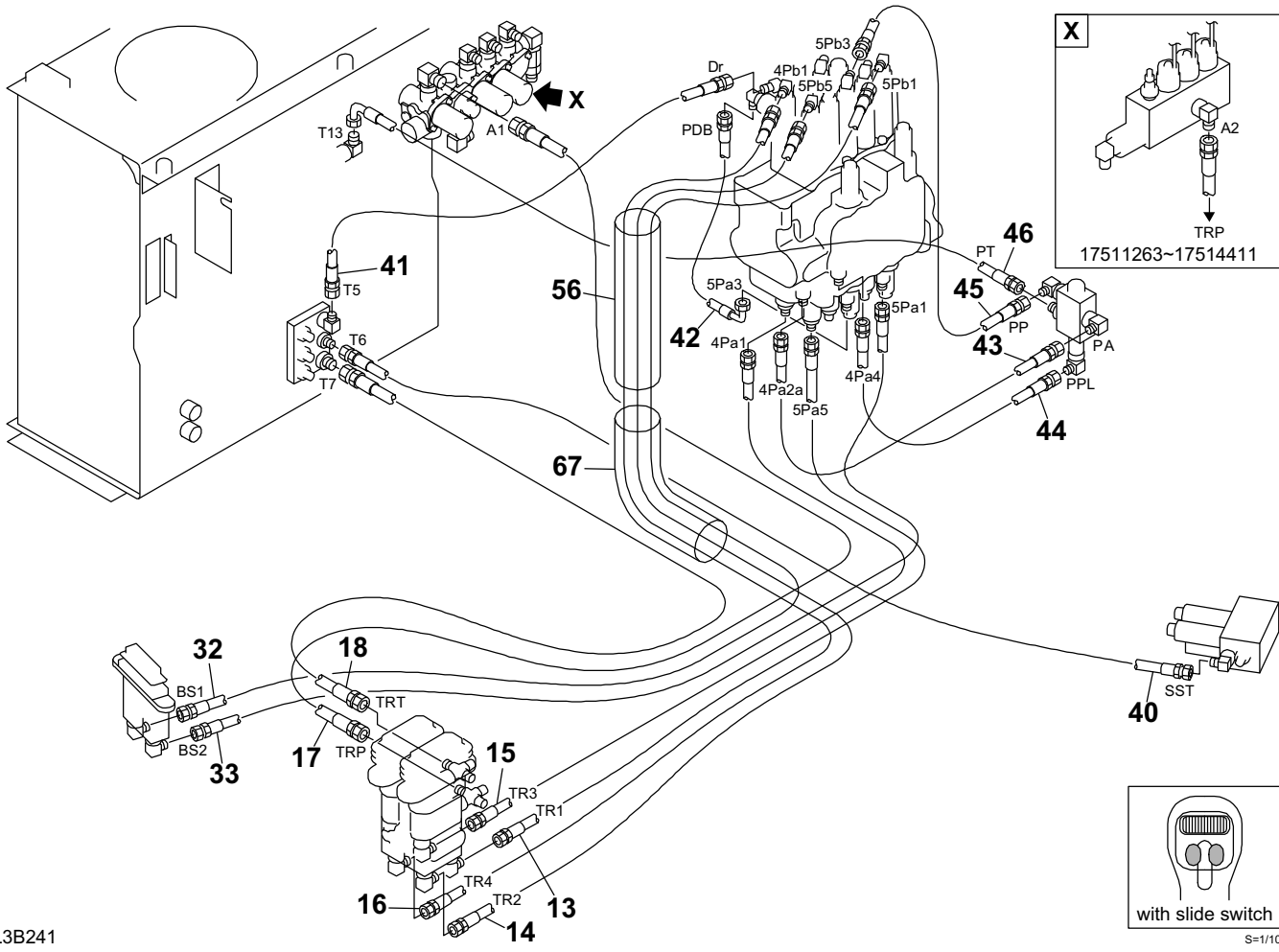
L3B250

S=1/10

PIPING; OPERATION LEVER (1/2) (ISO-JCB pattern; 17511263-)

Item	Part number	Description	Q'ty	Chan.	Serial No.	Serv.	Remarks
		PIPING ASSY					
1	0567137010	HOSE ASSY	1				19348-22255
3	0567137030	HOSE ASSY	1				19348-52215
5	0567137050	HOSE ASSY	1				19348-22175
6	0567137060	HOSE ASSY	1				19348-22175
7	0567137070	HOSE ASSY	1				19348-22170
9	0567137090	HOSE ASSY	1				19348-22175
11	0567148510	HOSE ASSY	1				19348-22140
12	0567148520	HOSE ASSY	1				19348-22170
24	0567137240	HOSE ASSY	1				19348-22125
25	0567137250	HOSE ASSY	1				19348-22165
26	0567137260	HOSE ASSY	1				19348-22140
27	0567137270	HOSE ASSY	1				19348-22125
28	0567137280	HOSE ASSY	1				19348-52065
29	0567137290	HOSE ASSY	1				19348-22185
30	0567148530	HOSE ASSY	1				19348-22110
36	0567147360	HOSE ASSY	1				19348-22150
38	0567147380	HOSE ASSY	1				19348-22110
48	0377103300	PLATE	1				
49	1100040820	BOLT	2				
50	1140020008	WASHER, spring	2				
51	1141110008	WASHER	2				
52	1100040650	BOLT	2				
53	1141110006	WASHER	2				
55	1567535000	CUFF	1				
58	1901721800	VALVE, shuttle	1				
59	1515600200	ADAPTOR	3				
	1420010110	· O-RING	1				
60	1513390015	TEE	1				
62	1100040660	BOLT	2				
64	1140020006	WASHER, spring	4				
65	1901730500	VALVE, selector	1				
66	1515012040	ELBOW	6				
	1420010110	· O-RING	1				
68	1531335020	PROTECTOR	2				sold by the meter
69	1531335050	PROTECTOR	2				sold by the meter
72	1567525045	HOSE	2				sold by the meter
73	0567136730	HOSE ASSY	1				19348-22160
74	0567136740	HOSE ASSY	1				19348-22135
75	0567136750	HOSE ASSY	1				19348-22185
76	0567136760	HOSE ASSY	1				19348-22250
77	0567136770	HOSE ASSY	1				19348-22255
78	0567136780	HOSE ASSY	1				19348-22040
79	0567136710	HOSE ASSY	1				19348-22195
80	0567136720	HOSE ASSY	1				19348-22195
	L3b254						

**TB175(P-TB175BAB) Book No. BL3Z010 S/N 17510003-
 PIPING; OPERATION LEVER (2/2) (ISO-JCB pattern; 17511263-)**



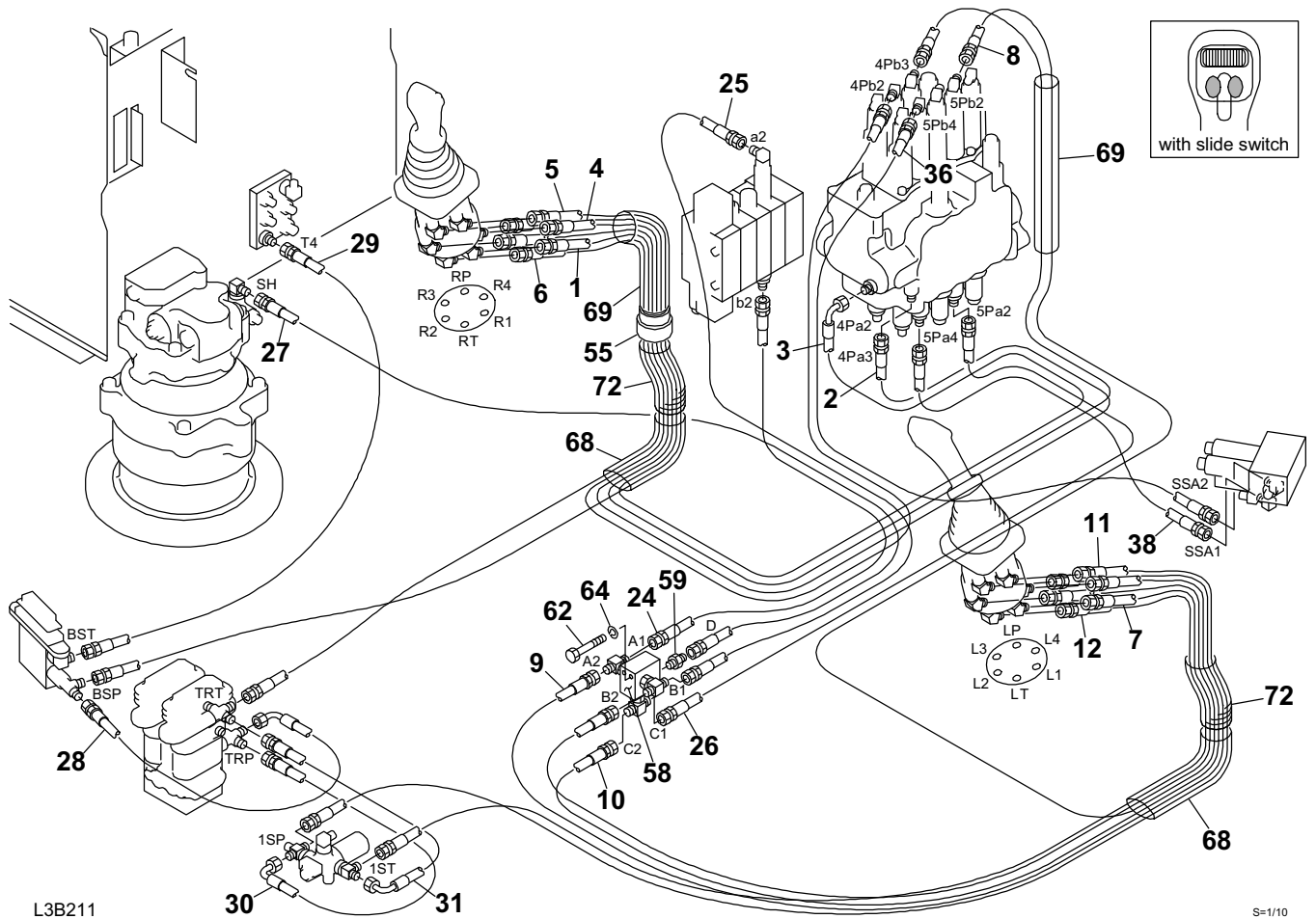
L3B241

S=1/10

PIPING; OPERATION LEVER (2/2) (ISO-JCB pattern; 17511263-)

Item	Part number	Description	Q'ty	Chan.	Serial No.	Serv.	Remarks
		PIPING ASSY					
13	0567137130	HOSE ASSY	1				18010-22195
14	0567137140	HOSE ASSY	1				18010-22215
15	0567137150	HOSE ASSY	1				18010-22195
16	0567137160	HOSE ASSY	1				18010-22215
17	0567137170	HOSE ASSY	1		17511263~17514411		
	0567148780	HOSE ASSY	1		17514412~		
18	0567137180	HOSE ASSY	1				
32	0567148320	HOSE ASSY	1				19348-22230
33	0567148330	HOSE ASSY	1				19348-22200
40	0567147400	HOSE ASSY	1				19348-22135
41	0567137410	HOSE ASSY	1				19348-22050
42	0567137420	HOSE ASSY	1				19348-52044
43	0567137430	HOSE ASSY	1				18010-22040
44	0567137440	HOSE ASSY	1				19348-22026
45	0567137450	HOSE ASSY	1				19348-22090
46	0567137460	HOSE ASSY	1				19348-52052
56	1531345045	PROTECTOR	1				sold by the meter
67	1531350035	PROTECTOR	1				sold by the meter
	L3b264						

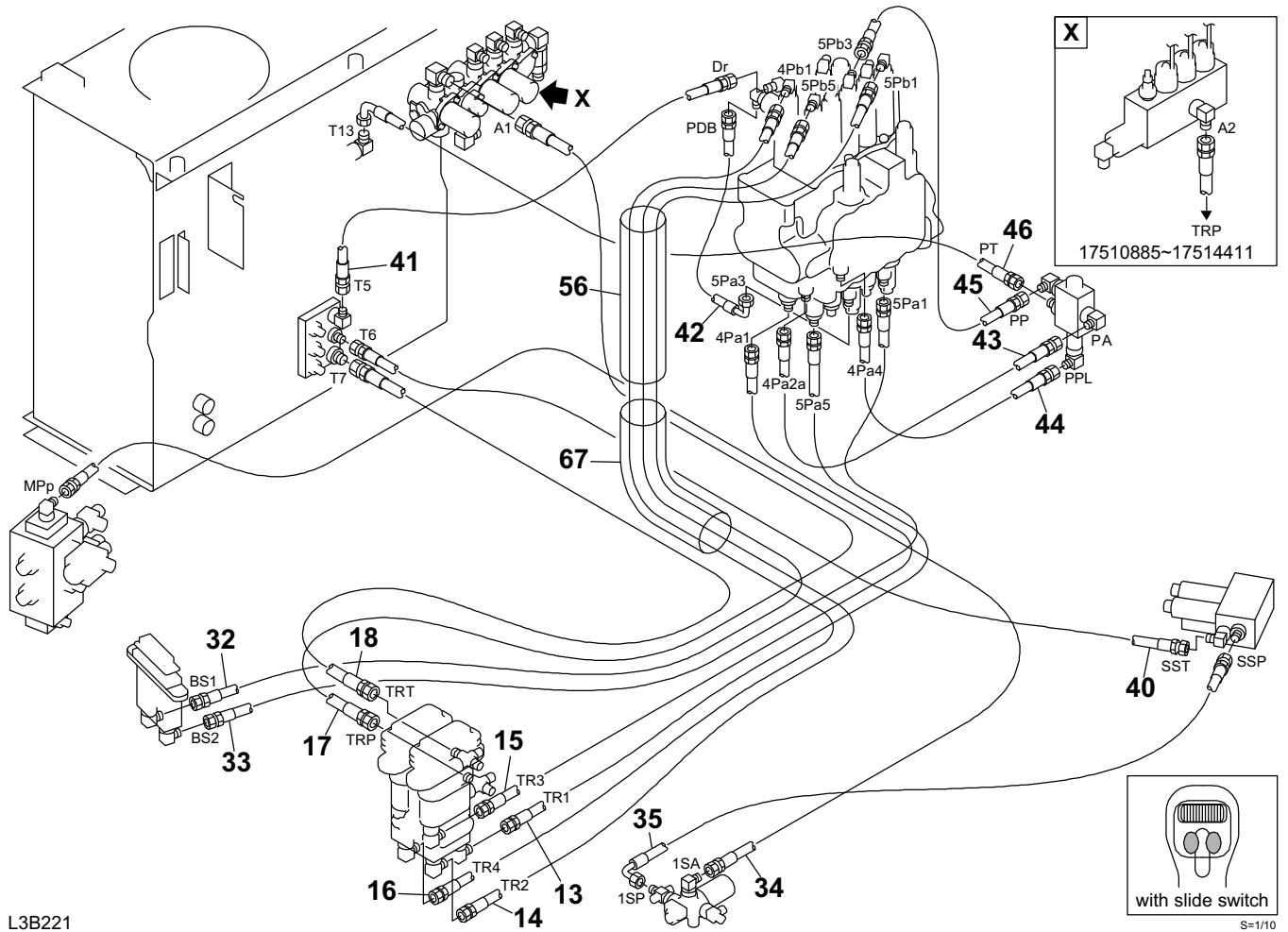
**TB175(P-TB175BAB) Book No. BL3Z010 S/N 17510003-
PIPING; OPERATION LEVER (1/2) (2-piece boom; 17510885-)**



PIPING; OPERATION LEVER (1/2) (2-piece boom; 17510885-)

Item	Part number	Description	Q'ty	Chan.	Serial No.	Serv.	Remarks
		PIPING ASSY					
1	0567137010	HOSE ASSY	1				19348-22255
2	0567137020	HOSE ASSY	1				19348-22215
3	0567137030	HOSE ASSY	1				19348-52215
4	0567137040	HOSE ASSY	1				19348-22255
5	0567137050	HOSE ASSY	1				19348-22175
6	0567137060	HOSE ASSY	1				19348-22175
7	0567137070	HOSE ASSY	1				19348-22170
8	0567137080	HOSE ASSY	1				19348-22275
9	0567137090	HOSE ASSY	1				19348-22175
10	0567137100	HOSE ASSY	1				19348-22165
11	0567148110	HOSE ASSY	1				19348-22160
12	0567148120	HOSE ASSY	1				19348-22165
24	0567137240	HOSE ASSY	1				19348-22125
25	0567137250	HOSE ASSY	1				19348-22165
26	0567137260	HOSE ASSY	1				19348-22140
27	0567137270	HOSE ASSY	1				19348-22125
28	0567137280	HOSE ASSY	1				19348-52065
29	0567137290	HOSE ASSY	1				19348-22185
30	0567148300	HOSE ASSY	1				19348-52060
31	0567148310	HOSE ASSY	1				19348-52060
36	0567147360	HOSE ASSY	1				19348-22170
38	0567147380	HOSE ASSY	1				19348-22115
55	1567535000	CUFF	1				
58	1901721800	VALVE, shuttle	1				
59	1515600200	ADAPTOR	1				
	1420010110	· O-RING	1				
62	1100040660	BOLT	2				
64	1140020006	WASHER, spring	2				
68	1531335020	PROTECTOR	2				sold by the meter
69	1531335050	PROTECTOR	2				sold by the meter
72	1567525045	HOSE	2				sold by the meter
	L3b214						

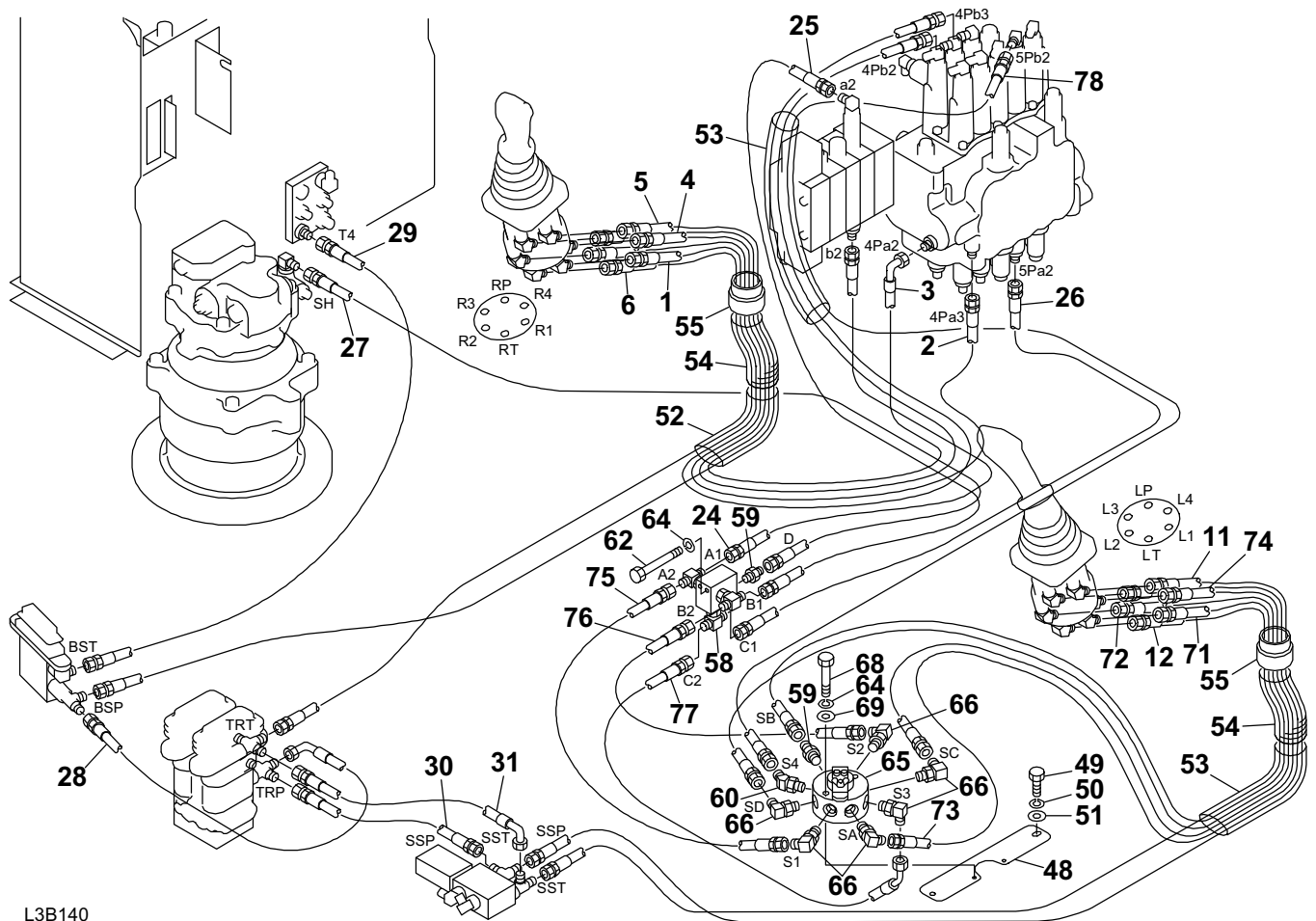
**TB175(P-TB175BAB) Book No. BL3Z010 S/N 17510003-
 PIPING; OPERATION LEVER (2/2) (2-piece boom; 17510885-)**



PIPING; OPERATION LEVER (2/2) (2-piece boom; 17510885-)

Item	Part number	Description	Q'ty	Chan.	Serial No.	Serv.	Remarks
		PIPING ASSY					
13	0567137130	HOSE ASSY	1				18010-22195
14	0567137140	HOSE ASSY	1				18010-22215
15	0567137150	HOSE ASSY	1				18010-22195
16	0567137160	HOSE ASSY	1				18010-22215
17	0567137170	HOSE ASSY	1		17510885~17514411		
	0567148780	HOSE ASSY	1		17514412~		
18	0567137180	HOSE ASSY	1				
32	0567148320	HOSE ASSY	1				19348-22230
33	0567148330	HOSE ASSY	1				19348-22200
34	0567148340	HOSE ASSY	1				19348-22255
35	0567148350	HOSE ASSY	1				19348-52105
40	0567147400	HOSE ASSY	1				19348-22135
41	0567137410	HOSE ASSY	1				19348-22050
42	0567137420	HOSE ASSY	1				19348-52044
43	0567137430	HOSE ASSY	1				18010-22040
44	0567137440	HOSE ASSY	1				19348-22026
45	0567137450	HOSE ASSY	1				19348-22090
46	0567137460	HOSE ASSY	1				19348-52052
56	1531345045	PROTECTOR	1				sold by the meter
67	1531350035	PROTECTOR	1				sold by the meter
	L3b224						

TB175(P-TB175BAB) Book No. BL3Z010 S/N 17510003-
PIPING; OPERATION LEVER (1/3) (A-B pattern; 17510165-17511034)



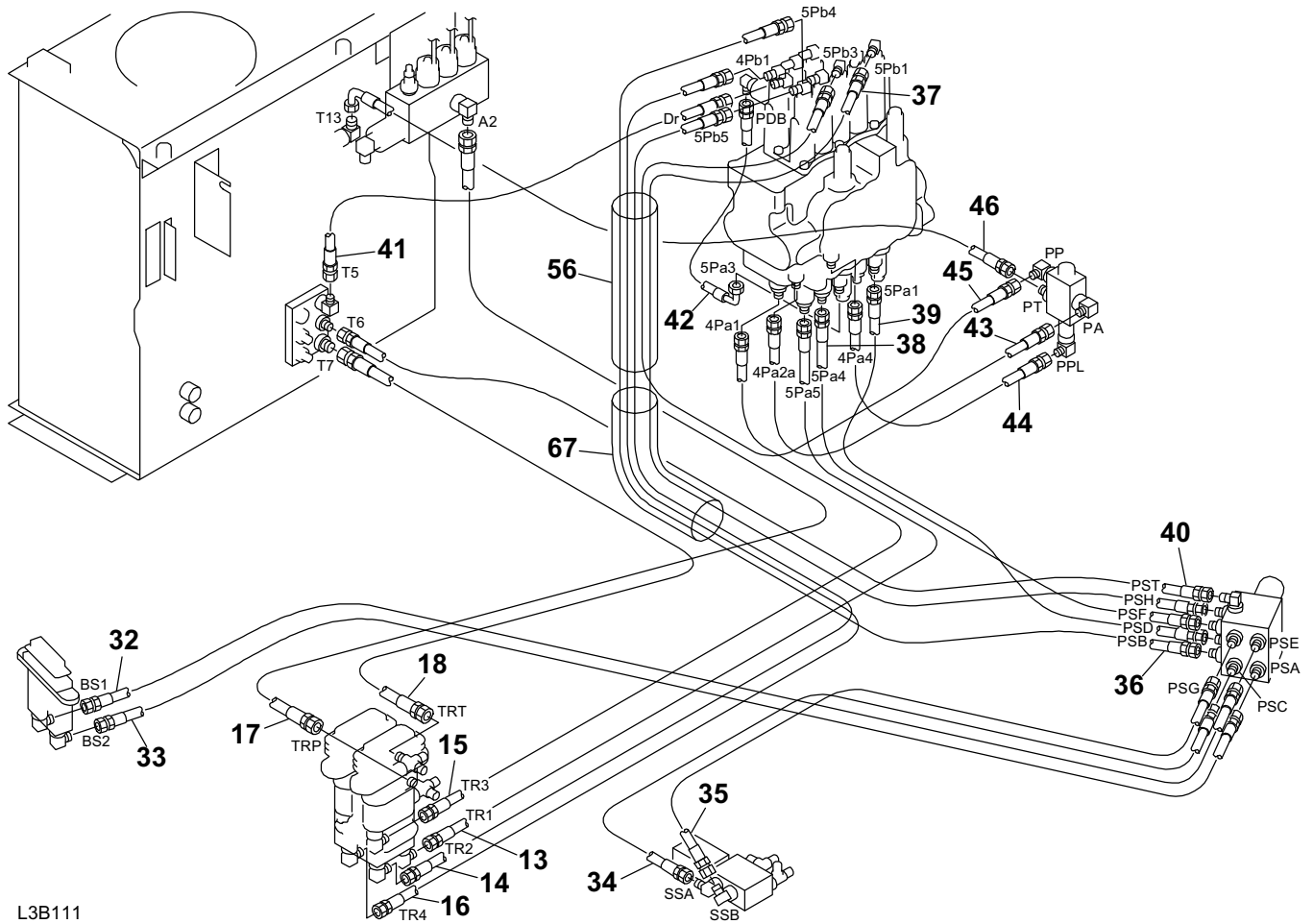
L3B140

S=1/10

PIPING; OPERATION LEVER (1/3) (A-B pattern; 17510165-17511034)

Item	Part number	Description	Q'ty	Chan.	Serial No.	Serv.	Remarks
		PIPING ASSY					
1	0567137010	HOSE ASSY	1				19348-22255
2	0567137020	HOSE ASSY	1				19348-22215
3	0567137030	HOSE ASSY	1				19348-52215
4	0567137040	HOSE ASSY	1				19348-22255
5	0567137050	HOSE ASSY	1				19348-22175
6	0567137060	HOSE ASSY	1				19348-22175
11	0567137110	HOSE ASSY	1				19348-22150
12	0567137120	HOSE ASSY	1				19348-22150
24	0567137240	HOSE ASSY	1				19348-22125
25	0567137250	HOSE ASSY	1				19348-22165
26	0567137260	HOSE ASSY	1				19348-22140
27	0567137270	HOSE ASSY	1				19348-22125
28	0567137280	HOSE ASSY	1				19348-52065
29	0567137290	HOSE ASSY	1				19348-22185
30	0567137300	HOSE ASSY	1				19348-22040
31	0567137310	HOSE ASSY	1				19348-52045
48	0377103300	PLATE	1				
49	1100040820	BOLT	2				
50	1140020008	WASHER, spring	2				
51	1141110008	WASHER	2				
52	1531335020	PROTECTOR	1				sold by the meter
53	1531335050	PROTECTOR	2				sold by the meter
54	1567525045	HOSE	2				sold by the meter
55	1567535000	CUFF	2				
58	1901721800	VALVE, shuttle	1				
59	1515600200	ADAPTOR	2				
	1420010110	· O-RING	1				
60	1515100110	ELBOW	1				
	1420010110	· O-RING	1				
62	1100040660	BOLT	2				
64	1140020006	WASHER, spring	4				
65	1901731400	VALVE, selector	1				
66	1515012040	ELBOW	6				
	1420010110	· O-RING	1				
68	1100040650	BOLT	2				
69	1141110005	WASHER	2				
71	0567139710	HOSE ASSY	1				19348-22144
72	0567139720	HOSE ASSY	1				19348-22160
73	0567139730	HOSE ASSY	1				19348-22155
74	0567139740	HOSE ASSY	1				19348-22135
75	0567139750	HOSE ASSY	1				19348-22060
76	0567139760	HOSE ASSY	1				19348-22040
77	0567139770	HOSE ASSY	1				19348-72060
78	0567139780	HOSE ASSY	1				19348-22245
	L3b140						

**TB175(P-TB175BAB) Book No. BL3Z010 S/N 17510003-
PIPING; OPERATION LEVER (2/3) (A-B pattern; 17510165-17511034)**



L3B111

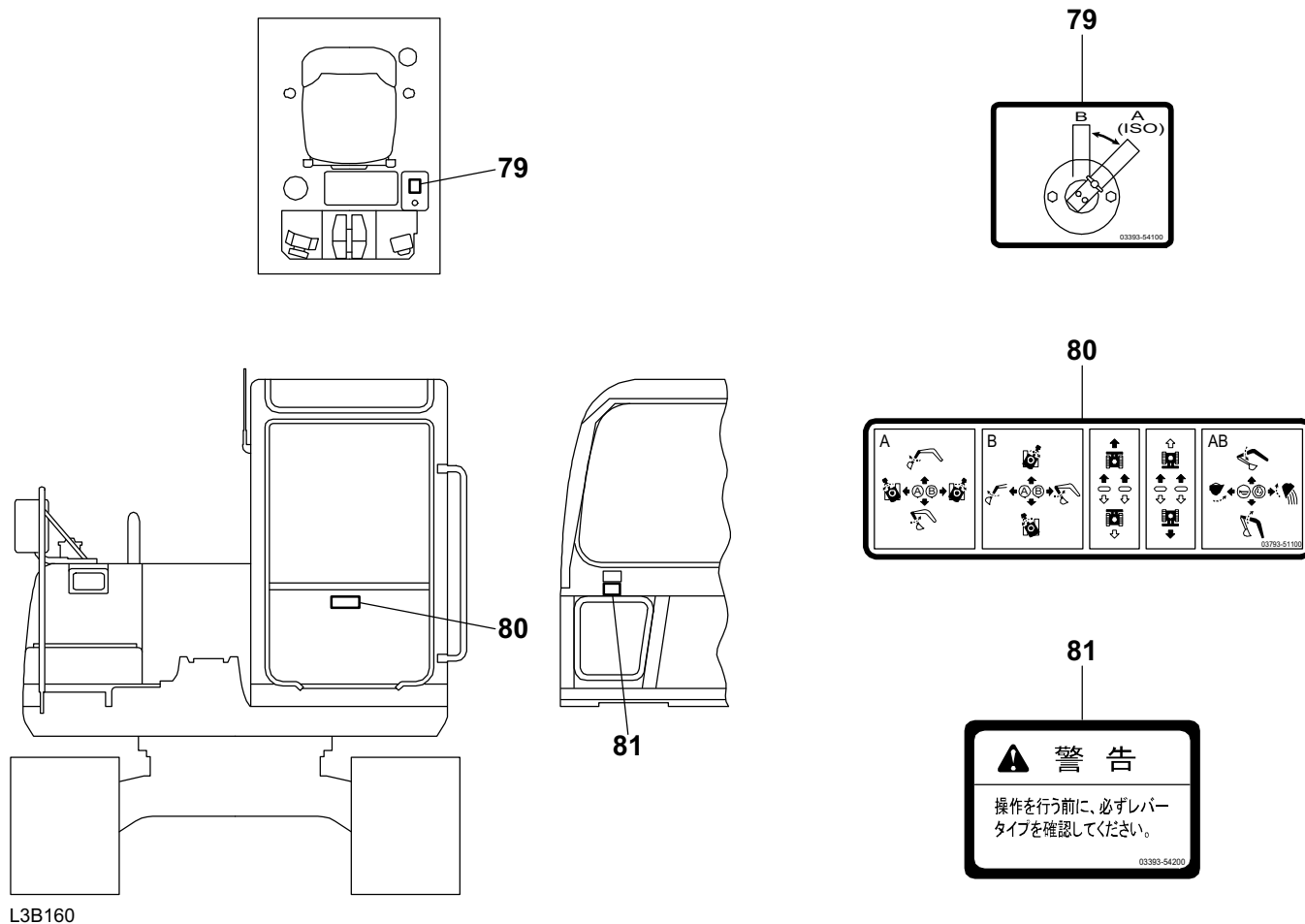
S=1/10

PIPING; OPERATION LEVER (2/3) (A-B pattern; 17510165-17511034)

Item	Part number	Description	Q'ty	Chan.	Serial No.	Serv.	Remarks
		PIPING ASSY					
13	0567137130	HOSE ASSY	1				18010-22195
14	0567137140	HOSE ASSY	1				18010-22215
15	0567137150	HOSE ASSY	1				18010-22195
16	0567137160	HOSE ASSY	1				18010-22215
17	0567137170	HOSE ASSY	1				
18	0567137180	HOSE ASSY	1				
32	0567137320	HOSE ASSY	1				19348-22125
33	0567137330	HOSE ASSY	1				19348-22125
34	0567137340	HOSE ASSY	1				19348-22120
35	0567137350	HOSE ASSY	1				19348-22125
36	0567137360	HOSE ASSY	1				19348-22150
37	0567137370	HOSE ASSY	1				19348-22160
38	0567137380	HOSE ASSY	1				19348-22110
39	0567137390	HOSE ASSY	1				19348-22105
40	0567137400	HOSE ASSY	1				19348-22135
41	0567137410	HOSE ASSY	1				19348-22050
42	0567137420	HOSE ASSY	1				19348-52044
43	0567137430	HOSE ASSY	1				19348-22045
44	0567137440	HOSE ASSY	1				19348-22026
45	0567137450	HOSE ASSY	1				19348-22090
46	0567137460	HOSE ASSY	1				19348-52052
56	1531345050	PROTECTOR	1				sold by the meter
67	1531345025	PROTECTOR	1				sold by the meter

L3b150

TB175(P-TB175BAB) Book No. BL3Z010 S/N 17510003-
PIPING; OPERATION LEVER (3/3) (A-B pattern; 17510165-17511034)



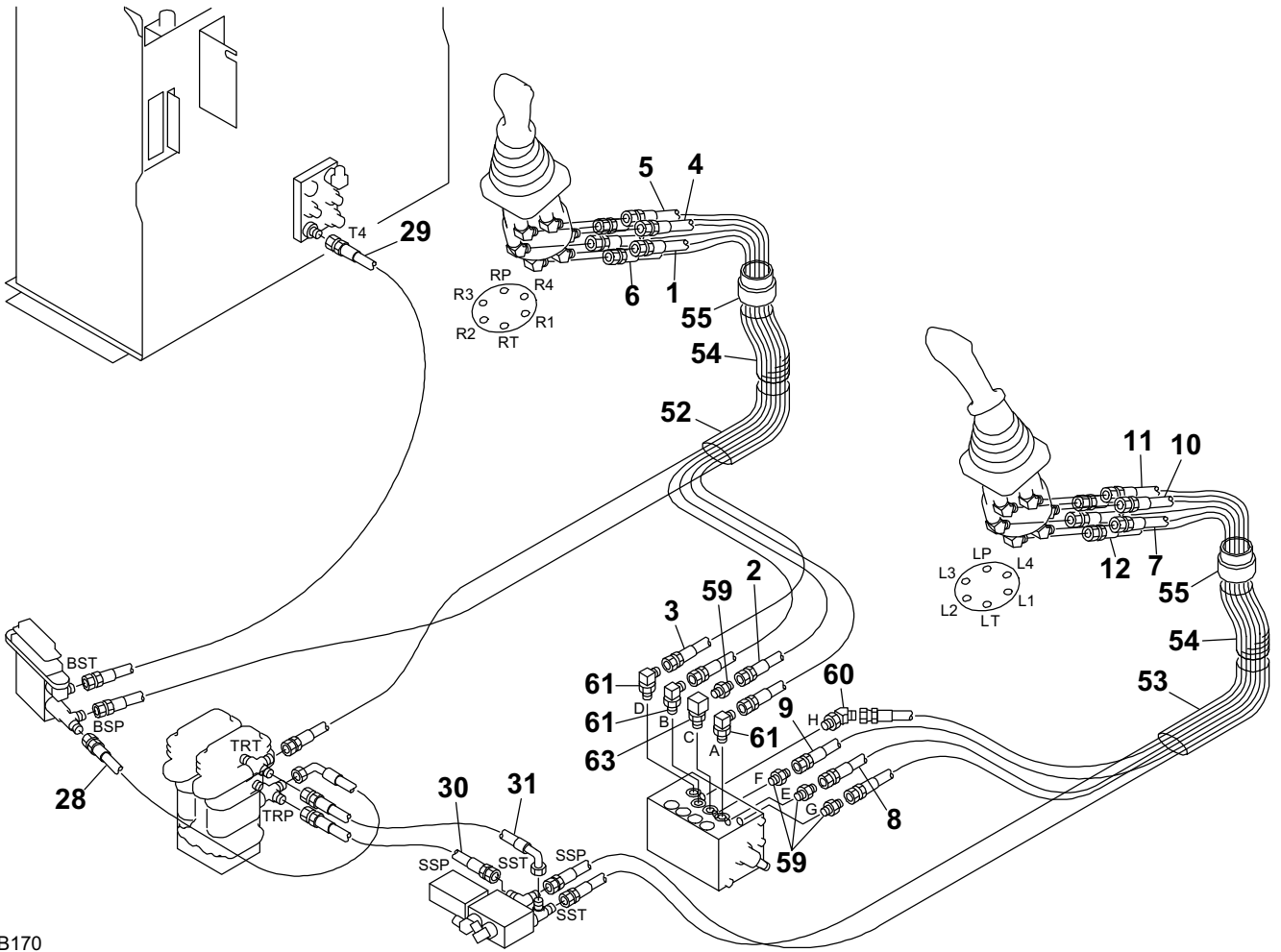
S=FREE

PIPING; OPERATION LEVER (3/3) (A-B pattern; 17510165-17511034)

Item	Part number	Description	Q'ty	Chan.	Serial No.	Serv.	Remarks
		PIPING ASSY					
79	0339354100	DECAL	1				
80	0379351100	DECAL	1				
81	0339354200	DECAL	1				

L3b160

**TB175(P-TB175BAB) Book No. BL3Z010 S/N 17510003-
 PIPING; OPERATION LEVER (1/4) (multi pattern; 17510165-17511034)**



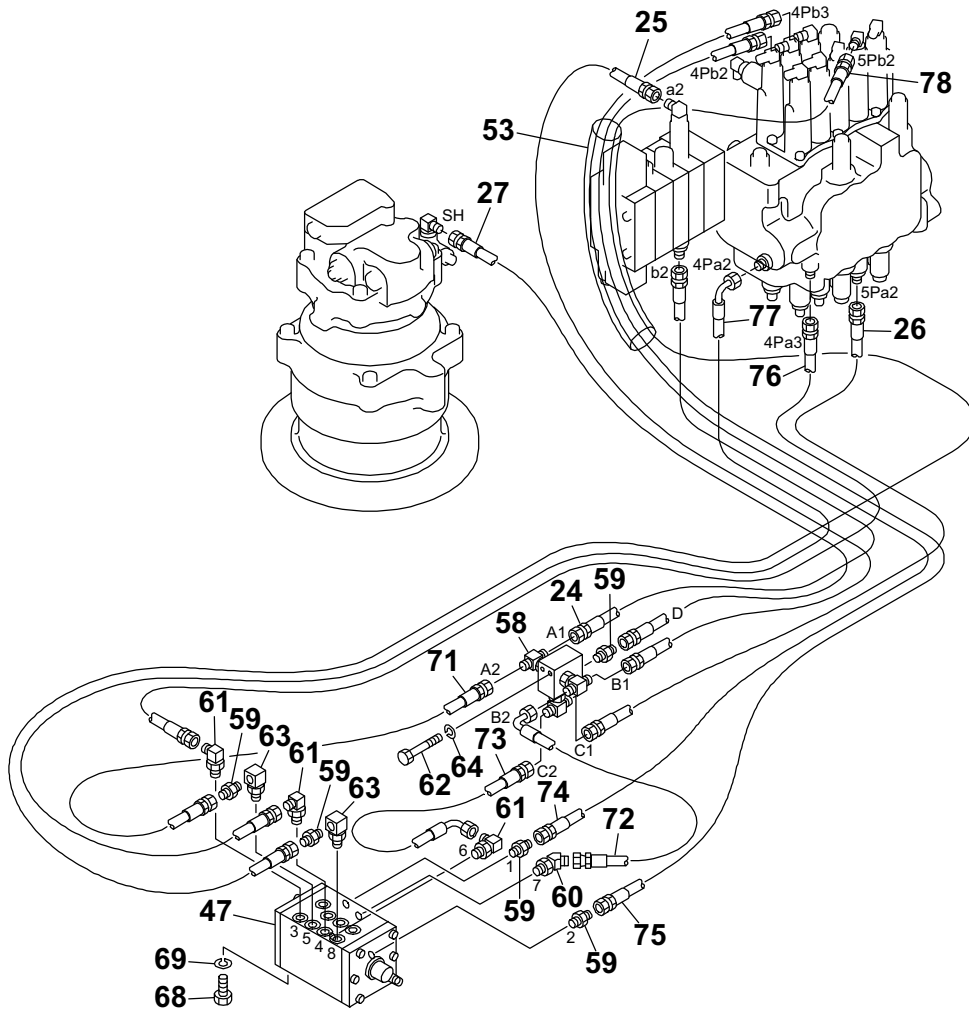
L3B170

S=1/10

PIPING; OPERATION LEVER (1/4) (multi pattern; 17510165-17511034)

Item	Part number	Description	Q'ty	Chan.	Serial No.	Serv.	Remarks
		PIPING ASSY					
1	0567140100	HOSE ASSY	1				19348-22175
2	0567140110	HOSE ASSY	1				19348-22175
3	0567140120	HOSE ASSY	1				19348-22175
4	0567140130	HOSE ASSY	1				19348-22175
5	0567137050	HOSE ASSY	1				19348-22175
6	0567137060	HOSE ASSY	1				19348-22175
7	0567140140	HOSE ASSY	1				19348-22138
8	0567140150	HOSE ASSY	1				19348-22146
9	0567140160	HOSE ASSY	1				19348-22136
10	0567140170	HOSE ASSY	1				19348-22136
11	0567137110	HOSE ASSY	1				19348-22150
12	0567137120	HOSE ASSY	1				19348-22150
28	0567137280	HOSE ASSY	1				19348-52065
29	0567137290	HOSE ASSY	1				19348-22185
30	0567137300	HOSE ASSY	1				19348-22040
31	0567137310	HOSE ASSY	1				19348-52045
52	1531335020	PROTECTOR	1				sold by the meter
53	1531335050	PROTECTOR	1				sold by the meter
54	1567525045	HOSE	2				sold by the meter
55	1567535000	CUFF	2				
59	1515600200	ADAPTOR	4				
	1420010110	· O-RING	1				
60	1515100110	ELBOW	1				
	1420010110	· O-RING	1				
61	1515012040	ELBOW	3				
	1420010110	· O-RING	1				
63	1513300014	ELBOW	1				
	1420010110	· O-RING	1				
	L3b170						

**TB175(P-TB175BAB) Book No. BL3Z010 S/N 17510003-
 PIPING; OPERATION LEVER (2/4) (multi pattern; 17510165-17511034)**



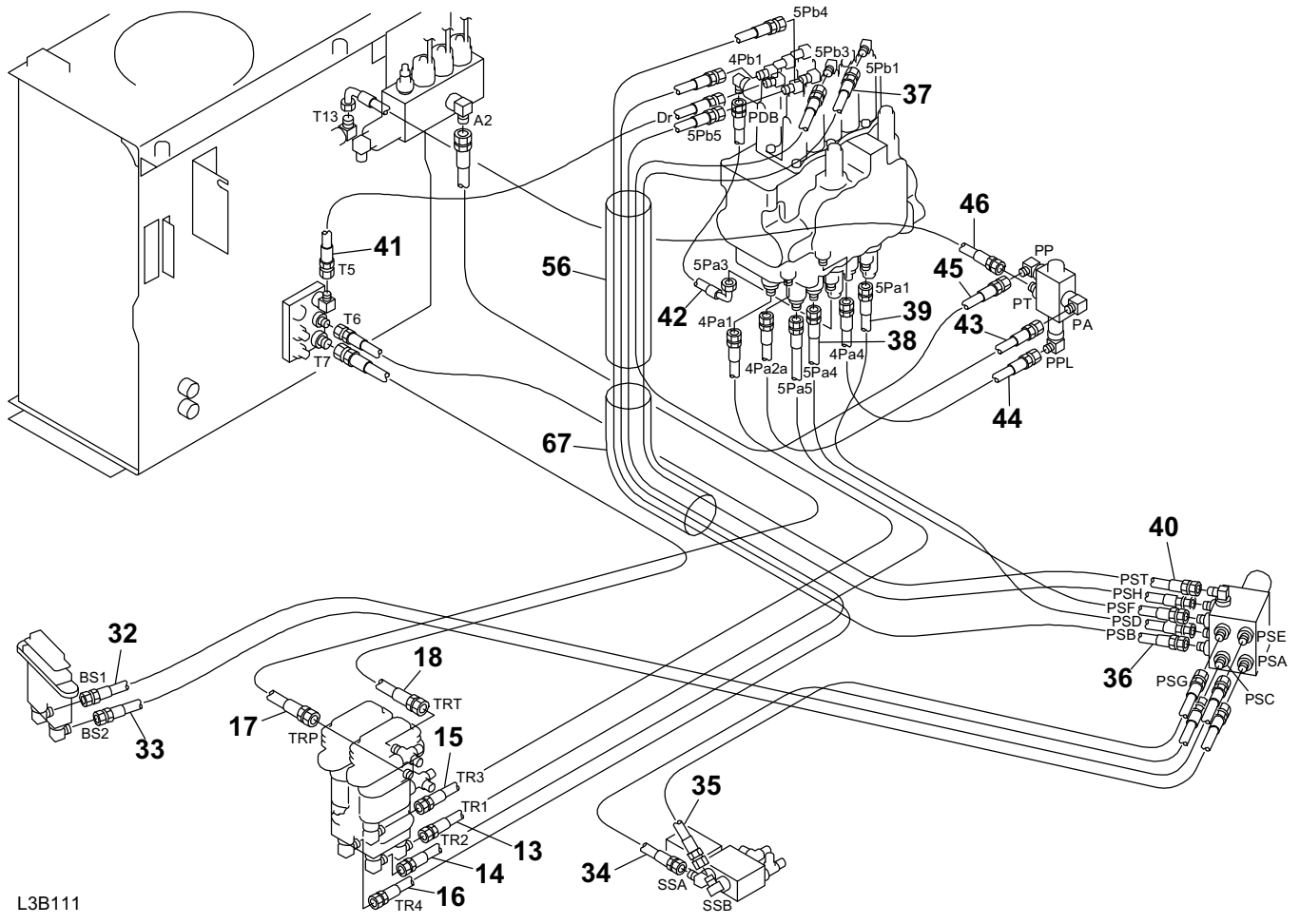
L3B180

S=1/10

PIPING; OPERATION LEVER (2/4) (multi pattern; 17510165-17511034)

Item	Part number	Description	Q'ty	Chan.	Serial No.	Serv.	Remarks
		PIPING ASSY					
24	0567137240	HOSE ASSY	1				19348-22125
25	0567137250	HOSE ASSY	1				19348-22165
26	0567137260	HOSE ASSY	1				19348-22140
27	0567137270	HOSE ASSY	1				19348-22125
47	1901733700	VALVE, rotally	1				
53	1531335050	PROTECTOR	1				sold by the meter
58	1901721800	VALVE, shuttle	1				
59	1515600200	ADAPTOR	5				
	1420010110	· O-RING	1				
60	1515100110	ELBOW	1				
	1420010110	· O-RING	1				
61	1515012040	ELBOW	3				
	1420010110	· O-RING	1				
62	1100040660	BOLT	2				
63	1513300014	ELBOW	2				
	1420010110	· O-RING	1				
64	1140020006	WASHER, spring	2				
68	1100041225	BOLT	3				
69	1140020012	WASHER, spring	3				
71	0567140180	HOSE ASSY	1				19348-22060
72	0567140190	HOSE ASSY	1				19348-52034
73	0567140200	HOSE ASSY	1				19348-52055
74	0567140210	HOSE ASSY	1				19348-22240
75	0567140220	HOSE ASSY	1				19348-22240
76	0567140230	HOSE ASSY	1				19348-22200
77	0567140240	HOSE ASSY	1				19348-52200
78	0567140250	HOSE ASSY	1				19348-22270
	L3b180						

**TB175(P-TB175BAB) Book No. BL3Z010 S/N 17510003-
 PIPING; OPERATION LEVER (3/4) (multi pattern; 17510165-17511034)**



L3B111

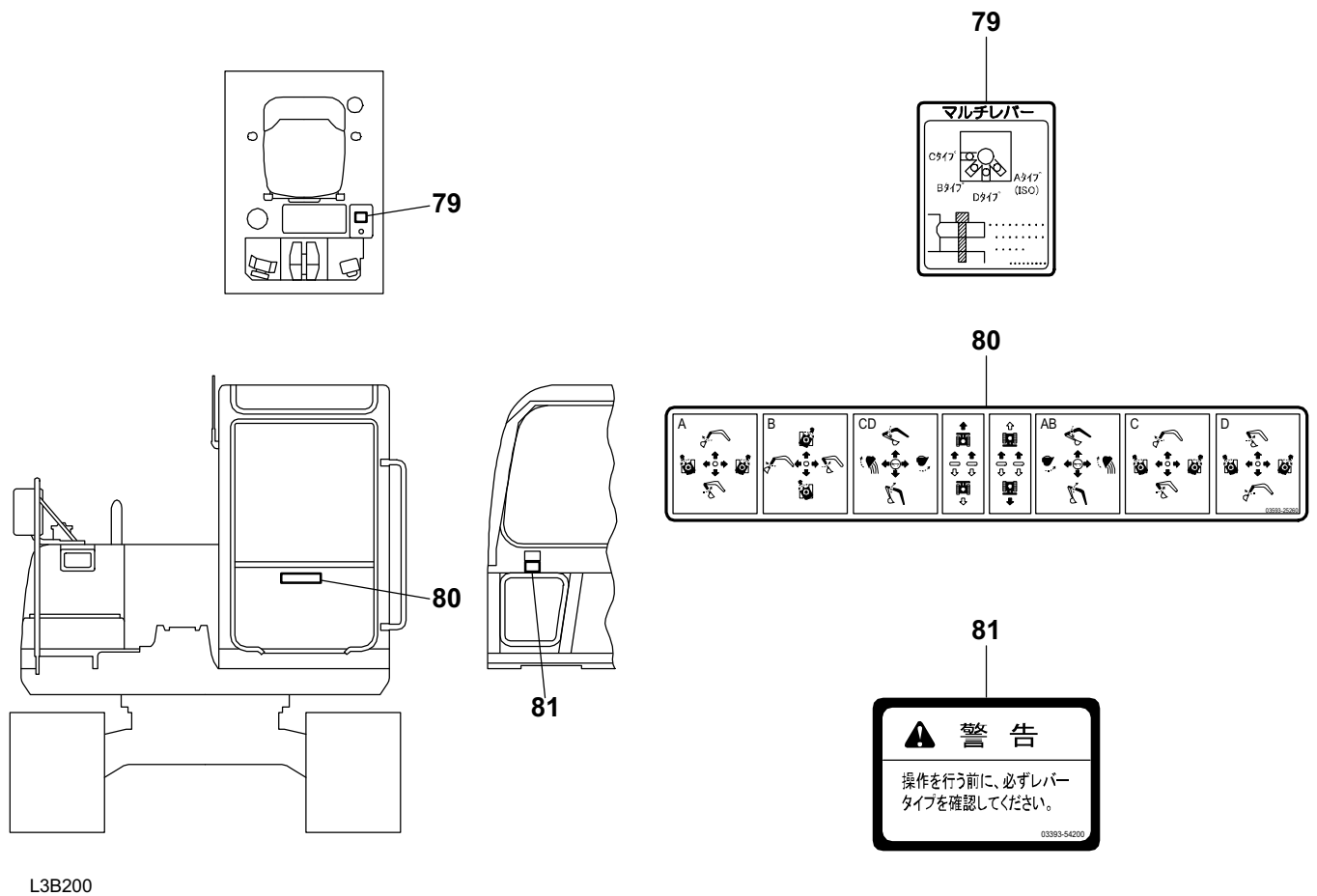
S=1/10

PIPING; OPERATION LEVER (3/4) (multi pattern; 17510165-17511034)

Item	Part number	Description	Q'ty	Chan.	Serial No.	Serv.	Remarks
		PIPING ASSY					
13	0567137130	HOSE ASSY	1				18010-22195
14	0567137140	HOSE ASSY	1				18010-22215
15	0567137150	HOSE ASSY	1				18010-22195
16	0567137160	HOSE ASSY	1				18010-22215
17	0567137170	HOSE ASSY	1				
18	0567137180	HOSE ASSY	1				
32	0567137320	HOSE ASSY	1				19348-22125
33	0567137330	HOSE ASSY	1				19348-22125
34	0567137340	HOSE ASSY	1				19348-22120
35	0567137350	HOSE ASSY	1				19348-22125
36	0567137360	HOSE ASSY	1				19348-22150
37	0567137370	HOSE ASSY	1				19348-22160
38	0567137380	HOSE ASSY	1				19348-22110
39	0567137390	HOSE ASSY	1				19348-22105
40	0567137400	HOSE ASSY	1				19348-22135
41	0567137410	HOSE ASSY	1				19348-22050
42	0567137420	HOSE ASSY	1				19348-52044
43	0567137430	HOSE ASSY	1				19348-22045
44	0567137440	HOSE ASSY	1				19348-22026
45	0567137450	HOSE ASSY	1				19348-22090
46	0567137460	HOSE ASSY	1				19348-52052
56	1531345050	PROTECTOR	1				sold by the meter
67	1531345025	PROTECTOR	1				sold by the meter

L3b190

TB175(P-TB175BAB) Book No. BL3Z010 S/N 17510003-
PIPING; OPERATION LEVER (4/4) (multi pattern; 17510165-17511034)



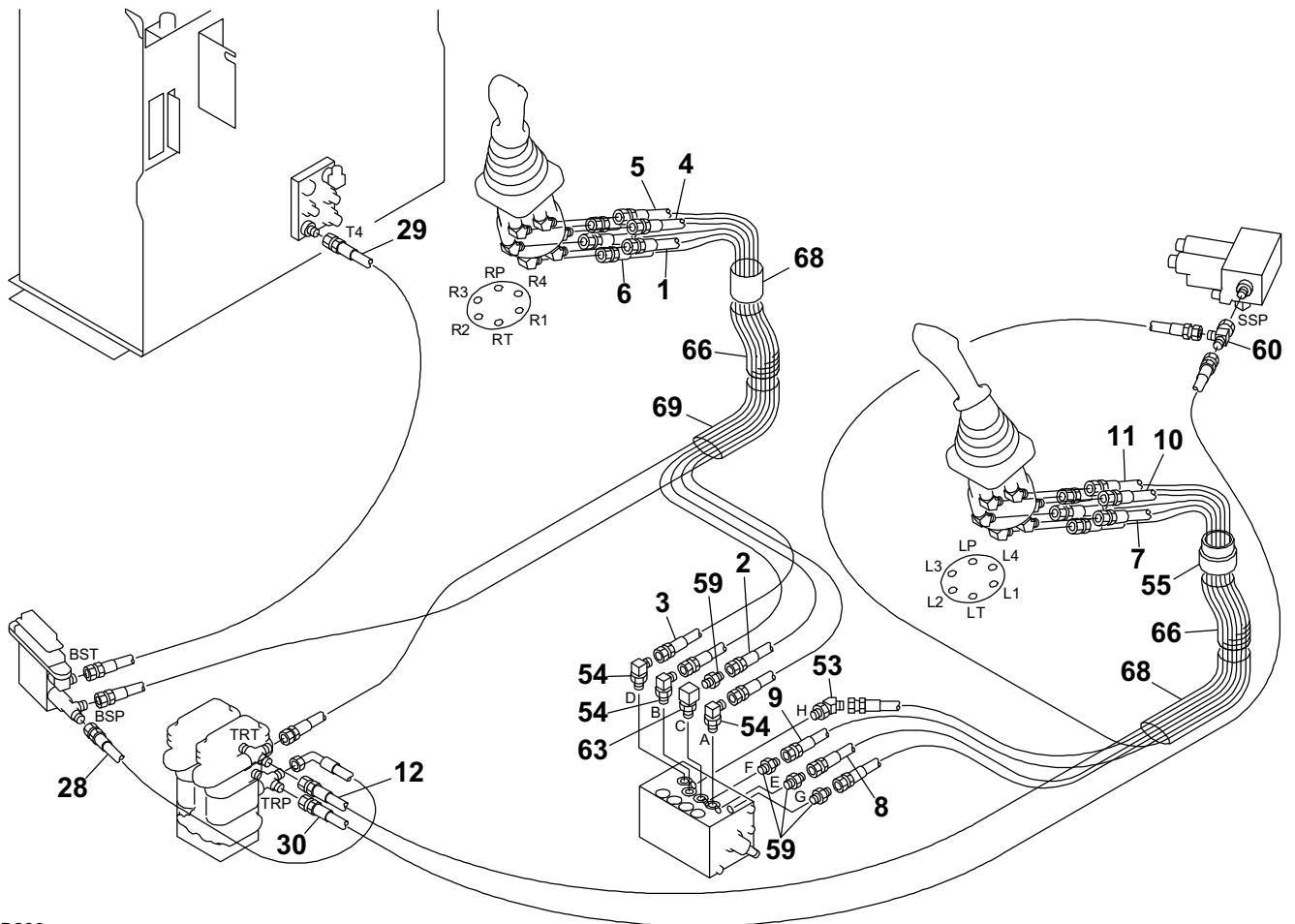
S=FREE

PIPING; OPERATION LEVER (4/4) (multi pattern; 17510165-17511034)

Item	Part number	Description	Q'ty	Chan.	Serial No.	Serv.	Remarks
		PIPING ASSY					
79	0399349600	DECAL	1				
80	0359325260	DECAL	1				
81	0339354200	DECAL	1				

L3b200

**TB175(P-TB175BAB) Book No. BL3Z010 S/N 17510003-
 PIPING; OPERATION LEVER (1/4) (multi pattern; 17514801-)**



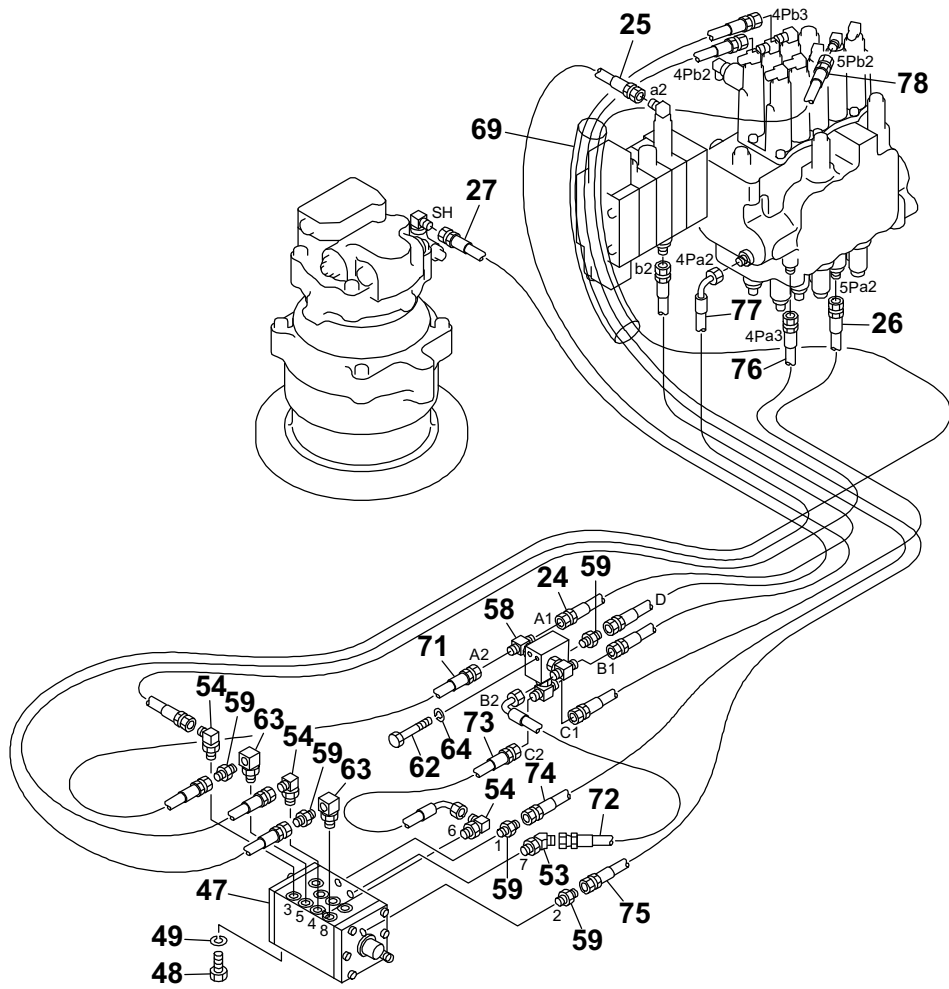
L3B280

S-1/10

PIPING; OPERATION LEVER (1/4) (multi pattern; 17514801-)

Item	Part number	Description	Q'ty	Chan.	Serial No.	Serv.	Remarks
		PIPING ASSY					
1	0567140100	HOSE ASSY	1				19348-22175
2	0567140110	HOSE ASSY	1				19348-22175
3	0567140120	HOSE ASSY	1				19348-22175
4	0567140130	HOSE ASSY	1				19348-22175
5	0567137050	HOSE ASSY	1				19348-22175
6	0567137060	HOSE ASSY	1				19348-22175
7	0567140140	HOSE ASSY	1				19348-22138
8	0567140150	HOSE ASSY	1				19348-22146
9	0567140160	HOSE ASSY	1				19348-22136
10	0567140170	HOSE ASSY	1				19348-22136
11	0567148510	HOSE ASSY	1				19348-22140
12	0567148520	HOSE ASSY	1				19348-22170
28	0567137280	HOSE ASSY	1				19348-52065
29	0567137290	HOSE ASSY	1				19348-22185
30	0567148530	HOSE ASSY	1				19348-22110
53	1515100110	ELBOW	1				
	1420010110	· O-RING	1				
54	1515012040	ELBOW	3				
	1420010110	· O-RING	1				
55	1567535000	CUFF	1				
59	1515600200	ADAPTOR	4				
	1420010110	· O-RING	1				
60	1513390015	TEE	1				
63	1513300022	ELBOW	1				
	1420010110	· O-RING	1				
66	1567525045	HOSE	2				sold by the meter
68	1531335020	PROTECTOR	2				sold by the meter
69	1531335050	PROTECTOR	1				sold by the meter
	L3b282						

**TB175(P-TB175BAB) Book No. BL3Z010 S/N 17510003-
 PIPING; OPERATION LEVER (2/4) (multi pattern; 17514801-)**



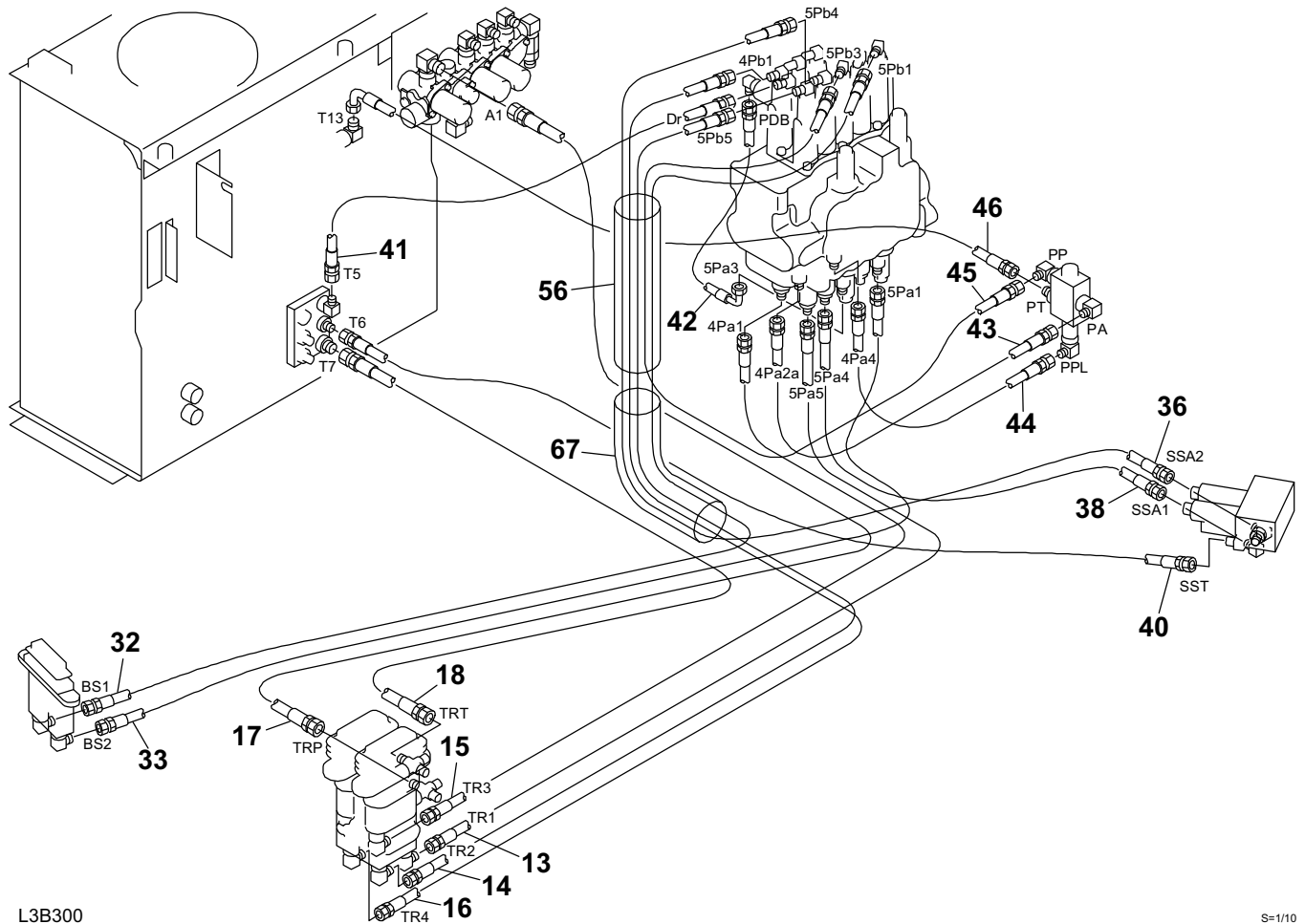
L3B290

S=1/10

PIPING; OPERATION LEVER (2/4) (multi pattern; 17514801-)

Item	Part number	Description	Q'ty	Chan.	Serial No.	Serv.	Remarks
		PIPING ASSY					
24	0567137240	HOSE ASSY	1				19348-22125
25	0567137250	HOSE ASSY	1				19348-22165
26	0567137260	HOSE ASSY	1				19348-22140
27	0567137270	HOSE ASSY	1				19348-22125
47	1901746700	VALVE, rotally	1				
48	1100041225	BOLT	3				
49	1140020012	WASHER, spring	3				
53	1515100110	ELBOW	1				
	1420010110	· O-RING	1				
54	1515012040	ELBOW	3				
	1420010110	· O-RING	1				
58	1901721800	VALVE, shuttle	1				
59	1515600200	ADAPTOR	5				
	1420010110	· O-RING	1				
62	1100040660	BOLT	2				
63	1513300022	ELBOW	2				
	1420010110	· O-RING	1				
64	1140020006	WASHER, spring	2				
69	1531335050	PROTECTOR	1				sold by the meter
71	0567140180	HOSE ASSY	1				19348-22060
72	0567140190	HOSE ASSY	1				19348-52034
73	0567140200	HOSE ASSY	1				19348-52055
74	0567140210	HOSE ASSY	1				19348-22240
75	0567140220	HOSE ASSY	1				19348-22240
76	0567140230	HOSE ASSY	1				19348-22200
77	0567140240	HOSE ASSY	1				19348-52200
78	0567140250	HOSE ASSY	1				19348-22270
	L3b292						

**TB175(P-TB175BAB) Book No. BL3Z010 S/N 17510003-
PIPING; OPERATION LEVER (3/4) (multi pattern; 17514801-)**



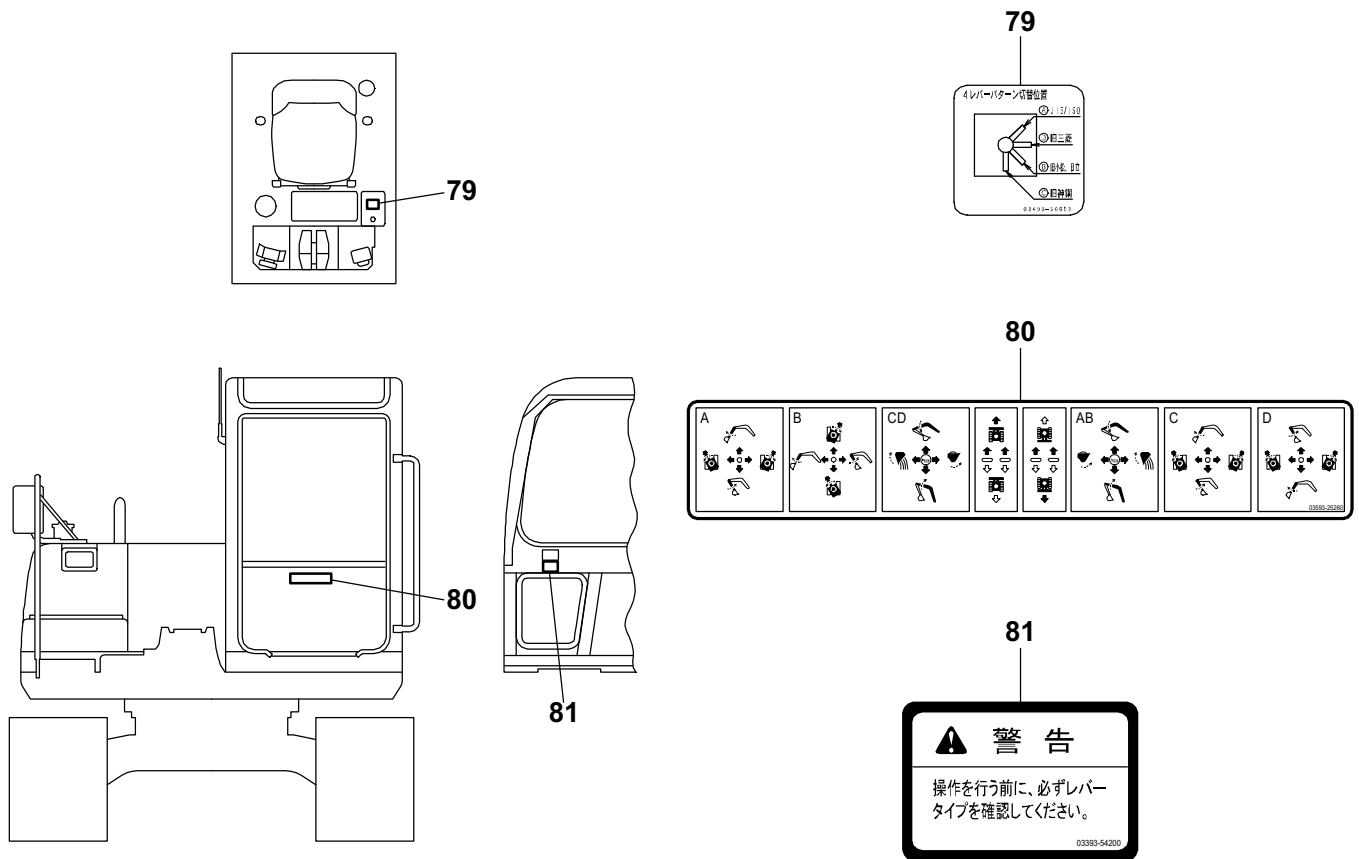
L3B300

S=1/10

PIPING; OPERATION LEVER (3/4) (multi pattern; 17514801-)

Item	Part number	Description	Q'ty	Chan.	Serial No.	Serv.	Remarks
		PIPING ASSY					
13	0567137130	HOSE ASSY	1				18010-22195
14	0567137140	HOSE ASSY	1				18010-22215
15	0567137150	HOSE ASSY	1				18010-22195
16	0567137160	HOSE ASSY	1				18010-22215
17	0567148780	HOSE ASSY	1				
18	0567137180	HOSE ASSY	1				
32	0567148320	HOSE ASSY	1				19348-22230
33	0567148330	HOSE ASSY	1				19348-22125
36	0567147360	HOSE ASSY	1				19348-22170
38	0567147380	HOSE ASSY	1				19348-22115
40	0567147400	HOSE ASSY	1				19348-22135
41	0567137410	HOSE ASSY	1				19348-22050
42	0567137420	HOSE ASSY	1				19348-52044
43	0567137430	HOSE ASSY	1				18010-22040
44	0567137440	HOSE ASSY	1				19348-22026
45	0567137450	HOSE ASSY	1				19348-22090
46	0567137460	HOSE ASSY	1				19348-52052
56	1531345045	PROTECTOR	1				sold by the meter
67	1531350035	PROTECTOR	1				sold by the meter
	L3b302						

TB175(P-TB175BAB) Book No. BL3Z010 S/N 17510003-
 PIPING; OPERATION LEVER (4/4) (multi pattern; 17514801-)



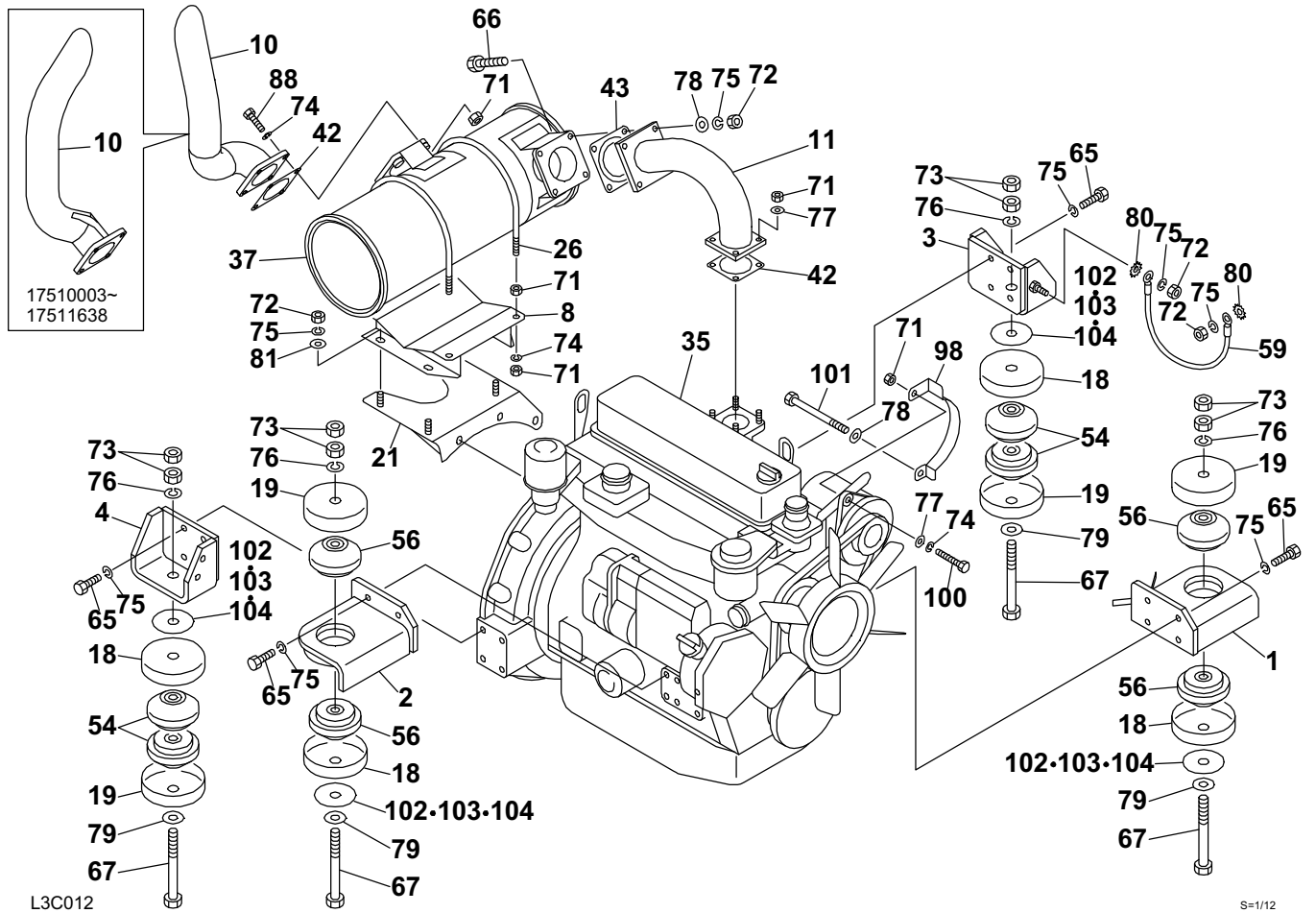
L3B310

S=FREE

PIPING; OPERATION LEVER (4/4) (multi pattern; 17514801-)

Item	Part number	Description	Q'ty	Chan.	Serial No.	Serv.	Remarks
		PIPING ASSY					
79	0349336653	DECAL	1				
80	0359325260	DECAL	1				
81	0339354200	DECAL	1				
	L3b312						

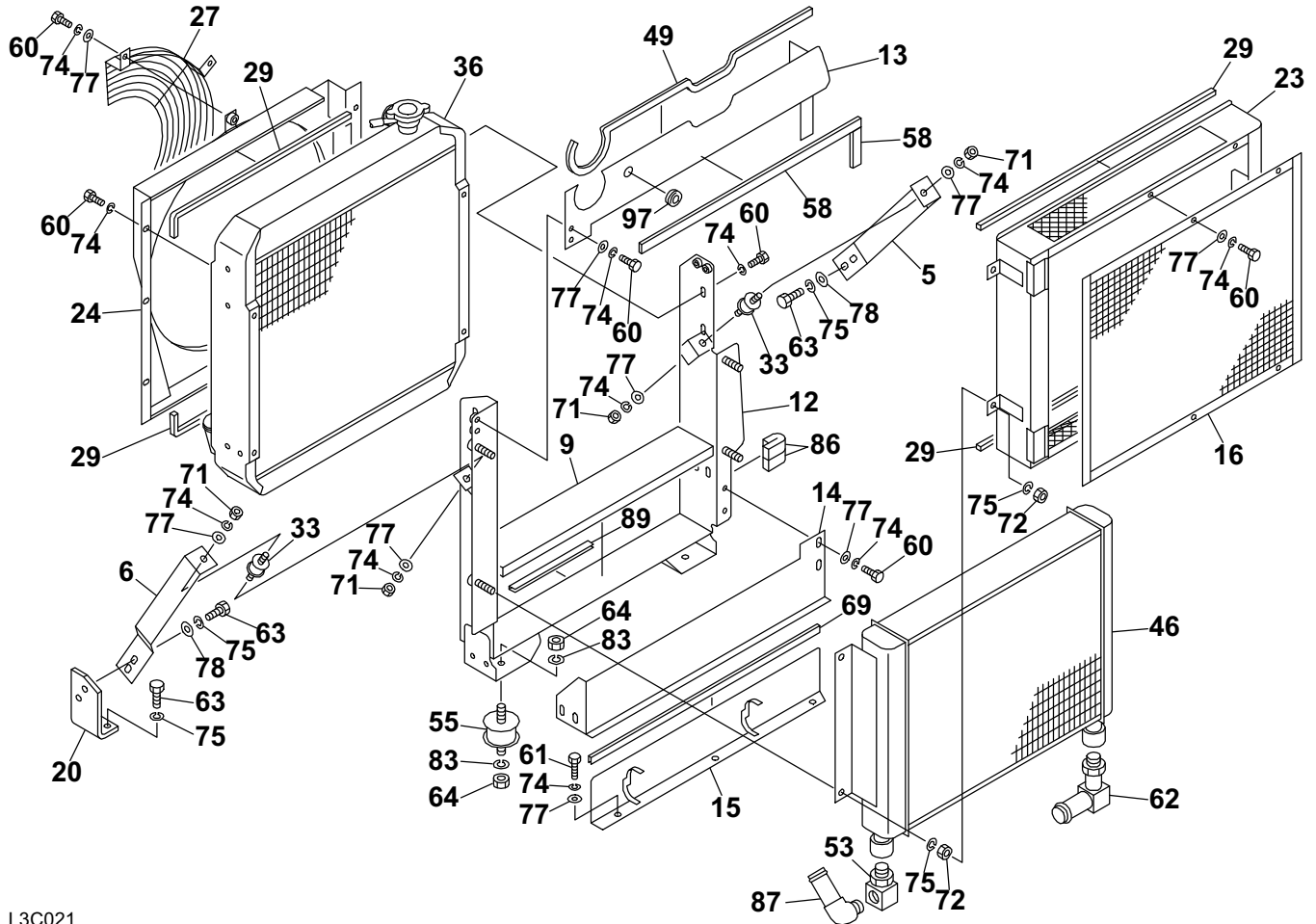
TB175(P-TB175BAB) Book No. BL3Z010 S/N 17510003-
ENGINE & ACCESSORIES (1/3) (17510003-17512104)



ENGINE & ACCESSORIES (1/3) (17510003-17512104)

Item	Part number	Description	Q'ty	Chan.	Serial No.	Serv.	Remarks
		ENGINE ASSY					
1	0564026100	FOOT, engine (F.L.)	1				
2	0564026110	FOOT, engine (F.R.)	1				
3	0564026120	FOOT, engine (R.L.)	1				
4	0564026130	FOOT, engine (R.R.)	1				
8	0564026170	BRACKET	1				
10	0564026190	PIPE	1		17510003~17510464		
	0564026420	PIPE	1	(H)	17510465~17511638		
	0564026440	PIPE	1	(H)	17511639~		
11	0564026200	PIPE	1				
18	0564017460	STOPPER	4				
19	0564017470	STOPPER	4				
21	0564026280	BRACKET	1				
26	0564025370	U-BOLT	2				
35	1910146001	ENGINE	1				4TNE98-TBZ
37	1910146005	SILENCER	1		17510003~17510464		Y129953-13550
	0564026430	SILENCER	1	(H)	17510465~		
42	1910070022	GASKET	2				Y129400-13201
43	1910145023	GASKET	1				Y128300-13230
54	1651030005	RUBBER, cushion	4				
56	1651030004	RUBBER, cushion	4				
59	1702430280	CABLE, earth	1				
65	1100041030	BOLT	16				
66	1100041035	BOLT	4				
67	1100141650	BOLT	4				
71	1130040008	NUT	17				
72	1130040010	NUT	10				
73	1130040016	NUT	8				
74	1140020008	WASHER, spring	9				
75	1140020010	WASHER, spring	26				
76	1140020016	WASHER, spring	4				
77	1141110008	WASHER	5				
78	1141110010	WASHER	5				
79	1141110016	WASHER	4				
80	1140330010	WASHER	2				
81	0003600020	WASHER	4				
88	1100040835	BOLT	4				
98	0564026400	COVER	1		17510003~17510919		
100	1100040840	BOLT	1		17510003~17510919		
101	1100141030	BOLT	1		17510003~17510919		
102	0003600167	SHIM	AR				t=6.0mm
103	0003600168	SHIM	AR				t=3.2mm
104	0003600169	SHIM	AR				t=2.3mm
	L3c012						

TB175(P-TB175BAB) Book No. BL3Z010 S/N 17510003-
ENGINE & ACCESSORIES (2/3) (17510003-17512104)



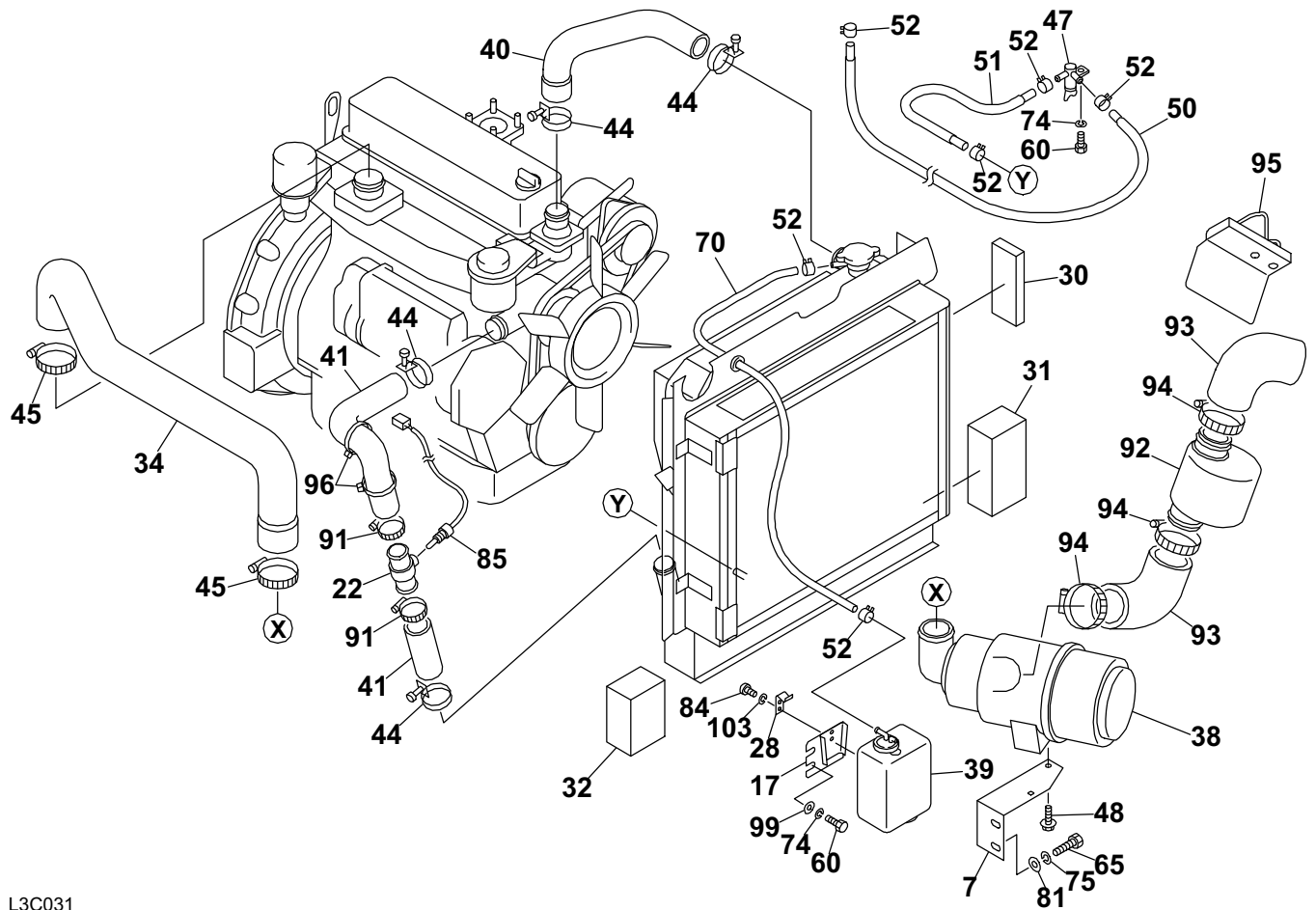
L3C021

S=1/12

ENGINE & ACCESSORIES (2/3) (17510003-17512104)

Item	Part number	Description	Q'ty	Chan.	Serial No.	Serv.	Remarks
		ENGINE ASSY					
5	0564026140	STAY	1				
6	0564026150	STAY	1				
9	0564026009	URETHANE	1				
12	0564026210	BRACKET	1				
13	0564026220	PLATE	1				
14	0564026230	PLATE	1				
15	0564026240	PLATE	1		17510003~17510188		
	0564026390	PLATE	1		17510189~		
16	0564025600	NET	1				
20	0564026270	BRACKET	1				
23	0564026300	COVER	1				
24	0564026310	SHROUD	1				
27	0564026330	GUARD	1				
29	0564026029	SPONGE	4				
33	1651014003	RUBBER, cushion	2				
36	1910146002	RADIATOR	1				Y129953-44500
46	1910145003	COOLER, oil	1				Y129953-44900
49	1654601081	TRIM	1				sold by the meter
53	1513300021	ELBOW	1				
	1420010290	· O-RING	1				
55	1651010009	RUBBER, cushion	2				
58	1654303064	SPONGE	1				sold by the meter
60	1100040816	BOLT	29				
61	1100040825	BOLT	3				
62	1513350019	ELBOW	1				
	1420010290	· O-RING	1				
63	1100041020	BOLT	6				
64	1130040012	NUT	4				
69	1654607060	TRIM	1				sold by the meter
71	1130040008	NUT	4				
72	1130040010	NUT	8				
74	1140020008	WASHER, spring	36				
75	1140020010	WASHER, spring	14				
77	1141110008	WASHER	22				
78	1141110010	WASHER	4				
83	1140020012	WASHER, spring	4				
86	1654312008	SPONGE	2				sold by the meter
87	0007224012	NIPPLE	1				
89	1654601020	TRIM	1				sold by the meter
97	1652001402	GROMMET	1				
	L3c021						

TB175(P-TB175BAB) Book No. BL3Z010 S/N 17510003-
ENGINE & ACCESSORIES (3/3) (17510003-17510167)



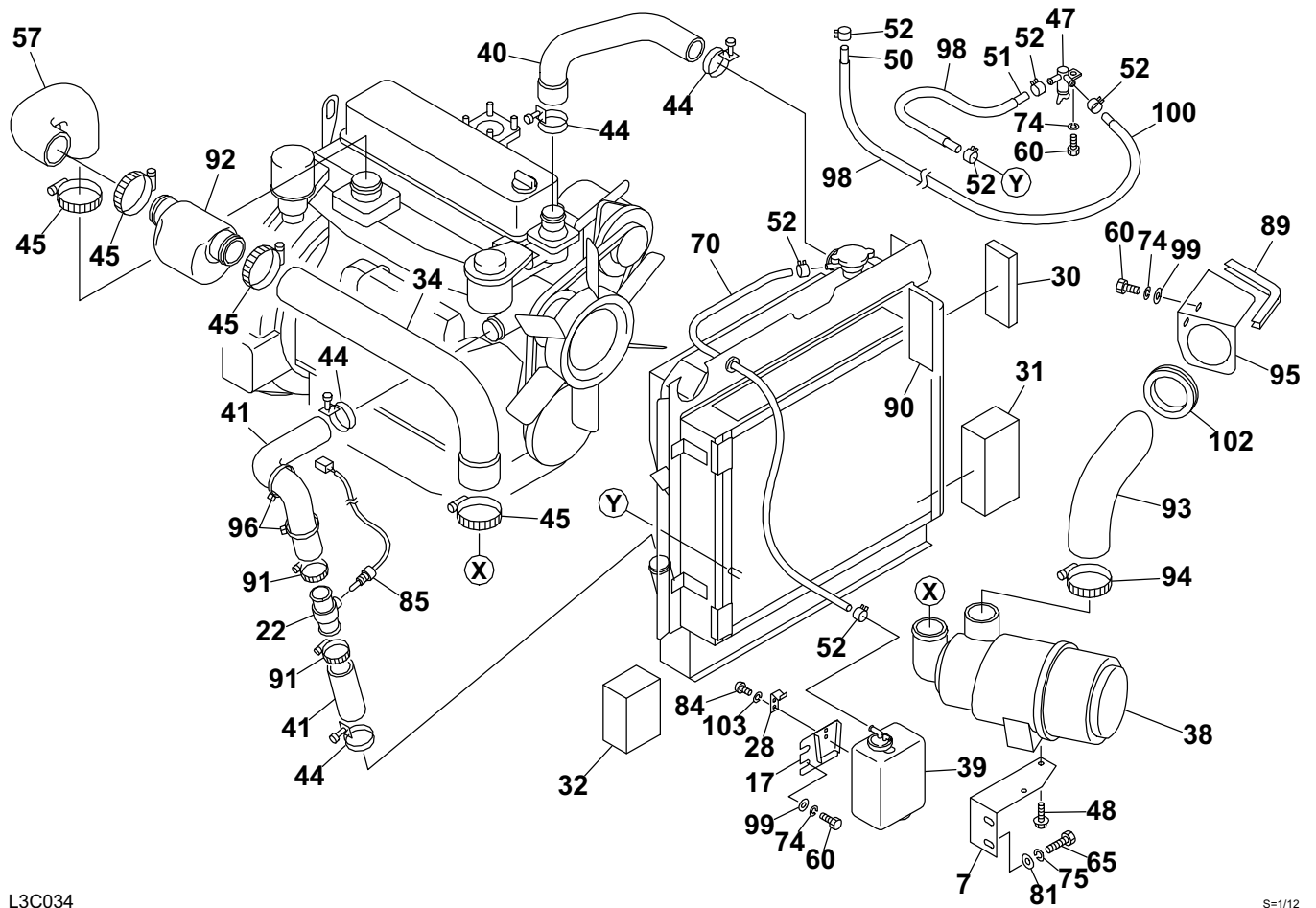
L3C031

S=1/12

ENGINE & ACCESSORIES (3/3) (17510003-17510167)

Item	Part number	Description	Q'ty	Chan.	Serial No.	Serv.	Remarks
		ENGINE ASSY					
7	0564026160	BRACKET	1				
17	0564025260	BRACKET	1				
22	0564026360	JOINT	1				
28	0564026340	PLATE	1				
30	0564026030	URETHANE	1				
31	0564026031	URETHANE	1				
32	0564026032	URETHANE	1				
34	1910146013	PIPE	1				Y129953-12210
38	1910146050	CLEANER, air	1				Y129953-12501
39	1910146020	TANK, sub	1				Y129466-44510
40	1910132011	HOSE	1				Y129915-49010
41	0564026410	HOSE	1				Y129911-49020
44	1910116047	BAND	4				Y23000-054000
45	1910145047	BAND	2				Y23000-080000
47	1910078037	VALVE, drain	1				Y129150-49100
48	1910146053	BOLT	2				Y26106-080162
50	1531211120	TUBE	1				sold by the meter
51	1531211050	HOSE	1				sold by the meter
52	1533120012	BAND	6				
60	1100040816	BOLT	3				
65	1100041030	BOLT	2				
70	1531407125	HOSE	1				sold by the meter
74	1140020008	WASHER, spring	3				
75	1140020010	WASHER, spring	2				
81	0003600020	WASHER	2				
84	1120530406	SCREW	2				
85	1700100046	SENSOR	1				
91	1533700057	CLIP	2				
92	1910080017	RESONATOR	1				Y119160-12060
93	0564024320	ELBOW	2				
94	1533700080	CLIP	3				
95	0564026350	COVER	1				
96	1652231250	BAND	2				
99	0003608252	WASHER	2				
103	1140020004	WASHER, spring	2				
	L3c031						

TB175(P-TB175BAB) Book No. BL3Z010 S/N 17510003-
ENGINE & ACCESSORIES (3/3) (17510168-17512104)



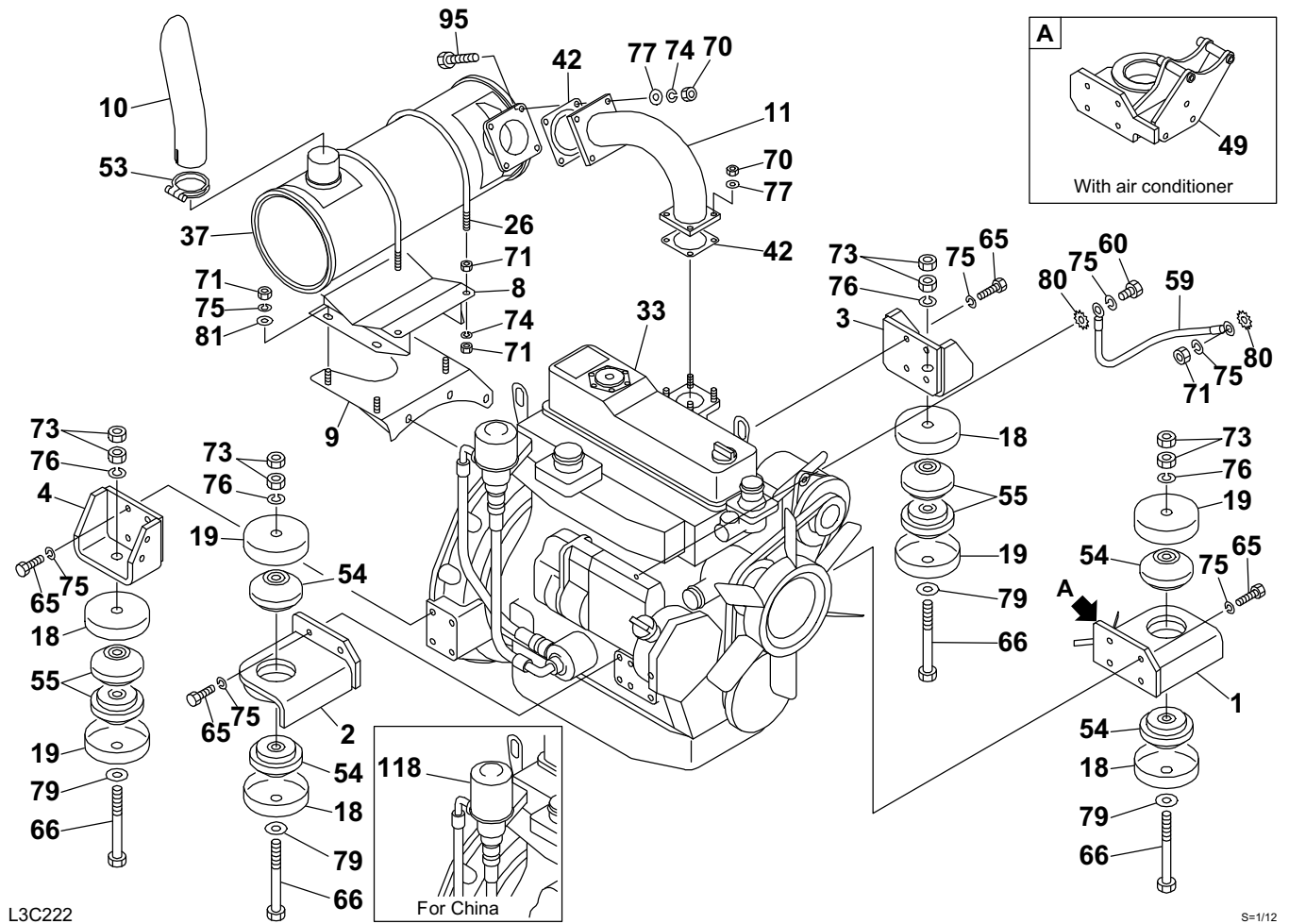
L3C034

S=1/12

ENGINE & ACCESSORIES (3/3) (17510168-17512104)

Item	Part number	Description	Q'ty	Chan.	Serial No.	Serv.	Remarks
		ENGINE ASSY					
7	0564026160	BRACKET	1				
17	0564025260	BRACKET	1				
22	0564026360	JOINT	1				
28	0564026340	PLATE	1				
30	0564026030	URETHANE	1				
31	0564026031	URETHANE	1				
32	0564026032	URETHANE	1				
34	1910146026	PIPE	1				Y129953-12220
38	1910146007	CLEANER, air	1				
39	1910146020	TANK, sub	1				Y129466-44510
40	1910132011	HOSE	1				Y129915-49010
41	0564026410	HOSE	1				Y129911-49020
44	1910116047	BAND	4				Y23000-054000
45	1910145047	BAND	4				Y23000-080000
47	1910078037	VALVE, drain	1				Y129150-49100
48	1910146053	BOLT	2				Y26106-080162
50	1531211120	TUBE	1				sold by the meter
51	1531211050	HOSE	1				sold by the meter
52	1533120010	BAND	6				
57	1910146027	PIPE	1				Y129953-12230
60	1100040816	BOLT	5				
65	1100041030	BOLT	2				
70	1531211125	HOSE	1				sold by the meter
74	1140020008	WASHER, spring	5				
75	1140020010	WASHER, spring	2				
81	0003600020	WASHER	2				
84	1120530406	SCREW	2				
85	1700100046	SENSOR	1				
89	1654601020	TRIM	1				sold by the meter
90	0564026380	RUBBER	1				
91	1533700057	CLIP	2				
92	1910146025	RESONATOR	1				Y119005-12060
93	1910146014	ELBOW	1				Y129953-12240
94	1533700080	CLIP	1				
95	0564026370	COVER	1				
96	1652231250	BAND	2				
98	1531115040	PROTECTOR	2				sold by the meter
99	0003608252	WASHER	4				
100	1531115070	PROTECTOR	1				sold by the meter
102	1654613025	PACKING	1				sold by the meter
103	1140020004	WASHER, spring	2				
	L3c034						

TB175(P-TB175BAB) Book No. BL3Z010 S/N 17510003-
ENGINE & ACCESSORIES (1/3) (17512105-17514411)



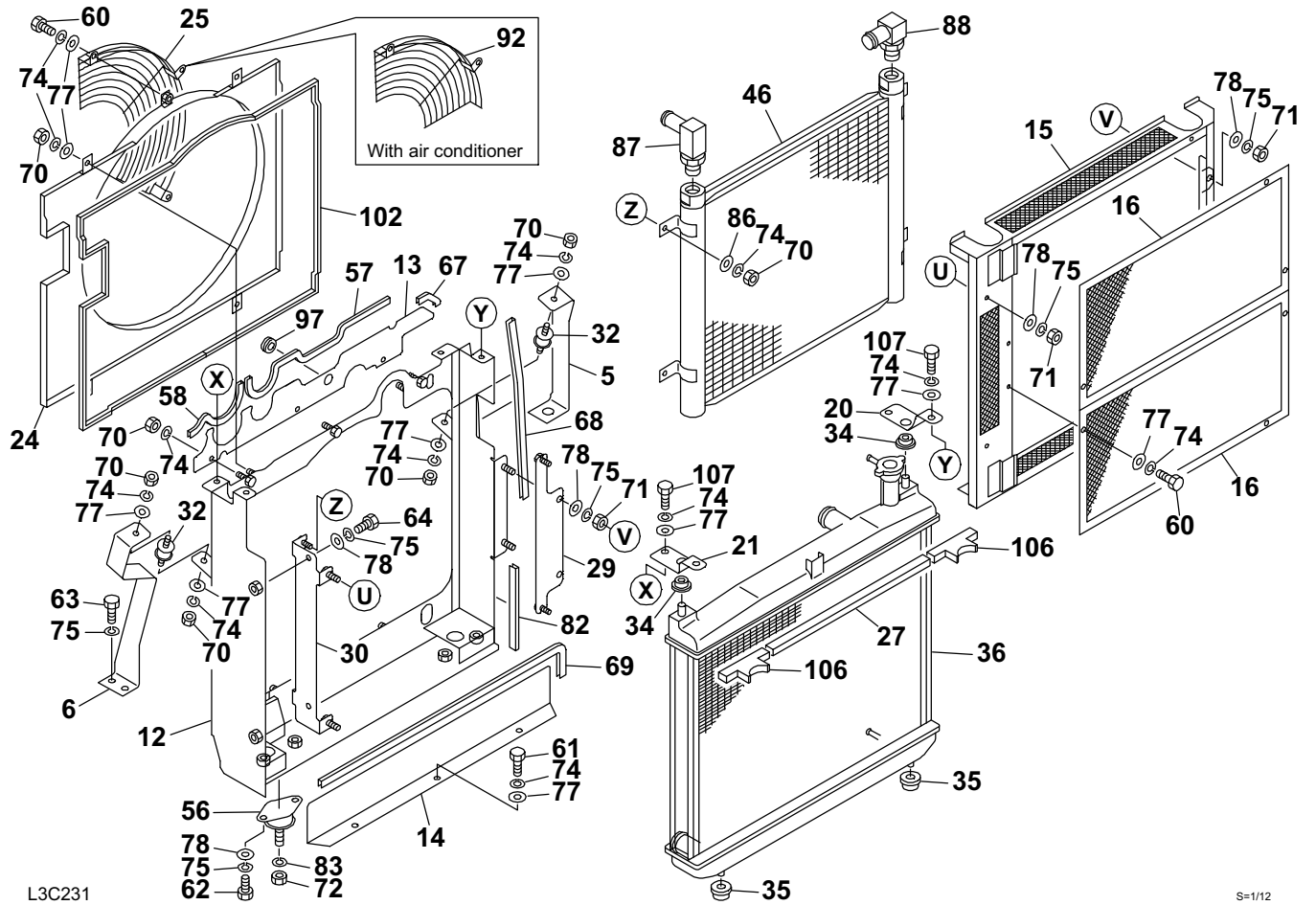
L3C222

S=1/12

ENGINE & ACCESSORIES (1/3) (17512105-17514411)

Item	Part number	Description	Q'ty	Chan.	Serial No.	Serv.	Remarks
		ENGINE ASSY					
		ENGINE ASSY (for China)					
		ENGINE ASSY (with air conditioner)					
1	0564026100	FOOT, engine (F.L.)	1				
2	0564026110	FOOT, engine (F.R.)	1				
3	0564026120	FOOT, engine (R.L.)	1				
4	0564026130	FOOT, engine (R.R.)	1				
8	0564026170	BRACKET	1				
9	0564026280	BRACKET	1				
10	0564032060	PIPE	1				
11	0564032070	PIPE	1				
18	0564017460	STOPPER	4				
19	0564017470	STOPPER	4				
26	0564025370	U-BOLT	2				
33	1910197001	ENGINE	1				4TNV98-VTBZ
37	1910197005	SILENCER	1				Y129940-13500
42	1910197023	GASKET	2				Y129930-13201
49	0564624280	FOOT, engine (F.L.)	1				with air con.
53	1910197027	CLAMP	1				Y129640-13590
54	1651030004	RUBBER, cushion	4				
55	1651030005	RUBBER, cushion	4				
59	1702430400	CABLE, earth	1				
60	1100040816	BOLT	1				
65	1100041030	BOLT	16				
66	1100141650	BOLT	4				
70	1130040008	NUT	8				
71	1130040010	NUT	12				
73	1130040016	NUT	8				
74	1140020008	WASHER, spring	8				
75	1140020010	WASHER, spring	22				
76	1140020016	WASHER, spring	4				
77	1141110008	WASHER	8				
79	1141110016	WASHER	4				
80	1140330010	WASHER	2				
81	0003600020	WASHER	4				
95	1100040835	BOLT	4				
118	1990197055	FILTER, oil (for China)	1				Y119005-35150
	L3c223						

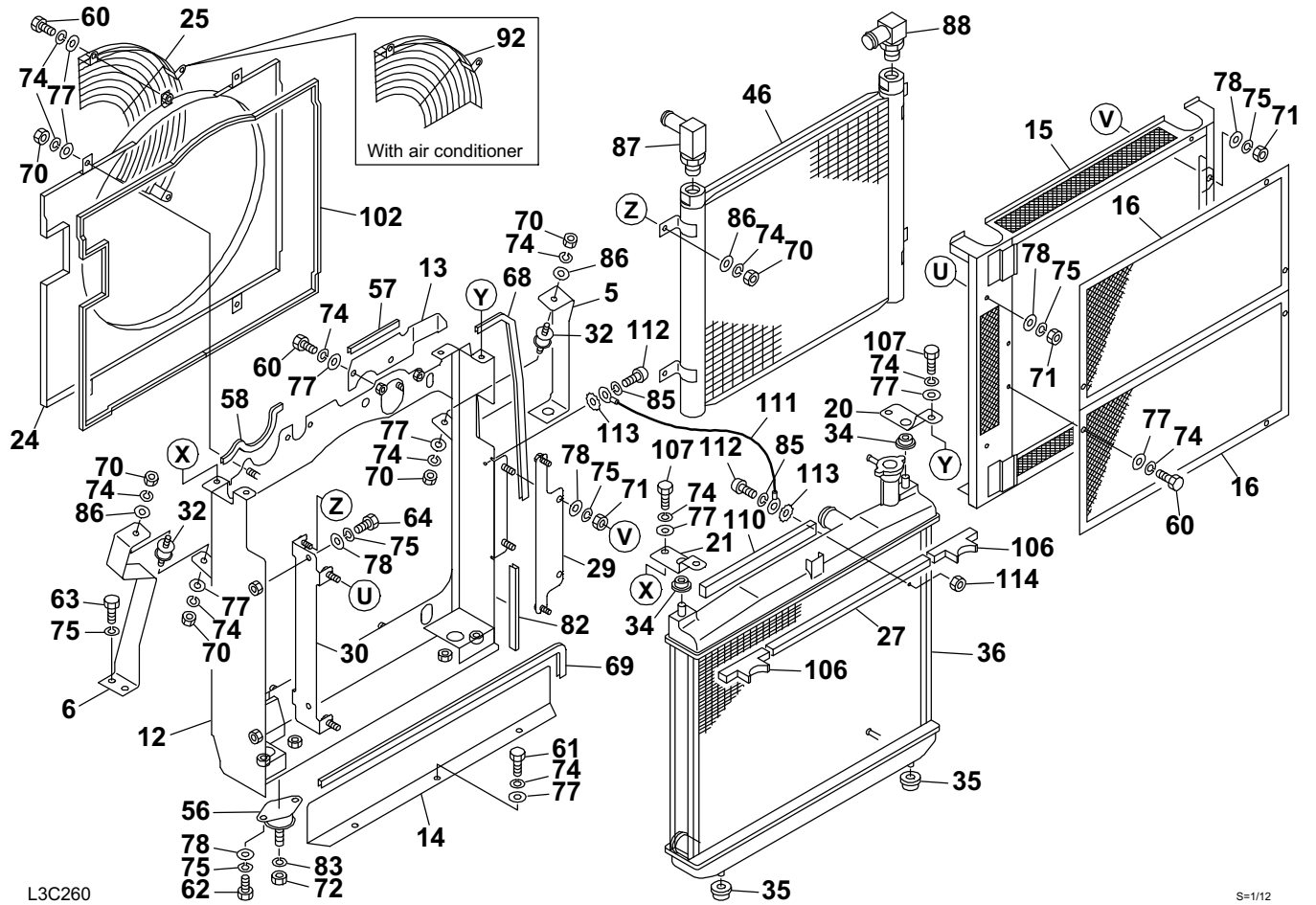
TB175(P-TB175BAB) Book No. BL3Z010 S/N 17510003-
ENGINE & ACCESSORIES (2/3) (17512105-17512749)



ENGINE & ACCESSORIES (2/3) (17512105-17512749)

Item	Part number	Description	Q'ty	Chan.	Serial No.	Serv.	Remarks
		ENGINE ASSY					
		ENGINE ASSY (with air conditioner)					
5	0564032030	STAY	1				
6	0564032040	STAY	1				
12	0564032200	BRACKET	1				
13	0564032080	PLATE	1				
14	0564032090	PLATE	1				
15	0564032110	PLATE	1				
16	0564032120	NET	1				
20	0564032130	PLATE (L.H.)	1				
21	0564032135	PLATE (R.H.)	1				
24	0564032300	SHROUD	1				
25	0564032400	GUARD	1				
27	0564033140	SPONGE	1				
29	0564032170	BRACKET (L.H.)	1				
30	0564032180	BRACKET (R.H.)	1				
32	1651014003	RUBBER, cushion	2				
34	1910197052	RUBBER, cushion	2				Y184016-44700
35	1910197053	RUBBER, cushion	2				Y184016-44710
36	1910197002	RADIATOR	1				Y129940-44521
46	1911300030	COOLER, oil	1				Z412-105-1000
56	1651022060	RUBBER, cushion	2				
57	1653916062	TRIM	1				sold by the meter
58	1653916017	TRIM	1				sold by the meter
60	1100040816	BOLT	9				
61	1100040825	BOLT	3				
62	1100041016	BOLT	4				
63	1100041020	BOLT	2				
64	1100041025	BOLT	2				
67	1653916010	TRIM	1				sold by the meter
68	1653916043	TRIM	1				sold by the meter
69	1654606070	TRIM	1				sold by the meter
70	1130040008	NUT	15				
71	1130040010	NUT	6				
72	1130040012	NUT	2				
74	1140020008	WASHER, spring	31				
75	1140020010	WASHER, spring	14				
77	1141110008	WASHER	24				
78	1141110010	WASHER	12				
82	1654607019	TRIM	1				sold by the meter
83	1140020012	WASHER, spring	2				
86	0003600079	WASHER	4				
87	1513350019	ELBOW	1				
	1420010290	· O-RING	1				
88	1513350020	ELBOW	1				
	1420010290	· O-RING	1				
92	0564032450	GUARD	1				with air con.
97	1652001402	GROMMET	1				
102	1654606235	TRIM	1				sold by the meter
106	0564033150	SPONGE	2				
107	1100040820	BOLT	4				
	L3c232						

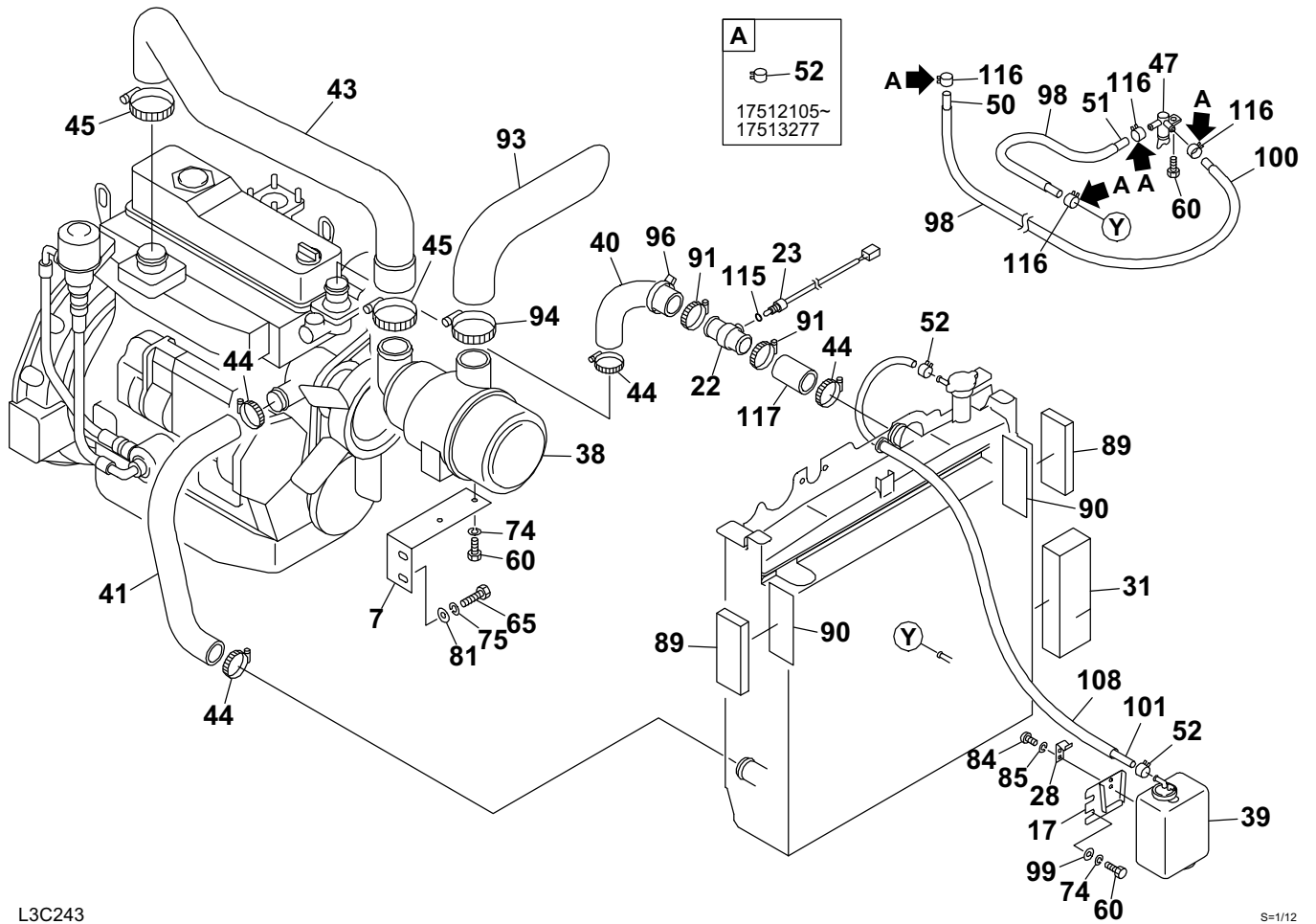
TB175(P-TB175BAB) Book No. BL3Z010 S/N 17510003-
ENGINE & ACCESSORIES (2/3) (17512750-17514411)



ENGINE & ACCESSORIES (2/3) (17512750-17514411)

Item	Part number	Description	Q'ty	Chan.	Serial No.	Serv.	Remarks
		ENGINE ASSY					
		ENGINE ASSY (for China)					
		ENGINE ASSY (with air conditioner)					
5	0564032030	STAY	1				
6	0564032040	STAY	1				
12	0564032600	BRACKET	1				
13	0564032085	PLATE	1				
14	0564032090	PLATE	1				
15	0564032110	PLATE	1				
16	0564032120	NET	1				
20	0564032130	PLATE (L.H.)	1				
21	0564032135	PLATE (R.H.)	1				
24	0564032300	SHROUD	1				
25	0564032400	GUARD	1				
27	0564033140	SPONGE	1				
29	0564032170	BRACKET (L.H.)	1				
30	0564032180	BRACKET (R.H.)	1				
32	1651014003	RUBBER, cushion	2				
34	1910197052	RUBBER, cushion	2				Y184016-44700
35	1910197053	RUBBER, cushion	2				Y184016-44710
36	1910197002	RADIATOR	1				Y129940-44521
46	1911300030	COOLER, oil	1				Z412-105-1000
56	1651022060	RUBBER, cushion	2				
57	1653916013	TRIM	1				sold by the meter
58	1653916044	TRIM	1				sold by the meter
60	1100040816	BOLT	11				
61	1100040825	BOLT	3				
62	1100041016	BOLT	4				
63	1100041020	BOLT	2				
64	1100041025	BOLT	2				
68	1653916056	TRIM	1				sold by the meter
69	1654606070	TRIM	1				sold by the meter
70	1130040008	NUT	12				
71	1130040010	NUT	6				
72	1130040012	NUT	2				
74	1140020008	WASHER, spring	30				
75	1140020010	WASHER, spring	14				
77	1141110008	WASHER	24				
78	1141110010	WASHER	12				
82	1654607019	TRIM	1				sold by the meter
83	1140020012	WASHER, spring	2				
85	1140020004	WASHER, spring	2		17512750~17513277		
86	0003600079	WASHER	6				
87	1513350019	ELBOW	1				
	1420010290	· O-RING	1				
88	1513350020	ELBOW	1				
	1420010290	· O-RING	1				
92	0564032450	GUARD	1				with air con.
102	1654606235	TRIM	1				sold by the meter
106	0564033150	SPONGE	2				
107	1100040820	BOLT	4				
110	0564032145	SPONGE	1				
111	0564032510	WIRE	1		17512750~17513277		
112	1120530410	SCREW	2		17512750~17513277		
113	1140330004	WASHER	2		17512750~17513277		
114	1130040004	NUT	1		17512750~17513277		
	L3c263						

TB175(P-TB175BAB) Book No. BL3Z010 S/N 17510003-
ENGINE & ACCESSORIES (3/3) (17512105-17514411)



L3C243

S=1/12

ENGINE & ACCESSORIES (3/3) (17512105-17514411)

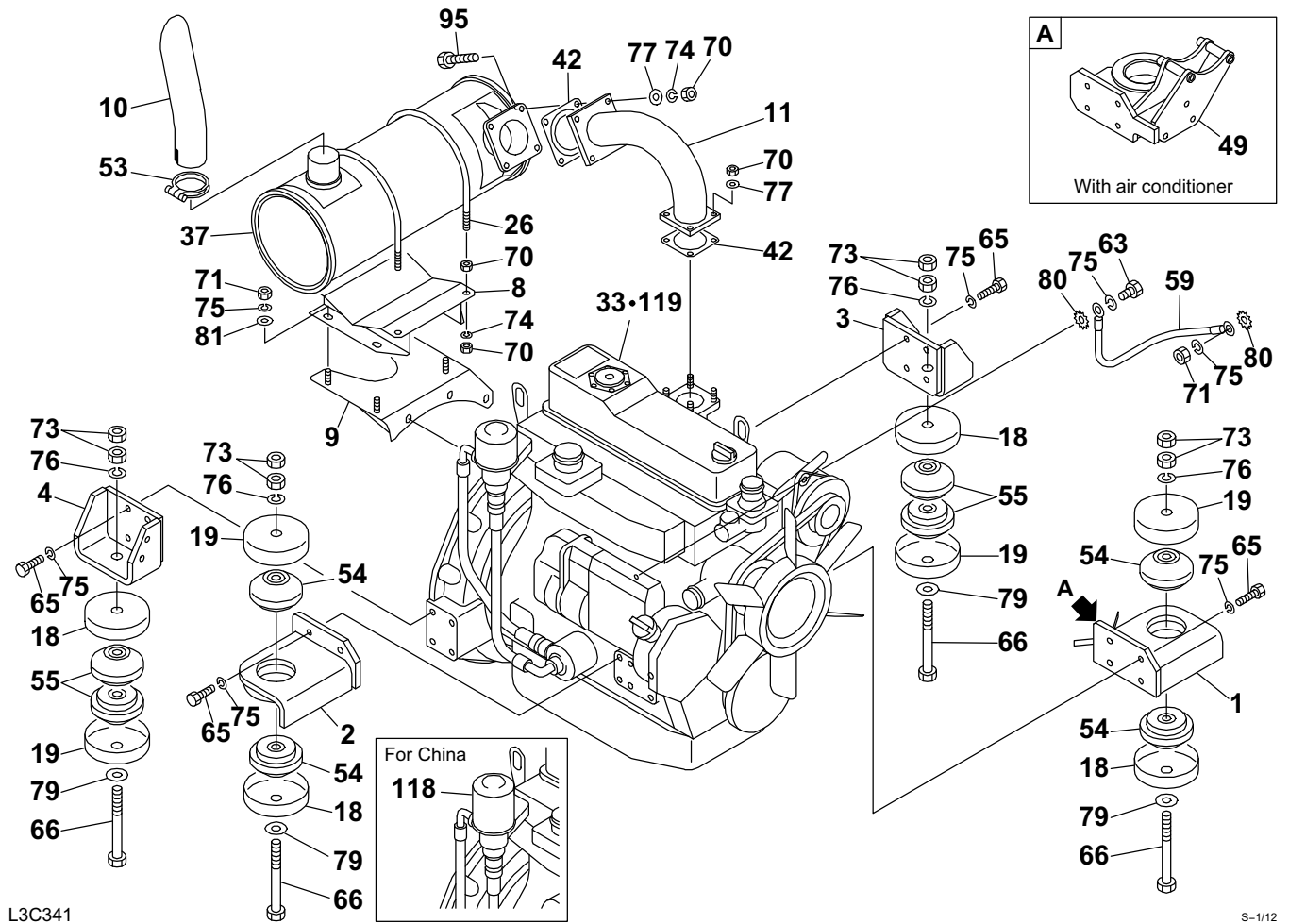
Item	Part number	Description	Q'ty	Chan.	Serial No.	Serv.	Remarks
		ENGINE ASSY					
		ENGINE ASSY (for China)					
		ENGINE ASSY (with air conditioner)					
7	0564032050	BRACKET	1				
17	0564025260	BRACKET	1				
22	0564026360	JOINT	1		17512105~17513277		
	0881402595	JOINT	1		17513278~		
23	1700100046	SENSOR	1				
28	0564026340	PLATE	1				
31	0394015050	URETHANE	1				
38	1910146007	CLEANER, air	1				Y129953-12502
39	1910146020	TANK, sub	1				Y129466-44510
40	0564032151	HOSE	1				
41	0564032160	HOSE	1				
43	1910146013	HOSE	1				Y129953-12210
44	1910116047	BAND	4				Y23000-054000
45	1910145047	BAND	2				Y23000-080000
47	1910078037	VALVE, drain	1				Y129150-49100
50	1531211120	HOSE	1	A	17512105~17513277		sold by the meter
	1530808110	HOSE	1	a	17513278~		sold by the meter
51	1531211050	HOSE	1	A	17512105~17513277		sold by the meter
	1530808037	HOSE	1	a	17513278~		sold by the meter
52	1533120010	BAND	6	A	17512105~17513277		
	1533120010	BAND	2	a	17513278~		
60	1100040816	BOLT	3				
65	1100041030	BOLT	2				
74	1140020008	WASHER, spring	2				
75	1140020010	WASHER, spring	2				
81	0003600020	WASHER	2				
84	1120530406	SCREW	2				
85	1140020004	WASHER, spring	2				
89	0564032190	URETHANE	2				
90	0564026380	RUBBER	2				
91	1533700057	CLIP	2				
93	1910160013	PIPE	1				Y129953-12250
94	1533700090	CLIP	1				
96	1652231250	BAND	1				
98	1531118032	PROTECTOR	2				sold by the meter
99	0003608252	WASHER	2				
100	1531118070	PROTECTOR	1				sold by the meter
101	1531211125	HOSE	1				sold by the meter
108	1531115120	PROTECTOR	1				sold by the meter
115	1420000100	O-RING	1		17513278~		
116	1533120012	BAND	4	a	17513278~		
117	0564032152	HOSE	1				

<<NOTE>>

SET "A" is interchangeable with SET "a".

L3c243

TB175(P-TB175BAB) Book No. BL3Z010 S/N 17510003-
ENGINE & ACCESSORIES (1/3) (17514412-)



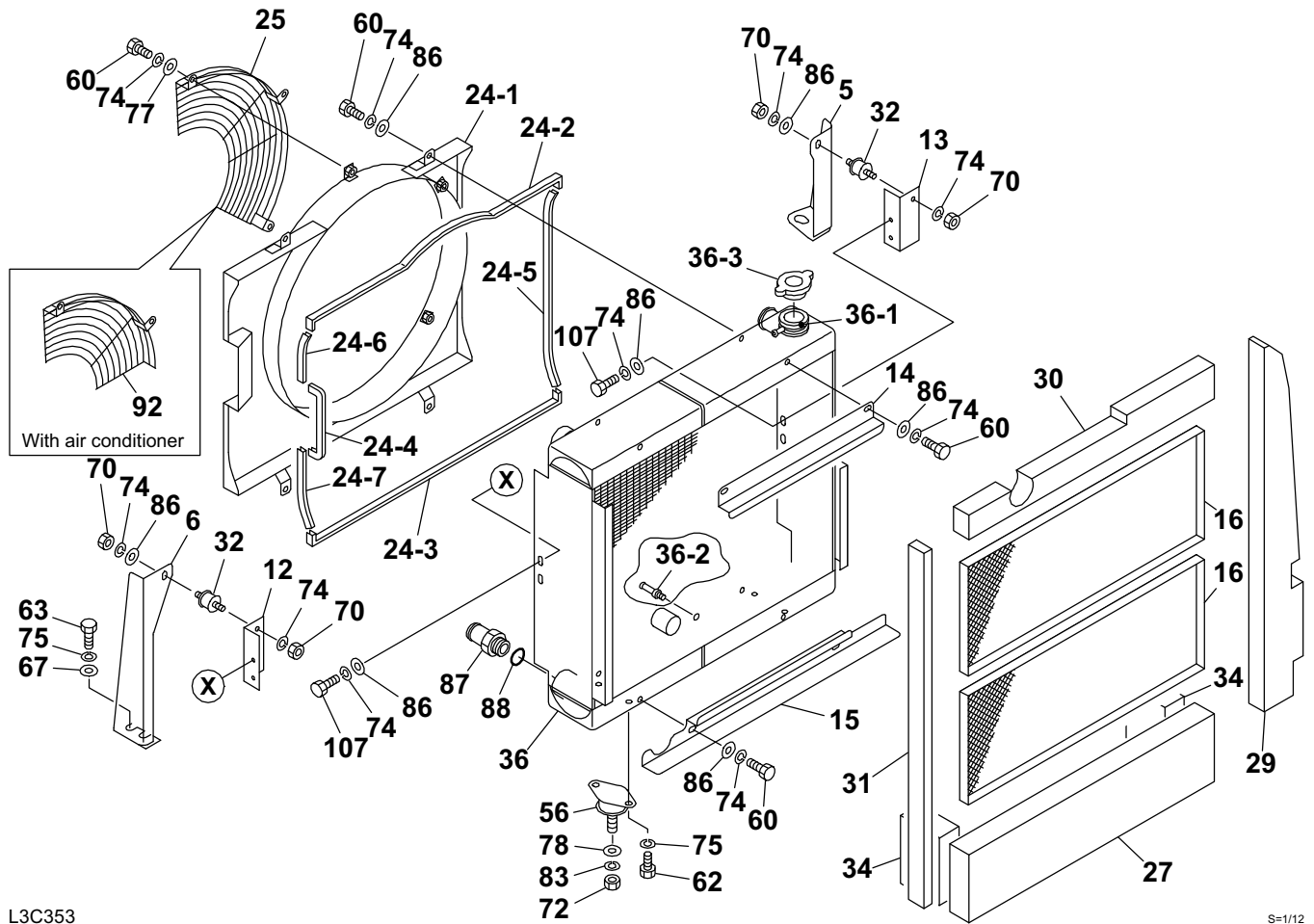
L3C341

S=1/12

ENGINE & ACCESSORIES (1/3) (17514412-)

Item	Part number	Description	Q'ty	Chan.	Serial No.	Serv.	Remarks
		ENGINE ASSY					
		ENGINE ASSY (for China)					
		ENGINE ASSY (with air conditioner)					
1	0564026100	FOOT, engine (F.L.)	1				
2	0564026110	FOOT, engine (F.R.)	1				
3	0564026120	FOOT, engine (R.L.)	1				
4	0564026130	FOOT, engine (R.R.)	1				
8	0564026170	BRACKET	1				
9	0564026280	BRACKET	1				
10	0564032060	PIPE	1				
11	0564032070	PIPE	1				
18	0564017460	STOPPER	4				
19	0564017470	STOPPER	4				
26	0564025370	U-BOLT	2				
33	1910217001	ENGINE	1				4TNV98-VTBZ
37	1910197005	SILENCER	1				Y129940-13500
42	1910197023	GASKET	2				Y129930-13201
49	0564624280	FOOT, engine (F.L.)	1				with air con.
53	1910197027	CLAMP	1				Y129640-13590
54	1651030004	RUBBER, cushion	4				
55	1651030005	RUBBER, cushion	4				
59	1702430400	CABLE, earth	1				
63	1100041020	BOLT	1				
65	1100041030	BOLT	16				
66	1100141650	BOLT	4				
70	1130040008	NUT	16				
71	1130040010	NUT	5				
73	1130040016	NUT	8				
74	1140020008	WASHER, spring	8				
75	1140020010	WASHER, spring	22				
76	1140020016	WASHER, spring	4				
77	1141110008	WASHER	8				
79	1141110016	WASHER	4				
80	1140330010	WASHER	2				
81	0003600020	WASHER	4				
95	1100040830	BOLT	4				
118	1990197055	FILTER, oil (for China)	1		17514412~		Y119005-35150
119	1910228001	ENGINE (for China)	1		17515312~17517507		4TNV98-VTBZ1
	1910262001	ENGINE (for China)	1	(H)	17517508~	M	4TNV98-VTBZ1
	L3c343						

TB175(P-TB175BAB) Book No. BL3Z010 S/N 17510003-
ENGINE & ACCESSORIES (2/3) (17514412-)



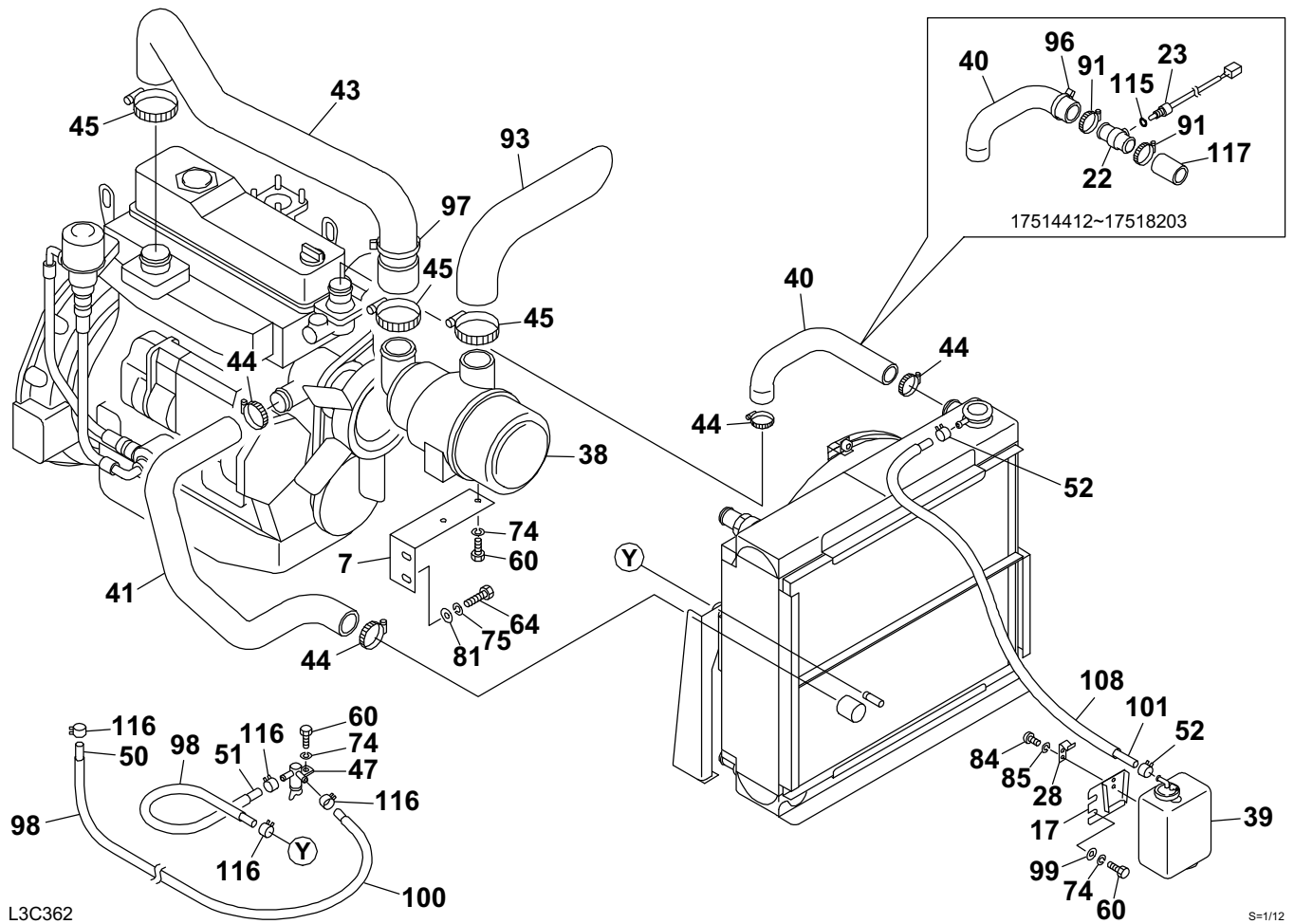
L3C353

S=1/12

ENGINE & ACCESSORIES (2/3) (17514412-)

Item	Part number	Description	Q'ty	Chan.	Serial No.	Serv.	Remarks
		ENGINE ASSY					
		ENGINE ASSY (for China)					
		ENGINE ASSY (with air conditioner)					
5	0564037010	STAY	1				
6	0564037020	STAY	1				
12	0564037030	ANGLE	1				
13	0564037040	ANGLE	1				
14	0564037050	PLATE	1				
15	0564037060	PLATE	1				
16	0564037070	NET	2				
24	0564037200	SHROUD ASSY	1				
24-1	0564037210	· SHROUD	1				
24-2	1654606063	· SEAL	1				sold by the meter
24-3	1654606062	· SEAL	1				sold by the meter
24-4	1654606019	· SEAL	1				sold by the meter
24-5	1654605045	· RUBBER, sash	1				sold by the meter
24-6	1654605012	· RUBBER, sash	1				sold by the meter
24-7	1654605016	· RUBBER, sash	1				sold by the meter
25	0564032400	GUARD	1				
27	0564037110	SPONGE	1				
29	0564037120	SPONGE	1				
30	0564037130	SPONGE	1				
31	0564037140	SPONGE	1				
32	1651014003	RUBBER, cushion	2				
34	0564037115	SPONGE	2				
36	1911300130	RADIATOR & OIL COOLER	1				AKG
36-1	1911300076	· FITTING, hose	1				
36-2	1911300077	· NIPPLE	1				
36-3	1911300078	· CAP, radiator	1				
56	1651024009	RUBBER, cushion	2				
60	1100040816	BOLT	10				
62	1100041016	BOLT	4				
63	1100041020	BOLT	2				
67	1141110010	WASHER	2				
70	1130040008	NUT	4				
72	1130040012	NUT	2				
74	1140020008	WASHER, spring	18				
75	1140020010	WASHER, spring	4				
77	1141110008	WASHER	2				
78	1141110012	WASHER	2				
83	1140020012	WASHER, spring	2				
86	0003600079	WASHER	14				
87	0007224013	NIPPLE	2				
88	1420010290	O-RING	2				
92	0564032450	GUARD	1				with air con.
107	1100040820	BOLT	4				
	L3c353						

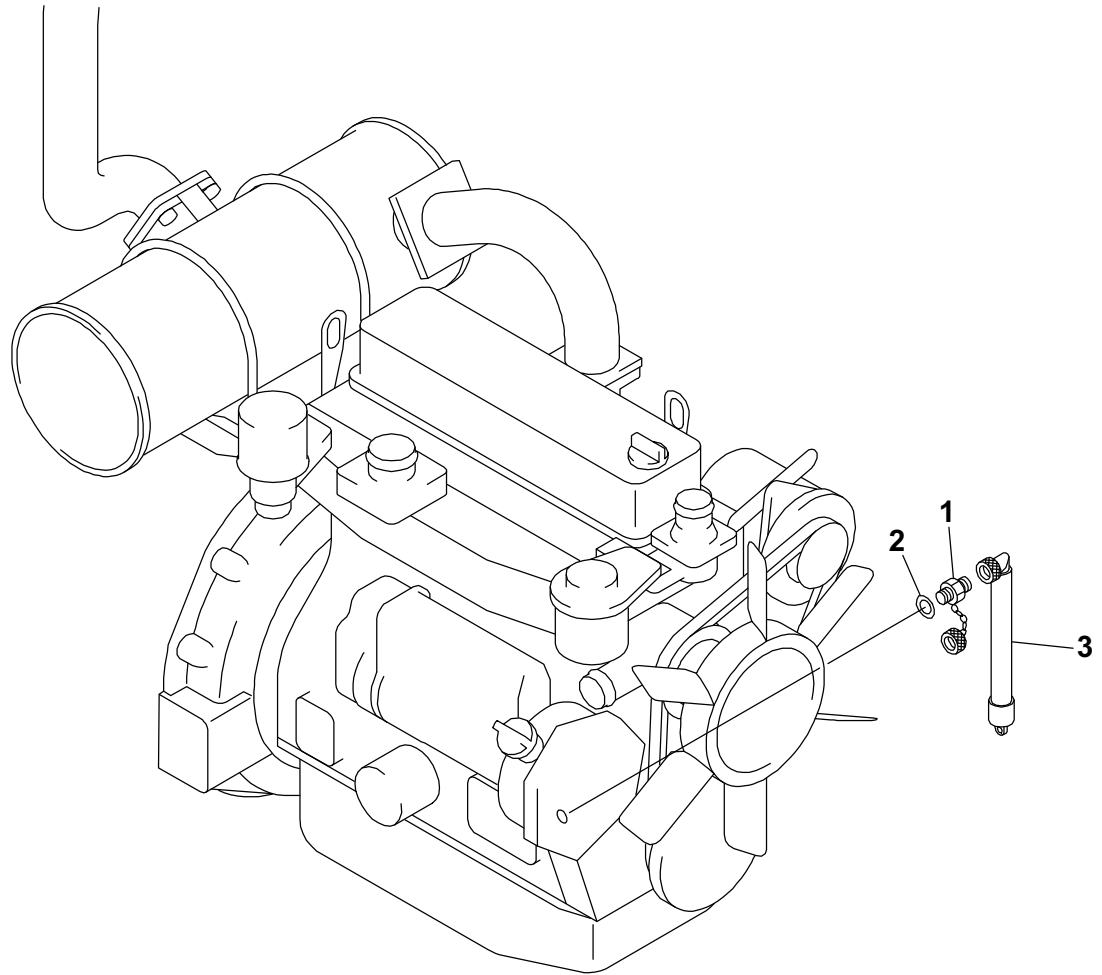
TB175(P-TB175BAB) Book No. BL3Z010 S/N 17510003-
ENGINE & ACCESSORIES (3/3) (17514412-)



ENGINE & ACCESSORIES (3/3) (17514412-)

Item	Part number	Description	Q'ty	Chan.	Serial No.	Serv.	Remarks
		ENGINE ASSY					
		ENGINE ASSY (for China)					
		ENGINE ASSY (with air conditioner)					
7	0564032050	BRACKET	1				
17	0564025260	BRACKET	1				
22	0881402595	JOINT	1		17514412~17518203		
23	1700100046	SENSOR	1		17514412~17518203		
28	0564026340	PLATE	1				
38	1910146007	CLEANER, air	1				Y129953-12502
39	1910146020	TANK, sub	1				Y129466-44510
40	0564037091	HOSE	1		17514412~17518203		
	0564047040	HOSE	1		17518204~	M	
41	0564037100	HOSE	1				
43	1910146013	HOSE	1				Y129953-12210
44	1910116047	BAND	4				Y23000-054000
45	1910145047	BAND	3				Y23000-080000
47	1910078037	VALVE, drain	1				Y129150-49100
50	1530808110	HOSE	1				sold by the meter
51	1530808027	HOSE	1				sold by the meter
52	1533120010	BAND	2				
60	1100040816	BOLT	5				
64	1100041025	BOLT	2				
74	1140020008	WASHER, spring	5				
75	1140020010	WASHER, spring	2				
81	0003600020	WASHER	2				
84	1120530406	SCREW	2				
85	1140020004	WASHER, spring	2				
91	1533700057	CLIP	2		17514412~17518203		
93	1910160013	PIPE	1				Y129953-12250
96	1652231250	BAND	1		17514412~17518203		
97	1652200007	BAND	1				
98	1531118022	PROTECTOR	2				sold by the meter
99	0003608252	WASHER	2				
100	1531118070	PROTECTOR	1				sold by the meter
101	1531211100	HOSE	1				sold by the meter
108	1531115095	PROTECTOR	1				sold by the meter
115	1420000100	O-RING	1		17514412~17518203		
116	1533120012	BAND	4				
117	0564037092	HOSE	1		17514412~17518203		
	L3c363						

TB175(P-TB175BAB) Book No. BL3Z010 S/N 17510003-
DRAIN PLUG



L3C040

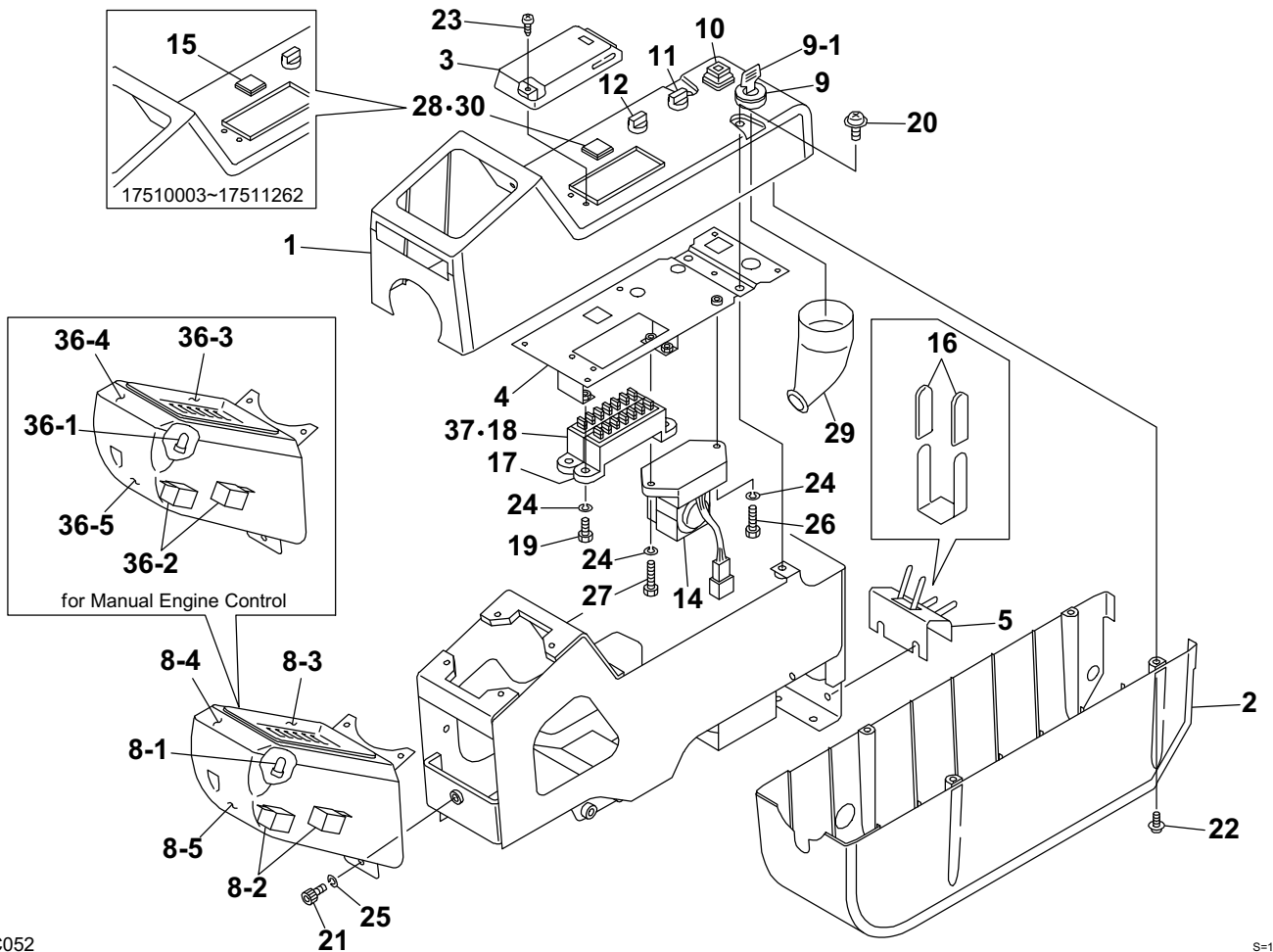
S=1/8

DRAIN PLUG

Item	Part number	Description	Q'ty	Chan.	Serial No.	Serv.	Remarks
1	1554502250	PLUG ASSY, drain PLUG	1				
2	1432122302	WASHER	1				
3	1554512601	TUBE	1				

L3c041

TB175(P-TB175BAB) Book No. BL3Z010 S/N 17510003-
CONTROL BOX (R.H.)



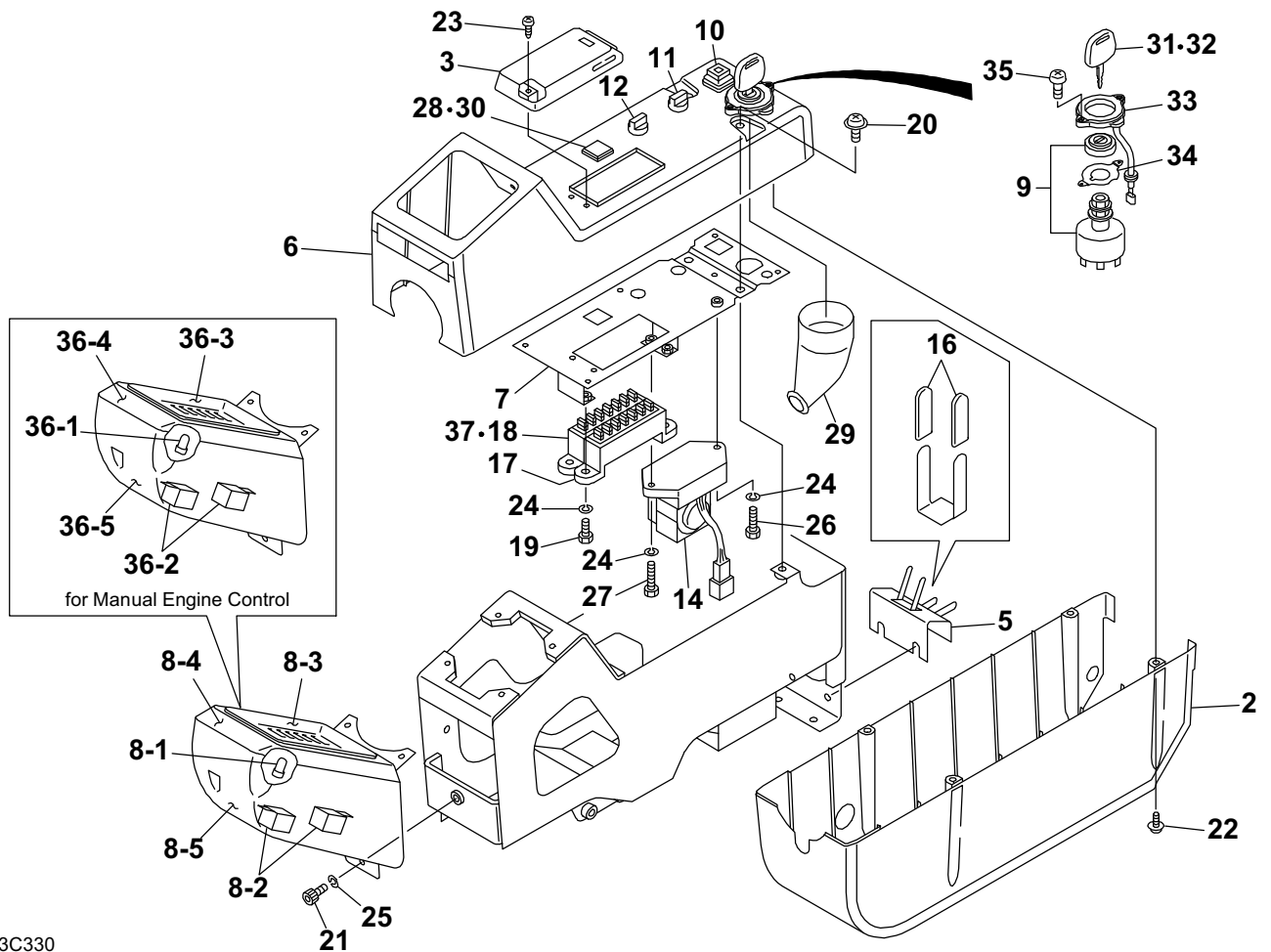
L3C052

S=1/7

CONTROL BOX (R.H.)								
Item	Part number	Description	Q'ty	Chan.	Serial No.	Serv.	Remarks	
		BOX ASSY, control (R.H.)			17510003~17511262			
		BOX ASSY, control (R.H.) (2-piece boom)						
		BOX ASSY, control (R.H.) (2-piece boom)					manual eng. cc	
		BOX ASSY, control (R.H.) (proportional cont.)						
		BOX ASSY, control (R.H.) (proportional cont.)					manual eng. cc	
1	0564318100	COVER (R.H.)	1					
2	0564318200	COVER	1					
3	0564318300	COVER	1					
4	0564323100	COVER (R.H.)	1					
5	0564320200	CLAMP (R.H.)	1					
8	1730140700	GAUGE, cluster	1		17510003~17512104			
	1730140830	GAUGE, cluster	1		17512105~17518203			
	1730142170	GAUGE, cluster	1		17518204~	M		
8-1	1730140796	· BULB	10					
8-2	1711900048	· RELAY	2					
8-3	1730140782	· GLASS	1					
8-4	1730140788	· VISOR	1					
8-5	1730140785	· COVER	1					
9	1700100023	SWITCH, starter	1	(L)	17510003~17513277			
	1700100052	SWITCH, starter	1	(H)	17513278~			
9-1	1700100019	KEY	1					
10	1700000008	SWITCH, slew speed	1					
	1709100099	· BULB	1			M		
11	1700000010	SWITCH, lamp	1					
12	1700000009	SWITCH, wiper	1					
14	1910145106	RELAY, safety	1					
15	1700550023	LAMP, pilot	1		17510003~17511262			
16	0872433150	CLAMP	4					
17	1701202400	BOX, fuse	1		17510003~17511088			
	1701204700	BOX, fuse	1	(H)	17511089~			
18	1701203800	BOX, fuse	1					
19	1100040614	BOLT	3					
20	1150420816	SCREW, sems	4					
21	1110090816	SCREW, cap	1					
22	1150120412	SCREW	4					
23	1122410314	SCREW	2					
24	1140020006	WASHER, spring	5					
25	1140490008	WASHER, spring	1					
26	1100040620	BOLT	1					
27	1100040625	BOLT	1					
28	1700550030	LAMP, pilot	1					2-piece boom
29	0870431821	COVER	1		17510897~			
30	1700550024	ORNAMENT	1					proportional cc
36	1730141300	GAUGE, cluster	1		17510003~17518203		manual eng. cc	
	1730142180	GAUGE, cluster	1		17518204~	M	manual eng. cc	
36-1	1730140796	· BULB	10				manual eng. cc	
36-2	1711900048	· RELAY	2				manual eng. cc	
36-3	1730140782	· GLASS	1				manual eng. cc	
36-4	1730140788	· VISOR	1				manual eng. cc	
36-5	1730140785	· COVER	1				manual eng. cc	
37	1701203850	BOX, fuse	1				manual eng. cc	

L3c056

TB175(P-TB175BAB) Book No. BL3Z010 S/N 17510003-
CONTROL BOX (R.H.) (with security system)

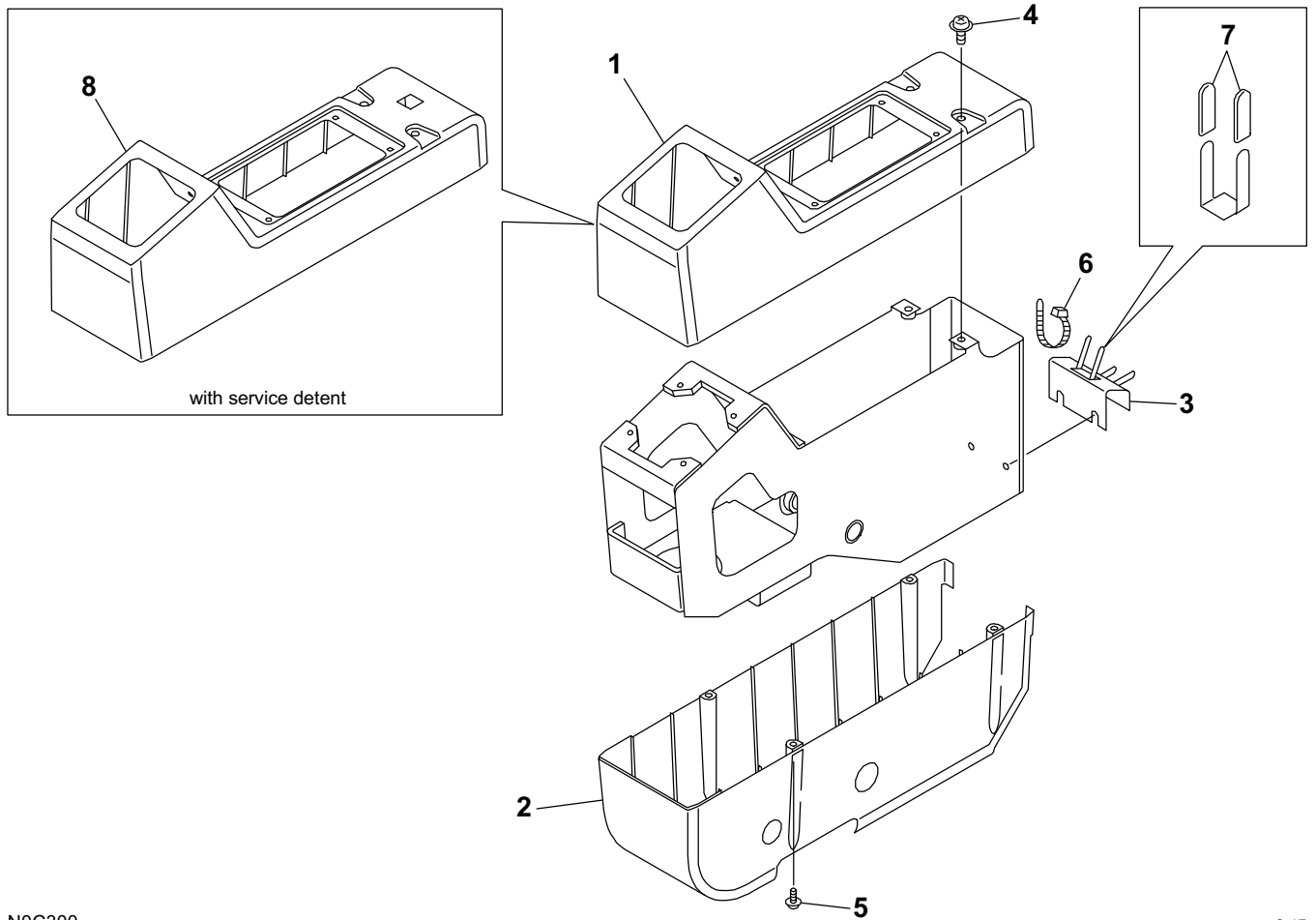


L3C330

S=1/7

CONTROL BOX (R.H.) (with security system)						
Item	Part number	Description	Q'ty	Chan.	Serial No.	Serv. Remark
		BOX ASSY, control (R.H.) (2-piece boom)				
		BOX ASSY, control (R.H.) (2-piece boom)				manual eng.
		BOX ASSY, control (R.H.) (proportional cont.)				
		BOX ASSY, control (R.H.) (proportional cont.)				manual eng.
2	0564318200	COVER	1			
3	0564318300	COVER	1			
5	0564320200	CLAMP (R.H.)	1			
6	0564334310	COVER (R.H.)	1			
7	0564334320	COVER	1			
8	1730140830	GAUGE, cluster	1		17510003~17518203	
	1730142170	GAUGE, cluster	1		17518204~	
8-1	1730140796	· BULB	10			
8-2	1711900048	· RELAY	2			
8-3	1730140782	· GLASS	1			
8-4	1730140788	· VISOR	1			
8-5	1730140785	· COVER	1			
9	1700100052	SWITCH, starter	1			
10	1700000008	SWITCH, slew speed	1			
	1709100099	· BULB	1			
11	1700000010	SWITCH, lamp	1			
12	1700000009	SWITCH, wiper	1			
14	1910145106	RELAY, safety	1			
16	0872433150	CLAMP	4			
17	1701204700	BOX, fuse	1			
18	1701203800	BOX, fuse	1			
19	1100040614	BOLT	3			
20	1150420816	SCREW, sems	4			
21	1110090816	SCREW, cap	1			
22	1150120412	SCREW	4			
23	1122410314	SCREW	2			
24	1140020006	WASHER, spring	5			
25	1140490008	WASHER, spring	1			
26	1100040620	BOLT	1			
27	1100040625	BOLT	1			
28	1700550030	LAMP, pilot	1			2-piece booi
29	0870431821	COVER	1			
30	1700550024	ORNAMENT	1			proportional
31	1730141120	KEY	2			black
32	X *****	KEY	1			gray
33	1730141140	COIL	1			
34	1730141150	STAY	1			
35	1730141151	SCREW	2			
36	1730141300	GAUGE, cluster	1		17510003~17518203	manual eng.
	1730142180	GAUGE, cluster	1		17518204~	manual eng.
36-1	1730140796	· BULB	10			manual eng.
36-2	1711900048	· RELAY	2			manual eng.
36-3	1730140782	· GLASS	1			manual eng.
36-4	1730140788	· VISOR	1			manual eng.
36-5	1730140785	· COVER	1			manual eng.
37	1701203850	BOX, fuse	1			manual eng.
	L3c332					

TB175(P-TB175BAB) Book No. BL3Z010 S/N 17510003-
CONTROL BOX (L.H.)



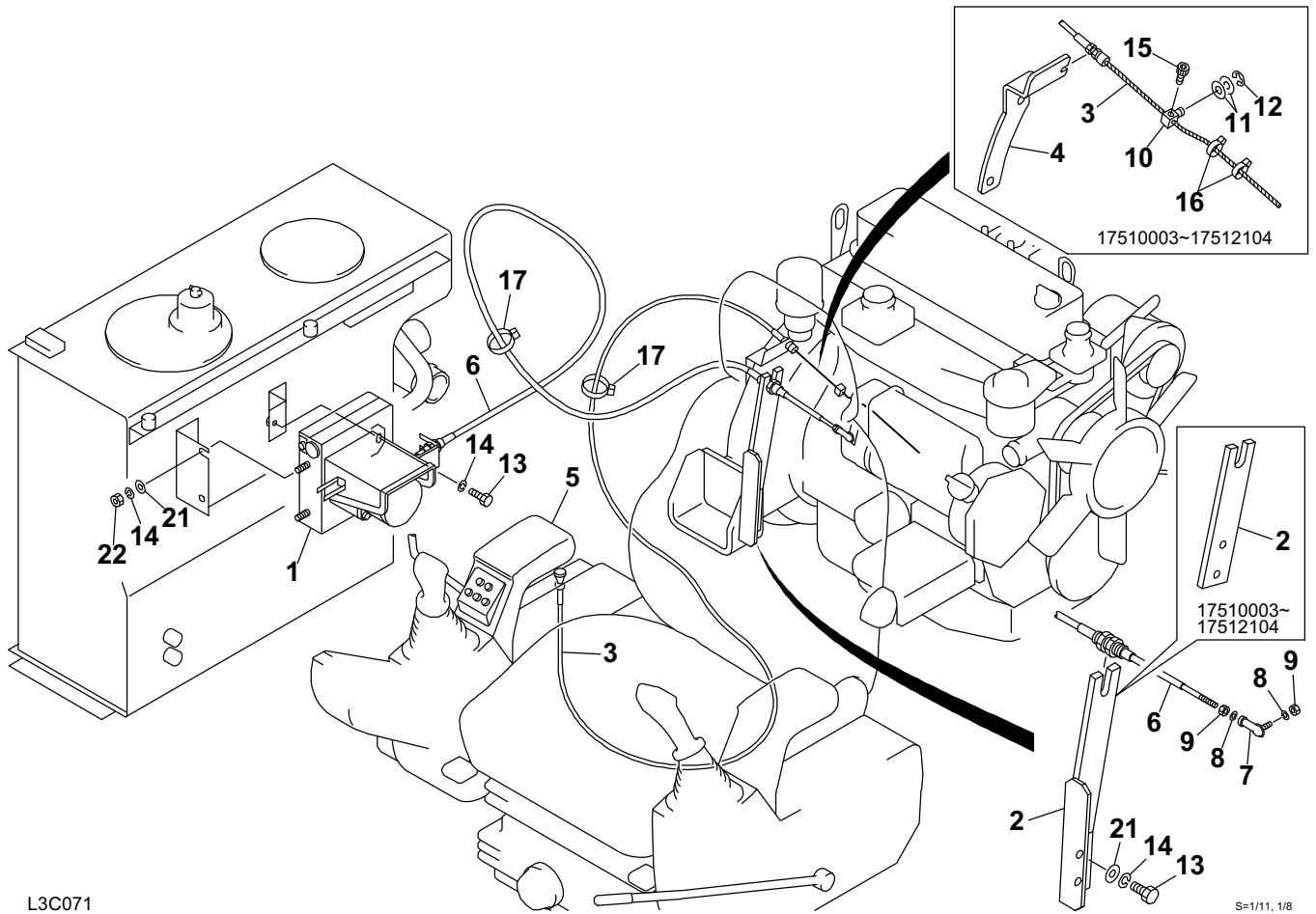
N0C300

S=1/7

CONTROL BOX (L.H.)

Item	Part number	Description	Q'ty	Chan.	Serial No.	Serv.	Remarks
		BOX ASSY, control (L.H.)					
		BOX ASSY, control (L.H.)(for US)					
1	0564319100	COVER (L.H.)	1				
2	0564328100	COVER	1				
3	0564319300	CLAMP	1				
4	1150420816	BOLT, sems	4				
5	1150120412	SCREW	4				
6	1652231100	BAND	1				
7	0872433150	CLAMP	4				
8	0564257002	COVER (L.H.)	1			M	with service detent
	N0c300						

TB175(P-TB175BAB) Book No. BL3Z010 S/N 17510003-
ENGINE CONTROL (1/3)



L3C071

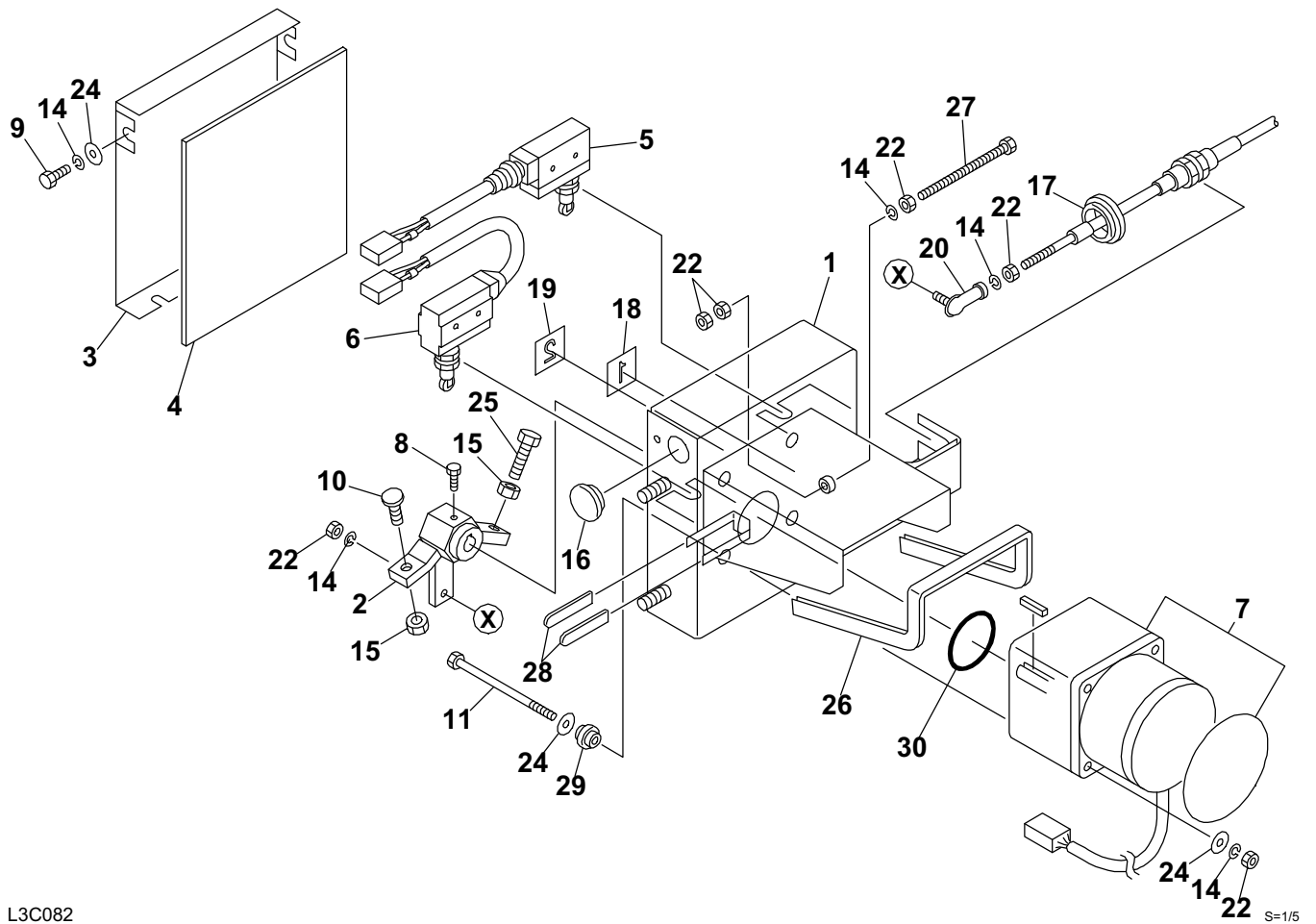
S=1/11, 1/8

ENGINE CONTROL (1/3)

Item	Part number	Description	Q'ty	Chan.	Serial No.	Serv.	Remarks
		CONTROL ASSY, engine					
1	0564124100	MOTOR, throttle	1				See page (2/3)
2	0564124030	BRACKET	1		17510003~17512104		
	0564125510	BRACKET	1		17512105~		
3	0564121100	WIRE	1		17510003~17512104		
4	0564124040	BRACKET	1		17510003~17512104		
5	0564116000	REST, arm	1		17510003~17514411		See page (3/3)
	0574100500	REST, arm	1		17514412~		See page (3/3)
6	1630133165	CABLE, control	1				
7	1340010060	END, rod	1				
8	1140020006	WASHER, spring	2				
9	1130040006	NUT	2				
10	0007900016	PIN	1		17510003~17512104		
11	1141110008	WASHER	2		17510003~17512104		
12	1224010006	RING, snap	1		17510003~17512104		
13	1100041020	BOLT	4				
14	1140020010	WASHER, spring	6				
15	1110040510	BOLT	1		17510003~17512104		
16	1652200003	BAND	2		17510003~17512104		
17	1652251002	BAND	2				
21	1141110010	WASHER	4				
22	1130040010	NUT	2				

L3c073

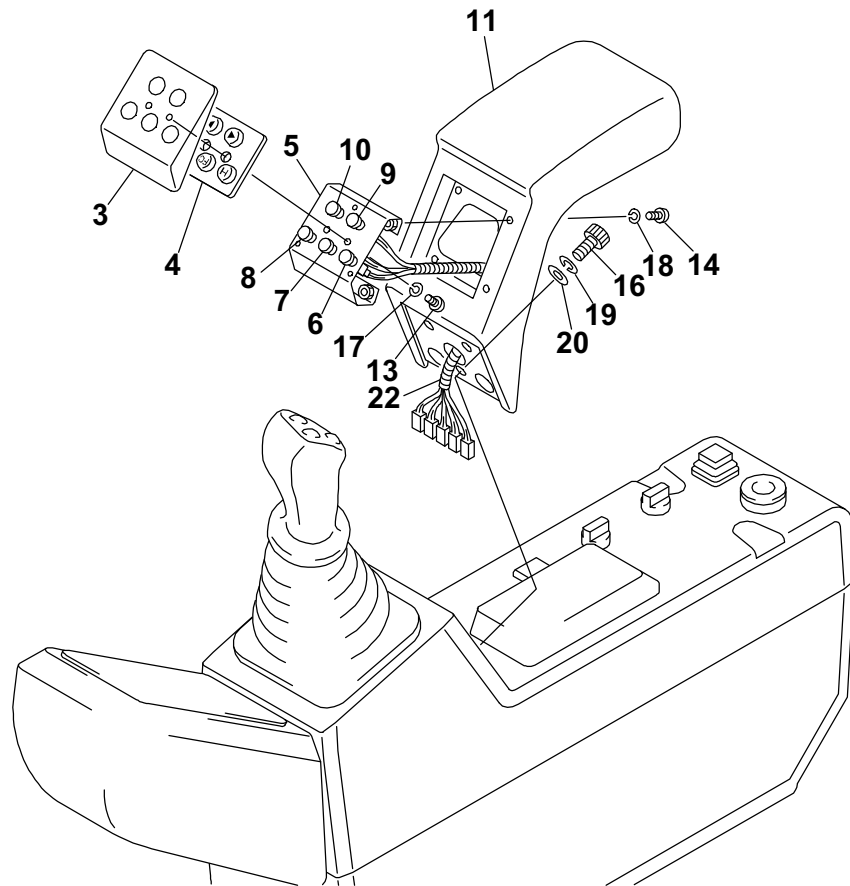
TB175(P-TB175BAB) Book No. BL3Z010 S/N 17510003-
ENGINE CONTROL (2/3)



L3C082

S=1/5

ENGINE CONTROL (2/3)							
Item	Part number	Description	Q'ty	Chan.	Serial No.	Serv.	Remarks
0-1	0564124100	MOTOR ASSY, throttle	1				
1	0564124110	· BRACKET	1				
2	0564121290	· LEVER	1				
3	0564116630	· COVER	1				
4	0564116640	· URETHANE	1				
5	0564124120	· SWITCH, limit	1				
6	0564124130	· SWITCH, limit	1				
7	0564124150	· MOTOR	1				
8	1100040512	· BOLT	1				
9	1100040614	· BOLT	4				
10	1100040835	· BOLT	1				
11	1100240600	· BOLT	4				
14	1140020006	· WASHER, spring	11				
15	1130040008	· NUT	2				
16	1652060022	· GROMMET	1				
17	1652052600	· GROMMET	1				
18	0414205150	· DECAL	1				
19	0424207160	· DECAL	1				
20	1340010060	· END, rod	1				
22	1130040006	· NUT	9				
24	0003600110	· WASHER	12				
25	1100040825	· BOLT	1				
26	1653917046	· TRIM	1				sold by the meter
27	0564116650	· BOLT	1				
28	0872433150	· CLAMP	2				
29	1652520006	· NUT	4				
30	1420010480	· O-RING	1				
	L3c083						



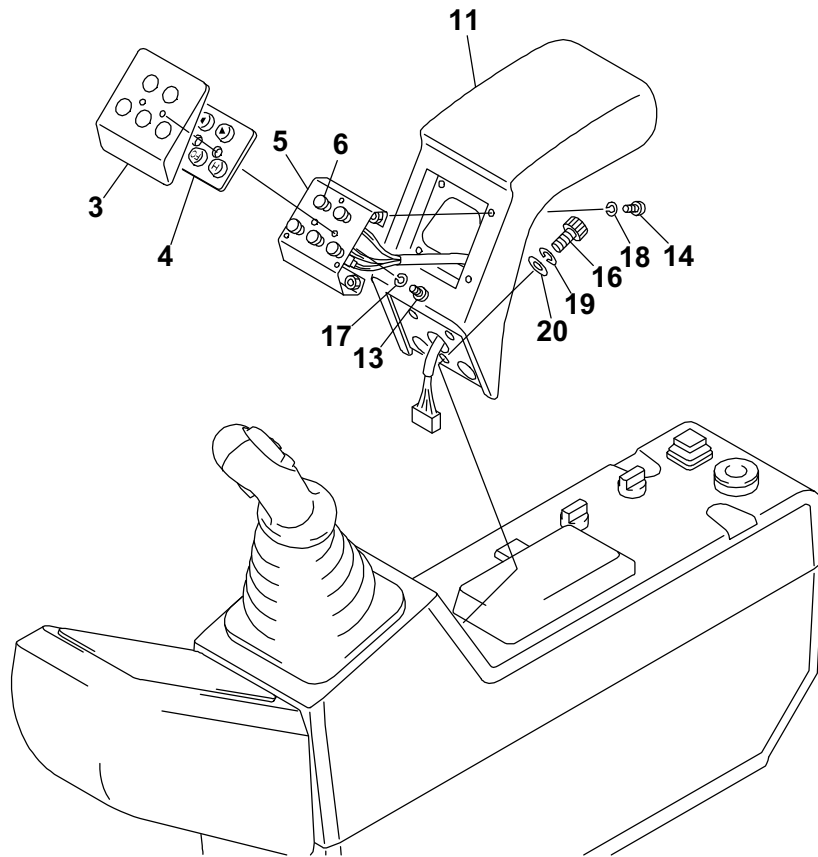
L3C090

S=1/5

ENGINE CONTROL (3/3) (17510003-17514411)

Item	Part number	Description	Q'ty	Chan.	Serial No.	Serv.	Remarks
0-5	0564116000	REST ASSY, arm	1				
3	0564115300	· COVER	1				
4	0564115400	· CAP	1				
5	0564115500	· BRACKET	1				
6	0564116010	· SWITCH, push button	1				
7	0564116020	· SWITCH, push button	1				
8	0564116030	· SWITCH, push button	1				
9	0564116040	· SWITCH, push button	1				
10	0564116050	· SWITCH, push button	1				
11	0564116100	· REST, arm (R.H.)	1				
13	1120590406	· SCREW	2				
14	1120590512	· SCREW	4				
16	1110090820	· SCREW, cap	3				
17	1140090004	· WASHER, spring	2				
18	1140090005	· WASHER, spring	4				
19	1140490008	· WASHER, spring	3				
20	1141190008	· WASHER	3				
22	1703211012	· TUBE	1				
	L3c090						

TB175(P-TB175BAB) Book No. BL3Z010 S/N 17510003-
ENGINE CONTROL (3/3) (17514412-)



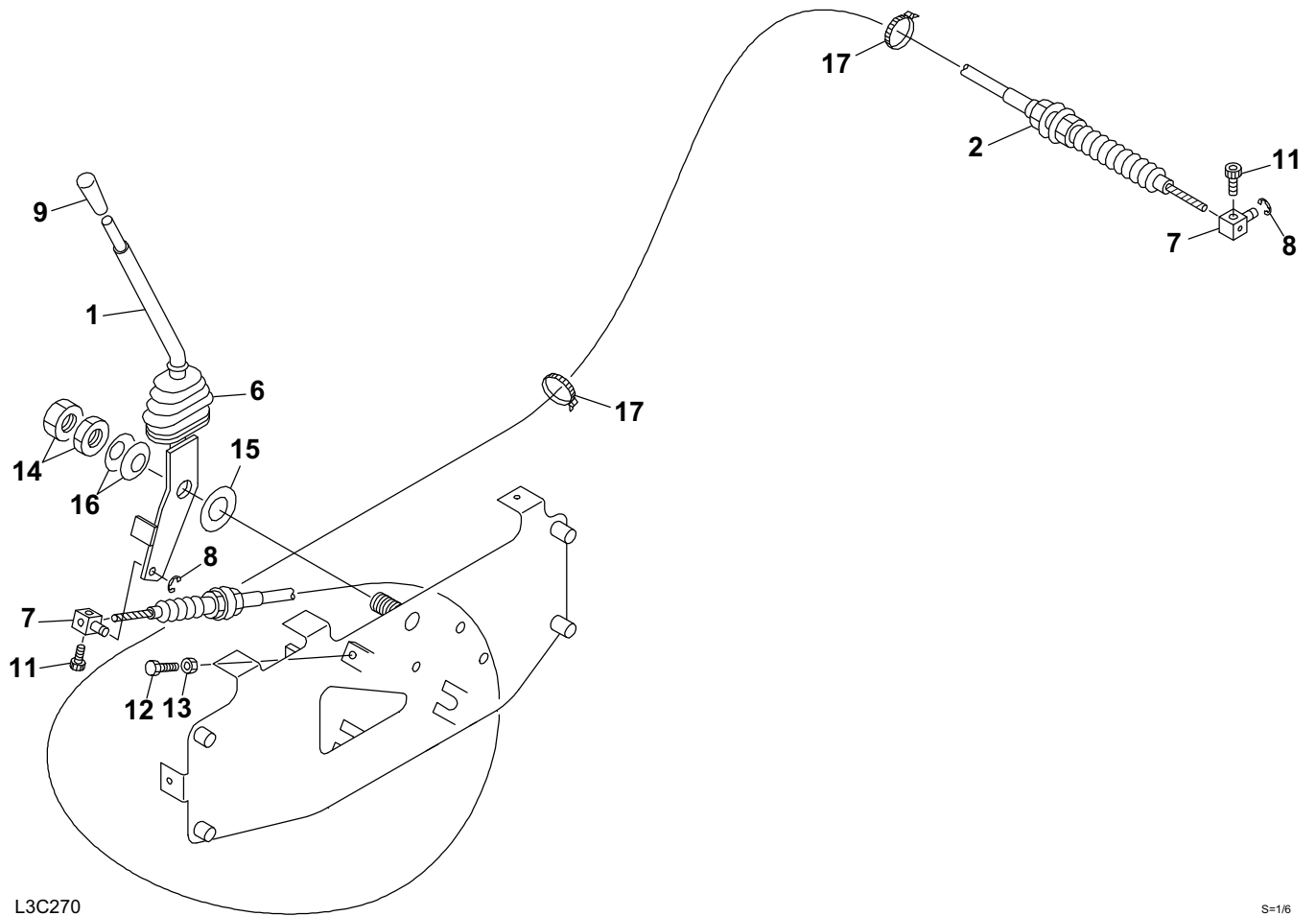
N0C080

S=1/5

ENGINE CONTROL (3/3) (17514412-)

Item	Part number	Description	Q'ty	Chan.	Serial No.	Serv.	Remarks
0-2	0574100500	REST ASSY, arm	1				
3	0564115300	· COVER	1				
4	0564115400	· CAP	1				
5	0564115500	· BRACKET	1				
6	0574100510	· SWITCH ASSY	1				
11	0564116100	· REST, arm (R.H.)	1				
13	1120590406	· SCREW	2				
14	1120590512	· SCREW	4				
16	1110090820	· SCREW, cap	3				
17	1140090004	· WASHER, spring	2				
18	1140090005	· WASHER, spring	4				
19	1140490008	· WASHER, spring	3				
20	1141190008	· WASHER	3				
	N0c080						

TB175(P-TB175BAB) Book No. BL3Z010 S/N 17510003-
ENGINE CONTROL (manual engine control; 17513782-)



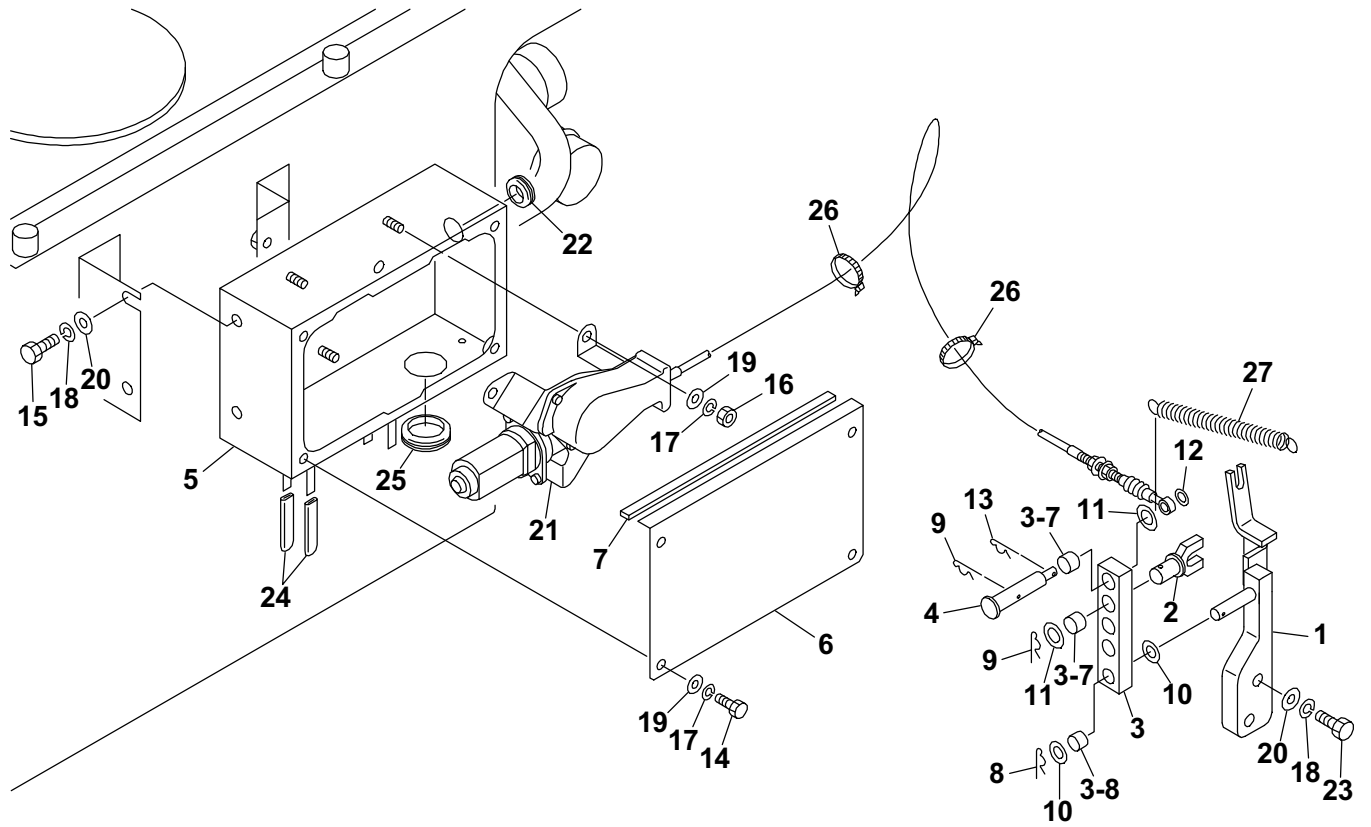
L3C270

S=1/6

ENGINE CONTROL (manual engine control; 17513782-)

Item	Part number	Description	Q'ty	Chan.	Serial No.	Serv.	Remarks
		CONTROL ASSY, engine					
1	0564127010	LEVER	1				
2	0564127020	WIRE	1				
6	0334120100	BOOT	1				
7	0007900020	PIN	2				
8	1224010006	E-RING	2				
9	1650132050	GRIP	1				
11	1110040510	SCREW, cap	2				
12	1100040825	BOLT	1				
13	1130040008	NUT	1				
14	0064111700	NUT	2				
15	1141550018	WASHER	1				
16	1225120018	WASHER, conical	2				
17	1652231140	BAND	2				
	L3c271						

TB175(P-TB175BAB) Book No. BL3Z010 S/N 17510003-
DECEL UNIT (manual engine control; 17513782-)



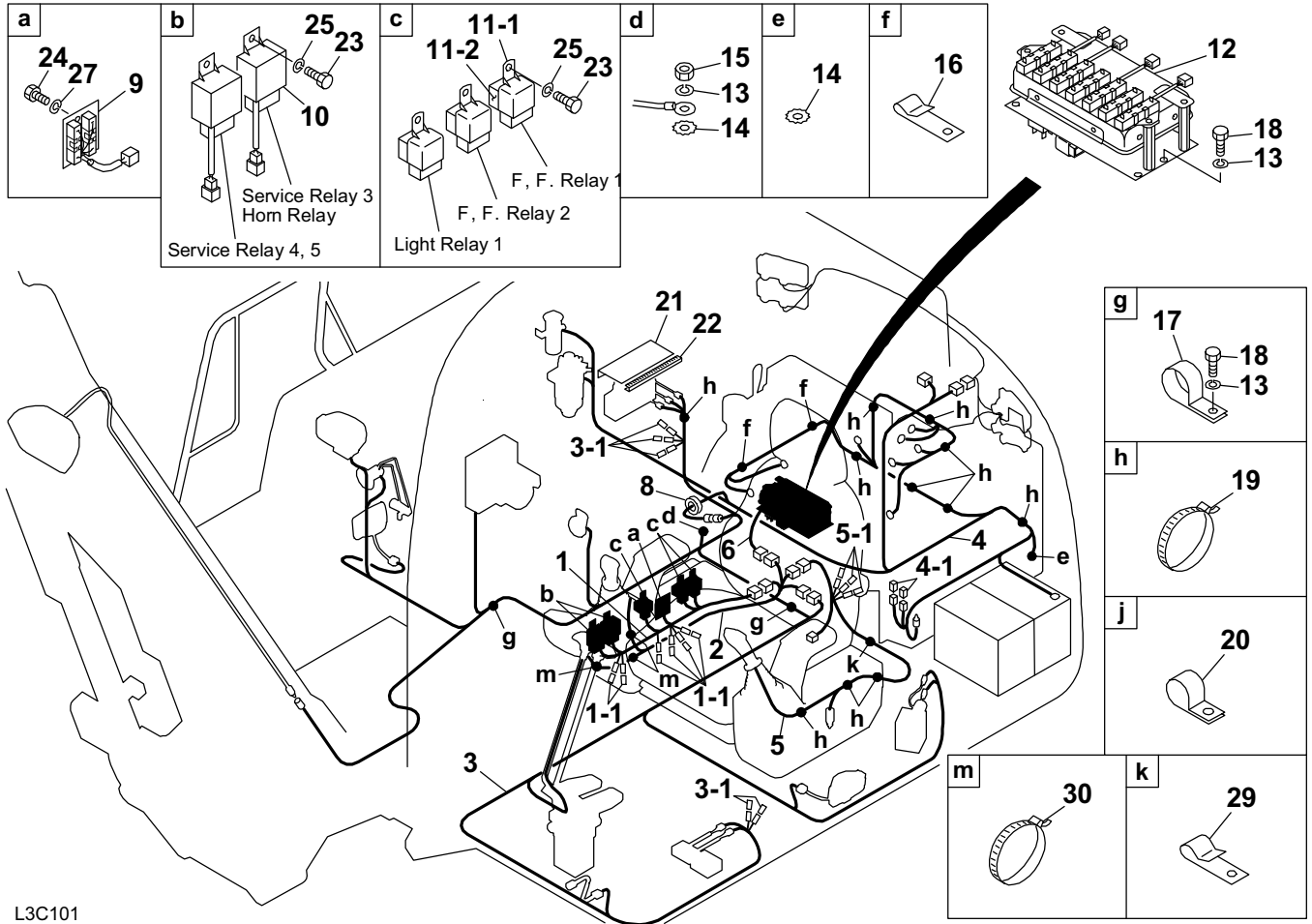
L3C282

S=1/6

DECEL UNIT (manual engine control; 17513782-)

Item	Part number	Description	Q'ty	Chan.	Serial No.	Serv.	Remarks
		UNIT ASSY, decel.					
1	0564127510	BRACKET	1				
2	0434107200	BRACKET	1				
3	0434107300	LEVER	1				
3-7	1333001415	· BUSHING	2				
3-8	1333001215	· BUSHING	1				
4	0564127540	PIN	1				
5	0564127550	BOX, motor	1				
6	0564127560	COVER	1				
7	1654307026	SPONGE	1				sold by the meter
8	1214000012	PIN, snap	1				
9	1214000014	PIN, snap	2				
10	1141210012	WASHER	2				
11	1141210014	WASHER	2				
12	1141210008	WASHER	1				
13	1214000008	PIN, snap	1				
14	1100040816	BOLT	4				
15	1100041020	BOLT	3				
16	1130020008	NUT	3				
17	1140020008	WASHER, spring	7				
18	1140020010	WASHER, spring	5				
19	1141110008	WASHER	5				
20	1141110010	WASHER	5				
21	1711910280	MOTOR, decel.	1				
22	1652052400	GROMMET	1				
23	1101041035	BOLT	2				
24	0872433150	TUBE	4				
25	1652053800	GROMMET	1				
26	1652231140	BAND	2				
27	0007000104	SPRING	1				
	L3c282						

TB175(P-TB175BAB) Book No. BL3Z010 S/N 17510003-
ELECTRICAL (1/2) (17510003-17511262)



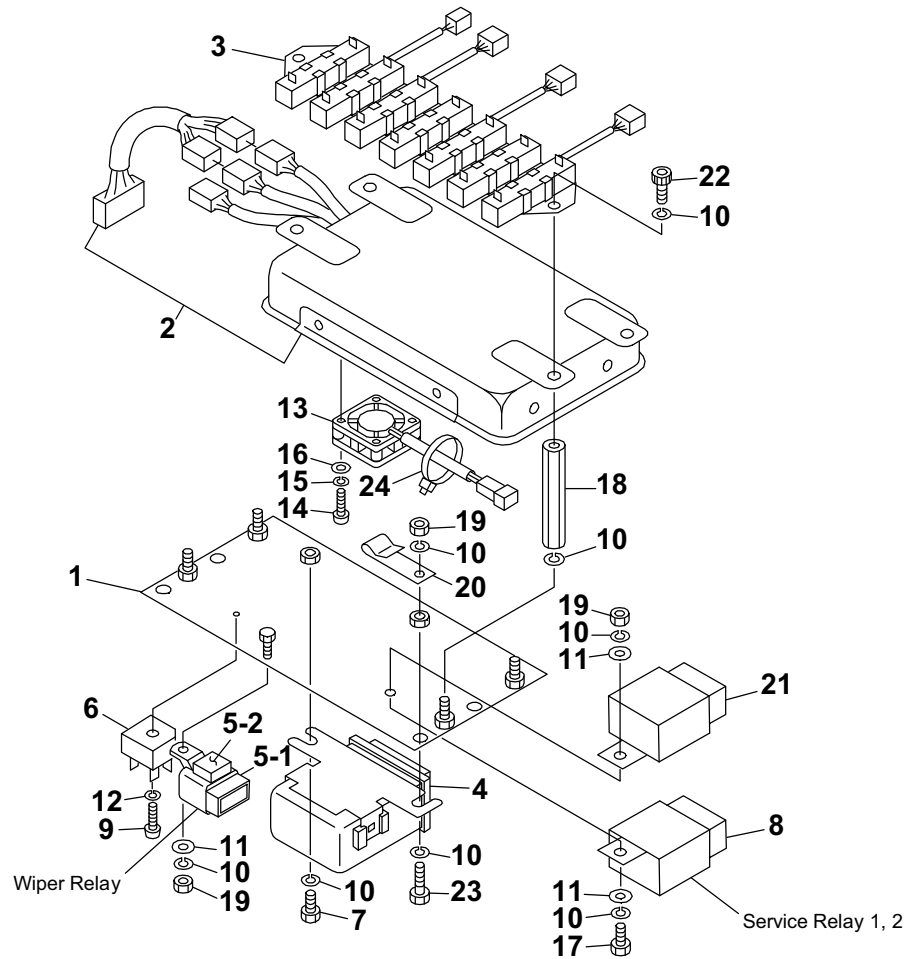
L3C101

S=1/8, 1/20

ELECTRICAL (1/2) (17510003-17511262)

Item	Part number	Description	Q'ty	Chan.	Serial No.	Serv.	Remarks
		ELECTRICAL ASSY					
1	0564227100	HARNESS, wiring	1				
1-1	1730500008	· DIODE (3A yellow)	6				
2	0564227200	HARNESS, wiring	1				
3	0564227300	HARNESS, wiring	1				
3-1	1730500008	· DIODE (3A yellow)	5				
4	0564227400	HARNESS, wiring	1				
4-1	1701330065	· LINK, fusible	2				65A
5	0564227500	HARNESS, wiring	1				
5-1	1730500008	· DIODE (3A yellow)	3				
6	0564227600	HARNESS, wiring	1				
8	0097022400	GROMMET	1				
9	0564227700	RESISTOR	1				
10	1711900067	UNIT, relay	2				
11	0872433900	RELAY ASSY	3				
11-1	1711900049	· RELAY	1				
11-2	1654305002	· SPONGE	1				sold by the meter
12	X *****	CONTROLLER ASSY	1				See page (2/2)
13	1140020008	WASHER, spring	7				
14	1140330008	WASHER	2				
15	1130040008	NUT	1				
16	0007300012	CLAMP	2				
17	0007300039	CLAMP	2				
18	1100040816	BOLT	6				
19	1652231250	BAND	11				
20	0007300001	CLAMP	1				
21	0564219010	COVER	1				
22	1653917023	TRIM	1				sold by the meter
23	1100040616	BOLT	5				
24	1100040510	BOLT	2				
25	1140020006	WASHER, spring	5				
27	1140020005	WASHER, spring	2				
29	0007300035	CLAMP	1				
30	1652201005	BAND	4				
	L3c102						

TB175(P-TB175BAB) Book No. BL3Z010 S/N 17510003-
ELECTRICAL (2/2) (17510003-17511262)



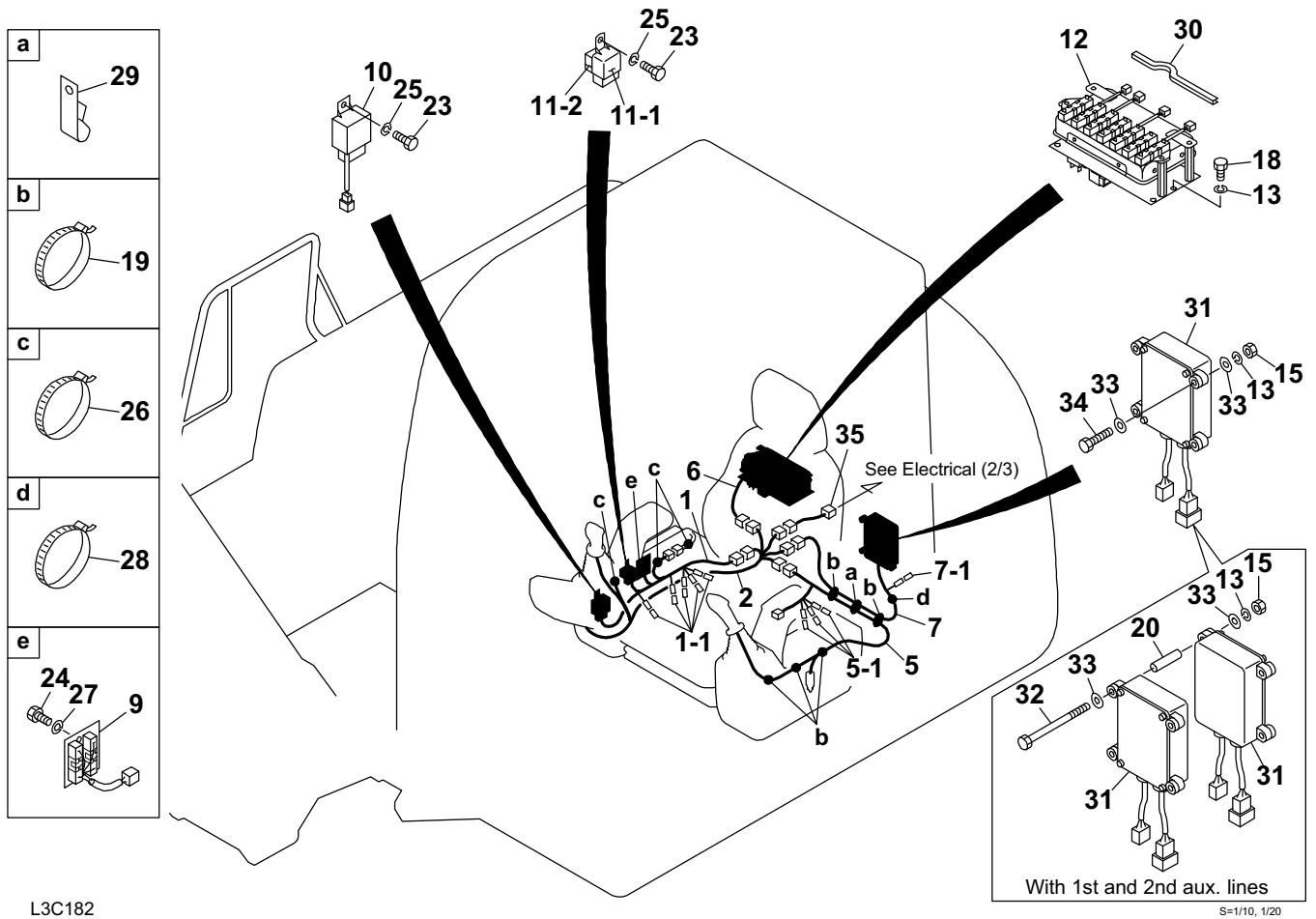
L3C112

S=1/4

ELECTRICAL (2/2) (17510003-17511262)

Item	Part number	Description	Q'ty	Chan.	Serial No.	Serv.	Remarks
0-12	0564227800	CONTROLLER ASSY	1				
1	0564227810	· BRACKET	1				
2	1730140390	· CONTROLLER, throttle	1				
3	0564227820	· RESISTOR	1				
4	1910145113	· CONTROLLER	1				
5	0872433900	· RELAY ASSY	1				
5-1	1711900049	· · RELAY	1				
5-2	1654305002	· · SPONGE	1				sold by the meter
6	0568800400	· DIODE	1				
7	1100040616	· BOLT	1				
8	1711900067	· UNIT, relay	1				
9	1120530420	· SCREW	1				
10	1140020006	· WASHER, spring	14				
11	1141110006	· WASHER	3				
12	1140020004	· WASHER, spring	1				
13	0564216550	· D.C. FAN	1				
14	1120530320	· SCREW	4				
15	1140020003	· WASHER, spring	4				
16	1141110003	· WASHER	4				
17	1100240635	· BOLT	1				
18	0564227830	· NUT	4				
19	1130040006	· NUT	3				
20	0007300010	· CLAMP	1				
21	1711900069	· DETECTOR	1				
22	1110040616	· SCREW, cap	4				
23	1100040620	· BOLT	1				
24	1652231140	· BAND	1		17511253~		
	L3c112						

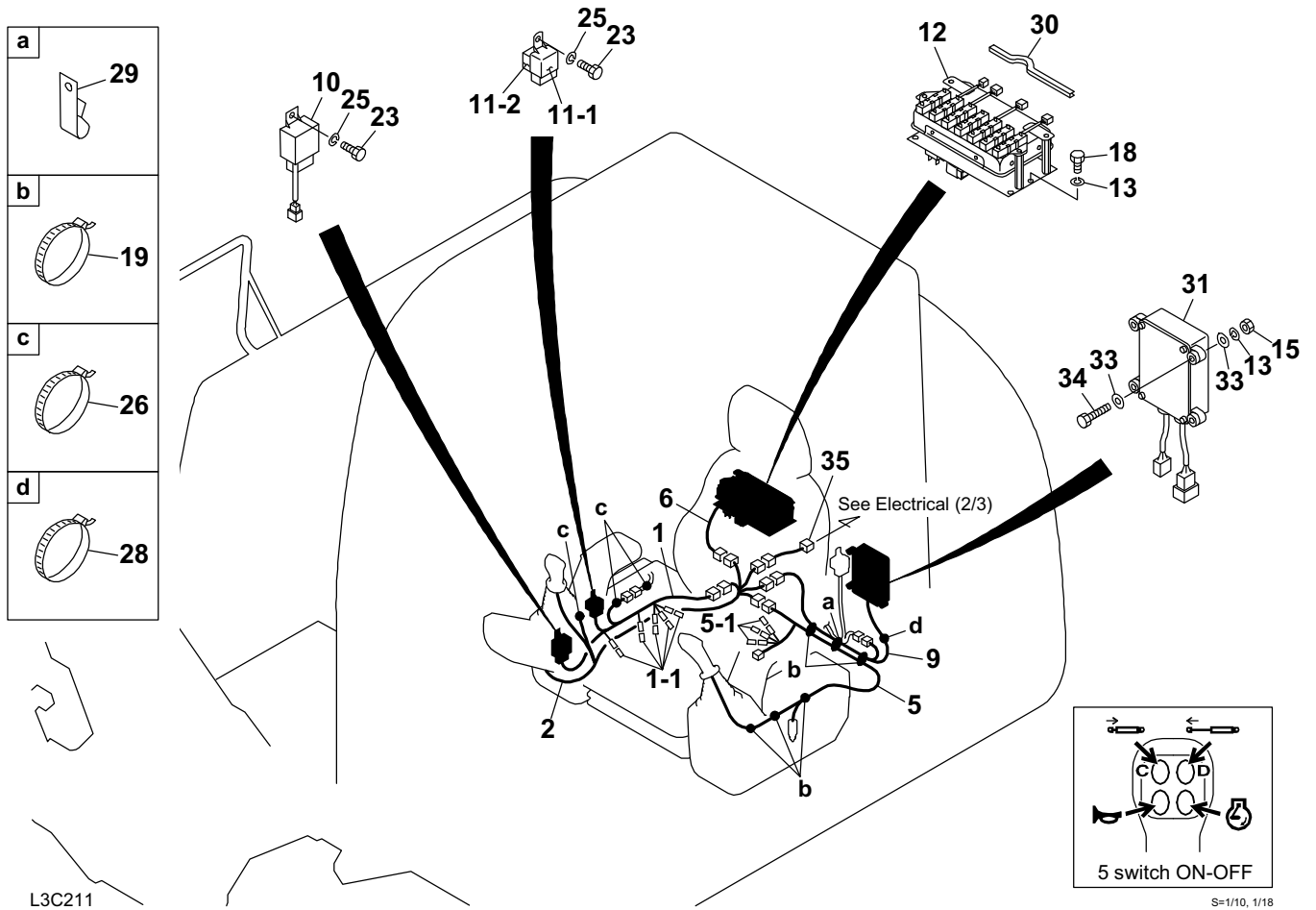
TB175(P-TB175BAB) Book No. BL3Z010 S/N 17510003-
ELECTRICAL (1/3) (17511263-17514411)



ELECTRICAL (1/3) (17511263-17514411)

Item	Part number	Description	Q'ty	Chan.	Serial No.	Serv.	Remarks
		ELECTRICAL ASSY					
		ELECTRICAL ASSY					
		ELECTRICAL ASSY					
		ELECTRICAL ASSY					
1	0564233100	HARNESS, wiring	1		17511263~17512104		
	0564237310	HARNESS, wiring	1		17512105~		
1-1	1730500008	· DIODE (3A yellow)	5				
2	0564233200	HARNESS, wiring	1		17511263~17512104		
	0564237320	HARNESS, wiring	1		17512105~		
5	0564232500	HARNESS, wiring	1				
5-1	1730500008	· DIODE (3A yellow)	3				
6	0564232600	HARNESS, wiring	1		17511263~17512863		
	0564236100	HARNESS, wiring	1		17512864~		
7	0564233400	HARNESS, wiring	1				
7-1	1730500008	· DIODE (3A yellow)	1				
9	0564227700	RESISTOR	1				
10	1711900067	UNIT, relay	1				
11	0872433900	RELAY	1				
11-1	1711900049	· RELAY	1				
11-2	1654305002	· SPONGE	1				sold by the meter
12	X *****	CONTROLLER ASSY	1				See page (3/3)
13	1140020008	WASHER, spring	8				
15	1130040008	NUT	4				
18	1100040816	BOLT	4				
19	1652231250	BAND	5				
20	0564233600	COLLAR	4				with 1st & 2nd aux. line
23	1100040616	BOLT	2				
24	1100040510	BOLT	2				
25	1140020006	WASHER, spring	2				
26	1652201005	BAND	3				
27	1140020005	WASHER, spring	2				
28	1652241400	BAND	1				
29	0007300035	CLAMP	1				
30	1653917020	TRIM	1				sold by the meter
31	1730140740	CONTROLLER	1				with 1st aux. line
	1730140740	CONTROLLER	2				with 1st & 2nd aux. line
32	1100140820	BOLT	4				with 1st & 2nd aux. line
33	1141110008	WASHER	8				
34	1100040840	BOLT	4				with 1st aux. line
35	0569613200	HARNESS, wiring	1		17511419~17512104		
	L3c184						

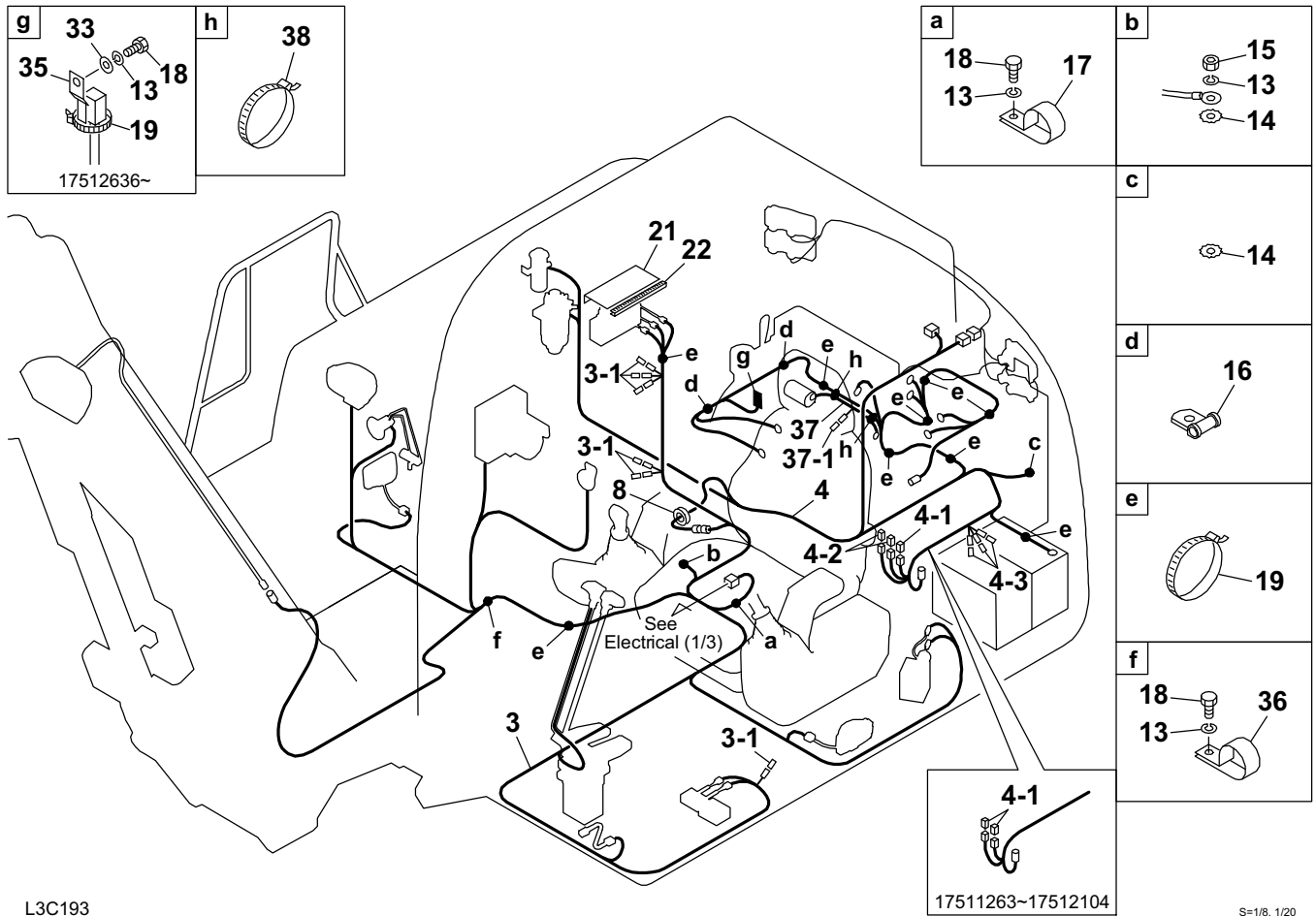
TB175(P-TB175BAB) Book No. BL3Z010 S/N 17510003-
ELECTRICAL (1/3) (5 switch; on-off; 17511263-17514411)



ELECTRICAL (1/3) (5 switch; on-off; 17511263-17514411)

Item	Part number	Description	Q'ty	Chan.	Serial No.	Serv.	Remarks
		ELECTRICAL ASSY					
1	0564233100	HARNESS, wiring	1		17511263~17512104		
	0564237310	HARNESS, wiring	1		17512105~		
1-1	1730500008	· DIODE (3A yellow)	5				
2	0564233200	HARNESS, wiring	1		17511263~17512104		
	0564237320	HARNESS, wiring	1		17512105~		
5	0564232500	HARNESS, wiring	1				
5-1	1730500008	· DIODE (3A yellow)	3				
6	0564232600	HARNESS, wiring	1		17511263~17512863		
	0564236100	HARNESS, wiring	1		17512864~		
9	0564235610	HARNESS, wiring	1				
10	1711900067	UNIT, relay	1				
11	0872433900	RELAY	1				
11-1	1711900049	· RELAY	1				
11-2	1654305002	· SPONGE	1				sold by the meter
12	X *****	CONTROLLER ASSY	1				See page (3/3)
13	1140020008	WASHER, spring	8				
15	1130040008	NUT	4				
18	1100040816	BOLT	4				
19	1652231250	BAND	5				
23	1100040616	BOLT	2				
25	1140020006	WASHER, spring	2				
26	1652201005	BAND	3				
28	1652241400	BAND	1				
29	0007300035	CLAMP	1				
30	1653917020	TRIM	1				sold by the meter
31	1730140740	CONTROLLER	1				
33	1141110008	WASHER	8				
34	1100040840	BOLT	4				
35	0569613200	HARNESS, wiring	1		17511419~17512104		
	L3c213						

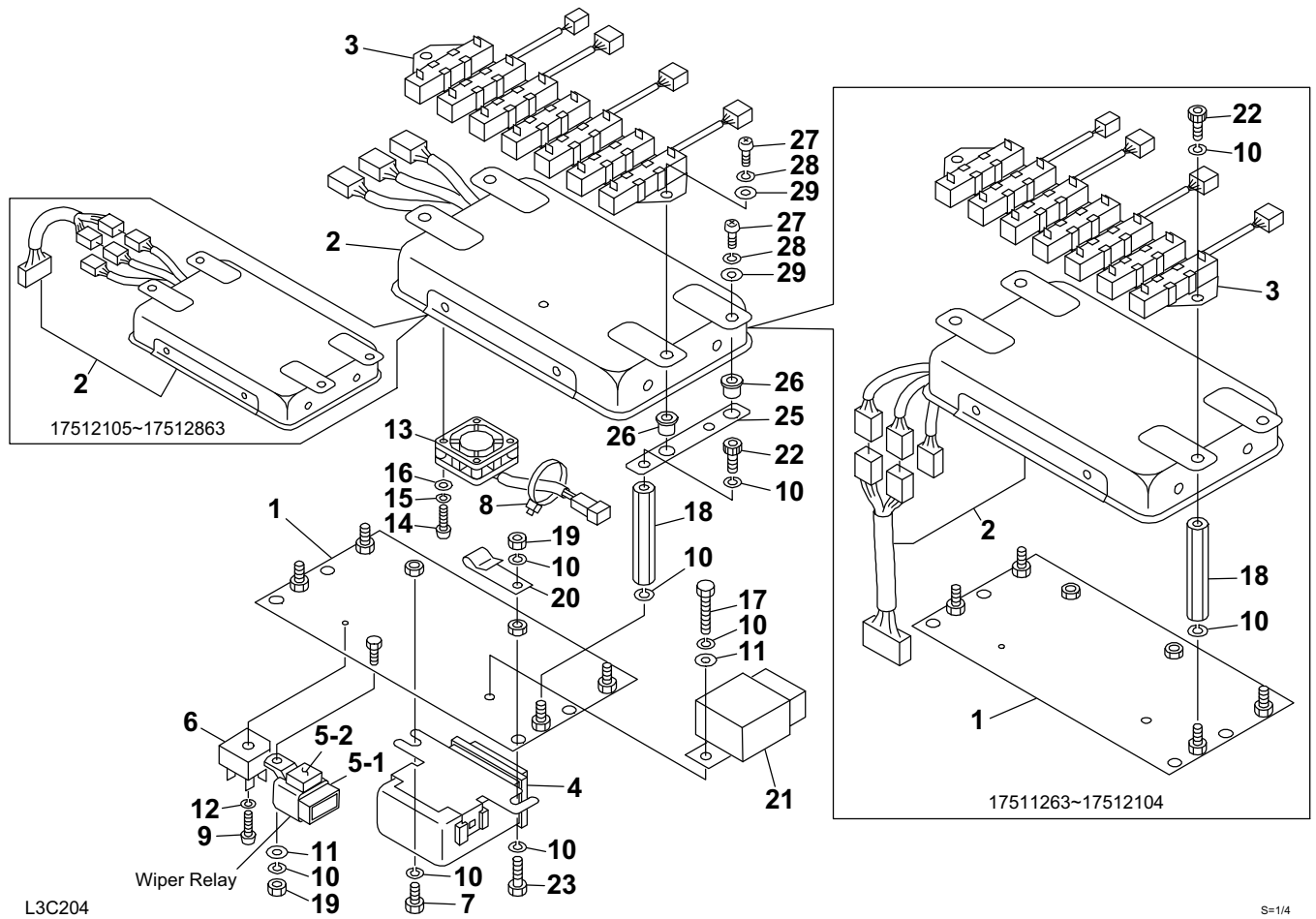
TB175(P-TB175BAB) Book No. BL3Z010 S/N 17510003-
ELECTRICAL (2/3) (17511263-17514411)



ELECTRICAL (2/3) (17511263-17514411)

Item	Part number	Description	Q'ty	Chan.	Serial No.	Serv.	Remarks
		ELECTRICAL ASSY					
		ELECTRICAL ASSY					
		ELECTRICAL ASSY					
		ELECTRICAL ASSY					
		ELECTRICAL ASSY					
3	0564233300	HARNESS, wiring	1		17511263~17512104		
	0564237330	HARNESS, wiring	1		17512105~		
3-1	1730500008	· DIODE (3A yellow)	5				
4	0564227400	HARNESS, wiring	1		17511263~17512104		
	0564237340	HARNESS, wiring	1		17512105~		
4-1	1701330065	· LINK, fusible	2		17511263~17512104		65A
	1701330065	· LINK, fusible	1		17512105~		65A
4-2	1701330045	· LINK, fusible	2		17512105~		45A
4-3	1730500023	· DIODE (3A black)	3				
8	0097022400	GUARD	1				
13	1140020008	WASHER, spring	4				
14	1140330008	WASHER	2				
15	1130040008	NUT	1				
16	1711900105	CLAMP	2				
17	0007300039	CLAMP	1				
18	1100040816	BOLT	3				
19	1652231250	BAND	15				
21	0564219010	COVER	1				
22	1653917023	TRIM	1				sold by the meter
33	1141110008	WASHER	1				
35	1711900064	CLIP	1		17512636~		
36	1711900071	CLAMP	1				
37	0564242010	HARNESS, wiring	1				17511263~17513301
37-1	1730500008	· DIODE (3A yellow)	1				17511263~17513301
38	1652231140	BAND	2				17511263~17513301
	L3c194						

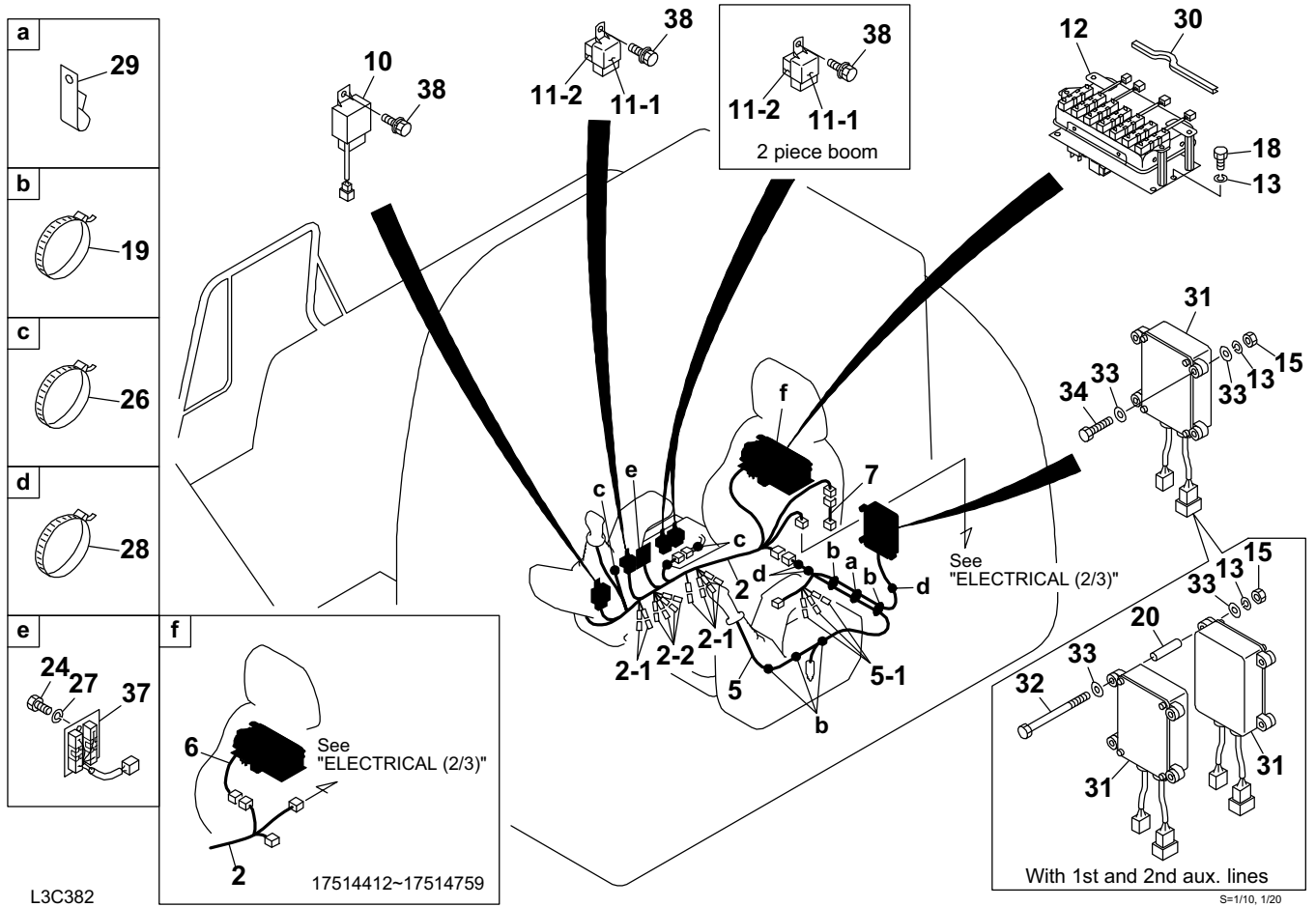
**TB175(P-TB175BAB) Book No. BL3Z010 S/N 17510003-
ELECTRICAL (3/3) (17511263-17514411)**



ELECTRICAL (3/3) (17511263-17514411)

Item	Part number	Description	Q'ty	Chan.	Serial No.	Serv.	Remarks
0-12	0564233500	CONTROLLER ASSY	1		17511263~17512104		
	0564237350	CONTROLLER ASSY	1		17512105~17512863		
	0564242500	CONTROLLER ASSY	1		17512864~		
1	0564227810	· BRACKET	1				
2	1730140390	· CONTROLLER, throttle	1		17511263~17512104		
	1730140840	· CONTROLLER, throttle	1		17512105~17512863		
	1730141000	· CONTROLLER, throttle	1		17512864~		
3	0564227820	· RESISTOR	1				
4	1910145113	· CONTROLLER	1				
5	0872433900	· RELAY ASSY	1				
5-1	1711900049	· · RELAY	1				
5-2	1654305002	· · SPONGE	1				sold by the meter
6	0568800400	· DIODE	1				
7	1100040616	· BOLT	5				
8	1652231140	· BAND	1		17511253~		
9	1120530420	· SCREW	1				
10	1140020006	· WASHER, spring	13				
11	1141110006	· WASHER	1				
12	1140020004	· WASHER, spring	1				
13	0564216550	· D.C. FAN	1				
14	1120530320	· SCREW	4				
15	1140020003	· WASHER, spring	4				
16	1141110003	· WASHER	4				
17	1100240635	· BOLT	1				
18	0564227830	· NUT	4				
19	1130040006	· NUT	2				
20	0007300010	· CLAMP	1				
21	1711900069	· DETECTOR	1				
22	1110040616	· SCREW, cap	4				
23	1100040620	· BOLT	1				
25	0564227825	· PLATE	2		17512105~		
26	1652520005	· NUT	4		17512105~		
27	1120530525	· SCREW	4		17512105~		
28	1140020005	· WASHER, spring	4		17512105~		
29	1141110005	· WASHER	4		17512105~		
	L3c204						

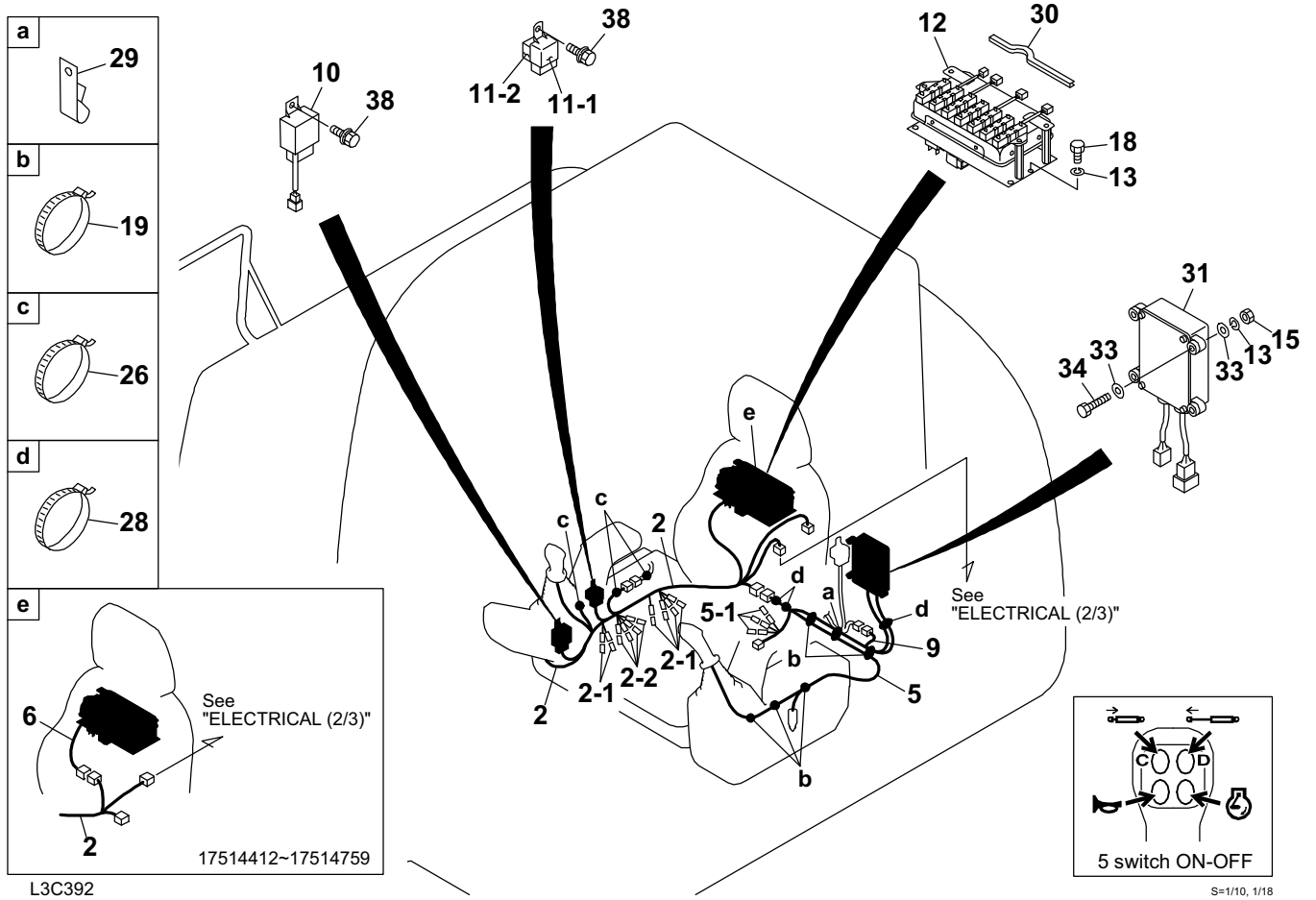
TB175(P-TB175BAB) Book No. BL3Z010 S/N 17510003-
ELECTRICAL (1/3) (17514412-)



ELECTRICAL (1/3) (17514412-)

Item	Part number	Description	Q'ty	Chan.	Serial No.	Serv.	Remarks
		ELECTRICAL ASSY					
		ELECTRICAL ASSY					
		ELECTRICAL ASSY					
		ELECTRICAL ASSY					
2	0564245010	HARNESS, wiring	1		17514412~17518203		
	0564254010	HARNESS, wiring	1		17518204~	M	
2-1	1730500008	· DIODE (3A yellow)	6				
2-2	1730500023	· DIODE (3A black)	4				
5	0564245030	HARNESS, wiring	1				
5-1	1730500008	· DIODE (3A yellow)	3				
6	0564245040	HARNESS, wiring	1		17514412~17514759		
7	0564245050	HARNESS, wiring	1		17514760~		2-piece boom
10	1711900067	UNIT, relay	1				
11	0872433900	RELAY	1				
	0872433900	RELAY	3				2-piece boom
11-1	1711900049	· RELAY	1				
11-2	1654305002	· SPONGE	1				sold by the meter
12	X *****	CONTROLLER ASSY	1				See page (3/3)
13	1140020008	WASHER, spring	8				
15	1130040008	NUT	4				
18	1100040816	BOLT	4				
19	1652231250	BAND	5				
20	0564233600	COLLAR	4				with 1st & 2nd aux. line
24	1100040510	BOLT	2				2-piece boom
26	1652201005	BAND	3				
27	1140020005	WASHER, spring	2				2-piece boom
28	1652241400	BAND	5				
29	0007300035	CLAMP	1				
30	1653917020	TRIM	1				sold by the meter
31	1730140740	CONTROLLER	1				with 1st aux. line
	1730140740	CONTROLLER	2				with 1st & 2nd aux. line
32	1100140810	BOLT	4				with 1st & 2nd aux. line
33	1141110008	WASHER	8				
34	1100040840	BOLT	4				with 1st aux. line
37	0564227700	RESISTOR	1				2-piece boom
38	1100560616	BOLT, sems	4				
	L3c384						

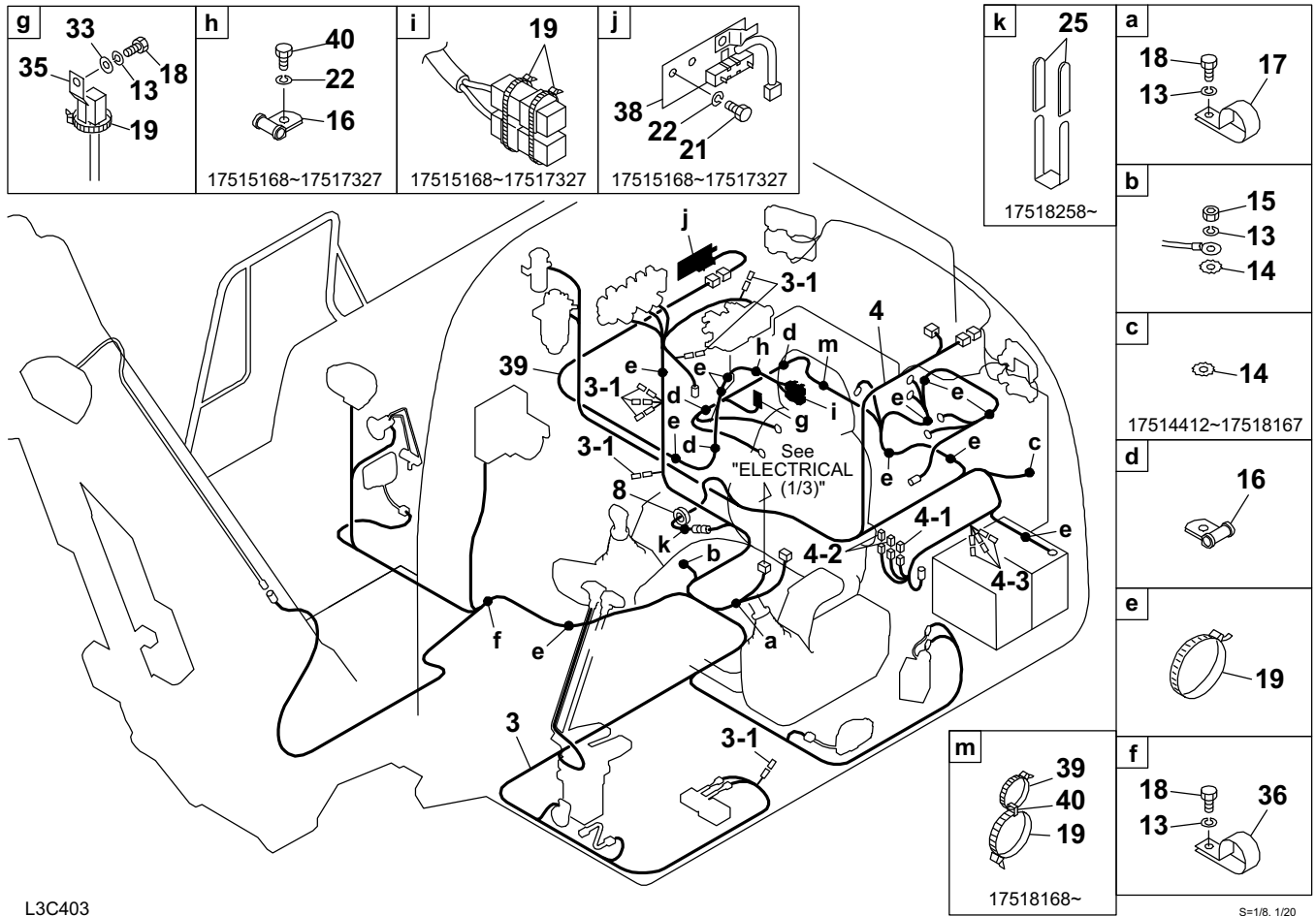
TB175(P-TB175BAB) Book No. BL3Z010 S/N 17510003-
ELECTRICAL (1/3) (5 switch; on-off; 17514412-)



ELECTRICAL (1/3) (5 switch; on-off; 17514412-)

Item	Part number	Description	Q'ty	Chan.	Serial No.	Serv.	Remarks
		ELECTRICAL ASSY					
2	0564245010	HARNESS, wiring	1		17514412~17518203		
	0564254010	HARNESS, wiring	1		17518204~		
2-1	1730500008	· DIODE (3A yellow)	6				
2-2	1730500023	· DIODE (3A black)	4				
5	0564245030	HARNESS, wiring	1				
5-1	1730500008	· DIODE (3A yellow)	3				
6	0564245040	HARNESS, wiring	1		17514412~17514759		
9	0564240610	HARNESS, wiring	1				
10	1711900067	UNIT, relay	1				
11	0872433900	RELAY	1				
11-1	1711900049	· RELAY	1				
11-2	1654305002	· SPONGE	1				sold by the meter
12	X *****	CONTROLLER ASSY	1				See page (3/3)
13	1140020008	WASHER, spring	8				
15	1130040008	NUT	4				
18	1100040816	BOLT	4				
19	1652231250	BAND	5				
26	1652201005	BAND	3				
28	1652241400	BAND	5				
29	0007300035	CLAMP	1				
30	1653917020	TRIM	1				sold by the meter
31	1730140740	CONTROLLER	1				
33	1141110008	WASHER	8				
34	1100040840	BOLT	4				
38	1100560616	BOLT, sems	4				M
	L3c394						

TB175(P-TB175BAB) Book No. BL3Z010 S/N 17510003-
ELECTRICAL (2/3) (17514412-)

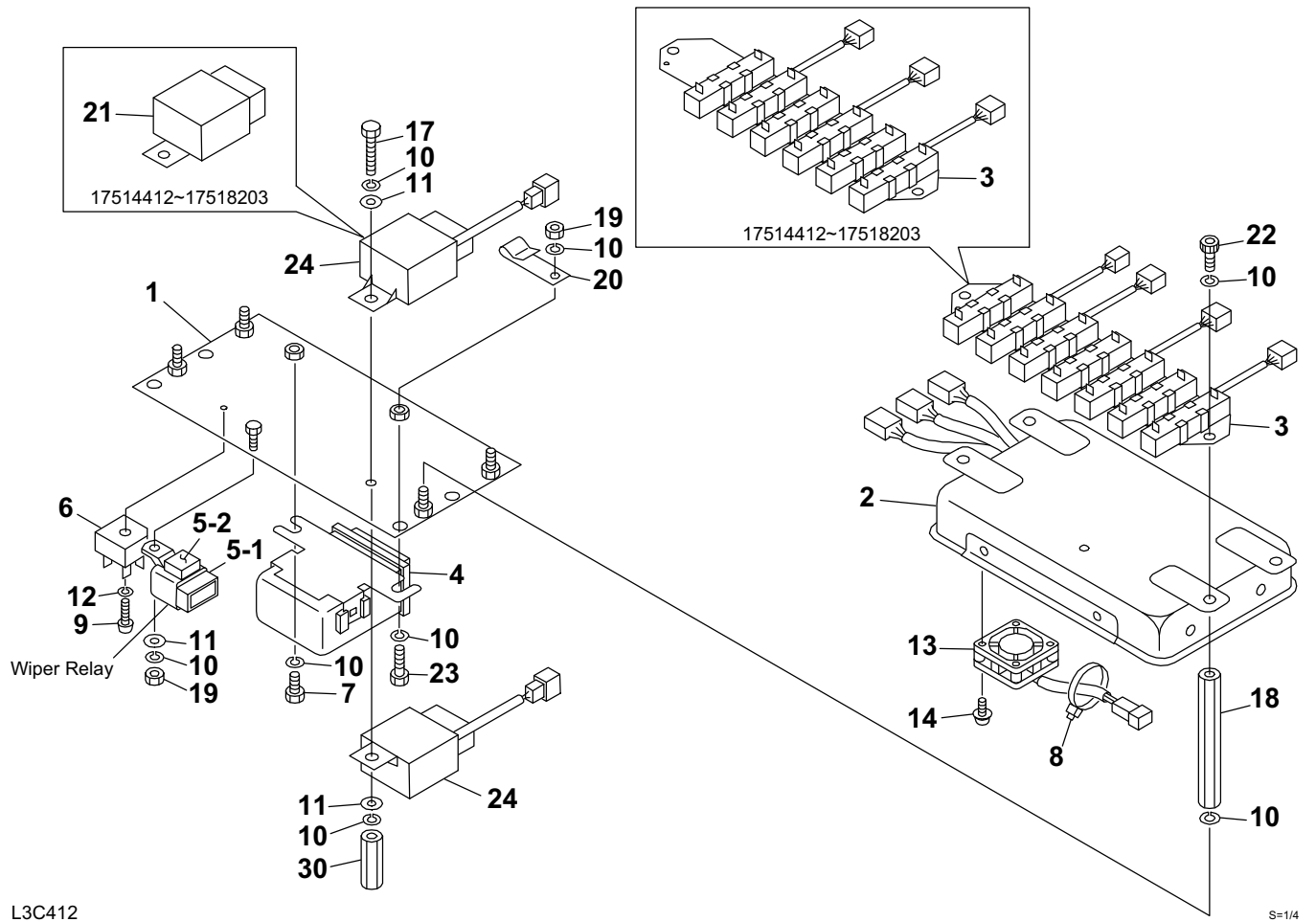


L3C403

S=1/8, 1/20

ELECTRICAL (2/3) (17514412-)						
Item	Part number	Description	Q'ty	Chan.	Serial No.	Serv. Remarks
		ELECTRICAL ASSY				
		ELECTRICAL ASSY				
		ELECTRICAL ASSY				
		ELECTRICAL ASSY				
		ELECTRICAL ASSY				
3	0564245020	HARNESS, wiring	1			
3-1	1730500008	· DIODE (3A yellow)	7			
4	0564237340	HARNESS, wiring	1		17514412~17518203	
	0564254340	HARNESS, wiring	1		17518204~	M
4-1	1701330065	· LINK, fusible	1			65A
4-2	1701330045	· LINK, fusible	2			45A
4-3	1730500023	· DIODE (3A black)	3			
8	0097022400	GUARD	1			
13	1140020008	WASHER, spring	4			
14	1140330008	WASHER	1			
15	1130040008	NUT	1			
16	1711900105	CLAMP	4		17515168~17517327	
	1711900105	CLAMP	2		17517328~	
17	0007300039	CLAMP	1			
18	1100040816	BOLT	3			
19	1652231250	BAND	16			
21	1100041020	BOLT	2		17514412~17517327	
22	1140020010	WASHER, spring	3			
25	0872433150	TUBE	2		17518258~	
33	1141110008	WASHER	1			
35	1711900064	CLIP	1			
36	1711900071	CLAMP	1			
38	0564245080	RESISTOR	1		17515168~17517327	
39	0564245085	HARNESS, resistor	1		17515168~17517327	
	1652231140	BAND	1		17518168~	M
40	1100041016	BOLT	1		17515168~17517327	
	1652200010	BAND	1		17518168~	M
	L3c404					

TB175(P-TB175BAB) Book No. BL3Z010 S/N 17510003-
ELECTRICAL (3/3) (17514412-)

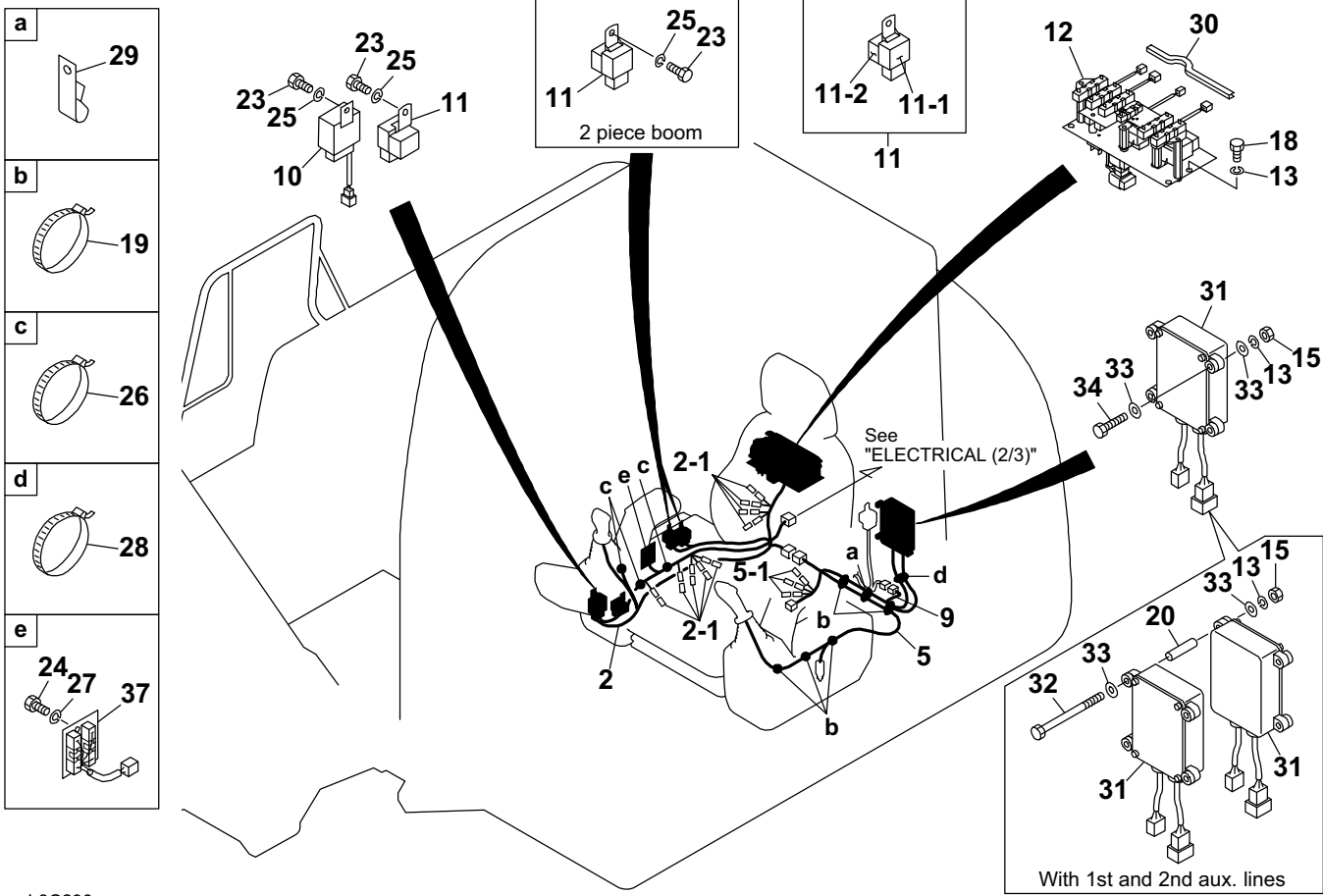


L3C412

ELECTRICAL (3/3) (17514412-)

Item	Part number	Description	Q'ty	Chan.	Serial No.	Serv.	Remarks
0-12	0564245500	CONTROLLER ASSY	1		17514412~17518203		
	0564254050	CONTROLLER ASSY	1		17518204~	M	
1	0564227810	· BRACKET	1				
2	1730141000	· CONTROLLER, throttle	1				
3	0564245510	· RESISTOR	1		17514412~17518203		
	0564254040	· RESISTOR	1		17518204~	M	
4	1910145113	· CONTROLLER	1				
5	0872433900	· RELAY ASSY	1				
5-1	1711900049	· · RELAY	1				
5-2	1654305002	· · SPONGE	1				sold by the meter
6	0568800400	· DIODE	1				
7	1100040616	· BOLT	5				
8	1652231140	· BAND	1				
9	1120530420	· SCREW	1				
10	1140020006	· WASHER, spring	13				
11	1141110006	· WASHER	1				
12	1140020004	· WASHER, spring	1				
13	0564216550	· D.C. FAN	1				
14	1150410320	· SCREW	4				
17	1100240635	· BOLT	1				
18	0564227830	· NUT	4				
19	1130040006	· NUT	2				
20	0007300010	· CLAMP	1				
21	1711900130	· DETECTOR	1		17514412~17518203		
22	1110040616	· SCREW, cap	4				
23	1100040620	· BOLT	1				
24	1711900067	· RELAY UNIT	1		17514412~17518203		
	1711900067	· RELAY UNIT	2		17518204~		
30	1134830635	· NUT	1				
	L3c412						

**TB175(P-TB175BAB) Book No. BL3Z010 S/N 17510003-
ELECTRICAL (1/3) (manual engine control; 17513782-17514759)**



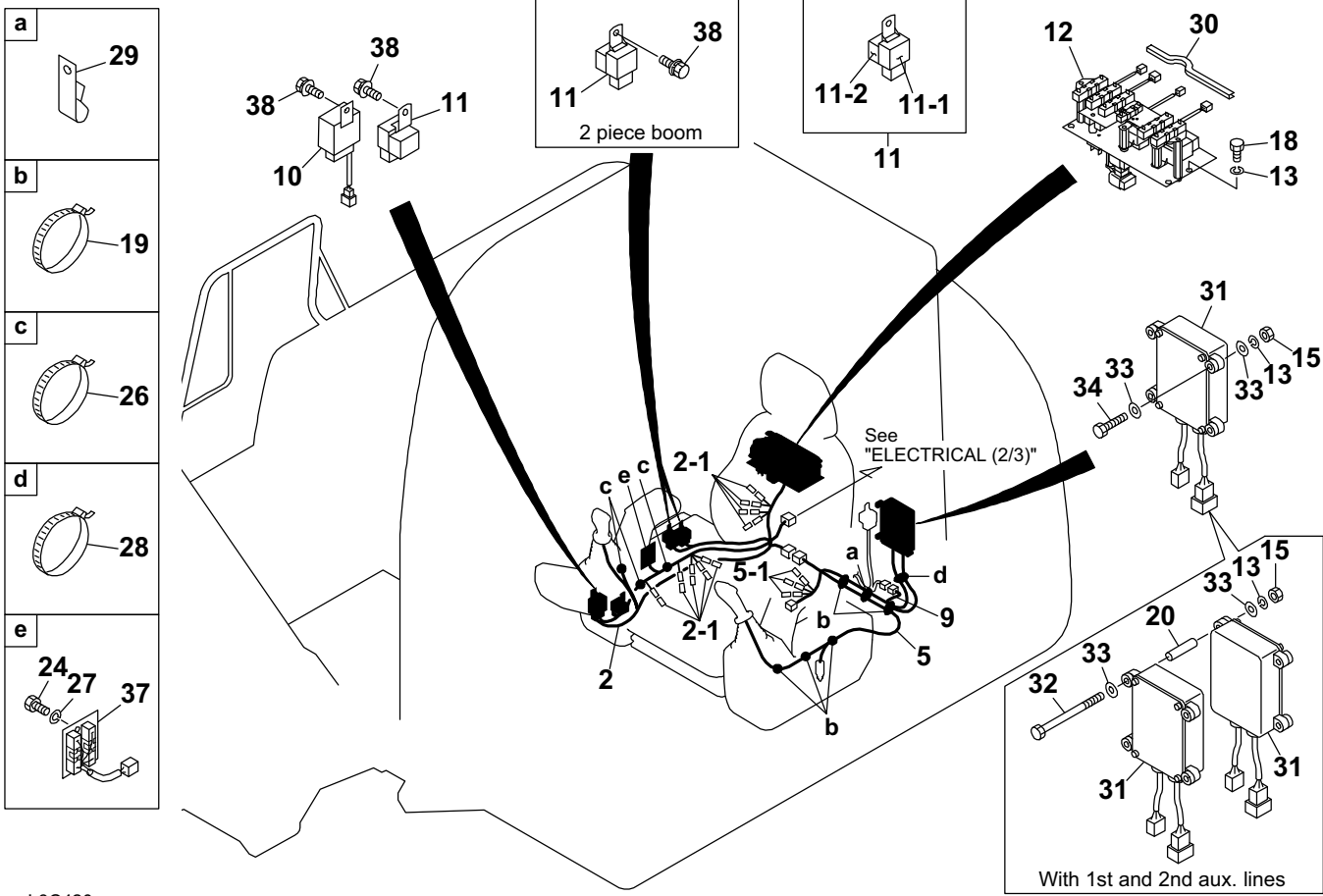
L3C290

S=1/10, 1/20

ELECTRICAL (1/3) (manual engine control; 17513782-17514759)

Item	Part number	Description	Q'ty	Chan.	Serial No.	Serv.	Remarks
		ELECTRICAL ASSY					
		ELECTRICAL ASSY					
		ELECTRICAL ASSY					
		ELECTRICAL ASSY					
		ELECTRICAL ASSY					
2	0564240110	HARNES, wiring	1				
2-1	1730500008	· DIODE (3A yellow)	9				
5	0564232500	HARNES, wiring	1				
5-1	1730500008	· DIODE (3A yellow)	3				
9	0564240610	HARNES, wiring	1				5 switch, on-off
10	1711900067	UNIT, relay	1				
11	0872433900	RELAY	1				mono boom
	0872433900	RELAY	3				2-piece boom
11-1	1711900049	· RELAY	1				
11-2	1654305002	· SPONGE	1				sold by the meter
12	X *****	CONTROLLER ASSY	1				See page (3/3)
13	1140020008	WASHER, spring	8				
15	1130040008	NUT	4				
18	1100040816	BOLT	4				
19	1652231250	BAND	5				
20	0564233600	COLLAR	4				with 1st & 2nd aux. line
23	1100040616	BOLT	4				
24	1100040510	BOLT	2				2-piece boom
25	1140020006	WASHER, spring	4				
26	1652201005	BAND	3				
27	1140020005	WASHER, spring	2				2-piece boom
28	1652241400	BAND	1				
29	0007300035	CLAMP	1				
30	1653917020	TRIM	1				sold by the meter
31	1730140740	CONTROLLER	1				with 1st aux. line
	1730140740	CONTROLLER	2				with 1st & 2nd aux. line
32	1100140820	BOLT	4				with 1st & 2nd aux. line
33	1141110008	WASHER	8				
34	1100040840	BOLT	4				with 1st aux. line
37	0564227700	RESISTOR	1				2-piece boom
	L3c290						

TB175(P-TB175BAB) Book No. BL3Z010 S/N 17510003-
ELECTRICAL (1/3) (manual engine control; 17514760-)



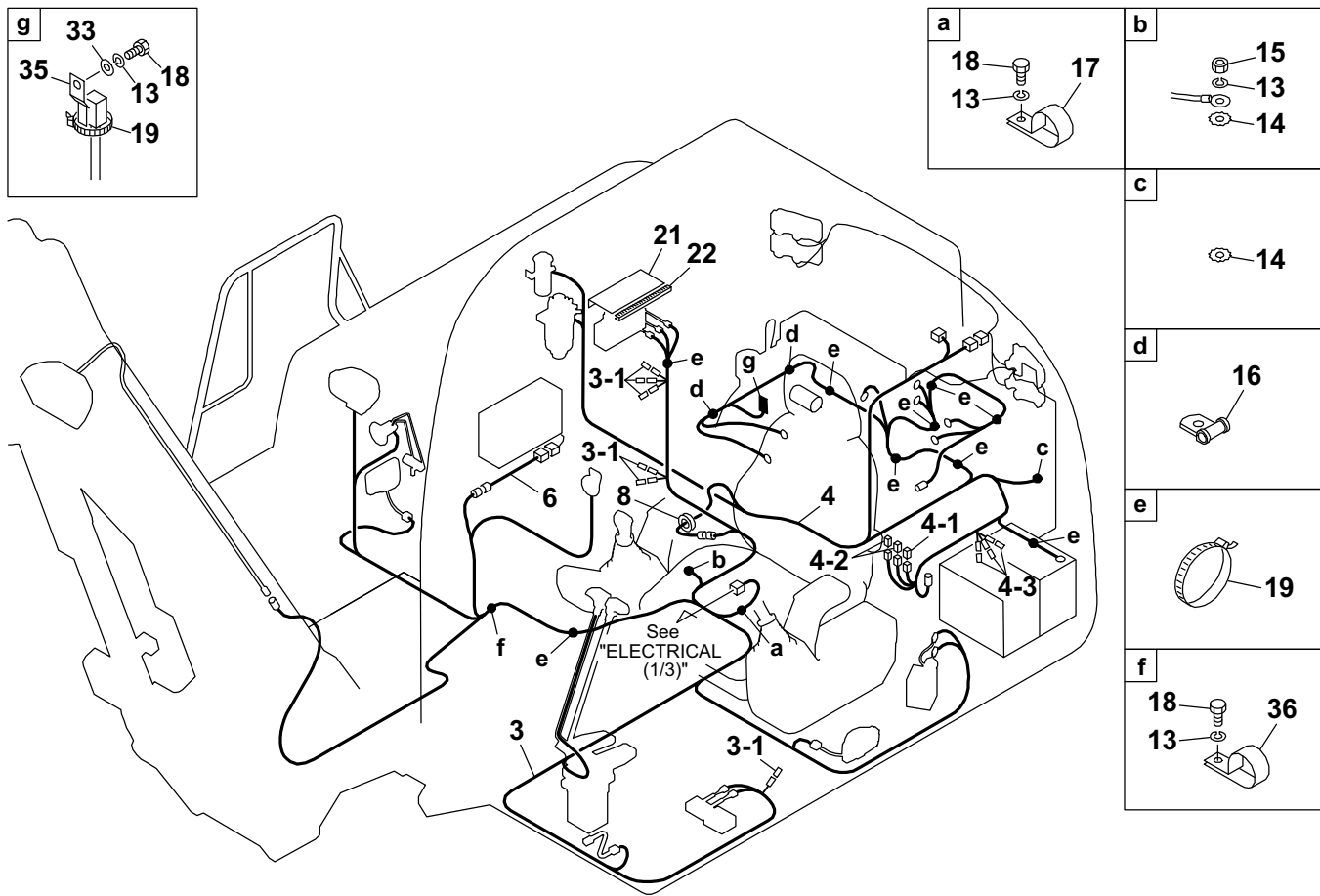
L3C420

S=1/10, 1/20

ELECTRICAL (1/3) (manual engine control; 17514760-)

Item	Part number	Description	Q'ty	Chan.	Serial No.	Serv.	Remarks
		ELECTRICAL ASSY					
		ELECTRICAL ASSY					
		ELECTRICAL ASSY					
		ELECTRICAL ASSY					
		ELECTRICAL ASSY					
2	0564247110	HARNESS, wiring	1		17514760~17518203		
	0564254510	HARNESS, wiring	1		17518204~	M	
2-1	1730500008	· DIODE (3A yellow)	9				
5	0564245030	HARNESS, wiring	1				
5-1	1730500008	· DIODE (3A yellow)	3				
9	0564240610	HARNESS, wiring	1				5 switch, on-off
10	1711900067	UNIT, relay	1				
11	0872433900	RELAY	1				mono boom
	0872433900	RELAY	3				2-piece boom
11-1	1711900049	· RELAY	1				
11-2	1654305002	· SPONGE	1				sold by the meter
12	X *****	CONTROLLER ASSY	1				See page (3/3)
13	1140020008	WASHER, spring	8				
15	1130040008	NUT	4				
18	1100040816	BOLT	4				
19	1652231250	BAND	5				
20	0564233600	COLLAR	4				with 1st & 2nd aux. line
24	1100040510	BOLT	2				2-piece boom
26	1652201005	BAND	3				
27	1140020005	WASHER, spring	2				2-piece boom
28	1652241400	BAND	5				
29	0007300035	CLAMP	1				
30	1653917020	TRIM	1				sold by the meter
31	1730140740	CONTROLLER	1				with 1st aux. line
	1730140740	CONTROLLER	2				with 1st & 2nd aux. line
32	1100140810	BOLT	4				with 1st & 2nd aux. line
33	1141110008	WASHER	8				
34	1100040840	BOLT	4				with 1st aux. line
37	0564227700	RESISTOR	1				2-piece boom
38	1100560616	BOLT, sems	2				
	L3c423						

**TB175(P-TB175BAB) Book No. BL3Z010 S/N 17510003-
ELECTRICAL (2/3) (manual engine control; 17513782-17514759)**



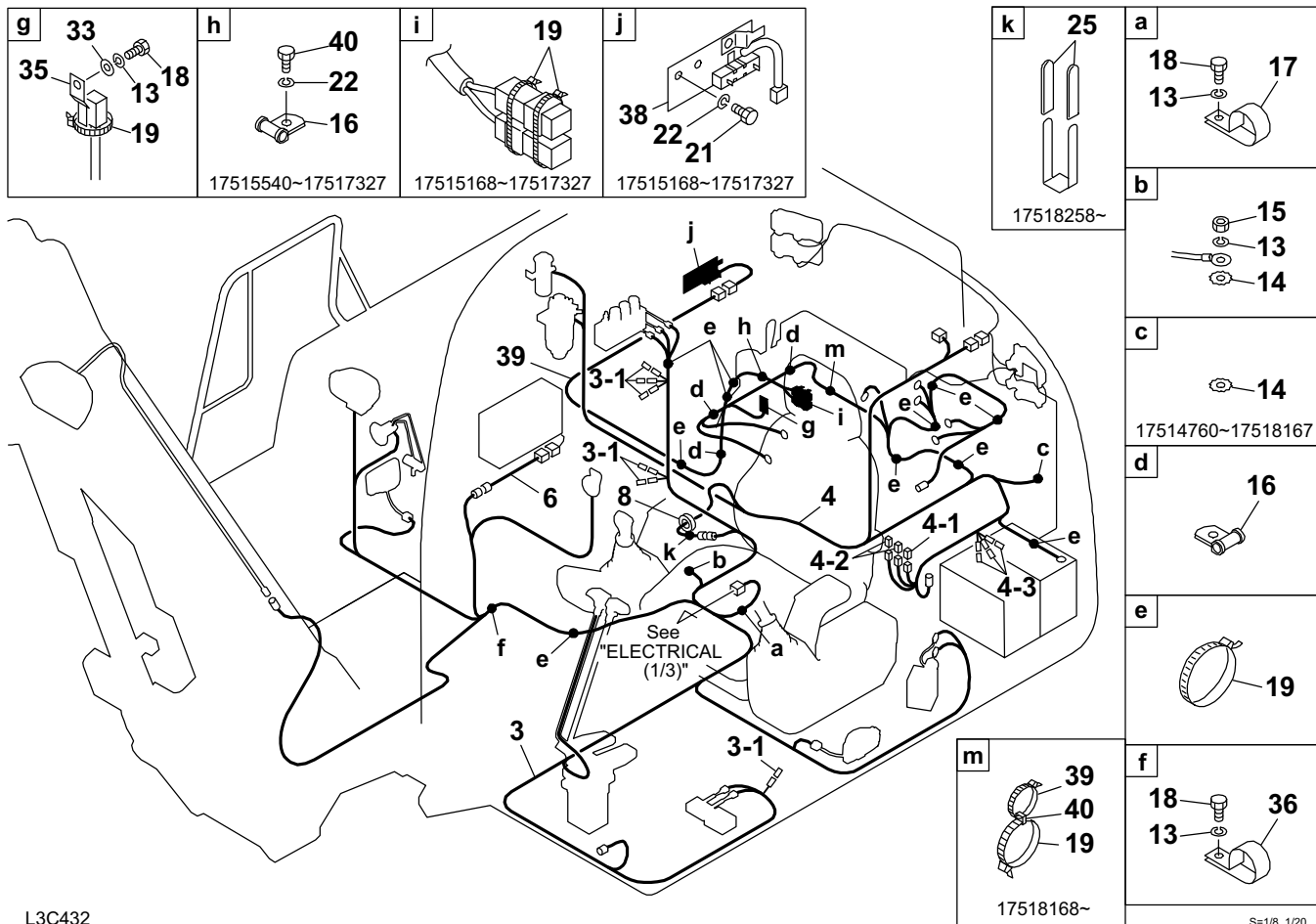
L3C301

S=1/8, 1/20

ELECTRICAL (2/3) (manual engine control; 17513782-17514759)

Item	Part number	Description	Q'ty	Chan.	Serial No.	Serv.	Remarks
		ELECTRICAL ASSY					
		ELECTRICAL ASSY					
		ELECTRICAL ASSY					
		ELECTRICAL ASSY					
		ELECTRICAL ASSY					
3	0564237330	HARNESS, wiring	1		17513782~17514411		
	0564247120	HARNESS, wiring	1		17514412~		
3-1	1730500008	· DIODE (3A yellow)	5				
4	0564237340	HARNESS, wiring	1				
4-1	1701330065	· LINK, fusible	1				65A
4-2	1701330045	· LINK, fusible	2				45A
4-3	1730500023	· DIODE (3A black)	3				
6	0564240160	HARNESS, wiring	1				
8	0097022400	GUARD	1				
13	1140020008	WASHER, spring	4				
14	1140330008	WASHER	2				
15	1130040008	NUT	1				
16	1711900105	CLAMP	2				
17	0007300039	CLAMP	1				
18	1100040816	BOLT	3				
19	1652231250	BAND	15				
21	0564219010	COVER	1				
22	1653917023	TRIM	1				sold by the meter
33	1141110008	WASHER	1				
35	1711900064	CLIP	1				
36	1711900071	CLAMP	1				
	L3c302						

**TB175(P-TB175BAB) Book No. BL3Z010 S/N 17510003-
ELECTRICAL (2/3) (manual engine control; 17514760-)**



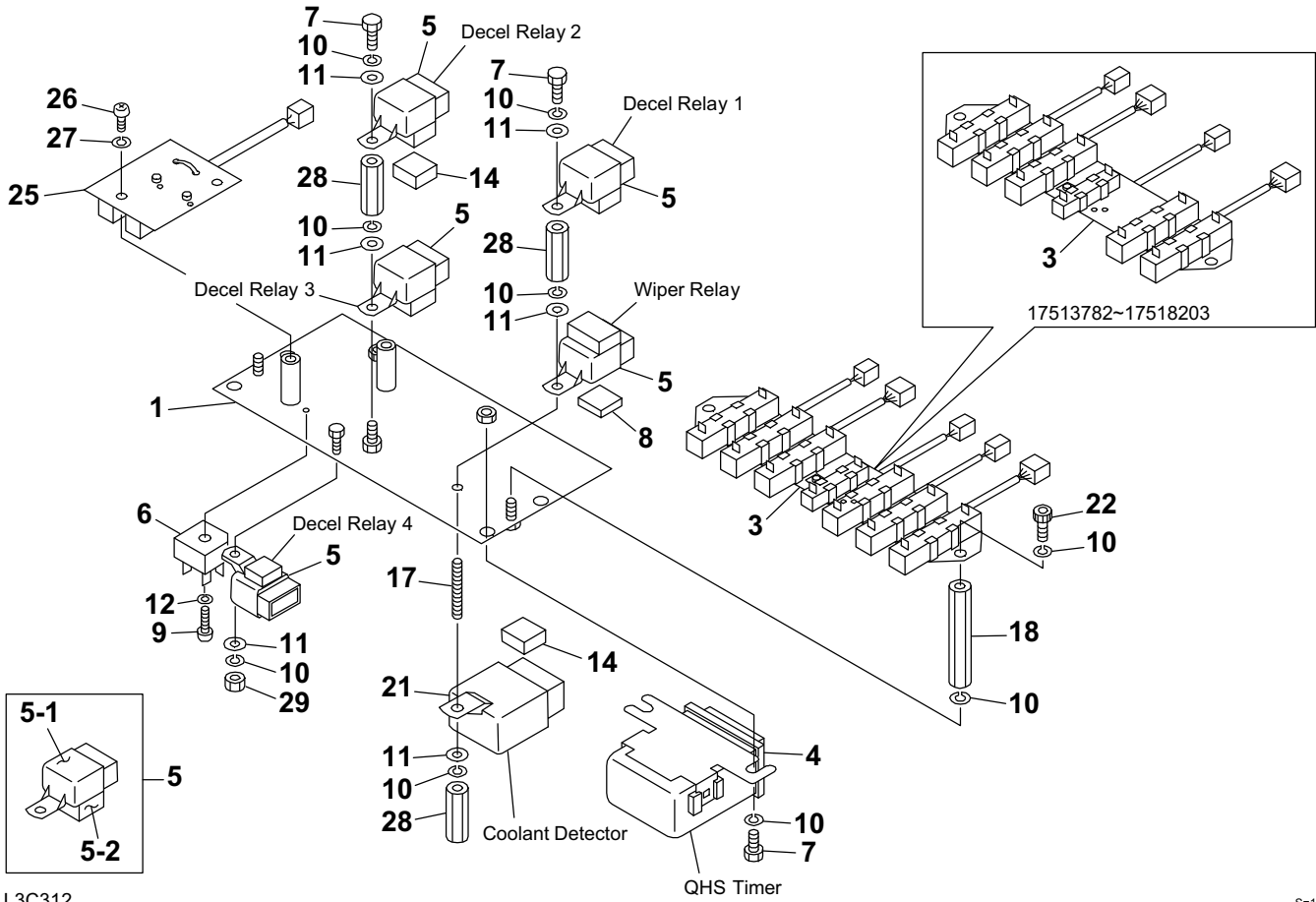
L3C432

S=1/8, 1/20

ELECTRICAL (2/3) (manual engine control; 17514760-)

Item	Part number	Description	Q'ty	Chan.	Serial No.	Serv.	Remarks
		ELECTRICAL ASSY					
		ELECTRICAL ASSY					
		ELECTRICAL ASSY					
		ELECTRICAL ASSY					
		ELECTRICAL ASSY					
3	0564247120	HARNESS, wiring	1				
3-1	1730500008	· DIODE (3A yellow)	5				
4	0564237340	HARNESS, wiring	1		17514760~17518203		
	0564254340	HARNESS, wiring	1		17518204~	M	
4-1	1701330065	· LINK, fusible	1				65A
4-2	1701330045	· LINK, fusible	2				45A
4-3	1730500023	· DIODE (3A black)	3				
6	0564240160	HARNESS, wiring	1				
8	0097022400	GUARD	1				
13	1140020008	WASHER, spring	4				
14	1140330008	WASHER	1				
15	1130040008	NUT	1				
16	1711900105	CLAMP	4		17515540~17517327		
	1711900105	CLAMP	2		17517328~		
17	0007300039	CLAMP	1				
18	1100040816	BOLT	3				
19	1652231250	BAND	16				
21	1100041020	BOLT	2		17515168~17517327		
22	1140020010	WASHER, spring	3		17515168~17517327		
25	0872433150	TUBE	2		17518258~		
33	1141110008	WASHER	1				
35	1711900064	CLIP	1				
36	1711900071	CLAMP	1				
38	0564245080	RESISTOR	1		17515168~17517327		
39	0564245085	HARNESS, resistor	1		17515168~17517327		
	1652231140	BAND	1		17518204~		
40	1100041016	BOLT	1		17515540~17517327		
	1652200010	BAND	1		17518204~		
	L3c433						

**TB175(P-TB175BAB) Book No. BL3Z010 S/N 17510003-
ELECTRICAL (3/3) (manual engine control; 17513782-)**



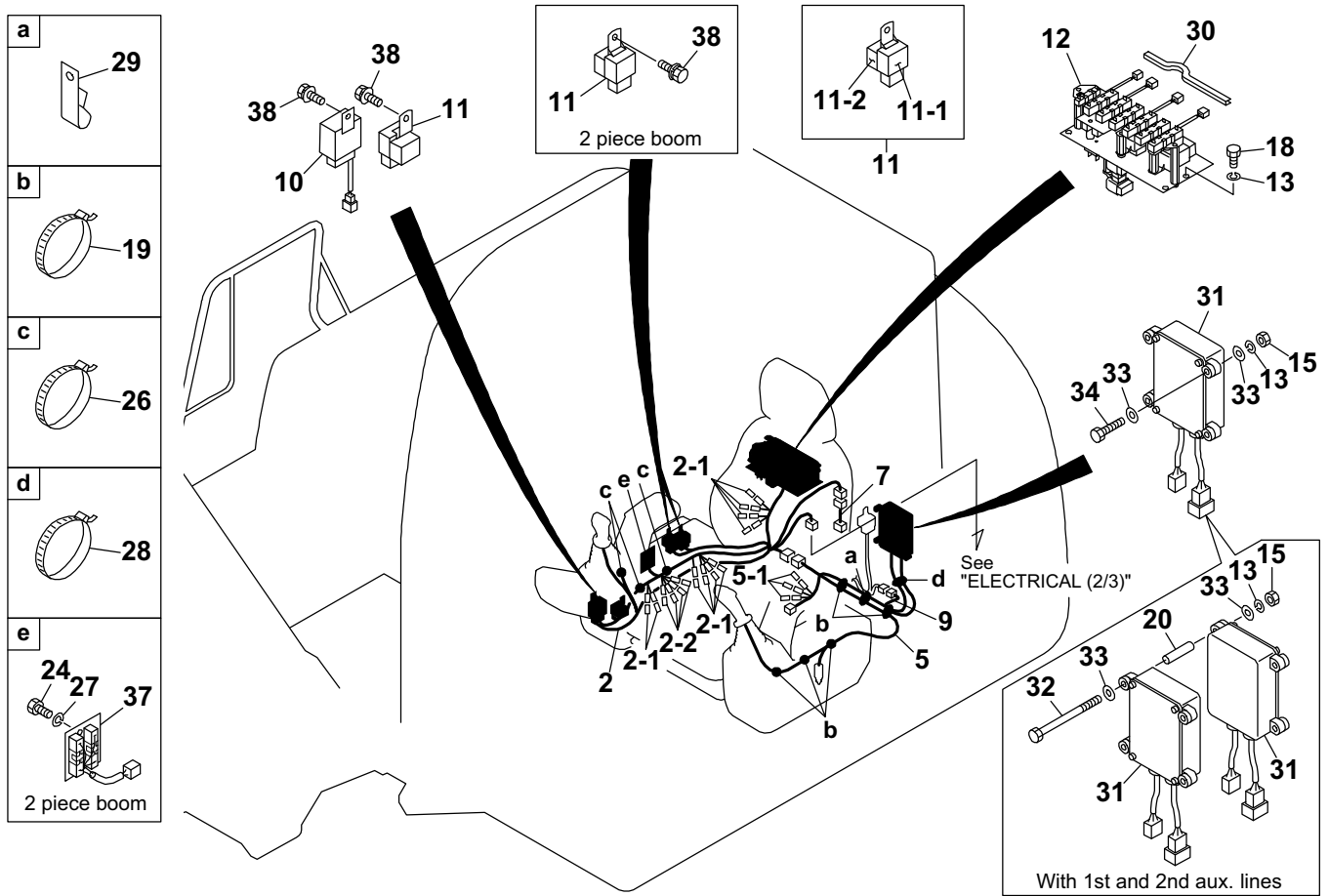
L3C312

S=1/4

ELECTRICAL (3/3) (manual engine control; 17513782-)

Item	Part number	Description	Q'ty	Chan.	Serial No.	Serv.	Remarks
0-12	0564240130	CONTROLLER ASSY	1		17513782~17518203		
	0564254550	CONTROLLER ASSY	1		17518204~	M	
1	0564240510	· BRACKET	1				
3	0564240140	· RESISTOR	1		17513782~17518203		
	0564254540	· RESISTOR	1		17518204~	M	
4	1910145113	· CONTROLLER	1				
5	0872433900	· RELAY ASSY	5				
5-1	1711900049	· · RELAY	1				
5-2	1654305002	· · SPONGE	1				sold by the meter
6	0568800400	· DIODE	1				
7	1100040616	· BOLT	4				
8	1654313003	· SPONGE	1				sold by the meter
9	1120530420	· SCREW	1				
10	1140020006	· WASHER, spring	10				
11	1141110006	· WASHER	6				
12	1140020004	· WASHER, spring	1				
14	1654305002	· SPONGE	2				sold by the meter
17	1121040640	· SET-SCREW	1				
18	0564227830	· NUT	2				
21	1711900130	· DETECTOR	1		17513782~17518203		
	1711900067	· UNIT, relay	1		17518204~	M	
22	1110040616	· SCREW, cap	2				
25	0564227700	· RESISTOR	1				
26	1120530512	· SCREW	2				
27	1140020005	· WASHER, spring	2				
28	1134830635	· NUT	3				
29	1130040006	· NUT	1				
	L3c313						

**TB175(P-TB175BAB) Book No. BL3Z010 S/N 17510003-
ELECTRICAL (1/3) (manual engine control, with the 4th auxiliary line)**



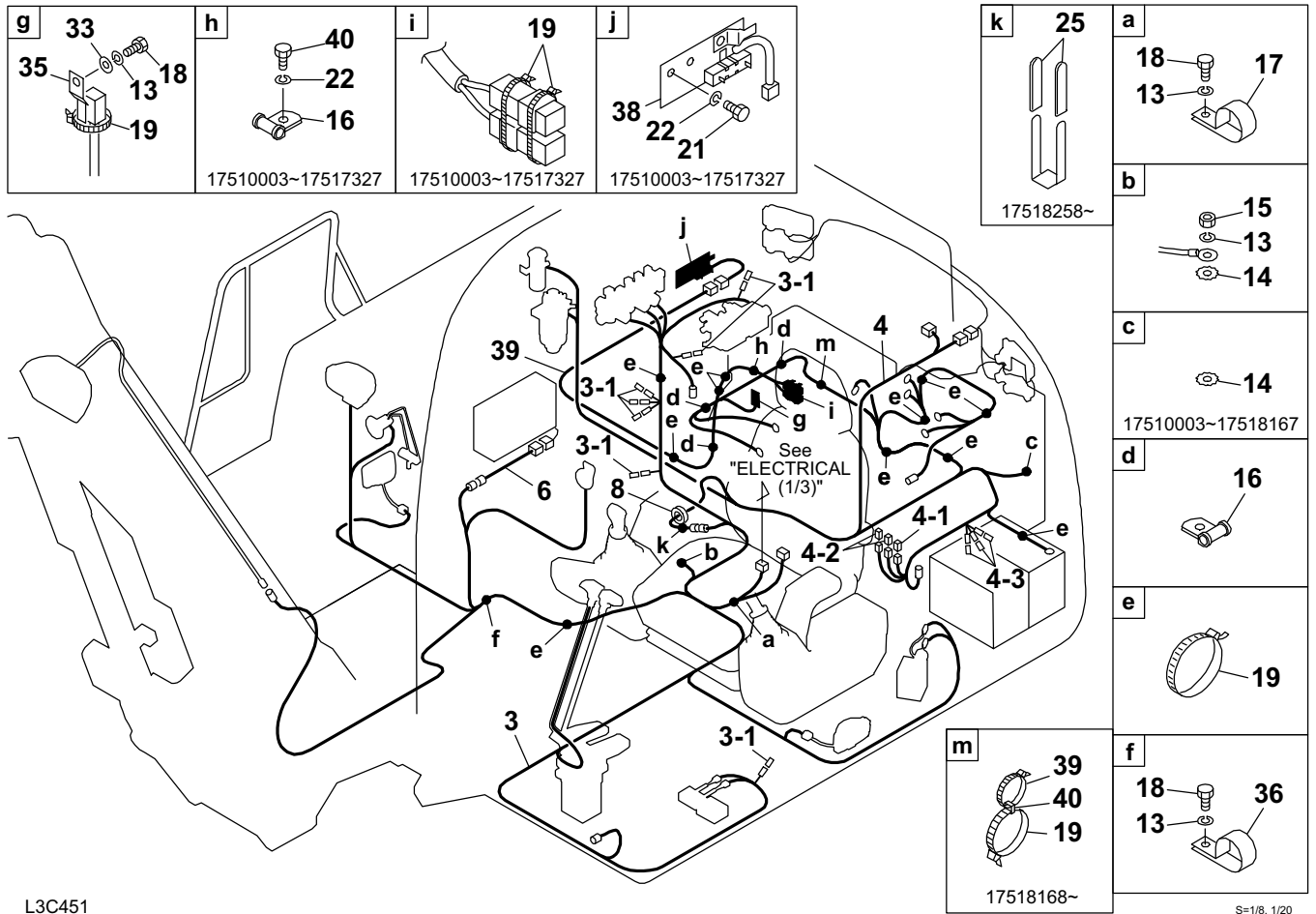
L3C441

S=1/10, 1/20

ELECTRICAL (1/3) (manual engine control, with the 4th auxiliary line)

Item	Part number	Description	Q'ty	Chan.	Serial No.	Serv.	Remarks
		ELECTRICAL ASSY					
		ELECTRICAL ASSY					
		ELECTRICAL ASSY					
		ELECTRICAL ASSY					
		ELECTRICAL ASSY					
2	0564247690	HARNESS, wiring	1		17510003~17518203		
	0564255010	HARNESS, wiring	1		17518204~	M	
2-1	1730500008	· DIODE (3A yellow)	10				
2-2	1730500023	· DIODE (3A black)	4				
5	0564245030	HARNESS, wiring	1				
5-1	1730500008	· DIODE (3A yellow)	3				
7	0564245050	HARNESS, wiring	1				2-piece boom
9	0564240610	HARNESS, wiring	1				5 switch, on-off
10	1711900067	UNIT, relay	1				
11	0872433900	RELAY	1				mono boom
	0872433900	RELAY	3				2-piece boom
11-1	1711900049	· RELAY	1				
11-2	1654305002	· SPONGE	1				sold by the meter
12	X *****	CONTROLLER ASSY	1				See page (3/3)
13	1140020008	WASHER, spring	8				
15	1130040008	NUT	4				
18	1100040816	BOLT	4				
19	1652231250	BAND	5				
20	0564233600	COLLAR	4				with 1st & 2nd aux. line
24	1100040510	BOLT	2				2-piece boom
26	1652201005	BAND	3				
27	1140020005	WASHER, spring	2				2-piece boom
28	1652241400	BAND	5				
29	0007300035	CLAMP	1				
30	1653917020	TRIM	1				sold by the meter
31	1730140740	CONTROLLER	1				with 1st aux. line
	1730140740	CONTROLLER	2				with 1st & 2nd aux. line
32	1100140810	BOLT	4				with 1st & 2nd aux. line
33	1141110008	WASHER	8				
34	1100040840	BOLT	4				with 1st aux. line
37	0564227700	RESISTOR	1				2-piece boom
38	1100560616	BOLT, sems	2				
	L3c442						

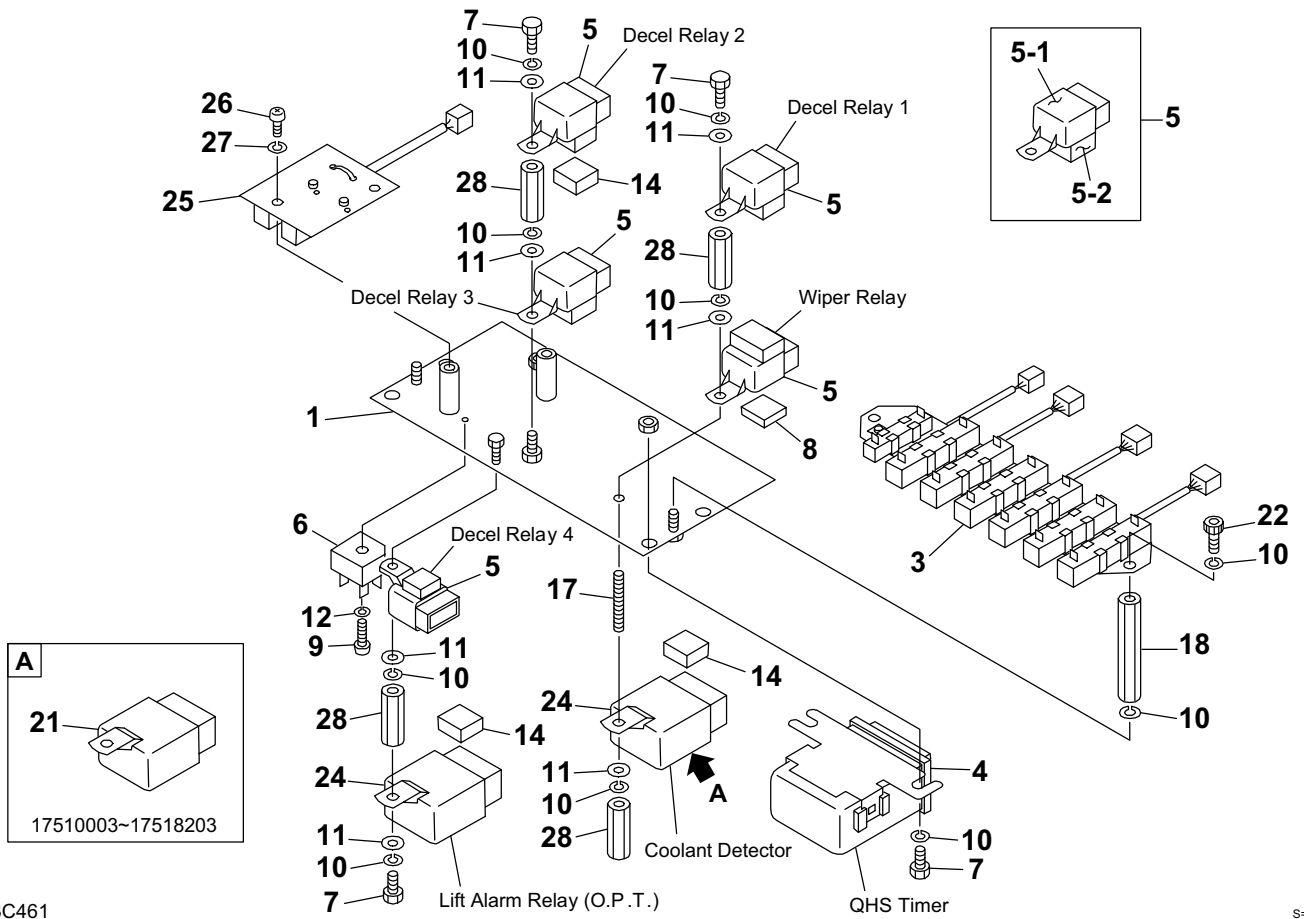
**TB175(P-TB175BAB) Book No. BL3Z010 S/N 17510003-
ELECTRICAL (2/3) (manual engine control, with the 4th auxiliary line)**



ELECTRICAL (2/3) (manual engine control, with the 4th auxiliary line)

Item	Part number	Description	Q'ty	Chan.	Serial No.	Serv.	Remarks
		ELECTRICAL ASSY					
		ELECTRICAL ASSY					
		ELECTRICAL ASSY					
		ELECTRICAL ASSY					
		ELECTRICAL ASSY					
3	0564245020	HARNESS, wiring	1				
3-1	1730500008	· DIODE (3A yellow)	7				
4	0564237340	HARNESS, wiring	1		17510003~17518203		
	0564254340	HARNESS, wiring	1		17518204~	M	
4-1	1701330065	· LINK, fusible	1				65A
4-2	1701330045	· LINK, fusible	2				45A
4-3	1730500023	· DIODE (3A black)	3				
6	0564240160	HARNESS, wiring	1				
8	0097022400	GUARD	1				
13	1140020008	WASHER, spring	4				
14	1140330008	WASHER	1				
15	1130040008	NUT	1				
16	1711900105	CLAMP	4		17510003~17517327		
	1711900105	CLAMP	2		17517328~		
17	0007300039	CLAMP	1				
18	1100040816	BOLT	3				
19	1652231250	BAND	16				
21	1100041020	BOLT	2		17510003~17517327		
22	1140020010	WASHER, spring	3		17510003~17517327		
25	0872433150	TUBE	2		17518258~		
33	1141110008	WASHER	1				
35	1711900064	CLIP	1				
36	1711900071	CLAMP	1				
38	0564245080	RESISTOR	1		17510003~17517327		
39	0564245085	HARNESS, resistor	1		17510003~17517327		
	1652231140	BAND	1		17518204~		
40	1100041016	BOLT	1		17510003~17517327		
	1652200010	BAND	1		17518204~		
	L3c452						

**TB175(P-TB175BAB) Book No. BL3Z010 S/N 17510003-
ELECTRICAL (3/3) (manual engine control, with the 4th auxiliary line)**



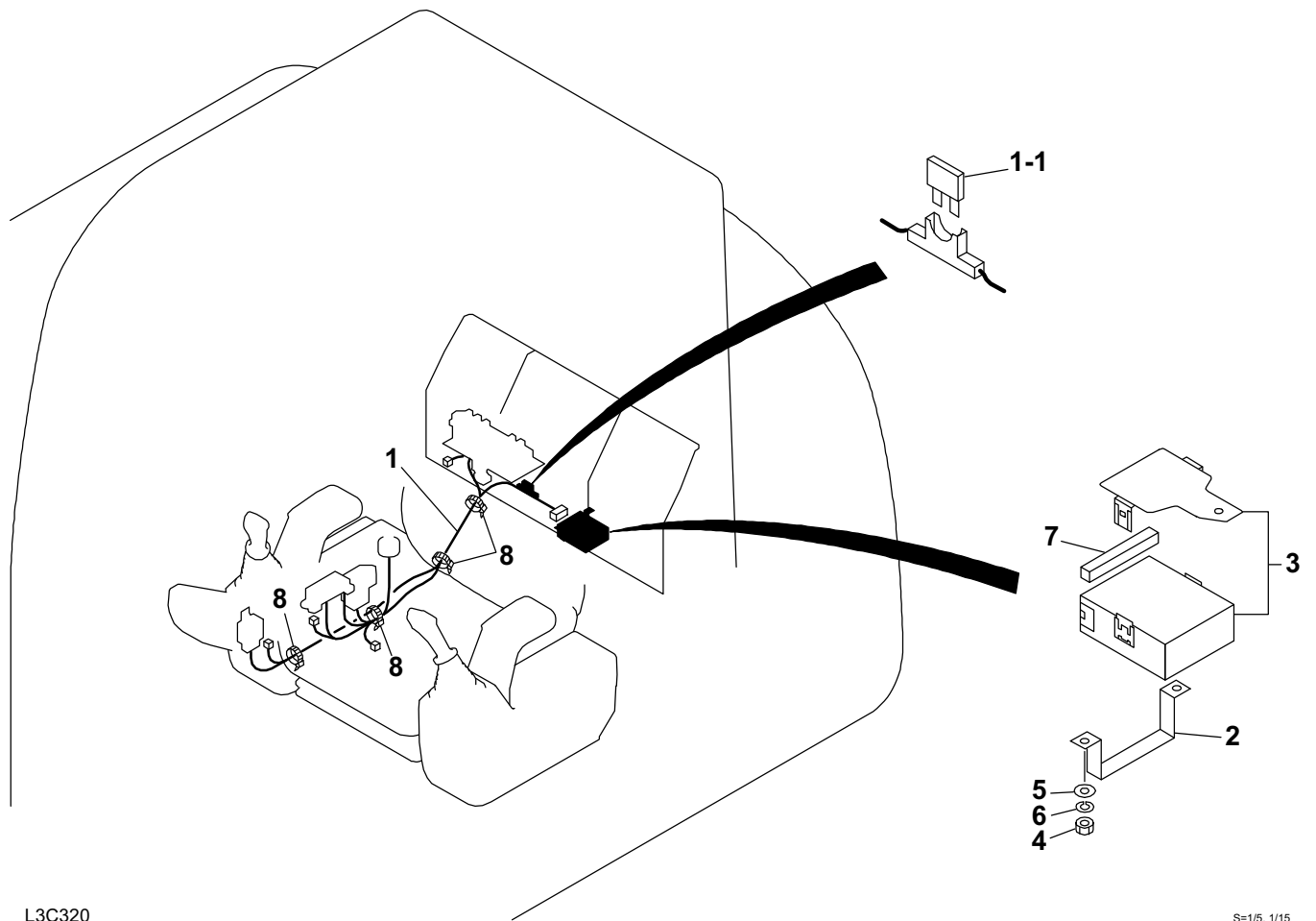
L3C461

S=1/4

ELECTRICAL (3/3) (manual engine control, with the 4th auxiliary line)

Item	Part number	Description	Q'ty	Chan.	Serial No.	Serv.	Remarks
0-12	0564247670	CONTROLLER ASSY	1		17510003~17518203		
	0564255050	CONTROLLER ASSY	1		17518204~	M	
1	0564240510	· BRACKET	1				
3	0564247660	· RESISTOR	1		17510003~17518203		
	0564255040	· RESISTOR	1		17518204~	M	
4	1910145113	· CONTROLLER	1				
5	0872433900	· RELAY ASSY	5				
5-1	1711900049	· · RELAY	1				
5-2	1654305002	· · SPONGE	1				sold by the meter
6	0568800400	· DIODE	1				
7	1100040616	· BOLT	5				
8	1654313003	· SPONGE	1				sold by the meter
9	1120530420	· SCREW	1				
10	1140020006	· WASHER, spring	11				
11	1141110006	· WASHER	7				
12	1140020004	· WASHER, spring	1				
14	1654305002	· SPONGE	3				sold by the meter
17	1121040640	· SET-SCREW	1				
18	0564227830	· NUT	2				
21	1711900130	· DETECTOR	1		17510003~17518203		
22	1110040616	· SCREW, cap	2				
24	1711900067	· RELAY	1		17510003~17518203		
	1711900067	· RELAY	2		17518204~		
25	0564227700	· RESISTOR	1				
26	1120530512	· SCREW	2				
27	1140020005	· WASHER, spring	2				
28	1134830635	· NUT	4				
	L3c461						

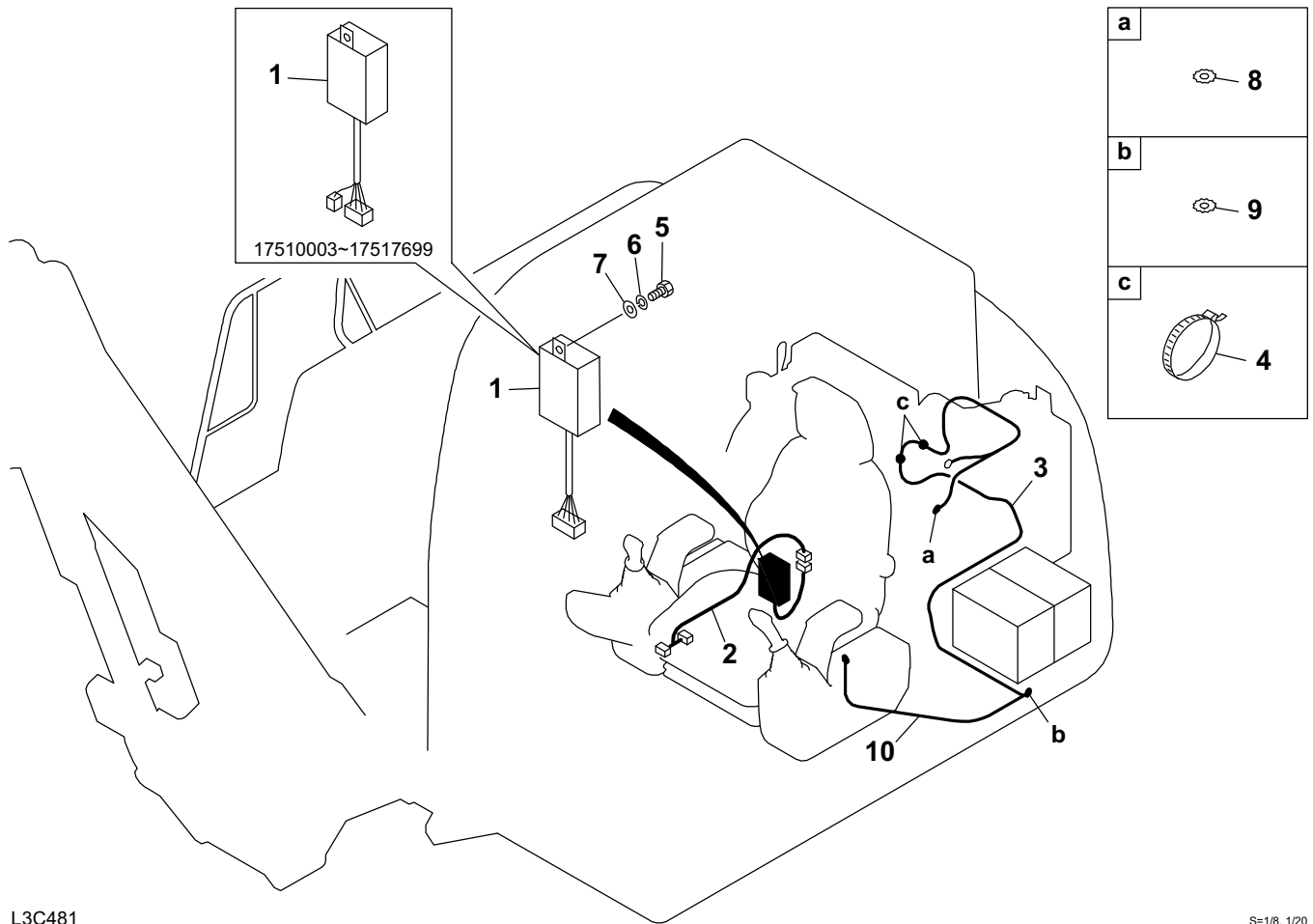
TB175(P-TB175BAB) Book No. BL3Z010 S/N 17510003-
ELECTRICAL (with security system)



ELECTRICAL (with security system)

Item	Part number	Description	Q'ty	Chan.	Serial No.	Serv.	Remarks
		ELECTRICAL ASSY					
1	0564244100	HARNES, wiring	1				
1-1	1701310010	· FUSE	1				10A
2	0564244002	CLAMP	1				
3	X *****	CONTROLLER	1				24V
4	1130040006	NUT	3				
5	1141110006	WASHER	3				
6	1140020006	WASHER, spring	3				
7	0564244007	SPONGE	1				
8	1652231250	BAND	4				
	L3c321						

TB175(P-TB175BAB) Book No. BL3Z010 S/N 17510003-
WATER TEMPERATURE CONTROLLER



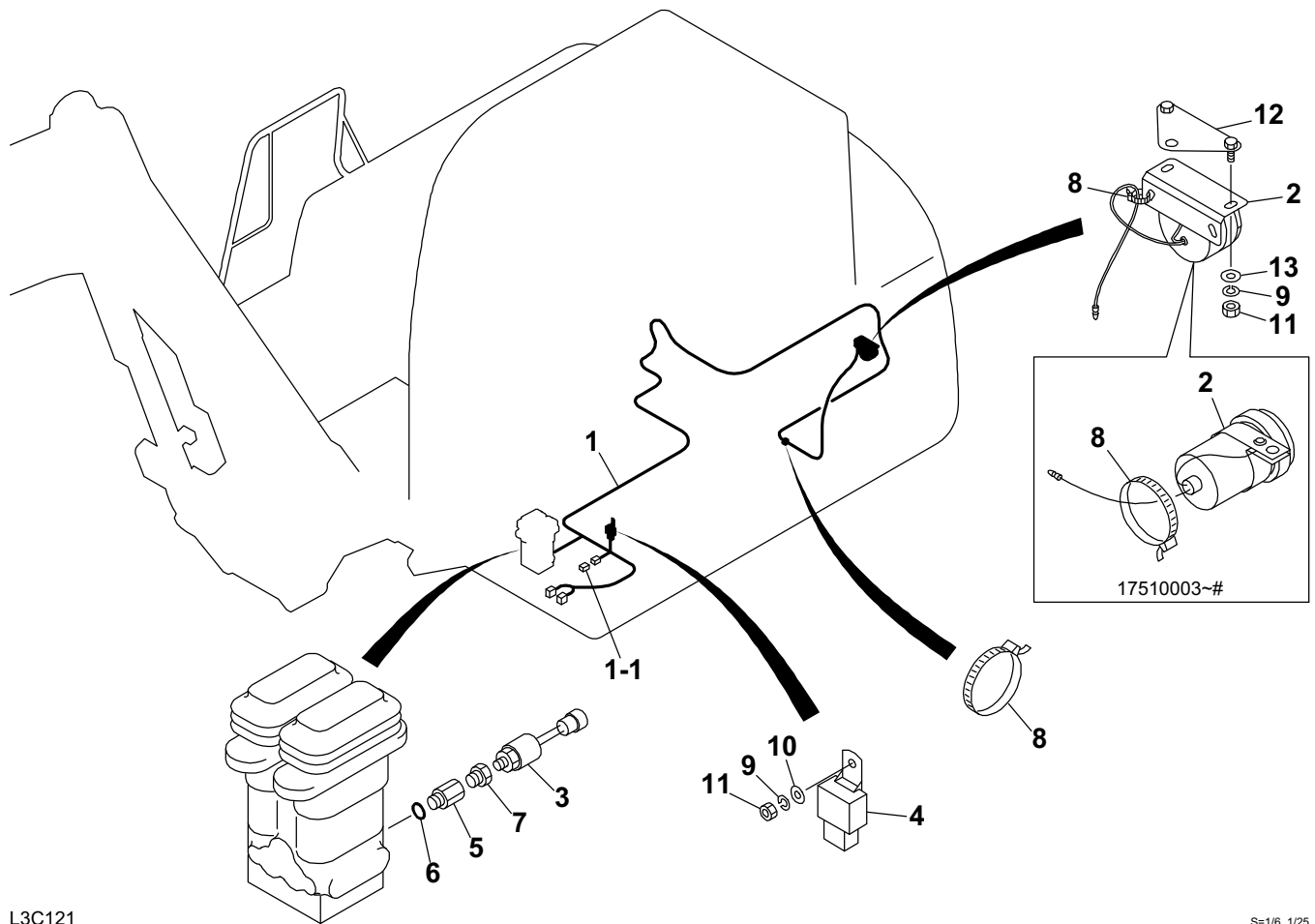
L3C481

S=1/8, 1/20

WATER TEMPERATURE CONTROLLER

Item	Part number	Description	Q'ty	Chan.	Serial No.	Serv.	Remarks
		CONTROLLER ASSY, water temp.					
1	1730141530	DRIVER, meter	1		17510003~17517699		
	1730142000	DRIVER, meter	1	(H)	17517700~	M	
2	0574201330	HARNESS, wiring	1	(L)	17510003~17517699		
	0574201340	HARNESS, wiring	1		17517700~	M	
3	0564423800	CABLE, earth	1				
4	1652231250	BAND	2				
5	1110090820	BOLT	1				
6	1140490008	WASHER, spring	1				
7	1141190008	WASHER	1				
8	1140330008	WASHER	1				
9	1140330010	WASHER	1				
10	0564252100	CABLE, earth	1		17517700~	M	
	L3c481						

TB175(P-TB175BAB) Book No. BL3Z010 S/N 17510003-
TRAVEL ARAM



L3C121

S=1/6, 1/25

TRAVEL ARAM

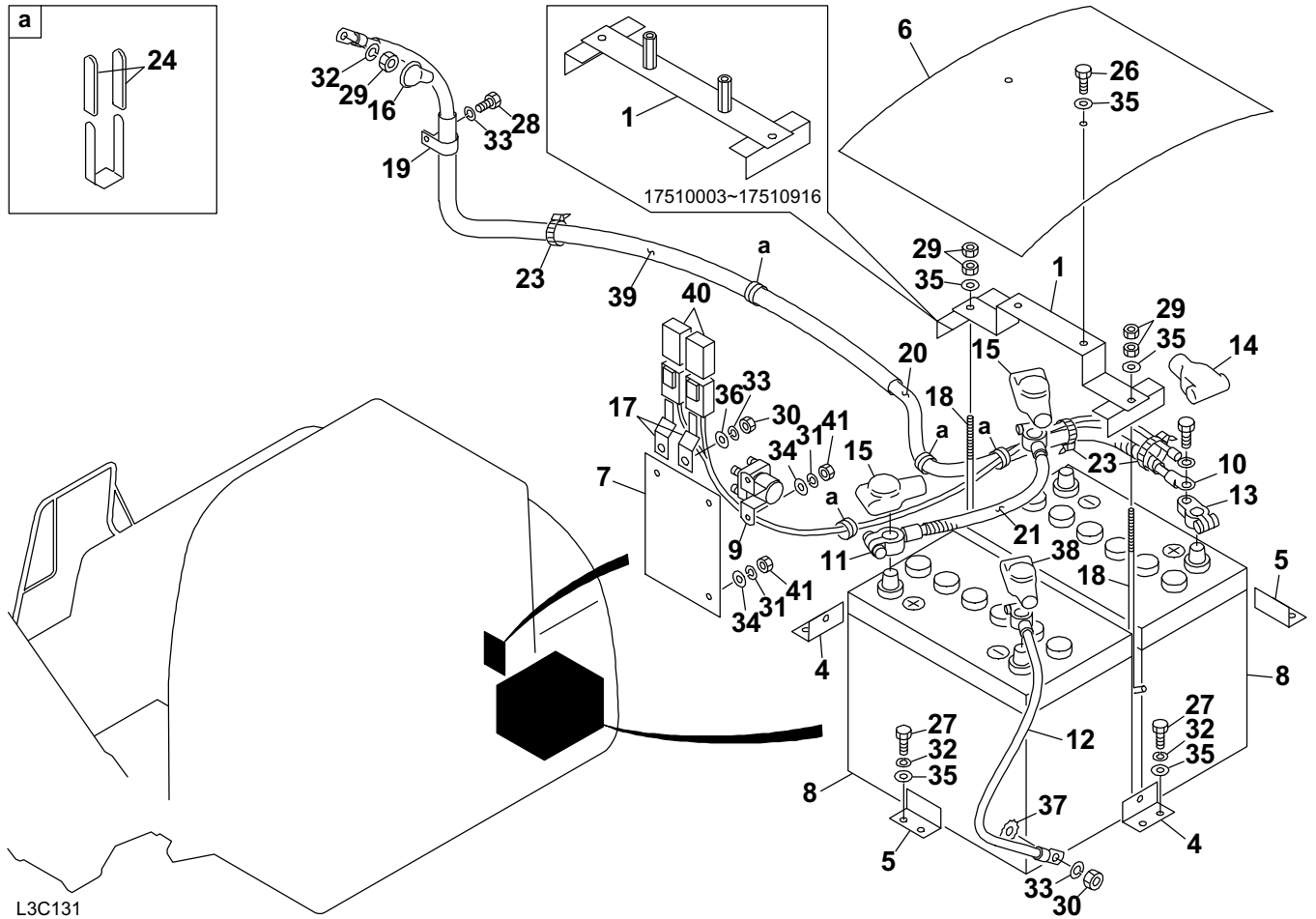
Item	Part number	Description	Q'ty	Chan.	Serial No.	Serv.	Remarks
1	0564228100	ALAME ASSY, travel	1				
		HARNES, wiring	1				
1-1	1730500008	· DIODE (3A yellow)	1				
2	0354211050	BUZZER	1	A	17510003~1751#		
	1703700014	BUZZER	1	a(H)	1751#~		No. 23665
3	1700100012	SWITCH , pressure	1				
4	1711900049	RELAY	1				
5	1501930202	SOCKET	1				
	1420010110	· O-RING	1				
6	1420010110	O-RING	1				
7	1508610201	BUSHING	1				
8	1652231250	BAND	2				
9	1140020006	WASHER, spring	3				
10	1141110006	WASHER	1				
11	1130040006	NUT	3				
12	0564228010	BRACKET	1	a	1751#~		No. 23665
13	0003600110	WASHER	2				

<<NOTE>>

"A" is interchangeable with SET "a".

L3c121

TB175(P-TB175BAB) Book No. BL3Z010 S/N 17510003-
BATTERY (17510003-17512104)

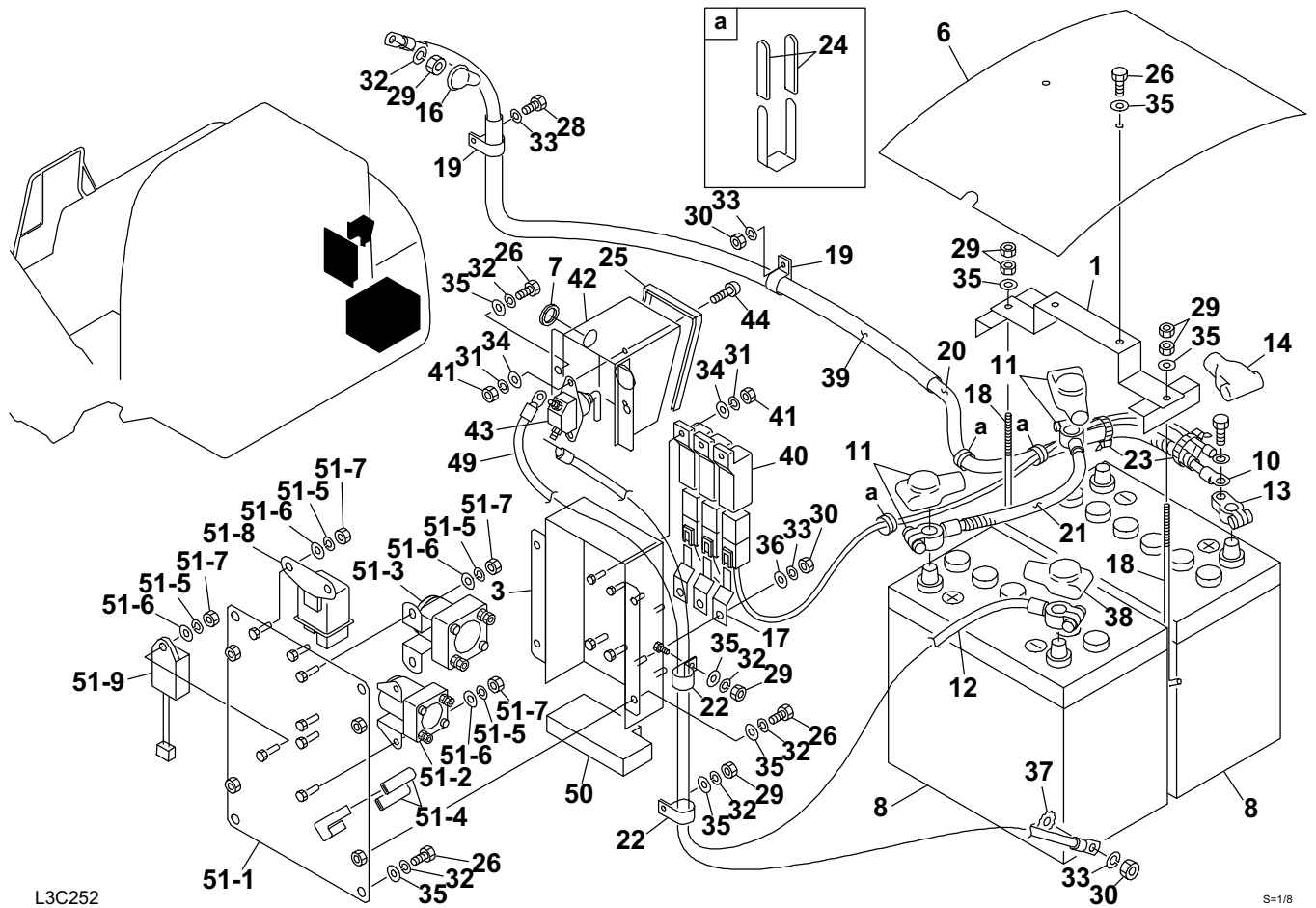


S=1/8

BATTERY (17510003-17512104)

Item	Part number	Description	Q'ty	Chan.	Serial No.	Serv.	Remarks
		BATTERY ASSY					
1	0564417010	CLAMP	1	(L)	17510003~17510916		
	0564422100	CLAMP	1	(H)	17510917~		
4	0564417040	BRACKET	2		17510003~17510188		
5	0564417050	BRACKET	2		17510003~17510188		
6	0564412300	SHEET	1				
7	0564418010	RUBBER	1				
8	1702059531	BATTERY	2				
9	1910145112	RELAY	1				Y127488-77530
10	1702607190	CABLE, battery	1				
11	1702630030	CABLE, battery	1				
12	1702230030	CABLE, earth	1				
13	1702330000	TERMINAL	1				
14	1702920060	COVER	1				
15	1702910006	COVER	2				
16	1910007119	COVER	1				
17	1711900064	CLIP	2				
18	1702108210	BOLT	2				
19	1711900072	CLAMP	1				
20	1703221382	TUBE	1				
21	1703211320	TUBE	1				
23	1652231140	BAND	3				
24	0872433150	TUBE	8				
26	1100040816	BOLT	2				
27	1100040820	BOLT	8		17510003~17510188		
28	1100041016	BOLT	1				
29	1130040008	NUT	5				
30	1130040010	NUT	3				
31	1140020006	WASHER, spring	7				
32	1140020008	WASHER, spring	9		17510003~17510188		
	1140020008	WASHER, spring	1		17510189~		
33	1140020010	WASHER, spring	4				
34	1141110006	WASHER	7				
35	1141110008	WASHER	12		17510003~17510188		
	1141110008	WASHER	4		17510189~		
36	1141110010	WASHER	2				
37	1140330010	WASHER	1				
38	1702910016	COVER	1				
39	1531325100	PROTECTOR	1				sold by the meter
40	1700100038	COVER	2				
41	1130040006	NUT	7				
	L3c132						

TB175(P-TB175BAB) Book No. BL3Z010 S/N 17510003-
BATTERY (17512105-)

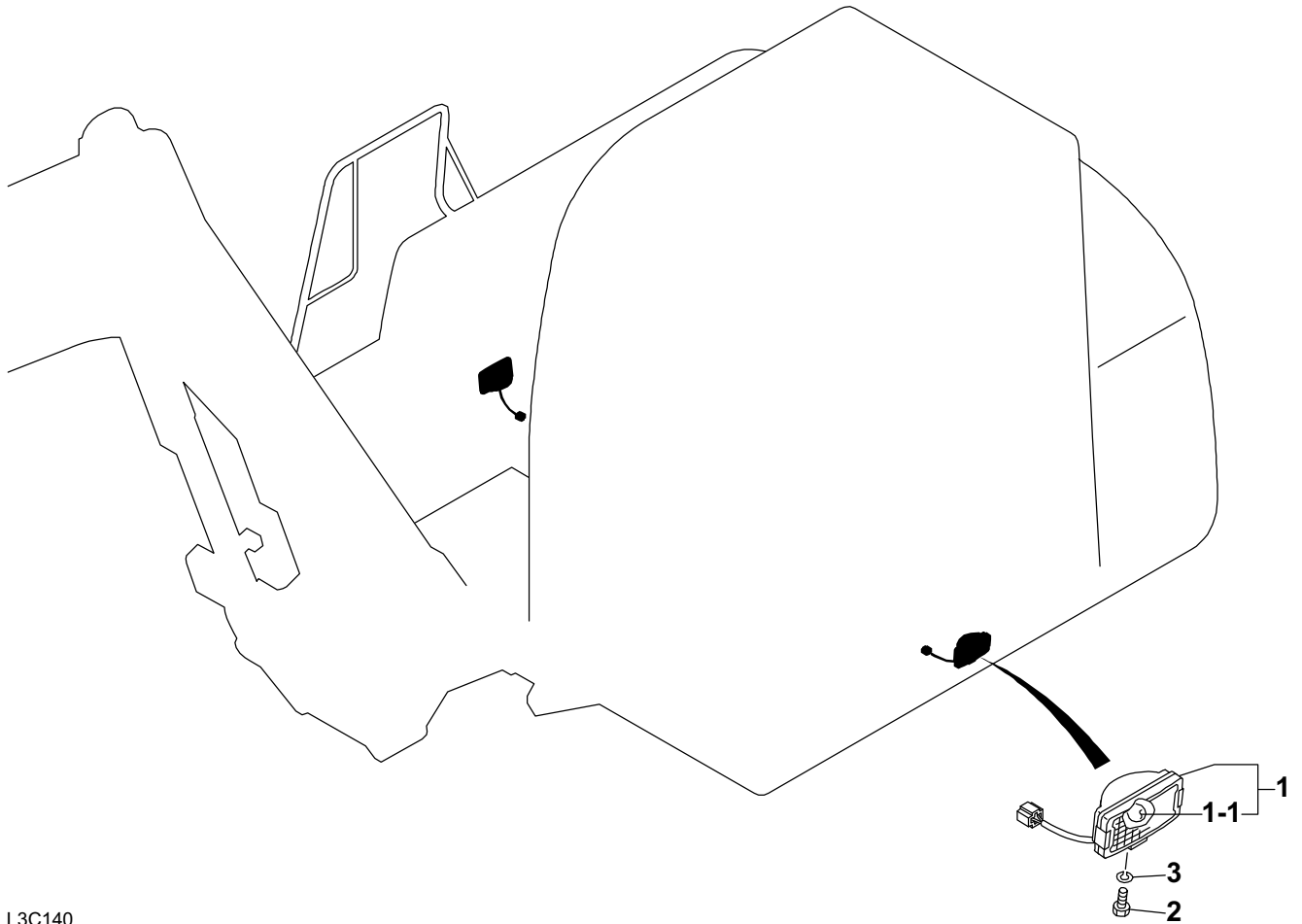


L3C252

S=1/8

BATTERY (17512105-)						
Item	Part number	Description	Q'ty	Chan.	Serial No.	Serv. Remarks
		BATTERY ASSY				
1	0564422100	CLAMP	1			
3	0564422510	COVER	1			
6	0564420650	SHEET	1			
7	1652052400	GROMMET	1		17512504~	
8	1702059531	BATTERY	2		17510003~17512965	
	1702069531	BATTERY	2	(H)	17512966~	
10	1702607190	CABLE, battery	1			
11	1702630030	CABLE, battery	1			
12	1702230065	CABLE, earth	1			
13	1702330000	TERMINAL	1			
14	1702920060	COVER	1			
16	1910007119	COVER	1			Y124550-77030
17	1711900064	CLIP	3			
18	1702108210	BOLT	2			
19	1711900072	CLAMP	2			
20	1703221382	TUBE	1			
21	1703211320	TUBE	1			
22	1711900071	CLAMP	2			
23	1652231140	BAND	2			
24	0872433150	TUBE	6			
25	1653917037	TRIM	1			sold by the meter
26	1100040816	BOLT	10			
28	1100041016	BOLT	1			
29	1130040008	NUT	7			
30	1130040010	NUT	5			
31	1140020006	WASHER, spring	4			
32	1140020008	WASHER, spring	13			
33	1140020010	WASHER, spring	6			
34	1141110006	WASHER	4			
35	1141110008	WASHER	14			
36	1141110010	WASHER	3			
37	1140330010	WASHER	1			
38	1702910016	COVER	1			
39	1531325180	PROTECTOR	1			sold by the meter
40	1700100038	COVER	3			
41	1130040006	NUT	4			
42	0564420630	BOX	1			
43	1700100051	SWITCH, battery	1			
44	1120530620	SCREW	2			
49	1702531080	CABLE, earth	1			
50	0564420640	SPONGE	1			
51	0564425000	RELAY ASSY	1			
51-1	0564420610	· PLATE	1			
51-2	1910151125	· RELAY, magnetic	1			Y119129-77910
51-3	1910145112	· RELAY	1			Y127488-77530
51-4	0872433150	· TUBE	2			
51-5	1140020006	· WASHER, spring	7			
51-6	1141110006	· WASHER	7			
51-7	1130040006	· NUT	7			
51-8	1910183118	· RELAY, stop solenoid	1			Y129612-77910
51-9	1910183119	· TIMER	1			Y129612-77920
	L3c255					

TB175(P-TB175BAB) Book No. BL3Z010 S/N 17510003-
SIDE LIGHT



L3C140

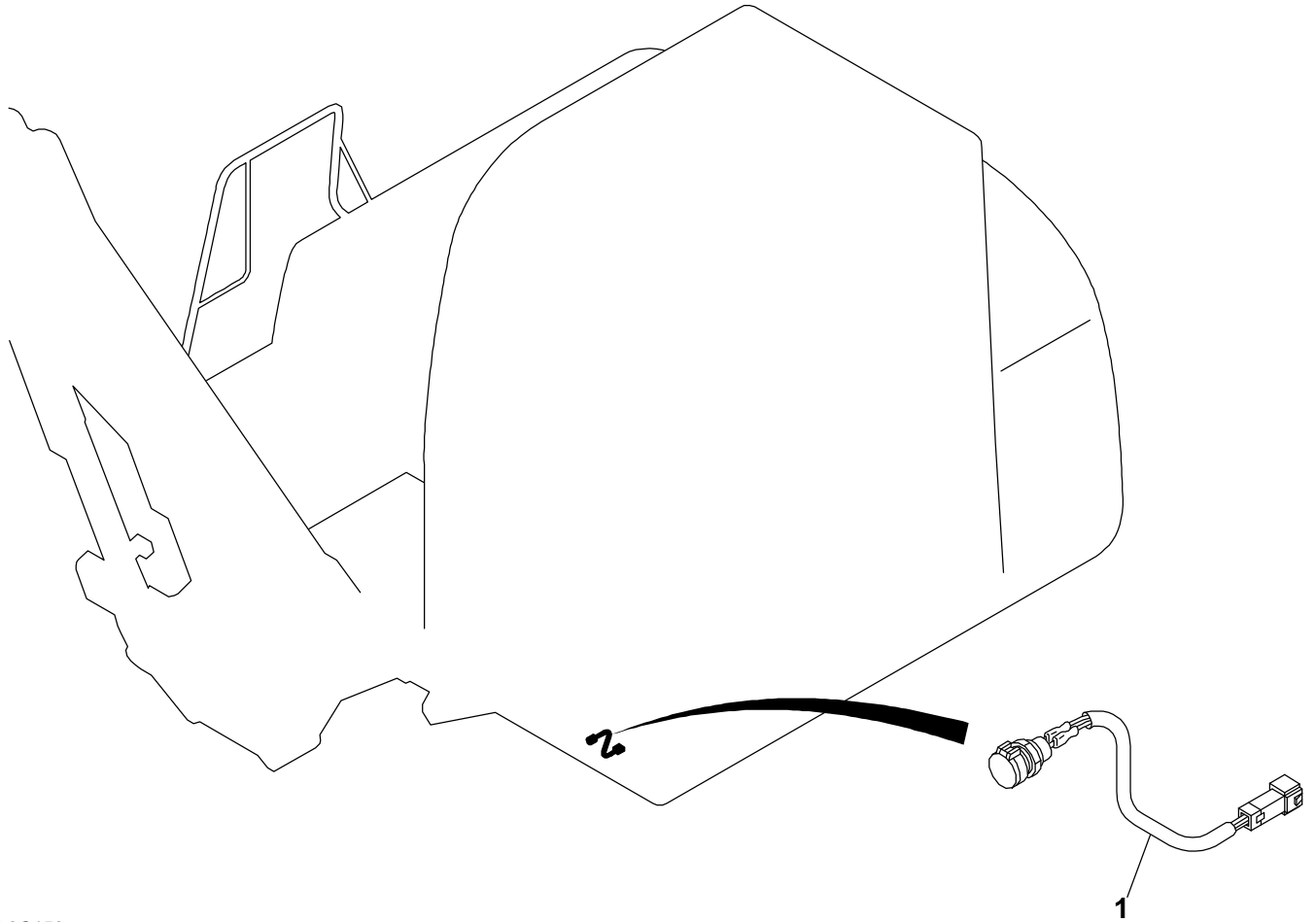
S=1/20, 1/7

SIDE LIGHT

Item	Part number	Description	Q'ty	Chan.	Serial No.	Serv.	Remarks
1	1703004000	LIGHT ASSY, side	2				
1-1	1703004001	LAMP ASSY	2				
2	1100040816	· BULB	1				
2	1100040816	BOLT	2				
3	1140020008	WASHER, spring	2				

L3c141

TB175(P-TB175BAB) Book No. BL3Z010 S/N 17510003-
MAINTENANCE LIGHT SOCKET



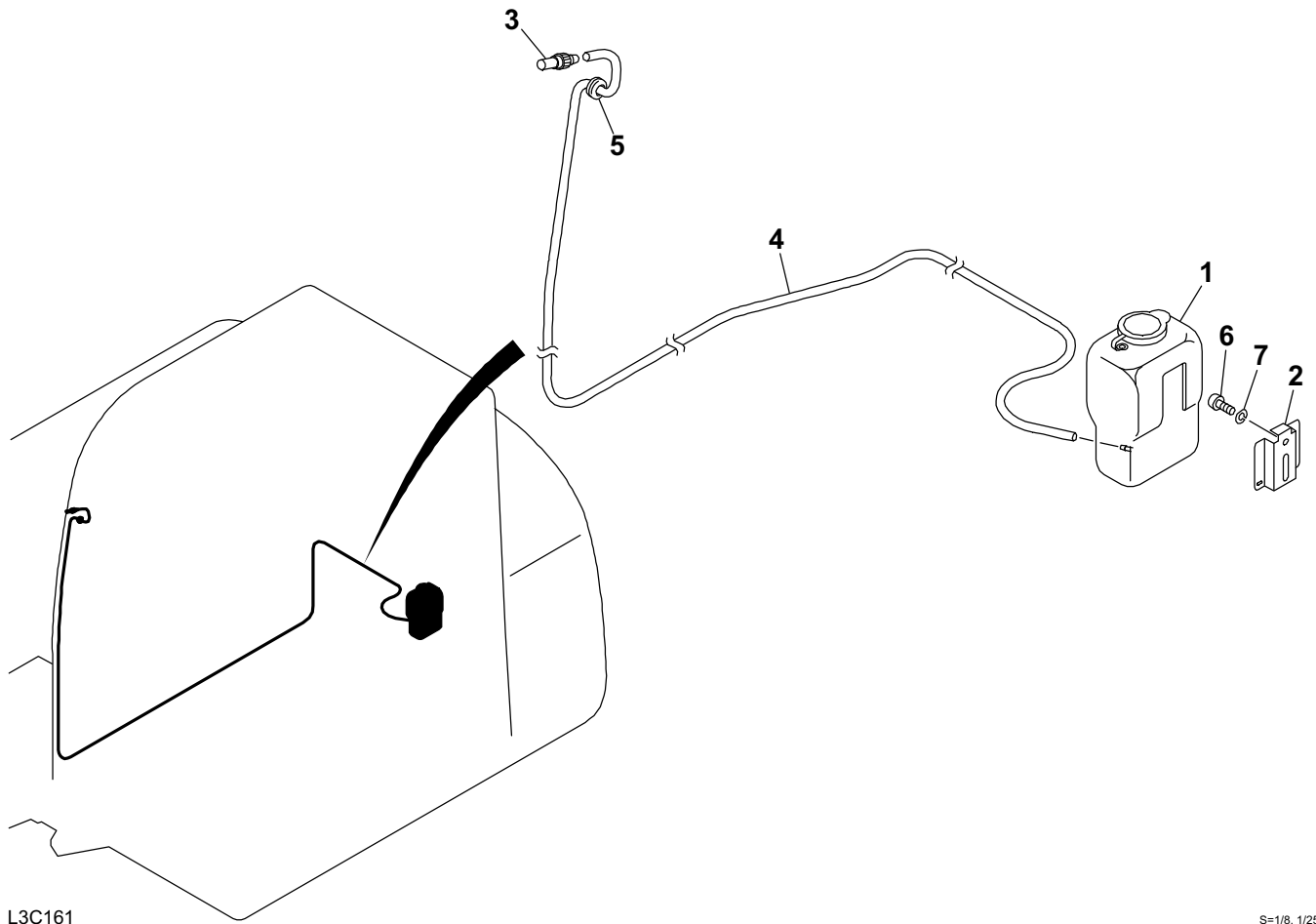
L3C150

S=1/20

MAINTENANCE LIGHT SOCKET

Item	Part number	Description	Q'ty	Chan.	Serial No.	Serv.	Remarks
1	0394203100	SOCKET ASSY, maintenance light					
	L3c150	SOCKET ASSY	1				

TB175(P-TB175BAB) Book No. BL3Z010 S/N 17510003-
WINDOW WASHER



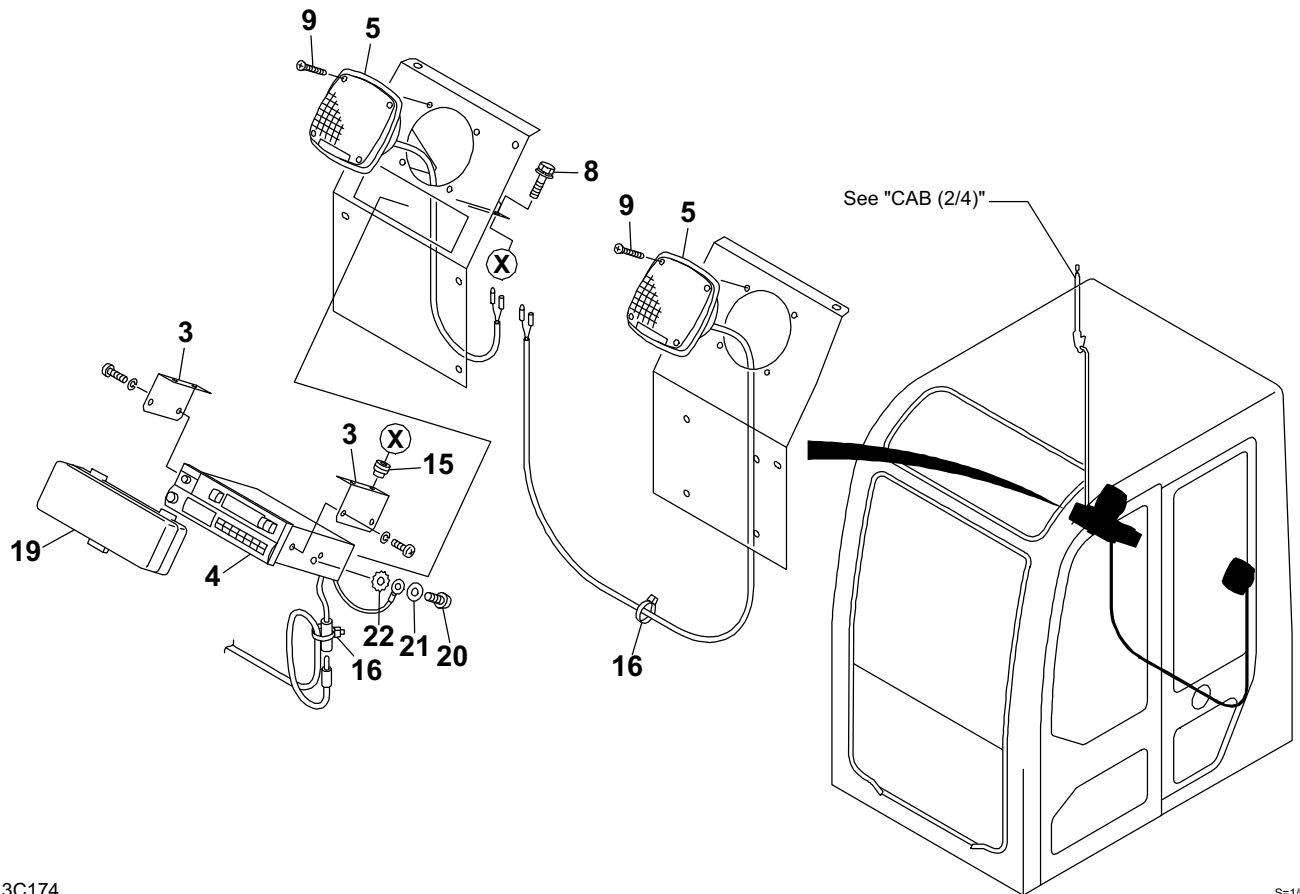
L3C161

S=1/8, 1/25

WINDOW WASHER

Item	Part number	Description	Q'ty	Chan.	Serial No.	Serv.	Remarks
		WASHER ASSY, window					
1	1711910061	TANK	1				
2	1711910062	BRACKET	1				
3	1711910070	NOZZLE, washer	1				
4	1711910063	HOSE	1				sold by the meter
5	1652001002	GROMMET	2				
6	1120530614	SCREW	2				
7	1140020006	WASHER, spring	2				
	L3c162						

TB175(P-TB175BAB) Book No. BL3Z010 S/N 17510003-
RADIO

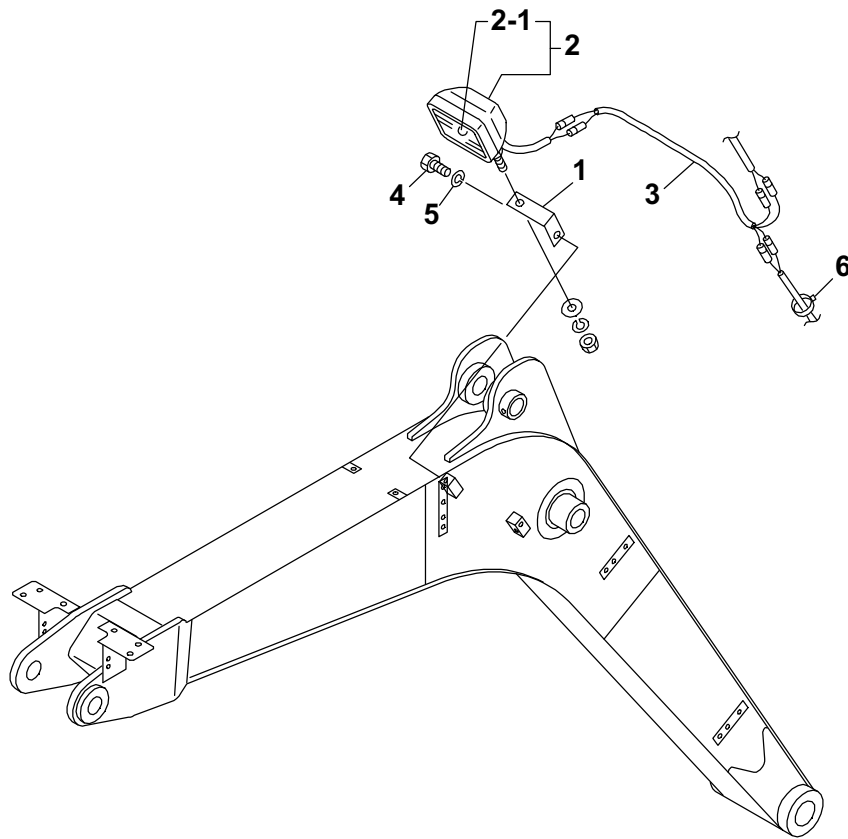


L3C174

S=1/9, 1/25

RADIO					
Item	Part number	Description	Q'ty	Chan.	Serial No. Serv. Remarks
		RADIO ASSY (Japan)			
		RADIO ASSY (America)			
		RADIO ASSY (Europe, Asia, Oceania)			
3	0564708720	BRACKET	2		
4	1705003900	CASSETTE STEREO (Europe, Asia, Oceania)	1		
	1705004000	CASSETTE STEREO (America)	1		
	1705004100	CASSETTE STEREO (Japan)	1		
5	1705002150	SPEAKER	2		
8	1150410520	BOLT, sems	4		
9	1120730420	SCREW	8		
15	1652520005	NUT	4		
16	1652231100	BAND	2		
19	1705003650	COVER	1		17510249~
20	1120530612	SCREW	1		
21	1141110006	WASHER	1		
22	1140330006	WASHER	1		
	L3c176				

TB175(P-TB175BAB) Book No. BL3Z010 S/N 17510003-
BOOM LIGHT



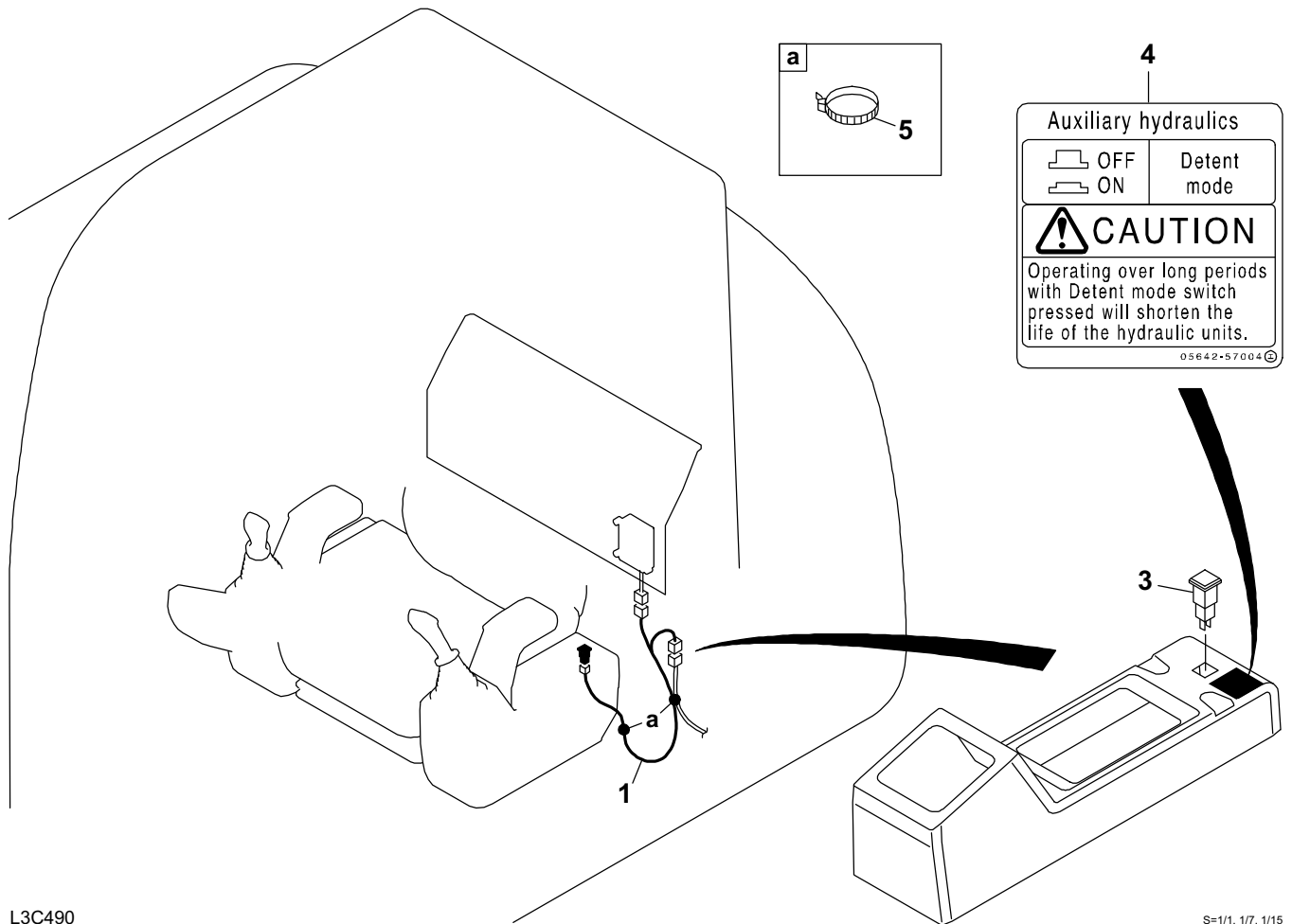
L3C370

S=1/20

BOOM LIGHT

Item	Part number	Description	Q'ty	Chan.	Serial No.	Serv.	Remarks
0	0566046500	BOOM LAMP ASSY					
1	0566013100	· BRACKET	1				
2	1703003900	· LAMP ASSY	1				M
	1703003901	· · BULB	1				
3	0566046510	· HARNESS, wiring	1				
4	1100041020	· BOLT	1				
5	1140020010	· WASHER, spring	1				
6	1652201005	· BAND	1				
	L3c371						

TB175(P-TB175BAB) Book No. BL3Z010 S/N 17510003-
SERVICE DETENT



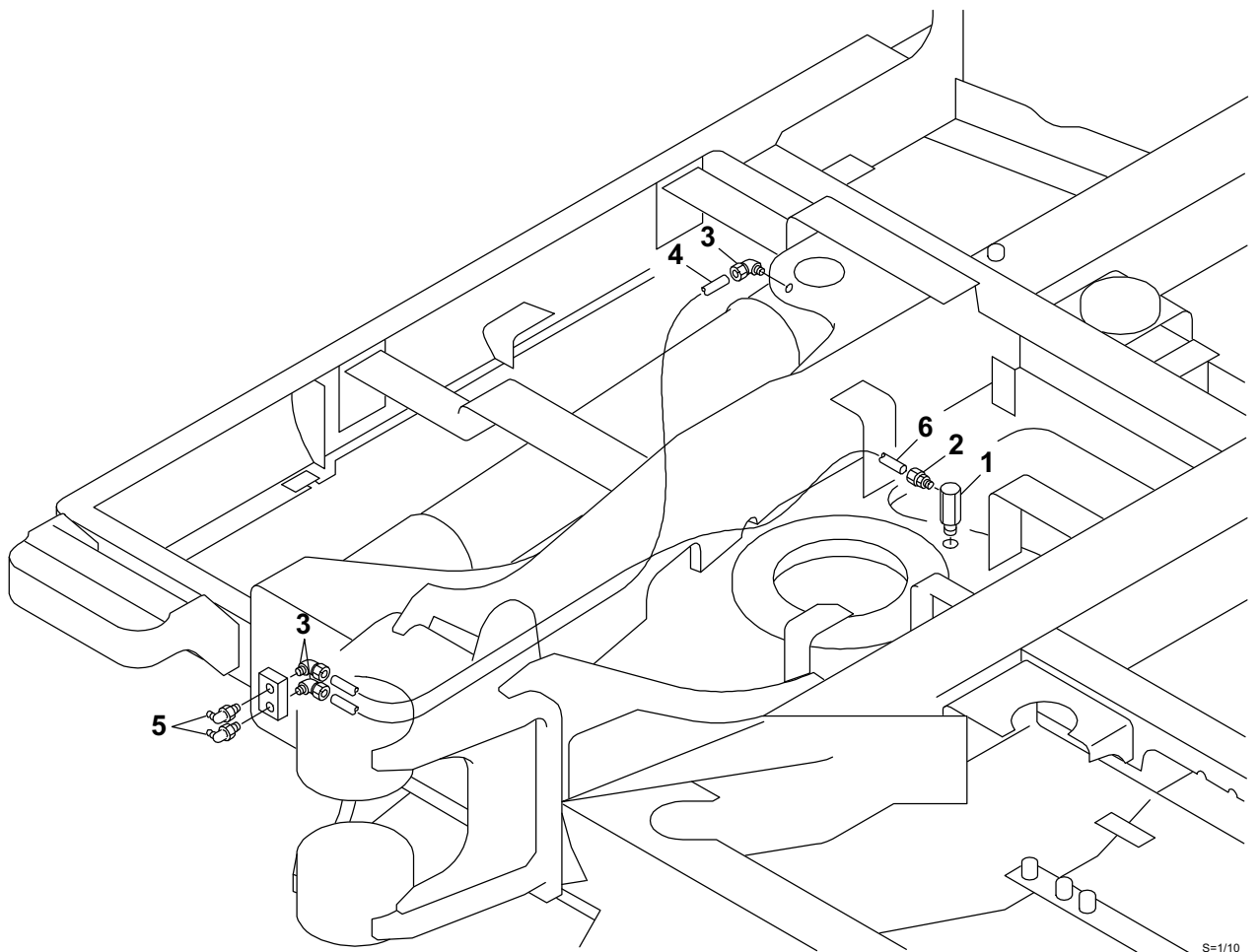
L3C490

S=1/1, 1/7, 1/15

SERVICE DETENT

Item	Part number	Description	Q'ty	Chan.	Serial No.	Serv.	Remarks
1	0564202200	DETENT ASSY, service	1			M	
3	1700000041	HARNESS, wiring	1			M	
4	0564257004	SWITCH, lamp	1			M	
5	1652231250	DECAL	1			M	
	L3c490	BAND	2			M	

TB175(P-TB175BAB) Book No. BL3Z010 S/N 17510003-
GREASE PIPING



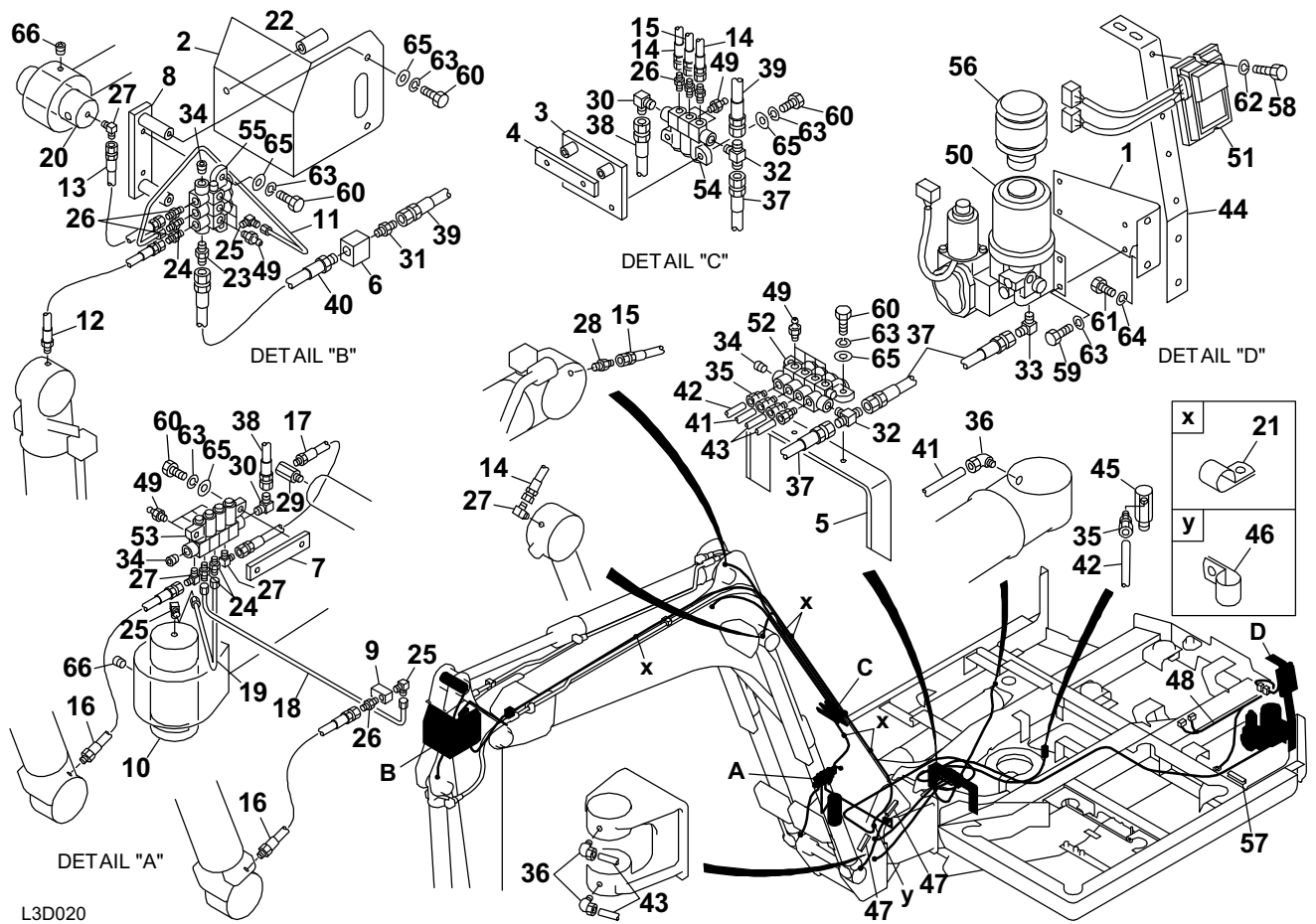
L3D011

S-1/10

GREASE PIPING

Item	Part number	Description	Q'ty	Chan.	Serial No.	Serv.	Remarks
		PIPING ASSY, grease					
1	0007262005	ELBOW	1				
2	1532520601	CONNECTOR	1				
3	1532620601	ELBOW	3				
4	1532120640	TUBE	1				sold by the meter
5	1560001675	FITTING, grease	2				
6	1532120630	TUBE	1				sold by the meter
	L3d011						

**TB175(P-TB175BAB) Book No. BL3Z010 S/N 17510003-
AUTO GREASING SYSTEM**



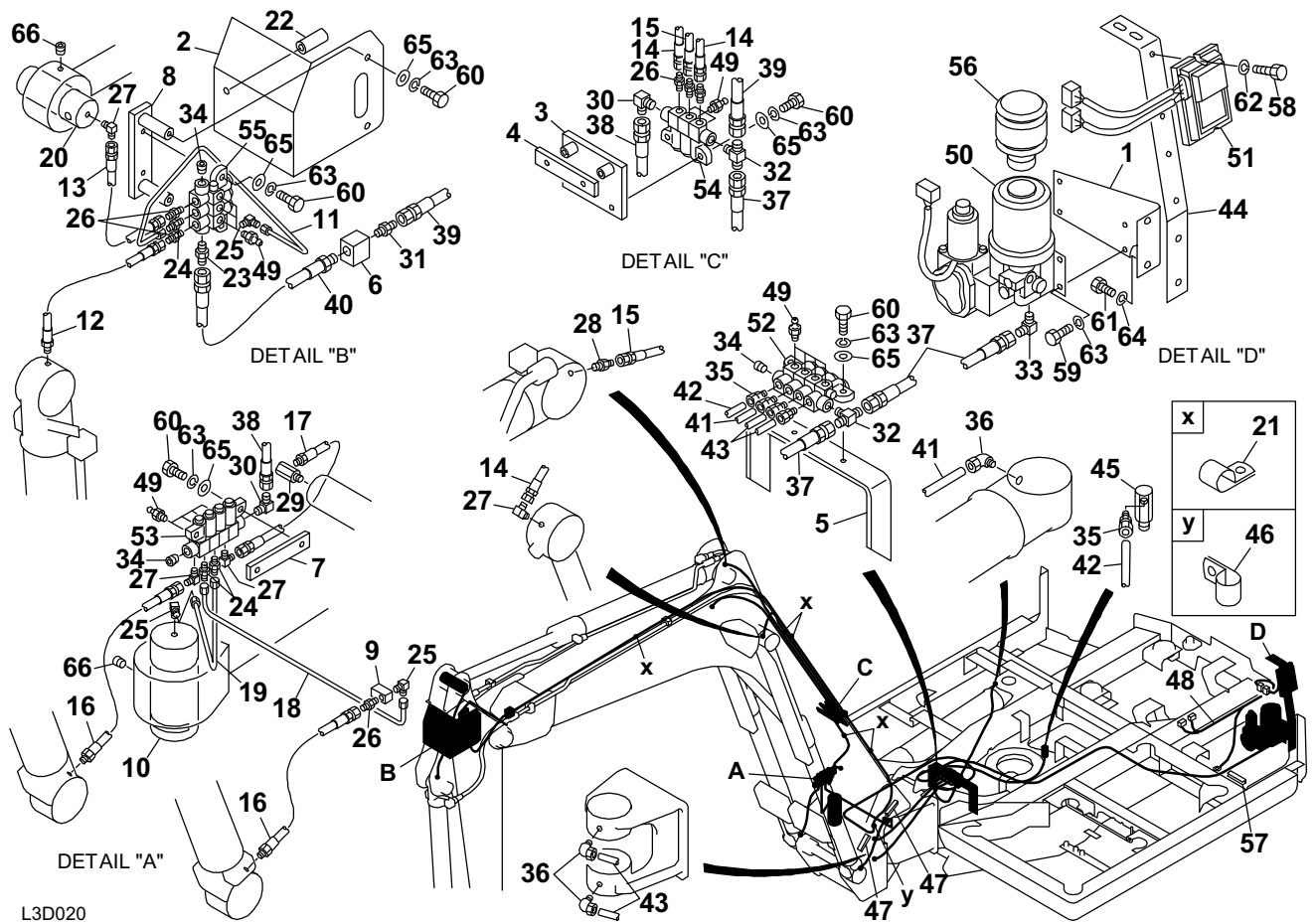
L3D020

S=1/10, 1/12, 1/35

AUTO GREASING SYSTEM

Item	Part number	Description	Q'ty	Chan.	Serial No.	Serv.	Remarks
		AUTO GREASING SYSTEM					
		AUTO GREASING SYSTEM (long arm)					
1	0562404400	BRACKET	1				
2	0562404110	COVER	1				
3	0562404120	BRACKET	1				
4	0562404130	PLATE	1				
5	0562404140	PLATE	1				
6	0562403060	BLOCK	1				
7	0562404150	PLATE	1				
8	0562404160	BRACKET	1				
9	0562404170	BLOCK	1				
10	0562403270	PIN	1				
11	0562404180	PIPE	1				
	0562405110	PIPE	1				long arm
12	0562404310	HOSE ASSY	1				
	0562405120	HOSE ASSY	1				long arm
13	0562404320	HOSE ASSY	1				
14	0562403310	HOSE ASSY	2				
15	0562404330	HOSE ASSY	1				
16	0562403330	HOSE ASSY	2				
17	0562403340	HOSE ASSY	1				
18	0562404190	PIPE	1				
19	0562404200	PIPE	1				
20	0001682002	PIN	1				
21	1652430022	CLAMP	5				
22	0007900058	BLOCK	1				
23	1513400024	ADAPTOR	1				
24	1502120601	CONNECTOR	3				
25	1502320601	NIPPLE	3				
26	1513400021	ADAPTOR	6				
27	1513400022	ELBOW	5				
28	1513400023	ADAPTOR	1				
29	0007262005	ELBOW	1				
30	1511150002	ELBOW	2				
31	1515600201	ADAPTOR	1				
	1420010140	O-RING	1				
32	1513390033	TEE	2				
33	1511150003	ADAPTOR	1				
34	1501810002	PLUG	3				
35	1532520601	CONNECTOR	4				
36	1532620601	ELBOW	2				
37	1801520300	HOSE ASSY	2				
38	1801500100	HOSE ASSY	1				
39	1801520330	HOSE ASSY	1				
40	1801602045	HOSE ASSY	1				
	1801602050	HOSE ASSY	1				long arm
41	1532120620	TUBE	1				sold by the meter
42	1532120610	TUBE	1				sold by the meter
43	1532020670	TUBE	2				sold by the meter
44	0562404210	STAY	1				
45	0007262005	ELBOW	1				
46	0007300053	CLAMP	1				
47	1653916010	TRIM	2				sold by the meter
48	0562404220	WIRE	1				
49	1560001000	FITTING, grease	14				
50	1711910130	PUMP, electric	1				
51	1711910140	CONTROLLER	1				
52	1711910150	VALVE	1				
53	1711910160	VALVE	1				
54	1711910170	VALVE	1				

**TB175(P-TB175BAB) Book No. BL3Z010 S/N 17510003-
AUTO GREASING SYSTEM**



L3D020

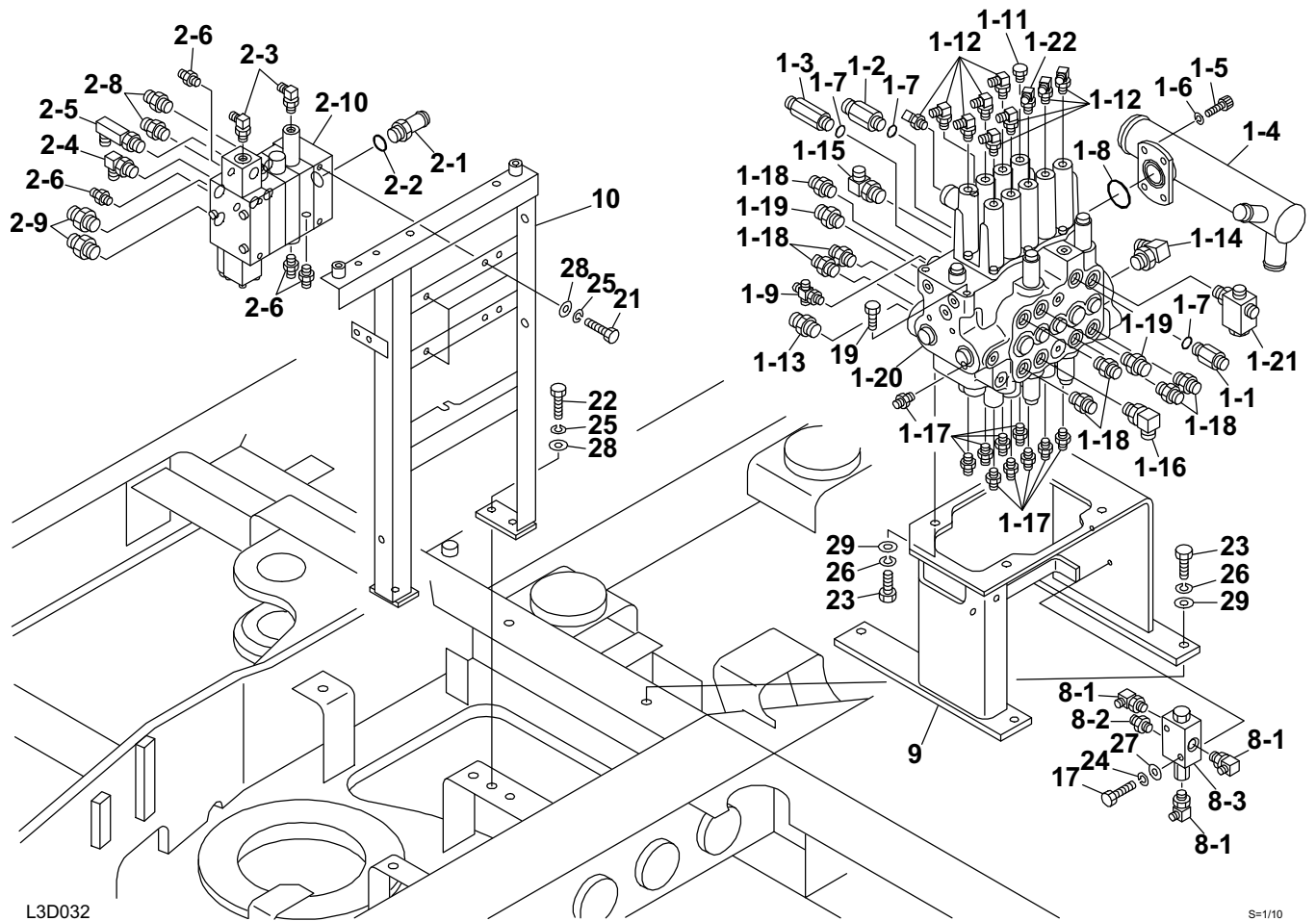
S=1/10, 1/12, 1/35

AUTO GREASING SYSTEM

Item	Part number	Description	Q'ty	Chan.	Serial No.	Serv.	Remarks
55	1711910180	VALVE	1				
56	1711910192	GREASE, cartridge	1				
57	1653916012	TRIM	1				sold by the meter
58	1100040520	BOLT	2				
59	1100040816	BOLT	4				
60	1100040825	BOLT	10				
61	1100041020	BOLT	2				
62	1140020005	WASHER, spring	2				
63	1140020008	WASHER, spring	14				
64	1140020010	WASHER, spring	2				
65	1141110008	WASHER	10				
66	1501810001	PLUG	2				

L3d020

TB175(P-TB175BAB) Book No. BL3Z010 S/N 17510003-
VALVE & ACCESSORIES (1/2) (17510003-17511262)



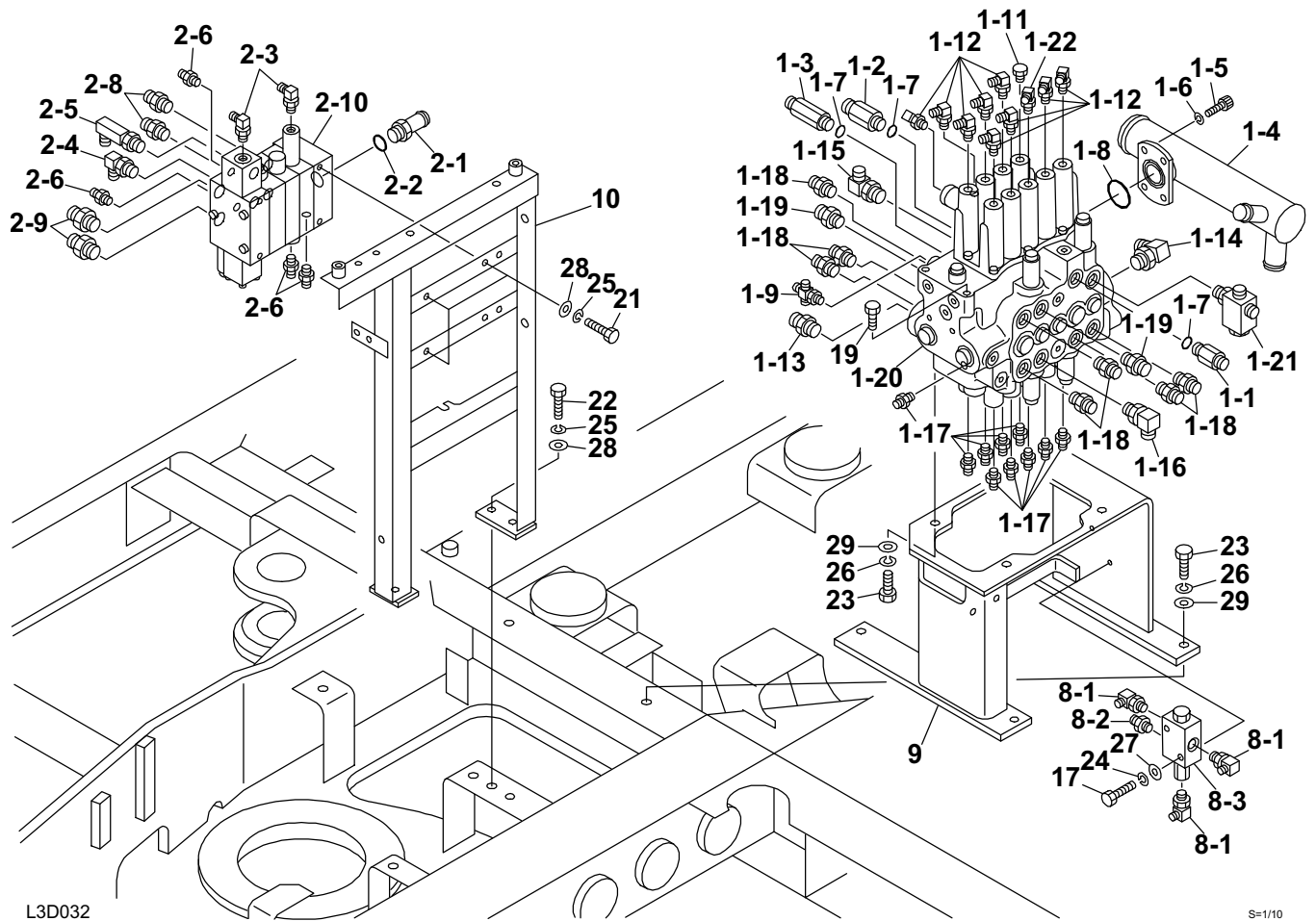
L3D032

S=1/10

VALVE & ACCESSORIES (1/2) (17510003-17511262)

Item	Part number	Description	Q'ty	Chan.	Serial No.	Serv.	Remarks
		VALVE ASSY, control					
1	X *****	VALVE SUB ASY, control	1				
1-1	0007203033	· CONNECTOR	1				
1-2	0007203076	· ADAPTOR	1				
1-3	0007203074	· ADAPTOR	1				
	1420010180	· · O-RING	1				
1-4	0565029140	· MANIFOLD	1				
1-5	1110041025	· SCREW, cap	4				
1-6	1140020010	· WASHER, spring	4				
1-7	1420010180	· O-RING	3				
1-8	1420100450	· O-RING	1				
1-9	1513390027	· CROSS	1				
	1420010110	· · O-RING	1				
1-11	1501750002	· PLUG	1				
	1420010110	· · O-RING	1				
1-12	1515012040	· ELBOW	9				
	1420010110	· · O-RING	1				
1-13	1515600203	· ADAPTOR	1				
	1420010240	· · O-RING	1				
1-14	1515010043	· ELBOW	1				
	1420010240	· · O-RING	1				
1-15	1515010052	· ELBOW	1				
	1420010240	· · O-RING	1				
1-16	1515010132	· ELBOW	1				
	1420010180	· · O-RING	1				
1-17	1515600200	· ADAPTOR	10				
	1420010110	· · O-RING	1				
1-18	1515600202	· ADAPTOR	7				
	1420010180	· · O-RING	1				
1-19	1515600573	· ADAPTOR	2				
	1420010180	· · O-RING	1				
1-20	1901037800	· VALVE, control	1	(L)	17510003~17510626		
	1901040700	· VALVE, control	1	(H)	17510627~		
1-21	1901735400	· ADAPTOR	1				
1-22	0565029150	· ELBOW (with orifice)	1				
2	X *****	VALVE SUB ASY, control	1				
2-1	0007224006	· NIPPLE	1				
2-2	1420010180	· O-RING	1				
2-3	1515010040	· ELBOW	2				
	1420010110	· · O-RING	1				
2-4	1515010041	· ELBOW	1				
	1420010140	· · O-RING	1				
2-5	1515010511	· ELBOW	1				
	1420010140	· · O-RING	1				
2-6	1515600200	· ADAPTOR	4				
	1420010110	· · O-RING	1				
2-8	1515600572	· ADAPTOR	2				
	1420010140	· · O-RING	1				
2-9	1515600573	· ADAPTOR	2				
	1420010180	· · O-RING	1				
2-10	1901039100	· VALVE, control	1				
8	X *****	VALVE ASSY	1				
8-1	1515010040	· ELBOW	3				
	1420010110	· · O-RING	1				
8-2	1515600200	· ADAPTOR	1				
	1420010110	· · O-RING	1				
8-3	1901734800	· VALVE	1				
9	0565029900	BRACKET	1				
10	0565029910	BRACKET	1				
17	1100040850	BOLT	2				

TB175(P-TB175BAB) Book No. BL3Z010 S/N 17510003-
VALVE & ACCESSORIES (1/2) (17510003-17511262)

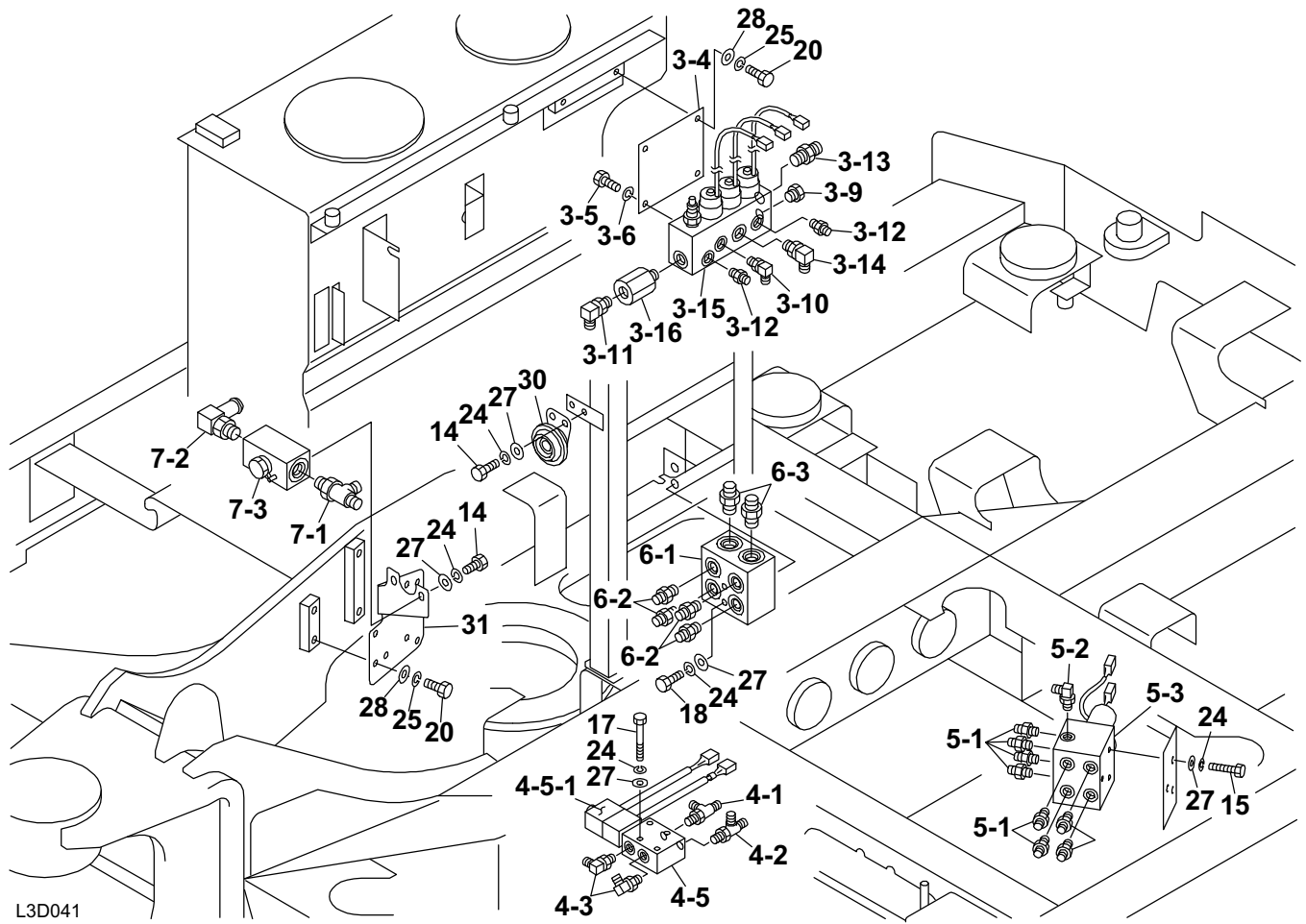


VALVE & ACCESSORIES (1/2) (17510003-17511262)

Item	Part number	Description	Q'ty	Chan.	Serial No.	Serv.	Remarks
19	1100041016	BOLT	3				
21	1100041025	BOLT	3				
22	1100041030	BOLT	3				
23	1100041230	BOLT	8				
24	1140020008	WASHER, spring	2				
25	1140020010	WASHER, spring	6				
26	1140020012	WASHER, spring	8				
27	1141110008	WASHER	2				
28	1141110010	WASHER	6				
29	1141110012	WASHER	8				

L3d032

TB175(P-TB175BAB) Book No. BL3Z010 S/N 17510003-
VALVE & ACCESSORIES (2/2) (17510003-17511262)

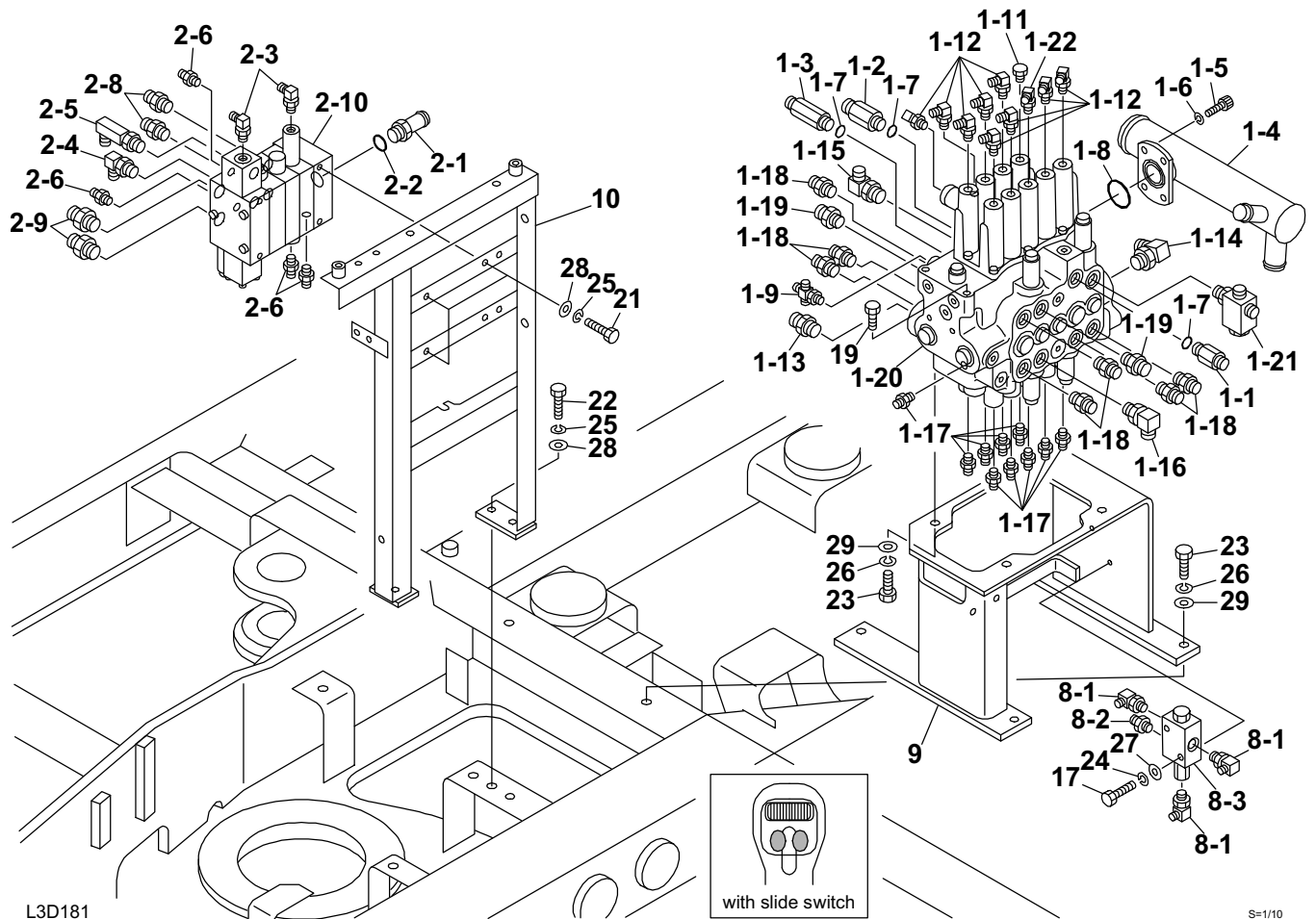


S=1/10

VALVE & ACCESSORIES (2/2) (17510003-17511262)

Item	Part number	Description	Q'ty	Chan.	Serial No.	Serv.	Remarks
3	X *****	VALVE ASSY, control	1				
	X *****	VALVE ASSY, solenoid	1				
3-4	0567016550	· BRACKET	1				
3-5	1100040816	· BOLT	2				
3-6	1140020008	· WASHER, spring	2				
3-9	1501750002	· PLUG	1		17510003~17512104		
	1420010110	· · O-RING	1				
3-10	1515010040	· ELBOW	1				
	1420010110	· · O-RING	1				
3-11	1515010051	· ELBOW	1				
	1420010180	· · O-RING	1				
3-12	1515600200	· ADAPTOR	2				
	1420010110	· · O-RING	1				
3-13	1515600571	· ADAPTOR	1				
	1420010110	· · O-RING	1				
3-14	1515010130	· ELBOW	1				
	1420010110	· · O-RING	1				
3-15	1901723800	· VALVE, solenoid	1				
3-16	1513370047	· BUSHING	1				
	1420010140	· · O-RING	1				
4	X *****	VALVE ASSY, solenoid	1				
4-1	0565029410	· TEE	1				
4-2	1512370011	· TEE	1				
	1420010110	· · O-RING	1				
4-3	1515010040	· ELBOW	2				
	1420010110	· · O-RING	1				
4-5	1901730800	· VALVE, solenoid	1				
4-5-1	1901730802	· · SOLENOID	1				
5	X *****	VALVE ASSY, solenoid	1				
5-1	1515600200	· ADAPTOR	8				
	1420010110	· · O-RING	1				
5-2	1515010040	· ELBOW	1				
	1420010110	· · O-RING	1				
5-3	1901733900	· VALVE, solenoid	1				
6	X *****	MANIFOLD ASSY	1				
6-1	0565029610	· MANIFOLD	1				
6-2	1515600202	· ADAPTOR	4				
	1420010180	· · O-RING	1				
6-3	1515600203	· ADAPTOR	2				
	1420010240	· · O-RING	1				
7	X *****	VALVE ASSY, stop	1				
7-1	1512373008	· TEE	1				
	1420010240	· · O-RING	1				
7-2	1513350005	· CONNECTOR	1				
	1420010240	· · O-RING	1				
7-3	1901723700	· VALVE, stop	1				
14	1100040820	BOLT	4				
15	1100040825	BOLT	3				
17	1100040850	BOLT	2				
18	1100040870	BOLT	2				
20	1100041020	BOLT	6				
24	1140020008	WASHER, spring	11				
25	1140020010	WASHER, spring	6				
27	1141110008	WASHER	11				
28	1141110010	WASHER	6				
30	1703500624	HORN	1				
31	0565033601	PLATE	1				
	L3d042						

**TB175(P-TB175BAB) Book No. BL3Z010 S/N 17510003-
VALVE & ACCESSORIES (1/2) (with slide switch; 17510003-17514411)**



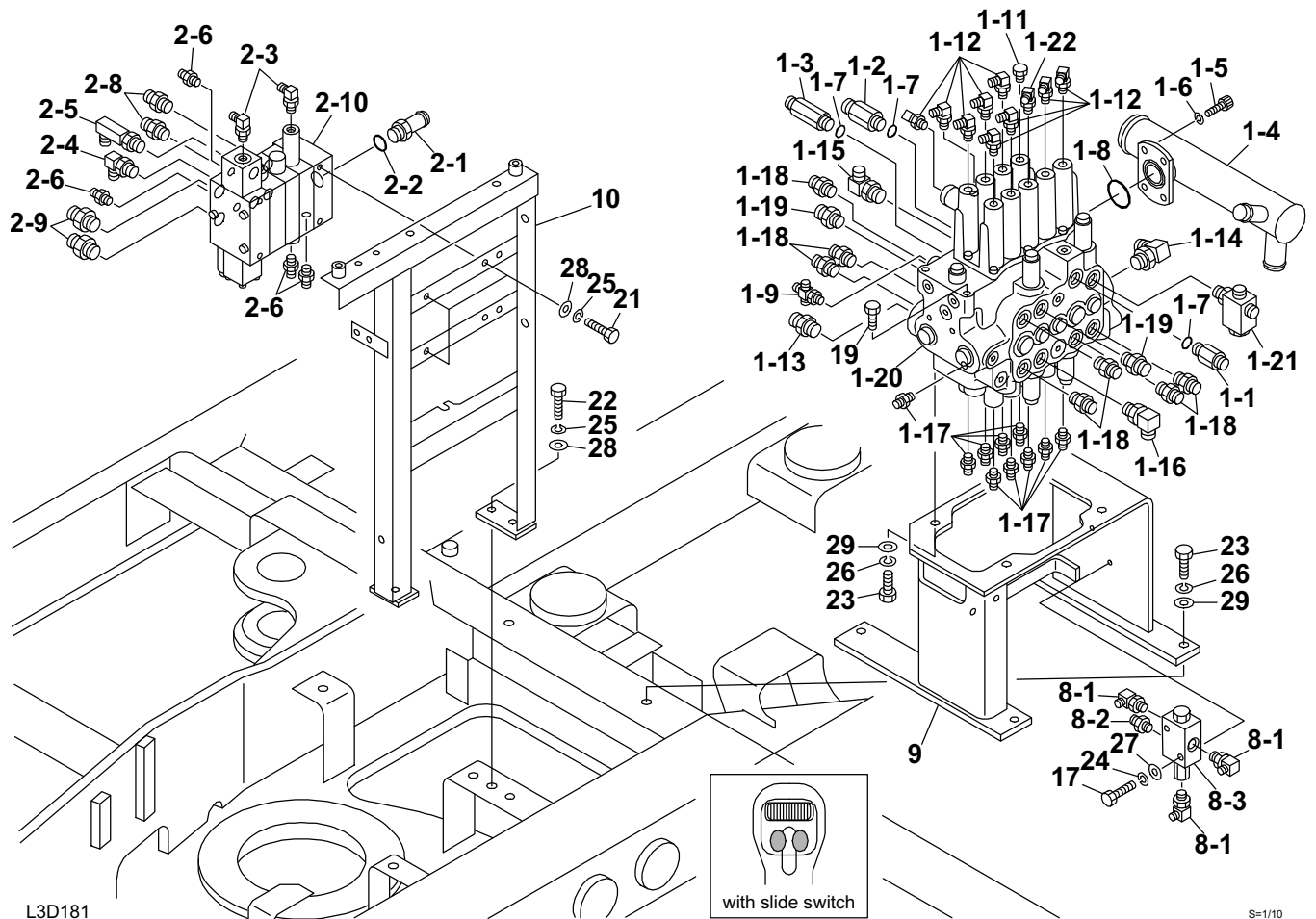
L3D181

S=1/10

VALVE & ACCESSORIES (1/2) (with slide switch; 17510003-17514411)

Item	Part number	Description	Q'ty	Chan.	Serial No.	Serv.	Remarks
		VALVE ASSY, control					
1	X *****	VALVE, control	1				
1-1	0007203033	· ADAPTOR	1				
1-2	0007203076	· ADAPTOR	1				
1-3	0007203074	· ADAPTOR	1				
	1420010180	· · O-RING	1				
1-4	0565029140	· MANIFOLD	1				
1-5	1110041025	· SCREW, cap	4				
1-6	1140020010	· WASHER, spring	4				
1-7	1420010180	· O-RING	3				
1-8	1420100450	· O-RING	1				
1-9	1513390027	· TEE	1				
	1420010110	· · O-RING	1				
1-11	1501750002	· PLUG	1				
	1420010110	· · O-RING	1				
1-12	1515012040	· ELBOW	9				
	1420010110	· · O-RING	1				
1-13	1515600203	· ADAPTOR	1				
	1420010240	· · O-RING	1				
1-14	1515010043	· ELBOW	1				
	1420010240	· · O-RING	1				
1-15	1515010052	· ELBOW	1				
	1420010240	· · O-RING	1				
1-16	1515010132	· ELBOW	1				
	1420010180	· · O-RING	1				
1-17	1515600200	· ADAPTOR	10				
	1420010110	· · O-RING	1				
1-18	1515600202	· ADAPTOR	7				
	1420010180	· · O-RING	1				
1-19	1515600573	· ADAPTOR	2				
	1420010180	· · O-RING	1				
1-20	1901040700	· VALVE, control	1				
1-21	1901735400	· ADAPTOR	1				
1-22	0565029150	· ELBOW (with orifice)	1				
2	X *****	VALVE, control	1				
2-1	0007224006	· ADAPTOR	1				
2-2	1420010180	· O-RING	1				
2-3	1515012040	· ELBOW	2				
	1420010110	· · O-RING	1				
2-4	1515010041	· ELBOW	1				
	1420010140	· · O-RING	1				
2-5	1515010511	· ELBOW	1				
	1420010140	· · O-RING	1				
2-6	1515600200	· ADAPTOR	4				
	1420010110	· · O-RING	1				
2-8	1515600572	· ADAPTOR	2				
	1420010140	· · O-RING	1				
2-9	1515600573	· ADAPTOR	2				
	1420010180	· · O-RING	1				
2-10	1901039100	· VALVE, control	1				
8	X *****	VALVE ASSY	1				
8-1	1515012040	· ELBOW	3				
	1420010110	· · O-RING	1				
8-2	1515600200	· ADAPTOR	1				
	1420010110	· · O-RING	1				
8-3	1901734800	· VALVE	1				
9	0565029900	BRACKET	1				
10	0565029910	BRACKET	1				
17	1100040850	BOLT	2				
19	1100041016	BOLT	3				

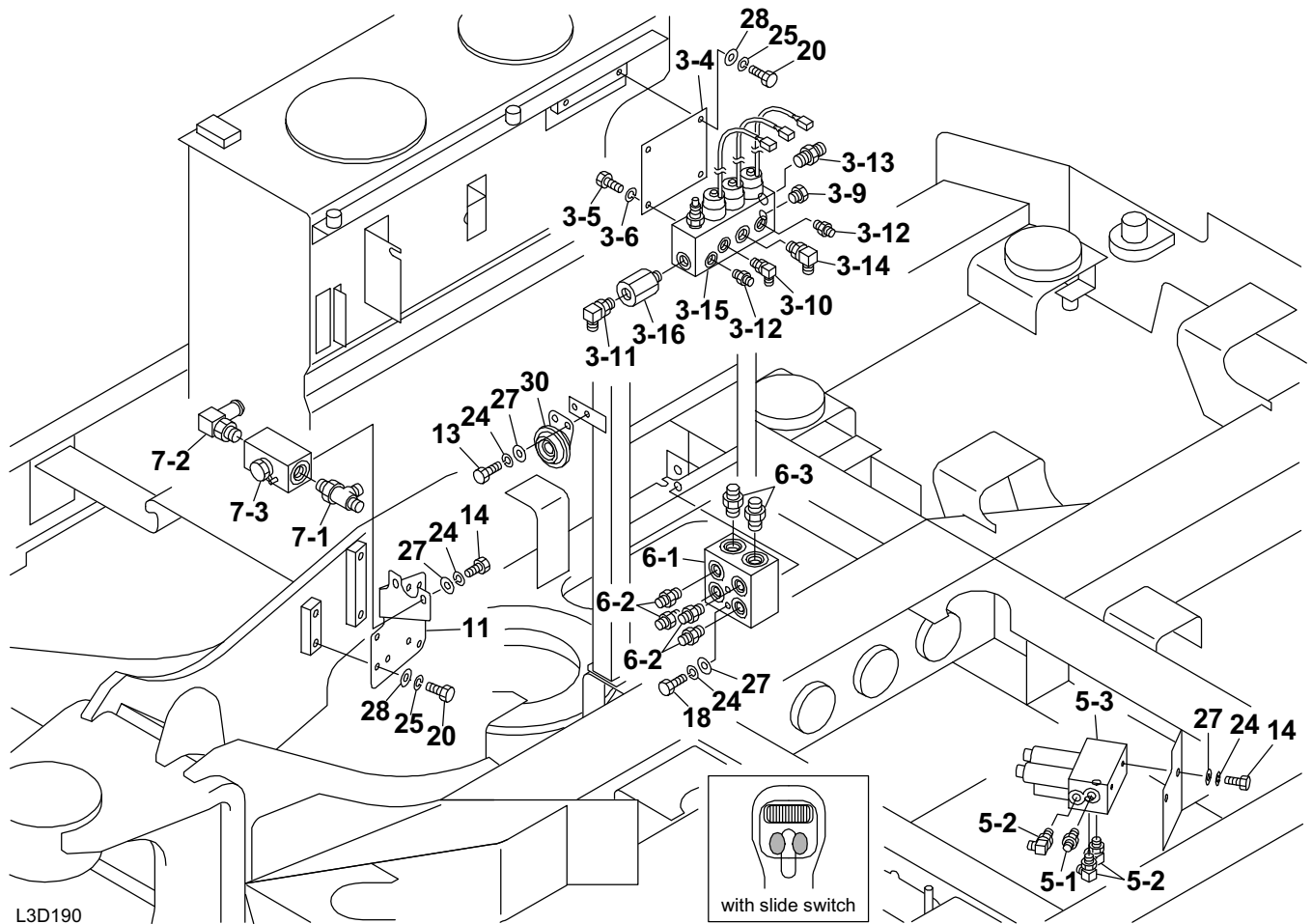
TB175(P-TB175BAB) Book No. BL3Z010 S/N 17510003-
VALVE & ACCESSORIES (1/2) (with slide switch; 17510003-17514411)



VALVE & ACCESSORIES (1/2) (with slide switch; 17510003-17514411)

Item	Part number	Description	Q'ty	Chan.	Serial No.	Serv.	Remarks
21	1100041025	BOLT	3				
22	1100041030	BOLT	3				
23	1100041230	BOLT	8				
24	1140020008	WASHER, spring	2				
25	1140020010	WASHER, spring	6				
26	1140020012	WASHER, spring	8				
27	1141110008	WASHER	2				
28	1141110010	WASHER	6				
29	1141110012	WASHER	8				
	L3d181						

**TB175(P-TB175BAB) Book No. BL3Z010 S/N 17510003-
VALVE & ACCESSORIES (2/2) (with slide switch; 17510003-17514411)**



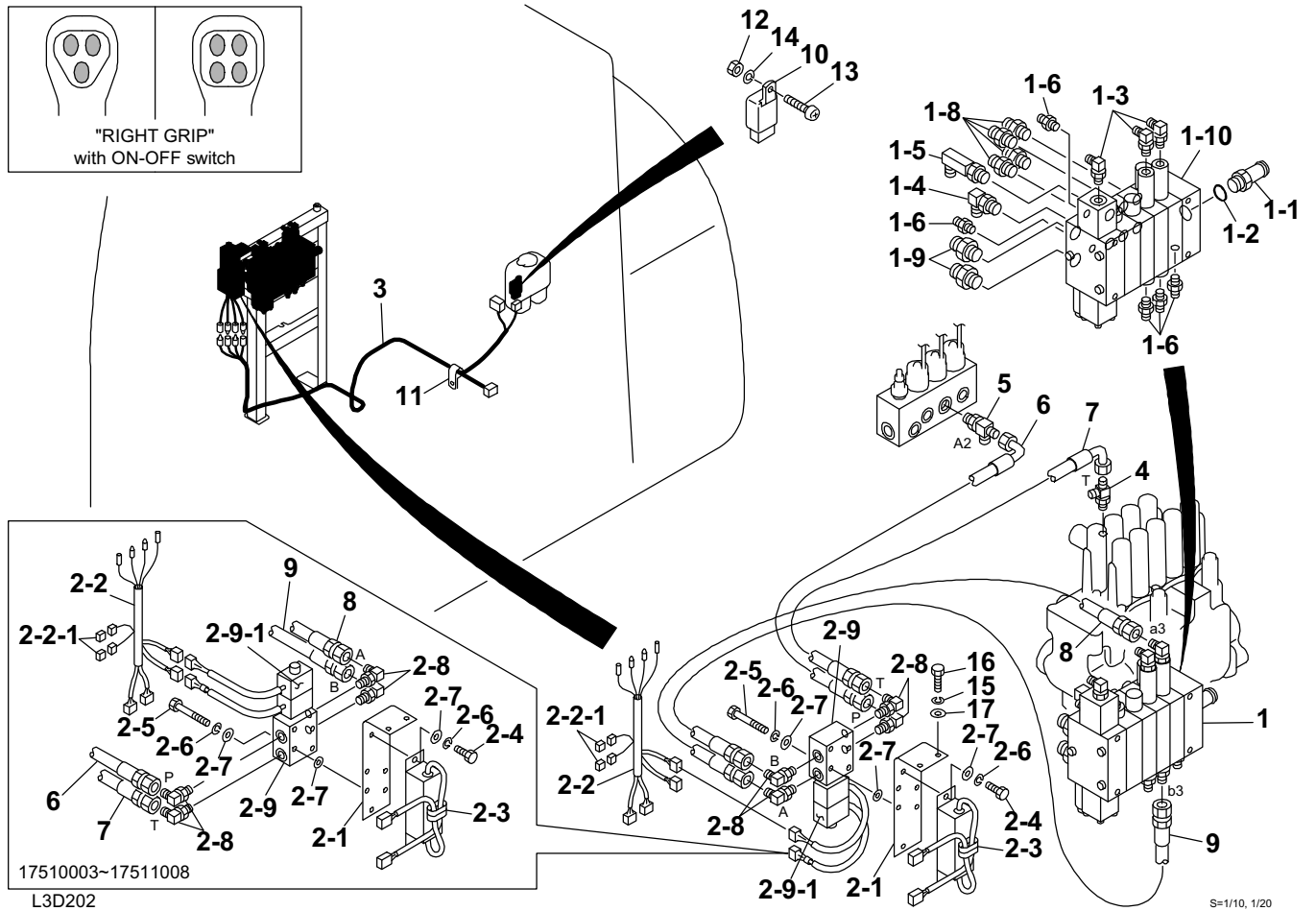
L3D190

S=1/10

VALVE & ACCESSORIES (2/2) (with slide switch; 17510003-17514411)

Item	Part number	Description	Q'ty	Chan.	Serial No.	Serv.	Remarks
		VALVE ASSY, control					
3	X *****	VALVE, solenoid	1				
3-4	0567016550	· BRACKET	1				
3-5	1100040816	· BOLT	2				
3-6	1140020008	· WASHER, spring	2				
3-9	1501750002	· PLUG	1		17510003~17512104		
	1420010110	· · O-RING	1				
3-10	1515012040	· ELBOW	1				
	1420010110	· · O-RING	1				
3-11	1515010051	· ELBOW	1				
	1420010180	· · O-RING	1				
3-12	1515600200	· ADAPTOR	2				
	1420010110	· · O-RING	1				
3-13	1515600571	· ADAPTOR	1				
	1420010110	· · O-RING	1				
3-14	1515010130	· ELBOW	1				
	1420010110	· · O-RING	1				
3-15	1901723800	· VALVE, solenoid	1				
3-16	1513370047	· ADAPTOR (with filter)	1				
	1420010140	· · O-RING	1				
5	X *****	VALVE, solenoid	1				
5-1	1512370008	· ADAPTOR (with filter)	1				
	1420010110	· · O-RING	1				
5-2	1515012040	· ELBOW	3				
	1420010110	· · O-RING	1				
5-3	1901738500	· VALVE, proportional control	1				
6	X *****	MANIFOLD	1				
6-1	0565029610	· MANIFOLD	1				
6-2	1515600202	· ADAPTOR	4				
	1420010180	· · O-RING	1				
6-3	1515600203	· ADAPTOR	2				
	1420010240	· · O-RING	1				
7	X *****	VALVE, stop	1				
7-1	1512373008	· TEE	1				
	1420010240	· · O-RING	1				
7-2	1513350005	· CONNECTOR	1				
	1420010240	· · O-RING	1				
7-3	1901723700	· VALVE, stop	1				
11	0565033601	PLATE	1				
13	1100040816	BOLT	2				
14	1100040820	BOLT	4				
18	1100040870	BOLT	2				
20	1100041020	BOLT	6				
24	1140020008	WASHER, spring	8				
25	1140020010	WASHER, spring	6				
27	1141110008	WASHER	8				
28	1141110010	WASHER	6				
30	1703500624	HORN	1				
	L3d192						

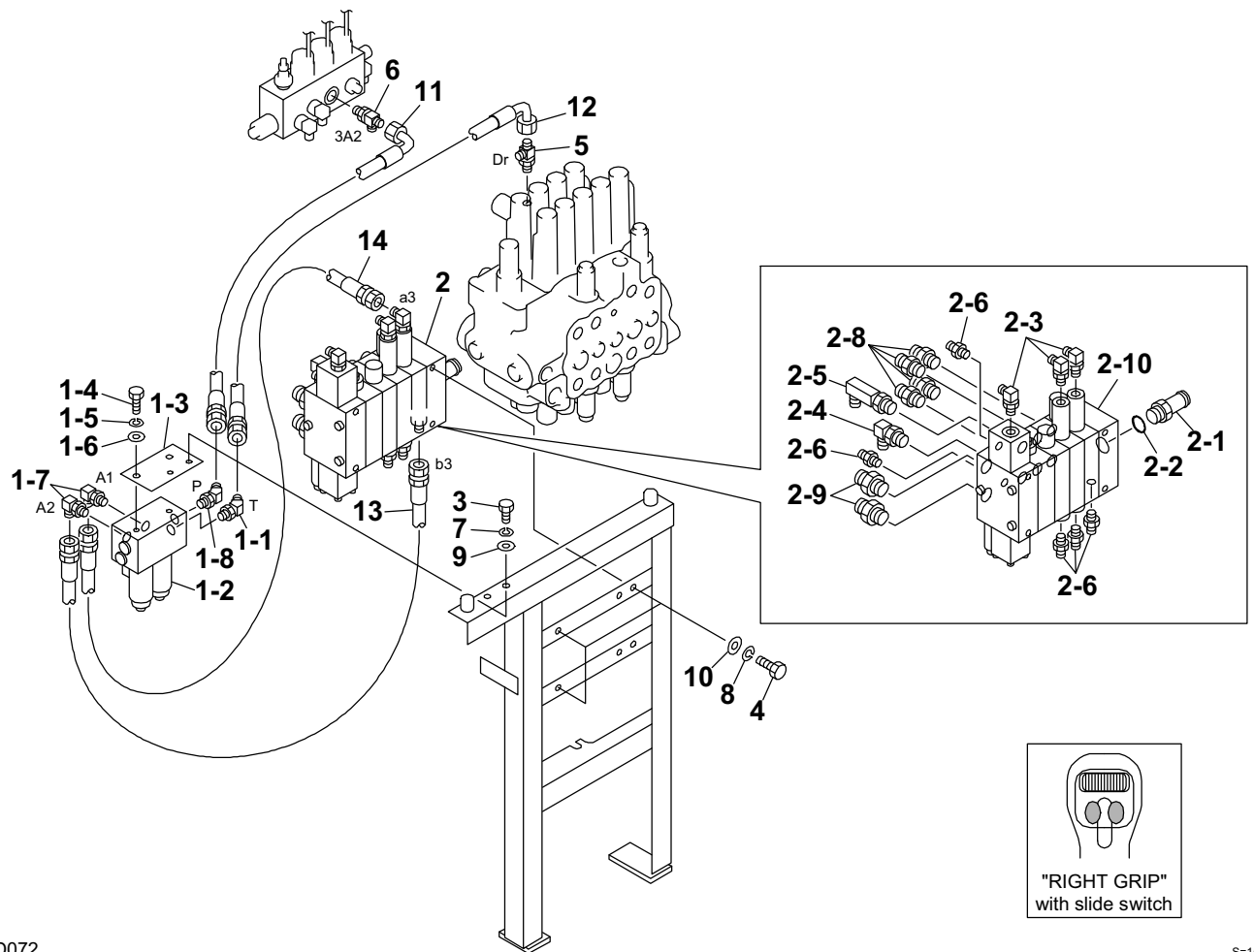
**TB175(P-TB175BAB) Book No. BL3Z010 S/N 17510003-
VALVE & ACCESSORIES (with the 2nd auxiliary line; 17510003-17514411)**



VALVE & ACCESSORIES (with the 2nd auxiliary line; 17510003-17514411)

Item	Part number	Description	Q'ty	Chan.	Serial No.	Serv.	Remarks
		VALVE ASSY, control					
1	X *****	VALVE, control	1				
1-1	0007224006	· ADAPTOR	1				
1-2	1420010180	· O-RING	1				
1-3	1515012040	· ELBOW	3				
	1420010110	· · O-RING	1				
1-4	1515010041	· ELBOW	1				
	1420010140	· · O-RING	1				
1-5	1515010511	· ELBOW	1				
	1420010140	· · O-RING	1				
1-6	1515600200	· ADAPTOR	5				
	1420010110	· · O-RING	1				
1-8	1515600572	· ADAPTOR	4				
	1420010140	· · O-RING	1				
1-9	1515600573	· ADAPTOR	2				
	1420010180	· · O-RING	1				
1-10	1901039000	· VALVE, control	1				
2	X *****	VALVE, solenoid	1				
2-1	0565030210	· BRACKET	1		17510003~17511008		
	0565030240	· BRACKET	1	(H)	17511009~		
2-2	0565021220	· HARNESS, wiring	1				
2-2-1	1730500007	· · DIODE	2				
2-3	0872424500	· RESISTOR	1				
2-4	1100040812	· BOLT	2				
2-5	1100040850	· BOLT	3				
2-6	1140020008	· WASHER, spring	5				
2-7	1141110008	· WASHER	8				
2-8	1515012040	· ELBOW	4				
	1420010110	· · O-RING	1				
2-9	1901730800	· VALVE, solenoid	1				
2-9-1	1901730802	· · SOLENOID	1				
3	0565030300	HARNESS, wiring	1				
4	1512370011	TEE	1				
	1420010110	· O-RING	1				
5	1512373007	TEE	1				
	1420010110	· O-RING	1				
6	0565030360	HOSE ASSY	1		17510003~17511008		19348-52090
	0565030365	HOSE ASSY	1		17511009~		19348-52080
7	0565030370	HOSE ASSY	1		17510003~17511008		19348-52070
	0565030375	HOSE ASSY	1		17511009~		19348-52070
8	0565030380	HOSE ASSY	1		17510003~17511008		19348-22045
	0565030385	HOSE ASSY	1		17511009~		19348-22055
9	0565030390	HOSE ASSY	1		17510003~17511008		19348-22050
	0565030395	HOSE ASSY	1		17511009~		19348-22090
10	1711900067	UNIT, relay	1				
11	0007300050	CLAMP	1				
12	1130040006	NUT	1				
13	1120530625	SCREW	1				
14	1140020006	WASHER, spring	1				
15	1140020008	WASHER, spring	2				
16	1100040820	BOLT	2				
17	1141110008	WASHER	2				
	L3d201						

**TB175(P-TB175BAB) Book No. BL3Z010 S/N 17510003-
VALVE & ACCESSORIES (with the 2nd auxiliary line; 17510003-17514411)**



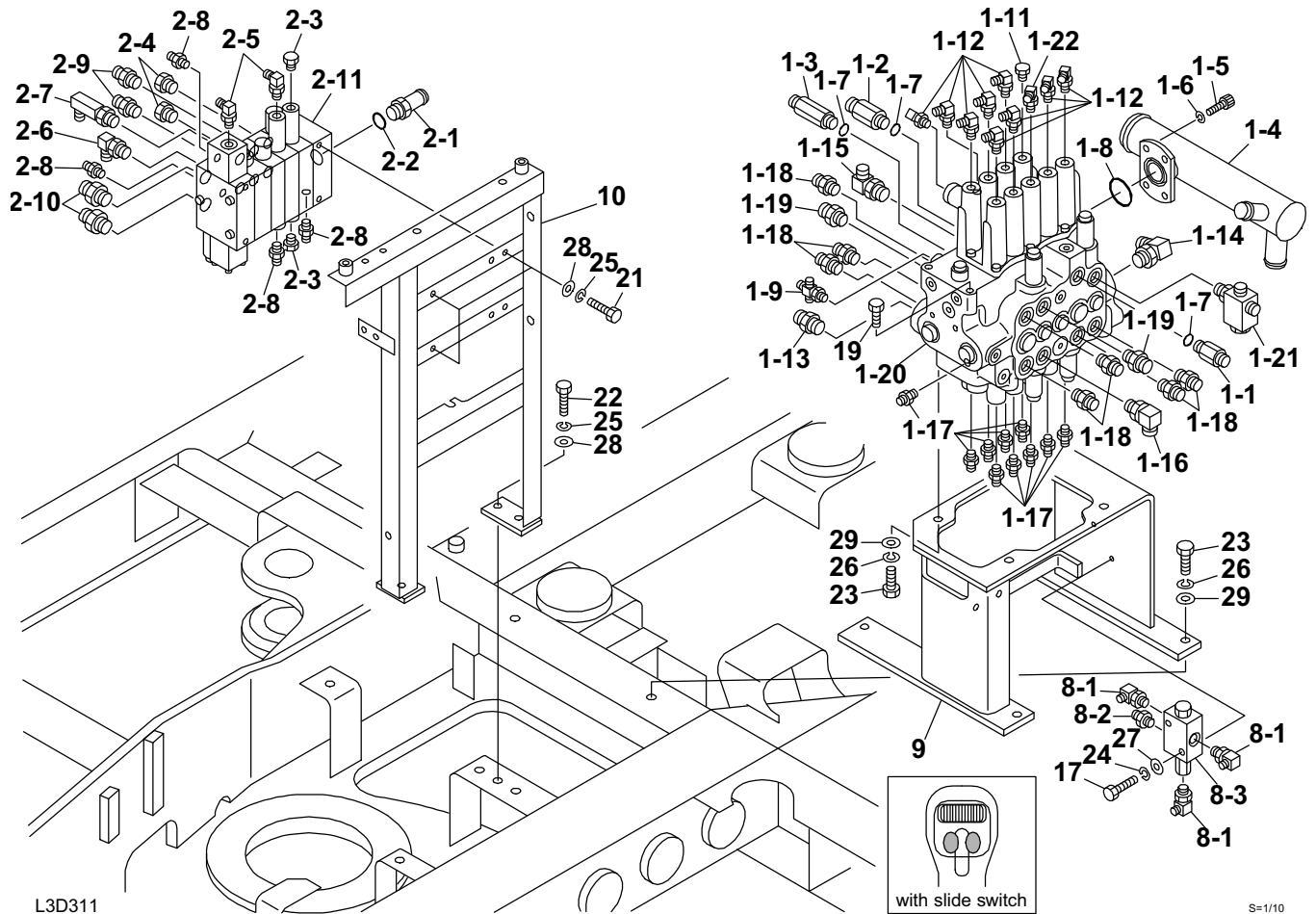
W2D072

S=1/10

VALVE & ACCESSORIES (with the 2nd auxiliary line; 17510003-17514411)

Item	Part number	Description	Q'ty	Chan.	Serial No.	Serv.	Remarks
1	X *****	VALVE ASSY, control	1				
1-1	1515100110	VALVE ASSY, solenoid	1				
	1420010110	· ELBOW	1				
	1420010110	· · O-RING	1				
1-2	1901738500	· VALVE, proportional control	1				
1-3	0565033815	· PLATE	1				
1-4	1100040820	· BOLT	2				
1-5	1140020008	· WASHER, spring	2				
1-6	1141110008	· WASHER	2				
1-7	1515012040	· ELBOW	2				
	1420010110	· · O-RING	1				
1-8	1512370012	· ELBOW (with filter)	1				
	1420010110	· · O-RING	1				
2	X *****	VALVE ASSY, control	1				
2-1	0007224006	· ADAPTOR	1				
2-2	1420010180	· O-RING	1				
2-3	1515012040	· ELBOW	3				
	1420010110	· · O-RING	1				
2-4	1515010041	· ELBOW	1				
	1420010140	· · O-RING	1				
2-5	1515010511	· ELBOW	1				
	1420010140	· · O-RING	1				
2-6	1515600200	· ADAPTOR	5				
	1420010110	· · O-RING	1				
2-8	1515600572	· ADAPTOR	4				
	1420010140	· · O-RING	1				
2-9	1515600573	· ADAPTOR	2				
	1420010180	· · O-RING	1				
2-10	1901039000	· VALVE, control	1				
3	1100040816	BOLT	2				
4	1100041025	BOLT	3				
5	1512370011	TEE	1				
	1420010110	· O-RING	1				
6	1512373007	TEE	1				
	1420010110	· O-RING	1				
7	1140020008	WASHER, spring	2				
8	1140020010	WASHER, spring	3				
9	1141110008	WASHER	2				
10	1141110010	WASHER	3				
11	0565033820	HOSE ASSY	1				
12	0565033830	HOSE ASSY	1				
13	0565033840	HOSE ASSY	1				
14	0565033850	HOSE ASSY	1				
	W2d071						

**TB175(P-TB175BAB) Book No. BL3Z010 S/N 17510003-
VALVE & ACCESSORIES (1/2) (for U.S.; 17510003-17514411)**



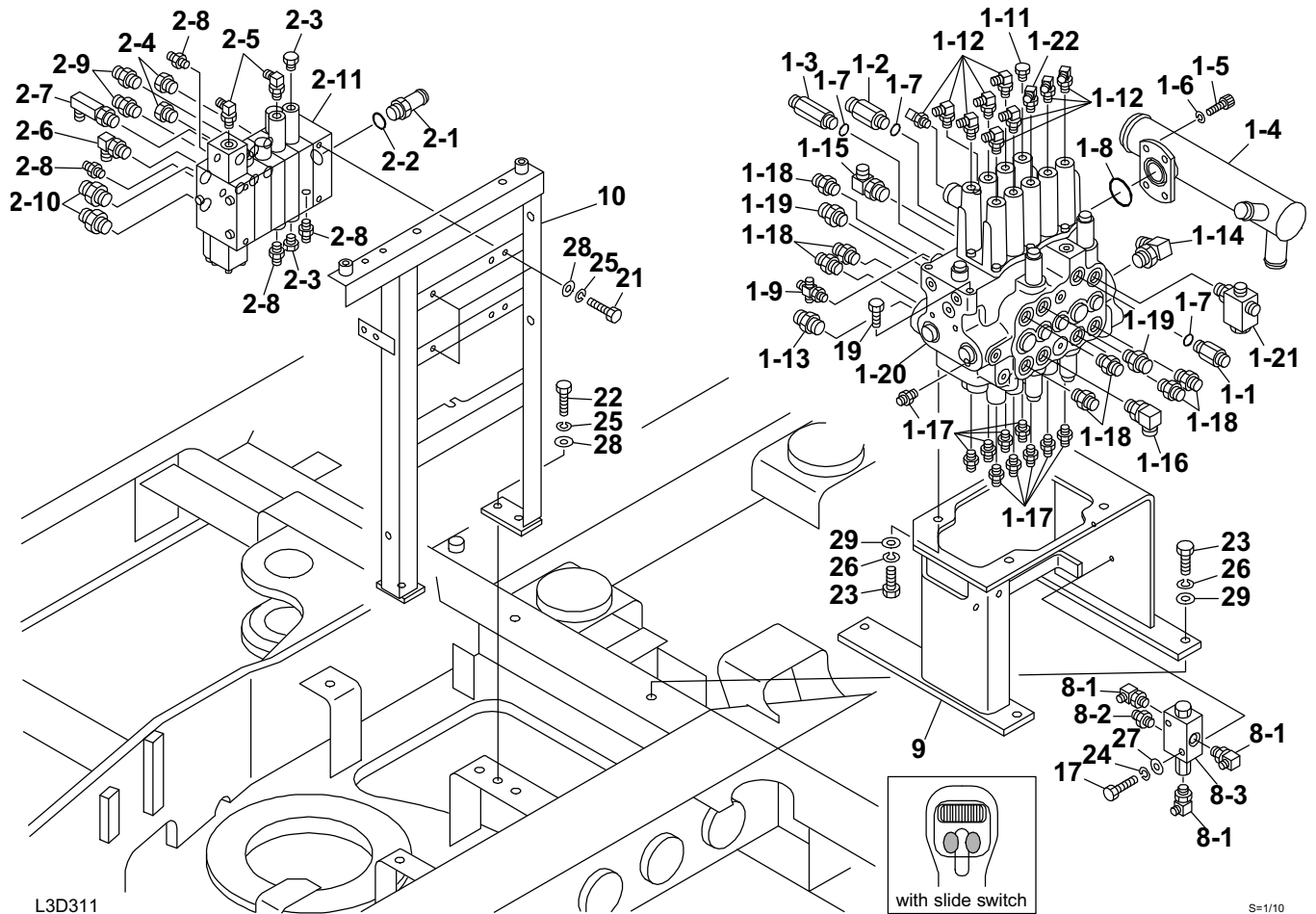
L3D311

S=1/10

VALVE & ACCESSORIES (1/2) (for U.S.; 17510003-17514411)

Item	Part number	Description	Q'ty	Chan.	Serial No.	Serv.	Remarks
		VALVE ASSY, control					
1	X *****	VALVE, control	1				
1-1	0007203033	· ADAPTOR	1				
1-2	0007203076	· ADAPTOR	1				
1-3	0007203074	· ADAPTOR	1				
	1420010180	· · O-RING	1				
1-4	0565029140	· MANIFOLD	1				
1-5	1110041025	· SCREW, cap	4				
1-6	1140020010	· WASHER, spring	4				
1-7	1420010180	· O-RING	3				
1-8	1420100450	· O-RING	1				
1-9	1513390027	· TEE	1				
	1420010110	· · O-RING	1				
1-11	1501750002	· PLUG	1				
	1420010110	· · O-RING	1				
1-12	1515012040	· ELBOW	9				
	1420010110	· · O-RING	1				
1-13	1515600203	· ADAPTOR	1				
	1420010240	· · O-RING	1				
1-14	1515010043	· ELBOW	1				
	1420010240	· · O-RING	1				
1-15	1515010052	· ELBOW	1				
	1420010240	· · O-RING	1				
1-16	1515010132	· ELBOW	1				
	1420010180	· · O-RING	1				
1-17	1515600200	· ADAPTOR	10				
	1420010110	· · O-RING	1				
1-18	1515600202	· ADAPTOR	7				
	1420010180	· · O-RING	1				
1-19	1515600573	· ADAPTOR	2				
	1420010180	· · O-RING	1				
1-20	1901040700	· VALVE, control	1				
1-21	1901735400	· ADAPTOR	1				
1-22	0565029150	· ELBOW (with orifice)	1				
2	X *****	VALVE, control	1				
2-1	0007224006	· ADAPTOR	1				
2-2	1420010180	· O-RING	1				
2-3	1501750002	· PLUG	2				
	1420010110	· · O-RING	1				
2-4	1501750003	· PLUG	2				
	1420010140	· · O-RING	1				
2-5	1515012040	· ELBOW	2				
	1420010110	· · O-RING	1				
2-6	1515010041	· ELBOW	1				
	1420010140	· · O-RING	1				
2-7	1515010511	· ELBOW	1				
	1420010140	· · O-RING	1				
2-8	1515600200	· ADAPTOR	4				
	1420010110	· · O-RING	1				
2-9	1515600572	· ADAPTOR	2				
	1420010140	· · O-RING	1				
2-10	1515600573	· ADAPTOR	2				
	1420010180	· · O-RING	1				
2-11	1901039000	· VALVE, control	1				
8	X *****	VALVE ASSY	1				
8-1	1515012040	· ELBOW	3				
	1420010110	· · O-RING	1				
8-2	1515600200	· ADAPTOR	1				
	1420010110	· · O-RING	1				
8-3	1901734800	· VALVE	1				

**TB175(P-TB175BAB) Book No. BL3Z010 S/N 17510003-
VALVE & ACCESSORIES (1/2) (for U.S.; 17510003-17514411)**



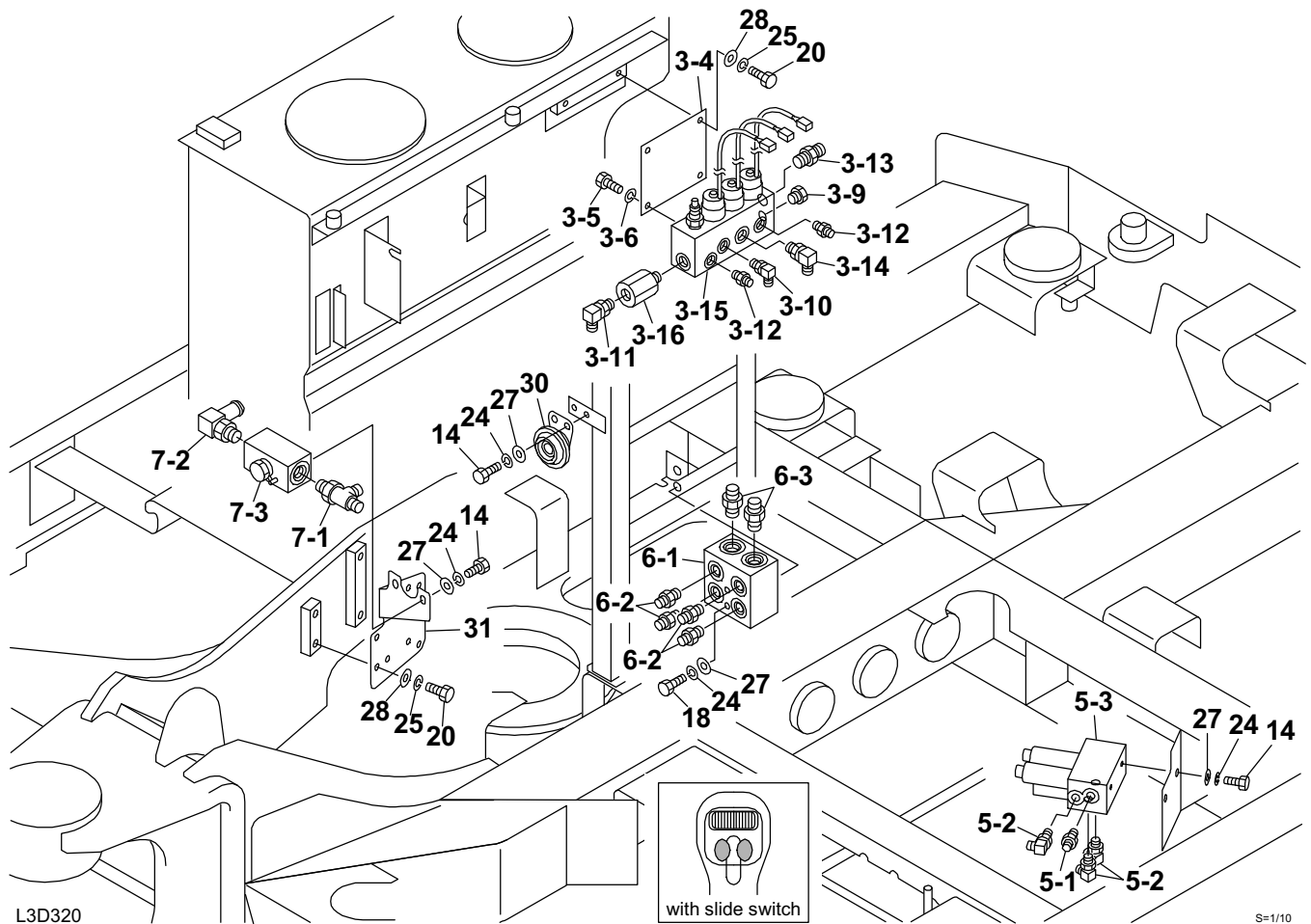
L3D311

S=1/10

VALVE & ACCESSORIES (1/2) (for U.S.; 17510003-17514411)

Item	Part number	Description	Q'ty	Chan.	Serial No.	Serv.	Remarks
9	0565029900	BRACKET	1				
10	0565029910	BRACKET	1				
17	1100040850	BOLT	2				
19	1100041016	BOLT	3				
21	1100041025	BOLT	3				
22	1100041030	BOLT	3				
23	1100041230	BOLT	8				
24	1140020008	WASHER, spring	2				
25	1140020010	WASHER, spring	6				
26	1140020012	WASHER, spring	8				
27	1141110008	WASHER	2				
28	1141110010	WASHER	6				
29	1141110012	WASHER	8				
	L3d311						

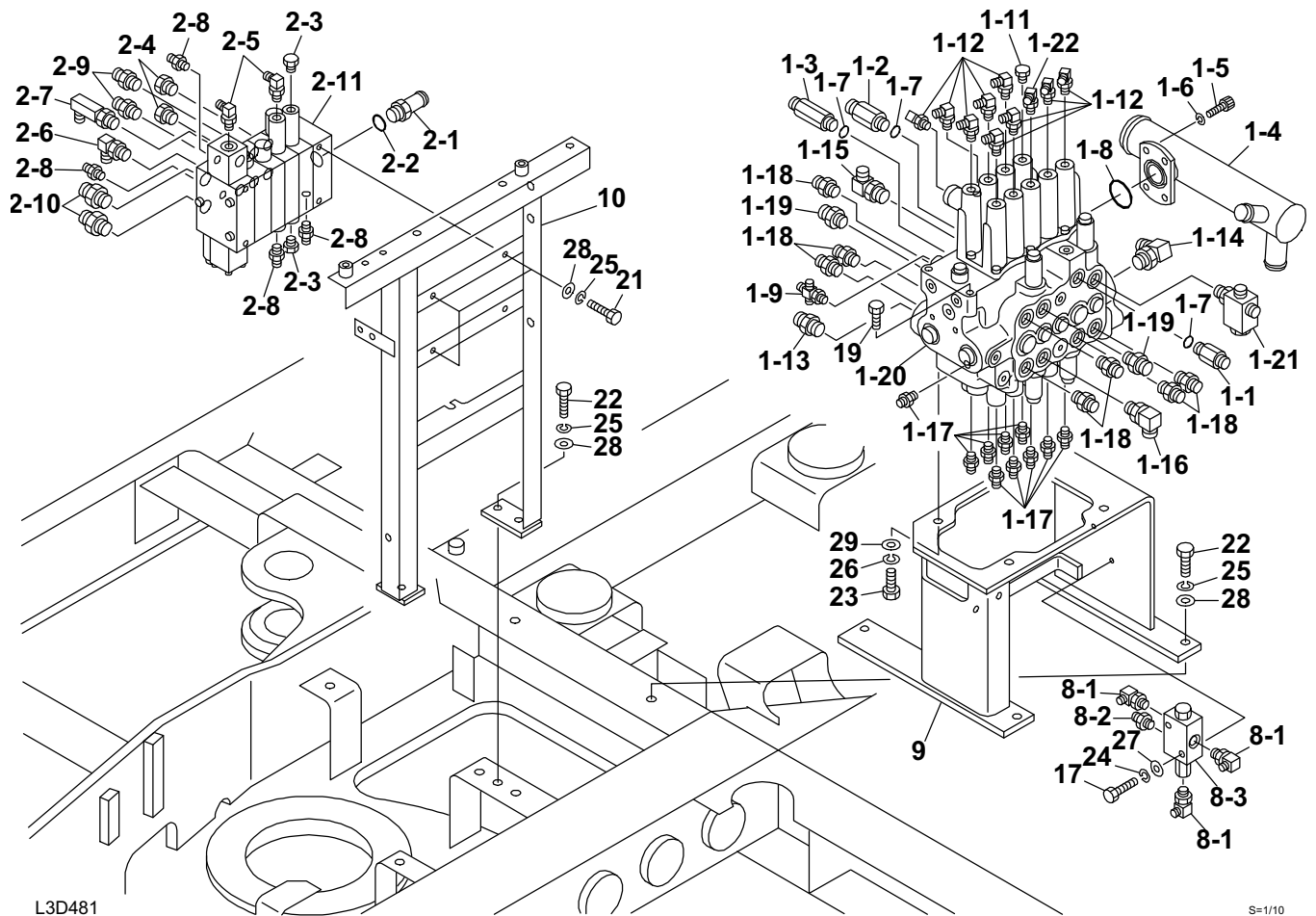
TB175(P-TB175BAB) Book No. BL3Z010 S/N 17510003-
VALVE & ACCESSORIES (2/2) (for U.S.; 17510003-17514411)



VALVE & ACCESSORIES (2/2) (for U.S.; 17510003-17514411)

Item	Part number	Description	Q'ty	Chan.	Serial No.	Serv.	Remarks
		VALVE ASSY, control					
3	X *****	VALVE, solenoid	1				
3-4	0567016550	· BRACKET	1				
3-5	1100040816	· BOLT	2				
3-6	1140020008	· WASHER, spring	2				
3-9	1501750002	· PLUG	1		17510003~17512104		
	1420010110	· · O-RING	1				
3-10	1515012040	· ELBOW	1				
	1420010110	· · O-RING	1				
3-11	1515010051	· ELBOW	1				
	1420010180	· · O-RING	1				
3-12	1515600200	· ADAPTOR	2				
	1420010110	· · O-RING	1				
3-13	1515600571	· ADAPTOR	1				
	1420010110	· · O-RING	1				
3-14	1515010130	· ELBOW	1				
	1420010110	· · O-RING	1				
3-15	1901723800	· VALVE, solenoid	1				
3-16	1513370047	· ADAPTOR (with filter)	1				
	1420010140	· · O-RING	1				
5	X *****	VALVE, solenoid	1				
5-1	1512370008	· ADAPTOR (with filter)	1				
	1420010110	· · O-RING	1				
5-2	1515012040	· ELBOW	3				
	1420010110	· · O-RING	1				
5-3	1901738500	· VALVE, proportional control	1				
6	X *****	MANIFOLD	1				
6-1	0565029610	· MANIFOLD	1				
6-2	1515600202	· ADAPTOR	4				
	1420010180	· · O-RING	1				
6-3	1515600203	· ADAPTOR	2				
	1420010240	· · O-RING	1				
7	X *****	VALVE, stop	1				
7-1	1512373008	· TEE	1				
	1420010240	· · O-RING	1				
7-2	1513350005	· CONNECTOR	1				
	1420010240	· · O-RING	1				
7-3	1901723700	· VALVE, stop	1				
14	1100040820	BOLT	6				
18	1100040870	BOLT	2				
20	1100041020	BOLT	6				
24	1140020008	WASHER, spring	8				
25	1140020010	WASHER, spring	6				
27	1141110008	WASHER	8				
28	1141110010	WASHER	6				
30	1703500624	HORN	1				
31	0565033601	PLATE	1				
	L3d321						

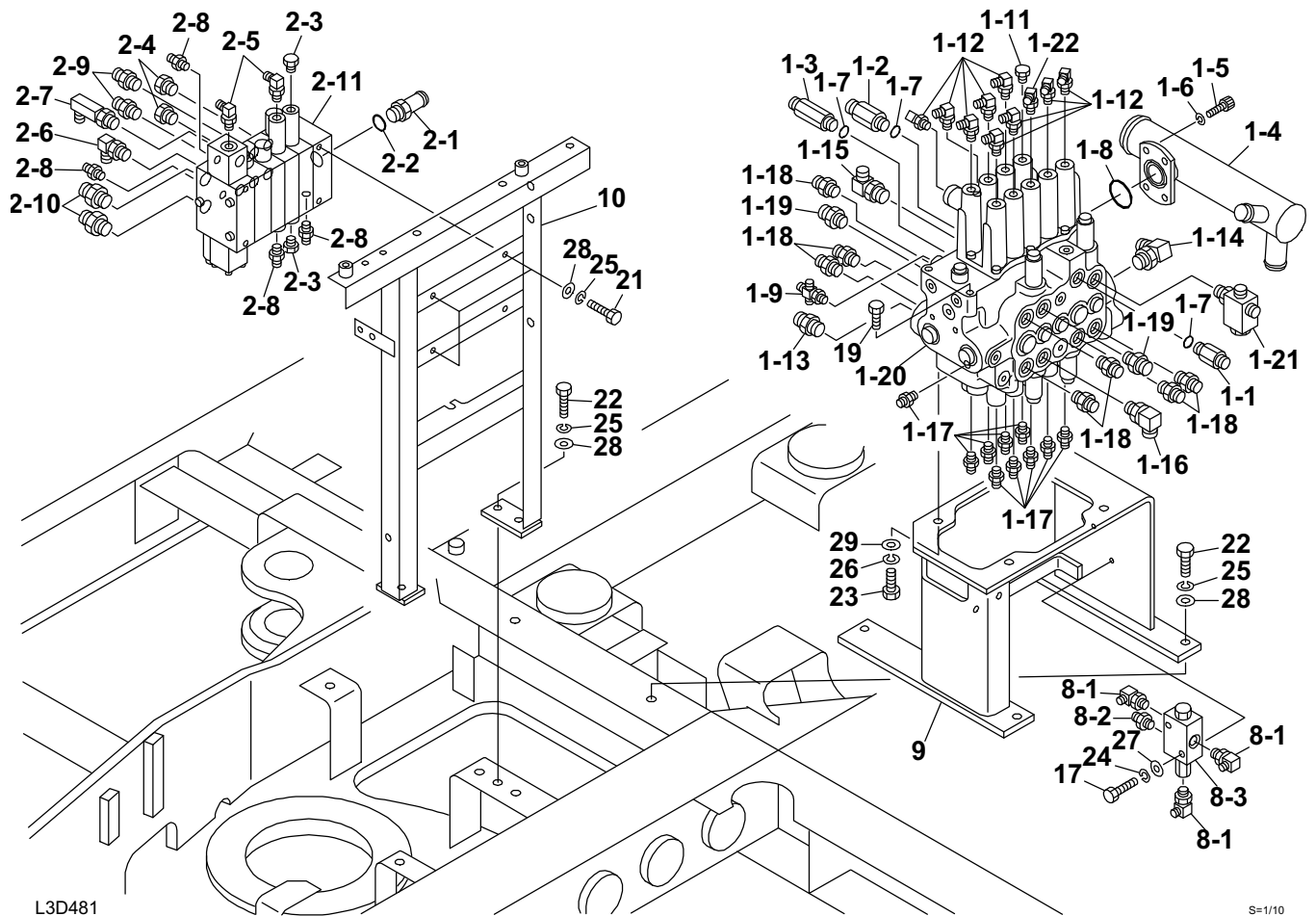
TB175(P-TB175BAB) Book No. BL3Z010 S/N 17510003-
VALVE & ACCESSORIES (1/2) (17514412-)



VALVE & ACCESSORIES (1/2) (17514412-)

Item	Part number	Description	Q'ty	Chan.	Serial No.	Serv.	Remarks
		VALVE ASSY, control					
1	X *****	VALVE, control	1				
1-1	0007203033	· ADAPTOR	1				
1-2	0007203076	· ADAPTOR	1				
1-3	0007203074	· ADAPTOR	1				
	1420010180	· · O-RING	1				
1-4	0565029140	· MANIFOLD	1				
1-5	1110041025	· SCREW, cap	4				
1-6	1140020010	· WASHER, spring	4				
1-7	1420010180	· O-RING	3				
1-8	1420100450	· O-RING	1				
1-9	1513390027	· TEE	1				
	1420010110	· · O-RING	1				
1-11	1501750002	· PLUG	1				
	1420010110	· · O-RING	1				
1-12	1515012040	· ELBOW	9				
	1420010110	· · O-RING	1				
1-13	1515600203	· ADAPTOR	1				
	1420010240	· · O-RING	1				
1-14	1515010043	· ELBOW	1				
	1420010240	· · O-RING	1				
1-15	1515010052	· ELBOW	1				
	1420010240	· · O-RING	1				
1-16	1515010132	· ELBOW	1				
	1420010180	· · O-RING	1				
1-17	1515600200	· ADAPTOR	10				
	1420010110	· · O-RING	1				
1-18	1515600202	· ADAPTOR	7				
	1420010180	· · O-RING	1				
1-19	1515600573	· ADAPTOR	2				
	1420010180	· · O-RING	1				
1-20	1901040700	· VALVE, control	1				
1-21	1901735400	· ADAPTOR	1				
1-22	0565029150	· ELBOW (with orifice)	1				
2	X *****	VALVE, control	1				
2-1	0007224006	· ADAPTOR	1				
2-2	1420010180	· O-RING	1				
2-3	1501750002	· PLUG	2				
	1420010110	· · O-RING	1				
2-4	1501750003	· PLUG	2				
	1420010140	· · O-RING	1				
2-5	1515012040	· ELBOW	2				
	1420010110	· · O-RING	1				
2-6	1515010041	· ELBOW	1				
	1420010140	· · O-RING	1				
2-7	1515010511	· ELBOW	1				
	1420010140	· · O-RING	1				
2-8	1515600200	· ADAPTOR	4				
	1420010110	· · O-RING	1				
2-9	1515600572	· ADAPTOR	2				
	1420010140	· · O-RING	1				
2-10	1515600573	· ADAPTOR	2				
	1420010180	· · O-RING	1				
2-11	1901043800	· VALVE, control	1				
8	X *****	VALVE ASSY	1				
8-1	1515012040	· ELBOW	3				
	1420010110	· · O-RING	1				
8-2	1515600200	· ADAPTOR	1				
	1420010110	· · O-RING	1				
8-3	1901734800	· VALVE	1				

TB175(P-TB175BAB) Book No. BL3Z010 S/N 17510003-
VALVE & ACCESSORIES (1/2) (17514412-)



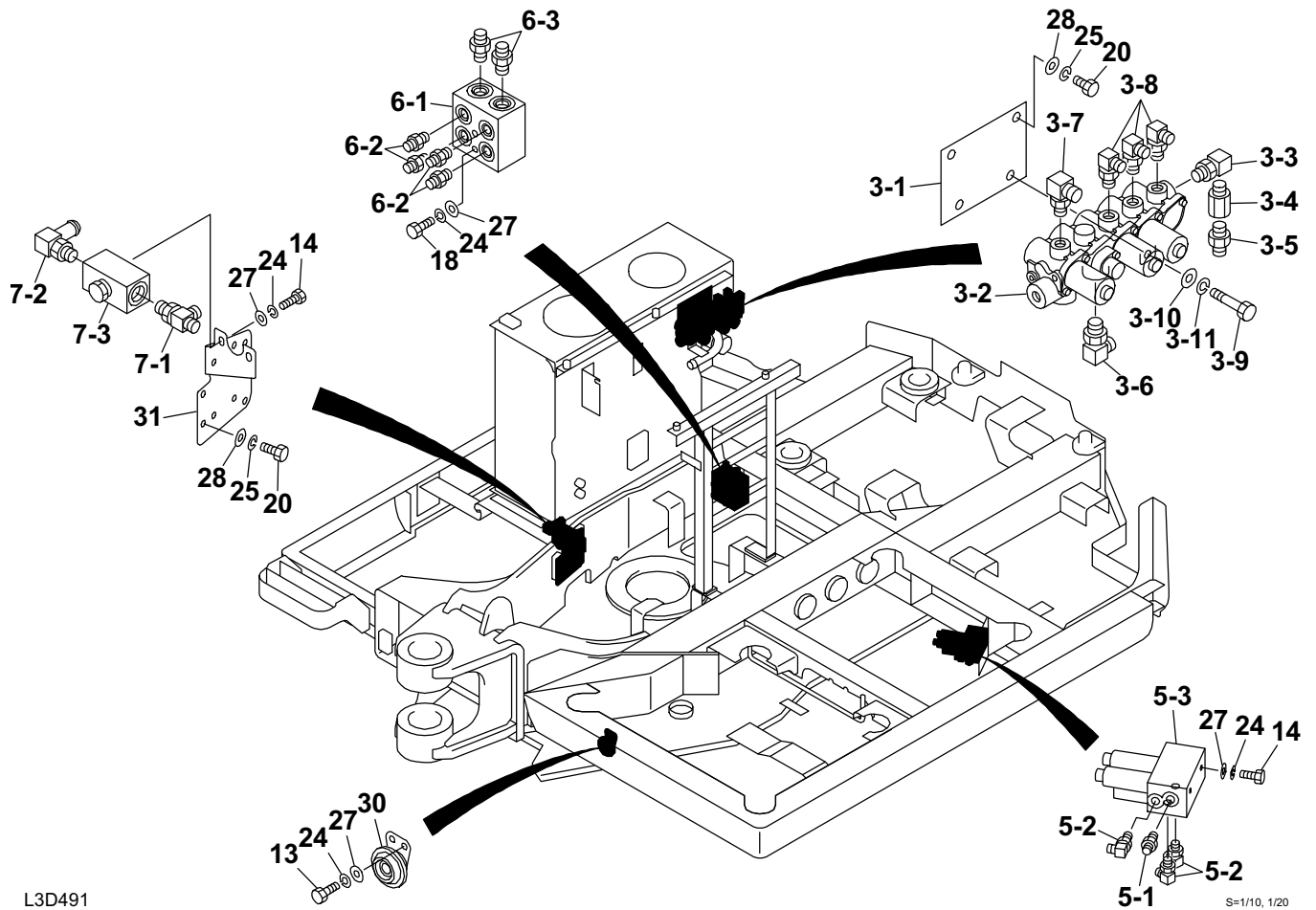
L3D481

S=1/10

VALVE & ACCESSORIES (1/2) (17514412-)

Item	Part number	Description	Q'ty	Chan.	Serial No.	Serv.	Remarks
9	0565029900	BRACKET	1				
10	0565051050	BRACKET	1				
17	1100040850	BOLT	2				
19	1100041016	BOLT	3				
21	1100041025	BOLT	3				
22	1100041030	BOLT	7				
23	1100041230	BOLT	4				
24	1140020008	WASHER, spring	2				
25	1140020010	WASHER, spring	10				
26	1140020012	WASHER, spring	4				
27	1141110008	WASHER	2				
28	1141110010	WASHER	10				
29	1141110012	WASHER	4				
	L3d481						

TB175(P-TB175BAB) Book No. BL3Z010 S/N 17510003-
VALVE & ACCESSORIES (2/2) (17514412-)



L3D491

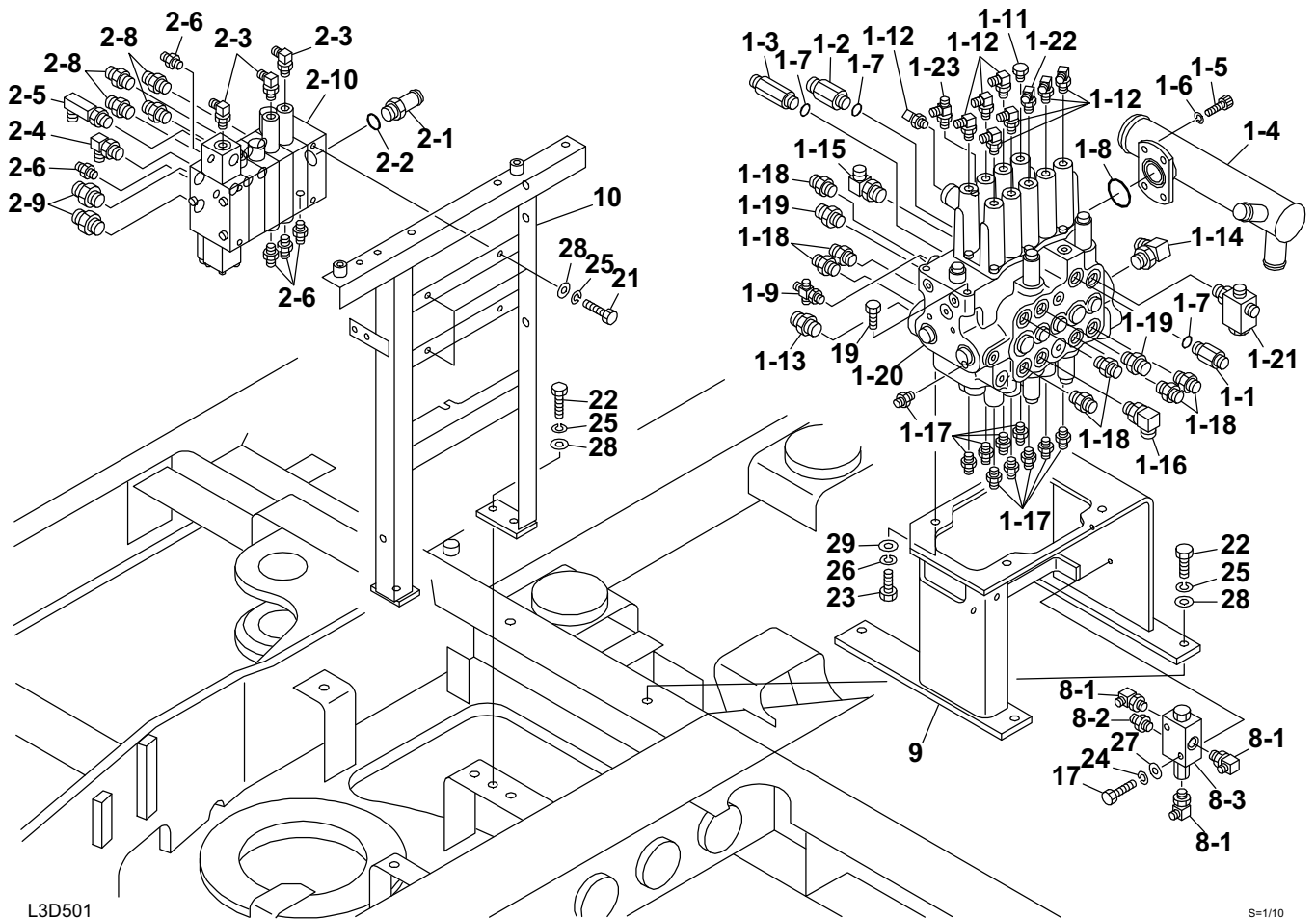
S=1/10, 1/20

VALVE & ACCESSORIES (2/2) (17514412-)

Item	Part number	Description	Q'ty	Chan.	Serial No.	Serv.	Remarks
		VALVE ASSY, control					
3	X *****	VALVE, solenoid	1				
3-1	0565051040	· PLATE	1				
3-2	1901749000	· VALVE, solenoid	1				
3-3	1513300017	· ELBOW	1				
	1420010140	· · O-RING	1				
3-4	1513370047	· ADAPTOR (with filter)	1				
	1420010140	· · O-RING	1				
3-5	1515600577	· ADAPTOR	1				
	1420010180	· · O-RING	1				
3-6	1515010051	· ELBOW	1				
	1420010180	· · O-RING	1				
3-7	1515010130	· ELBOW	1				
	1420010110	· · O-RING	1				
3-8	1515012040	· ELBOW	3				
	1420010110	· · O-RING	1				
3-9	1100041080	· BOLT	2				
3-10	1141110010	· WASHER	2				
3-11	1140020010	· WASHER, spring	2				
5	X *****	VALVE, solenoid	1				
5-1	1512370008	· ADAPTOR (with filter)	1				
	1420010110	· · O-RING	1				
5-2	1515012040	· ELBOW	3				
	1420010110	· · O-RING	1				
5-3	1901738500	· VALVE, proportional control	1				
6	X *****	MANIFOLD	1				
6-1	0565029610	· MANIFOLD	1				
6-2	1515600202	· ADAPTOR	4				
	1420010180	· · O-RING	1				
6-3	1515600203	· ADAPTOR	2				
	1420010240	· · O-RING	1				
7	X *****	VALVE, stop	1				
7-1	1512373008	· TEE	1				
	1420010240	· · O-RING	1				
7-2	1513350005	· CONNECTOR	1				
	1420010240	· · O-RING	1				
7-3	1901723700	· VALVE, stop	1				
13	1100040816	BOLT	1				
14	1100040820	BOLT	4				
18	1100040870	BOLT	2				
20	1100041020	BOLT	6				
24	1140020008	WASHER, spring	7				
25	1140020010	WASHER, spring	6				
27	1141110008	WASHER	7				
28	1141110010	WASHER	6				
30	1703500824	HORN	1				
31	0565033601	PLATE	1				

L3d491

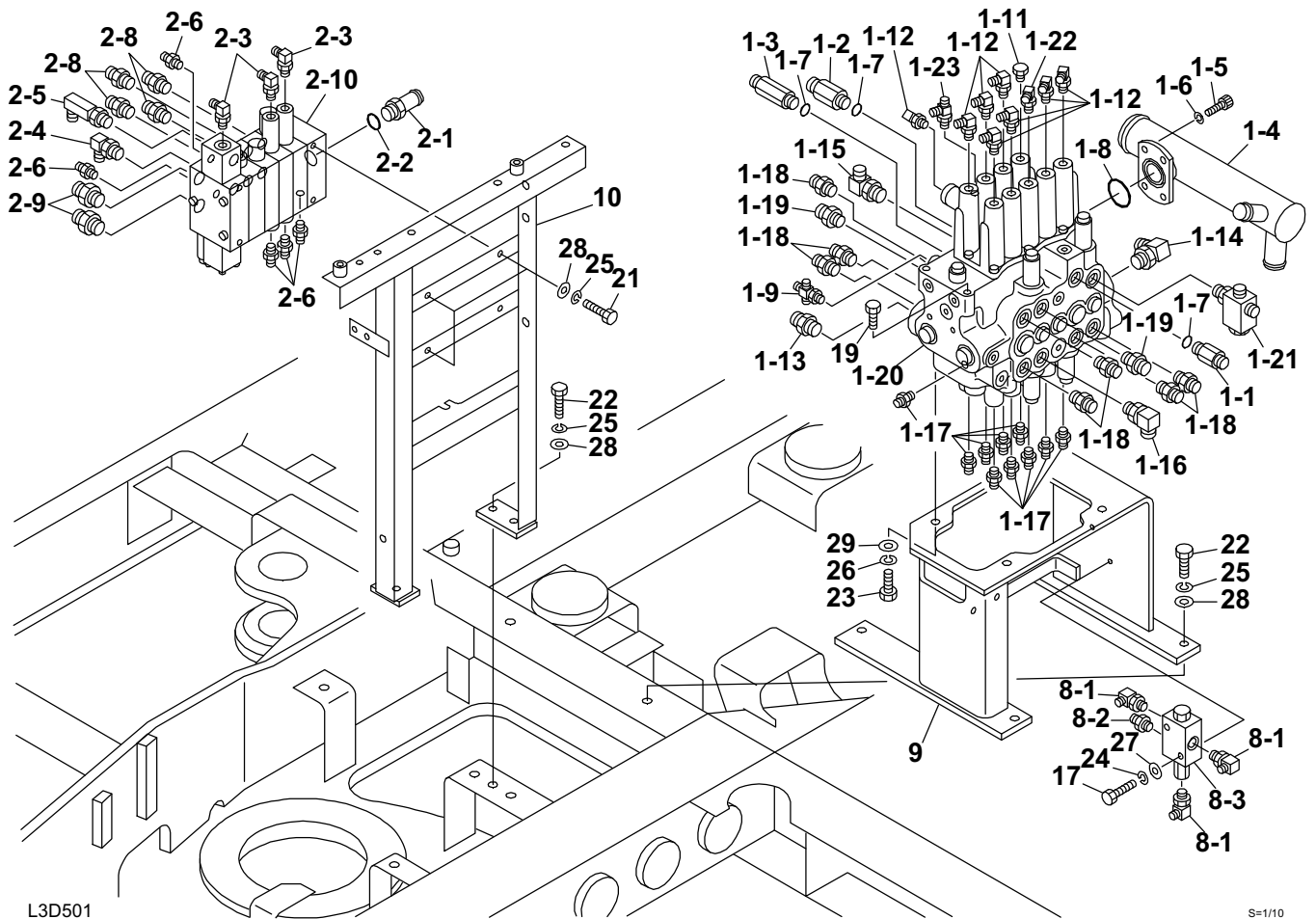
TB175(P-TB175BAB) Book No. BL3Z010 S/N 17510003-
VALVE & ACCESSORIES (1/3) (with the 2nd auxiliary line; 17514412-)



VALVE & ACCESSORIES (1/3) (with the 2nd auxiliary line; 17514412-)

Item	Part number	Description	Q'ty	Chan.	Serial No.	Serv.	Remarks
		VALVE ASSY, control					
1	X *****	VALVE, control	1				
1-1	0007203033	· ADAPTOR	1				
1-2	0007203076	· ADAPTOR	1				
1-3	0007203074	· ADAPTOR	1				
	1420010180	· · O-RING	1				
1-4	0565029140	· MANIFOLD	1				
1-5	1110041025	· SCREW, cap	4				
1-6	1140020010	· WASHER, spring	4				
1-7	1420010180	· O-RING	3				
1-8	1420100450	· O-RING	1				
1-9	1513390027	· TEE	1				
	1420010110	· · O-RING	1				
1-11	1501750002	· PLUG	1				
	1420010110	· · O-RING	1				
1-12	1515012040	· ELBOW	8				
	1420010110	· · O-RING	1				
1-13	1515600203	· ADAPTOR	1				
	1420010240	· · O-RING	1				
1-14	1515010043	· ELBOW	1				
	1420010240	· · O-RING	1				
1-15	1515010052	· ELBOW	1				
	1420010240	· · O-RING	1				
1-16	1515010132	· ELBOW	1				
	1420010180	· · O-RING	1				
1-17	1515600200	· ADAPTOR	10				
	1420010110	· · O-RING	1				
1-18	1515600202	· ADAPTOR	7				
	1420010180	· · O-RING	1				
1-19	1515600573	· ADAPTOR	2				
	1420010180	· · O-RING	1				
1-20	1901040700	· VALVE, control	1				
1-21	1901735400	· ADAPTOR	1				
1-22	0565029150	· ELBOW (with orifice)	1				
1-23	1512370011	· TEE	1				
	1420010110	· · O-RING	1				
2	X *****	VALVE, control	1				
2-1	0007224006	· ADAPTOR	1				
2-2	1420010180	· O-RING	1				
2-3	1515012040	· ELBOW	3				
	1420010110	· · O-RING	1				
2-4	1515010041	· ELBOW	1				
	1420010140	· · O-RING	1				
2-5	1515010511	· ELBOW	1				
	1420010140	· · O-RING	1				
2-6	1515600200	· ADAPTOR	5				
	1420010110	· · O-RING	1				
2-8	1515600572	· ADAPTOR	4				
	1420010140	· · O-RING	1				
2-9	1515600573	· ADAPTOR	2				
	1420010180	· · O-RING	1				
2-10	1901043800	· VALVE, control	1				
8	X *****	VALVE ASSY	1				
8-1	1515012040	· ELBOW	3				
	1420010110	· · O-RING	1				
8-2	1515600200	· ADAPTOR	1				
	1420010110	· · O-RING	1				
8-3	1901734800	· VALVE	1				
9	0565029900	BRACKET	1				
10	0565051050	BRACKET	1				

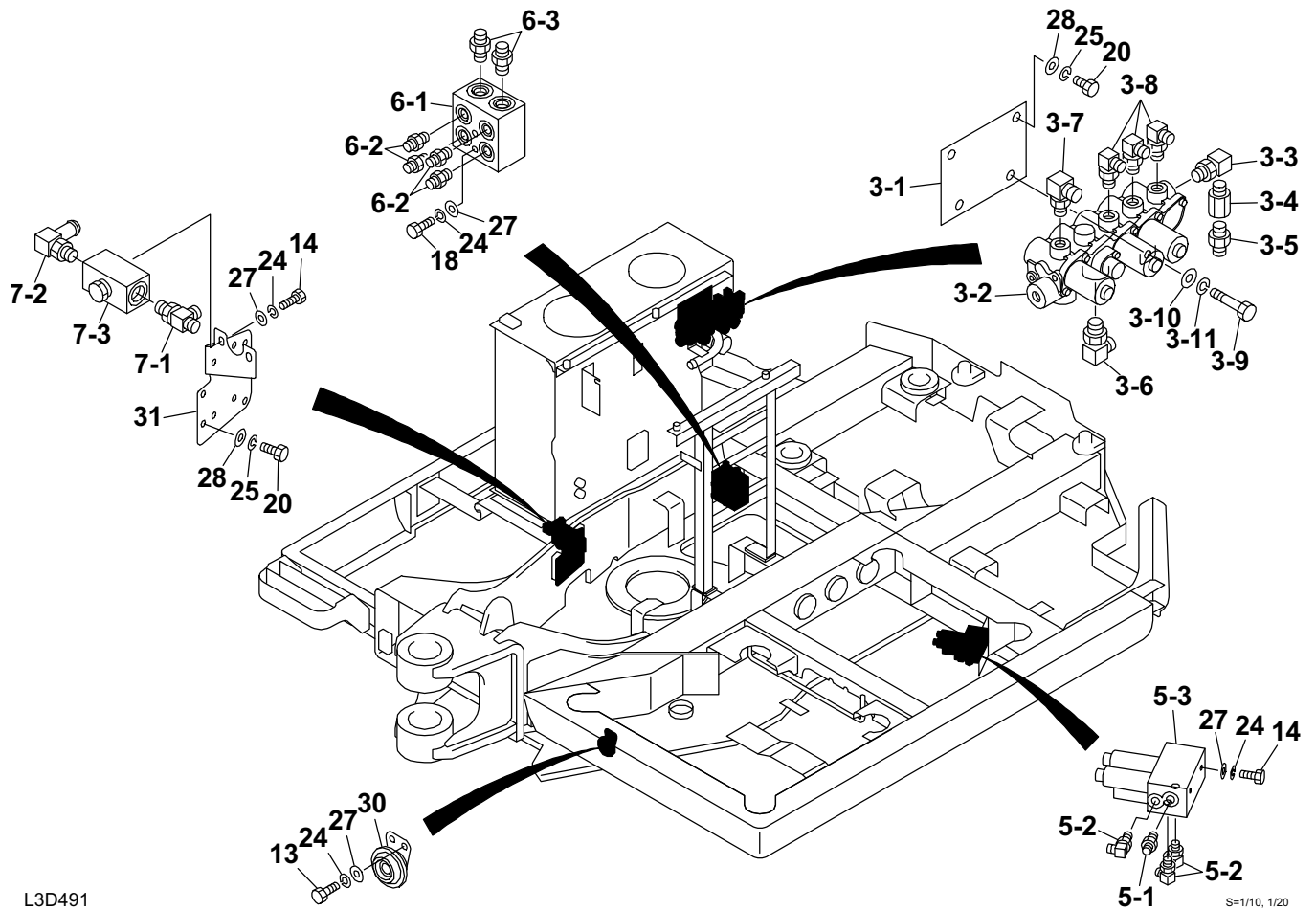
TB175(P-TB175BAB) Book No. BL3Z010 S/N 17510003-
VALVE & ACCESSORIES (1/3) (with the 2nd auxiliary line; 17514412-)



VALVE & ACCESSORIES (1/3) (with the 2nd auxiliary line; 17514412-)

Item	Part number	Description	Q'ty	Chan.	Serial No.	Serv.	Remarks
17	1100040850	BOLT	2				
19	1100041016	BOLT	3				
21	1100041025	BOLT	3				
22	1100041030	BOLT	7				
23	1100041230	BOLT	4				
24	1140020008	WASHER, spring	2				
25	1140020010	WASHER, spring	10				
26	1140020012	WASHER, spring	4				
27	1141110008	WASHER	2				
28	1141110010	WASHER	10				
29	1141110012	WASHER	4				
	L3d501						

TB175(P-TB175BAB) Book No. BL3Z010 S/N 17510003-
VALVE & ACCESSORIES (2/3) (with the 2nd auxiliary line; 17514412-)



L3D491

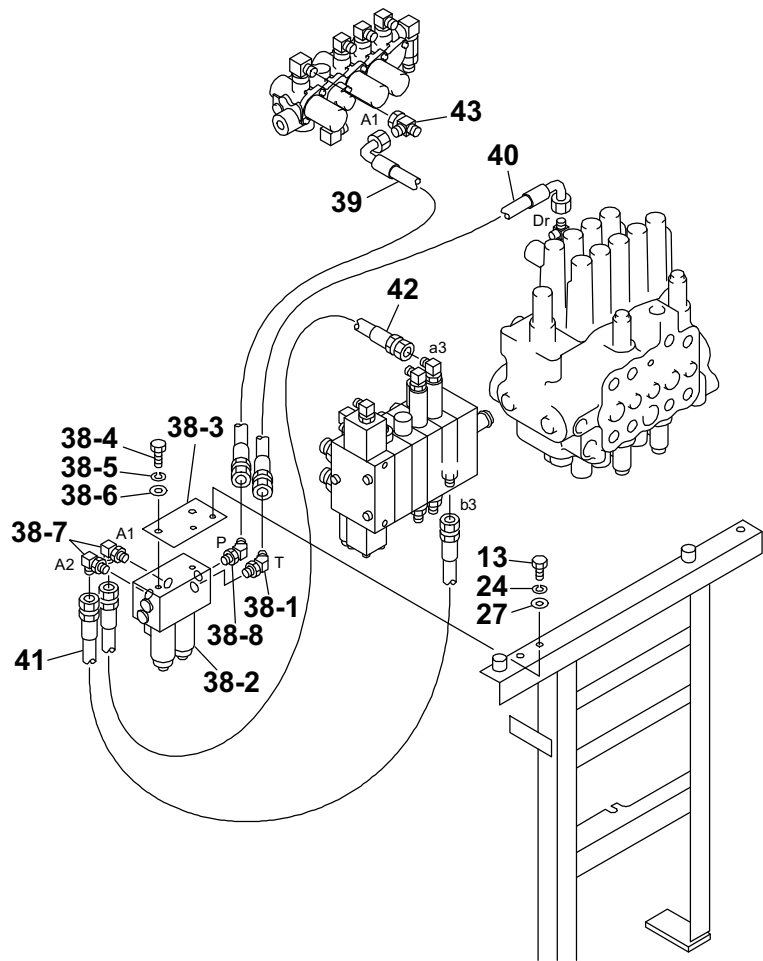
S=1/10, 1/20

VALVE & ACCESSORIES (2/3) (with the 2nd auxiliary line; 17514412-)

Item	Part number	Description	Q'ty	Chan.	Serial No.	Serv.	Remarks
		VALVE ASSY, control					
3	X *****	VALVE, solenoid	1				
3-1	0565051040	· PLATE	1				
3-2	1901749000	· VALVE, solenoid	1				
3-3	1513300017	· ELBOW	1				
	1420010140	· · O-RING	1				
3-4	1513370047	· ADAPTOR (with filter)	1				
	1420010140	· · O-RING	1				
3-5	1515600577	· ADAPTOR	1				
	1420010180	· · O-RING	1				
3-6	1515010051	· ELBOW	1				
	1420010180	· · O-RING	1				
3-7	1515010130	· ELBOW	1				
	1420010110	· · O-RING	1				
3-8	1515012040	· ELBOW	3				
	1420010110	· · O-RING	1				
3-9	1100041080	· BOLT	2				
3-10	1141110010	· WASHER	2				
3-11	1140020010	· WASHER, spring	2				
5	X *****	VALVE, solenoid	1				
5-1	1512370008	· ADAPTOR (with filter)	1				
	1420010110	· · O-RING	1				
5-2	1515012040	· ELBOW	3				
	1420010110	· · O-RING	1				
5-3	1901738500	· VALVE, proportional control	1				
6	X *****	MANIFOLD	1				
6-1	0565029610	· MANIFOLD	1				
6-2	1515600202	· ADAPTOR	4				
	1420010180	· · O-RING	1				
6-3	1515600203	· ADAPTOR	2				
	1420010240	· · O-RING	1				
7	X *****	VALVE, stop	1				
7-1	1512373008	· TEE	1				
	1420010240	· · O-RING	1				
7-2	1513350005	· CONNECTOR	1				
	1420010240	· · O-RING	1				
7-3	1901723700	· VALVE, stop	1				
13	1100040816	BOLT	1				
14	1100040820	BOLT	4				
18	1100040870	BOLT	2				
20	1100041020	BOLT	6				
24	1140020008	WASHER, spring	7				
25	1140020010	WASHER, spring	6				
27	1141110008	WASHER	7				
28	1141110010	WASHER	6				
30	1703500824	HORN	1				
31	0565033601	PLATE	1				

L3d511

**TB175(P-TB175BAB) Book No. BL3Z010 S/N 17510003-
VALVE & ACCESSORIES (3/3) (with the 2nd auxiliary line; 17514412-)**



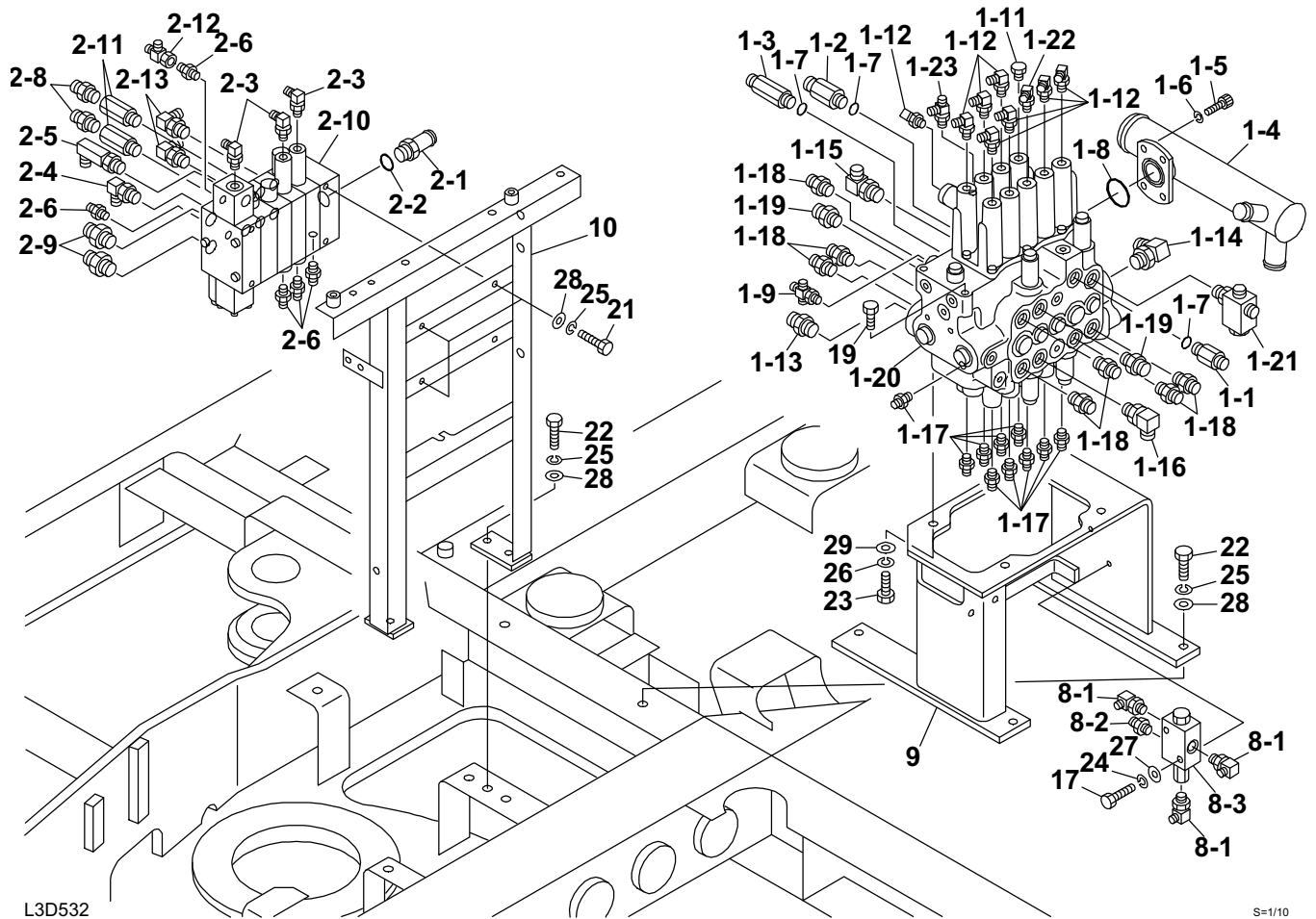
L3D520

S=1/10

VALVE & ACCESSORIES (3/3) (with the 2nd auxiliary line; 17514412-)

Item	Part number	Description	Q'ty	Chan.	Serial No.	Serv.	Remarks
		VALVE ASSY, control					
13	1100040816	BOLT	2				
24	1140020008	WASHER, spring	2				
27	1141110008	WASHER	2				
38	X *****	VALVE ASSY, solenoid	1				
38-1	1515100110	· ELBOW	1				
	1420010110	· · O-RING	1				
38-2	1901738500	· VALVE, proportional control	1				
38-3	0565033815	· PLATE	1				
38-4	1100040820	· BOLT	2				
38-5	1140020008	· WASHER, spring	2				
38-6	1141110008	· WASHER	2				
38-7	1515012040	· ELBOW	2				
	1420010110	· · O-RING	1				
38-8	1512370012	· ELBOW (with filter)	1				
	1420010110	· · O-RING	1				
39	0565051060	HOSE ASSY	1				19348-52050
40	0565033830	HOSE ASSY	1				
41	0565033840	HOSE ASSY	1				
42	0565033850	HOSE ASSY	1				
43	1513390043	TEE	1				
	L3d521						

TB175(P-TB175BAB) Book No. BL3Z010 S/N 17510003-
VALVE & ACCESSORIES (1/3) (with the 2nd & 4th auxiliary line; 17514412-)



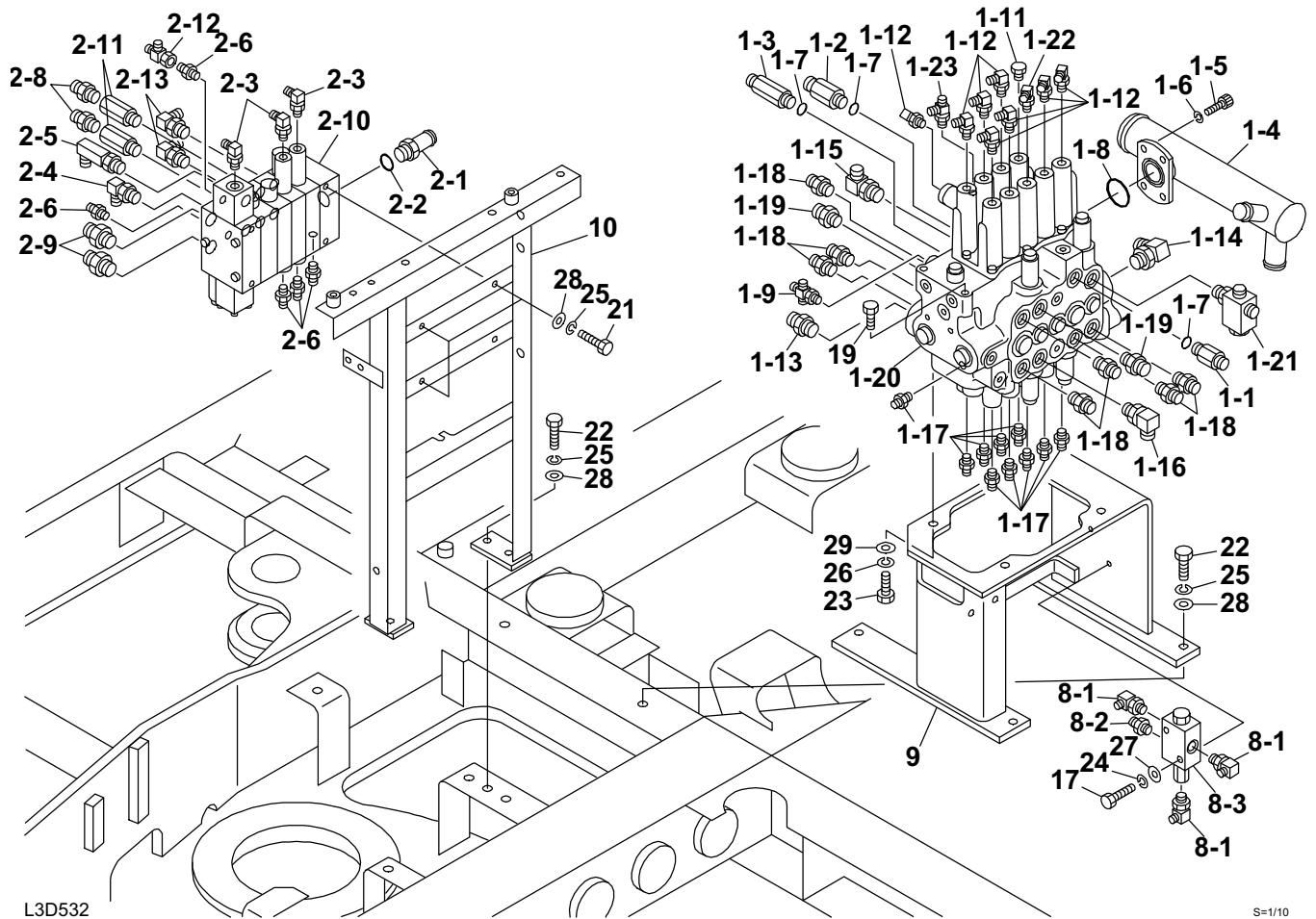
L3D532

S=1/10

VALVE & ACCESSORIES (1/3) (with the 2nd & 4th auxiliary line; 17514412-)

Item	Part number	Description	Q'ty	Chan.	Serial No.	Serv.	Remarks
		VALVE ASSY, control					
1	X *****	VALVE, control	1				
1-1	0007203033	· ADAPTOR	1				
1-2	0007203076	· ADAPTOR	1				
1-3	0007203074	· ADAPTOR	1				
	1420010180	· · O-RING	1				
1-4	0565029140	· MANIFOLD	1				
1-5	1110041025	· SCREW, cap	4				
1-6	1140020010	· WASHER, spring	4				
1-7	1420010180	· O-RING	3				
1-8	1420100450	· O-RING	1				
1-9	1513390027	· TEE	1				
	1420010110	· · O-RING	1				
1-11	1501750002	· PLUG	1				
	1420010110	· · O-RING	1				
1-12	1515012040	· ELBOW	8				
	1420010110	· · O-RING	1				
1-13	1515600203	· ADAPTOR	1				
	1420010240	· · O-RING	1				
1-14	1515010043	· ELBOW	1				
	1420010240	· · O-RING	1				
1-15	1515010052	· ELBOW	1				
	1420010240	· · O-RING	1				
1-16	1515010132	· ELBOW	1				
	1420010180	· · O-RING	1				
1-17	1515600200	· ADAPTOR	10				
	1420010110	· · O-RING	1				
1-18	1515600202	· ADAPTOR	7				
	1420010180	· · O-RING	1				
1-19	1515600573	· ADAPTOR	2				
	1420010180	· · O-RING	1				
1-20	1901040700	· VALVE, control	1				
1-21	1901735400	· ADAPTOR	1				
1-22	0565029150	· ELBOW (with orifice)	1				
1-23	1512370011	· TEE	1				
	1420010110	· · O-RING	1				
2	X *****	VALVE, control	1				
2-1	0007224006	· ADAPTOR	1				
2-2	1420010180	· O-RING	1				
2-3	1515012040	· ELBOW	3				
	1420010110	· · O-RING	1				
2-4	1515010041	· ELBOW	1				
	1420010140	· · O-RING	1				
2-5	1515010511	· ELBOW	1				
	1420010140	· · O-RING	1				
2-6	1515600200	· ADAPTOR	5				
	1420010110	· · O-RING	1				
2-8	1515600572	· ADAPTOR	2				
	1420010140	· · O-RING	1				
2-9	1515600573	· ADAPTOR	2				
	1420010180	· · O-RING	1				
2-10	1901043800	· VALVE, control	1				
2-11	0007213023	· BUSHING	2				
	1420010140	· · O-RING	1				
2-12	1513390015	· TEE	1				
2-13	1515010131	· ELBOW	2				
	1420010140	· · O-RING	1				
8	X *****	VALVE ASSY	1				
8-1	1515012040	· ELBOW	3				
	1420010110	· · O-RING	1				

**TB175(P-TB175BAB) Book No. BL3Z010 S/N 17510003-
VALVE & ACCESSORIES (1/3) (with the 2nd & 4th auxiliary line; 17514412-)**



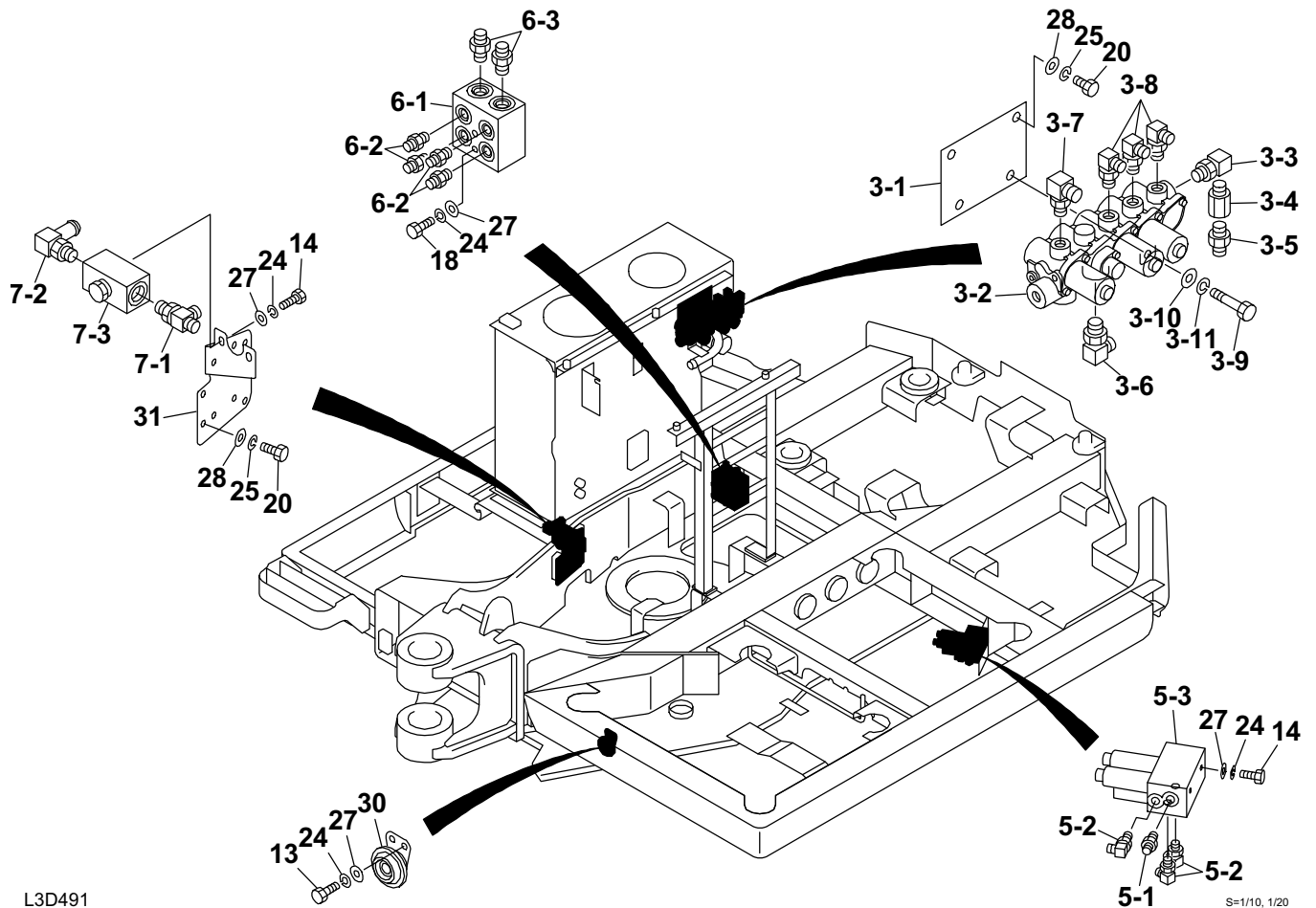
L3D532

S=1/10

VALVE & ACCESSORIES (1/3) (with the 2nd & 4th auxiliary line; 17514412-)

Item	Part number	Description	Q'ty	Chan.	Serial No.	Serv.	Remarks
8-2	1515600200	· ADAPTOR	1				
	1420010110	· · O-RING	1				
8-3	1901734800	· VALVE	1				
9	0565029900	BRACKET	1				
10	0565051050	BRACKET	1				
17	1100040850	BOLT	2				
19	1100041016	BOLT	3				
21	1100041025	BOLT	3				
22	1100041030	BOLT	7				
23	1100041230	BOLT	4				
24	1140020008	WASHER, spring	2				
25	1140020010	WASHER, spring	10				
26	1140020012	WASHER, spring	4				
27	1141110008	WASHER	2				
28	1141110010	WASHER	10				
29	1141110012	WASHER	4				
	L3d532						

**TB175(P-TB175BAB) Book No. BL3Z010 S/N 17510003-
VALVE & ACCESSORIES (2/3) (with the 2nd & 4th auxiliary line; 17514412-)**



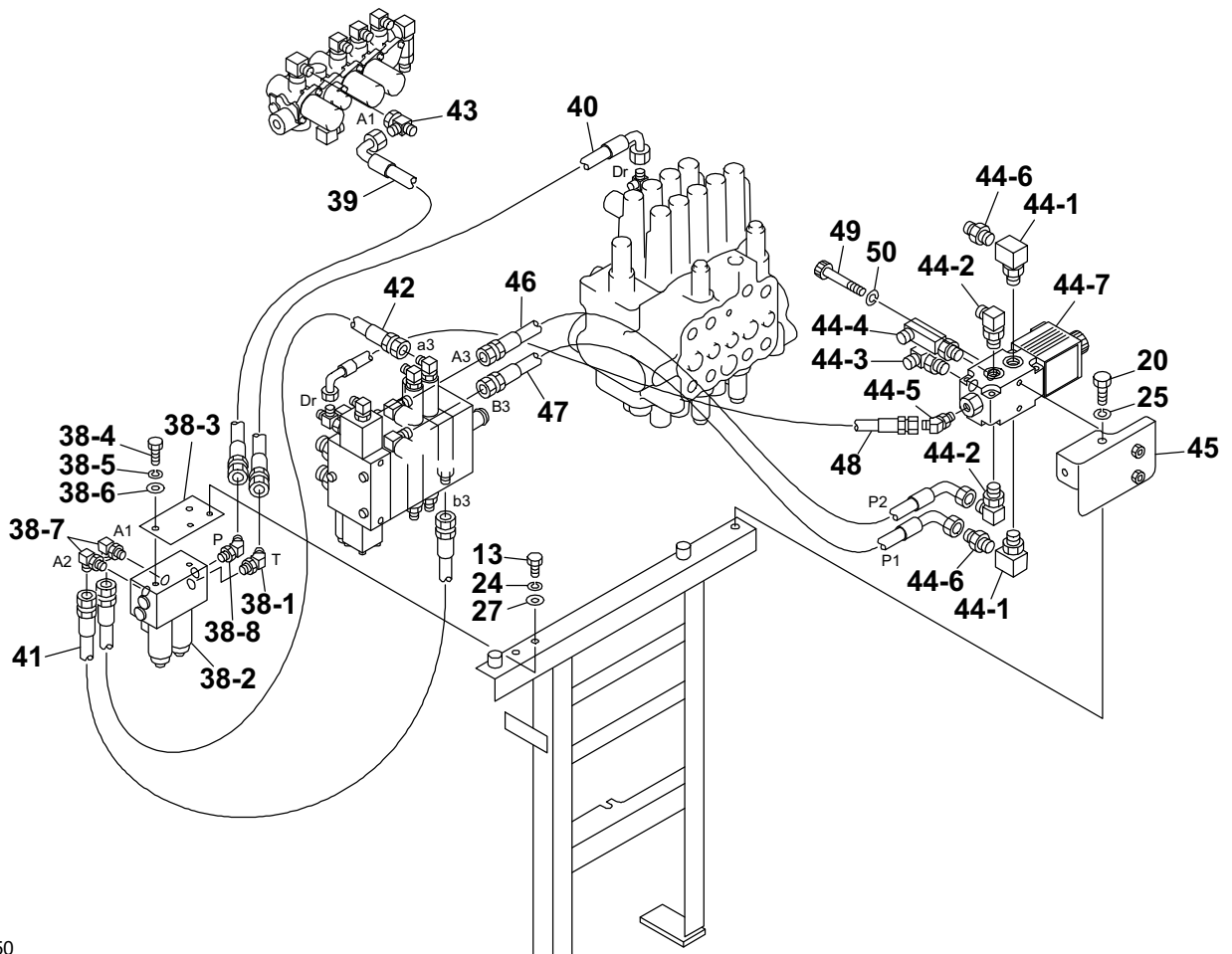
L3D491

S=1/10, 1/20

VALVE & ACCESSORIES (2/3) (with the 2nd & 4th auxiliary line; 17514412-)

Item	Part number	Description	Q'ty	Chan.	Serial No.	Serv.	Remarks
		VALVE ASSY, control					
3	X *****	VALVE, solenoid	1				
3-1	0565051040	· PLATE	1				
3-2	1901749000	· VALVE, solenoid	1				
3-3	1513300017	· ELBOW	1				
	1420010140	· · O-RING	1				
3-4	1513370047	· ADAPTOR (with filter)	1				
	1420010140	· · O-RING	1				
3-5	1515600577	· ADAPTOR	1				
	1420010180	· · O-RING	1				
3-6	1515010051	· ELBOW	1				
	1420010180	· · O-RING	1				
3-7	1515010130	· ELBOW	1				
	1420010110	· · O-RING	1				
3-8	1515012040	· ELBOW	3				
	1420010110	· · O-RING	1				
3-9	1100041080	· BOLT	2				
3-10	1141110010	· WASHER	2				
3-11	1140020010	· WASHER, spring	2				
5	X *****	VALVE, solenoid	1				
5-1	1512370008	· ADAPTOR (with filter)	1				
	1420010110	· · O-RING	1				
5-2	1515012040	· ELBOW	3				
	1420010110	· · O-RING	1				
5-3	1901738500	· VALVE, proportional control	1				
6	X *****	MANIFOLD	1				
6-1	0565029610	· MANIFOLD	1				
6-2	1515600202	· ADAPTOR	4				
	1420010180	· · O-RING	1				
6-3	1515600203	· ADAPTOR	2				
	1420010240	· · O-RING	1				
7	X *****	VALVE, stop	1				
7-1	1512373008	· TEE	1				
	1420010240	· · O-RING	1				
7-2	1513350005	· CONNECTOR	1				
	1420010240	· · O-RING	1				
7-3	1901723700	· VALVE, stop	1				
13	1100040816	BOLT	1				
14	1100040820	BOLT	4				
18	1100040870	BOLT	2				
20	1100041020	BOLT	6				
24	1140020008	WASHER, spring	7				
25	1140020010	WASHER, spring	6				
27	1141110008	WASHER	7				
28	1141110010	WASHER	6				
30	1703500824	HORN	1				
31	0565033601	PLATE	1				
	L3d541						

**TB175(P-TB175BAB) Book No. BL3Z010 S/N 17510003-
VALVE & ACCESSORIES (3/3) (with the 2nd & 4th auxiliary line; 17514412-)**



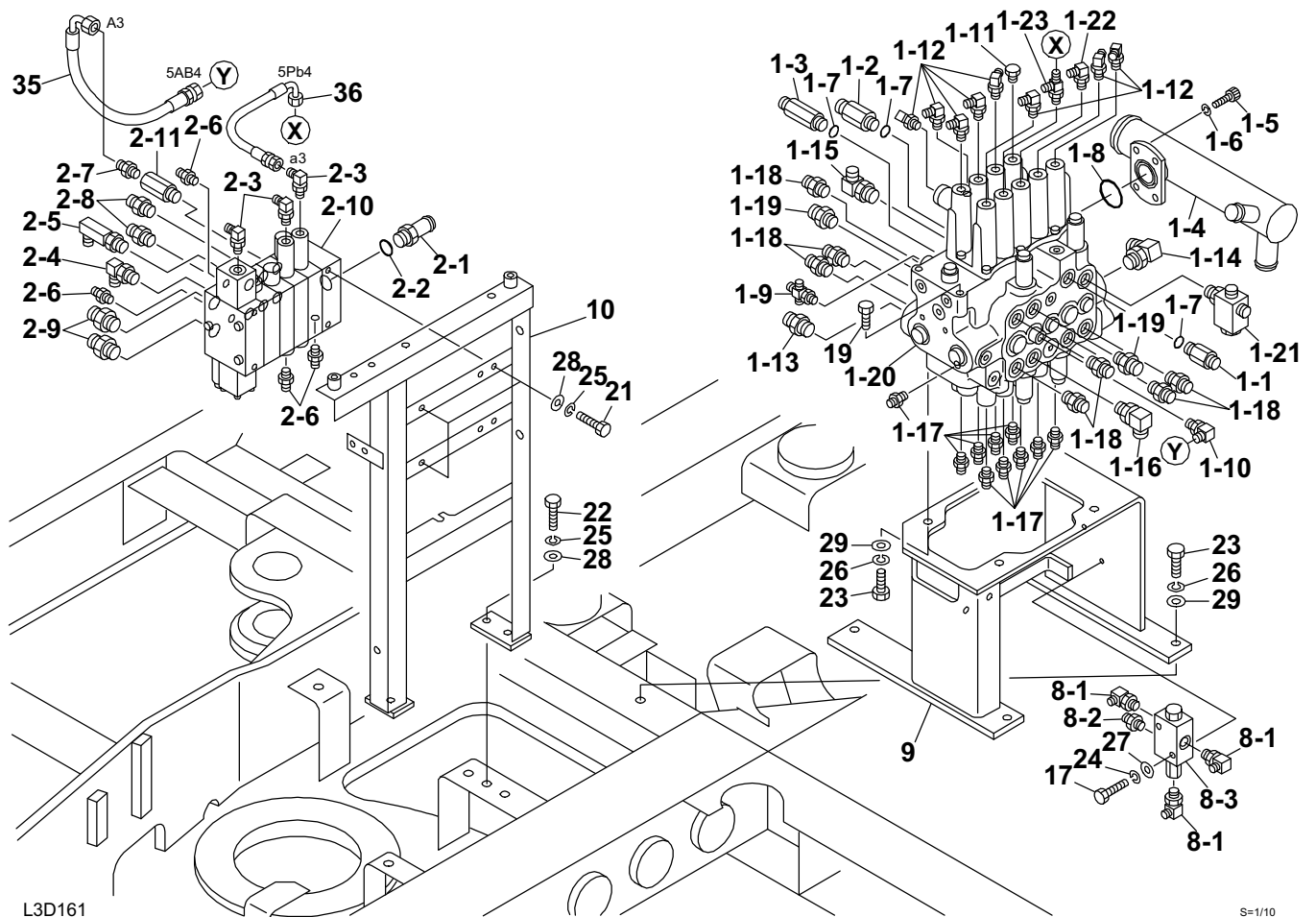
L3D550

S=1/10

VALVE & ACCESSORIES (3/3) (with the 2nd & 4th auxiliary line; 17514412-)

Item	Part number	Description	Q'ty	Chan.	Serial No.	Serv.	Remarks
		VALVE ASSY, control					
13	1100040816	BOLT	2				
20	1100041020	BOLT	2				
24	1140020008	WASHER, spring	2				
25	1140020010	WASHER, spring	2				
27	1141110008	WASHER	2				
38	X *****	VALVE ASSY, solenoid	1				
38-1	1515100110	· ELBOW	1				
	1420010110	· · O-RING	1				
38-2	1901738500	· VALVE, proportional control	1				
38-3	0565033815	· PLATE	1				
38-4	1100040820	· BOLT	2				
38-5	1140020008	· WASHER, spring	2				
38-6	1141110008	· WASHER	2				
38-7	1515012040	· ELBOW	2				
	1420010110	· · O-RING	1				
38-8	1512370012	· ELBOW (with filter)	1				
	1420010110	· · O-RING	1				
39	0565051060	HOSE ASSY	1				19348-52050
40	0565033830	HOSE ASSY	1				
41	0565033840	HOSE ASSY	1				
42	0565033850	HOSE ASSY	1				
43	1513390043	TEE	1				
44	X *****	VALVE ASSY, solenoid	1				
44-1	1513300016	· ELBOW	2				
	1420010180	· · O-RING	1				
44-2	1515010042	· ELBOW	2				
	1420010180	· · O-RING	1				
44-3	1515010051	· ELBOW	1				
	1420010180	· · O-RING	1				
44-4	1515010517	· ELBOW	1				
	1420010180	· · O-RING	1				
44-5	1515100110	· ELBOW	1				
	1420010110	· · O-RING	1				
44-6	1515600202	· ADAPTOR	2				
	1420010180	· · O-RING	1				
44-7	1901748300	· VALVE, solenoid	1				
45	0565051230	BRACKET	1				
46	0565051240	HOSE ASSY	1				18015-41020
47	0565051250	HOSE ASSY	1				18015-41027
48	0565051260	HOSE ASSY	1				19348-52030
49	1110040870	SCREW, cap	2				
50	1140420008	WASHER, spring	2				
	L3d551						

**TB175(P-TB175BAB) Book No. BL3Z010 S/N 17510003-
VALVE & ACCESSORIES (1/2) (high flow; 17510003-17514411)**



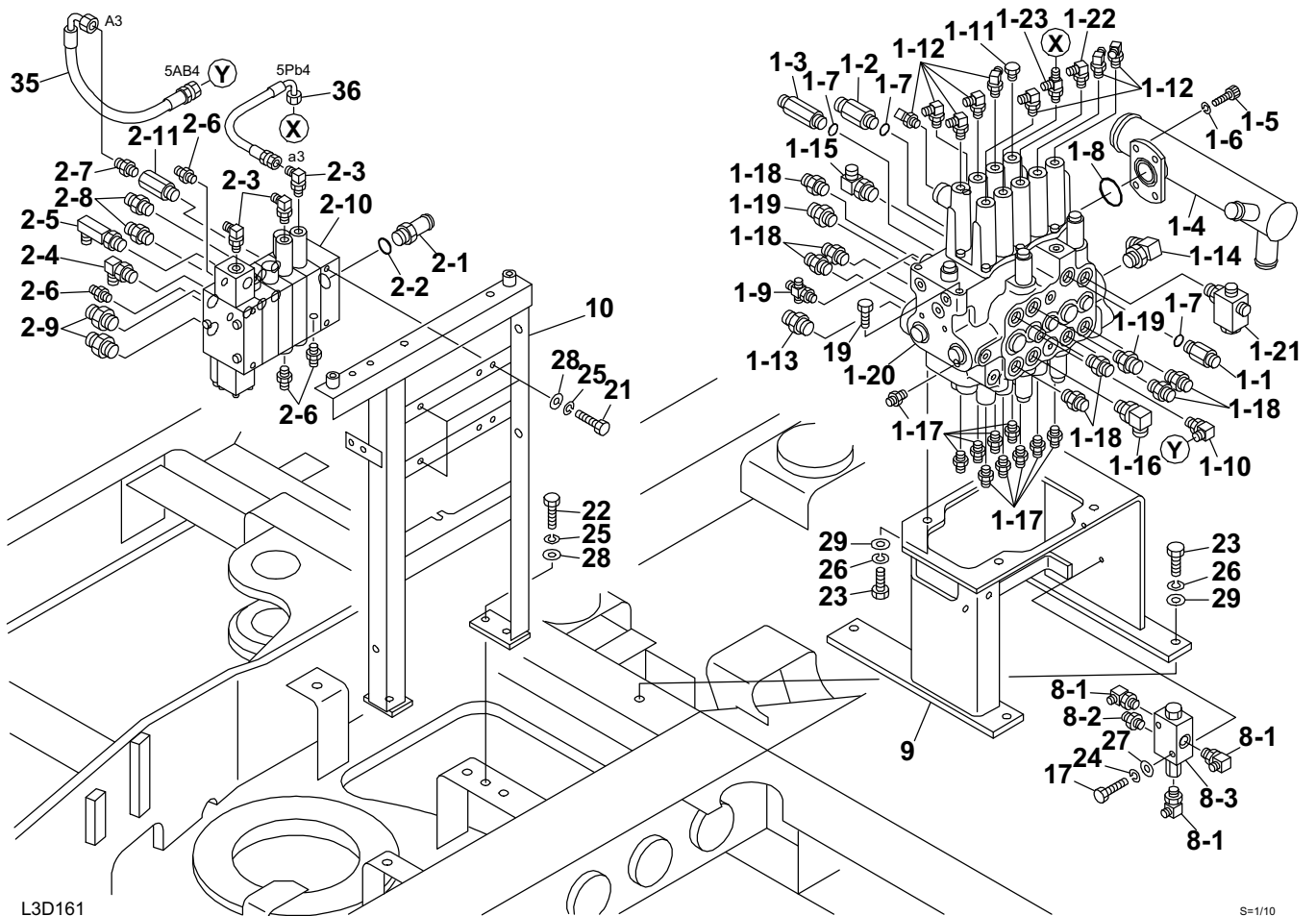
L3D161

S=1/10

VALVE & ACCESSORIES (1/2) (high flow; 17510003-17514411)

Item	Part number	Description	Q'ty	Chan.	Serial No.	Serv.	Remarks
		VALVE ASSY, control					
1	X *****	VALVE SUB ASSY, control	1				
1-1	0007203033	· ADAPTOR	1				
1-2	0007203076	· ADAPTOR	1				
1-3	0007203074	· ADAPTOR	1				
	1420010180	· · O-RING	1				
1-4	0565029140	· MANIFOLD	1				
1-5	1110041025	· SCREW, cap	4				
1-6	1140020010	· WASHER, spring	4				
1-7	1420010180	· O-RING	3				
1-8	1420100450	· O-RING	1				
1-9	1513390027	· TEE	1				
	1420010110	· · O-RING	1				
1-10	1515010041	· ELBOW	1				
	1420010140	· · O-RING	1				
1-11	1501750002	· PLUG	1				
	1420010110	· · O-RING	1				
1-12	1515012040	· ELBOW	9				
	1420010110	· · O-RING	1				
1-13	1515600203	· ADAPTOR	1				
	1420010240	· · O-RING	1				
1-14	1515010043	· ELBOW	1				
	1420010240	· · O-RING	1				
1-15	1515010052	· ELBOW	1				
	1420010240	· · O-RING	1				
1-16	1515010132	· ELBOW	1				
	1420010180	· · O-RING	1				
1-17	1515600200	· ADAPTOR	10				
	1420010110	· · O-RING	1				
1-18	1515600202	· ADAPTOR	7				
	1420010180	· · O-RING	1				
1-19	1515600573	· ADAPTOR	2				
	1420010180	· · O-RING	1				
1-20	1901040700	· VALVE, control	1				
1-21	1901735400	· ADAPTOR	1				
1-22	0565029150	· ELBOW (with orifice)	1				
1-23	1512370011	· TEE	1				
	1420010110	· · O-RING	1				
2	X *****	VALVE ASSY, control	1				
2-1	0007224006	· ADAPTOR	1				
2-2	1420010180	· O-RING	1				
2-3	1515012040	· ELBOW	3				
	1420010110	· · O-RING	1				
2-4	1515010041	· ELBOW	1				
	1420010140	· · O-RING	1				
2-5	1515010511	· ELBOW	1				
	1420010140	· · O-RING	1				
2-6	1515600200	· ADAPTOR	4				
	1420010110	· · O-RING	1				
2-7	1515600201	· ADAPTOR	1				
	1420010140	· · O-RING	1				
2-8	1515600572	· ADAPTOR	2				
	1420010140	· · O-RING	1				
2-9	1515600573	· ADAPTOR	2				
	1420010180	· · O-RING	1				
2-10	1901040800	· VALVE, control	1				
2-11	1901739500	· VALVE, check	1				
8	X *****	VALVE ASSY	1				
8-1	1515012040	· ELBOW	3				
	1420010110	· · O-RING	1				

TB175(P-TB175BAB) Book No. BL3Z010 S/N 17510003-
VALVE & ACCESSORIES (1/2) (high flow; 17510003-17514411)



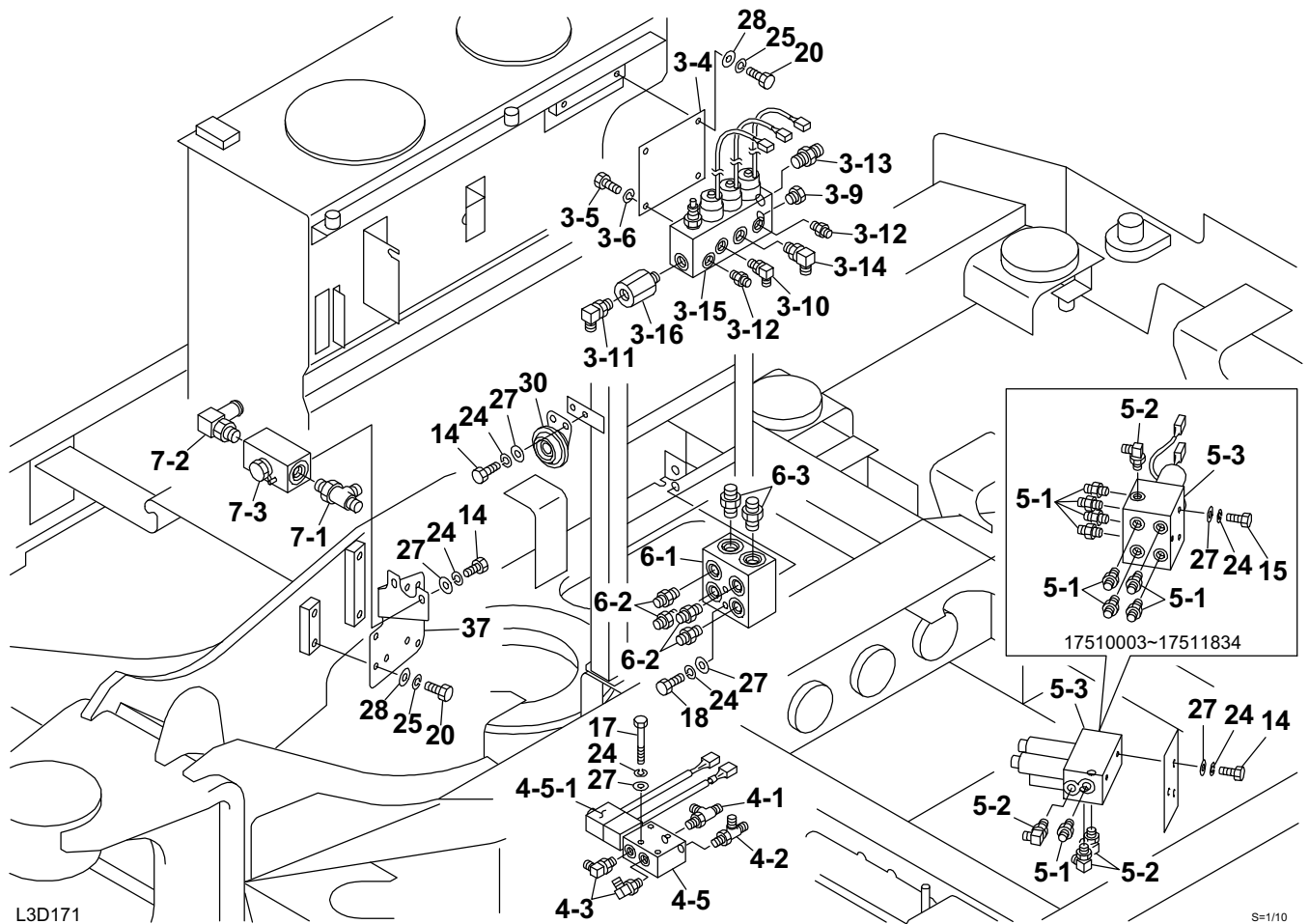
L3D161

S=1/10

VALVE & ACCESSORIES (1/2) (high flow; 17510003-17514411)

Item	Part number	Description	Q'ty	Chan.	Serial No.	Serv.	Remarks
8-2	1515600200	· ADAPTOR	1				
	1420010110	· · O-RING	1				
8-3	1901734800	· VALVE	1				
9	0565029900	BRACKET	1				
10	0565029910	BRACKET	1				
17	1100040850	BOLT	2				
19	1100041016	BOLT	3				
21	1100041025	BOLT	3				
22	1100041030	BOLT	3				
23	1100041230	BOLT	8				
24	1140020008	WASHER, spring	2				
25	1140020010	WASHER, spring	6				
26	1140020012	WASHER, spring	8				
27	1141110008	WASHER	2				
28	1141110010	WASHER	6				
29	1141110012	WASHER	8				
35	0565030550	HOSE ASSY	1				
36	0565030560	HOSE ASSY	1				19348-52026
	L3d162						

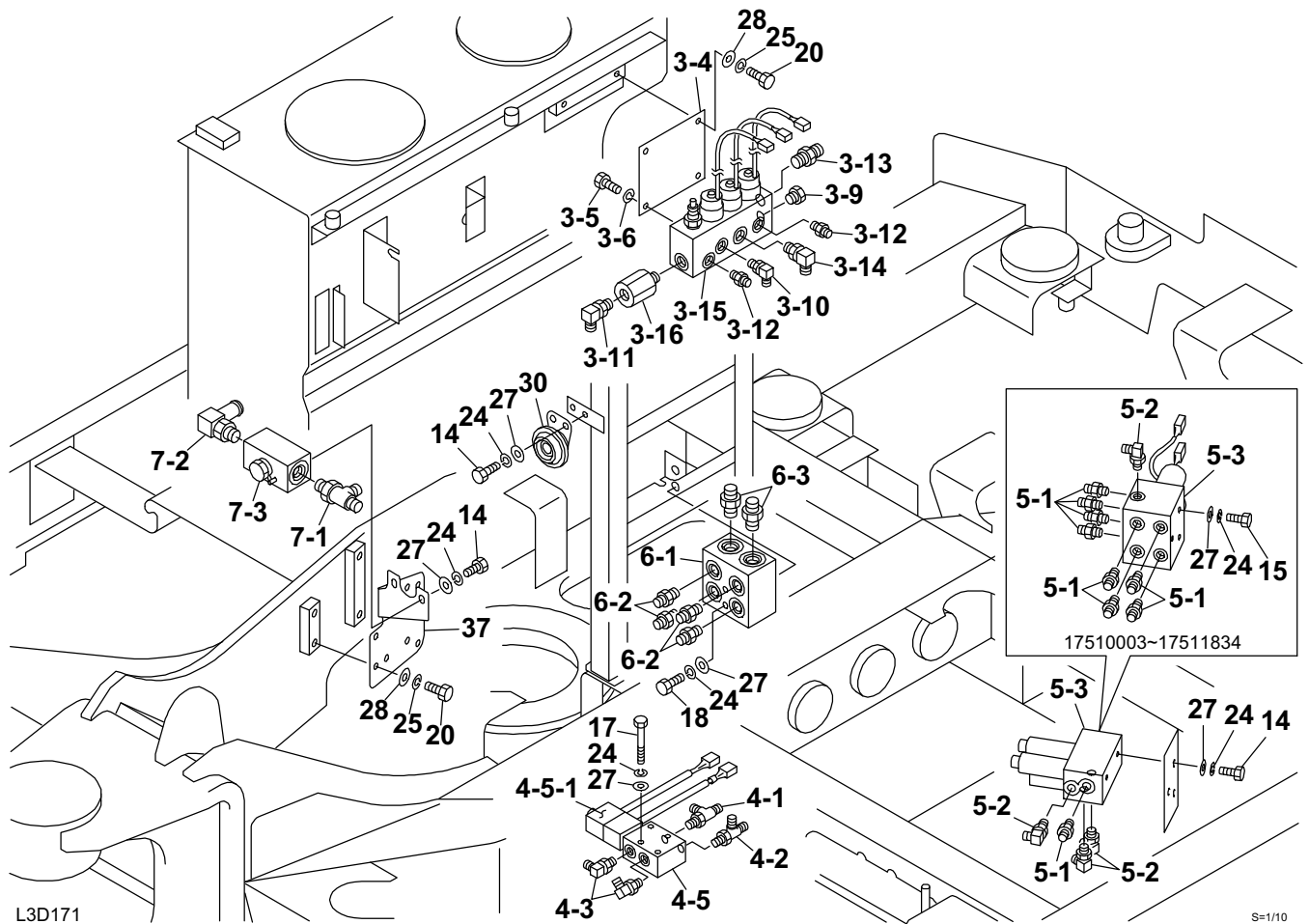
TB175(P-TB175BAB) Book No. BL3Z010 S/N 17510003-
VALVE & ACCESSORIES (2/2) (high flow; 17510003-17514411)



VALVE & ACCESSORIES (2/2) (high flow; 17510003-17514411)

Item	Part number	Description	Q'ty	Chan.	Serial No.	Serv.	Remarks
3	X *****	VALVE ASSY, control	1				
		VALVE, solenoid	1				
3-4	0567016550	· BRACKET	1				
3-5	1100040816	· BOLT	2				
3-6	1140020008	· WASHER, spring	2				
3-9	1501750002	· PLUG	1		17510003~17512104		
	1420010110	· · O-RING	1				
3-10	1515012040	· ELBOW	1				
	1420010110	· · O-RING	1				
3-11	1515010051	· ELBOW	1				
	1420010180	· · O-RING	1				
3-12	1515600200	· ADAPTOR	2				
	1420010110	· · O-RING	1				
3-13	1515600571	· ADAPTOR	1				
	1420010110	· · O-RING	1				
3-14	1515010130	· ELBOW	1				
	1420010110	· · O-RING	1				
3-15	1901723800	· VALVE, solenoid	1				
3-16	1513370047	· ADAPTOR (with filter)	1				
	1420010140	· · O-RING	1				
4	X *****	VALVE, solenoid	1		17510003~17511834		
4-1	0565029410	· TEE	1		17510003~17511834		
4-2	1512370011	· TEE	1		17510003~17511834		
	1420010110	· · O-RING	1				
4-3	1515012040	· ELBOW	2		17510003~17511834		
	1420010110	· · O-RING	1				
4-5	1901730800	· VALVE, solenoid	1		17510003~17511834		
4-5-1	1901730802	· · SOLENOID	1		17510003~17511834		
5	X *****	VALVE, solenoid	1		17510003~17511834		
	X *****	VALVE, solenoid	1		17511835~		
5-1	1515600200	· ADAPTOR	8		17510003~17511834		
	1420010110	· · O-RING	1				
	1512370008	· ADAPTOR (with filter)	1		17511835~		
	1420010110	· · O-RING	1				
5-2	1515012040	· ELBOW	1		17510003~17511834		
	1420010110	· · O-RING	1				
	1515012040	· ELBOW	3		17511835~		
	1420010110	· · O-RING	1				
5-3	1901733900	· VALVE, solenoid	1		17510003~17511834		
	1901738500	· VALVE, proportional control	1		17511835~		
6	X *****	MANIFOLD	1				
6-1	0565029610	· MANIFOLD	1				
6-2	1515600202	· ADAPTOR	4				
	1420010180	· · O-RING	1				
6-3	1515600203	· ADAPTOR	2				
	1420010240	· · O-RING	1				
7	X *****	VALVE , stop	1				
7-1	1512373008	· TEE	1				
	1420010240	· · O-RING	1				
7-2	1513350005	· CONNECTOR	1				
	1420010240	· · O-RING	1				
7-3	1901723700	· VALVE, stop	1				
14	1100040820	BOLT	6				
15	1100040825	BOLT	3		17510003~17511834		
17	1100040850	BOLT	2		17510003~17511834		
18	1100040870	BOLT	2				
20	1100041020	BOLT	6				
24	1140020008	WASHER, spring	6				
25	1140020010	WASHER, spring	6				
27	1141110008	WASHER	6				

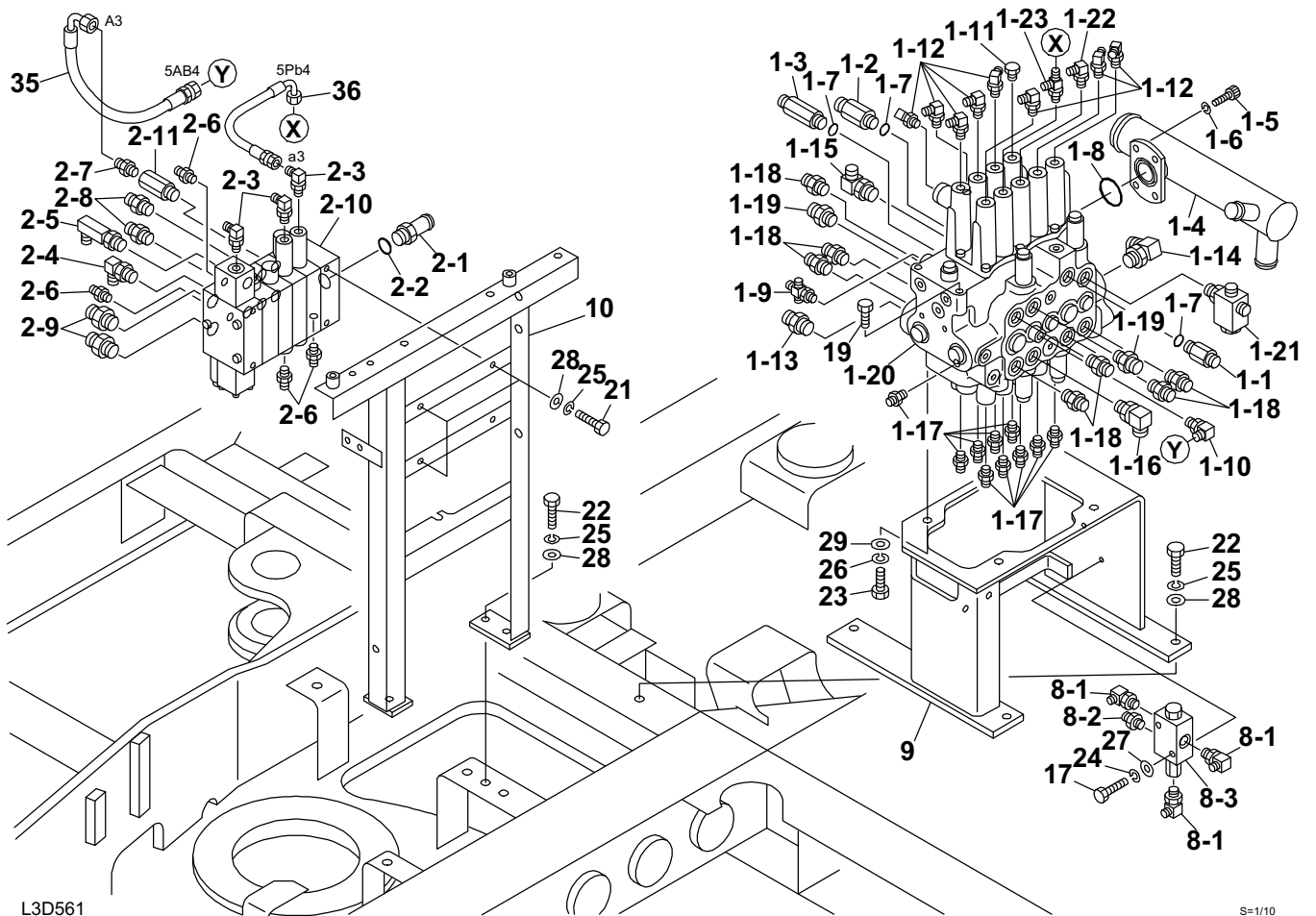
TB175(P-TB175BAB) Book No. BL3Z010 S/N 17510003-
VALVE & ACCESSORIES (2/2) (high flow; 17510003-17514411)



VALVE & ACCESSORIES (2/2) (high flow; 17510003-17514411)

Item	Part number	Description	Q'ty	Chan.	Serial No.	Serv.	Remarks
28	1141110010	WASHER	6				
30	1703500624	HORN	1				
37	0565033601	PLATE	1				
	L3d171						

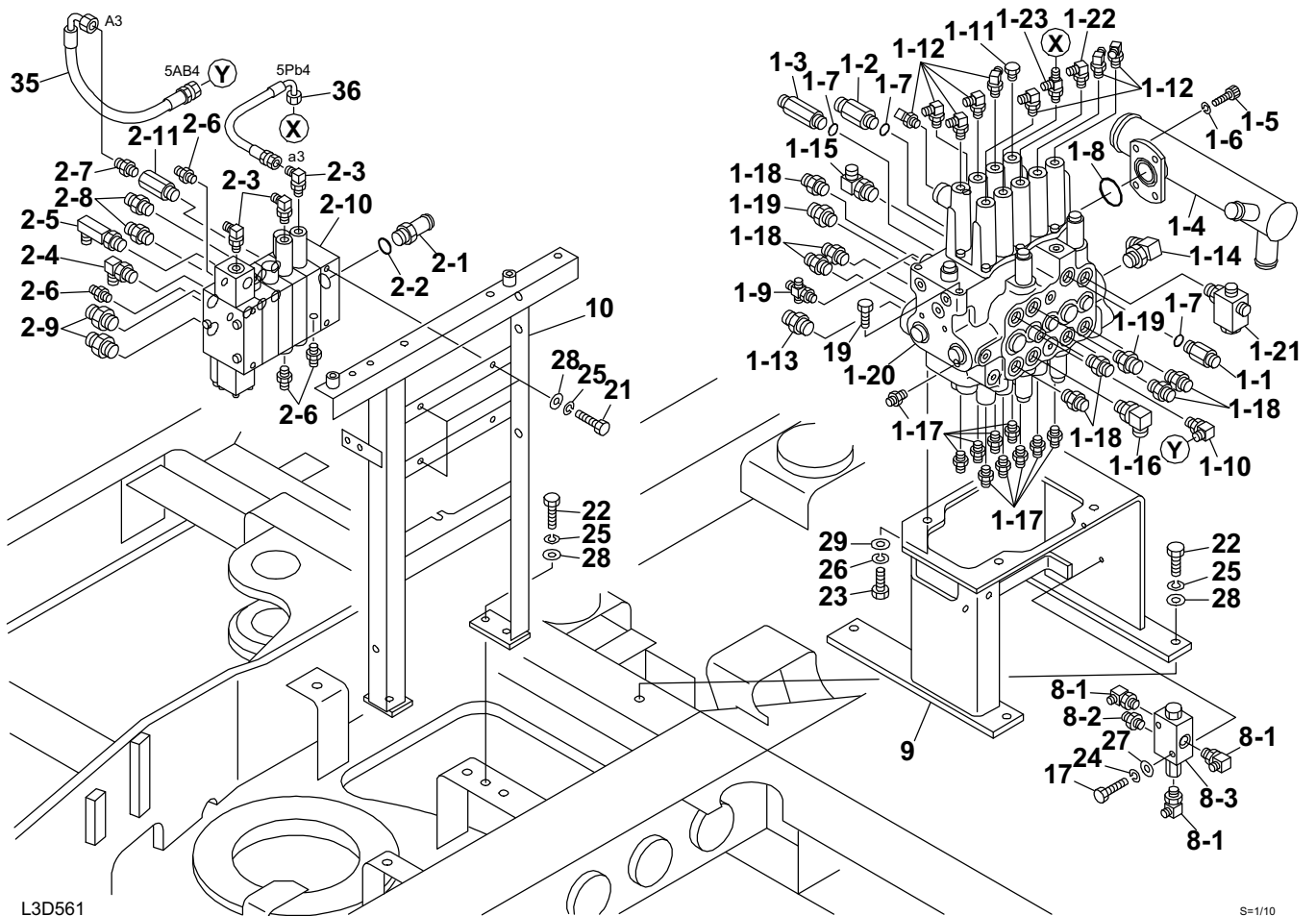
**TB175(P-TB175BAB) Book No. BL3Z010 S/N 17510003-
VALVE & ACCESSORIES (1/2) (high flow; 17514412-)**



VALVE & ACCESSORIES (1/2) (high flow; 17514412-)

Item	Part number	Description	Q'ty	Chan.	Serial No.	Serv.	Remarks
		VALVE ASSY, control					
1	X *****	VALVE SUB ASSY, control	1				
1-1	0007203033	· ADAPTOR	1				
1-2	0007203076	· ADAPTOR	1				
1-3	0007203074	· ADAPTOR	1				
	1420010180	· · O-RING	1				
1-4	0565029140	· MANIFOLD	1				
1-5	1110041025	· SCREW, cap	4				
1-6	1140020010	· WASHER, spring	4				
1-7	1420010180	· O-RING	3				
1-8	1420100450	· O-RING	1				
1-9	1513390027	· TEE	1				
	1420010110	· · O-RING	1				
1-10	1515010041	· ELBOW	1				
	1420010140	· · O-RING	1				
1-11	1501750002	· PLUG	1				
	1420010110	· · O-RING	1				
1-12	1515012040	· ELBOW	9				
	1420010110	· · O-RING	1				
1-13	1515600203	· ADAPTOR	1				
	1420010240	· · O-RING	1				
1-14	1515010043	· ELBOW	1				
	1420010240	· · O-RING	1				
1-15	1515010052	· ELBOW	1				
	1420010240	· · O-RING	1				
1-16	1515010132	· ELBOW	1				
	1420010180	· · O-RING	1				
1-17	1515600200	· ADAPTOR	10				
	1420010110	· · O-RING	1				
1-18	1515600202	· ADAPTOR	7				
	1420010180	· · O-RING	1				
1-19	1515600573	· ADAPTOR	2				
	1420010180	· · O-RING	1				
1-20	1901040700	· VALVE, control	1				
1-21	1901735400	· ADAPTOR	1				
1-22	0565029150	· ELBOW (with orifice)	1				
1-23	1512370011	· TEE	1				
	1420010110	· · O-RING	1				
2	X *****	VALVE ASSY, control	1				
2-1	0007224006	· ADAPTOR	1				
2-2	1420010180	· O-RING	1				
2-3	1515012040	· ELBOW	3				
	1420010110	· · O-RING	1				
2-4	1515010041	· ELBOW	1				
	1420010140	· · O-RING	1				
2-5	1515010511	· ELBOW	1				
	1420010140	· · O-RING	1				
2-6	1515600200	· ADAPTOR	4				
	1420010110	· · O-RING	1				
2-7	1515600201	· ADAPTOR	1				
	1420010140	· · O-RING	1				
2-8	1515600572	· ADAPTOR	2				
	1420010140	· · O-RING	1				
2-9	1515600573	· ADAPTOR	2				
	1420010180	· · O-RING	1				
2-10	1901043900	· VALVE, control	1				
2-11	1901739500	· VALVE, check	1				
8	X *****	VALVE ASSY	1				
8-1	1515012040	· ELBOW	3				
	1420010110	· · O-RING	1				

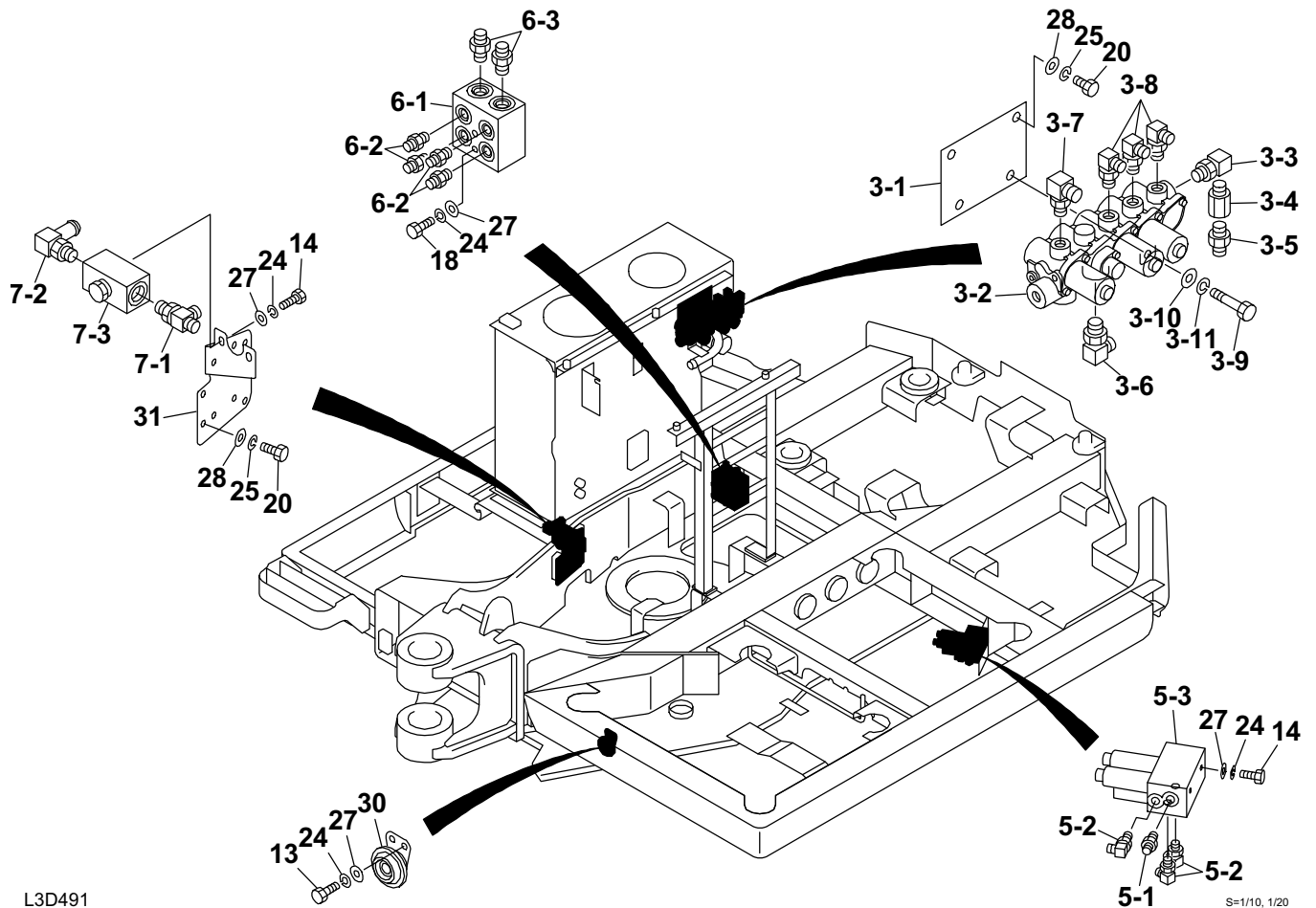
**TB175(P-TB175BAB) Book No. BL3Z010 S/N 17510003-
VALVE & ACCESSORIES (1/2) (high flow; 17514412-)**



VALVE & ACCESSORIES (1/2) (high flow; 17514412-)

Item	Part number	Description	Q'ty	Chan.	Serial No.	Serv.	Remarks
8-2	1515600200	· ADAPTOR	1				
	1420010110	· · O-RING	1				
8-3	1901734800	· VALVE	1				
9	0565029900	BRACKET	1				
10	0565051050	BRACKET	1				
17	1100040850	BOLT	2				
19	1100041016	BOLT	3				
21	1100041025	BOLT	3				
22	1100041030	BOLT	7				
23	1100041230	BOLT	4				
24	1140020008	WASHER, spring	2				
25	1140020010	WASHER, spring	10				
26	1140020012	WASHER, spring	4				
27	1141110008	WASHER	2				
28	1141110010	WASHER	10				
29	1141110012	WASHER	4				
35	0565030550	HOSE ASSY	1				
36	0565030560	HOSE ASSY	1				19348-52026
	L3d561						

TB175(P-TB175BAB) Book No. BL3Z010 S/N 17510003-
VALVE & ACCESSORIES (2/2) (high flow; 17514412-)



L3D491

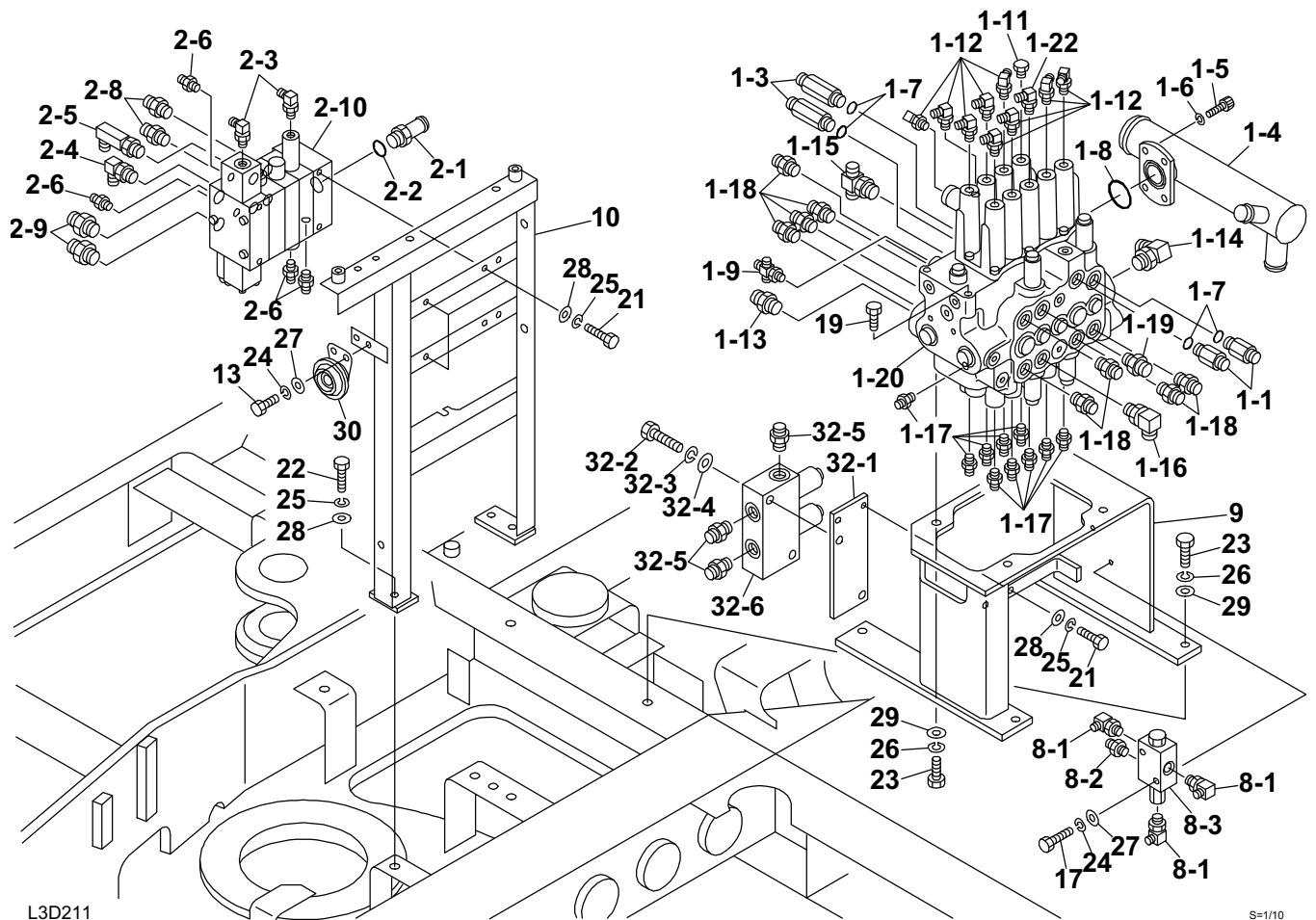
S=1/10, 1/20

VALVE & ACCESSORIES (2/2) (high flow; 17514412-)

Item	Part number	Description	Q'ty	Chan.	Serial No.	Serv.	Remarks
		VALVE ASSY, control					
3	X *****	VALVE, solenoid	1				
3-1	0565051040	· PLATE	1				
3-2	1901749000	· VALVE, solenoid	1				
3-3	1513300017	· ELBOW	1				
	1420010140	· · O-RING	1				
3-4	1513370047	· ADAPTOR (with filter)	1				
	1420010140	· · O-RING	1				
3-5	1515600577	· ADAPTOR	1				
	1420010180	· · O-RING	1				
3-6	1515010051	· ELBOW	1				
	1420010180	· · O-RING	1				
3-7	1515010130	· ELBOW	1				
	1420010110	· · O-RING	1				
3-8	1515012040	· ELBOW	3				
	1420010110	· · O-RING	1				
3-9	1100041080	· BOLT	2				
3-10	1141110010	· WASHER	2				
3-11	1140020010	· WASHER, spring	2				
5	X *****	VALVE, solenoid	1				
5-1	1512370008	· ADAPTOR (with filter)	1				
	1420010110	· · O-RING	1				
5-2	1515012040	· ELBOW	3				
	1420010110	· · O-RING	1				
5-3	1901738500	· VALVE, proportional control	1				
6	X *****	MANIFOLD	1				
6-1	0565029610	· MANIFOLD	1				
6-2	1515600202	· ADAPTOR	4				
	1420010180	· · O-RING	1				
6-3	1515600203	· ADAPTOR	2				
	1420010240	· · O-RING	1				
7	X *****	VALVE, stop	1				
7-1	1512373008	· TEE	1				
	1420010240	· · O-RING	1				
7-2	1513350005	· CONNECTOR	1				
	1420010240	· · O-RING	1				
7-3	1901723700	· VALVE, stop	1				
13	1100040816	BOLT	1				
14	1100040820	BOLT	4				
18	1100040870	BOLT	2				
20	1100041020	BOLT	6				
24	1140020008	WASHER, spring	7				
25	1140020010	WASHER, spring	6				
27	1141110008	WASHER	7				
28	1141110010	WASHER	6				
30	1703500824	HORN	1				
31	0565033601	PLATE	1				

L3d571

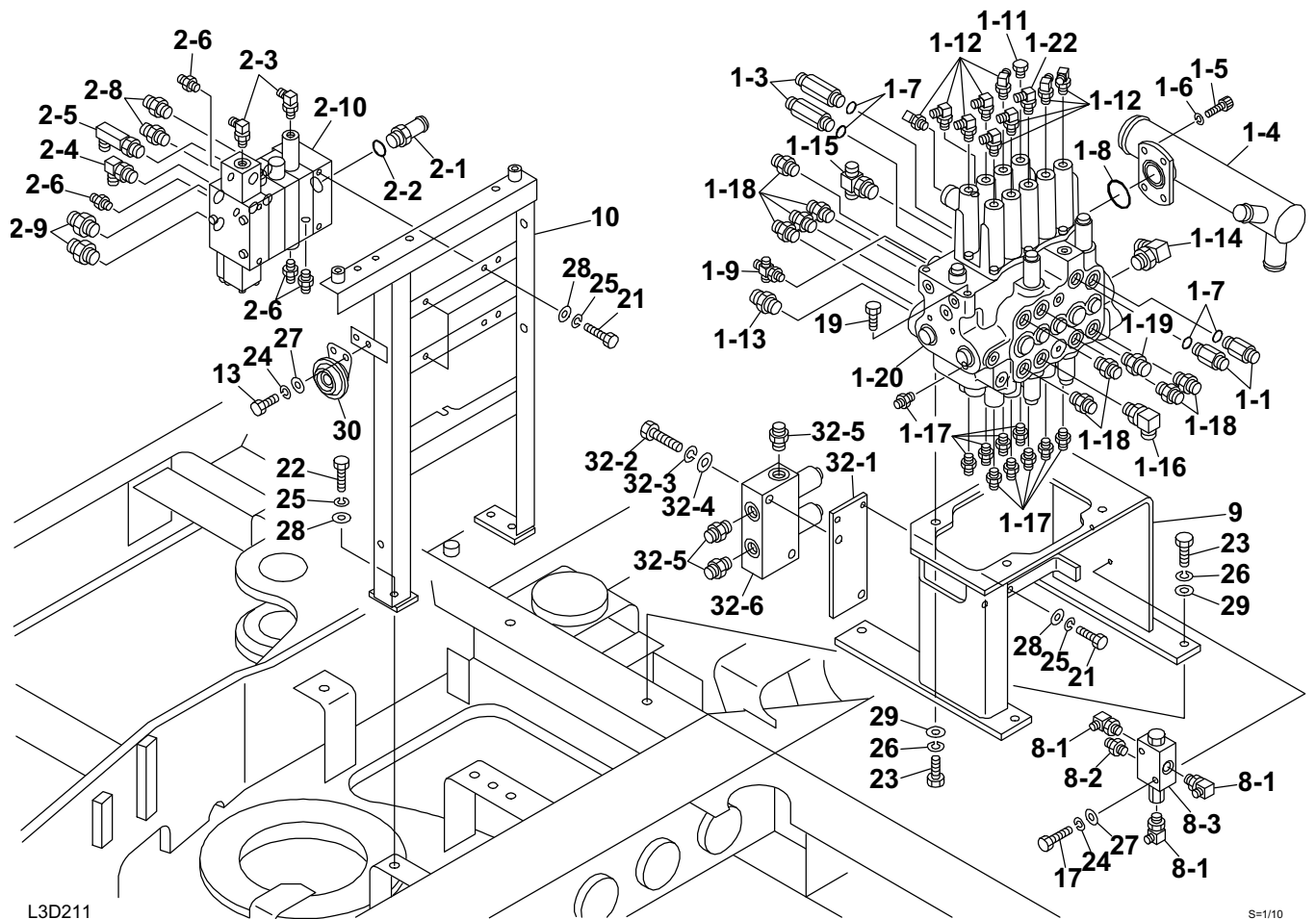
TB175(P-TB175BAB) Book No. BL3Z010 S/N 17510003-
VALVE & ACCESSORIES (1/2) (2-piece boom; 17510003-17514411)



VALVE & ACCESSORIES (1/2) (2-piece boom; 17510003-17514411)

Item	Part number	Description	Q'ty	Chan.	Serial No.	Serv.	Remarks
		VALVE ASSY, control					
1	X *****	VALVE, control	1				
1-1	0007203033	· ADAPTOR	2				
1-3	0007203074	· ADAPTOR	2				
	1420010180	· · O-RING	1				
1-4	0565029140	· MANIFOLD	1				
1-5	1110041025	· SCREW, cap	4				
1-6	1140020010	· WASHER, spring	4				
1-7	1420010180	· O-RING	4				
1-8	1420100450	· O-RING	1				
1-9	1513390027	· TEE	1				
	1420010110	· · O-RING	1				
1-11	1501750002	· PLUG	1				
	1420010110	· · O-RING	1				
1-12	1515012040	· ELBOW	9				
	1420010110	· · O-RING	1				
1-13	1515600203	· ADAPTOR	1				
	1420010240	· · O-RING	1				
1-14	1515010043	· ELBOW	1				
	1420010240	· · O-RING	1				
1-15	1512374011	· TEE	1				
	1420010240	· · O-RING	1				
1-16	1515010132	· ELBOW	1				
	1420010180	· · O-RING	1				
1-17	1515600200	· ADAPTOR	10				
	1420010110	· · O-RING	1				
1-18	1515600202	· ADAPTOR	8				
	1420010180	· · O-RING	1				
1-19	1515600573	· ADAPTOR	1				
	1420010180	· · O-RING	1				
1-20	1901040700	· VALVE, control	1				
1-22	0565029150	· ELBOW (with orifice)	1				
2	X *****	VALVE, control	1				
2-1	0007224006	· ADAPTOR	1				
2-2	1420010180	· O-RING	1				
2-3	1515012040	· ELBOW	2				
	1420010110	· · O-RING	1				
2-4	1515010041	· ELBOW	1				
	1420010140	· · O-RING	1				
2-5	1515010511	· ELBOW	1				
	1420010140	· · O-RING	1				
2-6	1515600200	· ADAPTOR	4				
	1420010110	· · O-RING	1				
2-8	1515600572	· ADAPTOR	2				
	1420010140	· · O-RING	1				
2-9	1515600573	· ADAPTOR	2				
	1420010180	· · O-RING	1				
2-10	1901039100	· VALVE, control	1				
8	X *****	VALVE ASSY	1				
8-1	1515012040	· ELBOW	3				
	1420010110	· · O-RING	1				
8-2	1515600200	· ADAPTOR	1				
	1420010110	· · O-RING	1				
8-3	1901734800	· VALVE	1				
9	0565029900	BRACKET	1				
10	0565029910	BRACKET	1				
13	1100040816	BOLT	2				
17	1100040850	BOLT	2				
19	1100041016	BOLT	3				
21	1100041025	BOLT	5				

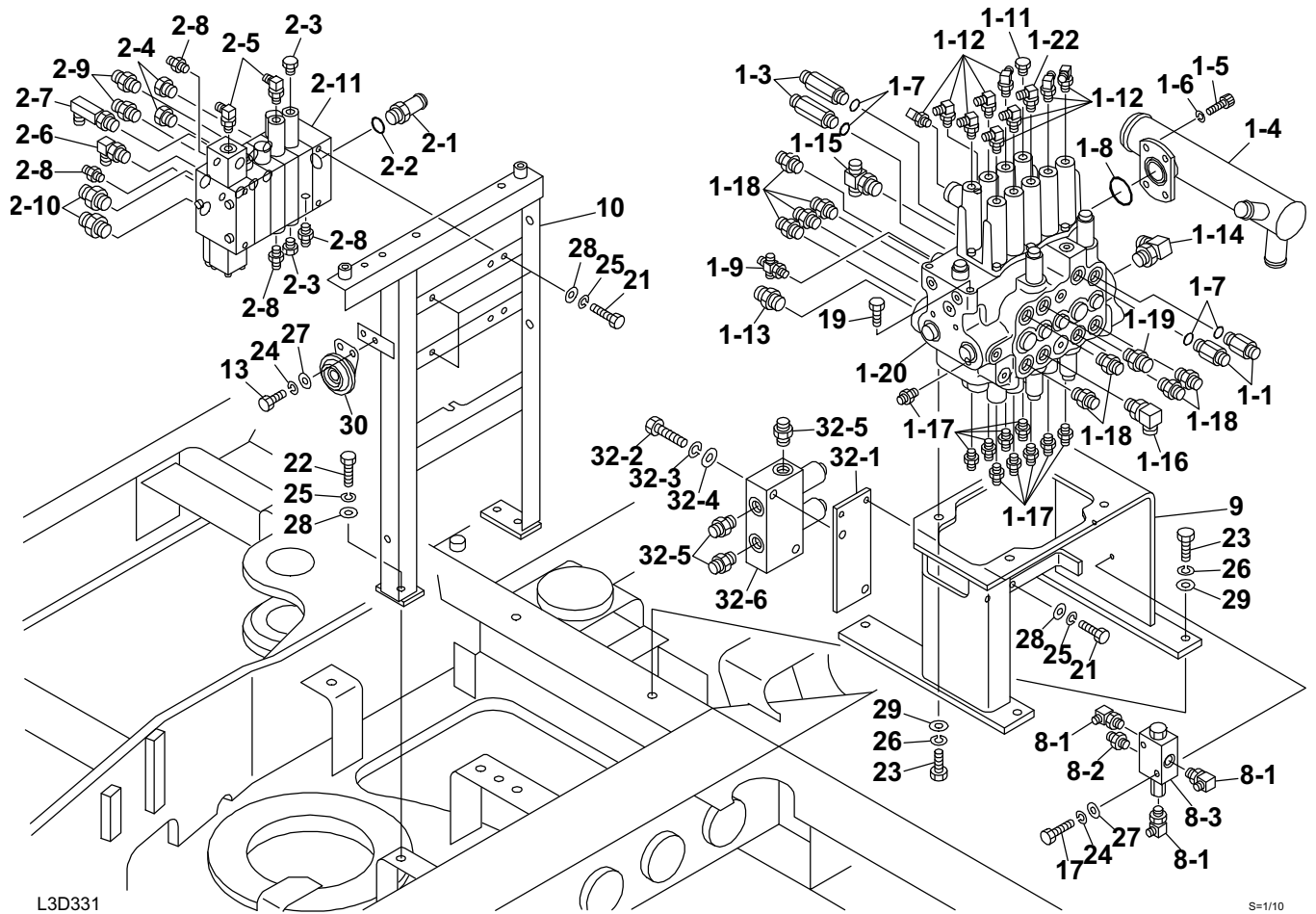
TB175(P-TB175BAB) Book No. BL3Z010 S/N 17510003-
VALVE & ACCESSORIES (1/2) (2-piece boom; 17510003-17514411)



VALVE & ACCESSORIES (1/2) (2-piece boom; 17510003-17514411)

Item	Part number	Description	Q'ty	Chan.	Serial No.	Serv.	Remarks
22	1100041030	BOLT	3				
23	1100041230	BOLT	8				
24	1140020008	WASHER, spring	4				
25	1140020010	WASHER, spring	8				
26	1140020012	WASHER, spring	8				
27	1141110008	WASHER	4				
28	1141110010	WASHER	8				
29	1141110012	WASHER	8				
30	1703500624	HORN	1				
32	X *****	VALVE, overload	1				
32-1	0565032510	· PLATE	1				
32-2	1100041460	· BOLT	2				
32-3	1140020014	· WASHER, spring	2				
32-4	1141110014	· WASHER	2				
32-5	1515600202	· ADAPTOR	3				
	1420010180	· · O-RING	1				
32-6	1901737500	· VALVE, overload	1				
	L3d211						

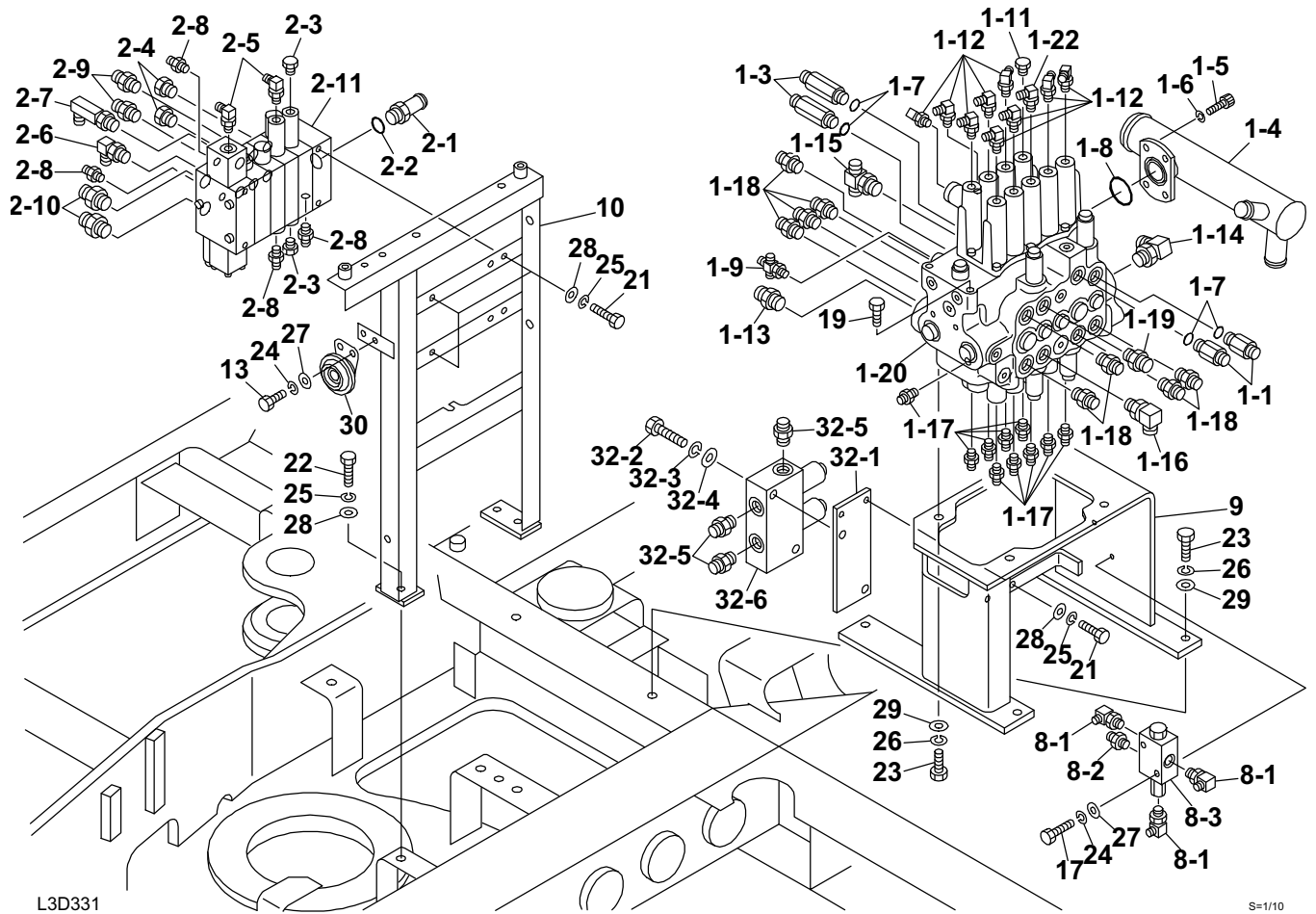
TB175(P-TB175BAB) Book No. BL3Z010 S/N 17510003-
VALVE & ACCESSORIES (1/2) (2-piece boom, for U.S.;
17510003-17514411)



VALVE & ACCESSORIES (1/2) (2-piece boom, for U.S.; 17510003-17514411)

Item	Part number	Description	Q'ty	Chan.	Serial No.	Serv.	Remarks
		VALVE ASSY, control					
1	X *****	VALVE, control	1				
1-1	0007203033	· ADAPTOR	2				
1-3	0007203074	· ADAPTOR	2				
	1420010180	· · O-RING	1				
1-4	0565029140	· MANIFOLD	1				
1-5	1110041025	· SCREW, cap	4				
1-6	1140020010	· WASHER, spring	4				
1-7	1420010180	· O-RING	4				
1-8	1420100450	· O-RING	1				
1-9	1513390027	· TEE	1				
	1420010110	· · O-RING	1				
1-11	1501750002	· PLUG	1				
	1420010110	· · O-RING	1				
1-12	1515012040	· ELBOW	9				
	1420010110	· · O-RING	1				
1-13	1515600203	· ADAPTOR	1				
	1420010240	· · O-RING	1				
1-14	1515010043	· ELBOW	1				
	1420010240	· · O-RING	1				
1-15	1512374011	· TEE	1				
	1420010240	· · O-RING	1				
1-16	1515010132	· ELBOW	1				
	1420010180	· · O-RING	1				
1-17	1515600200	· ADAPTOR	10				
	1420010110	· · O-RING	1				
1-18	1515600202	· ADAPTOR	8				
	1420010180	· · O-RING	1				
1-19	1515600573	· ADAPTOR	1				
	1420010180	· · O-RING	1				
1-20	1901040700	· VALVE, control	1				
1-22	0565029150	· ELBOW (with orifice)	1				
2	X *****	VALVE, control	1				
2-1	0007224006	· ADAPTOR	1				
2-2	1420010180	· O-RING	1				
2-3	1501750002	· PLUG	2				
	1420010110	· · O-RING	1				
2-4	1501750003	· PLUG	2				
	1420010140	· · O-RING	1				
2-5	1515012040	· ELBOW	2				
	1420010110	· · O-RING	1				
2-6	1515010041	· ELBOW	1				
	1420010140	· · O-RING	1				
2-7	1515010511	· ELBOW	1				
	1420010140	· · O-RING	1				
2-8	1515600200	· ADAPTOR	4				
	1420010110	· · O-RING	1				
2-9	1515600572	· ADAPTOR	2				
	1420010140	· · O-RING	1				
2-10	1515600573	· ADAPTOR	2				
	1420010180	· · O-RING	1				
2-11	1901039000	· VALVE, control	1				
8	X *****	VALVE ASSY	1				
8-1	1515012040	· ELBOW	3				
	1420010110	· · O-RING	1				
8-2	1515600200	· ADAPTOR	1				
	1420010110	· · O-RING	1				
8-3	1901734800	· VALVE	1				
9	0565029900	BRACKET	1				
10	0565029910	BRACKET	1				

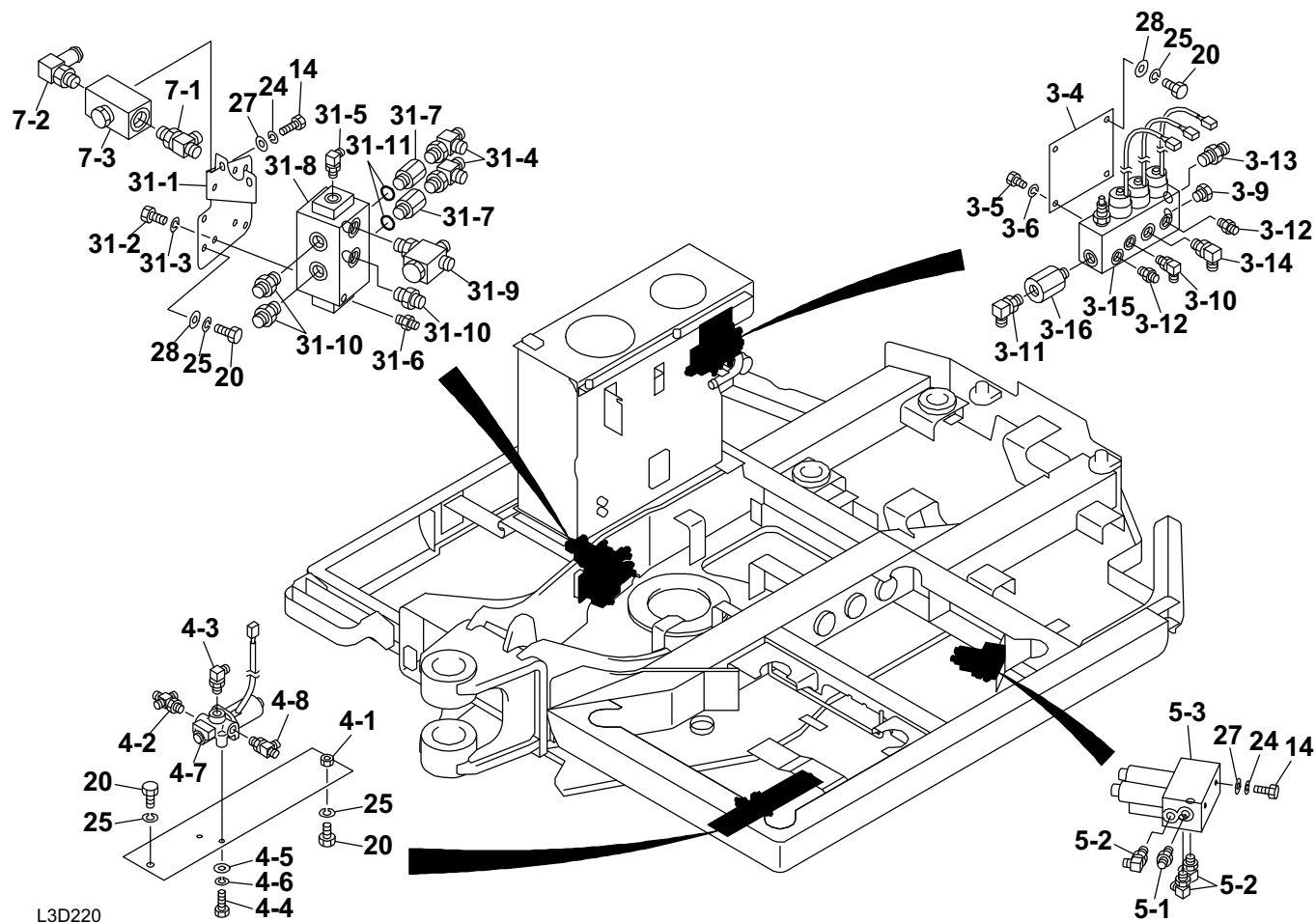
TB175(P-TB175BAB) Book No. BL3Z010 S/N 17510003-
VALVE & ACCESSORIES (1/2) (2-piece boom, for U.S.;
17510003-17514411)



VALVE & ACCESSORIES (1/2) (2-piece boom, for U.S.; 17510003-17514411)

Item	Part number	Description	Q'ty	Chan.	Serial No.	Serv.	Remarks
13	1100040816	BOLT	2				
17	1100040850	BOLT	2				
19	1100041016	BOLT	3				
21	1100041025	BOLT	5				
22	1100041030	BOLT	3				
23	1100041230	BOLT	8				
24	1140020008	WASHER, spring	4				
25	1140020010	WASHER, spring	8				
26	1140020012	WASHER, spring	8				
27	1141110008	WASHER	4				
28	1141110010	WASHER	8				
29	1141110012	WASHER	8				
30	1703500624	HORN	1				
32	X *****	VALVE, overload	1				
32-1	0565032510	· PLATE	1				
32-2	1100041460	· BOLT	2				
32-3	1140020014	· WASHER, spring	2				
32-4	1141110014	· WASHER	2				
32-5	1515600202	· ADAPTOR	3				
	1420010180	· · O-RING	1				
32-6	1901737500	· VALVE, overload	1				
	L3d331						

TB175(P-TB175BAB) Book No. BL3Z010 S/N 17510003-
VALVE & ACCESSORIES (2/2) (2-piece boom; 17510003-17514411)



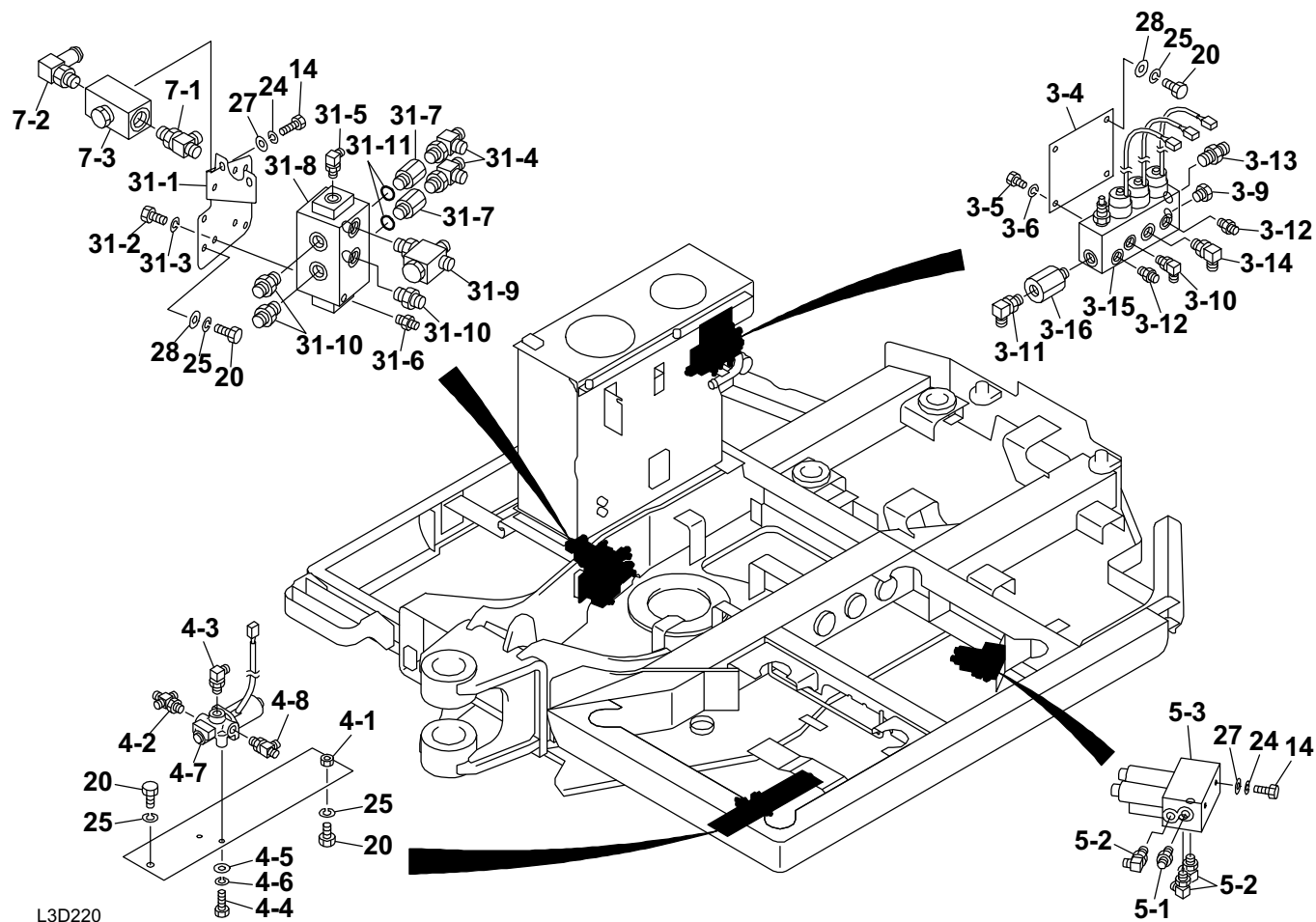
L3D220

S=1/10, 1/20

VALVE & ACCESSORIES (2/2) (2-piece boom; 17510003-17514411)

Item	Part number	Description	Q'ty	Chan.	Serial No.	Serv.	Remarks
		VALVE ASSY, control					
		VALVE ASSY, control					
3	X *****	VALVE, solenoid	1				
3-4	0567016550	· BRACKET	1				
3-5	1100040816	· BOLT	2				
3-6	1140020008	· WASHER, spring	2				
3-9	1501750002	· PLUG	1		17510003~17512104		
	1420010110	· · O-RING	1				
3-10	1515012040	· ELBOW	1				
	1420010110	· · O-RING	1				
3-11	1515010051	· ELBOW	1				
	1420010180	· · O-RING	1				
3-12	1515600200	· ADAPTOR	2				
	1420010110	· · O-RING	1				
3-13	1515600571	· ADAPTOR	1				
	1420010110	· · O-RING	1				
3-14	1515010130	· ELBOW	1				
	1420010110	· · O-RING	1				
3-15	1901723800	· VALVE, solenoid	1				
3-16	1513370047	· ADAPTOR (with filter)	1				
	1420010140	· · O-RING	1				
4	X *****	VALVE, solenoid	1				
4-1	0565037410	· PLATE	1				
4-2	1513390027	· TEE	1				
	1420010110	· · O-RING	1				
4-3	1515012040	· ELBOW	1				
	1420010110	· · O-RING	1				
4-4	1100040616	· BOLT	2				
4-5	1141110006	· WASHER	2				
4-6	1140020006	· WASHER, spring	2				
4-7	1901739600	· VALVE, solenoid	1				
4-8	1512370011	· TEE	1				
	1420010110	· · O-RING	1				
5	X *****	VALVE, solenoid	1				
5-1	1512370008	· FILTER	1				
	1420010110	· · O-RING	1				
5-2	1515012040	· ELBOW	3				
	1420010110	· · O-RING	1				
5-3	1901738500	· VALVE, proportional control	1				
7	X *****	VALVE, stop	1				
7-1	1512373008	· TEE	1				
	1420010240	· · O-RING	1				
7-2	1513350005	· CONNECTOR	1				
	1420010240	· · O-RING	1				
7-3	1901723700	· VALVE, stop	1				
14	1100040820	BOLT	4				
20	1100041020	BOLT	8				
24	1140020008	WASHER, spring	4				
25	1140020010	WASHER, spring	8				
27	1141110008	WASHER	4				
28	1141110010	WASHER	6				
31	X *****	SELECTOR	1				
31-1	0565033601	· PLATE	1				
31-2	1100041020	· BOLT	4				
31-3	1140020010	· WASHER, spring	4				
31-4	1512373005	· TEE	2				
	1420010180	· · O-RING	1				
31-5	1515012040	· ELBOW	1				
	1420010110	· · O-RING	1				
31-6	1515600200	· ADAPTOR	1				

TB175(P-TB175BAB) Book No. BL3Z010 S/N 17510003-
VALVE & ACCESSORIES (2/2) (2-piece boom; 17510003-17514411)



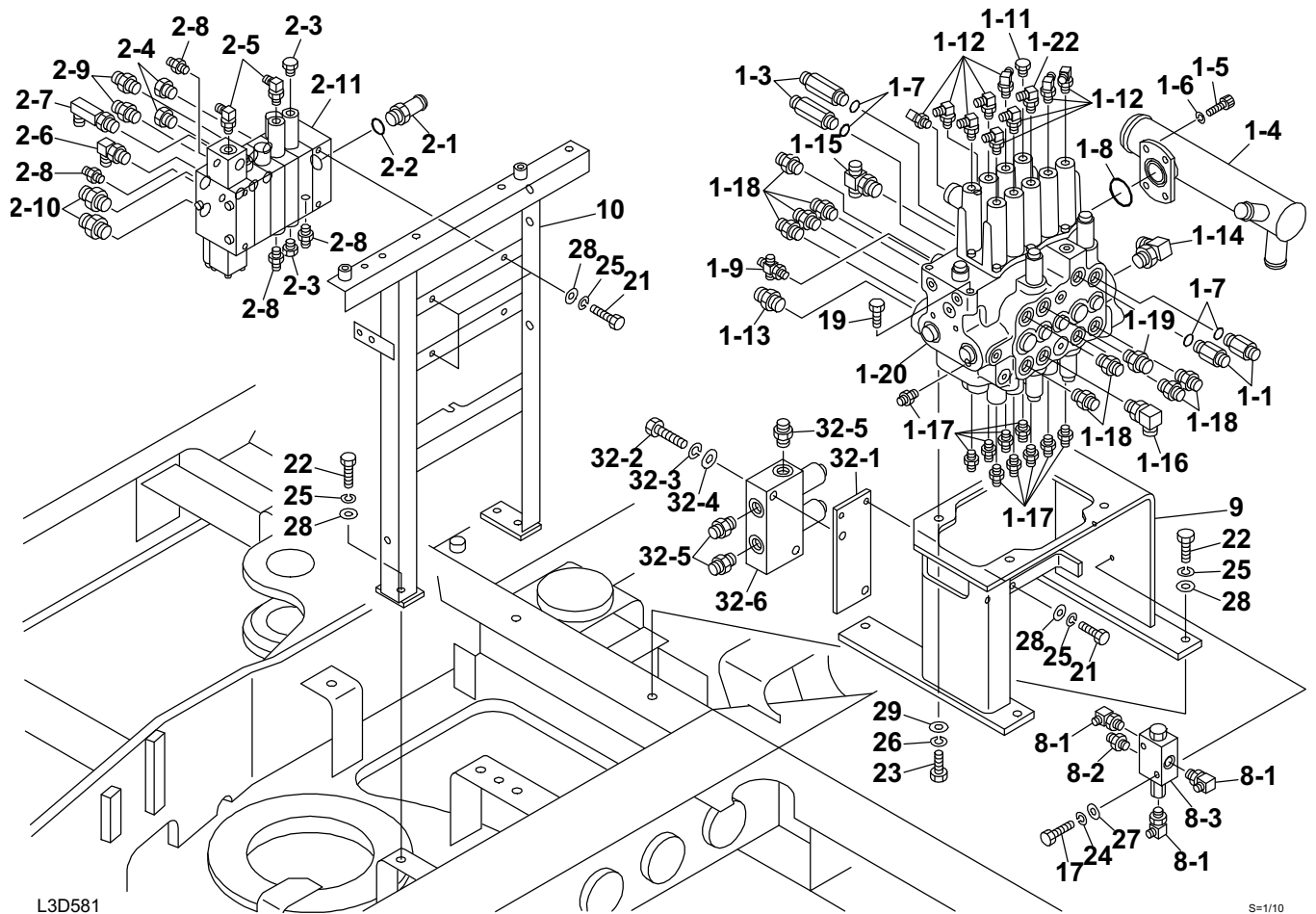
L3D220

S=1/10, 1/20

VALVE & ACCESSORIES (2/2) (2-piece boom; 17510003-17514411)

Item	Part number	Description	Q'ty	Chan.	Serial No.	Serv.	Remarks
31-6	1420010110	· · O-RING	1				
31-7	0007213010	· BUSHING	2				
31-8	1901736900	· VALVE, selector	1				
31-9	1901735400	· ADAPTOR	1				
31-10	1515600202	· ADAPTOR	3				
	1420010180	· · O-RING	1				
31-11	1420010180	· O-RING	2				
	L3d222						

TB175(P-TB175BAB) Book No. BL3Z010 S/N 17510003-
VALVE & ACCESSORIES (1/2) (2-piece boom; 17514412-)



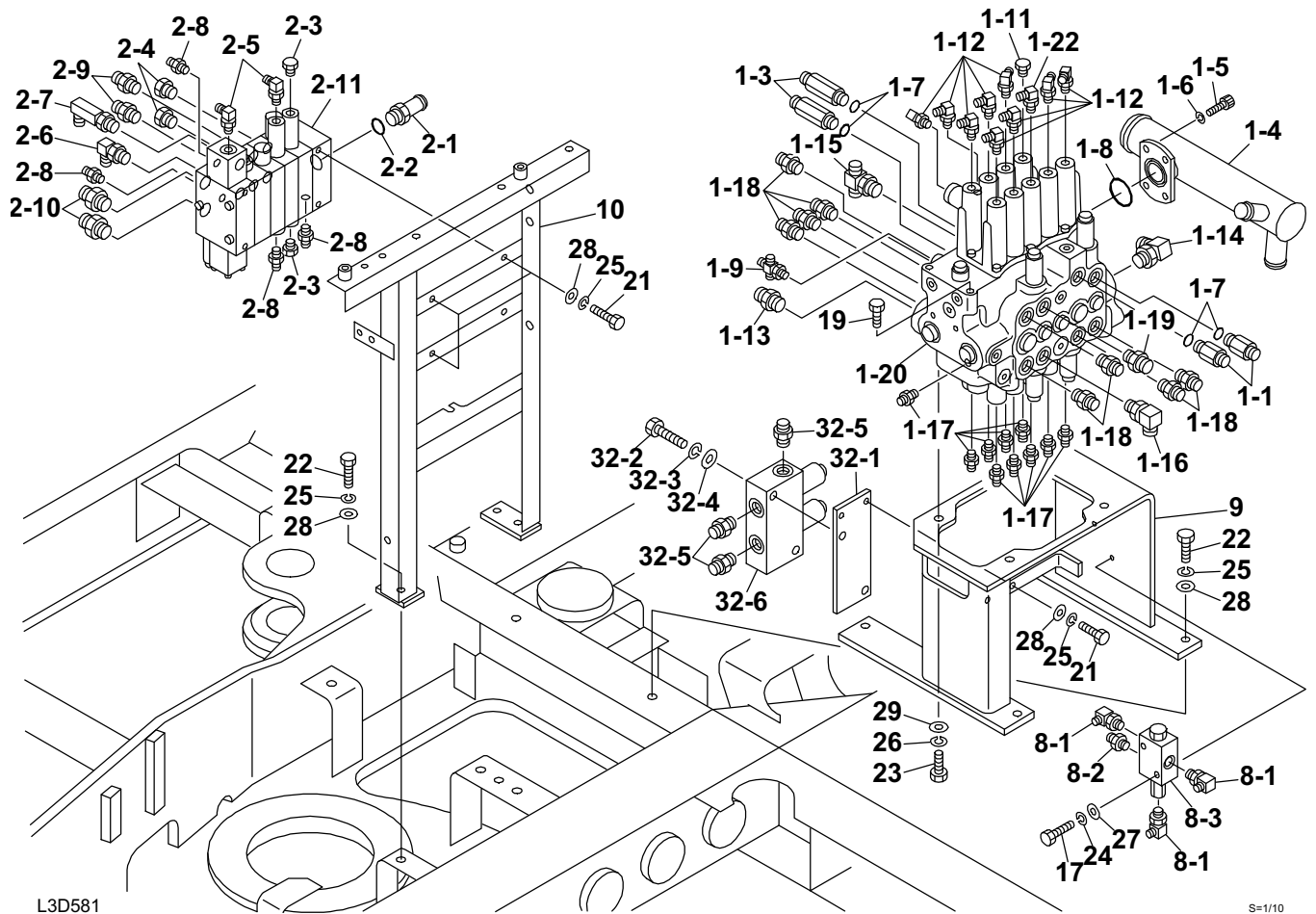
L3D581

S=1/10

VALVE & ACCESSORIES (1/2) (2-piece boom; 17514412-)

Item	Part number	Description	Q'ty	Chan.	Serial No.	Serv.	Remarks
		VALVE ASSY, control					
1	X *****	VALVE, control	1				
1-1	0007203033	· ADAPTOR	2				
1-3	0007203074	· ADAPTOR	2				
	1420010180	· · O-RING	1				
1-4	0565029140	· MANIFOLD	1				
1-5	1110041025	· SCREW, cap	4				
1-6	1140020010	· WASHER, spring	4				
1-7	1420010180	· O-RING	4				
1-8	1420100450	· O-RING	1				
1-9	1513390027	· TEE	1				
	1420010110	· · O-RING	1				
1-11	1501750002	· PLUG	1				
	1420010110	· · O-RING	1				
1-12	1515012040	· ELBOW	9				
	1420010110	· · O-RING	1				
1-13	1515600203	· ADAPTOR	1				
	1420010240	· · O-RING	1				
1-14	1515010043	· ELBOW	1				
	1420010240	· · O-RING	1				
1-15	1512374011	· TEE	1				
	1420010240	· · O-RING	1				
1-16	1515010132	· ELBOW	1				
	1420010180	· · O-RING	1				
1-17	1515600200	· ADAPTOR	10				
	1420010110	· · O-RING	1				
1-18	1515600202	· ADAPTOR	8				
	1420010180	· · O-RING	1				
1-19	1515600573	· ADAPTOR	1				
	1420010180	· · O-RING	1				
1-20	1901040700	· VALVE, control	1				
1-22	0565029150	· ELBOW (with orifice)	1				
2	X *****	VALVE, control	1				
2-1	0007224006	· ADAPTOR	1				
2-2	1420010180	· O-RING	1				
2-3	1501750002	· PLUG	2				
	1420010110	· · O-RING	1				
2-4	1501750003	· PLUG	2				
	1420010140	· · O-RING	1				
2-5	1515012040	· ELBOW	2				
	1420010110	· · O-RING	1				
2-6	1515010041	· ELBOW	1				
	1420010140	· · O-RING	1				
2-7	1515010511	· ELBOW	1				
	1420010140	· · O-RING	1				
2-8	1515600200	· ADAPTOR	4				
	1420010110	· · O-RING	1				
2-9	1515600572	· ADAPTOR	2				
	1420010140	· · O-RING	1				
2-10	1515600573	· ADAPTOR	2				
	1420010180	· · O-RING	1				
2-11	1901043800	· VALVE, control	1				
8	X *****	VALVE ASSY	1				
8-1	1515012040	· ELBOW	3				
	1420010110	· · O-RING	1				
8-2	1515600200	· ADAPTOR	1				
	1420010110	· · O-RING	1				
8-3	1901734800	· VALVE	1				
9	0565029900	BRACKET	1				
10	0565051050	BRACKET	1				

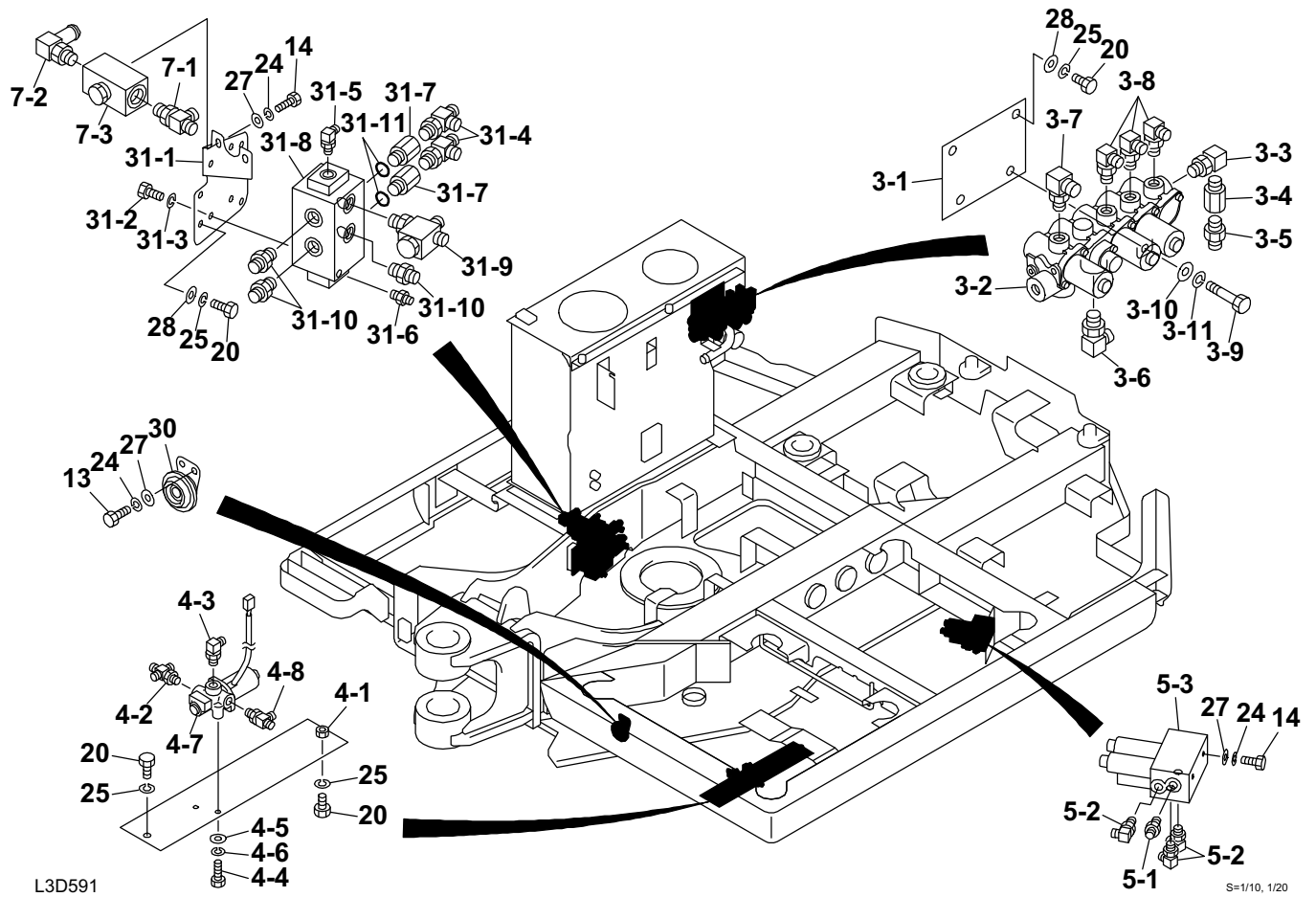
TB175(P-TB175BAB) Book No. BL3Z010 S/N 17510003-
VALVE & ACCESSORIES (1/2) (2-piece boom; 17514412-)



VALVE & ACCESSORIES (1/2) (2-piece boom; 17514412-)

Item	Part number	Description	Q'ty	Chan.	Serial No.	Serv.	Remarks
17	1100040850	BOLT	2				
19	1100041016	BOLT	3				
21	1100041025	BOLT	5				
22	1100041030	BOLT	7				
23	1100041230	BOLT	4				
24	1140020008	WASHER, spring	2				
25	1140020010	WASHER, spring	12				
26	1140020012	WASHER, spring	4				
27	1141110008	WASHER	2				
28	1141110010	WASHER	12				
29	1141110012	WASHER	4				
32	X *****	VALVE, overload	1				
32-1	0565032510	· PLATE	1				
32-2	1100041460	· BOLT	2				
32-3	1140020014	· WASHER, spring	2				
32-4	1141110014	· WASHER	2				
32-5	1515600202	· ADAPTOR	3				
	1420010180	· · O-RING	1				
32-6	1901737500	· VALVE, overload	1				
	L3d581						

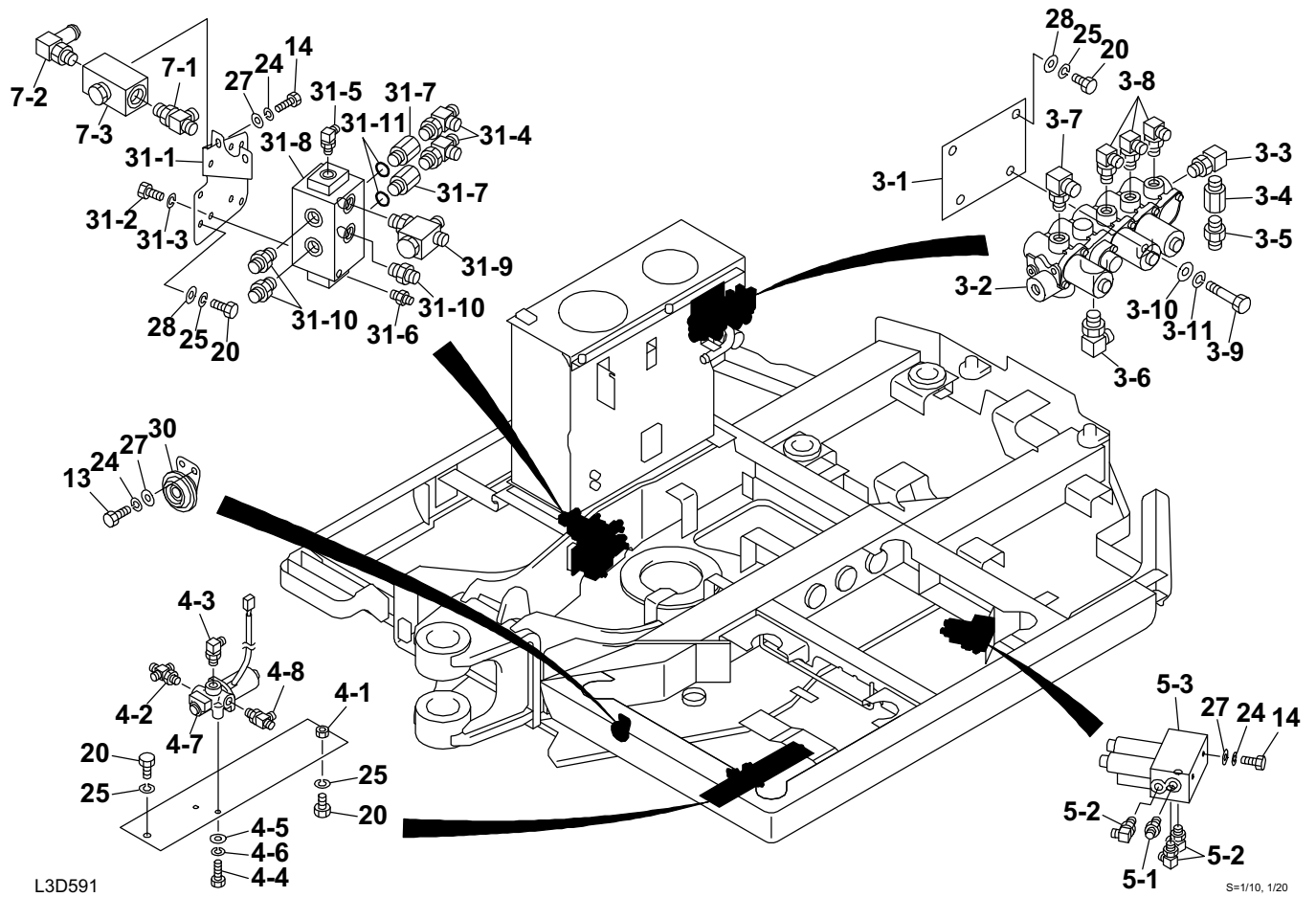
TB175(P-TB175BAB) Book No. BL3Z010 S/N 17510003-
VALVE & ACCESSORIES (2/2) (2-piece boom; 17514412-)



VALVE & ACCESSORIES (2/2) (2-piece boom; 17514412-)

Item	Part number	Description	Q'ty	Chan.	Serial No.	Serv.	Remarks
		VALVE ASSY, control					
3	X *****	VALVE, solenoid	1				
3-1	0565051040	· PLATE	1				
3-2	1901749000	· VALVE, solenoid	1				
3-3	1513300017	· ELBOW	1				
	1420010140	· · O-RING	1				
3-4	1513370047	· ADAPTOR (with filter)	1				
	1420010140	· · O-RING	1				
3-5	1515600577	· ADAPTOR	1				
	1420010180	· · O-RING	1				
3-6	1515010051	· ELBOW	1				
	1420010180	· · O-RING	1				
3-7	1515010130	· ELBOW	1				
	1420010110	· · O-RING	1				
3-8	1515012040	· ELBOW	3				
	1420010110	· · O-RING	1				
3-9	1100041080	· BOLT	2				
3-10	1141110010	· WASHER	2				
3-11	1140020010	· WASHER, spring	2				
4	X *****	VALVE, solenoid	1				
4-1	0565037410	· PLATE	1				
4-2	1513390027	· TEE	1				
	1420010110	· · O-RING	1				
4-3	1515012040	· ELBOW	1				
	1420010110	· · O-RING	1				
4-4	1100040616	· BOLT	2				
4-5	1141110006	· WASHER	2				
4-6	1140020006	· WASHER, spring	2				
4-7	1901739600	· VALVE, solenoid	1				
4-8	1512370011	· TEE	1				
	1420010110	· · O-RING	1				
5	X *****	VALVE, solenoid	1				
5-1	1512370008	· FILTER	1				
	1420010110	· · O-RING	1				
5-2	1515012040	· ELBOW	3				
	1420010110	· · O-RING	1				
5-3	1901738500	· VALVE, proportional control	1				
7	X *****	VALVE , stop	1				
7-1	1512373008	· TEE	1				
	1420010240	· · O-RING	1				
7-2	1513350005	· CONNECTOR	1				
	1420010240	· · O-RING	1				
7-3	1901723700	· VALVE, stop	1				
13	1100040816	BOLT	1				
14	1100040820	BOLT	4				
20	1100041020	BOLT	8				
24	1140020008	WASHER, spring	5				
25	1140020010	WASHER, spring	8				
27	1141110008	WASHER	5				
28	1141110010	WASHER	6				
30	1703500824	HORN	1				
31	X *****	SELECTOR	1				
31-1	0565033601	· PLATE	1				
31-2	1100041020	· BOLT	4				
31-3	1140020010	· WASHER, spring	4				
31-4	1512373005	· TEE	2				
	1420010180	· · O-RING	1				
31-5	1515012040	· ELBOW	1				
	1420010110	· · O-RING	1				
31-6	1515600200	· ADAPTOR	1				

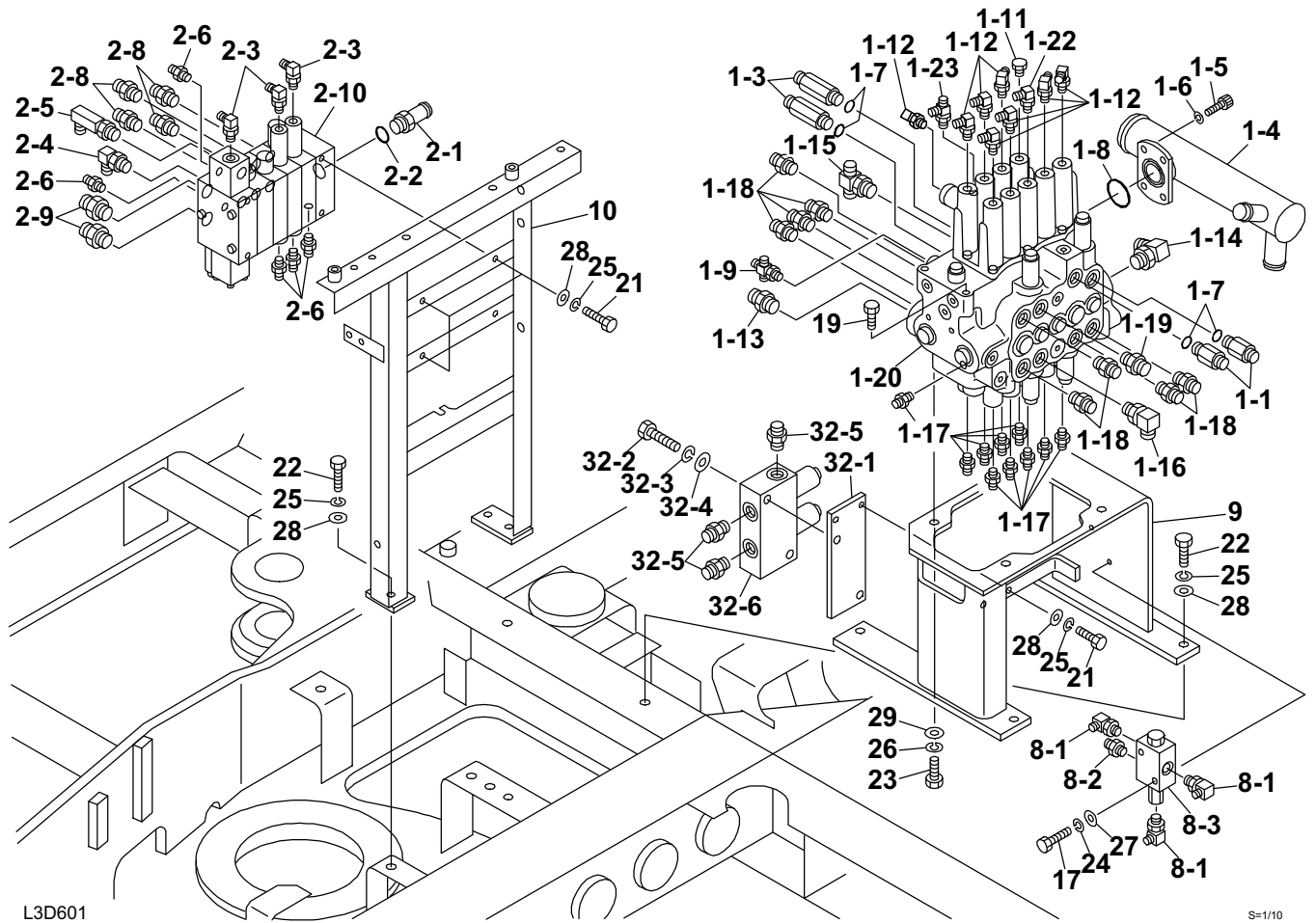
TB175(P-TB175BAB) Book No. BL3Z010 S/N 17510003-
VALVE & ACCESSORIES (2/2) (2-piece boom; 17514412-)



VALVE & ACCESSORIES (2/2) (2-piece boom; 17514412-)

Item	Part number	Description	Q'ty	Chan.	Serial No.	Serv.	Remarks
31-6	1420010110	· · O-RING	1				
31-7	0007213010	· BUSHING	2				
31-8	1901736900	· VALVE, selector	1				
31-9	1901735400	· ADAPTOR	1				
31-10	1515600202	· ADAPTOR	3				
	1420010180	· · O-RING	1				
31-11	1420010180	· O-RING	2				
	L3d591						

TB175(P-TB175BAB) Book No. BL3Z010 S/N 17510003-
VALVE & ACCESSORIES (1/3) (2-piece boom, with the 2nd auxiliary line;
17514412-)



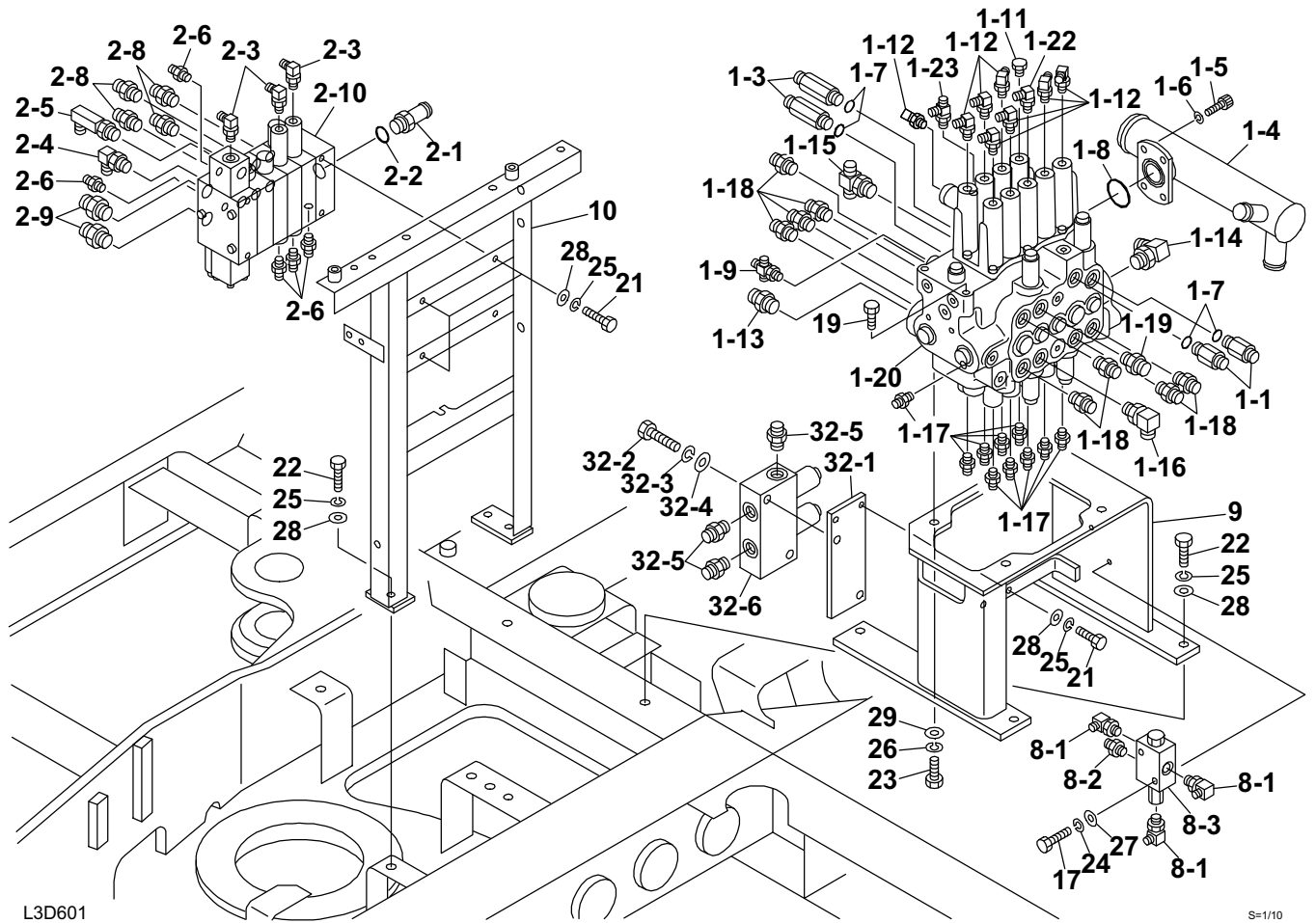
L3D601

S=1/10

VALVE & ACCESSORIES (1/3) (2-piece boom, with the 2nd auxiliary line; 17514412-)

Item	Part number	Description	Q'ty	Chan.	Serial No.	Serv.	Remarks
		VALVE ASSY, control					
1	X *****	VALVE, control	1				
1-1	0007203033	· ADAPTOR	2				
1-3	0007203074	· ADAPTOR	2				
	1420010180	· · O-RING	1				
1-4	0565029140	· MANIFOLD	1				
1-5	1110041025	· SCREW, cap	4				
1-6	1140020010	· WASHER, spring	4				
1-7	1420010180	· O-RING	4				
1-8	1420100450	· O-RING	1				
1-9	1513390027	· TEE	1				
	1420010110	· · O-RING	1				
1-11	1501750002	· PLUG	1				
	1420010110	· · O-RING	1				
1-12	1515012040	· ELBOW	8				
	1420010110	· · O-RING	1				
1-13	1515600203	· ADAPTOR	1				
	1420010240	· · O-RING	1				
1-14	1515010043	· ELBOW	1				
	1420010240	· · O-RING	1				
1-15	1512374011	· TEE	1				
	1420010240	· · O-RING	1				
1-16	1515010132	· ELBOW	1				
	1420010180	· · O-RING	1				
1-17	1515600200	· ADAPTOR	10				
	1420010110	· · O-RING	1				
1-18	1515600202	· ADAPTOR	8				
	1420010180	· · O-RING	1				
1-19	1515600573	· ADAPTOR	1				
	1420010180	· · O-RING	1				
1-20	1901040700	· VALVE, control	1				
1-22	0565029150	· ELBOW (with orifice)	1				
1-23	1512370011	· TEE	1				
	1420010110	· · O-RING	1				
2	X *****	VALVE, control	1				
2-1	0007224006	· ADAPTOR	1				
2-2	1420010180	· O-RING	1				
2-3	1515012040	· ELBOW	3				
	1420010110	· · O-RING	1				
2-4	1515010041	· ELBOW	1				
	1420010140	· · O-RING	1				
2-5	1515010511	· ELBOW	1				
	1420010140	· · O-RING	1				
2-6	1515600200	· ADAPTOR	5				
	1420010110	· · O-RING	1				
2-8	1515600572	· ADAPTOR	4				
	1420010140	· · O-RING	1				
2-9	1515600573	· ADAPTOR	2				
	1420010180	· · O-RING	1				
2-10	1901043800	· VALVE, control	1				
8	X *****	VALVE ASSY	1				
8-1	1515012040	· ELBOW	3				
	1420010110	· · O-RING	1				
8-2	1515600200	· ADAPTOR	1				
	1420010110	· · O-RING	1				
8-3	1901734800	· VALVE	1				
9	0565029900	BRACKET	1				
10	0565051050	BRACKET	1				
17	1100040850	BOLT	2				
19	1100041016	BOLT	3				

TB175(P-TB175BAB) Book No. BL3Z010 S/N 17510003-
VALVE & ACCESSORIES (1/3) (2-piece boom, with the 2nd auxiliary line;
17514412-)



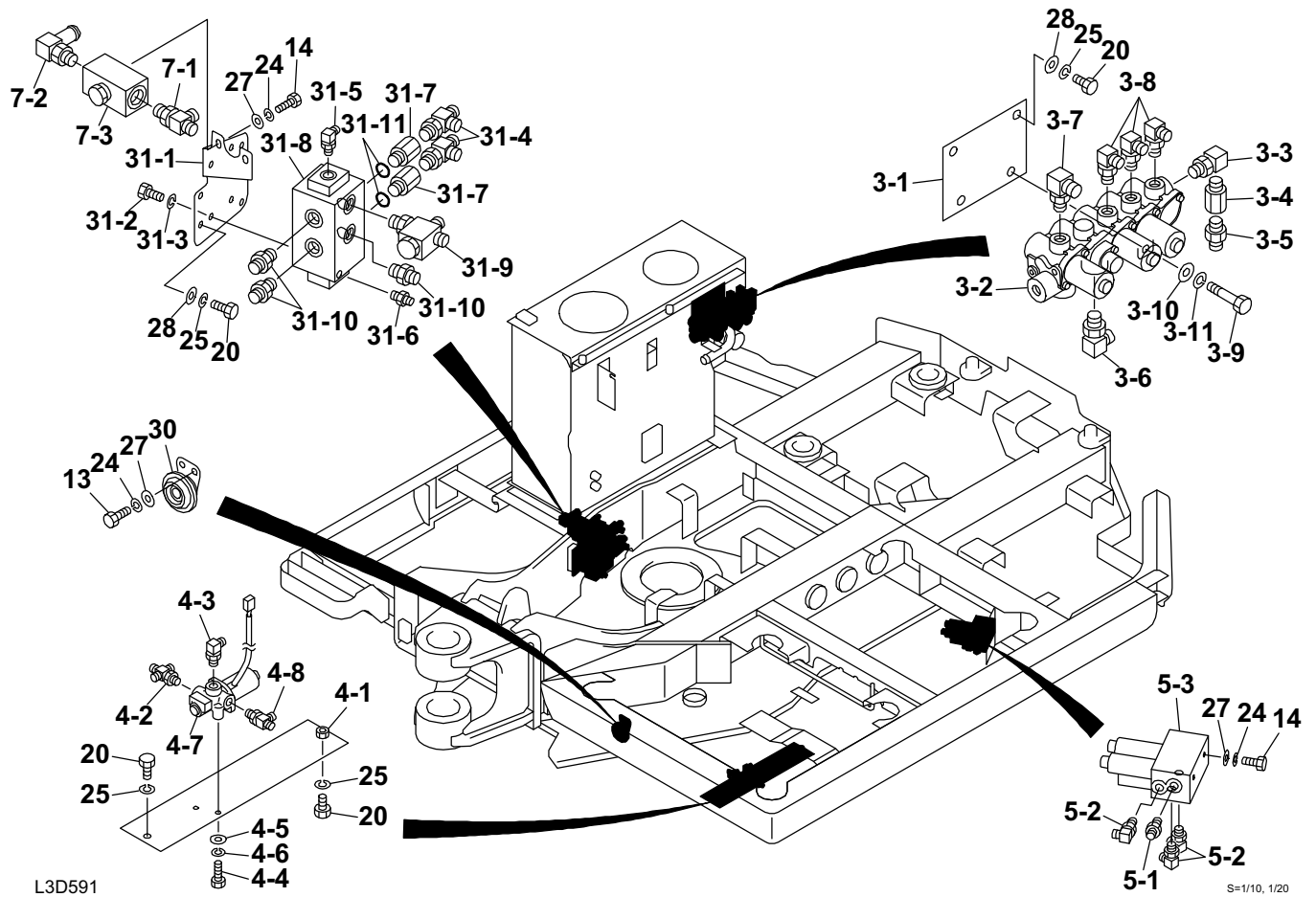
L3D601

S=1/10

VALVE & ACCESSORIES (1/3) (2-piece boom, with the 2nd auxiliary line; 17514412-)

Item	Part number	Description	Q'ty	Chan.	Serial No.	Serv.	Remarks
21	1100041025	BOLT	5				
22	1100041030	BOLT	7				
23	1100041230	BOLT	4				
24	1140020008	WASHER, spring	2				
25	1140020010	WASHER, spring	12				
26	1140020012	WASHER, spring	4				
27	1141110008	WASHER	2				
28	1141110010	WASHER	12				
29	1141110012	WASHER	4				
32	X *****	VALVE, overload	1				
32-1	0565032510	· PLATE	1				
32-2	1100041460	· BOLT	2				
32-3	1140020014	· WASHER, spring	2				
32-4	1141110014	· WASHER	2				
32-5	1515600202	· ADAPTOR	3				
	1420010180	· · O-RING	1				
32-6	1901737500	· VALVE, overload	1				
	L3d601						

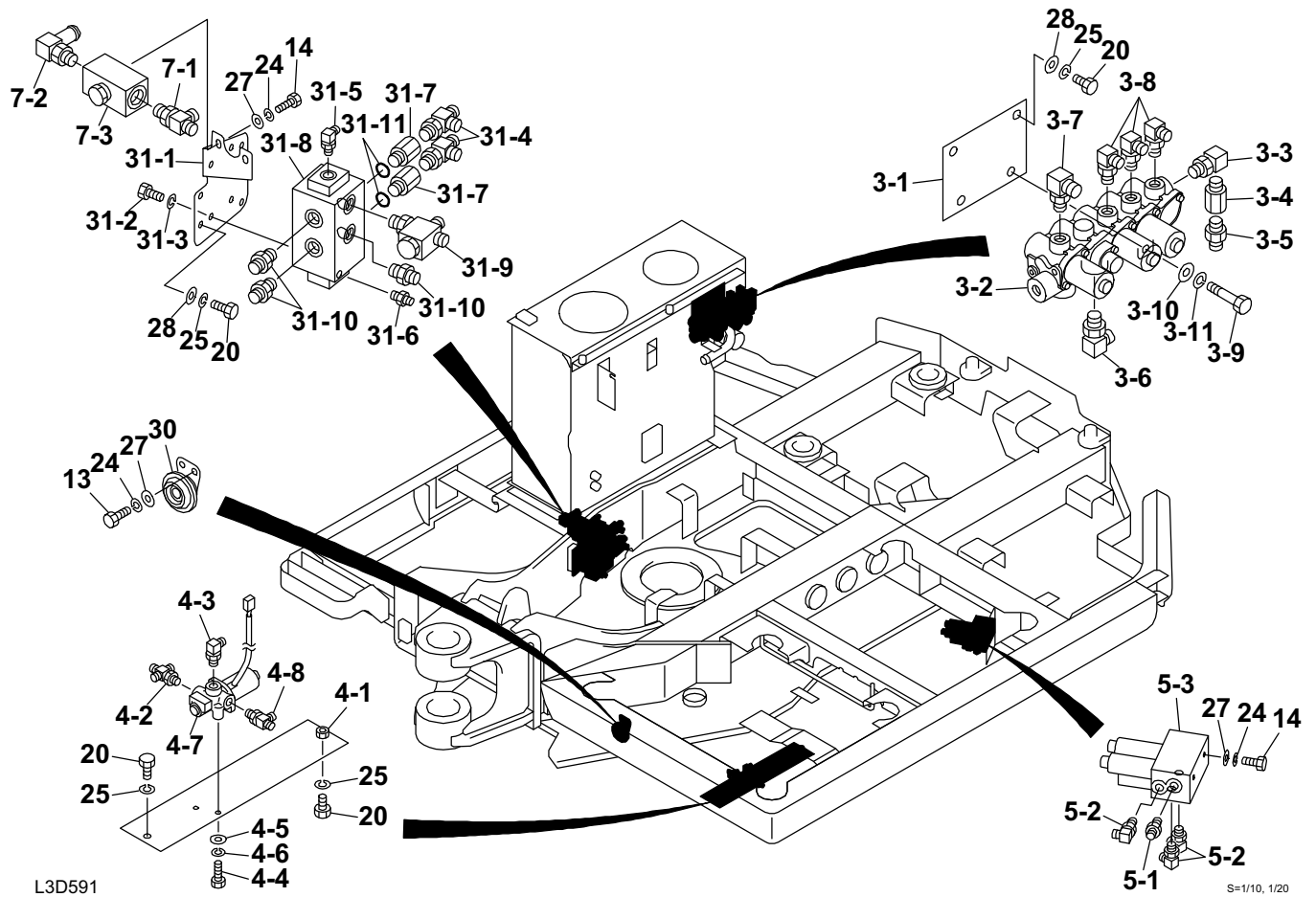
TB175(P-TB175BAB) Book No. BL3Z010 S/N 17510003-
VALVE & ACCESSORIES (2/3) (2-piece boom, with the 2nd auxiliary line;
17514412-)



VALVE & ACCESSORIES (2/3) (2-piece boom, with the 2nd auxiliary line; 17514412-)

Item	Part number	Description	Q'ty	Chan.	Serial No.	Serv.	Remarks
		VALVE ASSY, control					
3	X *****	VALVE, solenoid	1				
3-1	0565051040	· PLATE	1				
3-2	1901749000	· VALVE, solenoid	1				
3-3	1513300017	· ELBOW	1				
	1420010140	· · O-RING	1				
3-4	1513370047	· ADAPTOR (with filter)	1				
	1420010140	· · O-RING	1				
3-5	1515600577	· ADAPTOR	1				
	1420010180	· · O-RING	1				
3-6	1515010051	· ELBOW	1				
	1420010180	· · O-RING	1				
3-7	1515010130	· ELBOW	1				
	1420010110	· · O-RING	1				
3-8	1515012040	· ELBOW	3				
	1420010110	· · O-RING	1				
3-9	1100041080	· BOLT	2				
3-10	1141110010	· WASHER	2				
3-11	1140020010	· WASHER, spring	2				
4	X *****	VALVE, solenoid	1				
4-1	0565037410	· PLATE	1				
4-2	1513390027	· TEE	1				
	1420010110	· · O-RING	1				
4-3	1515012040	· ELBOW	1				
	1420010110	· · O-RING	1				
4-4	1100040616	· BOLT	2				
4-5	1141110006	· WASHER	2				
4-6	1140020006	· WASHER, spring	2				
4-7	1901739600	· VALVE, solenoid	1				
4-8	1512370011	· TEE	1				
	1420010110	· · O-RING	1				
5	X *****	VALVE, solenoid	1				
5-1	1512370008	· FILTER	1				
	1420010110	· · O-RING	1				
5-2	1515012040	· ELBOW	3				
	1420010110	· · O-RING	1				
5-3	1901738500	· VALVE, proportional control	1				
7	X *****	VALVE , stop	1				
7-1	1512373008	· TEE	1				
	1420010240	· · O-RING	1				
7-2	1513350005	· CONNECTOR	1				
	1420010240	· · O-RING	1				
7-3	1901723700	· VALVE, stop	1				
13	1100040816	BOLT	1				
14	1100040820	BOLT	4				
20	1100041020	BOLT	8				
24	1140020008	WASHER, spring	5				
25	1140020010	WASHER, spring	8				
27	1141110008	WASHER	5				
28	1141110010	WASHER	6				
30	1703500824	HORN	1				
31	X *****	SELECTOR	1				
31-1	0565033601	· PLATE	1				
31-2	1100041020	· BOLT	4				
31-3	1140020010	· WASHER, spring	4				
31-4	1512373005	· TEE	2				
	1420010180	· · O-RING	1				
31-5	1515012040	· ELBOW	1				
	1420010110	· · O-RING	1				
31-6	1515600200	· ADAPTOR	1				

**TB175(P-TB175BAB) Book No. BL3Z010 S/N 17510003-
VALVE & ACCESSORIES (2/3) (2-piece boom, with the 2nd auxiliary line;
17514412-)**



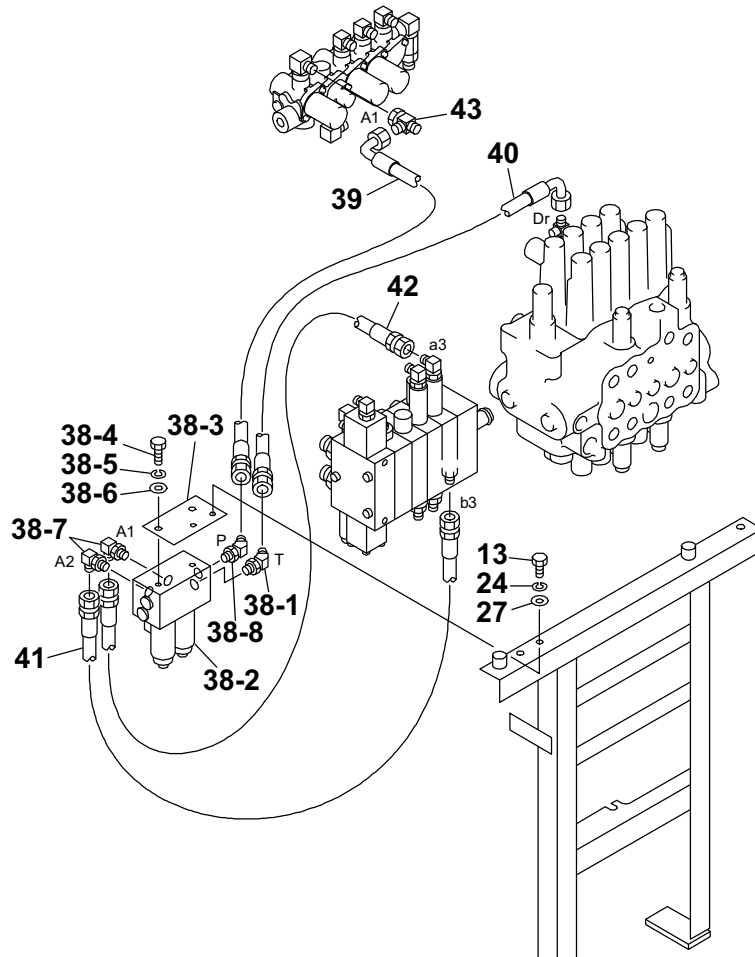
L3D591

S=1/10, 1/20

VALVE & ACCESSORIES (2/3) (2-piece boom, with the 2nd auxiliary line; 17514412-)

Item	Part number	Description	Q'ty	Chan.	Serial No.	Serv.	Remarks
31-6	1420010110	· · O-RING	1				
31-7	0007213010	· BUSHING	2				
31-8	1901736900	· VALVE, selector	1				
31-9	1901735400	· ADAPTOR	1				
31-10	1515600202	· ADAPTOR	3				
	1420010180	· · O-RING	1				
31-11	1420010180	· O-RING	2				
	L3d611						

**TB175(P-TB175BAB) Book No. BL3Z010 S/N 17510003-
VALVE & ACCESSORIES (3/3) (2-piece boom, with the 2nd auxiliary line;
17514412-)**



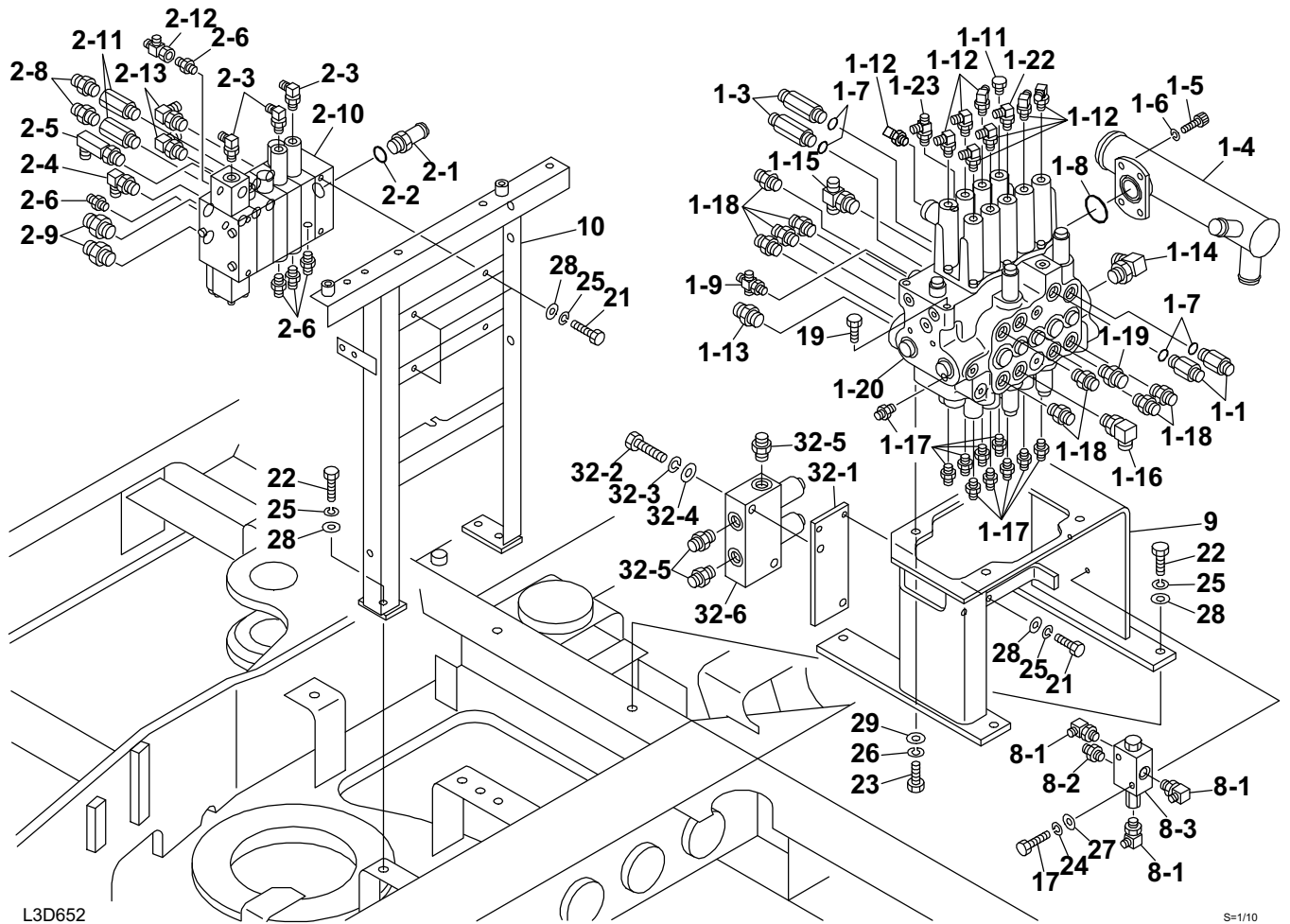
L3D520

S=1/10

VALVE & ACCESSORIES (3/3) (2-piece boom, with the 2nd auxiliary line; 17514412-)

Item	Part number	Description	Q'ty	Chan.	Serial No.	Serv.	Remarks
		VALVE ASSY, control					
13	1100040816	BOLT	2				
24	1140020008	WASHER, spring	2				
27	1141110008	WASHER	2				
38	X *****	VALVE ASSY, solenoid	1				
38-1	1515100110	· ELBOW	1				
	1420010110	· · O-RING	1				
38-2	1901738500	· VALVE, proportional control	1				
38-3	0565033815	· PLATE	1				
38-4	1100040820	· BOLT	2				
38-5	1140020008	· WASHER, spring	2				
38-6	1141110008	· WASHER	2				
38-7	1515012040	· ELBOW	2				
	1420010110	· · O-RING	1				
38-8	1512370012	· ELBOW (with filter)	1				
	1420010110	· · O-RING	1				
39	0565051060	HOSE ASSY	1				19348-52050
40	0565033830	HOSE ASSY	1				
41	0565033840	HOSE ASSY	1				
42	0565033850	HOSE ASSY	1				
43	1513390043	TEE	1				
	L3d641						

**TB175(P-TB175BAB) Book No. BL3Z010 S/N 17510003-
VALVE & ACCESSORIES (1/3) (2-piece boom, with the 2nd & 4th auxiliary
line; 17514412-)**



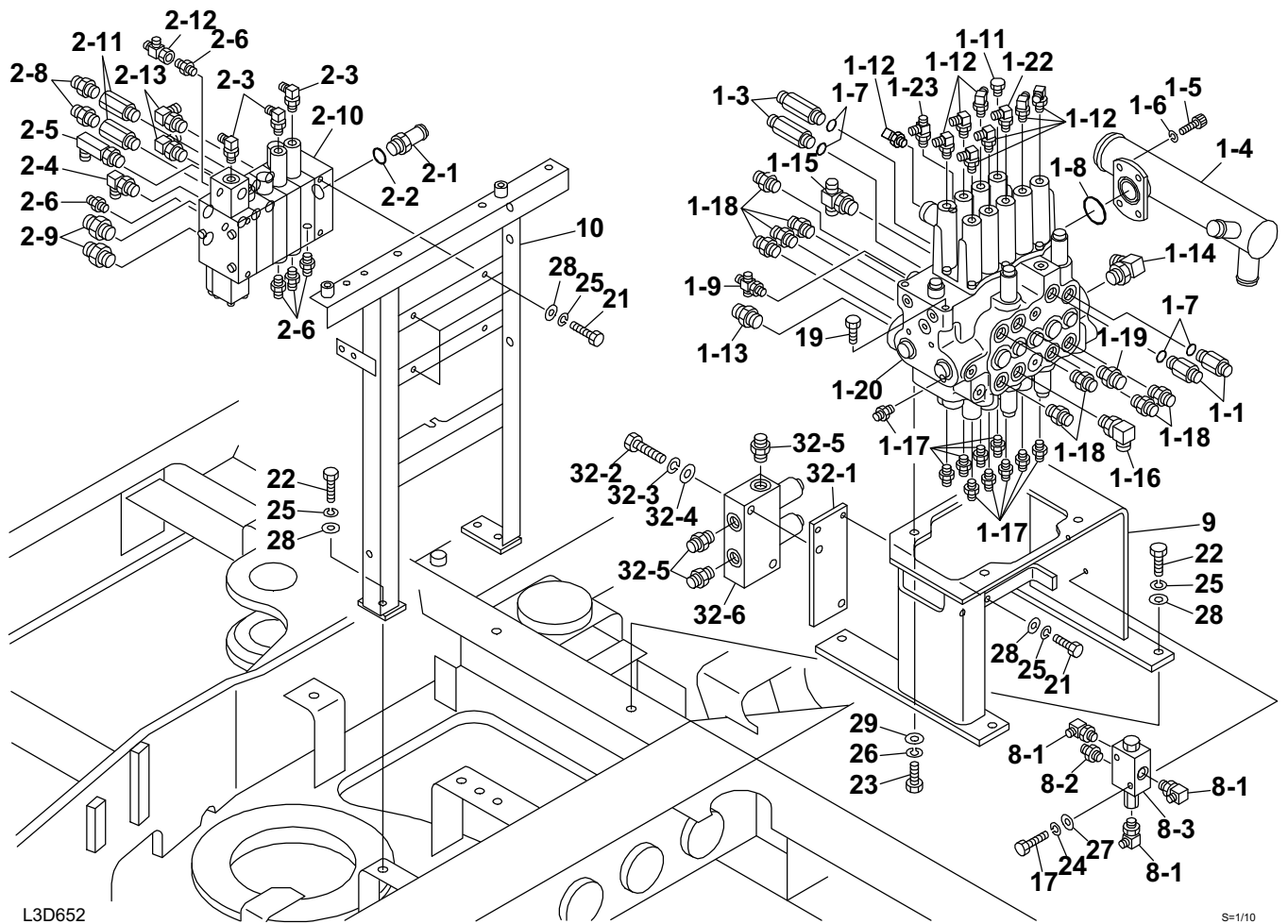
L3D652

S=1/10

VALVE & ACCESSORIES (1/3) (2-piece boom, with the 2nd & 4th auxiliary line; 17514412-)

Item	Part number	Description	Q'ty	Chan.	Serial No.	Serv.	Remarks
		VALVE ASSY, control					
1	X *****	VALVE, control	1				
1-1	0007203033	· ADAPTOR	2				
1-3	0007203074	· ADAPTOR	2				
	1420010180	· · O-RING	1				
1-4	0565029140	· MANIFOLD	1				
1-5	1110041025	· SCREW, cap	4				
1-6	1140020010	· WASHER, spring	4				
1-7	1420010180	· O-RING	4				
1-8	1420100450	· O-RING	1				
1-9	1513390027	· TEE	1				
	1420010110	· · O-RING	1				
1-11	1501750002	· PLUG	1				
	1420010110	· · O-RING	1				
1-12	1515012040	· ELBOW	8				
	1420010110	· · O-RING	1				
1-13	1515600203	· ADAPTOR	1				
	1420010240	· · O-RING	1				
1-14	1515010043	· ELBOW	1				
	1420010240	· · O-RING	1				
1-15	1512374011	· TEE	1				
	1420010240	· · O-RING	1				
1-16	1515010132	· ELBOW	1				
	1420010180	· · O-RING	1				
1-17	1515600200	· ADAPTOR	10				
	1420010110	· · O-RING	1				
1-18	1515600202	· ADAPTOR	8				
	1420010180	· · O-RING	1				
1-19	1515600573	· ADAPTOR	1				
	1420010180	· · O-RING	1				
1-20	1901040700	· VALVE, control	1				
1-22	0565029150	· ELBOW (with orifice)	1				
1-23	1512370011	· TEE	1				
	1420010110	· · O-RING	1				
2	X *****	VALVE, control	1				
2-1	0007224006	· ADAPTOR	1				
2-2	1420010180	· O-RING	1				
2-3	1515012040	· ELBOW	3				
	1420010110	· · O-RING	1				
2-4	1515010041	· ELBOW	1				
	1420010140	· · O-RING	1				
2-5	1515010511	· ELBOW	1				
	1420010140	· · O-RING	1				
2-6	1515600200	· ADAPTOR	5				
	1420010110	· · O-RING	1				
2-8	1515600572	· ADAPTOR	2				
	1420010140	· · O-RING	1				
2-9	1515600573	· ADAPTOR	2				
	1420010180	· · O-RING	1				
2-10	1901043800	· VALVE, control	1				
2-11	0007213023	· BUSHING	2				
	1420010140	· · O-RING	1				
2-12	1513390015	· TEE	1				
2-13	1515010131	· ELBOW	2				
	1420010140	· · O-RING	1				
8	X *****	VALVE ASSY	1				
8-1	1515012040	· ELBOW	3				
	1420010110	· · O-RING	1				
8-2	1515600200	· ADAPTOR	1				
	1420010110	· · O-RING	1				

TB175(P-TB175BAB) Book No. BL3Z010 S/N 17510003-
VALVE & ACCESSORIES (1/3) (2-piece boom, with the 2nd & 4th auxiliary
line; 17514412-)



L3D652

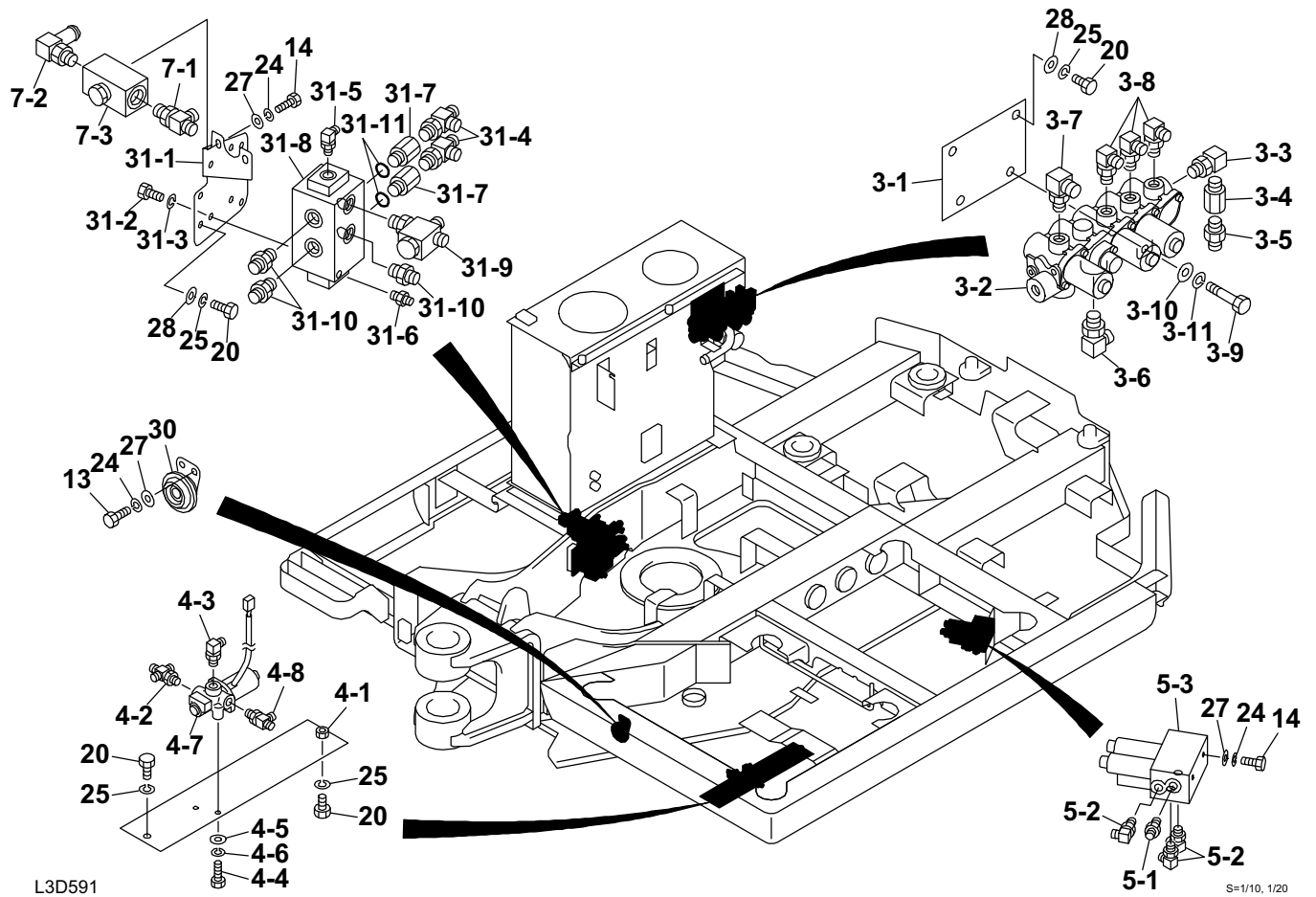
S=1/10

VALVE & ACCESSORIES (1/3) (2-piece boom, with the 2nd & 4th auxiliary line; 17514412-)

Item	Part number	Description	Q'ty	Chan.	Serial No.	Serv.	Remarks
8-3	1901734800	· VALVE	1				
9	0565029900	BRACKET	1				
10	0565051050	BRACKET	1				
17	1100040850	BOLT	2				
19	1100041016	BOLT	3				
21	1100041025	BOLT	5				
22	1100041030	BOLT	7				
23	1100041230	BOLT	4				
24	1140020008	WASHER, spring	2				
25	1140020010	WASHER, spring	12				
26	1140020012	WASHER, spring	4				
27	1141110008	WASHER	2				
28	1141110010	WASHER	12				
29	1141110012	WASHER	4				
32	X *****	VALVE, overload	1				
32-1	0565032510	· PLATE	1				
32-2	1100041460	· BOLT	2				
32-3	1140020014	· WASHER, spring	2				
32-4	1141110014	· WASHER	2				
32-5	1515600202	· ADAPTOR	3				
	1420010180	· · O-RING	1				
32-6	1901737500	· VALVE, overload	1				

L3d652

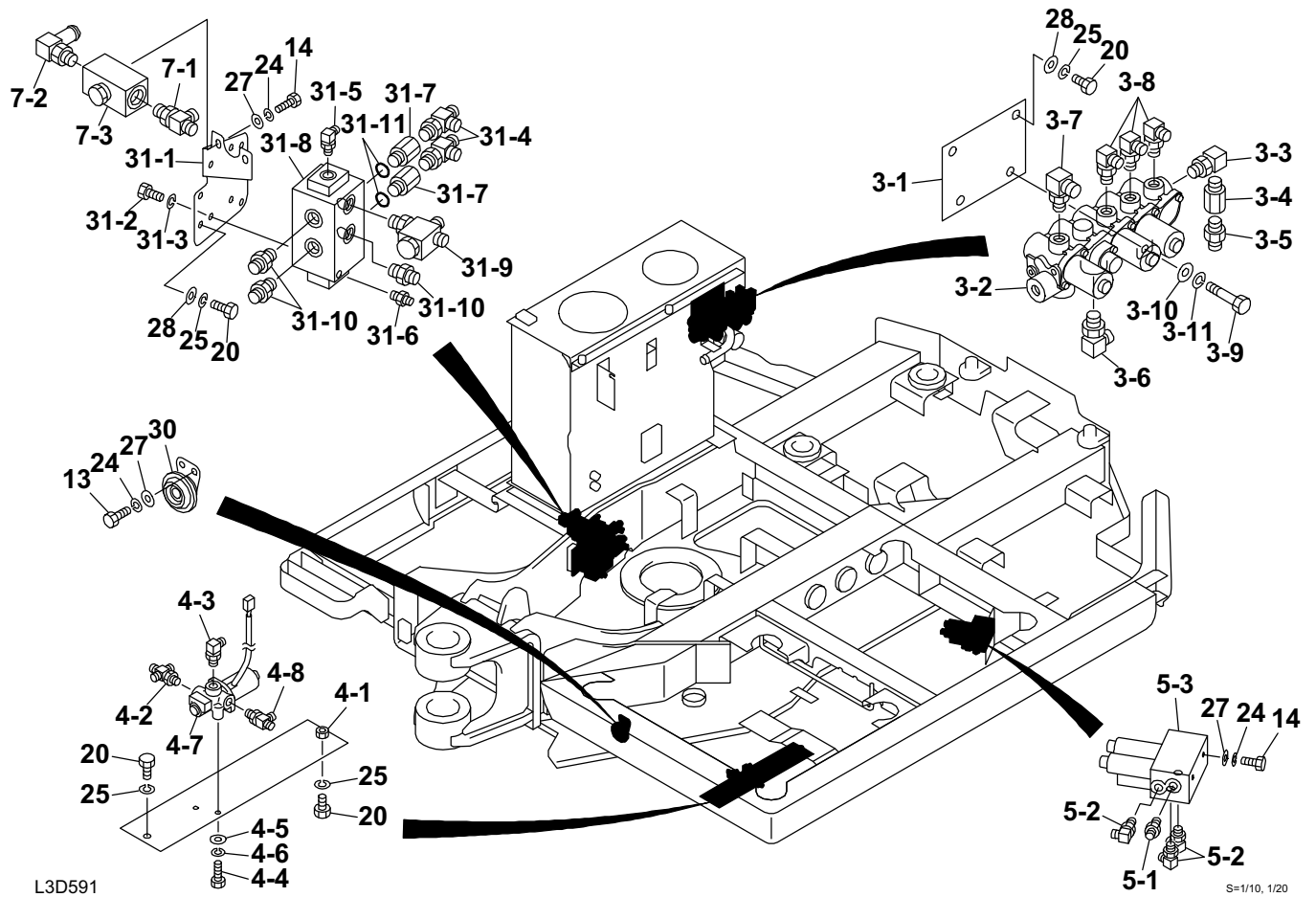
**TB175(P-TB175BAB) Book No. BL3Z010 S/N 17510003-
VALVE & ACCESSORIES (2/3) (2-piece boom, with the 2nd & 4th auxiliary
line; 17514412-)**



VALVE & ACCESSORIES (2/3) (2-piece boom, with the 2nd & 4th auxiliary line; 17514412-)

Item	Part number	Description	Q'ty	Chan.	Serial No.	Serv.	Remarks
		VALVE ASSY, control					
3	X *****	VALVE, solenoid	1				
3-1	0565051040	· PLATE	1				
3-2	1901749000	· VALVE, solenoid	1				
3-3	1513300017	· ELBOW	1				
	1420010140	· · O-RING	1				
3-4	1513370047	· ADAPTOR (with filter)	1				
	1420010140	· · O-RING	1				
3-5	1515600577	· ADAPTOR	1				
	1420010180	· · O-RING	1				
3-6	1515010051	· ELBOW	1				
	1420010180	· · O-RING	1				
3-7	1515010130	· ELBOW	1				
	1420010110	· · O-RING	1				
3-8	1515012040	· ELBOW	3				
	1420010110	· · O-RING	1				
3-9	1100041080	· BOLT	2				
3-10	1141110010	· WASHER	2				
3-11	1140020010	· WASHER, spring	2				
4	X *****	VALVE, solenoid	1				
4-1	0565037410	· PLATE	1				
4-2	1513390027	· TEE	1				
	1420010110	· · O-RING	1				
4-3	1515012040	· ELBOW	1				
	1420010110	· · O-RING	1				
4-4	1100040616	· BOLT	2				
4-5	1141110006	· WASHER	2				
4-6	1140020006	· WASHER, spring	2				
4-7	1901739600	· VALVE, solenoid	1				
4-8	1512370011	· TEE	1				
	1420010110	· · O-RING	1				
5	X *****	VALVE, solenoid	1				
5-1	1512370008	· FILTER	1				
	1420010110	· · O-RING	1				
5-2	1515012040	· ELBOW	3				
	1420010110	· · O-RING	1				
5-3	1901738500	· VALVE, proportional control	1				
7	X *****	VALVE , stop	1				
7-1	1512373008	· TEE	1				
	1420010240	· · O-RING	1				
7-2	1513350005	· CONNECTOR	1				
	1420010240	· · O-RING	1				
7-3	1901723700	· VALVE, stop	1				
13	1100040816	BOLT	1				
14	1100040820	BOLT	4				
20	1100041020	BOLT	8				
24	1140020008	WASHER, spring	5				
25	1140020010	WASHER, spring	8				
27	1141110008	WASHER	5				
28	1141110010	WASHER	6				
30	1703500824	HORN	1				
31	X *****	SELECTOR	1				
31-1	0565033601	· PLATE	1				
31-2	1100041020	· BOLT	4				
31-3	1140020010	· WASHER, spring	4				
31-4	1512373005	· TEE	2				
	1420010180	· · O-RING	1				
31-5	1515012040	· ELBOW	1				
	1420010110	· · O-RING	1				
31-6	1515600200	· ADAPTOR	1				

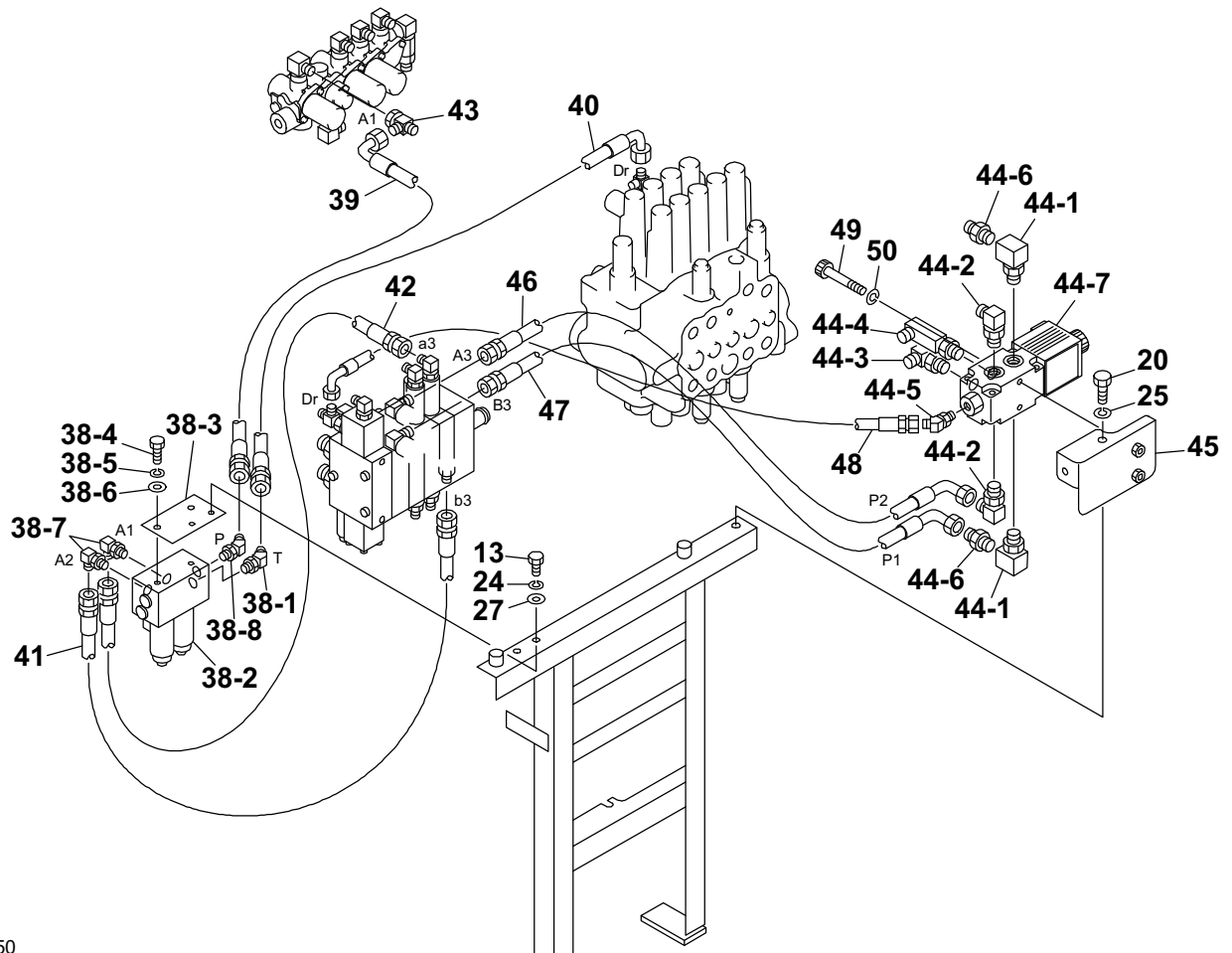
**TB175(P-TB175BAB) Book No. BL3Z010 S/N 17510003-
VALVE & ACCESSORIES (2/3) (2-piece boom, with the 2nd & 4th auxiliary
line; 17514412-)**



VALVE & ACCESSORIES (2/3) (2-piece boom, with the 2nd & 4th auxiliary line; 17514412-)

Item	Part number	Description	Q'ty	Chan.	Serial No.	Serv.	Remarks
31-6	1420010110	· · O-RING	1				
31-7	0007213010	· BUSHING	2				
31-8	1901736900	· VALVE, selector	1				
31-9	1901735400	· ADAPTOR	1				
31-10	1515600202	· ADAPTOR	3				
	1420010180	· · O-RING	1				
31-11	1420010180	· O-RING	2				
	L3d661						

**TB175(P-TB175BAB) Book No. BL3Z010 S/N 17510003-
VALVE & ACCESSORIES (3/3) (2-piece boom, with the 2nd & 4th auxiliary
line; 17514412-)**



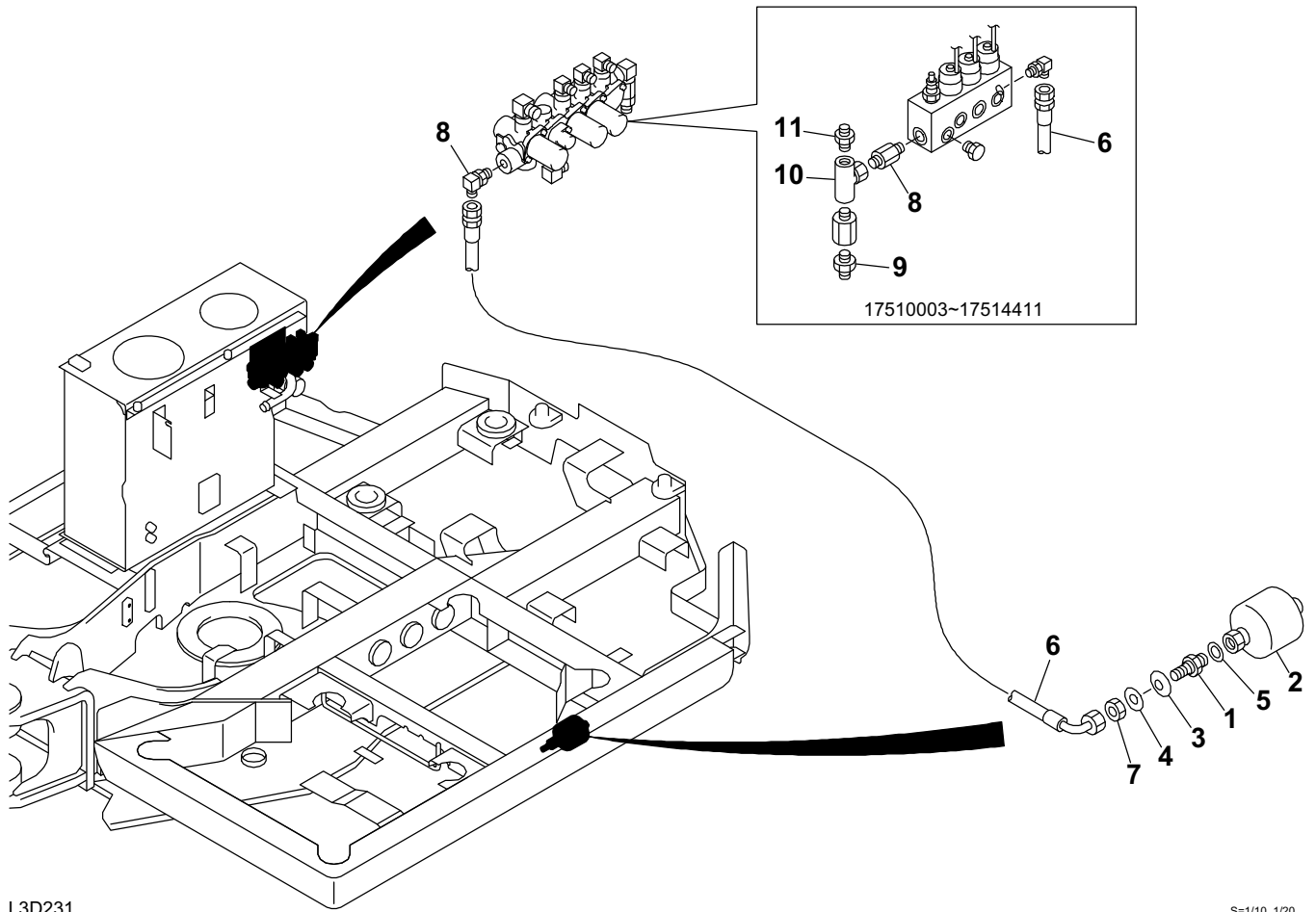
L3D550

S-1/10

VALVE & ACCESSORIES (3/3) (2-piece boom, with the 2nd & 4th auxiliary line; 17514412-)

Item	Part number	Description	Q'ty	Chan.	Serial No.	Serv.	Remarks
		VALVE ASSY, control					
13	1100040816	BOLT	2				
20	1100041020	BOLT	2				
24	1140020008	WASHER, spring	2				
25	1140020010	WASHER, spring	2				
27	1141110008	WASHER	2				
38	X *****	VALVE ASSY, solenoid	1				
38-1	1515100110	· ELBOW	1				
	1420010110	· · O-RING	1				
38-2	1901738500	· VALVE, proportional control	1				
38-3	0565033815	· PLATE	1				
38-4	1100040820	· BOLT	2				
38-5	1140020008	· WASHER, spring	2				
38-6	1141110008	· WASHER	2				
38-7	1515012040	· ELBOW	2				
	1420010110	· · O-RING	1				
38-8	1512370012	· ELBOW (with filter)	1				
	1420010110	· · O-RING	1				
39	0565051060	HOSE ASSY	1				19348-52050
40	0565033830	HOSE ASSY	1				
41	0565033840	HOSE ASSY	1				
42	0565033850	HOSE ASSY	1				
43	1513390043	TEE	1				
44	X *****	VALVE ASSY, solenoid	1				
44-1	1513300016	· ELBOW	2				
	1420010180	· · O-RING	1				
44-2	1515010042	· ELBOW	2				
	1420010180	· · O-RING	1				
44-3	1515010051	· ELBOW	1				
	1420010180	· · O-RING	1				
44-4	1515010517	· ELBOW	1				
	1420010180	· · O-RING	1				
44-5	1515100110	· ELBOW	1				
	1420010110	· · O-RING	1				
44-6	1515600202	· ADAPTOR	2				
	1420010180	· · O-RING	1				
44-7	1901748300	· VALVE, solenoid	1				
45	0565051230	BRACKET	1				
46	0565051240	HOSE ASSY	1				18015-41020
47	0565051250	HOSE ASSY	1				18015-41027
48	0565051260	HOSE ASSY	1				19348-52030
49	1110040870	SCREW, cap	2				
50	1140420008	WASHER, spring	2				
	L3d671						

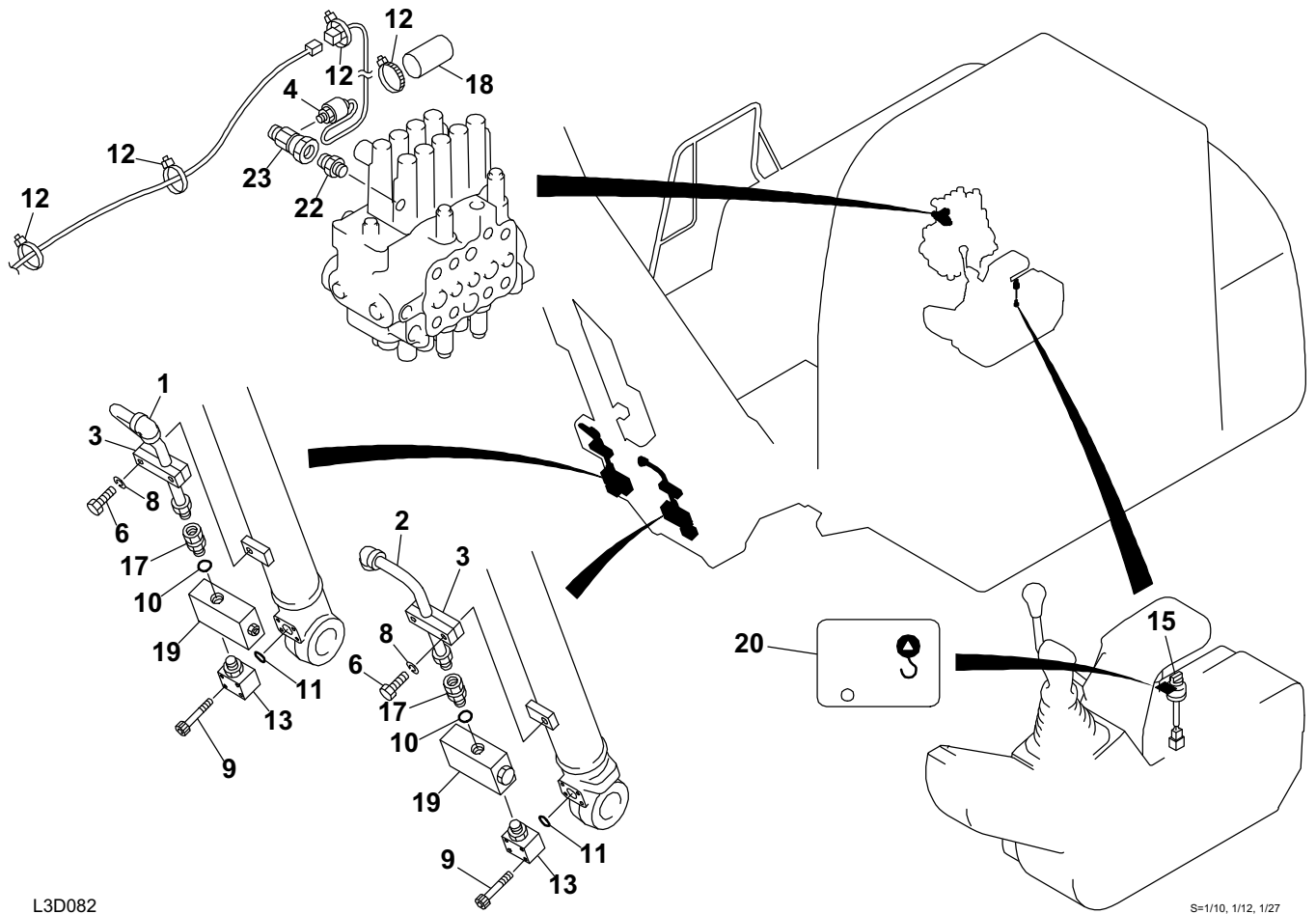
TB175(P-TB175BAB) Book No. BL3Z010 S/N 17510003-
ACCUMULATOR



ACCUMULATOR

Item	Part number	Description	Q'ty	Chan.	Serial No.	Serv.	Remarks
		ACCUMULATOR ASSY					
1	0007200222	ADAPTOR	1				
2	1552200020	ACCUMULATOR	1				
3	1140020020	WASHER, spring	1				
4	1141110016	WASHER	1				
5	1432160004	SEAL	1				
6	0565030610	HOSE ASSY	1		17510003~17514411		
	0565048620	HOSE ASSY	1		17514412~		18010-53200
7	0007200154	NUT	1				
8	1901737900	VALVE, check	1		17510003~17514411		
	1515010041	ELBOW	1		17514412~		
	1420010140	· O-RING	1				
9	1515600577	ADAPTOR	1		17510003~17514411		
	1420010180	· O-RING	1		17510003~17514411		
10	1513390037	ADAPTOR	1		17510003~17514411		
11	1515600576	ADAPTOR	1		17510003~17514411		
	1420010140	· O-RING	1		17510003~17514411		
	L3d231						

TB175(P-TB175BAB) Book No. BL3Z010 S/N 17510003-
EMERGENCY SHUT-OFF VALVE



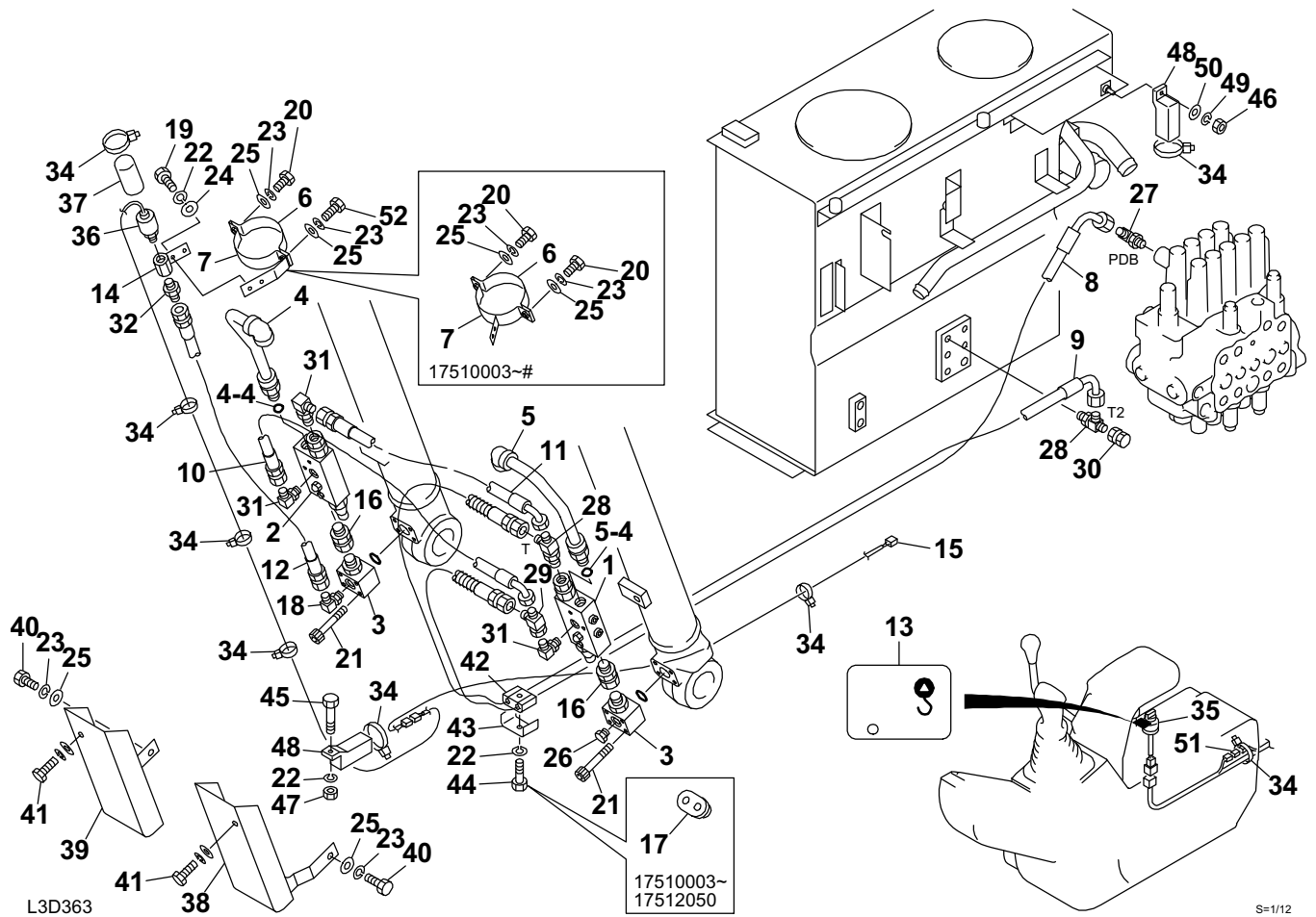
L3D082

S=1/10, 1/12, 1/27

EMERGENCY SHUT-OFF VALVE

Item	Part number	Description	Q'ty	Chan.	Serial No.	Serv.	Remarks
0		VALVE ASSY, emergency shut-off					
1	0565017100	· TUBE (R.H.)	1				
2	0565017200	· TUBE (L.H.)	1				
3	0565017300	· CLAMP	2				
4	1700100057	· SWITCH , pressure	1				
	1420010110	· · O-RING	1				
6	1100041035	· BOLT	2				
8	1140020010	· WASHER, spring	2				
9	1110040855	· SCREW, cap	8				
10	1420010180	· O-RING	2				
11	1420010220	· O-RING	2				
12	1652231250	· BAND	4				
13	1512380003	· ELBOW	2				
	1420010180	· · O-RING	1				
15	1700000019	· SWITCH, rotary	1				
17	0007236041	· ADAPTOR	2				
	1420010180	· · O-RING	1				
18	1700100061	· COVER	1				
19	1901729500	· VALVE, load holding	2				
20	0565017400	· DECAL	1				
22	1515600573	· ADAPTOR	1				
	1420010180	· · O-RING	1				
23	0007990091	· ADAPTOR	1				
	L3d082						

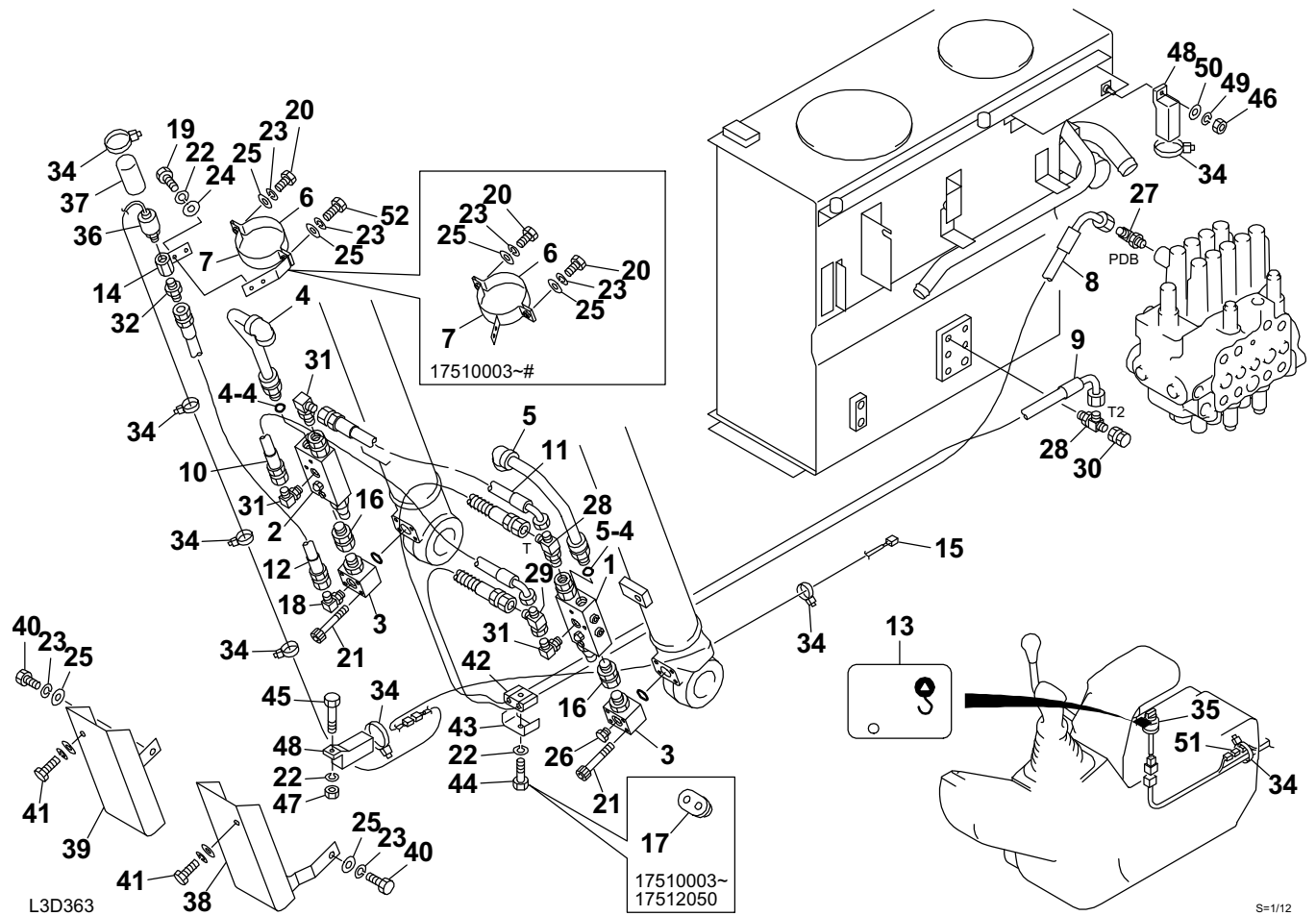
**TB175(P-TB175BAB) Book No. BL3Z010 S/N 17510003-
EMERGENCY SHUT-OFF VALVE (boom, with pilot; 17510003-17514513)**



EMERGENCY SHUT-OFF VALVE (boom, with pilot; 17510003-17514513)

Item	Part number	Description	Q'ty	Chan.	Serial No.	Serv.	Remarks
0	0565040000	VALVE ASSY, emergency shut-off	1		17510003~17512050		
	0565046000	VALVE ASSY, emergency shut-off	1		17512051~		
1	1901742900	· VALVE, shut-off	1				
2	1901743000	· VALVE, shut-off	1				
3	0565040010	· ADAPTOR	2				
4	0565040020	· TUBE	1				
4-4	1420010180	· · O-RING	1				
5	0565040030	· TUBE	1				
5-4	1420010180	· · O-RING	1				
6	0565040040	· CLAMP	1				
7	0565040050	· CLAMP	1	A	17510003~1751#		
	0565046150	· CLAMP	1	a(H)	1751#~		22379
8	0565040060	· HOSE ASSY	1				18010-52290
9	0565040070	· HOSE ASSY	1				18010-52265
10	0565040080	· HOSE ASSY	1				18010-52052
11	0565040090	· HOSE ASSY	1				18010-52037
12	1802700029	· HOSE ASSY	1				
13	0565017400	· DECAL	1				
14	0565032710	· BUSHING	1				
15	0565033970	· HARNESS, wiring	1				
16	0007236041	· ADAPTOR	2				
	1420010180	· · O-RING	1				
17	0567336080	· GUARD	1		17510003~17512050		
18	0881710311	· ELBOW (with orifice)	1				
19	1100040816	· BOLT	2				
20	1100041035	· BOLT	1				
21	1110040850	· SCREW, cap	8				
22	1140020008	· WASHER, spring	4				
23	1140020010	· WASHER, spring	4				
24	1141110008	· WASHER	2				
25	1141110010	· WASHER	4				
26	1501750002	· PLUG	1				
	1420010110	· · O-RING	1				
27	1512370010	· ADAPTOR	1				
	1420010110	· · O-RING	1				
28	1512370011	· TEE	2				
	1420010110	· · O-RING	1				
29	1513390015	· TEE	1				
30	1513900002	· SOCKET	1				
	1420310908	· · O-RING	1				
31	1515012040	· ELBOW	3				
	1420010110	· · O-RING	1				
32	1515600200	· ADAPTOR	1				
	1420010110	· · O-RING	1				
34	1652231250	· BAND	9				
35	1700000019	· SWITCH, rotary	1				
36	1700100057	· SWITCH, pressure	1		17510003~17514411		
	1420010110	· · O-RING	1				
	1700100083	· SWITCH, pressure	1		17514412~		
	1420010110	· · O-RING	1				
37	1700100061	· PROTECTOR	1				
38	0565040100	· COVER (L.H.)	1		17512051~		
39	0565040110	· COVER (R.H.)	1		17512051~		
40	1100041020	· BOLT	2		17512051~		
41	1100141200	· BOLT	2		17512051~		
42	0565046100	· CLAMP	1		17512051~		
43	0565046110	· PLATE	1		17512051~		
44	1100040835	· BOLT	1		17512051~		
45	1100240850	· BOLT	1		17512416~		
46	1130040006	· NUT	1		17512416~		

**TB175(P-TB175BAB) Book No. BL3Z010 S/N 17510003-
EMERGENCY SHUT-OFF VALVE (boom, with pilot; 17510003-17514513)**



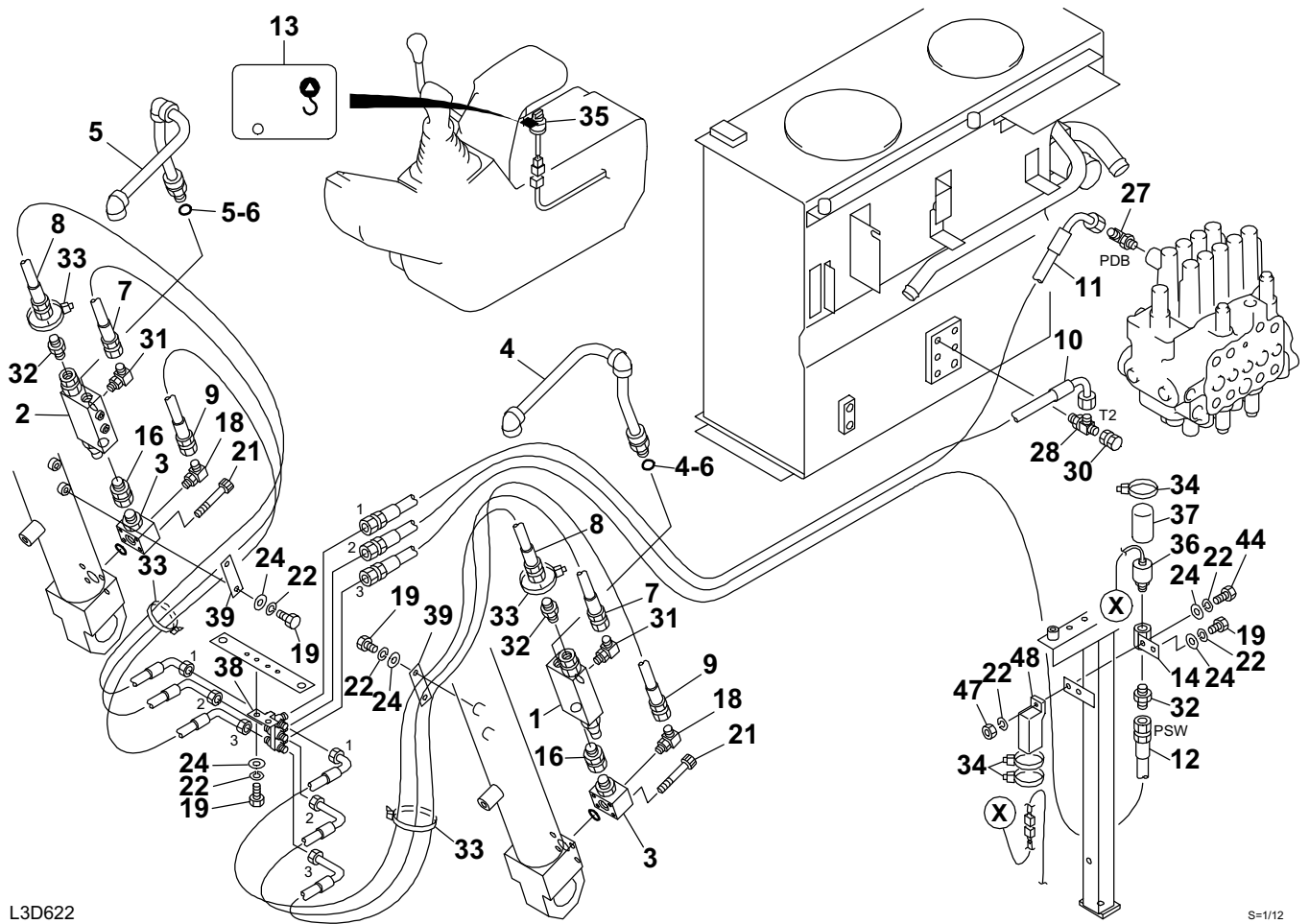
S=1/12

EMERGENCY SHUT-OFF VALVE (boom, with pilot; 17510003-17514513)

Item	Part number	Description	Q'ty	Chan.	Serial No.	Serv.	Remarks
47	1130040008	· NUT	1		17512416~		
48	1700100038	· COVER	2		17512416~		
49	1140020006	· WASHER, spring	1		17512416~		
50	1141110006	· WASHER	1		17512416~		
51	1730500008	· DIODE	1		17512416~		
52	1100041040	· BOLT	1	a	1751#~		22379

L3d366

TB175(P-TB175BAB) Book No. BL3Z010 S/N 17510003-
EMERGENCY SHUT-OFF VALVE (boom, with pilot; 17514514-)



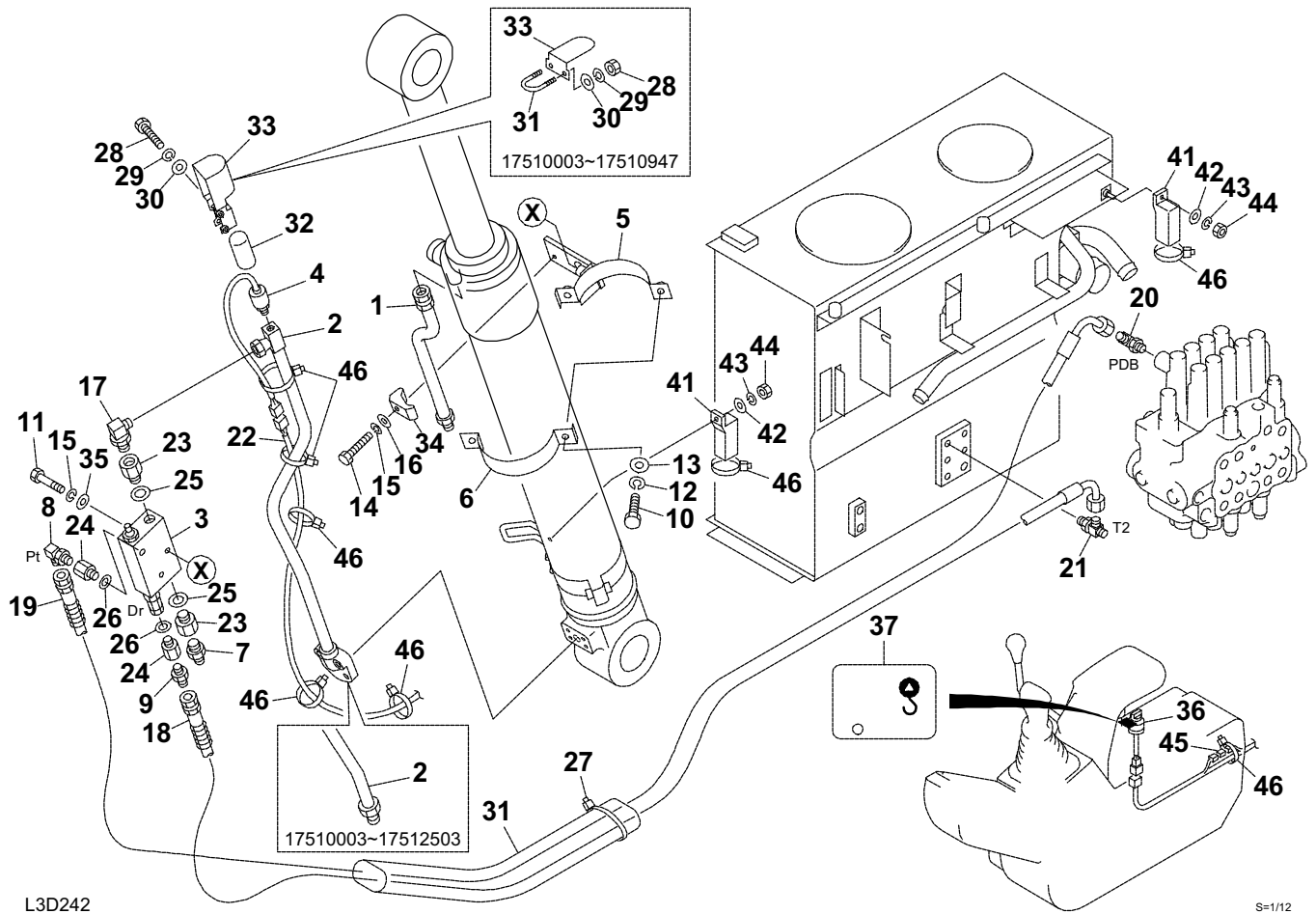
L3D622

S=1/12

EMERGENCY SHUT-OFF VALVE (boom, with pilot; 17514514-)

Item	Part number	Description	Q'ty	Chan.	Serial No.	Serv.	Remarks
0	0565046300	VALVE ASSY, emergency shut-off	1				
1	1901742900	· VALVE, shut-off (L.H.)	1				
2	1901743000	· VALVE, shut-off (R.H.)	1				
3	0565040010	· ADAPTOR	2				
4	0565046310	· TUBE (L.H.)	1				
4-6	1420010180	· · O-RING	1				
5	0565046320	· TUBE (R.H.)	1				
5-6	1420010180	· · O-RING	1				
7	0565046370	· HOSE ASSY	2				18010-52090
8	0565046380	· HOSE ASSY	2				18010-52089
9	0565046390	· HOSE ASSY	2				18025-01110
10	0565046400	· HOSE ASSY	1				18010-52170
11	0565046410	· HOSE ASSY	1				18010-52200
12	0565046420	· HOSE ASSY	1				18025-00165
13	0565017400	· DECAL	1				
14	0565032710	· BUSHING	1				
16	0007236041	· ADAPTOR	2				
	1420010180	· · O-RING	1				
18	0881710311	· ELBOW (with orifice)	2				
19	1100040816	· BOLT	7				
21	1110040850	· SCREW, cap	8				
22	1140020008	· WASHER, spring	9				
24	1141110008	· WASHER	8				
27	1512370010	· ADAPTOR	1				
	1420010110	· · O-RING	1				
28	1512370011	· TEE	1				
	1420010110	· · O-RING	1				
30	1513900002	· SOCKET	1				
	1420310908	· · O-RING	1				
31	1515012040	· ELBOW	2				
	1420010110	· · O-RING	1				
32	1515600200	· ADAPTOR	3				
	1420010110	· · O-RING	1				
33	1652201005	· BAND	4				
34	1652231250	· BAND	3				
35	1700000019	· SWITCH, rotary	1				
36	1700100083	· SWITCH, pressure	1				
	1420010110	· · O-RING	1				
37	1700100061	· PROTECTOR	1				
38	0565046230	· TEE	1				
39	0565046260	· PLATE	2				
44	1100040830	· BOLT	1				
47	1130040008	· NUT	1				
48	1700100038	· COVER	1				
	L3d623						

**TB175(P-TB175BAB) Book No. BL3Z010 S/N 17510003-
EMERGENCY SHUT-OFF VALVE (2-piece boom, with pilot;
17510003-17514411)**



L3D242

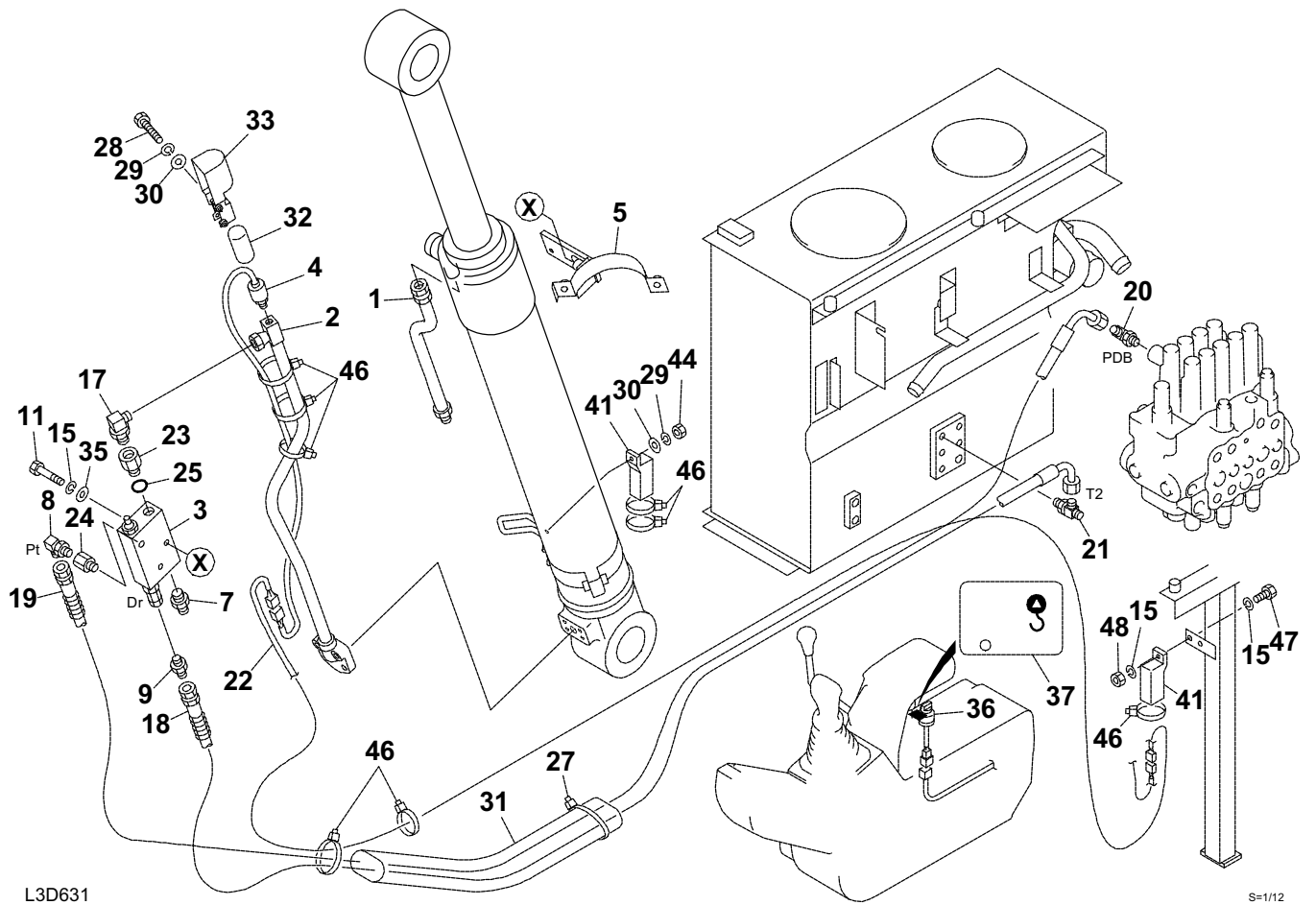
S=1/12

EMERGENCY SHUT-OFF VALVE (2-piece boom, with pilot; 17510003-17514411)

Item	Part number	Description	Q'ty	Chan.	Serial No.	Serv.	Remarks
0	0565033900	VALVE ASSY, emergency shut-off	1		17510003~17511622		
	0565043900	VALVE ASSY, emergency shut-off	1		17511623~		
1	0565033980	· TUBE(R.H.)	1				
2	0565033990	· TUBE	1		17510003~17512503		
	0565044160	· TUBE	1		17512504~		
3	1901741000	· VALVE, load holding	1				
4	1700100059	· SWITCH, pressure	1				
5	0565033930	· BAND	1				
6	0566021980	· BAND	1		17510003~17510058		
7	1515600578	· ADAPTOR	1				
	1420010240	· · O-RING	1				
8	1515012040	· ELBOW	1				
	1420010110	· · O-RING	1				
9	1515600200	· ADAPTOR	1				
	1420010110	· · O-RING	1				
10	1100041035	· BOLT	2		17510003~17510058		
11	1100040855	· BOLT	2				
12	1140020010	· WASHER, spring	2		17510003~17510058		
13	1141110010	· WASHER	2		17510003~17510058		
14	1100040845	· BOLT	1		17510003~17510058		
15	1140020008	· WASHER, spring	2				
16	1141110008	· WASHER	1		17510003~17510058		
17	1515010052	· ELBOW	1				
	1420010240	· · O-RING	1				
18	0565043950	· HOSE ASSY	1				18010-52255
19	0565043960	· HOSE ASSY	1				18010-52290
20	1512370010	· TEE	1				
	1420010110	· · O-RING	1				
21	1512370011	· TEE	1				
	1420010110	· · O-RING	1				
22	0565033970	· HARNESS, wiring	1				
23	1513260606	· BUSHING	2				
	1432160006	· · WASHER, seal	1				
24	1513260202	· BUSHING	2				
	1432160002	· · WASHER, seal	1				
25	1432160006	· SEAL	2				
26	1432160002	· SEAL	2				
27	1652200004	· BAND	5				
28	1130040006	· NUT	2		17510003~17510947		
	1100040640	· BOLT	2		17510948~		
29	1140020006	· WASHER, spring	2				
30	1141110006	· WASHER	2				
31	1533207004	· U-BOLT	2		17510003~17510947		
	1531325070	· PROTECTOR	1		17510948~		sold by the meter
32	1700100061	· COVER	1				
33	0565033940	· COVER	1		17510003~17510947		
	0565033920	· COVER	1		17510948~		
34	1534100217	· CLAMP	1		17510003~17510058		
35	0003608252	· WASHER	2				
36	1700000019	· SWITCH, rotary	1				
37	0565017400	· DECAL	1				
41	1700100038	· COVER	2		17512416~		
42	1141110006	· WASHER	2		17512416~		
43	1140020006	· WASHER, spring	2		17512416~		
44	1130040006	· NUT	2		17512416~		
45	1730500008	· DIODE (3A yellow)	1		17512416~		
46	1652231250	· BAND	9		17512416~		

L3d243

TB175(P-TB175BAB) Book No. BL3Z010 S/N 17510003-
EMERGENCY SHUT-OFF VALVE (2-piece boom, with pilot; 17514412-)



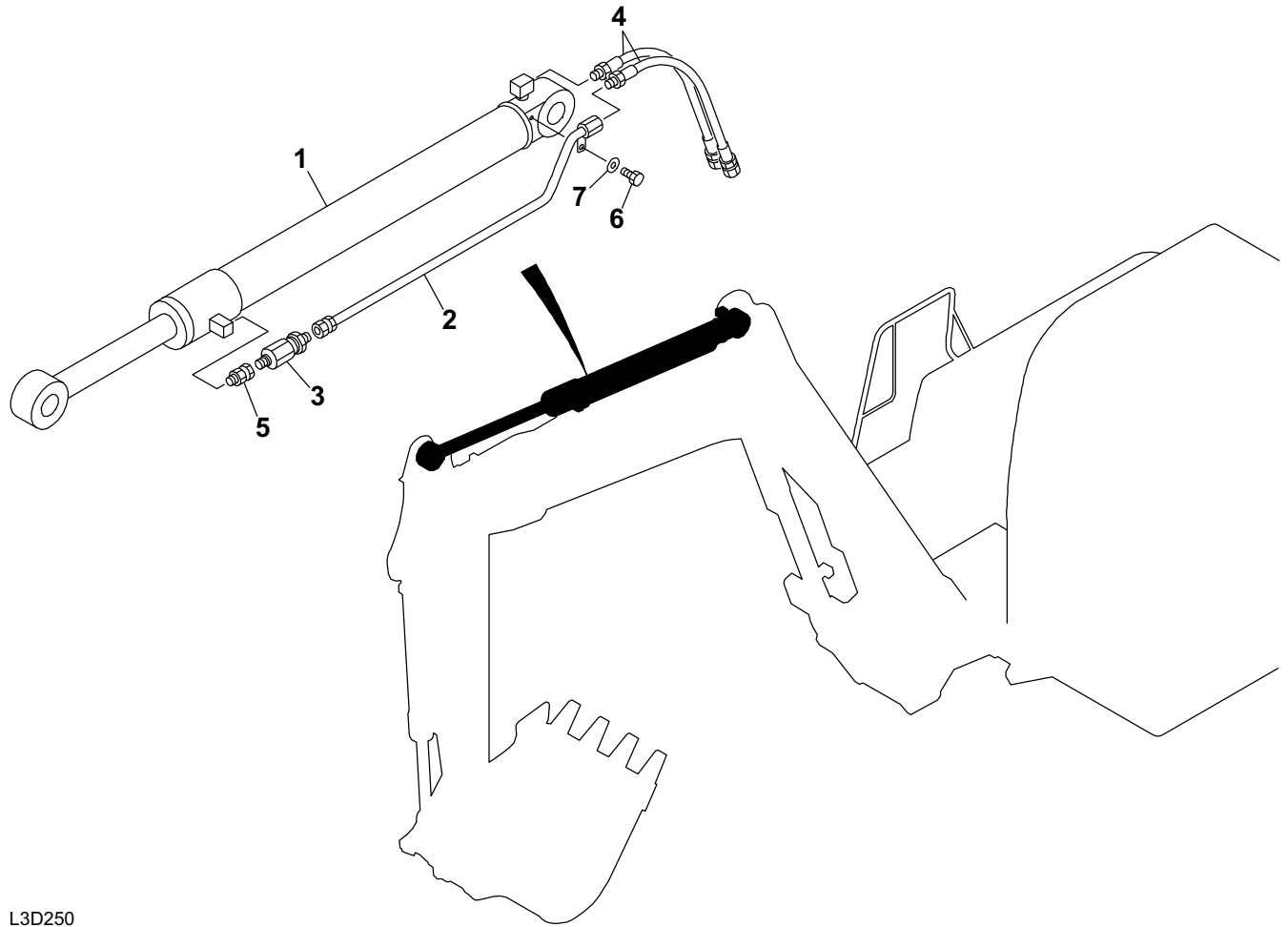
L3D631

S-1/12

EMERGENCY SHUT-OFF VALVE (2-piece boom, with pilot; 17514412-)

Item	Part number	Description	Qty	Chan.	Serial No.	Serv.	Remarks
0	0565052000	VALVE ASSY, emergency shut-off	1				
1	0565033980	· TUBE(R.H.)	1				
2	0565044160	· TUBE	1				
3	1901747500	· VALVE, load holding	1				
4	1700100084	· SWITCH, pressure	1				
	1420010110	· · O-RING	1				
5	0565033930	· BAND	1				
7	1515600578	· ADAPTOR	1				
	1420010240	· · O-RING	1				
8	1515012040	· ELBOW	1				
	1420010110	· · O-RING	1				
9	1515600200	· ADAPTOR	1				
	1420010110	· · O-RING	1				
11	1100040855	· BOLT	2				
15	1140020008	· WASHER, spring	4				
17	1515010052	· ELBOW	1				
	1420010240	· · O-RING	1				
18	0565043950	· HOSE ASSY	1				18010-52255
19	0565043960	· HOSE ASSY	1				18010-52290
20	1512370010	· TEE	1				
	1420010110	· · O-RING	1				
21	1512370011	· TEE	1				
	1420010110	· · O-RING	1				
22	0565052010	· HARNESS, wiring	1				
23	0007213034	· BUSHING	1				
24	1513250202	· BUSHING	1				
	1420010110	· · O-RING	1				
25	1420010240	· O-RING	1				
27	1652200004	· BAND	1				
28	1100040640	· BOLT	2				
29	1140020006	· WASHER, spring	3				
30	1141110006	· WASHER	3				
31	1531335035	· PROTECTOR	1				sold by the meter
32	1700100061	· COVER	1				
33	0565033920	· COVER	1				
35	0003608252	· WASHER	2				
36	1700000019	· SWITCH, rotary	1				
37	0565017400	· DECAL	1				
41	1700100038	· COVER	2				
44	1130040006	· NUT	1				
46	1652231250	· BAND	8				
47	1100040825	· BOLT	1				
48	1130040008	· NUT	1				
	L3d631						

TB175(P-TB175BAB) Book No. BL3Z010 S/N 17510003-
EMERGENCY SHUT-OFF VALVE (arm)



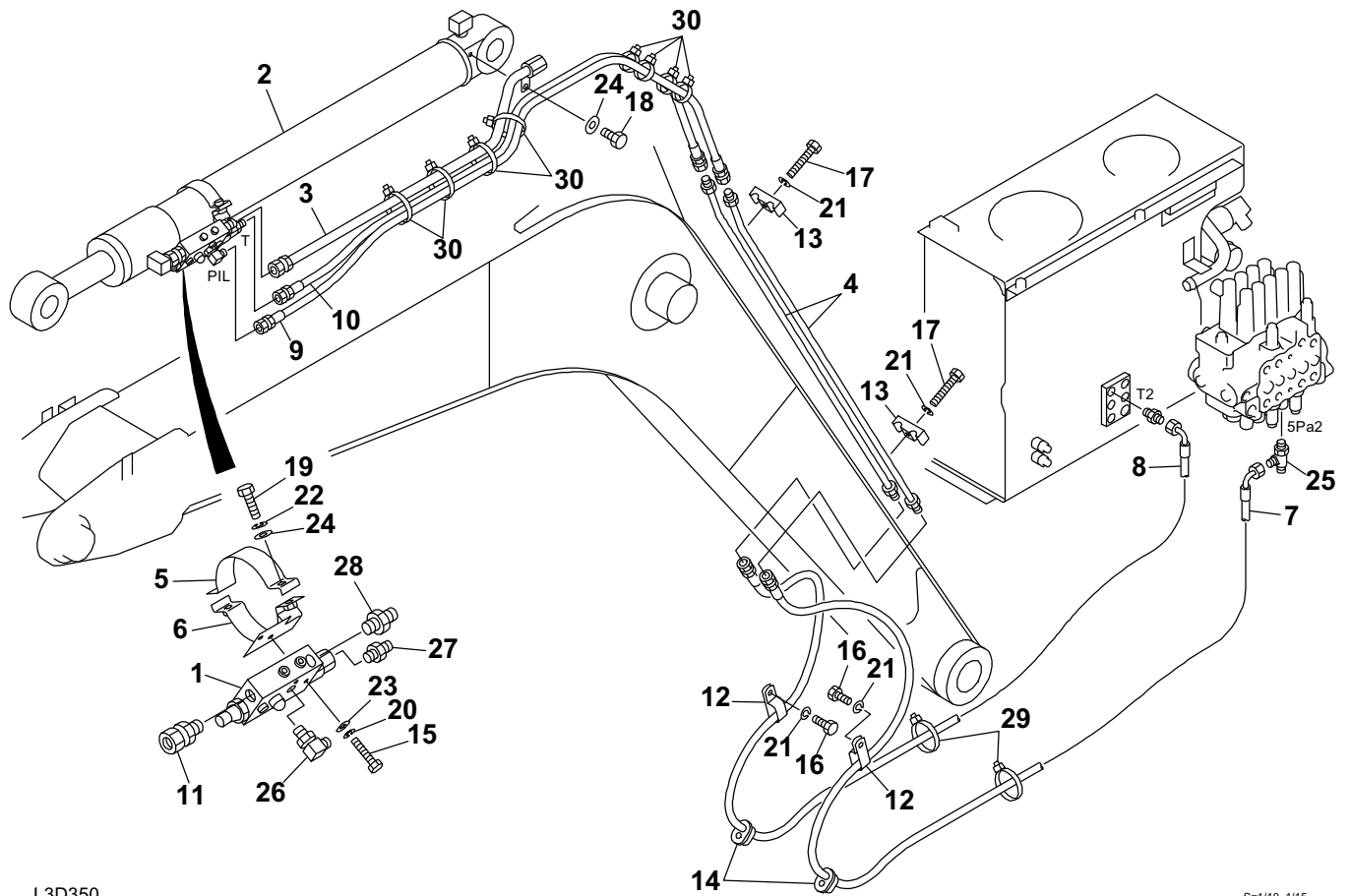
L3D250

S=1/15, 1/30

EMERGENCY SHUT-OFF VALVE (arm)

Item	Part number	Description	Q'ty	Chan.	Serial No.	Serv.	Remarks
0	0565031500	VALVE ASSY, emergency shut-off	1				
1	1900085100	· CYLINDER, arm	1				
2	0565031520	· PIPE	1				
3	1901739200	· VALVE, shut-off	1				
4	0565031540	· HOSE ASSY	2				
5	1511430004	· ADAPTOR	1				
6	1100041018	· BOLT	1				
7	1141110010	· WASHER	1				
	L3d250						

TB175(P-TB175BAB) Book No. BL3Z010 S/N 17510003-
EMERGENCY SHUT-OFF VALVE (arm, with pilot)



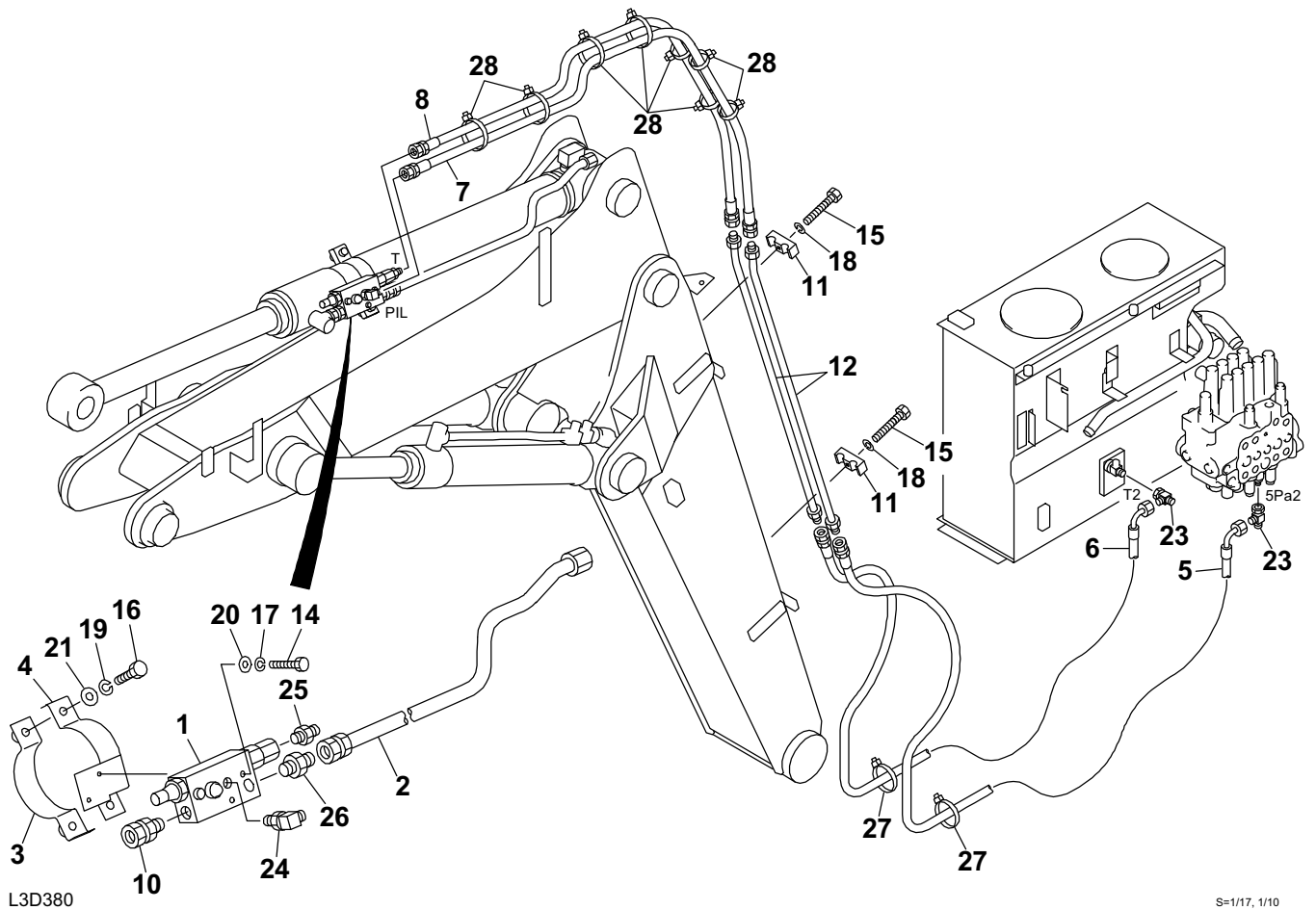
L3D350

S=1/10, 1/15

EMERGENCY SHUT-OFF VALVE (arm, with pilot)

Item	Part number	Description	Q'ty	Chan.	Serial No.	Serv.	Remarks
0	0565041000	VALVE ASSY, emergency shut-off	1		17510003~17512050		
	0565046500	VALVE ASSY, emergency shut-off	1		17512051~		
1	1901743100	· VALVE, shut off	1				
2	1900085100	· CYLINDER, arm	1				
3	0565041010	· PIPE	1				
4	0565041020	· PIPE	2				
5	0565041030	· CLAMP	1				
6	0565041040	· CLAMP	1				
7	0565041050	· HOSE ASSY	1		17510003~17512050		18010-52381
	0565041540	· HOSE ASSY	1		17512051~		18010-52330
8	0565041060	· HOSE ASSY	1		17510003~17512050		18010-52361
	0565041550	· HOSE ASSY	1		17512051~		18010-52330
9	0565041070	· HOSE ASSY	1				18010-22180
10	0565041080	· HOSE ASSY	1				18010-22170
11	0007236041	· ADAPTOR	1				
	1420010180	· · O-RING	1				
12	0007300006	· CLAMP	2		17510003~17512050		
13	1534000012	· CLAMP	2				
14	0567336080	· GUARD	2		17510003~17512050		
15	1100040645	· BOLT	2				
16	1100040825	· BOLT	2		17510003~17512050		
17	1100040865	· BOLT	2				
18	1100041018	· BOLT	1				
19	1100041035	· BOLT	2				
20	1140020006	· WASHER, spring	2				
21	1140020008	· WASHER, spring	2				
22	1140020010	· WASHER, spring	2				
23	1141110006	· WASHER	2				
24	1141110010	· WASHER	3				
25	1512370011	· TEE	1				
	1420010110	· · O-RING	1				
26	1515012040	· ELBOW	1				
	1420010110	· · O-RING	1				
27	1515600200	· ADAPTOR	1				
	1420010110	· · O-RING	1				
28	1515600202	· ADAPTOR	1				
	1420010180	· · O-RING	1				
29	1652201005	· BAND	2				
30	1652201008	· BAND	8				
	L3d352						

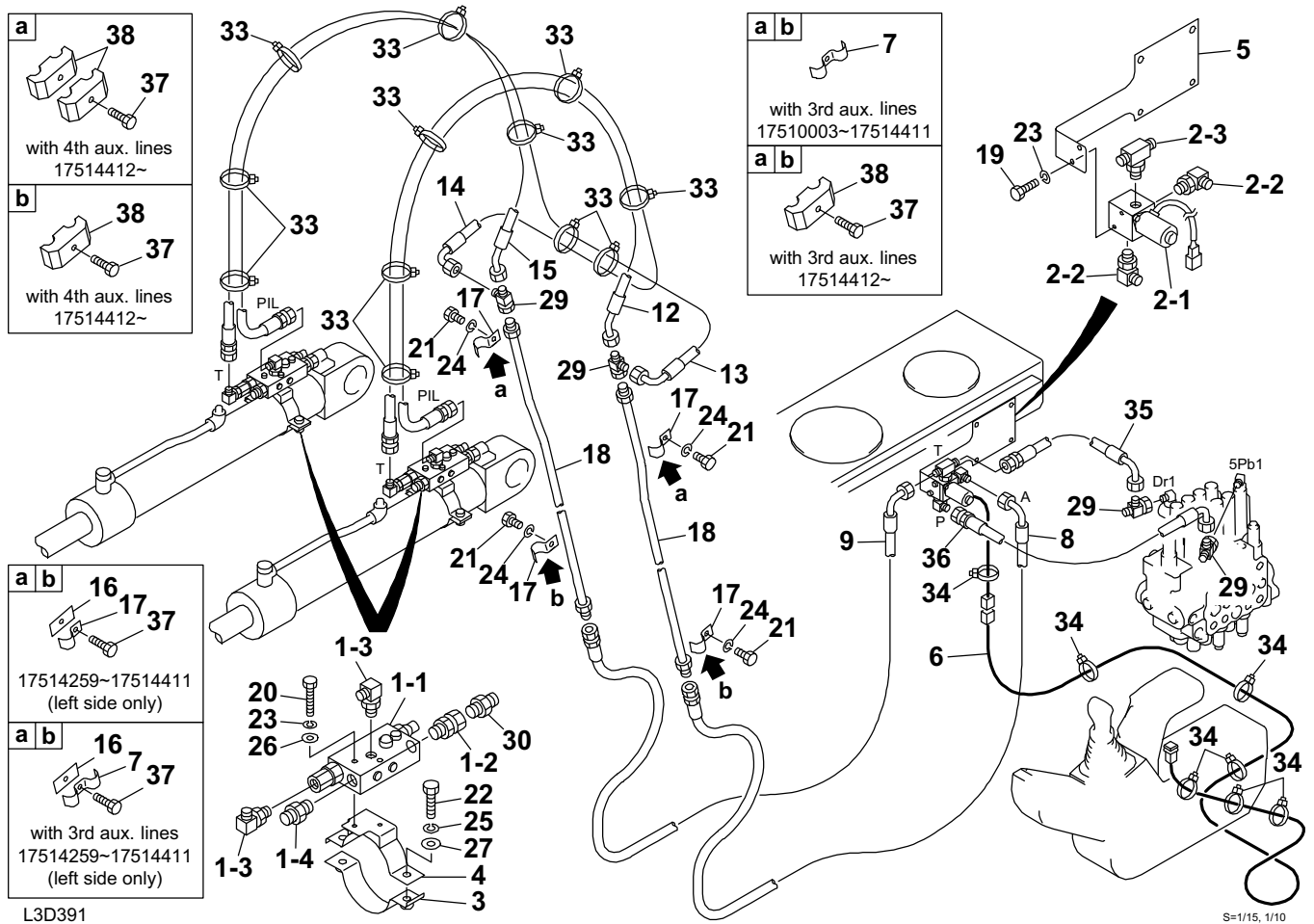
**TB175(P-TB175BAB) Book No. BL3Z010 S/N 17510003-
EMERGENCY SHUT-OFF VALVE (arm, with pilot, 2-piece boom)**



EMERGENCY SHUT-OFF VALVE (arm, with pilot, 2-piece boom)

Item	Part number	Description	Q'ty	Chan.	Serial No.	Serv.	Remarks
0	0565041500	VALVE ASSY, emergency shut-off	1				
1	1901743300	· VALVE, shut off	1				
2	0565043010	· PIPE	1				
3	0565043020	· CLAMP	1				
4	0565043030	· CLAMP	1				
5	0565041540	· HOSE ASSY	1				18010-52330
6	0565041550	· HOSE ASSY	1				18010-52330
7	0565043060	· HOSE ASSY	1				18010-22193
8	0565043070	· HOSE ASSY	1				18010-22183
10	0007236041	· ADAPTOR	1				
	1420010180	· · O-RING	1				
11	1534000012	· CLAMP	2				
12	0395013120	· PIPE	2				
14	1100040645	· BOLT	2				
15	1100040865	· BOLT	2				
16	1100041035	· BOLT	2				
17	1140020006	· WASHER, spring	2				
18	1140020008	· WASHER, spring	2				
19	1140020010	· WASHER, spring	2				
20	1141110006	· WASHER	2				
21	1141110010	· WASHER	2				
23	1513390015	· TEE	2				
24	1515012040	· ELBOW	1				
	1420010110	· · O-RING	1				
25	1515600200	· ADAPTOR	1				
	1420010110	· · O-RING	1				
26	1515600202	· ADAPTOR	1				
	1420010180	· · O-RING	1				
27	1652201005	· BAND	2				
28	1652201008	· BAND	8				
	L3d381						

TB175(P-TB175BAB) Book No. BL3Z010 S/N 17510003-
EMERGENCY SHUT-OFF VALVE (adjust)



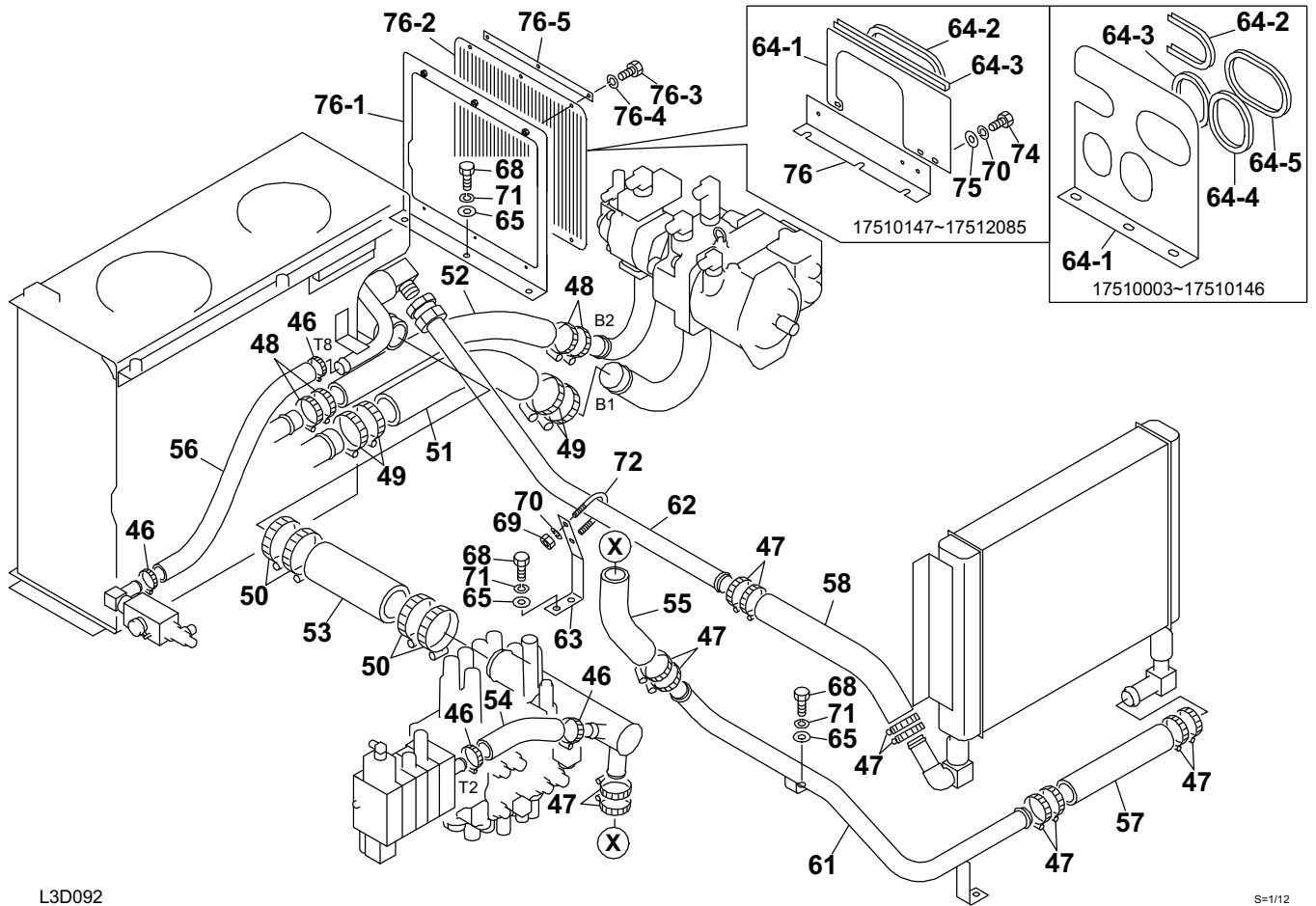
L3D391

S=1/15, 1/10

EMERGENCY SHUT-OFF VALVE (adjust)

Item	Part number	Description	Q'ty	Chan.	Serial No.	Serv.	Remarks
0	0565054000	VALVE ASSY, emergency shut-off	1				
	0565054100	VALVE ASSY, emergency shut-off (with the 3rd aux. line)	1				
	0565054200	VALVE ASSY, emergency shut-off (with the 4th aux. line)	1				
1	0565044010	· VALVE ASSY, shut off	2				
1-1	1901746200	· · VALVE, shut off	1				
1-2	0007236041	· · ADAPTOR	1				
	1420010180	· · · O-RING	1				
1-3	1515012040	· · ELBOW	2				
	1420010110	· · · O-RING	1				
1-4	1515600202	· · ADAPTOR	1				
	1420010180	· · · O-RING	1				
2	0565044020	· VALVE ASSY, solenoid	1				
2-1	1901739600	· · VALVE, solenoid	1				
2-2	1515012040	· · ELBOW	2				
	1420010110	· · · O-RING	1				
2-3	1512370010	· · NIPPLE	1				
	1420010110	· · · O-RING	1				
3	0565044030	· CLAMP	2				
4	0565044040	· CLAMP	2				
5	0565044050	· BRACKET	1		17510003~17514411		
	0565044550	· BRACKET	1		17514412~		
6	0565044060	· HARNESS, wiring	1		17510003~17514411		
7	0565044070	· CLAMP	4		17510003~17514411		with 3rd aux. line
8	0565044580	· HOSE ASSY	1				18010-52330
9	0565044590	· HOSE ASSY	1				18010-52330
12	0565044120	· HOSE ASSY	1				18010-79138
13	0565044130	· HOSE ASSY	1				18010-52188
14	0565044140	· HOSE ASSY	1				18010-52177
15	0565044150	· HOSE ASSY	1				18010-79135
16	0565044660	· PLATE	2		17514259~17514411		
17	0567336070	· CLAMP	4		17510003~17514411		standard
	0567339570	· CLAMP	4		17514412~		standard
18	0567338010	· PIPE	2				
19	1100040620	· BOLT	2				
20	1100040645	· BOLT	4				
21	1100040816	· BOLT	4				standard
22	1100041035	· BOLT	4				
23	1140020006	· WASHER, spring	6				
24	1140020008	· WASHER, spring	4				standard
25	1140020010	· WASHER, spring	4				
26	1141110006	· WASHER	4				
27	1141110010	· WASHER	4				
29	1513390015	· TEE	4				
30	1515600202	· ADAPTOR	2				
	1420010180	· · O-RING	1				
33	1652201008	· BAND	12				
34	1652231250	· BAND	7		17510003~17514411		
35	1801052033	· HOSE ASSY	1				
36	1801052044	· HOSE ASSY	1				
37	1100040835	· BOLT	4				with 3rd aux. line
	1100040820	· BOLT	2		17514259~17514411		with 3rd aux. line
	1100040835	· BOLT	6				with 4th aux. line
38	1534000015	· CLAMP	4				with 3rd aux. line
	1534000015	· CLAMP	6				with 4th aux. line
	L3d393						

**TB175(P-TB175BAB) Book No. BL3Z010 S/N 17510003-
PIPING; UPPER (1/4) (17510003-17512104)**



L3D092

S=1/12

PIPING; UPPER (1/4) (17510003-17512104)

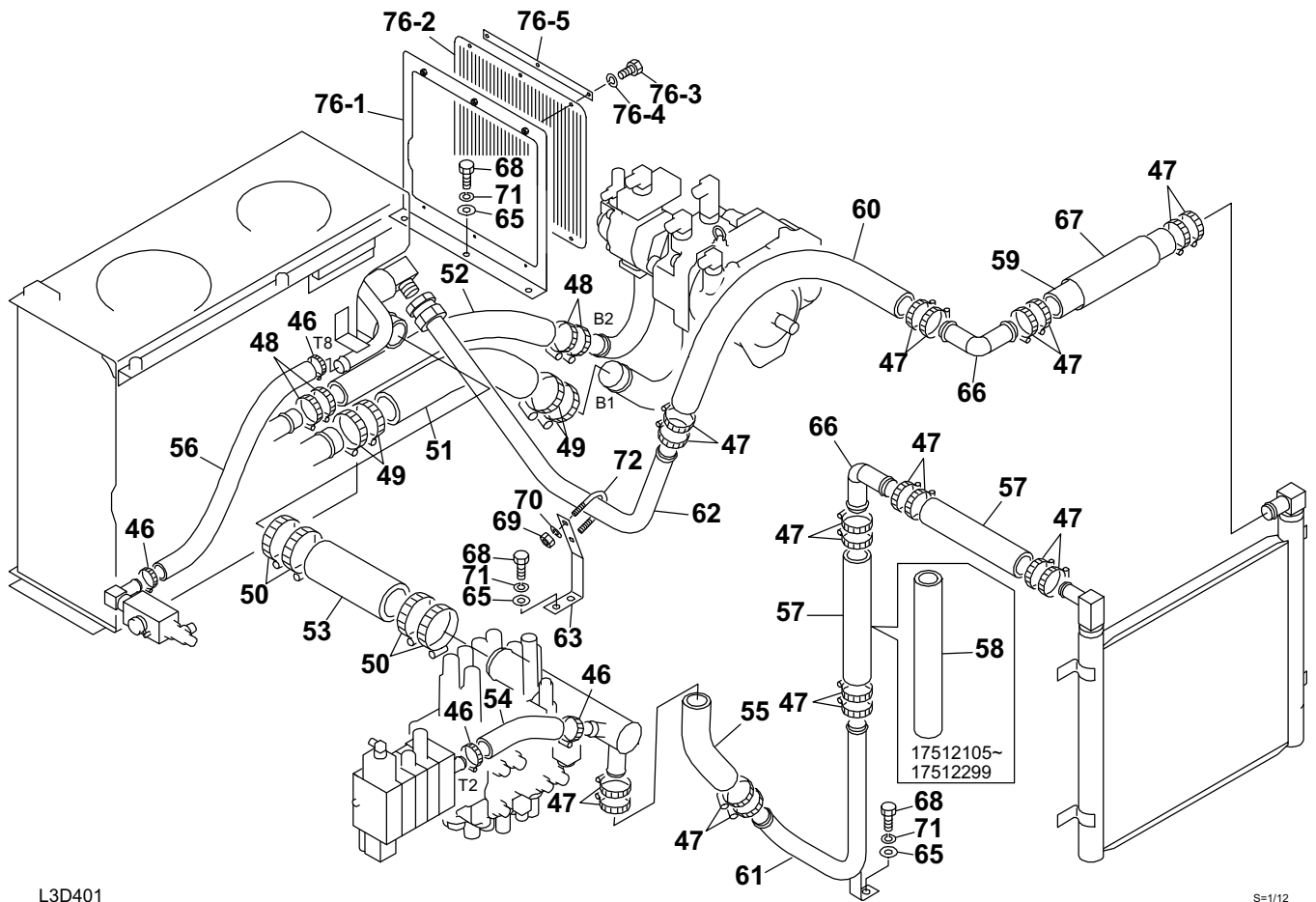
Item	Part number	Description	Q'ty	Chan.	Serial No.	Serv.	Remarks
		PIPING ASSY, upper					
46	1533700041	BAND	4				
47	1533700054	BAND	12				
48	1533700060	BAND	4				
49	1533700070	BAND	4				
50	1533700080	BAND	4				
51	0567016800	HOSE	1				
52	1530738050	HOSE	1		17510003~17510188		sold by the meter
	1530738053	HOSE	1		17510189~		sold by the meter
53	1530558023	HOSE	1				sold by the meter
54	1530525032	HOSE	1				sold by the meter
55	1530532021	HOSE	1				sold by the meter
56	1530525076	HOSE	1				sold by the meter
57	1530532031	HOSE	1				sold by the meter
58	1530532032	HOSE	1				sold by the meter
61	0567024610	PIPE	1		17510003~17510188		
	0567024680	PIPE	1		17510189~		
62	0567024620	PIPE	1				
63	0567024630	PLATE	1				
64	0567024640	PLATE ASSY	1	A	17510003~17510146		
64-1	0567024641	· PLATE	1		17510003~17510146		
64-2	1653916023	· TRIM	1		17510003~17510146		sold by the meter
64-3	1653916026	· TRIM	1		17510003~17510146		sold by the meter
64-4	1653916029	· TRIM	1		17510003~17510146		sold by the meter
64-5	1653916038	· TRIM	1		17510003~17510146		sold by the meter
64	0567024670	PLATE ASSY	1	(H)a	17510147~17512085		
64-1	0567024671	· PLATE	1		17510147~17512085		
64-2	1653916037	· TRIM	1		17510147~17512085		sold by the meter
64-3	1653916030	· TRIM	1		17510147~17512085		sold by the meter
65	0003600020	WASHER	7				
68	1100041020	BOLT	7				
69	1130040008	NUT	2				
70	1140020008	WASHER, spring	2				
71	1140020010	WASHER, spring	7				
72	1533201010	U-BOLT	1				
74	1100040814	BOLT	3		17510147~17512085		
75	1141110008	WASHER	3		17510147~17512085		
76	0567024660	PLATE	1	(H)a	17510147~17512085		
	0567024690	PLATE ASSY	1		17512086~17512104		
76-1	0567024700	· PLATE	1		17512086~17512104		
76-2	0567024692	· SHEET	1		17512086~17512104		
76-3	1100040616	· BOLT	6		17512086~17512104		
76-4	1140020006	· WASHER, spring	6		17512086~17512104		
76-5	0567024695	· PLATE	2		17512086~17512104		

<<NOTE>>

"A" is interchangeable with SET "a".

L3d092

TB175(P-TB175BAB) Book No. BL3Z010 S/N 17510003-
PIPING; UPPER (1/4) (17512105-17512749)



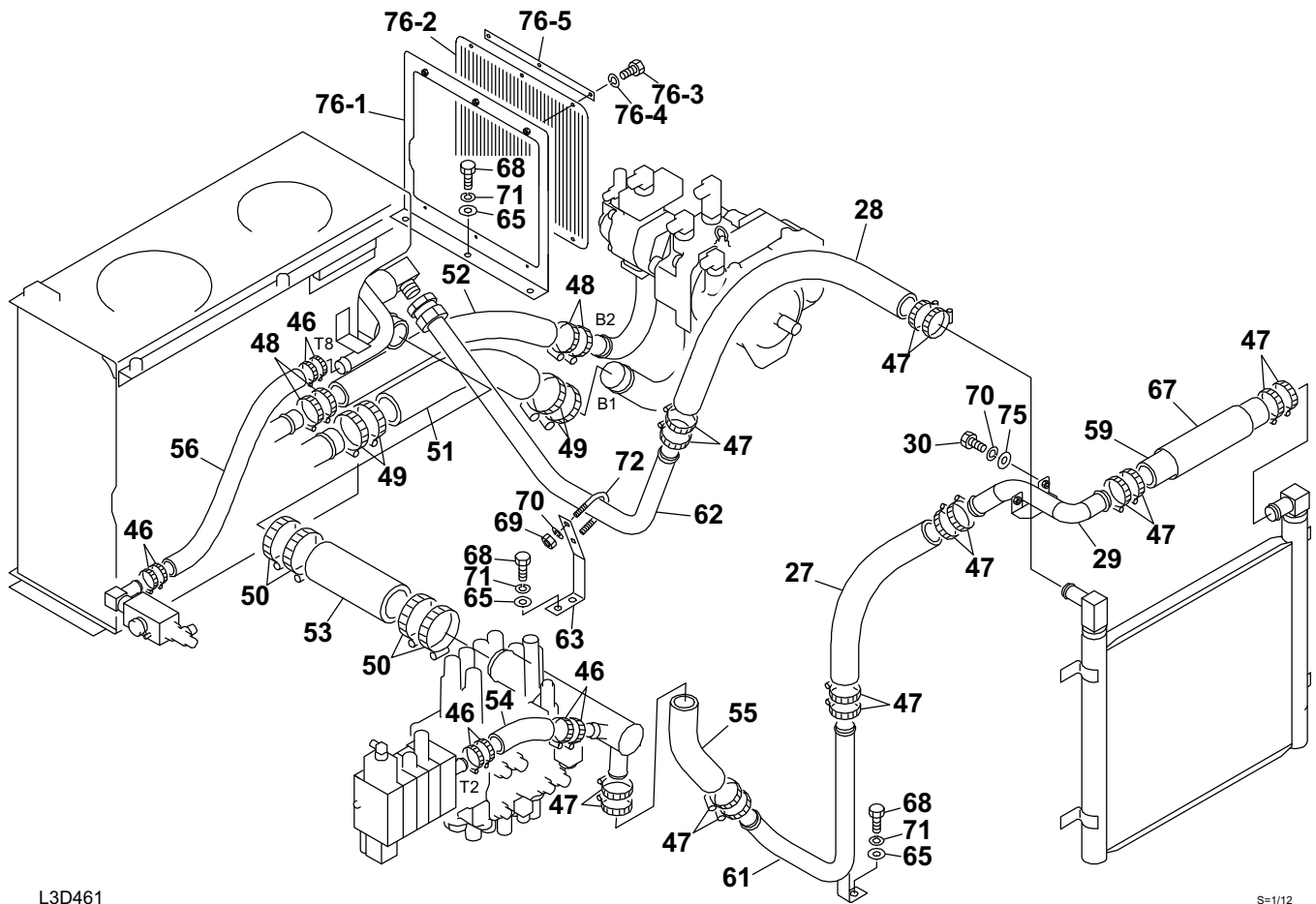
L3D401

S=1/12

PIPING; UPPER (1/4) (17512105-17512749)

Item	Part number	Description	Q'ty	Chan.	Serial No.	Serv.	Remarks
		PIPING ASSY, upper					
		PIPING ASSY, upper (with air conditioner)					
46	1533700041	BAND	4				
47	1533700054	BAND	20				
48	1533700060	BAND	4				
49	1533700070	BAND	4				
50	1533700080	BAND	4				
51	0567016800	HOSE	1				
52	1530738053	HOSE	1				sold by the meter
53	1530558023	HOSE	1				sold by the meter
54	1530525032	HOSE	1				sold by the meter
55	1530532021	HOSE	1				sold by the meter
56	1530525076	HOSE	1				sold by the meter
57	1530532025	HOSE	1		17512105~17512299		sold by the meter
	1530532025	HOSE	2		17512300~		sold by the meter
58	1530532035	HOSE	1		17512105~17512299		sold by the meter
59	1530532030	HOSE	1				sold by the meter
60	1530532065	HOSE	1				sold by the meter
61	0567031110	PIPE	1				
62	0567031120	PIPE	1				
63	0567024630	PLATE	1				
65	0003600020	WASHER	6				
66	0567031100	PIPE	2				
67	1531350020	PROTECTOR	1				sold by the meter
68	1100041020	BOLT	6				
69	1130040008	NUT	2				
70	1140020008	WASHER, spring	2				
71	1140020010	WASHER, spring	6				
72	1533201010	U-BOLT	1				
76	0567024690	PLATE ASSY	1				
76-1	0567024700	· PLATE	1				
76-2	0567024692	· SHEET	1				
76-3	1100040616	· BOLT	6				
76-4	1140020006	· WASHER, spring	6				
76-5	0567024695	· PLATE	2				
	L3d401						

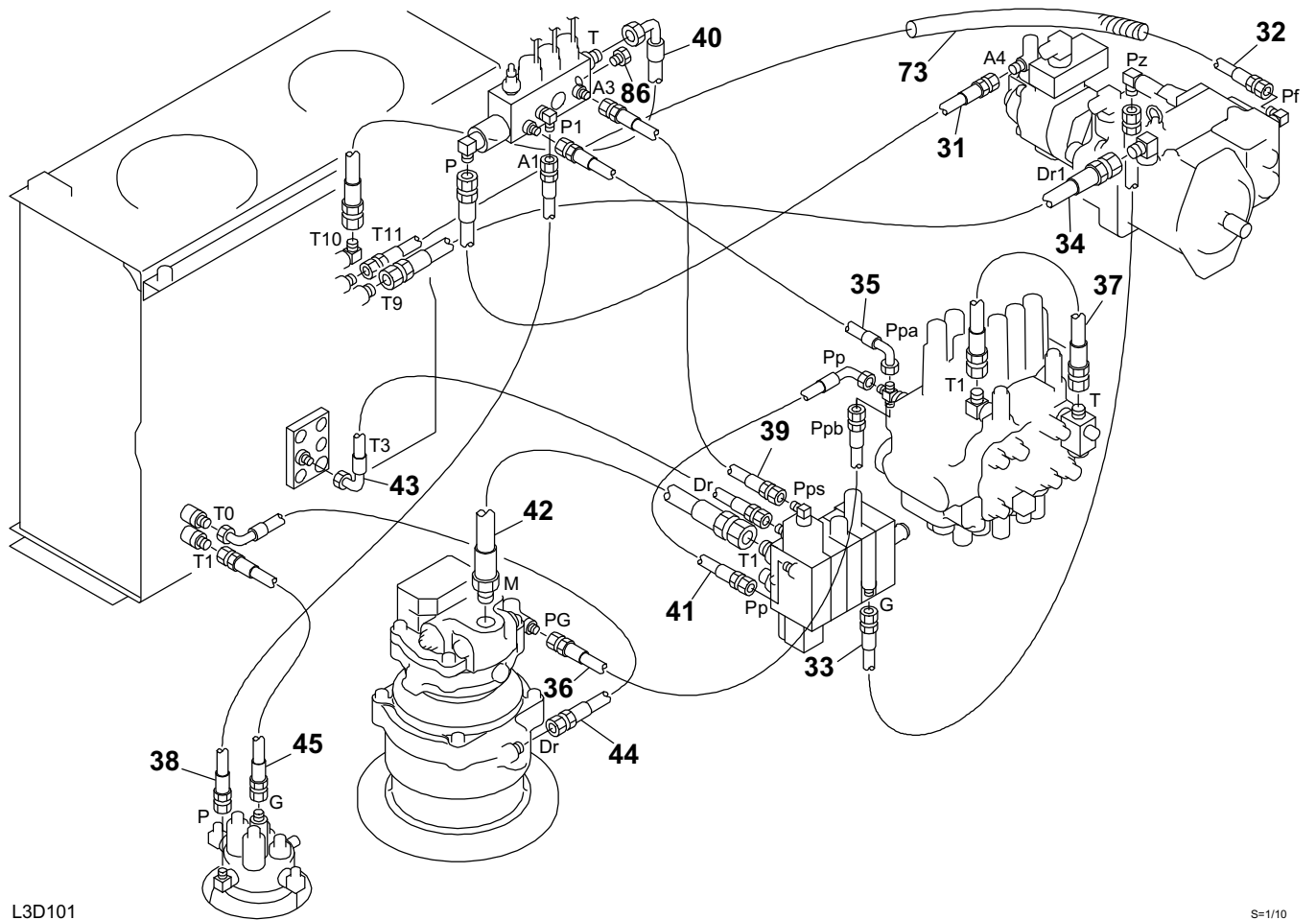
TB175(P-TB175BAB) Book No. BL3Z010 S/N 17510003-
PIPING; UPPER (1/4) (17512750-17514411)



PIPING; UPPER (1/4) (17512750-17514411)

Item	Part number	Description	Q'ty	Chan.	Serial No.	Serv.	Remarks
		PIPING ASSY, upper					
		PIPING ASSY, upper (with air conditioner)					
27	1530532041	HOSE	1				sold by the meter
28	1530532061	HOSE	1				sold by the meter
29	0567031130	PIPE	1				
30	1100040825	BOLT	2				
46	1533700041	BAND	8				
47	1533700054	BAND	16				
48	1533700060	BAND	4				
49	1533700070	BAND	4				
50	1533700080	BAND	4				
51	0567016800	HOSE	1				
52	1530738053	HOSE	1				sold by the meter
53	1530558023	HOSE	1				sold by the meter
54	1530525031	HOSE	1				sold by the meter
55	1530532027	HOSE	1				sold by the meter
56	1530525076	HOSE	1				sold by the meter
59	1530532030	HOSE	1				sold by the meter
61	0567031110	PIPE	1				
62	0567031120	PIPE	1				
63	0567024630	PLATE	1				
65	0003600020	WASHER	6				
67	1531350020	PROTECTOR	1				sold by the meter
68	1100041020	BOLT	6				
69	1130040008	NUT	2				
70	1140020008	WASHER, spring	4				
71	1140020010	WASHER, spring	6				
72	1533201010	U-BOLT	1				
75	1141110008	WASHER	2				
76	0567024690	PLATE ASSY	1				
76-1	0567024700	· PLATE	1				
76-2	0567024692	· SHEET	1				
76-3	1100040616	· BOLT	6				
76-4	1140020006	· WASHER, spring	6				
76-5	0567024695	· PLATE	2				
	L3d461						

TB175(P-TB175BAB) Book No. BL3Z010 S/N 17510003-
PIPING; UPPER (2/4) (17510003-17514411)



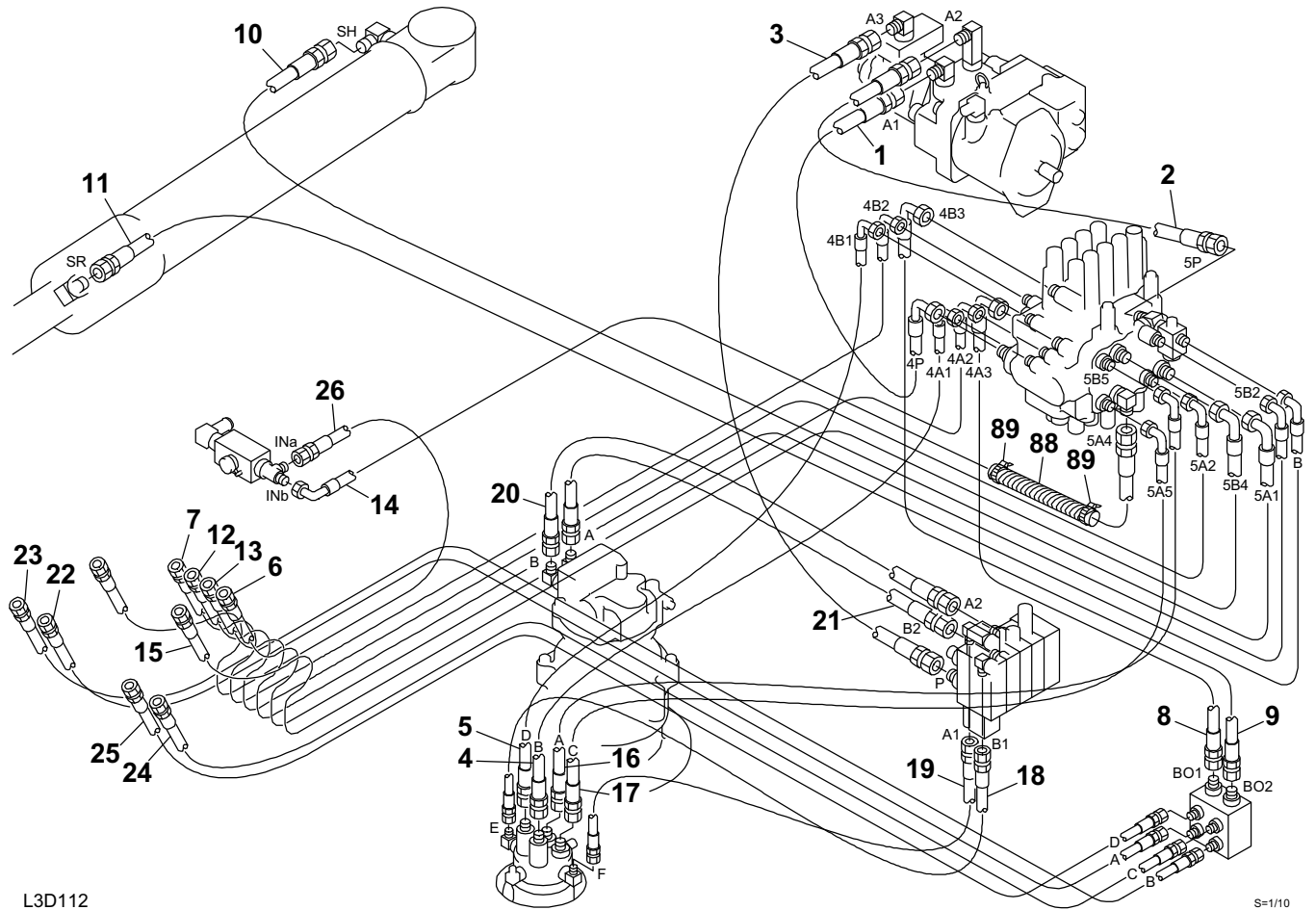
L3D101

S=1/10

PIPING; UPPER (2/4) (17510003-17514411)

Item	Part number	Description	Q'ty	Chan.	Serial No.	Serv.	Remarks
		PIPING ASSY, upper					
		PIPING ASSY, upper (with air conditioner)					
31	0567024310	HOSE ASSY	1				18010-23130
32	0567024320	HOSE ASSY (without air conditioner)	1				18010-22090
33	0567024330	HOSE ASSY	1				18010-22170
34	0567024340	HOSE ASSY	1				18010-24056
35	0567024350	HOSE ASSY	1				18010-52030
36	0567024360	HOSE ASSY	1				18010-22050
37	0567024370	HOSE ASSY	1				18010-24068
38	0567024380	HOSE ASSY	1				
39	0567024390	HOSE ASSY	1				18010-22068
40	0567024400	HOSE ASSY	1				18010-53048
41	0567024410	HOSE ASSY	1				18010-52050
42	0567024420	HOSE ASSY	1				18010-06050
43	0567024430	HOSE ASSY	1				18010-22080
44	0567024440	HOSE ASSY	1				18010-53082
45	0567024450	HOSE ASSY	1				18010-23070
73	1532215053	PROTECTOR	1				sold by the meter
86	1501750002	PLUG	1				without air con.
	1420010110	· O-RING	1				
	L3d103						

TB175(P-TB175BAB) Book No. BL3Z010 S/N 17510003-
PIPING; UPPER (3/4) (17510003-17514411)



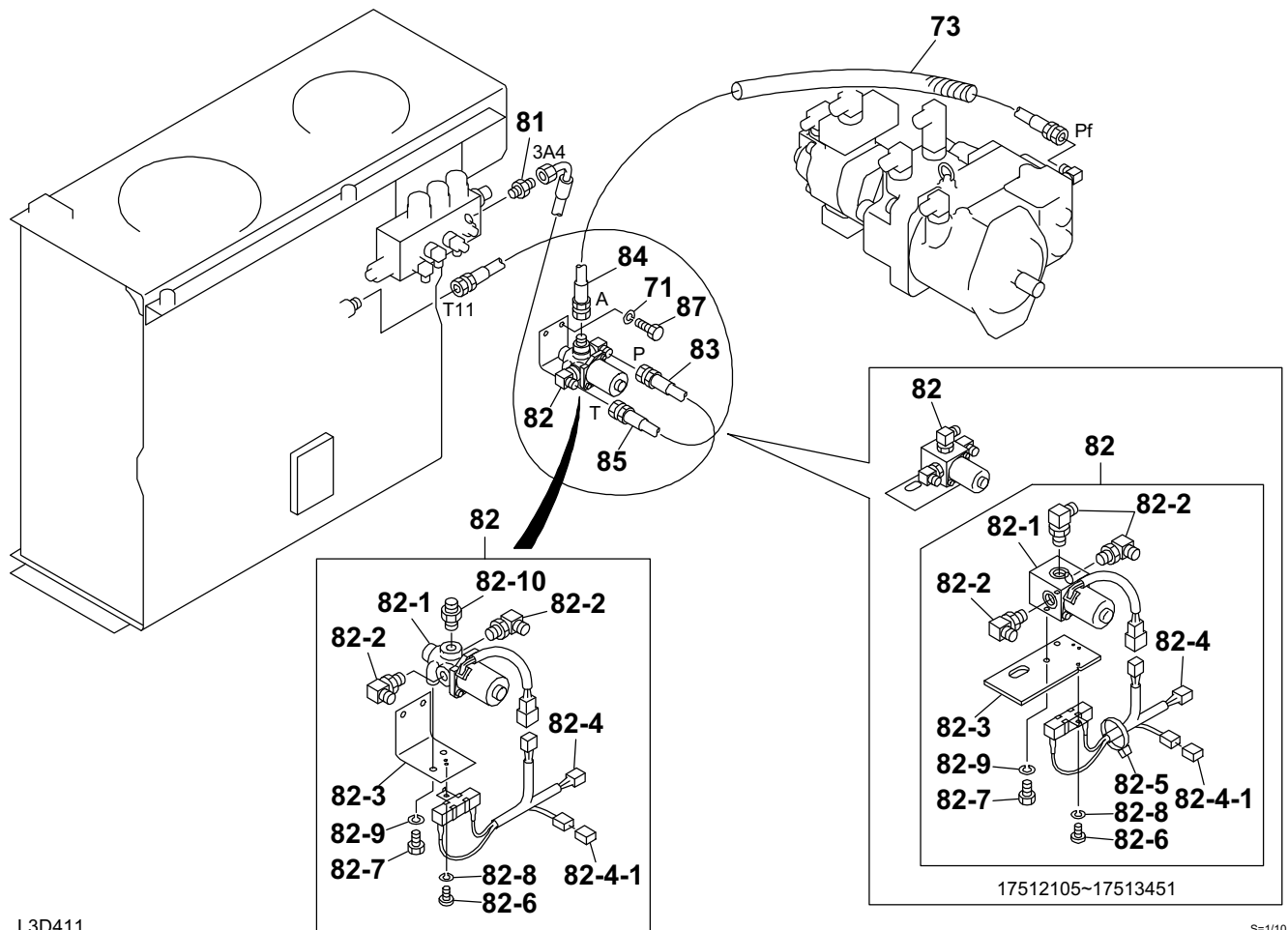
L3D112

S=1/10

PIPING; UPPER (3/4) (17510003-17514411)

Item	Part number	Description	Q'ty	Chan.	Serial No.	Serv.	Remarks
		PIPING ASSY, upper					
		PIPING ASSY, upper (with air conditioner)					
1	0567024010	HOSE ASSY	1				18025-81080
2	0567024020	HOSE ASSY	1				18025-80080
3	0567024030	HOSE ASSY	1				18025-60140
4	0567024040	HOSE ASSY	1				18025-41090
5	0567024050	HOSE ASSY	1				18025-41095
6	0567024060	HOSE ASSY	1				18025-41300
7	0567024070	HOSE ASSY	1				18025-41305
8	0567024080	HOSE ASSY	1				
9	0567024090	HOSE ASSY	1				
10	0567024100	HOSE ASSY	1				18025-41180
11	0567024110	HOSE ASSY	1				18025-41185
12	0567024120	HOSE ASSY	1				18025-41325
13	0567024130	HOSE ASSY	1				18025-41330
14	0567024140	HOSE ASSY	1				
15	0567024150	HOSE ASSY	1				
16	0567024160	HOSE ASSY	1				18025-41080
17	0567024170	HOSE ASSY	1				18025-41085
18	0567024180	HOSE ASSY	1				18025-20076
19	0567024190	HOSE ASSY	1				18025-20076
20	0567024200	HOSE ASSY	1				18025-40064
21	0567024210	HOSE ASSY	1				18025-40058
22	0567024220	HOSE ASSY	1				
23	0567024230	HOSE ASSY	1				
24	0567024240	HOSE ASSY	1				
25	0567024250	HOSE ASSY	1				
26	0567024260	HOSE ASSY	1				
88	1531325020	PROTECTOR	1				sold by the meter
89	1652201005	BAND	2				
	L3d113						

**TB175(P-TB175BAB) Book No. BL3Z010 S/N 17510003-
 PIPING; UPPER (4/4) (with air-conditioner; 17512105-17514411)**



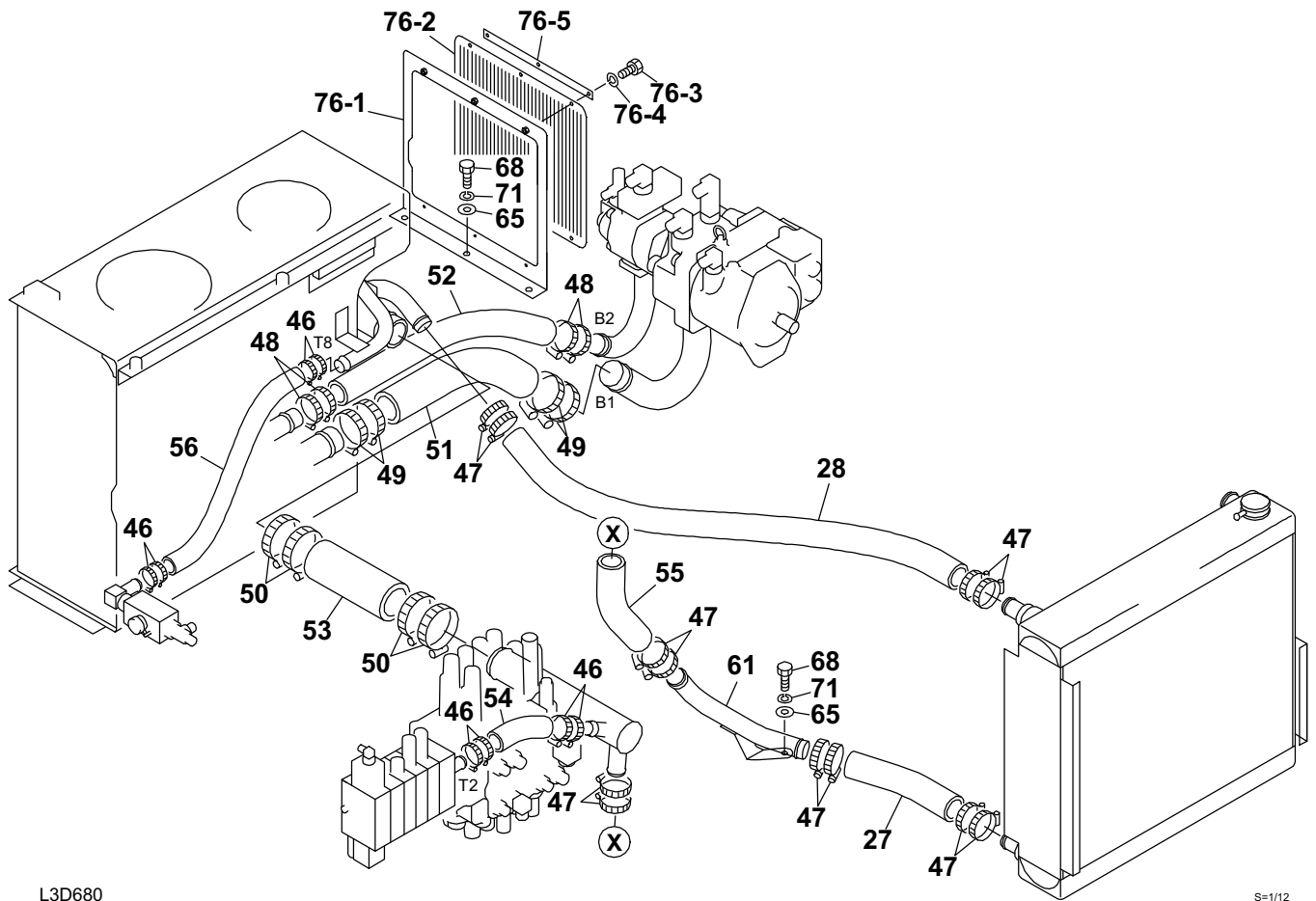
L3D411

S=1/10, 1/8

PIPING; UPPER (4/4) (with air-conditioner; 17512105-17514411)

Item	Part number	Description	Q'ty	Chan.	Serial No.	Serv.	Remarks
		PIPING ASSY, upper (with air conditioner)					
71	1140020010	WASHER, spring	2		17513452~		
73	1532215053	PROTECTOR	1				sold by the m
81	1515600200	ADAPTOR	1				
	1420010110	· O-RING	1				
82	X *****	VALVE ASSY, solenoid	1		17512105~17513451		
	X *****	VALVE ASSY, solenoid	1		17513452~		
82-1	1901736500	· VALVE, solenoid	1		17512105~17513451		
	1901739600	· VALVE, solenoid	1		17513452~		
82-2	1515012040	· ELBOW	3		17512105~17513451		
	1515012040	· ELBOW	2		17513452~		
	1420010110	· · O-RING	1				
82-3	0564624251	· PLATE	1		17512105~17513451		
	0567031181	· BRACKET	1		17513452~		
82-4	0564624252	· HARNESS, wiring	1		17512105~17513451		
	0567031182	· HARNESS, wiring	1		17513452~		
82-4-1	1730500008	· · DIODE(3A yellow)	1				
82-5	1652200003	· BAND	1		17512105~17513451		
82-6	1120530305	· SCREW	1				
82-7	1100040612	· BOLT	2		17512105~17513451		
	1100040616	· BOLT	2		17513452~		
82-8	1140020003	· WASHER, spring	1				
82-9	1140020006	· WASHER, spring	2				
82-10	1515600200	· ADAPTOR	1		17513452~		
	1420010110	· · O-RING	1				
83	0564618630	HOSE ASSY	1		17512105~17513451		18010-52100
	0567031150	HOSE ASSY	1		17513452~		18010-22050
84	0564618640	HOSE ASSY	1		17512105~17513451		18010-22075
	0567031160	HOSE ASSY	1		17513452~		18010-22085
85	0564618650	HOSE ASSY	1		17512105~17513451		18010-22045
	0567031170	HOSE ASSY	1		17513452~		18010-52095
87	1100041016	BOLT	2		17513452~		
	L3d412						

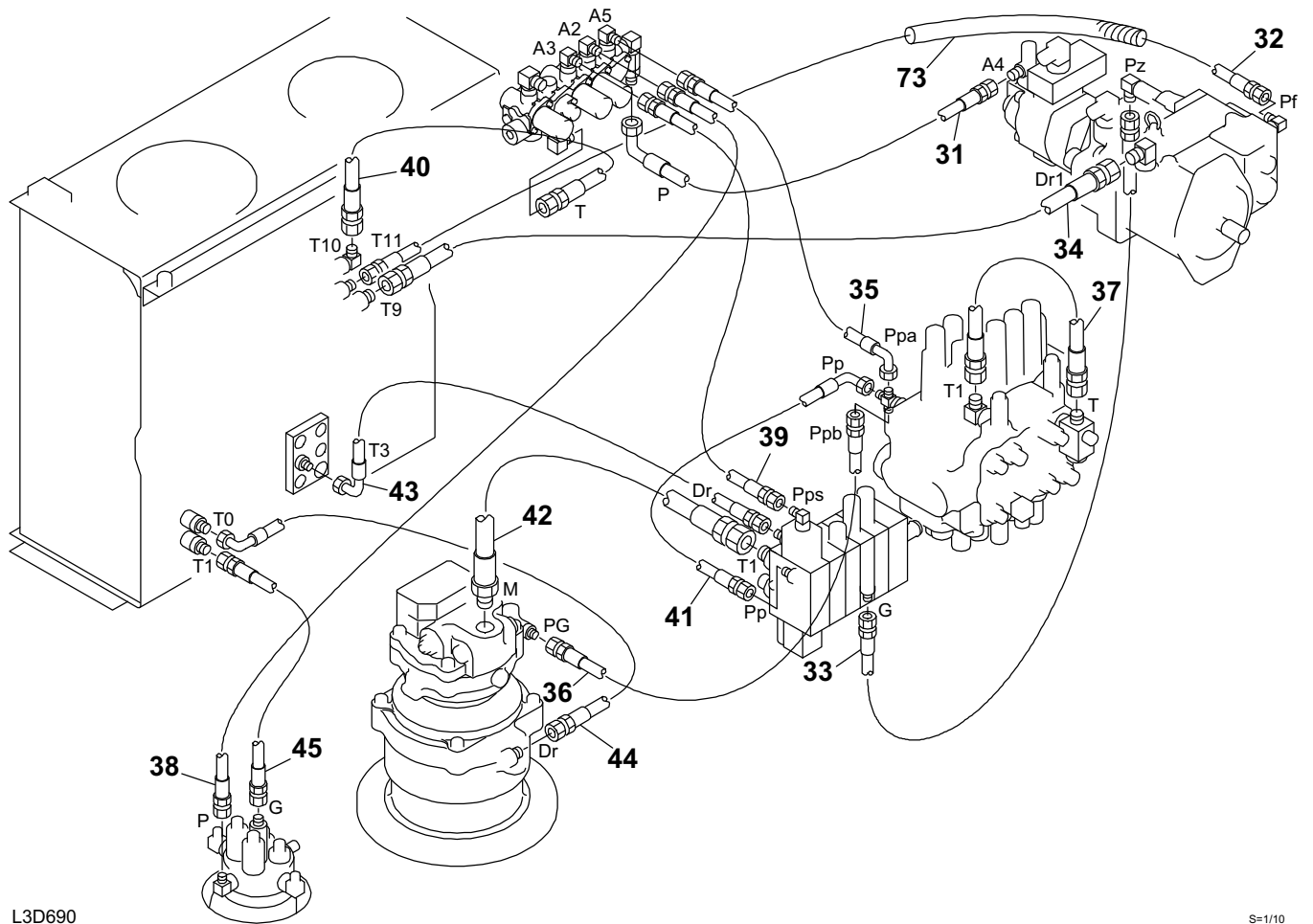
TB175(P-TB175BAB) Book No. BL3Z010 S/N 17510003-
PIPING; UPPER (1/4) (17514412-)



PIPING; UPPER (1/4) (17514412-)

Item	Part number	Description	Q'ty	Chan.	Serial No.	Serv.	Remarks
		PIPING ASSY, upper					
		PIPING ASSY, upper (with air conditioner)					
27	1530532022	HOSE	1				sold by the meter
28	1530532100	HOSE	1				sold by the meter
46	1533700041	BAND	8				
47	1533700054	BAND	12				
48	1533700060	BAND	4				
49	1533700070	BAND	4				
50	1533700080	BAND	4				
51	0567016800	HOSE	1				
52	1530738053	HOSE	1				sold by the meter
53	1530558023	HOSE	1				sold by the meter
54	1530525031	HOSE	1				sold by the meter
55	1530532027	HOSE	1				sold by the meter
56	1530525076	HOSE	1				sold by the meter
61	0567038050	PIPE	1				
65	0003600020	WASHER	4				
68	1100041020	BOLT	4				
71	1140020010	WASHER, spring	4				
76	0567024690	PLATE ASSY	1				
76-1	0567024700	· PLATE	1				
76-2	0567024692	· SHEET	1				
76-3	1100040616	· BOLT	6				
76-4	1140020006	· WASHER, spring	6				
76-5	0567024695	· PLATE	2				
	L3d683						

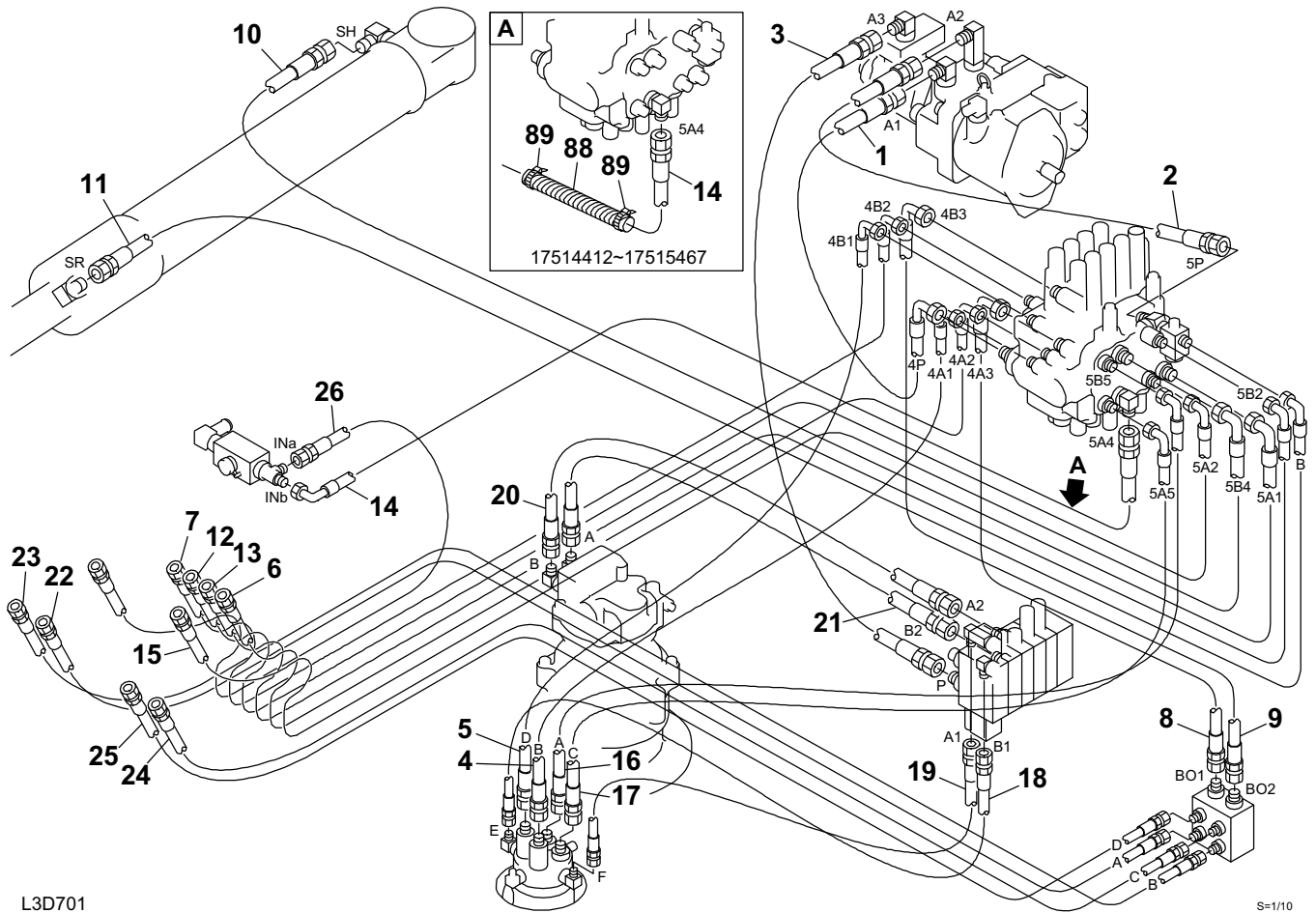
TB175(P-TB175BAB) Book No. BL3Z010 S/N 17510003-
PIPING; UPPER (2/4) (17514412-)



PIPING; UPPER (2/4) (17514412-)

Item	Part number	Description	Q'ty	Chan.	Serial No.	Serv.	Remarks
		PIPING ASSY, upper					
		PIPING ASSY, upper (with air conditioner)					
31	0567038010	HOSE ASSY	1				18010-53090
32	0567024320	HOSE ASSY (without air conditioner)	1				18010-22090
33	0567024330	HOSE ASSY	1				18010-22170
34	0567024340	HOSE ASSY	1				18010-24056
35	0567038060	HOSE ASSY	1				18010-52035
36	0567024360	HOSE ASSY	1				18010-22050
37	0567024370	HOSE ASSY	1				18010-24068
38	0567038070	HOSE ASSY	1				
39	0567024390	HOSE ASSY	1				18010-22068
40	0567037050	HOSE ASSY	1				18010-23055
41	0567024410	HOSE ASSY	1				18010-52050
42	0567024420	HOSE ASSY	1				18010-06050
43	0567024430	HOSE ASSY	1				18010-22080
44	0567024440	HOSE ASSY	1				18010-53082
45	0567024450	HOSE ASSY	1				18010-23070
73	1532215053	PROTECTOR	1				sold by the meter
	L3d693						

**TB175(P-TB175BAB) Book No. BL3Z010 S/N 17510003-
PIPING; UPPER (3/4) (17514412-)**



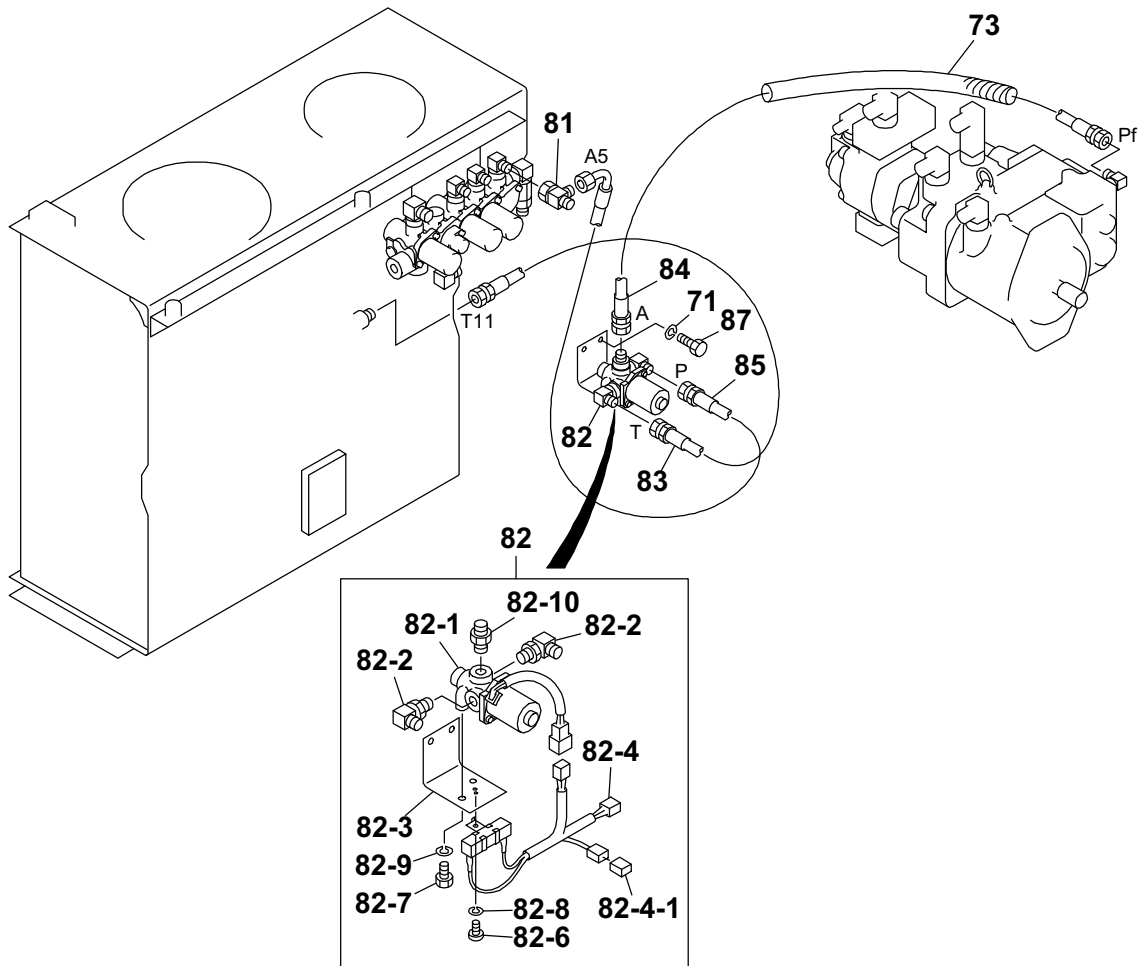
L3D701

S=1/10

PIPING; UPPER (3/4) (17514412-)

Item	Part number	Description	Q'ty	Chan.	Serial No.	Serv.	Remarks
		PIPING ASSY, upper					
		PIPING ASSY, upper (with air conditioner)					
1	0567024010	HOSE ASSY	1				18025-81080
2	0567024020	HOSE ASSY	1				18025-80080
3	0567024030	HOSE ASSY	1				18025-60140
4	0567024040	HOSE ASSY	1				18025-41090
5	0567024050	HOSE ASSY	1				18025-41095
6	0567024060	HOSE ASSY	1				18025-41300
7	0567024070	HOSE ASSY	1				18025-41305
8	0567024080	HOSE ASSY	1				
9	0567024090	HOSE ASSY	1				
10	0567024100	HOSE ASSY	1				18025-41180
11	0567024110	HOSE ASSY	1				18025-41185
12	0567024120	HOSE ASSY	1				18025-41325
13	0567024130	HOSE ASSY	1				18025-41330
14	0567024140	HOSE ASSY	1				
15	0567024150	HOSE ASSY	1				
16	0567024160	HOSE ASSY	1				18025-41080
17	0567024170	HOSE ASSY	1				18025-41085
18	0567024180	HOSE ASSY	1				18025-20076
19	0567024190	HOSE ASSY	1				18025-20076
20	0567024200	HOSE ASSY	1				18025-40064
21	0567026210	HOSE ASSY	1				18025-40054
22	0567024220	HOSE ASSY	1				
23	0567024230	HOSE ASSY	1		17514412~17514513		
	0567038030	HOSE ASSY	1		17514514~		
24	0567024240	HOSE ASSY	1		17514412~17514513		
	0567038040	HOSE ASSY	1		17514514~		
25	0567024250	HOSE ASSY	1				
26	0567024260	HOSE ASSY	1				
88	1531325020	PROTECTOR	1		17514412~17515467		sold by the meter
89	1652201005	BAND	2		17514412~17515467		
	L3d703						

TB175(P-TB175BAB) Book No. BL3Z010 S/N 17510003-
PIPING; UPPER (4/4) (with air-conditioner; 17514412-)



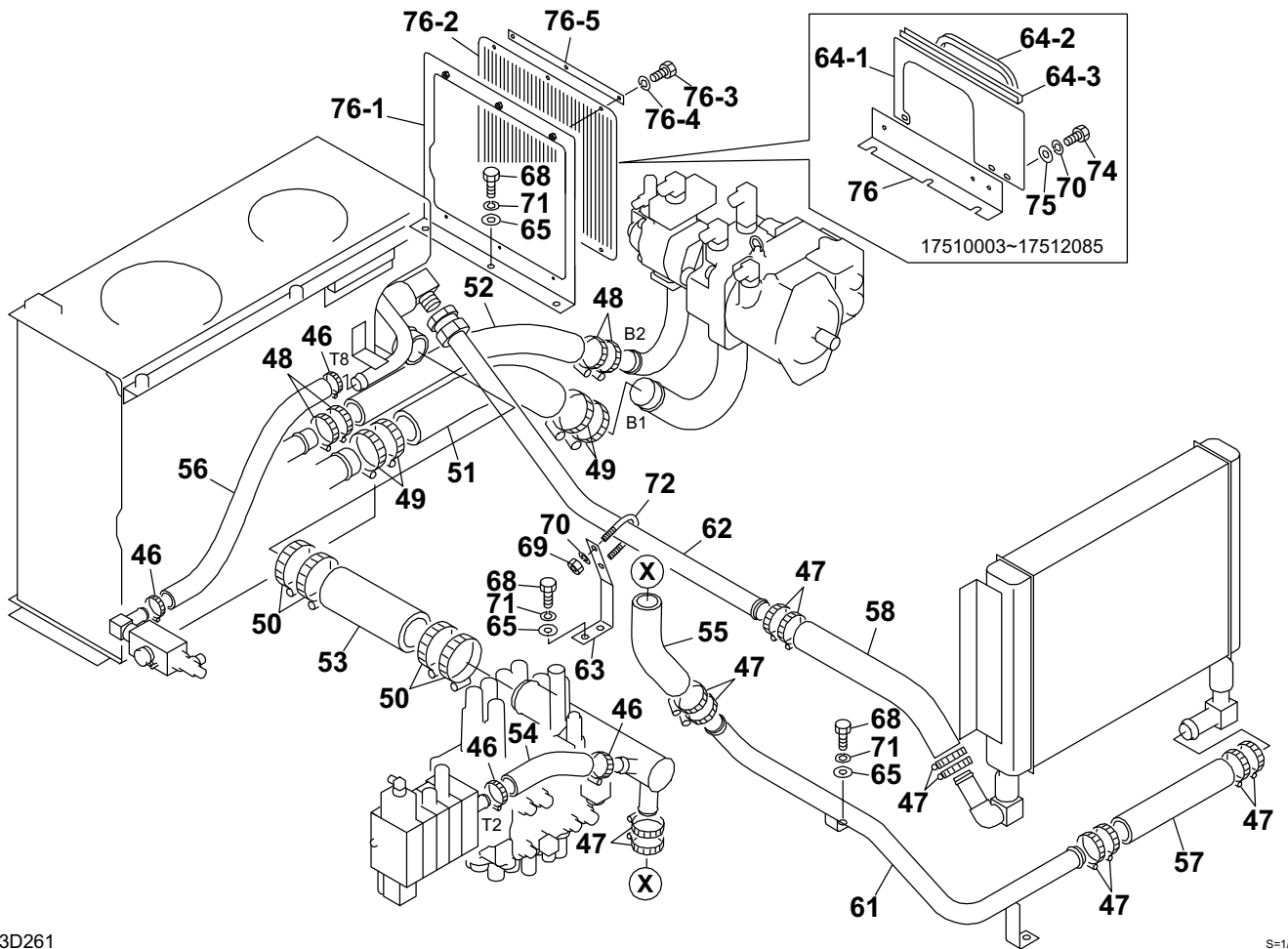
L3D710

S=1/10, 1/8

PIPING; UPPER (4/4) (with air-conditioner; 17514412-)

Item	Part number	Description	Q'ty	Chan.	Serial No.	Serv.	Remarks
		PIPING ASSY, upper (with air conditioner)					
71	1140020010	WASHER, spring	2				
73	1532215053	PROTECTOR	1				sold by the meter
81	1513390015	TEE	1				
82	X *****	VALVE ASSY, solenoid	1				
82-1	1901739600	· VALVE, solenoid	1				
82-2	1515012040	· ELBOW	2				
	1420010110	· · O-RING	1				
82-3	0567031181	· BRACKET	1				
82-4	0567031182	· HARNESS, wiring	1				
82-4-1	1730500008	· · DIODE(3A yellow)	1				
82-6	1120530305	· SCREW	1				
82-7	1100040616	· BOLT	2				
82-8	1140020003	· WASHER, spring	1				
82-9	1140020006	· WASHER, spring	2				
82-10	1515600200	· ADAPTOR	1				
	1420010110	· · O-RING	1				
83	0567031150	HOSE ASSY	1				18010-22050
84	0567031160	HOSE ASSY	1				18010-22085
85	0567038080	HOSE ASSY	1				18010-52110
87	1100041016	BOLT	2				
	L3d713						

TB175(P-TB175BAB) Book No. BL3Z010 S/N 17510003-
PIPING; UPPER (1/5) (2-piece boom; 17510003-17512104)



L3D261

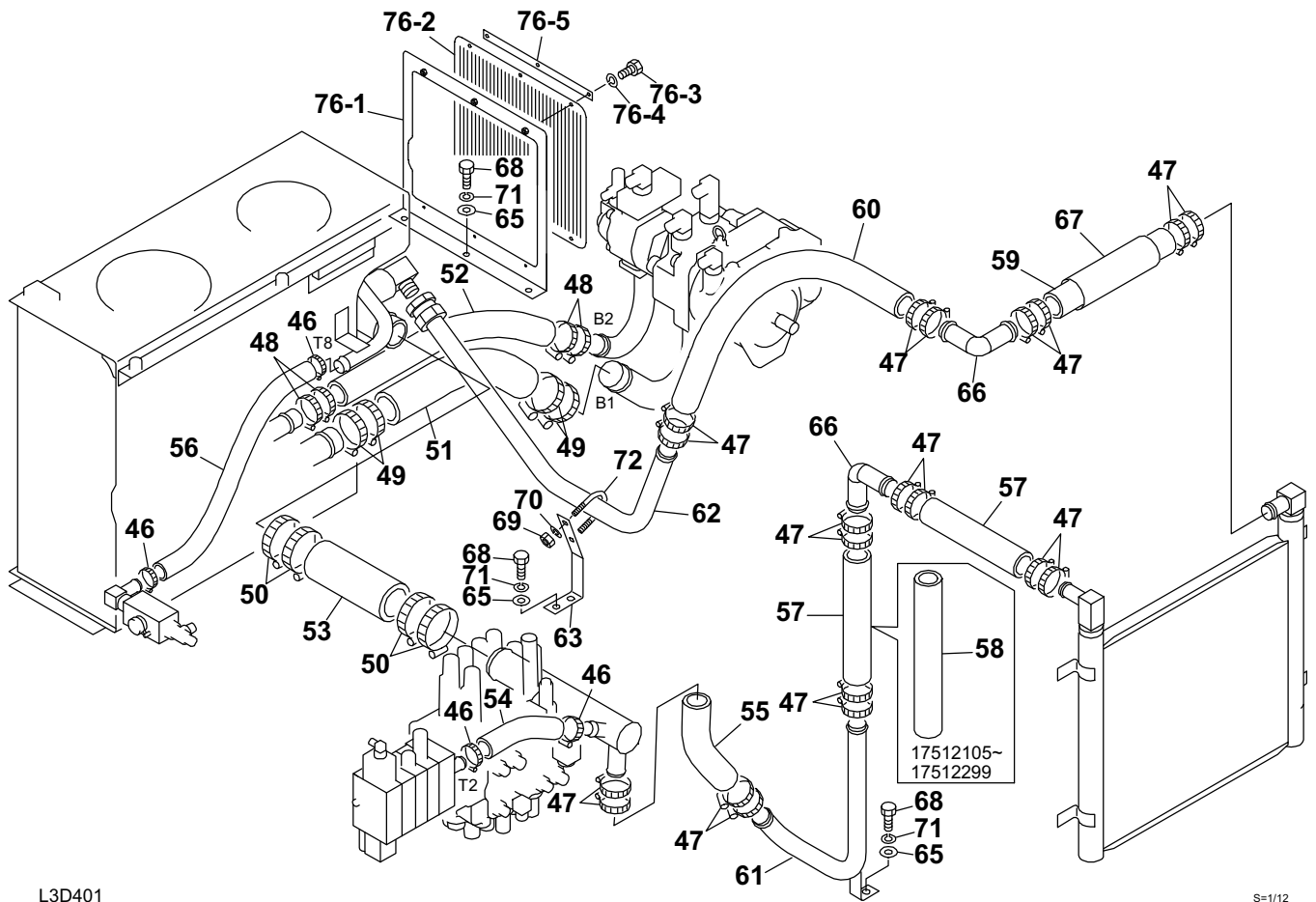
S-1/12

PIPING; UPPER (1/5) (2-piece boom; 17510003-17512104)

Item	Part number	Description	Q'ty	Chan.	Serial No.	Serv.	Remarks
		PIPING ASSY, upper					
46	1533700041	BAND	4				
47	1533700054	BAND	11				
48	1533700060	CLIP	4				
49	1533700070	CLIP	4				
50	1533700080	BAND	4				
51	0567016800	HOSE	1				sold by the meter
52	1530738053	HOSE	1				sold by the meter
53	1530558023	HOSE	1				sold by the meter
54	1530525032	HOSE	1				sold by the meter
55	1530532021	HOSE	1				sold by the meter
56	1530525076	HOSE	1				sold by the meter
57	1530532031	HOSE	1				sold by the meter
58	1530532032	HOSE	1				sold by the meter
61	0567024680	PIPE	1				
62	0567024620	PIPE	1				
63	0567024630	PLATE	1				
64	0567024670	PLATE	1		17510003~17512085		
64-1	0567024671	· PLATE	1		17510003~17512085		
64-2	1653916037	· TRIM	1		17510003~17512085		sold by the meter
64-3	1653916030	· TRIM	1		17510003~17512085		sold by the meter
65	0003600020	WASHER	8				
68	1100041020	BOLT	8				
69	1130040008	NUT	2				
70	1140020008	WASHER, spring	2				
71	1140020010	WASHER, spring	6				
72	1533201010	U-BOLT	1				
74	1100040814	BOLT	3		17510003~17512085		
75	1141110008	WASHER	3		17510003~17512085		
76	0567024660	PLATE	1		17510003~17512085		
	0567024690	PLATE ASSY	1		17512086~17512104		
76-1	0567024700	· PLATE	1		17512086~17512104		
76-2	0567024692	· SHEET	1		17512086~17512104		
76-3	1100040616	· BOLT	6		17512086~17512104		
76-4	1140020006	· WASHER, spring	6		17512086~17512104		
76-5	0567024695	· PLATE	2		17512086~17512104		

L3d261

TB175(P-TB175BAB) Book No. BL3Z010 S/N 17510003-
 PIPING; UPPER (1/5) (2-piece boom; 17512105-17512749)



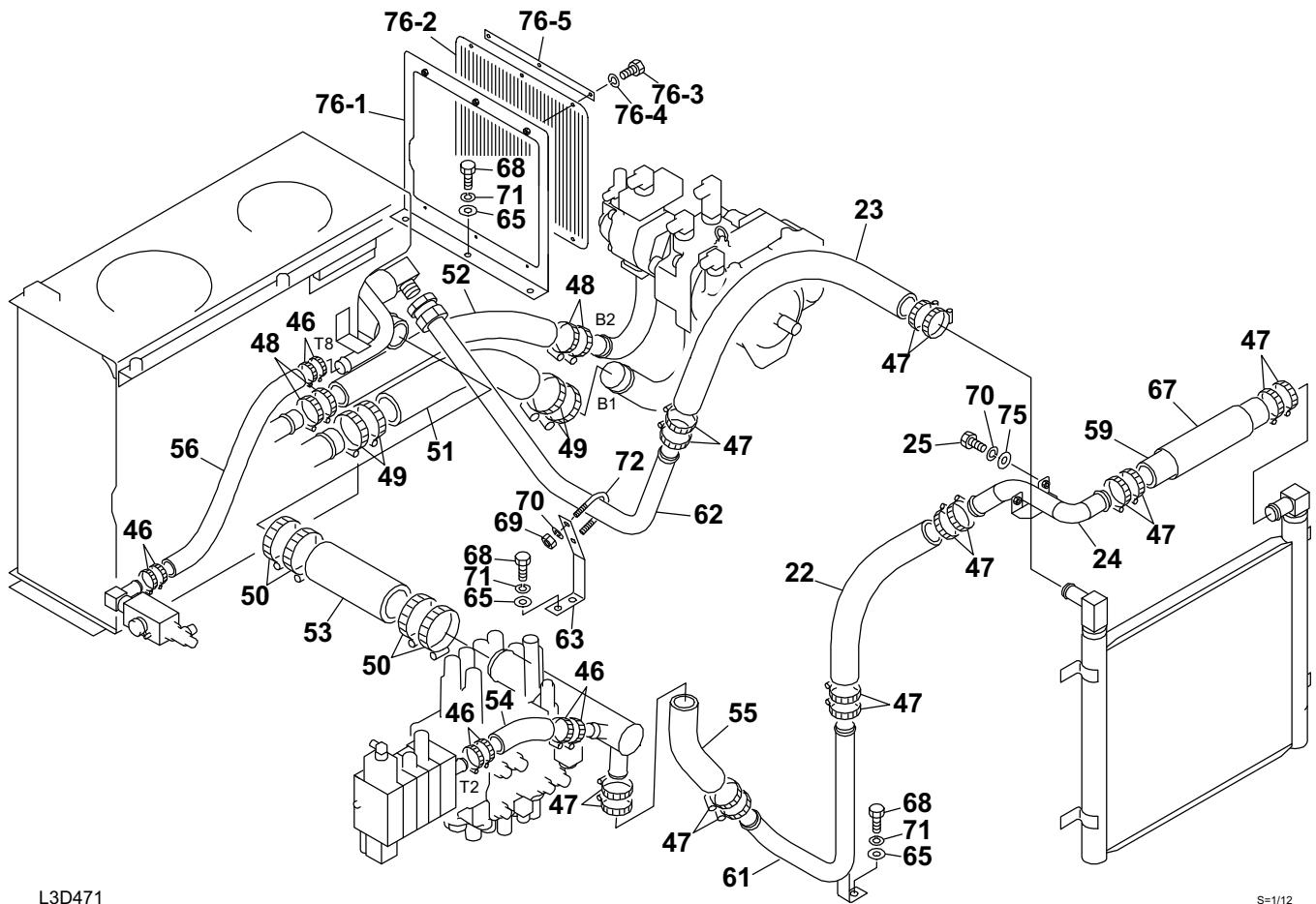
L3D401

S=1/12

PIPING; UPPER (1/5) (2-piece boom; 17512105-17512749)

Item	Part number	Description	Q'ty	Chan.	Serial No.	Serv.	Remarks
		PIPING ASSY, upper					
		PIPING ASSY, upper (with air conditioner)					
46	1533700041	BAND	4				
47	1533700054	BAND	15				
48	1533700060	CLIP	4				
49	1533700070	CLIP	4				
50	1533700080	BAND	4				
51	0567016800	HOSE	1				sold by the meter
52	1530738053	HOSE	1				sold by the meter
53	1530558023	HOSE	1				sold by the meter
54	1530525032	HOSE	1				sold by the meter
55	1530532021	HOSE	1				sold by the meter
56	1530525076	HOSE	1				sold by the meter
57	1530532025	HOSE	1		17512105~17512299		sold by the meter
	1530532025	HOSE	2		17512300~		sold by the meter
58	1530532035	HOSE	1		17512105~17512299		sold by the meter
59	1530532030	HOSE	1				sold by the meter
60	1530532065	HOSE	1				sold by the meter
61	0567031110	PIPE	1				
62	0567031120	PIPE	1				
63	0567024630	PLATE	1				
65	0003600020	WASHER	6				
66	0567031100	PIPE	1				
67	1531350020	PROTECTOR	1				sold by the meter
68	1100041020	BOLT	6				
69	1130040008	NUT	2				
70	1140020008	WASHER, spring	2				
71	1140020010	WASHER, spring	6				
72	1533201010	U-BOLT	1				
76	0567024690	PLATE ASSY	1				
76-1	0567024700	· PLATE	1				
76-2	0567024692	· SHEET	1				
76-3	1100040616	· BOLT	6				
76-4	1140020006	· WASHER, spring	6				
76-5	0567024695	· PLATE	2				
	L3d421						

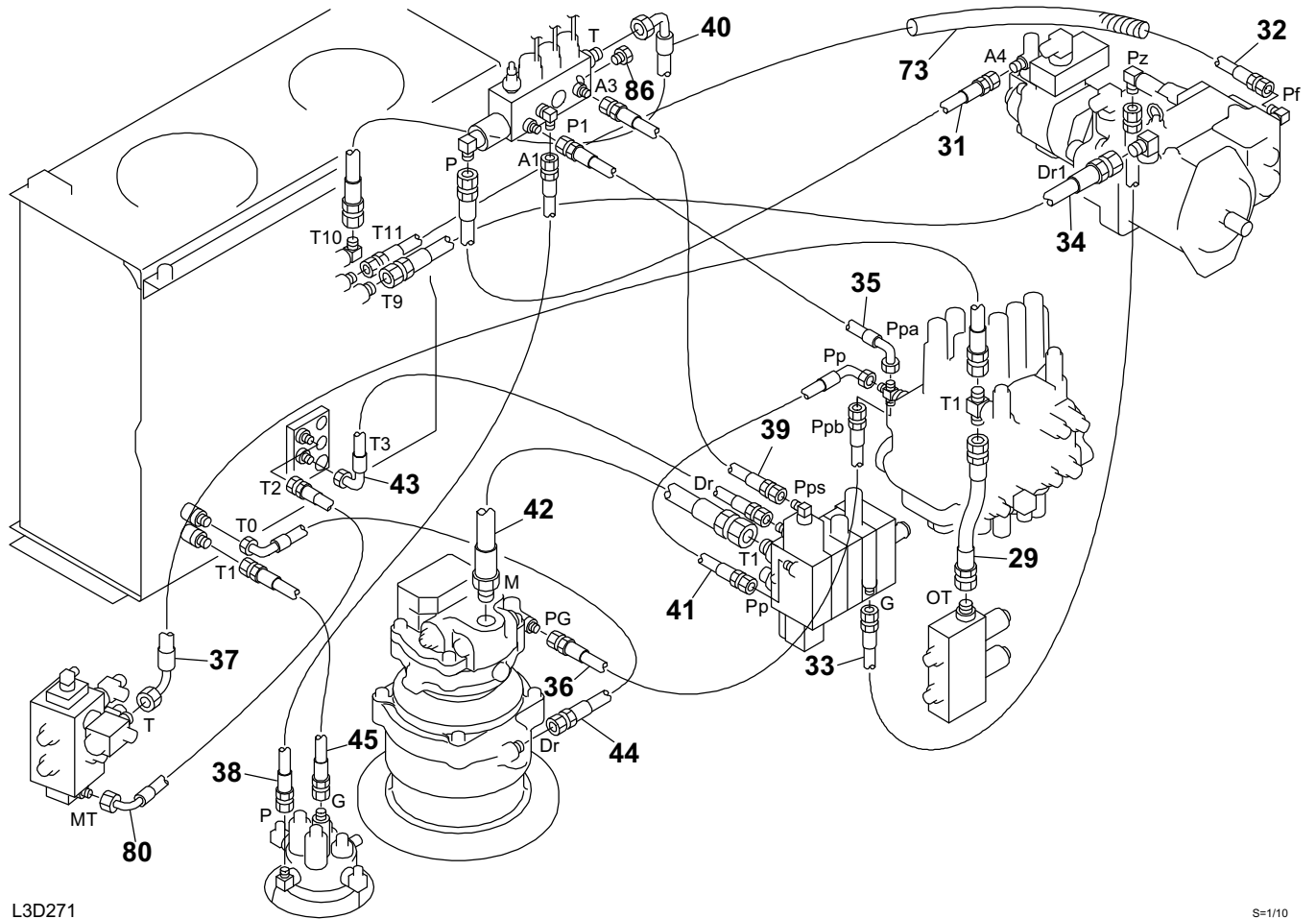
TB175(P-TB175BAB) Book No. BL3Z010 S/N 17510003-
PIPING; UPPER (1/5) (2-piece boom; 17512750-17514411)



PIPING; UPPER (1/5) (2-piece boom; 17512750-17514411)

Item	Part number	Description	Q'ty	Chan.	Serial No.	Serv.	Remarks
		PIPING ASSY, upper					
		PIPING ASSY, upper (with air conditioner)					
22	1530532041	HOSE	1				sold by the meter
23	1530532061	HOSE	1				sold by the meter
24	0567031130	PIPE	1				
25	1100040825	BOLT	2				
46	1533700041	BAND	8				
47	1533700054	BAND	16				
48	1533700060	CLIP	4				
49	1533700070	CLIP	4				
50	1533700080	BAND	4				
51	0567016800	HOSE	1				sold by the meter
52	1530738053	HOSE	1				sold by the meter
53	1530558023	HOSE	1				sold by the meter
54	1530525031	HOSE	1				sold by the meter
55	1530532027	HOSE	1				sold by the meter
56	1530525076	HOSE	1				sold by the meter
59	1530532030	HOSE	1				sold by the meter
61	0567031110	PIPE	1				
62	0567031120	PIPE	1				
63	0567024630	PLATE	1				
65	0003600020	WASHER	6				
67	1531350020	PROTECTOR	1				sold by the meter
68	1100041020	BOLT	6				
69	1130040008	NUT	2				
70	1140020008	WASHER, spring	4				
71	1140020010	WASHER, spring	6				
72	1533201010	U-BOLT	1				
75	1141110008	WASHER	2				
76	0567024690	PLATE ASSY	1				
76-1	0567024700	· PLATE	1				
76-2	0567024692	· SHEET	1				
76-3	1100040616	· BOLT	6				
76-4	1140020006	· WASHER, spring	6				
76-5	0567024695	· PLATE	2				
	L3d471						

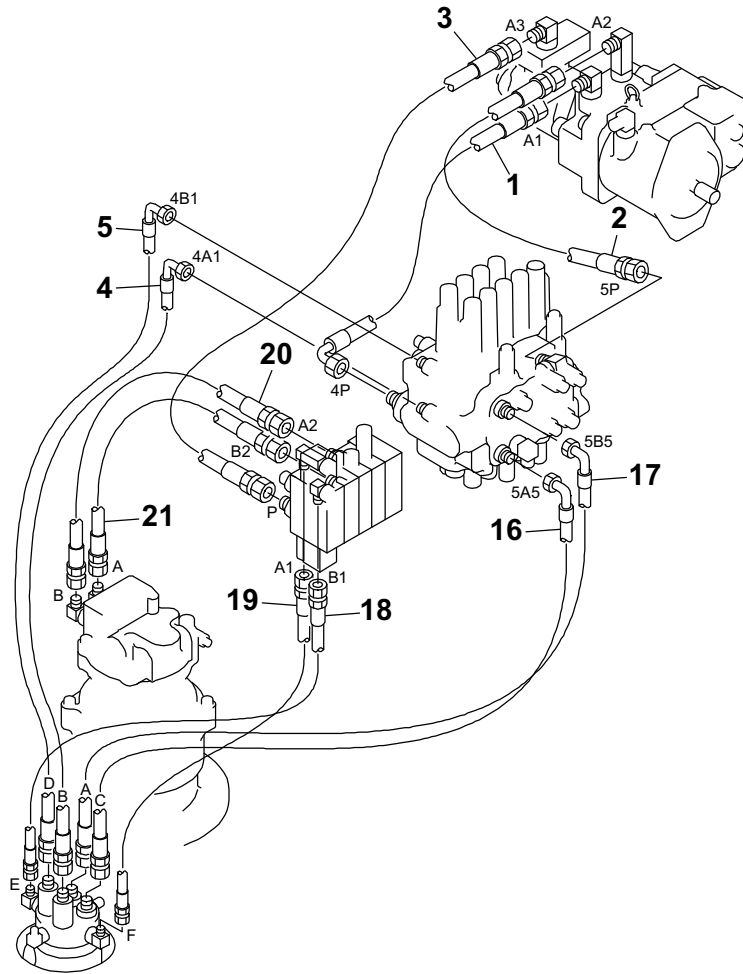
**TB175(P-TB175BAB) Book No. BL3Z010 S/N 17510003-
PIPING; UPPER (2/5) (2-piece boom; 17510003-17514411)**



PIPING; UPPER (2/5) (2-piece boom; 17510003-17514411)

Item	Part number	Description	Q'ty	Chan.	Serial No.	Serv.	Remarks
		PIPING ASSY, upper					
		PIPING ASSY, upper (with air conditioner)					
29	0567025470	HOSE ASSY	1				18010-24026
31	0567024310	HOSE ASSY	1				18010-23130
32	0567024320	HOSE ASSY (without air conditioner)	1				18010-22090
33	0567024330	HOSE ASSY	1				18010-22170
34	0567024340	HOSE ASSY	1				18010-24056
35	0567024350	HOSE ASSY	1				18010-52030
36	0567024360	HOSE ASSY	1				18010-22050
37	0567026370	HOSE ASSY	1				18010-54110
38	0567024380	HOSE ASSY	1				
39	0567024390	HOSE ASSY	1				18010-22068
40	0567024400	HOSE ASSY	1				18010-53048
41	0567024410	HOSE ASSY	1				18010-52050
42	0567024420	HOSE ASSY	1				18010-06050
43	0567024430	HOSE ASSY	1				18010-22080
44	0567024440	HOSE ASSY	1				18010-24440
45	0567024450	HOSE ASSY	1				18010-23070
73	1532215053	PROTECTOR	1				sold by the meter
80	0567025410	HOSE ASSY	1				18010-52080
86	1501750002	PLUG	1				without air con.
	1420010110	· O-RING	1				
	L3d273						

**TB175(P-TB175BAB) Book No. BL3Z010 S/N 17510003-
PIPING; UPPER (3/5) (2-piece boom; 17510003-17514411)**



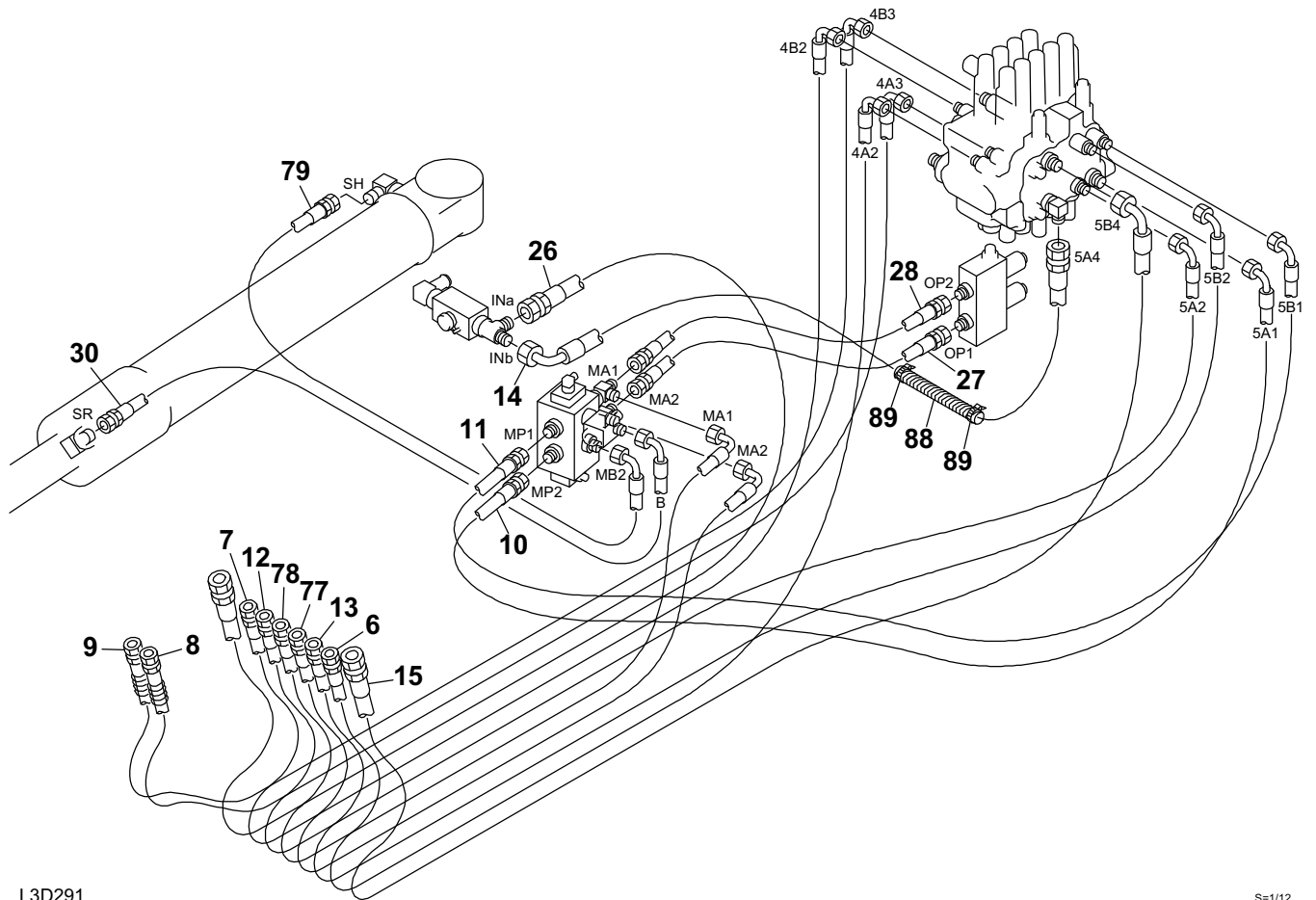
L3D280

S=1/12

PIPING; UPPER (3/5) (2-piece boom; 17510003-17514411)

Item	Part number	Description	Q'ty	Chan.	Serial No.	Serv.	Remarks
		PIPING ASSY, upper					
		PIPING ASSY, upper (with air conditioner)					
1	0567024010	HOSE ASSY	1				18025-81080
2	0567024020	HOSE ASSY	1				18025-80080
3	0567024030	HOSE ASSY	1				18025-24030
4	0567024040	HOSE ASSY	1				18025-41090
5	0567024050	HOSE ASSY	1				18025-41095
16	0567024160	HOSE ASSY	1				18025-41080
17	0567024170	HOSE ASSY	1				18025-41085
18	0567024180	HOSE ASSY	1				18025-20076
19	0567024190	HOSE ASSY	1				18025-20076
20	0567024200	HOSE ASSY	1				18025-40064
21	0567024210	HOSE ASSY	1				18025-40058
	L3d283						

TB175(P-TB175BAB) Book No. BL3Z010 S/N 17510003-
PIPING; UPPER (4/5) (2-piece boom; 17510003-17514411)



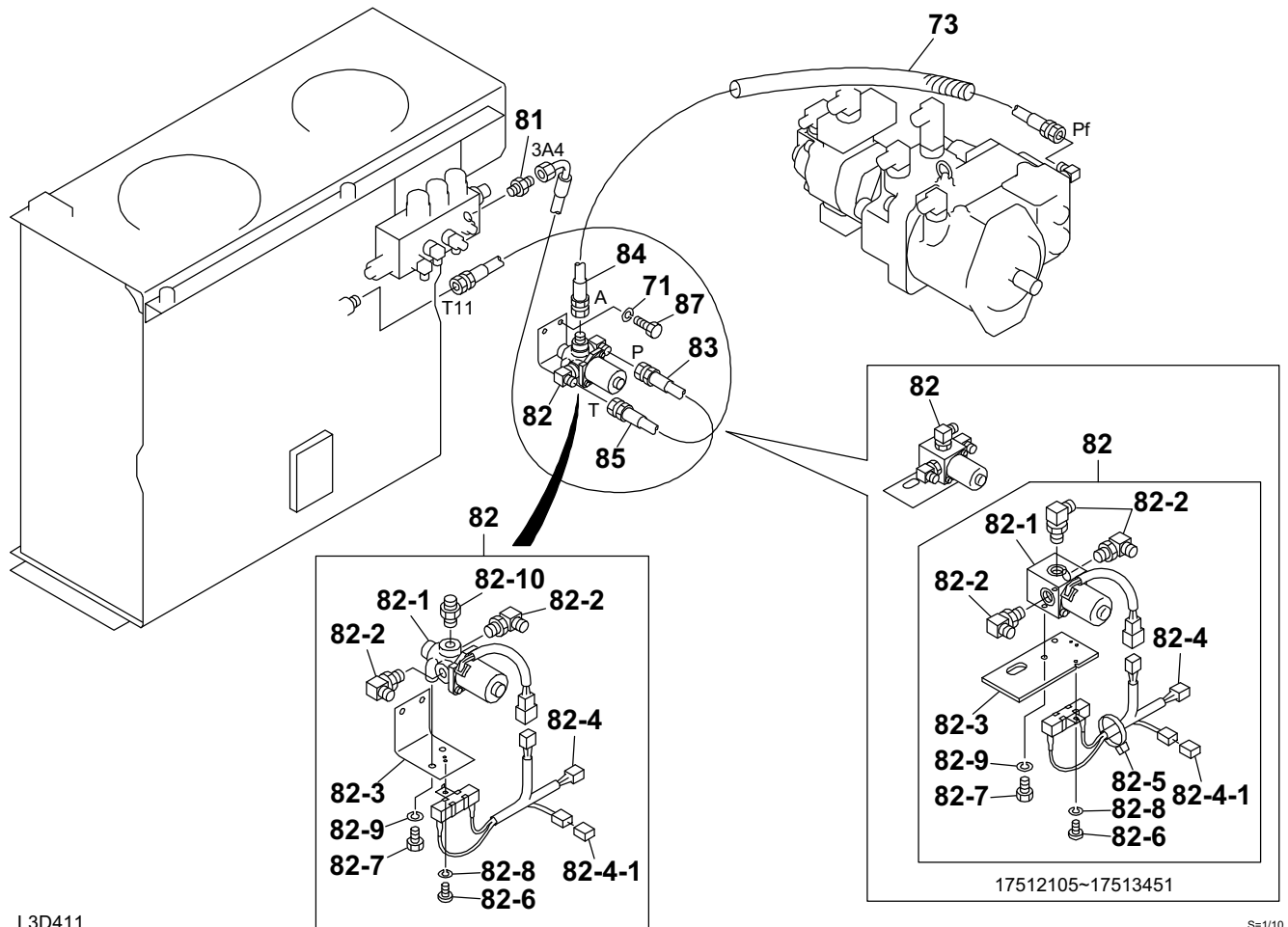
L3D291

S=1/12

PIPING; UPPER (4/5) (2-piece boom; 17510003-17514411)

Item	Part number	Description	Q'ty	Chan.	Serial No.	Serv.	Remarks
		PIPING ASSY, upper					
		PIPING ASSY, upper (with air conditioner)					
6	0567024060	HOSE ASSY	1				18025-41300
7	0567024070	HOSE ASSY	1				18025-41305
8	0567024800	HOSE ASSY	1				18030-41285
9	0567024810	HOSE ASSY	1				18030-41295
10	0567026100	HOSE ASSY	1				2X1600
11	0567026480	HOSE ASSY	1				2X1800
12	0567024120	HOSE ASSY	1				18025-41325
13	0567024130	HOSE ASSY	1				18025-41330
14	0567024140	HOSE ASSY	1				
15	0567024150	HOSE ASSY	1				
26	0567024260	HOSE ASSY	1				
27	0567026450	HOSE ASSY	1				2X500
28	0567026460	HOSE ASSY	1				2X500
30	0567026110	HOSE ASSY	1				18025-41086
77	0567024820	HOSE ASSY	1				18030-41227
78	0567024830	HOSE ASSY	1				18030-41227
79	0567026380	HOSE ASSY	1				18025-41092
88	1531325020	PROTECTOR	1				sold by the meter
89	1652201005	BAND	2				
	L3d293						

**TB175(P-TB175BAB) Book No. BL3Z010 S/N 17510003-
 PIPING; UPPER (5/5) (2-piece boom, with air-conditioner;
 17512105-17514411)**



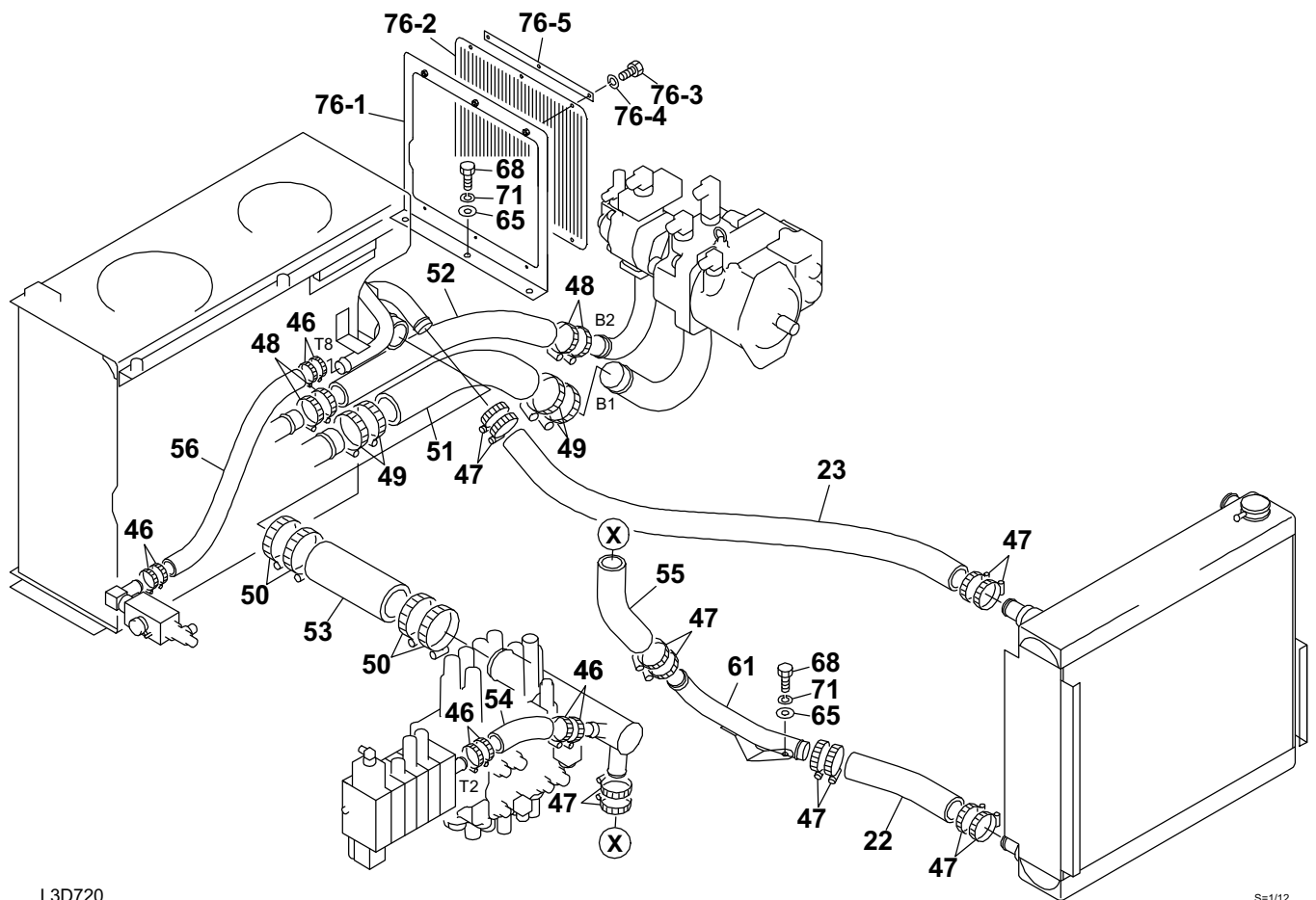
L3D411

S-1/10, 1/8

PIPING; UPPER (5/5) (2-piece boom, with air-conditioner; 17512105-17514411)

Item	Part number	Description	Q'ty	Chan.	Serial No.	Serv.	Remarks
		PIPING ASSY, upper (with air conditioner)					
71	1140020010	WASHER, spring	2		17513452~		
73	1532215053	PROTECTOR	1				sold by the m
81	1515600200	ADAPTOR	1				
	1420010110	· O-RING	1				
82	X *****	VALVE ASSY, solenoid	1		17512105~17513451		
	X *****	VALVE ASSY, solenoid	1		17513452~		
82-1	1901736500	· VALVE, solenoid	1		17512105~17513451		
	1901739600	· VALVE, solenoid	1		17513452~		
82-2	1515012040	· ELBOW	3		17512105~17513451		
	1515012040	· ELBOW	2		17513452~		
	1420010110	· · O-RING	1				
82-3	0564624251	· PLATE	1		17512105~17513451		
	0567031181	· BRACKET	1		17513452~		
82-4	0564624252	· HARNESS, wiring	1		17512105~17513451		
	0567031182	· HARNESS, wiring	1		17513452~		
82-4-1	1730500008	· · DIODE(3A yellow)	1				
82-5	1652200003	· BAND	1		17512105~17513451		
82-6	1120530305	· SCREW	1				
82-7	1100040612	· BOLT	2		17512105~17513451		
	1100040616	· BOLT	2		17513452~		
82-8	1140020003	· WASHER, spring	1				
82-9	1140020006	· WASHER, spring	2				
82-10	1515600200	· ADAPTOR	1		17513452~		
	1420010110	· · O-RING	1				
83	0564618630	HOSE ASSY	1		17512105~17513451		18010-52100
	0567031150	HOSE ASSY	1		17513452~		18010-22050
84	0564618640	HOSE ASSY	1		17512105~17513451		18010-22075
	0567031160	HOSE ASSY	1		17513452~		18010-22085
85	0564618650	HOSE ASSY	1		17512105~17513451		18010-22045
	0567031170	HOSE ASSY	1		17513452~		18010-52095
87	1100041016	BOLT	2		17513452~		
	L3d432						

TB175(P-TB175BAB) Book No. BL3Z010 S/N 17510003-
PIPING; UPPER (1/5) (2-piece boom; 17514412-)



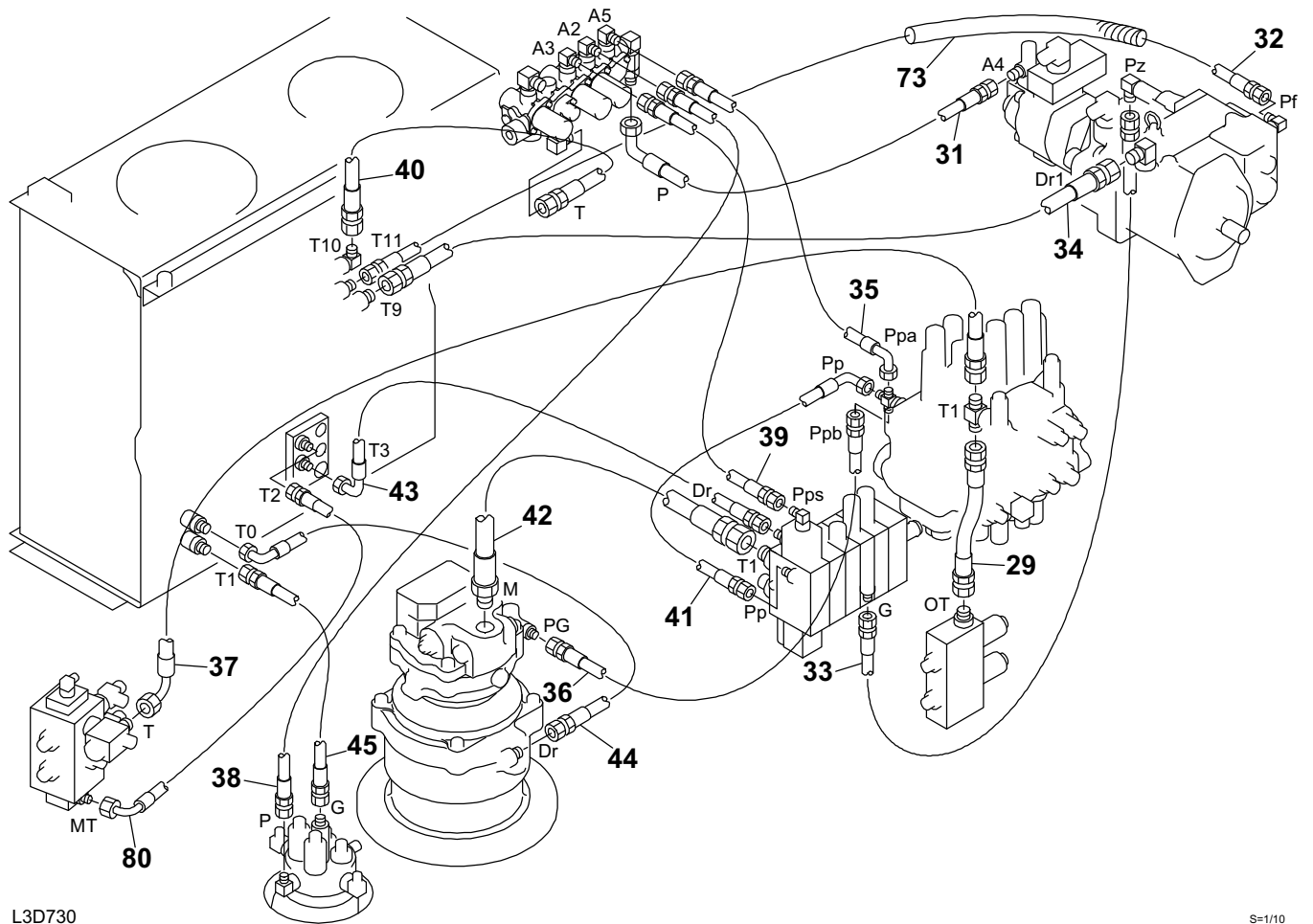
L3D720

S=1/12

PIPING; UPPER (1/5) (2-piece boom; 17514412-)

Item	Part number	Description	Q'ty	Chan.	Serial No.	Serv.	Remarks
		PIPING ASSY, upper					
		PIPING ASSY, upper (with air conditioner)					
22	1530532022	HOSE	1				sold by the meter
23	1530532100	HOSE	1				sold by the meter
46	1533700041	BAND	8				
47	1533700054	BAND	12				
48	1533700060	CLIP	4				
49	1533700070	CLIP	4				
50	1533700080	BAND	4				
51	0567016800	HOSE	1				sold by the meter
52	1530738053	HOSE	1				sold by the meter
53	1530558023	HOSE	1				sold by the meter
54	1530525031	HOSE	1				sold by the meter
55	1530532027	HOSE	1				sold by the meter
56	1530525076	HOSE	1				sold by the meter
61	0567038050	PIPE	1				
65	0003600020	WASHER	4				
68	1100041020	BOLT	4				
71	1140020010	WASHER, spring	4				
76	0567024690	PLATE ASSY	1				
76-1	0567024700	· PLATE	1				
76-2	0567024692	· SHEET	1				
76-3	1100040616	· BOLT	6				
76-4	1140020006	· WASHER, spring	6				
76-5	0567024695	· PLATE	2				
	L3d723						

**TB175(P-TB175BAB) Book No. BL3Z010 S/N 17510003-
PIPING; UPPER (2/5) (2-piece boom; 17514412-)**



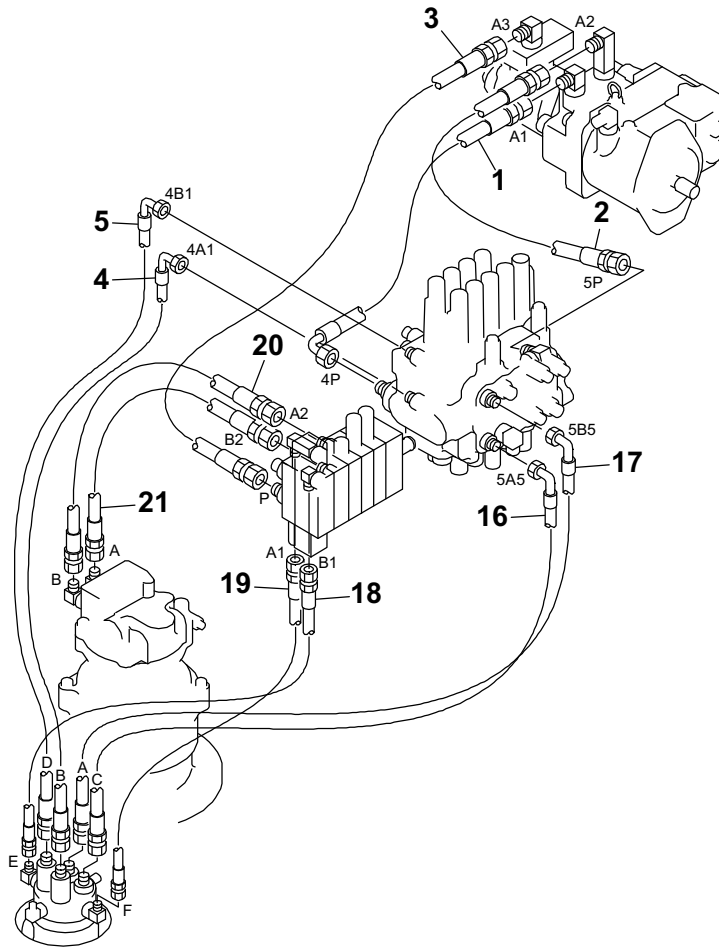
L3D730

S=1/10

PIPING; UPPER (2/5) (2-piece boom; 17514412-)

Item	Part number	Description	Q'ty	Chan.	Serial No.	Serv.	Remarks
		PIPING ASSY, upper					
		PIPING ASSY, upper (with air conditioner)					
29	0567025470	HOSE ASSY	1				18010-24026
31	0567038010	HOSE ASSY	1				18010-53090
32	0567024320	HOSE ASSY (without air conditioner)	1				18010-22090
33	0567024330	HOSE ASSY	1				18010-22170
34	0567024340	HOSE ASSY	1				18010-24056
35	0567038060	HOSE ASSY	1				18010-52035
36	0567024360	HOSE ASSY	1				18010-22050
37	0567026370	HOSE ASSY	1				18010-54110
38	0567038070	HOSE ASSY	1				
39	0567024390	HOSE ASSY	1				18010-22068
40	0567037050	HOSE ASSY	1				18010-23055
41	0567024410	HOSE ASSY	1				18010-52050
42	0567024420	HOSE ASSY	1				18010-06050
43	0567024430	HOSE ASSY	1				18010-22080
44	0567024440	HOSE ASSY	1				18010-24440
45	0567024450	HOSE ASSY	1				18010-23070
73	1532215053	PROTECTOR	1				sold by the meter
80	0567025410	HOSE ASSY	1				18010-52080
	L3d733						

**TB175(P-TB175BAB) Book No. BL3Z010 S/N 17510003-
PIPING; UPPER (3/5) (2-piece boom; 17514412-)**



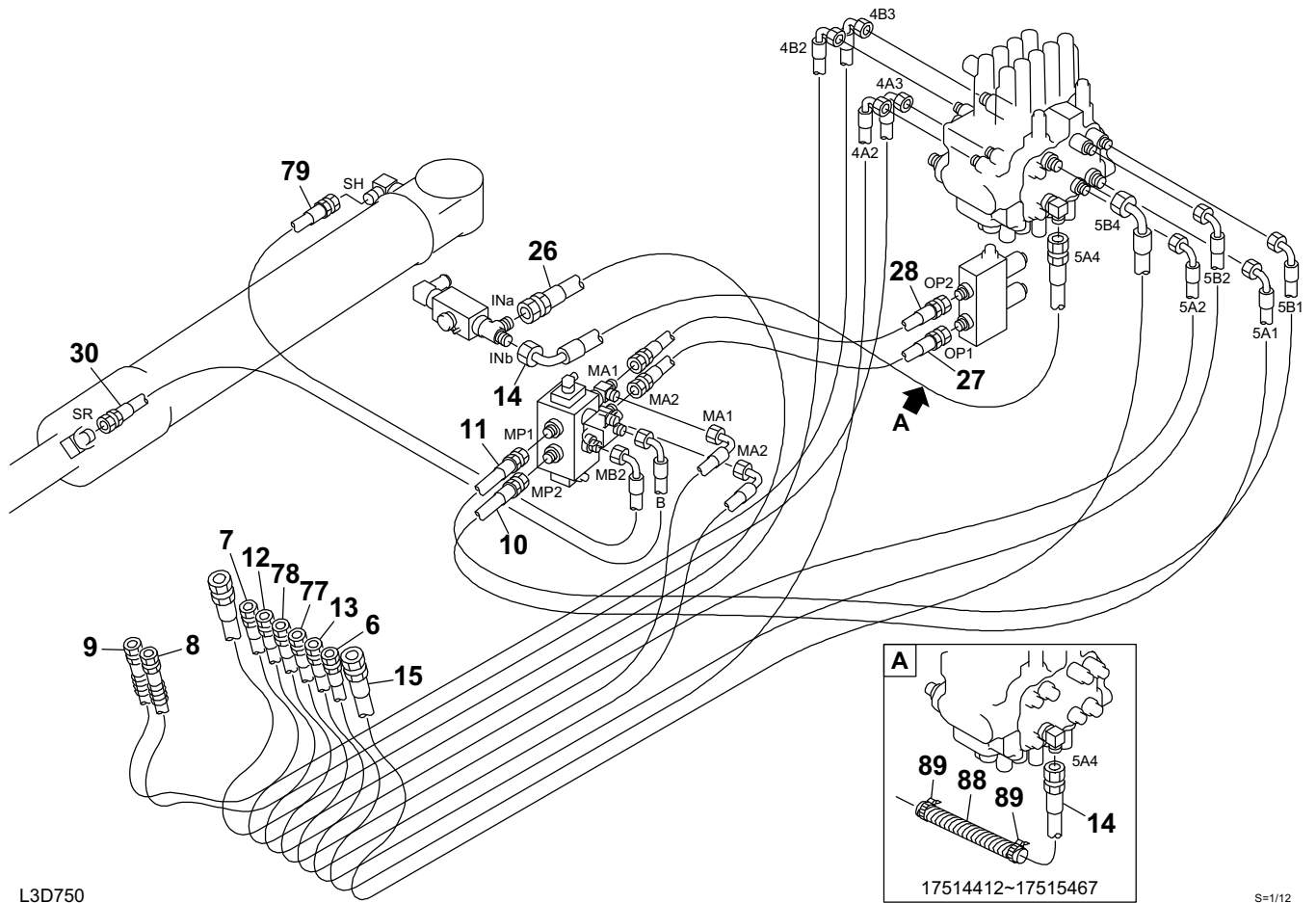
L3D740

S=1/12

PIPING; UPPER (3/5) (2-piece boom; 17514412-)

Item	Part number	Description	Q'ty	Chan.	Serial No.	Serv.	Remarks
		PIPING ASSY, upper					
		PIPING ASSY, upper (with air conditioner)					
1	0567024010	HOSE ASSY	1				18025-81080
2	0567024020	HOSE ASSY	1				18025-80080
3	0567024030	HOSE ASSY	1				18025-24030
4	0567024040	HOSE ASSY	1				18025-41090
5	0567024050	HOSE ASSY	1				18025-41095
16	0567024160	HOSE ASSY	1				18025-41080
17	0567024170	HOSE ASSY	1				18025-41085
18	0567024180	HOSE ASSY	1				18025-20076
19	0567024190	HOSE ASSY	1				18025-20076
20	0567024200	HOSE ASSY	1				18025-40064
21	0567026210	HOSE ASSY	1				18025-40054
	L3d743						

**TB175(P-TB175BAB) Book No. BL3Z010 S/N 17510003-
PIPING; UPPER (4/5) (2-piece boom; 17514412-)**



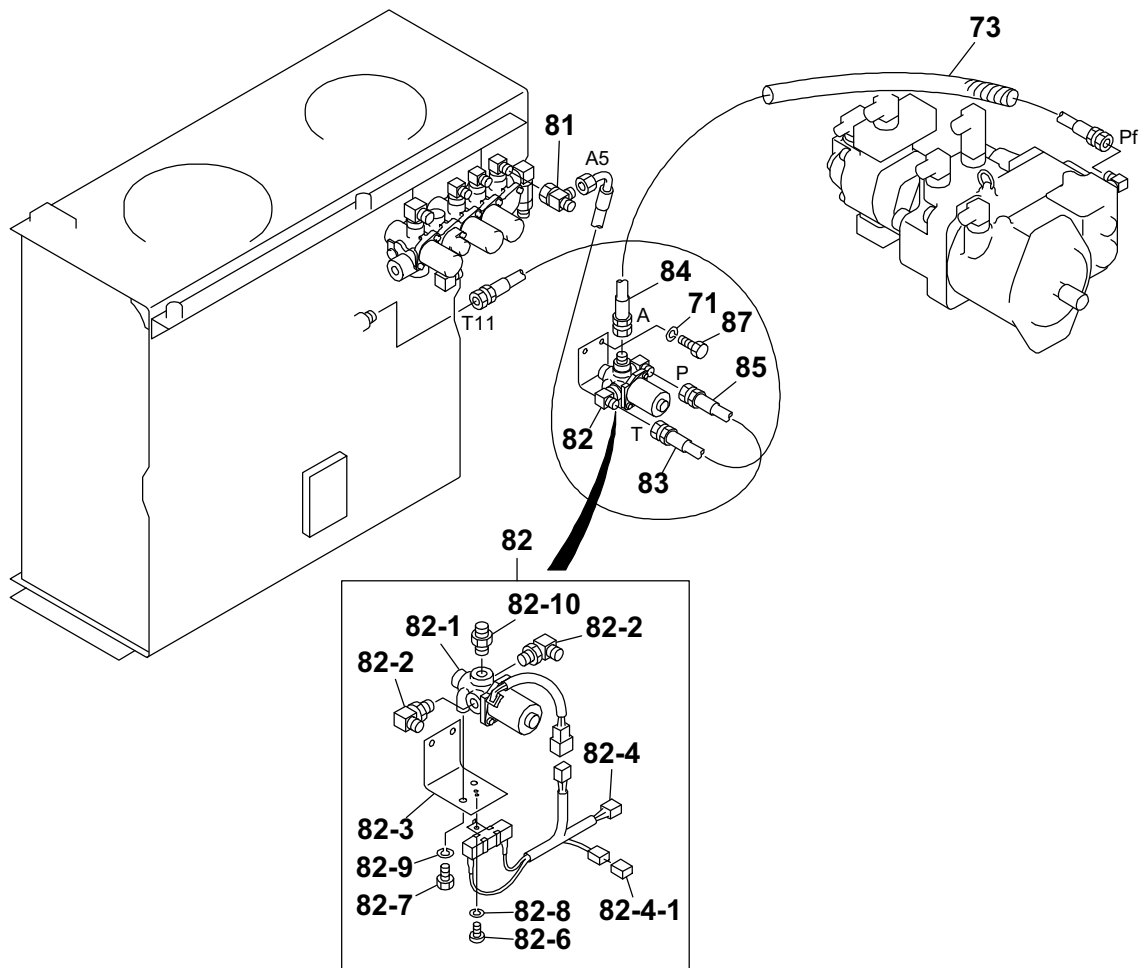
L3D750

S=1/12

PIPING; UPPER (4/5) (2-piece boom; 17514412-)

Item	Part number	Description	Q'ty	Chan.	Serial No.	Serv.	Remarks
		PIPING ASSY, upper					
		PIPING ASSY, upper (with air conditioner)					
6	0567024060	HOSE ASSY	1				18025-41300
7	0567024070	HOSE ASSY	1				18025-41305
8	0567024800	HOSE ASSY	1				18030-41285
9	0567024810	HOSE ASSY	1				18030-41295
10	0567026100	HOSE ASSY	1				2X1600
11	0567026480	HOSE ASSY	1				2X1800
12	0567024120	HOSE ASSY	1				18025-41325
13	0567024130	HOSE ASSY	1				18025-41330
14	0567024140	HOSE ASSY	1				
15	0567024150	HOSE ASSY	1				
26	0567024260	HOSE ASSY	1				
27	0567026450	HOSE ASSY	1				2X500
28	0567026460	HOSE ASSY	1				2X500
30	0567026110	HOSE ASSY	1				18025-41086
77	0567024820	HOSE ASSY	1				18030-41227
78	0567024830	HOSE ASSY	1				18030-41227
79	0567026380	HOSE ASSY	1				18025-41092
88	1531325020	PROTECTOR	1		17514412~17515467		sold by the meter
89	1652201005	BAND	2		17514412~17515467		
	L3d753						

**TB175(P-TB175BAB) Book No. BL3Z010 S/N 17510003-
PIPING; UPPER (5/5) (2-piece boom, with air-conditioner; 17514412-)**



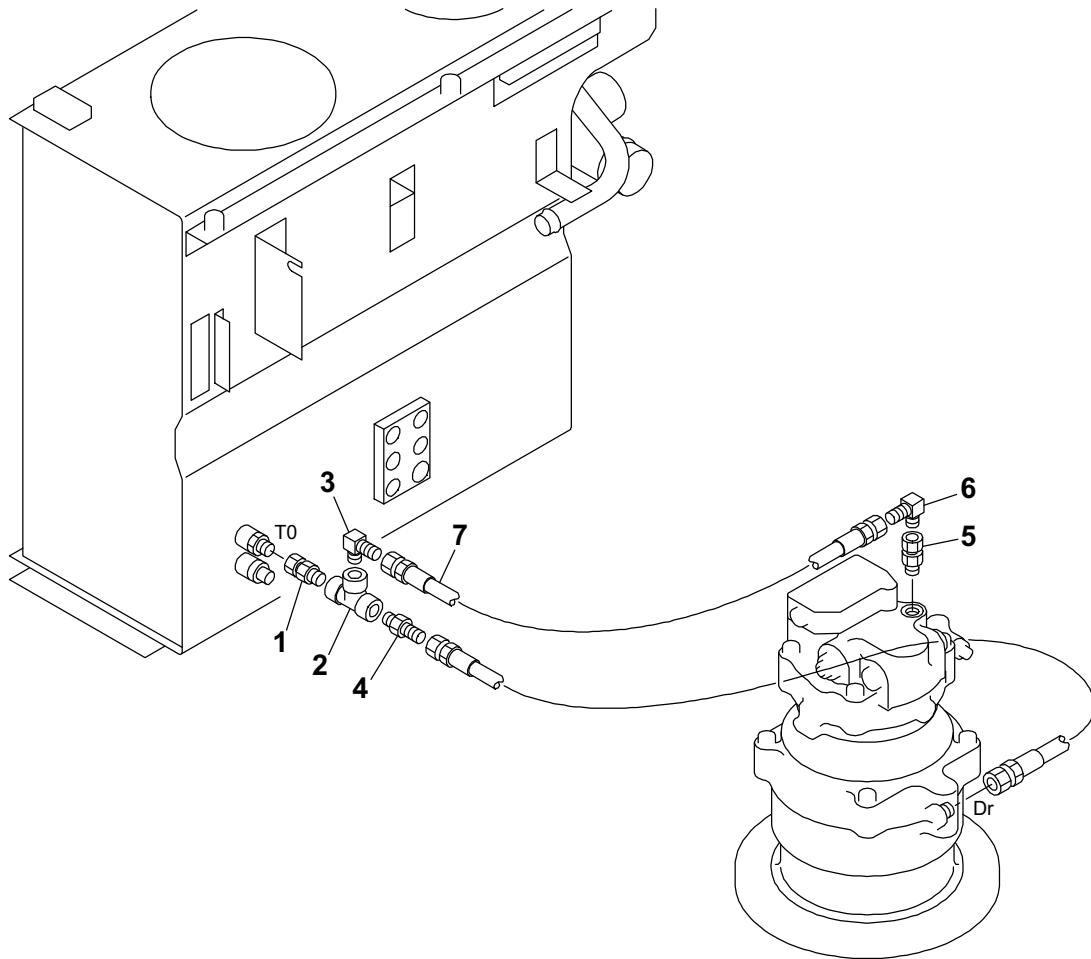
L3D710

S=1/10, 1/8

PIPING; UPPER (5/5) (2-piece boom, with air-conditioner; 17514412-)

Item	Part number	Description	Q'ty	Chan.	Serial No.	Serv.	Remarks
		PIPING ASSY, upper (with air conditioner)					
71	1140020010	WASHER, spring	2				
73	1532215053	PROTECTOR	1				sold by the meter
81	1513390015	ADAPTOR	1				
82	X *****	VALVE ASSY, solenoid	1				
82-1	1901739600	· VALVE, solenoid	1				
82-2	1515012040	· ELBOW	2				
	1420010110	· · O-RING	1				
82-3	0567031181	· BRACKET	1				
82-4	0567031182	· HARNESS, wiring	1				
82-4-1	1730500008	· · DIODE(3A yellow)	1				
82-6	1120530305	· SCREW	1				
82-7	1100040616	· BOLT	2				
82-8	1140020003	· WASHER, spring	1				
82-9	1140020006	· WASHER, spring	2				
82-10	1515600200	· ADAPTOR	1				
	1420010110	· · O-RING	1				
83	0567031150	HOSE ASSY	1				18010-22050
84	0567031160	HOSE ASSY	1				18010-22085
85	0567038080	HOSE ASSY	1				18010-52110
87	1100041016	BOLT	2				
	L3d763						

**TB175(P-TB175BAB) Book No. BL3Z010 S/N 17510003-
PIPING; UPPER (for adding drain piping for slew motor)**



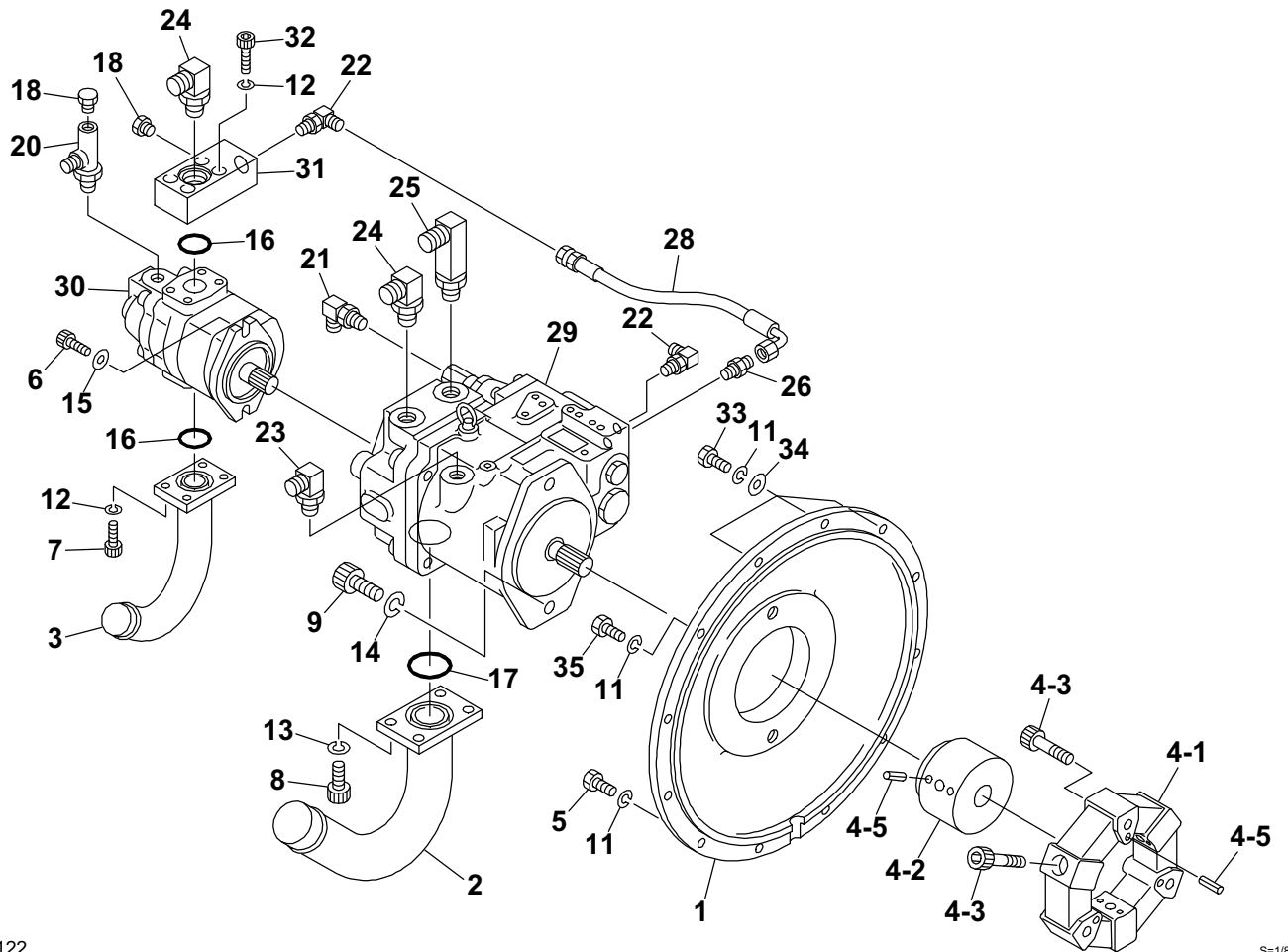
L3D370

S=1/8

PIPING; UPPER (for adding drain piping for slew motor)

Item	Part number	Description	Q'ty	Chan.	Serial No.	Serv.	Remarks
		for adding drain piping for slew motor					
1	1511420003	CONNECTOR	1				KYB B0151-03312
2	1501200003	TEE	1				KYB B0151-02904
3	1511150003	ELBOW	1				KYB B0151-02207
4	1511050003	CONNECTOR	1				KYB B0151-03313
5	1513230303	CONNECTOR	1				KYB B0151-03314
	1420010140	· O-RING	1				
6	1513390017	ELBOW	1				KYB B0151-02208
7	1801023040	HODE ASSY	1				KYB B0151-04603
	L3d370						

TB175(P-TB175BAB) Book No. BL3Z010 S/N 17510003-
PUMP DRIVE



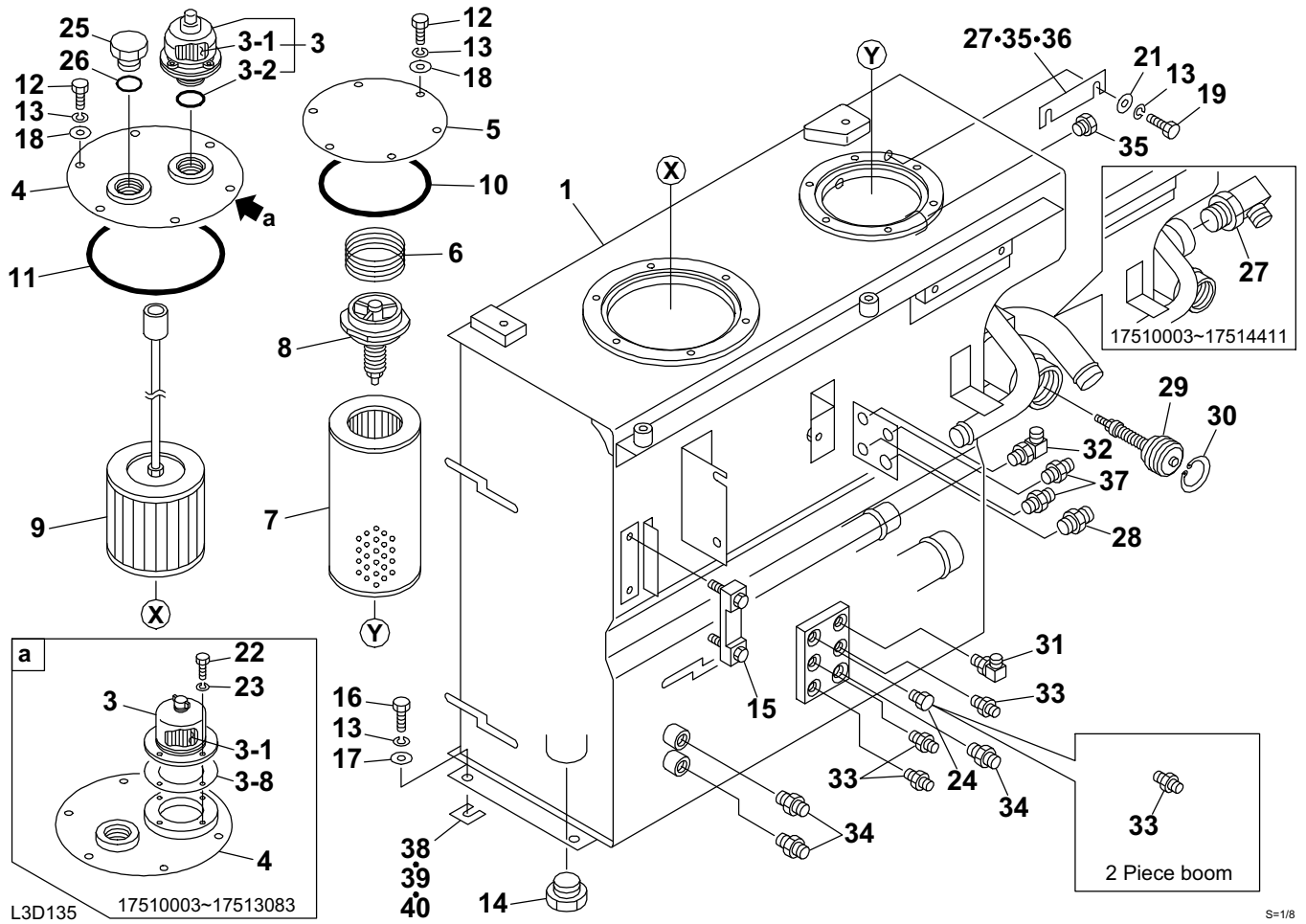
L3D122

S=1/8

PUMP DRIVE

Item	Part number	Description	Q'ty	Chan.	Serial No.	Serv.	Remarks
		PUMP ASSY, drive					
1	0565219010	HOUSING	1	(L)	17510003~17513288		
	0565220010	HOUSING	1	(H)	17513289~		
2	0565212100	FLANGE	1				
3	0565212200	FLANGE	1				
4	0565219050	COUPLING	1				
4-1	1602000300	· COUPLING	1				
4-2	0565219051	· BOSS, coupling	1				
4-3	1602031650	· SCREW, cap	6				
4-5	1213000510	· PIN, spring	6				
5	1100041025	BOLT	8				
6	1110041025	SCREW, cap	2				
7	1110041030	SCREW, cap	4				
8	1110041230	SCREW, cap	4				
9	1111041640	SCREW, cap	2				
11	1140020010	WASHER, spring	12				
12	1140420010	WASHER, spring	8				
13	1140420012	WASHER, spring	4				
14	1140420016	WASHER, spring	2				
15	1141550010	WASHER	2				
16	1420110350	O-RING	2				
17	1420110500	O-RING	1				
18	1501750002	PLUG	2				
	1420010110	· O-RING	1				
20	1512340003	ELBOW	1				
	1420010180	· O-RING	1				
21	1515010050	ELBOW	1				
	1420010140	· O-RING	1				
22	1515012040	ELBOW	2				
	1420010110	· O-RING	1				
23	1515010042	ELBOW	1				
	1420010180	· O-RING	1				
24	1515010043	ELBOW	2				
	1420010240	· O-RING	1				
25	1515010513	ELBOW	1				
	1420010240	· O-RING	1				
26	1515600200	ADAPTOR	1				
	1420010110	· O-RING	1				
28	1802501032	HOSE ASSY	1				
29	1902017500	PUMP, hydraulic	1				
30	1902017600	PUMP, gear	1				
31	0565219040	FLANGE	1				
32	1110041040	SCREW, cap	4				
33	1100041035	BOLT	3				
34	0003600025	WASHER	3				
35	1100041030	BOLT	1				
	L3d124						

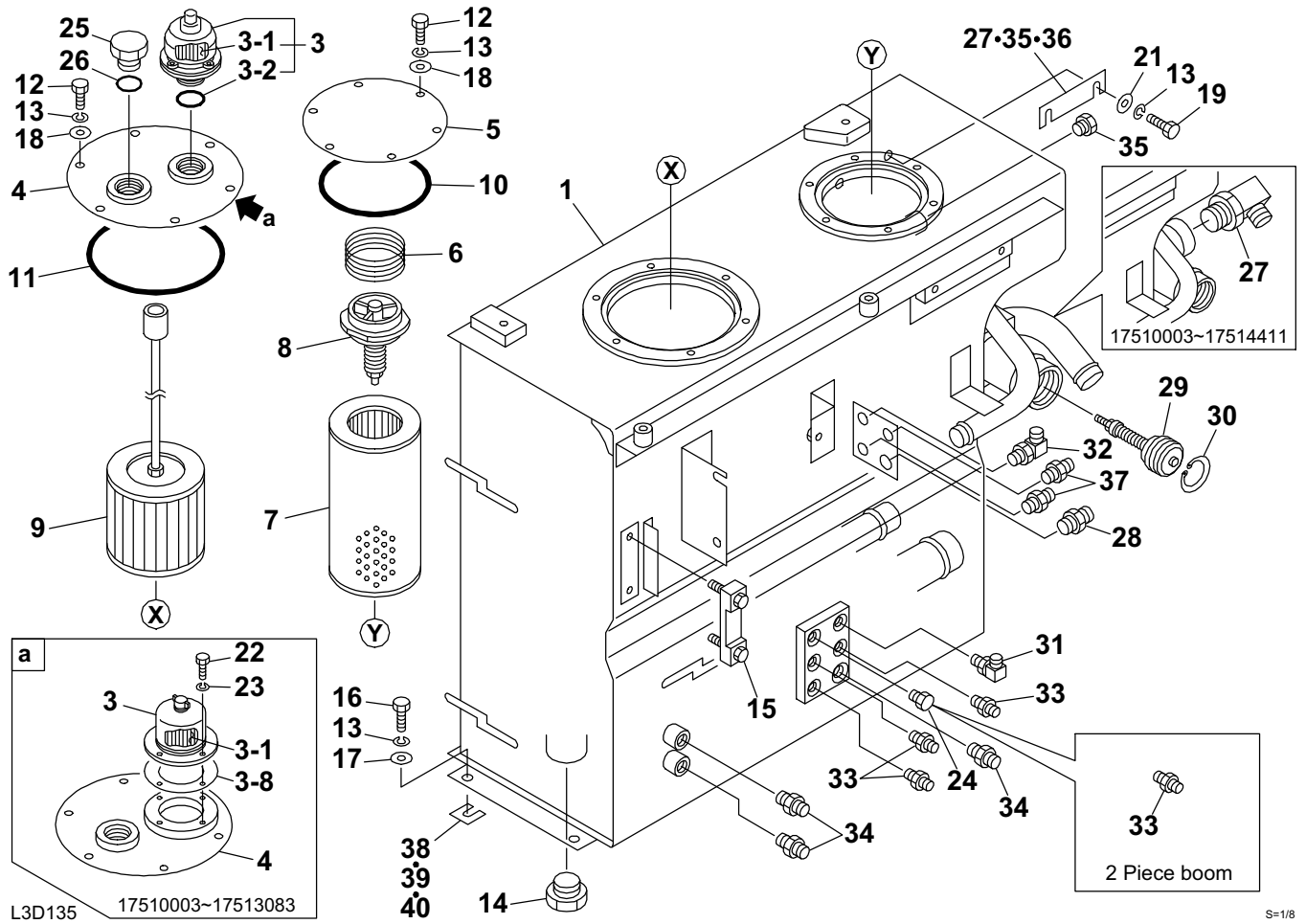
**TB175(P-TB175BAB) Book No. BL3Z010 S/N 17510003-
HYDRAULIC TANK**



HYDRAULIC TANK

Item	Part number	Description	Q'ty	Chan.	Serial No.	Serv.	Remarks
		TANK ASSY, hydraulic					
		TANK ASSY, hydraulic (2-piece boom)					
1	0568026100	TANK, hydraulic	1		17510003~17512104		
	0568033100	TANK, hydraulic	1	(H)	17512105~17514411		
	0568036100	TANK, hydraulic	1		17514412~		
3	1552000900	BREATHER, air	1	A	17510003~17518083		
3-1	1552000902	· ELEMENT	1	A	17510003~17518083		
3-8	1552000908	· PACKING	1	A	17510003~17518083		
3	1552002700	BREATHER, air	1	a	17518084~	M	
3-1	1552002715	· ELEMENT	1	a	17518084~	M	
3-2	1420010300	· O-RING	1	a	17518084~	M	
4	0568026500	COVER	1	A	17510003~17518083		
	0568038340	COVER	1	a	17518084~	M	
5	0568014500	COVER	1				
6	0007000031	SPRING	1				
7	1551102600	FILTER	1				
8	1551100300	VALVE	1				
9	1550216490	FILTER	1				
10	1420101250	O-RING	1				
11	1420101600	O-RING	1				
12	1100041020	BOLT	12				
13	1140020010	WASHER, spring	18				
14	1501750010	PLUG	1				
	1420010290	· O-RING	1				
15	1553020685	GAUGE	1				
16	1100041030	BOLT	4				
17	0003600243	WASHER	4				
18	1141110010	WASHER	12				
19	1100041035	BOLT	2				
21	0003600025	WASHER	2				
22	1100040614	BOLT	4		17510003~17518083		
23	1140020006	WASHER, spring	4		17510003~17518083		
24	1501750002	PLUG	1				mono boom
	1420010110	· O-RING	1				
25	0007256006	PLUG	1				
26	1420010290	O-RING	1				
27	1515010054	ELBOW	1		17510003~17514411		
	1420010380	· O-RING	1				
	0568037535	SHIM	AR				t=1.0mm
28	1515600202	ADAPTOR	1				
	1420010180	· O-RING	1				
29	1540141220	VALVE, check	1				
30	1221010050	RING, snap	1				
31	1515012040	ELBOW	1				
	1420010110	· O-RING	1				
32	1515010041	ELBOW	1				
	1420010140	· O-RING	1				
33	1515600200	ADAPTOR	3				
	1420010110	· O-RING	1				
	1515600200	ADAPTOR	4				2-piece boom
	1420010110	· O-RING	1				
34	1515600201	ADAPTOR	3				
	1420010140	· O-RING	1				
35	1501750003	PLUG	1		17510003~17510734		
	1420010140	· O-RING	1				
	0568037536	SHIM	AR				t=2.3mm
36	0568037537	SHIM	AR				t=3.2mm
37	1515600576	ADAPTOR	2				
	1420010140	· O-RING	1				
38	0323054001	SHIM	AR				t=1.0mm

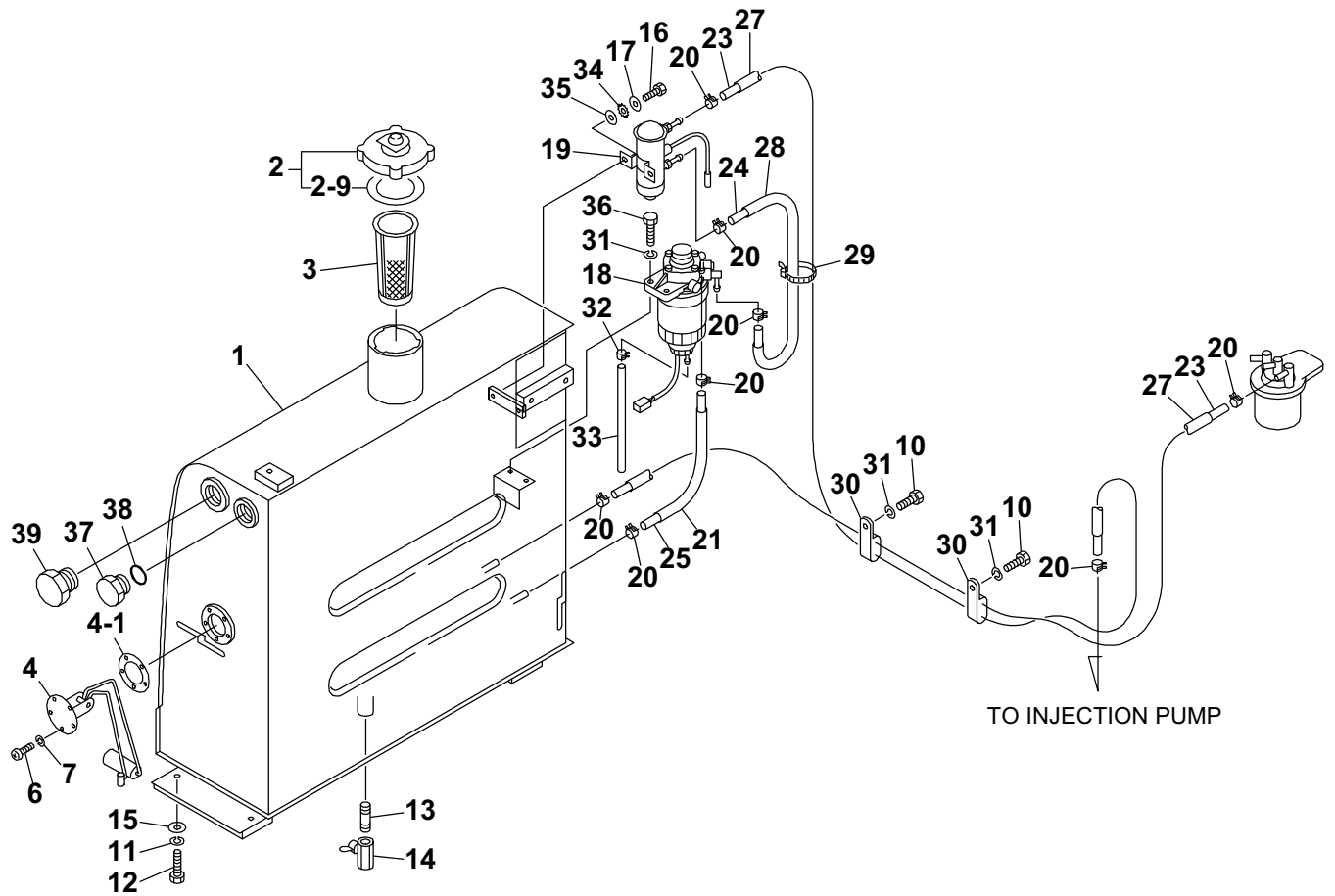
**TB175(P-TB175BAB) Book No. BL3Z010 S/N 17510003-
HYDRAULIC TANK**



HYDRAULIC TANK

Item	Part number	Description	Q'ty	Chan.	Serial No.	Serv.	Remarks
39	0323054002	SHIM		AR			t=2.3mm
40	0323054003	SHIM		AR			t=3.2mm
		<<NOTE>>					
		SET "A" is interchangeable with SET "a".					
	L3d135						

TB175(P-TB175BAB) Book No. BL3Z010 S/N 17510003-
FUEL TANK & FUEL PIPING (17510003-17512104)



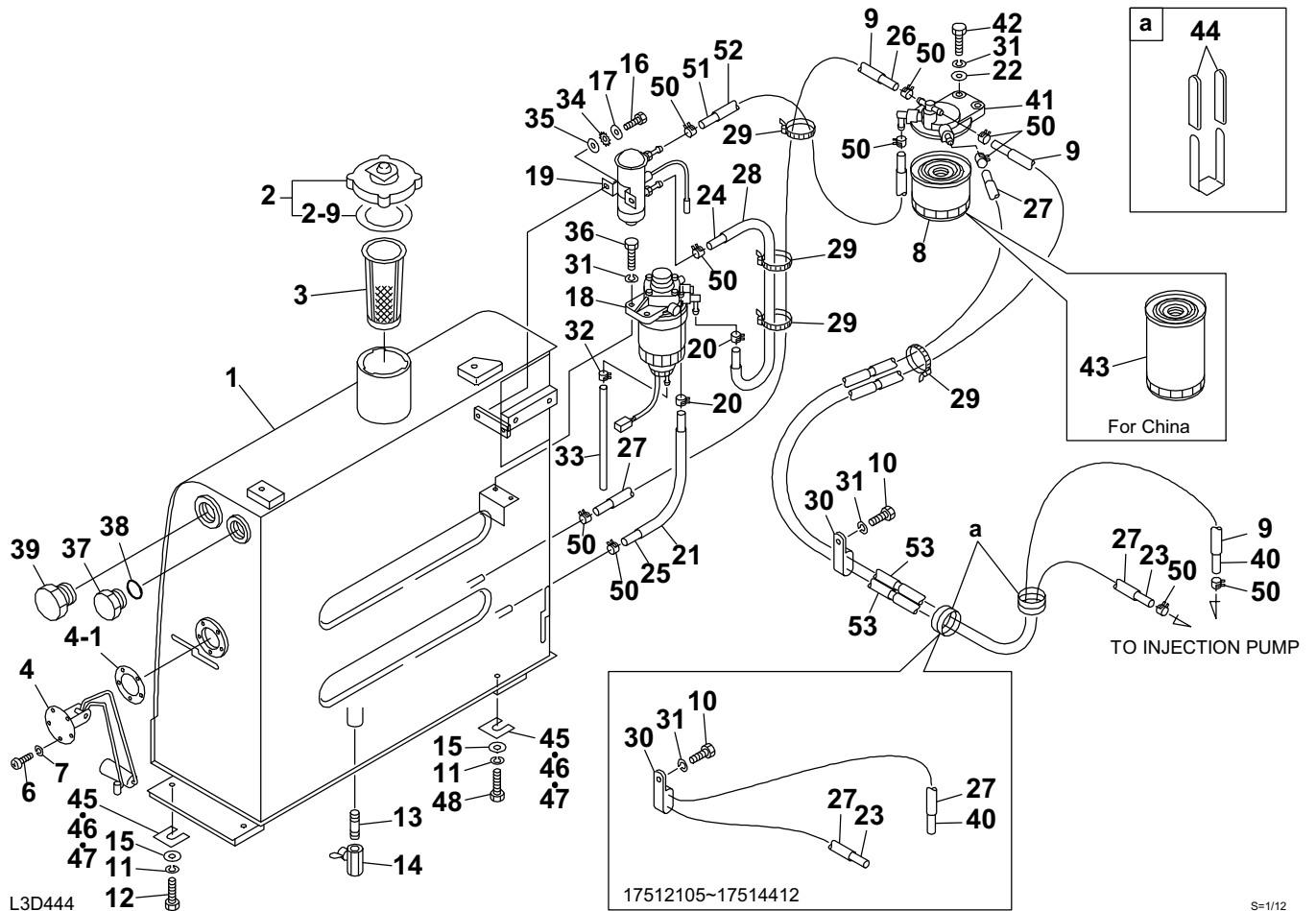
L3D143

S=1/12

FUEL TANK & FUEL PIPING (17510003-17512104)

Item	Part number	Description	Q'ty	Chan.	Serial No.	Serv.	Remarks
		TANK ASSY, fuel					
1	0568119100	TANK	1				
2	1552100800	CAP	1				
2-9	1552100809	· PACKING	1				
3	1552100720	STRAINER	1				
4	1553201500	SENDER, fuel	1				
4-1	1553202520	· PACKING	1				
6	1120530512	SCREW	5				
7	1140020005	WASHER, spring	5				
10	1100040816	BOLT	2				
11	1140020010	WASHER, spring	4				
12	1100041030	BOLT	4				
13	1513000003	NIPPLE	1				
14	1521500003	VALVE, ball	1				
15	1141550010	WASHER	4				
16	1100040612	BOLT	2				
17	1141110006	WASHER	2				
18	1910145033	STRAINER	1				Y129917-55800
19	1910146034	PUMP	1				Y129953-52100
20	1533120012	BAND	8				
21	1531115025	HOSE	1				sold by the meter
23	1531207195	HOSE	2				sold by the meter
24	1531207043	HOSE	1				sold by the meter
25	1531207035	HOSE	1				sold by the meter
27	1531115038	HOSE	7				sold by the meter
28	1531115032	HOSE	1				sold by the meter
29	1652201005	BAND	1				
30	0007300040	CLAMP	2				
31	1140020008	WASHER, spring	4				
32	1533120009	BAND	1				
33	1531007025	HOSE	1				sold by the meter
34	1140330006	WASHER	2				
35	0003600110	WASHER	2				
36	1100040825	BOLT	2				
37	0007256006	PLUG	1				
38	1420010290	O-RING	1				
39	1501710012	PLUG	1				
	L3d144						

**TB175(P-TB175BAB) Book No. BL3Z010 S/N 17510003-
FUEL TANK & FUEL PIPING (17512105-)**



L3D444

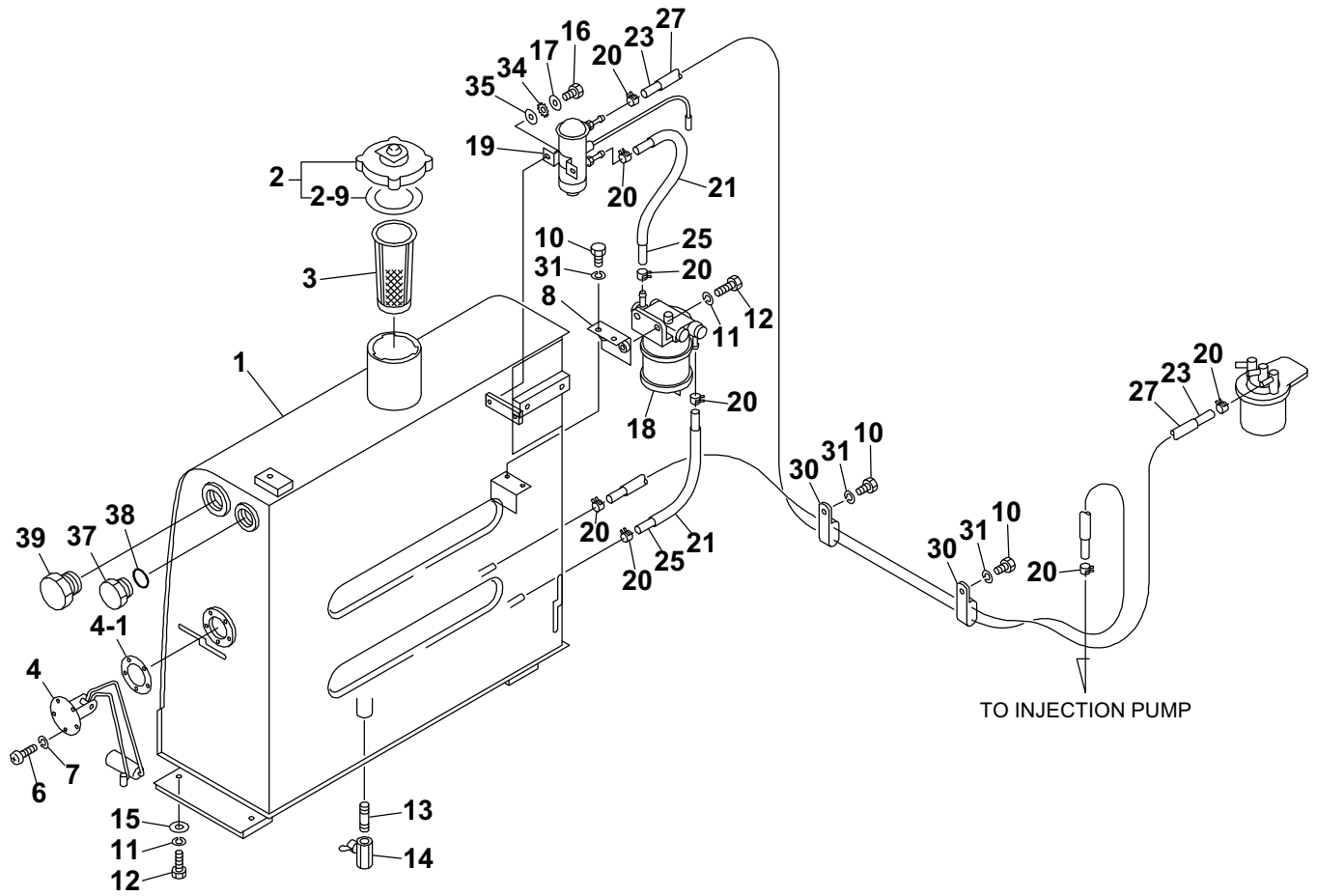
S=1/12

FUEL TANK & FUEL PIPING (17512105-)

Item	Part number	Description	Q'ty	Chan.	Serial No.	Serv.	Remarks
		TANK ASSY, fuel					
		TANK ASSY, fuel (for China)					
1	0568126100	TANK	1				
2	1552100800	CAP	1				
2-9	1552100809	· PACKING	1				
3	1552100720	STRAINER	1				
4	1553201500	SENDER, fuel	1				
4-1	1553202520	· PACKING	1				
6	1120530512	SCREW	5				
7	1140020005	WASHER, spring	5				
8	1910197031	FILTER, fuel	1				Y119802-55800
9	1531115075	PROTECTOR	3		17514413~	M	sold by the meter
10	1100040816	BOLT	1				
11	1140020010	WASHER, spring	4				
12	1100041040	BOLT	2				
13	1513000003	NIPPLE	1				
14	1521500003	VALVE, ball	1				
15	0003600025	WASHER	4				
16	1100040612	BOLT	2				
17	1141110006	WASHER	2				
18	1910197033	STRAINER	1				Y129917-55800
19	1910146034	PUMP	1				Y129953-52100
20	1533120012	BAND	2				
21	1531115025	PROTECTOR	1				sold by the meter
22	1141110008	WASHER	2				
23	1531207200	HOSE	1				sold by the meter
24	1531207043	HOSE	1				sold by the meter
25	1531207035	HOSE	1				sold by the meter
26	1531207080	HOSE	1				sold by the meter
27	1531115070	PROTECTOR	2			M	sold by the meter
28	1531115032	PROTECTOR	1				sold by the meter
29	1652201005	BAND	4				
30	0007300040	CLAMP	1				
31	1140020008	WASHER, spring	5				
32	1533120009	BAND	1				
33	1531007025	HOSE	1				sold by the meter
34	1140330006	WASHER	2				
35	0003600110	WASHER	2				
36	1100040825	BOLT	2				
37	0007256006	PLUG	1				
38	1420010290	O-RING	1				
39	1501710012	PLUG	1				
40	1531207215	HOSE	1				sold by the meter
41	1910197029	BRACKET	1				Y129004-55611
42	1100040825	BOLT	2				
43	1910228031	FILTER, fuel (for China)	1				Y129907-55800
44	0872433150	CLAMP	4		17514413~		
45	0323054001	SHIM	AR				t=1.0mm
46	0323054002	SHIM	AR				t=2.3mm
47	0323054003	SHIM	AR				t=3.2mm
48	1100041035	BOLT	2				
50	1533120511	BAND	10			M	
51	1531207025	HOSE	1			M	sold by the meter
52	1531115020	PROTECTOR	1			M	sold by the meter
53	1531115051	PROTECTOR	2			M	sold by the meter

L3d447

TB175(P-TB175BAB) Book No. BL3Z010 S/N 17510003-
FUEL TANK & FUEL PIPING (for HE-service; 17510003-17512104)



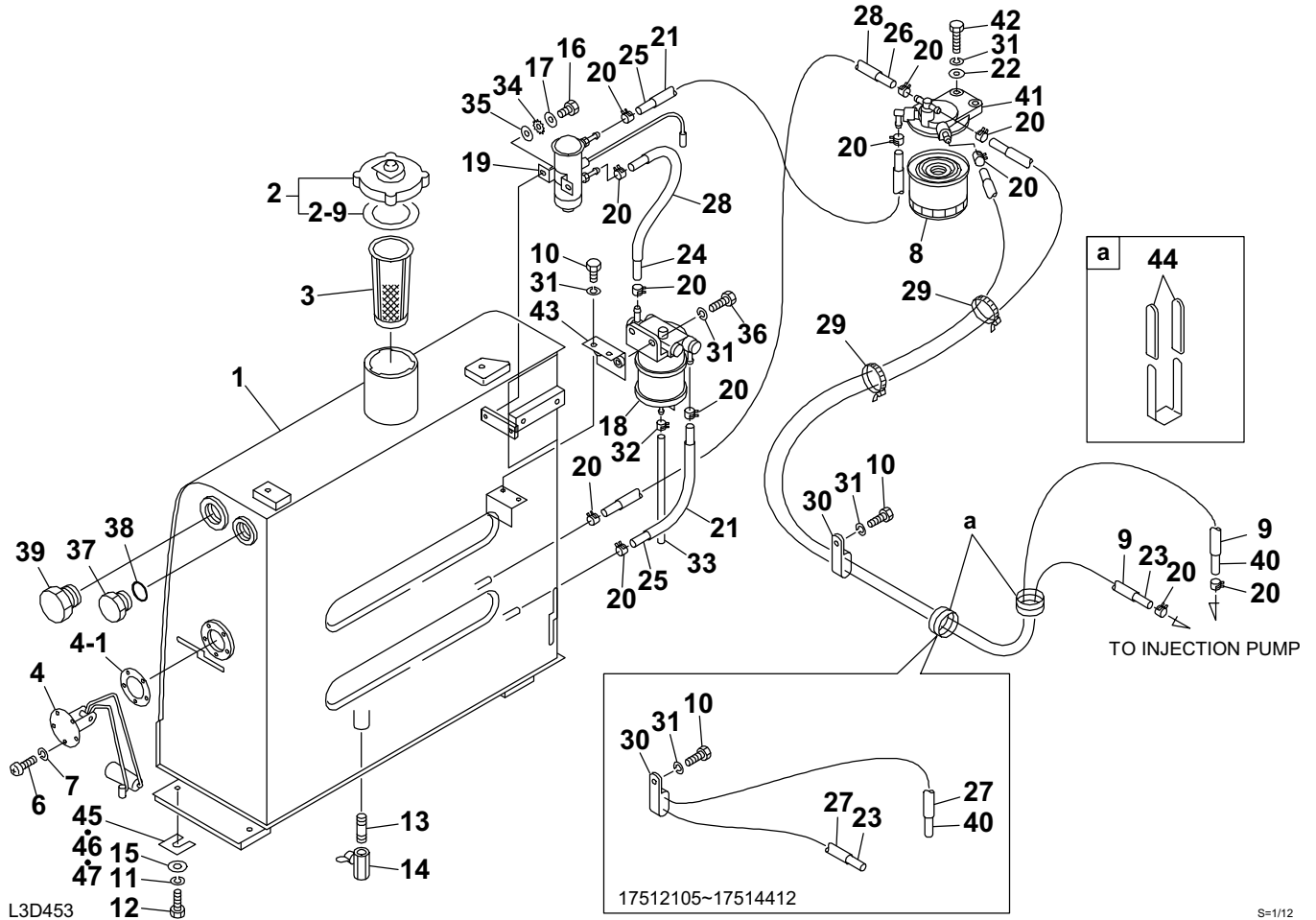
L3D302

S=1/12

FUEL TANK & FUEL PIPING (for HE-service; 17510003-17512104)

Item	Part number	Description	Q'ty	Chan.	Serial No.	Serv.	Remarks
		TANK ASSY, fuel					
1	0568119100	TANK	1				
2	1552100800	CAP	1				
2-9	1552100809	· PACKING	1				
3	1552100720	STRAINER	1				
4	1553201500	SENDER, fuel	1				
4-1	1553202520	· PACKING	1				
6	1120530512	SCREW	5				
7	1140020005	WASHER, spring	5				
8	0568123050	BRACKET	1				
10	1100040816	BOLT	4				
11	1140020010	WASHER, spring	6				
12	1100041030	BOLT	6				
13	1513000003	NIPPLE	1				
14	1521500003	VALVE, ball	1				
15	1141550010	WASHER	4				
16	1100040612	BOLT	2				
17	1141110006	WASHER	2				
18	1552001200	SEPARATOR, water	1				
19	1910146034	PUMP	1				Y129953-52100
20	1533120012	BAND	8				
21	1531115018	HOSE	2				sold by the meter
23	1531207195	HOSE	2				sold by the meter
25	1531207028	HOSE	2				sold by the meter
27	1531115038	HOSE	6				sold by the meter
30	0007300040	CLAMP	2				
31	1140020008	WASHER, spring	6				
34	1140330006	WASHER	2				
35	0003600110	WASHER	2				
37	0007256006	PLUG	1				
38	1420010290	O-RING	1				
39	1501710012	PLUG	1				
	L3d302						

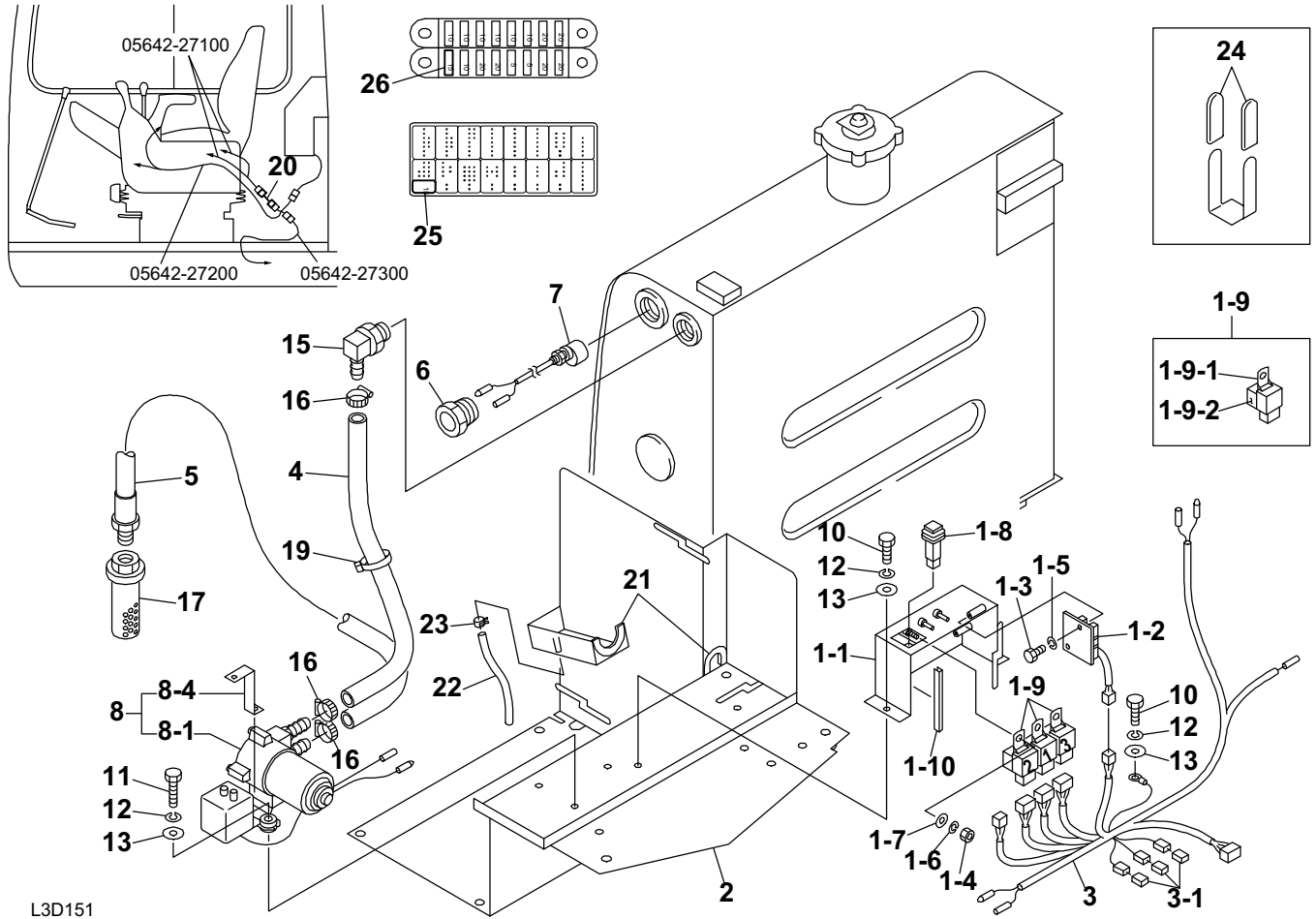
**TB175(P-TB175BAB) Book No. BL3Z010 S/N 17510003-
FUEL TANK & FUEL PIPING (for HE-service;17512105-)**



FUEL TANK & FUEL PIPING (for HE-service;17512105-)

Item	Part number	Description	Q'ty	Chan.	Serial No.	Serv.	Remarks
		TANK ASSY, fuel					
1	0568126100	TANK	1				
2	1552100800	CAP	1				
2-9	1552100809	· PACKING	1				
3	1552100720	STRAINER	1				
4	1553201500	SENDER, fuel	1				
4-1	1553202520	· PACKING	1				
6	1120530512	SCREW	5				
7	1140020005	WASHER, spring	5				
8	1910197031	FILTER, fuel	1				Y119802-55800
9	1531115095	PROTECTOR	2		17514413~		sold by the meter
10	1100040816	BOLT	3				
11	1140020010	WASHER, spring	4				
12	1100041030	BOLT	4				
13	1513000003	NIPPLE	1				
14	1521500003	VALVE, ball	1				
15	1141550010	WASHER	4				
16	1100040612	BOLT	2				
17	1141110006	WASHER	2				
18	1552001200	SEPARATOR, water	1				
19	1910146034	PUMP	1				Y129953-52100
20	1533120012	BAND	12				
21	1531115018	HOSE	2				sold by the meter
22	1141110008	WASHER	2				
23	1531207200	HOSE	1				sold by the meter
24	1531207043	HOSE	1				sold by the meter
25	1531207028	HOSE	2				sold by the meter
26	1531207080	HOSE	1				sold by the meter
27	1531115038	PROTECTOR	3				sold by the meter
28	1531115032	PROTECTOR	2				sold by the meter
29	1652201005	BAND	2				
30	0007300040	CLAMP	1				
31	1140020008	WASHER, spring	7				
32	1533120009	BAND	1				
33	1531007025	HOSE	1				sold by the meter
34	1140330006	WASHER	2				
35	0003600110	WASHER	2				
36	1100040825	BOLT	2				
37	0007256006	PLUG	1				
38	1420010290	O-RING	1				
39	1501710012	PLUG	1				
40	1531207215	HOSE	1				sold by the meter
41	1910197029	BRACKET	1				Y129004-55611
42	1100040820	BOLT	2				
43	0568123050	BRACKET	1				
44	0872433150	CLAMP	4		17514413~		
45	0323054001	SHIM	AR				t=1.0mm
46	0323054002	SHIM	AR				t=2.3mm
47	0323054003	SHIM	AR				t=3.2mm
	L3d454						

TB175(P-TB175BAB) Book No. BL3Z010 S/N 17510003-
FUEL SUPPLY PUMP (17510003-17510353)



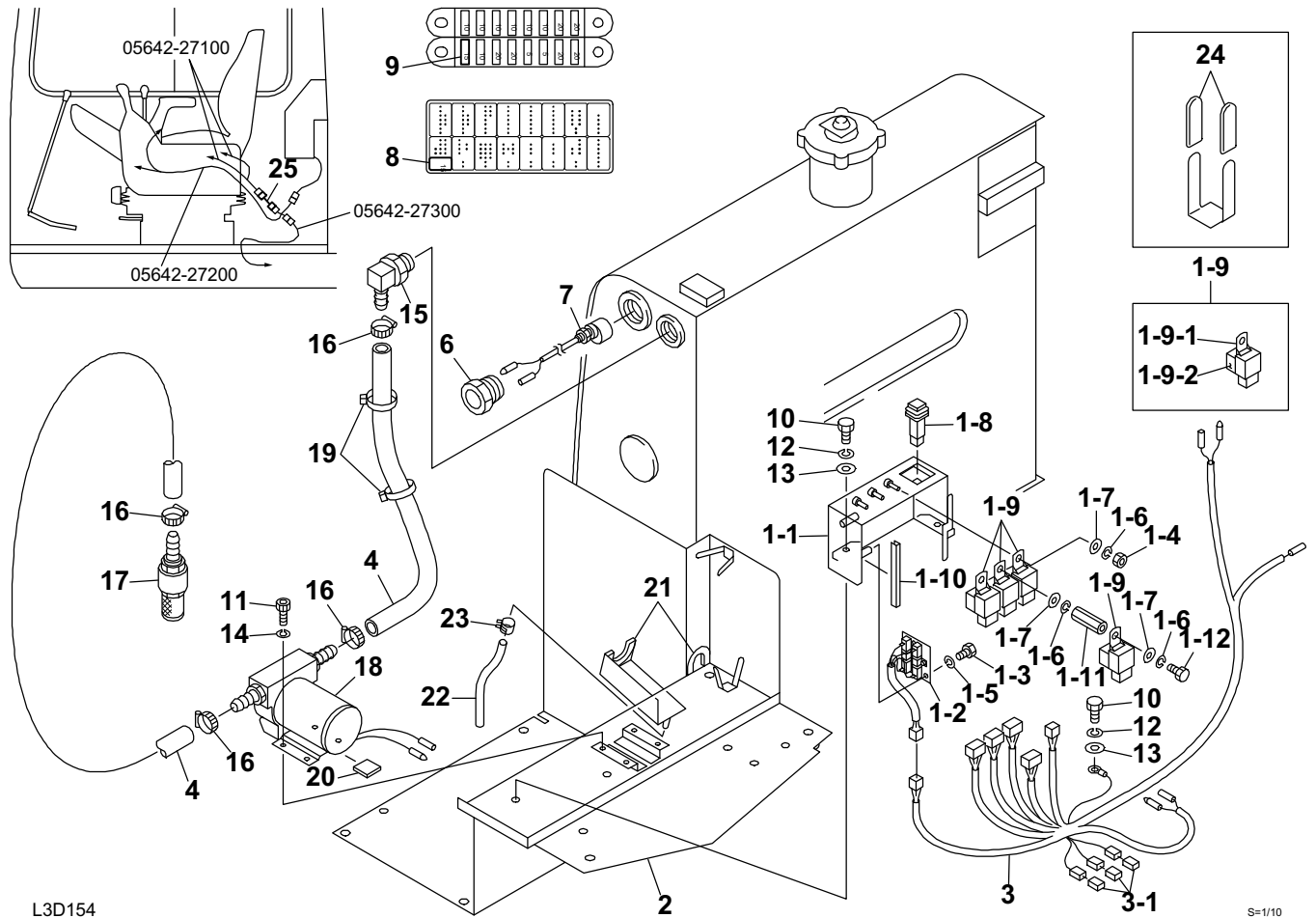
L3D151

S=1/10

FUEL SUPPLY PUMP (17510003-17510353)

Item	Part number	Description	Q'ty	Chan.	Serial No.	Serv.	Remarks
0	0568120000	PUMP ASSY, fuel supply	1				
1	0568120100	· BOX ASSY	1				
1-1	0568118110	· · BOX	1				
1-2	0564227700	· · RESISTOR	1				
1-3	1100040510	· · BOLT	2				
1-4	1130030006	· · NUT	3				
1-5	1140020005	· · WASHER, spring	2				
1-6	1140020006	· · WASHER, spring	3				
1-7	1141110006	· · WASHER	3				
1-8	1700000008	· · SWITCH, slew speed	1				
	1709100099	· · · BULB	1			M	
1-9	0872433900	· · RELAY ASSY	3				
1-9-1	1711900049	· · · RELAY	1				
1-9-2	1654305002	· · · SPONGE	1				sold by the meter
1-10	1653916011	· · TRIM	1				sold by the meter
2	0568120200	· BOX, tool	1				
3	0568120300	· HARNESS, wiring	1		17510003~#		
	0568120350	· HARNESS, wiring	1		#~		
3-1	1730500008	· · DIODE (3A yellow)	2				
4	0568118150	· HOSE	1				
5	0568120600	· HOSE	1				
6	0568121400	· PLUG	1				
7	0568120500	· SWITCH, level	1				
8	0568118190	· PUMP ASSY	1				
8-1	1711910120	· · PUMP	1				
8-4	0568118194	· · STOPPER	1				
10	1100040816	· BOLT	2				
11	1100040830	· BOLT	3				
12	1140020008	· WASHER, spring	5				
13	1141110008	· WASHER	5				
15	1513350018	· ELBOW	1				
	1420010290	· · O-RING	1				
16	1533700028	· CLIP	3				
17	1552001000	· STRAINER	1				
19	1652201005	· BAND	1				
20	0568121600	· HARNESS, wiring	1		#~		
21	1653916008	· TRIM	2				sold by the meter
22	1531207020	· HOSE	1				sold by the meter
23	1533120012	· BAND	1				
24	0872433150	· CLAMP	8				
25	0334241540	· DECAL	1		#~		
26	1701310015	· FUSE (15A)	1		#~		
	L3d152						

TB175(P-TB175BAB) Book No. BL3Z010 S/N 17510003-
FUEL SUPPLY PUMP (17510354-17514759)



L3D154

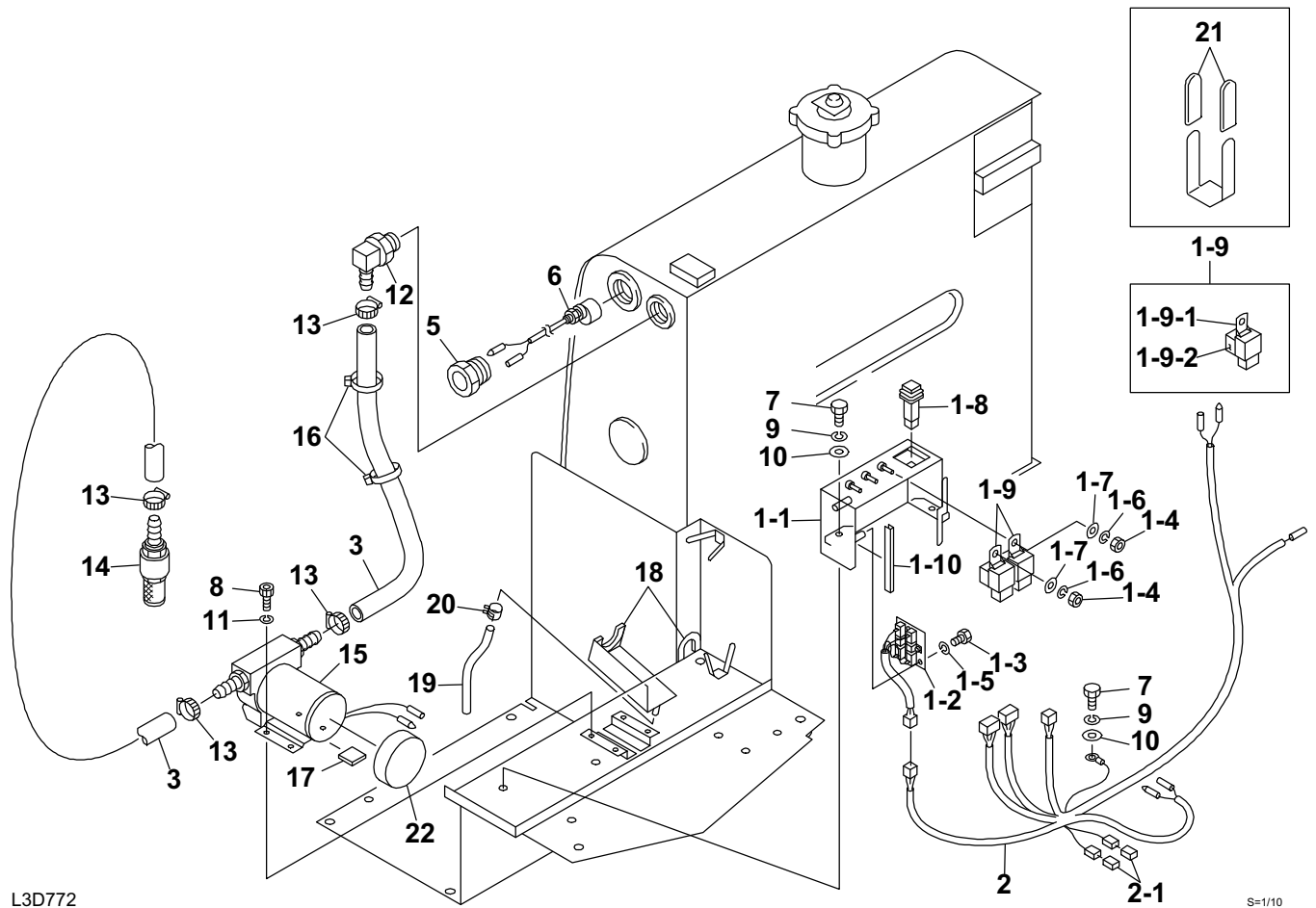
S=1/10

FUEL SUPPLY PUMP (17510354-17514759)

Item	Part number	Description	Q'ty	Chan.	Serial No.	Serv.	Remarks
0	0568121000	PUMP ASSY, fuel supply	1		17510354~17512104		
	0568121800	PUMP ASSY, fuel supply	1		17512105~		
1	0568121100	· BOX ASSY	1				
1-1	0568121110	· · BOX	1				
1-2	0564227700	· · RESISTOR ASSY	1				
1-3	1100040510	· · BOLT	2				
1-4	1130030006	· · NUT	3				
1-5	1140020005	· · WASHER, spring	2				
1-6	1140020006	· · WASHER, spring	4				
1-7	1141110006	· · WASHER	4				
1-8	1700000008	· · SWITCH	1				
	1709100099	· · · BULB	1				
1-9	0872433900	· · RELAY ASSY	4				
1-9-1	1711900049	· · · RELAY	1				
1-9-2	1654305002	· · · SPONGE	1				sold by the meter
1-10	1653916011	· · TRIM	1				sold by the meter
1-11	1134830635	· · NUT	1				
1-12	1100040616	· · BOLT	1				
2	0568121200	· BOX, tool	1				discontinued
3	0568121700	· HARNESS, wiring	1				
3-1	1730500008	· · DIODE (3A yellow)	3				
4	1919901730	· HOSE	1				
6	0568121400	· PLUG	1				
7	0568120500	· SWITCH, level	1				
8	0334241540	· DECAL	1		17510354~17511088		
9	1701310015	· FUSE	1		17510354~17511088		
10	1100040816	· BOLT	2				
11	1110040512	· SCREW, cap	4				
12	1140020008	· WASHER, spring	2				
13	1141110008	· WASHER	2				
14	1140020005	· WASHER, spring	4				
15	1513350018	· ELBOW	1				
	1420010290	· · O-RING	1				
16	1533700028	· BAND	4				
17	1552001100	· STRAINER	1				
18	1711910200	· PUMP (24V)	1				
19	1652201005	· BAND	2				
20	0568121020	· RUBBER	1				
21	1653916008	· TRIM	2				sold by the meter
22	1531207020	· HOSE	1				sold by the meter
23	1533120012	· BAND	1				
24	0872433150	· TUBE	8				
25	0568121600	· HARNESS, wiring	1		17510354~17512104		

L3d158

TB175(P-TB175BAB) Book No. BL3Z010 S/N 17510003-
FUEL SUPPLY PUMP (17514760-)



L3D772

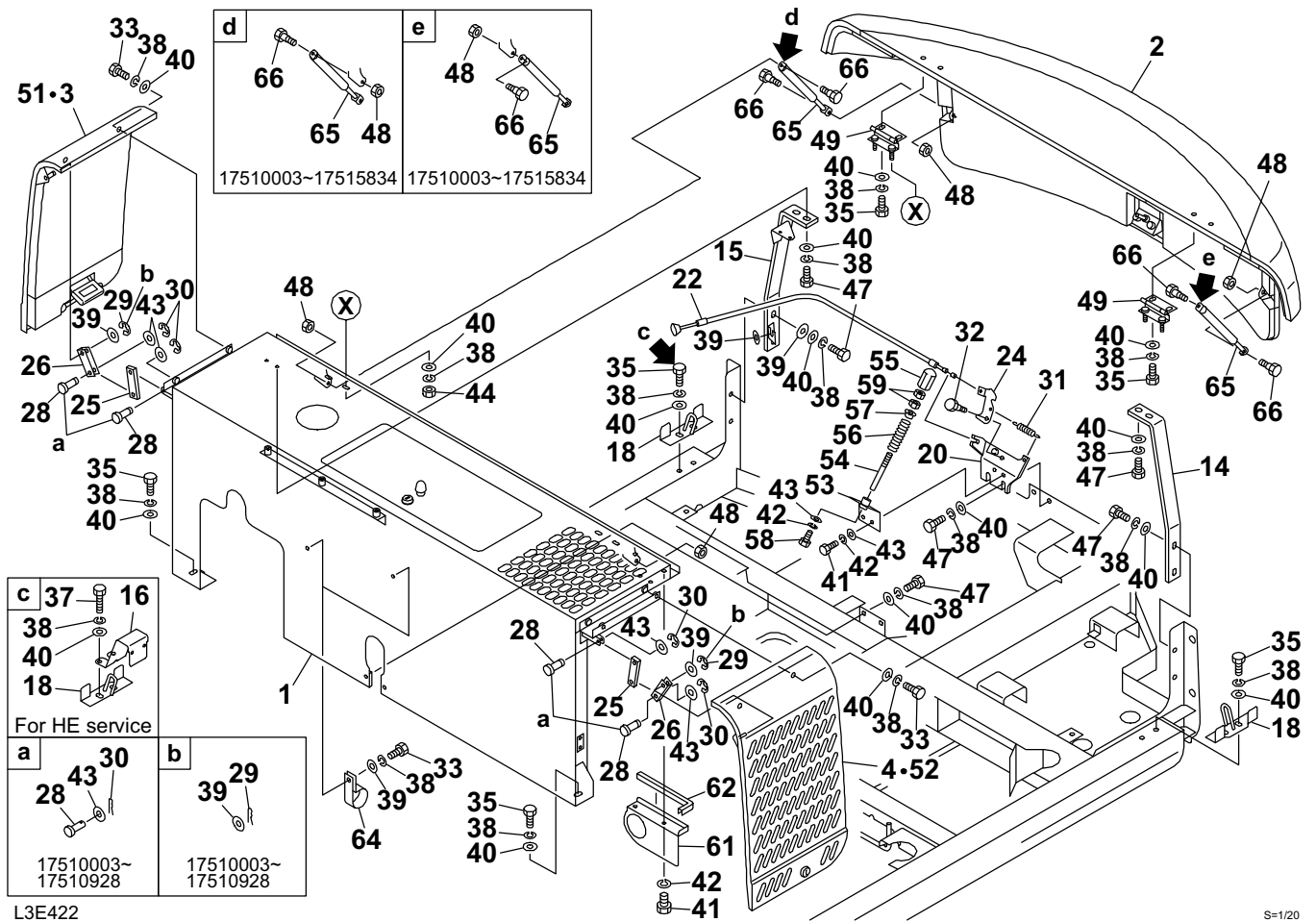
S=1/10

FUEL SUPPLY PUMP (17514760-)

Item	Part number	Description	Q'ty	Chan.	Serial No.	Serv.	Remarks
0	0568122300	PUMP ASSY, fuel supply	1				
1	0568121820	· BOX ASSY	1				
1-1	0568121110	· · BOX	1				
1-2	0564227700	· · RESISTOR ASSY	1				
1-3	1100040510	· · BOLT	2				
1-4	1130030006	· · NUT	2				
1-5	1140020005	· · WASHER, spring	2				
1-6	1140020006	· · WASHER, spring	2				
1-7	1141110006	· · WASHER	2				
1-8	1700000008	· · SWITCH	1				
	1709100099	· · · BULB	1				
1-9	0872433900	· · RELAY ASSY	2				
1-9-1	1711900049	· · · RELAY	1				
1-9-2	1654305002	· · · SPONGE	1				sold by the meter
1-10	1653916011	· · TRIM	1				sold by the meter
2	0568121900	· HARNESS, wiring	1				
2-1	1730500008	· · DIODE (3A yellow)	2				
3	1919901730	· HOSE	1				
5	0568121400	· PLUG	1				
6	0568120500	· SWITCH, level	1				
7	1100040816	· BOLT	2				
8	1110040512	· SCREW, cap	4				
9	1140020008	· WASHER, spring	2				
10	1141110008	· WASHER	2				
11	1140020005	· WASHER, spring	4				
12	1513350018	· ELBOW	1				
	1420010290	· · O-RING	1				
13	1533700028	· BAND	4				
14	1552001100	· STRAINER	1				
15	1711910200	· PUMP (24V)	1				
16	1652201005	· BAND	2		17514760~1751#		No. 23462
17	0568121020	· RUBBER	1				
18	1653916008	· TRIM	2				sold by the meter
19	1531207020	· HOSE	1				sold by the meter
20	1533120511	· BAND	1			M	
21	0872433150	· TUBE	8				
22	1711910208	· COVER	1				

L3d773

TB175(P-TB175BAB) Book No. BL3Z010 S/N 17510003-
COVER (1/7)

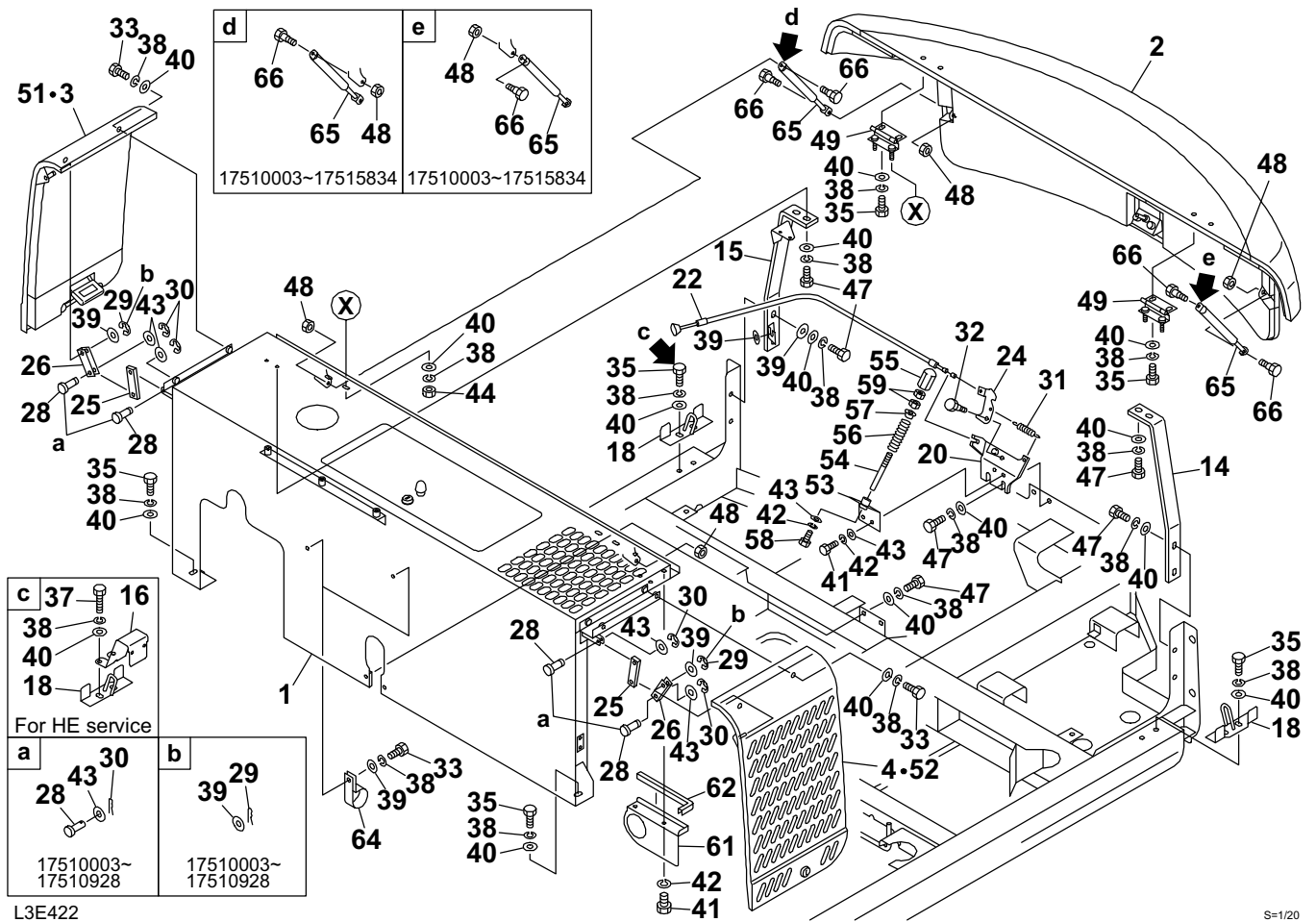


L3E422

S-1/20

COVER (1/7)						
Item	Part number	Description	Q'ty	Chan.	Serial No.	Serv. Rema
		COVER ASSY				
		COVER ASSY (with air conditioner)				
		COVER ASSY (for HE service)				
		COVER ASSY (for HE service, with air conditioner)				
		COVER ASSY (for China, with air conditioner)			17517508~	
1	0568243100	HOOD, front engine	1		17510003~17510308	see page
	0568244300	HOOD, front engine	1	(H)	17510309~17512104	see page
	0568249100	HOOD, front engine	1		17512105~17514411	see page
	0568254100	HOOD, front engine	1		17514412~	see page
2	0568243990	HOOD, engine	1			see page
3	0568243300	COVER , side (R.H.)	1			see page
4	0568243350	COVER , side (L.H.)	1			see page
14	0568242014	STAY	1			
15	0568243010	STAY (R.H.)	1		17510003~17512104	
	0568249010	STAY (R.H.)	1	(H)	17512105~	
16	0568248016	PLATE	1			for HE ser
18	0568242850	HOOK	2			
20	0568243830	BRACKET	1	A	17510003~17510080	
	0568243850	BRACKET	1	a(H)	17510081~17510928	
	0568245820	BRACKET	1		17510929~	
22	0568225380	WIRE	1			
24	0568243820	PLATE	1	A	17510003~17510080	
	0568243880	PLATE	1	a(H)	17510081~17510928	
	0568245800	PLATE	1		17510929~	
25	0568243499	LINK	2			
26	0568243498	YOKE	2			
28	0004008021	PIN	4		17510003~17510928	
	0004300003	PIN	4	(L)	17510929~17511088	
	0004300013	PIN	4	(H)	17511089~	
29	1214000008	PIN, snap	2		17510003~17510928	
	1224010008	E-RING	2		17510929~	
30	1214000006	PIN, snap	4		17510003~17510928	
	1224010006	E-RING	4		17510929~	
31	0007000102	SPRING	1	A	17510003~17510080	
	0007000105	SPRING	1	a(H)	17510081~	
32	0568243810	BOLT	1	A	17510003~17510080	
	0568243840	BOLT	1	a(H)	17510081~	
33	1100041020	BOLT	5			
34	1100041016	BOLT	3			
35	1100041025	BOLT	5			
37	1100041035	BOLT	2			for HE ser
38	1140020010	WASHER, spring	26			
39	1141110010	WASHER	5			
40	0003600025	WASHER	26			
41	1100040816	BOLT	4			
42	1140020008	WASHER, spring	5			
43	1141110008	WASHER	3			
44	1130040010	NUT	4			
47	1100041030	BOLT	11			
48	1130040008	NUT	4			
49	0568243450	HINGE	2			
51	0568259640	COVER , side (R.H.) (for China)	1		17517508~	M see page
52	0568259620	COVER , side (L.H.) (for China)	1		17517508~	M see page
53	0568242840	BRACKET	1	B	17510003~17513451	
	0568249050	BRACKET	1	b(H)	17513452~	
54	0568223100	ROD	1			
55	0568223200	BOSS	1	B	17510003~17513451	
	0568223250	BOSS	1	b(H)	17513452~	
56	0007000078	SPRING	1			
57	0871320240	COLLAR	1			

TB175(P-TB175BAB) Book No. BL3Z010 S/N 17510003-
COVER (1/7)



L3E422

S-1/20

COVER (1/7)

Item	Part number	Description	Q'ty	Chan.	Serial No.	Serv.	Rema
58	1100040820	BOLT	3				
59	1130240012	NUT	2				
61	0568245830	COVER	1		17512105~		
62	1654613025	PACKING	1		17512105~		sold by th
64	0007300060	CLAMP	2		17514412~		
65	1653900046	SPRING, gas	2				
66	0138255300	BOLT	4				

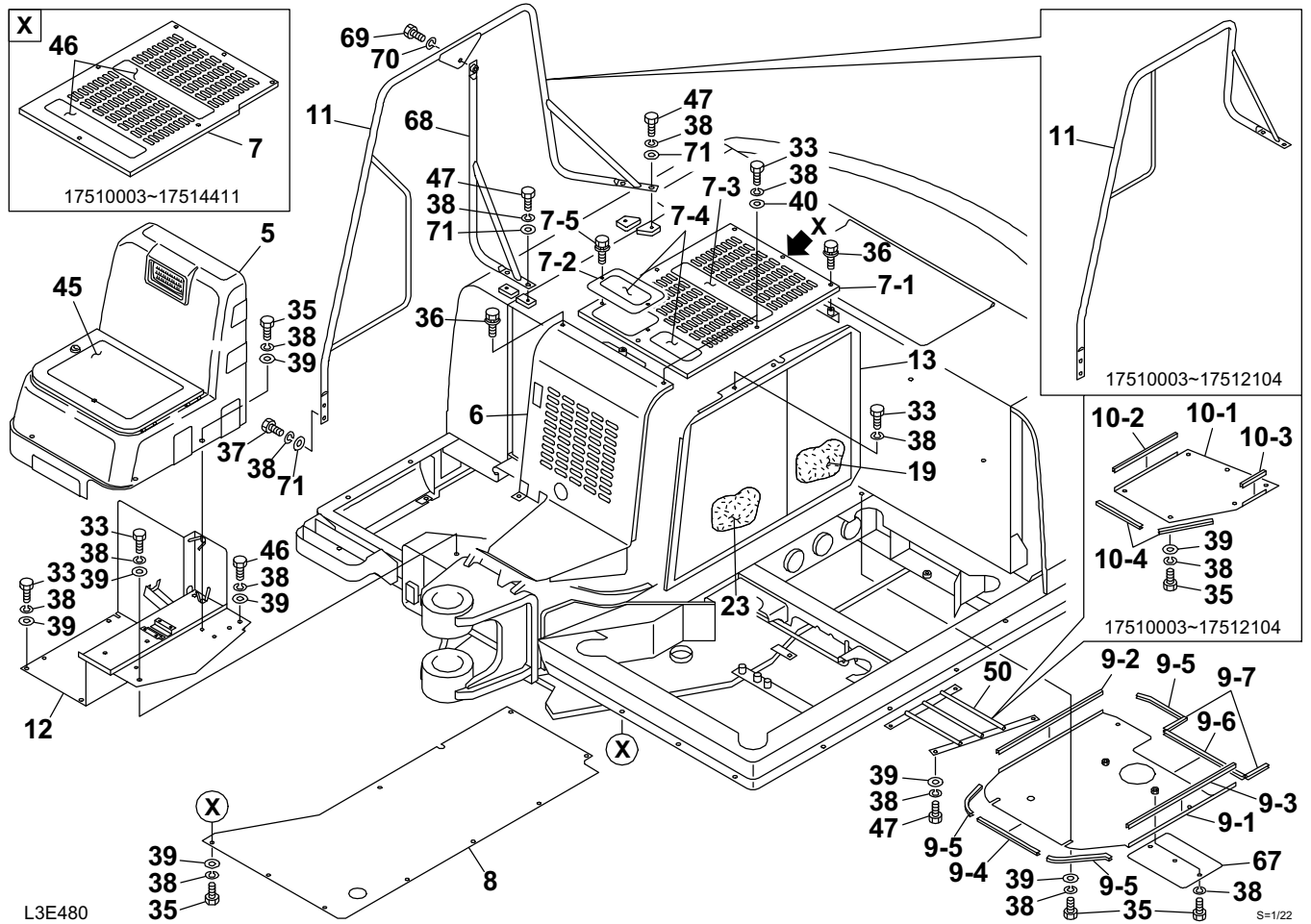
<<NOTE>>

SET "A" is interchangeable with SET "a".

SET "B" is interchangeable with SET "b".

L3e422

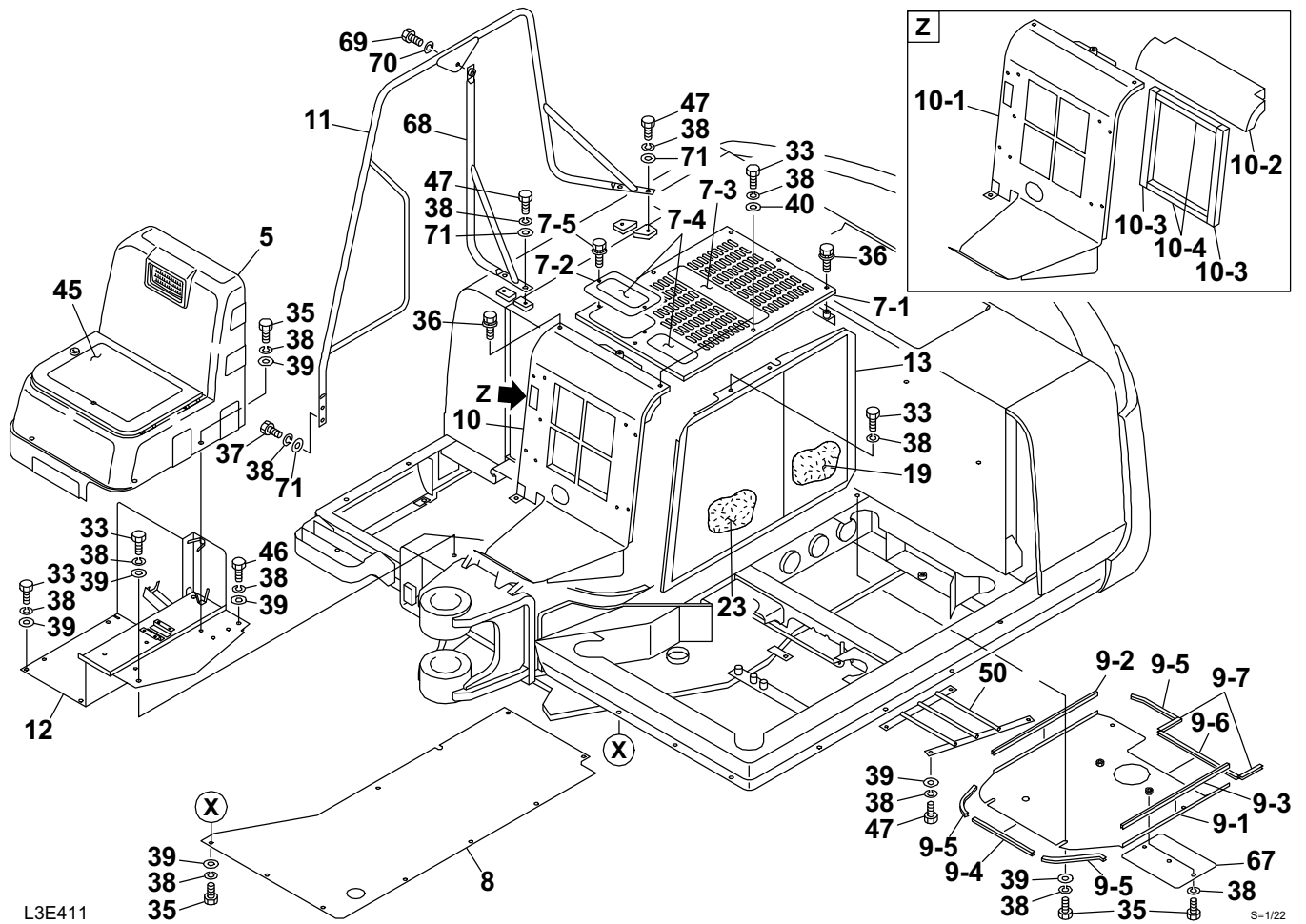
TB175(P-TB175BAB) Book No. BL3Z010 S/N 17510003-
COVER (2/7)



COVER (2/7)							
Item	Part number	Description	Q'ty	Chan.	Serial No.	Serv.	Remarks
		COVER ASSY					
		COVER ASSY (for HE service)					
5	0568243500	COVER, front	1				see page (7/7)
6	0568243900	COVER	1				
7	0568220250	COVER	1		17510003~17514411		
	0568254150	COVER ASSY	1		17514412~		
7-1	0568254160	· COVER	1		17514412~		
7-2	0568254170	· COVER	1		17514412~		
7-3	0568222800	· SHEET	1		17514412~		
7-4	0568254180	· SHEET	2		17514412~		
7-5	1100560612	· BOLT	2		17514412~		
8	0568243670	COVER	1				
9	0568243600	COVER ASSY, under	1		17510003~17510146		
	0568243620	COVER ASSY, under	1		17510147~		
9-1	0568243610	· COVER	1		17510003~17510146		
	0568243630	· COVER	1		17510147~		
9-2	1654520050	· RUBBER	1				sold by the meter
9-3	1654520052	· RUBBER	1				sold by the meter
9-4	1654619028	· SEAL	1				sold by the meter
9-5	1654619021	· SEAL	3				sold by the meter
9-6	1654619035	· SEAL	1				sold by the meter
9-7	1654619010	· SEAL	2				sold by the meter
10	0568243650	COVER ASSY, under	1		17510003~17512104		
10-1	0568243660	· COVER	1		17510003~17512104		
10-2	1654520029	· RUBBER	1		17510003~17512104		sold by the meter
10-3	1654520012	· RUBBER	1		17510003~17512104		sold by the meter
10-4	1654619019	· SEAL	2		17510003~17512104		sold by the meter
11	0568243020	HANDRAIL	1		17510003~17512104		
	0568249030	HANDRAIL	1		17512105~		
12	0568243870	BOX, tool	1		old type		
	0568121200	BOX, tool	1	(H)	new type		
13	0568243950	PLATE	1				
19	0568242780	SEAL	1				
23	0568243790	SEAL	1				
33	1100041020	BOLT	9				
35	1100041025	BOLT	15				
36	1100561020	BOLT, sems	9				
37	1100041035	BOLT	2				
38	1140020010	WASHER, spring	41				
39	1141110010	WASHER	33				
40	0003600025	WASHER	2		17512105~		
45	0568222700	SHEET	1				
46	0568222800	SHEET	2		17510003~17514411		
	1100041040	BOLT	2				
47	1100041030	BOLT	22				
50	0568249020	COVER	1		17512105~		
67	0568228730	COVER	1				
68	0568249040	HANDRAIL	1		17512105~		
69	1101041235	BOLT	1		17512105~		
70	1140020012	WASHER, spring	1		17512105~		
71	0003610003	WASHER	6				

L3e480

TB175(P-TB175BAB) Book No. BL3Z010 S/N 17510003-
COVER (2/7) (with air-conditioner; 17516320-)

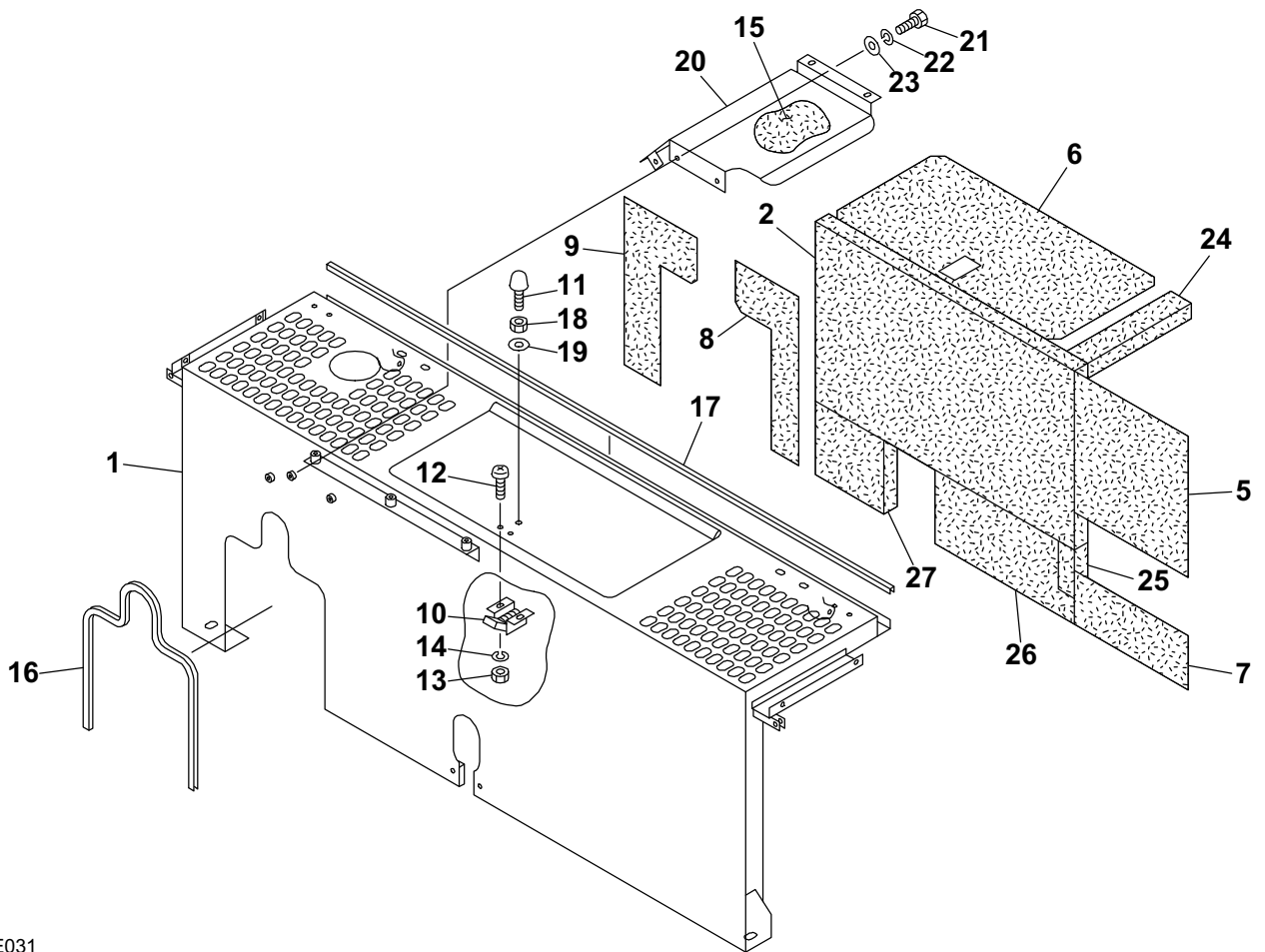


COVER (2/7) (with air-conditioner; 17516320-)

Item	Part number	Description	Q'ty	Chan.	Serial No.	Serv.	Remarks
		COVER ASSY (with air conditioner)					
		COVER ASSY (for HE service, with air conditioner)					
		COVER ASSY (for China, with air conditioner)			17517508~		
5	0568243500	COVER, front	1				see page (7/7)
7	0568254150	COVER ASSY	1				
7-1	0568254160	· COVER	1				
7-2	0568254170	· COVER	1				
7-3	0568222800	· SHEET	1				
7-4	0568254180	· SHEET	2				
7-5	1100560612	· BOLT	2				
8	0568243670	COVER	1				
9	0568243620	COVER ASSY, under	1				
9-1	0568243630	· COVER	1				
9-2	1654520050	· RUBBER	1				sold by the meter
9-3	1654520052	· RUBBER	1				sold by the meter
9-4	1654619028	· SEAL	1				sold by the meter
9-5	1654619021	· SEAL	3				sold by the meter
9-6	1654619035	· SEAL	1				sold by the meter
9-7	1654619010	· SEAL	2				sold by the meter
10	0564625590	COVER ASSY	1				
10-1	0564625470	· COVER	1				
10-2	0564625475	· ABSORBENT, noise	1				
10-3	0564625476	· SEAL	2				
10-4	0564625477	· SEAL	2				
11	0568249030	HANDRAIL	1				
12	0568121200	BOX, tool	1				
13	0568243950	PLATE	1				
19	0568242780	SEAL	1				
23	0568243790	SEAL	1				
33	1100041020	BOLT	9				
35	1100041025	BOLT	15				
36	1100561020	BOLT, sems	9				
37	1100041035	BOLT	2				
38	1140020010	WASHER, spring	41				
39	1141110010	WASHER	33				
40	0003600025	WASHER	2		17512105~		
45	0568222700	SHEET	1				
46	1100041040	BOLT	2				
47	1100041030	BOLT	22				
50	0568249020	COVER	1		17512105~		
67	0568228730	COVER	1				
68	0568249040	HANDRAIL	1		17512105~		
69	1101041235	BOLT	1		17512105~		
70	1140020012	WASHER, spring	1		17512105~		
71	0003610003	WASHER	6				

L3e412

TB175(P-TB175BAB) Book No. BL3Z010 S/N 17510003-
COVER (3/7) (front engine hood; 17510003-17510308)



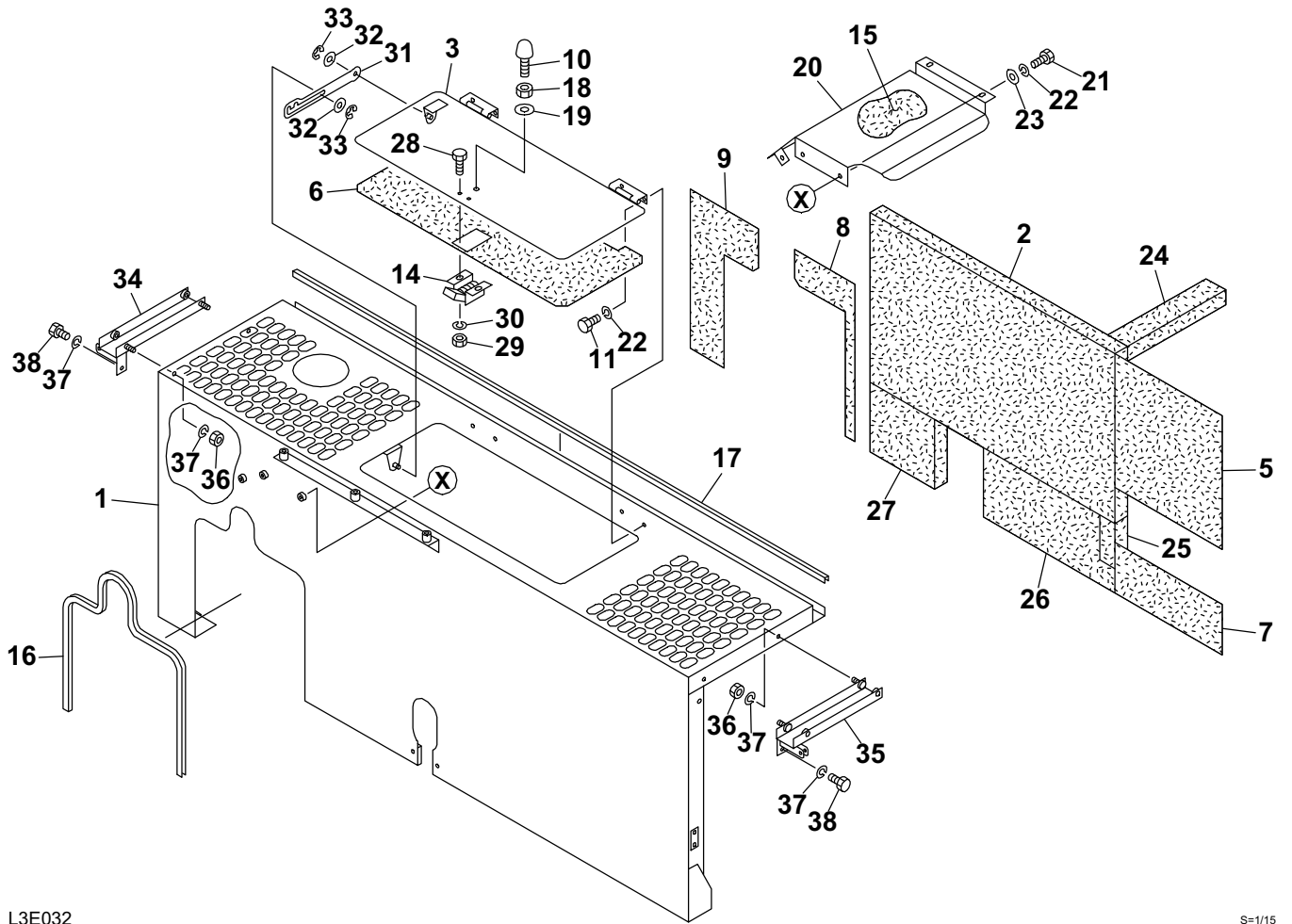
L3E031

S=1/15

COVER (3/7) (front engine hood; 17510003-17510308)

Item	Part number	Description	Q'ty	Chan.	Serial No.	Serv.	Remarks
0-1	0568243100	HOOD ASSY, front engine	1				
1	0568243150	· HOOD, engine	1				
2	0568243102	· ABSORBENT, noise	1				
5	0568243105	· URETHANE	1				
6	0568242106	· SPONGE	1				
7	0568243107	· URETHANE	1				
8	0568243108	· URETHANE	1				
9	0568243109	· URETHANE	1				
10	1653900015	· LATCH	1				
11	1651101224	· STOPPER	1				
12	1100040512	· BOLT	2				
13	1130040005	· NUT	2				
14	1140020005	· WASHER, spring	2				
15	0568243115	· INSULATOR	1				
16	1654605105	· RUBBER	1				sold by the meter
17	1654606173	· RUBBER	1				sold by the meter
18	1130040012	· NUT	1				
19	1141110012	· WASHER	1				
20	0568243120	· PLATE	1				
21	1100040616	· BOLT	5				
22	1140020006	· WASHER, spring	5				
23	1141110006	· WASHER	5				
24	0568243124	· URETHANE	1				
25	0568243125	· ABSORBENT, noise	1				
26	0568243126	· URETHANE	1				
27	0568243127	· URETHANE	1				
	L3e030						

TB175(P-TB175BAB) Book No. BL3Z010 S/N 17510003-
COVER (3/7) (front engine hood; 17510309-17512104)



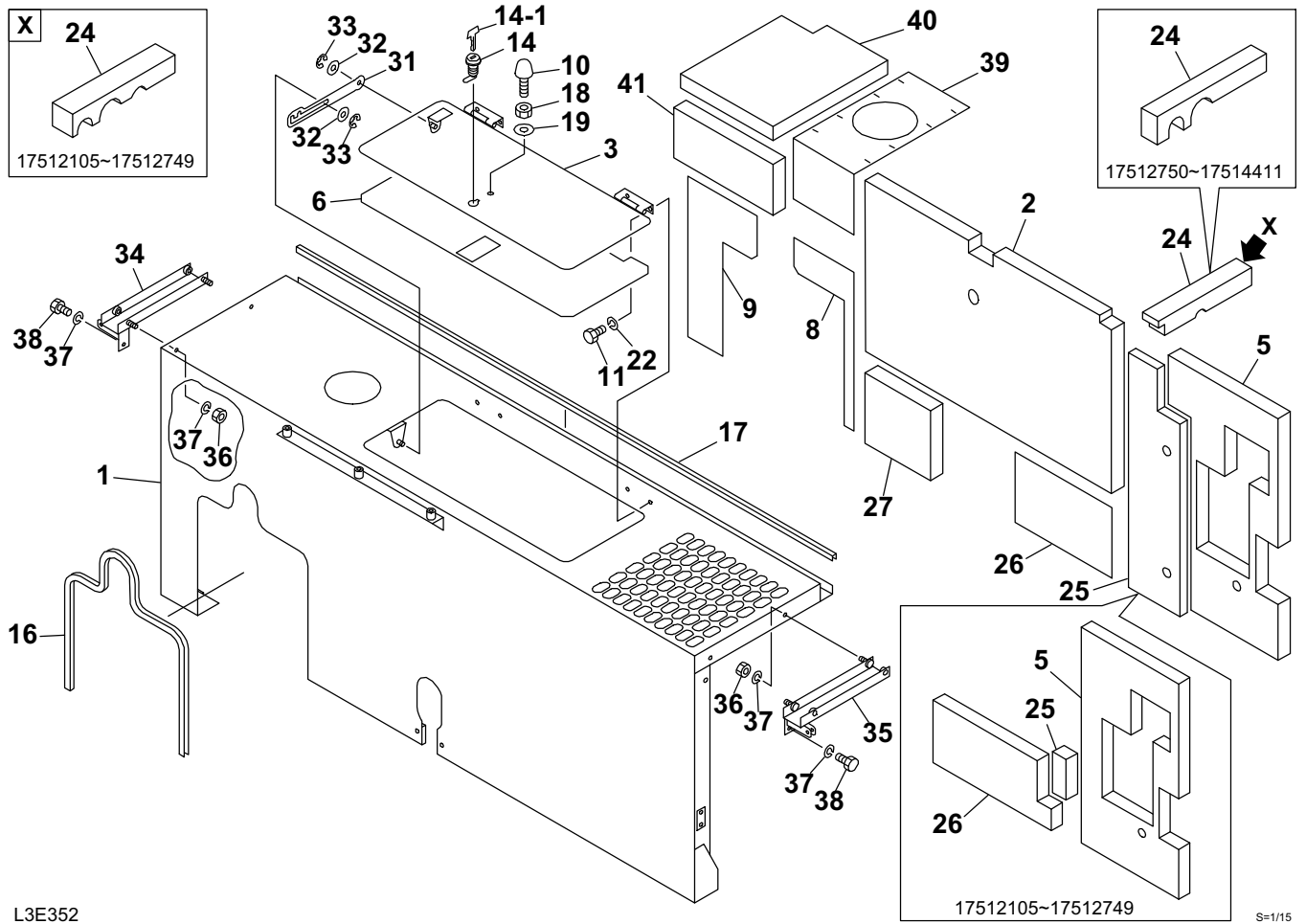
L3E032

S=1/15

COVER (3/7) (front engine hood; 17510309-17512104)

Item	Part number	Description	Q'ty	Chan.	Serial No.	Serv.	Remarks
0-1	0568244300	HOOD, engine	1				
1	0568244330	· HOOD, engine	1				
2	0568243102	· ABSORBENT, noise	1				
3	0568247370	· COVER	1				
5	0568243105	· URETHANE	1				
6	0568247106	· SPONGE	1				
7	0568243107	· URETHANE	1				
8	0568243108	· URETHANE	1		17510309~17512085		
	0568244308	· URETHANE	1		17512086~		
9	0568243109	· URETHANE	1		17510309~17512085		
	0568244309	· URETHANE	1		17512086~		
10	1651101224	· STOPPER	1				
11	1100040612	· BOLT	4				
14	1653900015	· LATCH	1				
15	0568243115	· INSULATOR	1				
16	1654605105	· RUBBER	1		17510309~17512085		sold by the meter
	1654605116	· RUBBER	1		17512086~		sold by the meter
17	1654606173	· RUBBER	1				sold by the meter
18	1130040012	· NUT	1				
19	1141110012	· WASHER	1				
20	0568243120	· PLATE	1				
21	1100040616	· BOLT	5				
22	1140020006	· WASHER, spring	9				
23	1141110006	· WASHER	5				
24	0568243124	· URETHANE	1				
25	0568243125	· ABSORBENT, noise	1				
26	0568243126	· URETHANE	1				
27	0568243127	· URETHANE	1				
28	1100040512	· BOLT	2				
29	1130040005	· NUT	2				
30	1140020005	· WASHER, spring	2				
31	0568247131	· PLATE	1				
32	1141110010	· WASHER	2				
33	1224010009	· RING, retaining	2				
34	0568247130	· BRACKET (R.H.)	1				
35	0568247140	· BRACKET (L.H.)	1				
36	1130040008	· NUT	4				
37	1140020008	· WASHER, spring	6				
38	1100040816	· BOLT	2				
	L3e032						

TB175(P-TB175BAB) Book No. BL3Z010 S/N 17510003-
COVER (3/7) (front engine hood; 17512105-)



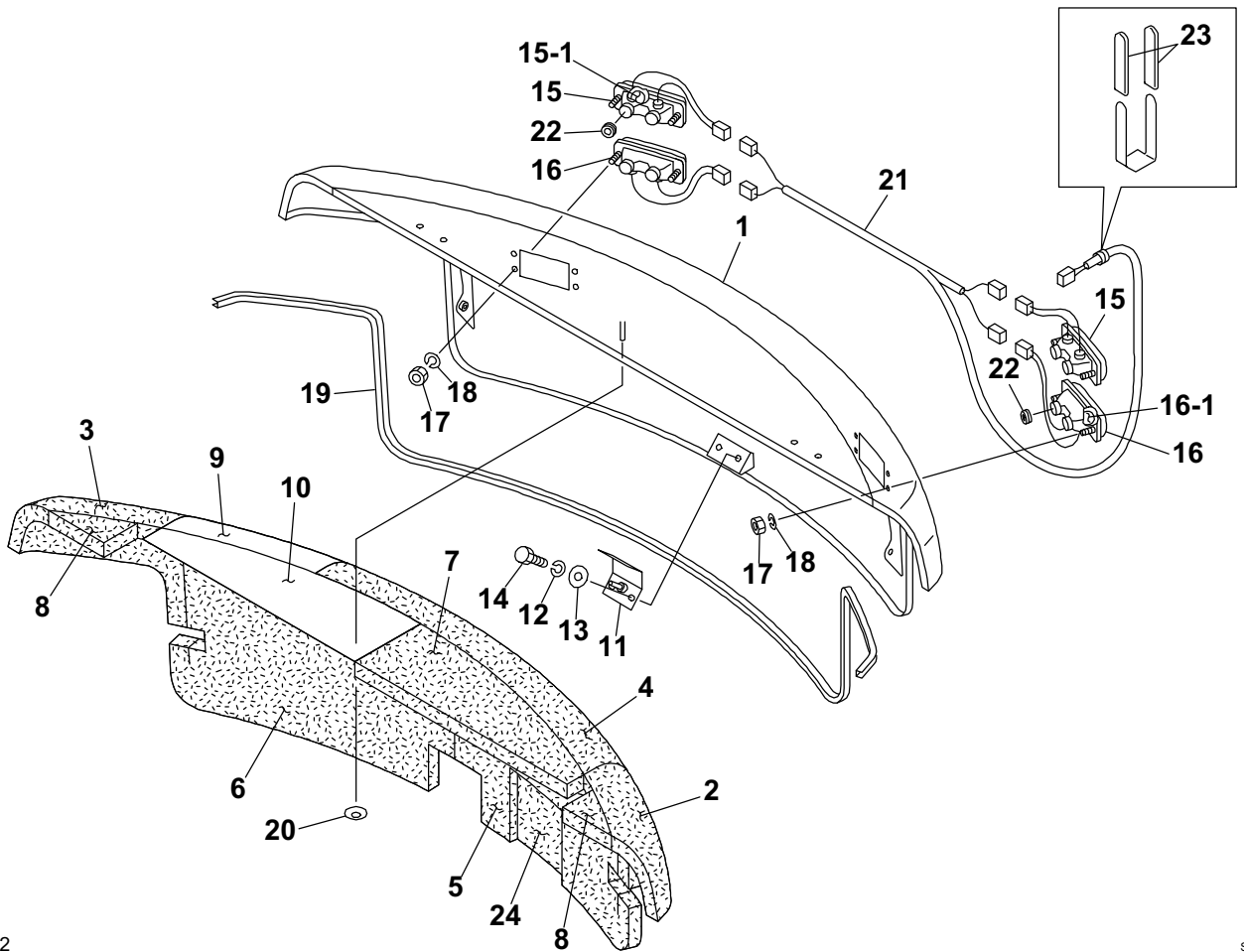
L3E352

S=1/15

COVER (3/7) (front engine hood; 17512105-)

Item	Part number	Description	Q'ty	Chan.	Serial No.	Serv.	Remarks
0-1	0568249100	HOOD, engine	1		17512105~17514411		
	0568254100	HOOD, engine	1		17514412~		
1	0568249150	· HOOD, engine	1		17512105~17514411		
	0568254200	· HOOD, engine	1	·iH)	17514412~		
2	0568249102	· ABSORBENT, noise	1		17512105~17512749		
	0568249103	· ABSORBENT, noise	1		17512750~17514411		
	0568254102	· ABSORBENT, noise	1		17514412~		
3	0568249190	· COVER	1				
5	0568249105	· ABSORBENT, noise	1		17512105~17512749		
	0568249104	· ABSORBENT, noise	1		17512750~		
6	0568249106	· SPONGE	1				
8	0568244308	· URETHANE	1				
9	0568244309	· URETHANE	1				
10	1651101224	· STOPPER	1				
11	1100040612	· BOLT	4				
14	1653611836	· LOCK	1				
14-1	1700100019	· KEY	1				
16	1654605116	· RUBBER	1				sold by the meter
17	1654606173	· RUBBER	1				sold by the meter
18	1130040012	· NUT	1				
19	1141110012	· WASHER	1				
22	1140020006	· WASHER, spring	4				
24	0568249124	· URETHANE	1		17512105~17512749		
	0568249123	· URETHANE	1		17512750~17514411		
	0568254124	· URETHANE	1		17514412~		
25	0568243125	· ABSORBENT, noise	1		17512105~17512749		
	0568249125	· ABSORBENT, noise	1		17512750~		
26	0568243126	· URETHANE	1		17512105~17512749		
	0568249126	· URETHANE	1		17512750~		
27	0568243127	· URETHANE	1				
31	0568247131	· PLATE	1				
32	1141110010	· WASHER	2				
33	1224010009	· RING, retaining	2				
34	0568247130	· BRACKET (R.H.)	1				
35	0568247140	· BRACKET (L.H.)	1				
36	1130040008	· NUT	4				
37	1140020008	· WASHER, spring	6				
38	1100040816	· BOLT	2				
39	0568249139	· ABSORBENT, noise	1				
40	0568249140	· ABSORBENT, noise	1				
41	0568249141	· ABSORBENT, noise	1				
	L3e352						

TB175(P-TB175BAB) Book No. BL3Z010 S/N 17510003-
COVER (4/7) (engine hood)

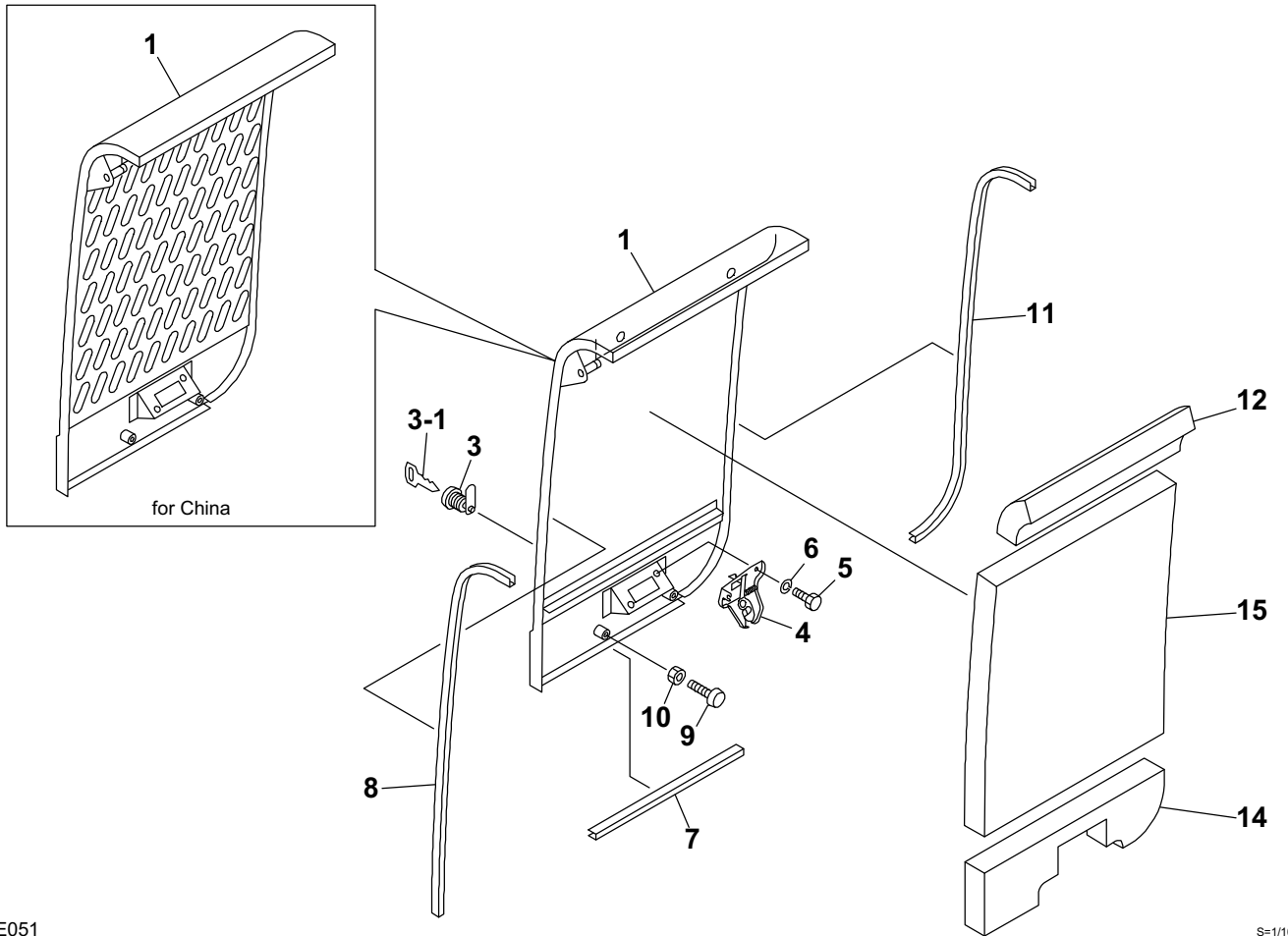


L3E042

S=1/15

COVER (4/7) (engine hood)						
Item	Part number	Description	Q'ty	Chan.	Serial No.	Serv. Remarks
0-2	0568243990	HOOD ASSY, engine	1			
1	0568243750	· HOOD, engine	1			
2	0568243972	· ABSORBENT, noise	1			
3	0568243973	· ABSORBENT, noise	1			
4	0568243974	· ABSORBENT, noise	1			
5	0568243975	· ABSORBENT, noise	1		17510003~17510590	
	0568244350	· ABSORBENT, noise	1	(H)	17510591~	
6	0568243976	· ABSORBENT, noise	1			
7	0568243977	· ABSORBENT, noise	1			
8	0568243978	· ABSORBENT, noise	2			
9	0568243979	· ABSORBENT, noise	1			
10	0568243971	· ABSORBENT, noise	1			
11	0568242270	· STRIKER	1			
12	1140020008	· WASHER, spring	2			
13	1141110008	· WASHER	2			
14	1100040820	· BOLT	2			
15	1703006400	· LAMP, tail	2			
15-1	1703006401	· · BULB	2			
16	1703006460	· LAMP, tail	2			
16-1	1703006461	· · BULB	2			
17	1130030004	· NUT	8			
18	1140020004	· WASHER, spring	8			
19	1654606282	· SEAL	1			sold by the meter
20	1652436025	· WASHER	10			
21	0564226700	· HARNESS, wiring	1			
22	1652051400	· GROMMET	8			
23	0872433150	· CLAMP	2			
24	0568244360	· ABSORBENT, noise	1		17510591~	
	L3e044					

TB175(P-TB175BAB) Book No. BL3Z010 S/N 17510003-
COVER (5/7) (side cover; R.H.)



L3E051

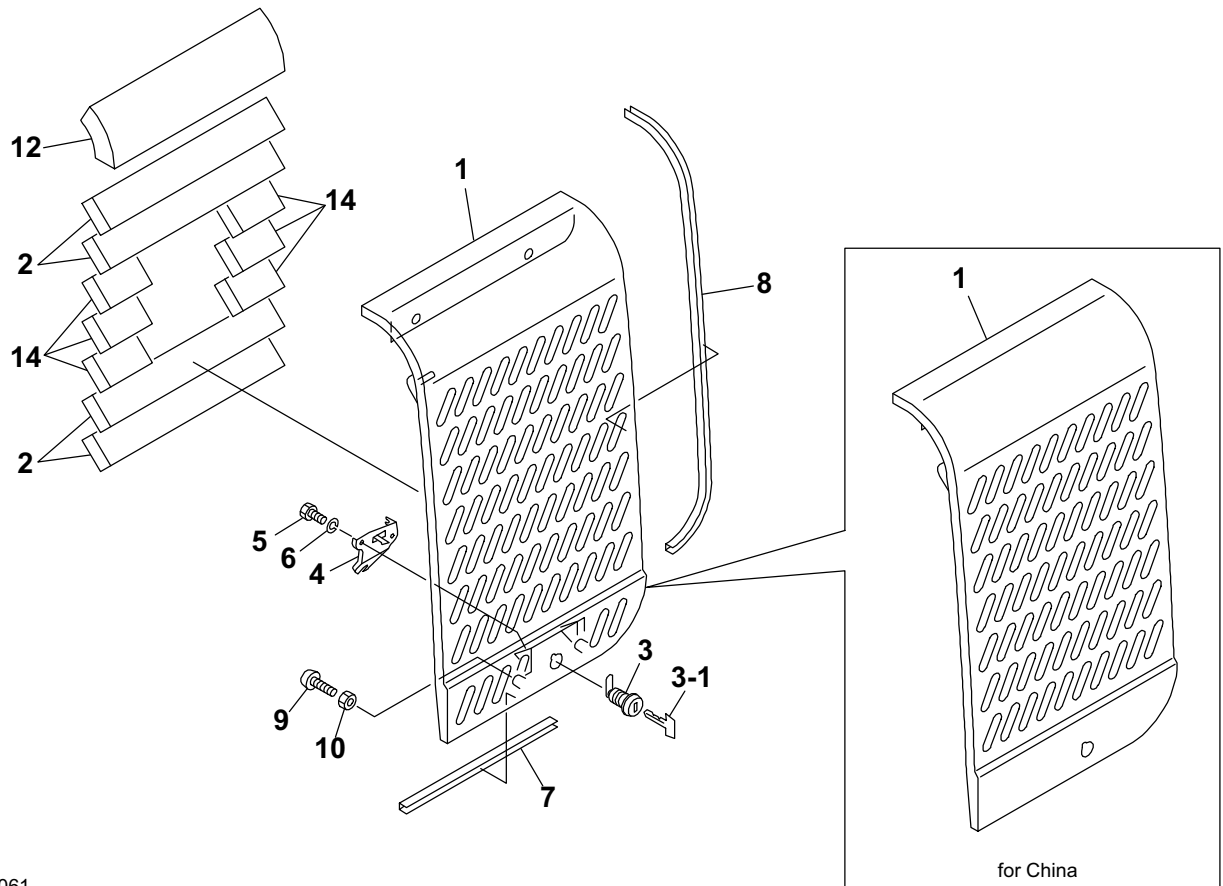
S=1/10

COVER (5/7) (side cover; R.H.)

Item	Part number	Description	Q'ty	Chan.	Serial No.	Serv.	Remarks
0-3	0568243300	COVER ASSY, side (R.H.)	1				
	0568259640	COVER , side (R.H.) (for China)	1		17517508~		
1	0568243320	· COVER, side (R.H.)	1				
	0568259610	· COVER, side (R.H.)	1		17517508~	M	for China
3	0568221700	· LOCK	1				
3-1	1700100019	· KEY	1				
4	1653900024	· CATCH	1				
5	1100040612	· BOLT	2				
6	1140020006	· WASHER, spring	2				
7	1654605030	· STRIP, weather	1				sold by the meter
8	1654606073	· RUBBER	1				sold by the meter
9	1652515100	· RUBBER, cushion	2				
10	1130040005	· NUT	2				
11	1654520076	· RUBBER	1				sold by the meter
12	0568242312	· ABSORBENT, noise	1				except for China
14	0568242314	· ABSORBENT, noise	1				except for China
15	0568242315	· ABSORBENT, noise	1				except for China

L3e053

TB175(P-TB175BAB) Book No. BL3Z010 S/N 17510003-
COVER (6/7) (side cover; L.H.)



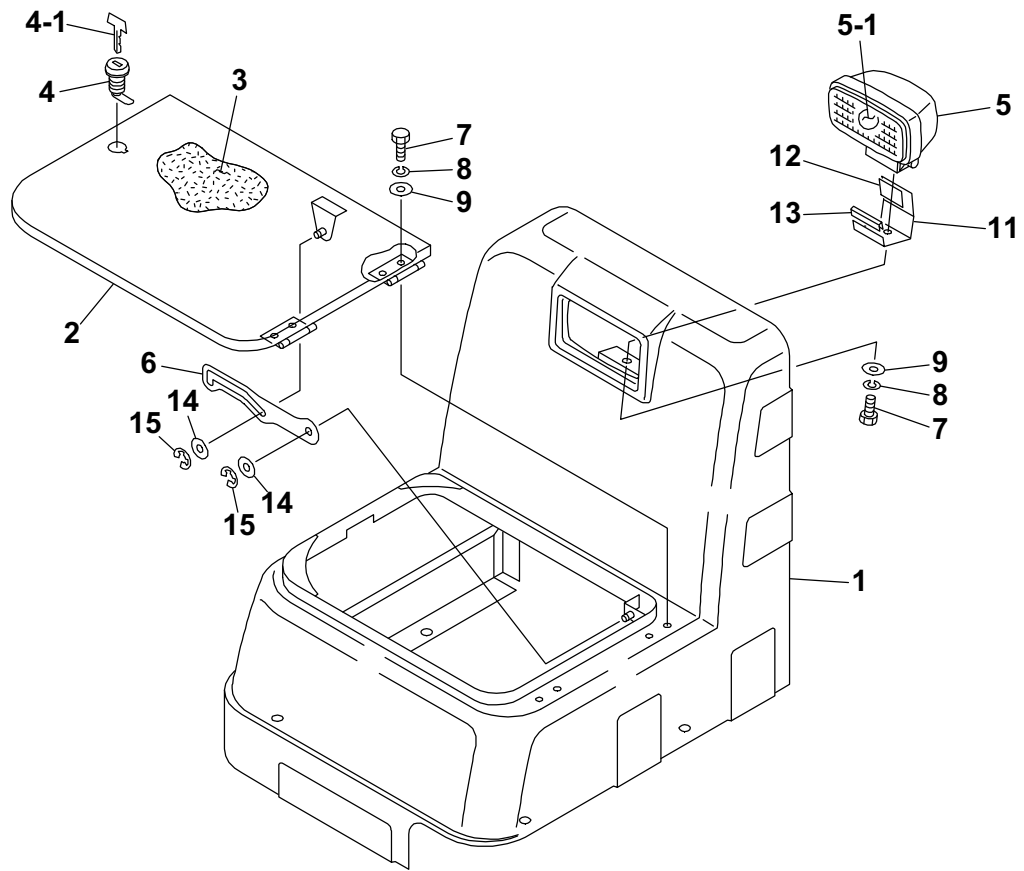
L3E061

S=1/10

COVER (6/7) (side cover; L.H.)

Item	Part number	Description	Q'ty	Chan.	Serial No.	Serv.	Remarks
0-4	0568243350	COVER ASSY, side (L.H.)	1				
	0568259620	COVER , side (L.H.) (for China)	1		17517508~		
1	0568243380	· COVER, side (L.H.)	1				
	0568259630	· COVER, side (L.H.)	1		17517508~	M	for China
2	0568243353	· ABSORBENT, noise	4				except for China
3	0568221700	· LOCK	1				
3-1	1700100019	· KEY	1				
4	1653900024	· CATCH	1				
5	1100040612	· BOLT	2				
6	1140020006	· WASHER, spring	2				
7	1654605030	· STRIP, weather	1				sold by the meter
8	1654520076	· RUBBER	1				sold by the meter
9	1652515100	· RUBBER, cushion	2				
10	1130040005	· NUT	2				
12	0568242312	· ABSORBENT, noise	1				except for China
14	0568243352	· ABSORBENT, noise	6				except for China
	L3e063						

TB175(P-TB175BAB) Book No. BL3Z010 S/N 17510003-
COVER (7/7) (front cover)



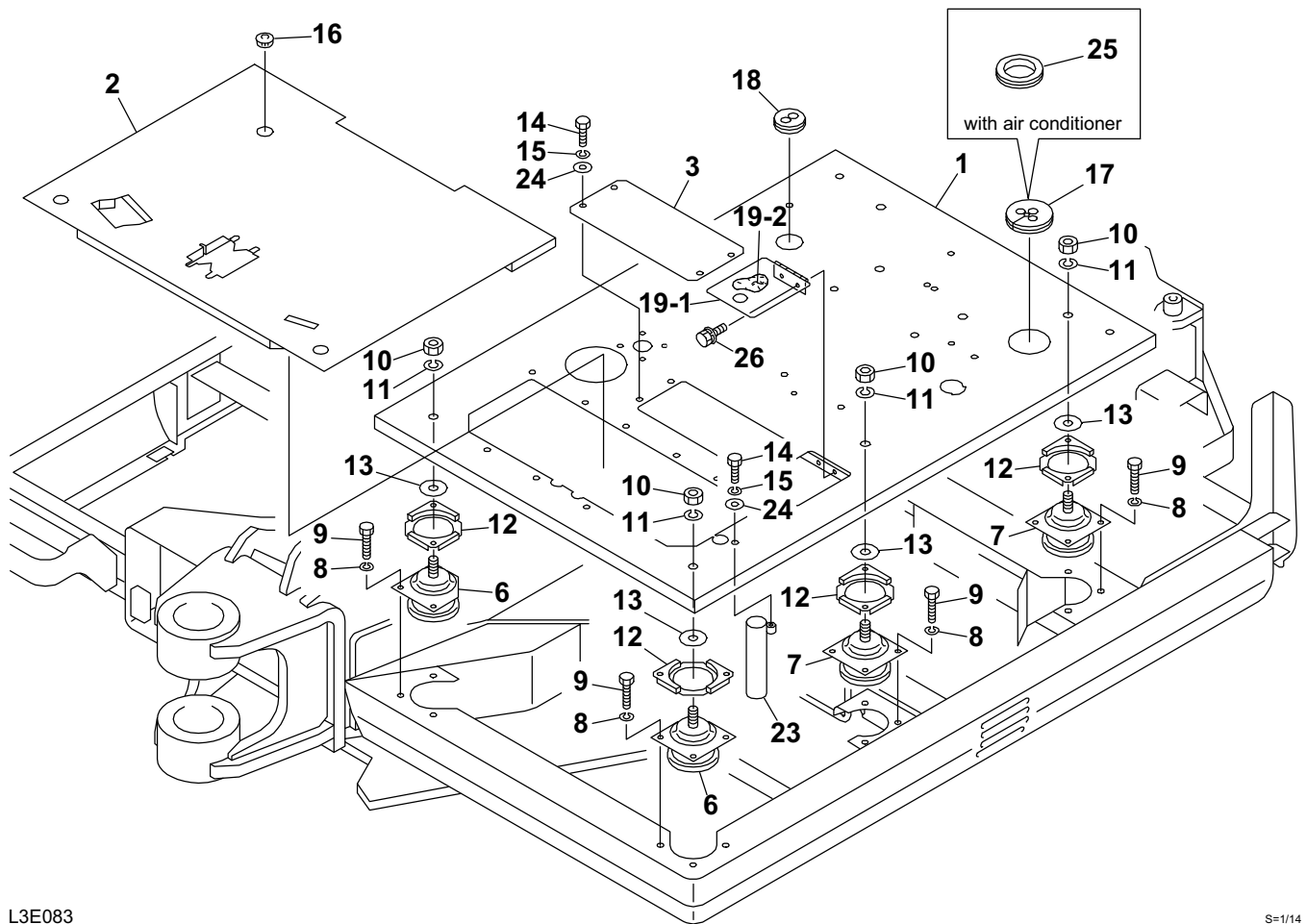
L3E070

S=1/10

COVER (7/7) (front cover)

Item	Part number	Description	Q'ty	Chan.	Serial No.	Serv.	Remarks
0-5	0568243500	COVER ASSY, front	1				
1	0568243400	· COVER	1				
2	0568243410	· COVER	1				
3	0568243480	· SEAL	1				
4	1653602395	· LOCK	1				
4-1	1700100019	· KEY	1				
5	1703003700	· LAMP	1				
5-1	1703003701	· · BULB	1				
6	0568243505	· PLATE	1				
7	1100040820	· BOLT	5				
8	1140020008	· WASHER, spring	5				
9	1141110008	· WASHER	5				
11	0378206310	· PLATE	1				
12	0880841210	· RUBBER	1				
13	1654613006	· PLATE	1				sold by the meter
14	1141110010	· PACKING	2				
15	1224010009	· RING, snap	2				
	L3e072						

TB175(P-TB175BAB) Book No. BL3Z010 S/N 17510003-
FLOOR PLATE (17510003-17517153)



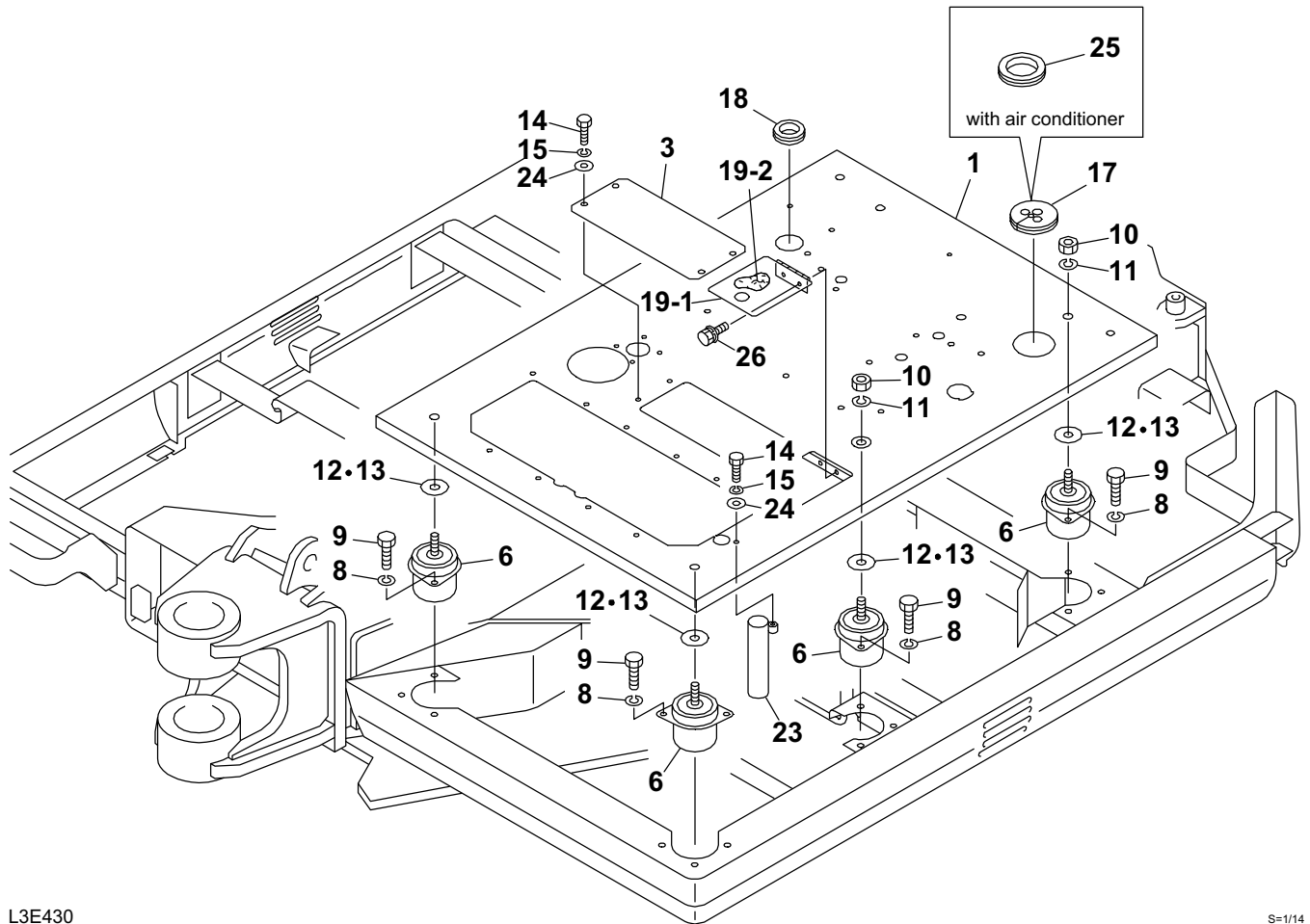
L3E083

S=1/14

FLOOR PLATE (17510003-17517153)

Item	Part number	Description	Q'ty	Chan.	Serial No.	Serv.	Remarks
		PLATE ASSY, floor					
		PLATE ASSY, floor (with air conditioner)					
1	0563515100	PLATE	1				
2	0563515200	MAT, floor	1		17510003~17514465		see page "FLOOR
	0563516200	MAT, floor (with air conditioner)	1		17510003~17513847		see page "FLOOR
3	0563502300	COVER	1				
6	0563513300	MOUNT	2				
7	0563513400	MOUNT	4				
8	1140020012	WASHER, spring	18				
9	1101041240	BOLT	18				
10	1130040016	NUT	6				
11	1140020016	WASHER, spring	6				
12	0563513500	STOPPER	6				
13	0003600062	WASHER	AR				t=3.2mm
	0003000010	WASHER	AR				t=6.0mm
14	1100040820	BOLT	5				
15	1140020008	WASHER, spring	5				
16	1652533010	CAP	1		17511089~17514465		
17	1652030001	GROMMET	1				without air condition
18	1652030006	GROMMET	1				
19	0563515300	COVER ASSY	1				
19-1	0563515310	· COVER	1				
19-2	0563515320	· RUBBER	1				
23	0563517300	PIPE	1				
24	1141110008	WASHER	5				
25	1652030005	GROMMET	1				with air conditioner
26	1100560612	BOLT	2				
	L3e085						

TB175(P-TB175BAB) Book No. BL3Z010 S/N 17510003-
FLOOR PLATE (17517154-)



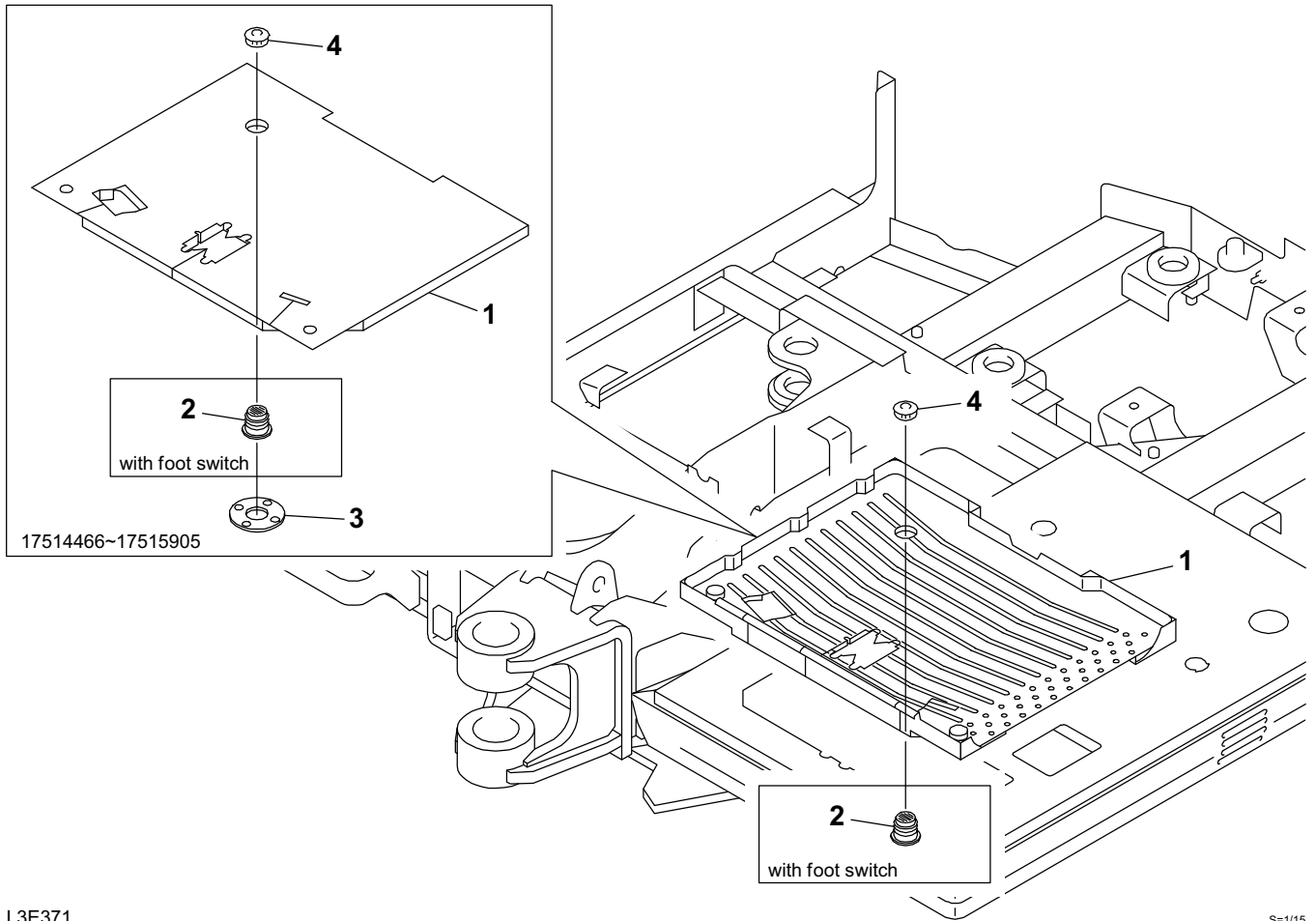
L3E430

S=1/14

FLOOR PLATE (17517154-)

Item	Part number	Description	Q'ty	Chan.	Serial No.	Serv.	Remarks
		PLATE ASSY, floor					
		PLATE ASSY, floor (with air conditioner)					
1	0563535100	PLATE	1				
3	0563502300	COVER	1				
6	0573500180	MOUNT	6		17517154~17518203		
	0573500670	MOUNT	6		17518204~	M	
8	1140020012	WASHER, spring	12				
9	1101041235	BOLT	12				
10	1130040016	NUT	4				
11	1140020016	WASHER, spring	4				
12	0003600121	WASHER	AR				t=1.2mm
13	0003600062	WASHER	AR				t=3.2mm
14	1100040820	BOLT	5				
15	1140020008	WASHER, spring	5				
17	1652030001	GROMMET	1				without air condition
18	1652030006	GROMMET	1				
19	0563515300	COVER ASSY	1				
19-1	0563515310	· COVER	1				
19-2	0563515320	· RUBBER	1				
23	0563517300	PIPE	1				
24	1141110008	WASHER	5				
25	1652030005	GROMMET	1				with air conditioner
26	1100560612	BOLT	2				
	L3e430						

TB175(P-TB175BAB) Book No. BL3Z010 S/N 17510003-
FLOOR MAT (17514466-)



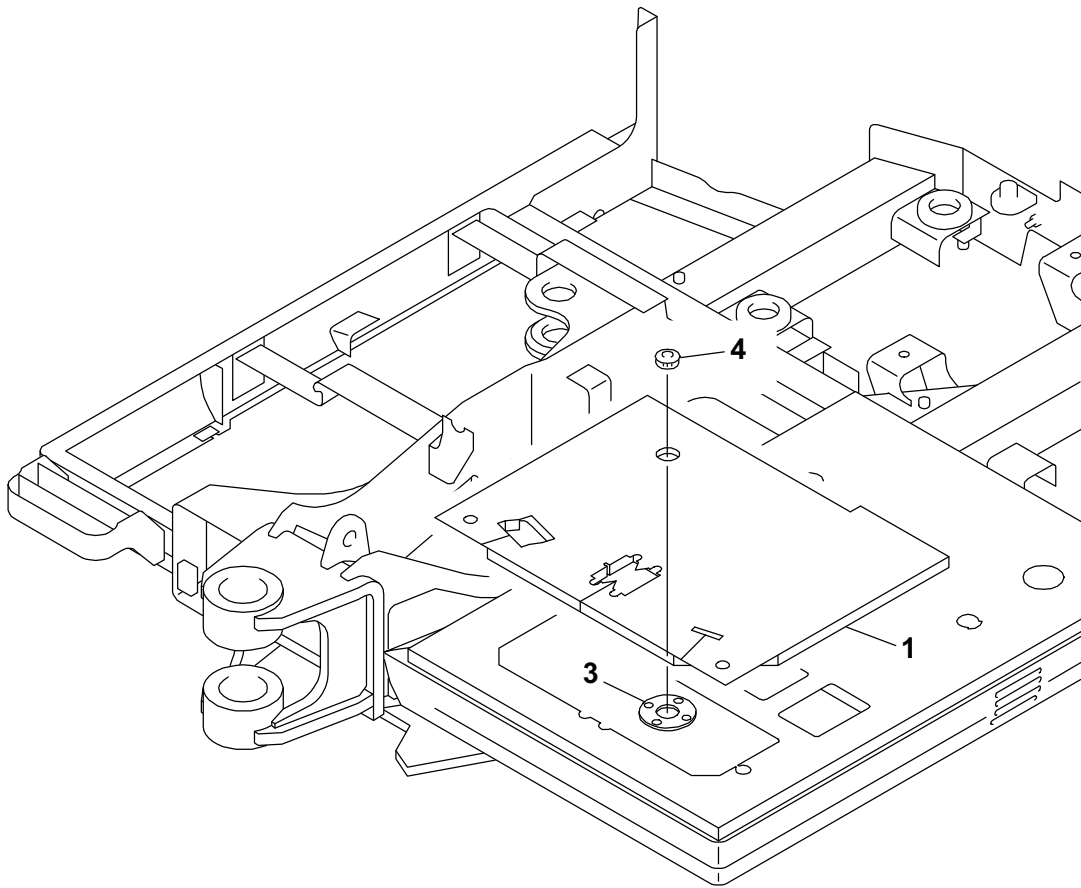
L3E371

S=1/15

FLOOR MAT (17514466-)

Item	Part number	Description	Q'ty	Chan.	Serial No.	Serv.	Remarks
		MAT ASSY, floor (with foot switch)					
		MAT ASSY, floor (without foot switch)					
1	0563533020	MAT, floor	1		17514466~17515905		
	0563533220	MAT, floor	1		17515906~		
2	0573500240	RUBBER	1				with foot switch
3	0573500225	URETHANE	1		17514466~17515905		without foot switch
4	1652533013	CAP	1				without foot switch
	L3e371						

TB175(P-TB175BAB) Book No. BL3Z010 S/N 17510003-
FLOOR MAT (boost fan type)



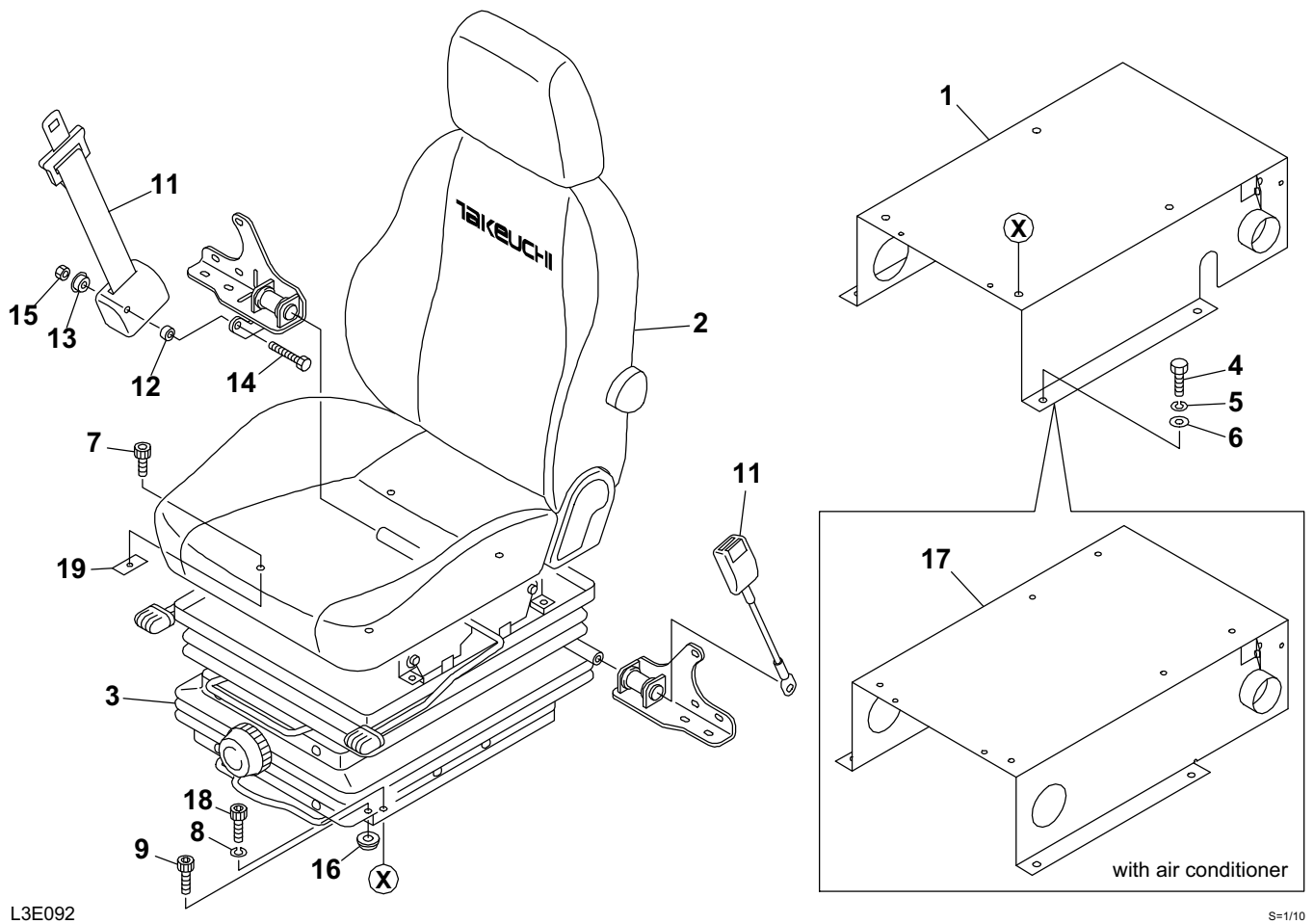
L3E440

S=1/15

FLOOR MAT (boost fan type)

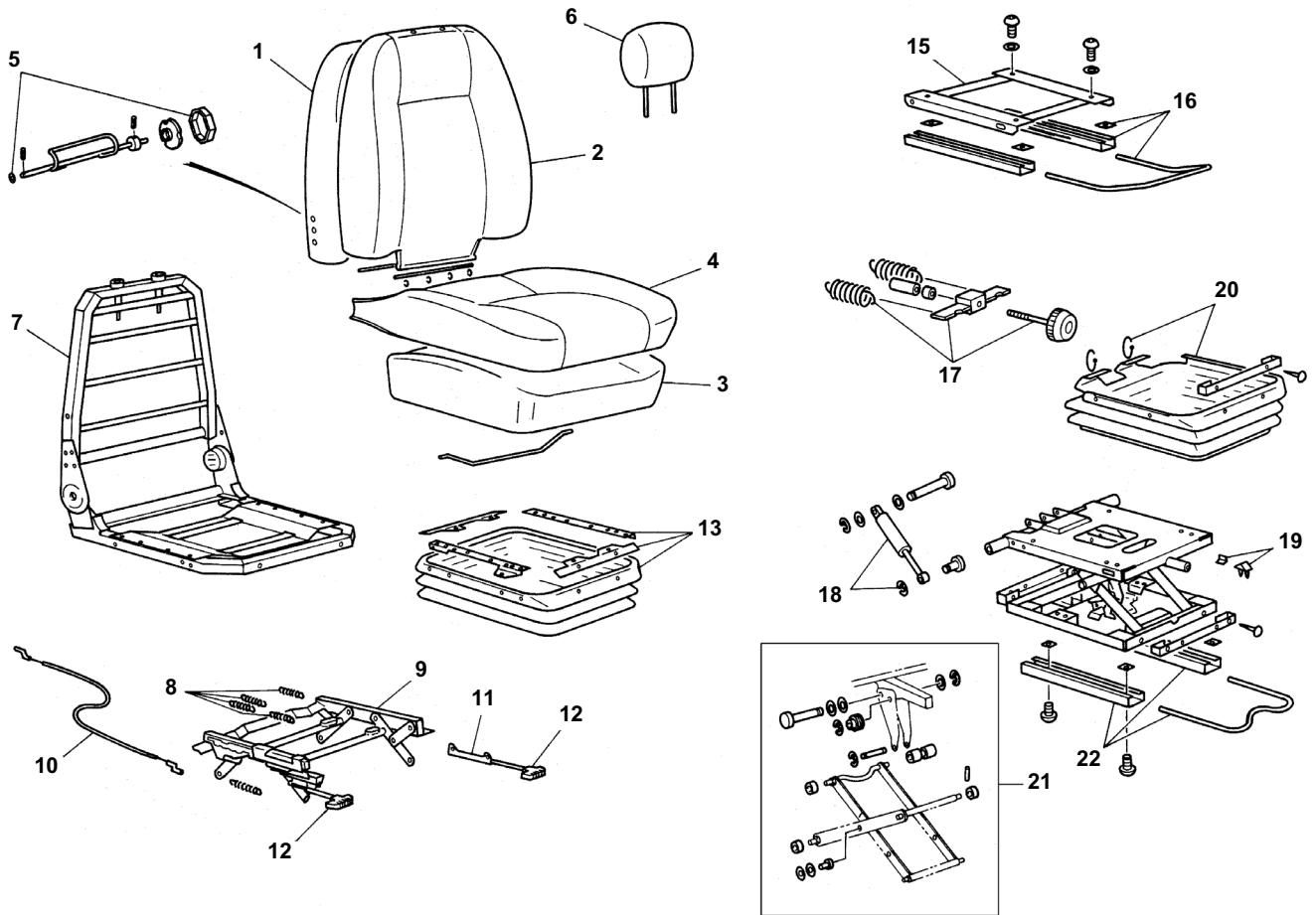
Item	Part number	Description	Q'ty	Chan.	Serial No.	Serv.	Remarks
1	0563533050	MAT ASSY, floor	1				
3	0573500225	MAT, floor	1				M
4	1652533013	URETHANE	1				
	L3e440	CAP	1				

TB175(P-TB175BAB) Book No. BL3Z010 S/N 17510003-
SEAT (1/2)



SEAT (1/2)							
Item	Part number	Description	Q'ty	Chan.	Serial No.	Serv.	Remarks
		SEAT ASSY					
		SEAT ASSY (with air conditioner)					
1	0563419100	BRACKET	1				without air conditioner
2	1914100049	SEAT	1				See page (2/2)
3	1914100050	SUSPENSION	1	(L)	17510003~17512545		
	1914100098	SUSPENSION	1	(H)	17512546~		
4	1100041025	BOLT	4				
5	1140020010	WASHER, spring	4				
6	1141110010	WASHER	4				
7	1110040820	SCREW, cap	4				
8	1140420008	WASHER, spring	4				
9	1110040830	SCREW, cap	1				
11	1914100078	BELT, seat	1				
12	0563418100	COLLAR	1				
13	0563418200	WASHER	1				
14	1102540738	BOLT	1				
15	1132940719	NUT	1				
16	0563419200	STOPPER	1				
17	0564624610	BRACKET	1				with air conditioner
18	1110040816	SCREW, cap	4				
19	0563419001	SPACER	4			M	
	L3e093						

TB175(P-TB175BAB) Book No. BL3Z010 S/N 17510003-
SEAT (2/2)



L3E102

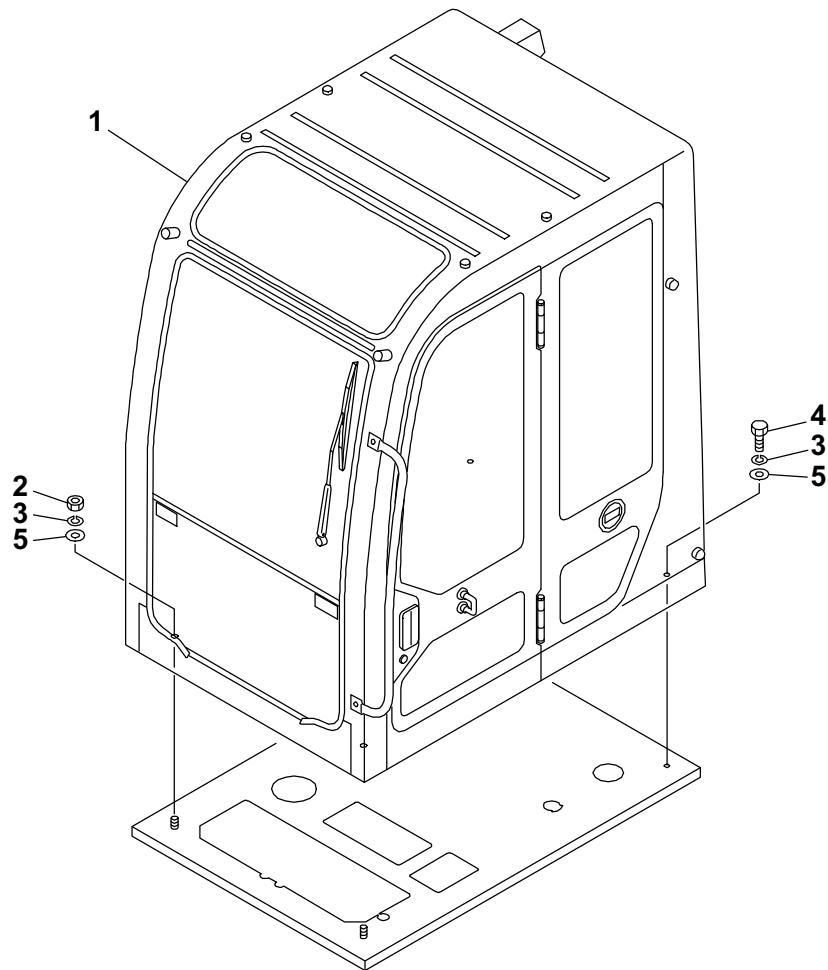
S=free

SEAT (2/2)

Item	Part number	Description	Q'ty	Chan.	Serial No.	Serv.	Remarks
1	1914102049	FORM	1				
2	1914103049	COVER	1				
3	1914104049	FORM	1				
4	1914124049	COVER	1				
5	1914106049	SUPPORT	1				
6	1914107049	REST ASSY, head	1				
7	1914108049	FORM	1				
8	1914109049	SPRING	1				
9	1914110049	HEIGHT RISER	1				
10	1914111049	CABLE	1				
11	1914112049	LATCH	1				
12	1914113049	KNOB	1				
13	1914114049	COVER	1				
15	1914116049	MOUNTING	1				
16	1914117049	RAIL, slide	1				
17	1914118049	ADJUSTER	1				
18	1914119049	DAMPER	1				
19	1914120049	STOPPER	1				
20	1914122049	COVER	1				
21	1914123049	PIVOT	1				
22	1914115049	RAIL, slide	1				

L3e102

TB175(P-TB175BAB) Book No. BL3Z010 S/N 17510003-
CAB MOUNT

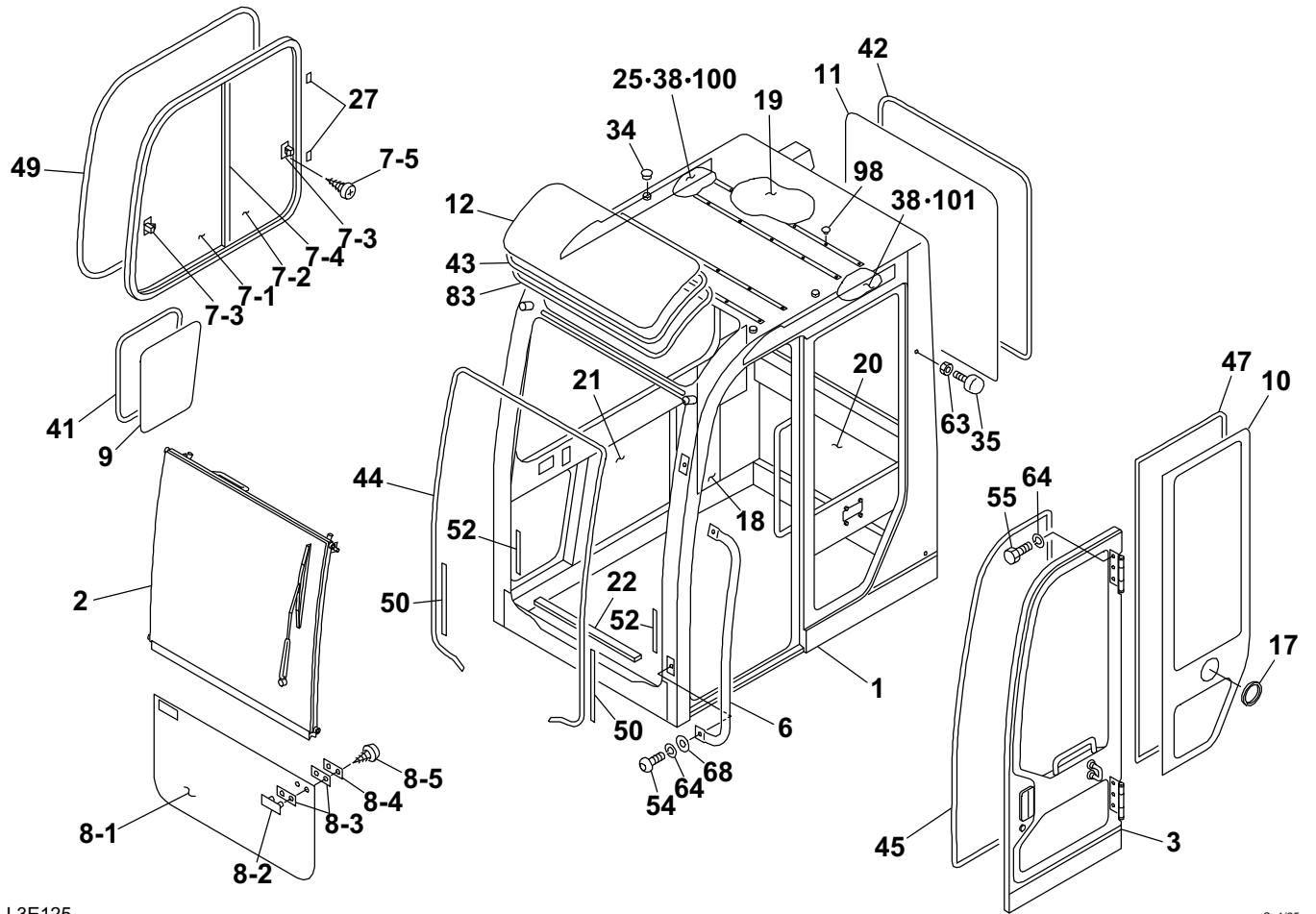


L3E111

S=1/20

CAB MOUNT						
Item	Part number	Description	Q'ty	Chan.	Serial No.	Serv. Remarks
0	X *****	CAB MOUNT				
	X *****	CAB MOUNT (for air con., FOPS)				
	X *****	CAB MOUNT (for air con., FOPS, BEACON)				
1	X *****	· CAB	1		17510003~17510990	
	X *****	· CAB	1	(H)	17510991~17512104	
	X *****	· CAB	1	(H)	17512105~17512484	
	0568649500	· CAB	1	(H)	17512485~	
	X *****	· CAB (for air con., FOPS)	1	(H)	17510003~17510990	
	X *****	· CAB (for air con., FOPS)	1	(H)	17510991~17512104	
	X *****	· CAB (for air con., FOPS)	1	(H)	17512105~17512484	
	0564626500	· CAB (for air con., FOPS)	1	(H)	17512485~	
	0568649800	· CAB (for air con., FOPS, BEACON)	1			
2	1130040016	· NUT	2			
3	1140020016	· WASHER, spring	4			
4	1100041640	· BOLT	2			
5	1141110016	· WASHER	4			
	L3e114					

TB175(P-TB175BAB) Book No. BL3Z010 S/N 17510003-
CAB (1/4)

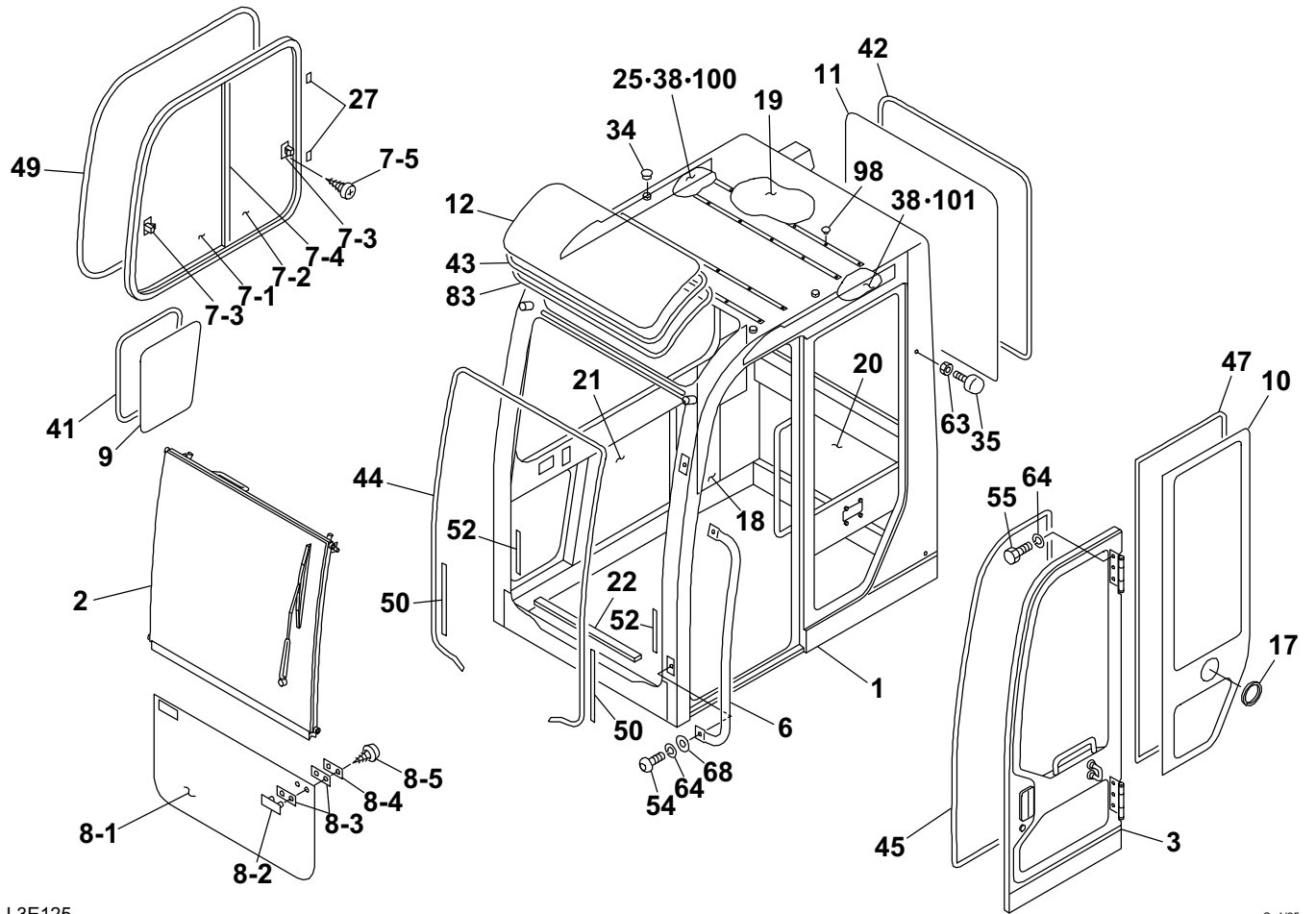


L3E125

S=1/25

				CAB (1/4)					
Item	Part number	Description	Q'ty	Chan.	Serial No.	Serv.	Remarks		
0	X *****	CAB	1		17510003~17510990				
	X *****	CAB	1	(H)	17510991~17512104				
	X *****	CAB	1	(H)	17512105~17512484				
	0568649500	CAB	1	(H)	17512485~				
X	*****	CAB (for air con., FOPS)	1	(H)	17510003~17510990				
X	*****	CAB (for air con., FOPS)	1	(H)	17510991~17512104				
X	*****	CAB (for air con., FOPS)	1	(H)	17512105~17512484				
	0564626500	CAB (for air con., FOPS)	1	(H)	17512485~				
	0568649800	CAB (for air con., FOPS, BEACON)	1						
1	X *****	· CAB	1						
2	0568644400	· SASH, front	1		17510003~17510990				see page (3/4)
	0568648220	· SASH, front	1	(H)	17510991~				see page (3/4)
3	0568629200	· DOOR	1						see page (4/4)
6	0568625500	· HANDRAIL	1		17510003~17514609				
7	0568639510	· SASH ASSY	1		17510003~17510990				
	0568644500	· SASH ASSY	1	(H)	17510991~				
7-1	0568639512	· · GLASS	1		17510003~17510990				
	0568644520	· · GLASS	1		17510991~				
7-2	0568639513	· · GLASS	1		17510003~17510990				
	0568644530	· · GLASS	1		17510991~				
7-3	1654008300	· · LOCK ASSY	2		17510003~17510990				
	0338630650	· · LOCK ASSY	2		17510991~				
7-4	1654008200	· · STRIP, weather	1						
7-5	1122420410	· · SCREW	4						
8	0378601600	· GLASS ASSY, front	1						
8-1	0378601610	· · GLASS	1						
8-2	1654010900	· · RETAINER	2						
8-3	1654011100	· · PACKING	4						
8-4	1654011000	· · PLATE	2						
8-5	1122410412	· · SCREW	4						
9	0568639530	· GLASS	1						
10	0568639540	· GLASS	1						
11	0568639550	· GLASS	1						
12	0568633200	· GLASS	1		17510003~17512485				
	0358605300	· GLASS	1		17512486~				
17	0568626600	· GROMMET	1						
18	0564618910	· ABSORBENT, noise	1						for air con., FOPS
19	0568641110	· ABSORBENT, noise	4						
	0564618920	· ABSORBENT, noise	1		17510003~17512104				for air con., FOPS
	0568648570	· ABSORBENT, noise	1		17512105~				for air con., FOPS
20	0568639580	· ABSORBENT, noise	1						
21	0568634520	· ABSORBENT, noise	1						
22	0568634100	· SEAL	1						
25	0564618930	· ABSORBENT, noise	1		17510003~17512104				for air con., FOPS
27	0438601770	· SPACER	7						
34	1653303010	CAP	6						
35	1651101042	· RUBBER	2						
38	0564618940	· ABSORBENT, noise	1		17510003~17512104				for air con., FOPS
	0568648590	· ABSORBENT, noise	2	A	17512105~17514186				for air con., FOPS
41	1654262150	· H-RUBBER	1						sold by the meter
42	1654231325	· H-RUBBER	1						sold by the meter
43	1654231225	· H-RUBBER	1		17510003~17512485				sold by the meter
	1654615216	· DAM	1		17512486~				sold by the meter
44	1654605440	· RUBBER	1						sold by the meter
45	1654605341	· RUBBER	1						sold by the meter
47	1654615235	· DAM	1						sold by the meter
49	1653930375	· RUBBER	1						sold by the meter
50	1654605033	· RUBBER	2						sold by the meter
52	1653916019	· RUBBER	2						sold by the meter
54	1120991025	· SCREW	2						

TB175(P-TB175BAB) Book No. BL3Z010 S/N 17510003-
CAB (1/4)

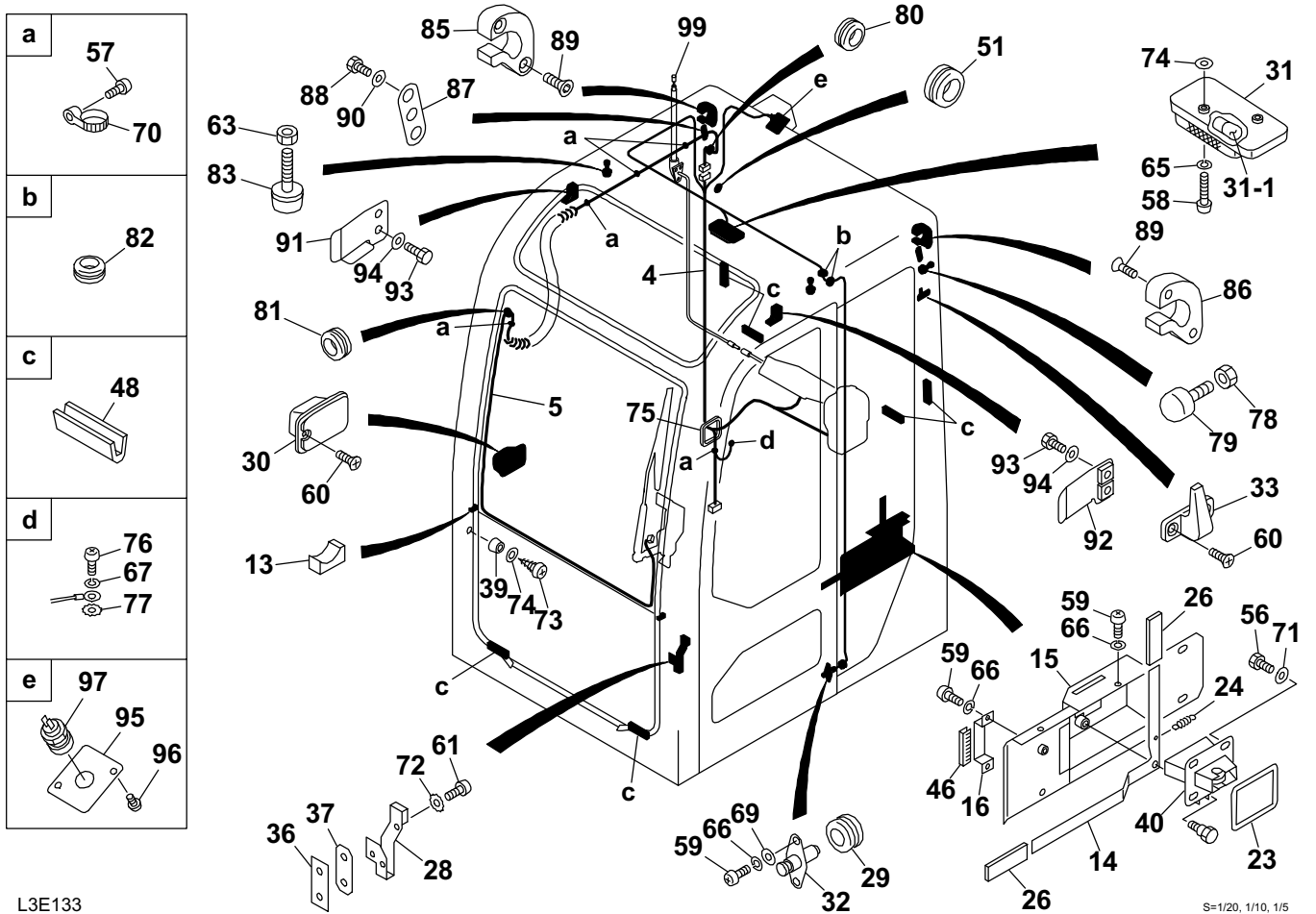


L3E125

S=1/25

CAB (1/4)						
Item	Part number	Description	Q'ty	Chan.	Serial No.	Serv. Remarks
55	1100290820	· BOLT	6			
63	1130090010	· NUT	2		17510003~17510990	
64	1140090010	· WASHER, spring	8			
68	1141190010	· WASHER	2			
83	1653916222	· TRIM	1		17512486~	sold by the meter
98	1654011725	· CAP	24		17512486~	
100	0568649520	· ABSORBENT, noise	1	a(H)	17514187~	for air con., FOPS
101	0568649530	· ABSORBENT, noise	1	a(H)	17514187~	for air con., FOPS
		<<NOTE>>				
		"A" is interchangeable with SET "a".				
	L3e126					

TB175(P-TB175BAB) Book No. BL3Z010 S/N 17510003-
 CAB (2/4)

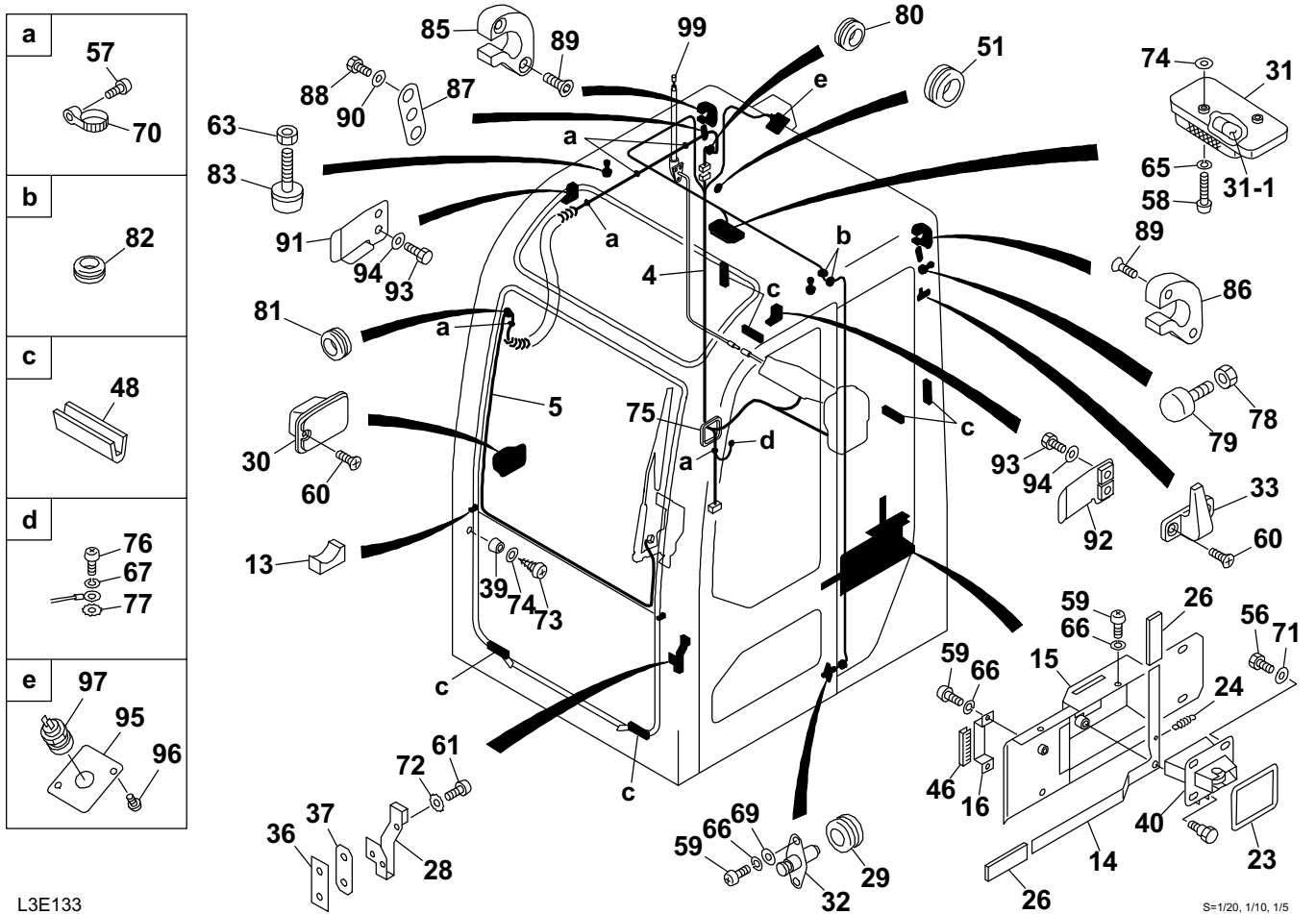


L3E133

S=1/20, 1/10, 1/5

		CAB (2/4)					
Item	Part number	Description	Q'ty	Chan.	Serial No.	Serv.	Remarks
0	X *****	CAB	1		17510003~17510990		
	X *****	CAB	1	(H)	17510991~17512104		
	X *****	CAB	1	(H)	17512105~17512484		
	0568649500	CAB	1	(H)	17512485~		
	X *****	CAB (for air con., FOPS)	1	(H)	17510003~17510990		
	X *****	CAB (for air con., FOPS)	1	(H)	17510991~17512104		
	X *****	CAB (for air con., FOPS)	1	(H)	17512105~17512484		
	0564626500	CAB (for air con., FOPS)	1	(H)	17512485~		
	0568649800	CAB (for air con., FOPS, BEACON)	1				
4	0568801100	· HARNESS, wiring	1		17510003~17512104		
	0568649250	· HARNESS, wiring	1		17512105~		
5	0568801200	· HARNESS, wiring	1				
13	0568633300	· STOPPER	2				
14	0378601420	· PLATE	1				
15	0568644300	· COVER	1				
16	0338630870	· PLATE	1				
23	0568634400	· SEAL	1				
24	0007000096	· SPRING	1				
26	0438601760	· COVER	2				
28	0068620500	· STRIKER	1				
29	1652051600	· GROMMET	1				
30	1654010500	· ASHTRAY	1				
31	1703004100	· LAMP, room	1				
31-1	1703004101	· · BULB	1				
32	1700000015	· SWITCH	1				
33	1654004800	· HANGER	1				
36	0338630880	· PLATE	1				
37	0338630930	· PACKING	1				
39	1652102320	· RUBBER	2				
40	1654005100	· LOCK	1				
46	1653916007	· RUBBER	1				sold by the meter
48	1654004900	· STOPPER	6				
51	1652060031	· GROMMET	1				
56	1100040825	· BOLT	4				
57	1120590512	· SCREW	5				
58	1120530520	· SCREW	2				
59	1120590408	· SCREW	8				
60	1120690412	· SCREW	4				
61	0068621300	· SCREW	2				
63	1130090010	· NUT	2		17510003~17510990		
65	1140020005	· WASHER, spring	2				
66	1140090004	· WASHER, spring	8				
67	1140020006	· WASHER, spring	1				
69	1141190004	· WASHER	2				
70	1652221050	· BAND	5				
71	1141110008	· WASHER	4				
72	1140330010	· WASHER	2				
73	1122410416	· SCREW	2				
74	1141190005	· WASHER	3				
75	1653916020	· SEAL	1				sold by the meter
76	1120530616	· SCREW	1				
77	1140330006	· WASHER	1				
78	1130140012	· NUT	2		17510003~17510990		
79	1651101224	· STOPPER	2		17510003~17510990		
80	1652001602	· GROMMET	1				
81	1652000602	· GROMMET	2		17510003~17510990		
82	1652001002	· GROMMET	2				
83	1651101028	· STOPPER	2		17510003~17510990		
85	0338630910	· STOPPER (R.H.)	1		17510991~		
86	0338630960	· STOPPER (L.H.)	1		17510991~		

TB175(P-TB175BAB) Book No. BL3Z010 S/N 17510003-
 CAB (2/4)

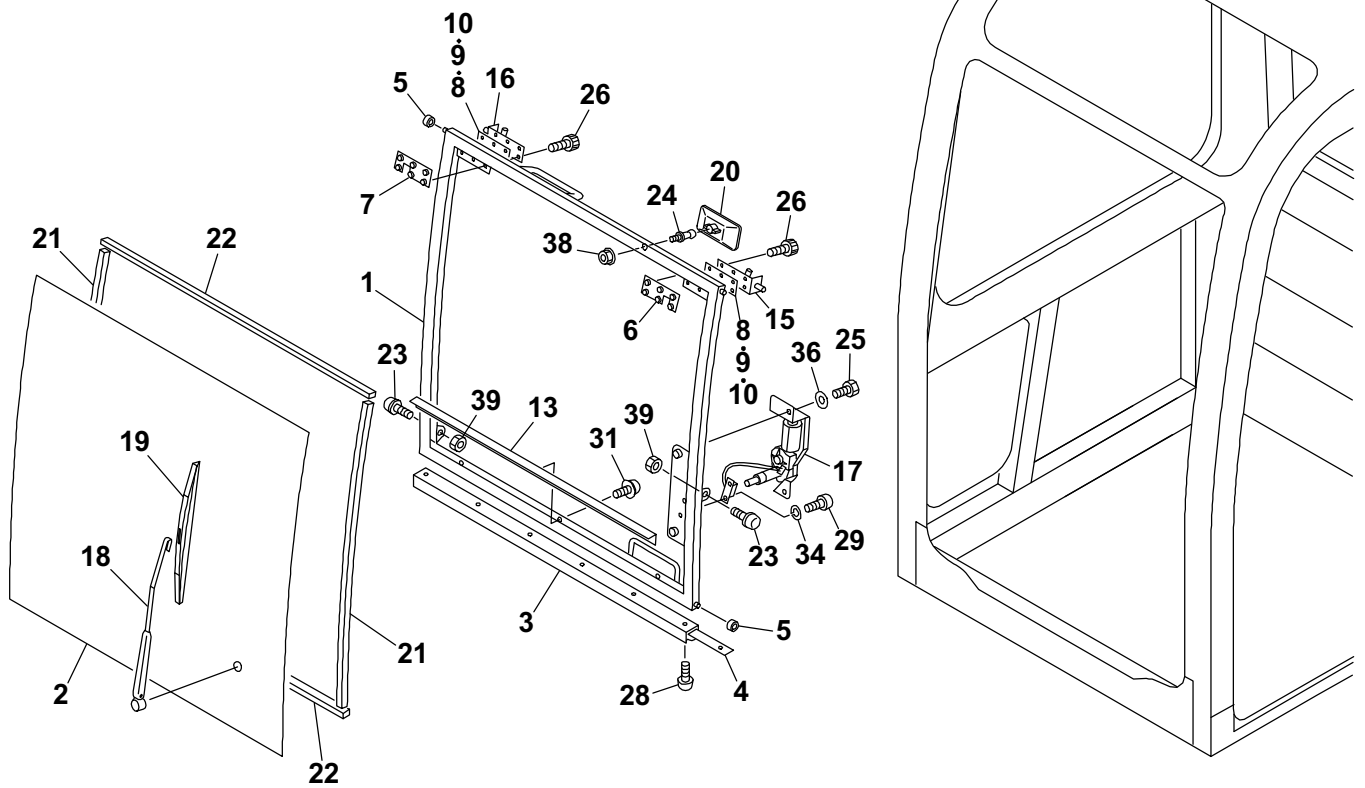


L3E133

S=1/20, 1/10, 1/5

CAB (2/4)							
Item	Part number	Description	Q'ty	Chan.	Serial No.	Serv.	Remarks
87	0338630920	· PLATE	2		17510991~		
88	1100090820	· BOLT	4		17510991~		
89	1120800830	· SCREW	4		17510991~		
90	1141190008	· WASHER	4		17510991~		
91	0568648162	· STOPPER(R.H.)	1		17510991~		
92	0568648163	· STOPPER(L.H.)	1		17510991~		
93	1100090612	· BOLT	4		17510991~		
94	1141190006	· WASHER	4		17510991~		
95	0578600143	· COVER	1		17512105~		
96	1150420512	· SCREW	2		17512105~		
97	1711900066	· SOCKET	1		17512105~		
99	1705003460	· ANTENNA	1				
	L3e134						

TB175(P-TB175BAB) Book No. BL3Z010 S/N 17510003-
CAB (3/4) (front sash)

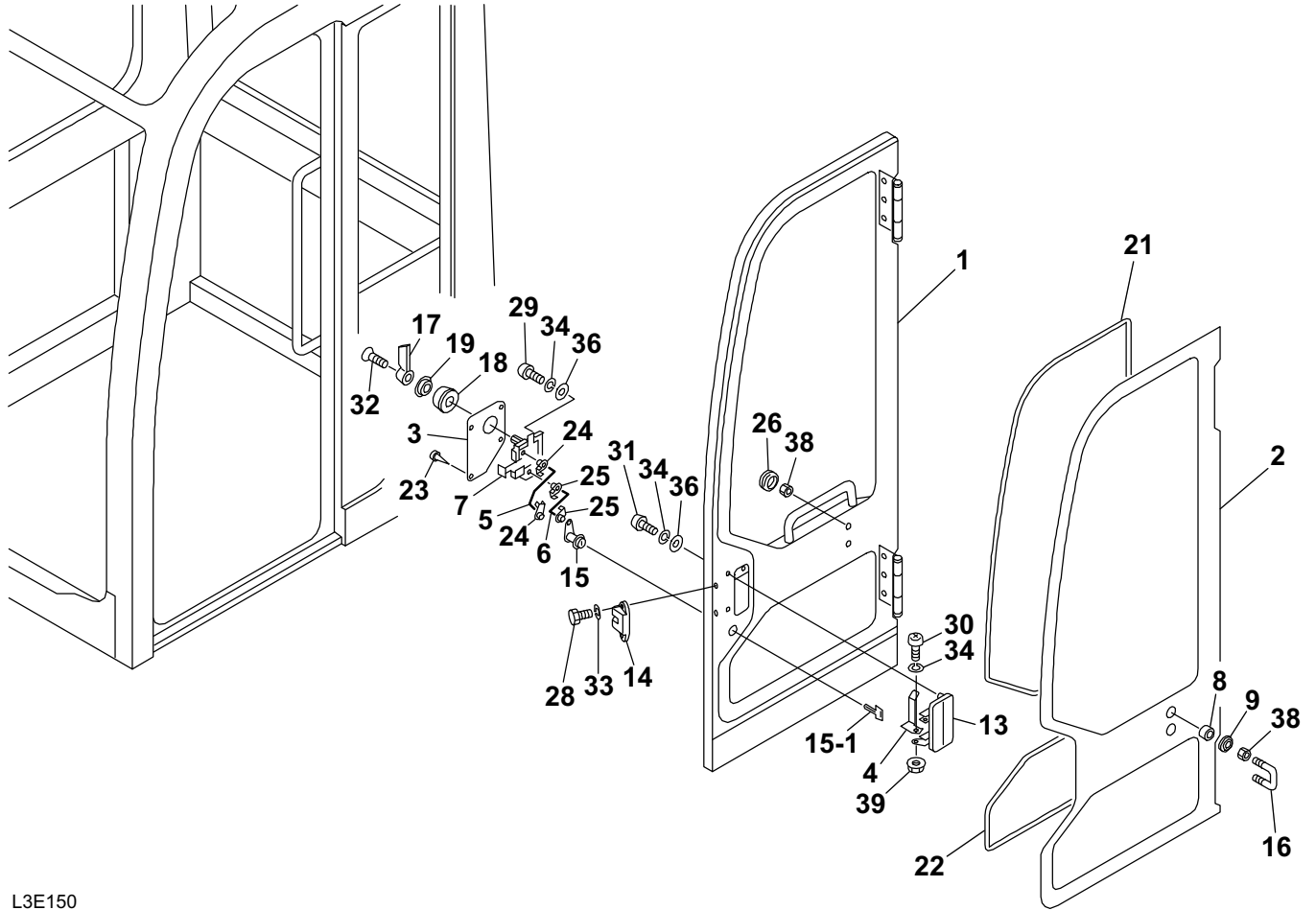


L3E141

S=1/15

CAB (3/4) (front sash)						
Item	Part number	Description	Q'ty	Chan.	Serial No.	Serv. Remarks
0-1	0568644400	SASH, front	1		17510003~17510990	
	0568648220	SASH, front	1	(H)	17510991~	
1	0568644410	· SASH, front	1		17510003~17510991	
	0568648310	· SASH, front	1		17510992~	
2	0568639330	· GLASS	1			
3	0568621800	· SEAL	1			
4	0568621900	· PLATE	1			
5	0568622200	· ROLLER	4			
6	0568622400	· PLATE (L.H.)	1			
7	0568622300	· PLATE	1			
8	0468605031	· SHIM t=0.7	AR			
9	0468605032	· SHIM t=1.2	AR			
10	0468605033	· SHIM t=1.6	AR			
13	0338630440	· PLATE	1			
15	1654005360	· LATCH (L.H.)	1			
16	1654005310	· LATCH (R.H.)	1			
17	1704078924	· MOTOR, wiper	1			
18	1704100530	· ARM, wiper	1			
19	1704200530	· BLADE	1			
20	1654005400	· MIRROR	1			
21	1654616080	· DAM	2			sold by the meter
22	1654615085	· DAM	2			sold by the meter
23	1651101028	· STOPPER	2			
24	1654006000	· BOLT	1			
25	1100290820	· BOLT	2			
26	1110090516	· SCREW, cap	12			
28	1120530408	· SCREW	6			
29	1120590408	· SCREW	2			
31	1120590516	· SCREW	3			
34	1140090004	· WASHER, spring	2			
36	1141190008	· WASHER	2			
38	1131242008	· NUT	1			
39	1130090010	· NUT	2			
	L3e142					

TB175(P-TB175BAB) Book No. BL3Z010 S/N 17510003-
CAB (4/4) (door; 17510003-17517883)



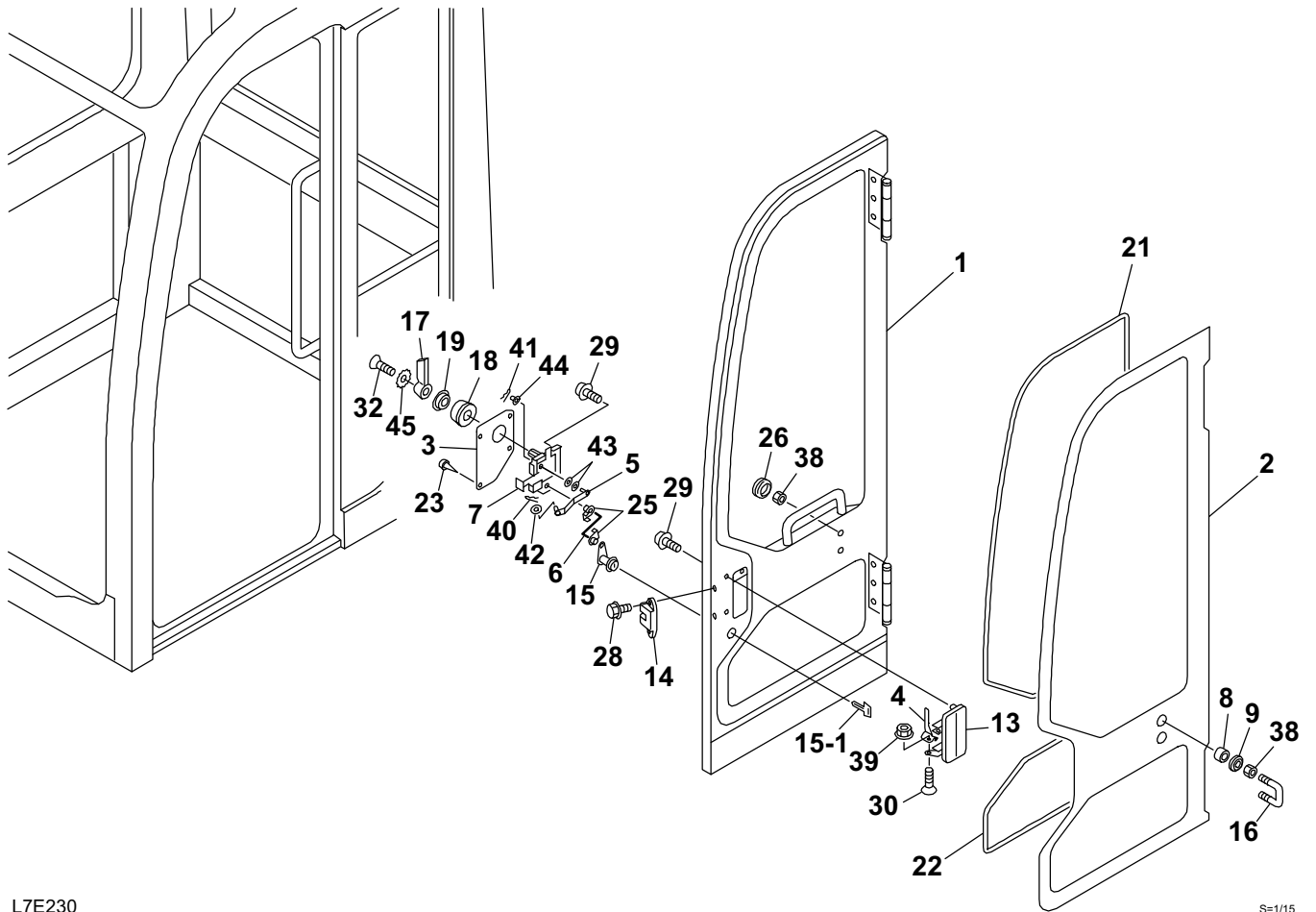
L3E150

S=1/15

CAB (4/4) (door; 17510003-17517883)

Item	Part number	Description	Q'ty	Chan.	Serial No.	Serv.	Remarks
0-2	0568629200	DOOR ASSY	1				
1	0568623100	· DOOR	1				
2	0568639430	· GLASS	1				
3	0568623300	· COVER	1				
4	0568630900	· PLATE	1				
5	0568630800	· ROD	1				
6	0568630600	· ROD	1				
7	0568623400	· CONTROL ASSY	1				
8	0568623500	· COLLAR	2				
9	0568623600	· SEAL	2				
13	1654005600	· HANDLE	1				
14	0068620400	· LOCK	1				
15	1653611527	· LOCK	1				
15-1	1700100019	· KEY	1				
16	1654005900	· STRIKER	1				
17	1654005500	· HANDLE	1				
18	1654005800	· BASE	1				
19	1654005700	· ESCUTCHEON	1				
21	1654615280	· DAM	1				sold by the meter
22	1654615160	· DAM	1				sold by the meter
23	1652711432	· CLIP	4				
24	0068621500	· SNAP	2				
25	0398610900	· SNAP	2				
26	1652053200	· GROMMET	2				
28	1100290616	· BOLT	2				
29	1120530612	· SCREW	2				
30	1120530616	· SCREW	1				
31	1120530608	· SCREW	2				
32	1120790516	· SCREW	1				
33	1140090006	· WASHER, spring	2				
34	1140020006	· WASHER, spring	5				
36	1141110006	· WASHER	4				
38	1130040010	· NUT	2				
39	1131242006	· NUT	1				
	L3e152						

TB175(P-TB175BAB) Book No. BL3Z010 S/N 17510003-
CAB (4/4) (door; 17517884-)



L7E230

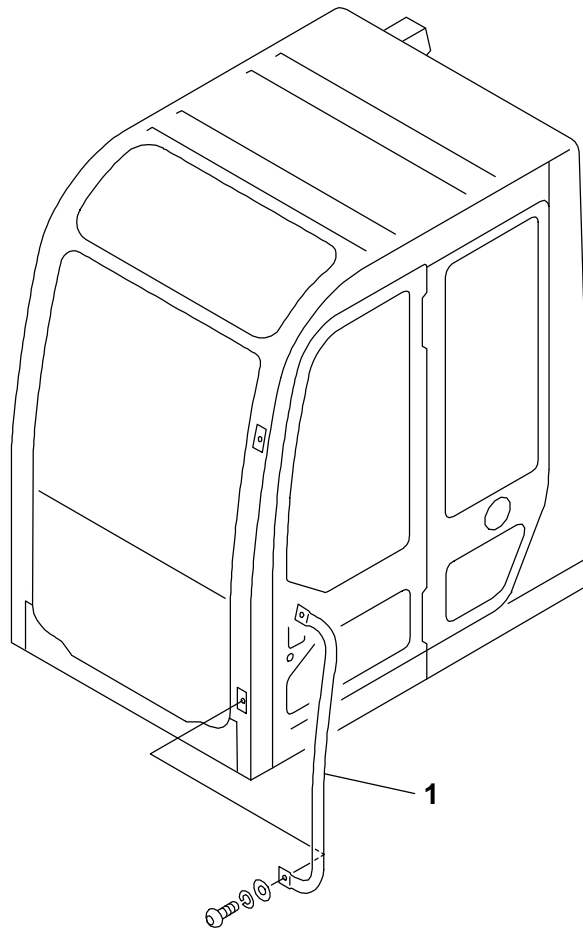
S=1/15

CAB (4/4) (door; 17517884-)

Item	Part number	Description	Q'ty	Chan.	Serial No.	Serv.	Remarks
0-3	0568629200	DOOR ASSY	1				
1	0568623100	· DOOR	1				
2	0568639430	· GLASS	1				
3	0568623300	· COVER	1				
4	0338642610	· PLATE	1			M	
5	0338642600	· PLATE	1			M	
6	0568630600	· ROD	1				
7	0568623400	· CONTROL ASSY	1				
8	0568623500	· COLLAR	2				
9	0568623600	· SEAL	2				
13	1654005600	· HANDLE	1				
14	0068620400	· LOCK	1				
15	1653611527	· LOCK	1				
15-1	1700100019	· KEY	1				
16	1654005900	· STRIKER	1				
17	1654005500	· HANDLE	1				
18	1654005800	· BASE	1				
19	1654005700	· ESCUTCHEON	1				
21	1654615280	· DAM	1				sold by the meter
22	1654615160	· DAM	1				sold by the meter
23	1652711432	· CLIP	4				
25	0398610900	· SNAP	2				
26	1652053200	· GROMMET	2				
28	1106690612	· BOLT	2				
29	1150410612	· SCREW	4				
30	1120730616	· SCREW	1				
32	1120790516	· SCREW	1				
38	1130040010	· NUT	2				
39	1131283006	· NUT	1				
40	1214000006	· PIN, snap	1			M	
41	1214000004	· PIN, snap	1			M	
42	1654011711	· WASHER	1			M	
43	0338642620	· WASHER	2			M	
44	0578600380	· BUSHING	1			M	
45	0378605301	· WASHER	1			M	

L7e230

TB175(P-TB175BAB) Book No. BL3Z010 S/N 17510003-
HANDRAIL (17514610-)



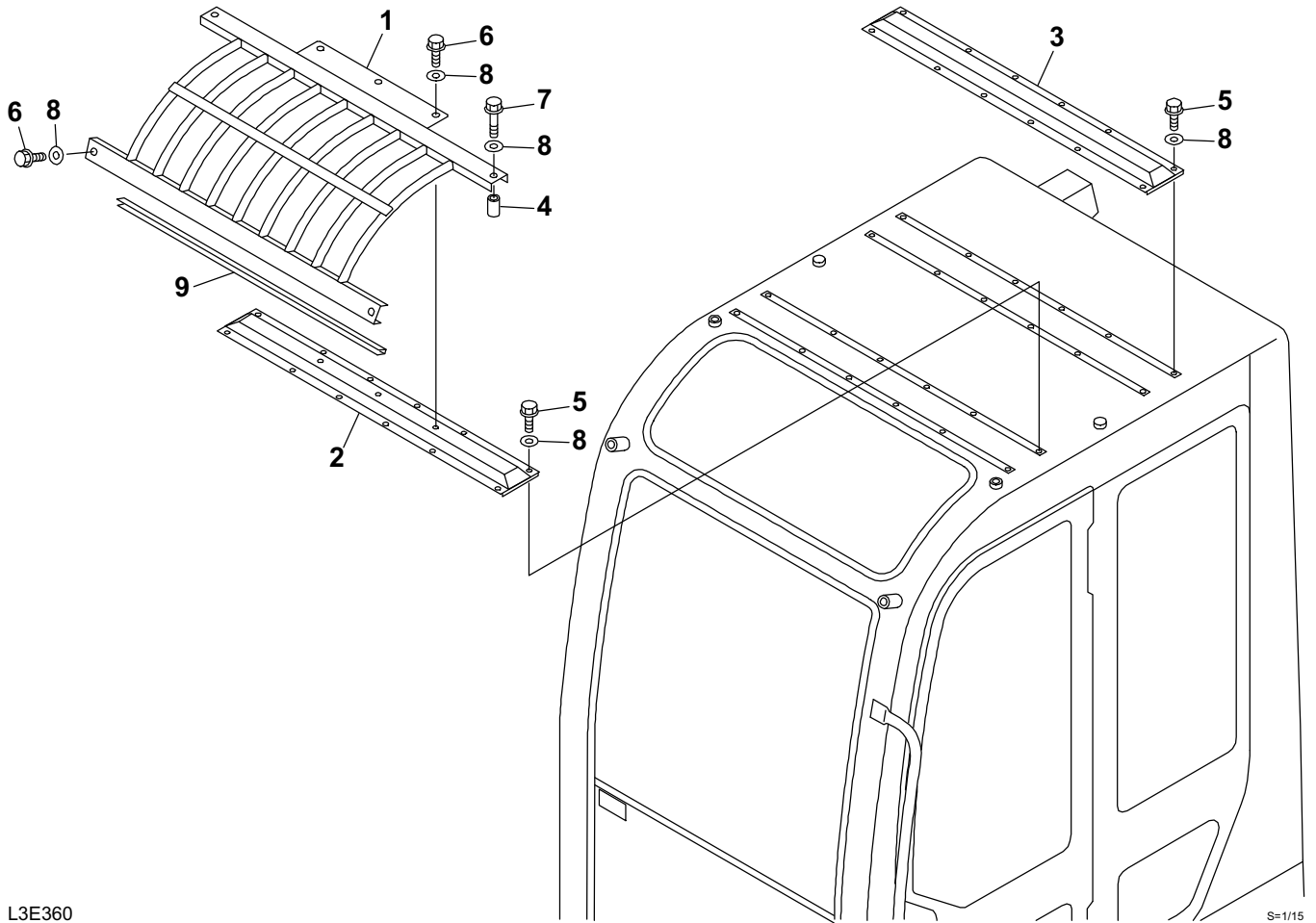
L3E380

S=1/20

HANDRAIL (17514610-)

Item	Part number	Description	Q'ty	Chan.	Serial No.	Serv.	Remarks
1	0568625500	HANDRAIL ASSY	1				
	L3e380	HANDRAIL	1				

TB175(P-TB175BAB) Book No. BL3Z010 S/N 17510003-
ROOF GUARD



L3E360

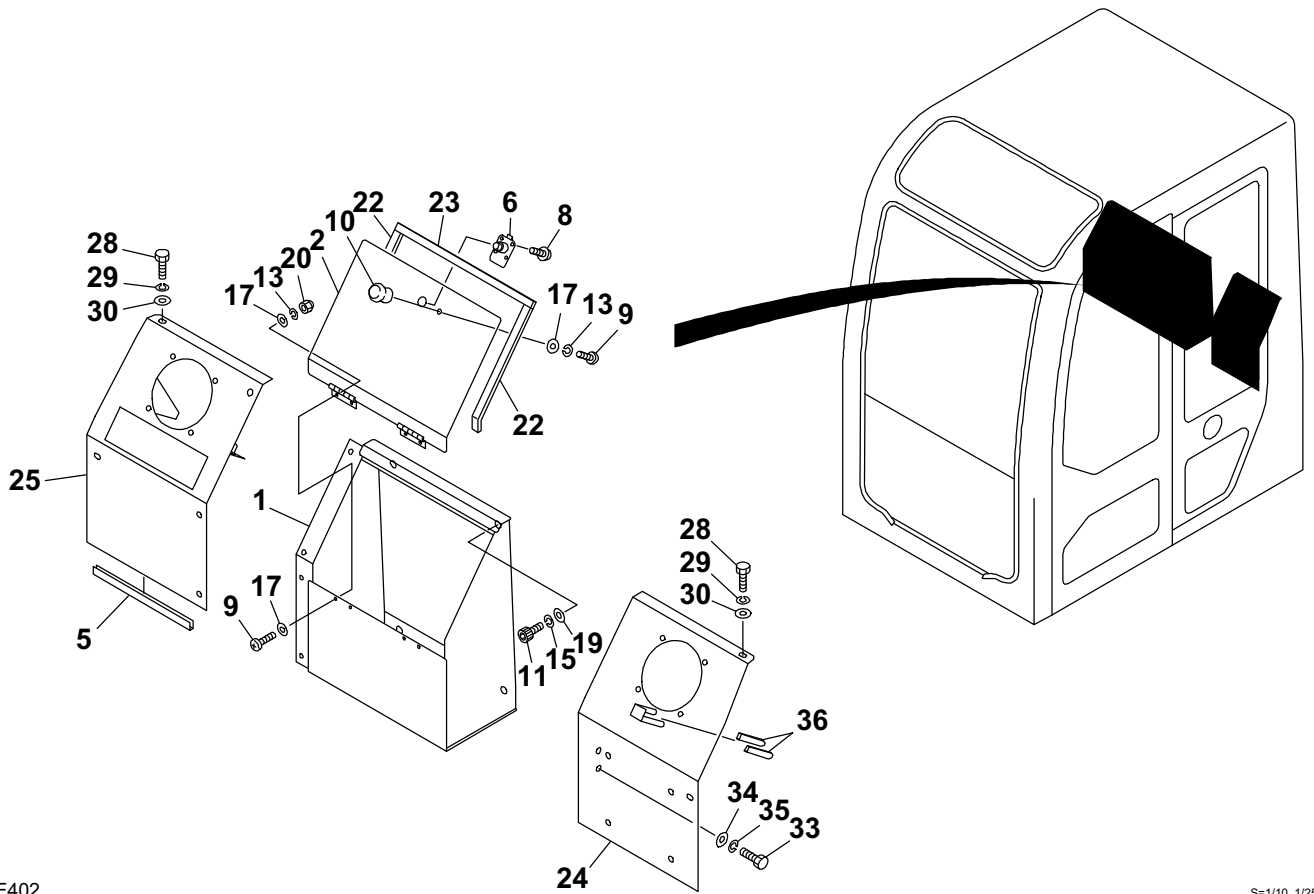
S=1/15

ROOF GUARD

Item	Part number	Description	Q'ty	Chan.	Serial No.	Serv.	Remarks
0	0568651400	ROOF GUARD ASSY	1				
1	0568651200	· GURD, roof	1				
2	0568651250	· PLATE	1				
3	0568651260	· PLATE	1				
4	0568651270	· SPACER	2				
5	1106041016	· BOLT	24				
6	1106041025	· BOLT	5				
7	1106041060	· BOLT	2				
8	1654011706	· WASHER	31				
9	1654606085	· TRIM	1				sold by the meter

L3e360

TB175(P-TB175BAB) Book No. BL3Z010 S/N 17510003-
CONSOLE BOX



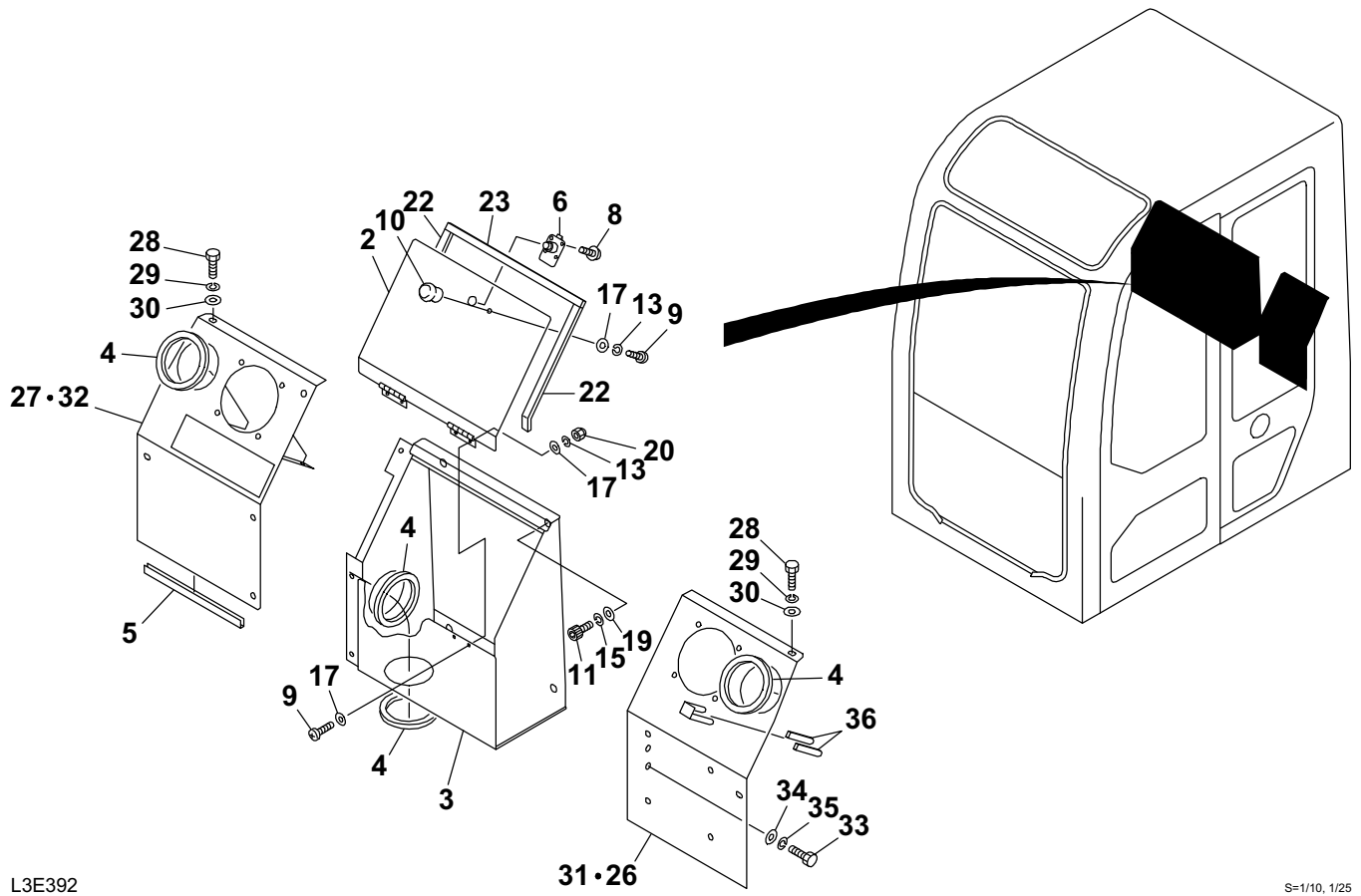
L3E402

S=1/10, 1/25

CONSOLE BOX

Item	Part number	Description	Q'ty	Chan.	Serial No.	Serv.	Remarks
		BOX ASSY, console					
1	0564810100	BOX	1				
2	0564810400	COVER	1	(L)	17510003~17513415		
	0564618740	COVER	1	(H)	17513416~		
5	1653917020	TRIM	1				sold by the meter
6	1653321500	LATCH	1				
8	1150420308	SCREW	4				
9	1120590410	SCREW	5				
10	1652760001	HANDLE	1				
11	1110041020	SCREW, cap	4				
13	1140090004	WASHER, spring	5				
15	1140020010	WASHER, spring	4				
17	1141190004	WASHER	9				
19	1141110010	WASHER	4				
20	1134230004	NUT	4				
22	1654313020	SPONGE	2				sold by the meter
23	1654313030	SPONGE	1				sold by the meter
24	0564709410	COVER (L.H.)	1				
25	0564708710	COVER (R.H.)	1				
28	1100290816	BOLT	7				
29	1140090008	WASHER, spring	7				
30	1141190008	WASHER	7				
33	1100040612	BOLT	2				
34	1141110006	WASHER	2				
35	1140020006	WASHER, spring	2				
36	0872433150	TUBE	4			M	
	L3e402						

TB175(P-TB175BAB) Book No. BL3Z010 S/N 17510003-
CONSOLE BOX (with air-conditioner)



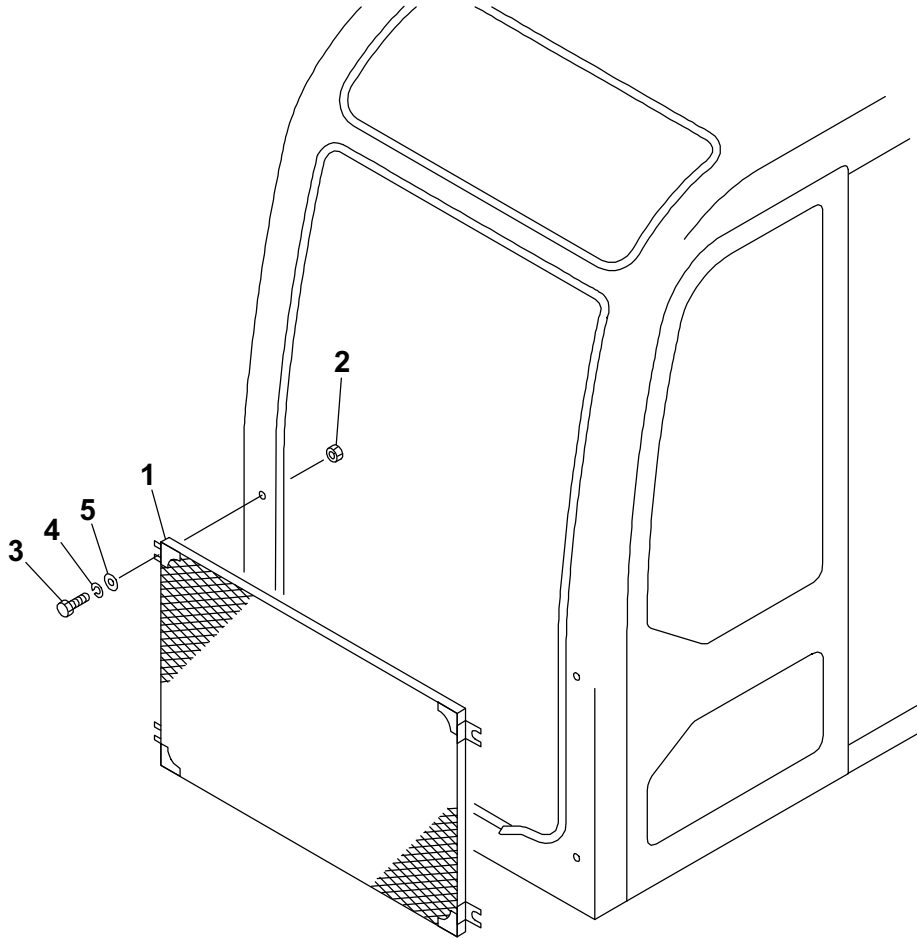
L3E392

S=1/10, 1/25

CONSOLE BOX (with air-conditioner)

Item	Part number	Description	Q'ty	Chan.	Serial No.	Serv.	Remarks
		BOX ASSY, console					
		BOX ASSY, console (manual eng. cont.)					
2	0564810400	COVER	1	(L)	17510003~17513415		
	0564618740	COVER	1	(H)	17513416~		
3	0564624810	BOX	1				
4	1653917022	TRIM (except for manual eng. cont.)	4				sold by the meter
5	1653917020	TRIM	1				sold by the meter
6	1653321500	LATCH	1				
8	1150420308	SCREW	4				
9	1120590410	SCREW	5				
10	1652760001	HANDLE	1				
11	1110041020	SCREW, cap	4				
13	1140090004	WASHER, spring	5				
15	1140020010	WASHER, spring	4				
17	1141190004	WASHER	9				
19	1141110010	WASHER	4				
20	1134230004	NUT	4				
22	1654313020	SPONGE	2				sold by the meter
23	1654313030	SPONGE	1				sold by the meter
26	0564624820	COVER (L.H.)	1				
27	0564624830	COVER (R.H.)	1				
28	1100290816	BOLT	7				
29	1140090008	WASHER, spring	7				
30	1141190008	WASHER	7				
31	0564630430	COVER (L.H.)	1				manual eng. cont.
32	0564630440	COVER (R.H.)	1				manual eng. cont.
33	1100040612	BOLT	2				
34	1141110006	WASHER	2				
35	1140020006	WASHER, spring	2				
36	0872433150	TUBE	4				M
	L3e392						

TB175(P-TB175BAB) Book No. BL3Z010 S/N 17510003-
FRONT GUARD



L3E170

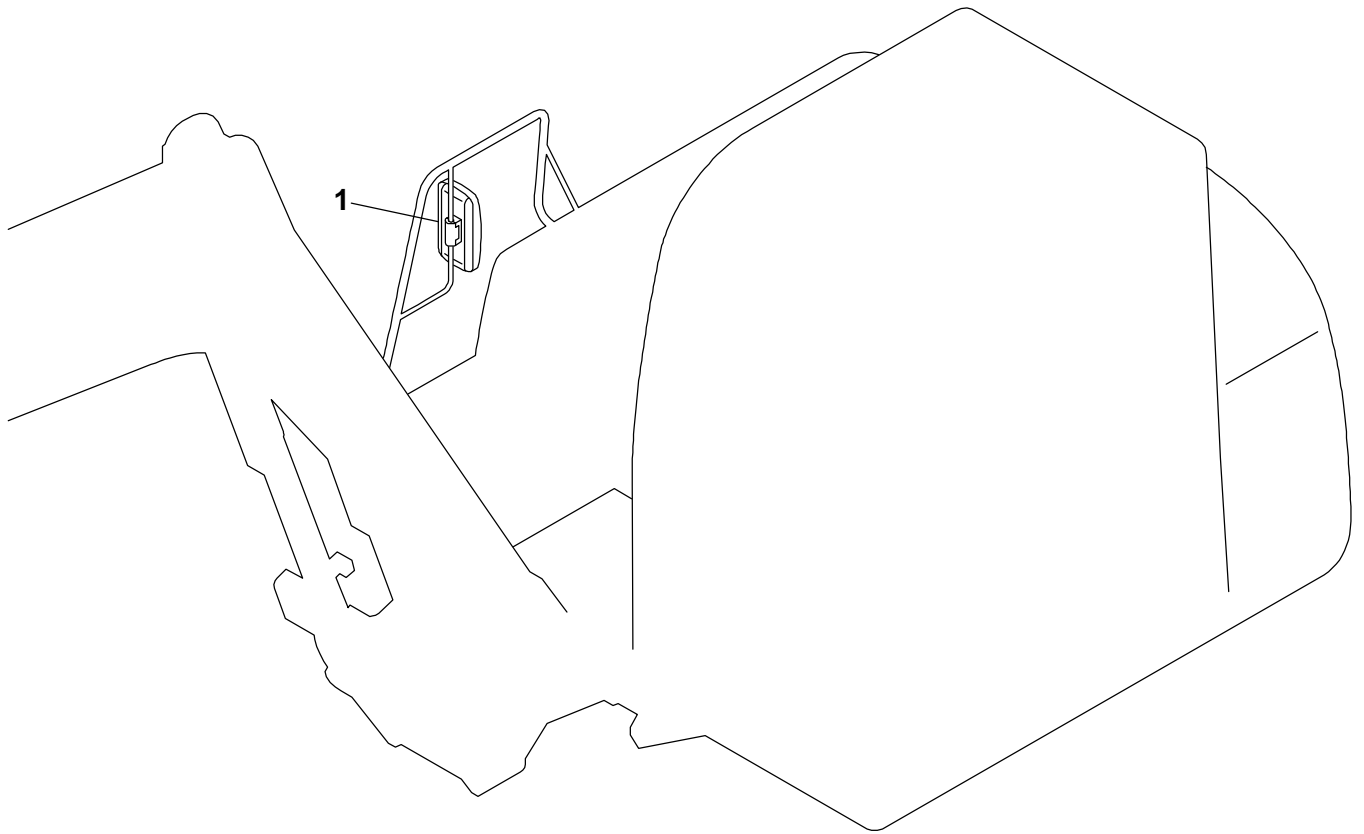
S=1/14

FRONT GUARD

Item	Part number	Description	Q'ty	Chan.	Serial No.	Serv.	Remarks
1	0568636100	GUARD ASSY, front	1				
2	1135611025	GUARD	4				
3	1100291025	NUT	4				
4	1140090010	BOLT	4				
4	1140090010	WASHER, spring	4				
5	1141190010	WASHER	4				

L3e170

TB175(P-TB175BAB) Book No. BL3Z010 S/N 17510003-
OUT SIDE REARVIEW MIRROR



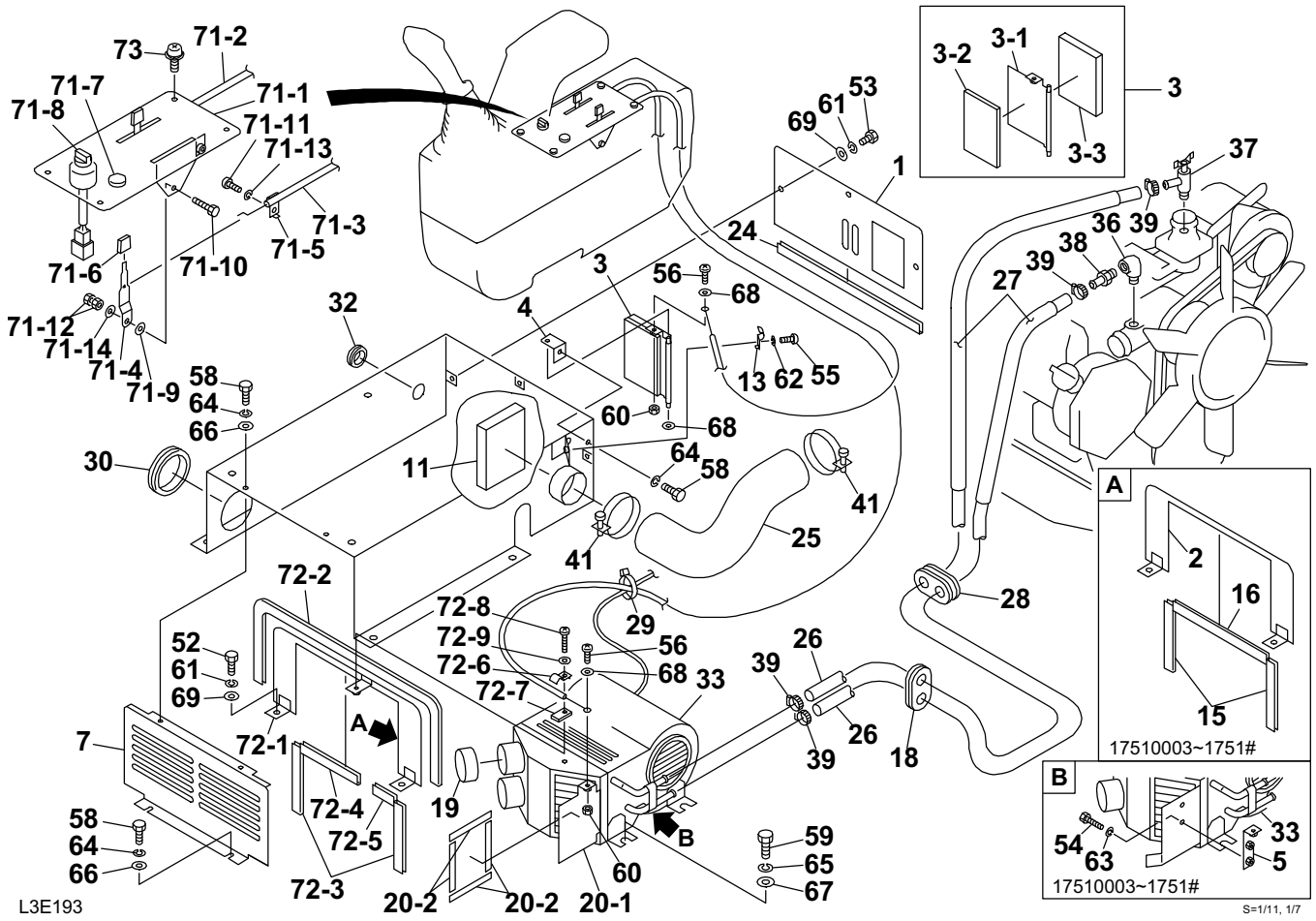
L3E180

S=1/20

OUT SIDE REARVIEW MIRROR

Item	Part number	Description	Q'ty	Chan.	Serial No.	Serv.	Remarks
1	1656500010 L3e180	MIRROR ASSY MIRROR	1				

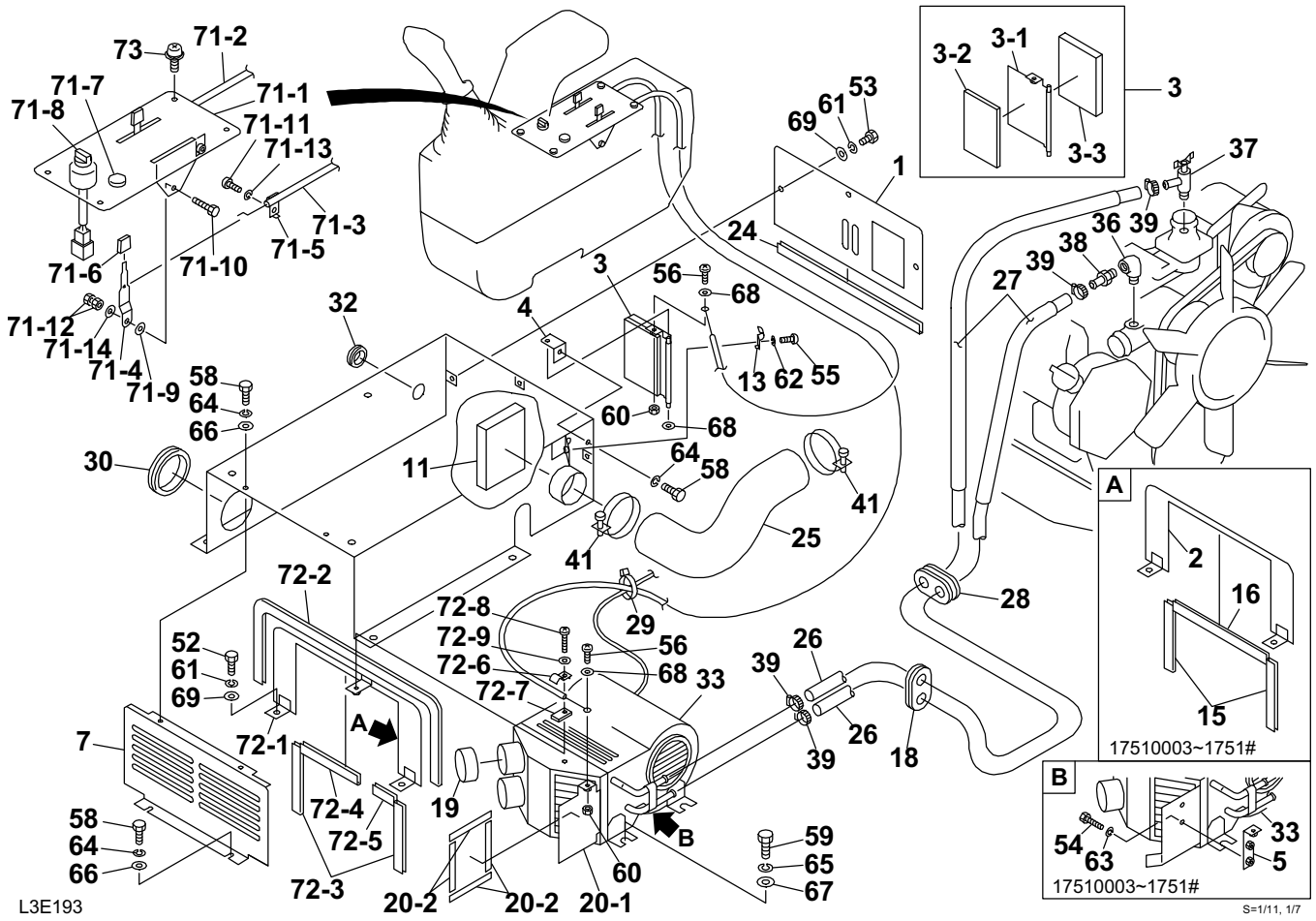
TB175(P-TB175BAB) Book No. BL3Z010 S/N 17510003-
HEATER



HEATER

Item	Part number	Description	Q'ty	Chan.	Serial No.	Serv.	Remarks
		HEATER ASSY					
1	0564525400	COVER	1				
2	0564525410	PLATE	1		17510003~1751#		No. 23352
3	0564525500	DAMPER ASSY	1				
3-1	0564525510	· DAMPER	1				
3-2	0564519320	· SPONGE	1				
3-3	0564520220	· SPONGE	1				
4	0564525420	BRACKET	1				
5	0564525430	BRACKET	1		17510003~1751#		
7	0564525440	COVER	1				
11	0564519550	FILTER	1				
13	0564612530	CLAMP	1				
15	1654606014	SEAL	2		17510003~1751#		sold by the meter
16	1654606019	SEAL	1		17510003~1751#		sold by the meter
18	0337017300	GUARD	1				
19	1911503000	COVER	1				
20	0564525560	DAMPER ASSY	1		1751#~		No. 23352
20-1	0564525570	· DAMPER	1		1751#~		No. 23352
20-2	0564525563	· SPONGE	4		1751#~		No. 23352
24	1654613034	PACKING	1				sold by the meter
25	1567526540	HOSE	1				
26	1911521820	HOSE	2				sold by the meter
27	1531335100	PROTECTOR	2				sold by the meter
28	0097210300	GUARD	1				
29	1652231100	BAND	1				
30	1652030007	BUSHING	1				
32	1652060028	GROMMET	1				
33	0564525480	HEATER	1		17510003~1751#		
	1911507651	HEATER	1		1751#~		
36	1501986526	ELBOW	1				
37	1911502100	VALVE	1				
38	0007224009	NIPPLE	1				
39	1911500500	CLAMP	4				
41	1533001070	CLAMP	2				
52	1100040820	BOLT	2				
53	1100040812	BOLT	3				
54	1100040516	BOLT	2		17510003~1751#		
55	1120530408	SCREW	1				
56	1120590510	SCREW	2				
58	1100040616	BOLT	5				
59	1100041020	BOLT	4				
60	1130090005	NUT	2				
61	1140020008	WASHER, spring	5				
62	1140020004	WASHER, spring	1				
63	1140090005	WASHER, spring	2		17510003~1751#		
64	1140020006	WASHER, spring	5				
65	1140020010	WASHER, spring	4				
66	1141110006	WASHER	4				
67	1141110010	WASHER	4				
68	1141190005	WASHER	3				
69	1141110008	WASHER	5				
71	0564532000	PANEL ASSY	1		1751#~		No. 23352
71-1	0564525200	· PANEL	1				
71-2	0564525450	· WIRE	1				
71-3	0564525460	· WIRE	1				
71-4	0564525300	· LEVER	2				
71-5	0564612530	· CLAMP	2				
71-6	0564612550	· KNOB	2				
71-7	1652051200	· GROMMET	1				
71-8	1700000011	· SWITCH, heater	1				

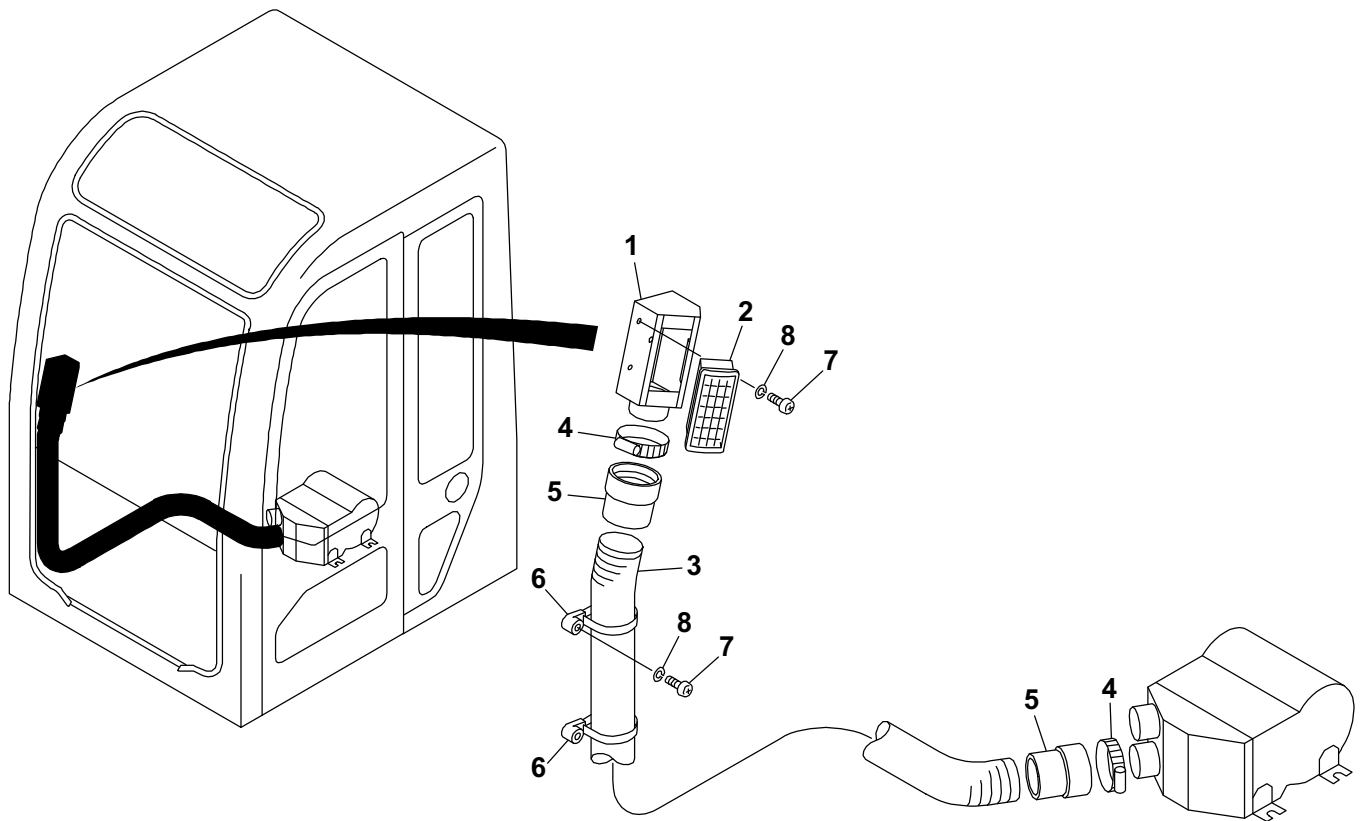
TB175(P-TB175BAB) Book No. BL3Z010 S/N 17510003-
HEATER



HEATER

Item	Part number	Description	Q'ty	Chan.	Serial No.	Serv.	Remarks
71-9	1652540014	· SPACER	2				
71-10	1100040516	· BOLT	2				
71-11	1100230408	· BOLT	2				
71-12	1130090005	· NUT	4				
71-13	1140020004	· WASHER, spring	2				
71-14	1141190005	· WASHER	2				
72	0564532100	PLATE ASSY	1		1751#~		No. 23352
72-1	0564525490	· PLATE	1				
72-2	1654606063	· SEAL	1				sold by the meter
72-3	1654606014	· SEAL	2				sold by the meter
72-4	1654606010	· SEAL	1				sold by the meter
72-5	1654606005	· SEAL	1				sold by the meter
72-6	0564612530	· CLAMP	1				
72-7	0564525470	· PLATE	1				
72-8	1120530414	· SCREW	1				
72-9	1141110004	· WASHER	1				
73	1150420510	· SCREW	4				
	L3e195						

TB175(P-TB175BAB) Book No. BL3Z010 S/N 17510003-
DEFROSTER



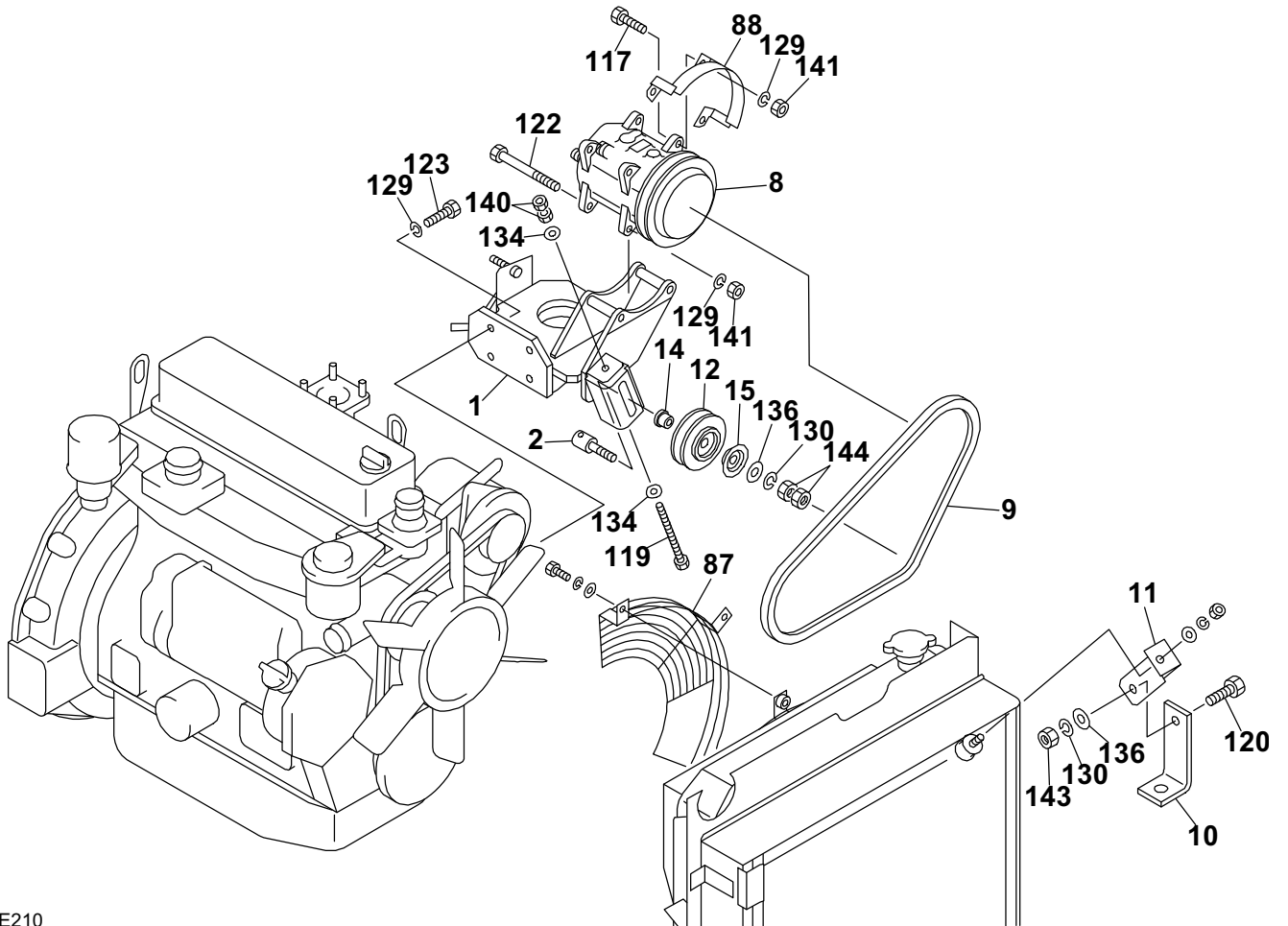
L3E202

S=1/10, 1/20

DEFROSTER

Item	Part number	Description	Q'ty	Chan.	Serial No.	Serv.	Remarks
		DEFROSTER ASSY					
1	0872453510	DEFROSTER	1				
2	1911504000	LOUVER	1				
3	1567415060	HOSE	1				
4	1533700070	BAND	2				
5	1567325000	CUFF	2				
6	1652261410	BAND	5				
7	1120590512	SCREW	8				
8	1140090005	WASHER, spring	8				
	L3e202						

TB175(P-TB175BAB) Book No. BL3Z010 S/N 17510003-
AIR CONDITIONER (1/6) (17510003-17511008)



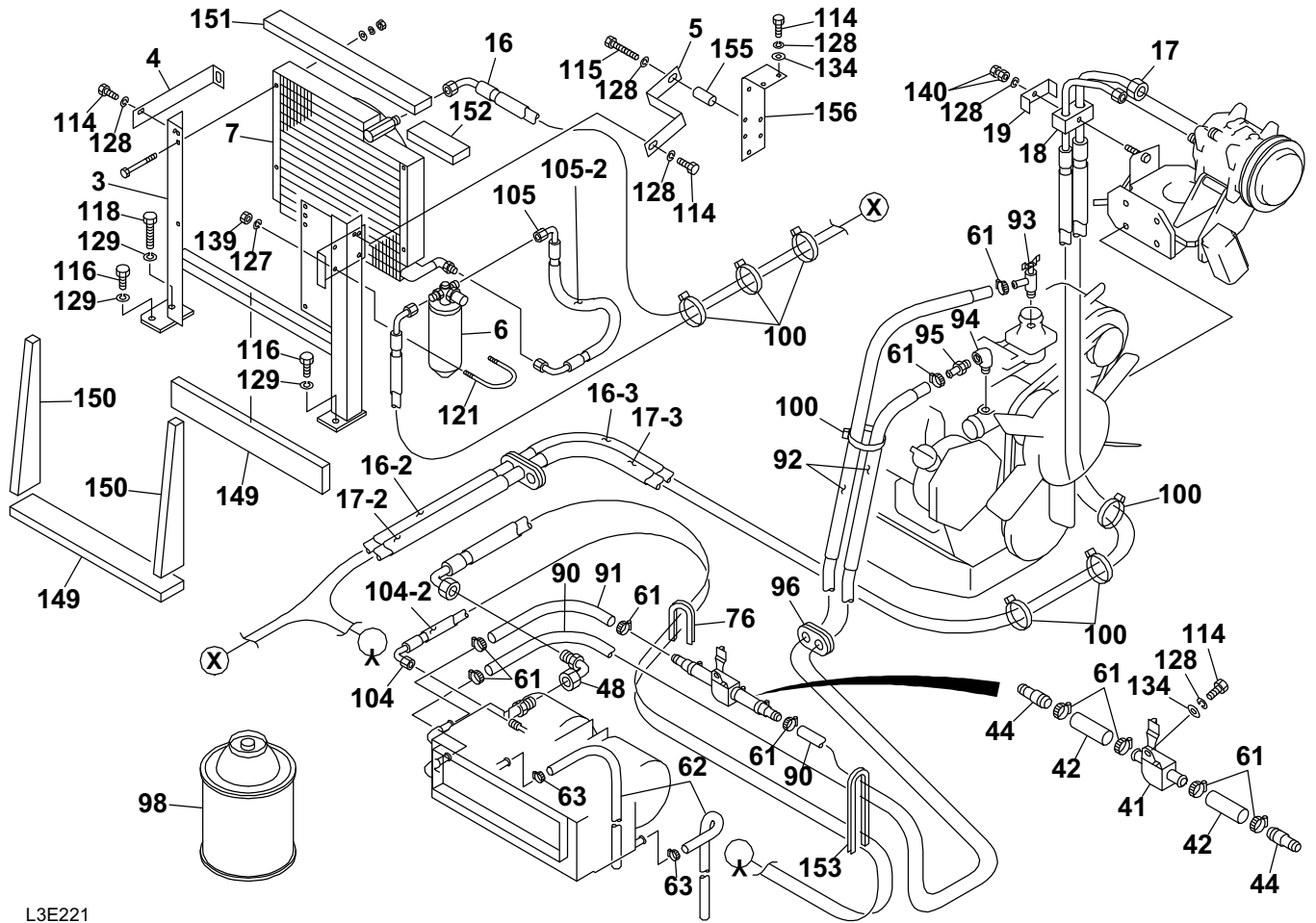
L3E210

S=1/10

AIR CONDITIONER (1/6) (17510003-17511008)

Item	Part number	Description	Q'ty	Chan.	Serial No.	Serv.	Remarks
		CONDITIONER ASSY , air					
1	0564618100	BRACKET	1				
2	0564618150	SHAFT	1				
8	1911504750	COMPRESSOR	1				
9	1911504751	V-BELT	1				
10	0564618450	ANGLE	1				
11	0564618440	STAY	1				
12	1911504660	PULLEY	1				
14	1911504665	COLLAR	1				
15	1911504666	COVER	1				
87	0564618460	GUARD	1				
88	0564618520	GUARD	1				
117	1100041035	BOLT	2				
119	0394602010	BOLT	1				
120	1100041235	BOLT	1				
122	1100141015	BOLT	2				
123	1100041030	BOLT	4				
129	1140020010	WASHER, spring	14				
130	1140020012	WASHER, spring	2				
134	1141110008	WASHER	8				
136	1141110012	WASHER	2				
140	1130040008	NUT	5				
141	1130040010	NUT	4				
143	1130040012	NUT	1				
144	1131640012	NUT	2				
	L3e210						

TB175(P-TB175BAB) Book No. BL3Z010 S/N 17510003-
 AIR CONDITIONER (2/6) (17510003-17511008)



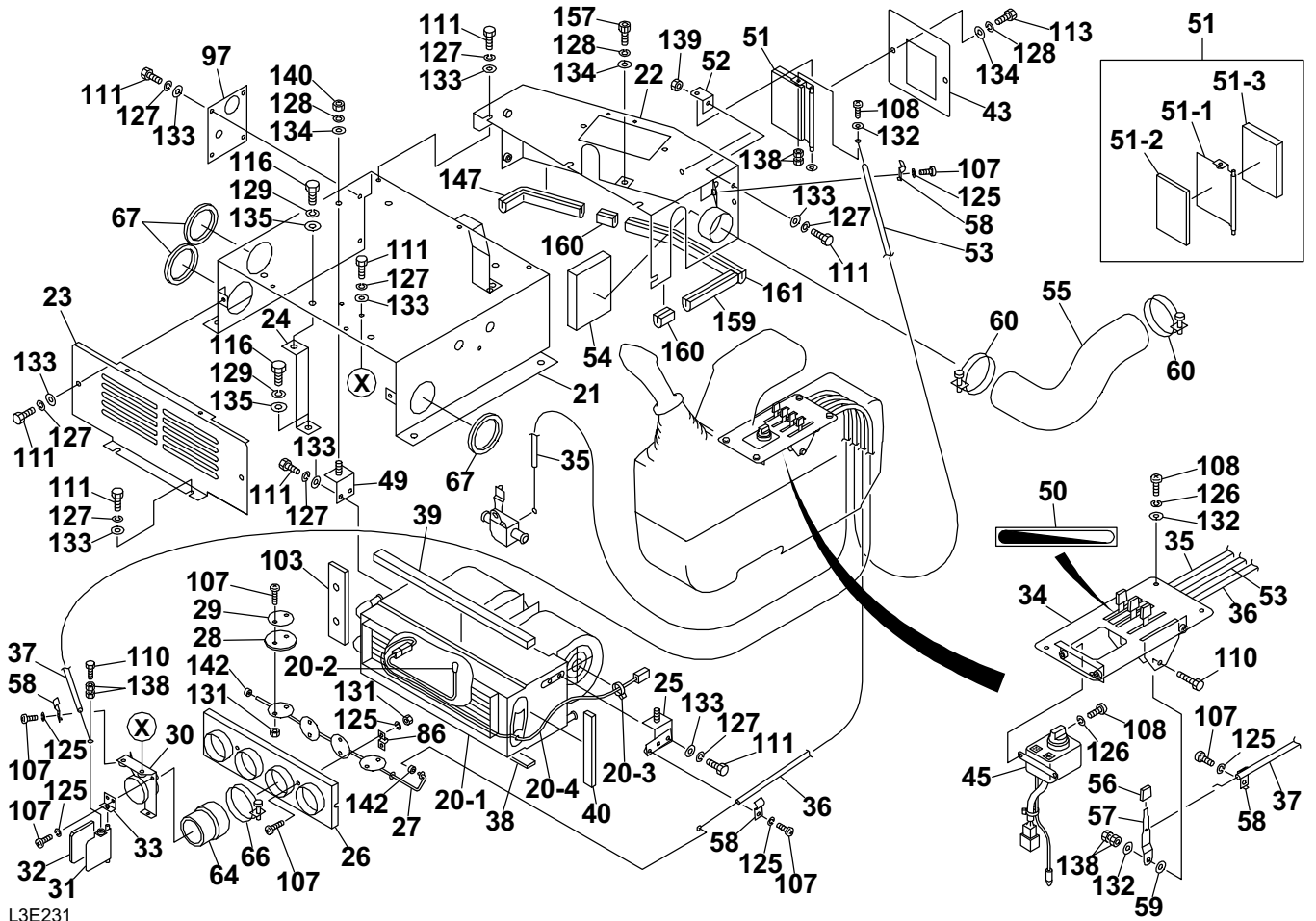
L3E221

S=1/12, 1/10

AIR CONDITIONER (2/6) (17510003-17511008)

Item	Part number	Description	Q'ty	Chan.	Serial No.	Serv.	Remarks
		CONDITIONER ASSY , air					
3	0564618200	BRACKET	1				
4	0564618220	STAY	1				
5	0564618235	STAY	1				
6	1911504770	DRYER	1				
7	1911504760	CONDENSER	1				
16	0564618010	HOSE ASSY	1				19115-04752
16-2	1532210158	· TUBE	1				sold by the meter
16-3	1532210115	· TUBE	1				sold by the meter
17	0564618040	HOSE ASSY	1				19115-04753
17-2	1532212198	· TUBE	1				sold by the meter
17-3	1532212115	· TUBE	1				sold by the meter
18	0564612260	PLATE, rubber	1				
19	0564612250	PLATE	1				
41	1911504520	VALVE	1				
42	1911504753	HOSE	2				
44	0394607010	JOINT	2				
48	1911504530	PIPE	1				
61	1911500500	CLAMP	12				
62	1531112060	HOSE	2				sold by the meter
63	1533700017	CLIP	2				
76	1653916017	TRIM	1				sold by the meter
90	1911521845	HOSE	2				sold by the meter
91	1911501835	HOSE	2				sold by the meter
92	1531325100	PROTECTOR	2				sold by the meter
93	1911502100	VALVE	1				
94	1501986526	ELBOW	1				
95	0007224009	NIPPLE	1				
96	0097210300	GUARD	1				
98	0872463100	GAS, coolant	4				
100	1652231250	BAND	18				
104	0564618030	HOSE ASSY	1				19115-04754
104-2	1532208287	· TUBE	1				sold by the meter
105	0564618020	HOSE ASSY	1				191154-04755
105-2	1532208018	· TUBE	1				sold by the meter
114	1100040816	BOLT	5				
115	1100040850	BOLT	1				
116	1100041020	BOLT	5				
118	1100041050	BOLT	1				
121	1533207020	U-BOLT	2				
127	1140020006	WASHER, spring	2				
128	1140020008	WASHER, spring	7				
129	1140020010	WASHER, spring	14				
134	1141110008	WASHER	3				
139	1130040006	NUT	2				
140	1130040008	NUT	5				
149	0564618950	URETHANE	2				
150	0564618960	URETHANE	2				
151	1654306040	SPONGE	1				sold by the meter
152	1654306012	SPONGE	1				sold by the meter
153	1653916030	TRIM	1				sold by the meter
155	0564618970	COLLAR	1				
156	0565030210	BRACKET	1				
	L3e221						

TB175(P-TB175BAB) Book No. BL3Z010 S/N 17510003-
 AIR CONDITIONER (3/6) (17510003-17511008)



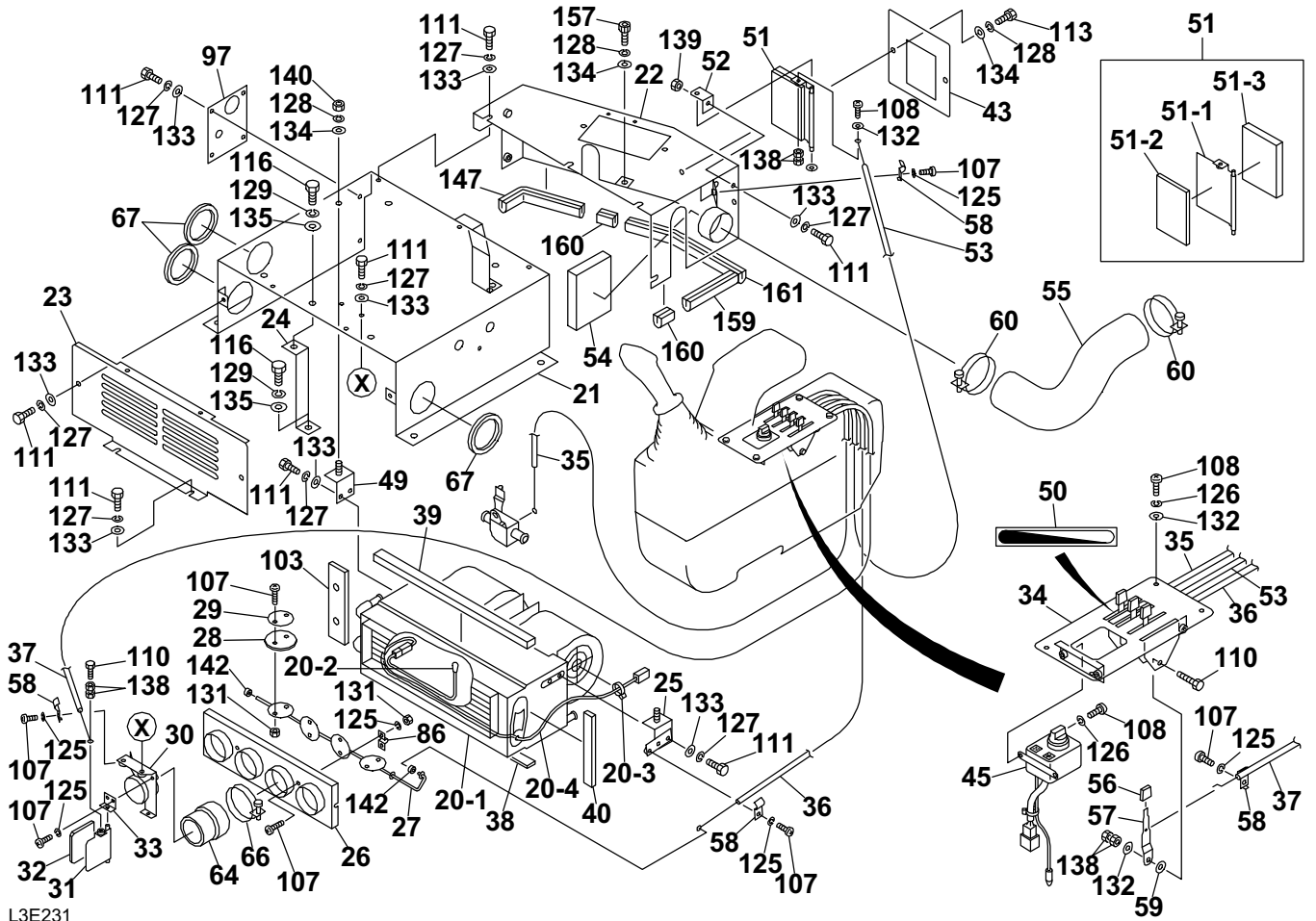
L3E231

S=1/12, 1/8

AIR CONDITIONER (3/6) (17510003-17511008)

Item	Part number	Description	Q'ty	Chan.	Serial No.	Serv.	Remarks
		CONDITIONER ASSY , air					
20	0564618600	UNIT ASSY , air conditioner	1				
20-1	1911504700	· UNIT , air conditioner	1				
20-2	1911504701	· THERMISTOR	1				
20-3	1652201003	· BAND	1				
20-4	0564618610	· HARNESS, wiring	1				
21	0564618300	BOX	1				
22	0564618340	COVER	1				
23	0564618400	DUCT	1				
24	0564618470	PLATE	1				
25	0564618500	BRACKET	1				
26	0564618530	MANIFOLD	1				
27	0564618240	LEVER	1				
28	0564618250	URETHANE	4				
29	0564618260	PLATE	4				
30	0564618290	BRACKET	1				
31	0564618280	DAMPER	1				
32	0564618570	URETHANE	1				
33	0564618580	ANGLE	1				
34	0564618350	PLATE	1				
35	0564618410	WIRE	1				
36	0564618420	WIRE	1				
37	0564618430	WIRE	1				
38	0564618550	URETHANE	1				
39	0564618490	URETHANE	1				
40	0564618510	URETHANE	1				
43	0564618540	PLATE	1				
45	1911504790	SWITCH, control	1				
49	0564618660	BRACKET (R.H.)	1				
50	0394606550	DECAL	1				
51	0564525500	DAMPER ASSY	1				
51-1	0564525510	· DAMPER	1				
51-2	0564519320	· SPONGE	1				
51-3	0564520220	· SPONGE	1				
52	0564525420	BRACKET	1				
53	0564525460	WIRE	1				
54	0564519550	FILTER	1				
55	1567526535	HOSE	1				
56	0564612550	KNOB	4				
57	0564525300	LEVER	4				
58	0564612530	CLAMP	7				
59	1652540014	SPACER	4				
60	1533011070	CLAMP	2				
64	1567325000	CUFF	1				
66	1533700061	CLIP	6				
67	1652060075	GROMMET	3				
86	0564618270	PLATE	2				
97	0564618675	RUBBER	1				
103	0564618480	URETHANE	1				
107	1120540408	SCREW	19				
108	1120590510	SCREW	7				
110	1100040516	BOLT	5				
111	1100040616	BOLT	21				
113	1100040812	BOLT	2				
116	1100041020	BOLT	5				
125	1140020004	WASHER, spring	14				
126	1140090005	WASHER, spring	12				
127	1140020006	WASHER, spring	23				
128	1140020008	WASHER, spring	10				
129	1140020010	WASHER, spring	14				

TB175(P-TB175BAB) Book No. BL3Z010 S/N 17510003-
AIR CONDITIONER (3/6) (17510003-17511008)



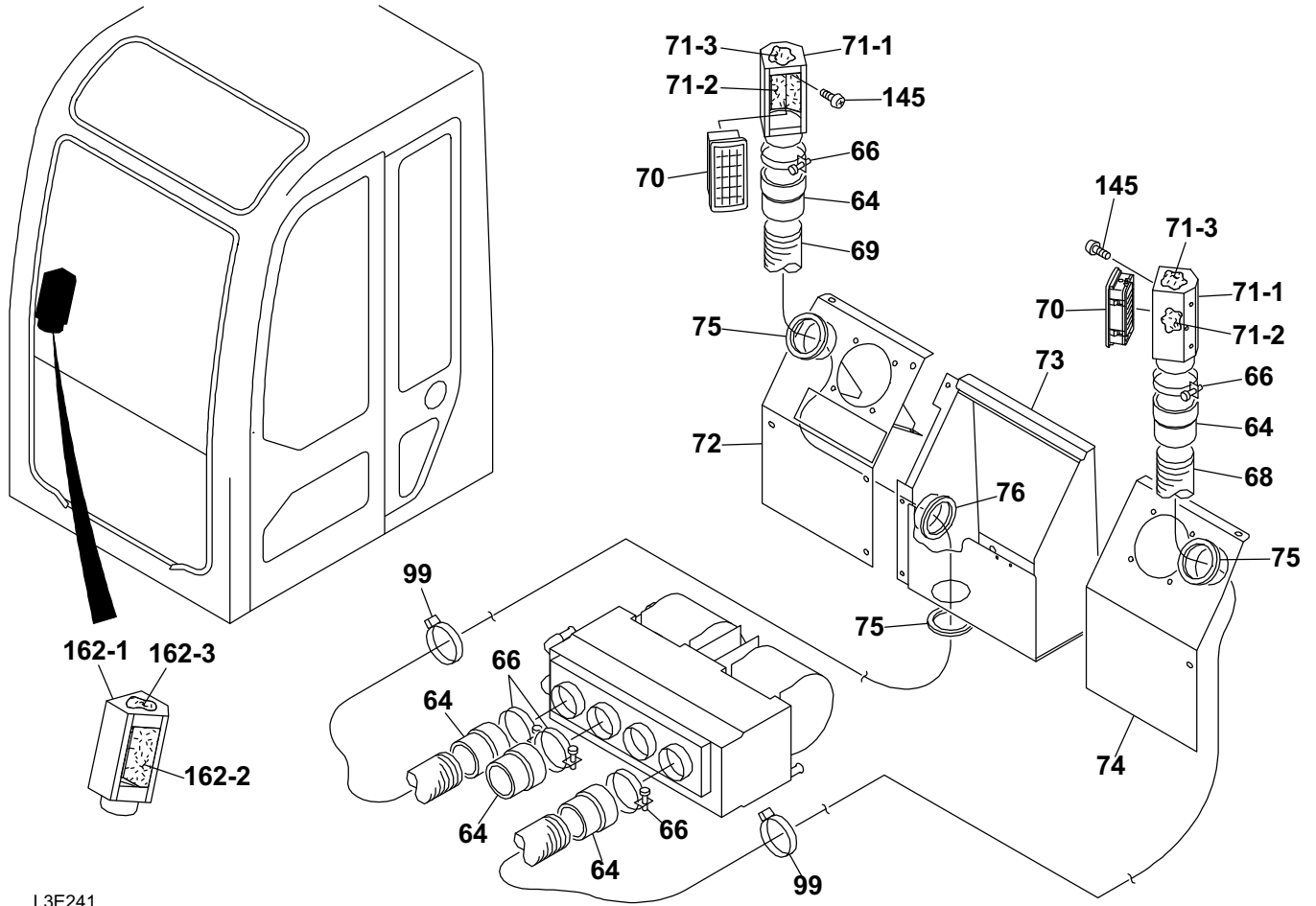
L3E231

S=1/12, 1/8

AIR CONDITIONER (3/6) (17510003-17511008)

Item	Part number	Description	Q'ty	Chan.	Serial No.	Serv.	Remarks
131	1130040004	NUT	12				
132	1141190005	WASHER	10				
133	1141110006	WASHER	17				
134	1141110008	WASHER	8				
135	1141110010	WASHER	2				
138	1130040005	NUT	15				
139	1130040006	NUT	3				
140	1130040008	NUT	5				
142	1224100007	NUT	2				
147	1654613015	PACKING	1				sold by the meter
157	1110040816	SCREW, cap	1				
159	1654613013	PACKING	1				sold by the meter
160	1654613003	PACKING	2				sold by the meter
161	1654613026	PACKING	1				sold by the meter
	L3e231						

TB175(P-TB175BAB) Book No. BL3Z010 S/N 17510003-
AIR CONDITIONER (4/6) (17510003-17511008)



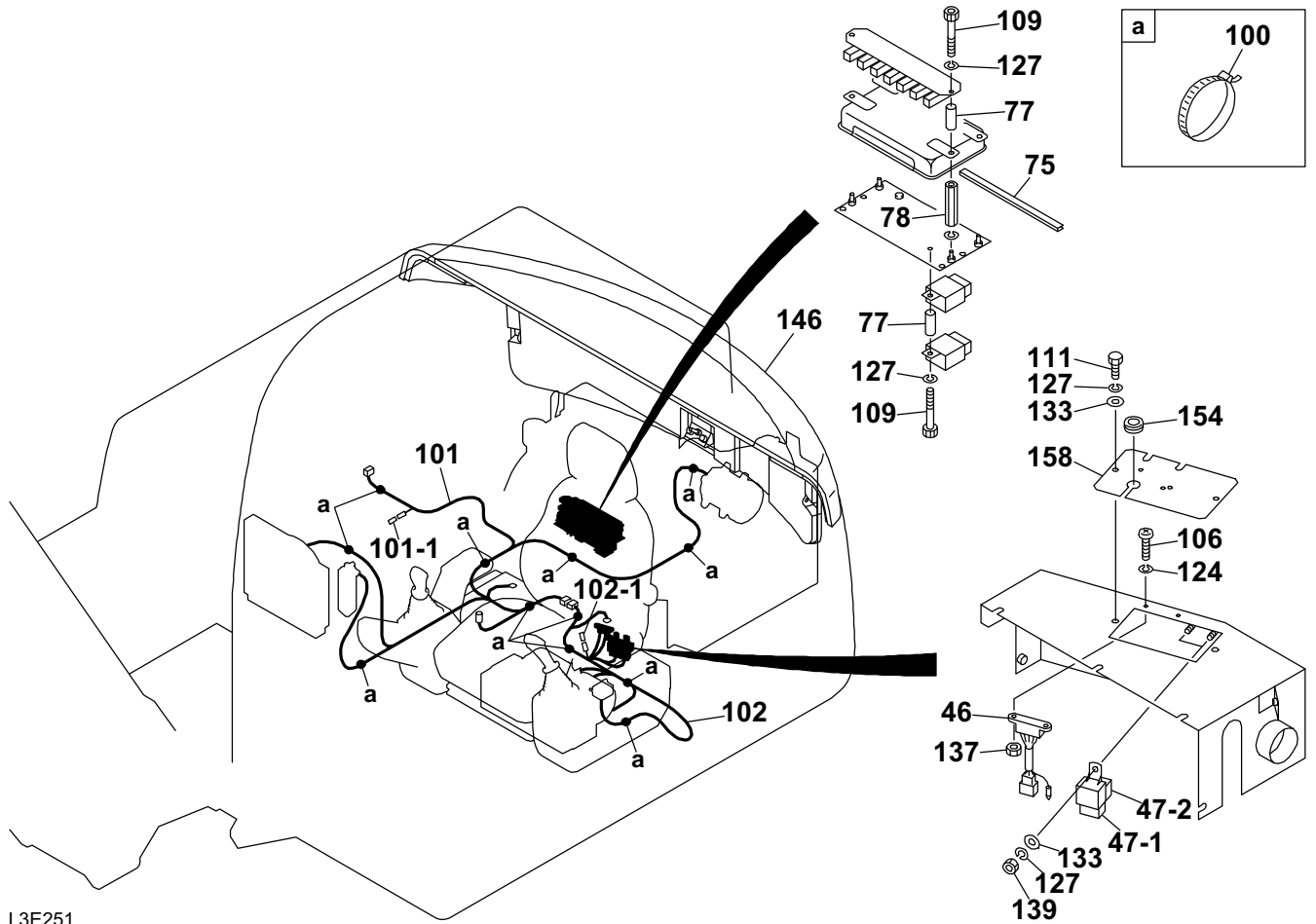
L3E241

S=1/10, 1/20

AIR CONDITIONER (4/6) (17510003-17511008)

Item	Part number	Description	Q'ty	Chan.	Serial No.	Serv.	Remarks
		CONDITIONER ASSY , air					
64	1567325000	CUFF	5				
66	1533700061	CLIP	6				
68	1567415050	HOSE	1				
69	1567415095	HOSE	1				
70	1911504000	LOUVER	2				
71	0564617400	DUCT ASSY	2				
71-1	0564617410	· DUCT	2				
71-2	0564617420	· INSULATOR	2				
71-3	0564617430	· INSULATOR	2				
72	0564617300	COVER (R.H.)	1				
73	0564617100	BOX	1				
74	0564617200	COVER (L.H.)	1				
75	1653916021	TRIM	4				sold by the meter
76	1653916017	TRIM	1				sold by the meter
99	1652251002	BAND	2				
145	1122400512	SCREW	6				
162	0872463220	DUCT ASSY	1				
162-1	0872453510	· DUCT	1				
162-2	0872463222	· INSULATOR	1				
162-3	0872463223	· INSULATOR	1				
	L3e241						

TB175(P-TB175BAB) Book No. BL3Z010 S/N 17510003-
AIR CONDITIONER (5/6) (17510003-17511008)



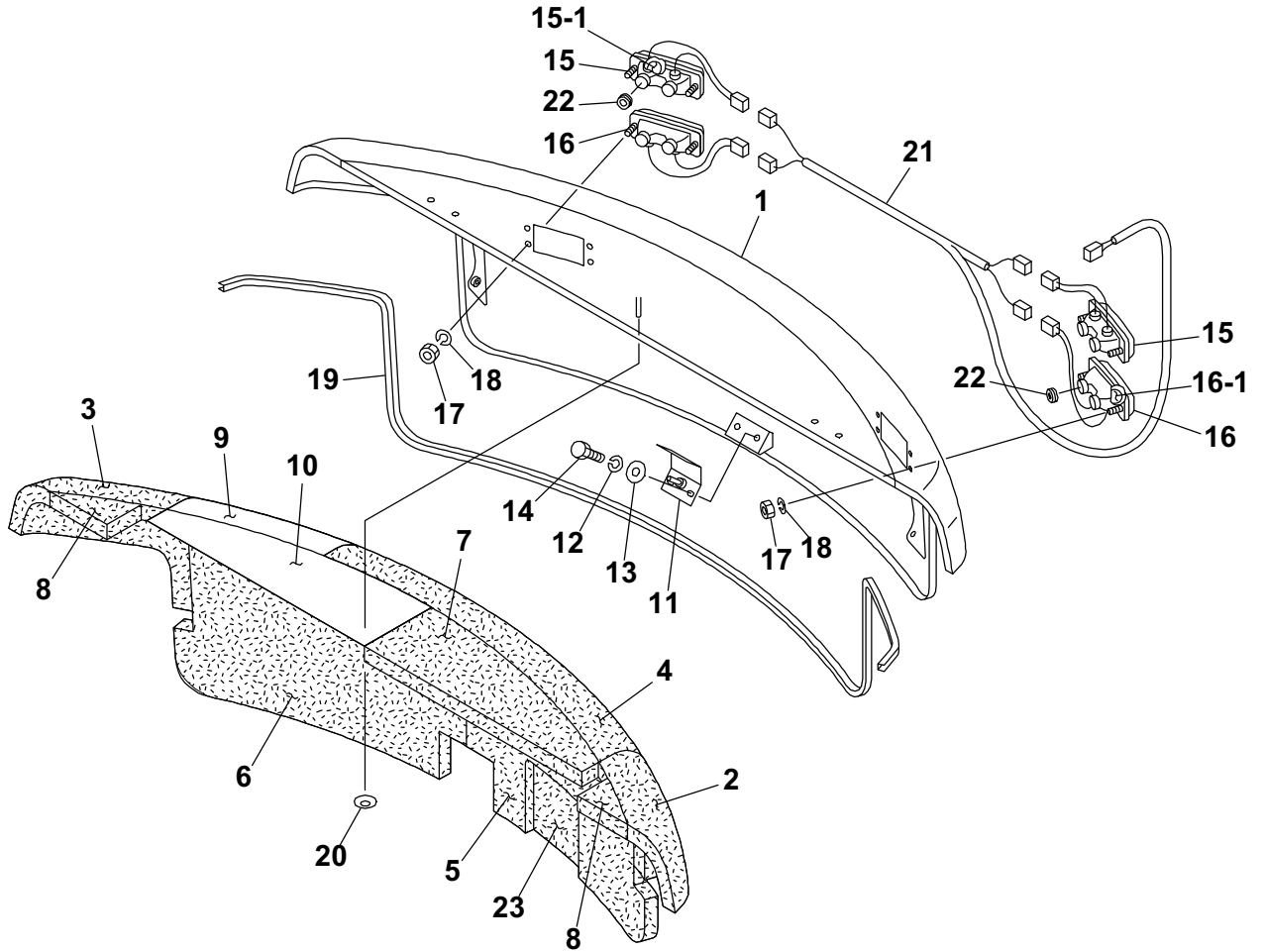
L3E251

S=1/22, 1/10

AIR CONDITIONER (5/6) (17510003-17511008)

Item	Part number	Description	Q'ty	Chan.	Serial No.	Serv.	Remarks
		CONDITIONER ASSY , air					
46	1911504780	THERMOSTAT	1				
47	0872433900	RELAY ASSY	2				
47-1	1711900049	· RELAY	2				
47-2	1654305002	· SPONGE	2				sold by the meter
75	1653916021	TRIM	4				sold by the meter
77	0564618620	COLLAR	3				
78	1134830650	NUT	4				
100	1652231250	BAND	18				
101	0564618680	HARNES, wiring	1				
101-1	1730500008	· DIODE (3A yellow)	1				
102	0564618690	HARNES, wiring	1				
102-1	1730500008	· DIODE (3A yellow)	1				
106	1120530310	SCREW	2				
109	1110040660	SCREW, cap	3				
111	1100040616	BOLT	2				
124	1140020003	WASHER, spring	2				
127	1140020006	WASHER, spring	7				
133	1141110006	WASHER	4				
137	1130040003	NUT	2				
139	1130040006	NUT	2				
146	0564618700	HOOD, engine	1		17510003~17510590		
148	0564618800	CAB MOUNT	1				See page cab mount
154	1652001201	GROMMET	1				
158	0564618980	COVER	1				
	L3e251						

TB175(P-TB175BAB) Book No. BL3Z010 S/N 17510003-
AIR CONDITIONER (6/6) (17510003-17511008)



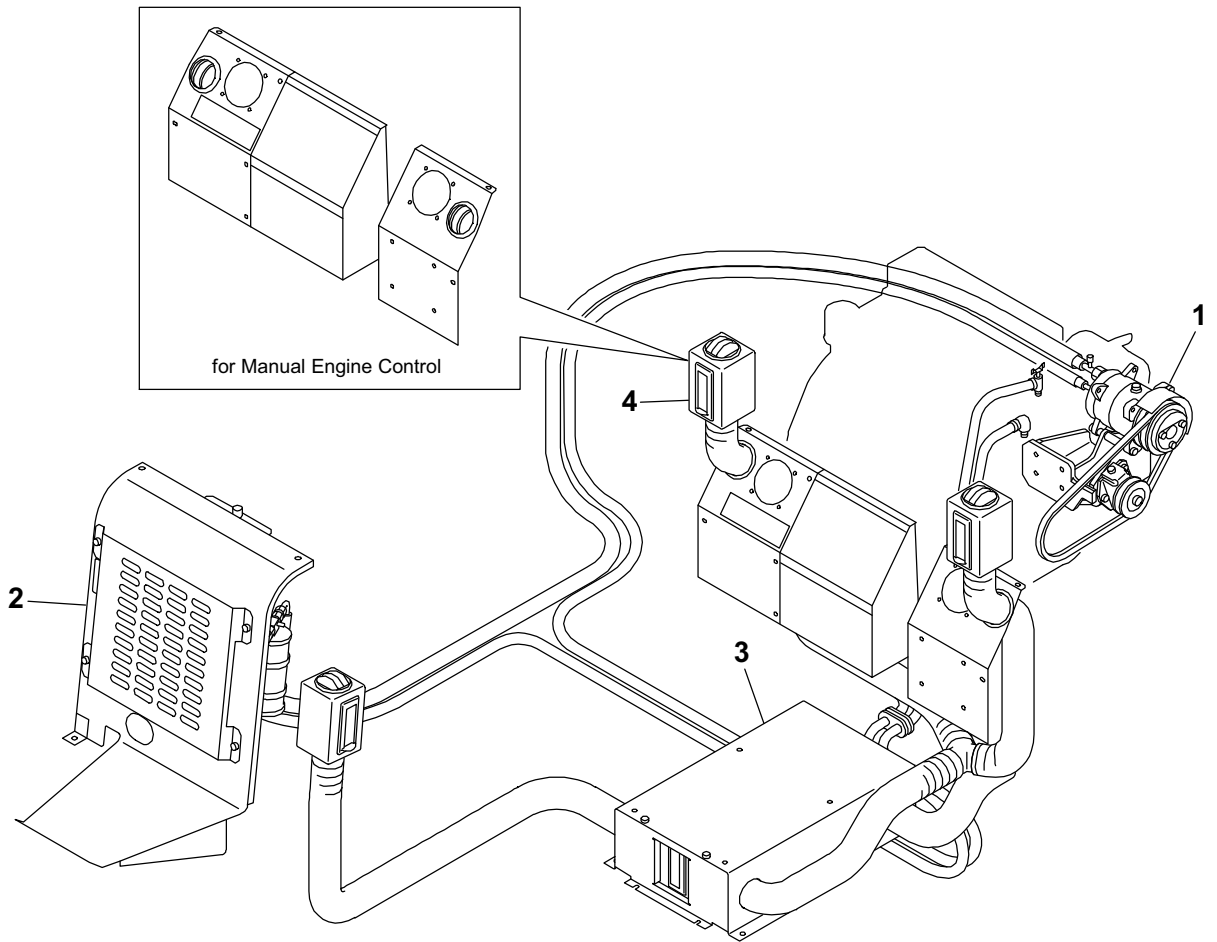
L3E260

S=1/15

AIR CONDITIONER (6/6) (17510003-17511008)

Item	Part number	Description	Q'ty	Chan.	Serial No.	Serv.	Remarks
0-146	0564618700	HOOD ASSY, engine	1		17510003~17510590		
1	0568243750	· HOOD, engine	1				
2	0568243972	· ABSORBENT, noise	1				
3	0568243973	· ABSORBENT, noise	1				
4	0568243974	· ABSORBENT, noise	1				
5	0564618710	· ABSORBENT, noise	1				
6	0568243976	· ABSORBENT, noise	1				
7	0568243977	· ABSORBENT, noise	1				
8	0568243978	· ABSORBENT, noise	2				
9	0568243979	· ABSORBENT, noise	1				
10	0568243971	· ABSORBENT, noise	1				
11	0568242270	· STRIKER	1				
12	1140020008	· WASHER, spring	2				
13	1141110008	· WASHER	2				
14	1100040820	· BOLT	2				
15	1703006400	· LAMP, tail	2				
15-1	1703006401	· · BULB	2				
16	1703006460	· LAMP, tail	2				
16-1	1703006461	· · BULB	2				
17	1130030004	· NUT	8				
18	1140020004	· WASHER, spring	8				
19	1654606277	· SEAL	1				sold by the meter
20	1652436025	· WASHER	10				
21	0564226700	· HARNESS, wiring	1				
22	1652051400	· GROMMET	8				
23	0564618720	· ABSORBENT, noise	1				
	L3e261						

TB175(P-TB175BAB) Book No. BL3Z010 S/N 17510003-
AIR CONDITIONER (1/8) (17511009-)



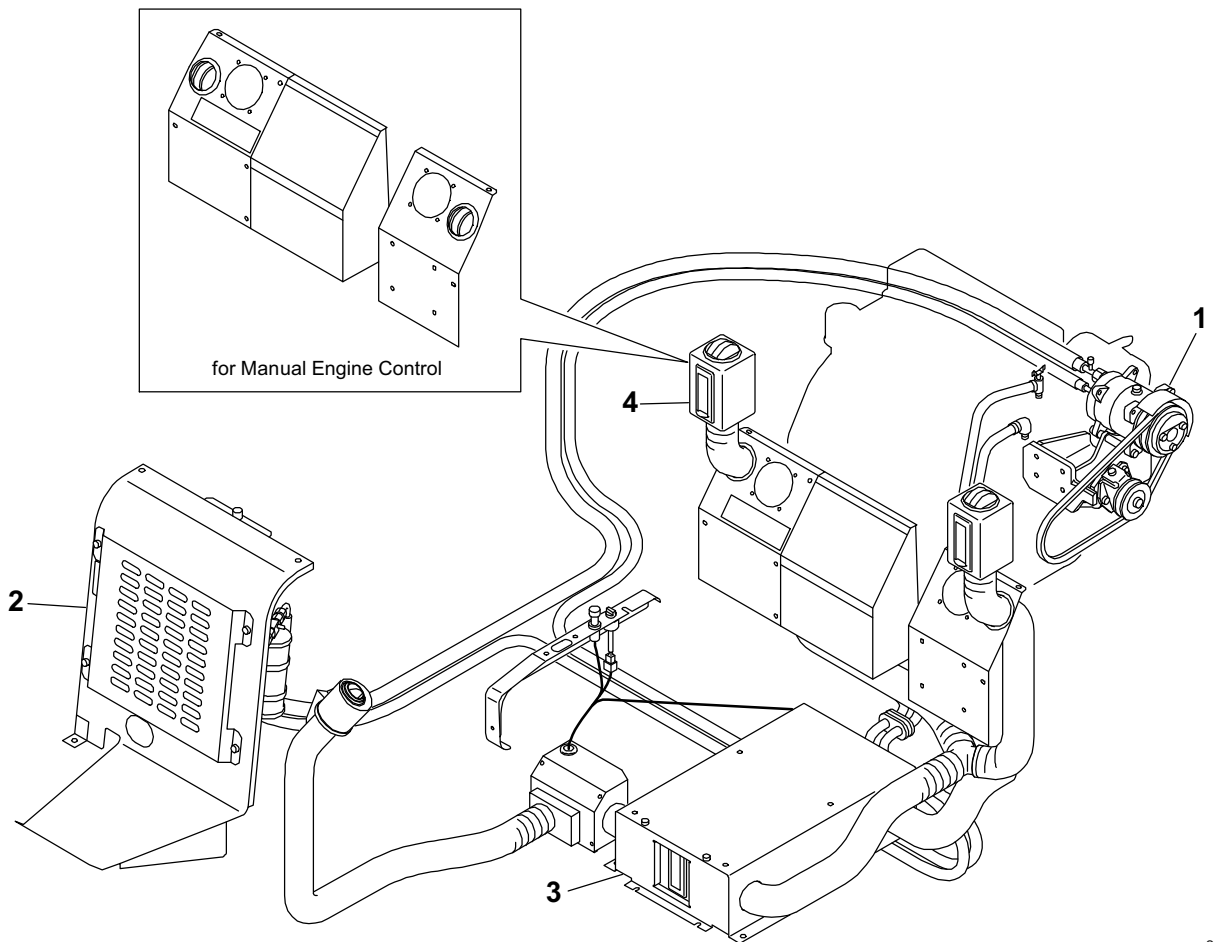
L3E272

S=1/15

AIR CONDITIONER (1/8) (17511009-)

Item	Part number	Description	Q'ty	Chan.	Serial No.	Serv.	Remarks
		CONDITIONER ASSY , air					
		CONDITIONER ASSY , air (manual eng. cont.)					
1	X *****	COMPRESSOR ASSY	1		17511009~17512104		
	X *****	COMPRESSOR ASSY	1		17512105~		
2	X *****	CONDENSER ASSY	1				
3	X *****	UNIT, air con.	1				
4	X *****	DEFROSTER ASSY	1				
	X *****	DEFROSTER ASSY (manual eng. cont.)	1				
	L3e274						

**TB175(P-TB175BAB) Book No. BL3Z010 S/N 17510003-
AIR CONDITIONER (1/8) (boost fan type; 17518270-)**



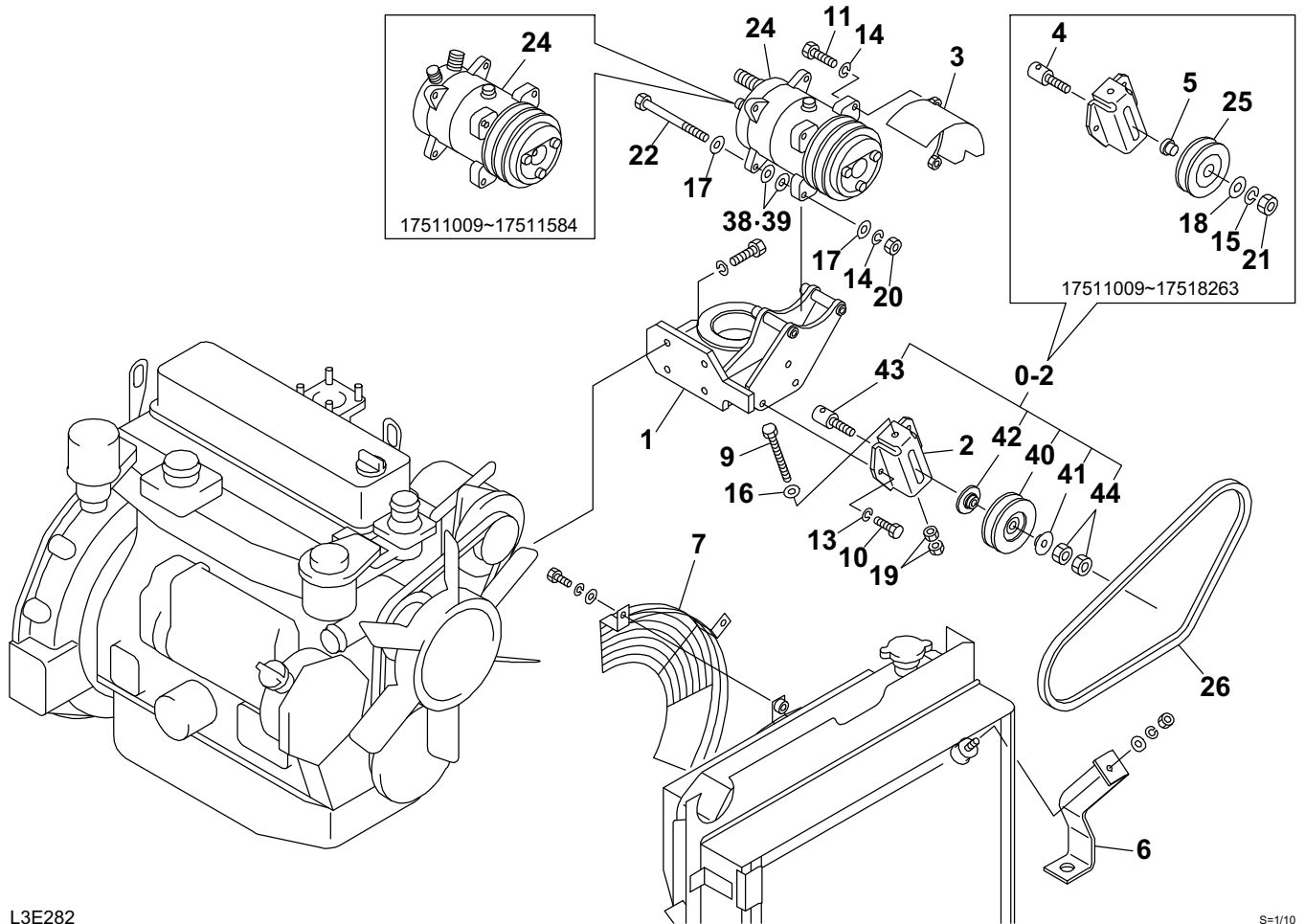
L3E450

S=1/15

AIR CONDITIONER (1/8) (boost fan type; 17518270-)

Item	Part number	Description	Q'ty	Chan.	Serial No.	Serv.	Remarks
		CONDITIONER ASSY , air					
		CONDITIONER ASSY , air (manual eng. cont.)					
1	X *****	COMPRESSOR ASSY	1				
2	X *****	CONDENSER ASSY	1				
3	X *****	UNIT, air con.	1				
4	X *****	DEFROSTER ASSY	1				
	X *****	DEFROSTER ASSY (manual eng. cont.)	1				
	L3e450						

TB175(P-TB175BAB) Book No. BL3Z010 S/N 17510003-
AIR CONDITIONER (2/8) (compressor-1; 17511009-)



L3E282

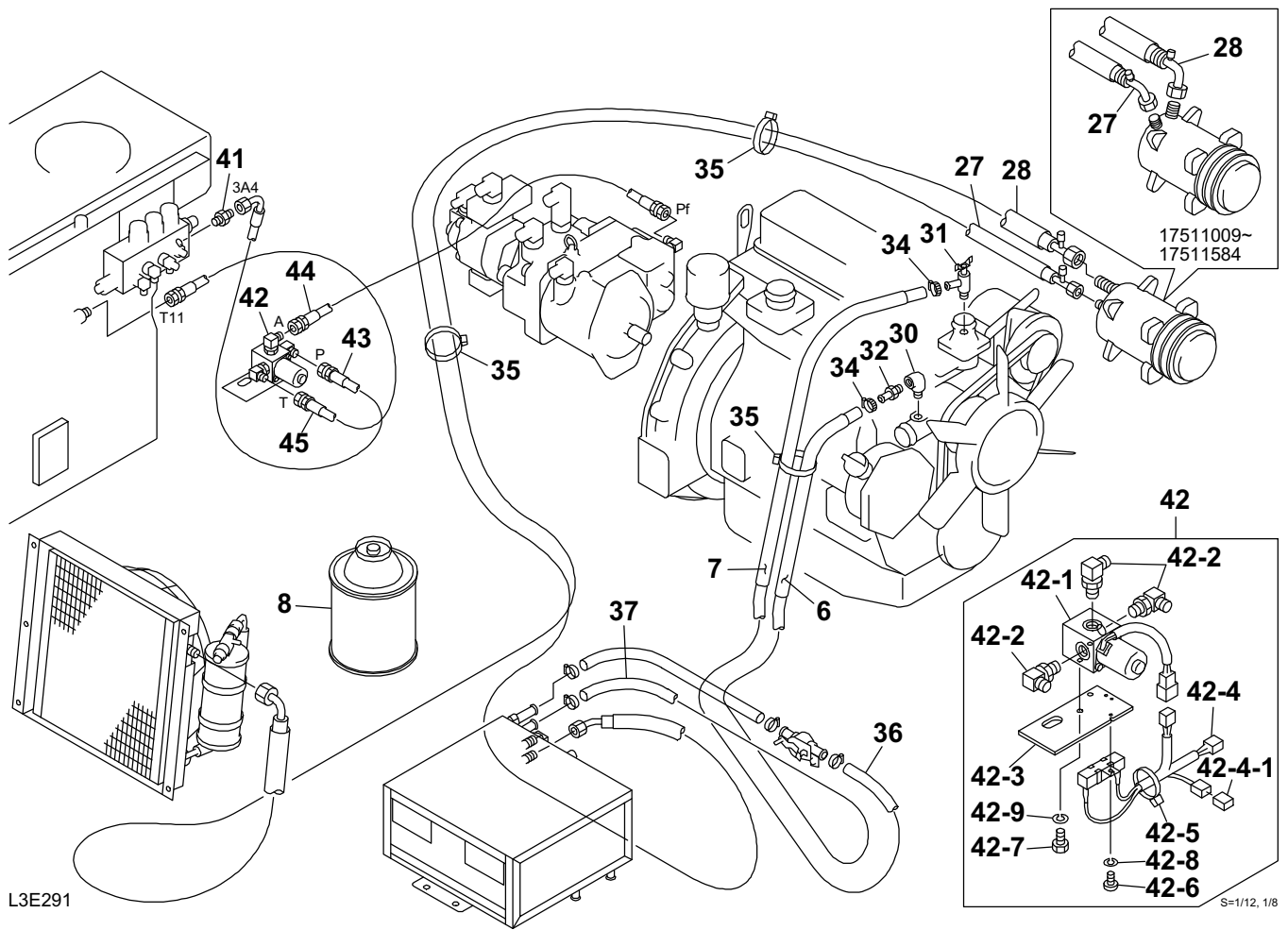
S=1/10

AIR CONDITIONER (2/8) (compressor-1; 17511009-)

Item	Part number	Description	Q'ty	Chan.	Serial No.	Serv.	Remarks
0-1	X *****	COMPRESSOR ASSY; incl. (3/8)	1		17511009~17512104		
	X *****	COMPRESSOR ASSY; incl. (3/8)	1		17512105~		
1	0564624280	· FOOT, engine (F.L.)	1		17511009~17512104		
2	0564618790	· BRACKET	1				
3	0564624290	· GUARD	1				
4	X *****	· SHAFT	1	A	17511009~17518263		
5	X *****	· COLLAR	1	A	17511009~17518263		
6	0564624240	· STAY	1		17511009~17512104		
7	0564618460	· GUARD	1		17511009~17512104		
9	1100440810	· BOLT	1				
10	1100040825	· BOLT	3				
11	1100041030	· BOLT	2				
13	1140020008	· WASHER, spring	3				
14	1140020010	· WASHER, spring	4				
15	1140020012	· WASHER, spring	1	A	17511009~17518263		
16	1141110008	· WASHER	1				
17	1141110010	· WASHER	3				
18	1141550012	· WASHER	1	A	17511009~17518263		
19	1130040008	· NUT	2				
20	1130040010	· NUT	2				
21	1130040012	· NUT	1	A	17511009~17518263		
22	1100141030	· BOLT	2				
24	1911505800	· COMPRESSOR	1		17511009~17511584		
	1911505830	· COMPRESSOR	1		17511585~		
25	X *****	· PULLY	1	A	17511009~17518263		
26	1911505790	· V-BELT	1				
38	0003600222	· SHIM	AR				t=0.2mm
39	0003600223	· SHIM	AR				t=0.3mm
40	0564634880	· PULLY ASSY	1	a	17518264~		M
41	0564634890	· COLLAR	1	a	17518264~		M
42	0564634895	· COLLAR	1	a	17518264~		M
43	0564626010	· SHAFT	1	a	17518264~		M
44	1130140012	· NUT	2	a	17518264~		M
		<<NOTE>>					
0-2	0569617280	KIT, pully item 24 and item 27, 28 (3/8) has interchangeability in a set. SET "A" is interchangeable with SET "a".	1	a	17518264~		M

L3e286

TB175(P-TB175BAB) Book No. BL3Z010 S/N 17510003-
 AIR CONDITIONER (3/8) (compressor-2; 17511009-)



AIR CONDITIONER (3/8) (compressor-2; 17511009-)

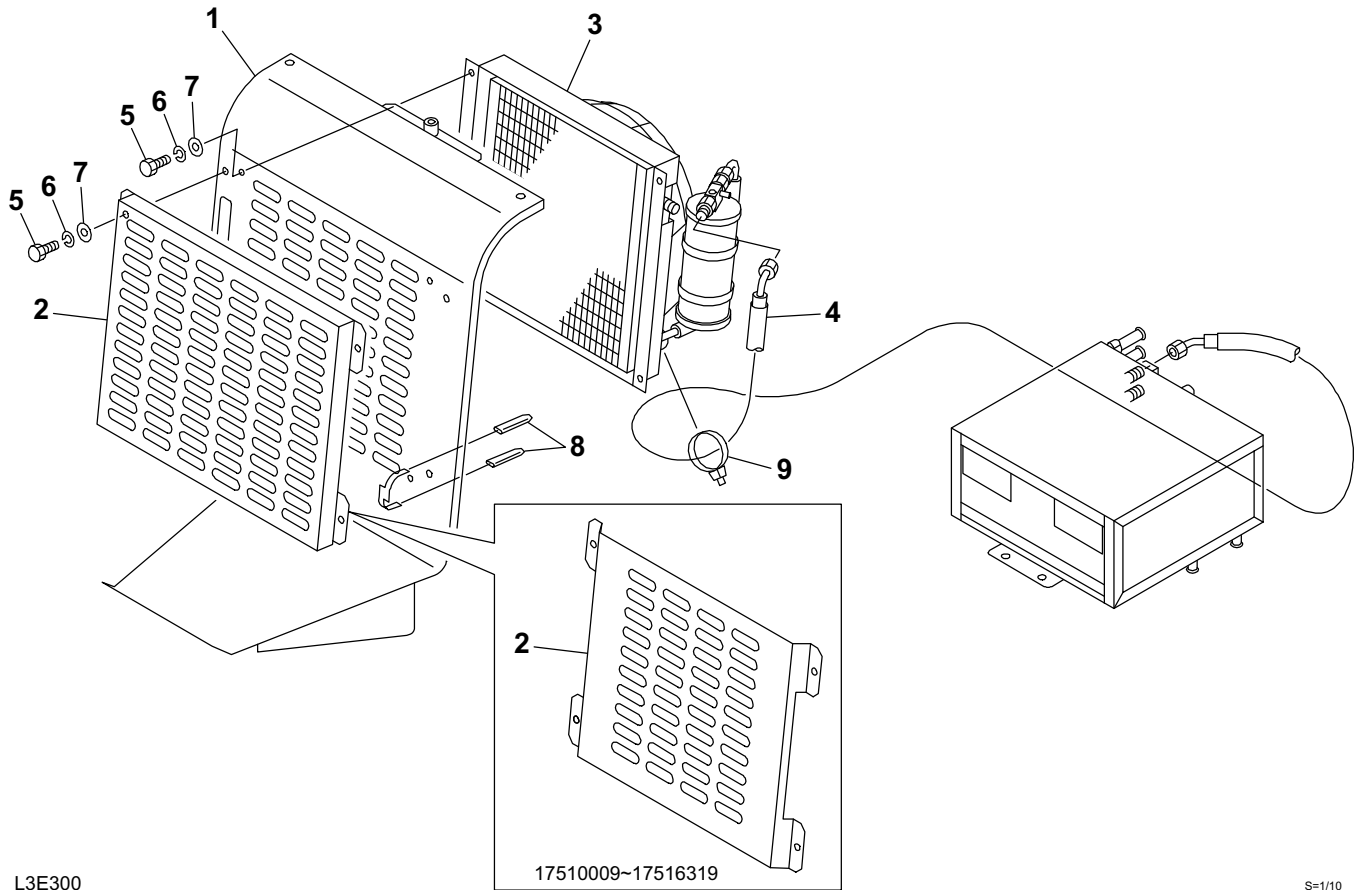
Item	Part number	Description	Q'ty	Chan.	Serial No.	Serv.	Remarks
0-1	X *****	COMPRESSOR ASSY; incl. (2/8)	1		17511009~17512104		
	X *****	COMPRESSOR ASSY; incl. (2/8)	1		17512105~		
6	1531325055	· PROTECTOR	1			M	sold by the meter
7	1531325070	· PROTECTOR	1			M	sold by the meter
8	0872463100	· GAS	4				
27	1911505620	· HOSE ASSY	1		17511009~17511584		
	1911505621	· HOSE ASSY	1		17511585~		
	1911505602	· · O-RING	2				RD-5-4017-013
28	1911505630	· HOSE ASSY	1		17511009~17511584		
	1911505631	· HOSE ASSY	1		17511585~		
	1911505603	· · O-RING	2				RD-5-4017-015
30	1501986526	· ELBOW	1				
31	1911502100	· VALVE	1				
32	0007224009	· ADAPTOR	1				
34	1911500500	· CLAMP	2				
35	1652201007	· BAND	3				
36	1911525100	· HOSE	1				
37	1911521830	· HOSE	1				sold by the meter
41	1515600200	· ADAPTOR	1		17511009~17512104		
	1420010110	· · O-RING	1				
42	X *****	· VALVE ASSY, solenoid	1		17511009~17512104		
42-1	1901736500	· · VALVE, solenoid	1		17511009~17512104		
42-2	1515012040	· · ELBOW	3		17511009~17512104		
	1420010110	· · · O-RING	1				
42-3	0564624251	· · PLATE	1		17511009~17512104		
42-4	0564624252	· · HARNESS, wiring	1		17511009~17512104		
42-4-1	1730500008	· · · DIODE(3A yellow)	1		17511009~17512104		
42-5	1652200003	· · BAND	1		17511009~17512104		
42-6	1120530305	· · SCREW	1		17511009~17512104		
42-7	1100040612	· · BOLT	2		17511009~17512104		
42-8	1140020003	· · WASHER, spring	1		17511009~17512104		
42-9	1140020006	· · WASHER, spring	2		17511009~17512104		
43	0564618630	· HOSE ASSY	1		17511009~17512104		18010-52100
44	0564618640	· HOSE ASSY	1		17511009~17512104		18010-22075
45	0564618650	· HOSE ASSY	1		17511009~17512104		18010-22060

<<NOTE>>

item 27, 28 and item 24 (2/8)
has interchangeability in a set.

L3e297

TB175(P-TB175BAB) Book No. BL3Z010 S/N 17510003-
AIR CONDITIONER (4/8) (condenser; 17511009-)



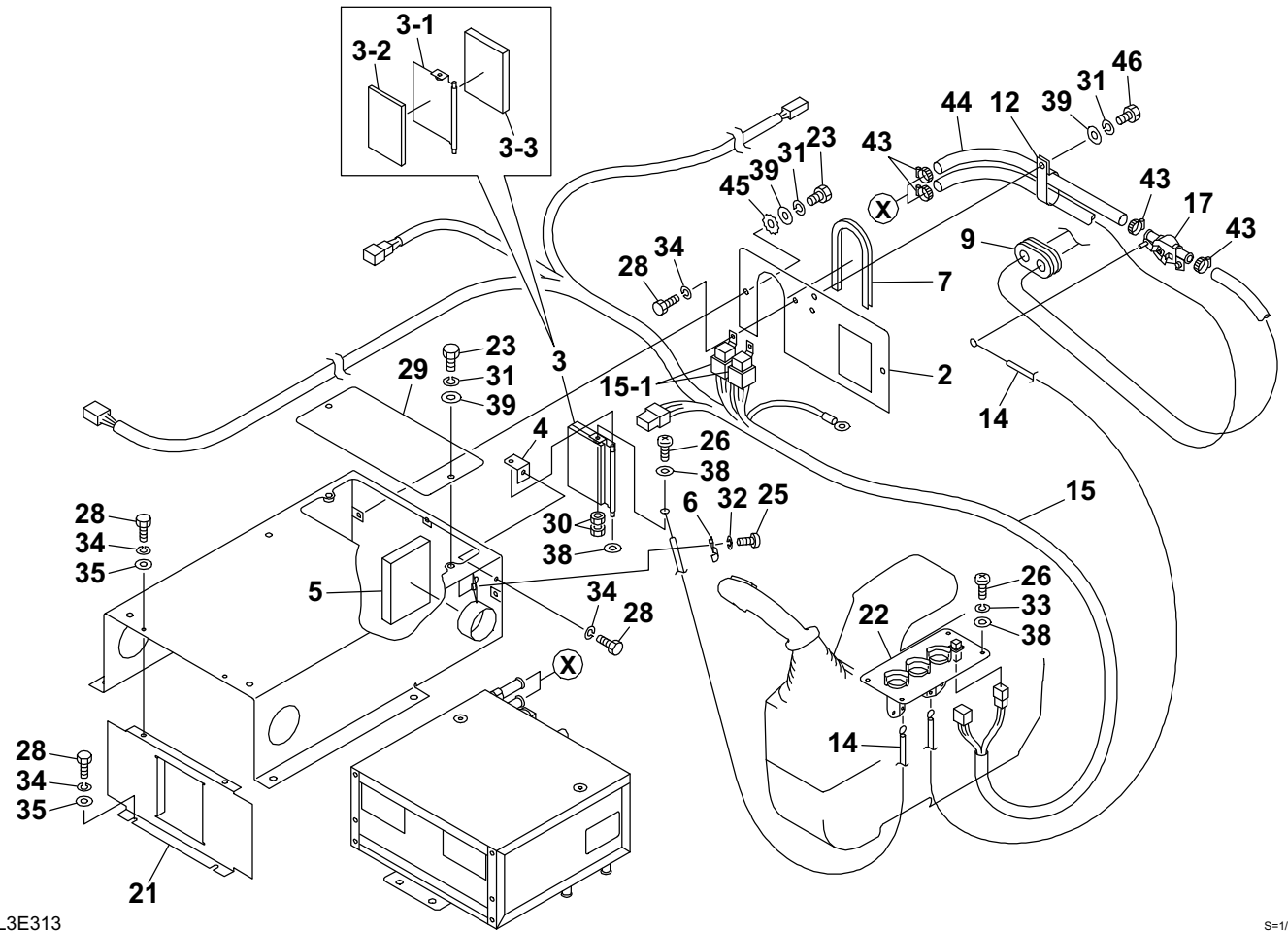
L3E300

S=1/10

AIR CONDITIONER (4/8) (condenser; 17511009-)

Item	Part number	Description	Q'ty	Chan.	Serial No.	Serv.	Remarks
0-2	X *****	CONDENSER ASSY	1				
1	0564624410	· COVER	1		17511009~17512923		
2	0564624420	· COVER	1		17511009~17516319		
	0564629220	· COVER	1		17516320~		
3	1911505500	· CONDENSER ASSY	1				see page (8/8)
4	1911505610	· HOSE ASSY	1				
	1911505601	· · O-RING	2				RD-5-4017-011
5	1100040820	· BOLT	9				
6	1140020008	· WASHER, spring	9				
7	1141110008	· WASHER	9				
8	0872433150	· TUBE	2				
9	1652201007	· BAND	1				
	L3e306						

TB175(P-TB175BAB) Book No. BL3Z010 S/N 17510003-
AIR CONDITIONER (5/8) (air conditioner-1; 17511009-)



L3E313

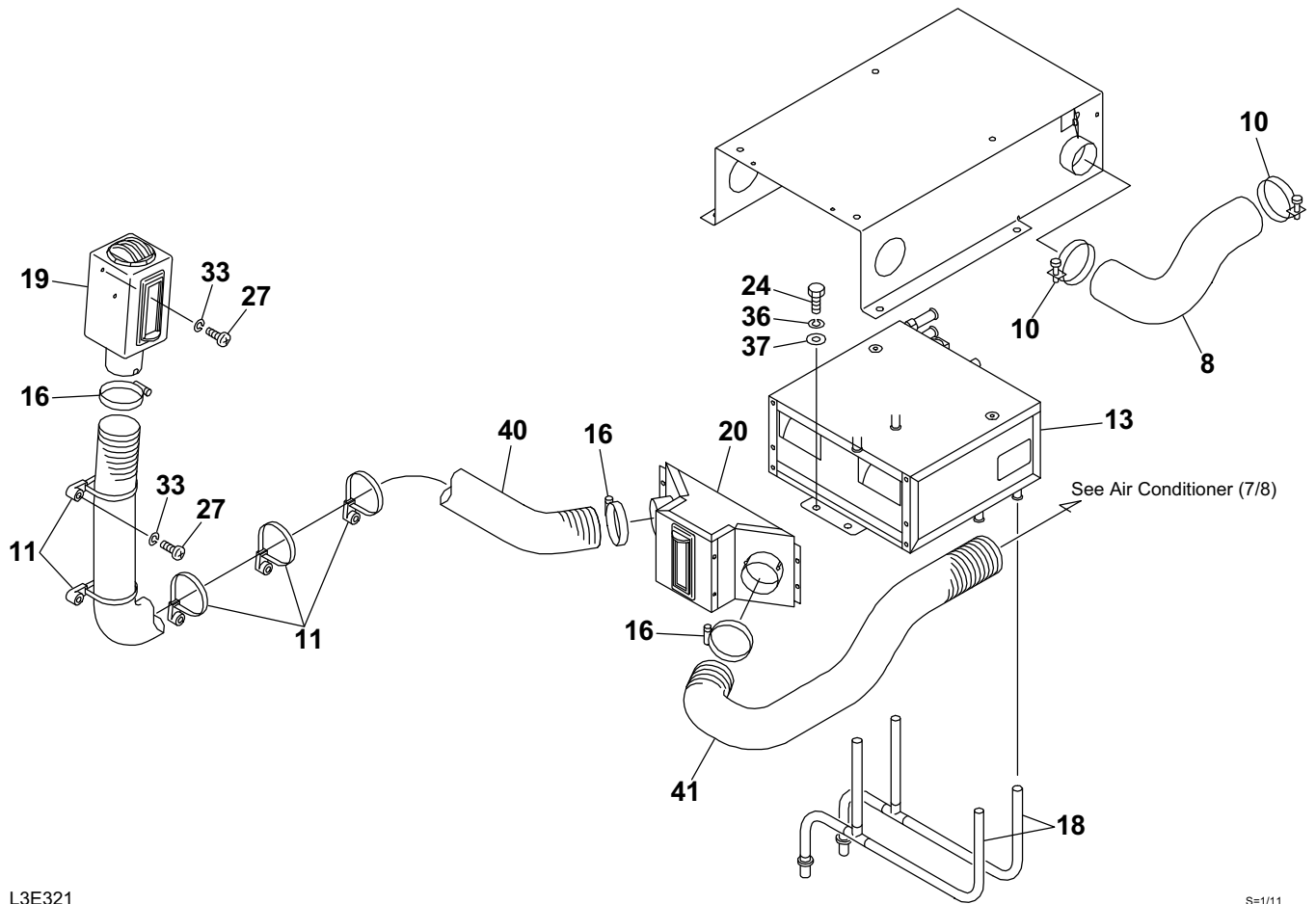
S=1/11

AIR CONDITIONER (5/8) (air conditioner-1; 17511009-)

Item	Part number	Description	Q'ty	Chan.	Serial No.	Serv.	Remarks
0-3	X *****	UNIT, air con.; incl. (6/8)	1				
2	0564624620	· COVER	1				
3	0564525500	· DAMPER	1				
3-1	0564525510	· · DAMPER	1				
3-2	0564519320	· · SPONGE	1				
3-3	0564520220	· · SPONGE	1				
4	0564525420	· BRACKET	1				
5	0564519550	· FILTER	1				
6	0564612530	· CLAMP	1				
7	1653917032	· TRIM	1				sold by the meter
9	0097210300	· GUARD	1				
12	0007300019	· CLAMP	1				
14	1911505640	· WIRE	2				
15	1911505660	· HARNESS ASSY, wiring	1				
15-1	1911505661	· · RELAY	2				
17	1911505690	· VALVE	1				
21	1911505750	· COVER	1				
22	1911505760	· PANEL ASSY	1				see page (8/8)
23	1100040820	· BOLT	4				
25	1120530408	· SCREW	1				
26	1120590510	· SCREW	5				
28	1100040616	· BOLT	7				
29	0564624629	· PLATE	1				
30	1130040005	· NUT	2				
31	1140020008	· WASHER, spring	5				
32	1140020004	· WASHER, spring	1				
33	1140090005	· WASHER, spring	4				
34	1140020006	· WASHER, spring	7				
35	1141110006	· WASHER	4				
38	1141190005	· WASHER	6				
39	1141110008	· WASHER	5				
43	1911500500	· CLAMP	4				
44	1911501840	· HOSE	1				sold by the meter
45	1140330008	· WASHER	1				
46	1100040825	· BOLT	1				

L3e317

TB175(P-TB175BAB) Book No. BL3Z010 S/N 17510003-
AIR CONDITIONER (6/8) (air conditioner-2; 17511009-)



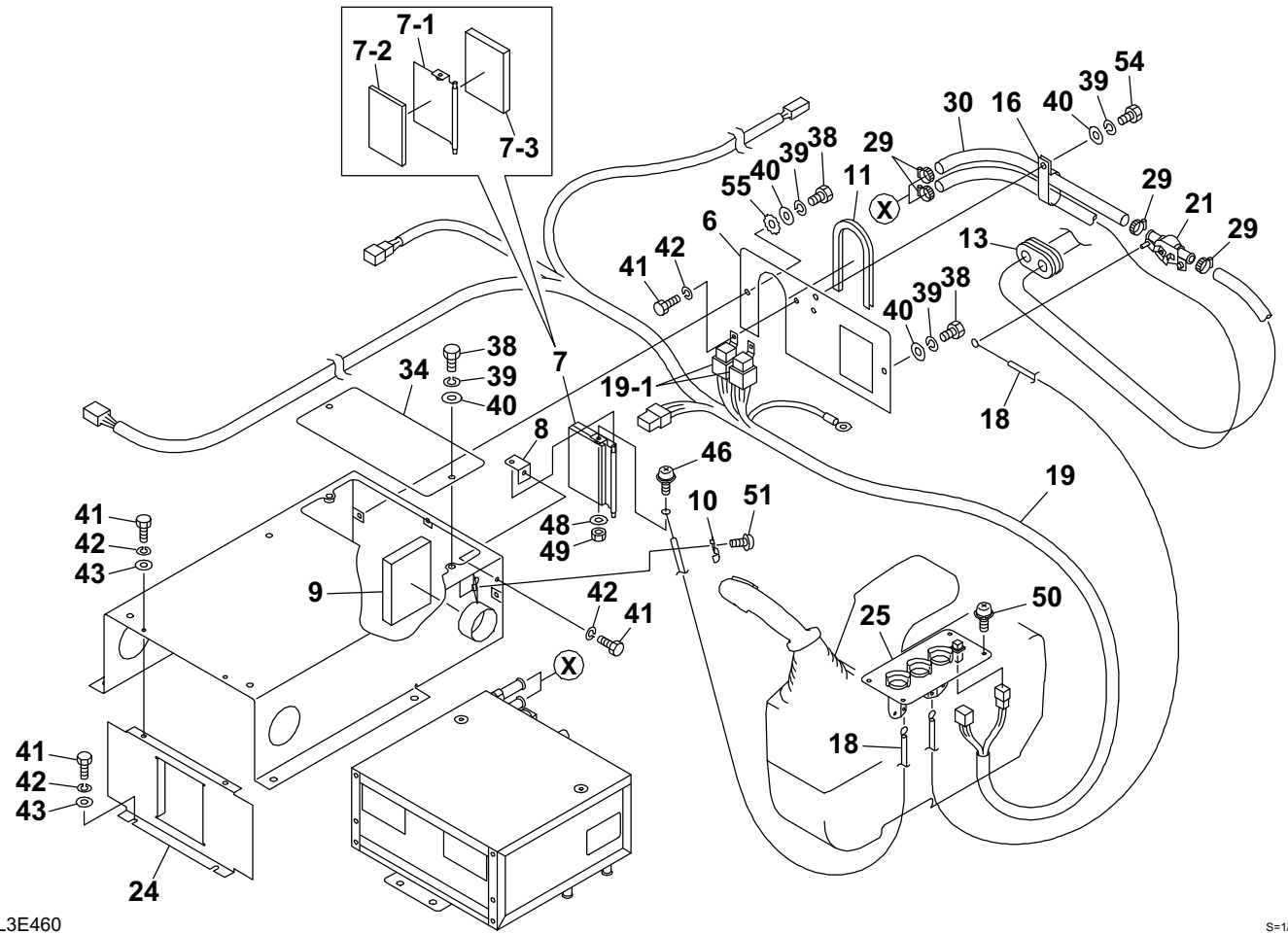
L3E321

S=1/11

AIR CONDITIONER (6/8) (air conditioner-2; 17511009-)

Item	Part number	Description	Q'ty	Chan.	Serial No.	Serv.	Remarks
0-3	X *****	UNIT, air con.; incl. (5/8)	1				
8	1567526540	· HOSE	1				
10	1533001070	· CLAMP	2				
11	1652261410	· BAND	5				
13	1911505400	· UNIT ASSY, air con.	1				see page (8/8)
16	1911505670	· BAND	3				
18	1911505710	· TUBE ASSY	2				
19	1911505720	· DUCT	1				
20	1911505740	· COVER ASSY	1				
24	1100041025	· BOLT	4				
27	1120590512	· SCREW	7				
33	1140090005	· WASHER, spring	7				
36	1140020010	· WASHER, spring	4				
37	1141110010	· WASHER	4				
40	1911508532	· HOSE	1				
41	1911508563	· HOSE	1				
	L3e326						

TB175(P-TB175BAB) Book No. BL3Z010 S/N 17510003-
AIR CONDITIONER (5/8) (air conditioner-1, boost fan type; 17518270-)



L3E460

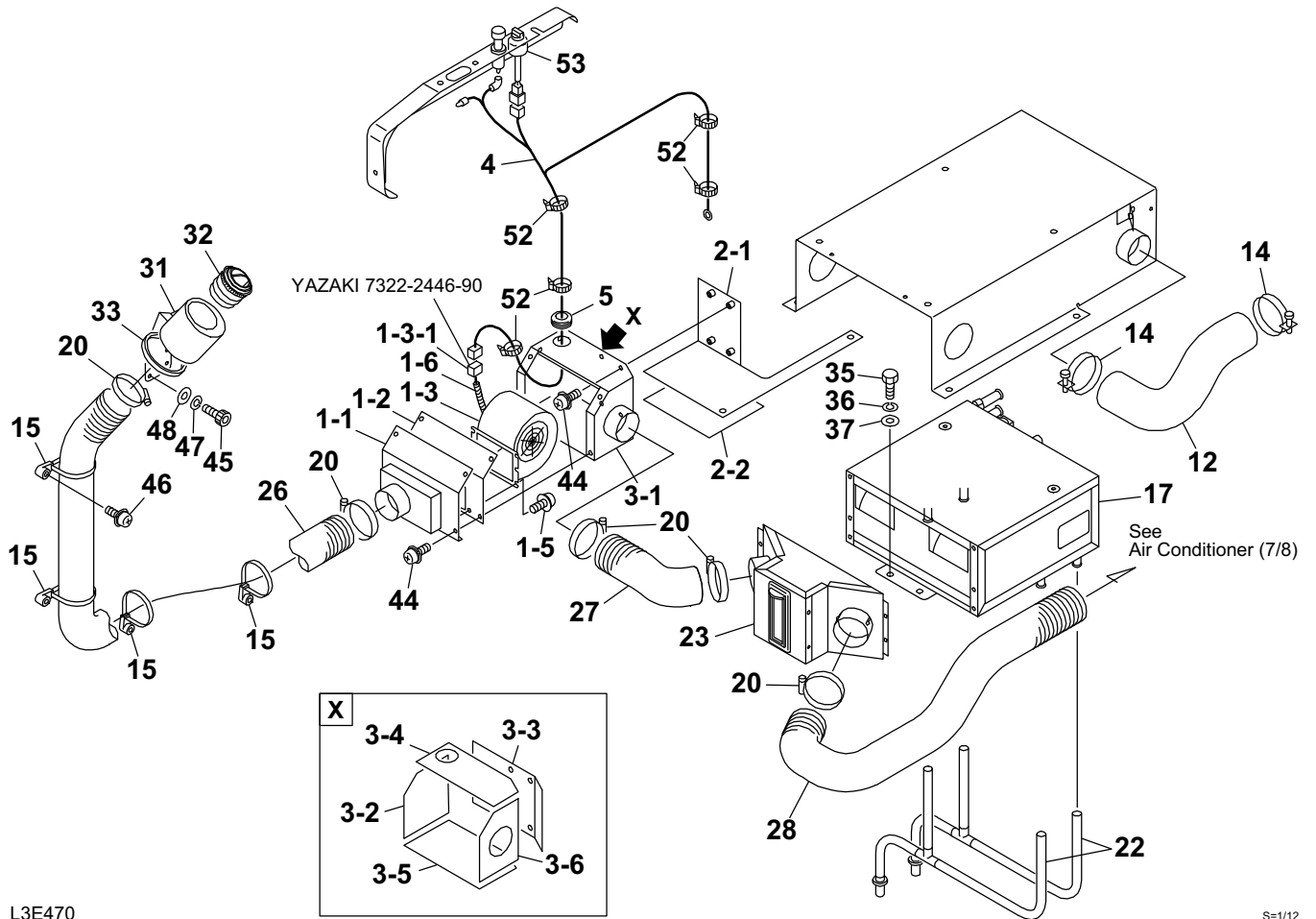
S=1/11

AIR CONDITIONER (5/8) (air conditioner-1, boost fan type; 17518270-)

Item	Part number	Description	Q'ty	Chan.	Serial No.	Serv.	Remarks
0-3	X *****	UNIT, air con.; incl. (6/8)	1				
6	0564624620	· COVER	1				
7	0564525500	· DAMPER	1				
7-1	0564525510	· · DAMPER	1				
7-2	0564519320	· · SPONGE	1				
7-3	0564520220	· · SPONGE	1				
8	0564525420	· BRACKET	1				
9	0564519550	· FILTER	1				
10	0564612530	· CLAMP	1				
11	1653917032	· TRIM	1				sold by the meter
13	0097210300	· GUARD	1				
16	0007300019	· CLAMP	1				
18	1911505640	· WIRE	2				
19	1911505660	· HARNESS ASSY, wiring	1				
19-1	1911505661	· · RELAY	2				
21	1911505690	· VALVE	1				
24	1911505750	· COVER	1				
25	1911505760	· PANEL ASSY	1				see page (8/8)
29	1911500500	· BAND	4				
30	1911501840	· HOSE	1				sold by the meter
34	0564624629	· PLATE	1				
38	1100040820	· BOLT	4				
39	1140020008	· WASHER, spring	5				
40	1141110008	· WASHER	5				
41	1100040616	· BOLT	7				
42	1140020006	· WASHER, spring	7				
43	1141110006	· WASHER	4				
46	1120590512	· SCREW	1				
48	1141190005	· WASHER	1				
49	1130040005	· NUT	1				
50	1150420510	· SCREW, sems	4				
51	1150120408	· SCREW, sems	1				
54	1100040825	· BOLT	1				
55	1140330008	· WASHER	1				

L3e460

**TB175(P-TB175BAB) Book No. BL3Z010 S/N 17510003-
AIR CONDITIONER (6/8) (air conditioner-2, boost fan type; 17518270-)**



L3E470

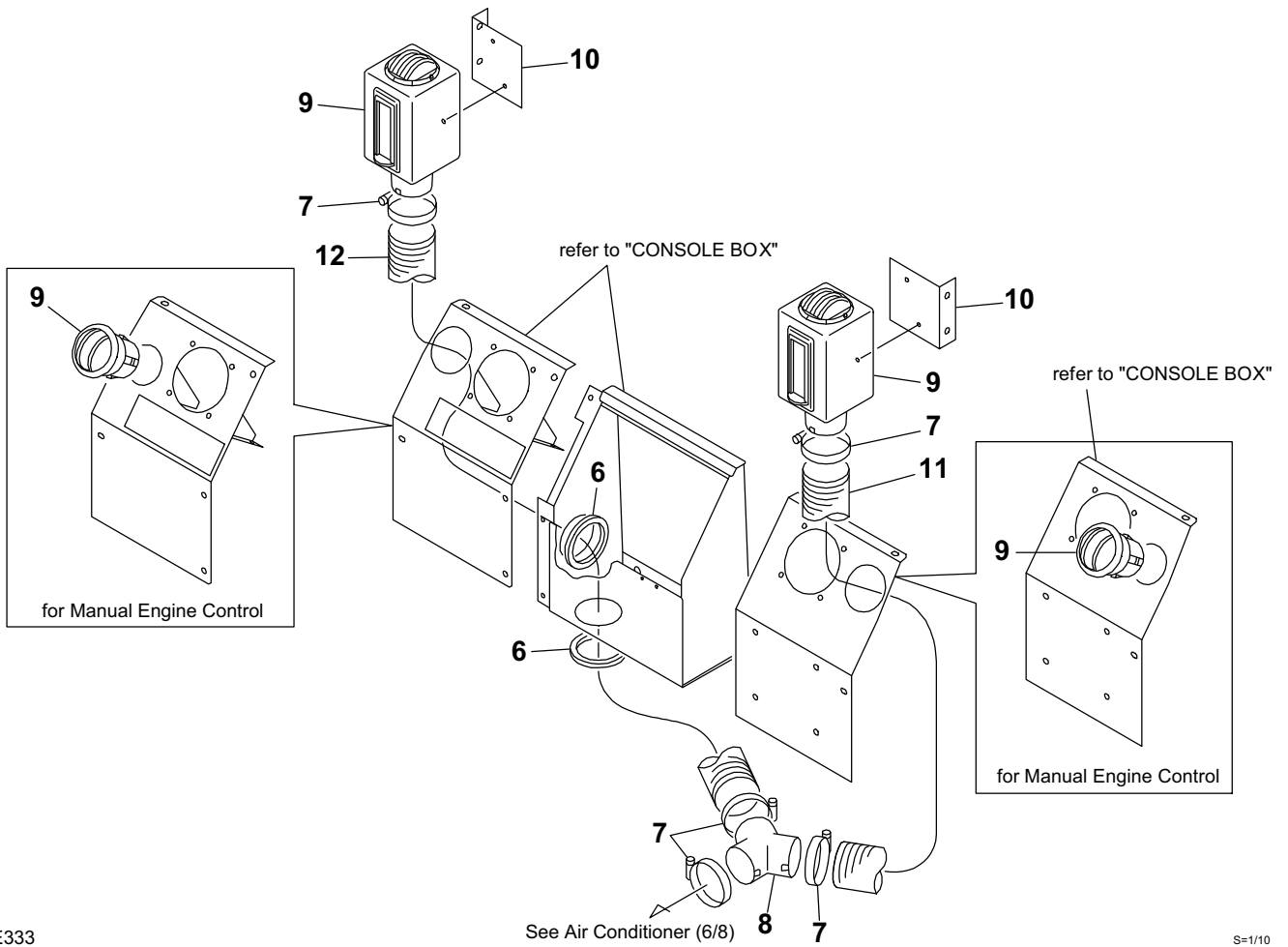
S=1/12

AIR CONDITIONER (6/8) (air conditioner-2, boost fan type; 17518270-)

Item	Part number	Description	Q'ty	Chan.	Serial No.	Serv.	Remarks
0-3	X *****	UNIT, air con.; incl. (5/8)	1				
1	0564632100	· FAN ASSY, boost	1			,I	
1-1	0564632110	· · COVER	1			M	
1-2	0564632120	· · URETHANE	1			M	
1-3	1911511300	· · FAN ASSY	1			M	
1-3-1		· · · CONNECTOR	1			M	YAZAKI 7322-2446-90
1-5	1150420410	· · SCREW, sems	4				
1-6	1703211010	· · PROTECTOR	1			M	sold by the meter
2	0564632200	· BRACKET ASSY	1			M	
2-1	0564632210	· · BRACKET	1			M	
2-2	0564632220	· · URETHANE	1			M	
3	0394615300	· BOX ASSY	1			M	
3-1	0394615250	· · BOX	1			M	
3-2	0394614992	· · INSULATOR	1			M	
3-3	0394614993	· · INSULATOR	1			M	
3-4	0394614995	· · INSULATOR	1			M	
3-5	0394614996	· · INSULATOR	1			M	
3-6	0394614991	· · INSULATOR	1			M	
4	0564632300	· HARNESS, wiring	1			,I	
5	1652053200	· GROMMET	1			M	
12	1567526540	· HOSE	1				sold by the meter
14	1533001070	· BAND	2				
15	1652261410	· BAND	4				
17	1911505400	· UNIT ASSY, air con.	1				see page (8/8)
20	1911505670	· BAND	5				
22	1911505710	· TUBE ASSY	2				
23	1911505740	· COVER ASSY	1				
26	1911508532	· HOSE	1			M	sold by the meter
27	1911508510	· HOSE	1			M	sold by the meter
28	1911508563	· HOSE	1			M	sold by the meter
31	0394612710	· BRACKET	1			M	
32	1911506060	· LOUVER	1			M	
33	1653916026	· TRIM	1			M	
35	1100041025	· BOLT	4				
36	1140020010	· WASHER, spring	4				
37	1141110010	· WASHER	4				
44	1150420614	· SCREW	8				
45	1110090512	· SCREW, cap	3				
46	1120590512	· SCREW	4				
47	1140090005	· WASHER, spring	3				
48	1141190005	· WASHER	3				
52	1652231250	· BAND	5				
53	1700000031	· SWITCH, heater	1			M	

L3e470

TB175(P-TB175BAB) Book No. BL3Z010 S/N 17510003-
AIR CONDITIONER (7/8) (defroster; 17511009-)



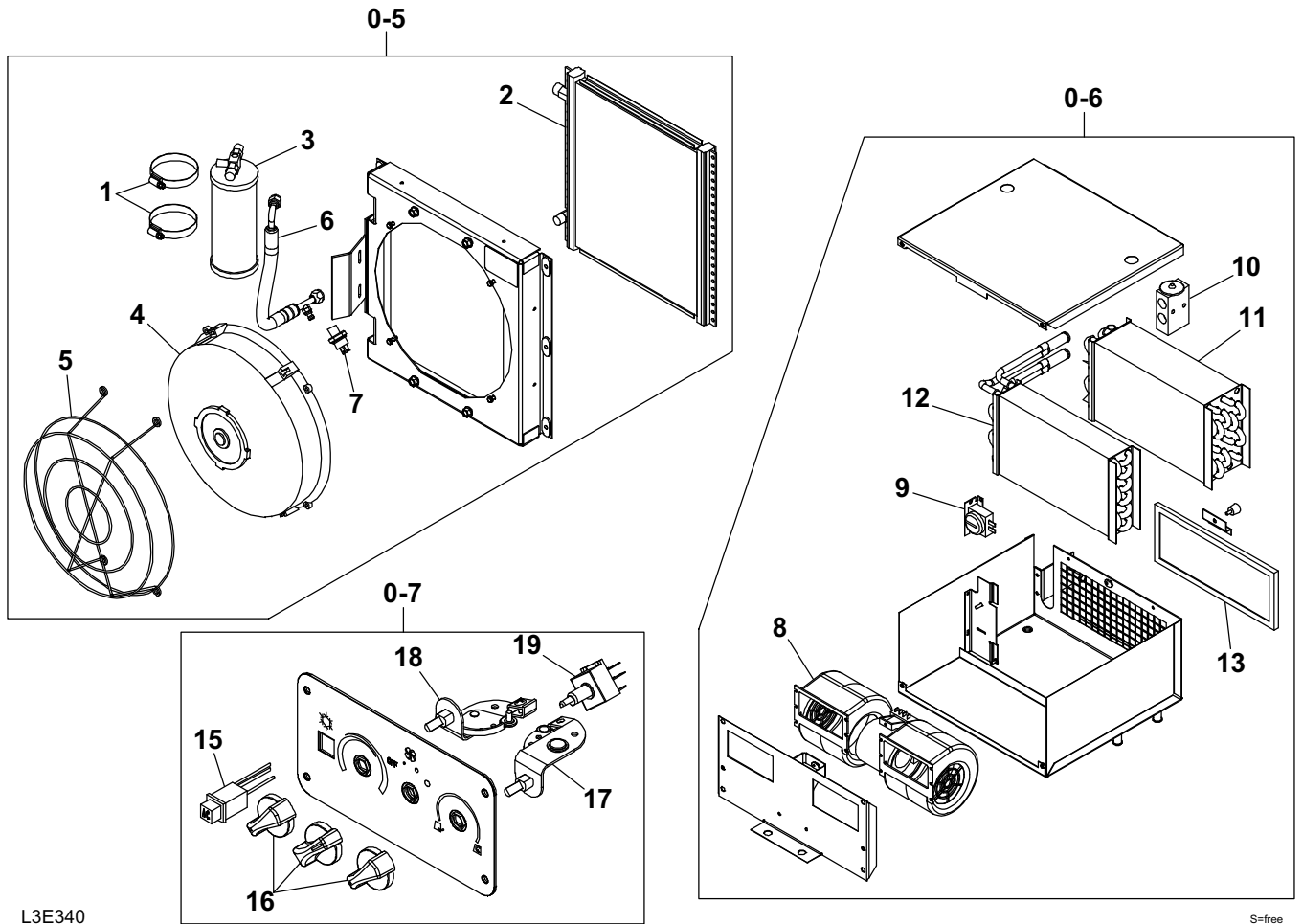
L3E333

S=1/10

AIR CONDITIONER (7/8) (defroster; 17511009-)

Item	Part number	Description	Q'ty	Chan.	Serial No.	Serv.	Remarks
0-4	X *****	DEFROSTER ASSY	1				
	X *****	DEFROSTER ASSY (manual eng. cont.)	1				
6	1653917022	· TRIM (manual eng. cont.)	2				sold by the meter
7	1911505670	· BAND	5				
8	1911505680	· CONNECTOR	1				
9	1911505720	· DUCT ASSY	2				
	1911506060	· LOUVER	2				manual eng. cont.
10	1911505730	· BRACKET	2				except for manual eng. cont.
11	1911508532	· HOSE	1				except for manual eng. cont.
12	1911508563	· HOSE	1				except for manual eng. cont.
	L3e334						

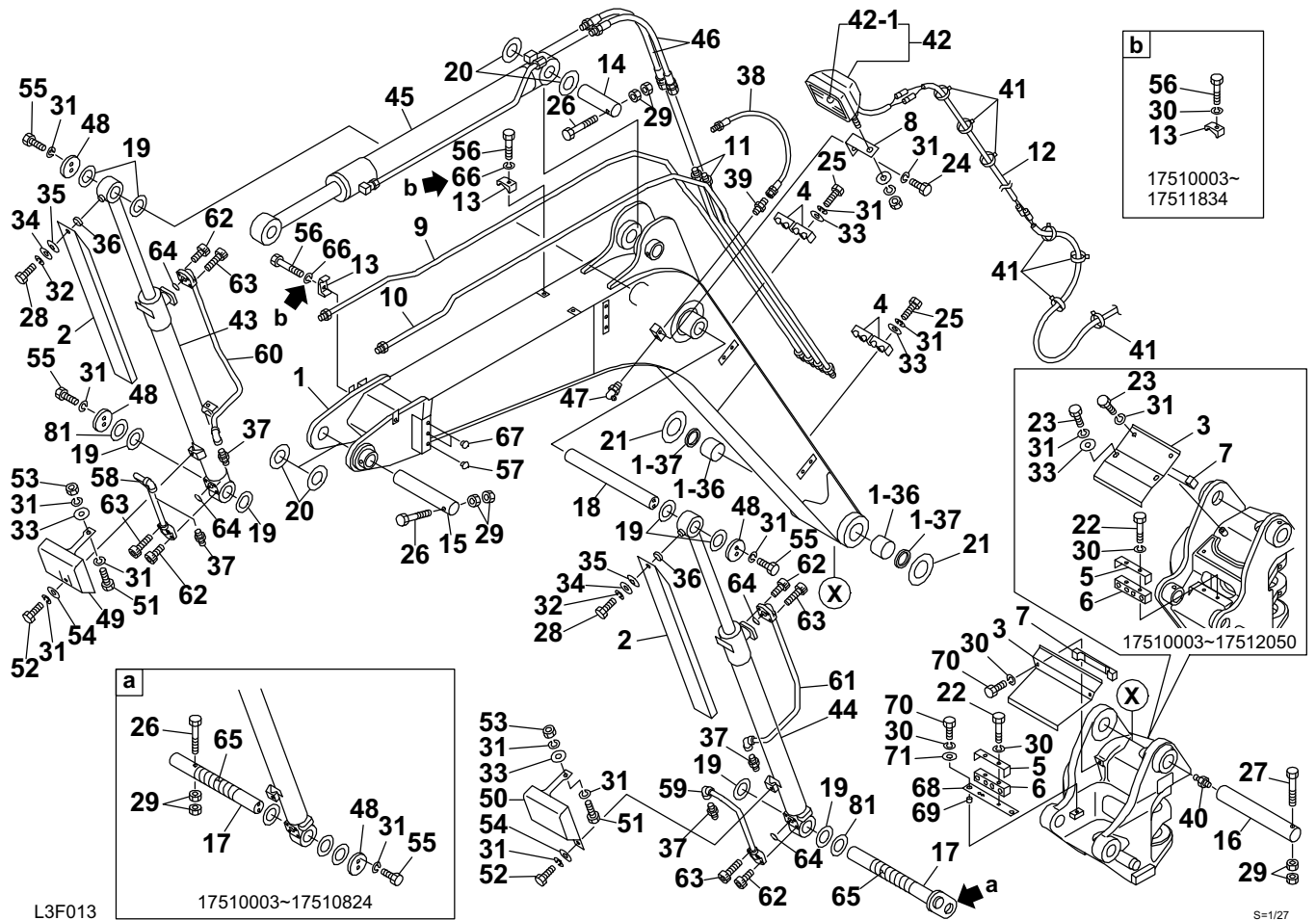
TB175(P-TB175BAB) Book No. BL3Z010 S/N 17510003-
AIR CONDITIONER (8/8) (17511009-)



AIR CONDITIONER (8/8) (17511009-)

Item	Part number	Description	Q'ty	Chan.	Serial No.	Serv.	Remarks
0-5	1911505500	. . . CONDENSER ASSY	1				
1	1911505502 BAND	2				
2	1911505503 CONDENSER	1				
3	1911505511 DRIER	1				
4	1911505504 FUN MOTOR ASSY	1				
5	1911505505 GUARD	1				
6	1911505506 HOSE ASSY	1				
7	1911505514 SWTCH, pressure	1				
0-6	1911505400	. . . UNIT ASSY, air con.	1				
8	1911505423 MOTOR ASSY, blower	1				24V
	1911505411 MOTOR ASSY, blower	1				12V
9	1911505421 THERMOSTAT	1				
10	1911505422 VALVE, expansion	1				
11	1911505402 EVAPORATOR ASSY	1				
12	1911505403 CORE ASSY, heater	1				
13	1911505405 FILTER	1				
14	1911505428 HARNESS ASSY, wiring	1				
0-7	1911505760 PANEL ASSY	1				
15	1911505767 SWTCH, air con.	1				
16	1911505763 KNOB	3				
17	1911505761 CONVERTER, cable control	1				
18	1911505762 CONVERTER, cable control	1				
19	1911505768 ROTARY SWITCH, 3-speed	1				
	L3e341						

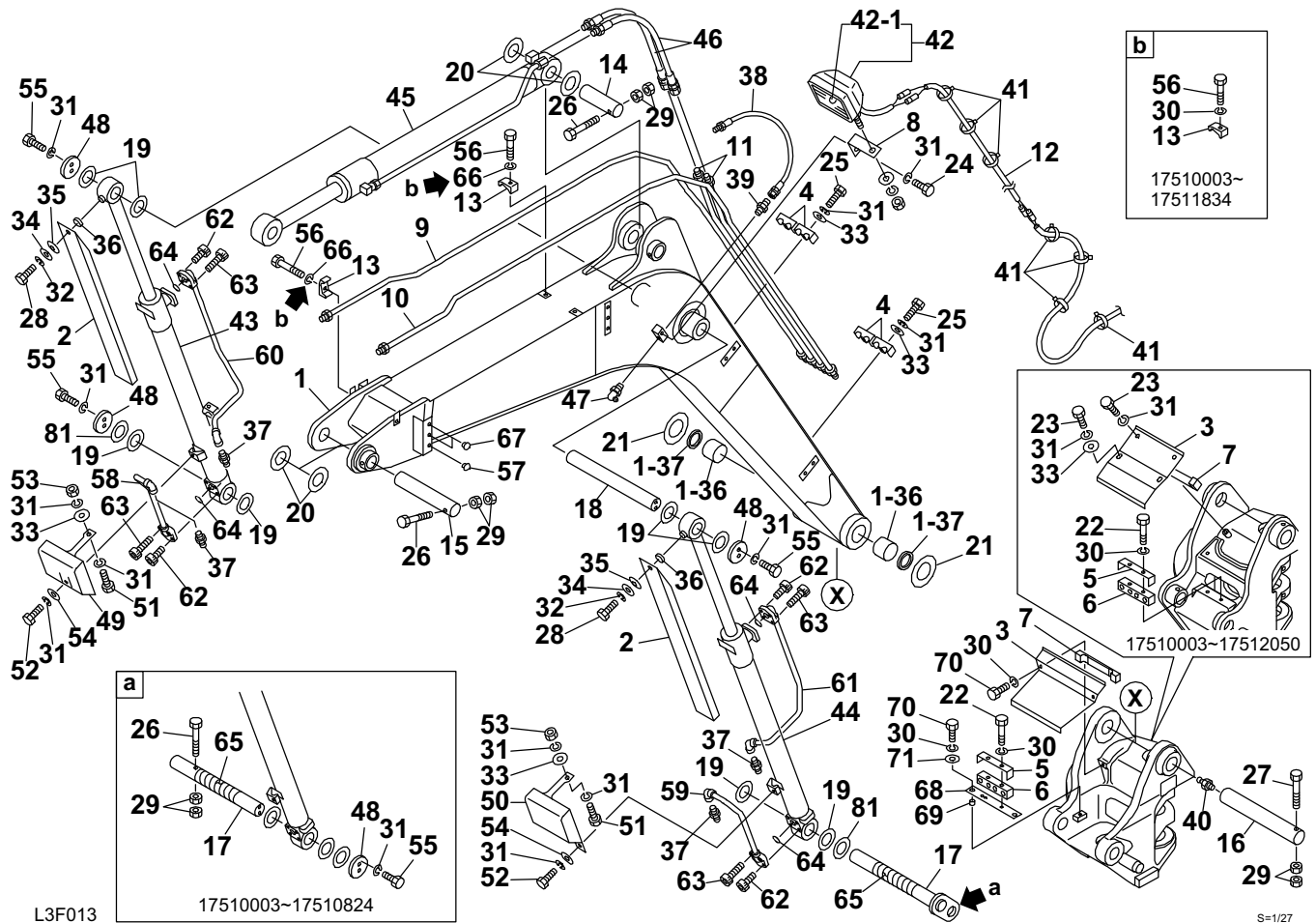
TB175(P-TB175BAB) Book No. BL3Z010 S/N 17510003-
BOOM (17510003-17513781)



BOOM (17510003-17513781)

Item	Part number	Description	Q'ty	Chan.	Serial No.	Serv.	Remarks
		BOOM ASSY					
1	0566025100	BOOM SUB ASSY	1		17510003~17511834		CLAMP M8
	0566034100	BOOM SUB ASSY	1		17511835~		CLAMP M10
1-36	0002400038	· BUSHING	2				
1-37	1432200065	· SEAL, dust	2				
2	0566026300	COVER	2				
3	0566026400	COVER	1		17510003~17512050		
	0566038100	COVER	1		17512051~		
4	1534000022	CLAMP	4				
5	0566014500	CLAMP	1				
6	0566014600	PROTECTOR	1				
7	0566026500	RUBBER	1		17510003~17512050		
	0566038200	RUBBER	1		17512051~		
8	0566013100	BRACKET	1				
9	0566026600	PIPE (R.H.)	1				
10	0566026700	PIPE (L.H.)	1				
11	0566019500	PIPE	2				
12	0566013500	HARNESS, wiring	1				
13	1534100217	CLAMP	4		17510003~17511834		M8
	1534100218	CLAMP	4		17511835~		M10
14	0001607200	PIN	1				
15	0011507335	PIN	1				
16	0011578002	PIN	1		17510003~17512050		
	0011578004	PIN	1		17512051~		
17	0011596003	PIN	1		17510003~17510824		
	0011796001	PIN	1		17510825~		
18	0011596005	PIN	1				
19	0003600156	SHIM	AR				t=1.0mm
	0003600108	SHIM	AR				t=0.2mm
	0003600109	SHIM	AR				t=0.5mm
20	0003600157	SHIM	AR				t=1.0mm
	0003600094	SHIM	AR				t=0.2mm
	0003600095	SHIM	AR				t=0.5mm
21	0003600158	SHIM	AR				t=1.0mm
	0003600105	SHIM	AR				t=0.2mm
	0003600106	SHIM	AR				t=0.5mm
22	1100040850	BOLT	2				
23	1100041016	BOLT	4		17510003~17512050		
24	1100041020	BOLT	1				
25	1100041050	BOLT	4				
26	1100141205	BOLT	3				
27	1100141240	BOLT	1				
28	1102041225	BOLT	2				
29	1130040012	NUT	8				
30	1140020008	WASHER, spring	2				
31	1140020010	WASHER, spring	15				
32	1140020012	WASHER, spring	4				
33	1141110010	WASHER	6				
34	0003600057	WASHER	2				
35	1225121022	WASHER, conical	2				
36	0003600159	COLLAR	2				
37	1515600202	ADAPTOR	4				
	1420010180	· O-RING	1				
38	1934802070	HOSE ASSY	1				
39	1511050002	ADAPTOR	1				
40	1560001000	FITTING, grease	1				
41	1652201005	BAND	10				
42	0566015400	LAMP ASSY	1				
42-1	1703003901	· BULB	1				
43	1900078900	CYLINDER, boom (R.H.)	1		17510003~17512050		

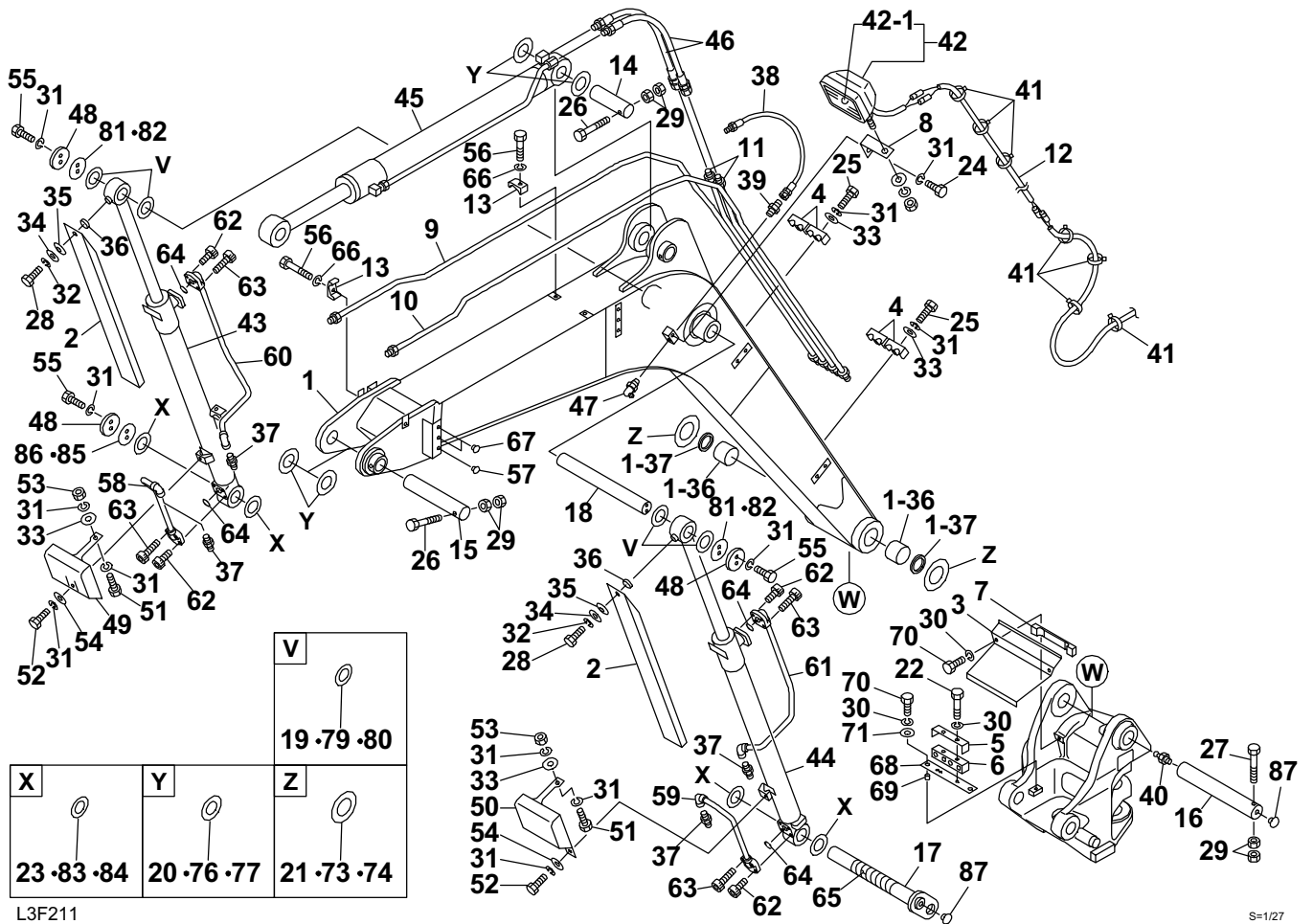
TB175(P-TB175BAB) Book No. BL3Z010 S/N 17510003-
BOOM (17510003-17513781)



BOOM (17510003-17513781)

Item	Part number	Description	Q'ty	Chan.	Serial No.	Serv.	Remarks
43	1900090700	CYLINDER, boom (R.H.)	1	(H)	17512051~		
44	1900079000	CYLINDER, boom (L.H.)	1		17510003~17512050		
	1900090800	CYLINDER, boom (L.H.)	1	(H)	17512051~		
45	1900079100	CYLINDER, arm	1		17510003~17512050		
	1900090900	CYLINDER, arm	1	(H)	17512051~17513847		
	1900097500	CYLINDER, arm	1		17513848~		
46	1802743062	HOSE ASSY	2				
47	1560001675	FITTING, grease	1				
48	0566015200	PLATE	4		17510003~17510824		
	0566015200	PLATE	3		17510825~		
49	0566016700	PROTECTOR (R.H.)	1				
50	0566016800	PROTECTOR (L.H.)	1				
51	1100241065	BOLT	2				
52	1100041250	BOLT	2				
53	1130040010	NUT	2				
54	1141110012	WASHER	2				
55	1100041025	BOLT	8				
56	1100040840	BOLT	4		17510003~17511834		
	1100041045	BOLT	4		17511835~		
57	1652533016	CAP	16		17510003~17511088		
	1652533016	CAP	26		17511089~17511834		
	1652533016	CAP	10		17511835~		
58	0566016900	PIPE (R.H.)	1				
59	0566017000	PIPE (L.H.)	1				
60	0566025500	PIPE (R.H.)	1				
61	0566025600	PIPE (L.H.)	1				
62	1110040830	SCREW, cap	8				
63	1110040840	SCREW, cap	8				
64	1420010220	O-RING	4				
65	1532229023	PROTECTOR	1				sold by the meter
66	1140020010	WASHER, spring	4		17511835~		
67	1652533017	CAP	16		17511835~		
68	0566038300	PLATE	1		17512051~		
69	0566038400	COLLAR	2		17512051~		
70	1100040825	BOLT	4		17512051~		
71	1141110008	WASHER	2		17512051~		
81	0566019100	SHIM	AR				t=1.0mm
	0566019200	SHIM	AR				t=2.3mm
	L3f016						

TB175(P-TB175BAB) Book No. BL3Z010 S/N 17510003-
BOOM (17513782-17514411)



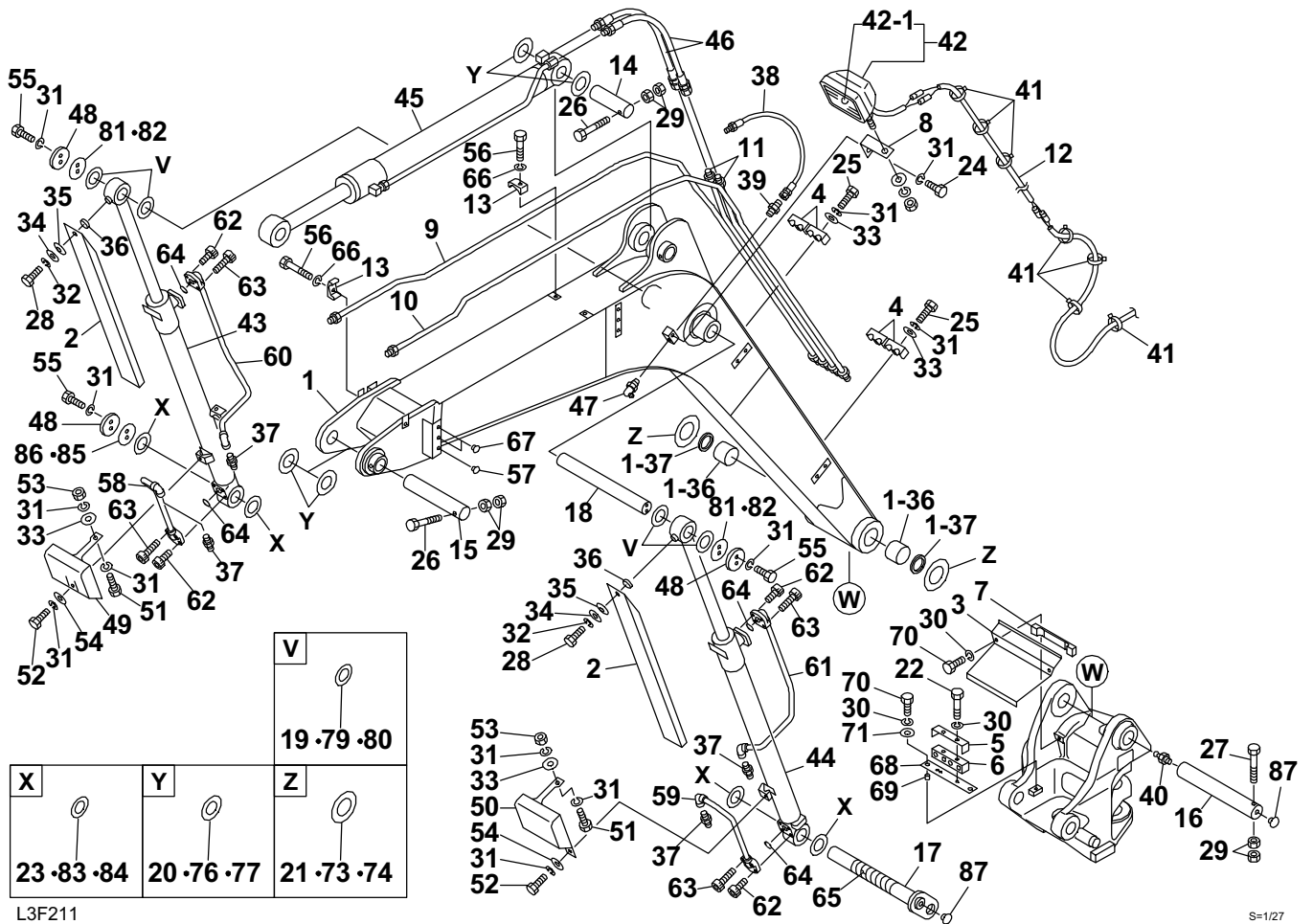
L3F211

S=1/27

BOOM (17513782-17514411)

Item	Part number	Description	Q'ty	Chan.	Serial No.	Serv.	Remarks
		BOOM ASSY					
1	0566040100	BOOM SUB ASSY	1				
1-36	0002400074	· BUSHING	2				
1-37	1432200070	· SEAL, dust	2				
2	0566026300	COVER	2				
3	0566038100	COVER	1				
4	1534000022	CLAMP	4				
5	0566014500	CLAMP	1				
6	0566014600	PROTECTOR	1				
7	0566038200	RUBBER	1				
8	0566013100	BRACKET	1				
9	0566026600	PIPE (R.H.)	1				
10	0566026700	PIPE (L.H.)	1				
11	0566019500	PIPE	2				
12	0566013500	HARNESS, wiring	1				
13	1534100218	CLAMP	4				
14	0001607200	PIN	1				
15	0011507335	PIN	1				
16	0011578005	PIN	1				
17	0011796002	PIN	1				
18	0011596005	PIN	1				
19	0003600156	SHIM	AR				t=1.0mm
20	0003600157	SHIM	AR				t=1.0mm
21	0003600218	SHIM	AR				t=1.0mm
22	1100040850	BOLT	2				
23	0003600221	SHIM	AR				t=1.0mm
24	1100041020	BOLT	1				
25	1100041050	BOLT	4				
26	1100141205	BOLT	3				
27	1100141240	BOLT	1				
28	1102041225	BOLT	2				
29	1130040012	NUT	8				
30	1140020008	WASHER, spring	2				
31	1140020010	WASHER, spring	15				
32	1140020012	WASHER, spring	4				
33	1141110010	WASHER	6				
34	0003600057	WASHER	2				
35	1225121022	WASHER, conical	2				
36	0003600159	COLLAR	2				
37	1515600202	ADAPTOR	4				
	1420010180	· O-RING	1				
38	1934802070	HOSE ASSY	1				
39	1511050002	ADAPTOR	1				
40	1560001000	FITTING, grease	1				
41	1652201005	BAND	10				
42	0566015400	LAMP ASSY	1				
42-1	1703003901	· BULB	1				
43	1900093600	CYLINDER, boom (R.H.)	1				
44	1900093700	CYLINDER, boom (L.H.)	1				
45	1900097500	CYLINDER, arm	1				
46	1802743062	HOSE ASSY	2				
47	1560001675	FITTING, grease	1				
48	0566015200	PLATE	3				
49	0566016700	PROTECTOR (R.H.)	1				
50	0566016800	PROTECTOR (L.H.)	1				
51	1100241065	BOLT	2				
52	1100041250	BOLT	2				
53	1130040010	NUT	2				
54	1141110012	WASHER	2				
55	1100041025	BOLT	8				

TB175(P-TB175BAB) Book No. BL3Z010 S/N 17510003-
BOOM (17513782-17514411)



L3F211

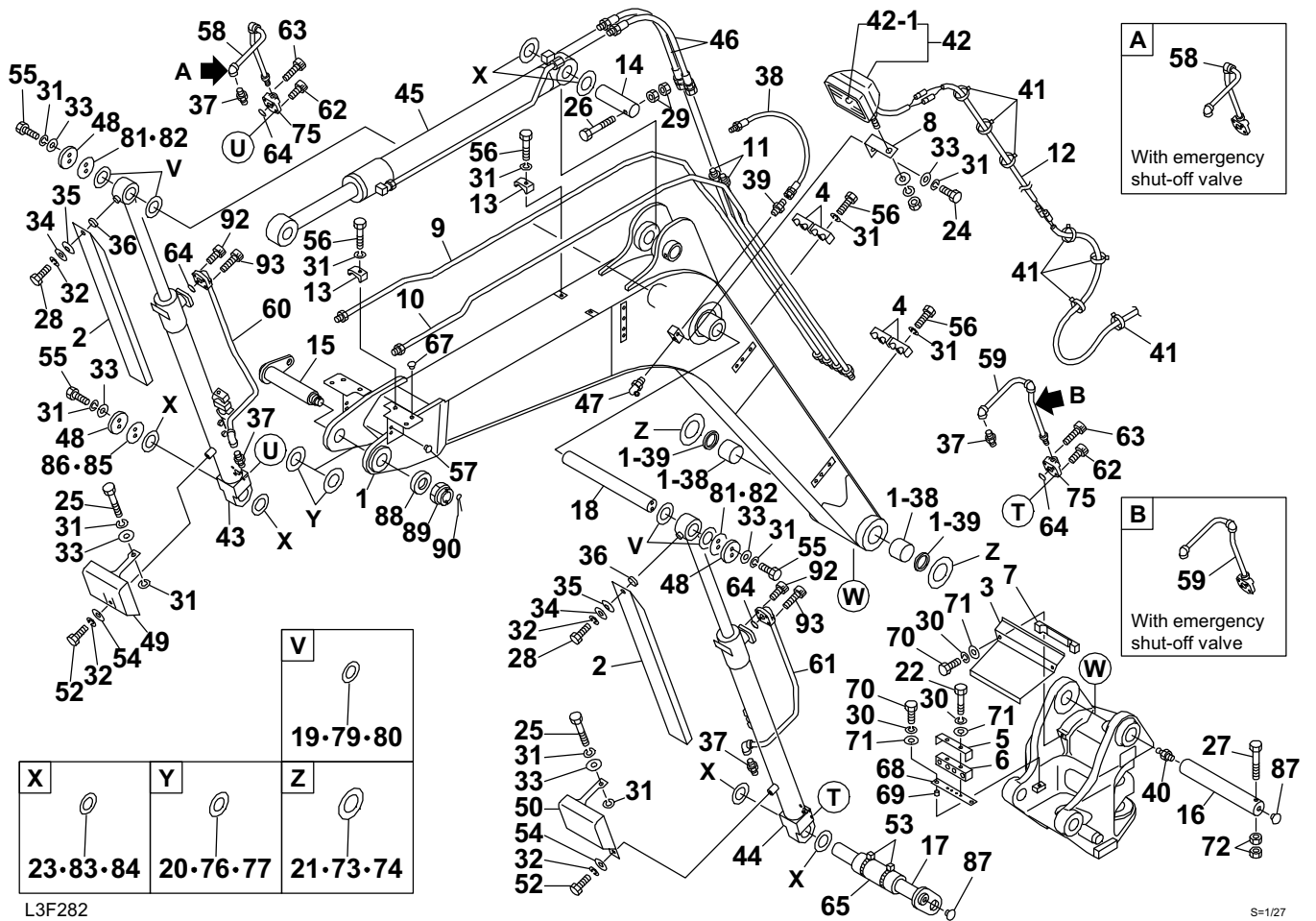
S=1/27

BOOM (17513782-17514411)

Item	Part number	Description	Q'ty	Chan.	Serial No.	Serv.	Remarks
56	1100041045	BOLT	4				
57	1652533016	CAP	10				
58	0566016900	PIPE (R.H.)	1				
59	0566017000	PIPE (L.H.)	1				
60	0566025500	PIPE (R.H.)	1				
61	0566025600	PIPE (L.H.)	1				
62	1110040830	SCREW, cap	8				
63	1110040840	SCREW, cap	8				
64	1420010220	O-RING	4				
65	1532229056	PROTECTOR	1				sold by the meter
66	1140020010	WASHER, spring	4				
67	1652533017	CAP	16				
68	0566038300	PLATE	1				
69	0566038400	COLLAR	2				
70	1100040825	BOLT	4				
71	1141110008	WASHER	2				
73	0003600199	SHIM	AR				t=0.2mm
74	0003600217	SHIM	AR				t=0.5mm
76	0003600095	SHIM	AR				t=0.5mm
77	0003600094	SHIM	AR				t=0.2mm
79	0003600109	SHIM	AR				t=0.5mm
80	0003600108	SHIM	AR				t=0.2mm
81	0566019200	SHIM	AR				t=2.3mm
82	0566019100	SHIM	AR				t=1.0mm
83	0003600220	SHIM	AR				t=0.5mm
84	0003600219	SHIM	AR				t=0.2mm
85	0566040300	SHIM	AR				t=1.0mm
86	0566040350	SHIM	AR				t=2.3mm
87	1652533021	CAP	2				

L3f211

TB175(P-TB175BAB) Book No. BL3Z010 S/N 17510003-
BOOM (17514412-)



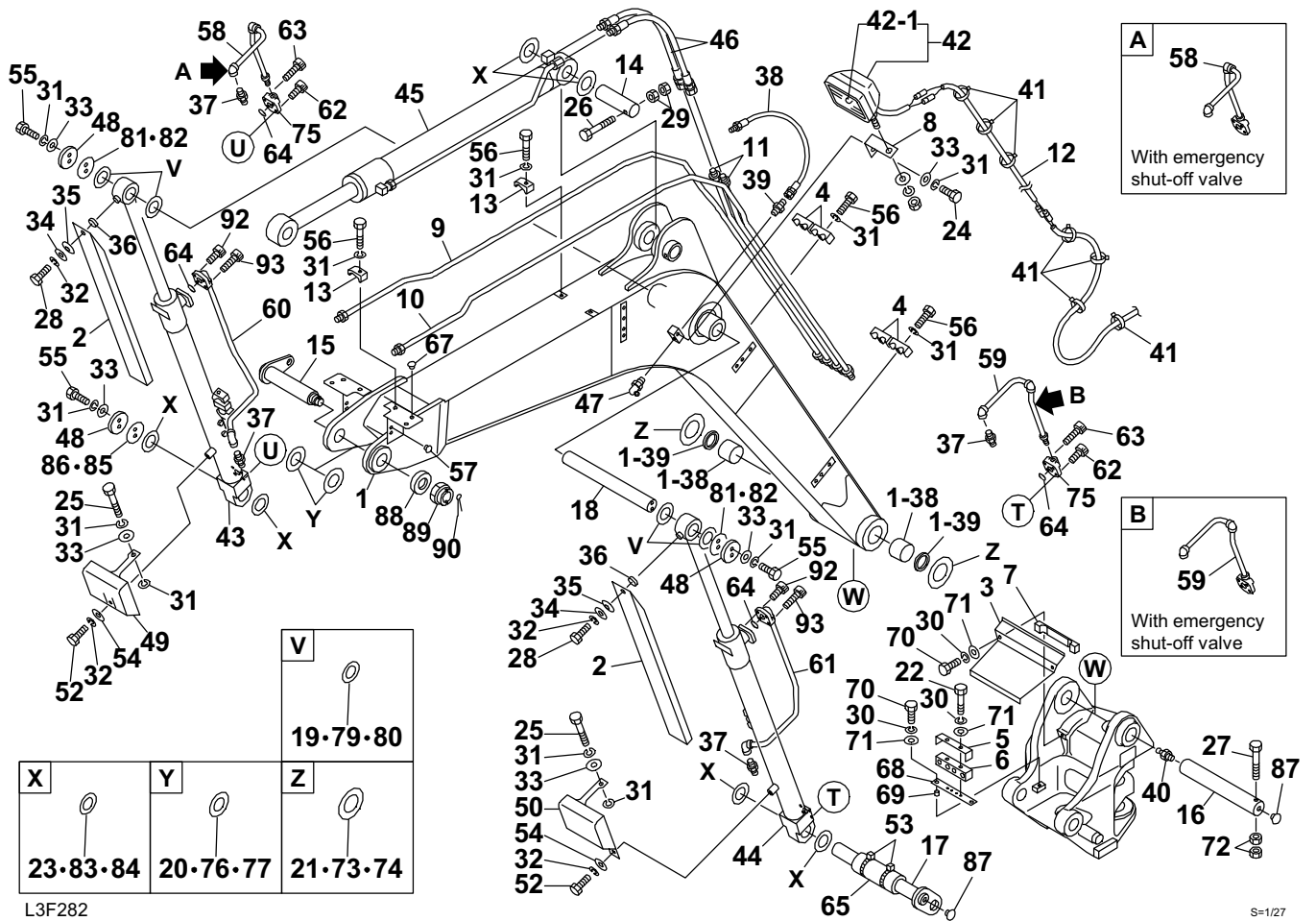
L3F282

S=1/27

BOOM (17514412-)

Item	Part number	Description	Q'ty	Chan.	Serial No.	Serv.	Remarks
		BOOM ASSY					
		BOOM ASSY (with emergency shut-off valve)					
1	0566046100	BOOM SUB ASSY	1		17514412~17516181		
	0566044700	BOOM SUB ASSY	1		17516182~17516985		
	0566044800	BOOM SUB ASSY	1	(H) (L)	17516986~17518203		
	0566060100	BOOM SUB ASSY	1	(H)	17518204~	M	
1-38	0002400074	· BUSHING	2				
1-39	1432200070	· SEAL, dust	2				
2	0566026300	COVER	2				
3	0566038100	COVER	1				
4	1534000022	CLAMP	4				
5	0566014500	CLAMP	1				
6	0566014600	PROTECTOR	1				
7	0566038200	RUBBER	1				
8	0566013100	BRACKET	1				
9	0566046200	PIPE (R.H.)	1				
10	0566046300	PIPE (L.H.)	1				
11	0566019500	PIPE	2				
12	0566013500	HARNNESS, wiring	1				
13	1534100218	CLAMP	4				
14	0001607200	PIN	1				
15	0011907007	PIN	1				
16	0011578005	PIN	1	(L)	17514412~17514609		
	0011578006	PIN	1		47514610~		
17	0011796002	PIN	1	(L)	17514412~17514609		
	0011796003	PIN	1		47514610~		
18	0011596005	PIN	1				
19	0003600156	SHIM	AR				t=1.0mm
20	0003600157	SHIM	AR				t=1.0mm
21	0003600218	SHIM	AR				t=1.0mm
22	1100040850	BOLT	2				
23	0003600221	SHIM	AR				t=1.0mm
24	1100041020	BOLT	1				
25	1100041050	BOLT	2				
26	1100141205	BOLT	1				
27	1100141240	BOLT	1				
28	1102041225	BOLT	2				
29	1130040012	NUT	4				
30	1140020008	WASHER, spring	6				
31	1140020010	WASHER, spring	19				
32	1140020012	WASHER, spring	4				
33	1141110010	WASHER	7				
34	0003600057	WASHER	2				
35	1225120022	WASHER, conical	2				
36	0003600159	COLLAR	2				
37	1515600202	ADAPTOR	4				
	1420010180	· O-RING	1				
38	1934802070	HOSE ASSY	1				
39	1511050002	ADAPTOR	1				
40	1560001000	FITTING, grease	1				
41	1652201005	BAND	10				
42	1703003900	LAMP ASSY	1			M	
42-1	1703003901	· BULB	1				
43	1900093600	CYLINDER, boom (R.H.)	1		17514412~17514513		
	1900097700	CYLINDER, boom (R.H.)	1		17514514~		
44	1900093700	CYLINDER, boom (L.H.)	1		17514412~17514513		
	1900097600	CYLINDER, boom (L.H.)	1		17514514~		
45	1900097500	CYLINDER, arm	1				
46	1802743062	HOSE ASSY	2				
47	1560001675	FITTING, grease	1				

TB175(P-TB175BAB) Book No. BL3Z010 S/N 17510003-
BOOM (17514412-)



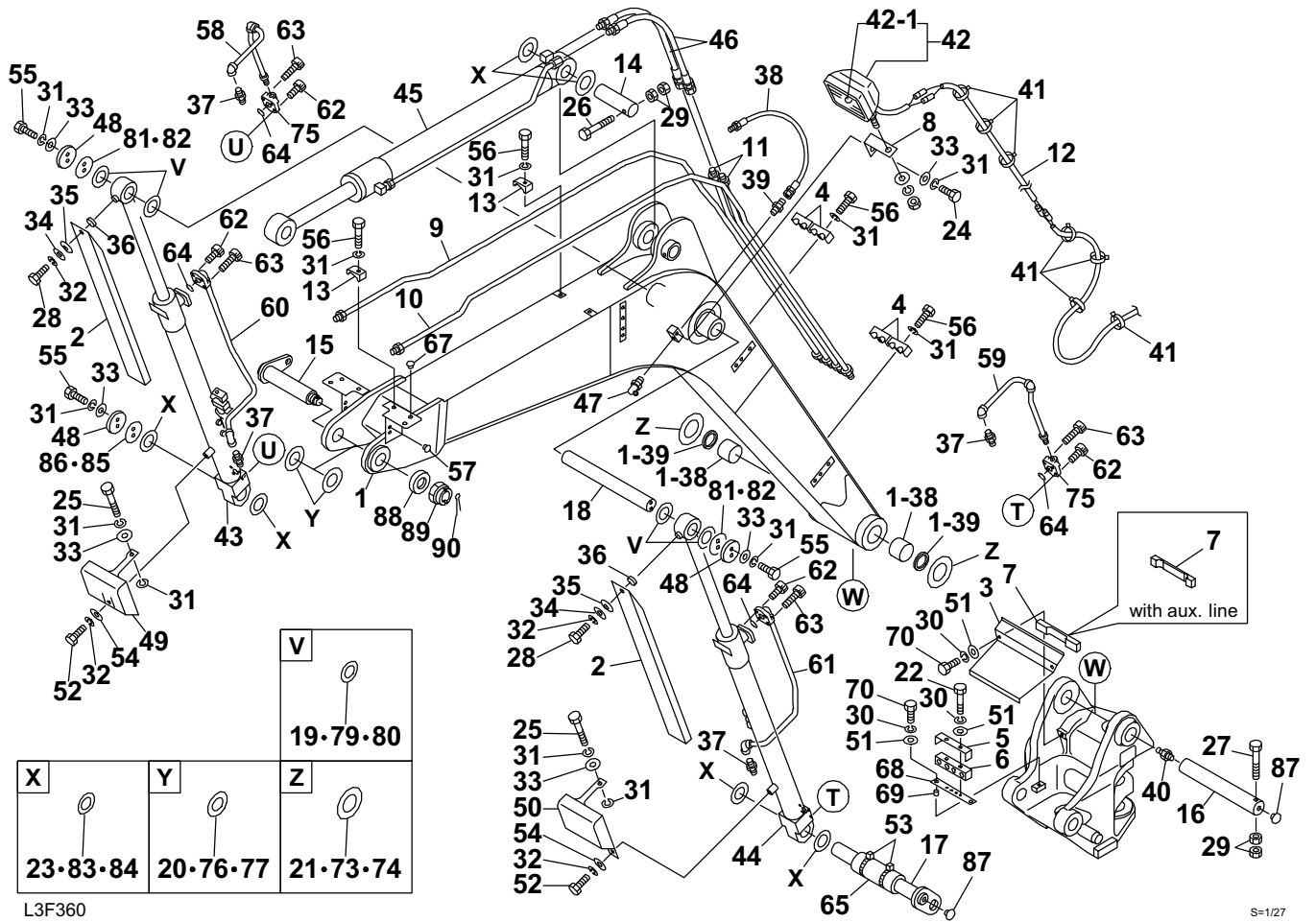
L3F282

S=1/27

BOOM (17514412-)

Item	Part number	Description	Q'ty	Chan.	Serial No.	Serv.	Remarks
48	0566015200	PLATE	3				
49	0566016700	PROTECTOR (R.H.)	1		17514412~17514513		
	0566039140	PROTECTOR (R.H.)	1		17514514~		
50	0566016800	PROTECTOR (L.H.)	1		17514412~17514513		
	0566039130	PROTECTOR (L.H.)	1		17514514~		
52	1100041250	BOLT	2		17514412~17514513		
	1100041225	BOLT	2		17514514~		
53	1652201007	BAND	2		17514850~		
54	1141110012	WASHER	2				
55	1100041025	BOLT	6				
56	1100041045	BOLT	8				
57	1652533016	CAP	22				
58	0566016900	PIPE (R.H.)	1		17514412~17514513		
	0566039220	PIPE (R.H.)	1		17514514~		
	0566046320	PIPE (R.H.)	1		17514850~		standard
59	0566017000	PIPE (L.H.)	1		17514412~17514513		
	0566039210	PIPE (L.H.)	1		17514514~		
	0566046310	PIPE (L.H.)	1		17514850~		standard
60	0566025500	PIPE (R.H.)	1		17514412~17514513		
	0566039120	PIPE (R.H.)	1		17514514~		
61	0566025600	PIPE (L.H.)	1		17514412~17514513		
	0566039110	PIPE (L.H.)	1		17514514~		
62	1110040830	SCREW, cap	4				
63	1110040840	SCREW, cap	4				
64	1420010220	O-RING	4				
65	0566046065	PROTECTOR	1				sold by the mel
67	1652533017	CAP	17				
68	0566038300	PLATE	1		17514412~17514513		
	0566039150	PLATE	1		17514514~		
69	0566038400	COLLAR	2				
70	1100040825	BOLT	4				
71	1141110008	WASHER	6				
72	1130240012	NUT	2				
73	0003600199	SHIM	AR				t=0.2mm
74	0003600217	SHIM	AR				t=0.5mm
75	0566017380	ELBOW	2				standard
76	0003600095	SHIM	AR				t=0.5mm
77	0003600094	SHIM	AR				t=0.2mm
79	0003600109	SHIM	AR				t=0.5mm
80	0003600108	SHIM	AR				t=0.2mm
81	0566019200	SHIM	AR				t=2.3mm
82	0566019100	SHIM	AR				t=1.0mm
83	0003600220	SHIM	AR				t=0.5mm
84	0003600219	SHIM	AR				t=0.2mm
85	0566040300	SHIM	AR				t=1.0mm
86	0566040350	SHIM	AR				t=2.3mm
87	1652533021	CAP	2				
88	0566040880	WASHER	1				
89	1132130042	NUT	1				
90	1210010890	PIN, split	1				
92	1110040835	SCREW, cap	4				
93	1110040845	SCREW, cap	4				
	L3f285						

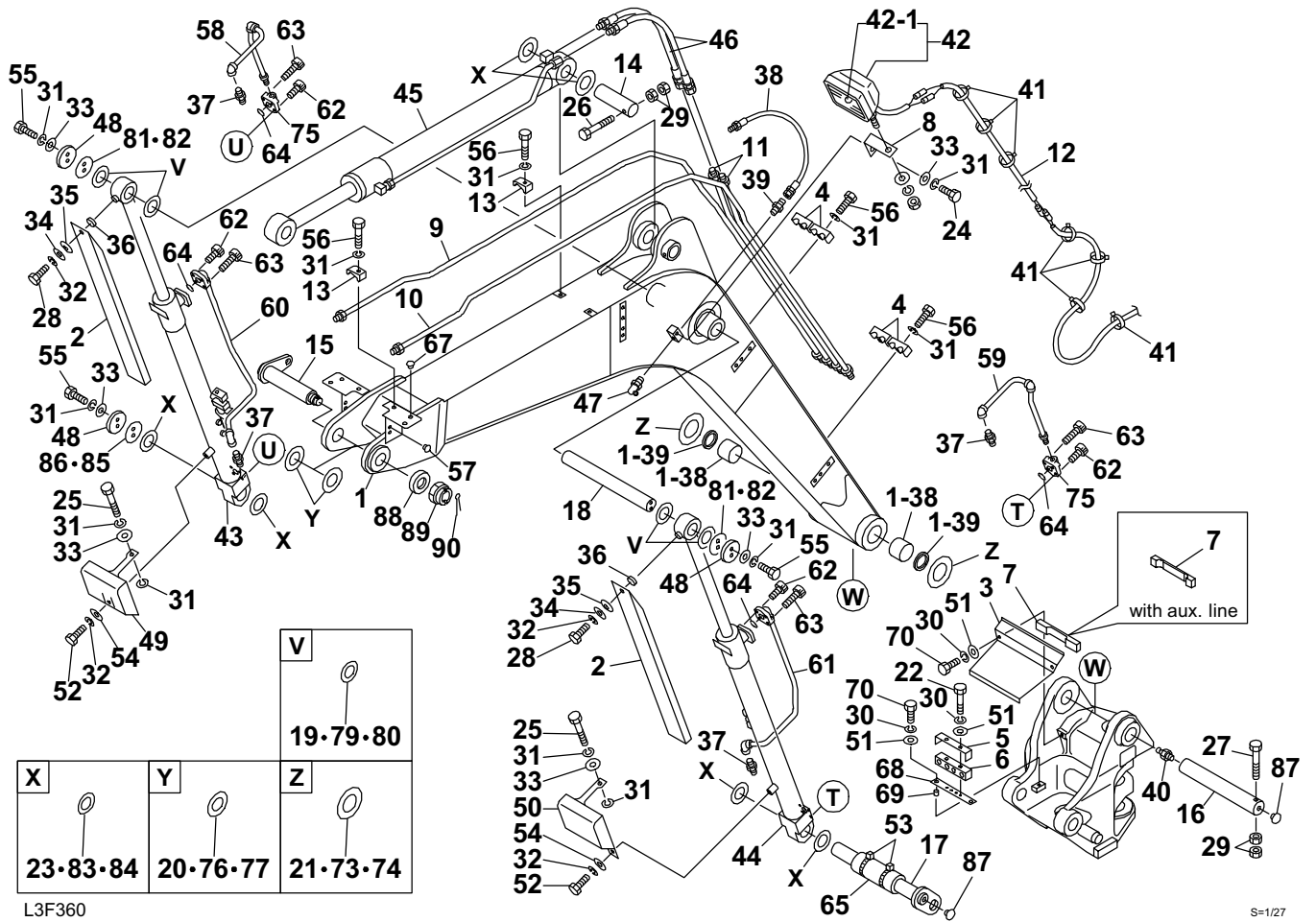
TB175(P-TB175BAB) Book No. BL3Z010 S/N 17510003-
BOOM (for China 180S; 17518180-)



BOOM (for China 180S; 17518180-)

Item	Part number	Description	Q'ty	Chan.	Serial No.	Serv.	Remarks
		BOOM ASSY (with aux. line)					
		BOOM ASSY					
1	0566044800	BOOM SUB ASSY	1				
1-38	0002400074	· BUSHING	2				
1-39	1432200070	· SEAL, dust	2				
2	0566052020	COVER	2			M	
3	0566038100	COVER	1				
4	1534000022	CLAMP	4				
5	0566014500	CLAMP	1				
6	0566014600	PROTECTOR	1				
7	0566038200	RUBBER	1				with aux. line
	0566061070	RUBBER	1			M	
8	0566013100	BRACKET	1				
9	0566046200	PIPE (R.H.)	1				
10	0566046300	PIPE (L.H.)	1				
11	0566019500	PIPE	2				
12	0566013500	HARNESS, wiring	1				
13	1534100218	CLAMP	4				
14	0001607200	PIN	1				
15	0011907007	PIN	1				
16	0011578006	PIN	1				
17	0011796003	PIN	1				
18	0011596005	PIN	1				
19	0003600156	SHIM	AR				t=1.0mm
20	0003600157	SHIM	AR				t=1.0mm
21	0003600218	SHIM	AR				t=1.0mm
22	1100040850	BOLT	2				
23	0003600221	SHIM	AR				t=1.0mm
24	1100041025	BOLT	1				
25	1100041050	BOLT	2				
26	1103141205	BOLT	1				
27	1100141240	BOLT	1				
28	1102041225	BOLT	2				
29	1130040012	NUT	4				
30	1140020008	WASHER, spring	6				
31	1140020010	WASHER, spring	19				
32	1140020012	WASHER, spring	4				
33	1141110010	WASHER	7				
34	0003600057	WASHER	2				
35	1225120022	WASHER, conical	2				
36	0003600159	COLLAR	2				
37	1515600202	ADAPTOR	4				
	1420010180	· O-RING	1				
38	1934802070	HOSE ASSY	1				
39	1511050002	ADAPTOR	1				
40	1560001000	FITTING, grease	1				
41	1652201005	BAND	10				
42	1703003900	LAMP ASSY	1				
42-1	1703003901	· BULB	1				
43	1900100000	CYLINDER, boom (R.H.)	1			M	
44	1900100100	CYLINDER, boom (L.H.)	1			M	
45	1900100200	CYLINDER, arm	1			M	
46	1802743062	HOSE ASSY	2				
47	1560001675	FITTING, grease	1				
48	0566015200	PLATE	3				
49	0566039140	PROTECTOR (R.H.)	1				
50	0566039130	PROTECTOR (L.H.)	1				
51	1141110008	WASHER	6				
52	1100041225	BOLT	2				
53	1652201007	BAND	2				

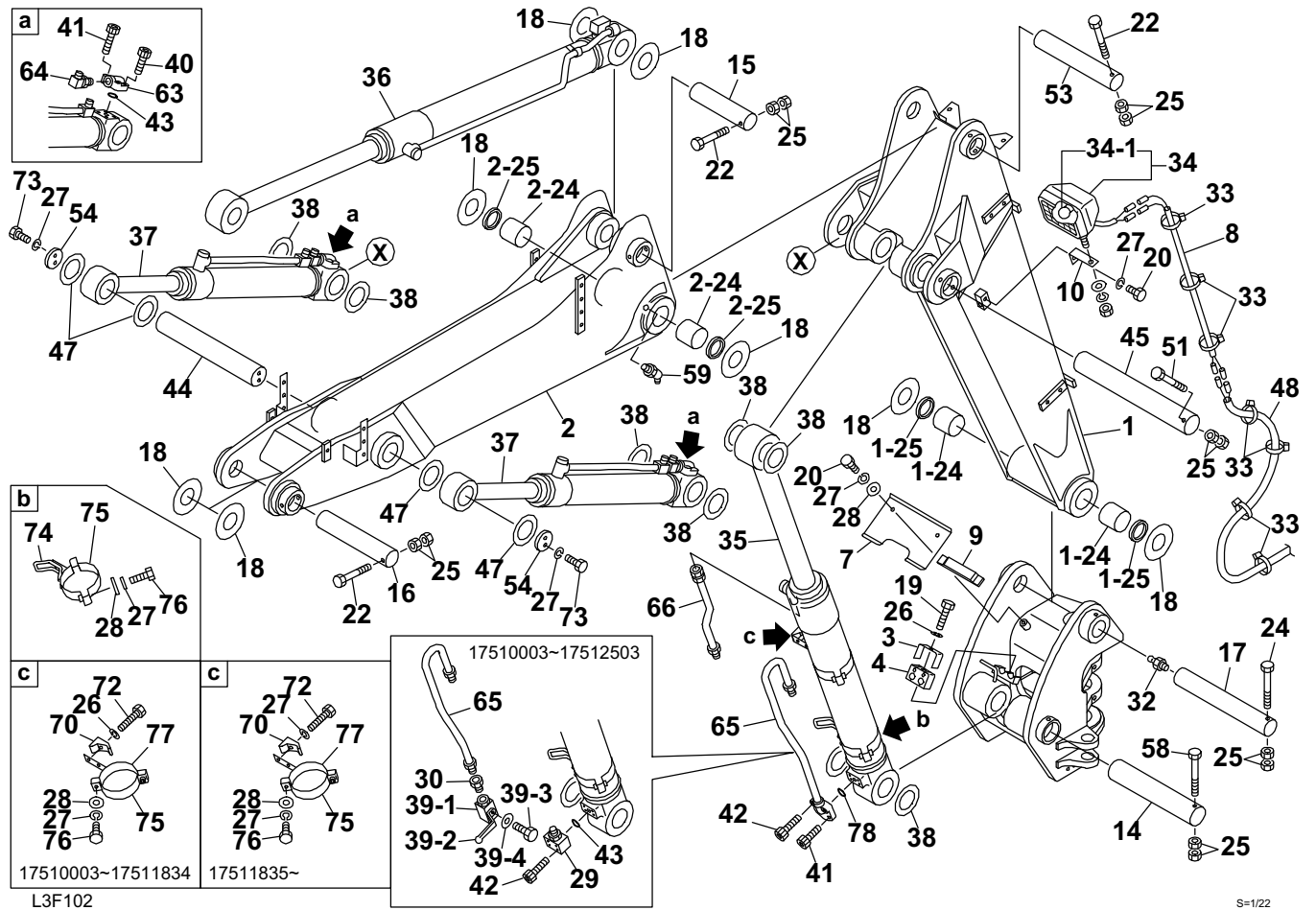
TB175(P-TB175BAB) Book No. BL3Z010 S/N 17510003-
BOOM (for China 180S; 17518180-)



BOOM (for China 180S; 17518180-)

Item	Part number	Description	Q'ty	Chan.	Serial No.	Serv.	Remarks
54	1141110012	WASHER	2				
55	1100041025	BOLT	6				
56	1100041045	BOLT	8				
57	1652533016	CAP	18				
58	0566046320	PIPE (R.H.)	1				
59	0566046310	PIPE (L.H.)	1				
60	0566039120	PIPE (R.H.)	1				
61	0566039110	PIPE (L.H.)	1				
62	1110040830	SCREW, cap	8				
63	1110040840	SCREW, cap	8				
64	1420010220	O-RING	4				
65	0566046065	PROTECTOR	1				sold by the meter
67	1652533017	CAP	17				
68	0566039150	PLATE	1				
69	0566038400	COLLAR	2				
70	1100040825	BOLT	4				
73	0003600199	SHIM	AR				t=0.2mm
74	0003600217	SHIM	AR				t=0.5mm
75	0566017380	ELBOW	2				standard
76	0003600095	SHIM	AR				t=0.5mm
77	0003600094	SHIM	AR				t=0.2mm
79	0003600109	SHIM	AR				t=0.5mm
80	0003600108	SHIM	AR				t=0.2mm
81	0566019200	SHIM	AR				t=2.3mm
82	0566019100	SHIM	AR				t=1.0mm
83	0003600220	SHIM	AR				t=0.5mm
84	0003600219	SHIM	AR				t=0.2mm
85	0566040300	SHIM	AR				t=1.0mm
86	0566040350	SHIM	AR				t=2.3mm
87	1652533021	CAP	2				
88	0566040880	WASHER	1				
89	1132130042	NUT	1				
90	1210010890	PIN, split	1				
	L3f360						

TB175(P-TB175BAB) Book No. BL3Z010 S/N 17510003-
BOOM (1/2) (2-piece boom; 17510003-17513781)

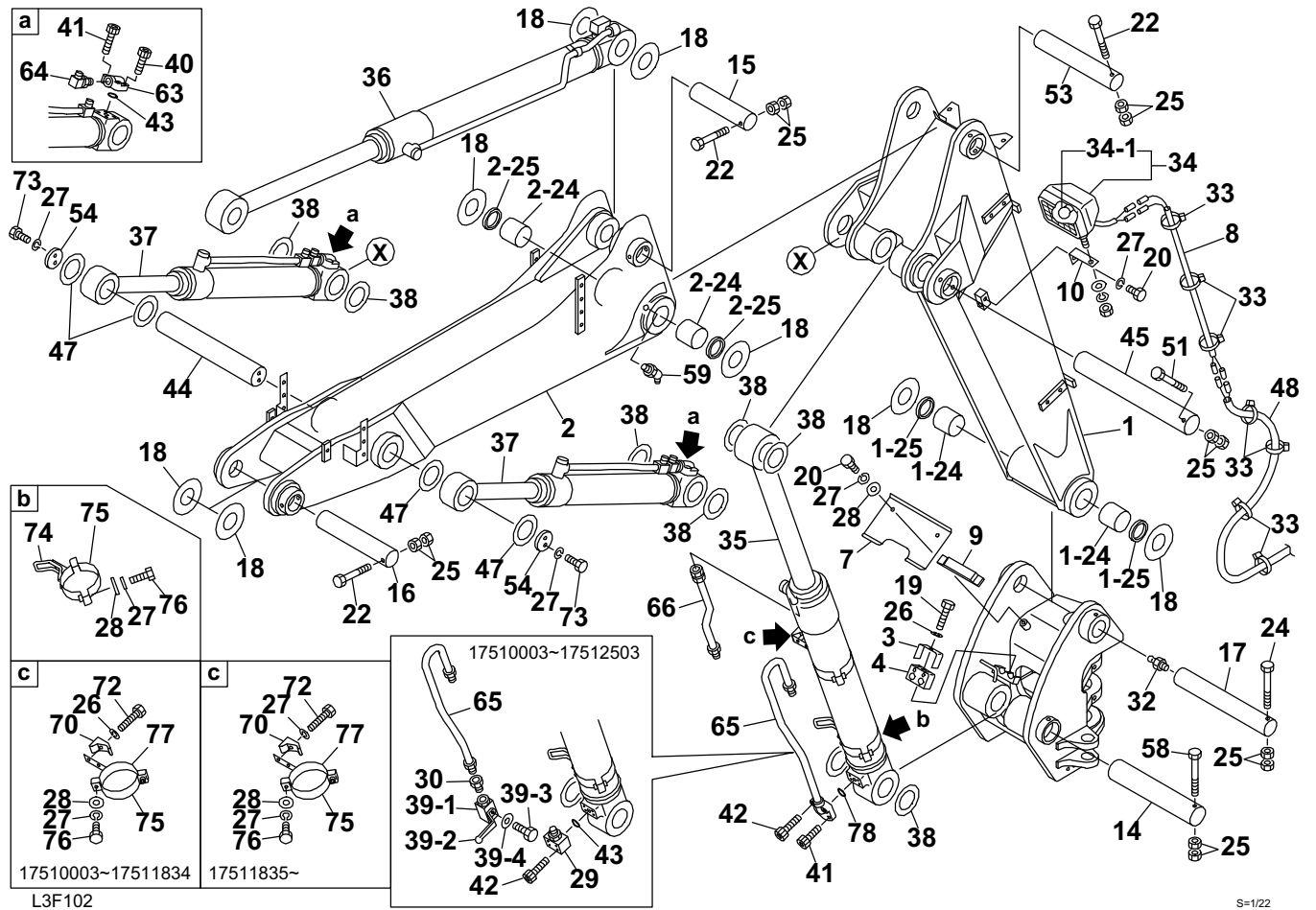


S=1/22

BOOM (1/2) (2-piece boom; 17510003-17513781)

Item	Part number	Description	Q'ty	Chan.	Serial No.	Serv.	Remarks
		BOOM ASSY (2-piece boom)					
1	0566032100	BOOM 1	1		17510003~17511834		CLAMP M8
	0566035100	BOOM 1	1		17511835~		CLAMP M10
1-24	0002400038	· BUSHING	2				
1-25	1432200065	· SEAL, dust	2				
2	0566032500	BOOM 2	1		17510003~17511834		CLAMP M8
	0566035600	BOOM 2	1		17511835~		CLAMP M10
2-24	0002400038	· BUSHING	2				
2-25	1432200065	· SEAL, dust	2				
3	0566032810	PLATE	1				
4	0566032800	PROTECTOR	1				
7	0566027030	COVER	1		17510003~17511622		
	0566035070	COVER	1		17511623~		
8	0566032080	HARNESS, wiring	1				
9	0567331400	RUBBER	1		17510003~17511622		
	0566035090	RUBBER	1		17511623~		
10	0566013100	BRACKET	1				
14	0566032014	PIN	1				
15	0001608265	PIN	1				
16	0011508340	PIN	1				
17	0011578002	PIN	1				
18	0003600158	SHIM	AR				t=1.0mm
	0003600106	SHIM	AR				t=0.5mm
	0003600105	SHIM	AR				t=0.2mm
19	1100040865	BOLT	1				
20	1100041020	BOLT	3				
22	1100141210	BOLT	3				
24	1100141240	BOLT	1				
25	1130040012	NUT	12				
26	1140020008	WASHER, spring	3		17510003~17511834		
	1140020008	WASHER, spring	1		17511835~		
27	1140020010	WASHER, spring	11		17510003~17511834		
	1140020010	WASHER, spring	13		17511835~		
28	1141110010	WASHER	6				
29	1512380003	ELBOW	1		17510003~17512503		
	1420010180	· O-RING	1				
30	0007236041	ADAPTOR	1		17510003~17512503		
	1420010180	· O-RING	1				
32	1560001000	FITTING, grease	1				
33	1652201005	BAND	7				
34	0566015400	LAMP ASSY	1				
34-1	1703003901	· BULB	1				
35	1900086800	CYLINDER, boom	1				
36	1900086900	CYLINDER, arm	1				
37	1900087000	CYLINDER, adjust	2				
38	0003600170	SHIM	AR				t=1.0mm
	0003600102	SHIM	AR				t=0.5mm
	0003600101	SHIM	AR				t=0.2mm
39	1901727500	VALVE, stop	1		17510003~17512503		
39-1	1901727510	· VALVE, stop	1		17510003~17512503		
39-2	1901727550	· HANDLE	1		17510003~17512503		
39-3	1901727560	· BOLT	1		17510003~17512503		
39-4	1901727570	· WASHER	1		17510003~17512503		
40	1110040830	SCREW, cap	4				
41	1110040840	SCREW, cap	6				
42	1110040855	SCREW, cap	2				
43	1420010220	O-RING	2				
44	0566027070	PIN	1				
45	0566032450	PIN	1				
47	0003600181	SHIM	AR				

TB175(P-TB175BAB) Book No. BL3Z010 S/N 17510003-
 BOOM (1/2) (2-piece boom; 17510003-17513781)

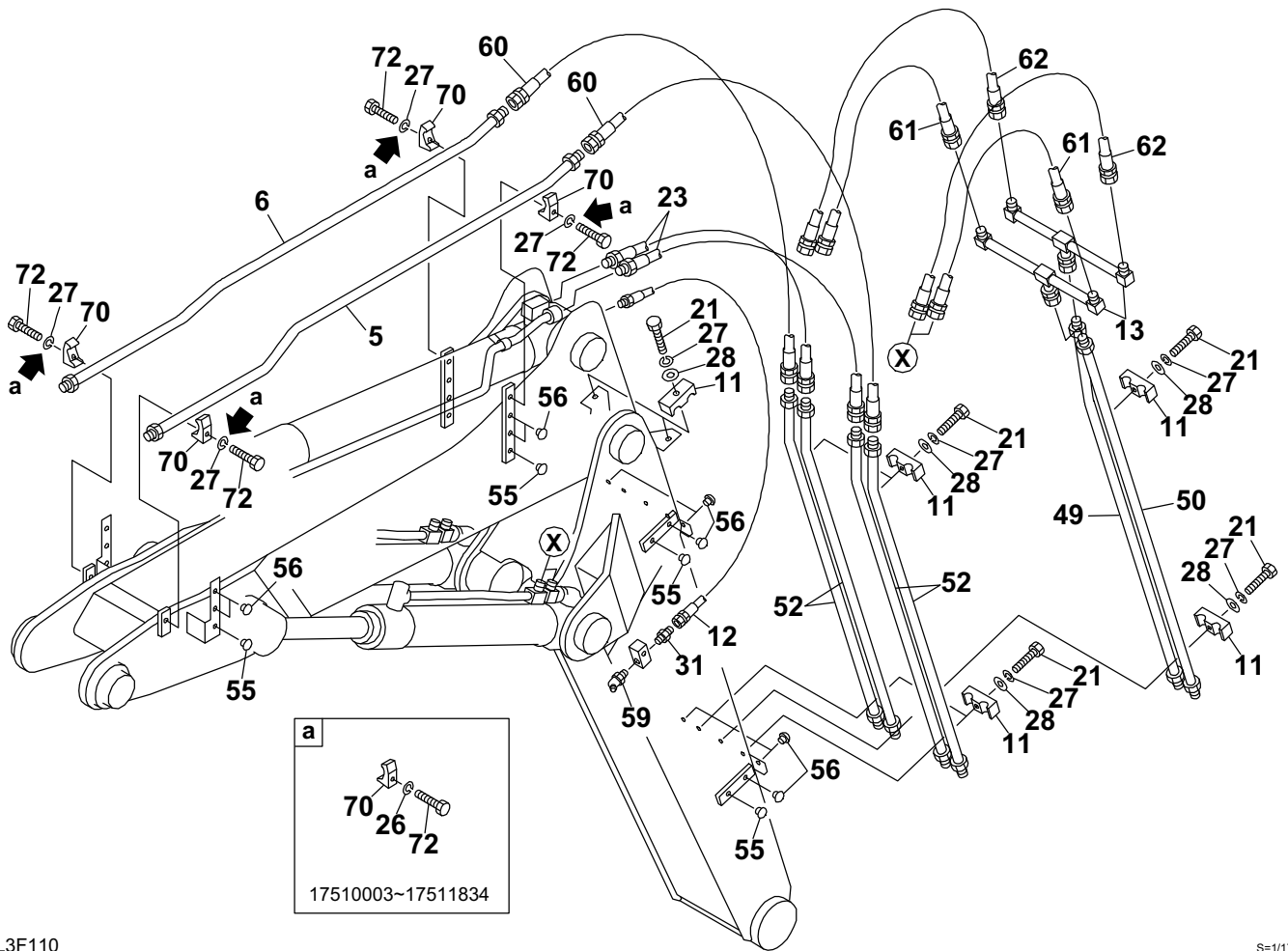


BOOM (1/2) (2-piece boom; 17510003-17513781)

Item	Part number	Description	Q'ty	Chan.	Serial No.	Serv.	Remarks
47	0003600102	SHIM	AR				t=0.5mm
	0003600101	SHIM	AR				t=0.2mm
48	1531312100	PROTECTOR	1		17510909~		sold by the meter
51	1100141220	BOLT	1				
53	0566032530	PIN	1				
54	0566032990	PLATE	2				
58	1100141230	BOLT	1				
59	1560001675	FITTING, grease	1				
63	0566017380	ELBOW	2				
64	1515010042	ELBOW	2				
	1420010180	· O-RING	1				
65	0566018950	TUBE	1		17510003~17512503		
	0566032570	TUBE	1		17512504~		
66	0566032660	TUBE	1				
70	1534100217	CLAMP	2		17510003~17511834		M8
	1534100218	CLAMP	2		17511835~		M10
72	1100040840	BOLT	2		17510003~17511834		
	1100041045	BOLT	2		17511835~		
73	1100041025	BOLT	4				
74	0566021970	BAND	1				
75	0566021980	BAND	2				
76	1100041035	BOLT	4				
77	0566032010	BAND	1				
78	1420010240	O-RING	1		17512504~		

L3f104

TB175(P-TB175BAB) Book No. BL3Z010 S/N 17510003-
 BOOM (2/2) (2-piece boom; 17510003-17513781)



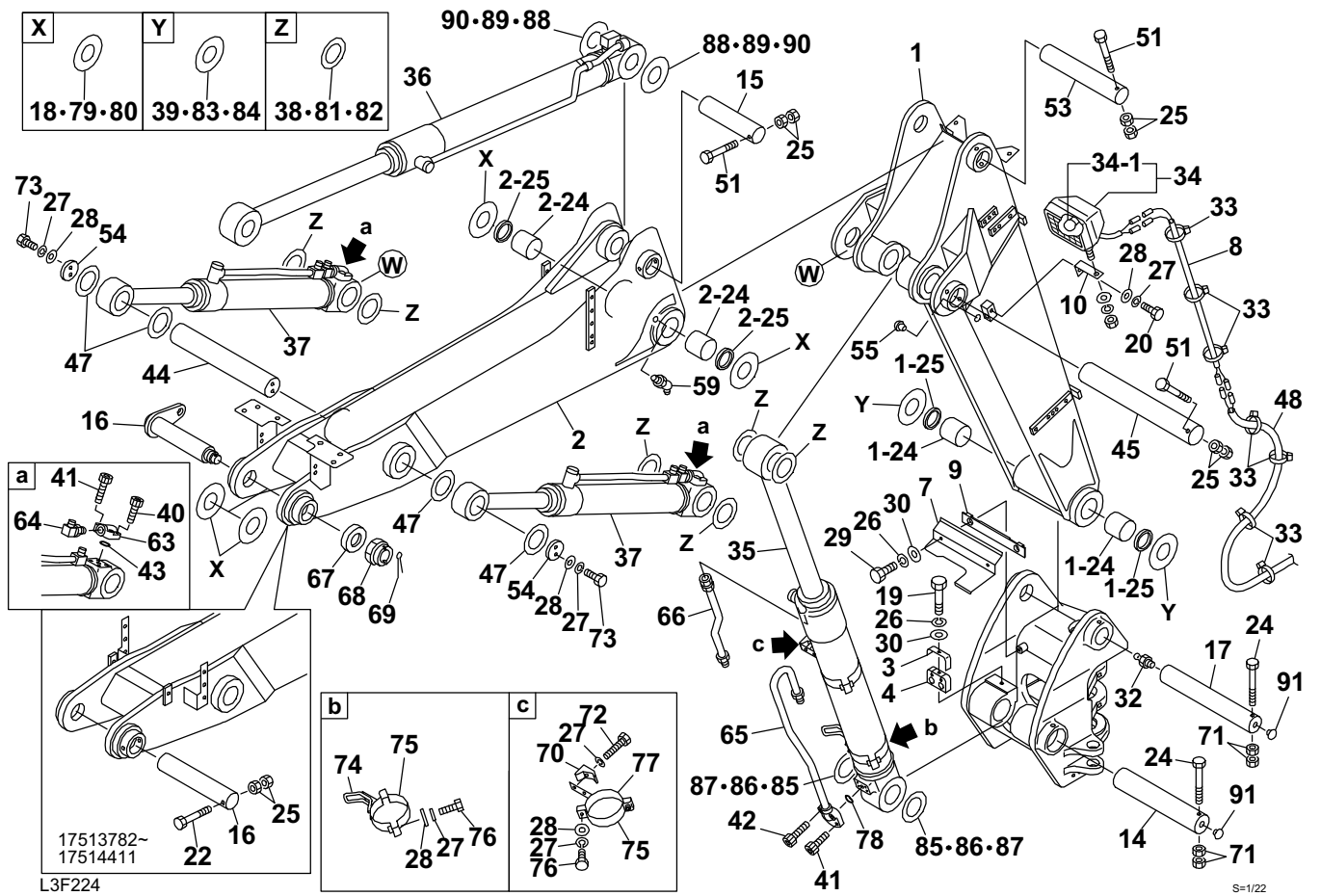
L3F110

S=1/17

BOOM (2/2) (2-piece boom; 17510003-17513781)

Item	Part number	Description	Q'ty	Chan.	Serial No.	Serv.	Remarks
		BOOM ASSY (2-piece boom)					
5	0566032050	PIPE (L.H.)	1				
6	0566032060	PIPE (R.H.)	1				
11	1534000022	CLAMP	8				
12	1934802130	HOSE ASSY	1		17510003~17510908		
	1934802135	HOSE ASSY	1	(H)	17510909~		
13	0566027050	PIPE	2				
21	1100041050	BOLT	8				
23	1802743090	HOSE ASSY	2				
26	1140020008	WASHER, spring	4		17510003~17511834		
27	1140020010	WASHER, spring	8		17510003~17511834		
	1140020010	WASHER, spring	12		17511835~		
28	1141110010	WASHER	8				
31	1511050002	ADAPTOR	1				
49	0566027430	PIPE (R.H.)	1				
50	0566027440	PIPE (L.H.)	1				
52	0566027450	PIPE	4				
55	1652533016	CAP	24		17510003~17511834		
	1652533016	CAP	8		17511835~		
56	1652533017	CAP	16		17511835~		
59	1560001675	FITTING, grease	1				
60	1802740100	HOSE ASSY	2				
61	1802740094	HOSE ASSY	2				
62	1802740110	HOSE ASSY	2				
70	1534100217	CLAMP	4		17510003~17511834		M8
	1534100218	CLAMP	4		17511835~		M10
72	1100040840	BOLT	4		17510003~17511834		
	1100041045	BOLT	4		17511835~		
	L3f114						

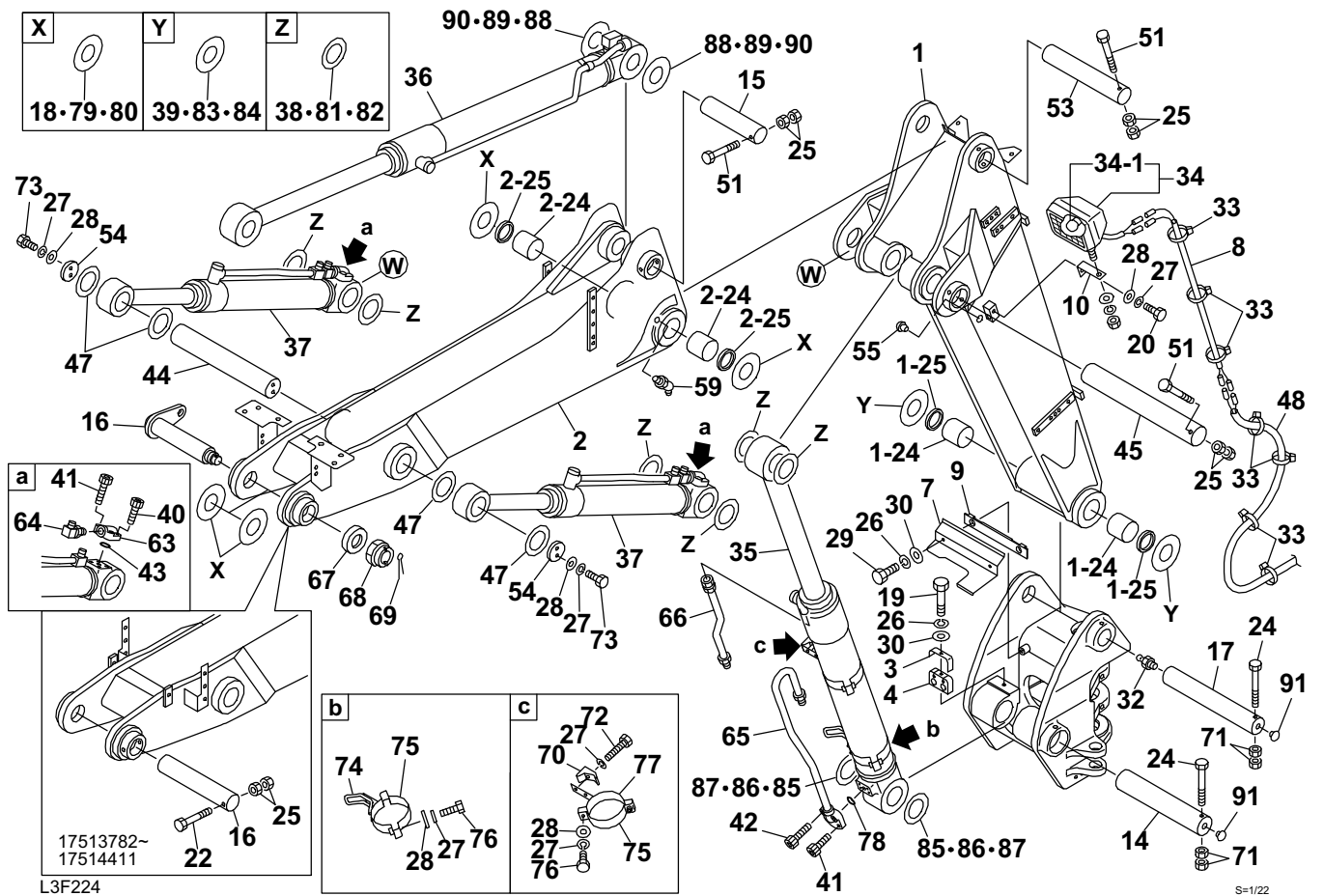
TB175(P-TB175BAB) Book No. BL3Z010 S/N 17510003-
 BOOM (1/2) (2-piece boom; 17513782-17518269)



BOOM (1/2) (2-piece boom; 17513782-17518269)

Item	Part number	Description	Q'ty	Chan.	Serial No.	Serv.	Remarks
		BOOM ASSY (2-piece boom)					
1	0566041100	BOOM 1	1		17513782~17514411		
	0566047010	BOOM 1	1		17514412~17516487		
	0566048910	BOOM 1	1	(H)	17516488~		
1-24	0002400074	· BUSHING	2				
1-25	1432200070	· SEAL, dust	2				
2	0566035600	BOOM 2	1		17513782~17514411		
	0566047030	BOOM 2	1		17514412~		
2-24	0002400038	· BUSHING	2				
2-25	1432200065	· SEAL, dust	2				
3	0566041030	PLATE	1				
4	0566032800	PROTECTOR	1				
7	0566041070	COVER	1				
8	0566032080	HARNESS, wiring	1				
9	0566041090	RUBBER	1				
10	0566013100	BRACKET	1				
14	0566041014	PIN	1	(L)	17513782~17514609		
	0566041015	PIN	1		17514610~		
15	0001608265	PIN	1				
16	0011508340	PIN	1		17513782~17514411		
	0011908001	PIN	1		17514412~		
17	0011578005	PIN	1	(L)	17513782~17514609		
	0011578006	PIN	1		17514610~		
18	0003600158	SHIM	AR				t=1.0mm
19	1100040865	BOLT	1				
20	1100041020	BOLT	1				
22	1100141210	BOLT	1		17513782~17514411		
24	1100141240	BOLT	2				
25	1130040012	NUT	6				
26	1140020008	WASHER, spring	3				
27	1140020010	WASHER, spring	11				
28	1141110010	WASHER	9				
29	1100040825	BOLT	2				
30	1141110008	WASHER	4				
32	1560001000	FITTING, grease	1				
33	1652201005	BAND	7				
34	1703003900	LAMP ASSY	1				
34-1	1703003901	· BULB	1				
35	1900093900	CYLINDER, boom	1				
36	1900086900	CYLINDER, arm	1				
37	1900087000	CYLINDER, adjust	2				
38	0003600170	SHIM	AR				t=1.0mm
39	0003600218	SHIM	AR				t=1.0mm
40	1110040830	SCREW, cap	4				
41	1110040840	SCREW, cap	6				
42	1110040845	SCREW, cap	2				
43	1420010220	O-RING	2				
44	0566027070	PIN	1				
45	0566032450	PIN	1				
47	0003600181	SHIM	AR				
48	1531312100	PROTECTOR	1				sold by the meter
51	1100141220	BOLT	3				
53	0566032530	PIN	1				
54	0566032990	PLATE	2				
55	1652533016	CAP	1		17514412~		
59	1560001675	FITTING, grease	1				
63	0566017380	ELBOW	2				
64	1515010042	ELBOW	2				
	1420010180	· O-RING	1				
65	0566032570	TUBE	1				

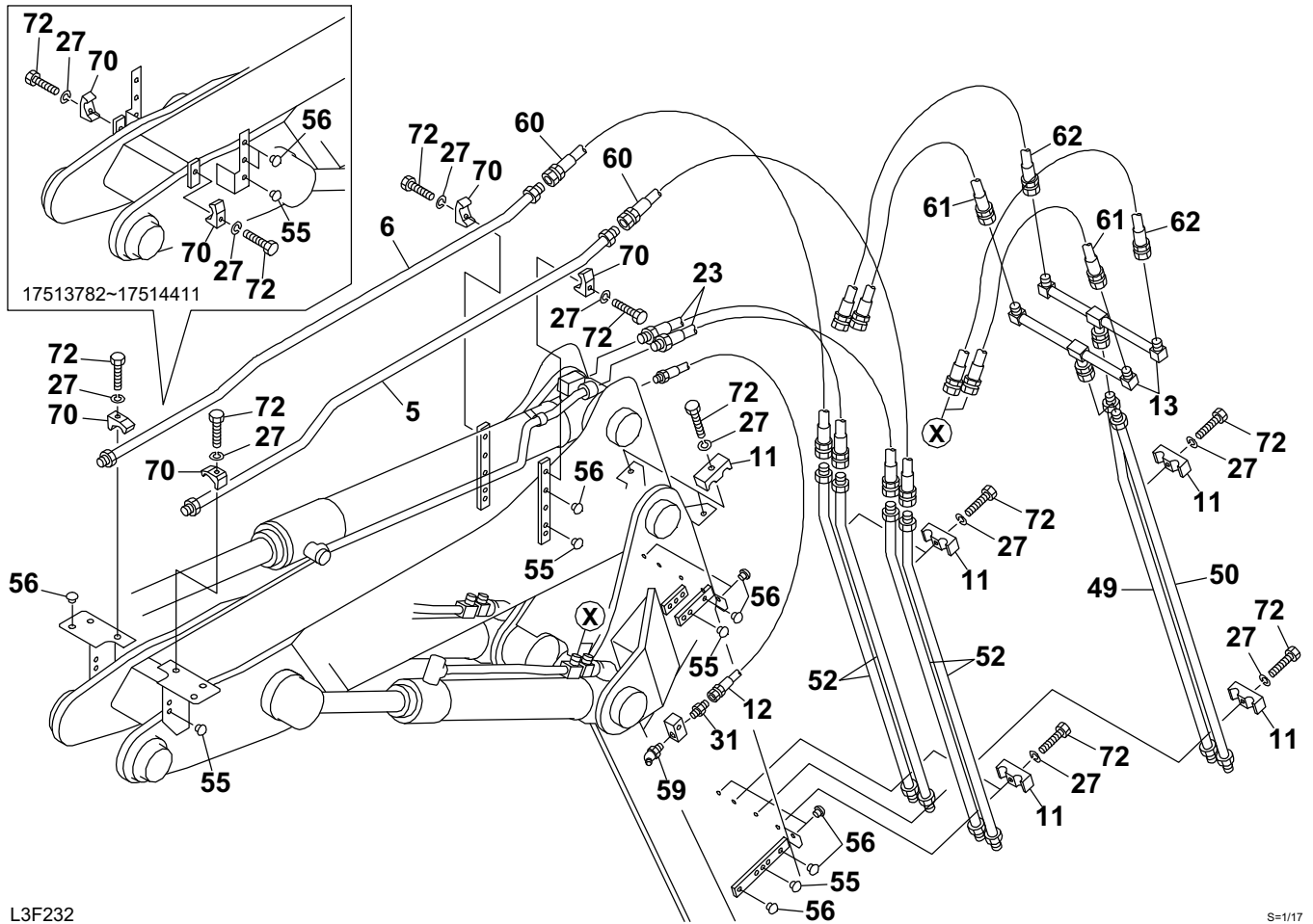
TB175(P-TB175BAB) Book No. BL3Z010 S/N 17510003-
BOOM (1/2) (2-piece boom; 17513782-17518269)



BOOM (1/2) (2-piece boom; 17513782-17518269)

Item	Part number	Description	Q'ty	Chan.	Serial No.	Serv.	Remarks
66	0566032660	TUBE	1				
67	0566048080	WASHER	1		17514412~		
68	1132130045	NUT	1		17514412~		
69	1210010890	PIN, split	1		17514412~		
70	1534100218	CLAMP	2				
71	1130240012	NUT	4				
72	1100061045	BOLT	2				
73	1100041025	BOLT	4				
74	0566021970	BAND	1				
75	0566021980	BAND	2				
76	1100041035	BOLT	4				
77	0566032010	BAND	1				
78	1420010240	O-RING	1				
79	0003600105	SHIM	AR				t=0.2mm
80	0003600106	SHIM	AR				t=0.5mm
81	0003600101	SHIM	AR				t=0.2mm
82	0003600102	SHIM	AR				t=0.5mm
83	0003600199	SHIM	AR				t=0.2mm
84	0003600217	SHIM	AR				t=0.5mm
85	0003600224	SHIM	AR				t=0.2mm
86	0003600225	SHIM	AR				t=0.5mm
87	0003600226	SHIM	AR				t=1.0mm
88	0003600214	SHIM	AR				t=0.2mm
89	0003600215	SHIM	AR				t=0.5mm
90	0003600216	SHIM	AR				t=1.0mm
91	1652533021	CAP	2				
	L3f226						

TB175(P-TB175BAB) Book No. BL3Z010 S/N 17510003-
BOOM (2/2) (2-piece boom; 17513782-17518269)



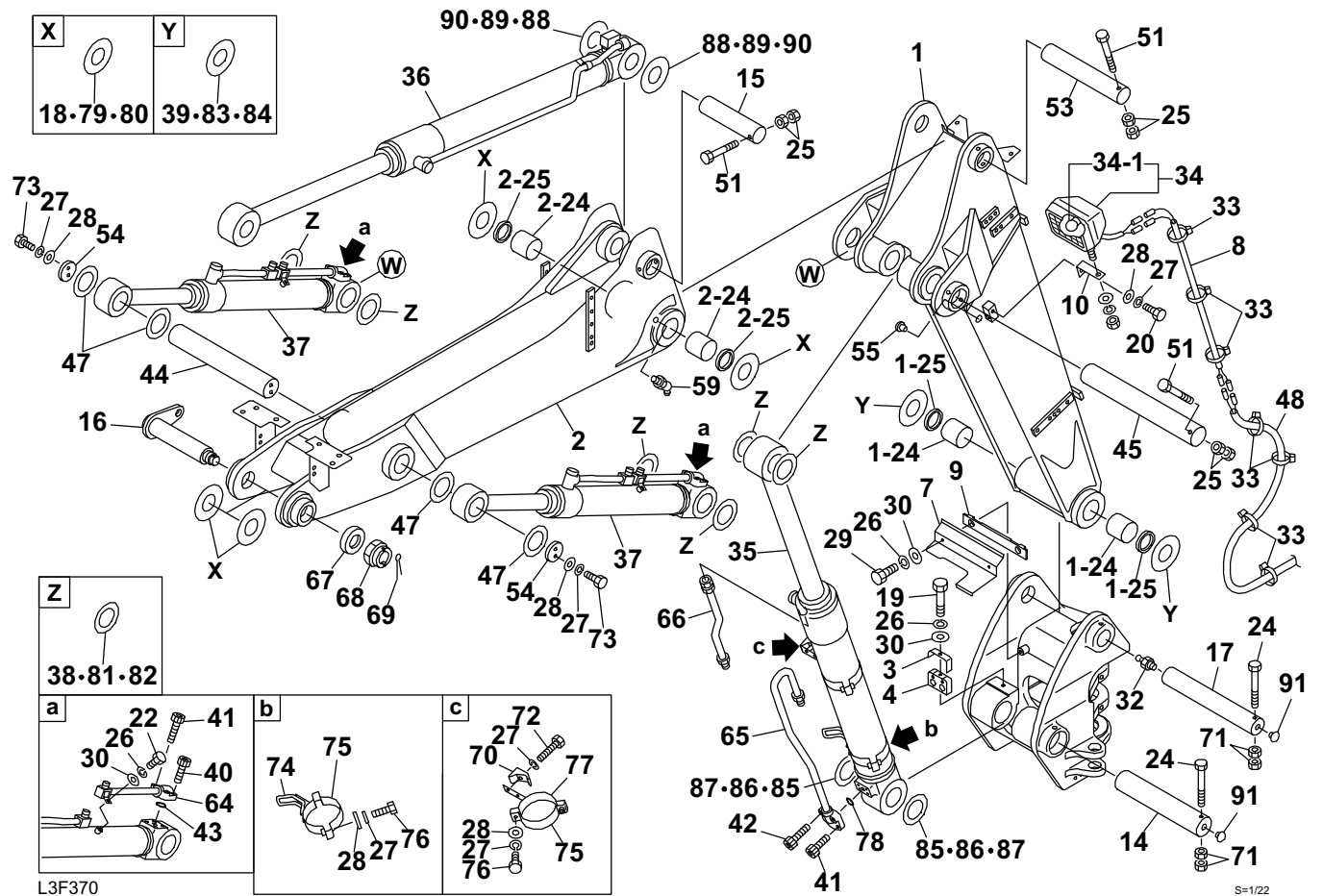
L3F232

S=1/17

BOOM (2/2) (2-piece boom; 17513782-17518269)

Item	Part number	Description	Q'ty	Chan.	Serial No.	Serv.	Remarks
		BOOM ASSY (2-piece boom)					
5	0566032050	PIPE (L.H.)	1		17513782~17514411		
	0566047040	PIPE (L.H.)	1		17514412~		
6	0566032060	PIPE (R.H.)	1		17513782~17514411		
	0566047050	PIPE (R.H.)	1		17514412~		
11	1534000022	CLAMP	8				
12	1934802135	HOSE ASSY	1				
13	0566027050	PIPE	2				
23	1802743090	HOSE ASSY	2				
27	1140020010	WASHER, spring	12				
31	1511050002	ADAPTOR	1				
49	0566027430	PIPE (R.H.)	1				
50	0566027440	PIPE (L.H.)	1				
52	0566027450	PIPE	4				
55	1652533016	CAP	24				
56	1652533017	CAP	18				
59	1560001675	FITTING, grease	1				
60	1802740100	HOSE ASSY	2				
61	1802740094	HOSE ASSY	2				
62	1802740110	HOSE ASSY	2				
70	1534100218	CLAMP	4				
72	1100061045	BOLT	12				
	L3f236						

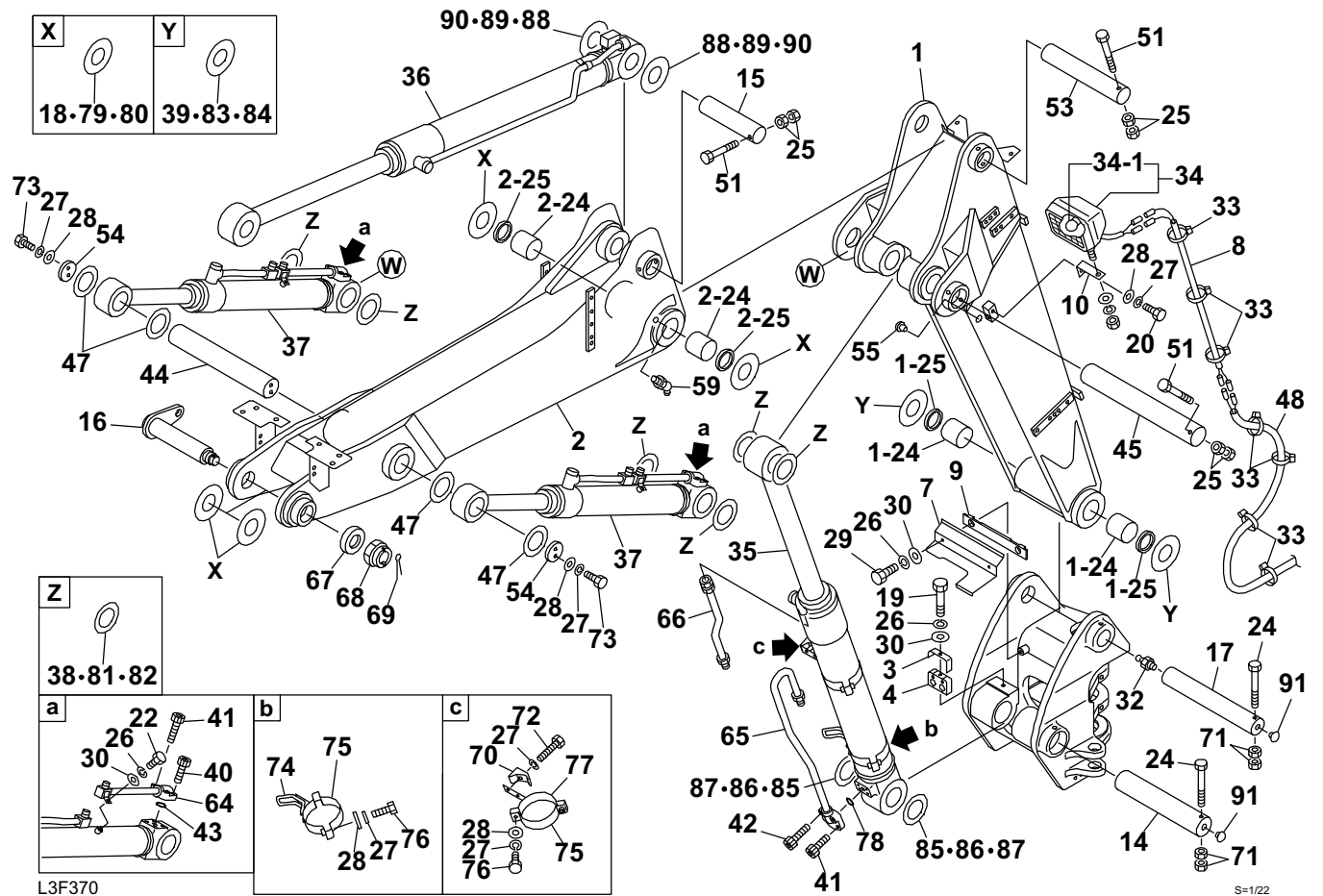
**TB175(P-TB175BAB) Book No. BL3Z010 S/N 17510003-
BOOM (1/2) (2-piece boom; 17518270-)**



BOOM (1/2) (2-piece boom; 17518270-)

Item	Part number	Description	Q'ty	Chan.	Serial No.	Serv.	Remarks
		BOOM ASSY (2-piece boom)					
1	0566048910	BOOM 1	1				
1-24	0002400074	· BUSHING	2				
1-25	1432200070	· SEAL, dust	2				
2	0566047030	BOOM 2	1				
2-24	0002400038	· BUSHING	2				
2-25	1432200065	· SEAL, dust	2				
3	0566041030	PLATE	1				
4	0566032800	PROTECTOR	1				
7	0566041070	COVER	1				
8	0566032080	HARNES, wiring	1				
9	0566041090	RUBBER	1				
10	0566013100	BRACKET	1				
14	0566041015	PIN	1				
15	0001608265	PIN	1				
16	0011908001	PIN	1				
17	0011578006	PIN	1				
18	0003600158	SHIM	AR				t=1.0mm
19	1100040865	BOLT	1				
20	1100041020	BOLT	1				
22	1100040820	BOLT	2				
24	1100141240	BOLT	2				
25	1130040012	NUT	6				
26	1140020008	WASHER, spring	5				
27	1140020010	WASHER, spring	11				
28	1141110010	WASHER	9				
29	1100040825	BOLT	2				
30	1141110008	WASHER	5				
32	1560001000	FITTING, grease	1				
33	1652201005	BAND	7				
34	1703003900	LAMP ASSY	1				
34-1	1703003901	· BULB	1				
35	1900093900	CYLINDER, boom	1				
36	1900106300	CYLINDER, arm	1			M	
37	1900089100	CYLINDER, adjust	2			M	
38	0003600170	SHIM	AR				t=1.0mm
39	0003600218	SHIM	AR				t=1.0mm
40	1110040830	SCREW, cap	4				
41	1110040840	SCREW, cap	6				
42	1110040845	SCREW, cap	2				
43	1420010220	O-RING	2				
44	0566027070	PIN	1				
45	0566032450	PIN	1				
47	0003600181	SHIM	AR				
48	1531312100	PROTECTOR	1				sold by the meter
51	1100141220	BOLT	3				
53	0566032530	PIN	1				
54	0566032990	PLATE	2				
55	1652533016	CAP	1				
59	1560001675	FITTING, grease	1				
64	0566052910	PIPE	2			M	
65	0566032570	TUBE	1				
66	0566032660	TUBE	1				
67	0566048080	WASHER	1				
68	1132130045	NUT	1				
69	1210010890	PIN, split	1				
70	1534100218	CLAMP	2				
71	1130240012	NUT	4				
72	1100061045	BOLT	2				
73	1100041025	BOLT	4				

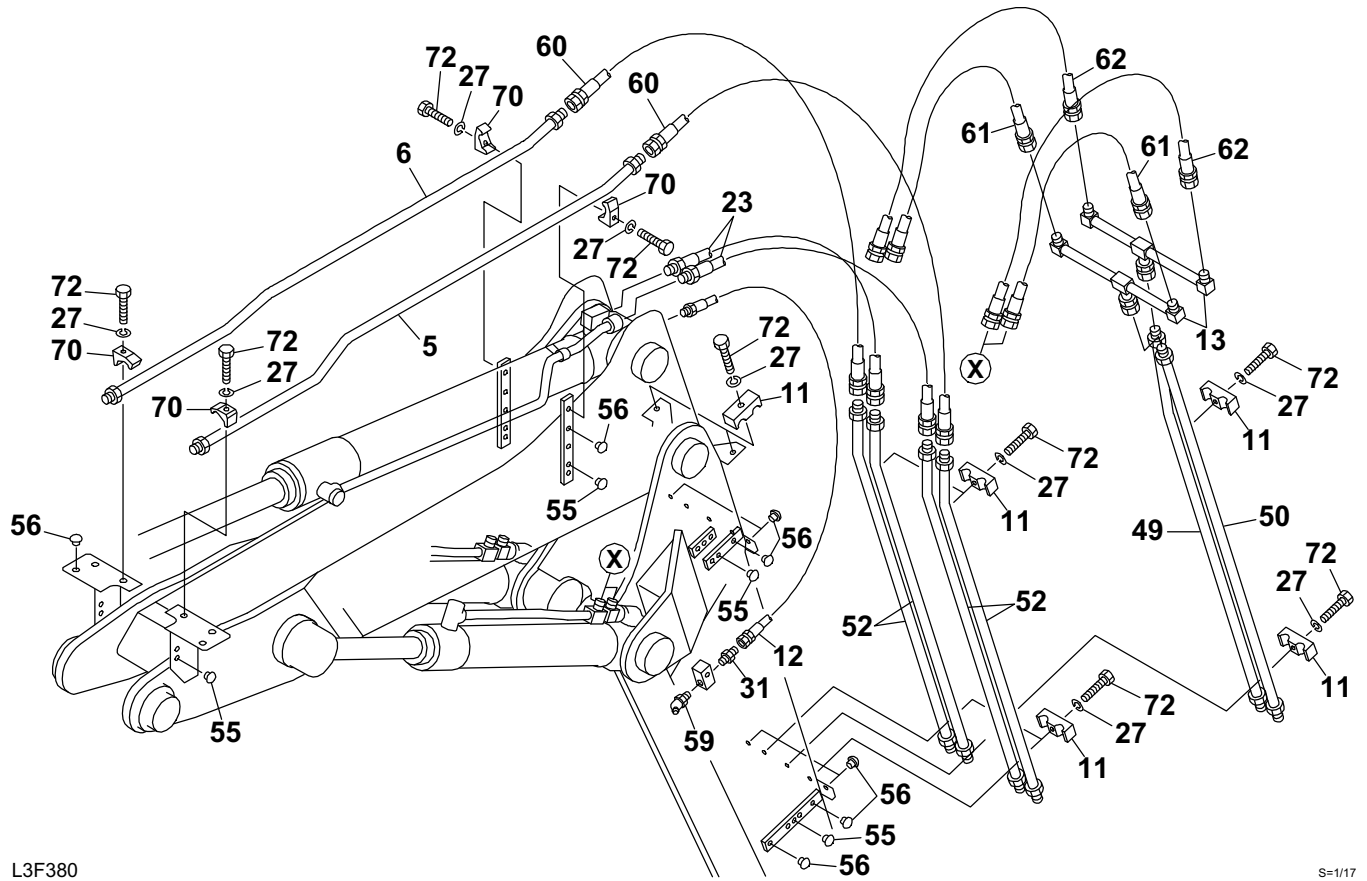
**TB175(P-TB175BAB) Book No. BL3Z010 S/N 17510003-
BOOM (1/2) (2-piece boom; 17518270-)**



BOOM (1/2) (2-piece boom; 17518270-)

Item	Part number	Description	Q'ty	Chan.	Serial No.	Serv.	Remarks
74	0566021970	BAND	1				
75	0566021980	BAND	2				
76	1100041035	BOLT	4				
77	0566032010	BAND	1				
78	1420010240	O-RING	1				
79	0003600105	SHIM	AR				t=0.2mm
80	0003600106	SHIM	AR				t=0.5mm
81	0003600101	SHIM	AR				t=0.2mm
82	0003600102	SHIM	AR				t=0.5mm
83	0003600199	SHIM	AR				t=0.2mm
84	0003600217	SHIM	AR				t=0.5mm
85	0003600224	SHIM	AR				t=0.2mm
86	0003600225	SHIM	AR				t=0.5mm
87	0003600226	SHIM	AR				t=1.0mm
88	0003600214	SHIM	AR				t=0.2mm
89	0003600215	SHIM	AR				t=0.5mm
90	0003600216	SHIM	AR				t=1.0mm
91	1652533021	CAP	2				
	L3f370						

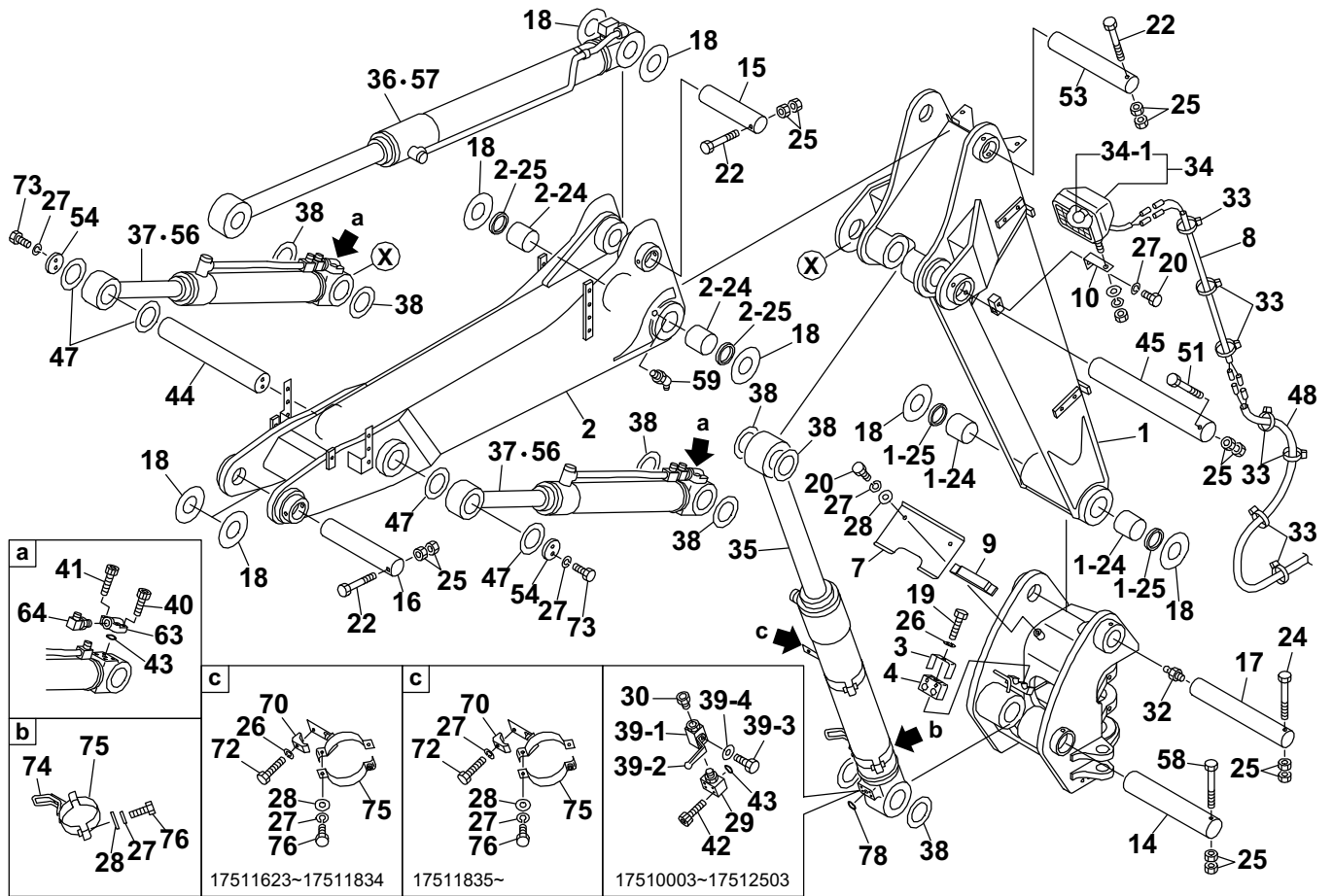
TB175(P-TB175BAB) Book No. BL3Z010 S/N 17510003-
BOOM (2/2) (2-piece boom; 17518270-)



BOOM (2/2) (2-piece boom; 17518270-)

Item	Part number	Description	Q'ty	Chan.	Serial No.	Serv.	Remarks
		BOOM ASSY (2-piece boom)					
5	0566047040	PIPE (L.H.)	1				
6	0566047050	PIPE (R.H.)	1				
11	1534000022	CLAMP	8				
12	1934802135	HOSE ASSY	1				
13	0566027050	PIPE	2				
23	1802743090	HOSE ASSY	2				
27	1140020010	WASHER, spring	12				
31	1511050002	ADAPTOR	1				
49	0566027430	PIPE (R.H.)	1				
50	0566027440	PIPE (L.H.)	1				
52	0566027450	PIPE	4				
55	1652533016	CAP	24				
56	1652533017	CAP	18				
59	1560001675	FITTING, grease	1				
60	1802740100	HOSE ASSY	2				
61	1802740125	HOSE ASSY	2				M
62	1802740137	HOSE ASSY	2				
70	1534100218	CLAMP	4				
72	1100061045	BOLT	12				
	L3f380						

TB175(P-TB175BAB) Book No. BL3Z010 S/N 17510003-
 BOOM (1/2) (2-piece boom, with emergency shut-off valve;
 17510003-17513781)



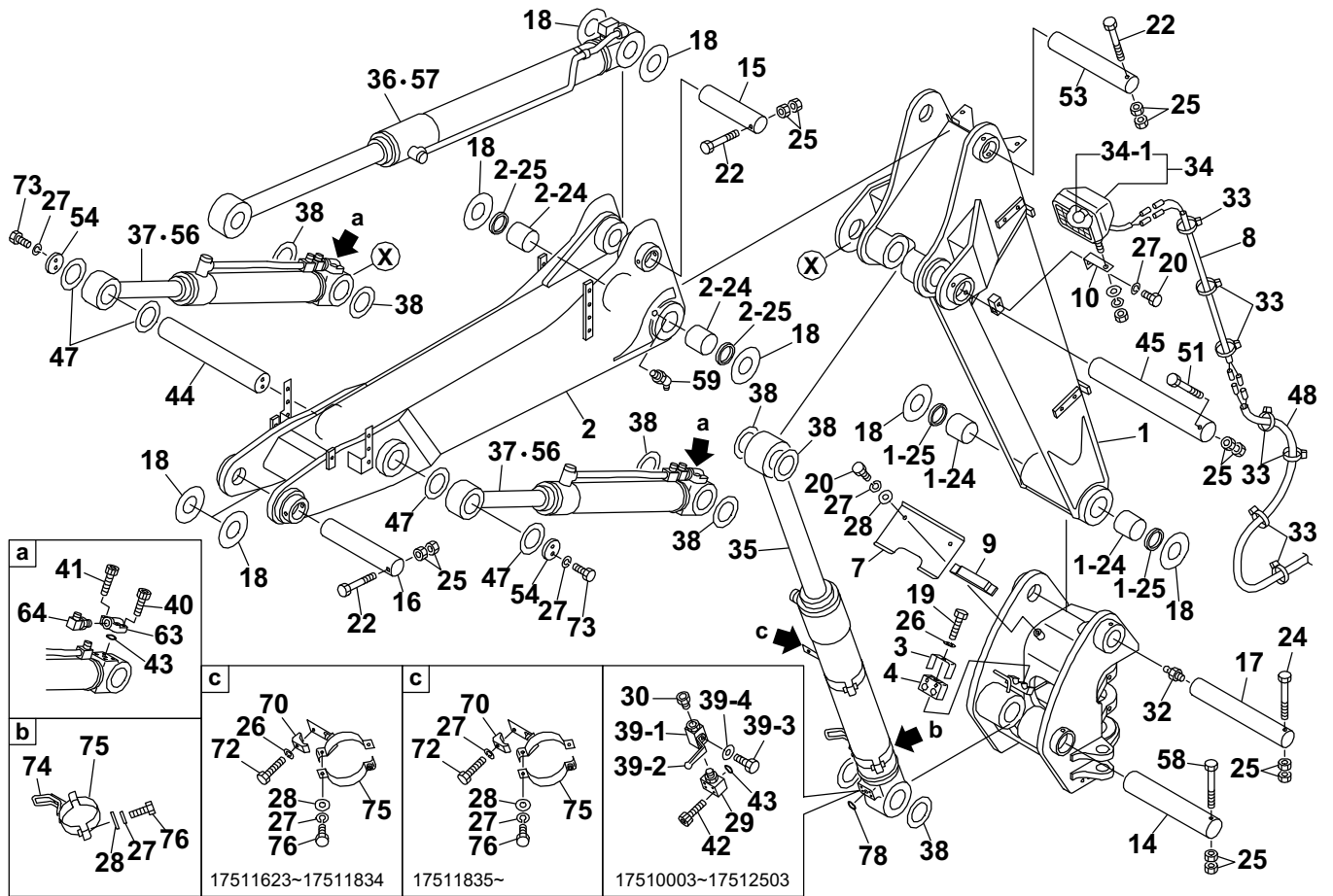
L3F191

S=1/22

BOOM (1/2) (2-piece boom, with emergency shut-off valve; 17510003-17513781)

Item	Part number	Description	Q'ty	Chan.	Serial No.	Serv.	Remarks
		BOOM ASSY (for boom)					
		BOOM ASSY (for boom+arm)					
		BOOM ASSY (for boom+arm+adjust)					
1	0566032100	BOOM 1	1		17510003~17511834		CLAMP M8
	0566035100	BOOM 1	1		17511835~		CLAMP M10
1-24	0002400038	· BUSHING	2				
1-25	1432200065	· SEAL, dust	2				
2	0566032500	BOOM 2	1		17510003~17511834		CLAMP M8
	0566035600	BOOM 2	1		17511835~		CLAMP M10
2-24	0002400038	· BUSHING	2				
2-25	1432200065	· SEAL, dust	2				
3	0566032810	PLATE	1				
4	0566032800	PROTECTOR	1				
7	0566035070	COVER	1				
8	0566032080	HARNESS, wiring	1				
9	0566035090	RUBBER	1				
10	0566013100	BRACKET	1				
14	0566032014	PIN	1				
15	0001608265	PIN	1				
16	0011508340	PIN	1				
17	0011578002	PIN	1				
18	0003600158	SHIM	AR				t=1.0mm
	0003600106	SHIM	AR				t=0.5mm
	0003600105	SHIM	AR				t=0.2mm
19	1100040865	BOLT	1				
20	1100041020	BOLT	3				
22	1100141210	BOLT	3				
24	1100141240	BOLT	1				
25	1130040012	NUT	12				
26	1140020008	WASHER, spring	3		17510003~17511834		
	1140020008	WASHER, spring	1		17511835~		
27	1140020010	WASHER, spring	11		17510003~17511834		
	1140020010	WASHER, spring	12		17511835~		
28	1141110010	WASHER	6				
29	1512380003	ELBOW	1		17510003~17512503		
	1420010180	· O-RING	1				
30	0007236041	ADAPTOR	1		17510003~17512503		
	1420010180	· O-RING	1				
32	1560001000	FITTING, grease	1				
33	1652201005	BAND	7				
34	0566015400	LAMP ASSY	1				
34-1	1703003901	· BULB	1				
35	1900086800	CYLINDER, boom	1				
36	1900086900	CYLINDER, arm	1				
37	1900087000	CYLINDER, adjust	2				
38	0003600170	SHIM	AR				t=1.0mm
	0003600102	SHIM	AR				t=0.5mm
	0003600101	SHIM	AR				t=0.2mm
39	1901727500	VALVE, stop	1		17510003~17512503		
39-1	1901727510	· VALVE, stop	1		17510003~17512503		
39-2	1901727550	· HANDLE	1		17510003~17512503		
39-3	1901727560	· BOLT	1		17510003~17512503		
39-4	1901727570	· WASHER	1		17510003~17512503		
40	1110040830	SCREW, cap	4				
41	1110040840	SCREW, cap	6				
42	1110040855	SCREW, cap	2				
43	1420010220	O-RING	2				
44	0566027070	PIN	1				
45	0566032450	PIN	1				
47	0003600181	SHIM	AR				

TB175(P-TB175BAB) Book No. BL3Z010 S/N 17510003-
 BOOM (1/2) (2-piece boom, with emergency shut-off valve;
 17510003-17513781)



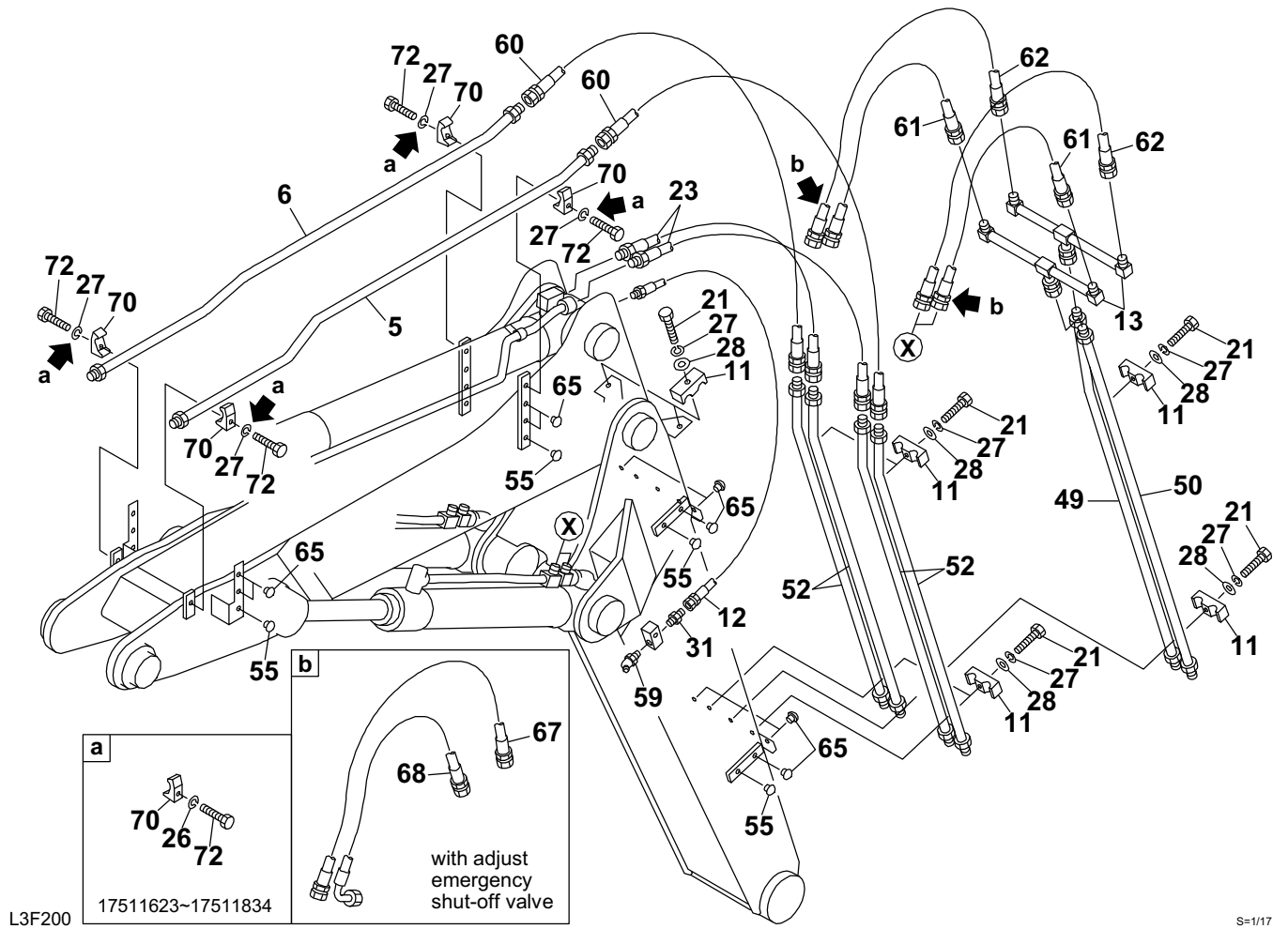
L3F191

S=1/22

BOOM (1/2) (2-piece boom, with emergency shut-off valve; 17510003-17513781)

Item	Part number	Description	Q'ty	Chan.	Serial No.	Serv.	Remarks
47	0003600102	SHIM	AR				t=0.5mm
	0003600101	SHIM	AR				t=0.2mm
48	1531312100	PROTECTOR	1				sold by the meter
51	1100141220	BOLT	1				
53	0566032530	PIN	1				
54	0566032990	PLATE	2				
56	1900089100	CYLINDER, adjust	2				with shut-off valve
57	1900089200	CYLINDER, arm	1				with shut-off valve
58	1100141230	BOLT	1				
59	1560001675	FITTING, grease	1				
63	0566017380	ELBOW	2				
64	1515010042	ELBOW	2				
	1420010180	· O-RING	1				
70	1534100217	CLAMP	2		17510003~17511834		
	1534100218	CLAMP	2		17511835~		
72	1100040840	BOLT	2		17510003~17511834		
	1100041045	BOLT	2		17511835~		
73	1100041025	BOLT	4				
74	0566021970	BAND	1				
75	0566021980	BAND	2				
76	1100041035	BOLT	4				
78	1420010240	O-RING	1		17512504~		
	L3f192						

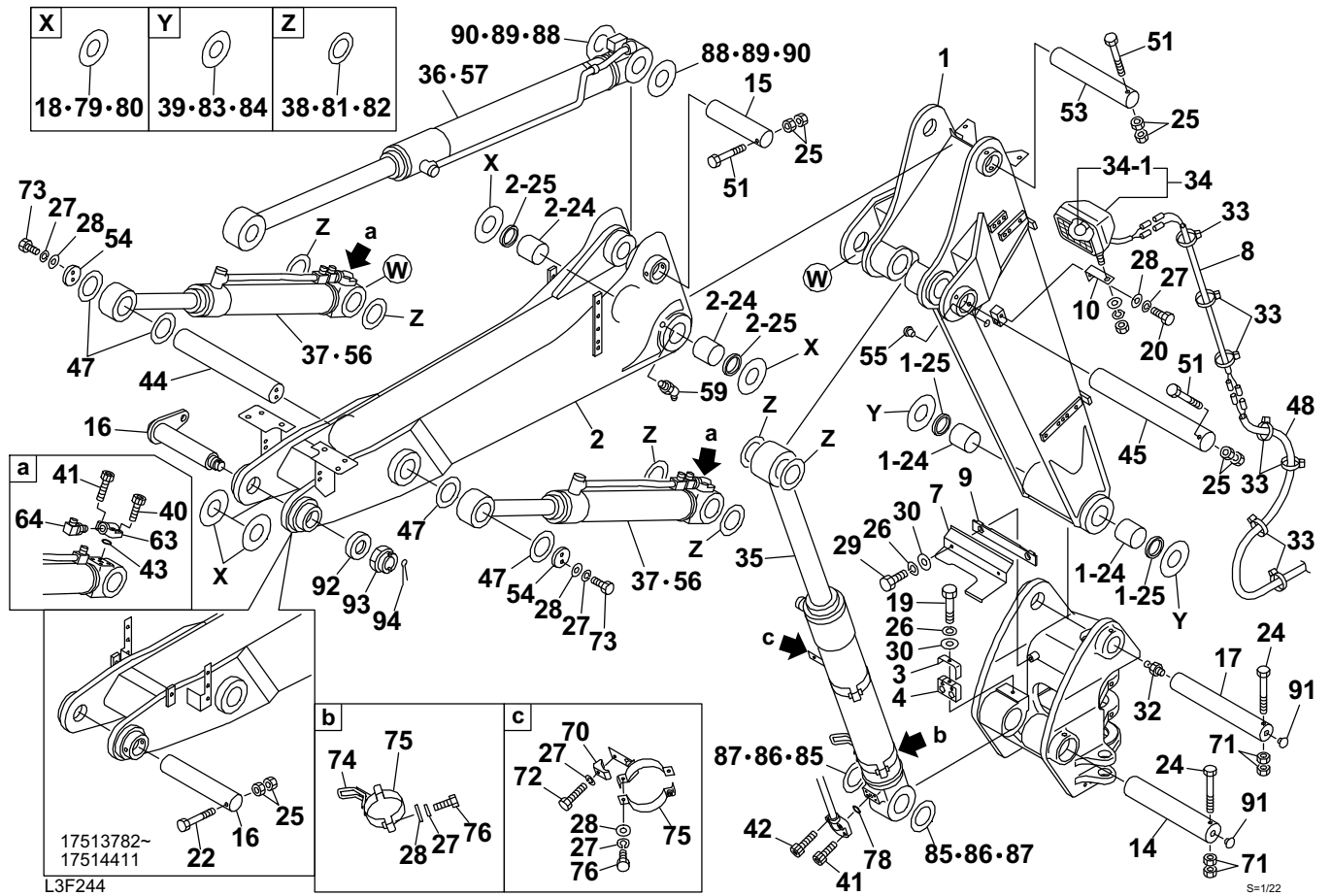
TB175(P-TB175BAB) Book No. BL3Z010 S/N 17510003-
 BOOM (2/2) (2-piece boom, with emergency shut-off valve;
 17510003-17513781)



BOOM (2/2) (2-piece boom, with emergency shut-off valve; 17510003-17513781)

Item	Part number	Description	Q'ty	Chan.	Serial No.	Serv.	Remarks
		BOOM ASSY (for boom)					
		BOOM ASSY (for boom+arm)					
		BOOM ASSY (for boom+arm+adjust)					
5	0566032050	PIPE (L.H.)	1				
6	0566032060	PIPE (R.H.)	1				
11	1534000022	CLAMP	8				
12	1934802135	HOSE ASSY	1				
13	0566027050	PIPE	2				
21	1100041050	BOLT	8				
23	1802743090	HOSE ASSY	2				
26	1140020008	WASHER, spring	4		17510003~17511834		
27	1140020010	WASHER, spring	8		17510003~17511834		
	1140020010	WASHER, spring	12		17511835~		
28	1141110010	WASHER	8				
31	1511050002	ADAPTOR	1				
49	0566027430	PIPE (R.H.)	1				
50	0566027440	PIPE (L.H.)	1				
52	0566027450	PIPE	4				
55	1652533016	CAP	8				
	1652533016	CAP	6				for boom+arm
	1652533016	CAP	2				for boom+arm+adjust
59	1560001675	FITTING, grease	1				
60	1802740100	HOSE ASSY	2				
61	1802740094	HOSE ASSY	2				
62	1802740110	HOSE ASSY	2				
65	1652533017	CAP	16		17511835~		
67	1802740137	HOSE ASSY	2				with shut-off valve
68	1802741124	HOSE ASSY	2				with shut-off valve
70	1534100217	CLAMP	4		17510003~17511834		M8
	1534100218	CLAMP	4		17511835~		M10
72	1100040840	BOLT	4		17510003~17511834		
	1100041045	BOLT	4		17511835~		
	L3f202						

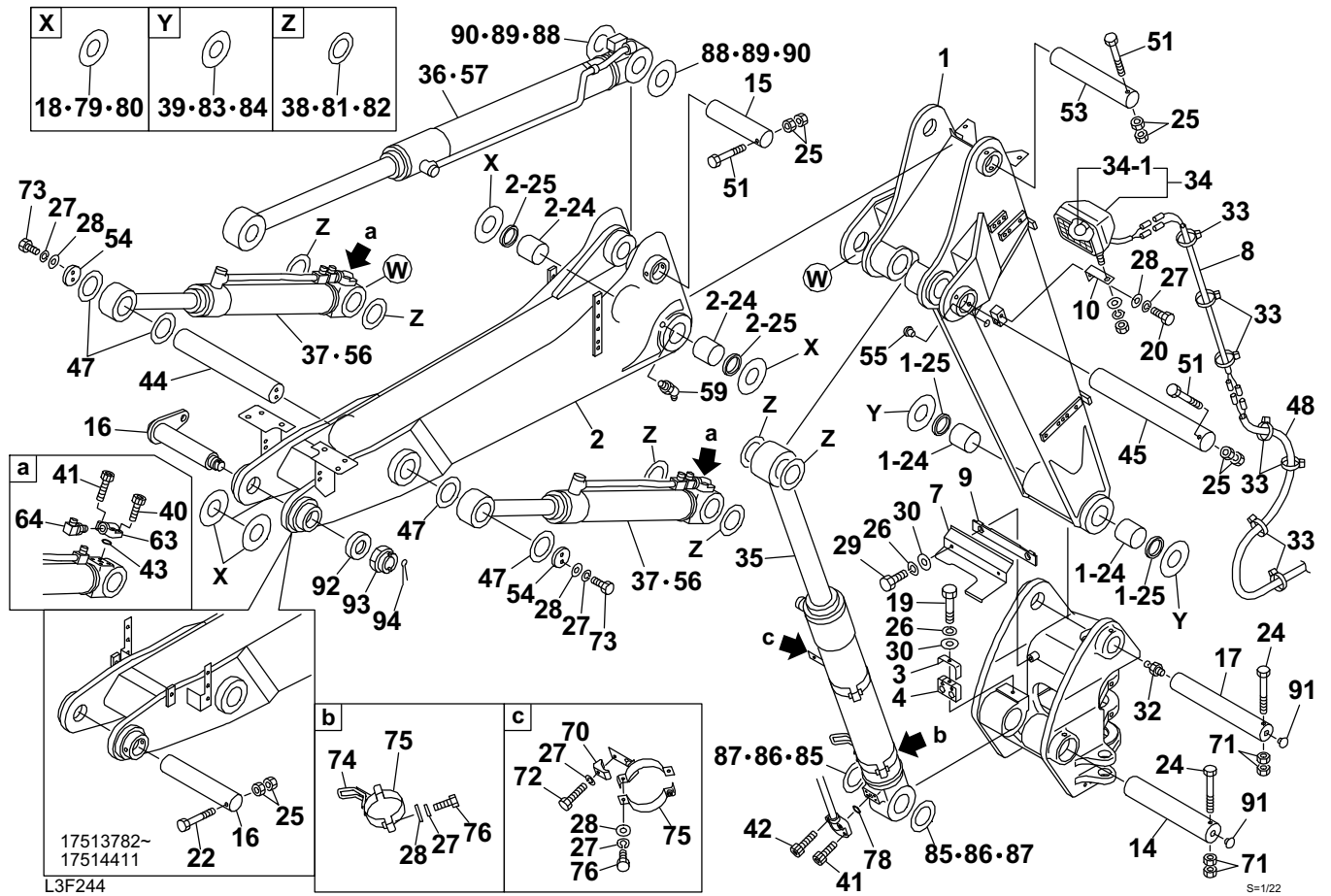
**TB175(P-TB175BAB) Book No. BL3Z010 S/N 17510003-
BOOM (1/2) (2-piece boom, with emergency shut-off valve;
17513782-17518257)**



BOOM (1/2) (2-piece boom, with emergency shut-off valve; 17513782-17518257)

Item	Part number	Description	Q'ty	Chan.	Serial No.	Serv.	Remarks
		BOOM ASSY (for boom)					
		BOOM ASSY (for boom+arm)					
		BOOM ASSY (for boom+arm+adjust)					
		BOOM ASSY (for boom+adjust)					
1	0566041100	BOOM 1	1		17513782~17514411		
	0566047010	BOOM 1	1		17514412~17516487		
	0566048910	BOOM 1	1	(H)	17516488~		
1-24	0002400074	· BUSHING	2				
1-25	1432200070	· SEAL, dust	2				
2	0566035600	BOOM 2	1		17513782~17514411		
	0566047030	BOOM 2	1		17514412~		
2-24	0002400038	· BUSHING	2				
2-25	1432200065	· SEAL, dust	2				
3	0566041030	PLATE	1				
4	0566032800	PROTECTOR	1				
7	0566041070	COVER	1				
8	0566032080	HARNESS, wiring	1				
9	0566041090	RUBBER	1				
10	0566013100	BRACKET	1				
14	0566041014	PIN	1	(L)	17513782~17514609		
	0566041015	PIN	1		17514610~		
15	0001608265	PIN	1				
16	0011508340	PIN	1		17513782~17514411		
	0011908001	PIN	1		17514412~		
17	0011578005	PIN	1	(L)	17513782~17514609		
	0011578006	PIN	1		17514610~		
18	0003600158	SHIM	AR				t=1.0mm
19	1100040865	BOLT	1				
20	1100041020	BOLT	1				
22	1100141210	BOLT	1		17513782~17514411		
24	1100141240	BOLT	2				
25	1130040012	NUT	6				
26	1140020008	WASHER, spring	1				
27	1140020010	WASHER, spring	12				
28	1141110010	WASHER	9				
29	1100040825	BOLT	2				
30	1141110008	WASHER	4				
32	1560001000	FITTING, grease	1				
33	1652201005	BAND	7				
34	1703003900	LAMP ASSY	1				
34-1	1703003901	· BULB	1				
35	1900093900	CYLINDER, boom	1				
36	1900086900	CYLINDER, arm	1				for boom, boom+adju:
37	1900087000	CYLINDER, adjust	2				for boom, boom+arm
38	0003600170	SHIM	AR				t=1.0mm
39	0003600218	SHIM	AR				t=1.0mm
40	1110040830	SCREW, cap	4				
41	1110040840	SCREW, cap	6				
42	1110040845	SCREW, cap	2				
43	1420010220	O-RING	2				
44	0566027070	PIN	1				
45	0566032450	PIN	1				
47	0003600181	SHIM	AR				
48	1531312100	PROTECTOR	1				sold by the meter
51	1100141220	BOLT	3				
53	0566032530	PIN	1				
54	0566032990	PLATE	2				
55	1652533016	CAP	1		17514412~		
56	1900089100	CYLINDER, adjust (with shut-off valve)	2				for boom+arm+adjust
57	1900089200	CYLINDER, arm (with shut-off valve)	1				for boom+arm+adjust

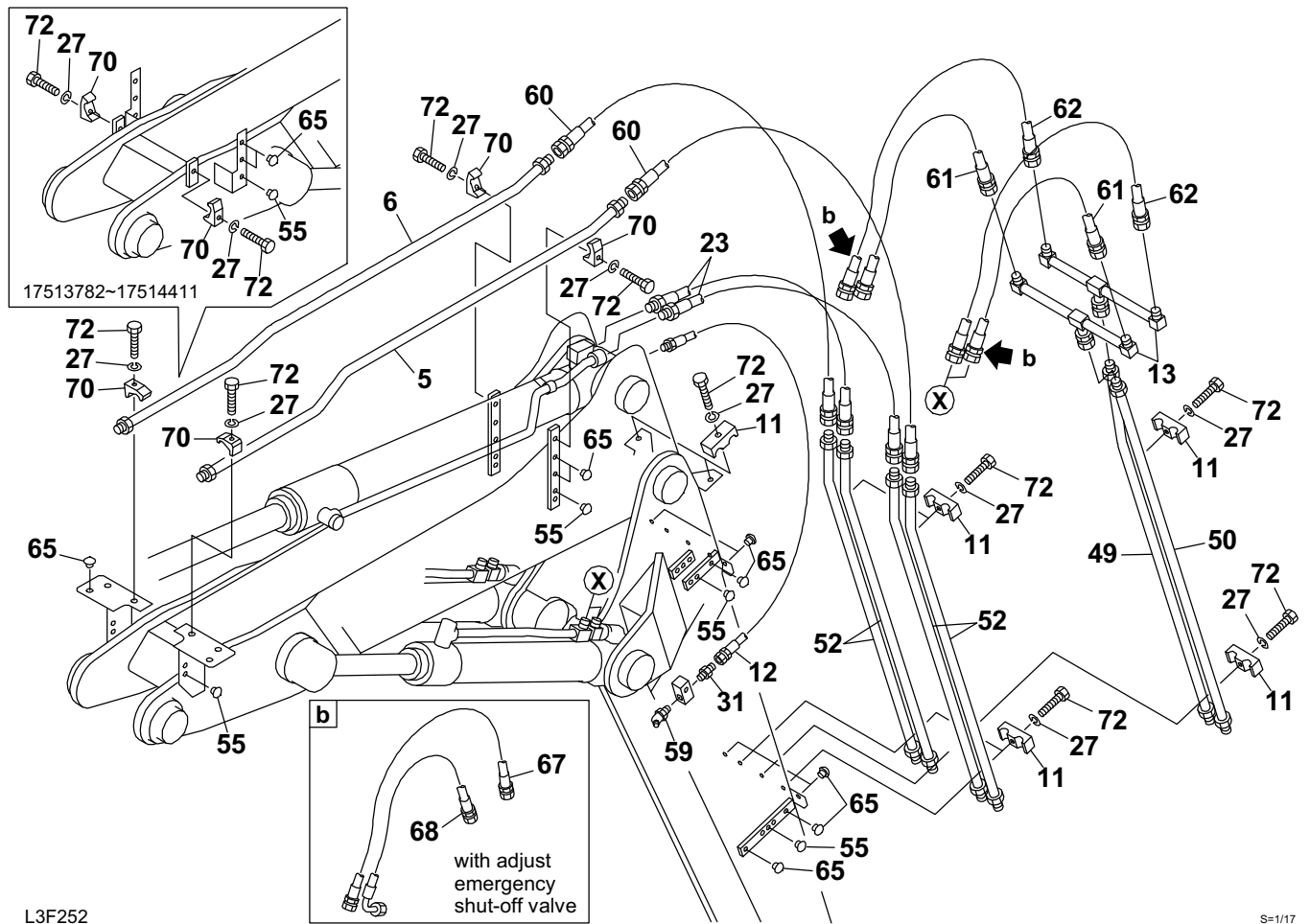
**TB175(P-TB175BAB) Book No. BL3Z010 S/N 17510003-
BOOM (1/2) (2-piece boom, with emergency shut-off valve;
17513782-17518257)**



BOOM (1/2) (2-piece boom, with emergency shut-off valve; 17513782-17518257)

Item	Part number	Description	Q'ty	Chan.	Serial No.	Serv.	Remarks
59	1560001675	FITTING, grease	1				
63	0566017380	ELBOW	2				
64	1515010042	ELBOW	2				for boom, boom+arm
	1420010180	· O-RING	1				
70	1534100218	CLAMP	1				
71	1130240012	NUT	4				
72	1100061045	BOLT	1				
73	1100041025	BOLT	4				
74	0566021970	BAND	1				
75	0566021980	BAND	2				
76	1100041035	BOLT	4				
78	1420010240	O-RING	1				
79	0003600105	SHIM	AR				t=0.2mm
80	0003600106	SHIM	AR				t=0.5mm
81	0003600101	SHIM	AR				t=0.2mm
82	0003600102	SHIM	AR				t=0.5mm
83	0003600199	SHIM	AR				t=0.2mm
84	0003600217	SHIM	AR				t=0.5mm
85	0003600224	SHIM	AR				t=0.2mm
86	0003600225	SHIM	AR				t=0.5mm
87	0003600226	SHIM	AR				t=1.0mm
88	0003600214	SHIM	AR				t=0.2mm
89	0003600215	SHIM	AR				t=0.5mm
90	0003600216	SHIM	AR				t=1.0mm
91	1652533021	CAP	2				
92	0566048080	WASHER	1		17514412~		
93	1132130045	NUT	1		17514412~		
94	1210010890	PIN, split	1		17514412~		
	L3f246						

TB175(P-TB175BAB) Book No. BL3Z010 S/N 17510003-
 BOOM (2/2) (2-piece boom, with emergency shut-off valve;
 17513782-17518257)



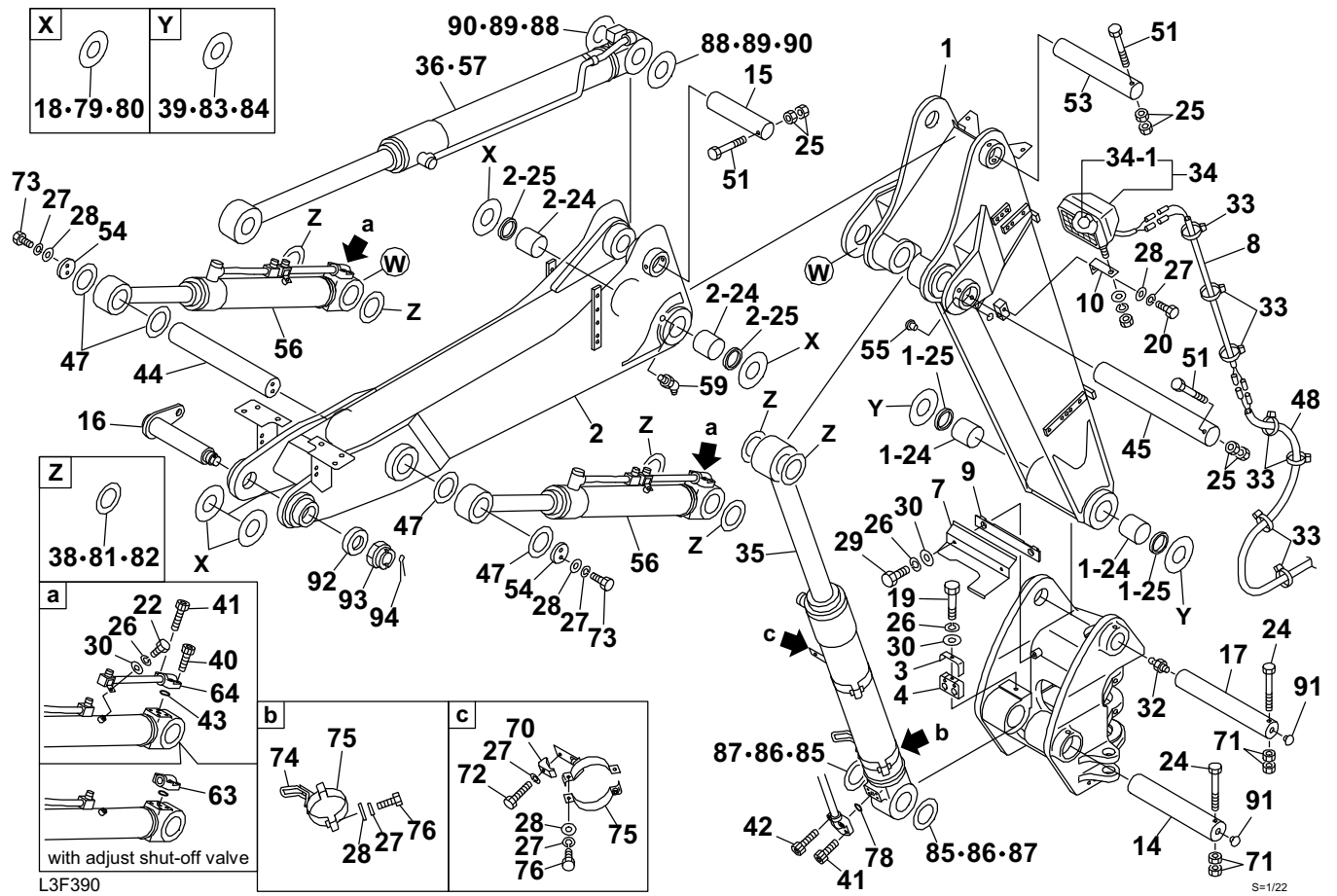
L3F252

S=1/17

BOOM (2/2) (2-piece boom, with emergency shut-off valve; 17513782-17518257)

Item	Part number	Description	Q'ty	Chan.	Serial No.	Serv.	Remarks
		BOOM ASSY (for boom)					
		BOOM ASSY (for boom+arm)					
		BOOM ASSY (for boom+arm+adjust)					
		BOOM ASSY (for boom+adjust)					
5	0566032050	PIPE (L.H.)	1		17513782~17514411		
	0566047040	PIPE (L.H.)	1		17514412~		
6	0566032060	PIPE (R.H.)	1		17513782~17514411		
	0566047050	PIPE (R.H.)	1		17514412~		
11	1534000022	CLAMP	8				
12	1934802135	HOSE ASSY	1				
13	0566027050	PIPE	2				
23	1802743090	HOSE ASSY	2				
27	1140020010	WASHER, spring	12				
31	1511050002	ADAPTOR	1				
49	0566027430	PIPE (R.H.)	1				
50	0566027440	PIPE (L.H.)	1				
52	0566027450	PIPE	4				
55	1652533016	CAP	22				
	1652533016	CAP	20				for boom+arm
	1652533016	CAP	16				for boom+arm+adjust
	1652533016	CAP	18				for boom+adjust
59	1560001675	FITTING, grease	1				
60	1802740100	HOSE ASSY	2				
61	1802740094	HOSE ASSY	2				for boom, boom+arm
62	1802740110	HOSE ASSY	2				for boom, boom+arm
65	1652533017	CAP	18				
67	1802740137	HOSE ASSY (with shut-off valve)	2				for boom+arm+adjust, l
68	1802741124	HOSE ASSY (with shut-off valve)	2				for boom+arm+adjust, l
70	1534100218	CLAMP	4				
72	1100061045	BOLT	12				
	L3f256						

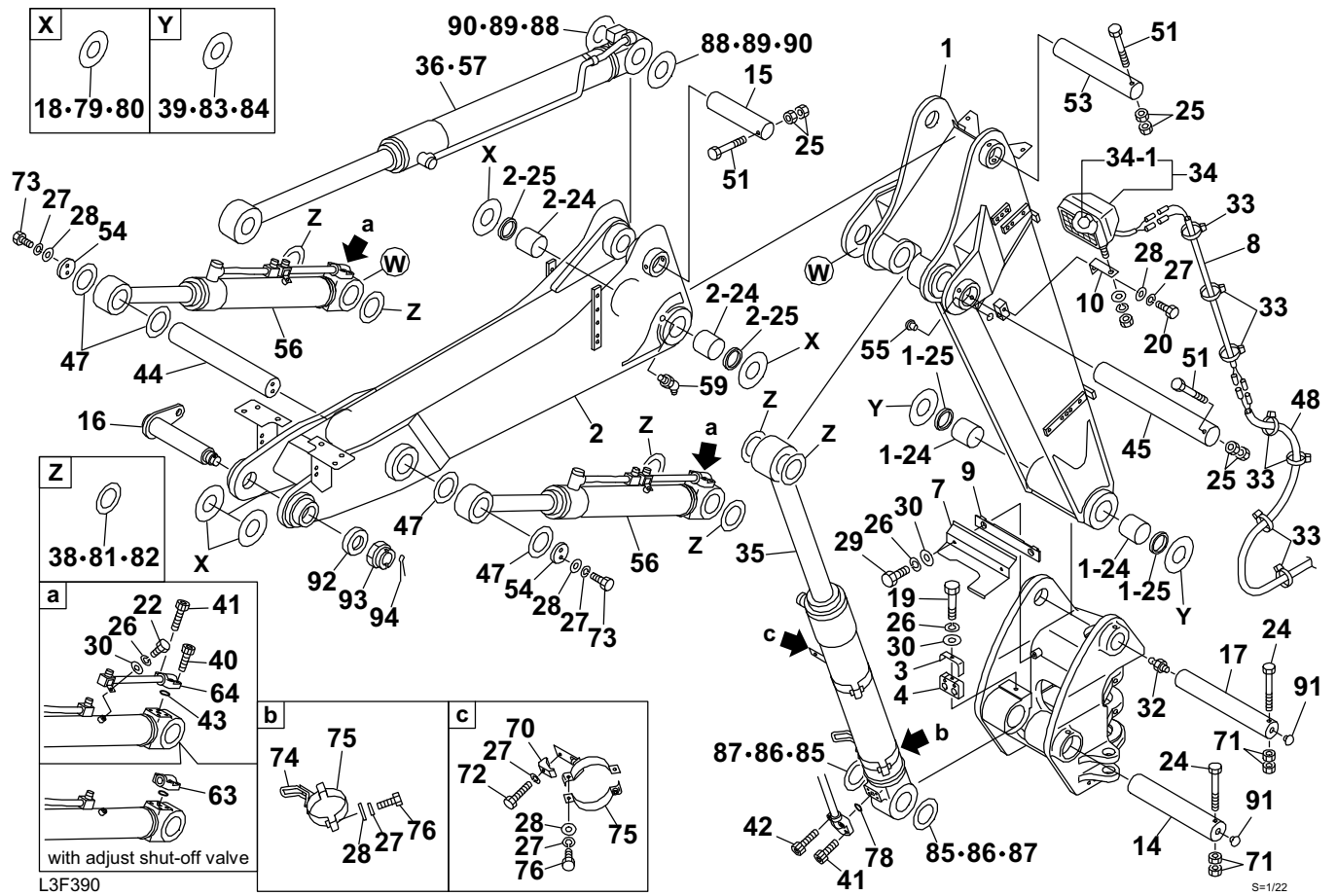
**TB175(P-TB175BAB) Book No. BL3Z010 S/N 17510003-
BOOM (1/2) (2-piece boom, with emergency shut-off valve; 17518258-)**



BOOM (1/2) (2-piece boom, with emergency shut-off valve; 17518258-)

Item	Part number	Description	Q'ty	Chan.	Serial No.	Serv.	Remarks
		BOOM ASSY (for boom)					
		BOOM ASSY (for boom+arm)					
		BOOM ASSY (for boom+arm+adjust)					
		BOOM ASSY (for boom+adjust)					
1	0566048910	BOOM 1	1				
1-24	0002400074	· BUSHING	2				
1-25	1432200070	· SEAL, dust	2				
2	0566047030	BOOM 2	1				
2-24	0002400038	· BUSHING	2				
2-25	1432200065	· SEAL, dust	2				
3	0566041030	PLATE	1				
4	0566032800	PROTECTOR	1				
7	0566041070	COVER	1				
8	0566032080	HARNESS, wiring	1				
9	0566041090	RUBBER	1				
10	0566013100	BRACKET	1				
14	0566041015	PIN	1				
15	0001608265	PIN	1				
16	0011908001	PIN	1				
17	0011578006	PIN	1				
18	0003600158	SHIM	AR				t=1.0mm
19	1100040865	BOLT	1				
20	1100041020	BOLT	1				
22	1100040820	BOLT	2				for boom, boom+arm
24	1100141240	BOLT	2				
25	1130040012	NUT	6				
26	1140020008	WASHER, spring	5				
27	1140020010	WASHER, spring	12				
28	1141110010	WASHER	9				
29	1100040825	BOLT	2				
30	1141110008	WASHER	5				
32	1560001000	FITTING, grease	1				
33	1652201005	BAND	7				
34	1703003900	LAMP ASSY	1				
34-1	1703003901	· BULB	1				
35	1900093900	CYLINDER, boom	1				
36	1900086900	CYLINDER, arm	1		17518258~17518269		for boom, boom+adjust
	1900106300	CYLINDER, arm	1	(H)	17518270~	M	for boom, boom+adjust
38	0003600170	SHIM	AR				t=1.0mm
39	0003600218	SHIM	AR				t=1.0mm
40	1110040830	SCREW, cap	4				
41	1110040840	SCREW, cap	6				
42	1110040845	SCREW, cap	2				
43	1420010220	O-RING	2				
44	0566027070	PIN	1				
45	0566032450	PIN	1				
47	0003600181	SHIM	AR				
48	1531312100	PROTECTOR	1				sold by the meter
51	1100141220	BOLT	3				
53	0566032530	PIN	1				
54	0566032990	PLATE	2				
55	1652533016	CAP	1				
56	1900089100	CYLINDER, adjust	2				
57	1900089200	CYLINDER, arm (with shut-off valve)	1		17518258~17518269		for boom+arm+adjust,
	1900107100	CYLINDER, arm (with shut-off valve)	1	(H)	17518270~	M	for boom+arm+adjust,
59	1560001675	FITTING, grease	1				
63	0566017380	ELBOW	2				
64	0566052910	PIPE	2			M	for boom, boom+arm
70	1534100218	CLAMP	1				
71	1130240012	NUT	4				

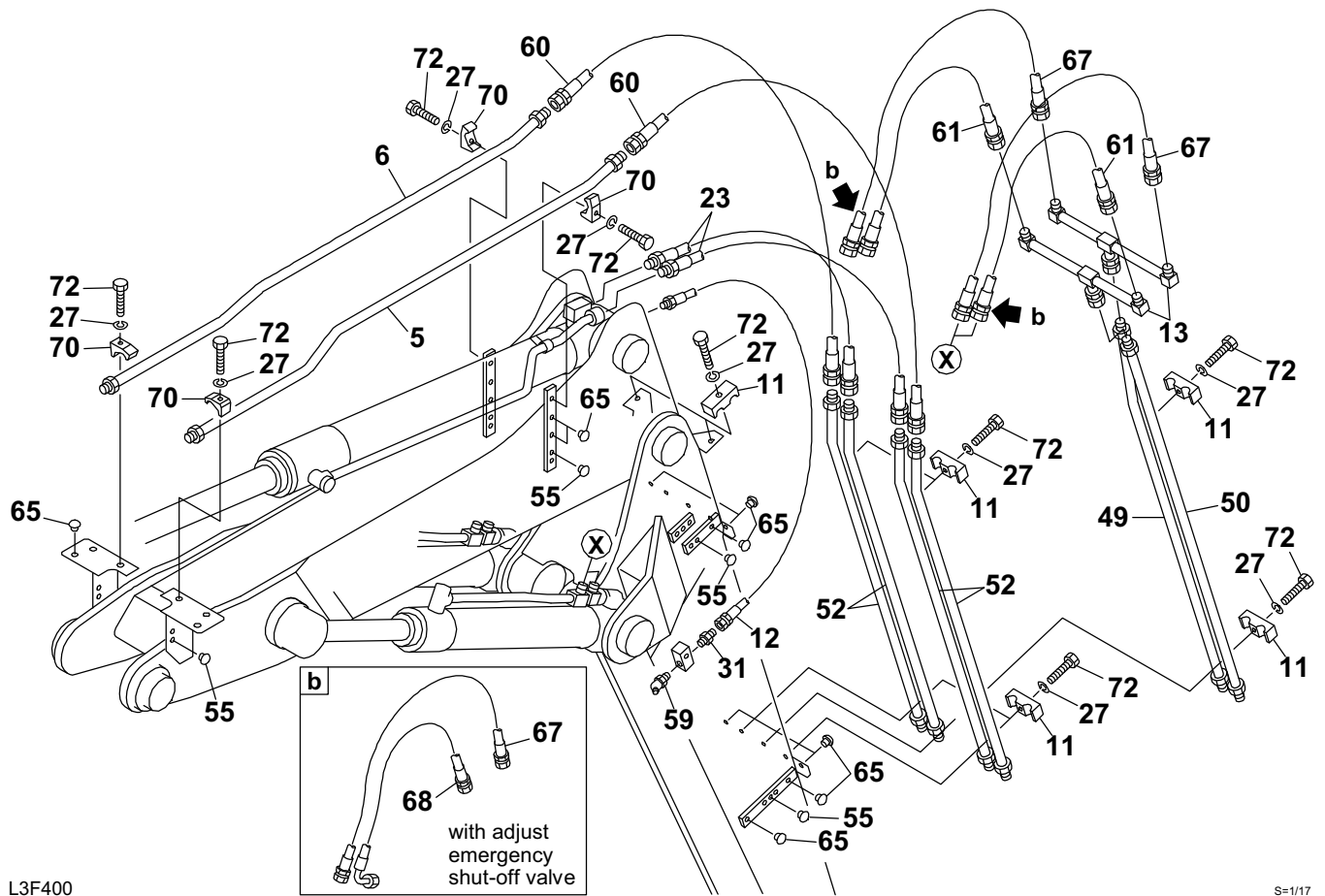
**TB175(P-TB175BAB) Book No. BL3Z010 S/N 17510003-
BOOM (1/2) (2-piece boom, with emergency shut-off valve; 17518258-)**



BOOM (1/2) (2-piece boom, with emergency shut-off valve; 17518258-)

Item	Part number	Description	Q'ty	Chan.	Serial No.	Serv.	Remarks
72	1100061045	BOLT	1				
73	1100041025	BOLT	4				
74	0566021970	BAND	1				
75	0566021980	BAND	2				
76	1100041035	BOLT	4				
78	1420010240	O-RING	1				
79	0003600105	SHIM	AR				t=0.2mm
80	0003600106	SHIM	AR				t=0.5mm
81	0003600101	SHIM	AR				t=0.2mm
82	0003600102	SHIM	AR				t=0.5mm
83	0003600199	SHIM	AR				t=0.2mm
84	0003600217	SHIM	AR				t=0.5mm
85	0003600224	SHIM	AR				t=0.2mm
86	0003600225	SHIM	AR				t=0.5mm
87	0003600226	SHIM	AR				t=1.0mm
88	0003600214	SHIM	AR				t=0.2mm
89	0003600215	SHIM	AR				t=0.5mm
90	0003600216	SHIM	AR				t=1.0mm
91	1652533021	CAP	2				
92	0566048080	WASHER	1				
93	1132130045	NUT	1				
94	1210010890	PIN, split	1				
	L3f390						

**TB175(P-TB175BAB) Book No. BL3Z010 S/N 17510003-
BOOM (2/2) (2-piece boom, with emergency shut-off valve; 17518258-)**

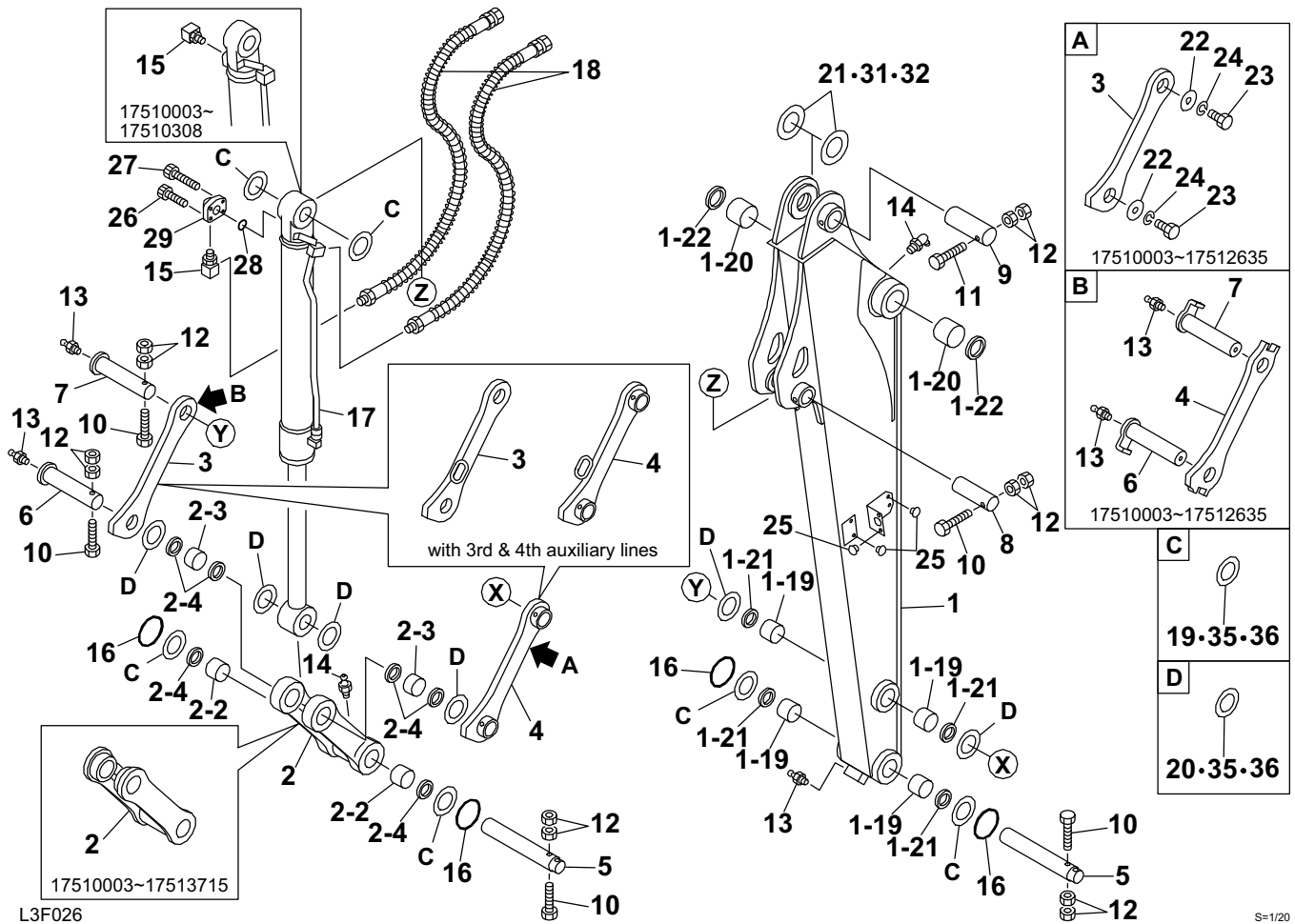


L3F400

S=1/17

BOOM (2/2) (2-piece boom, with emergency shut-off valve; 17518258-)							
Item	Part number	Description	Q'ty	Chan.	Serial No.	Serv.	Remarks
		BOOM ASSY (for boom)					
		BOOM ASSY (for boom+arm)					
		BOOM ASSY (for boom+arm+adjust)					
		BOOM ASSY (for boom+adjust)					
5	0566047040	PIPE (L.H.)	1				
6	0566047050	PIPE (R.H.)	1				
11	1534000022	CLAMP	8				
12	1934802135	HOSE ASSY	1				
13	0566027050	PIPE	2				
23	1802743090	HOSE ASSY	2				
27	1140020010	WASHER, spring	12				
31	1511050002	ADAPTOR	1				
49	0566027430	PIPE (R.H.)	1				
50	0566027440	PIPE (L.H.)	1				
52	0566027450	PIPE	4				
55	1652533016	CAP	22				
	1652533016	CAP	20				for boom+arm
	1652533016	CAP	16				for boom+arm+adjust
	1652533016	CAP	18				for boom+adjust
59	1560001675	FITTING, grease	1				
60	1802740100	HOSE ASSY	2				
61	1802740125	HOSE ASSY	2			M	for boom, boom+arm
65	1652533017	CAP	18				
67	1802740137	HOSE ASSY	2				
68	1802741124	HOSE ASSY (with shut-off valve)	2				for boom+arm+adjust, boom+adju
70	1534100218	CLAMP	4				
72	1100061045	BOLT	12				
	L3f400						

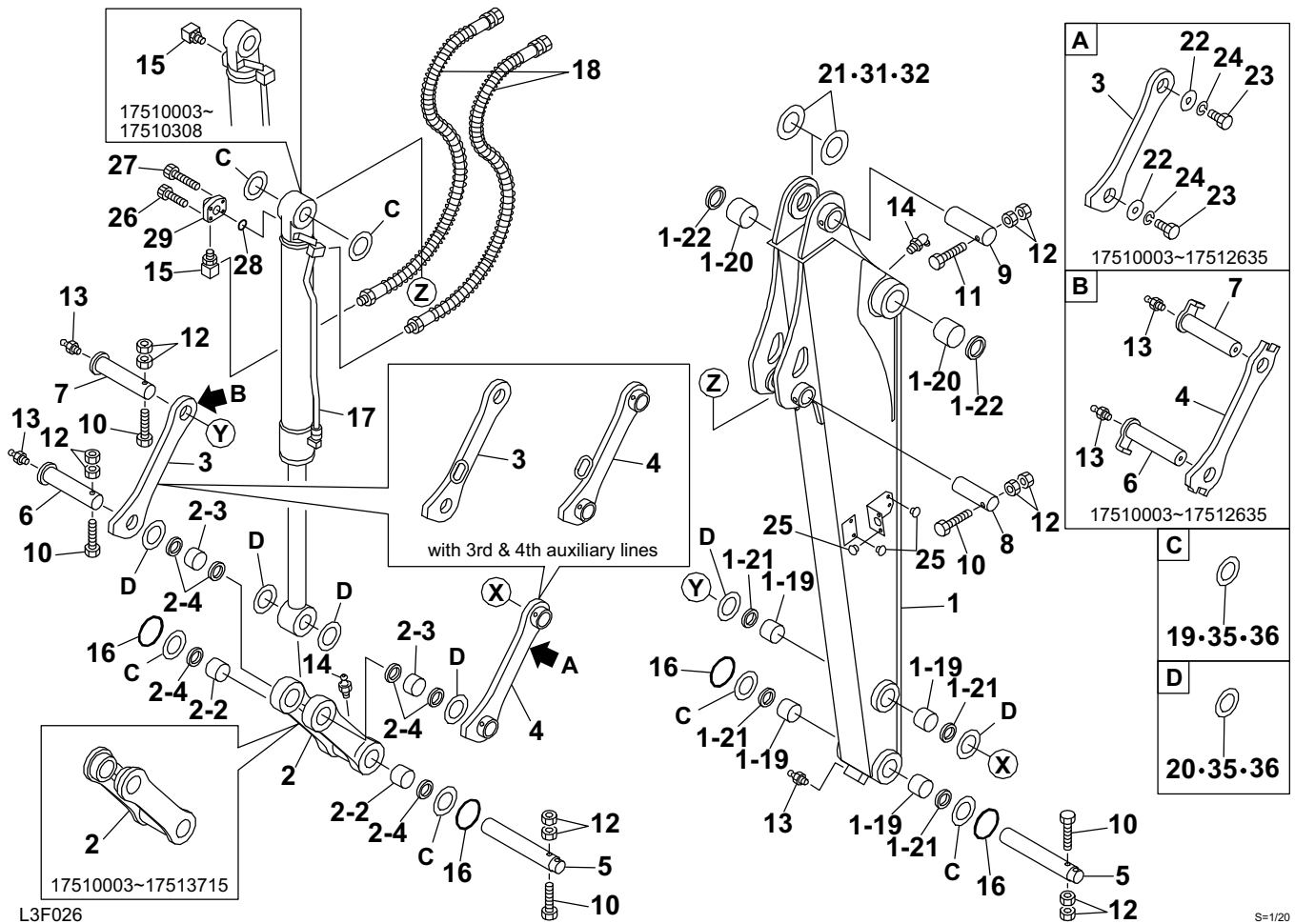
TB175(P-TB175BAB) Book No. BL3Z010 S/N 17510003-
 ARM (17510003-17518203)



ARM (17510003-17518203)

Item	Part number	Description	Q'ty	Chan.	Serial No.	Serv.	Remarks
		ARM ASSY					
		ARM ASSY, long					
		ARM ASSY, middle					
		ARM ASSY, middle(with 3rd & 4th aux. line)					
1	0566129100	ARM SUB ASSY	1		17510003~17514411		
	0566143100	ARM SUB ASSY	1		17514412~		
	0566130100	ARM SUB ASSY, long	1		17510003~17514411		2130mm long
	0566145100	ARM SUB ASSY, long	1		17514412~		2130mm long
	0566142100	ARM SUB ASSY, middle	1		17510003~17514411		1960mm long
	0566144100	ARM SUB ASSY, middle	1		17514412~		1960mm long
1-19	0002400025	· BUSHING	4				
1-20	0002400036	· BUSHING	2				
1-21	1432200050	· SEAL, dust	4				
1-22	1432200060	· SEAL, dust	2				
2	0566122600	LINK, bucket	1	(L)	17510003~17513715		
	0566103900	LINK, bucket	1	(H)	17513716~		
2-2	0002400025	· BUSHING	2				
2-3	0002100028	· BUSHING	2				
2-4	1432200050	· SEAL, dust	6				
3	0566117500	LINK, guide (R.H.)	1				
	0566142710	LINK, guide (R.H.) (for middle arm)	1		17515168~		with 3rd & 4th au
4	0566122200	LINK, guide (L.H.)	1		17510003~17512635		
	0566117600	LINK, guide (L.H.)	1		17512636~		
	0566142720	LINK, guide (L.H.) (for middle arm)	1		17515168~		with 3rd & 4th au
5	0011595001	PIN	2				
6	0566122300	PIN	1		17510003~17512635		
	0011025001	PIN	1		17512636~		
7	0566122400	PIN	1		17510003~17512635		
	0001735001	PIN	1		17512636~		
8	0001605150	PIN	1				
9	0001607160	PIN	1				
10	1100041295	BOLT	5				
11	1100141210	BOLT	1				
12	1130040012	NUT	12				
13	1560001000	FITTING, grease	3				
14	1560001675	FITTING, grease	2				
15	1513300015	ELBOW	1				
	1420010180	· O-RING	1				
16	1432900048	O-RING	4				
17	1900079200	CYLINDER, bucket	1		17510003~17510308		
	1900083200	CYLINDER, bucket	1		17510309~17512104		
	1900091000	CYLINDER, bucket	1	(H)	17512105~17516288		KYB
	1900100800	CYLINDER, bucket	1	(H)	17516289~17516297		MITSUO
	1900091000	CYLINDER, bucket	1	(L)	17516298~17516315		KYB
	1900100800	CYLINDER, bucket	1	(H)	17516316		MITSUO
	1900091000	CYLINDER, bucket	1	(L)	17516317		KYB
	1900100800	CYLINDER, bucket	1	(H)	17516318~		MITSUO
18	1802643080	HOSE ASSY	2		17510003~17510308		
	0566129400	HOSE ASSY	2		17510309~17514411		
	1802643092	HOSE ASSY	2		17514412~		
	1802643114	HOSE ASSY	2		17510003~17510308		for long arm
	1802643122	HOSE ASSY	2		17510309~17514411		for long arm
	1802643126	HOSE ASSY	2		17514412~		for long arm
	1802643108	HOSE ASSY	2		17510003~17514411		for middle arm
	1802643109	HOSE ASSY	2		17514412~		for middle arm
19	0003600154	SHIM	AR				t=1.0mm
20	0003600155	SHIM	AR				t=1.0mm
21	0003600157	SHIM	AR				t=1.0mm
22	0566122500	WASHER	2		17510003~17512635		
23	1101041425	BOLT	2		17510003~17512635		

TB175(P-TB175BAB) Book No. BL3Z010 S/N 17510003-
 ARM (17510003-17518203)

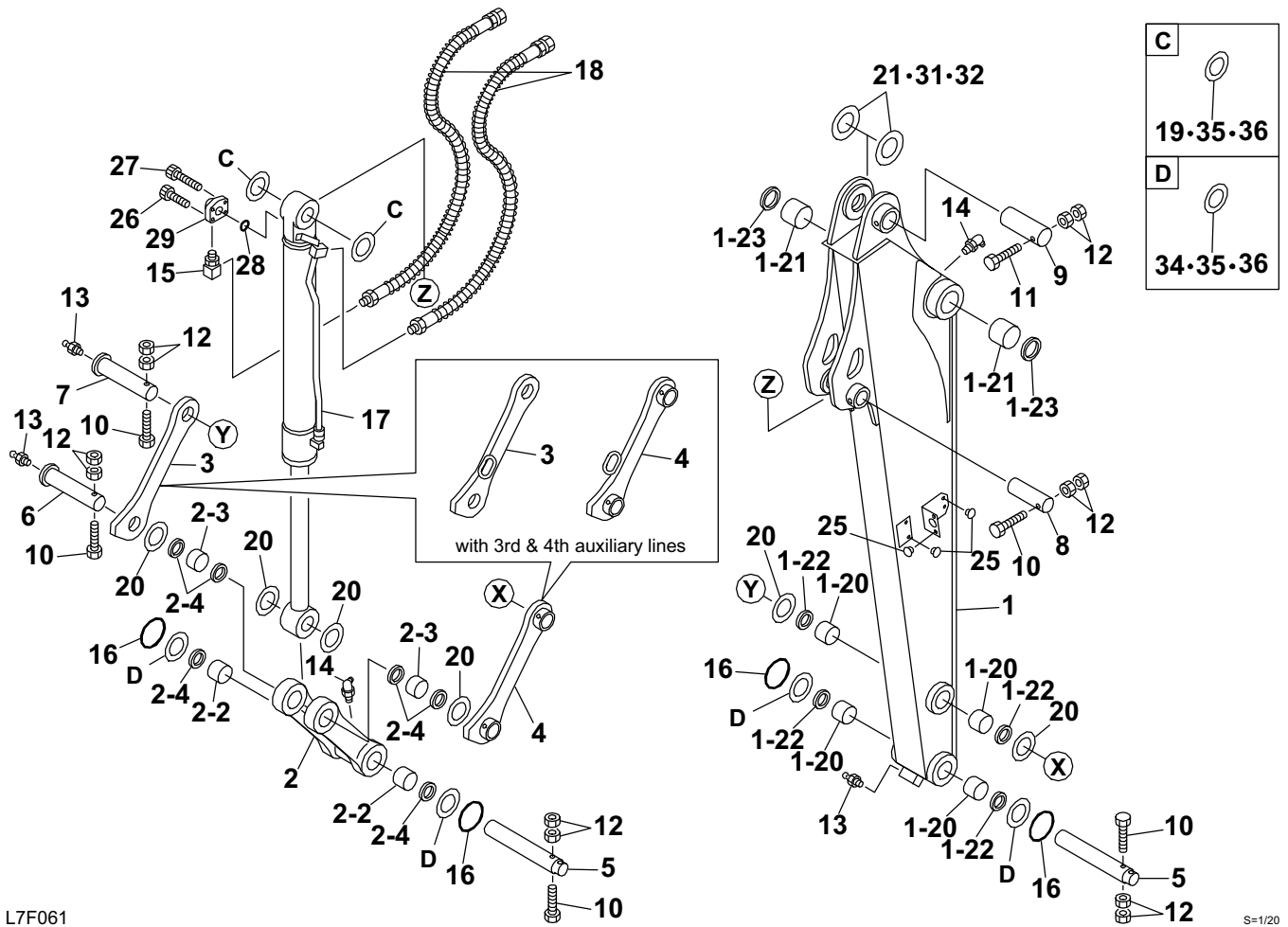


ARM (17510003-17518203)

Item	Part number	Description	Q'ty	Chan.	Serial No.	Serv.	Remarks
24	1140020014	WASHER, spring	2		17510003~17512635		
25	1652533016	CAP	12				
26	1110040840	SCREW, cap	2		17510309~		
27	1110040855	SCREW, cap	2		17510309~		
28	1420010220	O-RING	1		17510309~		
29	0566017380	ELBOW	1		17510309~		
31	0003600095	SHIM	AR				t=0.5mm
32	0003600094	SHIM	AR				t=0.2mm
35	0003600061	SHIM	AR				t=0.5mm
36	0003600060	SHIM	AR				t=0.2mm

L3f029

TB175(P-TB175BAB) Book No. BL3Z010 S/N 17510003-
ARM (17518204-)



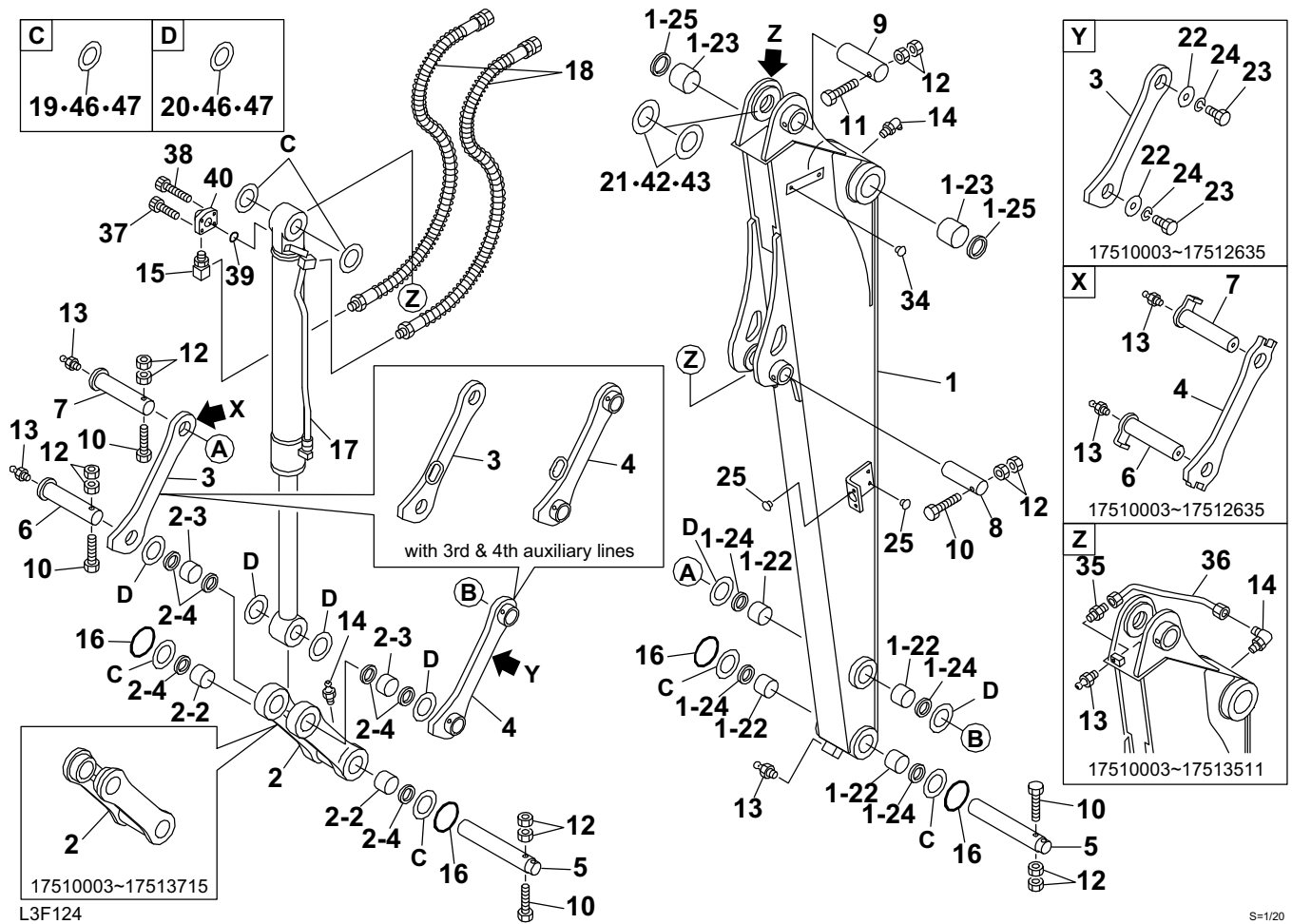
L7F061

S=1/20

ARM (17518204-)

Item	Part number	Description	Q'ty	Chan.	Serial No.	Serv.	Remarks
		ARM ASSY					
		ARM ASSY, long					
		ARM ASSY, middle					
		ARM ASSY, middle(with 3rd & 4th aux. lines)					
1	0566143100	ARM SUB ASSY	1				
	0566145100	ARM SUB ASSY, long	1				2130mm long
	0566144100	ARM SUB ASSY, middle	1				1960mm long
1-20	0002400025	· BUSHING	4				
1-21	0002400036	· BUSHING	2				
1-22	1432200050	· SEAL, dust	4				
1-23	1432200060	· SEAL, dust	2				
2	0566104000	LINK, bucket	1			M	
2-2	0002400025	· BUSHING	2				
2-3	0002100028	· BUSHING	2				
2-4	1432200050	· SEAL, dust	6				
3	0566117500	LINK, guide (R.H.)	1				
	0566142710	LINK, guide (R.H.) (for middle arm)	1				with 3rd & 4th aux. lines
4	0566117600	LINK, guide (L.H.)	1				
	0566142720	LINK, guide (L.H.) (for middle arm)	1				with 3rd & 4th aux. lines
5	0011595001	PIN	2				
6	0011025001	PIN	1				
7	0001735001	PIN	1				
8	0001605150	PIN	1				
9	0001607160	PIN	1				
10	1103041295	BOLT	5				
11	1103141205	BOLT	1				
12	1130240012	NUT	12				
13	1560001000	FITTING, grease	3				
14	1560001675	FITTING, grease	2				
15	1513300015	ELBOW	1				
	1420010180	· O-RING	1				
16	1432900048	O-RING	4				
17	1900100800	CYLINDER, bucket	1				
18	1802643092	HOSE ASSY	2				
	1802643126	HOSE ASSY	2				for long arm
	1802643109	HOSE ASSY	2				for middle arm
19	0003600154	SHIM	AR				t=1.0mm
20	0003600155	SHIM	AR				t=1.0mm
21	0003600157	SHIM	AR				t=1.0mm
25	1652533016	CAP	12				
26	1110040840	SCREW, cap	2				
27	1110040830	SCREW, cap	2				
28	1420010220	O-RING	1				
29	0566017380	ELBOW	1				
31	0003600095	SHIM	AR				t=0.5mm
32	0003600094	SHIM	AR				t=0.2mm
34	0003600265	SHIM	AR			M	t=1.0mm
35	0003600061	SHIM	AR				t=0.5mm
36	0003600060	SHIM	AR				t=0.2mm
	L3f420						

TB175(P-TB175BAB) Book No. BL3Z010 S/N 17510003-
 ARM (2-piece boom; 17510003-17518203)



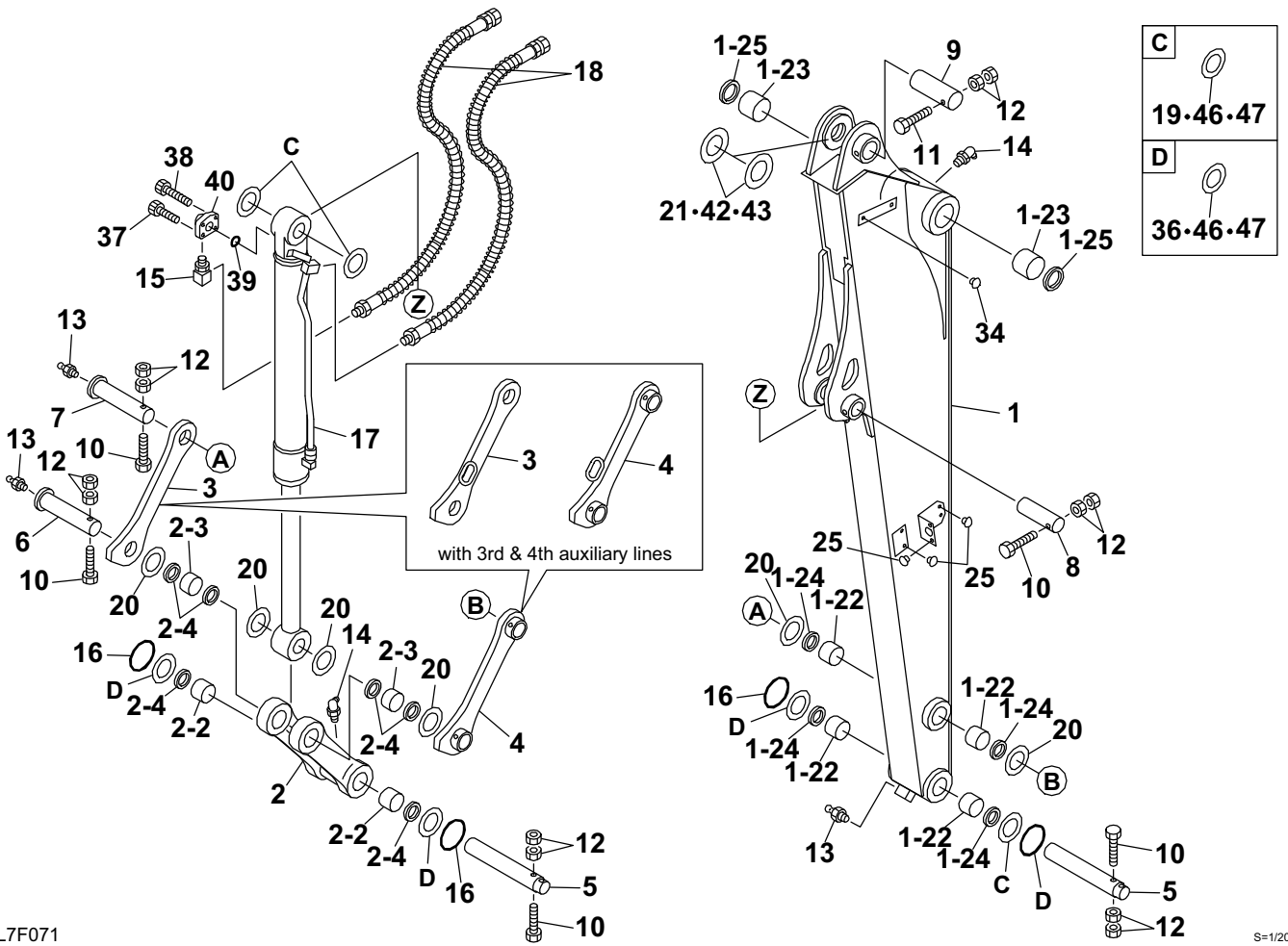
S=1/20

ARM (2-piece boom; 17510003-17518203)

Item	Part number	Description	Q'ty	Chan.	Serial No.	Serv.	Remarks
		ARM ASSY					
		ARM ASSY (with 3rd & 4th aux. line)					
1	0566134100	ARM	1				
1-22	0002400025	· BUSHING	4				
1-23	0002400038	· BUSHING	2				
1-24	1432200050	· SEAL, dust	4				
1-25	1432200065	· SEAL, dust	2				
2	0566122600	LINK, bucket	1	(L)	17510003~17513715		
	0566103900	LINK, bucket	1	(H)	17513716~		
2-2	0002400025	· BUSHING	2				
2-3	0002100028	· BUSHING	2				
2-4	1432200050	· SEAL, dust	6				
3	0566117500	LINK, guide(R.H.)	1				
	0566142710	LINK, guide (R.H.)	1		17515168~		with 3rd & 4th aux. line
4	0566122200	LINK, guide (L.H.)	1		17510003~17512635		
	0566117600	LINK, guide (L.H.)	1		17512636~		
	0566142720	LINK, guide (L.H.)	1		17515168~		with 3rd & 4th aux. line
5	0011595001	PIN	2				
6	0566122300	PIN	1		17510003~17512635		
	0011025001	PIN	1		17512636~		
7	0566122400	PIN	1		17510003~17512635		
	0001735001	PIN	1		17512636~		
8	0001605150	PIN	1				
9	0001608165	PIN	1				
10	1100041295	BOLT	5				
11	1100141220	BOLT	1				
12	1130040012	NUT	12				
13	1560001000	FITTING, grease	3				
14	1502320601	ELBOW	1		17510003~17513715		
	1560001675	FITTING, grease	2		17513716~		
15	1513300015	ELBOW	1				
	1420010180	· O-RING	1				
16	1432900048	O-RING	4				
17	1900083200	CYLINDER, bucket	1		17510003~17512104		
	1900091000	CYLINDER, bucket	1	(H)	17512105~17516288		KYB
	1900100800	CYLINDER, bucket	1	(H)	17516289~17516297		MITSUO
	1900091000	CYLINDER, bucket	1	(L)	17516298~17516315		KYB
	1900100800	CYLINDER, bucket	1	(H)	17516316		MITSUO
	1900091000	CYLINDER, bucket	1	(L)	17516317		KYB
	1900100800	CYLINDER, bucket	1	(H)	17516318~		MITSUO
18	1802643126	HOSE ASSY	2				
19	0003600154	SHIM	AR				t=1.0mm
20	0003600155	SHIM	AR				t=1.0mm
21	0003600157	SHIM	AR				t=1.0mm
22	0566122500	WASHER	2		17510003~17512635		
23	1100041425	BOLT	2		17510003~17512635		
24	1140020014	WASHER, spring	2		17510003~17512635		
25	1652533016	CAP	12				
34	1652533015	CAP	2				
35	1502120601	ADAPTOR	1		17510003~17513715		
36	0566134340	PIPE	1		17510003~17513715		
37	1110040840	SCREW, cap	2				
38	1110040855	SCREW, cap	2				
39	1420010220	O-RING	1				
40	0566017380	ELBOW	1				
42	0003600095	SHIM	AR				t=0.5mm
43	0003600094	SHIM	AR				t=0.2mm
46	0003600061	SHIM	AR				t=0.5mm
47	0003600060	SHIM	AR				t=0.2mm

L3f128

TB175(P-TB175BAB) Book No. BL3Z010 S/N 17510003-
ARM (2-piece boom; 17518204-)



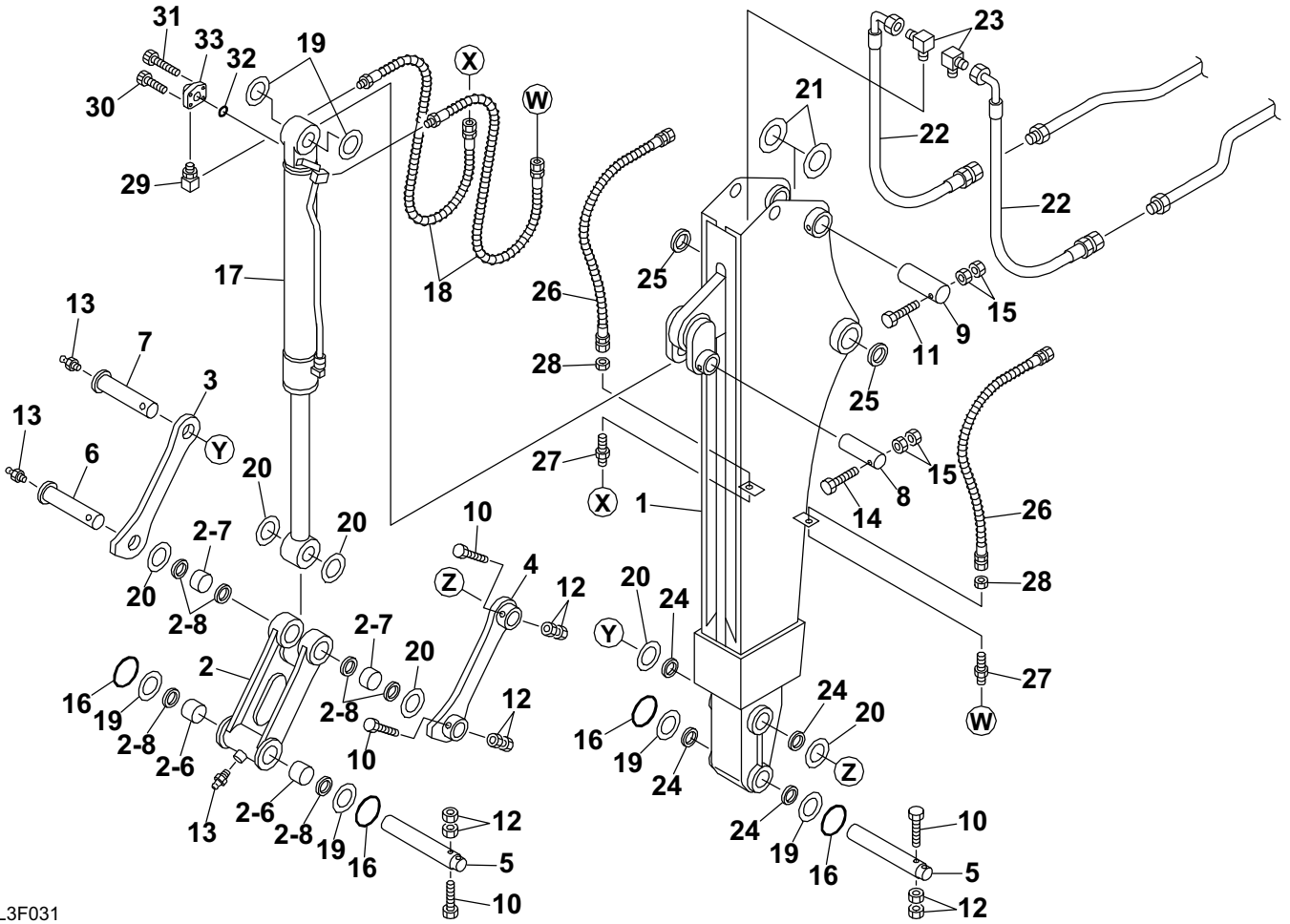
L7F071

S=1/20

ARM (2-piece boom; 17518204-)

Item	Part number	Description	Q'ty	Chan.	Serial No.	Serv.	Remarks
		ARM ASSY					
		ARM ASSY (with 3rd & 4th aux. lines)					
1	0566146100	ARM	1				
1-22	0002400025	· BUSHING	4				
1-23	0002400038	· BUSHING	2				
1-24	1432200050	· SEAL, dust	4				
1-25	1432200065	· SEAL, dust	2				
2	0566104000	LINK, bucket	1			M	
2-2	0002400025	· BUSHING	2				
2-3	0002100028	· BUSHING	2				
2-4	1432200050	· SEAL, dust	6				
3	0566117500	LINK, guide(R.H.)	1				
	0566142710	LINK, guide (R.H.)	1				with 3rd & 4th aux. lines
4	0566117600	LINK, guide (L.H.)	1				
	0566142720	LINK, guide (L.H.)	1				with 3rd & 4th aux. lines
5	0011595001	PIN	2				
6	0011025001	PIN	1				
7	0001735001	PIN	1				
8	0001605150	PIN	1				
9	0001608165	PIN	1				
10	1103041295	BOLT	5				
11	1103141205	BOLT	1				
12	1130240012	NUT	12				
13	1560001000	FITTING, grease	3				
14	1560001675	FITTING, grease	2				
15	1513300015	ELBOW	1				
	1420010180	· O-RING	1				
16	1432900048	O-RING	4				
17	1900100800	CYLINDER, bucket	1				
18	1802643126	HOSE ASSY	2				
19	0003600154	SHIM	AR				t=1.0mm
20	0003600155	SHIM	AR				t=1.0mm
21	0003600157	SHIM	AR				t=1.0mm
25	1652533016	CAP	12				
34	1652533015	CAP	2				
36	0003600265	SHIM	AR			M	t=1.0mm
37	1110040840	SCREW, cap	2				
38	1110040830	SCREW, cap	2				
39	1420010220	O-RING	1				
40	0566017380	ELBOW	1				
42	0003600095	SHIM	AR				t=0.5mm
43	0003600094	SHIM	AR				t=0.2mm
46	0003600061	SHIM	AR				t=0.5mm
47	0003600060	SHIM	AR				t=0.2mm
	L3f430						

TB175(P-TB175BAB) Book No. BL3Z010 S/N 17510003-
TERESCOPIC ARM (1/2)



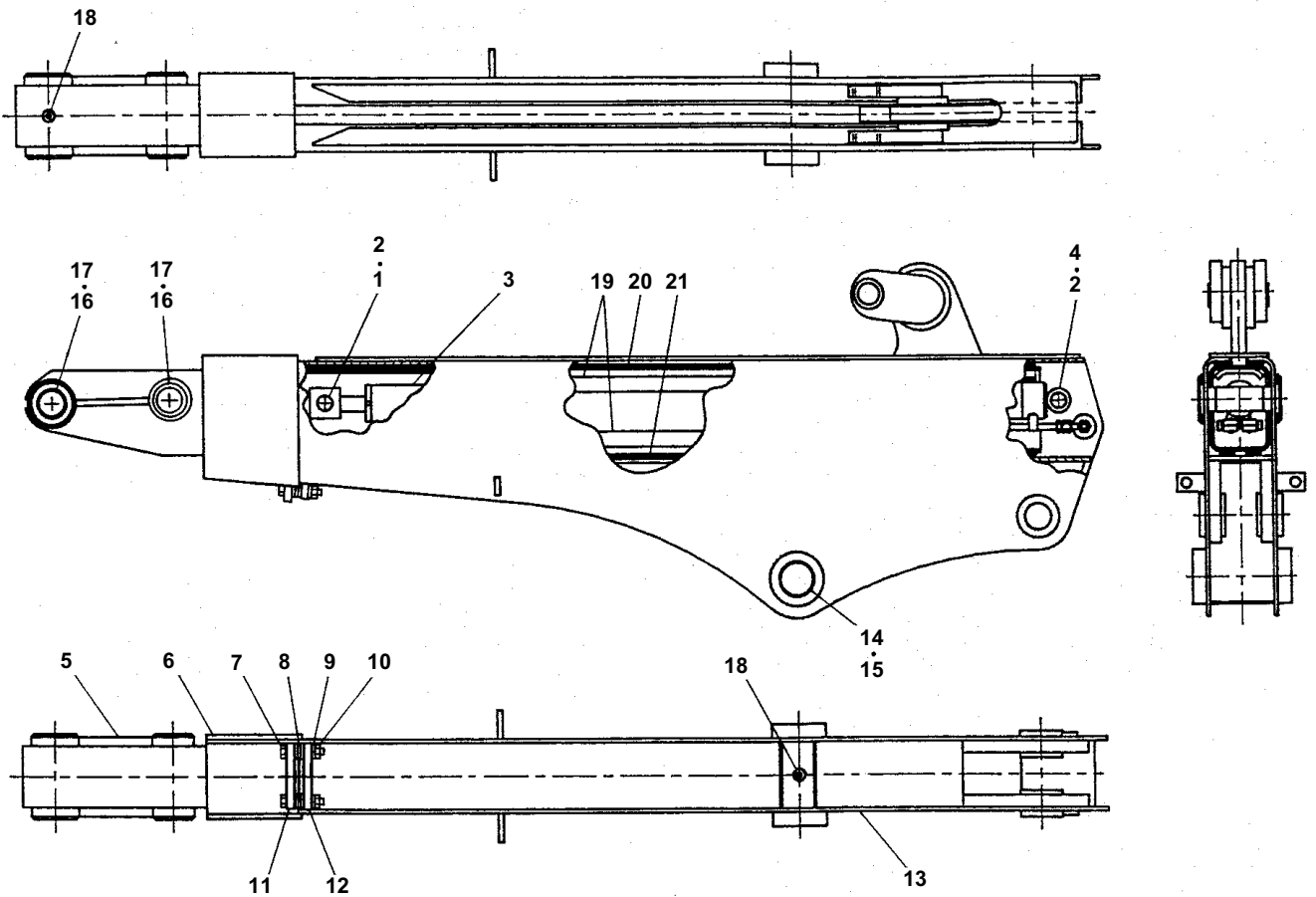
L3F031

S=1/20

TERESCOPIC ARM (1/2)

Item	Part number	Description	Q'ty	Chan.	Serial No.	Serv.	Remarks
		ARM ASSY, telescopic					
1	9TB070000	ARM	1				
2	0566117300	LINK, bucket	1				
2-6	0002400025	· BUSHING	2				
2-7	0002100028	· BUSHING	2				
2-8	1432200050	· SEAL, dust	6				
3	0566117500	LINK, guide (R.H.)	1				
4	0566117600	LINK, guide (L.H.)	1				
5	0011595001	PIN	2				
6	0011025001	PIN	1				
7	0001735001	PIN	1				
8	0001605160	PIN	1				
9	0001607170	PIN	1				
10	1100041295	BOLT	4				
11	1103141215	BOLT	1				
12	1130040012	NUT	8				
13	1560001000	FITTING, grease	3				
14	1103141200	BOLT	1				
15	1130240012	NUT	4				
16	1432900048	O-RING	4				
17	1900083200	CYLINDER, bucket	1				
	1900091000	CYLINDER, bucket	1	(H)	17512105~		
18	1802643120	HOSE ASSY	2				
19	0003600096	SHIM	AR				t=1.0mm
	0003600060	SHIM	AR				t=0.2mm
	0003600061	SHIM	AR				t=0.5mm
20	0003600097	SHIM	AR				t=1.0mm
	0003600060	SHIM	AR				t=0.2mm
	0003600061	SHIM	AR				t=0.5mm
21	0003600099	SHIM	AR				t=1.0mm
	0003600094	SHIM	AR				t=0.2mm
	0003600095	SHIM	AR				t=0.5mm
22	1938900054	HOSE ASSY	2				
23	0007200214	ELBOW	2				
24	1432200050	SEAL, dust	4				
25	1432200060	SEAL, dust	2				
26	1802640100	HOSE ASSY	2				
27	0007200189	ADAPTOR	2				
28	0007200156	NUT	2				
29	1513300015	ELBOW	1				
	1420010180	· O-RING	1				
30	1110040840	SCREW, cap	2				
31	1110040855	SCREW, cap	2				
32	1420010220	O-RING	1				
33	0566017380	ELBOW	1				
	L3f032						

TB175(P-TB175BAB) Book No. BL3Z010 S/N 17510003-
TERESCOPIC ARM (2/2)



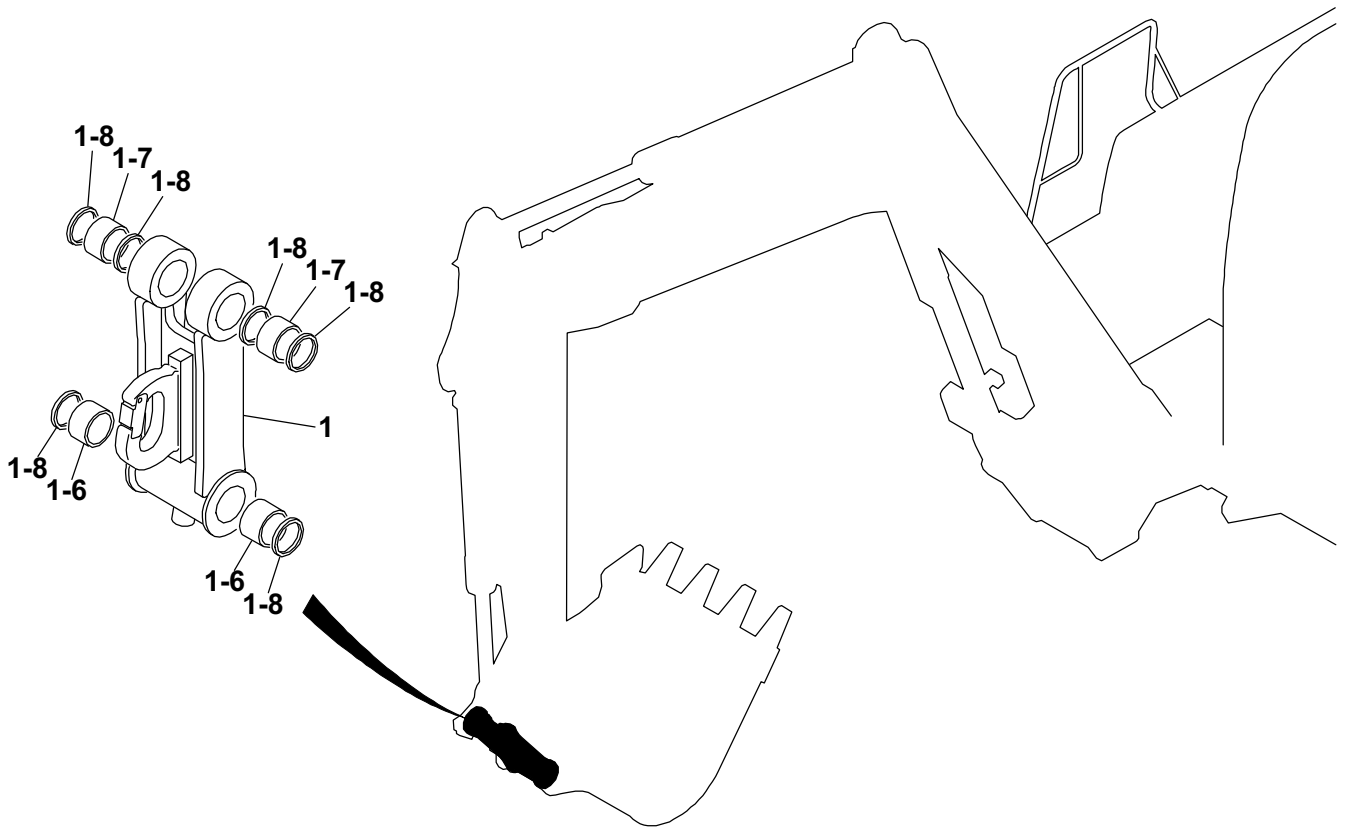
L3F040

S=FREE

TERESCOPIC ARM (2/2)

Item	Part number	Description	Q'ty	Chan.	Serial No.	Serv.	Remarks
0	9TB070000	ARM SUB ASSY	1				
1	P701167	· PIN	1				
2	H50607	· RING, snap	4				
3	R725410	· CYLINDER, telescopic	1				
4	P701165	· PIN	1				
5	9TB070200	· PLATE	1				
6	9TB070010	· COLLAR	1				
7	H30667	· BOLT	2				
8	H30805	· WASHER	16				
9	H30617	· WASHER, spring	2				
10	H30630	· NUT	2				
11	728030	· COLLAR	1				
12	H910552	· BRACKET	1				
13	9TB070100	· HOUSING	1				
14	0002400036	· BUSHING	2				
15	1432200060	· SEAL, dust	2				
16	0002400025	· BUSHING	4				
17	1432200050	· SEAL, dust	4				
18	H50601	· NIPPLE, grease	2				
19	M302417	· STRIP, side	4				
20	M302432	· STRIP, top	2				
21	M302425	· STRIP, bottom	1				
	L3f041						

TB175(P-TB175BAB) Book No. BL3Z010 S/N 17510003-
HANGING HOOK



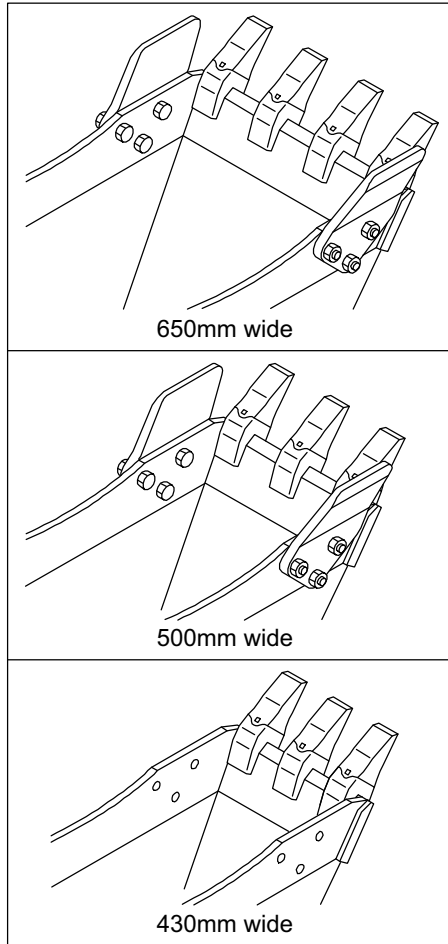
L3F050

S=1/6, 1/25

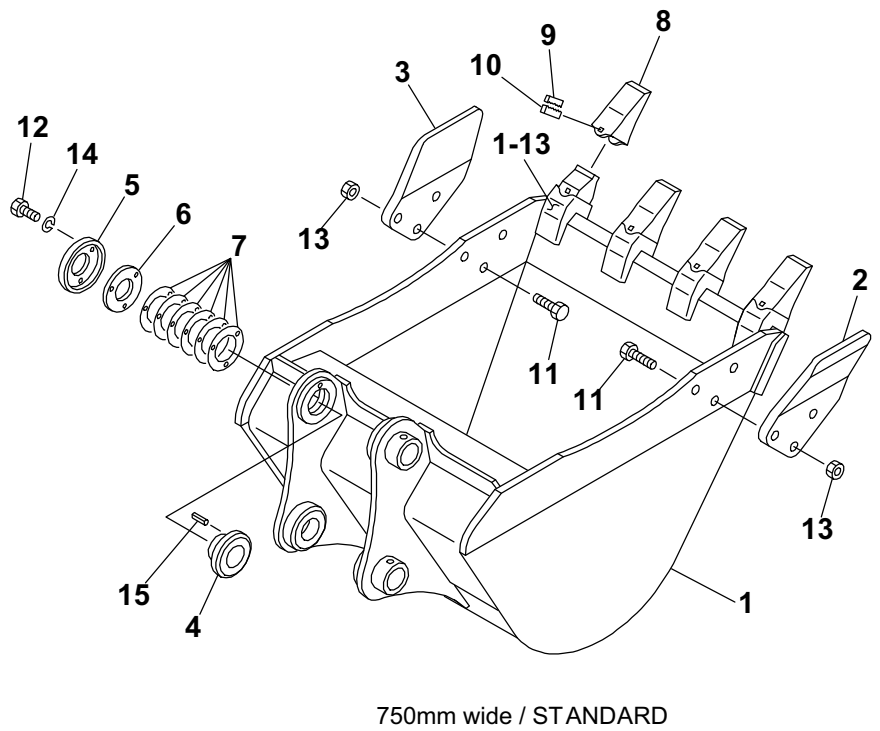
HANGING HOOK

Item	Part number	Description	Q'ty	Chan.	Serial No.	Serv.	Remarks
		HOOK ASSY					
1	0566126100	LINK, bucket	1				
1-6	0002400025	· BUSHING	2				
1-7	0002100028	· BUSHING	2				
1-8	1432200050	· SEAL, dust	6				
	L3f050						

TB175(P-TB175BAB) Book No. BL3Z010 S/N 17510003-
BUCKET



L3F060

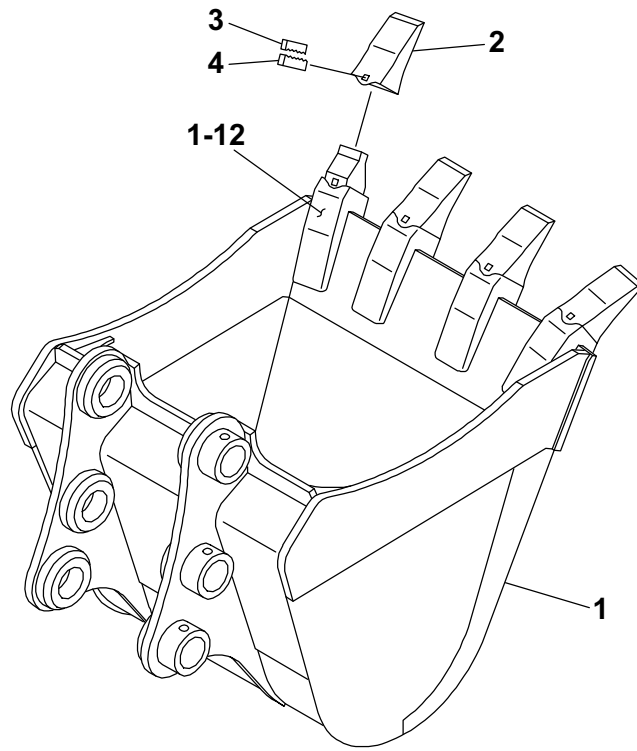


S=1/14

BUCKET

Item	Part number	Description	Q'ty	Chan.	Serial No.	Serv.	Remarks
0	0566212000	BUCKET ASSY	1				750mm wide
	0566213000	BUCKET ASSY	1				500mm wide
	0566214000	BUCKET ASSY	1				650mm wide
	0566215000	BUCKET ASSY	1				430mm wide
1	X *****	· BUCKET	1				750W
	X *****	· BUCKET	1				650W
	X *****	· BUCKET	1				500W
	X *****	· BUCKET	1				430W
1-13	1914201101	· · ADAPTOR, tooth	4				650W, 750W
	1914201101	· · ADAPTOR, tooth	3				500W, 430W
2	0566212200	· CUTTER, side (L.H.)	1				500W, 650W, 750W
3	0566212300	· CUTTER, side (R.H.)	1				500W, 650W, 750W
4	0566211400	· BUSHING	1				
5	0566211500	· PLATE	1				
6	0566211600	· FLANGE	1				
7	0566211700	· SHIM	6				
8	1914201102	· POINT, tooth	4				650W, 750W
	1914201102	· POINT, tooth	3				500W, 430W
9	1914201103	· PIN, lock	4				650W, 750W
	1914201103	· PIN, lock	3				500W, 430W
10	1914201104	· PIN	4				650W, 750W
	1914201104	· PIN	3				500W, 430W
11	1100052050	· BOLT	6				500W, 650W, 750W
12	1100051230	· BOLT	3				
13	1130050020	· NUT	6				500W, 650W, 750W
14	1140020012	· WASHER, spring	3				
15	1213000836	· PIN, spring	1				
	L3f060						

TB175(P-TB175BAB) Book No. BL3Z010 S/N 17510003-
3-HOLE BUCKET (for U.S.A.)



610mm wide

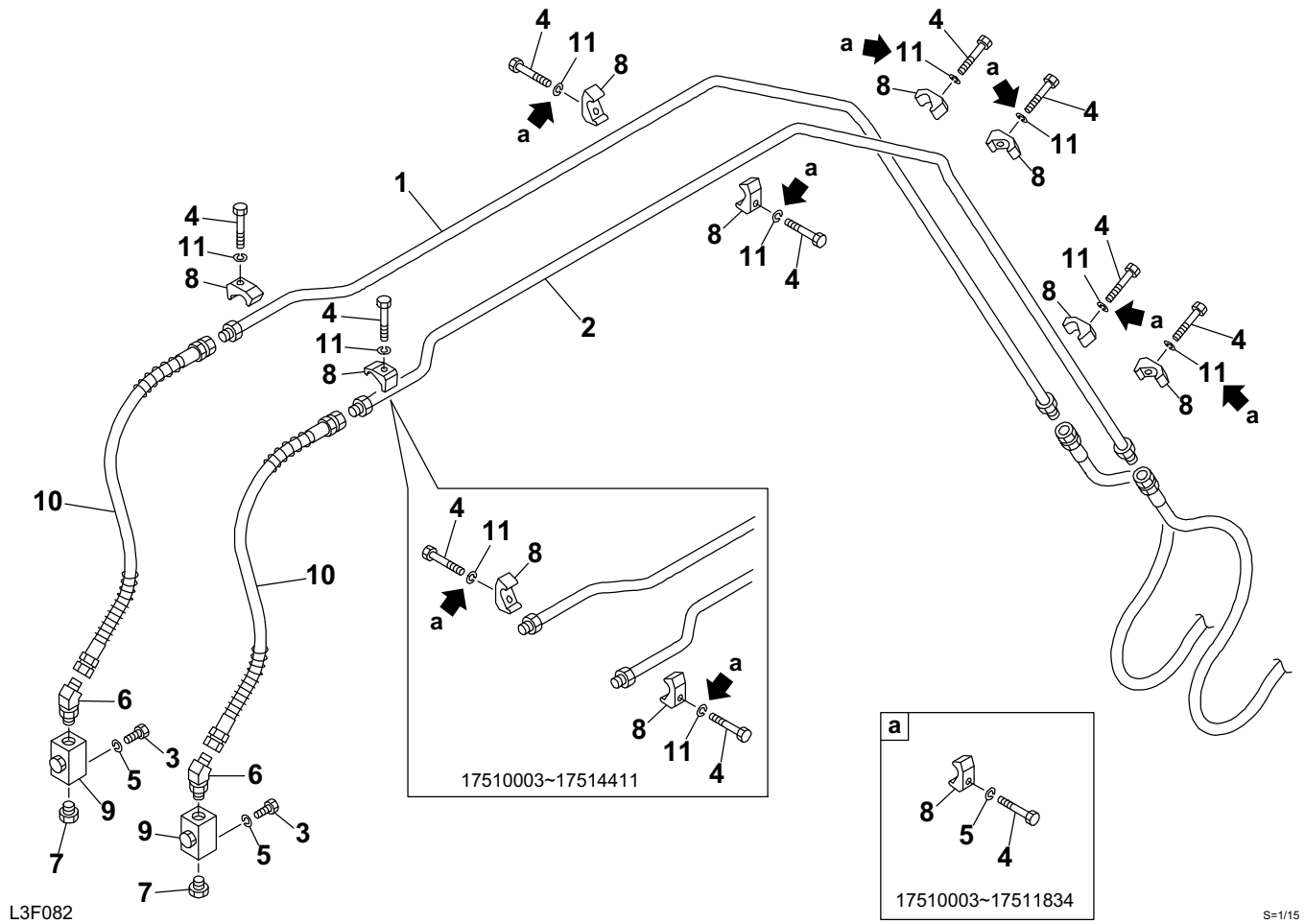
L3F070

S=1/10

3-HOLE BUCKET (for U.S.A.)

Item	Part number	Description	Q'ty	Chan.	Serial No.	Serv.	Remarks
0	0566218000	BUCKET ASSY	1				610mm wide
1	X *****	· BUCKET	1				
1-12	1914201101	· · ADAPTOR, tooth	4				
2	1914201102	· POINT, tooth	4				
3	1914201103	· PIN, lock	4				
4	1914201104	· PIN	4				
	L3f070						

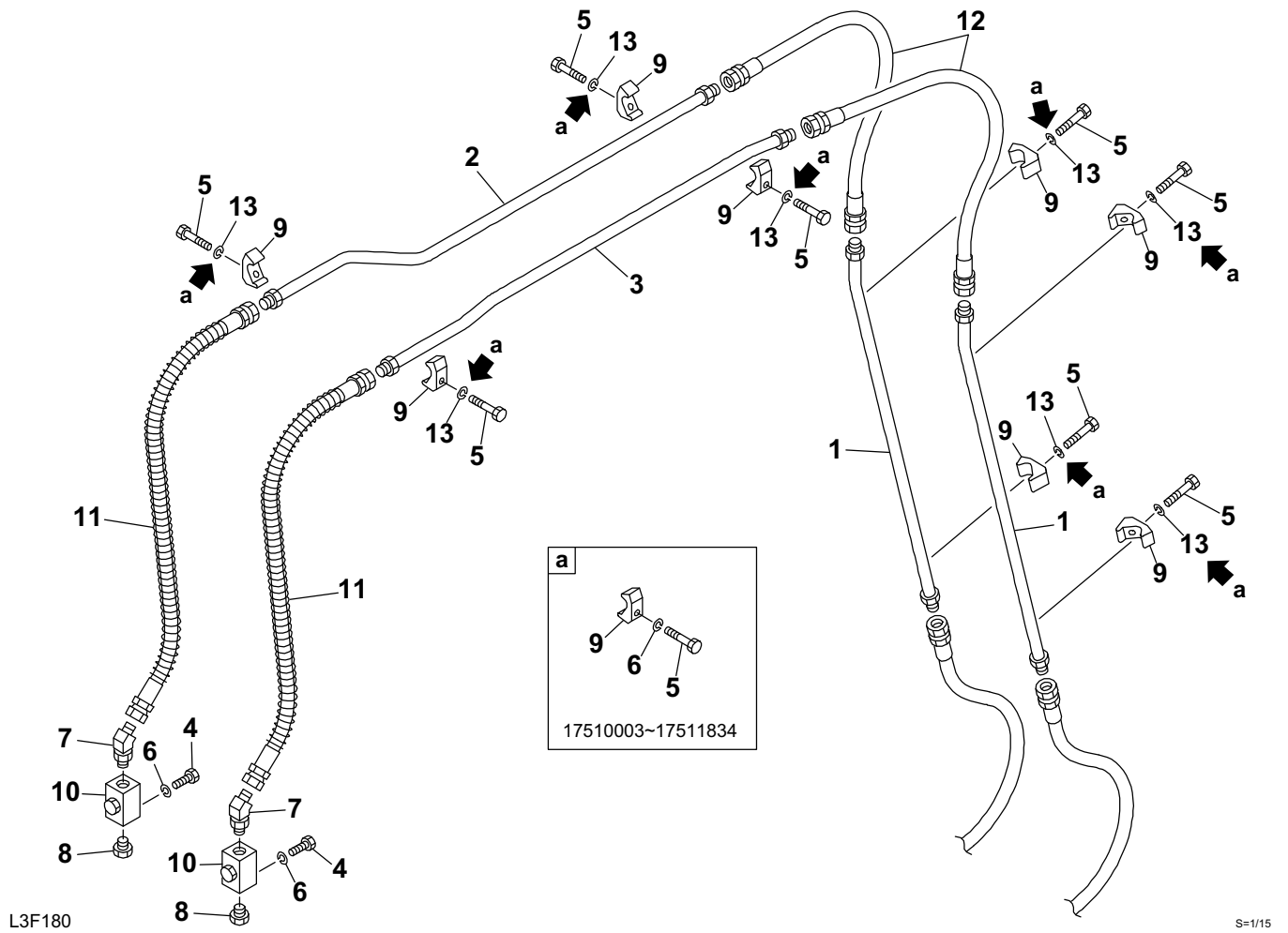
TB175(P-TB175BAB) Book No. BL3Z010 S/N 17510003-
AUXILIARY LINE



S=1/15

AUXILIARY LINE						
Item	Part number	Description	Q'ty	Chan.	Serial No.	Serv. Remarks
0	0567326000	LINE ASSY, auxiliary	1		17510003~17514411	
	0567345800	LINE ASSY, auxiliary	1		17514412~	
	0567328000	LINE ASSY, auxiliary (for long arm)	1		17510003~17514411	
	0567346000	LINE ASSY, auxiliary (for long arm)	1		17514412~	
	0567328500	LINE ASSY, auxiliary (for middle arm)	1		17510003~17514411	
	0567345900	LINE ASSY, auxiliary (for middle arm)	1		17514412~	
1	0567326100	· PIPE (R.H.)	1		17510003~17514411	
	0567345810	· PIPE (R.H.)	1		17514412~	
2	0567326200	· PIPE (L.H.)	1		17510003~17514411	
	0567345820	· PIPE (L.H.)	1		17514412~	
3	1100040825	· BOLT	4			
4	1100040845	· BOLT	8		17510003~17511834	
	1100061050	· BOLT	8		17511835~	
5	1140020008	· WASHER, spring	12		17510003~17511834	
	1140020008	· WASHER, spring	4		17511835~	
6	1515100113	· ELBOW	2			
	1420010240	· · O-RING	1			
7	1515600503	· PLUG	2			
	1420010240	· · O-RING	1			
8	1534100272	· CLAMP	8		17510003~17511834	
	1534100273	· CLAMP	8		17511835~	
9	1901723700	· VALVE , stop	2			
10	1938900035	· HOSE ASSY	2		17510003~17514411	
	1805150128	· HOSE ASSY	2		17514412~	
	1938900055	· HOSE ASSY	2		17510003~17514411	for long arm
	1805150158	· HOSE ASSY	2		17514412~	for long arm
	0567328510	· HOSE ASSY (18016-50122)	2		17510003~17514411	for middle arm
	1805150144	· HOSE ASSY	2		17514412~	for middle arm
11	1140020010	· WASHER, spring	8		17511835~	
	L3f085					

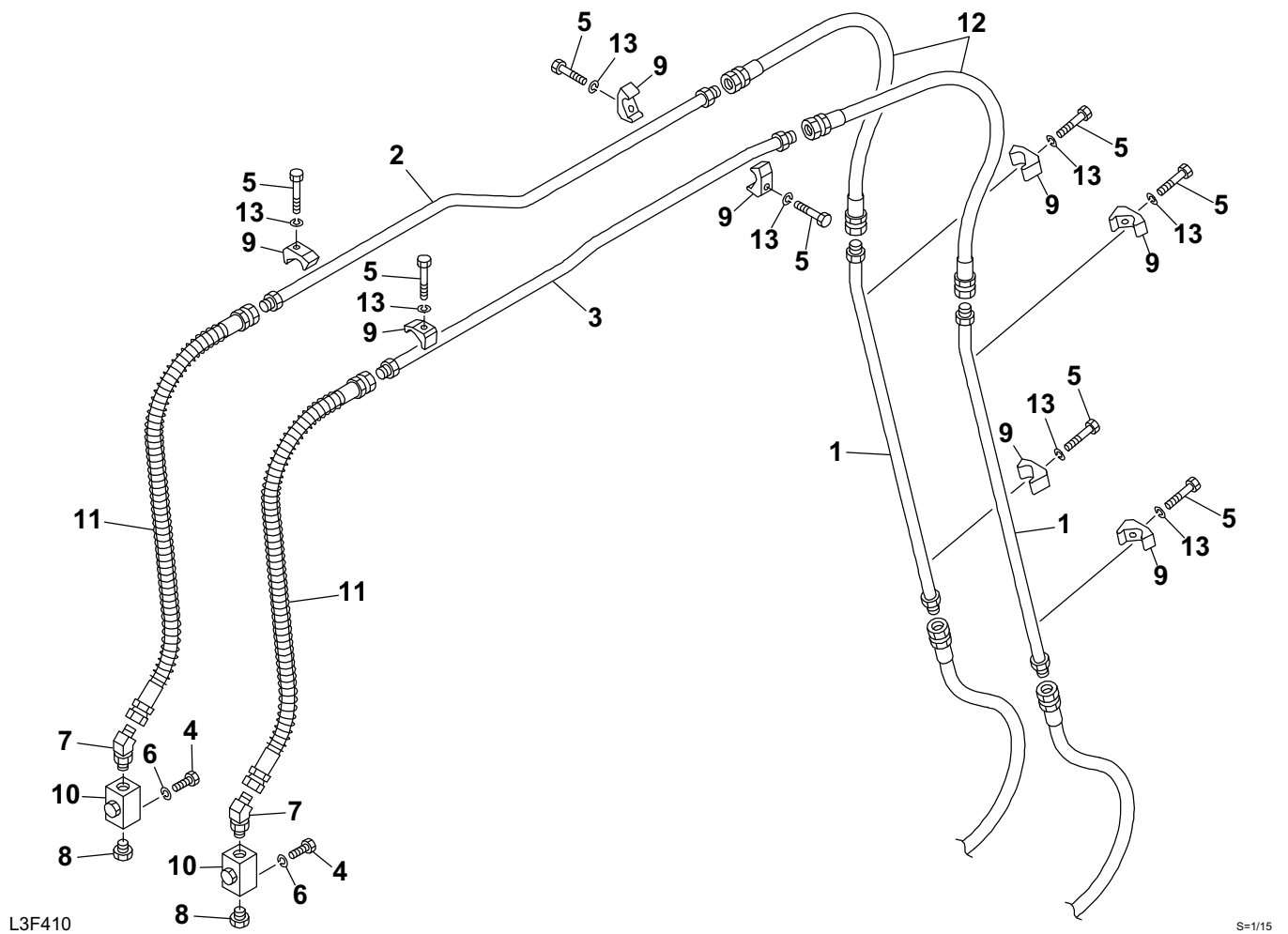
TB175(P-TB175BAB) Book No. BL3Z010 S/N 17510003-
AUXILIARY LINE (2-piece boom; 17510003-17514411)



AUXILIARY LINE (2-piece boom; 17510003-17514411)

Item	Part number	Description	Q'ty	Chan.	Serial No.	Serv.	Remarks
0	0567335000	LINE ASSY, auxiliary (2-piece boom)					
1	0567331100	· PIPE	2				
2	0567331200	· PIPE (R.H.)	1				
3	0567335100	· PIPE (L.H.)	1				
4	1100040822	· BOLT	4				
5	1100040845	· BOLT	8		17510003~17511834		
	1100041050	· BOLT	8		17511835~		
6	1140020008	· WASHER, spring	12		17510003~17511834		
	1140020008	· WASHER, spring	4		17511835~		
7	1515100113	· ELBOW	2				
	1420010240	· · O-RING	1				
8	1515600503	· PLUG	2				
	1420010240	· · O-RING	1				
9	1534100272	· CLAMP	8		17510003~17511834		
	1534100273	· CLAMP	8		17511835~		
10	1901723700	· VALVE , stop	2				
11	1938900056	· HOSE ASSY	2				
12	0567335012	· HOSE ASSY	2				4X920
13	1140020010	· WASHER, spring	8		17511835~		
	L3f180						

TB175(P-TB175BAB) Book No. BL3Z010 S/N 17510003-
AUXILIARY LINE (2-piece boom; 17514412-)



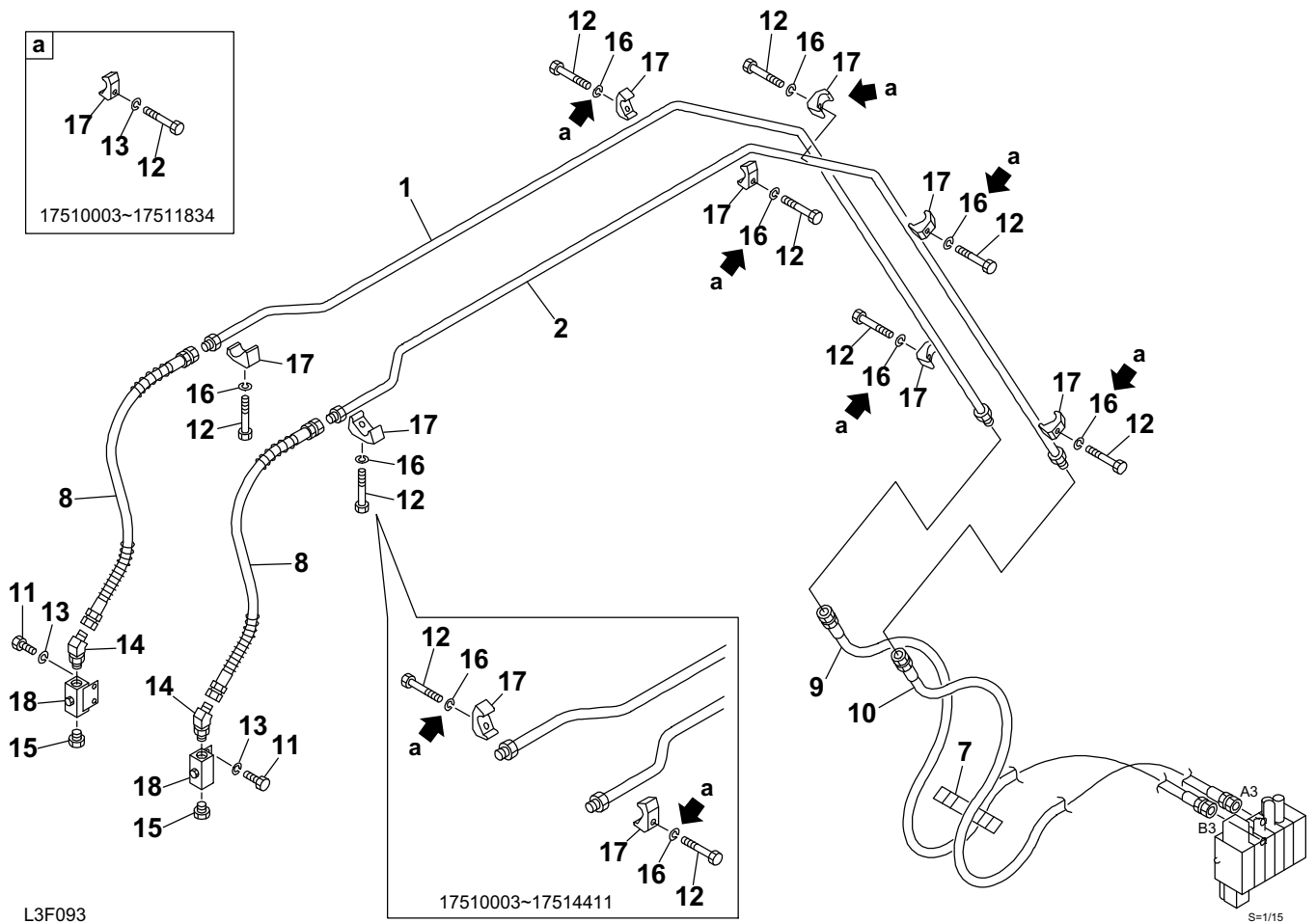
L3F410

S=1/15

AUXILIARY LINE (2-piece boom; 17514412-)

Item	Part number	Description	Q'ty	Chan.	Serial No.	Serv.	Remarks
0	0567347400	LINE ASSY, auxiliary (2-piece boom)				M	
1	0567331100	· PIPE	2				
2	0567347410	· PIPE (R.H.)	1			M	
3	0567347420	· PIPE (L.H.)	1			M	
4	1100040825	· BOLT	4				
5	1100061050	· BOLT	8				
6	1140020008	· WASHER, spring	4				
7	1515100113	· ELBOW	2				
	1420010240	· · O-RING	1				
8	1515600503	· PLUG	2				
	1420010240	· · O-RING	1				
9	1534100273	· CLAMP	8				
10	1901723700	· VALVE , stop	2				
11	1805150158	· HOSE ASSY	2			M	
12	0567335012	· HOSE ASSY	2				4X920
13	1140020010	· WASHER, spring	8				
	L3f410						

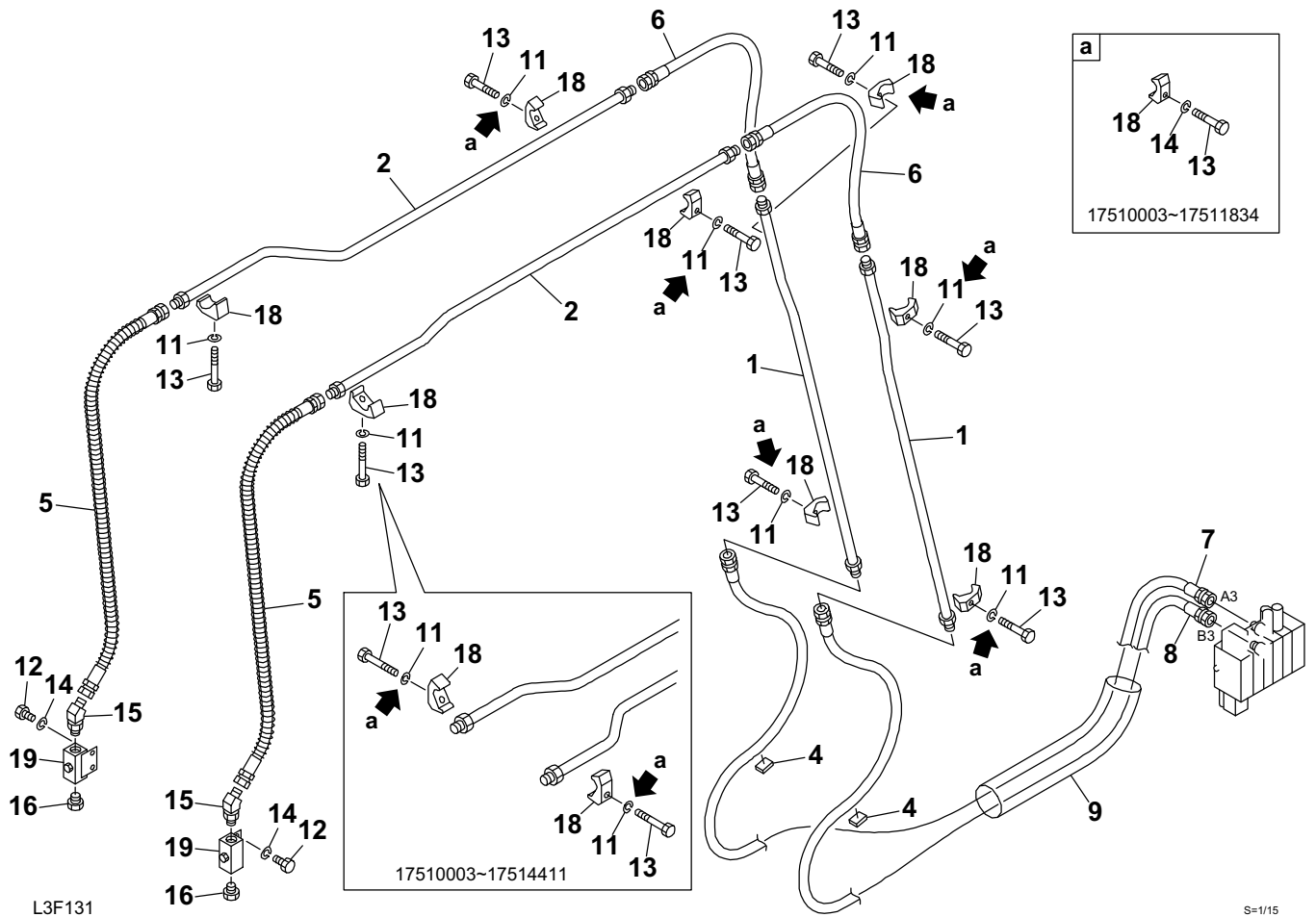
TB175(P-TB175BAB) Book No. BL3Z010 S/N 17510003-
2ND AUXILIARY LINE



2ND AUXILIARY LINE

Item	Part number	Description	Q'ty	Chan.	Serial No.	Serv.	Remarks
0	0567329000	LINE ASSY, 2nd auxiliary	1		17510003~17514411		
	0567346100	LINE ASSY, 2nd auxiliary	1		17514412~		
	0567330000	LINE ASSY, 2nd auxiliary (for long arm)	1		17510003~17514411		
	0567346300	LINE ASSY, 2nd auxiliary (for long arm)	1		17514412~		
	0567330500	LINE ASSY, 2nd auxiliary (for middle arm)	1		17510003~17514411		
	0567346200	LINE ASSY, 2nd auxiliary (for middle arm)	1		17514412~		
1	0567327010	· PIPE (R.H.)	1		17510003~17514411		
	0567346110	· PIPE (R.H.)	1		17514412~		
2	0567327020	· PIPE (L.H.)	1		17510003~17514411		
	0567346120	· PIPE (L.H.)	1		17514412~		
7	0567329300	· RUBBER	1				
8	0567327080	· HOSE ASSY	2		17510003~17514411		
	1805140115	· HOSE ASSY	2		17514412~		
	0567330100	· HOSE ASSY	2		17510003~17514411		for long arm
	1805140146	· HOSE ASSY	2		17514412~		for long arm
	0567330510	· HOSE ASSY (18016-40123)	2		17510003~17514411		for middle arm
	1805140131	· HOSE ASSY	2		17514412~		for middle arm
9	0567329200	· HOSE ASSY	1				
10	0567329400	· HOSE ASSY	1				
11	1100040816	· BOLT	4				
12	1100040840	· BOLT	8		17510003~17511834		
	1100061045	· BOLT	8		17511835~		
13	1140020008	· WASHER, spring	12		17510003~17511834		
	1140020008	· WASHER, spring	4		17511835~		
14	1515100112	· ELBOW	2				
	1420010180	· · O-RING	1				
15	1501750004	· PLUG	2				
	1420010180	· · O-RING	1				
16	1140020010	· WASHER, spring	8		17511835~		
17	1534100217	· CLAMP	8		17510003~17511834		
	1534100218	· CLAMP	8		17511835~		
18	1901719800	· VALVE , stop	2				
	L3f097						

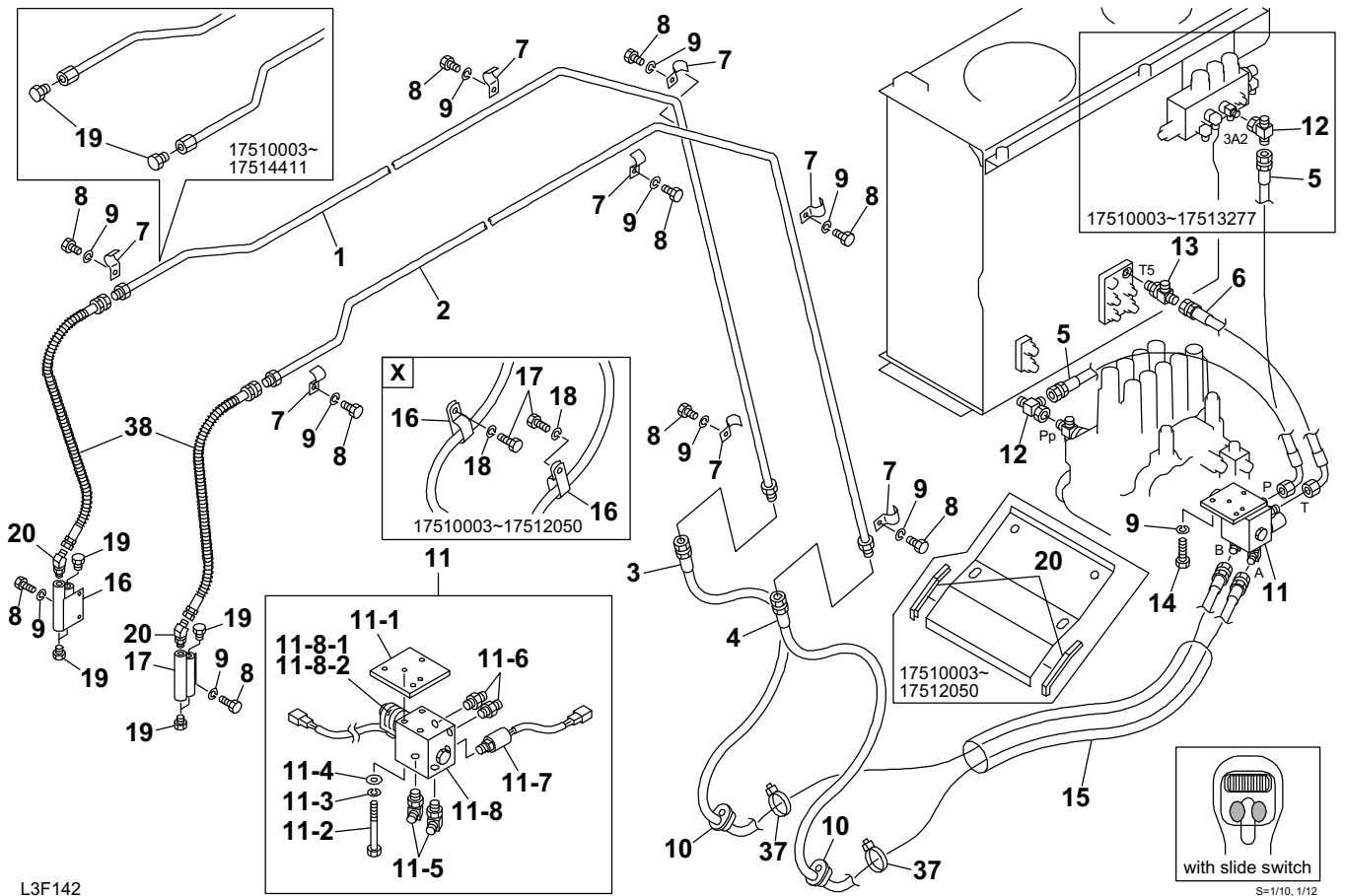
TB175(P-TB175BAB) Book No. BL3Z010 S/N 17510003-
 2ND AUXILIARY LINE (2-piece boom)



2ND AUXILIARY LINE (2-piece boom)

Item	Part number	Description	Q'ty	Chan.	Serial No.	Serv.	Remarks
0	0567329500	LINE ASSY, 2nd auxiliary (2-piece boom)	1		17510003~17514411		
	0567347800	LINE ASSY, 2nd auxiliary (2-piece boom)	1		17514412~		
1	0567332100	· PIPE	2				
2	0567332200	· PIPE	2		17510003~17514411		
	0567347810	· PIPE	2		17514412~		
4	0567332400	· RUBBER	2		17510003~17514411		
5	0567332500	· HOSE ASSY	2		17510003~17514411		2X1360
	1805140146	· HOSE ASSY	2		17514412~		
6	1805240077	· HOSE ASSY	2				
7	0567329200	· HOSE ASSY	1				2X3200
8	0567329400	· HOSE ASSY	1				2X3200
9	1531345050	· PROTECTOR	1				sold by the meter
11	1140020010	· WASHER, spring	8		17511835~		
12	1100040816	· BOLT	4				
13	1100040840	· BOLT	8		17510003~17511834		
	1100061045	· BOLT	8		17511835~		
14	1140020008	· WASHER, spring	12		17510003~17511834		
	1140020008	· WASHER, spring	4		17511835~		
15	1515100112	· ELBOW	2				
	1420010180	· · O-RING	1				
16	1501750004	· PLUG	2				
	1420010180	· · O-RING	1				
18	1534100217	· CLAMP	8		17510003~17511834		
	1534100218	· CLAMP	8		17511835~		
19	1901719800	· VALVE, stop	2				
	L3f134						

TB175(P-TB175BAB) Book No. BL3Z010 S/N 17510003-
 3RD AUXILIARY LINE (1/2)

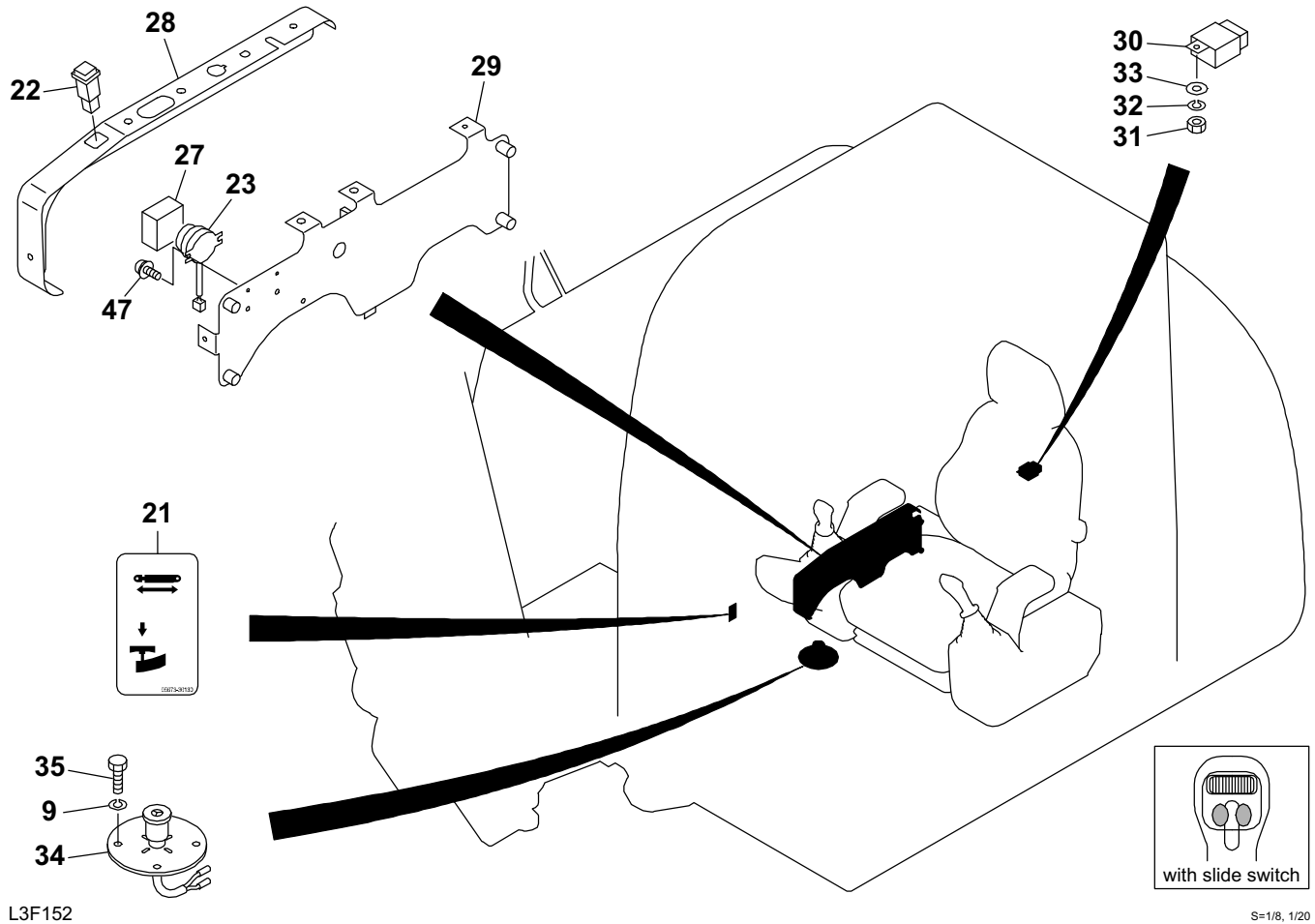


L3F142

3RD AUXILIARY LINE (1/2)

Item	Part number	Description	Q'ty	Chan.	Serial No.	Serv.
0	0567336000	LINE ASSY, 3rd aux.	1		17510003~17512050	
	0567339000	LINE ASSY, 3rd aux.	1		17512051~17514411	
	0567346400	LINE ASSY, 3rd aux.	1		17514412~	
	0567346500	LINE ASSY, 3rd aux. (for middle arm)	1		17514412~	
	0567346600	LINE ASSY, 3rd aux. (for long arm)	1		17514412~	
	0567348510	LINE ASSY, 3rd aux. (manual eng. cont.)	1		17516686~	
	0567348520	LINE ASSY, 3rd aux. (for middle arm, manual eng. cont.)	1		17516686~	
	0567348530	LINE ASSY, 3rd aux. (for long arm, manual eng. cont.)	1		17516686~	
1	0567336010	· PIPE (R.H.)	1		17510003~17514411	
	0567346410	· PIPE (R.H.)	1		17514412~	
2	0567336020	· PIPE (L.H.)	1		17510003~17514411	
	0567346420	· PIPE (L.H.)	1		17514412~	
3	0567336030	· HOSE ASSY	1		17510003~17512050	
	0567339030	· HOSE ASSY	1		17512051~	
4	0567336040	· HOSE ASSY	1		17510003~17512050	
	0567339040	· HOSE ASSY	1		17512051~	
5	0567336050	· HOSE ASSY	1			
6	0567336060	· HOSE ASSY	1			
7	0567336070	· CLAMP	8		17510003~17514411	
	0567339570	· CLAMP	8		17514412~	
8	1100040816	· BOLT	12			
9	1140020008	· WASHER, spring	14			
10	0567336080	· GUARD	2		17510003~17512050	
11	X *****	· VALVE ASSY, solenoid	1			
11-1	0567336101	· · PLATE	1			
11-2	1100040890	· · BOLT	3			
11-3	1140020008	· · WASHER, spring	3			
11-4	1141110008	· · WASHER	3			
11-5	1515012040	· · ELBOW	2			
	1420010110	· · · O-RING	1			
11-6	1515600200	· · ADAPTOR	2			
	1420010110	· · · O-RING	1			
11-7	1700100065	· · SWITCH , pressure	1			
	1420010110	· · · O-RING	1			
11-8	1901747200	· · VALVE, solenoid	1			
11-8-1	1901741402	· · · SOLENOID	1			
11-8-2	1901741403	· · · COIL	1			
12	1513390038	· TEE	1		17510003~17513277	
	1513390015	· TEE	1		17513278~	
13	1512370011	· TEE	1			
	1420010110	· · O-RING	1			
14	1100040825	· BOLT	2			
15	1531335070	· PROTECTOR	1			
16	0007300006	· CLAMP	2		17510003~17512050	
	0567346430	· ADAPTOR	1		17514412~	
17	1100040825	· BOLT	2		17510003~17512050	
	0567346440	· ADAPTOR	1		17514412~	
18	1140020008	· WASHER, spring	2		17510003~17512050	
19	1501750002	· PLUG	6			
	1420010110	· · O-RING	1			
20	1654601012	· TRIM	2		17510003~17512050	
	1515100110	· ELBOW	2		17514412~	
	1420010110	· · O-RING	1			
37	1652201005	· BAND	2			
38	1805100102	· HOSE ASSY	1		17514412~	
	1805100120	· HOSE ASSY	1		17514412~	
	1805100135	· HOSE ASSY	1		17514412~	
	L3f146					

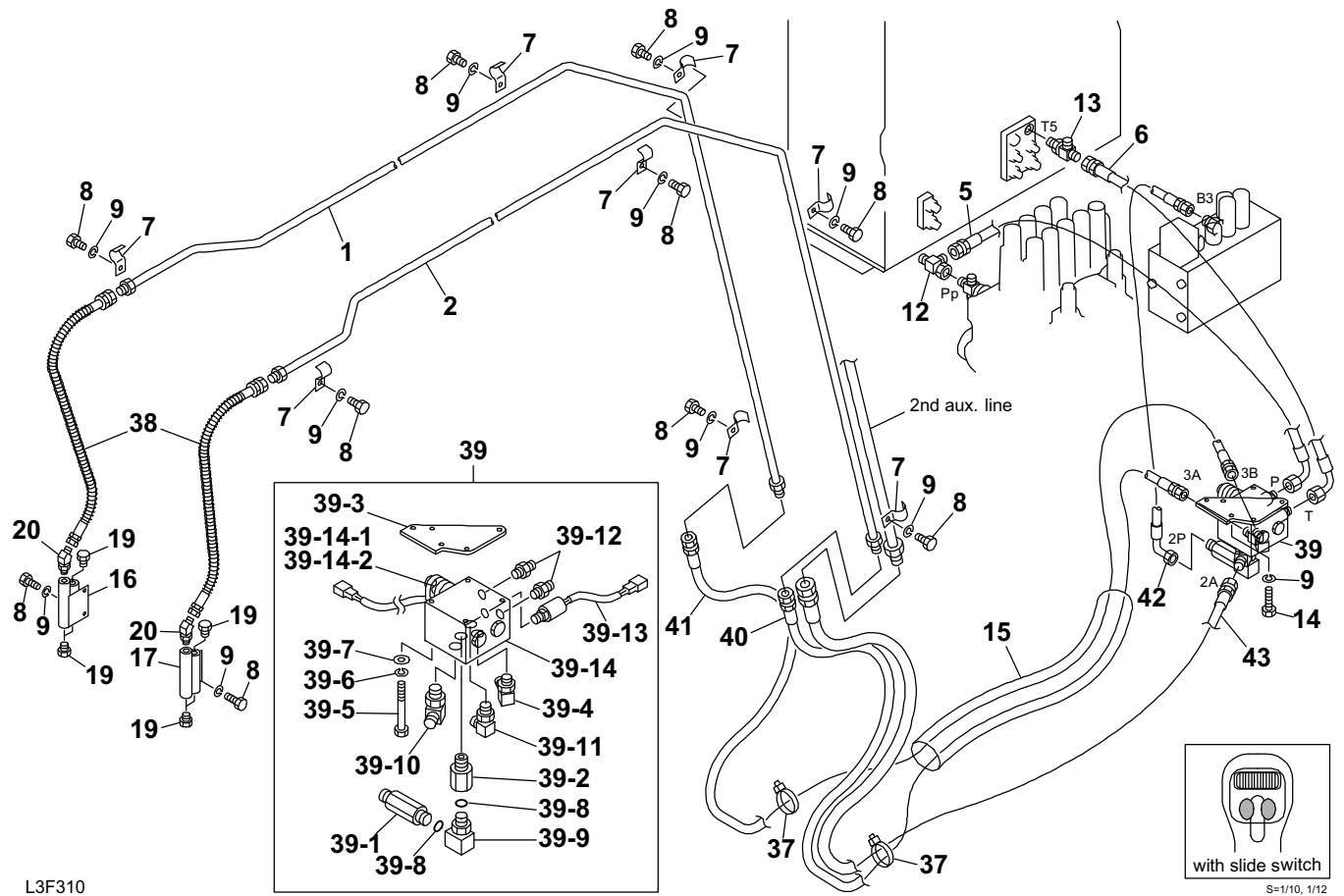
TB175(P-TB175BAB) Book No. BL3Z010 S/N 17510003-
3RD AUXILIARY LINE (2/2)



3RD AUXILIARY LINE (2/2)

Item	Part number	Description	Q'ty	Chan.	Serial No.	Serv.
0	0567336000	LINE ASSY, 3rd aux.	1		17510003~17512050	
	0567339000	LINE ASSY, 3rd aux.	1		17512051~17514411	
	0567346400	LINE ASSY, 3rd aux.	1		17514412~	
	0567346500	LINE ASSY, 3rd aux. (for middle arm)	1		17514412~	
	0567346600	LINE ASSY, 3rd aux. (for long arm)	1		17514412~	
	0567348510	LINE ASSY, 3rd aux. (manual eng. cont.)	1		17516686~	
	0567348520	LINE ASSY, 3rd aux. (for middle arm, manual eng. cont.)	1		17516686~	
	0567348530	LINE ASSY, 3rd aux. (for long arm, manual eng. cont.)	1		17516686~	
9	1140020008	· WASHER, spring	4			
21	0567336130	· DECAL	1			
22	1700550031	· LAMP, pilot	1			
23	1730140490	· BUZZER	1			
27	0564232950	· INSULATOR	1			
28	0567336110	· COVER	1			exce
29	0563307100	· BRACKET	1			exce
30	1711900067	· UNIT, relay	1			
31	1130040006	· NUT	1			
32	1140020006	· WASHER, spring	1			
33	1141110006	· WASHER	1			
34	1700100064	· SWITCH, foot	1			
35	1100040820	· BOLT	4			
47	1150410412	· SCREW	2			
	L3f156					

TB175(P-TB175BAB) Book No. BL3Z010 S/N 17510003-
 3RD AUXILIARY LINE (1/2) (high pressure type; 17515468-)

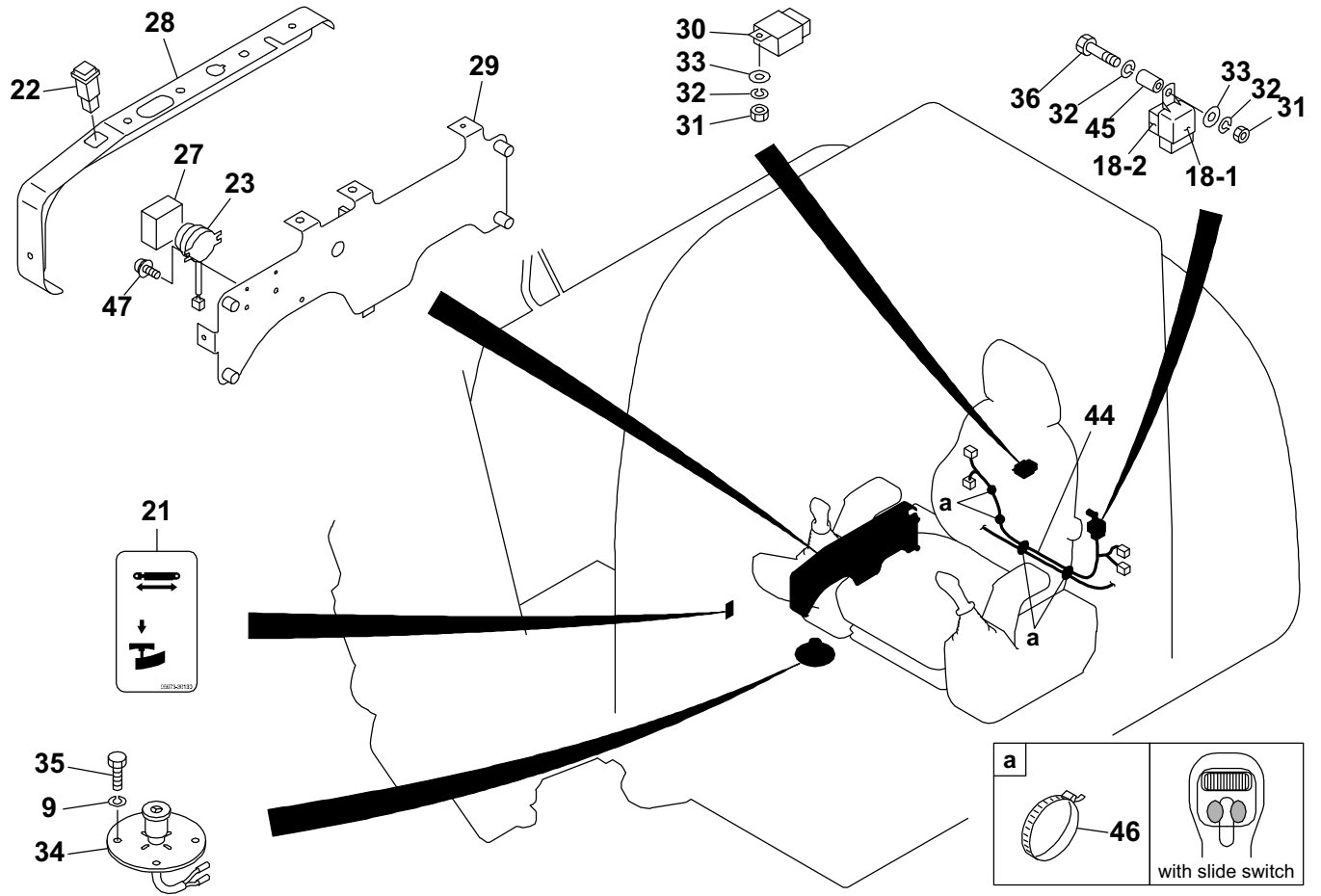


L3F310

3RD AUXILIARY LINE (1/2) (high pressure type; 17515468-)

Item	Part number	Description	Q'ty	Chan.	Serial No.	Serv.	Rema
0	0567348300	LINE ASSY, 3rd aux.	1				
	0567348400	LINE ASSY, 3rd aux. (for middle arm)	1				
	0567348500	LINE ASSY, 3rd aux. (for long arm)	1				
	0567348540	LINE ASSY, 3rd aux. (manual eng. cont.)	1				
	0567348550	LINE ASSY, 3rd aux. (for middle arm, manual eng. cont.)	1				
	0567348560	LINE ASSY, 3rd aux. (for long arm, manual eng. cont.)	1				
1	0567346410	· PIPE (R.H.)	1				
2	0567346420	· PIPE (L.H.)	1				
5	0567336050	· HOSE ASSY	1				18010-520
6	0567336060	· HOSE ASSY	1				
7	0567339570	· CLAMP	8				
8	1100040816	· BOLT	12				
9	1140020008	· WASHER, spring	14				
12	1513390015	· TEE	1				
13	1512370011	· TEE	1				
	1420010110	· · O-RING	1				
14	1100040825	· BOLT	2				
15	1531335070	· PROTECTOR	1				sold by the
16	0567346430	· ADAPTOR	1				
17	0567346440	· ADAPTOR	1				
19	1501750002	· PLUG	6				
	1420010110	· · O-RING	1				
20	1515100110	· ELBOW	2				
	1420010110	· · O-RING	1				
37	1652201005	· BAND	2				
38	1805100102	· HOSE ASSY	1				
	1805100120	· HOSE ASSY	1				for middle
	1805100135	· HOSE ASSY	1				for long ar
39 X	*****	· VALVE ASSY, solenoid	1				
39-1	0007203074	· · ADAPTOR	1				
	1420010180	· · · O-RING	1				
39-2	0007213010	· · BUSHING	1				
39-3	0567339740	· · PLATE	1				
39-4	0575003630	· · ELBOW	1				
39-5	1100040890	· · BOLT	3				
39-6	1140020008	· · WASHER, spring	3				
39-7	1141110008	· · WASHER	3				
39-8	1420010180	· · O-RING	2				
39-9	1513300016	· · ELBOW	1				
	1420010110	· · · O-RING	1				
39-10	1515010042	· · ELBOW	1				
	1420010180	· · · O-RING	1				
39-11	1515012040	· · ELBOW	1				
	1420010180	· · · O-RING	1				
39-12	1515600200	· · ADAPTOR	2				
	1420010110	· · · O-RING	1				
39-13	1700100065	· · SWITCH , pressure	1				
	1420010110	· · · O-RING	1				
39-14	1901749400	· · VALVE, solenoid	1				
39-14-1	1901741402	· · · SOLENOID	1				
39-14-2	1901741403	· · · COIL	1				
40	0567348320	· HOSE ASSY	1				18010-220
41	0567348330	· HOSE ASSY	1				18050-000
42	0567348340	· HOSE ASSY	1				18052-410
43	0567348350	· HOSE ASSY	1				18050-400
	L3f311						

TB175(P-TB175BAB) Book No. BL3Z010 S/N 17510003-
 3RD AUXILIARY LINE (2/2) (high pressure type; 17515468-)



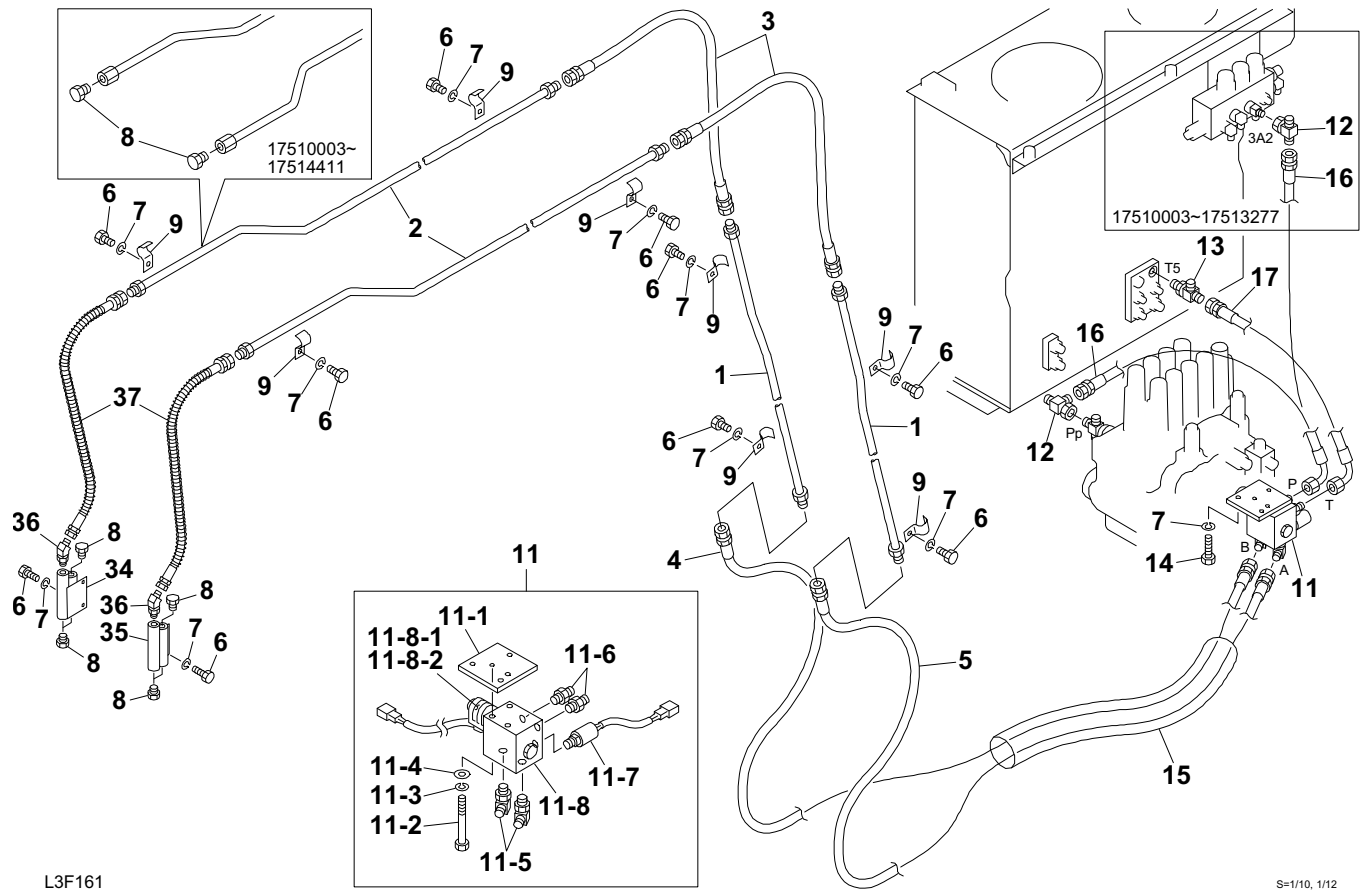
L3F321

S=1/8, 1/20

3RD AUXILIARY LINE (2/2) (high pressure type; 17515468-)

Item	Part number	Description	Q'ty	Chan.	Serial No.	Serv.	Remar
0	0567348300	LINE ASSY, 3rd aux.	1				
	0567348400	LINE ASSY, 3rd aux. (for middle arm)	1				
	0567348500	LINE ASSY, 3rd aux. (for long arm)	1				
	0567348540	LINE ASSY, 3rd aux. (manual eng. cont.)	1				
	0567348550	LINE ASSY, 3rd aux. (for middle arm, manual eng. cont.)	1				
	0567348560	LINE ASSY, 3rd aux. (for long arm, manual eng. cont.)	1				
9	1140020008	· WASHER, spring	4				
18	0872433900	· RELAY ASSY	1				
18-1	1711900049	· · RELAY	1				
18-2	1654305002	· · SPONGE	1				
21	0567336130	· DECAL	1				
22	1700550031	· LAMP, pilot	1				
23	1730140490	· BUZZER	1				
27	0564232950	· INSULATOR	1				
28	0567336110	· COVER	1				except for manu
29	0563307100	· BRACKET	1				except for manu
30	1711900067	· UNIT, relay	1				
31	1130040006	· NUT	2				
32	1140020006	· WASHER, spring	3				
33	1141110006	· WASHER	2				
34	1700100064	· SWITCH, foot	1				
35	1100040820	· BOLT	4				
36	1100040645	· BOLT	1				
44	0567348360	· HARNESS, wiring	1				
45	0567348370	· COLLAR	1				
46	1652231250	· BAND	4				
47	1150410412	· SCREW	2				
	L3f321						

**TB175(P-TB175BAB) Book No. BL3Z010 S/N 17510003-
3RD AUXILIARY LINE (1/2) (2-piece boom)**



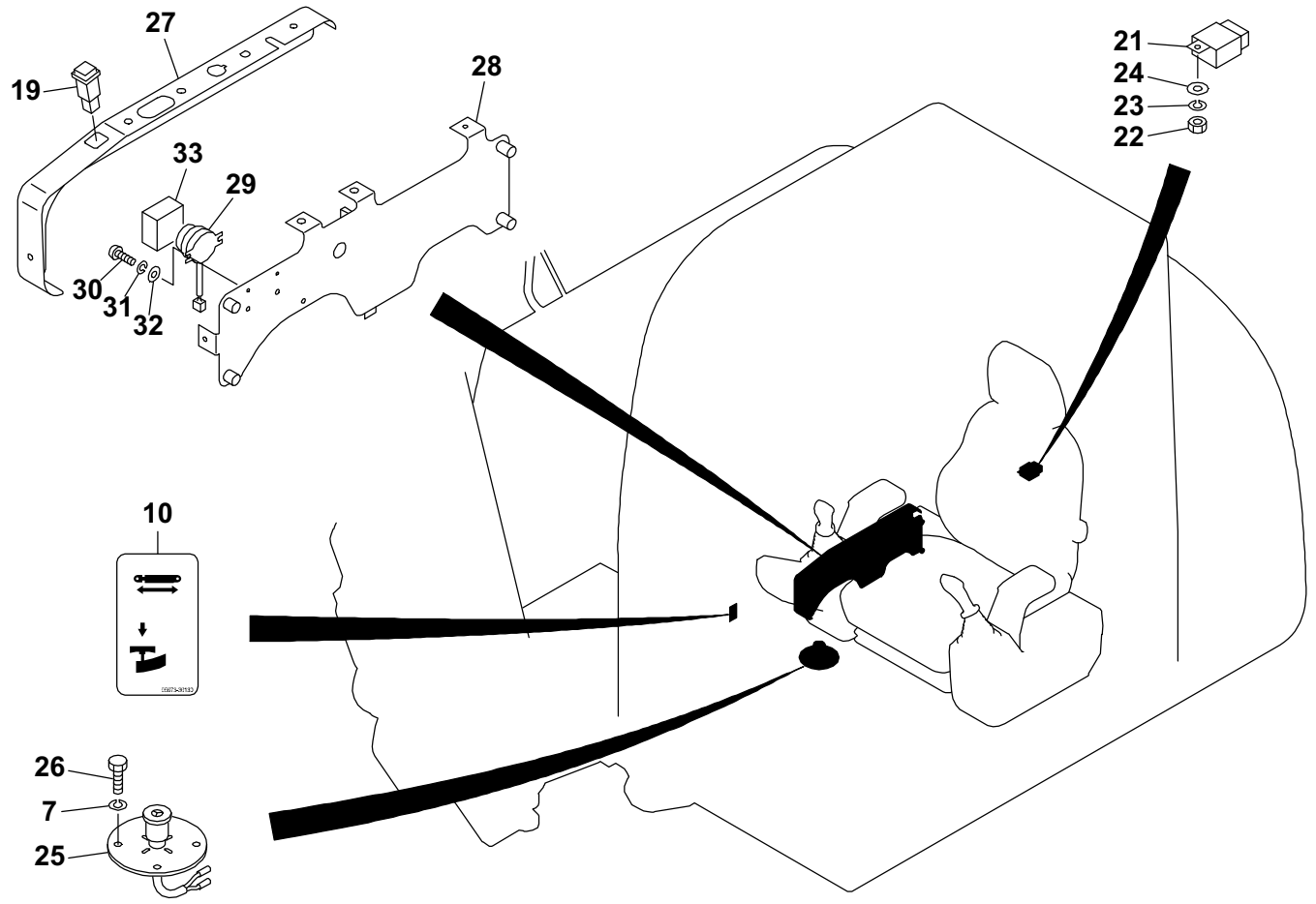
L3F161

S=1/10, 1/12

3RD AUXILIARY LINE (1/2) (2-piece boom)

Item	Part number	Description	Q'ty	Chan.	Serial No.	Serv.	Remarks
0	0567338500	LINE ASSY, 3rd aux.	1		17510003~17514411		
	0567347900	LINE ASSY, 3rd aux.	1		17514412~		
	0567348640	LINE ASSY, 3rd aux. (manual eng. cont.)	1		17516686~		
1	0567338010	· PIPE	2				
2	0567338020	· PIPE	2		17510003~17514411		
	0567347910	· PIPE	2		17514412~		
3	0567338030	· HOSE ASSY	2				
4	0567338530	· HOSE ASSY	1				18010-22260
5	0567338540	· HOSE ASSY	1				18010-22260
6	1100040816	· BOLT	12				
7	1140020008	· WASHER, spring	14				
8	1501750002	· PLUG	6				
	1420010110	· · O-RING	1				
9	0567336070	· CLAMP	8		17510003~17514411		
	0567339570	· CLAMP	8		17514412~		
11	X *****	· VALVE ASSY, solenoid	1				
11-1	0567336101	· · PLATE	1				
11-2	1100040890	· · BOLT	3				
11-3	1140020008	· · WASHER, spring	3				
11-4	1141110008	· · WASHER	3				
11-5	1515012040	· · ELBOW	2				
	1420010110	· · · O-RING	1				
11-6	1515600200	· · ADAPTOR	2				
	1420010110	· · · O-RING	1				
11-7	1700100065	· · SWITCH , pressure	1				
	1420010110	· · · O-RING	1				
11-8	1901747200	· · VALVE, solenoid	1				24V
11-8-1	1901741402	· · · SOLENOID	1				
11-8-2	1901741403	· · · COIL	1				
12	1513390038	· TEE	1		17510003~17513277		
	1513390015	· TEE	1		17513278~		
13	1512370011	· TEE	1				
	1420010110	· · O-RING	1				
14	1100040825	· BOLT	2				
15	1531335070	· PROTECTOR	1				sold by the mel
16	0567336050	· HOSE ASSY	1				18010-52066
17	0567336060	· HOSE ASSY	1				18010-52056
34	0567346430	· ADAPTOR	1		17514412~		
35	0567346440	· ADAPTOR	1		17514412~		
36	1515100110	· ELBOW	2		17514412~		
	1420010110	· · O-RING	1				
37	1805100135	· HOSE ASSY	1		17514412~		
	L3f167						

TB175(P-TB175BAB) Book No. BL3Z010 S/N 17510003-
3RD AUXILIARY LINE (2/2) (2-piece boom)



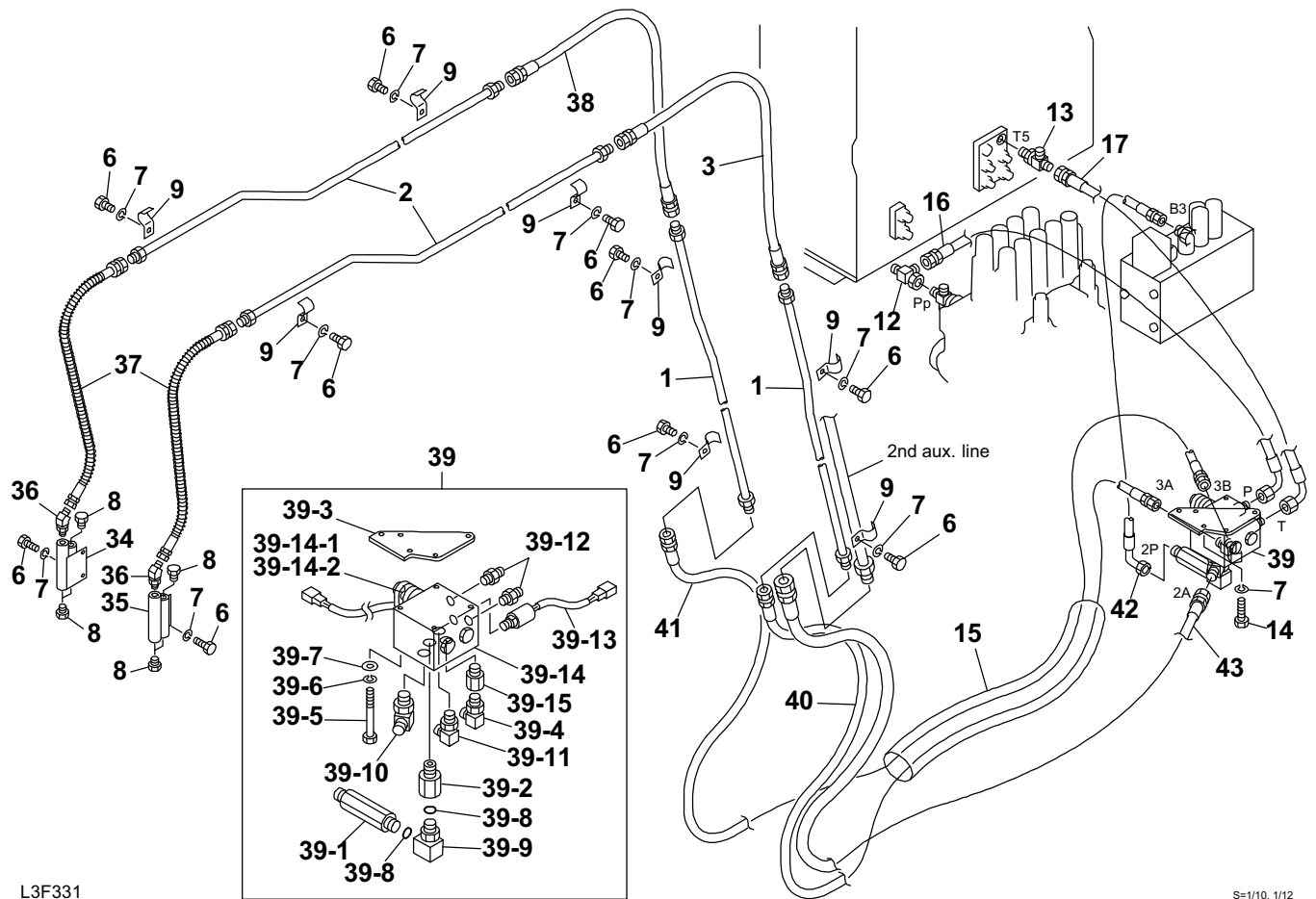
L3F170

S=1/8, 1/20

3RD AUXILIARY LINE (2/2) (2-piece boom)

Item	Part number	Description	Q'ty	Chan.	Serial No.	Serv.	Remarks
0	0567338500	LINE ASSY, 3rd aux.	1		17510003~17514411		
	0567347900	LINE ASSY, 3rd aux.	1		17514412~		
	0567348640	LINE ASSY, 3rd aux. (manual eng. cont.)	1		17516686~		
7	1140020008	· WASHER, spring	4				
10	0567336130	· DECAL	1				
19	1700550031	· LAMP, pilot	1				
21	1711900067	· UNIT, relay	1				
22	1130040006	· NUT	1				
23	1140020006	· WASHER, spring	1				
24	1141110006	· WASHER	1				
25	1700100064	· SWITCH, foot	1				
26	1100040820	· BOLT	4				
27	0567336110	· COVER	1				except for manual e
28	0563307100	· BRACKET	1				except for manual e
29	1730140490	· BUZZER	1				
30	1120530412	· SCREW	2				
31	1140020004	· WASHER, spring	2				
32	1141110004	· WASHER	2				
33	0564232950	· INSULATOR	1				
	L3f176						

**TB175(P-TB175BAB) Book No. BL3Z010 S/N 17510003-
3RD AUXILIARY LINE (1/2) (2-piece boom, high pressure type; 17515468-)**



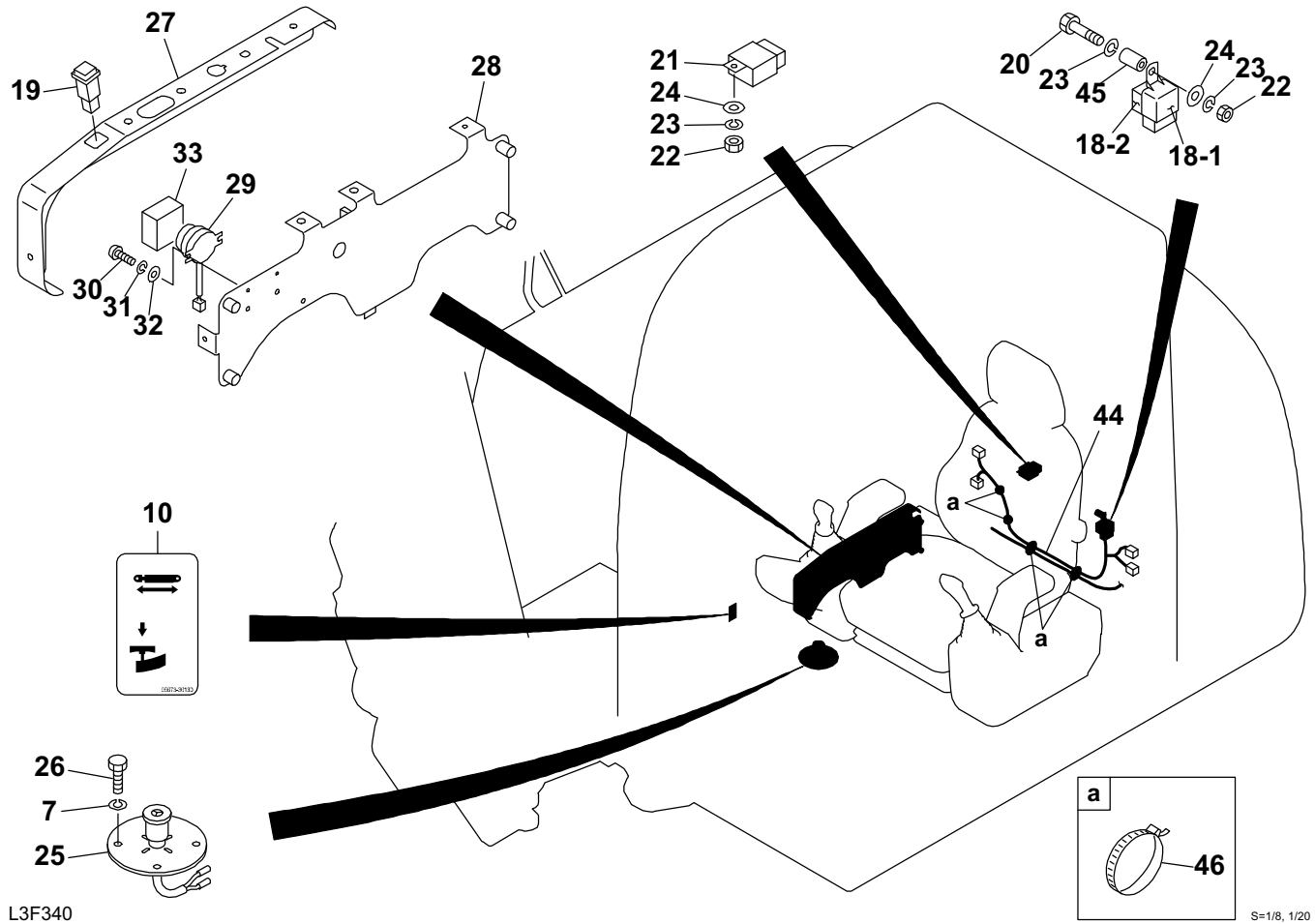
L3F331

S=1/10, 1/12

3RD AUXILIARY LINE (1/2) (2-piece boom, high pressure type; 17515468-)

Item	Part number	Description	Q'ty	Chan.	Serial No.	Serv.	Remarks
0	0567348600	LINE ASSY, 3rd aux.	1				
	0567348620	LINE ASSY, 3rd aux. (manual eng. cont.)	1				
1	0567338010	· PIPE	2				
2	0567347910	· PIPE	2				
3	0567338030	· HOSE ASSY	2				
6	1100040816	· BOLT	12				
7	1140020008	· WASHER, spring	14				
8	1501750002	· PLUG	6				
	1420010110	· · O-RING	1				
9	0567339570	· CLAMP	8				
12	1513390015	· TEE	1				
13	1512370011	· TEE	1				
	1420010110	· · O-RING	1				
14	1100040825	· BOLT	2				
15	1531335070	· PROTECTOR	1				sold by the meter
16	0567336050	· HOSE ASSY	1				18010-52066
17	0567336060	· HOSE ASSY	1				18010-52056
34	0567346430	· ADAPTOR	1				
35	0567346440	· ADAPTOR	1				
36	1515100110	· ELBOW	2				
	1420010110	· · O-RING	1				
37	1805100135	· HOSE ASSY	1				
38	1801700070	· HOSE ASSY	1				
39	X *****	· VALVE ASSY, solenoid	1				
39-1	0007203077	· · ADAPTOR	1				
39-2	0007213010	· · BUSHING	1				
39-3	0567339740	· · PLATE	1				
39-4	0575003630	· · ELBOW	1				
39-5	1100040890	· · BOLT	3				
39-6	1140020008	· · WASHER, spring	3				
39-7	1141110008	· · WASHER	3				
39-8	1420010180	· · O-RING	2				
39-9	1513300016	· · ELBOW	1				
	1420010110	· · · O-RING	1				
39-10	1515010042	· · ELBOW	1				
	1420010180	· · · O-RING	1				
39-11	1515012040	· · ELBOW	1				
	1420010180	· · · O-RING	1				
39-12	1515600200	· · ADAPTOR	2				
	1420010110	· · · O-RING	1				
39-13	1700100065	· · SWITCH , pressure	1				
	1420010110	· · · O-RING	1				
39-14	1901749400	· · VALVE, solenoid	1				
39-14-1	1901741402	· · · SOLENOID	1				
39-14-2	1901741403	· · · COIL	1				
39-15	1513250202	· · BUSHING	1		17516182~		
	1420010110	· · · O-RING	1				
40	0567348320	· HOSE ASSY	1				18010-22300
41	0567348330	· HOSE ASSY	1				18015-00305
42	0567348340	· HOSE ASSY	1				18052-41082
43	0567348350	· HOSE ASSY	1				18050-40290
	L3f332						

**TB175(P-TB175BAB) Book No. BL3Z010 S/N 17510003-
3RD AUXILIARY LINE (2/2) (2-piece boom, high pressure type; 17515468-)**



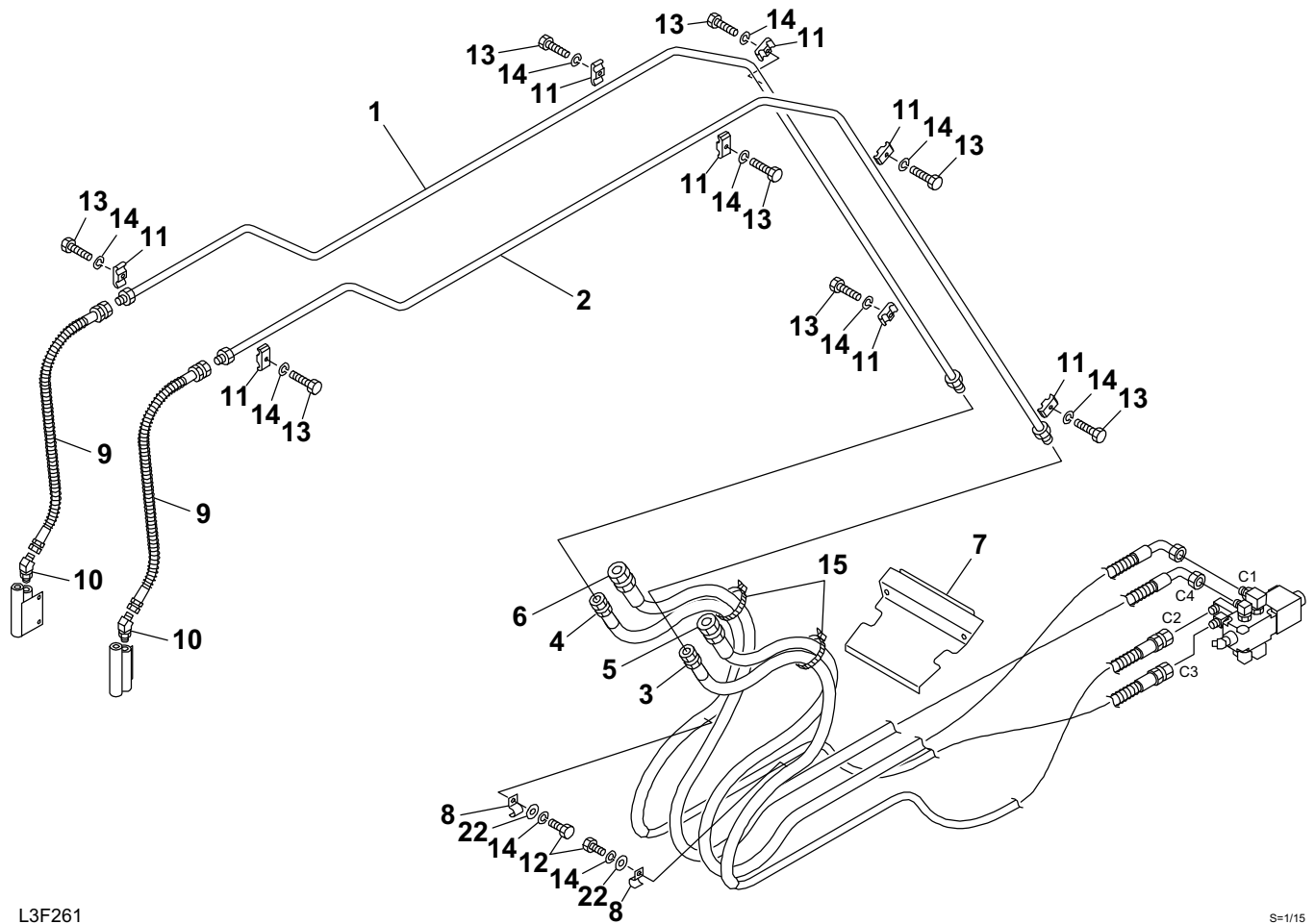
L3F340

S=1/8, 1/20

3RD AUXILIARY LINE (2/2) (2-piece boom, high pressure type; 17515468-)

Item	Part number	Description	Q'ty	Chan.	Serial No.	Serv.	Remarks
0	0567348600	LINE ASSY, 3rd aux.	1				
	0567348620	LINE ASSY, 3rd aux. (manual eng. cont.)	1				
7	1140020008	· WASHER, spring	4				
10	0567336130	· DECAL	1				
18	0872433900	· RELAY ASSY	1				
18-1	1711900049	· · RELAY	1				
18-2	1654305002	· · SPONGE	1				
19	1700550031	· LAMP, pilot	1				
20	1100040645	· BOLT	1				
21	1711900067	· UNIT, relay	1				
22	1130040006	· NUT	2				
23	1140020006	· WASHER, spring	3				
24	1141110006	· WASHER	2				
25	1700100064	· SWITCH, foot	1				
26	1100040820	· BOLT	4				
27	0567336110	· COVER	1				except for manual eng. cont.
28	0563307100	· BRACKET	1				except for manual eng. cont.
29	1730140490	· BUZZER	1				
30	1120530412	· SCREW	2				
31	1140020004	· WASHER, spring	2				
32	1141110004	· WASHER	2				
33	0564232950	· INSULATOR	1				
44	0567348360	· HARNESS, wiring	1				
45	0567348370	· COLLAR	1				
46	1652231250	· BAND	4				
	L3f342						

TB175(P-TB175BAB) Book No. BL3Z010 S/N 17510003-
4TH AUXILIARY LINE (1/2)



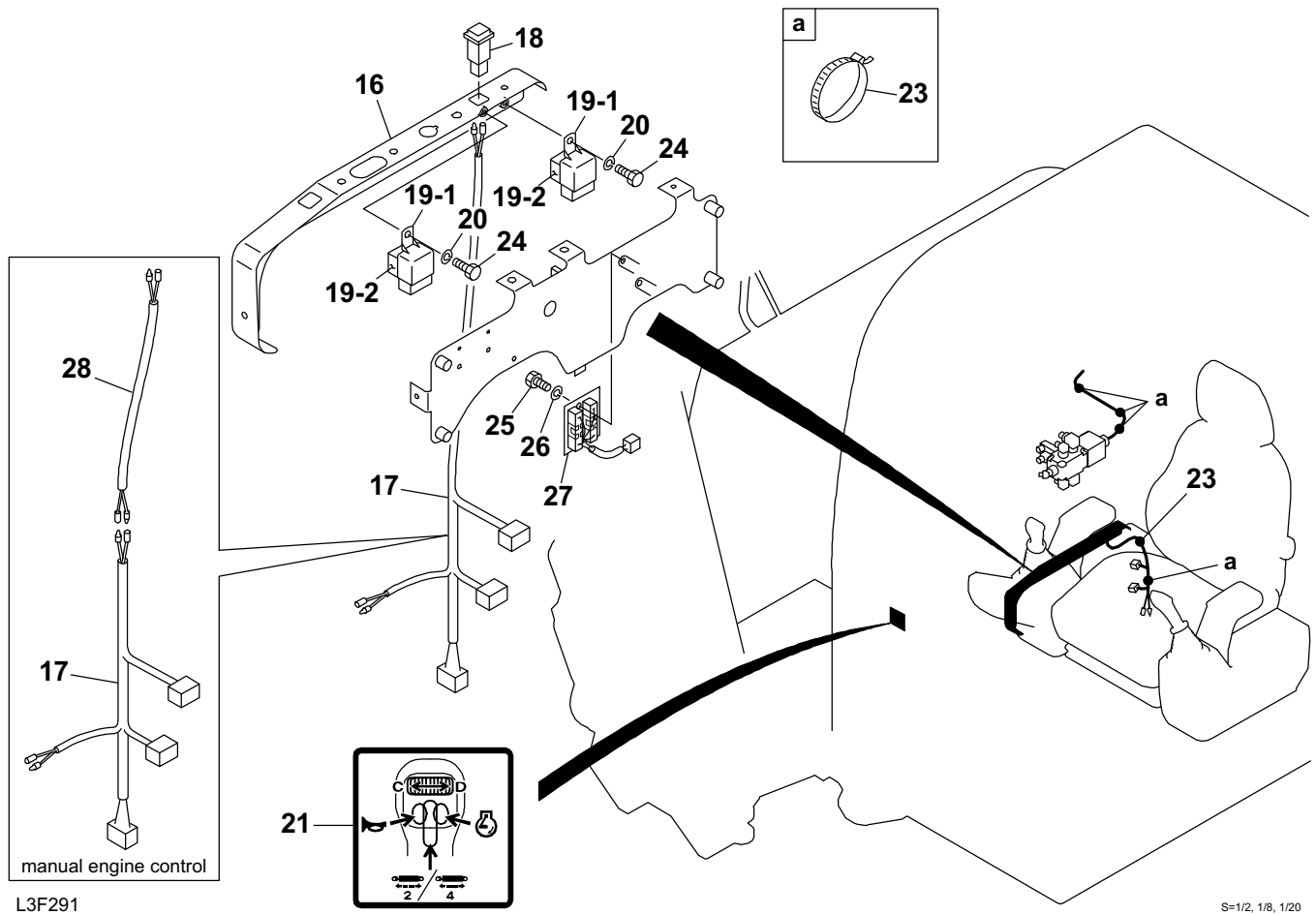
L3F261

S=1/15

4TH AUXILIARY LINE (1/2)

Item	Part number	Description	Q'ty	Chan.	Serial No.	Serv.	R
0	0567346700	LINE ASSY, 4th aux.	1				
	0567346800	LINE ASSY, 4th aux. (for middle arm)	1				
	0567346900	LINE ASSY, 4th aux. (for long arm)	1				
	0567346910	LINE ASSY, 4th aux. (manual eng. cont.)	1		17516686~		
	0567346920	LINE ASSY, 4th aux. (for middle arm, manual eng. cont.)	1		17516686~		
	0567346930	LINE ASSY, 4th aux. (for long arm, manual eng. cont.)	1		17516686~		
1	0567346710	· PIPE (R.H.)	1		17510003~17516181		
	0567346715	· PIPE (R.H.)	1		17516182~		
2	0567346720	· PIPE (L.H.)	1		17510003~17516181		
	0567346725	· PIPE (L.H.)	1		17516182~		
3	0567346730	· HOSE ASSY	1				
4	0567346740	· HOSE ASSY	1				
5	0567346750	· HOSE ASSY	1				180!
6	0567346760	· HOSE ASSY	1				180!
7	0567346770	· COVER	1				
8	0567339540	· CLAMP	2				
9	1805100102	· HOSE ASSY	2				
	1805100120	· HOSE ASSY	2				for n
	1805100135	· HOSE ASSY	2				for lc
10	1515100110	· ELBOW	2				
	1420010110	· · O-RING	1				
11	1534000015	· CLAMP	8				
12	1100040820	· BOLT	2				
13	1100040835	· BOLT	8				
14	1140020008	· WASHER, spring	10				
15	1652201007	· BAND	2				
22	1141110008	· WASHER	2				
	L3f264						

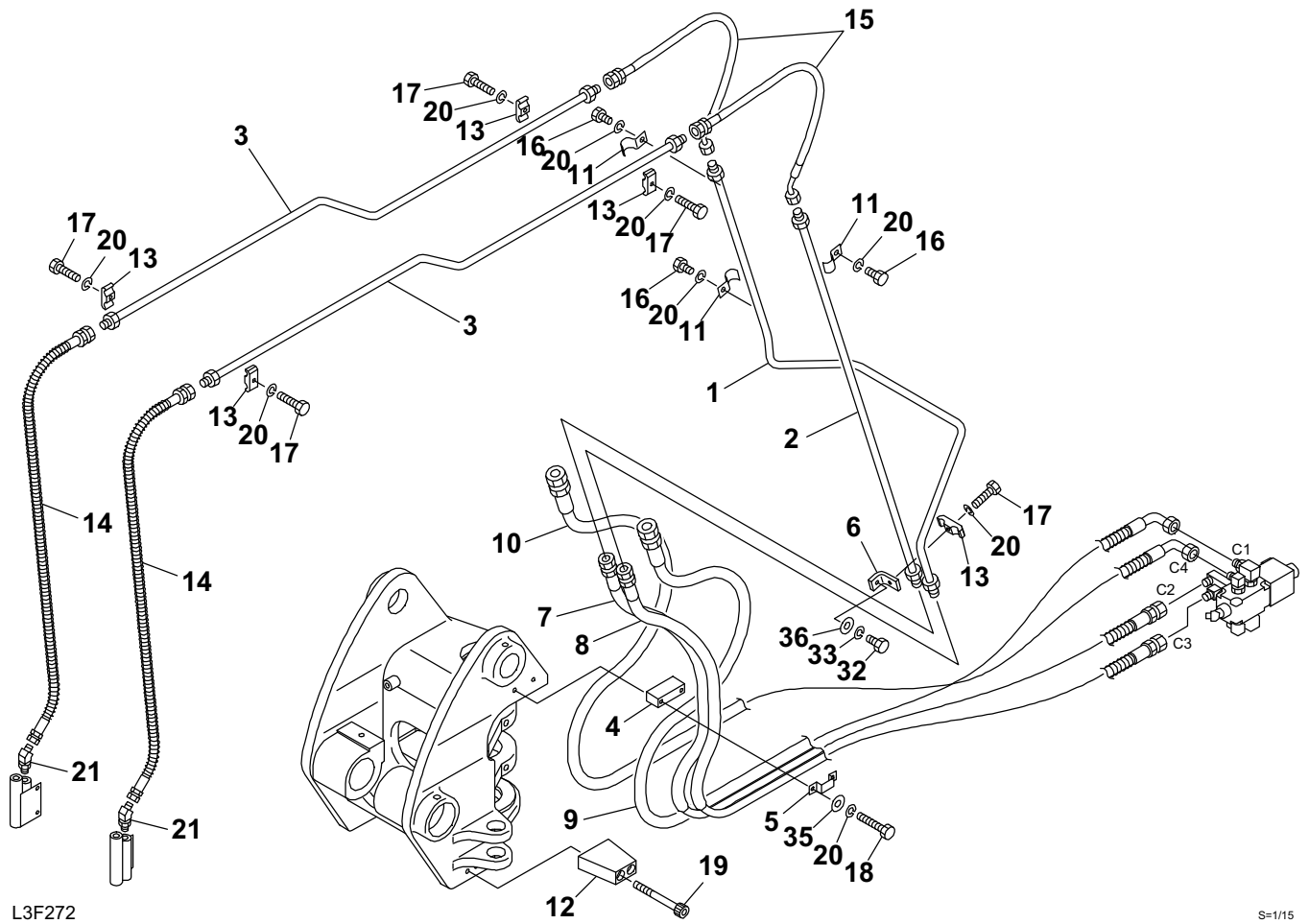
TB175(P-TB175BAB) Book No. BL3Z010 S/N 17510003-
4TH AUXILIARY LINE (2/2)



4TH AUXILIARY LINE (2/2)

Item	Part number	Description	Q'ty	Chan.	Serial No.	Serv.	Rem
0	0567346700	LINE ASSY, 4th aux.	1				
	0567346800	LINE ASSY, 4th aux. (for middle arm)	1				
	0567346900	LINE ASSY, 4th aux. (for long arm)	1				
	0567346910	LINE ASSY, 4th aux. (manual eng. cont.)	1		17516686~		
	0567346920	LINE ASSY, 4th aux. (for middle arm, manual eng. cont.)	1		17516686~		
	0567346930	LINE ASSY, 4th aux. (for long arm, manual eng. cont.)	1		17516686~		
16	0567346780	· COVER	1				except for mar
17	0567346790	· HARNESS, wiring	1				
18	1700550033	· LAMP, pilot	1				
19	0872433900	· RELAY ASSY	2				
19-1	1711900049	· · RELAY	1				
19-2	1654305002	· · SPONGE	1				sold by the me
20	1140020006	· WASHER, spring	2				
21	0567346795	· DECAL	1				
23	1652231250	· BAND	5				
24	1100040616	· BOLT	2				
25	1100040510	· BOLT	2				
26	1140020005	· WASHER, spring	2				
27	0564227700	· RESISTOR	1				
28	0567349060	· HARNESS, wiring	1				for manual eng
	L3f294						

TB175(P-TB175BAB) Book No. BL3Z010 S/N 17510003-
4TH AUXILIARY LINE (1/2) (2-piece boom)



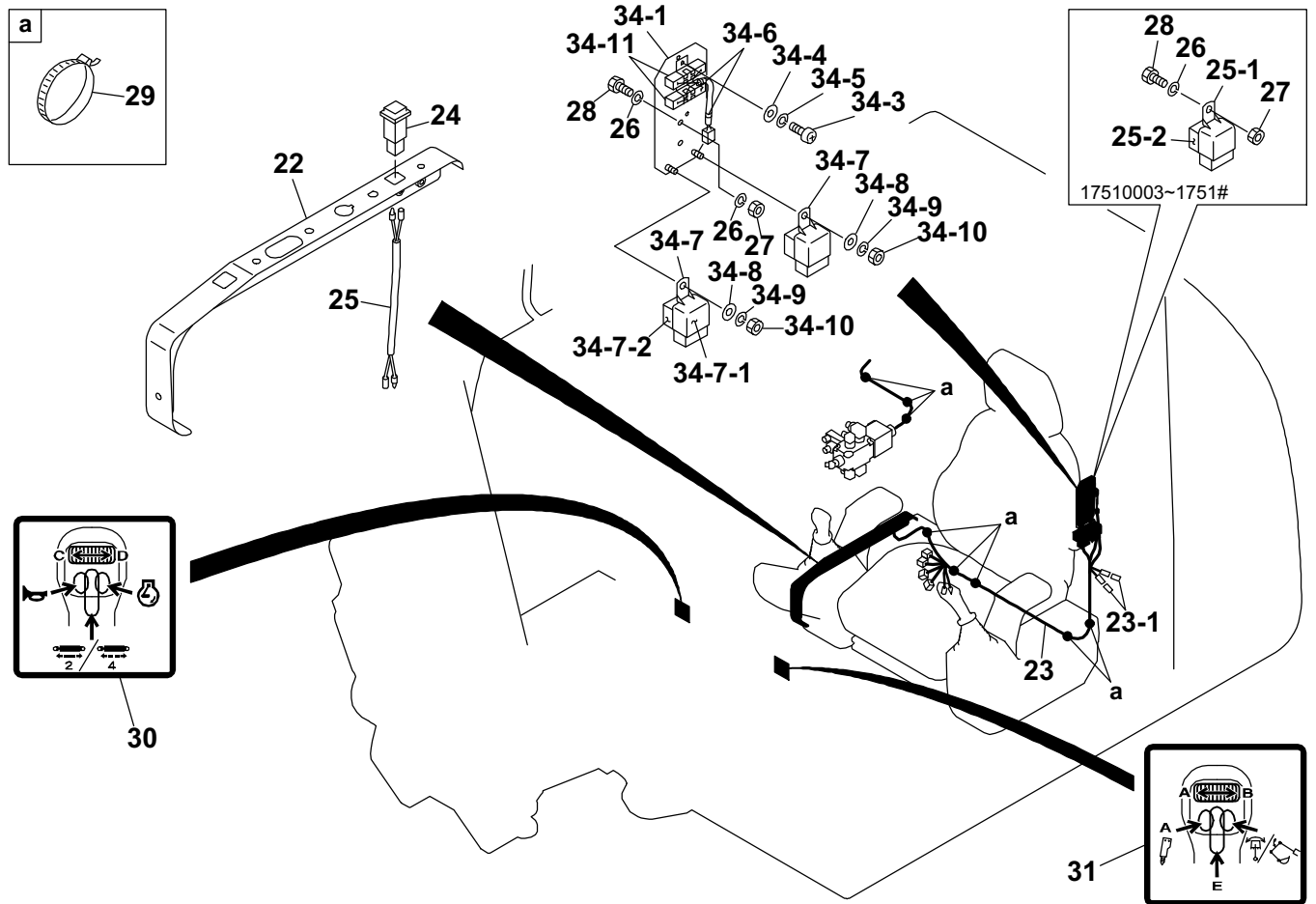
L3F272

S=1/15

4TH AUXILIARY LINE (1/2) (2-piece boom)

Item	Part number	Description	Q'ty	Chan.	Serial No.	Serv.	Remarks
0	0567348000	LINE ASSY, 4th aux.	1		17510003~1751#		
	0567349000	LINE ASSY, 4th aux.	1		1751#~		
	0567349050	LINE ASSY, 4th aux. (manual eng. cont.)	1		17516686~		
1	0567348010	· PIPE (R.H.)	1				
2	0567348020	· PIPE (L.H.)	1				
3	0567348030	· PIPE	2				
4	0567348040	· BLOCK	1				
5	0567348050	· CLAMP	1				
6	0567348060	· BRACKET	1				
7	0567348070	· HOSE ASSY	1				
8	0567348080	· HOSE ASSY	1				
9	0567346750	· HOSE ASSY	1				18050-41335
10	0567346760	· HOSE ASSY	1				18050-41330
11	0567339570	· CLAMP	3				
12	0563900100	· PLATE	1				
13	1534000015	· CLAMP	5				
14	1805100135	· HOSE ASSY	2				
15	1805207071	· HOSE ASSY	2				
16	1100040816	· BOLT	3				
17	1100040835	· BOLT	5				
18	1100040860	· BOLT	2				
19	1111141200	· SCREW, cap	2				
20	1140020008	· WASHER, spring	10				
21	1515100110	· ELBOW	2				
	1420010110	· · O-RING	1				
32	1100041020	· BOLT	1				
33	1140020010	· WASHER	1				
35	1141110008	· WASHER	2				
36	1141110010	· WASHER	1				
	L3f274						

TB175(P-TB175BAB) Book No. BL3Z010 S/N 17510003-
 4TH AUXILIARY LINE (2/2) (2-piece boom)



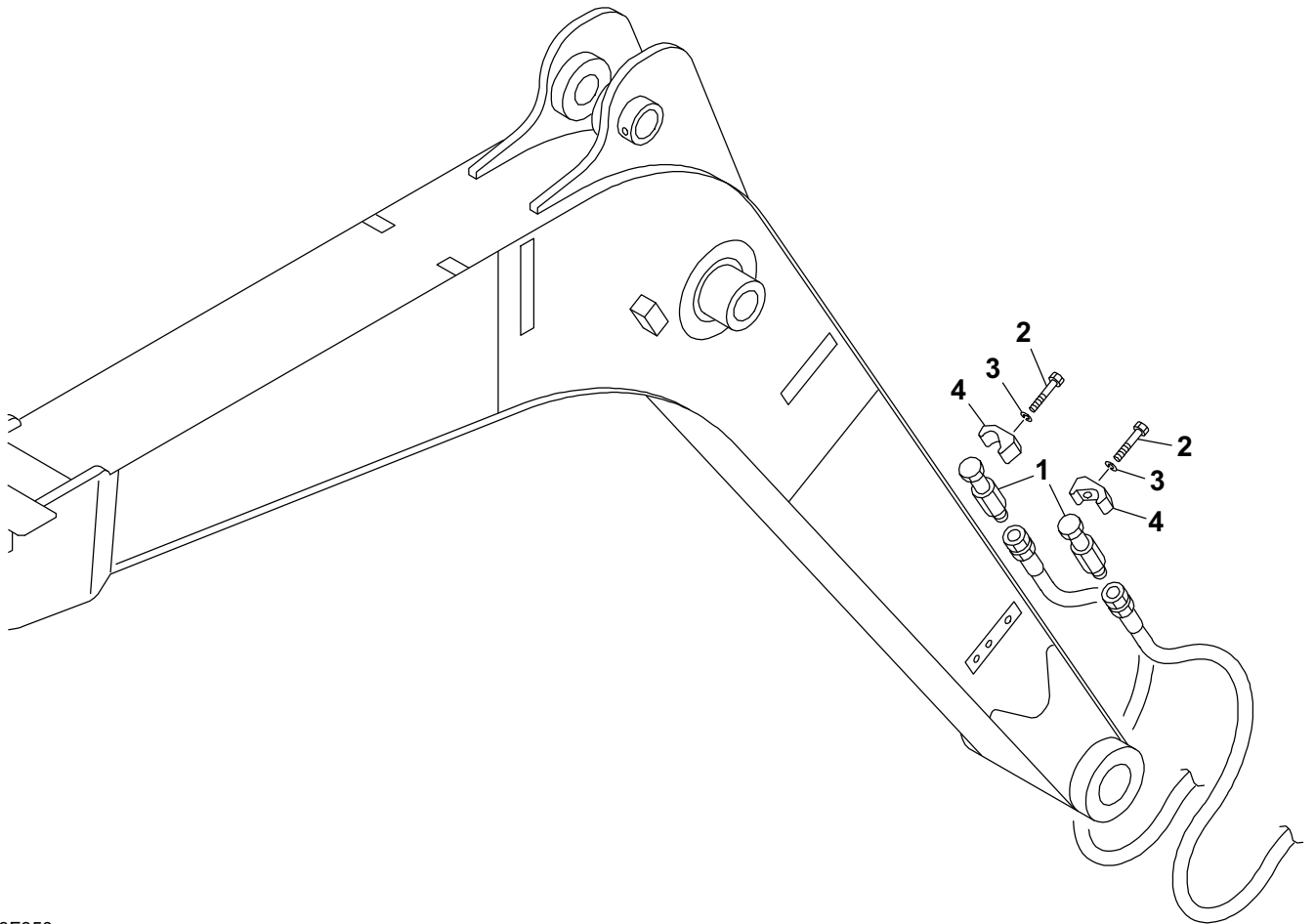
L3F302

S=1/2, 1/8, 1/20

4TH AUXILIARY LINE (2/2) (2-piece boom)

Item	Part number	Description	Q'ty	Chan.	Serial No.	Serv.	Remarks
0	0567348000	LINE ASSY, 4th aux.	1		17510003~1751#		
	0567349000	LINE ASSY, 4th aux.	1		1751#~		
	0567349050	LINE ASSY, 4th aux. (manual eng. cont.)	1		17516686~		
22	0567346780	· COVER	1				except for manual eng.
23	0567348090	· HARNESS, wiring	1		17510003~1751#		
	0567349010	· HARNESS, wiring	1		1751#~		23366
23-1	1730500008	· · DIODE (3A yellow)	2		1751#~		
24	1700550033	· LAMP, pilot	1				
25	0872433900	· RELAY ASSY	1		17510003~1751#		
25-1	1711900049	· · RELAY	1		17510003~1751#		
25-2	1654305002	· · SPONGE	1		17510003~1751#		sold by the meter
	0567349060	· HARNESS, wiring	1				for manual eng. cont.
26	1140020006	· WASHER, spring	4				
27	1130040006	· NUT	2				
28	1100040625	· BOLT	2				
29	1652231250	· BAND	8				
30	0567346795	· DECAL	1				
31	0567346796	· DECAL	1				
34	0567349020	· RESISTOR ASSY	1		1751#~		
34-1	0564246090	· · PLATE	1				
34-3	1120530305	· · SCREW	2				
34-4	1140020003	· · WASHER, spring	2				
34-5	1141110003	· · WASHER	2				
34-6	1652200003	· · BAND	2				
34-7	0872433900	· · RELAY ASSY	2				
34-7-1	1711900049	· · · RELAY	1				
34-7-2	1654305002	· · · SPONGE	1				sold by the meter
34-8	1141110006	· · WASHER	2				
34-9	1140020006	· · WASHER, spring	2				
34-10	1130040006	· · NUT	2				
34-11	0567349030	· · RESISTOR	1				
	L3f304						

TB175(P-TB175BAB) Book No. BL3Z010 S/N 17510003-
PLUG ASSY (for China)



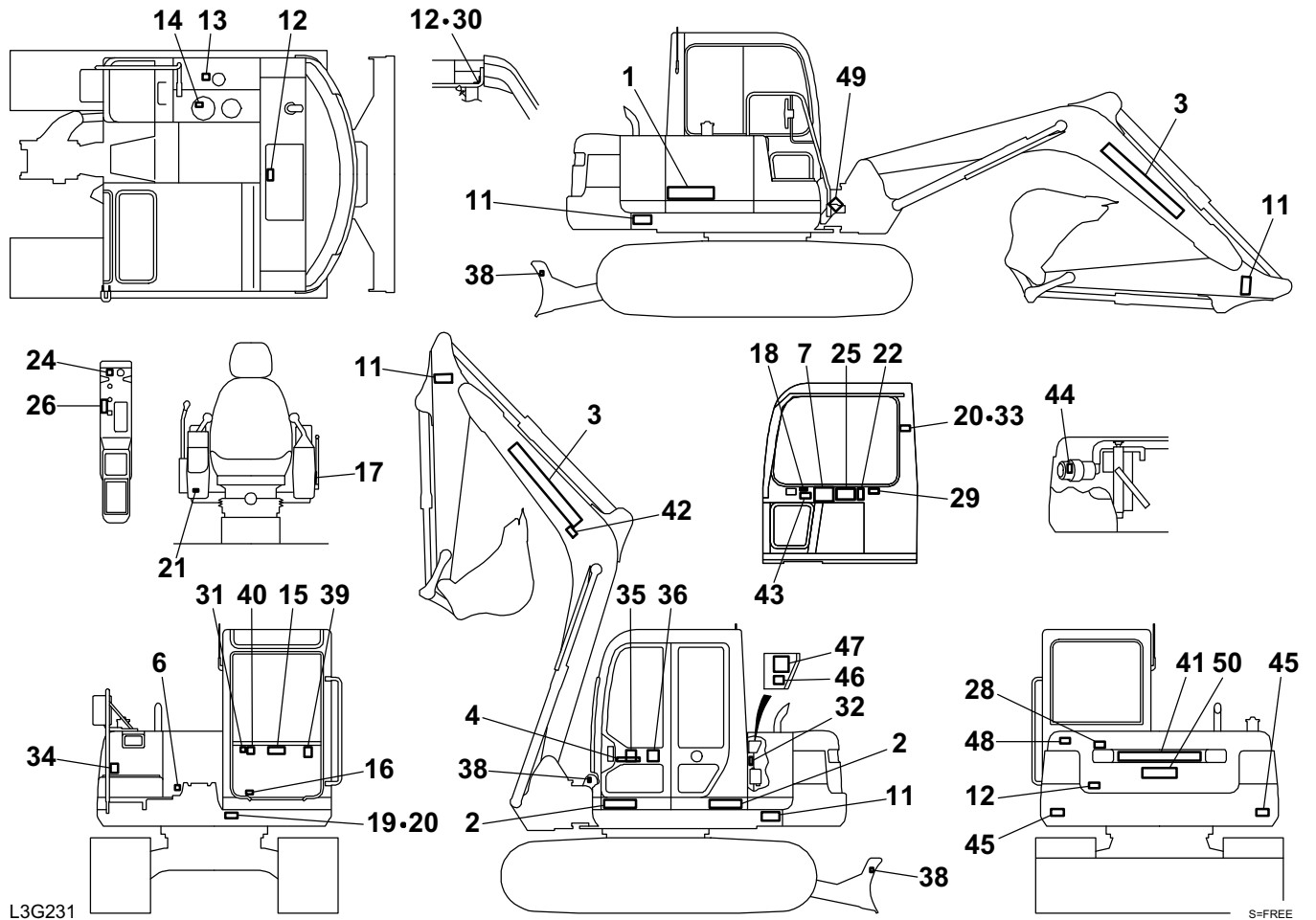
L3F350

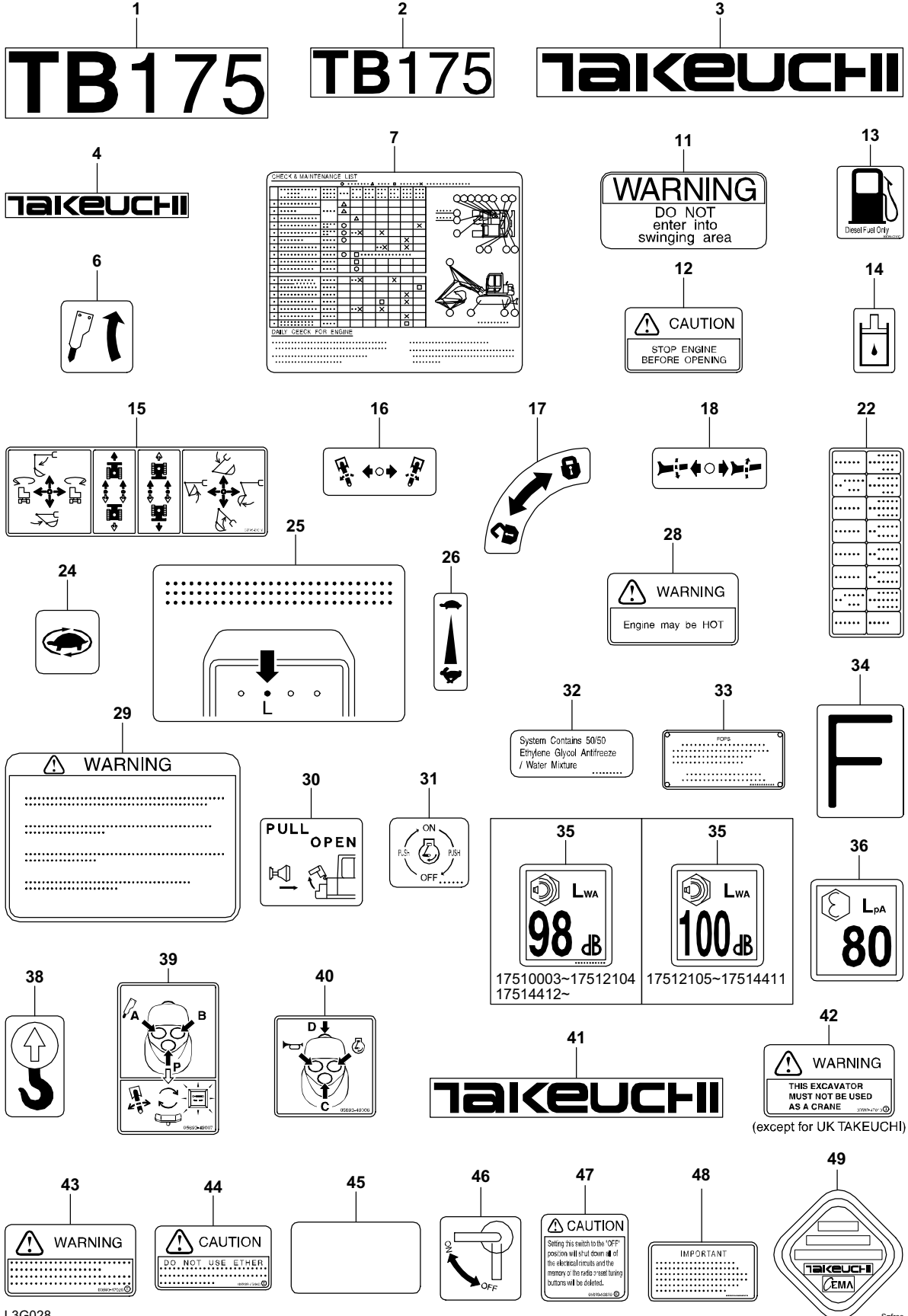
S=1/12

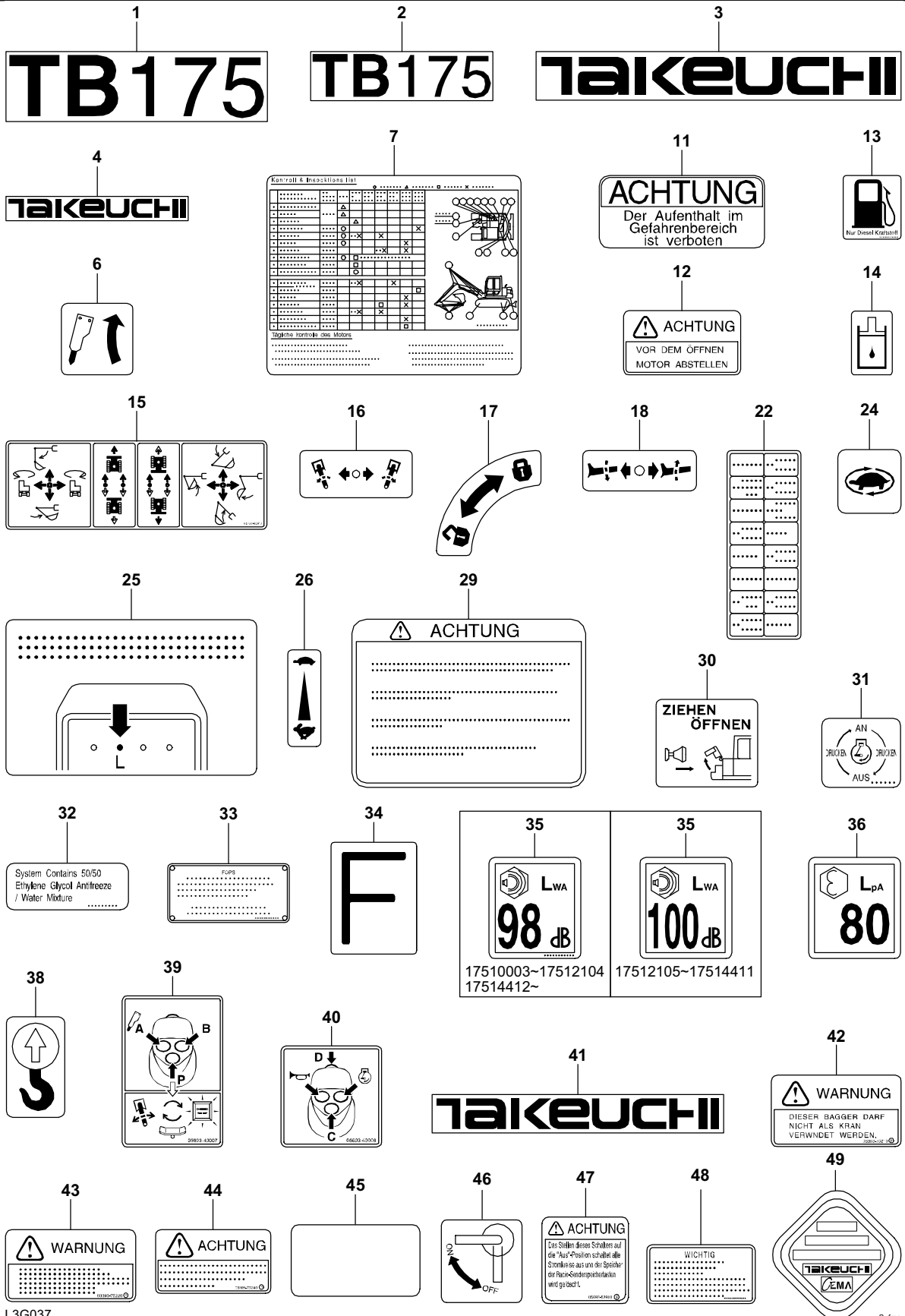
PLUG ASSY (for China)

Item	Part number	Description	Q'ty	Chan.	Serial No.	Serv.	Remarks
		PLUG ASSY					
1	0567800010	PLUG	2				
2	1100041050	BOLT	2				
3	1140020010	WASHER, spring	2				
4	1534100273	CLAMP	2				
	L3f350						

TB175(P-TB175BAB) Book No. BL3Z010 S/N 17510003-
DECAL

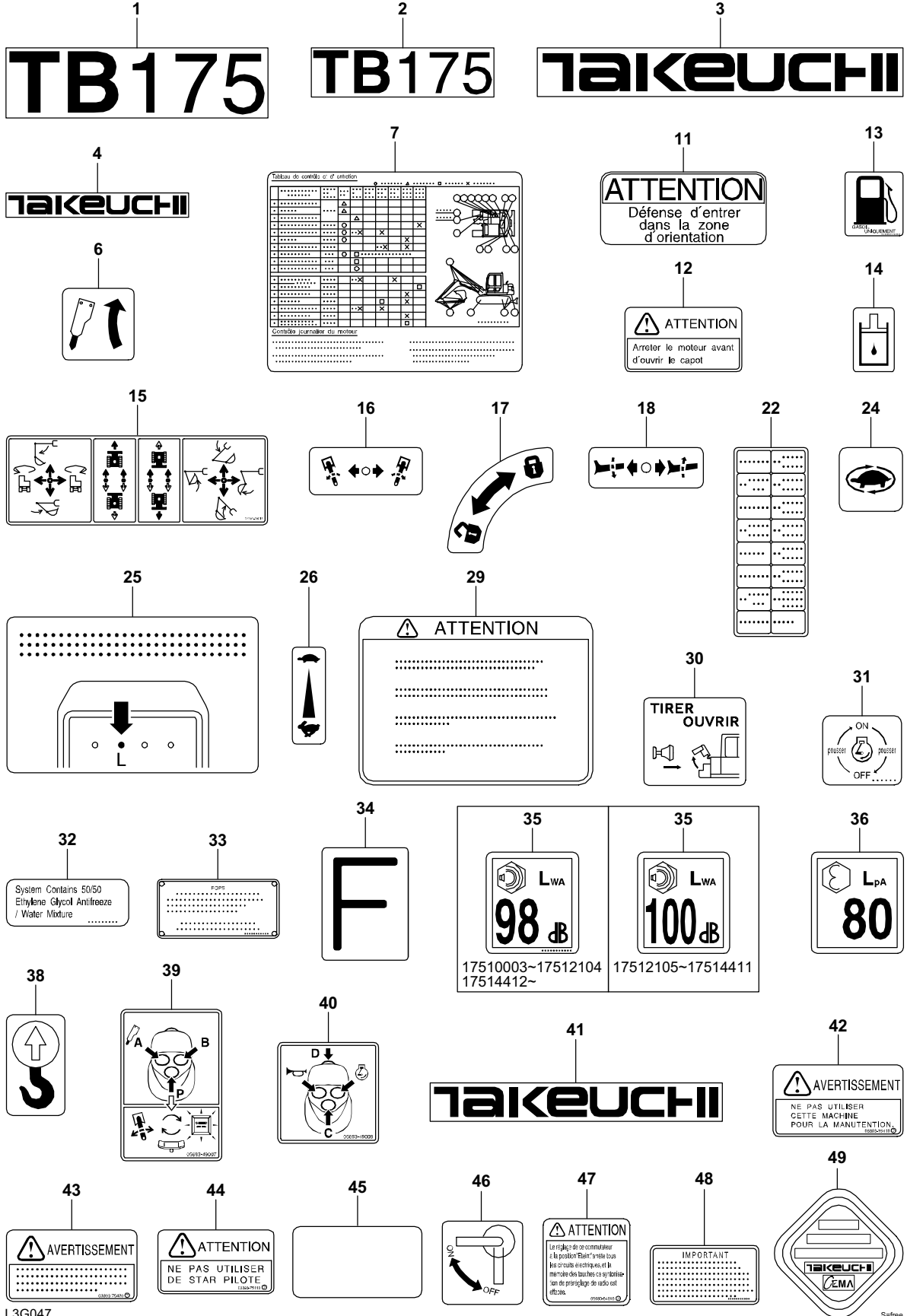






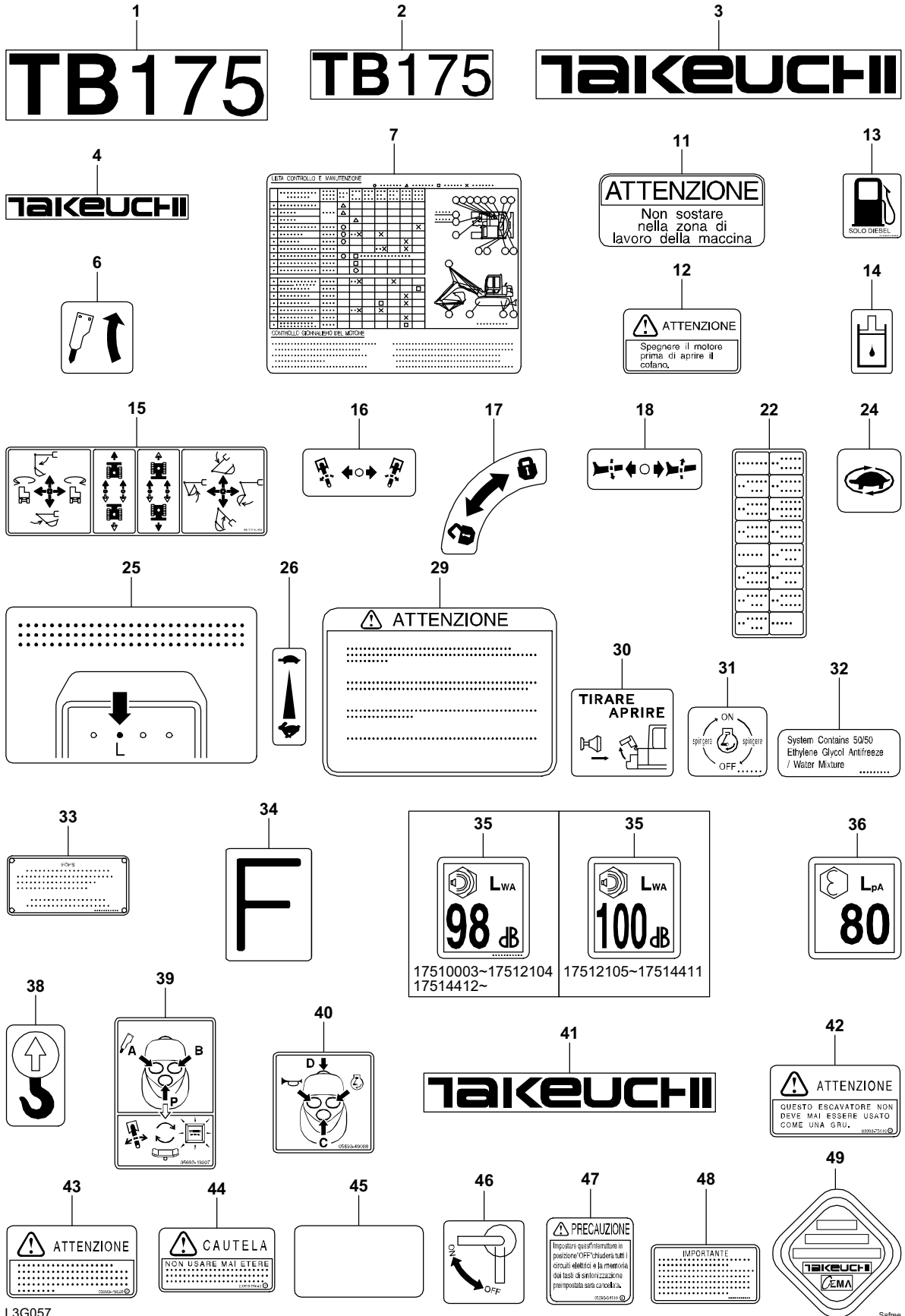
L3G037

TB175(P-TB175BAB) Book No. BL3Z010 S/N 17510003-
French



L3G047

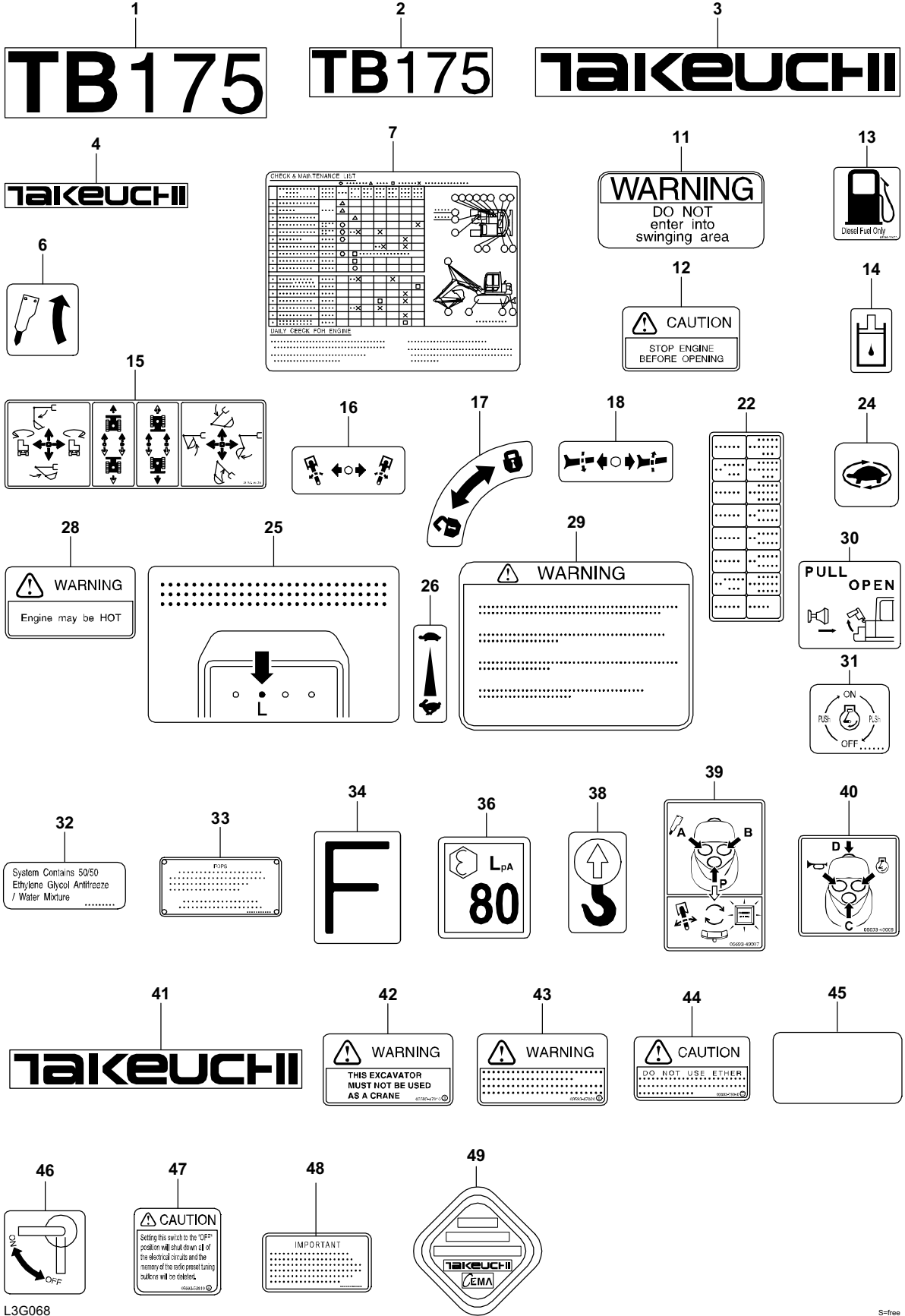
S=free



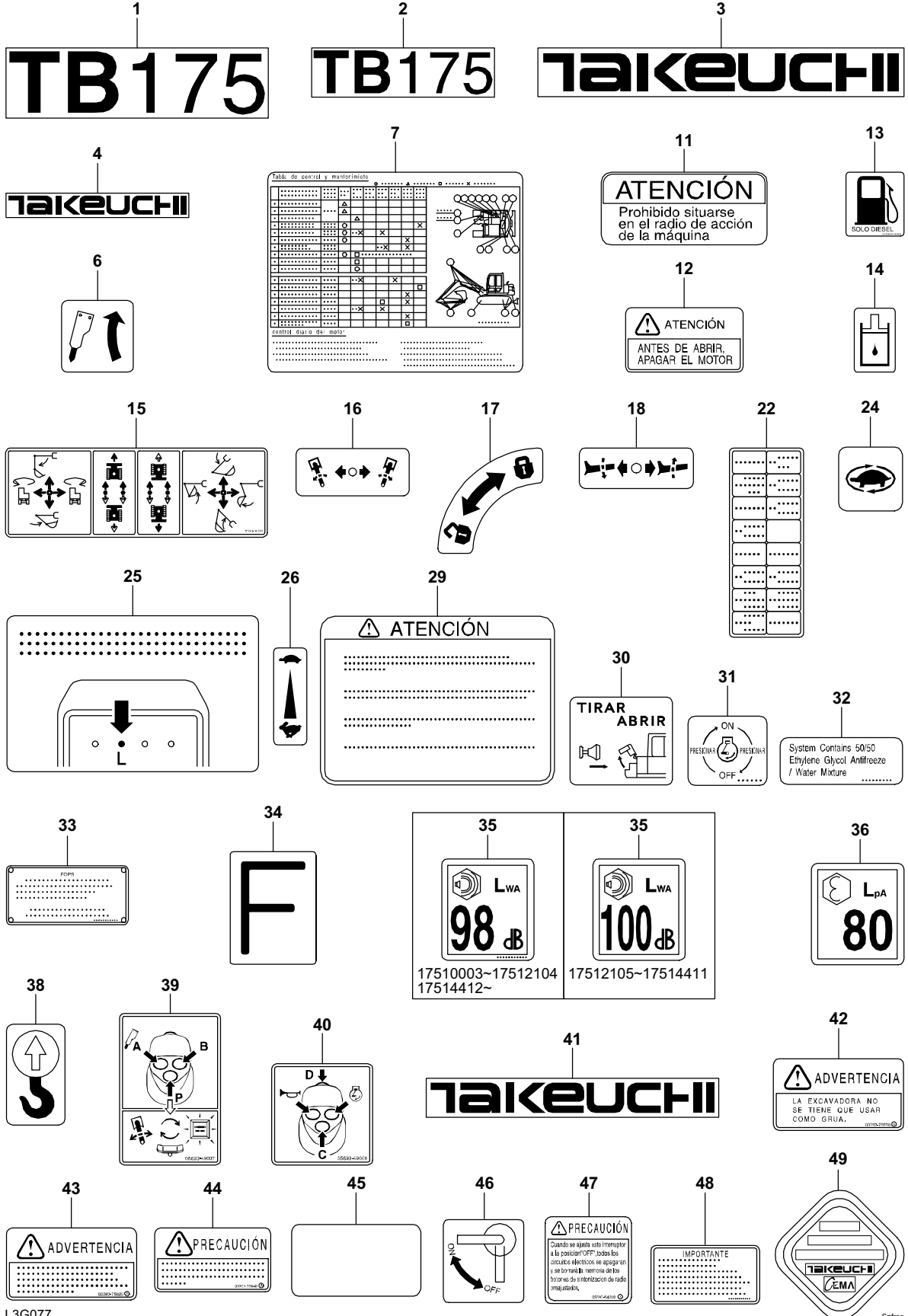
L3G057

S=free

TB175(P-TB175BAB) Book No. BL3Z010 S/N 17510003-
U.S.TAKEUCHI



TB175(P-TB175BAB) Book No. BL3Z010 S/N 17510003-
Spanish



L3G077

S=free

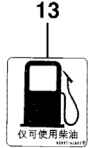
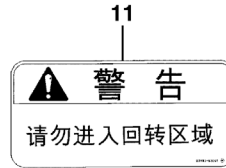
1
TB180

2
TB180

3
TAKEUCHI

1
TB180S

2
TB180S

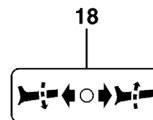
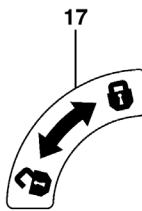
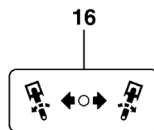
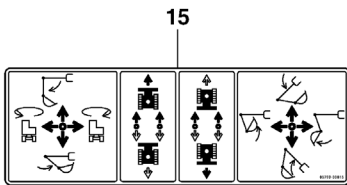
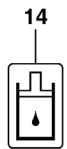
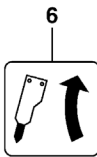


4
TAKEUCHI

7

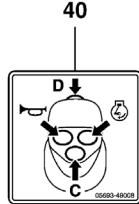
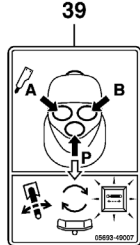
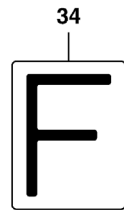
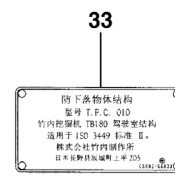
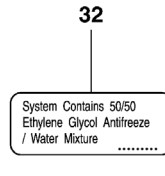
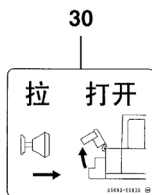
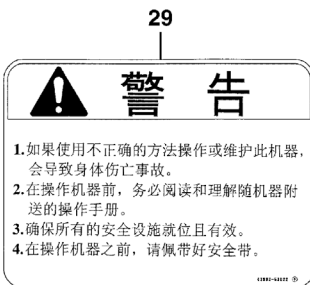
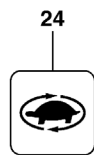
检查项目	内容	检查方法	合格	不合格	备注
1. 液压油位	液压油位是否在“L”和“H”标记之间。	目视	○	×	
2. 液压油滤芯	液压油滤芯是否堵塞。	目视	○	×	
3. 液压油管路	液压油管路是否有泄漏。	目视	○	×	
4. 液压油温度	液压油温度是否在正常范围内。	目视	○	×	
5. 液压油颜色	液压油颜色是否正常。	目视	○	×	
6. 液压油气味	液压油气味是否正常。	目视	○	×	
7. 液压油声音	液压油声音是否正常。	目视	○	×	
8. 液压油流量	液压油流量是否正常。	目视	○	×	
9. 液压油压力	液压油压力是否正常。	目视	○	×	
10. 液压油滤芯	液压油滤芯是否堵塞。	目视	○	×	
11. 液压油管路	液压油管路是否有泄漏。	目视	○	×	
12. 液压油温度	液压油温度是否在正常范围内。	目视	○	×	
13. 液压油颜色	液压油颜色是否正常。	目视	○	×	
14. 液压油气味	液压油气味是否正常。	目视	○	×	
15. 液压油声音	液压油声音是否正常。	目视	○	×	
16. 液压油流量	液压油流量是否正常。	目视	○	×	
17. 液压油压力	液压油压力是否正常。	目视	○	×	

每天对发动机的检查
1. 启动发动机前，要检查机油量，使机油油位在“L”和“H”标记之间。
2. 检查冷却液水量及液位高度，必须使用指定的液体。
3. 必须每天检查冷却液是否充足。
4. 确保有足够的空气，否则，空气会吸入泵中而引起事故。

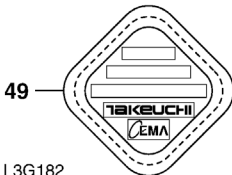
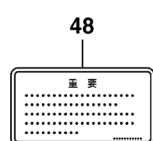
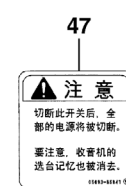
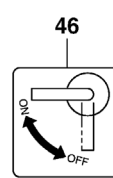
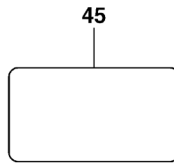


22

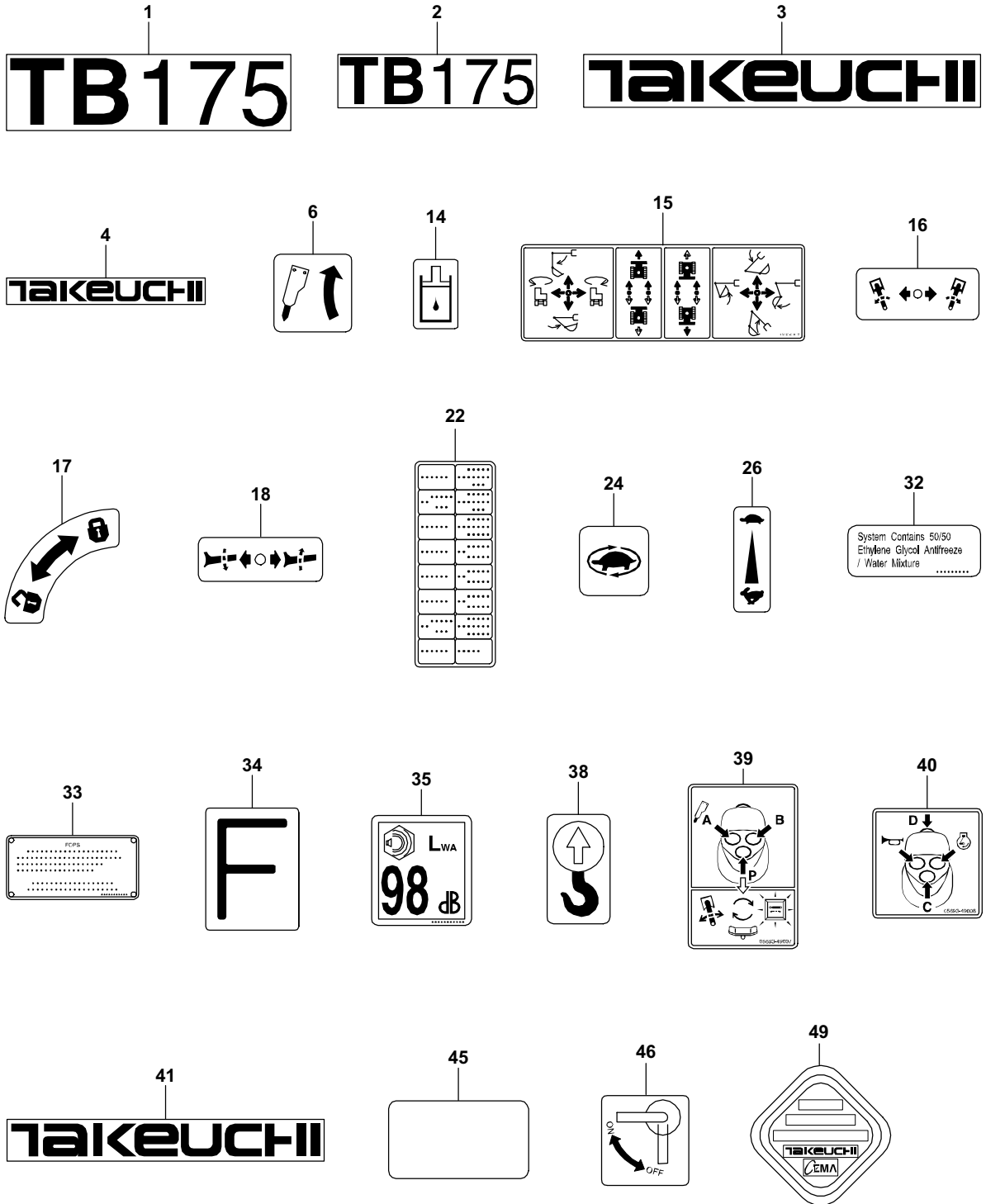
项目	规格	备注
1. 液压油	ISO 46	液压油
2. 液压油滤芯	ISO 46	液压油滤芯
3. 液压油管路	ISO 46	液压油管路
4. 液压油温度	ISO 46	液压油温度
5. 液压油颜色	ISO 46	液压油颜色
6. 液压油气味	ISO 46	液压油气味
7. 液压油声音	ISO 46	液压油声音
8. 液压油流量	ISO 46	液压油流量
9. 液压油压力	ISO 46	液压油压力
10. 液压油滤芯	ISO 46	液压油滤芯
11. 液压油管路	ISO 46	液压油管路
12. 液压油温度	ISO 46	液压油温度
13. 液压油颜色	ISO 46	液压油颜色
14. 液压油气味	ISO 46	液压油气味
15. 液压油声音	ISO 46	液压油声音
16. 液压油流量	ISO 46	液压油流量
17. 液压油压力	ISO 46	液压油压力

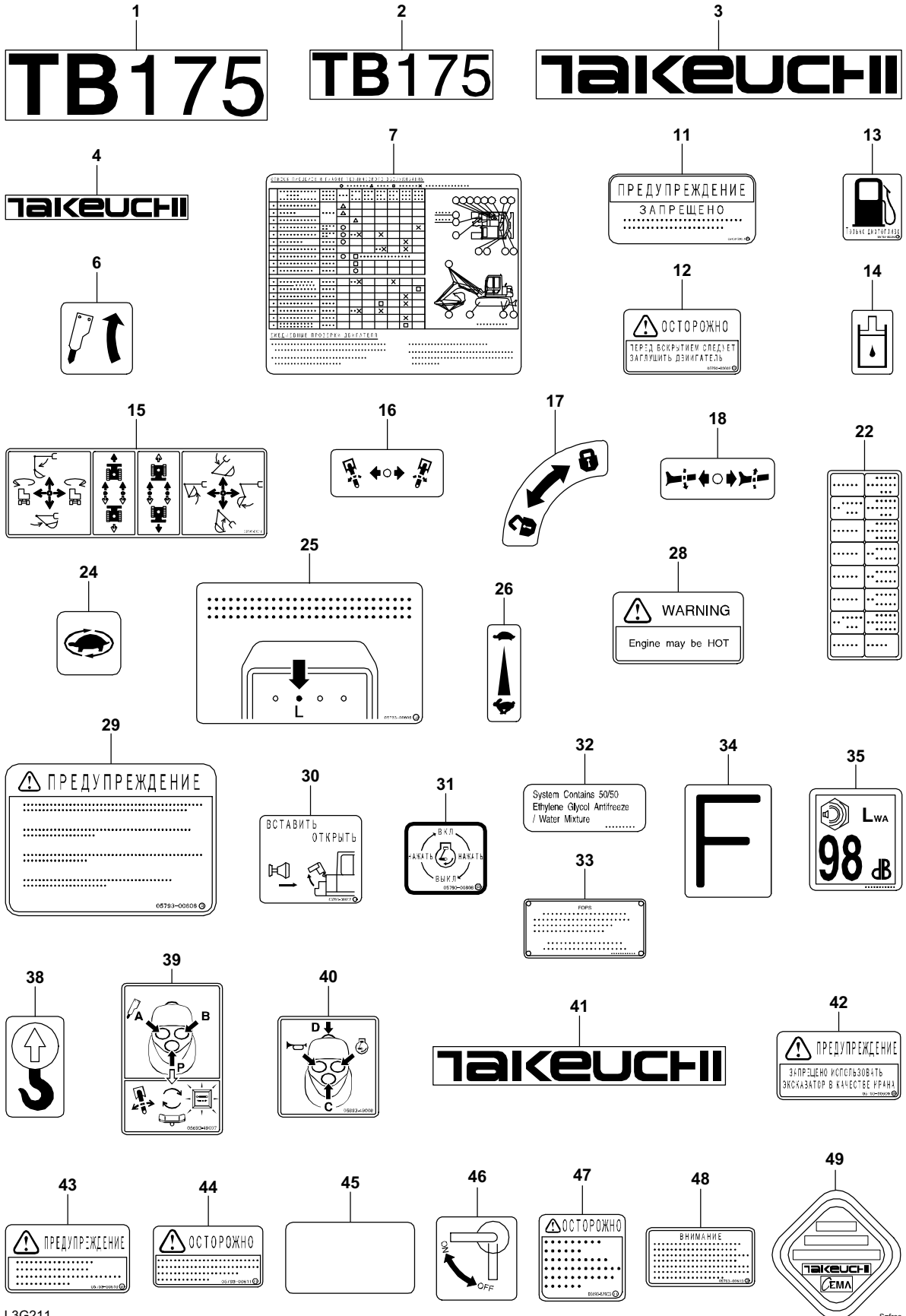


41
TAKEUCHI

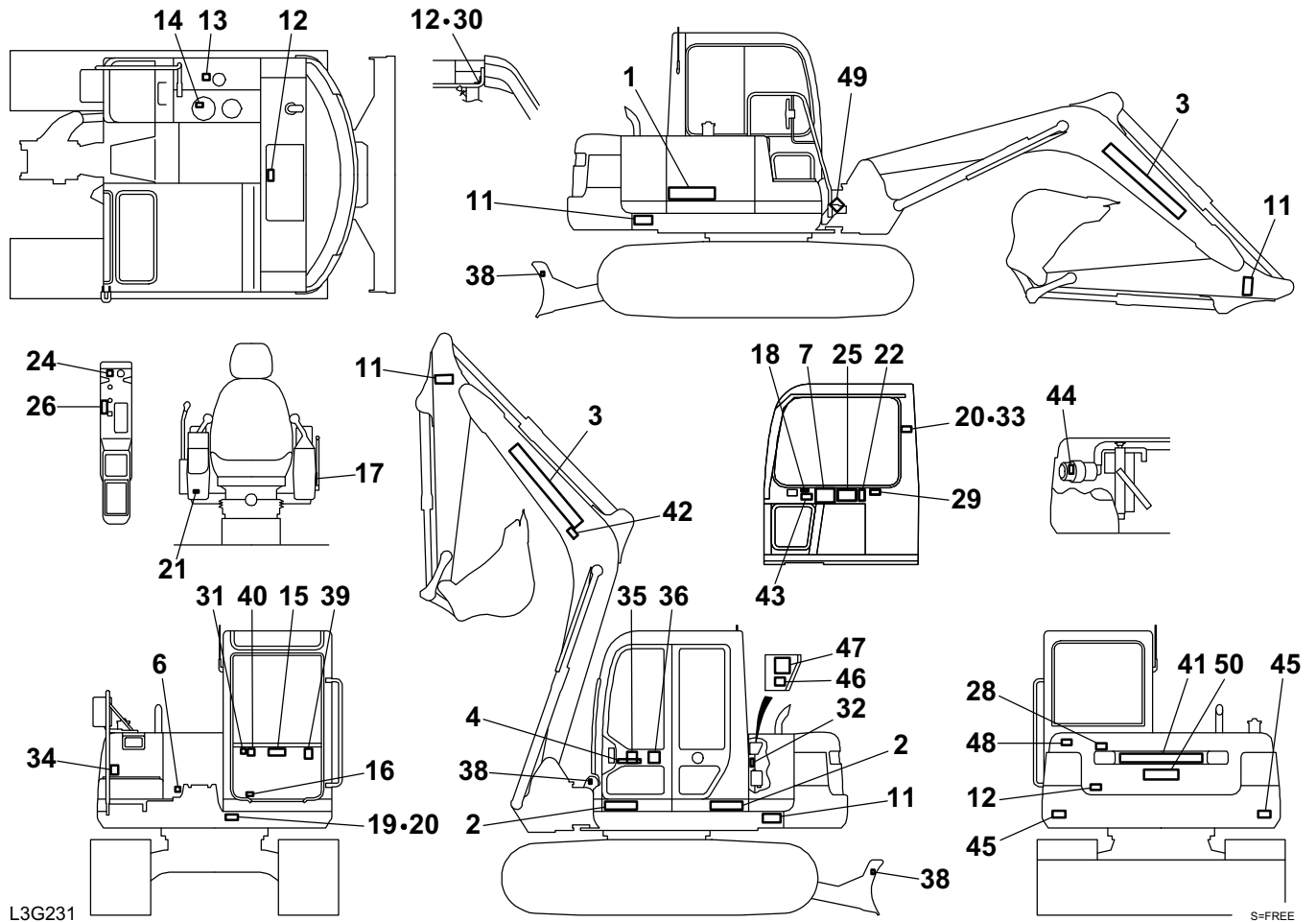


50
竹内





**TB175(P-TB175BAB) Book No. BL3Z010 S/N 17510003-
DECAL**



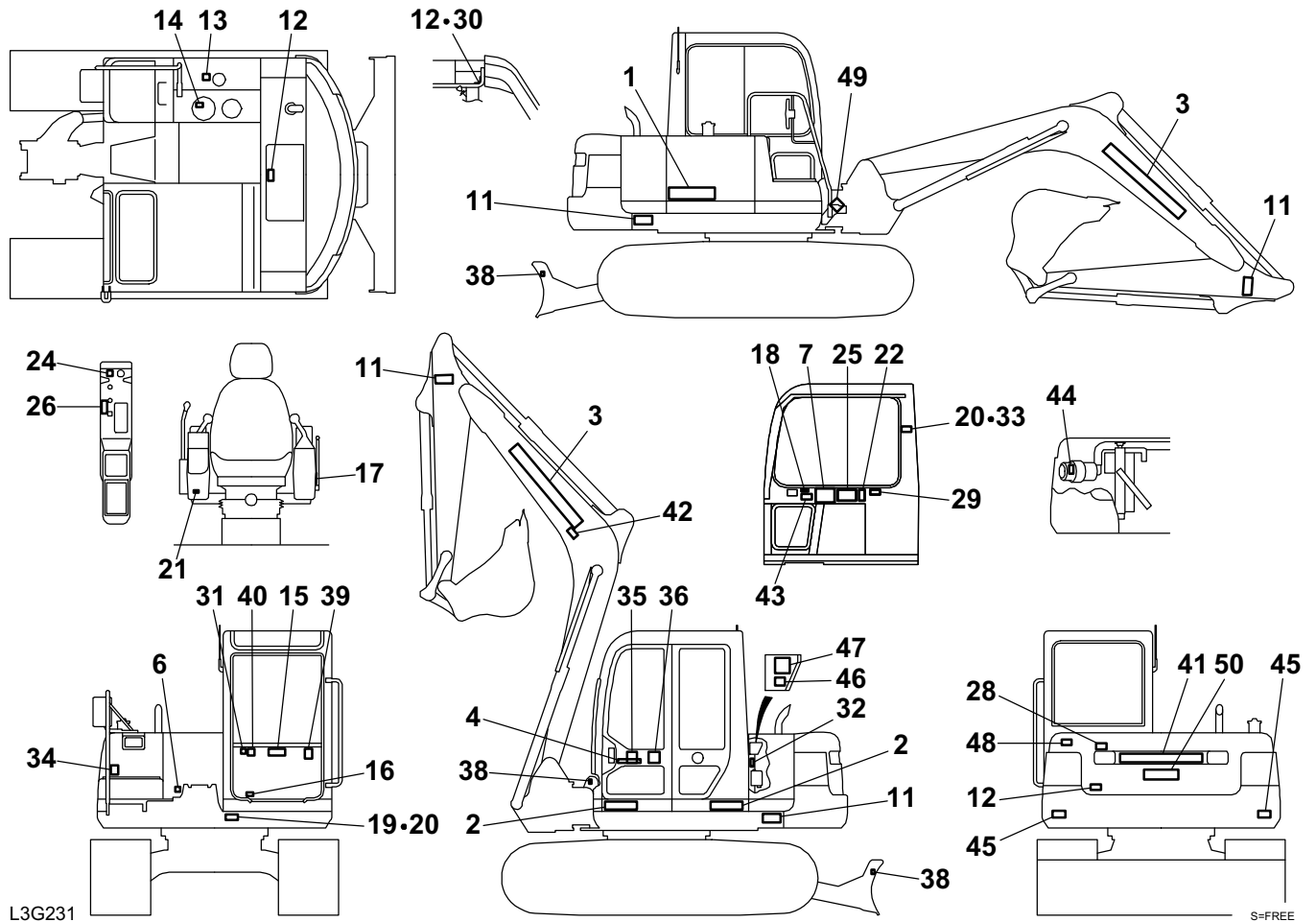
L3G231

S=FREE

DECAL

Item	Part number	Description	Q'ty	Chan.	Serial No.	Serv.
0	0569349000	DECAL SET (English)	1		17510003~17512104	
	0569353800	DECAL SET (English)	1		17512105~	
	0569357000	DECAL SET (English) (manual eng. cont.)	1		17513782~	
	0569349100	DECAL SET (German)	1		17510003~17512104	
	0569353900	DECAL SET (German)	1		17512105~	
	0569357100	DECAL SET (German) (manual eng. cont.)	1		17513782~	
	0569349200	DECAL SET (French)	1		17510003~17512104	
	0569354000	DECAL SET (French)	1		17512105~	
	0569357200	DECAL SET (French) (manual eng. cont.)	1		17513782~	
	0569349300	DECAL SET (Italian)	1		17510003~17512104	
	0569354100	DECAL SET (Italian)	1		17512105~	
	0569357300	DECAL SET (Italian) (manual eng. cont.)	1		17513782~	
	0569349400	DECAL SET (U.S.TAKEUCHI)	1		17510003~17512104	
	0569354200	DECAL SET (U.S.TAKEUCHI)	1		17512105~	
	0569357400	DECAL SET (U.S.TAKEUCHI) (manual eng. cont.)	1		17513782~	
	0569349500	DECAL SET (Spanish)	1		17510003~17512104	
	0569354300	DECAL SET (Spanish)	1		17512105~	
	0569357500	DECAL SET (Spanish) (manual eng. cont.)	1		17513782~	
	0569357700	DECAL SET (Chinese) (manual eng. cont.)	1		17515269~	
	0569366300	DECAL SET (Chinese, 180S) (manual eng. cont.)	1		17519339~	M
	0569357800	DECAL SET (Dutch)	1			
	0569358600	DECAL SET (Dutch) (manual eng. cont.)	1			
	0569357900	DECAL SET (Russian)	1			
	0569358700	DECAL SET (Russian) (manual eng. cont.)	1			
	0569358400	DECAL SET (U.K.TAKEUCHI)	1			
0569358800	DECAL SET (U.K.TAKEUCHI) (manual eng. cont.)	1				
1	0569349001	• DECAL	1			
	0569355801	• DECAL (Chinese)	1		17515269~	
	0569366301	• DECAL (Chinese, 180S)	1		17519339~	M
2	0569349002	• DECAL	2			
	0569355802	• DECAL (Chinese)	2		17515269~	
	0569366302	• DECAL (Chinese, 180S)	2		17519339~	M
3	0569321300	• DECAL	2			
4	0569321400	• DECAL	1			
6	0359325220	• DECAL	1			
7	0569349004	• DECAL (English)	1			
	0569349104	• DECAL (German)	1			
	0569349204	• DECAL (French)	1			
	0569349304	• DECAL (Italian)	1			
	0569349504	• DECAL (Spanish)	1			
	0569355807	• DECAL (Chinese)	1		17515269~	
	0569357901	• DECAL (Russian)	1			
	0359306500	• DECAL (English)	4			
11	0359308100	• DECAL (German)	4			
	0359309100	• DECAL (French)	4			
	0359310100	• DECAL (Italian)	4			
	0339364100	• DECAL (Spanish)	4			
	0399353005	• DECAL (Chinese)	4		17515269~	
	0399356001	• DECAL (Russian)	4			
	0359307400	• DECAL (English)	3			
	0359314400	• DECAL (German)	3			
12	0359315400	• DECAL (French)	3			
	0359316400	• DECAL (Italian)	3			
	0339364200	• DECAL (Spanish)	3			
	0399353006	• DECAL (Chinese)	3		17515269~	
	0579300602	• DECAL (Russian)	3			
	0359306600	• DECAL (English)	1			
	0339375260	• DECAL (German)	1			
	0339375460	• DECAL (French)	1			
13	0339375660	• DECAL (Italian, Spanish)	1			

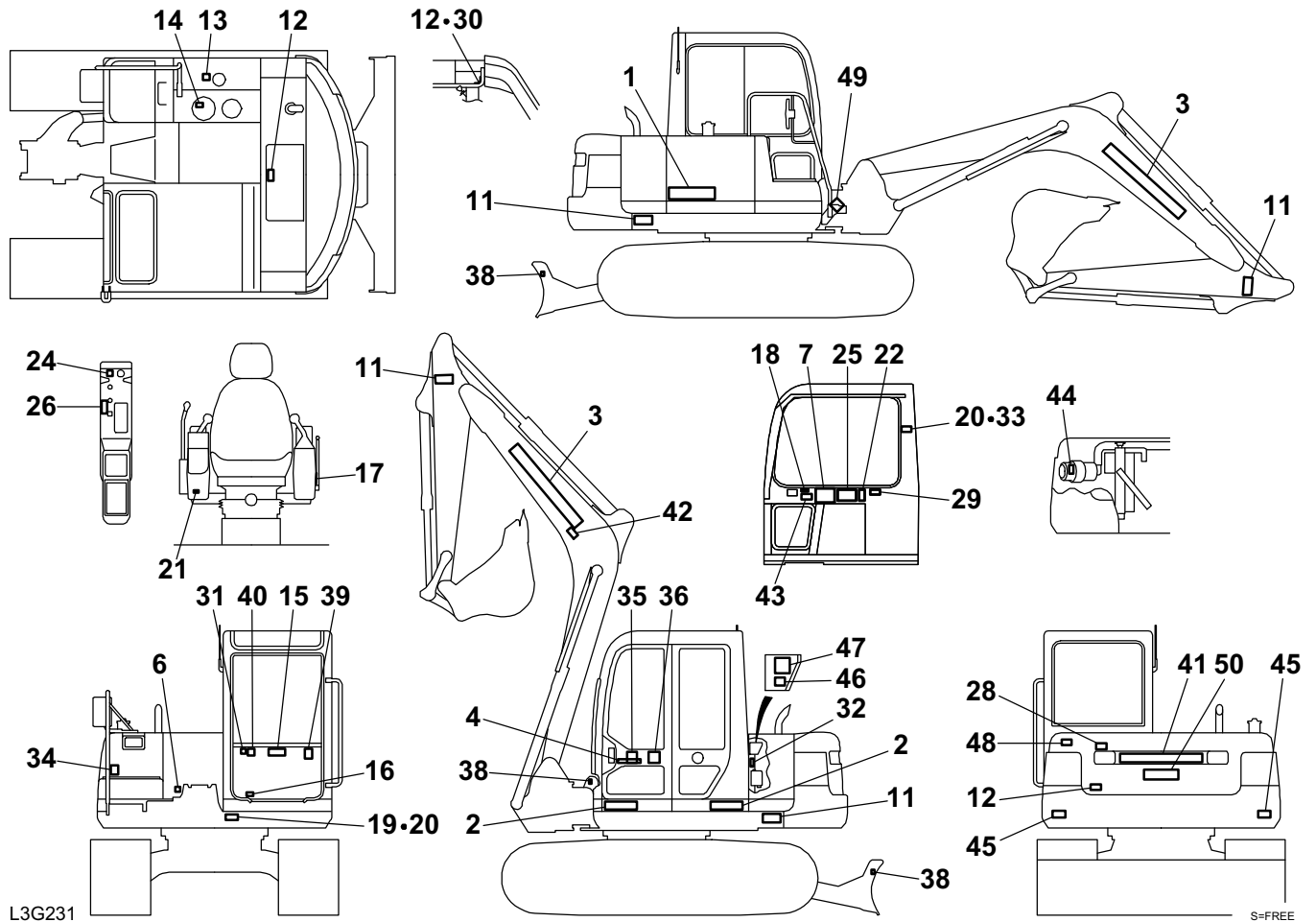
**TB175(P-TB175BAB) Book No. BL3Z010 S/N 17510003-
DECAL**



DECAL

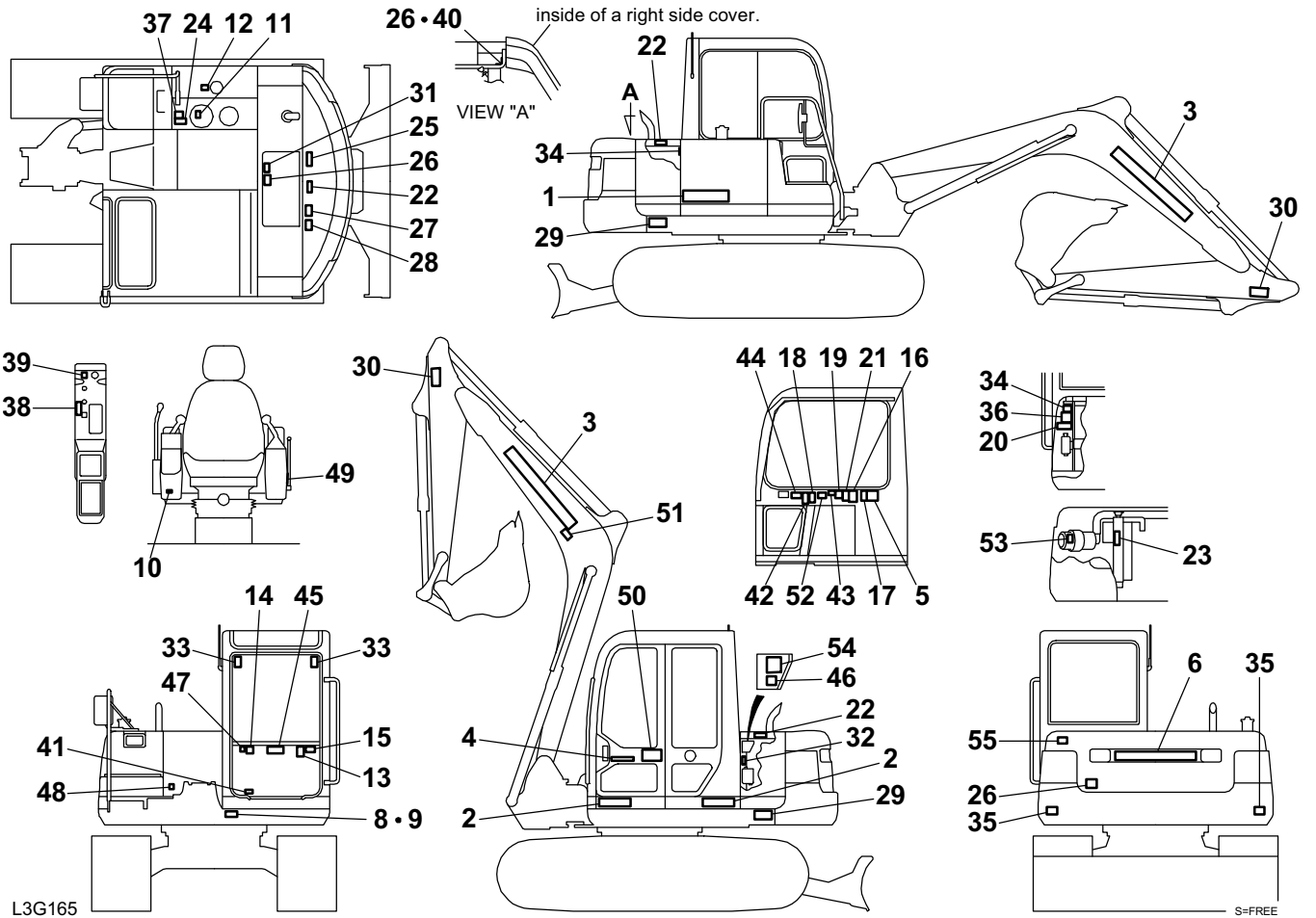
Item	Part number	Description	Q'ty	Chan.	Serial No.	Serv.
13	0399353007	· DECAL (Chinese)	1		17515269~	
	0579300603	· DECAL (Russian)	1			
14	0359306700	· DECAL	1			
15	0579300015	· DECAL	1			
16	0329360060	· DECAL	1			
17	0329360100	· DECAL	1			
18	0359325190	· DECAL	1			
19	X *****	· DECAL	1			
20	X *****	· SCREW	8			
21	X *****	· DECAL	1			
22	0569349005	· DECAL (English)	1		17510003~17512104	
	0569349015	· DECAL (English)	1		17512105~	
	0569357001	· DECAL (English)	1		17513782~	manual
	0569349105	· DECAL (German)	1		17510003~17512104	
	0569349115	· DECAL (German)	1		17512105~	
	0569357101	· DECAL (German)	1		17513782~	manual
	0569349205	· DECAL (French)	1		17510003~17512104	
	0569349215	· DECAL (French)	1		17512105~	
	0569357201	· DECAL (French)	1		17513782~	manual
	0569349305	· DECAL (Italian)	1		17510003~17512104	
	0569349315	· DECAL (Italian)	1		17512105~	
	0569357301	· DECAL (Italian)	1		17513782~	manual
	0569349505	· DECAL (Spanish)	1		17510003~17512104	
	0569349515	· DECAL (Spanish)	1		17512105~	
	0569357501	· DECAL (Spanish)	1		17513782~	manual
	0569360622	· DECAL (Chinese)	1		17515269~	M
	0569357902	· DECAL (Russian)	1			
	0569358701	· DECAL (Russian)	1			manual
24	0569321910	· DECAL	1			
25	0569321940	· DECAL (English)	1			except
	0569327940	· DECAL (German)	1			except
	0569328940	· DECAL (French)	1			except
	0569329940	· DECAL (Italian)	1			except
	0569348200	· DECAL (Spanish)	1			except
	0579300605	· DECAL (Russian)	1			
26	0359317200	· DECAL	1			manual
28	0569321980	· DECAL (English)	1			
29	0359313700	· DECAL (English)	1			
	0359314700	· DECAL (German)	1			
	0359315700	· DECAL (French)	1			
	0359316700	· DECAL (Italian)	1			
	0339364500	· DECAL (Spanish)	1			
	0399353022	· DECAL (Chinese)	1		17515269~	
	0579300606	· DECAL (Russian)	1			
30	0569326400	· DECAL (English)	1			
	0569327400	· DECAL (German)	1			
	0569328400	· DECAL (French)	1			
	0569329400	· DECAL (Italian)	1			
	0569348400	· DECAL (Spanish)	1			
	0569355830	· DECAL (Chinese)	1		17515269~	
	0579300607	· DECAL (Russian)	1			
31	0569335060	· DECAL (English)	1			
	0569327800	· DECAL (German)	1			
	0569328800	· DECAL (French)	1			
	0569329800	· DECAL (Italian)	1			
	0569348500	· DECAL (Spanish)	1			
	0569355831	· DECAL (Chinese)	1		17515269~	
	0579300608	· DECAL (Russian)	1			
32	0359313900	· DECAL (U.S.TAKEUCHI)	1			
33	X *****	· DECAL	1			

TB175(P-TB175BAB) Book No. BL3Z010 S/N 17510003-
DECAL

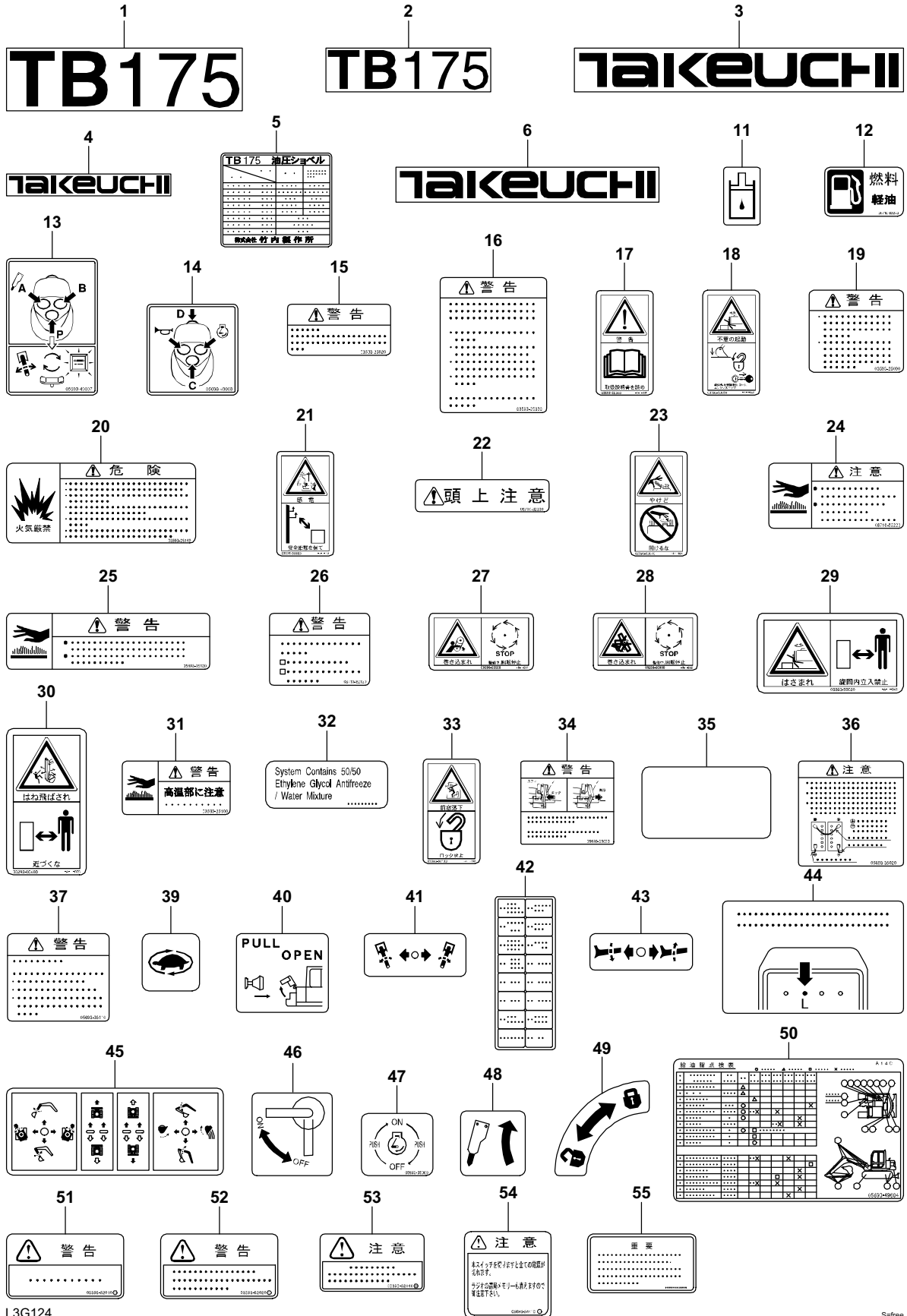


DECAL						
Item	Part number	Description	Q'ty	Chan.	Serial No.	Serv.
34	0399300400	• DECAL	1			
35	X *****	• DECAL (except for U.S. TAKEUCHI)	1		17510003~17512104	LWA98
	X *****	• DECAL (except for U.S. TAKEUCHI)	1		17512105~17514411	LWA10
	X *****	• DECAL (except for U.S. TAKEUCHI)	1		17514412~	LWA98
36	X *****	• DECAL (except for U.S. TAKEUCHI)	1		17510003~17512079	LPA80
38	0399300500	• DECAL	3			
39	0569349007	• DECAL	1			
40	0569349008	• DECAL	1			
41	0399305100	• DECAL	1			
42	0359347010	• DECAL (English)	1			except
	0339375210	• DECAL (German)	1			
	0339375410	• DECAL (French)	1			
	0339375610	• DECAL (Italian)	1			
	0339375810	• DECAL (Spanish)	1			
	0399353031	• DECAL (Chinese)	1		17515269~	
	0579300609	• DECAL (Russian)	1			
43	0359347020	• DECAL (English)	1			
	0339375220	• DECAL (German)	1			
	0339375420	• DECAL (French)	1			
	0339375620	• DECAL (Italian)	1			
	0339375820	• DECAL (Spanish)	1			
	0399353032	• DECAL (Chinese)	1		17515269~	
	0579300610	• DECAL (Russian)	1			
44	0339375040	• DECAL (English)	1			
	0339375240	• DECAL (German)	1			
	0339375440	• DECAL (French)	1			
	0339375640	• DECAL (Italian)	1			
	0339375840	• DECAL (Spanish)	1			
	0399353033	• DECAL (Chinese)	1		17515269~	
	0579300611	• DECAL (Russian)	1			
45	0379358560	• DECAL	2		17512105~	
46	0399351210	• DECAL	1		17512105~	
47	0569353810	• DECAL (English)	1		17512105~	
	0569353910	• DECAL (German)	1		17512105~	
	0569354010	• DECAL (French)	1		17512105~	
	0569354110	• DECAL (Italian)	1		17512105~	
	0569354310	• DECAL (Spanish)	1		17512105~	
	0569355847	• DECAL (Chinese)	1		17515269~	
	0569357903	• DECAL (Russian)	1			
48	0339376240	• DECAL (English)	1			
	0339376340	• DECAL (German)	1			
	0339379440	• DECAL (French)	1			
	0339379540	• DECAL (Italian)	1			
	0339379640	• DECAL (Spanish)	1			
	0399353740	• DECAL (Chinese)	1		17515269~	
	0579300613	• DECAL (Russian)	1			
49	X *****	• DECAL	1		17514910~	
50	0399357520	• DECAL (Chinese)	1			
	L3g231					

TB175(P-TB175BAB) Book No. BL3Z010 S/N 17510003-
 DECAL (for Japan)



TB175(P-TB175BAB) Book No. BL3Z010 S/N 17510003-
for Japan



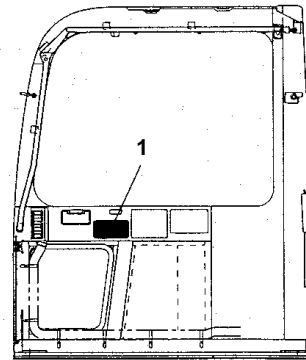
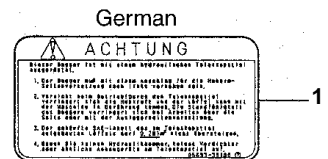
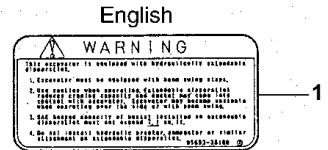
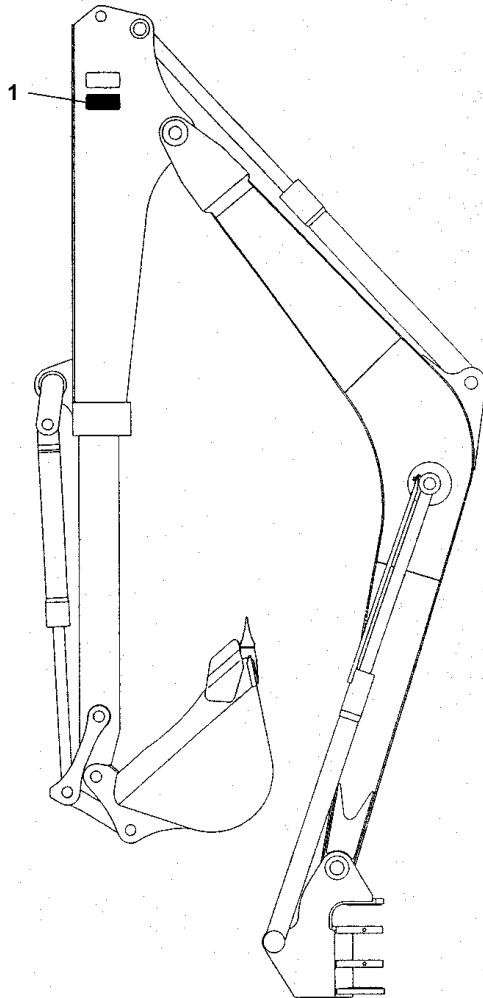
L3G124

S=free

DECAL (for Japan)

Item	Part number	Description	Q'ty	Chan.	Serial No.	Serv.	Remarks
0	0569349600	DECAL SET	1		17510003~17512104		
	0569354400	DECAL SET	1		17512105~		
	0569357600	DECAL SET (manual eng. cont.)	1		17513782~		
1	0569349001	· DECAL	1				
2	0569349002	· DECAL	2				
3	0569321300	· DECAL	2				
4	0569321400	· DECAL	1				
5	0569349601	· DECAL	1		17510003~17512104		
	0569354401	· DECAL	1		17512105~		
6	0399305100	· DECAL	1				
8	X *****	· DECAL	1				
9	X *****	· SCREW	4				
10	X *****	· DECAL	1				
11	0359306700	· DECAL	1				
12	0871082240	· DECAL	1				
13	0569349007	· DECAL	1				
14	0569349008	· DECAL	1				
15	0359325020	· DECAL	1				
16	0359325030	· DECAL	1				
17	0339350040	· DECAL	1				
18	0339350050	· DECAL	1				
19	0359325090	· DECAL	1				
20	0359325140	· DECAL	1				
21	0339350060	· DECAL	1				
22	0871082300	· DECAL	3				
23	0339350070	· DECAL	1				
24	0871082220	· DECAL	1				
25	0569335120	· DECAL	1				
26	0871082120	· DECAL	3				
27	0329360500	· DECAL	1				
28	0329360300	· DECAL	1				
29	0339350020	· DECAL	2				
30	0329360400	· DECAL	2				
31	0359325100	· DECAL	1				
32	0359313900	· DECAL	1				
33	0339350130	· DECAL	2				
34	0569335030	· DECAL	2				
35	0379358560	· DECAL	2		17514910~		
36	0569335020	· DECAL	1				
37	0569335110	· DECAL	1				
38	0359317200	· DECAL	1				manual eng. cont.
39	0569321910	· DECAL	1				
40	0569326400	· DECAL	1				
41	0329360060	· DECAL	1				
42	0569349605	· DECAL	1		17510003~17512103		
	0569349615	· DECAL	1		17512104~		
	0569357601	· DECAL	1		17513782~		manual eng. cont.
43	0359325190	· DECAL	1				
44	0569335050	· DECAL	1				
45	0569349006	· DECAL	1				
46	0399351210	· DECAL	1		17512105~		
47	0569335060	· DECAL	1				
48	0359325220	· DECAL	1				
49	0329360100	· DECAL	1				
50	0569349604	· DECAL	1				
51	0339352010	· DECAL	1				
52	0339352020	· DECAL	1				
53	0339352040	· DECAL	1				
54	0569354410	· DECAL	1		17512105~		
55	0339377640	· DECAL	1				

**TB175(P-TB175BAB) Book No. BL3Z010 S/N 17510003-
DECAL (telescopic arm)**



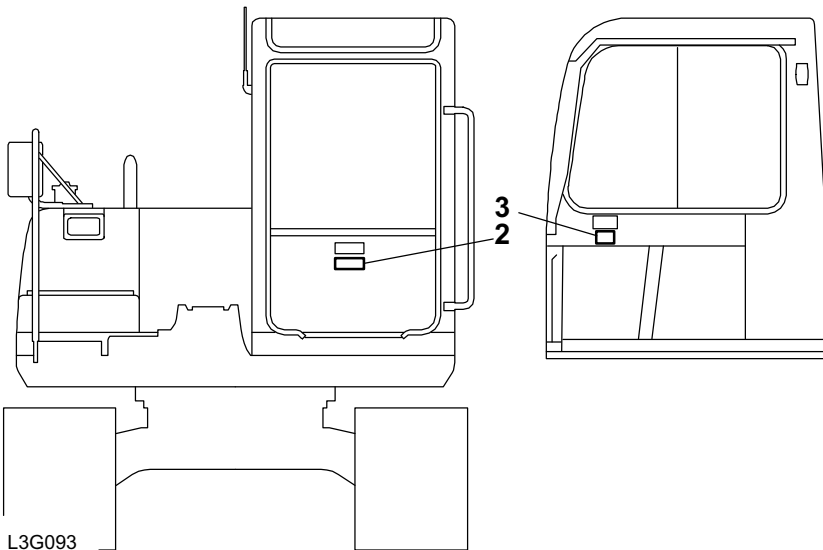
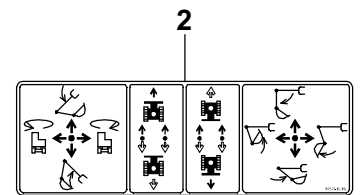
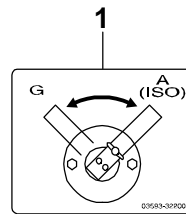
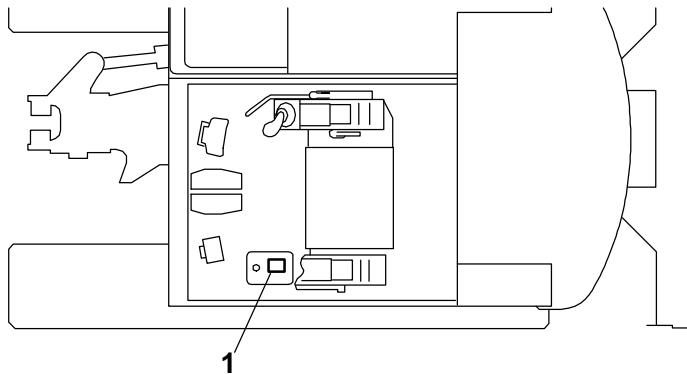
L3G080

S=free

DECAL (telescopic arm)

Item	Part number	Description	Q'ty	Chan.	Serial No.	Serv.	Remarks
0	0569338000	DECAL SET (English)	1				
	0569339000	DECAL SET (German)	1				
1	0359338100	· DECAL (English)	2				
	0359339100	· DECAL (German)	2				
	L3g080						

**TB175(P-TB175BAB) Book No. BL3Z010 S/N 17510003-
DECAL (selector valve)**



(English)



(French)



(German)



(Italian)

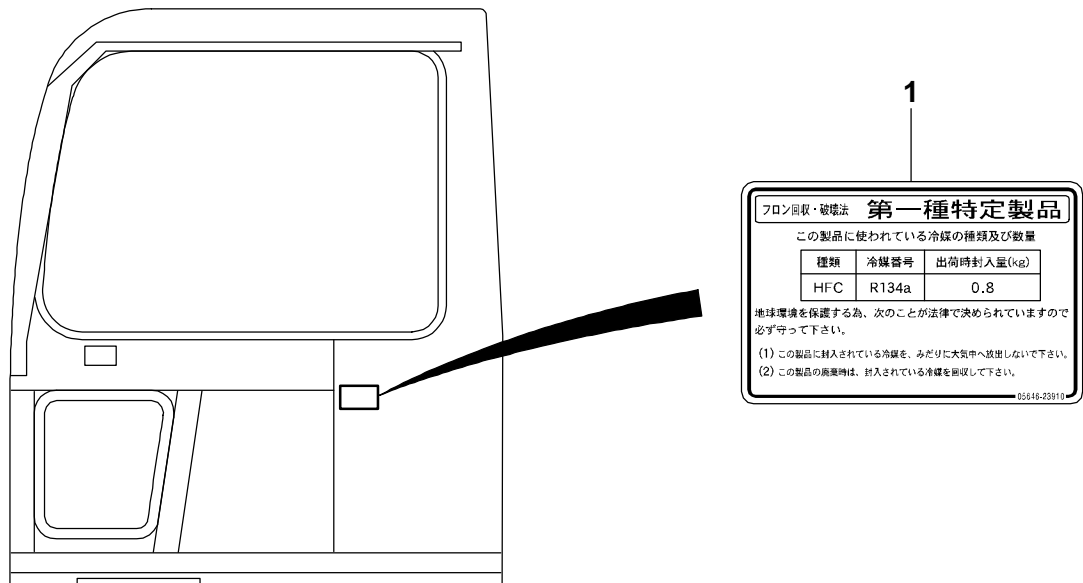


(Spanish)

S=FREE

DECAL (selector valve)						
Item	Part number	Description	Q'ty	Chan.	Serial No.	Serv. Remarks
0	0569349700	DECAL SET (English)	1			
	0569349800	DECAL SET (German)	1			
	0569356000	DECAL SET (Spanish)	1			
	0569361300	DECAL SET (French)	1			
	0569361400	DECAL SET (Italian)	1			
1	0359332200	· DECAL	1			ISO-JCB
2	0569349702	· DECAL	1			JCB
3	0359332300	· DECAL (English)	1			
	0359332400	· DECAL (German)	1			
	0329364020	· DECAL (Spanish)	1			
	0399361101	· DECAL (French)	1			
	0399361201	· DECAL (Italian)	1			
	L3g093					

TB175(P-TB175BAB) Book No. BL3Z010 S/N 17510003-
DECAL (air conditioner)



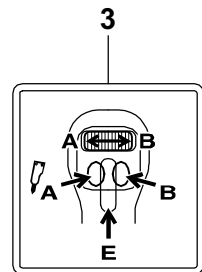
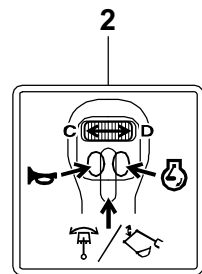
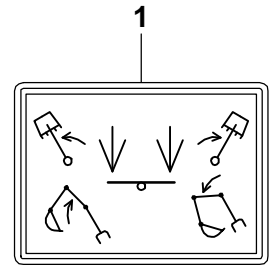
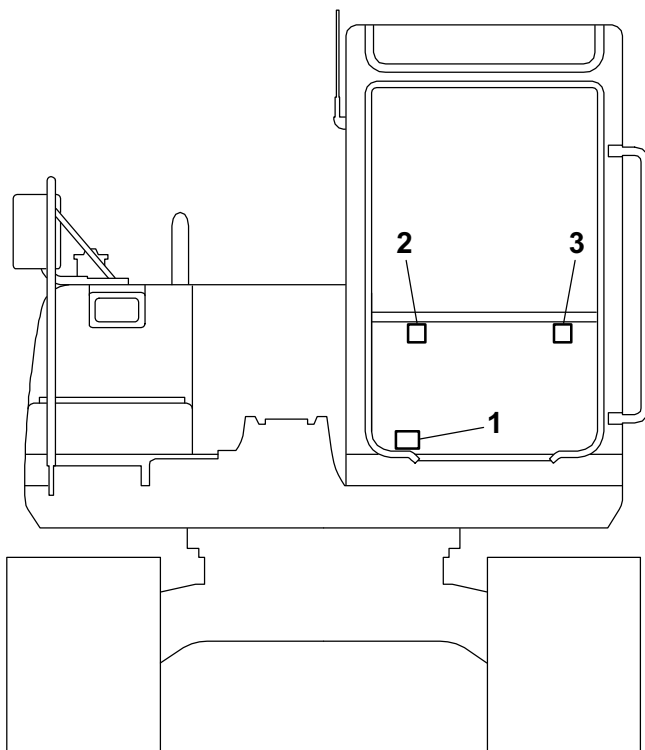
L3G130

S=FREE

DECAL (air conditioner)

Item	Part number	Description	Q'ty	Chan.	Serial No.	Serv.	Remarks
0	0569348600	DECAL SET	1				
1	0564623910 L3g130	· DECAL	1				

TB175(P-TB175BAB) Book No. BL3Z010 S/N 17510003-
DECAL (2-piece boom)



L3G140

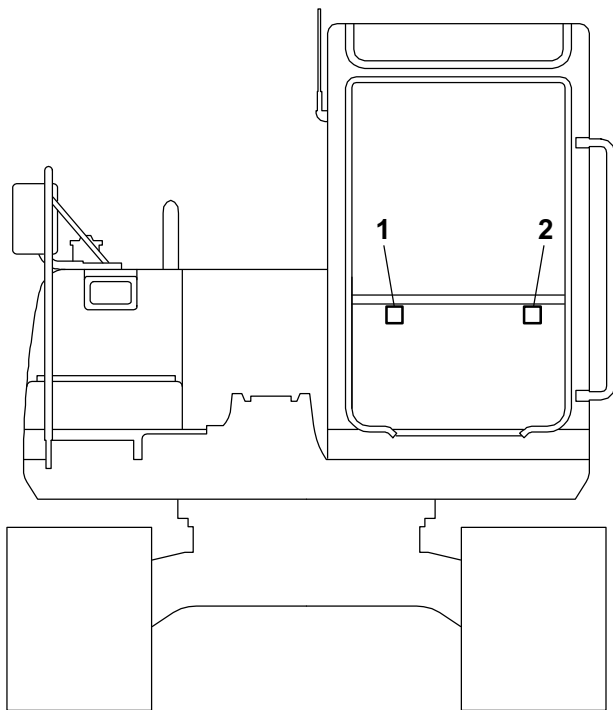
S=FREE

DECAL (2-piece boom)

Item	Part number	Description	Q'ty	Chan.	Serial No.	Serv.	Remarks
0	0569349900	DECAL SET	1				
1	0569349910	· DECAL	1				
2	0569353035	· DECAL	1				
3	0569353036	· DECAL	1				

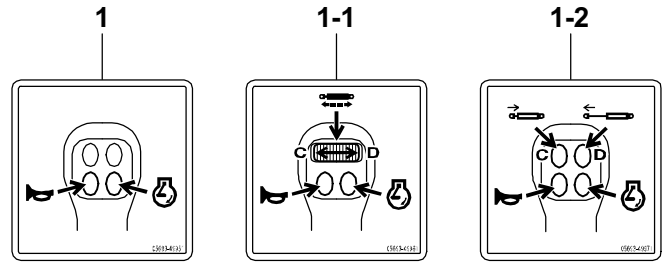
L3g140

TB175(P-TB175BAB) Book No. BL3Z010 S/N 17510003-
DECAL (auxiliary line)

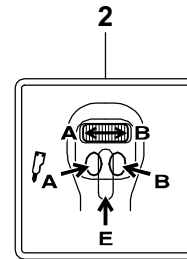


L3G150

FOR RIGHT OPERATION LEVER



FOR LEFT OPERATION LEVER

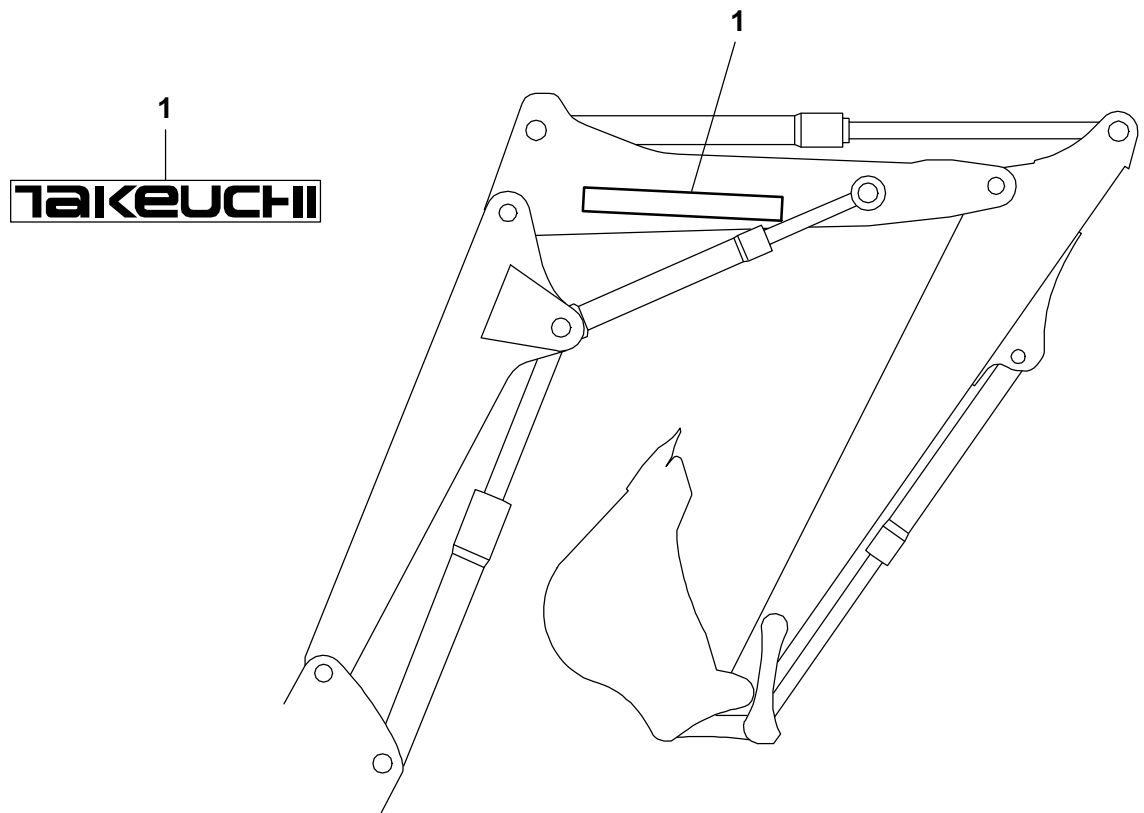


S=FREE

DECAL (auxiliary line)

Item	Part number	Description	Q'ty	Chan.	Serial No.	Serv.	Remarks
0		DECAL SET	1				
		DECAL SET	1				
		DECAL SET	1				
1	0569349951	· DECAL	1				
1-1	0569349961	· DECAL	1				
1-2	0569349971	· DECAL	1				
2	0569353036	· DECAL	1				
	L3g150						

TB175(P-TB175BAB) Book No. BL3Z010 S/N 17510003-
DECAL (4th auxiliary line)



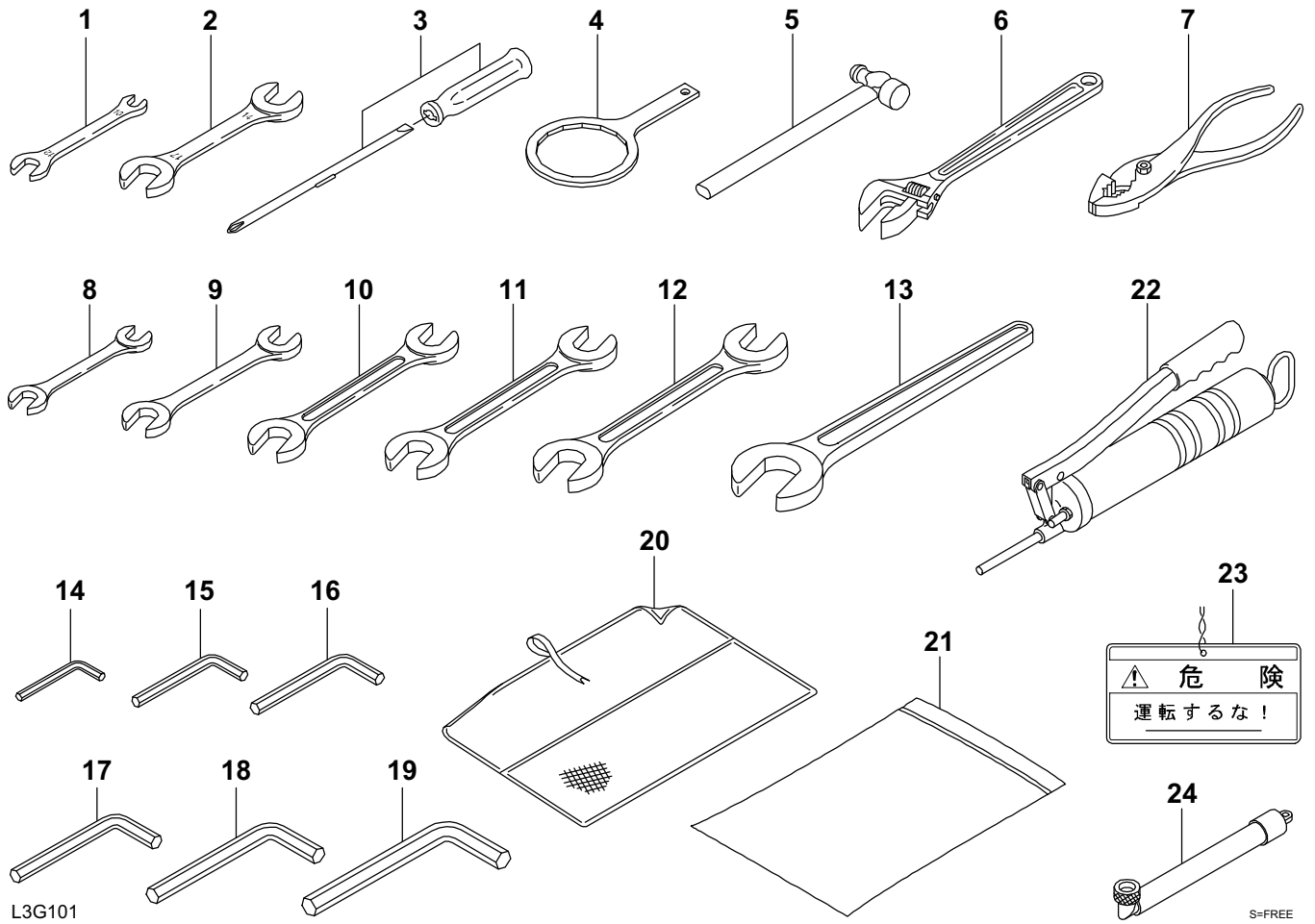
L3G170

S=FREE

DECAL (4th auxiliary line)

Item	Part number	Description	Q'ty	Chan.	Serial No.	Serv.	Remarks
0	0569359000	DECAL SET	1				
	0569359100	DECAL SET (2-piece boom)	1				
1	0399305100	· DECAL	2				
	L3g170						

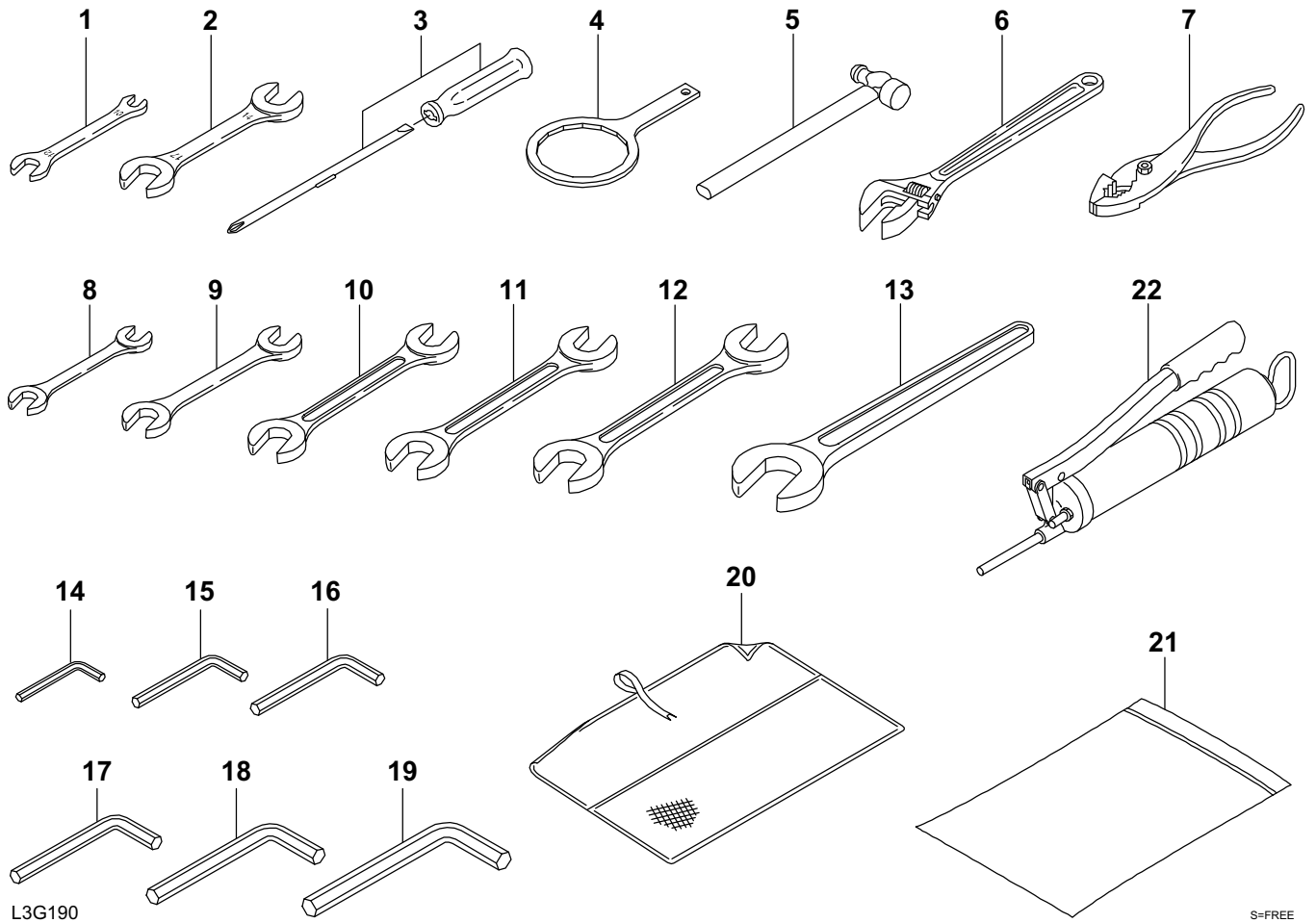
TB175(P-TB175BAB) Book No. BL3Z010 S/N 17510003-
TOOL & ACCESSORIES



TOOL & ACCESSORIES

Item	Part number	Description	Q'ty	Chan.	Serial No.	Serv.	Remarks
		TOOL SET	1				
		TOOL SET (for JAPAN)	1				
0-1	0569218050	TOOL ASSY	1				
1	1910047081	· SPANNER	1				Y28110-100120
2	1910047082	· SPANNER	1				Y28110-140170
3	1910006112	· SCREWDRIVER	1				Y104200-92350
4	1910065081	· WRENCH, filter	1				Y119640-92750
5	1690300330	· HAMMER	1				
6	1690400250	· WRENCH, monkey	1				
7	1690500200	· PLIER	1				
8	1690001013	· SPANNER	1				
9	1690001922	· SPANNER	1				
10	1690002427	· SPANNER	1				
11	1690002730	· SPANNER	1				
12	1690003236	· SPANNER	1				
13	1690100041	· SPANNER	1				
14	1690600250	· WRENCH, hex	1				
15	1690600500	· WRENCH, hex	1				
16	1690600600	· WRENCH, hex	1				
17	1690600800	· WRENCH, hex	1				
18	1690601000	· WRENCH, hex	1				
19	1690601200	· WRENCH, hex	1				
20	1691400001	· CASE, tool	1				
21	1691900001	· CASE	1				
22	1691060600	GUN, grease	1				
	1691010800	GUN, grease	1				for JAPAN
23	0359325160	PLATE	1				for JAPAN
24	1554512601	TUBE	1				
	L3g100						

TB175(P-TB175BAB) Book No. BL3Z010 S/N 17510003-
TOOL & ACCESSORIES (1/2) (for China)



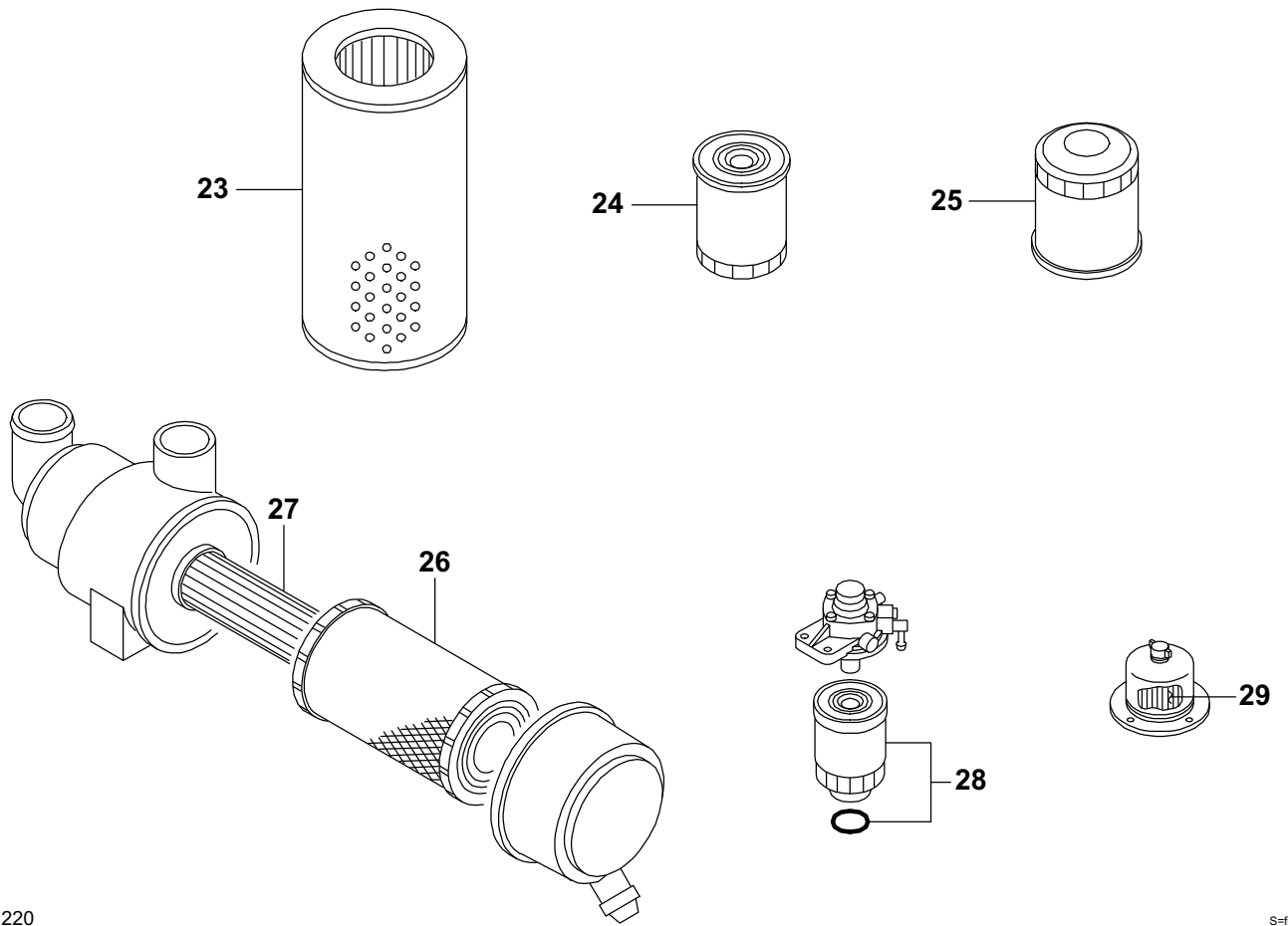
L3G190

S=FREE

TOOL & ACCESSORIES (1/2) (for China)

Item	Part number	Description	Q'ty	Chan.	Serial No.	Serv.	Remarks
		TOOL SET	1				
0-1	0569218050	TOOL ASSY	1				
1	1910047081	· SPANNER	1				Y28110-100120
2	1910047082	· SPANNER	1				Y28110-140170
3	1910006112	· SCREWDRIVER	1				Y104200-92350
4	1910065081	· WRENCH, filter	1				Y119640-92750
5	1690300330	· HAMMER	1				
6	1690400250	· WRENCH, monkey	1				
7	1690500200	· PLIER	1				
8	1690001013	· SPANNER	1				
9	1690001922	· SPANNER	1				
10	1690002427	· SPANNER	1				
11	1690002730	· SPANNER	1				
12	1690003236	· SPANNER	1				
13	1690100041	· SPANNER	1				
14	1690600250	· WRENCH, hex	1				
15	1690600500	· WRENCH, hex	1				
16	1690600600	· WRENCH, hex	1				
17	1690600800	· WRENCH, hex	1				
18	1690601000	· WRENCH, hex	1				
19	1690601200	· WRENCH, hex	1				
20	1691400001	· CASE, tool	1				
21	1691900001	· CASE	1				
22	1691060600	GUN, grease	1				
	L3g191						

TB175(P-TB175BAB) Book No. BL3Z010 S/N 17510003-
TOOL & ACCESSORIES (2/2) (for China)







L3G220

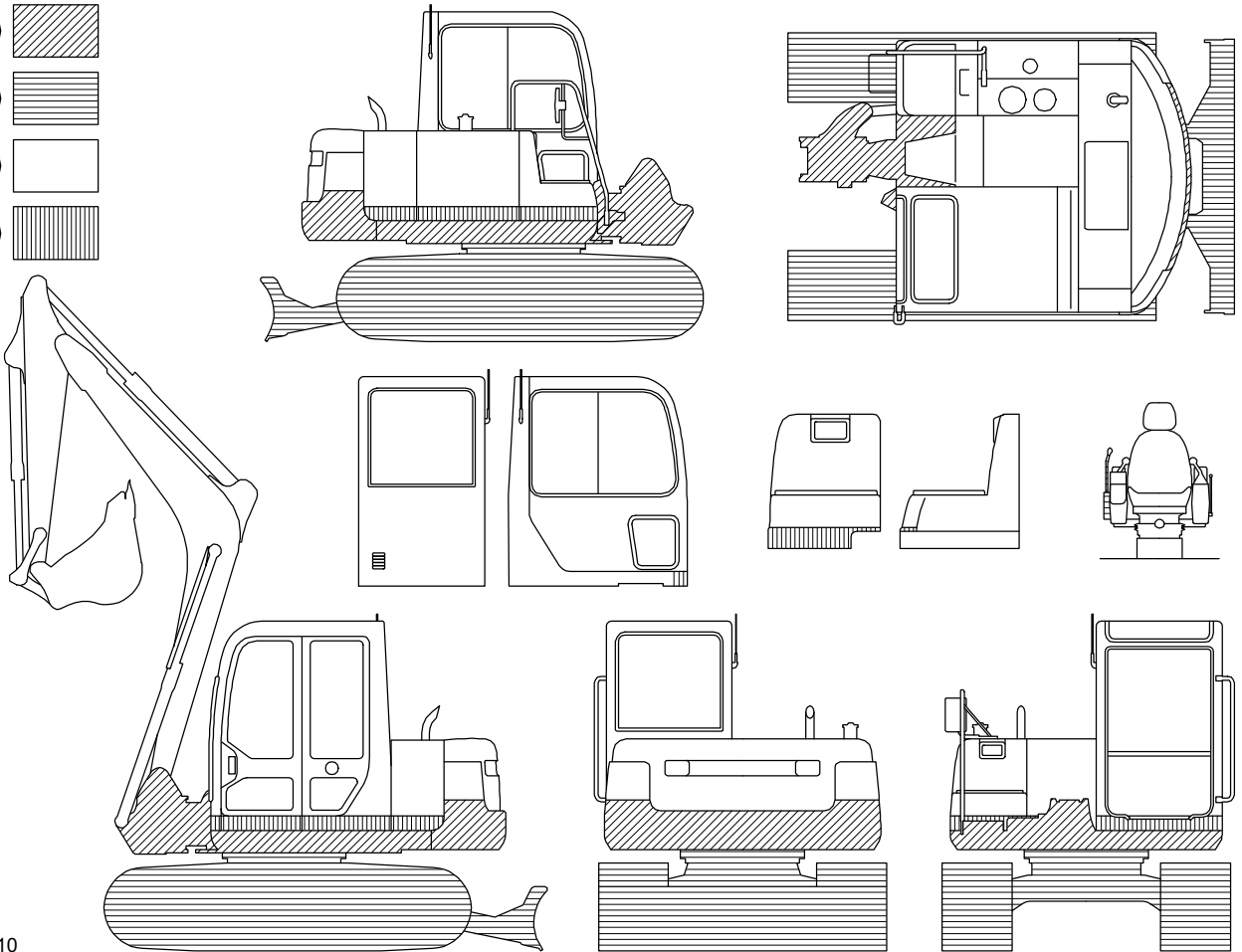
S-free

TOOL & ACCESSORIES (2/2) (for China)

Item	Part number	Description	Q'ty	Chan.	Serial No.	Serv.	Remarks
		TOOL SET	1				
23	1551102600	FILTER, return	5				
24	1990197054	FILTER, fuel	8				
25	1990197055	FILTER, engine oil	9				
26	1910146008	AIR FILTER, outer	4				Y129062-12560
27	1911107692	AIR FILTER, inner	4			M	Y119005-12571
28	1910145032	ELEMENT, water separator	4				Y129901-55850
29	1552000902	ELEMENT, air breather	2				
	L3g221						

TB175(P-TB175BAB) Book No. BL3Z010 S/N 17510003-
PAINTED COLOR

- ① 
- ② 
- ③ 
- ⑨ 



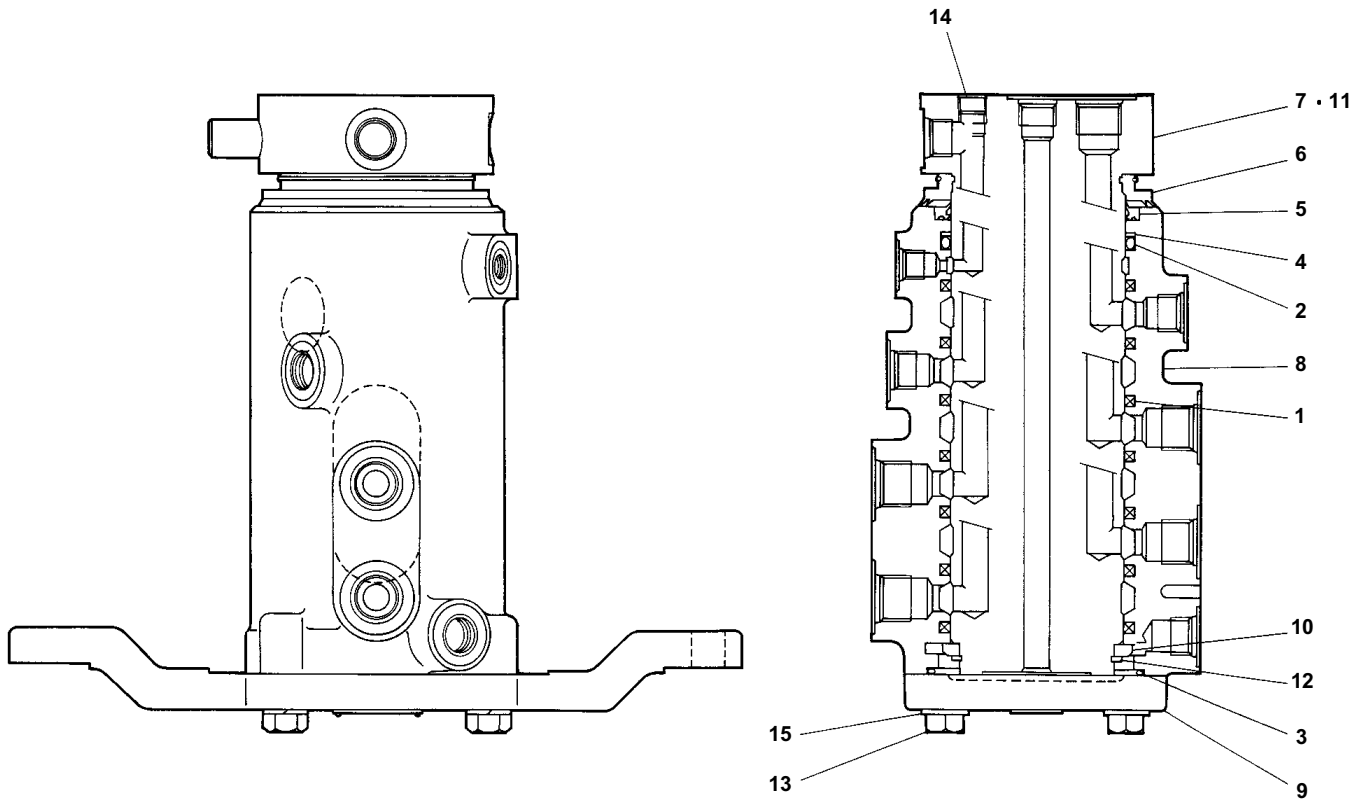
L3G110

S=1/FREE

PAINTED COLOR

Item	Part number	Description	Q'ty	Chan.	Serial No.	Serv.	Remarks
		PAINTED COLOR					
		PAINTED COLOR					
1	1919060105	RED	1				
	1919069105	RED	1				spray
2	1919060144	GRAY	1				
	1919069144	GRAY	1				spray
3	1919060142	LIGHT GRAY	1				
	1919069142	LIGHT GRAY	1				spray
5	1919060090	ORANGE YELLOW	1				FITTING,grease
9	1919060158	SILVER GRAY	1				
	1919069158	SILVER GRAY	1				spray
	L3g110						

TB175(P-TB175BAB) Book No. BL3Z010 S/N 17510003-
SWIVEL JOINT



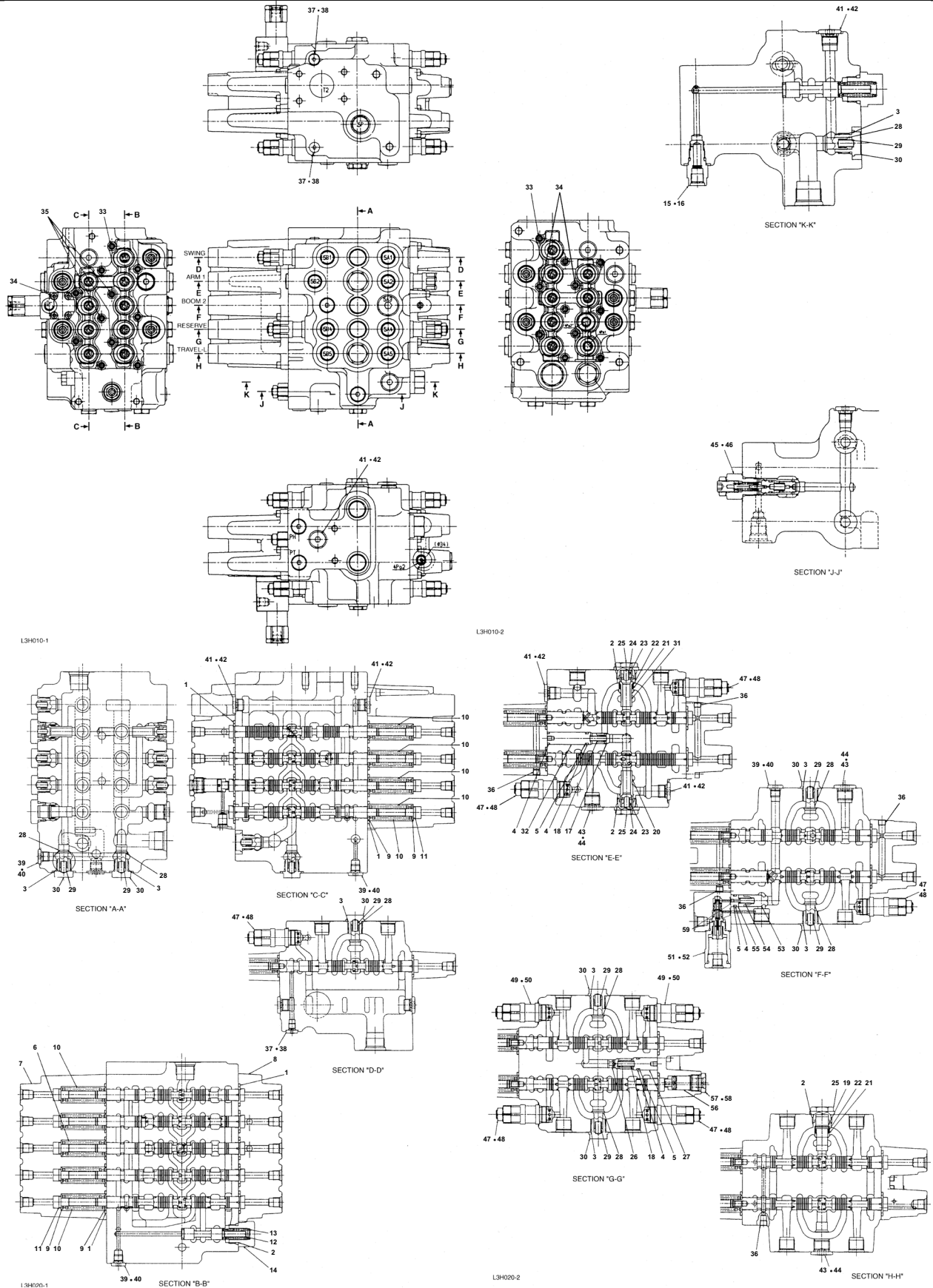
L2H010

S=FREE

SWIVEL JOINT

Item	Part number	Description	Q'ty	Chan.	Serial No.	Serv.	Remarks
0	1904008000	JOINT, swivel	1				
0-1	1904008099	· KIT, seal	1				
1	X 1904008006	· · SEAL	7				
2	X 1420010800	· · O-RING	1				
3	X 1420110950	· · O-RING	1				
4	X 1421030800	· · RING, back-up	1				
5	X 1904000494	· · SEAL, dust	1				
6	X 1904002391	· · SEAL, dust	1				
7	1904007401	· SHAFT	1				
8	1904007402	· HUBE	1				
9	1904003621	· FRANGE	1				
10	1904003691	· SPACER	1				
11	1904007405	· PIN	1				
12	1220000072	· RING, snap	1				
13	1100051030	· BOLT	4				
14	1501810002	· PLUG	3				
15	1140010010	· WASHER, spring	4				
	L2h010						

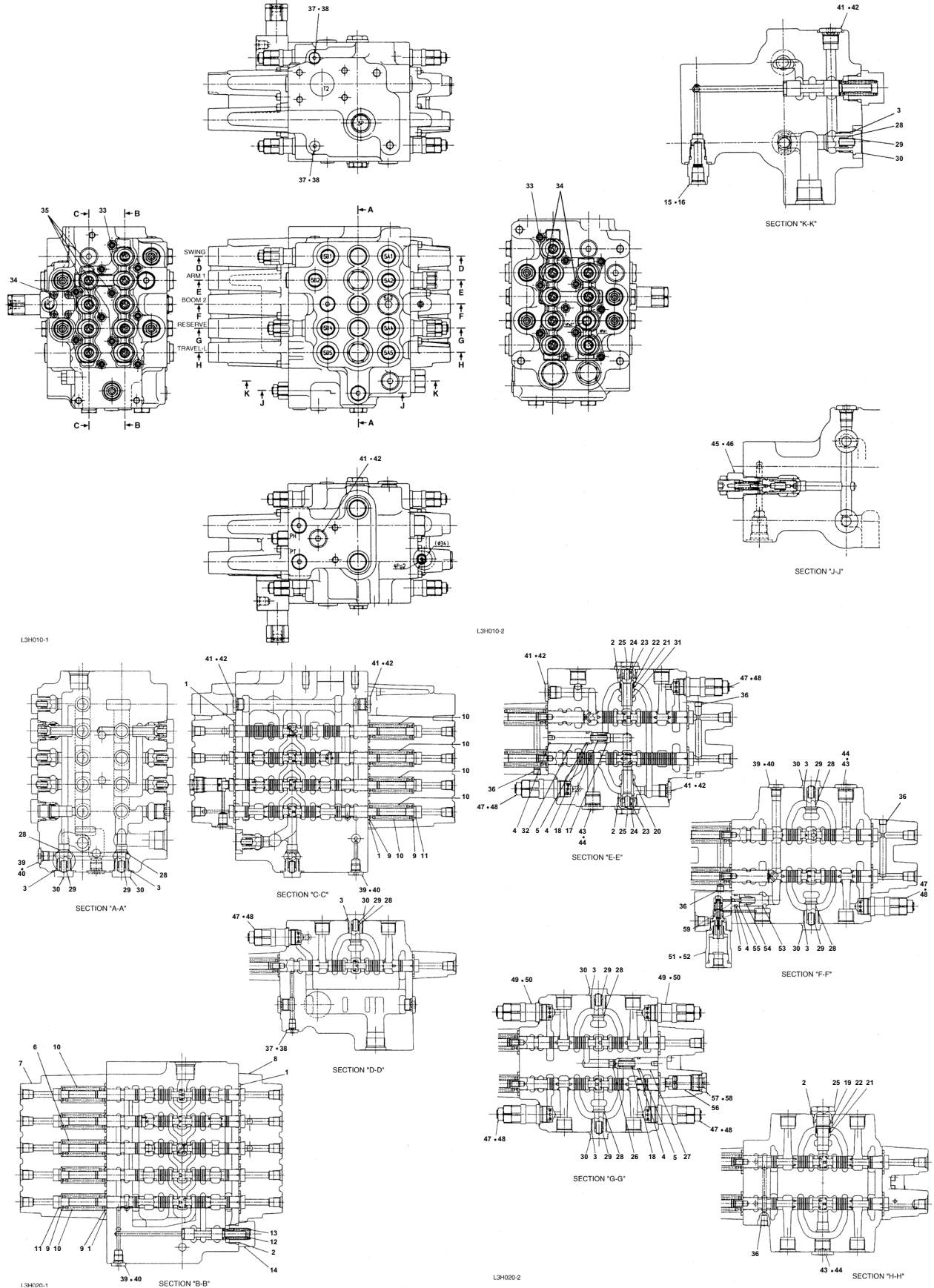
**TB175(P-TB175BAB) Book No. BL3Z010 S/N 17510003-
CONTROL VALVE 1 (17510003-17510626)**



CONTROL VALVE 1 (17510003-17510626)

Item	Part number	Description	Q'ty	Chan.	Serial No.	Serv.	Remarks
0	1901037800	VALVE ASSY, control	1				
0-1	1901037899	· KIT, seal	1				
1	X 1420000260	· · O-RING	18				
2	X 1420010240	· · O-RING	4				
3	X 1420010180	· · O-RING	8				
4	X 1420000125	· · O-RING	4				
5	X 1421020125	· · RING, back-up	3				
6	1901037856	· SPRING	1				
7	1901037866	· COVER	1				
8	1901037867	· COVER	1				
9	1901029754	· HOLDER, spring	18				
10	1901031857	· SPRING	8				
11	1901036631	· END, spool	9				
12	1901037826	· SHUTTLE	1				
13	1901031858	· SPRING	1				
14	1901036671	· PLUG	1				
15	1901036672	· PLUG ASSY	1				
16	1420010140	· · O-RING	1				
17	1901031864	· POPPET	1				
18	1901031860	· SPRING	2				
19	1901036673	· SLEEVE	1				
20	1901031896	· SLEEVE	1				
21	1901031866	· POPPET	2				
22	1901031859	· SPRING	2				
23	1901025467	· POPPET	2				
24	1901034239	· SPRING	2				
25	1901036674	· PLUG	3				
26	1901031867	· POPPET	1				
27	1901031897	· PLUG	1				
28	1901036626	· POPPET	8				
29	1901031853	· SPRING	8				
30	1901036675	· PLUG	8				
31	1901031875	· SLEEVE	1				
32	1901036676	· PLUG	1				
33	1110020620	· SCREW, cap	17				
34	1110020632	· SCREW, cap	6				
35	1110020650	· SCREW, cap	3				
36	1903008232	· PLUG	5				
37	1901036677	· PLUG ASSY	3				
38	1420010080	· · O-RING	1				
39	1901036573	· PLUG ASSY	4				
40	1420010110	· · O-RING	1				
41	1901036678	· PLUG ASSY	6				
42	1420010140	· O-RING	1				
43	1901036572	· PLUG ASSY	3				
44	1420010180	· · O-RING	1				
45	1901037821	· VLVE, relief	1				
46	1901025481	· · O-RING	1				
47	1901037822	· VLVE, relief	6				
48	1901025482	· · O-RING	1				
49	1901037823	· VLVE, relief	2				
50	1901025482	· · O-RING	1				
51	1901037824	· VALVE, anti-drift	1				
52	1420310910	· · O-RING	1				
53	1901037827	· POPPET	1				
54	1901037857	· SPRING	1				
55	1901036641	· SPACER	1				
56	1901037871	· PISTON	1				
57	1901037872	· PLUG	1				
58	1420310910	· · O-RING	1				

TB175(P-TB175BAB) Book No. BL3Z010 S/N 17510003-
CONTROL VALVE 1 (17510003-17510626)



CONTROL VALVE 1 (17510003-17510626)

Item	Part number	Description	Q'ty	Chan.	Serial No.	Serv.	Remarks
59	1420010070 L3h010	· O-RING	2				

CONTROL VALVE 1 (17510627-)

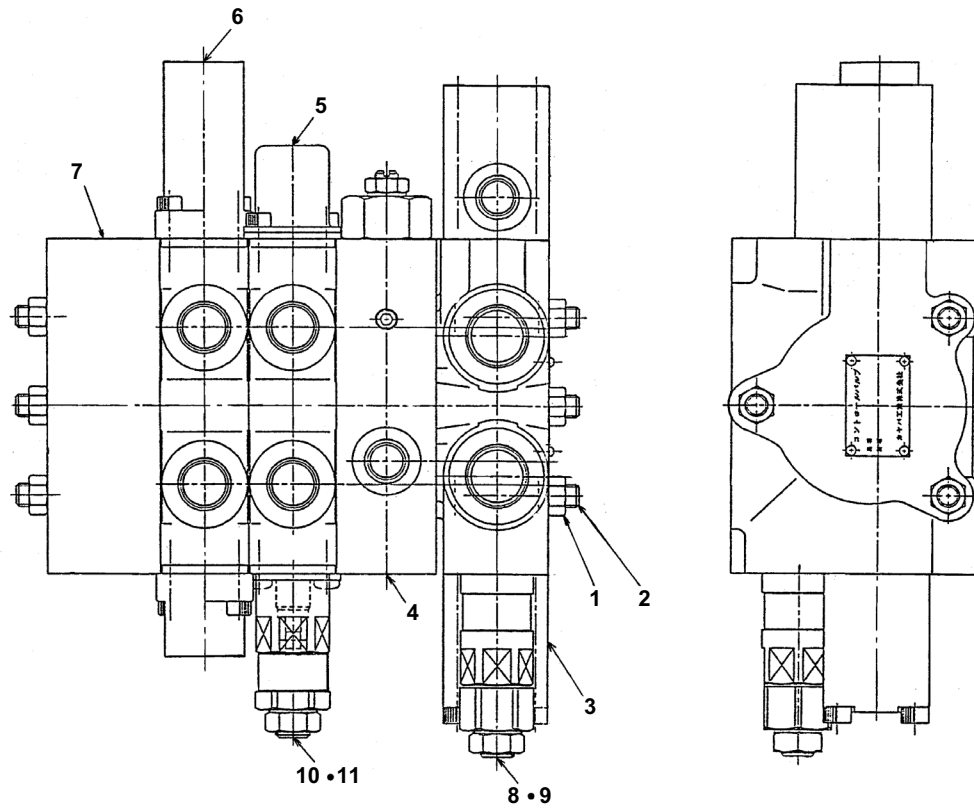
Item	Part number	Description	Q'ty	Chan.	Serial No.	Serv.	Remarks
0	1901040700	VALVE ASSY, control	1				
0-1	1901037899	· KIT, seal	1				
1	X 1420000260	· · O-RING	18				
2	X 1420010240	· · O-RING	4				
3	X 1420010180	· · O-RING	8				
4	X 1420000125	· · O-RING	4				
5	X 1421020125	· · RING, back-up	3				
6	1901037856	· SPRING	1				
7	1901037866	· COVER	1				
8	1901037867	· COVER	1				
9	1901029754	· HOLDER, spring	18				
10	1901031857	· SPRING	8				
11	1901036631	· END, spool	9				
12	1901037826	· SHUTTLE	1				
13	1901031858	· SPRING	1				
14	1901036671	· PLUG	1				
15	1901036672	· PLUG ASSY	1				
16	1420010140	· · O-RING	1				
17	1901031864	· POPPET	1				
18	1901031860	· SPRING	2				
19	1901036673	· SLEEVE	1				
20	1901031896	· SLEEVE	1				
21	1901031866	· POPPET	2				
22	1901031859	· SPRING	2				
23	1901025467	· POPPET	2				
24	1901034239	· SPRING	2				
25	1901036674	· PLUG	3				
26	1901031867	· POPPET	1				
27	1901031897	· PLUG	1				
28	1901036626	· POPPET	7				
29	1901031853	· SPRING	7				
30	1901036675	· PLUG	7				
31	1901031875	· SLEEVE	1				
32	1901036676	· PLUG	1				
33	1110020620	· SCREW, cap	17				
34	1110020632	· SCREW, cap	2				
35	1110020650	· SCREW, cap	3				
36	1903008232	· PLUG	5				
37	1901036677	· PLUG ASSY	3				
38	1420010080	· · O-RING	1				
39	1901036573	· PLUG ASSY	4				
40	1420010110	· · O-RING	1				
41	1901036678	· PLUG ASSY	7				
42	1420010140	· · O-RING	1				
43	1901036572	· PLUG ASSY	3				
44	1420010180	· · O-RING	1				
45	1901040722	· VALVE, relief	1				
46	1901025481	· · O-RING	1				
47	1901037822	· VALVE, relief	6				
48	1901025482	· · O-RING	1				
49	1110020640	· SCREW, cap	4				
50	1901040724	· VALVE, anti-drift	1				
51	1420310910	· · O-RING	1				
52	1901037827	· POPPET	1				
53	1901037857	· SPRING	1				
54	1901037823	· VALVE, relief	2				
55	1901025482	· · O-RING	1				
56	1901036641	· SPACER	1				
57	1901037871	· PISTON	1				
58	1901037872	· PLUG	1				

CONTROL VALVE 1 (17510627-)

Item	Part number	Description	Q'ty	Chan.	Serial No.	Serv.	Remarks
59	1420310910	· · O-RING	1				
60	1901040727	· POPPET	1				
61	1901040757	· SPRING	1				
62	1901040772	· PLUG	1				
63	1420010070	· O-RING	2				

L3h012

TB175(P-TB175BAB) Book No. BL3Z010 S/N 17510003-
CONTROL VALVE 2 (17510003-17514411)



L3H030

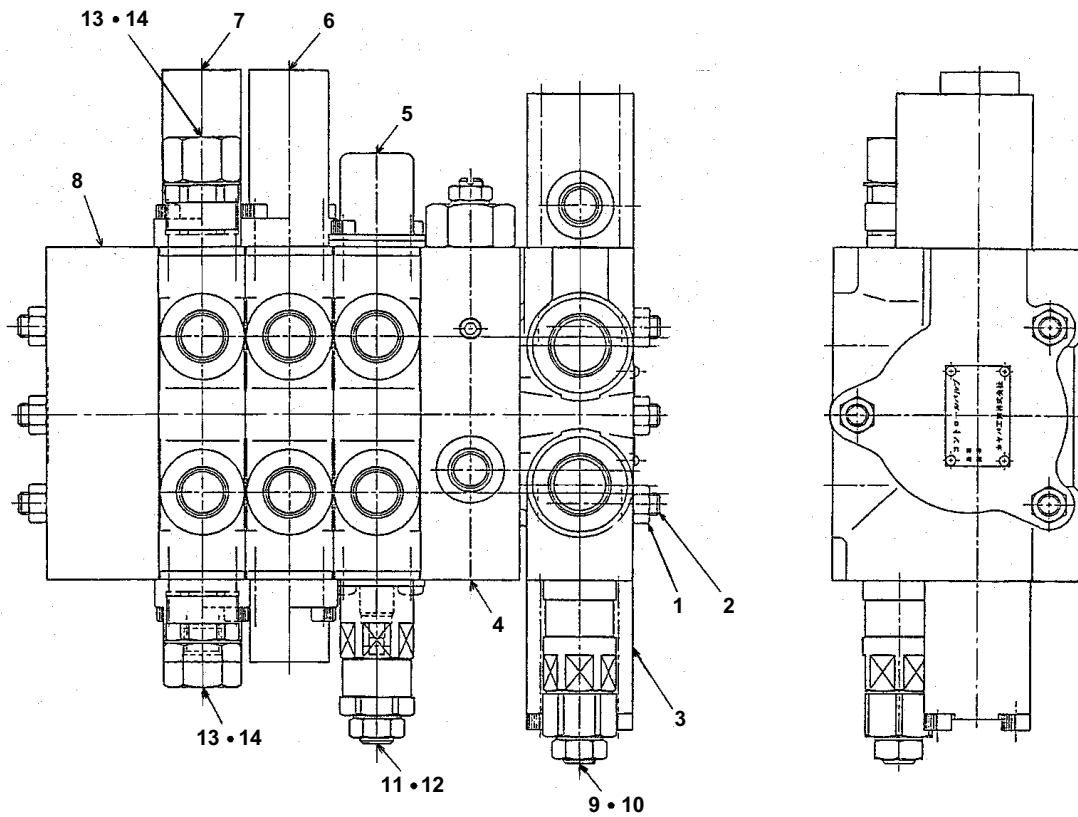
S=FREE

CONTROL VALVE 2 (17510003-17514411)

Item	Part number	Description	Q'ty	Chan.	Serial No.	Serv.	Remarks
0	1901039100	VALVE ASSY, control	1				
1	1901034907	· NUT	6				
2	1901039107	· BOLT	3				
3	1901039003	· HOUSING, inlet	1				
4	1901039002	· HOUSING, middle	1				
5	1901039017	· BLOCK ASSY, NO.1	1				blade
6	1901039014	· BLOCK ASSY, NO.2	1				slew
7	1901039004	· HOUSING, outlet	1				
8	1901039124	· VALVE ASSY	1				relief
9	1901025482	· · O-RING	1				
10	1901031922	· VALVE ASSY	1				over load
11	1901025482	· · O-RING	1				

L3h032

TB175(P-TB175BAB) Book No. BL3Z010 S/N 17510003-
CONTROL VALVE 2 (with the 2nd auxiliary line; 17510003-17514411)
(17514412-)



L3H040

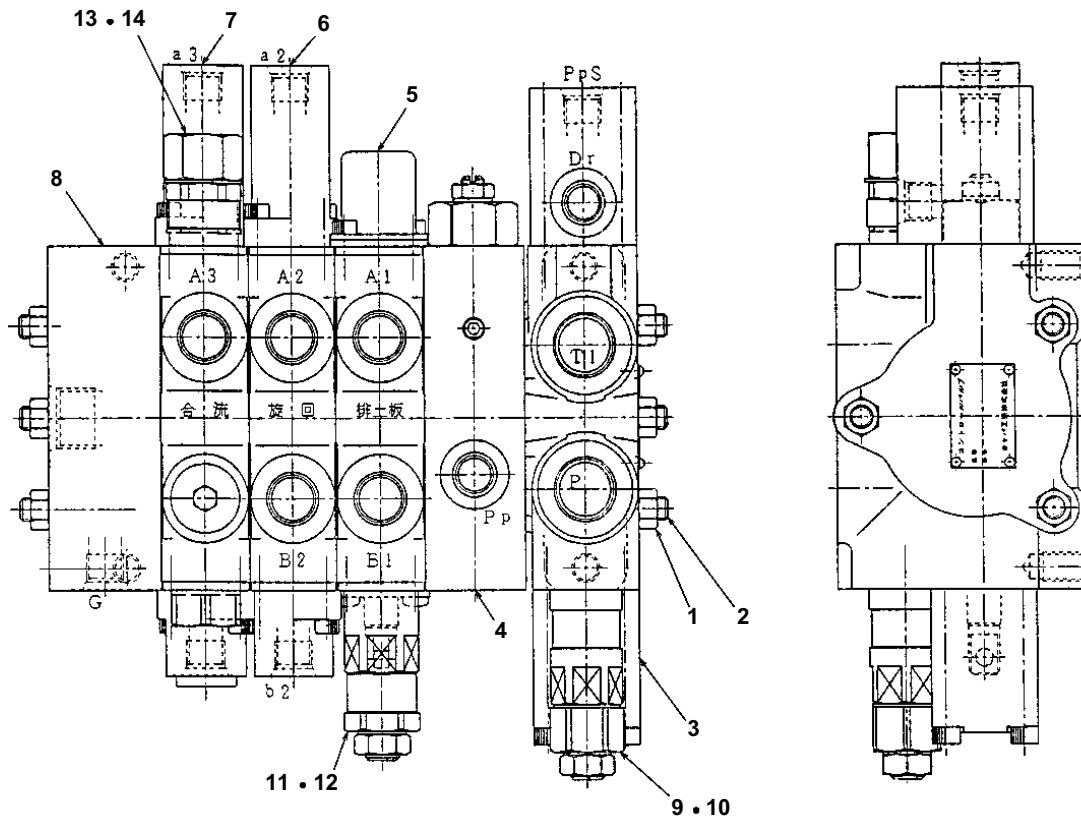
S-FREE

CONTROL VALVE 2 (with the 2nd auxiliary line; 17510003-17514411) (17514412-)

Item	Part number	Description	Q'ty	Chan.	Serial No.	Serv.	Remarks
0	1901039000	VALVE ASSY, control	1		17510003~17514411		with 2nd aux. line
	1901043800	VALVE ASSY, control	1	(H)	17514412~		
1	1901034907	· NUT	6				
2	1901039007	· BOLT	3				
3	1901039003	· HOUSING, inlet	1				
4	1901039002	· HOUSING, middle	1				
5	1901039017	· BLOCK ASSY, NO.1	1				blade
6	1901039014	· BLOCK ASSY, NO.2	1				slew
7	1901039019	· BLOCK ASSY, NO.3	1				service
8	1901039004	· HOUSING, outlet	1		17510003~17514411		w.s.a. line
	1901043808	· HOUSING, outlet	1	(H)	17514412~		
9	1901039124	· VALVE ASSY	1				relief
10	1901025482	· · O-RING	1				
11	1901031922	· VALVE ASSY	1				over load
12	1901025482	· · O-RING	1				
13	1901035623	· VALVE ASSY	2				over load
14	1901025482	· · O-RING	1				

L3h043

TB175(P-TB175BAB) Book No. BL3Z010 S/N 17510003-
CONTROL VALVE 2 (high flow)



L3H330

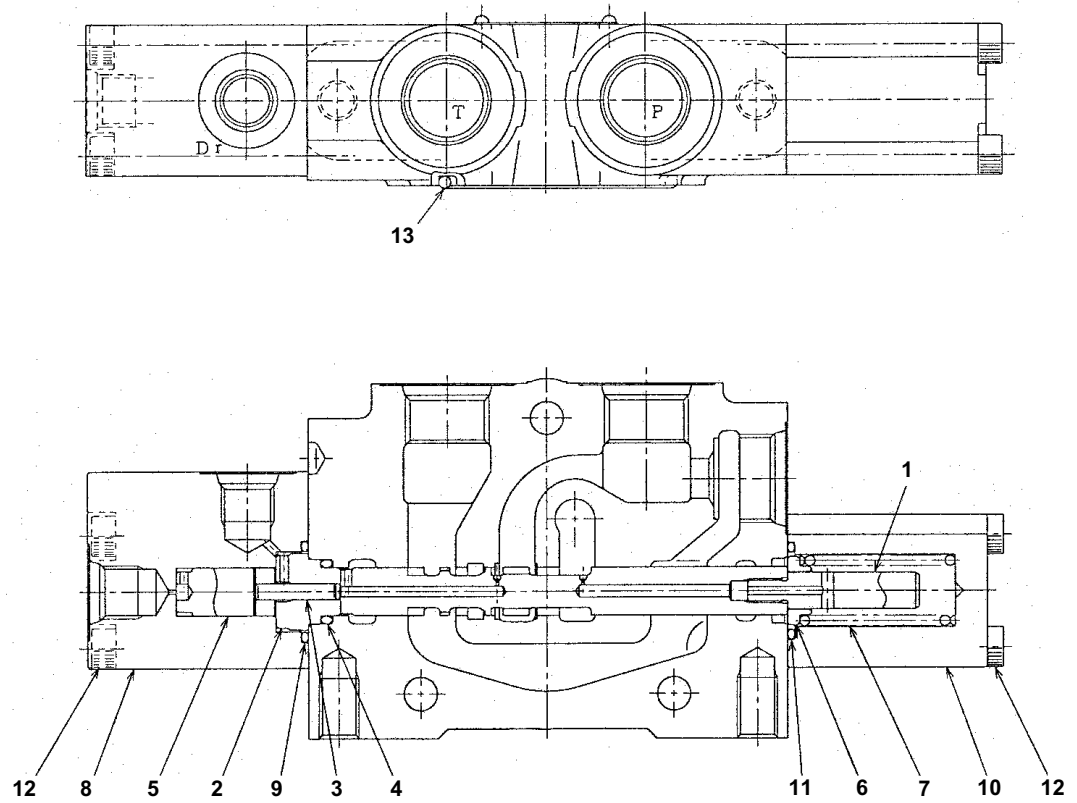
S=FREE

CONTROL VALVE 2 (high flow)

Item	Part number	Description	Q'ty	Chan.	Serial No.	Serv.	Remarks
0	1901040800	VALVE ASSY, control	1		17510003~17514411		high flow
	1901043900	VALVE ASSY, control	1	(H)	17514412~		high flow
1	1901034907	· NUT	6				
2	1901039007	· BOLT	3				
3	1901039003	· HOUSING, inlet	1				
4	1901039002	· HOUSING, middle	1				
5	1901039017	· BLOCK ASSY, NO.1	1				blade
6	1901039014	· BLOCK ASSY, NO.2	1				slew
7	1901040819	· BLOCK ASSY, NO.3	1				merge
8	1901039004	· HOUSING, outlet	1		17510003~17514411		
	1901043808	· HOUSING, outlet	1	(H)	17514412~		
9	1901039124	· VALVE ASSY	1				relief
10	1901025482	· · O-RING	1				
11	1901031922	· VALVE ASSY	1				over load
12	1901025482	· · O-RING	1				
13	1901035623	· VALVE ASSY	1				over load
14	1901025482	· · O-RING	1				

L3h332

TB175(P-TB175BAB) Book No. BL3Z010 S/N 17510003-
INLET HOUSING ASSY



L3H050

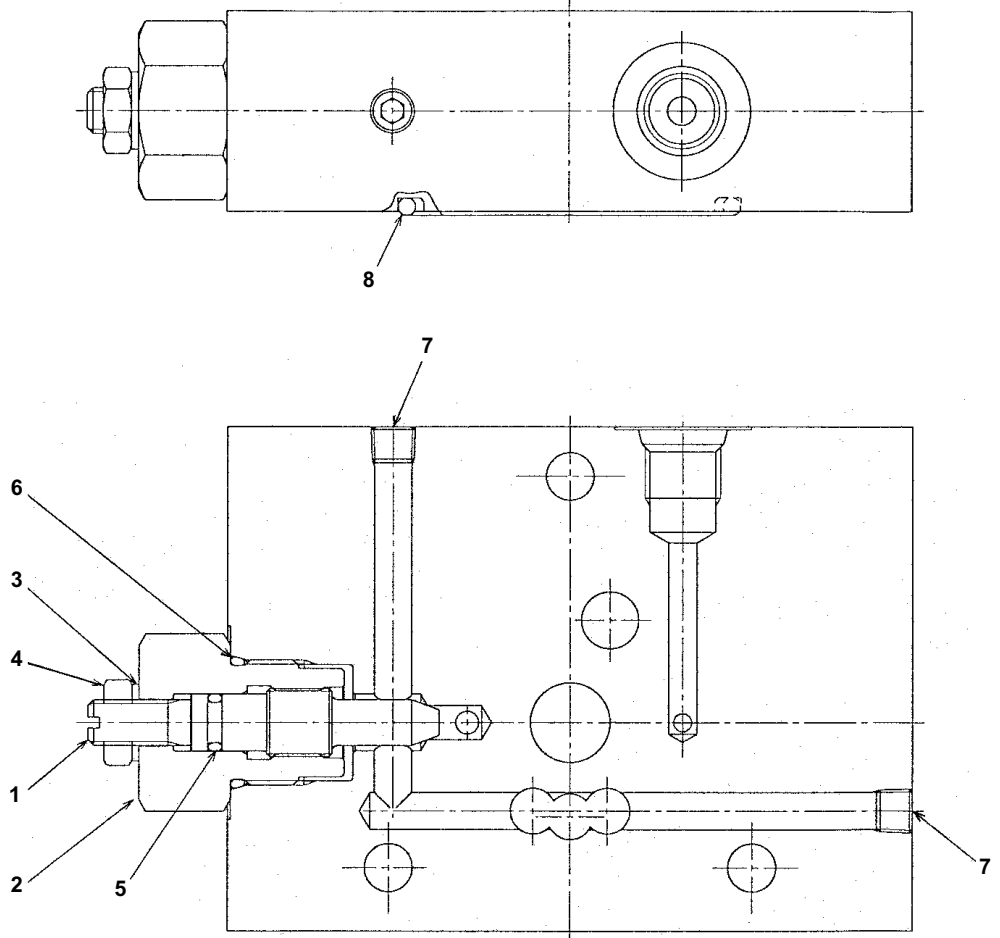
S=FREE

INLET HOUSING ASSY

Item	Part number	Description	Q'ty	Chan.	Serial No.	Serv.	Remarks
0	1901039003	HOUSING, inlet	1				
1	1901031791	· SCREW, cap	1				
2	1901031793	· SLEEVE	1				
3	1901031794	· PIN	1				
4	1420010120	· O-RING	1				
5	1901031795	· PISTON	1				
6	1901031751	· HOLDER, spring	1				
7	1901031756	· SPRING	1				
8	1901031762	· CAP	1				
9	1420010210	· O-RING	1				
10	1901031763	· CAP	1				
11	1420010200	· O-RING	1				
12	1110020660	· SCREW, cap	8				
13	1420100550	· O-RING	1				

L3h050

TB175(P-TB175BAB) Book No. BL3Z010 S/N 17510003-
MIDDLE HOUSING ASSY



L3H060

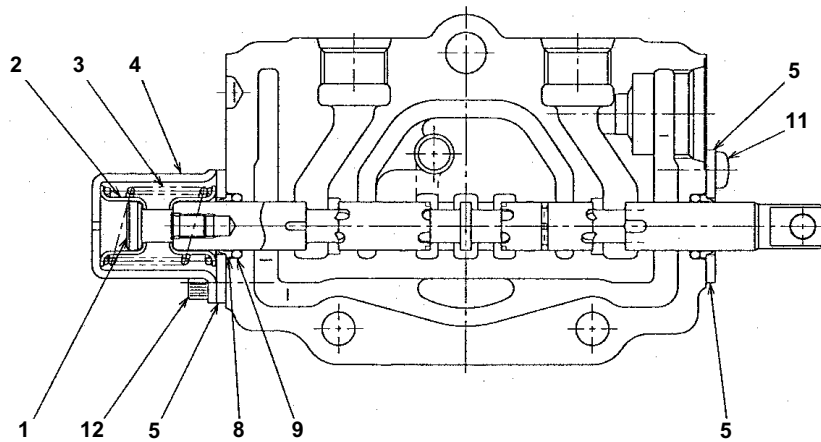
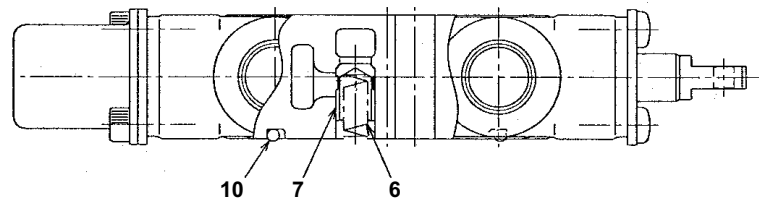
S=FREE

MIDDLE HOUSING ASSY

Item	Part number	Description	Q'ty	Chan.	Serial No.	Serv.	Remarks
0	1901039002	HOUSING, middle	1				
1	1901039090	· NEEDLE	1				
2	1901039072	· PLUG	1				
3	1901039041	· WASHER	1				
4	1140000008	· WASHER, spring	1				
5	1420000070	· O-RING	1				
6	1420000200	· O-RING	1				
7	1901804213	· PLUG	2				
8	1420100550	· O-RING	1				

L3h060

TB175(P-TB175BAB) Book No. BL3Z010 S/N 17510003-
BLOCK ASSY; No. 1



L3H070

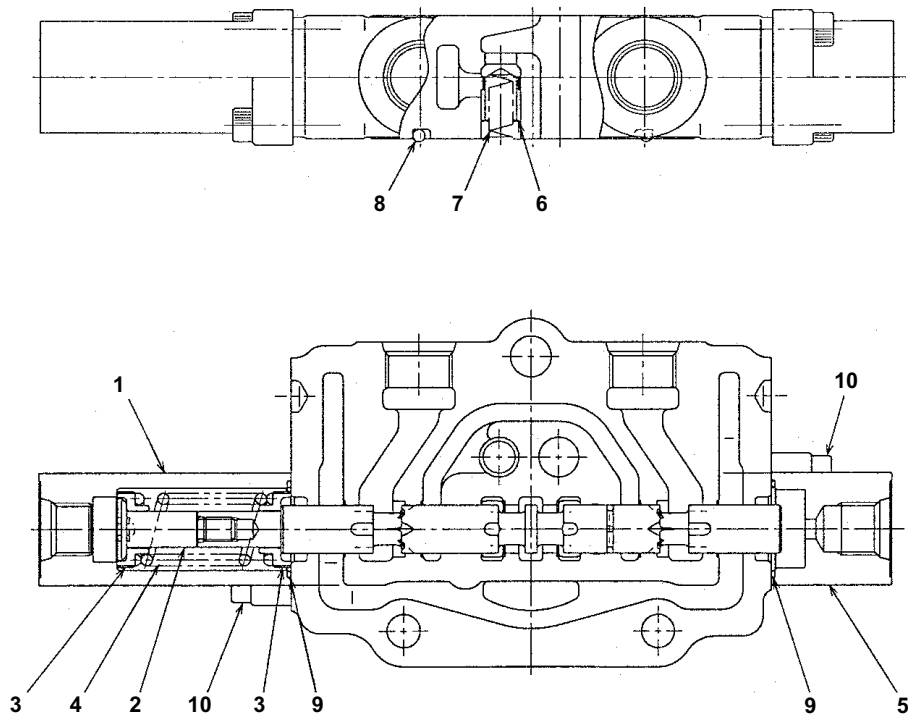
S=FREE

BLOCK ASSY; No. 1

Item	Part number	Description	Q'ty	Chan.	Serial No.	Serv.	Remarks
0	1901039017	BLOCK ASSY, NO. 1	1				blade
1	1901031790	· SCREW, cap	1				
2	1901027792	· HOLDER, spring	2				
3	1901027857	· SPRING	1				
4	1901027761	· CAP	1				
5	1901027772	· PLATE	2				
6	1901027768	· PLUNGER	1				
7	1901027757	· SPRING	1				
8	1901027771	· WIPER	2				
9	1420000120	· O-RING	2				
10	1420100550	· O-RING	1				
11	1120540510	· SCREW	2				
12	1110020512	· SCREW, cap	2				

L3h070

TB175(P-TB175BAB) Book No. BL3Z010 S/N 17510003-
BLOCK ASSY; No. 2



L3H080

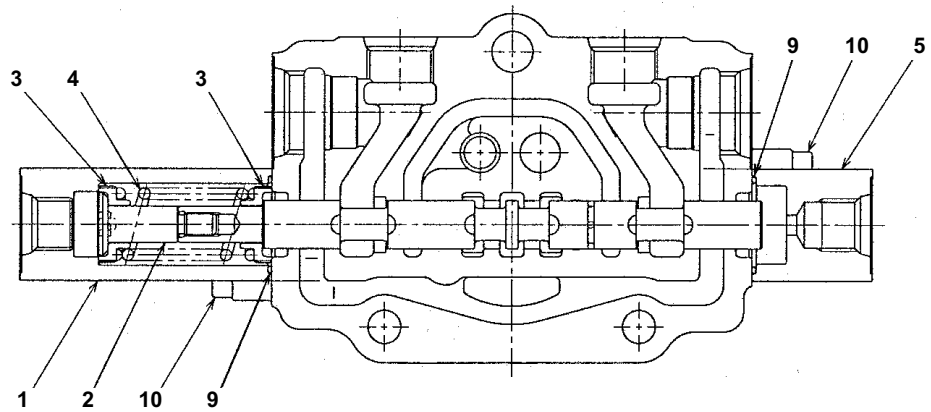
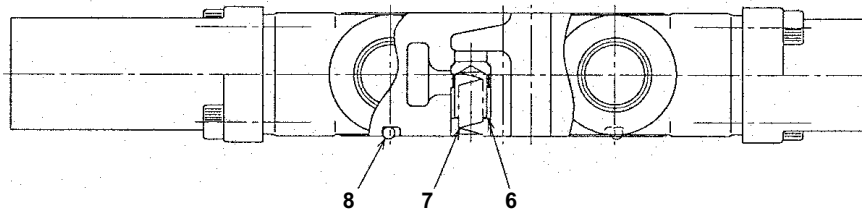
S=FREE

BLOCK ASSY; No. 2

Item	Part number	Description	Q'ty	Chan.	Serial No.	Serv.	Remarks
0	1901039014	BLOCK ASSY, NO.2	1				slew
1	1901035666	· CAP	1				
2	1901034591	· SCREW, cap	1				
3	1901031752	· HOLDER, spring	2				
4	1901027956	· SPRING	1				
5	1901035667	· CAP	1				
6	1901027768	· PLUNGER	1				
7	1901027757	· SPRING	1				
8	1420100550	· O-RING	1				
9	1420500220	· O-RING	2				
10	1110020518	· SCREW, cap	4				

L3h080

**TB175(P-TB175BAB) Book No. BL3Z010 S/N 17510003-
BLOCK ASSY; No. 3 (with the 2nd auxiliary line)**



L3H310

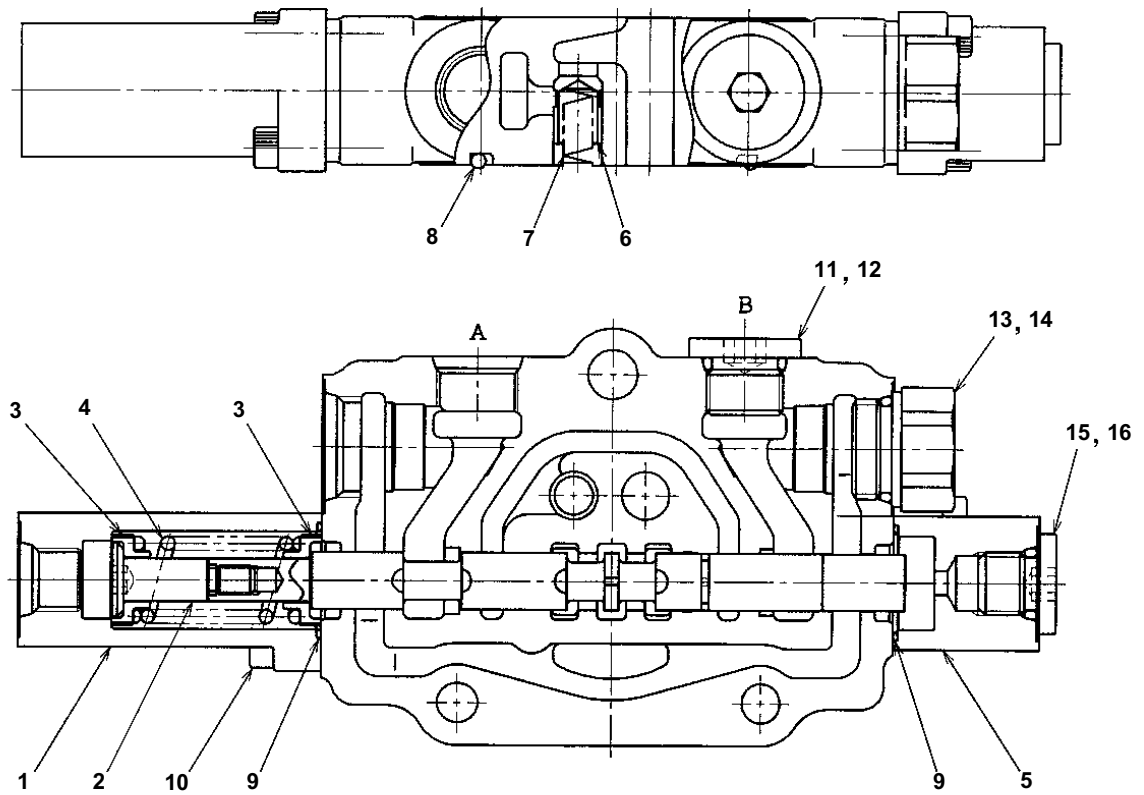
S=FREE

BLOCK ASSY; No. 3 (with the 2nd auxiliary line)

Item	Part number	Description	Q'ty	Chan.	Serial No.	Serv.	Remarks
0	1901039019	BLOCK ASSY, NO.3	1				service
1	1901035666	· CAP	1				
2	1901034591	· SCREW, cap	1				
3	1901031752	· HOLDER, spring	2				
4	1901027956	· SPRING	1				
5	1901035667	· CAP	1				
6	1901027768	· PLUNGER	1				
7	1901027757	· SPRING	1				
8	1420100550	· O-RING	1				
9	1420500220	· O-RING	2				
10	1110020518	· SCREW, cap	4				

L3h310

TB175(P-TB175BAB) Book No. BL3Z010 S/N 17510003-
BLOCK ASSY; No. 3 (high flow)



L3H340

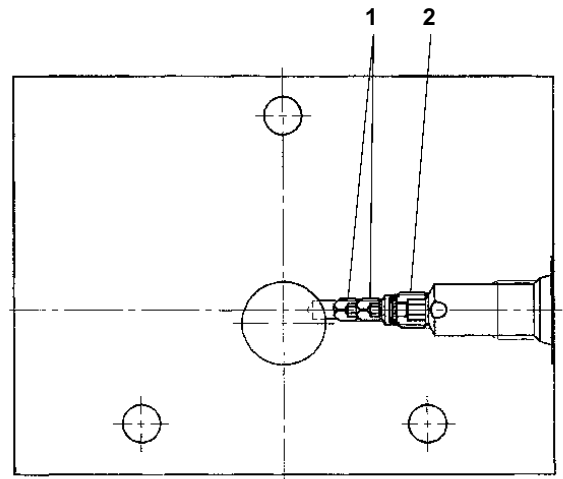
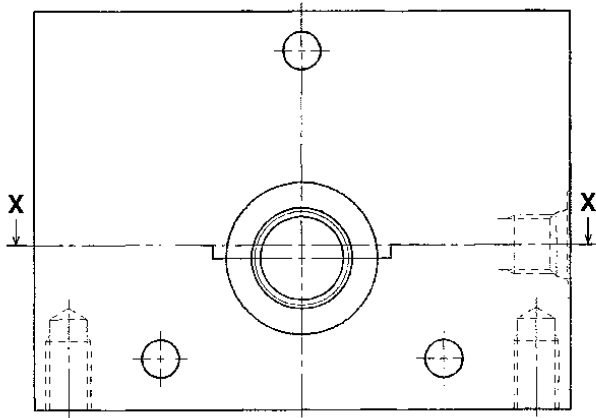
S-FREE

BLOCK ASSY; No. 3 (high flow)

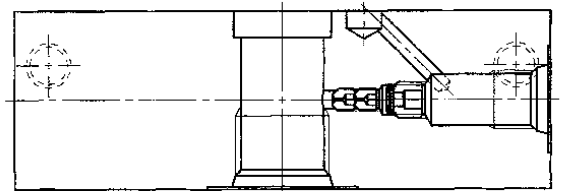
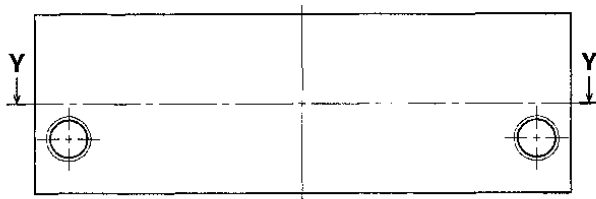
Item	Part number	Description	Q'ty	Chan.	Serial No.	Serv.	Remarks
0	1901040819	BLOCK ASSY, NO.3	1				merge
1	1901035666	· CAP	1				
2	1901034591	· SCREW, cap	1				
3	1901031752	· HOLDER, spring	2				
4	1901031757	· SPRING	1				
5	1901035667	· CAP	1				
6	1901027768	· PLUNGER	1				
7	1901027757	· SPRING	1				
8	1420100550	· O-RING	1				
9	1420500220	· O-RING	2				
10	1110020518	· SCREW, cap	4				
11	1901036678	· PLUG ASSY	1				
12	1420010140	· · O-RING	1				
13	1901040878	· PLUG ASSY	1				
14	1901025482	· · O-RING	1				
15	1901036573	· PLUG ASSY	1				
16	1420010110	· · O-RING	1				

L3h340

TB175(P-TB175BAB) Book No. BL3Z010 S/N 17510003-
OUTLET HOUSING ASSY (17514412-)



SECTION "X-X"



SECTION "Y-Y"

L3H560

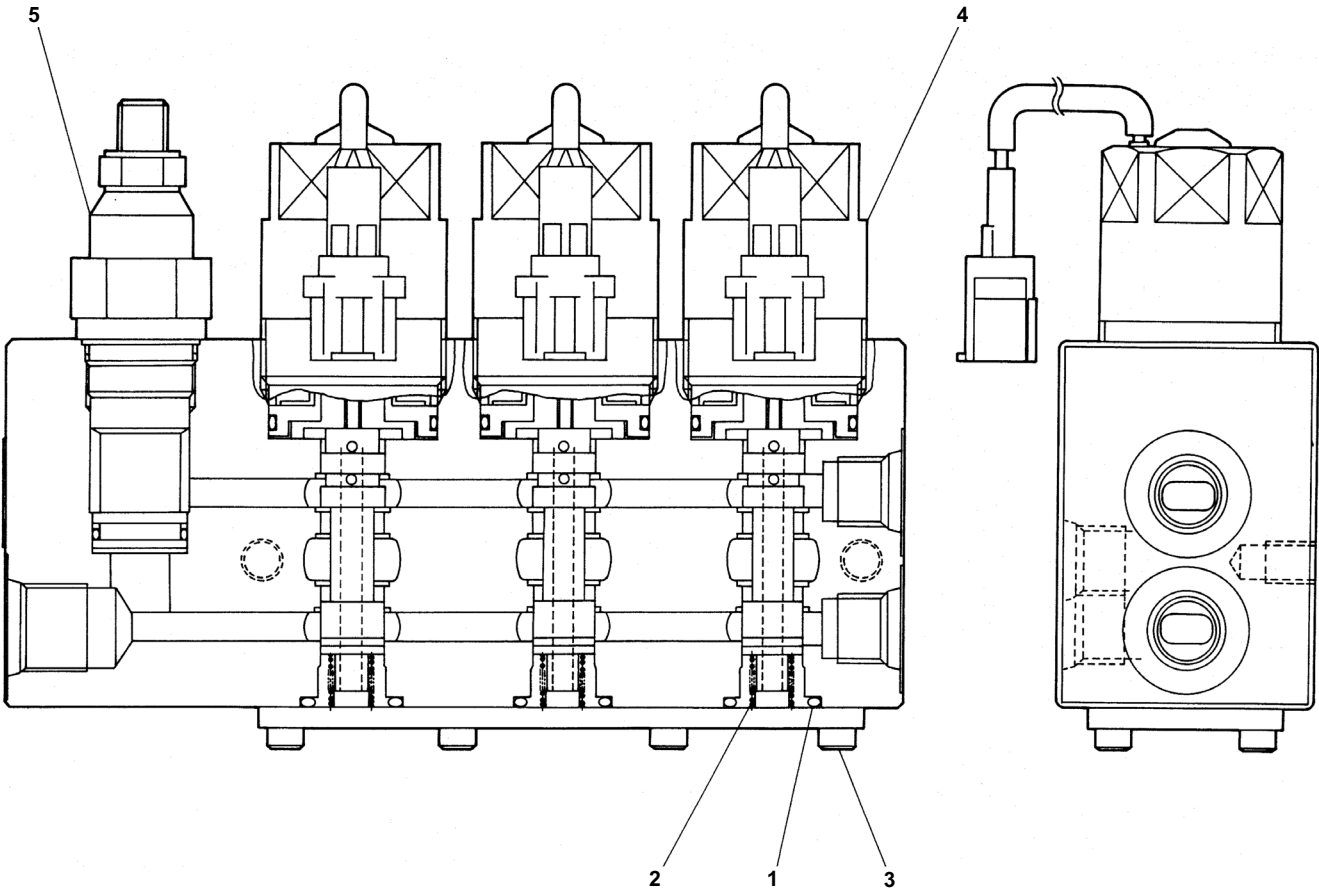
S-FREE

OUTLET HOUSING ASSY (17514412-)

Item	Part number	Description	Q'ty	Chan.	Serial No.	Serv.	Remarks
0	1901043808	HOUSING, outlet	1				
1	1901042665	· ORIFICE	2				
2	1901043880	· FILTER	1				

L3h560

TB175(P-TB175BAB) Book No. BL3Z010 S/N 17510003-
SOLENOID VALVE; 3 BLOCKS (17510003-17514411)



L3H090

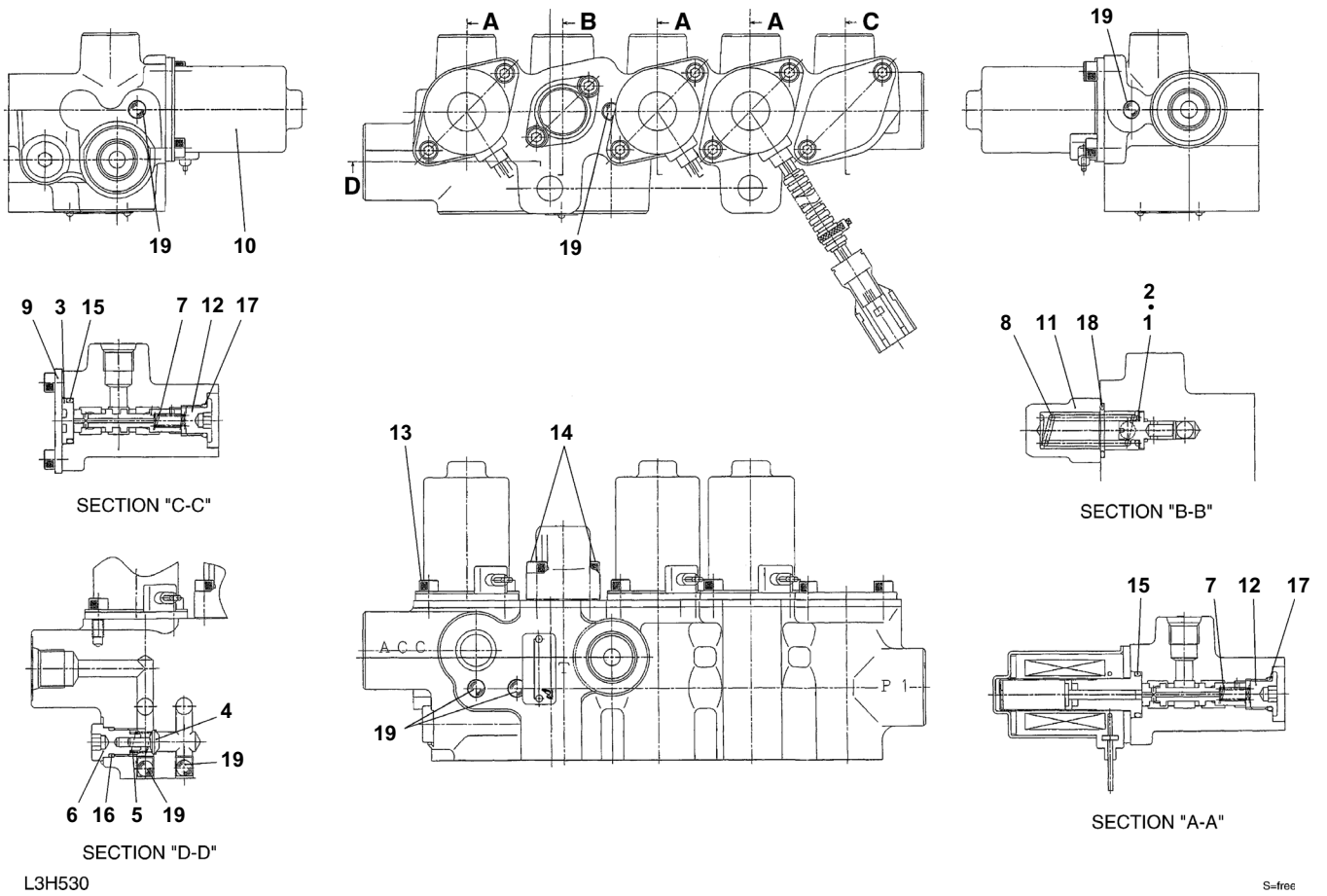
S=FREE

SOLENOID VALVE; 3 BLOCKS (17510003-17514411)

Item	Part number	Description	Q'ty	Chan.	Serial No.	Serv.	Remarks
0	1901723800	VALVE ASSY, solenoid (3-blocks)	1				
1	1420010150	· O-RING	3				
2	1901723805	· SPRING	3				
3	1110050410	· SCREW, cap	8				
4	1901723808	· SOLENOID	3				
5	1901722210	· VALVE, relief	1				

L3h090

**TB175(P-TB175BAB) Book No. BL3Z010 S/N 17510003-
SOLENOID VALVE; 3 BLOCKS (17514412-)**



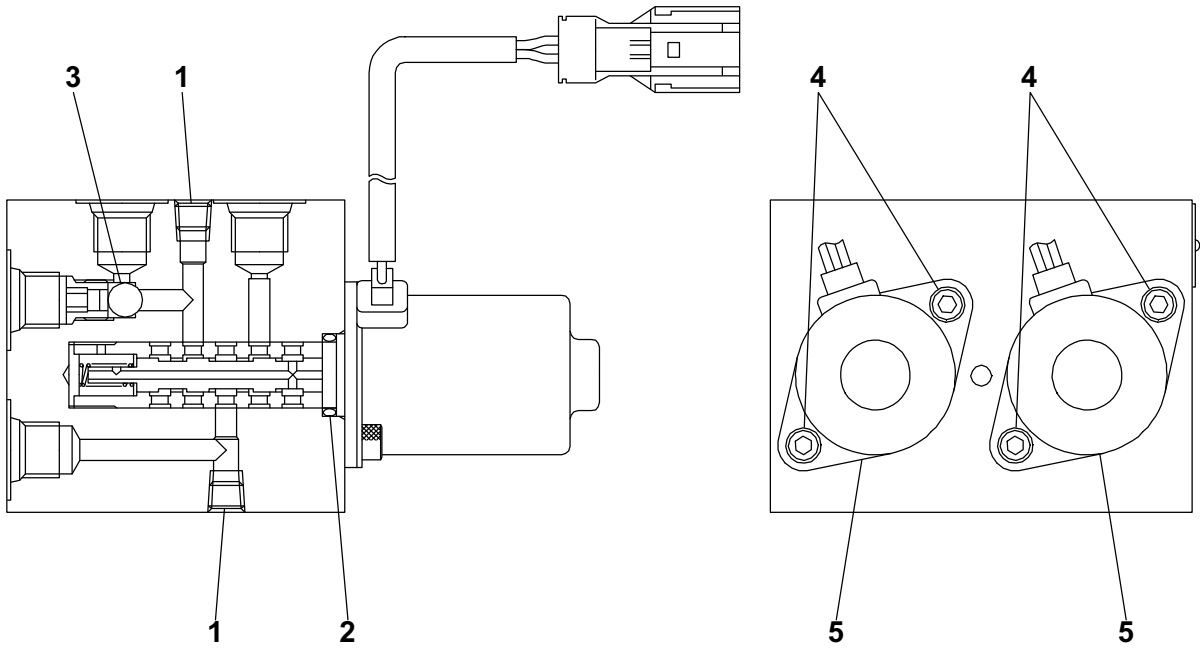
S=free

SOLENOID VALVE; 3 BLOCKS (17514412-)

Item	Part number	Description	Q'ty	Chan.	Serial No.	Serv.	Remarks
0	1901749000	VALVE ASSY, solenoid (3-blocks)	1				
1	1901729601	· SHIM	1				t=0.5mm
2	1901728701	· SHIM	1				t=0.2mm
3	1901749003	· STOPPER	1				
4	1901035426	· PLUNGER	1				
5	1901004357	· SPRING	1				
6	1901035471	· PLUG	1				
7	1901735511	· SPRING	4				
8	1901738304	· SPRING	1				
9	1901742305	· PLATE	1				
10	1901749013	· SOLENOID	3				M
11	1901742409	· COVER	1				
12	1901738312	· PLUG	4				
13	1110040512	· SCREW, cap	8				
14	1110040520	· SCREW, cap	2				
15	1420000160	· O-RING	4				
16	1420010100	· O-RING	1				
17	1420010110	· O-RING	4				
18	1420010200	· O-RING	1				
19	1901741918	· EXPANDER	7				

L3h531

**TB175(P-TB175BAB) Book No. BL3Z010 S/N 17510003-
SOLENOID VALVE; 2 BLOCKS**



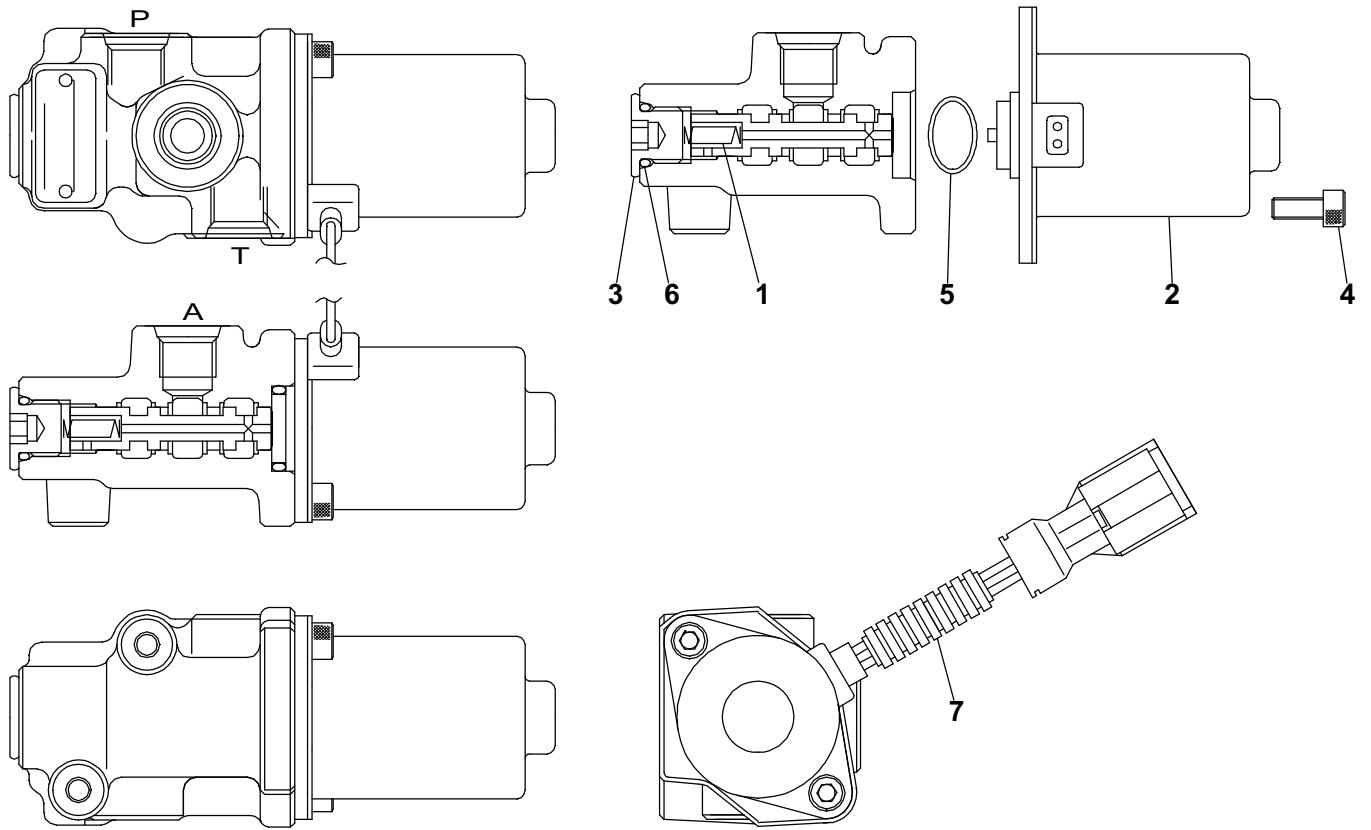
L3H100

S=FREE

SOLENOID VALVE; 2 BLOCKS

Item	Part number	Description	Q'ty	Chan.	Serial No.	Serv.	Remarks
0	1901733900	VALVE ASSY, solenoid (2-blocks)	1				
1	1501810000	· PLUG	4				
2	1420000160	· O-RING	2				
3	1390010500	· BALL, steel	2				
4	1110020510	· SCREW, cap	4				
5	1901733907	· SOLENOID	2				
	L3h100						

TB175(P-TB175BAB) Book No. BL3Z010 S/N 17510003-
SOLENOID VALVE; 1 BLOCK



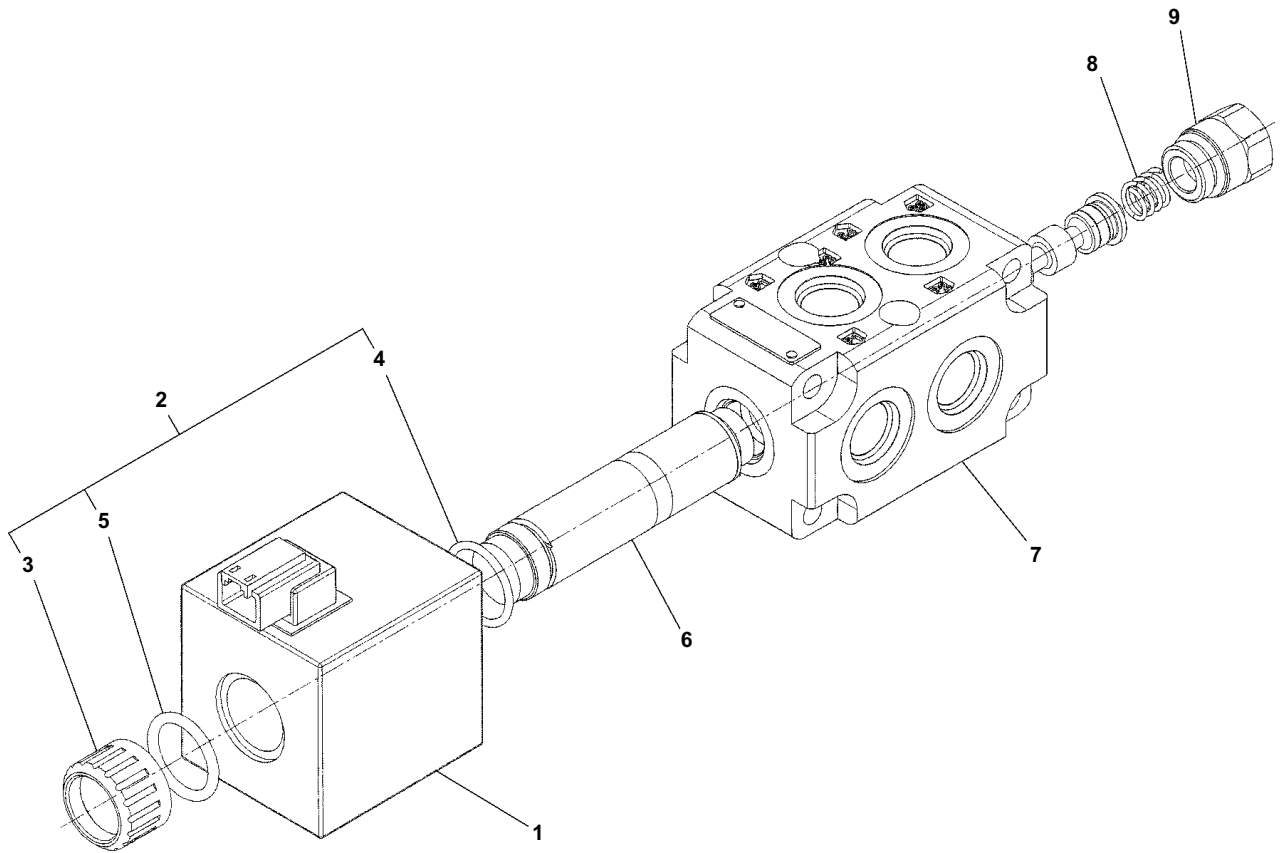
L3H350

S=free

SOLENOID VALVE; 1 BLOCK

Item	Part number	Description	Q'ty	Chan.	Serial No.	Serv.	Remarks
0	1901739600	VALVE ASSY, solenoid (1-block)	1				
1	1901734404	· SPRING	1				
2	1901738907	· SOLENOID	1				
3	1901738312	· PLUG	1				
4	1110040512	· SCREW, cap	2				
5	1420000160	· O-RING	1				
6	1420010110	· O-RING	1				
7	1901738919	· TUBE	1				
	L3h350						

**TB175(P-TB175BAB) Book No. BL3Z010 S/N 17510003-
SOLENOID VALVE; 1 BLOCK (with the 4th auxiliary line)**



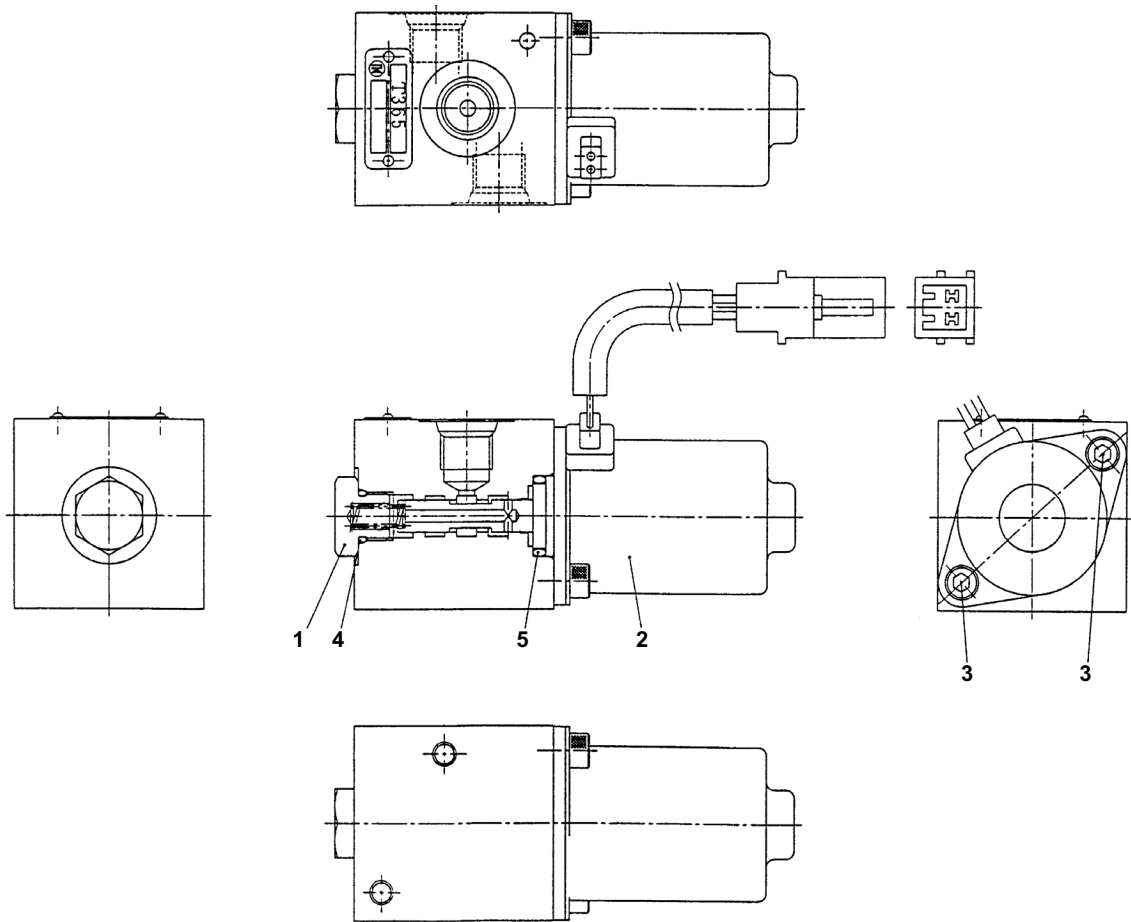
L5H040

S-free

SOLENOID VALVE; 1 BLOCK (with the 4th auxiliary line)

Item	Part number	Description	Q'ty	Chan.	Serial No.	Serv.	Remarks
0	1901748300	VALVE ASSY, solenoid (1-blocks)	1				
1	1901748301	· COIL	1				
2	1901748320	· NUT ASSY	1				
3	1901748321	· · NUT	1				
4	1901748322	· · O-RING	1				
5	1901748323	· · O-RING	1				
6	1901748306	· TUBE KIT	1				
7	1901748307	· BODY	1				
8	1901748309	· SPRING	1				
9	1901748310	· PLUG	1				
	L3h541						

TB175(P-TB175BAB) Book No. BL3Z010 S/N 17510003-
SOLENOID VALVE; 1 BLOCK (air conditioner)



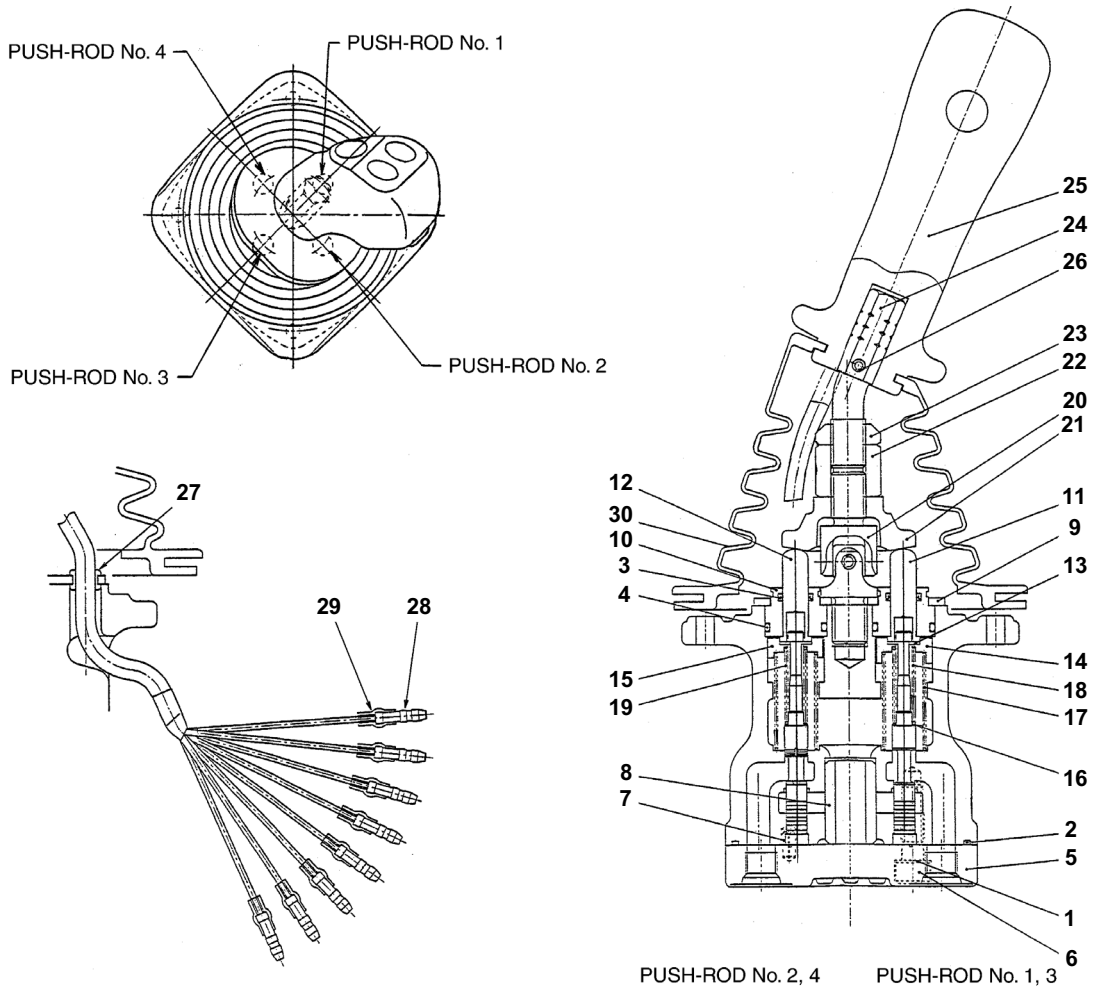
W2H370

S=free

SOLENOID VALVE; 1 BLOCK (air conditioner)

Item	Part number	Description	Q'ty	Chan.	Serial No.	Serv.	Remarks
0	1901736500	VALVE ASSY, solenoid (1-blocks)	1				
1	1901736501	· PLUG	1				
2	1901736505	· SOLENOID	1				
3	1110020510	· SCREW, cap	2				
4	1420000100	· O-RING	1				
5	1420000160	· O-RING	1				
	W2h370						

**TB175(P-TB175BAB) Book No. BL3Z010 S/N 17510003-
PILOT VALVE (R.H.) (17510003-17511262)**



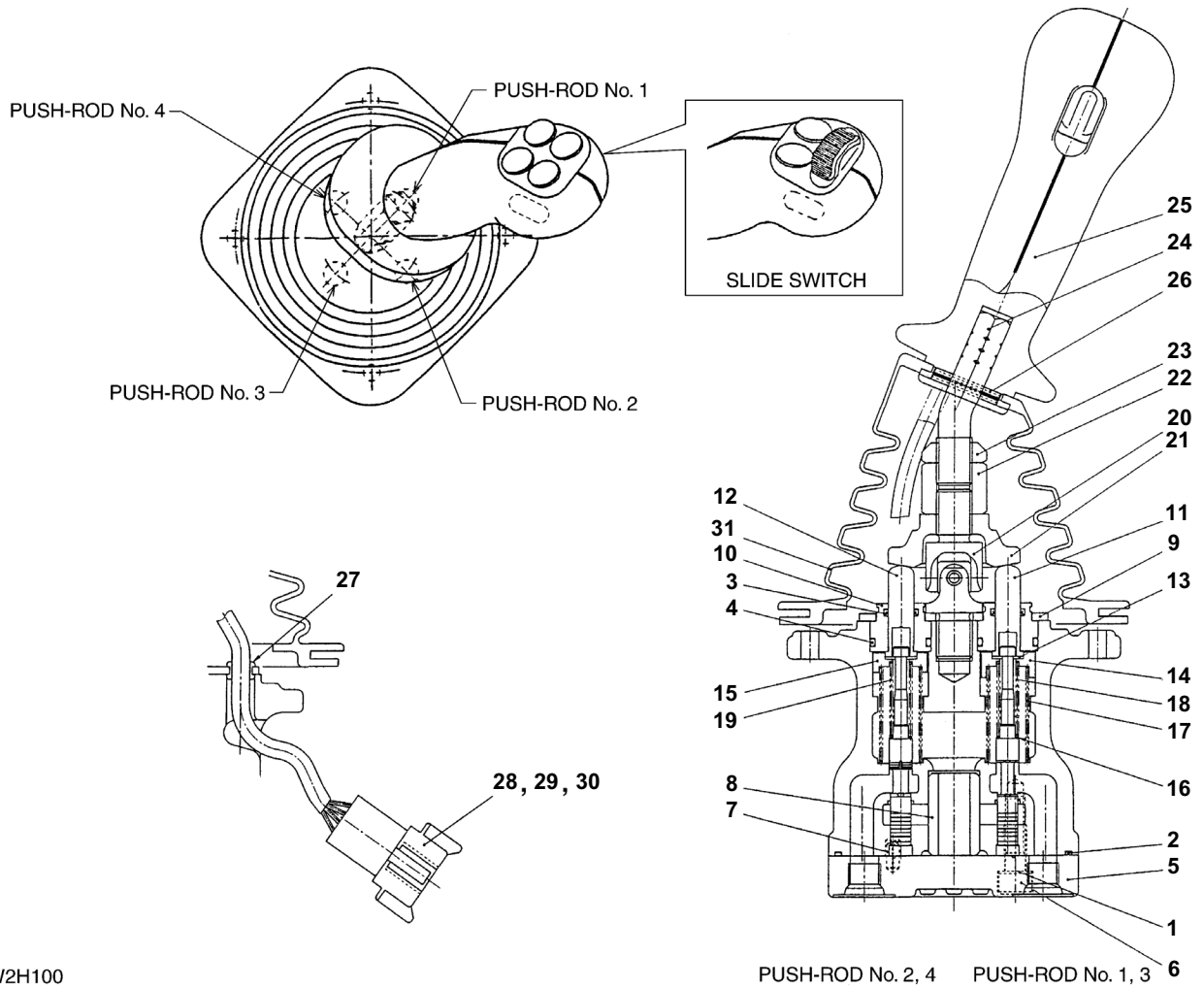
L3H120

S=FREE

PILOT VALVE (R.H.) (17510003-17511262)

Item	Part number	Description	Q'ty	Chan.	Serial No.	Serv.	Remarks
0	1901735600	VALVE ASSY, pilot	1				RIGHT
0-1	1901721199	· KIT, seal	1				
1	X 1901715103	· · WASHER	2				
2	X 1420500900	· · O-RING	1				
3	X 1901710914	· · SEAL	4				
4	X 1420010200	· · O-RING	4				
5	1901716702	· PLATE	1				
6	1110020830	· SCREW, cap	2				
7	1213000510	· PIN, spring	1				
8	1901710905	· BUSHING	1				
9	1901735608	· PLATE	1				
10	1901710912	· PLUG	4				
11	1901719011	· ROD	2				
12	1901719012	· ROD	2				
13	1901710915	· WASHER	8				
14	1901715115	· HOLDER	2				
15	1901710916	· HOLDER	2				
16	1901710917	· WASHER	4				
17	1901726421	· SPRING	4				
18	1901717721	· SPRING	2				
19	1901721123	· SPRING	2				
20	1901720232	· JOINT	1				
21	1901720233	· PLATE	1				
22	1901735625	· NUT	1				
23	1901735626	· NUT	1				
24	1901735627	· LEVER	1				
25	1901735628	· KNOB	1				
26	1213000528	· PIN, spring	1				
27	1901735630	· BUSHING	1				
28	1901711034	· TERMINAL	8				
29	1901735631	· TERMINAL	8				
30	1901735632	· BOOT	1				
	L3h120						

**TB175(P-TB175BAB) Book No. BL3Z010 S/N 17510003-
PILOT VALVE (R.H.) (17511263-17512104)**



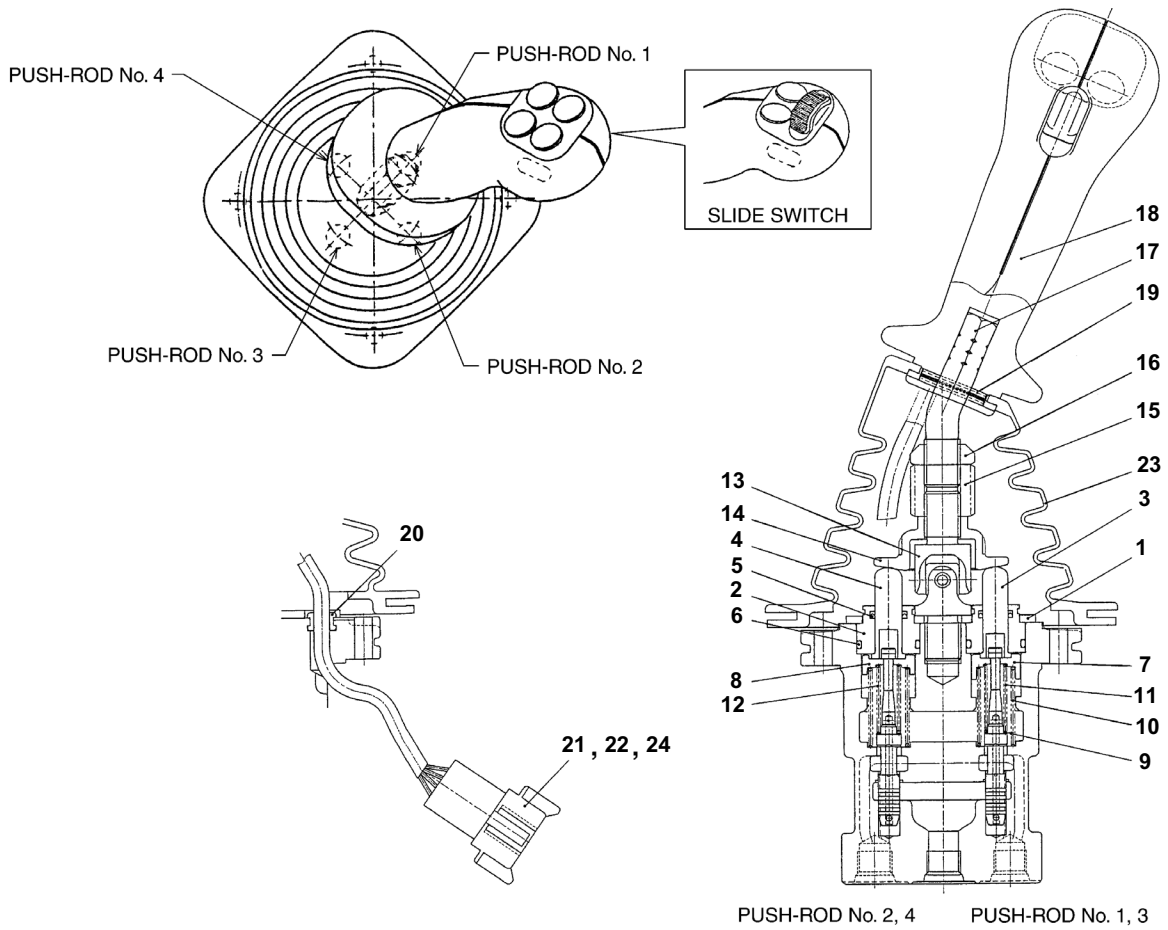
W2H100

S=free

PILOT VALVE (R.H.) (17511263-17512104)

Item	Part number	Description	Q'ty	Chan.	Serial No.	Serv.	Remarks
0	1901740500	VALVE, pilot (slide switch)	1				RIGHT
	1901741200	VALVE, pilot (3 switch)	1				
	1901741300	VALVE, pilot (5 switch)	1				
0-1	1901721199	· KIT, seal	1				
1	X 1901715103	· · WASHER	2				
2	X 1420500900	· · O-RING	1				
3	X 1901710914	· · SEAL	4				
4	X 1420010200	· · O-RING	4				
5	1901716702	· PLATE	1				
6	1110020830	· SCREW, cap	2				
7	1213000510	· PIN, spring	1				
8	1901710905	· BUSHING	1				
9	1901735608	· PLATE	1				
10	1901710912	· PLUG	4				
11	1901719011	· ROD	2				
12	1901719012	· ROD	2				
13	1901710915	· WASHER	8				
14	1901715115	· HOLDER	2				
15	1901710916	· HOLDER	2				
16	1901710917	· WASHER	4				
17	1901726421	· SPRING	4				
18	1901717721	· SPRING	2				
19	1901721123	· SPRING	2				
20	1901720232	· JOINT	1				
21	1901720233	· PLATE	1				
22	1901735625	· NUT	1				
23	1901735626	· NUT	1				
24	1901740432	· LEVER	1				
25	1901740410	· HANDLE	1				slide switch
	1901741210	· HANDLE	1				3 switch
	1901741310	· HANDLE	1				5 switch
26	1213000528	· PIN, spring	1				
27	1901735630	· BUSHING	1				
28	1901740446	· RECEPTACLE	1				
29	1901740447	· WEDGE	1				
30	1901741263	· PLUG	3				3 switch
31	1901735632	· BOOT	1				
	W2h101						

**TB175(P-TB175BAB) Book No. BL3Z010 S/N 17510003-
PILOT VALVE (R.H.) (17512105-)**



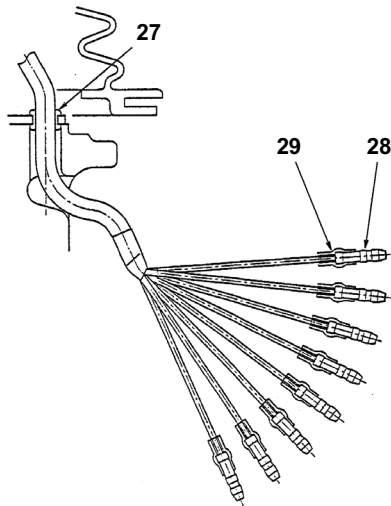
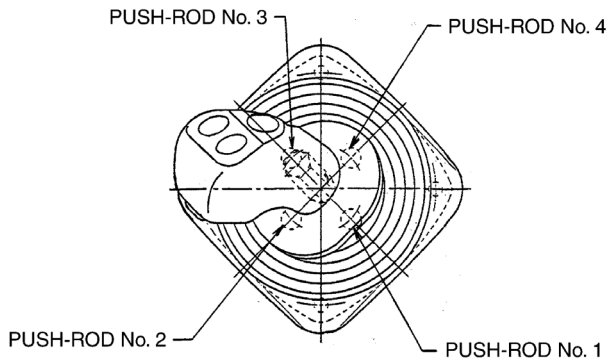
L3H430

S=free

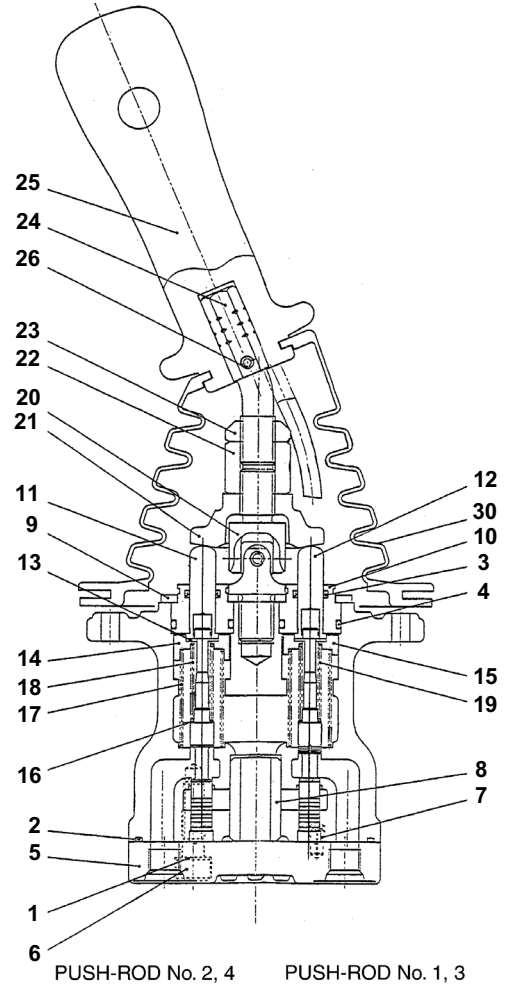
PILOT VALVE (R.H.) (17512105-)

Item	Part number	Description	Q'ty	Chan.	Serial No.	Serv.	Remarks
0	1901745800	VALVE, pilot (slide switch)	1				RIGHT
	1901745900	VALVE, pilot (3 switch)	1				
1	1901745702	· PLATE	1				
2	1901710912	· PLUG	4				
3	1901719011	· ROD	2				
4	1901719012	· ROD	2				
5	1901710914	· SEAL	4				
6	1420010200	· O-RING	4				
7	1901745709	· HOLDER	2				
8	1901745710	· HOLDER	2				
9	1901710917	· WASHER	4				
10	1901745712	· SPRING	4				
11	1901745713	· SPRING	2				
12	1901745714	· SPRING	2				
13	1901720232	· JOINT	1				
14	1901743620	· PLATE	1				
15	1901735625	· NUT	1				
16	1901735626	· NUT	1				
17	1901740432	· LEVER	1				
18	1901740410	· HANDLE	1				slide switch
	1901741210	· HANDLE	1				3 switch
19	1213000528	· PIN, spring	1				
20	1901735630	· BUSHING	1				
21	1901740446	· RECEPTACLE	1				
22	1901740447	· WEDGE	1				
23	1901735632	· BOOT	1				
24	1901741263	· PLUG	3				3 switch
	L3h430						

TB175(P-TB175BAB) Book No. BL3Z010 S/N 17510003-
 PILOT VALVE (L.H.) (17510003-17511262)



L3H130

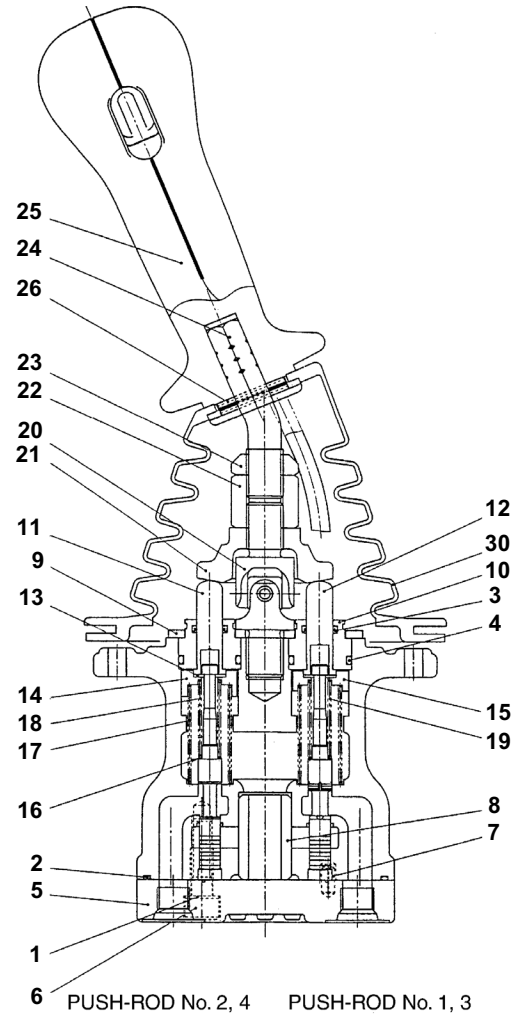
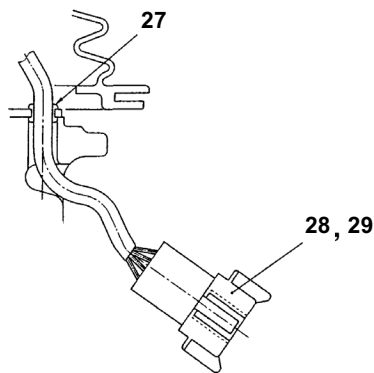
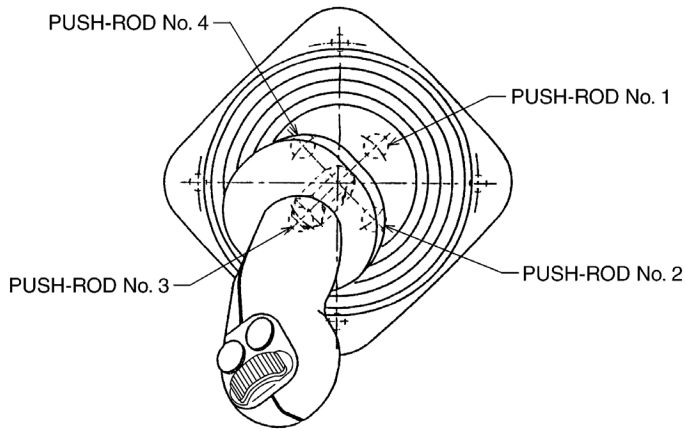


S=FREE

PILOT VALVE (L.H.) (17510003-17511262)

Item	Part number	Description	Q'ty	Chan.	Serial No.	Serv.	Remarks
0	1901735700	VALVE ASSY, pilot	1				LEFT
0-1	1901721199	· KIT, seal	1				
1	X 1901715103	· · WASHER	2				
2	X 1420500900	· · O-RING	1				
3	X 1901710914	· · SEAL	4				
4	X 1420010200	· · O-RING	4				
5	1901716702	· PLATE	1				
6	1110020830	· SCREW, cap	2				
7	1213000510	· PIN, spring	1				
8	1901710905	· BUSHING	1				
9	1901735608	· PLATE	1				
10	1901710912	· PLUG	4				
11	1901719011	· ROD	2				
12	1901719012	· ROD	2				
13	1901710915	· WASHER	8				
14	1901715115	· HOLDER	2				
15	1901710916	· HOLDER	2				
16	1901710917	· WASHER	4				
17	1901726421	· SPRING	4				
18	1901717721	· SPRING	2				
19	1901721123	· SPRING	2				
20	1901720232	· JOINT	1				
21	1901720233	· PLATE	1				
22	1901735625	· NUT	1				
23	1901735626	· NUT	1				
24	1901735627	· LEVER	1				
25	1901735628	· KNOB	1				
26	1213000528	· PIN, spring	1				
27	1901735630	· BUSHING	1				
28	1901711034	· TERMINAL	8				
29	1901735631	· TERMINAL	8				
30	1901735632	· BOOT	1				
	L3h130						

**TB175(P-TB175BAB) Book No. BL3Z010 S/N 17510003-
PILOT VALVE (L.H.) (17511263-17512104)**



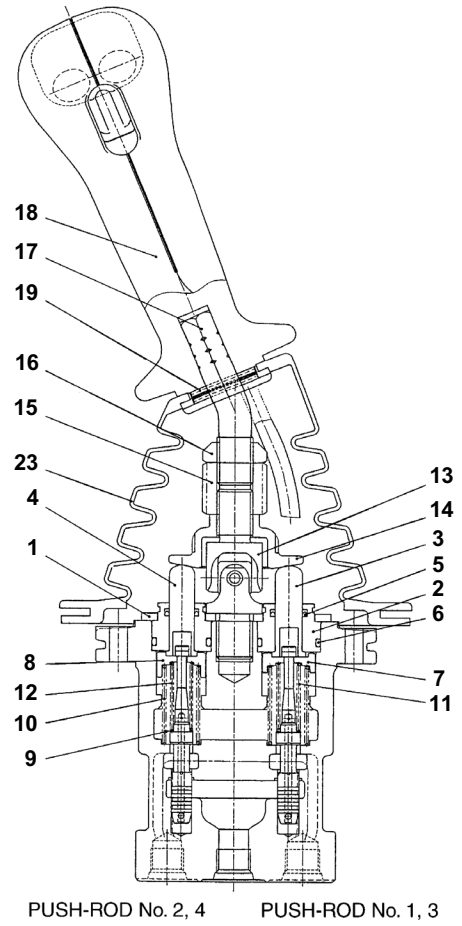
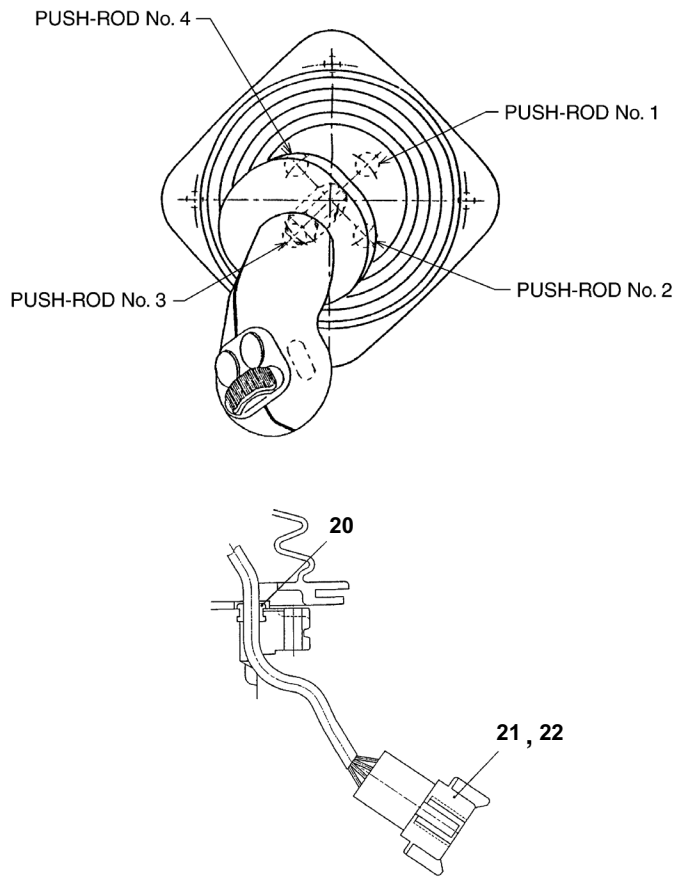
W2H110

S=free

PILOT VALVE (L.H.) (17511263-17512104)

Item	Part number	Description	Q'ty	Chan.	Serial No.	Serv.	Remarks
0	1901740400	VALVE, pilot	1				LEFT
0-1	1901721199	· KIT, seal	1				
1	X 1901715103	· · WASHER	2				
2	X 1420500900	· · O-RING	1				
3	X 1901710914	· · SEAL	4				
4	X 1420010200	· · O-RING	4				
5	1901716702	· PLATE	1				
6	1110020830	· SCREW, cap	2				
7	1213000510	· PIN, spring	1				
8	1901710905	· BUSHING	1				
9	1901735608	· PLATE	1				
10	1901710912	· PLUG	4				
11	1901719011	· ROD	2				
12	1901719012	· ROD	2				
13	1901710915	· WASHER	8				
14	1901715115	· HOLDER	2				
15	1901710916	· HOLDER	2				
16	1901710917	· WASHER	4				
17	1901726421	· SPRING	4				
18	1901717721	· SPRING	2				
19	1901721123	· SPRING	2				
20	1901720232	· JOINT	1				
21	1901720233	· PLATE	1				
22	1901735625	· NUT	1				
23	1901735626	· NUT	1				
24	1901740432	· LEVER	1				
25	1901740410	· HANDLE	1				
26	1213000528	· PIN, spring	1				
27	1901735630	· BUSHING	1				
28	1901740446	· RECEPTACLE	8				
29	1901740447	· WEDGE	8				
30	1901735632	· BOOT	1				
	W2h111						

TB175(P-TB175BAB) Book No. BL3Z010 S/N 17510003-
PILOT VALVE (L.H.) (17512105-)

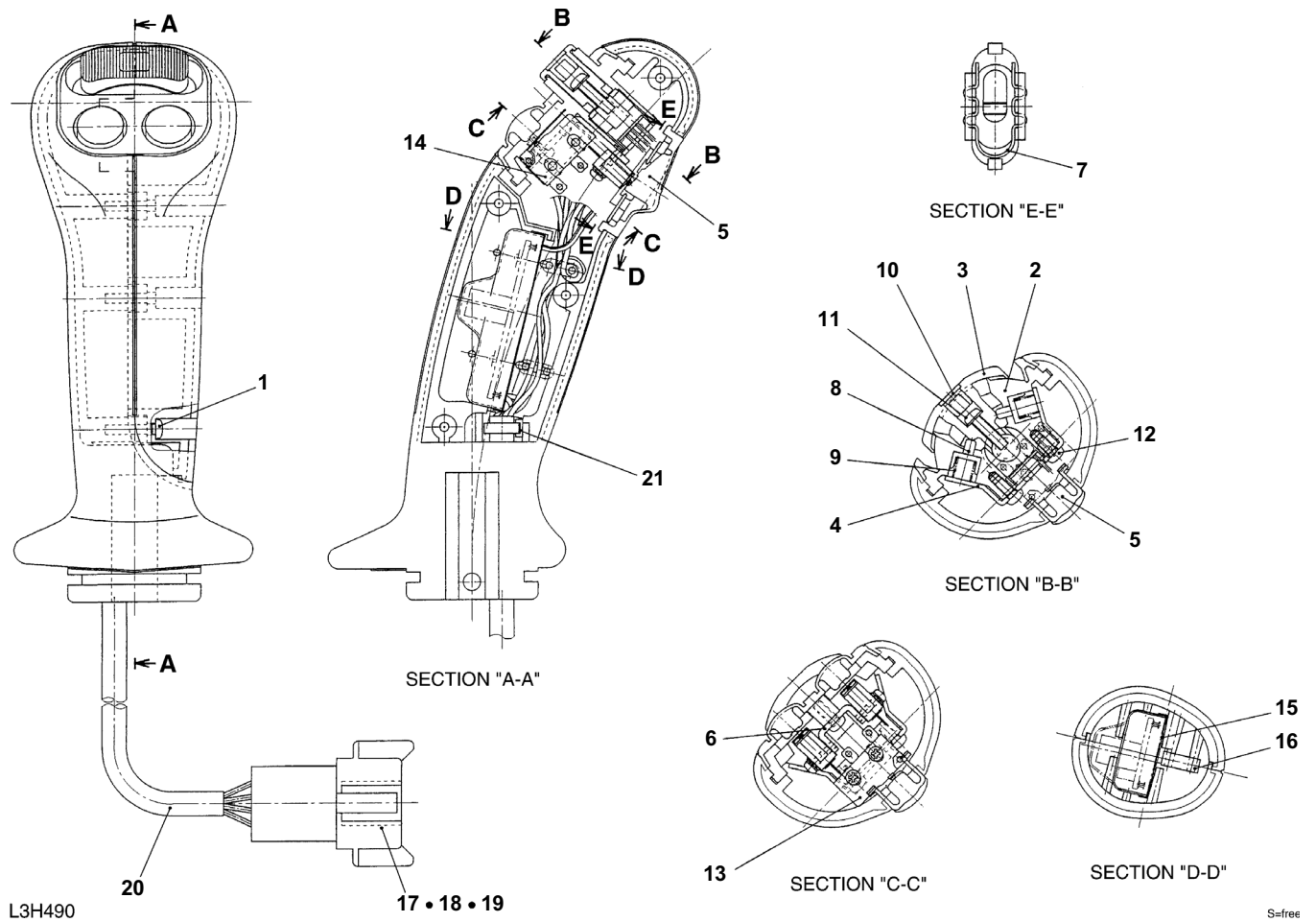


L3H440

S-free

PILOT VALVE (L.H.) (17512105-)						
Item	Part number	Description	Q'ty	Chan.	Serial No.	Serv. Remarks
0	1901745700	VALVE ASSY, pilot	1			LEFT
1	1901745702	· PLATE	1			
2	1901710912	· PLUG	4			
3	1901719011	· ROD	2			
4	1901719012	· ROD	2			
5	1901710914	· SEAL	4			
6	1420010200	· O-RING	4			
7	1901745709	· HOLDER	2			
8	1901745710	· HOLDER	2			
9	1901710917	· WASHER	4			
10	1901745712	· SPRING	4			
11	1901745713	· SPRING	2			
12	1901745714	· SPRING	2			
13	1901720232	· JOINT	1			
14	1901743620	· PLATE	1			
15	1901735625	· NUT	1			
16	1901735626	· NUT	1			
17	1901740432	· LEVER	1			
18	1901740410	· HANDLE	1			
19	1213000528	· PIN, spring	1			
20	1901735630	· BUSHING	1			
21	1901740446	· RECEPTACLE	1			
22	1901740447	· WEDGE	1			
23	1901735632	· BOOT	1			
	L3h440					

TB175(P-TB175BAB) Book No. BL3Z010 S/N 17510003-
HANDLE (with slide switch)

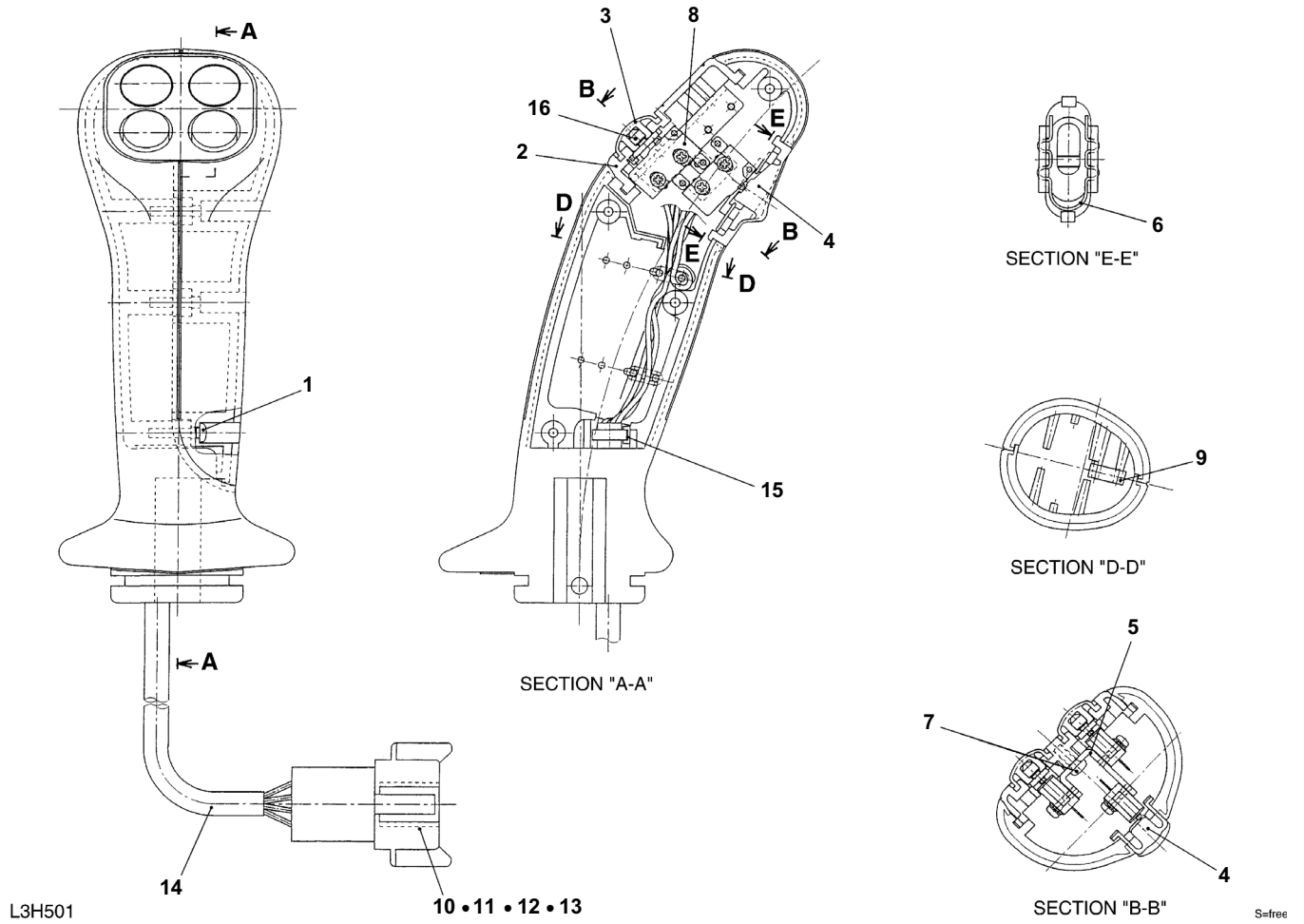


HANDLE (with slide switch)

Item	Part number	Description	Q'ty	Chan.	Serial No.	Serv.	Remarks
0	1901740410	HANDLE ASSY	1				
1	1122400312	· SCREW	4				
2	1901740417	· CASE	1				
3	1901740418	· CAM	1				
4	1901740401	· PLATE	1				
5	1901740402	· BUTTON	1				
6	1901740403	· BRACKET	1				
7	1901740404	· CLIP	1				
8	1901740405	· PISTON	2				
9	1901740406	· SPRING	2				
10	1901740407	· CAP	1				
11	1150010312	· SCREW	1				
12	1122400306	· SCREW	3				
13	1901740408	· SWITCH	1				
14	1901740409	· SWITCH	2				
15	1901740411	· COVER	1				
16	1901740412	· CAP	2				
17	1901740446	· RECEPTACLE	1				
18	1901740447	· WEDGE	1				
19	1901740413	· PIN	8				
20	1901740414	· PROTECTOR	1				
21	1901740415	· BAND	1				

L3h490

TB175(P-TB175BAB) Book No. BL3Z010 S/N 17510003-
HANDLE (with 3 switches)

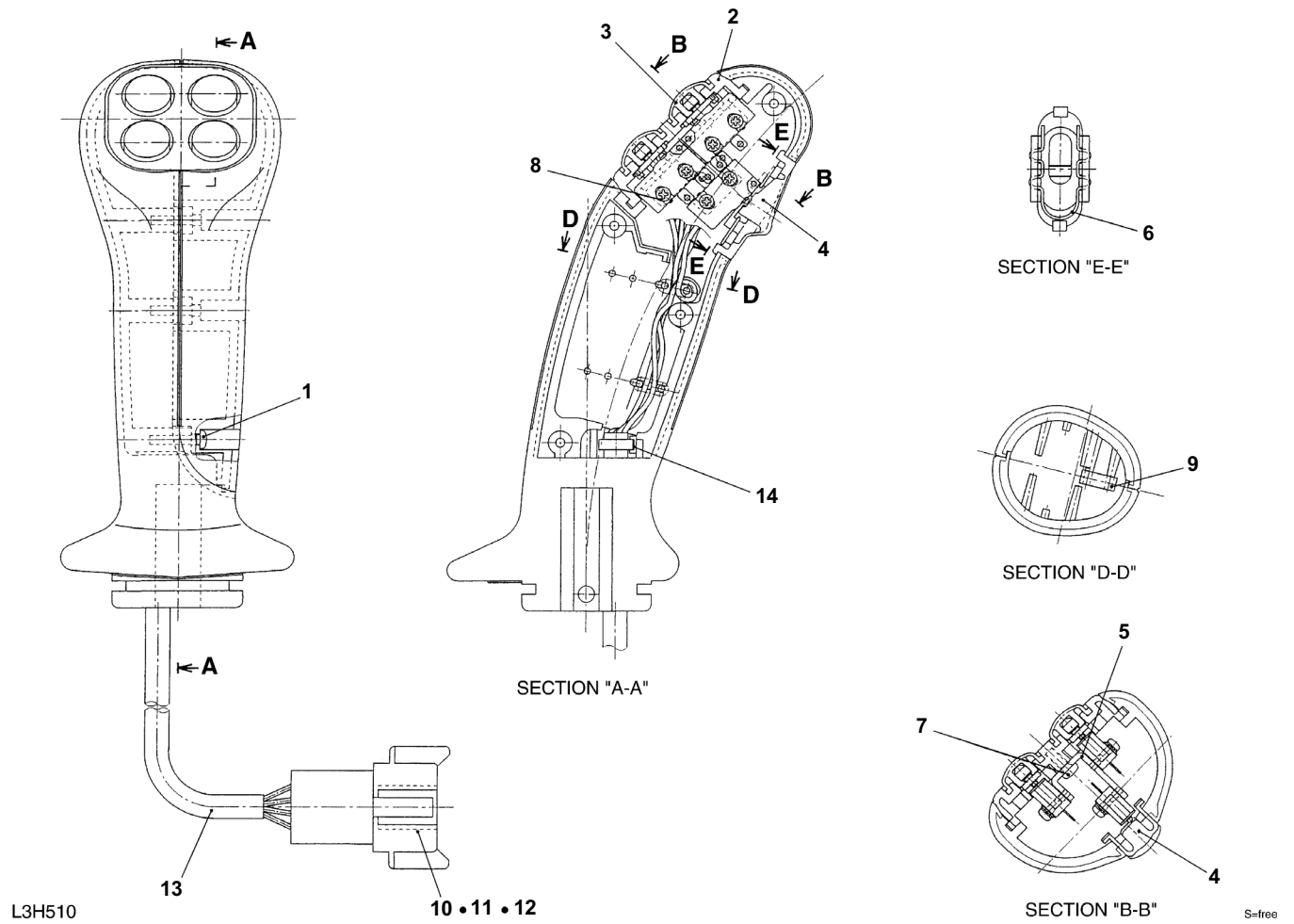


HANDLE (with 3 switches)

Item	Part number	Description	Q'ty	Chan.	Serial No.	Serv.	Remarks
0	1901741210	HANDLE ASSY	1				
1	1122400312	· SCREW	4				
2	1901741211	· CASE	1				
3	1901741216	· BUTTON	2				
4	1901740402	· BUTTON	1				
5	1901741218	· BRACKET	1				
6	1901740404	· CLIP	1				
7	1122400306	· SCREW	2				
8	1901740408	· SWITCH	3				
9	1901740412	· CAP	2				
10	1901740446	· RECEPTACLE	1				
11	1901740447	· WEDGE	1				
12	1901740413	· PIN	5				
13	1901741263	· PIN, BLANKING	3				
14	1901740414	· PROTECTOR	1				
15	1901740415	· BAND	1				
16	1901741312	· RETAINER	2				

L3h501

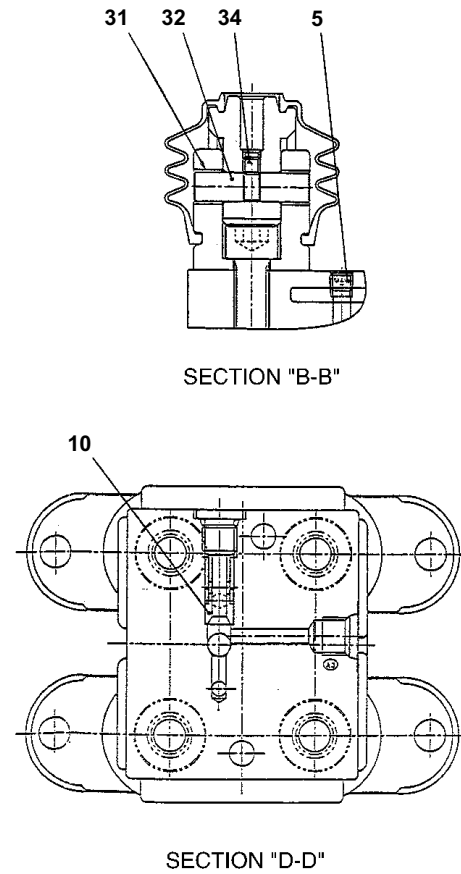
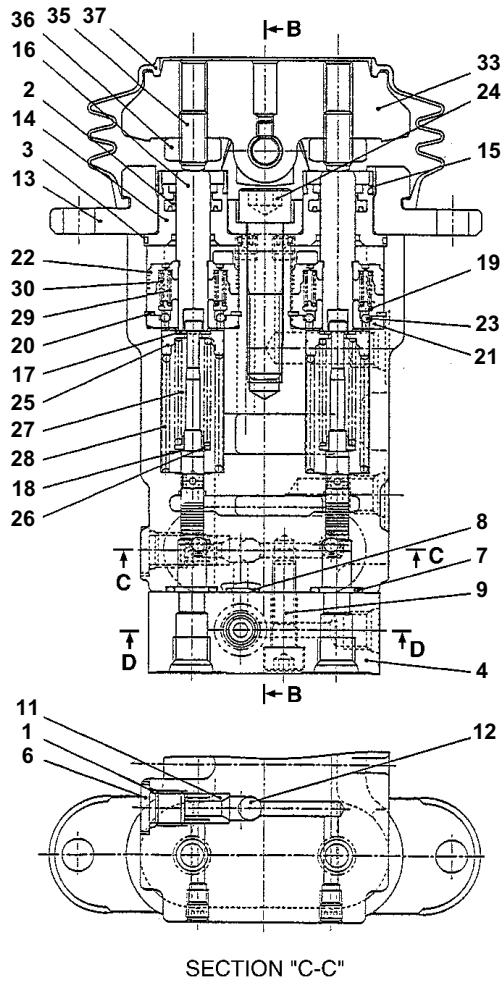
**TB175(P-TB175BAB) Book No. BL3Z010 S/N 17510003-
HANDLE (with 5 switches)**



HANDLE (with 5 switches)

Item	Part number	Description	Q'ty	Chan.	Serial No.	Serv.	Remarks
0	1901741310	HANDLE ASSY	1				
1	1122400312	· SCREW	4				
2	1901741311	· CASE	1				
3	1901741216	· BUTTON	4				
4	1901740402	· BUTTON	1				
5	1901741218	· BRACKET	1				
6	1901740404	· CLIP	1				
7	1122400306	· SCREW	2				
8	1901740408	· SWITCH	5				
9	1901740412	· CAP	2				
10	1901740446	· RECEPTACLE	1				
11	1901740447	· WEDGE	1				
12	1901740413	· PIN	8				
13	1901740414	· PROTECTOR	1				
14	1901740415	· BAND	1				
	L3h510						

**TB175(P-TB175BAB) Book No. BL3Z010 S/N 17510003-
REMOTE CONTROL VALVE (travel, with alarm; 17510003-17518141)**



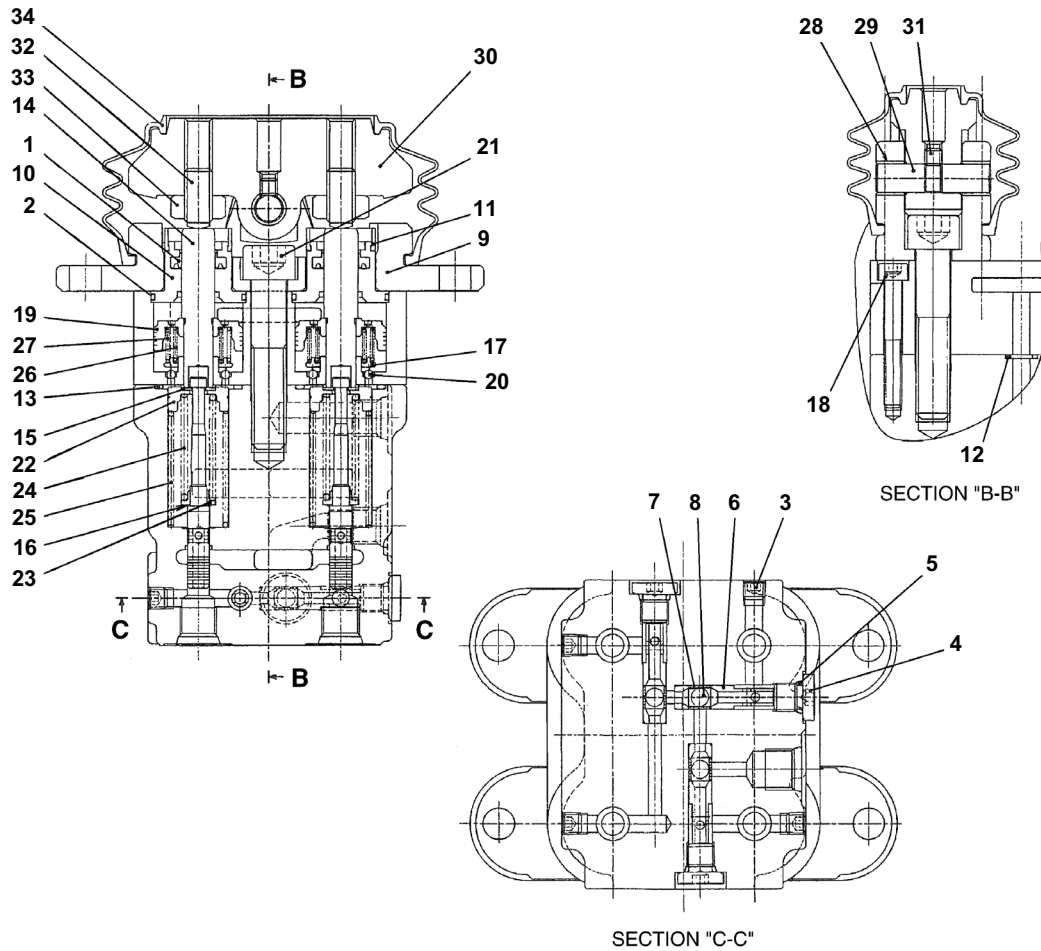
L3H140

S=FREE

REMOTE CONTROL VALVE (travel, with alarm; 17510003-17518141)

Item	Part number	Description	Q'ty	Chan.	Serial No.	Serv.	Remarks
0	1901733500	VALVE, remote-control	1				
0-1	1901733599	· KIT, seal	1				
1	X 1420010100	· · O-RING	3				
2	X 1901733515	· · PACKING	4				
3	X 1420300025	· · O-RING	4				
4	1901733502	· PLATE	1				
5	1501810000	· PLUG	6				
6	1901733504	· PLUG	3				
7	1420010140	· O-RING	4				
8	1420010070	· O-RING	2				
9	1110020830	· SCREW, cap	2				
10	1901733509	· SEET	1				
11	1901733510	· SEET	2				
12	1390010500	· BALL, steel	3				
13	1901733512	· COVER	2				
14	1901733513	· PLUG	4				
15	1901733514	· CUP	4				
16	1901733517	· ROD	4				
17	1901710915	· WASHER	8				
18	1901710917	· WASHER	4				
19	1901733520	· HOLDER	4				
20	1901733521	· RING	4				
21	1901733522	· BUSHING	4				
22	1901733523	· PISTON	4				
23	1390010030	· BALL, steel	12				
24	1110021255	· SCREW, cap	2				
25	1901733527	· HOLDER	4				
26	1901733528	· WASHER	4				
27	1901733529	· SPRING	4				
28	1901733530	· SPRING	4				
29	1901733531	· SPRING	4				
30	1901733532	· SPRING	4				
31	1333001010	· BUSHING	4				
32	1901725215	· SHAFT	2				
33	1901725216	· CAM	2				
34	1121040605	· SET-SCREW	2				
35	1901725218	· SET-SCREW	4				
36	1130090010	· NUT	4				
37	1901725220	· BOOT	2				
	L3h140						

**TB175(P-TB175BAB) Book No. BL3Z010 S/N 17510003-
REMOTE CONTROL VALVE (travel, with alarm; 17518142-)**



L7H180

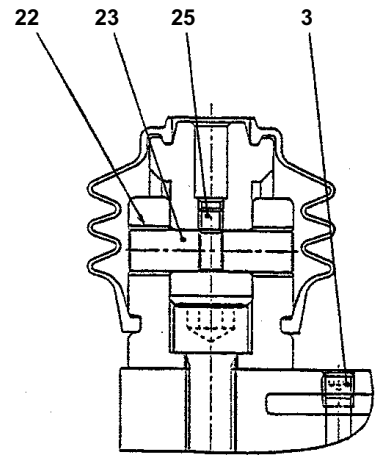
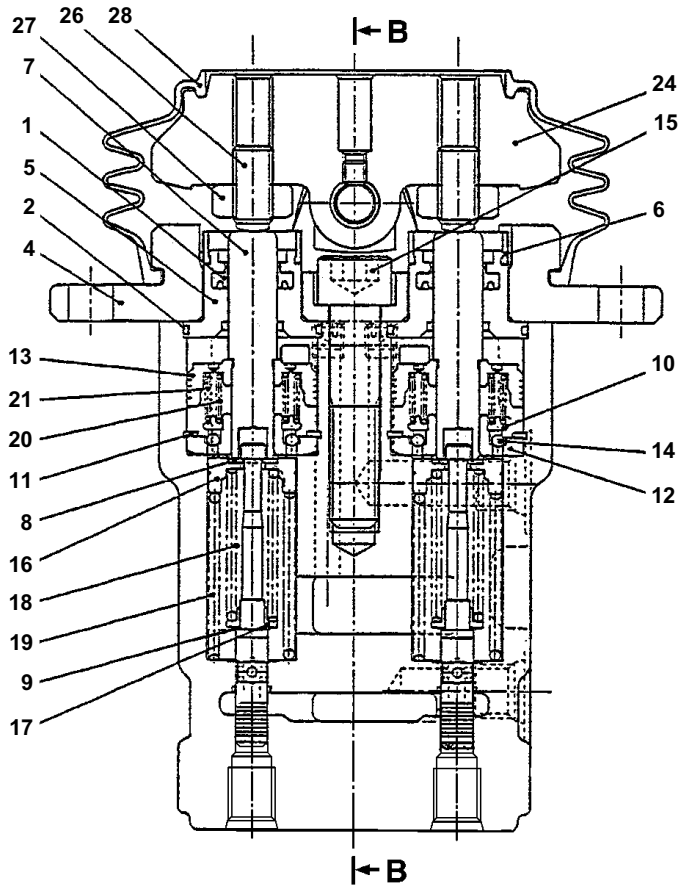
S=free

REMOTE CONTROL VALVE (travel, with alarm; 17518142-)

Item	Part number	Description	Q'ty	Chan.	Serial No.	Serv.	Remarks
0	1901754900	VALVE, remote-control	1				
0-1	1901740099	· KIT, seal	1				
1	1901733515	· · PACKING	4				
2	1420300025	· · O-RING	4				
3	1901738851	· PLUG	4				
4	1501750001	· PLUG	3				
5	1420010080	· O-RING	3				
6	1901754907	· SEET	3				M
7	1901754908	· BUSHING	3				M
8	1390010400	· BALL, steel	3				
9	1901733512	· COVER	2				
10	1901733513	· PLUG	4				
11	1901733514	· CUP	4				
12	1420010080	· O-RING	2				
13	1420500280	· O-RING	4				
14	1901733517	· ROD	4				
15	1901710915	· WASHER	8				
16	1901710917	· WASHER	4				
17	1901733520	· HOLDER	4				
18	1110040645	· SCREW, cap	2				
19	1901733523	· PISTON	4				
20	1390010030	· BALL, steel	12				
21	1110041260	· SCREW, cap	2				
22	1901733527	· HOLDER	4				
23	1901733528	· WASHER	4				
24	1901733529	· SPRING	4				
25	1901733530	· SPRING	4				
26	1901733531	· SPRING	4				
27	1901733532	· SPRING	4				
28	1333001010	· BUSHING	4				
29	1901725215	· SHAFT	2				
30	1901725216	· CAM	2				
31	1121040606	· SET-SCREW	2				
32	1901725218	· SET-SCREW	4				
33	1901738872	· NUT	4				
34	1901754751	· BOOT	2				M

L7h180

TB175(P-TB175BAB) Book No. BL3Z010 S/N 17510003-
REMOTE CONTROL VALVE (travel; 17510003-17518141)



SECTION "B-B"

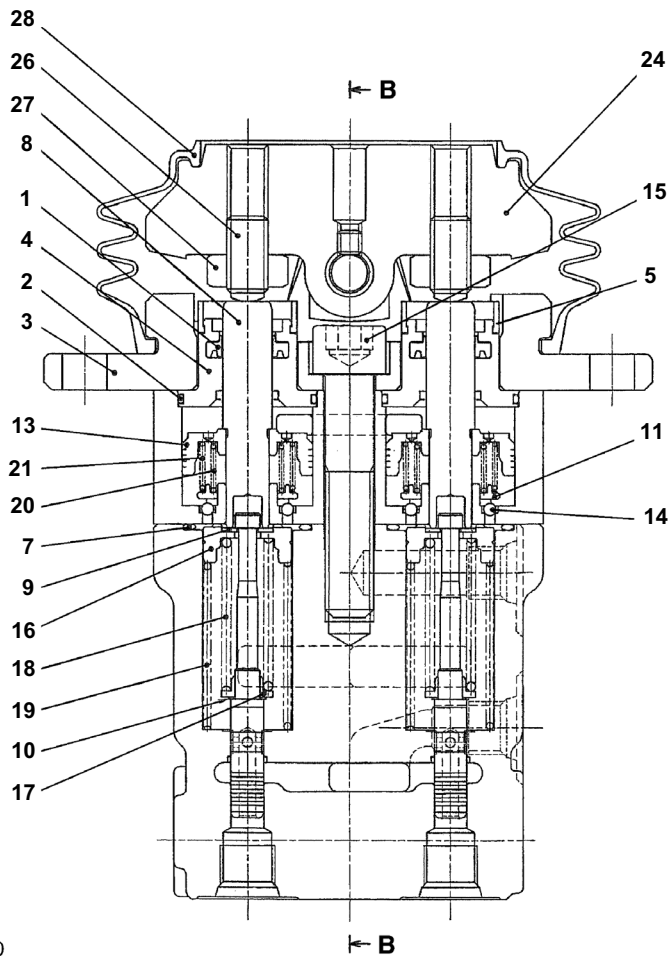
L3H360

S=free

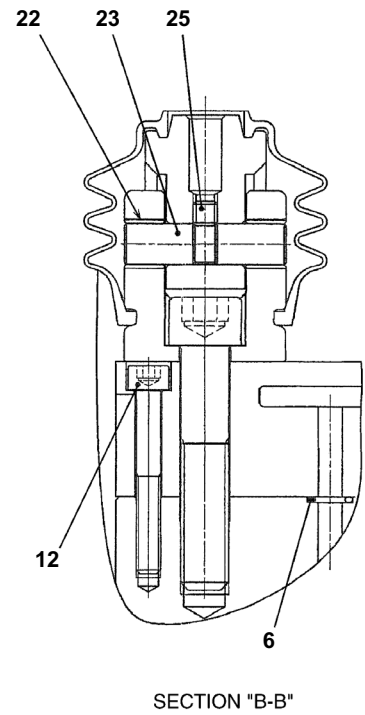
REMOTE CONTROL VALVE (travel; 17510003-17518141)

Item	Part number	Description	Q'ty	Chan.	Serial No.	Serv.	Remarks
0	1901740000	VALVE, remote-control	1				
0-1	1901740099	· KIT, seal	1				
1	X 1901733515	· · PACKING	4				
2	X 1420300025	· · O-RING	4				
3	1501810000	· PLUG	6				
4	1901733512	· COVER	2				
5	1901733513	· PLUG	4				
6	1901733514	· CUP	4				
7	1901733517	· ROD	4				
8	1901710915	· WASHER	8				
9	1901710917	· WASHER	4				
10	1901733520	· HOLDER	4				
11	1901733521	· RING	4				
12	1901733522	· BUSHING	4				
13	1901733523	· PISTON	4				
14	1390010030	· BALL, steel	12				
15	1110021255	· SCREW, cap	2				
16	1901733527	· HOLDER	4				
17	1901733528	· WASHER	4				
18	1901733529	· SPRING	4				
19	1901733530	· SPRING	4				
20	1901733531	· SPRING	4				
21	1901733532	· SPRING	4				
22	1333001010	· BUSHING	4				
23	1901725215	· SHAFT	2				
24	1901725216	· CAM	2				
25	1121040605	· SET-SCREW	2				
26	1901725218	· SET-SCREW	4				
27	1130090010	· NUT	4				
28	1901725220	· BOOT	2				
	L3h360						

TB175(P-TB175BAB) Book No. BL3Z010 S/N 17510003-
REMOTE CONTROL VALVE (travel; 17518142-)



L7H190

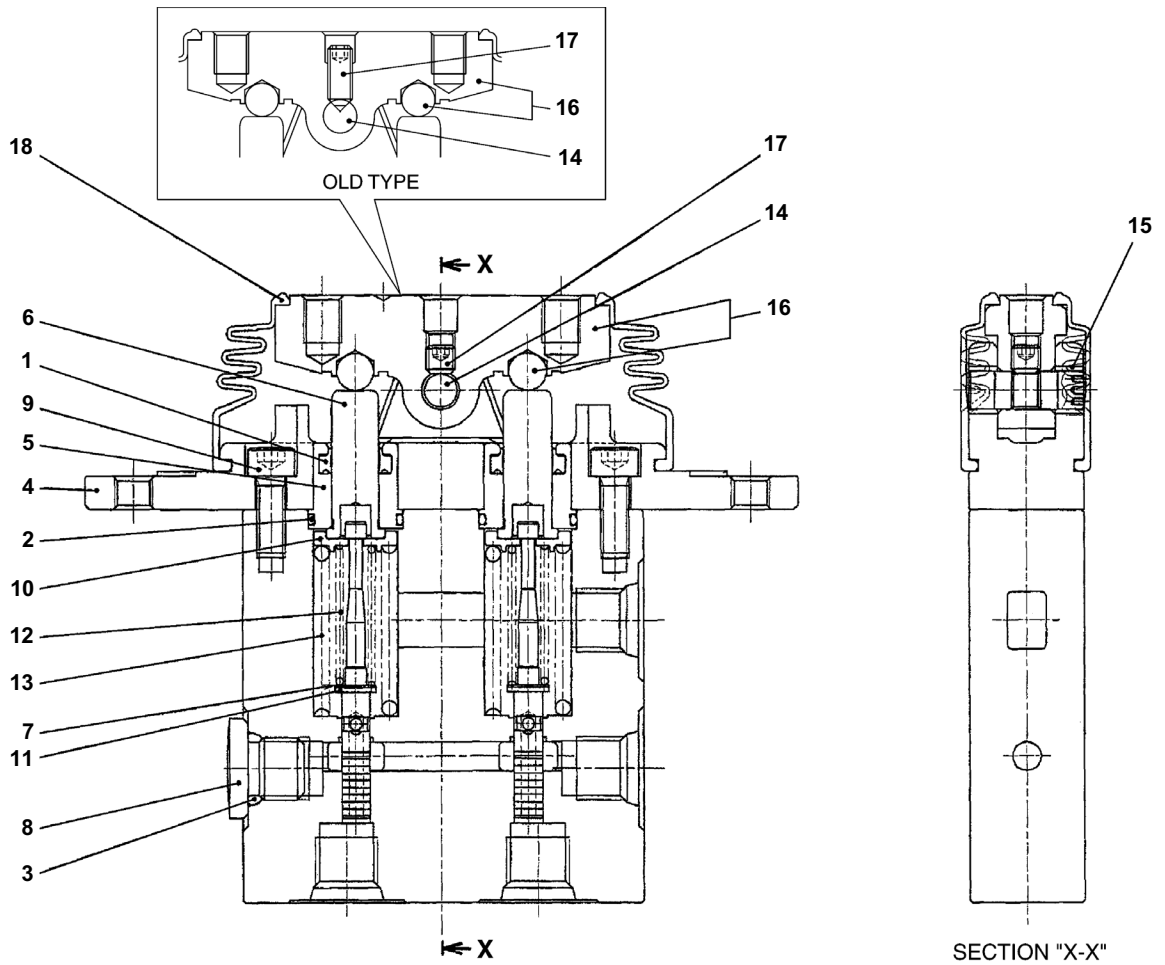


S=free

REMOTE CONTROL VALVE (travel; 17518142-)

Item	Part number	Description	Q'ty	Chan.	Serial No.	Serv.	Remarks
0	1901754800	VALVE, remote-control	1				
0-1	1901740099	· KIT, seal	1				
1	1901733515	· · PACKING	4				
2	1420300025	· · O-RING	4				
3	1901733512	· COVER	2				
4	1901733513	· PLUG	4				
5	1901733514	· CUP	4				
6	1420010080	· O-RING	2				
7	1420500280	· O-RING	4				
8	1901733517	· ROD	4				
9	1901710915	· WASHER	8				
10	1901710917	· WASHER	4				
11	1901733520	· HOLDER	4				
12	1110040645	· SCREW, cap	2				
13	1901733523	· PISTON	4				
14	1390010030	· BALL, steel	12				
15	1110041260	· SCREW, cap	2				
16	1901733527	· HOLDER	4				
17	1901733528	· WASHER	4				
18	1901733529	· SPRING	4				
19	1901733530	· SPRING	4				
20	1901733531	· SPRING	4				
21	1901733532	· SPRING	4				
22	1333001010	· BUSHING	4				
23	1901725215	· SHAFT	2				
24	1901725216	· CAM	2				
25	1121040606	· SET-SCREW	2				
26	1901725218	· SET-SCREW	4				
27	1901738872	· NUT	4				
28	1901754751	· BOOT	2				M
	L7h190						

TB175(P-TB175BAB) Book No. BL3Z010 S/N 17510003-
REMOTE CONTROL VALVE (swing)



L3H151

SECTION "X-X"

S=FREE

REMOTE CONTROL VALVE (swing)

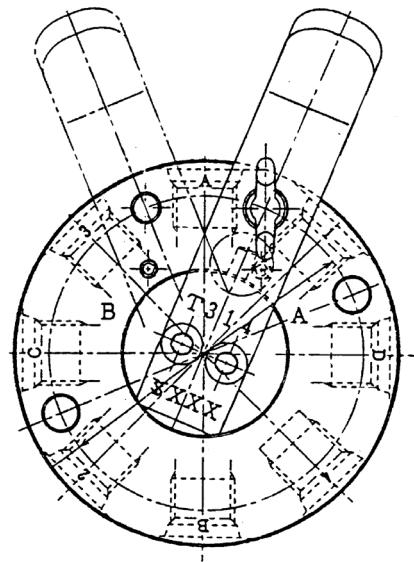
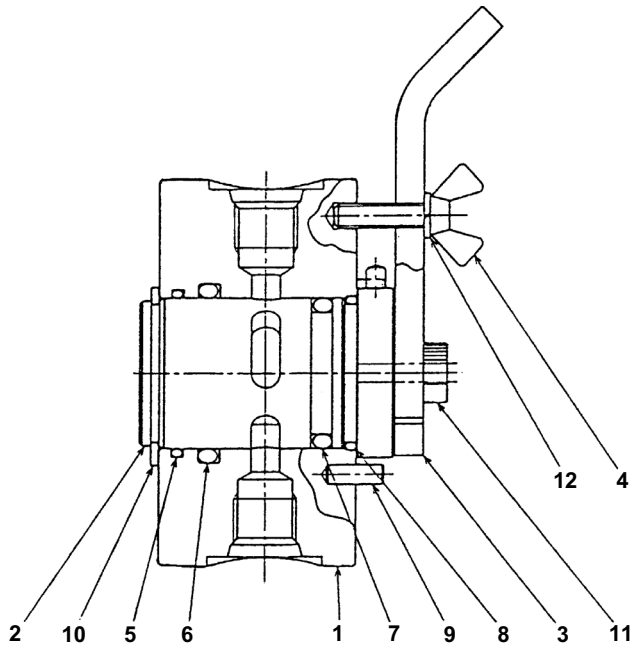
Item	Part number	Description	Q'ty	Chan.	Serial No.	Serv.	Remarks
0	1901735000	VALVE ASSY, remote-control	1				swing
0-1	1901745499	· KIT, seal	1				
1	X 1901745404	· · PACKING	2				
2	X 1420300017	· · O-RING	2				
3	X 1420010110	· · O-RING	1				
4	1901745402	· COVER	1				
5	1901745403	· PLUG	2				
6	1901745406	· ROD	2				
7	1901745407	· SHIM	2				
8	1501750002	· PLUG	1				
	1420010110	· · O-RING	1				
9	1110020616	· SCREW, cap	2				
10	1901745412	· HOLDER	2				
11	1901745413	· WASHER	2				
12	1901745414	· SPRING	2				
13	1901735015	· SPRING	2				
14	1901745416	· SHAFT	1	A	old type		
	1901735016	· SHAFT	1	a(H)	new type		No. 23759
15	1901745417	· BUSHING	2				
16	1901745418	· CAM ASSY	1	A	old type		
	1901735018	· CAM ASSY	1	a(H)	new type		No. 23759
17	1901745420	· SET-SCREW	1	A	old type		
	1121040606	· SET-SCREW	1	a(H)	new type		No. 23759
18	1901735001	· BOOT	1				

<<NOTE>>

SET "A" is interchangeable with SET "a".

L3h151

TB175(P-TB175BAB) Book No. BL3Z010 S/N 17510003-
SELECTOR VALVE (A-B pattern)



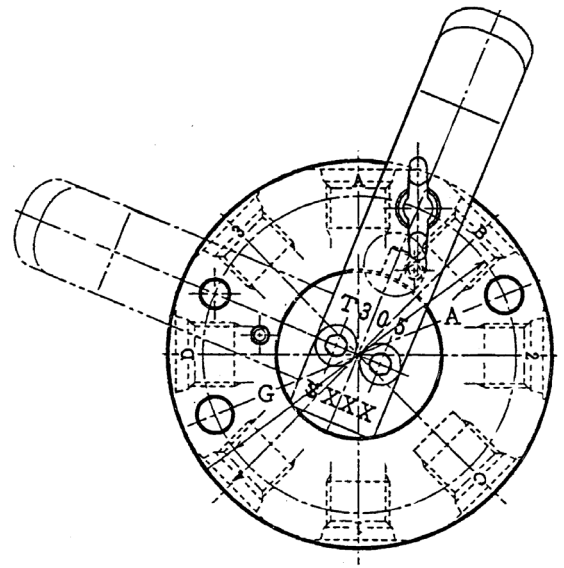
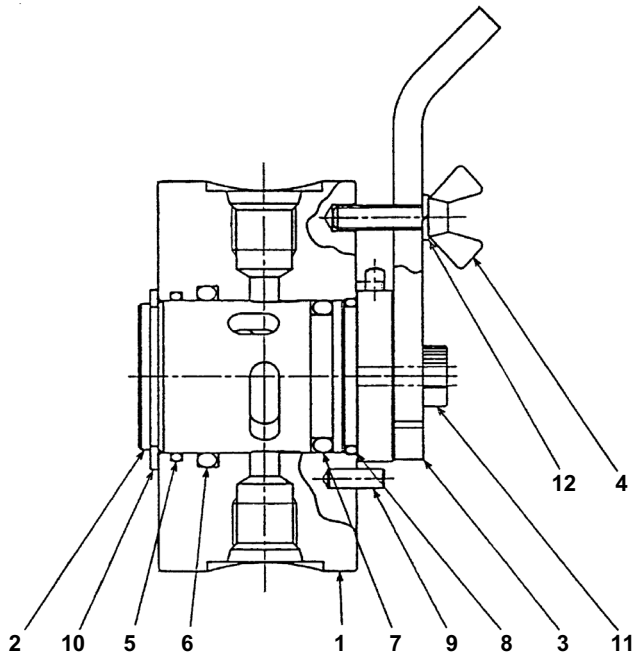
C4H170

S=FREE

SELECTOR VALVE (A-B pattern)

Item	Part number	Description	Q'ty	Chan.	Serial No.	Serv.	Remarks
0	1901731400	VALVE ASSY, selector	1				
1	1901731401	· BODY	1				
2	1901731402	· ROTOR	1				
3	1901730503	· LEVER	1				
4	1901730504	· BOLT	1				
5	1901730505	· O-RING	1				
6	1901730506	· O-RING	1				
7	1901730507	· O-RING	1				
8	1901730508	· O-RING	1				
9	1213000412	· PIN, spring	3				
10	1220000030	· RING, snap	1				
11	1110050514	· SCREW, cap	2				
12	1140010005	· WASHER, spring	1				
	C4h170						

TB175(P-TB175BAB) Book No. BL3Z010 S/N 17510003-
SELECTOR VALVE (ISO-JCB pattern)



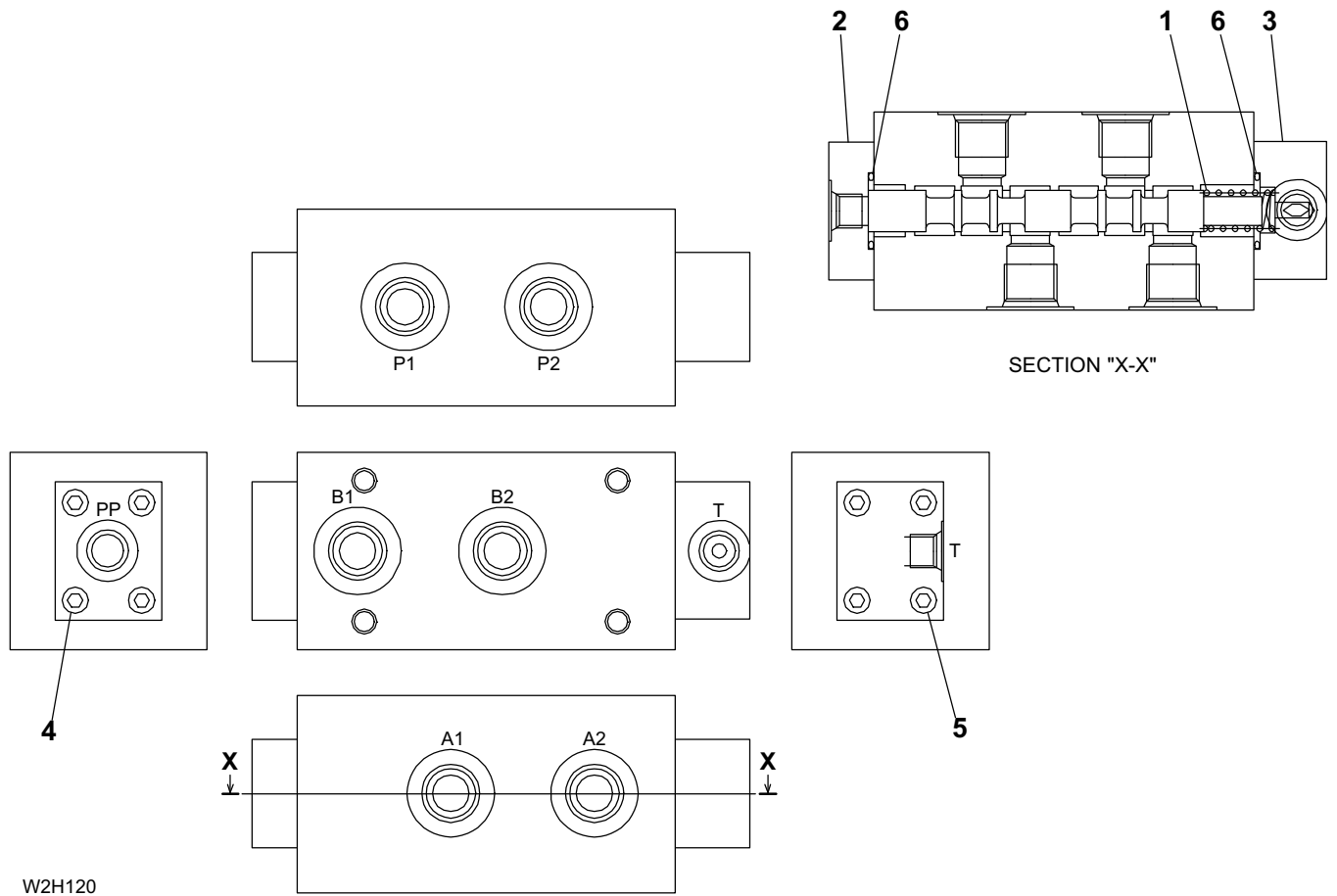
C4H180

S=FREE

SELECTOR VALVE (ISO-JCB pattern)

Item	Part number	Description	Q'ty	Chan.	Serial No.	Serv.	Remarks
0	1901730500	VALVE ASSY, selector	1				
1	1901730501	· BODY	1				
2	1901730502	· ROTOR	1				
3	1901730503	· LEVER	1				
4	1901730504	· BOLT	1				
5	1901730505	· O-RING	1				
6	1901730506	· O-RING	1				
7	1901730507	· O-RING	1				
8	1901730508	· O-RING	1				
9	1213000412	· PIN, spring	3				
10	1220000030	· RING, snap	1				
11	1110050514	· SCREW, cap	2				
12	1140010005	· WASHER, spring	1				
	C4h180						

TB175(P-TB175BAB) Book No. BL3Z010 S/N 17510003-
SELECTOR VALVE (2-piece boom)

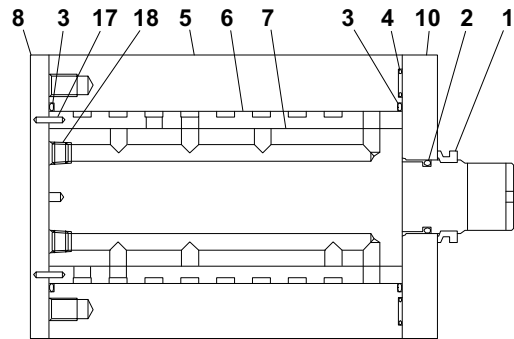
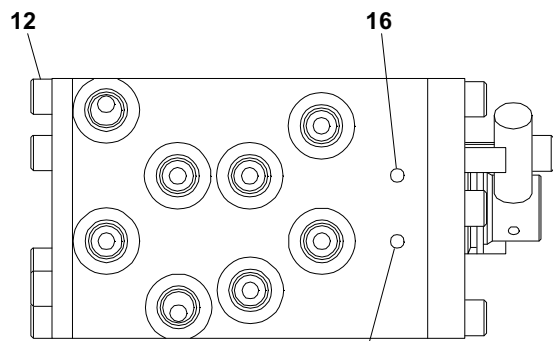


S=free

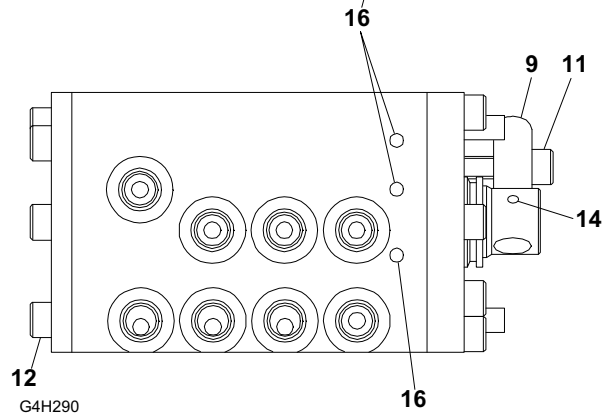
SELECTOR VALVE (2-piece boom)

Item	Part number	Description	Q'ty	Chan.	Serial No.	Serv.	Remarks
0	1901736900	VALVE ASSY, selector	1				
1	1901736901	· SPRING	1				
2	1901736902	· COVER	1				
3	1901736903	· COVER	1				
4	1110020620	· SCREW, cap	4				
5	1110020630	· SCREW, cap	4				
6	1420110250	· O-RING	2				
	W2h120						

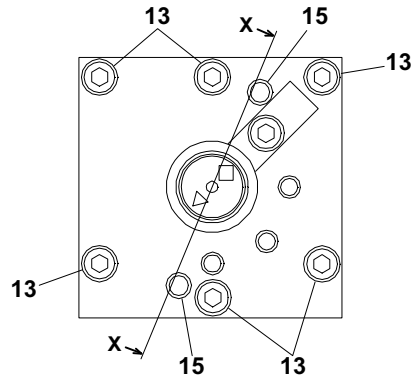
TB175(P-TB175BAB) Book No. BL3Z010 S/N 17510003-
 ROTARY VALVE (17510003-17511034)



SECTION "X-X"



G4H290



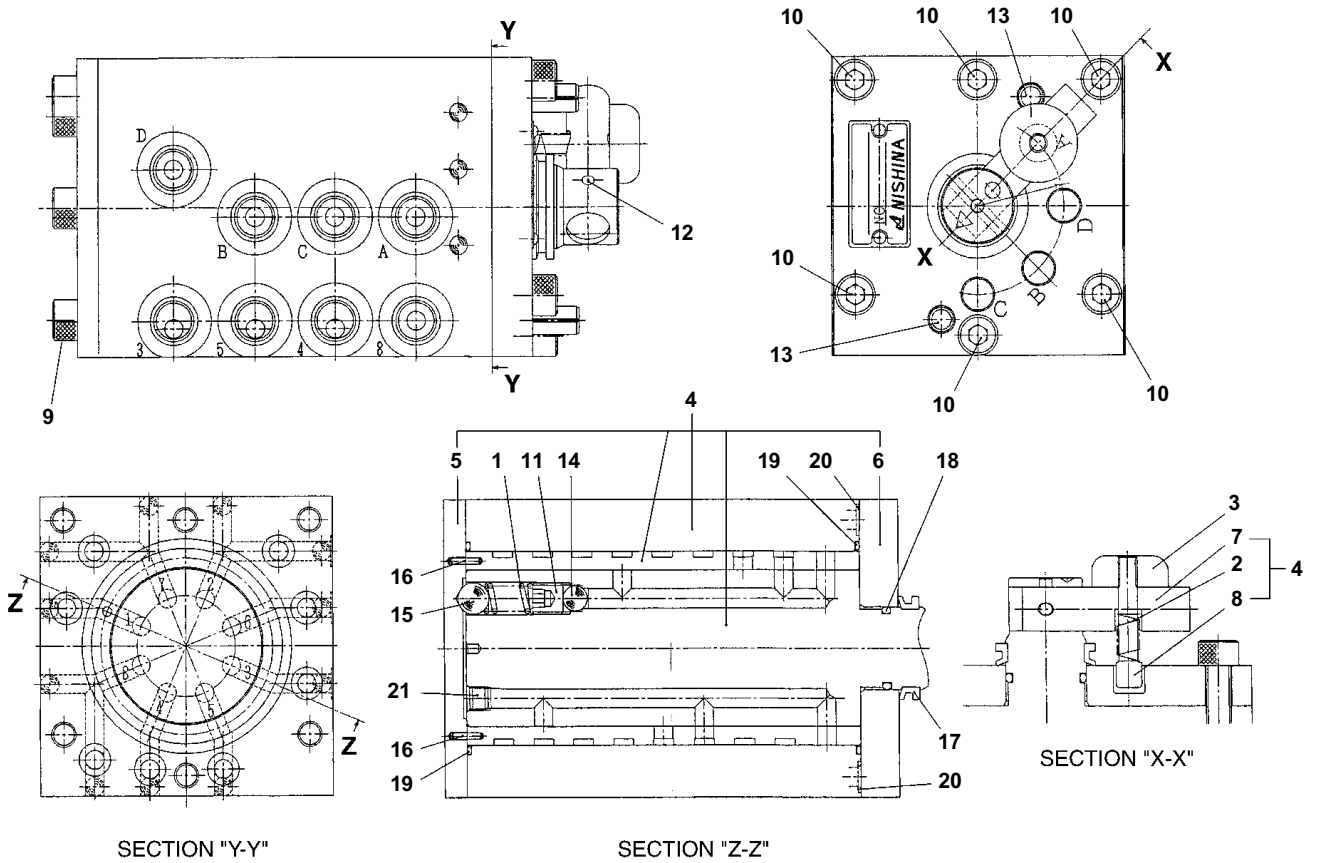
S=FREE

詳細 "A"
 DETAIL "A"

ROTARY VALVE (17510003-17511034)

Item	Part number	Description	Q'ty	Chan.	Serial No.	Serv.	Remarks
0	1901733700	VALVE ASSY, rotary	1				
0-1	1901733799	· KIT, seal	1				
1	X 1901733717	· · SEAL, oil	1				
2	X 1420010220	· · O-RING	1				
3	X 1420500650	· · O-RING	2				
4	X 1420500080	· · O-RING	8				
5	1901733701	· CASE	1				
6	1901733702	· SLEEVE	1				
7	1901733703	· SHAFT	1				
8	1901733704	· COVER	1				
9	1901733705	· LEVER	1				
10	1901733706	· COVER	1				
11	1110040830	· SCREW, cap	1				
12	1110040816	· SCREW, cap	6				
13	1110040825	· SCREW, cap	6				
14	1213000426	· PIN, spring	1				
15	1213000824	· PIN, spring	2				
16	1390010400	· BALL, steel	1				
17	1901733716	· BEARING	4				
18	1501810000	· PLUG	8				
	G4h290						

**TB175(P-TB175BAB) Book No. BL3Z010 S/N 17510003-
ROTARY VALVE (17514801-)**



D5H160

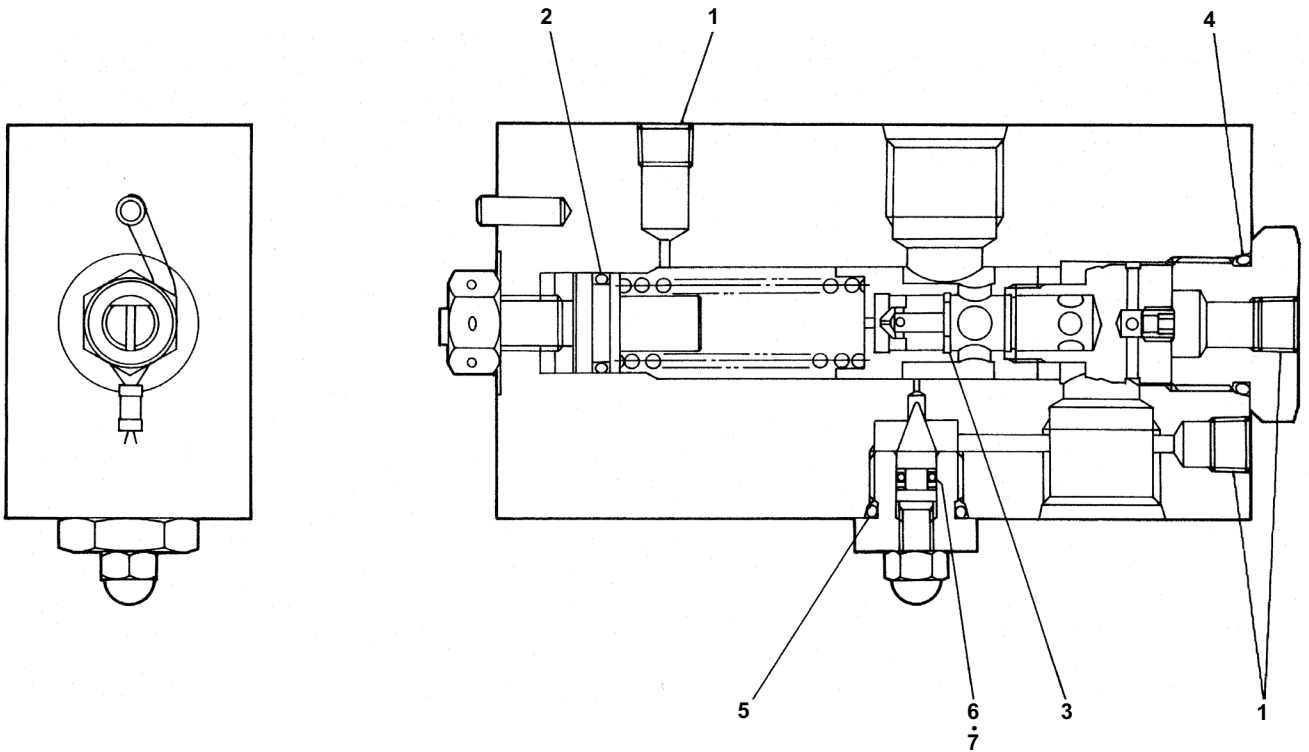
S-free

ROTARY VALVE (17514801-)

Item	Part number	Description	Q'ty	Chan.	Serial No.	Serv.	Remarks
0	1901746700	VALVE, rotary	1				
1	1901746704	· SPRING	1				
2	1901746710	· SPRING	1				
3	1901746711	· KNOB	1				
4	1901746712	· SET, body	1				
5	1901746709	· · COVER	1				
6	1901746710	· · COVER	1				
7	1901746711	· · LEVER	1				
8	1901746712	· · PIN	1				
9	1110050816	· SCREW, cap	6				
10	1110051020	· SCREW, cap	6				
11	1121041010	· SET-SCREW	1				
12	1213000410	· PIN, spring	1				
13	1213000824	· PIN, spring	2				
14	1901746719	· BALL, steel	1				
15	1901746720	· BALL, steel	1				
16	1901733716	· NEEDLE	4				
17	1901733717	· SEAL, oil	1				
18	1420300118	· O-RING	1				
19	1420500065	· O-RING	2				
20	1420500008	· O-RING	8				
21	1501810000	· PLUG	7				

D5h160

TB175(P-TB175BAB) Book No. BL3Z010 S/N 17510003-
LOAD HOLDING VALVE (boom)



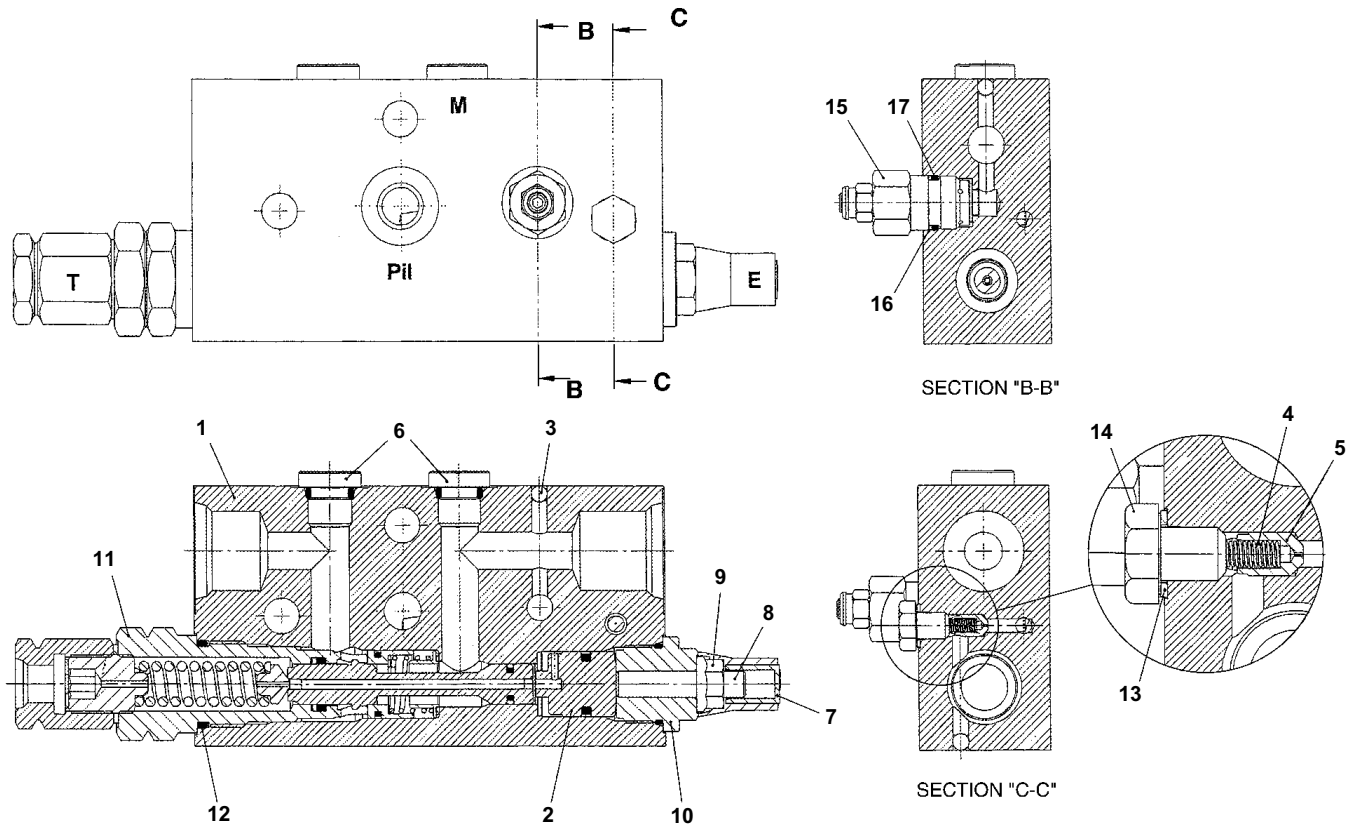
L3H160

S=FREE

LOAD HOLDING VALVE (boom)

Item	Part number	Description	Q'ty	Chan.	Serial No.	Serv.	Remarks
0	1901729500	VALVE ASSY, load holding	1				
1	1501810001	· PLUG	3				
2	1420010140	· O-RING	1				
3	1221000010	· RING, snap	1				
4	1420010210	· O-RING	1				
5	1420010140	· O-RING	1				
6	1420010040	· O-RING	1				
7	1421020040	· RING, back-up	1				
	L3h160						

TB175(P-TB175BAB) Book No. BL3Z010 S/N 17510003-
LOAD HOLDING VALVE (boom, pilot pressor type; 17514412-)



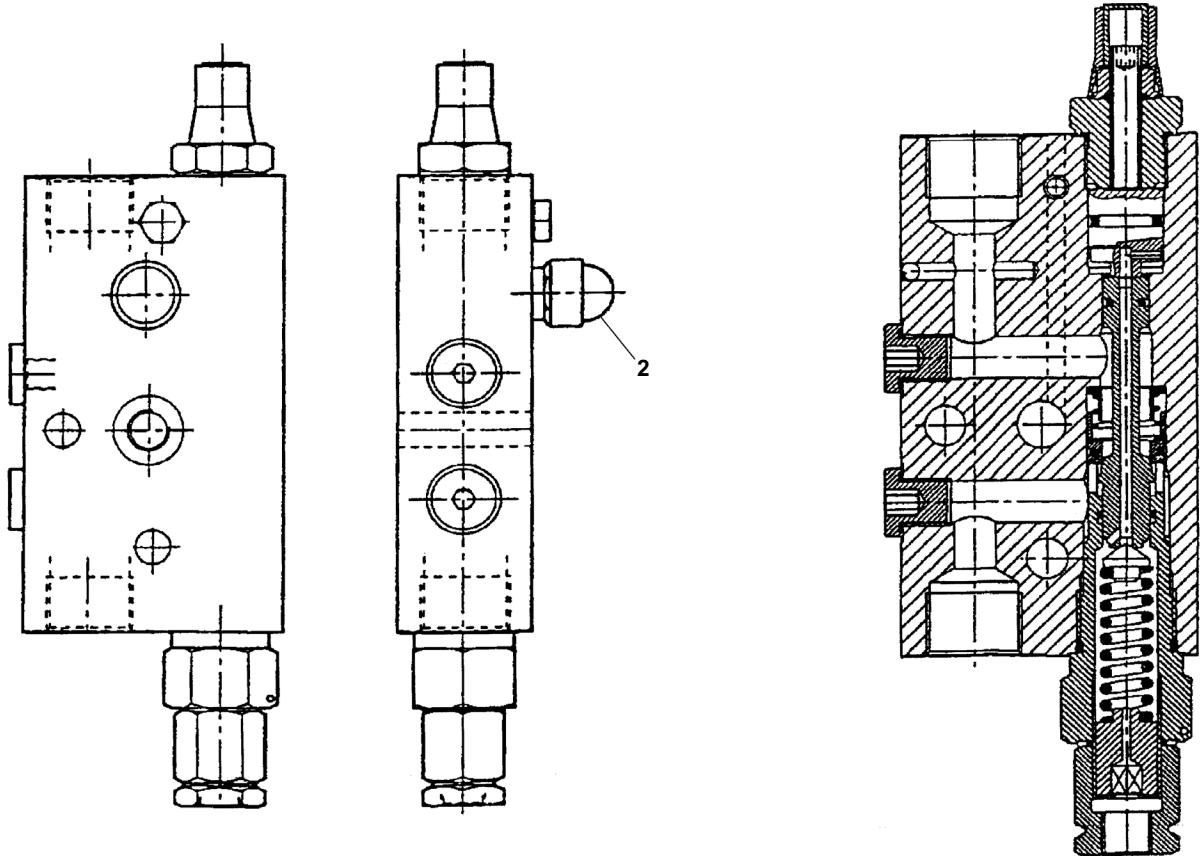
L4H270

S-free

LOAD HOLDING VALVE (boom, pilot pressor type; 17514412-)

Item	Part number	Description	Q'ty	Chan.	Serial No.	Serv.	Remarks
0	1901747500	VALVE ASSY, load holding	1				
1	1901747501	· BODY	1				
2	1901747502	· SLEEVE	1				
3	1901747503	· BALL, steel	4				
4	1901747504	· SPRING	1				
5	1901747505	· PIVOT	1				
6	1901744305	· PLUG ASSY	2				
7	1901742901	· CAP	1				
8	1901747508	· SET-SCREW	1				
9	1901747509	· NUT	1				
10	1901747510	· PLUG	1				
11	1901747511	· VALVE, check	1				
12	1901747512	· · O-RING	1				
13	1901742906	· SEAL	1				
14	1901742907	· SCREW	1				
15	1901747514	· VLVE, relief	1				
16	1901742911	· · RING, back-up	1				
17	1901742708	· · O-RING	1				
	L4h270						

TB175(P-TB175BAB) Book No. BL3Z010 S/N 17510003-
LOAD HOLDING VALVE (2-piece boom)



W2H190

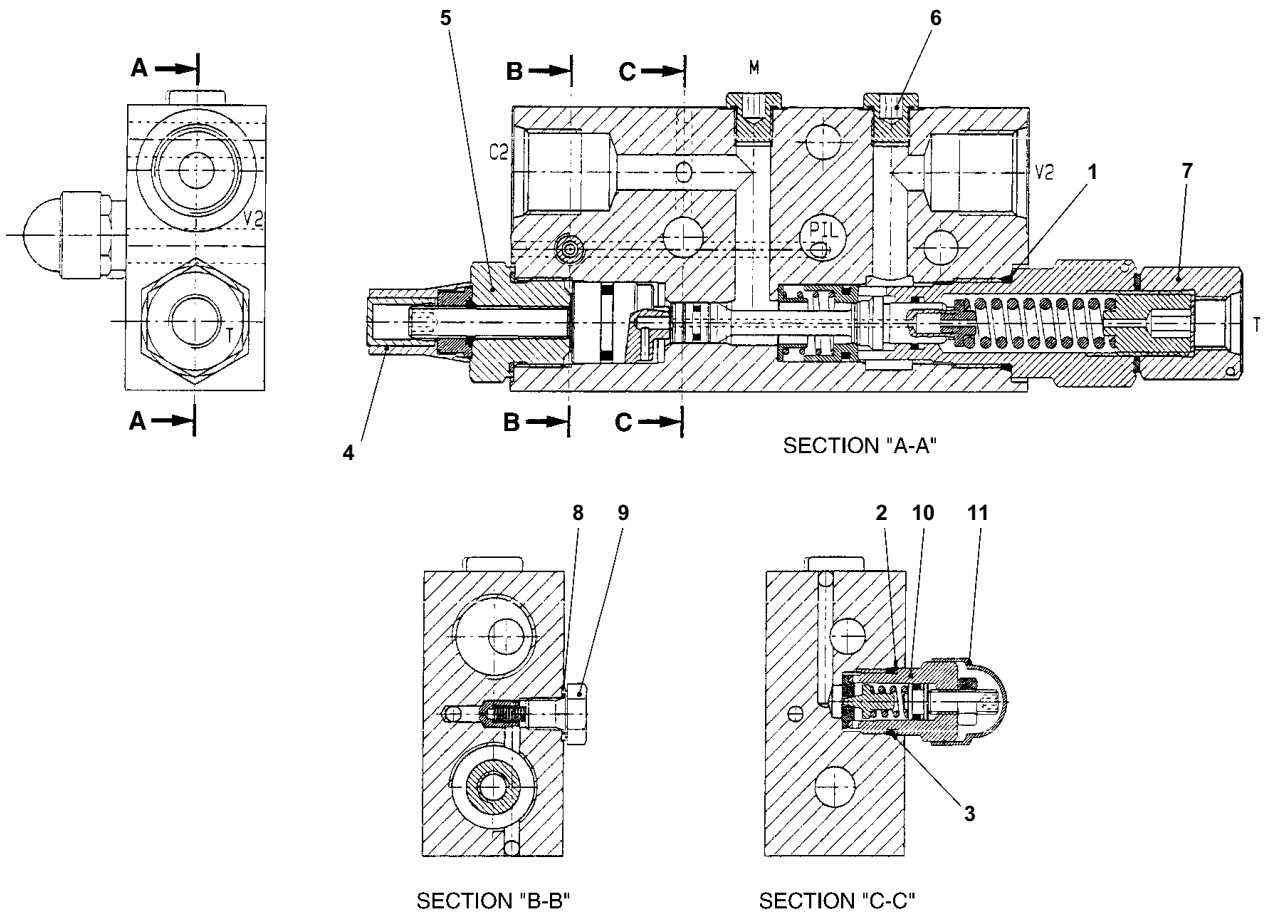
S=free

LOAD HOLDING VALVE (2-piece boom)

Item	Part number	Description	Q'ty	Chan.	Serial No.	Serv.	Remarks
0	1901741000	VALVE ASSY, load holding	1				
1	1901741099	· KIT, seal	1				
2	1901741022	· VALVE, relief	1				

W2h190

TB175(P-TB175BAB) Book No. BL3Z010 S/N 17510003-
LOAD HOLDING VALVE (pilot pressor type)



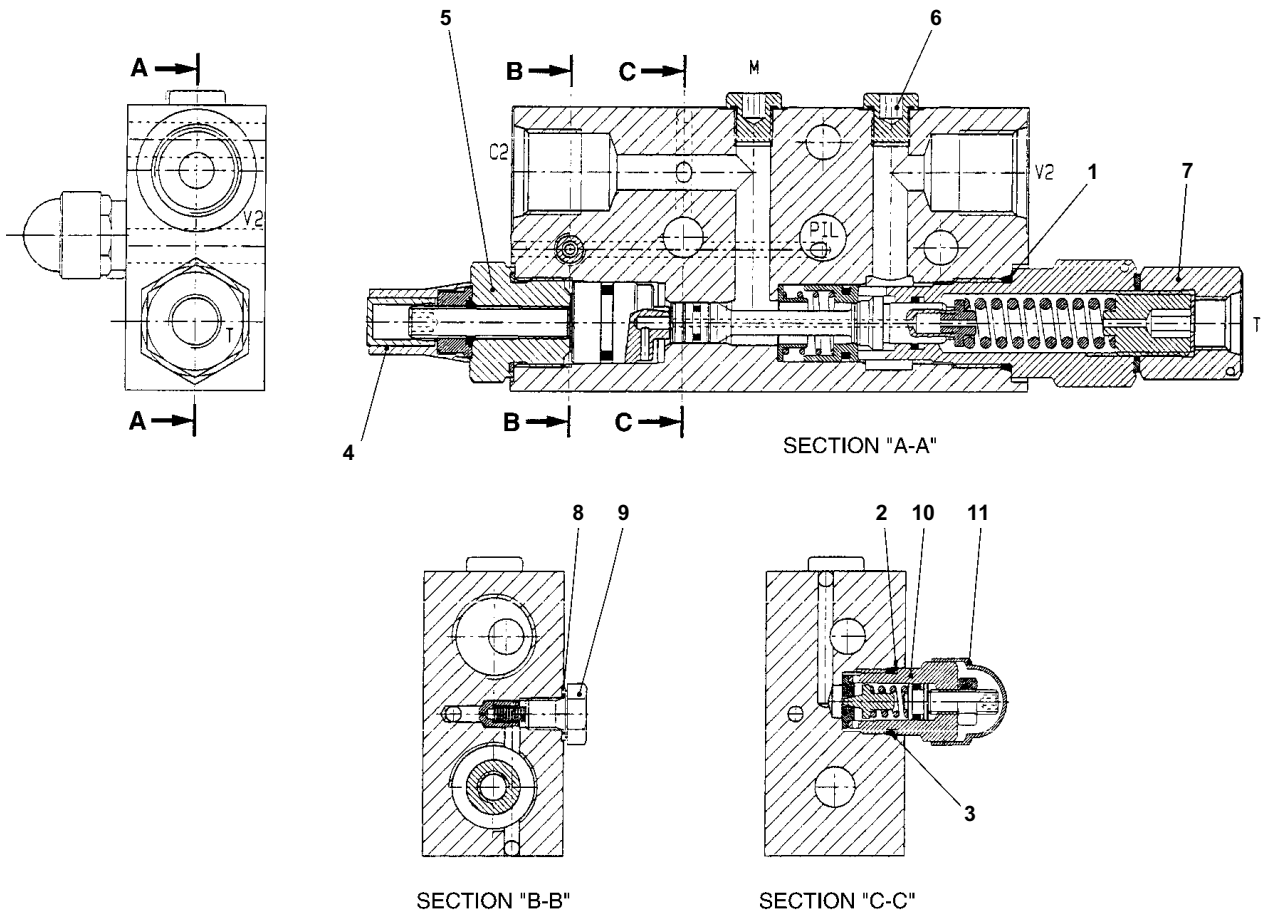
L3H400

S=free

LOAD HOLDING VALVE (pilot pressor type)

Item	Part number	Description	Q'ty	Chan.	Serial No.	Serv.	Remarks
0	1901742900	VALVE ASSY, load holding	1				boom
	1901743000	VALVE ASSY, load holding	1				boom
	1901743100	VALVE ASSY, load holding	1				arm
0-1	1901742999	· KIT, seal	1				
1	X 1901742904	· · O-RING	1				
2	X 1901742908	· · RING, back-up	1				
3	X 1901742911	· · O-RING	1				
4	1901742901	· CAP	1				
5	1901742902	· PLUG	1				
6	1901742903	· PLUG	2				
7	1901742905	· SOCKET	1				
8	1901742906	· SEAL	1				
9	1901742907	· BOLT	1				
10	1901742909	· VALVE, relief	1				
11	1901742910	· CAP	1				
	L3h400						

TB175(P-TB175BAB) Book No. BL3Z010 S/N 17510003-
LOAD HOLDING VALVE (adjust)



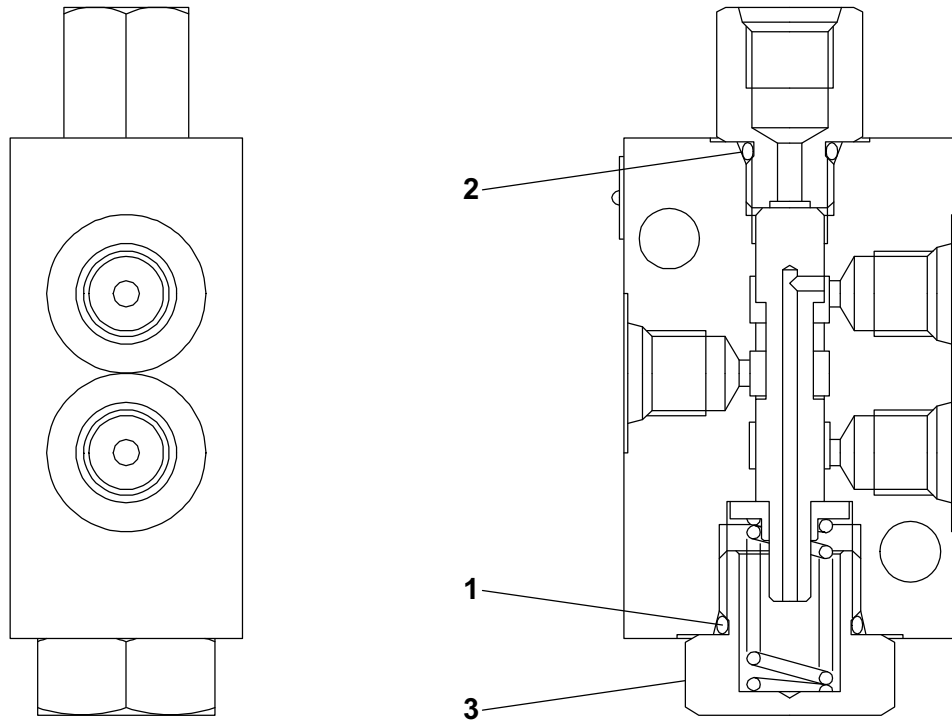
L3H520

S=free

LOAD HOLDING VALVE (adjust)

Item	Part number	Description	Q'ty	Chan.	Serial No.	Serv.	Remarks
0	1901746200	VALVE ASSY, load holding	1				
0-1	1901746299	· KIT, seal	1				
1	X 1901746204	· · O-RING	1				
2	X 1901746208	· · RING, back-up	1				
3	X 1901746211	· · O-RING	1				
4	1901746201	· CAP	1				
5	1901746202	· PLUG	1				
6	1901746203	· PLUG	2				
7	1901746205	· SOCKET	1				
8	1901746206	· SEAL	1				
9	1901742907	· BOLT	1				
10	1901741023	· VALVE, relief	1				
11	1901746210	· CAP	1				
	L3h520						

TB175(P-TB175BAB) Book No. BL3Z010 S/N 17510003-
PILOT CHANGE VALVE



L3H170

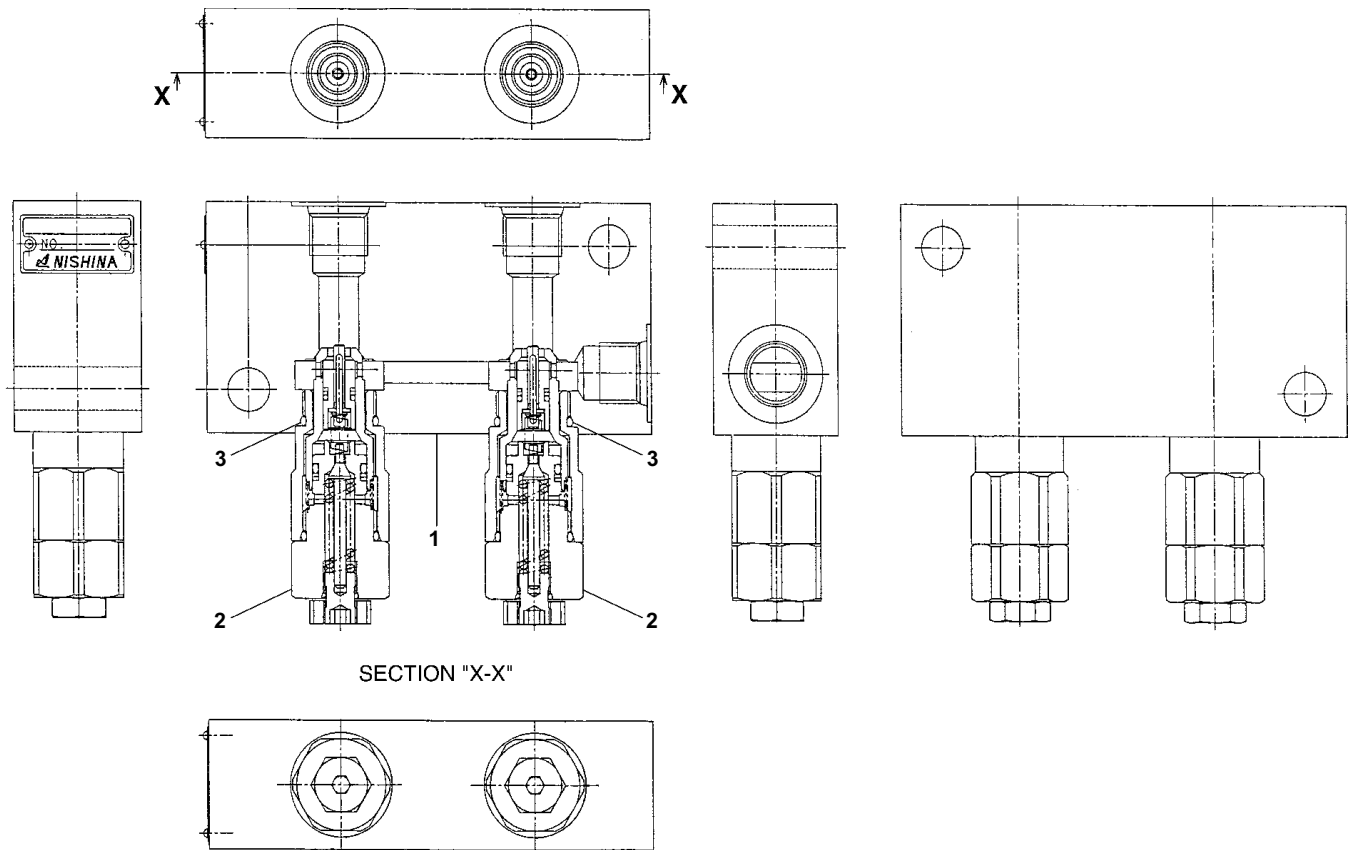
S=FREE

PILOT CHANGE VALVE

Item	Part number	Description	Q'ty	Chan.	Serial No.	Serv.	Remarks
0	1901734800	VALVE ASSY	1				
1	1420010180	· O-RING	1				
2	1420010110	· O-RING	1				
3	1901732004	· PLUG	1				

L3h170

TB175(P-TB175BAB) Book No. BL3Z010 S/N 17510003-
OVER LOAD VALVE



W2H130

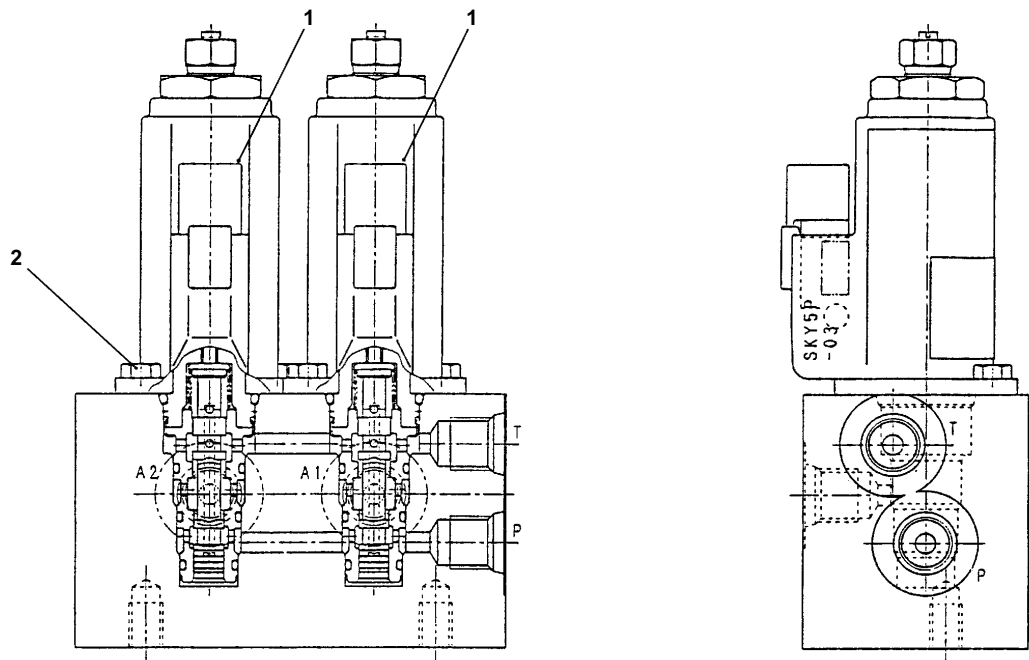
S=free

OVER LOAD VALVE

Item	Part number	Description	Q'ty	Chan.	Serial No.	Serv.	Remarks
0	1901737500	VALVE ASSY, overload	1				
1	1901737514	· BODY	1				
2	1901737501	· VALVE, relief	2				
3	1420310912	· O-RING	2				

W2h130

TB175(P-TB175BAB) Book No. BL3Z010 S/N 17510003-
ELECTRICAL PROPORTION VALVE



W2H140

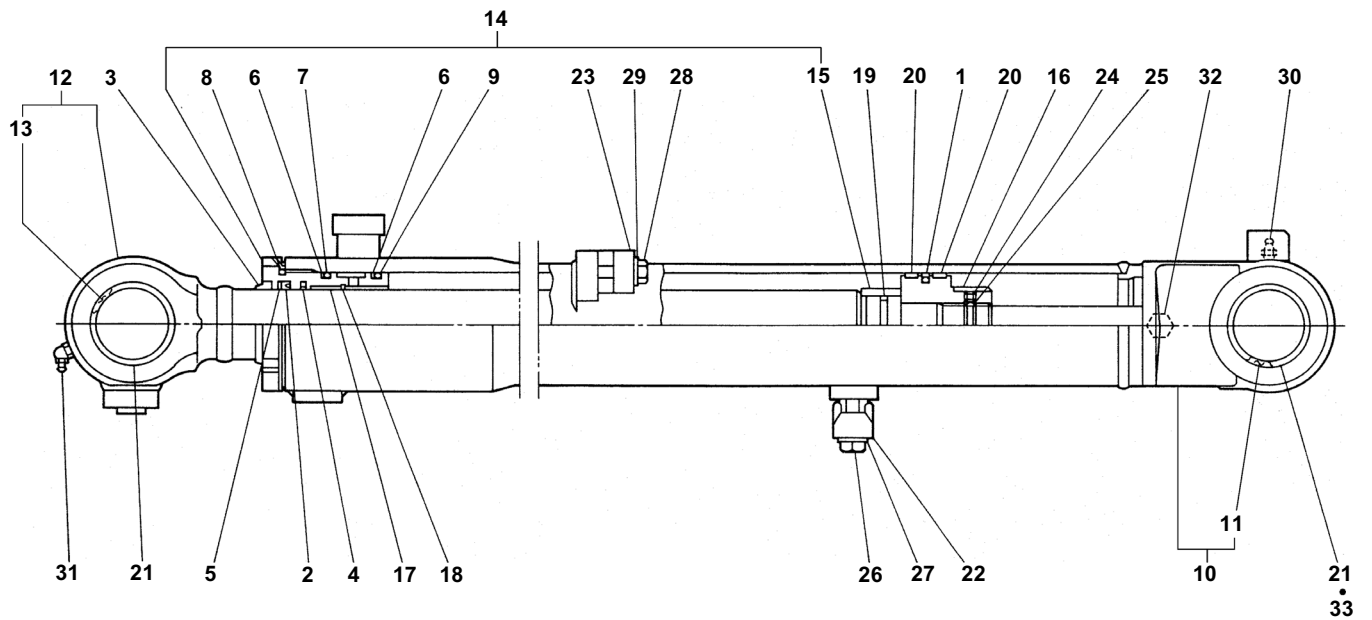
S=FREE

ELECTRICAL PROPORTION VALVE

Item	Part number	Description	Q'ty	Chan.	Serial No.	Serv.	Remarks
0	1901738500	VALVE ASSY, proportional	1				
1	1901738560	· VALVE, proportional	2				
2	1100050512	· BOLT	4				

W2h140

TB175(P-TB175BAB) Book No. BL3Z010 S/N 17510003-
BOOM CYLINDER (17510003-17514513)



L3H182

S=FREE

BOOM CYLINDER (17510003-17514513)

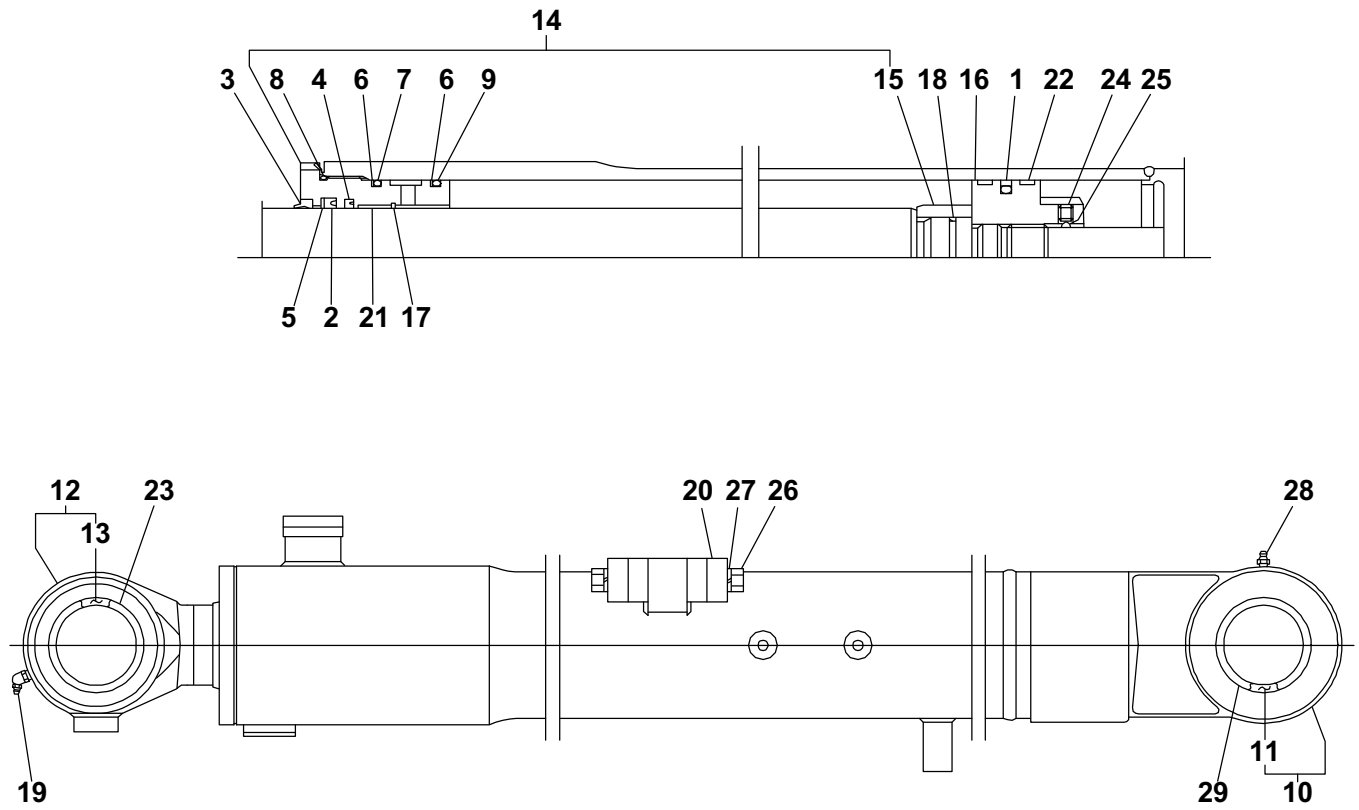
Item	Part number	Description	Q'ty	Chan.	Serial No.	Serv.	Remarks
0	1900078900	CYLINDER ASSY (R.H.)	1		17510003~17512104		boom
	1900090700	CYLINDER ASSY (R.H.)	1	(H)	17512105~17513781		
	1900093600	CYLINDER ASSY (R.H.)	1		17513782~		
	1900079000	CYLINDER ASSY (L.H.)	1		17510003~17512104		
	1900090800	CYLINDER ASSY (L.H.)	1	(H)	17512105~17513781		
	1900093700	CYLINDER ASSY (L.H.)	1		17513782~		
0-1	1900078999	· KIT, seal	1				
1	X 1900047231	· · PACKING, piston	1				
2	X 1900050631	· · PACKING, rod	1				
3	X 1900070831	· · SEAL, dust	1				
4	X 1900063226	· · RING, seal	1				
5	X 1900063227	· · RING, back-up	1				
6	X 1900078927	· · RING, back-up	3				
7	X 1420110750	· · O-RING	1				
8	X 1420100800	· · O-RING	1				
9	X 1420110700	· · O-RING	1				
10	1900078998	· TUBE ASSY (R.H.)	1		17510003~17513781		
	1900093698	· TUBE ASSY (R.H.)	1		17513782~		
	1900079098	· TUBE ASSY (L.H.)	1		17510003~17513781		
	1900093798	· TUBE ASSY (L.H.)	1		17513782~		
11	1900090720	· · BUSHING	1		17510003~17513781		
	1900093620	· · BUSHING	1		17513782~		
12	1900078997	· ROD ASSY, piston	1		17510003~17512104		
	1900090796	· ROD ASSY, piston	1		17512105~		
13	1900065102	· · BUSHING	1				
14	1900065196	· COVER ASSY, rod	1				
15	1900068205	· · CUSHION, rod	1				
16	1900065106	· PISTON	1		17510003~17512104		
	1900090606	· PISTON	1	A	17512105~17513605		
	1900090706	· PISTON	1	a(H)	17513606~		
17	1900063213	· BUSHING	1				
18	1900063214	· RING, snap	1				
19	1900063216	· SEAL, cushion	1		17510003~17512104		
	1900090731	· SEAL, cushion	1	A	17512105~17513605		
	1900090741	· SEAL, cushion	1	a(H)	17513606~		
20	1900047232	· RING, wear	2		17510003~17512104		
	1900090726	· RING, wear	2	A	17512105~17513605		
	1900047232	· RING, wear	2	a(H)	17513606~		
21	1900047423	· SEAL, dust	4		17510003~17513781		
	1900047423	· SEAL, dust	2		17513782~		
22	1900070917	· HOLDER	1				
23	1900065128	· HOLDER	1				
24	1121040808	· SET-SCREW	1				
25	1390010350	· BALL, steel	1				
26	1100051245	· BOLT	1				
27	1140010012	· WASHER, spring	1				
28	1100051045	· BOLT	1				
29	1140010010	· WASHER, spring	1				
30	1560001000	· FITTING, grease	1				
31	1560001675	· FITTING, grease	1				
32	1100041016	· BOLT	1		17512105~		
33	1900063433	· SEAL, dust	2		17513782~		

<<NOTE>>

SET "A" is interchangeable with SET "a".

L3h183

TB175(P-TB175BAB) Book No. BL3Z010 S/N 17510003-
BOOM CYLINDER (17514514-)



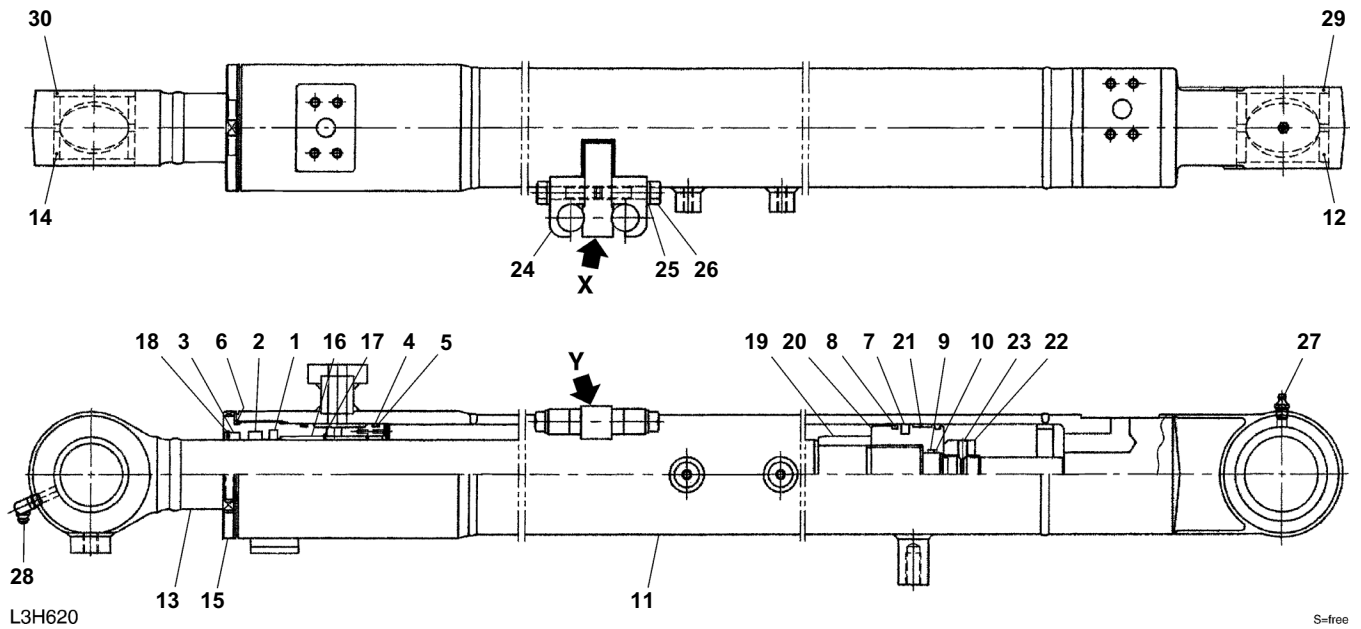
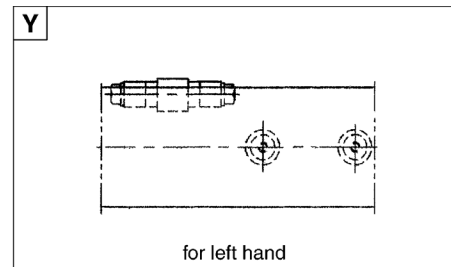
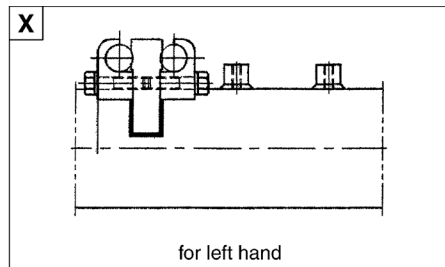
L3H572

S=FREE

BOOM CYLINDER (17514514-)

Item	Part number	Description	Q'ty	Chan.	Serial No.	Serv.	Remarks
0	1900097600	CYLINDER ASSY (L.H.)	1				boom
	1900097700	CYLINDER ASSY (R.H.)	1				
0-1	1900078999	· KIT, seal	1				
1	X 1900047231	· · PACKING, piston	1				
2	X 1900050631	· · PACKING, rod	1				
3	X 1900070831	· · SEAL, dust	1				
4	X 1900063226	· · RING, seal	1				
5	X 1900063227	· · RING, back-up	1				
6	X 1900078927	· · RING, back-up	3				
7	X 1420110750	· · O-RING	1				
8	X 1420100800	· · O-RING	1				
9	X 1420110700	· · O-RING	1				
10	1900097698	· TUBE ASSY (L.H.)	1				
	1900097798	· TUBE ASSY (R.H.)	1				
11	1900097720	· · BUSHING	1				
12	1900097697	· ROD ASSY, piston	1				
13	1900065102	· · BUSHING	1				
14	1900065196	· COVER ASSY, rod	1				
15	1900068205	· · CUSHION, rod	1				
16	1900090706	· PISTON	1				
17	1900063214	· RING, snap	1				
18	1900090741	· SEAL, cushion	1				
19	1560001675	· FITTING, grease	1				
20	1900065128	· HOLDER	2				
21	1900063213	· BUSHING	1				
22	1900047232	· RING, wear	2				
23	1900047423	· SEAL, dust	2				
24	1121040808	· SET-SCREW	1				
25	1390010350	· BALL, steel	1				
26	1100051040	· BOLT	2				
27	1140010010	· WASHER, spring	2				
28	1560001000	· FITTING, grease	1				
29	1900063433	· SEAL, dust	2				M
	L3h572						

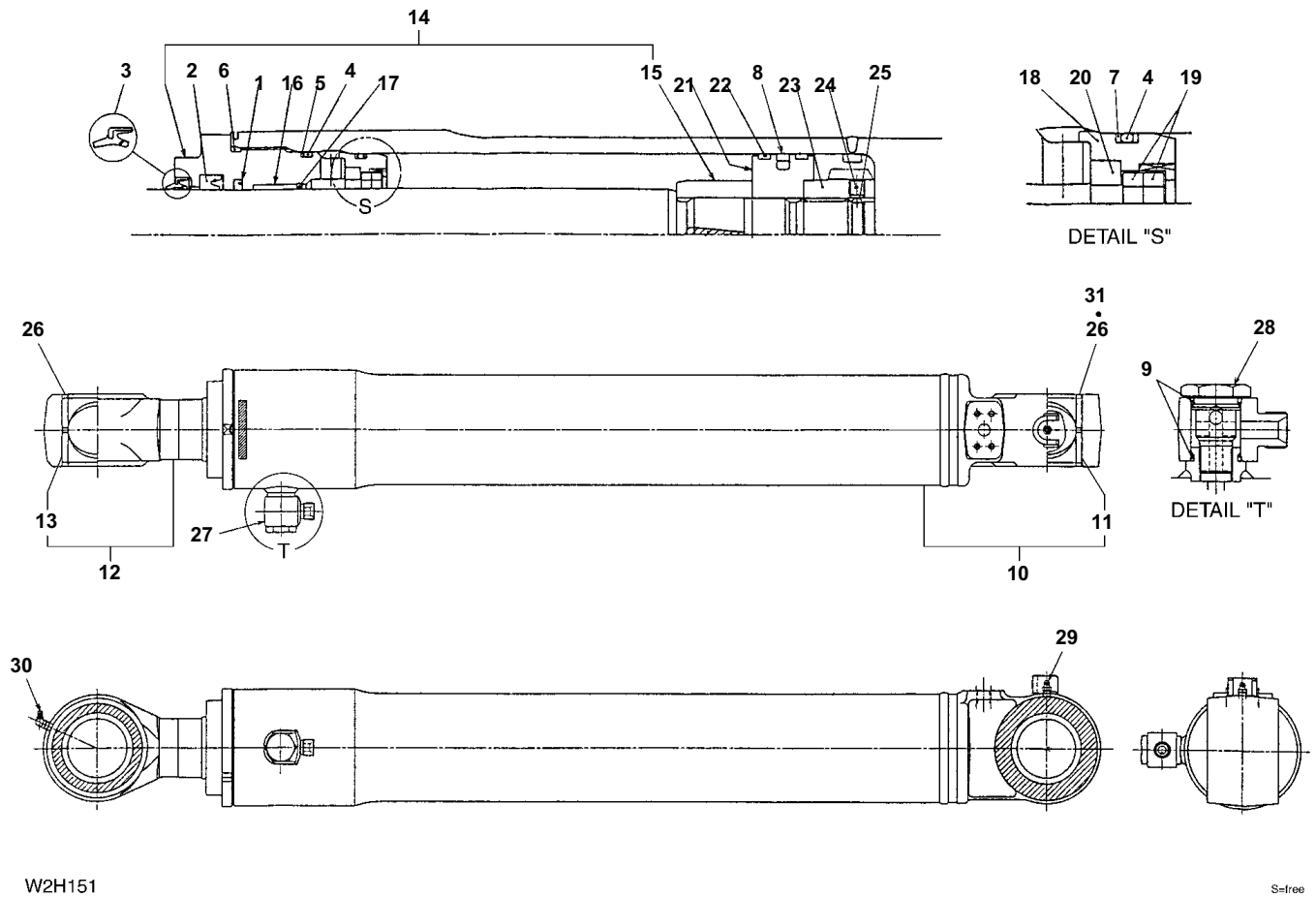
TB175(P-TB175BAB) Book No. BL3Z010 S/N 17510003-
BOOM CYLINDER (for China 180S; 17518180-)



BOOM CYLINDER (for China 180S; 17518180-)

Item	Part number	Description	Q'ty	Chan.	Serial No.	Serv.	Remarks
0	1900100000	CYLINDER ASSY (R.H.)	1			M	boom
	1900100100	CYLINDER ASSY (L.H.)	1			M	
0-1	1900100099	· KIT, seal	1			M	
1	X 1900100035	· · SEAL, buffer	1			M	
2	X 1900099632	· · PACKING, rod	1			M	
3	X 1900099635	· · SEAL, dust	1			M	
4	X 1900099836	· · RING, back-up	3			M	
5	X 1420110750	· · O-RING	2			M	
6	X 1420110800	· · O-RING	1			M	
7	X 1900099834	· · PACKING, piston	1			M	
8	X 1900099837	· · RING, dust	2			M	
9	X 1900099639	· · RING, back-up	1			M	
10	X 1900099638	· · O-RING	1			M	
11	1900100007	· TUBE ASSY (R.H.)	1			M	
	1900100107	· TUBE ASSY (L.H.)	1			M	
12	0002400081	· BUSHING	1			M	
13	1900100001	· ROD ASSY, piston	1			M	
14	1900100002	· BUSHING	1			M	
15	1900100003	· COVER, rod	1			M	
16	1333005530	· BUSHING	1			M	
17	1900100014	· RING, retaining	1			M	
18	1900099614	· RING, retaining	1			M	
19	1900100016	· RING, cushion	1			M	
20	1900100008	· PISTON	1			M	
21	1900099826	· RING, wear	1			M	
22	1900099609	· NUT	1			M	
23	1121050816	· SET-SCREW	1			M	
24	1900099617	· HOLDER, pipe	2			M	
25	1140020010	· WASHER, spring	2				
26	1100041040	· BOLT	2				
27	1560001000	· FITTING, grease	1				
28	1560001675	· FITTING, grease	1				
29	1432200060	· SEAL, dust	2			M	
30	1900100050	· SEAL, dust	2			M	
	L3h620						

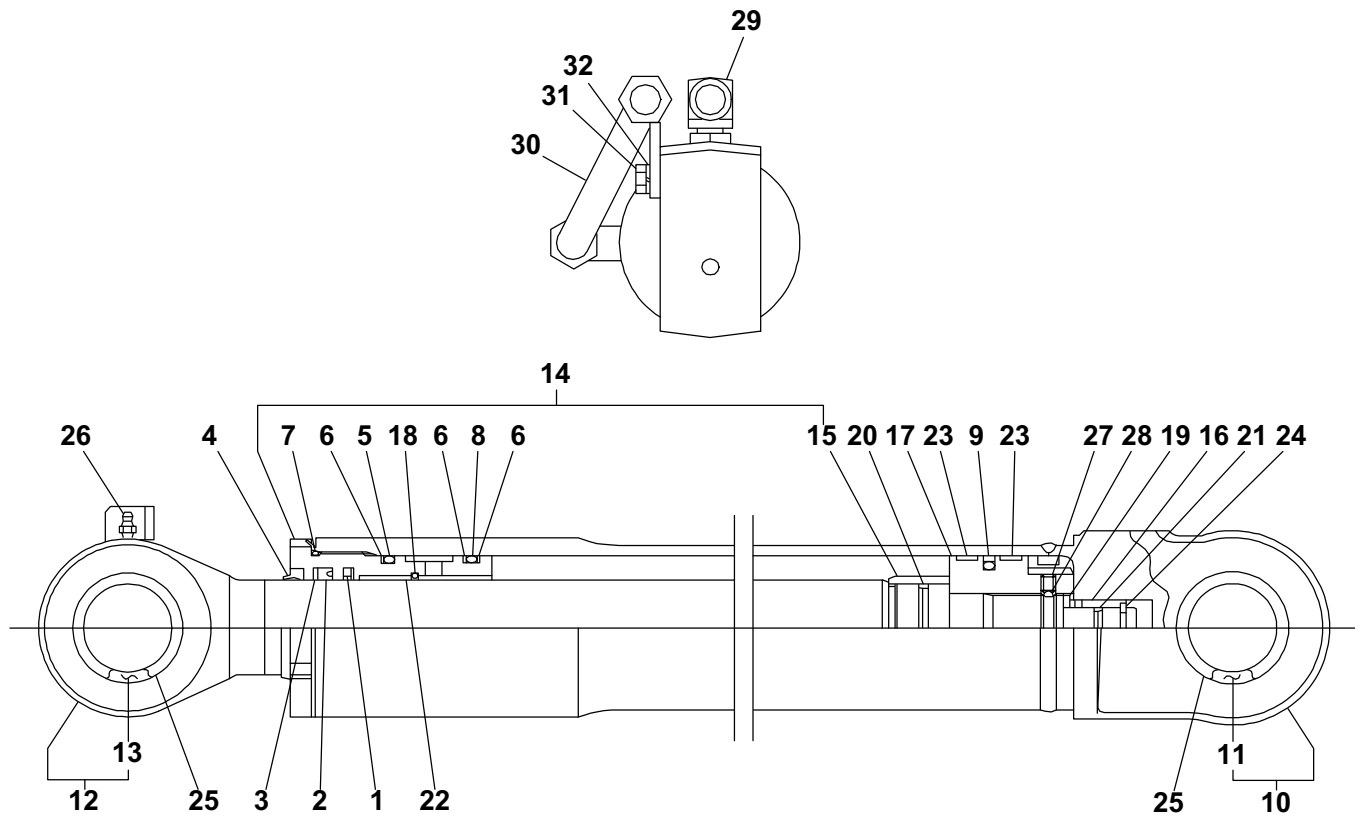
TB175(P-TB175BAB) Book No. BL3Z010 S/N 17510003-
BOOM CYLINDER (2-piece boom)



BOOM CYLINDER (2-piece boom)

Item	Part number	Description	Q'ty	Chan.	Serial No.	Serv.	Remarks
0	1900086800	CYLINDER	1		17510003~17513781		boom
	1900093900	CYLINDER	1		17513782~		
0-1	1900086899	· KIT, seal	1				
1	X 1900086827	· · RING	1				
2	X 1900063631	· · PACKING, rod	1				
3	X 1900071031	· · SEAL, dust	1				
4	X 1420111150	· · O-RING	2				
5	X 1900086828	· · RING, back-up	1				
6	X 1420101200	· · O-RING	1				
7	X 1900063628	· · RING, back-up	2				
8	X 1900063633	· · PACKING, piston	1				
9	X 1420010260	· · O-RING	2				
10	1900086898	· TUBE KIT	1		17510003~17513781		
	1900093998	· TUBE KIT	1		17513782~		
11	1900092502	· · BUSHING	1		17510003~17513781		
	1900093920	· · BUSHING	1		17513782~		
12	1900086897	· ROD KIT, piston	1				
13	1900063602	· · BUSHING	1				
14	1900086896	· COVER KIT	1				
15	1900086805	· · BEARING, cushion	1				
16	1900086820	· BUSHING	1				
17	1900063614	· RING, retaining	1				
18	1900086808	· HOLDER	1				
19	1900086816	· RING, cushion	2				
20	1900086819	· COLLAR	1				
21	1900086806	· PISTON	1				
22	1900086826	· RING, wear	2		17510003~17511526		
	1900086829	· RING, wear	2	(H)	17511527~		
23	1900086809	· NUT	1				
24	1121051212	· SET-SCREW	1				
25	1390020450	· BALL, steel	1				
26	1900063642	· SEAL, dust	4		17510003~17513781		
	1900063642	· SEAL, dust	2		17513782~		
27	1900086857	· NIPPLE	1				
28	1900086958	· PLUG	1				
29	1560001000	· FITTING, grease	1				
30	1560001675	· FITTING, grease	1				
31	1900093942	· SEAL, dust	2		17513782~		
	L3h381						

TB175(P-TB175BAB) Book No. BL3Z010 S/N 17510003-
ARM CYLINDER (17510003-17512104)



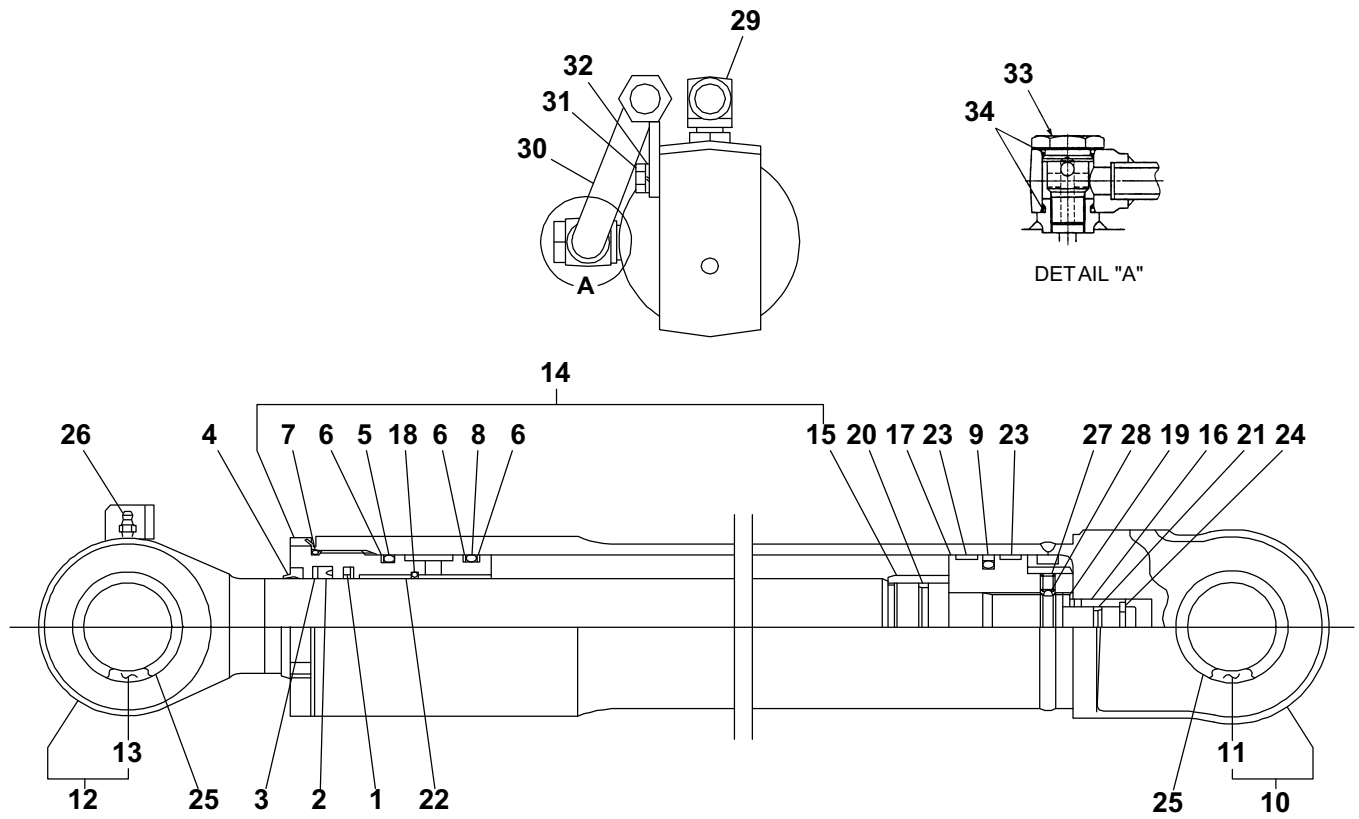
L3H190

S=FREE

ARM CYLINDER (17510003-17512104)

Item	Part number	Description	Q'ty	Chan.	Serial No.	Serv.	Remarks
0	1900079100	CYLINDER ASSY	1				arm
0-1	1900076399	· KIT, seal	1				
1	X 1900063426	· · RING, seal	1				
2	X 1900063431	· · PACKING, rod	1				
3	X 1900063427	· · RING, back-up	1				
4	X 1900069633	· · SEAL, dust	1				
5	X 1420110900	· · O-RING	1				
6	X 1900063428	· · RING, back-up	3				
7	X 1420100950	· · O-RING	1				
8	X 1420110850	· · O-RING	1				
9	X 1900050633	· · RING, seal	1				
10	1900079198	· TUBE ASSY	1				
11	1900063402	· · BUSHING	1				
12	1900079197	· ROD ASSY, piston	1				
13	1900079120	· · BUSHING	1				
14	1900063496	· COVER ASSY, rod	1				
15	1900068405	· · CUSHION, rod	1				
16	1900063425	· CUSHION, rod	1				
17	1900079106	· PISTON	1				
18	1900063414	· RING, snap	1				
19	1900063429	· RING, snap	1				
20	1900063416	· SEAL, cushion	1				
21	1900047116	· SEAL, cushion	1				
22	1900063413	· BUSHING	1				
23	1900050632	· RING, wear	2				
24	1900047122	· SOPPER	2				
25	1900063433	· SEAL, dust	4				
26	1560001000	· FITTING, grease	1				
27	1121041010	· SET-SCREW	1				
28	1390010400	· BALL, steel	1				
29	1900079161	· ELBOW	1				
30	1900079110	· PIPE ASSY	1				
31	1100051016	· BOLT	1				
32	1141190010	· WASHER	1				
	L3h190						

TB175(P-TB175BAB) Book No. BL3Z010 S/N 17510003-
ARM CYLINDER (17512105-)



L3H450

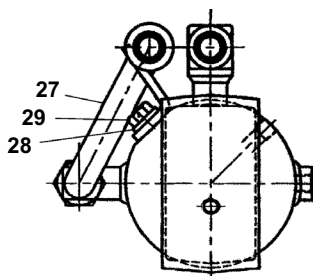
S=FREE

ARM CYLINDER (17512105-)

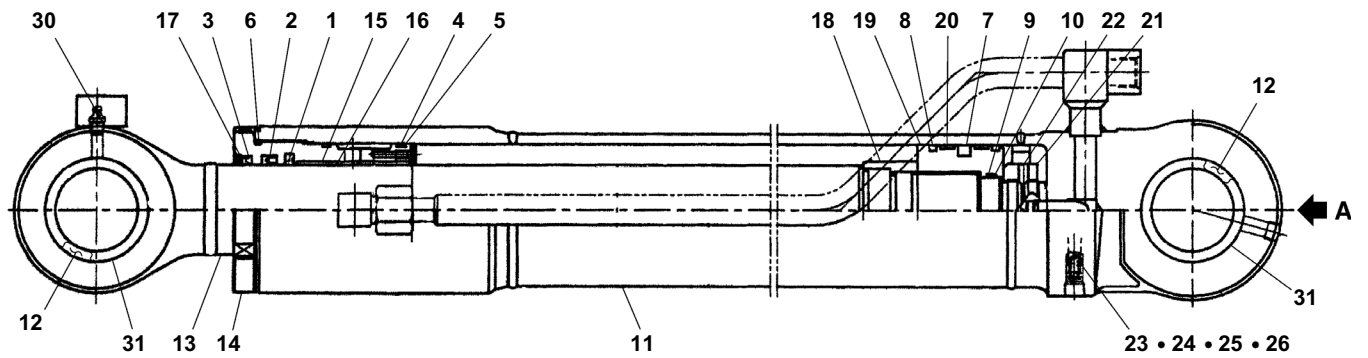
Item	Part number	Description	Q'ty	Chan.	Serial No.	Serv.	Remarks
0	1900090900	CYLINDER ASSY	1		17512105~17513847		arm
	1900097500	CYLINDER ASSY	1		17513848~		
0-1	1900076399	· KIT, seal	1				
1	X 1900063426	· · RING, seal	1				
2	X 1900063431	· · PACKING, rod	1				
3	X 1900063427	· · RING, back-up	1				
4	X 1900069633	· · SEAL, dust	1				
5	X 1420110900	· · O-RING	1				
6	X 1900063428	· · RING, back-up	3				
7	X 1420100950	· · O-RING	1				
8	X 1420110850	· · O-RING	1				
9	X 1900050633	· · RING, seal	1				
10	1900090998	· TUBE ASSY	1		17512105~17513847		
	1900097598	· TUBE ASSY	1		17513848~		
11	1900063402	· · BUSHING	1				
12	1900090997	· ROD ASSY, piston	1		17512105~17513847		
	1900097597	· ROD ASSY, piston	1		17513848~		
13	1900079120	· · BUSHING	1				
14	1900063496	· COVER ASSY, rod	1				
15	1900068405	· · CUSHION, rod	1				
16	1900063425	· CUSHION, rod	1				
17	1900092607	· PISTON	1		17512105~17513847		
	1900097506	· PISTON	1		17513848~		
18	1900063414	· RING, snap	1				
19	1900063429	· RING, snap	1				
20	1900076316	· SEAL, cushion	1		17512105~17513847		
	1900097516	· SEAL, cushion	1		17513848~		
21	1900076335	· SEAL, cushion	1				
22	1900063413	· BUSHING	1				
23	1900090926	· RING, wear	2		17512105~17513847		
	1900050632	· RING, wear	2		17513848~		
24	1900047122	· STOPPER	2				
25	1900083533	· SEAL, dust	4		17512105~17513847		
	1900063433	· SEAL, dust	4		17513848~		
26	1560001000	· FITTING, grease	1				
27	1121041010	· SET-SCREW	1				
28	1390010400	· BALL, steel	1				
29	1900079161	· ELBOW	1				
30	1900090910	· PIPE ASSY	1		17512105~17513847		
	1900097510	· PIPE ASSY	1		17513848~		
31	1100051016	· BOLT	1				
32	1141190010	· WASHER	1				
33	1900086958	· PLUG	1				
34	1420010260	· O-RING	2				

L3h452

TB175(P-TB175BAB) Book No. BL3Z010 S/N 17510003-
ARM CYLINDER (for China 180S; 17518180-)



VIEW "A"



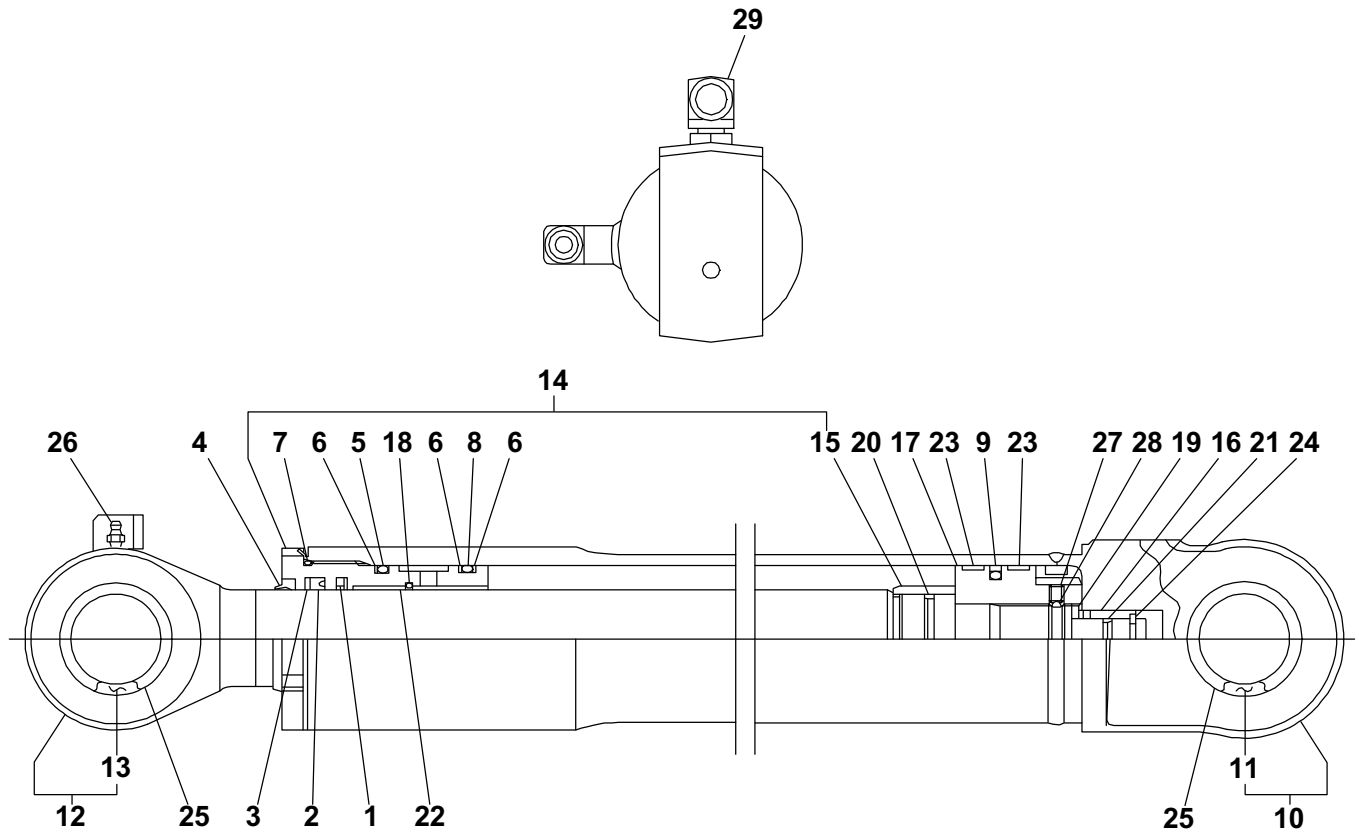
L3H630

S=free

ARM CYLINDER (for China 180S; 17518180-)

Item	Part number	Description	Q'ty	Chan.	Serial No.	Serv.	Remarks
0	1900100200	CYLINDER ASSY	1			M	arm
0-1	1900100299	· KIT, seal	1			M	
1	X 1900100235	· · SEAL, buffer	1			M	
2	X 1410565809	· · PACKING, rod	1			M	
3	X 1900100236	· · SEAL, dust	1			M	
4	X 1421120900	· · RING, back-up	3			M	
5	X 1420110900	· · O-RING	2			M	
6	X 1420110950	· · O-RING	1			M	
7	X 1900100234	· · PACKING, piston	1			M	
8	X 1900100229	· · RING, dust	2			M	
9	X 1900100239	· · RING, back-up	1			M	
10	X 1900100238	· · O-RING	1			M	
11	1900100207	· TUBE ASSY	1			M	
12	1900100220	· BUSHING	2			M	
13	1900100201	· ROD ASSY, piston	1			M	
14	1900100203	· COVER, rod	1			M	
15	1333006530	· BUSHING	1			M	
16	1900100214	· RING, retaining	1			M	
17	1900100228	· RING, retaining	1			M	
18	1900100216	· RING, cushion	1			M	
19	1900100208	· PISTON	1			M	
20	1900100226	· RING, wear	2			M	
21	1900100209	· NUT	1			M	
22	1121040816	· SET-SCREW	1			M	
23	1900099770	· VALVE, check	1			M	
24	1900099771	· SPRING	1			M	
25	1900100211	· SUPPORT, spring	1			M	
26	1900099773	· PLUG	1			M	
27	1900100210	· PIPE ASSY	1			M	
28	1141540010	· WASHER	1				
29	1100041020	· BOLT	1				
30	1560001000	· FITTING, grease	1				
31	1432200060	· SEAL, dust	4			M	
	L3h630						

TB175(P-TB175BAB) Book No. BL3Z010 S/N 17510003-
ARM CYLINDER (with emergency shut-off valve)



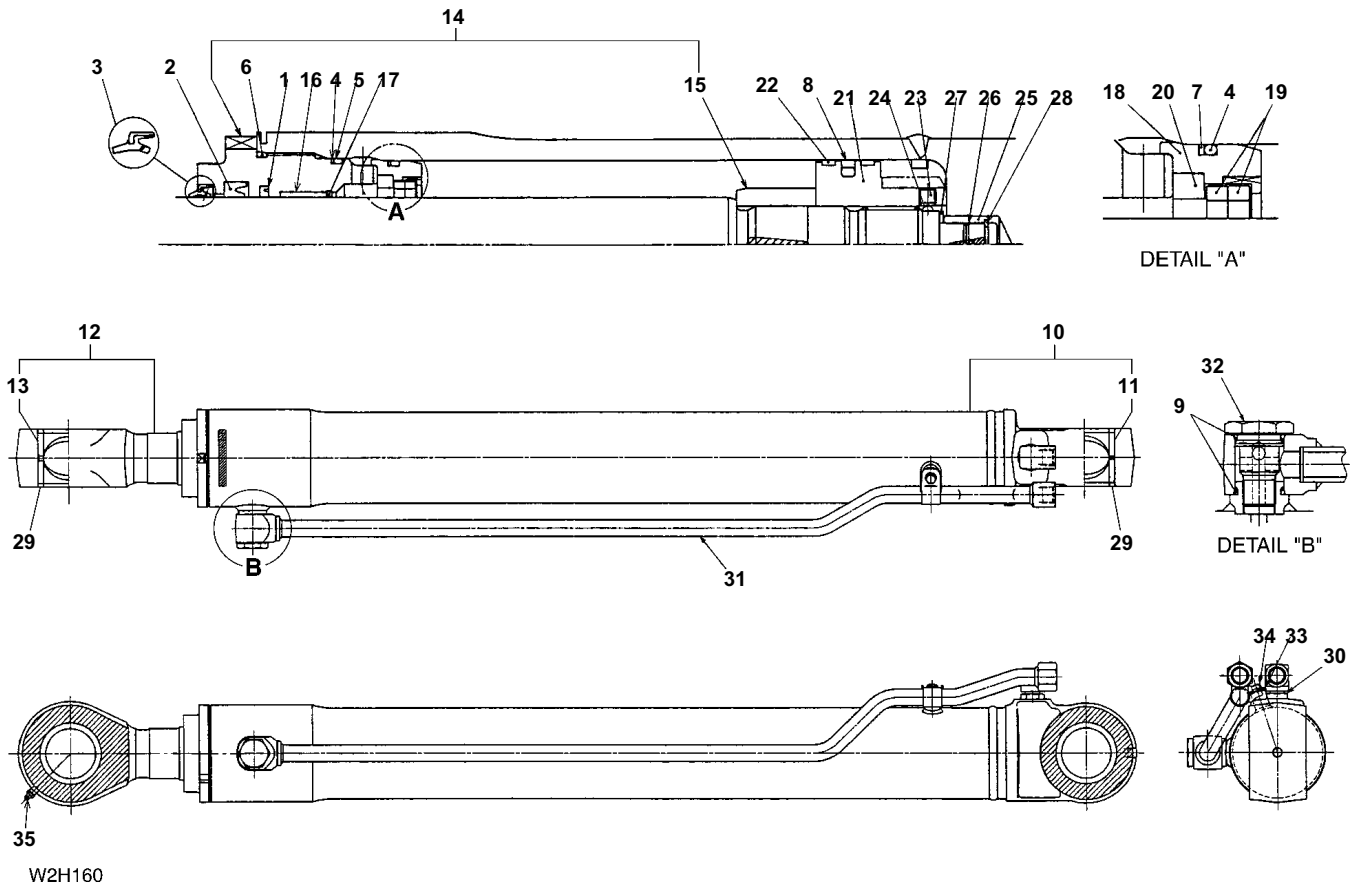
L7H140

S=FREE

ARM CYLINDER (with emergency shut-off valve)

Item	Part number	Description	Q'ty	Chan.	Serial No.	Serv.	Remarks
0	1900085100	CYLINDER ASSY	1				arm
0-1	1900076399	· KIT, seal	1				
1	X 1900063426	· · RING, seal	1				
2	X 1900063431	· · PACKING, rod	1				
3	X 1900063427	· · RING, back-up	1				
4	X 1900069633	· · SEAL, dust	1				
5	X 1420110900	· · O-RING	1				
6	X 1900063428	· · RING, back-up	3				
7	X 1420100950	· · O-RING	1				
8	X 1420110850	· · O-RING	1				
9	X 1900050633	· · RING, seal	1				
10	1900079198	· TUBE ASSY	1				
11	1900063402	· · BUSHING	1				
12	1900079197	· ROD ASSY, piston	1				
13	1900079120	· · BUSHING	1				
14	1900063496	· COVER ASSY, rod	1				
15	1900068405	· · CUSHION, rod	1				
16	1900063425	· CUSHION, rod	1				
17	1900079106	· PISTON	1				
18	1900063414	· RING, snap	1				
19	1900063429	· RING, snap	1				
20	1900063416	· SEAL, cushion	1				
21	1900047116	· SEAL, cushion	1				
22	1900063413	· BUSHING	1				
23	1900050632	· RING, wear	2				
24	1900047122	· STOPPER	2				
25	1900083533	· SEAL, dust	4				
26	1560001000	· FITTING, grease	1				
27	1121041010	· SET-SCREW	1				
28	1390010400	· BALL, steel	1				
29	1900079161	· ELBOW	1				
	L7h140						

TB175(P-TB175BAB) Book No. BL3Z010 S/N 17510003-
ARM CYLINDER (2-piece boom)



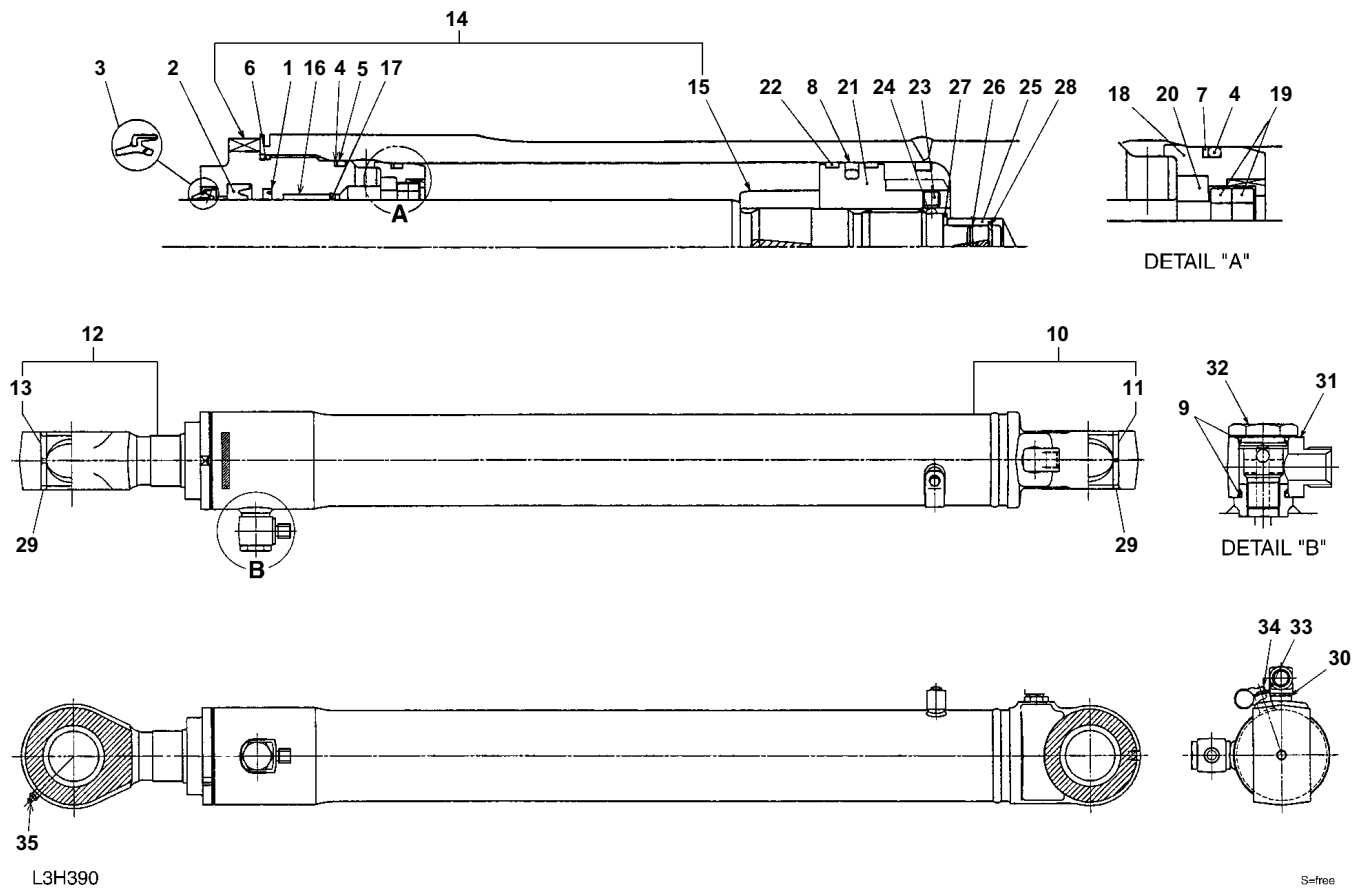
S-free

ARM CYLINDER (2-piece boom)

Item	Part number	Description	Q'ty	Chan.	Serial No.	Serv.	Remarks
0	1900086900	CYLINDER	1		17510003~17518269		arm
	1900106300	CYLINDER	1	(H)	17518270~		
0-1	1900086999	· KIT, seal	1				
1	X 1900086972	· · BUFFER RING	1				
2	X 1900063431	· · PACKING, rod	1				
3	X 1900069633	· · SEAL, dust	1				
4	X 1420110950	· · O-RING	2				
5	X 1900086928	· · RING, back-up	1				
6	X 1420101000	· · O-RING	1				
7	X 1900063728	· · RING, back-up	1				
8	X 1900047031	· · PACKING, piston	1				
9	X 1420010260	· · O-RING	2				
10	1900086998	· TUBE KIT	1				
11	1900065702	· · BUSHING	1				
12	1900086997	· ROD KIT, piston	1		17510003~17518269		
	1900107197	· ROD KIT, piston	1		17518270~	M	
13	1900065702	· · BUSHING	1				
14	1900086996	· COVER KIT	1		17510003~17518269		
	1900107196	· COVER KIT	1		17518270~	M	
15	1900086905	· · BEARING, cushion	1		17510003~17518269		
	1900107105	· · BEARING, cushion	1		17518270~	M	
16	1900086920	· BUSHING	1				
17	1900063414	· RING, retaining	1				
18	1900086908	· HOLDER	1				
19	1900086916	· RING, cushion	2				
20	1900086919	· COLLAR	1				
21	1900086906	· PISTON	1		17510003~17518269		
	1900107106	· PISTON	1		17518270~	M	
22	1900089525	· RING, wear	2				
23	1121051010	· SET-SCREW	1				
24	1390020400	· BALL, steel	1				
25	1900063625	· BEARING, cushion	1				
26	1900086956	· RING, cushion	1				
27	1900063641	· RING, retaining	1				
28	1900063640	· STOPPER	2				
29	1900065719	· SEAL, dust	4				
30	1900079161	· NIPPLE	1				
31	1900086910	· PIPE ASSY	1				
32	1900086958	· PLUG	1				
33	1900086917	· HOLDER	1				
34	1100050830	· BOLT	1				
35	1560001000	· FITTING, grease	1				

L3h600

**TB175(P-TB175BAB) Book No. BL3Z010 S/N 17510003-
ARM CYLINDER (2-piece boom, with emergency shut-off valve)**

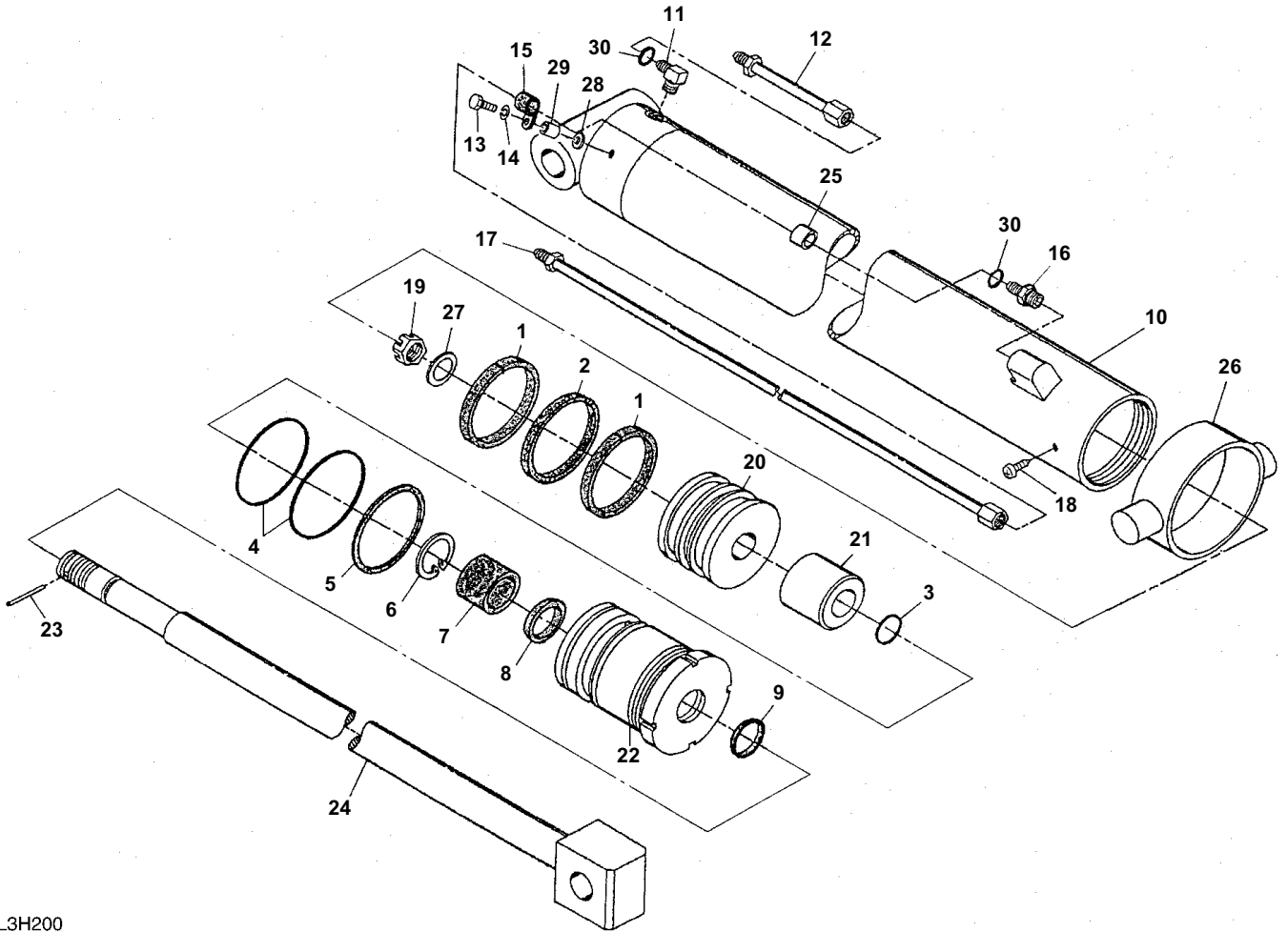


ARM CYLINDER (2-piece boom, with emergency shut-off valve)

Item	Part number	Description	Q'ty	Chan.	Serial No.	Serv.	Remarks
0	1900089200	CYLINDER	1		17510003~17518269		arm
	1900107100	CYLINDER	1	(H)	17518270~		
0-1	1900086999	· KIT, seal	1				
1	X 1900086972	· · BUFFER RING	1				
2	X 1900063431	· · PACKING, rod	1				
3	X 1900069633	· · SEAL, dust	1				
4	X 1420110950	· · O-RING	2				
5	X 1900086928	· · RING, back-up	1				
6	X 1420101000	· · O-RING	1				
7	X 1900063728	· · RING, back-up	1				
8	X 1900047031	· · PACKING, piston	1				
9	X 1420010260	· · O-RING	2				
10	1900086998	· TUBE KIT	1				
11	1900065702	· · BUSHING	1				
12	1900086997	· ROD KIT, piston	1		17510003~17518269		
	1900107197	· ROD KIT, piston	1		17518270~		M
13	1900065702	· · BUSHING	1				
14	1900086996	· COVER KIT	1		17510003~17518269		
	1900107196	· COVER KIT	1		17518270~		M
15	1900086905	· · BEARING, cushion	1		17510003~17518269		
	1900107105	· · BEARING, cushion	1		17518270~		M
16	1900086920	· BUSHING	1				
17	1900063414	· RING, retaining	1				
18	1900086908	· HOLDER	1				
19	1900086916	· RING, cushion	2				
20	1900086919	· COLLAR	1				
21	1900086906	· PISTON	1		17510003~17518269		
	1900107106	· PISTON	1		17518270~		M
22	1900089525	· RING, wear	2				
23	1121051010	· SET-SCREW	1				
24	1390020400	· BALL, steel	1				
25	1900063625	· BEARING, cushion	1				
26	1900086956	· RING, cushion	1				
27	1900063641	· RING, retaining	1				
28	1900063640	· STOPPER	2				
29	1900065719	· SEAL, dust	4				
30	1900079161	· NIPPLE	1				
31	1900086857	· NIPPLE	1				
32	1900086958	· PLUG	1				
33	1900086917	· HOLDER	1				
34	1100050830	· BOLT	1				
35	1560001000	· FITTING, grease	1				

L3h610

TB175(P-TB175BAB) Book No. BL3Z010 S/N 17510003-
TELESCOPIC CYLINDER



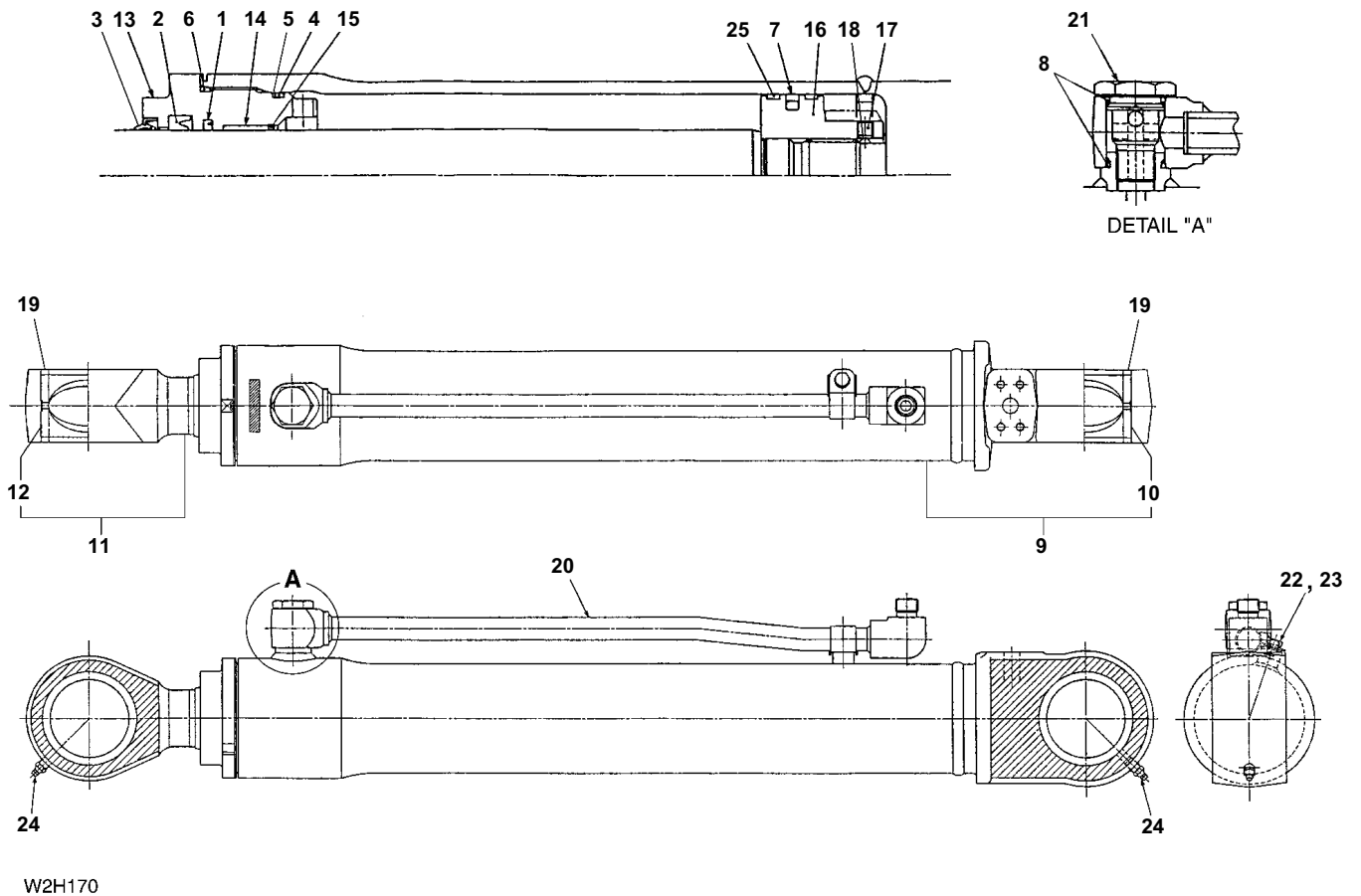
L3H200

S=FREE

TELESCOPIC CYLINDER

Item	Part number	Description	Q'ty	Chan.	Serial No.	Serv.	Remarks
0	R725410	CYLINDER ASSY	1				telescopic
0-1	7250	· KIT, seal	1				
1	X R702800	· · RING, wear	2				
2	X R902802	· · SEAL	1				
3	X R28418	· · O-RING	1				
4	X R28412	· · O-RING	2				
5	X R28411	· · RING, back-up	1				
6	X H50785	· · RING, snap	1				
7	X R29806	· · BEARING	1				
8	X R29806	· · SEAL	1				
9	X R703804	· · SEAL, dust	1				
10	R702100	· TUBE ASSY	1				
11	F89652	· ELBOW	1				
12	R702803	· NIPPLE	1				
13	H30673	· BOLT	1				
14	H30616	· WASHER, spring	1				
15	H50738	· CLAMP	1				
16	F80646	· NIPPLE	1				
17	R702860	· NIPPLE	1				
18	H30787	· SCREW	1				
19	H30786	· NUT	1				
20	R702500	· PISTON	1				
21	R702550	· CUSHION	1				
22	R702600	· COVER ASSY, rod	1				
23	H50729	· PIN	1				
24	R702200	· ROD ASSY, piston	1				
25	R308241	· GUARD	1				
26	N/A		1				
27	H30813	· WASHER	1				
28	H30644	· WASHER	1				
29	H307503	· SPACER	1				
30	R702802	· O-RING	2				
	L3h200						

TB175(P-TB175BAB) Book No. BL3Z010 S/N 17510003-
ADJUST CYLINDER (2-piece boom; 17510003-17518269)

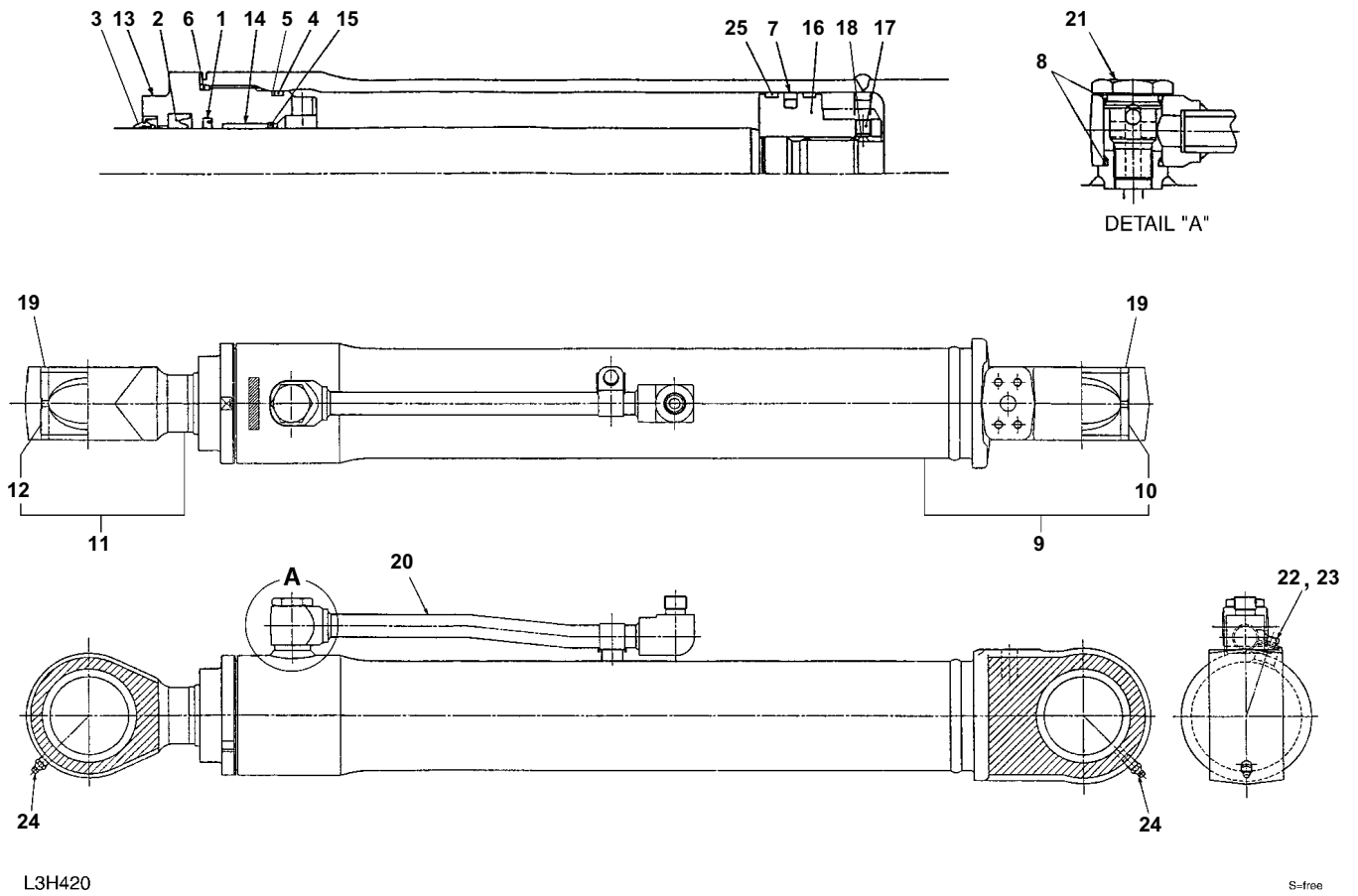


S=free

ADJUST CYLINDER (2-piece boom; 17510003-17518269)

Item	Part number	Description	Q'ty	Chan.	Serial No.	Serv.	Remarks
0	1900087000	CYLINDER	1				adjust
0-1	1900087099	· KIT, seal	1				
1	X 1900087027	· · BUFFER RING	1				
2	X 1900050631	· · PACKING, rod	1				
3	X 1900070831	· · SEAL, dust	1				
4	X 1420110850	· · O-RING	1				
5	X 1900087028	· · RING, back-up	1				
6	X 1420100900	· · O-RING	1				
7	X 1900047131	· · PACKING, piston	1				
8	X 1420010260	· · O-RING	2				
9	1900087098	· TUBE KIT	1				
10	190008702	· · BUSHING	1				
11	1900087097	· ROD KIT, piston	1				
12	190008702	· · BUSHING	1				
13	1900087003	· COVER, rod	1				
14	1900087013	· BUSHING	1				
15	1900063214	· RING, retaining	1				
16	1900087006	· PISTON	1				
17	1121051010	· SET-SCREW	1				
18	1390020400	· BALL, steel	1				
19	1900063642	· SEAL, dust	4				
20	1900087010	· PIPE ASSY	1				
21	1900086958	· PLUG	1				
22	1900086917	· HOLDER	1				
23	1100050830	· BOLT	1				
24	1560001000	· FITTING, grease	2				
25	1900087026	· RING, wear	2				
	W2h170						

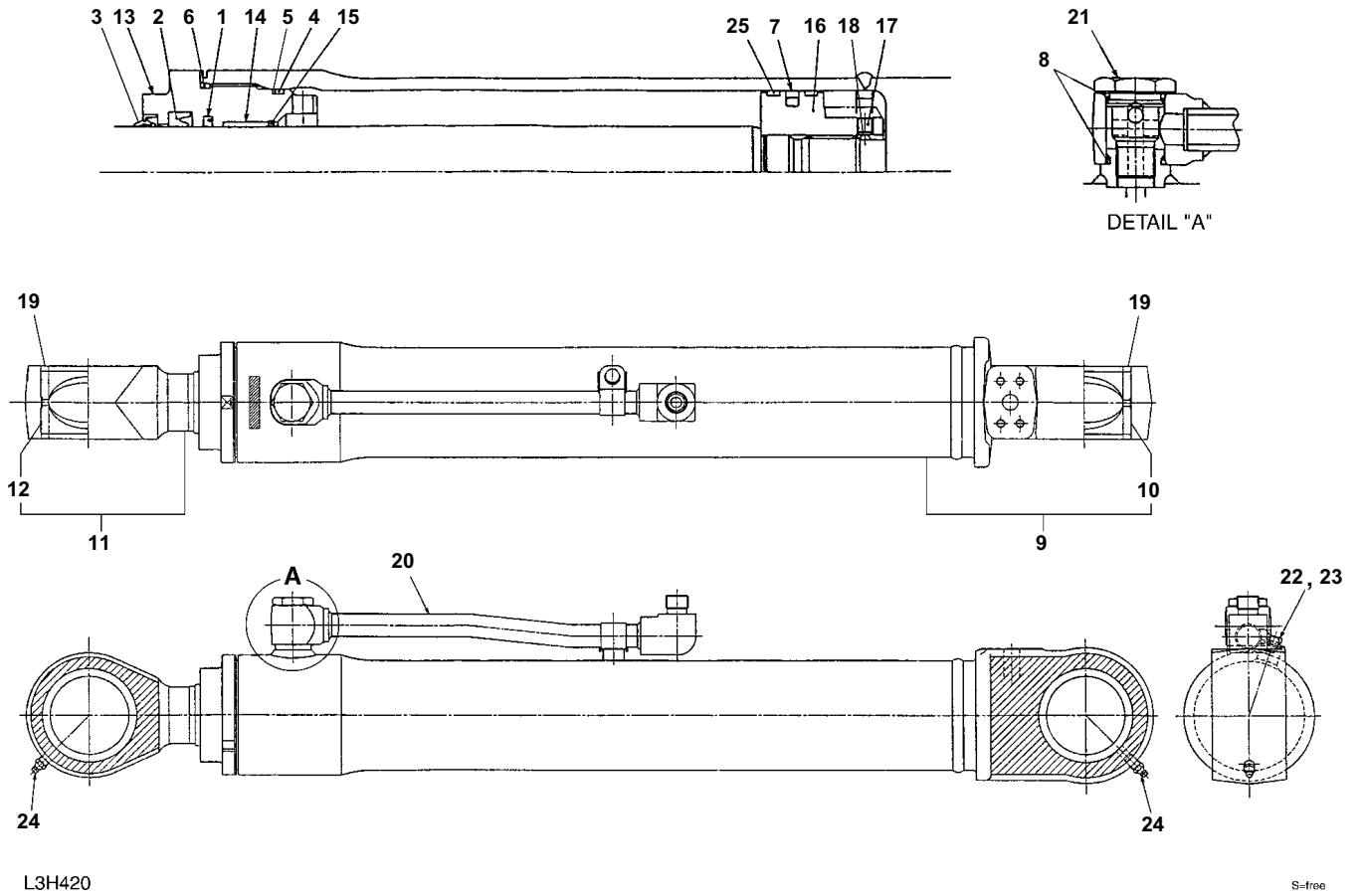
TB175(P-TB175BAB) Book No. BL3Z010 S/N 17510003-
ADJUST CYLINDER (2-piece boom; 17518270-)



ADJUST CYLINDER (2-piece boom; 17518270-)

Item	Part number	Description	Q'ty	Chan.	Serial No.	Serv.	Remarks
0	1900089100	CYLINDER	1				adjust
0-1	1900087099	· KIT, seal	1				
1	X 1900087027	· · BUFFER RING	1				
2	X 1900050631	· · PACKING, rod	1				
3	X 1900070831	· · SEAL, dust	1				
4	X 1420110850	· · O-RING	1				
5	X 1900087028	· · RING, back-up	1				
6	X 1420100900	· · O-RING	1				
7	X 1900047131	· · PACKING, piston	1				
8	X 1420010260	· · O-RING	2				
9	1900089198	· TUBE KIT	1				
10	190008702	· · BUSHING	1				
11	1900087097	· ROD KIT, piston	1				
12	190008702	· · BUSHING	1				
13	1900087003	· COVER, rod	1				
14	1900087013	· BUSHING	1				
15	1900063214	· RING, retaining	1				
16	1900087006	· PISTON	1				
17	1121051010	· SET-SCREW	1				
18	1390020400	· BALL, steel	1				
19	1900063642	· SEAL, dust	4				
20	1900089110	· PIPE ASSY	1				
21	1900086958	· PLUG	1				
22	1900086917	· HOLDER	1				
23	1100050830	· BOLT	1				
24	1560001000	· FITTING, grease	2				
25	1900087026	· RING, wear	2				
	L3h420						

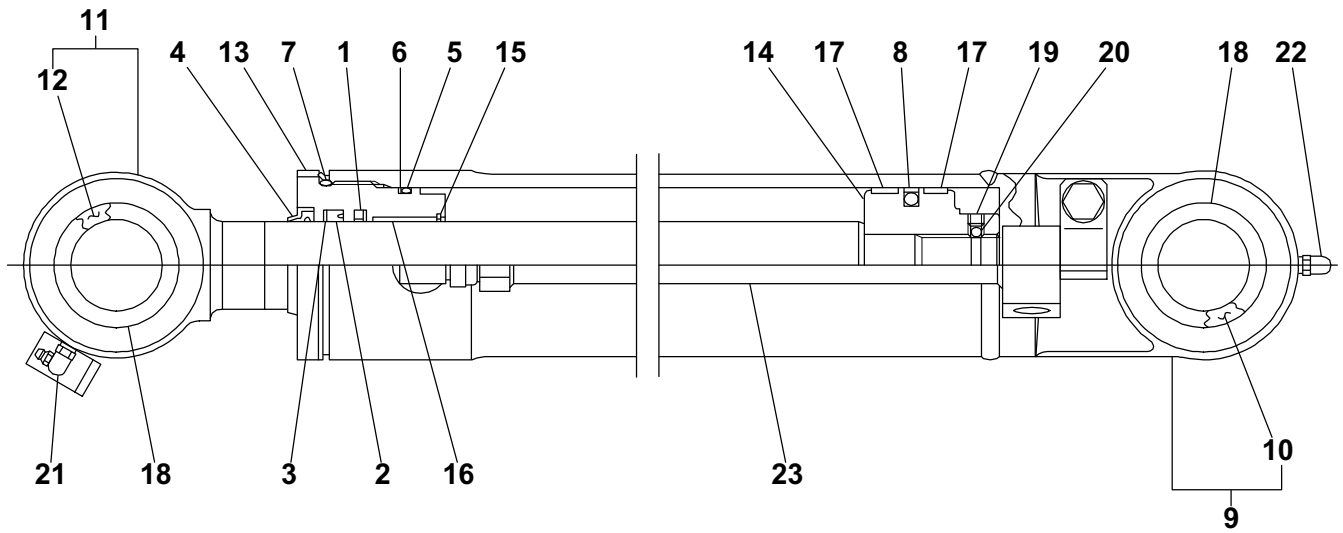
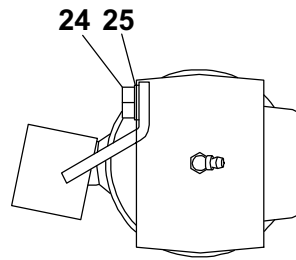
TB175(P-TB175BAB) Book No. BL3Z010 S/N 17510003-
ADJUST CYLINDER (2-piece boom, with emergency shut-off valve)



ADJUST CYLINDER (2-piece boom, with emergency shut-off valve)

Item	Part number	Description	Q'ty	Chan.	Serial No.	Serv.	Remarks
0	1900089100	CYLINDER	1				adjust
0-1	1900087099	· KIT, seal	1				
1	X 1900087027	· · BUFFER RING	1				
2	X 1900050631	· · PACKING, rod	1				
3	X 1900070831	· · SEAL, dust	1				
4	X 1420110850	· · O-RING	1				
5	X 1900087028	· · RING, back-up	1				
6	X 1420100900	· · O-RING	1				
7	X 1900047131	· · PACKING, piston	1				
8	X 1420010260	· · O-RING	2				
9	1900089198	· TUBE KIT	1				
10	190008702	· · BUSHING	1				
11	1900087097	· ROD KIT, piston	1				
12	190008702	· · BUSHING	1				
13	1900087003	· COVER, rod	1				
14	1900087013	· BUSHING	1				
15	1900063214	· RING, retaining	1				
16	1900087006	· PISTON	1				
17	1121051010	· SET-SCREW	1				
18	1390020400	· BALL, steel	1				
19	1900063642	· SEAL, dust	4				
20	1900089110	· PIPE ASSY	1				
21	1900086958	· PLUG	1				
22	1900086917	· HOLDER	1				
23	1100050830	· BOLT	1				
24	1560001000	· FITTING, grease	2				
25	1900087026	· RING, wear	2				
	L3h420						

TB175(P-TB175BAB) Book No. BL3Z010 S/N 17510003-
BUCKET CYLINDER (17510003-17510308)



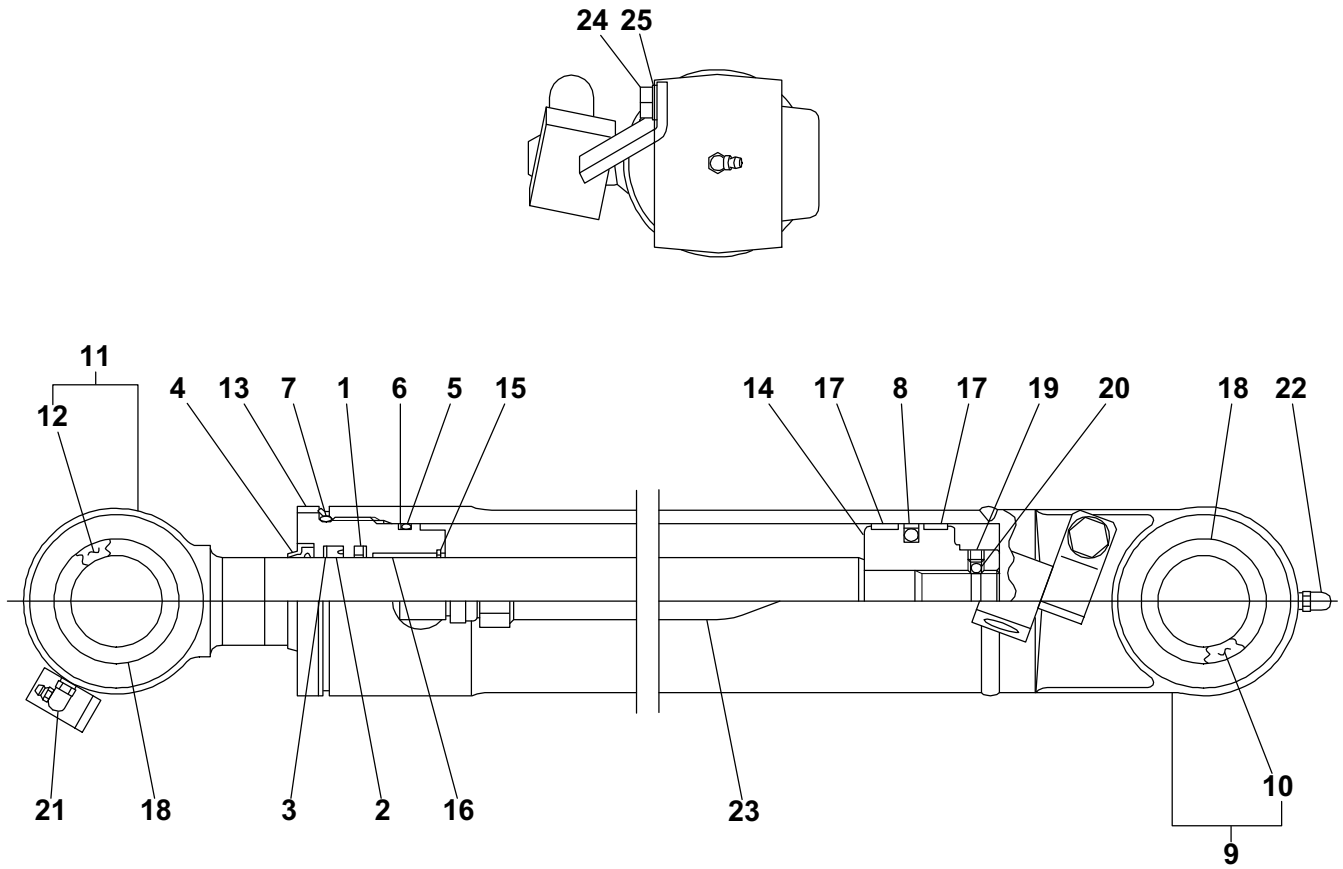
L3H210

S=FREE

BUCKET CYLINDER (17510003-17510308)

Item	Part number	Description	Q'ty	Chan.	Serial No.	Serv.	Remarks
0	1900079200	CYLINDER ASSY	1				bucket
0-1	1900063599	· KIT, seal	1				
1	X 1900063226	· · RING, seal	1				
2	X 1900050631	· · PACKING, rod	1				
3	X 1900063227	· · RING, back-up	1				
4	X 1900063231	· · SEAL, dust	1				
5	X 1420110800	· · O-RING	1				
6	X 1421130800	· · RING, back-up	1				
7	X 1420100850	· · O-RING	1				
8	X 1900050932	· · PACKING, piston	1				
9	1900079298	· TUBE ASSY	1				
10	1900047002	· · BUSHING	1				
11	1900079297	· ROD ASSY, piston	1				
12	1900047002	· · BUSHING	1				
13	1900063503	· COVER, rod	1				
14	1900063506	· PISTON	1				
15	1900063214	· RING, snap	1				
16	1900063213	· BUSHING	1				
17	1900050931	· RING, wear	2				
18	1900047023	· SEAL, dust	4				
19	1121041010	· SET-SCREW	1				
20	1390010400	· BALL, steel	1				
21	1560001900	· FITTING, grease	1				
22	1560001675	· FITTING, grease	1				
23	1900079220	· PIPE ASSY	1				
24	1100051016	· BOLT	1				
25	1141190010	· WASHER	1				
	L3h210						

TB175(P-TB175BAB) Book No. BL3Z010 S/N 17510003-
BUCKET CYLINDER (17510309-17512104)



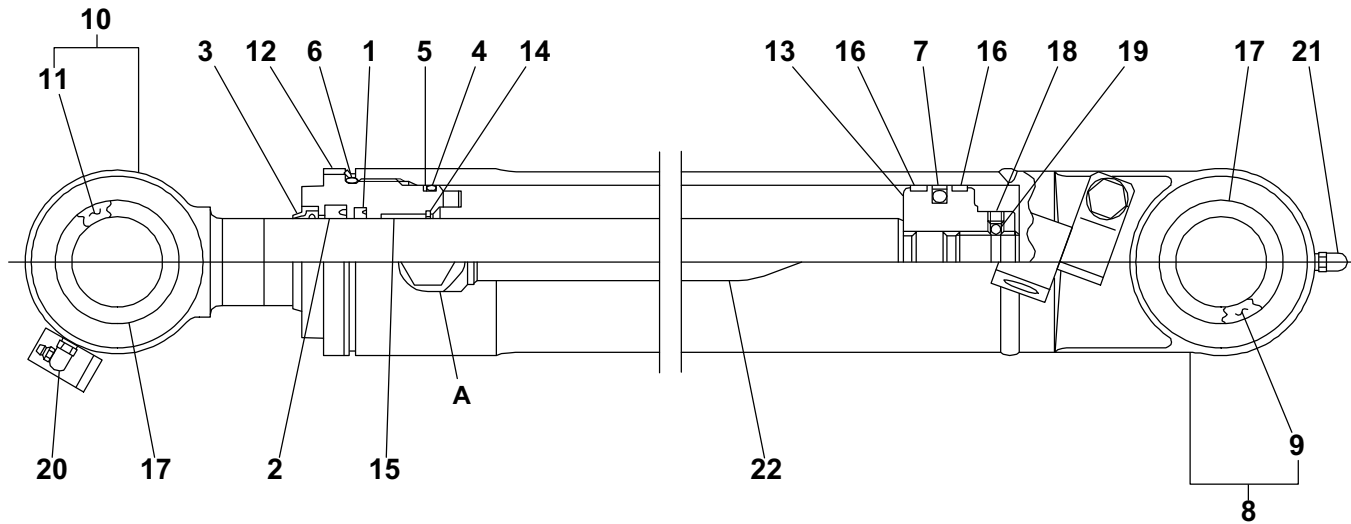
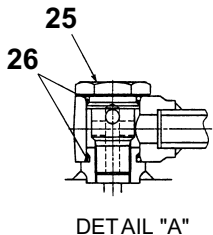
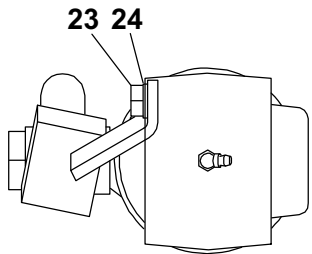
W2H180

S=FREE

BUCKET CYLINDER (17510309-17512104)

Item	Part number	Description	Q'ty	Chan.	Serial No.	Serv.	Remarks
0	1900083200	CYLINDER	1				bucket
0-1	1900083299	· KIT, seal	1				
1	X 1900063226	· · BUFFER RING	1				
2	X 1900050631	· · PACKING, rod	1				
3	X 1900063227	· · RING, back-up	1				
4	X 1900070831	· · SEAL, dust	1				
5	X 1420110800	· · O-RING	1				
6	X 1900079227	· · RING, back-up	1				
7	X 1420100850	· · O-RING	1				
8	X 1900050932	· · PACKING, piston	1				
9	1900083298	· TUBE KIT	1				
10	1900047002	· · BUSHING	1				
11	1900079297	· ROD KIT, piston	1				
12	1900047002	· · BUSHING	1				
13	1900063503	· COVER, rod	1				
14	1900063506	· PISTON	1				
15	1900063214	· RING, retaining	1				
16	1900063213	· BUSHING	1				
17	1900050931	· RING, wear	2				
18	1900047023	· SEAL, dust	4				
19	1121041010	· SET-SCREW	1				
20	1390010400	· BALL, steel	1				
21	1560001900	· FITTING, grease	1				
22	1560001675	· FITTING, grease	1				
23	1900083210	· PIPE ASSY	1				
24	1100051016	· BOLT	1				
25	1141190010	· WASHER	1				
	W2h180						

**TB175(P-TB175BAB) Book No. BL3Z010 S/N 17510003-
BUCKET CYLINDER (17512105-17516288, 17516298-17516315, 17516317)**



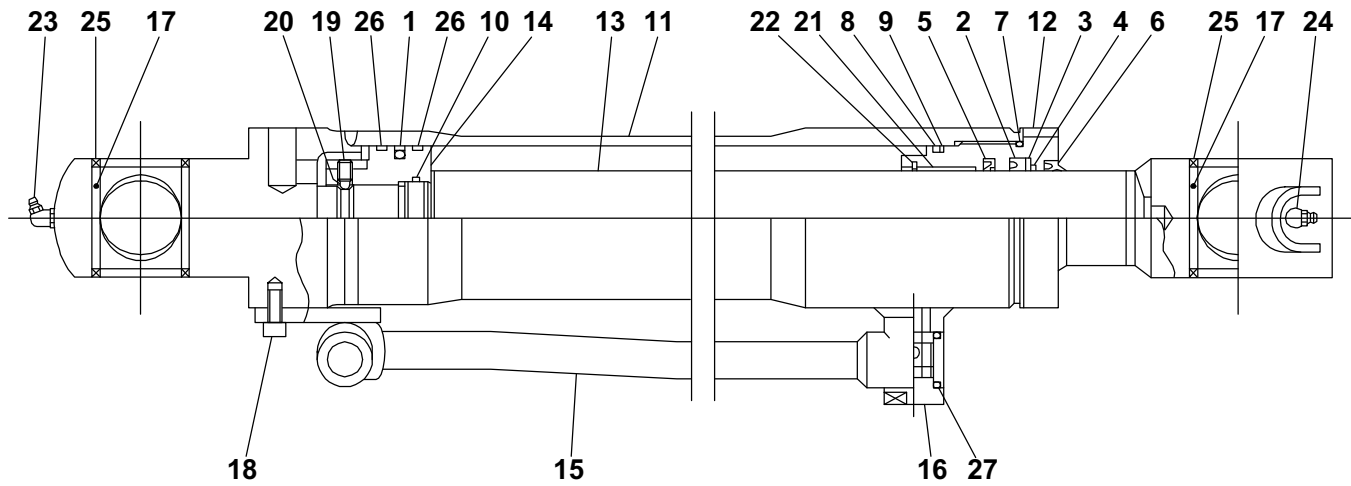
L3H460

S=FREE

BUCKET CYLINDER (17512105-17516288, 17516298-17516315, 17516317)

Item	Part number	Description	Q'ty	Chan.	Serial No.	Serv.	Remarks
0	1900091000	CYLINDER	1				bucket
0-1	1900091099	· KIT, seal	1				
1	X 1900087027	· · BUFFER RING	1				
2	X 1900050631	· · PACKING, rod	1				
3	X 1900070831	· · SEAL, dust	1				
4	X 1420110800	· · O-RING	1				
5	X 1900091027	· · RING, back-up	1				
6	X 1420100850	· · O-RING	1				
7	X 1900050932	· · PACKING, piston	1				
8	1900091098	· TUBE KIT	1				
9	1900047002	· · BUSHING	1				
10	1900091097	· ROD KIT, piston	1				
11	1900047002	· · BUSHING	1				
12	1900091003	· COVER, rod	1				
13	1900091006	· PISTON	1				
14	1900063214	· RING, retaining	1				
15	1900087013	· BUSHING	1				
16	1900091026	· RING, wear	2				
17	1900047023	· SEAL, dust	4				
18	1121041010	· SET-SCREW	1				
19	1390020400	· BALL, steel	1				
20	1560001900	· FITTING, grease	1				
21	1560001675	· FITTING, grease	1				
22	1900091010	· PIPE ASSY	1				
23	1100041016	· BOLT	1				
24	1141110010	· WASHER	1				
25	1900086958	· PLUG	1				
26	1420010260	· O-RING	2				
	L3h460						

**TB175(P-TB175BAB) Book No. BL3Z010 S/N 17510003-
BUCKET CYLINDER (17516289-17516297, 17516316, 17516318-)**



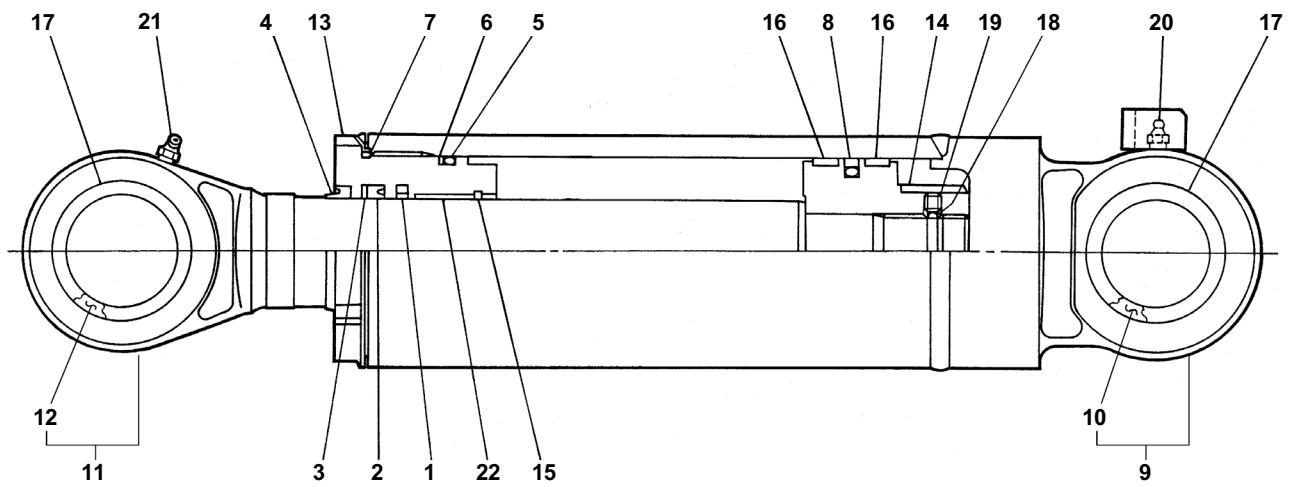
L3H590

S-FREE

BUCKET CYLINDER (17516289-17516297, 17516316, 17516318-)

Item	Part number	Description	Q'ty	Chan.	Serial No.	Serv.	Remarks
0	1900100800	CYLINDER (MITSUO)	1				bucket
0-1	1900100899	· KIT, seal	1				
1	X 1900050932	· · PACKING, piston	1				
2	X 1900050631	· · PACKING, rod	1				
3	X 1411270553	· · RING, back-up	1				
4	X 1900100835	· · RING, back-up	1				
5	X 1900087027	· · BUFFER RING	1				
6	X 1900070831	· · SEAL, dust	1				
7	X 1420110850	· · O-RING	1				
8	X 1420110800	· · O-RING	1				
9	X 1421130800	· · RING, back-up	1				
10	X 1420010420	· · O-RING	1				
11	1900100807	· TUBE ASSY	1				
12	1900100803	· COVER, rod	1				
13	1900100801	· ROD ASSY, piston	1				
14	1900100806	· PISTON	1				
15	1900100810	· PIPE	1				
16	1900100819	· PLUG	1				
17	1900100802	· BUSHING	2				
18	1110040820	· SCREW, cap	1				
19	1121050810	· SET-SCREW	1				
20	1390010070	· BALL, steel	1				
21	1333005535	· BUSHING	1				
22	1221000060	· RING, retaining	1				
23	1560001675	· FITTING, grease	1				
24	1560001900	· FITTING, grease	1				
25	1900047023	· SEAL, dust	4				
26	1900091026	· RING, wear	2				
27	1420310119	· O-RING	2				
	L3h590						

TB175(P-TB175BAB) Book No. BL3Z010 S/N 17510003-
DOZER BLADE CYLINDER (17510003-17512104)



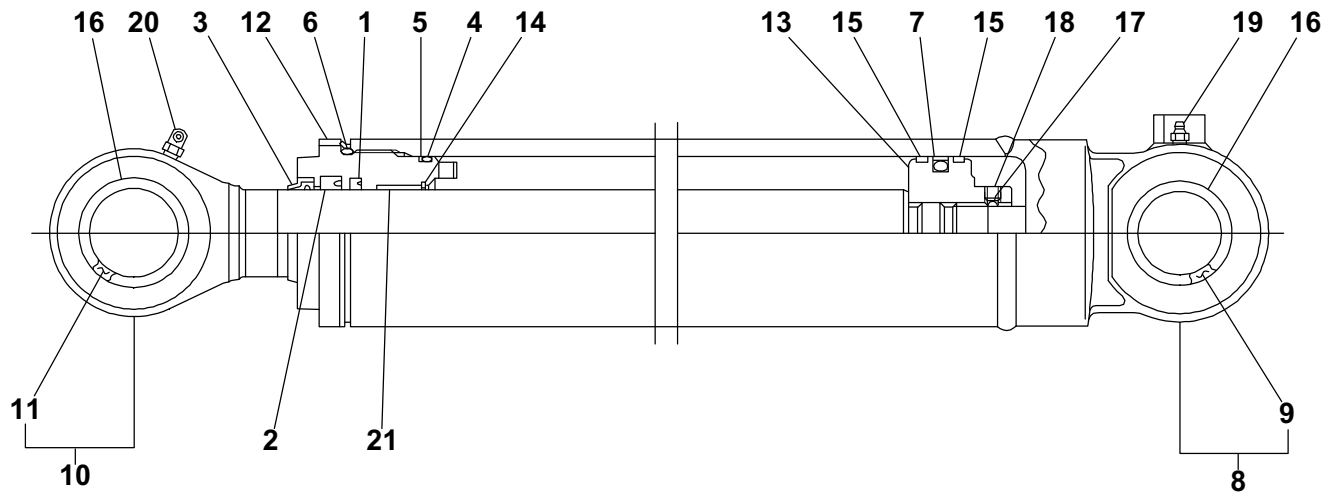
L3H220

S=FREE

DOZER BLADE CYLINDER (17510003-17512104)

Item	Part number	Description	Q'ty	Chan.	Serial No.	Serv.	Remarks
0	1900079400	CYLINDER ASSY (R.H.)	1				dozer blade
	1900079500	CYLINDER ASSY (L.H.)	1				
0-1	1900079499	· KIT, seal	1				
1	X 1900063726	· · RING, seal	1				
2	X 1900063731	· · PACKING, rod	1				
3	X 1900063727	· · RING, back-up	1				
4	X 1900071532	· · SEAL, dust	1				
5	X 1420110950	· · O-RING	1				
6	X 1900063728	· · RING, back-up	1				
7	X 1420101000	· · O-RING	1				
8	X 1900047031	· · PACKING, piston	1				
9	1900079498	· TUBE ASSY (R.H.)	1				
	1900079598	· TUBE ASSY (L.H.)	1				
10	1900063702	· · BUSHING	1				
11	1900079497	· ROD ASSY, piston	1				
12	1900063702	· · BUSHING	1				
13	1900063703	· COVER, rod	1				
14	1900063706	· PISTON	1				
15	1900063714	· RING, snap	1				
16	1900047032	· RING, wear	2				
17	1900063433	· SEAL, dust	4				
18	1390010400	· BALL, steel	1				
19	1121041010	· SET-SCREW	1				
20	1560001000	· FITTING, grease	1				
21	1560001675	· FITTING, grease	1				
22	1900079420	· BUSHING	1				
	L3h220						

**TB175(P-TB175BAB) Book No. BL3Z010 S/N 17510003-
DOZER BLADE CYLINDER (17512105-17516302, 17516308-17516324)**



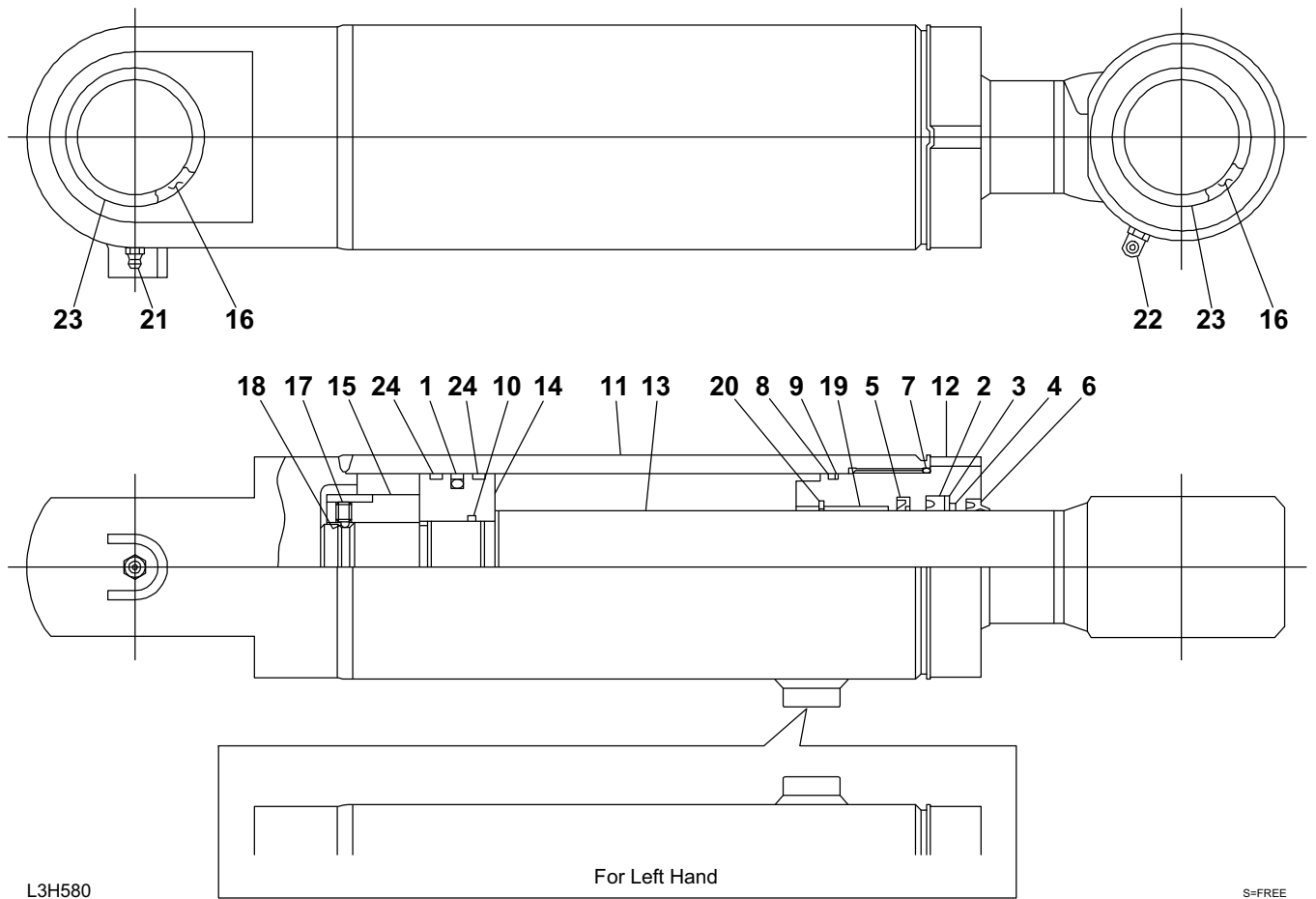
L3H470

S=FREE

DOZER BLADE CYLINDER (17512105-17516302, 17516308-17516324)

Item	Part number	Description	Q'ty	Chan.	Serial No.	Serv.	Remarks
0	1900091200	CYLINDER ASSY (R.H.)	1				dozer blade
	1900092100	CYLINDER ASSY (L.H.)	1				
0-1	1900091299	· KIT, seal	1				
1	X 1900091227	· · RING, seal	1				
2	X 1900063731	· · PACKING, rod	1				
3	X 1900071532	· · SEAL, dust	1				
4	X 1420110950	· · O-RING	1				
5	X 1900086928	· · RING, back-up	1				
6	X 1420101000	· · O-RING	1				
7	X 1900047031	· · PACKING, piston	1				
8	1900091298	· TUBE ASSY (R.H.)	1				
	1900092198	· TUBE ASSY (L.H.)	1				
9	1900063702	· · BUSHING	1				
10	1900091297	· ROD ASSY, piston	1				
11	1900063702	· · BUSHING	1				
12	1900091203	· COVER, rod	1				
13	1900086906	· PISTON	1				
14	1900063714	· RING, snap	1				
15	1900089525	· RING, wear	2				
16	1900083533	· SEAL, dust	4				
17	1390020400	· BALL, steel	1				
18	1121051010	· SET-SCREW	1				
19	1560001000	· FITTING, grease	1				
20	1560001675	· FITTING, grease	1				
21	1900091213	· BUSHING	1				
	L3h471						

**TB175(P-TB175BAB) Book No. BL3Z010 S/N 17510003-
DOZER BLADE CYLINDER (17516303-17516307, 17516325-)**



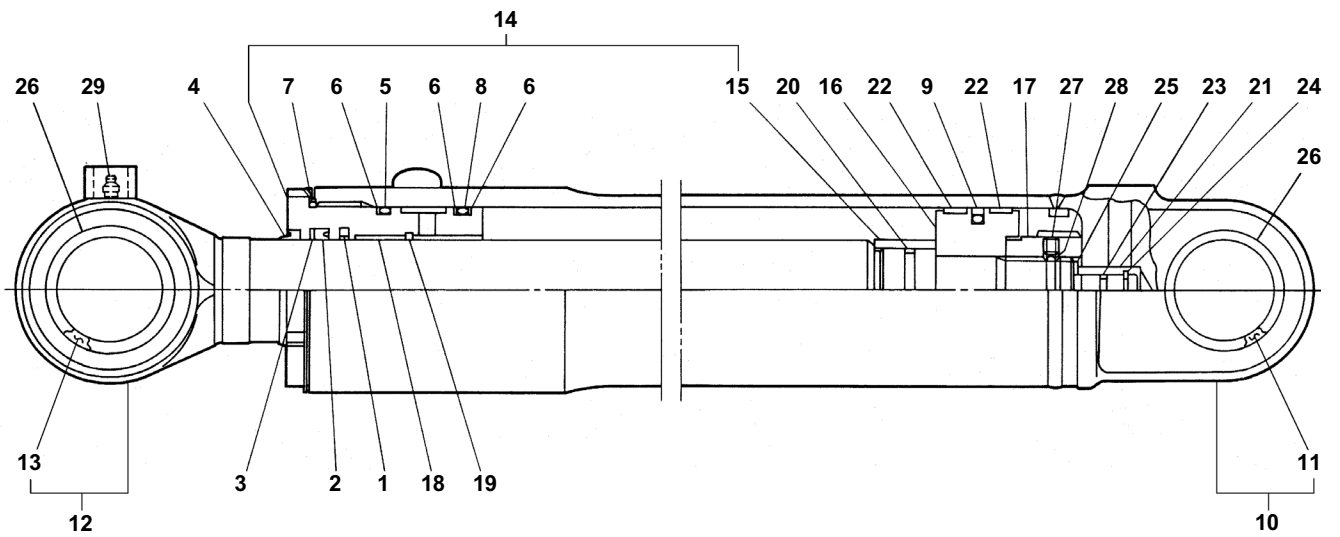
L3H580

S=FREE

DOZER BLADE CYLINDER (17516303-17516307, 17516325-)

Item	Part number	Description	Q'ty	Chan.	Serial No.	Serv.	Remarks
0	1900100900	CYLINDER ASSY (R.H.) (MITSUO)	1				dozer blade
	1900101000	CYLINDER ASSY (L.H.) (MITSUO)	1				
0-1	1900100999	· KIT, seal	1				
1	X 1900047031	· · PACKING, piston	1				
2	X 1900063731	· · PACKING, rod	1				
3	X 1411275603	· · RING, back-up	1				
4	X 1900100935	· · RING, back-up	1				
5	X 1900091227	· · BUFFER RING	1				
6	X 1900071532	· · SEAL, dust	1				
7	X 1420111000	· · O-RING	1				
8	X 1420110950	· · O-RING	1				
9	X 1421130950	· · RING, back-up	1				
10	X 1420110500	· · O-RING	1				
11	1900100907	· TUBE ASSY (R.H.)	1				
	1900101007	· TUBE ASSY (L.H.)	1				
12	1900100903	· COVER, rod	1				
13	1900100901	· ROD ASSY, piston	1				
14	1900100906	· PISTON	1				
15	1900100909	· NUT	1				
16	1900100902	· BUSHING	2				
17	1121050810	· SET-SCREW	1				
18	1390010070	· BALL, steel	1				
19	1333006040	· BUSHING	1				
20	1221000065	· RING, retaining	1				
21	1560001000	· FITTING, grease	1				
22	1560001675	· FITTING, grease	1				
23	1900063433	· SEAL, dust	4				
24	1900089525	· RING, wear	2				
	L3h580						

TB175(P-TB175BAB) Book No. BL3Z010 S/N 17510003-
SWING CYLINDER (17510003-17512104)



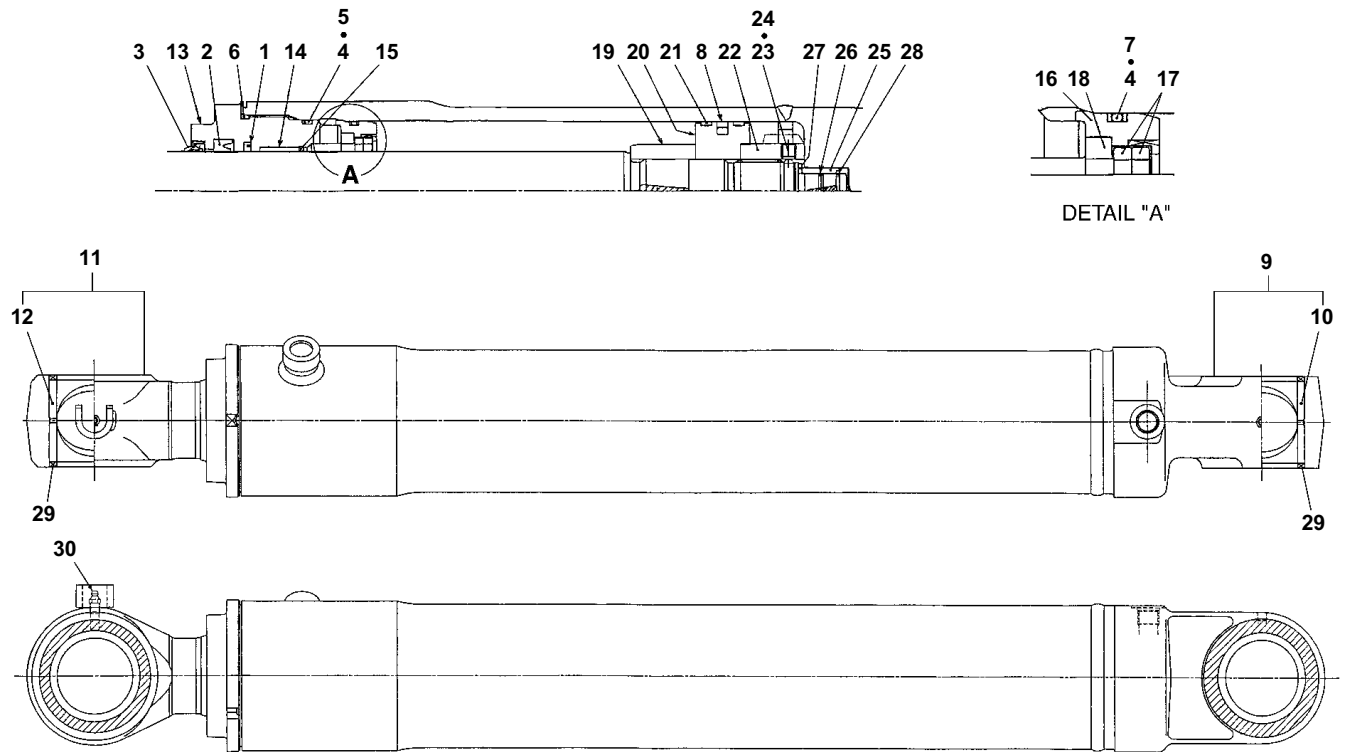
L3H230

S=FREE

SWING CYLINDER (17510003-17512104)

Item	Part number	Description	Q'ty	Chan.	Serial No.	Serv.	Remarks
0	1900079300	CYLINDER ASSY	1				swing
0-1	1900079399	· KIT, seal	1				
1	X 1900063626	· · RING, seal	1				
2	X 1900063631	· · PACKING, rod	1				
3	X 1900063627	· · RING, back-up	1				
4	X 1900071031	· · SEAL, dust	1				
5	X 1420111150	· · O-RING	1				
6	X 1900063628	· · RING, back-up	3				
7	X 1420101200	· · O-RING	1				
8	X 1420111100	· · O-RING	1				
9	X 1900063633	· · PACKING, piston	1				
10	1900079398	· TUBE ASSY	1				
11	1900063602	· · BUSHING	1				
12	1900079397	· ROD ASSY, piston	1				
13	1900079320	· · BUSHING	1				
14	1900063696	· COVER ASSY, rod	1				
15	1900071205	· · BEARING, cushion	1				
16	1900063606	· PISTON	1				
17	1900063609	· NUT	1				
18	1900063613	· BUSHING	1				
19	1900063614	· RING, snap	1				
20	1900063616	· SEAL, cushion	1				
21	1900063625	· BEARING, cushion	1				
22	1900063629	· RING, wear	2				
23	1900063634	· SEAL, cushion	1				
24	1900063640	· STOPPER	2				
25	1900063641	· RING, snap	1				
26	1900063642	· SEAL, dust	4				
27	1121041212	· SET-SCREW	1				
28	1390010450	· BALL, steel	1				
29	1560001000	· FITTING, grease	1				
	L3h230						

TB175(P-TB175BAB) Book No. BL3Z010 S/N 17510003-
SWING CYLINDER (17512105-)



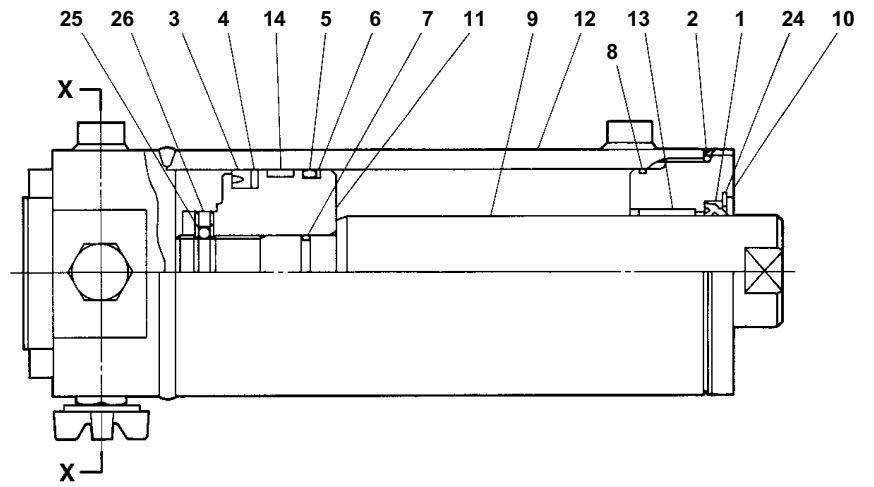
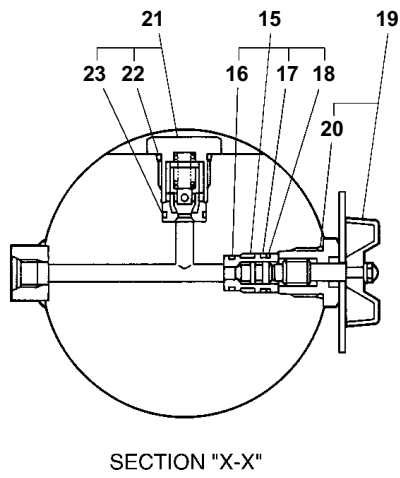
L3H480

S=FREE

SWING CYLINDER (17512105-)

Item	Part number	Description	Q'ty	Chan.	Serial No.	Serv.	Remarks
0	1900091100	CYLINDER ASSY	1				swing
0-1	1900091199	· KIT, seal	1				
1	X 1900086827	· · RING, seal	1				
2	X 1900063631	· · PACKING, rod	1				
3	X 1900071031	· · SEAL, dust	1				
4	X 1420111150	· · O-RING	2				
5	X 1900086828	· · RING, back-up	1				
6	X 1420101200	· · O-RING	1				
7	X 1900063628	· · RING, back-up	2				
8	X 1900063633	· · PACKING, piston	1				
9	1900091198	· TUBE ASSY	1				
10	1900063602	· · BUSHING	1				
11	1900091197	· ROD ASSY, piston	1				
12	1900079320	· · BUSHING	1				
13	1900091103	· COVER, rod	1				
14	1900091813	· BUSHING	1				
15	1900063614	· RING, snap	1				
16	1900086808	· HOLDER	1				
17	1900086816	· SEAL, cushion	2				
18	1900091115	· COLLAR	1				
19	1900086805	· BEARING, cushion	1				
20	1900086806	· PISTON	1				
21	1900086829	· RING, wear	2				
22	1900086809	· NUT	1				
23	1121051212	· SET-SCREW	1				
24	1390020450	· BALL, steel	1				
25	1900063625	· BEARING, cushion	1				
26	1900086956	· SEAL, cushion	1				
27	1900063640	· STOPPER	2				
28	1900063641	· RING, snap	1				
29	1900063642	· SEAL, dust	4				
30	1560001000	· FITTING, grease	1				
	L3h481						

TB175(P-TB175BAB) Book No. BL3Z010 S/N 17510003-
TENSIONING CYLINDER (R.H.)



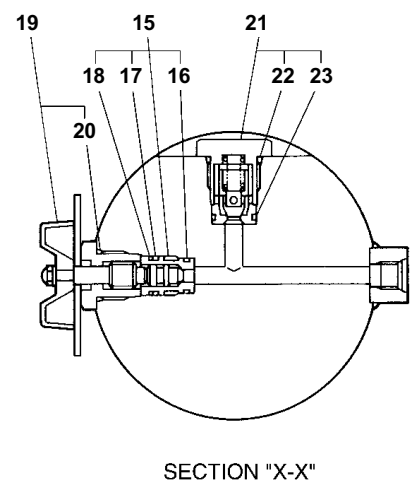
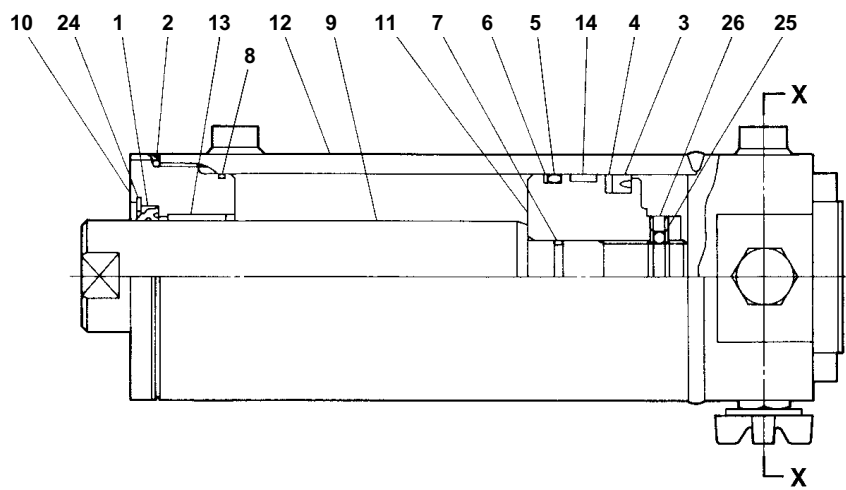
L2H181

S-FREE

TENSIONING CYLINDER (R.H.)

Item	Part number	Description	Q'ty	Chan.	Serial No.	Serv.	Remarks
0	1900081000	CYLINDER ASSY	1				tension (R.H.)
0-1	1900063999	· KIT, seal	1				
1	X 1411100060	· · SEAL, dust	1				
2	X 1420111150	· · O-RING	1				
3	X 1411131100	· · PACKING, piston	1				
4	X 1411310903	· · RING, back-up	1				
5	X 1420011000	· · O-RING	1				
6	X 1421021000	· · RING, back-up	1				
7	X 1420010320	· · O-RING	1				
8	X 1420501050	· · O-RING	1		17512414~		
9	1900081001	· ROD, piston	1				
10	1900063903	· COVER, rod	1				
11	1900063906	· PISTON	1				
12	1900081007	· TUBE	1				
13	1333006030	· BUSHING	1				
14	1900063926	· RING, wear	1				
15	1900063928	· VALVE ASSY, seat	1				
16	1420010120	· · O-RING	1				
17	1420010140	· · O-RING	1				
18	1421020140	· · RING, back-up	1				
19	1900063929	· HANDLE ASSY	1				
20	1420500200	· · O-RING	1				
21	1900063933	· VALVE ASSY, check	1				
22	1420010220	· · O-RING	1				
23	1420010160	· · O-RING	1				
24	1221000082	· RING, snap	1				
25	1390010350	· BALL, steel	1				
26	1121040810	· SET-SCREW	1				
	L3h241						

TB175(P-TB175BAB) Book No. BL3Z010 S/N 17510003-
TENSIONING CYLINDER (L.H.)



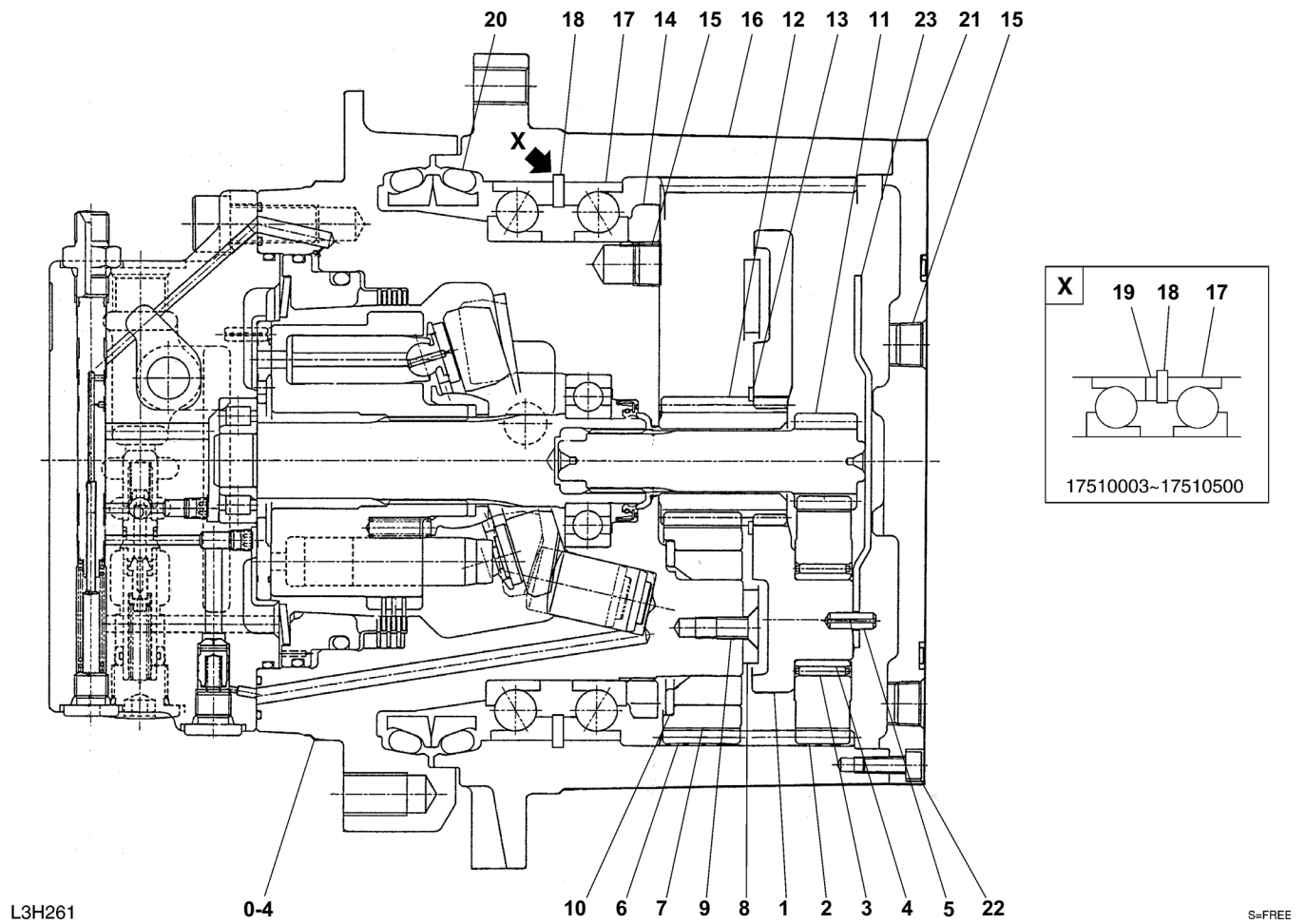
L2H191

S=FREE

TENSIONING CYLINDER (L.H.)

Item	Part number	Description	Q'ty	Chan.	Serial No.	Serv.	Remarks
0	1900081100	CYLINDER ASSY	1				tension (L.H.)
0-1	1900063999	· KIT, seal	1				
1	X 1411100060	· · SEAL, dust	1				
2	X 1420111150	· · O-RING	1				
3	X 1411131100	· · PACKING, piston	1				
4	X 1411310903	· · RING, back-up	1				
5	X 1420011000	· · O-RING	1				
6	X 1421021000	· · RING, back-up	1				
7	X 1420010320	· · O-RING	1				
8	X 1420501050	· · O-RING	1		17512414~		
9	1900081001	· ROD, piston	1				
10	1900063903	· COVER, rod	1				
11	1900063906	· PISTON	1				
12	1900081007	· TUBE	1				
13	1333006030	· BUSHING	1				
14	1900063926	· RING, wear	1				
15	1900063928	· VALVE ASSY, seat	1				
16	1420010120	· · O-RING	1				
17	1420010140	· · O-RING	1				
18	1421020140	· · RING, back-up	1				
19	1900063929	· HANDLE ASSY	1				
20	1420500200	· · O-RING	1				
21	1900063933	· VALVE ASSY, check	1				
22	1420010220	· · O-RING	1				
23	1420010160	· · O-RING	1				
24	1221000082	· RING, snap	1				
25	1390010350	· BALL, steel	1				
26	1121040810	· SET-SCREW	1				
	L3h251						

TB175(P-TB175BAB) Book No. BL3Z010 S/N 17510003-
TRAVEL MOTOR (1/2) (reduction sec.)



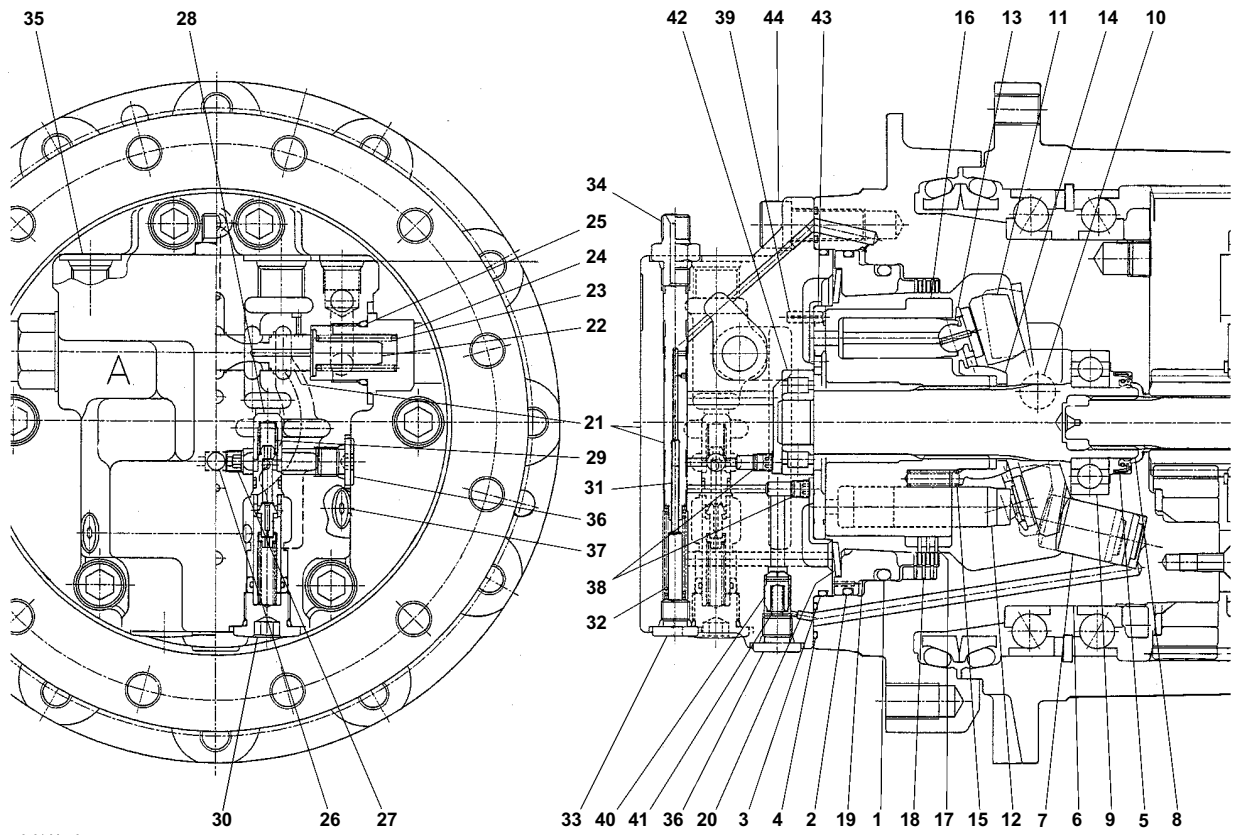
TRAVEL MOTOR (1/2) (reduction sec.)

Item	Part number	Description	Q'ty	Chan.	Serial No.	Serv.	Remarks
0	1903120800	MOTOR ASSY, travel	2				
0-1	X *****	· GEAR ASSY, reduction	1				
0-2	1912906298	· · CARRIER (A) ASSY	1				
1	1912906201	· · · CARRIER (A)	1				
2	1912906202	· · · GEAR	3				
3	1912906203	· · · BEARING	3				
4	1912906204	· · · RACE, inner	3				
5	1213000618	· · · PIN, spring	3				
0-3	1912906297	· · CARRIER (B) ASSY	1				
0-4	1903905400	· · · MOTOR ASSY	1				see page (2/2)
6	1912906206	· · · GEAR	4				
7	1912906207	· · · RACE, inner	4				
8	1912906208	· · · PLATE	1				
9	1912906209	· · · SCREW	4				
10	1912906210	· · · WASHER	4				
11	1912906211	· · GEAR	1				
12	1912906212	· · GEAR	1				
13	1220000048	· · RING, snap	1				
14	1912906213	· · NUT	1				
15	1501810003	· · PLUG	7				
16	1912906214	· · CASE	1	A	17510003~17510500		
	1912906231	· · CASE	1	a(H)	17510501~		
17	1912906215	· · BEARING	2	A	17510003~17510500		
	1912906232	· · BEARING	2	a(H)	17510501~		
18	1912906216	· · RING, snap	1				
19	1912906217	· · COLLAR	1	A	17510003~17510500		
20	1912906218	· · SEAL, floating	1				
21	1912906220	· · COVER	1				
22	1110050616	· · SCREW, cap	12				
23	1912906296	· · PLATE KIT, thrust	1				
23-1	1912906221	· · · PLATE, thrust t=6.0	1				
23-2	1912906222	· · · PLATE, thrust t=6.2	1				
23-3	1912906223	· · · PLATE, thrust t=6.4	1				
23-4	1912906224	· · · PLATE, thrust t=6.6	1				
23-5	1912906225	· · · PLATE, thrust t=6.8	1				
23-6	1912906226	· · · PLATE, thrust t=7.0	1				
23-7	1912906227	· · · PLATE, thrust t=7.2	1				
23-8	1912906228	· · · PLATE, thrust t=7.4	1				
23-9	1912906229	· · · PLATE, thrust t=7.6	1				

<<NOTE>>
SET "A" is interchangeable with "a".

L3h262

TB175(P-TB175BAB) Book No. BL3Z010 S/N 17510003-
TRAVEL MOTOR (2/2) (motor sec.)



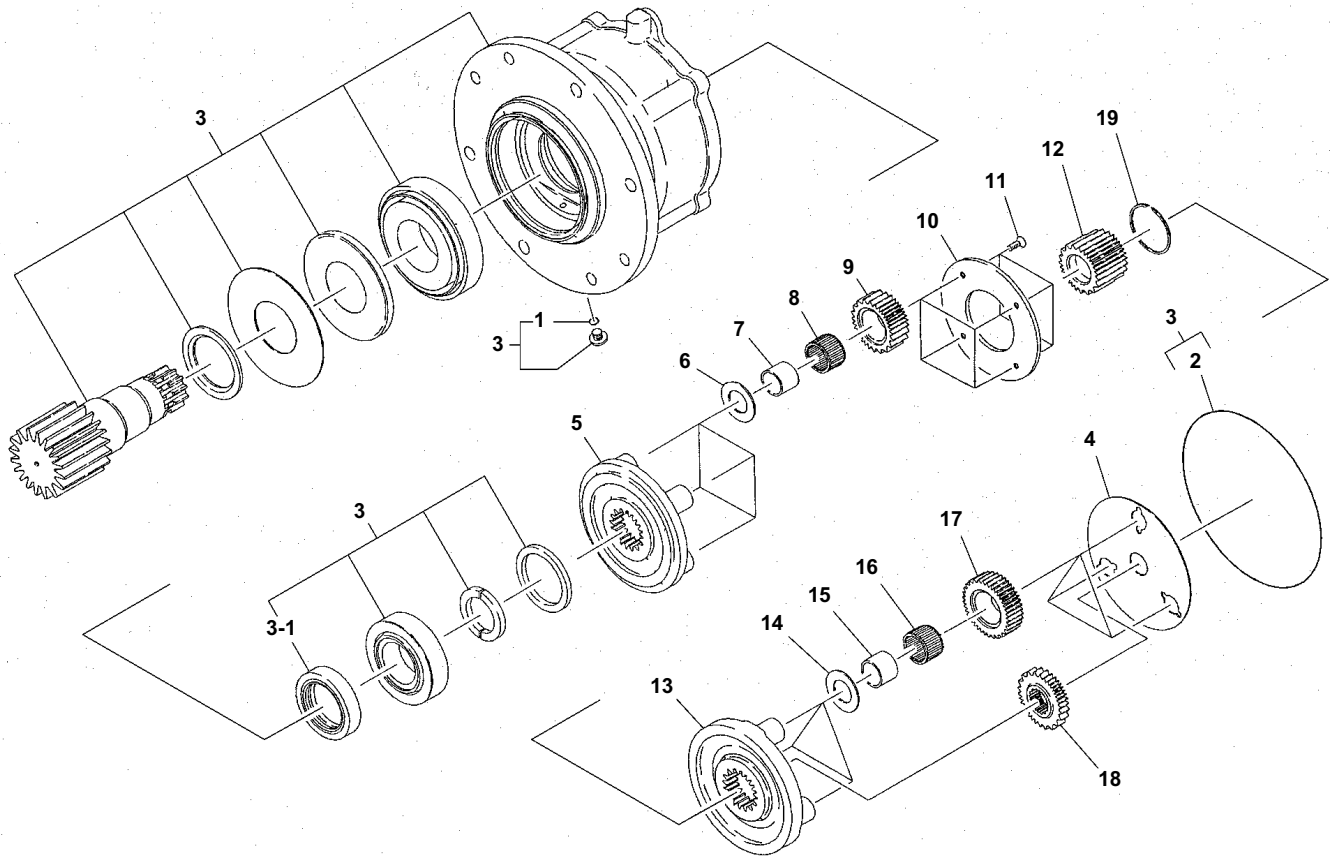
L3H270

S=FREE

TRAVEL MOTOR (2/2) (motor sec.)

Item	Part number	Description	Q'ty	Chan.	Serial No.	Serv.	Remarks
0	1903120800	MOTOR ASSY, travel	2				
0-4	X *****	· MOTOR ASSY	1				
0-5	1903905499	· · KIT, seal	1				
1	X 1903905416	· · · O-RING	1				
2	X 1903905417	· · · O-RING	1				
3	X 1903905419	· · · O-RING	1				
4	X 1420010120	· · · O-RING	2				
5	X 1903905402	· · · SEAL, oil	1				
6	1903905401	· · HOUSING	1				
7	1903905403	· · PISTON	1				
8	1903905404	· · SHAFT	1				
9	1903905405	· · BEARING	1				
10	1903905406	· · BALL	2				
11	1903905407	· · PLATE	1				
12	1903905408	· · PISTON ASSY	9				
13	1903905409	· · RETAINER	1				
14	1903905410	· · BUSHING	1				
15	1903905411	· · SPRING	6				
16	1903905412	· · ROTOR	1				
17	1903905413	· · PLATE	3				
18	1903905414	· · PLATE	3				
19	1903905415	· · PISTON	1				
20	1903905418	· · DISK	1				
0-6	1901809500	· · VALVE, brake	1				
21	1901809501	· · · CASE	1				
22	1901809503	· · · SPOOL	2				
23	1901809504	· · · SPRING	2				
24	1901809505	· · · PLUG	2				
25	1420110240	· · · O-RING	2				
26	1901809506	· · · BALL	1				
27	1901809507	· · · PLUG	1				
28	1901809508	· · · PLUNGER	2				
29	1901809509	· · · SPRING	2				
30	1901809510	· · · VALVE, relief	2				
31	1901809511	· · · NEEDLE	1				
32	1901809512	· · · SPRING	1				
33	1901809513	· · · PLUG	1				
34	1901809514	· · · ADAPTOR	1				
35	1501810003	· · · PLUG	1				
36	1501810002	· · · PLUG	2				
37	1501810001	· · · PLUG	2				
38	1901809515	· · · PLUG	2				
39	1901809516	· · · PIN, spring	1				
40	1901809517	· · · PLUNGER	1				
41	1901809518	· · · SPRING	1				
42	1903905421	· · BEARING	1				
43	1903905422	· · PLATE	1				
44	1110021432	· · SCREW, cap	6				
	L3h270						

TB175(P-TB175BAB) Book No. BL3Z010 S/N 17510003-
SLEW MOTOR (1/2) (reduction sec.)



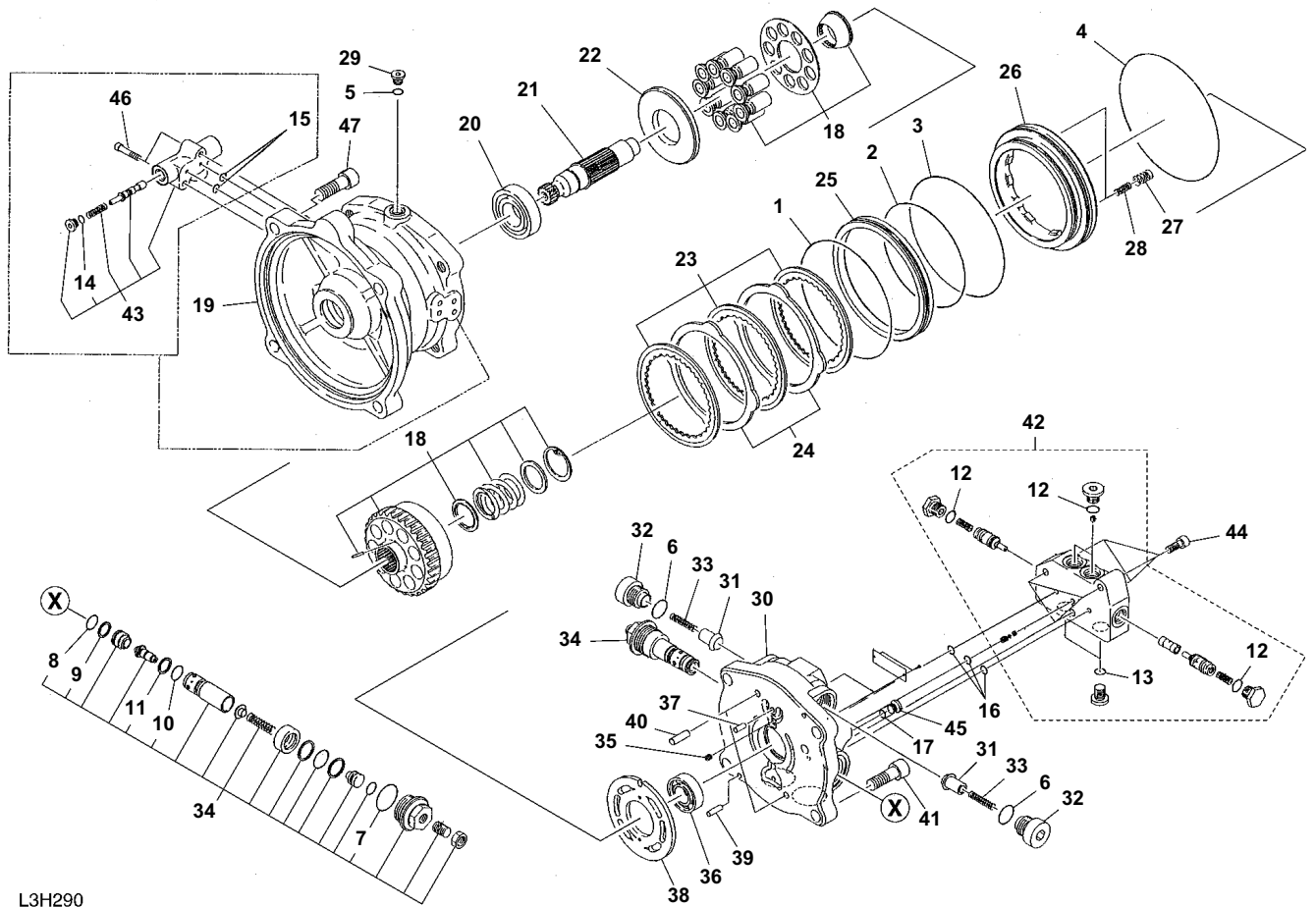
L3H281

S=FREE

SLEW MOTOR (1/2) (reduction sec.)

Item	Part number	Description	Q'ty	Chan.	Serial No.	Serv.	Remarks
0	1903120900	MOTOR ASSY, slew	1				
0-1	X *****	· GEAR ASSY, reduction	1				
0-2	1912906399	· · KIT, seal	1				
1	X 1420010080	· · · O-RING	1				
2	X 1420310267	· · · O-RING	1				
3	1912906398	· · HOUSING ASSY	1				
3-1	1912906307	· · · SEAL, oil	1				
4	1912906397	· · PLATE KIT, thrust	1				
5	1912906311	· · HOLDER	1				
6	1912906008	· · PLATE, thrust	4				
7	1912906313	· · RACE, inner	4		17510003~17510847		
	1912906340	· · RACE, inner	4	(H)	17510848~		
8	1912906314	· · BEARING	4		17510003~17510847		
	1912906341	· · BEARING	4	(H)	17510848~		
9	1912906315	· · GEAR	4				
10	1912904213	· · PLATE, thrust	1				
11	1120640816	· · SCREW	4				
12	1912906318	· · GEAR	1				
13	1912906319	· · HOLDER	1				
14	1912905612	· · WASHER, thrust	3				
15	1912905611	· · RACE, inner	3				
16	1912905610	· · BEARING	3				
17	1912906323	· · GEAR	3				
18	1912906325	· · GEAR	1				
19	1912906326	· · RING, snap	1				
	L3h282						

TB175(P-TB175BAB) Book No. BL3Z010 S/N 17510003-
SLEW MOTOR (2/2) (motor sec.)



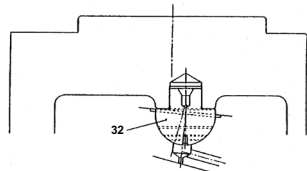
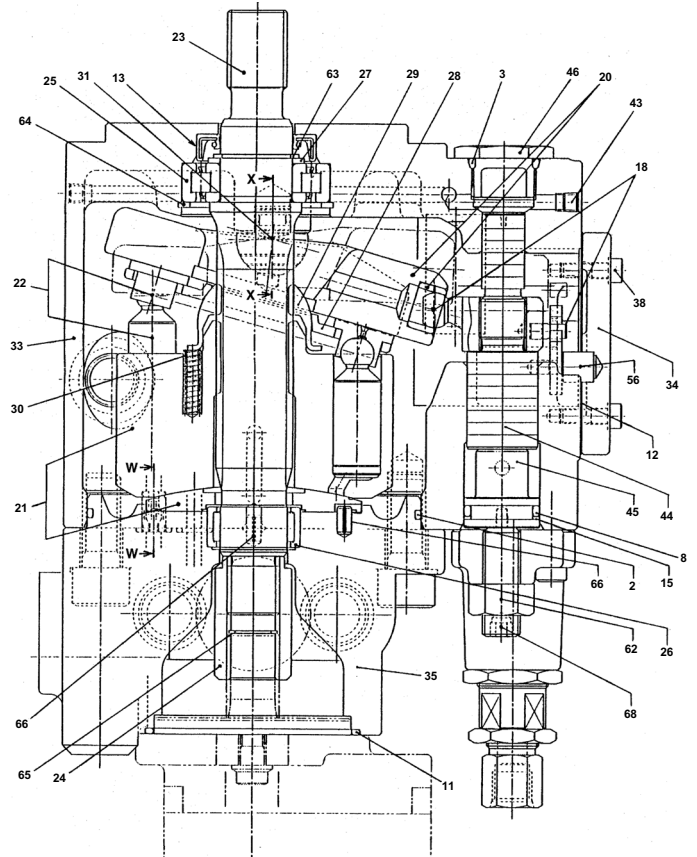
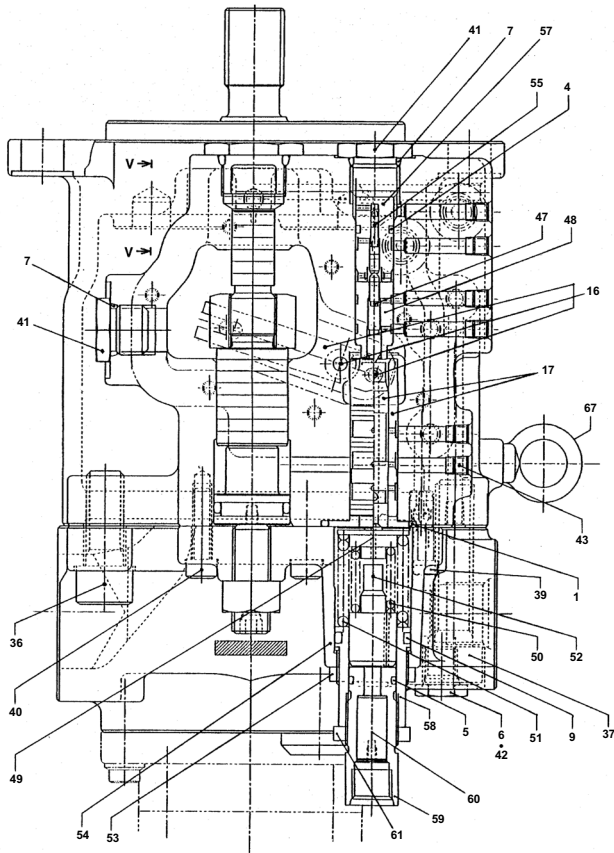
L3H290

S=FREE

SLEW MOTOR (2/2) (motor sec.)

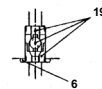
Item	Part number	Description	Q'ty	Chan.	Serial No.	Serv.	Remarks
0	1903120900	MOTOR ASSY, slew	1				
0-3	X *****	· MOTOR ASSY	1				
0-4	1903905599	· · KIT, seal	1				
1	X 1420111450	· · · O-RING	1				
2	X 1420111300	· · · O-RING	1				
3	X 1420300257	· · · O-RING	1				
4	X 1420300259	· · · O-RING	1				
5	X 1420010110	· · · O-RING	1				
6	X 1420010210	· · · O-RING	2				
7	X 1420310916	· · · O-RING	1				
8	X 1420010150	· · · O-RING	1				
9	X 1421020150	· · · RING, back-up	1				
10	X 1420010160	· · · O-RING	1				
11	X 1421020160	· · · RING, back-up	1				
12	X 1420010140	· · · O-RING	4				
13	X 1420010110	· · · O-RING	2				
14	X 1420010110	· · · O-RING	1				
15	X 1420010070	· · · O-RING	2				
16	X 1420010100	· · · O-RING	3				
17	X 1420010080	· · · O-RING	1				
18	1903905598	· · BLOCK ASSY, cylinder	1				
19	1903905501	· · CASE	1				
20	1903102003	· · BEARING	1				
21	1903905504	· · SHAFT	1				
22	1903905505	· · PLATE, thrust	1				
23	1903905515	· · DISK	3				
24	1903905516	· · PLATE	2				
25	1903905517	· · COLLAR	1				
26	1903905519	· · PISTON, brake	1				
27	1903905522	· · SPRING	12				
28	1903905523	· · SPRING	8				
29	1501750002	· · PLUG	1				
	1420010110	· · · O-RING	1				
30	1903905527	· · COVER	1				
31	1903904722	· · POPPET	2				
32	1903904723	· · PLUG	2				
33	1903904725	· · SPRING	2				
34	1903905528	· · VALVE, relief	2				
35	1901802713	· · ORIFICE	1				
36	1903115927	· · BEARING	1				
37	1212000610	· · PIN	1				
38	1903115925	· · PLATE	1				
39	1903120119	· · PIN	2				
40	1212000820	· · PIN	2				
41	1110021440	· · SCREW, cap	4				
42	1903905529	· · VALVE ASSY	1				
43	1903905532	· · VALVE ASSY	1				
44	1110020820	· · SCREW, cap	3				
45	1501750003	· · PLUG	1				
	1420010140	· · · O-RING	1				
46	1110020630	· · SCREW, cap	2				
47	1110021440	· SCREW, cap	4				
	L3h290						

**TB175(P-TB175BAB) Book No. BL3Z010 S/N 17510003-
HYDRAULIC PUMP**

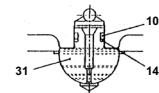


SECTION "V-V"

L3H320-2



SECTION "W-W"

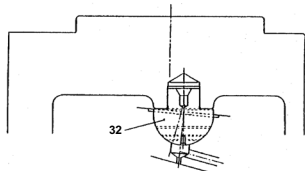
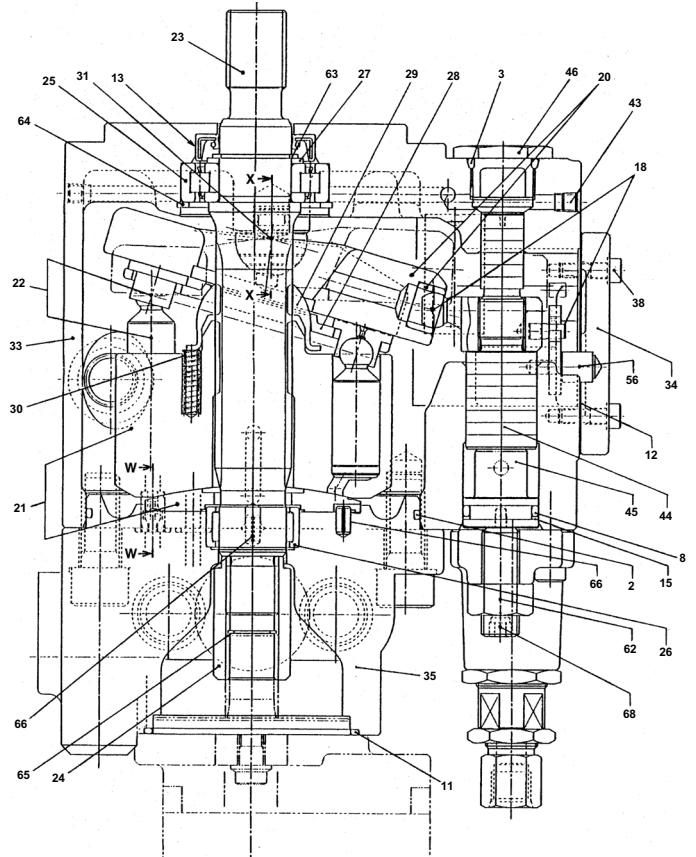
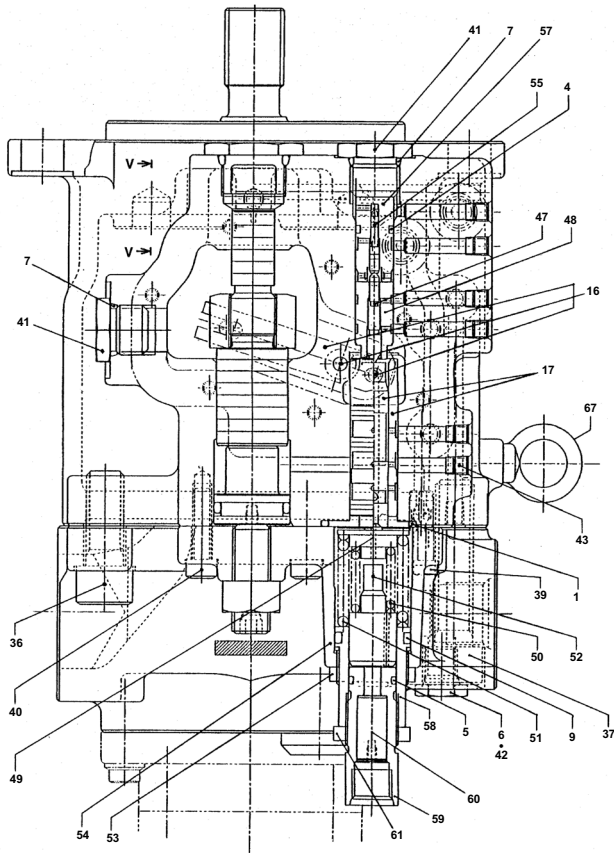


SECTION "X-X"

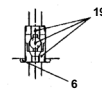
HYDRAULIC PUMP

Item	Part number	Description	Q'ty	Chan.	Serial No.	Serv.	Remarks
0	1902017500	PUMP ASSY, hydraulic	1				
0-1	1902017599	· KIT, seal	1				
1	X 1420110350	· · O-RING	1				
2	X 1420111350	· · O-RING	1				
3	X 1420010240	· · O-RING	1				
4	X 1420010120	· · O-RING	1				
5	X 1420010160	· · O-RING	1				
6	X 1420010110	· · O-RING	6				
7	X 1420010180	· · O-RING	1				
8	X 1902017555	· · O-RING	1				
9	X 1420010260	· · O-RING	1				
10	X 1902017556	· · O-RING	1				
11	X 1420110850	· · O-RING	1				
12	X 1902017557	· · GASKET	1				
13	X 1902017558	· · SEAL, oil	1				
14	X 1902017559	· · RING, back-up	1				
15	X 1421020260	· · RING, back-up	1				
16	1902017598	· LEVER ASSY	1				
17	1902017597	· SPOOL ASSY	1				
18	1902017596	· PIN ASSY	1				
19	1902017595	· VALVE ASSY, check	1				
20	1902017594	· PLATE ASSY	1				
21	1902017593	· CYLINDER ASSY	1		17510003~17518053		
	1902024193	· CYLINDER ASSY	1	(H)	17518054~		M
22	1902017592	· PISTON ASSY	1		17510003~17518053		
	1902024192	· PISTON ASSY	1	(H)	17518054~		M
23	1902017501	· SHAFT	1				
24	1902017502	· COUPLING	1				
25	1902017503	· BEARING	1				
26	1902017504	· BEARING	1				
27	1902017505	· SPACER	1				
28	1902017509	· PLATE	1				
29	1902017510	· BUSHING	1				
30	1902017511	· SPRING	10				
31	1902017514	· BALL	1				
32	1902017515	· BALL	1				
33	1902017516	· CASE	1				
34	1902017517	· COVER	1				
35	1902017518	· COVER	1				
36	1110021640	· SCREW, cap	4				
37	1110021670	· SCREW, cap	1				
38	1110020620	· SCREW, cap	7				
39	1110020625	· SCREW, cap	2				
40	1110020830	· SCREW, cap	4				
41	1501750004	· PLUG	1				
	1420010180	· · O-RING	1				
42	1501750002	· PLUG	2				
	1420010110	· · O-RING	1				
43	1501810000	· PLUG	16				
44	1902017529	· PISTON	1				
45	1902017530	· STOPPER	1		17510003~1751#		
	1902018530	· STOPPER	1	(H)	1751#~17518053		No. 24099
	1902024230	· STOPPER	1	(H)	17518054~		M
46	1902017531	· PLUG	1				
47	1902017537	· PISTON	1				
48	1902017538	· CASE	1				
49	1902017539	· WASHER, spring	1				
50	1902017540	· SPRING	1				
51	1902017541	· SPRING	1				
52	1902017542	· PIN	1		-2006.02		

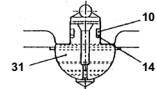
**TB175(P-TB175BAB) Book No. BL3Z010 S/N 17510003-
HYDRAULIC PUMP**



SECTION "V-V"



SECTION "W-W"



SECTION "X-X"

L3H320-2

HYDRAULIC PUMP

Item	Part number	Description	Q'ty	Chan.	Serial No.	Serv.	Remarks
52	1902017562	· PIN	1	(H)	2006. 02-		see note
53	1902017543	· NUT	1				
54	1902017544	· COVER	1				
55	1902017549	· PISTON	1				
56	1902017550	· PIN	1				
57	1902017551	· CASE	1				
58	1902017552	· SCREW	1				
59	1902017553	· RING	1				
60	1902017554	· PISTON	1				
61	1902017560	· NUT	1				
62	1130050016	· NUT	1				
63	1220000030	· RING, snap	1				
64	1221000062	· RING, snap	1				
65	1221000019	· RING, snap	1				
66	1213000612	· PIN, spring	2				
67	1121600008	· BOLT	1				
68	1121051645	· SET-SCREW	1				

<<NOTE>>

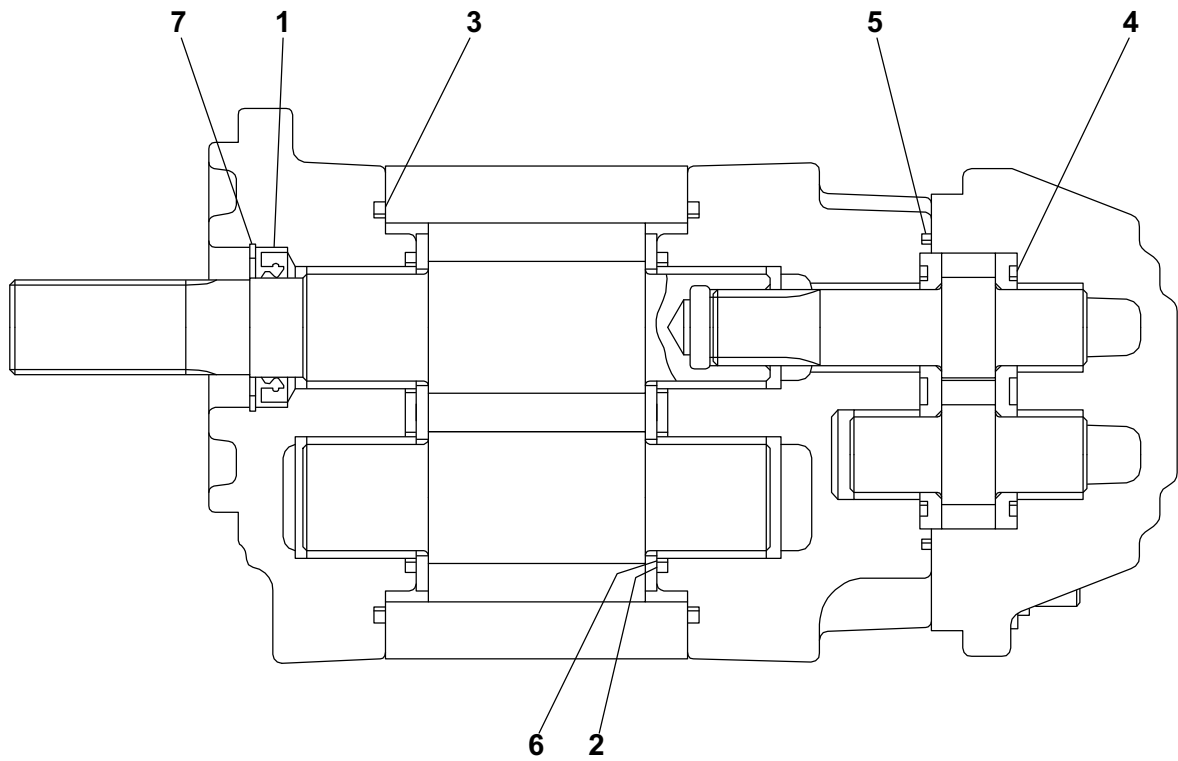
17,514,412,175,144,600,000,000,000,000,000

17514484-17514488,17514495-17514500

17514502-

L3h323

TB175(P-TB175BAB) Book No. BL3Z010 S/N 17510003-
GEAR PUMP



L3H300

S=FREE

GEAR PUMP

Item	Part number	Description	Q'ty	Chan.	Serial No.	Serv.	Remarks
0	1902017600	PUMP ASSY, gear	1				
0-1	1902017699	· KIT, seal	1				
1	X 1902017618	· · SEAL, oil	1				
2	X 1902017616	· · GASKET	2				
3	X 1902017613	· · GASKET	2				
4	X 1902011050	· · GASKET	2				
5	X 1902011151	· · GASKET	1				
6	X 1902017615	· · RING, back-up	2				
7	X 1221000036	· · RING, snap	1				
	L3h301						

パーツカタログの見方

- このパーツカタログに記載されている部品は、必ずしも標準装備部品ではありません。
- 部品変更は、予告なく行うことがあります。
- パーツカタログリスト様式

Y00F2161 (1997.09.01)

Fig. 29 燃料噴射ポンプ(ブーコン用)
FUEL INJECTION PUMP (W/BOOST)

A= 4JH-DT		D= 4JH-DTZA	
B= 4JH-DTZ		E= 4JH-DTZY	
C= 4JH-DTZP		F=	

見出 REF.No.	レベル LEV.	部品番号 PARTS No.	部品名	DESCRIPTION	個数 (Q'ty)						R	
					A	B	C	D	E	F		
1	•	729595-51390	F0ポンプ ASY(ブーコン用)	FULE INJECTION PUMP	1	1	1	1	1	1		
1-1	•	729595-51391	F0ポンプ ASY(ブーコン用)	FULE INJECTION PUMP	1	1	1	1	1	1		
3	••	(A=E/#00185)(B=E/#00200) 26022-060162	ナベコジ M 6X 16	SCREW M 6X 16	9	9	9	9	9	9		
I 3-1	••	26022-060162	ナベコジ M 6X 16	SCREW M 6X 16	4	4	4	4	4	4		K
4	••	(A=E/#00185)(B=E/#00200)(C=E/#00156)(D=E/#00156)(E=E/#00156) 129470-51040	カムシャフト	CAMSHAFT	1	1	1	1	1	1		
5	••	122710-51050	ベアリングローラ	BEARING, ROLLER	2	2	2	2	2	2		
6	••	129470-51060	ベアリングホルダ	RETAINER	1	1	1	1	1	1		

備考
(1) ブーストコンペンサータ付き、4JH-DT、4JH-DTZとも E/# 00155 までは、特別注文仕様とします

Remarks
(1) BOOST COMPEMSATOR TYPE. OPTIONAL PART, TO E/# 00155, (4JH-DT,4JH-DTZ)

① 見出No.(REF.No.)

リスト頁の見出No.とイラスト図番の末尾が一致しない場合があります。

(例) イラスト図番 リスト頁の見出No.

1 1 (変更前) → 1-1 (変更後)

互換性記号 N, R, K の場合は新部品のイラストを省略している場合があります。

② レベル (LEV.)

レベル

- ……表示している • 印の数をレベルと呼び親子の関係を示します。(•は親部品です)
- ……は • に含まれる子部品です。
- ……は •• に含まれる子部品 (•から見れば孫部品) です。

注) 非販売部品のイラストは一部展開しておりますが、リストには記載しておりません。

③ 変更マーク

前回出版したパーツカタログには無く、今回新規に設計変更が発生した部品について " I " 印が表示されます。

④ 互換性区分

部分変更が行われた場合、その部品に対して下記の互換性記号が表示されます。

記号	互換性	内容
N	旧 ← ⊗ → 新	新部品は、旧部品に対して互換性有り、その逆は無し。
Q	旧 → ⊗ → 新	新部品は、旧部品に対して互換性無し、その逆は有り。
R	旧 ↔ ⊗ ↔ 新	新・旧部品双方に対して互換性有り。
S	旧 ↔ ⊗ ↔ 新	新・旧部品双方に対して互換性無し。
W		新規追加となった部品。
Z		廃止された部品。
F		単品では、互換性無し。但し関連部品セットにて互換性有り。
K		使用個数のみの変更。

⑤ 実施号機

部品が変更された時には、適用される商品形式の実施号機が (A) ~ (F) 欄毎に表示されます。

商品記号	商品 No.	商品記号	商品 No.
C	クラッチNo. コンプレッサNo.	M	本機No.
D	ドライブNo.	T	トラクタNo.
E	エンジンNo.	注1)※	西暦年月

注1) 記号の後の西暦年月を記載している事もあります。(例) ※1996. 01

注2) 実施号機が ××× は、部品変更の予告又は、実施号機が確定できなかった部品です。

注3) (A=E/#00185)は、A欄の商品形式(=4JH-DT)の部品変更実施号機は、E/# (=エンジンNo.)が 00185 号機以降であることを示します。

⑥ 備考(リマークス)区分

R …… 欄に数字又は、英字 (記号) を表示してあります。

リスト下段に上記の記号と同一記号を表記して当該部品に対するコメント(備考)を表示しています。

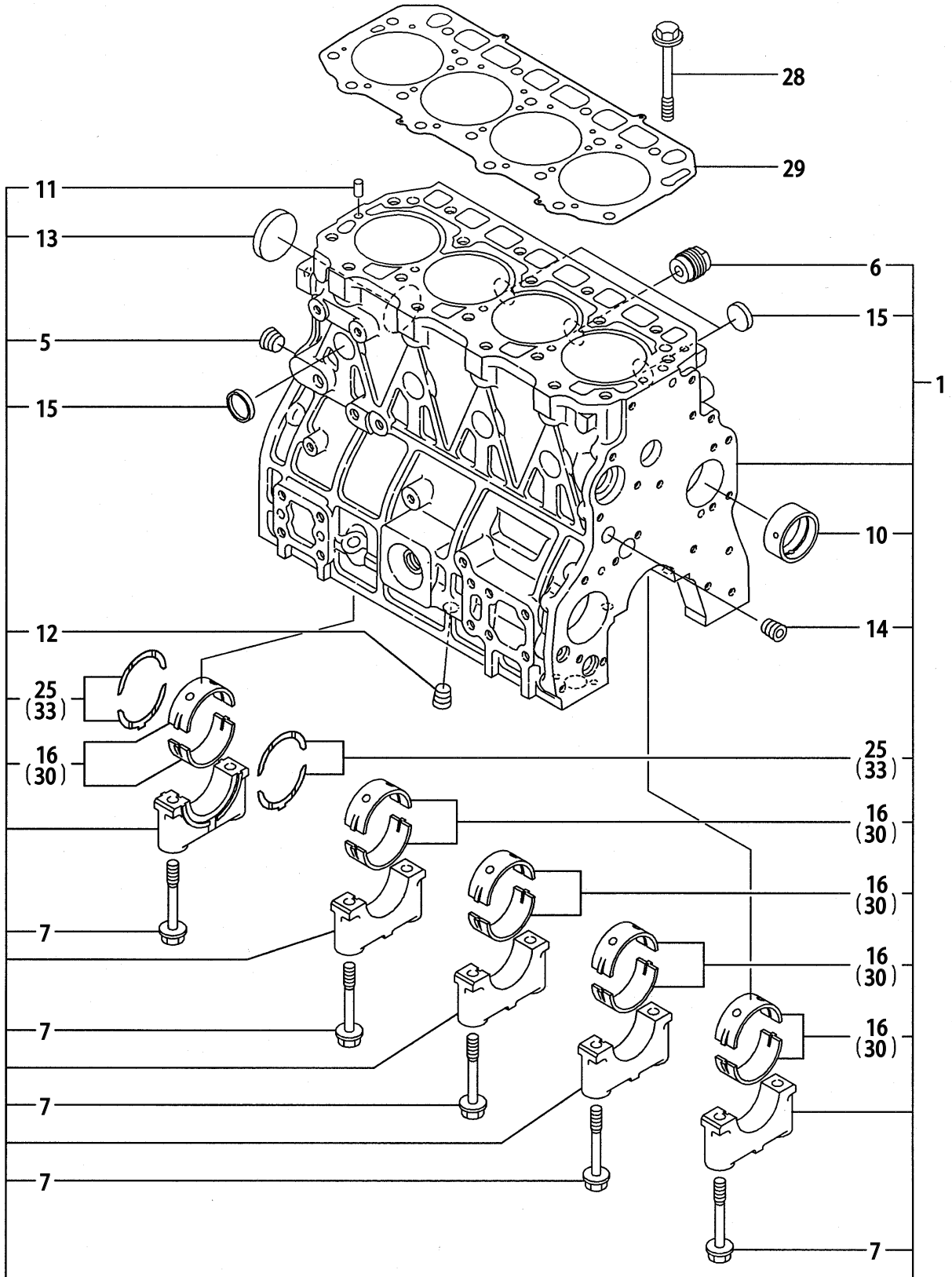
目次 CONTENTS

コウモクNO. GROUP	コウモク メイ	GROUP NAME	ロケ-ション LOCATION
1	シリンダ ^ハ ブロック	CYLINDER BLOCK	1A02
2	ギヤケース	GEAR HOUSING	1A03
3	フライホイ ^ル ハウジング & オイルパン	FLYWHEEL HOUSING & OIL SUMP	1A04
4	シリンダ ^ハ ヘッド & ホ ^ン ネット	CYLINDER HEAD & BONNET	1A05
5	キユクマニホ ^{ルト} & エアクリ ^{ーナ}	SUCTION MANIFOLD & AIR CLEANER	1A06
6	ハ ^イ キマニホ ^{ルト} & サ ^イ レンサ	EXHAUST MANIFOLD & SILENCER	1A07
7	カムシャフト & ク ^ラ ウキ ^{ギヤ}	CAMSHAFT & DRIVING GEAR	1A08
8	ク ^ラ クシャフト & ピ ^ス トン	CRANKSHAFT & PISTON	1A09
9	L ^ウ システム	LUB.OIL SYSTEM	1A10
10	C ^ウ システム	COOLING WATER SYSTEM	1A11
11	F ⁰ 7 ⁷ シヤホ ^ン プ	FUEL INJECTION PUMP	1A12
12	F ⁰ 7 ⁷ シヤバ ^ン	FUEL INJECTION VALVE	1A13
13	F ⁰ 1 ¹ イ ^フ	FUEL LINE	1A14
14	スタ ^ー テ ^ィ ング ^モ ータ	STARTING MOTOR	1A15
15	ジ ^ェ ネ ^レ ータ	GENERATOR	1A16
16	パ ^ツ キン ^セ ツ	GASKET SET	1B01

Engine for TB175 4TNE98-TBZ
CYLINDER BLOCK

Y00D7150
4TNE98-TBZ

1 シリンダブロック
CYLINDER BLOCK



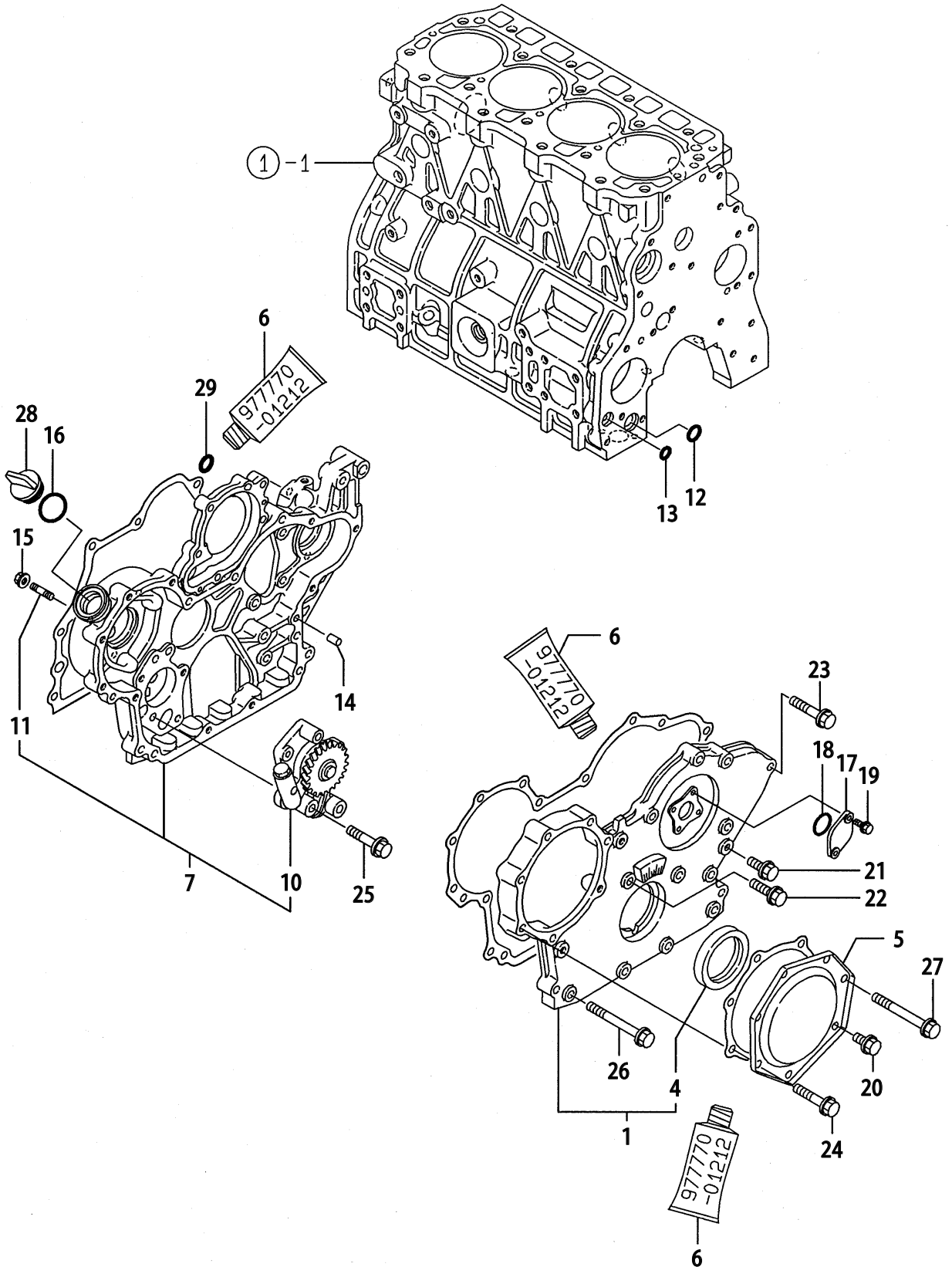
Engine for TB175 4TNE98-TBZ
CYLINDER BLOCK

Item ID	Parts Number	部品種類	Qty
1	729953-01560	BLOCK ASSY, CYLINDER	1
5	23876-030000	· PLUG PT3/8, SCREW	1
6	129953-01920	· JOINT	1
7	129900-02020	· BOLT, METAL CAP	10
10	129900-02410	· BUSH, CAMSHAFT	1
11	22351-060012	· SPRING PIN 6X12	2
12	23876-030000	· PLUG PT3/8, SCREW	1
13	129900-01250	· PLUG 55	1
14	23876-030000	· PLUG PT3/8, SCREW	1
15	27241-300000	· PLUG 30	8
16	129900-02800	· BEARING ASSY, MAIN	5
25	129900-02930	· BEARING ASSY, THRUST	2
28	129900-01200	BOLT, HEAD	18
29	129902-01331	GASKET, HEAD	1
30	129900-02340	MAIN BEARING US=0.25	5
33	129900-02940	BEARING, THRUST .250S	2

Engine for TB175 4TNE98-TBZ
GEAR HOUSING

Y00D7150
 4TNE98-TBZ

2 ギヤケース
 GEAR HOUSING



Engine for TB175 4TNE98-TBZ

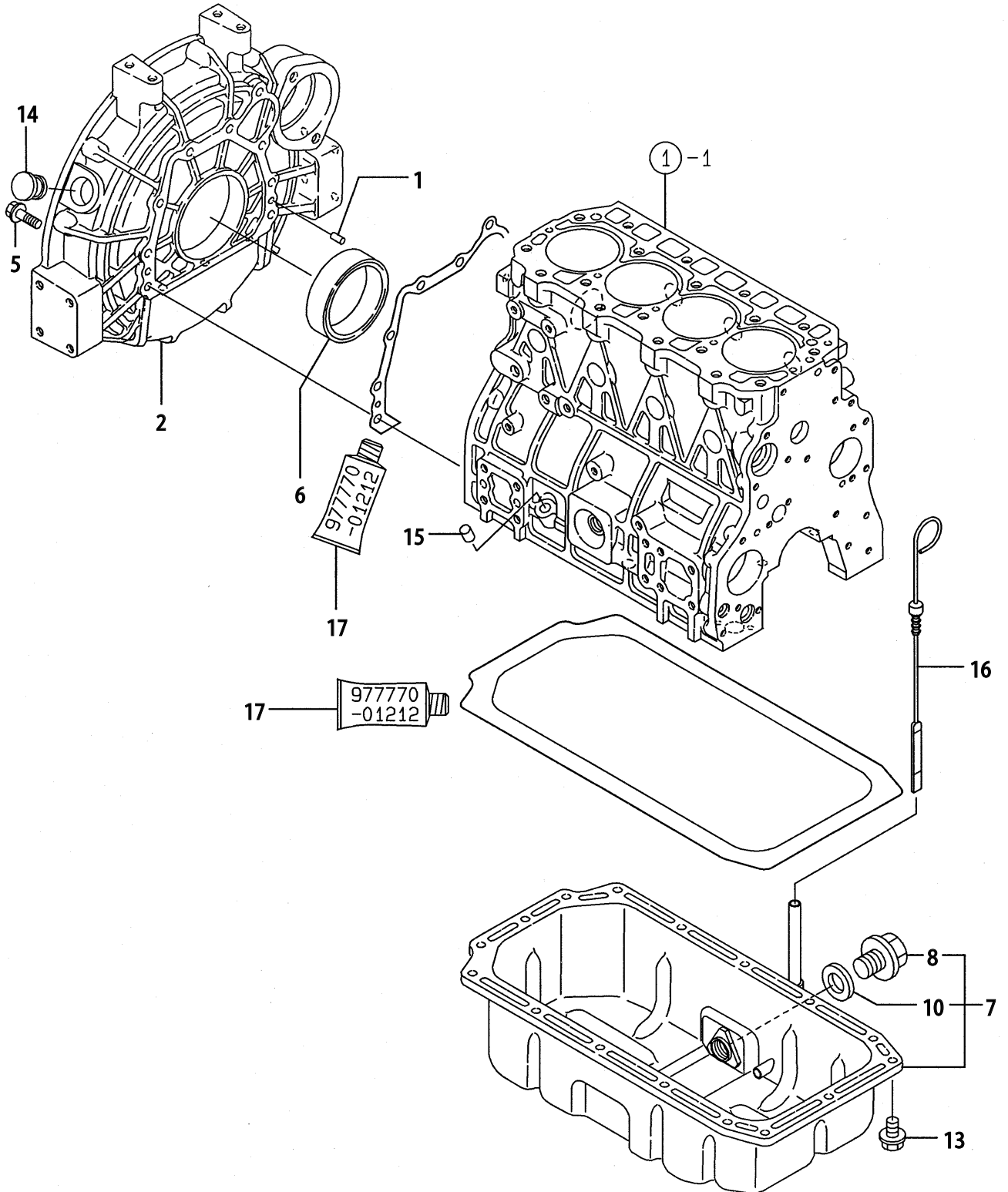
GEAR HOUSING

Item ID	Parts Number	部品種類	Qty
1	729900-01570	COVER, GEAR HOUSING	1
4	129900-01780	SEAL, OIL	1
5	129951-01740	COVER, F. I. PUMP	1
6	977770-01212	GASKET, LIQUID	1
7	129900-01820	HOUSING COMP, GEAR	1
10	129900-32000	PUMP ASSY, LUB. OIL	1
11	26216-100302	STUD BOLT	4
12	129900-32030	O-RING P20	1
13	129900-32040	O-RING P14	1
14	129100-01580	PARALLEL PIN 8X16	4
15	26366-100002	NUT M10	4
16	24311-000320	O-RING 1A P-32.0	1
17	121023-01550	COVER, BLIND	1
18	24341-000240	O-RING 1A S-24.0	1
19	26106-060162	BOLT M 6X 16 PLATED	2
20	26106-080162	BOLT M 8X 16 PLATED	1
21	26106-080202	BOLT M 8X 20 PLATED	3
22	26106-080302	BOLT M 8X 30 PLATED	1
23	26106-080402	BOLT M 8X 40 PLATED	5
24	26106-080402	BOLT M 8X 40 PLATED	5
25	26106-080452	BOLT M 8X 45 PLATED	3
26	129001-91810	BOLT M 8X 70 PLATED	6
27	129001-91810	BOLT M 8X 70 PLATED	1
28	124160-01751	CAP, LUB.OIL SUPPLY	1
29	24311-000070	O-RING 1A P-7.0	1

Engine for TB175 4TNE98-TBZ
FLYWHEEL HOUSING & OIL SUMP

Y00D7150
4TNE98-TBZ

3 フライホイールハウジング & オイルパン
FLYWHEEL HOUSING & OIL SUMP



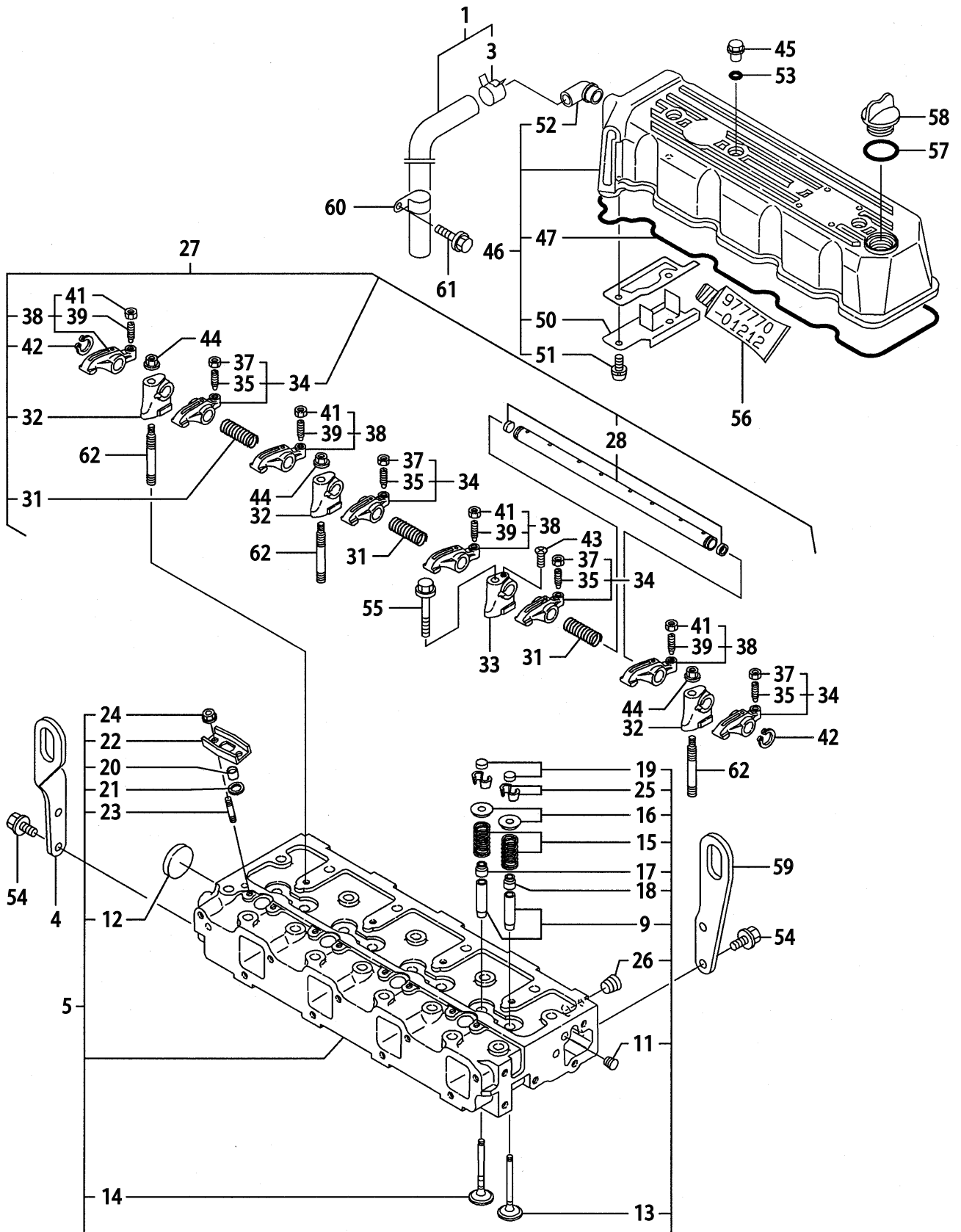
Engine for TB175 4TNE98-TBZ
 FLYWHEEL HOUSING & OIL SUMP

Item ID	Parts Number	部品種類	Qty
1	129100-01580	PARALLEL PIN 8X16	2
2	129951-01620	HOUSING, FLYWHEEL	1
5	26106-100352	BOLT M10X 35 PLATED	9
6	124411-01780	SEAL HTC95, 115, 10	1
7	129953-01730	PAN ASSY, LUB. OIL	1
8	119640-01640	DRAIN PLUG M22	1
10	22190-220002	SEAL WASHER 22S	1
13	26106-080122	BOLT M 8X 12 PLATED	21
14	119000-01840	PLUG 25, RUBBER	1
15	27225-100140	PLUG 10X14	1
16	119812-34800	DIPSTIC, LUB OIL	1
17	977770-01212	GASKET, LIQUID	1

Engine for TB175 4TNE98-TBZ
CYLINDER HEAD & BONNET

Y00D7150
4TNE98-TBZ

4 シリンダヘッド & ボンネット
CYLINDER HEAD & BONNET



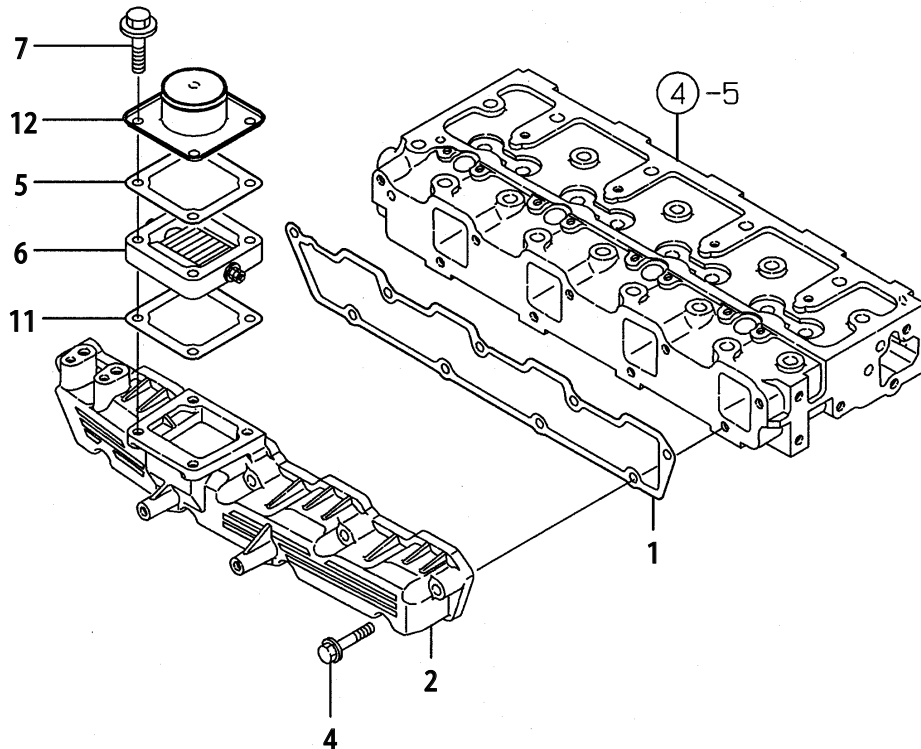
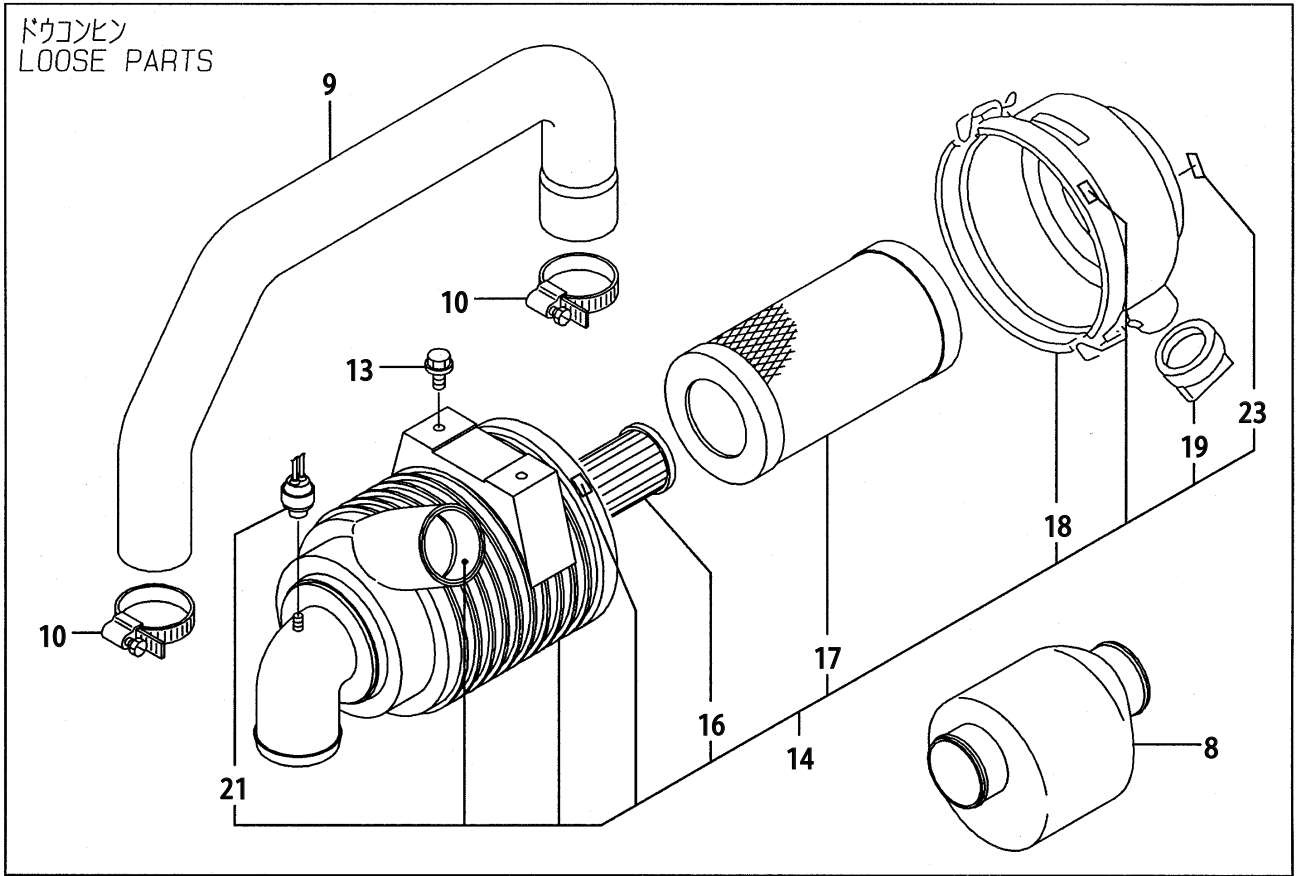
Engine for TB175 4TNE98-TBZ
CYLINDER HEAD & BONNET

Item ID	Parts Number	部品種類	Qty
1	129953-03100	HOSE, BREATHER	1
3	129960-03990	· HOSE CLIP 22	1
4	129910-07900	LIFTER, ENGINE	1
5	729900-11100	HEAD ASSY, CYLINDER	1
9	129150-11810	· GUIDE, VALVE	8
11	23871-005000	· PLUG PT 1/16	1
12	27241-400000	· PLUG 40	1
13	129900-11100	· VALVE, SUCTION	4
14	129900-11110	· VALVE, EXHAUST	4
15	129900-11120	· SPRING, VALVE	8
16	129795-11180	· RETAINER, SPRING	8
17	121400-11340	· SEAL, VALVE STEM	4
18	124460-11340	· SEAL, VALVE STEM	4
19	129150-11370	· CAP, VALVE	8
20	119625-11870	· PROTECTOR, NOZZLE	4
21	119625-11880	· SEAT, NOZZLE	4
22	119625-11900	· RETAINER	4
23	26216-060202	· STUD M 6X 20 PLATED	8
24	26366-060002	· NUT M 6	8
25	27310-080000	· COTTER 8	16
26	23876-030000	· PLUG PT3/8, SCREW	1
27	129900-11200	SUPPORT ASY, ROCK. ARM	1
28	129900-11240	· SHAFT ASSY, ROCK. ARM	1
31	129900-11280	· SPRING	3
32	129900-11510	· SUPPORT	3
33	129900-11520	· SUPPORT	1
34	129900-11650	· ARM KIT, SUC. ROCKER	4
35	129150-11230	· · SCREW, VALVE	4
37	129150-11750	· · NUT M8XP1.0	4
38	129900-11660	· ARM KIT, EXH. ROCKER	4
39	129150-11230	· · SCREW, VALVE	4
41	129150-11750	· · NUT M8XP1.0	4
42	22242-000180	· CIRCLIP 18	2
43	26577-040162	· SCREW M 4X 16	1
44	26366-100002	NUT M10	3
45	124160-11360	KNOB	3
46	129910-11350	BONNET ASSY	1
47	129900-11310	· GASKET, BONNET	1
50	129900-11600	· PLATE	1
51	22857-500100	· SCREW 5X10, TAPPING	2
52	119100-11330	· JOINT, BREATHER	1
53	24311-000120	O-RING 1A P 12.0	3
54	26106-080162	BOLT M 8X 16 PLATED	4
55	26106-100652	BOLT M10X 65 PLATED	1
56	977770-01212	GASKET, LIQUID	1
57	24311-000320	O-RING 1A P 32.0	1
58	124160-01751	CAP, LUB. OIL SUPPLY	1
59	129953-07910	LIFTER, ENGINE	1
60	129910-03100	RETAINER	1
61	26106-080122	BOLT M8X12 PLATED	1
62	129900-11530	STUD BOLT	3

Engine for TB175 4TNE98-TBZ
SUCTION MANIFOLD & AIR CLEANER

Y00D7150
 4TNE98-TBZ

5 キュウキマニホールド & エアクリーナ
 SUCTION MANIFOLD & AIR CLEANER

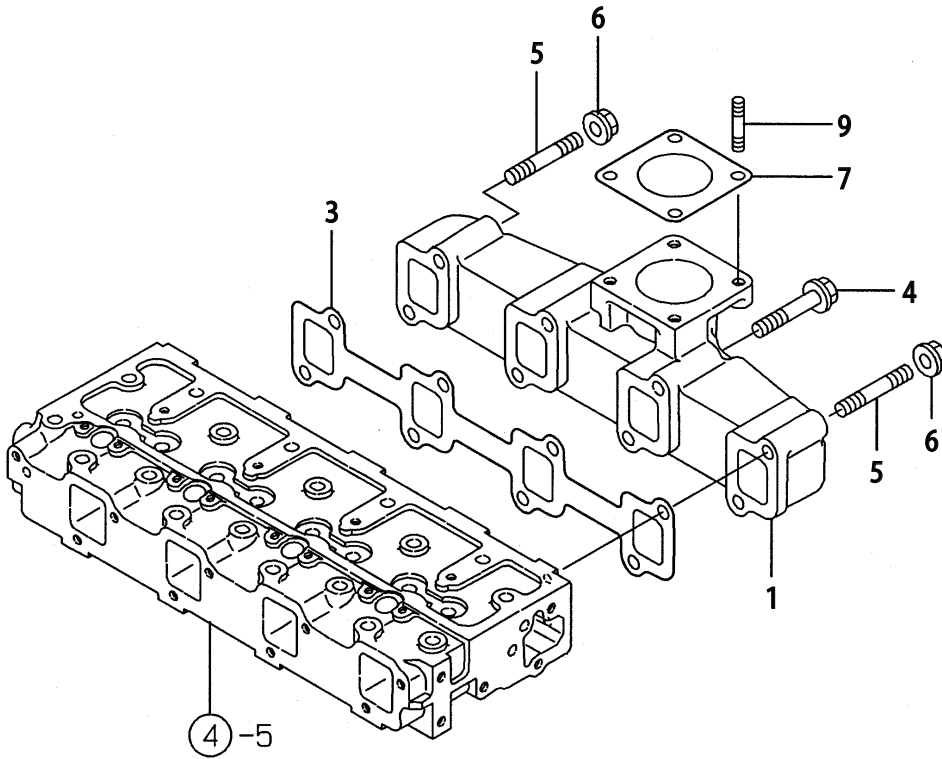
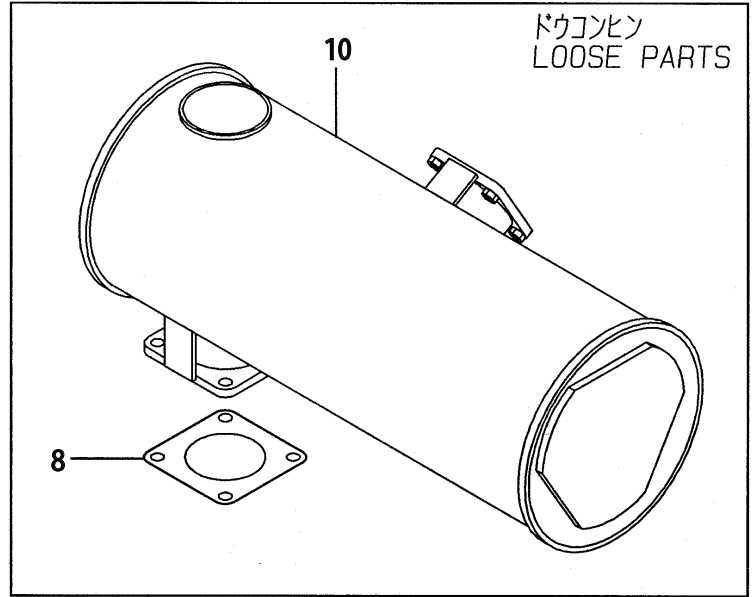


Engine for TB175 4TNE98-TBZ
SUCTION MANIFOLD & AIR CLEANER

Item ID	Parts Number	部品種類	Qty
1	129900-12050	GASKET, SUC. MANIFOLD	1
2	129900-12100	MANIFOLD, INT	1
4	26106-080452	BOLT M 8X 45 PLATED	9
5	121850-77021	GASKET, (NON-ASB.)	1
6	119129-77500	HEATER, AIR	1
7	26106-080302	BOLT M 8X 30 PLATED	4
8	119160-12060	SILENCER, INLET	1
9	129953-12210	PIPE, AIR INTAKE	1
10	23000-080000	CLAMP 80	2
11	119129-77020	GASKET	1
12	121850-77100	JOINT	1
13	26106-080162	BOLT M 8X 16 PLATED	2
14	129953-12500	AIR CLEANER COMP.	1
16	119005-12571	· ELEMENT ASSY, INNER	1
17	129062-12560	· ELEMENT	1
18	129900-12530	· COVER ASSY	1
19	119808-12540	· VALVE, UNLOADER	1
21	119140-12680	· INDICATOR	1
23	129612-12650	· MARKING, (W)	1

Y00D7150
4TNE98-TBZ

6 ハイキマニホールド & サイレンサ
EXHAUST MANIFOLD & SILENCER



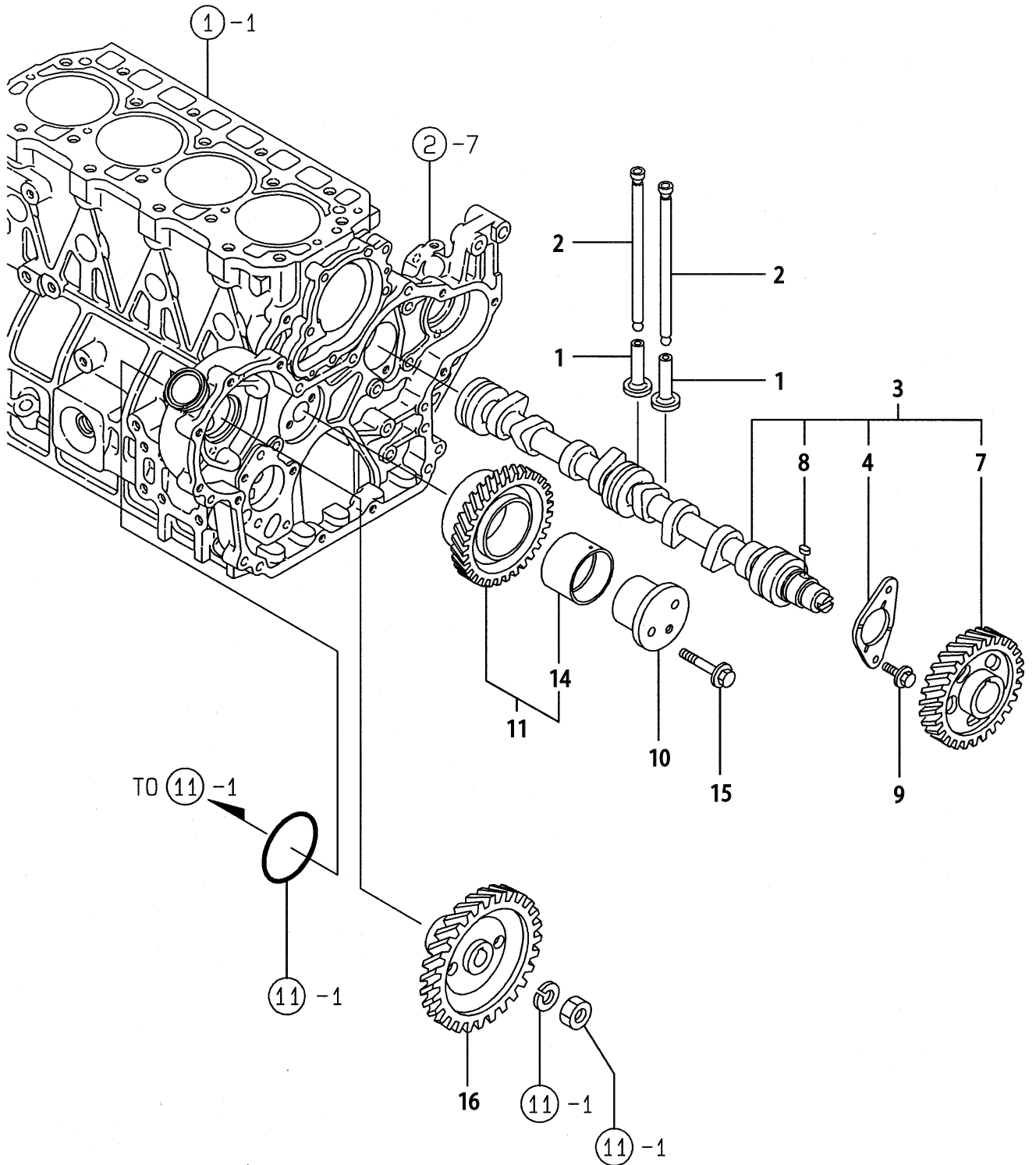
Engine for TB175 4TNE98-TBZ
EXHAUST MANIFOLD & SILENCER

Item ID	Parts Number	部品種類	Qty
1	129900-13200	MANIFOLD, EXHAUST	1
3	129900-13252	GASKET	1
4	26106-080802	BOLT M 8X 80 PLATED	6
5	26216-080802	STUD M 8X 80 PLATED	2
6	26366-080002	NUT M 8	2
7	129400-13201	GASKET, (NON-ASB.)	2
8	128300-13230	PACKING	1
9	119131-18320	BOLT M 8X 22	4
10	129953-13550	SILENCER	1

Engine for TB175 4TNE98-TBZ
CAMSHAFT & DRIVING GEAR

Y00D7150
4TNE98-TBZ

7 カムシャフト & クドウギヤ
CAMSHAFT & DRIVING GEAR



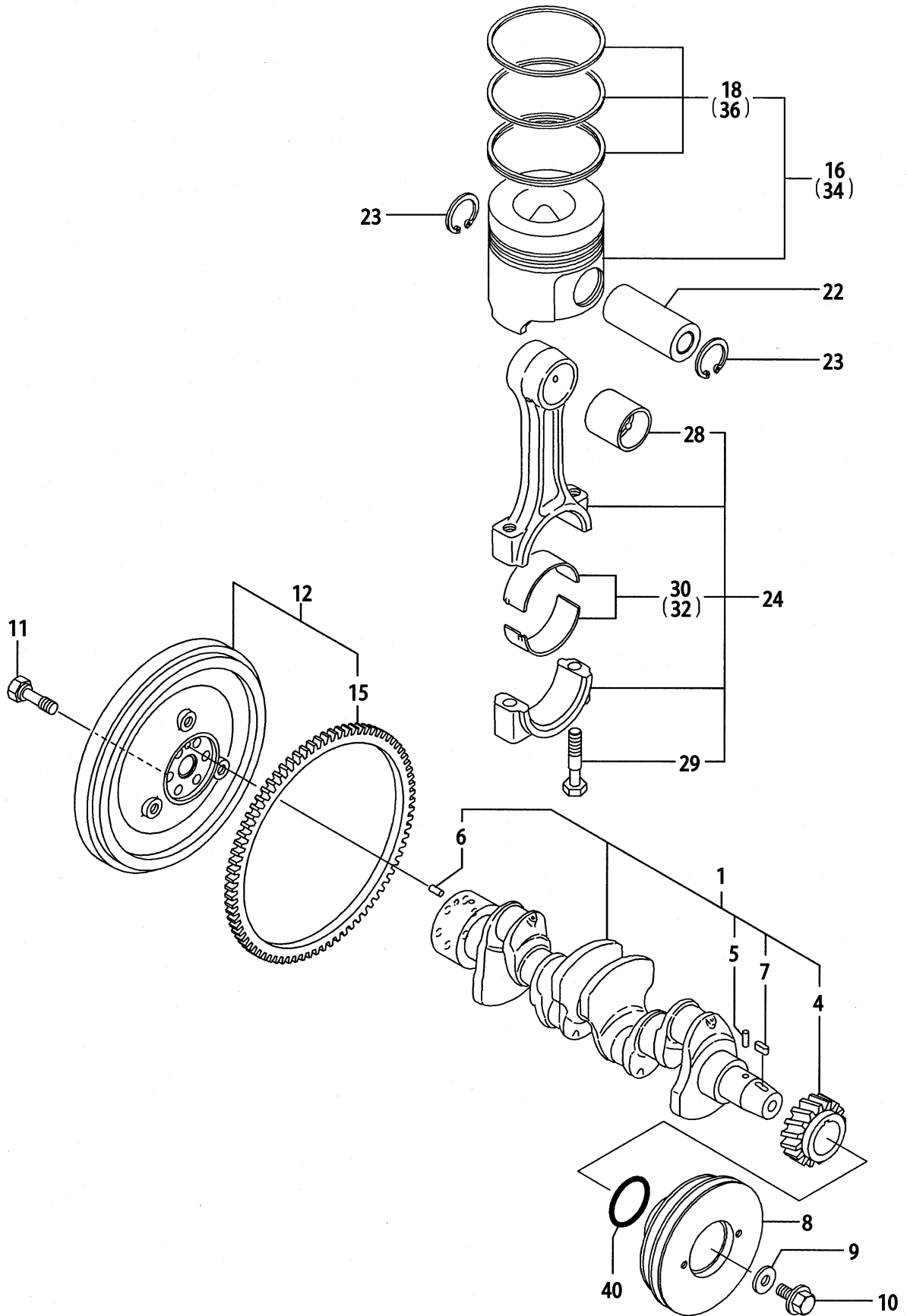
Engine for TB175 4TNE98-TBZ
CAMSHAFT & DRIVING GEAR

Item ID	Parts Number	部品種類	Qty
1	129150-14200	TAPPET	8
2	129900-14400	ROD, PUSH	8
3	129900-14580	CAMSHAFT ASSY	1
4	129150-02450	· METAL, THRUST	1
7	129900-14100	· GEAR, CAMSHAFT	1
8	22512-070140	· KEY 7X 14	1
9	26106-080162	BOLT M 8X 16 PLATED	2
10	129900-25060	SHAFT, IDLER	1
11	129900-25100	GEAR ASSY, IDLE	1
14	129150-25920	· BUSH, IDLE GEAR	1
15	26106-080552	BOLT M 8X 55 PLATED	2
16	129900-25900	GEAR, FI-P	1

Engine for TB175 4TNE98-TBZ
CRANKSHAFT & PISTON

Y00D7150
 4TNE98-TBZ

クランクシャフト & ピストン
 CRANKSHAFT & PISTON

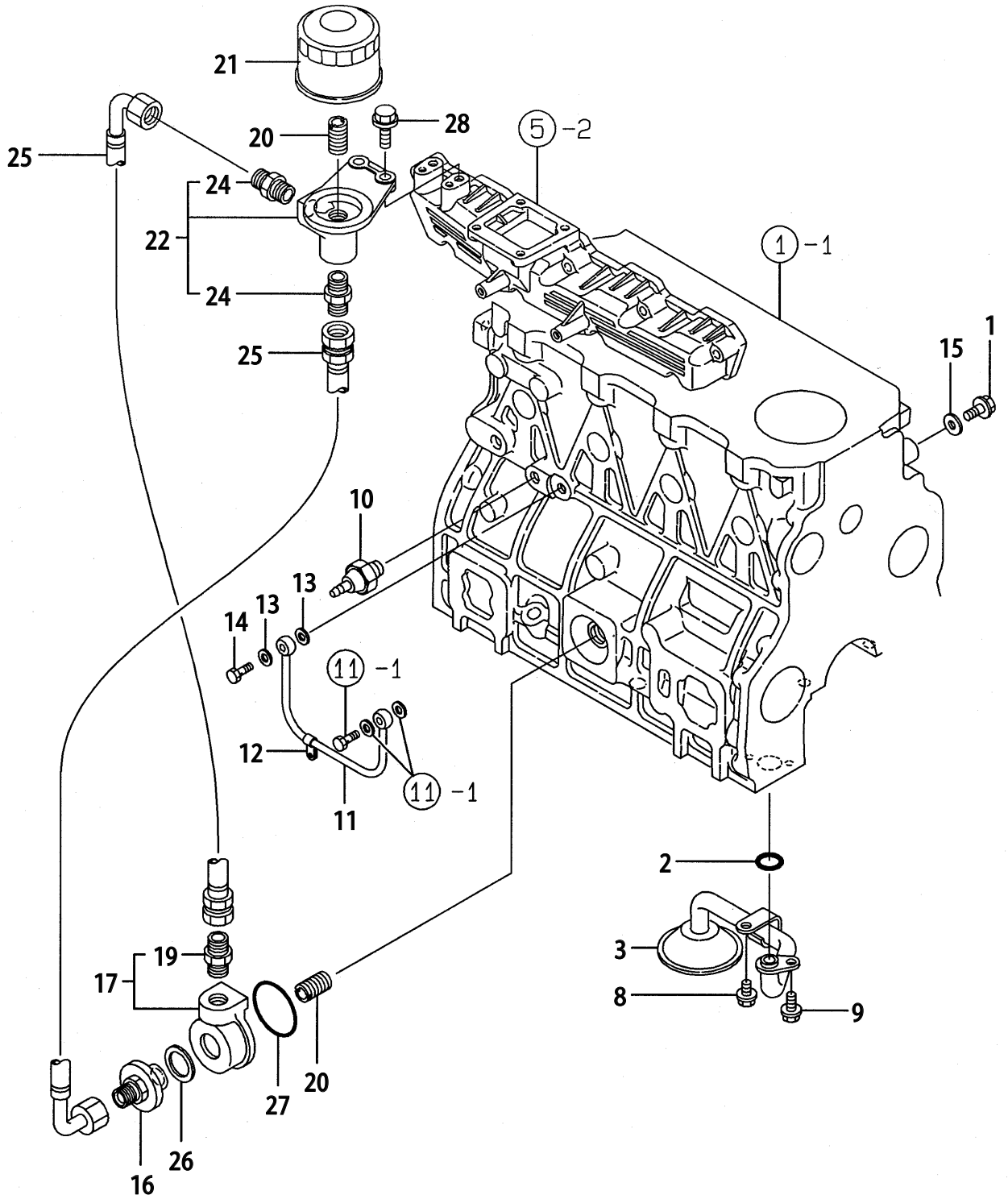


Engine for TB175 4TNE98-TBZ
CRANKSHAFT & PISTON

Item ID	Parts Number	部品種類	Qty
1	129902-21000	CRANKSHAFT COMP	1
4	129900-21200	· GEAR, CRANKSHAFT	1
5	121850-21290	· PARALLEL PIN	1
6	121850-21920	· PARALLEL PIN 10X22	1
7	22512-070140	· KEY 7X 14	1
8	129953-21610	V-PULLEY	1
9	129960-21640	WASHER	1
10	121850-21680	BOLT, V-PULLEY	1
11	121850-21130	BOLT, FLYWHEEL	6
12	129902-21580	FLYWHEEL ASSY	1
15	127410-21480	· RING GEAR Z=129	1
16	129902-22080	PISTON W/RING	4
18	129903-22050	· RING SET	4
22	120130-22301	PIN, PISTON	4
23	22252-000300	CIRCLIP 30	8
24	129900-23000	ROD ASSY, CONNECTING	4
28	129900-23910	· BUSH, PISTON PIN	4
29	129900-23200	· BOLT, ROD	8
30	129900-23600	· METAL ASSY, CRANKPIN	4
32	129900-23610	BEARING, PIN U. S=0.25	4
34	129902-22900	PISTON W/RING O. S=25	4
36	129903-22950	· RING SET O. S=0.25	4
40	24341-000530	O-RING 1A S-53.0	1

Y00D7150
4TNE98-TBZ

9 ロシシステム
LUB. OIL SYSTEM



Engine for TB175 4TNE98-TBZ

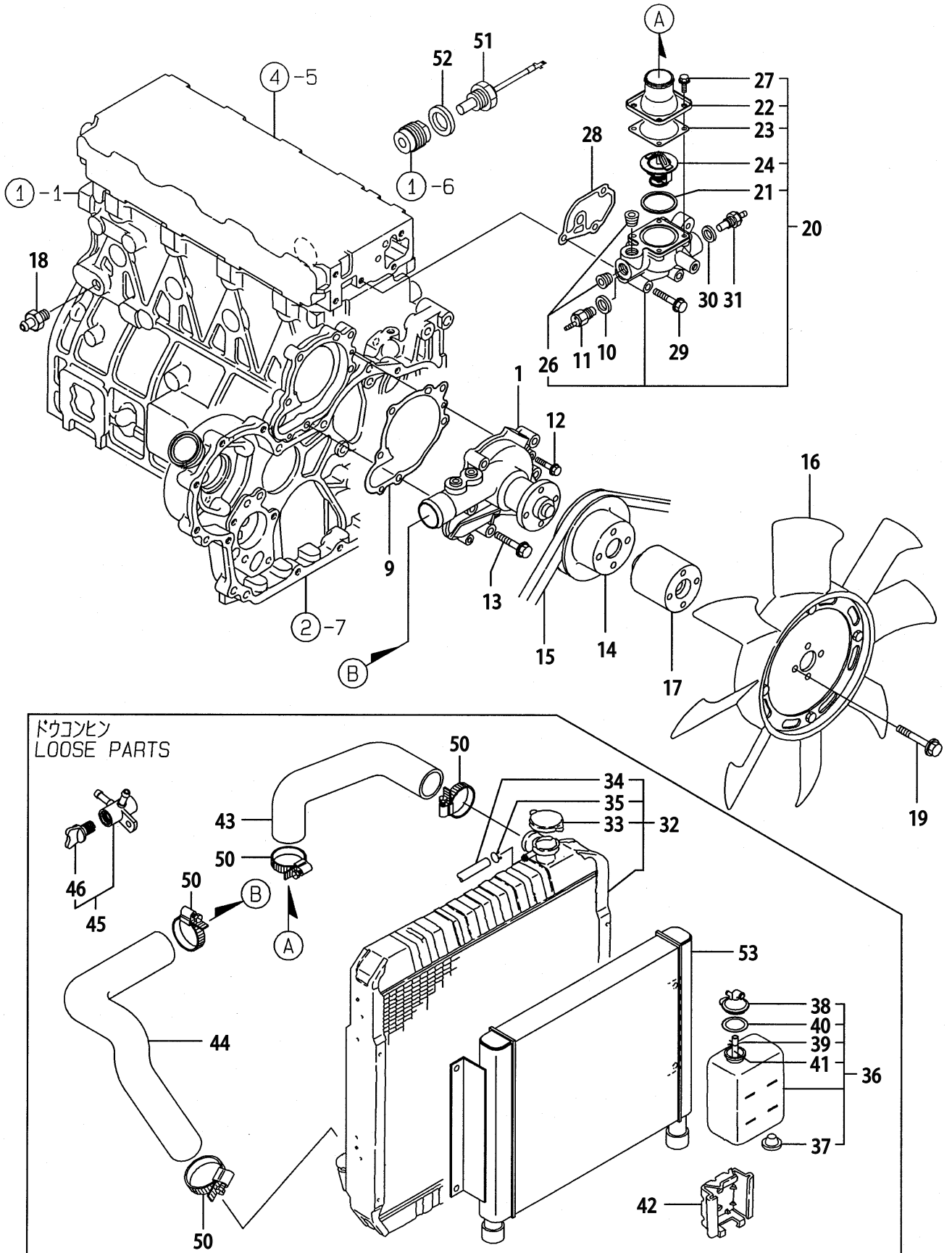
LUB. OIL SYSTEM

Item ID	Parts Number	部品種類	Qty
1	26106-080122	BOLT M 8X 12 PLATED	1
2	129900-32030	O-RING P20	1
3	129900-35000	PIPE ASSY, LUB. OIL	1
8	26106-080122	BOLT M 8X 12 PLATED	1
9	26106-080162	BOLT M 8X 16 PLATED	1
10	114250-39450	SWITCH, (0.5KG)L. O.	1
11	129900-39350	PIPE, LUB. OIL	1
12	23297-060081	RETAINER 6X 8	1
13	23414-080000	GASKET 8, ROUND	2
14	23857-030000	JOINT BOLT 3	1
15	22190-080002	SEAL WASHER 8S	1
16	129953-35110	COVER	1
17	129953-35120	CASE, LO CMP	1
19	129953-39500	· ADAPTER	1
20	119000-35140	STUD, LUB. OIL FILTER	2
21	129150-35151	FILTER 80X80L	1
22	129953-35210	BRACKET, LO FILTER CMP	1
24	129953-39500	· ADAPTER	2
25	129953-39100	PIPE, LUB. OIL	2
26	22190-300002	SEAL WASHER 30S	1
27	24321-000600	O-RING 1A G-60.0	1
28	26106-100252	BOLT M10X 25 PLATED	2

Engine for TB175 4TNE98-TBZ
COOLING WATER SYSTEM

Y00D7150
 4TNE98-TBZ

10 CWシステム
 COOLING WATER SYSTEM



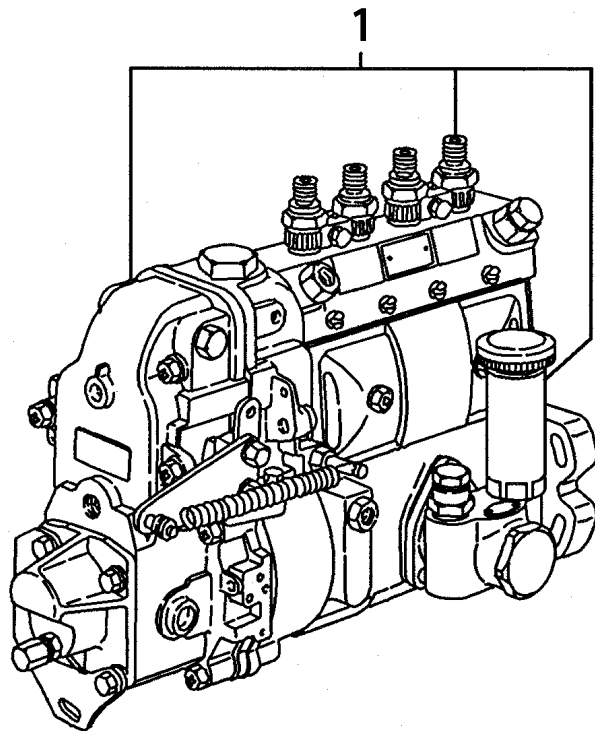
Engine for TB175 4TNE98-TBZ

COOLING WATER SYSTEM

Item ID	Parts Number	部品種類	Qty
1	129900-42001	PUMP, COOLING WATER	1
9	129900-42020	GASKET, CW-P	1
10	124465-44950	GASKET 16	1
11	121250-44901	SWITCH, THERMO(110° C	1
12	26106-060302	BOLT M 6X 30 PLATED	2
13	26106-080552	BOLT M 8X 55 PLATED	5
14	129900-42450	PULLEY	1
15	25152-004500	V-BELT A:45 INCH	1
16	129920-44740	FAN, COOLING	1
17	119117-44760	SPACER	1
18	121550-49111	JOINT PT1/4	1
19	26106-080802	BOLT M 8X 80 PLATED	4
20	129900-49860	CASE, THERMOSTAT	1
21	121850-49550	· GASKET, THERMOSTAT	1
22	121850-49530	· COVER, THERMOSTAT	1
23	121850-49540	· GASKET, THERMOSTAT	1
24	121850-49810	· THERMOSTAT	1
26	23875-030000	· PLUG PT3/8, STEEL	2
27	26106-060142	· BOLT M 6X 14 PLATED	4
28	129900-49870	· GASKET, CASE	1
29	26106-080602	· BOLT M 8X 60 PLATED	3
30	129150-49360	· GASKET 10	1
31	171056-49351	· SENSER	1
32	129953-44500	RADIATOR	1
33	119259-44570	· CAP, RADIATOR	1
34	172187-13921	· HOSE, RUBBER	1
35	121250-44590	· CLAMP	2
36	129466-44510	SUBTANK	1
37	121468-44540	· PLUG, SUB-TANK	1
38	121450-44531	· CAP	1
39	124450-44560	· CLAMP	1
40	121470-44581	· GASKET	1
41	121267-44590	· PIPE	1
42	120445-44540	BRACKET, SUB-TANK	1
43	129915-49010	PIPE, C.W.	1
44	129911-49020	HOSE	1
45	129150-49100	COCK ASSY, 3-WAY	1
46	129150-49080	· COCK, DRAIN	1
50	23000-054000	CLAMP 54	4
51	129107-44901	SENSOR, HOT WATER	1
52	124465-44950	GASKET 16	1
53	129953-44900	COOLER, OIL	1

Y00D7150
4TNE98-TBZ

1 1 FOフンシャポンプ
1 1 FUEL INJECTION PUMP



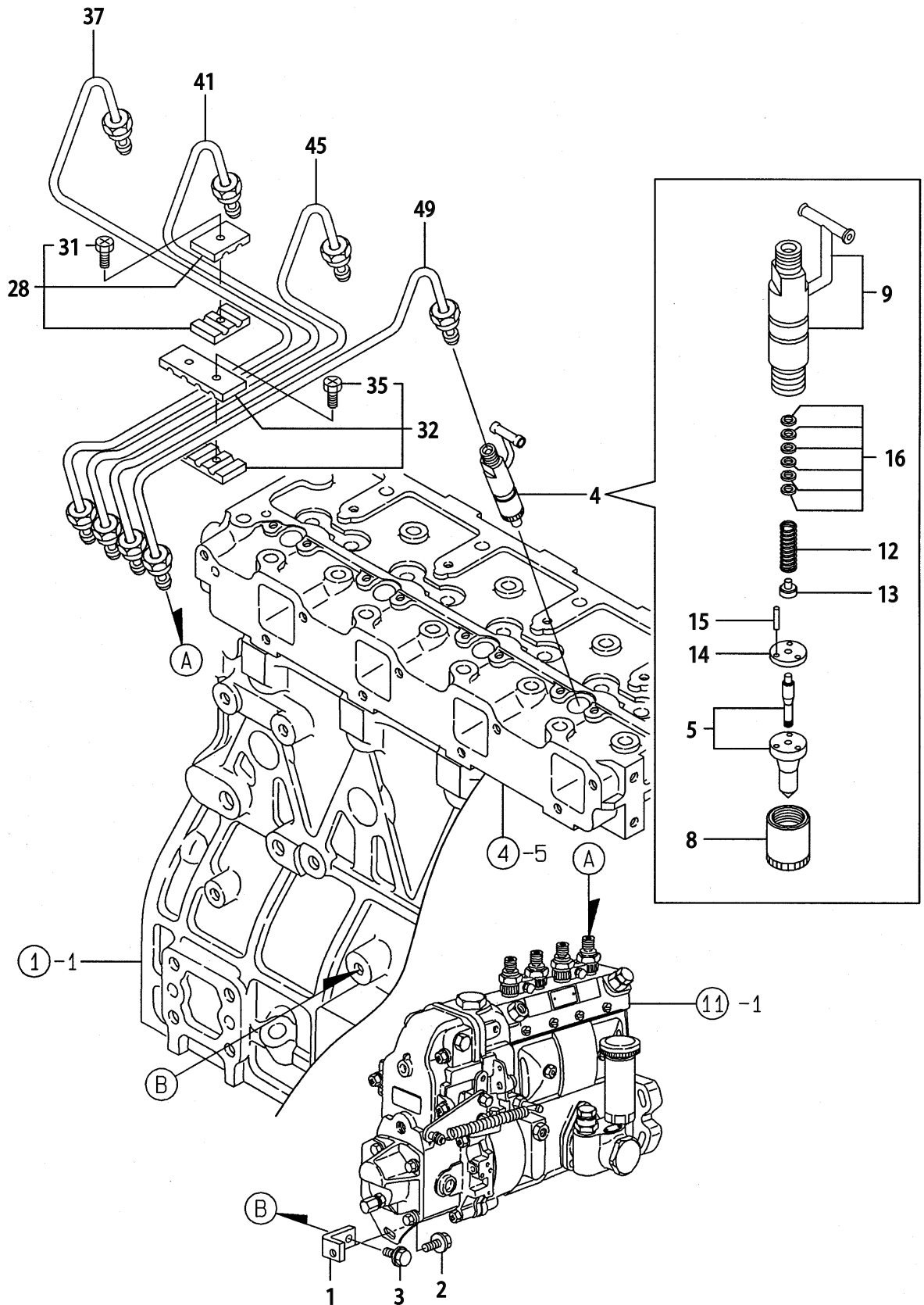
Engine for TB175 4TNE98-TBZ
FUEL INJECTION PUMP

Item ID	Parts Number	部品種類	Qty
1	129953-51120	FUEL INJECTION PUMP	1

Engine for TB175 4TNE98-TBZ
FUEL INJECTION VALVE

Y00D7150
 4TNE98-TBZ

12 FOファンシャペン
 FUEL INJECTION VALVE



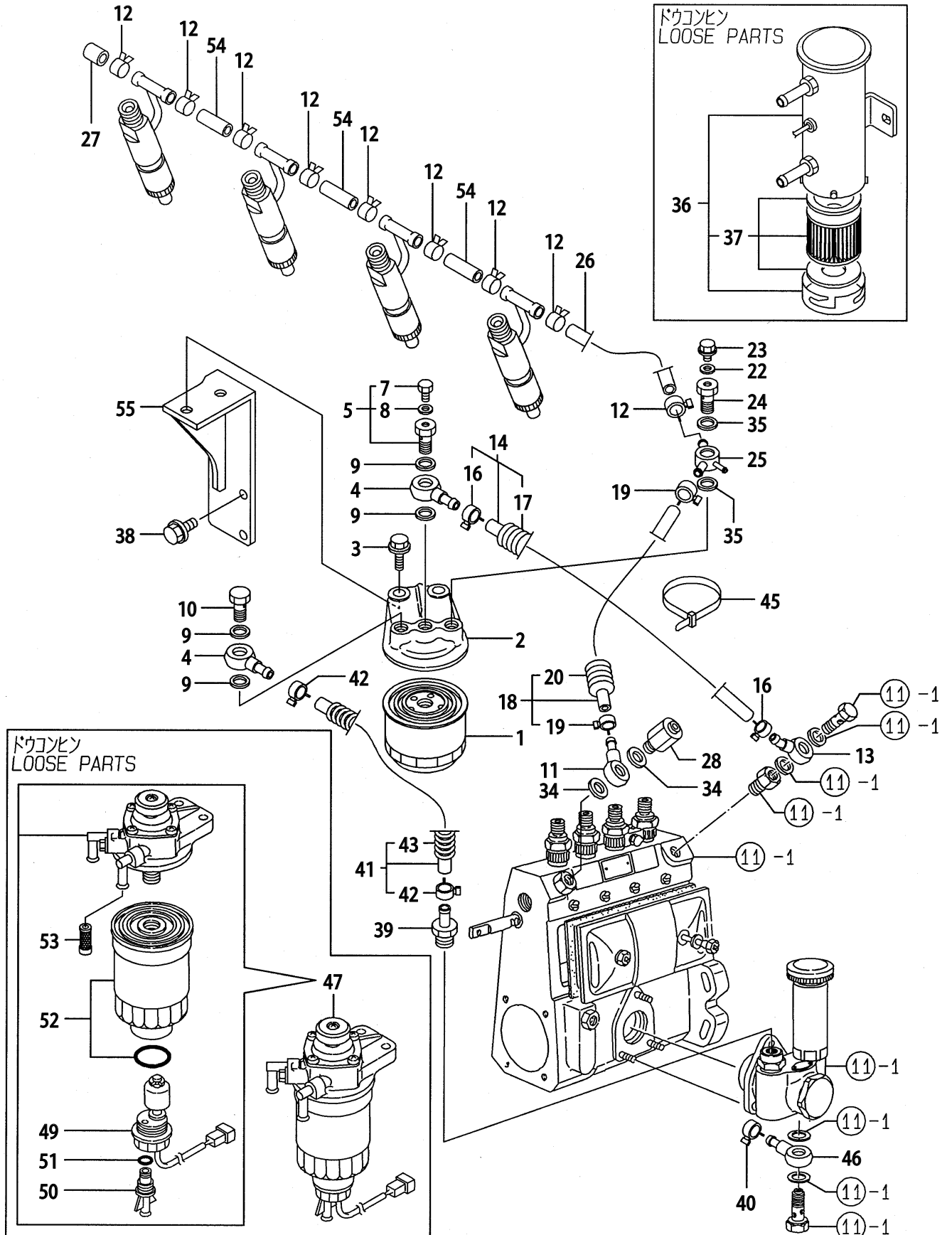
Engine for TB175 4TNE98-TBZ
FUEL INJECTION VALVE

Item ID	Parts Number	部品種類	Qty
1	129900-01950	BRACKET	1
2	26106-100142	BOLT M10X 14 PLATED	1
3	26106-080202	BOLT M 8X 20 PLATED	1
4	729902-53100	VALVE, FUEL	4
5	129902-53000	· NOZZLE	4
8	114250-53080	· NUT, NOZZLE CASE	4
9	129100-53100	· HOLDER ASSY, NOZZLE	4
12	114250-53120	· SPRING, NOZZLE	4
13	114250-53130	· SEAT, NOZZLE SPRING	4
14	114250-53140	· PLATE, STOP	4
15	114250-53210	· PIN	8
16	114250-53400	· SHIM PACK	4
28	119305-59120	RETAINER	2
31	129150-59131	· BOLT M4X14, HEX. SCKT.	2
32	129550-59120	RETAINER	1
35	129150-59131	· BOLT M4X14, HEX. SCKT.	2
37	129910-59810	PIPE NO. 1, F. INJECT.	1
41	129910-59820	PIPE NO. 2, F. INJECT.	1
45	129910-59830	PIPE NO. 3, F. INJECT.	1
49	129910-59840	PIPE NO. 4, F. INJECT.	1

Engine for TB175 4TNE98-TBZ
FUEL LINE

Y00D7150
 4TNE98-TBZ

13 FOパイプ
 FUEL LINE



Reference Fig13

Engine for TB175 4TNE98-TBZ

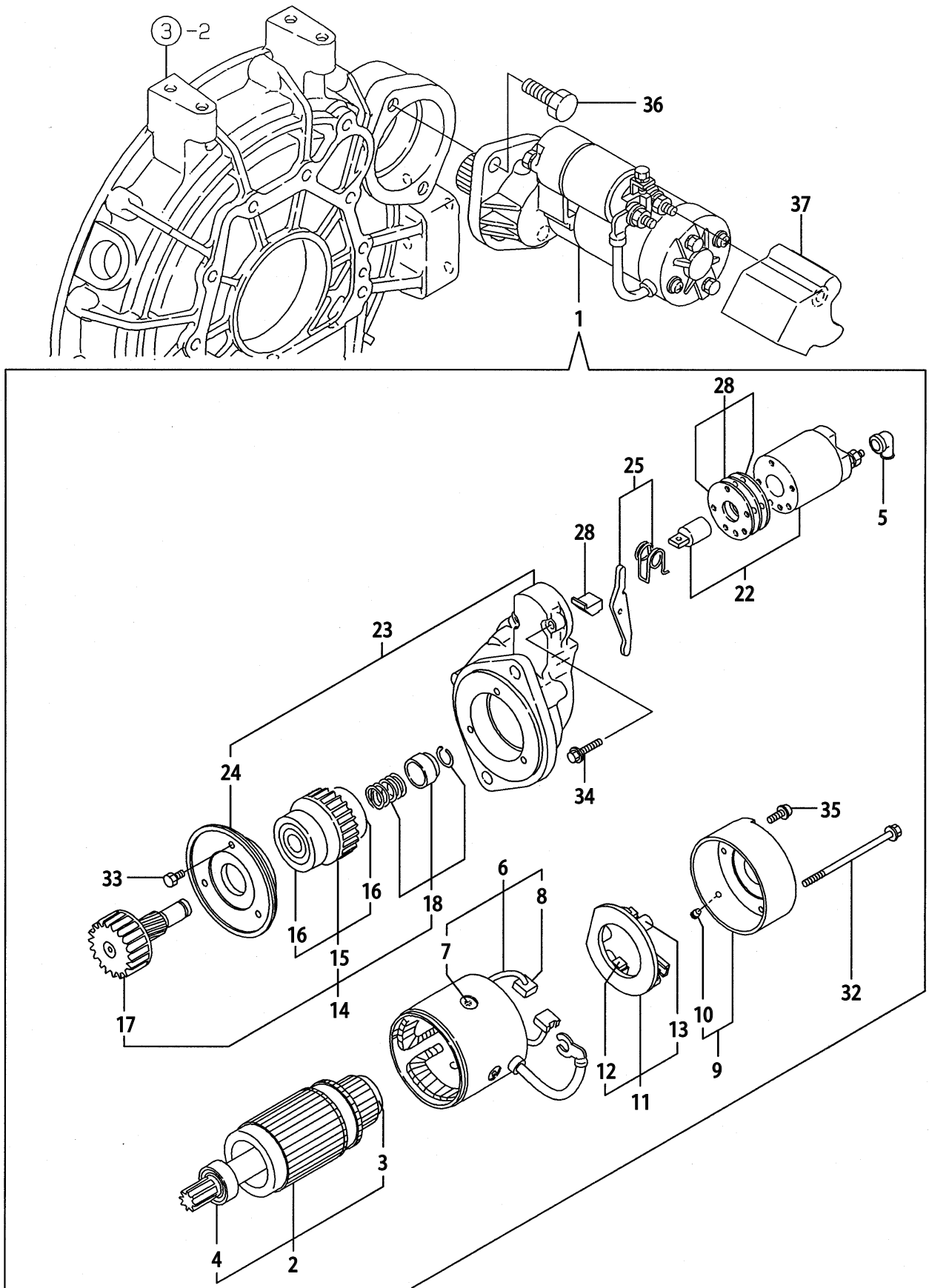
FUEL LINE

Item ID	Parts Number	部品種類	Qty
1	119000-55600	FILTER, FUEL	1
2	129470-55610	BODY, FUEL FILTER	1
3	26106-100202	BOLT M10X 20 PLATED	2
4	101304-59020	JOINT 12, PIPE	2
5	103854-59191	BOLT W/PLUG & SEAL	1
7	124060-59380	· PLUG	1
8	22190-060002	· SEAL WASHER 6S	1
9	22190-120002	SEAL WASHER 12	4
10	23857-060000	JOINT BOLT 6	1
11	129950-59880	JOINT	1
12	124066-59100	CLAMP 8	9
13	121855-59880	JOINT	1
14	129961-59310	PIPE ASSY, FUEL	1
16	124766-59050	· CLAMP 12	2
17	129961-59110	· TUBE	1
18	129950-59211	PIPE, FUEL	1
19	124766-59050	· CLAMP 12	2
20	129950-59221	· TUBE	1
22	22190-080002	SEAL WASHER 8S	1
23	26106-080102	BOLT M 8X 10 PLATED	1
24	129495-59300	BOLT, PIPE JOINT	1
25	129470-59530	JOINT, FUEL RETN. PIPE	1
26	124950-59560	PIPE, FUEL RETURN	1
27	129150-59580	CAP	1
28	128300-59910	VALVE ASSY, OVER-FLOW	1
34	22190-140002	SEAL WASHER 14S	2
35	22190-140002	SEAL WASHER 14S	2
36	129953-52100	PUMP ASSY, FUEL FEED	1
37	129535-52150	· FILTER ASSY	1
38	26106-080162	BOLT M 8X 16 PLATED	2
39	121250-49110	JOINT, PIPE	1
40	124766-59050	CLAMP 12	4
41	129950-59211	PIPE, FUEL	1
42	124766-59050	· CLAMP 12	2
43	129950-59221	· TUBE	1
45	121750-59890	CLAMP 140	2
46	121855-59880	JOINT	1
47	129901-55800	FILTER, FUEL OIL	1
49	129901-55820	· SENSOR ASSY, LEBEL	1
50	129901-55830	· PLUG, DRAIN	1
51	129901-55840	· O-RING	1
52	129901-55850	· ELEMENT KIT	1
53	129901-55860	· FILTER	1
54	121250-59550	PIPE, FUEL	3
55	129951-55561	BRACKET	1

Engine for TB175 4TNE98-TBZ
STARTING MOTOR

Y00D7150
4TNE98-TBZ

14 スタートイングモータ
STARTING MOTOR



Engine for TB175 4TNE98-TBZ

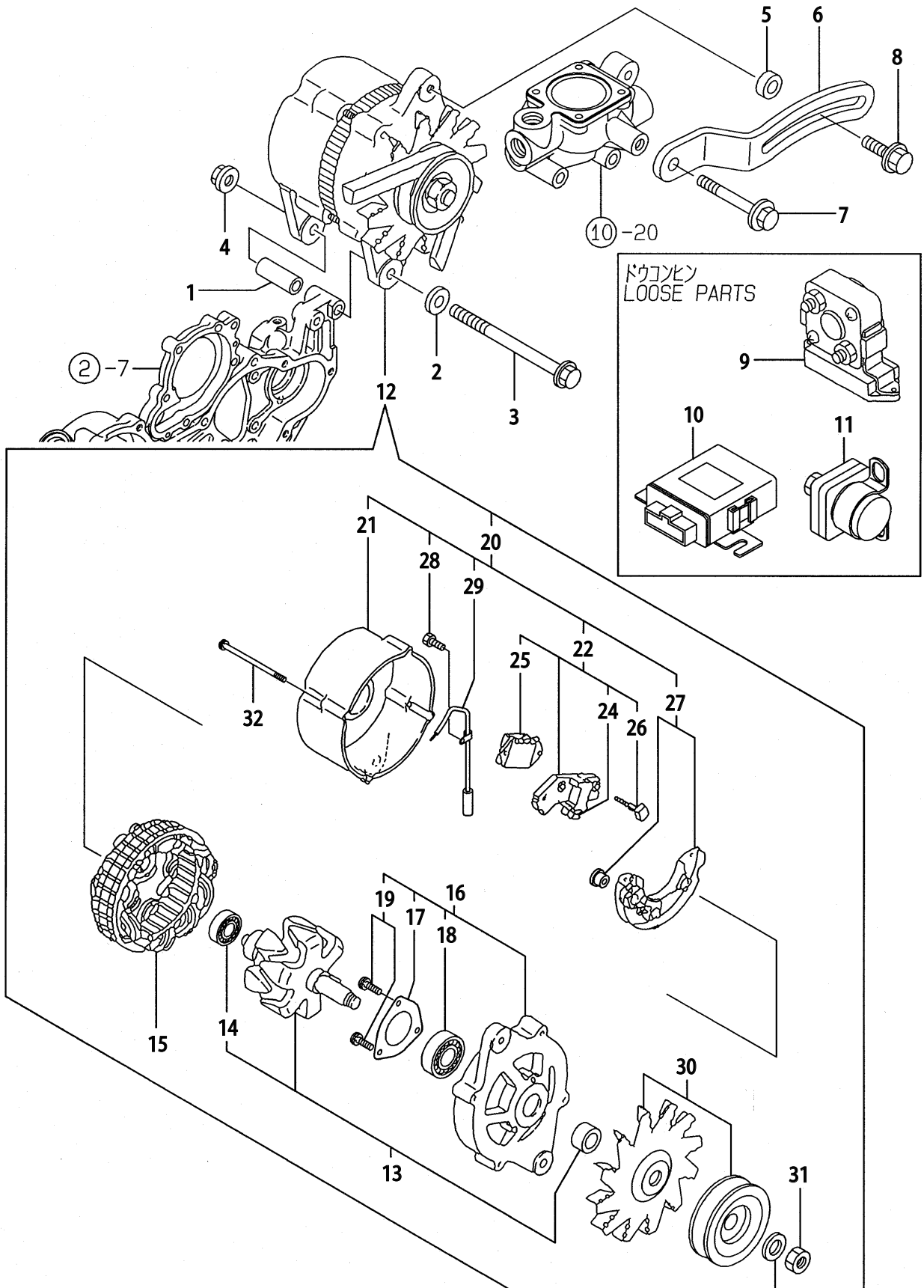
STARTING MOTOR

Item ID	Parts Number	部品種類	Qty
1	119131-77010	STARTING MOTOR	1
2	119131-77400	· ARMATURE ASSY	1
3	171008-77410	· · BEARING(1)	1
4	119131-77420	· · BALL BEARING	1
5	121254-77810	· TERMINAL COVER	1
6	119131-77440	· COIL ASSY, FIELD	1
7	171008-77450	· · SCREW, POLE CORE SET	4
8	119131-77450	· · BRUSH (+)	2
9	119131-77460	· COVER ASSY, REAR	1
10	119131-77470	· · BUSH	1
11	119131-77480	· HOLDER ASSY, BRUSH	1
12	119131-77500	· · BRUSH (-)	2
13	119131-77490	· · SPRING, BRUSH	4
14	119131-77510	· PINION	1
15	119131-77520	· · CLUTCH ASSY	1
16	119131-77530	· · · BALL BEARING	2
17	119131-77540	· · PINION SHAFT	1
18	119131-77550	· STOPPER KIT, PINION	1
22	119131-77590	· SWITCH, MAGNETIC	1
23	119131-77600	· CASE ASSY, GEAR	1
24	119131-77610	· · METAL, GEAR CASE	1
25	119131-77620	· LEVER SET, SHIFT	1
28	119131-77650	· COVER SET, DUST	1
32	129400-77640	· BOLT, THROUGH	2
33	26014-060162	· BOLT M 6X 16	3
34	119131-77690	· BOLT M 6X 45 PLATED	2
35	26557-040102	· SCREW M 4X 10	2
36	26116-120302	BOLT M12X 30 PLATED	2
37	124550-77030	COVER, TERMINAL	1

Engine for TB175 4TNE98-TBZ
GENERATOR

Y00D7150
4TNE98-TBZ

15 ジェネレータ
GENERATOR



Engine for TB175 4TNE98-TBZ

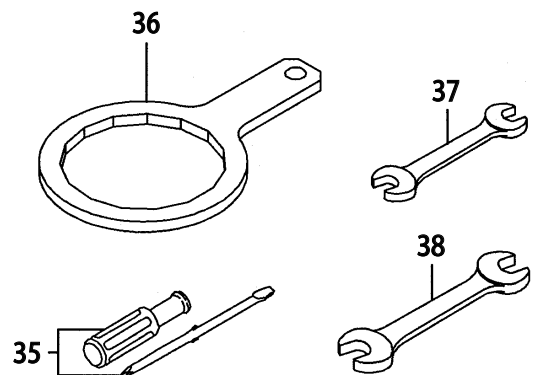
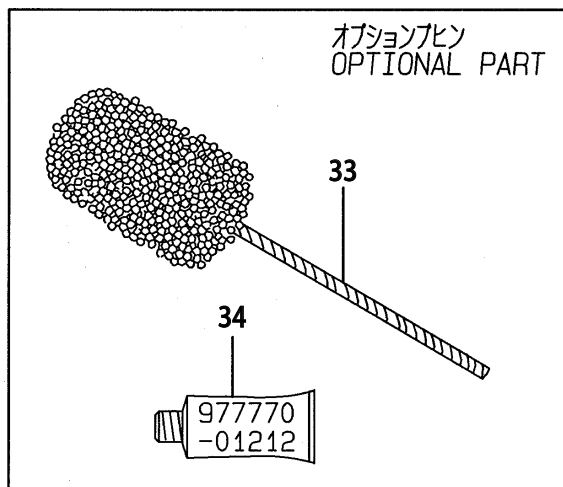
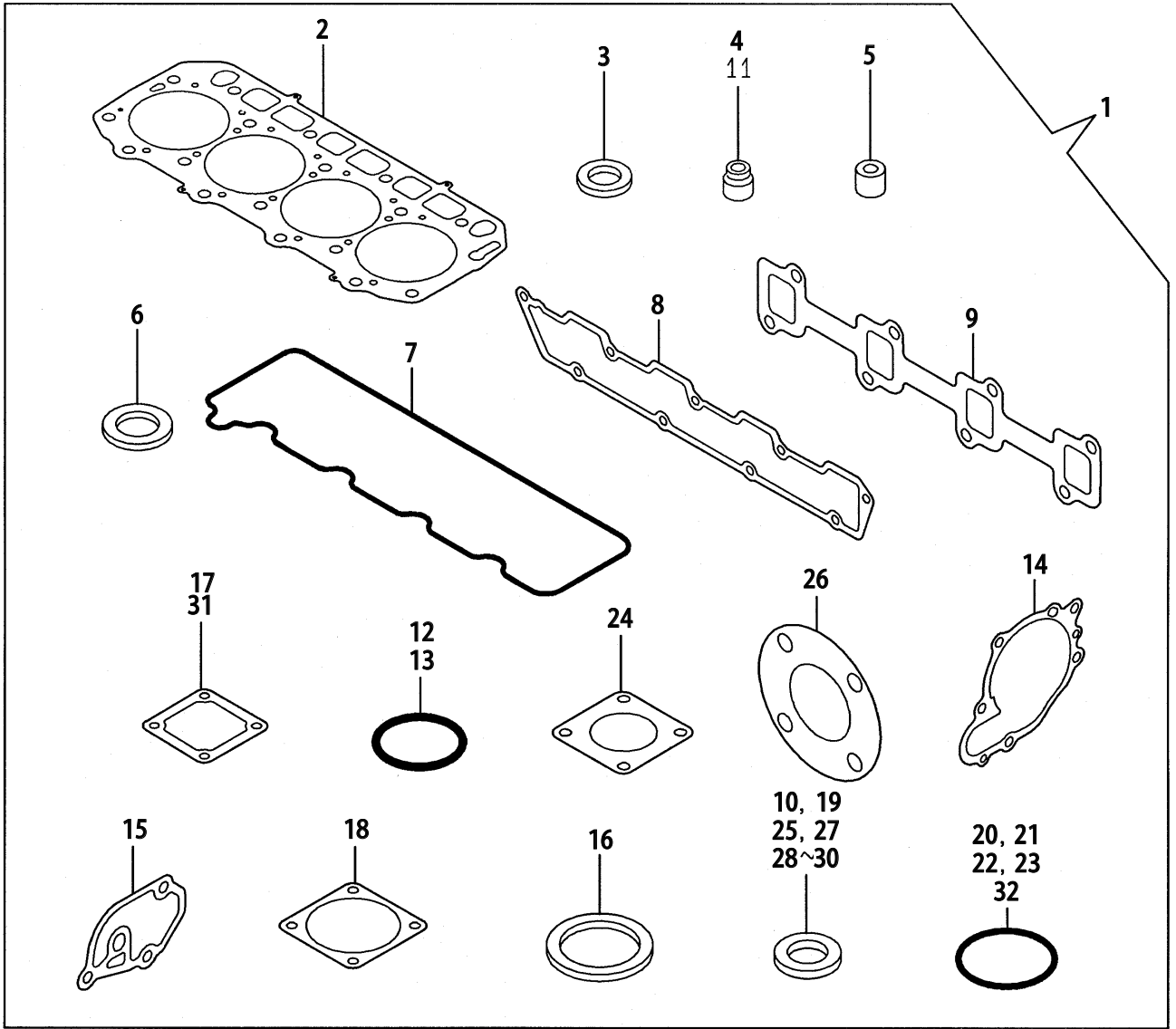
GENERATOR

Item ID	Parts Number	部品種類	Qty
1	129470-77340	SPACER	1
2	22137-100000	WASHER 10, POLISHED	1
3	26116-101202	BOLT M10X120 PLATED	1
4	26366-100002	NUT M10	1
5	106500-44810	SPACER	1
6	129953-77330	ADJUSTER, V-BELT	1
7	119810-77340	BOLT	1
8	26014-080252	BOLT M 8X 25	1
9	129900-77100	SAFETY RELAY	1
10	119503-77520	CONTROLLER	1
11	127488-77530	RELAY	1
12	129953-77210	ALTERNATOR ASSY	1
13	XL24065100	· ROTOR ASSY	1
14	119129-77320	· · BALL BEARING	1
15	XL24092001	· STATOR ASSY	1
16	XL2351400	· COVER ASSY, FRONT	1
17	119129-77870	· · RETAINER, BEARING	1
18	119129-77850	· · BALL BEARING	1
19	119129-77930	· · SCREW KIT	1
20	XL240623001	· REAR COVER ASSY	1
21	XL24064301	· · REAR COVER	1
22	XL23513151	· · BRUSH REGULATOR ASSY	1
24	XL15023252	· · · BRUSH SET	1
25	119129-77820	· · · REGULATOR ASSY, I.C.	1
26	XL1501313	· · · BOLT(M5)	2
27	XL17093201	· · DIODE ASSY	1
28	26116-050122	· · BOLT M 5X 12 PLATED	1
29	119129-77250	· · WIRE	1
30	129535-77880	· PULLEY	1
31	XL2252805	· NUT ASSY, PULLEY	1
32	119129-77890	· BOLT, THROUGH	4

Engine for TB175 4TNE98-TBZ
GASKET SET

Y00D7150
4TNE98-TBZ

16 パッキンセット
GASKET SET



Engine for TB175 4TNE98-TBZ

GASKET SET

Item ID	Parts Number	部品種類	Qty
1	729902-92690	GASKET SET(NON-ASB.)	1
2	129902-01331	· GASKET, HEAD	1
3	22190-220002	· SEAL WASHER 22S	1
4	124460-11340	· SEAL, VALVE STEM	4
5	119625-11870	· PROTECTOR, NOZZLE	4
6	119625-11880	· SEAT, NOZZLE	4
7	129900-11310	· GASKET, BONNET	1
8	129900-12050	· GASKET, SUC. MANIFOLD	1
9	129900-13252	· GASKET	1
10	23414-080000	· GASKET 8, ROUND	2
11	121400-11340	· SEAL, VALVE STEM	4
12	129900-32030	· O-RING P20	2
13	129900-32040	· O-RING P14	1
14	129900-42020	· GASKET, CW-P	1
15	129900-49870	· GASKET, CASE	1
16	121850-49550	· GASKET, THERMOSTAT	1
17	121850-77021	· GASKET, (NON-ASB.)	1
18	121850-49540	· GASKET, THERMOSTAT	1
19	124465-44950	· GASKET 16	2
20	24311-000070	· O-RING 1A P-7.0	1
21	24311-000120	· O-RING 1A P 12.0	3
22	24341-000240	· O-RING 1A S-24.0	1
23	24311-000320	· O-RING 1A P-32.0	3
24	129400-13201	· GASKET, (NON-ASB.)	2
25	22190-080002	· SEAL WASHER 8S	1
26	128300-13230	· PACKING	1
27	129150-49360	· GASKET 10	1
28	22190-060002	· SEAL WASHER 6S	1
29	22190-120002	· SEAL WASHER 12	4
30	22190-140002	· SEAL WASHER 14S	4
31	119129-77020	· GASKET	1
32	24321-000600	· O-RING 1A G-60.0	1
33	129400-92440	FLEX HORN	1
34	977770-01212	GASKET, LIQUID	1
35	104200-92350	DRIVER, SCREW	1
36	119640-92750	WRENCH, FILTER	1
37	28110-100120	WRENCH 10X12	1
38	28110-140170	WRENCH 14X17	1

NUMERICAL INDEX

Part number	Page	Item	Part number	Page	Item	Part number	Page	Item	Part number	Page	Item	Part number	Page	Item
101304-59020	13	4	119131-77530	14	16	121850-21130	8	11	129052-12560	5	17	129900-01950	12	1
103854-59191	13	5	119131-77540	14	17	121850-21290	8	5	129100-01580	2	14	129900-02020	1	7
104200-92350	16	35	119131-77560	14	18	121850-21680	8	10		3	1	129900-02340	1	30
106500-44810	15	5	119131-77590	14	22	121850-21920	8	6	129100-53100	12	9	129900-02410	1	10
114250-39450	9	10	119131-77600	14	23	121850-49530	10	22	129107-44901	10	51	129900-02800	1	16
114250-53080	12	8	119131-77610	14	24	121850-49540	10	23	129150-02450	7	4	129900-02930	1	25
114250-53120	12	12	119131-77620	14	25		16	18	129150-11230	4	35	129900-02940	1	33
114250-53130	12	13	119131-77650	14	28	121850-49550	10	21		4	39	129900-11100	4	13
114250-53140	12	14	119131-77690	14	34		16	16	129150-11370	4	19	129900-11110	4	14
114250-53210	12	15	119140-12680	5	21	121850-49810	10	24	129150-11750	4	37	129900-11120	4	15
114250-53400	12	16	119160-12060	5	8	121850-77021	5	5		4	41	129900-11200	4	27
119000-01840	3	14	119259-44570	10	33		16	17	129150-11810	4	9	129900-11240	4	28
119000-35140	9	20	119305-59120	12	28	121850-77100	5	12	129150-14200	7	1	129900-11280	4	31
119000-56600	13	1	119503-77520	15	10	121855-59880	13	13	129150-25920	7	14	129900-11310	4	47
119005-12571	5	16	119625-11870	4	20		13	46	129150-35151	9	21		16	7
119100-11330	4	52		16	5	124060-59380	13	7	129150-49080	10	46	129900-11510	4	32
119117-44760	10	17	119625-11880	4	21	124066-59100	13	12	129150-49100	10	45	129900-11520	4	33
119129-77020	5	11		16	6	124160-01751	2	28	129150-49360	10	30	129900-11530	4	62
	16	31	119625-11900	4	22		4	58		16	27	129900-11600	4	50
119129-77250	15	29	119640-01640	3	8	124160-11360	4	45	129150-59131	12	31	129900-11650	4	34
119129-77320	15	14	119640-92750	16	36	124411-01780	3	6		12	35	129900-11660	4	38
119129-77500	5	6	119808-12540	5	19	124450-44560	10	39	129150-59580	13	27	129900-12050	5	1
119129-77820	15	25	119810-77340	15	7	124460-11340	4	18	129400-13201	6	7		16	8
119129-77850	15	18	119812-34800	3	16		16	4		16	24	129900-12100	5	2
119129-77870	15	17	120130-22301	8	22	124465-44950	10	10	129400-77640	14	32	129900-12530	5	18
119129-77890	15	32	120445-44540	10	42		10	52	129400-92440	16	33	129900-13200	6	1
119129-77930	15	19	121023-01550	2	17		16	19	129465-44510	10	36	129900-13252	6	3
119131-18320	6	9	121250-44590	10	35	124550-77030	14	37	129470-55610	13	2		16	9
119131-77010	14	1	121250-44901	10	11	124766-59050	13	16	129470-59530	13	25	129900-14100	7	7
119131-77400	14	2	121250-49110	13	39		13	19	129470-77340	15	1	129900-14400	7	2
119131-77420	14	4	121250-59550	13	54		13	40	129495-59300	13	24	129900-14580	7	3
119131-77440	14	6	121254-77810	14	5		13	42	129535-52150	13	37	129900-21200	8	4
119131-77450	14	8	121267-44590	10	41	124950-59560	13	26	129535-77880	15	30	129900-23000	8	24
119131-77460	14	9	121400-11340	4	17	127410-21480	8	15	129550-59120	12	32	129900-23200	8	29
119131-77470	14	10		16	11	127485-77530	15	11	129612-12650	5	23	129900-23600	8	30
119131-77480	14	11	121450-44531	10	38	128300-13230	6	8	129795-11180	4	16	129900-23610	8	32
119131-77490	14	13	121468-44540	10	37		16	26	129900-01200	1	28	129900-23910	8	28
119131-77500	14	12	121470-44581	10	40	128300-59910	13	28	129900-01250	1	13	129900-25060	7	10
119131-77510	14	14	121550-49111	10	18	129001-91810	2	26	129900-01780	2	4	129900-25100	7	11
119131-77520	14	15	121750-59890	13	45		2	27	129900-01820	2	7	129900-25900	7	16

NUMERICAL INDEX

Part number	Page	Item	Part number	Page	Item	Part number	Page	Item	Part number	Page	Item	Part number	Page	Item
129900-32000	2	10	129920-44740	10	16	22190-080002	9	15		16	22	26216-060202	4	23
129900-32030	2	12	129950-58211	13	18		13	22	24341-000530	8	40	26216-080802	6	5
	9	2		13	41		16	25	25152-004500	10	15	26216-100302	2	11
	16	12	129950-58221	13	20	22190-120002	13	9	26014-060162	14	33	26366-060002	4	24
129900-32040	2	13		13	43		16	29	26014-080252	15	8	26366-080002	6	6
	16	13	129950-59880	13	11	22190-140002	13	34	26106-060142	10	27	26366-100002	2	15
129900-35000	9	3	129951-01620	3	2		13	35	26106-060162	2	19		4	44
129900-39350	9	11	129951-01740	2	5		16	30	26106-080302	10	12		15	4
129900-42001	10	1	129951-55561	13	55	22190-220002	3	10	26106-080102	13	23	26557-040102	14	35
129900-42020	10	9	129953-01730	3	7		16	3	26106-080122	3	13	26577-040162	4	43
	16	14	129953-01920	1	6	22190-300002	9	26		4	61	27225-100140	3	15
129900-42450	10	14	129953-03100	4	1	22242-000180	4	42		9	1	27241-300000	1	15
129900-46860	10	20	129953-07910	4	59	22252-000300	8	23		9	8	27241-400000	4	12
129900-46870	10	28	129953-12210	5	9	22351-060012	1	11	26106-080162	2	20	27310-080000	4	25
	16	15	129953-12500	5	14	22512-070140	7	8		4	54	28110-100120	16	37
129900-77100	15	9	129953-13550	6	10		8	7		5	13	28110-140170	16	38
129901-55800	13	47	129953-21610	8	8	22857-500100	4	51		7	9	729900-01570	2	1
129901-55820	13	49	129953-35110	9	16	23000-054000	10	50		9	9	729900-11100	4	5
129901-55830	13	50	129953-35120	9	17	23000-080000	5	10		13	38	729902-53100	12	4
129901-55840	13	51	129953-35210	9	22	23297-060081	9	12	26106-080202	2	21	729902-92690	16	1
129901-55850	13	52	129953-39100	9	25	23414-080000	9	13		12	3	729953-01560	1	1
129901-55860	13	53	129953-39500	9	19		16	10	26106-080302	2	22	977770-01212	2	6
129902-01331	1	29		9	24	23557-030000	9	14		5	7		3	17
	16	2	129953-44500	10	32	23557-060000	13	10	26106-080402	2	23		4	56
129902-21000	8	1	129953-44900	10	53	23571-005000	4	11		2	24		16	34
129902-21580	8	12	129953-51120	11	1	23575-030000	10	26	26106-080452	2	25	XL1501313	15	26
129902-22080	8	16	129953-52100	13	36	23876-030000	1	5		5	4	XL15023252	15	24
129902-22900	8	34	129953-77210	15	12		1	12	26106-080552	7	15	XL17093201	15	27
129902-53000	12	5	129953-77330	15	6		1	14		10	13	XL2252805	15	31
129903-22050	8	18	129960-03990	4	3		4	26	26106-080602	10	29	XL23513151	15	22
129903-22950	8	36	129960-21640	8	9	24311-000070	2	29	26106-080802	6	4	XL2351400	15	16
129910-03100	4	60	129961-59110	13	17		16	20		10	19	XL24092001	15	15
129910-07900	4	4	129961-59310	13	14	24311-000120	4	53	26106-100142	12	2	XL240G23001	15	20
129910-11350	4	46	171008-77410	14	3		16	21	26106-100202	13	3	XL240G4301	15	21
129910-59810	12	37	171008-77450	14	7	24311-000320	2	16	26106-100252	9	28	XL240G5100	15	13
129910-59820	12	41	171056-49351	10	31		4	57	26106-100352	3	5			
129910-59830	12	45	172187-13921	10	34		16	23	26106-100652	4	55			
129910-59840	12	49	22137-100000	15	2	24321-000600	9	27	26116-050122	15	28			
129911-49020	10	44	22190-060002	13	8		16	32	26116-101202	15	3			
129915-49010	10	43		16	28	24341-000240	2	18	26116-120302	14	36			

How to read this Parts Catalog.

1. Parts mentioned in this Parts Catalog may not necessarily be standard equipping parts.
2. Parts change may be made without prior notice.
3. Form of this Parts Catalog.

Y00F2161 (1997.09.01)

Fig. 29 燃料噴射ポンプ(ブースコン用)
FUEL INJECTION PUMP (W/BOOST)

見出 REF.No.	レベル LEV.	部品番号 PARTS No.	部品名	DESCRIPTION	個数 (Qty)						備考
					A	B	C	D	E	F	
1	.	729595-51390	FOポンプ ASY(ブースコン)	FULE INJECTION PUMP	1	1	1	1	1	1	
1-1	.	729595-51391	FOポンプ ASY(ブースコン)	FULE INJECTION PUMP	1	1	1	1	1	1	
3	..	(A=E/#00185) (B=E/#00200) 26022-060162	ナベネジ M 6X 16	SCREW M 6X 16	9	9	9	9	9	9	
I 3-1	..	26022-060162	ナベネジ M 6X 16	SCREW M 6X 16	4	4	4	4	4	4	K
4	..	(A=E/#00185) (B=E/#00200) (C=E/#00156) (D=E/#00156) (E=E/#00156) 129470-51040	カムシャフト	CAMSHAFT	1	1	1	1	1	1	
5	..	122710-51050	ベアリング#ローラ	BEARING, ROLLER	2	2	2	2	2	2	
6	..	129470-51060	ベアリングホルダ	RETAINER	1	1	1	1	1	1	

備考
(1) ブースコンベンセータ付き、4JH-DT、4JH-DTZとも
E/# 00155 までは、特別注文仕様とします

Remarks
(1) BOOST COMPENSATOR TYPE.
OPTIONAL PART, TO E/# 00155,
(4JH - DT, 4JH - DTZ)

① Ref. No.

The Ref. No. in the list may not be accord with the Ref. No. on illustration.

(Ex.) Illustration No. List head No.

1 1 (Befor change) → 1 -1 (After change)

When interchangeable symbol N, R, and K, illustrations for new parts are sometimes omitted.

② Lev.(Level)

Indication and Meaning of Level

Level : Hereunder is given the relation among the number of dots(.),the level and the nominal parent- child relationship.

-Parent parts(Assembly parts)
-Child parts included in ".•" (Semi- Assembly parts,component parts of Assembly parts.)
-Child parts included in ".••", Grand- child parts in terms of ".••".
(Compornent parts of Semi- Assembly parts.)

Note) A parts of non- sale parts are illustlated but not listed.

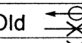
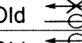
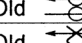
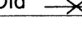
③ Change Mark

Change Mark "I" is given to the part for which a design change was made at this time.

The design change was not shown in the last published Parts Catalog.

④ Interchangeability Mark

In the case where a part change took place,one of the following interchangeability marks is indicated for that part.

Symbol	interchangeability	Contents note
N	Old  New	New Part is interchangeable for Old Part but not interchangeable conversely.
Q	Old  New	New Part is not interchangeable for Old Part but interchangeable conversely.
R	Old  New	New Part is interchangeable for Old Part and vice versa.
S	Old  New	New Part is not interchangeable for Old Part and vice versa.
W		Part newly added.
Z		Part discontinued.
F		Not interchangeable single part but interchangeable by set of the related parts.
K		Changed only in quantity used.

⑤ Effective Machine No.

When a part is changed,Effective Machine No. of a Model for which the part is applicable is indication in each column of (A)- (F).

Product Symbol	Product No.	Product Symbol	Product No.
C	Clutch No. Compressor No.	M	Machine No.
D	Drive No.	T	Tractor No.
E	Engine No.	Note1) ※	Date

Note1) Date may follow the symbol in some cases. (Ex.) ※ 1996.01

Note2) As far as engine models shown by "XXX" are concerned, the modification of the parts could not be predicted or the engine models themselves could not be identified.

Note3) (A=E/#00185) means that the design change on the part has been effective for the model at the column (A)(in this case, for 4JH- DT) on and from E/#(Engine Serial Number) 00185.

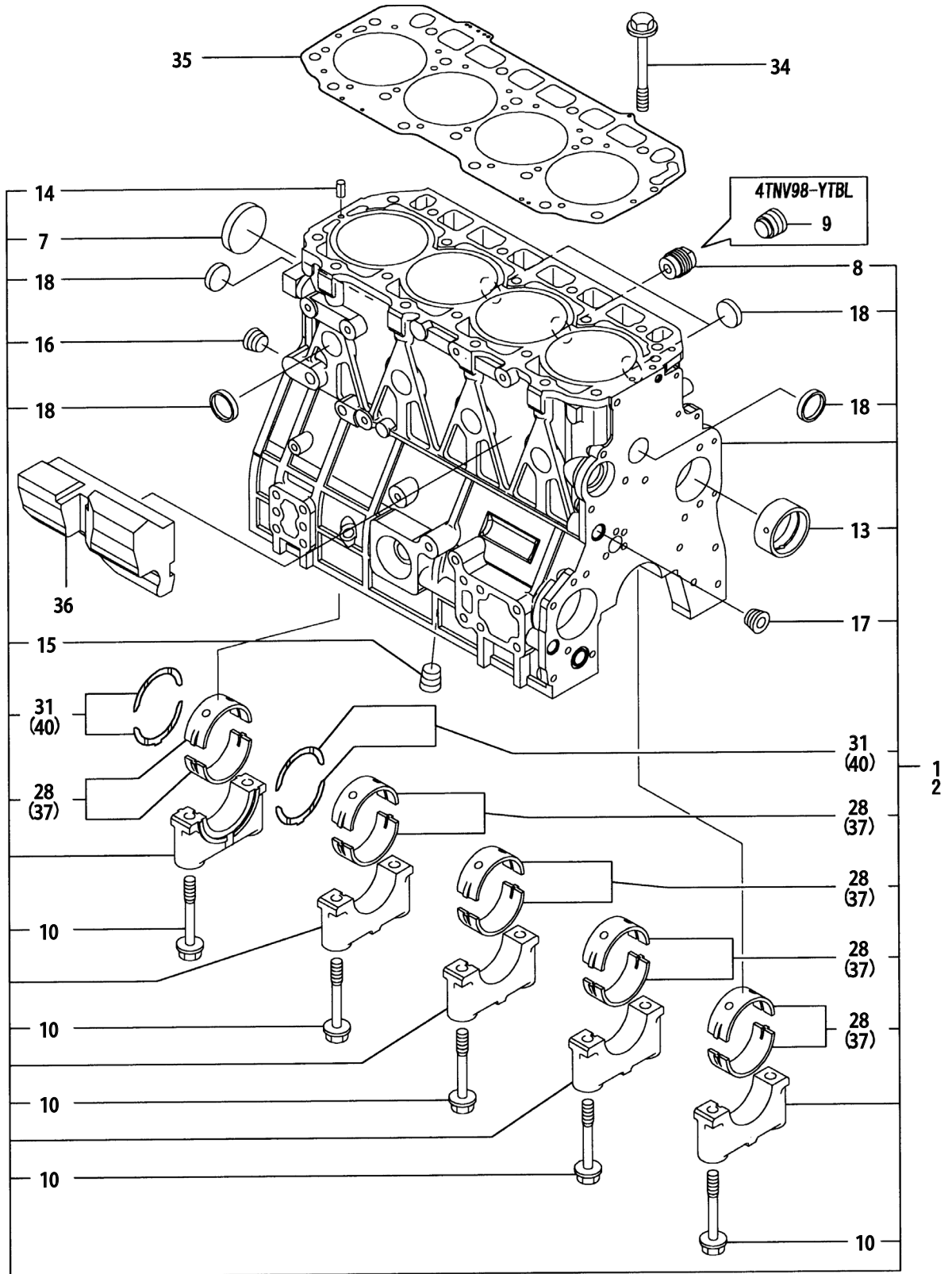
⑥ Remarks Mark

Figures or alphabets (Symbols) are entered in the remark column.

The comments(remarks)on the pertinent parts are indicated in the lower part of the list by the same symbols as those stated above.

Name	Page
CYLINDER BLOCK	Fig. 1
GEAR HOUSING	Fig. 2
FLYWHEEL HOUSING & OIL SUMP	Fig. 3
CYLINDER HEAD & BONNET	Fig. 4
SUCTION MANIFOLD & AIR CLEANER	Fig. 5
EXHAUST MANIFOLD & SILENCER	Fig. 6
CAMSHAFT & DRIVING GEAR	Fig. 7
CRANKSHAFT & PISTON	Fig. 8
LUB. OIL SYSTEM	Fig. 9
COOLING WATER SYSTEM	Fig. 12
RADIATOR	Fig. 13
FUEL INJECTION PUMP	Fig. 14
FUEL INJECTION VALVE	Fig. 15
FUEL LINE	Fig. 16
STARTING MOTOR	Fig. 17
GENERATOR	Fig. 19
TOOL & GASKET SET	Fig. 21

Engine for TB175 4TNV98-VTBZ
CYLINDER BLOCK

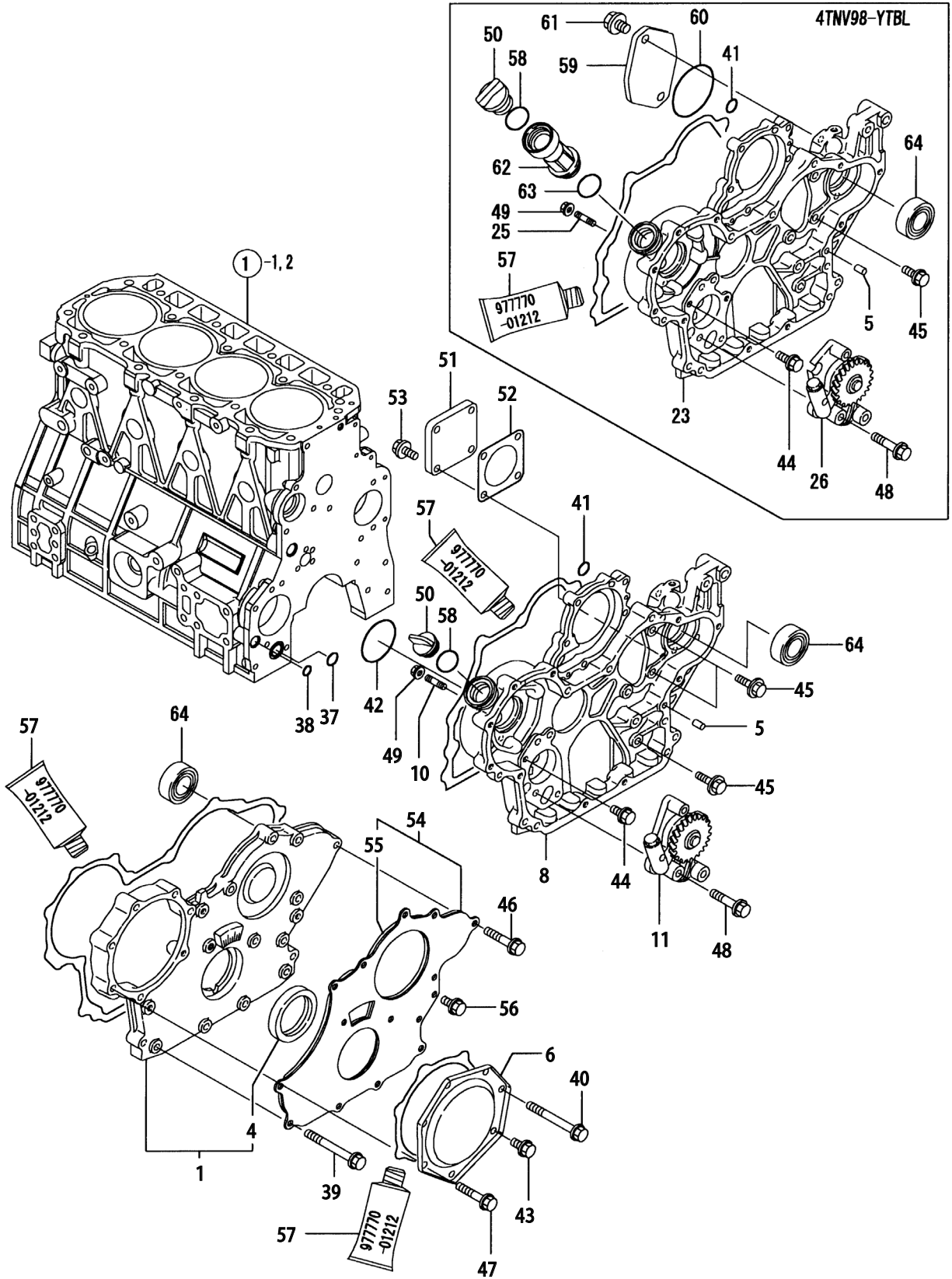


Y00D8020	001. CYLINDER BLOCK			
4TNV98-VTBZ, XTBW, YTBL	1:2003.11			PLUS

Engine for TB175 4TNV98-VTBZ
CYLINDER BLOCK

Item ID	Parts Number	部品種類	Qty
1	729905-01560	BLOCK ASSY, CYLINDER	1
7	129900-01250	· PLUG 55	1
8	129953-01920	· JOINT	1
10	129900-02020	· BOLT, METAL CAP	10
13	129900-02410	· BUSH, CAMSHAFT	1
14	22351-060012	· SPRING PIN 6X12	2
15	23876-030000	· PLUG PT3/8, SCREW	1
16	23876-030000	· PLUG PT3/8, SCREW	1
17	23876-030000	· PLUG PT3/8, SCREW	1
18	27241-300000	· PLUG, 30	8
28	729900-02800	· MAIN BEARING SET	5
31	129900-02930	· BEARING ASSY, THRUST	2
34	129900-01200	BOLT, HEAD	18
35	129907-01331	GASKET, CYLINDER HEAD	1
36	129907-01190	SPACER	1
37	129900-02340	MAIN BEARING US=0.25	5
40	129900-02940	BEARING, THRUST .250S	2

Engine for TB175 4TNV98-VTBZ
GEAR HOUSING

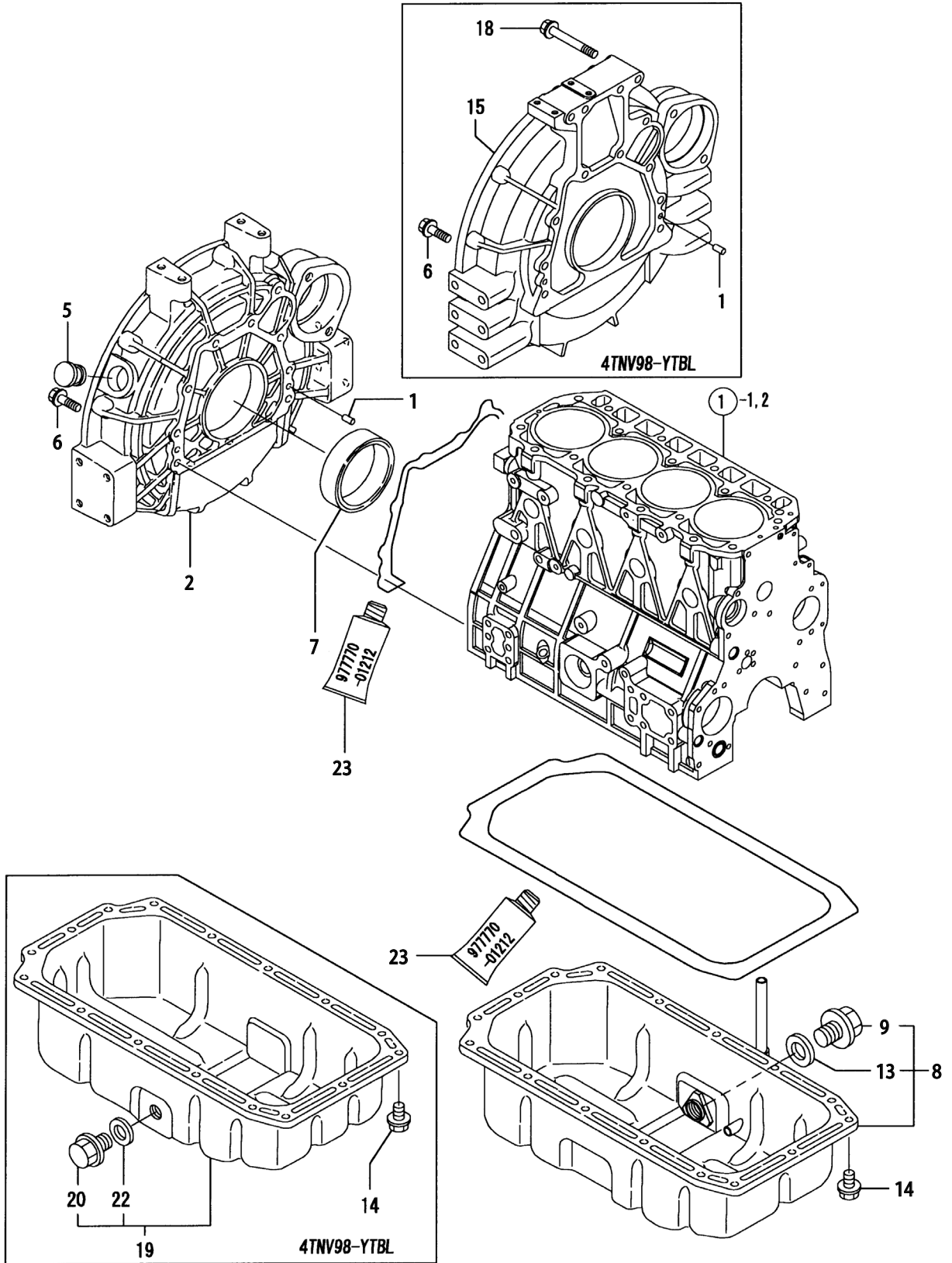


Y00D8020	002. GEAR HOUSING			
4TNV98-VTBZ, XTBL, YTBL		1: 2003. 11		PLUS

Engine for TB175 4TNV98-VTBZ
GEAR HOUSING

Item ID	Parts Number	部品種類	Qty
1	729907-01550	HOUSING ASSY, COVER, G	1
4	129900-01780	SEAL, OIL	1
5	129100-01580	PARALLEL PIN 8X16	4
6	129900-01740	COVER, F. I. PUMP	1
8	129907-01500	HOUSING, GEARS	1
10	26216-100302	STUD BOLT	4
11	129900-32001	PUMP ASSY, LUB. OIL	1
37	129900-32030	O-RING P20	1
38	129900-32040	O-RING P14	1
39	129001-91810	BOLT M 8X 70 PLATED	6
40	129001-91810	BOLT M 8X 70 PLATED	1
41	24311-000070	O-RING 1A P-7.0	1
42	24351-030750	PACKING, 3075	1
43	26106-080162	BOLT M 8X 16 PLATED	1
44	26106-080162	BOLT M 8X 16 PLATED	1
45	26106-080202	BOLT M 8X 20 PLATED	3
46	26106-080402	BOLT M 8X 40 PLATED	5
47	26106-080402	BOLT M 8X 40 PLATED	5
48	26106-080452	BOLT M 8X 45 PLATED	3
49	26306-100002	NUT	4
50	124160-01751	COVER, FILLER	1
51	124240-01871	COVER, HO-P	1
52	124240-01883	GASKET, (NON-ASB.)	1
53	26106-080162	BOLT M 8X 16 PLATED	4
54	129900-01850	COVER ASSY	1
55	129900-01870	SPONGE	1
56	26106-080162	BOLT M 8X 16 PLATED	3
57	977770-01212	GASKET, LIQUID	1
58	24311-000320	O-RING 1A P-32.0	1

Engine for TB175 4TNV98-VTBZ
 FLYWHEEL HOUSING & OIL SUMP

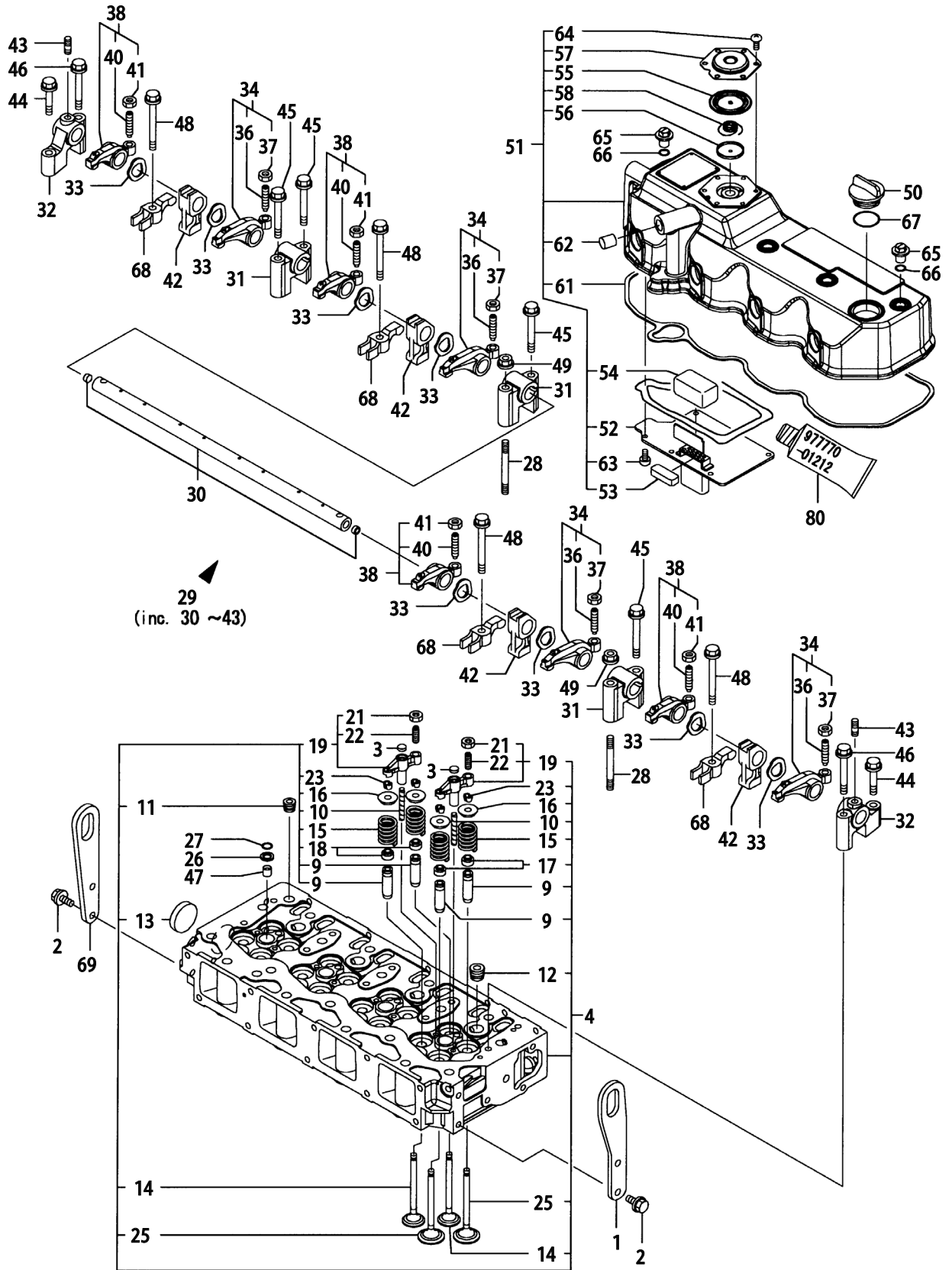


Y0008020	003. FLYWHEEL HOUSING & OIL SUMP		
4TNV98-VTBZ, XTBW, YTBL	1:2003.11		PLUS

**Engine for TB175 4TNV98-VTBZ
FLYWHEEL HOUSING & OIL SUMP**

Item ID	Parts Number	部品種類	Qty
1	129100-01580	PARALLEL PIN 8X16	2
2	129951-01620	HOUSING, FLYWHEEL	1
5	119000-01840	PLUG 25, RUBBER	1
6	26206-100352	BOLT M10X 35 PLATED	9
7	124411-01780	SEAL HTC95, 115, 12	1
8	129953-01730	PAN ASSY, LUB. OIL	1
9	119640-01640	DRAIN PLUG M22	1
13	22190-220002	SEAL WASHER 22S	1
14	26106-080122	BOLT M 8X 12 PLATED	16
23	977770-01212	GASKET, LIQUID	1

Engine for TB175 4TNV98-VTBZ
CYLINDER HEAD & BONNET

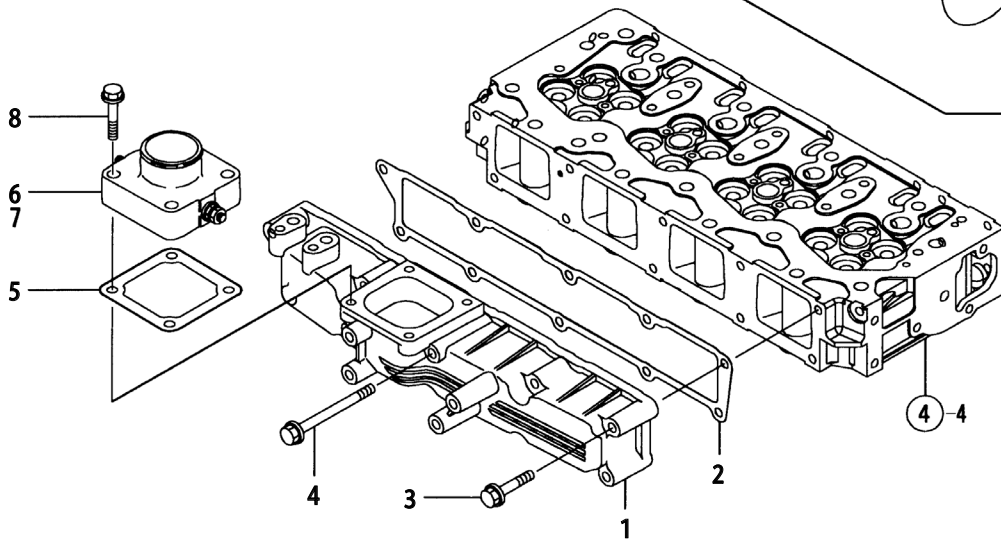
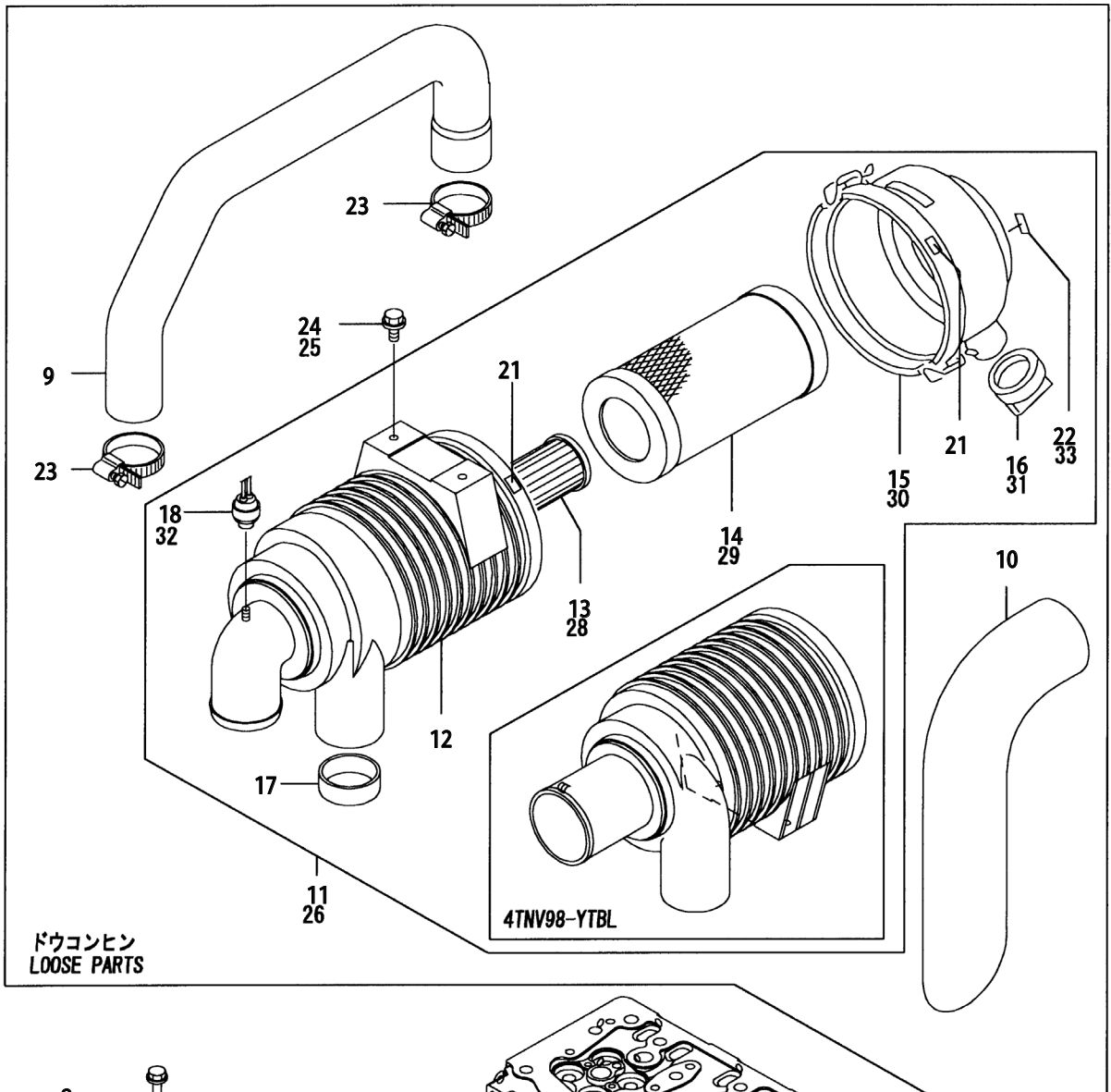


Y0008020	004. CYLINDER HEAD & BONNET			
4TNV98-VTBZ, XTBR, YTBZ	1-2003.11			PLUS

Engine for TB175 4TNV98-VTBZ
CYLINDER HEAD & BONNET

Item ID	Parts Number	部品種類	Qty
1	129907-07900	LIFTER, ENGINE	1
2	26106-080162	BOLT M 8X 16 PLATED	4
3	123907-11550	SEAT A, VALVE BRIDGE	8
4	129907-11700	HEAD ASSY, CYLINDER	1
9	129907-11800	· GUIDE, VALVE	16
10	123907-11820	· GUIDE, VALVE BRIDGE	8
11	23876-020000	· PLUG 1/4	1
12	23876-030000	· PLUG PT3/8, SCREW	4
13	27241-400000	· PLUG 40	1
14	129907-11110	· VALVE(EXH	8
15	129907-11120	· VALVE SPRING	16
16	119620-11180	· RETAINER, SPRING	16
17	124160-11340	· SEAL, VALVE STEM	8
18	124950-11340	· SEAL, VALVE STEM	8
19	129907-11510	· BRIDGE ASSY, VALVE	8
21	129150-11750	· · NUT M8XP1.0	8
22	123907-11830	· · SCRWE, VALVE BRIDGE	8
23	27310-070001	· COTTER ASSY	16
25	129907-11100	· VALVE(INT	8
26	119625-11880	SEAT, NOZZLE	4
27	24311-000120	O-RING 1A P 12.0	4
28	119593-11301	BOLT 8X80	2
29	129907-11341	SUPPORT CMP	1
30	129907-11250	· SHAFT, ROCKER ARM	1
31	129907-11260	· SUPPORT A	3
32	129907-11270	· SUPPORT B	2
33	123907-11280	· WAVE WASHER	8
34	129907-11650	· ARM ASSY, ROCKER	4
36	129150-11230	· · SCREW, VALVE	4
37	129150-11750	· · NUT M8XP1.0	4
38	129907-11660	· ARM ASSY, ROCKER	4
40	129150-11230	· · SCREW, VALVE	4
41	129150-11750	· · NUT M8XP1.0	4
42	129907-11920	· PEDESTAL, RETAINER	4
43	26226-080222	· STUD M 8X 22 PLATED	2
44	26106-080402	BOLT M 8X 40 PLATED	2
45	26106-080602	BOLT M 8X 60 PLATED	4
46	26106-080602	BOLT M 8X 60 PLATED	2
47	119802-11870	PROTECTOR, NOZZLE	4
48	129907-11950	FLANGE BOLT, RETAINER	4
49	26306-080002	NUT	2
50	124160-01751	COVER, FILLER	1
51	129907-11320	BONNET ASSY	1
52	129907-03010	· BAFFLE PLATE	1
53	129907-03060	· BAFFLE	1
54	129907-03070	· BAFFLE	1
55	123907-03100	· DIAPHRAGM, BREATHER	1
56	123907-03110	· CENTER PLATE	1
57	123907-03120	· PLATE, BREATHER	1
58	123907-03140	· SPRING, DIAPHRAGM	1
61	129907-11310	· PACKING, BONNET	1
62	119640-61400	· PLUG	1
63	22857-500100	· SCREW 5X10, TAPPING	6
64	22857-500100	· SCREW 5X10, TAPPING	6
65	124160-11360	KNOB	4
66	24311-000120	O-RING 1A P 12.0	4
67	24311-000320	O-RING 1A P-32.0	1
68	129907-11910	RETAINER, F. I. VALVE	4
69	129910-07900	LIFTER, ENGINE	1
80	977770-01212	GASKET, LIQUID	1

Engine for TB175 4TNV98-VTBZ
 SUCTION MANIFOLD & AIR CLEANER

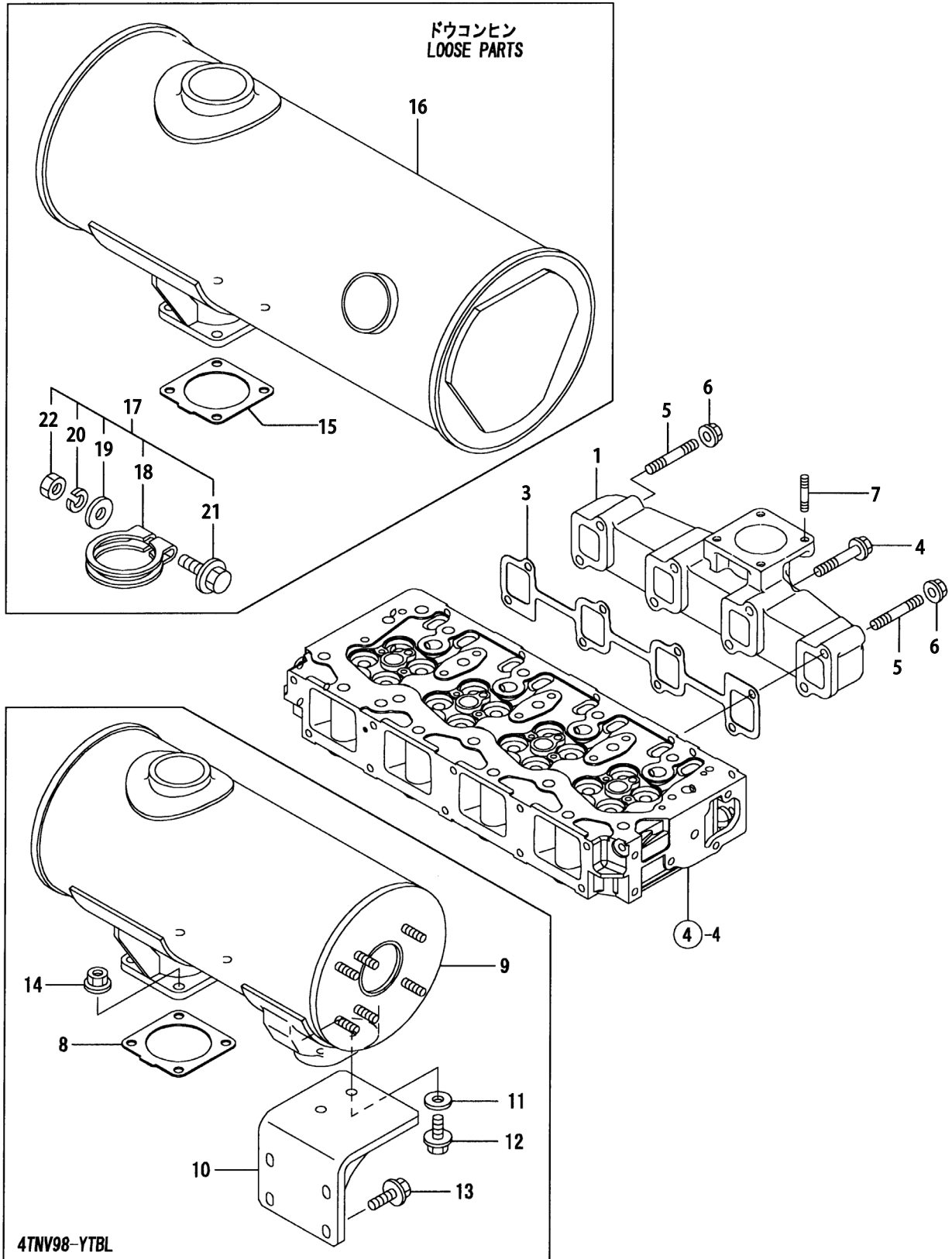


Y00D8020	005. SUCTION MANIFOLD & AIR CLEANER		
4TNV98-VTBZ, XTBR, YTBL	1-2003.11		PLUS

Engine for TB175 4TNV98-VTBZ
SUCTION MANIFOLD & AIR CLEANER

Item ID	Parts Number	部品種類	Qty
1	129907-12100	MANIFOLD, AIR INTAKE	1
2	129907-12110	PACKING (INT. MANIFOLD)	1
3	26106-080552	BOLT M 8X 55 PLATED	9
4	26106-080852	BOLT M 8X 85 PLATED	1
5	121850-77021	GASKET, (NON-ASB.)	1
6	129953-77050	HEATER, AIR	1
8	26106-080352	BOLT M 8X 35 PLATED	4
9	129953-12210	PIPE, AIR INTAKE	1
10	129953-12250	PIPE, AIR INTAKE	1
11	129953-12502	CLEANER ASSY, AIR	1
12	129953-12570	· BODY, AIR CLEANER	1
13	119005-12571	· ELEMENT ASSY, INNER	1
14	129062-12560	· ELEMENT	1
15	129900-12530	· COVER ASSY	1
16	119808-12540	· VALVE, UNLOADER	1
17	129418-12540	· RING	1
18	129953-12610	· INDICATOR ASSY (LOWER)	1
21	129418-12530	· MARK	2
22	129612-12650	· MARKING, (W)	1
23	23000-080000	CLAMP 80	3
24	26106-080162	BOLT M 8X 16 PLATED	2

Engine for TB175 4TNV98-VTBZ
EXHAUST MANIFOLD & SILENCER

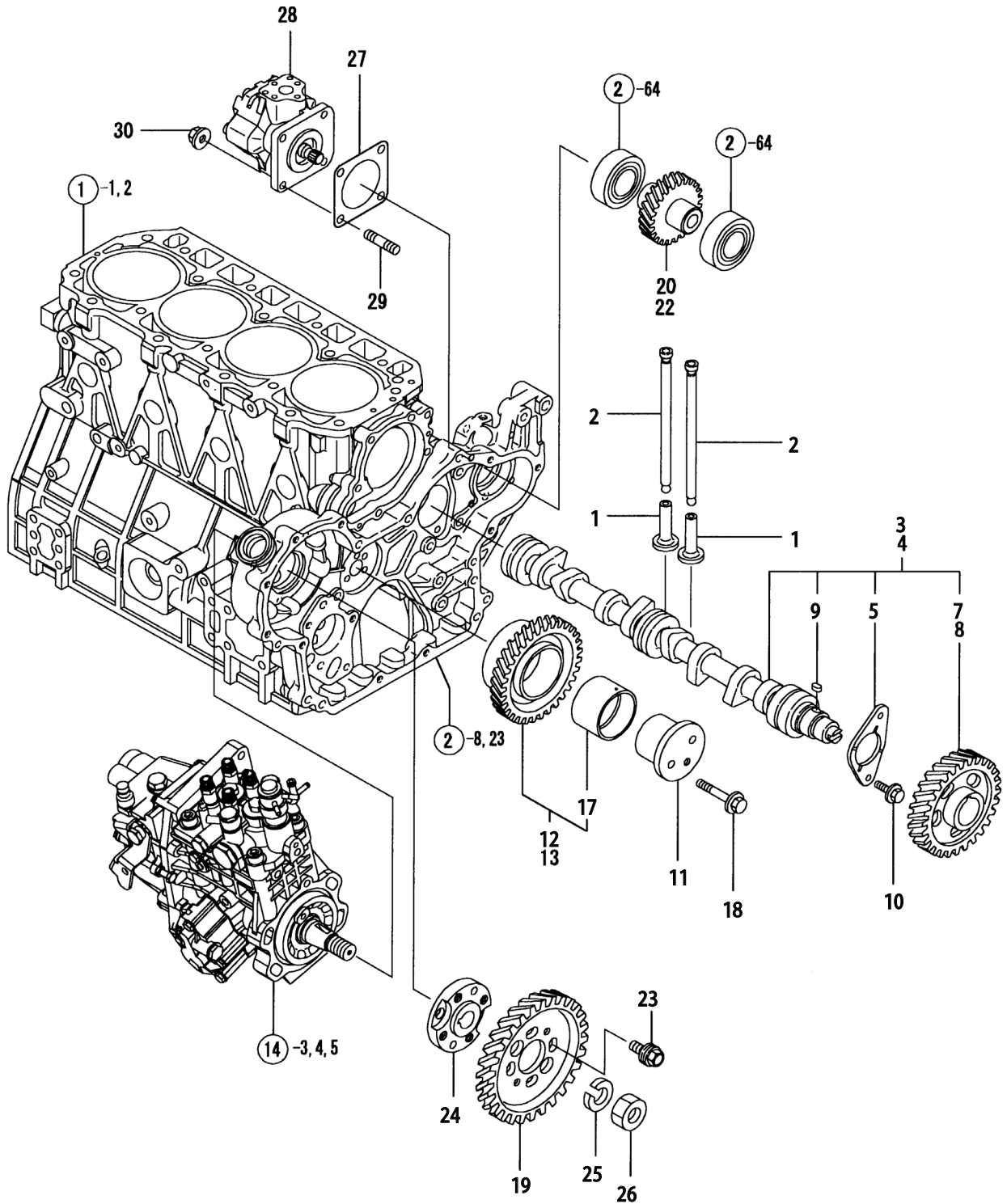


Y0008020	006. EXHAUST MANIFOLD & SILENCER			
4TNV98-VTBZ, XTBW, YTBL		1-2003.11		PLUS

Engine for TB175 4TNV98-VTBZ
EXHAUST MANIFOLD & SILENCER

Item ID	Parts Number	部品種類	Qty
1	129900-13200	MANIFOLD, EXHAUST	1
3	129900-13252	GASKET	1
4	123900-13630	BOLT 8X80	6
5	123900-13610	STUD BOLT M 8X 80	2
6	26306-080002	NUT	2
7	119131-18320	BOLT M 8X 22	4
15	129930-13200	GASKET, SILENCER	2
16	129940-13500	SILENCER	1
17	129640-13590	CLAMP ASSY, SILENCER	1
18	129640-13580	· CLAMP	1
19	22117-100000	· WASHER 10	1
20	22217-100000	· SPRING WASHER 10	1
21	26106-100652	· BOLT M10X 65 PLATED	1
22	26706-100002	· NUT M10	1

Engine for TB175 4TNV98-VTBZ
CAMSHAFT & DRIVING GEAR

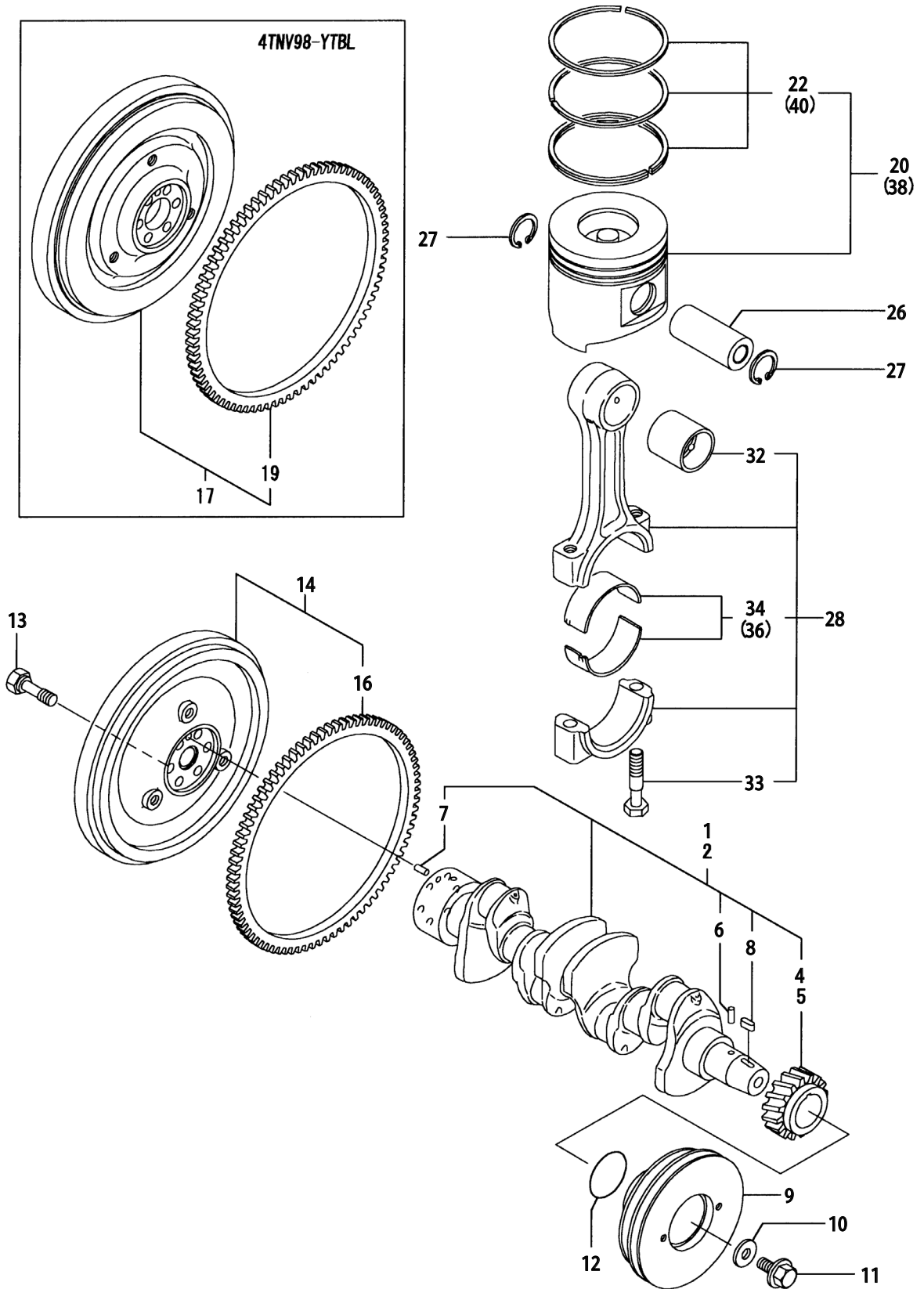


Y0008020	007 CAMSHAFT & DRIVING GEAR		
4TNV98-VTBZ, XTBW, YTBZ	1.2003.11		PLUS

Engine for TB175 4TNV98-VTBZ
CAMSHAFT & DRIVING GEAR

Item ID	Parts Number	部品種類	Qty
1	129150-14200	TAPPET	8
2	129907-14400	PUSH ROD	8
3	129907-14581	CAMSHFT ASSY	1
5	129150-02450	· METAL, THRUST(CAM	1
7	129900-14100	· GEAR, CAMSHAFT	1
9	22512-070140	· KEY 7X 14	1
10	26106-080162	BOLT M 8X 16 PLATED	2
11	123900-25060	SHAFT(GEAR, IDLE	1
12	129900-25100	GEAR ASSY, IDLE	1
17	129150-25920	· BUSH, IDLE GEAR	1
18	26106-080552	BOLT M 8X 55 PLATED	3
19	123907-25909	GEAR, F. I. PUMP	1
23	129953-25300	BOLT	4
24	158563-51150	FLANGE	1
25	22217-180000	SPRING WASHER 18	1
26	26776-180002	NUT M18, LOCK	1

Engine for TB175 4TNV98-VTBZ
CRANKSHAFT & PISTON

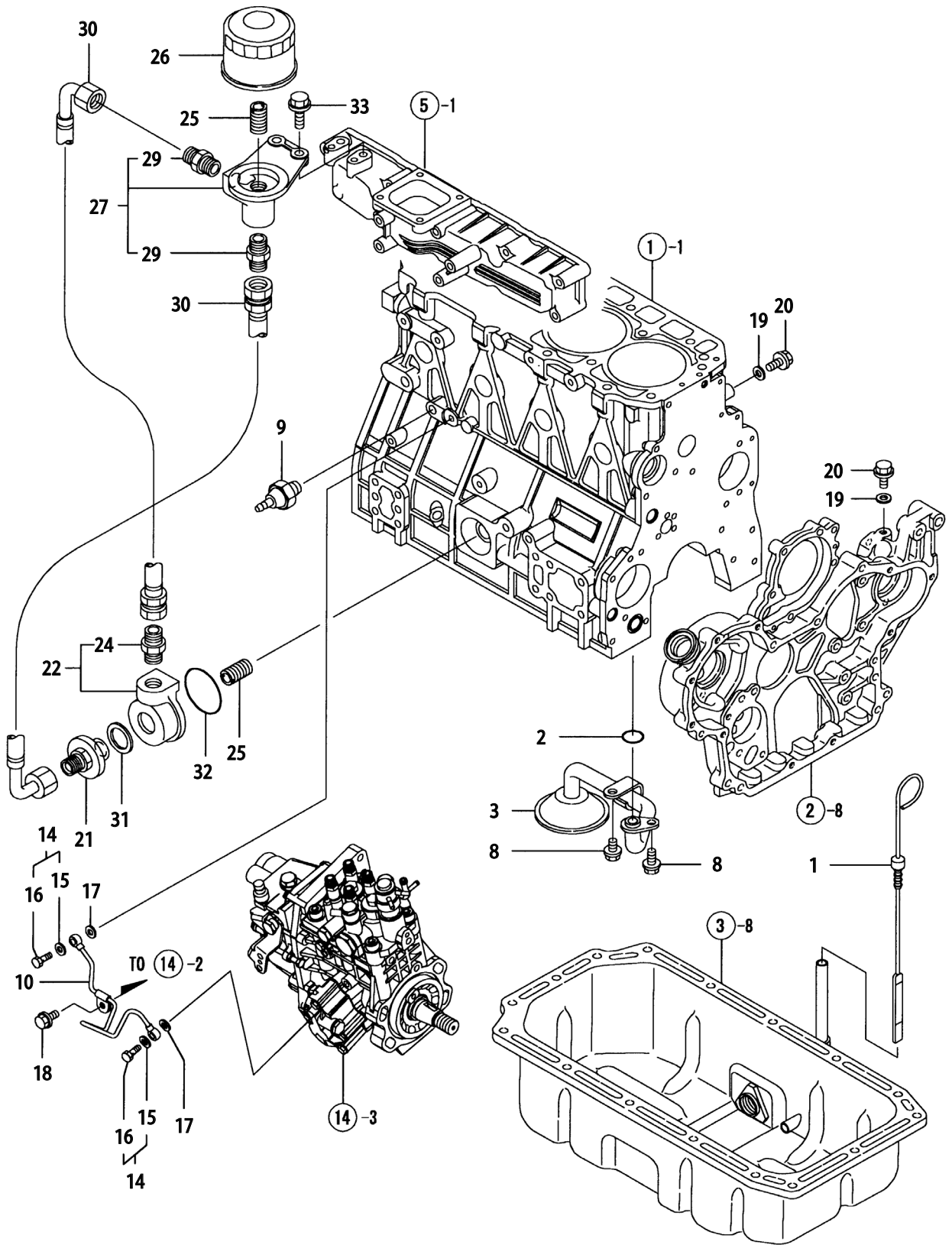


Y00D8020	008. CRANKSHAFT & PISTON		
4TNV98-VTBZ, XTBW, YTBL	1-2003. 11		PLUS

Engine for TB175 4TNV98-VTBZ
CRANKSHAFT & PISTON

Item ID	Parts Number	部品種類	Qty
1	129902-21000	CRANKSHAFT COMP	1
4	129900-21200	· GEAR, CRANKSHAFT	1
6	121850-21290	· PARALLEL PIN	1
7	121850-21920	· PARALLEL PIN 10X22	1
8	22512-070140	· KEY 7X 14	1
9	129916-21650	V-PULLEY, CRANKSHAFT	1
10	129960-21640	WASHER	1
11	121850-21680	BOLT, V-PULLEY	1
12	24341-000530	O-RING 1A S-53.0	1
13	121850-21130	BOLT, FLYWHEEL	6
14	129902-21580	FLYWHEEL ASSY	1
16	127410-21480	· RING GEAR Z=129	1
20	129907-22090	PISTON W/RING	4
22	129907-22050	· RING SET, PISTON	4
26	120130-22301	PIN, PISTON	4
27	22252-000300	CIRCLIP 30	8
28	129900-23000	ROD ASSY, CONNECTING	4
32	129900-23910	· BUSH, PISTON PIN	4
33	129900-23200	· BOLT, ROD	8
34	129900-23600	· METAL ASSY, CRANKPIN	4
36	129900-23610	BEARING, PIN U. S=0.25	4
38	729907-22910	PISTON W/RING O. S=25	4
40	729907-22950	· RING SET O. S=0.25	4

Engine for TB175 4TNV98-VTBZ
LUB. OIL SYSTEM

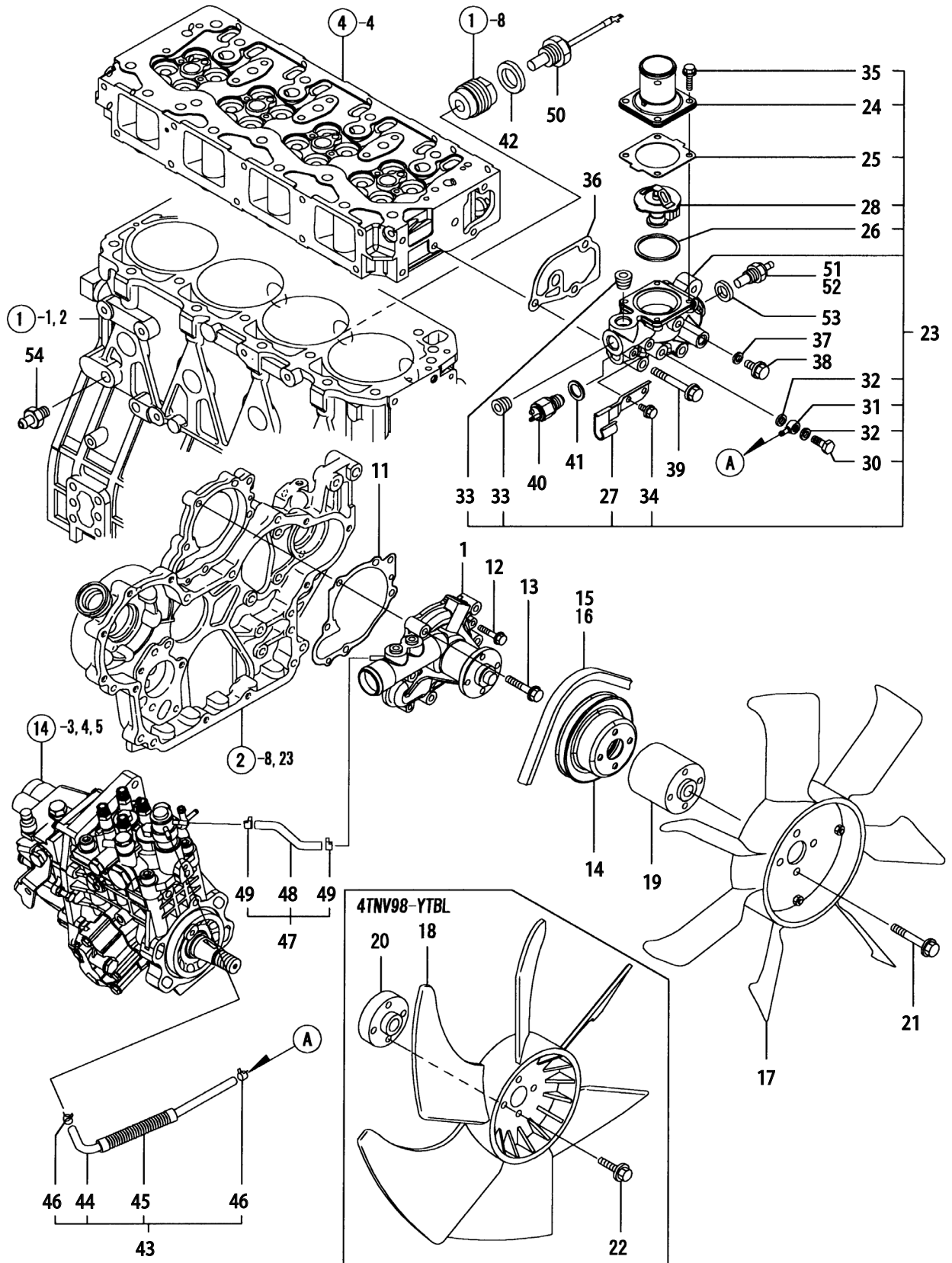


Y0008020	009. LUB. OIL SYSTEM			
4TNV98-VTBZ, XTBW, YTBZ		1.2003.11		PLUS

Engine for TB175 4TNV98-VTBZ
LUB. OIL SYSTEM

Item ID	Parts Number	部品種類	Qty
1	119812-34800	DIPSTIC, LUB OIL	1
2	129900-32030	O-RING P20	1
3	129900-35000	PIPE ASSY, LUB. OIL	1
8	26106-080122	BOLT M 8X 12 PLATED	2
9	114250-39450	SWITCH, (0.5KG)L. O.	1
10	129907-39061	PIPE ASSY, LUB. OIL	1
14	129005-59830	BOLT ASSY, JOINT	2
15	22190-080002	SEAL WASHER 8S	2
16	23857-030000	JOINT BOLT 3	2
17	22190-080002	SEAL WASHER 8S	2
18	26106-080122	BOLT M 8X 12 PLATED	1
19	22190-080002	SEAL WASHER 8S	2
20	26106-080122	BOLT M 8X 12 PLATED	2
21	129953-35110	COVER	1
22	129953-35121	CASE ASSY	1
24	129953-39500	ADAPTER	1
25	119000-35140	STUD, LUB.OIL FILTER	2
26	129150-35152	FILTER 80X80L	1
27	129953-35210	BRACKET, LO FILTER CMP	1
29	129953-39500	ADAPTER	2
30	129953-39100	PIPE, LUB. OIL	2
31	22190-300002	SEAL WASHER 30S	1
32	24321-000600	O-RING 1A G-60.0	1
33	26106-100252	BOLT M10X 25 PLATED	2

Engine for TB175 4TNV98-VTBZ
COOLING WATER SYSTEM

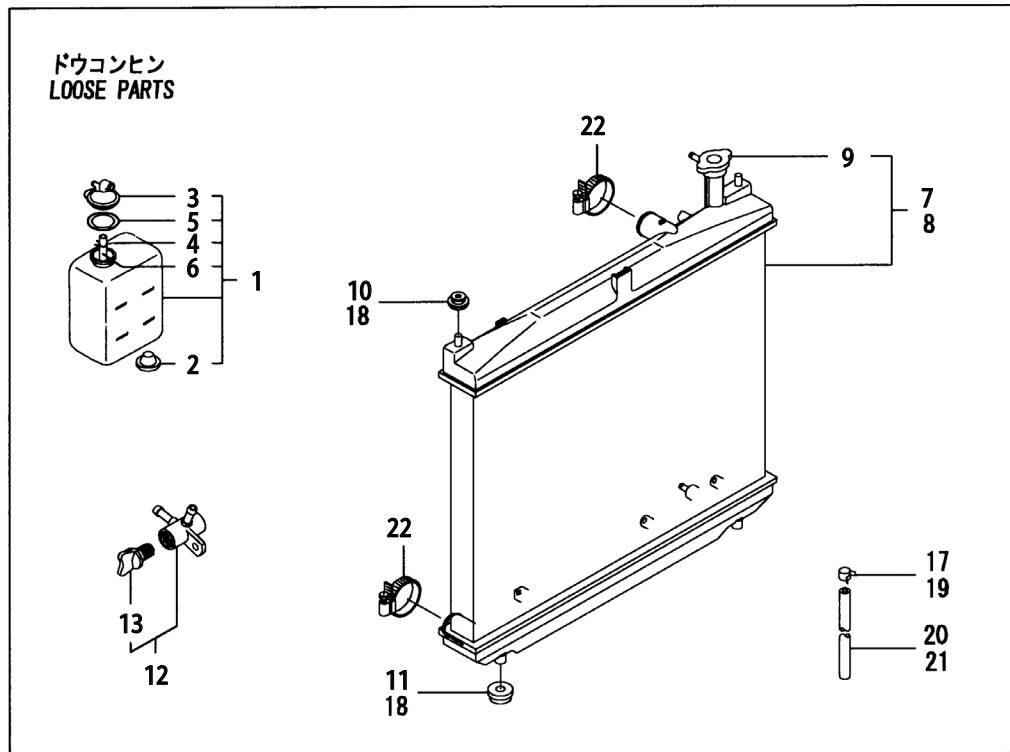


Y00D8020	012. COOLING WATER SYSTEM		
4TNV98-VTBZ, XTBL, YTBL	1: 2003. 11		PLUS

Engine for TB175 4TNV98-VTBZ
COOLING WATER SYSTEM

Item ID	Parts Number	部品種類	Qty
1	129907-42000	PUMP ASSY, WATER	1
11	129900-42020	GASKET, CW-P	1
12	26106-060302	BOLT M 6X 30 PLATED	2
13	26106-080552	BOLT M 8X 55 PLATED	5
14	129900-42461	PULLEY	1
15	129940-42310	V-BELT A44	1
17	129981-44740	FAN, COOLING	1
19	119117-44760	SPACER	1
21	129916-44770	BOLT M8X78 PLATED	4
23	129946-49810	CASE ASSY, THERMOSTAT	1
24	129916-49530	· COVER, THERMOSTAT	1
25	121850-49540	· GASKET, THERMOSTAT	1
26	121850-49550	· GASKET, THERMOSTAT	1
27	129907-49730	· PIPE ASSY, INJECTION	1
28	121850-49800	· THERMOSTAT	1
30	105582-59150	· BOLT, PIPE JOINT	1
31	23387-040800	· JOINT 4- 8	1
32	23414-080000	· GASKET 8, ROUND	2
33	23875-030000	· PLUG PT3/8, STEEL	2
34	26106-060122	· BOLT M 6X 12 PLATED	2
35	26106-060202	· BOLT M 6X 20 PLATED	4
36	129900-49870	GASKET, CASE	1
37	23414-080000	GASKET 8, ROUND	1
38	26106-080122	BOLT M 8X 12 PLATED	1
39	26106-080602	BOLT M 8X 60 PLATED	3
40	121250-44901	SWITCH, THERMO(110° C	1
41	124465-44950	GASKET 16	1
42	124465-44950	GASKET 16	1
43	129907-49610	HOSE A ASSY, WATER	1
44	129907-49710	· PIPE A, COOLING WATER	1
45	129907-49750	· PROTECTOR, PIPE 10.7	1
46	124722-59050	· CLAMP 9	2
47	129907-49620	HOSE B ASSY, WATER	1
48	129907-49720	· PIPE B, COOLING WATER	1
49	124722-59050	· CLAMP 9	2
50	129107-44901	SENSOR, HOT WATER	1
51	171056-49351	SENER	1
53	129150-49360	GASKET 10	1
54	121550-49111	JOINT PT1/4	1

Engine for TB175 4TNV98-VTBZ
RADIATOR

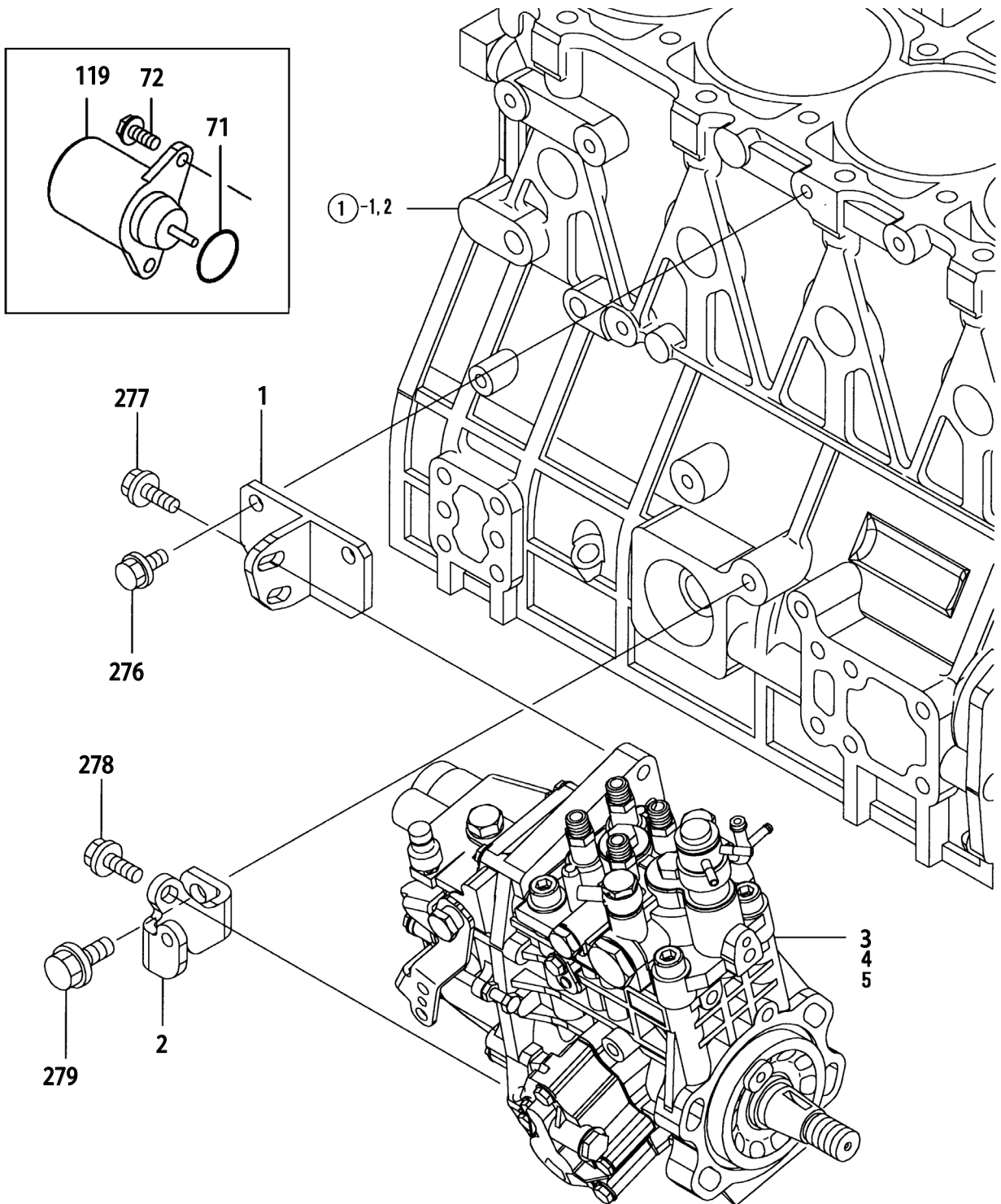


Y00D8020	013. RADIATOR			
4TNV98-VTBZ, XTB#, YTB#		1-2003.11		PLUS

Engine for TB175 4TNV98-VTBZ
RADIATOR

Item ID	Parts Number	部品種類	Qty
1	129466-44510	SUBTANK	1
2	121468-44540	· PLUG, SUB-TANK	1
3	121450-44531	· CAP	1
4	124450-44560	· CLAMP	1
5	121470-44581	· GASKET	1
6	121267-44590	· PIPE	1
7	129940-44521	RADIATOR ASSY	1
9	129107-44590	· CAP, RADIATOR	1
10	184016-44700	RUBBER, CUSHION UP	2
11	184016-44710	RUBBER, CUSHION LW	2
12	129150-49100	COCK ASSY, 3-WAY	1
13	129150-49080	· COCK, DRAIN	1
22	23000-054000	CLAMP 54	4

Engine for TB175 4TNV98-VTBZ
FUEL INJECTION PUMP

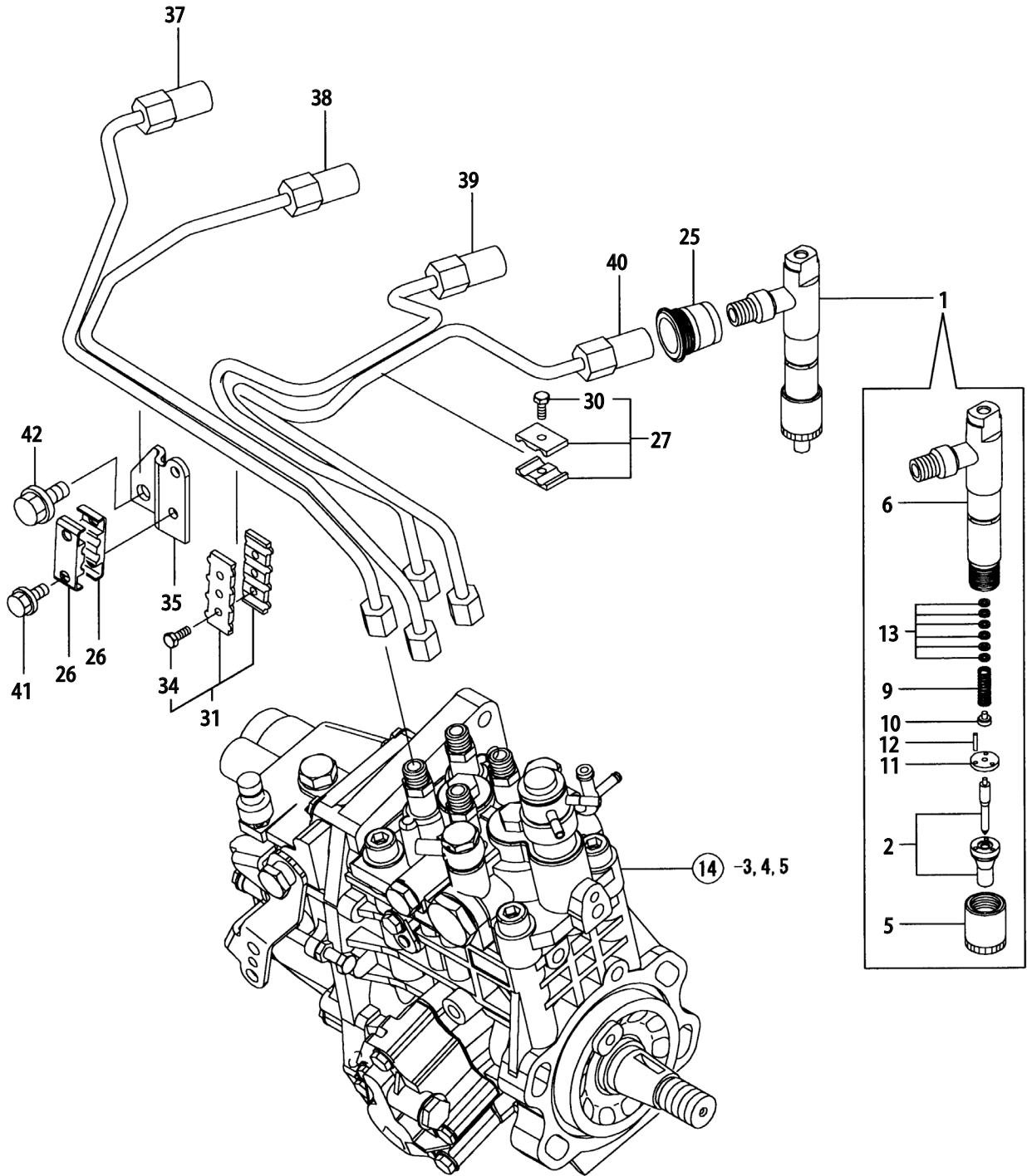


Y00D8020	014. FUEL INJECTION PUMP			
4TNV98-VTBZ, XTBW, YTBZ	T: 2003. 11			PLUS

Engine for TB175 4TNV98-VTBZ
FUEL INJECTION PUMP

Item ID	Parts Number	部品種類	Qty
1	129907-01950	RETAINER, MP4	1
2	129907-01960	RETAINER, MP4	1
3	729940-51350	PUMP ASSY, F. INJECT	1
71	24341-000280	O-RING 1A S 28.0	1
72	26106-060142	BOLT	2
119	129612-77930	SOLENOID, STOP	1
276	26106-080162	BOLT M 8X 16 PLATED	2
277	26106-080222	BOLT M 8X 22 PLATED	2
278	26106-080222	BOLT M 8X 22 PLATED	1
279	26106-100202	BOLT M10X 20 PLATED	1

Engine for TB175 4TNV98-VTBZ
FUEL INJECTION VALVE

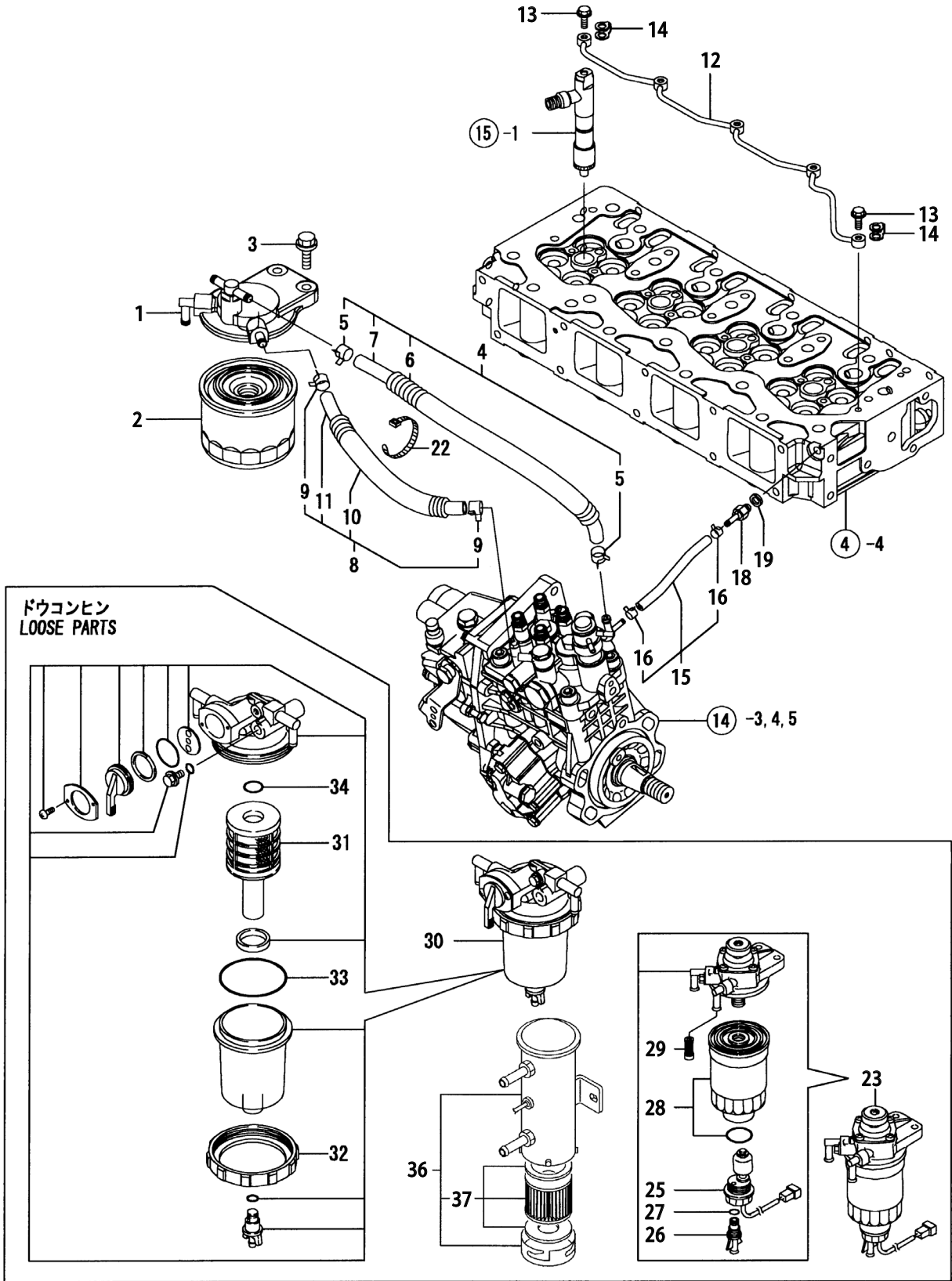


Y00D8020	015. FUEL INJECTION VALVE		
4TNV98-VTBZ, XTB#, YTB#	1:2003.11		PLUS

Engine for TB175 4TNV98-VTBZ
FUEL INJECTION VALVE

Item ID	Parts Number	部品種類	Qty
1	729907-53100	VALVE ASSY, F. INJECT	4
2	129907-53000	· NOZZLE ASSY	4
5	114250-53080	· NUT, NOZZLE CASE	4
6	129907-53100	· HOLDER ASSY, NOZZLE	4
9	114250-53120	· SPRING, NOZZLE	4
10	114250-53130	· SEAT, NOZZLE SPRING	4
11	114250-53140	· PLATE, STOP	4
12	114250-53210	· PIN	8
13	114250-53400	· SHIM PACK	4
25	123907-11601	PIPE SEAL	4
26	122780-59100	RETAINER	2
27	119305-59120	RETAINER	1
30	129150-59131	· BOLT M4X14, HEX. SCKT.	1
31	129550-59120	RETAINER	1
34	129150-59131	· BOLT M4X14, HEX. SCKT.	2
35	129907-59710	PIPE ASSY, INJECTION	1
37	129907-59810	PIPE ASSY, INJECTION	1
38	129907-59820	PIPE ASSY, INJECTION	1
39	129907-59830	PIPE ASSY, INJECTION	1
40	129907-59840	PIPE ASSY, INJECTION	1
41	26106-060162	BOLT M 6X 16 PLATED	2
42	26106-080182	BOLT M 8X 18 PLATED	1

Engine for TB175 4TNV98-VTBZ
FUEL LINE

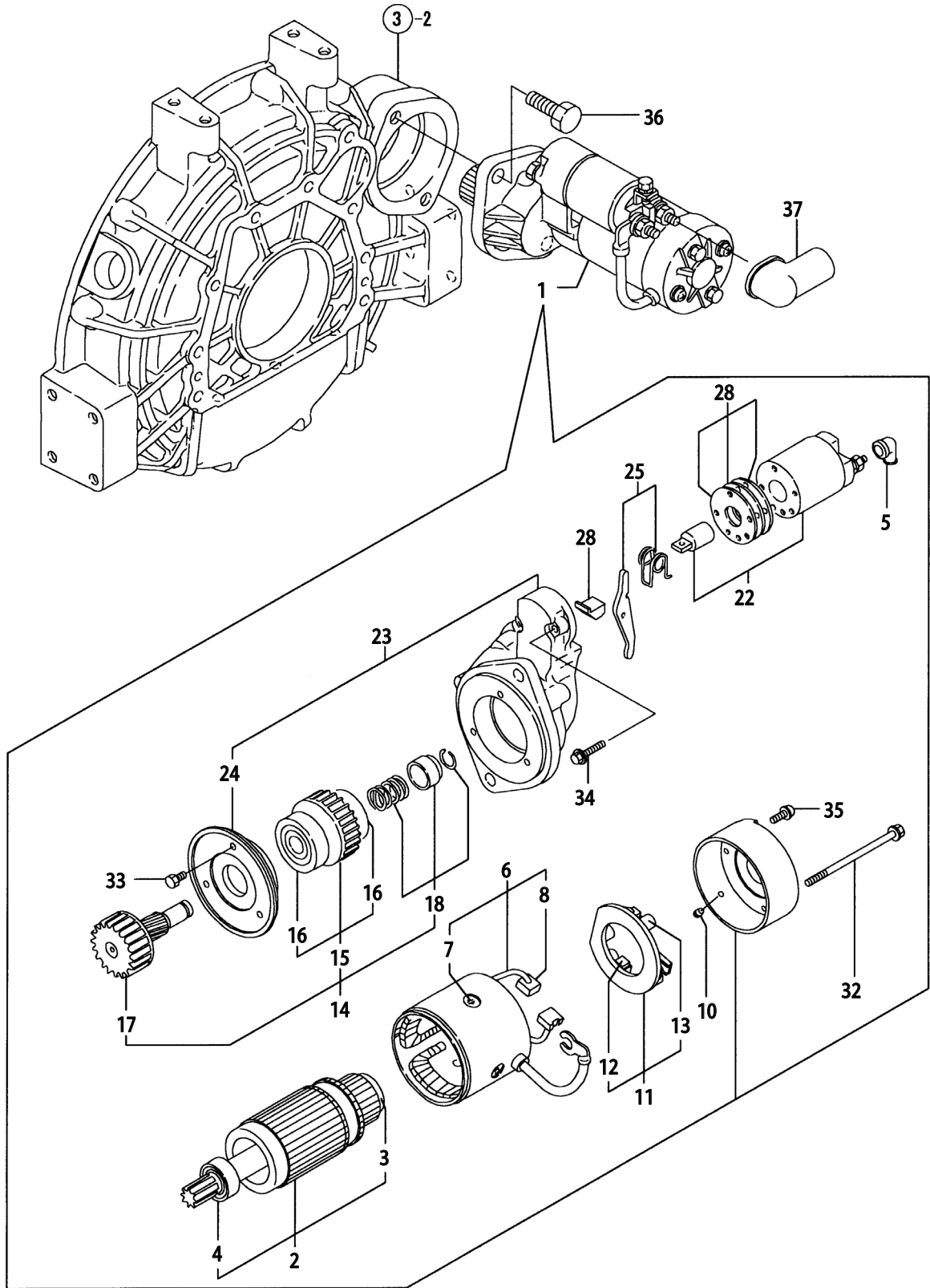


Y00D8020	016. FUEL LINE			
4TNV98-VTBZ, XTBW, YTBZ		1-2003.11		PLUS

Engine for TB175 4TNV98-VTBZ
FUEL LINE

Item ID	Parts Number	部品種類	Qty
1	129004-55611	BRACKET, FILTER	1
2	119802-55800	FILTER, FUEL	1
12	129907-59140	PIPE ASSY, F. O. RETURN	1
13	123907-59540	JOINT BOLT M6	5
14	123907-59550	PACKING, FUEL RETURN	5
15	129486-59551	PIPE, FUEL RETURN	1
16	124722-59050	· CLAMP 9	2
18	123907-59560	HOSE JOINT 4	1
19	22190-080002	SEAL WASHER 8S	1
23	129901-55800	FILTER, FUEL OIL	1
25	129901-55820	· SENSOR ASSY, LEBEL	1
26	129901-55830	· PLUG, DRAIN	1
27	129901-55840	· O-RING	1
28	129901-55850	· ELEMENT KIT	1
29	129901-55860	· FILTER	1
36	129953-52100	PUMP ASSY, FUEL FEED	1
37	129535-52150	· FILTER ASSY	1

Engine for TB175 4TNV98-VTBZ
STARTING MOTOR

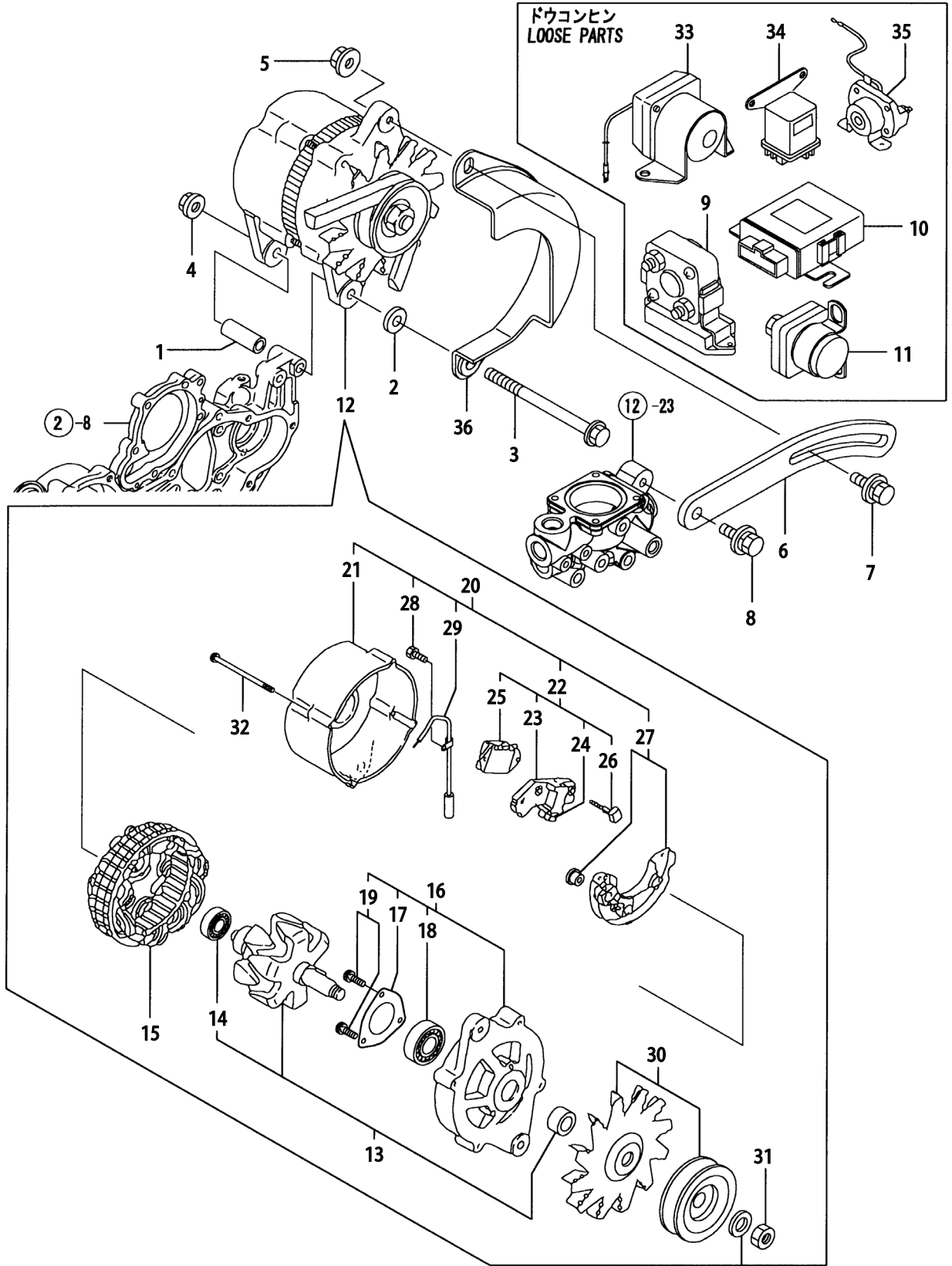


Y00D8020	017. STARTING MOTOR			
4TNV98-VTBZ, XTBW, YTBZ		1: 2003. 11		PLUS

Engine for TB175 4TNV98-VTBZ
STARTING MOTOR

Item ID	Parts Number	部品種類	Qty
1	119131-77010	STARTING MOTOR	1
2	119131-77400	· ARMATURE ASSY	1
3	X2130350900	· · BALL BEARING	1
4	119131-77420	· · BALL BEARING	1
5	121254-77810	· TERMINAL COVER	1
6	119131-77440	· COIL ASSY, FIELD	1
7	171008-77450	· · SCREW, POLE CORE SET	4
8	119131-77450	· BRUSH (+)	2
10	119131-77470	· BUSH	1
11	119131-77480	· HOLDER ASSY, BRUSH	1
12	119131-77500	· · BRUSH (-)	2
13	119131-77490	· · SPRING, BRUSH	4
14	119131-77510	· PINION	1
15	119131-77520	· · CLUTCH ASSY	1
16	X2240610100	· · · BALL BEARING (3)	2
17	119131-77540	· · PINION SHAFT	1
18	119131-77550	· · STOPPER KIT, PINION	1
22	119131-77590	· SWITCH, MAGNETIC	1
23	119131-77600	· CASE ASSY, GEAR	1
24	119131-77610	· · METAL, GEAR CASE	1
25	119131-77620	· LEVER SET, SHIFT	1
28	119131-77650	· COVER SET, DUST	1
32	129400-77640	· BOLT, THROUGH	2
33	26014-060162	· BOLT M 6X 16	3
34	119131-77690	· BOLT M 6X 45 PLATED	2
35	26557-040102	· SCREW M 4X 10	2
36	26116-120302	BOLT M12X 30 PLATED	2
37	124550-77030	COVER, TERMINAL	1

Engine for TB175 4TNV98-VTBZ
GENERATOR

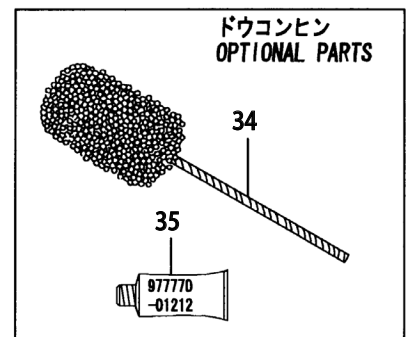
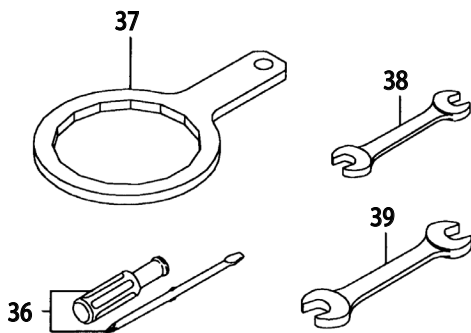
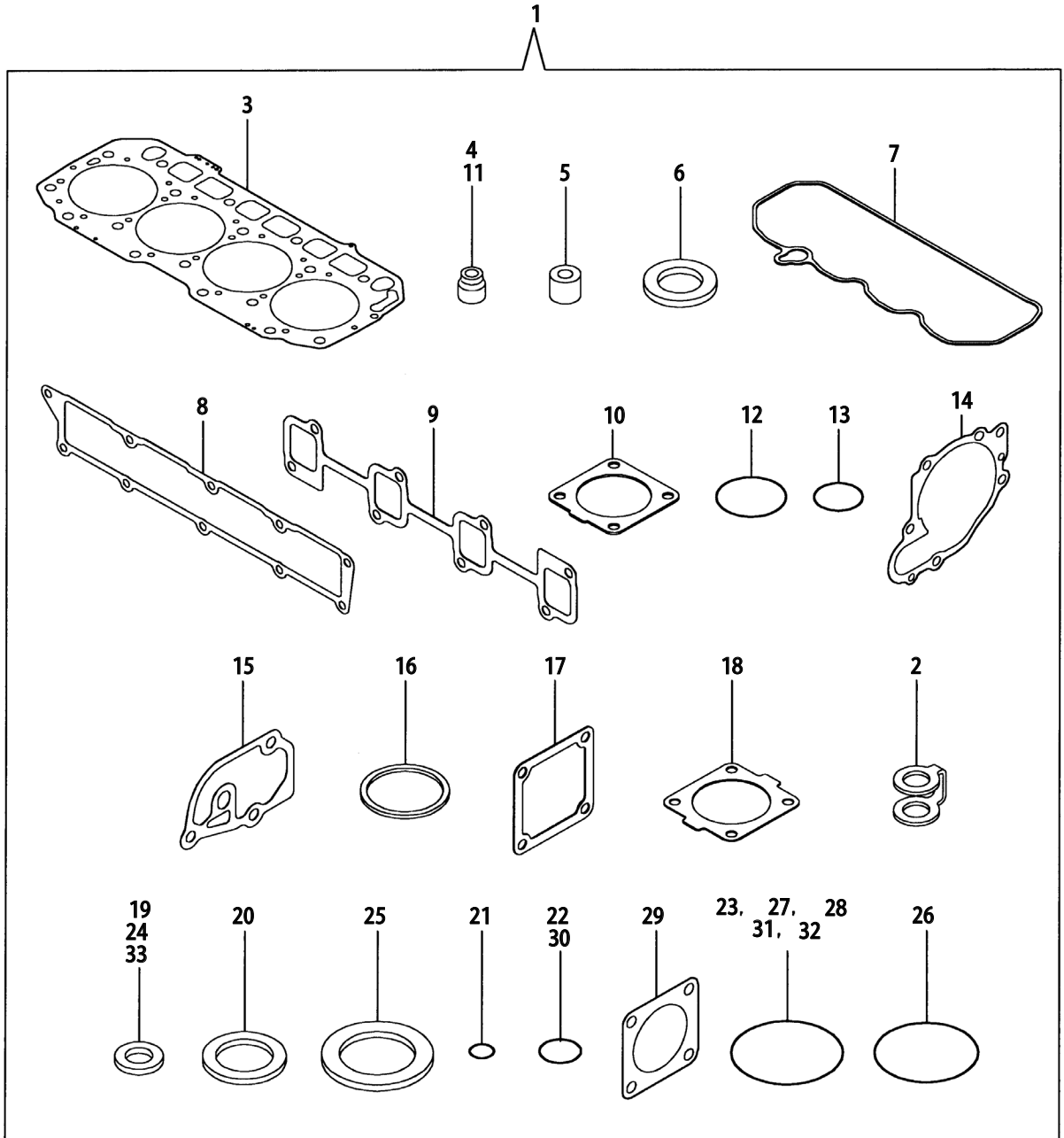


Y00D8020	019. GENERATOR			
4TNV98-VTBZ, XTBW, YTBZ		1:2003.11		PLUS

Engine for TB175 4TNV98-VTBZ
GENERATOR

Item ID	Parts Number	部品種類	Qty
1	129470-77340	SPACER	1
2	22137-100000	WASHER 10, POLISHED	1
3	26116-101302	BOLT M10X130 PLATED	1
4	26306-100002	NUT	1
5	26306-080002	NUT	1
6	129953-77320	ADJUSTER, BELT	1
7	26014-080352	BOLT M 8X 35	1
8	26014-080252	BOLT M 8X 25	1
9	129900-77100	SAFETY RELAY	1
10	119503-77520	CONTROLLER	1
11	127488-77530	RELAY	1
12	129953-77210	ALTERNATOR ASSY	1
13	XL24065100	· ROTOR ASSY	1
14	119129-77320	· · BALL BEARING	1
15	XL24092001	· STATOR ASSY	1
16	XL2351400	· COVER ASSY, FRONT	1
17	119129-77870	· · RETAINER, BEARING	1
18	119129-77850	· · BALL BEARING	1
19	119129-77930	· · SCREW KIT	1
20	XL240623001	· REAR COVER ASSY	1
21	XL24064301	· · REAR COVER	1
22	XL23513151	· · BRUSH REGULATOR ASSY	1
23	XL17093201	· · · DIODE ASSY	1
24	XL15023252	· · · BRUSH SET	1
25	119129-77820	· · · REGULATOR ASSY, I.C.	1
26	XL1501313	· · · BOLT(M5	2
27	XL17093201	· · DIODE ASSY	1
28	26116-050122	· · BOLT M 5X 12 PLATED	1
29	119129-77250	· · WIRE	1
30	129535-77880	· PULLEY	1
31	XL2252805	· NUT ASSY, PULLEY	1
32	119129-77890	· BOLT, THROUGH	4
33	119129-77910	RELAY, MAGNETIC	1
34	129612-77910	GLOW RELAY	1
35	129612-77920	TIMER, 1 SEC.	1
36	129953-77410	COVER	1

Engine for TB175 4TNV98-VTBZ
TOOL & GASKET SET



Y00D8020	021. TOOL & GASKET SET			
4TNV98-VTBZ, XTBR, YTRL		1-2003.11		PLUS

Engine for TB175 4TNV98-VTBZ
TOOL & GASKET SET

Item ID	Parts Number	部品種類	Qty
1	729907-92680	GASKET SET(NON-ASB.)	1
2	123907-59550	· PACKING, FUEL RETURN	5
3	129907-01331	· GASKET, CYLINDER HEAD	1
4	124160-11340	· SEAL, VALVE STEM	8
5	119802-11870	· PROTECTOR, NOZZLE	4
6	119625-11880	· SEAT, NOZZLE	4
7	129907-11310	· PACKING, BONNET	1
8	129907-12110	· PACKING(INT. MANIFOLD	1
9	129900-13252	· GASKET	1
10	129930-13200	· GASKET, SILENCER	2
11	124950-11340	· SEAL, VALVE STEM	8
12	129900-32030	· O-RING P20	2
13	129900-32040	· O-RING P14	1
14	129900-42020	· GASKET, CW-P	1
15	129900-49870	· GASKET, CASE	1
16	121850-49550	· GASKET, THERMOSTAT	1
17	121850-77021	· GASKET, (NON-ASB.)	1
18	121850-49540	· GASKET, THERMOSTAT	1
19	23414-080000	· GASKET 8, ROUND	3
20	124465-44950	· GASKET 16	2
21	24311-000070	· O-RING 1A P-7.0	1
22	24311-000120	· O-RING 1A P 12.0	8
23	24311-000320	· O-RING 1A P-32.0	3
24	22190-080002	· SEAL WASHER 8S	9
25	22190-220002	· SEAL WASHER 22S	1
26	24351-030750	· PACKING, 3075	1
27	24321-000850	· O-RING 1A G-85.0	1
28	24341-000530	· O-RING 1A S-53.0	1
29	124240-01883	· GASKET, (NON-ASB.)	1
30	24311-240100	· O-RING 1A P-10A	1
31	24321-000600	· O-RING 1A G-60.0	2
32	24321-000700	· O-RING 1A G70.0,NBR	1
33	129150-49360	· GASKET 10	1
34	129400-92450	FLEX HONE	1
35	977770-01212	GASKET, LIQUID	1
36	104200-92350	DRIVER, SCREW	1
37	119640-92750	WRENCH, FILTER	1
38	28110-100120	WRENCH 10X12	1
39	28110-140170	WRENCH 14X17	1

NUMERICAL INDEX

Part number	Page	Item	Part number	Page	Item	Part number	Page	Item	Part number	Page	Item	Part number	Page	Item
104200-92350	21	36	119131-77690	17	34	123907-03120	4	57	129107-44590	13	9	129900-02340	1	37
105582-59150	12	30	119305-59120	15	27	123907-03140	4	58	129107-44901	12	50	129900-02410	1	13
114250-39450	9	9	119503-77520	19	10	123907-11280	4	33	129150-02450	7	5	129900-02930	1	31
114250-53080	15	5	119593-11301	4	28	123907-11550	4	3	129150-11230	4	40	129900-02940	1	40
114250-53120	15	9	119520-11180	4	16	123907-11601	15	25		4	36	129900-12530	5	15
114250-53130	15	10	119525-11880	21	6	123907-11820	4	10	129150-11750	4	41	129900-13200	6	1
114250-53140	15	11		4	26	123907-11830	4	22		4	37	129900-13252	21	9
114250-53210	15	12	119540-01640	3	9	123907-25909	7	19		4	21		6	3
114250-53400	15	13	119540-61400	4	62	123907-59540	16	13	129150-14200	7	1	129900-14100	7	7
119000-01840	3	5	119540-92750	21	37	123907-59550	21	2	129150-25920	7	17	129900-21200	8	4
119000-35140	9	25	119802-11870	21	5		16	14	129150-35152	9	26	129900-23000	8	28
119005-12571	5	13		4	47	123907-59560	16	18	129150-49080	13	13	129900-23200	8	33
119117-44760	12	19	119802-55800	16	2	124160-01751	4	50	129150-49100	13	12	129900-23600	8	34
119129-77250	19	29	119808-12540	5	16		2	50	129150-49100	13	12	129900-23610	8	36
119129-77320	19	14	119812-34800	9	1	124160-11340	21	4	129150-49360	21	33	129900-23910	8	32
119129-77820	19	25	120130-22301	8	26		4	17	129150-59131	15	34	129900-25100	7	12
119129-77850	19	18	121250-44901	12	40	124160-11360	4	65		15	30	129900-32001	2	11
119129-77870	19	17	121254-77810	17	5	124240-01871	2	51	129400-77640	17	32	129900-32030	21	12
119129-77890	19	32	121267-44590	13	6	124240-01883	21	29	129400-92450	21	34		9	2
119129-77910	19	33	121450-44531	13	3		2	52	129418-12530	5	21		2	37
119129-77930	19	19	121468-44540	13	2	124411-01780	3	7	129418-12540	5	17	129900-32040	21	13
119131-18320	6	7	121470-44581	13	5	124450-44560	13	4	129466-44510	13	1		2	38
119131-77010	17	1	121550-49111	12	54	124465-44950	21	20	129470-77340	19	1	129900-35000	9	3
119131-77400	17	2	121850-21130	8	13		12	42	129486-59551	16	15	129900-42020	21	14
119131-77420	17	4	121850-21290	8	6		12	41	129535-52150	16	37		12	11
119131-77440	17	6	121850-21680	8	11	124550-77030	17	37	129535-77880	19	30	129900-42461	12	14
119131-77450	17	8	121850-21920	8	7	124722-59050	16	16	129550-59120	15	31	129900-49870	21	15
119131-77470	17	10	121850-49540	21	18		12	49	129612-12650	5	22		12	36
119131-77480	17	11		12	25		12	46	129612-77910	19	34	129900-77100	19	9
119131-77490	17	13	121850-49550	21	16	124950-11340	21	11	129612-77920	19	35	129901-55800	16	23
119131-77500	17	12		12	26		4	18	129612-77930	14	119	129901-55820	16	25
119131-77510	17	14	121850-49800	12	28	127410-21480	8	16	129640-13580	6	18	129901-55830	16	26
119131-77520	17	15	121850-77021	21	17	127488-77530	19	11	129640-13590	6	17	129901-55840	16	27
119131-77540	17	17		5	5	129001-91810	2	40	129900-01200	1	34	129901-55850	16	28
119131-77550	17	18	122780-59100	15	26		2	39	129900-01250	1	7	129901-55860	16	29
119131-77590	17	22	123900-13610	6	5	129004-55611	16	1	129900-01740	2	6	129902-21000	8	1
119131-77600	17	23	123900-13630	6	4	129005-59830	9	14	129900-01780	2	4	129902-21580	8	14
119131-77610	17	24	123900-25060	7	11	129062-12560	5	14	129900-01850	2	54	129907-01190	1	36
119131-77620	17	25	123907-03100	4	55	129100-01580	3	1	129900-01870	2	55	129907-01331	21	3
119131-77650	17	28	123907-03110	4	56		2	5	129900-02020	1	10		1	35

NUMERICAL INDEX

Part number	Page	Item	Part number	Page	Item	Part number	Page	Item	Part number	Page	Item	Part number	Page	Item
129907-01500	2	8	129907-53000	15	2	155563-51150	7	24		4	27	26105-080402	4	44
129907-01950	14	1	129907-53100	15	6	171008-77450	17	7	24311-000320	21	23		2	47
129907-01960	14	2	129907-59140	16	12	171056-49351	12	51		4	67		2	46
129907-03010	4	52	129907-59710	15	35	184016-44700	13	10		2	58	26105-080452	2	48
129907-03060	4	53	129907-59810	15	37	184016-44710	13	11	24311-240100	21	30	26105-080552	12	13
129907-03070	4	54	129907-59820	15	38	22117-100000	6	19	24321-000600	21	31		7	18
129907-07900	4	1	129907-59830	15	39	22137-100000	19	2		9	32		5	3
129907-11100	4	25	129907-59840	15	40	22190-080002	21	24	24321-000700	21	32	26105-080602	12	39
129907-11110	4	14	129910-07900	4	69		16	19	24321-000850	21	27		4	46
129907-11120	4	15	129916-21650	8	9		9	19	24341-000260	14	71		4	45
129907-11250	4	30	129916-44770	12	21		9	17	24341-000530	21	28	26105-080852	5	4
129907-11260	4	31	129916-49530	12	24		9	15		8	12	26105-100202	14	279
129907-11270	4	32	129930-13200	21	10	22190-220002	21	25	24351-030750	21	26	26105-100252	9	33
129907-11310	21	7		6	15		3	13		2	42	26105-100652	6	21
	4	61	129940-13500	6	16	22190-300002	9	31	26014-060162	17	33	26116-060122	19	28
129907-11320	4	51	129940-42310	12	15	22217-100000	6	20	26014-060252	19	8	26116-101302	19	3
129907-11341	4	29	129940-44521	13	7	22217-180000	7	25	26014-080352	19	7	26116-120302	17	36
129907-11510	4	19	129946-49810	12	23	22252-000300	8	27	26106-060122	12	34	26205-100352	3	6
129907-11650	4	34	129951-01620	3	2	22351-060012	1	14	26106-060142	14	72	26216-100302	2	10
129907-11660	4	38	129953-01730	3	8	22512-070140	8	8	26106-060162	15	41	26226-080222	4	43
129907-11700	4	4	129953-01920	1	8		7	9	26106-060202	12	35	26306-080002	19	5
129907-11800	4	9	129953-12210	5	9	22857-500100	4	64	26106-060302	12	12		6	6
129907-11910	4	68	129953-12250	5	10		4	63	26106-080122	12	38		4	49
129907-11920	4	42	129953-12502	5	11	23000-054000	13	22		9	20	26306-100002	19	4
129907-11950	4	48	129953-12570	5	12	23000-080000	5	23		9	18		2	49
129907-12100	5	1	129953-12610	5	18	23387-040600	12	31		9	8	26557-040102	17	35
129907-12110	21	8	129953-25300	7	23	23414-080000	21	19		3	14	26705-100002	6	22
	5	2	129953-35110	9	21		12	37	26106-080162	14	276	26776-180002	7	26
129907-14400	7	2	129953-35121	9	22		12	32		7	10	27241-300000	1	16
129907-14581	7	3	129953-35210	9	27	23857-030000	9	16		5	24	27241-400000	4	13
129907-22050	8	22	129953-39100	9	30	23875-030000	12	33		4	2	27310-070001	4	23
129907-22090	8	20	129953-39500	9	29	23576-020000	4	11		2	56	28110-100120	21	38
129907-39061	9	10		9	24	23576-030000	4	12		2	53	28110-140170	21	39
129907-42000	12	1	129953-52100	16	36		1	17		2	44	729900-02800	1	28
129907-49610	12	43	129953-77050	5	6		1	16		2	43	729905-01560	1	1
129907-49620	12	47	129953-77210	19	12		1	15	26106-080182	15	42	729907-01560	2	1
129907-49710	12	44	129953-77320	19	6	24311-000070	21	21	26106-080202	2	45	729907-22910	8	38
129907-49720	12	48	129953-77410	19	36		2	41	26106-080222	14	278	729907-22960	8	40
129907-49730	12	27	129960-21640	8	10	24311-000120	21	22		14	277	729907-53100	15	1
129907-49750	12	45	129981-44740	12	17		4	66	26106-080352	5	8	729907-92680	21	1

**Engine for TB175 4TNV98-VTBZ
How to read this Parts Catalog.**

Part No.

ENGINE
4TNV98-VTBZ
2007.06.22

How to read this Parts Catalog.

1. Parts mentioned in this Parts Catalog may not necessarily be standard equipping parts.
2. Parts change may be made without prior notice.
3. Form of this Parts Catalog.

Y00F2161 (1997.09.01)

Fig. 29 燃料噴射ポンプ(ブーコン用)
FUEL INJECTION PUMP (W/BOOST)

見出 REF.No.	レベル LEV.	部品番号 PARTS No.	部品名	DESCRIPTION	個数 (Qty)						備考
					A	B	C	D	E	F	
1	.	729595-51390	F0ポンプ ASY(7-コングキ)	FULE INJECTION PUMP	1	1	1	1	1	1	
1-1	.	729595-51391	F0ポンプ ASY(7-コングキ)	FULE INJECTION PUMP	1	1	1	1	1	1	I
3	..	26022-060162	ナメコネジ M 6X 16	SCREW M 6X 16	9	9	9	9	9	9	
I 3-1	..	26022-060162	ナメコネジ M 6X 16	SCREW M 6X 16	4	4	4	4	4	4	K
4	..	129470-51040	カムシャフト	CAMSHAFT	1	1	1	1	1	1	
5	..	122710-51050	ベアリングローラ	BEARING, ROLLER	2	2	2	2	2	2	
6	..	129470-51060	ベアリングホルダ	RETAINER	1	1	1	1	1	1	

<p>備考</p> <p>(1) ブーストコンペンセータ付き。4JH-DT, 4JH-DTZとも E/# 00155までは、特別注文仕様とします</p>	<p>Remarks</p> <p>(1) BOOST COMPENSATOR TYPE. OPTIONAL PART, TO E/# 00155. (4JH - DT, 4JH - DTZ)</p>
---	---

① Ref. No.

The Ref. No. in the list may not be accord with the Ref. No. on illustration.
(Ex.) Illustration No. List head No.

1 1 (Befor change) → 1 -1 (After change)

When interchangeable symbol N, R, and K, illustrations for new parts are sometimes omitted.

② Lev.(Level)

Indication and Meaning of Level

Level : Hereunder is given the relation among the number of dots(•), the level and the nominal parent- child relationship.

-Parent parts(Assembly parts)
-Child parts included in "••" (Semi- Assembly parts, component parts of Assembly parts.)
-Child parts included in "•••", Grand- child parts in terms of "••".
(Component parts of Semi- Assembly parts.)

Note) A parts of non- sale parts are illustrated but not listed.

③ Change Mark

Change Mark "I" is given to the part for which a design change was made at this time.
The design change was not shown in the last published Parts Catalog.

④ Interchangeability Mark

In the case where a part change took place, one of the following interchangeability marks is indicated for that part.

Symbol	Interchangeability	Contents note
N	Old New	New Part is interchangeable for Old Part but not interchangeable conversely.
Q	Old New	New Part is not interchangeable for Old Part but interchangeable conversely.
R	Old New	New Part is interchangeable for Old Part and vice versa.
S	Old New	New Part is not interchangeable for Old Part and vice versa.
W		Part newly added.
Z		Part discontinued.
F		Not interchangeable single part but interchangeable by set of the related parts.
K		Changed only in quantity used.

⑤ Effective Machine No.

When a part is changed, Effective Machine No. of a Model for which the part is applicable is indication in each column of (A)- (F).

Product Symbol	Product No.	Product Symbol	Product No.
C	Clutch No. Compressor No.	M	Machine No.
D	Drive No.	T	Tractor No.
E	Engine No.	Note1) ※	Date

Note1) Date may follow the symbol in some cases. (Ex.) ※ 1996.01

Note2) As far as engine models shown by "XXX" are concerned, the modification of the parts could not be predicted or the engine models themselves could not be identified.

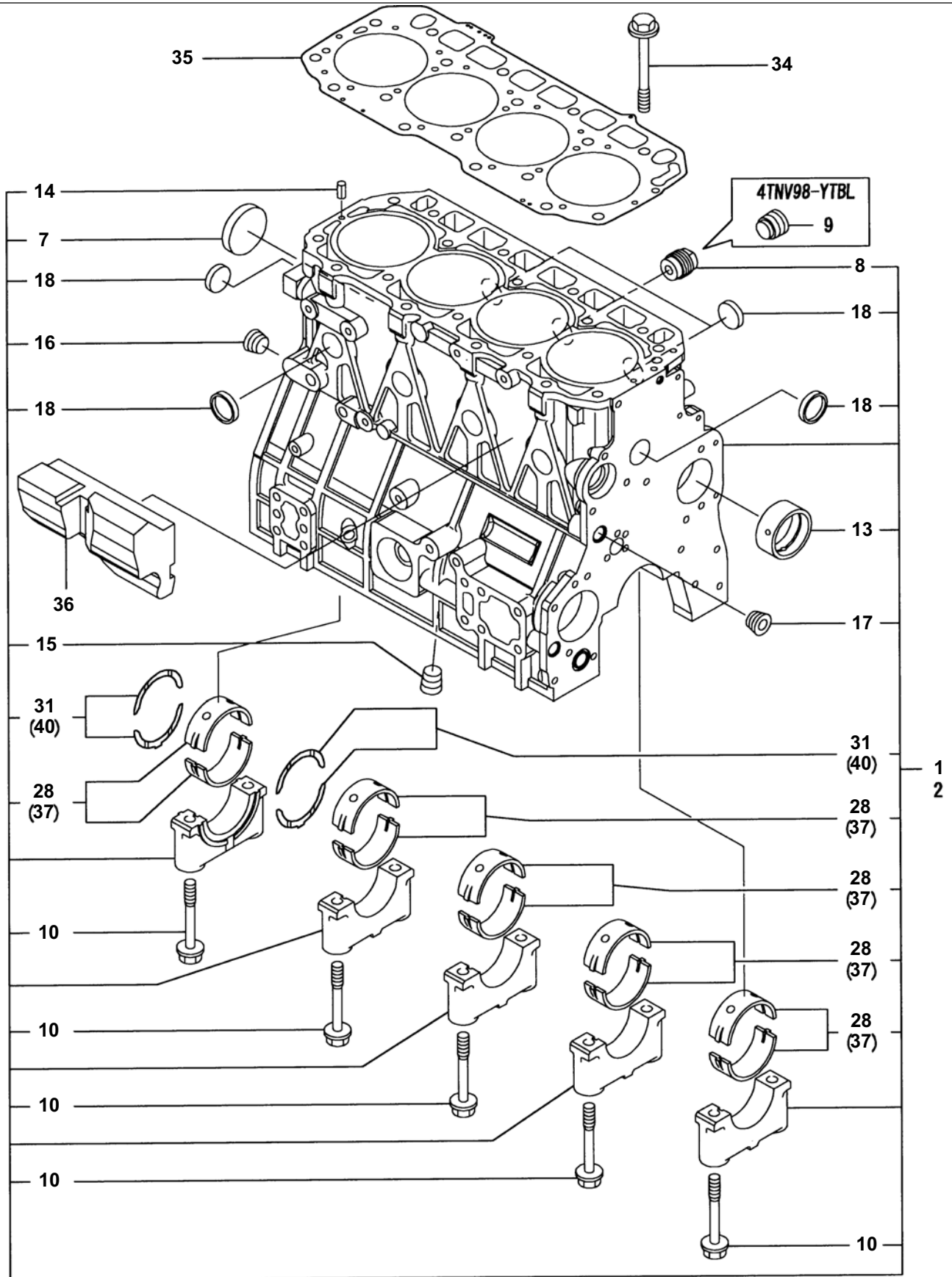
Note3) (A=E/#00185) means that the design change on the part has been effective for the model at the column (A)(in this case, for 4JH- DT) on and from E/#(Engine Serial Number) 00185.

⑥ Remarks Mark

Figures or alphabets (Symbols) are entered in the remark column.

The comments(remarks)on the pertinent parts are indicated in the lower part of the list by the same symbols as those stated above.

Engine for TB175 4TNV98-VTBZ CYLINDER BLOCK

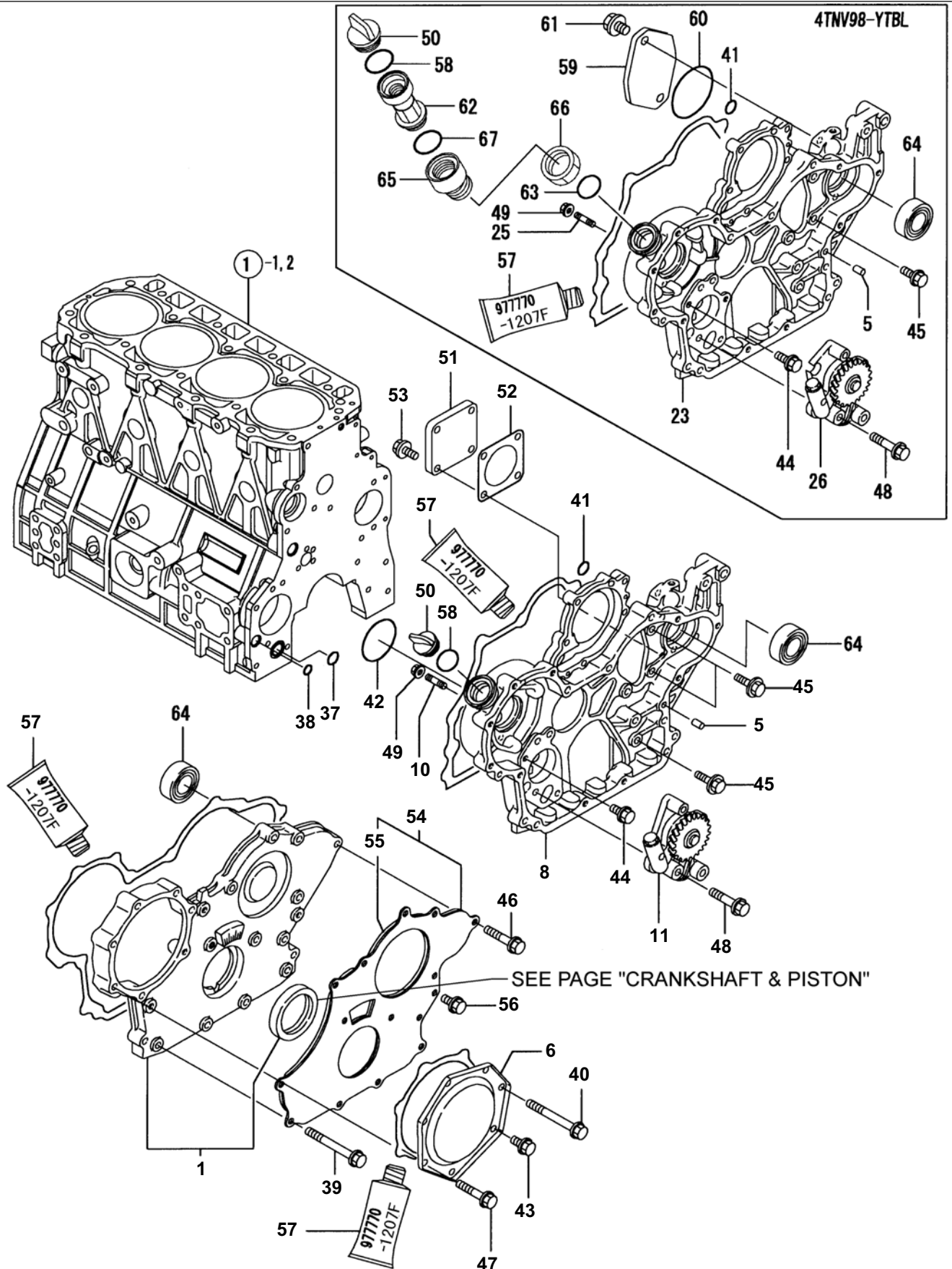


Y00D8020	001. CYLINDER BLOCK		
4TNV98-VTBZ, XTBW, YTBL	1:2003.11		PLUS

**Engine for TB175 4TNV98-VTBZ
CYLINDER BLOCK**

Item	Part No.	Description	Qty
1	729905-01560	BLOCK ASSY, CYLINDER	1
7	129900-01250	· PLUG 55	1
8	129953-01920	· JOINT	1
10	129900-02020	· BOLT, METAL CAP	10
13	129900-02410	· BUSH, CAMSHAFT	1
14	22351-060012	· SPRING PIN 6X12	2
15	23876-030000	· PLUG PT3/8,SCREW	1
16	23876-030000	· PLUG PT3/8,SCREW	1
17	23876-030000	· PLUG PT3/8,SCREW	1
18	27241-300000	· PLUG, 30	8
28	729900-02800	· MAIN BEARING SET	5
31	129900-02930	· BEARING ASSY, THRUST	2
34	129900-01200	BOLT, HEAD	18
35	129907-01331	GASKET,CYLINDER HEAD	1
36	129907-01190	SPACER	1
37	129900-02340	MAIN BEARING US=0.25	5
40	129900-02940	BEARING,THRUST .25OS	2

Engine for TB175 4TNV98-VTBZ GEAR HOUSING

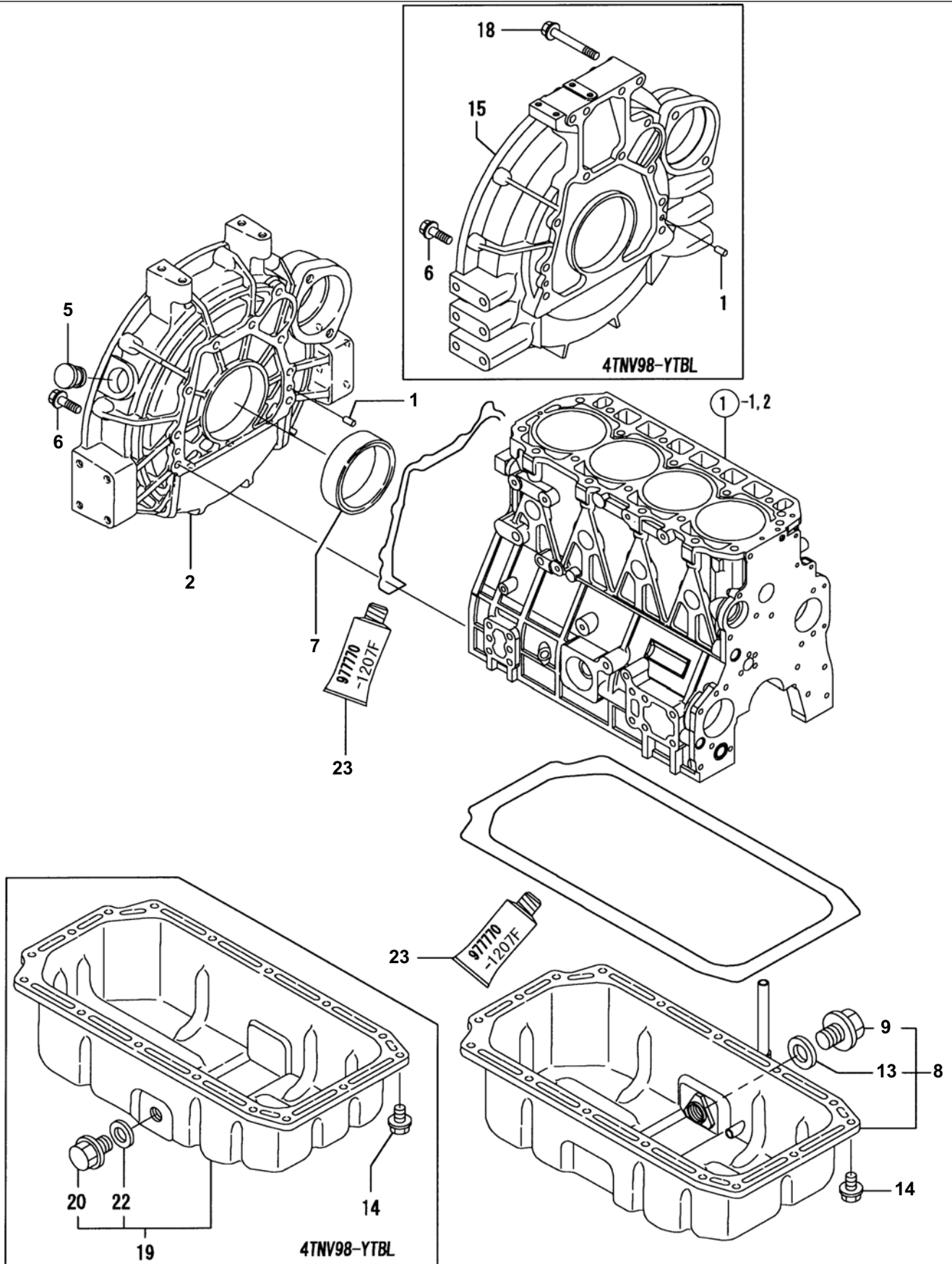


Y0008020	002. GEAR HOUSING			
4TNV98-VTBZ, XTBW, YTBL		1.2003.11		PLUS

**Engine for TB175 4TNV98-VTBZ
GEAR HOUSING**

Item	Part No.	Description	Qty
1	729907-01550	HOUSING ASSY,COVER,G	1
5	129100-01580	PARALLEL PIN 8X16	4
6	129900-01740	COVER, F.I. PUMP	1
8	129907-01500	HOUSING,GEARS	1
10	26216-100302	STUD BOLT	4
11	129900-32001	PUMP ASSY, LUB.OIL	1
37	129900-32030	O-RING P20	1
38	129900-32040	O-RING P14	1
39	129001-91810	BOLT M 8X 70 PLATED	6
40	129001-91810	BOLT M 8X 70 PLATED	1
41	24311-000070	O-RING 1A P-7.0	1
42	24351-030750	PACKING, 3075	1
43	26106-080162	BOLT M 8X 16 PLATED	1
44	26106-080162	BOLT M 8X 16 PLATED	1
45	26106-080202	BOLT M 8X 20 PLATED	3
46	26106-080402	BOLT M 8X 40 PLATED	5
47	26106-080402	BOLT M 8X 40 PLATED	5
48	26106-080452	BOLT M 8X 45 PLATED	3
49	26306-100002	NUT	4
50	124160-01751	COVER,FILLER	1
51	124240-01871	COVER, HO-P	1
52	124240-01883	GASKET, (NON-ASB.)	1
53	26106-080162	BOLT M 8X 16 PLATED	4
54	129900-01850	COVER ASSY	1
55	129900-01870	· SPONGE	1
56	26106-080162	BOLT M 8X 16 PLATED	3
57	977770-1207F	GASKET, LIQUID	1
58	24311-000320	O-RING 1A P-32.0	1

Engine for TB175 4TNV98-VTBZ
FLYWHEEL HOUSING & OIL SUMP

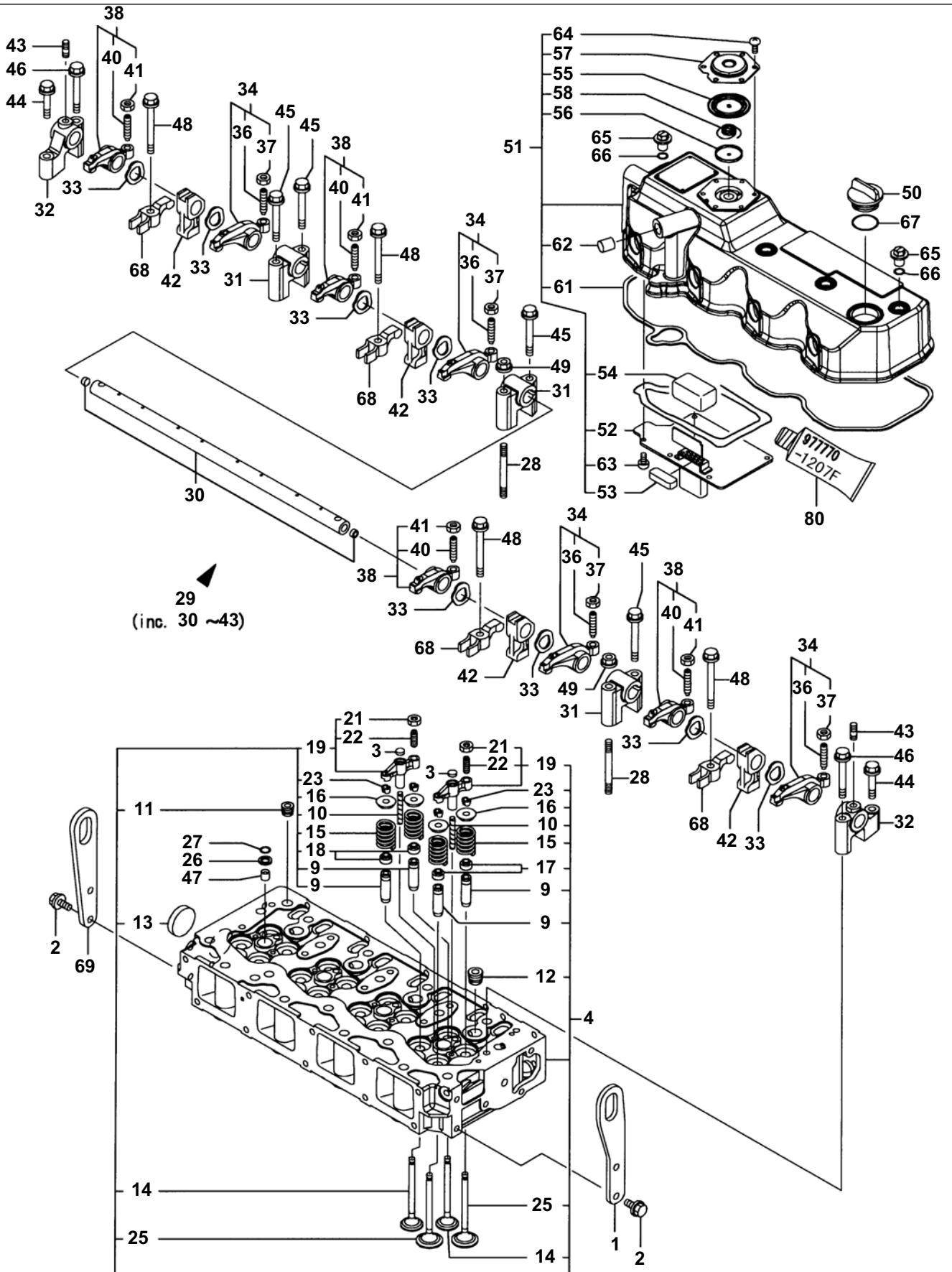


Y00D8020	003. FLYWHEEL HOUSING & OIL SUMP		
4TNV98-VTBZ, XTBW, YTBL	1-2003.11		PLUS

**Engine for TB175 4TNV98-VTBZ
FLYWHEEL HOUSING & OIL SUMP**

Item	Part No.	Description	Qty
1	129100-01580	PARALLEL PIN 8X16	2
2	129951-01620	HOUSING, FLYWHEEL	1
5	119000-01840	PLUG 25,RUBBER	1
6	26206-100352	BOLT M10X 35 PLATED	9
7	124411-01780	SEAL HTC95,115,12	1
8	129953-01730	PAN ASSY, LUB. OIL	1
9	119640-01640	· DRAIN PLUG M22	1
13	22190-220002	· SEAL WASHER 22S	1
14	26106-080122	BOLT M 8X 12 PLATED	16
23	977770-1207F	GASKET, LIQUID	1

Engine for TB175 4TNV98-VTBZ CYLINDER HEAD & BONNET

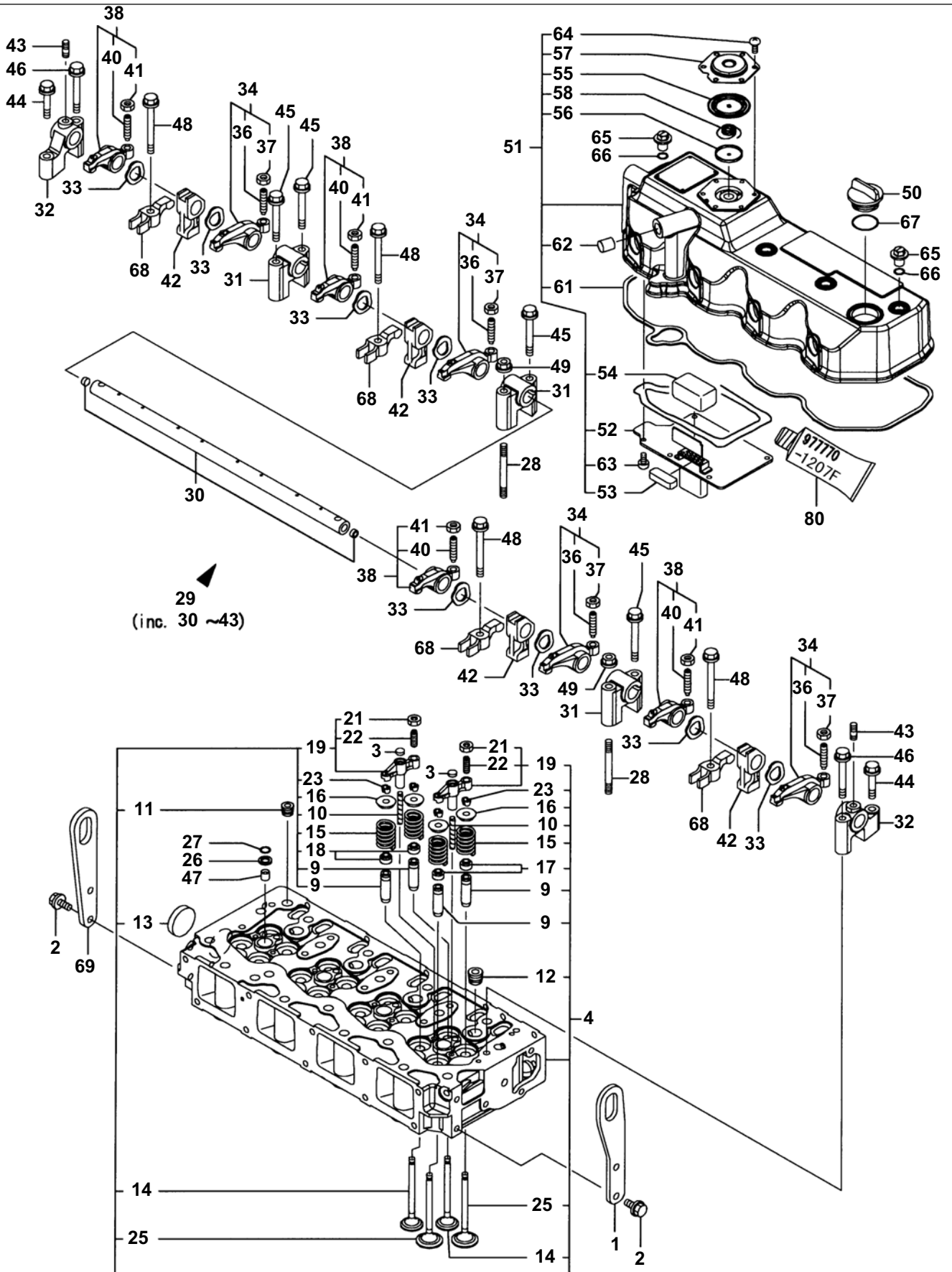


Y00D8020	004. CYLINDER HEAD & BONNET	1.2003.11	PLUS
4TNV98-VTBZ, XTBR, YTBZ			

**Engine for TB175 4TNV98-VTBZ
CYLINDER HEAD & BONNET**

Item	Part No.	Description	Qty
1	129907-07900	LIFTER, ENGINE	1
2	26106-080162	BOLT M 8X 16 PLATED	4
3	123907-11550	SEAT A,VALVE BRIDGE	8
4	129907-11700	HEAD ASSY, CYLINDER	1
9	129907-11800	· GUIDE, VALVE	16
10	123907-11820	· GUIDE,VALVE BRIDGE	8
11	23876-020000	· PLUG 1/4	1
12	23876-030000	· PLUG PT3/8,SCREW	4
13	27241-400000	· PLUG 40	1
14	129907-11110	· VALVE(EXH	8
15	129907-11120	· VALVE SPRING	16
16	119620-11180	· RETAINER, SPRING	16
17	124160-11340	· SEAL, VALVE STEM	8
18	124950-11340	· SEAL, VALVE STEM	8
19	129907-11510	· BRIDGE ASSY,VALVE	8
21	129150-11750	· · NUT M8XP1.0	8
22	123907-11830	· · SCRWE,VALVE BRIDGE	8
23	27310-070001	· COTTER ASSY	16
25	129907-11100	· VALVE(INT	8
26	119625-11880	SEAT, NOZZLE	4
27	24311-000120	O-RING 1A P 12.0	4
28	119593-11301	BOLT 8X80	2
29	129907-11341	SUPPORT CMP	1
30	129907-11250	· SHAFT,ROCKER ARM	1
31	129907-11260	· SUPPORT A	3
32	129907-11270	· SUPPORT B	2
33	123907-11280	· WAVE WASHER	8
34	129907-11650	· ARM ASSY, ROCKER	4
36	129150-11230	· · SCREW, VALVE	4
37	129150-11750	· · NUT M8XP1.0	4
38	129907-11660	· ARM ASSY, ROCKER	4
40	129150-11230	· · SCREW, VALVE	4
41	129150-11750	· · NUT M8XP1.0	4
42	129907-11920	· PEDESTAL,RETAINER	4
43	26226-080222	· STUD M 8X 22 PLATED	2
44	26106-080402	BOLT M 8X 40 PLATED	2
45	26106-080602	BOLT M 8X 60 PLATED	4
46	26106-080602	BOLT M 8X 60 PLATED	2
47	119802-11870	PROTECTOR, NOZZLE	4
48	129907-11950	FLANGE BOLT,RETAINER	4
49	26306-080002	NUT	2
50	124160-01751	COVER,FILLER	1
51	129907-11320	BONNET ASSY	1
52	129907-03010	· BAFFLE PLATE	1
53	129907-03060	· BAFFLE	1
54	129907-03070	· BAFFLE	1
55	123907-03100	· DIAPHRAGM,BREATHER	1
56	123907-03110	· CENTER PLATE	1
57	123907-03120	· PLATE,BREATHER	1
58	123907-03140	· SPRING, DIAPHRAGM	1
61	129907-11310	· PACKING,BONNET	1
62	119640-61400	· PLUG	1
63	22857-500100	· SCREW 5X10,TAPPING	6
64	22857-500100	· SCREW 5X10,TAPPING	6
65	124160-11360	KNOB	4
66	24311-000120	O-RING 1A P 12.0	4
67	24311-000320	O-RING 1A P-32.0	1
68	129907-11910	RETAINER,F.I.VALVE	4
69	129910-07900	LIFTER, ENGINE	1

Engine for TB175 4TNV98-VTBZ CYLINDER HEAD & BONNET



Y00D8020	004. CYLINDER HEAD & BONNET		
4TNV98-VTBZ, XTBR, YTBZ	1.2003.11		PLUS

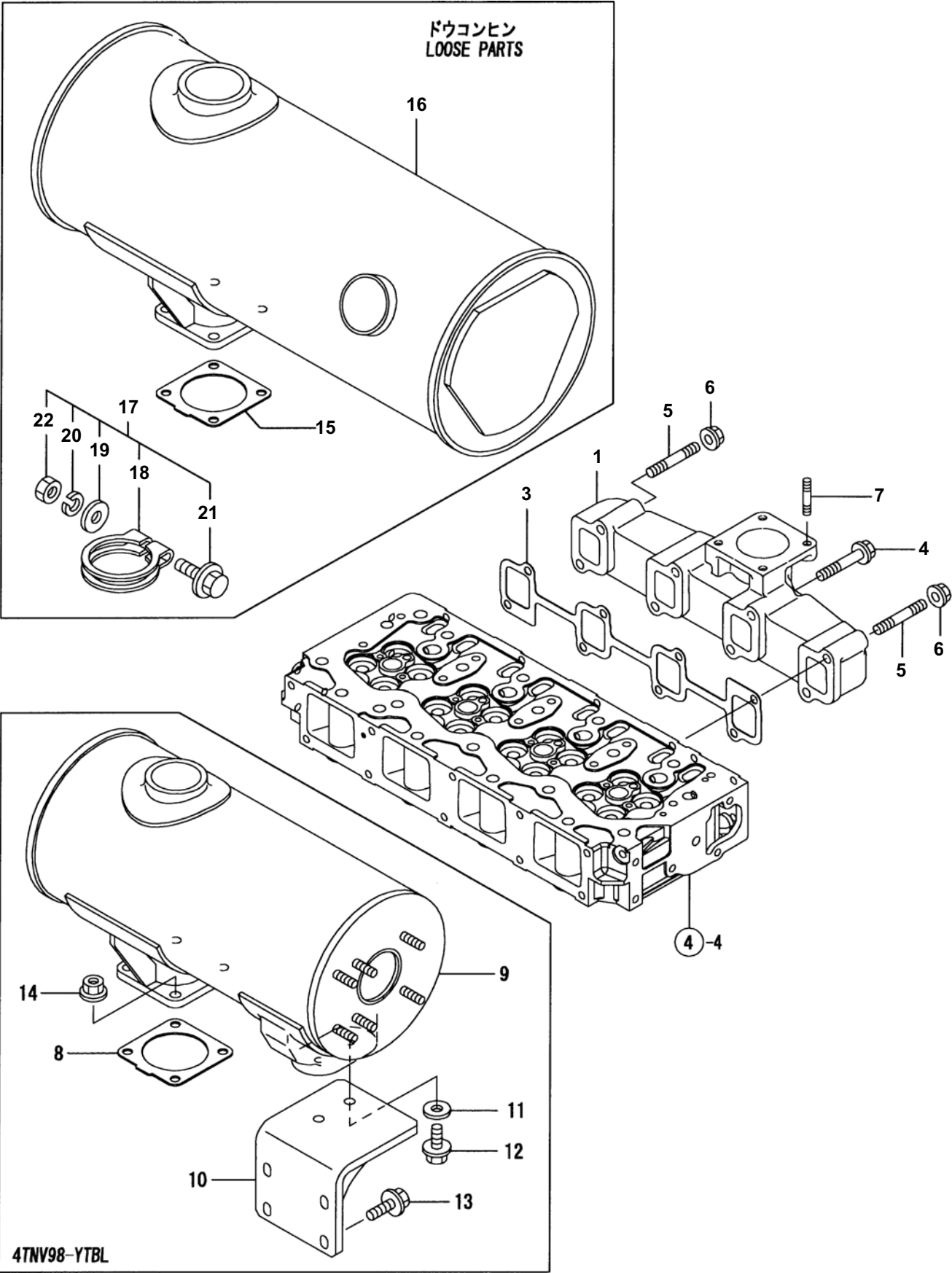
**Engine for TB175 4TNV98-VTBZ
CYLINDER HEAD & BONNET**

Item	Part No.	Description	Qty
80	977770-1207F	GASKET, LIQUID	1

Engine for TB175 4TNV98-VTBZ
SUCTION MANIFOLD & AIR CLEANER

Item	Part No.	Description	Qty
1	129907-12100	MANIFOLD,AIR INTAKE	1
2	129907-12110	PACKING(INT.MANIFOLD	1
3	26106-080552	BOLT M 8X 55 PLATED	9
4	26106-080852	BOLT M 8X 85 PLATED	1
5	121850-77021	GASKET, (NON-ASB.)	1
6	129953-77050	HEATER, AIR	1
8	26106-080352	BOLT M 8X 35 PLATED	4
9	129953-12210	PIPE, AIR INTAKE	1
10	129953-12250	PIPE, AIR INTAKE	1
11	129953-12502	CLEANER ASSY, AIR	1
12	129953-12570	· BODY, AIR CLEANER	1
13	119005-12571	· ELEMENT ASSY,INNER	1
14	129062-12560	· ELEMENT	1
15	129900-12530	· COVER ASSY	1
16	119808-12540	· VALVE, UNLOADER	1
17	129418-12540	· RING	1
18	129953-12610	· INDICATOR ASSY(LOWER	1
21	129418-12530	· MARK	2
22	129612-12650	· MARKING,(W)	1
23	23000-080000	CLAMP 80	3
24	26106-080162	BOLT M 8X 16 PLATED	2

Engine for TB175 4TNV98-VTBZ
EXHAUST MANIFOLD & SILENCER

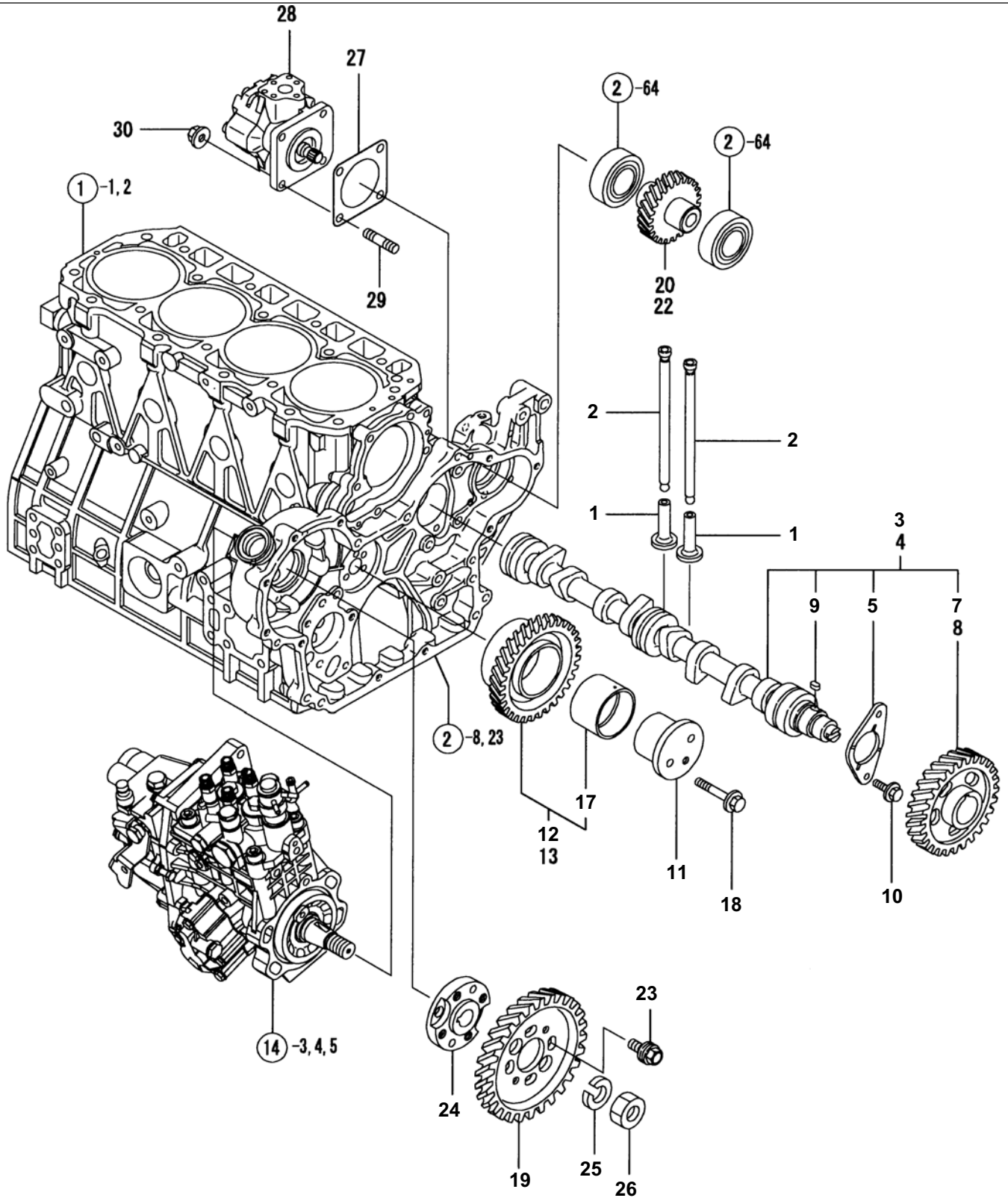


Y00D8020	006. EXHAUST MANIFOLD & SILENCER		
4TNV98-VTBZ, XTBL, YTBL	1.2003.11		PLUS

**Engine for TB175 4TNV98-VTBZ
EXHAUST MANIFOLD & SILENCER**

Item	Part No.	Description	Qty
1	129900-13200	MANIFOLD, EXHAUST	1
3	129900-13251	GASKET	1
4	123900-13630	BOLT 8X80	6
5	123900-13610	STUD BOLT M 8X 80	2
6	26306-080002	NUT	2
7	119131-18320	BOLT M 8X 22	4
15	129930-13200	GASKET, SILENCER	2
16	129940-13500	SILENCER	1
17	129640-13590	CLAMP ASSY, SILENCER	1
18	129640-13580	· CLAMP	1
19	22117-100000	· WASHER 10	1
20	22217-100000	· SPRING WASHER 10	1
21	26106-100652	· BOLT M10X 65 PLATED	1
22	26706-100002	· NUT M10	1

Engine for TB175 4TNV98-VTBZ CAMSHAFT & DRIVING GEAR

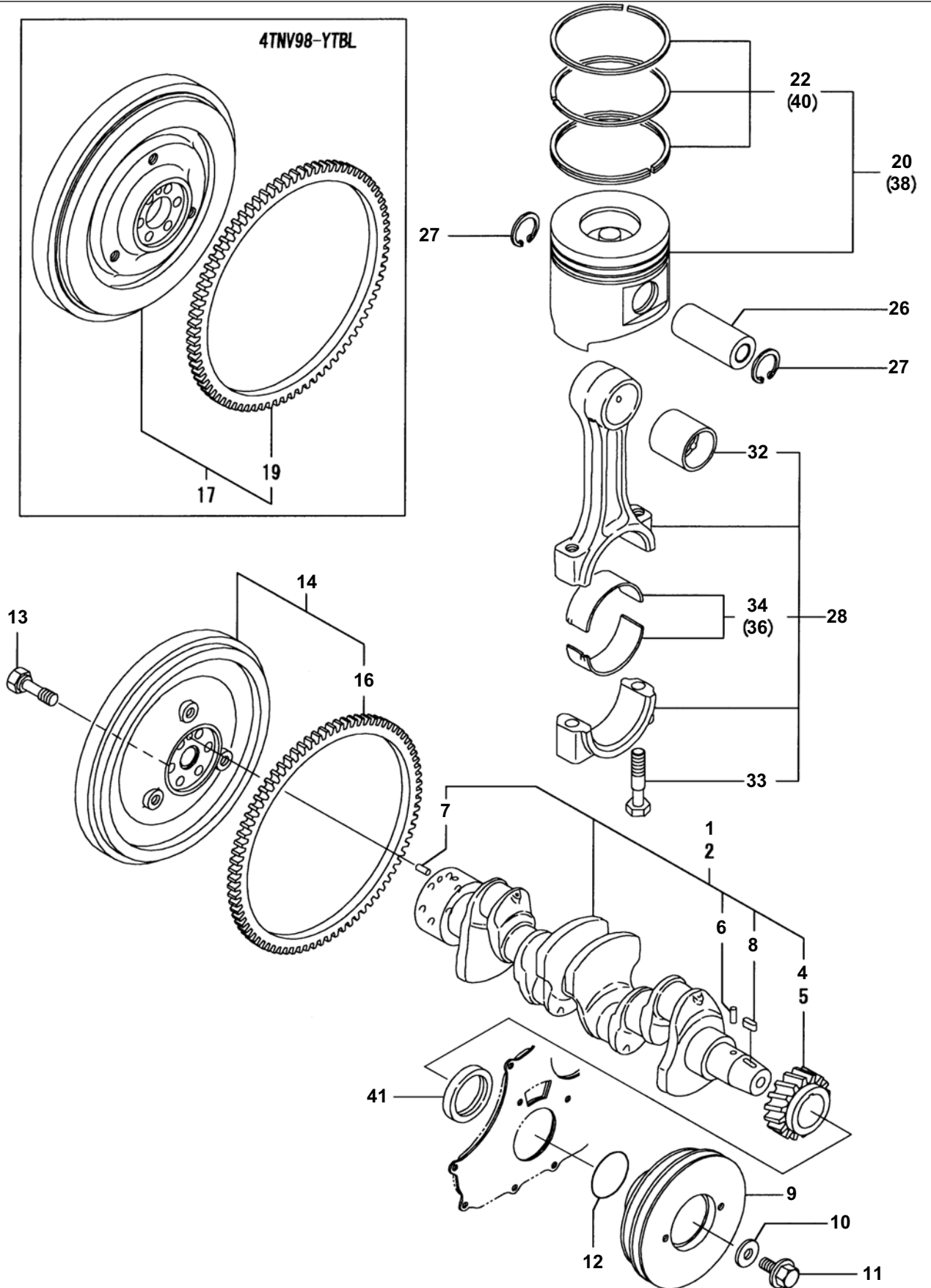


Y00D8020	007. CAMSHAFT & DRIVING GEAR		
4TNV98-VTBZ, XTBW, YTBZ	1.2003.11		PLUS

**Engine for TB175 4TNV98-VTBZ
CAMSHAFT & DRIVING GEAR**

Item	Part No.	Description	Qty
1	129150-14200	TAPPET	8
2	129907-14400	PUSH ROD	8
3	129907-14581	CAMSHFT ASSY	1
5	129150-02450	· METAL,THRUST(CAM	1
7	129900-14100	· GEAR, CAMSHAFT	1
9	22512-070140	· KEY 7X 14	1
10	26106-080162	BOLT M 8X 16 PLATED	2
11	123900-25060	SHAFT(GEAR,IDLE	1
12	129900-25100	GEAR ASSY, IDLE	1
17	129150-25920	· BUSH, IDLE GEAR	1
18	26106-080552	BOLT M 8X 55 PLATED	3
19	123907-25909	GEAR,F.I.PUMP	1
23	129953-25300	BOLT	4
24	158563-51150	FLANGE	1
25	22217-180000	SPRING WASHER 18	1
26	26776-180002	NUT M18,LOCK	1

Engine for TB175 4TNV98-VTBZ CRANKSHAFT & PISTON

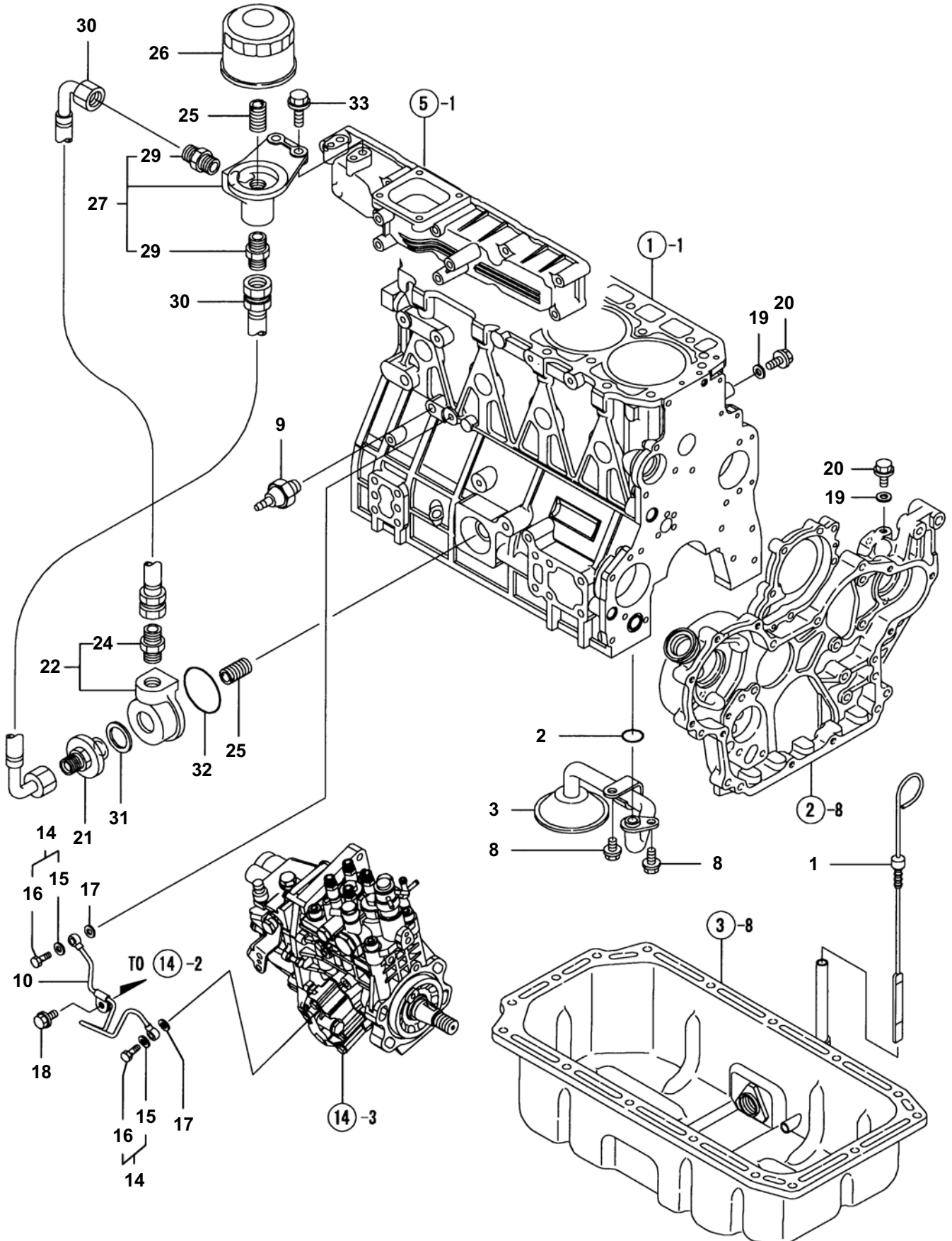


Y00D8020	008. CRANKSHAFT & PISTON	
4TNV98-VTBZ, XTBW, YTBL	1:2003.11	PLUS

**Engine for TB175 4TNV98-VTBZ
CRANKSHAFT & PISTON**

Item	Part No.	Description	Qty
1	129902-21000	CRANKSHAFT COMP	1
4	129900-21200	· GEAR, CRANKSHAFT	1
6	121850-21290	· PARALLEL PIN	1
7	121850-21920	· PARALLEL PIN 10X22	1
8	22512-070140	· KEY 7X 14	1
9	129916-21650	V-PULLEY, CRANKSHAFT	1
	129916-21680	V-PULLEY, CRANKSHAFT	1
10	129960-21640	WASHER	1
11	121850-21680	BOLT, V-PULLEY	1
	129916-21610	BOLT, V-PULLEY 35MM	1
12	24341-000530	O-RING 1A S-53.0	1
13	121850-21130	BOLT, FLYWHEEL	6
14	129902-21580	FLYWHEEL ASSY	1
16	127410-21480	· RING GEAR Z=129	1
20	129907-22090	PISTON W/RING	4
22	129907-22050	· RING SET, PISTON	4
26	120130-22301	PIN, PISTON	4
27	22252-000300	CIRCLIP 30	8
28	129900-23000	ROD ASSY, CONNECTING	4
32	129900-23910	· BUSH, PISTON PIN	4
33	129900-23200	· BOLT, ROD	8
34	129900-23600	· METAL ASSY, CRANKPIN	4
36	129900-23610	BEARING,PIN U.S=0.25	4
38	729907-22910	PISTON W/RING O.S=25	4
40	729907-22950	· RING SET O.S=0.25	4
41	129900-01780	SEAL, OIL (SINGLE STRIP)	1
	129916-01800	SEAL, OIL (DOUBLE STRIP)	1

Engine for TB175 4TNV98-VTBZ LUB.OIL SYSTEM



Y00D8020	009. LUB. OIL SYSTEM		
4TNV98-VTBZ, XTBN, YTBZ	1-2003. 11		PLUS

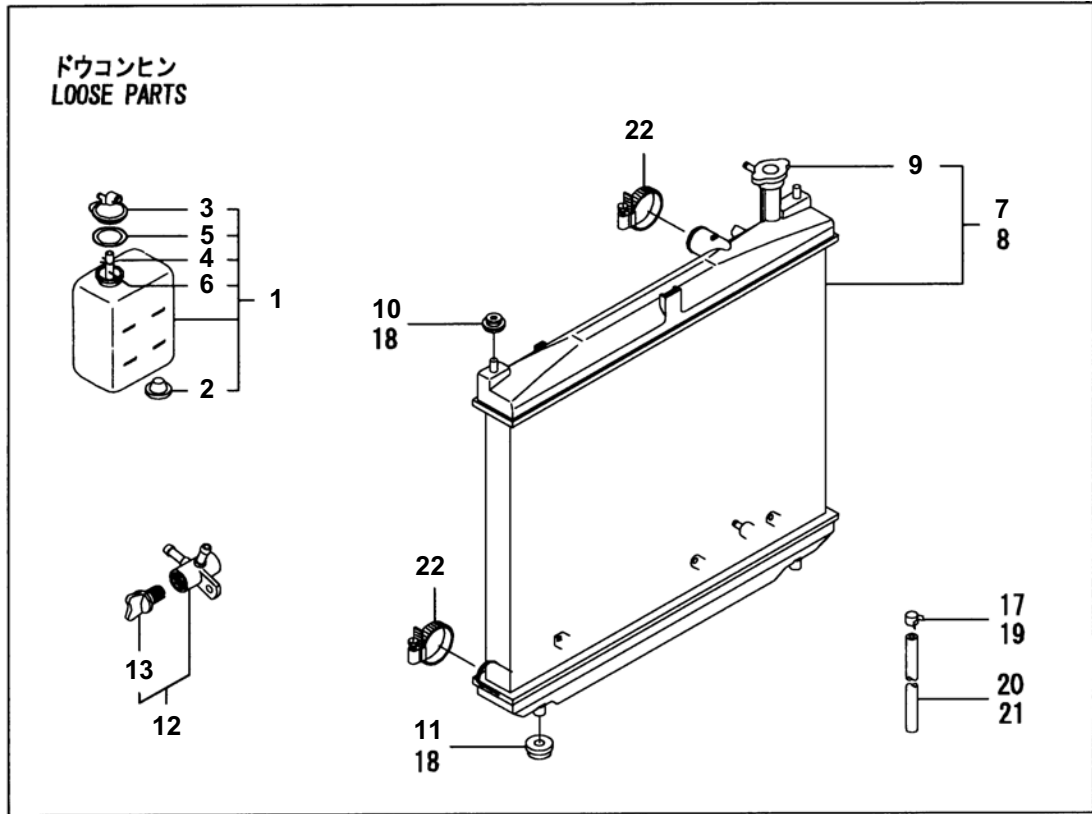
**Engine for TB175 4TNV98-VTBZ
LUB.OIL SYSTEM**

Item	Part No.	Description	Qty
1	119812-34800	DIPSTIC, LUB OIL	1
2	129900-32030	O-RING P20	1
3	129900-35000	PIPE ASSY, LUB. OIL	1
8	26106-080122	BOLT M 8X 12 PLATED	2
9	114250-39450	SWITCH,(0.5KG)L.O.	1
10	129907-39061	PIPE ASSY, LUB. OIL	1
14	129005-59830	BOLT ASSY, JOINT	2
15	22190-080002	· SEAL WASHER 8S	2
16	23857-030000	· JOINT BOLT 3	2
17	22190-080002	SEAL WASHER 8S	2
18	26106-080122	BOLT M 8X 12 PLATED	1
19	22190-080002	SEAL WASHER 8S	2
20	26106-080122	BOLT M 8X 12 PLATED	2
21	129953-35110	COVER	1
22	129953-35121	CASE ASSY	1
24	129953-39500	· ADAPTER	1
25	119000-35140	STUD, LUB.OIL FILTER	2
26	129150-35152	FILTER 80X80L	1
27	129953-35210	BRACKET,LO FILTER CMP	1
29	129953-39500	· ADAPTER	2
30	129953-39100	PIPE, LUB.OIL	2
31	22190-300002	SEAL WASHER 30S	1
32	24321-000600	O-RING 1A G-60.0	1
33	26106-100252	BOLT M10X 25 PLATED	2

**Engine for TB175 4TNV98-VTBZ
COOLING WATER SYSTEM**

Item	Part No.	Description	Qty
1	129907-42000	PUMP ASSY, WATER	1
11	129900-42020	GASKET, CW-P	1
12	26106-060302	BOLT M 6X 30 PLATED	2
13	26106-080552	BOLT M 8X 55 PLATED	5
14	129900-42461	PULLEY	1
	129900-42450	PULLEY 130	1
(A=machine serial No. 17514412-17516181)			
14	129930-42450	PULLEY 120	1
(A=machine serial No. 17516182-)			
15	129940-42310	V-BELT A44	1
	129953-42290	V-BELT A45	1
(A=machine serial No. 17514412-17516181)			
15	129940-42310	V-BELT A44	1
(A=machine serial No. 17516182-)			
17	129981-44740	FAN, COOLING	1
19	119117-44760	SPACER	1
	129900-44760	SPACER 70L	1
(A=machine serial No. 17514412-)			
21	129916-44770	BOLT M8X78 PLATED	4
23	129946-49810	CASE ASSY,THERMOSTAT	1
24	129916-49530	· COVER, THERMOSTAT	1
25	121850-49540	· GASKET, THERMOSTAT	1
26	121850-49550	· GASKET, THERMOSTAT	1
27	129907-49730	· PIPE ASSY, INJECTION	1
28	121850-49800	· THERMOSTAT	1
30	105582-59150	· BOLT, PIPE JOINT	1
31	23387-040800	· JOINT 4- 8	1
32	23414-080000	· GASKET 8, ROUND	2
33	23875-030000	· PLUG PT3/8,STEEL	2
34	26106-060122	· BOLT M 6X 12 PLATED	2
35	26106-060202	· BOLT M 6X 20 PLATED	4
36	129900-49870	GASKET, CASE	1
37	23414-080000	GASKET 8, ROUND	1
38	26106-080122	BOLT M 8X 12 PLATED	1
39	26106-080602	BOLT M 8X 60 PLATED	3
40	121250-44901	SWITCH, THERMO(110βC	1
41	124465-44950	GASKET 16	1
42	124465-44950	GASKET 16	1
43	129907-49610	HOSE A ASSY,WATER	1
44	129907-49710	· PIPE A,COOLING WATER	1
45	129907-49750	· PROTECTOR, PIPE 10.7	1
46	124722-59050	· CLAMP 9	2
47	129907-49620	HOSE B ASSY,WATER	1
48	129907-49720	· PIPE B,COOLING WATER	1
49	124722-59050	· CLAMP 9	2
50	129107-44901	SENSOR,HOT WATER	1
51	171056-49351	SENSER	1
53	129150-49360	GASKET 10	1
54	121550-49111	JOINT PT1/4	1

Engine for TB175 4TNV98-VTBZ
RADIATOR

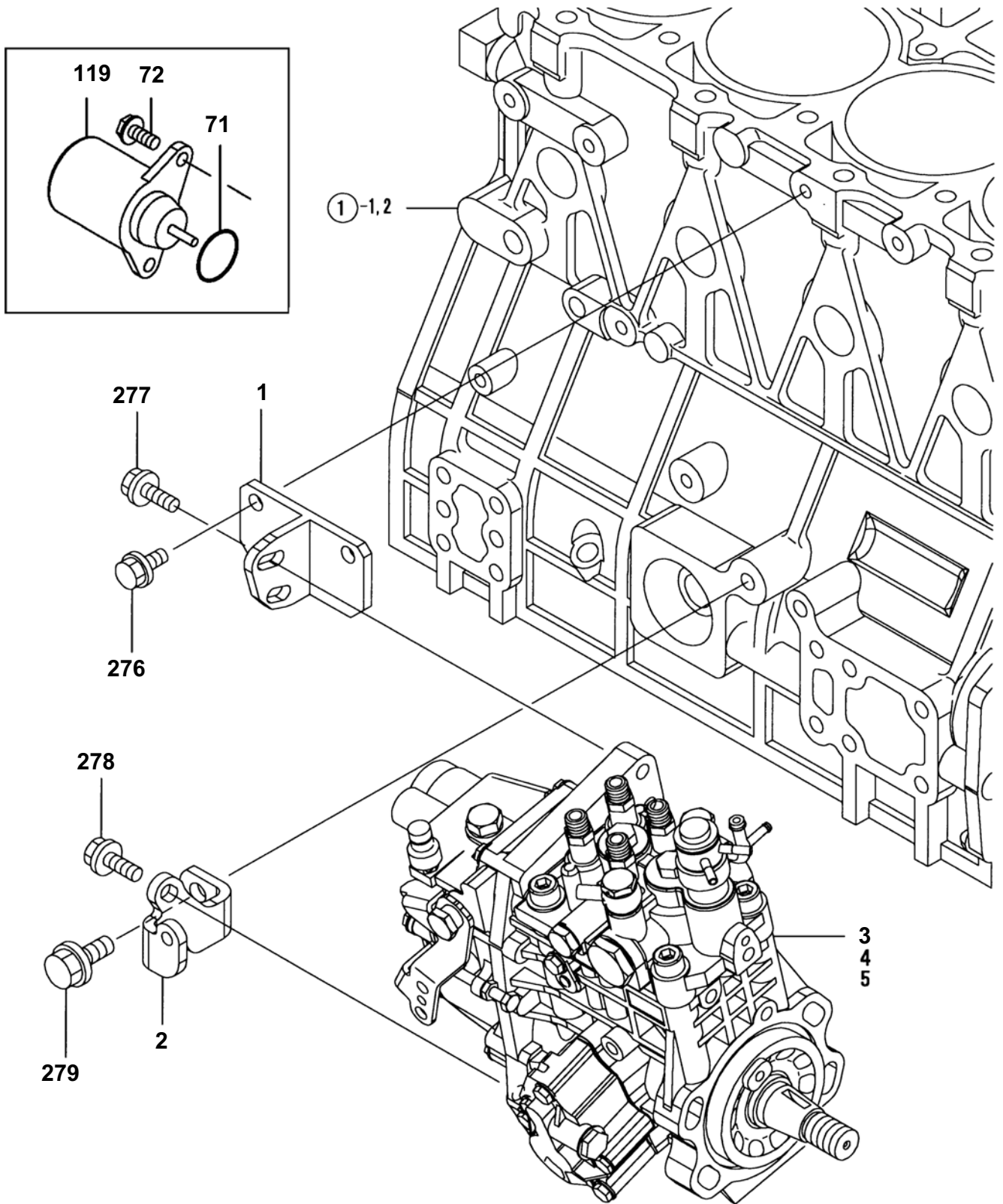


Y00D8020	013. RADIATOR			
4TNV98-VTBZ, XTBL, YTBL		1-2003. 11		PLUS

**Engine for TB175 4TNV98-VTBZ
RADIATOR**

Item	Part No.	Description	Qty
1	129466-44510	SUBTANK	1
2	121468-44540	· PLUG, SUB-TANK	1
3	121450-44531	· CAP	1
4	124450-44560	· CLAMP	1
5	121470-44581	· GASKET	1
6	121267-44590	· PIPE	1
7	129940-44521	RADIATOR ASSY	1
9	129107-44590	· CAP, RADIATOR	1
10	184016-44700	RUBBER, CUSHION UP	2
11	184016-44710	RUBBER, CUSHION LW	2
12	129150-49100	COCK ASSY, 3-WAY	1
13	129150-49080	· COCK, DRAIN	1
22	23000-054000	CLAMP 54	4

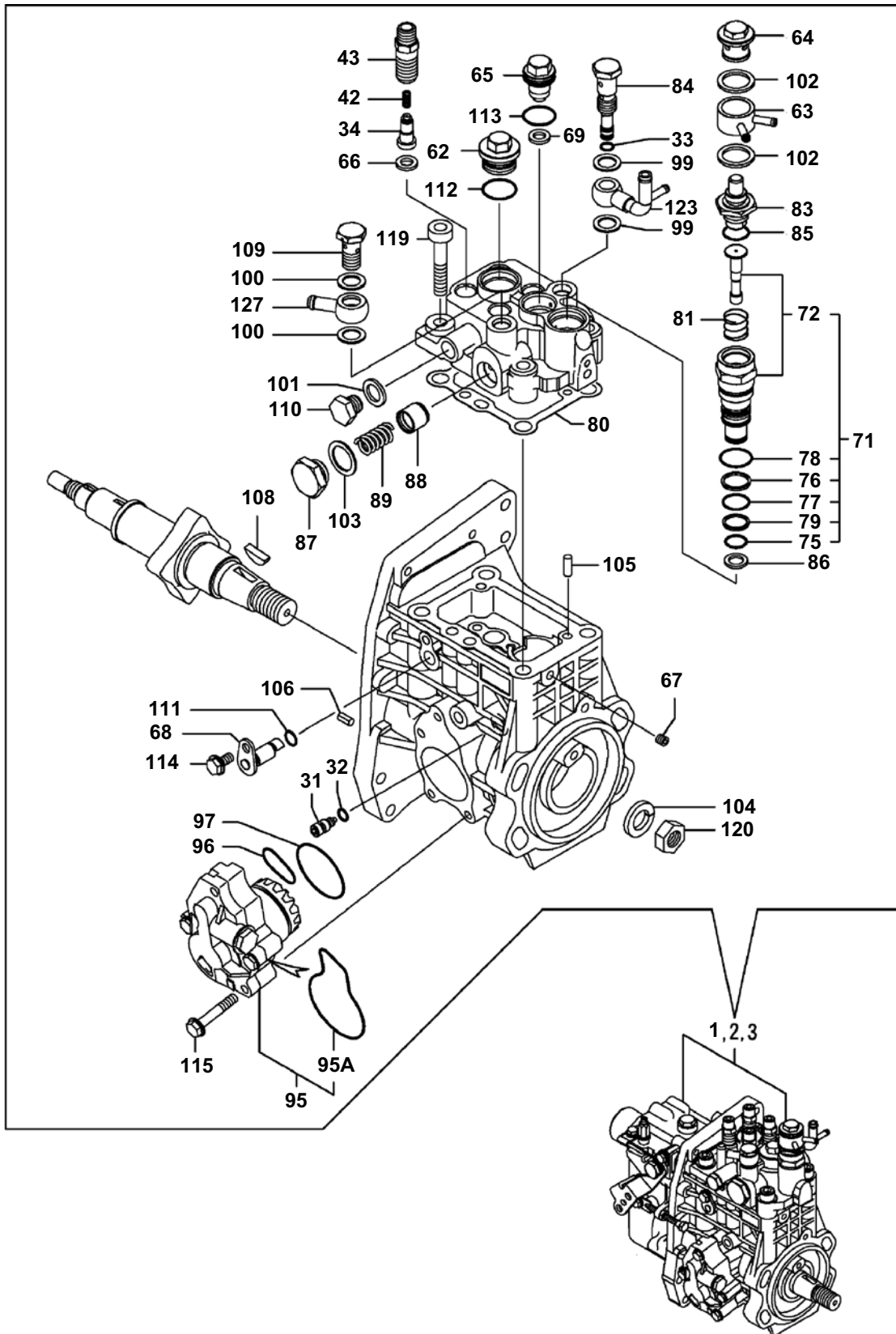
Engine for TB175 4TNV98-VTBZ
FUEL INJECTION PUMP



Y00B020	014. FUEL INJECTION PUMP			
4TNV98-VTBZ, XTBW, YTBZ		1:2003.11		PLUS

**Engine for TB175 4TNV98-VTBZ
FUEL INJECTION PUMP**

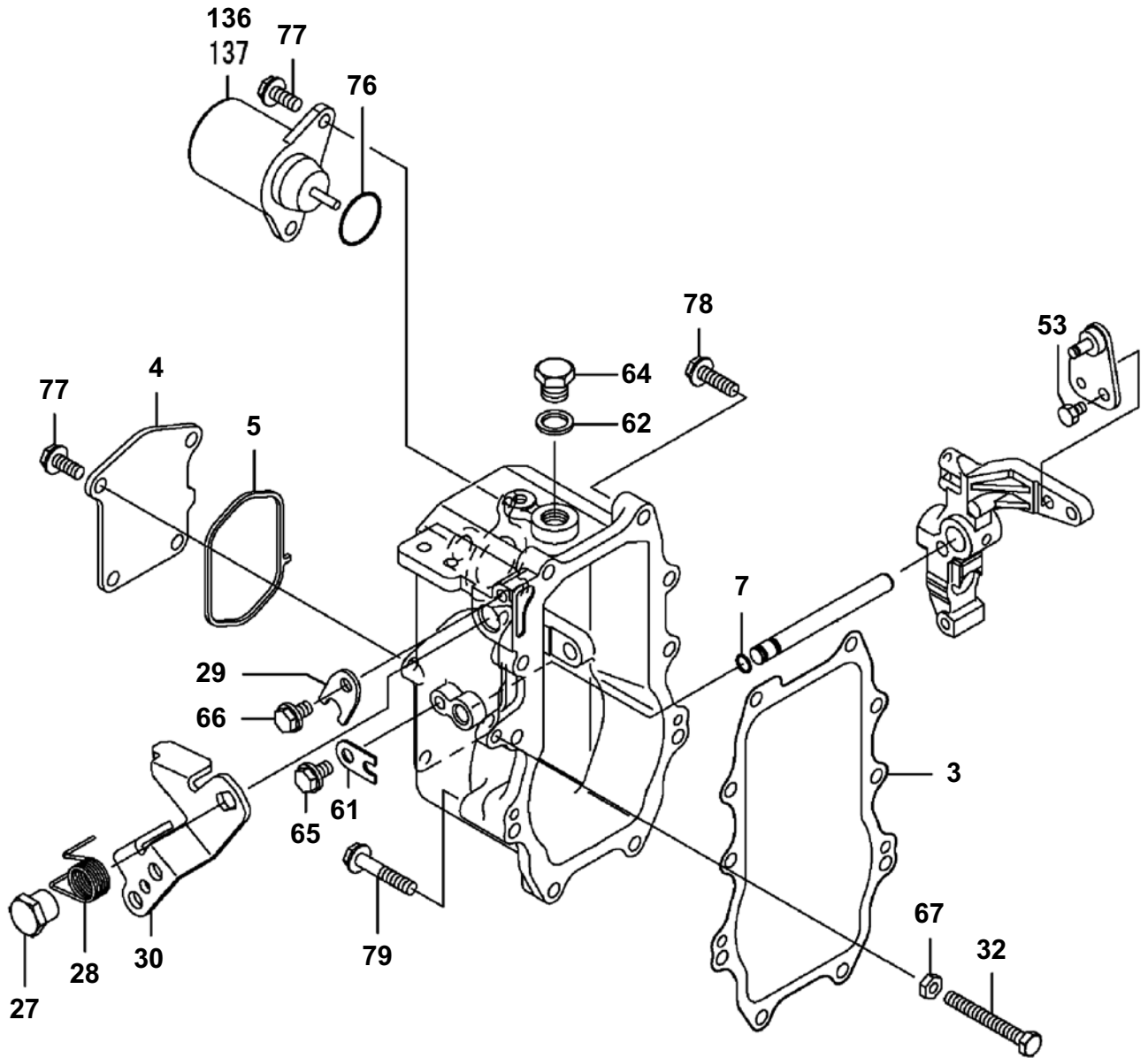
Item	Part No.	Description	Qty
1	129907-01950	RETAINER,MP4	1
2	129907-01960	RETAINER,MP4	1
3	729940-51350	PUMP ASSY, F.INJECT	1
71	24341-000280	O-RING 1A S 28.0	1
72	26106-060142	BOLT	2
119	129612-77930	SOLENOID, STOP	1
276	26106-080162	BOLT M 8X 16 PLATED	2
277	26106-080222	BOLT M 8X 22 PLATED	2
278	26106-080222	BOLT M 8X 22 PLATED	1
279	26106-100202	BOLT M10X 20 PLATED	1



Y0008020	014-1. FUEL INJECTION PUMP (INNER PARTS)		
4TNV98-VTBZ, XTBW, YTBX	1:2003.11		PLUS

Engine for TB175 4TNV98-VTBZ
FUEL INJECTION PUMP(INNER PARTS)

Item	Part No.	Description	Qty
1	729940-51350	PUMP ASSY, F.INJECT	1
31	158600-51270	STOPPER	1
32	158563-51281	O-RING	1
33	158563-51281	O-RING	1
34	158560-51300	VALVE ASSY, DILEVERY	4
42	158563-51330	SPRING	4
43	158560-51340	HOLDER,DELIVERY	4
62	158601-51550	PLUG	1
63	158553-51551	JOINT, COOLING WATER	1
64	158601-51570	PLUG,WATER PUMP	1
65	129906-51560	PLUG	1
66	158552-51570	PK(BARREL PLUG	4
67	158557-51570	PLUG	1
68	158552-51580	LIFTER	1
69	129906-51580	PACKING, PLUG	1
71	119802-51590	TIMER SET	1
72	119802-51600	· TIMER CMP	1
75	158553-51670	· O-RING, 1011	1
76	119802-51680	· BACKUP RING	1
77	119802-51690	· O RING	1
78	24356-010200	· O-RING	1
79	24372-000150	· BACKUP RING	1
80	158560-51600	PACKING, HEAD	1
81	158553-51630	SPRING,TIMER	1
83	158553-51640	ELEMENT, THERMO	1
84	158601-51650	JOINT	1
85	158553-51660	O-RING,P14	1
86	158553-51680	PACKING,TIMER	1
87	158601-51790	PLUG	1
88	158601-51770	PISTON	1
89	158552-51780	DAMPER ASSY	1
95	158552-52100	PUMP ASSY,FEED	1
95A	158552-52500	· O-RING(FEED P INNER	1
96	158552-52310	O-RING	1
97	158552-52400	O-RING 4E S42	1
99	22190-120002	SEAL WASHER 12	2
100	22190-120002	SEAL WASHER 12	2
101	22190-120002	SEAL WASHER 12	1
102	22190-180002	SEAL WASHER 18	2
103	22190-180002	SEAL WASHER 18	1
104	22217-180000	SPRING WASHER 18	1
105	22312-050140	PARALLEL PIN 5X14	2
106	22351-050010	SPRING PIN 5X10	2
108	144626-51090	KEY 5X19	1
109	23857-060000	JOINT BOLT 6,PIPE	1
110	23887-120002	PLUG M12,HEX.	1
111	24311-000070	O-RING 1A P-7.0	1
112	24356-010200	PACKING, 1020	1
113	24356-020210	PACKING, 2021	1
114	26106-060102	BOLT M 6X 10 PLATED	1
115	26106-060352	BOLT M 6X 35 PLATED	4
119	26450-100452	BOLT M10X 45	4
120	26776-180002	NUT M18,LOCK	1
123	158552-51670	· JOINT	1
127	129916-59020	· JOINT 12, PIPE	1

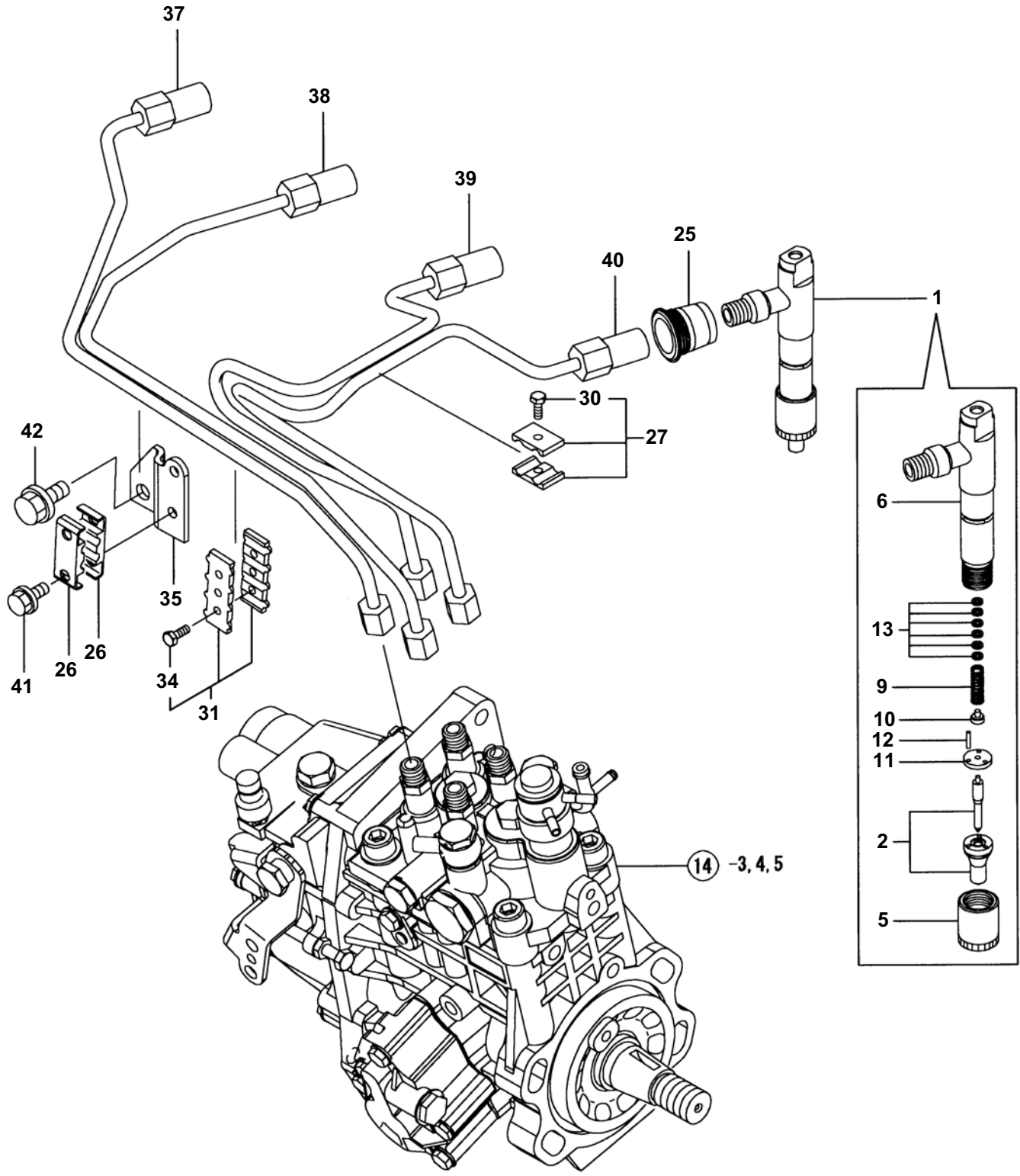


Y0008020	014-2. GOVERNOR (INNER PARTS)		
4TNV98-VTBZ, XTBW, YTBZ	1.2003.11		PLUS

**Engine for TB175 4TNV98-VTBZ
GOVERNOR(INNER PARTS)**

Item	Part No.	Description	Qty
3	158560-61050	PACKING, CASE	1
4	158560-61061	COVER, CASE	1
5	158560-61071	PACKING	1
7	129155-51280	· O-RING S6	1
27	129255-61410	· NUT	1
28	119807-61420	· SPRING	1
29	158560-61430	· RETAINER	1
30	158560-61441	· LEVER, REGULATOR	1
32	129155-61460	· BOLT, IDLE LIMIT	1
53	26116-060102	· BOLT M 6X 10 PLATED	1
61	119660-61901	· RETAINER, SHAFT	1
62	22190-120002	· SEAL WASHER 12	1
64	23887-120002	· PLUG M12,HEX.	1
65	26106-060102	· BOLT M 6X 10 PLATED	1
66	26106-060102	· BOLT M 6X 10 PLATED	1
67	26756-060002	· LOCK NUT 6	1
68	129908-61200	WEIGHT ASSY,GOVERNOR	1
76	24341-000280	O-RING 1A S-28.0	1
77	26106-060142	BOLT M 6X 14 PLATED	6
78	26106-060252	BOLT M 6X 25 PLATED	8
79	26106-060402	BOLT M 6X 40 PLATED	2
136	129612-77930	· SOLENOID, STOP	1

**Engine for TB175 4TNV98-VTBZ
FUEL INJECTION VALVE**



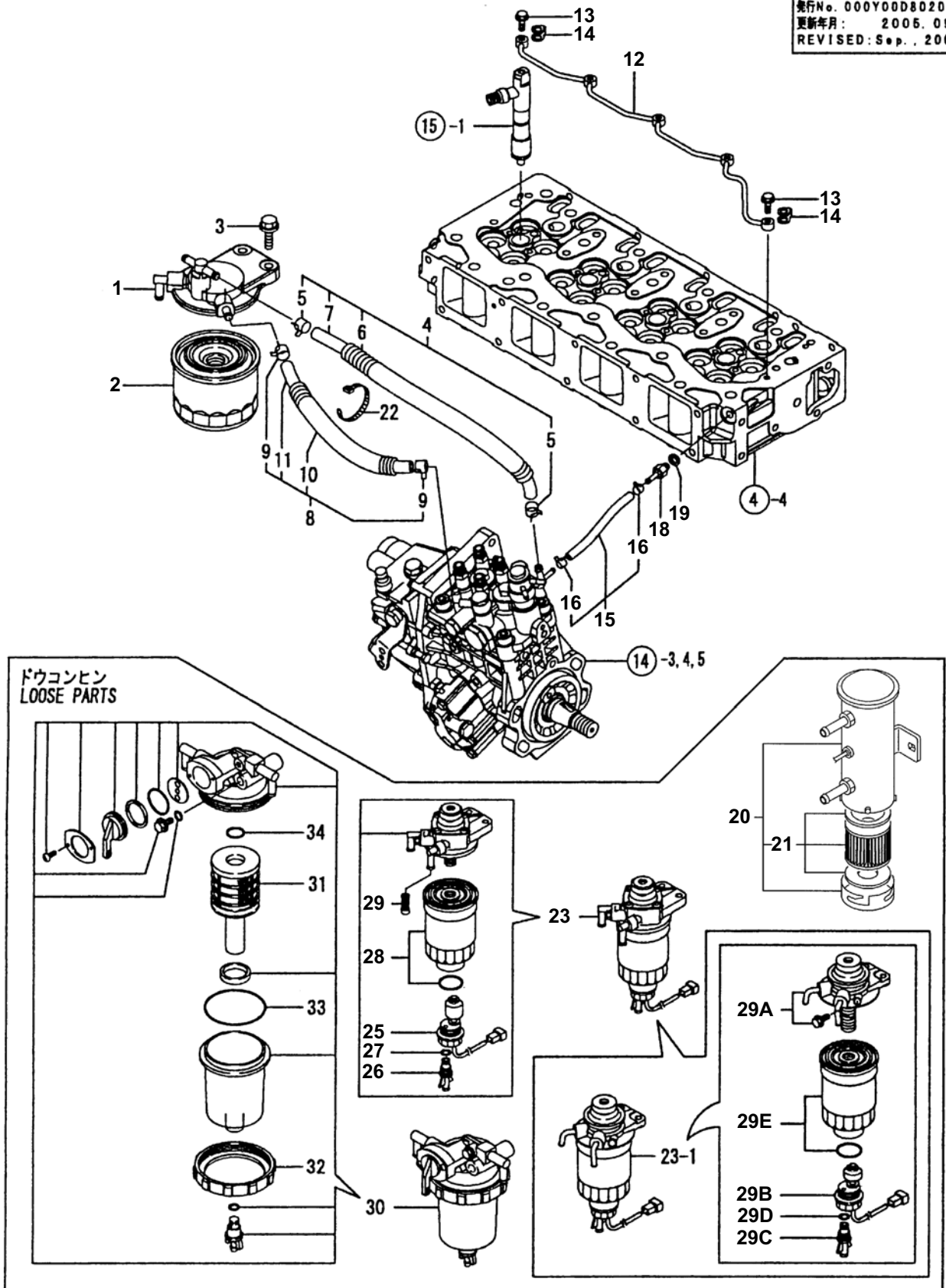
Y00D8020	015. FUEL INJECTION VALVE			
4TNV98-VTBZ, XTBW, YTBL		1:2003.11		PLUS

**Engine for TB175 4TNV98-VTBZ
FUEL INJECTION VALVE**

Item	Part No.	Description	Qty
1	729907-53100	VALVE ASSY, F.INJECT	4
2	129907-53000	· NOZZLE ASSY	4
5	114250-53080	· NUT, NOZZLE CASE	4
6	129907-53100	· HOLDER ASSY, NOZZLE	4
9	114250-53120	· SPRING, NOZZLE	4
10	114250-53130	· SEAT, NOZZLE SPRING	4
11	114250-53140	· PLATE, STOP	4
12	114250-53210	· PIN	8
13	114250-53400	· SHIM PACK	4
25	123907-11601	PIPE SEAL	4
26	122780-59100	RETAINER	2
27	119305-59120	RETAINER	1
30	129150-59131	· BOLT M4X14,HEX.SCKT.	1
31	129550-59120	RETAINER	1
34	129150-59131	· BOLT M4X14,HEX.SCKT.	2
35	129907-59710	PIPE ASSY, INJECTION	1
37	129907-59810	PIPE ASSY, INJECTION	1
38	129907-59820	PIPE ASSY, INJECTION	1
39	129907-59830	PIPE ASSY, INJECTION	1
40	129907-59840	PIPE ASSY, INJECTION	1
41	26106-060162	BOLT M 6X 16 PLATED	2
42	26106-080182	BOLT M 8X 18 PLATED	1

Engine for TB175 4TNV98-VTBZ FUEL LINE

発行No. 000Y00D8020-1
更新年月: 2006.09
REVISED: Sep., 2005

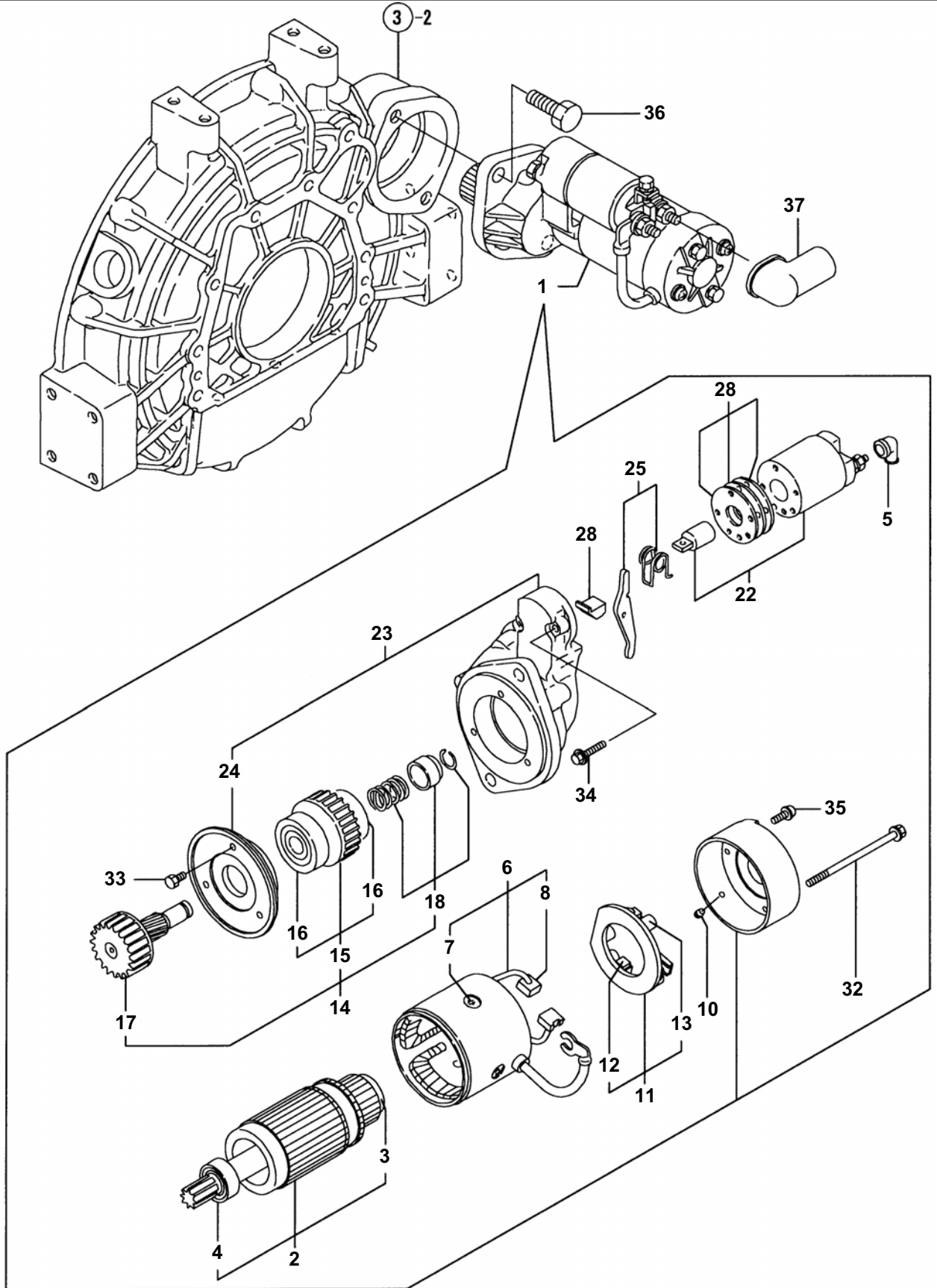


Y00D8020	016. FUEL LINE			
4TNV98-VTBZ, XTBW, YTBZ		1:2003.11		PLUS

**Engine for TB175 4TNV98-VTBZ
FUEL LINE**

Item	Part No.	Description	Qty
1	129004-55611	BRACKET, FILTER	1
2	119802-55800	FILTER, FUEL	1
12	129907-59140	PIPE ASSY,F.O.RETURN	1
13	123907-59540	JOINT BOLT M6	5
14	123907-59550	PACKING,FUEL RETURN	5
15	129486-59551	PIPE, FUEL RETURN	1
16	124722-59050	· CLAMP 9	2
18	123907-59560	HOSE JOINT 4	1
19	22190-080002	SEAL WASHER 8S	1
20	129953-52100	PUMP ASSY, FUEL FEED	1
21	129535-52150	FILTER ASSY	1
23	129901-55800	FILTER, FUEL OIL	1
	129917-55800	FILTER, FUEL OIL	1
	(A=*2005.09)		
25	129901-55820	· SENSOR ASSY, LEBEL	1
	(A=*2005.09)		
26	129901-55830	· PLUG, DRAIN	1
	(A=*2005.09)		
27	129901-55840	· O-RING	1
	(A=*2005.09)		
28	129901-55850	· ELEMENT KIT	1
	(A=*2005.09)		
29	129901-55860	· FILTER	1
	(A=*2005.09)		
29A	129917-55810	· BODY SUB ASSY, FUEL OIL	1
	(A=*2005.09)		
29B	129917-55820	· SENSOR ASSY, LEBEL	1
	(A=*2005.09)		
29C	129917-55830	· PLUG, DRAIN	1
	(A=*2005.09)		
29D	129917-55840	· O-RING	1
	(A=*2005.09)		
29E	129917-55850	· ELEMENT KIT, FILTER	1
	(A=*2005.09)		

Engine for TB175 4TNV98-VTBZ
STARTING MOTOR

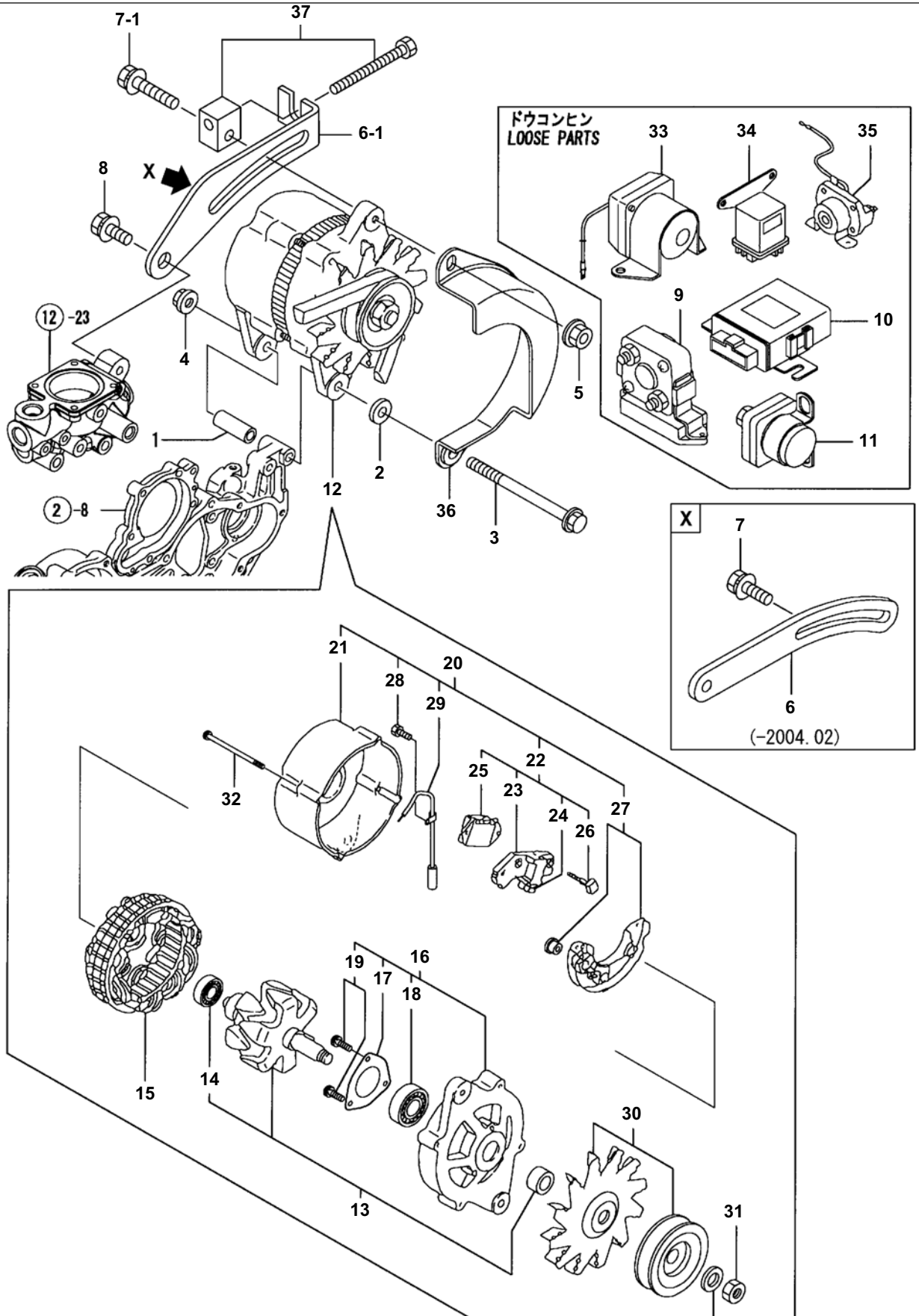


Y00D8020	017. STARTING MOTOR			
4TNV98-VTBZ, XTBN, YTBL		1:2003.11		PLUS

**Engine for TB175 4TNV98-VTBZ
STARTING MOTOR**

Item	Part No.	Description	Qty
1	119131-77010	STARTING MOTOR	1
2	119131-77400	· ARMATURE ASSY	1
3	X2130350900	· · BALL BEARING	1
4	119131-77420	· · BALL BEARING	1
5	121254-77810	· TERMINAL COVER	1
6	119131-77440	· COIL ASSY, FIELD	1
7	171008-77450	· · SCREW, POLE CORE SET	4
8	119131-77450	· · BRUSH (+)	2
10	119131-77470	· BUSH	1
11	119131-77480	· HOLDER ASSY, BRUSH	1
12	119131-77500	· · BRUSH (-)	2
13	119131-77490	· · SPRING, BRUSH	4
14	119131-77510	· PINION	1
15	119131-77520	· · CLUTCH ASSY	1
16	X2240610100	· · · BALL BEARING (3	2
17	119131-77540	· · PINION SHAFT	1
18	119131-77550	· · STOPPER KIT, PINION	1
22	119131-77590	· SWITCH, MAGNETIC	1
23	119131-77600	· CASE ASSY, GEAR	1
24	119131-77610	· · METAL, GEAR CASE	1
25	119131-77620	· LEVER SET, SHIFT	1
28	119131-77650	· COVER SET, DUST	1
32	129400-77640	· BOLT, THROUGH	2
33	26014-060162	· BOLT M 6X 16	3
34	119131-77690	· BOLT M 6X 45 PLATED	2
35	26557-040102	· SCREW M 4X 10	2
36	26116-120302	BOLT M12X 30 PLATED	2
37	124550-77030	COVER, TERMINAL	1

Engine for TB175 4TNV98-VTBZ GENERATOR

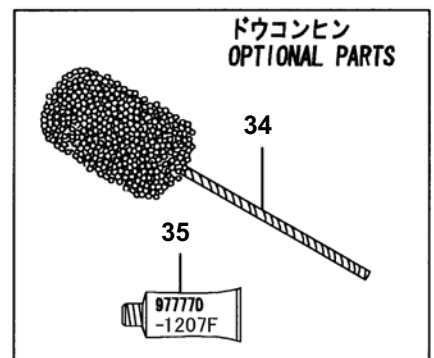
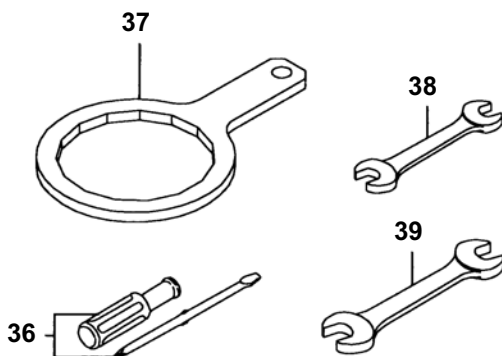
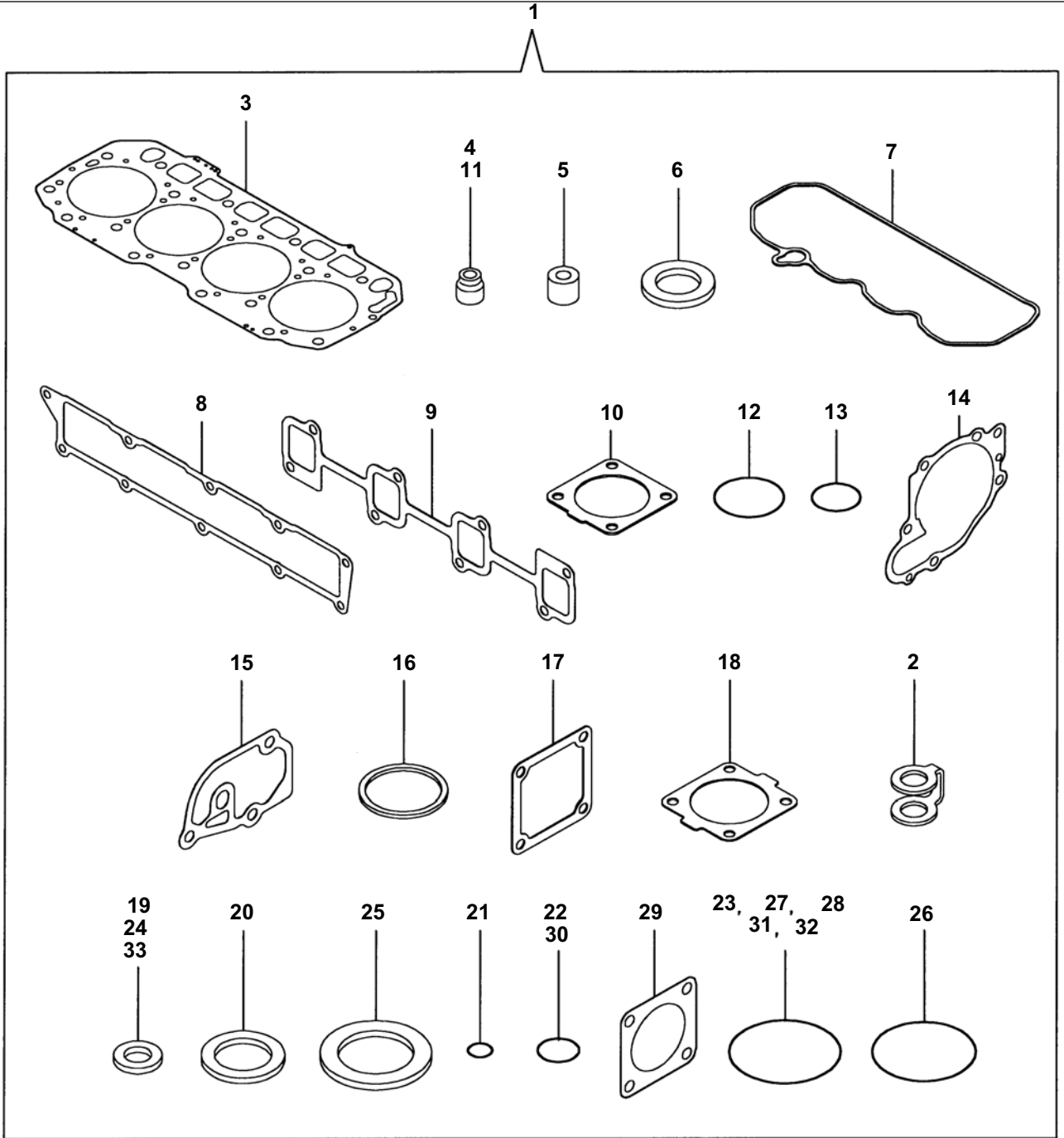


Y00D8020	D19. GENERATOR			
4TNV98-VTBZ, XTBW, YTB.		1-2003.11		PLUS

**Engine for TB175 4TNV98-VTBZ
GENERATOR**

Item	Part No.	Description	Qty
1	129470-77340	SPACER	1
2	22137-100000	WASHER 10,POLISHED	1
3	26116-101302	BOLT M10X130 PLATED	1
4	26306-100002	NUT	1
5	26306-080002	NUT	1
6	129953-77320	ADJUSTER, BELT	1
6-1	129940-77310 (A=2004.03-)	ADJUSTER, BELT	1
7	26014-080352	BOLT M 8X 35	1
7-1	26106-080502 (A=2004.03-)	BOLT M 8X 50	1
8	26014-080252	BOLT M 8X 25	1
9	129900-77100	SAFETY RELAY	1
10	119503-77520	CONTROLLER	1
11	127488-77530	RELAY	1
12	129953-77210	ALTERNATOR ASSY	1
13	XL240G5100	· ROTOR ASSY	1
14	119129-77320	· · BALL BEARING	1
15	XL24092001	· STATOR ASSY	1
16	XL2351400	· COVER ASSY, FRONT	1
17	119129-77870	· · RETAINER, BEARING	1
18	119129-77850	· · BALL BEARING	1
19	119129-77930	· · SCREW KIT	1
20	XL240G23001	· REAR COVER ASSY	1
21	XL240G4301	· · REAR COVER	1
22	XL23513151	· · BRUSH REGULATOR ASSY	1
23	XL17093201	· · · DIODE ASSY	1
24	XL15023252	· · · BRUSH SET	1
25	119129-77820	· · · REGULATOR ASSY, I.C.	1
26	XL1501313	· · · BOLT(M5)	2
27	XL17093201	· · DIODE ASSY	1
28	26116-050122	· · BOLT M 5X 12 PLATED	1
29	119129-77250	· · WIRE	1
30	129535-77880	· PULLEY	1
31	XL2252805	· NUT ASSY, PULLEY	1
32	119129-77890	· BOLT, THROUGH	4
33	119129-77910	RELAY, MAGNETIC	1
34	129612-77910	GLOW RELAY	1
35	129612-77920	TIMER,1 SEC.	1
36	129953-77410	COVER	1
37	129616-77350 (A=2004.03-)	BLOCK	1

Engine for TB175 4TNV98-VTBZ
TOOL & GASKET SET



Y0008020	021. TOOL & GASKET SET		
4TNV98-VTBZ, XTBW, YTBZ	1-2003. 11		PLUS

**Engine for TB175 4TNV98-VTBZ
TOOL & GASKET SET**

Item	Part No.	Description	Qty
1	729907-92680	GASKET SET(NON-ASB.)	1
2	123907-59550	· PACKING,FUEL RETURN	5
3	129907-01331	· GASKET,CYLINDER HEAD	1
4	124160-11340	· SEAL, VALVE STEM	8
5	119802-11870	· PROTECTOR, NOZZLE	4
6	119625-11880	· SEAT, NOZZLE	4
7	129907-11310	· PACKING,BONNET	1
8	129907-12110	· PACKING(INT.MANIFOLD	1
9	129900-13251	· GASKET	1
10	129930-13200	· GASKET, SILENCER	2
11	124950-11340	· SEAL, VALVE STEM	8
12	129900-32030	· O-RING P20	2
13	129900-32040	· O-RING P14	1
14	129900-42020	· GASKET, CW-P	1
15	129900-49870	· GASKET, CASE	1
16	121850-49550	· GASKET, THERMOSTAT	1
17	121850-77021	· GASKET, (NON-ASB.)	1
18	121850-49540	· GASKET, THERMOSTAT	1
19	23414-080000	· GASKET 8, ROUND	3
20	124465-44950	· GASKET 16	2
21	24311-000070	· O-RING 1A P-7.0	1
22	24311-000120	· O-RING 1A P 12.0	8
23	24311-000320	· O-RING 1A P-32.0	3
24	22190-080002	· SEAL WASHER 8S	9
25	22190-220002	· SEAL WASHER 22S	1
26	24351-030750	· PACKING, 3075	1
27	24321-000850	· O-RING 1A G-85.0	1
28	24341-000530	· O-RING 1A S-53.0	1
29	124240-01883	· GASKET, (NON-ASB.)	1
30	24311-240100	· O-RING 1A P-10A	1
31	24321-000600	· O-RING 1A G-60.0	2
32	24321-000700	· O-RING 1A G70.0,NBR	1
33	129150-49360	· GASKET 10	1
34	129400-92450	FLEX HONE	1
35	977770-1207F	GASKET, LIQUID	1
36	104200-92350	DRIVER, SCREW	1
37	119640-92750	WRENCH, FILTER	1
38	28110-100120	WRENCH 10X12	1
39	28110-140170	WRENCH 14X17	1