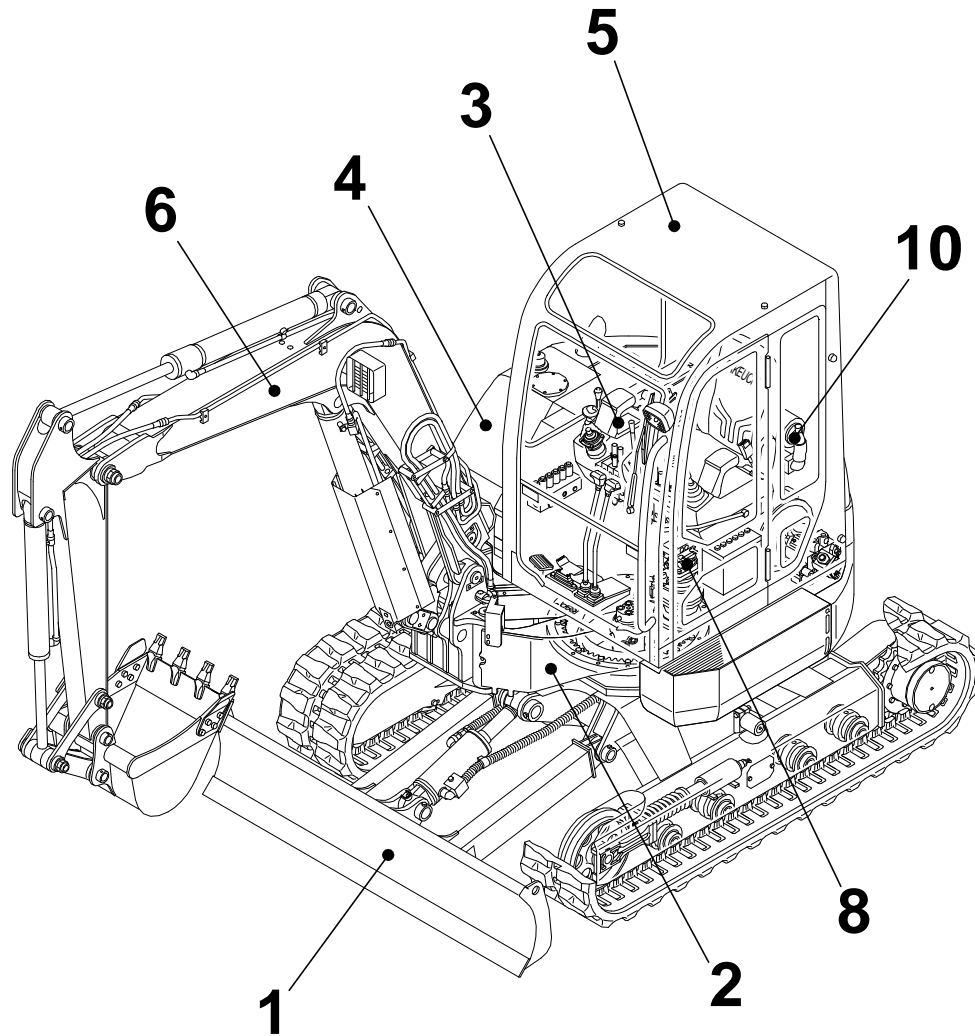


TB153FR

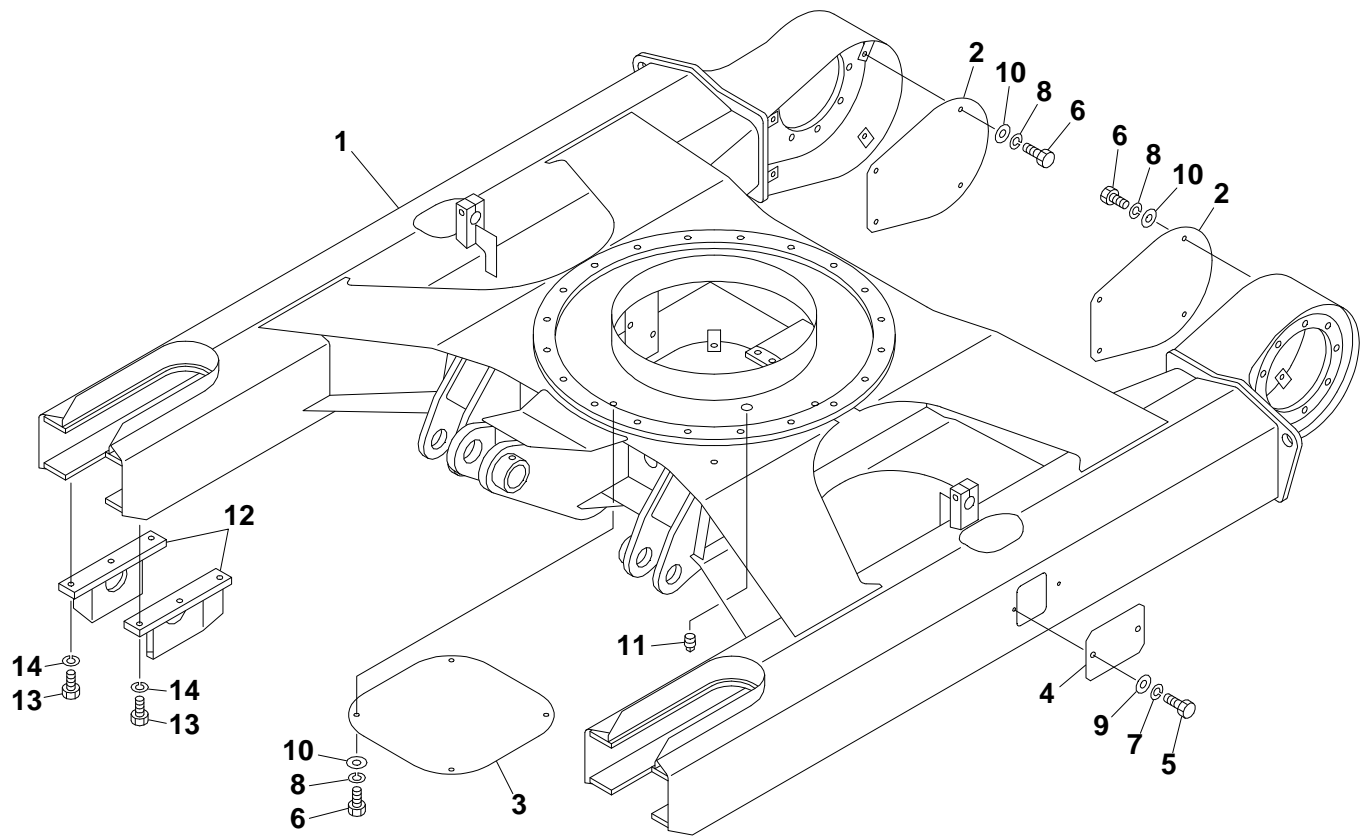
Book No. BJ3Z003
Serial No. 15830001 -



TAKEUCHI

							INDEX
Item	Part number	Description	Q'ty	Chan.	Serial No.	Serv.	Remarks
1		UNDERCARRIAGE					
2		TURNTABLE & CONTROL LEVER					
3		ENGINE & ELECTRICAL SYSTEM					
4		HYDRAULIC PIPNG & TANK					
5		COVER & CAB					
6		HOE ATTACHMENT					
7		DECAL & TOOL					
8		HYDRAULIC DEVICE					
10		ENGINE(4TNV88-BPTBZ)					
		F10C 03900-02200					
		2009.8.11					
		P-T153FBBB					

TB153FR (P-T153FBBB) Book No. BJ3Z003 S/N 15830001-
LOWER FRAME



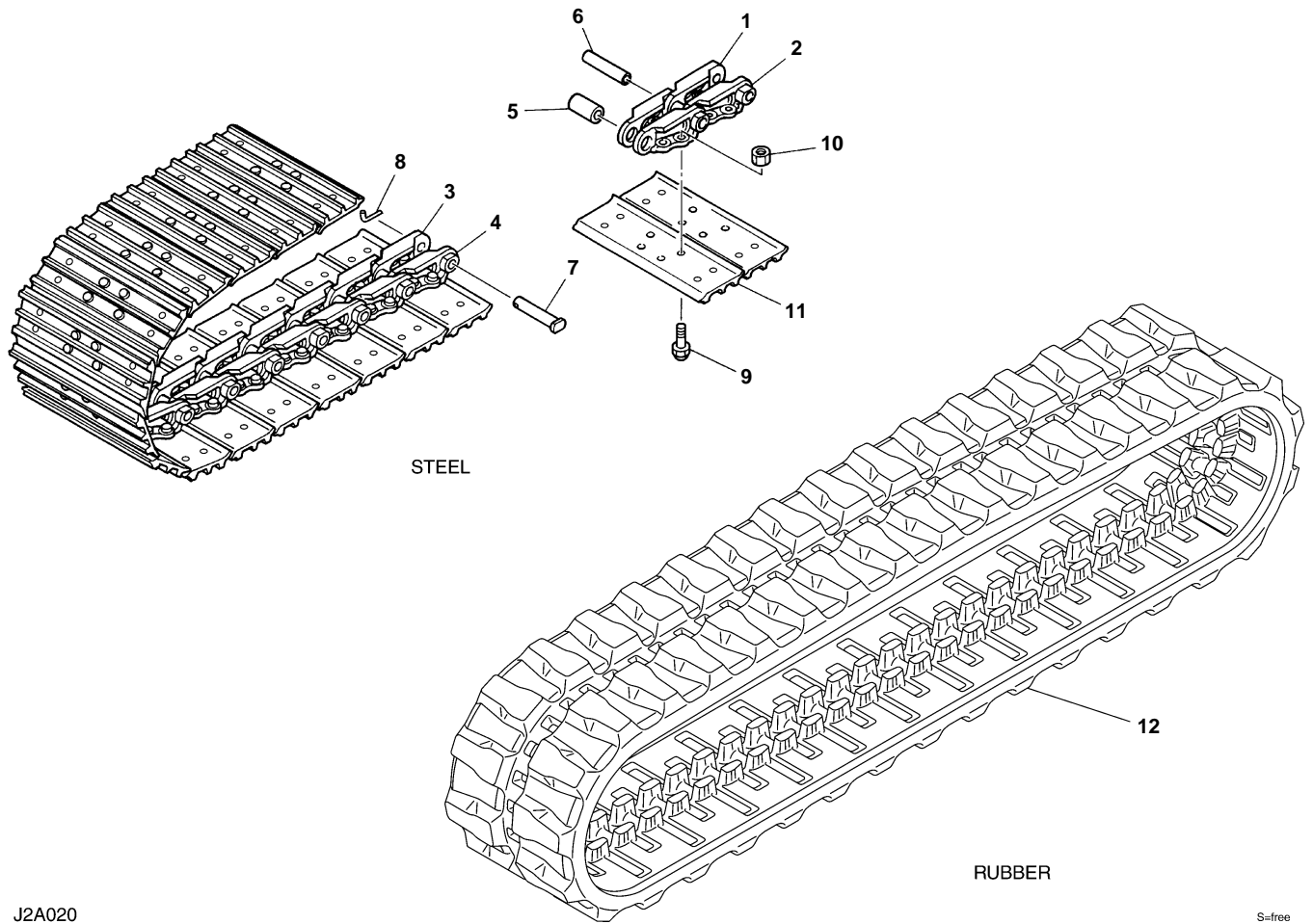
J2A010

S=1/14

LOWER FRAME

Item	Part number	Description	Q'ty	Chan.	Serial No.	Serv.	Remarks
		FRAME ASSY, lower (rubber)					
		FRAME ASSY, lower (steel)					
1	X *****	FRAME	1				
2	0391004002	COVER	2				
3	0391004003	COVER	1				
4	0561017400	COVER	2				
5	1100040816	BOLT	4				
6	1100041020	BOLT	12				
7	1140020008	WASHER, spring	4				
8	1140020010	WASHER, spring	12				
9	1141110008	WASHER	4				
10	1141110010	WASHER	12				
11	1508710010	PLUG	1				
12	0461000700	GUIDE, shoe	4				steel
13	1101041230	BOLT	12				steel
14	1140020012	WASHER, spring	12				steel
	J2a010						

TB153FR (P-T153FBBB) Book No. BJ3Z003 S/N 15830001-
CRAWLER BELT



J2A020

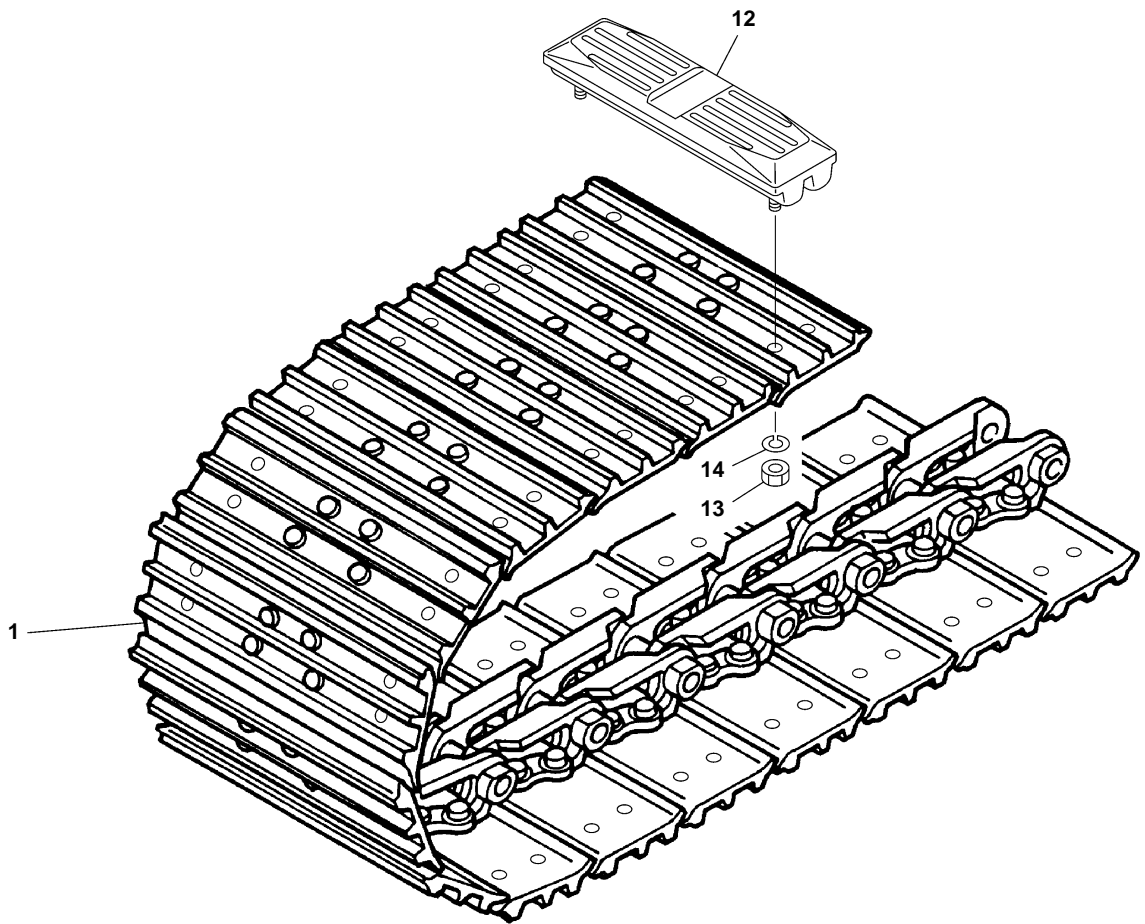
S=free

CRAWLER BELT

Item	Part number	Description	Q'ty	Chan.	Serial No.	Serv.	Remarks
0	1914051600	BELT ASSY, steel crawler	2				
1	1914039001	· LINK (R.H.)	37				
2	1914039002	· LINK (L.H.)	37				
3	1914039003	· LINK, master (R.H.)	1				
4	1914039004	· LINK, master (L.H.)	1				
5	1914039012	· BUSHING	38				
6	1914039006	· PIN, track	37				
7	1914039007	· PIN, master	1				
8	1914039008	· PIN	1				
9	1914039009	· BOLT	152				
10	1914033010	· NUT	152				
11	1914051611	· PLATE, shoe	38				
12	1914065610	BELT, rubber crawler	2				

J2a020

TB153FR (P-T153FBBB) Book No. BJ3Z003 S/N 15830001-
CRAWLER BELT (with rubber pads)



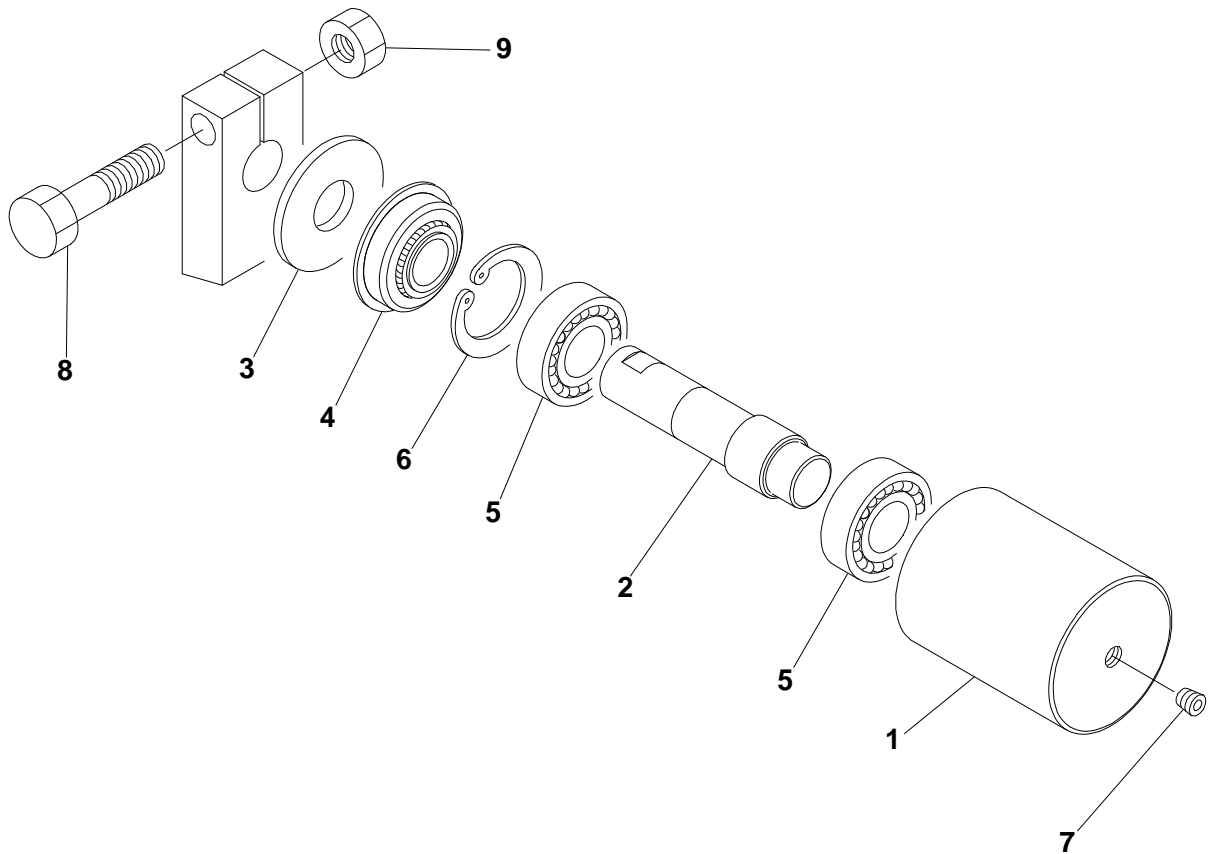
K3A152

S-free

CRAWLER BELT (with rubber pads)

Item	Part number	Description	Q'ty	Chan.	Serial No.	Serv.	Remarks
0	1914051700	BELT ASSY, steel crawler (with rubber pads)	2				
1	1914051600	· BELT, steel crawler	1				
12	1914400500	· PAD, rubber	38				
13	1130020012	· · NUT	4				
14	1140020012	· · WASHER, spring	4				
	K3a153						

TB153FR (P-T153FBBB) Book No. BJ3Z003 S/N 15830001-
CARRIER ROLLER



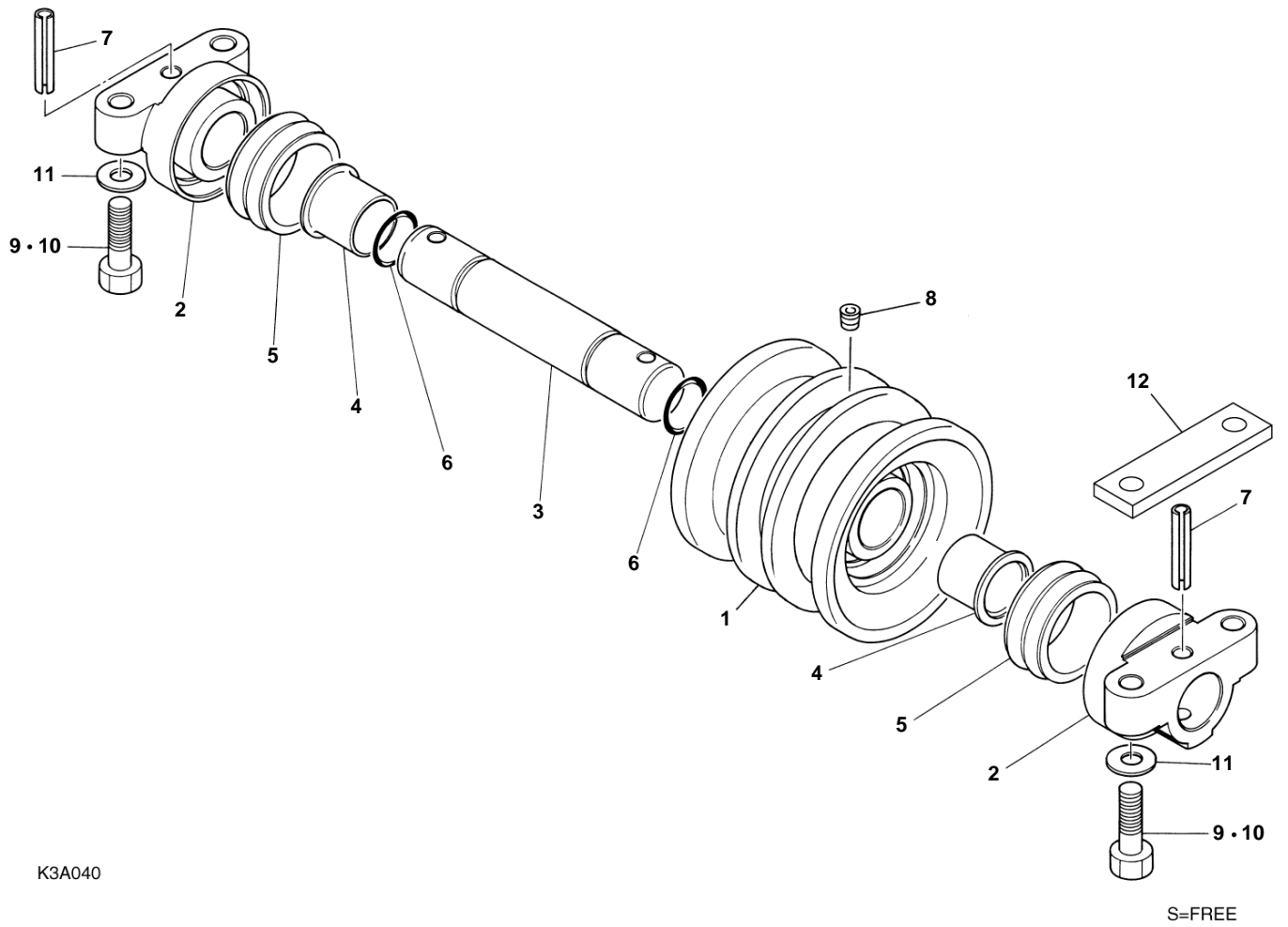
G4A100

S=1/3

CARRIER ROLLER

Item	Part number	Description	Q'ty	Chan.	Serial No.	Serv.	Remarks
0-1	0391200100	ROLLER ASSY, carrier	2				
1	0391200110	· ROLLER	1				
2	0391200120	· SHAFT	1				
3	0141201300	· COVER	1				
4	1431203062	· SEAL	1				
5	1300006206	· BEARING	2				
6	1221000062	· RING, snap	1				
7	1501820001	· PLUG	1				
8	1101041670	BOLT	2				
9	1130540016	NUT	2				
	J3a021						

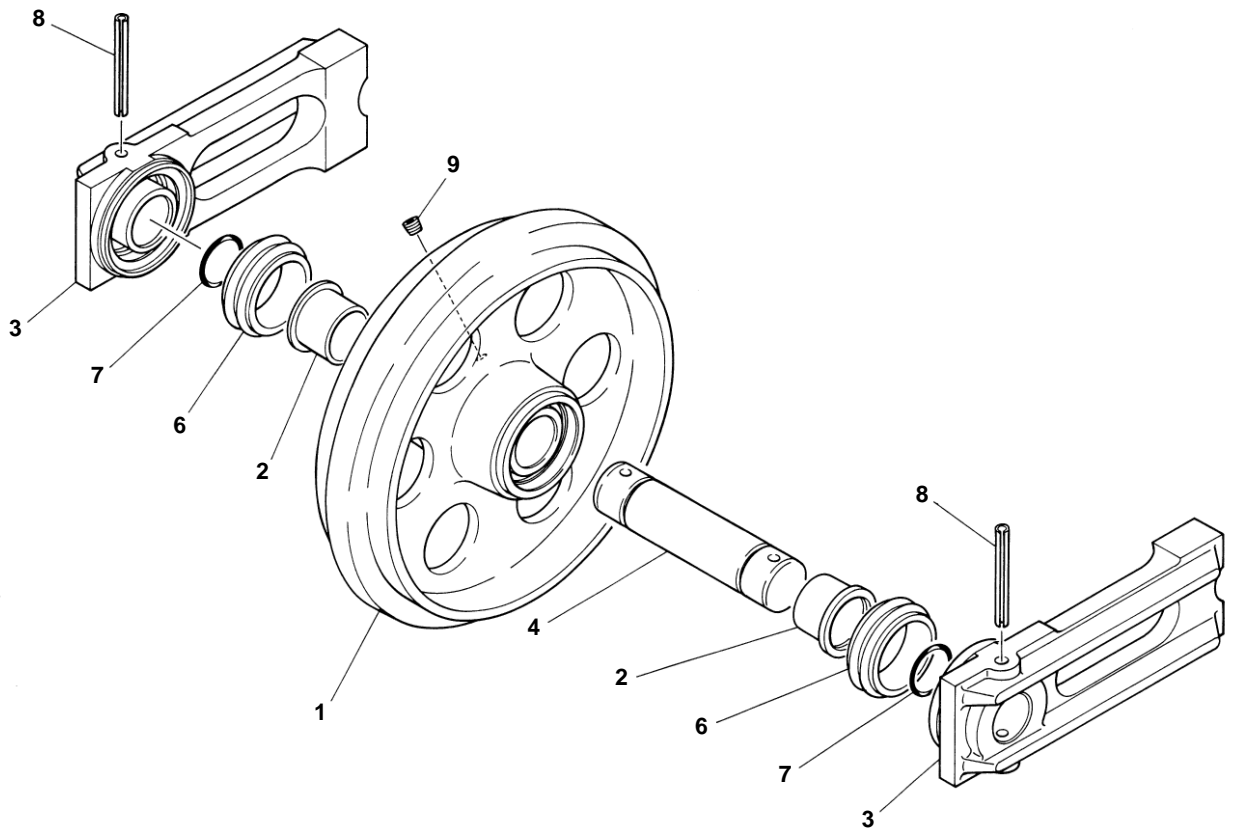
TB153FR (P-T153FBBB) Book No. BJ3Z003 S/N 15830001-
TRACK ROLLER



TRACK ROLLER

Item	Part number	Description	Q'ty	Chan.	Serial No.	Serv.	Remarks
		ROLLER ASSY, track (rubber)					
		ROLLER ASSY, track (steel)					
0-1	0391302100	ROLLER SUB ASSY, track	10				
1	0391302300	· ROLLER	1				
2	0461300300	· COVER	2				
3	0461300400	· SHAFT	1				
4	1333073535	· BUSHING	2				
5	1432500560	· SEAL, floating	2				
6	1420100300	· O-RING	2				
7	1213001055	· PIN, spring	2				
8	1501810001	· PLUG	2				
9	1101041245	BOLT	40				
10	1101041255	BOLT	40				steel
11	1141550012	WASHER	40				
12	0391300400	PLATE	20				steel
	J3a030						

TB153FR (P-T153FBBB) Book No. BJ3Z003 S/N 15830001-
FRONT IDLER



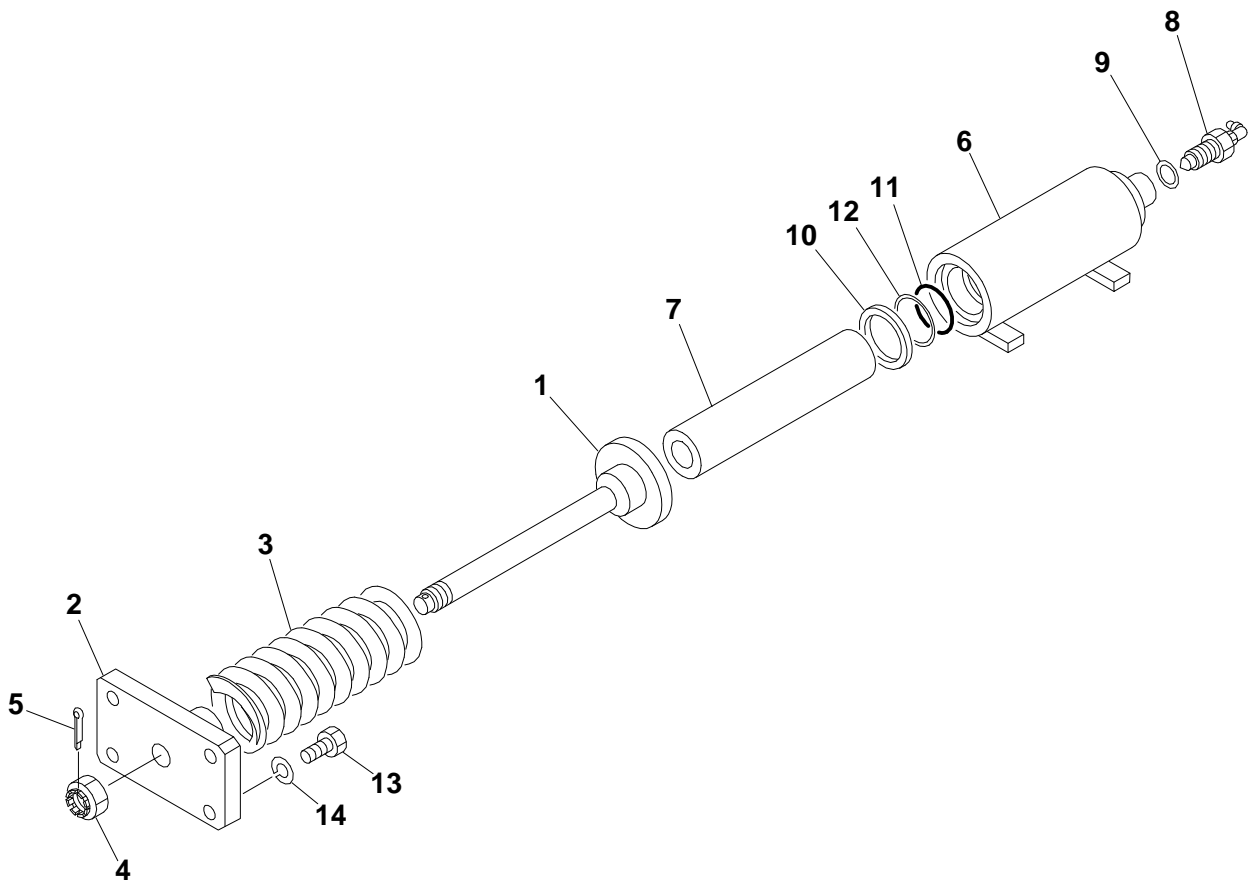
K3A050

S=FREE

FRONT IDLER

Item	Part number	Description	Q'ty	Chan.	Serial No.	Serv.	Remarks
0-1	0461490010	IDLER ASSY, front					
		IDLER ASSY, sub	2				
1	0461401100	· IDLER	1				
2	1333064540	· BUSHING	2				
3	0461400300	· BLOCK	2				
4	0461400400	· SHAFT	1				
6	1432500640	· SEAL, floating	2				
7	1420100400	· O-RING	2				
8	1213101000	· PIN, spring	2				
9	1501810001	· PLUG	2				
	J3a041						

TB153FR (P-T153FBBB) Book No. BJ3Z003 S/N 15830001-
TRACK ADJUSTER



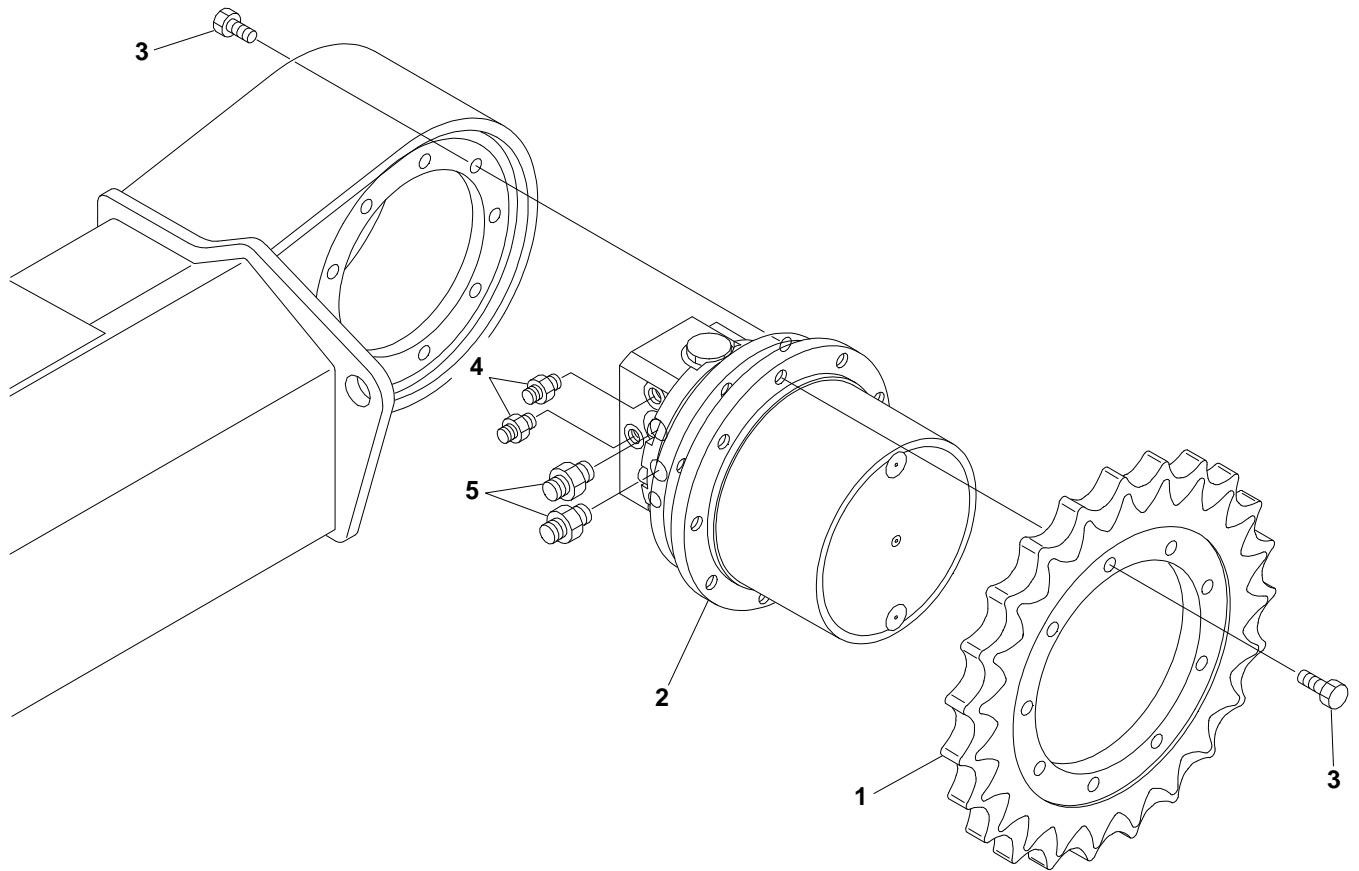
J2A030

S=FREE

TRACK ADJUSTER

Item	Part number	Description	Q'ty	Chan.	Serial No.	Serv.	Remarks
0-1	0391508100	SPRING ASSY					
		SPRING SUB ASSY	2				
1	0881151200	· ROD	1				
2	0391508120	· PLATE	1				
3	0007000002	· SPRING	1				
4	1132530027	· NUT	1				
5	1210000545	· PIN, split	1				
0-2	0391508200	CYLINDER ASSY, grease	2				
6	0391508210	· CYLINDER, grease	1				
7	0391508220	· PISTON	1				
8	1541301602	· VALVE ASSY, check	1				
9	1541201616	· WASHER	1				
10	1400403038	· SEAL	1				
11	1422010550	· O-RING	1				
12	1421020550	· RING, back-up	1				
13	1101041245	BOLT	8				
14	1140020012	WASHER, spring	8				
	J3a051						

TB153FR (P-T153FBBB) Book No. BJ3Z003 S/N 15830001-
TRAVEL DEVICE



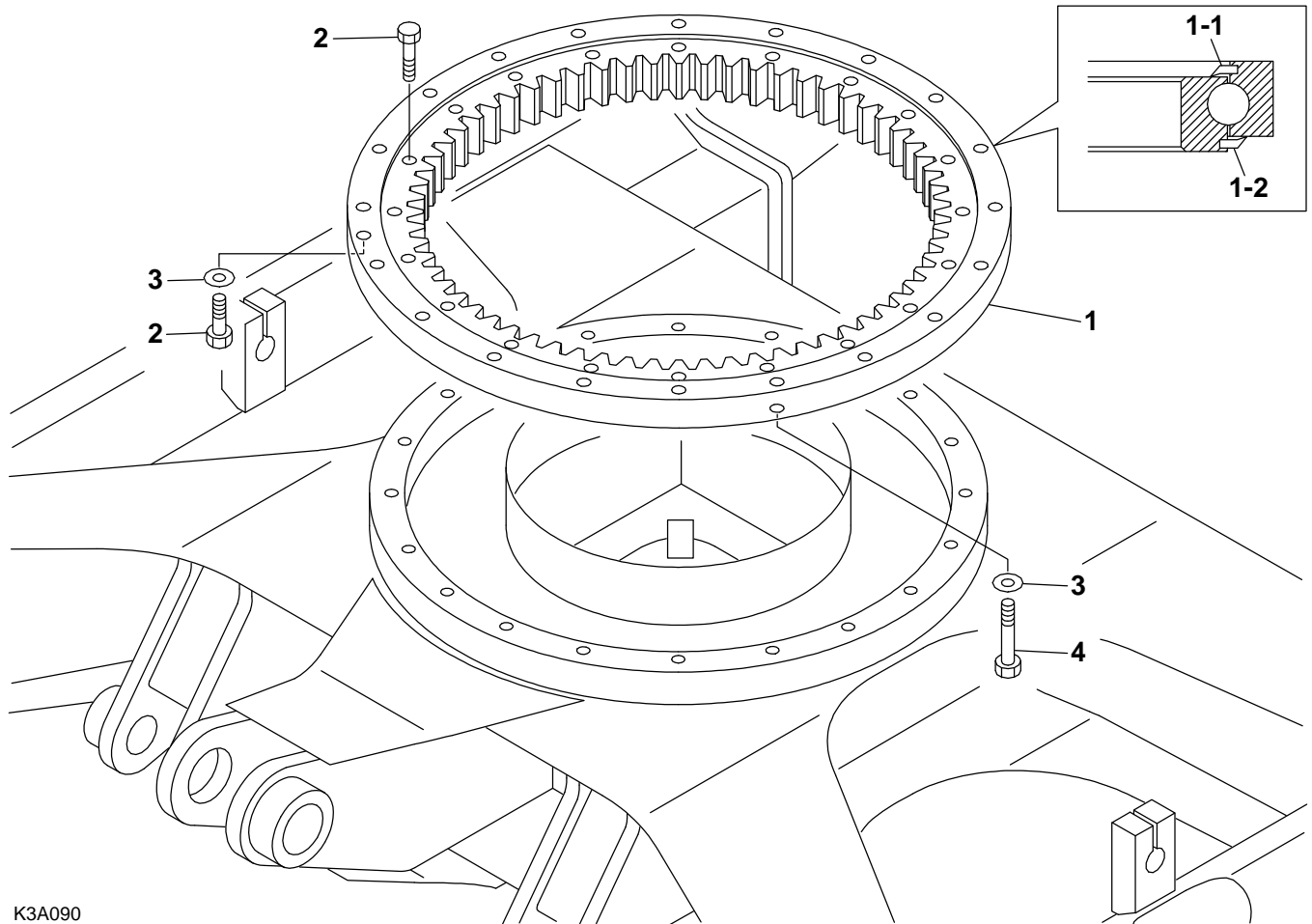
J3A010

S=FREE

TRAVEL DEVICE

Item	Part number	Description	Q'ty	Chan.	Serial No.	Serv.	Remarks
1	0261603100	MOTOR ASSY, travel	2				
2	1903127400	SPROCKET	2				
3	1100041435	MOTOR, travel	2				
3	1100041435	BOLT	42				
4	1515600200	ADAPTOR	4				
4	1420010110	· O-RING	1				
5	1515600202	ADAPTOR	4				
	1420010180	· O-RING	1				
	J3a011						

TB153FR (P-T153FBBB) Book No. BJ3Z003 S/N 15830001-
SLEW BEARING



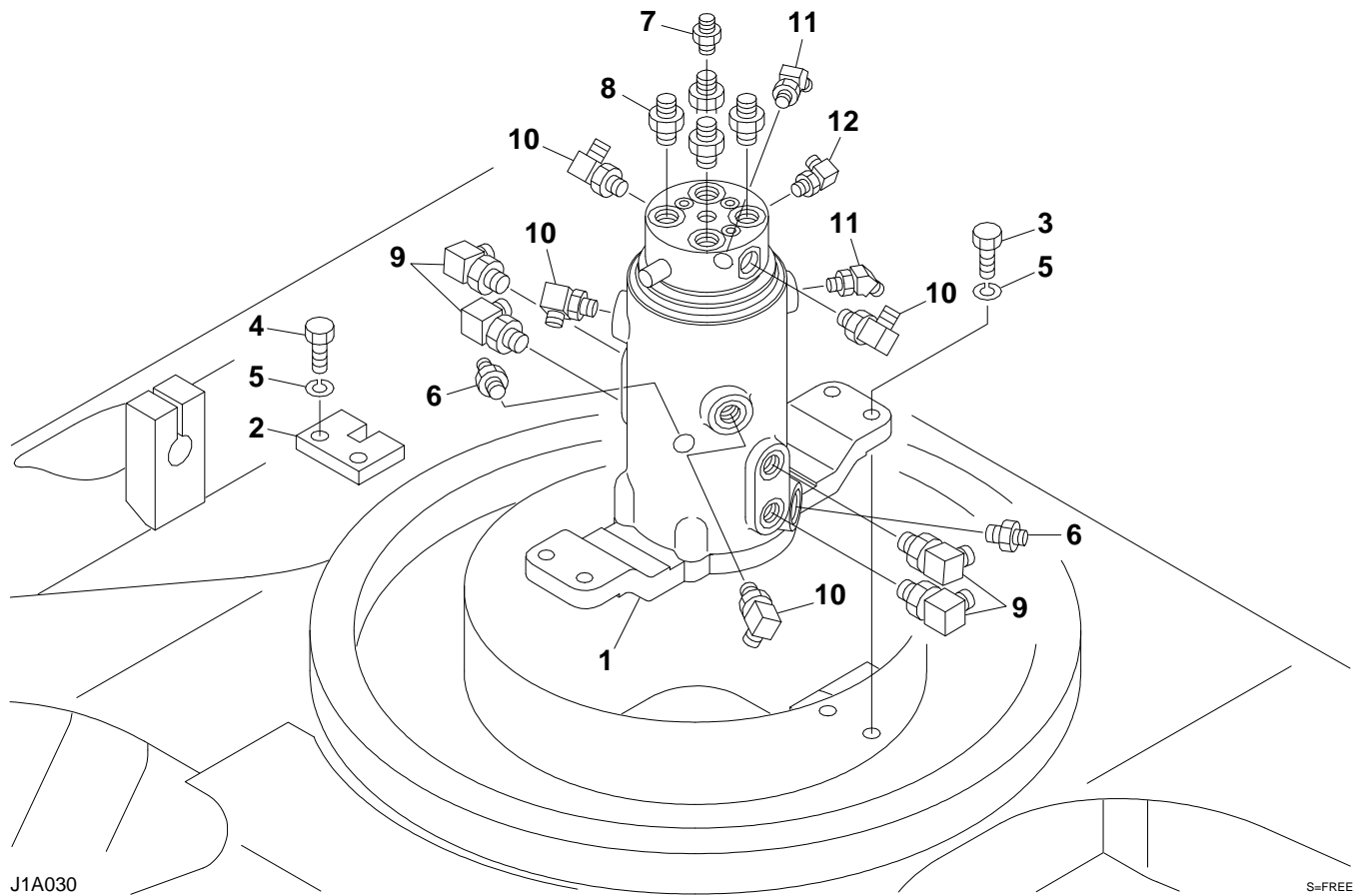
K3A090

S=FREE

SLEW BEARING

Item	Part number	Description	Q'ty	Chan.	Serial No.	Serv.	Remarks
1	1913003550	BEARING ASSY, slew	1				
1-1	1913003508	· SEAL	1				
1-2	1913003509	· SEAL	1				
2	1101051680	BOLT	39				
3	1141550016	WASHER	20				
4	0392000100	BOLT	1				
	J3a060						

TB153FR (P-T153FBBB) Book No. BJ3Z003 S/N 15830001-
SWIVEL JOINT & ACCESSORIES



J1A030

S=FREE

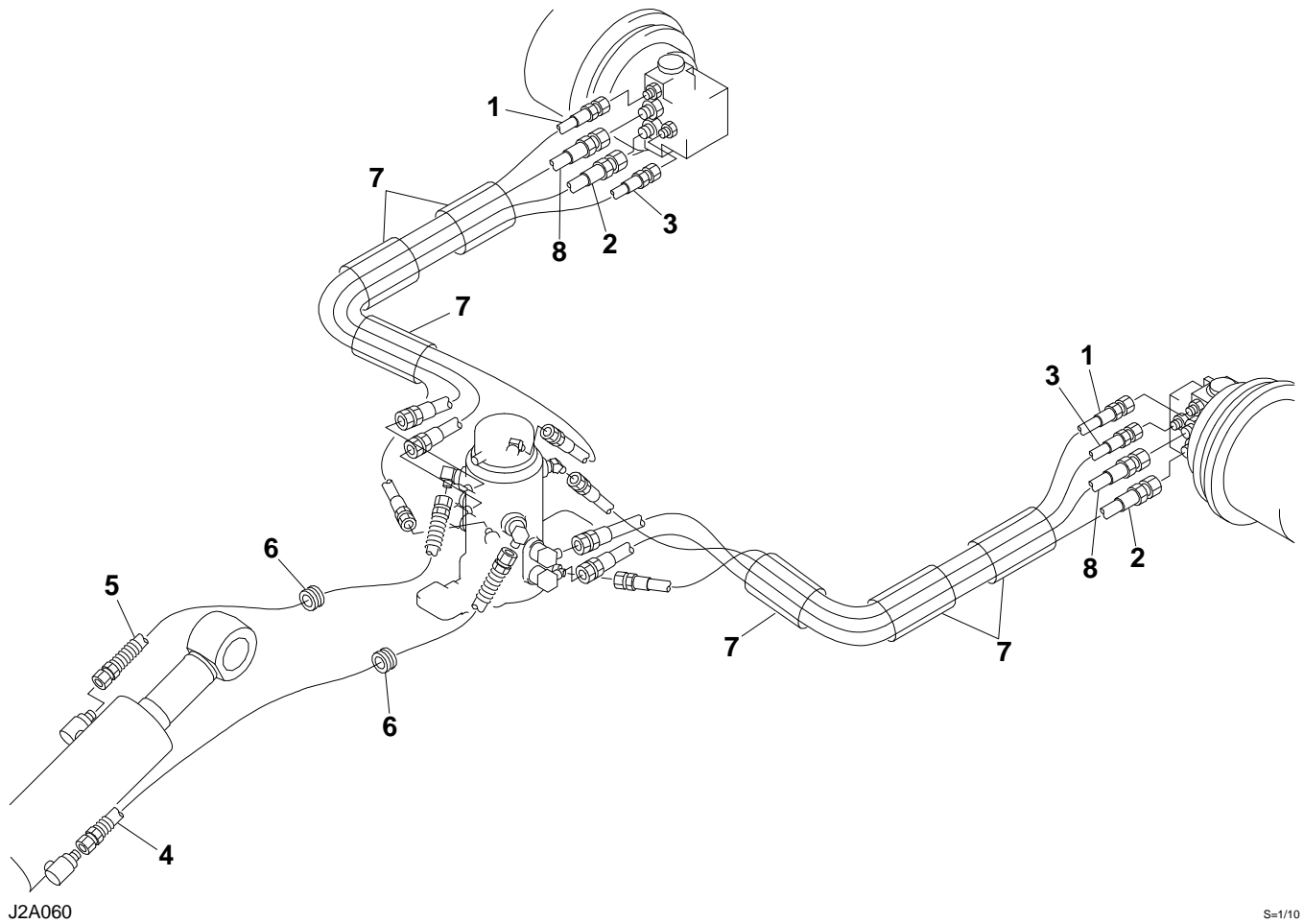
SWIVEL JOINT & ACCESSORIES

Item	Part number	Description	Q'ty	Chan.	Serial No.	Serv.	Remarks
1	1904006300	JOINT ASSY, swivel	1				
2	0442100100	JOINT, swivel	1				
3	1101041245	STOPPER	4				
4	1101041240	BOLT	4				
4	1101041240	BOLT	2				
5	1140020012	WASHER, spring	6				
6	0007203057	NIPPLE	2				
7	1511050003	ADAPTOR	1				
8	1515600202	ADAPTOR	4				
	1420010180	· O-RING	1				
9	1515010042	ELBOW	4				
	1420010180	· O-RING	1				
10	1515010041	ELBOW	4				
	1420010140	· O-RING	1				
11	1515100110	ELBOW	2				
	1420010110	· O-RING	1				
12	1515012040	ELBOW	1				
	1420010110	· O-RING	1				
	J3a080						

DOZER BLADE

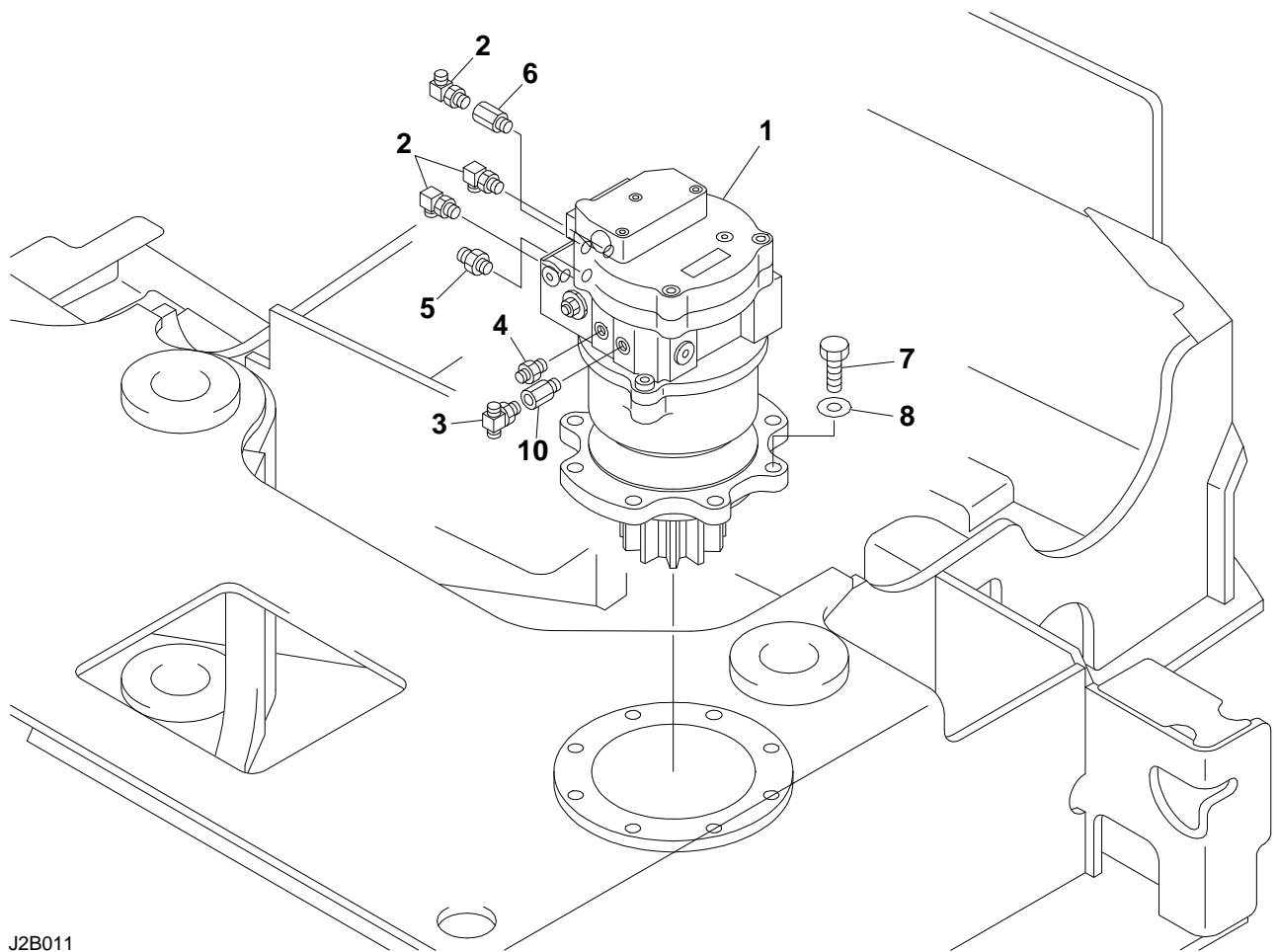
Item	Part number	Description	Q'ty	Chan.	Serial No.	Serv.	Remarks
		BLADE ASSY, dozer					
		BLADE ASSY, long dozer					
1	0396311100	BLADE, dozer	1				
	0396311400	BLADE, dozer	1				long
1-21	0002200014	· BUSHING	2				
1-22	1432200045	· SEAL, dust	4				
1-23	1560001675	· FITTING, grease	2				
2	0396308520	COVER	1				
3	0396308530	CLAMP	2				
4	1900077100	CYLINDER, dozer blade	1				
5	0001604135	PIN	2				
6	0001606150	PIN	2				
7	1100041030	BOLT	4				
8	1103041085	BOLT	2				
9	1103141200	BOLT	2				
10	1130240010	NUT	4				
11	1130240012	NUT	4				
12	1140020010	WASHER, spring	4				
13	1141110010	WASHER	4				
14	1515600201	ADAPTOR	2				
	1420010140	· O-RING	1				
	J2a050						

TB153FR (P-T153FBBB) Book No. BJ3Z003 S/N 15830001-
PIPING; LOWER



PIPING; LOWER						
Item	Part number	Description	Q'ty	Chan.	Serial No.	Serv. Remarks
		PIPING ASSY, lower				
1	1801022132	HOSE ASSY	2			
2	1801570132	HOSE ASSY	2			
3	0397204030	HOSE ASSY	2			18010-22140
4	1801620116	HOSE ASSY	1			
5	1801620094	HOSE ASSY	1			
6	0437200100	GUARD	2			
7	1531350020	PROTECTOR	6			sold by the meter
8	0397204080	HOSE ASSY	2			18015-70132
	J3a070					

TB153FR (P-T153FBBB) Book No. BJ3Z003 S/N 15830001-
SLEWING DEVICE



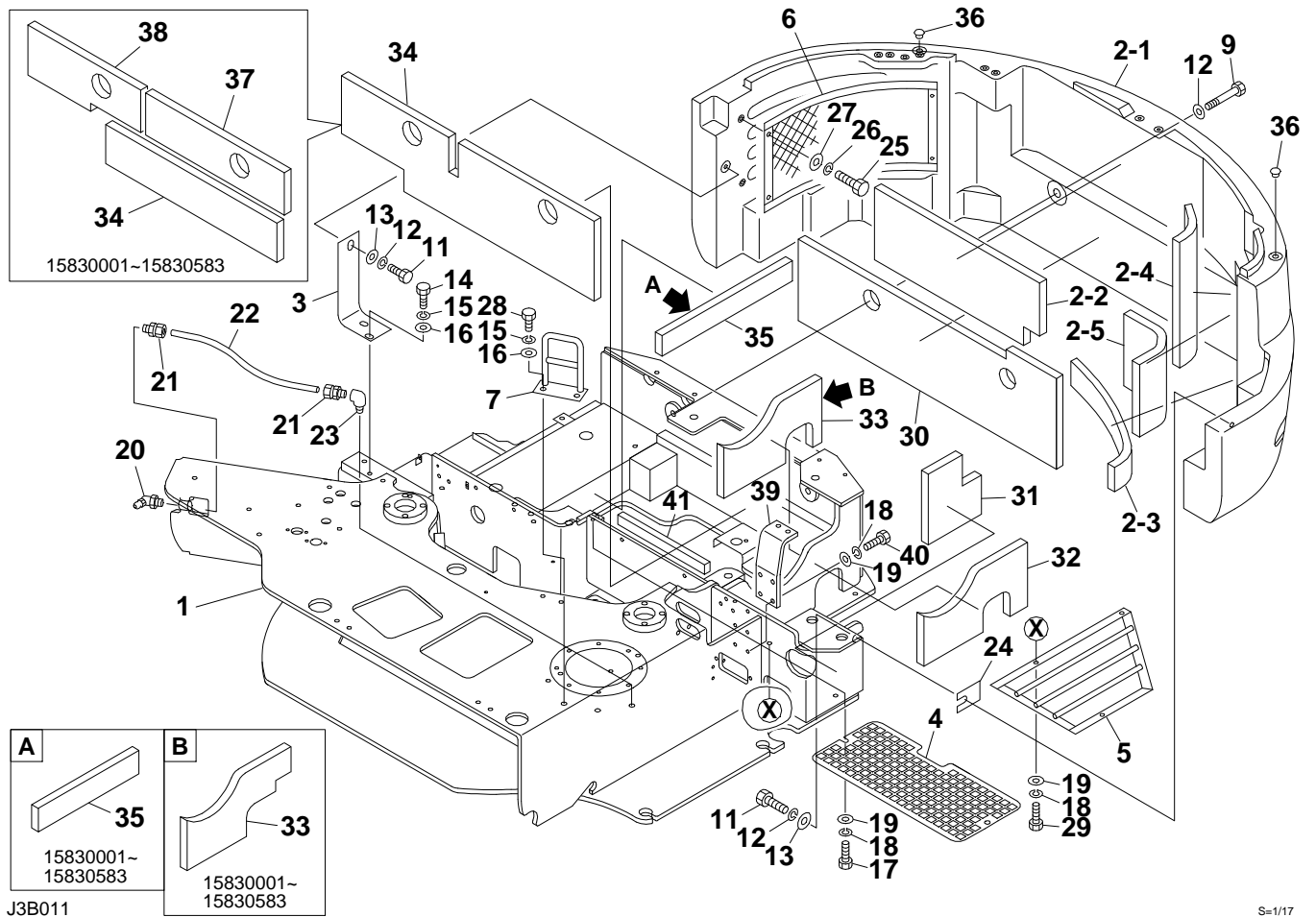
J2B011

S=1/7

SLEWING DEVICE

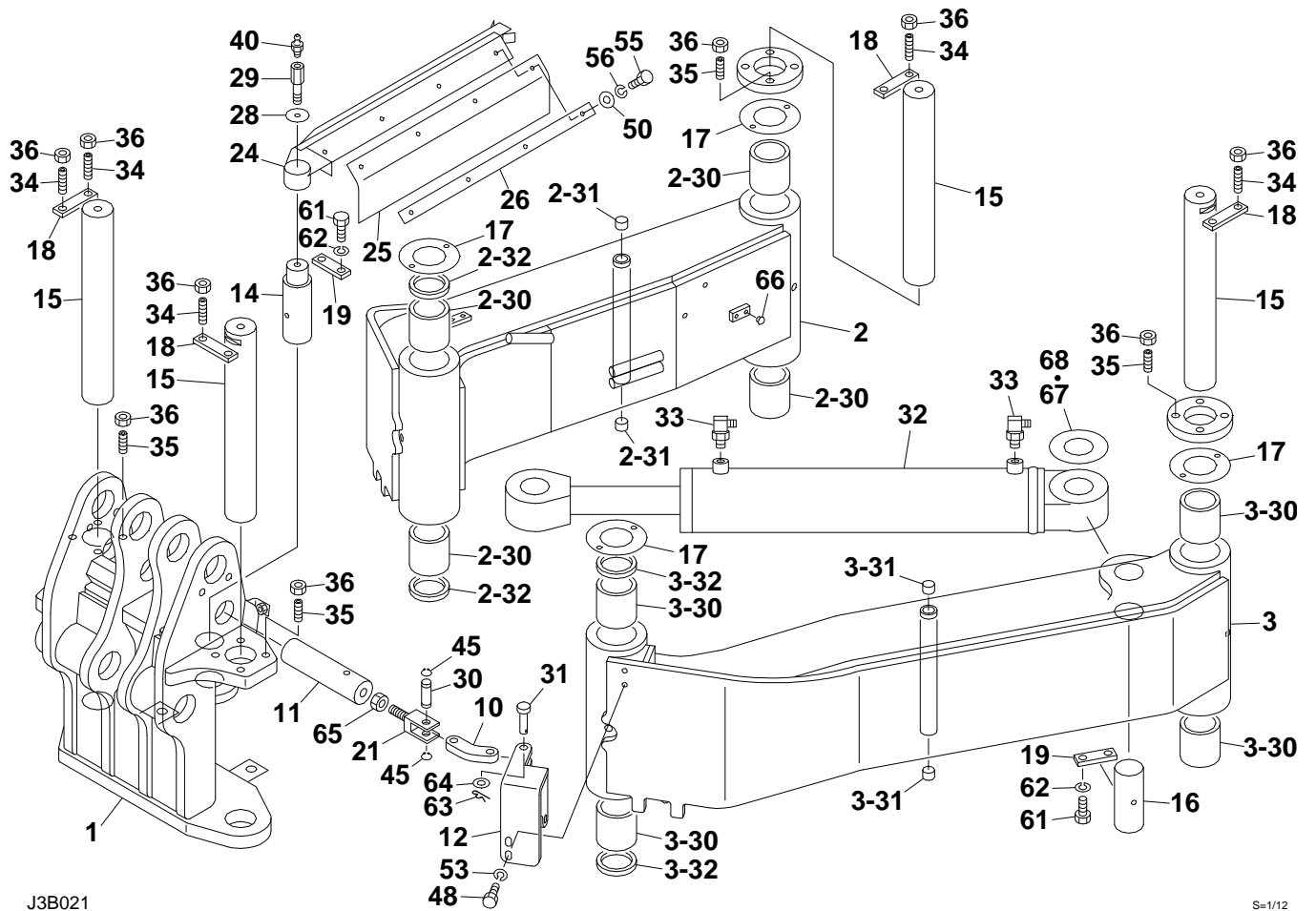
Item	Part number	Description	Q'ty	Chan.	Serial No.	Serv.	Remarks
1	1903125500	DEVICE ASSY, slewing	1				
		MOTOR, slew	1				
2	1515010131	ELBOW	3				
	1420010140	· O-RING	1				
3	1512370010	TEE	1				
	1420010110	· O-RING	1				
4	1515600200	ADAPTOR	1				
	1420010110	· O-RING	1				
5	1515600201	ADAPTOR	1				
	1420010140	· O-RING	1				
6	0007213016	BUSHING	1				
	1420010140	· O-RING	1				
7	1101041640	BOLT	8				
8	1141550016	WASHER	8				
10	1513250202	BUSHING	1				
	1420010110	· O-RING	1				
	J2b011						

TB153FR (P-T153FBBB) Book No. BJ3Z003 S/N 15830001-
TURNTABLE



TURNTABLE							
Item	Part number	Description	Q'ty	Chan.	Serial No.	Serv.	Remarks
		TURNTABLE ASSY (cab)					
		TURNTABLE ASSY (canopy)					
1	X *****	TURNTABLE	1				
2	0393022400	COUNTERWEIGHT ASSY	1				cab
	0393022700	COUNTERWEIGHT ASSY	1				canopy
2-1	0393022200	· COUNTERWEIGHT	1				cab
	0393022600	· COUNTERWEIGHT	1				canopy
2-2	0393022420	· ABSORBENT, noise	1				
2-3	0393022430	· ABSORBENT, noise	1				
2-4	0393022440	· ABSORBENT, noise	1				
2-5	0393022450	· ABSORBENT, noise	1				
3	0393022300	ANGLE	1				
4	0393022315	COVER	1				
5	0393022340	GUARD	1				
6	0393022350	NET	1				
7	0393015200	BRACKET	1				
9	1101141640	BOLT	2				
11	1101041645	BOLT	2				
12	0003000010	WASHER	4				
13	1140020016	WASHER, spring	2				
14	1101041240	BOLT	2				
15	1140020012	WASHER, spring	4				
16	1141110012	WASHER	4				
17	1100041020	BOLT	2				
18	1140020010	WASHER, spring	9				
19	1141110010	WASHER	9				
20	1560001675	FITTING, grease	1				
21	1532520601	CONNECTOR	2				
22	1532120663	TUBE	1				sold by the meter
23	0007262005	ELBOW	1				
24	0393014200	PLATE	1				
25	1100040820	BOLT	4				
26	1140020008	WASHER, spring	4				
27	1141110008	WASHER	4				
28	1101041220	BOLT	2				
29	1100041025	BOLT	3				
30	0393022360	ABSORBENT, noise	1				
31	0393022361	ABSORBENT, noise	1				
32	0393022362	ABSORBENT, noise	1				
33	0393022363	ABSORBENT, noise	1		15830001~15830583		
	0393026200	ABSORBENT, noise	1		15830584~	M	
34	0393022364	ABSORBENT, noise	1		15830001~15830583		
	0393026210	ABSORBENT, noise	1		15830584~	M	
35	0393022365	ABSORBENT, noise	1		15830001~15830583		
	0393026220	ABSORBENT, noise	1		15830584~	M	
36	1652533021	CAP	2				
37	0393022366	ABSORBENT, noise	1		15830001~15830583		
38	0393022367	ABSORBENT, noise	1		15830001~15830583		
39	0393022370	PLATE	1				
40	1100041030	BOLT	4				
41	1654314032	SPONGE	1				sold by the meter
	J3b011						

TB153FR (P-T153FBBB) Book No. BJ3Z003 S/N 15830001-
BOOM OFFSET (1/2)



J3B021

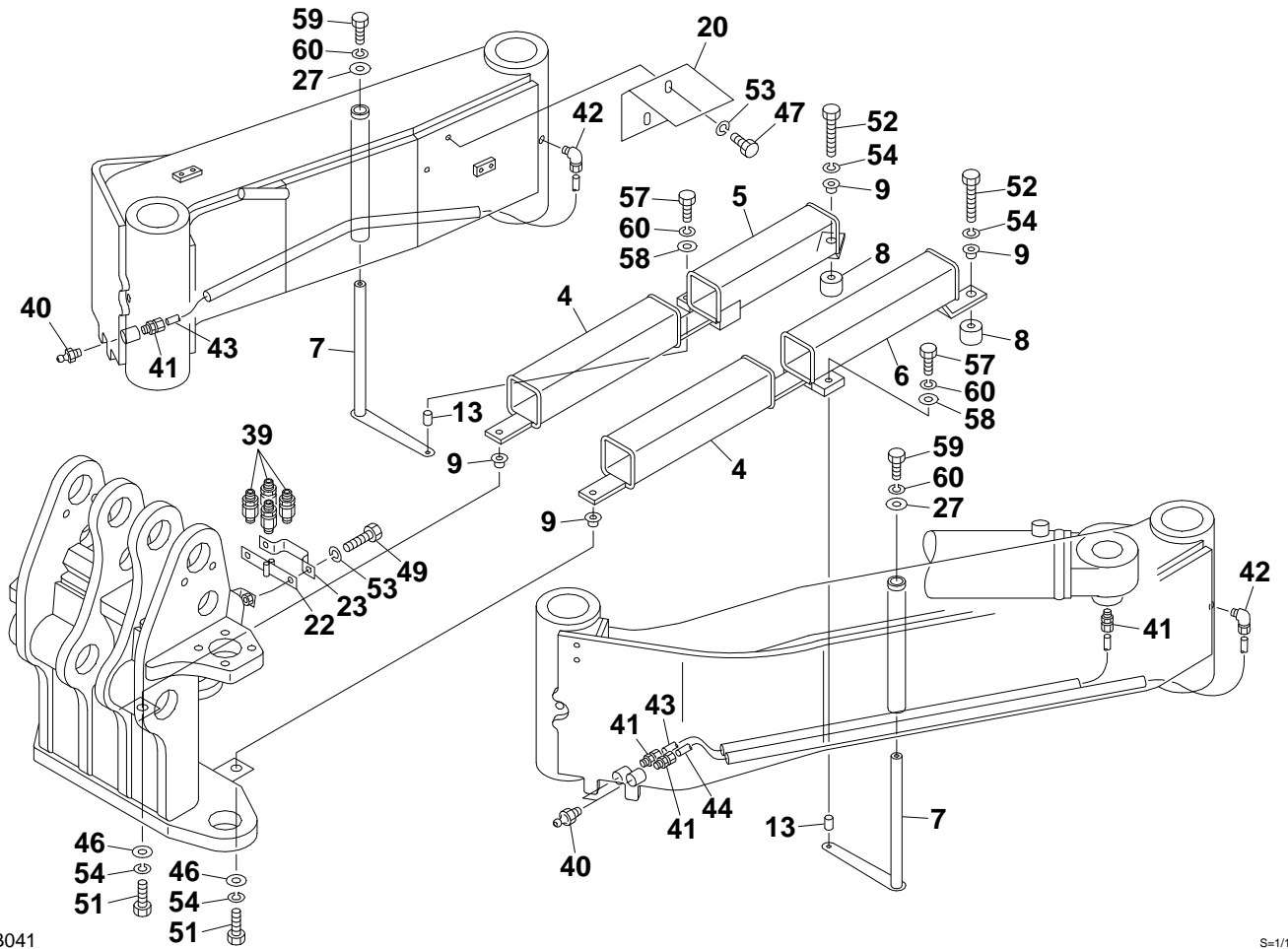
S=1/12

BOOM OFFSET (1/2)

Item	Part number	Description	Q'ty	Chan.	Serial No.	Serv.	Remarks
		OFFSET ASSY, boom					
1	0393112500	BRACKET	1				
2	0393112200	OFFSET, arm (R.H)	1				
2-30	0002400048	· BUSHING	4				
2-31	1333002015	· BUSHING	2				
2-32	1432200060	· SEAL, dust	2				
3	0393112700	OFFSET, arm (L.H)	1				
3-30	0002400048	· BUSHING	4				
3-31	1333002015	· BUSHING	2				
3-32	1432200060	· SEAL, dust	2				
10	0393104510	LINK	1				
11	0393109450	PIN	1				
12	0393104500	BRACKET	1				
14	0393107600	PIN	1				
15	0393104620	PIN	4				
16	0393104630	PIN	1				
17	0393104640	SPACER	4				
18	0393109400	PLATE	4				
19	0393109410	PLATE	2				
21	0393109460	YOKE	1				
24	0393107700	GUARD	1				
25	0393107710	RUBBER	1				
26	0393107720	PLATE	1				
28	0003600057	WASHER	1				
29	0007210026	BUSHING	1				M
30	0004215032	SHAFT	1				
31	0004015003	PIN	1				
32	1900092300	CYLINDER, offset	1				
33	1515010041	ELBOW	2				
	1420010140	· O-RING	1				
34	1121041455	SET-SCREW	8				
35	1121041445	SET-SCREW	8				
36	1130040014	NUT	16				
40	1560001000	FITTING, grease	1				
45	1220000015	RING, retaining	2				
48	1100041025	BOLT	2				
50	1141110006	WASHER	4				
53	1140020010	WASHER, spring	3				
55	1100040620	BOLT	4				
56	1140020006	WASHER, spring	4				
61	1100041425	BOLT	4				
62	1140020014	WASHER, spring	4				
63	1214000012	PIN, snap	1				
64	1141110016	WASHER	1				
65	1130040016	NUT	1				
66	1652533016	CAP	6				
67	0003600108	SHIM	AR				t=0.2mm
68	0003600109	SHIM	AR				t=0.5mm

J3b022

TB153FR (P-T153FBBB) Book No. BJ3Z003 S/N 15830001-
BOOM OFFSET (2/2)

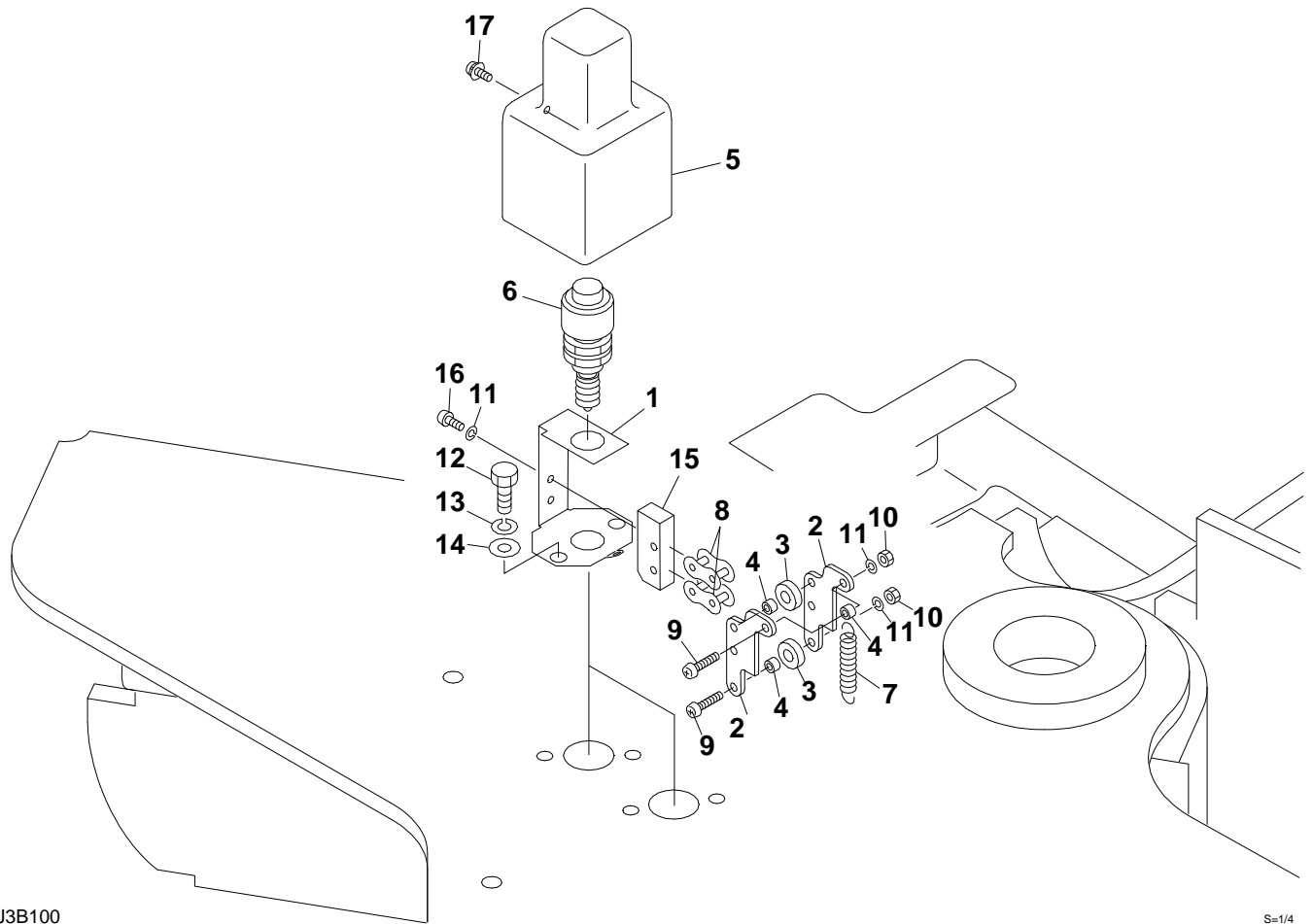


J2B041

S=1/12

BOOM OFFSET (2/2)							
Item	Part number	Description	Q'ty	Chan.	Serial No.	Serv.	Remarks
		OFFSET ASSY, boom					
4	0397310160	GUIDE	2				
5	0397310170	GUIDE	1				
6	0397310180	GUIDE	1				
7	0393108420	LEVER	2				
8	0393108430	COLLAR	2				
9	0393107450	COLLAR	4				
13	0393108440	COLLAR	2				
20	0393104670	ANGLE	1				
22	0393107610	CLAMP	2				
23	0393107620	CLAMP	2				
27	0003608003	WASHER	2				
39	1514011104	ADAPTOR	8				
40	1560001000	FITTING, grease	5				
41	1532520601	CONNECTOR	4				
42	1532620601	ELBOW	2				
43	1532120600	TUBE	2				sold by the meter
44	1532120620	TUBE	1				sold by the meter
46	1141110012	WASHER	2				
47	1100041016	BOLT	2				
49	1100041030	BOLT	4				
51	1101041230	BOLT	2				
52	1101041260	BOLT	2				
53	1140020010	WASHER, spring	6				
54	1140020012	WASHER, spring	4				
57	1100040830	BOLT	2				
58	1141110008	WASHER	2				
59	1100040816	BOLT	2				
60	1140020008	WASHER, spring	4				
	J3b032						

TB153FR (P-T153FBBB) Book No. BJ3Z003 S/N 15830001-
OFFSET SWITCH



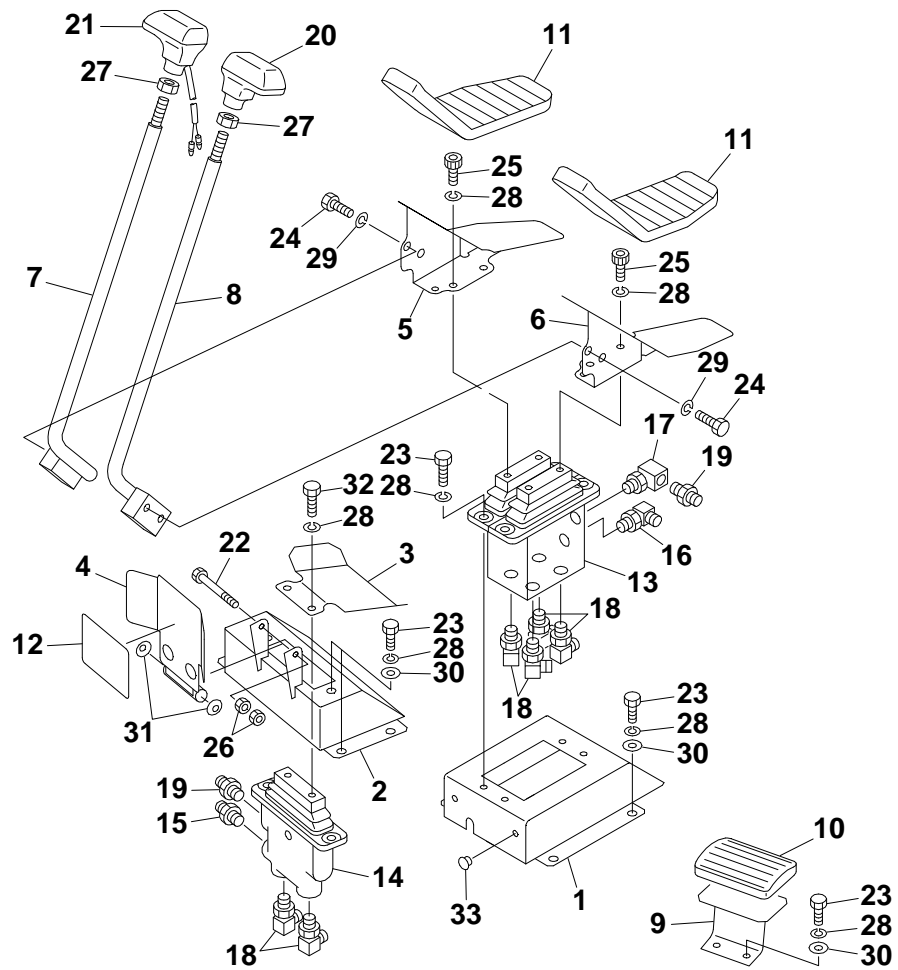
J3B100

S=1/4

OFFSET SWITCH

Item	Part number	Description	Q'ty	Chan.	Serial No.	Serv.	Remarks
		SWITCH ASSY, offset					
1	0333120930	BRACKET	1				
2	0333120920	PIPE	2				
3	0353108830	ROLLER	2				
4	0353108840	COLLAR	3				
5	0373111950	COVER	1				
6	1700000014	SWITCH	1				
7	0323255900	SPRING	1				
8	1620550000	LINK ASSY	2				
9	1120530520	SCREW	2				
10	1130030005	NUT	2				
11	1140020005	WASHER, spring	4				
12	1100040816	BOLT	2				
13	1140020008	WASHER, spring	2				
14	1141110008	WASHER	2				
15	0333120940	BLOCK	1				
16	1120530512	SCREW	2				
17	1150410410	SCREW	1				
	J3b100						

TB153FR (P-T153FBBB) Book No. BJ3Z003 S/N 15830001-
TRAVEL LEVER (15830001-15830007)



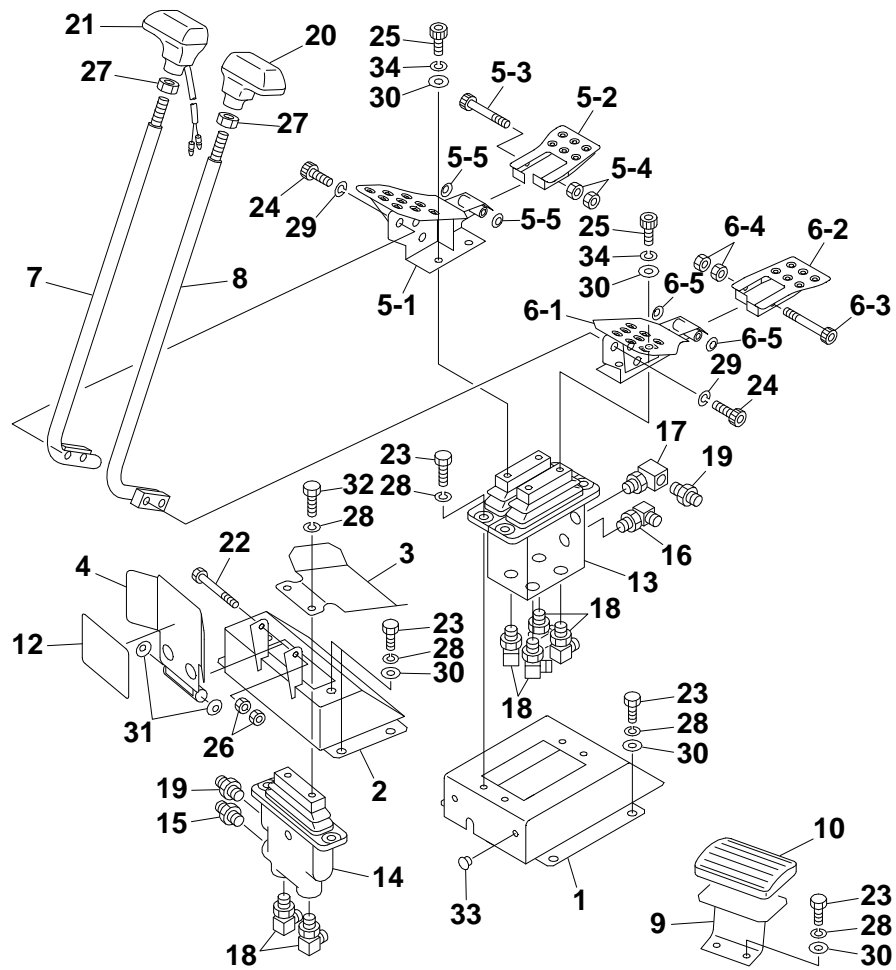
L5B061

S=1/8

TRAVEL LEVER (15830001-15830007)

Item	Part number	Description	Q'ty	Chan.	Serial No.	Serv.	Remarks
		LEVER ASSY, control					
1	0563230510	BRACKET	1				
2	0563230520	BRACKET	1				
3	0563230530	PEDAL	1				
4	0563230550	COVER	1				
5	0563230020	PEDAL (R.H.)	1				
6	0563230030	PEDAL (L.H.)	1				
7	0563226400	LEVER (R.H.)	1				
8	0563226300	LEVER (L.H.)	1				
9	0563219700	REST, foot	1				
10	0563218500	COVER	1				
11	0563226200	COVER	2				
12	0333241250	SHEET	1				
13	1901739100	VALVE, pilot	1				
14	1901746300	VALVE, pilot	1				
15	1512370008	ADAPTOR (with filter)	1				
	1420010110	· O-RING	1				
16	1512375004	ELBOW	1				
	1420010110	· O-RING	1				
17	1513300014	ELBOW	1				
	1420010110	· O-RING	1				
18	1515012040	ELBOW	6				
	1420010110	· O-RING	1				
19	1515600200	ADAPTOR	2				
	1420010110	· O-RING	1				
20	1650202610	GRIP	1				
21	1650203210	GRIP (with switch)	1				
22	1100040680	BOLT	1				
23	1100040820	BOLT	16				
24	1100041020	BOLT	4				
25	1110040816	SCREW, cap	4				
26	1130040006	NUT	2				
27	1131040012	NUT	2				
28	1140020008	WASHER, spring	22				
29	1140020010	WASHER, spring	4				
30	1141110008	WASHER	14				
31	1225110006	WASHER, conical	2				
32	1100040816	BOLT	2				
33	1652533016	CAP	2				
	L5b061						

TB153FR (P-T153FBBB) Book No. BJ3Z003 S/N 15830001-
TRAVEL LEVER (15830008-)



L8B061

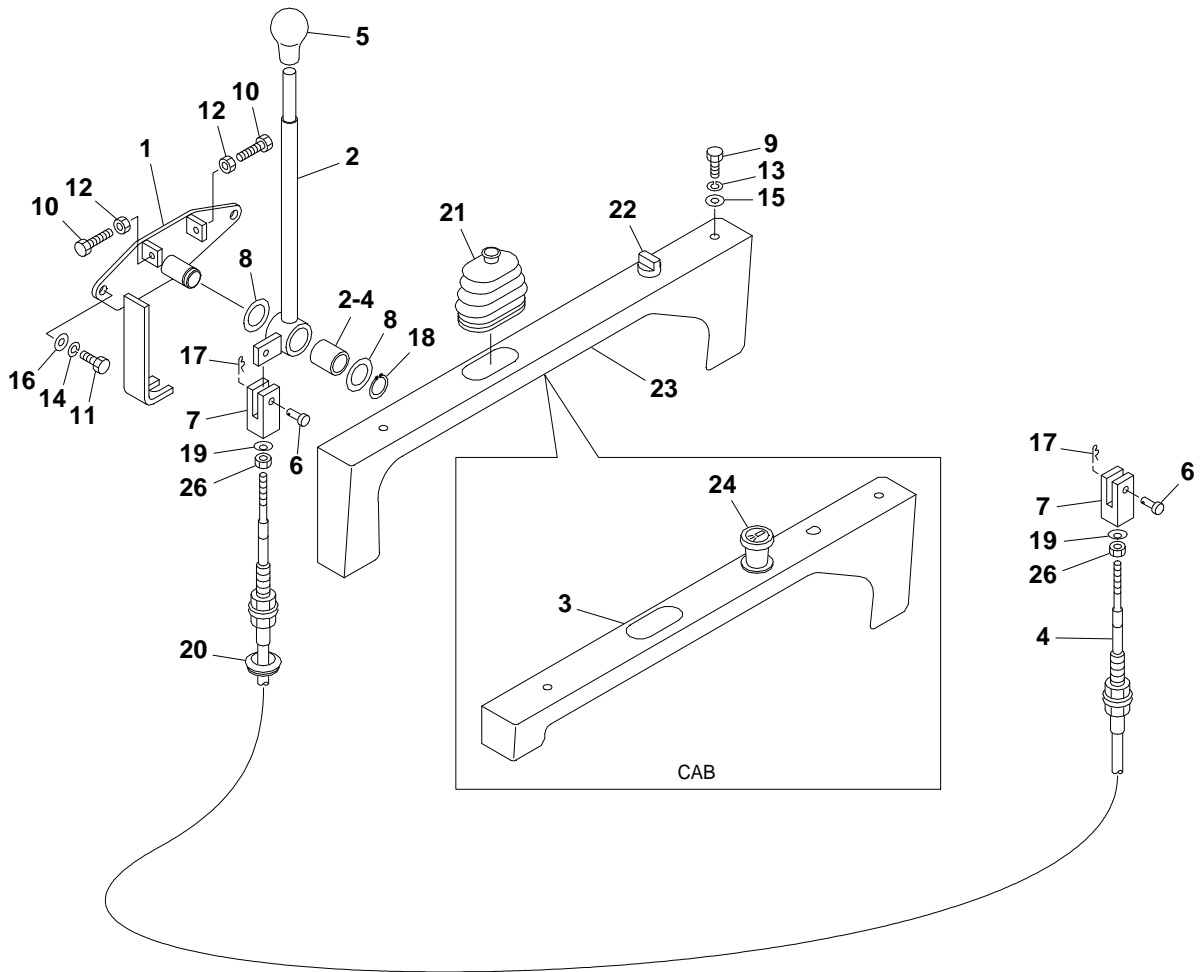
S=1/8

TRAVEL LEVER (15830008-)

Item	Part number	Description	Q'ty	Chan.	Serial No.	Serv.	Remarks
		LEVER ASSY, control					
1	0563230510	BRACKET	1				
2	0563230520	BRACKET	1				
3	0563230530	PEDAL	1				
4	0563230550	COVER	1				
5	0563230810	PEDAL ASSY (R.H.)	1				
5-1	0563230820	· PEDAL (R.H.)	1		15830008~15830211		
	0563230870	· PEDAL (R.H.)	1	(H)	15830212~		
5-2	0373208660	· PEDAL (R.H.)	1				
5-3	1110040655	· SCREW, cap	1				
5-4	1130040006	· NUT	2				
5-5	1225110006	· WASHER, conical	2				
6	0563230830	PEDAL ASSY (L.H.)	1				
6-1	0563230840	· PEDAL (L.H.)	1		15830008~15830211		
	0563230880	· PEDAL (L.H.)	1	(H)	15830212~		
6-2	0373208630	· PEDAL (L.H.)	1				
6-3	1110040655	· SCREW, cap	1				
6-4	1130040006	· NUT	2				
6-5	1225110006	· WASHER, conical	2				
7	0563230850	LEVER (R.H.)	1				
8	0563230860	LEVER (L.H.)	1				
9	0563219700	REST, foot	1				
10	0563218500	COVER	1				
12	0333241250	SHEET	1				
13	1901739100	VALVE, pilot	1				
14	1901746300	VALVE, pilot	1				
15	1512370008	ADAPTOR (with filter)	1				
	1420010110	· O-RING	1				
16	1512375004	ELBOW	1				
	1420010110	· O-RING	1				
17	1513300014	ELBOW	1				
	1420010110	· O-RING	1				
18	1515012040	ELBOW	6				
	1420010110	· O-RING	1				
19	1515600200	ADAPTOR	2				
	1420010110	· O-RING	1				
20	1650202610	GRIP	1				
21	1650203210	GRIP (with switch)	1				
22	1100040680	BOLT	1				
23	1100040820	BOLT	16				
24	1100041016	BOLT	4				
25	1110040816	SCREW, cap	4				
26	1130040006	NUT	2				
27	1131040012	NUT	2				
28	1140020008	WASHER, spring	18				
29	1140420010	WASHER, spring	4				
30	1141110008	WASHER	18				
31	1225110006	WASHER, conical	2				
32	1100040816	BOLT	2				
33	1652533016	CAP	2				
34	1140420008	WASHER, spring	4				

J3b121

TB153FR (P-T153FBBB) Book No. BJ3Z003 S/N 15830001-
DOZER BLADE LEVER (15830001-15830036)



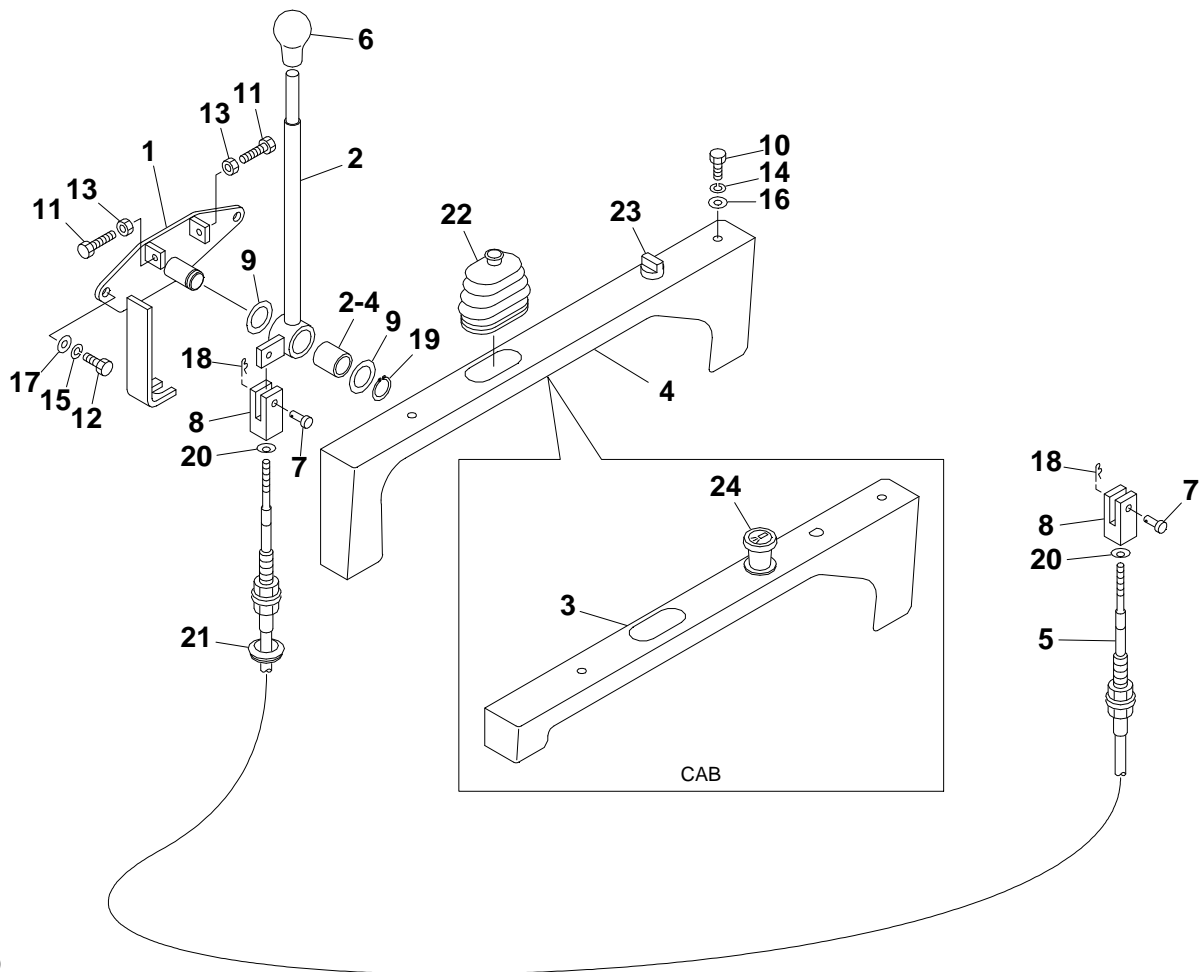
J3B040

S=1/6

DOZER BLADE LEVER (15830001-15830036)

Item	Part number	Description	Q'ty	Chan.	Serial No.	Serv.	Remarks
		LEVER ASSY, blade (cab)					
		LEVER ASSY, blade (canopy)					
1	0393301150	BRACKET	1				
2	0393301160	LEVER	1				
2-4	1333002025	· BUSHING	1				
3	0393301180	COVER	1				cab
4	1630776310	CABLE, control	1				
5	1650153655	GRIP	1				
6	0004006017	PIN	2				
7	0005506024	YOKE	2				
8	0093208300	WASHER	2				
9	1100090612	BOLT	2				
10	1100040625	BOLT	2				
11	1100040816	BOLT	2				
12	1130040006	NUT	2				
13	1140090006	WASHER, spring	2				
14	1140020008	WASHER, spring	2				
15	1141190006	WASHER	2				
16	1141110008	WASHER	2				
17	1214000006	PIN, snap	2				
18	1220000020	RING, retaining	1				
19	1225000005	WASHER	2				
20	1652052600	GROMMET	1				
21	0334120100	BOOT	1				
22	1700000038	SWITCH	1				
23	0393301190	COVER	1				canopy
24	1711900059	LIGHTER	1				cab
26	1130040005	NUT	2				
	J3b040						

TB153FR (P-T153FBBB) Book No. BJ3Z003 S/N 15830001-
DOZER BLADE LEVER (15830037-)



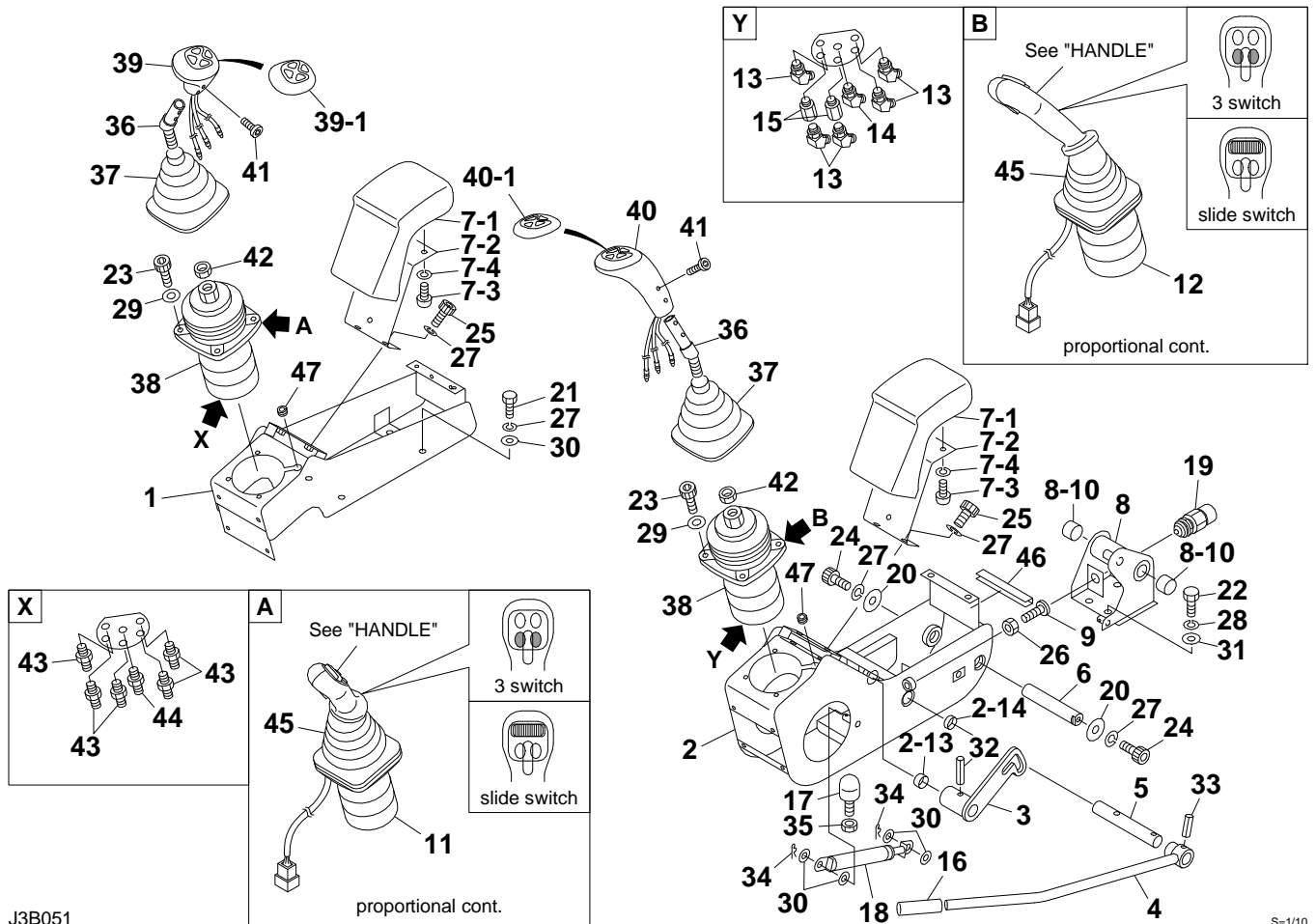
J3B110

S=1/6

DOZER BLADE LEVER (15830037-)

Item	Part number	Description	Q'ty	Chan.	Serial No.	Serv.	Remarks
		LEVER ASSY, blade (cab)					
		LEVER ASSY, blade (canopy)					
1	0393301150	BRACKET	1				
2	0393301160	LEVER	1				
2-4	1333002025	· BUSHING	1				
3	0393302510	COVER	1				cab
4	0393302610	COVER	1				canopy
5	1630776310	CABLE, control	1				
6	1650153655	GRIP	1				
7	0004006017	PIN	2				
8	0005506024	YOKE	2				
9	0093208300	WASHER	2				
10	1100090612	BOLT	2				
11	1100040625	BOLT	2				
12	1100040816	BOLT	2				
13	1130040006	NUT	2				
14	1140090006	WASHER, spring	2				
15	1140020008	WASHER, spring	2				
16	1141190006	WASHER	2				
17	1141110008	WASHER	2				
18	1214000006	PIN, snap	2				
19	1220000020	RING, retaining	1				
20	1225000005	WASHER	2				
21	1652052600	GROMMET	1				
22	0334120100	BOOT	1				
23	1700000038	SWITCH	1				
24	1711900059	LIGHTER	1				cab
	J3b110						

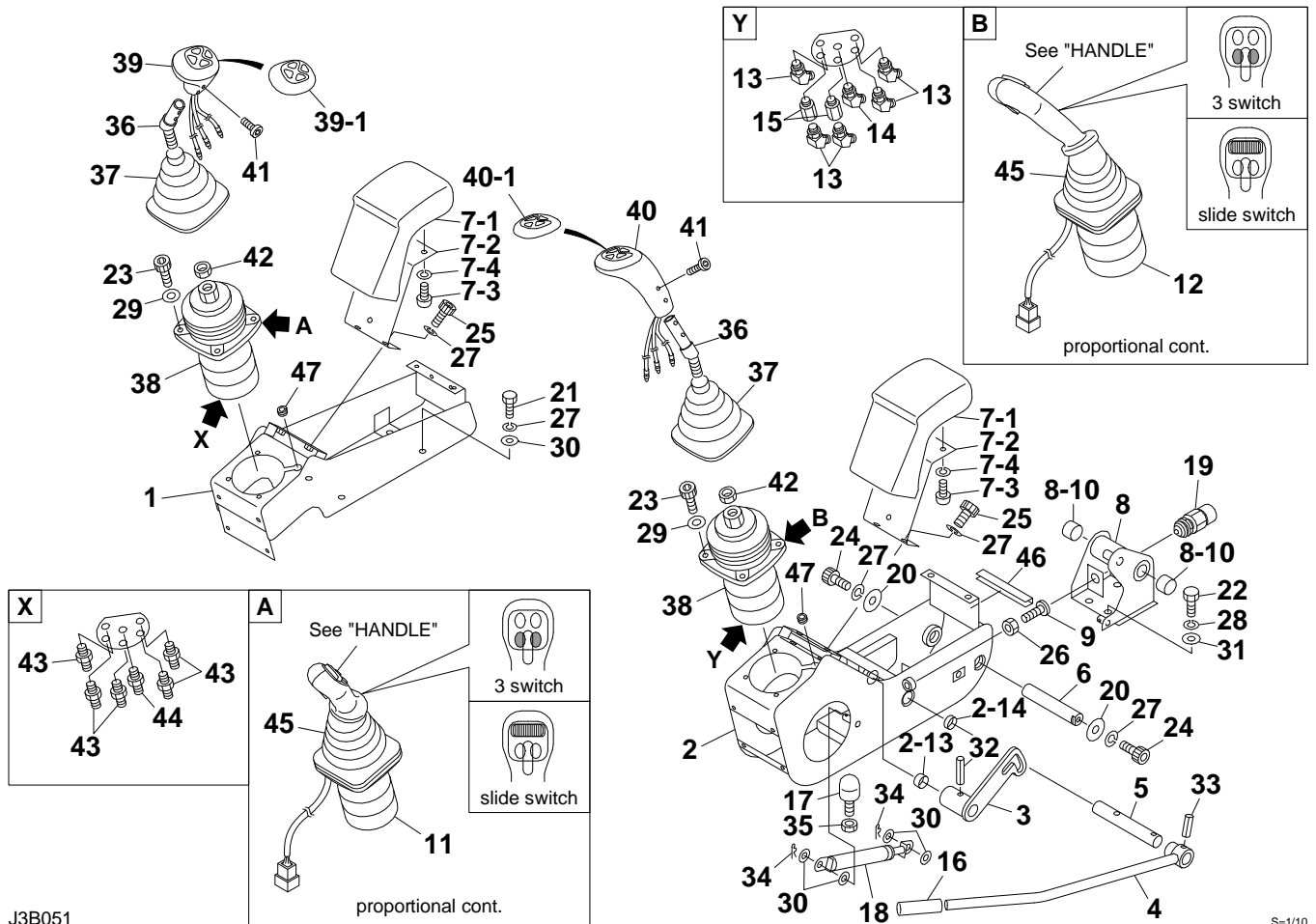
**TB153FR (P-T153FBBB) Book No. BJ3Z003 S/N 15830001-
OPERATION LEVER & STAND**



OPERATION LEVER & STAND

Item	Part number	Description	Q'ty	Chan.	Serial No.	Serv.	Remarks
		VALVE ASSY					
		VALVE ASSY (R.H. -slide sw, L.H. -3sw)					
		VALVE ASSY (L.H. -slide sw, R.H. -3sw)					
		VALVE ASSY (R.H. -slide sw, L.H. slide -sw)					
1	0395116010	BOX, control (R.H.)	1				
2	0395116050	BOX, control (L.H.)	1				
2-13	1333002010	· BUSHING	1				
2-14	1333002015	· BUSHING	1				
3	0395113450	PLATE (L.H.)	1				
4	0375105400	LEVER (L.H.)	1				
5	0335124700	SHAFT	1				
6	0335124750	SHAFT	1				
7	0375105500	REST, arm	2				
7-1	0375105510	· URETHANE	1				
7-2	0375105520	· PLATE	1				
7-3	1120530812	· SCREW	3				
7-4	1140020008	· WASHER, spring	3				
8	0375104400	BRACKET (L.H.)	1				
8-10	1333002015	· BUSHING	2				
9	0335120970	BOLT	1				
11	1901751200	VALVE ASSY (R.H.) (3 switch)	1				proportional cont.
	1901751400	VALVE ASSY (R.H.) (slide switch)	1				proportional cont.
12	1901751300	VALVE ASSY (L.H.) (3 switch)	1				proportional cont.
	1901751500	VALVE ASSY (L.H.) (slide switch)	1				proportional cont.
13	1515100110	ELBOW	5				
	1420010110	· O-RING	1				
14	1512370012	ADAPTOR (with filter)	1				
	1420010110	· O-RING	1				
15	1513250202	BUSHING	2				
	1420010110	· O-RING	1				
16	1650202300	CAP	1				
17	1651101224	STOPPER	1				
18	1653900057	SPRING, gas	1				
19	1700000033	SWITCH, limit	1				
20	0003600011	WASHER	2				
21	1100040820	BOLT	4				
22	1100041020	BOLT	4				
23	1110040625	SCREW, cap	8				
24	1110040816	SCREW, cap	2				
25	1110040820	SCREW, cap	4				
26	1130040010	NUT	1				
27	1140020008	WASHER, spring	10				
28	1140020010	WASHER, spring	4				
29	1141110006	WASHER	8				
30	1141110008	WASHER	8				
31	1141110010	WASHER	4				
32	1213000832	PIN, spring	1				
33	1213000836	PIN, spring	1				
34	1214000008	PIN, snap	2				
35	1130040012	NUT	1				
36	0375105100	LEVER	2				only 1st aux. line
37	0375109030	BOOT	2				only 1st aux. line
38	1901751100	VALVE, pilot	2				only 1st aux. line
39	1650204600	GRIP (R.H.)	1				only 1st aux. line
39-1	1650204601	· COVER	1				only 1st aux. line
40	1650204700	GRIP (L.H.)	1				only 1st aux. line
40-1	1650204701	· COVER	1				only 1st aux. line
41	1111850610	SCREW, cap	4				only 1st aux. line
42	1130040014	NUT	2				only 1st aux. line
43	1515600200	ADAPTOR	5				
	1420010110	· O-RING	1				

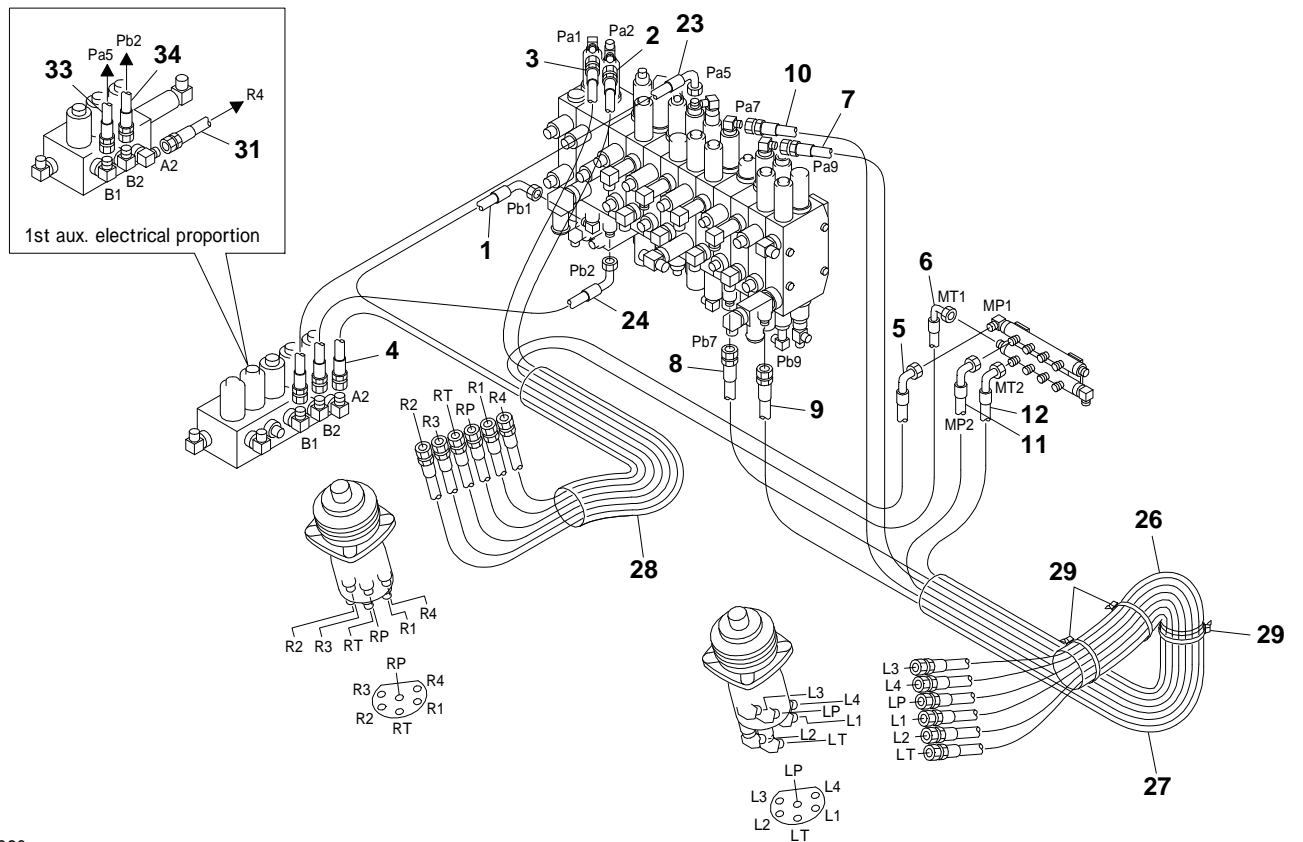
**TB153FR (P-T153FBBB) Book No. BJ3Z003 S/N 15830001-
OPERATION LEVER & STAND**



OPERATION LEVER & STAND

Item	Part number	Description	Q'ty	Chan.	Serial No.	Serv.	Remarks
44	1512370008	ADAPTOR (with filter)	1				
	1420010110	· O-RING	1				
45	0375109110	BOOT	2				proportional cont.
46	1653917009	TRIM	1				sold by the meter
47	1700100092	GROMMET	2				
	J3b052						

**TB153FR (P-T153FBBB) Book No. BJ3Z003 S/N 15830001-
PIPING; OPERATION LEVER (1/2)**



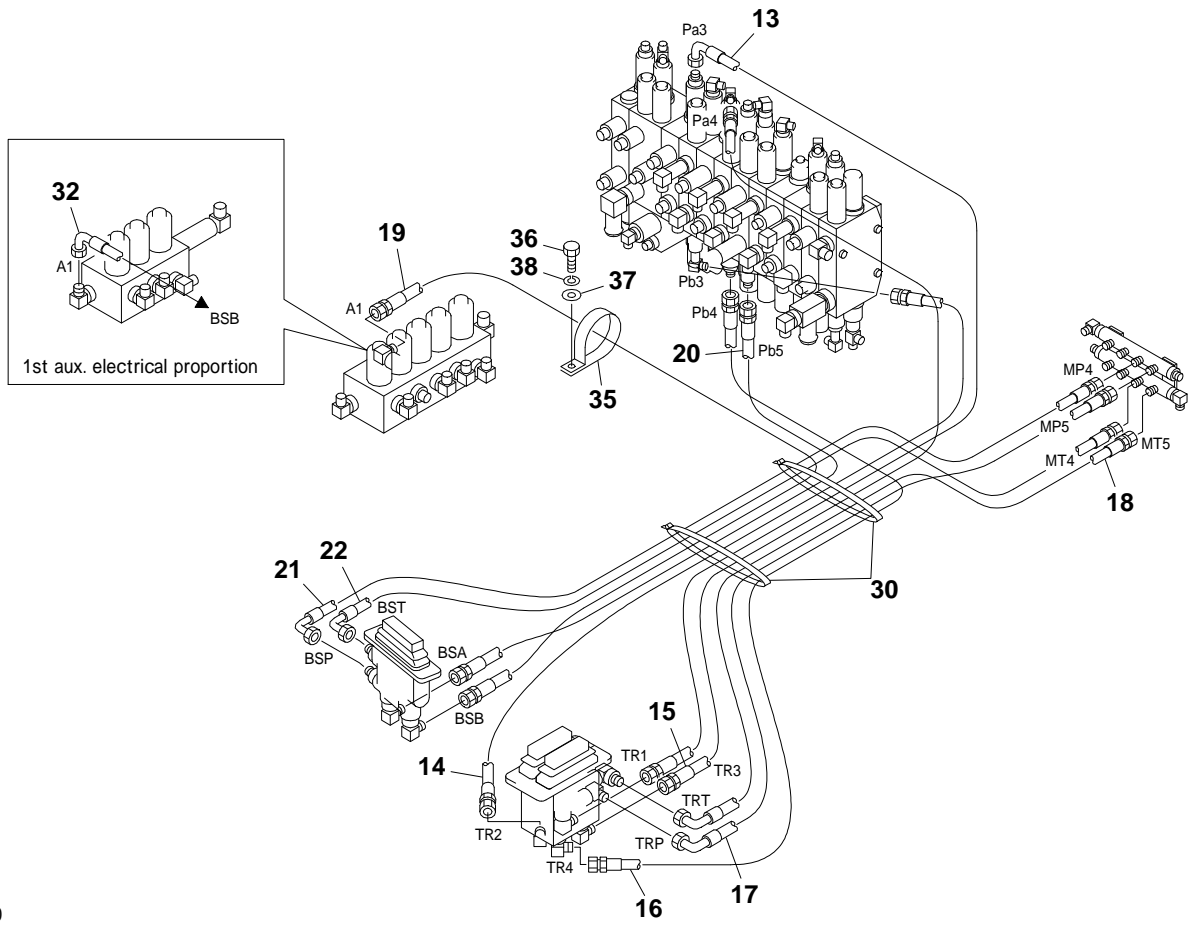
J3B060

S=1/10

PIPING; OPERATION LEVER (1/2)

Item	Part number	Description	Q'ty	Chan.	Serial No.	Serv.	Remarks
		PIPING ASSY					
		PIPING ASSY (1st aux. proportion)					
1	0397115010	HOSE ASSY	1				18010-52120
2	0397115020	HOSE ASSY	1				18010-22100
3	0397115030	HOSE ASSY	1				18010-22088
4	0397115040	HOSE ASSY	1				18010-22100
5	0397116410	HOSE ASSY	1				18010-52165
6	0397116420	HOSE ASSY	1				18010-52165
7	0397115070	HOSE ASSY	1				18010-22155
8	0397115080	HOSE ASSY	1				18010-22180
9	0397115090	HOSE ASSY	1				18010-22170
10	0397115100	HOSE ASSY	1				18010-22155
11	0397116430	HOSE ASSY	1				18010-52170
12	0397116440	HOSE ASSY	1				18010-52170
23	0397115230	HOSE ASSY	1				18010-52057
24	0397115240	HOSE ASSY	1				18010-52115
26	1531645030	PROTECTOR	1				sold by the meter
27	1567525080	PROTECTOR	1				sold by the meter
28	1567525060	PROTECTOR	1				sold by the meter
29	1652200007	BAND	3				
31	0397115410	HOSE ASSY (1st aux. proportion)	1				18010-22135
33	0397115430	HOSE ASSY (1st aux. proportion)	1				18010-52065
34	0397115440	HOSE ASSY (1st aux. proportion)	1				18010-52125
	J3b061						

**TB153FR (P-T153FBBB) Book No. BJ3Z003 S/N 15830001-
PIPING; OPERATION LEVER (2/2)**



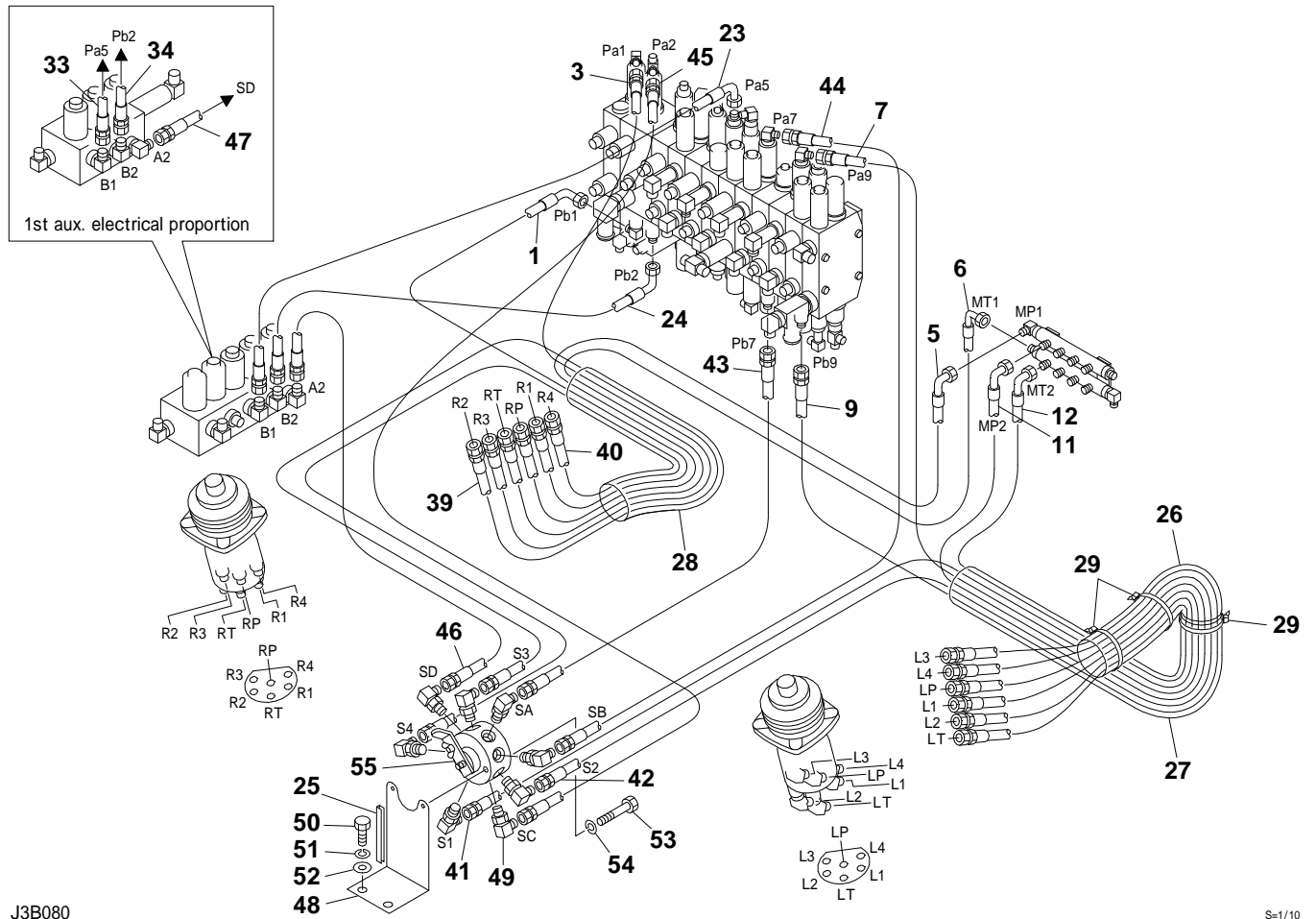
J3B070

S=1/10

PIPING; OPERATION LEVER (2/2)

Item	Part number	Description	Q'ty	Chan.	Serial No.	Serv.	Remarks
		PIPING ASSY					
		PIPING ASSY (1st aux. proportion)					
13	0397115130	HOSE ASSY	1				18010-52115
14	0397115140	HOSE ASSY	1				18010-22120
15	0397115150	HOSE ASSY	1				18010-22105
16	0397115160	HOSE ASSY	1				18010-22125
17	0397116450	HOSE ASSY	1				18010-52075
18	0397116460	HOSE ASSY	1				18010-52075
19	0397116470	HOSE ASSY	1				18010-22115
20	0397116480	HOSE ASSY	1				18010-22125
21	0397116490	HOSE ASSY	1				18010-52090
22	0397116510	HOSE ASSY	1				18010-52090
30	1652231250	BAND	2				
32	0397116520	HOSE ASSY (1st aux. proportion)	1				18010-52130
35	0007300044	CLAMP	1				
36	1100040816	BOLT	1				
37	1141110008	WASHER	1				
38	1140020008	WASHER, spring	1				
	J3b071						

**TB153FR (P-T153FBBB) Book No. BJ3Z003 S/N 15830001-
PIPING; OPERATION LEVER (1/2) (ISO-JCB pattern)**



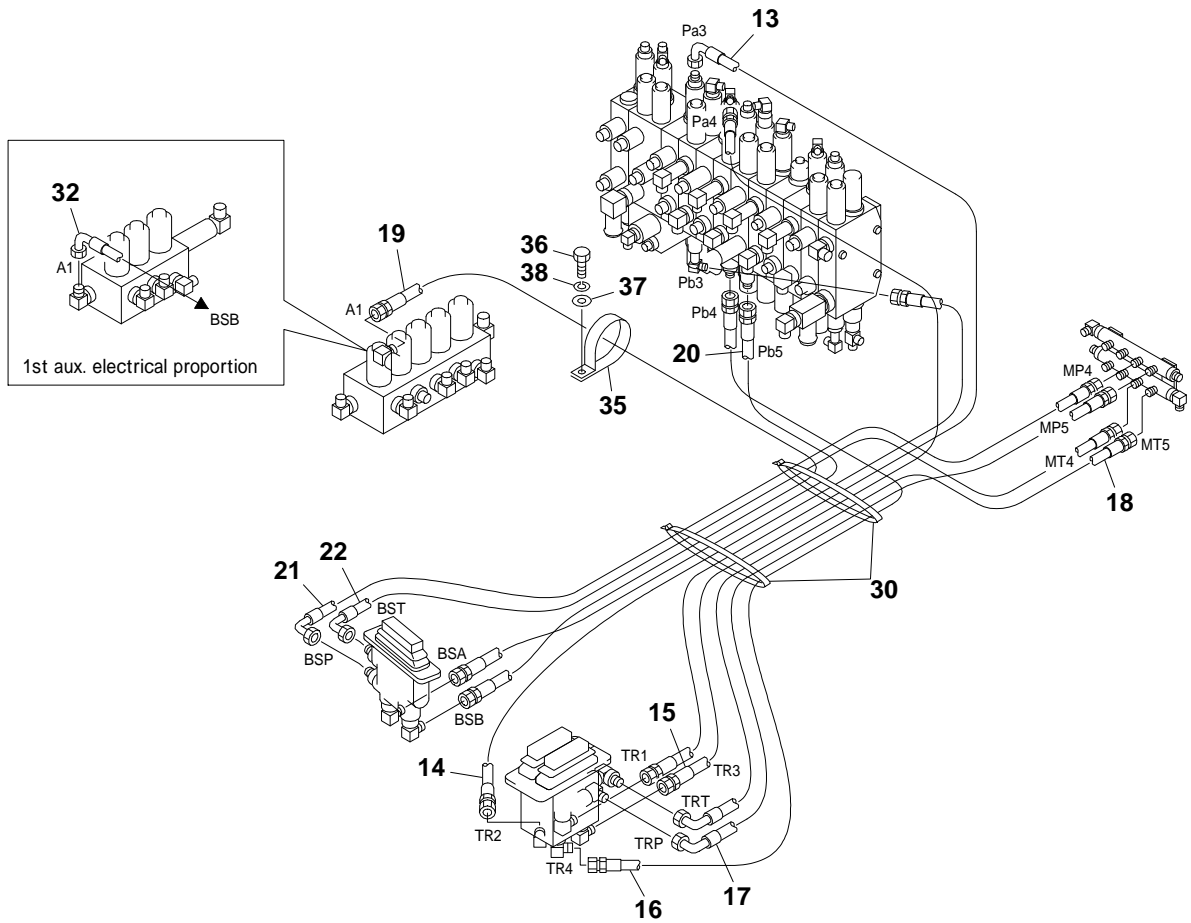
J3B080

S=1/10

PIPING; OPERATION LEVER (1/2) (ISO-JCB pattern)

Item	Part number	Description	Q'ty	Chan.	Serial No.	Serv.	Remarks
		PIPING ASSY					
		PIPING ASSY (1st aux. proportion)					
1	0397115010	HOSE ASSY	1				18010-52120
3	0397115030	HOSE ASSY	1				18010-22088
5	0397116410	HOSE ASSY	1				18010-52165
6	0397116420	HOSE ASSY	1				18010-52165
7	0397115070	HOSE ASSY	1				18010-22155
9	0397115090	HOSE ASSY	1				18010-22170
11	0397116430	HOSE ASSY	1				18010-52170
12	0397116440	HOSE ASSY	1				18010-52170
23	0397115230	HOSE ASSY	1				18010-52057
24	0397115240	HOSE ASSY	1				18010-52115
25	1654601010	TRIM	1				sold by the meter
26	1531645030	PROTECTOR	1				sold by the meter
27	1567525080	PROTECTOR	1				sold by the meter
28	1567525060	PROTECTOR	1				sold by the meter
29	1652200007	BAND	3				
33	0397115430	HOSE ASSY (1st aux. proportion)	1				18010-52065
34	0397115440	HOSE ASSY (1st aux. proportion)	1				18010-52125
39	0397115310	HOSE ASSY	1				18010-22165
40	0397115320	HOSE ASSY	1				18010-22170
41	0397115330	HOSE ASSY	1				18010-22165
42	0397115340	HOSE ASSY	1				18010-22150
43	0397115350	HOSE ASSY	1				18010-22075
44	0397115360	HOSE ASSY	1				18010-22060
45	0397115370	HOSE ASSY	1				18010-22080
46	0397115380	HOSE ASSY	1				18010-22080
47	0397115510	HOSE ASSY (1st aux. proportion)	1				18010-22088
48	0567149490	PLATE	1				
49	1515012040	ELBOW	8				
	1420010110	· O-RING	1				
50	1101041225	BOLT	2				
51	1140020012	WASHER, spring	2				
52	1141110012	WASHER	2				
53	1100040650	BOLT	2				
54	1140020006	WASHER, spring	2				
55	1901730500	VALVE, selector	1				
	J3b081						

**TB153FR (P-T153FBBB) Book No. BJ3Z003 S/N 15830001-
PIPING; OPERATION LEVER (2/2) (ISO-JCB pattern)**



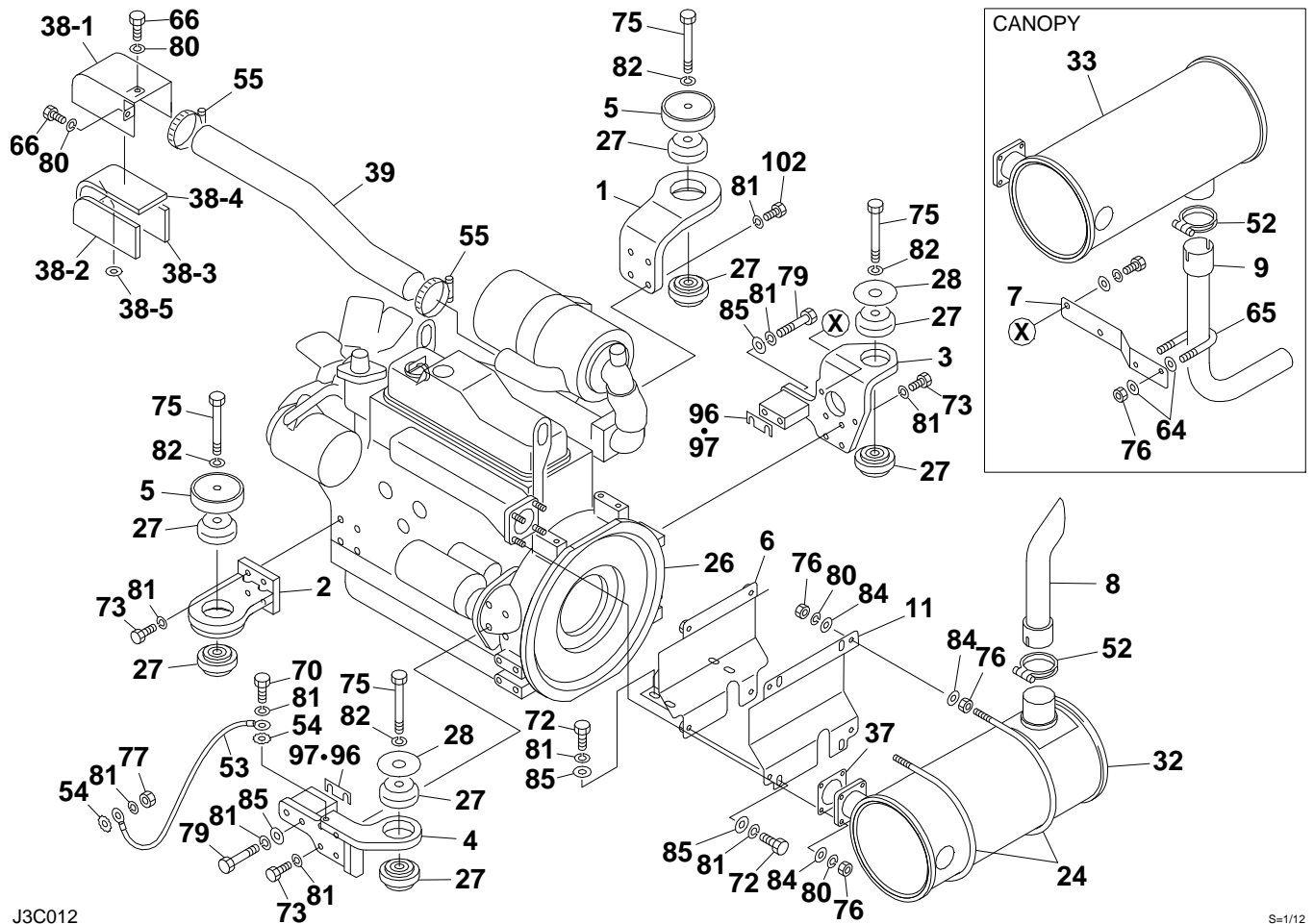
J3B090

S=1/10

PIPING; OPERATION LEVER (2/2) (ISO-JCB pattern)

Item	Part number	Description	Q'ty	Chan.	Serial No.	Serv.	Remarks
		PIPING ASSY					
		PIPING ASSY (1st aux. proportion)					
13	0397115130	HOSE ASSY	1				18010-22115
14	0397115140	HOSE ASSY	1				18010-22120
15	0397115150	HOSE ASSY	1				18010-22105
16	0397115160	HOSE ASSY	1				18010-22125
17	0397116450	HOSE ASSY	1				18010-52075
18	0397116460	HOSE ASSY	1				18010-52075
19	0397116470	HOSE ASSY	1				18010-22115
20	0397116480	HOSE ASSY	1				18010-22125
21	0397116490	HOSE ASSY	1				18010-52090
22	0397116510	HOSE ASSY	1				18010-52090
30	1652231250	BAND	2				
32	0397116520	HOSE ASSY (1st aux. proportion)	1				18010-52130
35	0007300044	CLAMP	1				
36	1100040816	BOLT	1				
37	1141110008	WASHER	1				
38	1140020008	WASHER, spring	1				
	J3b091						

**TB153FR (P-T153FBBB) Book No. BJ3Z003 S/N 15830001-
ENGINE & ACCESSORIES (1/3)**



J3C012

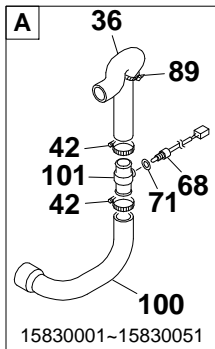
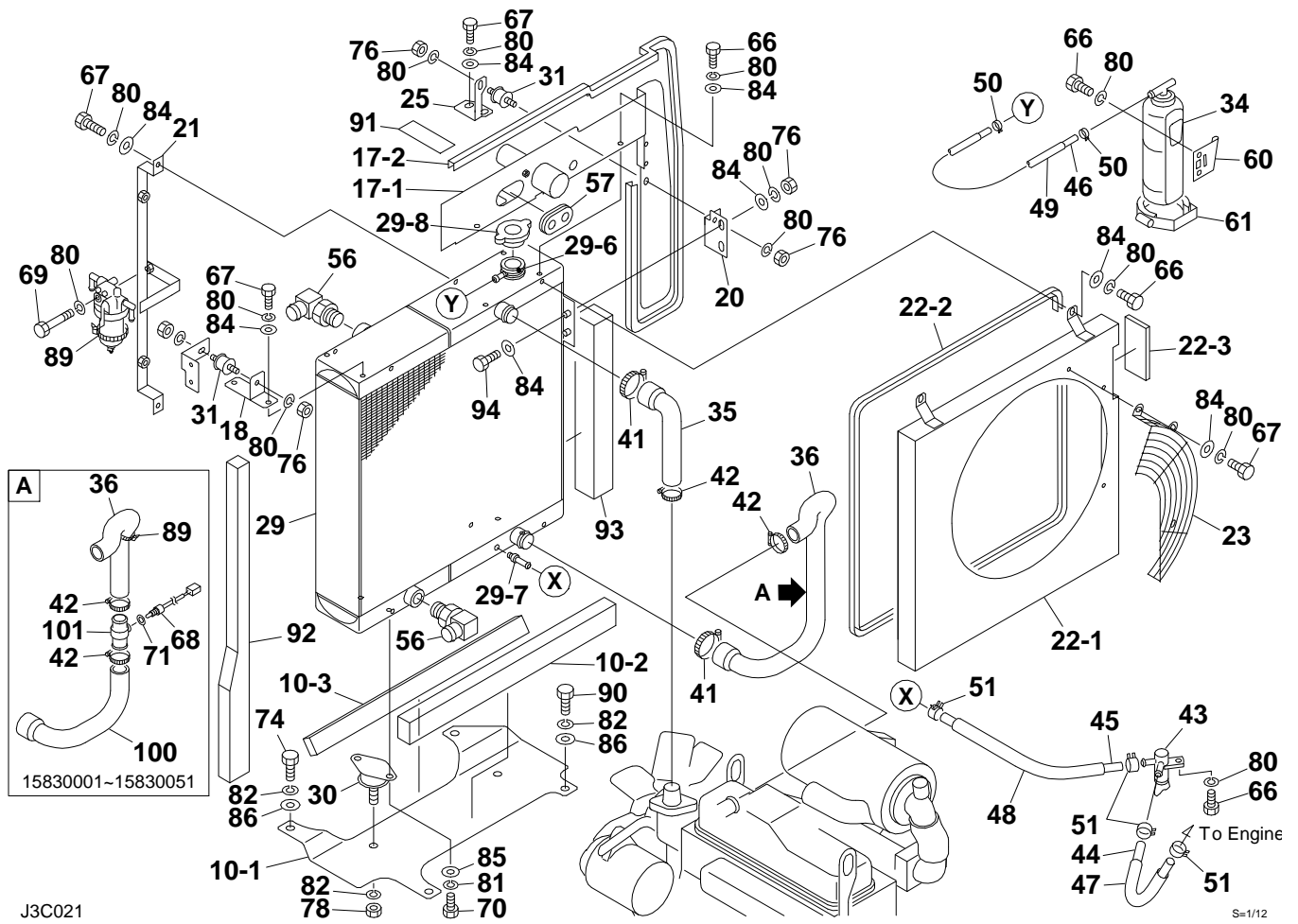
S=1/12

ENGINE & ACCESSORIES (1/3)

Item	Part number	Description	Q'ty	Chan.	Serial No.	Serv.	Remarks
		ENGINE ASSY (cab)					
		ENGINE ASSY (canopy)					
1	0394021010	FOOT, engine (F.R.)	1				
2	0394021020	FOOT, engine (F.L.)	1				
3	0394029010	FOOT, engine (R.R.)	1				
4	0394029020	FOOT, engine (R.L.)	1				
5	0394021050	STOPPER	2				
6	0394021060	BRACKET	1				
7	0394021070	PLATE	1				canopy
8	0394021670	PIPE	1				cab
9	0394021090	PIPE	1				canopy
11	0394021110	PLATE	1				
24	0394021240	U-BOLT	2				
26	1910258001	ENGINE	1				4TNV88-BPTBZ
27	1651030015	RUBBER, cushion	8				
28	0394021028	WASHER	2				
32	1911000400	SILENCER	1				cab
33	1911000500	SILENCER	1				canopy
37	1910197023	GASKET	1				Y129930-13201
38	0394029150	DUCT ASSY	1				
38-1	0394029160	· DUCT	1				
38-2	0394021412	· ABSORBENT, noise	1		15830001~15830036		
	0394029152	· ABSORBENT, noise	1	(H)	15830037~		
38-3	0394019013	· ABSORBENT, noise	1		15830001~15830036		
	0394029153	· ABSORBENT, noise	1	(H)	15830037~		
38-4	0394019014	· ABSORBENT, noise	1		15830001~15830036		
	0394029154	· ABSORBENT, noise	1	(H)	15830037~		
38-5	1652436025	· WASHER	1		15830001~15830565	M	
39	0394021390	PIPE	1				
52	1910195027	CLAMP	1				Y129642-13590
53	1702430280	CABLE, earth	1				
54	1140330010	WASHER	2				
55	1533700066	BAND	2				
64	0003608252	WASHER	4				canopy
65	1533201012	U-BOLT	1				canopy
66	1100040816	BOLT	2				
70	1100041016	BOLT	2				
72	1100041025	BOLT	8				
73	1100041030	BOLT	12				
75	1101141200	BOLT	4				
76	1130040008	NUT	12				cab
	1130040008	NUT	14				canopy
77	1130040010	NUT	1				
79	1100041095	BOLT	4				
80	1140020008	WASHER, spring	10				
81	1140020010	WASHER, spring	30				
82	1140020012	WASHER, spring	4				
84	1141110008	WASHER	12				
85	1141110010	WASHER	12				
96	0003600240	SHIM	AR				t=0.2mm
97	0003600241	SHIM	AR				t=0.5mm
102	1100041035	BOLT	4				

J3c012

TB153FR (P-T153FBBB) Book No. BJ3Z003 S/N 15830001-
ENGINE & ACCESSORIES (2/3)



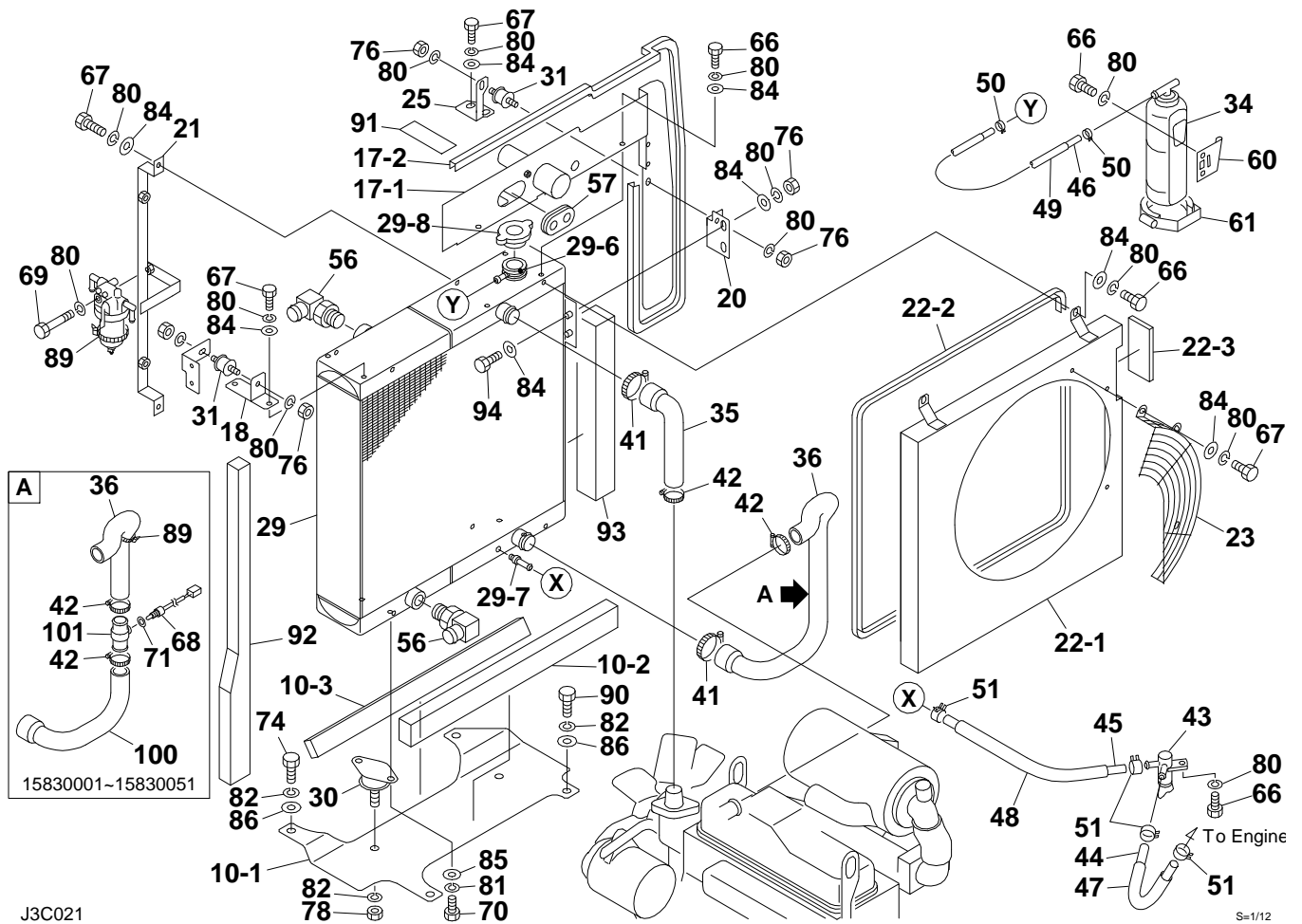
J3C021

S=1/12

ENGINE & ACCESSORIES (2/3)

Item	Part number	Description	Q'ty	Chan.	Serial No.	Serv.	Remarks
		ENGINE ASSY (cab)					
		ENGINE ASSY (canopy)					
10	0394029030	PLATE ASSY	1				
10-1	0394029031	· PLATE	1				
10-2	0394021102	· SPONGE	1				
10-3	0394029033	· SPONGE	1		15830037~		
17	0394029080	PLATE ASSY	1				
17-1	0394029090	· PLATE	1				
17-2	1654606163	· TRIM	1				sold by the meter
18	0394021180	PLATE	1				
20	0394021200	PLATE	1				
21	0394029110	BRACKET	1				
22	0394029120	SHROUD ASSY	1				
22-1	0394029130	· SHROUD	1				
22-2	1654606215	· TRIM	1				sold by the meter
22-3	0394029123	· SPONGE	1				
23	0394021500	GUARD	1				
25	0394021250	PLATE	1				
29	1911300320	RADIATOR & OIL COOLER	1				AKG
29-6	1911300076	· FITTING, hose	1				
29-7	1911300077	· NIPPLE	1				
29-8	1911300078	· CAP, radiator	1				
30	1651024009	RUBBER, cushion	2				
31	1651014003	RUBBER, cushion	2				
34	1910146020	TANK, sub	1				Y129466-44510
35	0394021350	HOSE	1				
36	0394029140	HOSE	1		15830001~15830051		
	0394021360	HOSE	1	(H)	15830052~		
41	1533700057	BAND	2				
42	1533001038	BAND	2				
43	1910078037	VALVE, drain	1				Y129150-49100
44	1530808040	HOSE	1				sold by the meter
45	1530808055	HOSE	1				sold by the meter
46	1531211050	TUBE	1				sold by the meter
47	1531118035	PROTECTOR	1				sold by the meter
48	1531118050	PROTECTOR	1				sold by the meter
49	1531115045	PROTECTOR	1				sold by the meter
50	1533120010	BAND	2				
51	1533120012	BAND	4				
56	1513350027	ELBOW	2				
	1420010240	· O-RING	1				
57	0337017300	GUARD	1				
60	1910047052	BRACKET	1				Y121256-44600
61	1910047047	BAND	1				Y124450-44550
66	1100040816	BOLT	9				
67	1100040820	BOLT	10				
68	1700100046	SENSOR	1		15830001~15830051		
69	1100040865	BOLT	1				
70	1100041016	BOLT	4				
71	1541400811	PACKING	1		15830001~15830051		
74	1101041225	BOLT	3				
76	1130040008	NUT	6				
78	1130040012	NUT	2				
80	1140020008	WASHER, spring	25				
81	1140020010	WASHER, spring	4				
82	1140020012	WASHER, spring	6				
84	1141110008	WASHER	20				
85	1141110010	WASHER	4				
86	1141550012	WASHER	4				
89	1652231250	BAND	1				
90	1101041235	BOLT	1				

TB153FR (P-T153FBBB) Book No. BJ3Z003 S/N 15830001-
ENGINE & ACCESSORIES (2/3)



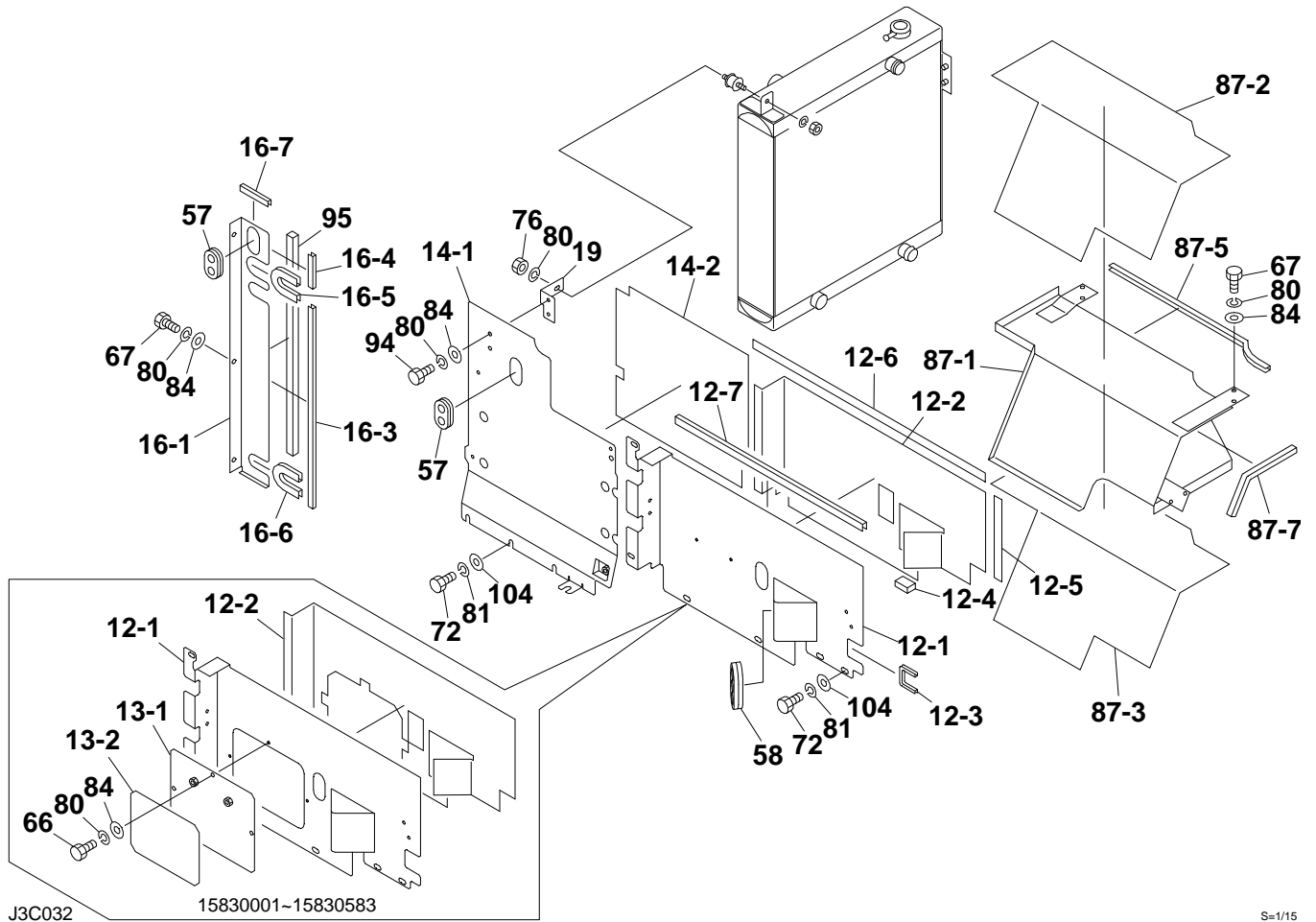
J3C021

S=1/12

ENGINE & ACCESSORIES (2/3)

Item	Part number	Description	Q'ty	Chan.	Serial No.	Serv.	Remarks
91	1654354011	SPONGE	1				
92	0394029180	SPONGE	1				sold by the meter
93	0394029181	SPONGE	1				
94	1100040825	BOLT	2				
100	0394029145	HOSE	1		15830001~15830051		
101	0394029170	JOINT	1		15830001~15830051		
	J3c022						

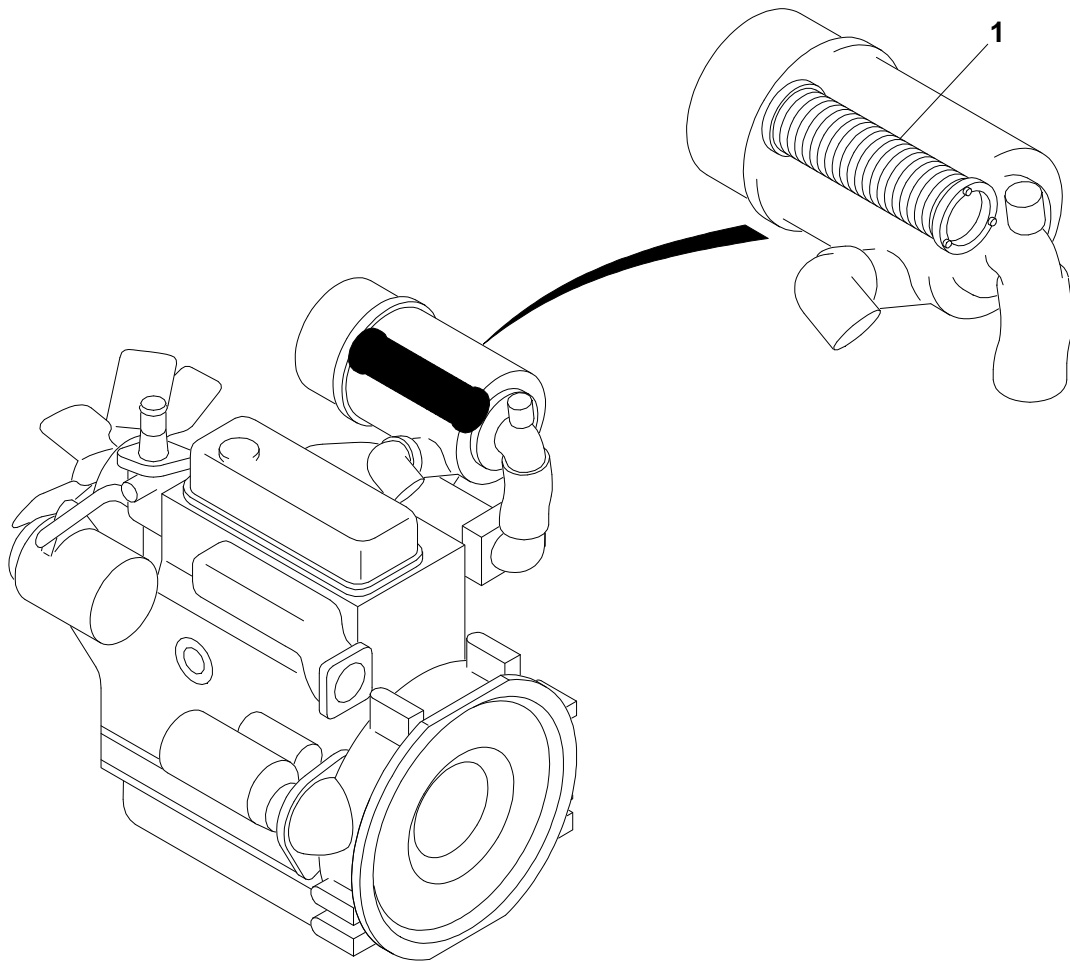
TB153FR (P-T153FBBB) Book No. BJ3Z003 S/N 15830001-
ENGINE & ACCESSORIES (3/3)



ENGINE & ACCESSORIES (3/3)

Item	Part number	Description	Q'ty	Chan.	Serial No.	Serv.	Remarks
		ENGINE ASSY (cab)					
		ENGINE ASSY (canopy)					
12	0394029040	PLATE ASSY	1				
12-1	0394029050	· PLATE	1		15830001~15830583		
	0394029190	· PLATE	1		15830584~	M	
12-2	0394021260	· INSULATOR	1		15830001~15830583		
	0394029199	· INSULATOR	1		15830584~	M	
12-3	1654625014	· TRIM	1				sold by the meter
12-4	1654343004	· SPONGE	1				sold by the meter
12-5	1654401023	· TAPE	1				sold by the meter
12-6	1654401075	· TAPE	1				sold by the meter
12-7	1654625061	· TRIM	1				sold by the meter
13	0394029060	COVER ASSY	1		15830001~15830583		
13-1	0394029070	· COVER	1		15830001~15830583		
13-2	0394021280	· INSULATOR	1		15830001~15830583		
14	0394021440	PLATE ASSY	1				
14-1	0394021140	· PLATE	1				
14-2	0394021270	· INSULATOR	1				
16	0394021720	PLATE ASSY	1				
16-1	0394021710	· PLATE	1				
16-3	1654605056	· RUBBER	1				sold by the meter
16-4	1654605009	· RUBBER	1				sold by the meter
16-5	1654606016	· SEAL	1				sold by the meter
16-6	1653916013	· TRIM	1				sold by the meter
16-7	1654606009	· TRIM	1				sold by the meter
19	0394029100	PLATE	1				
57	0337017300	GUARD	2				
58	0097022400	GUARD	2				
66	1100040816	BOLT	3				
67	1100040820	BOLT	9				
72	1100041025	BOLT	7				
76	1130040008	NUT	1				
80	1140020008	WASHER, spring	12				
81	1140020010	WASHER, spring	7				
84	1141110008	WASHER	11				
87	0394021640	HOOD ASSY	1				
87-1	0394021650	· HOOD	1				
87-2	0394021660	· INSULATOR	1				
87-3	0394021663	· INSULATOR	1				
87-5	1654606055	· TRIM	1				sold by the meter
87-7	1654606027	· SEAL	1				sold by the meter
94	1100040825	BOLT	2				
95	1654349061	SPONGE	1		15830001~15830051		sold by the meter
104	1141550010	WASHER	7				
	J3c032						

**TB153FR (P-T153FBBB) Book No. BJ3Z003 S/N 15830001-
AIR CLEANER (for double element)**



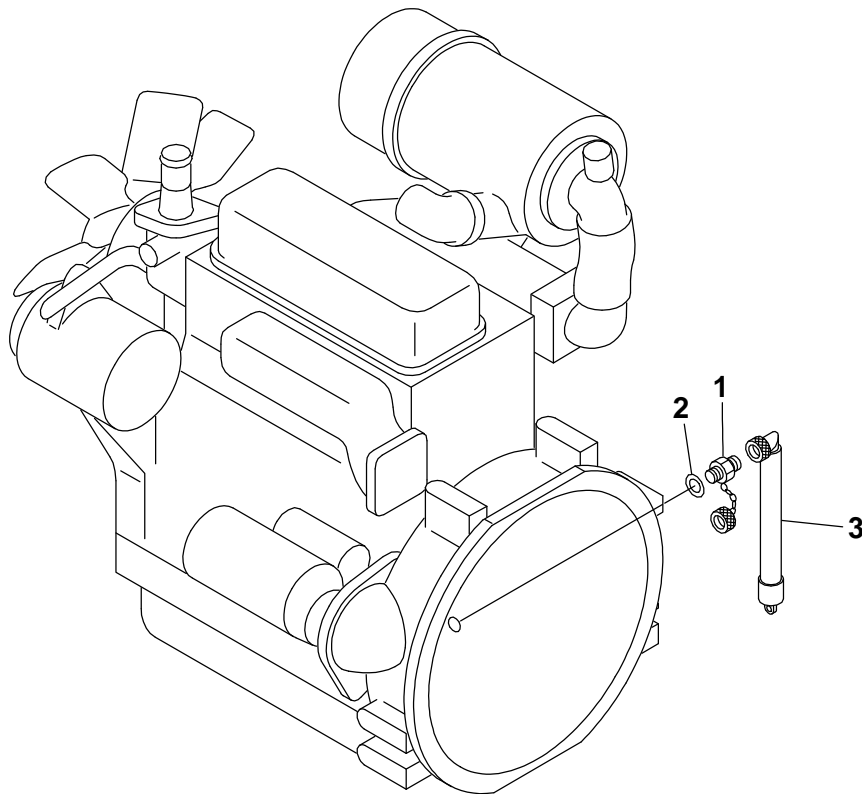
J1C110

S=1/4, 1/8

AIR CLEANER (for double element)

Item	Part number	Description	Q'ty	Chan.	Serial No.	Serv.	Remarks
1	1911102772 G4c150	CLEANER ASSY, air ELEMENT	1				fhfif\fhf\j" P82-2858

TB153FR (P-T153FBBB) Book No. BJ3Z003 S/N 15830001-
DRAIN PLUG



K3C030

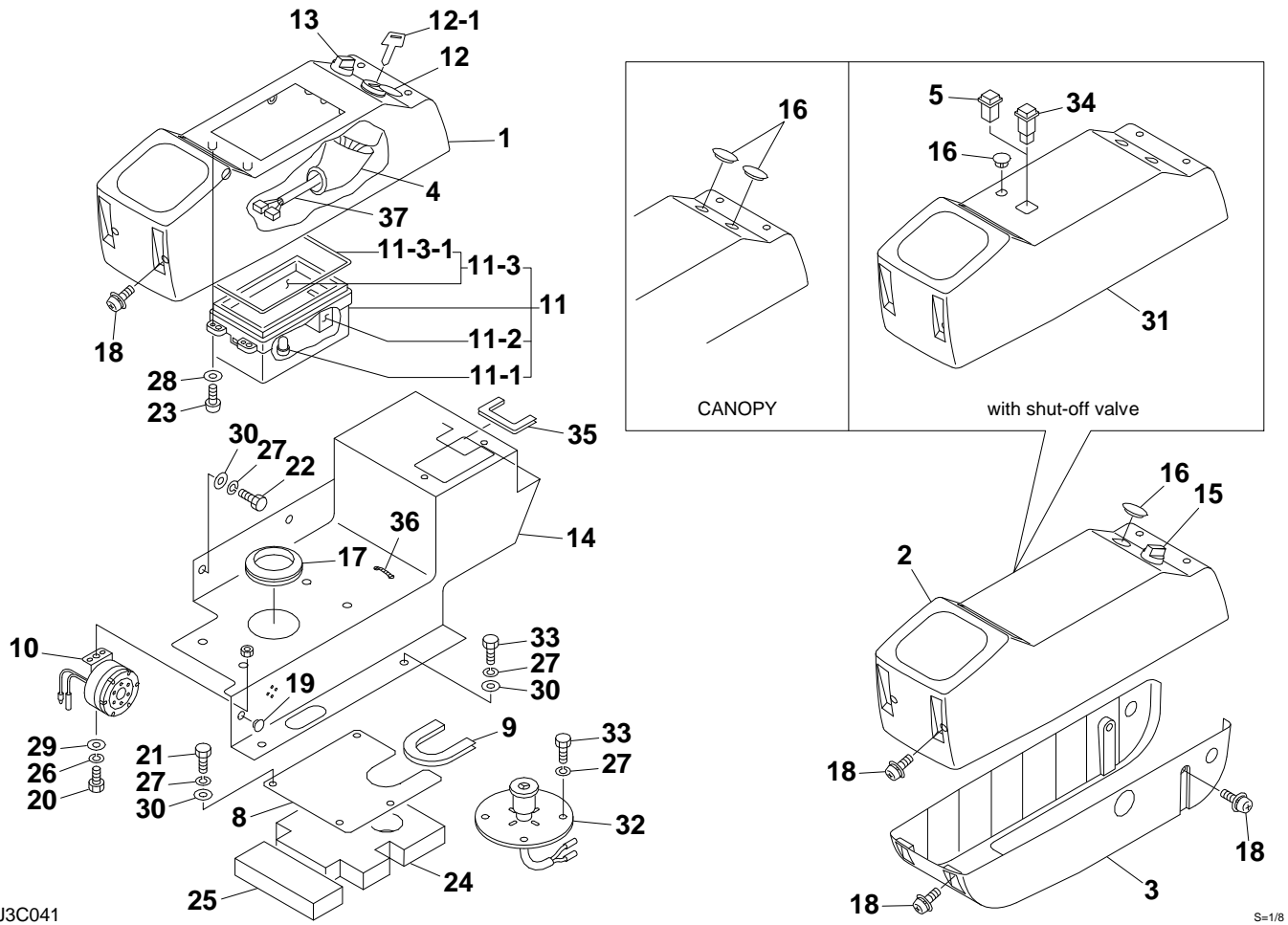
S=1/8

DRAIN PLUG

Item	Part number	Description	Q'ty	Chan.	Serial No.	Serv.	Remarks
1	1554502250	PLUG ASSY, drain PLUG	1				
2	1432122302	WASHER	1				
3	1554512601	TUBE	1				

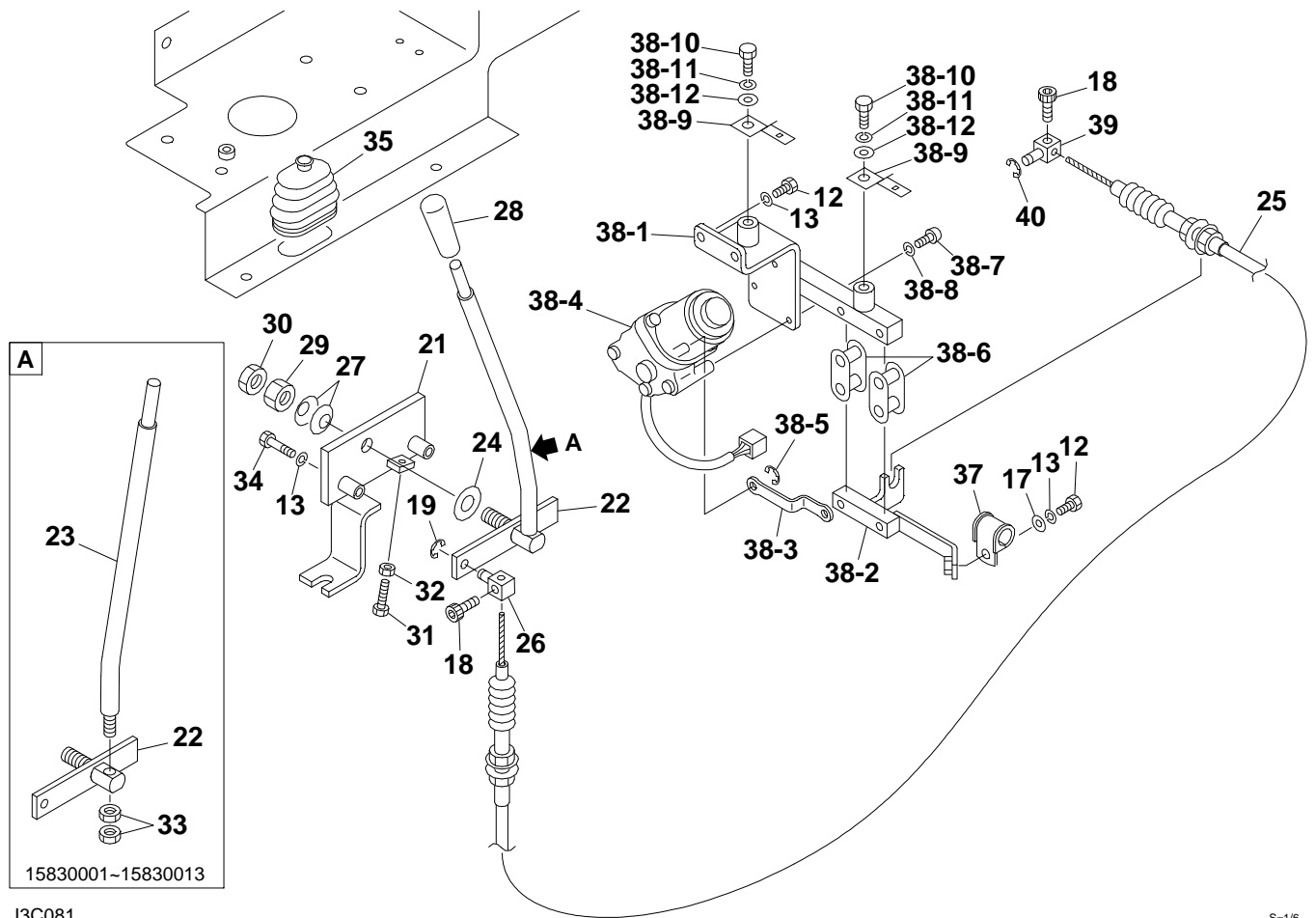
J1c031

**TB153FR (P-T153FBBB) Book No. BJ3Z003 S/N 15830001-
CONTROL BOX**



CONTROL BOX						
Item	Part number	Description	Q'ty	Chan.	Serial No.	Serv.
		BOX ASSY, control (cab)				
		BOX ASSY, control (cab, with 3rd aux. line)				
		BOX ASSY, control (canopy)				
		BOX ASSY, control (canopy, with 3rd aux. line)				
		BOX ASSY, control (cab, without 3rd aux. line)				
		BOX ASSY, control (canopy, without 3rd aux. line)				
1	0334326150	COVER (R.H.)	1			
2	0334327150	COVER (L.H.)	1			
3	0334327250	COVER (L.H.)	1			
4	0870431821	COVER	1			
5	1700550024	ORNAMENT	1			withou
8	0564335050	PLATE	1			
9	1653916011	TRIM	1			sold b
10	1703700010	BUZZER	1			
11	1730141330	GAUGE, cluster	1		15830001~15830139	
	1730142160	GAUGE, cluster	1		15830140~	
11-1	1730140634	· BULB	10			
11-2	1730140652	· METER, hour	1			
11-3	1730140653	· GLASS	1			
11-3-1	1730140654	· · PACKING	1			
12	1700100052	SWITCH, starter	1			cab
	1700100072	SWITCH, starter	1			canop
12-1	1700100019	KEY	1			
13	1700000010	SWITCH, lamp	1			
14	0394394110	BOX	1			
15	1704300007	SWITCH, wiper	1			cab
16	1652533019	CAP	3			
17	1652060063	BUSHING	1			
18	1110540614	BOLT, sems	10			
19	1652533017	CAP	1			cab
20	1100040616	BOLT	1			
21	1100040816	BOLT	4			
22	1100040814	BOLT	3			
23	1120530416	SCREW	4			
24	0564335001	URETHAN	1			
25	0564335002	URETHAN	1			
26	1140020006	WASHER, spring	1			
27	1140020008	WASHER, spring	9			
	1140020008	WASHER, spring	13			with 3
28	1141110004	WASHER	4			
29	1141110006	WASHER	1			
30	1141110008	WASHER	9			
31	0374304100	COVER (L.H.)	1			with s
32	1700100064	SWITCH, foot	1			with 3
33	1100040820	BOLT	2			
	1100040820	BOLT	6			with 3
34	1700550032	LAMP, pilot	1			with 3
35	1653916010	TRIM	1			sold b
36	1652201005	BAND	1			
37	0564335070	HARNESS, wiring	1			

TB153FR (P-T153FBBB) Book No. BJ3Z003 S/N 15830001-
ENGINE CONTROL

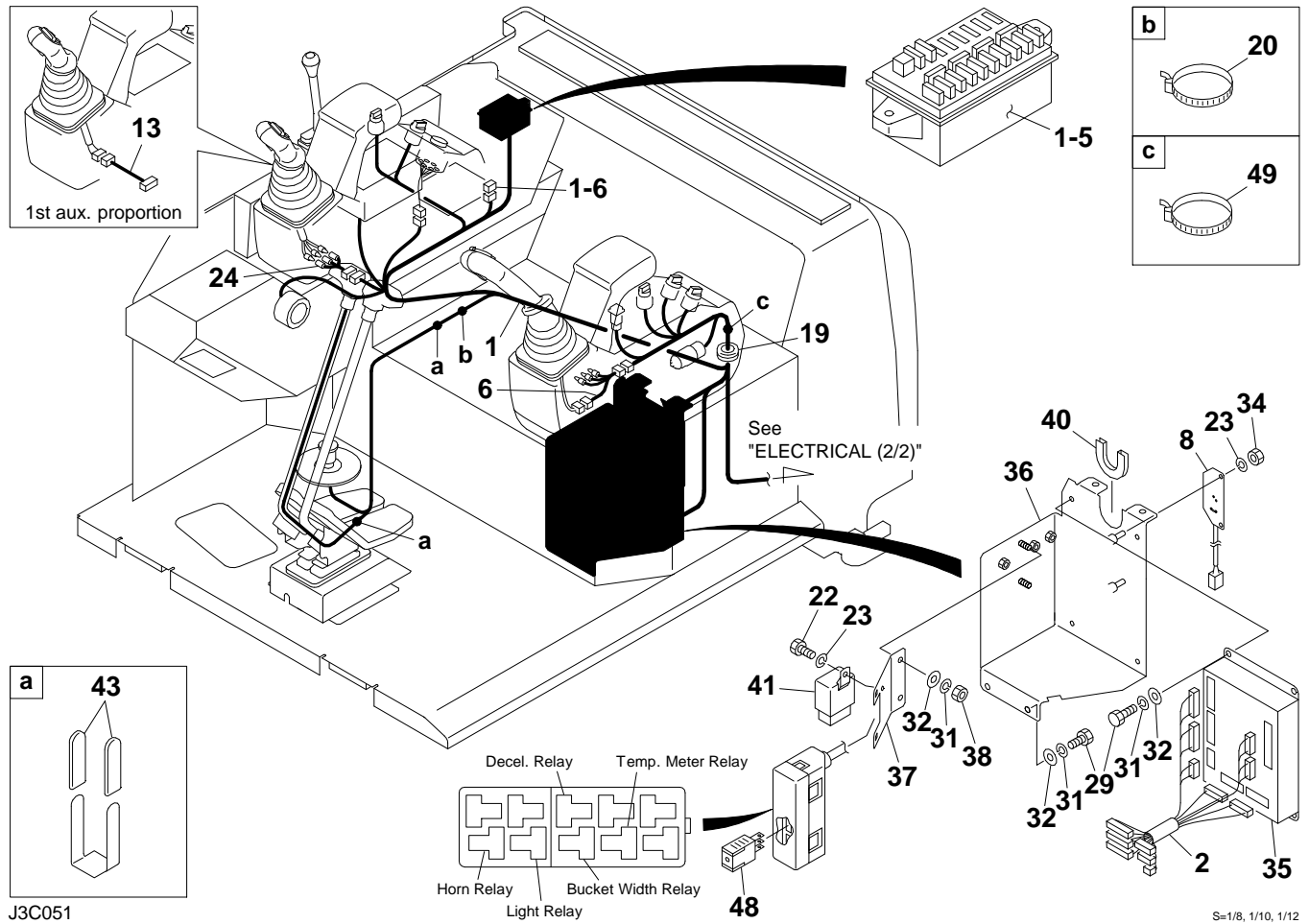


J3C081

S=1/6

ENGINE CONTROL						
Item	Part number	Description	Q'ty	Chan.	Serial No.	Serv. Remarks
		CONTROL ASSY, engine				
12	1100040816	BOLT	3			
13	1140020008	WASHER, spring	5			
17	1141110008	WASHER	1			
18	1110040510	SCREW, cap	2			
19	1224010006	RING, retaining	1			
21	0394110040	PLATE	1			
22	0394110050	LEVER	1		15830001~15830013	
	0394120060	LEVER	1	(H)	15830014~	
23	0394110060	SHAFT	1		15830001~15830013	
24	0344100400	WASHER	1			
25	0394110070	WIRE	1			
26	0007900016	PIN	1			
27	1225110014	WASHER, conical	2			
28	1650132050	GRIP	1			
29	1130540014	NUT	1			
30	1130640014	NUT	1			
31	1100240635	BOLT	1			
32	1130140006	NUT	1			
33	1130140010	NUT	2		15830001~15830013	
34	1100040845	BOLT	2			
35	0334120100	BOOT	1			
37	1711900105	CLAMP	1			
38	0394111320	CONTROL ASSY	1			
38-1	0394111310	BRACKET	1			
38-2	0394110020	LINK, wire	1			
38-3	0394110030	PLATE	1			
38-4	1910065116	MOTOR, stop	1			
38-5	1224010007	RING, retaining	1			
38-6	1620580000	LINK ASSY	2			
38-7	1120530516	SCREW	3			
38-8	1140020005	WASHER, spring	3			
38-9	1711900064	CLIP	2			
38-10	1100041016	BOLT	2			
38-11	1140020010	WASHER, spring	2			
38-12	1141110010	WASHER	2			
39	0007900023	PIN	1			M
40	1224010004	RING, retaining	1			M
	J3c082					

TB153FR (P-T153FBBB) Book No. BJ3Z003 S/N 15830001-
ELECTRICAL (1/2)



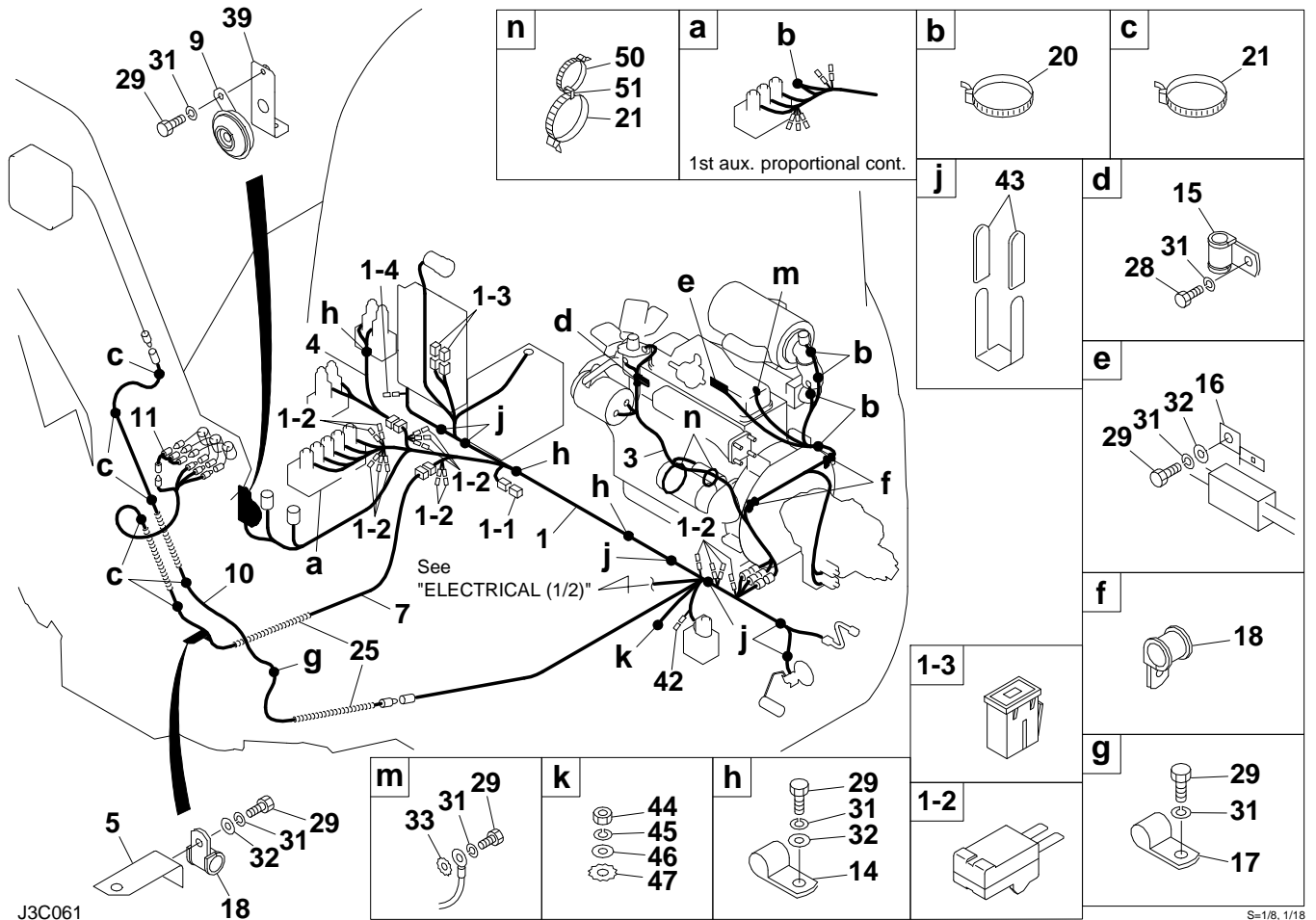
J3C051

S=1/8, 1/10, 1/12

ELECTRICAL (1/2)

Item	Part number	Description	Q'ty	Chan.	Serial No.	Serv
		ELECTRICAL ASSY (1st aux. ON-OFF)				
		ELECTRICAL ASSY (1st aux. ON-OFF & 2nd aux. proportion)				
		ELECTRICAL ASSY (1st & 2nd aux. proportion)				
		ELECTRICAL ASSY (1st aux. proportion)				
1	0394226030	HARNESS ASSY, wiring	1			
1-5	1701204921	· BOX, fuse	1			
	1701311005	· · FUSE				M
	1701311010	· · FUSE				M
	1701311015	· · FUSE				M
	1701311020	· · FUSE				M
	1701311030	· · FUSE				M
1-6	0574202400	· CONNECTOR, short	1			
2	0394223350	HARNESS, wiring	1			
6	0394226040	HARNESS, wiring (1st aux. ON-OFF & 2nd aux. proportion)	1			
8	0374216190	RESISTER ASSY	1		15830140~	
13	0394226060	HARNESS, wiring (1st aux. proportion)	1			
19	1652022506	GROMMET	1			
20	1652231250	BAND	1			
22	1100040616	BOLT	1		15830001~15830139	
23	1140020006	WASHER, spring	2			
24	0394226050	HARNESS, wiring (1st aux. ON-OFF)	1			
29	1100040816	BOLT	8			
31	1140020008	WASHER, spring	6			
32	1141110008	WASHER	10			
34	1130040006	NUT	2		15830140~	
35	1730141990	CONTROLLER	1			
36	0564251040	BOX	1			
37	0564243910	BRACKET	1			
38	1130040008	NUT	2			
40	1653916011	TRIM	1			
41	1711900131	DETECTOR	1		15830001~15830139	
43	0872433150	TUBE	4			
48	1711900132	RELAY	4		15830001~15830139	
	1711900132	RELAY	5		15830140~	
49	1652241300	BAND	1			
	J3c052					

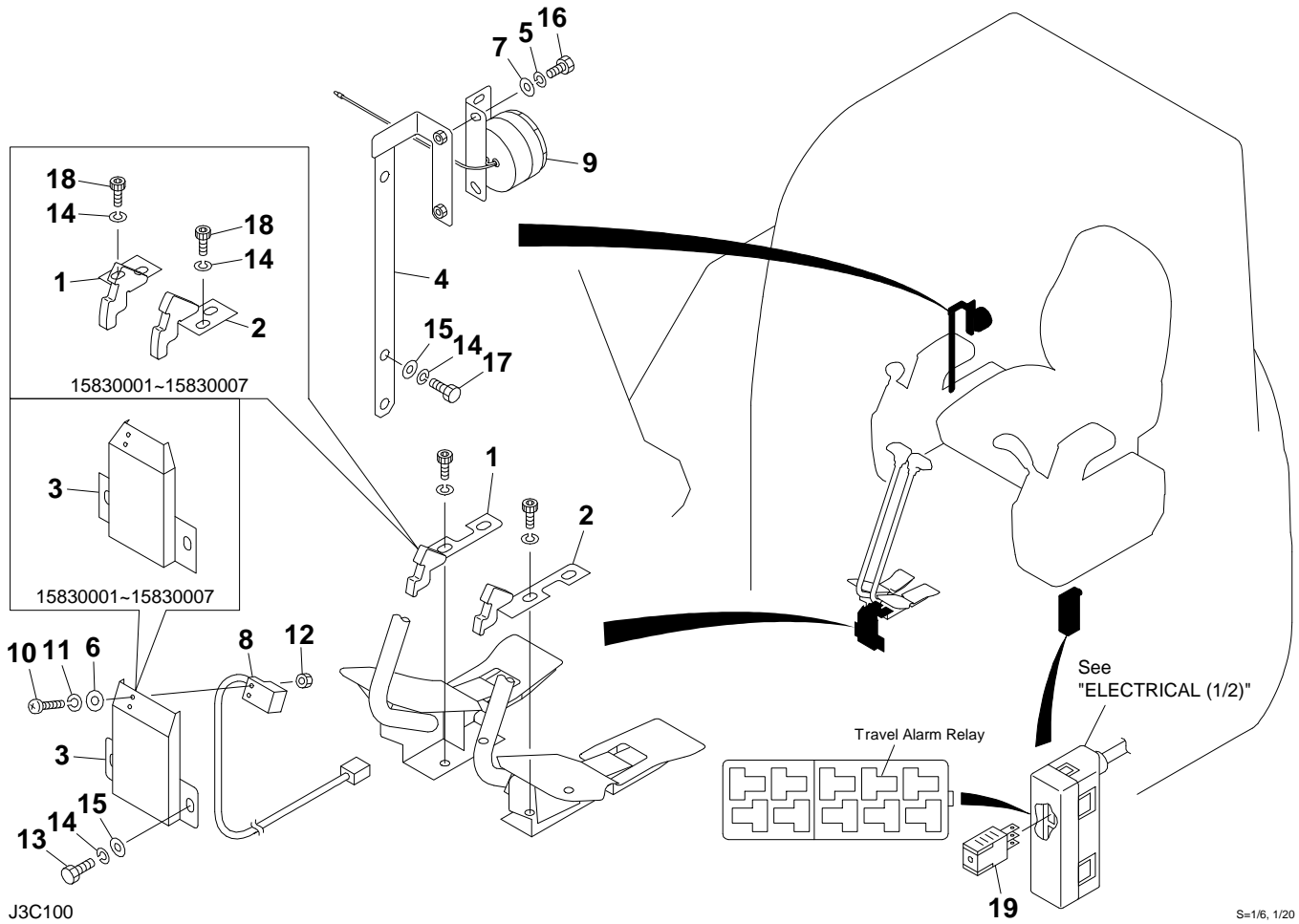
TB153FR (P-T153FBBB) Book No. BJ3Z003 S/N 15830001-
ELECTRICAL (2/2)



ELECTRICAL (2/2)

Item	Part number	Description	Q'ty	Chan.	Serial No.	Serv.	Rem
		ELECTRICAL ASSY (1st aux. ON-OFF)					
		ELECTRICAL ASSY (1st aux. ON-OFF & 2nd aux. proportion)					
		ELECTRICAL ASSY (1st & 2nd aux. proportion)					
		ELECTRICAL ASSY (1st aux. proportion)					
1	0394226030	HARNESS ASSY, wiring	1				
1-1	0564243571	· CONNECTOR, short	1				
1-2	1730500023	· DIODE	15				
1-3	1701330045	· LINK, fusible	2				45A
1-4	1730500008	· DIODE	1				
3	0394226020	HARNESS, wiring	1				
4	0574200050	HARNESS, wiring	1				proportic
5	0394216800	ANGLE	1				
7	0564243550	HARNESS, wiring	1				
9	1703500712	HORN	1				
10	0394210350	WIRE	1				
11	0564243560	HARNESS, wiring	1				
14	0007300003	CLAMP	3				
15	1652900007	CLAMP	1				
16	1711900064	CLAMP	1				
17	0007300050	CLAMP	1				
18	1711900076	CLAMP	3				
20	1652231250	BAND	8				
21	1652201008	BAND	15				
25	0394216980	SPRING	2				
28	1100040812	BOLT	1				
29	1100040816	BOLT	8				
31	1140020008	WASHER, spring	9				
32	1141110008	WASHER	5				
33	1140330008	WASHER	1				
39	0564243580	BRACKET	1				
42	0564243920	CONNECTOR	1				with 3rd
43	0872433150	TUBE	16				
44	1130040010	NUT	1				
45	1140020010	WASHER, spring	1				
46	1141110010	WASHER	1				
47	1140330010	WASHER	1				
50	1652201005	BAND	2				M
51	1652200010	RING	2				M
	J3c062						

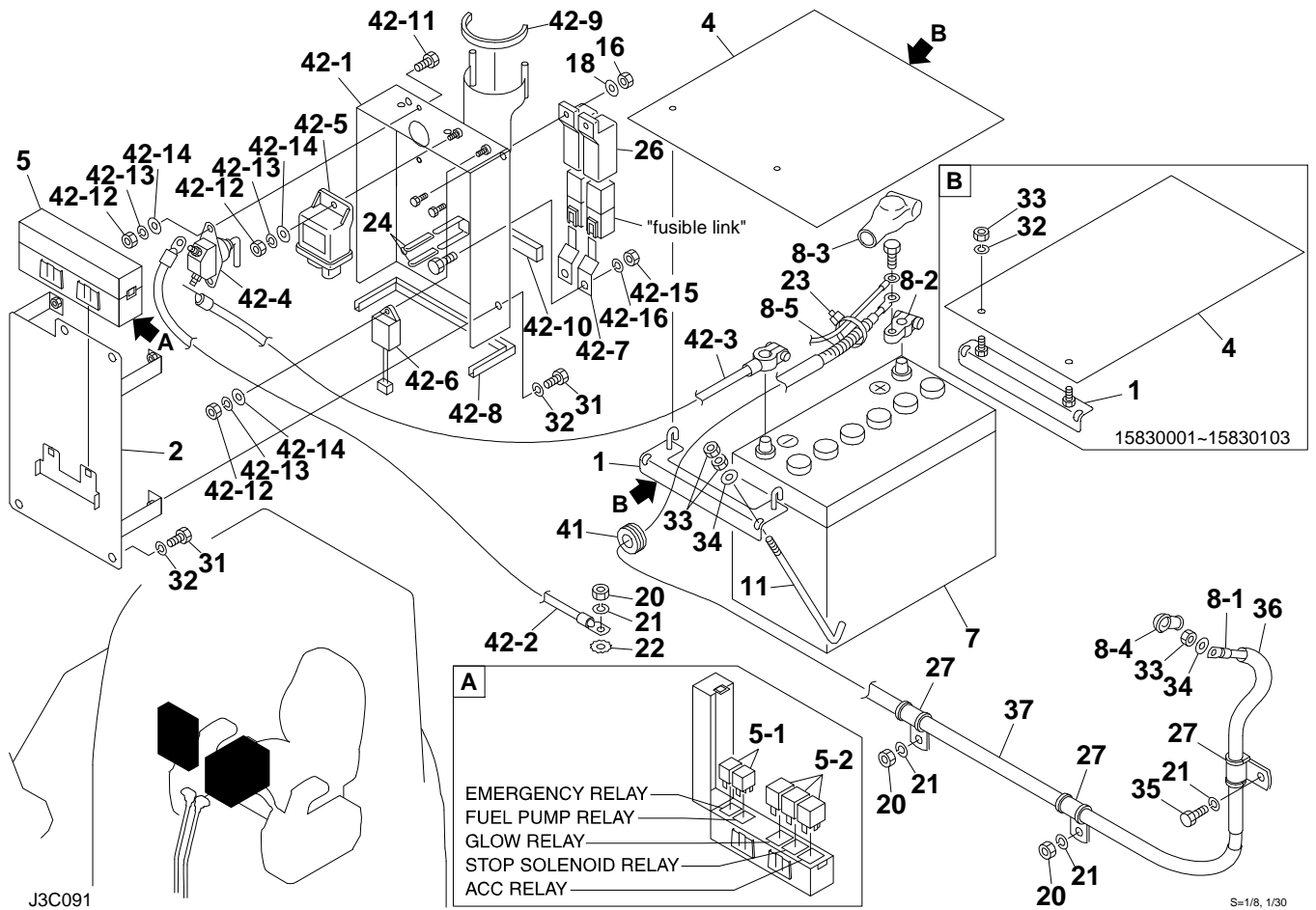
**TB153FR (P-T153FBBB) Book No. BJ3Z003 S/N 15830001-
TRAVEL ALARM**



TRAVEL ALARM

Item	Part number	Description	Q'ty	Chan.	Serial No.	Serv.	Remarks
		ALAME ASSY, travel					
1	0564230810	PLATE (R.H.)	1		15830001~15830007		
	0374218570	PLATE (R.H.)	1		15830008~		
2	0564230820	PLATE (L.H.)	1		15830001~15830007		
	0374218580	PLATE (L.H.)	1		15830008~		
3	0564230830	COVER	1		15830001~15830007		
	0374218560	COVER	1		15830008~		
4	0564247720	BRACKET	1				
5	1140020006	WASHER, spring	2				
6	1141110003	WASHER	2				
7	1141110006	WASHER	2				
8	1700009010	SWITCH, proximity	1				
9	1703700013	BUZZER	1				
10	1120530312	SCREW	2				
11	1140020003	WASHER, spring	2				
12	1130030003	NUT	2				
13	1100040816	BOLT	2				
14	1140020008	WASHER, spring	4				
15	1141110008	WASHER	4				
16	1100040614	BOLT	2				
17	1100040825	BOLT	2				
18	1110040816	SCREW, cap	2		15830001~15830007		
19	1711900132	RELAY	1				12V
	J3c100						

**TB153FR (P-T153FBBB) Book No. BJ3Z003 S/N 15830001-
BATTERY**

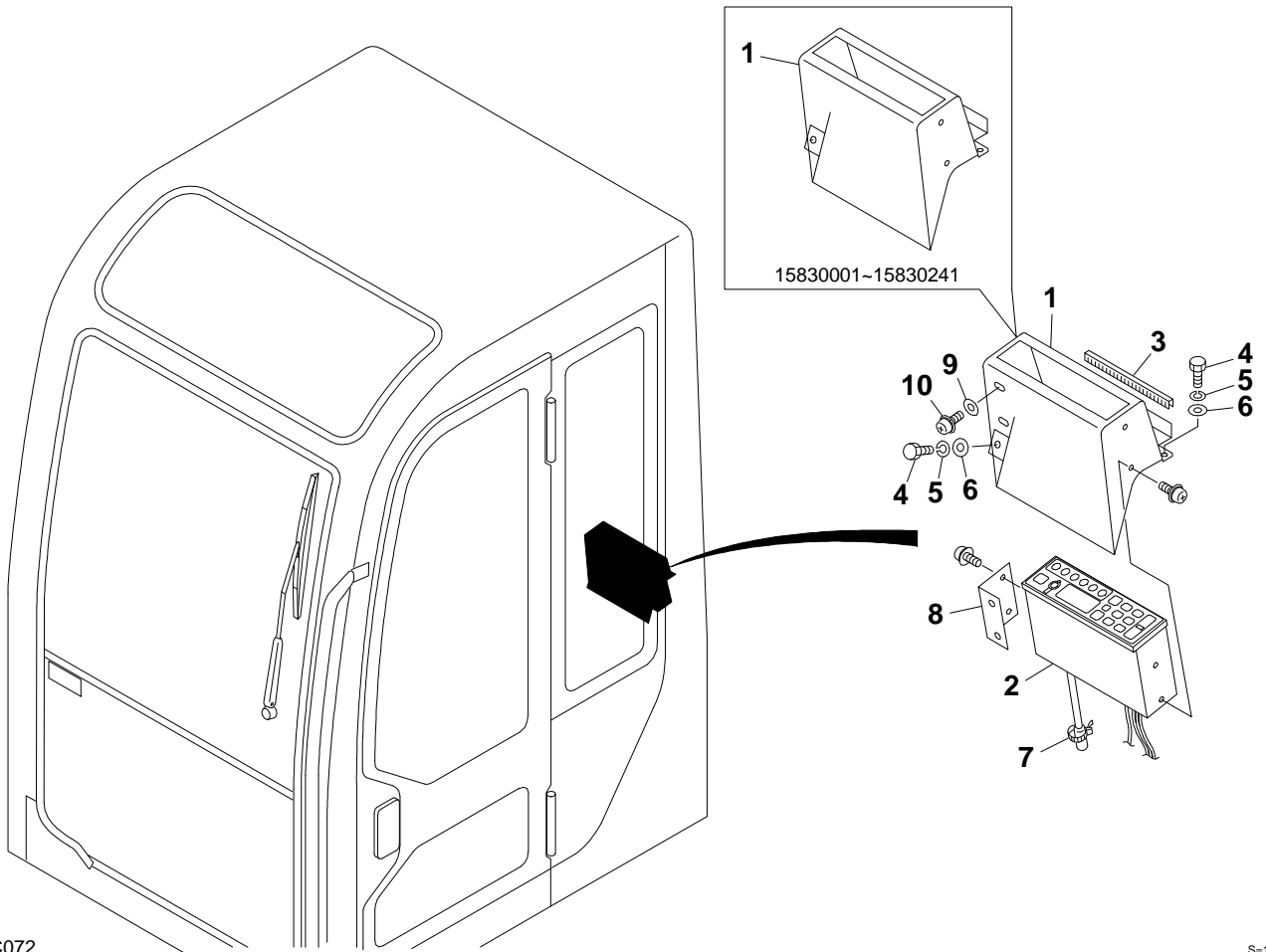


BATTERY

Item	Part number	Description	Q'ty	Chan.	Serial No.	Serv.	Remarks
		BATTERY ASSY					
1	0564423610	CLAMP	1		15830001~15830103		
	0564427250	CLAMP	1	(H)	15830104~		
2	0394409160	PLATE	1				
4	0564423640	SHEET	1		15830001~15830103		
	0564427240	SHEET	1	(H)	15830104~		
5	1730600001	BOX ASSY, relay	1				
5-1	1711900132	· RELAY	2				
5-2	1711900137	· RELAY	3				
7	1702051531	BATTERY	1				
8	0394409180	CABLE ASSY, battery	1			M	
8-1	1702530160	· CABLE, battery	1				
8-2	1702330000	· TERMINAL	1				
8-3	1702920060	· COVER	1				
8-4	1702901283	· COVER	1			M	Y124550-77030
8-5	1703221382	· PROTECTOR	1				sold by the meter
11	1702108245	BOLT	2				
16	1130040006	NUT	2				
18	1141110006	WASHER	2				
20	1130040010	NUT	3				
21	1140020010	WASHER, spring	4				
22	1140330010	WASHER	1				
23	1652231140	BAND	5				
24	0872433150	TUBE	4				
26	1700100038	COVER	2				
27	1711900072	CLAMP	3				
31	1100040816	BOLT	8				
32	1140020008	WASHER, spring	8				
33	1130040008	NUT	5				
34	1141110008	WASHER	3				
35	1100041020	BOLT	1				
36	1531325080	PROTECTOR	1				sold by the meter
37	1531325100	PROTECTOR	1				sold by the meter
41	0437200100	GUARD	1				
42	0394409200	RELAY ASSY	1				
42-1	0394409170	· COVER	1				
42-2	1702531055	· CABLE, earth	1				
42-3	1702230030	· CABLE, battery	1				
42-4	1700100051	· SWITCH	1				
42-5	1910181106	· RELAY, safety	1				Y119802-77200
42-6	1910150118	· UNIT, timer	1				Y129211-77920
42-7	1711900064	· CLAMP	2				
42-8	1654601033	· TRIM	1				sold by the meter
42-9	1654601013	· TRIM	1				sold by the meter
42-10	1654302008	· SPONGE	1				sold by the meter
42-11	1100040616	· BOLT	2				
42-12	1130040006	· NUT	4				
42-13	1140020006	· WASHER, spring	4				
42-14	1141110006	· WASHER	4				
42-15	1130040010	· NUT	2				
42-16	1140020010	· WASHER, spring	2				

J3c091

TB153FR (P-T153FBBB) Book No. BJ3Z003 S/N 15830001-
RADIO

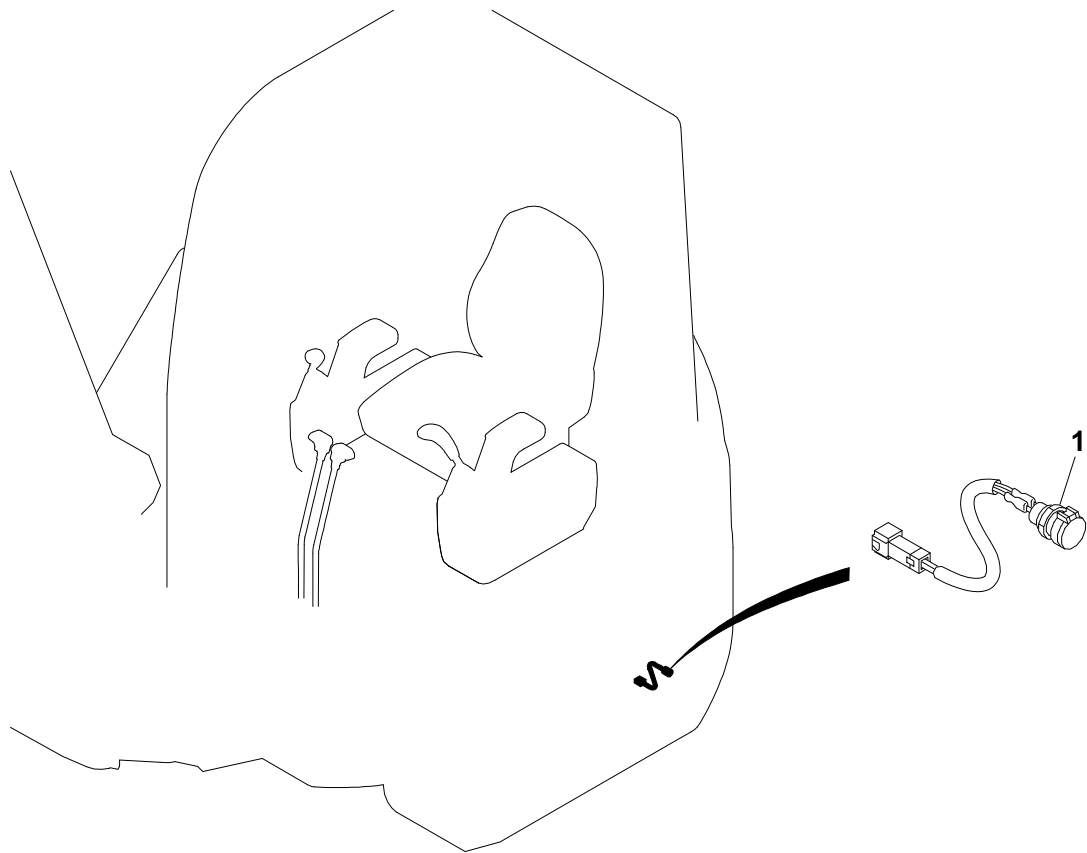


J3C072

S=1/8, 1/15

RADIO								
Item	Part number	Description	Q'ty	Chan.	Serial No.	Serv.	Remark	
		RADIO ASSY (Europe, Asia, Oceania)						
		RADIO ASSY (America)						
		RADIO ASSY (Japan)						
1	0394716210	COVER	1		15830001~15830241			
	0394716220	COVER	1		15830242~			
2	1705004660	CASSETTE STEREO (Europe, Asia, Oceania)	1					
	1705004670	CASSETTE STEREO (America)	1					
	1705004680	CASSETTE STEREO (Japan)	1					
3	1653917005	TRIM	1				sold by the	
4	1100040616	BOLT	3					
5	1140020006	WASHER, spring	3					
6	1141110006	WASHER	3					
7	1652231100	BAND	1					
8	0394716230	PLATE	1		15830242~			
9	0003606202	WASHER	2		15830242~			
10	1150110614	SCREW	2		15830242~			
	J3c072							

TB153FR (P-T153FBBB) Book No. BJ3Z003 S/N 15830001-
MAINTENANCE LIGHT SOCKET



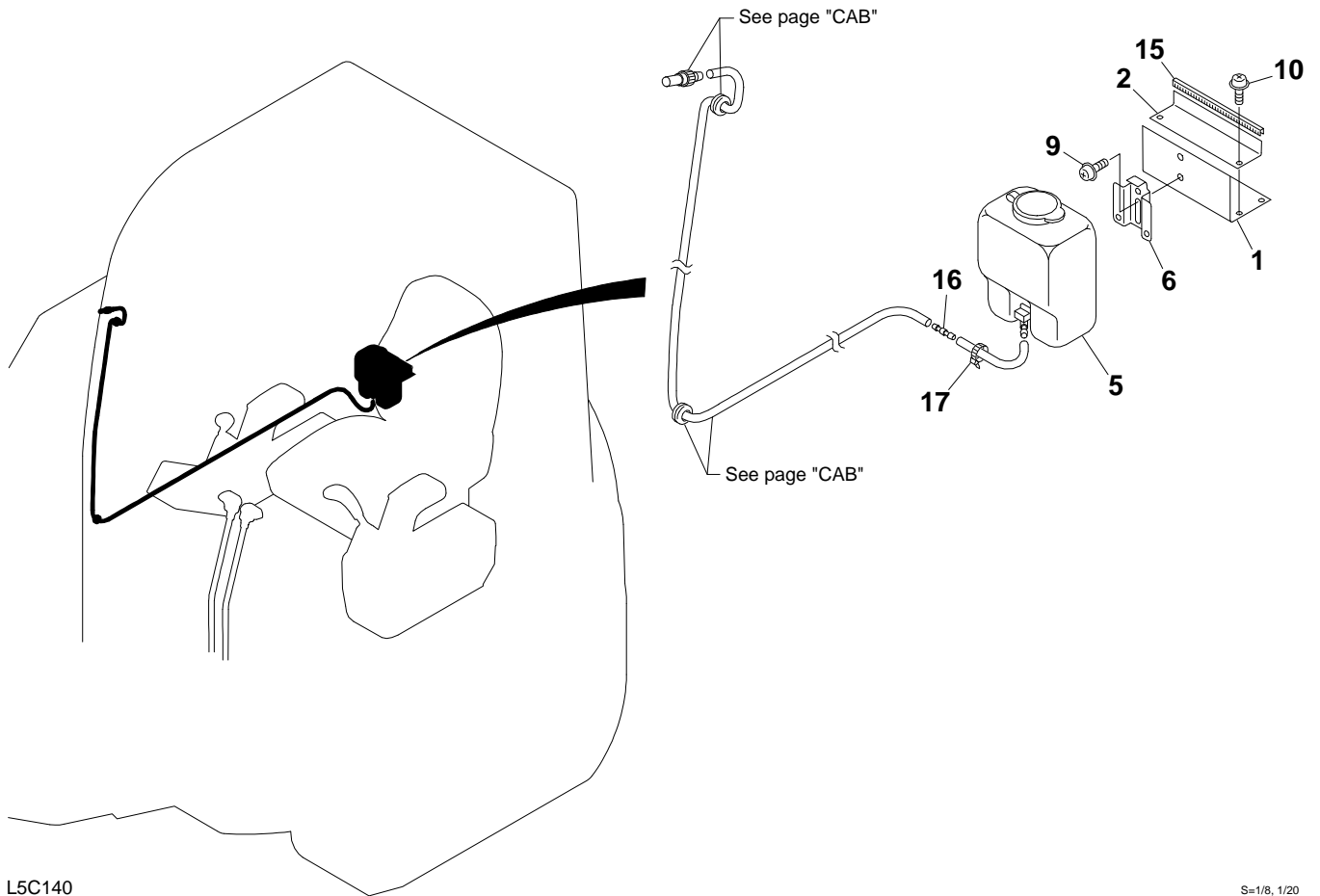
J2C110

S=1/5, 1/20

MAINTENANCE LIGHT SOCKET

Item	Part number	Description	Q'ty	Chan.	Serial No.	Serv.	Remarks
1	0394203100 G4c120	SOCKET ASSY, maintenance light SOCKET ASSY	1				

TB153FR (P-T153FBBB) Book No. BJ3Z003 S/N 15830001-
WINDOW WASHER

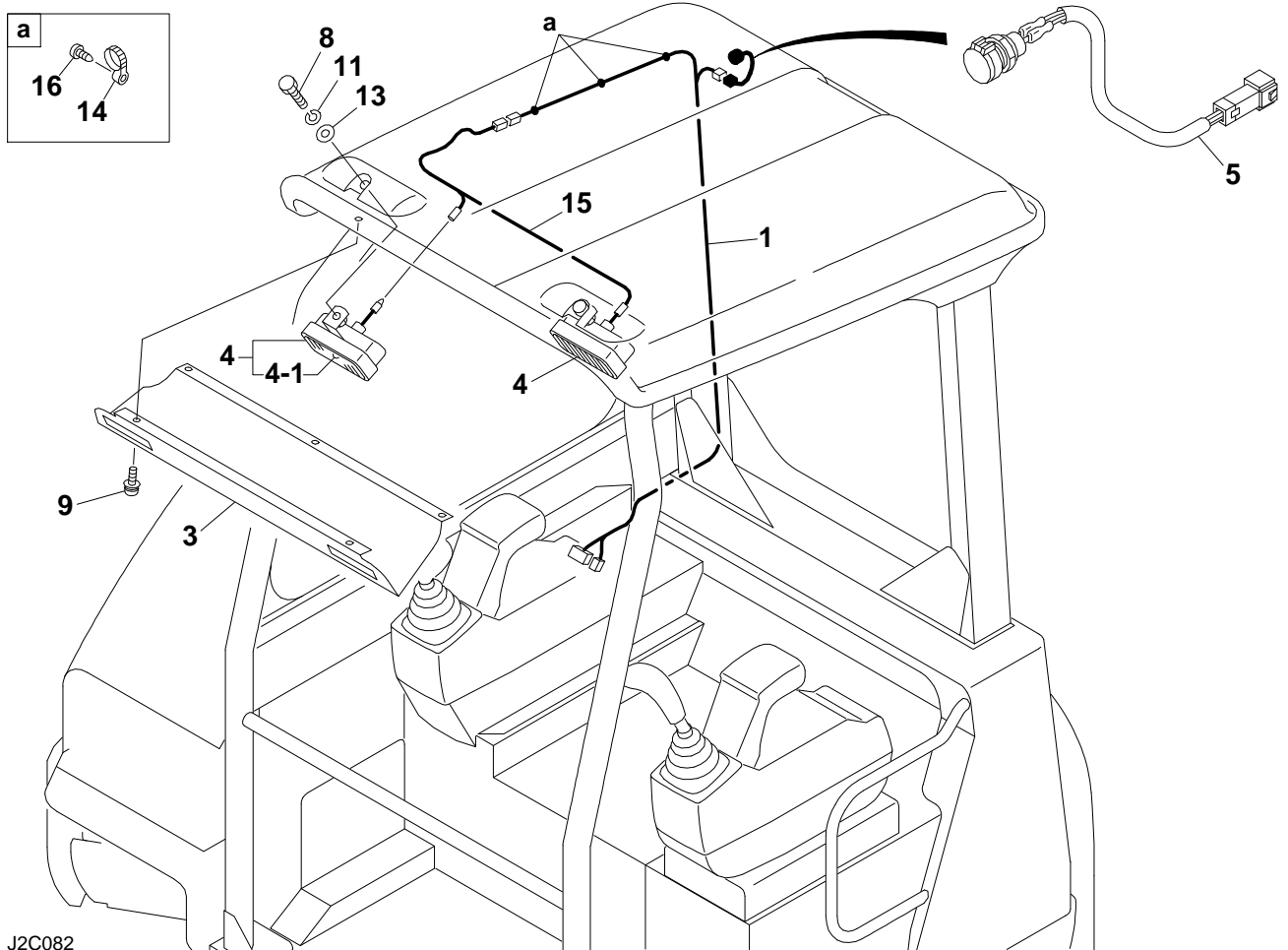


L5C140

S=1/8, 1/20

WINDOW WASHER						
Item	Part number	Description	Q'ty	Chan.	Serial No.	Serv. Remarks
		WASHER ASSY, window				
1	0568903100	PLATE	1			
2	0568903200	PLATE	1			
5	1711910101	TANK	1			
6	1711910062	BRACKET	1			
9	1150410612	SCREW	2			
10	1150120616	SCREW	4			
15	1653917011	TRIM	1			sold by the meter
16	1711910080	VALVE, check	1			
17	1652231250	BAND	1			
	L5c140					

TB153FR (P-T153FBBB) Book No. BJ3Z003 S/N 15830001-
CANOPY LIGHT



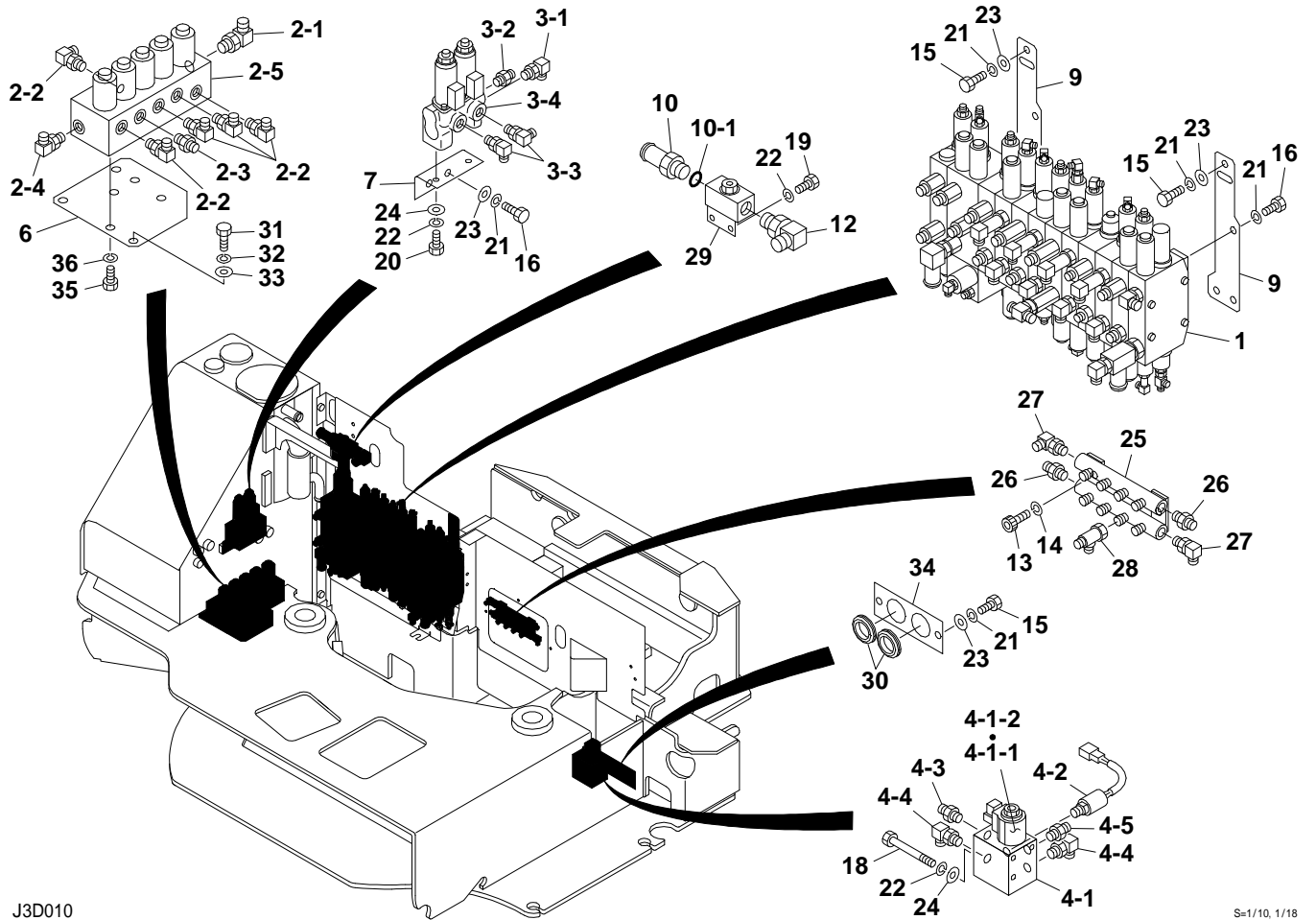
J2C082

S=1/12

CANOPY LIGHT

Item	Part number	Description	Q'ty	Chan.	Serial No.	Serv.	Remarks
1	0398404100	LAMP ASSY, canopy	1				
3	0358402700	HARNESS, wiring	1				
4	1703001900	COVER	2				
4	1703001900	LAMP	2				
4-1	1703001901	· BULB	1				12V, 20W
5	0394203100	SOCKET ASSY	1				
8	1100040820	BOLT	2				
9	1150420516	SCREW	5				
11	1140020008	WASHER, spring	2				
13	1141110008	WASHER	2				
14	1652221050	BAND	3				
15	0398402300	HARNESS, wiring	1				
16	1120530512	SCREW	3				
	J2c082						

**TB153FR (P-T153FBBB) Book No. BJ3Z003 S/N 15830001-
VALVE & ACCESSORIES (1/2)**



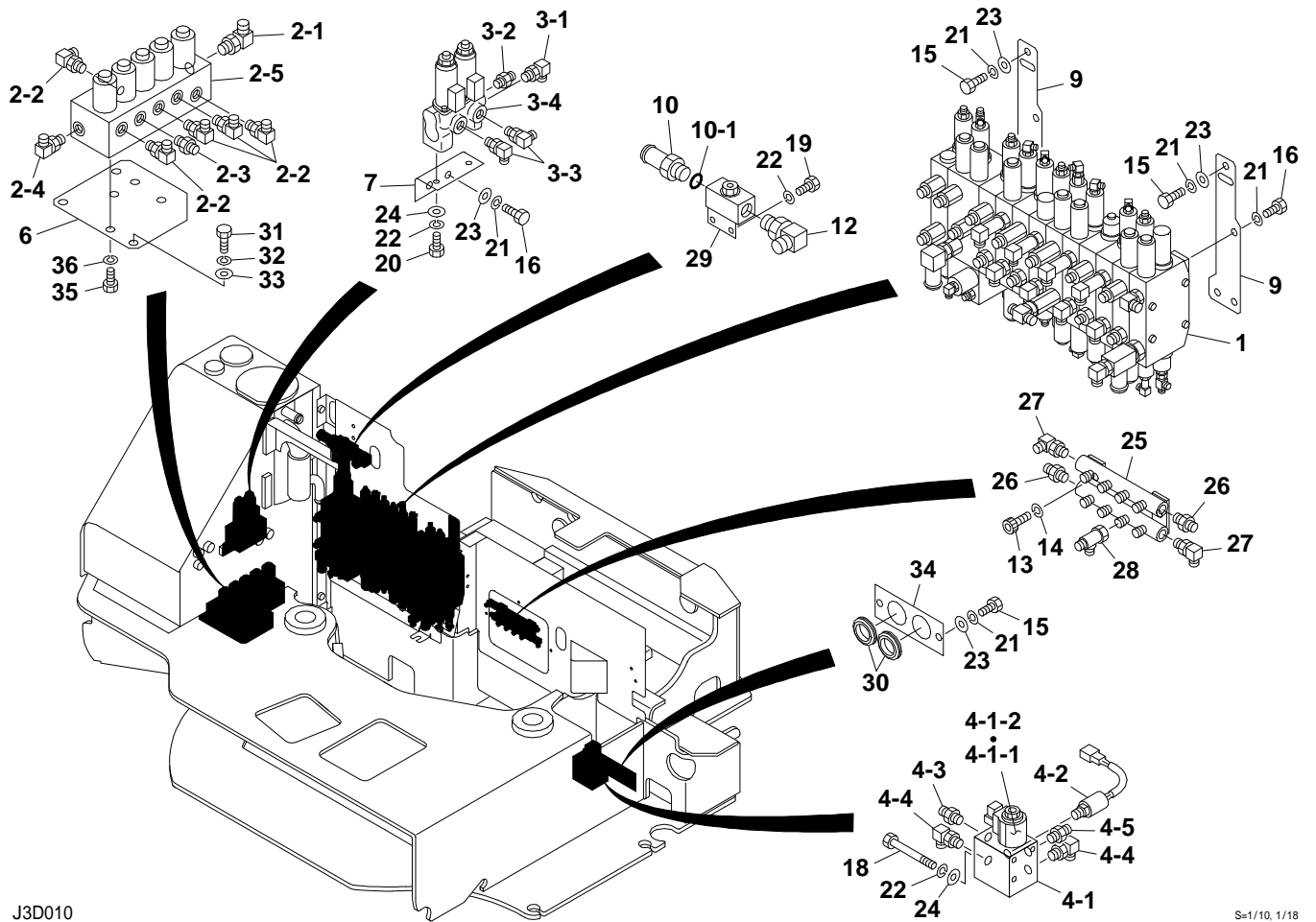
J3D010

S=1/10, 1/18

VALVE & ACCESSORIES (1/2)

Item	Part number	Description	Q'ty	Chan.	Serial No.	Serv.	Remarks
		VALVE ASSY					
		VALVE ASSY (with 2nd aux. line)					
		VALVE ASSY (with 3rd aux. line)					
1	X *****	VALVE ASSY, control	1				
	X *****	VALVE ASSY, control (with 2nd aux. line)	1				
2	X *****	VALVE ASSY, solenoid	1				
2-1	1515010051	· ELBOW	1				
	1420010180	· · O-RING	1				
2-2	1515012040	· ELBOW	5				
	1420010110	· · O-RING	1				
2-3	1515600200	· ADAPTOR	1				
	1420010110	· · O-RING	1				
2-4	1512375001	· ELBOW	1				
	1420010110	· · O-RING	1				
2-5	1901749200	· VALVE, solenoid	1				
3	X *****	VALVE ASSY, solenoid (with 2nd, 3rd aux. line)	1				
3-1	1512375004	· ELBOW	1				
	1420010110	· · O-RING	1				
3-2	1515600200	· ADAPTOR	1				
	1420010110	· · O-RING	1				
3-3	1515012040	· ELBOW	2				
	1420010110	· · O-RING	1				
3-4	1901752100	· VALVE, solenoid	1				
4	X *****	VALVE ASSY, solenoid (with 3rd aux. line)	1				
4-1	1901750700	· VALVE, solenoid	1				
4-1-1	1901741402	· · SOLENOID	1				
4-1-2	1901750703	· · COIL	1				
4-2	1700100065	· SWITCH, pressure	1				
	1420010110	· · O-RING	1				
4-3	1515600200	· ADAPTOR	1				
	1420010110	· · O-RING	1				
4-4	1515012040	· ELBOW	2				
	1420010110	· · O-RING	1				
4-5	1512370008	· ADAPTOR (with filter)	1				
	1420010110	· · O-RING	1				
6	0395023065	PLATE	1				
7	0395023070	PLATE	1				with 2nd, 3rd aux. l
9	0395023090	PLATE	2				
10	0007224006	ADAPTOR	1				
10-1	1420010180	· O-RING	1				
12	1515010042	ELBOW	1				
	1420010180	· O-RING	1				
13	1110040820	SCREW, cap	2				
14	1140420008	WASHER, spring	2				
15	1100041020	BOLT	5				
16	1100041016	BOLT	4				
	1100041016	BOLT	6				with 2nd, 3rd aux. l
18	1100040880	BOLT	3				with 2nd, 3rd aux. l
19	1100040820	BOLT	2				
20	1100040816	BOLT	2				
21	1140020010	WASHER, spring	9				
	1140020010	WASHER, spring	11				with 2nd, 3rd aux. l
22	1140020008	WASHER, spring	2				
	1140020008	WASHER, spring	5				with 2nd aux. line
	1140020008	WASHER, spring	8				with 3rd aux. line
23	1141110010	WASHER	7				
	1141110010	WASHER	9				with 2nd, 3rd aux. l
24	1141110008	WASHER	2				
	1141110008	WASHER	5				with 2nd aux. line
	1141110008	WASHER	11				with 3rd aux. line
25	0375020040	MANIFOLD	1				

**TB153FR (P-T153FBBB) Book No. BJ3Z003 S/N 15830001-
VALVE & ACCESSORIES (1/2)**



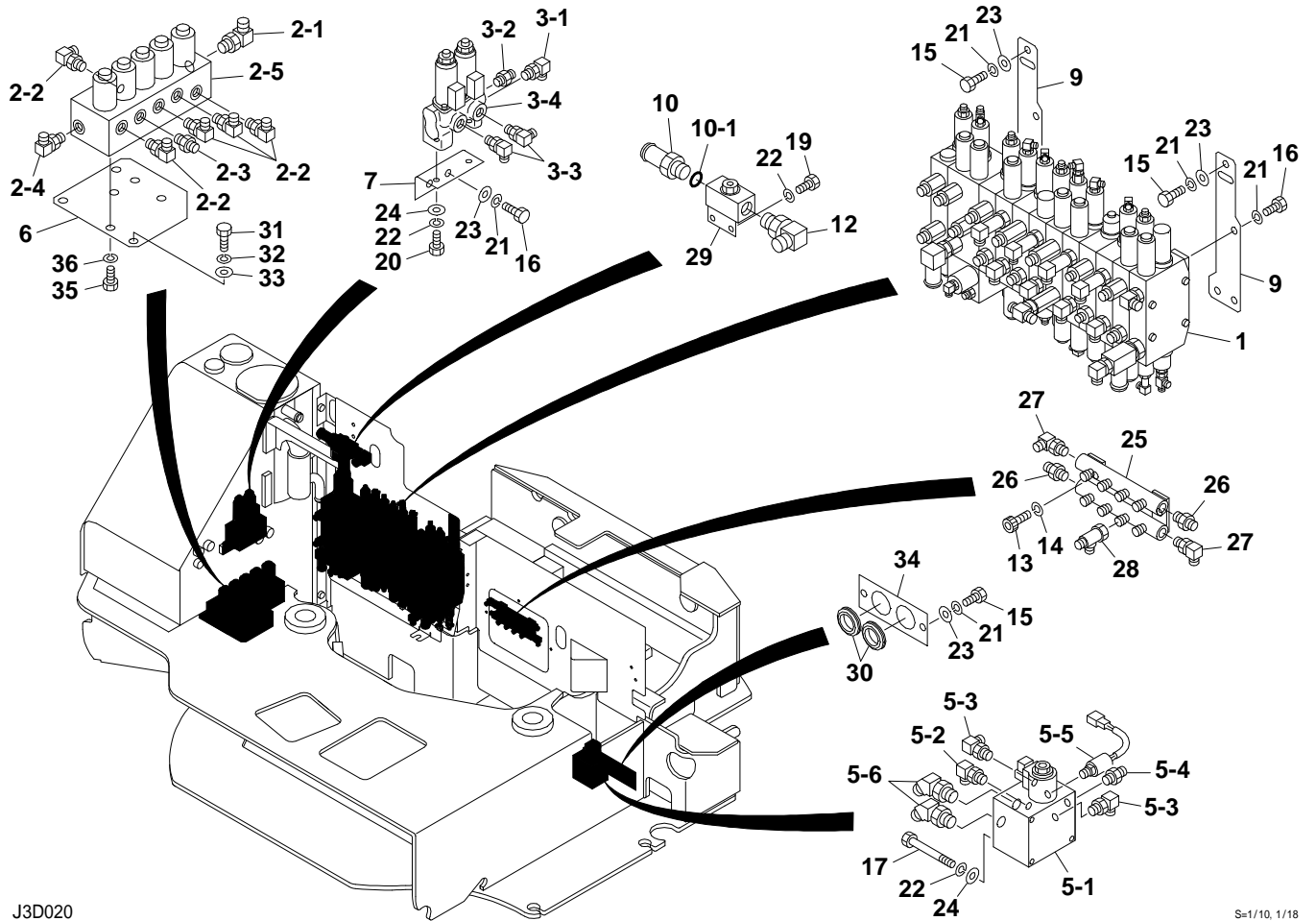
J3D010

S=1/10, 1/18

VALVE & ACCESSORIES (1/2)

Item	Part number	Description	Q'ty	Chan.	Serial No.	Serv.	Remarks
26	1515600200	ADAPTOR	2				
	1420010110	· O-RING	1				
27	1515012040	ELBOW	2				
	1420010110	· O-RING	1				
28	1513390015	TEE	1				with 3rd aux. line
29	1901719800	VALVE, stop	1				
30	1652061045	GROMMET	2				
31	1101041220	BOLT	3				
32	1140020012	WASHER, spring	3				
33	1141110012	WASHER	3				
34	0395025034	PLATE	1				
35	1110041016	SCREW, cap	3				
36	1140420010	WASHER, spring	3				
	J3d010						

**TB153FR (P-T153FBBB) Book No. BJ3Z003 S/N 15830001-
VALVE & ACCESSORIES (1/2) (3rd aux. high pressure type)**



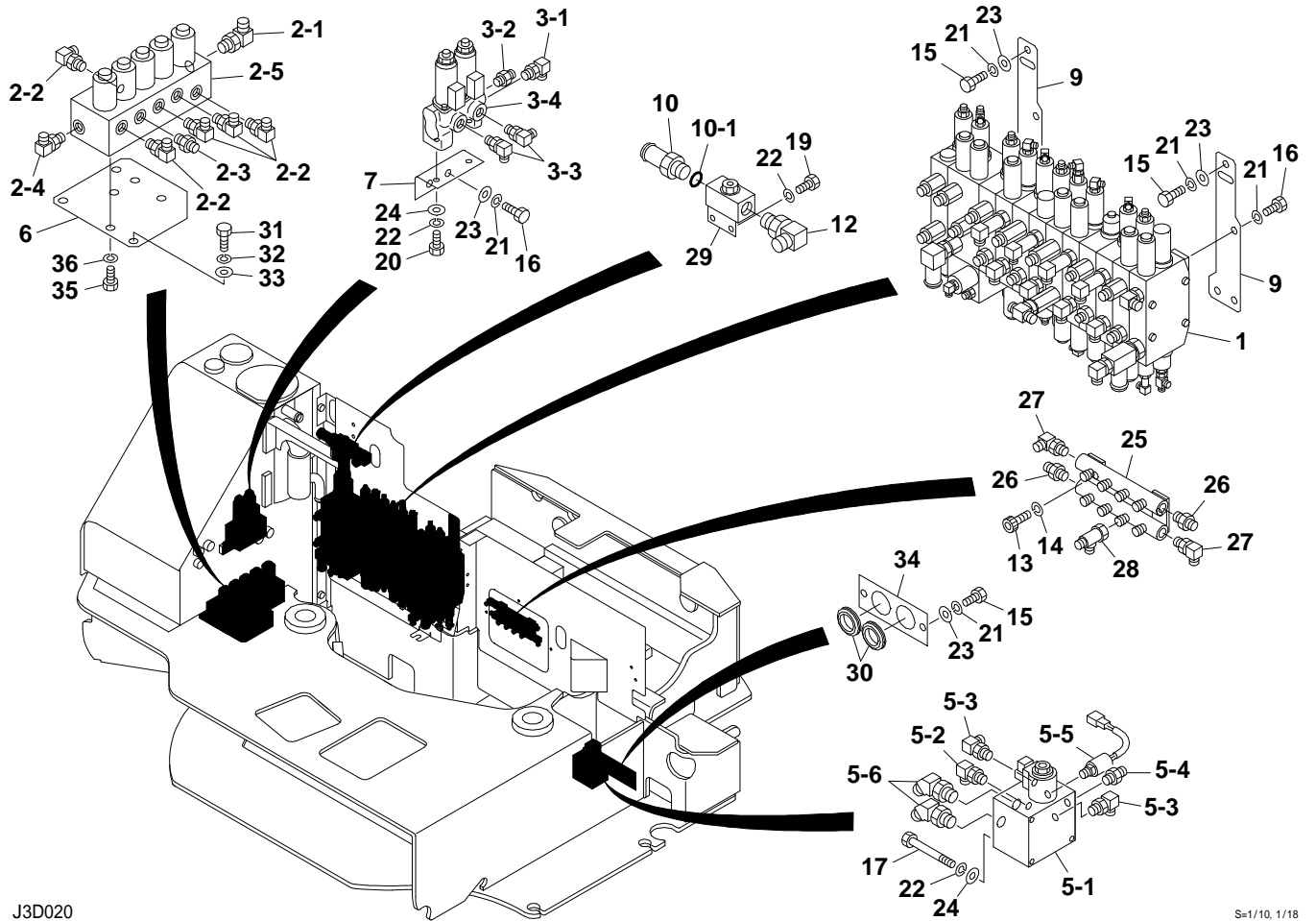
J3D020

S=1/10, 1/18

VALVE & ACCESSORIES (1/2) (3rd aux. high pressure type)

Item	Part number	Description	Q'ty	Chan.	Serial No.	Serv.	Remarks
		VALVE ASSY					
1	X *****	VALVE ASSY, control	1				
2	X *****	VALVE ASSY, solenoid	1				
2-1	1515010051	· ELBOW	1				
	1420010180	· · O-RING	1				
2-2	1515012040	· ELBOW	5				
	1420010110	· · O-RING	1				
2-3	1515600200	· ADAPTOR	1				
	1420010110	· · O-RING	1				
2-4	1512375001	· ELBOW	1				
	1420010110	· · O-RING	1				
2-5	1901749200	· VALVE, solenoid	1				
3	X *****	VALVE ASSY, solenoid	1				
3-1	1512375004	· ELBOW	1				
	1420010110	· · O-RING	1				
3-2	1515600200	· ADAPTOR	1				
	1420010110	· · O-RING	1				
3-3	1515012040	· ELBOW	2				
	1420010110	· · O-RING	1				
3-4	1901752100	· VALVE, solenoid	1				
5	X *****	VALVE ASSY, solenoid	1				
5-1	1901751600	· VALVE, solenoid	1				
5-2	0575003630	· ELBOW (with orifice)	1				
	1420010110	· · O-RING	1				
5-3	1515012040	· ELBOW	2				
	1420010110	· · O-RING	1				
5-4	1515600200	· ADAPTOR	1				
	1420010110	· · O-RING	1				
5-5	1700100065	· SWITCH, pressure	1				
	1420010110	· · O-RING	1				
5-6	1515100112	· ELBOW	2				
	1420010180	· · O-RING	1				
6	0395023065	PLATE	1				
7	0395023070	PLATE	1				
9	0395023090	PLATE	2				
10	0007224006	ADAPTOR	1				
10-1	1420010180	· O-RING	1				
12	1515010042	ELBOW	1				
	1420010180	· O-RING	1				
13	1110040820	SCREW, cap	2				
14	1140420008	WASHER, spring	2				
15	1100041020	BOLT	5				
16	1100041016	BOLT	6				
17	1100040890	BOLT	2				
19	1100040820	BOLT	2				
20	1100040816	BOLT	2				
21	1140020010	WASHER, spring	11				
22	1140020008	WASHER, spring	7				
23	1141110010	WASHER	9				
24	1141110008	WASHER	9				
25	0375020040	MANIFOLD	1				
26	1515600200	ADAPTOR	2				
	1420010110	· O-RING	1				
27	1515012040	ELBOW	2				
	1420010110	· O-RING	1				
28	1513390015	TEE	1				
29	1901719800	VALVE, stop	1				
30	1652061045	GROMMET	2				
31	1101041220	BOLT	3				
32	1140020012	WASHER, spring	3				
33	1141110012	WASHER	3				

**TB153FR (P-T153FBBB) Book No. BJ3Z003 S/N 15830001-
VALVE & ACCESSORIES (1/2) (3rd aux. high pressure type)**



J3D020

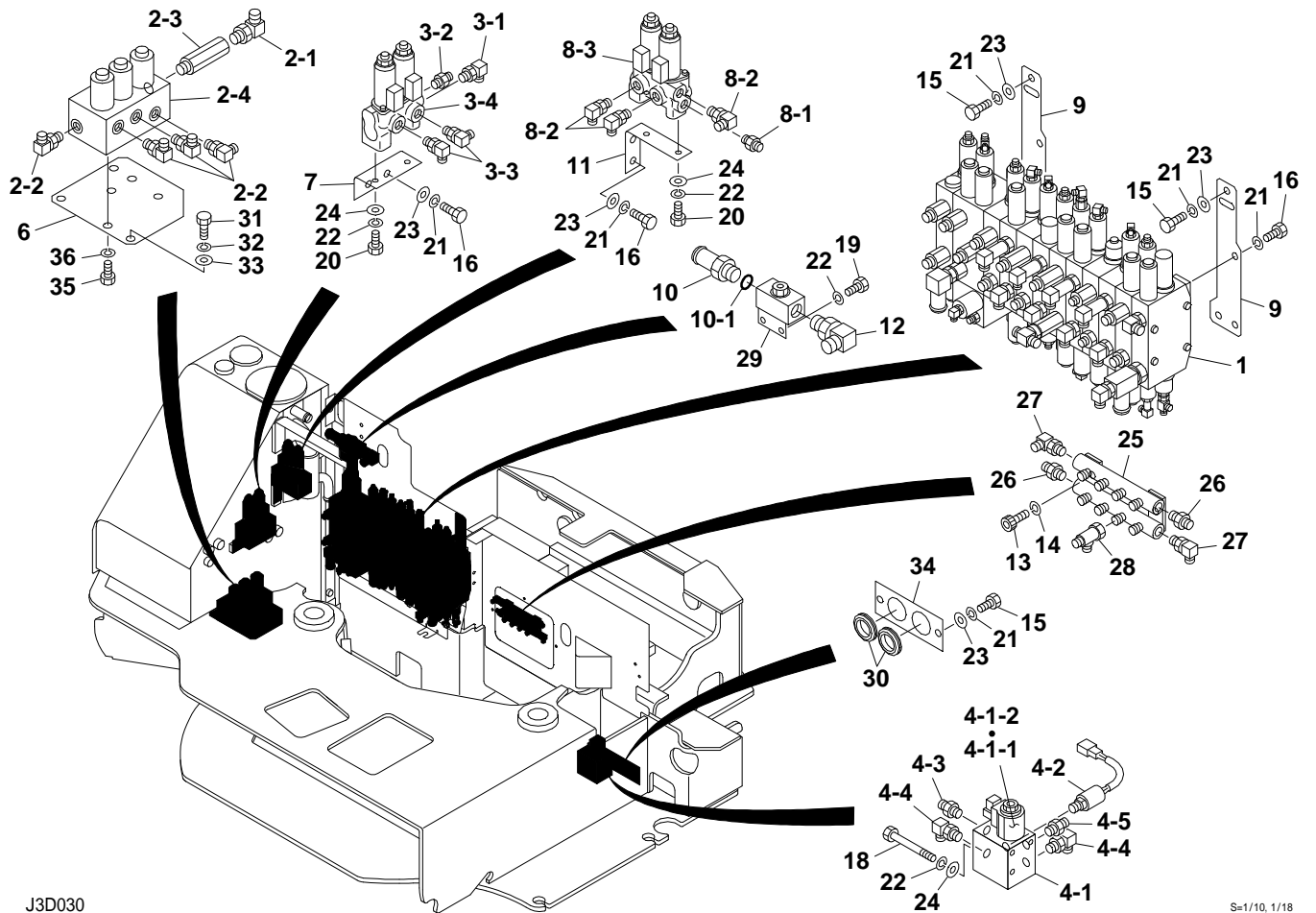
S=1/10, 1/18

VALVE & ACCESSORIES (1/2) (3rd aux. high pressure type)

Item	Part number	Description	Q'ty	Chan.	Serial No.	Serv.	Remarks
34	0395025034	PLATE	1				
35	1110041016	SCREW, cap	3				
36	1140420010	WASHER, spring	3				

J3d020

TB153FR (P-T153FBBB) Book No. BJ3Z003 S/N 15830001-
VALVE & ACCESSORIES (1/2) (1st aux. proportional cont.)



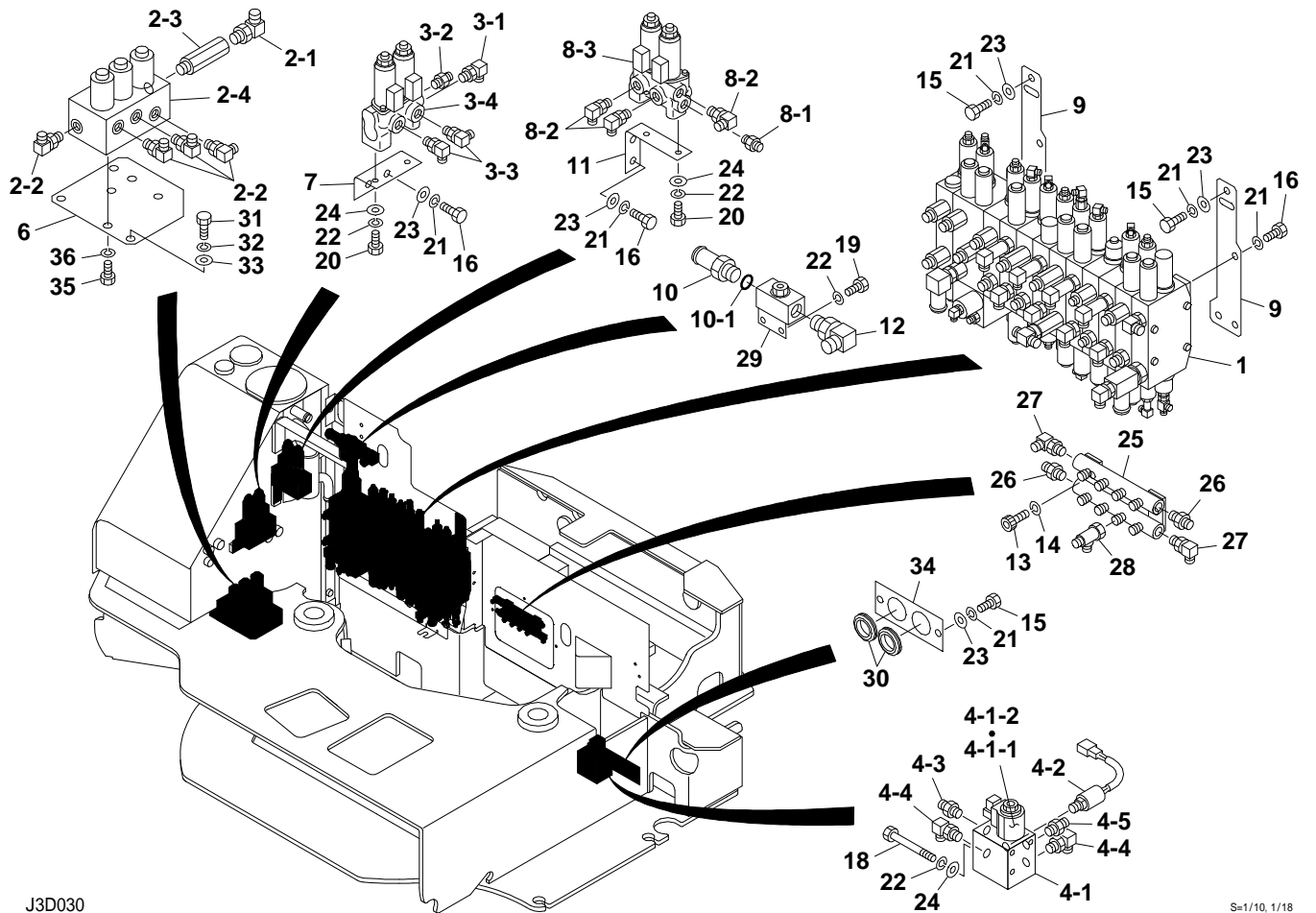
J3D030

S=1/10, 1/18

VALVE & ACCESSORIES (1/2) (1st aux. proportional cont.)

Item	Part number	Description	Q'ty	Chan.	Serial No.	Serv.	Remarks
		VALVE ASSY					
		VALVE ASSY (with 2nd aux. line)					
		VALVE ASSY (with 3rd aux. line)					
1	X *****	VALVE ASSY, control	1				
	X *****	VALVE ASSY, control (with 2nd aux. line)	1				
2	X *****	VALVE ASSY, solenoid	1				
2-1	1515010051	· ELBOW	1				
	1420010180	· · O-RING	1				
2-2	1515012040	· ELBOW	4				
	1420010110	· · O-RING	1				
2-3	0007213013	· BUSHING	1				
2-4	1901748800	· VALVE, solenoid	1				
3	X *****	VALVE ASSY, solenoid (with 2nd, 3rd aux. line)	1				
3-1	1512375004	· ELBOW	1				
	1420010110	· · O-RING	1				
3-2	1515600200	· ADAPTOR	1				
	1420010110	· · O-RING	1				
3-3	1515012040	· ELBOW	2				
	1420010110	· · O-RING	1				
3-4	1901752100	· VALVE, solenoid	1				
4	X *****	VALVE ASSY, solenoid (with 3rd aux. line)	1				
4-1	1901750700	· VALVE, solenoid	1				
4-1-1	1901741402	· · SOLENOID	1				
4-1-2	1901750703	· · COIL	1				
4-2	1700100065	· SWITCH, pressure	1				
	1420010110	· · O-RING	1				
4-3	1515600200	· ADAPTOR	1				
	1420010110	· · O-RING	1				
4-4	1515012040	· ELBOW	2				
	1420010110	· · O-RING	1				
4-5	1512370008	· ADAPTOR (with filter)	1				
	1420010110	· · O-RING	1				
6	0395023065	PLATE	1				
7	0395023070	PLATE	1				with 2nd, 3rd aux. l
8	X *****	VALVE ASSY, solenoid	1				
8-1	1512370008	· ADAPTOR (with filter)	1				
	1420010110	· · O-RING	1				
8-2	1515012040	· ELBOW	3				
	1420010110	· · O-RING	1				
8-3	1901752100	· VALVE, solenoid	1				
9	0395023090	PLATE	2				
10	0007224006	ADAPTOR	1				
10-1	1420010180	· O-RING	1				
11	0395023611	PLATE	1				
12	1515010042	ELBOW	1				
	1420010180	· O-RING	1				
13	1110040820	SCREW, cap	2				
14	1140420008	WASHER, spring	2				
15	1100041020	BOLT	5				
16	1100041016	BOLT	6				
	1100041016	BOLT	8				with 2nd, 3rd aux. l
18	1100040880	BOLT	3				with 2nd, 3rd aux. l
19	1100040820	BOLT	2				
20	1100040816	BOLT	4				with 2nd, 3rd aux. l
21	1140020010	WASHER, spring	11				
	1140020010	WASHER, spring	13				with 2nd, 3rd aux. l
22	1140020008	WASHER, spring	4				
	1140020008	WASHER, spring	6				with 2nd aux. line
	1140020008	WASHER, spring	9				with 3rd aux. line
23	1141110010	WASHER	7				
	1141110010	WASHER	9				with 2nd, 3rd aux. l

TB153FR (P-T153FBBB) Book No. BJ3Z003 S/N 15830001-
VALVE & ACCESSORIES (1/2) (1st aux. proportional cont.)



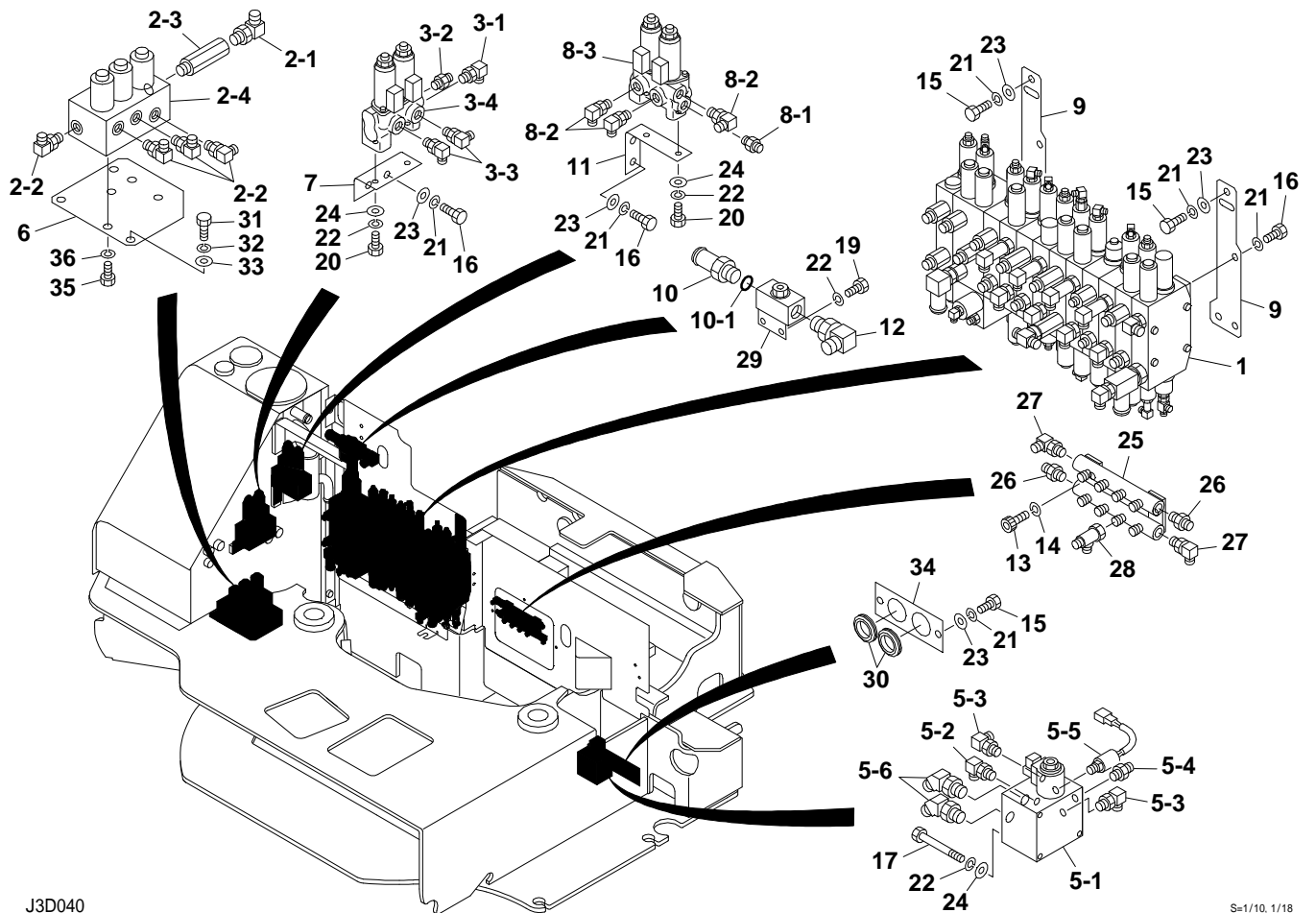
J3D030

S=1/10, 1/18

VALVE & ACCESSORIES (1/2) (1st aux. proportional cont.)

Item	Part number	Description	Q'ty	Chan.	Serial No.	Serv.	Remarks
24	1141110008	WASHER	2				
	1141110008	WASHER	4				with 2nd aux. line
	1141110008	WASHER	10				with 3rd aux. line
25	0375020040	MANIFOLD	1				
26	1515600200	ADAPTOR	2				
	1420010110	· O-RING	1				
27	1515012040	ELBOW	2				
	1420010110	· O-RING	1				
28	1513390015	TEE	1				with 3rd aux. line
29	1901719800	VALVE, stop	1				
30	1652061045	GROMMET	2				
31	1101041220	BOLT	3				
32	1140020012	WASHER, spring	3				
33	1141110012	WASHER	3				
34	0395025034	PLATE	1				
35	1110041016	SCREW, cap	3				
36	1140420010	WASHER, spring	3				
	J3d030						

**TB153FR (P-T153FBBB) Book No. BJ3Z003 S/N 15830001-
VALVE & ACCESSORIES (1/2) (1st aux. proportional cont., 3rd aux. high
pressure type)**



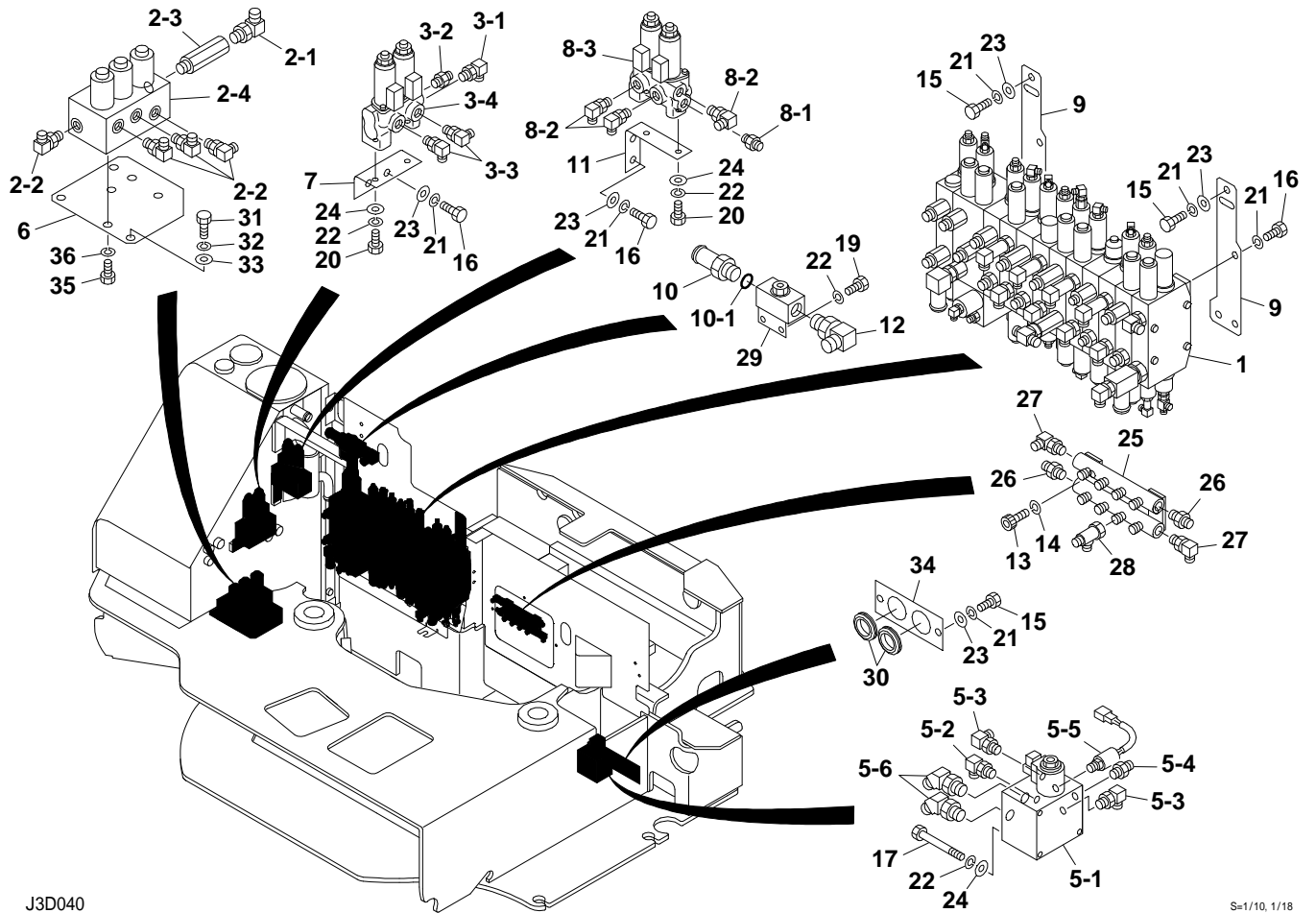
J3D040

S=1/10, 1/18

VALVE & ACCESSORIES (1/2) (1st aux. proportional cont., 3rd aux. high pressure type)

Item	Part number	Description	Q'ty	Chan.	Serial No.	Serv.	Remarks
		VALVE ASSY					
1	X *****	VALVE ASSY, control	1				
2	X *****	VALVE ASSY, solenoid	1				
2-1	1515010051	· ELBOW	1				
	1420010180	· · O-RING	1				
2-2	1515012040	· ELBOW	4				
	1420010110	· · O-RING	1				
2-3	0007213013	· BUSHING	1				
2-4	1901748800	· VALVE, solenoid	1				
3	X *****	VALVE ASSY, solenoid	1				
3-1	1512375004	· ELBOW	1				
	1420010110	· · O-RING	1				
3-2	1515600200	· ADAPTOR	1				
	1420010110	· · O-RING	1				
3-3	1515012040	· ELBOW	2				
	1420010110	· · O-RING	1				
3-4	1901752100	· VALVE, solenoid	1				
5	X *****	VALVE ASSY, solenoid	1				
5-1	1901751600	· VALVE, solenoid	1				
5-2	0575003630	· ELBOW (with orifice)	1				
	1420010110	· · O-RING	1				
5-3	1515012040	· ELBOW	2				
	1420010110	· · O-RING	1				
5-4	1515600200	· ADAPTOR	1				
	1420010110	· · O-RING	1				
5-5	1700100065	· SWITCH, pressure	1				
	1420010110	· · O-RING	1				
5-6	1515100112	· ELBOW	2				
	1420010180	· · O-RING	1				
6	0395023065	PLATE	1				
7	0395023070	PLATE	1				
8	X *****	VALVE ASSY, solenoid	1				
8-1	1512370008	· ADAPTOR (with filter)	1				
	1420010110	· · O-RING	1				
8-2	1515012040	· ELBOW	3				
	1420010110	· · O-RING	1				
8-3	1901752100	· VALVE, solenoid	1				
9	0395023090	PLATE	2				
10	0007224006	ADAPTOR	1				
10-1	1420010180	· O-RING	1				
11	0395023611	PLATE	1				
12	1515010042	ELBOW	1				
	1420010180	· O-RING	1				
13	1110040820	SCREW, cap	2				
14	1140420008	WASHER, spring	2				
15	1100041020	BOLT	5				
16	1100041016	BOLT	8				
17	1100040890	BOLT	2				
19	1100040820	BOLT	2				
20	1100040816	BOLT	4				
21	1140020010	WASHER, spring	13				
22	1140020008	WASHER, spring	8				
23	1141110010	WASHER	9				
24	1141110008	WASHER	8				
25	0375020040	MANIFOLD	1				
26	1515600200	ADAPTOR	2				
	1420010110	· O-RING	1				
27	1515012040	ELBOW	2				
	1420010110	· O-RING	1				
28	1513390015	TEE	1				
29	1901719800	VALVE, stop	1				

TB153FR (P-T153FBBB) Book No. BJ3Z003 S/N 15830001-
VALVE & ACCESSORIES (1/2) (1st aux. proportional cont., 3rd aux. high
pressure type)



J3D040

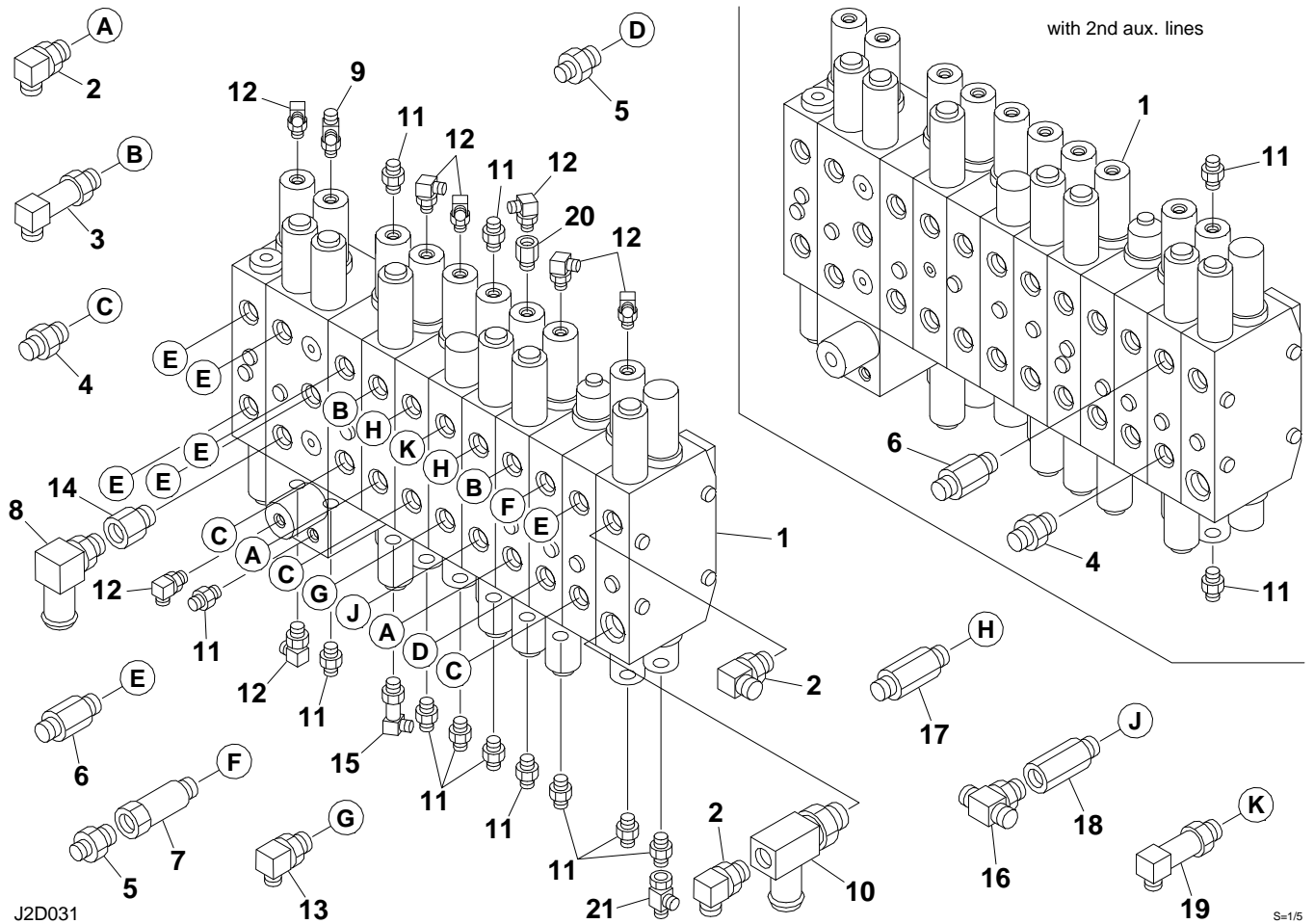
S=1/10, 1/18

VALVE & ACCESSORIES (1/2) (1st aux. proportional cont., 3rd aux. high pressure type)

Item	Part number	Description	Q'ty	Chan.	Serial No.	Serv.	Remarks
30	1652061045	GROMMET	2				
31	1101041220	BOLT	3				
32	1140020012	WASHER, spring	3				
33	1141110012	WASHER	3				
34	0395025034	PLATE	1				
35	1110041016	SCREW, cap	3				
36	1140420010	WASHER, spring	3				

J3d040

**TB153FR (P-T153FBBB) Book No. BJ3Z003 S/N 15830001-
VALVE & ACCESSORIES (2/2)**



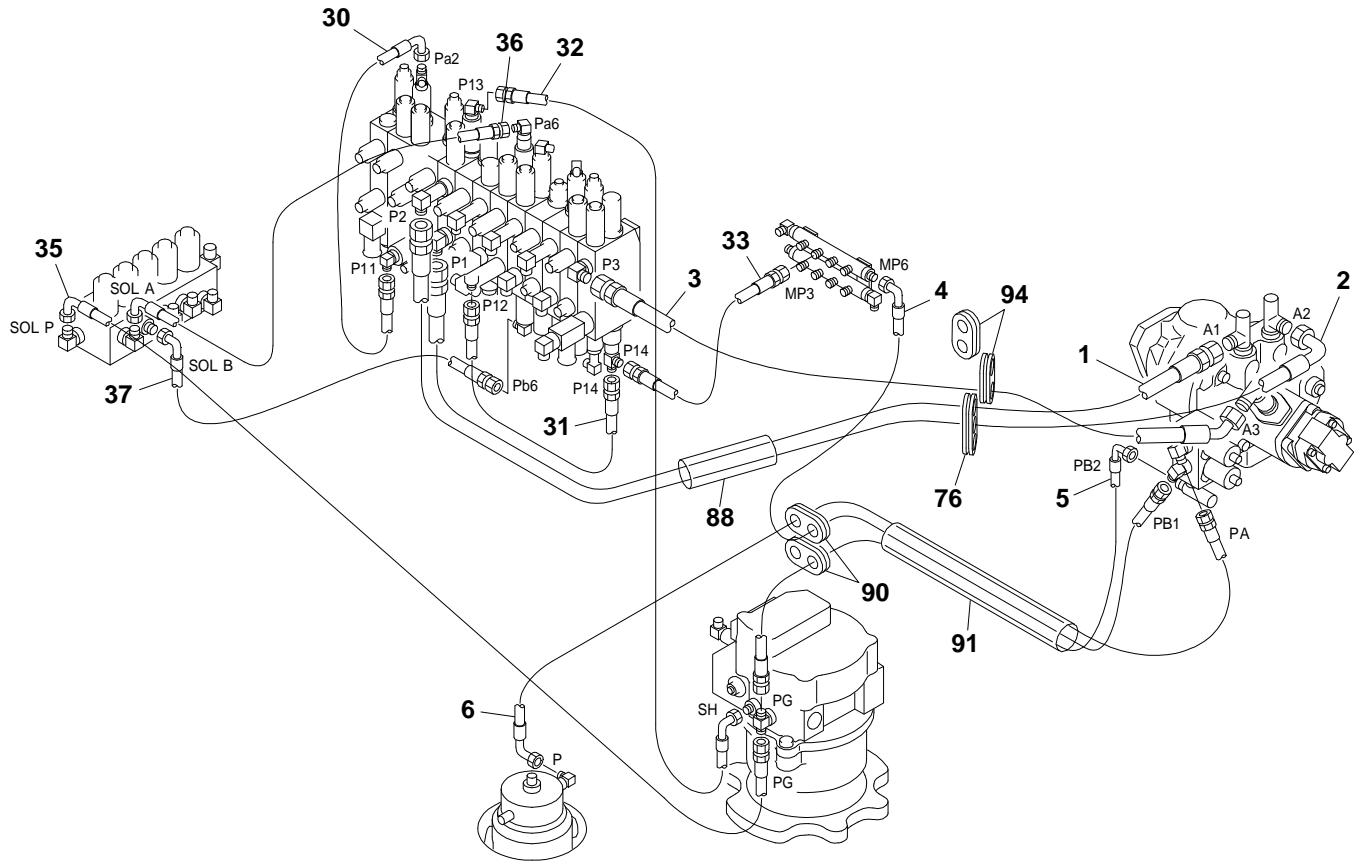
J2D031

S=1/5

VALVE & ACCESSORIES (2/2)

Item	Part number	Description	Q'ty	Chan.	Serial No.	Serv.	Remarks
0	0395023010	VALVE ASSY, control	1				
	0395023110	VALVE ASSY, control (with 2nd aux. line)	1				
1	1901043200	· VALVE, control	1				
	1901043300	· VALVE, control	1				with 2nd aux. line
2	1515010042	· ELBOW	4				
	1420010180	· · O-RING	1				
3	1515010512	· ELBOW	2				
	1420010180	· · O-RING	1				
4	1515600202	· ADAPTOR	3				
	1515600202	· ADAPTOR	4				with 2nd aux. line
	1420010180	· · O-RING	1				
5	1515600577	· ADAPTOR	2				
	1420010180	· · O-RING	1				
6	0007203041	· ADAPTOR	6				
	0007203041	· ADAPTOR	7				with 2nd aux. line
	1420010180	· · O-RING	1				
7	0007213055	· ADAPTOR	1				
	1420010180	· · O-RING	1				
8	1513350006	· ADAPTOR	1				
	1420010180	· · O-RING	1				
9	1512370011	· TEE	1				
	1420010110	· · O-RING	1				
10	0395010600	· NIPPLE	1				
	1420010240	· · O-RING	1				
11	1515600200	· ADAPTOR	11				
	1515600200	· ADAPTOR	13				with 2nd aux. line
	1420010110	· · O-RING	1				
12	1515012040	· ELBOW	8				
	1420010110	· · O-RING	1				
13	1515010051	· ELBOW	1				
	1420010180	· · O-RING	1				
14	0007213010	· BUSHING	1				
	1420010180	· · O-RING	1				
15	1515012510	· ELBOW	1				
	1420010110	· · O-RING	1				
16	1512374002	· TEE	1				
	1420010180	· · O-RING	1				
17	0007203074	· ADAPTOR	2				
	1420010180	· · O-RING	1				
18	0007213038	· BUSHING	1				
	1420010180	· · O-RING	1				
19	1515010517	· ELBOW	1				
	1420010180	· · O-RING	1				
20	1513250202	· BUSHING	1				
	1420010110	· · O-RING	1				
21	1513390015	· TEE	1				
	J2d031						

TB153FR (P-T153FBBB) Book No. BJ3Z003 S/N 15830001-
PIPING; UPPER (1/5)

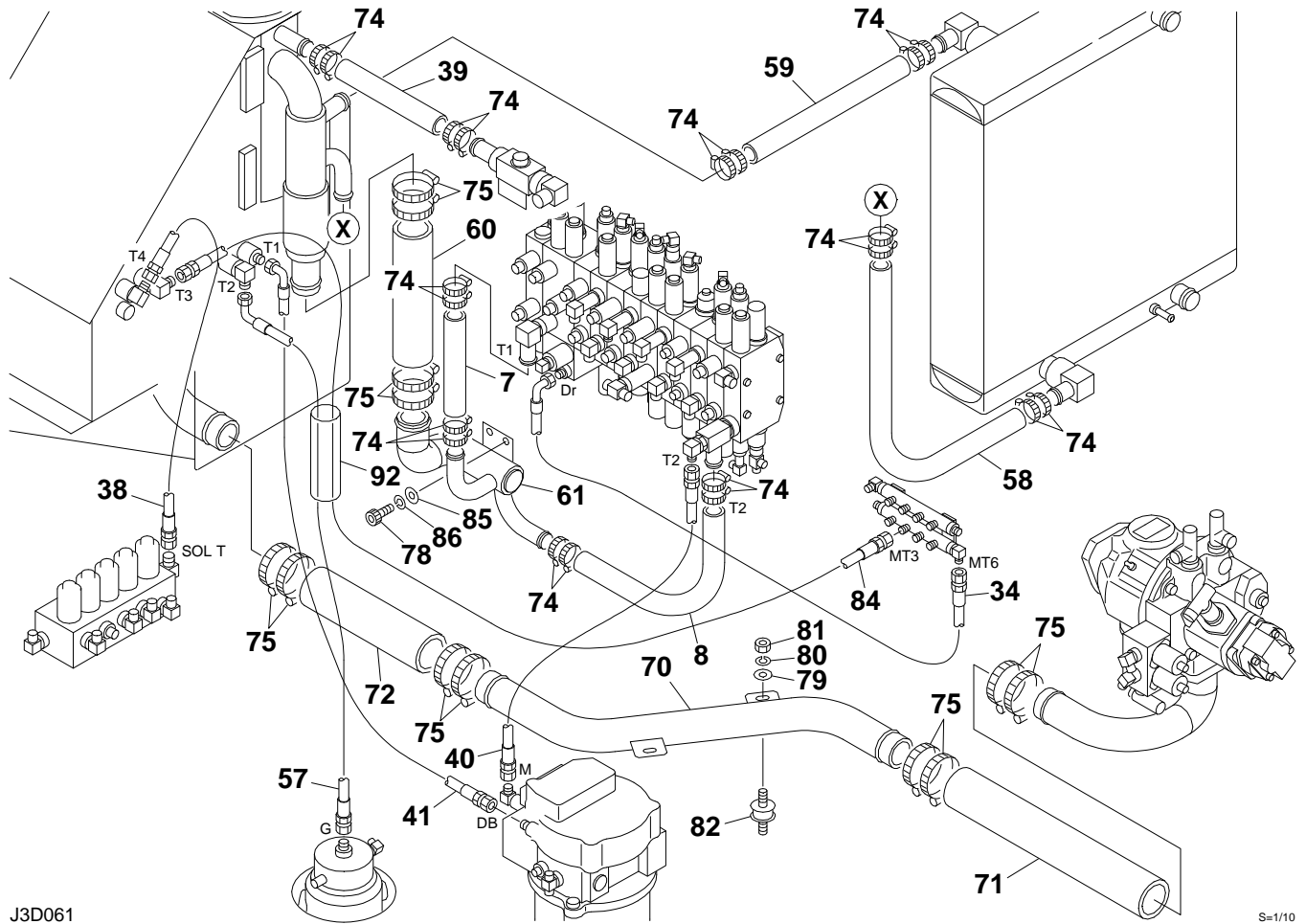


J3D050

S=1/10

PIPING; UPPER (1/5)					
Item	Part number	Description	Q'ty	Chan.	Serial No. Serv. Rem
		PIPING ASSY, upper			
		PIPING ASSY, upper (with 2nd aux. line)			
		PIPING ASSY, upper (with 3rd aux. line, with air con.)			
		PIPING ASSY, upper (with 3rd aux. line, without air con.)			
		PIPING ASSY, upper (3rd aux. high pressure type, with air con.)			
		PIPING ASSY, upper (3rd aux. high pressure type, without air con.)			
1	0397014010	HOSE ASSY	1		18019-7
2	0397014020	HOSE ASSY	1		18019-7
3	0397014030	HOSE ASSY	1		18019-4
4	0397015710	HOSE ASSY	1		18010-5:
5	0397014050	HOSE ASSY	1		18010-5:
6	0397014060	HOSE ASSY	1		18010-5:
30	0397014300	HOSE ASSY	1		18010-5:
31	0397014310	HOSE ASSY	1		18010-2:
32	0397014320	HOSE ASSY	1		18010-5:
33	0397015720	HOSE ASSY	1		18010-2:
35	0397014350	HOSE ASSY	1		18010-5:
36	0397014360	HOSE ASSY	1		18010-5:
37	0397014370	HOSE ASSY	1		18010-5:
76	0097022400	GUARD	1		
88	1531350033	PROTECTOR	1		sold by t
90	0097210300	GUARD	2		
91	1531645045	PROTECTOR	1		sold by t
94	0337017300	GUARD	2		
	J3d052				

TB153FR (P-T153FBBB) Book No. BJ3Z003 S/N 15830001-
PIPING; UPPER (2/5)

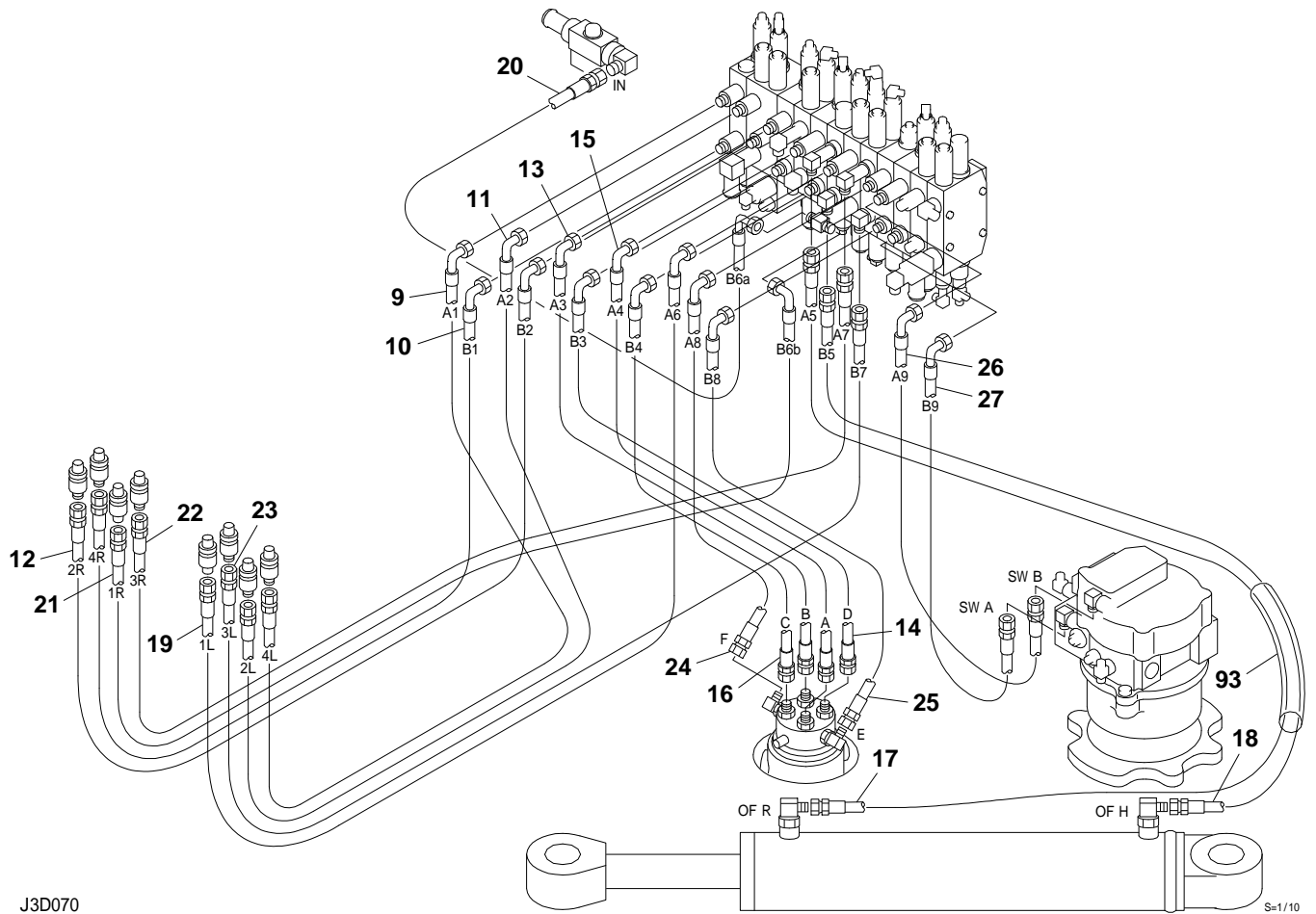


J3D061

S=1/10

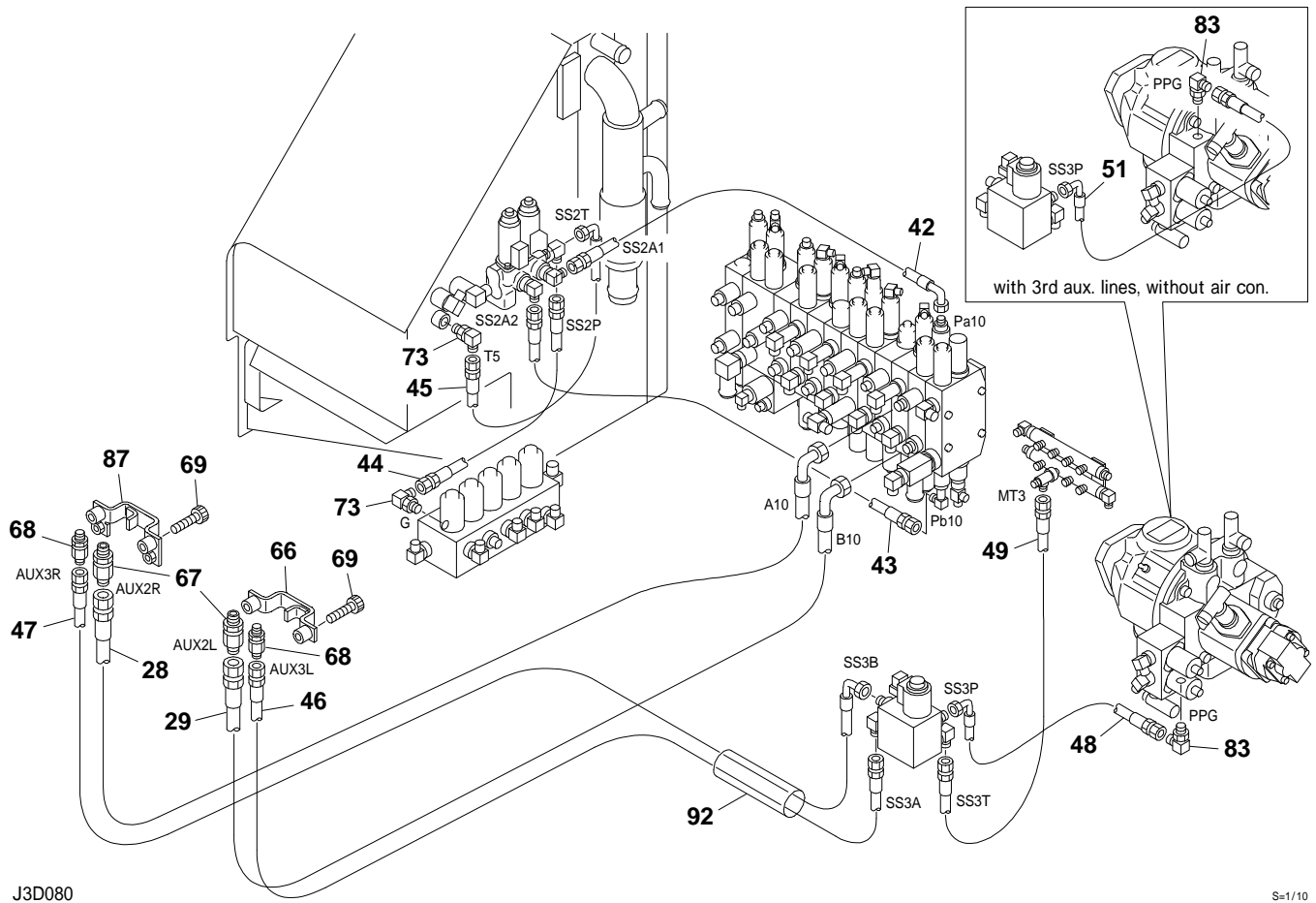
PIPING; UPPER (2/5)					
Item	Part number	Description	Q'ty	Chan.	Serial No. Serv. Rem
		PIPING ASSY, upper			
		PIPING ASSY, upper (with 2nd aux. line)			
		PIPING ASSY, upper (with 3rd aux. line, with air con.)			
		PIPING ASSY, upper (with 3rd aux. line, without air con.)			
		PIPING ASSY, upper (3rd aux. high pressure type, with air con.)			
		PIPING ASSY, upper (3rd aux. high pressure type, without air con.)			
7	1530525018	HOSE	1		sold by t
8	1530525057	HOSE	1		sold by t
34	0397015730	HOSE ASSY	1		18010-5:
38	0397014380	HOSE ASSY	1		18010-2:
39	1530525019	HOSE	1		sold by t
40	0397014400	HOSE ASSY	1		18010-2:
41	0397014410	HOSE ASSY	1		18010-5:
57	0397014570	HOSE ASSY	1		18010-5:
58	1530525077	HOSE	1		sold by t
59	1530525028	HOSE	1		sold by t
60	1530547024	HOSE	1		sold by t
61	0397014610	PIPE	1		
70	0397014700	PIPE	1		
71	0397014710	HOSE	1		
72	0397014720	HOSE	1		
74	1533700041	BAND	20		
75	1533700070	BAND	12		
78	1110041025	SCREW, cap	2		
79	1141110008	WASHER	2		
80	1140020008	WASHER, spring	2		
81	1130040008	NUT	2		
82	1651012004	RUBBER, cushion	2		
84	0397015740	HOSE ASSY	1		18010-2:
85	1141110010	WASHER	2		
86	1140020010	WASHER, spring	2		
92	1531645015	PROTECTOR	1		sold by t
	J3d062				

TB153FR (P-T153FBBB) Book No. BJ3Z003 S/N 15830001-
PIPING; UPPER (3/5)



PIPING; UPPER (3/5)					
Item	Part number	Description	Q'ty	Chan.	Serial No. Serv. Rem
		PIPING ASSY, upper			
		PIPING ASSY, upper (with 2nd aux. line)			
		PIPING ASSY, upper (with 3rd aux. line, with air con.)			
		PIPING ASSY, upper (with 3rd aux. line, without air con.)			
		PIPING ASSY, upper (3rd aux. high pressure type, with air con.)			
		PIPING ASSY, upper (3rd aux. high pressure type, without air con.)			
9	0397014090	HOSE ASSY	1		18019-4
10	0397014100	HOSE ASSY	1		18019-4
11	0397014110	HOSE ASSY	1		18019-4
12	0397014120	HOSE ASSY	1		18019-4
13	0397014130	HOSE ASSY	1		18019-4
14	0397014140	HOSE ASSY	1		18019-4
15	0397014150	HOSE ASSY	1		18019-4
16	0397014160	HOSE ASSY	1		18019-4
17	0397014170	HOSE ASSY	1		18019-2
18	0397014180	HOSE ASSY	1		18019-2
19	0397014190	HOSE ASSY	1		18019-4
20	0397014200	HOSE ASSY	1		18015-4
21	0397014210	HOSE ASSY	1		18019-4
22	0397014220	HOSE ASSY	1		18019-4
23	0397014230	HOSE ASSY	1		18019-4
24	0397014240	HOSE ASSY	1		18019-2
25	0397014250	HOSE ASSY	1		18019-2
26	0397014260	HOSE ASSY	1		18028-4
27	0397014270	HOSE ASSY	1		18028-4
93	1531335033	PROTECTOR	1		sold by t
	J3d072				

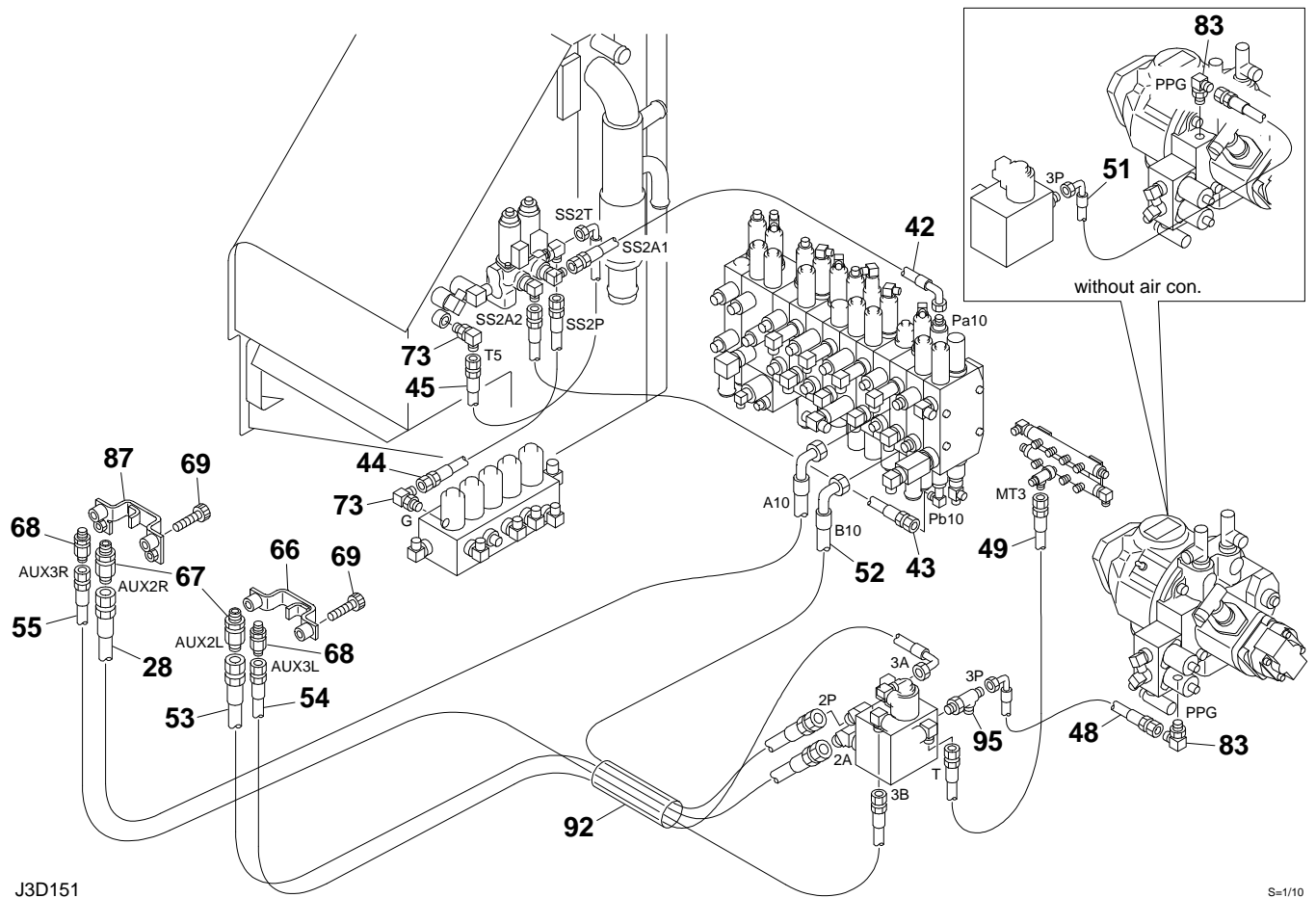
**TB153FR (P-T153FBBB) Book No. BJ3Z003 S/N 15830001-
PIPING; UPPER (4/5) (with 2nd & 3rd aux. line)**



PIPING; UPPER (4/5) (with 2nd & 3rd aux. line)

Item	Part number	Description	Q'ty	Chan.	Serial No.	Serv.	Remarks
		PIPING ASSY, upper (with 2nd aux. line)					
		PIPING ASSY, upper (with 3rd aux. line, with air con.)					
		PIPING ASSY, upper (with 3rd aux. line, without air con.)					
28	0397014280	HOSE ASSY	1				18019-4116C
29	0397014290	HOSE ASSY	1				18019-4117E
42	0397014420	HOSE ASSY	1				18010-5207C
43	0397014430	HOSE ASSY	1				18010-2210C
44	0397014440	HOSE ASSY	1				18010-5203E
45	0397014450	HOSE ASSY	1				18010-5204C
46	0397014460	HOSE ASSY (with 3rd aux. line)	1				18010-2217E
47	0397014470	HOSE ASSY (with 3rd aux. line)	1				18010-5219E
48	0397014480	HOSE ASSY (with 3rd aux. line, with air con.)	1				18010-5204E
49	0397014490	HOSE ASSY (with 3rd aux. line)	1				18010-2209C
51	0397014810	HOSE ASSY (with 3rd aux. line, without air con.)	1				18010-5206E
66	0397014670	CLAMP	1				
67	1514011104	ADAPTOR	2				
68	1514011102	ADAPTOR (with 3rd aux. line)	2				
69	1110041050	SCREW, cap	4				
73	1515012040	ELBOW	2				
	1420010110	· O-RING	1				
83	1512370015	ELBOW (with 3rd aux. line)	1				
	1420010080	· O-RING	1				
87	0397014680	CLAMP	1				
92	1531645015	PROTECTOR	1				sold by the m
	J3d082						

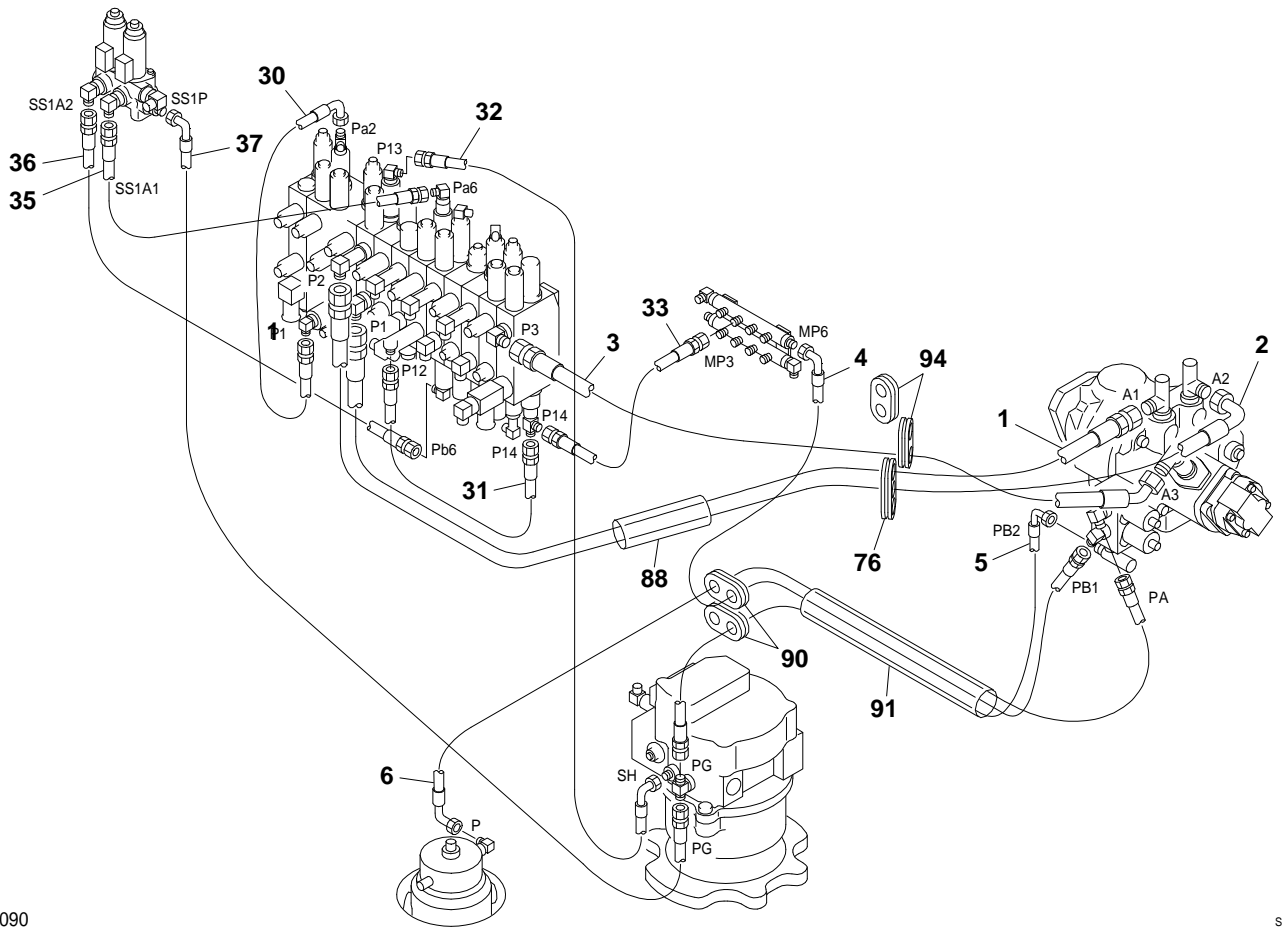
**TB153FR (P-T153FBBB) Book No. BJ3Z003 S/N 15830001-
PIPING; UPPER (5/5) (3rd aux. high pressure type)**



PIPING; UPPER (5/5) (3rd aux. high pressure type)

Item	Part number	Description	Q'ty	Chan.	Serial No.	Serv.	Remarks
		PIPING ASSY, upper (with air con.)					
		PIPING ASSY, upper (without air con.)					
28	0397014280	HOSE ASSY	1				18019-41160
42	0397014420	HOSE ASSY	1				18010-52070
43	0397014430	HOSE ASSY	1				18010-22100
44	0397014440	HOSE ASSY	1				18010-52033
45	0397014450	HOSE ASSY	1				18010-52040
48	0397014480	HOSE ASSY (with air con.)	1				18010-52045
49	0397014490	HOSE ASSY	1				18010-22090
51	0397014810	HOSE ASSY (without air con.)	1				18010-52063
52	0397016110	HOSE ASSY	1				18019-41105
53	0397016120	HOSE ASSY	1				18019-40165
54	0397016130	HOSE ASSY	1				18010-52170
55	0397016140	HOSE ASSY	1				18015-00190
66	0397014670	CLAMP	1				
67	1514011104	ADAPTOR	2				
68	1514011102	ADAPTOR	2				
69	1110041050	SCREW, cap	4				
73	1515012040	ELBOW	2				
	1420010110	· O-RING	1				
83	1512370015	ELBOW	1				
	1420010080	· O-RING	1				
87	0397014680	CLAMP	1				
92	1531645015	PROTECTOR	1				sold by the meter
95	1512370011	TEE	1			M	with air con.
	1420010110	· O-RING	1				
	J3d152						

**TB153FR (P-T153FBBB) Book No. BJ3Z003 S/N 15830001-
PIPING; UPPER (1/5) (1st aux. proportional cont.)**



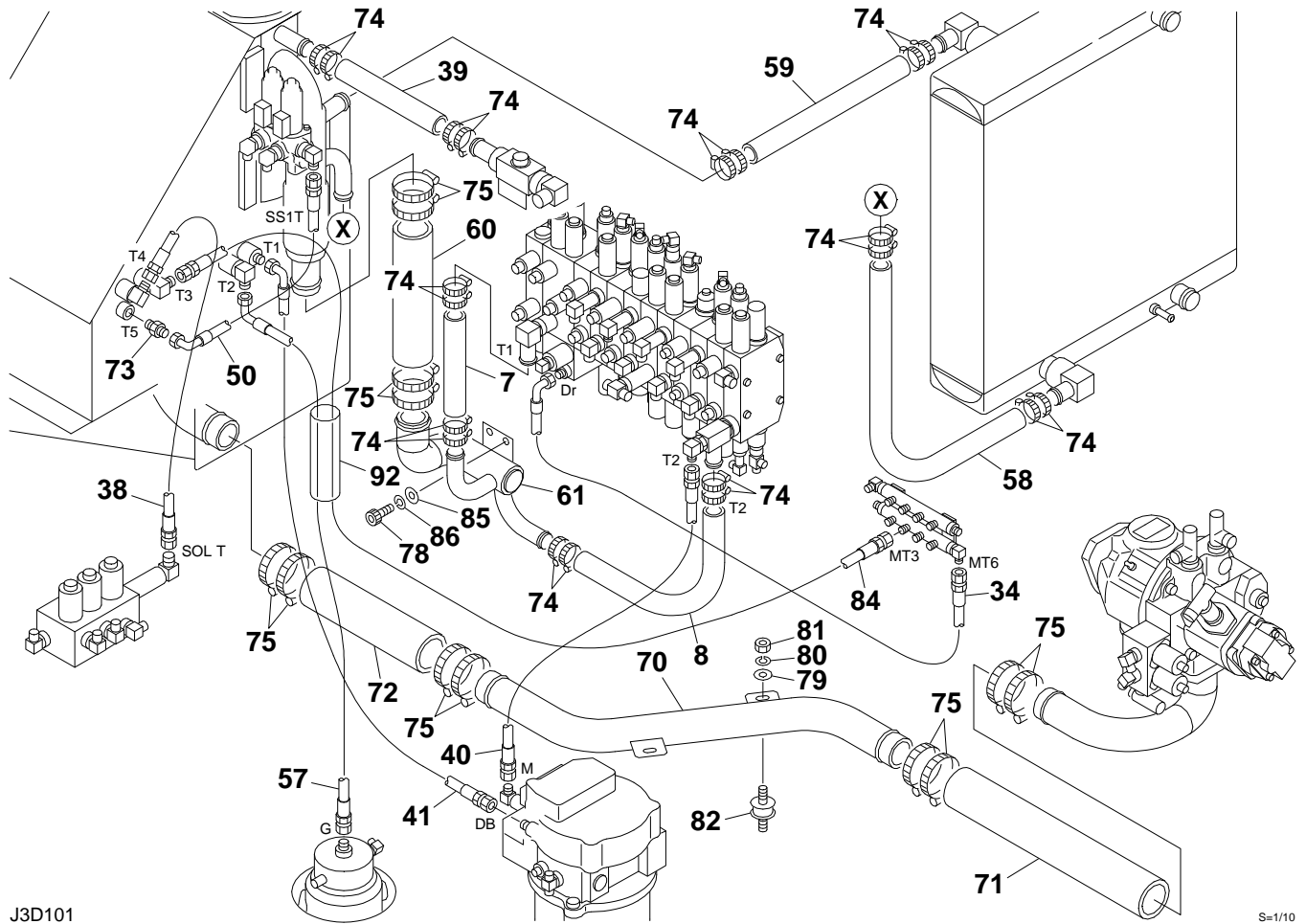
J3D090

S-1/10

PIPING; UPPER (1/5) (1st aux. proportional cont.)

Item	Part number	Description	Q'ty	Chan.	Serial No.	Serv.	Rem
		PIPING ASSY, upper					
		PIPING ASSY, upper (with 2nd aux. line)					
		PIPING ASSY, upper (with 3rd aux. line, with air con.)					
		PIPING ASSY, upper (with 3rd aux. line, without air con.)					
		PIPING ASSY, upper (3rd aux. high pressure type, with air con.)					
		PIPING ASSY, upper (3rd aux. high pressure type, without air con.)					
1	0397014010	HOSE ASSY	1				18019-7
2	0397014020	HOSE ASSY	1				18019-7
3	0397014030	HOSE ASSY	1				18019-4
4	0397015710	HOSE ASSY	1				18010-5;
5	0397014050	HOSE ASSY	1				18010-5;
6	0397014060	HOSE ASSY	1				18010-5;
30	0397014300	HOSE ASSY	1				18010-5;
31	0397014310	HOSE ASSY	1				18010-2;
32	0397014320	HOSE ASSY	1				18010-5;
33	0397015720	HOSE ASSY	1				18010-2;
35	0397015110	HOSE ASSY	1				18010-2;
36	0397015120	HOSE ASSY	1				18010-2;
37	0397015130	HOSE ASSY	1				18010-5;
76	0097022400	GUARD	1				
88	1531350033	PROTECTOR	1				sold by t
90	0097210300	GUARD	2				
91	1531645045	PROTECTOR	1				sold by t
94	0337017300	GUARD	2				
	J3d092						

TB153FR (P-T153FBBB) Book No. BJ3Z003 S/N 15830001-
 PIPING; UPPER (2/5) (1st aux. proportional cont.)



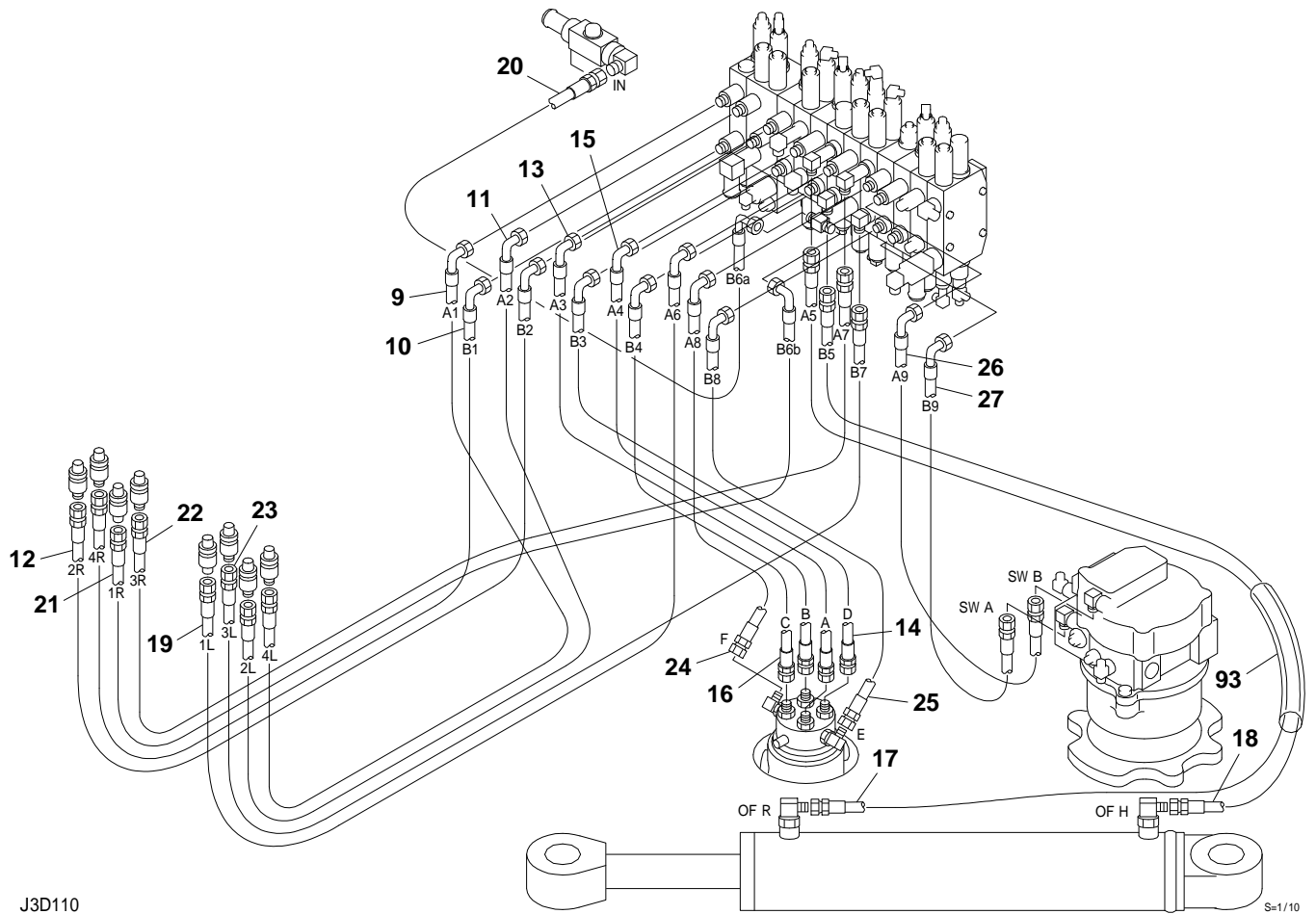
J3D101

S=1/10

PIPING; UPPER (2/5) (1st aux. proportional cont.)

Item	Part number	Description	Q'ty	Chan.	Serial No.	Serv.	Rem
		PIPING ASSY, upper					
		PIPING ASSY, upper (with 2nd aux. line)					
		PIPING ASSY, upper (with 3rd aux. line, with air con.)					
		PIPING ASSY, upper (with 3rd aux. line, without air con.)					
		PIPING ASSY, upper (3rd aux. high pressure type, with air con.)					
		PIPING ASSY, upper (3rd aux. high pressure type, without air con.)					
7	1530525018	HOSE	1				sold by t
8	1530525057	HOSE	1				sold by t
34	0397015730	HOSE ASSY	1				18010-5:
38	0397014380	HOSE ASSY	1				18010-2:
39	1530525019	HOSE	1				sold by t
40	0397014400	HOSE ASSY	1				18010-2:
41	0397014410	HOSE ASSY	1				18010-5:
50	0397015150	HOSE ASSY	1				18010-5:
57	0397014570	HOSE ASSY	1				18010-5:
58	1530525077	HOSE	1				sold by t
59	1530525028	HOSE	1				sold by t
60	1530547024	HOSE	1				sold by t
61	0397014610	PIPE	1				
70	0397014700	PIPE	1				
71	0397014710	HOSE	1				
72	0397014720	HOSE	1				
73	1515600200	ADAPTOR	1				
	1420010110	- O-RING	1				
74	1533700041	BAND	20				
75	1533700070	BAND	12				
78	1110041025	SCREW, cap	2				
79	1141110008	WASHER	2				
80	1140020008	WASHER, spring	2				
81	1130040008	NUT	2				
82	1651012004	RUBBER, cushion	2				
84	0397015740	HOSE ASSY	1				18010-2:
85	1141110010	WASHER	2				
86	1140020010	WASHER, spring	2				
92	1531645015	PROTECTOR	1				sold by t
	J3d102						

TB153FR (P-T153FBBB) Book No. BJ3Z003 S/N 15830001-
PIPING; UPPER (3/5) (1st aux. proportional cont.)



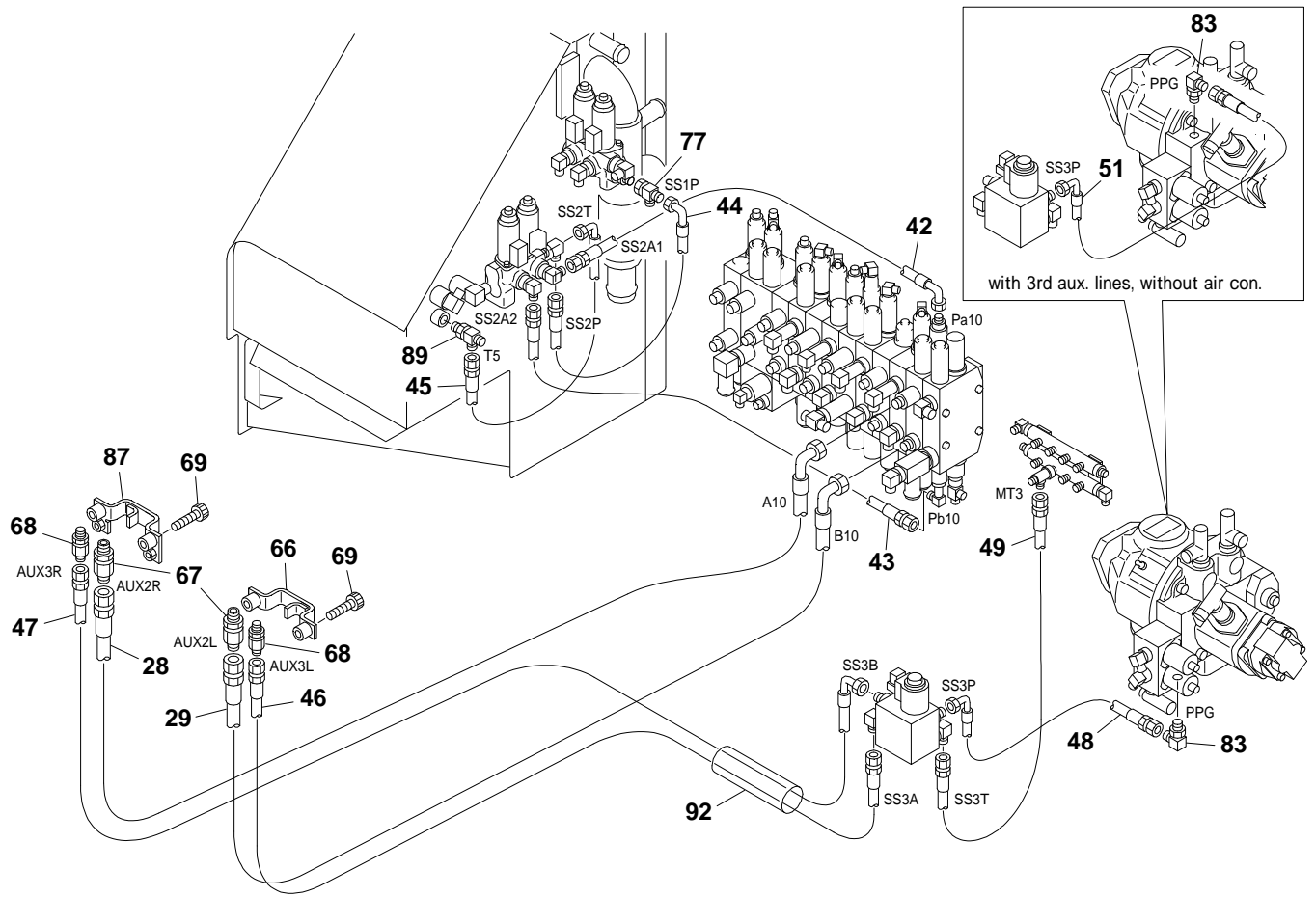
J3D110

S=1/10

PIPING; UPPER (3/5) (1st aux. proportional cont.)

Item	Part number	Description	Q'ty	Chan.	Serial No.	Serv.	Rem
		PIPING ASSY, upper					
		PIPING ASSY, upper (with 2nd aux. line)					
		PIPING ASSY, upper (with 3rd aux. line, with air con.)					
		PIPING ASSY, upper (with 3rd aux. line, without air con.)					
		PIPING ASSY, upper (3rd aux. high pressure type, with air con.)					
		PIPING ASSY, upper (3rd aux. high pressure type, without air con.)					
9	0397014090	HOSE ASSY	1				18019-4
10	0397014100	HOSE ASSY	1				18019-4
11	0397014110	HOSE ASSY	1				18019-4
12	0397014120	HOSE ASSY	1				18019-4
13	0397014130	HOSE ASSY	1				18019-4
14	0397014140	HOSE ASSY	1				18019-4
15	0397014150	HOSE ASSY	1				18019-4
16	0397014160	HOSE ASSY	1				18019-4
17	0397014170	HOSE ASSY	1				18019-2
18	0397014180	HOSE ASSY	1				18019-2
19	0397014190	HOSE ASSY	1				18019-4
20	0397014200	HOSE ASSY	1				18015-4
21	0397014210	HOSE ASSY	1				18019-4
22	0397014220	HOSE ASSY	1				18019-4
23	0397014230	HOSE ASSY	1				18019-4
24	0397014240	HOSE ASSY	1				18019-2
25	0397014250	HOSE ASSY	1				18019-2
26	0397014260	HOSE ASSY	1				18028-4
27	0397014270	HOSE ASSY	1				18028-4
93	1531335033	PROTECTOR	1				sold by t
	J3d112						

**TB153FR (P-T153FBBB) Book No. BJ3Z003 S/N 15830001-
PIPING; UPPER (4/5) (1st aux. proportional cont., with 2nd & 3rd aux. line)**



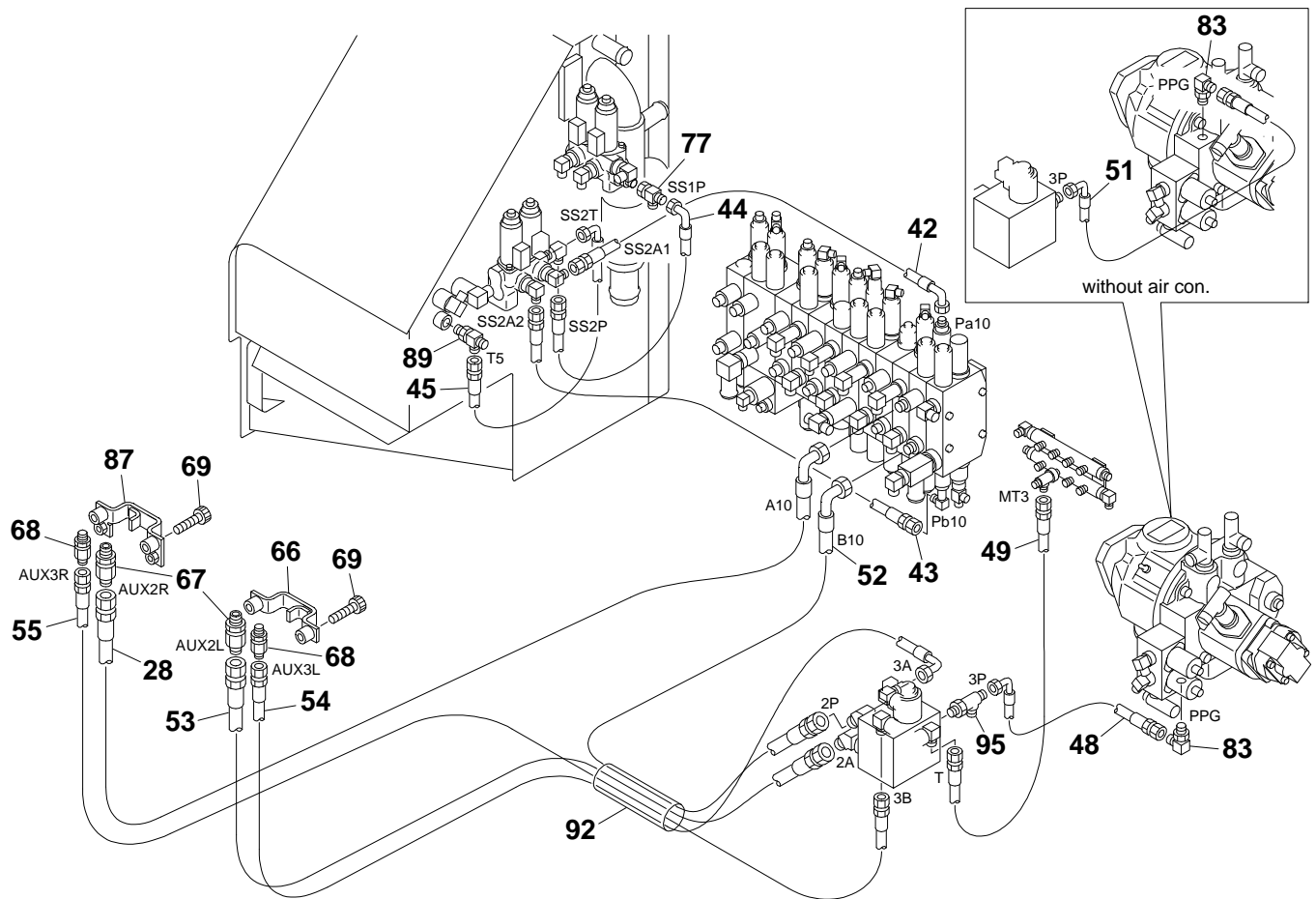
J3D120

S=1/10

PIPING; UPPER (4/5) (1st aux. proportional cont., with 2nd & 3rd aux. line)

Item	Part number	Description	Q'ty	Chan.	Serial No.	Serv.	Remarks
		PIPING ASSY, upper (with 2nd aux. line)					
		PIPING ASSY, upper (with 3rd aux. line, with air con.)					
		PIPING ASSY, upper (with 3rd aux. line, without air con.)					
28	0397014280	HOSE ASSY	1				18019-4116C
29	0397014290	HOSE ASSY	1				18019-4117E
42	0397014420	HOSE ASSY	1				18010-5207C
43	0397014430	HOSE ASSY	1				18010-2210C
44	0397015140	HOSE ASSY	1				18010-5203C
45	0397014450	HOSE ASSY	1				18010-5204C
46	0397014460	HOSE ASSY (with 3rd aux. line)	1				18010-2217E
47	0397014470	HOSE ASSY (with 3rd aux. line)	1				18010-5219E
48	0397014480	HOSE ASSY (with 3rd aux. line, with air con.)	1				18010-5204E
49	0397014490	HOSE ASSY (with 3rd aux. line)	1				18010-2209C
51	0397014810	HOSE ASSY (with 3rd aux. line, without air con.)	1				18010-5206C
66	0397014670	CLAMP	1				
67	1514011104	ADAPTOR	2				
68	1514011102	ADAPTOR (with 3rd aux. line)	2				
69	1110041050	SCREW, cap	4				
77	1513390015	TEE	1				
83	1512370015	ELBOW (with 3rd aux. line)	1				
	1420010080	· O-RING	1				
87	0397014680	CLAMP	1				
89	1512370011	TEE	1				
	1420010110	· O-RING	1				
92	1531645015	PROTECTOR	1				sold by the m
	J3d122						

**TB153FR (P-T153FBBB) Book No. BJ3Z003 S/N 15830001-
 PIPING; UPPER (5/5) (1st aux. proportional cont., 3rd aux. high pressure
 type)**



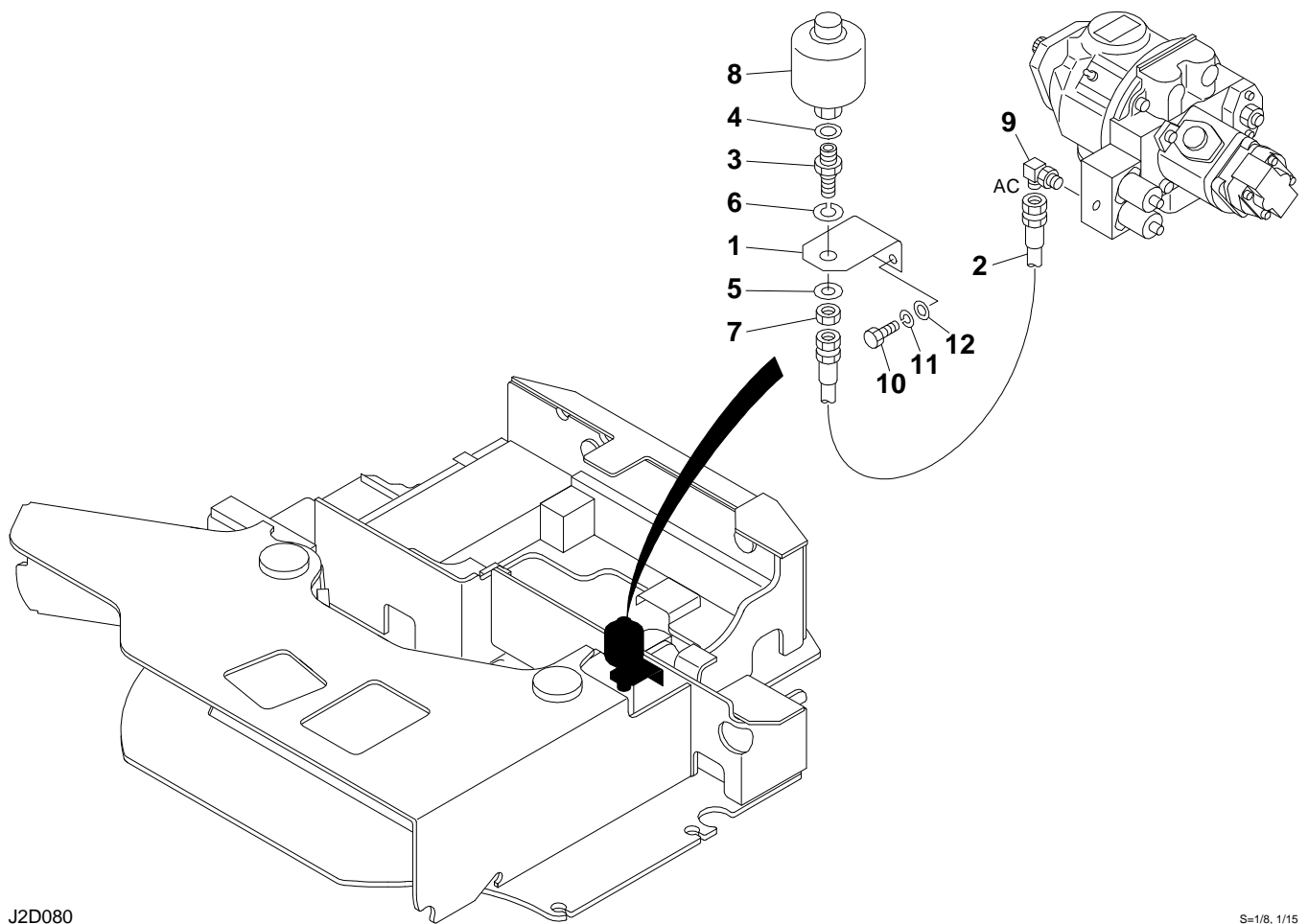
J3D161

S=1/10

PIPING; UPPER (5/5) (1st aux. proportional cont., 3rd aux. high pressure type)

Item	Part number	Description	Q'ty	Chan.	Serial No.	Serv.	Remarks
		PIPING ASSY, upper (with air con.)					
		PIPING ASSY, upper (without air con.)					
28	0397014280	HOSE ASSY	1				18019-41160
42	0397014420	HOSE ASSY	1				18010-52070
43	0397014430	HOSE ASSY	1				18010-22100
44	0397015140	HOSE ASSY	1				18010-52030
45	0397014450	HOSE ASSY	1				18010-52040
48	0397014480	HOSE ASSY (with 3rd aux. line, with air con.)	1				18010-52045
49	0397014490	HOSE ASSY (with 3rd aux. line)	1				18010-22090
51	0397014810	HOSE ASSY (with 3rd aux. line, without air con.)	1				18010-52063
52	0397016110	HOSE ASSY	1				18019-41105
53	0397016120	HOSE ASSY	1				18019-40165
54	0397016130	HOSE ASSY	1				18010-52170
55	0397016140	HOSE ASSY	1				18015-00190
66	0397014670	CLAMP	1				
67	1514011104	ADAPTOR	2				
68	1514011102	ADAPTOR (with 3rd aux. line)	2				
69	1110041050	SCREW, cap	4				
77	1513390015	TEE	1				
83	1512370015	ELBOW (with 3rd aux. line)	1				
	1420010080	· O-RING	1				
87	0397014680	CLAMP	1				
89	1512370011	TEE	1				
	1420010110	· O-RING	1				
92	1531645015	PROTECTOR	1				sold by the meter
95	1512370011	TEE	1			M	with air con.
	1420010110	· O-RING	1				
	J3d162						

TB153FR (P-T153FBBB) Book No. BJ3Z003 S/N 15830001-
ACCUMULATOR



J2D080

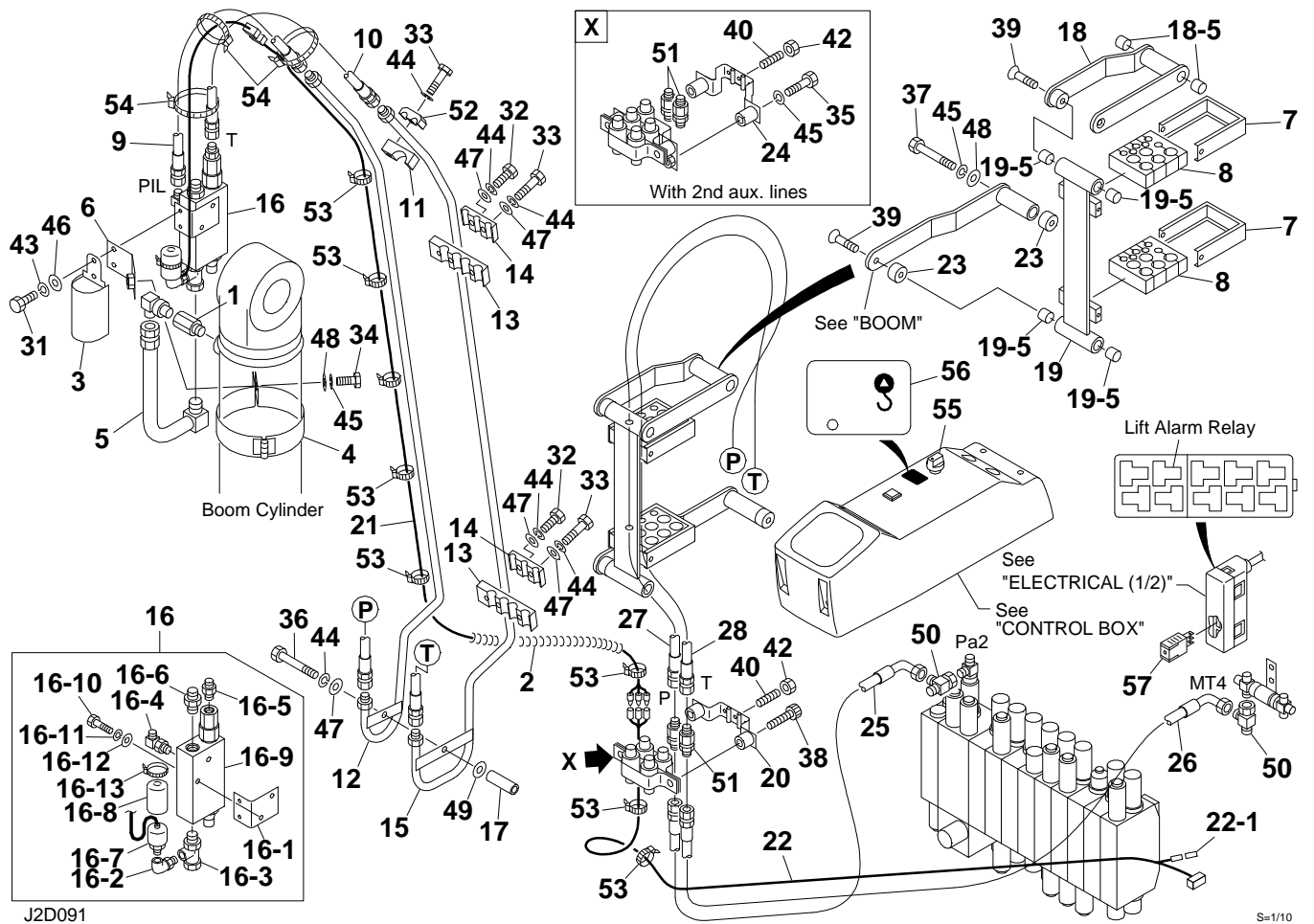
S=1/8, 1/15

ACCUMULATOR

Item	Part number	Description	Q'ty	Chan.	Serial No.	Serv.	Remarks
0	0395022400	ACCUMULATOR ASSY	1				
1	0395022410	· BRACKET	1				
2	0395022420	· HOSE ASSY	1				18010-23038
3	0007200222	· ADAPTOR	1				
4	1432160004	· SEAL	1				
5	1141110016	· WASHER	1				
6	1140020020	· WASHER, spring	1				
7	0007200154	· NUT	1				
8	1552200020	· ACCUMULATOR	1				
9	1515010130	· ELBOW	1				
	1420010110	· · O-RING	1				
10	1100041025	· BOLT	2				
11	1140020010	· WASHER, spring	2				
12	1141110010	· WASHER	2				

J2d080

**TB153FR (P-T153FBBB) Book No. BJ3Z003 S/N 15830001-
BOOM EMERGENCY SHUT-OFF VALVE**



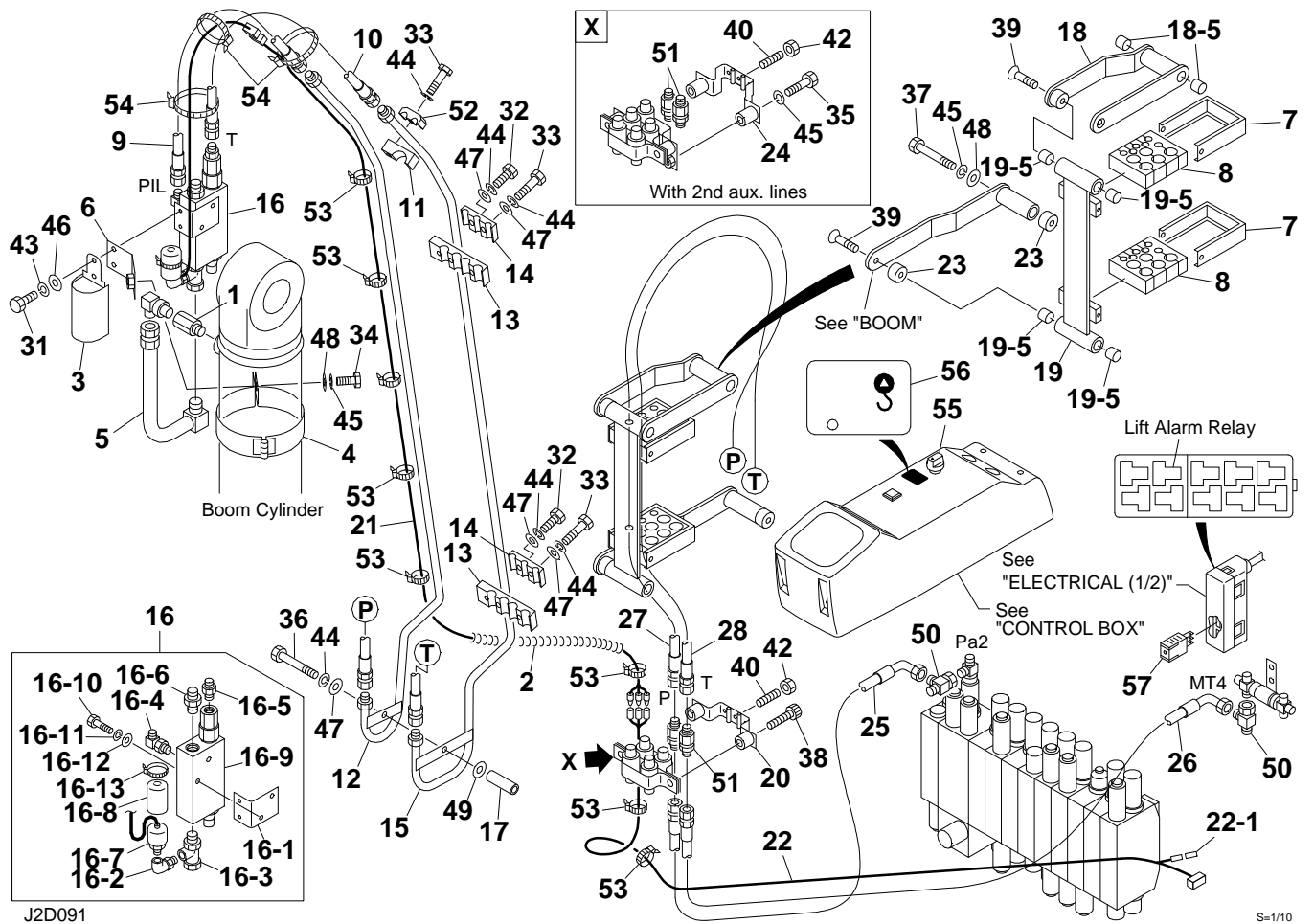
J2D091

S=1/10

BOOM EMERGENCY SHUT-OFF VALVE

Item	Part number	Description	Q'ty	Chan.	Serial No.	Serv.	Remarks
0	0395024000	VALVE ASSY, emergency shut-off (with 1st aux. line)	1				
	0395024100	VALVE ASSY, emergency shut-off (with 2nd & 3rd aux. line)	1				
	0395024200	VALVE ASSY, emergency shut-off (with 1st aux. line & arm shut-off valve)	1				
	0395024300	VALVE ASSY, emergency shut-off (with 2nd & 3rd aux. line & arm shut-off valve)	1				
1	0007213010	· BUSHING	1				
	1420010180	· · O-RING	1				
2	0394216980	· SPRING	1				
3	0395009620	· COVER	1				
4	0395010810	· CLAMP	1				
5	0395012710	· PIPE	1				
6	0395012740	· PLATE	1				
7	0395012770	· HOLDER	2				
8	0397324660	· RUBBER	2				
9	0395012840	· HOSE ASSY	1				18010-22072
10	0395012850	· HOSE ASSY	1				18010-22060
11	0395012870	· CLAMP	1				
12	0395012910	· PIPE	1				
13	0395012940	· CLAMP	2				
14	0395012950	· CLAMP	2				
15	0395022010	· PIPE	1				without arm shut-off va
16	0395022020	· VALVE ASSY, emergency shut-off	1				
16-1	0395009600	· · BRACKET	1				
16-2	1513300022	· · ELBOW	1				
	1420010110	· · · O-RING	1				
16-3	1513390039	· · ADAPTOR	1				
	1420010180	· · · O-RING	1				
16-4	1515012040	· · ELBOW	1				
	1420010110	· · · O-RING	1				
16-5	1515600200	· · ADAPTOR	1				
	1420010110	· · · O-RING	1				
16-6	1515600202	· · ADAPTOR	1				
	1420010180	· · · O-RING	1				
16-7	1700100080	· · SWITCH, pressure	1				
16-8	1700100061	· · COVER	1				
16-9	1901742700	· · VALVE, emergency shut-off	1				
16-10	1100040645	· · BOLT	2				
16-11	1140020006	· · WASHER, spring	2				
16-12	1141110006	· · WASHER	2				
16-13	1652231250	· · BAND	1				
17	0395022030	· PIPE	1				
18	0395022040	· ARM	1				
18-5	1333001515	· · BUSHING	2				
19	0395022050	· LINK, hose	1				
19-5	1333001515	· · BUSHING	4				
20	0395022060	· CLAMP	1				with 1st aux. line
21	0395024030	· HARNESS ASSY	1				
22	0565048060	· HARNESS ASSY	1				
22-1	1730500008	· DIODE (3A yellow)	1				
23	0395022090	· SPACER	2				
24	0395022110	· CLAMP	1				with 2nd & 3rd aux. line
25	0395024010	· HOSE ASSY	1				18010-52200
26	0395024020	· HOSE ASSY	1				18010-52195
27	0395022140	· HOSE ASSY	1				18010-22195
28	0395022150	· HOSE ASSY	1				18010-22190
31	1100040620	· BOLT	2				
32	1100040830	· BOLT	2				
33	1100040855	· BOLT	3				

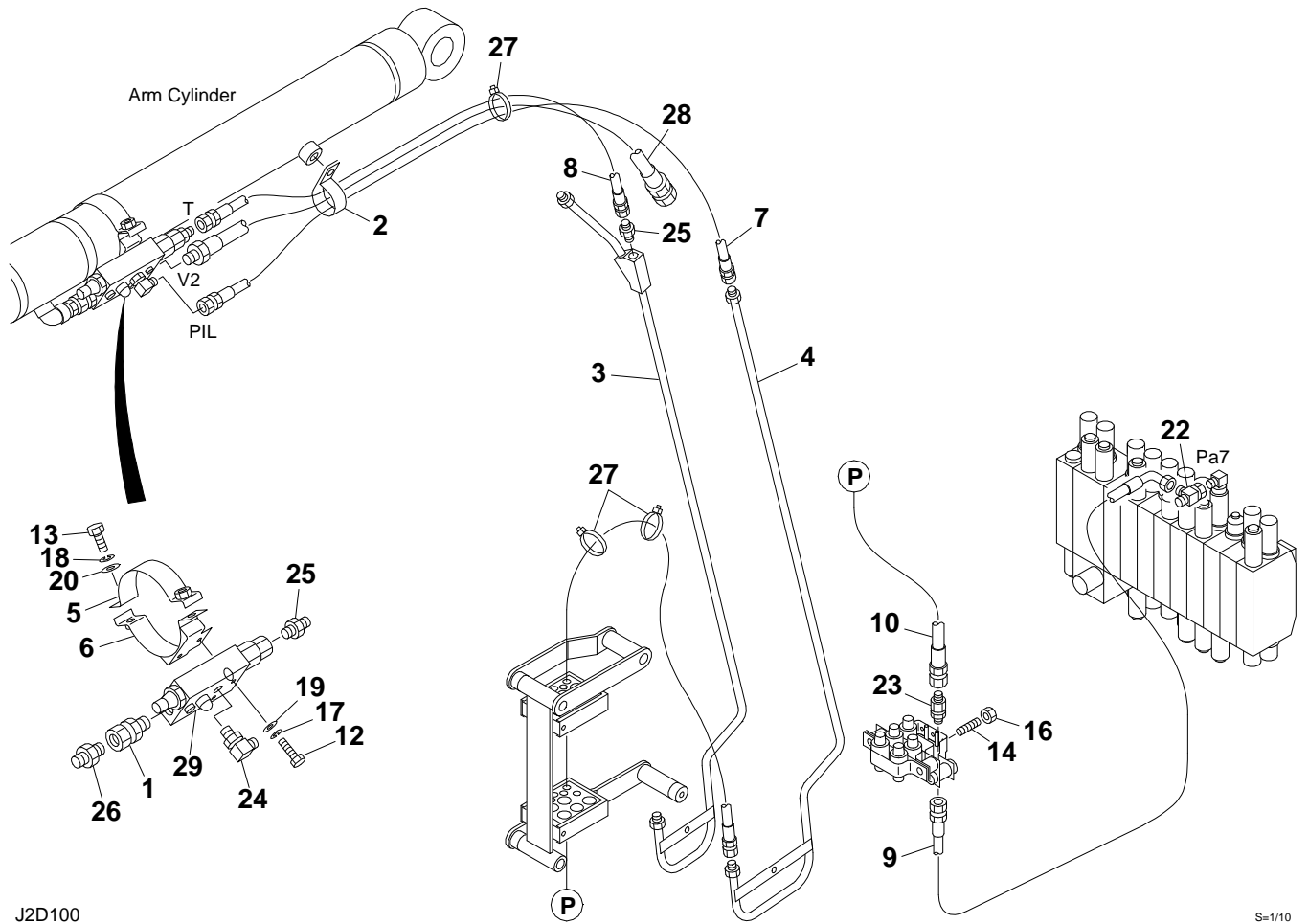
**TB153FR (P-T153FBBB) Book No. BJ3Z003 S/N 15830001-
BOOM EMERGENCY SHUT-OFF VALVE**



BOOM EMERGENCY SHUT-OFF VALVE

Item	Part number	Description	Q'ty	Chan.	Serial No.	Serv.	Remarks
34	1100041030	· BOLT	1				
35	1100041050	· BOLT	2				with 2nd & 3rd aux. line
36	1100040880	· BOLT	1				
37	1100141015	· BOLT	1				
38	1110041050	· SCREW, cap	2				with 1st aux. line
39	1120800830	· SCREW	2				
40	1121040616	· SET-SCREW	2				
42	1130040006	· NUT	2				
43	1140020006	· WASHER, spring	2				
44	1140020008	· WASHER, spring	6				
45	1140020010	· WASHER, spring	2				with 1st aux. line
	1140020010	· WASHER, spring	4				with 2nd & 3rd aux. line
46	1141110006	· WASHER	2				
47	1141110008	· WASHER	5				
48	1141110010	· WASHER	2				
49	1141550008	· WASHER	1				without arm shut-off va
50	1513390015	· TEE	2				
51	1514011102	· ADAPTOR	2				
52	1534000012	· CLAMP	1				
53	1652201005	· BAND	11				
54	1652201007	· BAND	3				
55	1700000019	· SWITCH, rotary	1				
56	0565017400	· DECAL	1				
57	1711900132	· RELAY	1				12V
	J2d092						

TB153FR (P-T153FBBB) Book No. BJ3Z003 S/N 15830001-
ARM EMERGENCY SHUT-OFF VALVE

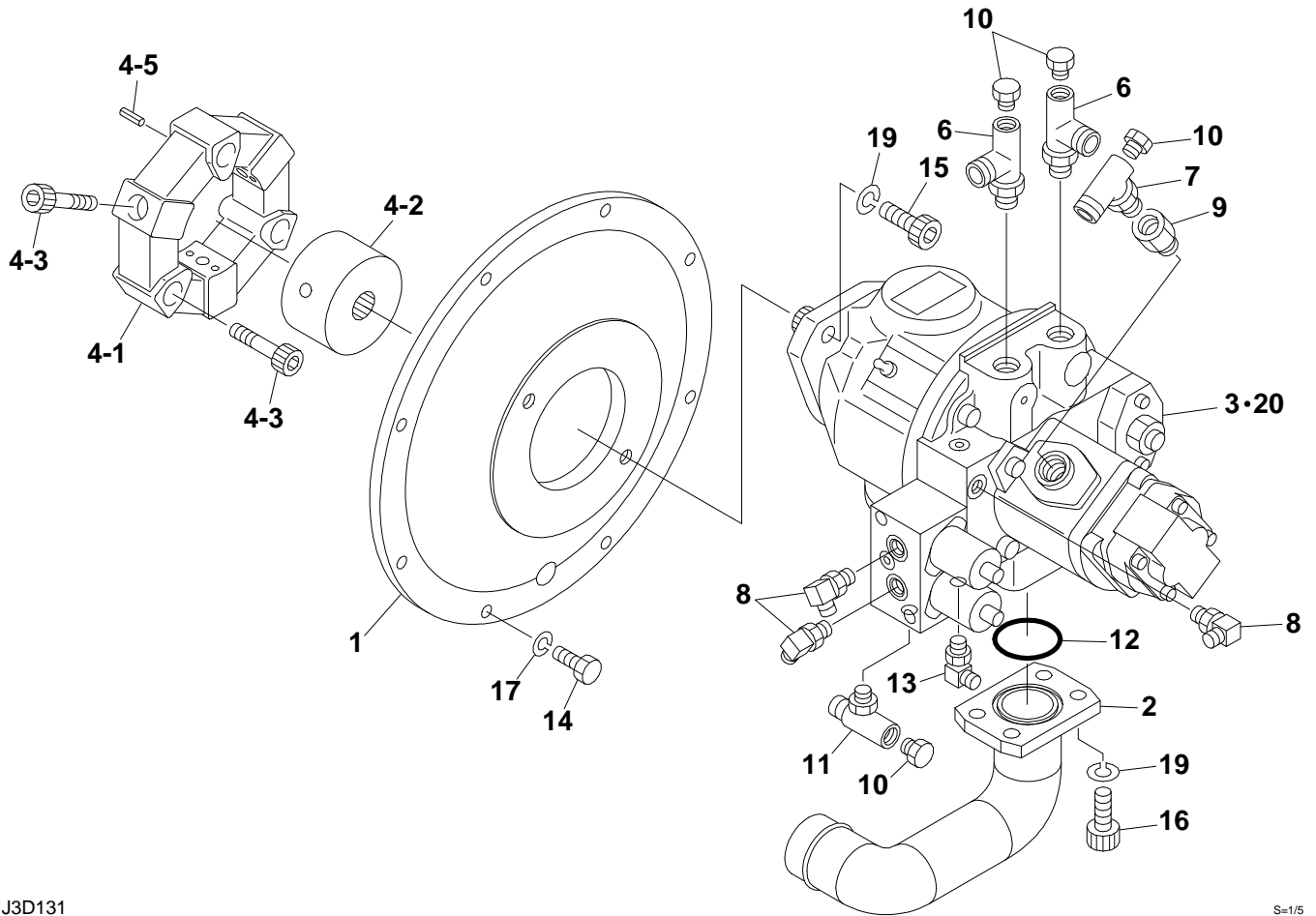


ARM EMERGENCY SHUT-OFF VALVE

Item	Part number	Description	Q'ty	Chan.	Serial No.	Serv.	Remarks
0	0395023100	VALVE ASSY, emergency shut-off	1				
1	0007236041	· ADAPTOR	1				
	1420010180	· · O-RING	1				
2	0007300030	· CLAMP	1				
3	0395012920	· PIPE	1				
4	0395012930	· PIPE	1				
5	0395013100	· BAND	1				
6	0395013110	· BAND	1				
7	0395013170	· HOSE ASSY	1				18010-22139
8	0395013180	· HOSE ASSY	1				18010-22130
9	0395023190	· HOSE ASSY	1				18010-52210
10	0395022520	· HOSE ASSY	1				18010-22180
12	1100040645	· BOLT	2				
13	1100041035	· BOLT	2				
14	1121040616	· SET-SCREW	1				
16	1130040006	· NUT	1				
17	1140020006	· WASHER, spring	2				
18	1140020010	· WASHER, spring	2				
19	1141110006	· WASHER	2				
20	1141110010	· WASHER	2				
22	1513390015	· TEE	1				
23	1514011102	· ADAPTOR	1				
24	1515012040	· ELBOW	1				
	1420010110	· · O-RING	1				
25	1515600200	· ADAPTOR	2				
	1420010110	· · O-RING	1				
26	1515600202	· ADAPTOR	1				
	1420010180	· · O-RING	1				
27	1652201005	· BAND	3				
28	1801742115	· HOSE ASSY	1				
29	1901742800	· VALVE, emergency shut-off	1				

J2d100

TB153FR (P-T153FBBB) Book No. BJ3Z003 S/N 15830001-
PUMP DRIVE



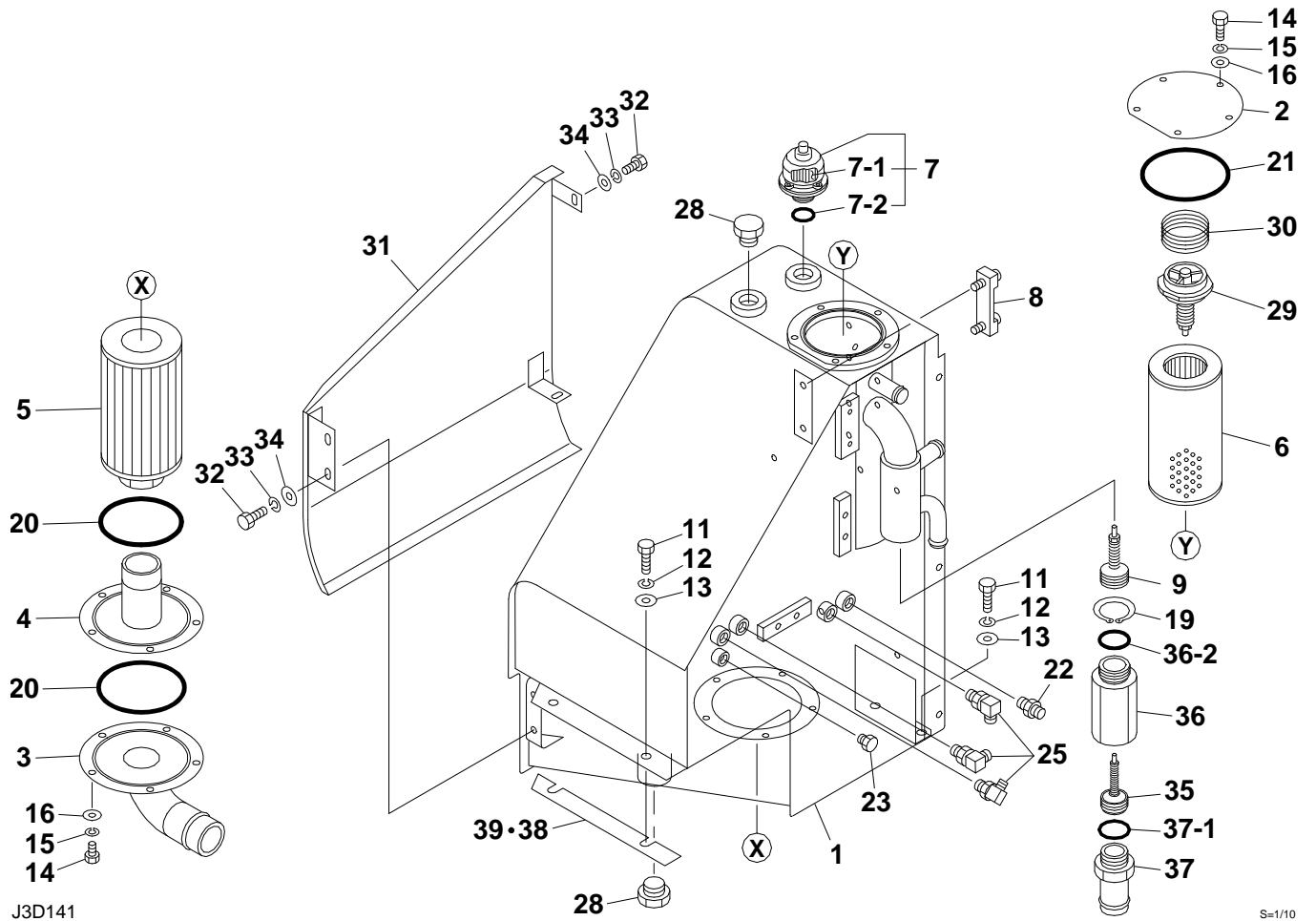
J3D131

S=1/5

PUMP DRIVE

Item	Part number	Description	Q'ty	Chan.	Serial No.	Serv.	Remarks
		PUMP ASSY, drive					
		PUMP ASSY, drive (with air conditioner)					
1	0395206100	HOUSING	1				
2	0395209200	FLANGE	1				
3	1902025800	PUMP, hydraulic	1			M	with air con.
4	0395209710	COUPLING ASSY	1				
4-1	1602000250	· COUPLING	1			M	
4-2	0395209712	· BOSS	1				
4-3	1602031440	· SCREW, cap	6				
4-5	1213000510	· PIN, spring	9				
6	1512340004	ELBOW	2				
	1420010180	· O-RING	1				
7	1513390014	TEE	1				
	1420010180	· O-RING	1				
8	1515012040	ELBOW	2				without air con.
	1515012040	ELBOW	3				with air con.
	1420010110	· O-RING	1				
9	0007213010	BUSHING	1				
	1420010180	· O-RING	1				
10	1501750002	PLUG	4				
	1420010110	· O-RING	1				
11	1513390029	TEE	1				
	1420010110	· O-RING	1				
12	1420100450	O-RING	1				
13	1512370015	ELBOW	1				with air con.
	1420010080	· O-RING	1				
14	1100041025	BOLT	8				
15	1111041230	SCREW, cap	2			M	
16	1110041230	SCREW, cap	4				
17	1140020010	WASHER, spring	8				
19	1140420012	WASHER, spring	6				
20	1902024800	PUMP, hydraulic	1				without air con.
	J3d131						

**TB153FR (P-T153FBBB) Book No. BJ3Z003 S/N 15830001-
HYDRAULIC TANK**



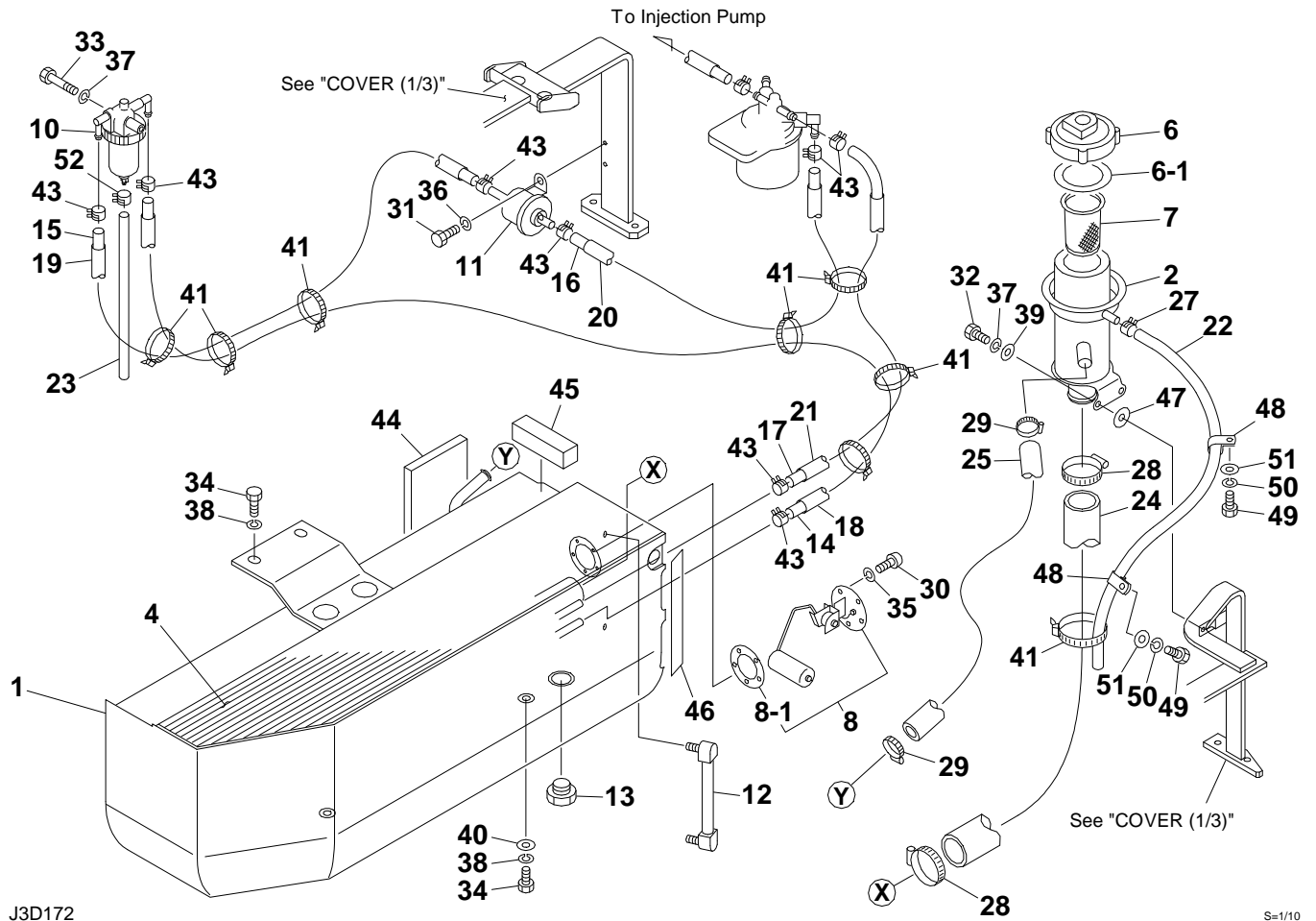
J3D141

S=1/10

HYDRAULIC TANK

Item	Part number	Description	Q'ty	Chan.	Serial No.	Serv.	Remarks
		TANK ASSY, hydraulic					
1	0398011100	TANK, hydraulic	1				
2	0568035102	COVER	1				
3	0398008550	COVER	1				
4	0568035170	PLATE	1				
5	1550000116	FILTER	1				
6	1551102600	ELEMENT	1				
7	1552002700	BREATHER, air	1				
7-1	1552002715	· ELEMENT	1				
7-2	1420010300	· O-RING	1				
8	1553020685	GAUGE	1				
9	1540141225	VALVE, check	1				
11	1101041225	BOLT	4				
12	1140020012	WASHER, spring	4				
13	1141550012	WASHER	4				
14	1100041020	BOLT	10				
15	1140020010	WASHER, spring	10				
16	1141110010	WASHER	10				
19	1221000047	RING, retaining	1				
20	1420101450	O-RING	2				
21	1420101250	O-RING	1				
22	1515600201	ADAPTOR	1				
	1420010140	· O-RING	1				
23	1501750002	PLUG	1				
	1420010110	· O-RING	1				
25	1515010041	ELBOW	3				
	1420010140	· O-RING	1				
28	1501750010	PLUG	2				
	1420010290	· O-RING	1				
29	1551100300	VALVE ASSY	1				
30	0007000031	SPRING	1				
31	0398009110	COVER	1				
32	1100040820	BOLT	4				
33	1140020008	WASHER, spring	4				
34	0003608252	WASHER	4				
35	1540141210	VALVE, check	1				
36	0398008560	BUSHING	1				
36-2	1420010440	· O-RING	1				
37	0397011140	ADAPTOR	1				
37-1	1420010110	· O-RING	1				
38	0568035138	SHIM	AR				t=1.6mm
39	0568035139	SHIM	AR				t=2.3mm
	J3d141						

TB153FR (P-T153FBBB) Book No. BJ3Z003 S/N 15830001-
FUEL TANK & FUEL PIPING



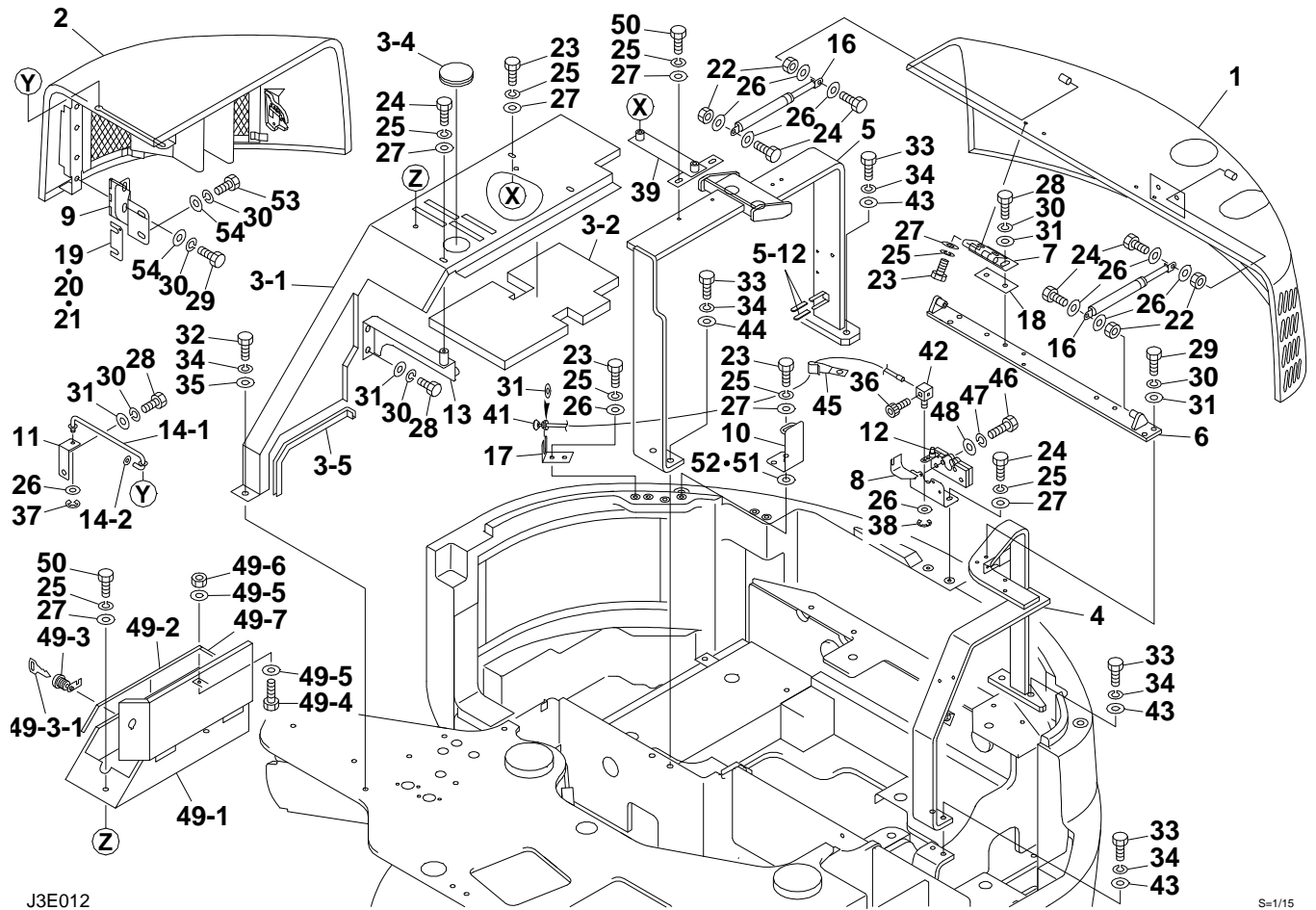
J3D172

S=1/10

FUEL TANK & FUEL PIPING						
Item	Part number	Description	Q'ty	Chan.	Serial No.	Serv. Remarks
		TANK ASSY, fuel				
1	0398119400	TANK	1		15830001~15830541	
	0398119900	TANK	1	(H)	15830542~	M
2	0398119250	PORT, supply	1			
4	0398119204	SHEET	1			
6	1552100500	CAP	1			
6-1	1552100507	· PACKING	1			
7	1552100320	STRAINER	1			
8	1553202000	UNIT, gauge	1			
8-1	1553200800	· PACKING	1			
10	1910186033	SEPARATOR, water	1			Y129906-55700
11	1910199034	PUMP, feed	1			Y129612-52100
12	1553001250	GAUGE, level	1			
13	1501750006	PLUG	1			
	1420010240	· O-RING	1			
14	1531207210	HOSE	1			sold by the meter
15	1531207075	HOSE	1			sold by the meter
16	1531207068	HOSE	1			sold by the meter
17	1531207130	HOSE	1			sold by the meter
18	1531115200	PROTECTOR	1			sold by the meter
19	1531115065	PROTECTOR	1			sold by the meter
20	1531115058	PROTECTOR	1			sold by the meter
21	1531115125	PROTECTOR	1			sold by the meter
22	1531110090	HOSE	1			sold by the meter
23	1531007020	HOSE	1			sold by the meter
24	1530541131	HOSE	1			sold by the meter
25	1530519110	HOSE	1			sold by the meter
27	1533700016	BAND	1			
28	1533700060	BAND	2			
29	1533700028	BAND	2			
30	1120530510	SCREW	5			
31	1100040616	BOLT	2			
32	1100040825	BOLT	2			
33	1100040870	BOLT	1			
34	1101041225	BOLT	4			
35	1140020005	WASHER, spring	5			
36	1140020006	WASHER, spring	2			
37	1140020008	WASHER, spring	3			
38	1140020012	WASHER, spring	4			
39	1141110008	WASHER	2			
40	0003600023	WASHER	2			
41	1652201005	BAND	8			
43	1533120511	BAND	8			
44	0398119544	SPONGE	1			
45	1654341011	SPONGE	1			sold by the meter
46	0339330900	DECAL	1			
47	0003608252	WASHER	2			
48	0007300003	CLAMP	2			
49	1100041016	BOLT	2			
50	1140020010	WASHER, spring	2			
51	1141110010	WASHER	2			
52	1533120009	BAND	1			

J3d172

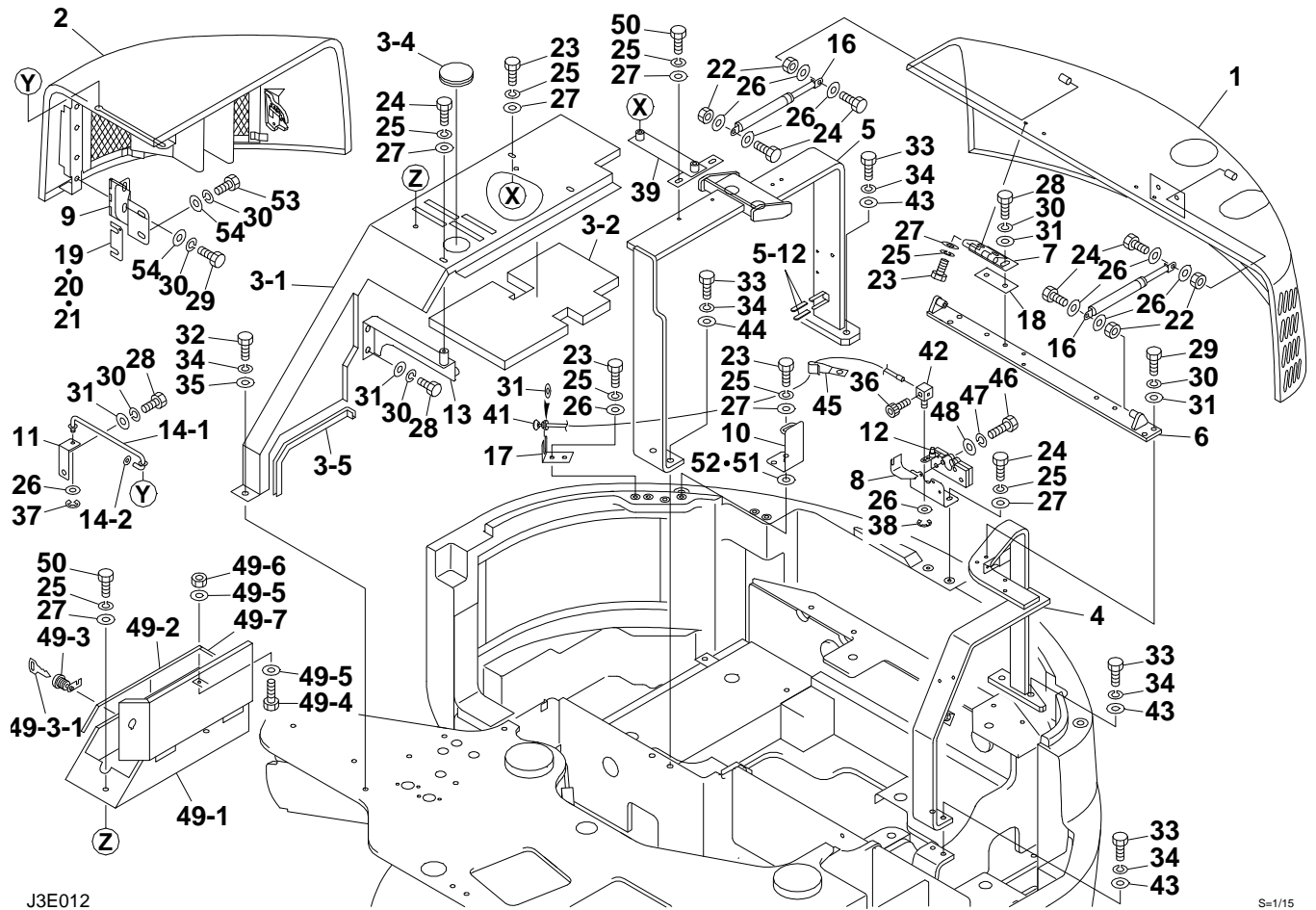
TB153FR (P-T153FBBB) Book No. BJ3Z003 S/N 15830001-
COVER (1/3)



COVER (1/3)

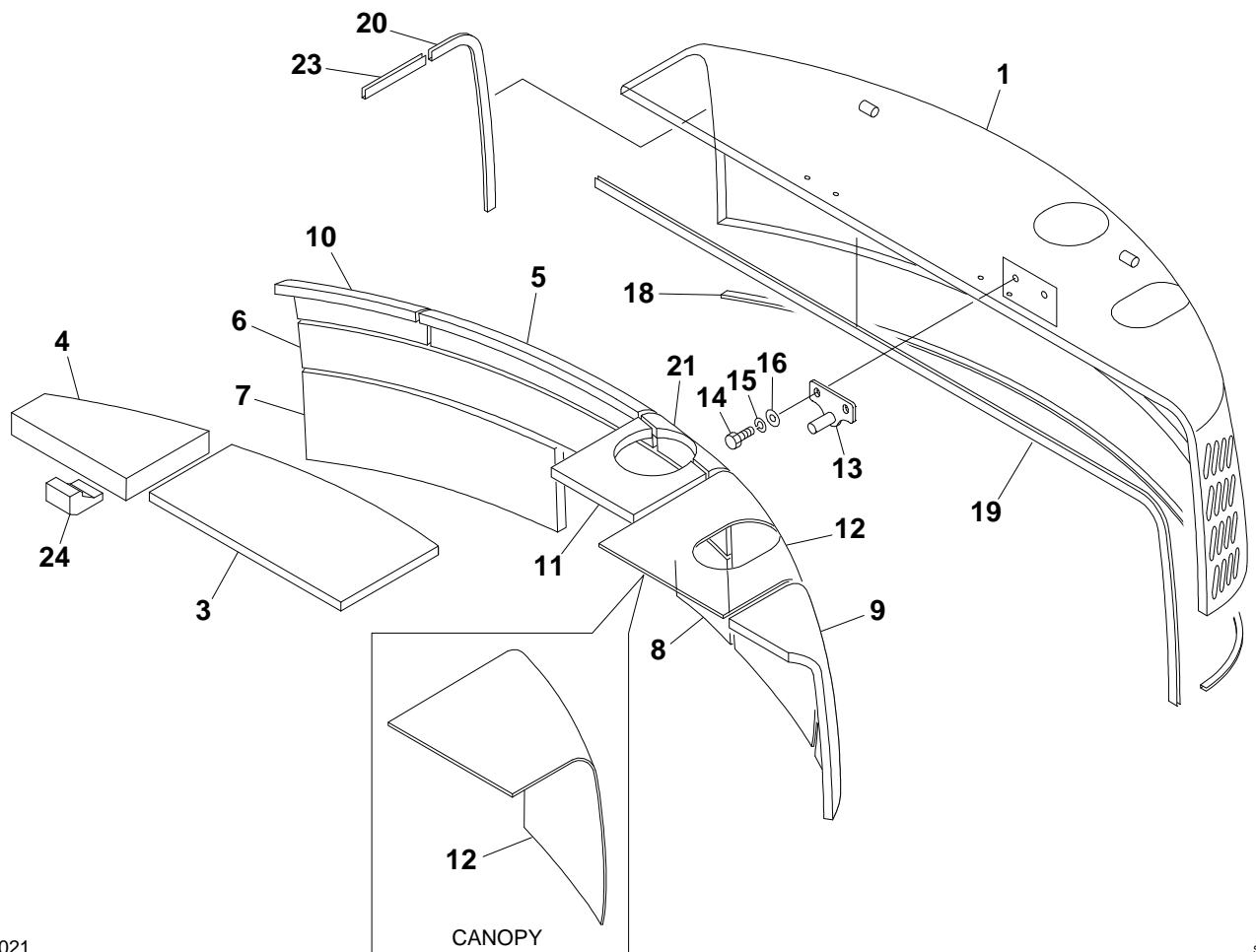
Item	Part number	Description	Q'ty	Chan.	Serial No.	Serv.	Remarks
		COVER ASSY (cab)					
		COVER ASSY (canopy)					
1	0398222200	HOOD ASSY, engine (cab)	1				see page (2/3)
	0398222700	HOOD ASSY, engine (canopy)	1				see page (2/3)
2	0398222300	COVER, side	1				see page (3/3)
3	0398222400	COVER ASSY, center	1				
3-1	0398222410	· COVER	1				
3-2	0398222402	· ABSORBENT, noise	1				
3-4	1652060063	· GROMMET	1				
3-5	1654606055	· RUBBER	1				sold by the meter
4	0398222030	BRACKET (L.H.)	1				
5	0398222010	BRACKET (R.H.)	1				
5-12	0872433150	· TUBE	2				
6	0398216550	BRACKET	1				
7	0568253470	HINGE	2				
8	0568256550	BRACKET	1				
9	0398219060	HINGE	2				
10	0568256570	BRACKET	1				
11	0398216570	PLATE	1				
12	1654011300	LOCK	1				
13	0398218620	BRACKET	1				
14	0398218010	ROD ASSY	1				
14-1	0398218011	· ROD	1				
14-2	0348204682	· WASHER	1				
16	1653900057	DAMPER	2				
17	0568256580	BRACKET	1				
18	0568239520	SHIM	AR				t=1.6mm
19	0003900054	SHIM	AR				t=4.5mm
20	0003900055	SHIM	AR				t=2.3mm
21	0003900056	SHIM	AR				t=1.6mm
22	1130040008	NUT	4				
23	1100040820	BOLT	9				
24	1100040825	BOLT	8				
25	1140020008	WASHER, spring	15				
26	1141110008	WASHER	12				
27	0003608252	WASHER	13				
28	1100041020	BOLT	7				
29	1100041025	BOLT	12				
30	1140020010	WASHER, spring	19				
31	1141110010	WASHER	12				
32	1101041225	BOLT	1				
33	1101041235	BOLT	8				
34	1140020012	WASHER, spring	9				
35	1141110012	WASHER	1				
36	1110040510	WASHER	1				
37	1224010008	RING, retaining	1				
38	1224010006	E-RING	1				
39	0398222020	BRACKET	1				
41	0358224600	ROPE, wire	1				
42	0007900023	PIN	1				
43	1141550012	WASHER	6				
44	0003600006	WASHER	2				
45	0007300005	CLAMP	1				
46	1100040630	BOLT	4				
47	1140020006	WASHER, spring	4				
48	1141110006	WASHER	4				
49	0398218300	BOX ASSY, tool	1				
49-1	0398218310	· BOX, tool	1				
49-2	0398218320	· RUBBER	1				
49-3	1653612836	· LOCK	1				
49-3-1	1700100019	· KEY	1				

TB153FR (P-T153FBBB) Book No. BJ3Z003 S/N 15830001-
COVER (1/3)



COVER (1/3)							
Item	Part number	Description	Q'ty	Chan.	Serial No.	Serv.	Remarks
49-4	1100040620	· BOLT	1				
49-5	1141110006	· WASHER	2				
49-6	1130040006	· NUT	1				
49-7	0398218330	· RUBBER	1				
50	1100040830	BOLT	2				
51	0003900049	SPACER	AR				
52	0003900050	SPACER	AR				
53	1100041035	BOLT	4				
54	0003600003	WASHER	8				
	J3e012						

TB153FR (P-T153FBBB) Book No. BJ3Z003 S/N 15830001-
COVER (2/3) (engine hood)



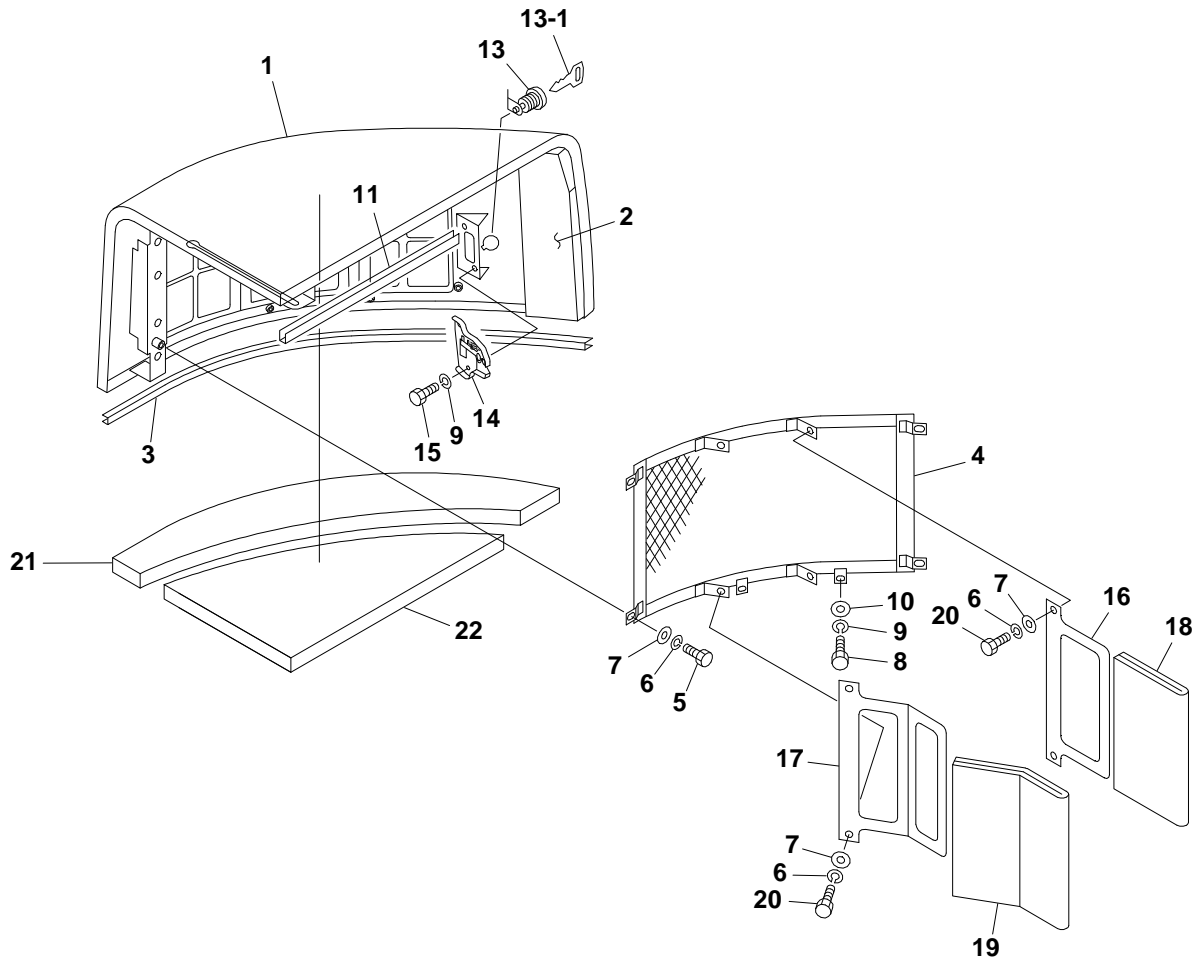
J3E021

S=1/10

COVER (2/3) (engine hood)

Item	Part number	Description	Q'ty	Chan.	Serial No.	Serv.	Remarks
0-1	0398222200	HOOD ASSY, engine (cab)	1				
	0398222700	HOOD ASSY, engine (canopy)	1				
1	0398216100	· HOOD, engine	1				cab
	0398217100	· HOOD, engine	1				canopy
3	0398222203	· ABSORBENT, noise	1				
4	0398216241	· ABSORBENT, noise	1				
5	0398222205	· ABSORBENT, noise	1				
6	0398222206	· ABSORBENT, noise	1				
7	0398222207	· ABSORBENT, noise	1				
8	0398222208	· ABSORBENT, noise	1				
9	0398222209	· ABSORBENT, noise	1				
10	0398222210	· ABSORBENT, noise	1				
11	0398216228	· SPONGE	1				
12	0398216249	· INSULATOR	1				cab
	0398217249	· INSULATOR	1				canopy
13	0568256220	· PLATE	1				
14	1100040825	· BOLT	2				
15	1140020008	· WASHER, spring	2				
16	1141110008	· WASHER	2				
18	1654605138	· RUBBER	1				sold by the meter
19	1654605151	· RUBBER	1				sold by the meter
20	1654605035	· RUBBER	1				sold by the meter
21	0398216230	· SPONGE	1				
23	1654605013	· RUBBER	1				
24	0398216250	· SPONGE	1				
	J3e021						

TB153FR (P-T153FBBB) Book No. BJ3Z003 S/N 15830001-
COVER (3/3) (side cover)

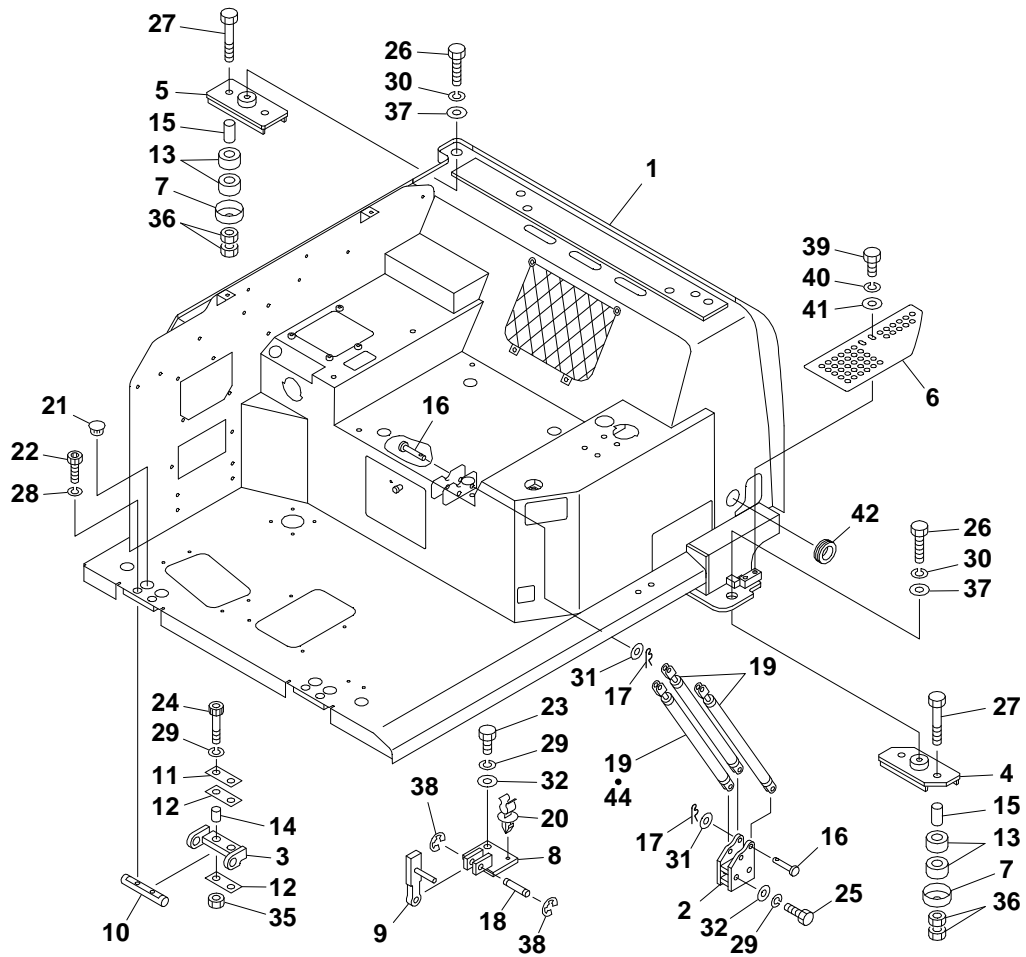


J3E030

S-1/10

COVER (3/3) (side cover)						
Item	Part number	Description	Q'ty	Chan.	Serial No.	Serv. Remarks
0-2	0398222300	COVER, side (FRP)	1			
1	0568256310	· COVER	1			
2	0398222302	· ABSORBENT, noise	1			
3	1653916077	· TRIM	1			sold by the meter
4	0568256390	· NET	1			
5	1100040814	· BOLT	4			
6	1140020008	· WASHER, spring	8			
7	1141110008	· WASHER	8			
8	1100040614	· BOLT	2			
9	1140020006	· WASHER, spring	4			
10	1141110006	· WASHER	2			
11	1654606034	· RUBBER	1			sold by the meter
13	0568221700	· LOCK	1			
13-1	1700100019	· KEY	1			
14	1653900024	· CATCH	1			
15	1100040612	· BOLT	2			
16	0568256590	· BLADE	1			
17	0568256610	· BLADE	1			
18	0568256621	· ABSORBENT, noise	1			
19	0568256622	· ABSORBENT, noise	1			
20	1100040816	· BOLT	4			
21	0568256381	· ABSORBENT, noise	1			
22	0568256382	· ABSORBENT, noise	1			
	J3e030					

TB153FR (P-T153FBBB) Book No. BJ3Z003 S/N 15830001-
FLOOR FRAME (1/3)



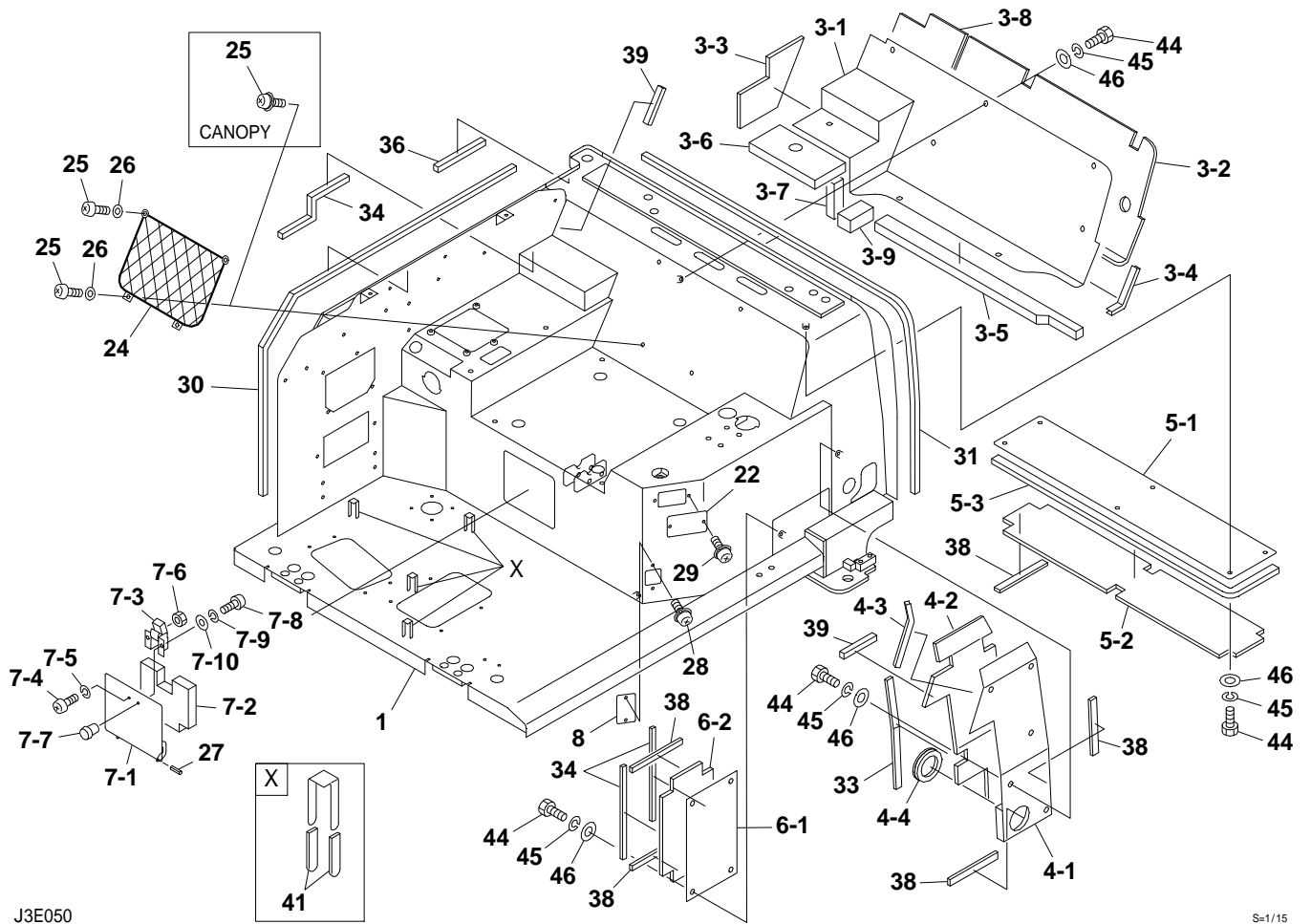
J3E040

S=1/15

FLOOR FRAME (1/3)

Item	Part number	Description	Q'ty	Chan.	Serial No.	Serv.	Remarks
		FRAME ASSY, floor (canopy)					
		FRAME ASSY, floor (cab)					
1	X *****	FRAME ASSY	1				see page (2/3, 3/3)
2	0563531300	BRACKET	1				
3	0563531310	BRACKET	2				
4	0373513010	MOUNT, floor	1				
5	0393523720	MOUNT, floor	1				
6	0393523706	COVER	1				
7	0433503200	COVER	4				
8	0563511500	BRACKET	1				
9	0563511510	LEVER	1				
10	0343507070	SHAFT	2				
11	0343508102	PLATE	2				
12	0373502995	CUSHION	4				
13	0433503100	RUBBER	8				
14	0343515086	SPACER	4				
15	0393517250	PIPE	4				
16	0004010038	PIN	4				
17	1214000008	PIN, snap	4				
18	0004212040	SHAFT	1				
19	1653900043	SPRING, gas	2				cab
	1653900043	SPRING, gas	3				canopy
20	1652702023	HOLDER	1				
21	1652533008	CAP	4				
22	1110041035	SCREW, cap	4				
23	1101041225	BOLT	2				
24	1111041260	SCREW, cap	4				
25	1101041270	BOLT	2				
26	1101041440	BOLT	2				
27	1101041480	BOLT	4				
28	1140020010	WASHER, spring	4				
29	1140020012	WASHER, spring	8				
30	1140020014	WASHER, spring	2				
31	1141110010	WASHER	4				
32	1141110012	WASHER	4				
35	1130540012	NUT	4				
36	1130540014	NUT	8				
37	0003600013	WASHER	2				
38	1224010010	RING, retaining	2				
39	1100040820	BOLT	2				
40	1140020008	WASHER, spring	2				
41	0003608252	WASHER	2				
42	1652060038	BUSHING	1				
44	1653900047	SPRING, gas	1				cab
	J3e041						

**TB153FR (P-T153FBBB) Book No. BJ3Z003 S/N 15830001-
FLOOR FRAME (2/3)**



J3E050

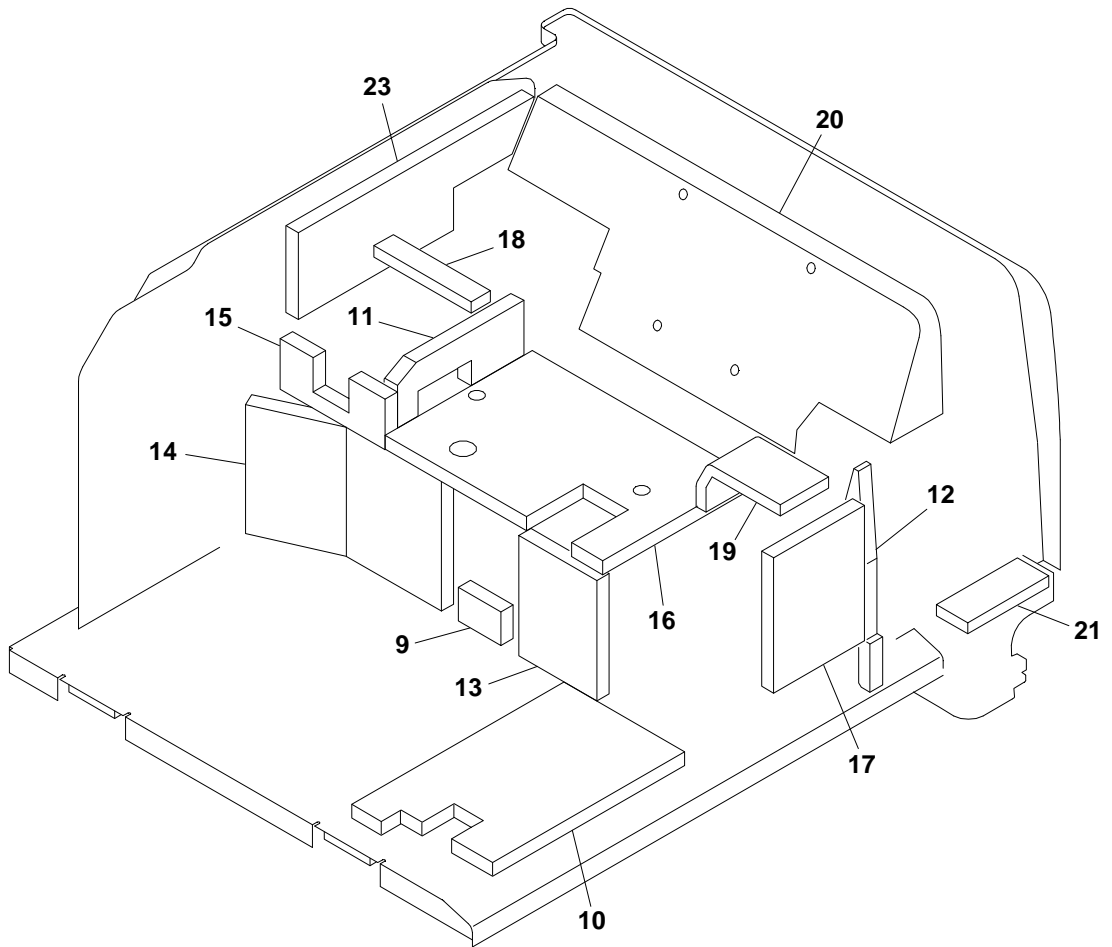
S=1/15

FLOOR FRAME (2/3)

Item	Part number	Description	Q'ty	Chan.	Serial No.	Serv.	Remarks
0	0393526600	FRAME ASSY (canopy)	1				
	0393526100	FRAME ASSY (cab)	1				
1	0393526200	· FRAME	1				
3	0563532330	· PLATE ASSY	1				
3-1	0563532331	· · BRACKET	1				
3-2	0563532336	· · INSULATOR	1				
3-3	0563532333	· · INSULATOR	1				
3-4	1654606012	· · SEAL	1				sold by the meter
3-5	0563532334	· · ABSORBENT, noise	1				
3-6	0563532339	· · ABSORBENT, noise	1				
3-7	0563532337	· · ABSORBENT, noise	1				
3-8	0563532338	· · INSULATOR	1				
3-9	0563532325	· · ABSORBENT, noise	1				
4	0563532340	· PLATE ASSY	1				
4-1	0563532390	· · BRACKET	1				
4-2	0563532343	· · INSULATOR	1				
4-3	1654601016	· · TRIM	1				sold by the meter
4-4	1652060075	· · BUSHING	1				
5	0563532350	· PLATE ASSY	1				
5-1	0563532351	· · PLATE	1				
5-2	0563532352	· · INSULATOR	1				
5-3	1654606087	· · SEAL	1				sold by the meter
6	0563532360	· PLATE ASSY	1				
6-1	0563532361	· · PLATE	1				
6-2	0563532362	· · INSULATOR	1				
7	0393526110	· PLATE ASSY	1				
7-1	0393526120	· · PLATE	1				
7-2	0393526112	· · ABSORBENT, noise	1				
7-3	1653900015	· · LATCH	1				
7-4	1120530510	· · SCREW	1				
7-5	1140020005	· · WASHER, spring	1				
7-6	1130030005	· · NUT	1				
7-7	1652760001	· · KNOB	1				
7-8	1120530410	· · SCREW	1				
7-9	1140020004	· · WASHER, spring	1				
7-10	1141110004	· · WASHER	1				
8	0563532380	· PLATE	1				
22	0338230850	· COVER	1				
24	1654010600	· POCKET	1				cab
25	1120530416	· SCREW	4				cab
	1150410410	· SCREW	4				canopy
26	1141190004	· WASHER	4				cab
27	1213000420	· PIN, spring	2				
28	1150410616	· BOLT, sems	2				
29	1150410612	· SCREW	2				
30	1654352067	· SPONGE	1				sold by the meter
31	1654356100	· SPONGE	1				sold by the meter
33	1654356030	· SPONGE	1				sold by the meter
34	1654356028	· SPONGE	3				sold by the meter
36	1654352023	· SPONGE	1				sold by the meter
38	1654356017	· SPONGE	5				sold by the meter
39	1654356011	· SPONGE	2				sold by the meter
41	0872433150	· TUBE	8				
44	1100040816	· BOLT	23				
45	1140020008	· WASHER, spring	23				
46	0003608252	· WASHER	23				

J3e050

TB153FR (P-T153FBBB) Book No. BJ3Z003 S/N 15830001-
FLOOR FRAME (3/3)



J3E060

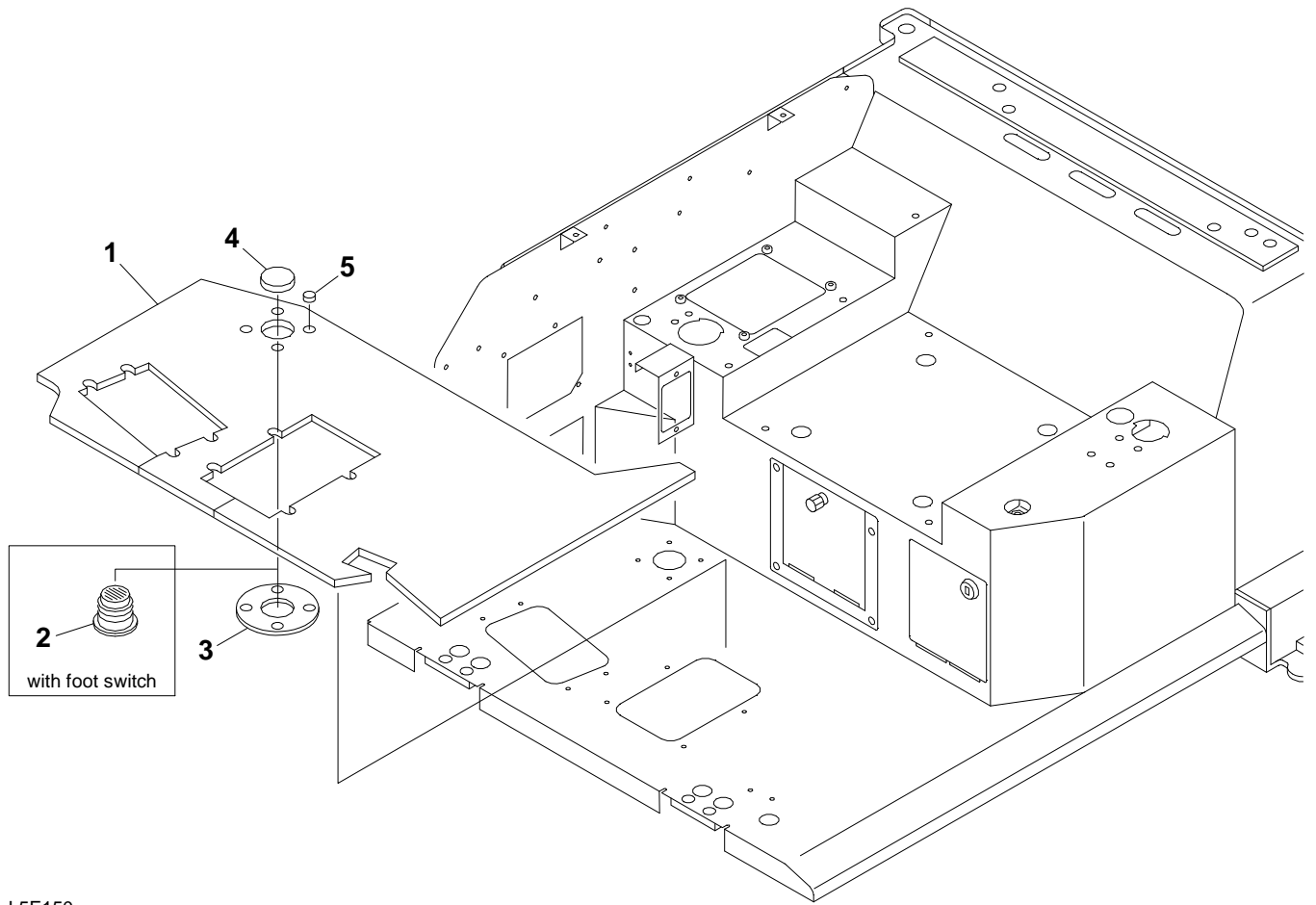
S=1/10

FLOOR FRAME (3/3)

Item	Part number	Description	Q'ty	Chan.	Serial No.	Serv.	Remarks
0	0393526600	FRAME ASSY (canopy)	1				
	0393526100	FRAME ASSY (cab)	1				
9	0393526109	· ABSORBENT, noise	1				
10	0563532310	· INSULATOR	1				
11	0563532311	· ABSORBENT, noise	1				
12	0563532312	· ABSORBENT, noise	1				
13	0393526103	· ABSORBENT, noise	1				
14	0393526104	· ABSORBENT, noise	1				
15	0563532315	· ABSORBENT, noise	1				
16	0563532316	· ABSORBENT, noise	1				
17	0563532317	· ABSORBENT, noise	1				
18	0563532318	· ABSORBENT, noise	1				
19	0563532319	· ABSORBENT, noise	1				
20	0563532320	· SHEET	1				cab
21	0378206720	· ABSORBENT, noise	1				
23	0563531123	· ABSORBENT, noise	1				

J3e060

TB153FR (P-T153FBBB) Book No. BJ3Z003 S/N 15830001-
FLOOR MAT



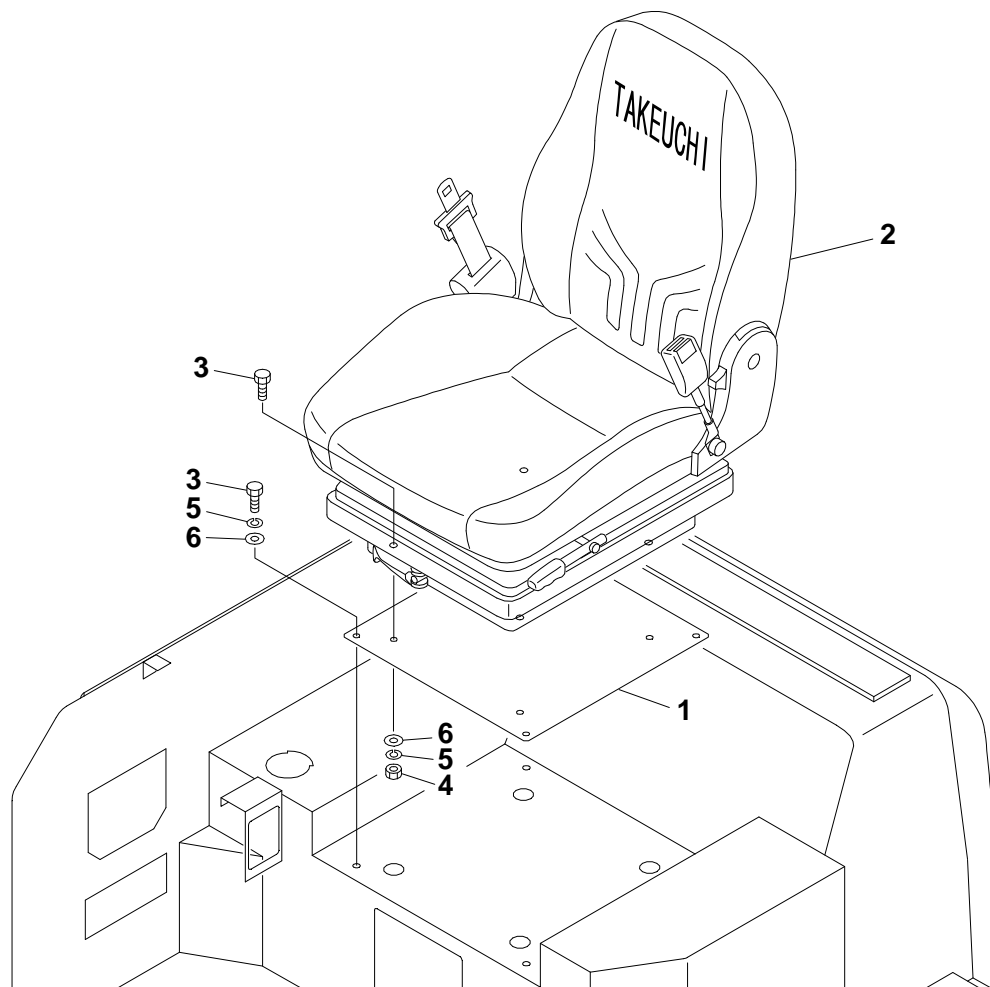
L5E150

S=1/10

FLOOR MAT

Item	Part number	Description	Q'ty	Chan.	Serial No.	Serv.	Remarks
		MAT ASSY, floor (without foot switch) (cab)					
		MAT ASSY, floor (with foot switch) (cab)					
		MAT ASSY, floor (without foot switch) (canopy)					
		MAT ASSY, floor (with foot switch) (canopy)					
1	0563532610	MAT, floor	1				cab
	0393524110	MAT, floor	1				canopy
2	0573500240	BOOT	1				with foot switch
3	0573500225	SPONGE	1				without foot switch
4	1652533013	CAP	1				without foot switch
5	1652533002	CAP	4				
	J2e250						

TB153FR (P-T153FBBB) Book No. BJ3Z003 S/N 15830001-
SEAT (1/2)



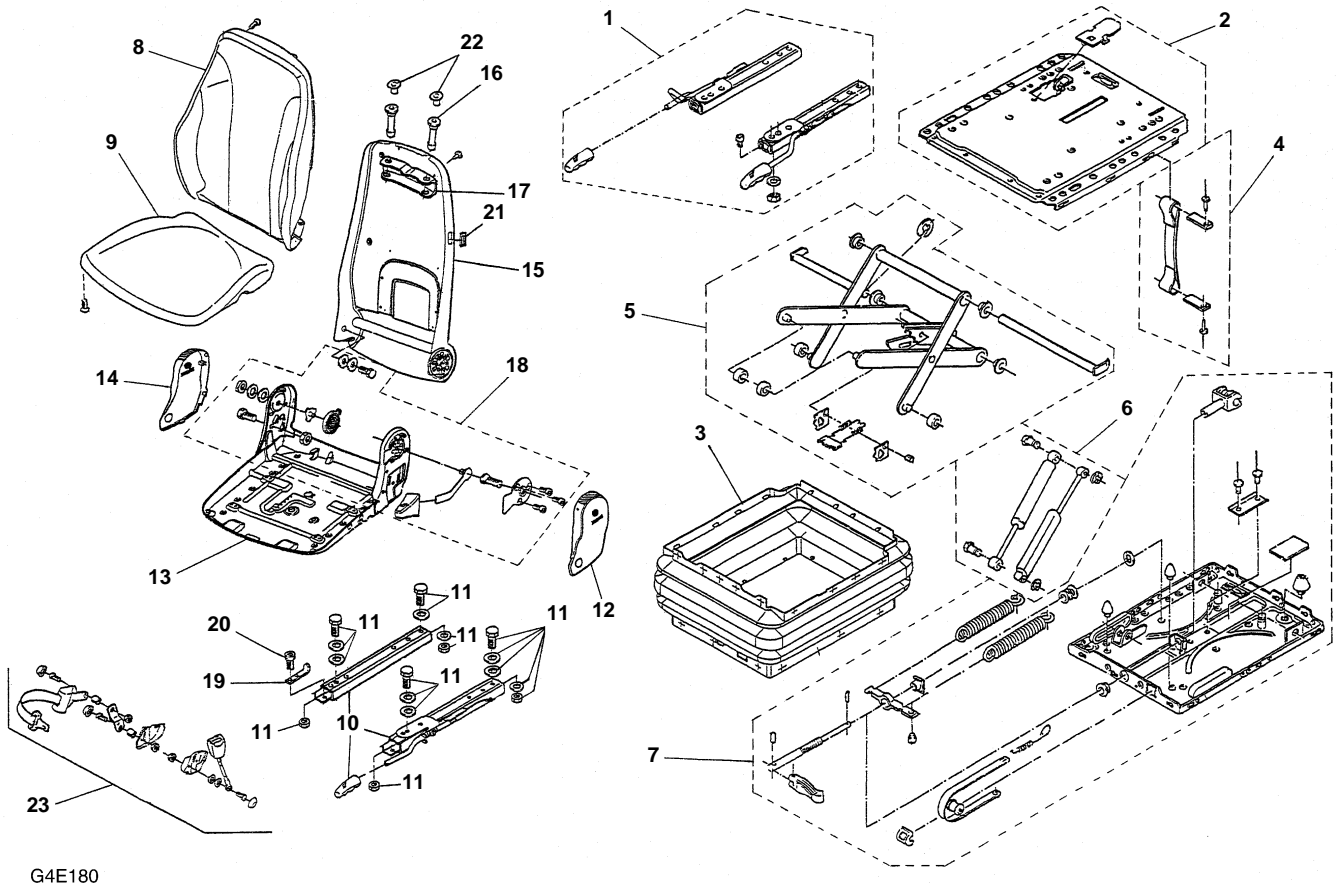
L5E070

S=1/10

SEAT (1/2)

Item	Part number	Description	Q'ty	Chan.	Serial No.	Serv.	Remarks
		SEAT ASSY (canopy)					
		SEAT ASSY (cab)					
1	0563416510	PLATE	1				
2	1914100071	SEAT (cab)	1				see page (2/2)
	1914100072	SEAT (canopy)	1				see page (2/2)
3	1100040820	BOLT	8				
4	1130040008	NUT	4				
5	1140020008	WASHER, spring	8				
6	1141110008	WASHER	8				
	J2e070						

TB153FR (P-T153FBBB) Book No. BJ3Z003 S/N 15830001-
SEAT (2/2)



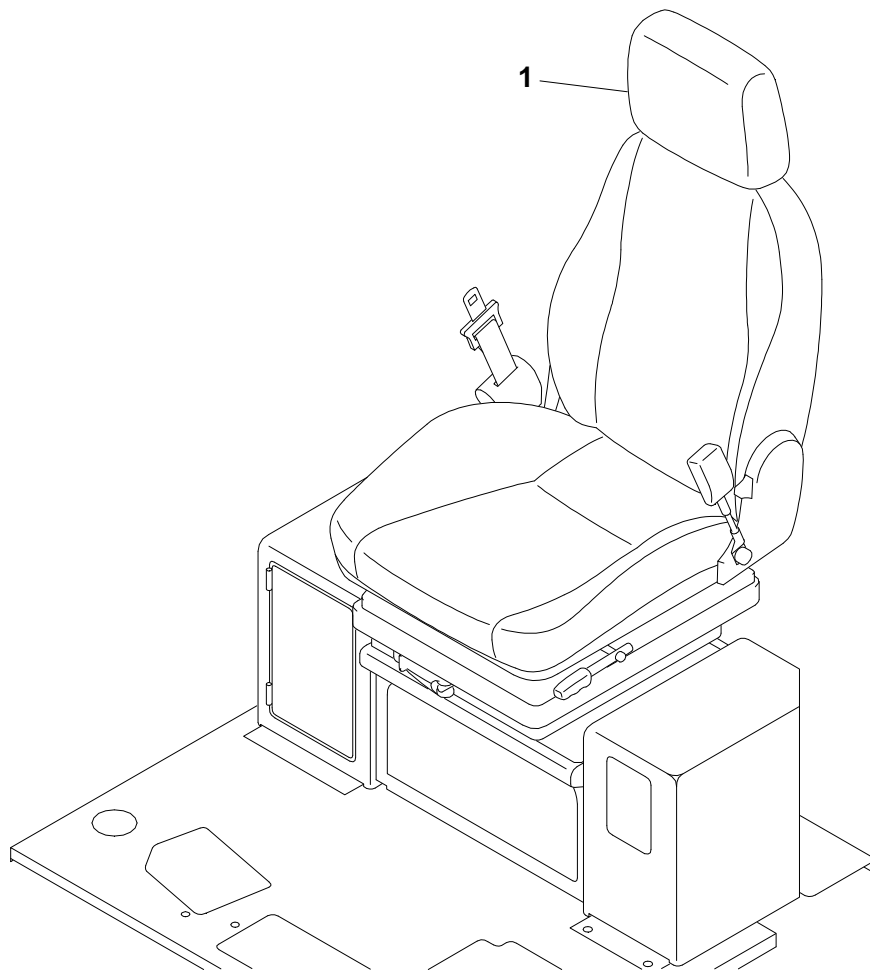
G4E180

S=Free

SEAT (2/2)

Item	Part number	Description	Q'ty	Chan.	Serial No.	Serv.	Remarks
0	1914100071	SEAT (fabric)	1				
	1914100072	SEAT (PVC)	1				
1	1914101071	· RAIL ASSY	1				fabric
	1914101072	· RAIL ASSY	1				PVC
2	1914102071	· PLATE ASSY	1				fabric
	1914102072	· PLATE ASSY	1				PVC
3	1914103071	· BOOT	1				fabric
	1914103072	· BOOT	1				PVC
4	1914104072	· ANGLE ASSY	1				
5	1914105072	· LINK ASSY	1				
6	1914106072	· DAMPER ASSY	1				
7	1914107072	· SPRING ASSY	1				
8	1914108072	· TRIM	1				
9	1914109072	· TRIM	1				
10	1914110072	· RAIL ASSY	1				
11	1914111072	· BOLT ASSY	1				
12	1914112072	· COVER (L.H.)	1				
13	1914113072	· FRAME	1				
14	1914114072	· COVER (R.H.)	1				
15	1914115072	· FRAME	1				
16	1914116072	· GUIDE	2				
17	1914117072	· BRACKET	1				
18	1914118072	· JOINT ASSY	1				
19	1914119072	· PLATE	1				
20	1914120072	· SCREW, cap	1				
21	1914121072	· PLATE	1				
22	1914122072	· PLUG	2				
23	1914123072	· BELT ASSY, seat	1				
	J1e140						

**TB153FR (P-T153FBBB) Book No. BJ3Z003 S/N 15830001-
HEAD REST**

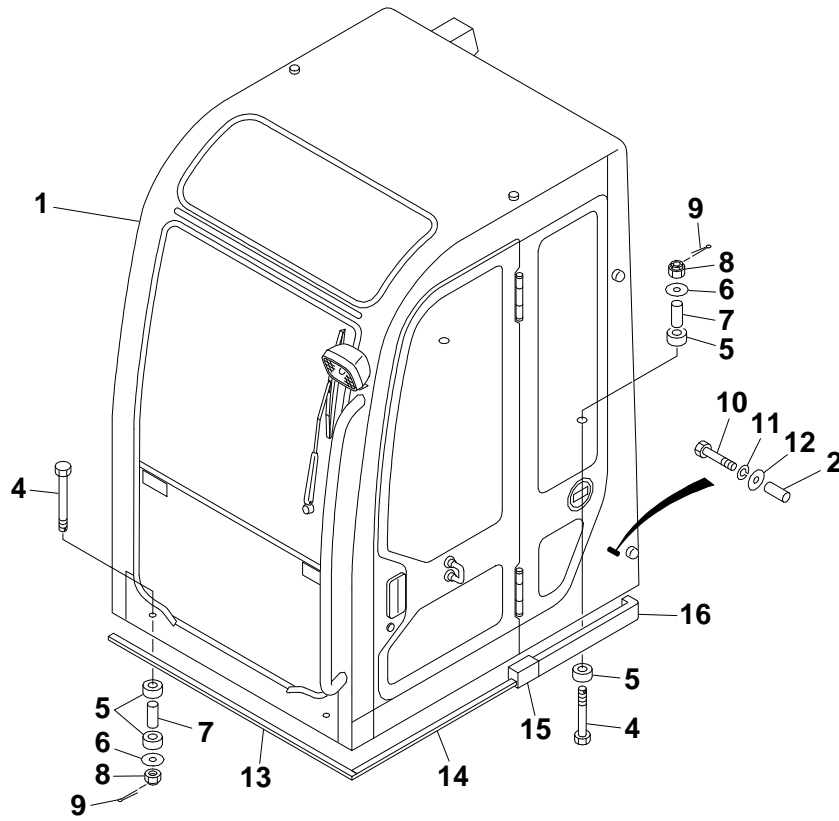


G4E070

S=1/10

HEAD REST						
Item	Part number	Description	Q'ty	Chan.	Serial No.	Serv. Remarks
		REST ASSY, head (fabric)				
		REST ASSY, head (PVC)				
1	1914100075	REST, head (fabric)	1		old type	
	1914100111	REST, head (fabric)	1	(H)	new type	M
	1914100076	REST, head (PVC)	1		old type	
	1914100112	REST, head (PVC)	1	(H)	new type	M
	J3e250					

TB153FR (P-T153FBBB) Book No. BJ3Z003 S/N 15830001-
CAB MOUNT



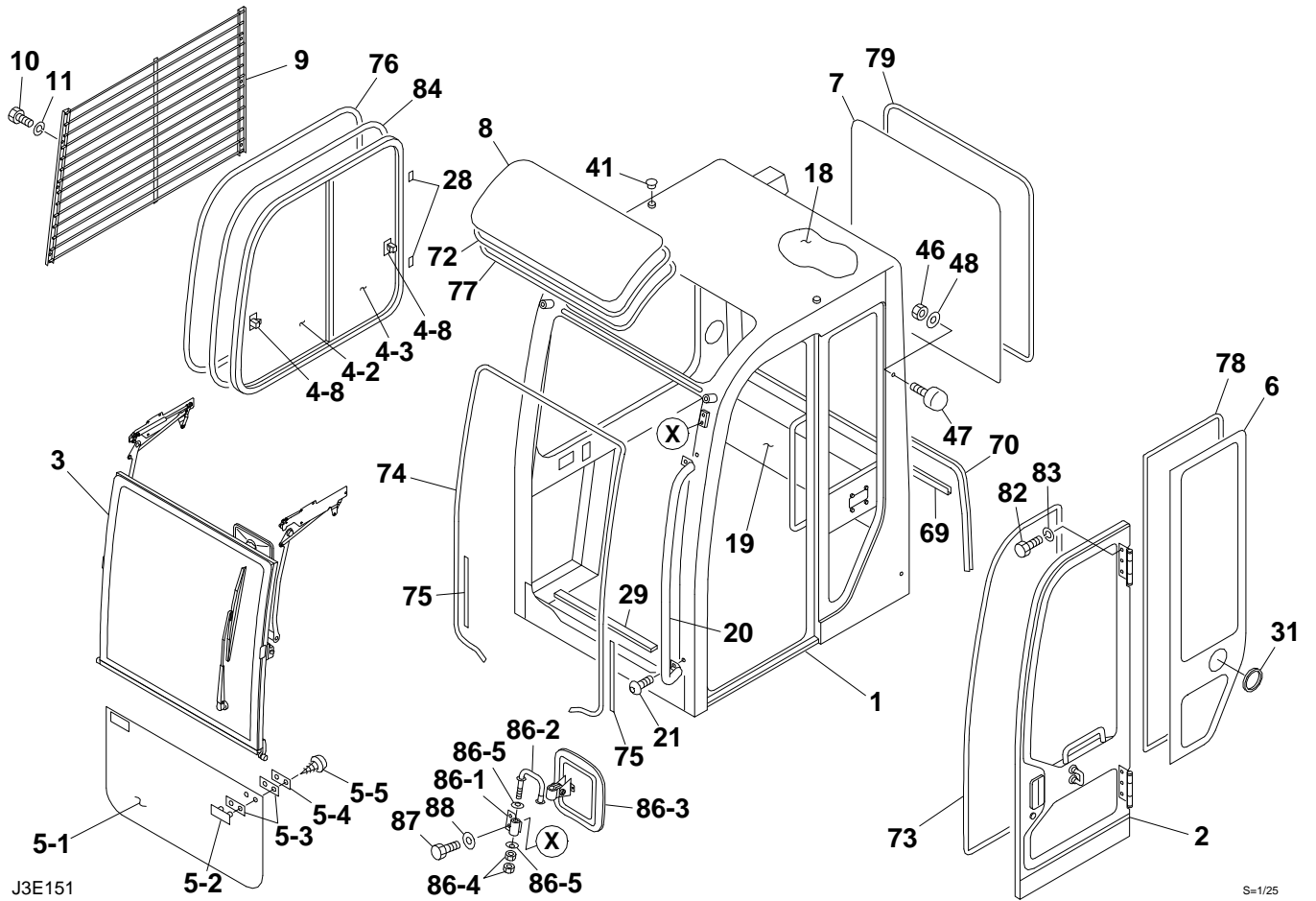
J2E081

S=1/20

CAB MOUNT

Item	Part number	Description	Q'ty	Chan.	Serial No.	Serv.	Remarks
		CAB MOUNT	1				
1	0398622600	CAB ASSY	1				see page cab (1/7)
2	0398619002	COLLAR	1				
4	0568640900	BOLT	4				
5	0433503100	RUBBER	8				
6	0003000010	WASHER	4				
7	0563500600	TUBE	4				
8	1132080016	NUT	4				
9	1210010430	PIN, split	4				
10	1101041475	BOLT	1				
11	1140020014	WASHER, spring	1				
12	0003600174	WASHER	1				
13	1654312100	SPONGE	1				sold by the meter
14	1654302090	SPONGE	1				sold by the meter
15	0568652210	SPONGE	1				
16	0568652220	SPONGE	1				
	J2e081						

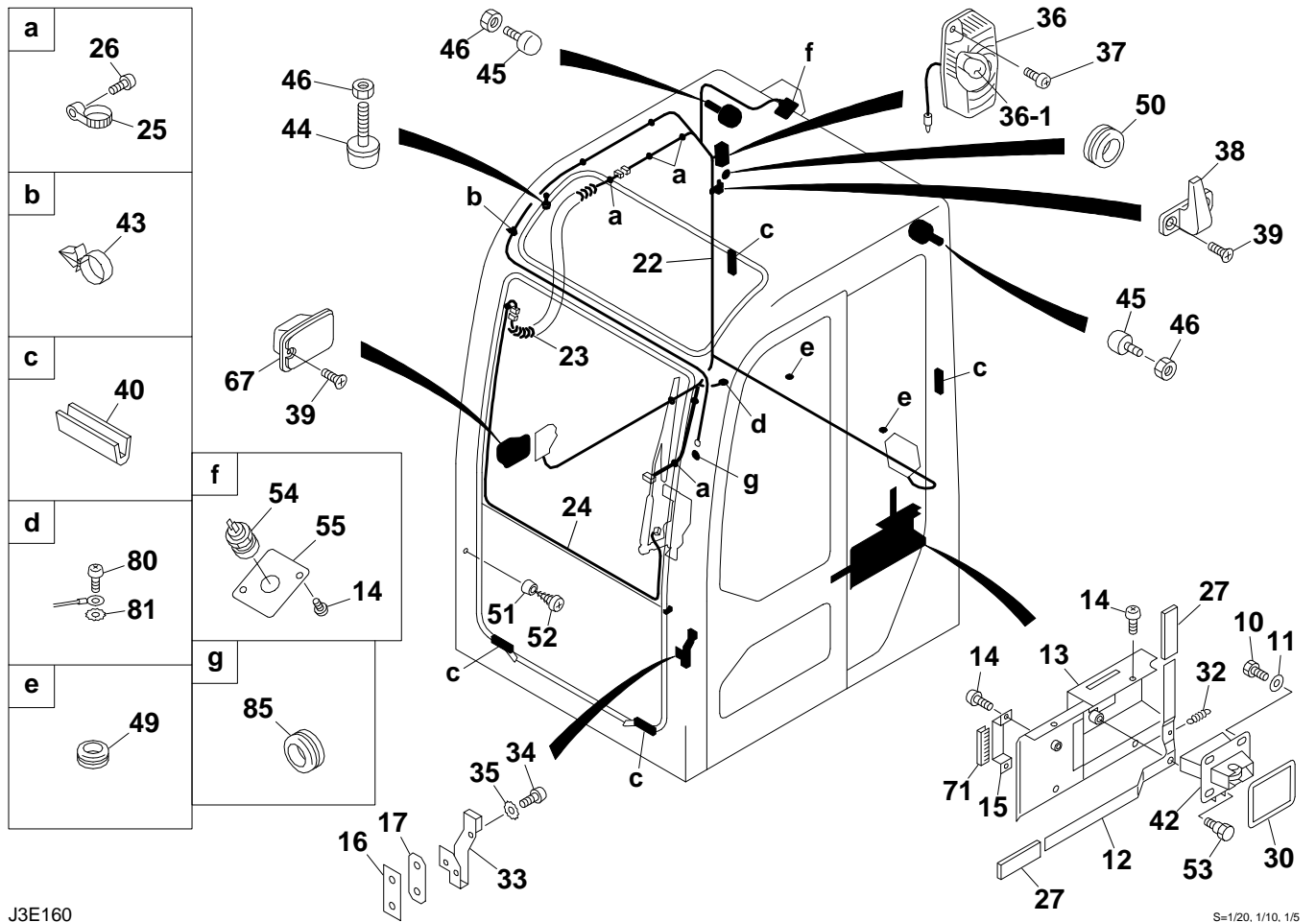
**TB153FR (P-T153FBBB) Book No. BJ3Z003 S/N 15830001-
CAB (1/7)**



							CAB (1/7)
Item	Part number	Description	Q'ty	Chan.	Serial No.	Serv.	Remarks
0	0398622600	CAB ASSY	1				
1	X *****	· CAB	1				
2	0568652800	· DOOR ASSY	1				see page (4/7)
3	0568652500	· ASSIST ASSY, front sash	1				see page (5/7)
4	0378601300	· SASH ASSY, side	1				
4-2	0378601320	· · GLASS	1				
4-3	0378601330	· · GLASS	1				
4-8	0338630650	· · LOCK ASSY	2				
5	0378601600	· GLASS ASSY, front	1				
5-1	0378601610	· · GLASS	1				
5-2	1654010900	· · RETAINER	2				
5-3	1654011100	· · PACKING	4				
5-4	1654011000	· · PLATE	2				
5-5	1122410412	· · SCREW	4				
6	0568652306	· GLASS	1				
7	0378601900	· GLASS	1				
8	0358605300	· GLASS	1				
9	0398619500	· GUARD	1				
10	1100040825	· BOLT	10				
11	1141110008	· WASHER	14				
18	0398622620	· SPONGE	1				
19	0568640710	· SPONGE	1				
20	0568625500	· HANDRAIL	1				
21	1120991025	· BOLT	2				
28	0438601770	· SPACER	7				
29	0568634100	· SEAL	1				
31	0568626600	· GROMMET	1				
41	1653303010	· CAP	2				
46	1130090010	· NUT	6				
47	1651101042	· RUBBER	4				
48	1654011706	· WASHER	4				
69	1654636140	· TRIM	1				sold by the meter
70	1654636290	· TRIM	1				sold by the meter
72	1653916222	· TRIM	1				sold by the meter
73	1654605326	· RUBBER	1				sold by the meter
74	1654605374	· RUBBER	1				sold by the meter
75	1654605033	· RUBBER	2				sold by the meter
76	1653930355	· TRIM	1				sold by the meter
77	1654615216	· DAM	1				
78	1654615278	· DAM	1				
79	1654231295	· H-RUBBER	1				sold by the meter
82	1100040814	· BOLT	6				
83	1140090008	· WASHER, spring	6				
84	1654620350	· TAPE	1				sold by the meter
86	0378608400	· MIRROR ASSY (L.H.)	1		15830620~	M	
86-1	0378607880	· · HOLDER	1		15830620~	M	
86-2	0378608410	· · STAY	1		15830620~	M	
86-3	1656500140	· · MIRROR	1		15830620~	M	
86-4	1130040016	· · NUT	2		15830620~	M	
86-5	1225110016	· · WASHER, conical	2		15830620~	M	
87	1100041020	· BOLT	2		15830620~		
88	1654011900	· WASHER	2		15830620~		

J3e151

TB153FR (P-T153FBBB) Book No. BJ3Z003 S/N 15830001-
CAB (2/7)



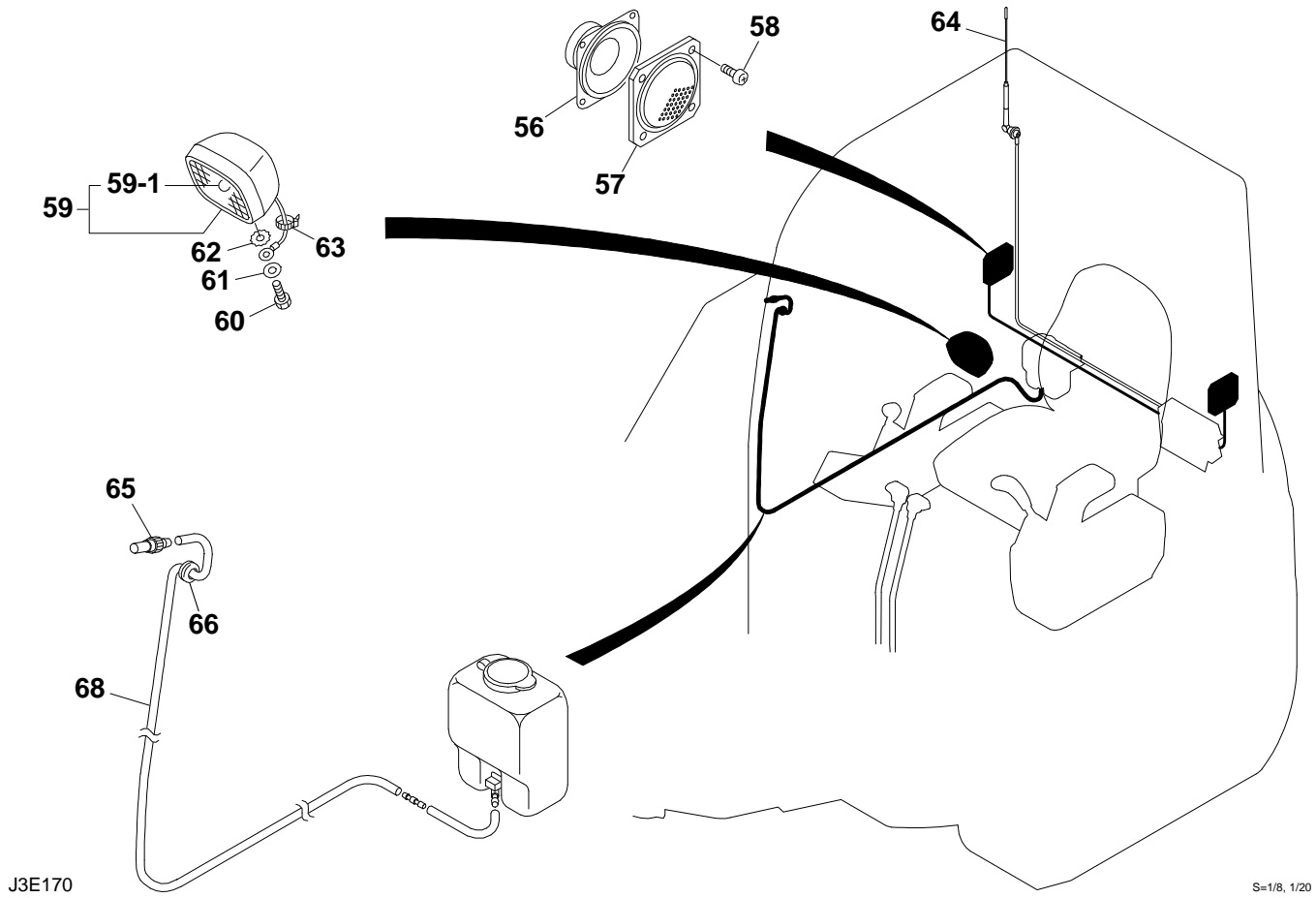
J3E160

S=1/20, 1/10, 1/5

CAB (2/7)

Item	Part number	Description	Q'ty	Chan.	Serial No.	Serv.	Remarks
0	0398622600	CAB ASSY	1				
10	1100040825	· BOLT	4				
11	1141110008	· WASHER	4				
12	0378601420	· PLATE	1				
13	0398622610	· COVER	1				
14	1150420512	· SCREW	8				
15	0338630870	· PLATE	1				
16	0338630880	· PLATE	1				
17	0338630930	· PACKING	1				
22	0568652910	· HARNESS, wiring	1				
23	0398802200	· HARNESS, wiring	1				
24	0338631010	· HARNESS, wiring	1				
25	1652221050	· BAND	3				
26	1120590512	· SCREW	3				
27	0438601760	· COVER	2				
30	0568634400	· SEAL	1				
32	0007000096	· SPRING	1				
33	0068620500	· STRIKER	1				
34	1120891025	· BOLT	2				
35	1140330010	· WASHER	2				
36	1703001700	· LAMP, room	1				
36-1	1703001701	· · BULB	1				
37	1150410420	· SCREW	2				
38	1654004800	· HANGER	1				
39	1120690412	· SCREW	4				
40	1654004900	· STOPPER	4				
42	1654005100	· LOCK ASSY	1				
43	1652351054	· CLAMP	3				
44	1651101028	· STOPPER	2				
45	1651101045	· STOPPER	2				
46	1130090010	· NUT	6				
49	1652060016	· GROMMET	2				
50	1652060031	· BUSHING	1				
51	1652102320	· RUBBER	2				
52	1122400416	· SCREW	2				
53	0378601510	· PIN	1				
54	1711900066	· SOCKET	1				
55	0578600143	· COVER	1				
67	1654010500	· ASHTRAY	1				
71	1653916007	· TRIM	1				sold by the meter
80	1150420516	· SCREW	1				
81	1140330005	· WASHER	1				
85	1652050900	· GROMMET	1				

J3e161

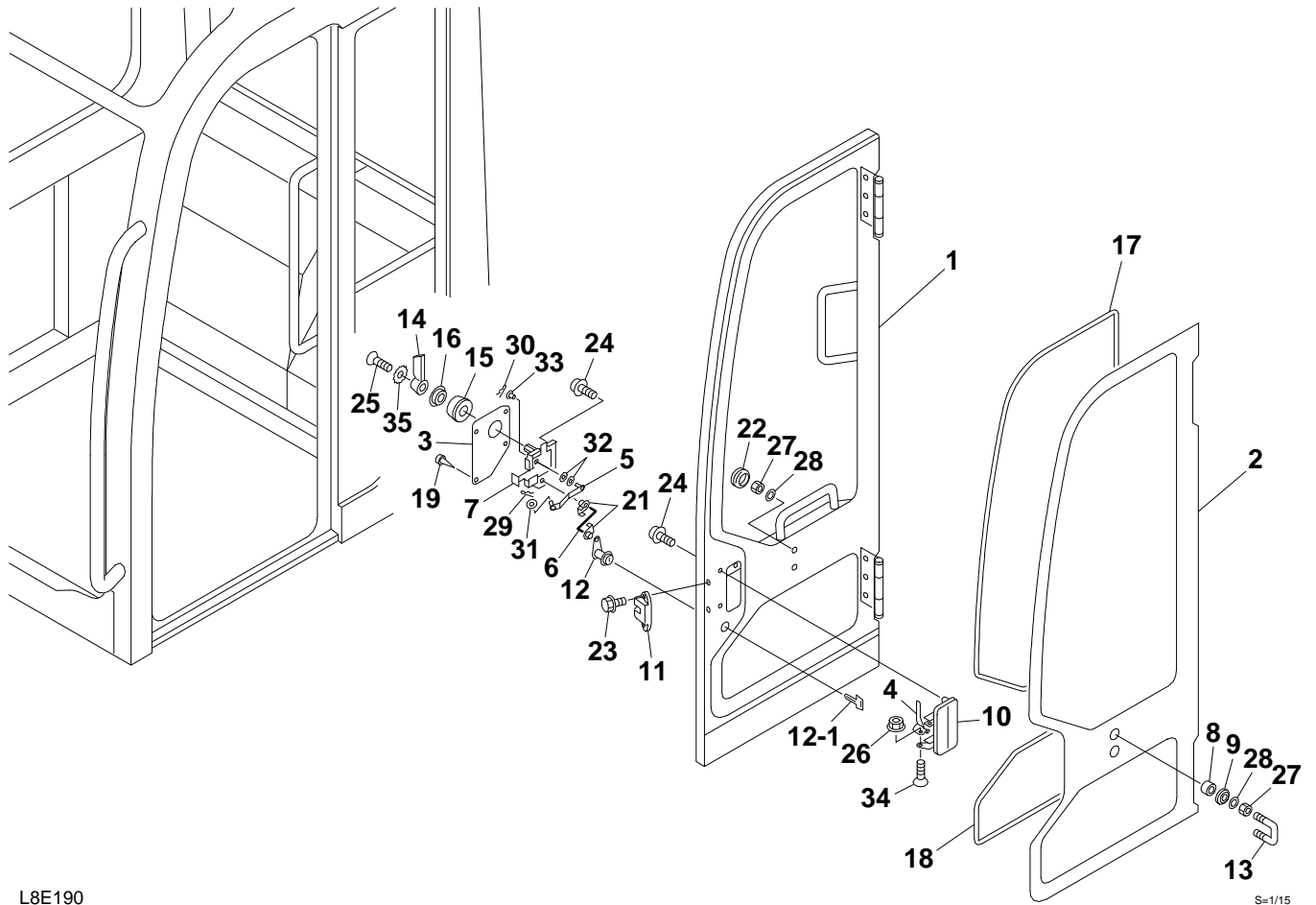


CAB (3/7)

Item	Part number	Description	Q'ty	Chan.	Serial No.	Serv.	Remarks
0	0398622600	CAB ASSY	1				
56	1705003500	· SPEAKER	2				
57	1705003550	· GRILLE	2				
58	1120590412	· SCREW	8				
59	1703007600	· LAMP ASSY	1				
59-1	1703007605	· · BULB	1				12V, 55W
60	1100040816	· BOLT	1				
61	1141110008	· WASHER	1				
62	1140330008	· WASHER	1				
63	1652231250	· BAND	1				
64	1705003460	· ANTENNA	1				
65	1711910040	· NOZZLE, washer	1				
66	1652001002	· GROMMET	1				
68	1711919210	· HOSE	1				sold by the meter

J3e171

TB153FR (P-T153FBBB) Book No. BJ3Z003 S/N 15830001-
CAB (4/7) (door)

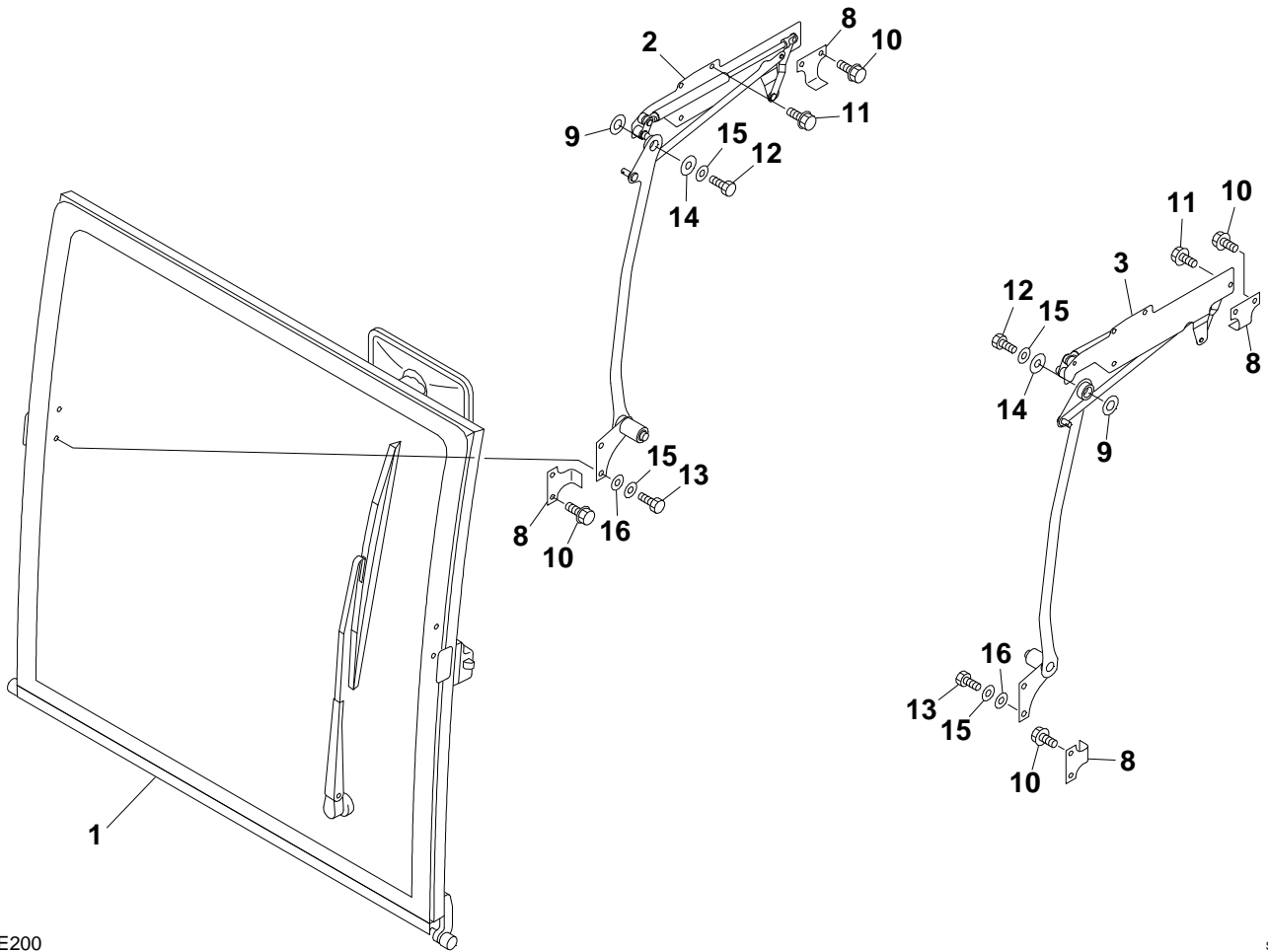


L8E190

CAB (4/7) (door)

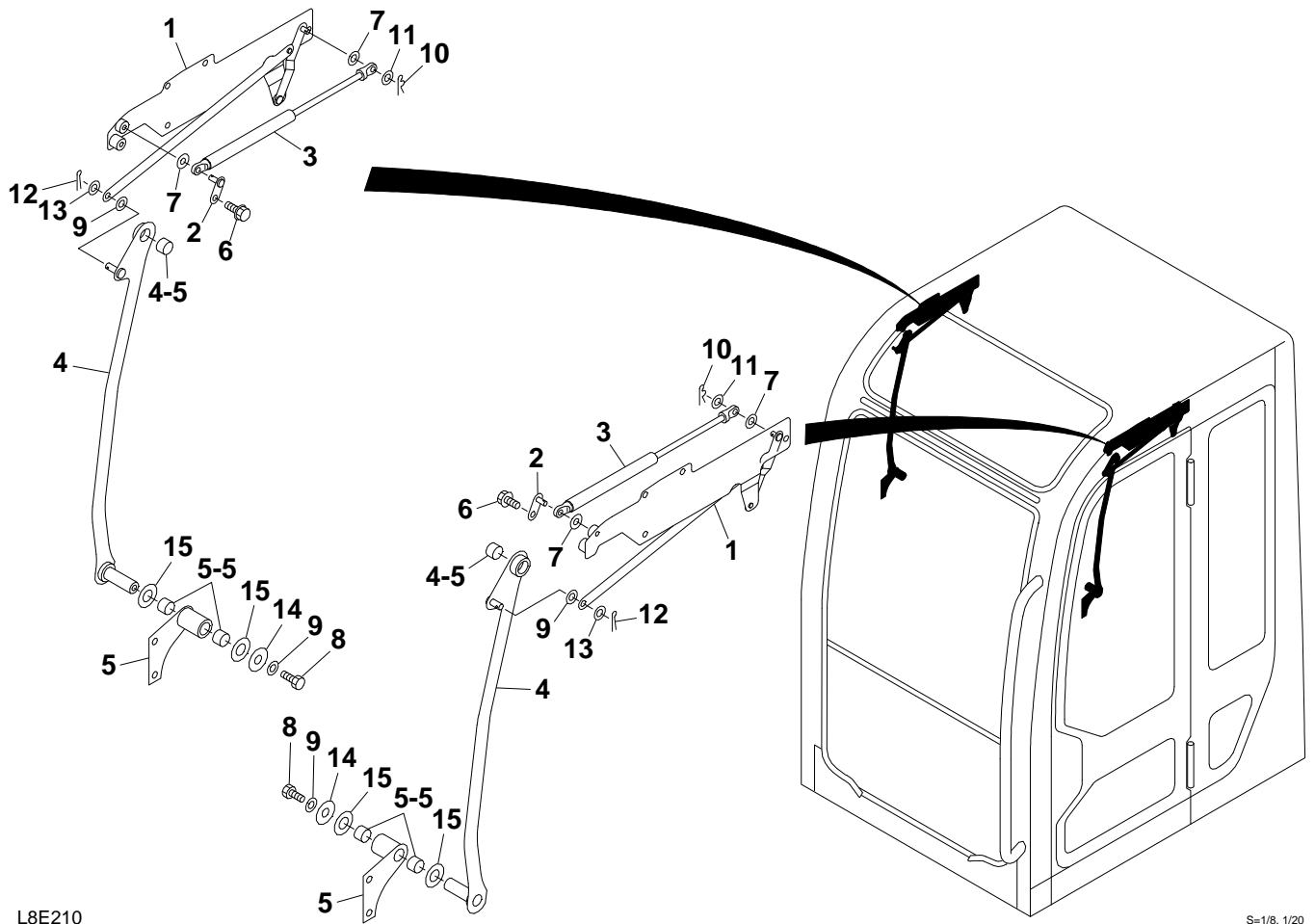
Item	Part number	Description	Q'ty	Chan.	Serial No.	Serv.	Remarks
0-1	0568652800	DOOR ASSY	1				
1	0568652810	· DOOR	1				
2	0568652802	· GLASS	1				
3	0568623300	· COVER	1				
4	0338642610	· PLATE	1				
5	0338642600	· PLATE	1				
6	0568630600	· ROD	1				
7	0568623400	· CONTROL ASSY	1				
8	0568623500	· COLLAR	2				
9	0568623600	· SEAL	2				
10	1654005600	· HANDLE	1				
11	0068620400	· LOCK ASSY	1				
12	1653611527	· LOCK	1				
12-1	1700100019	· KEY	1				
13	1654005900	· STRIKER	1				
14	1654005500	· HANDLE	1				
15	1654005800	· BASE	1				
16	1654005700	· ESCUTCHEON	1				
17	1654615260	· DAM	1				sold by the meter
18	1654615145	· DAM	1				sold by the meter
19	1652711432	· CLIP	4				
21	0398610900	· SNAP	2				
22	1652053200	· GROMMET	2				
23	1106690612	· BOLT	2				
24	1150410612	· SCREW	4				
25	1120790516	· SCREW	1				
26	1131283006	· NUT	1				
27	1130090010	· NUT	4				
28	1654011706	· WASHER	4				
29	1214000006	· PIN, snap	1				
30	1214000004	· PIN, snap	1				
31	1654011711	· WASHER	1				
32	0338642620	· WASHER	2				
33	0578600380	· BUSHING	1				
34	1120730616	· SCREW	1				
35	0378605301	· WASHER	1				
	L8e190						

TB153FR (P-T153FBBB) Book No. BJ3Z003 S/N 15830001-
CAB (5/7) (front sash assist)



CAB (5/7) (front sash assist)

Item	Part number	Description	Q'ty	Chan.	Serial No.	Serv.	Remarks
0-2	0568652500	ASSIST ASSY, front sash	1				
1	0568652600	· SASH ASSY, front	1				see page (7/7)
2	0568652700	· ASSIST ASSY (R.H.)	1				see page (6/7)
3	0568652750	· ASSIST ASSY (L.H.)	1				see page (6/7)
8	0378603710	· PLATE	4				
9	0083252100	· WASHER	2				
10	1106690616	· BOLT	8				
11	1106690620	· BOLT	8				
12	1100090820	· BOLT	2				
13	1100090816	· BOLT	4				
14	0578600401	· WASHER	2				
15	1654011705	· WASHER	6				
16	1141190008	· WASHER	4				
	L8e200						



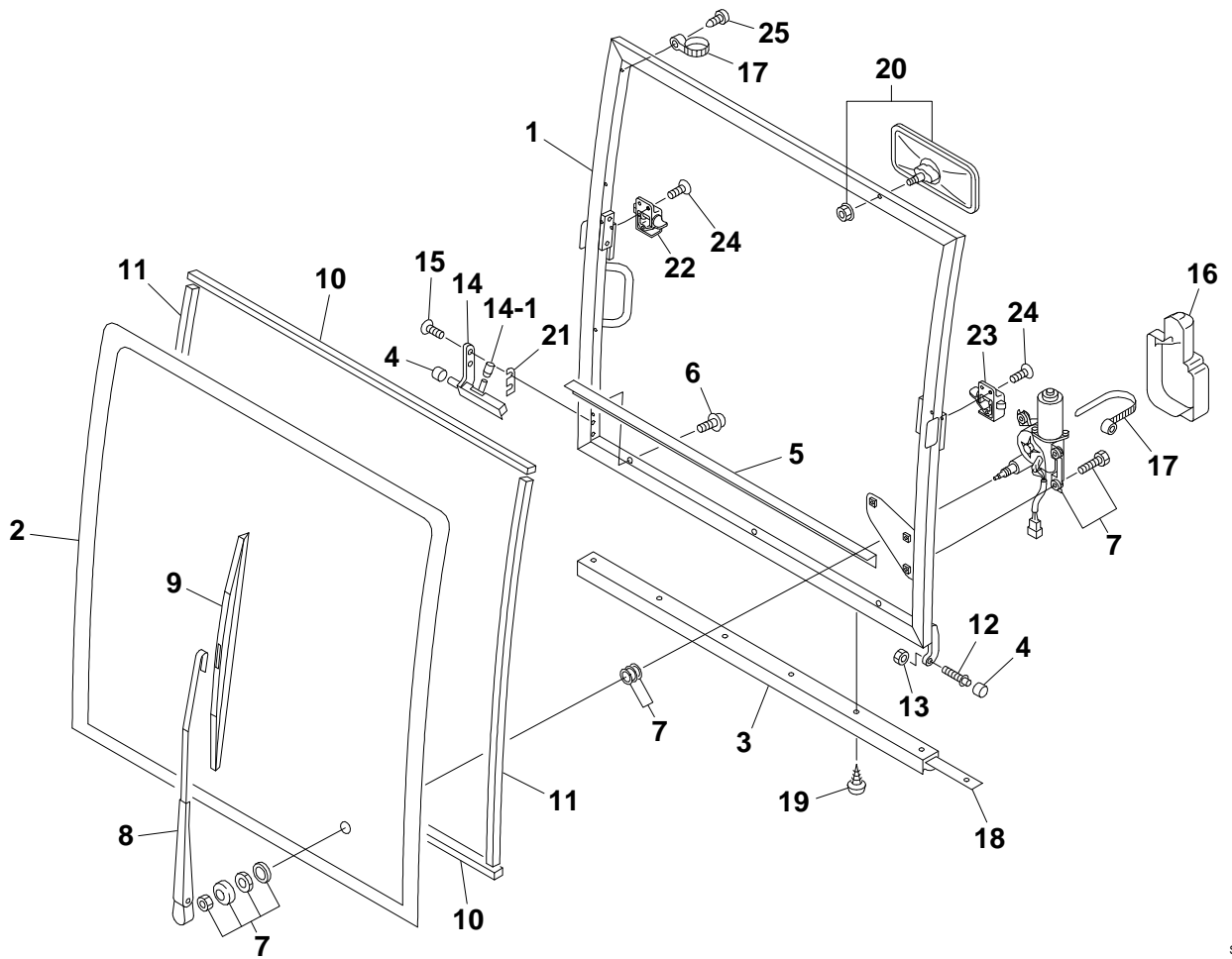
L8E210

S=1/8, 1/20

CAB (6/7) (assist)

Item	Part number	Description	Q'ty	Chan.	Serial No.	Serv.	Remarks
0-3	0568652700	ASSIST ASSY (R.H.)	1				
	0568652750	ASSIST ASSY (L.H.)	1				
1	0568652720	· LINK ASSY (R.H.)	1				
	0568652770	· LINK ASSY (L.H.)	1				
2	0358601840	· PLATE	1				
3	1653900063	· SPRING, gas	1				
4	0378603720	· ARM ASSY (R.H.)	1				
	0378603740	· ARM ASSY (L.H.)	1				
4-5	1333001515	· · BUSHING	1				
5	0378603760	· PLATE ASSY (R.H.)	1				
	0378603780	· PLATE ASSY (L.H.)	1				
5-5	1333001515	· · BUSHING	2				
6	1106690616	· BOLT	1				
7	1654011756	· WASHER	2				
8	1100090820	· BOLT	1				
9	1654011705	· WASHER	2				
10	1214000006	· PIN, snap	1				
11	1654011712	· WASHER	1				
12	1210002015	· PIN, split	1				
13	1141190008	· WASHER	1				
14	0578600401	· WASHER	1				
15	0083252100	· WASHER	2				
	L8e210						

TB153FR (P-T153FBBB) Book No. BJ3Z003 S/N 15830001-
CAB (7/7) (front sash)



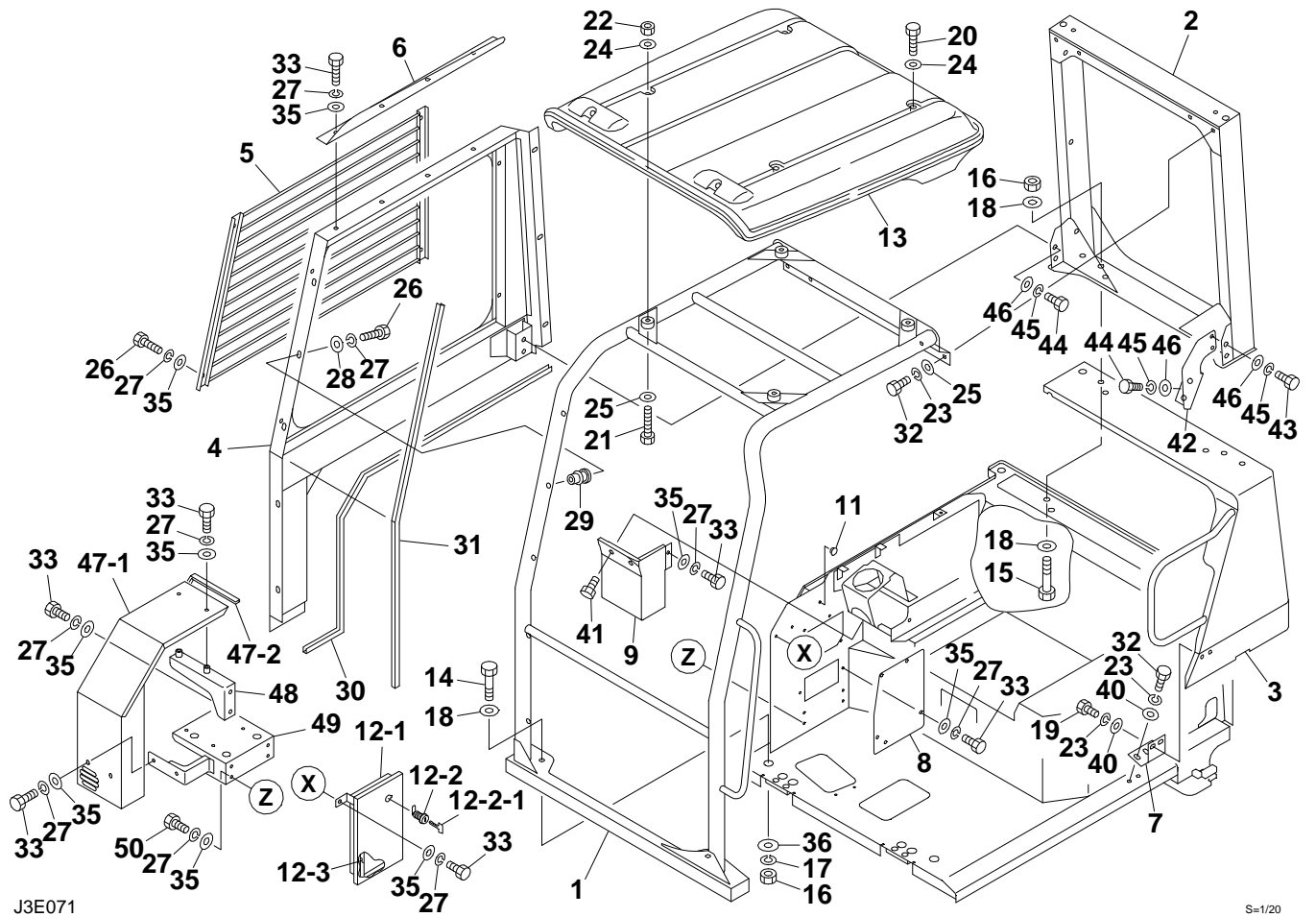
L8E220

S=1/12

CAB (7/7) (front sash)

Item	Part number	Description	Q'ty	Chan.	Serial No.	Serv.	Remarks
0-4	0568652600	SASH ASSY, front	1				
1	0568652610	· SASH, front	1				
2	0568652630	· GLASS	1				
3	0568621800	· SEAL	1				
4	0568622200	· ROLLER	2				
5	0338630440	· PLATE	1				
6	1150420512	· SCREW	3				
7	1704051212	· MOTOR, wiper	1				
8	1704100530	· ARM, wiper	1				
9	1704200530	· BLADE	1				
10	1654615080	· DAM	2				sold by the meter
11	1654616080	· DAM	2				sold by the meter
12	0578600406	· SHAFT	1				
13	1130090010	· NUT	1				
14	0568652640	· LATCH	1				
14-1	0568652647	· · CAP	1				
15	1120890820	· BOLT	2				
16	1704400001	· COVER	1				
17	1652221050	· BAND	5				
18	0568621900	· PLATE	1				
19	1122500412	· SCREW	6				
20	1654005460	· MIRROR	1				
21	0568652650	· PLATE	2				
22	0578600490	· HANDLE (R.H.)	1				
23	0578600480	· HANDLE (L.H.)	1				
24	1120840612	· SCREW	4				
25	1122400510	· SCREW	4				
	L8e220						

TB153FR (P-T153FBBB) Book No. BJ3Z003 S/N 15830001-
CANOPY



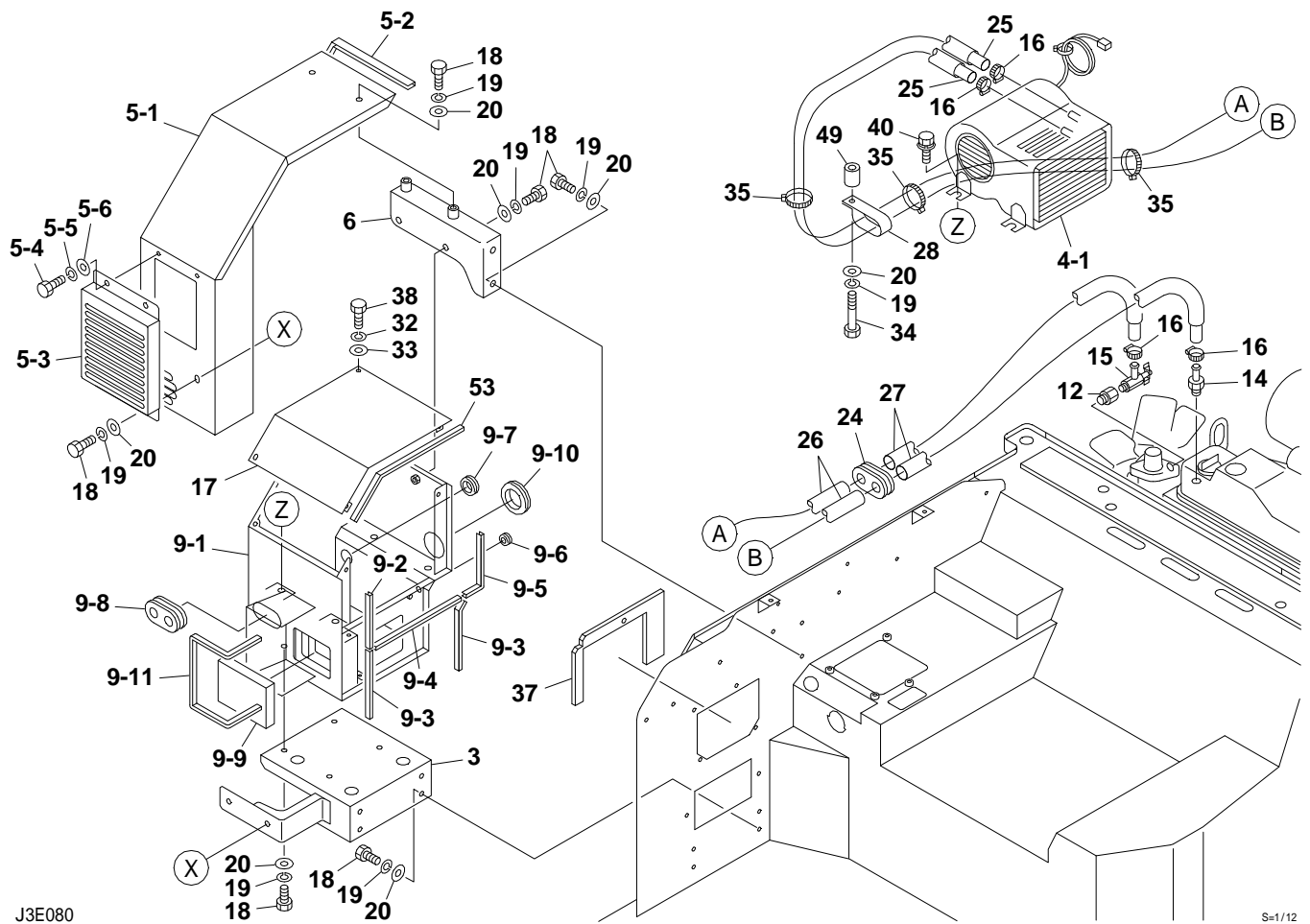
J3E071

S=1/20

CANOPY						
Item	Part number	Description	Q'ty	Chan.	Serial No.	Serv. Remarks
		CANOPY ASSY				
1	0398403600	POLE	1			
2	0398403700	POLE	1			
3	0398403300	COVER	1			
4	0398403800	PANEL	1			
5	0398401500	GUARD	1			
6	0398403560	COVER	1			
7	0398403570	ANGLE	1			
8	0398403580	COVER	1			
9	0398403590	COVER	1			
11	1652533016	CAP	2			
12	0398403900	MANUAL STORAGE ASSY	1			
12-1	0398403910	· MANUAL STORAGE	1			
12-2	1653601395	· LOCK	1			
12-2-1	1700100019	· KEY	1			
12-3	1654601096	· TRIM	1			sold by the meter
13	0368416300	ROOF	1			
14	1101041445	BOLT	2			
15	1101041460	BOLT	4			
16	1130540014	NUT	6			
17	1140020014	WASHER, spring	2			
18	1141550014	WASHER	10			
19	1100041020	BOLT	2			
20	1100041035	BOLT	2			
21	1100041050	BOLT	2			
22	1130040010	NUT	2			
23	1140020010	WASHER, spring	8			
24	0003600020	WASHER	4			
25	1141110010	WASHER	6			
26	1100040835	BOLT	12			
27	1140020008	WASHER, spring	33			
28	0003608252	WASHER	8			
29	1652520008	NUT	8			
30	1654607140	SEAL	1			sold by the meter
31	1654605135	RUBBER	1			sold by the meter
32	1100041025	BOLT	6			
33	1100040816	BOLT	17			
35	1141110008	WASHER	25			
36	0003600122	WASHER	2			
40	0003600025	WASHER	4			
41	1100040612	BOLT	2			
42	0398403780	BRACKET	1			
43	1101041230	BOLT	2			
44	1101041235	BOLT	4			
45	1140020012	WASHER, spring	6			
46	1141110012	WASHER	6			
47	0398404200	COVER ASSY, unit	1			
47-1	0398404210	· COVER	1			
47-2	1654606036	· RUBBER	1			sold by the meter
48	0564630860	BRACKET	1			
49	0564531730	BRACKET	1			
50	1100040814	BOLT	4			

J3e071

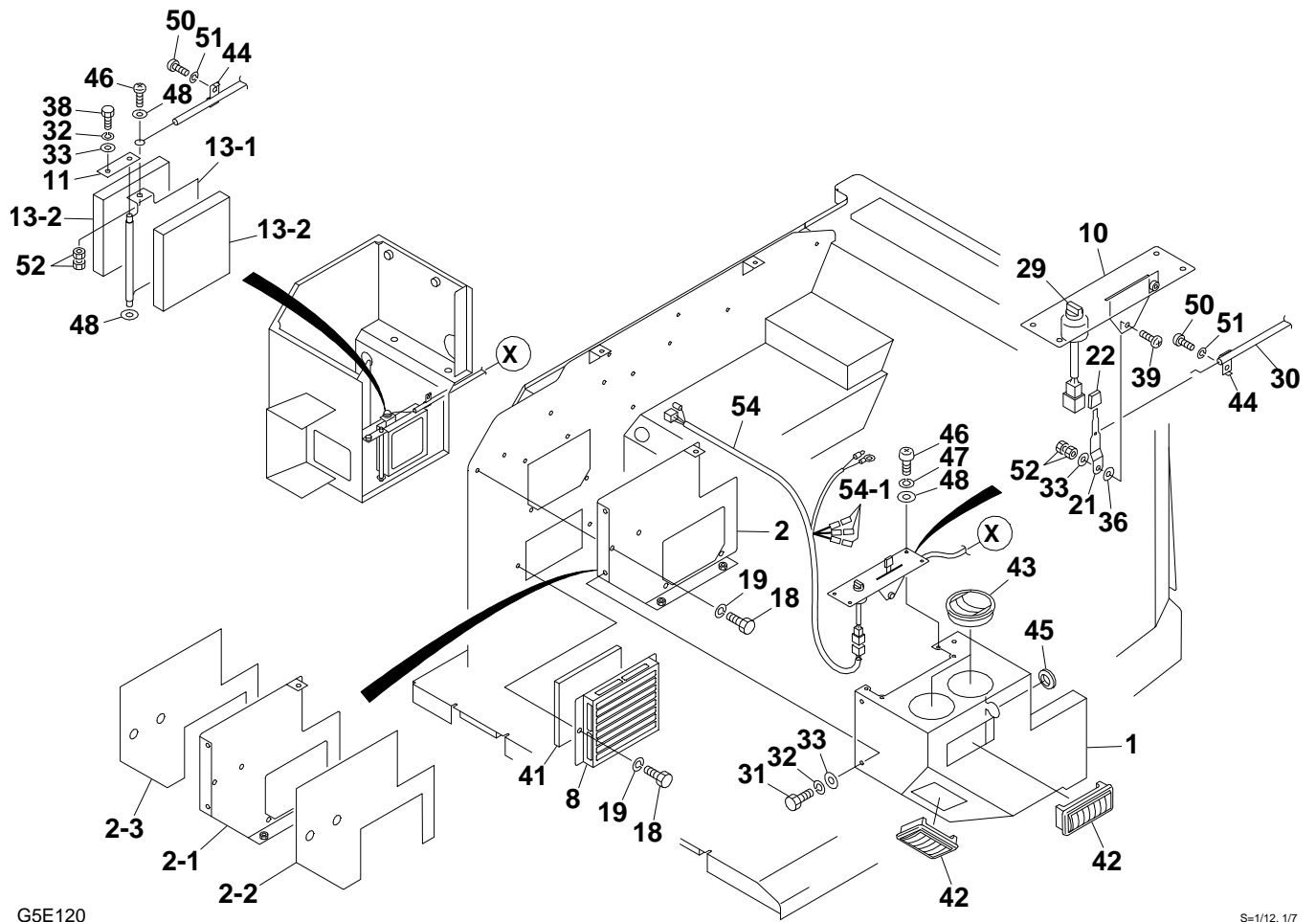
TB153FR (P-T153FBBB) Book No. BJ3Z003 S/N 15830001-
HEATER (1/2) (15830001-15830037)



HEATER (1/2) (15830001-15830037)

Item	Part number	Description	Q'ty	Chan.	Serial No.	Serv.	Remarks
		HEATER ASSY					
3	0564531730	BRACKET	1				
4	0564531910	HEATER UNIT ASSY	1				
4-1	1911508100	· HEATER UNIT	1				
5	0394513420	COVER ASSY	1				
5-1	0394617660	· COVER	1				
5-2	1654606036	· RUBBER	1				sold by the meter
5-3	0564531820	· COVER	1				
5-4	1100040816	· BOLT	2				
5-5	1140020008	· WASHER, spring	2				
5-6	1141110008	· WASHER	2				
6	0394513510	BRACKET	1				
9	0564531920	BOX ASSY, heater	1				
9-1	0564531930	· BOX	1				
9-2	1654606012	· TRIM	1				sold by the meter
9-3	1654606015	· TRIM	2				sold by the meter
9-4	1654606022	· TRIM	1				sold by the meter
9-5	1654606014	· TRIM	1				sold by the meter
9-6	1652051200	· GROMMET	1				
9-7	1652060028	· GROMMET	1				
9-8	0337017300	· GUARD	1				
9-9	0564519550	· FILTER	1				
9-10	1652060051	· GROMMET	1				
9-11	1654606033	· TRIM	1				sold by the meter
12	1501910303	CONNECTOR	1				
14	1911502200	ADAPTOR	1				
15	1911502100	VALVE	1				
16	1911500500	BAND	4				
17	0564531940	COVER	1				
18	1100040816	BOLT	16				
19	1140020008	WASHER, spring	17				
20	1141110008	WASHER	21				
24	0097210300	GUARD	1				
25	1911521815	HOSE	2				
26	1531325107	PROTECTOR	2				sold by the meter
27	1531325050	PROTECTOR	2				sold by the meter
28	0007300018	CLAMP	1				
32	1140020006	WASHER, spring	4				
33	1141110006	WASHER	4				
34	1100040845	BOLT	1				
35	1652231250	BAND	3				
37	0564531937	SPONGE	1				
38	1100040616	BOLT	4				
40	1110561016	SCREW	3				
49	0394211020	COLLAR	1				
53	1654606030	TRIM	1				sold by the meter
	J3e080						

TB153FR (P-T153FBBB) Book No. BJ3Z003 S/N 15830001-
HEATER (2/2) (15830001-15830037)



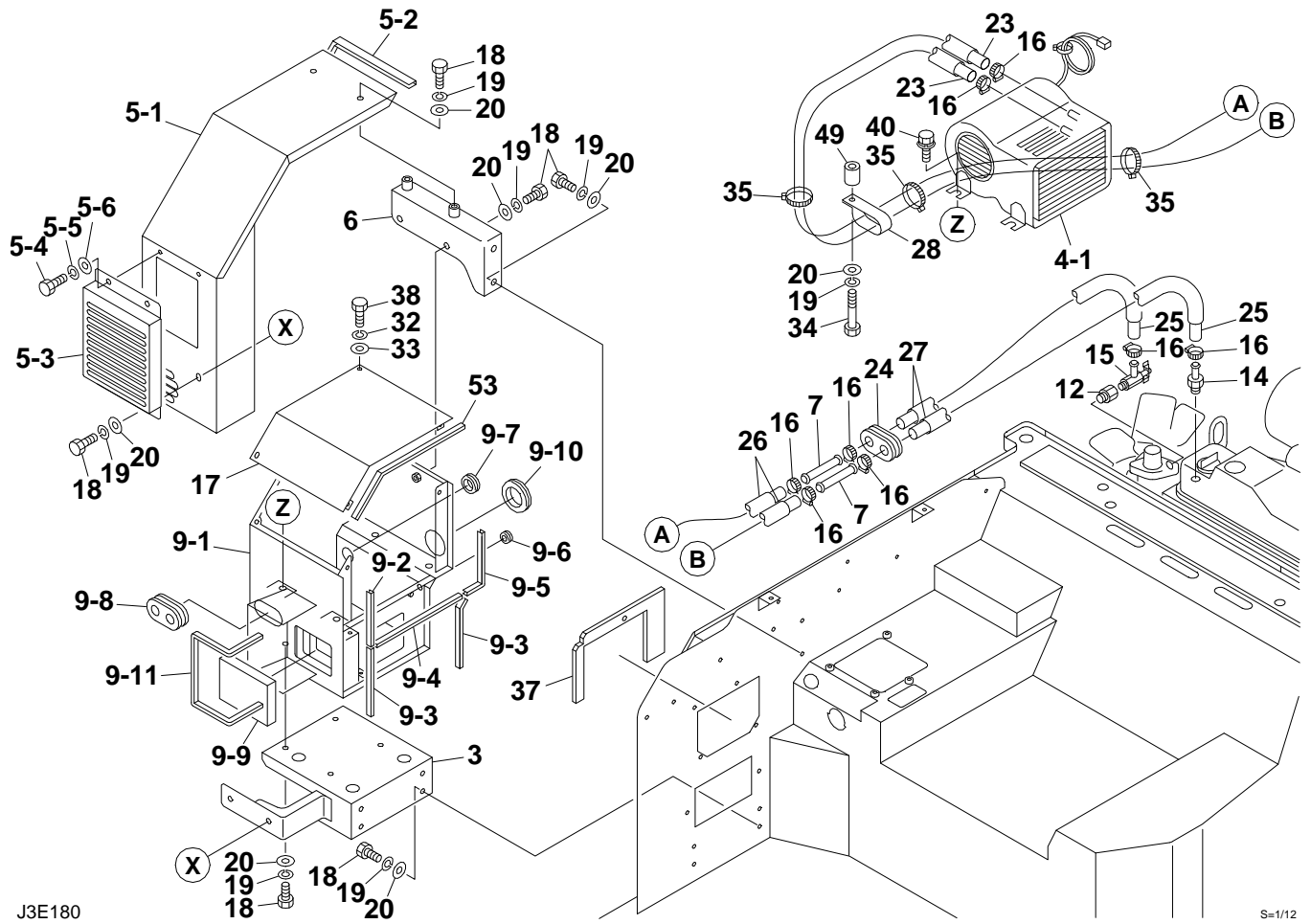
G5E120

S=1/12, 1/7

HEATER (2/2) (15830001-15830037)

Item	Part number	Description	Q'ty	Chan.	Serial No.	Serv.	Remarks
		HEATER ASSY					
1	0564531960	BOX	1				
2	0564531720	PLATE ASSY	1				
2-1	0564531721	· PLATE	1				
2-2	0564531722	· URETHANE	1				
2-3	0564531723	· RUBBER	1				
8	0564631180	COVER	1				
10	0394513550	PANEL, control	1				
11	0394513501	PLATE	1				
13	0394513560	DAMPER ASSY	1				
13-1	0394513570	· DAMPER	1				
13-2	0394513562	· SPONGE	2				
18	1100040816	BOLT	8				
19	1140020008	WASHER, spring	8				
21	0564525300	LEVER	1				
22	0564612550	KNOB	1				
29	1700000011	SWITCH, heater	1				
30	0564525460	WIRE	1				
31	1100040612	BOLT	5				
32	1140020006	WASHER, spring	6				
33	1141110006	WASHER	7				
36	1652540014	SPACER	1				
38	1100040616	BOLT	1				
39	1120590516	SCREW	1				
41	0564631190	FILTER	1				
42	1911505723	LOUVER	2				
43	1911505722	LOUVER	2				
44	0564612530	CLAMP	2				
45	1652053200	GROMMET	1				
46	1120590510	SCREW	5				
47	1140090005	WASHER, spring	4				
48	1141190005	WASHER	6				
50	1120530408	SCREW	2				
51	1141110004	WASHER	2				
52	1130040005	NUT	4				
54	0564531950	HARNES ASSY, wiring	1				
54-1	1730500008	· DIODE (3A yellow)	3				
	J2e201						

**TB153FR (P-T153FBBB) Book No. BJ3Z003 S/N 15830001-
HEATER (1/2) (15830038-15830064)**



J3E180

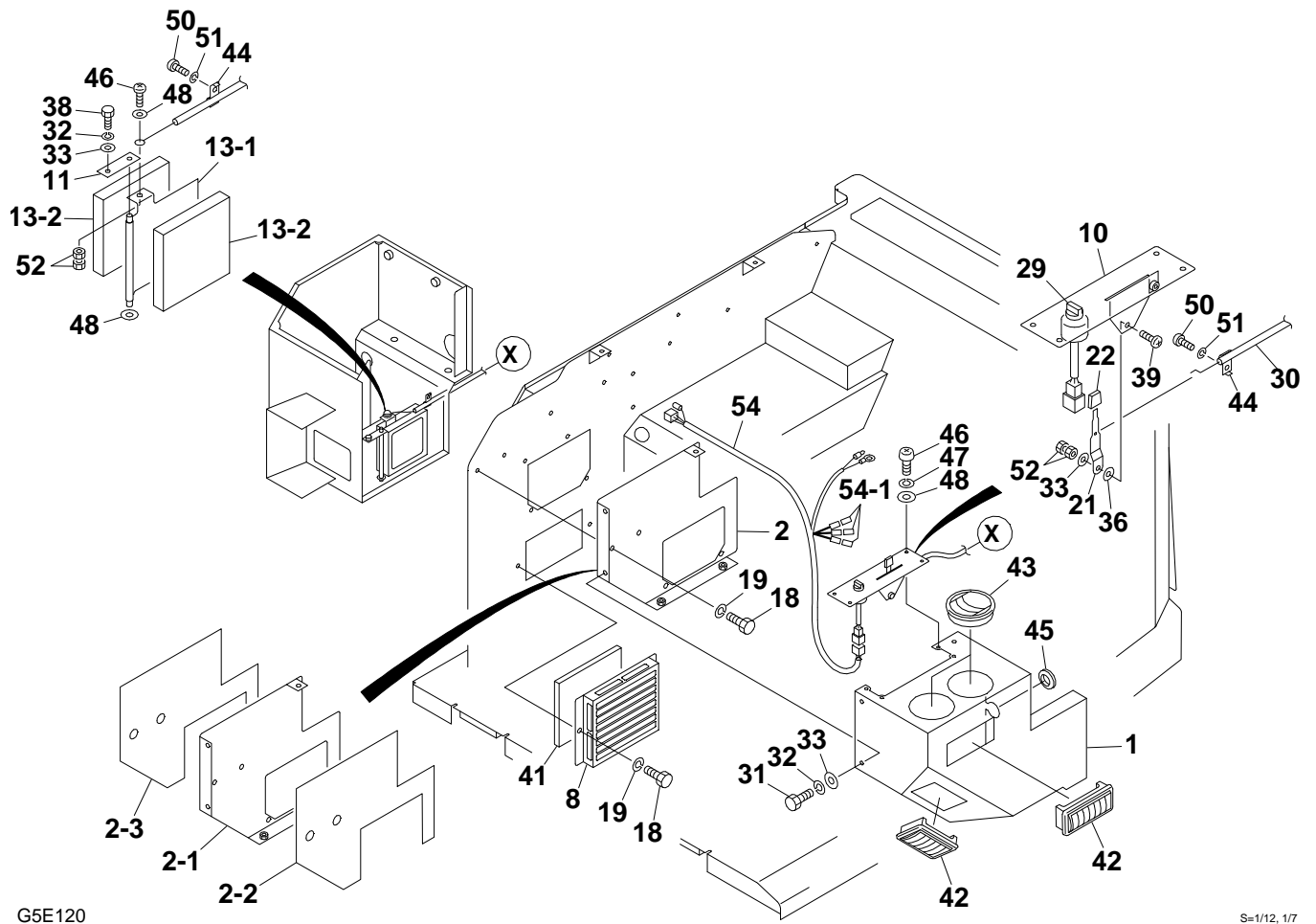
S=1/12

HEATER (1/2) (15830038-15830064)

Item	Part number	Description	Q'ty	Chan.	Serial No.	Serv.	Remarks
		HEATER ASSY					
3	0564531730	BRACKET	1				
4	0564531910	HEATER UNIT ASSY	1				
4-1	1911508100	· HEATER UNIT	1				
5	0394513420	COVER ASSY	1				
5-1	0394617660	· COVER	1				
5-2	1654606036	· RUBBER	1				sold by the meter
5-3	0564531820	· COVER	1				
5-4	1100040816	· BOLT	2				
5-5	1140020008	· WASHER, spring	2				
5-6	1141110008	· WASHER	2				
6	0394513510	BRACKET	1				
7	0394617670	PIPE	2				
9	0564531920	BOX ASSY, heater	1				
9-1	0564531930	· BOX	1				
9-2	1654606012	· TRIM	1				sold by the meter
9-3	1654606015	· TRIM	2				sold by the meter
9-4	1654606022	· TRIM	1				sold by the meter
9-5	1654606014	· TRIM	1				sold by the meter
9-6	1652051200	· GROMMET	1				
9-7	1652060028	· GROMMET	1				
9-8	0337017300	· GUARD	1				
9-9	0564519550	· FILTER	1				
9-10	1652060051	· GROMMET	1				
9-11	1654606033	· TRIM	1				sold by the meter
12	1501910303	CONNECTOR	1				
14	1911502200	ADAPTOR	1				
15	1911502100	VALVE	1				
16	1911500500	BAND	8				
17	0564531940	COVER	1				
18	1100040816	BOLT	16				
19	1140020008	WASHER, spring	17				
20	1141110008	WASHER	21				
23	1911511740	HOSE	2				sold by the meter
24	0097210300	GUARD	1				
25	1911501770	HOSE	2				sold by the meter
26	1531325107	PROTECTOR	2				sold by the meter
27	1531325050	PROTECTOR	2				sold by the meter
28	0007300018	CLAMP	1				
32	1140020006	WASHER, spring	4				
33	1141110006	WASHER	4				
34	1100040845	BOLT	1				
35	1652231250	BAND	3				
37	0564531937	SPONGE	1				
38	1100040616	BOLT	4				
40	1110561016	SCREW	3				
49	0394211020	COLLAR	1				
53	1654606030	TRIM	1				sold by the meter

J3e180

TB153FR (P-T153FBBB) Book No. BJ3Z003 S/N 15830001-
HEATER (2/2) (15830038-15830064)



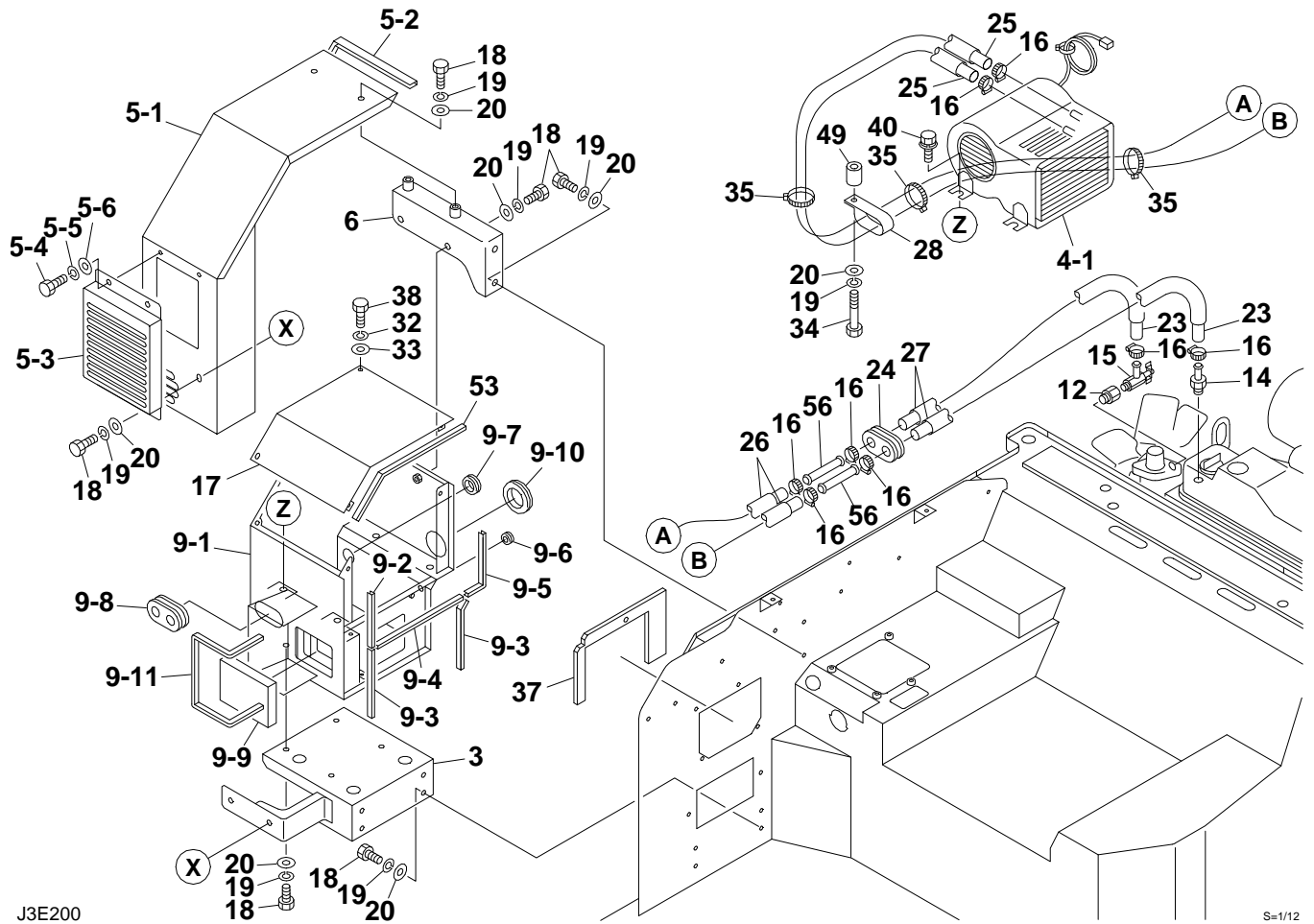
G5E120

S=1/12, 1/7

HEATER (2/2) (15830038-15830064)

Item	Part number	Description	Q'ty	Chan.	Serial No.	Serv.	Remarks
		HEATER ASSY					
1	0564531960	BOX	1				
2	0564531720	PLATE ASSY	1				
2-1	0564531721	· PLATE	1				
2-2	0564531722	· URETHANE	1				
2-3	0564531723	· RUBBER	1				
8	0564631180	COVER	1				
10	0394513550	PANEL, control	1				
11	0394513501	PLATE	1				
13	0394513560	DAMPER ASSY	1				
13-1	0394513570	· DAMPER	1				
13-2	0394513562	· SPONGE	2				
18	1100040816	BOLT	8				
19	1140020008	WASHER, spring	8				
21	0564525300	LEVER	1				
22	0564612550	KNOB	1				
29	1700000011	SWITCH, heater	1				
30	0564525460	WIRE	1				
31	1100040612	BOLT	5				
32	1140020006	WASHER, spring	6				
33	1141110006	WASHER	7				
36	1652540014	SPACER	1				
38	1100040616	BOLT	1				
39	1120590516	SCREW	1				
41	0564631190	FILTER	1				
42	1911505723	LOUVER	2				
43	1911505722	LOUVER	2				
44	0564612530	CLAMP	2				
45	1652053200	GROMMET	1				
46	1120590510	SCREW	5				
47	1140090005	WASHER, spring	4				
48	1141190005	WASHER	6				
50	1120530408	SCREW	2				
51	1141110004	WASHER	2				
52	1130040005	NUT	4				
54	0564531950	HARNES ASSY, wiring	1				
54-1	1730500008	· DIODE (3A yellow)	3				
	J3e190						

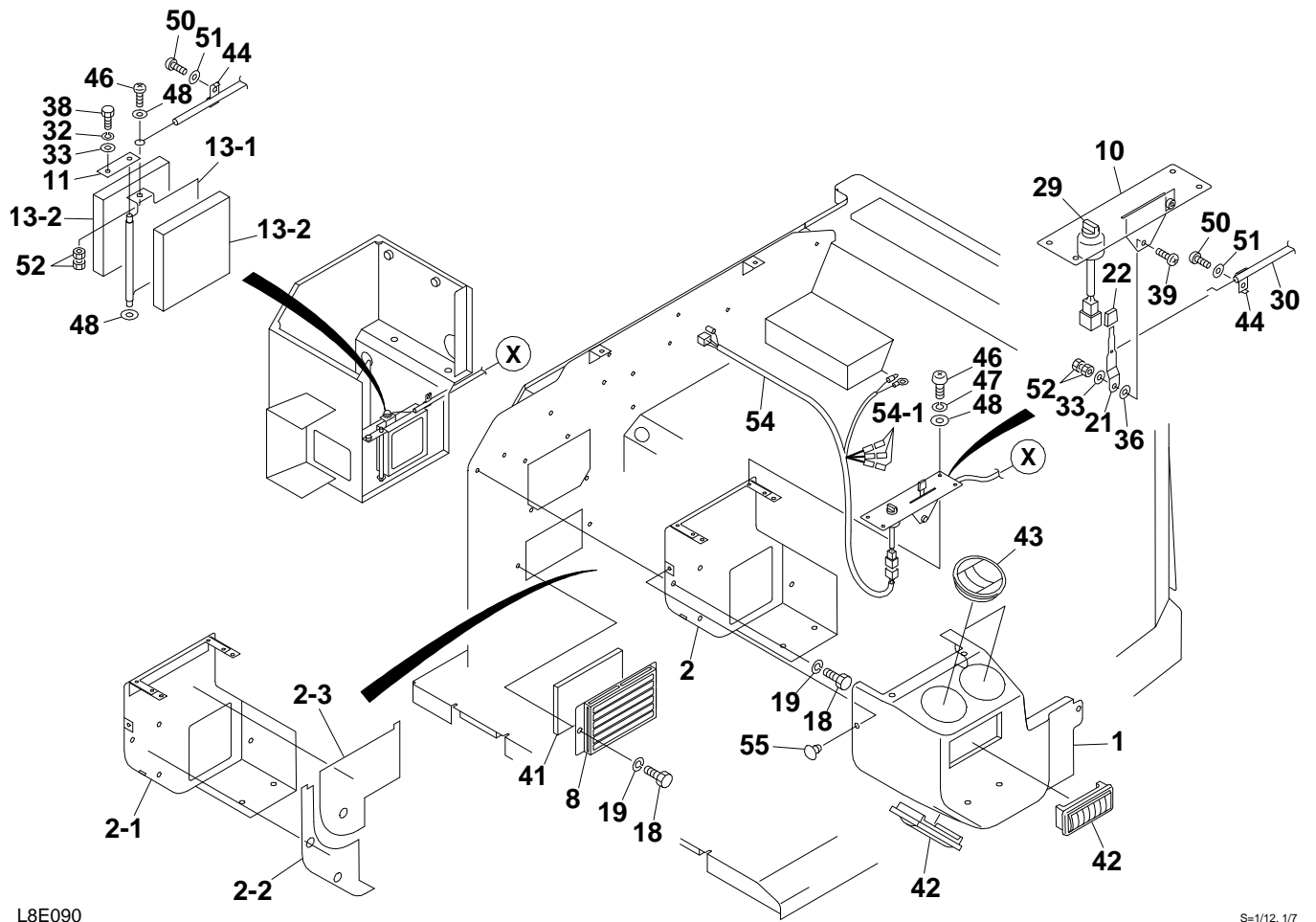
TB153FR (P-T153FBBB) Book No. BJ3Z003 S/N 15830001-
HEATER (1/2) (15830065-)



HEATER (1/2) (15830065-)						
Item	Part number	Description	Q'ty	Chan.	Serial No.	Serv. Remarks
		HEATER ASSY				
3	0564531730	BRACKET	1			
4	0564531910	HEATER UNIT ASSY	1			
4-1	1911508100	· HEATER UNIT	1			
5	0394513420	COVER ASSY	1			
5-1	0394617660	· COVER	1			
5-2	1654606036	· RUBBER	1			sold by the meter
5-3	0564531820	· COVER	1			
5-4	1100040816	· BOLT	2			
5-5	1140020008	· WASHER, spring	2			
5-6	1141110008	· WASHER	2			
6	0394513510	BRACKET	1			
9	0564531920	BOX ASSY, heater	1			
9-1	0564531930	· BOX	1			
9-2	1654606012	· TRIM	1			sold by the meter
9-3	1654606015	· TRIM	2			sold by the meter
9-4	1654606022	· TRIM	1			sold by the meter
9-5	1654606014	· TRIM	1			sold by the meter
9-6	1652051200	· GROMMET	1			
9-7	1652060028	· GROMMET	1			
9-8	0337017300	· GUARD	1			
9-9	0564519550	· FILTER	1			
9-10	1652060051	· GROMMET	1			
9-11	1654606033	· TRIM	1			sold by the meter
12	1501910303	CONNECTOR	1			
14	1911502200	ADAPTOR	1			
15	1911502100	VALVE	1			
16	1911500500	BAND	8			
17	0564531940	COVER	1			
18	1100040816	BOLT	16			
19	1140020008	WASHER, spring	17			
20	1141110008	WASHER	21			
23	1911501860	HOSE	2			sold by the meter
24	0097210300	GUARD	1			
25	1911511850	HOSE	2			sold by the meter
26	1531325100	PROTECTOR	2			sold by the meter
27	1531325040	PROTECTOR	2			sold by the meter
28	0007300018	CLAMP	1			
32	1140020006	WASHER, spring	4			
33	1141110006	WASHER	4			
34	1100040850	BOLT	1			
35	1652231250	BAND	3			
37	0564531937	SPONGE	1			
38	1100040616	BOLT	4			
40	1100561016	SCREW	3			
49	0394211020	COLLAR	1			
53	1654606030	TRIM	1			sold by the meter
56	0394617670	PIPE	2			

J3e201

TB153FR (P-T153FBBB) Book No. BJ3Z003 S/N 15830001-
HEATER (2/2) (15830065-)



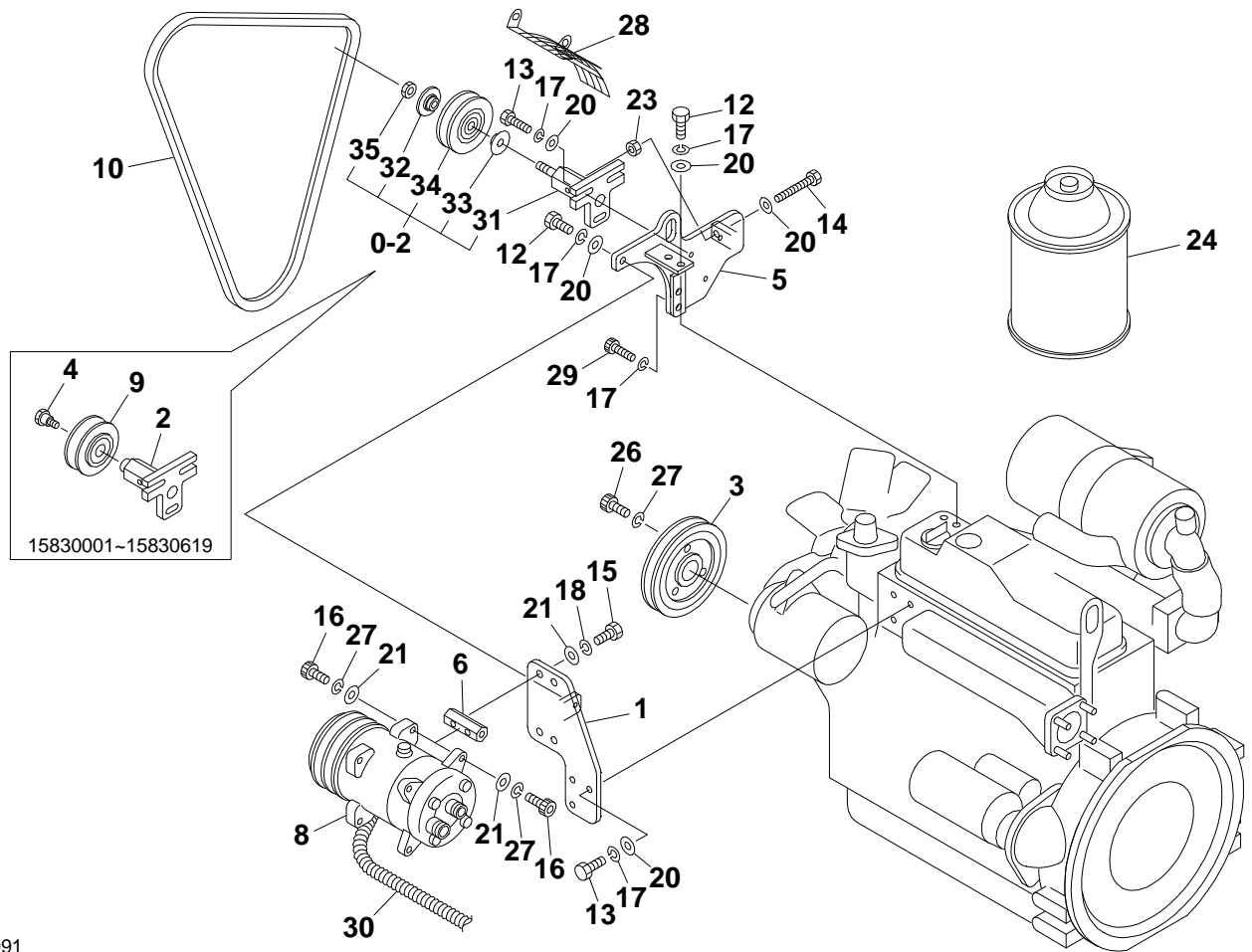
L8E090

S=1/12, 1/7

HEATER (2/2) (15830065-)

Item	Part number	Description	Q'ty	Chan.	Serial No.	Serv.	Remarks
		HEATER ASSY					
1	0564633600	BOX	1				
2	0564533300	PLATE ASSY	1				
2-1	0564533310	· PLATE	1				
2-2	0564633710	· SPONGE	1				
2-3	0564633720	· SPONGE	1				
8	0564633660	COVER	1				
10	0394513550	PANEL, control	1				
11	0394513501	PLATE	1				
13	0394513560	DAMPER ASSY	1				
13-1	0394513570	· DAMPER	1				
13-2	0394513562	· SPONGE	2				
18	1100040816	BOLT	8				
19	1140020008	WASHER, spring	8				
21	0564525300	LEVER	1				
22	0564612550	KNOB	1				
29	1700000011	SWITCH, heater	1				
30	0564525460	WIRE	1				
32	1140020006	WASHER, spring	1				
33	1141110006	WASHER	2				
36	1652540014	SPACER	1				
38	1100040616	BOLT	1				
39	1120590516	SCREW	1				
41	0564633665	FILTER	1				
42	1911505723	LOUVER	2				
43	1911505722	LOUVER	2				
44	0564612530	CLAMP	2				
46	1120590510	SCREW	5				
47	1140090005	WASHER, spring	4				
48	1141190005	WASHER	6				
50	1120530408	SCREW	2				
51	1141110004	WASHER	2				
52	1130040005	NUT	4				
54	0564531950	HARNESS ASSY, wiring	1				
54-1	1730500008	· DIODE (3A yellow)	3				
55	1652900015	RIVET	7				
	J3e211						

TB153FR (P-T153FBBB) Book No. BJ3Z003 S/N 15830001-
AIR CONDITIONER (1/7) (compressor)



15830001~15830619

J3E091

S=1/10

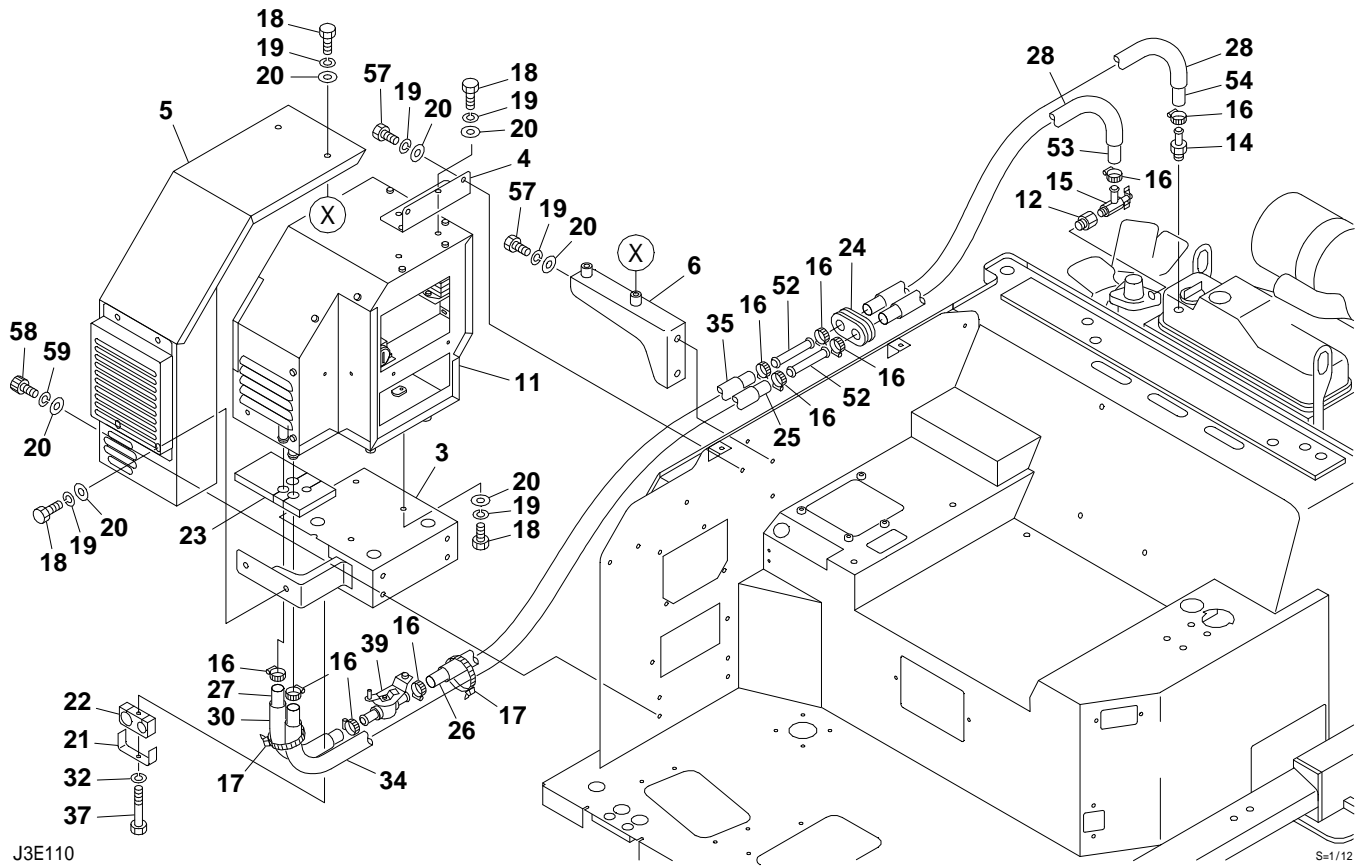
AIR CONDITIONER (1/7) (compressor)

Item	Part number	Description	Q'ty	Chan.	Serial No.	Serv.	Remar
		CONDITIONER ASSY, air					
		CONDITIONER ASSY, air (with 3rd aux. line)					
0-1	X *****	COMPRESSOR ASSY	1				
1	0394616110	· BRACKET	1				
2	0564630670	· BOSS	1	A	15830001~15830619		
3	0394614710	· PULLEY	1				
4	0564630665	· SHAFT	1	A	15830001~15830619		
5	0394616150	· BRACKET	1				
6	0564620110	· BOSS	2				
8	1911506010	· COMPRESSOR	1				
9	1911505700	· PULLEY	1	A	15830001~15830619		
10	1621071056	· V-BELT	1				
12	1100040820	· BOLT	3				
13	1100040825	· BOLT	6				
14	1100240885	· BOLT	1				
15	1100041030	· BOLT	4				
16	1110041025	· BOLT	4				
17	1140020008	· WASHER, spring	11				
18	1140020010	· WASHER, spring	8				
20	1141110008	· WASHER	10				
21	1141110010	· WASHER	8				
23	1130040008	· NUT	1				
24	1919055000	· GAS	8				100g
26	1110041020	· SCREW, cap	3				
27	1140420010	· WASHER, spring	7				
28	0394616160	· GUARD, fan	1				
29	1111820825	· SCREW, cap	2				
30	1703211350	· PROTECTOR	1				sold by the
31	0564630690	· BOSS	1	a	15830620~	M	
32	0564634890	· COLLAR	1	a	15830620~	M	
33	0564634895	· COLLAR	1	a	15830620~	M	
34	0564634880	· PULLY ASSY	1	a	15830620~	M	
35	1133420012	· NUT	1	a	15830620~	M	
		<<NOTE>>					
0-2	0569617290	KIT, pully	1	a	15830620~	M	
	J3e092	SET "A" is interchangeable with SET "a".					

AIR CONDITIONER (2/7) (condenser)

Item	Part number	Description	Q'ty	Chan.	Serial No.	Serv.	Remarks
		CONDITIONER ASSY, air					
		CONDITIONER ASSY, air (with 3rd aux. line)					
0-2	X *****	CONDENSER ASSY	1				
1	1911506620	· CONDENSER	1				
2	0394617880	· BRACKET	1				
3	0394617930	· BRACKET	1				
4	0394617920	· BRACKET	1				
5	0394617840	· BRACKET	1				
6	0394617910	· BRACKET	1				
7	0574600250	· COLLAR	7				
8	1911508311	· DRIER	1				
9	0394617860	· BRACKET	1				
10	0394617870	· PLATE	1				
11	1533700113	· BAND	2				
12	0394617620	· HOSE ASSY	1				
12-1	1911509404	· · HOSE	1				
	1911505603	· · · O-RING	2				
12-2	0394615141	· · INSULATOR	1				
12-3	1652241150	· · BAND	2				
13	1911509403	· HOSE	1				
	1911505602	· · O-RING	2				
14	1911511911	· HOSE	1				
	1911505601	· · O-RING	2				
15	1911511910	· HOSE	1				
	1911505601	· · O-RING	2				
16	1911505514	· SWITCH, pressure	1				
17	1100041016	· BOLT	2				
18	1140020010	· WASHER, spring	2				
19	1141110010	· WASHER	2				
20	1100040814	· BOLT	6				
21	1140020008	· WASHER, spring	6				
22	1141110008	· WASHER	6				
23	1100040620	· BOLT	2				
24	1100040640	· BOLT	1				
25	1140020006	· WASHER, spring	9				
26	1141110006	· WASHER	9				
27	1653916018	· TRIM	2				sold by the meter
28	1100040635	· BOLT	6				
	J3e101						

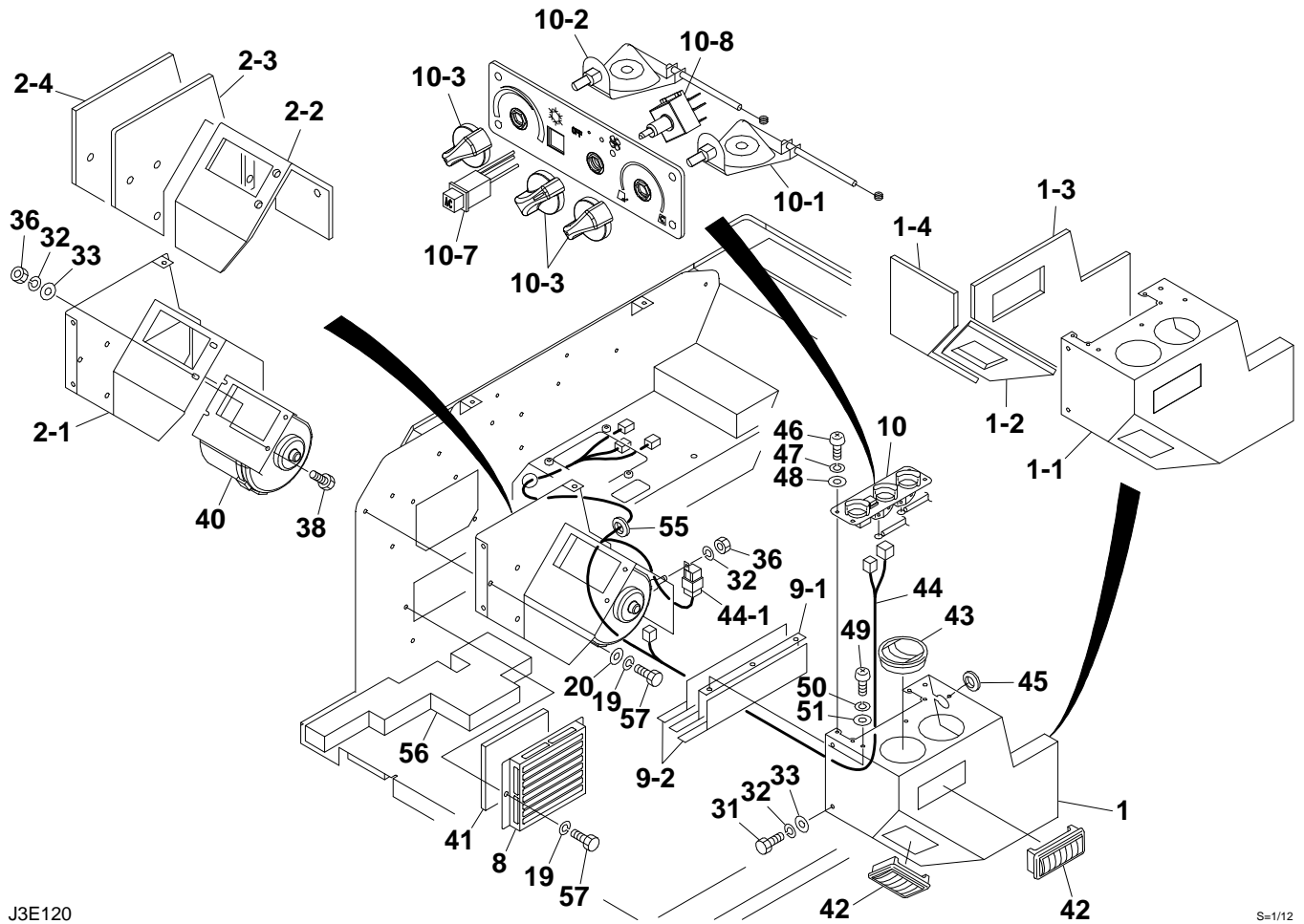
TB153FR (P-T153FBBB) Book No. BJ3Z003 S/N 15830001-
AIR CONDITIONER (3/7) (air conditioner unit; 15830001-15830064)



AIR CONDITIONER (3/7) (air conditioner unit; 15830001-15830064)

Item	Part number	Description	Q'ty	Chan.	Serial No.	Serv.	Remarks
		CONDITIONER ASSY, air					
		CONDITIONER ASSY, air (with 3rd aux. line)					
0-3	X *****	UNIT ASSY	1				
3	0564531730	· BRACKET	1				
4	0564631230	· BRACKET	1				
5	0394617610	· COVER ASSY	1				see page (5/7)
6	0564630860	· BRACKET	1				
11	0564631240	· UNIT ASSY, air conditioner	1				see page (5/7)
12	1501910303	· CONNECTOR	1				
14	1911502200	· ADAPTOR	1				
15	1911502100	· VALVE	1				
16	1911500500	· CLAMP	10				
17	1652241300	· BAND	2				
18	1100040816	· BOLT	10				
19	1140020008	· WASHER, spring	14				
20	1141110008	· WASHER	18				
21	0564631200	· CLAMP	1				
22	0564631210	· RUBBER	1				
23	0564631220	· URETHANE	1				
24	0097210300	· GUARD	1				
25	1911501890	· HOSE	1				sold by the meter
26	1911505615	· HOSE	1				sold by the meter
27	1911501820	· HOSE	1				sold by the meter
28	1531325040	· PROTECTOR	2				sold by the meter
30	1531325012	· PROTECTOR	1				sold by the meter
32	1140020006	· WASHER, spring	1				
34	1531325075	· PROTECTOR	1				sold by the meter
35	1531325050	· PROTECTOR	1				sold by the meter
37	1100040650	· BOLT	1				
39	1911506008	· VALVE, water	1				
52	0394617670	· PIPE	2				
53	1911501860	· HOSE	1				sold by the meter
54	1911505160	· HOSE	1				sold by the meter
57	1100040814	· BOLT	4				
58	1110040814	· SCREW, cap	4				
59	1140420008	· WASHER, spring	4				
	J3e111						

TB153FR (P-T153FBBB) Book No. BJ3Z003 S/N 15830001-
AIR CONDITIONER (4/7) (air conditioner unit; 15830001-15830064)



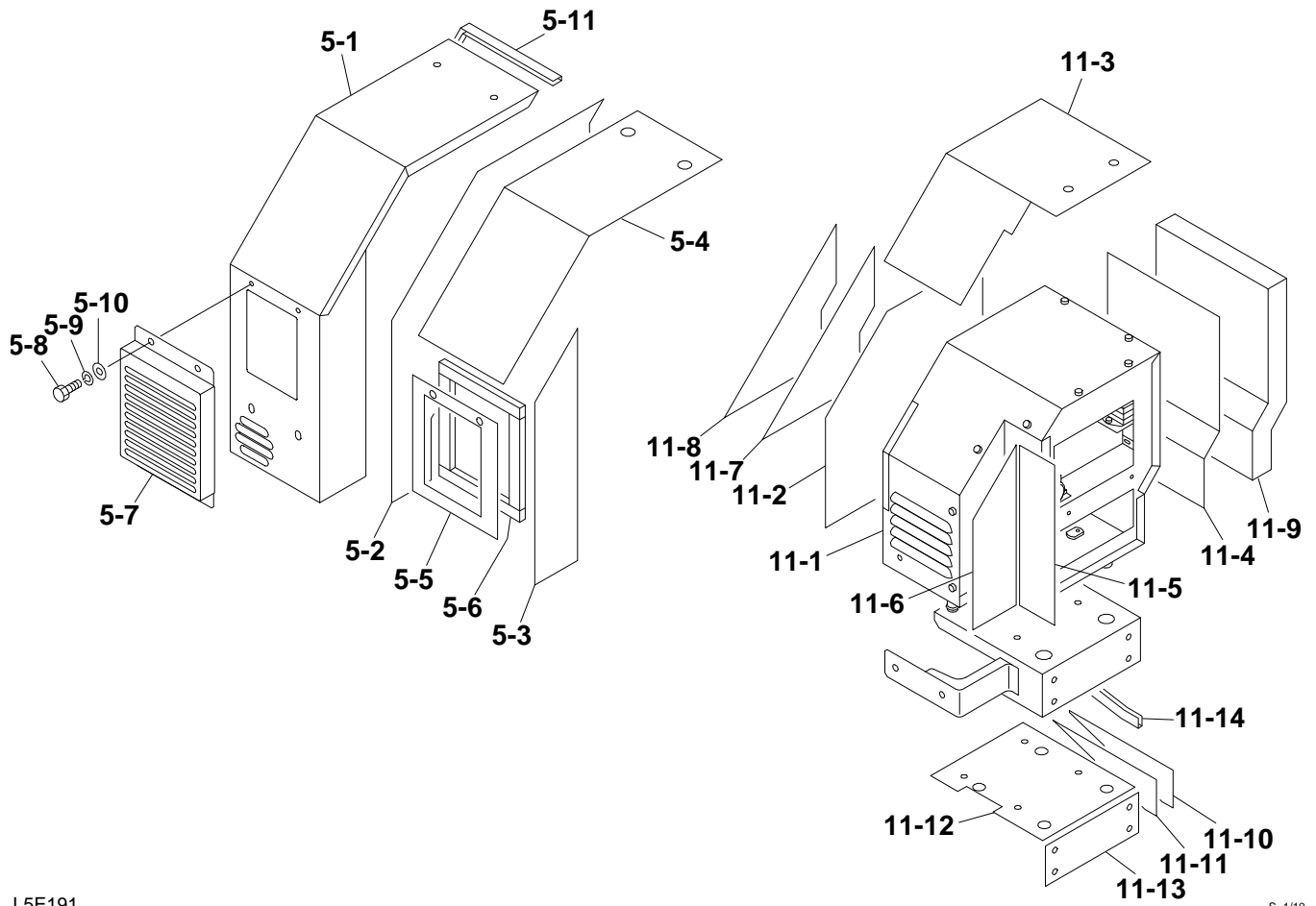
J3E120

S=1/12

AIR CONDITIONER (4/7) (air conditioner unit; 15830001-15830064)

Item	Part number	Description	Q'ty	Chan.	Serial No.	Serv.	Remarks
		CONDITIONER ASSY, air					
		CONDITIONER ASSY, air (with 3rd aux. line)					
0-3	X *****	UNIT ASSY	1				
1	0564532200	· BOX ASSY	1				
1-1	0564531870	· · BOX	1				
1-2	0564532210	· · SPONGE	1				
1-3	0564532220	· · SPONGE	1				
1-4	0564532230	· · SPONGE	1				
2	0564532300	· PLATE ASSY	1				
2-1	0564532310	· · PLATE	1				
2-2	0564532320	· · SPONGE	1				
2-3	0564532330	· · SPONGE	1				
2-4	0564532340	· · SPONGE	1				
8	0564631180	· COVER	1				
9	0564631300	· PLATE ASSY	1				
9-1	0564631310	· · PLATE	1				
9-2	0564631320	· · URETHANE	2				
10	1911509208	· PANEL ASSY, control	1				
10-1	1911509210	· · CONVERTER, cable control	1				
10-2	1911509220	· · CONVERTER, cable control	1				
10-3	1911505763	· · KNOB	3				
10-7	1911505767	· · SWTCH, air con.	1				
10-8	1911509280	· ROTARY SWITCH, 3-speed	1				
19	1140020008	· WASHER, spring	6				
20	1141110008	· WASHER	4				
31	1100040612	· BOLT	5				
32	1140020006	· WASHER, spring	8				
33	1141110006	· WASHER	7				
36	1130040006	· NUT	3				
38	1100040616	· BOLT	2				
40	1911509206	· MOTOR, blower	1				
41	0564631190	· FILTER	1				
42	1911505723	· LOUVER	2				
43	1911505722	· LOUVER	2				
44	1911509205	· HARNESS, wiring	1				
44-1	1911506041	· · RELAY	1				M
45	1652053200	· GROMMET	1				
46	1120590510	· SCREW	4				
47	1140090005	· WASHER, spring	4				
48	1141190005	· WASHER	4				
49	1120590610	· SCREW	3				
50	1140090006	· WASHER, spring	3				
51	1141190006	· WASHER	3				
55	1652053600	· GROMMET	1				
56	0564631256	· INSULATOR	1				
57	1100040814	· BOLT	6				
	J3e122						

**TB153FR (P-T153FBBB) Book No. BJ3Z003 S/N 15830001-
AIR CONDITIONER (5/7) (air conditioner unit; 15830001-15830064)**



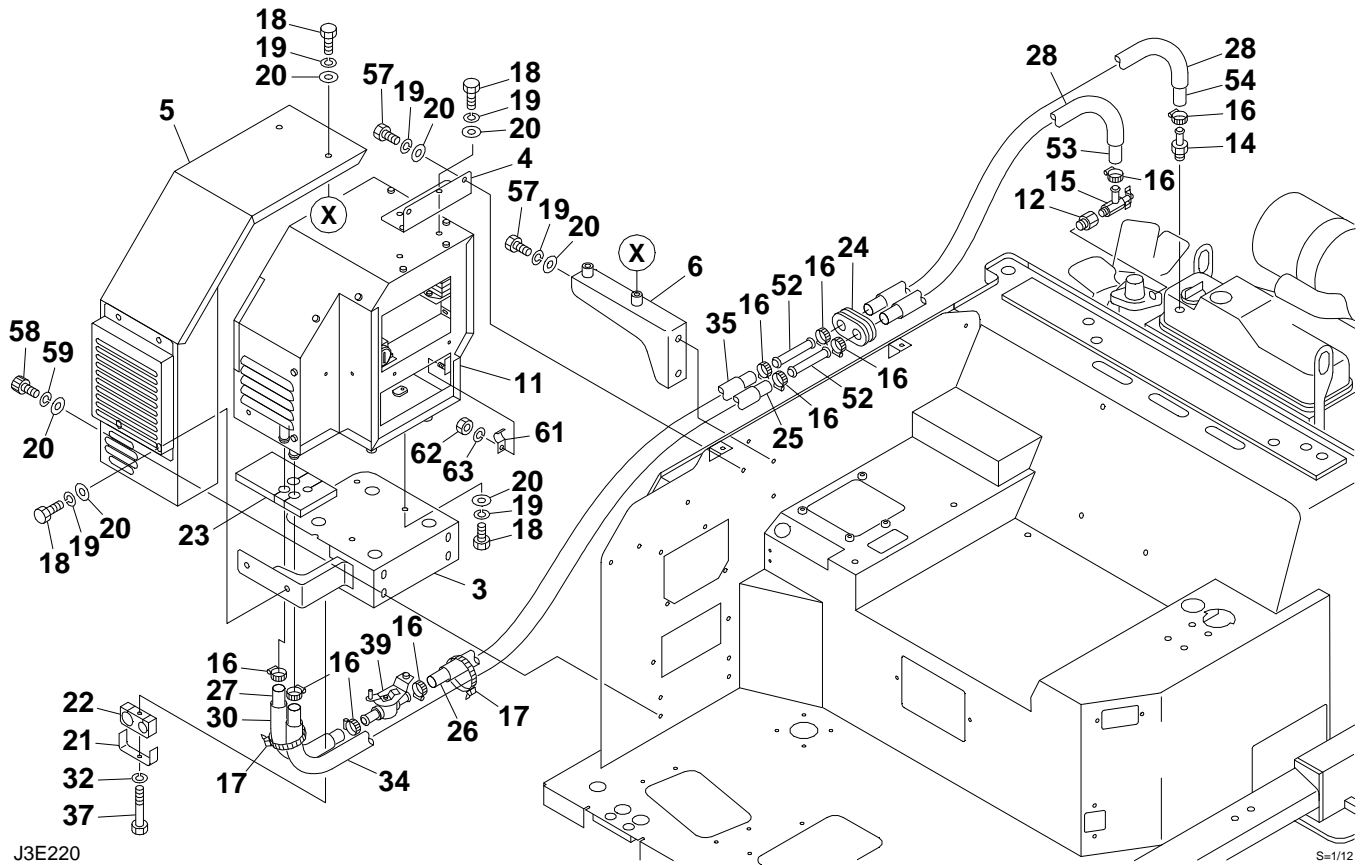
L5E191

S=1/10

AIR CONDITIONER (5/7) (air conditioner unit; 15830001-15830064)

Item	Part number	Description	Q'ty	Chan.	Serial No.	Serv.	Remarks
		CONDITIONER ASSY, air					
		CONDITIONER ASSY, air (with 3rd aux. line)					
0-3	X *****	UNIT ASSY	1				
5	0394617610	· COVER ASSY	1				
5-1	0394617660	· · COVER	1				
5-2	0394617611	· · INSULATOR	1				
5-3	0564631122	· · INSULATOR	1				
5-4	0564631123	· · INSULATOR	1				
5-5	0564631124	· · INSULATOR	1				
5-6	1654304017	· · SPONGE	4				sold by the meter
5-7	0564531820	· · COVER	1				
5-8	1100040816	· · BOLT	2				
5-9	1140020008	· · WASHER, spring	2				
5-10	1141110008	· · WASHER	2				
5-11	1654606036	· · RUBBER	1				sold by the meter
11	0564631240	· UNIT ASSY, air conditioner	1				
11-1	1911509230	· UNIT, air conditioner	1				see page (7/7)
11-2	0564631113	· · INSULATOR	1				
11-3	0564631102	· · INSULATOR	1				
11-4	0564631115	· · INSULATOR	1				
11-5	0564631116	· · INSULATOR	1				
11-6	0564631117	· · INSULATOR	1				
11-7	0564631106	· · INSULATOR	1				
11-8	0564631107	· · URETHANE	1				
11-9	0564631114	· · URETHANE	1				
11-10	0564631109	· · INSULATOR	1				
11-11	0564631110	· · INSULATOR	1				
11-12	0564631111	· · INSULATOR	1				
11-13	0564631112	· · INSULATOR	1				
11-14	1653916022	· · TRIM	1				sold by the meter
	J3e131						

TB153FR (P-T153FBBB) Book No. BJ3Z003 S/N 15830001-
AIR CONDITIONER (3/7) (air conditioner unit; 15830065-)

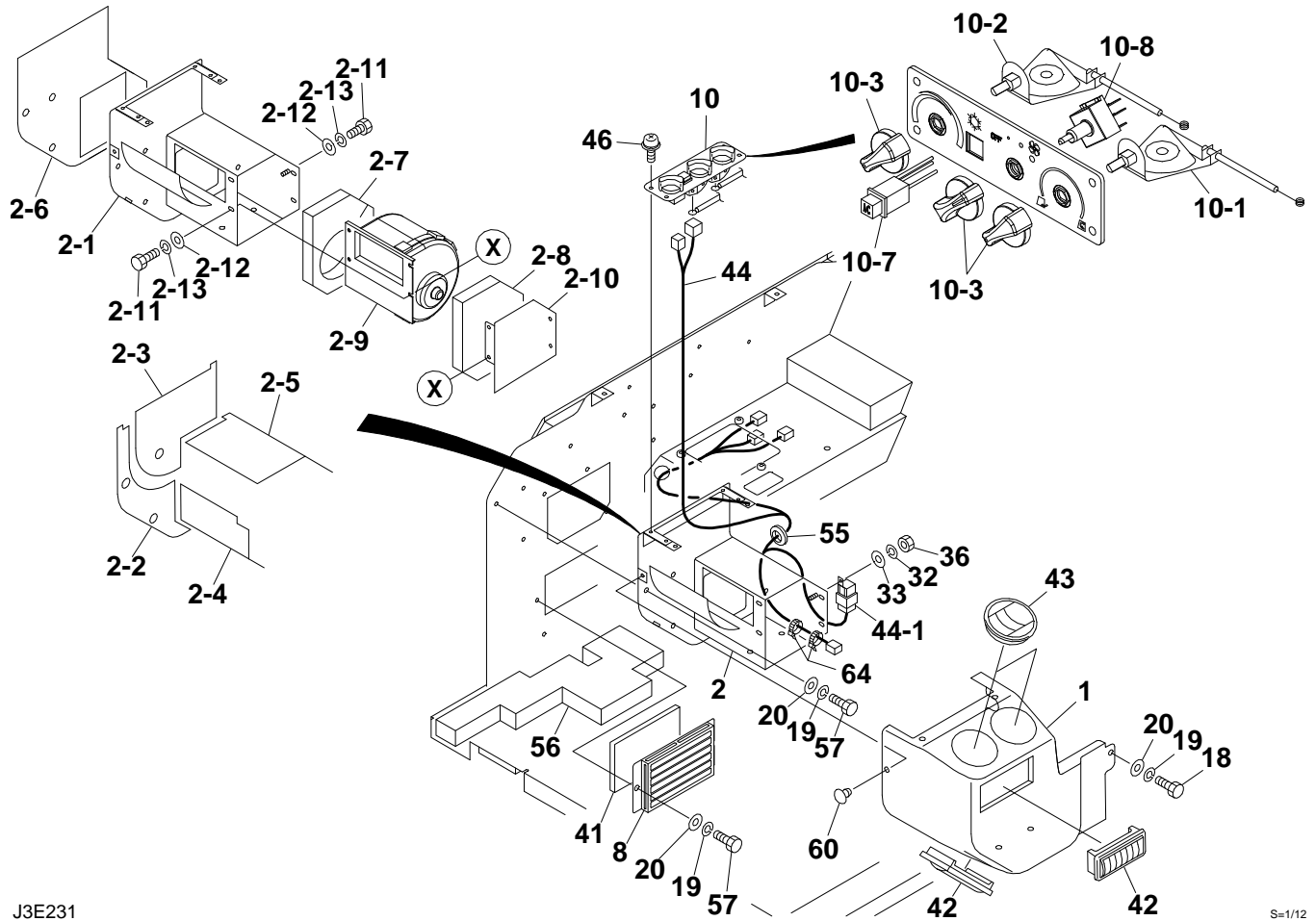


AIR CONDITIONER (3/7) (air conditioner unit; 15830065-)

Item	Part number	Description	Q'ty	Chan.	Serial No.	Serv.	Remarks
		CONDITIONER ASSY, air					
		CONDITIONER ASSY, air (with 3rd aux. line)					
0-3	X *****	UNIT ASSY	1				
3	0564531730	· BRACKET	1				
4	0564631230	· BRACKET	1				
5	0394617610	· COVER ASSY	1				see page (
6	0564630860	· BRACKET	1				
11	0564631240	· UNIT ASSY, air conditioner	1		15830065~15830619		see page (
	0394617940	· UNIT ASSY, air conditioner	1	(H)	15830620~	M	see page (
12	1501910303	· CONNECTOR	1				
14	1911502200	· ADAPTOR	1				
15	1911502100	· VALVE	1				
16	1911500500	· CLAMP	10				
17	1652241300	· BAND	2				
18	1100040816	· BOLT	10				
19	1140020008	· WASHER, spring	14				
20	1141110008	· WASHER	18				
21	0564631200	· CLAMP	1				
22	0564631210	· RUBBER	1				
23	0564631220	· URETHANE	1				
24	0097210300	· GUARD	1				
25	1911501890	· HOSE	1				sold by the
26	1911505165	· HOSE	1			M	sold by the
27	1911501820	· HOSE	1				sold by the
28	1531325040	· PROTECTOR	2				sold by the
30	1531325012	· PROTECTOR	1				sold by the
32	1140020006	· WASHER, spring	1				
34	1531325075	· PROTECTOR	1				sold by the
35	1531325050	· PROTECTOR	1				sold by the
37	1100040650	· BOLT	1				
39	1911506008	· VALVE, water	1				
52	0394617670	· PIPE	2				
53	1911501860	· HOSE	1				sold by the
54	1911505160	· HOSE	1				sold by the
57	1100040814	· BOLT	4				
58	1110040814	· SCREW, cap	4				
59	1140420008	· WASHER, spring	4				
61	0564612530	· CLAMP	1		15830620~	M	
62	1130040005	· NUT	1		15830620~		
63	1140020005	· WASHER, spring	1		15830620~		

J3e221

TB153FR (P-T153FBBB) Book No. BJ3Z003 S/N 15830001-
AIR CONDITIONER (4/7) (air conditioner unit; 15830065-)



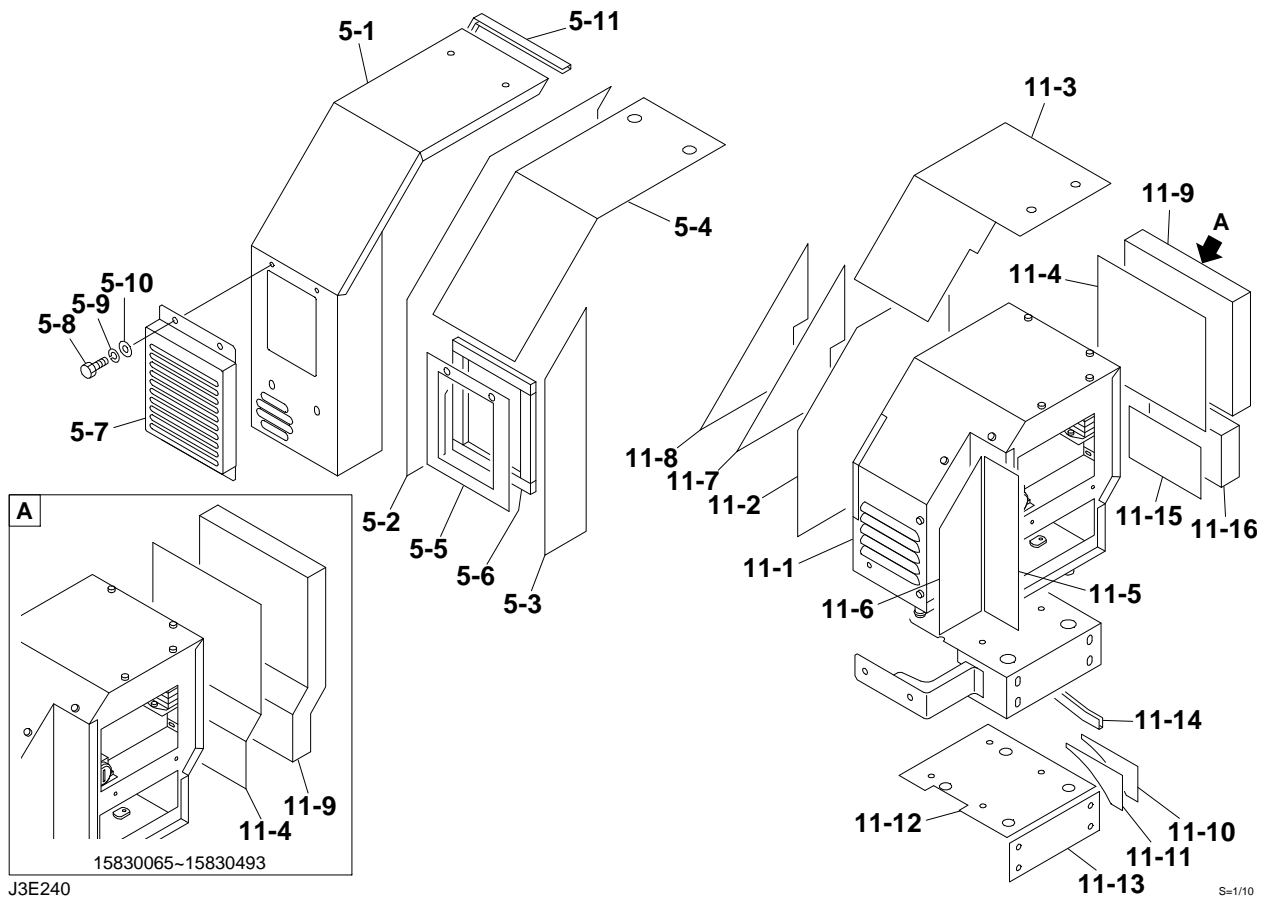
J3E231

S=1/12

AIR CONDITIONER (4/7) (air conditioner unit; 15830065-)

Item	Part number	Description	Q'ty	Chan.	Serial No.	Serv.	Remarks
		CONDITIONER ASSY, air					
		CONDITIONER ASSY, air (with 3rd aux. line)					
0-3	X *****	UNIT ASSY	1				
1	0564633600	· BOX ASSY	1				
2	0564633700	· PLATE ASSY	1				
2-1	0564633610	· · PLATE	1				
2-2	0564633710	· · SPONGE	1				
2-3	0564633720	· · SPONGE	1				
2-4	0564633730	· · SPONGE	1				
2-5	0564633740	· · SPONGE	1				
2-6	0564633750	· · SPONGE	1				
2-7	0564633760	· · SPONGE	1		15830620~		M
2-8	0564633770	· · SPONGE	1		15830620~		M
2-9	1911509206	· · MOTOR, blower	1				
2-10	0564633670	· · COVER	1				
2-11	1100040616	· · BOLT	4				
2-12	1141110006	· · WASHER	4				
2-13	1140020006	· · WASHER, spring	4				
8	0564633660	· COVER	1				
10	1911509208	· PANEL ASSY, control	1				
10-1	1911509210	· · CONVERTER, cable control	1				
10-2	1911509220	· · CONVERTER, cable control	1				
10-3	1911505763	· · KNOB	3				
10-7	1911505767	· · SWTCH, air con.	1				
10-8	1911509280	· · ROTARY SWITCH, 3-speed	1				
18	1100040816	· BOLT	1				
19	1140020008	· WASHER, spring	7				
20	1141110008	· WASHER	7				
32	1140020006	· WASHER, spring	1				
33	1141110006	· WASHER	1				
36	1130040006	· NUT	1				
41	0564633665	· FILTER	1				
42	1911505723	· LOUVER	2				
43	1911505722	· LOUVER	2				
44	1911509205	· HARNESS, wiring	1				
44-1	1911506041	· · RELAY	1				M
46	1150420510	· SCREW, sems	4				
55	1652053600	· GROMMET	1		15830065~15830619		
56	0564631256	· INSULATOR	1				
57	1100040814	· BOLT	6				
60	1652900015	· RIVET	6				
64	1652201004	· BAND	2				
	J3e231						

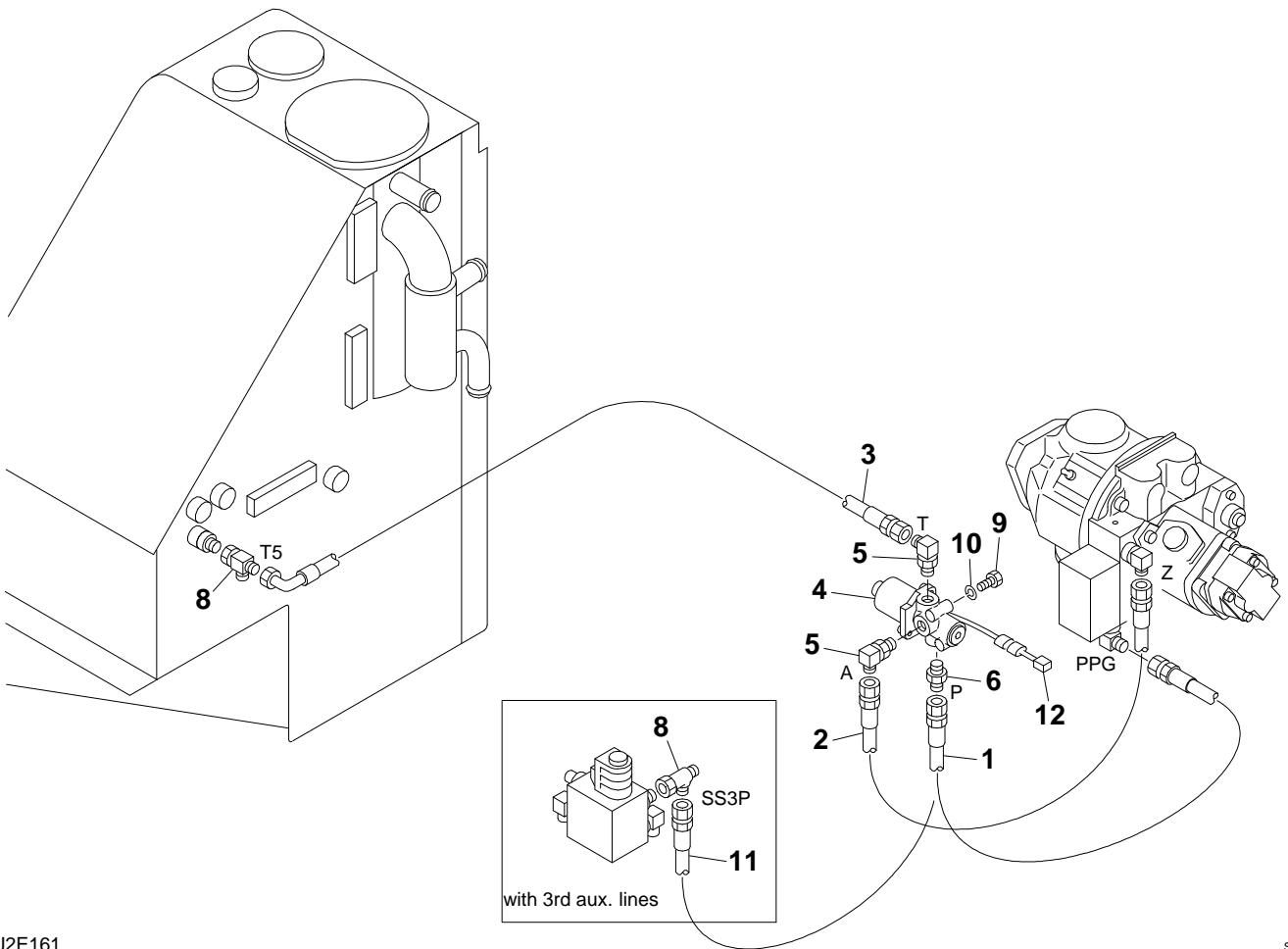
TB153FR (P-T153FBBB) Book No. BJ3Z003 S/N 15830001-
AIR CONDITIONER (5/7) (air conditioner unit; 15830065-)



AIR CONDITIONER (5/7) (air conditioner unit; 15830065-)

Item	Part number	Description	Q'ty	Chan.	Serial No.	Serv.	Rem:
		CONDITIONER ASSY, air					
		CONDITIONER ASSY, air (with 3rd aux. line)					
0-3	X *****	UNIT ASSY	1				
5	0394617610	· COVER ASSY	1				
5-1	0394617660	· · COVER	1				
5-2	0394617611	· · INSULATOR	1				
5-3	0564631122	· · INSULATOR	1				
5-4	0564631123	· · INSULATOR	1				
5-5	0564631124	· · INSULATOR	1				
5-6	1654304017	· · SPONGE	4				sold by th
5-7	0564531820	· · COVER	1				
5-8	1100040816	· · BOLT	2				
5-9	1140020008	· · WASHER, spring	2				
5-10	1141110008	· · WASHER	2				
5-11	1654606036	· · RUBBER	1				sold by th
11	0564631240	· UNIT ASSY, air conditioner	1		15830065~15830619		
	0394617940	· UNIT ASSY, air conditioner	1	(H)	15830620~	M	
11-1	1911509230	· UNIT, air conditioner	1				see page
11-2	0564631113	· · INSULATOR	1				
11-3	0564631102	· · INSULATOR	1				
11-4	0564631115	· · URETHANE	1		15830065~15830493		
	0564631241	· · INSULATOR	1		15830494~	M	
11-5	0564631116	· · INSULATOR	1				
11-6	0564631117	· · INSULATOR	1				
11-7	0564631106	· · INSULATOR	1				
11-8	0564631107	· · URETHANE	1				
11-9	0564631114	· · URETHANE	1		15830065~15830493		
	0564631243	· · URETHANE	1		15830494~	M	
11-10	0564631109	· · INSULATOR	1		15830065~15830619		
	0394617941	· · INSULATOR	1		15830620~	M	
11-11	0564631110	· · INSULATOR	1		15830065~15830619		
	0394617942	· · INSULATOR	1		15830620~	M	
11-12	0564631111	· · INSULATOR	1				
11-13	0564631112	· · INSULATOR	1				
11-14	1653916022	· · TRIM	1		15830065~15830619		sold by th
	1653916018	· · TRIM	1		15830620~	M	sold by th
11-15	0564631242	· · INSULATOR	1		15830494~	M	
11-16	0564631244	· · URETHANE	1		15830494~	M	
	J3e241						

**TB153FR (P-T153FBBB) Book No. BJ3Z003 S/N 15830001-
AIR CONDITIONER (6/7) (air conditioner solenoid)**



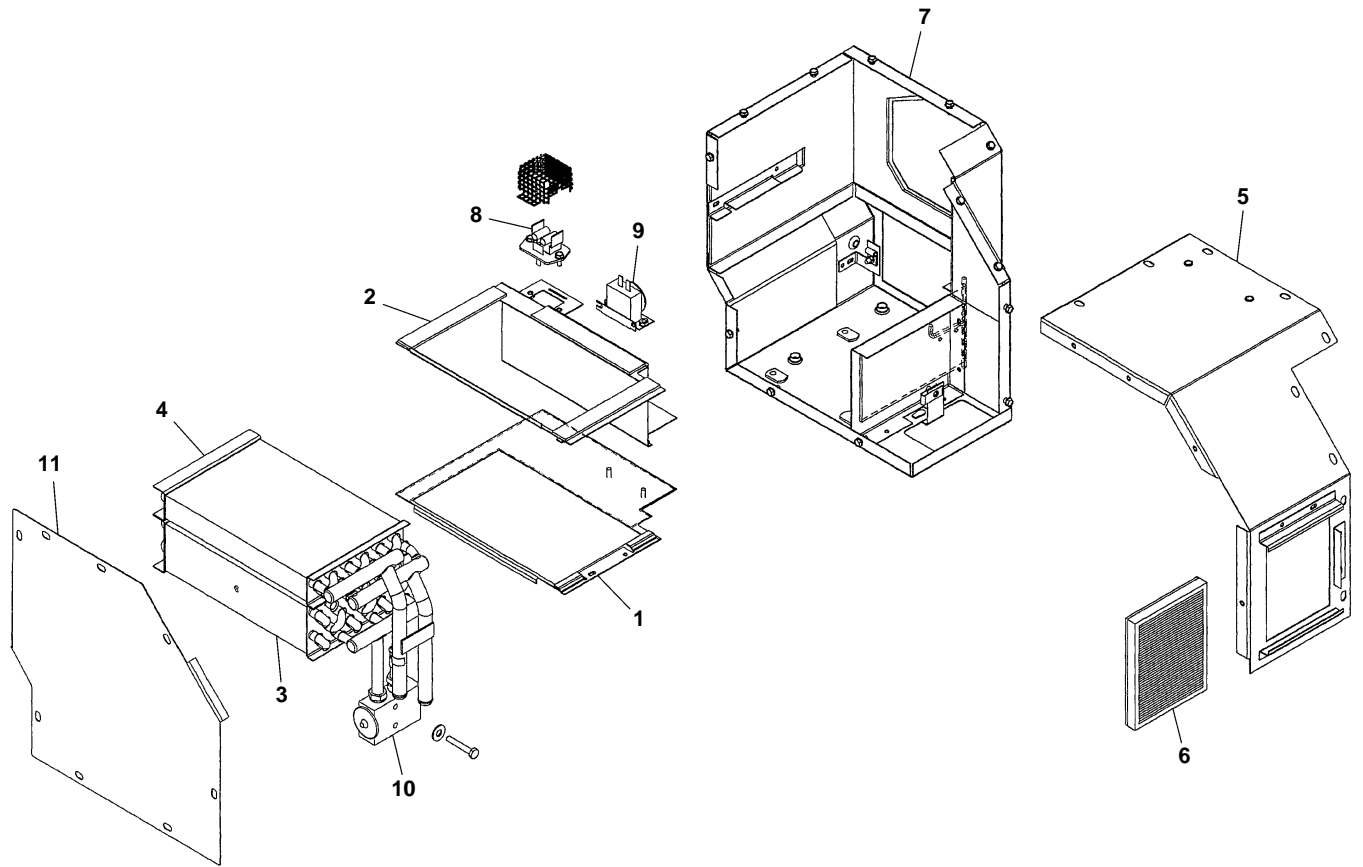
J2E161

S=1/8

AIR CONDITIONER (6/7) (air conditiner solenoid)

Item	Part number	Description	Q'ty	Chan.	Serial No.	Serv.	Remarks
		CONDITIONER ASSY, air					
		CONDITIONER ASSY, air (with 3rd aux. line)					
0-4	X *****	SOLENOID ASSY, air conditioner	1				
	X *****	SOLENOID ASSY, air conditioner (with 3rd aux. line)	1				
1	0394617410	· HOSE ASSY (18010-22065)	1				without 3rd au:
2	0394617420	· HOSE ASSY	1				18010-22070
3	0394617430	· HOSE ASSY	1				18010-52155
4	1901746600	· VALVE, solenoid	1				
5	1515012040	· ELBOW	2				
	1420010110	· · O-RING	1				
6	1515600200	· ADAPTOR	1				
	1515600200	· ADAPTOR	2				with 3rd aux. li
	1420010110	· · O-RING	1				
8	1513390015	· TEE	1				
	1513390015	· TEE	2				with 3rd aux. li
9	1100040616	· BOLT	2				
10	1140020006	· WASHER, spring	2				
11	0394617440	· HOSE ASSY (18010-22047)	1				with 3rd aux. li
12	0564630901	· HARNESS	1				
	J3e141						

TB153FR (P-T153FBBB) Book No. BJ3Z003 S/N 15830001-
AIR CONDITIONER (7/7)



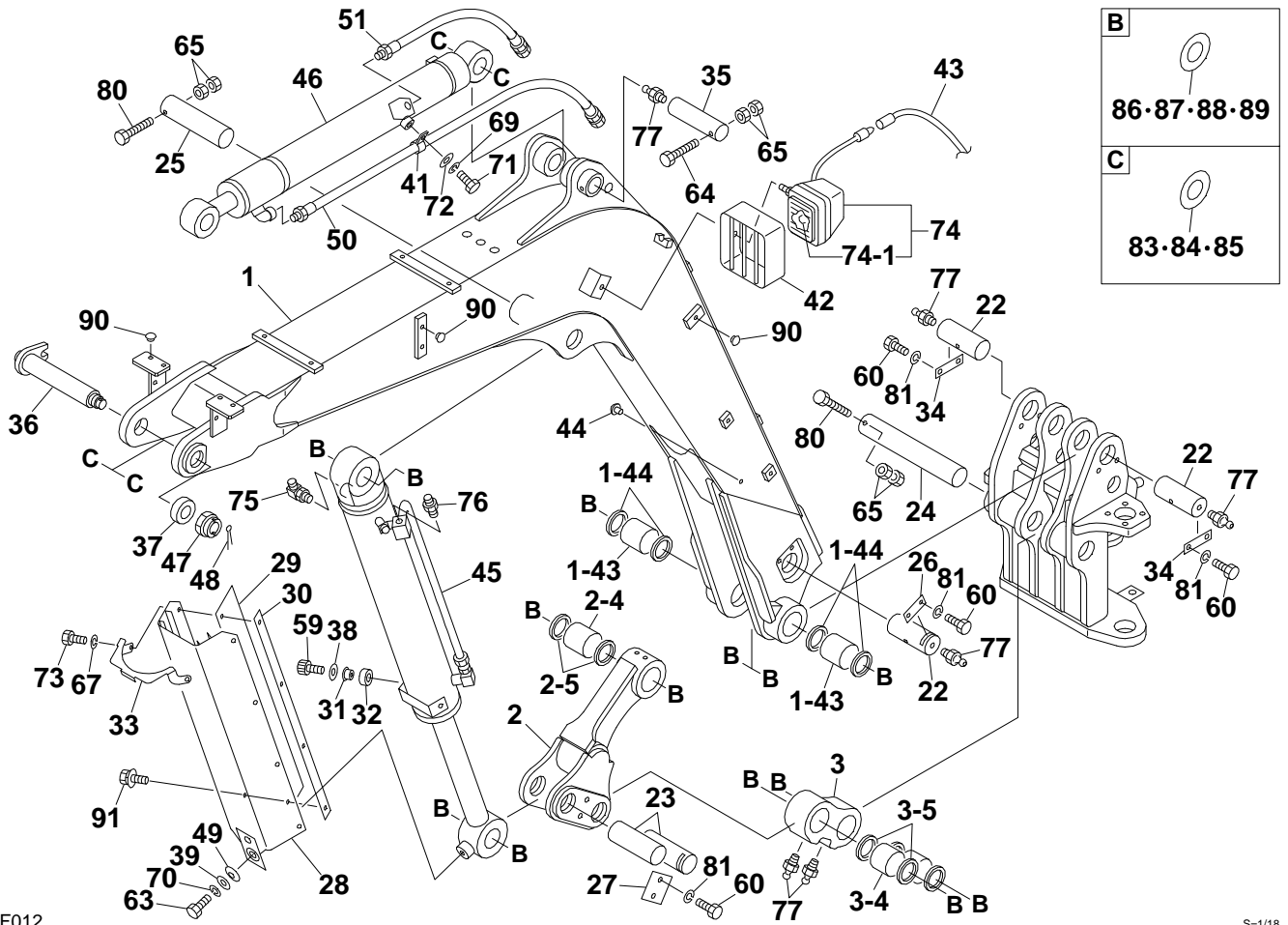
L5E230

S=free

AIR CONDITIONER (7/7)

Item	Part number	Description	Q'ty	Chan.	Serial No.	Serv.	Remarks
0	1911509230	UNIT, air conditioner	1				
1	1911509231	· COVER	1				
2	1911509232	· COVER	1				
3	1911509233	· CORE, evaporator	1				
4	1911509234	· CORE, heater	1				
5	1911509235	· COVER	1				
6	1911509413	· FILTER	1				
7	1911509236	· HOUSING	1				
8	1911506343	· RESISTOR	1				
9	1911505421	· THERMOSTAT	1				
10	1911505422	· VALVE, expansion	1				
11	1911509411	· COVER	1				
	L5e231						

**TB153FR (P-T153FBBB) Book No. BJ3Z003 S/N 15830001-
BOOM (1/2)**



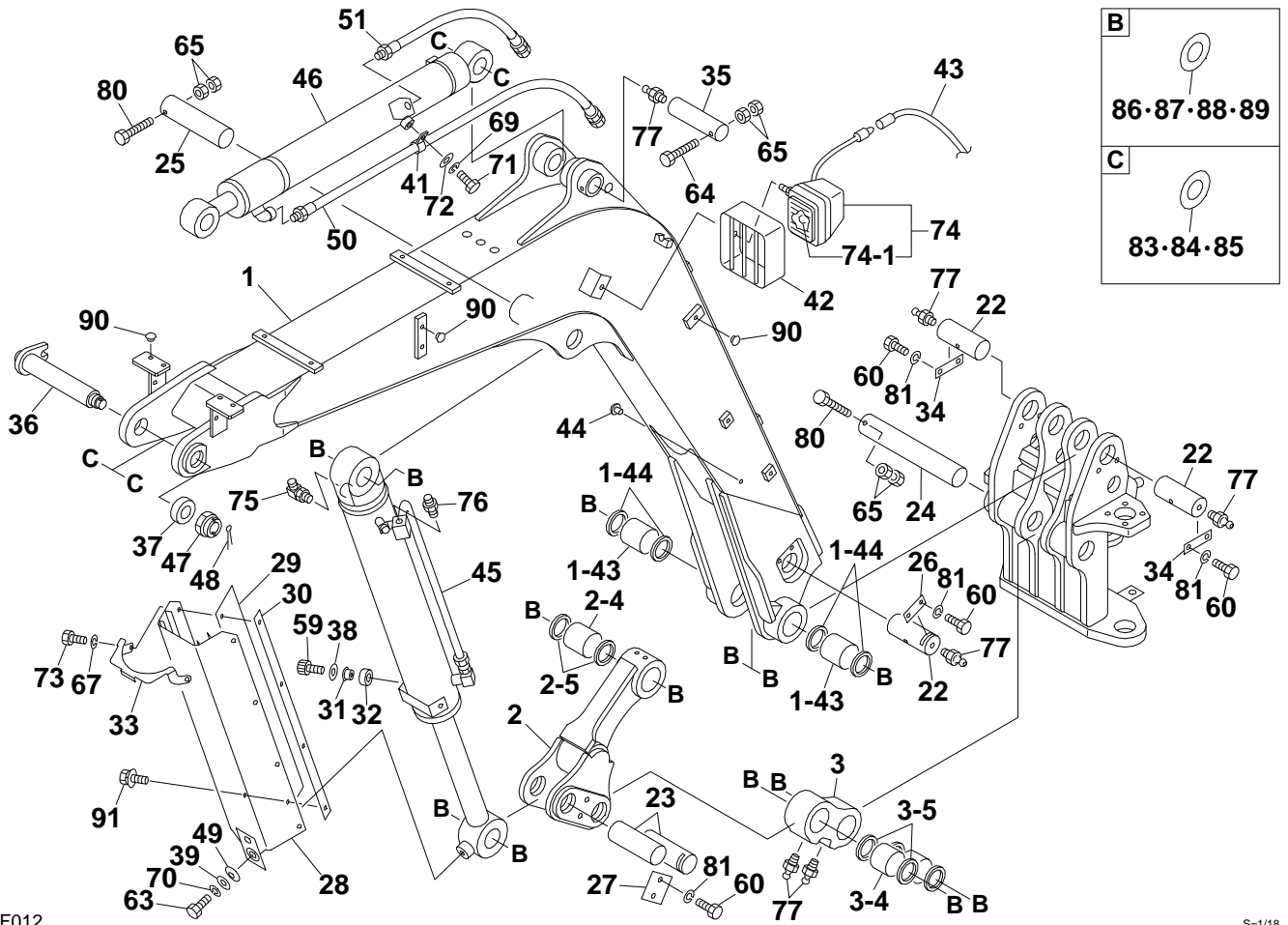
J2F012

S=1/18

BOOM (1/2)

Item	Part number	Description	Q'ty	Chan.	Serial No.	Serv.	Remarks
		BOOM ASSY	1				
1	0396016200	BOOM	1				
1-43	0396011350	· BUSHING	2				
1-44	1432200060	· SEAL, dust	4				
2	0396015220	LINK ASSY, boom	1				
2-4	0396011350	· BUSHING	1				
2-5	1432200060	· SEAL, dust	2				
3	0396015280	LINK	1				
3-4	0396015574	· BUSHING	2				
3-5	1432200060	· SEAL, dust	4				
22	0396011600	PIN	3				
23	0396007610	PIN	2				
24	0011507355	PIN	1				
25	0011507215	PIN	1				
26	0396012330	PLATE	1				
27	0396007650	PLATE	1				
28	0396015700	PROTECTOR	1				
29	0396007710	RUBBER	2				
30	0396007720	PLATE	2				
31	0396011710	COLLAR	2				
32	1300206003	BEARING	2				
33	0396011750	COVER	1				
34	0393109400	PLATE	2				
35	0001675001	PIN	1				
36	0011905003	PIN	1				
37	0003900019	WASHER	1				
38	0003600079	WASHER	2				
39	0003600024	WASHER	1				
41	0007300051	CLAMP	1				
42	0056031510	PROTECTOR	1				
43	0434200600	WIRE	1				
44	1652533016	CAP	1				
45	1900092200	CYLINDER, boom	1				
46	1900087900	CYLINDER, arm	1				
47	1132630039	NUT	1				
48	1210010670	PIN, split	1				
49	1225120022	WASHER, conical	1				
50	0396011800	HOSE ASSY	1				
51	0396012320	HOSE ASSY	1				
59	1110040812	SCREW, cap	2				
60	1101041425	BOLT	8				
63	1101041225	BOLT	1				
64	1103041295	BOLT	1				
65	1130240012	NUT	6				
67	1140020006	WASHER, spring	2				
69	1140020010	WASHER, spring	1				
70	1140020012	WASHER, spring	1				
71	1100041016	BOLT	1				
72	1141110010	WASHER	1				
73	1100040620	BOLT	2				
74	1703006100	LAMP ASSY	1				
74-1	1703006106	· BULB	1				
75	1515010042	ELBOW	1				
	1420010180	· O-RING	1				
76	1515600202	ADAPTOR	1				
	1420010180	· O-RING	1				
77	1560001000	FITTING, grease	6				
80	1103141205	BOLT	2				
81	1140020014	WASHER, spring	8				
83	0003600154	SHIM	AR				t=1.0mm
84	0003600061	SHIM	AR				t=0.5mm

**TB153FR (P-T153FBBB) Book No. BJ3Z003 S/N 15830001-
BOOM (1/2)**



J2F012

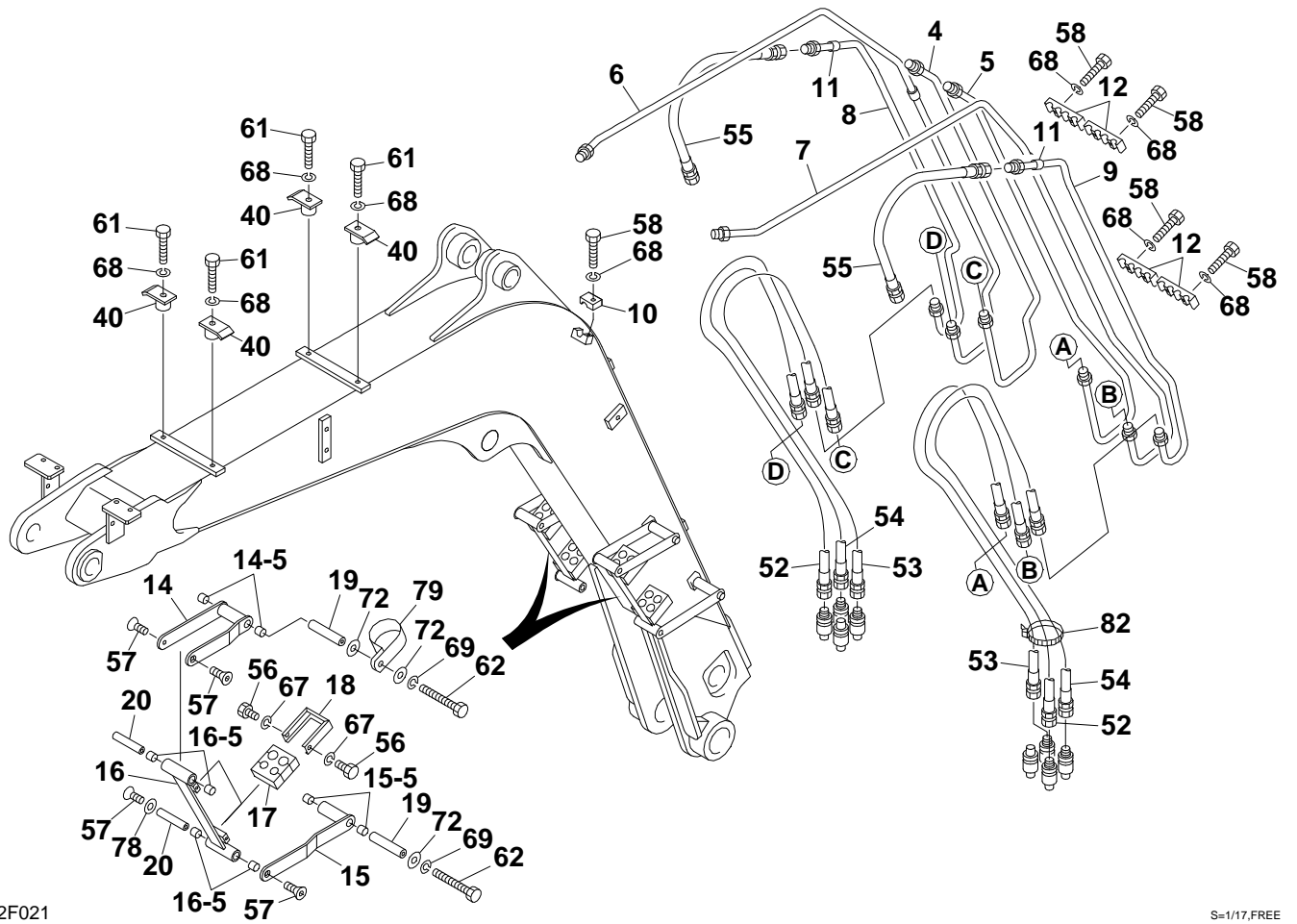
S=1/18

BOOM (1/2)

Item	Part number	Description	Q'ty	Chan.	Serial No.	Serv.	Remarks
85	0003600060	SHIM	AR				t=0.2mm
86	0003600157	SHIM	AR				t=1.0mm
87	0003600095	SHIM	AR				t=0.5mm
88	0003600094	SHIM	AR				t=0.2mm
89	0003600124	SHIM	AR				
90	1652533016	CAP	12				
91	1100560616	BOLT	6				

J3f012

TB153FR (P-T153FBBB) Book No. BJ3Z003 S/N 15830001-
BOOM (2/2)

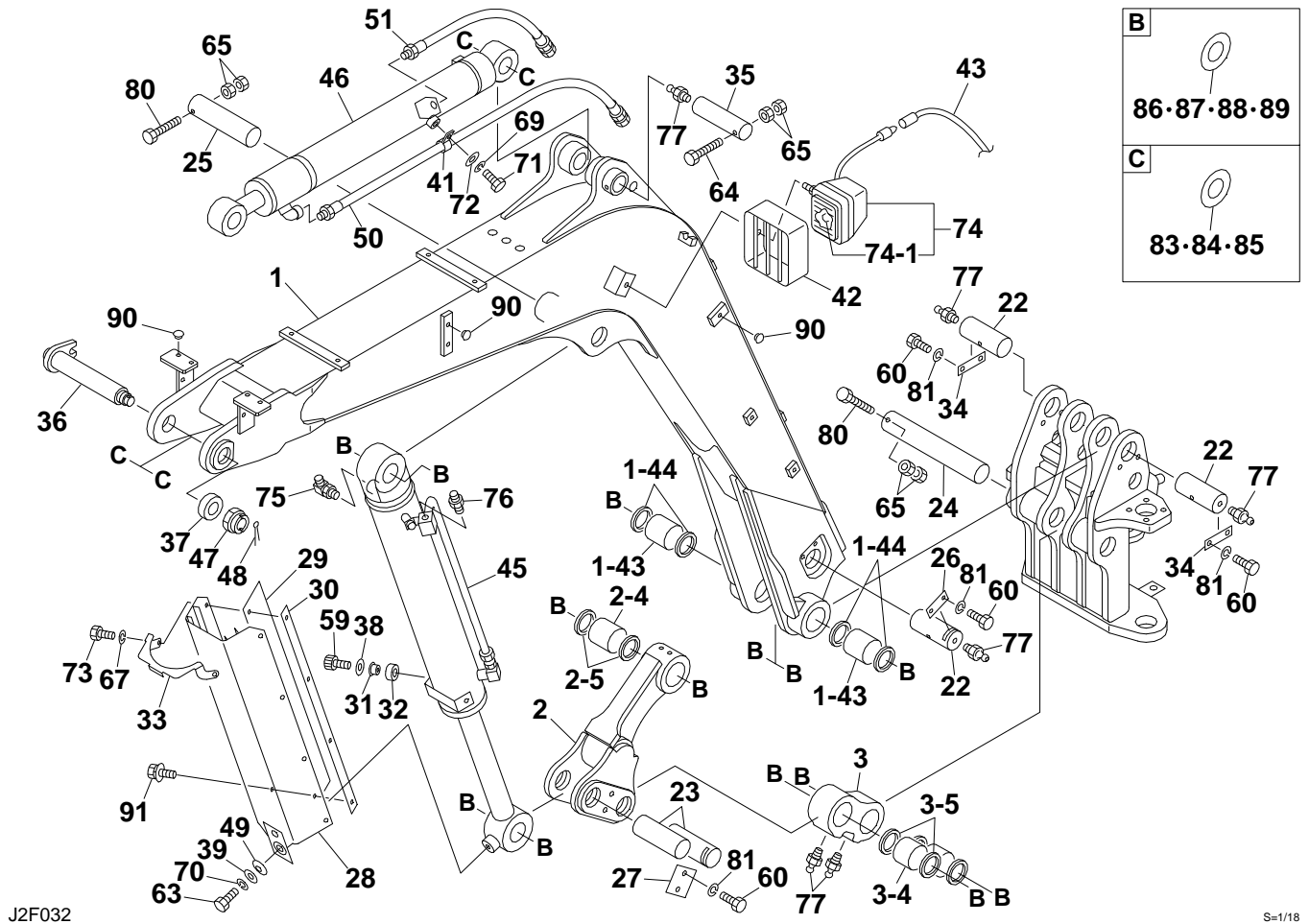


BOOM (2/2)

Item	Part number	Description	Q'ty	Chan.	Serial No.	Serv.	Remarks
		BOOM ASSY	1				
4	0396015230	PIPE (R.H.)	1				
5	0396015240	PIPE	1				
6	0396015290	PIPE (R.H.)	1				
7	0396015310	PIPE (L.H.)	1				
8	0396014310	PIPE (R.H.)	1				
9	0396014320	PIPE (L.H.)	1				
10	0447310602	CLAMP	2				
11	1531419003	PROTECTOR	2				sold by the meter
12	0396007480	CLAMP	4				
14	0397310450	ARM	2				
14-5	1333001515	· BUSHING	4				
15	0397310470	ARM	2				
15-5	1333001515	· BUSHING	4				
16	0397310550	LINK, hose	2				
16-5	1333001515	· BUSHING	8				
17	0396011560	RUBBER	4				
18	0396011570	HOLDER	4				
19	0396007560	SHAFT	4				
20	0397310570	SHAFT	4				
40	0396015270	CLAMP	4				
52	0396016610	HOSE ASSY	2				18015-40200
53	0396016620	HOSE ASSY	2				18015-40180
54	0396016630	HOSE ASSY	2				18015-10195
55	0396014330	HOSE ASSY	2				
56	1100040616	BOLT	8				
57	1120800816	SCREW	8				
58	1100040835	BOLT	10				
61	1100040830	BOLT	4				
62	1100141000	BOLT	4				
67	1140020006	WASHER, spring	8				
68	1140020008	WASHER, spring	14				
69	1140020010	WASHER, spring	4				
72	1141110010	WASHER	6				
78	0356015500	WASHER	2				
79	0007300061	CLAMP	2				
82	1652201008	BAND	1				

J3f022

**TB153FR (P-T153FBBB) Book No. BJ3Z003 S/N 15830001-
BOOM (1/2) (with emergency shut-off valve)**



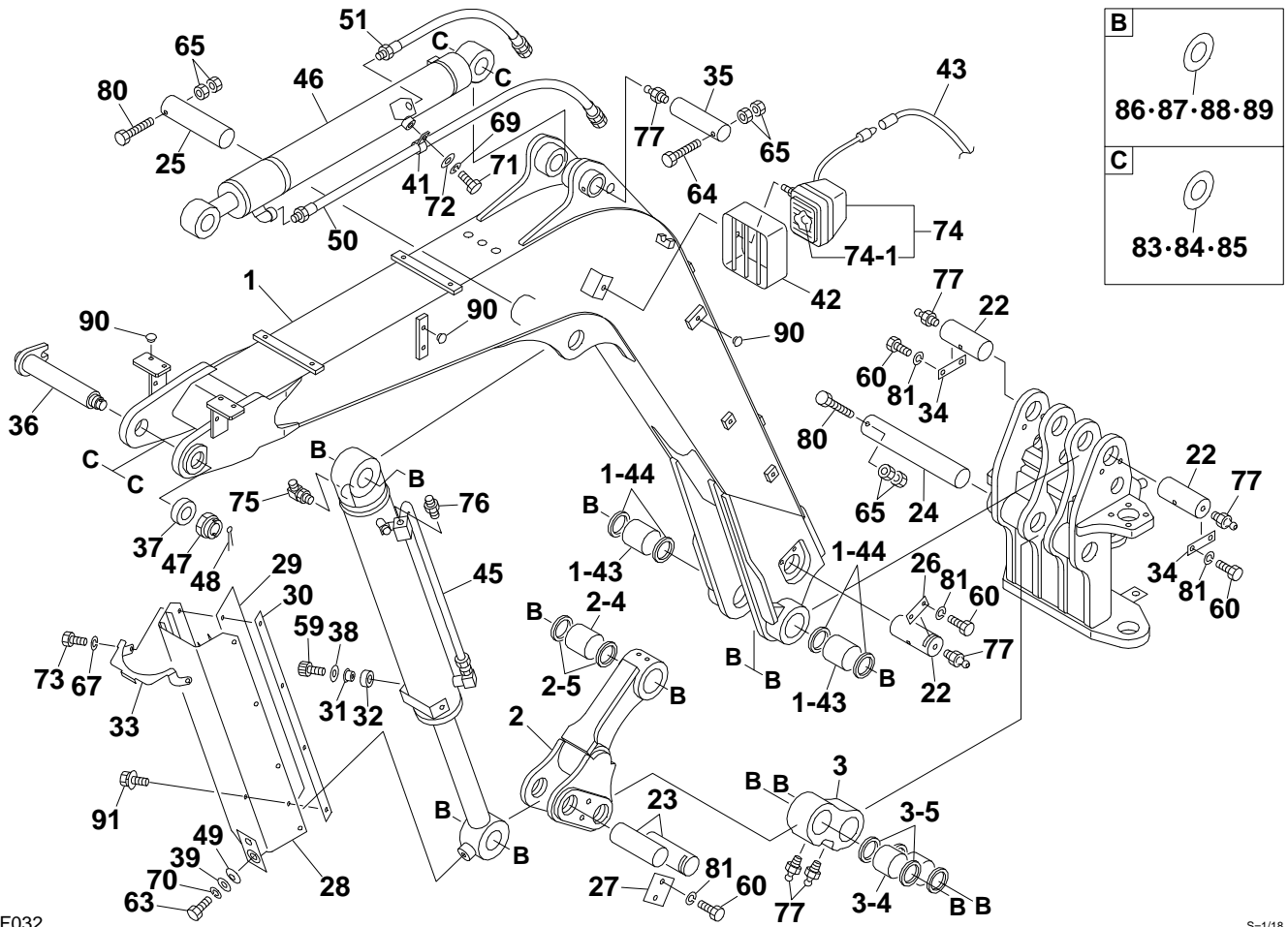
J2F032

S=1/18

BOOM (1/2) (with emergency shut-off valve)

Item	Part number	Description	Q'ty	Chan.	Serial No.	Serv.	Remarks
		BOOM ASSY (with boom shut-off valve)					
		BOOM ASSY (with boom & arm shut-off valve)	1				
1	0396016200	BOOM	1				
1-43	0396011350	· BUSHING	2				
1-44	1432200060	· SEAL, dust	4				
2	0396015220	LINK ASSY, boom	1				casting
2-4	0396011350	· BUSHING	1				
2-5	1432200060	· SEAL, dust	2				
3	0396015280	LINK	1				casting
3-4	0396015574	· BUSHING	2				
3-5	1432200060	· SEAL, dust	4				
22	0396011600	PIN	3				
23	0396007610	PIN	2				
24	0011507355	PIN	1				
25	0011507215	PIN	1				
26	0396012330	PLATE	1				
27	0396007650	PLATE	1				
28	0396015700	PROTECTOR	1				
29	0396007710	RUBBER	2				
30	0396007720	PLATE	2				
31	0396011710	COLLAR	2				
32	1300206003	BEARING	2				
33	0396011750	COVER	1				
34	0393109400	PLATE	2				
35	0001675001	PIN	1				
36	0011905003	PIN	1				
37	0003900019	WASHER	1				
38	0003600079	WASHER	2				
39	0003600024	WASHER	1				
41	0007300051	CLAMP	1				with boom shut-off valv
42	0056031510	PROTECTOR	1				
43	0434200600	WIRE	1				
45	1900092200	CYLINDER, boom	1				
46	1900087900	CYLINDER, arm	1				
47	1132630039	NUT	1				
48	1210010670	PIN, split	1				
49	1225120022	WASHER, conical	1				
50	0396011800	HOSE ASSY	1				with boom shut-off valv
51	0396012320	HOSE ASSY	1				
59	1110040812	SCREW, cap	2				
60	1101041425	BOLT	8				
63	1101041225	BOLT	1				
64	1103041295	BOLT	1				
65	1130240012	NUT	6				
67	1140020006	WASHER, spring	2				
69	1140020010	WASHER, spring	1				with boom shut-off valv
70	1140020012	WASHER, spring	1				
71	1100041016	BOLT	1				with boom shut-off valv
72	1141110010	WASHER	1				with boom shut-off valv
73	1100040620	BOLT	2				
74	1703006100	LAMP ASSY	1				
74-1	1703006106	· BULB	1				
75	1515010042	ELBOW	1				
	1420010180	· O-RING	1				
76	1515600202	ADAPTOR	1				
	1420010180	· O-RING	1				
77	1560001000	FITTING, grease	6				
80	1103141205	BOLT	2				
81	1140020014	WASHER, spring	8				
83	0003600154	SHIM	AR				t=1.0mm
84	0003600061	SHIM	AR				t=0.5mm

**TB153FR (P-T153FBBB) Book No. BJ3Z003 S/N 15830001-
BOOM (1/2) (with emergency shut-off valve)**



J2F032

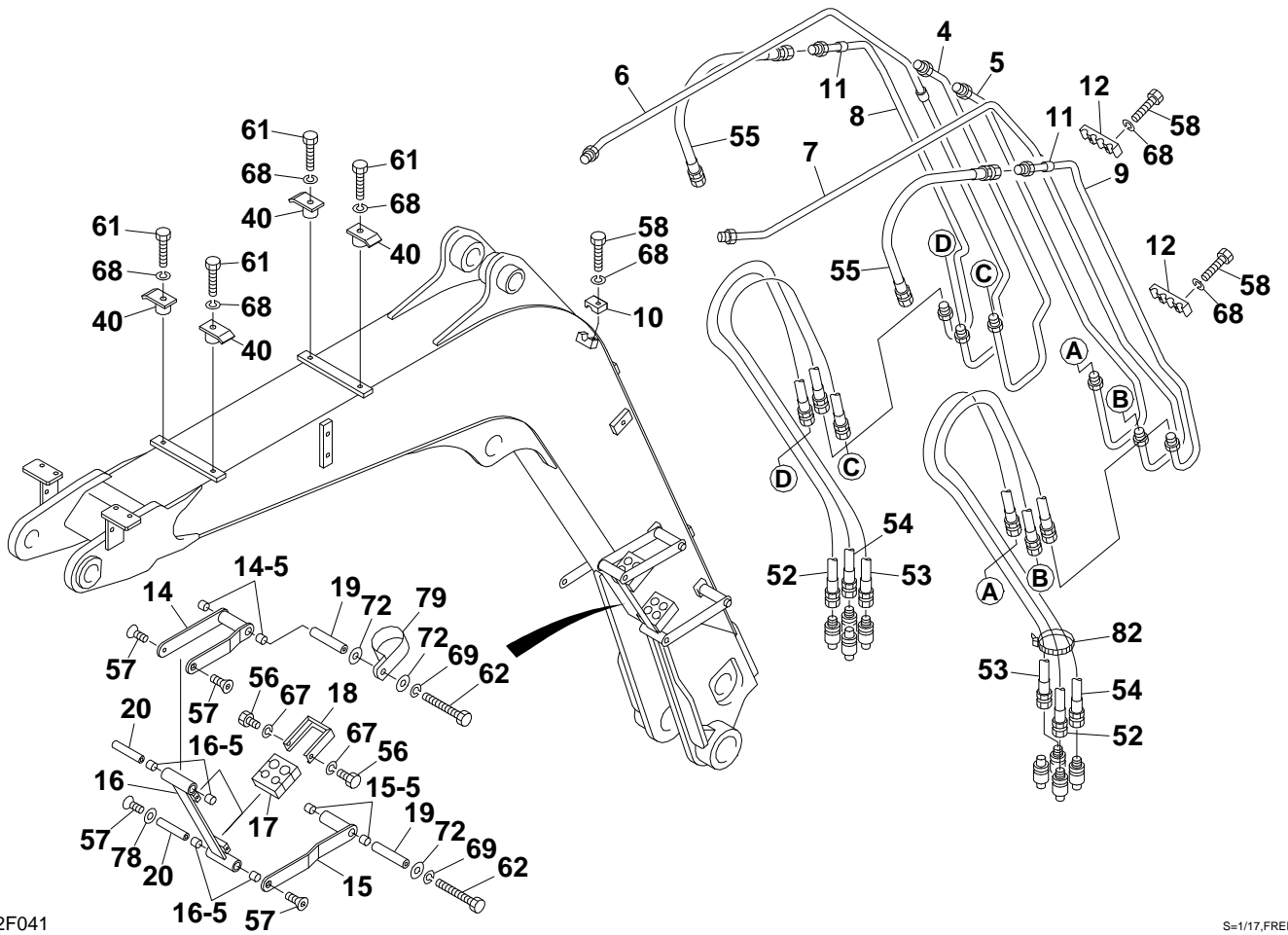
S=1/18

BOOM (1/2) (with emergency shut-off valve)

Item	Part number	Description	Q'ty	Chan.	Serial No.	Serv.	Remarks
85	0003600060	SHIM	AR				t=0.2mm
86	0003600157	SHIM	AR				t=1.0mm
87	0003600095	SHIM	AR				t=0.5mm
88	0003600094	SHIM	AR				t=0.2mm
89	0003600124	SHIM	AR				
90	1652533016	CAP	12				
91	1100560616	BOLT	6				

J3f032

TB153FR (P-T153FBBB) Book No. BJ3Z003 S/N 15830001-
BOOM (2/2) (with emergency shut-off valve)



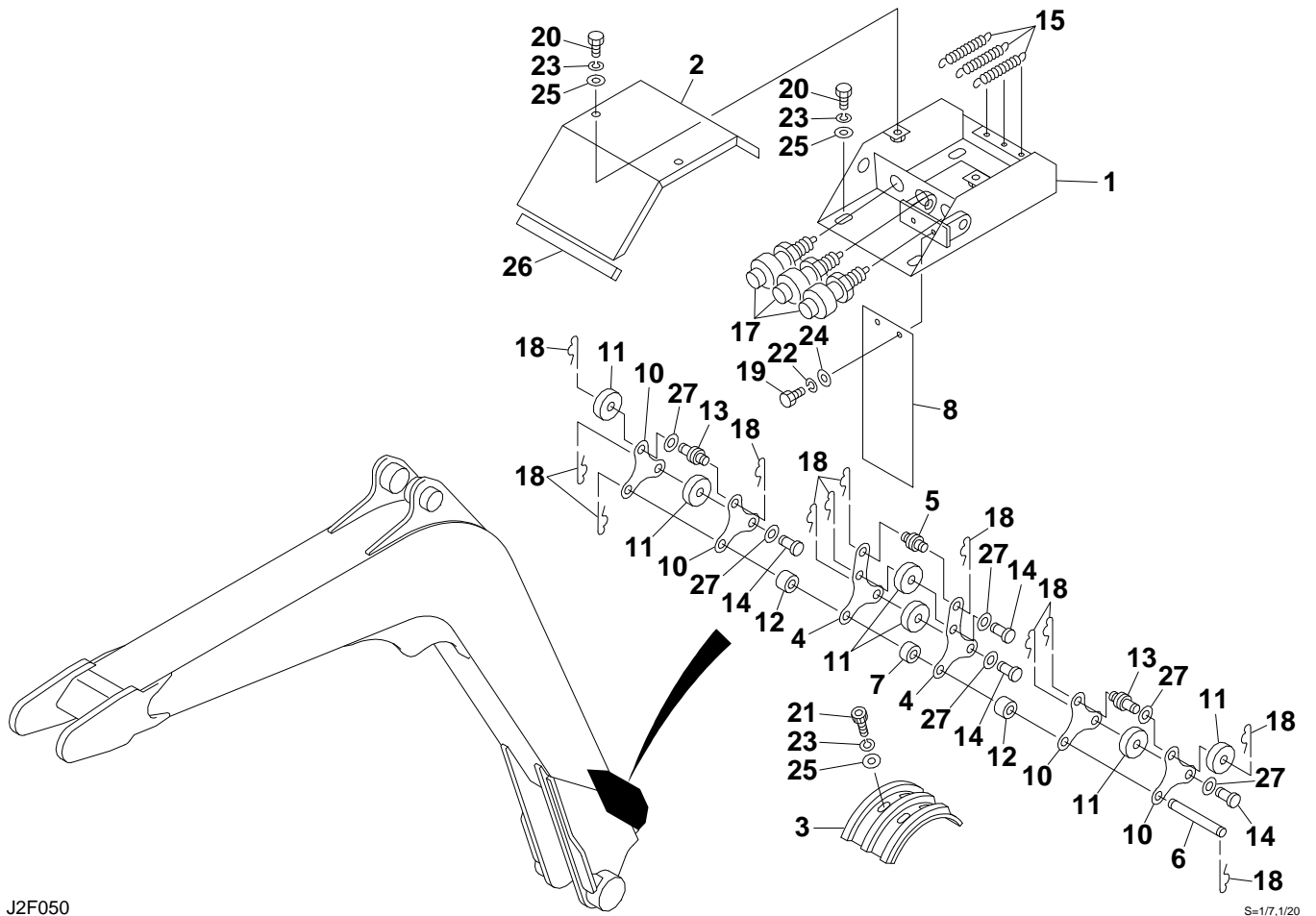
J2F041

S=1/17,FREE

BOOM (2/2) (with emergency shut-off valve)

Item	Part number	Description	Q'ty	Chan.	Serial No.	Serv.	Remarks
		BOOM ASSY (with boom shut-off valve)	1				
		BOOM ASSY (with boom & arm shut-off valve)					
4	0396015230	PIPE (R.H.)	1				
5	0396015240	PIPE	1				
6	0396015290	PIPE (R.H.)	1				
7	0396015310	PIPE (L.H.)	1				
8	0396014310	PIPE (R.H.)	1				
9	0396014320	PIPE (L.H.)	1				
10	0447310602	CLAMP	2				
11	1531419003	PROTECTOR	2				sold by the meter
12	0396007480	CLAMP	2				
14	0397310450	ARM	2				
14-5	1333001515	· BUSHING	4				
15	0397310470	ARM	2				
15-5	1333001515	· BUSHING	4				
16	0397310550	LINK, hose	1				
16-5	1333001515	· BUSHING	8				
17	0396011560	RUBBER	2				
18	0396011570	HOLDER	2				
19	0396007560	SHAFT	4				
20	0397310570	SHAFT	4				
40	0396015270	CLAMP	4				
52	0396016610	HOSE ASSY	2				18015-40200
53	0396016620	HOSE ASSY	2				18015-40180
54	0396016630	HOSE ASSY	2				18015-10195
55	0396014330	HOSE ASSY	2				
56	1100040616	BOLT	8				
57	1120800816	SCREW	6				
58	1100040835	BOLT	6				
61	1100040830	BOLT	4				
62	1100141000	BOLT	2				
67	1140020006	WASHER, spring	8				
68	1140020008	WASHER, spring	10				
69	1140020010	WASHER, spring	6				
72	1141110010	WASHER	6				
78	0356015500	WASHER	2				
79	0007300061	CLAMP	2				
82	1652201008	BAND	1				
	J3f042						

TB153FR (P-T153FBBB) Book No. BJ3Z003 S/N 15830001-
INTERFERENCE SENSOR

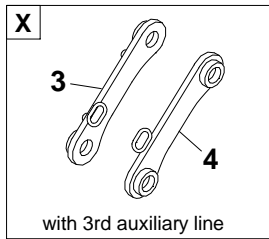
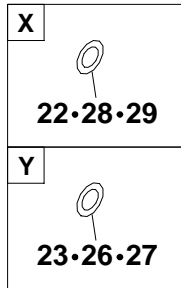


J2F050

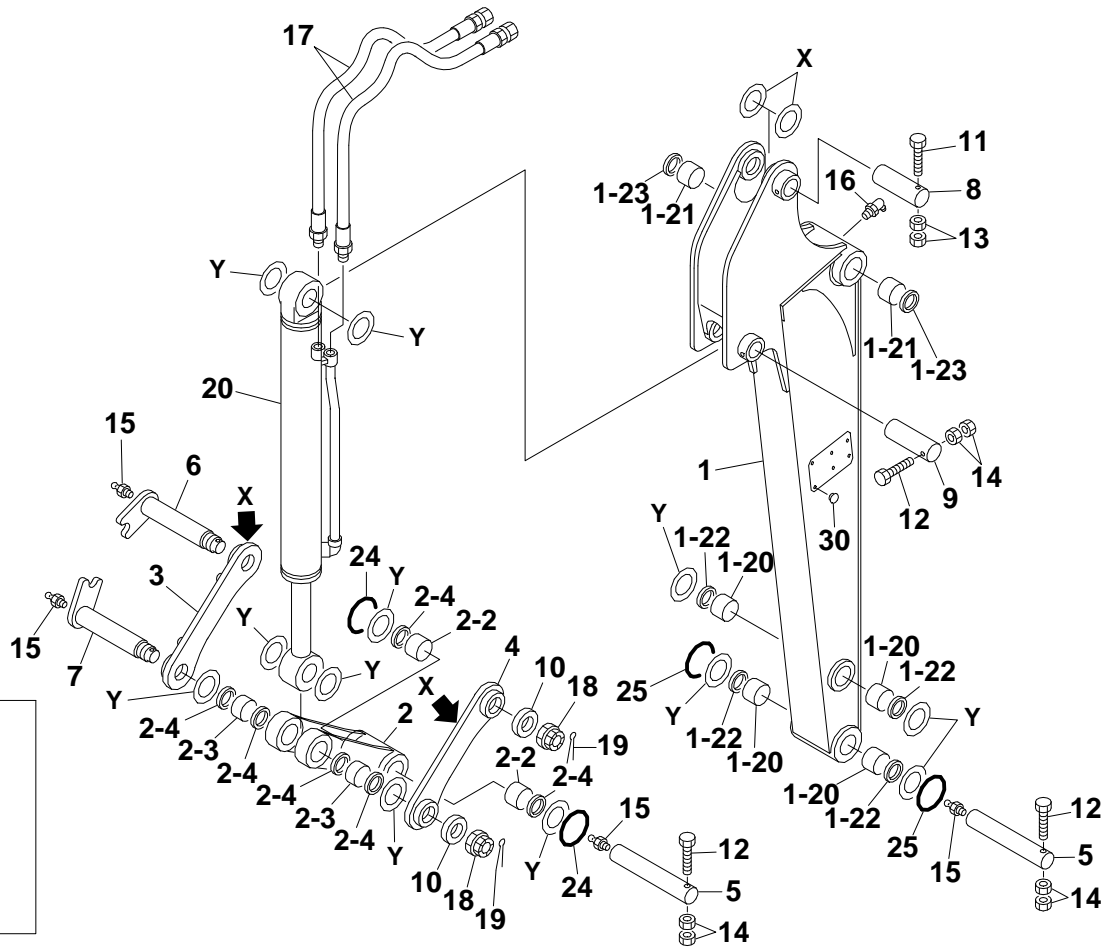
S=1/7,1/20

INTERFERENCE SENSOR						
Item	Part number	Description	Q'ty	Chan.	Serial No.	Serv. Remarks
		SWITCH ASSY, boom				
1	0396016910	BOX, switch	1			
2	0396012920	COVER	1			
3	0396015810	PLATE	1			
4	0396007840	PLATE	2			
5	0396007850	PIN	1			
6	0396007860	PIN	1			
7	0396007870	COLLAR	1			
8	0396011980	RUBBER	1			
10	0356012540	PLATE	4			
11	0356012550	COLLAR	6			
12	0356012560	COLLAR	2			
13	0356012570	PIN	2			
14	0356012590	PIN	4			
15	0007000074	SPRING	3			
17	1700000014	SWITCH	3			
18	1214000008	PIN, snap	12			
19	1100040616	BOLT	2			
20	1100040816	BOLT	6			
21	1110040816	SCREW, cap	4			
22	1140020006	WASHER, spring	2			
23	1140020008	WASHER, spring	10			
24	1141110006	WASHER	2			
25	1141110008	WASHER	10			
26	1654319015	SPONGE	1			sold by the meter
27	0003600173	SHIM	AR			t=1.0mm
	J3f050					

TB153FR (P-T153FBBB) Book No. BJ3Z003 S/N 15830001-
ARM



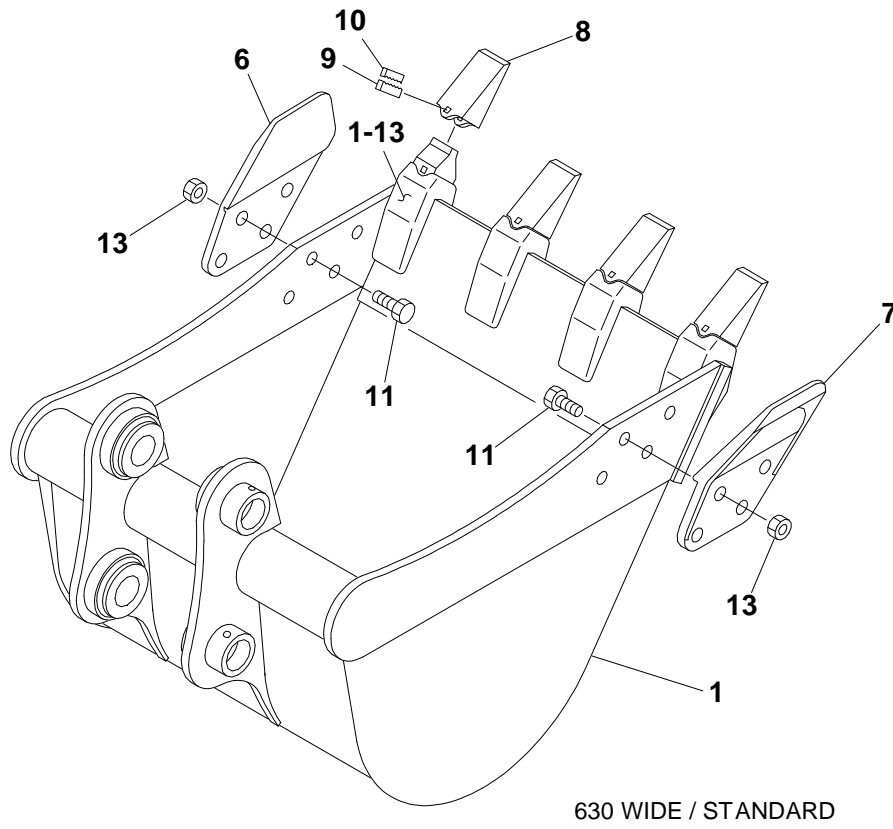
J3F060



S=1/17

Item	Part number	Description	Q'ty	Chan.	Serial No.	Serv.	Remarks
		ARM ASSY					
		ARM ASSY (with 3rd aux. line)					
		LONG ARM ASSY					
		LONG ARM ASSY (with 3rd aux. line)					
1	0396117800	ARM	1				
	0396117950	LONG ARM	1				
1-20	0002400040	· BUSHING	4				
1-21	0002400050	· BUSHING	2				
1-22	1432200045	· SEAL, dust	4				
1-23	1432200050	· SEAL, dust	2				
2	0396111300	LINK, bucket	1	(L)	15830001~15830577		
	0396114800	LINK, bucket	1	(H)	15830578~	M	
2-2	0002400040	· BUSHING	2				
2-3	0002100027	· BUSHING	2				
2-4	1432200045	· SEAL, dust	6				
3	0396114300	LINK, guide	1				
	0396118010	LINK, guide	1				with 3rd aux. line
4	0396114400	LINK, guide	1				
	0396118020	LINK, guide	1				with 3rd aux. line
5	0001524502	PIN	2				
6	0001794012	PIN	1				
7	0001794013	PIN	1				
8	0001605155	PIN	1				
9	0001604150	PIN	1				
10	0003900020	WASHER	2				
11	1103041295	BOLT	1				
12	1103041085	BOLT	3				
13	1130240012	NUT	2				
14	1130240010	NUT	6				
15	1560001000	FITTING, grease	4				
16	1560001675	FITTING, grease	1				
17	1801742100	HOSE ASSY	2				
	1801742125	HOSE ASSY	2				long arm
18	1132630030	NUT	2				
19	1210010655	PIN, split	2				
20	1900075800	CYLINDER, bucket	1				
22	0003600154	SHIM	AR				t=1.0mm f ϕ 85
23	0003600161	SHIM	AR				t=1.0mm f ϕ 75
24	1432900046	O-RING	2				
25	1432900008	O-RING	2				
26	0003600055	SHIM	AR				t=0.2mm f ϕ 76
27	0003600056	SHIM	AR				t=0.5mm f ϕ 76
28	0003600060	SHIM	AR				t=0.2mm f ϕ 82
29	0003600061	SHIM	AR				t=0.5mm f ϕ 82
30	1652533016	CAP	12				
	J3f061						

**TB153FR (P-T153FBBB) Book No. BJ3Z003 S/N 15830001-
BUCKET**



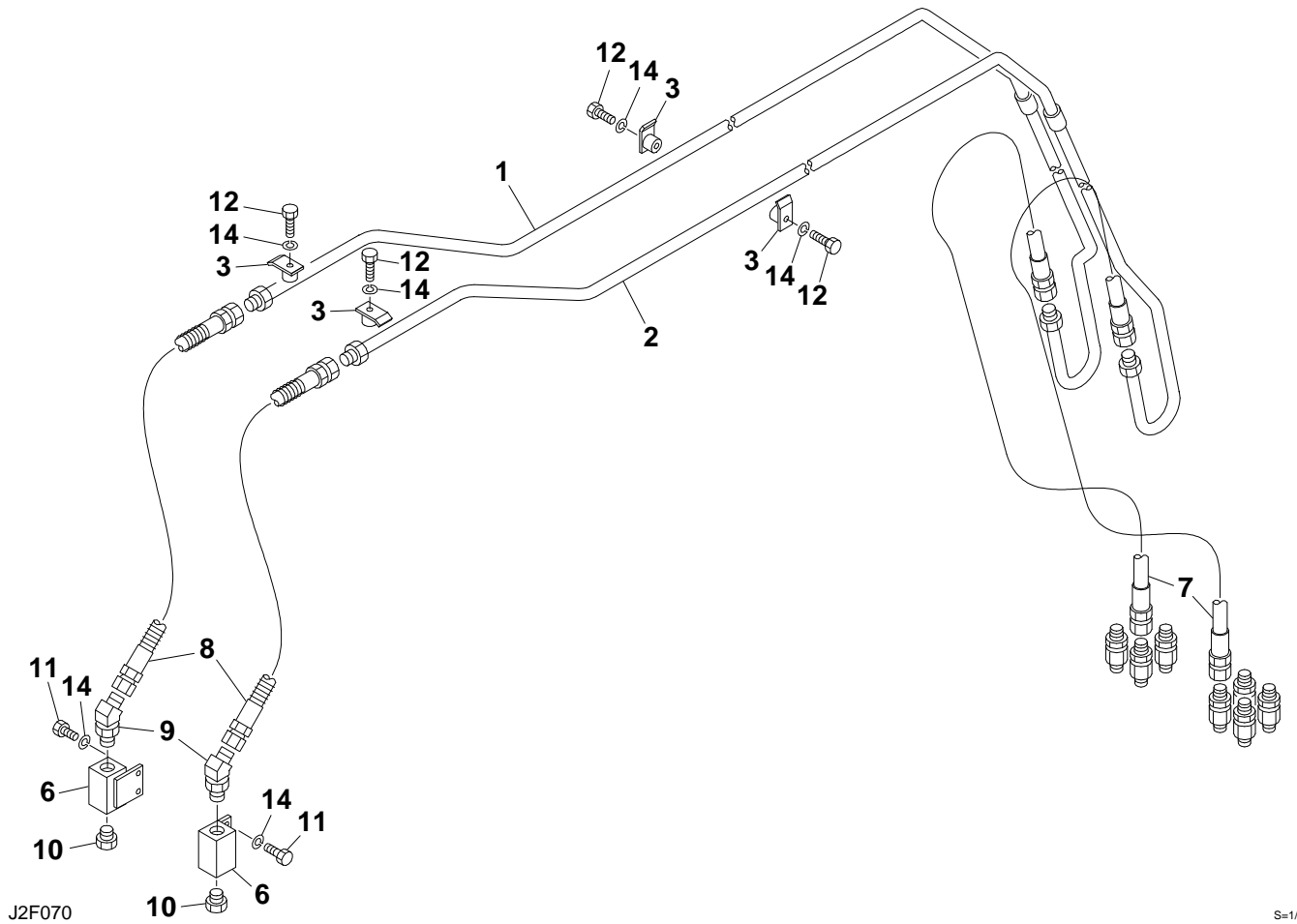
630 WIDE / STANDARD

K3F210

S=1/8

BUCKET							
Item	Part number	Description	Q'ty	Chan.	Serial No.	Serv.	Remarks
0	0396217200	BUCKET ASSY	1				630wide
	0396217300	BUCKET ASSY	1				530wide
1	X *****	· BUCKET	1				
1-13	1914200381	· · ADAPTOR, tooth	4				
6	1914210001	· CUTTER (R.H.)	1				
7	1914210002	· CUTTER (L.H.)	1				
8	1914200182	· POINT, tooth	4				
9	1914200183	· PIN, lock	4				
10	1914200184	· PIN	4				
11	1100051635	· BOLT	8				
13	1130050016	· NUT	8				
	K3f210						

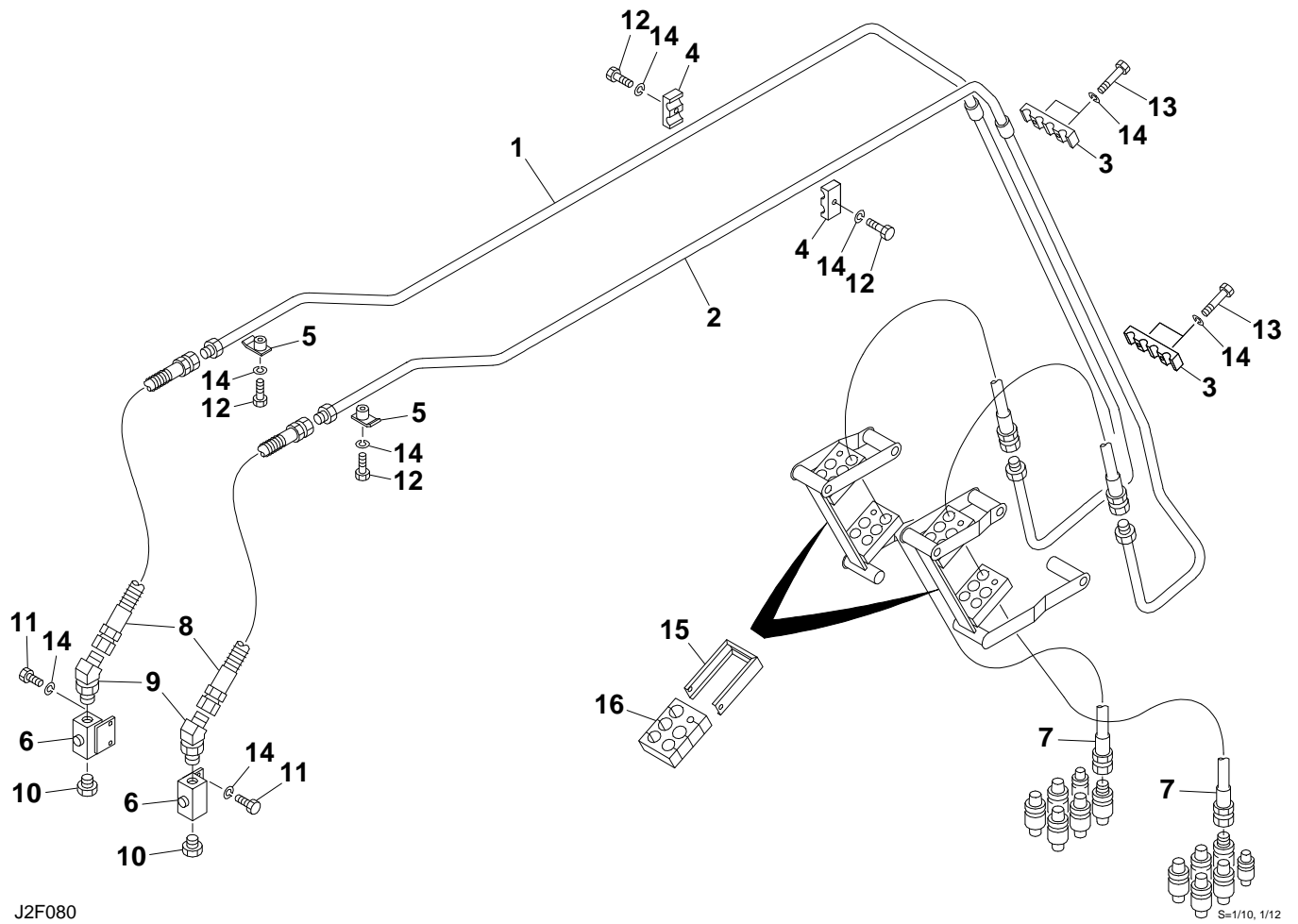
TB153FR (P-T153FBBB) Book No. BJ3Z003 S/N 15830001-
AUXILIARY LINE



AUXILIARY LINE

Item	Part number	Description	Q'ty	Chan.	Serial No.	Serv.	Remarks
0	0397324000	AUXILIARY LINE ASSY	1				
	0397324100	AUXILIARY LINE ASSY (long arm)	1				
1	0397324030	· PIPE (R.H.)	1				
2	0397324040	· PIPE (L.H.)	1				
3	0396015270	· CLAMP	4				
6	1901719800	· VALVE, stop	2				
7	0397324050	· HOSE ASSY	2				18015-40195
8	1801640095	· HOSE ASSY	2				
	1801640116	· HOSE ASSY	2				long arm
9	1515100112	· ELBOW	2				
	1420010180	· · O-RING	1				
10	1501750004	· PLUG	2				
	1420010180	· · O-RING	1				
11	1100040816	· BOLT	4				
12	1100040835	· BOLT	4				
14	1140020008	· WASHER, spring	8				
	J3f070						

TB153FR (P-T153FBBB) Book No. BJ3Z003 S/N 15830001-
2ND AUXILIARY LINE



J2F080

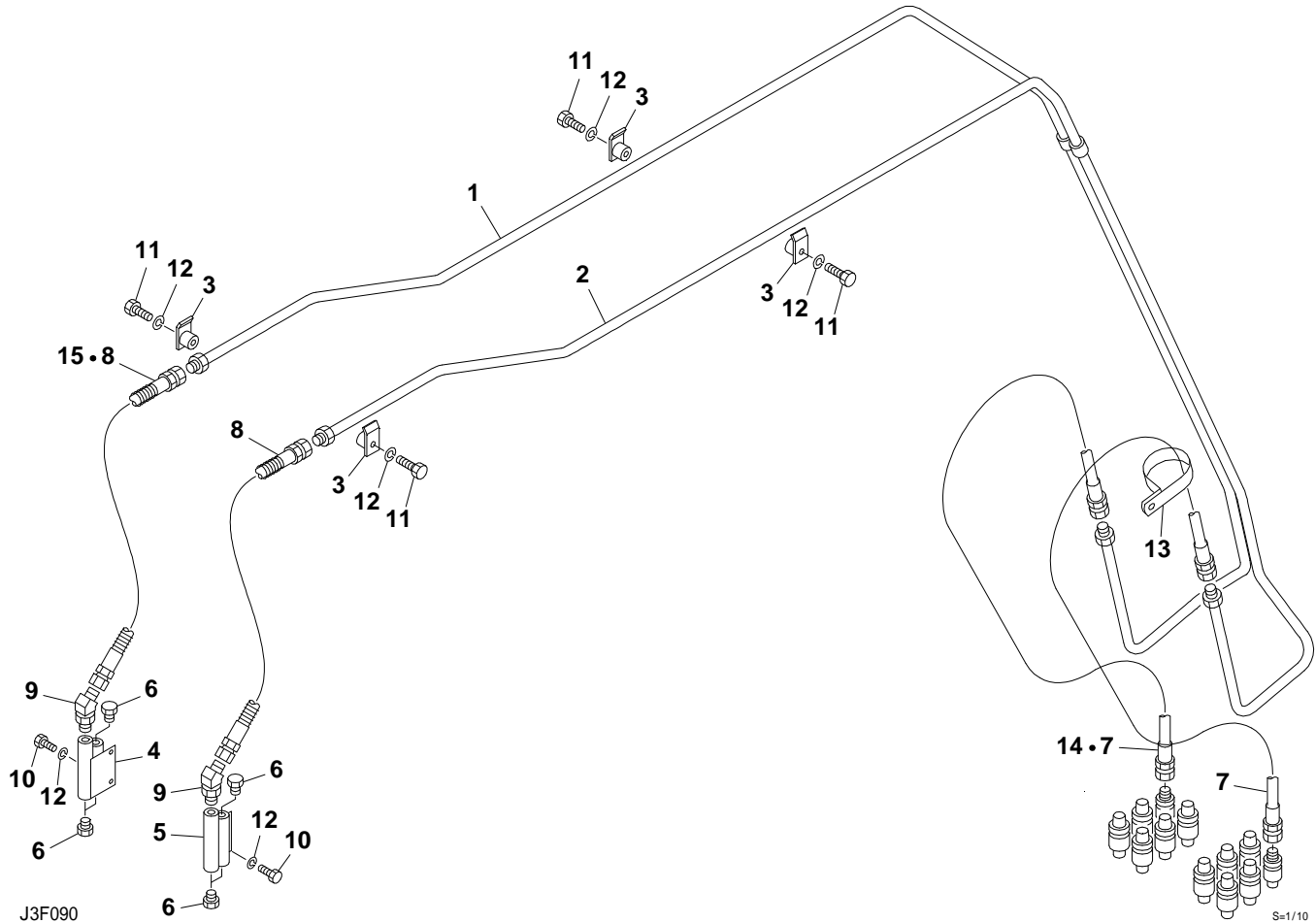
S=1/10, 1/12

2ND AUXILIARY LINE

Item	Part number	Description	Q'ty	Chan.	Serial No.	Serv.	Remarks
0	0397324200	LINE ASSY, 2nd auxiliary	1				
	0397324300	LINE ASSY, 2nd auxiliary (long arm)	1				
1	0397324210	· PIPE (R.H.)	1				
2	0397324220	· PIPE (L.H.)	1				
3	0397324230	· CLAMP	2				
4	1534000018	· CLAMP	2				
5	0396015270	· CLAMP	2				
6	1901719800	· VALVE, stop	2				
7	0397324250	· HOSE ASSY	2				18015-40180
8	1801640095	· HOSE ASSY	2				
	1801640116	· HOSE ASSY	2				long arm
9	1515100112	· ELBOW	2				
	1420010180	· · O-RING	1				
10	1501750004	· PLUG	2				
	1420010180	· · O-RING	1				
11	1100040816	· BOLT	4				
12	1100040835	· BOLT	4				
13	1100040860	· BOLT	4				
14	1140020008	· WASHER, spring	12				
15	0397310210	· HOLDER	4				
16	0397324240	· RUBBER	4				

J3f080

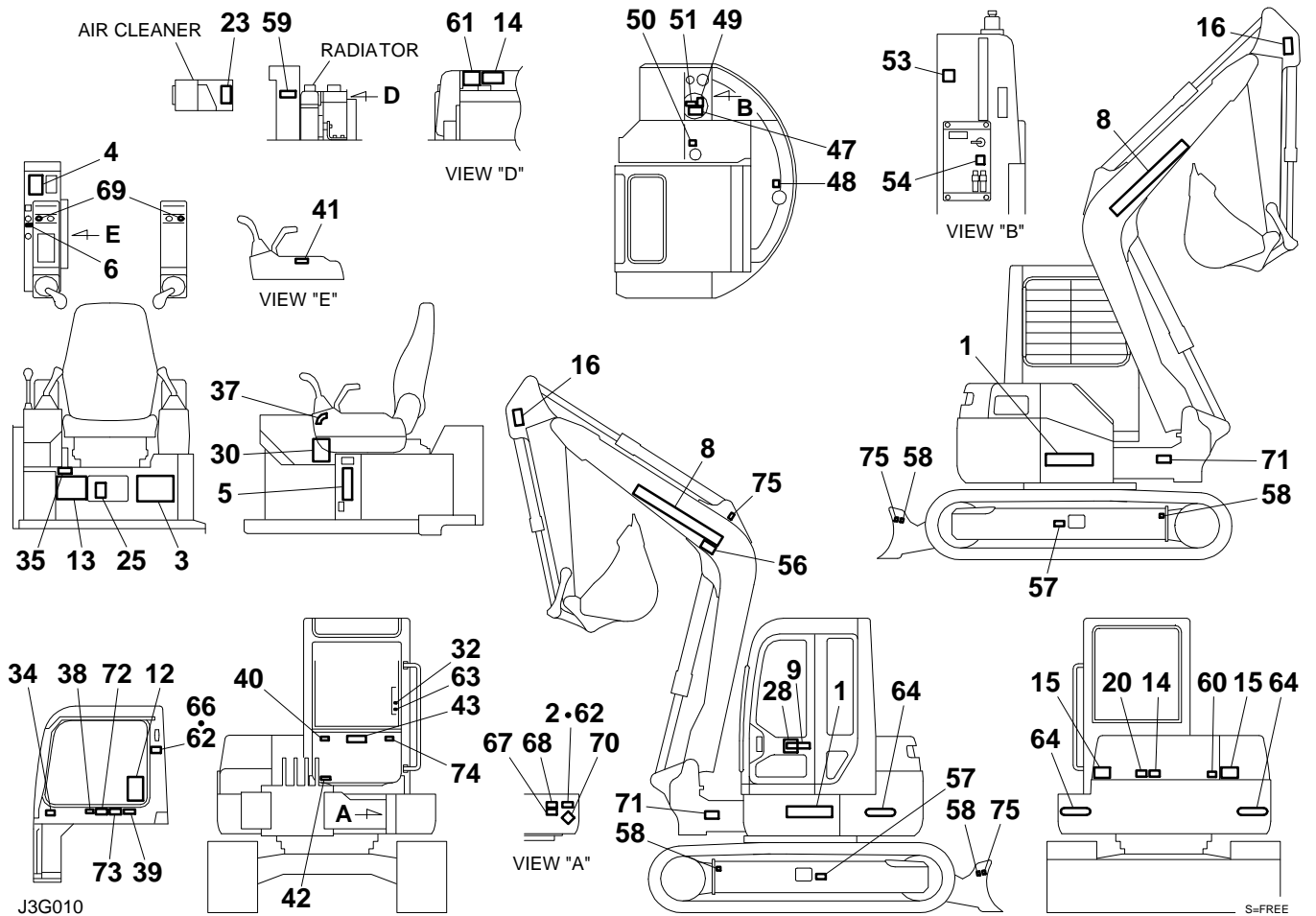
**TB153FR (P-T153FBBB) Book No. BJ3Z003 S/N 15830001-
3RD AUXILIARY LINE (available only with 2nd aux. line)**

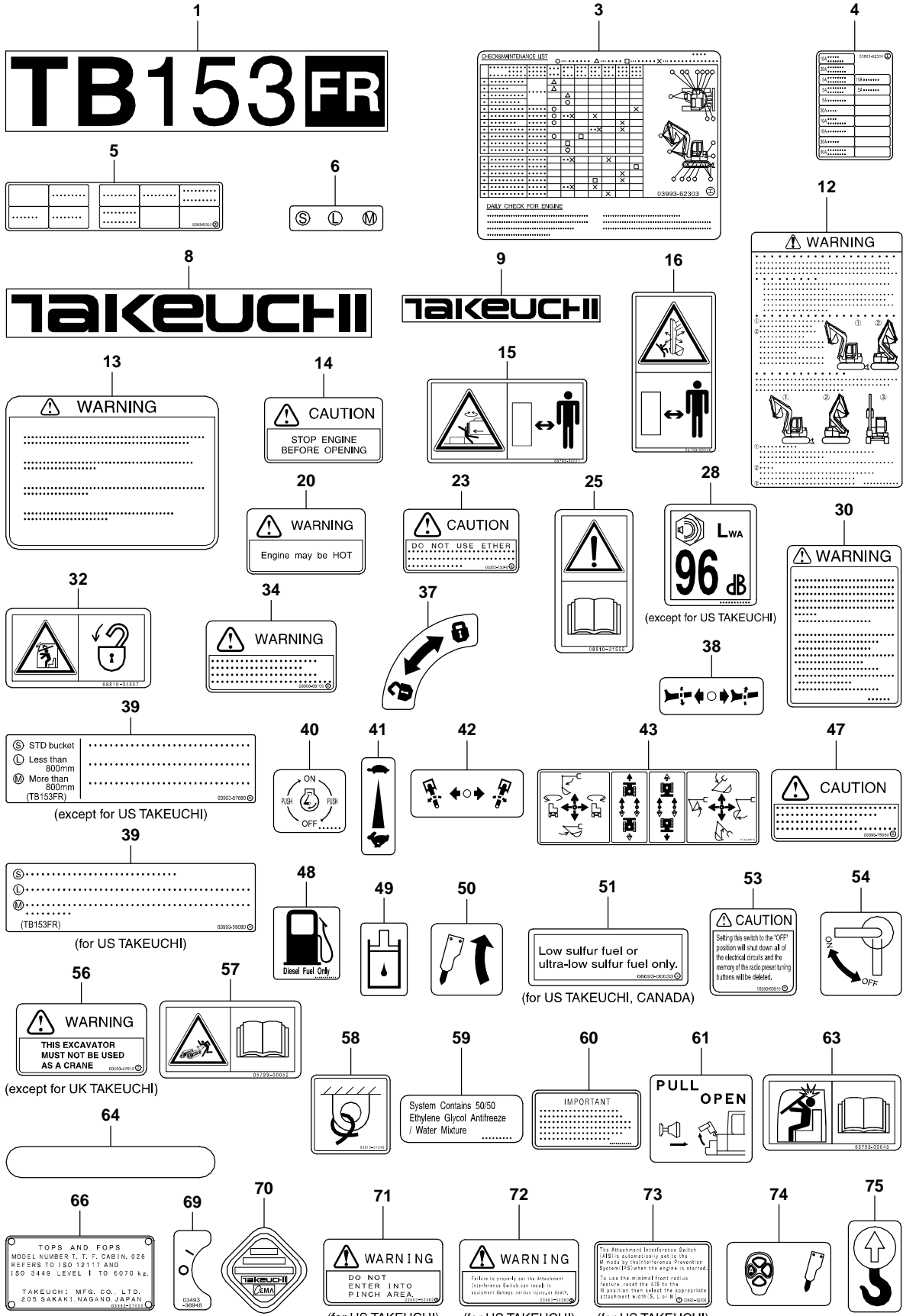


3RD AUXILIARY LINE (available only with 2nd aux. line)

Item	Part number	Description	Q'ty	Chan.	Serial No.	Serv.	R
0	0397324400	LINE ASSY, 3rd auxiliary	1				
	0397324500	LINE ASSY, 3rd auxiliary (long arm)	1				
	0397327100	LINE ASSY, 3rd auxiliary (high press. type)	1				
	0397327200	LINE ASSY, 3rd auxiliary (high press. type, long arm)	1				
	0397329100	LINE ASSY, 3rd auxiliary (without arm shut-off valve)	1			M	
	0397329200	LINE ASSY, 3rd auxiliary (without arm shut-off valve, long arm)	1			M	
	0397329300	LINE ASSY, 3rd auxiliary (without arm shut-off valve, high press. type)	1			M	
	0397329400	LINE ASSY, 3rd auxiliary (without arm shut-off valve, high press. type, long arm)	1			M	
1	0397324450	· PIPE (R.H.)	1				
2	0397324460	· PIPE (L.H.)	1				
3	0577307100	· CLAMP	4				
4	0567346430	· ADAPTOR (R.H.)	1				
5	0567346440	· ADAPTOR (L.H.)	1				
6	1501750002	· PLUG	6				
	1420010110	· · O-RING	1				
7	0397324440	· HOSE ASSY	2				18010-2:
	0397324440	· HOSE ASSY (high pressure type)	1				18010-2:
8	1801032083	· HOSE ASSY	2				
	1801032083	· HOSE ASSY (high pressure type)	1				
	1801032104	· HOSE ASSY	2				long arm
	1801032104	· HOSE ASSY (high pressure type)	1				long arm
9	1515100110	· ELBOW	2				
	1420010110	· · O-RING	1				
10	1100040816	· BOLT	4				
11	1100040830	· BOLT	4				
12	1140020008	· WASHER, spring	8				
13	0007300064	· CLAMP	1				with arm
14	0397327110	· HOSE ASSY (high pressure type)	1				18015-0
15	1801600083	· HOSE ASSY (high pressure type)	1				
	1801600104	· HOSE ASSY (high pressure type)	1				long arm
	J3f091						

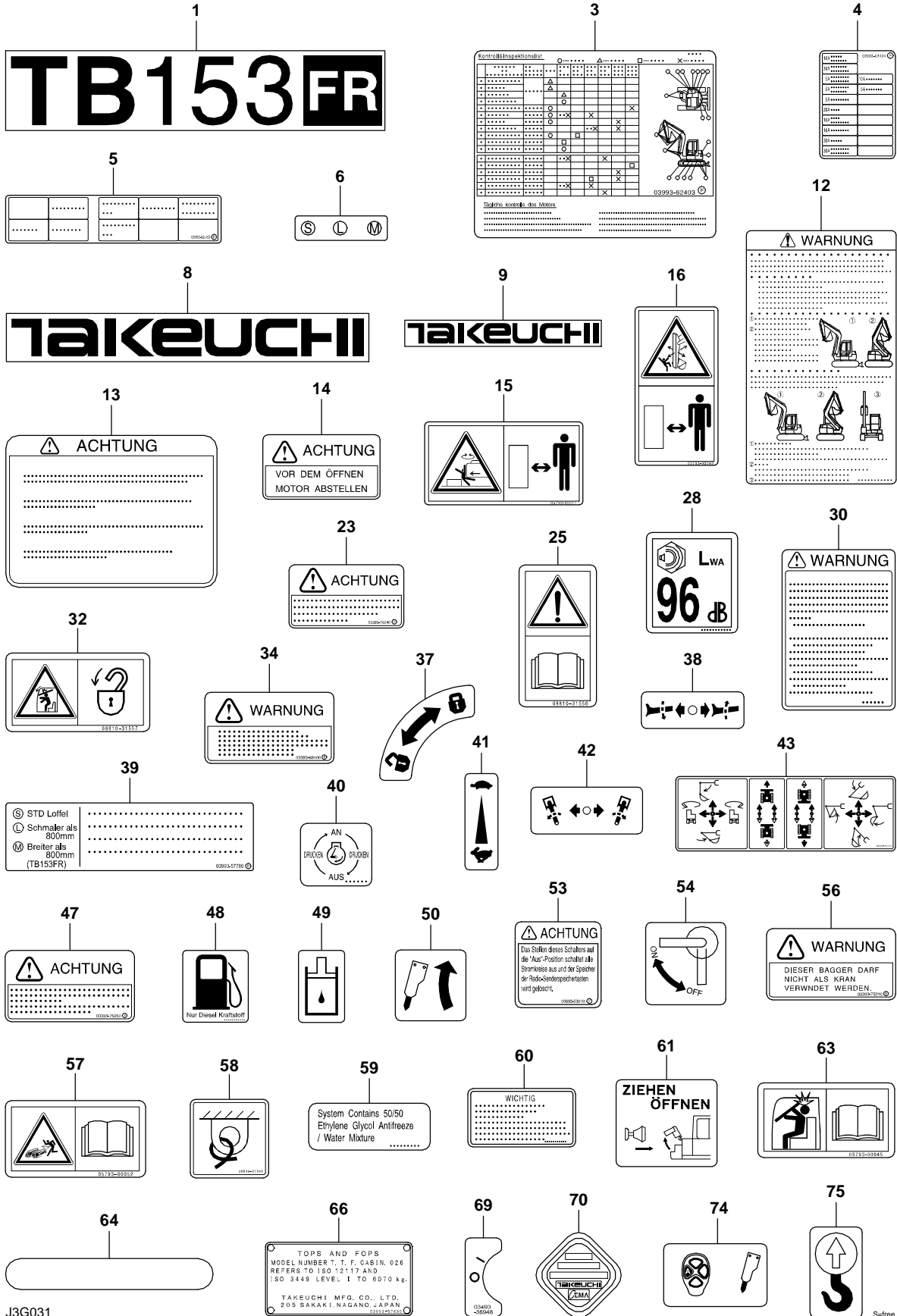
**TB153FR (P-T153FBBB) Book No. BJ3Z003 S/N 15830001-
DECAL (cab)**





J3G021

S-free

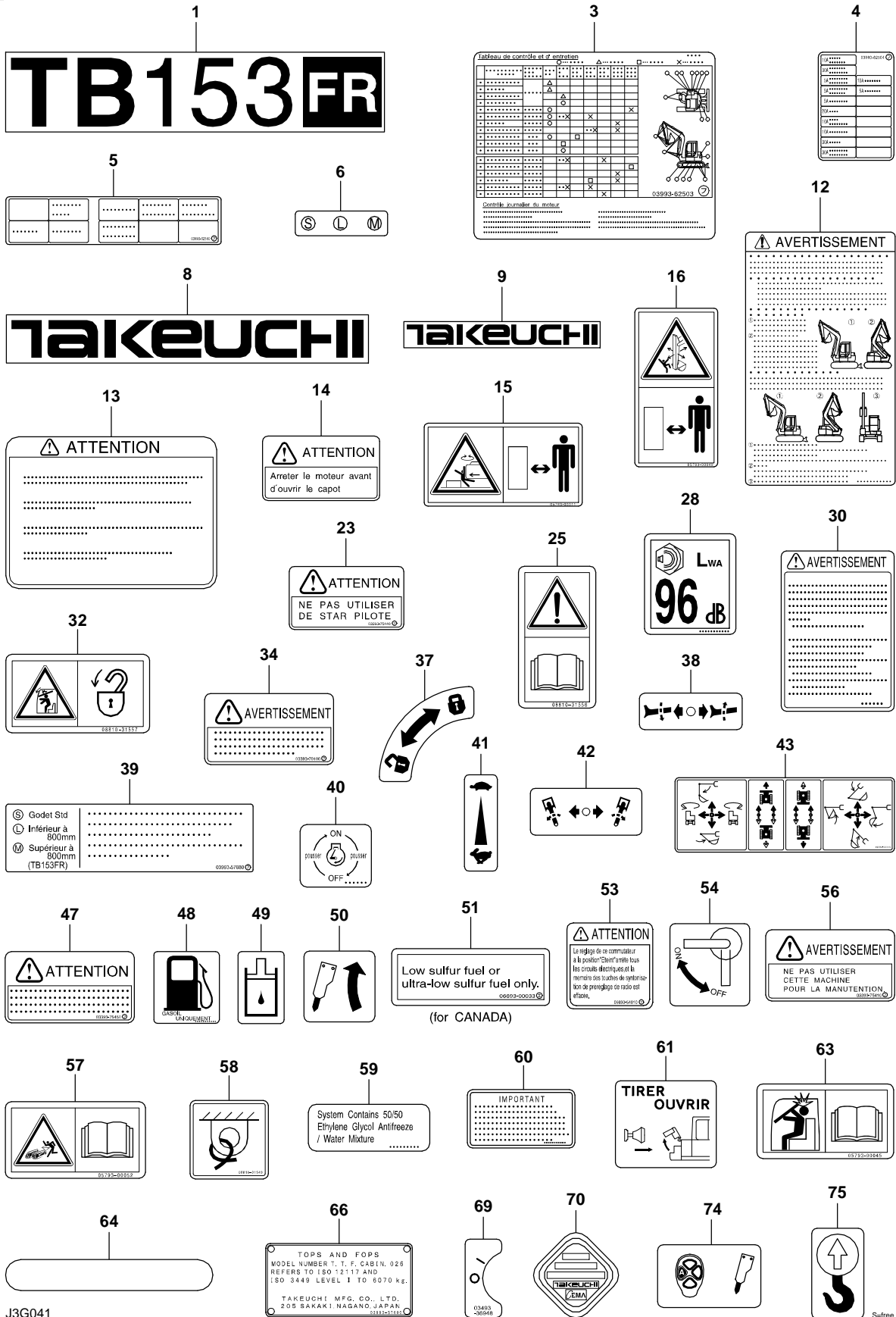


J3G031

Ref. J3G010

Seifree

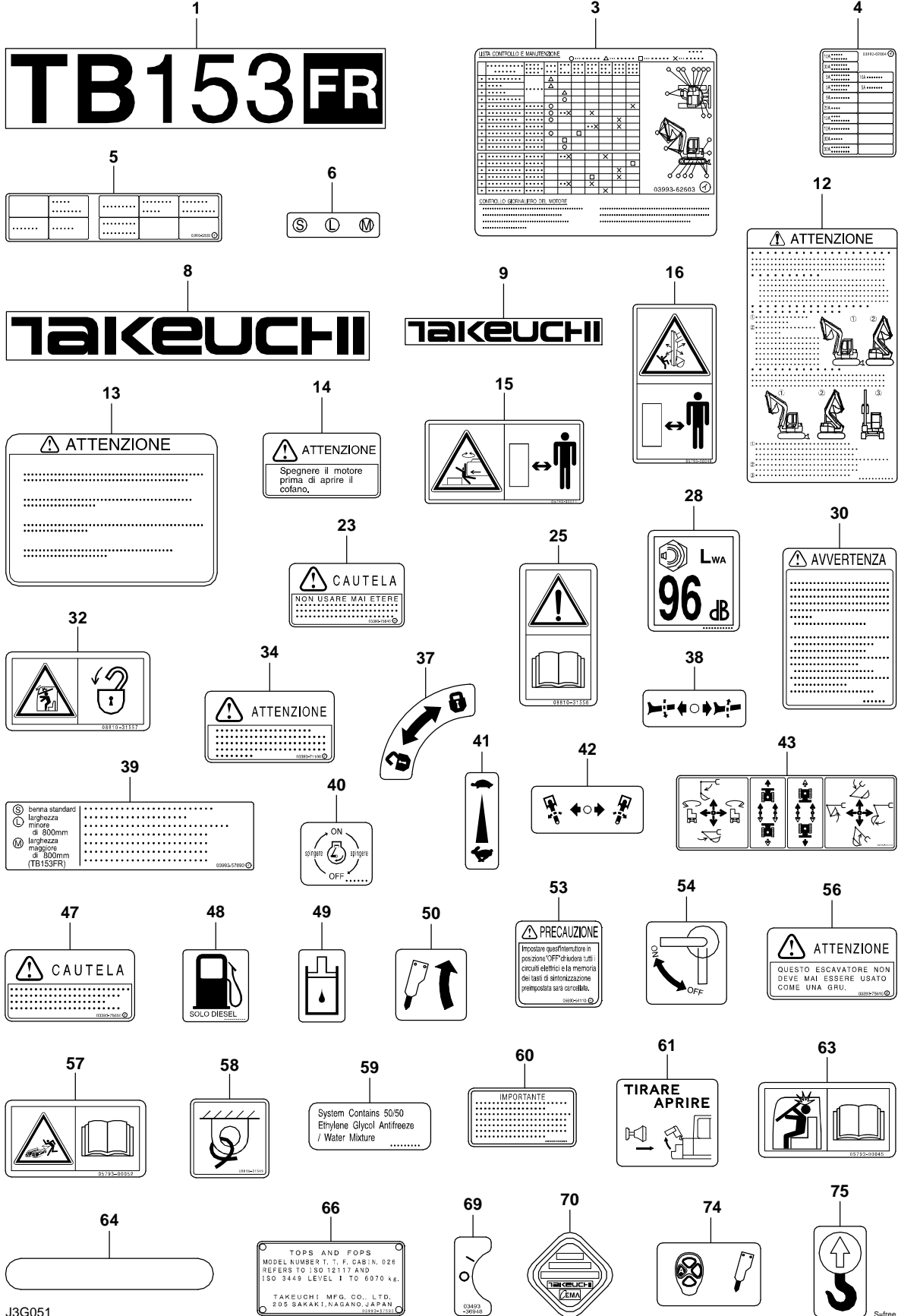
TB153FR (P-T153FBBB) Book No. BJ3Z003 S/N 15830001-
French



J3G041

Ref. J3G010

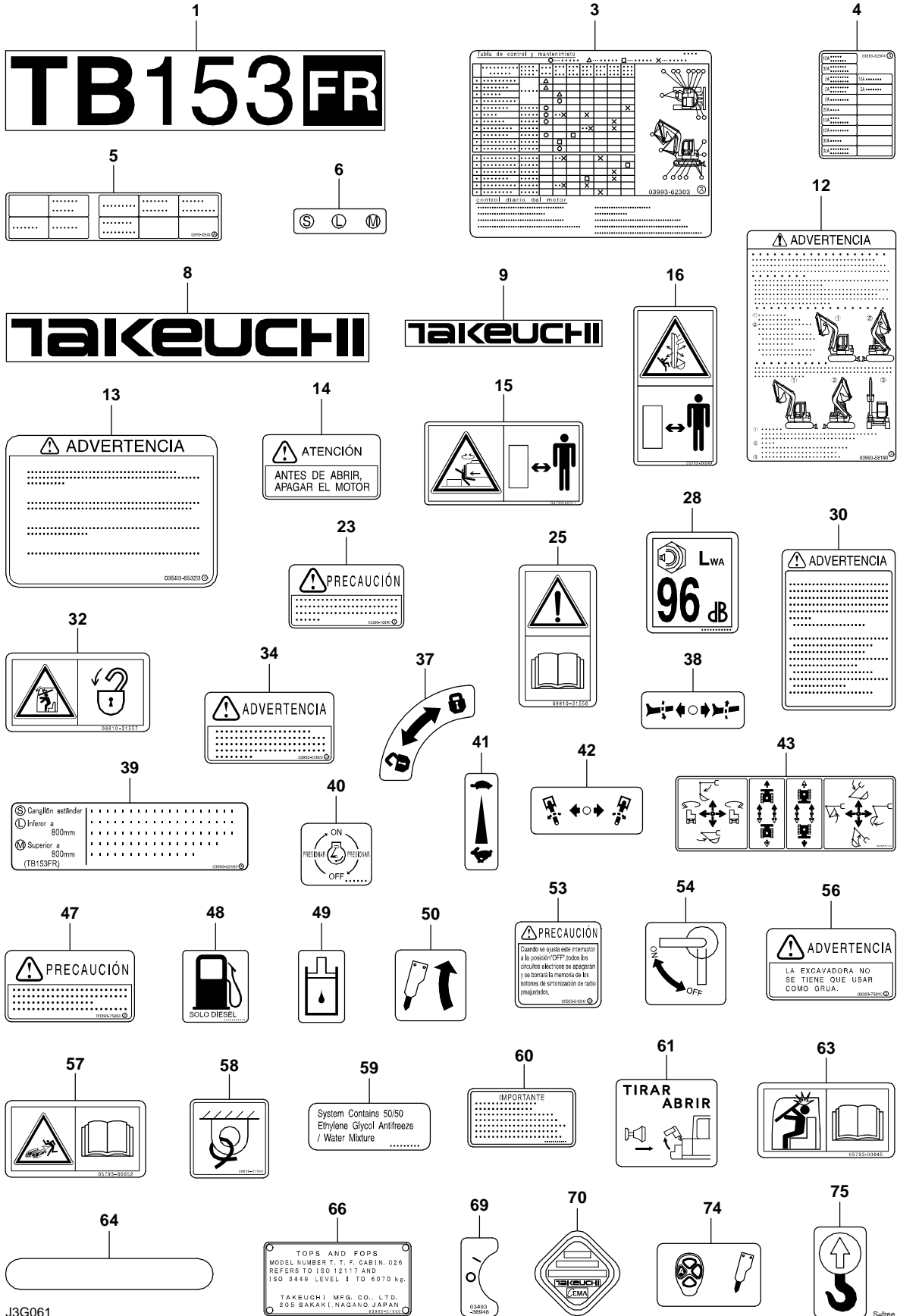
S-free



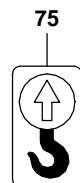
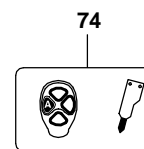
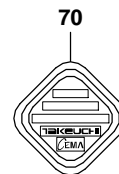
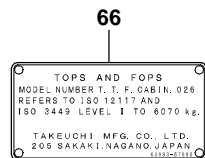
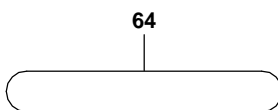
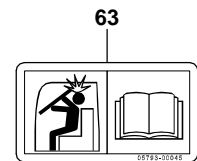
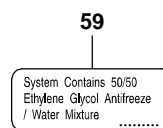
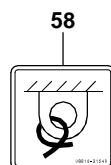
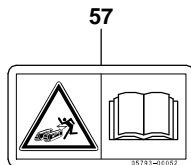
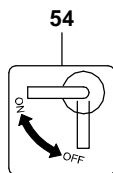
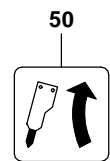
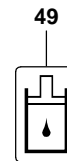
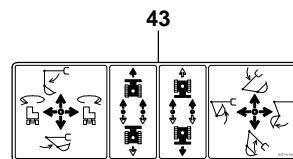
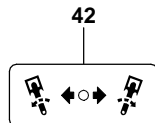
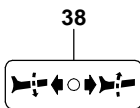
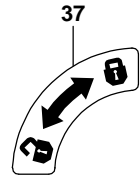
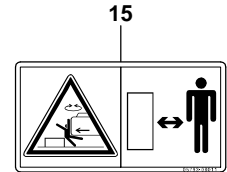
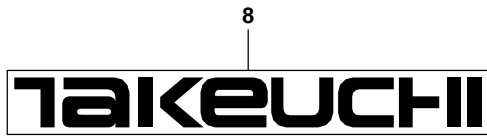
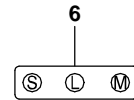
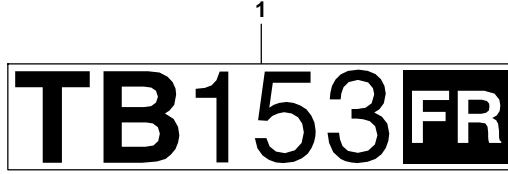
J3G015

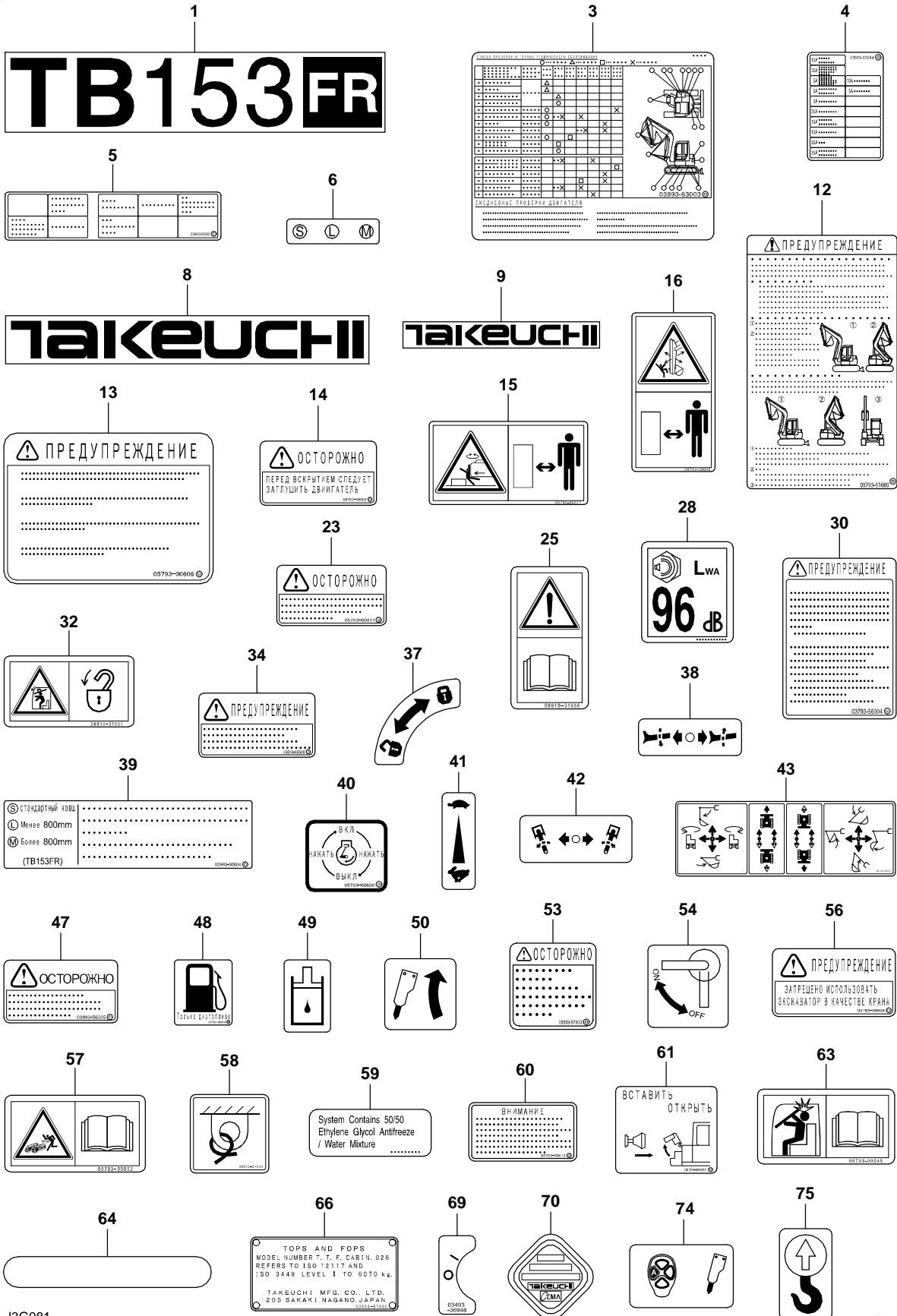
Ref. J3G010

Sesfree

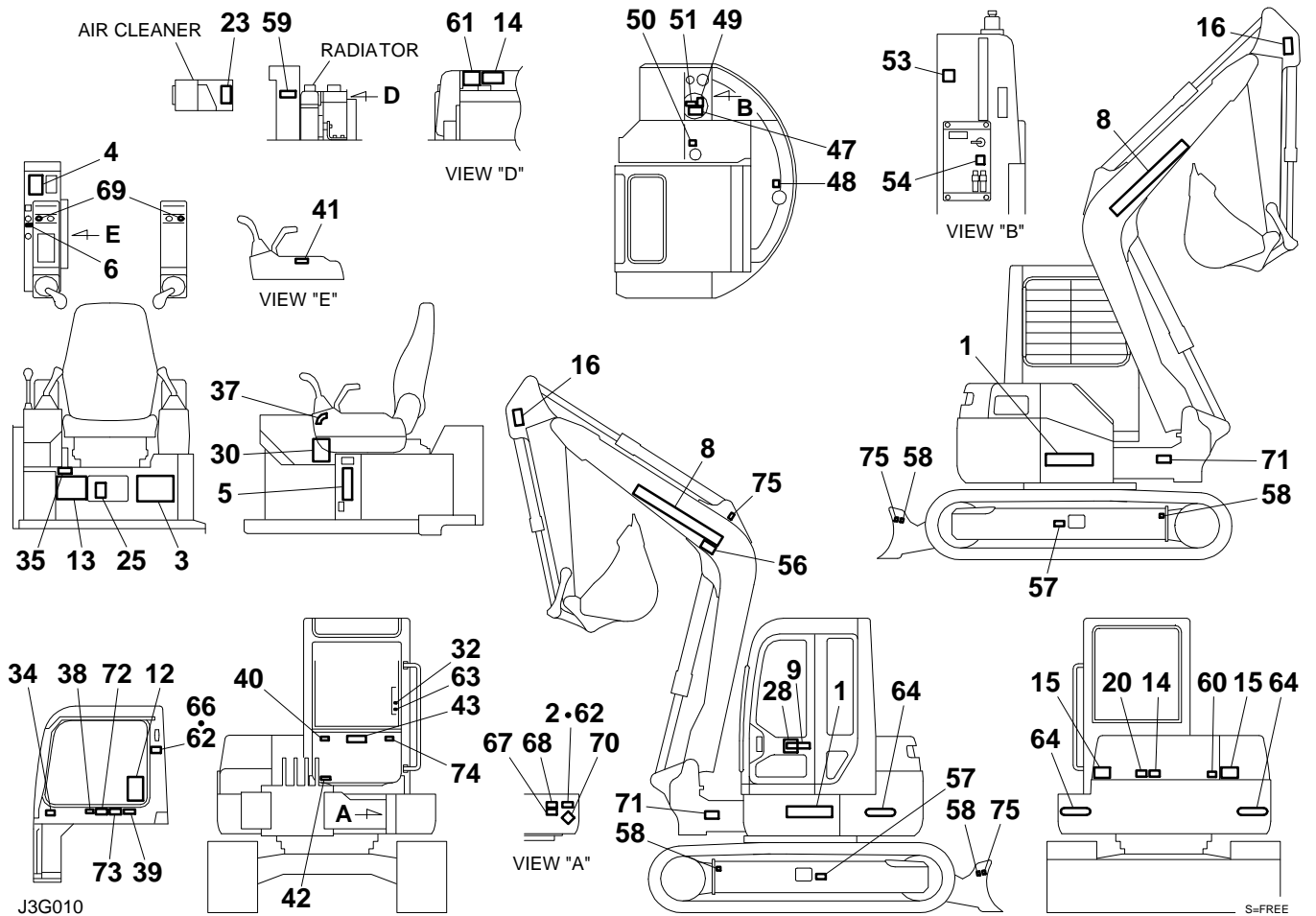


J3G061





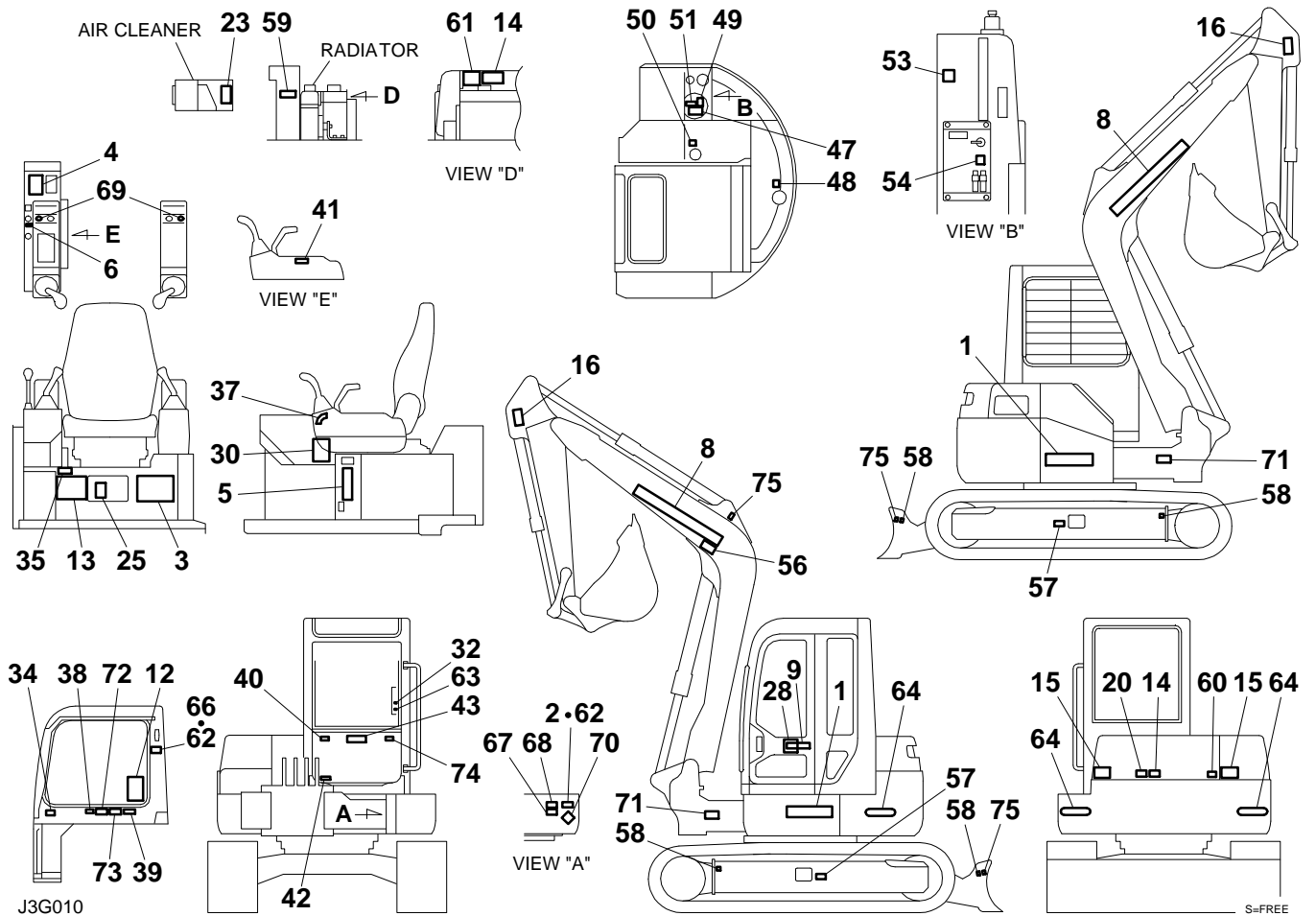
**TB153FR (P-T153FBBB) Book No. BJ3Z003 S/N 15830001-
DECAL (cab)**



DECAL (cab)

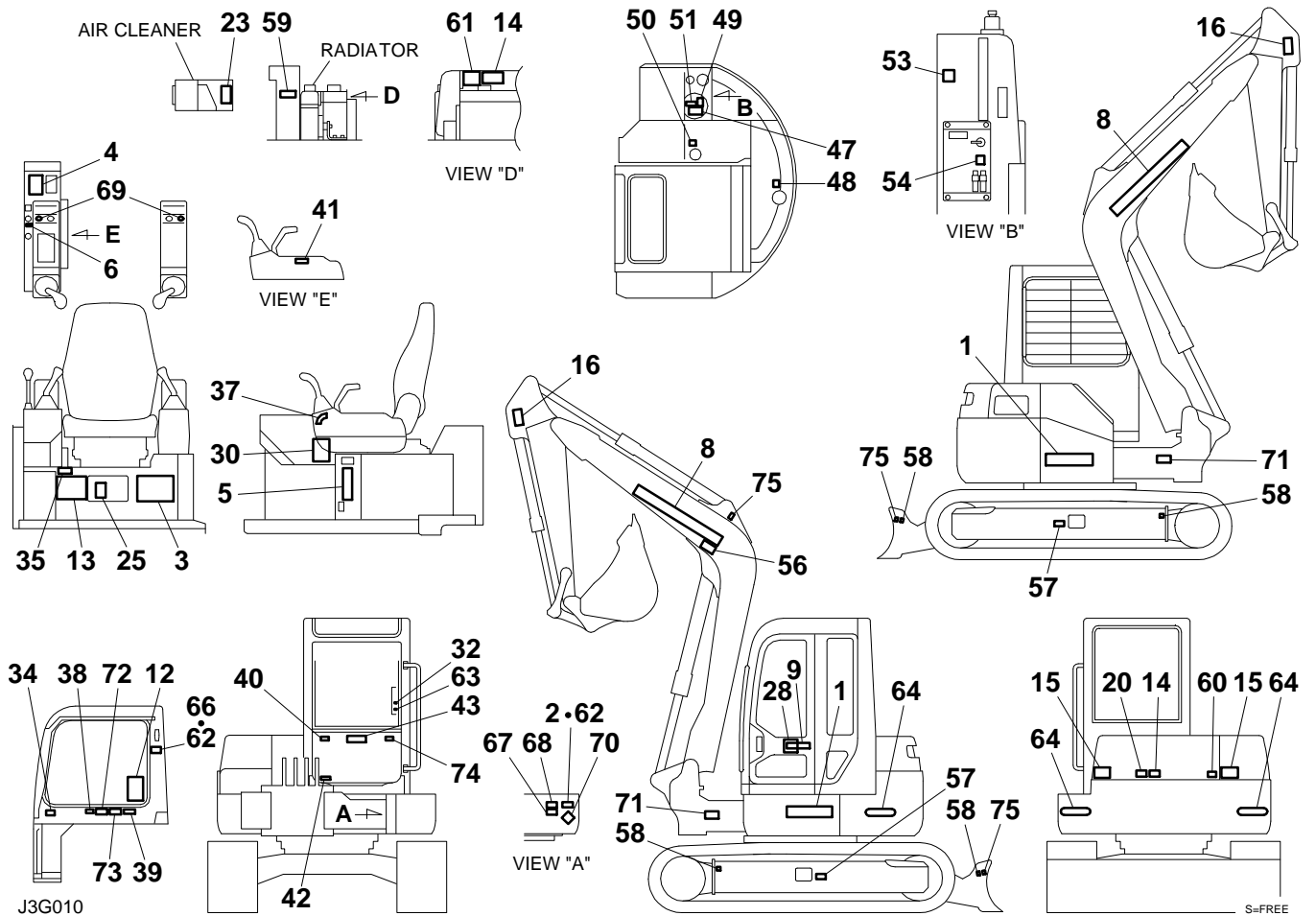
Item	Part number	Description	Qty	Chan.	Serial No.	Serv.	Remarks
0	0399362300	DECAL SET (English)	1				
	0399362400	DECAL SET (German)	1				
	0399362500	DECAL SET (French)	1				
	0399362600	DECAL SET (Italian)	1				
	0399362700	DECAL SET (U. S. TAKEUCHI)	1				
	0399362800	DECAL SET (Spanish)	1				
	0399362900	DECAL SET (Dutch)	1				
	0399363000	DECAL SET (Russian)	1				
	0399363100	DECAL SET (U.K. TAKEUCHI)	1				
	0399364100	DECAL SET (CANADA; English)	1				
	0399364200	DECAL SET (CANADA; French)	1				
1	0399357610	· DECAL	2				
2	X *****	· DECAL	1				
3	0399362303	· DECAL (English)	1				
	0399362403	· DECAL (German)	1				
	0399362503	· DECAL (French)	1				
	0399362603	· DECAL (Italian)	1				
	0399362803	· DECAL (Spanish)	1				
	0399363003	· DECAL (Russian)	1				
4	0399362304	· DECAL (English, Dutch)	1				
	0399362404	· DECAL (German)	1				
	0399362504	· DECAL (French)	1				
	0399362604	· DECAL (Italian)	1				
	0399362804	· DECAL (Spanish)	1				
	0399363004	· DECAL (Russian)	1				
5	0399362360	· DECAL (English)	1				
	0399362460	· DECAL (German)	1				
	0399362560	· DECAL (French)	1				
	0399362660	· DECAL (Italian)	1				
	0399362860	· DECAL (Spanish)	1				
	0399363060	· DECAL (Russian)	1				
6	0569358060	· DECAL	1				
8	0008500050	· DECAL	2				
9	0008500017	· DECAL	1				
12	0569352506	· DECAL (English)	1				
	0569352206	· DECAL (German)	1				
	0569352306	· DECAL (French)	1				
	0569352406	· DECAL (Italian)	1				
	0399358190	· DECAL (Spanish)	1				
	0379361680	· DECAL (Russian)	1				
13	0359313700	· DECAL (English)	1				
	0359314700	· DECAL (German)	1				
	0359315700	· DECAL (French)	1				
	0359316700	· DECAL (Italian)	1				
	0359365323	· DECAL (Spanish)	1				
	0579300606	· DECAL (Russian)	1				
14	0359307400	· DECAL (English)	2				
	0359314400	· DECAL (German)	2				
	0359315400	· DECAL (French)	2				
	0359316400	· DECAL (Italian)	2				
	0339364200	· DECAL (Spanish)	2				
	0579300602	· DECAL (Russian)	2				
15	0579300011	· DECAL	2				
16	0579300049	· DECAL	2				
20	0569321980	· DECAL (English)	1				
23	0339375040	· DECAL (English)	1				
	0339375240	· DECAL (German)	1				
	0339375440	· DECAL (French)	1				
	0339375640	· DECAL (Italian)	1				
	0339375840	· DECAL (Spanish)	1				
	0579300611	· DECAL (Russian)	1				

**TB153FR (P-T153FBBB) Book No. BJ3Z003 S/N 15830001-
DECAL (cab)**



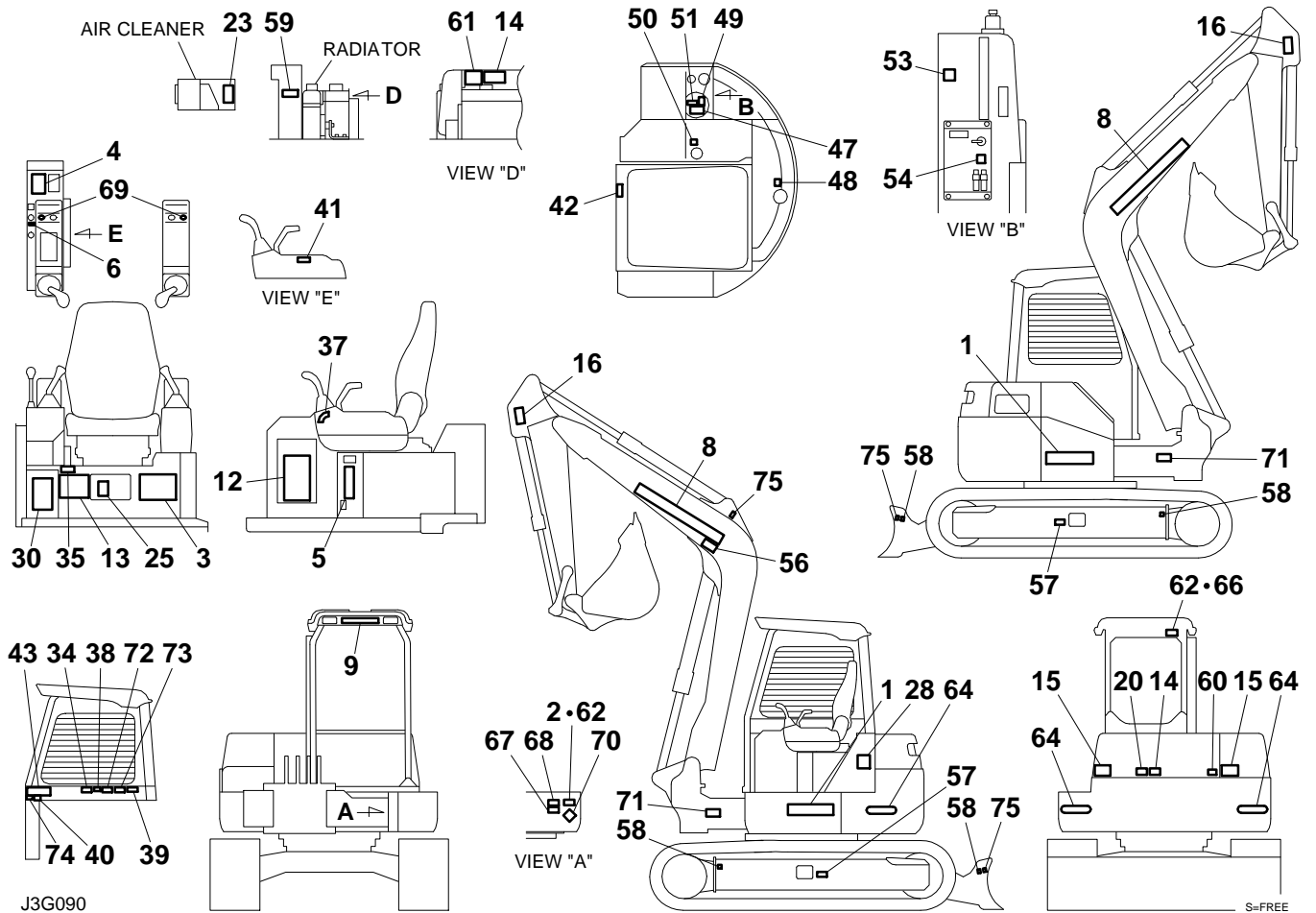
DECAL (cab)							
Item	Part number	Description	Q'ty	Chan.	Serial No.	Serv.	Remarks
25	0881031556	· DECAL	1				
28	X *****	· DECAL	1				except for U.S. TAKEUCHI
30	0379337300	· DECAL (English)	1				
	0379338300	· DECAL (German)	1				
	0379339300	· DECAL (French)	1				
	0379340300	· DECAL (Italian)	1				
	0379354200	· DECAL (Spanish)	1				
	0399356004	· DECAL (Russian)	1				
32	0881031557	· DECAL	1				
34	0339368100	· DECAL (English)	1				
	0339369100	· DECAL (German)	1				
	0339370100	· DECAL (French)	1				
	0339371100	· DECAL (Italian)	1				
	0399355820	· DECAL (Spanish)	1				
	0329365506	· DECAL (Russian)	1				
35	X *****	· DECAL	1				
37	0329360100	· DECAL	1				
38	0359325190	· DECAL	1				
39	0399357680	· DECAL (English)	1				except for U.S. TAKEUCHI
	0399357780	· DECAL (German)	1				
	0399357880	· DECAL (French)	1				
	0399357980	· DECAL (Italian)	1				
	0399358080	· DECAL (U. S. TAKEUCHI)	1				
	0399358180	· DECAL (Spanish)	1				
	0399360604	· DECAL (Russian)	1				
40	0569335060	· DECAL (English)	1				
	0569327800	· DECAL (German)	1				
	0569328800	· DECAL (French)	1				
	0569329800	· DECAL (Italian)	1				
	0569348500	· DECAL (Spanish)	1				
	0579300608	· DECAL (Russian)	1				
41	0359317200	· DECAL	1				
42	0329360060	· DECAL	1				
43	0579300015	· DECAL	1				
47	0339375050	· DECAL (English)	1				
	0339375250	· DECAL (German)	1				
	0339375450	· DECAL (French)	1				
	0339375650	· DECAL (Italian)	1				
	0339375850	· DECAL (Spanish)	1				
	0399356005	· DECAL (Russian)	1				
48	0359306600	· DECAL (English)	1				
	0339375260	· DECAL (German)	1				
	0339375460	· DECAL (French)	1				
	0339375660	· DECAL (Italian, Spanish)	1				
	0579300603	· DECAL (Russian)	1				
49	0359306700	· DECAL	1				
50	0359325220	· DECAL	1				
51	0669300033	· DECAL (U. S. TAKEUCHI, CANADA)	1				
53	0569353810	· DECAL (English)	1				
	0569353910	· DECAL (German)	1				
	0569354010	· DECAL (French)	1				
	0569354110	· DECAL (Italian)	1				
	0569354310	· DECAL (Spanish)	1				
	0569357903	· DECAL (Russian)	1				
54	0399351210	· DECAL	1				
56	0359347010	· DECAL (English)	1				except for U.K. TAKEUCHI
	0339375210	· DECAL (German)	1				
	0339375410	· DECAL (French)	1				
	0339375610	· DECAL (Italian)	1				
	0339375810	· DECAL (Spanish)	1				
	0579300609	· DECAL (Russian)	1				

**TB153FR (P-T153FBBB) Book No. BJ3Z003 S/N 15830001-
DECAL (cab)**

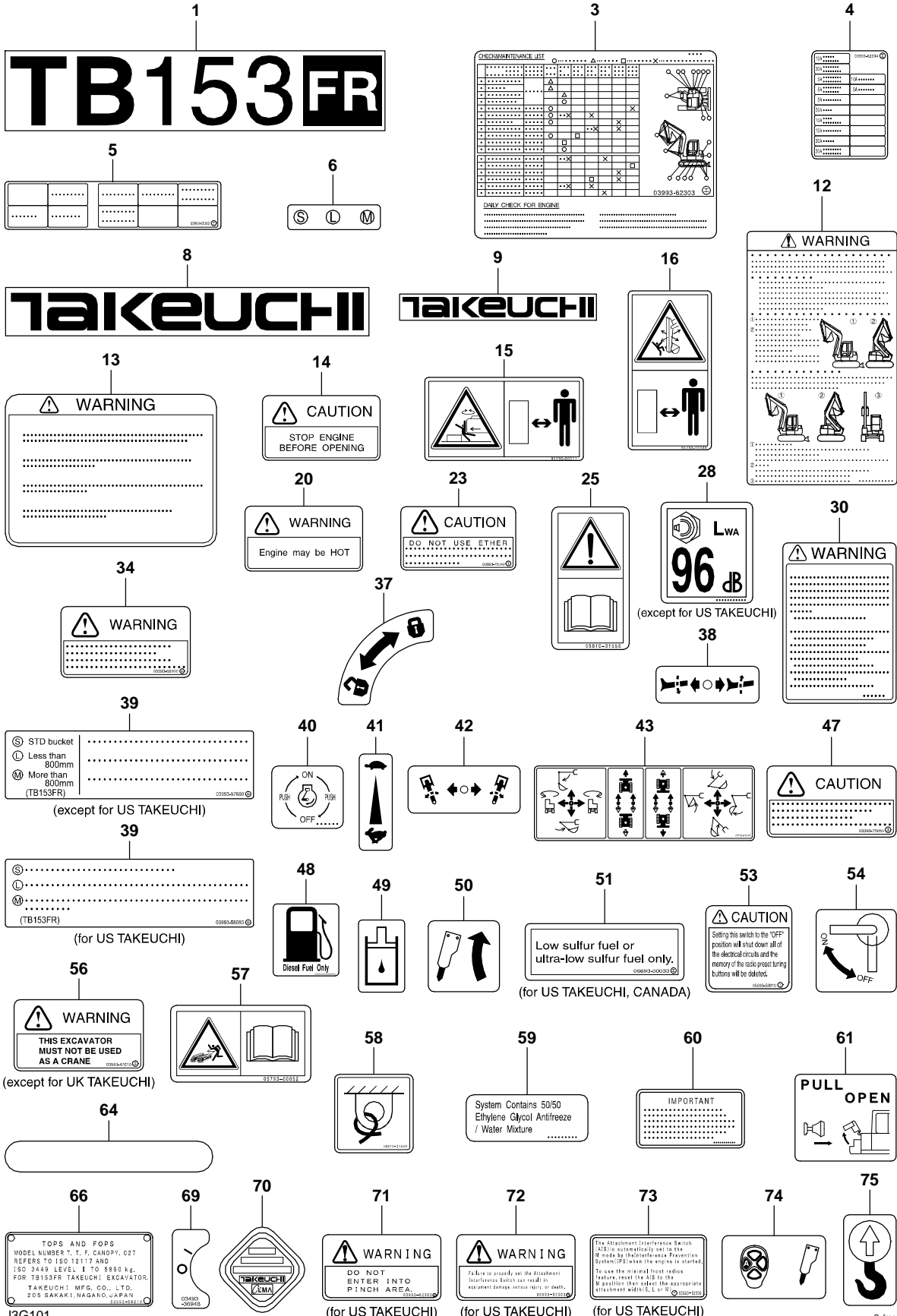


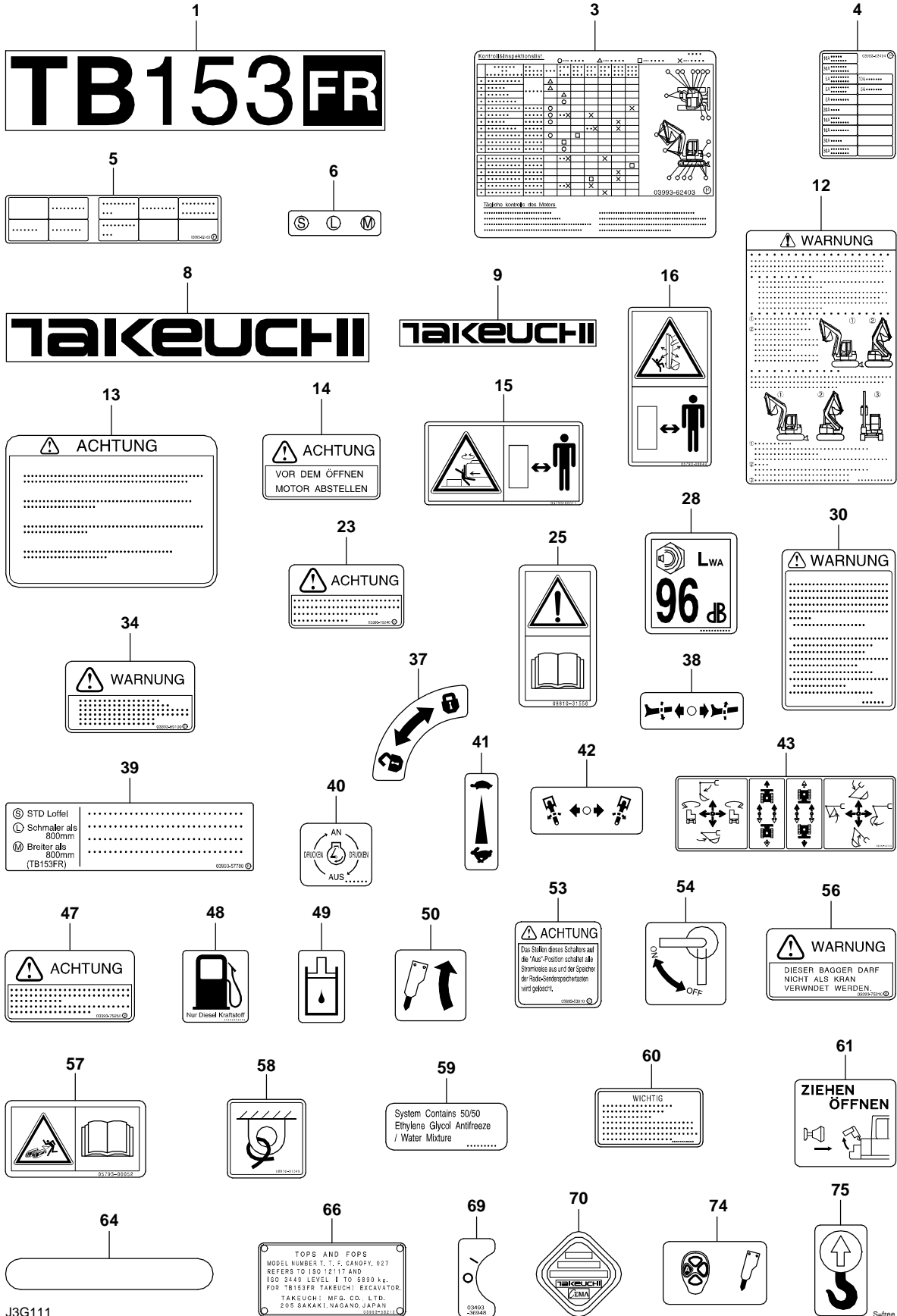
DECAL (cab)							
Item	Part number	Description	Q'ty	Chan.	Serial No.	Serv.	Remarks
57	0579300052	· DECAL	2				
58	0881031549	· DECAL	4				
59	0359313900	· DECAL	1				
60	0339376240	· DECAL (English)	1				
	0339376340	· DECAL (German)	1				
	0339379440	· DECAL (French)	1				
	0339379540	· DECAL (Italian)	1				
	0339379640	· DECAL (Spanish)	1				
	0579300613	· DECAL (Russian)	1				
	61	0569326400	· DECAL (English)	1			
0569327400		· DECAL (German)	1				
0569328400		· DECAL (French)	1				
0569329400		· DECAL (Italian)	1				
0569348400		· DECAL (Spanish)	1				
0579300607		· DECAL (Russian)	1				
62	X *****	· SCREW	8				
63	0579300045	· DECAL	1				
64	0569358070	· DECAL	2				
66	X *****	· DECAL	1				
67	X *****	· DECAL	1				
68	X *****	· DECAL	1				
69	0349336948	· DECAL	2				
70	X *****	· DECAL	1				
71	0399352302	· DECAL (U. S. TAKEUCHI)	2				
72	0399352303	· DECAL (U. S. TAKEUCHI)	1				
73	0399352309	· DECAL (U. S. TAKEUCHI)	1				
74	0379336800	· DECAL	1				
75	0399300500	· DECAL	3				
	J3g010						

**TB153FR (P-T153FBBB) Book No. BJ3Z003 S/N 15830001-
DECAL (canopy)**



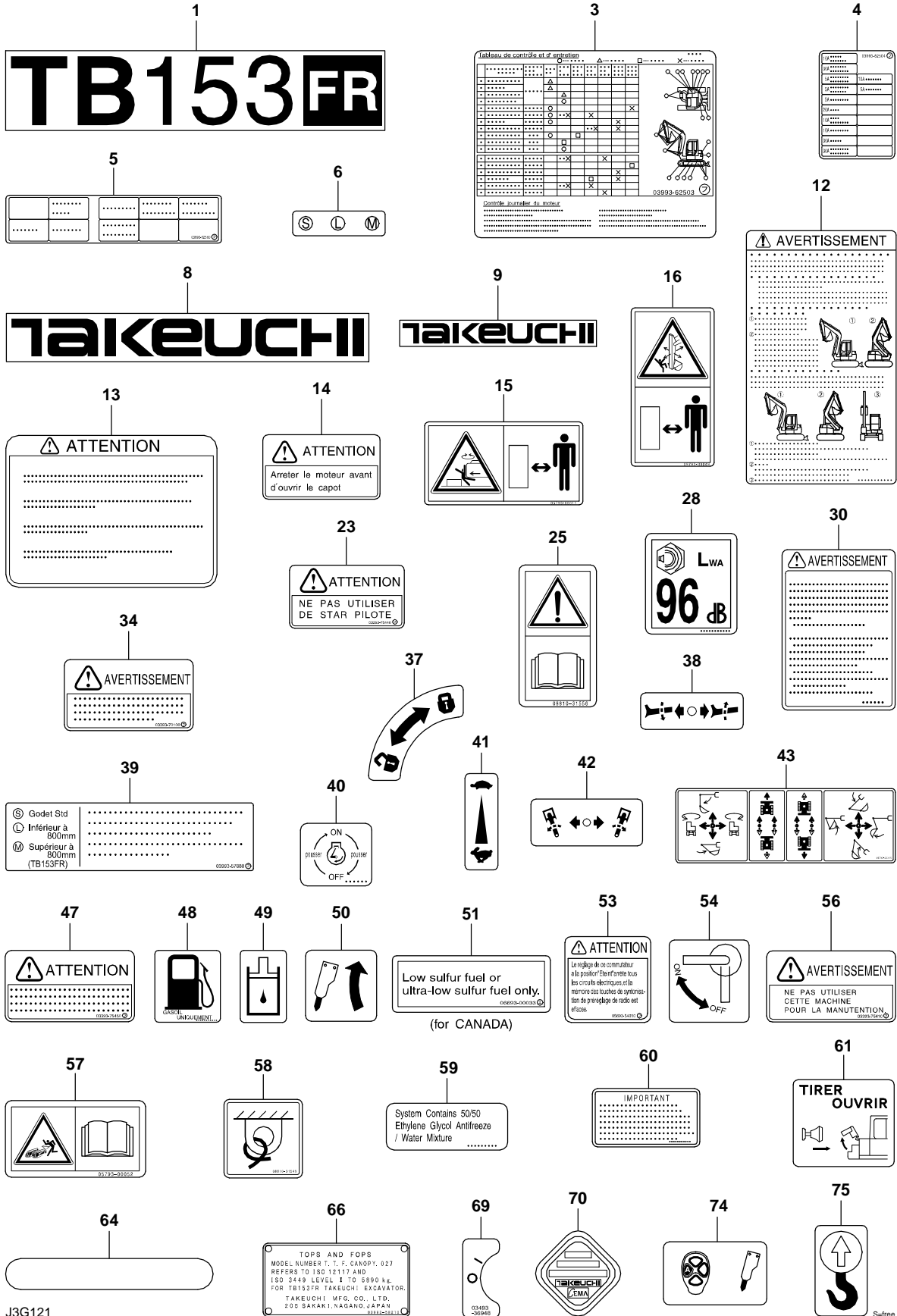
TB153FR (P-T153FBBB) Book No. BJ3Z003 S/N 15830001-
English





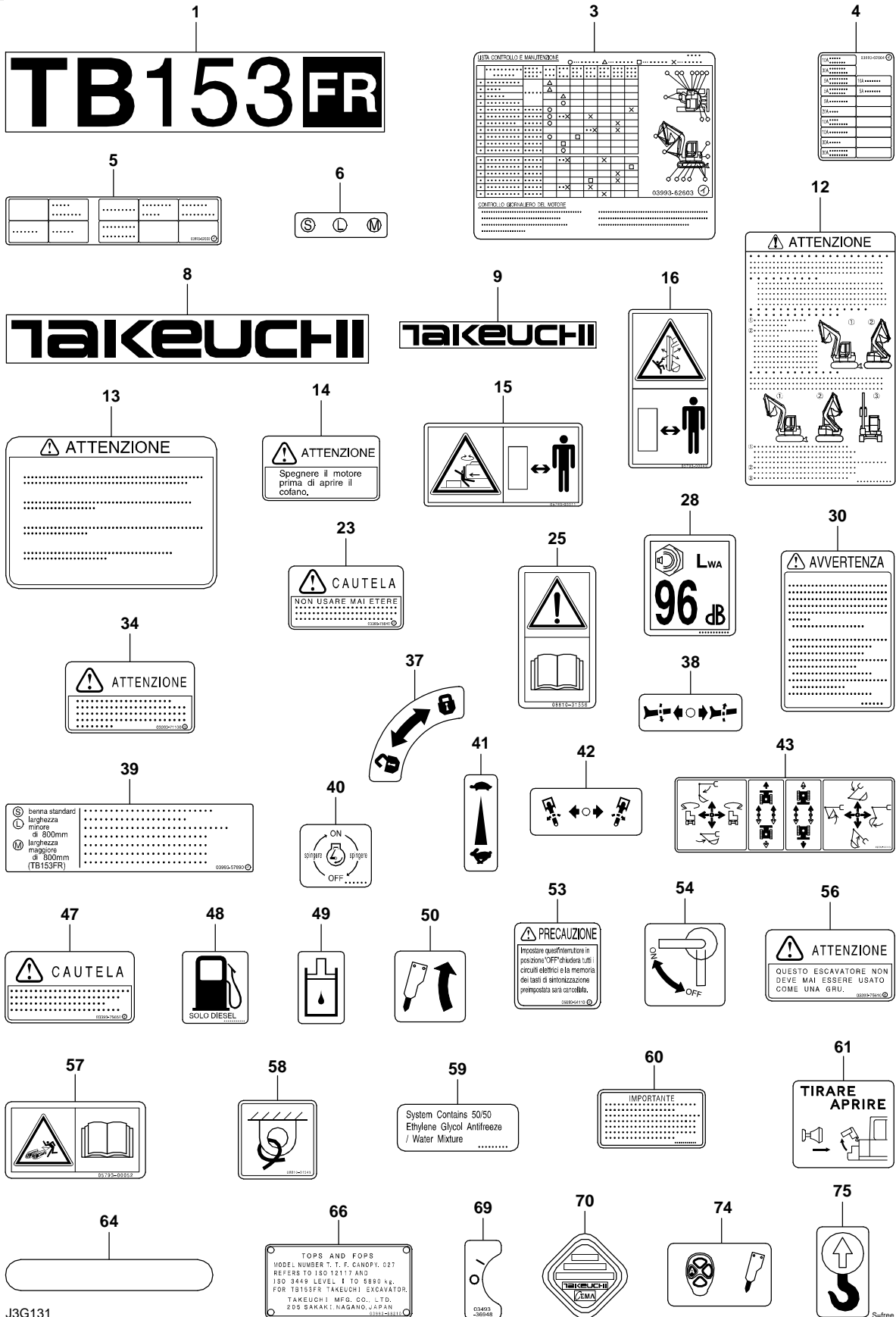
J3G111

Self-seal



J3G121

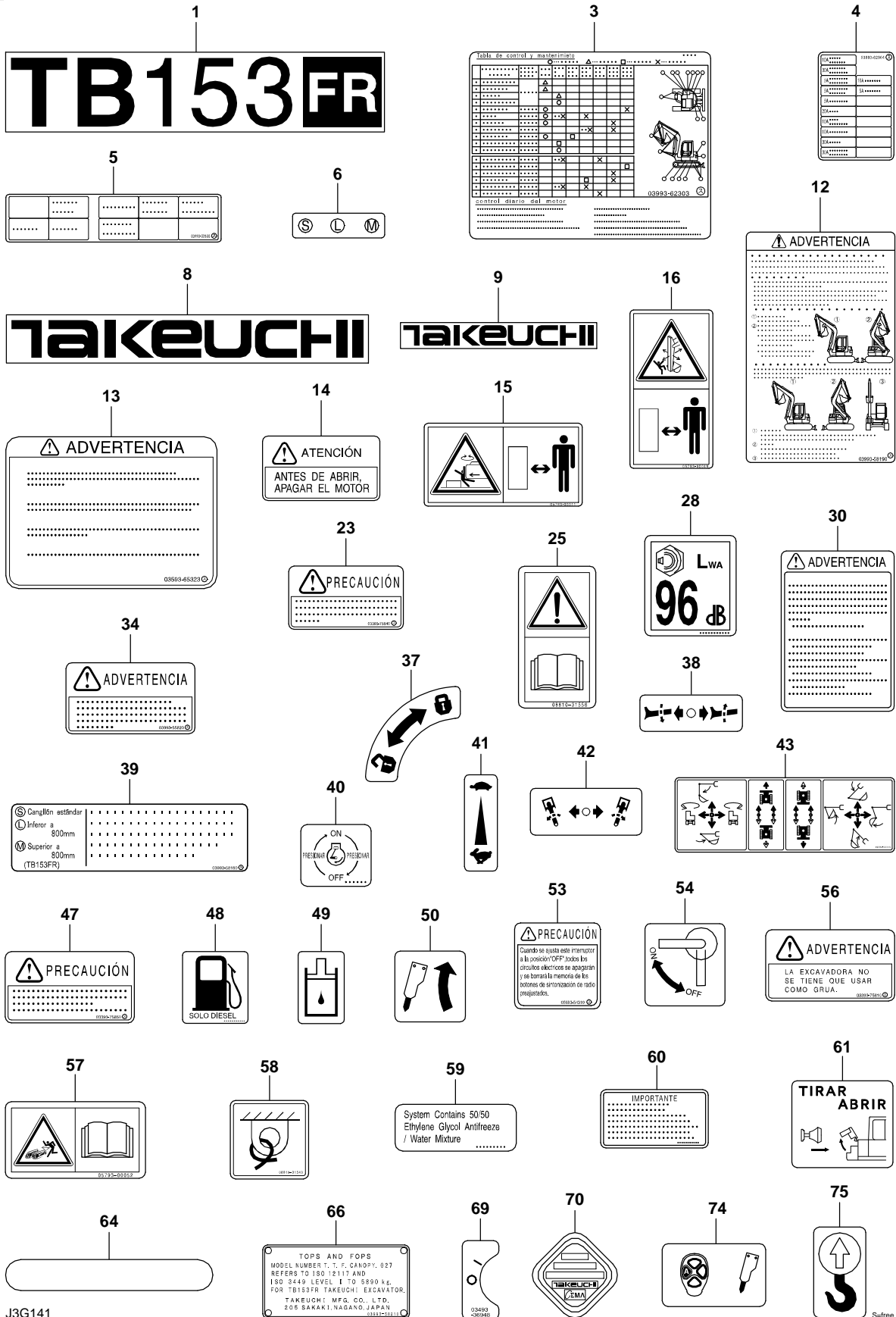
Seifree



J3G131

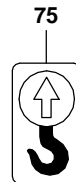
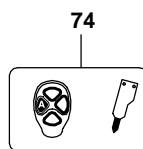
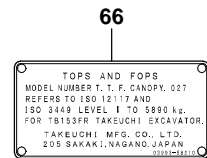
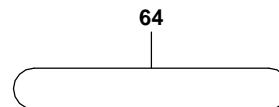
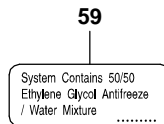
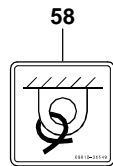
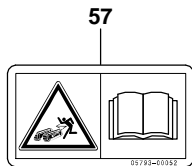
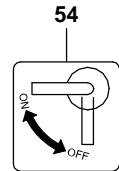
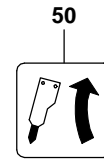
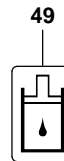
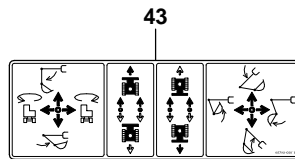
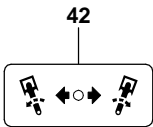
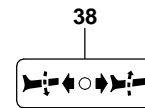
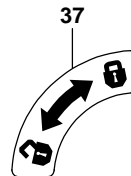
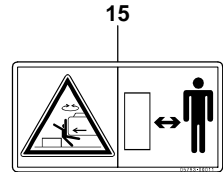
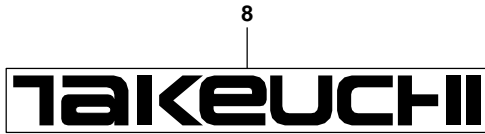
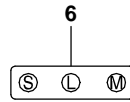
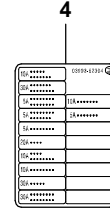
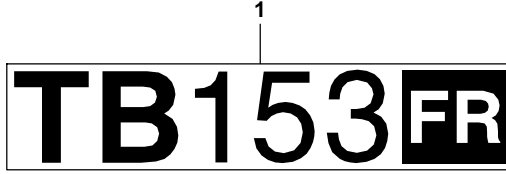
Ref. J3G090

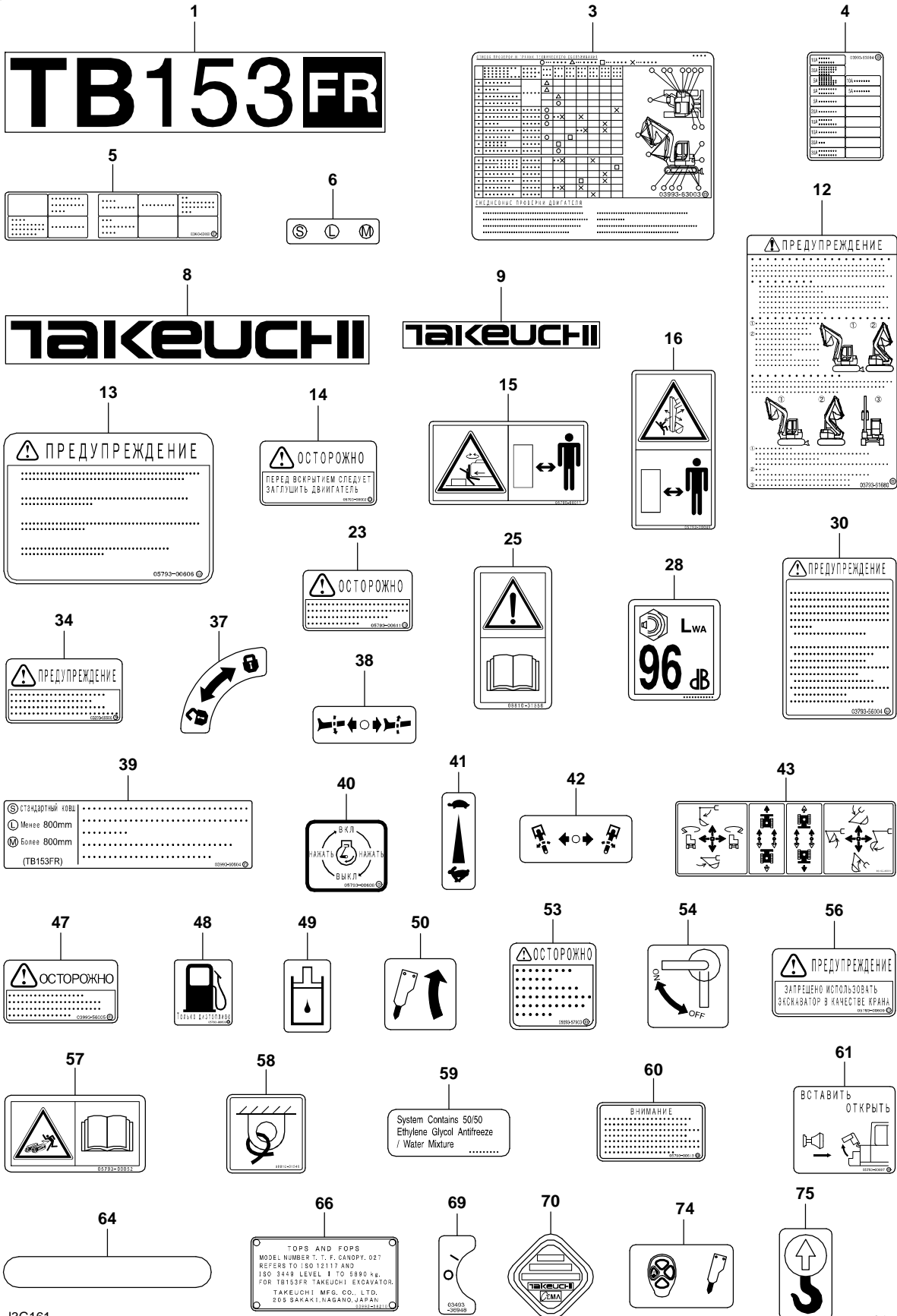
Self



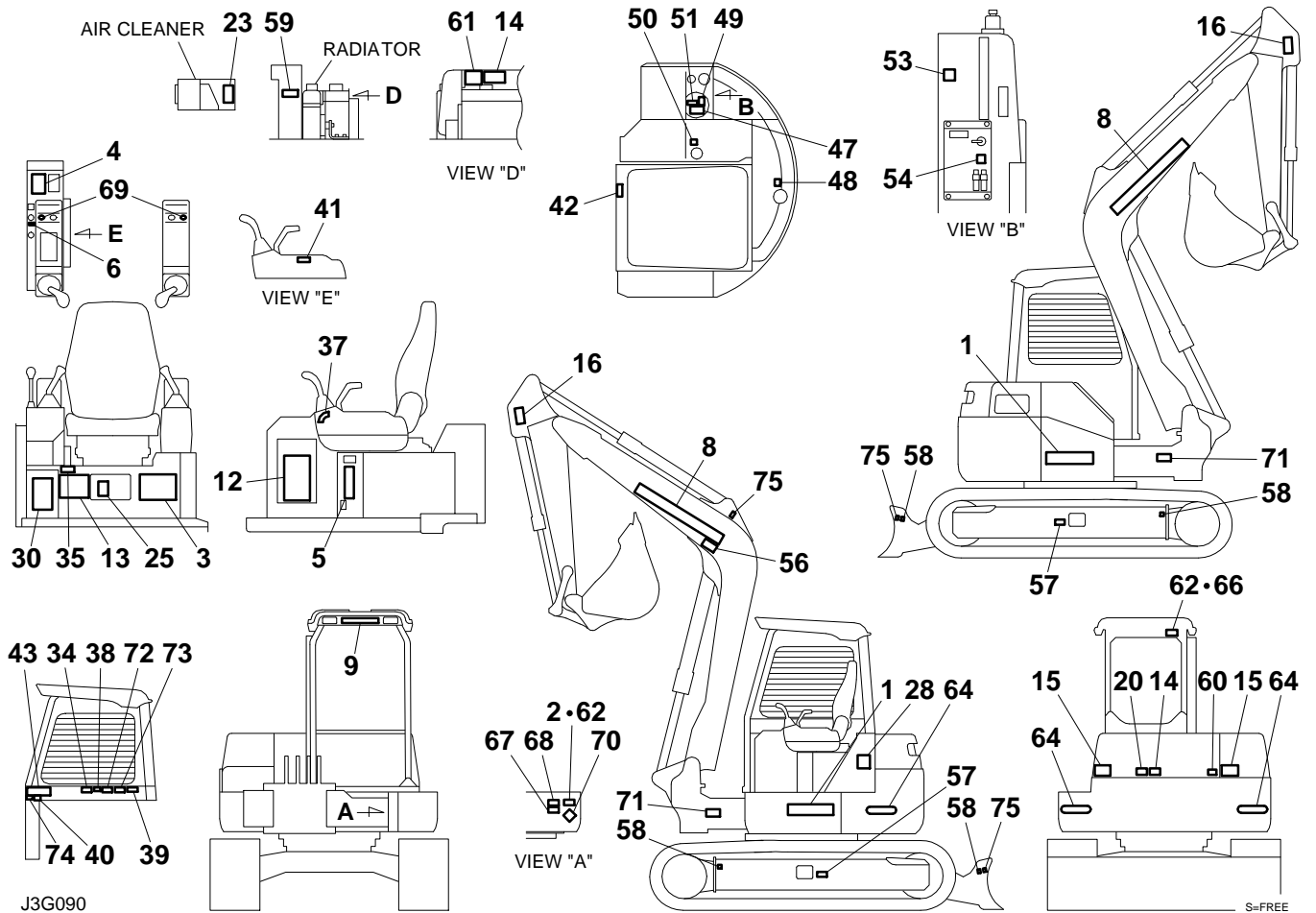
J3G141

TB153FR (P-T153FBBB) Book No. BJ3Z003 S/N 15830001-
Dutch





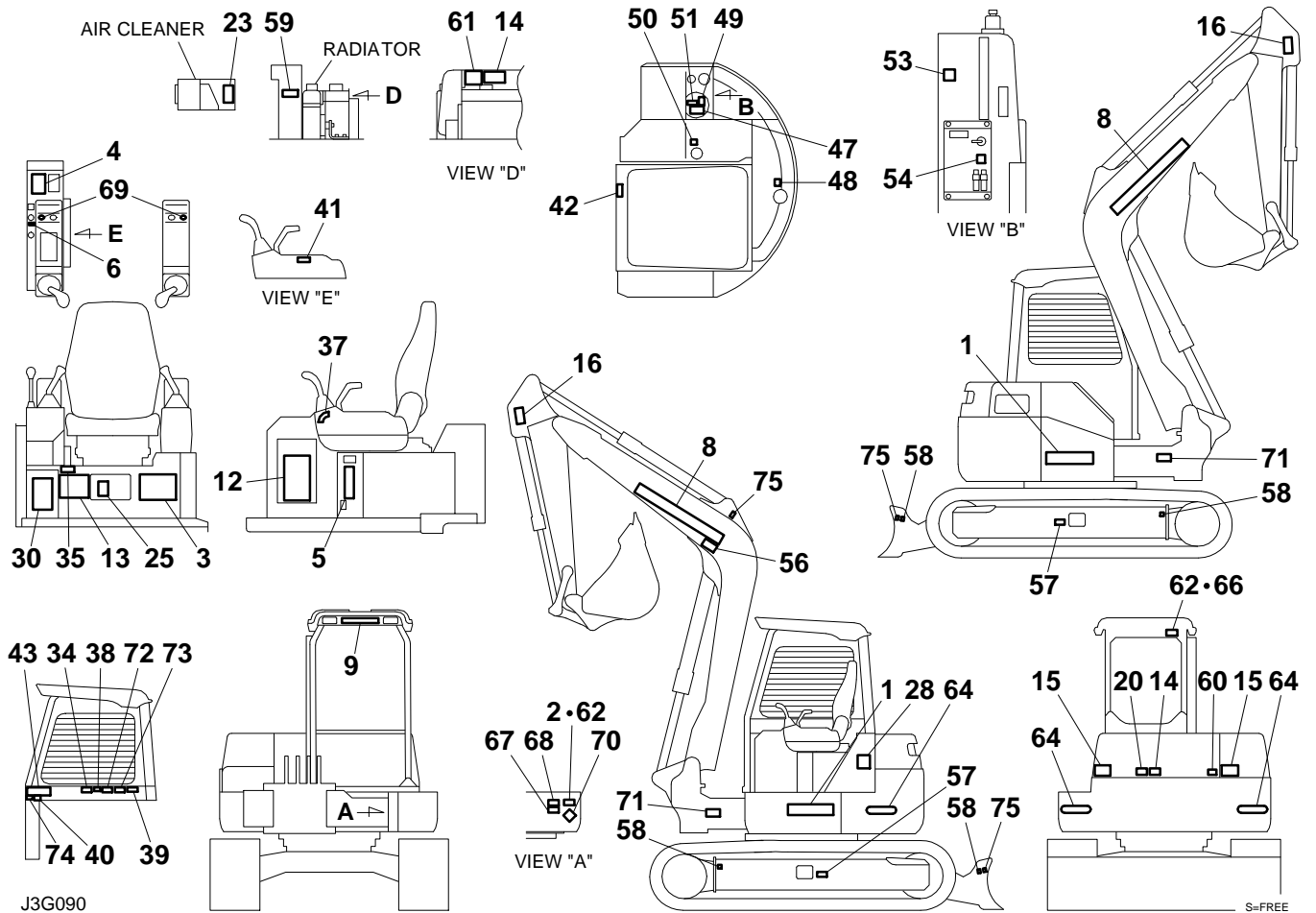
**TB153FR (P-T153FBBB) Book No. BJ3Z003 S/N 15830001-
DECAL (canopy)**



DECAL (canopy)

Item	Part number	Description	Q'ty	Chan.	Serial No.	Serv.	Remarks
0	0399363200	DECAL SET (English)	1				
	0399363300	DECAL SET (German)	1				
	0399363400	DECAL SET (French)	1				
	0399363500	DECAL SET (Italian)	1				
	0399363600	DECAL SET (U. S. TAKEUCHI)	1				
	0399363700	DECAL SET (Spanish)	1				
	0399363800	DECAL SET (Dutch)	1				
	0399363900	DECAL SET (Russian)	1				
	0399364000	DECAL SET (U.K. TAKEUCHI)	1				
	0399364300	DECAL SET (CANADA; English)	1				
	0399364400	DECAL SET (CANADA; French)	1				
1	0399357610	· DECAL	2				
2	X *****	· DECAL	1				
3	0399362303	· DECAL (English)	1				
	0399362403	· DECAL (German)	1				
	0399362503	· DECAL (French)	1				
	0399362603	· DECAL (Italian)	1				
	0399362803	· DECAL (Spanish)	1				
	0399363003	· DECAL (Russian)	1				
4	0399362304	· DECAL (English, Dutch)	1				
	0399362404	· DECAL (German)	1				
	0399362504	· DECAL (French)	1				
	0399362604	· DECAL (Italian)	1				
	0399362804	· DECAL (Spanish)	1				
	0399363004	· DECAL (Russian)	1				
5	0399362360	· DECAL (English)	1				
	0399362460	· DECAL (German)	1				
	0399362560	· DECAL (French)	1				
	0399362660	· DECAL (Italian)	1				
	0399362860	· DECAL (Spanish)	1				
	0399363060	· DECAL (Russian)	1				
6	0569358060	· DECAL	1				
8	0008500050	· DECAL	2				
9	0008500332	· DECAL	1				
12	0569352506	· DECAL (English)	1				
	0569352206	· DECAL (German)	1				
	0569352306	· DECAL (French)	1				
	0569352406	· DECAL (Italian)	1				
	0399358190	· DECAL (Spanish)	1				
	0379361680	· DECAL (Russian)	1				
13	0359313700	· DECAL (English)	1				
	0359314700	· DECAL (German)	1				
	0359315700	· DECAL (French)	1				
	0359316700	· DECAL (Italian)	1				
	0359365323	· DECAL (Spanish)	1				
	0579300606	· DECAL (Russian)	1				
14	0359307400	· DECAL (English)	2				
	0359314400	· DECAL (German)	2				
	0359315400	· DECAL (French)	2				
	0359316400	· DECAL (Italian)	2				
	0339364200	· DECAL (Spanish)	2				
	0579300602	· DECAL (Russian)	2				
15	0579300011	· DECAL	2				
16	0579300049	· DECAL	2				
20	0569321980	· DECAL (English)	1				
23	0339375040	· DECAL (English)	1				
	0339375240	· DECAL (German)	1				
	0339375440	· DECAL (French)	1				
	0339375640	· DECAL (Italian)	1				
	0339375840	· DECAL (Spanish)	1				
	0579300611	· DECAL (Russian)	1				

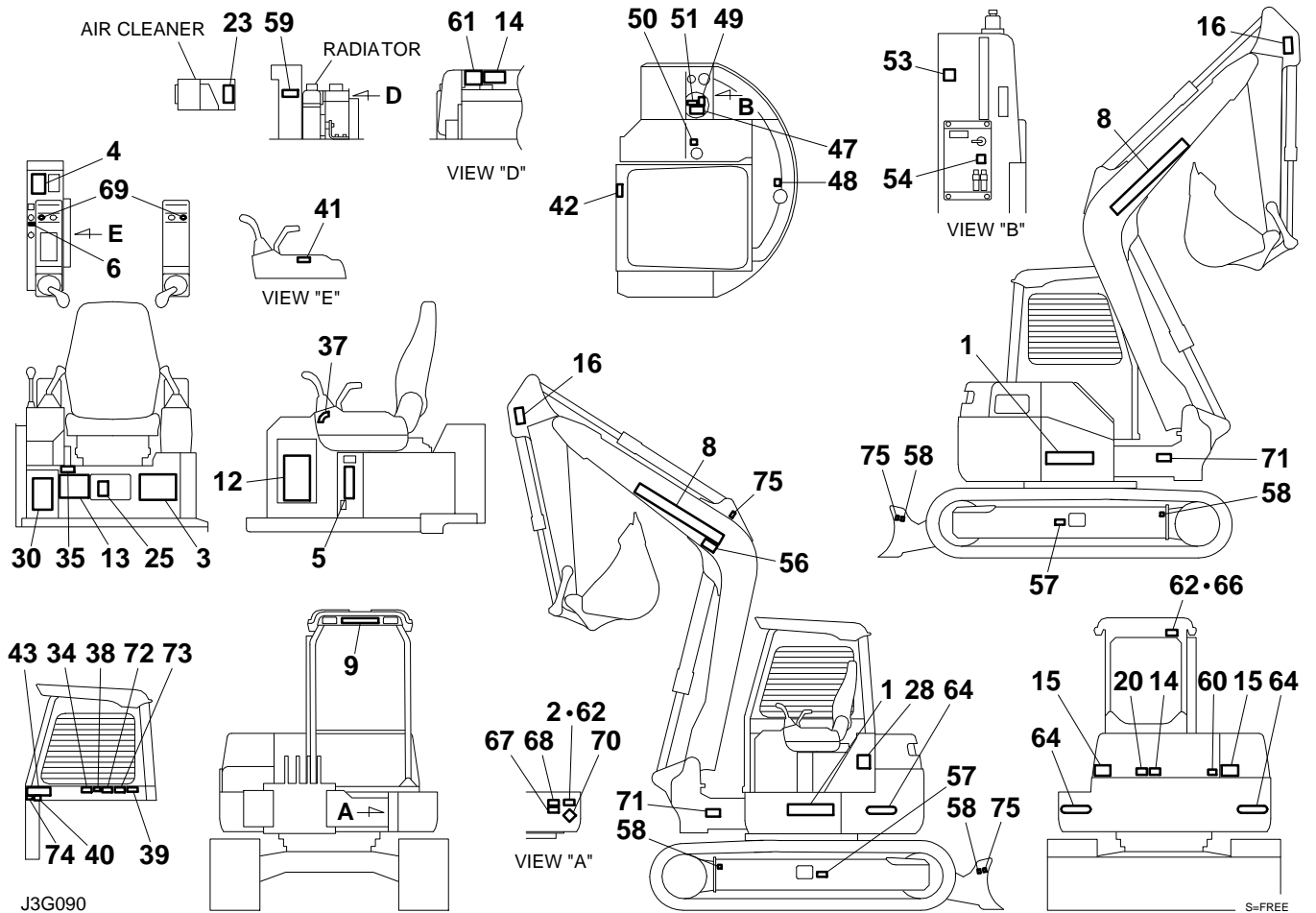
**TB153FR (P-T153FBBB) Book No. BJ3Z003 S/N 15830001-
DECAL (canopy)**



DECAL (canopy)

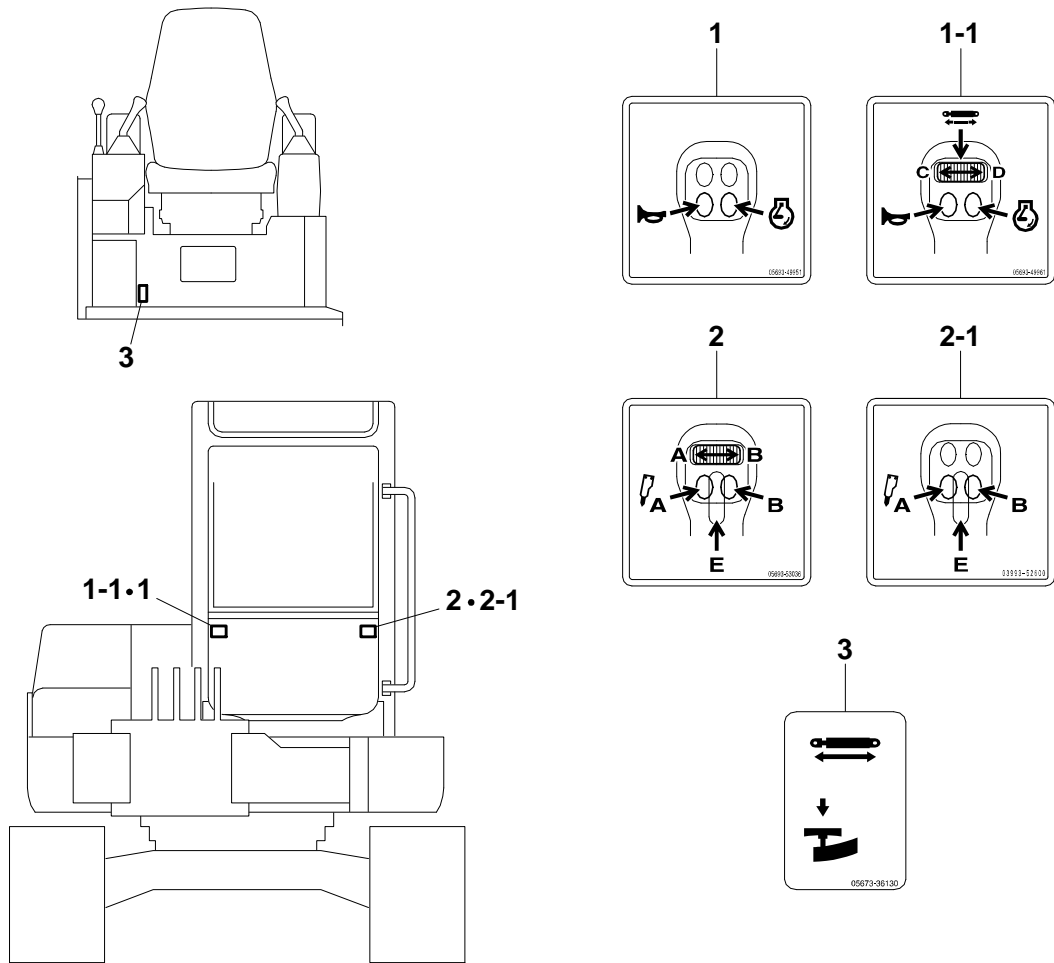
Item	Part number	Description	Q'ty	Chan.	Serial No.	Serv.	Remarks
25	0881031556	· DECAL	1				
28	X *****	· DECAL	1				except for U.S. TAKEUCHI
30	0379337300	· DECAL (English)	1				
	0379338300	· DECAL (German)	1				
	0379339300	· DECAL (French)	1				
	0379340300	· DECAL (Italian)	1				
	0379354200	· DECAL (Spanish)	1				
	0399356004	· DECAL (Russian)	1				
34	0339368100	· DECAL (English)	1				
	0339369100	· DECAL (German)	1				
	0339370100	· DECAL (French)	1				
	0339371100	· DECAL (Italian)	1				
	0399355820	· DECAL (Spanish)	1				
	0329365506	· DECAL (Russian)	1				
35	X *****	· DECAL	1				
37	0329360100	· DECAL	1				
38	0359325190	· DECAL	1				
39	0399357680	· DECAL (English)	1				except for U.S. TAKEUCHI
	0399357780	· DECAL (German)	1				
	0399357880	· DECAL (French)	1				
	0399357980	· DECAL (Italian)	1				
	0399358080	· DECAL (U. S. TAKEUCHI)	1				
	0399358180	· DECAL (Spanish)	1				
	0399360604	· DECAL (Russian)	1				
40	0569335060	· DECAL (English)	1				
	0569327800	· DECAL (German)	1				
	0569328800	· DECAL (French)	1				
	0569329800	· DECAL (Italian)	1				
	0569348500	· DECAL (Spanish)	1				
	0579300608	· DECAL (Russian)	1				
41	0359317200	· DECAL	1				
42	0329360060	· DECAL	1				
43	0579300015	· DECAL	1				
47	0339375050	· DECAL (English)	1				
	0339375250	· DECAL (German)	1				
	0339375450	· DECAL (French)	1				
	0339375650	· DECAL (Italian)	1				
	0339375850	· DECAL (Spanish)	1				
	0399356005	· DECAL (Russian)	1				
48	0359306600	· DECAL (English)	1				
	0339375260	· DECAL (German)	1				
	0339375460	· DECAL (French)	1				
	0339375660	· DECAL (Italian, Spanish)	1				
	0579300603	· DECAL (Russian)	1				
49	0359306700	· DECAL	1				
50	0359325220	· DECAL	1				
51	0669300033	· DECAL (U. S. TAKEUCHI, CANADA)	1				
53	0569353810	· DECAL (English)	1				
	0569353910	· DECAL (German)	1				
	0569354010	· DECAL (French)	1				
	0569354110	· DECAL (Italian)	1				
	0569354310	· DECAL (Spanish)	1				
	0569357903	· DECAL (Russian)	1				
54	0399351210	· DECAL	1				
56	0359347010	· DECAL (English)	1				except for U.K. TAKEUCHI
	0339375210	· DECAL (German)	1				
	0339375410	· DECAL (French)	1				
	0339375610	· DECAL (Italian)	1				
	0339375810	· DECAL (Spanish)	1				
	0579300609	· DECAL (Russian)	1				
57	0579300052	· DECAL	2				

**TB153FR (P-T153FBBB) Book No. BJ3Z003 S/N 15830001-
DECAL (canopy)**



DECAL (canopy)							
Item	Part number	Description	Q'ty	Chan.	Serial No.	Serv.	Remarks
58	0881031549	· DECAL	4				
59	0359313900	· DECAL	1				
60	0339376240	· DECAL (English)	1				
	0339376340	· DECAL (German)	1				
	0339379440	· DECAL (French)	1				
	0339379540	· DECAL (Italian)	1				
	0339379640	· DECAL (Spanish)	1				
	0579300613	· DECAL (Russian)	1				
61	0569326400	· DECAL (English)	1				
	0569327400	· DECAL (German)	1				
	0569328400	· DECAL (French)	1				
	0569329400	· DECAL (Italian)	1				
	0569348400	· DECAL (Spanish)	1				
	0579300607	· DECAL (Russian)	1				
62	X *****	· SCREW	8				
64	0569358070	· DECAL	2				
66	X *****	· DECAL	1				
67	X *****	· DECAL	1				
68	X *****	· DECAL	1				
69	0349336948	· DECAL	2				
70	X *****	· DECAL	1				
71	0399352302	· DECAL (U. S. TAKEUCHI)	2				
72	0399352303	· DECAL (U. S. TAKEUCHI)	1				
73	0399352309	· DECAL (U. S. TAKEUCHI)	1				
74	0379336800	· DECAL	1				
75	0399300500	· DECAL	3				
	J3g090						

**TB153FR (P-T153FBBB) Book No. BJ3Z003 S/N 15830001-
DECAL (operation lever, cab)**

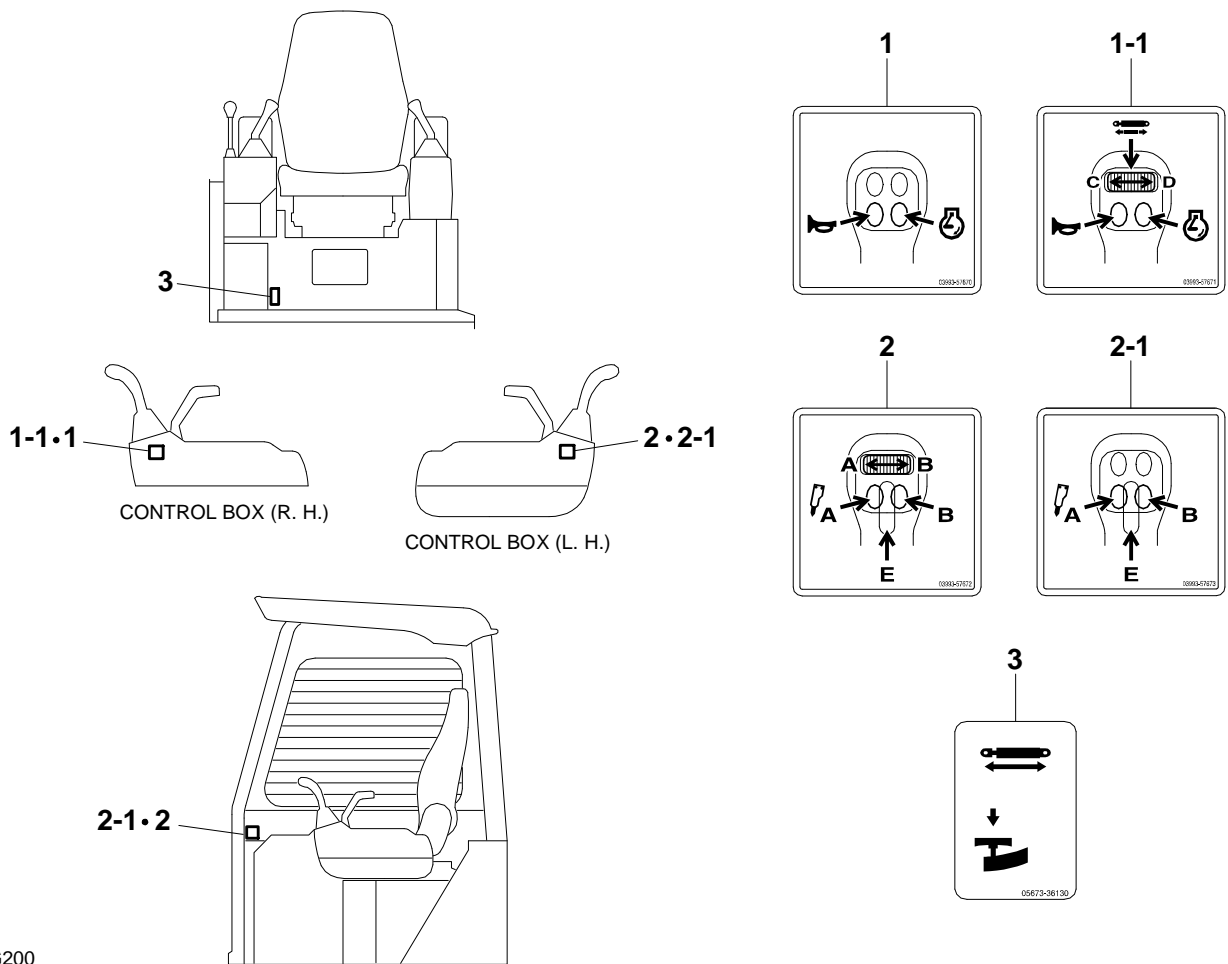


J2G190

S=FREE

DECAL (operation lever, cab)						
Item	Part number	Description	Q'ty	Chan.	Serial No.	Serv. Remarks
0	0399359200	DECAL SET (1st aux. proportion)	1			
	0399359300	DECAL SET (2nd aux. proportion)	1			
	0399359400	DECAL SET (1st & 2nd aux. proportion)	1			
	0399359500	DECAL SET (with 3rd aux. 2nd aux. proportion)	1			
	0399359600	DECAL SET (with 3rd aux. 1st & 2nd aux. proportion)	1			
1	0569349951	· DECAL	1			
1-1	0569349961	· DECAL	1			2nd aux. proport
2	0569353036	· DECAL	1			1st aux. proporti
2-1	0399352600	· DECAL	1			
3	0567336130	· DECAL	1			with 3rd aux. line
	J2g190					

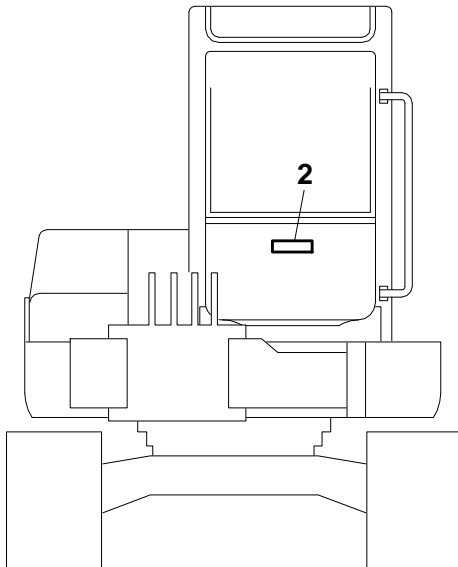
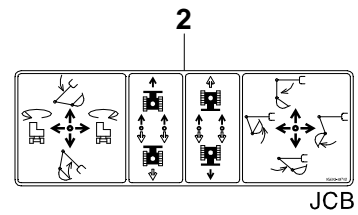
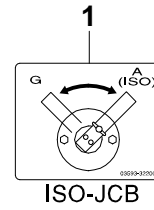
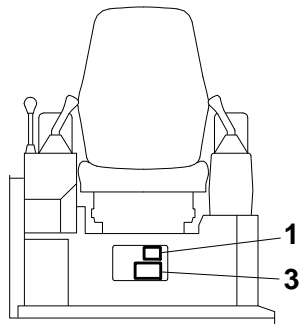
TB153FR (P-T153FBBB) Book No. BJ3Z003 S/N 15830001-
DECAL (operation lever, canopy)



DECAL (operation lever, canopy)

Item	Part number	Description	Q'ty	Chan.	Serial No.	Serv.	Remarks
0	0399360000	DECAL SET (1st aux. proportion)	1				
	0399360100	DECAL SET (2nd aux. proportion)	1				
	0399360200	DECAL SET (1st & 2nd aux. proportion)	1				
	0399360300	DECAL SET (with 3rd aux. 2nd aux. proportion)	1				
	0399360400	DECAL SET (with 3rd aux. 1st & 2nd aux. proportion)	1				
1	0399357670	· DECAL	1				
1-1	0399357671	· DECAL	1				2nd aux. proport
2	0399357672	· DECAL	1				1st aux. proporti
2-1	0399357673	· DECAL	1				
3	0567336130	· DECAL	1				with 3rd aux. line
	J2g200						

TB153FR (P-T153FBBB) Book No. BJ3Z003 S/N 15830001-
DECAL (selecter valve, cab)



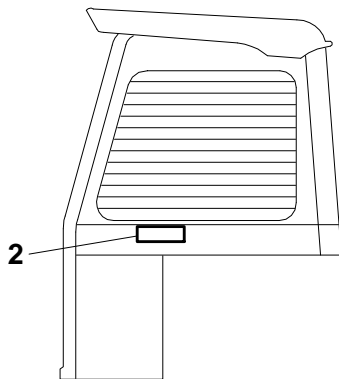
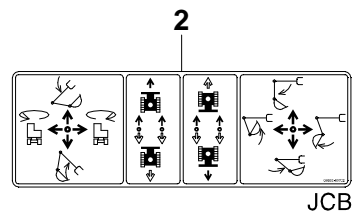
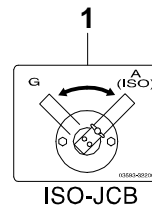
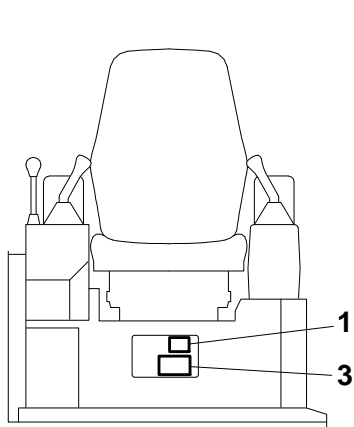
J2G211

S=FREE

DECAL (selecter valve, cab)

Item	Part number	Description	Q'ty	Chan.	Serial No.	Serv.	Remarks
0	0399358900	DECAL SET (English)	1				
	0399359000	DECAL SET (German)	1				
	0399359100	DECAL SET (Spanish)	1				
	0399361100	DECAL SET (French)	1				
	0399361200	DECAL SET (Italian)	1				
1	0359332200	· DECAL	1				ISO-JCB
2	0569349702	· DECAL	1				JCB
3	0359332300	· DECAL	1				English
	0359332400	· DECAL	1				German
	0329364020	· DECAL	1				Spanish
	0399361101	· DECAL	1				French
	0399361201	· DECAL	1				Italian
	J2g211						

**TB153FR (P-T153FBBB) Book No. BJ3Z003 S/N 15830001-
DECAL (selecter valve, canopy)**



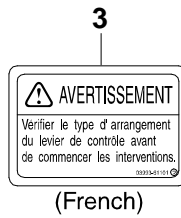
(English)



(German)



(Spanish)



(French)



(Italian)

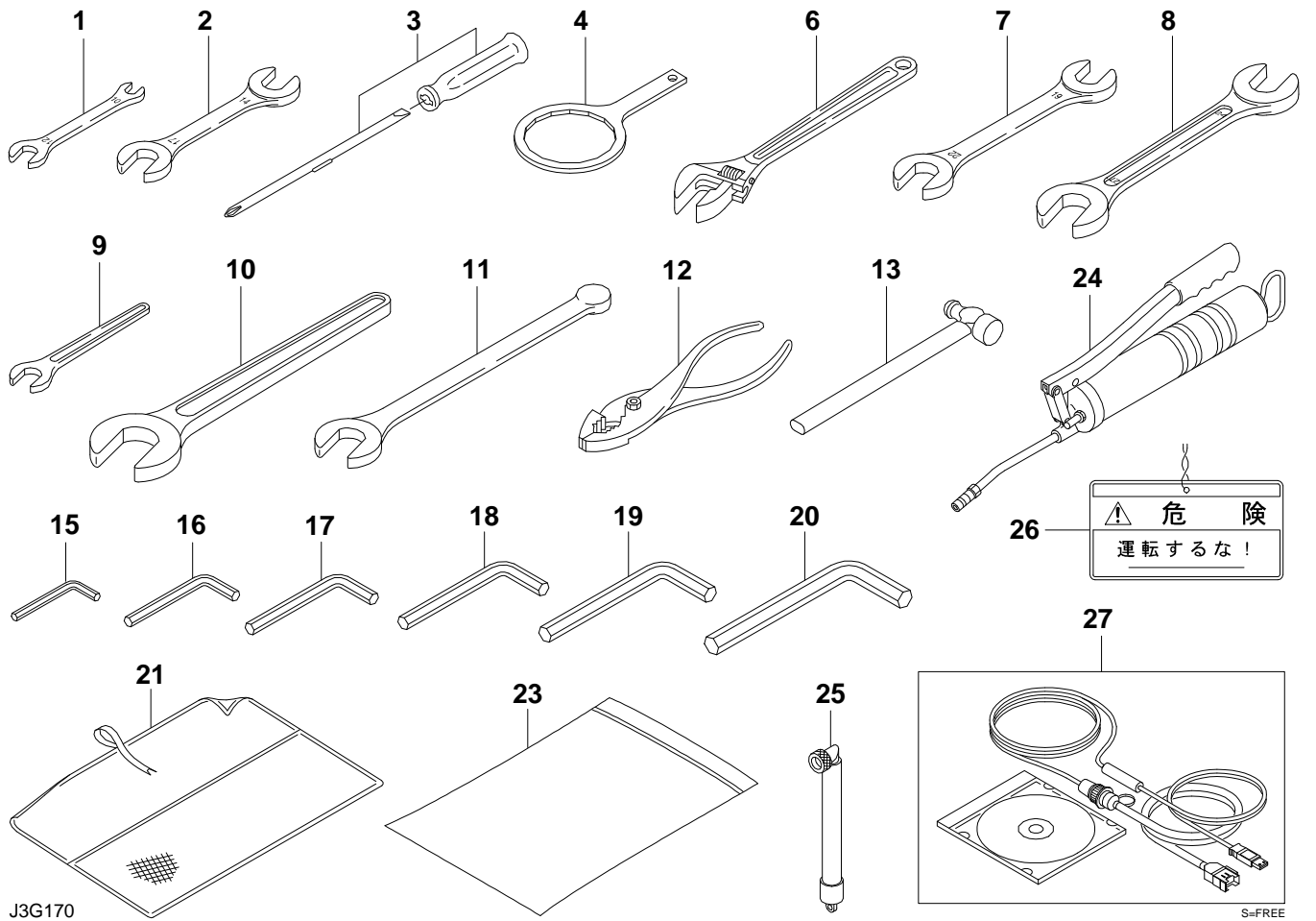
J2G221

S=FREE

DECAL (selecter valve, canopy)

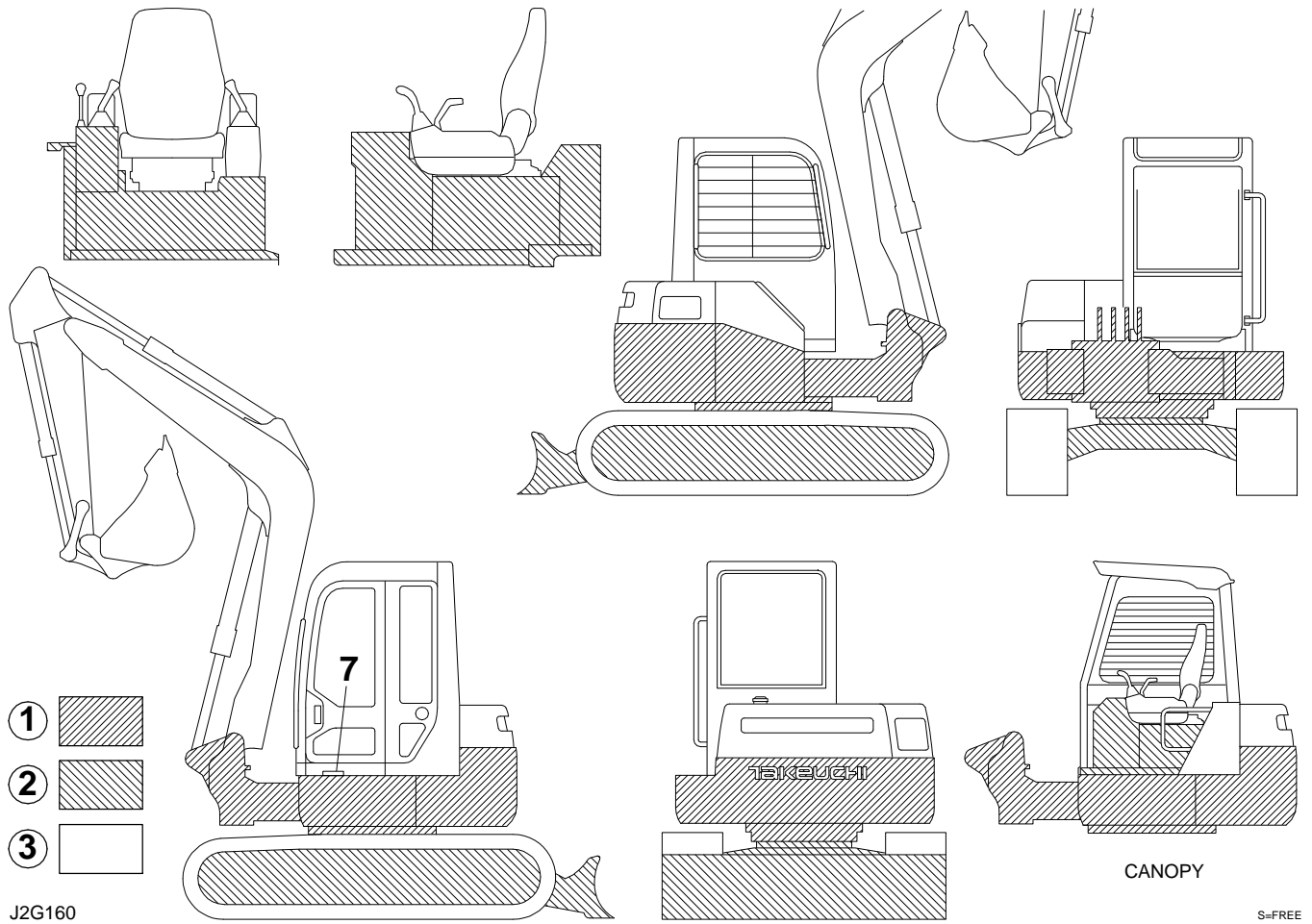
Item	Part number	Description	Q'ty	Chan.	Serial No.	Serv.	Remarks
0	0399359700	DECAL SET (English)	1				
	0399359800	DECAL SET (German)	1				
	0399359900	DECAL SET (Spanish)	1				
	0399361400	DECAL SET (French)	1				
	0399361500	DECAL SET (Italian)	1				
1	0359332200	· DECAL	1				ISO-JCB
2	0569349702	· DECAL	1				JCB
3	0359332300	· DECAL	1				English
	0359332400	· DECAL	1				German
	0329364020	· DECAL	1				Spanish
	0399361101	· DECAL	1				French
	0399361201	· DECAL	1				Italian
	J2g221						

TB153FR (P-T153FBBB) Book No. BJ3Z003 S/N 15830001-
TOOL & ACCESSORIES



TOOL & ACCESSORIES						
Item	Part number	Description	Q'ty	Chan.	Serial No.	Serv. Remarks
		TOOL ASSY (for Japan)				
		TOOL ASSY				
0	0379207010	TOOL ASSY	1			
1	1910047081	· SPANNER	1			Y28110-100120
2	1910047082	· SPANNER	1			Y28110-140170
3	1910006112	· SCREWDRIVER	1			Y104200-92350
4	1910065081	· WRENCH, filter	1			Y119640-92750
6	1690400250	· WRENCH, monkey	1			
7	1690001922	· SPANNER	1			
8	1690002427	· SPANNER	1			
9	1690100013	· SPANNER	1			
10	1690100041	· SPANNER	1			
11	1690900026	· SPANNER	1			
12	1690500200	· PLIER	1			
13	1690300330	· HAMMER	1			
15	1690600400	· WRENCH, hex.	1			
16	1690600500	· WRENCH, hex.	1			
17	1690600600	· WRENCH, hex.	1			
18	1690600800	· WRENCH, hex.	1			
19	1690601000	· WRENCH, hex.	1			
20	1690601400	· WRENCH, hex.	1			
21	1691400001	· CASE, tool	1			
23	1691900001	· CASE	1			
24	1691060610	GUN, grease	1			
	1691010800	GUN, grease	1			for Japan
25	1554512601	TUBE	1			for EU
26	0359325160	PLATE	1			for Japan
27	1730142800	KIT, maintenance tool	1			M
	J3g170					

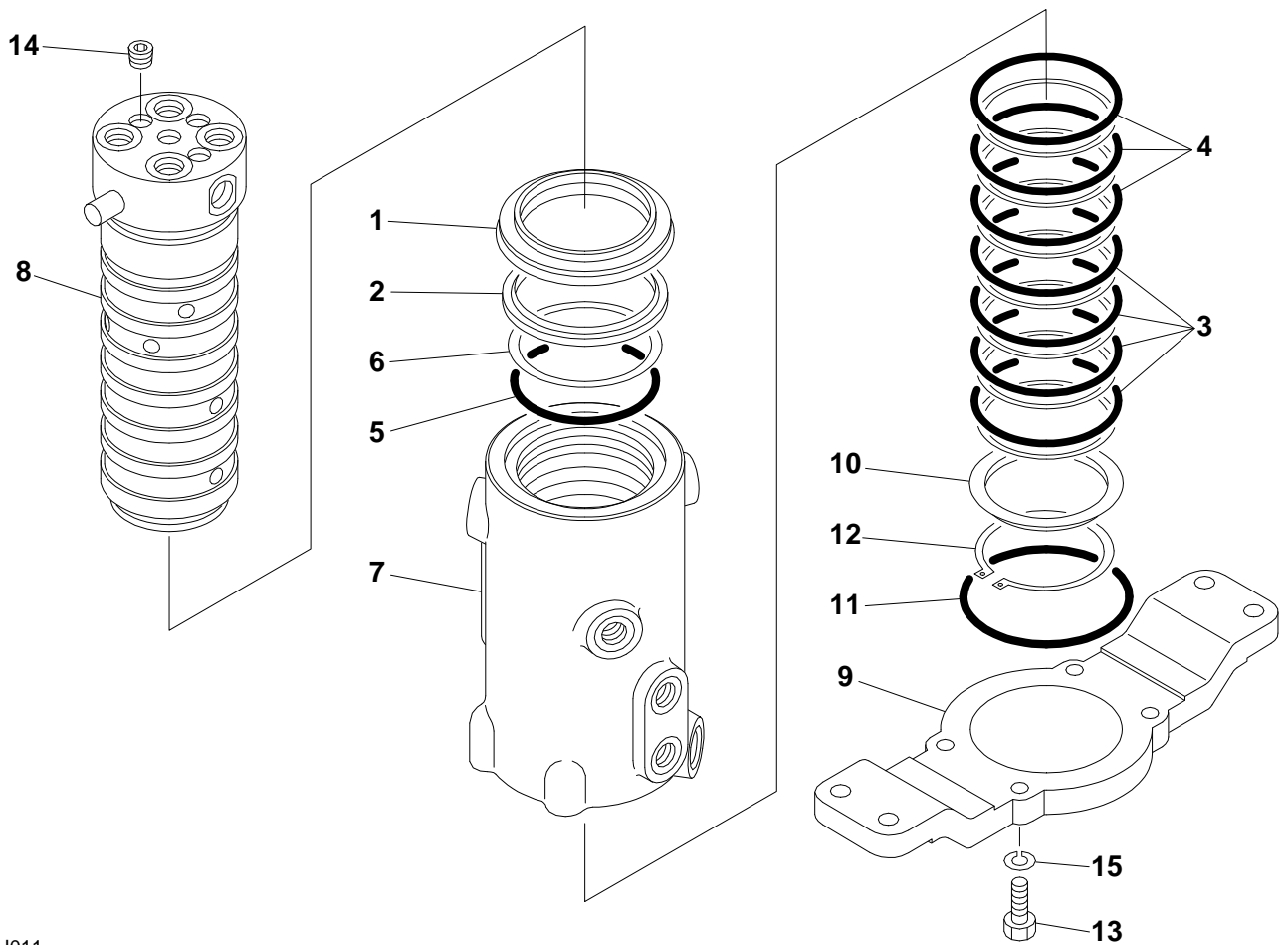
TB153FR (P-T153FBBB) Book No. BJ3Z003 S/N 15830001-
PAINTED COLOR



PAINTED COLOR

Item	Part number	Description	Q'ty	Chan.	Serial No.	Serv.	Remarks
		PAINTED COLOR (cab, rubber crawler)					
		PAINTED COLOR (canopy, rubber crawler)					
		PAINTED COLOR (cab, steel crawler)					
		PAINTED COLOR (canopy, steel crawler)					
1	1919060105	RED					
	1919069105	RED					spray
2	1919060208	GRAY					
	1919069208	GRAY					spray
3	1919060207	LIGHT GRAY					
	1919069207	LIGHT GRAY					spray
7	1919060175	YELLOW					
	1919069175	YELLOW					spray
		<<NOTE>>					
		The part of the steel carawler uses item 2.					
	J2g160						

TB153FR (P-T153FBBB) Book No. BJ3Z003 S/N 15830001-
SWIVEL JOINT



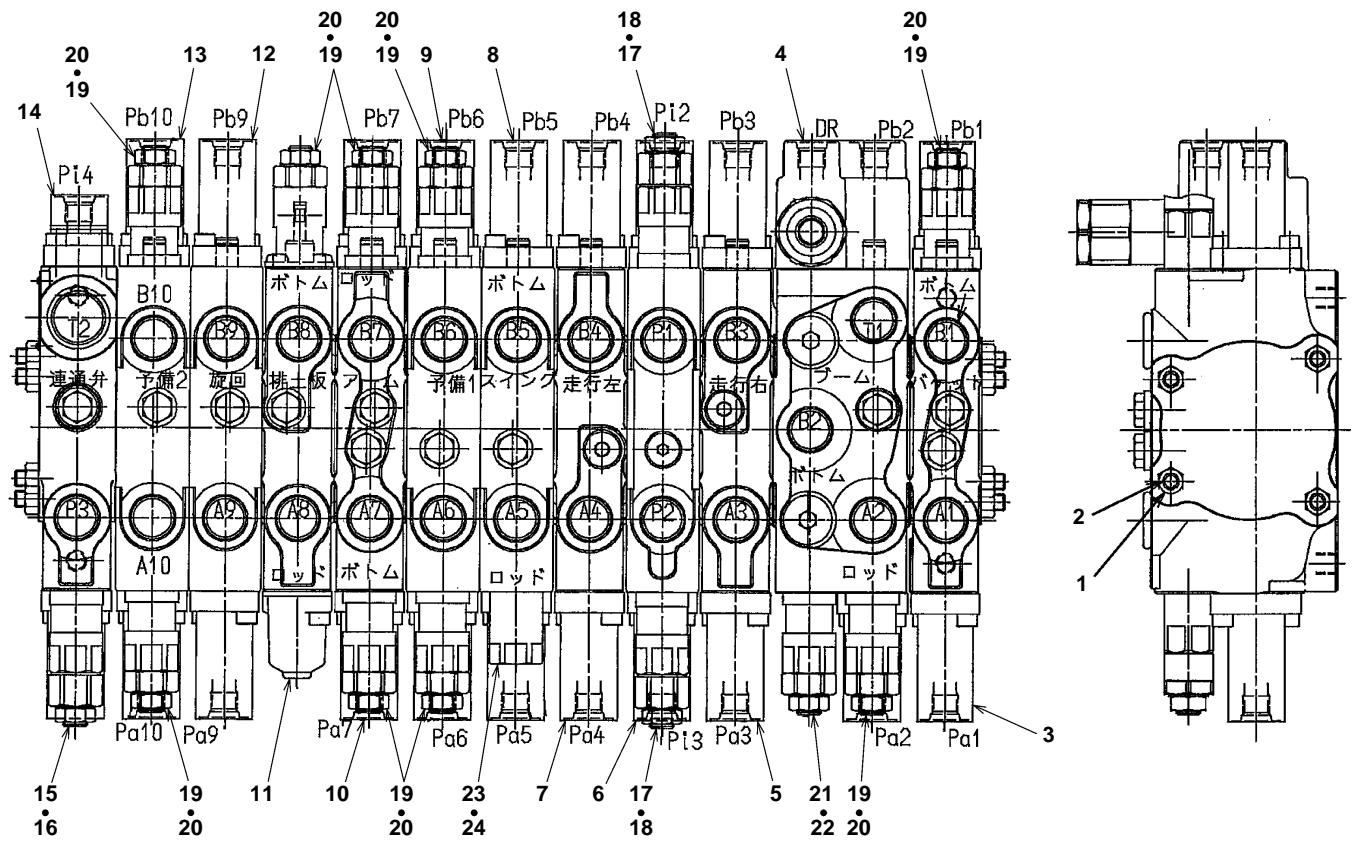
K3H011

S=1/4

SWIVEL JOINT

Item	Part number	Description	Q'ty	Chan.	Serial No.	Serv.	Remarks
0	1904006300	JOINT, swivel	1				
0-1	1904006399	· KIT, seal	1				
1	X 1904002391	· · SEAL, dust	1				
2	X 1904000494	· · SEAL, dust	1				
3	X 1904006316	· · SEAL, slipper	4				
4	X 1904006317	· · SEAL, slipper	3				
5	X 1420010800	· · O-RING	1				
6	X 1421030800	· · RING, back-up	1				
7	1904006301	· HUB	1				
8	1904006311	· SHAFT	1				
9	1904003621	· FRANGE	1				
10	1904003691	· SPACER	1				
11	1420110950	· O-RING	1				
12	1220000072	· RING, snap	1				
13	1100041030	· BOLT	4				
14	1501810002	· PLUG	3				
15	1140010010	· WASHER, spring	4				
	K3h012						

TB153FR (P-T153FBBB) Book No. BJ3Z003 S/N 15830001-
CONTROL VALVE



J2H010

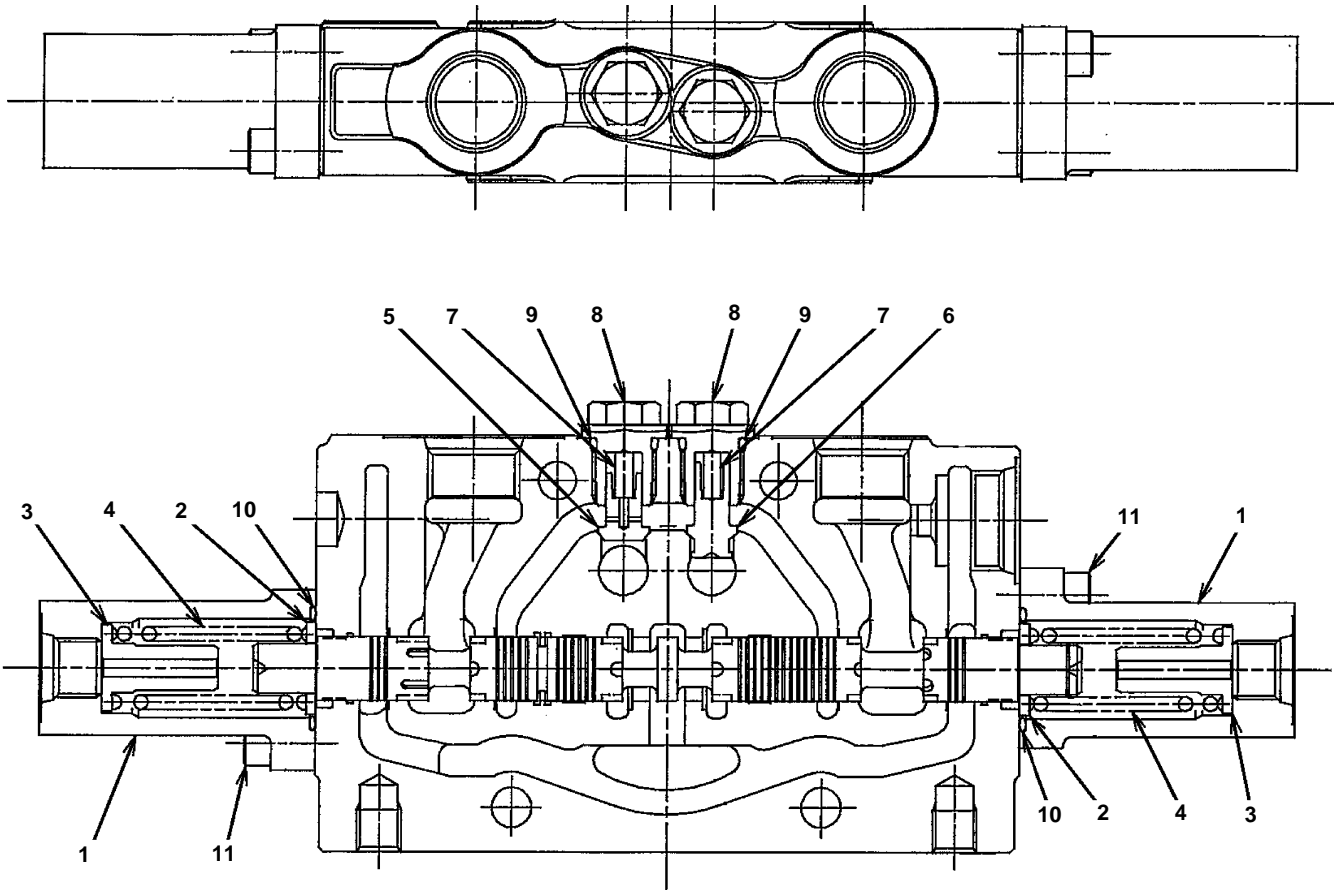
S-free

CONTROL VALVE

Item	Part number	Description	Qty	Chan.	Serial No.	Serv.	Remarks
0	1901043200	VALVE ASSY, control	1				
	1901043300	VALVE ASSY, control	1				with 2nd aux. line
1	1130050008	· NUT	6				
2	1901043207	· ROD, tie	3				
	1901043307	· ROD, tie	3				with 2nd aux. line
3	1901043213	· BLOCK ASSY; No.1	1				bucket
4	1901043211	· BLOCK ASSY; No.2	1				boom
5	1901043215	· BLOCK ASSY; No.3	1				traction R.H.
6	1901043203	· BLOCK ASSY; No.4	1				P1, P2
7	1901043216	· BLOCK ASSY; No.5	1				traction L.H.
8	1901043218	· BLOCK ASSY; No.6	1				swing
9	1901043219	· BLOCK ASSY; No.7	1				auxiliary 1
10	1901043212	· BLOCK ASSY; No.8	1				arm
11	1901043217	· BLOCK ASSY; No.9	1				blade
12	1901043214	· BLOCK ASSY; No.10	1				slew
13	1901043319	· BLOCK ASSY; No.11 (with 2nd aux. line)	1				auxiliary 2
14	1901043220	· BLOCK ASSY; No.12	1				
15	1901043221	· VALVE ASSY	1				relief
16	1420310910	· · O-RING	1				
17	1901042322	· VALVE ASSY	2				relief
18	1420310910	· · O-RING	1				
19	1901043021	· VALVE ASSY	7				over load
	1901043021	· VALVE ASSY (with 2nd aux. line)	9				over load
20	1420310910	· · O-RING	1				
21	1901043022	· VALVE ASSY	1				over load
22	1420310910	· · O-RING	1				
23	1901042625	· VALVE ASSY	1				antivoid
24	1420310910	· · O-RING	1				

J2h010

TB153FR (P-T153FBBB) Book No. BJ3Z003 S/N 15830001-
BLOCK ASSY; No. 1



J2H030

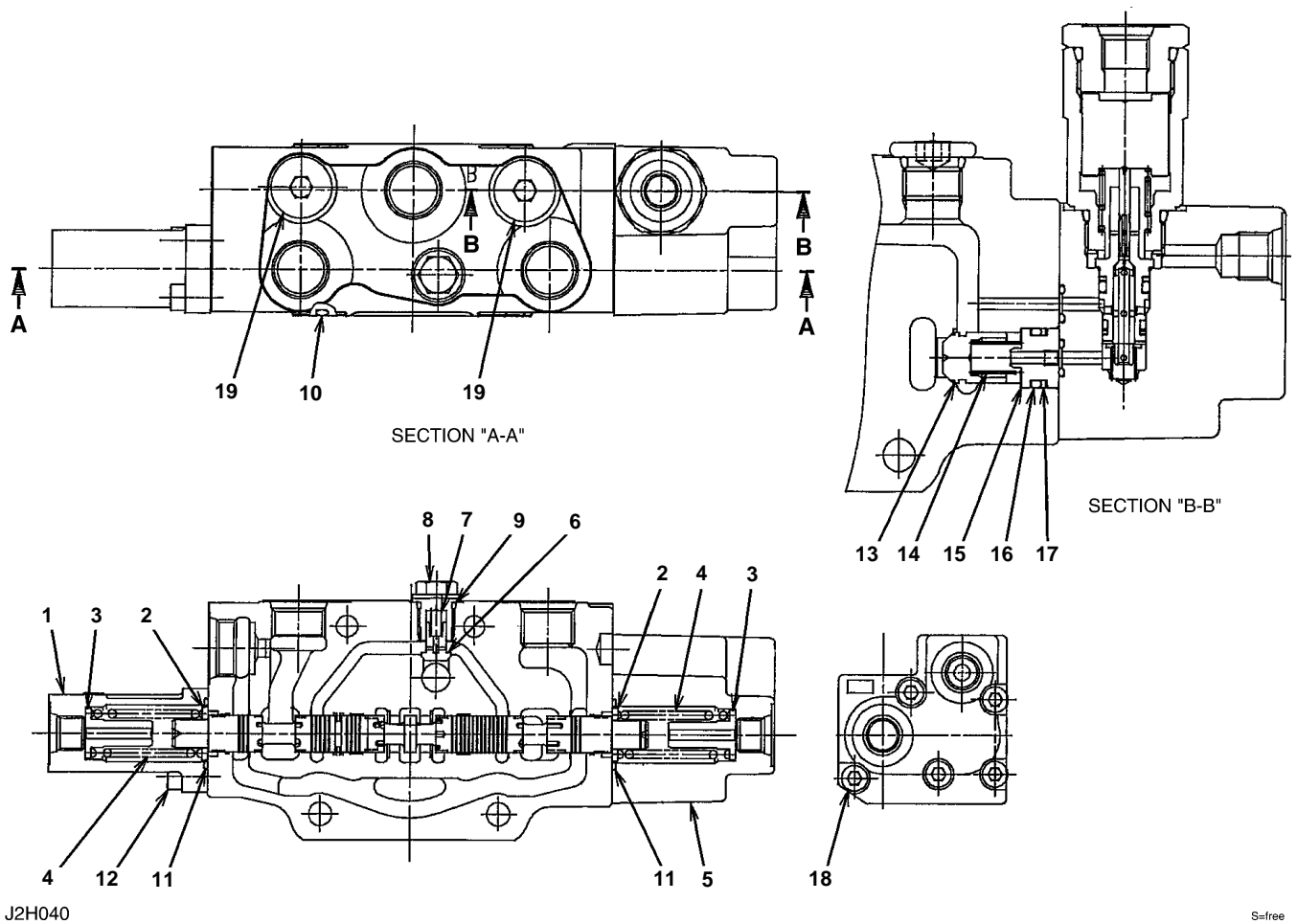
S=free

BLOCK ASSY; No. 1

Item	Part number	Description	Q'ty	Chan.	Serial No.	Serv.	Remarks
0	1901043213	BLOCK ASSY; No.1	1				bucket
1	1901043266	· CAP	2				
2	1901029754	· HOLDER, spring	2				
3	1901043231	· HOLDER, spring	2				
4	1901043256	· SPRING	2				
5	1901043226	· PLUNGER	1				
6	1901043227	· PLUNGER	1				
7	1901043257	· SPRING	2				
8	1901043271	· PLUG	2				
9	1901043282	· O-RING	2				
10	1420500240	· O-RING	2				
11	1110020618	· SCREW, cap	4				

J2h030

TB153FR (P-T153FBBB) Book No. BJ3Z003 S/N 15830001-
BLOCK ASSY; No. 2

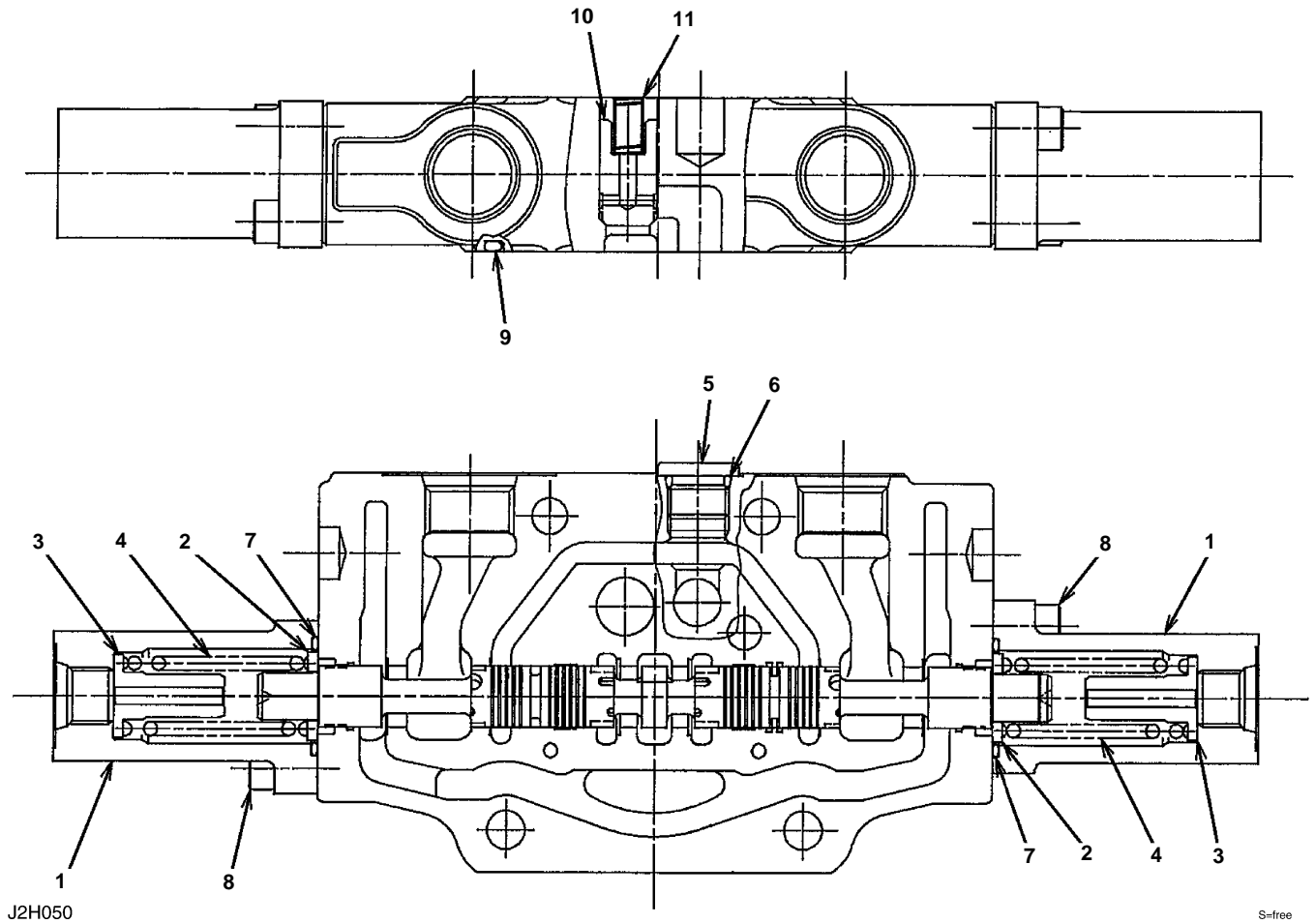


BLOCK ASSY; No. 2

Item	Part number	Description	Q'ty	Chan.	Serial No.	Serv.	Remarks
0	1901043211	BLOCK ASSY; No.2	1				boom
1	1901043266	· CAP	1				
2	1901029754	· HOLDER, spring	2				
3	1901043231	· HOLDER, spring	2				
4	1901043256	· SPRING	2				
5	1901043228	· VALVE ASSY	1				
6	1901043226	· PLUNGER	1				
7	1901043257	· SPRING	1				
8	1901043271	· PLUG	1				
9	1901043282	· O-RING	1				
10	1420100700	· O-RING	1				
11	1420500240	· O-RING	2				
12	1110020618	· SCREW, cap	2				
13	1901043229	· PLUNGER	1				
14	1901043258	· SPRING	1				
15	1901036641	· SPACER	1				
16	1420000125	· O-RING	1				
17	1421020125	· RING, back-up	1				
18	1110020650	· SCREW, cap	5				
19	1901036678	· PLUG	2				

J2h041

TB153FR (P-T153FBBB) Book No. BJ3Z003 S/N 15830001-
BLOCK ASSY; No. 3

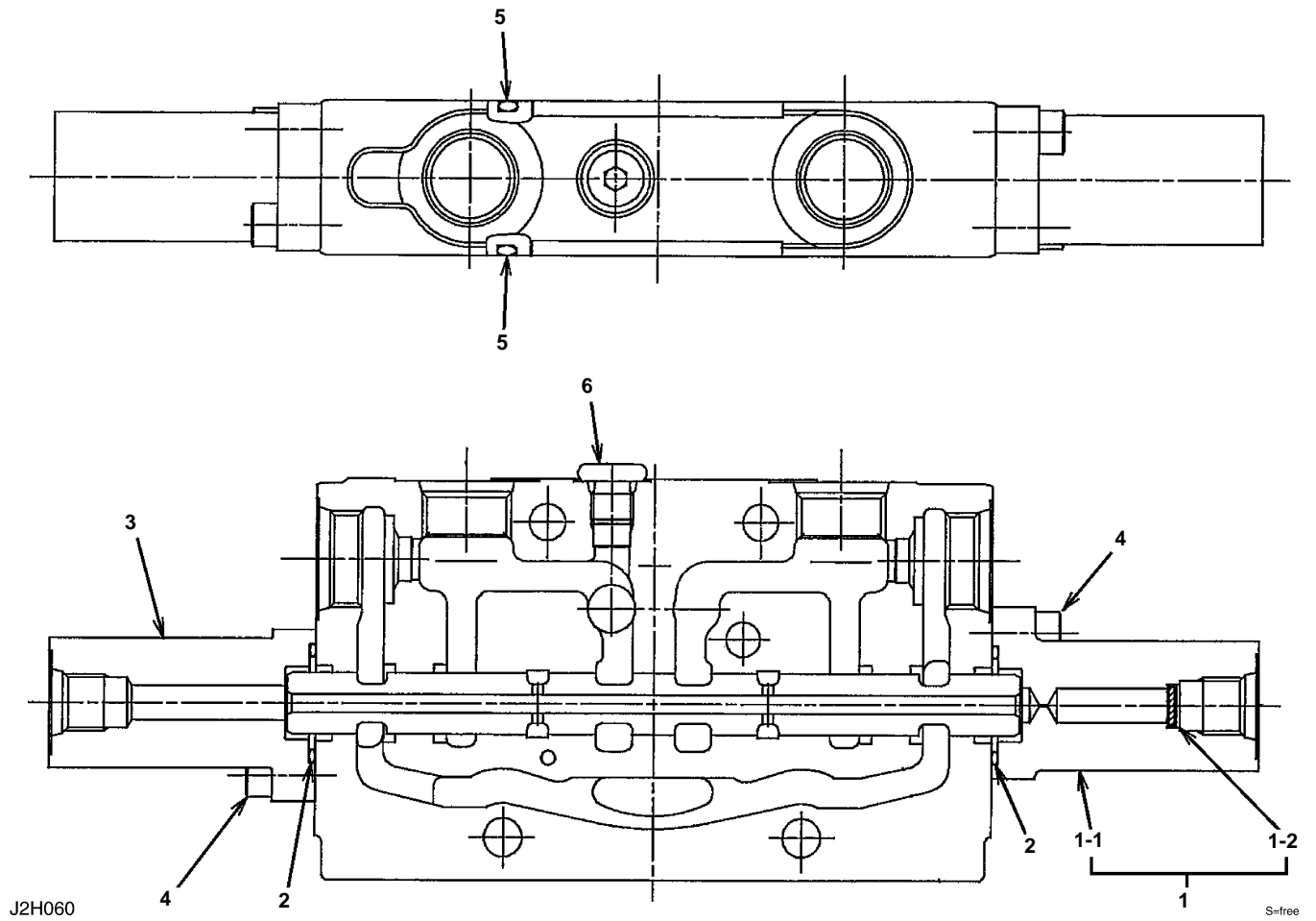


BLOCK ASSY; No. 3

Item	Part number	Description	Q'ty	Chan.	Serial No.	Serv.	Remarks
0	1901043215	BLOCK ASSY; No.3	1				traction R.H.
1	1901043266	· CAP	2				
2	1901029754	· HOLDER, spring	2				
3	1901043231	· HOLDER, spring	2				
4	1901043256	· SPRING	2				
5	1901043271	· PLUG	1				
6	1901043282	· O-RING	1				
7	1420500240	· O-RING	2				
8	1110020618	· SCREW, cap	4				
9	1420100700	· O-RING	1				
10	1901036528	· PLUNGER	1				
11	1901034239	· SPRING	1				

J2h051

TB153FR (P-T153FBBB) Book No. BJ3Z003 S/N 15830001-
BLOCK ASSY; No. 4

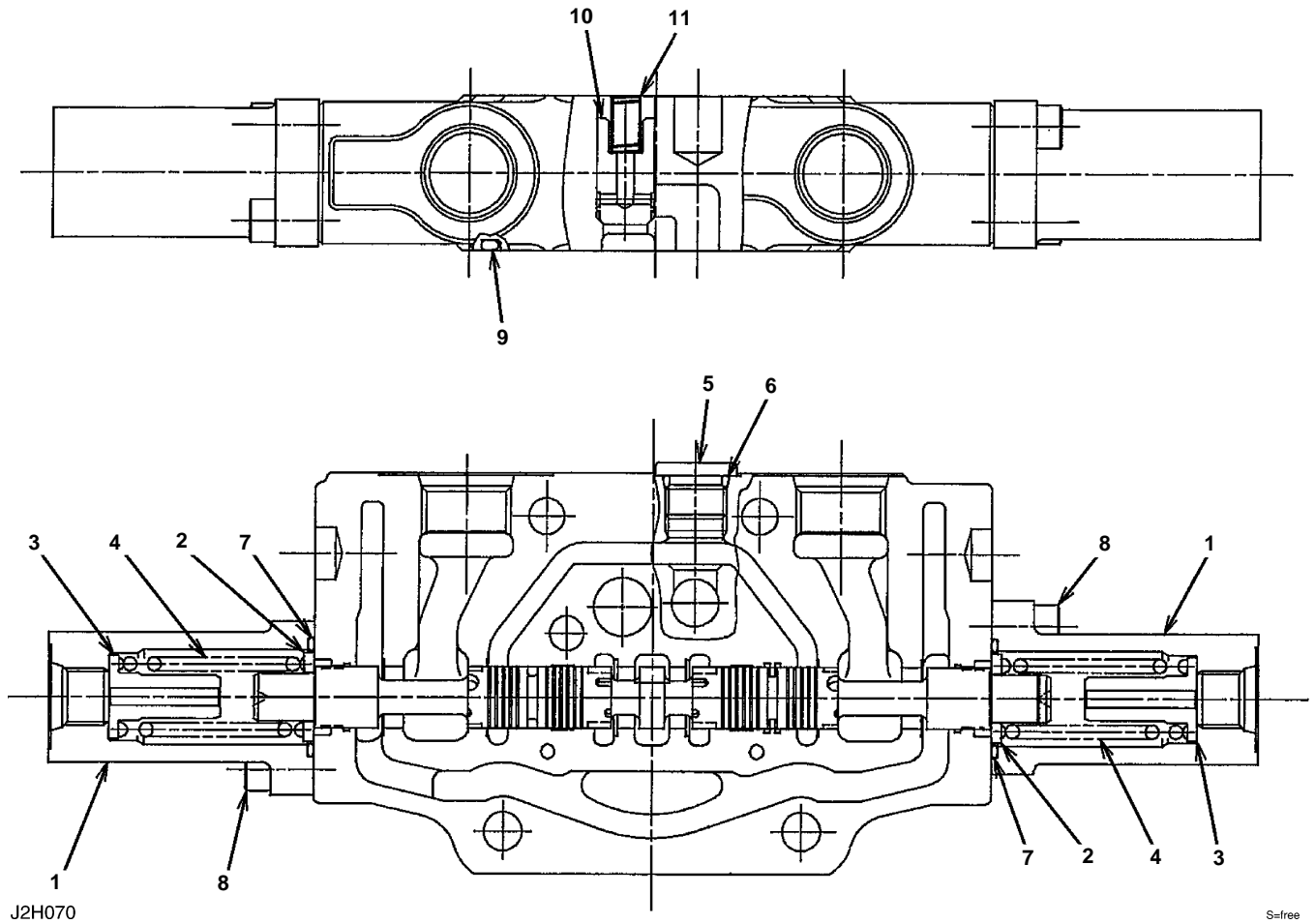


BLOCK ASSY; No. 4

Item	Part number	Description	Q'ty	Chan.	Serial No.	Serv.	Remarks
0	1901043203	BLOCK ASSY; No.4	1				P1, P2
1	1901043298	· CAP ASSY	1				
1-1	X *****	· · CAP	1				X19010-43268
1-2	X *****	· · FILTER	1				X19010-43283
2	1420500240	· O-RING	2				
3	1901043267	· CAP	1				
4	1110020618	· SCREW, cap	4				
5	1420100700	· O-RING	2				
6	1901036677	· PLUG	1				

J2h061

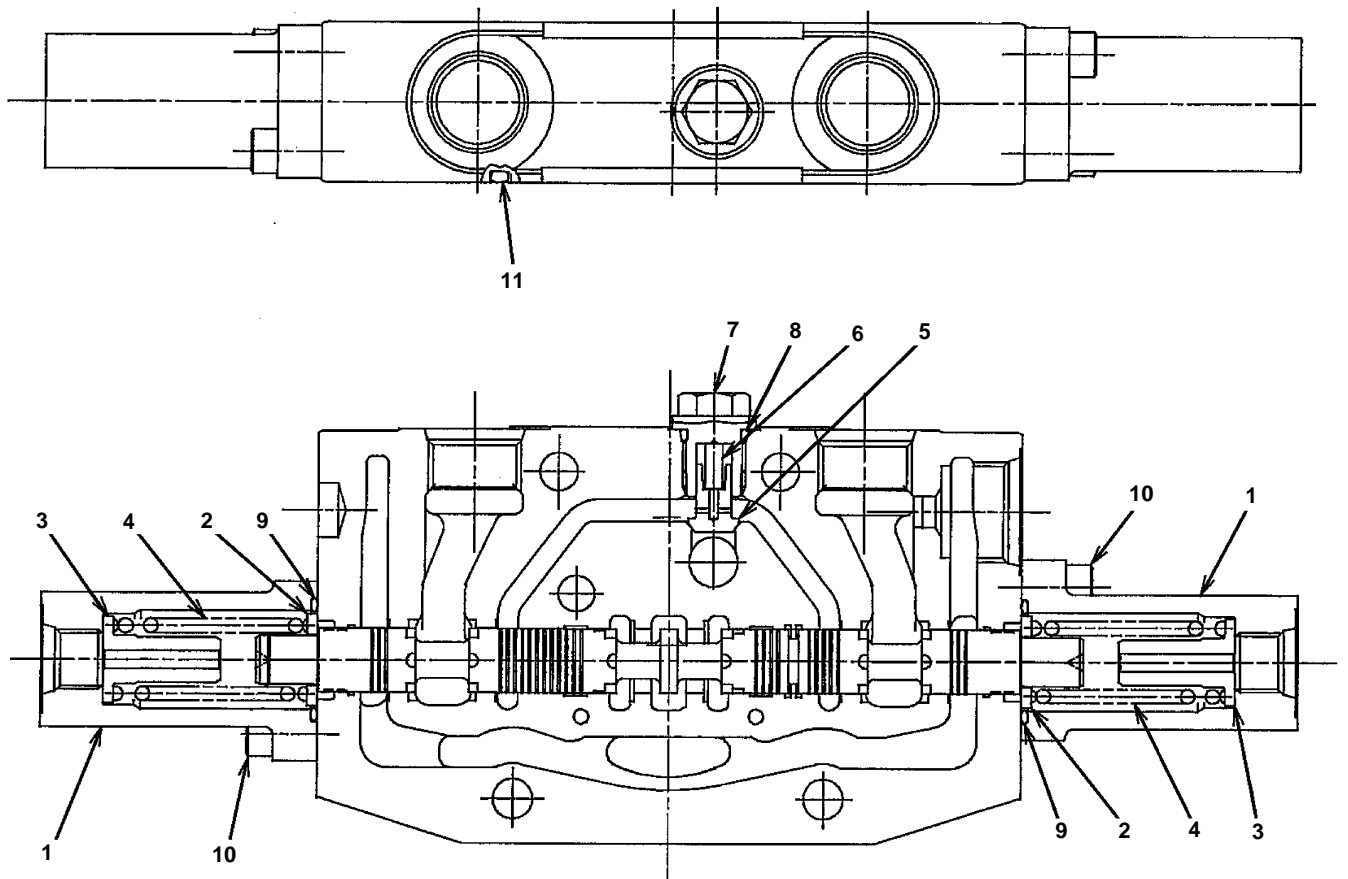
TB153FR (P-T153FBBB) Book No. BJ3Z003 S/N 15830001-
BLOCK ASSY; No. 5



BLOCK ASSY; No. 5

Item	Part number	Description	Q'ty	Chan.	Serial No.	Serv.	Remarks
0	1901043216	BLOCK ASSY; No.5	1				traction L.H.
1	1901043266	· CAP	2				
2	1901029754	· HOLDER, spring	2				
3	1901043231	· HOLDER, spring	2				
4	1901043256	· SPRING	2				
5	1901043271	· PLUG	1				
6	1901043282	· O-RING	1				
7	1420500240	· O-RING	2				
8	1110020618	· SCREW, cap	4				
9	1420100700	· O-RING	1				
10	1901036528	· PLUNGER	1				
11	1901034239	· SPRING	1				
	J2h071						

TB153FR (P-T153FBBB) Book No. BJ3Z003 S/N 15830001-
BLOCK ASSY; No. 6



J2H080

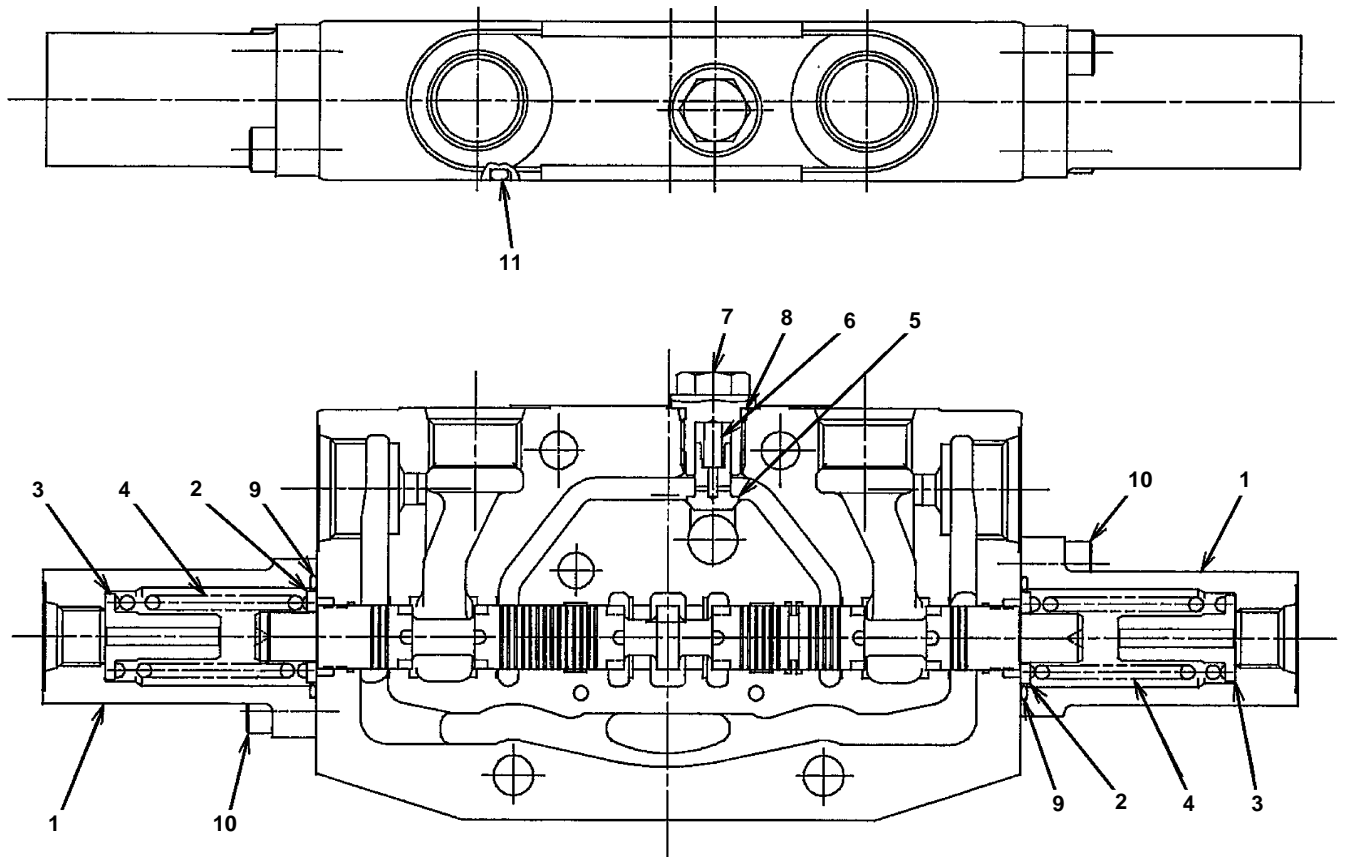
S-free

BLOCK ASSY; No. 6

Item	Part number	Description	Q'ty	Chan.	Serial No.	Serv.	Remarks
0	1901043218	BLOCK ASSY; No.6	1				swing
1	1901043266	· CAP	2				
2	1901029754	· HOLDER, spring	2				
3	1901043231	· HOLDER, spring	2				
4	1901043256	· SPRING	2				
5	1901043226	· PLUNGER	1				
6	1901043257	· SPRING	1				
7	1901043271	· PLUG	1				
8	1901043282	· O-RING	1				
9	1420500240	· O-RING	2				
10	1110020618	· SCREW, cap	4				
11	1420100700	· O-RING	1				

J2h081

TB153FR (P-T153FBBB) Book No. BJ3Z003 S/N 15830001-
BLOCK ASSY; No. 7



J2H090

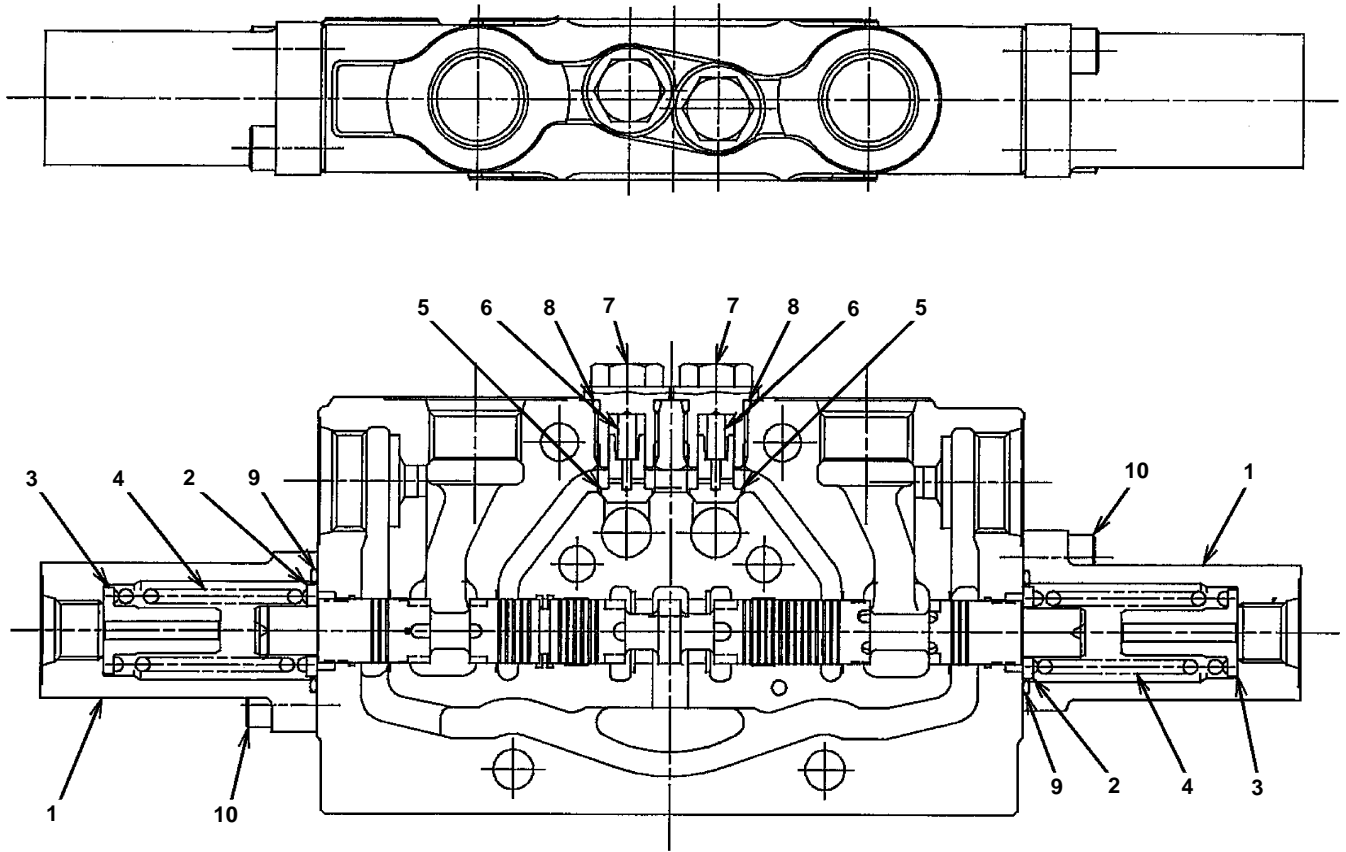
S-free

BLOCK ASSY; No. 7

Item	Part number	Description	Q'ty	Chan.	Serial No.	Serv.	Remarks
0	1901043219	BLOCK ASSY; No.7	1				auxiliary 1
1	1901043266	· CAP	2				
2	1901029754	· HOLDER, spring	2				
3	1901043231	· HOLDER, spring	2				
4	1901043256	· SPRING	2				
5	1901043226	· PLUNGER	1				
6	1901043257	· SPRING	1				
7	1901043271	· PLUG	1				
8	1901043282	· O-RING	1				
9	1420500240	· O-RING	2				
10	1110020618	· SCREW, cap	4				
11	1420100700	· O-RING	1				

J2h091

TB153FR (P-T153FBBB) Book No. BJ3Z003 S/N 15830001-
BLOCK ASSY; No. 8



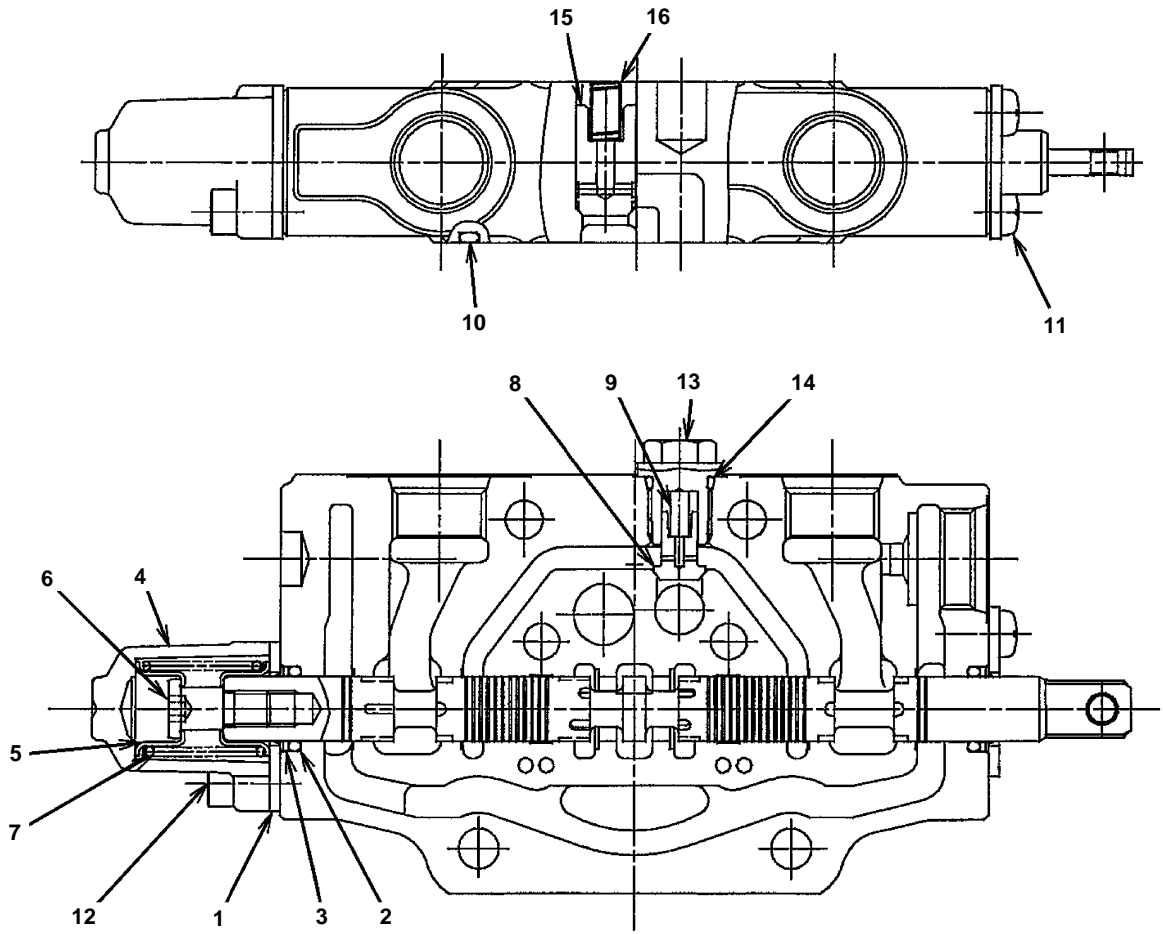
J2H100

S-free

BLOCK ASSY; No. 8

Item	Part number	Description	Q'ty	Chan.	Serial No.	Serv.	Remarks
0	1901043212	BLOCK ASSY; No.8	1				arm
1	1901043266	· CAP	2				
2	1901029754	· HOLDER, spring	2				
3	1901043231	· HOLDER, spring	2				
4	1901043256	· SPRING	2				
5	1901043226	· PLUNGER	2				
6	1901043257	· SPRING	2				
7	1901043271	· PLUG	2				
8	1901043282	· O-RING	2				
9	1420500240	· O-RING	2				
10	1110020618	· SCREW, cap	4				
	J2h100						

TB153FR (P-T153FBBB) Book No. BJ3Z003 S/N 15830001-
BLOCK ASSY; No. 9



J2H110

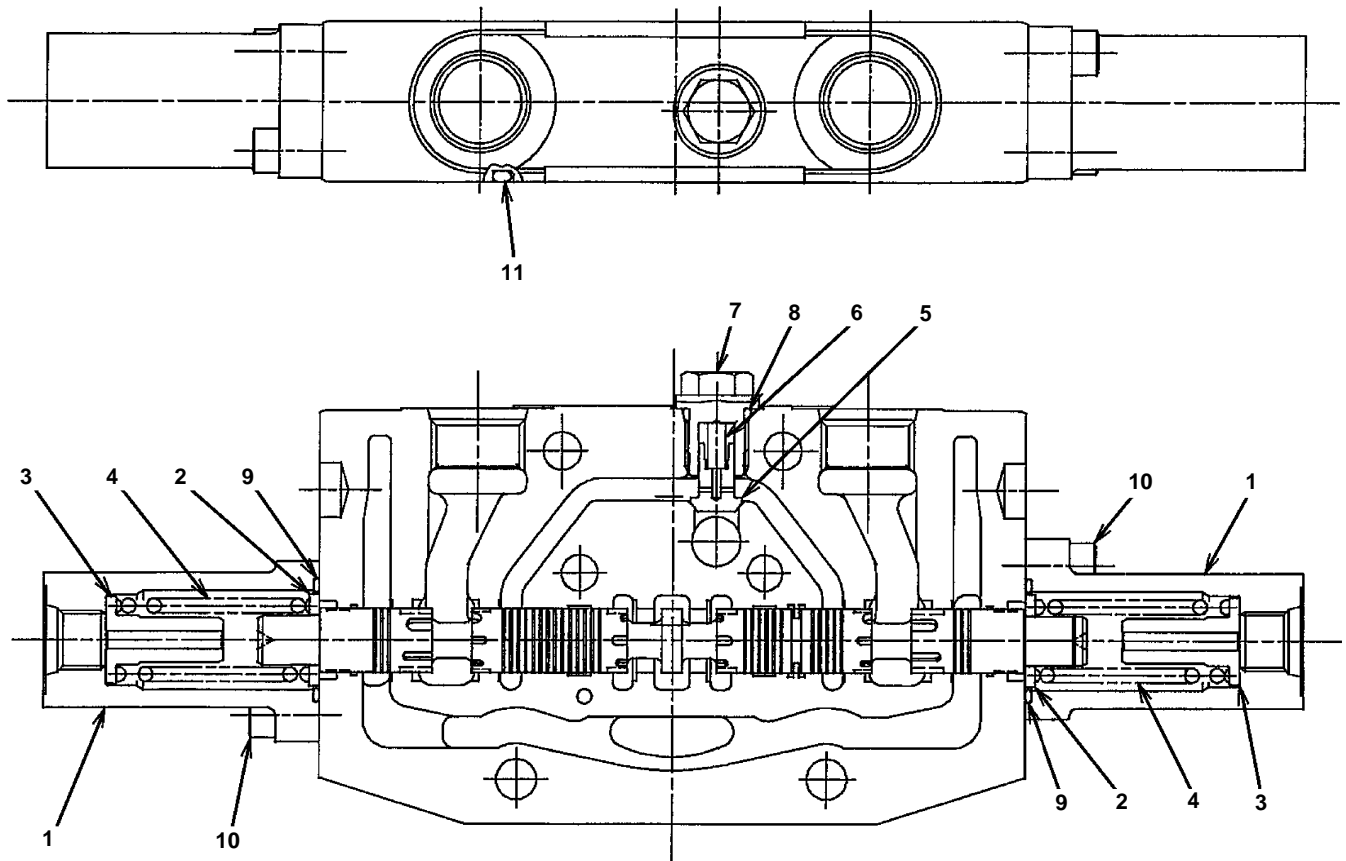
S-free

BLOCK ASSY; No. 9

Item	Part number	Description	Q'ty	Chan.	Serial No.	Serv.	Remarks
0	1901043217	BLOCK ASSY; No.9	1				blade
1	1901025483	· PLATE, seal	2				
2	1901025484	· O-RING	2				
3	1901025485	· SEAL	2				
4	1901043269	· CAP	1				
5	1901025453	· HOLDER, spring	2				
6	1901043232	· SCREW, cap	1				
7	1901025457	· SPRING	1				
8	1901043226	· PLUNGER	1				
9	1901043257	· SPRING	1				
10	1420100700	· O-RING	1				
11	1120540610	· SCREW	2				
12	1110020618	· SCREW, cap	2				
13	1901043271	· PLUG	1				
14	1901043282	· O-RING	1				
15	1901036528	· PLUNGER	1				
16	1901034239	· SPRING	1				

J2h111

TB153FR (P-T153FBBB) Book No. BJ3Z003 S/N 15830001-
BLOCK ASSY; No. 10



J2H120

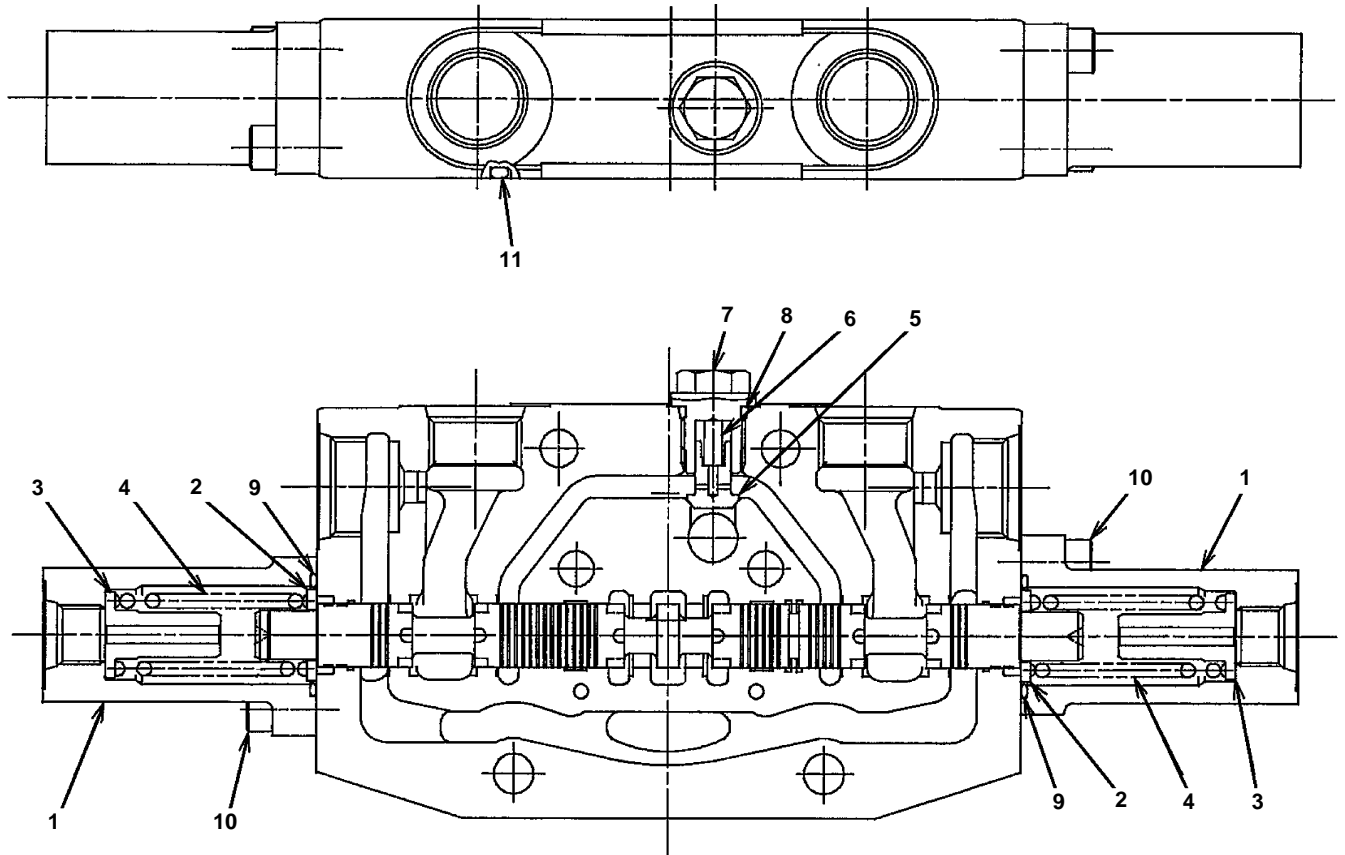
S-free

BLOCK ASSY; No. 10

Item	Part number	Description	Q'ty	Chan.	Serial No.	Serv.	Remarks
0	1901043214	BLOCK ASSY; No.10	1				slew
1	1901043266	· CAP	2				
2	1901029754	· HOLDER, spring	2				
3	1901043231	· HOLDER, spring	2				
4	1901043256	· SPRING	2				
5	1901043226	· PLUNGER	1				
6	1901043257	· SPRING	1				
7	1901043271	· PLUG	1				
8	1901043282	· O-RING	1				
9	1420500240	· O-RING	2				
10	1110020618	· SCREW, cap	4				
11	1420100700	· O-RING	1				

J2h121

TB153FR (P-T153FBBB) Book No. BJ3Z003 S/N 15830001-
BLOCK ASSY; No. 11 (with 2nd aux. line)



J2H130

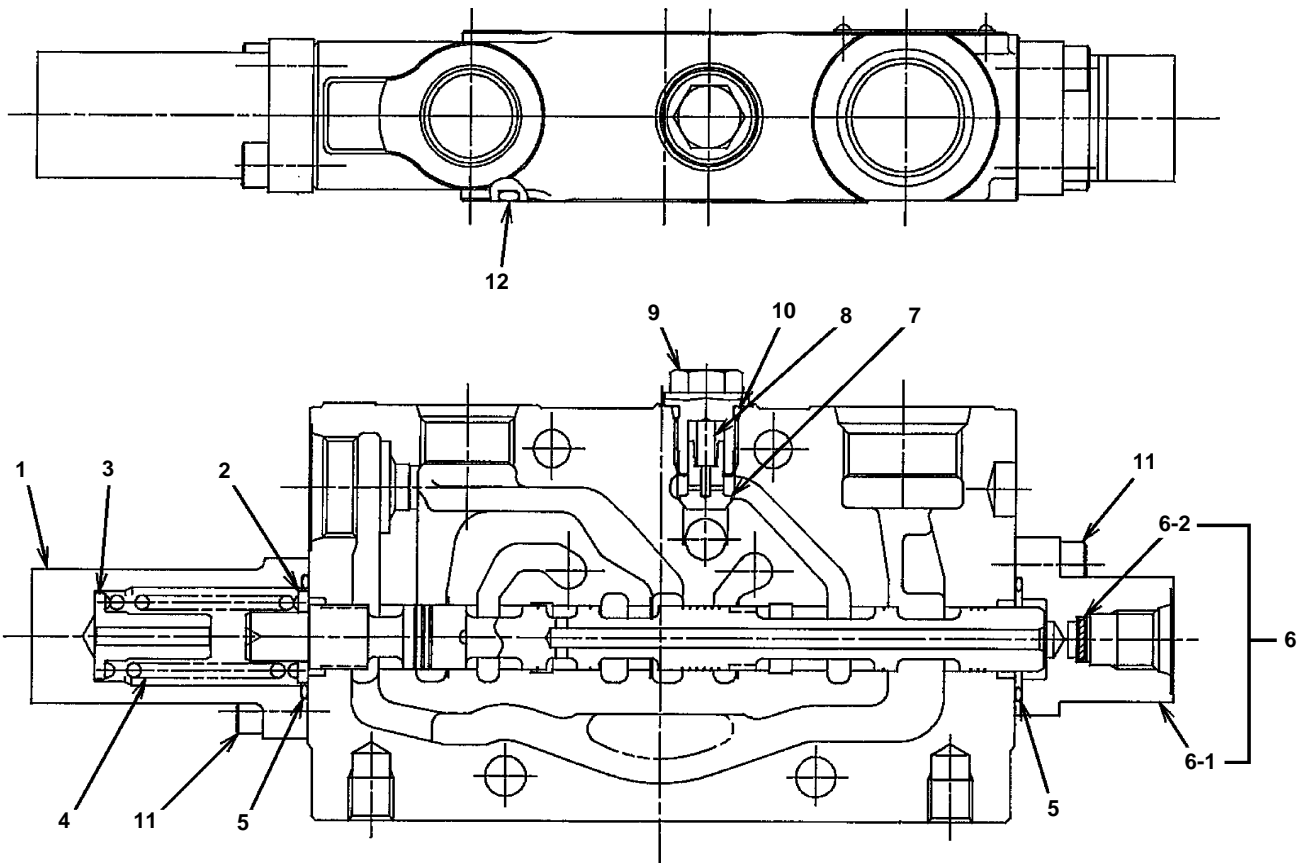
S=free

BLOCK ASSY; No. 11 (with 2nd aux. line)

Item	Part number	Description	Q'ty	Chan.	Serial No.	Serv.	Remarks
0	1901043319	BLOCK ASSY; No.11	1				auxiliary 2
1	1901043266	· CAP	2				
2	1901029754	· HOLDER, spring	2				
3	1901043231	· HOLDER, spring	2				
4	1901043256	· SPRING	2				
5	1901043226	· PLUNGER	1				
6	1901043257	· SPRING	1				
7	1901043271	· PLUG	1				
8	1901043282	· O-RING	1				
9	1420500240	· O-RING	2				
10	1110020618	· SCREW, cap	4				
11	1420100700	· O-RING	1				

J2h131

TB153FR (P-T153FBBB) Book No. BJ3Z003 S/N 15830001-
BLOCK ASSY; No. 12



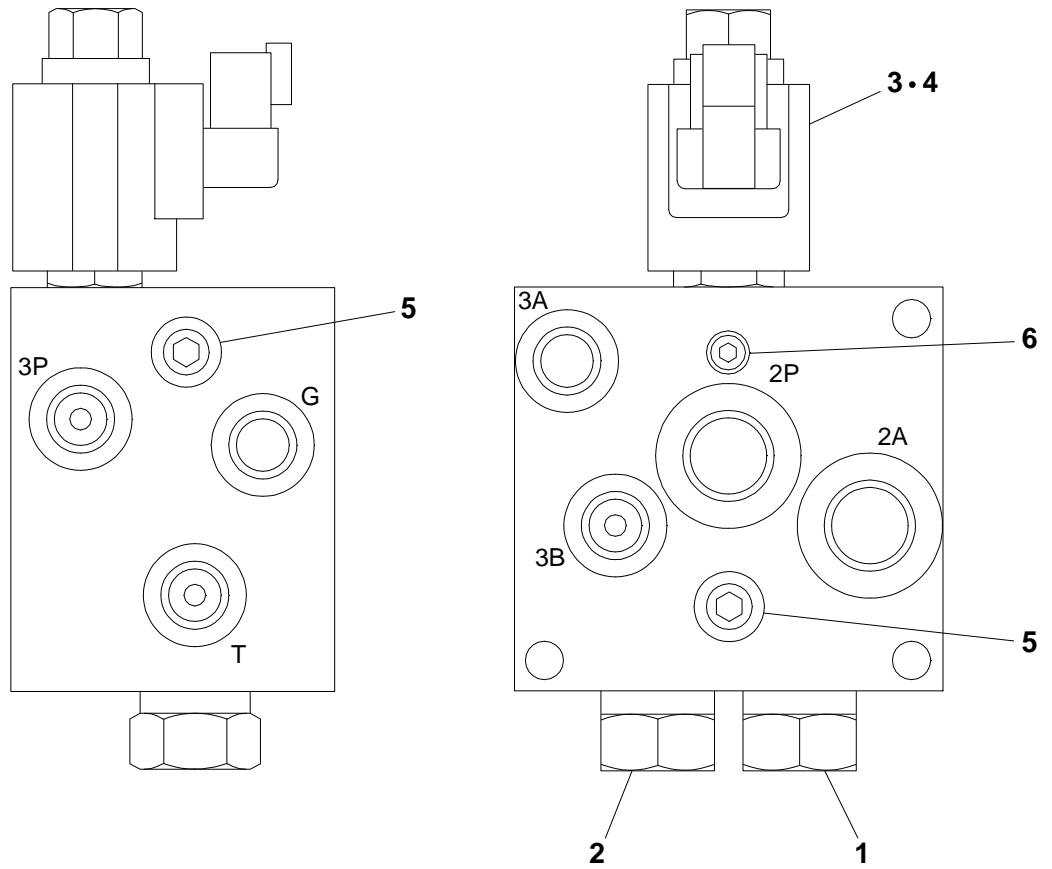
J2H140

S-free

BLOCK ASSY; No. 12

Item	Part number	Description	Q'ty	Chan.	Serial No.	Serv.	Remarks
0	1901043220	BLOCK ASSY; No.12	1				
1	1901043270	· CAP	1				
2	1901029754	· HOLDER, spring	1				
3	1901043231	· HOLDER, spring	1				
4	1901043259	· SPRING	1				
5	1420500240	· O-RING	2				
6	1901043297	· CAP ASSY	1				
6-1	X *****	· · CAP	1				X19010-43265
6-2	X *****	· · FILTER	1				X19010-43283
7	1901043226	· PLUNGER	1				
8	1901043257	· SPRING	1				
9	1901043271	· PLUG	1				
10	1901043282	· O-RING	1				
11	1110020618	· SCREW, cap	4				
12	1420100700	· O-RING	1				
	J2h141						

TB153FR (P-T153FBBB) Book No. BJ3Z003 S/N 15830001-
SOLENOID VALVE; 1 BLOCK



J3H011

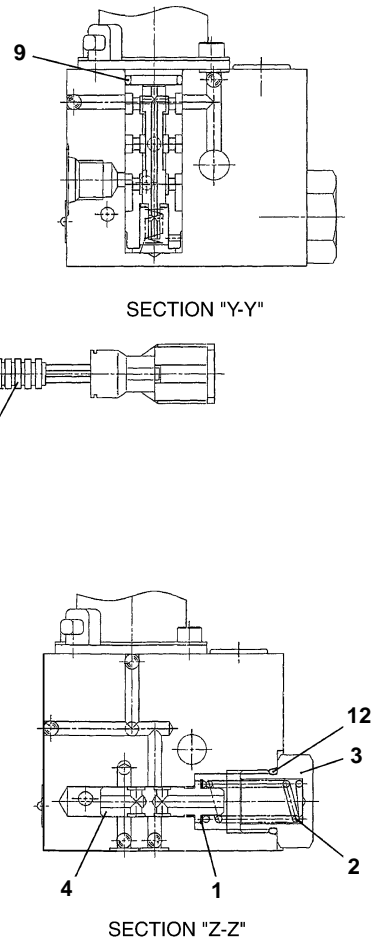
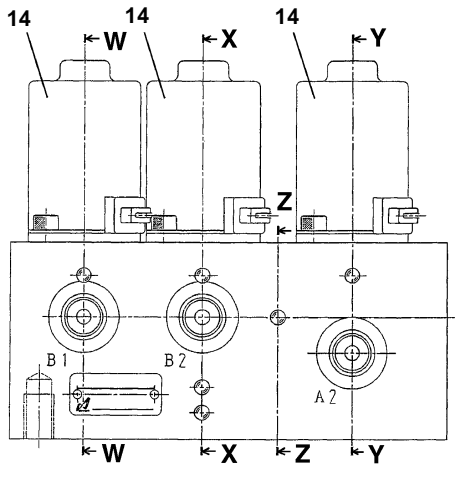
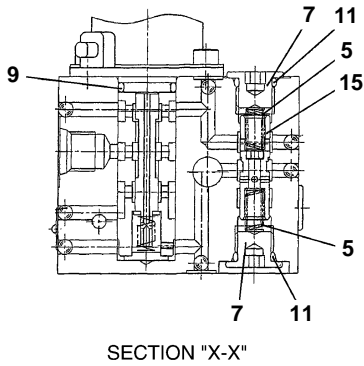
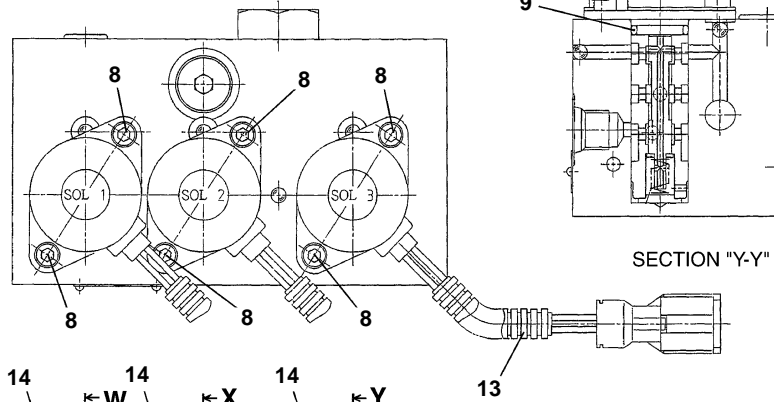
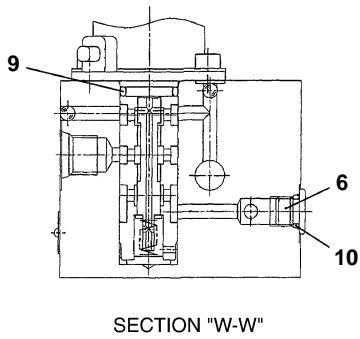
S=free

SOLENOID VALVE; 1 BLOCK

Item	Part number	Description	Q'ty	Chan.	Serial No.	Serv.	Remarks
0	1901751600	VALVE ASSY, solenoid	1				
1	1901751602	· VALVE, pilot	1				
2	1901751603	· VALVE, pilot	1				
3	1901741402	· SOLENOID	1				
4	1901750703	· COIL	1				
5	1501810002	· PLUG	2				
6	1501810000	· PLUG	8				

J3h011

**TB153FR (P-T153FBBB) Book No. BJ3Z003 S/N 15830001-
SOLENOID VALVE; 3 BLOCKS**



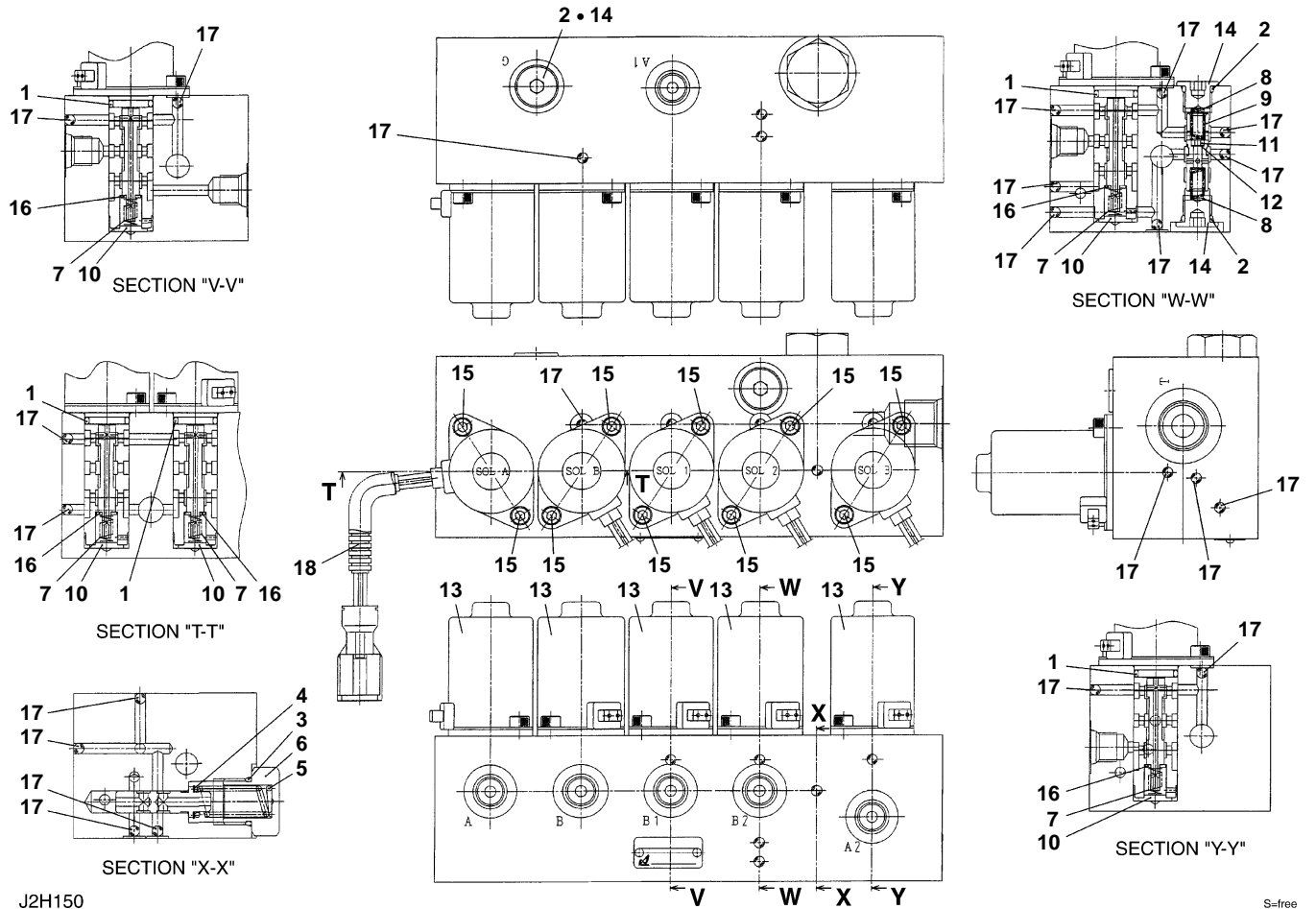
L5H020

S=free

SOLENOID VALVE; 3 BLOCKS

Item	Part number	Description	Q'ty	Chan.	Serial No.	Serv.	Remarks
0	1901748800	VALVE ASSY, solenoid	1				
1	1901732003	· SHIM	4				
2	1901732502	· SPRING	1				
3	1901732004	· PLUG	1				
4	1901748805	· SPOOL	1				
5	1901729605	· SPRING	2				
6	1901729618	· PLUG	1				
7	1901720720	· PLUG	2				
8	1110050510	· SCREW, cap	6				
9	1420010160	· O-RING	3				
10	1420010080	· O-RING	1				
11	1420010110	· O-RING	2				
12	1420010180	· O-RING	1				
13	1901748828	· TUBE	3				
14	1901748816	· SOLENOID	3				
15	1901737727	· PLUNGER	1				
	L5h020						

**TB153FR (P-T153FBBB) Book No. BJ3Z003 S/N 15830001-
SOLENOID VALVE; 5 BLOCKS**



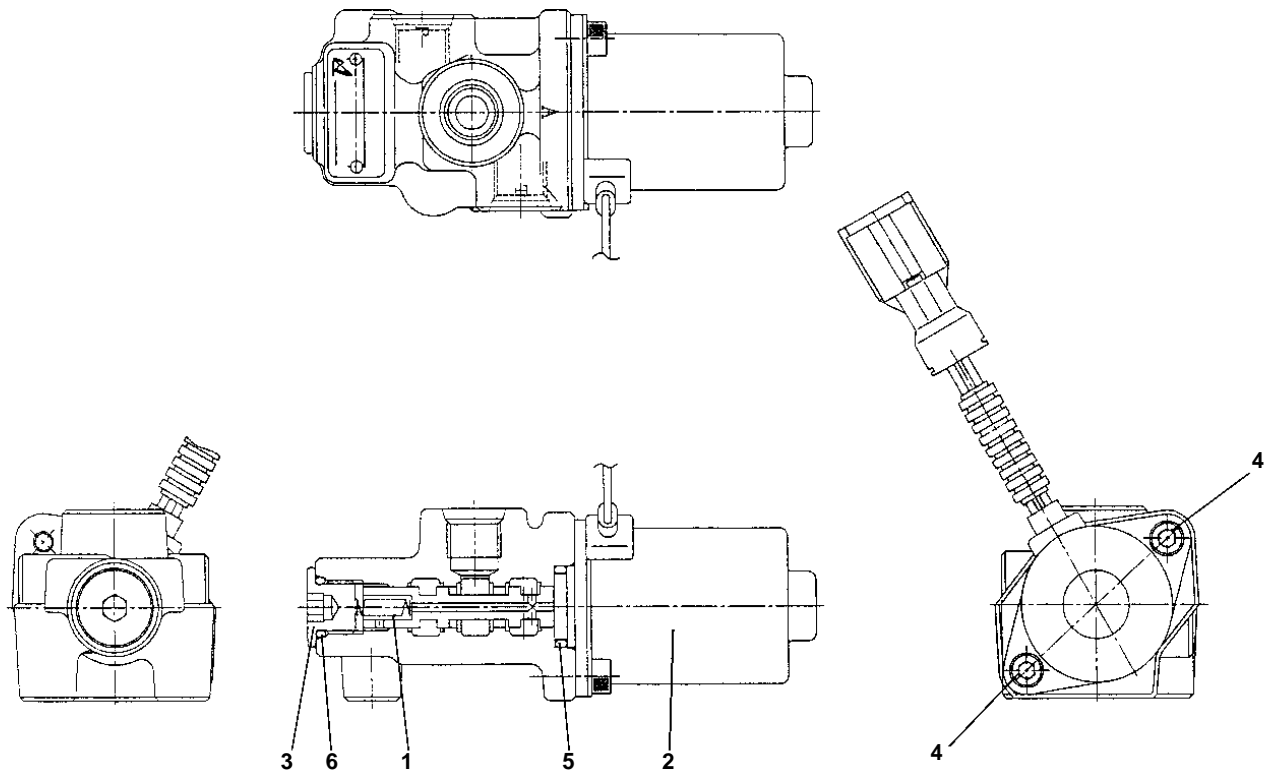
J2H150

S-free

SOLENOID VALVE; 5 BLOCKS

Item	Part number	Description	Q'ty	Chan.	Serial No.	Serv.	Remarks
0	1901749200	VALVE ASSY, solenoid	1				
0-1	1901732499	· KIT, seal	1				
1	X 1420000160	· · O-RING	5				
2	X 1420010110	· · O-RING	3				
3	X 1420010180	· · O-RING	1				
4	1901732003	· SHIM	4				
5	1901732502	· SPRING	1				
6	1901732004	· PLUG	1				
7	1901728703	· SPRING	5				
8	1901729605	· SPRING	2				
9	1901729610	· PLUNGER	1				
10	1901728711	· STOPPER	5				
11	1901729616	· RING	1				
12	1901732407	· ORIFICE	1				
13	1901748816	· SOLENOID	5				
14	1901720720	· PLUG	3				
15	1110020510	· SCREW, cap	10				
16	1140010004	· WASHER	5				
17	1901017793	· BALL, steel	22				
18	1901748828	· TUBE	5				
	J2h150						

TB153FR (P-T153FBBB) Book No. BJ3Z003 S/N 15830001-
SOLENOID VALVE (for air conditioner)



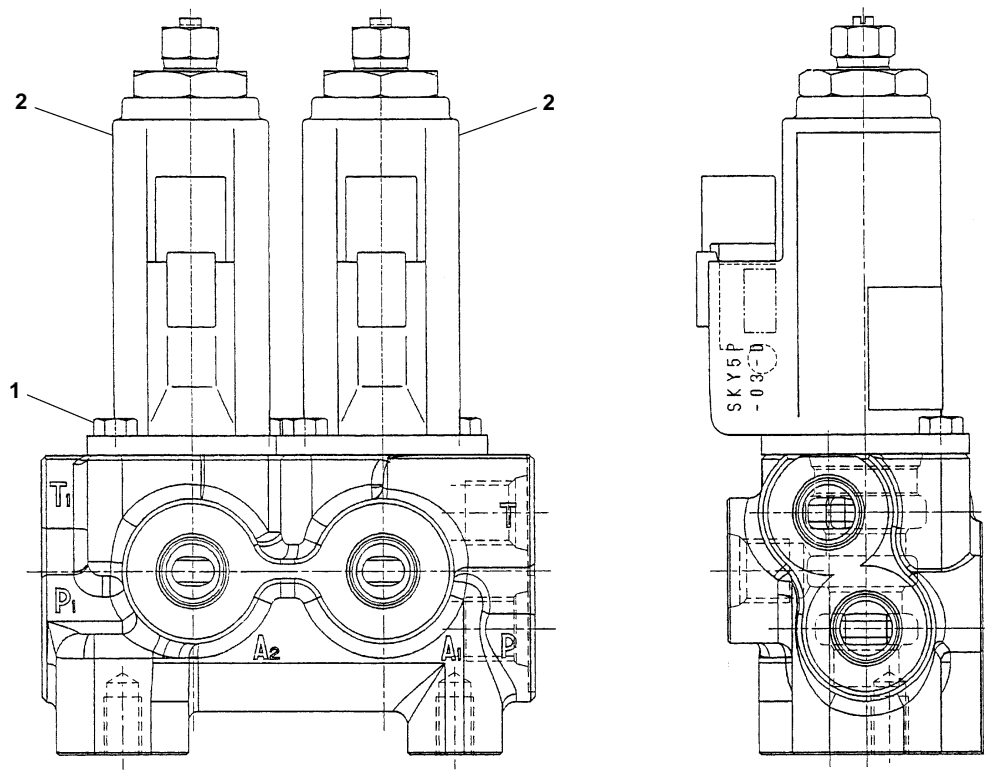
G4H310

S=FREE

SOLENOID VALVE (for air conditioner)

Item	Part number	Description	Q'ty	Chan.	Serial No.	Serv.	Remarks
0	1901746600	VALVE ASSY, solenoid	1				
1	1901734404	· SPRING	1				
2	1901746604	· SOLENOID	1				
3	1901738312	· PLUG	1				
4	1110050512	· SCREW, cap	2				
5	1420000160	· O-RING	1				
6	1420010110	· O-RING	1				
	G4h310						

TB153FR (P-T153FBBB) Book No. BJ3Z003 S/N 15830001-
PROPORTIONAL VALVE



J3H020

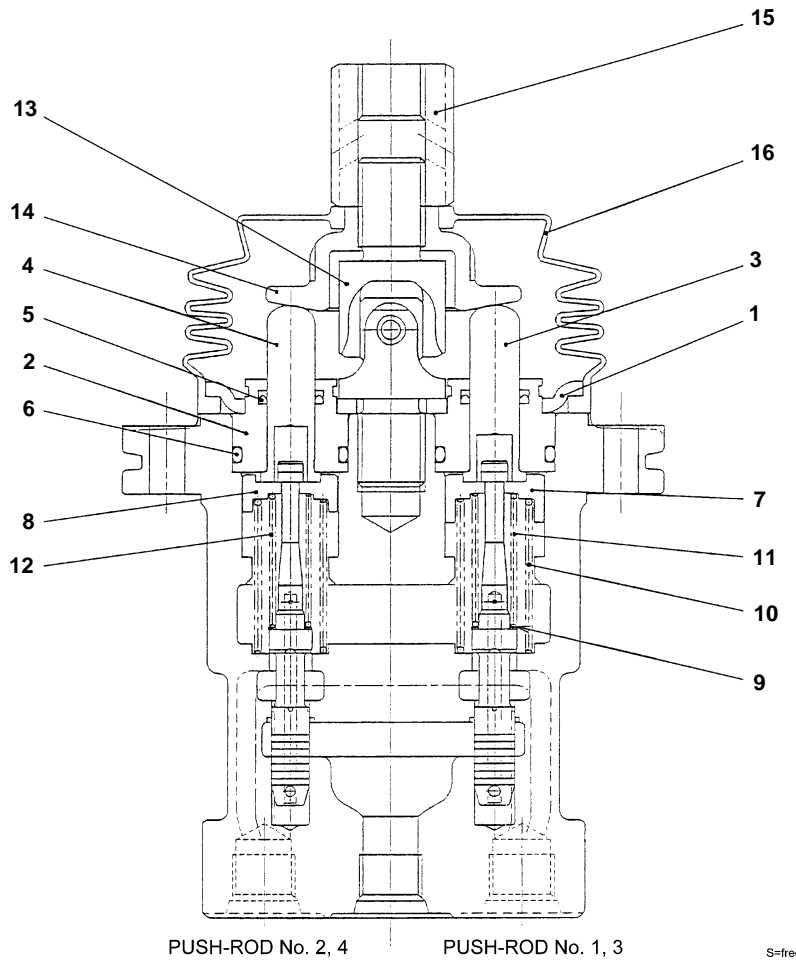
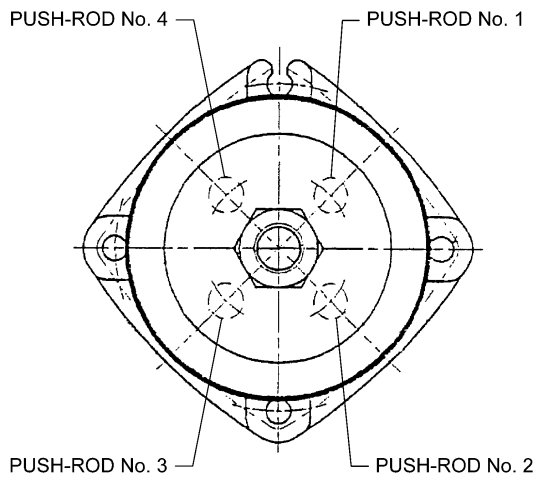
S=free

PROPORTIONAL VALVE

Item	Part number	Description	Q'ty	Chan.	Serial No.	Serv.	Remarks
0	1901752100	VALVE ASSY, proportional	1				
1	1110050512	· BOLT	4				
2	1901752103	· VALVE, proportional	2				

J3h020

TB153FR (P-T153FBBB) Book No. BJ3Z003 S/N 15830001-
PILOT VALVE



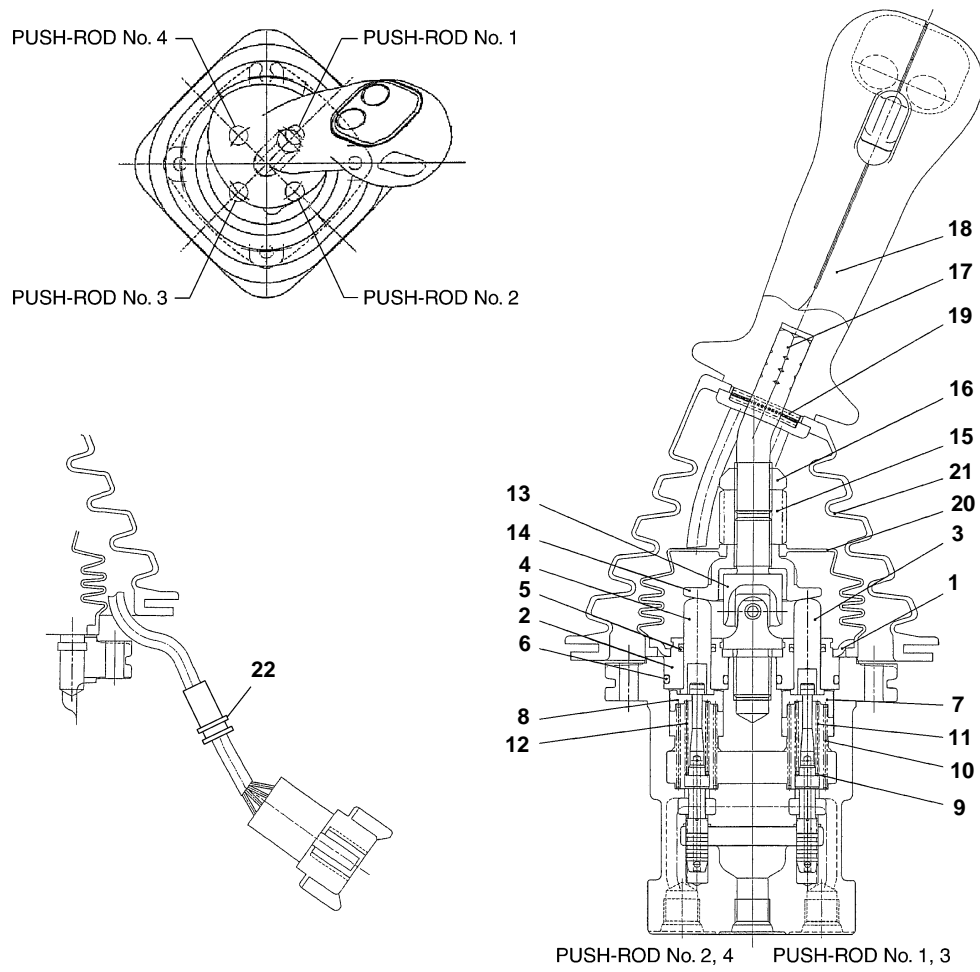
J3H031

PILOT VALVE

Item	Part number	Description	Q'ty	Chan.	Serial No.	Serv.	Remarks
0	1901751100	VALVE ASSY, pilot	1				
1	1901742602	· PLATE	1				
2	1901710912	· PLUG	4				
3	1901719011	· ROD	2				
4	1901719012	· ROD	2				
5	1901710914	· SEAL	4				
6	1420010200	· O-RING	4				
7	1901745709	· HOLDER	2				
8	1901745710	· HOLDER	2				
9	1901710917	· WASHER	4				
10	1901745612	· SPRING	4				
11	1901742614	· SPRING	2				
12	1901742615	· SPRING	2				
13	1901720232	· JOINT	1				
14	1901743620	· PLATE	1				
15	1901703222	· NUT	1				
16	1901742619	· BUSHING	1				

J3h030

TB153FR (P-T153FBBB) Book No. BJ3Z003 S/N 15830001-
PILOT VALVE (R.H.) (with 3 switch)



G7H150

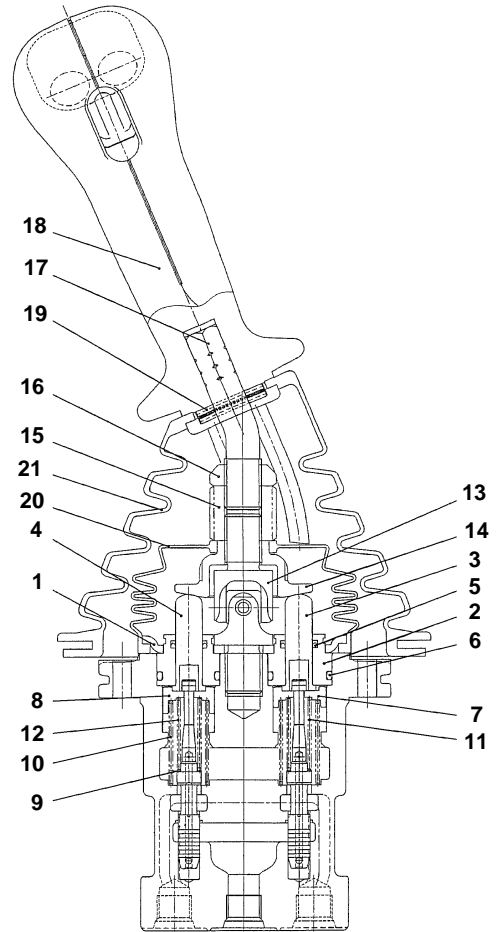
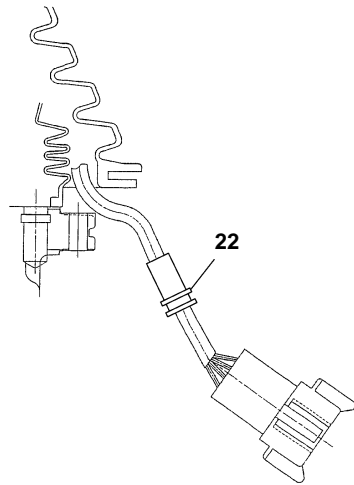
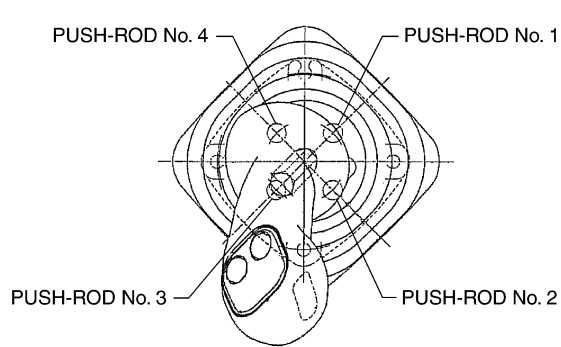
S-free

PILOT VALVE (R.H.) (with 3 switch)

Item	Part number	Description	Q'ty	Chan.	Serial No.	Serv.	Remarks
0	1901751200	VALVE ASSY, pilot (R.H.)	1				
1	1901742602	· PLATE	1				
2	1901710912	· PLUG	4				
3	1901719011	· ROD	2				
4	1901719012	· ROD	2				
5	1901710914	· SEAL	4				
6	1420010200	· O-RING	4				
7	1901745709	· HOLDER	2				
8	1901745710	· HOLDER	2				
9	1901710917	· WASHER	4				
10	1901745612	· SPRING	4				
11	1901742614	· SPRING	2				
12	1901742615	· SPRING	2				
13	1901720232	· JOINT	1				
14	1901743620	· PLATE	1				
15	1901735625	· NUT	1				
16	1901735626	· NUT	1				
17	1901740432	· LEVER	1				
18	1901741210	· HANDLE	1				
19	1901746521	· PIN, spring	1				
20	1901742619	· BOOT	1				
21	1901735632	· BOOT	1				
22	1700100092	· GROMMET	1				

G7h150

**TB153FR (P-T153FBBB) Book No. BJ3Z003 S/N 15830001-
PILOT VALVE (L.H.) (with 3 switch)**



PUSH-ROD No. 2, 4 PUSH-ROD No. 1, 3

S=free

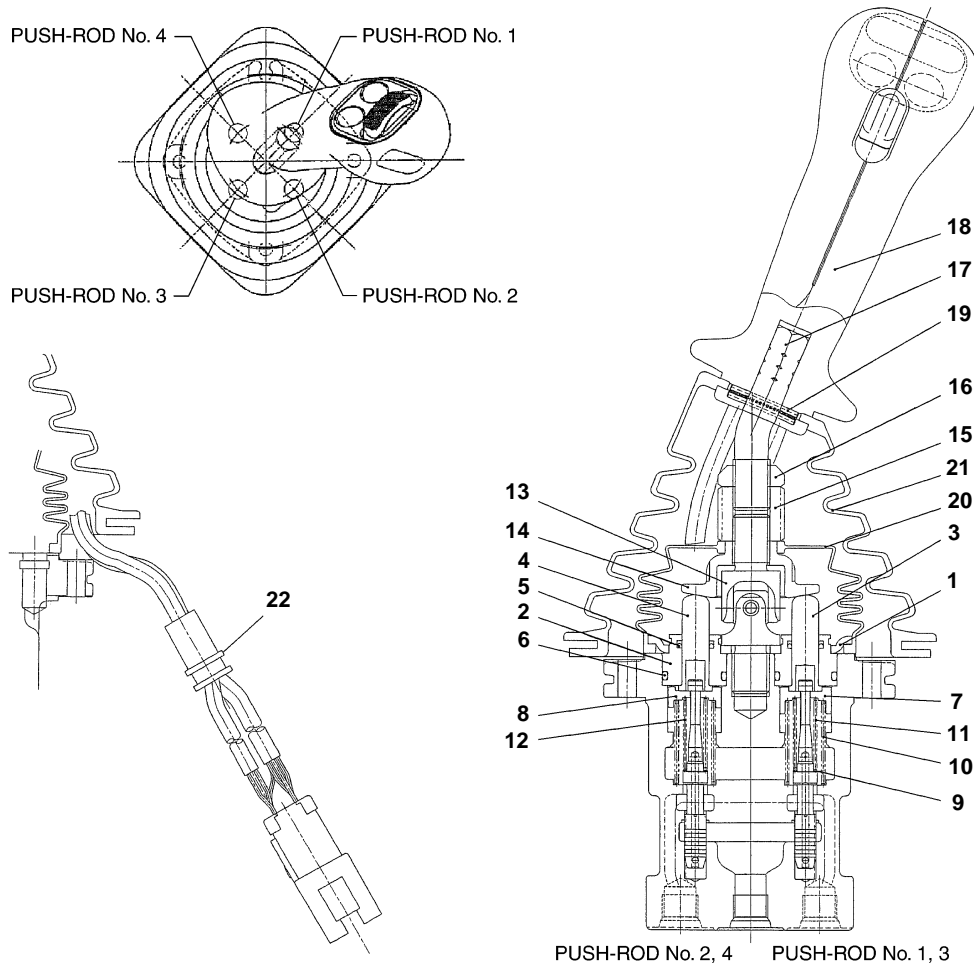
G7H160

PILOT VALVE (L.H.) (with 3 switch)

Item	Part number	Description	Q'ty	Chan.	Serial No.	Serv.	Remarks
0	1901751300	VALVE ASSY, pilot (L.H.)	1				
1	1901742602	· PLATE	1				
2	1901710912	· PLUG	4				
3	1901719011	· ROD	2				
4	1901719012	· ROD	2				
5	1901710914	· SEAL	4				
6	1420010200	· O-RING	4				
7	1901745709	· HOLDER	2				
8	1901745710	· HOLDER	2				
9	1901710917	· WASHER	4				
10	1901745612	· SPRING	4				
11	1901742614	· SPRING	2				
12	1901742615	· SPRING	2				
13	1901720232	· JOINT	1				
14	1901743620	· PLATE	1				
15	1901735625	· NUT	1				
16	1901735626	· NUT	1				
17	1901740432	· LEVER	1				
18	1901741210	· HANDLE	1				
19	1901746521	· PIN, spring	1				
20	1901742619	· BOOT	1				
21	1901735632	· BOOT	1				
22	1700100092	· GROMMET	1				

G7h160

**TB153FR (P-T153FBBB) Book No. BJ3Z003 S/N 15830001-
PILOT VALVE (R.H.) (with slide switch)**



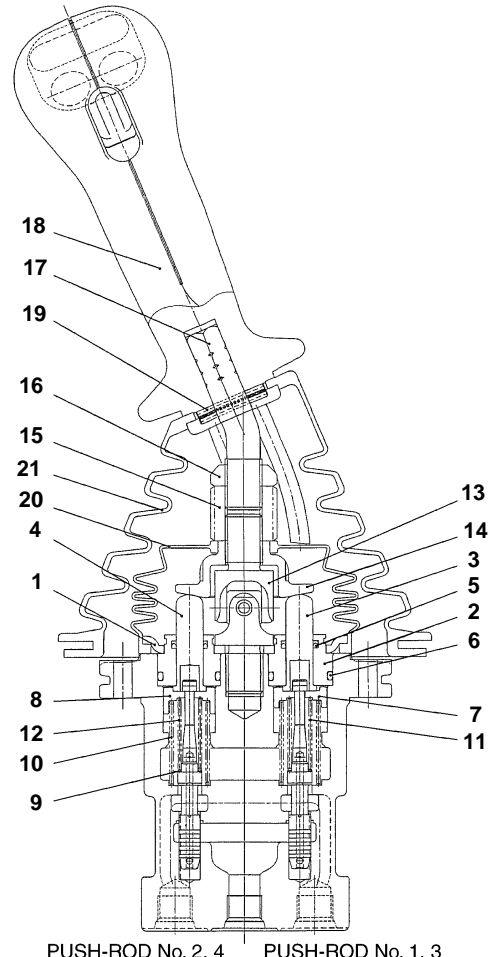
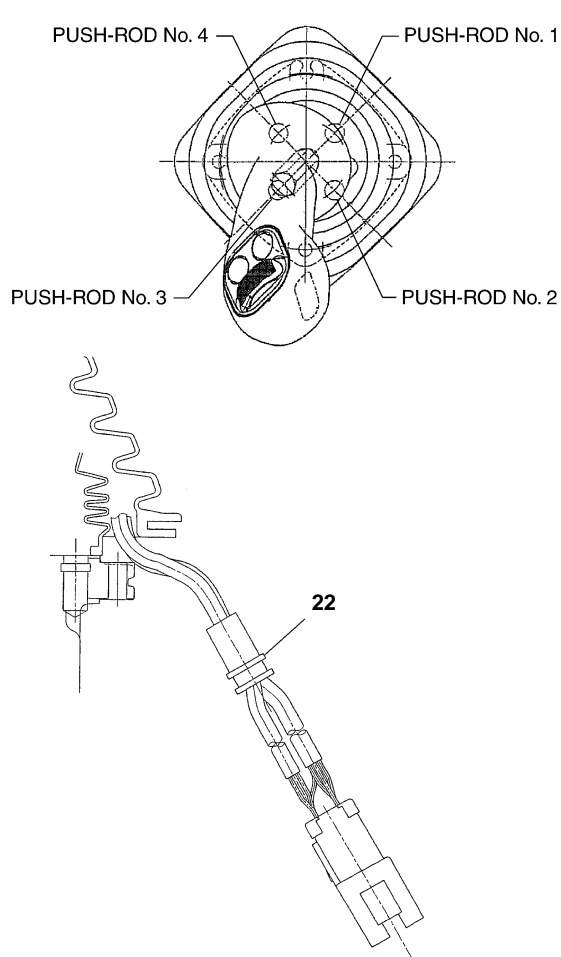
G7H340

S-free

PILOT VALVE (R.H.) (with slide switch)

Item	Part number	Description	Q'ty	Chan.	Serial No.	Serv.	Remarks
0	1901751400	VALVE ASSY, pilot (R.H.)	1				
1	1901742602	· PLATE	1				
2	1901710912	· PLUG	4				
3	1901719011	· ROD	2				
4	1901719012	· ROD	2				
5	1901710914	· SEAL	4				
6	1420010200	· O-RING	4				
7	1901745709	· HOLDER	2				
8	1901745710	· HOLDER	2				
9	1901710917	· WASHER	4				
10	1901745612	· SPRING	4				
11	1901742614	· SPRING	2				
12	1901742615	· SPRING	2				
13	1901720232	· JOINT	1				
14	1901743620	· PLATE	1				
15	1901735625	· NUT	1				
16	1901735626	· NUT	1				
17	1901740432	· LEVER	1				
18	1901751410	· HANDLE	1				
19	1901746521	· PIN, spring	1				
20	1901742619	· BOOT	1				
21	1901735632	· BOOT	1				
22	1700100092	· GROMMET	1				
	G7h341						

**TB153FR (P-T153FBBB) Book No. BJ3Z003 S/N 15830001-
PILOT VALVE (L.H.) (with slide switch)**



G7H350

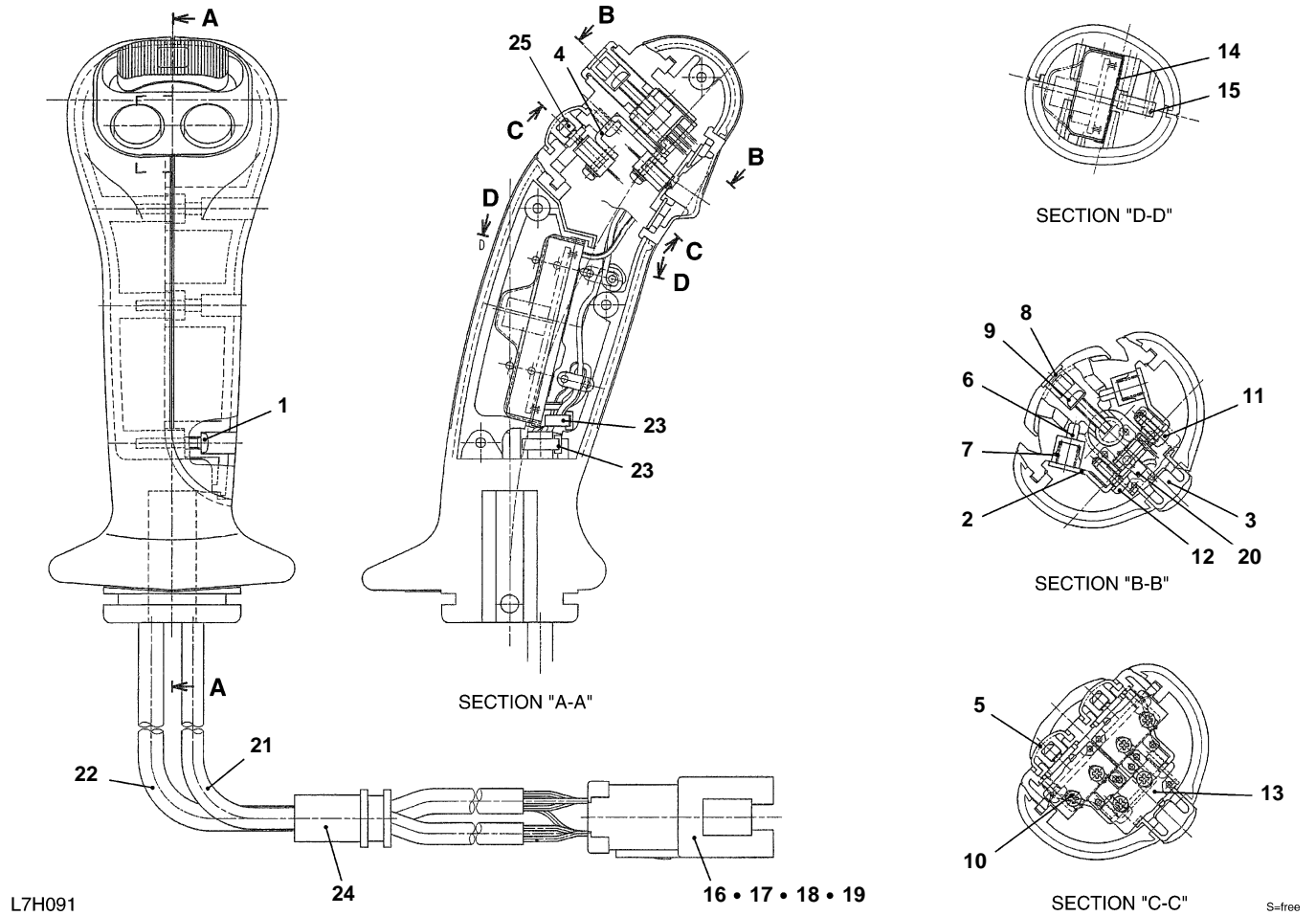
S=free

PILOT VALVE (L.H.) (with slide switch)

Item	Part number	Description	Q'ty	Chan.	Serial No.	Serv.	Remarks
0	1901751500	VALVE ASSY, pilot (L.H.)	1				
1	1901742602	· PLATE	1				
2	1901710912	· PLUG	4				
3	1901719011	· ROD	2				
4	1901719012	· ROD	2				
5	1901710914	· SEAL	4				
6	1420010200	· O-RING	4				
7	1901745709	· HOLDER	2				
8	1901745710	· HOLDER	2				
9	1901710917	· WASHER	4				
10	1901745612	· SPRING	4				
11	1901742614	· SPRING	2				
12	1901742615	· SPRING	2				
13	1901720232	· JOINT	1				
14	1901743620	· PLATE	1				
15	1901735625	· NUT	1				
16	1901735626	· NUT	1				
17	1901740432	· LEVER	1				
18	1901751410	· HANDLE	1				
19	1901746521	· PIN, spring	1				
20	1901742619	· BOOT	1				
21	1901735632	· BOOT	1				
22	1700100092	· GROMMET	1				

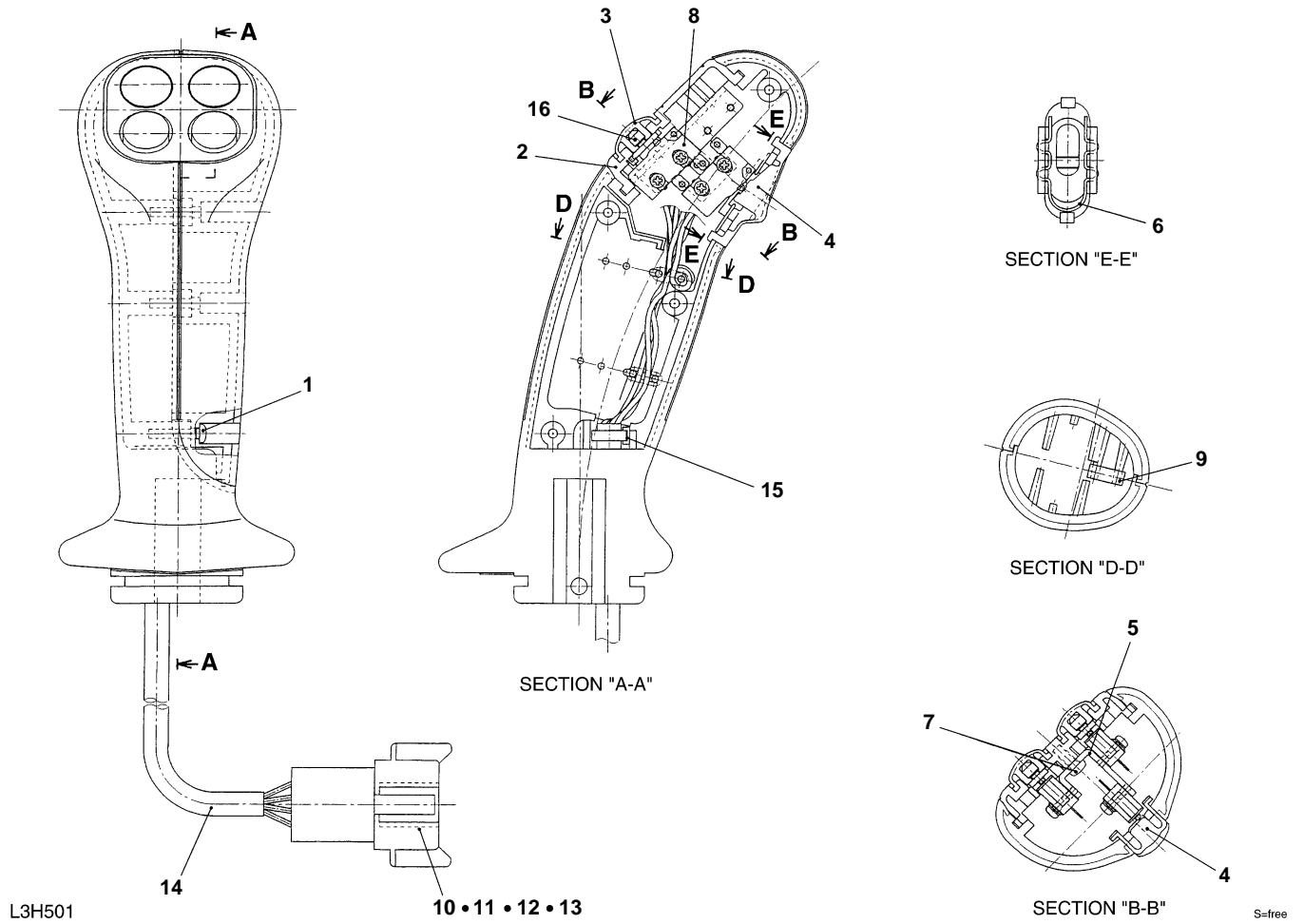
G7h350

TB153FR (P-T153FBBB) Book No. BJ3Z003 S/N 15830001-
HANDLE (L.H.) (with slide switch)



HANDLE (L.H.) (with slide switch)						
Item	Part number	Description	Q'ty	Chan.	Serial No.	Serv. Remarks
0	1901751410	HANDLE ASSY	1			
1	1122400316	· SCREW	4			
2	1901740401	· PLATE	1			
3	1901740402	· BUTTON	1			
4	1901751405	· BRACKET	1			
5	1901741216	· BUTTON	2			
6	1901740405	· PISTON	2			
7	1901740406	· SPRING	2			
8	1901740407	· CAP	1			
9	1150010312	· SCREW	1			
10	1901751472	· SCREW	6			
11	1122400306	· SCREW	3			
12	1122400308	· SCREW	1			
13	1901740408	· SWITCH	3			
14	1901751452	· COVER	1			
15	1901740412	· CAP	2			
16	1901751483	· RECEPTACLE	1			
17	1901751484	· WEDGE	1			
18	1901740413	· PIN	11			
19	1901741263	· CAP	1			
20	1901751489	· TERMINAL	1			
21	1901751490	· PROTECTOR	1			
22	1901751491	· PROTECTOR	1			
23	1901751492	· BAND	4			
24	1901751495	· GROMMET	1			
25	1901741312	· RETAINER	2			M
	L7h091					

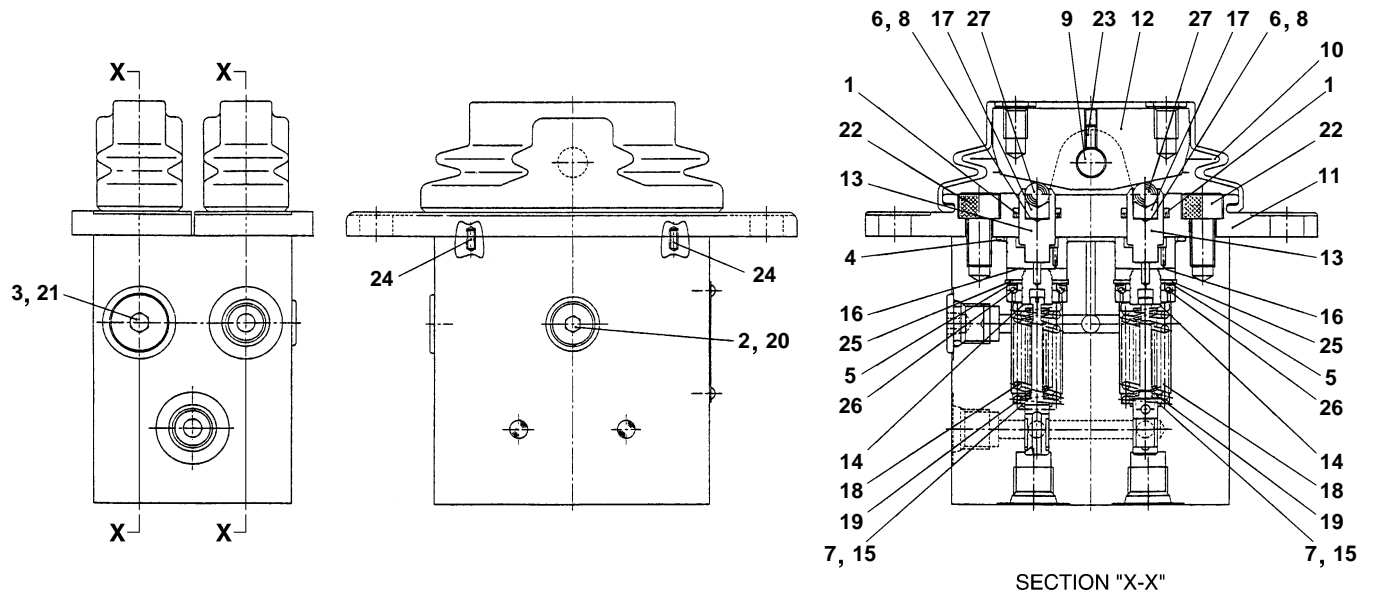
**TB153FR (P-T153FBBB) Book No. BJ3Z003 S/N 15830001-
HANDLE (with 3 switch)**



HANDLE (with 3 switch)

Item	Part number	Description	Q'ty	Chan.	Serial No.	Serv.	Remarks
0	1901741210	HANDLE ASSY	1				
1	1122400312	· SCREW	4				
2	1901741211	· CASE	1				
3	1901741216	· BUTTON	2				
4	1901740402	· BUTTON	1				
5	1901741218	· BRACKET	1				
6	1901740404	· CLIP	1				
7	1122400306	· SCREW	2				
8	1901740408	· SWITCH	3				
9	1901740412	· CAP	2				
10	1901740446	· RECEPTACLE	1				
11	1901740447	· WEDGE	1				
12	1901740413	· PIN	5				
13	1901741263	· PIN, BLANKING	3				
14	1901740414	· PROTECTOR	1				
15	1901740415	· BAND	1				
16	1901741312	· RETAINER	2				M
	L3h501						

**TB153FR (P-T153FBBB) Book No. BJ3Z003 S/N 15830001-
REMOTE CONTROL VALVE (for travel)**



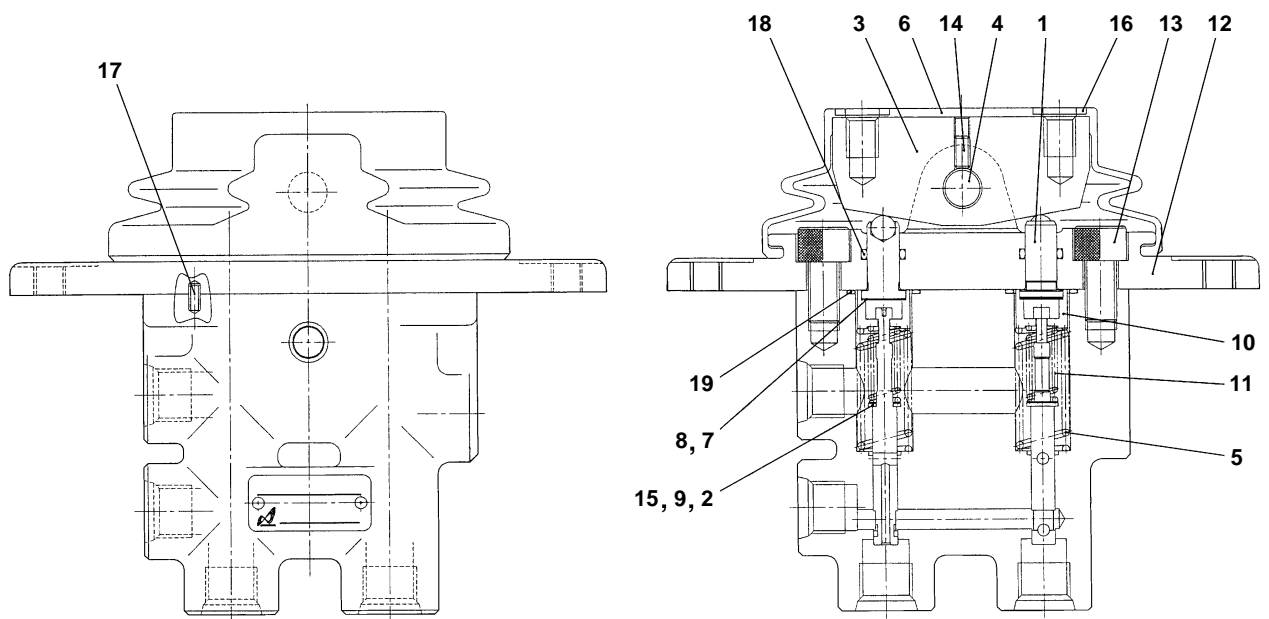
L4H110

S=FREE

REMOTE CONTROL VALVE (for travel)

Item	Part number	Description	Q'ty	Chan.	Serial No.	Serv.	Remarks
0	1901739100	VALVE ASSY, remote control	1				
0-1	1901739199	· KIT, seal	1				
1	X 1901728523	· · U-PACKING	4				
2	X 1420010080	· · O-RING	1				
3	X 1420010110	· · O-RING	1				
4	X 1420510460	· · O-RING	2				
5	1901739101	· SHIM	4				
6	1901739102	· ORIFICE	4				
7	1901739103	· SHIM	4				
8	1901739104	· ORIFICE	4				
9	1901729706	· PIN	2				
10	1901729708	· BOOT	2				
11	1901739108	· COVER	2				
12	1901739129	· CAM	2				
13	1901739113	· PUSHER	4				
14	1901739114	· RETAINER	4				
15	1901739115	· SHIM	4				
16	1901739116	· WASHER	4				
17	1901739118	· HOLDER	4				
18	1901739119	· SPRING	4				
19	1901739120	· SPRING	4				
20	1901729618	· PLUG	1				
21	1901720720	· PLUG	1				
22	1110050816	· SCREW, cap	4				
23	1121040606	· SET-SCREW	2				
24	1213040306	· PIN, spring	4				
25	1221000020	· RING, snap	4				
26	1390020020	· BALL, steel	8				
27	1390020500	· BALL, steel	4				
	L5h050						

**TB153FR (P-T153FBBB) Book No. BJ3Z003 S/N 15830001-
REMOTE CONTROL VALVE (for offset, for 2nd aux. line)**



J1H160

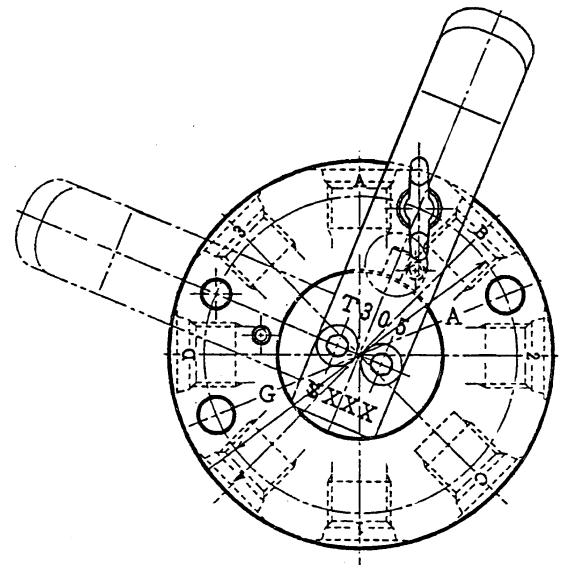
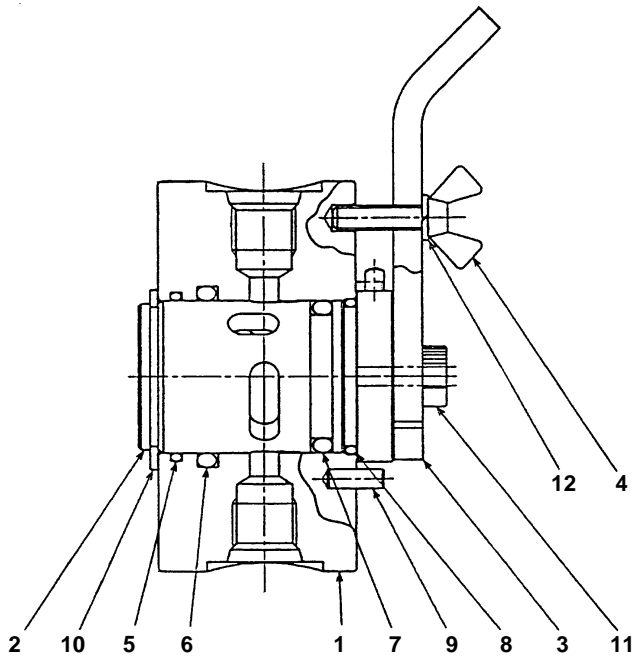
S-free

REMOTE CONTROL VALVE (for offset, for 2nd aux. line)

Item	Part number	Description	Q'ty	Chan.	Serial No.	Serv.	Remarks
0	1901746300	VALVE ASSY, pilot	1				
1	1901746301	· PUSHER	2				
2	1901729704	· SHIM t=0.1	2				
3	1901729705	· CAM	1				
4	1901729706	· PIN	1				
5	1901729707	· SPRING	2				
6	1901729708	· BOOT	1				
7	1901729709	· SHIM t=0.1	2				
8	1901729710	· SHIM t=0.2	2				
9	1901729711	· SHIM t=0.2	2				
10	1901729713	· HOLDER, spring	2				
11	1901729714	· SPRING	2				
12	1901746315	· COVER	1				
13	1100040816	· SCREW, cap	2				
14	1121340408	· SET-SCREW	1				
15	1141100004	· WASHER	2				
16	1141100008	· WASHER	2				
17	1213000306	· PIN, spring	2				
18	1420000080	· O-RING	2				
19	1420310016	· O-RING	2				

J1h160

TB153FR (P-T153FBBB) Book No. BJ3Z003 S/N 15830001-
SELECTOR VALVE (ISO-JCB pattern)



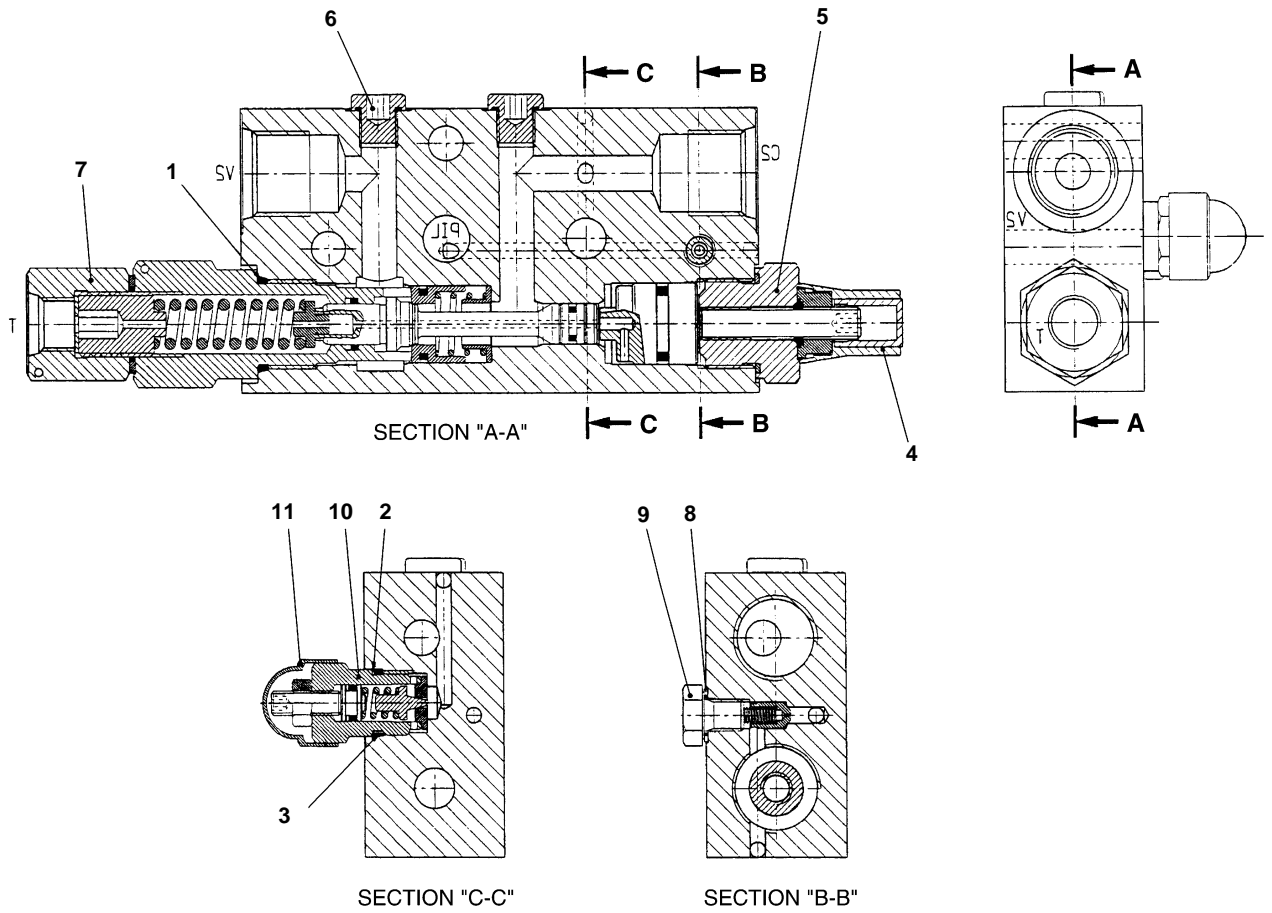
C4H180

S=FREE

SELECTOR VALVE (ISO-JCB pattern)

Item	Part number	Description	Q'ty	Chan.	Serial No.	Serv.	Remarks
0	1901730500	VALVE ASSY, selector	1				
1	1901730501	· BODY	1				
2	1901730502	· ROTOR	1				
3	1901730503	· LEVER	1				
4	1901730504	· BOLT	1				
5	1901730505	· O-RING	1				
6	1901730506	· O-RING	1				
7	1901730507	· O-RING	1				
8	1901730508	· O-RING	1				
9	1213000412	· PIN, spring	3				
10	1220000030	· RING, snap	1				
11	1110050514	· SCREW, cap	2				
12	1140010005	· WASHER, spring	1				
	C4h180						

**TB153FR (P-T153FBBB) Book No. BJ3Z003 S/N 15830001-
EMERGENCY SHUT-OFF VALVE**



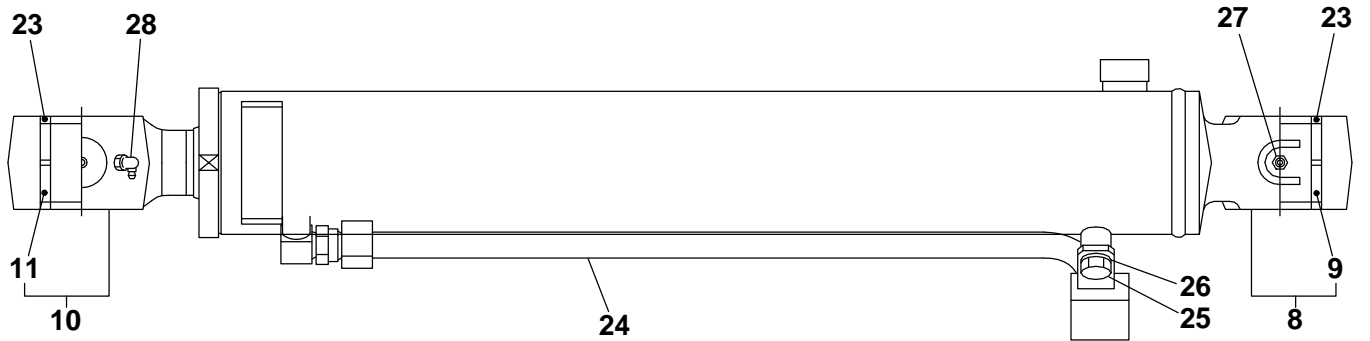
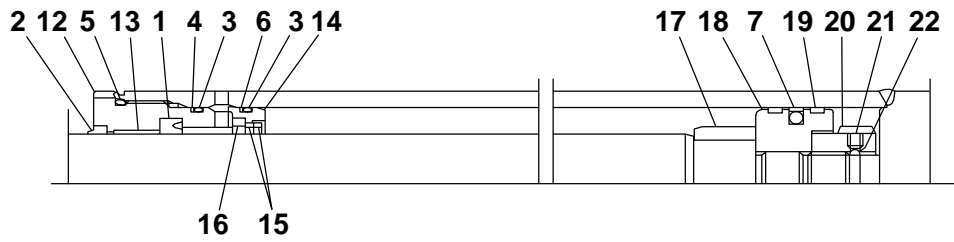
K3H380

S-free

EMERGENCY SHUT-OFF VALVE

Item	Part number	Description	Q'ty	Chan.	Serial No.	Serv.	Remarks
0	1901742700	VALVE ASSY, load holding	1				boom
	1901742800	VALVE ASSY, load holding	1				arm
0-1	1901742799	· KIT, seal	1				
1	1901742904	· · O-RING	1				
2	1901742908	· · RING, back-up	1				
3	1901742708	· · O-RING	1				
4	1901742901	· CAP	1				
5	1901742902	· PLUG	1				
6	1901742903	· PLUG	2				
7	1901742704	· SOCKET	1				
8	1901742906	· SEAL	1				
9	1901742907	· PLUG	1				
10	1901742909	· PLUG	1				
11	1901742711	· CAP	1				
	K3h380						

TB153FR (P-T153FBBB) Book No. BJ3Z003 S/N 15830001-
BOOM CYLINDER



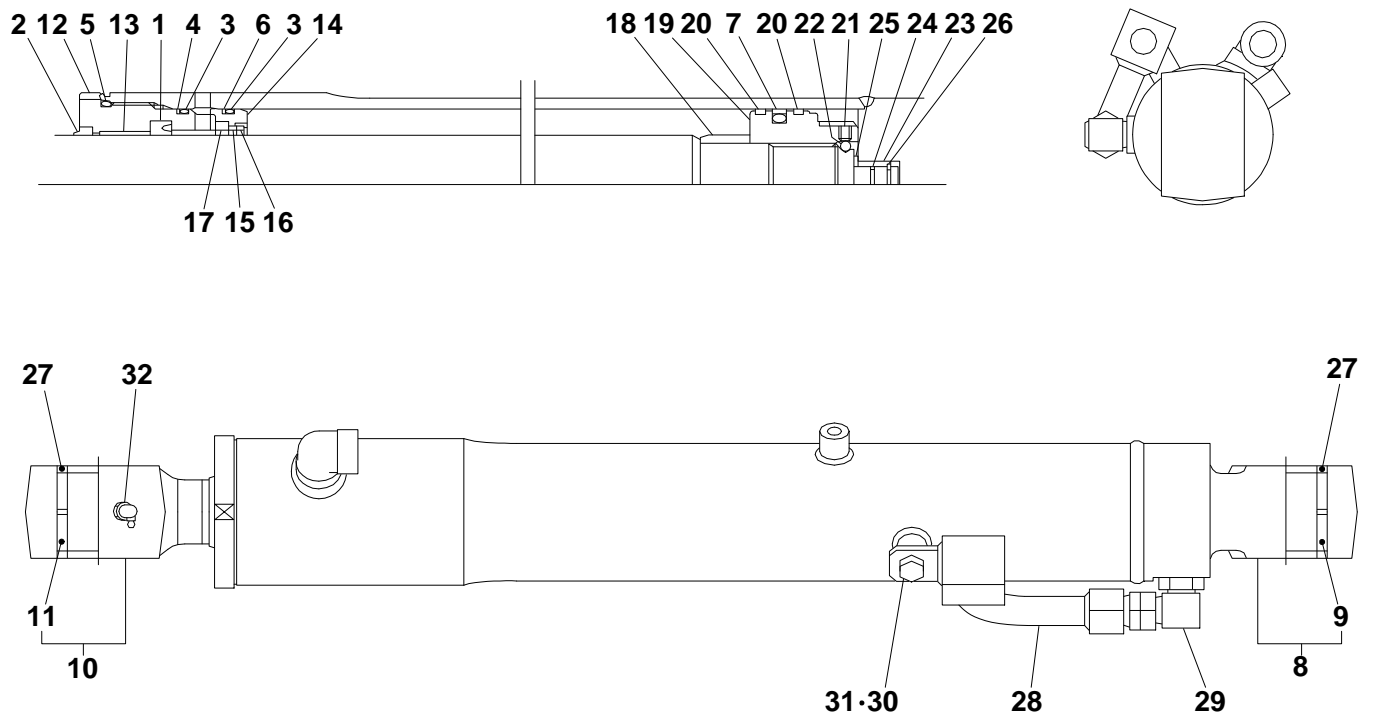
J1H190

S=free

BOOM CYLINDER

Item	Part number	Description	Q'ty	Chan.	Serial No.	Serv.	Remarks
0	1900092200	CYLINDER ASSY	1				boom
0-1	1900092299	· KIT, seal	1				
1	X 1900047433	· · PACKING, rod	1				
2	X 1900071532	· · SEAL, dust	1				
3	X 1420111050	· · O-RING	2				
4	X 1900092227	· · RING, back-up	1				
5	X 1420101100	· · O-RING	1				
6	X 1900083527	· · RING, back-up	1				
7	X 1900047431	· · PACKING, piston	1				
8	1900092298	· TUBE KIT	1				
9	1900063702	· · BUSHING	1				
10	1900092297	· ROD KIT, piston	1				
11	1900092220	· · BUSHING	1				
12	1900092203	· COVER, rod	1				
13	1900092202	· BUSHING	1				
14	1900092208	· HOLDER	1				
15	1900092216	· RING, cushion	2				
16	1900092228	· COLLAR	1				
17	1900092205	· CUSHION, rod	1				
18	1900092207	· PISTON	1				
19	1900091824	· RING, wear	2				
20	1900092209	· NUT	1				
21	1121041010	· SET-SCREW	1				
22	1390020400	· BALL, steel	1				
23	1900083533	· SEAL, dust	4				
24	1900092210	· PIPE	1				
25	1100041016	· BOLT	1				
26	1141110010	· WASHER	1				
27	1560001000	· FITTING, grease	1				
28	1560001900	· FITTING, grease	1				
	J1h192						

TB153FR (P-T153FBBB) Book No. BJ3Z003 S/N 15830001-
ARM CYLINDER



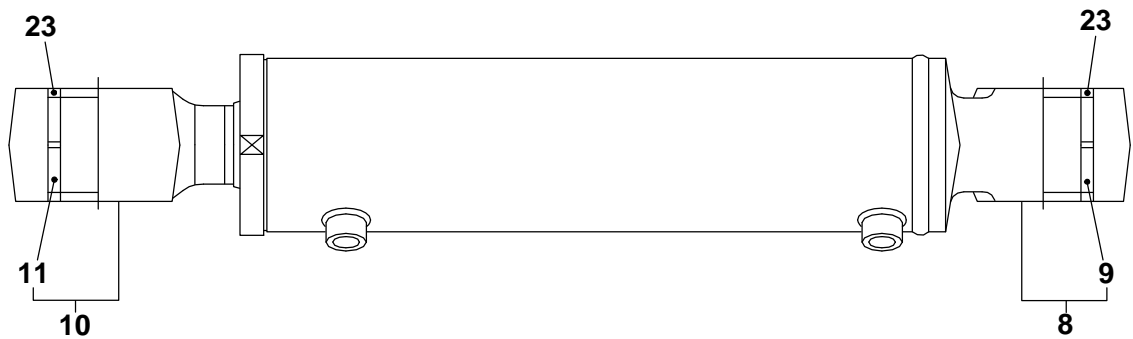
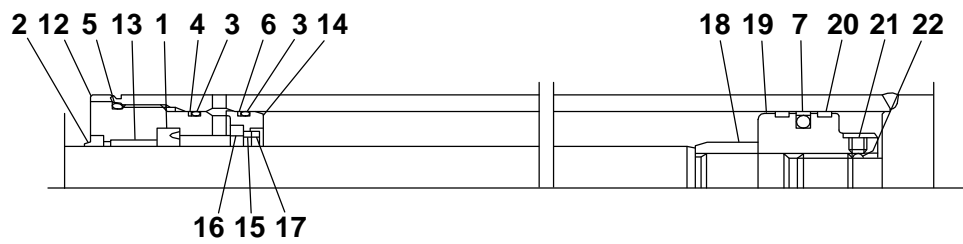
K3H420

S=free

ARM CYLINDER

Item	Part number	Description	Q'ty	Chan.	Serial No.	Serv.	Remarks
0	1900087900	CYLINDER ASSY	1				arm
0-1	1900087999	· KIT, seal	1				
1	X 1900005812	· · PACKING, rod	1				
2	X 1900073933	· · SEAL, dust	1				
3	X 1420110850	· · O-RING	2				
4	X 1900087028	· · RING, back-up	1				
5	X 1420100900	· · O-RING	1				
6	X 1900081529	· · RING, back-up	1				
7	X 1900047131	· · PACKING, piston	1				
8	1900087998	· TUBE	1				
9	1900047102	· · BUSHING	1				
10	1900087997	· ROD, piston	1				
11	1900081502	· · BUSHING	1				
12	1900087903	· COVER, rod	1				
13	1900087913	· BUSHING	1				
14	1900087908	· HOLDER	1				
15	1900087916	· BEARING, cushion	1				
16	1900087915	· SPACER	1				
17	1900087919	· COLLAR	1				
18	1900087917	· BEARING, cushion	1				
19	1900087906	· PISTON	1				
20	1900087926	· RING, wear	2				
21	1121050808	· SET-SCREW	1				
22	1390020350	· BALL, steel	1				
23	1900081505	· BEARING, cushion	1				
24	1900076335	· SEAL, cushion	1				
25	1900047114	· RING, snap	1				
26	1900047122	· STOPPER	2				
27	1900047023	· SEAL, dust	4				
28	1900081528	· PIPE ASSY	1				
29	1900081519	· NIPPLE	1				
30	1100051016	· BOLT	1				
31	1141110010	· WASHER	1				
32	1560001900	· FITTING, grease	1				
	K3h421						

TB153FR (P-T153FBBB) Book No. BJ3Z003 S/N 15830001-
OFFSET CYLINDER



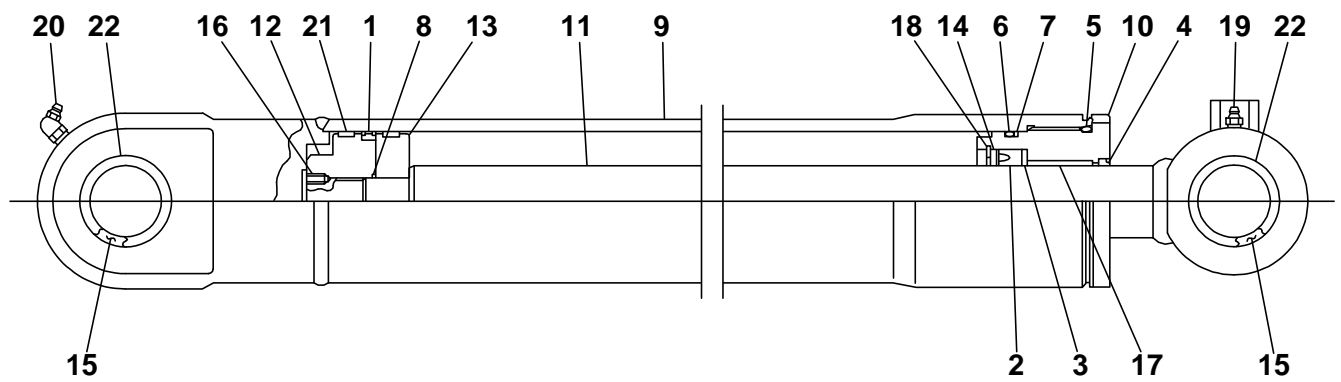
J1H220

S=free

OFFSET CYLINDER

Item	Part number	Description	Q'ty	Chan.	Serial No.	Serv.	Remarks
0	1900092300	CYLINDER ASSY	1				offset
0-1	1900092399	· KIT, seal	1				
1	X 1900047033	· · PACKING, rod	1				
2	X 1900070831	· · SEAL, dust	1				
3	X 1420110950	· · O-RING	2				
4	X 1900086928	· · RING, back-up	1				
5	X 1420101000	· · O-RING	1				
6	X 1900063728	· · RING, back-up	1				
7	X 1900047031	· · PACKING, piston	1				
8	1900092398	· TUBE KIT	1				
9	1900083602	· · BUSHING	1				
10	1900092397	· ROD KIT, piston	1				
11	1900083602	· · BUSHING	1				
12	1900087803	· COVER, rod	1				
13	1900087813	· BUSHING	1				
14	1900086908	· HOLDER	1				
15	1900086916	· RING, cushion	1				
16	1900086919	· COLLAR	1				
17	1900087815	· SPACER	1				
18	1900087816	· CUSHION, rod	1				
19	1900087806	· PISTON	1				
20	1900089525	· RING, wear	2				
21	1121041010	· SET-SCREW	1				
22	1390020400	· BALL, steel	1				
23	1900047423	· SEAL, dust	4				
	J1h221						

TB153FR (P-T153FBBB) Book No. BJ3Z003 S/N 15830001-
BUCKET CYLINDER



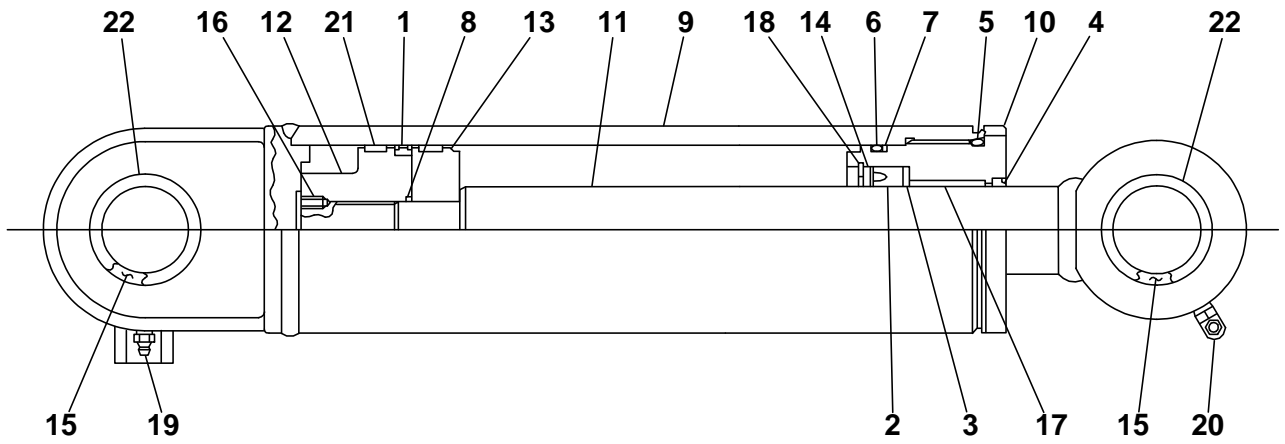
K3H180

S=FREE

BUCKET CYLINDER

Item	Part number	Description	Q'ty	Chan.	Serial No.	Serv.	Remarks
0	1900075800	CYLINDER ASSY	1				bucket
0-1	1900075899	KIT, seal	1				
1	X 1410220800	· · PACKING, piston	1				
2	X 1410545612	· · PACKING, rod	1				
3	X 1411261453	· · RING, back-up	1				
4	X 1900075823	· · SEAL, dust	1				
5	X 1420110800	· · O-RING	1				
6	X 1420110750	· · O-RING	1				
7	X 1421130750	· · RING, back-up	1				
8	X 1420110750	· · O-RING	1				
9	1900075807	· TUBE	1				
10	1900075803	· COVER, rod	1				
11	1900075801	· ROD, piston	1				
12	1900059606	· PISTON	1				
13	1900075855	· HOLDER, packing	1				
14	1900075808	· HOLDER, packing rod	1				
15	1900075802	· BUSHING	2				
16	1121050812	· SET-SCREW	1				
17	1333004540	· BUSHING	1				
18	1221000060	· RING, snap	1				
19	1560001000	· FITTING, grease	1				
20	1560001675	· FITTING, grease	1				
21	1410810800	· RING, wear	2				
22	1432200045	· SEAL, dust	4				
	K3h182						

TB153FR (P-T153FBBB) Book No. BJ3Z003 S/N 15830001-
DOZER BLADE CYLINDER



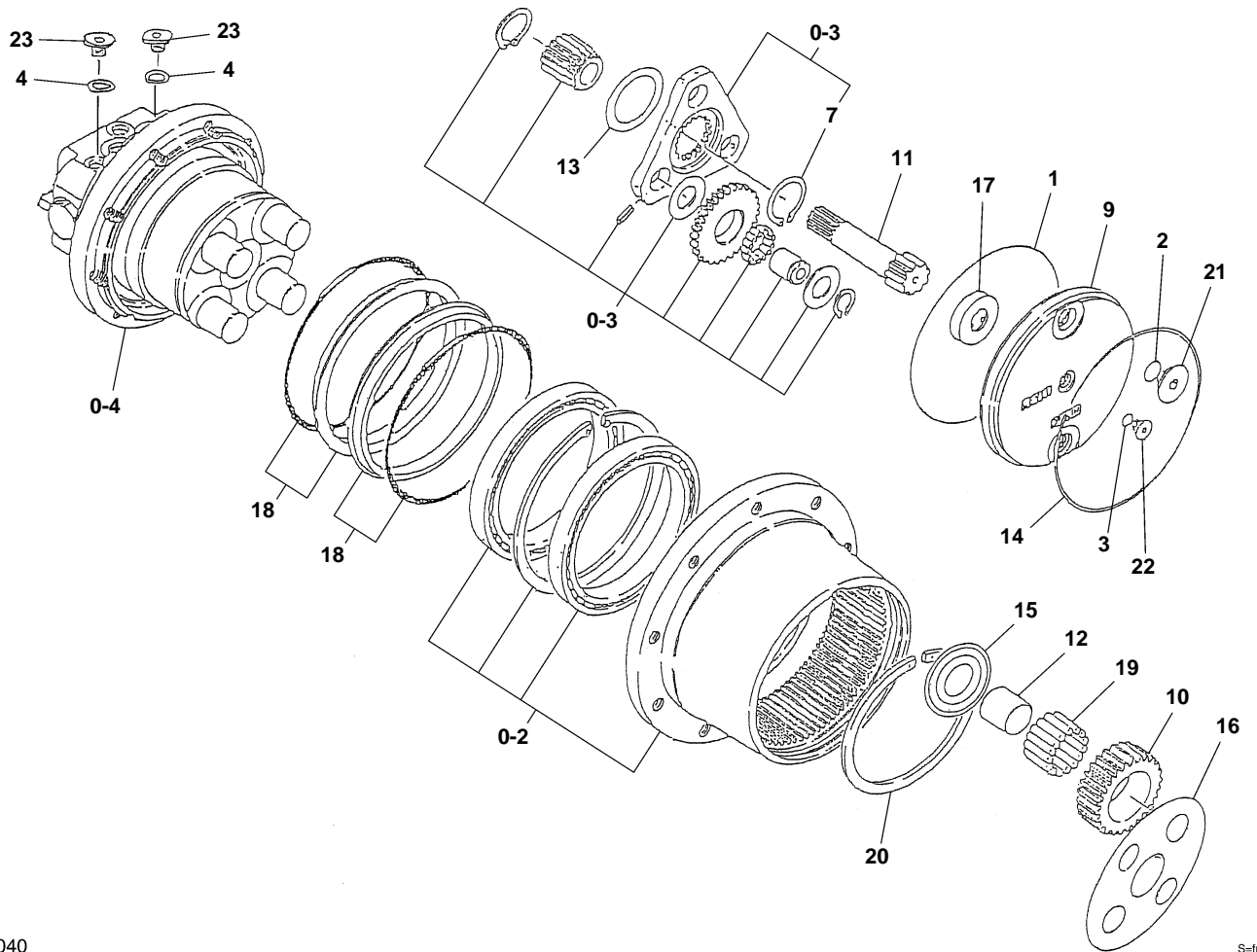
K3H200

S=FREE

DOZER BLADE CYLINDER

Item	Part number	Description	Q'ty	Chan.	Serial No.	Serv.	Remarks
0	1900077100	CYLINDER ASSY	1				blade
0-1	1900077199	· KIT, seal	1				
1	X 1410221100	· · PACKING, piston	1				
2	X 1410560762	· · PACKING, rod	1				
3	X 1411276603	· · RING, back-up	1				
4	X 1900077123	· · SEAL, dust	1				
5	X 1420111100	· · O-RING	1				
6	X 1420111050	· · O-RING	1				
7	X 1421131050	· · RING, back-up	1				
8	X 1420110450	· · O-RING	1				
9	1900077107	· TUBE	1				
10	1900077103	· COVER, rod	1				
11	1900077101	· ROD, piston	1				
12	1900077106	· PISTON	1				
13	1900077155	· HOLDER, packing	1				
14	1900077108	· HOLDER, rod packing	1				
15	1900077102	· BUSHING	2				
16	1121050812	· SET-SCREW	1				
17	1333006040	· BUSHING	1				
18	1221000075	· RING, snap	1				
19	1560001000	· FITTING, grease	1				
20	1560001675	· FITTING, grease	1				
21	1410811100	· RING, wear	2				
22	1432200055	· SEAL, dust	4				
	K3h202						

TB153FR (P-T153FBBB) Book No. BJ3Z003 S/N 15830001-
TRAVEL MOTOR (1/3) (reduction sec.)



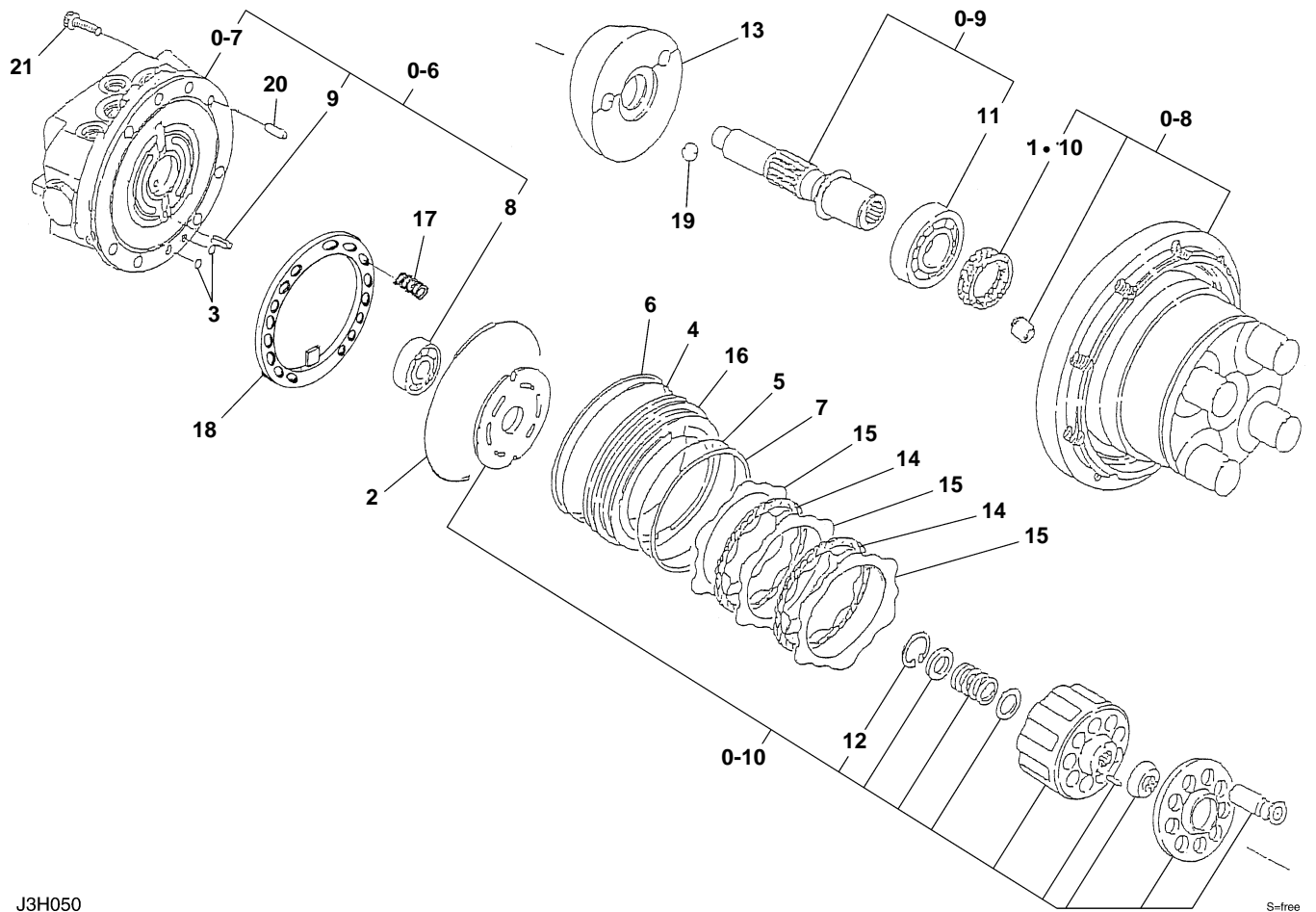
J3H040

S=free

TRAVEL MOTOR (1/3) (reduction sec.)

Item	Part number	Description	Q'ty	Chan.	Serial No.	Serv.	Remarks
0	1903127400	MOTOR ASSY, travel	1				
0-1	1903119599	· KIT, seal	1				
1	X 1420300264	· · O-RING	1				
2	X 1420010140	· · O-RING	2				
3	X 1420010080	· · O-RING	1				
4	X 1420010110	· · O-RING	2				
0-2	1903124898	· KIT, body	1				
0-3	1903124897	· KIT, carrier2	1				
7	1220000035	· · RING, snap	4				
9	1903119502	· COVER	1				
10	1903124806	· GEAR	4				
11	1903124809	· GEAR	1				
12	1903124810	· RING	4				
13	1903124812	· WASHER	1				
14	1903119513	· RING, snap	1				
15	1903124814	· PLATE	4				
16	1903124815	· PLATE	1				
17	1903118916	· RING	1				
18	1903124817	· SEAL, floating	2				
19	1903124820	· BEARING	136				
20	1903127423	· RING, snap	1				
21	1903118932	· PLUG	2				
22	1501750001	· PLUG	1				
	1420010080	· · O-RING	1				
23	1501750002	· PLUG	2				
	1420010110	· · O-RING	1				
0-4	1903908700	· MOTOR, hydraulic	1				
	J3h040						

TB153FR (P-T153FBBB) Book No. BJ3Z003 S/N 15830001-
TRAVEL MOTOR (2/3) (motor sec.)

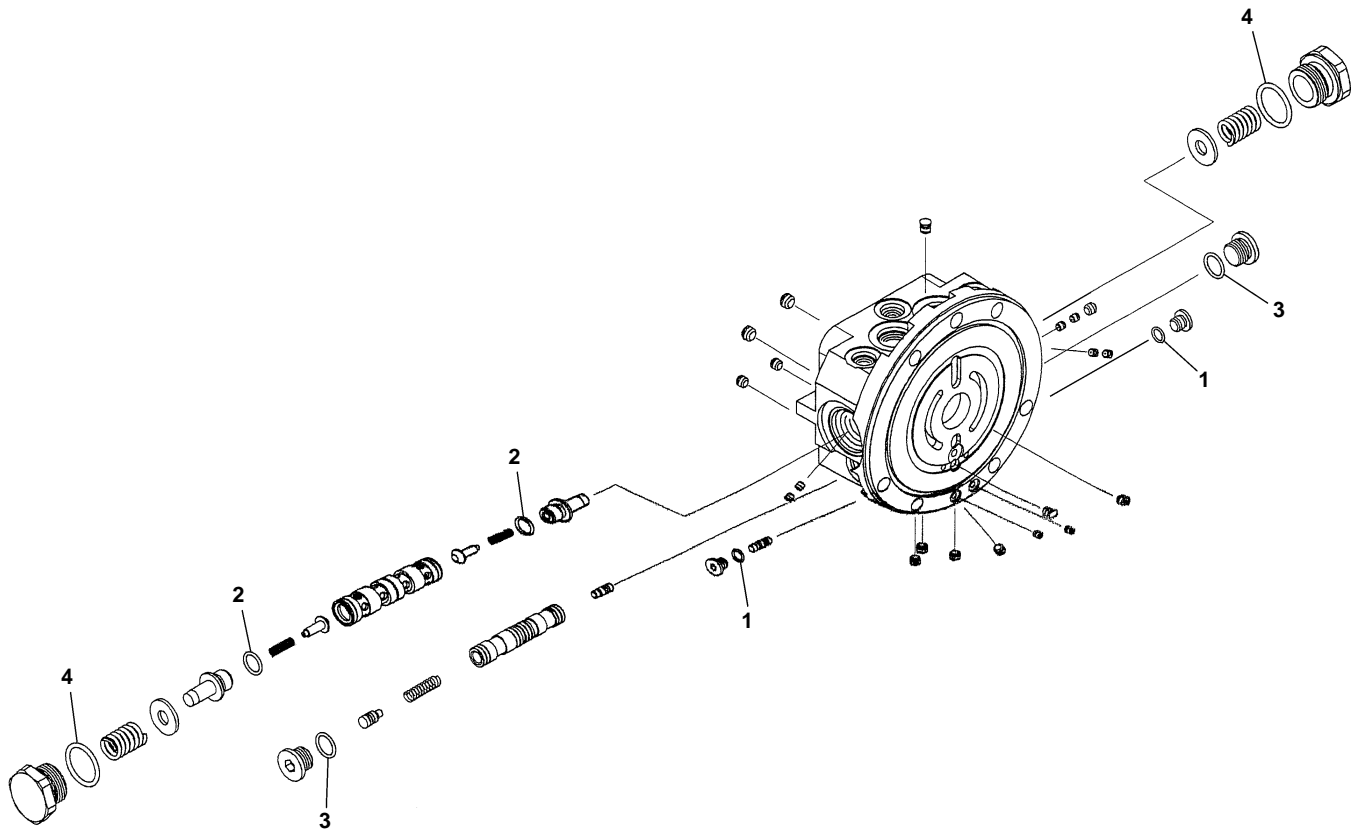


J3H050

TRAVEL MOTOR (2/3) (motor sec.)

Item	Part number	Description	Q'ty	Chan.	Serial No.	Serv.	Remarks
0	1903127400	MOTOR ASSY, travel	1				
0-4	1903908700	· MOTOR, hydraulic	1				
0-5	1903908799	· · KIT, seal	1				
1	X 1903902020	· · · SEAL, oil	1				
2	X 1420111350	· · · O-RING	1				
3	X 1420010070	· · · O-RING	2				
4	X 1420111250	· · · O-RING	1				
5	X 1420111150	· · · O-RING	1				
6	X 1421131250	· · · RING, back-up	1				
7	X 1421131150	· · · RING, back-up	1				
0-6	1903907398	· · KIT, body1	1				
0-7	X *****	· · · BODY ASSY	1				
8	1300006206	· · · BEARNIG	1				
9	1213000616	· · · PIN, spring	1				
0-8	1903908797	· · KIT, body2	1				
10	1903902020	· · · SEAL, oil	1				
0-9	1903907396	· · SHAFT ASSY	1				
11	1300006206	· · · BEARING	1				
0-10	1903908795	· · BARREL KIT, cylinder	1				
12	1221000035	· · · RING, snap	1				
13	1903908710	· · PLATE	1				
14	1903904615	· · PLATE	2				
15	1903907316	· · PLATE	3				
16	1903907317	· · PISTON	1				
17	1903907319	· · SPRING	10				
18	1903908720	· · RETAINER	1				
19	1390021000	· · BALL, steel	2				
20	1212010815	· · PIN	2				
21	1110021025	· · SCREW, cap	7				
	J3h050						

TB153FR (P-T153FBBB) Book No. BJ3Z003 S/N 15830001-
TRAVEL MOTOR (3/3) (valve sec.)



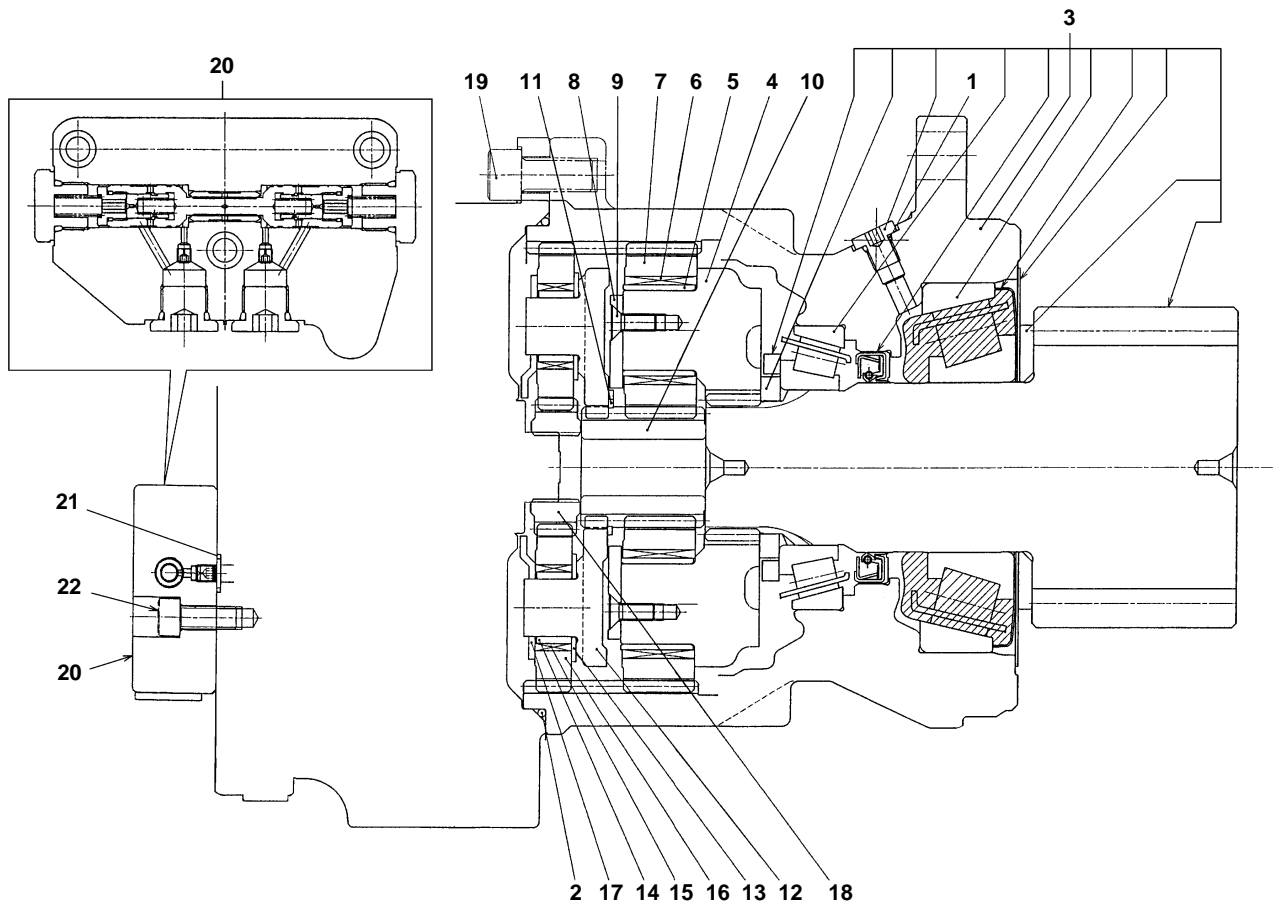
J3H060

S=free

TRAVEL MOTOR (3/3) (valve sec.)

Item	Part number	Description	Q'ty	Chan.	Serial No.	Serv.	Remarks
0	1903127400	MOTOR ASSY, travel	1				
0-7	X *****	· BODY ASSY	1				
0-8	1903907393	· · KIT, seal	1				
1	1420010080	· · · O-RING	2				
2	1420000125	· · · O-RING	2				
3	1420010140	· · · O-RING	2				
4	1420010250	· · · O-RING	2				
	J3h060						

TB153FR (P-T153FBBB) Book No. BJ3Z003 S/N 15830001-
SLEW MOTOR (1/2) (reduction sec.)



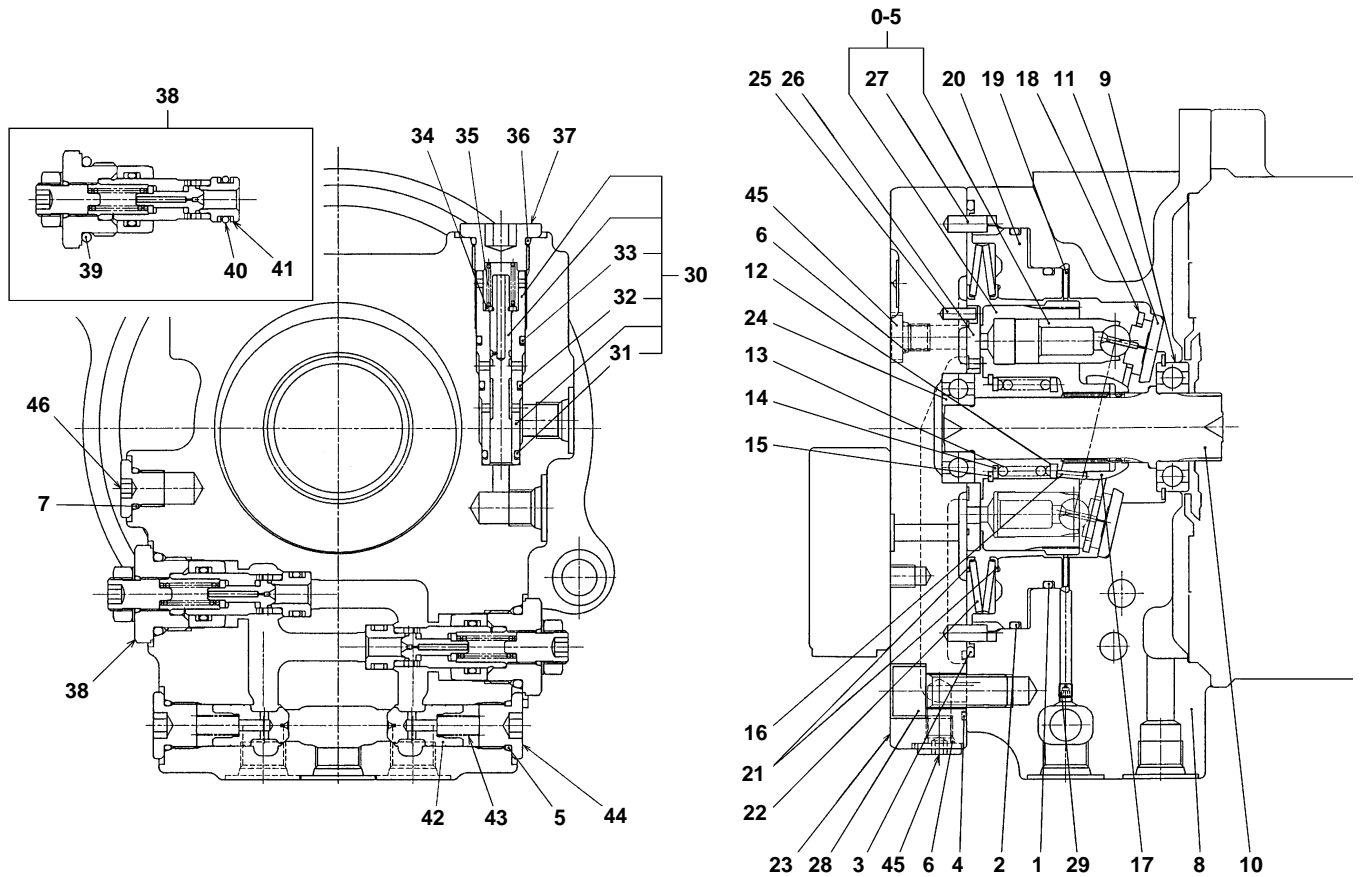
K3H263

S=free

SLEW MOTOR (1/2) (reduction sec.)

Item	Part number	Description	Q'ty	Chan.	Serial No.	Serv.	Remarks
0	1903125500	MOTOR ASSY, slew	1				
0-1	X *****	· GEAR, reduction	1				
0-2	1912907799	· · KIT, seal	1				
1	X 1420010080	· · · O-RING	1				
2	X 1420300260	· · · O-RING	1				
3	1912907798	· · HOUSING ASSY	1				
4	1912907011	· · HOLDER	1				
5	1912905415	· · LACE, inner	4				
6	1912905416	· · BEARING	4				
7	1912904517	· · GEAR	4				
8	1912907015	· · PLATE, thrust	1				
9	1912900714	· · SCREW	4				
10	1912906009	· · GEAR	1				
11	1220000042	· · RING, snap	1				
12	1912907019	· · HOLDER	1				
13	1912907020	· · WASHER, thrust	3				
14	1912900720	· · LACE, inner	3				
15	1912905422	· · CAGE&ROLLER	3				
16	1912907023	· · GEAR	3				
17	1912907097	· · PLATE, thrust	1				
18	1912907025	· · GEAR	1				
19	1110041230	· SCREW, cap	2				
20	1903119920	· VALVE ASSY	1				
21	1420010100	· O-RING	3				
22	1110040820	· SCREW, cap	3				
	J2h180						

TB153FR (P-T153FBBB) Book No. BJ3Z003 S/N 15830001-
SLEW MOTOR (2/2) (motor sec.)



K3H274

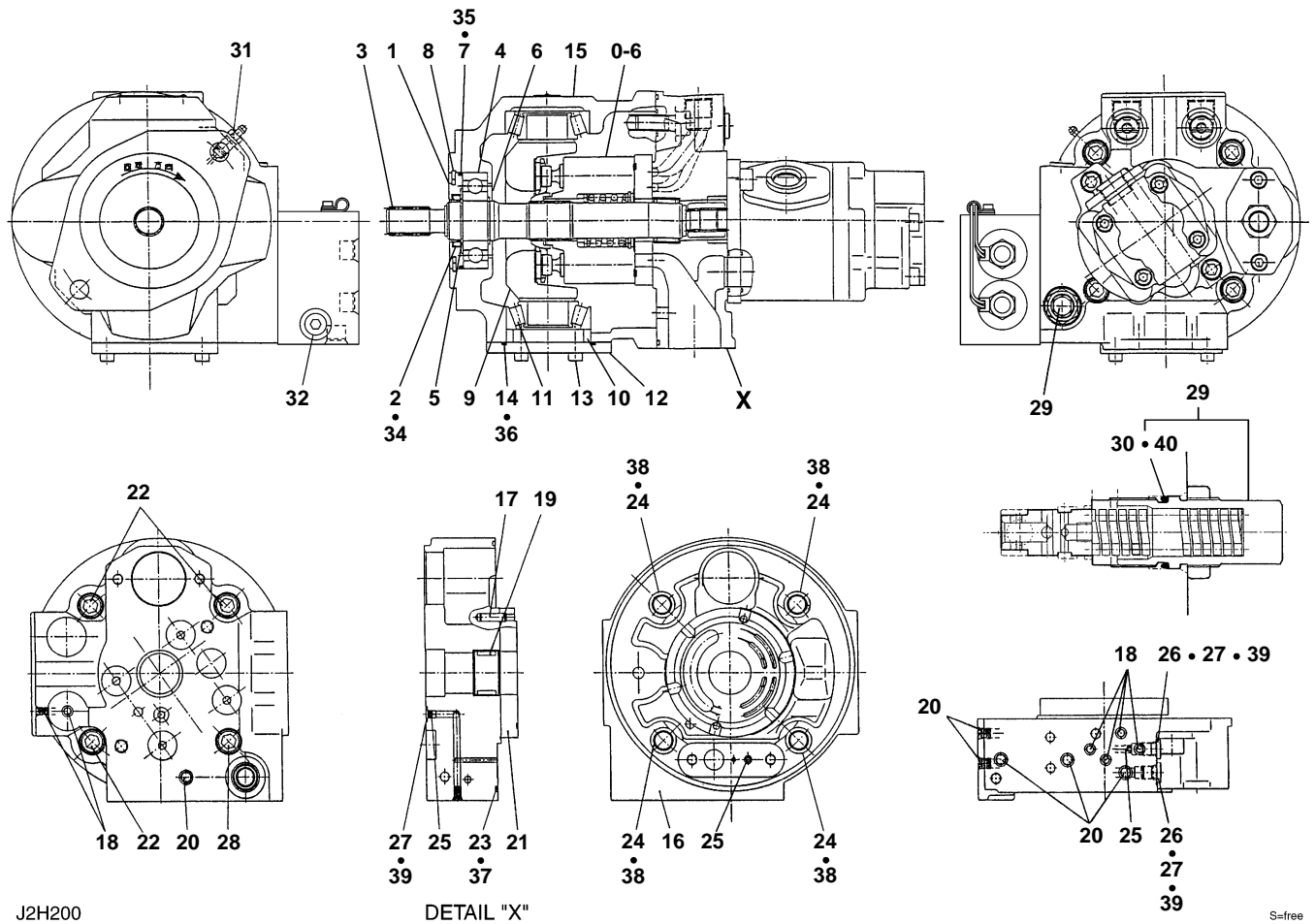
S=free

SLEW MOTOR (2/2) (motor sec.)

Item	Part number	Description	Q'ty	Chan.	Serial No.	Serv.	Remarks
0	1903125500	MOTOR ASSY, slew	1				
0-3	X *****	· MOTOR, piston	1				
0-4	1903906799	· · KIT, seal	1				
1	X 1420111100	· · · O-RING	1				
2	X 1420111350	· · · O-RING	1				
3	X 1903007227	· · · O-RING	1				
4	X 1420010210	· · · O-RING	2				
5	X 1420010140	· · · O-RING	2				
6	X 1420010080	· · · O-RING	2				
7	X 1420010110	· · · O-RING	1				
8	1903906701	· · CASE	1				
9	1903904502	· · BEARING, ball	1				
10	1903904503	· · SHAFT	1				
11	1903904504	· · PLATE, thrust	1				
0-5	1903120698	· · KIT, cylinder block	1				
12	1903106808	· · COLLAR	1				
13	1903904507	· · SPRING	1				
14	1903904508	· · WASHER	1				
15	1221000037	· · RING, snap	1				
16	1903904510	· · PIN	3				
17	1903106813	· · HOLDER	1				
18	1903904511	· · PLATE	1				
19	1903904514	· · DISK	1				
20	1903904515	· · PISTON	1				
21	1903904518	· · SHEET, spring	2				
22	1903904519	· · SPRING	1				
23	1903904521	· · COVER	1				
24	1903107927	· · BEARING	1				
25	1903005224	· · PIN	1				
26	1903904524	· · PLATE, valve	1				
27	1903904525	· · PIN	2				
28	1110041230	· · SCREW, cap	5				
29	1901802713	· · ORIFICE	1				
30	1901809200	· · VALVE ASSY	1				
31	1420010101	· · · O-RING	1				
32	1420010120	· · · O-RING	1				
33	1420010140	· · · O-RING	1				
34	1141110008	· · WASHER	1				
35	1903906135	· · SPRING	1				
36	1420010180	· · O-RING	1				
37	1903904537	· · PLUG	1				
38	1903906798	· · VALVE ASSY, relief	2				
39	1420010240	· · · O-RING	1				
40	1420010120	· · · O-RING	1				
41	1421020120	· · · RING, back-up	2				
42	1903904539	· · VALVE, check	2				
43	1903904540	· · SPRING	2				
44	1903106843	· · PLUG	2				
45	1912905325	· · PLUG	2				
46	1903108655	· · PLUG	1				

J2h191

TB153FR (P-T153FBBB) Book No. BJ3Z003 S/N 15830001-
HYDRAULIC PUMP (1/3)



J2H200

DETAIL "X"

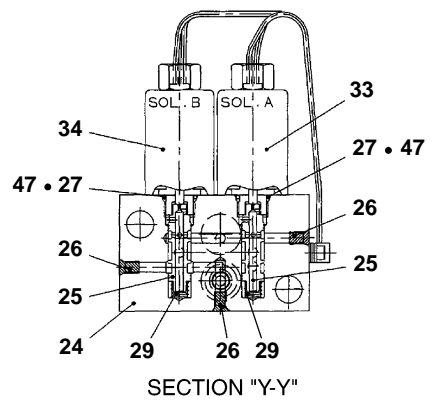
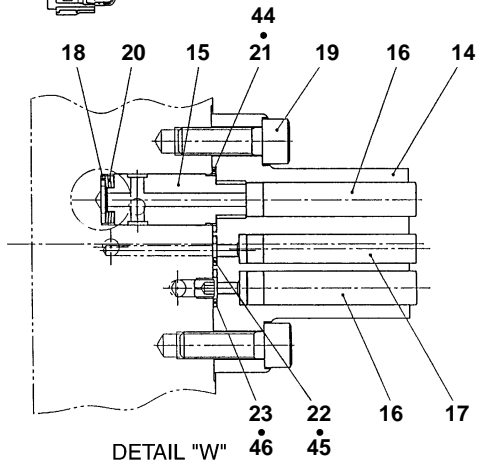
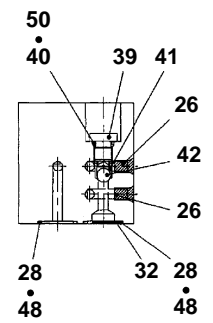
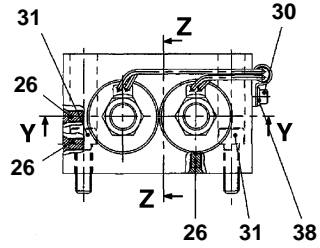
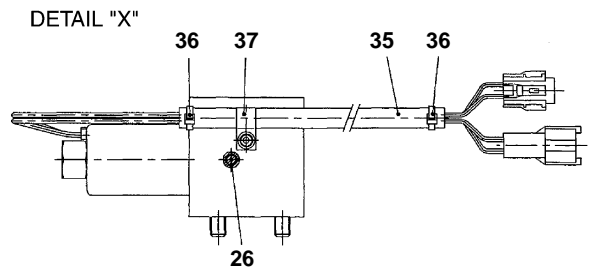
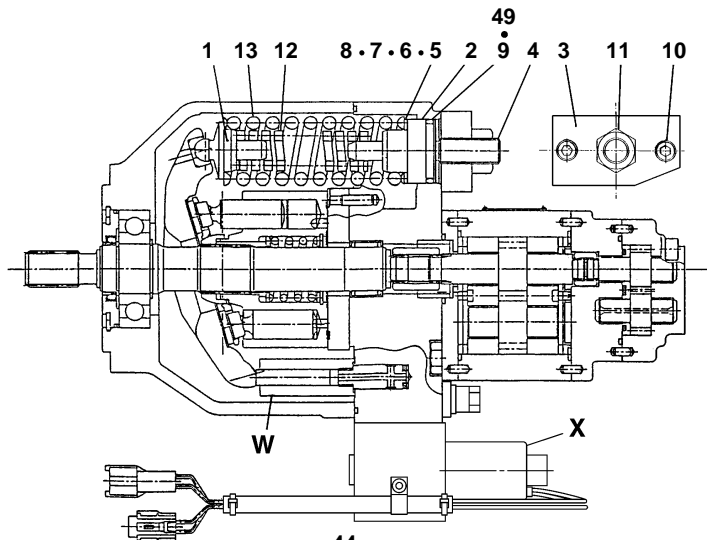
S=free

HYDRAULIC PUMP (1/3)

Item	Part number	Description	Q'ty	Chan.	Serial No.	Serv.	Remarks
0	1902024800	PUMP, hydraulic	1				
0-1	1902903400	· SHAFT ASSY	1				
0-2	1902903498	· · CASE ASSY, seal	1				
1	X *****	· · · CASE, seal	1				
2	X *****	· · · SEAL, dust	1				
3	1902903401	· · SHAFT	1				
4	1902903403	· · BEARING	1				
5	1220000028	· · RING, snap	1				
6	1220000030	· · RING, snap	1				
7	1420300147	· · O-RING	1				
8	1221000072	· · RING, snap	1				
0-3	1902017098	· HANGER ASSY	1				
0-4	X *****	· · HANGER ASSY	1				
0-5	1902906798	· · · HANGER SUB ASSY	1				
9	X *****	· · · · HANGER	1				
10	X *****	· · · · PIECE, distance	1				
11	X *****	· · · · BEARING	2				
12	1902903501	· · · PLATE	1				
13	1110020616	· · · SCREW, cap	4				
14	1420300144	· · · O-RING	1				
15	X *****	· · HOUSING	1				
0-6	1902906800	· ROTARY ASSY	1				
0-7	1902906900	· COVER ASSY	1				
0-8	1902906998	· · COVER SUB ASSY	1				
16	X *****	· · · COVER	1				
17	X *****	· · · PIN	2				
18	X *****	· · · PLUG	3				
19	X *****	· · · BEARING	1				
20	X *****	· · · PLUG	3				
21	1902906902	· · PLATE	1				
22	1110021230	· · SCREW, cap	3				
23	1420300168	· · O-RING	1				
24	1902903602	· · O-RING	4				
25	1902903603	· · ORIFICE	3				
26	1902900964	· · PLUG	2				
27	1420010080	· · O-RING	3				
28	1110021255	· · SCREW, cap	1				
29	1902017010	· VALVE, relief	1				
30	1902903602	· · O-RING	1				
31	1902017011	· VALVE	1				
32	1901034371	· PLUG					
33	1902017099	· KIT, seal 1	1				
34	X *****	· · SEAL, dust	1				
35	1420300147	· · O-RING	1				
36	1420300144	· · O-RING	1				
37	1420300168	· · O-RING	1				
38	1902903602	· · O-RING	4				
39	1420010080	· · O-RING	3				
40	1902903602	· · O-RING	1				

K7h230

TB153FR (P-T153FBBB) Book No. BJ3Z003 S/N 15830001-
 HYDRAULIC PUMP (2/3)



K7H240

DETAIL "W"

SECTION "Y-Y"

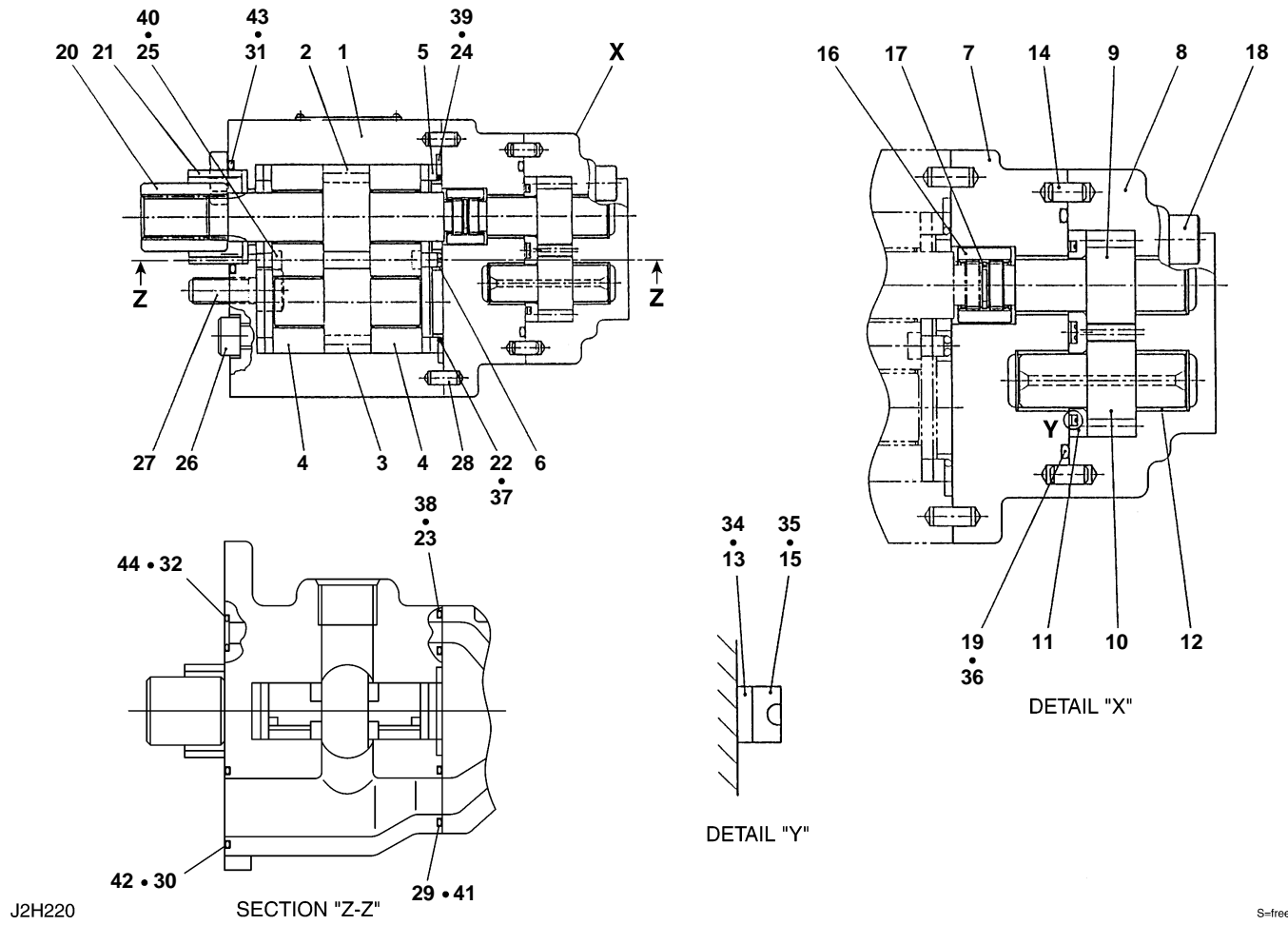
SECTION "Z-Z"

S=free

HYDRAULIC PUMP (2/3)

Item	Part number	Description	Q'ty	Chan.	Serial No.	Serv.	Remarks
0	1902024800	PUMP, hydraulic	1				
0-9	1902911300	· SPRING ASSY	1				
1	1902903502	· · HOLDER, spring	1				
2	1902907002	· · HOLDER, spring	1				
3	1902909203	· · COVER	1				
0-10	1902911398	· · SCREW ASSY, adjust	1				
4	1902903505	· · · SCREW	1				
5	1902911334	· · · SHIM t=0.3	2				
6	1902911344	· · · SHIM t=0.5	2				
7	1902903510	· · · SHIM t=1.0	2				
8	1902903511	· · · SHIM t=2.0	2				
9	1420000340	· · O-RING	1				
10	1110020830	· · SCREW, cap	2				
11	1130050016	· · NUT	1				
12	1902903506	· SPRING	1				
13	1902024813	· SPRING	1				
0-11	1902912400	· CONTROL ASSY, piston	1				
14	1902912401	· · CYLINDER	1				
15	1902907102	· · PISTON	1				
16	1902907103	· · PIN	2				
17	1902014308	· · PIN	1				
18	1902907105	· · HOLDER, spring	1				
19	1110020825	· · SCREW, cap	2				
20	1902903608	· · WASHER, conical	3				
21	1420310016	· · O-RING	1				
22	1420310009	· · O-RING	1				
23	1420310011	· · O-RING	1				
0-12	1902912500	· VALVE ASSY	1				
0-13	1902911698	· · BODY SUB ASSY	1				
24	X *****	· · · BODY	1				
25	X *****	· · · SPOOL	2				
26	1902900727	· · PLUG	7				
27	1420010140	· · O-RING	2				
28	1420300017	· · O-RING	2				
29	1902911606	· · SPRING	2				
30	1110020410	· · SCREW, cap	5				
31	1110020825	· · SCREW, cap	2				
32	1902907309	· · ELEMENT, filter	1				
33	1902911610	· · SOLENOID	1				
34	1902911611	· · SOLENOID	1				
35	1902912513	· · COVER	1				
36	1902907314	· · BAND	2				
37	1902907315	· · CLAMP	1				
38	1141110004	· · WASHER	1				
39	1901729103	· · PLUG	1				
40	1420010080	· · O-RING	1				
41	1901729105	· · SPRING	1				
42	1390010450	· · BALL, steel	1				
43	1902017097	· KIT, seal 2	1				
44	1420310016	· · O-RING	1				
45	1420310009	· · O-RING	1				
46	1420310011	· · O-RING	1				
47	1420010140	· · O-RING	2				
48	1420300017	· · O-RING	2				
49	1420000340	· · O-RING	1				
50	1420010080	· · O-RING	1				
	K7h241						

**TB153FR (P-T153FBBB) Book No. BJ3Z003 S/N 15830001-
HYDRAULIC PUMP (3/3)**



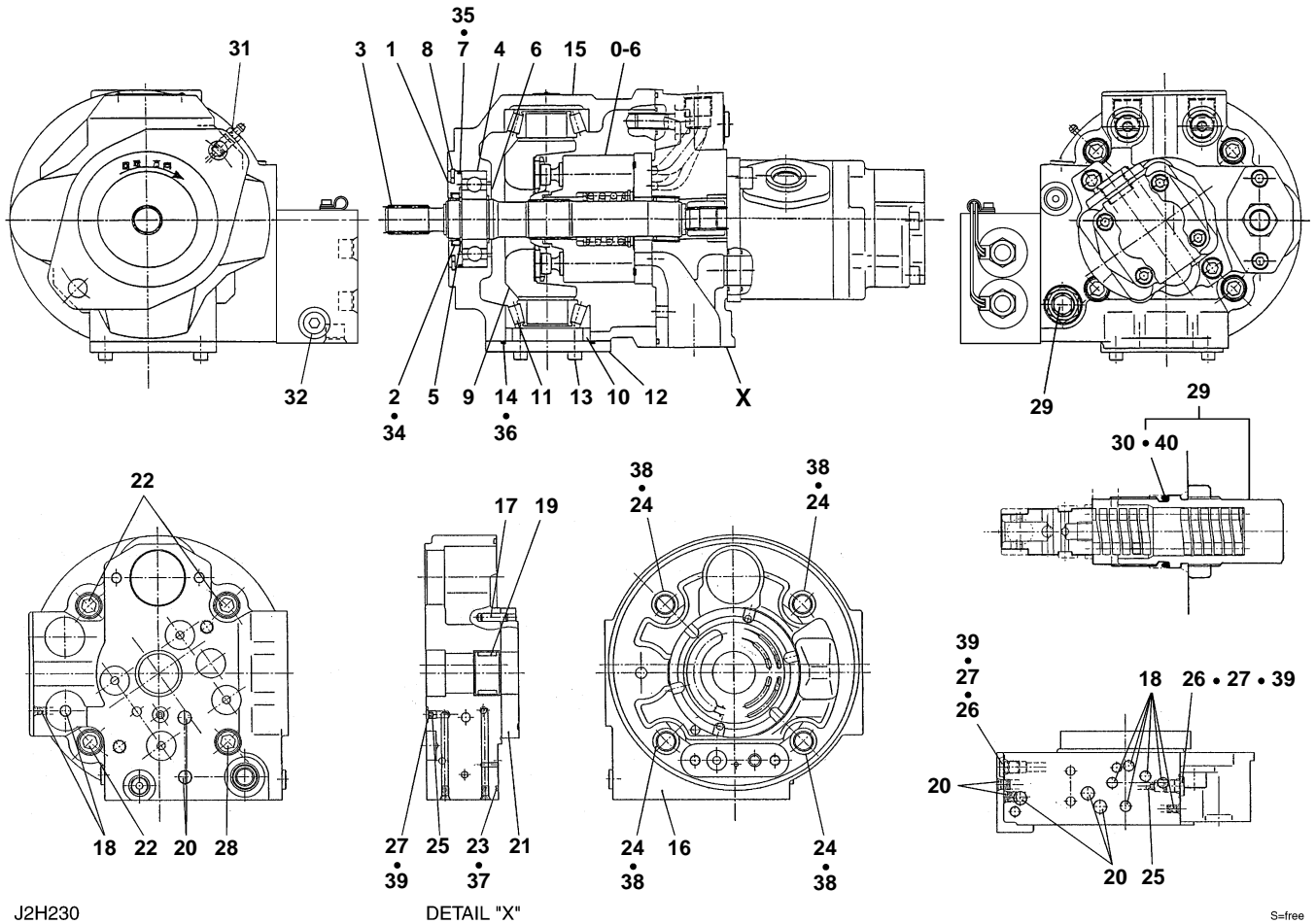
S-free

HYDRAULIC PUMP (3/3)

Item	Part number	Description	Q'ty	Chan.	Serial No.	Serv.	Remarks
0	1902024800	PUMP, hydraulic	1				
0-14	1902911500	· PUMP ASSY, gear	1				
0-15	1902911598	· · KIT, body	1				
1	X *****	· · · CASE	1				
2	X *****	· · · GEAR	1				
3	X *****	· · · GEAR	1				
4	X *****	· · · PLATE, side	2				
5	1902909310	· · PLATE	2				
6	1902901609	· · GUIDE	2				
0-16	1902907400	· · PUMP ASSY, sub gear	1				
0-17	1902907498	· · · KIT, body	1				
7	X *****	· · · · FRAME	1				
8	X *****	· · · · HOUSING	1				
9	X *****	· · · · GEAR	1				
10	X *****	· · · · GEAR	1				
11	X *****	· · · · PLATE, side	1				
12	X *****	· · · · METAL	4				
13	1902905907	· · · RING, back-up	1				
14	1902900716	· · · PIN	2				
15	1902905908	· · · RING	1				
16	1902905909	· · · RING	1				
17	1221000012	· · · RING, snap	1				
18	1110020840	· · · SCREW, cap	4				
19	1420300138	· · · O-RING	1				
20	1902907212	· · COUPLING	1				
21	1902907213	· · BUSHING	1				
22	1902907214	· · O-RING	2				
23	1420310014	· · O-RING	1				
24	1902901611	· · RING	1				
25	1902903714	· · RING	2				
26	1110021090	· · SCREW, cap	4				
27	1110021025	· · SCREW, cap	2				
28	1902900716	· · PIN	2				
29	1420300018	· · O-RING	1				
30	1420300023	· · O-RING	1				
31	1420300128	· · O-RING	1				
32	1420010100	· · O-RING	1				
33	1902911599	· KIT, seal	1				
34	1902905907	· · RING, back-up	1				
35	1902905908	· · RING	1				
36	1420300138	· · O-RING	1				
37	1902907214	· · O-RING	2				
38	1420310014	· · O-RING	1				
39	1902901611	· · RING	1				
40	1902903714	· · RING	2				
41	1420300018	· · O-RING	1				
42	1420300023	· · O-RING	1				
43	1420300128	· · O-RING	1				
44	1420010100	· · O-RING	1				

K7h250

TB153FR (P-T153FBBB) Book No. BJ3Z003 S/N 15830001-
 HYDRAULIC PUMP (1/3) (for air conditioner)



J2H230

DETAIL "X"

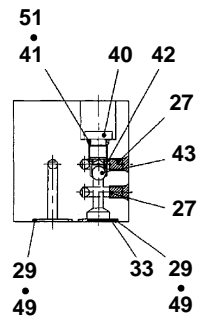
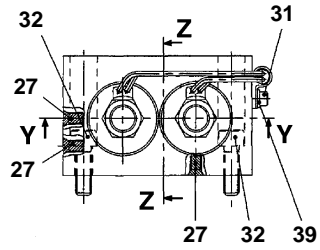
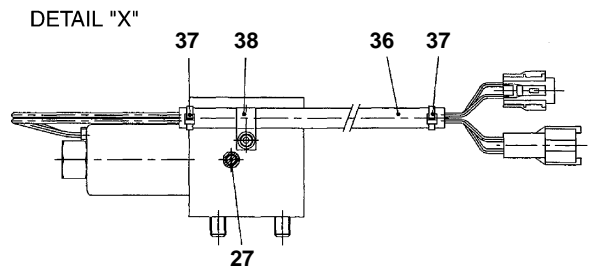
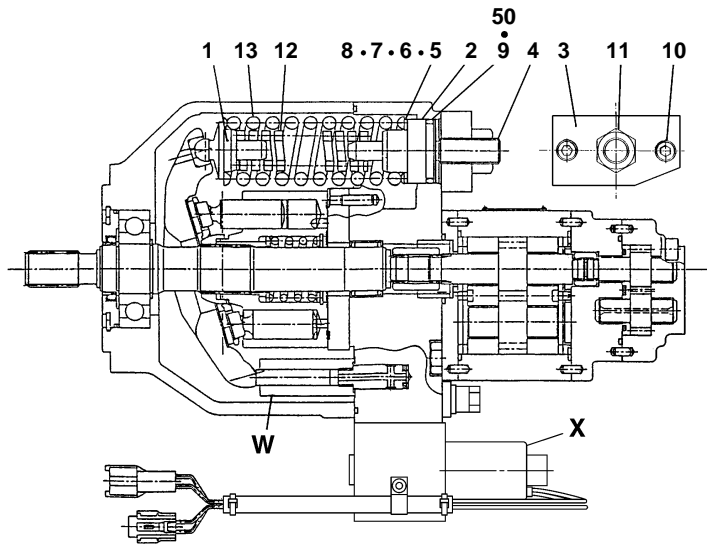
S=free

HYDRAULIC PUMP (1/3) (for air conditioner)

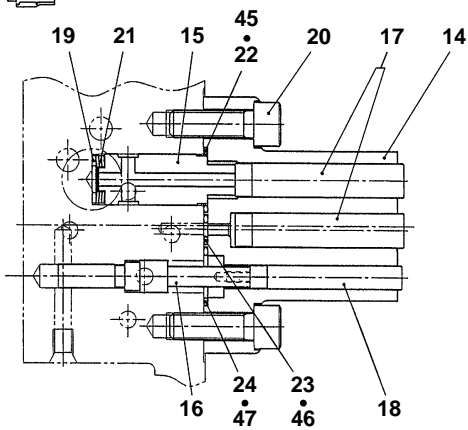
Item	Part number	Description	Q'ty	Chan.	Serial No.	Serv.	Remarks
0	1902025800	PUMP, hydraulic	1				
0-1	1902903400	· SHAFT ASSY	1				
0-2	1902903498	· · CASE ASSY, seal	1				
1	X *****	· · · CASE, seal	1				
2	X *****	· · · SEAL, dust	1				
3	1902903401	· · SHAFT	1				
4	1902903403	· · BEARING	1				
5	1220000028	· · RING, snap	1				
6	1220000030	· · RING, snap	1				
7	1420300147	· · O-RING	1				
8	1221000072	· · RING, snap	1				
0-3	1902017098	· HANGER ASSY	1				
0-4	X *****	· · HANGER ASSY	1				
0-5	1902906798	· · · HANGER SUB ASSY	1				
9	X *****	· · · · HANGER	1				
10	X *****	· · · · PIECE, distance	1				
11	X *****	· · · · BEARING	2				
12	1902903501	· · · PLATE	1				
13	1110020616	· · · SCREW, cap	4				
14	1420300144	· · · O-RING	1				
15	X *****	· · HOUSING	1				
0-6	1902906800	· ROTARY ASSY	1				
0-7	1902907500	· COVER ASSY	1				
0-8	1902907598	· · COVER SUB ASSY	1				
16	X *****	· · · COVER	1				
17	X *****	· · · PIN	2				
18	X *****	· · · PLUG	3				
19	X *****	· · · BEARING	1				
20	X *****	· · · PLUG	3				
21	1902906902	· · PLATE	1				
22	1110021230	· · SCREW, cap	3				
23	1420300168	· · O-RING	1				
24	1902903602	· · O-RING	4				
25	1902903603	· · ORIFICE	3				
26	1902905703	· · PLUG	2				
27	1420010080	· · O-RING	3				
28	1110021255	· · SCREW, cap	1				
29	1902017010	· VALVE, relief	1				
30	1902903602	· · O-RING	1				
31	1902017011	· VALVE	1				
32	1901034371	· PLUG					
33	1902017099	· KIT, seal 1	1				
34	X *****	· · SEAL, dust	1				
35	1420300147	· · O-RING	1				
36	1420300144	· · O-RING	1				
37	1420300168	· · O-RING	1				
38	1902903602	· · O-RING	4				
39	1420010080	· · O-RING	3				
40	1902903602	· · O-RING	1				

K7h260

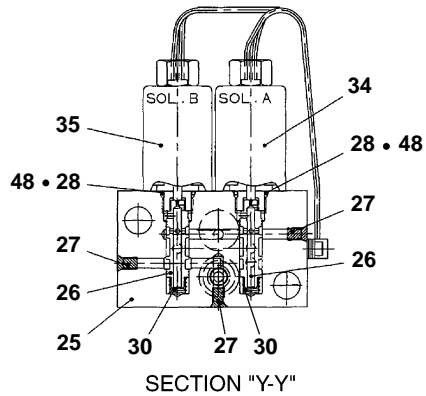
**TB153FR (P-T153FBBB) Book No. BJ3Z003 S/N 15830001-
HYDRAULIC PUMP (2/3) (for air conditioner)**



SECTION "Z-Z"



DETAIL "W"



SECTION "Y-Y"

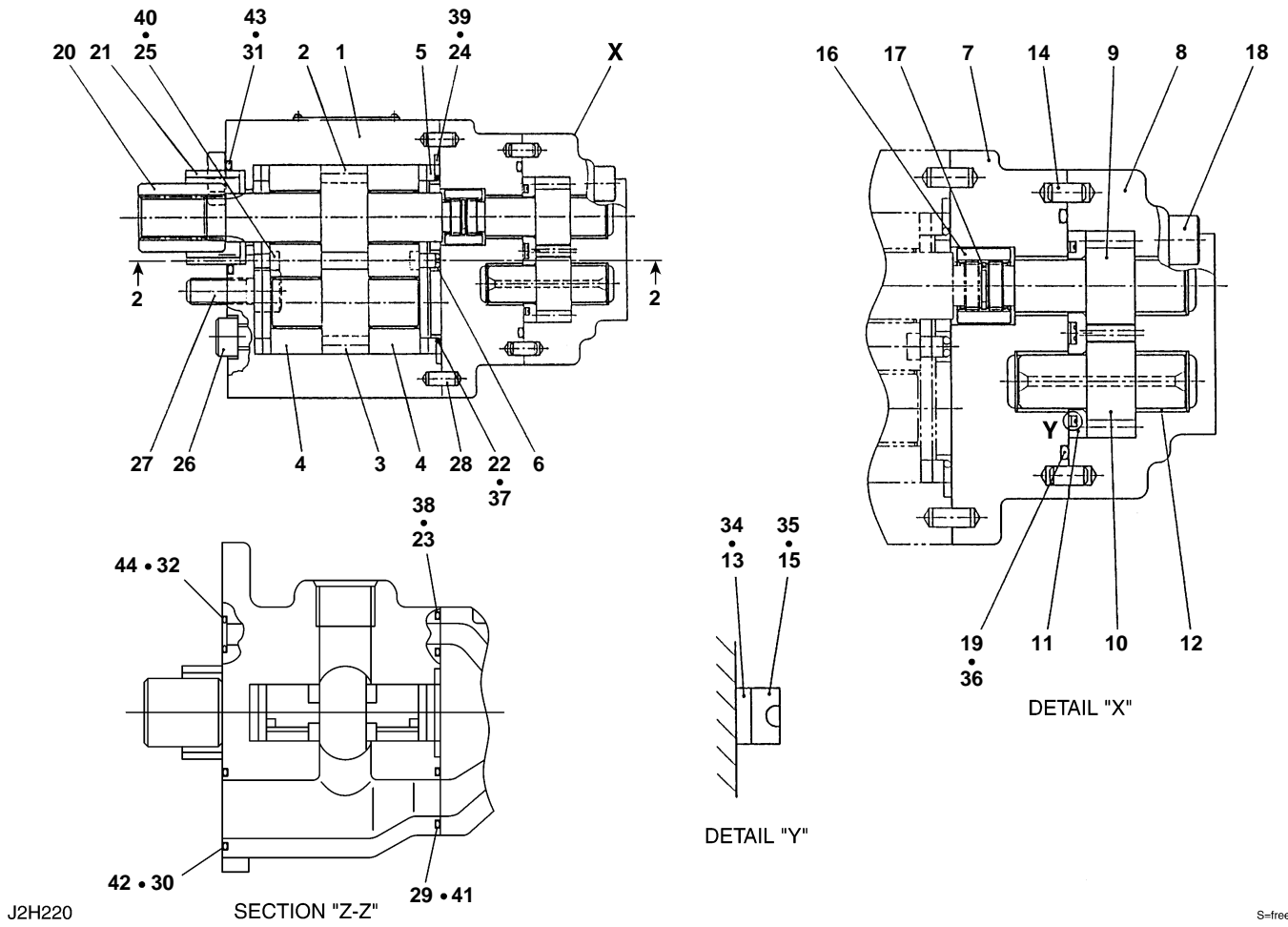
K7H270

S-free

HYDRAULIC PUMP (2/3) (for air conditioner)

Item	Part number	Description	Qty	Chan.	Serial No.	Serv.	Remarks
0	1902025800	PUMP, hydraulic	1				
0-9	1902912600	· SPRING ASSY	1				
1	1902903502	· · HOLDER, spring	1				
2	1902912602	· · HOLDER, spring	1				
3	1902909203	· · COVER	1				
0-10	1902911398	· · SCREW ASSY, adjust	1				
4	1902903505	· · · SCREW	1				
5	1902911334	· · · SHIM t=0.3	2				
6	1902911344	· · · SHIM t=0.5	2				
7	1902903510	· · · SHIM t=1.0	2				
8	1902903511	· · · SHIM t=2.0	2				
9	1420000340	· · O-RING	1				
10	1110020830	· · SCREW, cap	2				
11	1130050016	· · NUT	1				
12	1902903506	· SPRING	1				
13	1902022613	· SPRING	1				
0-11	1902907600	· CONTROL ASSY, piston	1				
0-11-1	1902907698	· · CYLINDER ASSY	1				
14	X *****	· · · CYLINDER	1				
15	X *****	· · · PISTON	1				
16	X *****	· · · PISTON	1				
17	1902907103	· · PIN	2				
18	1902907604	· · PIN	1				
19	1902907105	· · HOLDER, spring	1				
20	1110020825	· · SCREW, cap	2				
21	1902903608	· · WASHER, conical	3				
22	1420310016	· · O-RING	1				
23	1420310009	· · O-RING	1				
24	1420310015	· · O-RING	1				
0-12	1902912500	· VALVE ASSY	1				
0-13	1902911698	· · BODY SUB ASSY	1				
25	X *****	· · · BODY	1				
26	X *****	· · · SPOOL	2				
27	1902900727	· · PLUG	7				
28	1420010140	· · O-RING	2				
29	1420300017	· · O-RING	2				
30	1902911606	· · SPRING	2				
31	1110020410	· · SCREW, cap	5				
32	1110020825	· · SCREW, cap	2				
33	1902907309	· · ELEMENT, filter	1				
34	1902911610	· · SOLENOID	1				
35	1902911611	· · SOLENOID	1				
36	1902912513	· · COVER	1				
37	1902907314	· · BAND	2				
38	1902907315	· · CLAMP	1				
39	1141110004	· · WASHER	1				
40	1901729103	· · PLUG	1				
41	1420010080	· · O-RING	1				
42	1901729105	· · SPRING	1				
43	1390010450	· · BALL, steel	1				
44	1902017097	· KIT, seal 2	1				
45	1420310016	· · O-RING	1				
46	1420310009	· · O-RING	1				
47	1420310015	· · O-RING	1				
48	1420010140	· · O-RING	2				
49	1420300017	· · O-RING	2				
50	1420000340	· · O-RING	1				
51	1420010080	· · O-RING	1				
	K7h271						

**TB153FR (P-T153FBBB) Book No. BJ3Z003 S/N 15830001-
HYDRAULIC PUMP (3/3) (for air conditioner)**



J2H220

S-free

HYDRAULIC PUMP (3/3) (for air conditioner)

Item	Part number	Description	Q'ty	Chan.	Serial No.	Serv.	Remarks
0	1902025800	PUMP, hydraulic	1				
0-14	1902911800	· PUMP ASSY, gear	1				
0-15	1902911898	· · KIT, body	1				
1	X *****	· · · CASE	1				
2	X *****	· · · GEAR	1				
3	X *****	· · · GEAR	1				
4	X *****	· · · PLATE, side	2				
5	1902909310	· · PLATE	2				
6	1902901609	· · GUIDE	2				
0-16	1902907400	· · PUMP ASSY, sub gear	1				
0-17	1902907498	· · · KIT, body	1				
7	X *****	· · · · FRAME	1				
8	X *****	· · · · HOUSING	1				
9	X *****	· · · · GEAR	1				
10	X *****	· · · · GEAR	1				
11	X *****	· · · · PLATE, side	1				
12	X *****	· · · · METAL	4				
13	1902905907	· · · RING, back-up	1				
14	1902900716	· · · PIN	2				
15	1902905908	· · · RING	1				
16	1902905909	· · · RING	1				
17	1221000012	· · · RING, snap	1				
18	1110020840	· · · SCREW, cap	4				
19	1420300138	· · · O-RING	1				
20	1902907212	· · COUPLING	1				
21	1902907213	· · BUSHING	1				
22	1902907214	· · O-RING	2				
23	1420310014	· · O-RING	1				
24	1902901611	· · RING	1				
25	1902903714	· · RING	2				
26	1110021090	· · SCREW, cap	4				
27	1110021025	· · SCREW, cap	2				
28	1902900716	· · PIN	2				
29	1420300018	· · O-RING	1				
30	1420300023	· · O-RING	1				
31	1420300128	· · O-RING	1				
32	1420010100	· · O-RING	1				
33	1902911599	· KIT, seal	1				
34	1902905907	· · RING, back-up	1				
35	1902905908	· · RING	1				
36	1420300138	· · O-RING	1				
37	1902907214	· · O-RING	2				
38	1420310014	· · O-RING	1				
39	1902901611	· · RING	1				
40	1902903714	· · RING	2				
41	1420300018	· · O-RING	1				
42	1420300023	· · O-RING	1				
43	1420300128	· · O-RING	1				
44	1420010100	· · O-RING	1				

K7h280

PREFACE

1. This parts catalog is the 1st edition of 4TNV88-BPTBZ for Takeuchi Mfg. Co., Ltd.

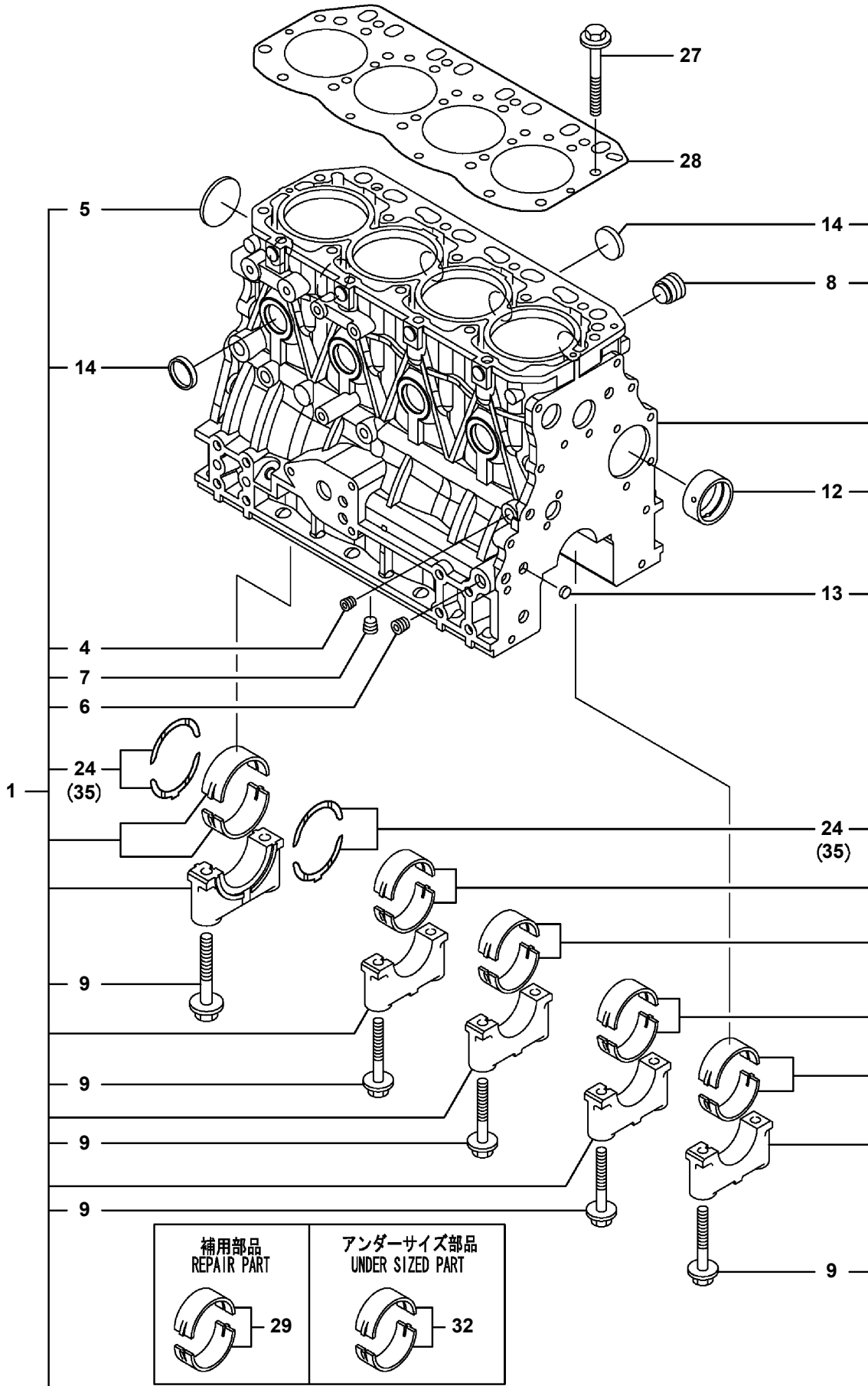
Pub.No. : 000Y00D9770

Published : September,2007

2. Model name

Engine model	Vehicle		Vehicle made by
	Products	Model name	
4TNV88-BPTBZ	Excavator	TB153FR	Takeuchi Mfg. Co., Ltd.

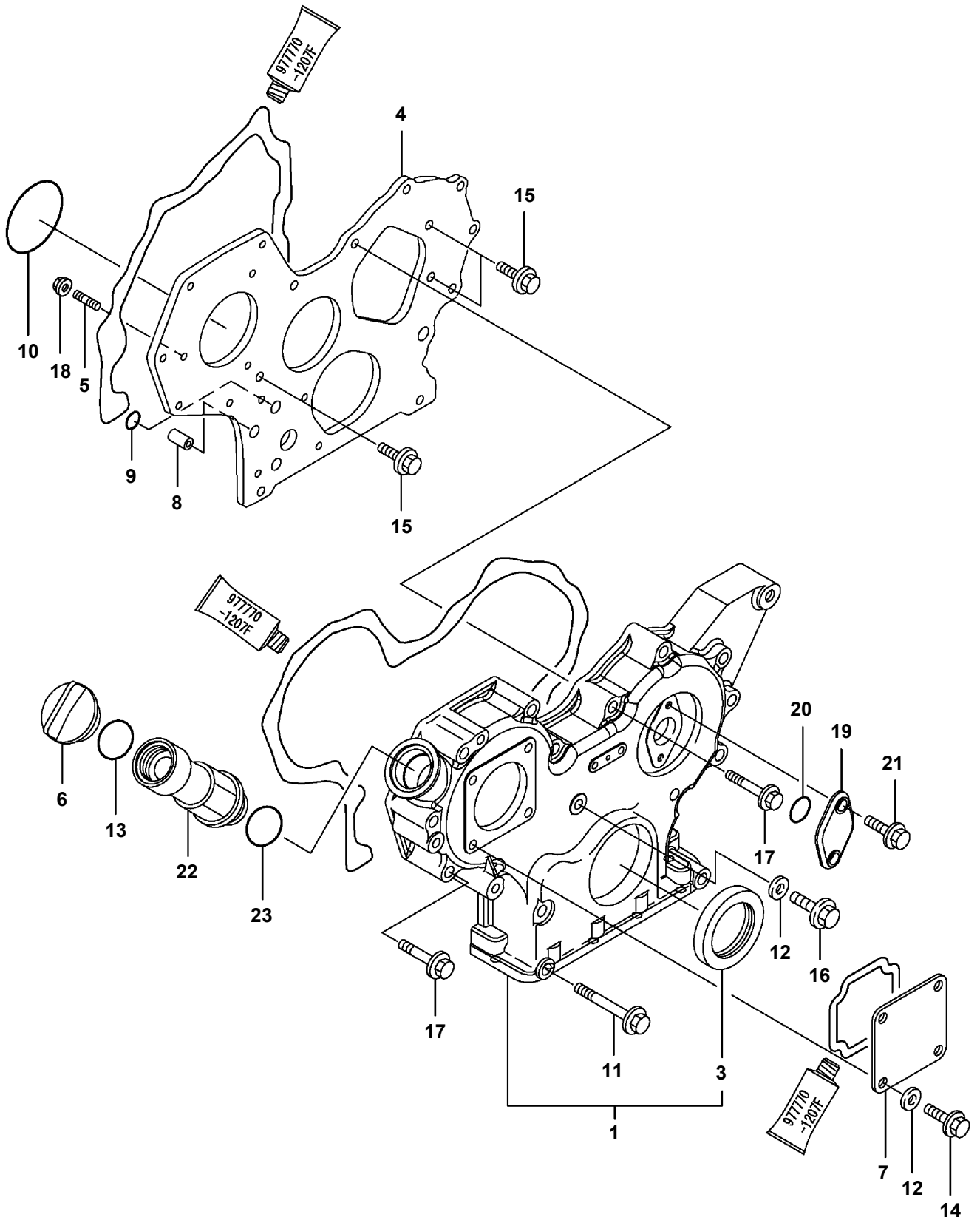
Engine for TB153FR 4TNV88-BPTBZ
CYLINDER BLOCK



1/4 Ø Y A B I P U , CYLINDER BLOCK

REF NO.	PARTS NO.	Description	Q'ty	I	R	"δl
1	729602-01560	BLOCK ASSY, CYLINDER	1			
4	124060-01050	PLUG PT1/8	1			
5	129001-01250	PLUG 50	1			
6	124160-01910	PLUG PT1/4	2			
7	124160-01910	PLUG PT1/4	1			
8	171051-01921	PLUG	1			
9	129150-02020	BOLT, METAL CAP	10			
12	129795-02412	BUSH, CAMSHAFT	1			
13	27241-120000	PLUG 12	2			
14	27241-300000	PLUG 30	8			
24	129150-02931	METAL, THRUST	2			
27	129150-01200	STUD, CYL. HEAD	18			
28	129407-01340	GASKET, CYL. HEAD	1			
29	129001-02931	MAIN BEARING SET	5			(1) 1/2
32	129150-02871	MAIN METAL US=0.25	5			(2) 2 1/2 (U.S=0.25)
35	129150-02941	METAL, THRUST.25(4PIE	1			(3) 2 1/2 (O.S=0.25)

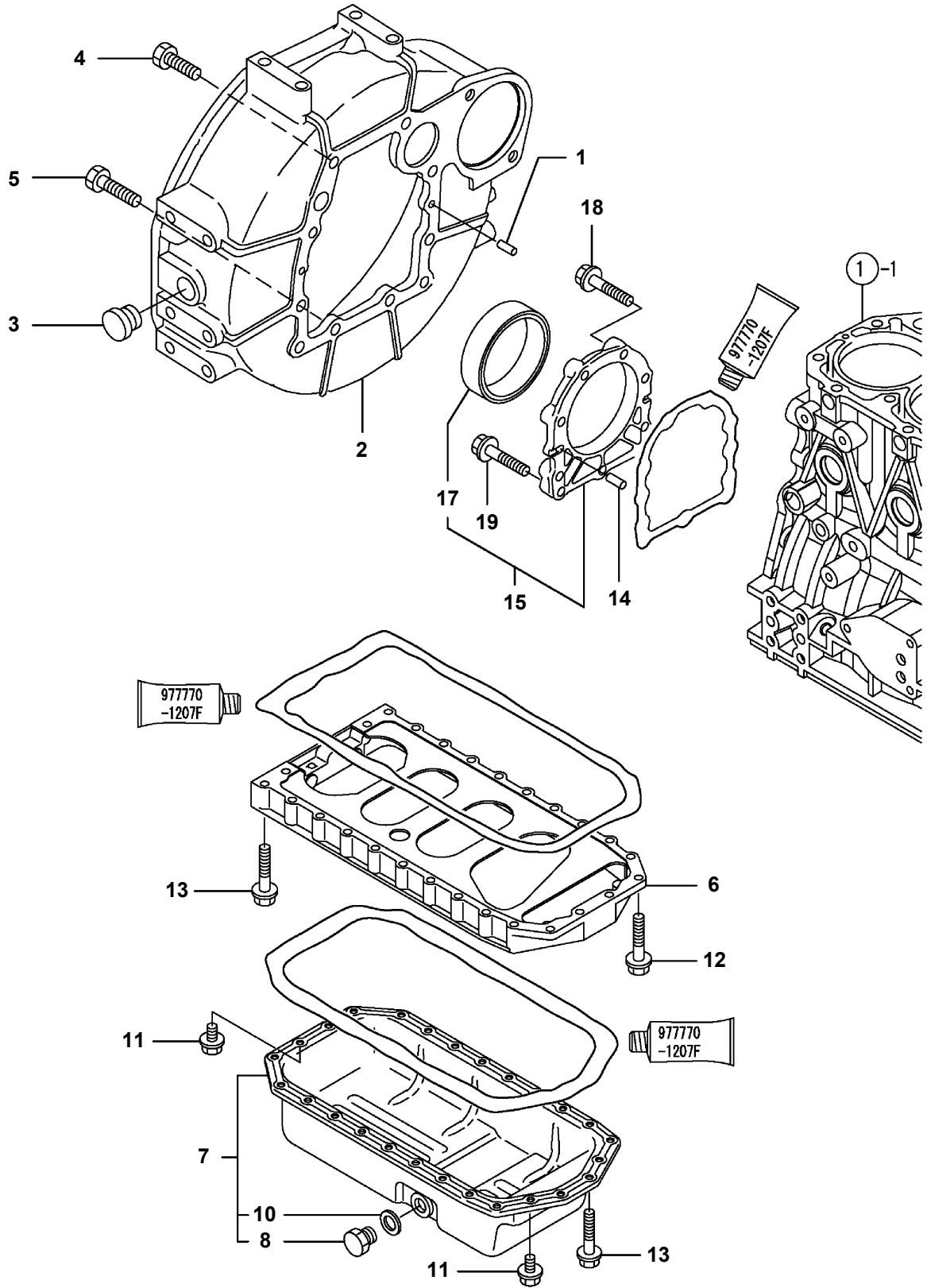
Engine for TB153FR 4TNV88-BPTBZ
GEAR HOUSING



PO-1/2 GEAR HOUSING

REF NO.	PARTS NO.	Description	Q'ty	I	R	di
1	719803-01500	GEAR CASE ASSY	1			
3	119934-01800	SEAL, OIL	1			
4	119803-01520	FLANGE, GEAR CASE	1			
5	119802-01561	STUD, M8X25	3			
6	124160-01751	COVER, FILLER	1			
7	124240-01871	COVER, HO-P	1			
8	129795-01950	PIPE, KNOCK L=18	2			
9	119609-32040	O-RING P16	2			
10	121850-51960	O-RING, F.I.PUMP	1			
11	129001-91841	BOLT M 8X 85 PLATED	3			
12	22190-080002	SEAL WASHER 8S	5			
13	24311-000320	O-RING 1A P-32.0	1			
14	26106-080162	BOLT M 8X 16 PLATED	4			
15	26106-080162	BOLT M 8X 16 PLATED	3			
16	26106-080302	BOLT M 8X 30 PLATED	1			
17	26106-080552	BOLT M 8X 55 PLATED	12			
18	26306-080002	NUT	3			
19	121023-01551	COVER, BLIND	1			
20	24341-000240	O-RING 1A S-24.0	1			
21	26106-060162	BOLT M 6X 16 PLATED	2			
22	171031-11741	PIPE	1			
23	24311-000320	O-RING 1A P-32.0	1			

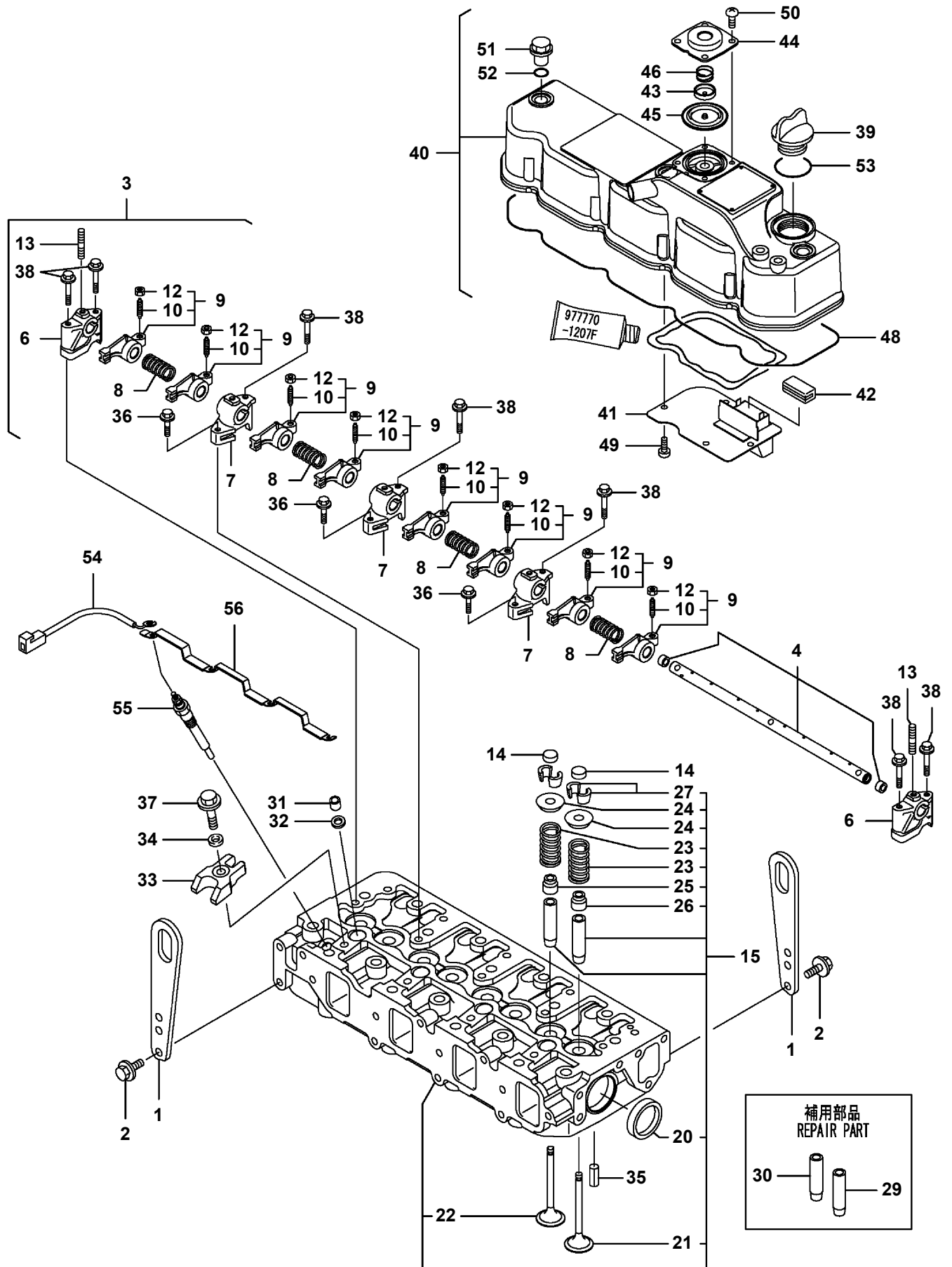
Engine for TB153FR 4TNV88-BPTBZ
FLYWHEEL HOUSING & OIL SUMP



FLYWHEEL HOUSING & OIL SUMP

REF NO.	PARTS NO.	Description	Q'ty	I	R	"δl
1	129100-01580	PARALLEL PIN 8X16	2			
2	129612-01600	HOUSING, FLYWHEEL	1			
3	119620-01750	CAP, FLYWHEEL COVER	1			
4	26206-100252	BOLT M10X25	6			
5	26206-100302	BOLT M10X30	4			
6	129400-01730	SPACER, OIL SUMP	1			
7	129400-01770	SUMP ASSY, LUB. OIL	1			
8	119640-01640	DRAIN PLUG M22	1			
10	22190-220002	SEAL WASHER 22S	1			
11	26106-080162	BOLT M 8X 16 PLATED	4			
12	26106-080252	BOLT M 8X 25 PLATED	2			
13	26106-080452	BOLT M 8X 45 PLATED	24			
14	129100-01580	PARALLEL PIN 8X16	2			
15	129100-01640	CASE ASSY, OIL SEAL	1			
17	129795-01780	SEAL, OIL	1			
18	129486-01670	BOLT M8X30, COLLAR HD	6			
19	26106-080352	BOLT M 8X 35 PLATED	3			

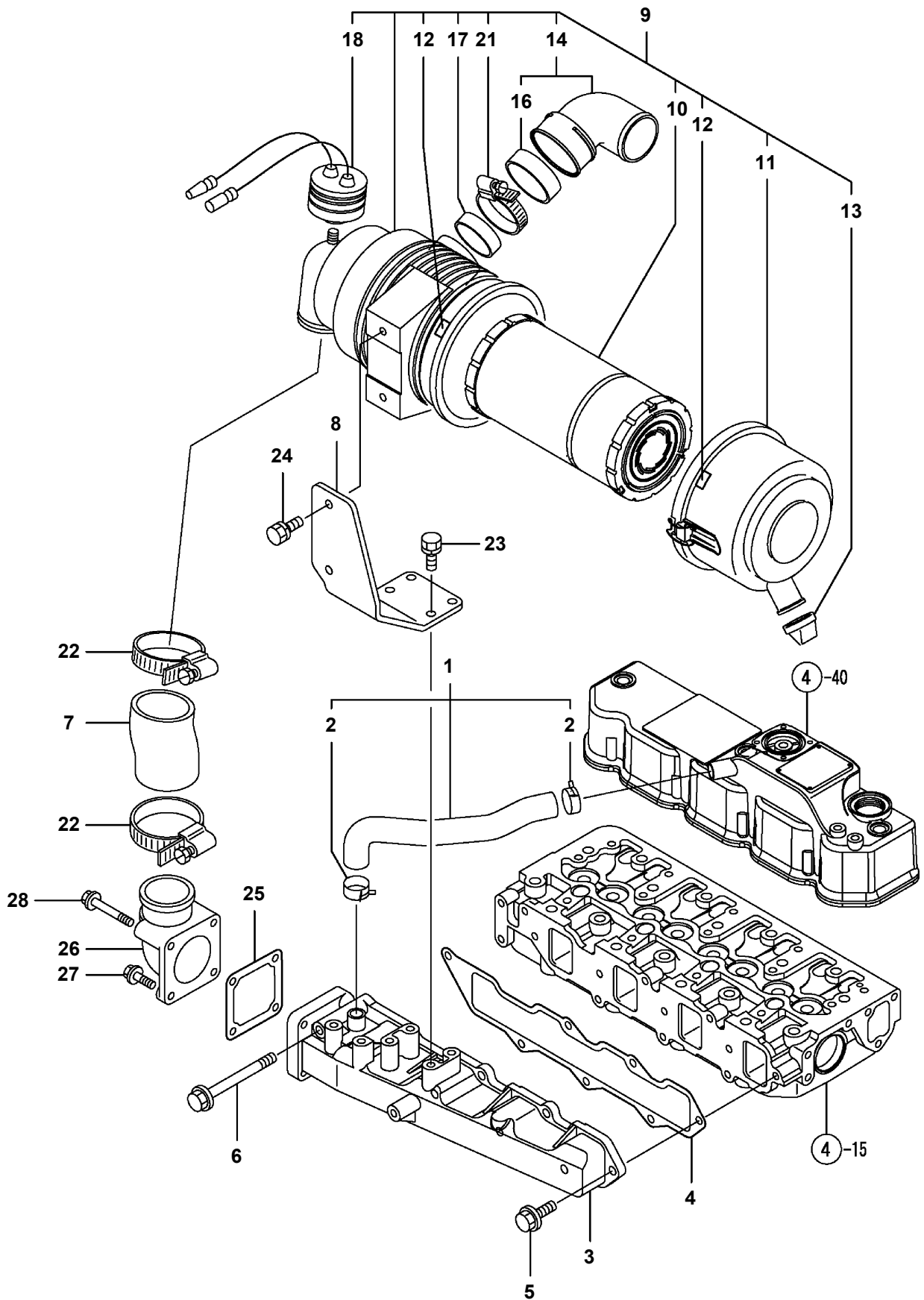
Engine for TB153FR 4TNV88-BPTBZ CYLINDER HEAD & BONNET



¼ØÝÀÞÁÄÅ & ÎÞÝËÄÄ CYLINDER HEAD & BONNET

REF NO.	PARTS NO.	Description	Q'ty	I	R	"öl
1	129900-07900	LIFTER, ENGINE	2			
2	26106-080162	BOLT M 8X 16 PLATED	4			
3	129601-11241	SHAFT ASSY, ROCKER	1			
4	129601-11251	· SHAFT	1			
6	119802-11260	· SUPPORT, ROCKER ARM	2			
7	119802-11270	· SUPPORT, ROCKER ARM	3			
8	129150-11280	· SPRING	4			
9	129004-11650	· ARM ASSY, ROCKER	8			
10	129150-11230	· · SCREW, VALVE	8			
12	129150-11750	· · NUT M8XP1.0	8			
13	26226-080182	· STUD M 8X 18 PLATED	3			
14	129150-11370	CAP, VALVE	8			
15	129604-11700	HEAD ASSY, CYLINDER	1			
20	27241-400000	· PLUG 40	2			
21	129005-11100	· VALVE, INTAKE	4			
22	129100-11112	· VALVE, EXHAUST	4			
23	129795-11120	· SPRING, VALVE	8			
24	129795-11180	· RETAINER, SPRING	8			
25	121400-11340	· SEAL, VALVE STEM	4			
26	124460-11340	· SEAL, VALVE STEM	4			
27	27310-080001	· COTTER 8	8			
29	120130-11860	GUIDE, VALVE	4			(1) ÎÛ³ÏÞËÝÄÞ½
30	129150-11810	GUIDE, VALVE	4			(1) ÎÛ³ÏÞËÝÄÞ½
31	119802-11870	PROTECTOR, NOZZLE	4			
32	119625-11880	SEAT, NOZZLE	4			
33	129004-11900	RETAINER, NOZZLE	4			
34	120270-54410	WASHER	4			
35	22351-060012	SPRING PIN 6X12	2			
36	26106-080252	BOLT M 8X 25 PLATED	3			
37	26106-080352	BOLT M 8X 35 PLATED	4			
38	26106-080502	BOLT M 8X 50 PLATED	7			
39	124160-01751	COVER, FILLER	1			
40	129601-11350	BONNET ASSY	1			
41	129004-03010	· PLATE, BAFFLE	1			
42	129150-03070	· BAFFLE, BREATHER	1			
43	119802-03110	· PLATE, DIAPHRAGM	1			
44	119802-03121	· COVER, DIAPHRAGM	1			
45	119802-03130	· DIAPHRAGM	1			
46	119802-03141	· SPRING, DIAPHRAGM	1			
48	129601-11310	· GASKET, COVER	1			
49	22857-500100	· SCREW 5X10, TAPPING	4			
50	22857-500100	· SCREW 5X10, TAPPING	4			
51	124160-11360	KNOB	3			
52	24311-000120	O-RING 1A P 12.0	3			
53	24311-000320	O-RING 1A P-32.0	1			
54	119803-77830	HARNESS, GLOW PLUG	1			
55	129008-77800	PLUG, GLOW	4			
56	129604-77821	CONNECTOR, GLOW PLUG	1			

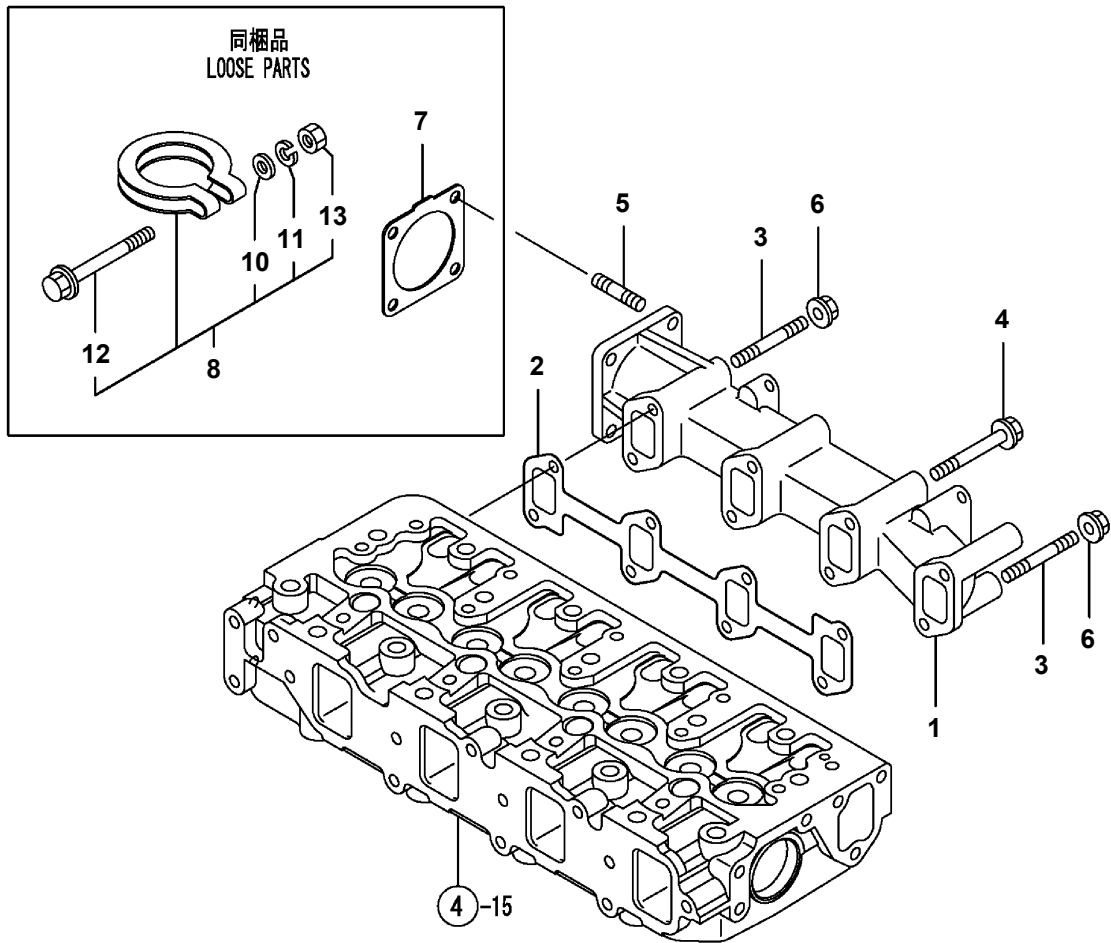
Engine for TB153FR 4TNV88-BPTBZ
SUCTION MANIFOLD & AIR CLEANER



·Ö³·ÏÆÏ-ÙÄÞ & ±,Ø-Ä SUCTION MANIFOLD & AIR CLEANER

REF NO.	PARTS NO.	Description	Q'ty	I	R	"öI
1	129601-03080	PIPE,BREATHER	1			
2	129410-03990	CLAMP 22	2			
3	129601-12100	MANIFOLD,INT	1			
4	129407-12110	GASKET,INT.MANOFOLD	1			
5	26106-080202	BOLT M 8X 20 PLATED	6			
6	26106-080802	BOLT M 8X 80 PLATED	1			
7	119910-12210	PIPE,INTAKE	1			
8	119802-12560	BRACKET,AIRCLEANER	1			
9	129612-12682	CLEANER ASSY, AIR	1			
10	129619-12520	ELEMENT, OUTER	1			
11	119866-12530	COVER ASSY	1			
12	129418-12530	MARK	2			
13	119808-12540	VALVE, UNLOADER	1			
14	129612-12560	ELBOW, AIR INTAKE	1			
16	129612-12590	ELBOW,AIR INTAKE	1			
17	129259-12570	RING	1			
18	129953-12620	INDICATOR ASSY	1			
21	23000-060000	CLAMP 60	1			
22	23000-060000	CLAMP 60	2			
23	26013-080222	BOLT M 8X 22	4			
24	26013-080222	BOLT M 8X 22	2			
25	129150-77511	GASKET, (NON-ASB.)	1			
26	119803-77520	BEND	1			
27	26106-080202	BOLT M 8X 20 PLATED	2			
28	26106-080802	BOLT M 8X 80 PLATED	2			

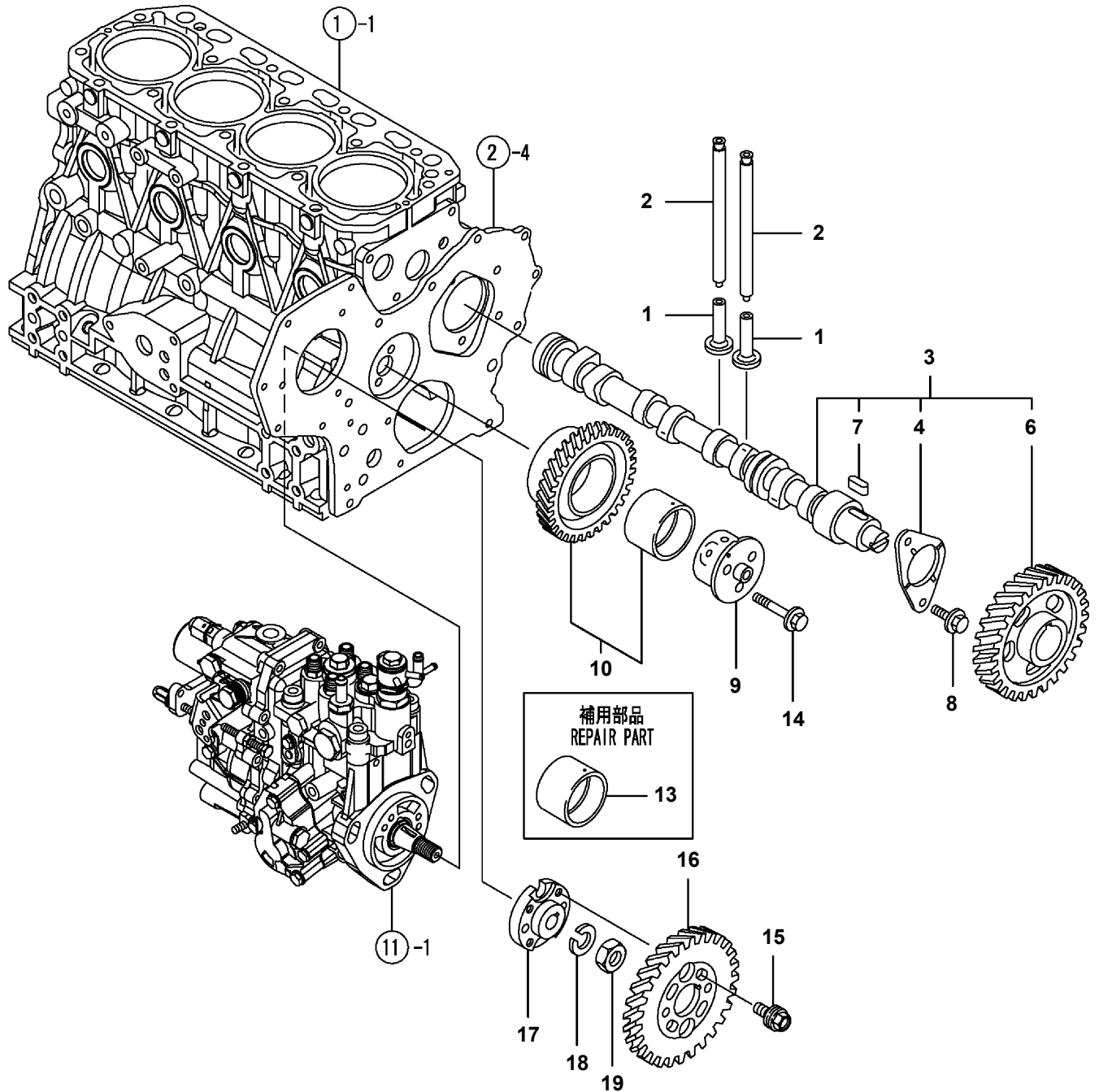
Engine for TB153FR 4TNV88-BPTBZ
EXHAUST MANIFOLD



Ê²·ĪÆĪ-ÛÄÞ & »²ÚÝ» EXHAUST MANIFOLD

REF NO.	PARTS NO.	Description	Q'ty	I	R	"öI
1	129640-13109	MANIFOLD, EXHAUST	1			
2	129550-13110	GASKET, EXH.MANIFOLD	1			
3	123900-13610	STUD BOLT M 8X 80	2			
4	123900-13630	BOLT 8X80	6			
5	119131-18320	BOLT M 8X 22	4			
6	26306-080002	NUT	2			
7	129930-13201	GASKET, SILENCER	1			
8	129642-13590	CLAMP	1			
10	22117-100000	WASHER 10	1			
11	22217-100000	SPRING WASHER 10	1			
12	26106-100652	BOLT M10X 65 PLATED	1			
13	26706-100002	NUT M10	1			

Engine for TB153FR 4TNV88-BPTBZ
CAMSHAFT & DRIVING GEAR



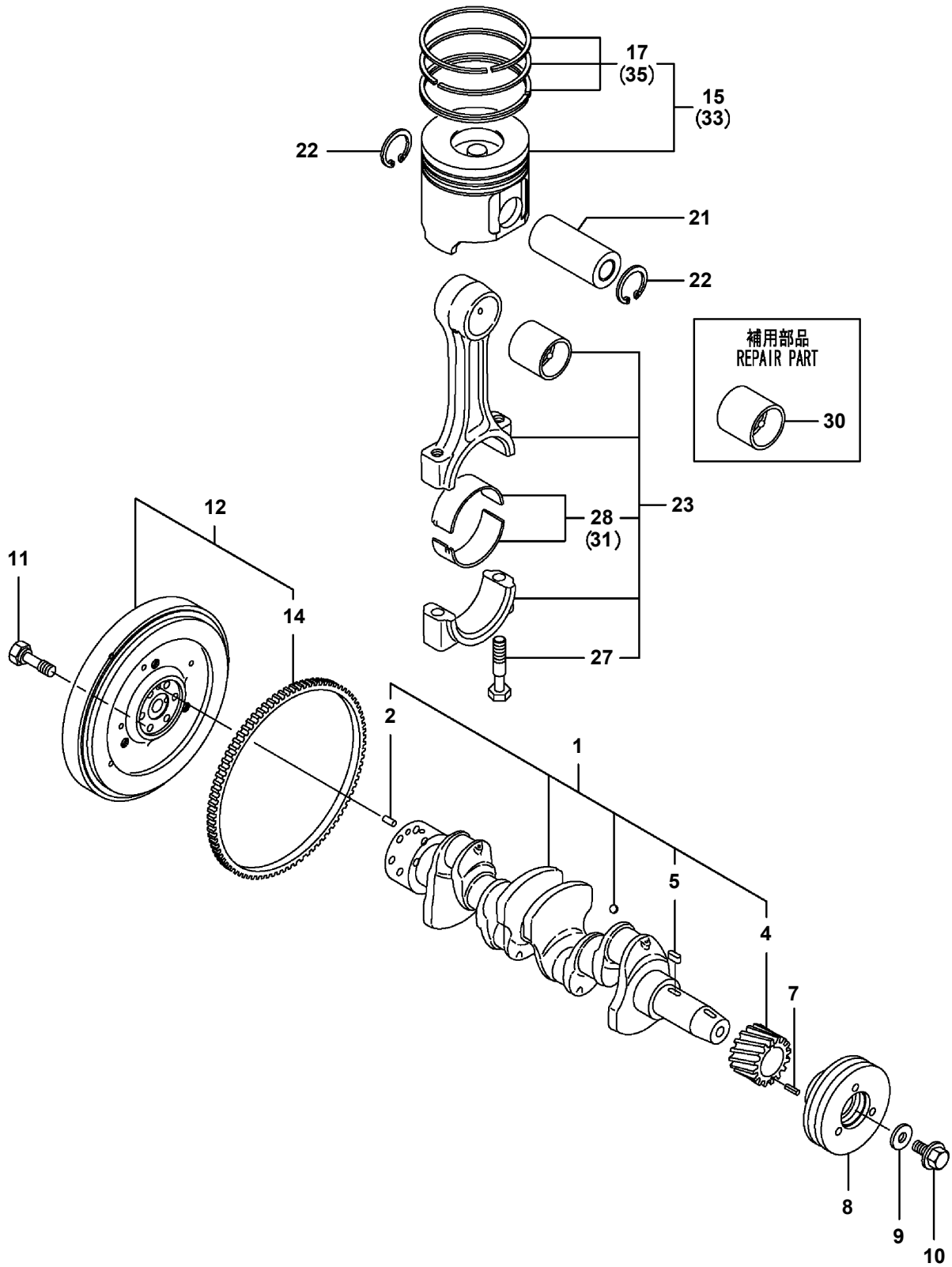
ЦЕОо "·i"Ô† ЦЕÝŠ·« "đl

ЦЕОо "·i"Ô†

REF NO. PARTS NO. Description Q'ty I R "đl

REF NO.	PARTS NO.	Description	Q'ty	I	R	"đl
1	129150-14200	TAPPET	8			
2	129150-14400	ROD, PUSH	8			
3	729402-14580	CAMSHAFT ASSY	1			
4	129150-02450	METAL, THRUST(CAM	1			
6	129150-14101	GEAR, CAMSHAFT	1			
7	22512-070140	KEY 7X 14	1			
8	26106-080142	BOLT 8X 14 PLATED	2			
9	119803-25050	SHAFT, IDLE GEAR	1			
10	119802-25101	GEAR ASSY, IDLE	1			
13	119802-25071	BUSH, IDLE GEAR	1			(1) 1/2
14	26106-080402	BOLT M 8X 40 PLATED	3			
15	129150-25301	BOLT, FI-P	4			
16	119802-25901	GEAR, PUMP	1			
17	158552-51151	FLANGE	1			
18	22217-140000	SPRING WASHER 14	1			
19	26776-140002	LOCK NUT M14 PLATED	1			

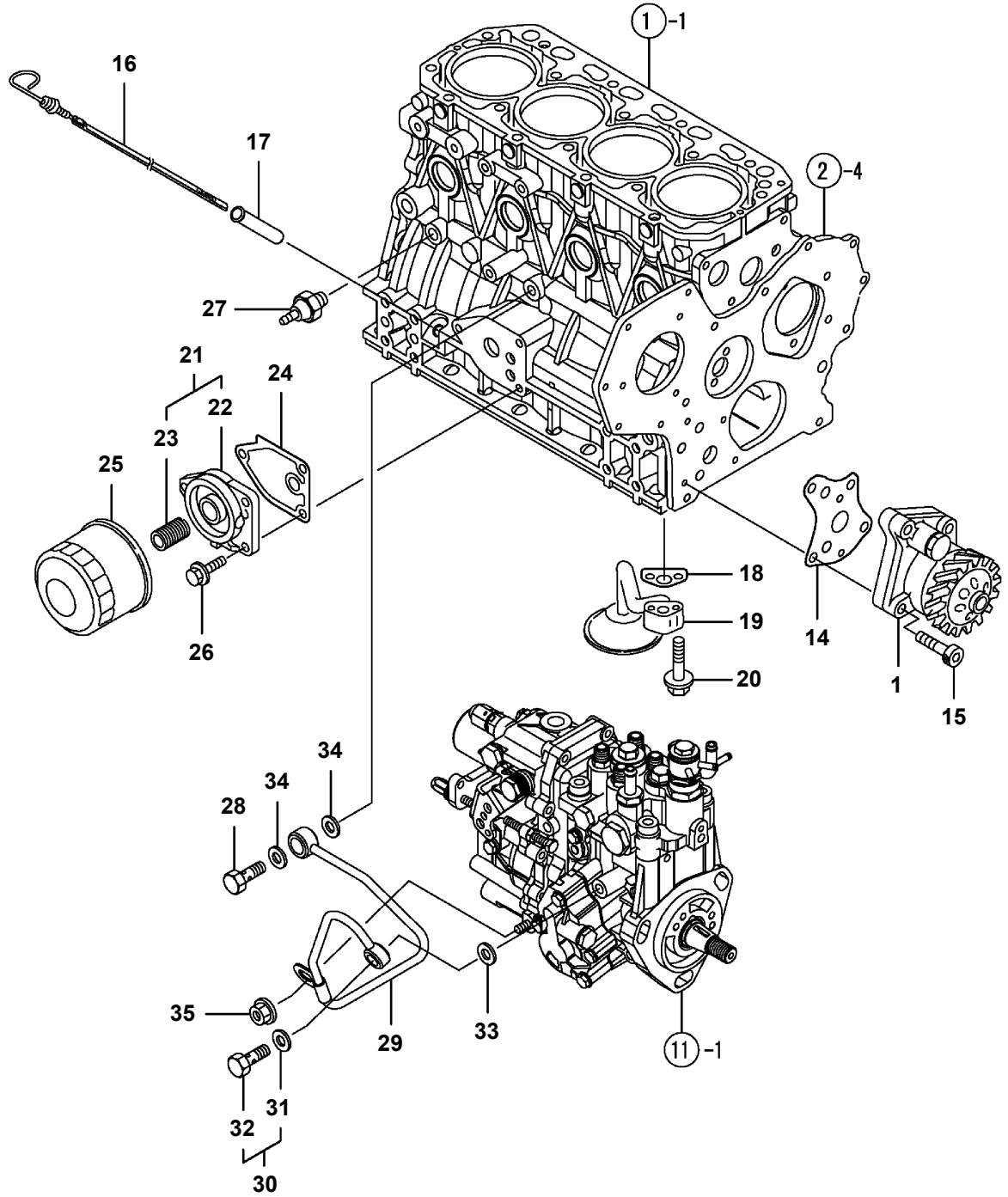
Engine for TB153FR 4TNV88-BPTBZ
CRANKSHAFT & PISTON



·xÝ,¼ÒÌÄ & Èß½ÄÝ CRANKSHAFT & PISTON

REF NO.	PARTS NO.	Description	Q'ty	I	R	"di
1	129604-21000	CRANKSHAFT ASSY	1			
2	129100-01580	· PARALLEL PIN 8X16	1			
4	119803-21200	· GEAR, CRANKSHAFT	1			
5	22512-070140	· KEY 7X 14	1			
7	22351-030010	SPRING PIN 3X10	1			
8	119802-21650	V-PULLEY, CRANKSHAFT	1			
9	129795-21661	WASHER	1			
10	121850-21680	BOLT, V-PULLEY	1			
11	121111-21501	BOLT, FLYWHEEL	6			
12	129642-21590	FLYWHEEL ASSY	1			
14	119865-21600	· GEAR, RING	1			
15	129005-22080	PISTON ASSY	4			
17	129005-22500	· RING SET, PISTON	4			
21	129202-22300	PIN, PISTON(D26,L70)	4			
22	22252-000260	CIRCLIP 26	8			
23	729402-23100	ROD ASSY, CONNECTING	4			
27	121550-23200	· BOLT, CONNECTING ROD	8			
28	129150-23601	· METAL, CRANKPIN	4			
30	129100-23910	BUSH, PISTON PIN	4			(1) ÌÖ³ÌÞÈÝÄÞ½
31	129150-23611	METAL.PIN US=0.25	4			(2) ±ÝÄÞ°»²½Þ(U.S=0.25)ÌÞ
33	129005-22900	PISTON W/RING OS= .25	4			(3) μ°ÈÞ°»²½Þ(O.S=0.25)ÌÞ
35	129005-22950	· RING SET O.S=0.25	4			(3) μ°ÈÞ°»²½Þ(O.S=0.25)ÌÞ

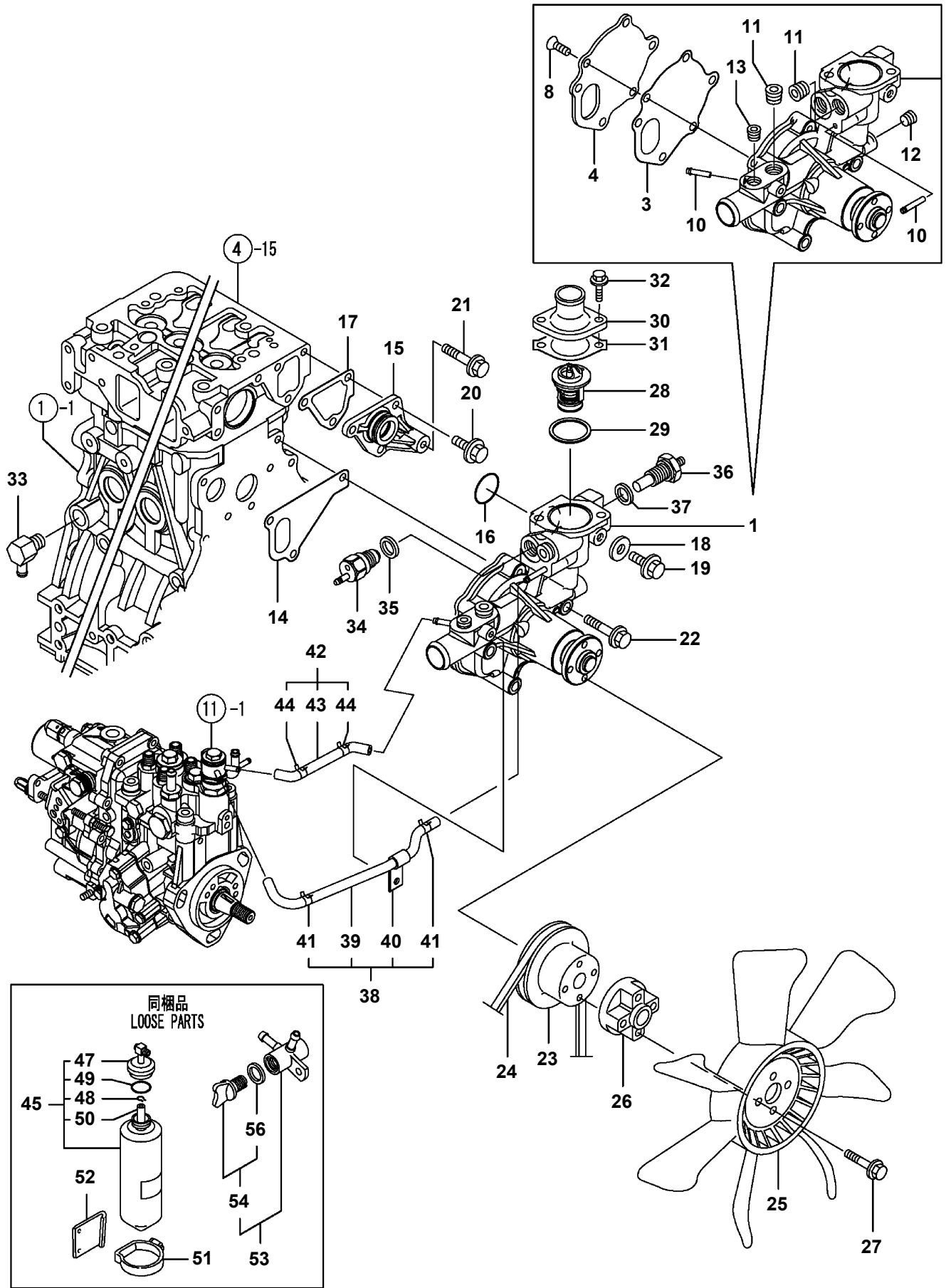
Engine for TB153FR 4TNV88-BPTBZ
LUB.OIL SYSTEM



LO 1/4 1/2 AÑ LUB.OIL SYSTEM

REF NO.	PARTS NO.	Description	Q'ty	I	R	"δl
1	129407-32000	PUMP ASSY, LUB. OIL	1			
14	129150-32020	GASKET, L.O. PUMP	1			
15	26450-060252	BOLT M 6X 25	4			
16	129004-34802	DIPSTICK, LUB.OIL	1			
17	121520-34810	GUIDE, DIPSTICK	1			
18	129150-35042	GASKET, (NON-ASB.)	1			
19	129436-35091	PIPE ASSY, LUB. OIL	1			
20	26106-080352	BOLT M 8X 35 PLATED	2			
21	119802-35100	BRACKET ASSY, FILTER	1			
22	119802-35110	BRACKET, FILTER	1			
23	129100-35140	STUD	1			
24	129150-35111	GASKET, (NON-ASB.)	1			
25	129150-35160	FILTER 80X80L	1			
26	26106-080202	BOLT M 8X 20 PLATED	3			
27	114250-39450	SWITCH,(0.5KG)L.O.	1			
28	124160-39140	BOLT 10, PIPE JOINT	1			
29	119802-39450	PIPE ASSY, LUB. OIL	1			
30	129005-59830	BOLT ASSY, JOINT	1			
31	22190-080002	SEAL WASHER 8S	1			
32	23857-030000	JOINT BOLT 3	1			
33	22190-080002	SEAL WASHER 8S	1			
34	22190-100002	SEAL WASHER 10S	2			
35	26366-060002	NUT M 6	1			

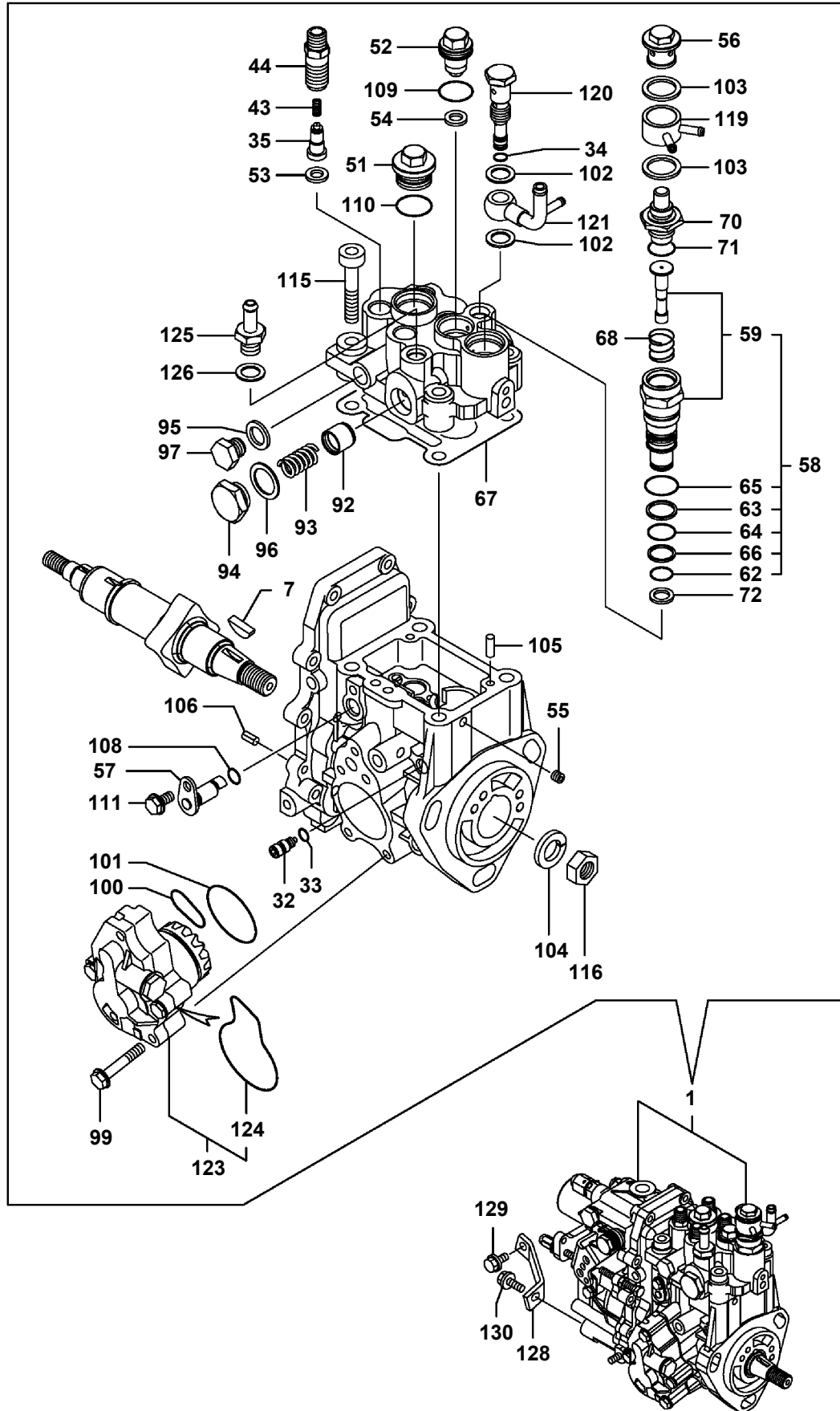
Engine for TB153FR 4TNV88-BPTBZ
COOLING WATER SYSTEM



CW 1/4 1/2 AN COOLING WATER SYSTEM

REF NO.	PARTS NO.	Description	Q'ty
1	129004-42001	PUMP ASSY, WATER	1
3	129100-42051	· GASKET, (NON-ASB.)	1
4	129100-42121	· PLATE	1
8	121850-42410	· SCREW	3
10	119802-49113	· JOINT	2
11	129316-49740	· PLUG, DRAIN R03	2
12	23876-010000	· PLUG PT1/8, SCREW	1
13	23876-020000	· PLUG PT1/4, SCREW	1
14	129486-42021	GASKET	1
15	129004-42040	JOINT	1
16	129486-42140	O-RING, CW-P	1
17	124395-49840	GASKET, THERMO. CASE	1
18	23414-080000	GASKET 8, ROUND	1
19	26106-080122	BOLT M 8X 12 PLATED	1
20	26106-080162	BOLT M 8X 16 PLATED	3
21	26106-080452	BOLT M 8X 45 PLATED	1
22	26106-080602	BOLT M 8X 60 PLATED	3
23	129550-42350	V-PULLEY(D=120)	1
24	129044-42290	V-BELT	1
25	129655-44740	FAN, COOLING	1
26	121267-44760	SPACER	1
27	26106-060302	BOLT M 6X 30 PLATED	4
28	129457-49801	THERMOSTAT(82	1
29	129150-49811	GASKET, (NON-ASB.)	1
30	129350-49530	COVER, THERMOSTAT	1
31	129795-49551	GASKET, (NON-ASB.)	1
32	26106-080222	BOLT M 8X 22 PLATED	2
33	121750-49110	JOINT	1
34	121250-44901	SWITCH, THERMO(110 C	1
35	124465-44950	GASKET 16	1
36	119266-49350	SENSOR, THERMO.	1
37	129150-49360	GASKET 10	1
38	129004-49610	PIPE ASSY, A MP2	1
39	129004-49711	· PIPE ASSY, A MP2	1
40	119802-49730	· CLAMP, CW-T	1
41	124722-59050	· CLAMP 9	2
42	129004-49620	PIPE ASSY, B MP2	1
43	129004-49721	· PIPE, WATER B MP2	1
44	124722-59050	· CLAMP 9	2
45	171064-44510	SUB-TANK ASSY	1
47	121450-44531	· CAP	1
48	124450-44560	· CLAMP	1
49	121470-44581	· GASKET	1
50	23065-070225	· HOSE, 7 X 225	1
51	124450-44550	CLAMP, SUB-TANK	1
52	121256-44600	BRACKET, SUB-TANK	1
53	129150-49100	COCK ASSY, 3-WAY	1
54	129150-49080	· COCK, DRAIN	1
56	119629-49080	· · GASKET	1

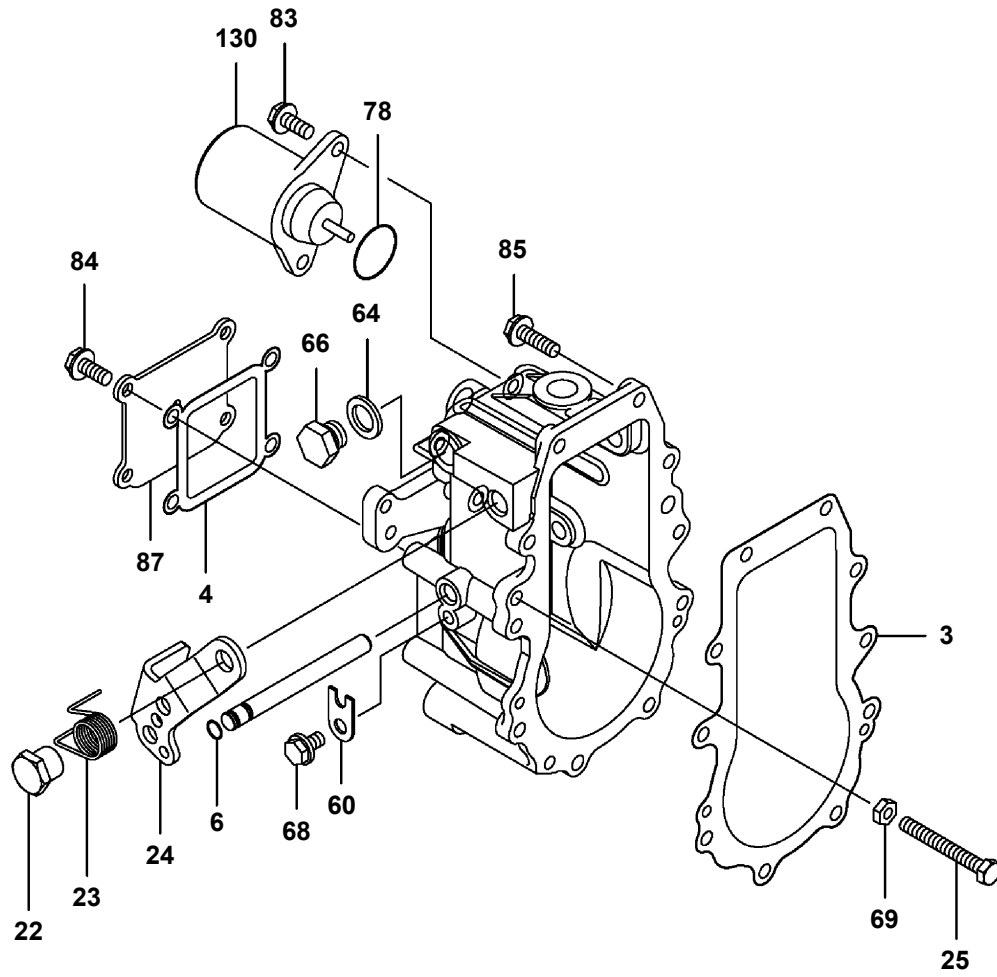
**Engine for TB153FR 4TNV88-BPTBZ
FUEL INJECTION PUMP**



FOIY¼ŌIBYIB FUEL INJECTION PUMP

REF NO.	PARTS NO.	Description	Q'ty	Notes
1	729630-51340	INJECTION PUMP ASSY	1	(1) ĐÀP¼ NO.1 FOIY¼ŌIBYIB ASSY ÊŌŌ, NO.12 ¶PÉPÁ µ İ,Ŋ.
7	119802-51090	• ÊÝ'pÁ. °4X16	1	
32	158600-51270	• İÜŌÄpŌ(ÄİBÄÄ	1	
33	158563-51281	• OŌÝ, p4D S6	1	
34	158563-51281	• OŌÝ, p4D S6	1	
35	129008-51300	• ĀbŌİpŌÉpÜİpCMP	4	
43	158563-51330	• SP(ĀbŌİpŌÉpÜİp	4	
44	129008-51340	• İÜÄp(ĀbŌİpŌ	4	
51	158601-51550	• İBx, p(İpYÉB²¼p,	1	
52	119802-51560	• ÉpÜÜİBx, p	1	
53	158552-51570	• PK(ÉpÜÜİBx, p	3	
54	158552-51570	• PK(ÉpÜÜİBx, p	1	
55	158557-51570	• İBx, p(xĀ,	1	
56	158601-51570	• İBx, p(Ü².Ō, ½²	1	
57	158552-51580	• ŌÝ, ŌİÄ-	1	
58	119802-51590	• Ä²İ-¾ÄÄ	1	
59	119802-51600	• • Ä²İ-CMP(»-Ō'ÜŌYÄ	1	
62	158553-51670	• • OŌÝ, p1011	1	
63	119802-51680	• • ÉpÄ, ±ÄİBŌÝ, p	1	
64	119802-51690	• • OŌÝ, p	1	
65	24356-010200	• • OŌÝ, p4D 1020	1	
66	24372-000150	• • ÉpÄ, ±ÄİBŌÝ, p	1	
67	158552-51600	• PK(HİÄÄp	1	
68	158553-51630	• SP(Ä²İ-	1	
70	158553-51640	• »-Ō'ÜŌYÄ	1	
71	158553-51660	• OŌÝ, pP14	1	
72	158553-51680	• PK(Ä²İ-	1	
92	158601-51770	• ±.ŌŊÜ-ÄÉB½ÄY	1	
93	158552-51781	• ±.ŌŊÜ-ÄSP	1	
94	158601-51790	• ±.ŌŊÜ-ÄİBx, p	1	
95	22190-120002	• ¼-ÜÜÄ¼Ō(ŌİÜ12	1	
96	22190-180002	• ¼-ÜÜÄ¼Ō(ŌİÜ18	1	
97	23887-120002	• 6¶, İBx, pM12	1	
99	158553-51770	• İpÜÄ	4	
100	158552-52310	• OŌÝ, p(İ²-ÄpİBŌYİB	1	
101	158552-52400	• O ŌÝ, p4E S42	1	
102	22190-120002	• ¼-ÜÜÄ¼Ō(ŌİÜ12	2	
103	22190-180002	• ¼-ÜÜÄ¼Ō(ŌİÜ18	2	
104	22217-140000	• ÉpÉ»p¶PÉ14	1	
105	22312-050140	• İ²Ō³ÉBŌY5X14	2	
106	22351-050010	• ½İBŌÝ, pÉBŌY5.0AX 10	2	
108	24311-000070	• OŌÝ, p1A P 7.0	1	
109	24356-010180	• OŌÝ, p4D 1018	1	
110	24356-010200	• OŌÝ, p4D 1020	1	
111	26106-060102	• ÄÉpİpÜÄ6X 10	1	
115	26450-080452	• 6¶, ±ÄİpÜÄ8X 45	4	
116	26776-140002	• ÄŌÄÄÄ(İĬ14	1	
119	158553-51551	• ¼pŌ²YÄ(Ü².Ō, ½²	1	
120	158601-51650	• µ-ÉpİÜ-Ä-pÄ	1	
121	158552-51670	• ¼pŌ²YÄ(µ-Ép-İÜ-	1	
123	158552-52100	• İ²-ÄpİBŌYİB CMP	1	
124	158552-52500	• • O ŌÝ, p(İ²-ÄpP²YÄ°	1	
125	119934-59910	• ÉB²İBÄ-pÄ	1	
126	22190-120002	• ¼-ÜÜÄ¼Ō(ŌİÜ12	1	
128	129601-51250	İÜÄpŌ(FOP	1	
129	26106-080162	ÄÉpİpÜÄ8X 16	1	
130	26106-080202	ÄÉpİpÜÄ8X 20	1	

Engine for TB153FR 4TNV88-BPTBZ
GOVERNOR

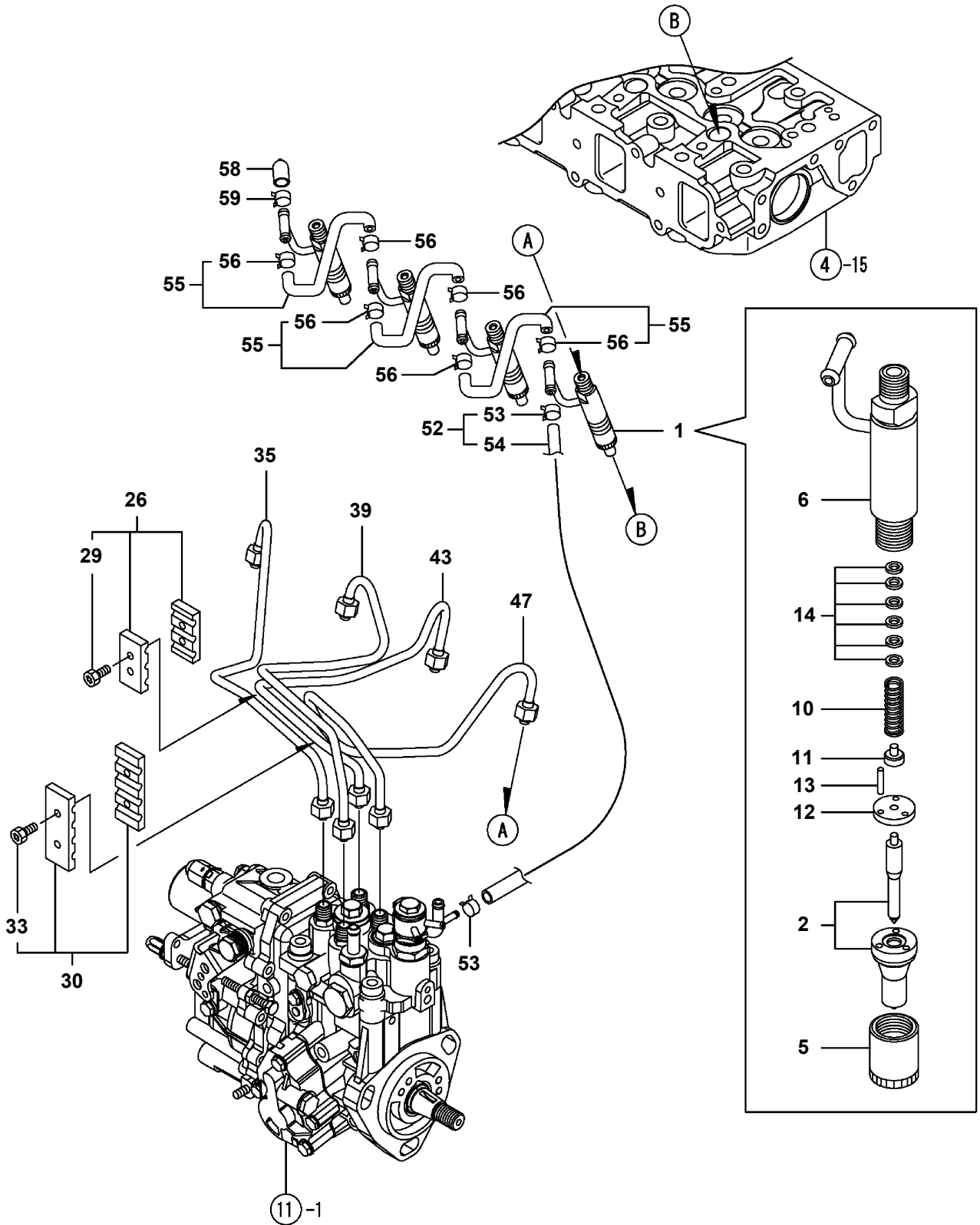


ἤΡΕΡΑ GOVERNOR

REF NO.	PARTS NO.	Description	Q'ty	I	R	"δl
3	158553-61050	PACKING, CASE	1			
4	158553-61070	PACKING	1			
6	129155-51280	O-RING S6	1			
22	129255-61410	NUT	1			
23	119807-61420	SPRING	1			
24	158552-61441	LEVER, REGULATOR	1			
25	129155-61460	BOLT, IDLE LIMIT	1			
60	119660-61901	RETAINER, SHAFT	1			
64	22190-120000	SEAL WASHER 12(BOLT)	1			
66	23887-120002	PLUG M12,HEX.	1			
68	26106-060102	BOLT 6X 10 PLATED	1			
69	26756-060002	LOCK NUT 6	1			
78	158552-61900	O-RING	1			
83	26106-060142	BOLT M 6X 14 PLATED	2			
84	26106-060142	BOLT M 6X 14 PLATED	4			
85	26106-060202	BOLT M 6X 20 PLATED	10			
87	129642-61060	COVER, CASE	1			
130	119233-77932	SOLENOID, STOP	1			

(1) ΔΑΡ¼ NO.1
 FOIY¼OIBYIBASSY È
 °³Ó, NO.12 ἤΡΕΡΑ μ Ì, Ñ.

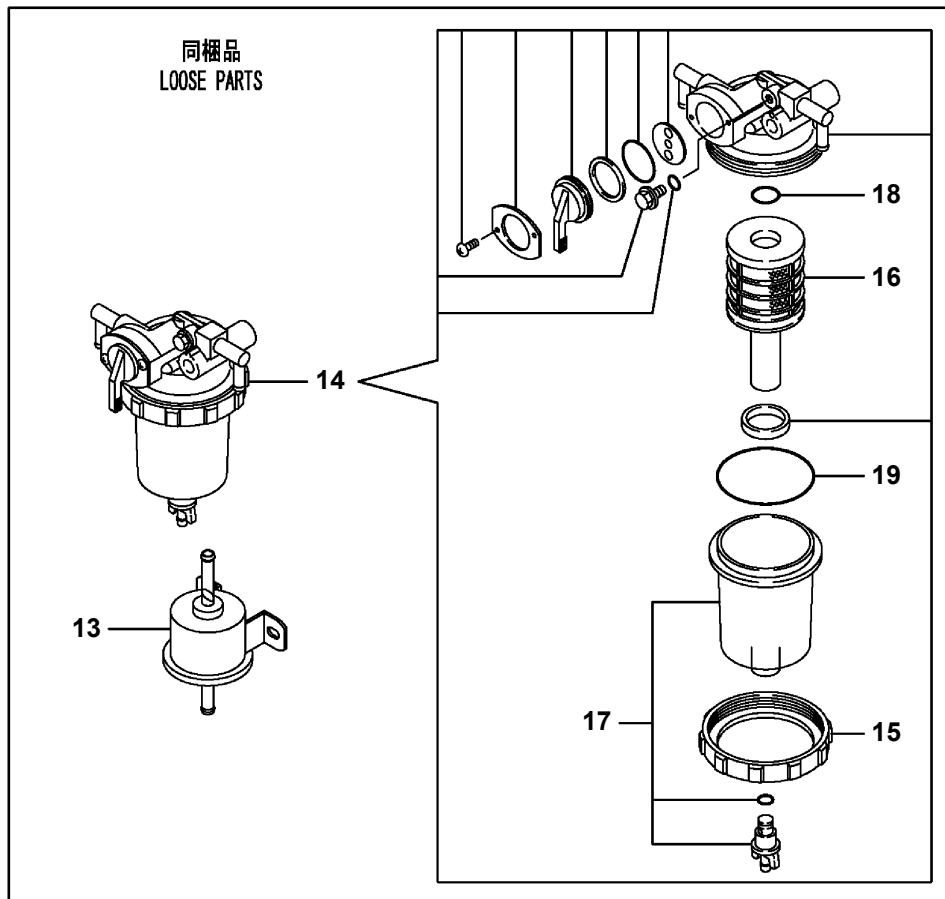
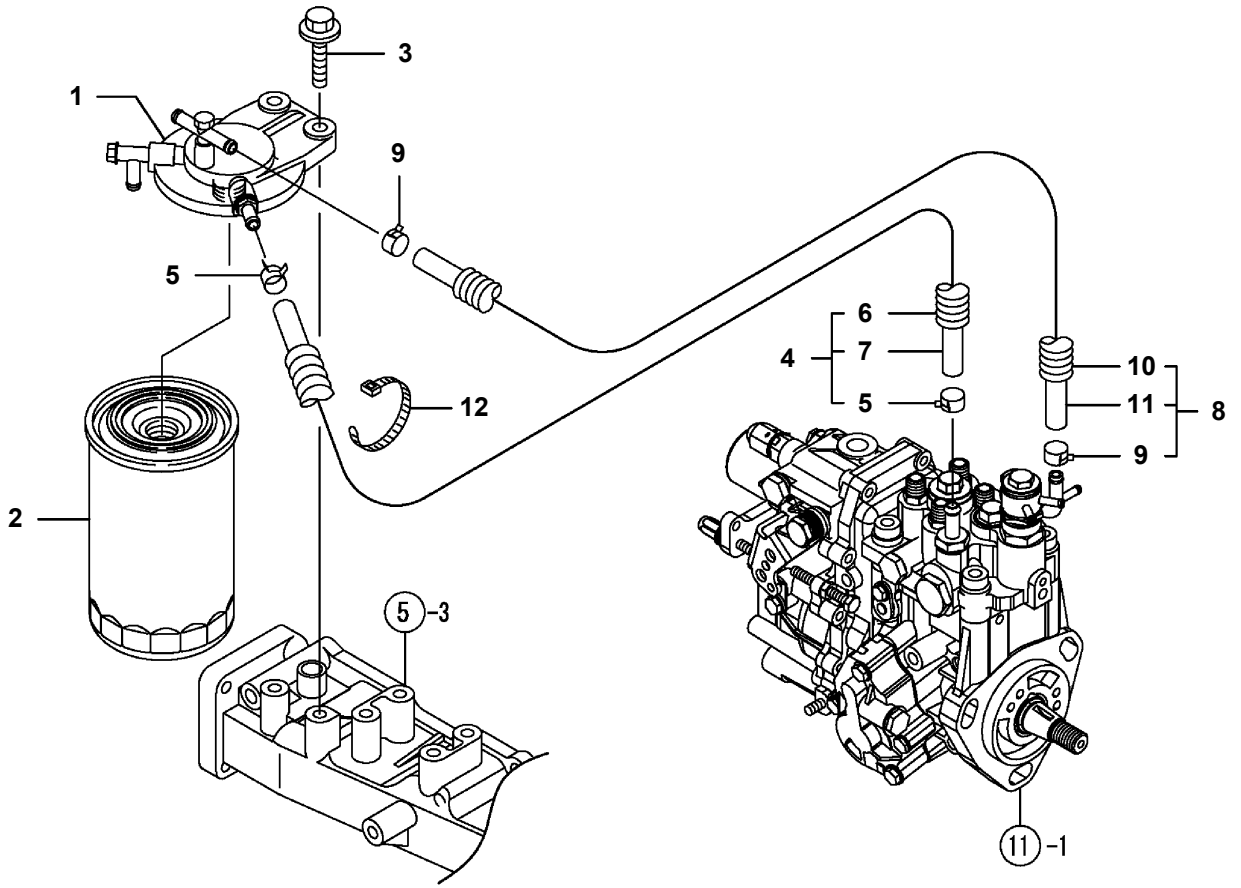
Engine for TB153FR 4TNV88-BPTBZ
FUEL INJECTION VALVE



FOIY¼-ÍPÝ FUEL INJECTION VALVE

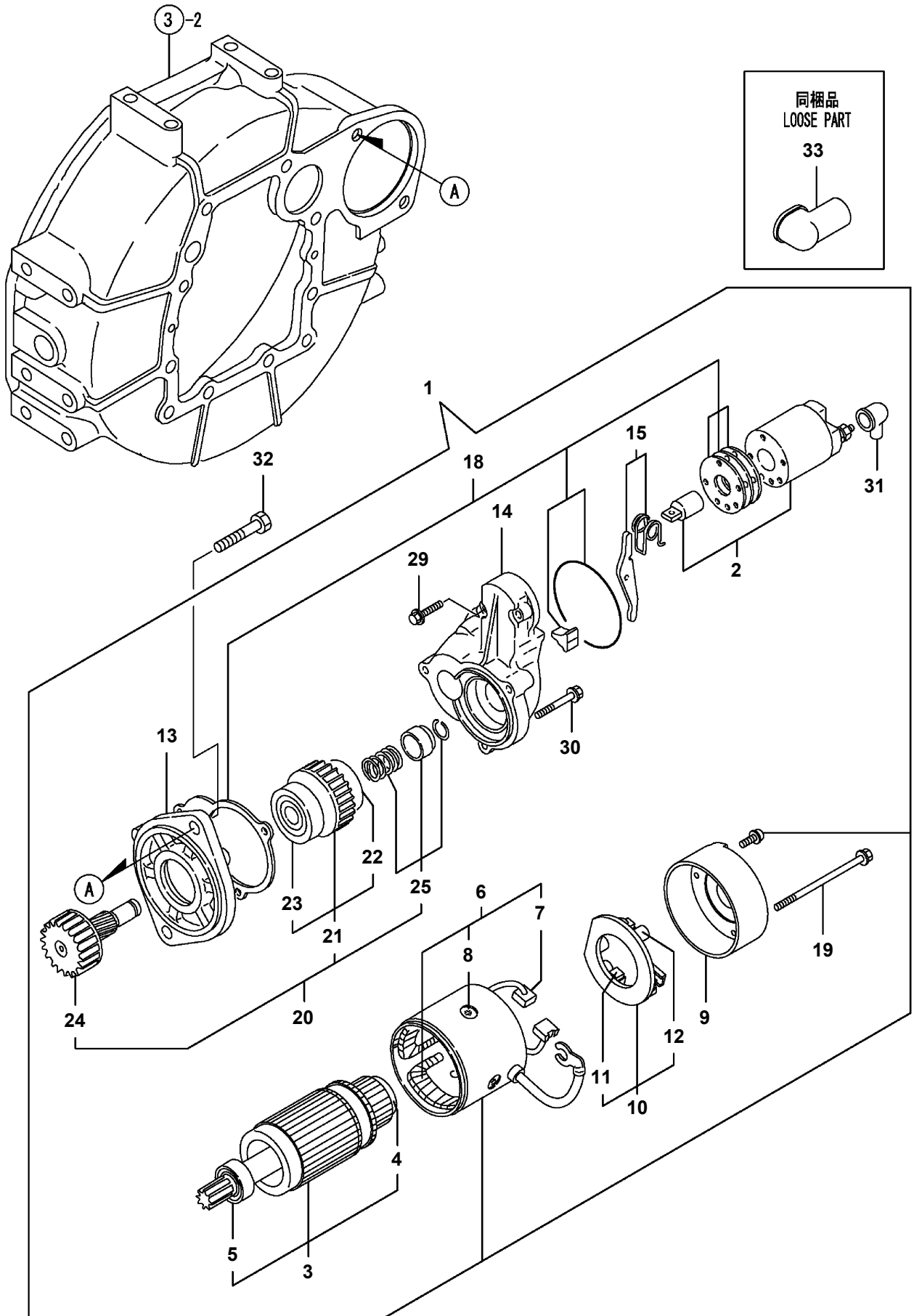
REF NO.	PARTS NO.	Description	Q'ty
1	729604-53100	FOÍPÝASSY(SDK FUEL INJECTOR(SDK	4
2	129604-53000	· É½PÛCMP · NOZZLE ASSY	4
5	114250-53080	· 1-½ÄÄÄ(D16.95) · NUT, NOZZLE CASE	4
6	119802-53100	· É½PÛÛÄPOMP · HOLDER ASSY, NOZZLE	4
10	114250-53120	· ½ÍØÝ, P(É½PÛ · SPRING, NOZZLE	4
11	114250-53130	· ¼-Ä(É½PÛ½ÍØÝ, P · SEAT, NOZZLE SPRING	4
12	114250-53140	· ½ÄÍØÛ-Ä · PLATE, STOP	4
13	114250-53210	· ÈÛÝ(É½PÛ²Á·PÒ · PIN	8
14	114250-53400	· ¼ÑCMP · SHIM PACK	4
26	129150-59120	ÛÄPÒ(ÍY¼ÔPÝCMP RETAINER, INJ. PIPE	1
29	129150-59131	· HB4X14 · BOLT M4X14,HEX.SCKT.	2
30	129550-59120	ÛÄPÒ(ÍY¼ÔPÝCMP RETAINER	1
33	129150-59131	· HB4X14 · BOLT M4X14,HEX.SCKT.	2
35	129601-59810	FO-T(ÍY¼ÔCMP PIPE ASSY, INJECTION	1
39	129601-59820	FO-T(ÍY¼ÔCMP PIPE ASSY, INJECTION	1
43	129601-59830	FO-T(ÍY¼ÔCMP PIPE ASSY, INJECTION	1
47	129601-59840	FO-T(ÍY¼ÔCMP PIPE ASSY, INJECTION	1
52	119802-59550	FO-T(ÓÄP¼CMP PIPE ASSY, RETURN	1
53	124722-59050	· Î-½,ØÄÍØ(Û9 · CLAMP 9	2
54	119802-59560	· FO-T(ÓÄP¼ · PIPE, FUEL RETURN	1
55	129486-59551	FO-T(ÓÄP¼CMP PIPE, FUEL RETURN	3
56	124722-59050	· Î-½,ØÄÍØ(Û9 · CLAMP 9	6
58	119593-59581	· ÓÄÍØ(FO-TÓÄP¼ CAP	1
59	124060-77680	· Î-½,ØÄÍØ(Û10 CLAMP 10	1

Engine for TB153FR 4TNV88-BPTBZ
FUEL LINE



REF NO.	PARTS NO.	Description	Q'ty	I	R	Q'ty
1	129004-55612	BRACKET,FUEL FILTER	1			
2	129907-55801	FILTER, FUEL OIL	1			
3	26106-080302	BOLT M 8X 30 PLATED	2			
4	129630-59010	FO-T CMP	1			
5	124766-59050	• CLAMP 12	2			
6	129961-59110	• TUBE	1			
7	105025-59560	• PIPE, FUEL OIL	1			
8	129956-59010	FO-T CMP	1			
9	124766-59050	• CLAMP 12	2			
10	129957-59101	• PROTECTOR, FUEL PIPE	1			
11	105225-59511	• PIPE, FUEL OIL	1			
12	121750-59890	CLAMP 140	1			
13	129612-52100	FUEL PUMP	1			
14	129906-55700	SEPARATOR ASSY	1			
15	129100-55690	• RING, RETAINING	1			
16	119802-55710	• ELEMENT	1			
17	119802-55730	• CUP ASSY(SERVICE PAR	1			
18	24311-000160	• O-RING 1A P-16.0	1			
19	24321-000650	• O-RING 1A G-65.0	1			

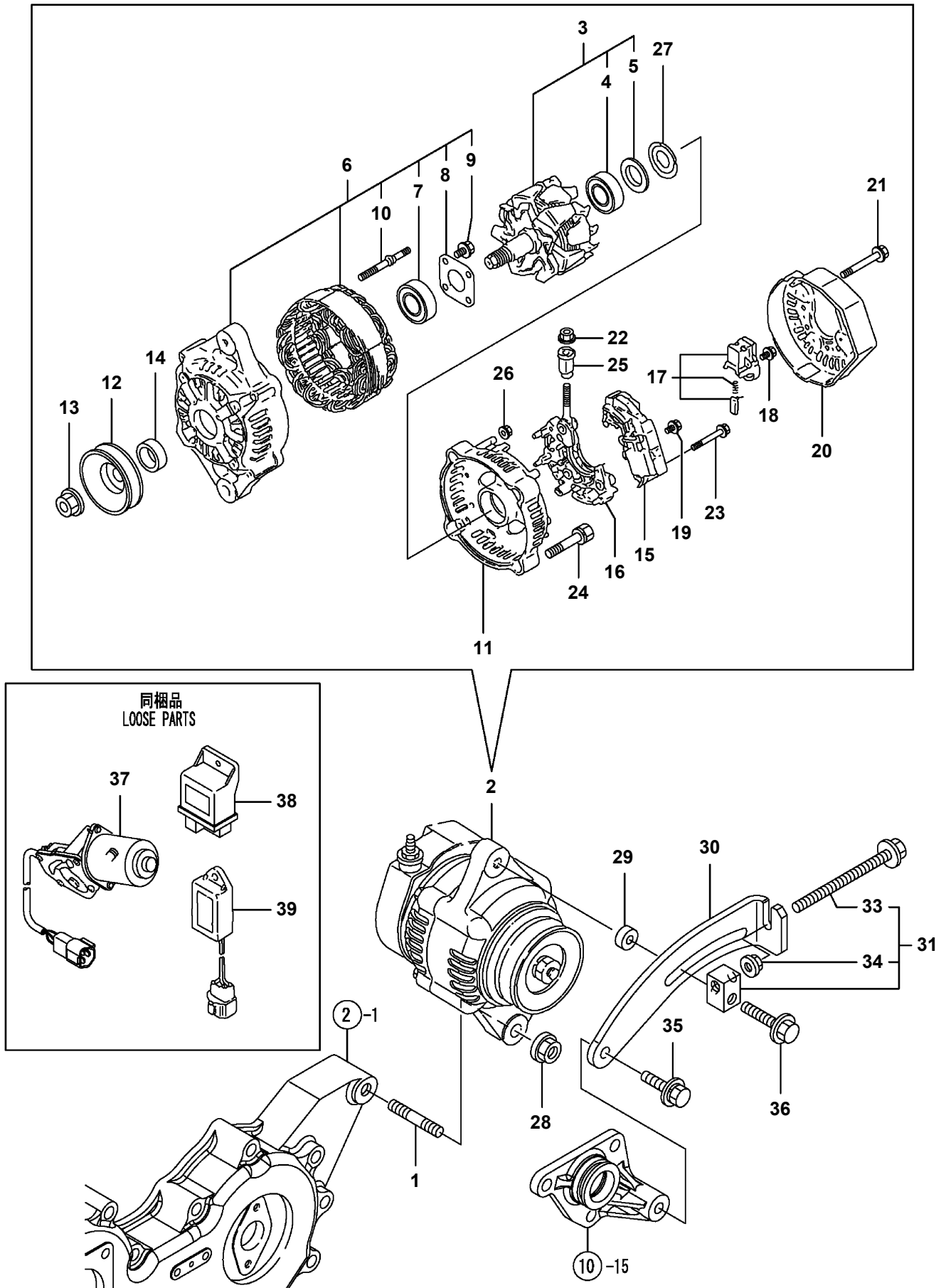
Engine for TB153FR 4TNV88-BPTBZ
STARTING MOTOR



½Ä-Ä²Ý, ÞÓ-À STARTING MOTOR

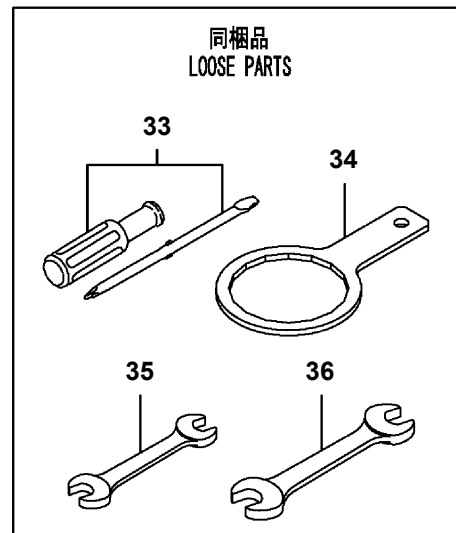
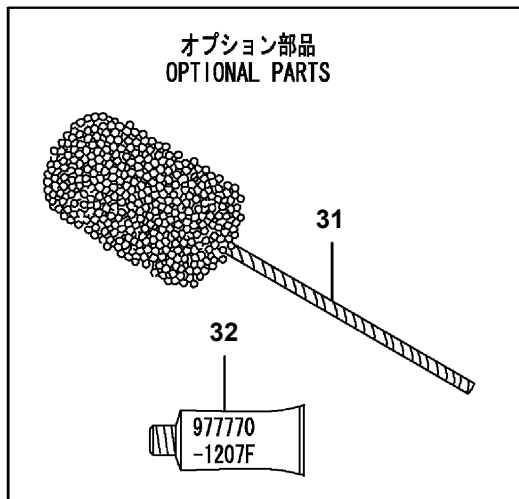
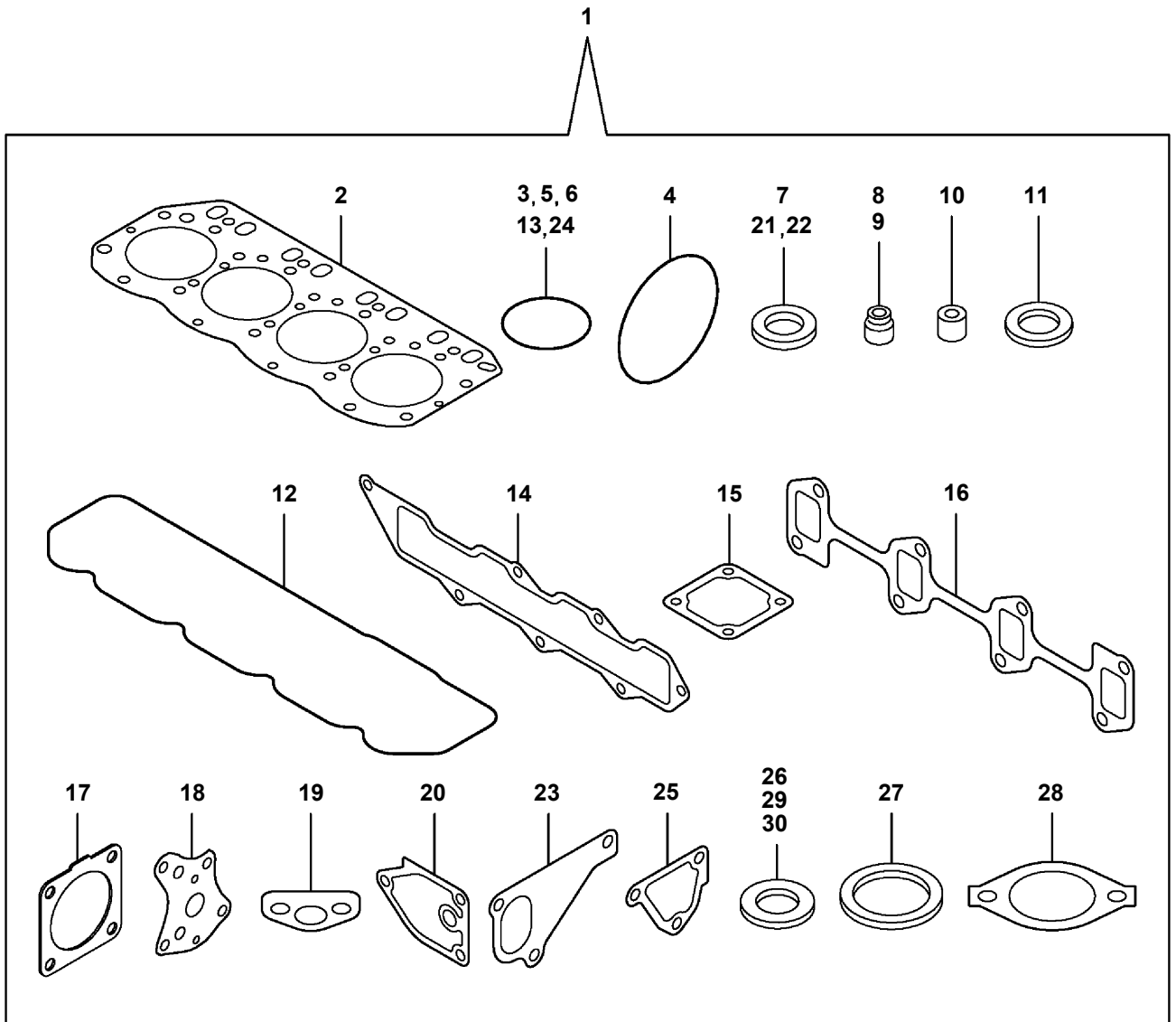
REF NO.	PARTS NO.	Description	Q'ty	I	R	öl
1	129136-77011	STARTER	1			
2	129136-77310	• SHAFT, PINION	1			
3	129900-77400	• ARMATURE ASSY	1			
4	X2130350900	• • BALL BEARING	1			
5	X2114255110	• • BALL BEARING	1			
6	129900-77440	• COIL ASSY, FIELD	1			
7	129900-77450	• • BRUSH (+)	2			
8	171008-77450	• • SCREW, POLE CORE SET	4			
9	129900-77460	• COVER, REAR	1			
10	129900-77480	• HOLDER ASSY, BRASH	1			
11	129900-77450	• • BRUSH (+)	2			
12	129400-77490	• • SPRING, BRUSH	4			
13	171008-77510	• HOUSING ASSY, GEAR	1			
14	129136-77520	• CENTER HOUSING	1			
15	171008-77540	• LEVER SET, SHIFT	1			
18	129400-77571	• DUST COVER,(NON-ASB.	1			
19	129900-77640	• BOLT, THROUGH	2			
20	171008-77650	• PINION ASSY	1			
21	X2114555500	• • CLUTCH ASSY	1			
22	X2114955020	• • • BALL BEARING	1			
23	X2240410100	• • • BALL BEARING	1			
24	171008-77660	• • SHAFT, PINION	1			
25	171008-77670	• • STOPPER SET, PINION	1			
29	26106-060322	• BOLT M 6X 32 PLATED	2			
30	26106-060402	• BOLT M 6X 40 PLATED	3			
31	171008-77750	• COVER, M TERMINAL	1			
32	26116-120252	BOLT M12X 25 PLATED	2			
33	124550-77030	COVER, TERMINAL	1			

Engine for TB153FR 4TNV88-BPTBZ
GENERATOR



REF NO.	PARTS NO.	Description	Q'ty
1	129795-01900	STUD	1
2	129240-77200	ALTERNATOR	1
3	119620-77380	· ROTOR ASSY	1
4	123501-79240	· · BEARING, BALL	1
5	119620-79250	· · COVER, BEARING	1
6	119620-77421	· FLAME ASSY, DRIVE	1
7	119620-79200	· · BALL BEARING	1
8	119620-79210	· · PLATE	1
9	119620-79220	· · SCREW	4
10	119620-79230	· · BOLT, STUD	2
11	119620-77440	· FLAME ASSY, REAR	1
12	119620-77461	· PULLEY	1
13	119620-77471	· NUT	1
14	119620-77490	· COLLAR	1
15	129240-77710	· REGULATOR	1
16	119620-79260	· HOLDER	1
17	129052-79270	· HOLDER, BRUSH	1
18	119620-79290	· SCREW	6
19	119620-79300	· SCREW	1
20	129240-79300	· COVER,END,RR	1
21	119620-79310	· BOLT	3
22	129240-79310	· NUT	1
23	119620-79320	· SCREW W/WASHER	2
24	119620-79330	· BOLT	2
25	119620-79340	· INSULATION BUSH	1
26	119620-79350	· NUT	2
27	119620-79360	· THRUST WASHER	1
28	26306-100002	NUT	1
29	119940-77270	ADJUSTER, BELT	1
30	119940-77310	ADJUSTER, BELT	1
31	119624-77351	BROCK,GENERATOR CMP	1
33	26106-081004	· BOLT 8*100	1
34	26306-080002	· NUT	1
35	26106-080452	BOLT M 8X 45 PLATED	1
36	26106-080552	BOLT M 8X 55 PLATED	1
37	129136-66810	MOTOR, ENGINE STOP	1
38	119802-77200	RELAY, SAFETY	1
39	129211-77920	TIMER	1

Engine for TB153FR 4TNV88-BPTBZ
GASKET SET



ÊÛÄ·Ý¾ÄÄ GASKET SET

REF NO.	PARTS NO.	Description	Q'ty	I	R	”öI
1	729602-92670	GASKET SET(NON-ASB.)	1			
2	129407-01340	· GASKET,CYL.HEAD	1			
3	119609-32040	· O-RING P16	2			
4	121850-51960	· O-RING, F.I.PUMP	1			
5	24311-000320	· O-RING 1A P-32.0	3			
6	24341-000240	· O-RING 1A S-24.0	1			
7	22190-220002	· SEAL WASHER 22S	1			
8	121400-11340	· SEAL, VALVE STEM	4			
9	124460-11340	· SEAL, VALVE STEM	4			
10	119802-11870	· PROTECTOR, NOZZLE	4			
11	119625-11880	· SEAT, NOZZLE	4			
12	129601-11310	· GASKET,COVER	1			
13	24311-000120	· O-RING 1A P 12.0	3			
14	129407-12110	· GASKET,INT.MANOFOLD	1			
15	129150-77511	· GASKET, (NON-ASB.)	1			
16	129550-13110	· GASKET, EXH.MANIFOLD	1			
17	129930-13201	· GASKET, SILENCER	1			
18	129150-32020	· GASKET, L.O. PUMP	1			
19	129150-35042	· GASKET, (NON-ASB.)	1			
20	129150-35111	· GASKET, (NON-ASB.)	1			
21	22190-080002	· SEAL WASHER 8S	2			
22	22190-100002	· SEAL WASHER 10S	2			
23	129486-42021	· GASKET	1			
24	129486-42140	· O-RING,CW-P	1			
25	124395-49840	· GASKET, THERMO. CASE	1			
26	23414-080000	· GASKET 8, ROUND	1			
27	129150-49811	· GASKET, (NON-ASB.)	1			
28	129795-49551	· GASKET, (NON-ASB.)	1			
29	124465-44950	· GASKET 16	1			
30	129150-49360	· GASKET 10	1			
31	129400-92430	HORN, FLEX	1			(1) µİİ¼@Ý İbËÝÄb½
32	977770-1207F	GASKET.LIQUID	1			(1) µİİ¼@Ý İbËÝÄb½
33	104200-92350	DRIVER, SCREW	1			
34	119640-92750	WRENCH, FILTER	1			
35	28110-100120	WRENCH 10X12	1			
36	28110-140170	WRENCH 14X17	1			