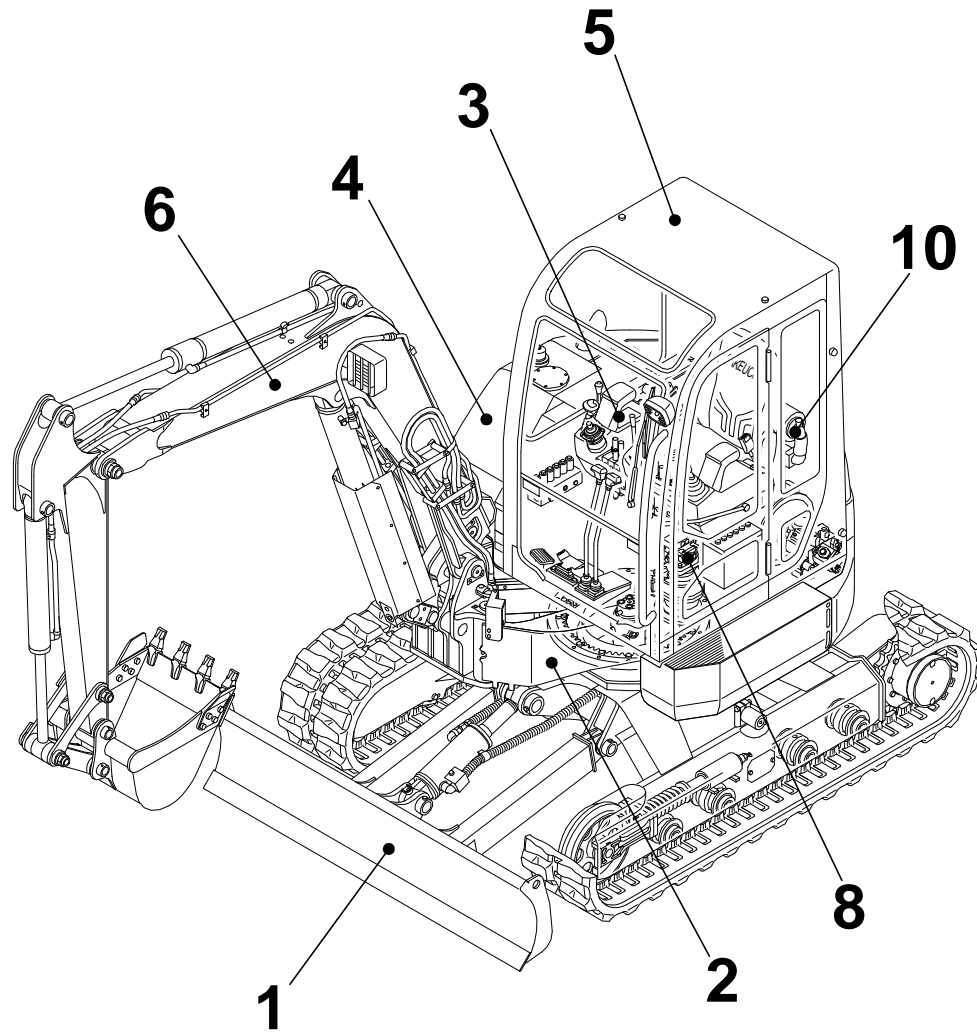


TB138FR

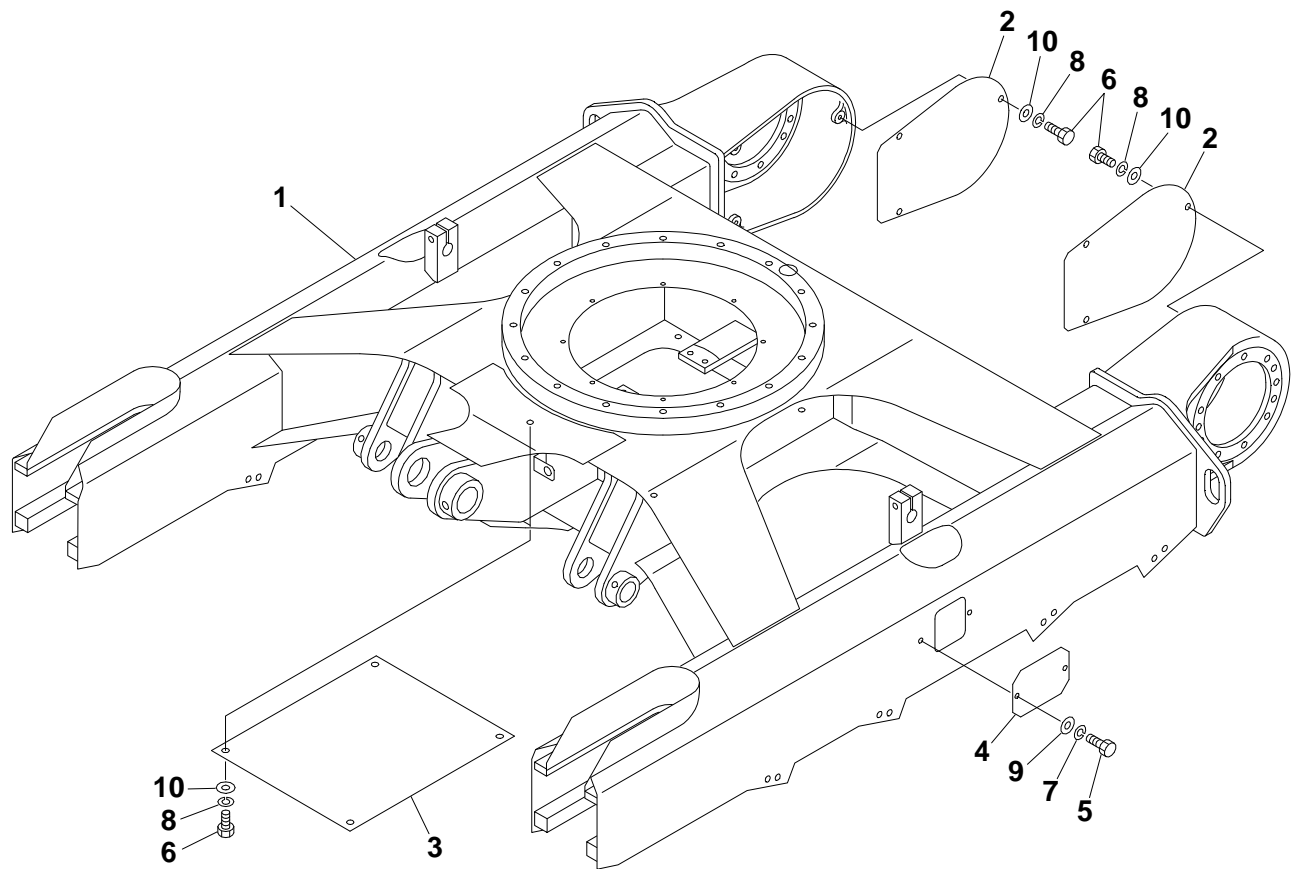
Book No.BG6Z001
Serial No.13820001-



TAKEUCHI

							INDEX
Item	Part number	Description	Q'ty	Chan.	Serial No.	Serv.	Remarks
1		UNDERCARRIAGE					
2		TURNTABLE & CONTROL LEVER					
3		ENGINE & ELECTRICAL SYSTEM					
4		HYDRAULIC PIPNG & TANK					
5		COVER & CAB					
6		HOE ATTACHMENT					
7		DECAL & TOOL					
8		HYDRAULIC DEVICE					
10		ENGINE 3TNV88-BPTBZ					
		2009.08.03					
		P-T138FBBB					

TB138FR (P-T138FBBB) Book No. BG6Z001 S/N 13820001-
LOWER FRAME



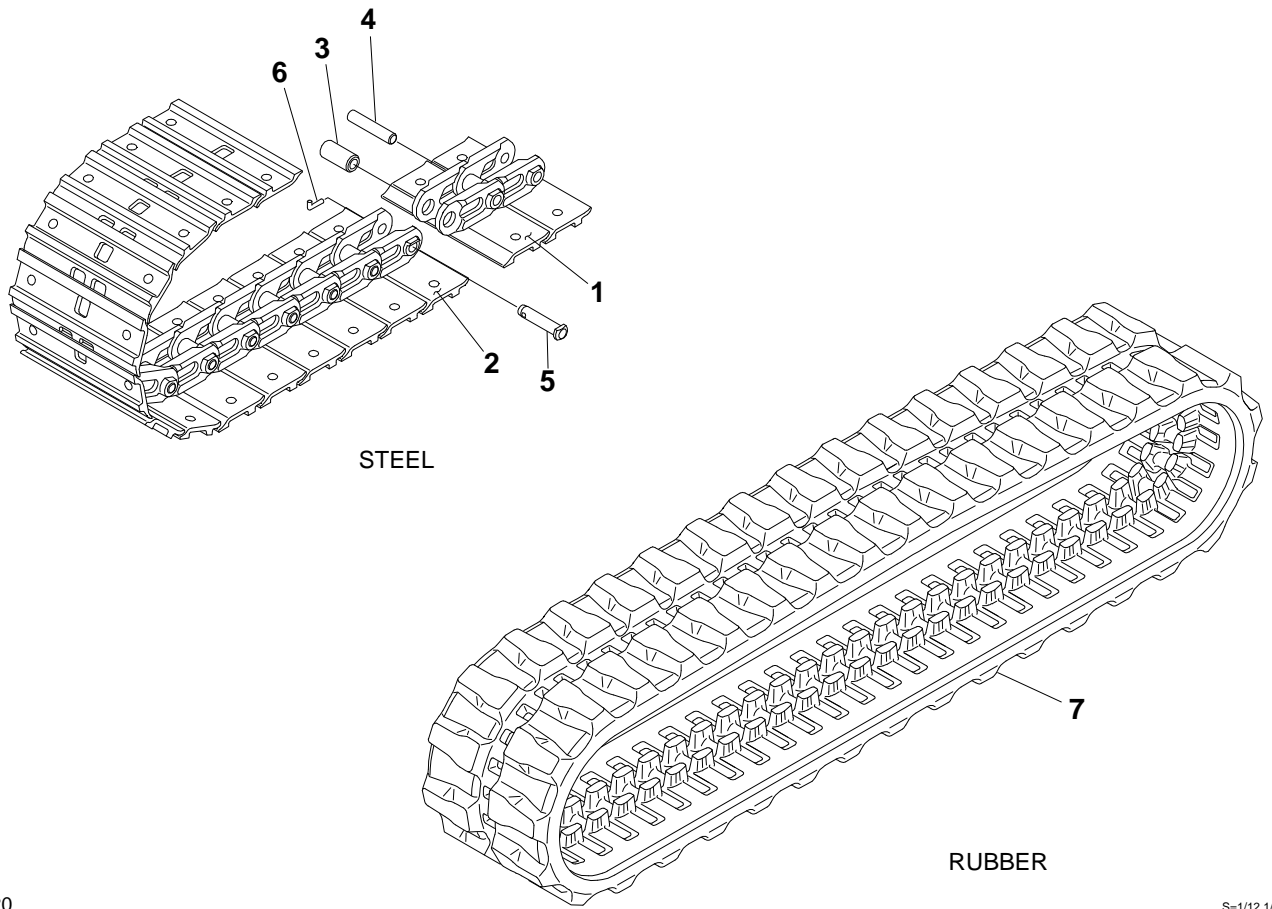
G6A010

S=1/12

LOWER FRAME

Item	Part number	Description	Q'ty	Chan.	Serial No.	Serv.	Remarks
1	X *****	FRAME ASSY, lower FRAME	1				
2	0371019020	COVER	2				
3	0431003600	COVER	1				
4	0331018600	COVER	2				
5	1100040816	BOLT	4				
6	1100041020	BOLT	10				
7	1140020008	WASHER, spring	4				
8	1140020010	WASHER, spring	10				
9	1141110008	WASHER	4				
10	1141110010	WASHER	10				
	G6a010						

TB138FR (P-T138FBBB) Book No. BG6Z001 S/N 13820001-
CRAWLER BELT



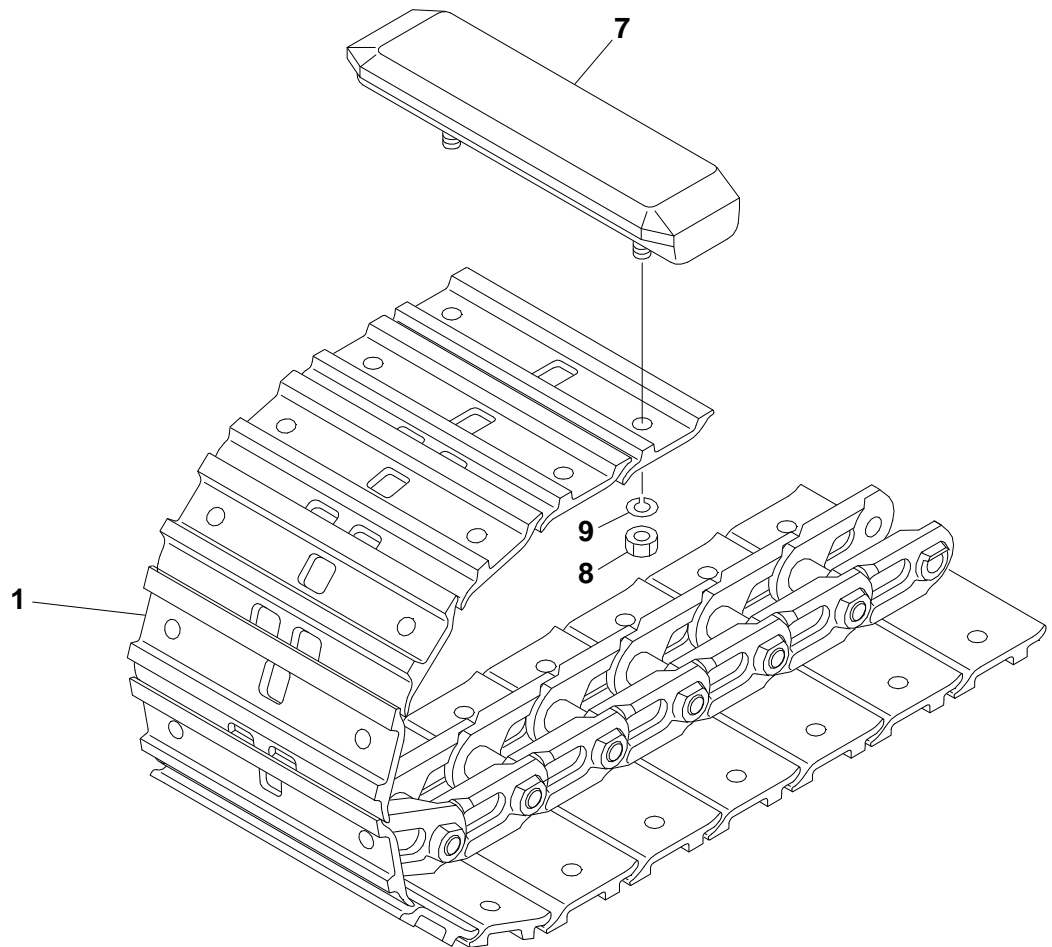
G5A020

S=1/12,1/14

CRAWLER BELT

Item	Part number	Description	Q'ty	Chan.	Serial No.	Serv.	Remarks
0-1	1914054300	BELT, steel crawler	2				
1	1914054313	· PLATE ASSY	42				
2	1914054314	· PLATE ASSY, master	1				
3	1914053505	· BUSHING	43				
4	1914053506	· PIN, track	42				
5	1914053507	· PIN, master	1				
6	1914053508	· PIN, cotter	1				
7	1914068400	BELT, rubber crawler	2		13820001~13820088		
	1914068420	BELT, rubber crawler	2	(H)	13820089~		
	G6a020						

**TB138FR (P-T138FBBB) Book No. BG6Z001 S/N 13820001-
CRAWLER BELT (with rubber pads)**



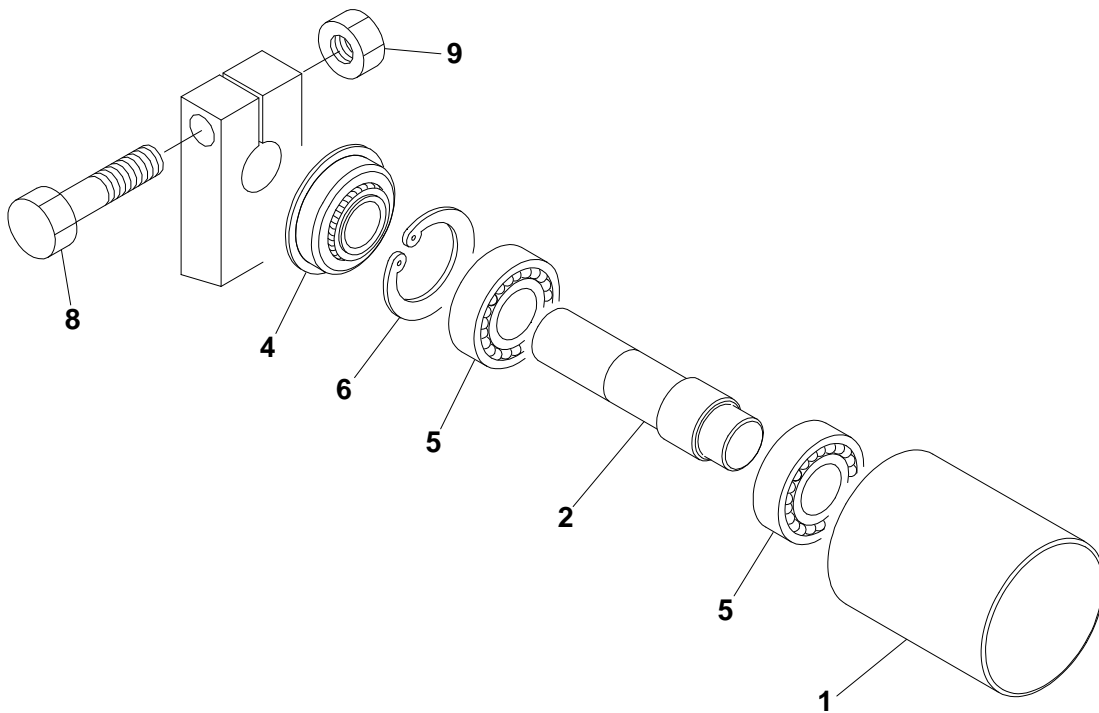
G4A112

S=1/6

CRAWLER BELT (with rubber pads)

Item	Part number	Description	Q'ty	Chan.	Serial No.	Serv.	Remarks
0	1914054400	BELT ASSY, steel crawler (with rubber pads)	2				
1	1914054300	· BELT, steel crawler	1				
7	1914400400	· PAD, rubber	43				
8	1130020012	· · NUT	2				
9	1140020012	· · WASHER, spring	2				
	G4a113						

TB138FR (P-T138FBBB) Book No. BG6Z001 S/N 13820001-
CARRIER ROLLER



G7A030

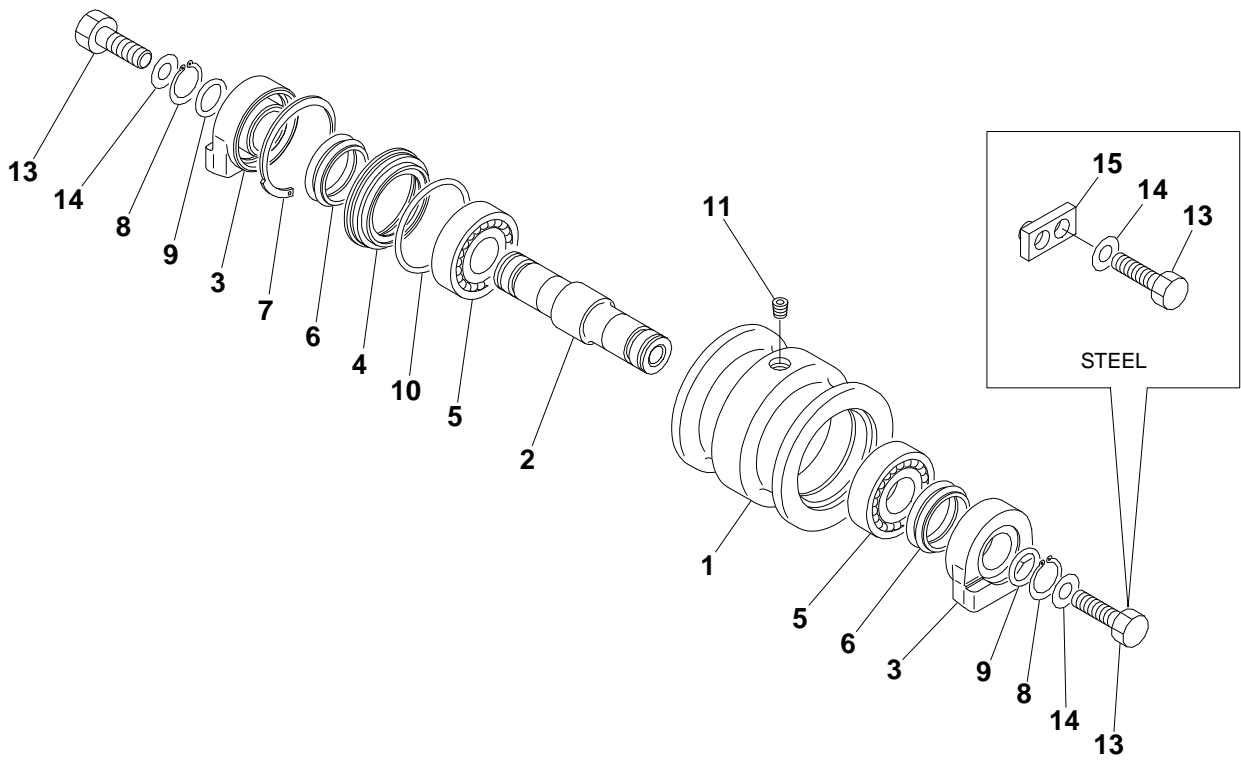
S=1/3

CARRIER ROLLER

Item	Part number	Description	Q'ty	Chan.	Serial No.	Serv.	Remarks
0-1	0371200500	ROLLER ASSY, carrier	2				
1	0371200510	· ROLLER	1				
2	0371200520	· SHAFT	1				
4	1431202552	· SEAL	1				
5	1300006205	· BEARING	2				
6	1221000052	· RING, snap	1				
8	1100041060	BOLT	2				
9	1130040010	NUT	2				

G7a031

TB138FR (P-T138FBBB) Book No. BG6Z001 S/N 13820001-
TRACK ROLLER



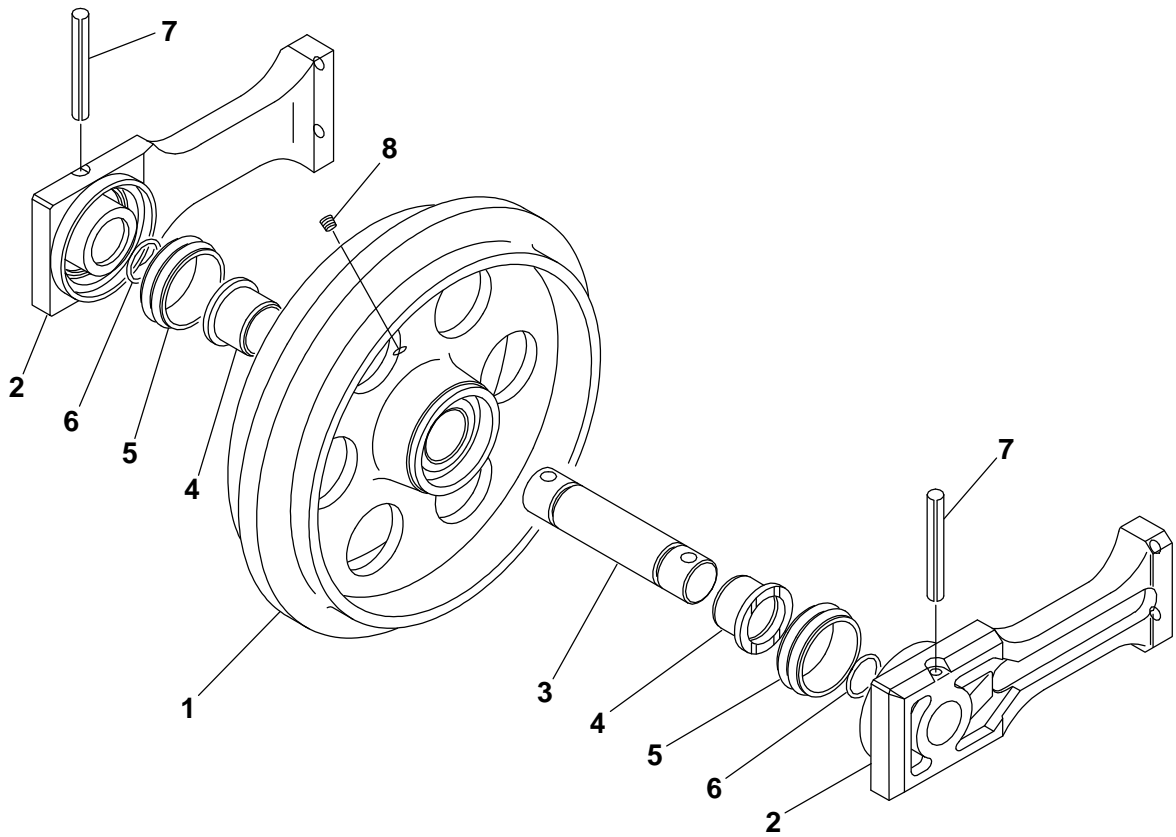
G4A030

S=1/5

TRACK ROLLER

Item	Part number	Description	Q'ty	Chan.	Serial No.	Serv.	Remarks
		ROLLER ASSY, track (steel)					
		ROLLER ASSY, track (rubber)					
0-1	0431311100	ROLLER SUB ASSY, track	8				
1	0431311300	· ROLLER	1				
2	0431310200	· SHAFT	1				
3	0431310300	· COVER	2				
4	0431300400	· RETAINER	1				
5	1300006306	· BEARING	2				
6	1432500450	· SEAL, floating	2				
7	1222015080	· RING, seeger	1				
8	1220000030	· RING, snap	2				
9	1420100250	· O-RING	2				
10	1420100700	· O-RING	1				
11	1501810001	· PLUG	1				
13	1101041440	BOLT	16				
	1101041450	BOLT	16				steel
14	1141550014	WASHER	16				
15	0371300100	STOPPER	16				steel
	G6a030						

TB138FR (P-T138FBBB) Book No. BG6Z001 S/N 13820001-
FRONT IDLER



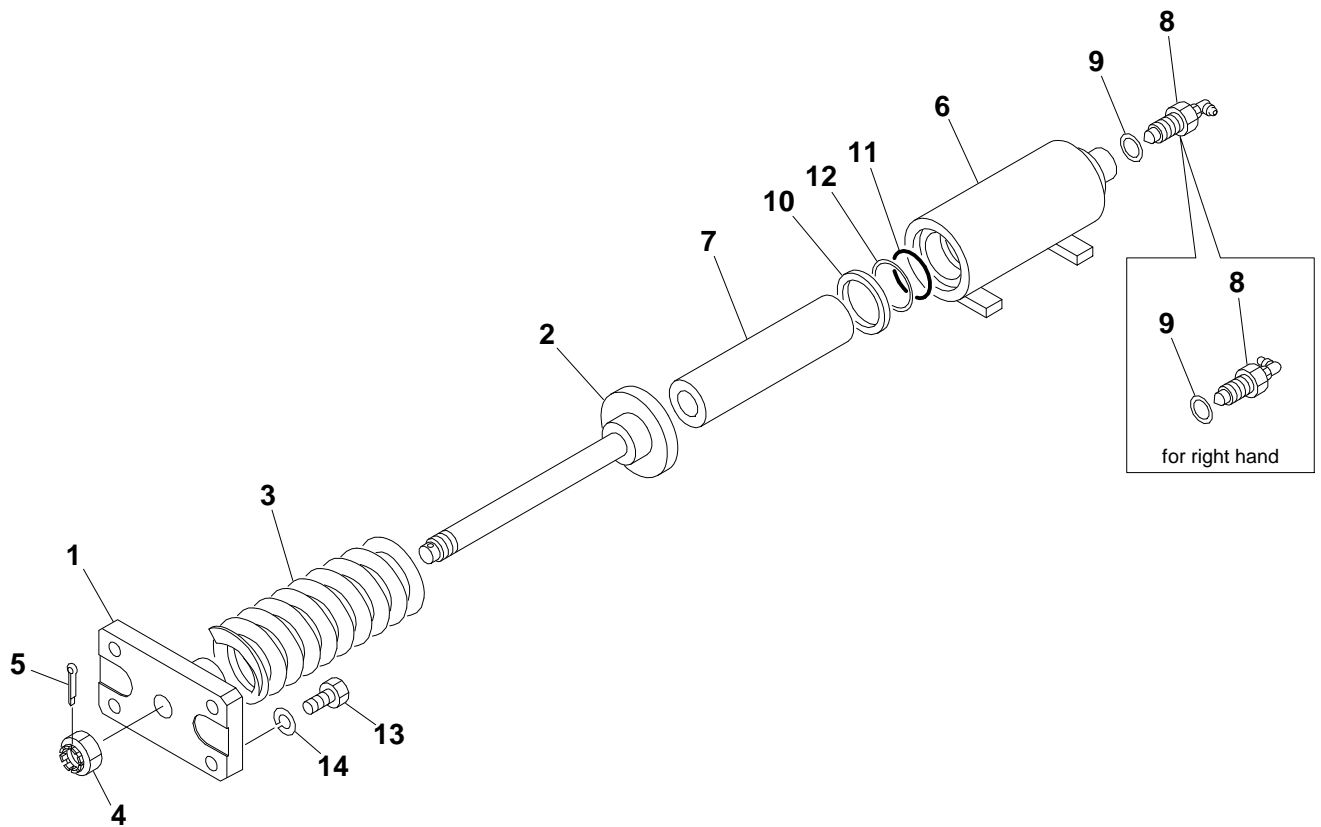
U1A050

S=1/5

FRONT IDLER

Item	Part number	Description	Q'ty	Chan.	Serial No.	Serv.	Remarks
0-1	0371400000	IDLER ASSY, front	2				
1	0371400100	· IDLER	1				
2	0371400200	· BLOCK	2				
3	0371400300	· SHAFT	1				
4	1333064039	· BUSHING	2				
5	1432500640	· SEAL, floating	2				
6	1420100350	· O-RING	2				
7	1213000885	· PIN, spring	2				
8	1501810001	· PLUG	1				
	G6a041						

TB138FR (P-T138FBBB) Book No. BG6Z001 S/N 13820001-
TRACK ADJUSTER



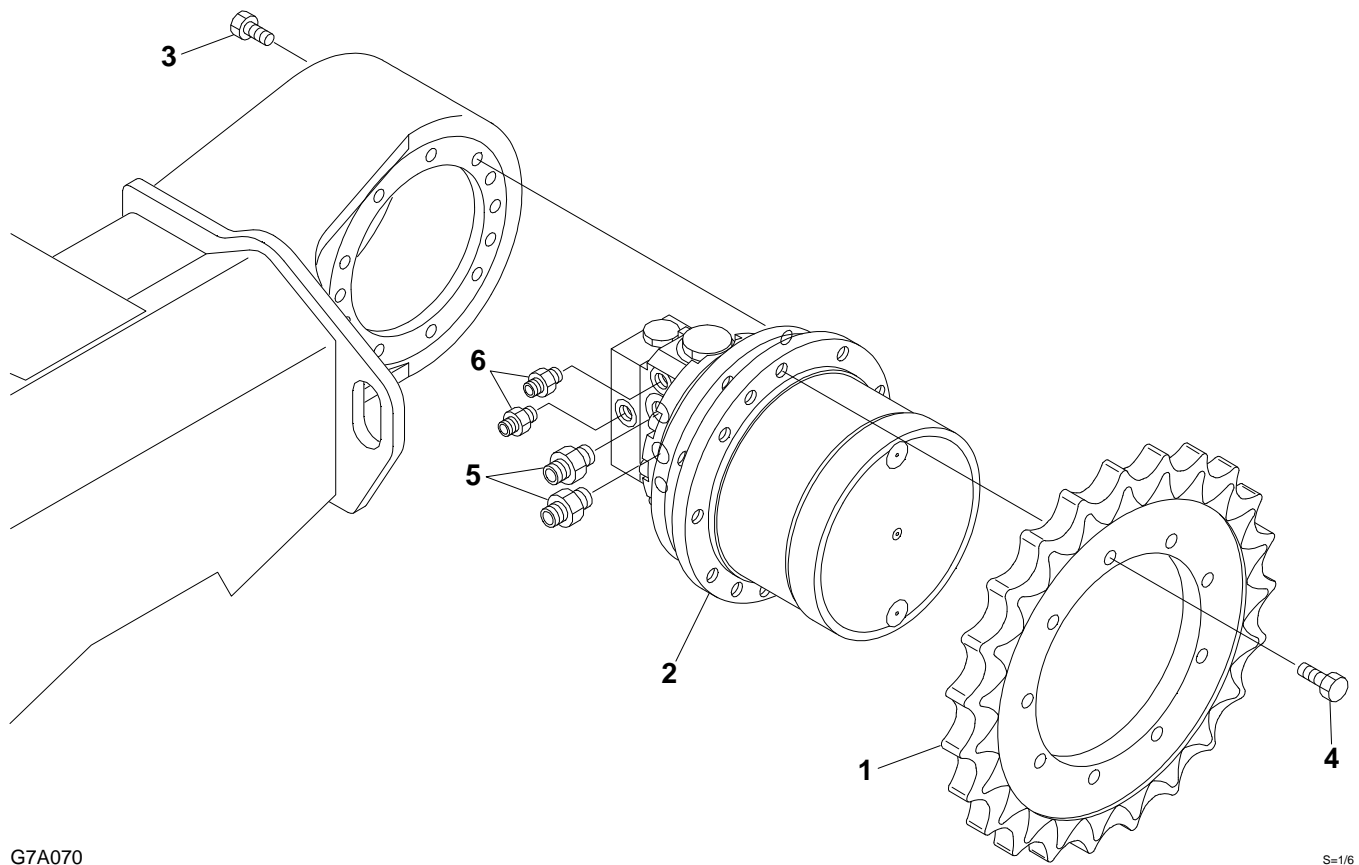
G7A060

S=1/6

TRACK ADJUSTER

Item	Part number	Description	Q'ty	Chan.	Serial No.	Serv.	Remarks
		SPRING ASSY (R.H.)					
		SPRING ASSY (L.H.)					
0-1	0371505100	SPRING SUB ASSY	2				
1	0371504510	· PLATE	1				
2	0341502510	· ROD	1				
3	0007000004	· SPRING	1				
4	1132530020	· NUT	1				
5	1210000440	· PIN, split	1				
0-2	0371501500	CYLINDER ASSY, grease	2				
6	0371501600	· CYLINDER, grease	1				
7	0371501700	· PISTON	1				
8	1541301602	· VALVE, check	1				
9	1541201616	· WASHER	1				
10	1400402640	· SEAL, oil	1				
11	1422010450	· O-RING	1				
12	1421020450	· RING, back-up	1				
13	1101041240	BOLT	8				
14	1140020012	WASHER, spring	8				
	G7a061						

TB138FR (P-T138FBBB) Book No. BG6Z001 S/N 13820001-
TRAVEL DEVICE



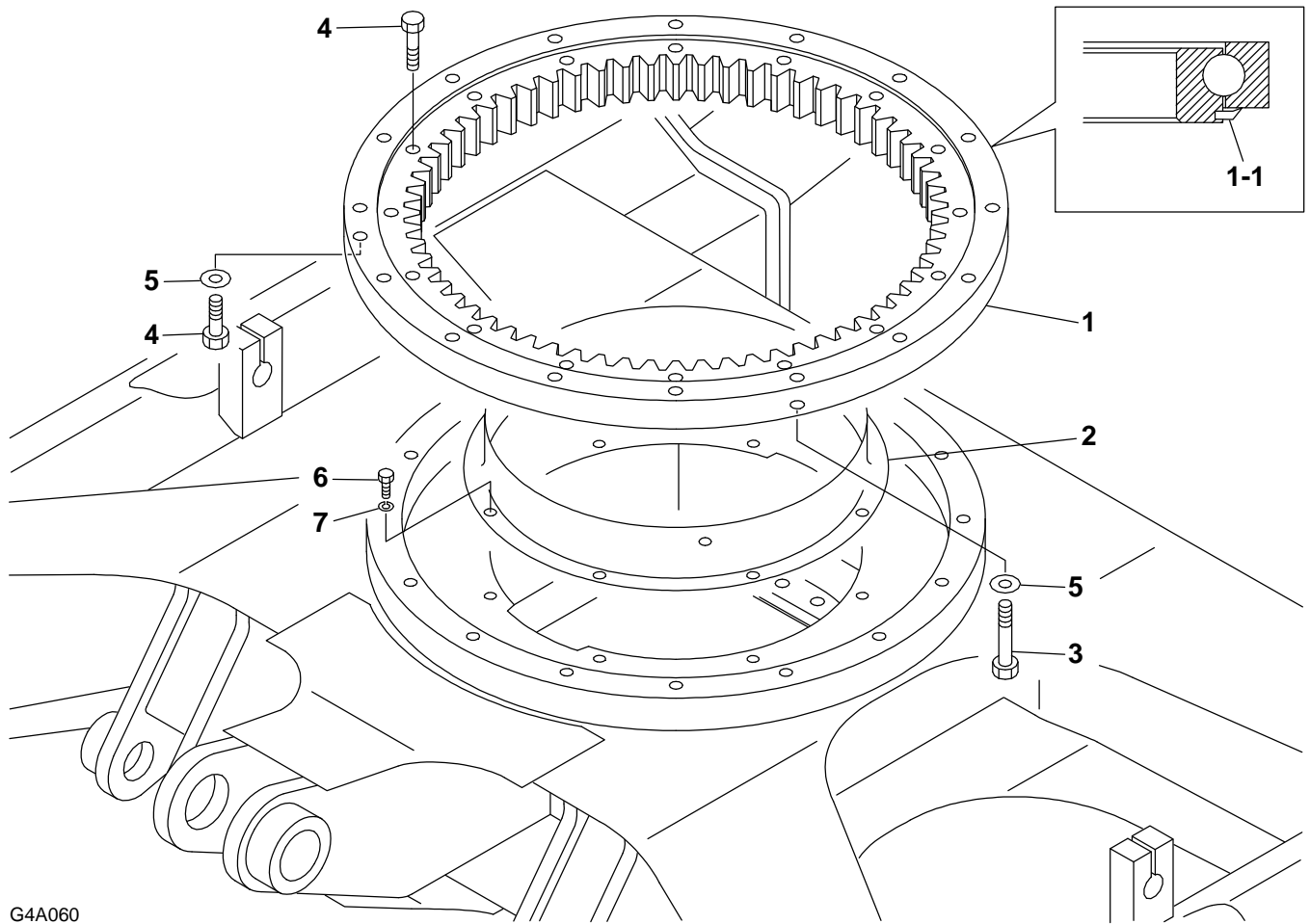
G7A070

S=1/6

TRAVEL DEVICE

Item	Part number	Description	Q'ty	Chan.	Serial No.	Serv.	Remarks
1	0431610100	MOTOR ASSY, travel	2				
2	1903126800	SPROCKET	2				
3	1100041230	MOTOR, travel	2				
3	1100041230	BOLT	24				
4	1100041235	BOLT	18				
5	1515600577	ADAPTOR	4				
	1420010180	· O-RING	1				
6	1515600200	ADAPTOR	4				
	1420010110	· O-RING	1				
	G7a070						

TB138FR (P-T138FBBB) Book No. BG6Z001 S/N 13820001-
SLEW BEARING



G4A060

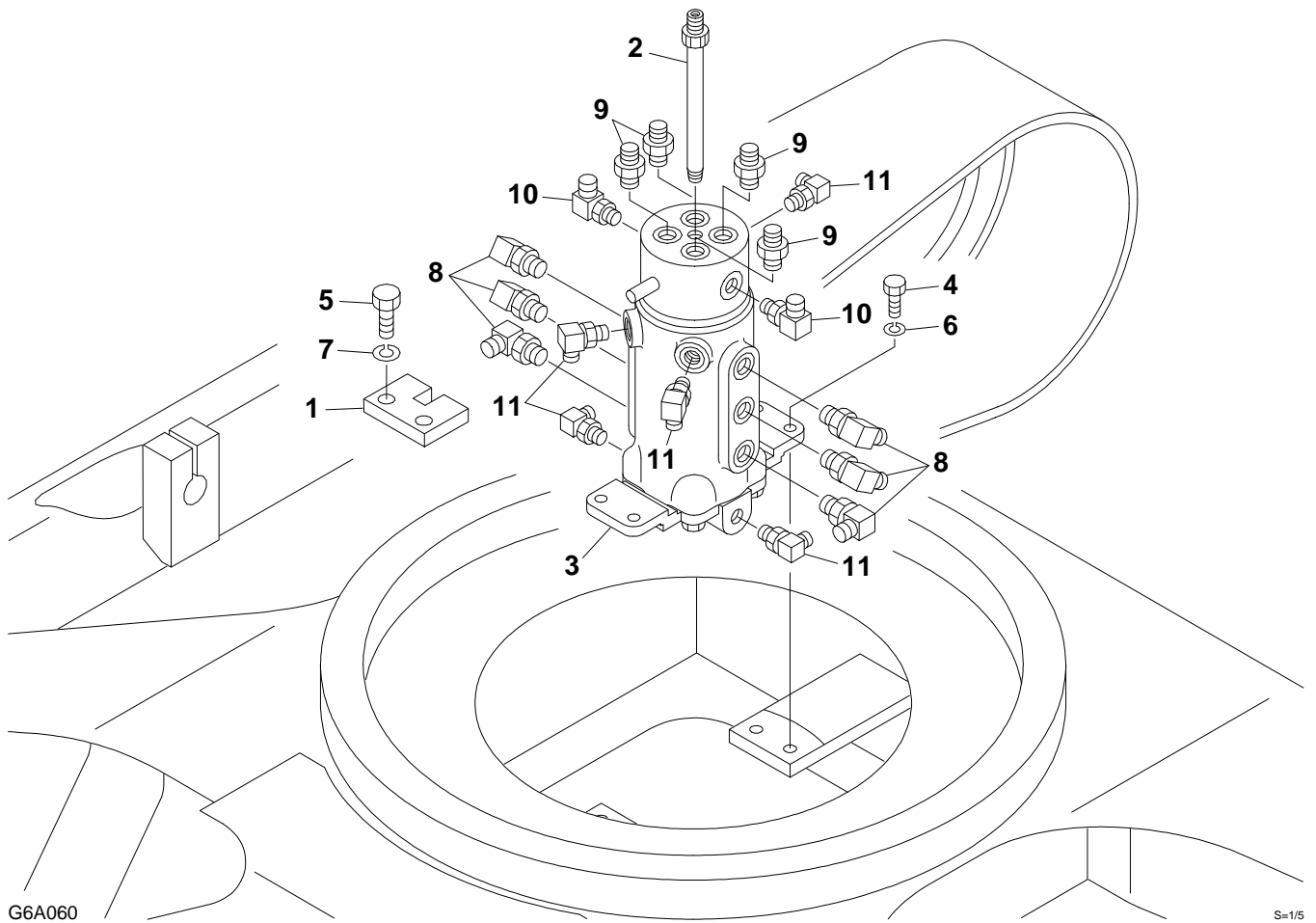
S=1/6

SLEW BEARING

Item	Part number	Description	Q'ty	Chan.	Serial No.	Serv.	Remarks
1	1913003750	BEARING ASSY, slew	1				
1-1	1913003709	· SEAL	1				
2	0432300100	BATH, grease	1				
3	0352000100	BOLT	1				
4	1101051265	BOLT	31				
5	1141550012	WASHER	16				
6	1100040816	BOLT	8				
7	1140020008	WASHER, spring	8				

G6a050

TB138FR (P-T138FBBB) Book No. BG6Z001 S/N 13820001-
SWIVEL JOINT & ACCESSORIES



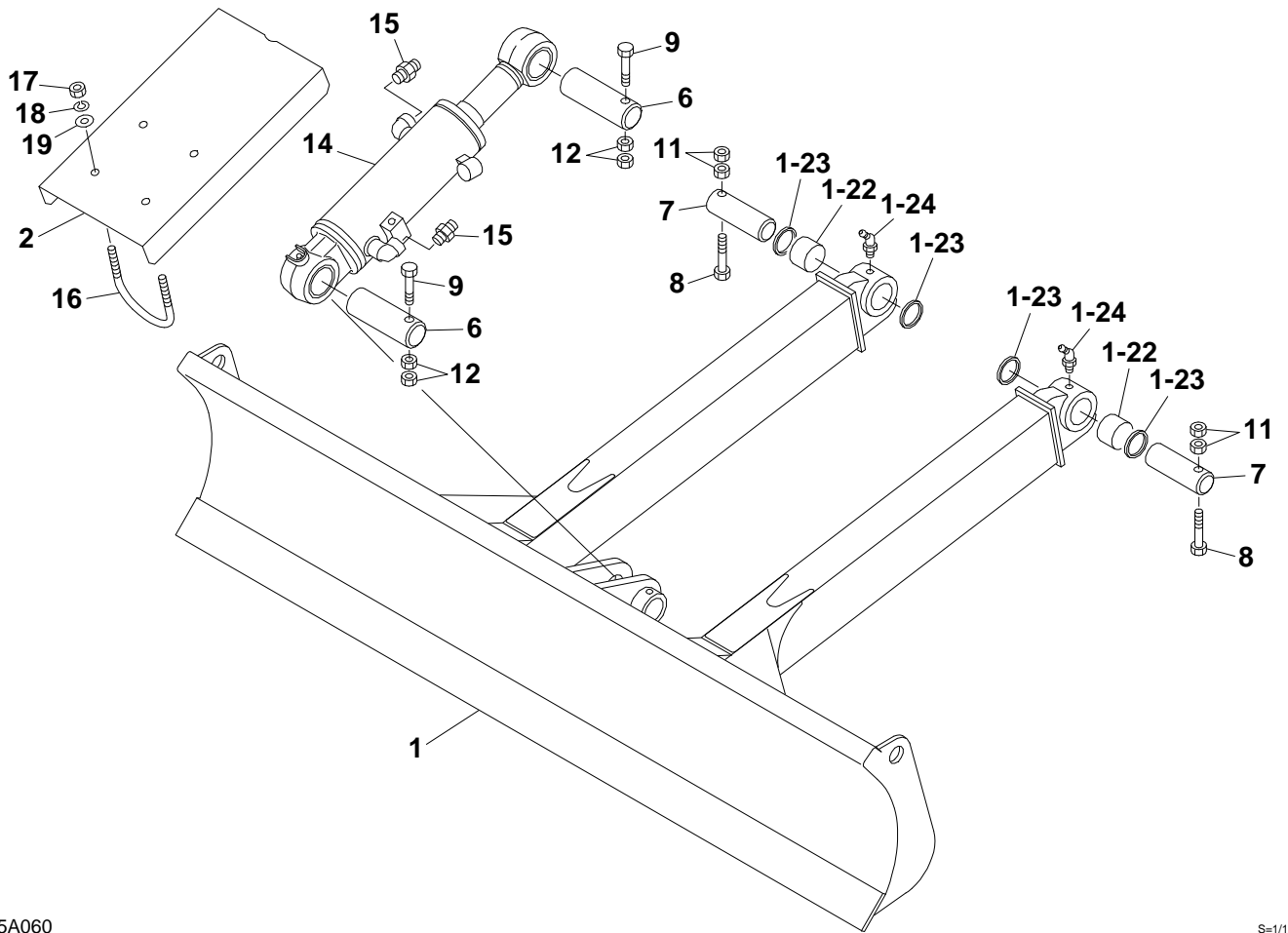
G6A060

S=1/5

SWIVEL JOINT & ACCESSORIES

Item	Part number	Description	Q'ty	Chan.	Serial No.	Serv.	Remarks
		JOINT ASSY, swivel					
1	0072100100	COLLAR	1				
2	0352104100	BUSHING	1				
3	1904008600	JOINT, swivel	1				
4	1100041025	BOLT	4				
5	1101041230	BOLT	2				
6	1140020010	WASHER, spring	4				
7	1140020012	WASHER, spring	2				
8	1515010041	ELBOW	6				
	1420010140	· O-RING	1				
9	1515600201	ADAPTOR	4				
	1420010140	· O-RING	1				
10	1515010130	ELBOW	2				
	1420010110	· O-RING	1				
11	1515012040	ELBOW	5				
	1420010110	· O-RING	1				
	G6a061						

TB138FR (P-T138FBBB) Book No. BG6Z001 S/N 13820001-
DOZER BLADE



G5A060

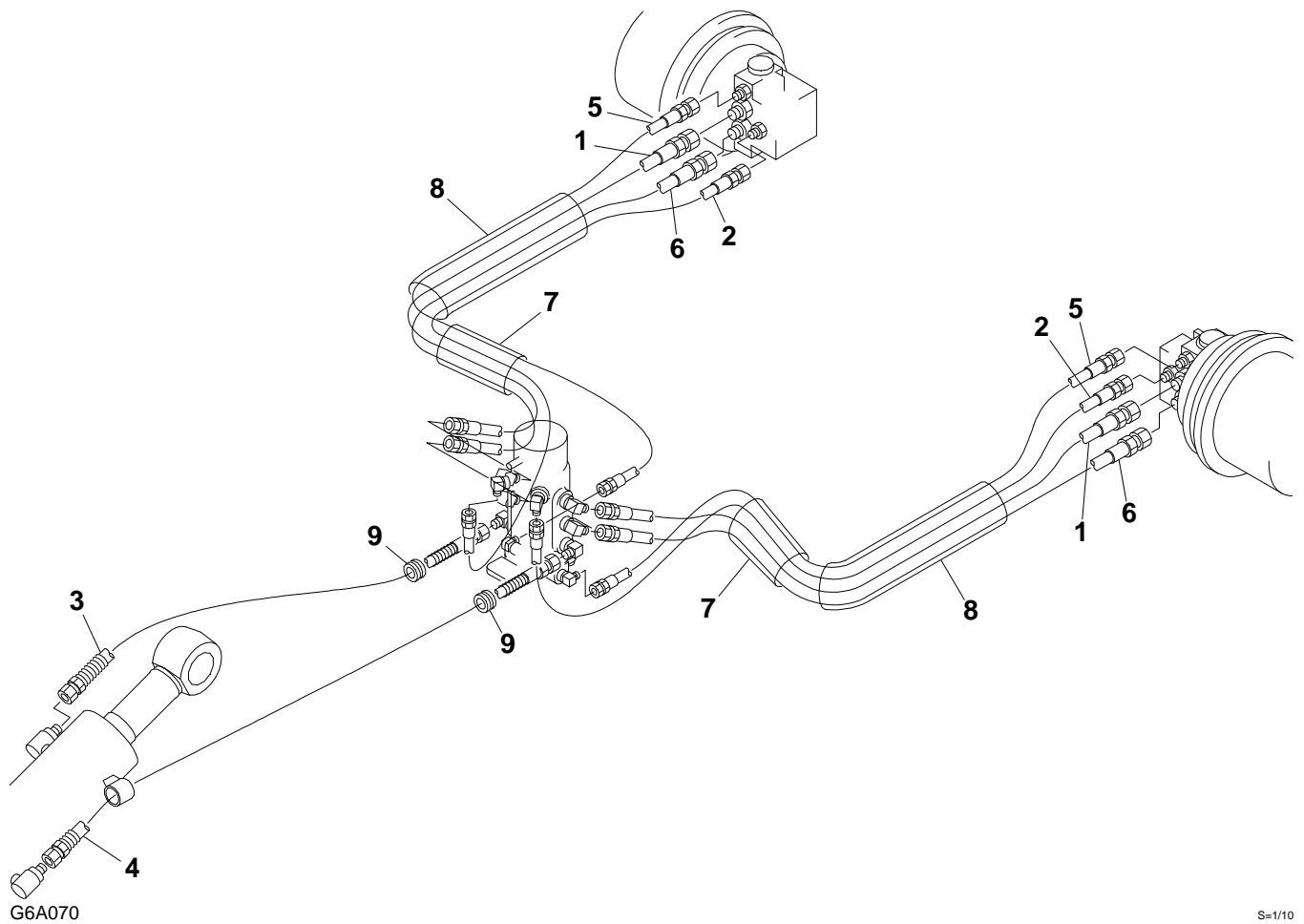
S=1/12

DOZER BLADE

Item	Part number	Description	Q'ty	Chan.	Serial No.	Serv.	Remarks
1	0376309600	BLADE ASSY, dozer	1				
1-22	0436312300	BLADE SUB ASSY, dozer	1				
1-23	1432200040	· BUSHING	2				
1-24	1560001675	· SEAL, dust	4				
2	1560001675	· FITTING, grease	2				
2	0566327010	COVER	1				
6	0001606140	PIN	2				
7	0001603125	PIN	2				
8	1103041085	BOLT	2				
9	1103141200	BOLT	2				
11	1130240010	NUT	4				
12	1130240012	NUT	4				
14	1900091700	CYLINDER, dozer blade	1				
15	1515600201	ADAPTOR	2				
16	1420010140	· O-RING	1				
16	1533203040	U-BOLT	2				
17	1130040010	NUT	4				
18	1140020010	WASHER, spring	4				
19	1141110010	WASHER	4				

G5a061

TB138FR (P-T138FBBB) Book No. BG6Z001 S/N 13820001-
PIPING; LOWER

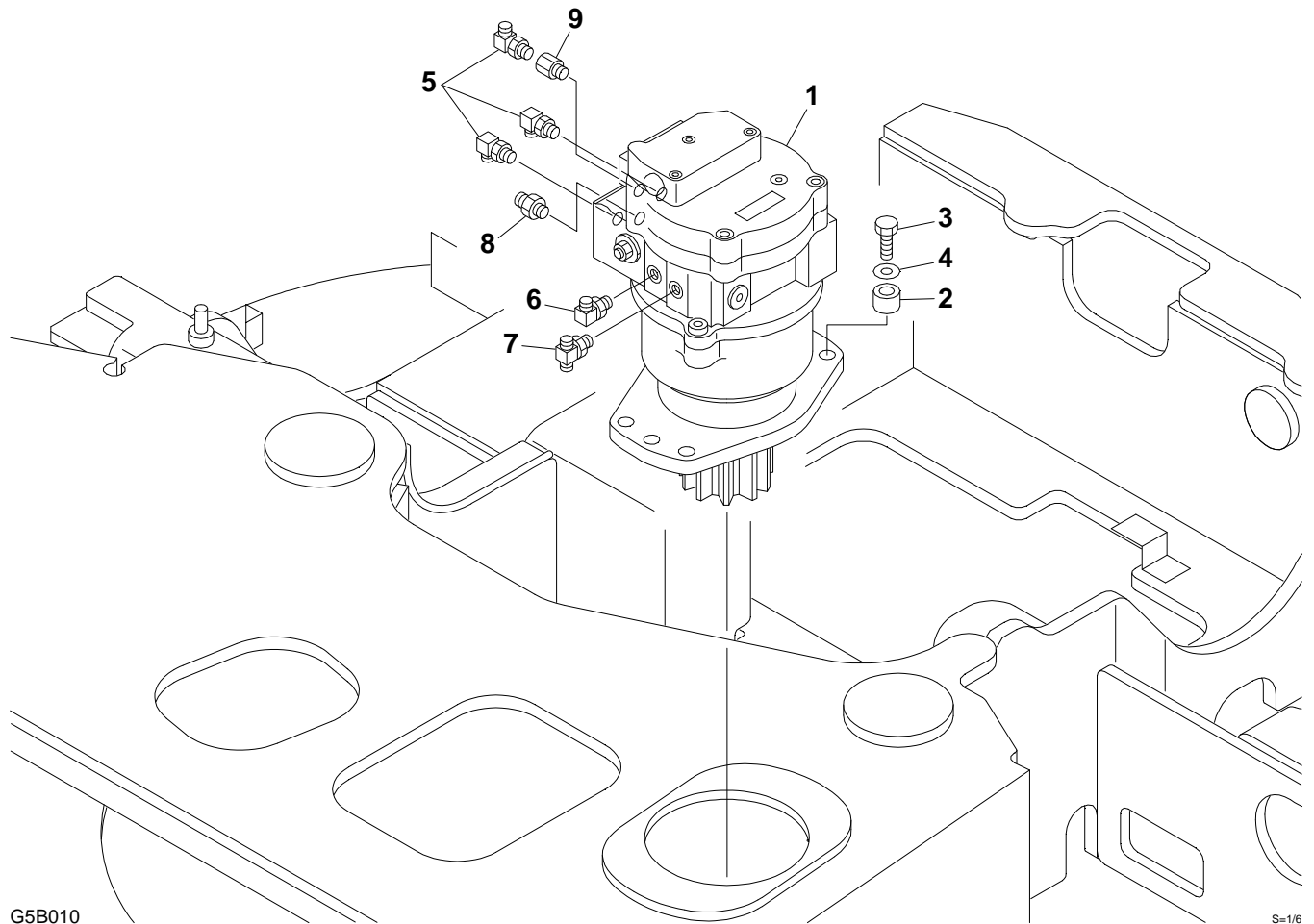


PIPING; LOWER

Item	Part number	Description	Q'ty	Chan.	Serial No.	Serv.	Remarks
1	0377209520	PIPING ASSY, lower HOSE ASSY	2				18015-20110
2	0377211220	HOSE ASSY	2				18010-22132
3	1801620095	HOSE ASSY	1				
4	1801620115	HOSE ASSY	1				
5	1801022110	HOSE ASSY	2				
6	1801520110	HOSE ASSY	2				
7	1531350040	PROTECTOR	2				sold by the meter
8	1531350015	PROTECTOR	2				sold by the meter
9	0437200100	GUARD	2				

G6a070

TB138FR (P-T138FBBB) Book No. BG6Z001 S/N 13820001-
SLEWING DEVICE



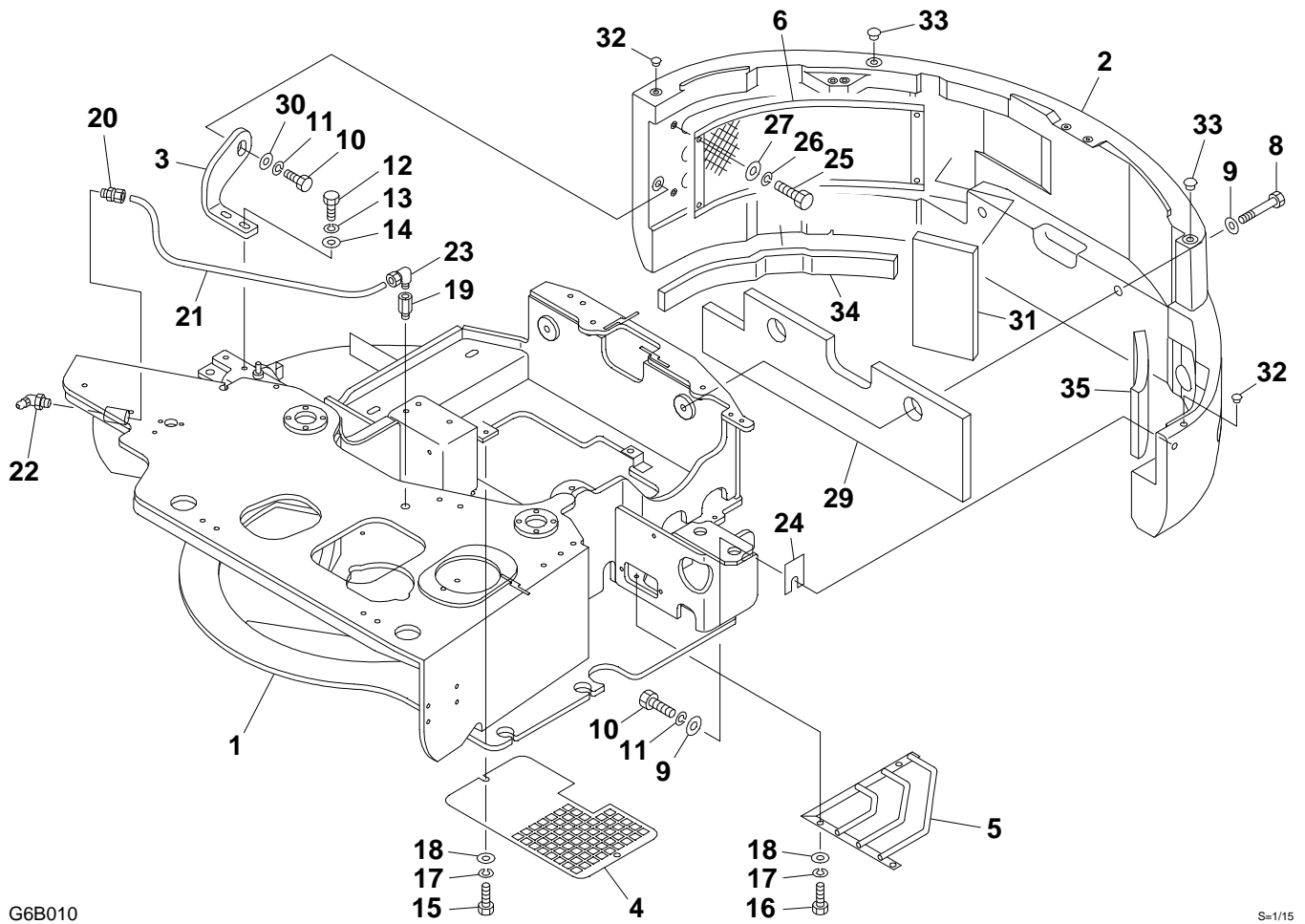
G5B010

S=1/6

SLEWING DEVICE

Item	Part number	Description	Q'ty	Chan.	Serial No.	Serv.	Remarks
1	1903123400	DEVICE ASSY, slewing	1				
2	0372309030	MOTOR, slew	1				
3	1101041465	SPACER	6				
4	1141550014	BOLT	6				
5	1515010041	WASHER	6				
6	1515010041	ELBOW	3				
	1420010140	· O-RING	1				
7	1515012040	ELBOW	1				
	1420010110	· O-RING	1				
8	1512370010	TEE	1				
	1420010110	· O-RING	1				
9	1515600201	ADAPTOR	1				
	1420010140	· O-RING	1				
	0007213023	BUSHING	1				
	1420010140	· O-RING	1				
	G5b010						

TB138FR (P-T138FBBB) Book No. BG6Z001 S/N 13820001-
TURNTABLE



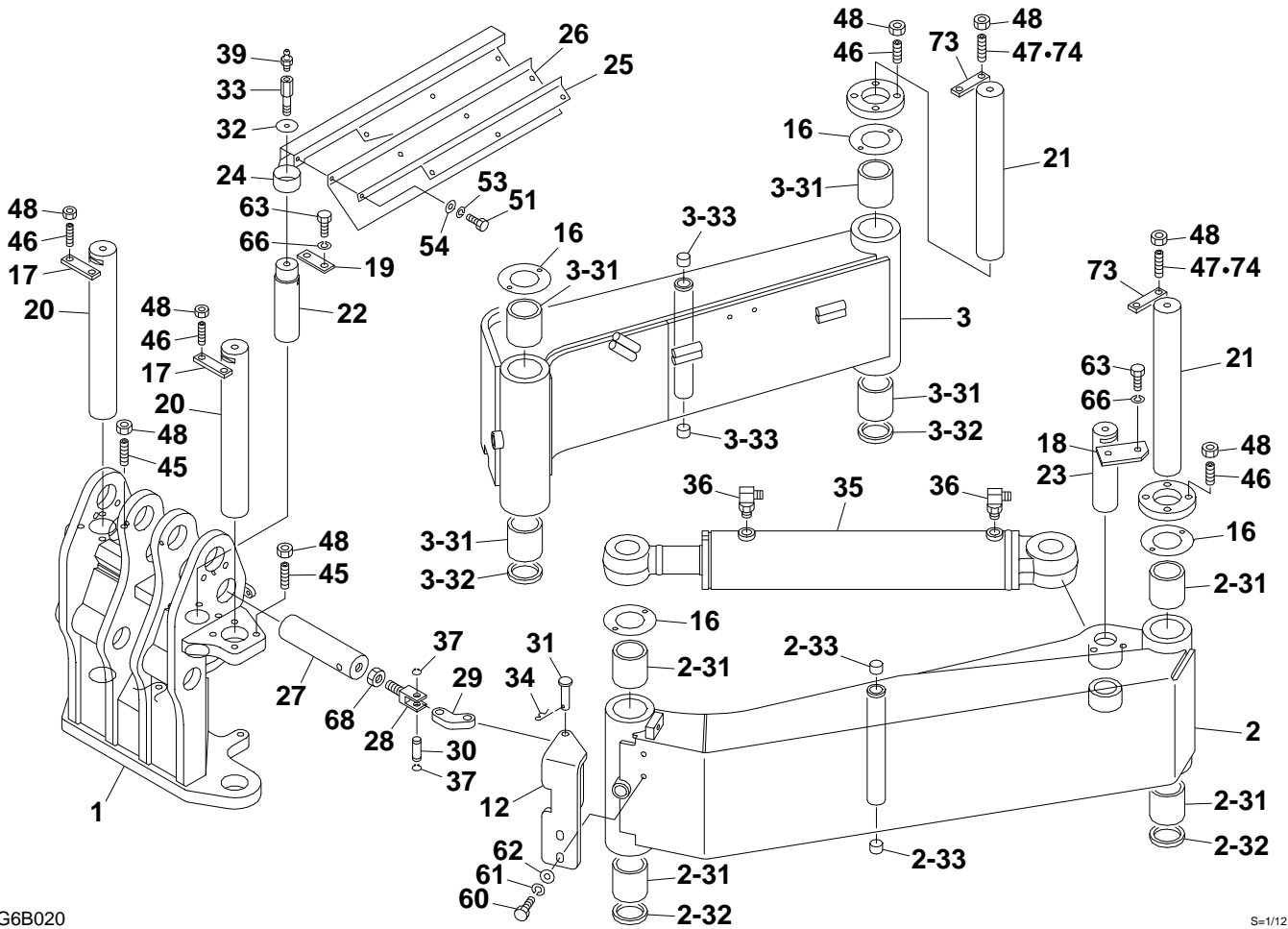
G6B010

S=1/15

TURNTABLE

Item	Part number	Description	Q'ty	Chan.	Serial No.	Serv.	Remarks
		TURNTABLE ASSY					
1	X *****	TURNTABLE	1				
2	0373014200	COUNTERWEIGHT	1				
3	0373014300	ANGLE	1				
4	0373016200	COVER	1				
5	0373014320	GUARD	1				
6	0373014420	NET	1				
8	1101141625	BOLT	2				
9	0003000010	WASHER	3				
10	1101041650	BOLT	2				
11	1140020016	WASHER, spring	2				
12	1101041240	BOLT	2				
13	1140020012	WASHER, spring	2				
14	0003600024	WASHER	2				
15	1100041020	BOLT	2				
16	1100041025	BOLT	3				
17	1140020010	WASHER, spring	5				
18	1141110010	WASHER	5				
19	0007210026	BUSHING	1				
20	1532520601	CONNECTOR	1				
21	1532020681	TUBE	1				sold by the meter
22	1560001675	FITTING, grease	1				
23	1532620601	ELBOW	1				
24	0393014200	PLATE	1				
25	1100040820	BOLT	4				
26	1140020008	WASHER, spring	4				
27	1141110008	WASHER	4				
29	0373014430	ABSORBENT, noise	1				
30	0003600198	WASHER	1				
31	0373014440	ABSORBENT, noise	1				
32	1652533016	CAP	2				
33	1652533021	CAP	2				
34	0373014450	ABSORBENT, noise	1				
35	0373016210	ABSORBENT, noise	1				
	G6b010						

TB138FR (P-T138FBBB) Book No. BG6Z001 S/N 13820001-
BOOM OFFSET (1/2)



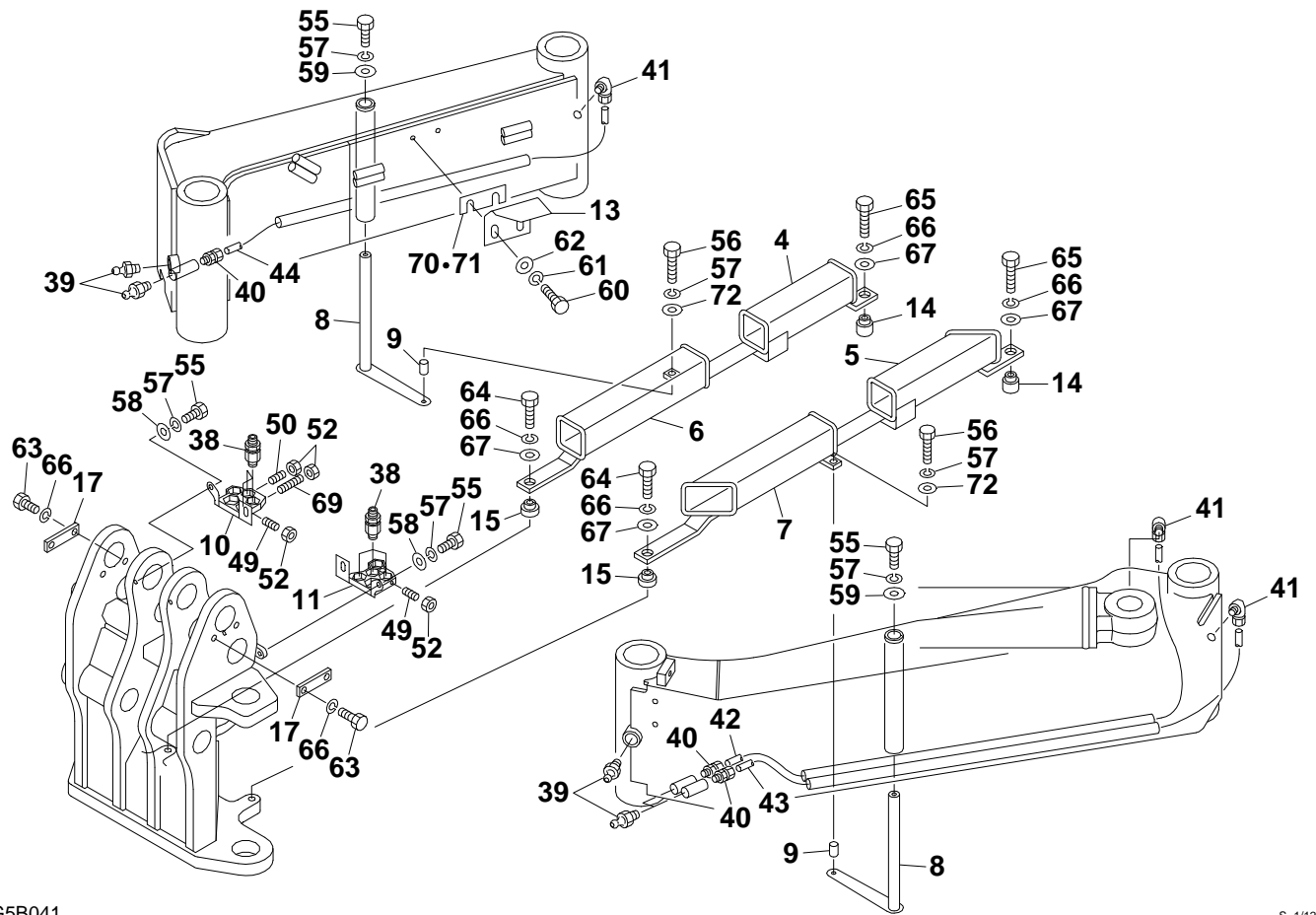
G6B020

S=1/12

BOOM OFFSET (1/2)

Item	Part number	Description	Q'ty	Chan.	Serial No.	Serv.	Remarks
		OFFSET ASSY, boom					
1	0373110100	BRACKET	1				
2	0373110200	OFFSET, arm (L.H)	1				
2-31	0002400025	· BUSHING	4				
2-32	1432200050	· SEAL, dust	2				
2-33	1333002015	· BUSHING	2				
3	0373110300	OFFSET, arm (R.H)	1				
3-31	0002400025	· BUSHING	4				
3-32	1432200050	· SEAL, dust	2				
3-33	1333002015	· BUSHING	2				
12	0373107430	BRACKET	1				
16	0373106460	WASHER	4				
17	0373106470	PLATE	2				
18	0353114510	PLATE	1				
19	0353114530	PLATE	1				
20	0373106510	PIN	2				
21	0373110550	PIN	2				
22	0353106650	PIN	1				
23	0353106670	PIN	1				
24	0373110460	GUARD	1				
25	0373110470	PLATE	1				
26	0373106570	RUBBER	1				
27	0373107460	PIN	1				
28	0353114600	YOKE	1				
29	0353108500	LINK	1				
30	0353114620	PIN	1				
31	0004012035	PIN	1				
32	0003600057	WASHER	1				
33	0007210026	BUSHING	1				M
34	1214000008	PIN, snap	1				
35	1900086600	CYLINDER, offset	1				
36	1515010041	ELBOW	2				
	1420010140	· O-RING	1				
37	1220000012	RING, retaining	2				
39	1560001000	FITTING, grease	1				
45	1121741240	SET-SCREW	4				
46	1121741245	SET-SCREW	8				
47	1121741255	SET-SCREW	AR				
48	0353114560	NUT	16				
51	1100040616	BOLT	4				
53	1140020006	WASHER, spring	4				
54	1141110006	WASHER	4				
60	1100041025	BOLT	2				
61	1140020010	WASHER, spring	2				
62	0003600020	WASHER	2				
63	1101041220	BOLT	3				
66	1140020012	WASHER, spring	3				
68	1130040016	NUT	1				
73	0373110560	PLATE	2				
74	1121741260	SET-SCREW	AR				
	G6b021						

TB138FR (P-T138FBBB) Book No. BG6Z001 S/N 13820001-
BOOM OFFSET (2/2)



G5B041

S=1/12

BOOM OFFSET (2/2)

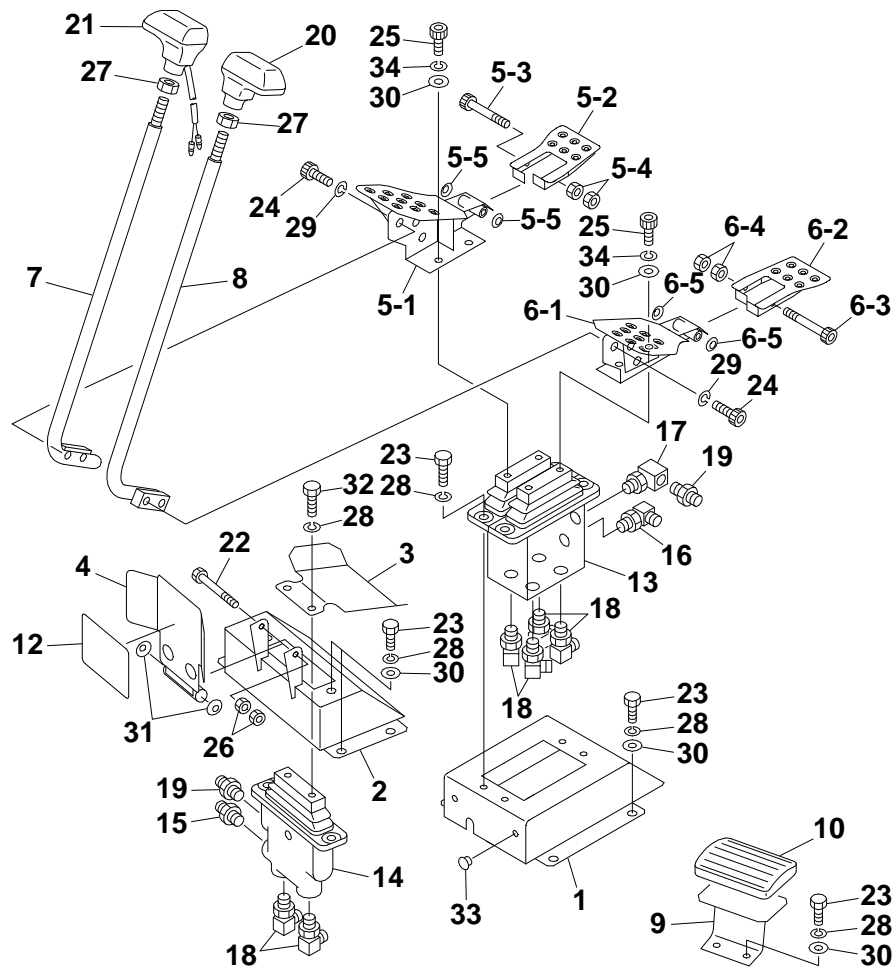
Item	Part number	Description	Q'ty	Chan.	Serial No.	Serv.	Remarks
		OFFSET ASSY, boom					
4	0373110500	GUIDE	1				
5	0373110510	GUIDE	1				
6	0373110520	GUIDE	1				
7	0373110530	GUIDE	1				
8	0373107420	LEVER	2				
9	0353114450	COLLAR	2				
10	0373110450	CLAMP	1				
11	0373110440	CLAMP	1				
13	0373110420	ANGLE	1				
14	0373107450	COLLAR	2				
15	0353114470	COLLAR	2				
17	0373106470	PLATE	2				
38	1514011103	ADAPTOR	6				
39	1560001000	FITTING, grease	5				
40	1532520601	CONNECTOR	3				
41	1532620601	ELBOW	3				
42	1532120620	TUBE	1				sold by the meter
43	1532120612	TUBE	1				sold by the meter
44	1532020686	TUBE	1				sold by the meter
49	1121040610	SET-SCREW	4				
50	1121040614	SET-SCREW	1				
52	1130040006	NUT	6				
55	1100040820	BOLT	6				
56	1100040825	BOLT	2				
57	1140020008	WASHER, spring	8				
58	1141110008	WASHER	4				
59	0003608003	WASHER	2				
60	1100041025	BOLT	3				
61	1140020010	WASHER, spring	3				
62	0003600020	WASHER	3				
63	1101041220	BOLT	5				
64	1101041240	BOLT	2				
65	1101041250	BOLT	2				
66	1140020012	WASHER, spring	9				
67	0003600006	WASHER	4				
69	1121040625	SET-SCREW	1				
70	0003900059	SPACER	AR				
71	0003900060	SPACER	AR				
72	0003600011	WASHER	2				

G6b100

OFFSET SWITCH

Item	Part number	Description	Q'ty	Chan.	Serial No.	Serv.	Remarks
1	0333120930	SWITCH ASSY, offset	1				
2	0333120920	BRACKET	2				
3	0353108830	PIPE	2				
4	0353108840	ROLLER	2				
5	0373111950	COLLAR	3				
6	0373111950	COVER	1				
7	1700000014	SWITCH	1				
8	0323255900	SPRING	1				
9	1620550000	LINK ASSY	2				
10	1120530520	SCREW	2				
11	1130030005	NUT	2				
12	1140020005	WASHER, spring	4				
13	1100040816	BOLT	2				
14	1140020008	WASHER, spring	2				
15	1141110008	WASHER	2				
16	0333120940	BLOCK	1				
17	1120530512	SCREW	2				
	1150410410	SCREW	1				
	G6b030						

TB138FR (P-T138FBBB) Book No. BG6Z001 S/N 13820001-
TRAVEL LEVER



L8B061

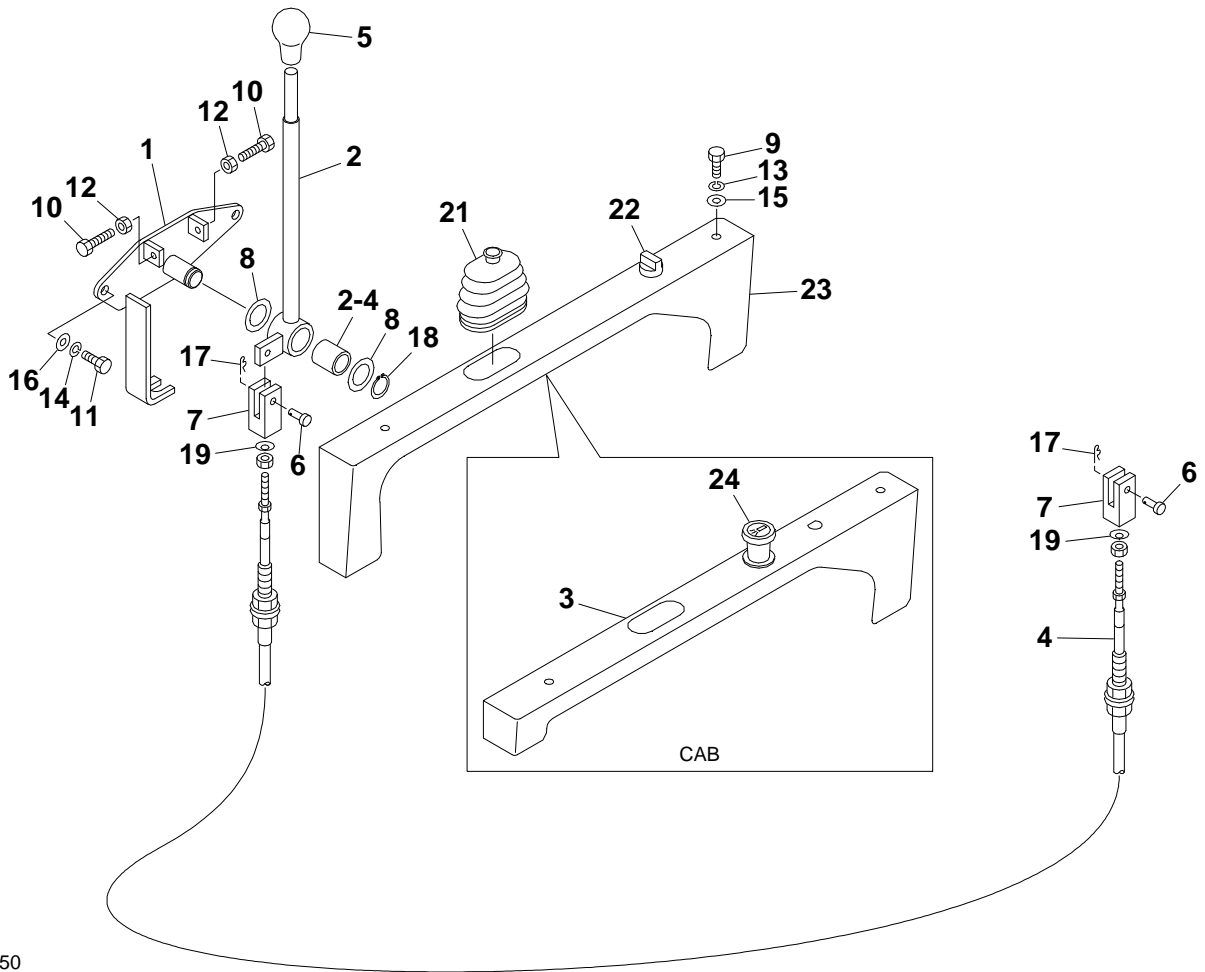
S=1/8

TRAVEL LEVER

Item	Part number	Description	Q'ty	Chan.	Serial No.	Serv.	Remarks
		LEVER ASSY, control					
1	0563230510	BRACKET	1				
2	0563230520	BRACKET	1				
3	0563230530	PEDAL	1				
4	0563230550	COVER	1				
5	0563230810	PEDAL ASSY (R.H.)	1				
5-1	0563230820	· PEDAL (R.H.)	1		13820001~13820079		
	0563230870	· PEDAL (R.H.)	1	(H)	13820080~		
5-2	0373208660	· PEDAL (R.H.)	1				
5-3	1110040655	· SCREW, cap	1				
5-4	1130040006	· NUT	2				
5-5	1225110006	· WASHER, conical	2				
6	0563230830	PEDAL ASSY (L.H.)	1				
6-1	0563230840	· PEDAL (L.H.)	1		13820001~13820079		
	0563230880	· PEDAL (L.H.)	1	(H)	13820080~		
6-2	0373208630	· PEDAL (L.H.)	1				
6-3	1110040655	· SCREW, cap	1				
6-4	1130040006	· NUT	2				
6-5	1225110006	· WASHER, conical	2				
7	0563230850	LEVER (R.H.)	1				
8	0563230860	LEVER (L.H.)	1				
9	0563219700	REST, foot	1				
10	0563218500	COVER	1				
12	0333241250	SHEET	1				
13	1901739100	VALVE, pilot	1				
14	1901746300	VALVE, pilot	1				
15	1512370008	ADAPTOR (with filter)	1				
	1420010110	· O-RING	1				
16	1512375004	ELBOW	1				
	1420010110	· O-RING	1				
17	1513300014	ELBOW	1				
	1420010110	· O-RING	1				
18	1515012040	ELBOW	6				
	1420010110	· O-RING	1				
19	1515600200	ADAPTOR	2				
	1420010110	· O-RING	1				
20	1650202610	GRIP	1				
21	1650203210	GRIP (with switch)	1				
22	1100040680	BOLT	1				
23	1100040820	BOLT	16				
24	1100041016	BOLT	4				
25	1110040816	SCREW, cap	4				
26	1130040006	NUT	2				
27	1131040012	NUT	2				
28	1140020008	WASHER, spring	18				
29	1140420010	WASHER, spring	4				
30	1141110008	WASHER	18				
31	1225110006	WASHER, conical	2				
32	1100040816	BOLT	2				
33	1652533016	CAP	2				
34	1140420008	WASHER, spring	4				

G6b041

TB138FR (P-T138FBBB) Book No. BG6Z001 S/N 13820001-
DOZER BLADE LEVER



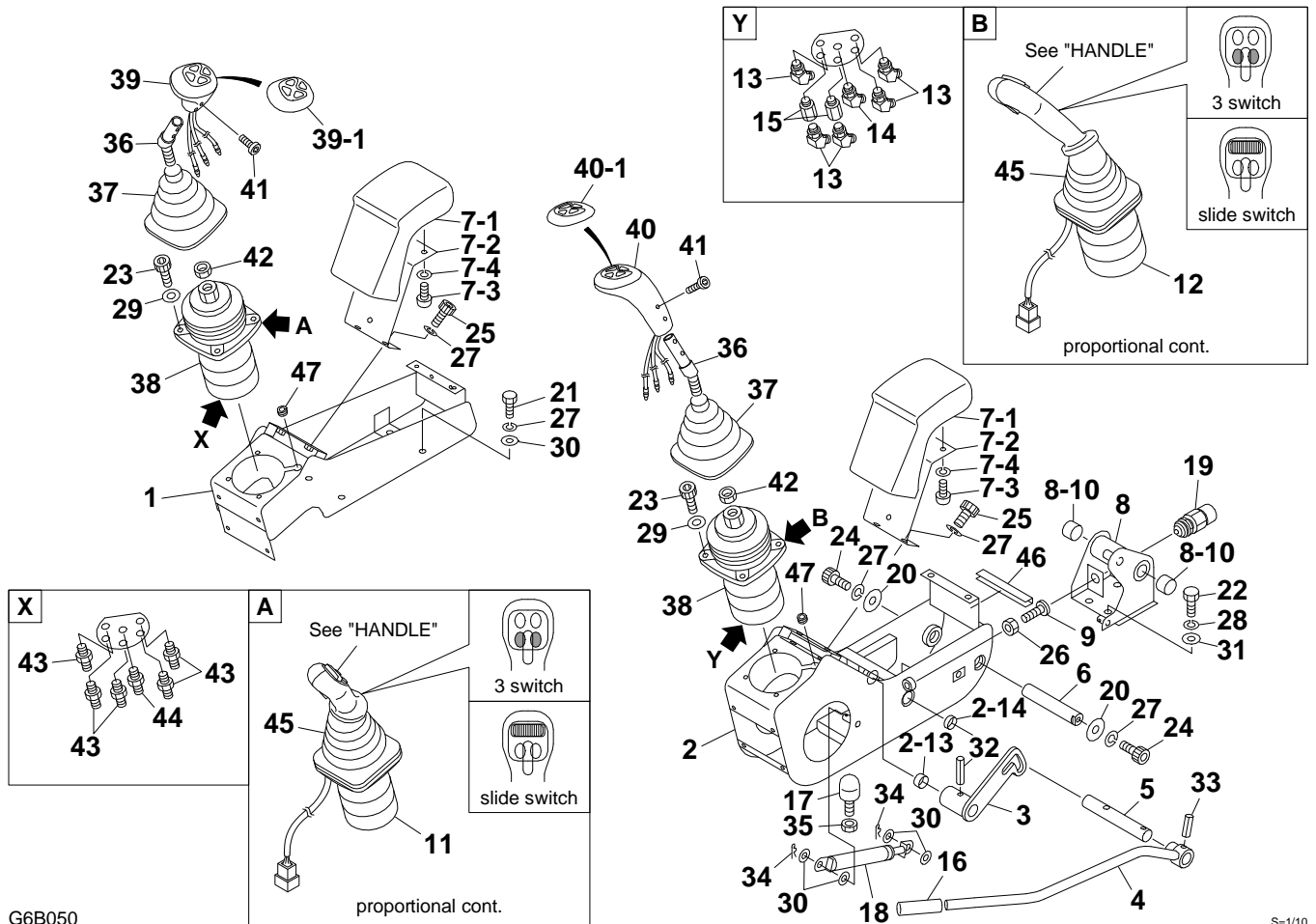
G5B050

S=1/6

DOZER BLADE LEVER

Item	Part number	Description	Q'ty	Chan.	Serial No.	Serv.	Remarks
		LEVER ASSY, blade (cab)					
		LEVER ASSY, blade (canopy)					
1	0393301150	BRACKET	1				
2	0393301160	LEVER	1				
2-4	1333002025	· BUSHING	1				
3	0393301180	COVER	1				cab
4	1630776280	CABLE, control	1				
5	1650153655	GRIP	1				
6	0004006017	PIN	2				
7	0005506024	YOKE	2				
8	0093208300	WASHER	2				
9	1100090612	BOLT	2				
10	1100040625	BOLT	2				
11	1100040816	BOLT	2				
12	1130040006	NUT	2				
13	1140090006	WASHER, spring	2				
14	1140020008	WASHER, spring	2				
15	1141190006	WASHER	2				
16	1141110008	WASHER	2				
17	1214000006	PIN, snap	2				
18	1220000020	RING, retaining	1				
19	1225000005	WASHER	2				
21	0334120100	BOOT	1				
22	1700000038	SWITCH	1				
23	0393301190	COVER	1				canopy
24	1711900059	LIGHTER	1				cab
	G5b050						

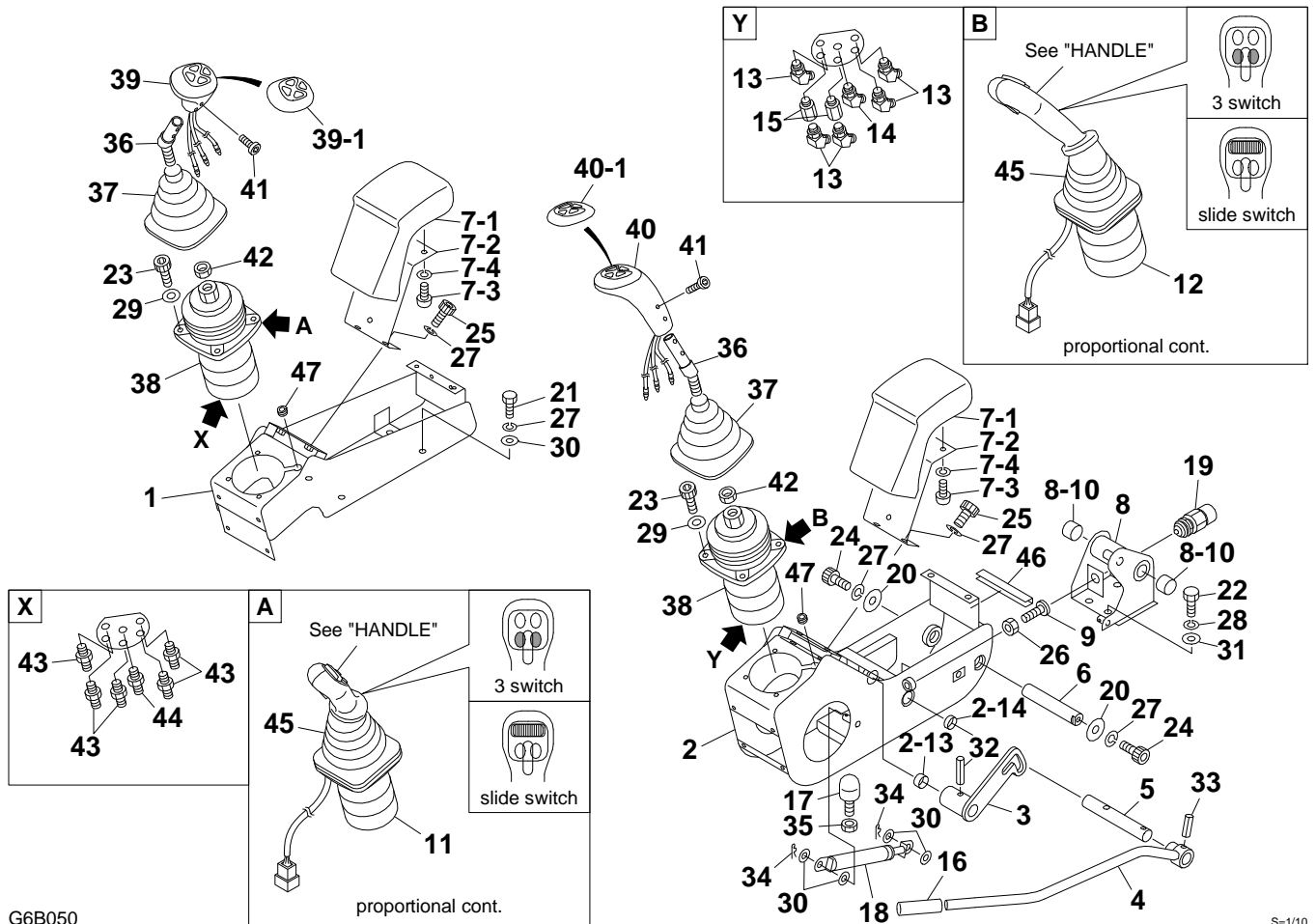
**TB138FR (P-T138FBBB) Book No. BG6Z001 S/N 13820001-
OPERATION LEVER & STAND**



OPERATION LEVER & STAND

Item	Part number	Description	Q'ty	Chan.	Serial No.	Serv.	Remarks
		VALVE ASSY					
		VALVE ASSY (R.H. -slide sw, L.H. -3sw)					
		VALVE ASSY (L.H. -slide sw, R.H. -3sw)					
		VALVE ASSY (R.H. -slide sw, L.H. slide -sw)					
1	0395116010	BOX, control (R.H.)	1				
2	0395116050	BOX, control (L.H.)	1				
2-13	1333002010	· BUSHING	1				
2-14	1333002015	· BUSHING	1				
3	0395113450	PLATE (L.H.)	1				
4	0375108040	LEVER (L.H.)	1				
5	0335124700	SHAFT	1				
6	0335124750	SHAFT	1				
7	0375105500	REST, arm	2				
7-1	0375105510	· URETHANE	1				
7-2	0375105520	· PLATE	1				
7-3	1120530812	· SCREW	3				
7-4	1140020008	· WASHER, spring	3				
8	0375104400	BRACKET (L.H.)	1				
8-10	1333002015	· BUSHING	2				
9	0335120970	BOLT	1				
11	1901751200	VALVE ASSY (R.H.) (3 switch)	1				proportional cont.
	1901751400	VALVE ASSY (R.H.) (slide switch)	1				proportional cont.
12	1901751300	VALVE ASSY (L.H.) (3 switch)	1				proportional cont.
	1901751500	VALVE ASSY (L.H.) (slide switch)	1				proportional cont.
13	1515100110	ELBOW	5				
	1420010110	· O-RING	1				
14	1512370012	ADAPTOR (with filter)	1				
	1420010110	· O-RING	1				
15	1513250202	BUSHING	2				
	1420010110	· O-RING	1				
16	1650202300	CAP	1				
17	1651101224	STOPPER	1				
18	1653900057	SPRING, gas	1				
19	1700000033	SWITCH, limit	1				
20	0003600011	WASHER	2				
21	1100040820	BOLT	4				
22	1100041020	BOLT	4				
23	1110040625	SCREW, cap	8				
24	1110040816	SCREW, cap	2				
25	1110040820	SCREW, cap	4				
26	1130040010	NUT	1				
27	1140020008	WASHER, spring	10				
28	1140020010	WASHER, spring	4				
29	1141110006	WASHER	8				
30	1141110008	WASHER	8				
31	1141110010	WASHER	4				
32	1213000832	PIN, spring	1				
33	1213000836	PIN, spring	1				
34	1214000008	PIN, snap	2				
35	1130040012	NUT	1				
36	0375105100	LEVER	2				only 1st aux. line
37	0375109030	BOOT	2				only 1st aux. line
38	1901751100	VALVE, pilot	2				only 1st aux. line
39	1650204600	GRIP (R.H.)	1				only 1st aux. line
39-1	1650204601	· COVER	1				only 1st aux. line
40	1650204700	GRIP (L.H.)	1				only 1st aux. line
40-1	1650204701	· COVER	1				only 1st aux. line
41	1111850610	SCREW, cap	4				only 1st aux. line
42	1130040014	NUT	2				only 1st aux. line
43	1515600200	ADAPTOR	5				
	1420010110	· O-RING	1				

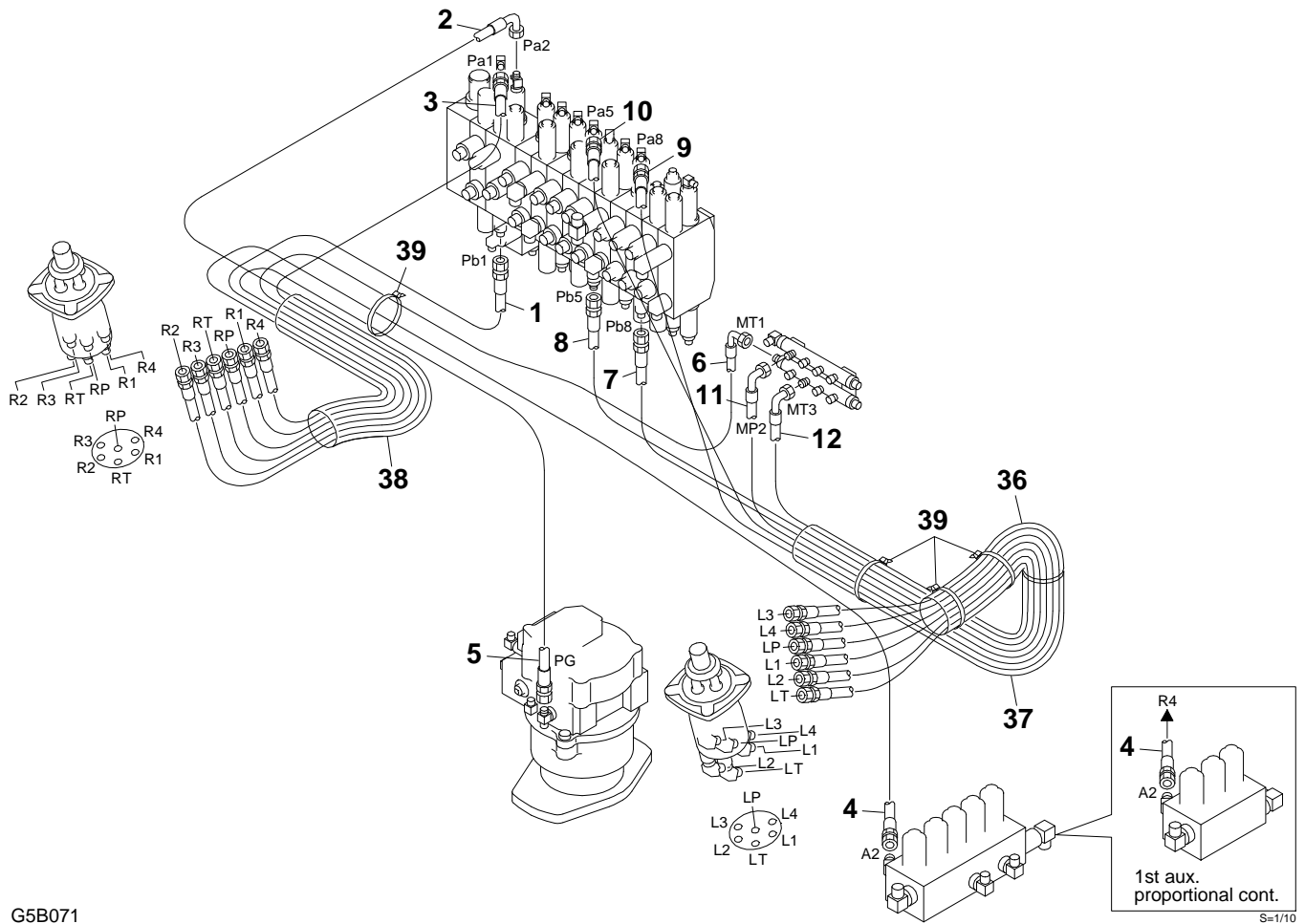
**TB138FR (P-T138FBBB) Book No. BG6Z001 S/N 13820001-
OPERATION LEVER & STAND**



OPERATION LEVER & STAND

Item	Part number	Description	Q'ty	Chan.	Serial No.	Serv.	Remarks
44	1512370008	ADAPTOR (with filter)	1				
	1420010110	· O-RING	1				
45	0375109110	BOOT	2				proportional cont.
46	1653917009	TRIM	1				sold by the meter
47	1700100092	GROMMET	2				
	G6b051						

**TB138FR (P-T138FBBB) Book No. BG6Z001 S/N 13820001-
PIPING; OPERATION LEVER (1/2)**



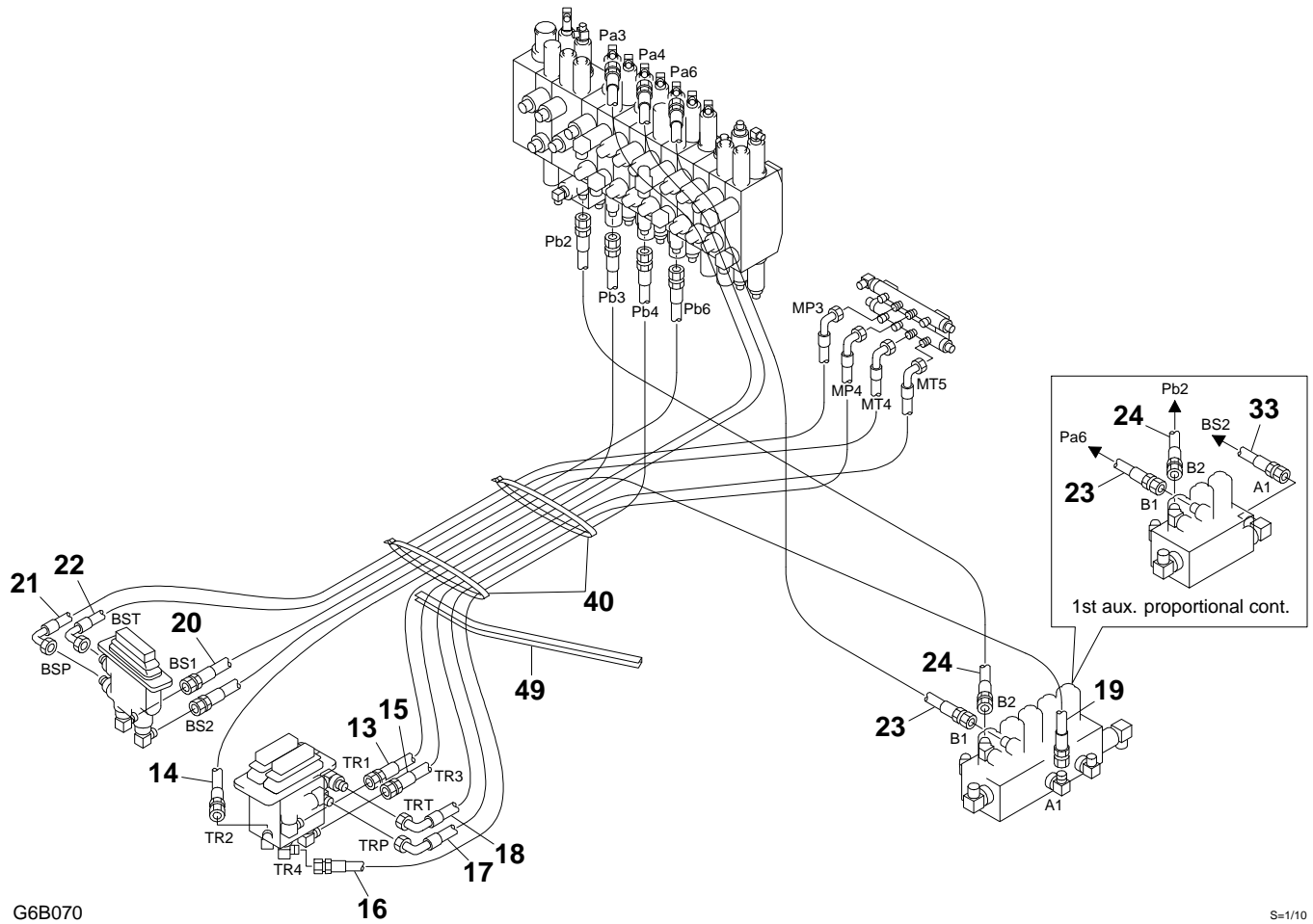
G5B071

S=1/10

PIPING; OPERATION LEVER (1/2)

Item	Part number	Description	Q'ty	Chan.	Serial No.	Serv.	Remarks
		PIPING ASSY					
		PIPING ASSY (1st aux. proportion)					
1	0377120010	HOSE ASSY	1				19348-22135
2	0377120020	HOSE ASSY	1				19348-52088
3	0377120030	HOSE ASSY	1				19348-22088
4	0377120040	HOSE ASSY	1				19348-22180
5	0377120050	HOSE ASSY	1				19348-22160
6	0377120060	HOSE ASSY	1				19348-52130
7	0377120070	HOSE ASSY	1				19348-22190
8	0377120080	HOSE ASSY	1				19348-22200
9	0377120090	HOSE ASSY	1				19348-22160
10	0377120100	HOSE ASSY	1				19348-22170
11	0377120110	HOSE ASSY	1				19348-52170
12	0377120120	HOSE ASSY	1				19348-52165
36	1531645030	PROTECTOR	1				sold by the meter
37	1567623880	PROTECTOR	1			M	sold by the meter
38	1567523855	PROTECTOR	1				sold by the meter
39	1652200007	BAND	4				
	G6b061						

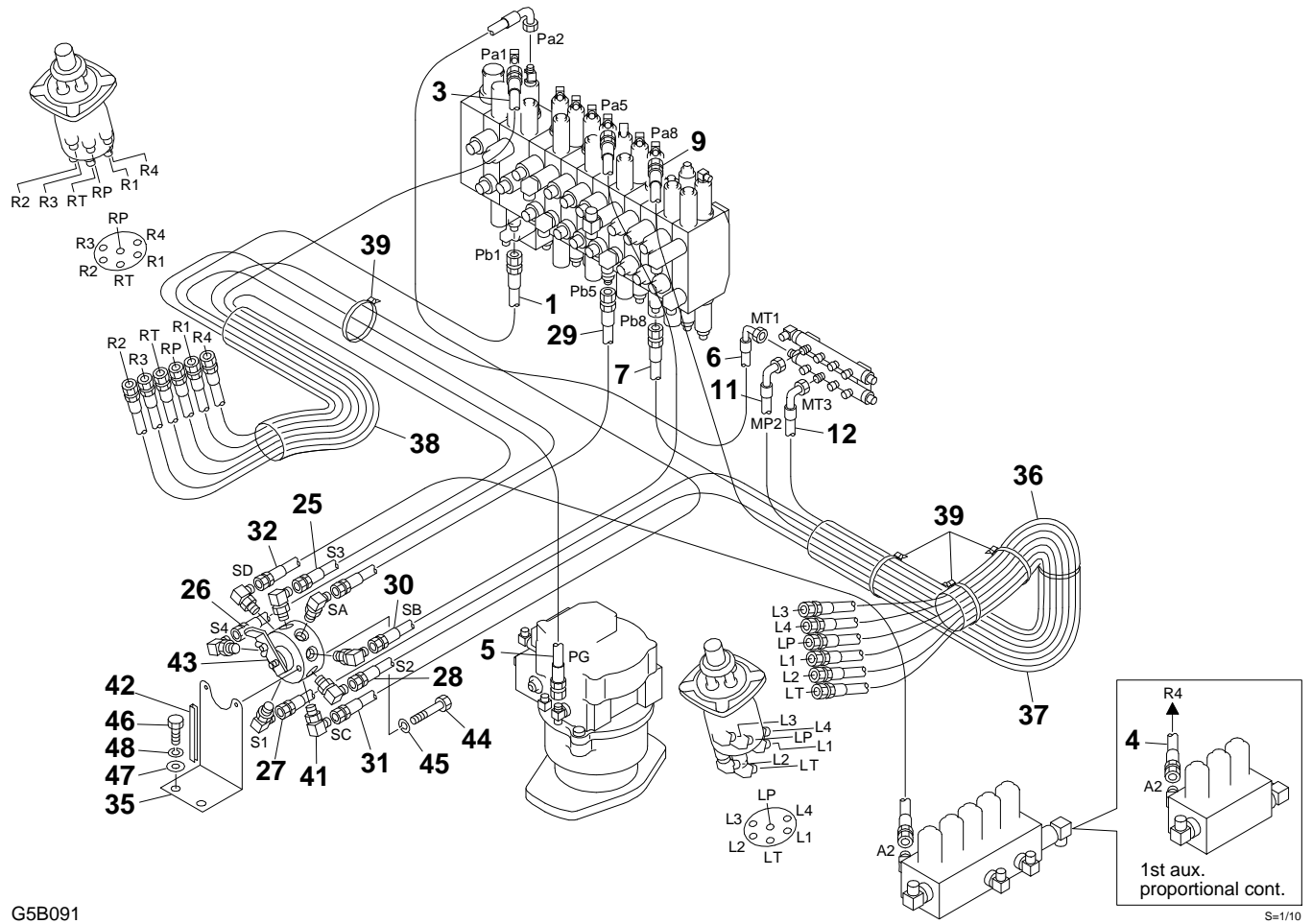
**TB138FR (P-T138FBBB) Book No. BG6Z001 S/N 13820001-
PIPING; OPERATION LEVER (2/2)**



PIPING; OPERATION LEVER (2/2)

Item	Part number	Description	Q'ty	Chan.	Serial No.	Serv.	Remarks
		PIPING ASSY					
		PIPING ASSY (1st aux. proportion)					
13	0377120130	HOSE ASSY	1				18010-22100
14	0377120140	HOSE ASSY	1				18010-22115
15	0377120150	HOSE ASSY	1				18010-22095
16	0377120160	HOSE ASSY	1				18010-22140
17	0377120170	HOSE ASSY	1				18010-52070
18	0377120180	HOSE ASSY	1				18010-52073
19	0377120190	HOSE ASSY (except for 1st aux. proportion)	1				18010-22120
20	0377120200	HOSE ASSY	1				18010-22125
21	0377120210	HOSE ASSY	1				18010-52075
22	0377120220	HOSE ASSY	1				18010-52075
23	0377120230	HOSE ASSY	1				19348-22080
24	0377120240	HOSE ASSY	1				19348-22100
33	0377120330	HOSE ASSY (1st aux. proportion)	1				18010-22105
40	1652231250	BAND	2				
49	1654629040	TRIM	1			M	sold by the meter
	G6b071						

**TB138FR (P-T138FBBB) Book No. BG6Z001 S/N 13820001-
PIPING; OPERATION LEVER (1/2) (ISO-JCB pattern)**



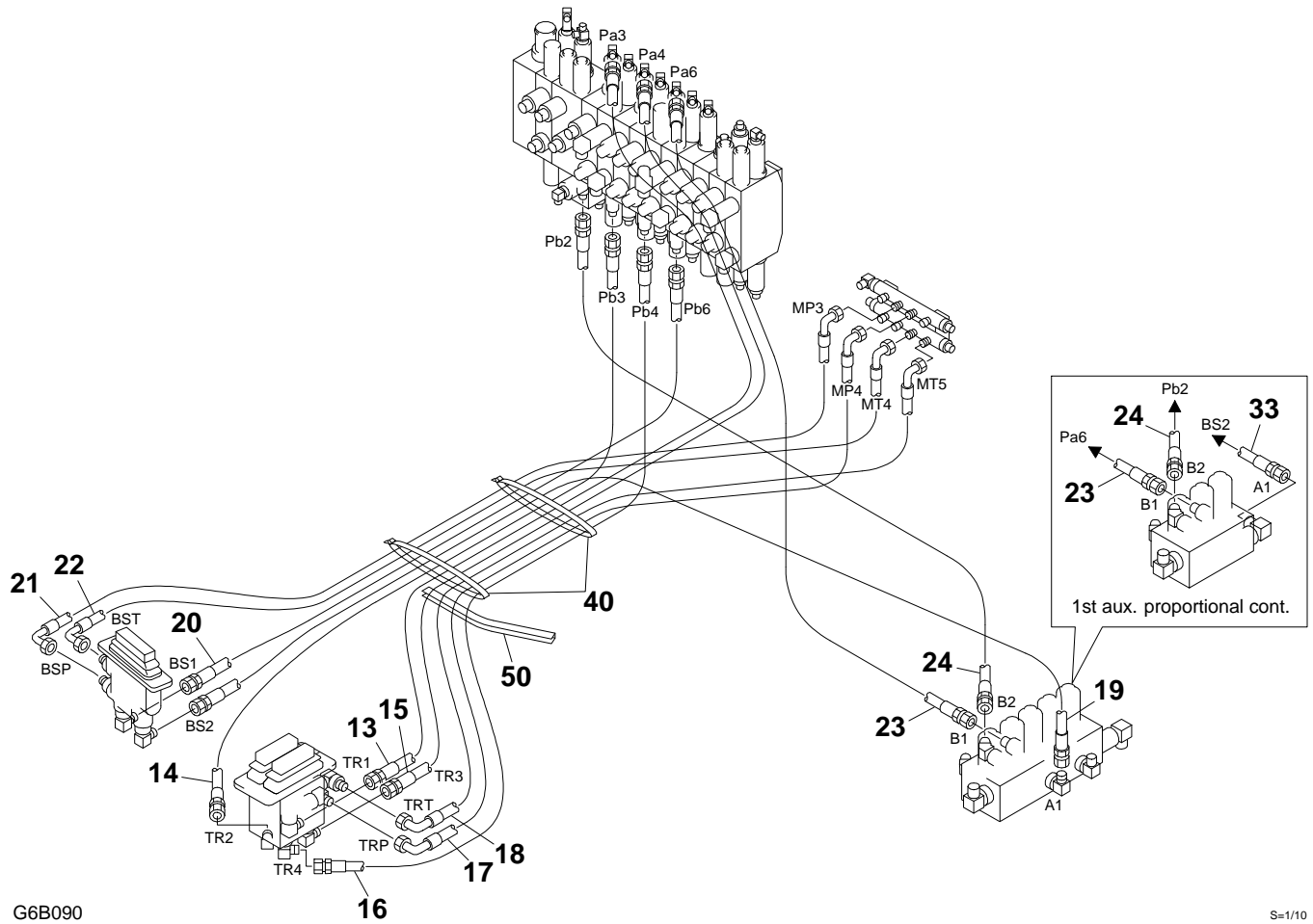
G5B091

S=1/10

PIPING; OPERATION LEVER (1/2) (ISO-JCB pattern)

Item	Part number	Description	Q'ty	Chan.	Serial No.	Serv.	Remarks
		PIPING ASSY					
		PIPING ASSY (1st aux. proportion)					
1	0377120010	HOSE ASSY	1				19348-22135
3	0377120030	HOSE ASSY	1				19348-22088
4	0377120040	HOSE ASSY	1				19348-22180
5	0377120050	HOSE ASSY	1				19348-22160
6	0377120060	HOSE ASSY	1				19348-52130
7	0377120070	HOSE ASSY	1				19348-22190
9	0377120090	HOSE ASSY	1				19348-22160
11	0377120110	HOSE ASSY	1				19348-52170
12	0377120120	HOSE ASSY	1				19348-52165
25	0377120250	HOSE ASSY	1				19348-22145
26	0377120260	HOSE ASSY	1				19348-22145
27	0377120270	HOSE ASSY	1				19348-22150
28	0377120280	HOSE ASSY	1				19348-22150
29	0377120290	HOSE ASSY	1				19348-22080
30	0377120300	HOSE ASSY	1				19348-22060
31	0377120310	HOSE ASSY	1				19348-52080
32	0377120320	HOSE ASSY	1				19348-22050
35	0567149490	PLATE	1				
36	1531645030	PROTECTOR	1				sold by the meter
37	1567623880	PROTECTOR	1			M	sold by the meter
38	1567523855	PROTECTOR	1				sold by the meter
39	1652200007	BAND	4				
41	1515012040	ELBOW	8				
	1420010110	· O-RING	1				
42	1654601010	TRIM	1				sold by the meter
43	1901730500	VALVE, selector	1				
44	1100040650	BOLT	2				
45	1140020006	WASHER, spring	2				
46	1100041225	BOLT	2				
47	1140020012	WASHER, spring	2				
48	1141110012	WASHER	2				
	G6b081						

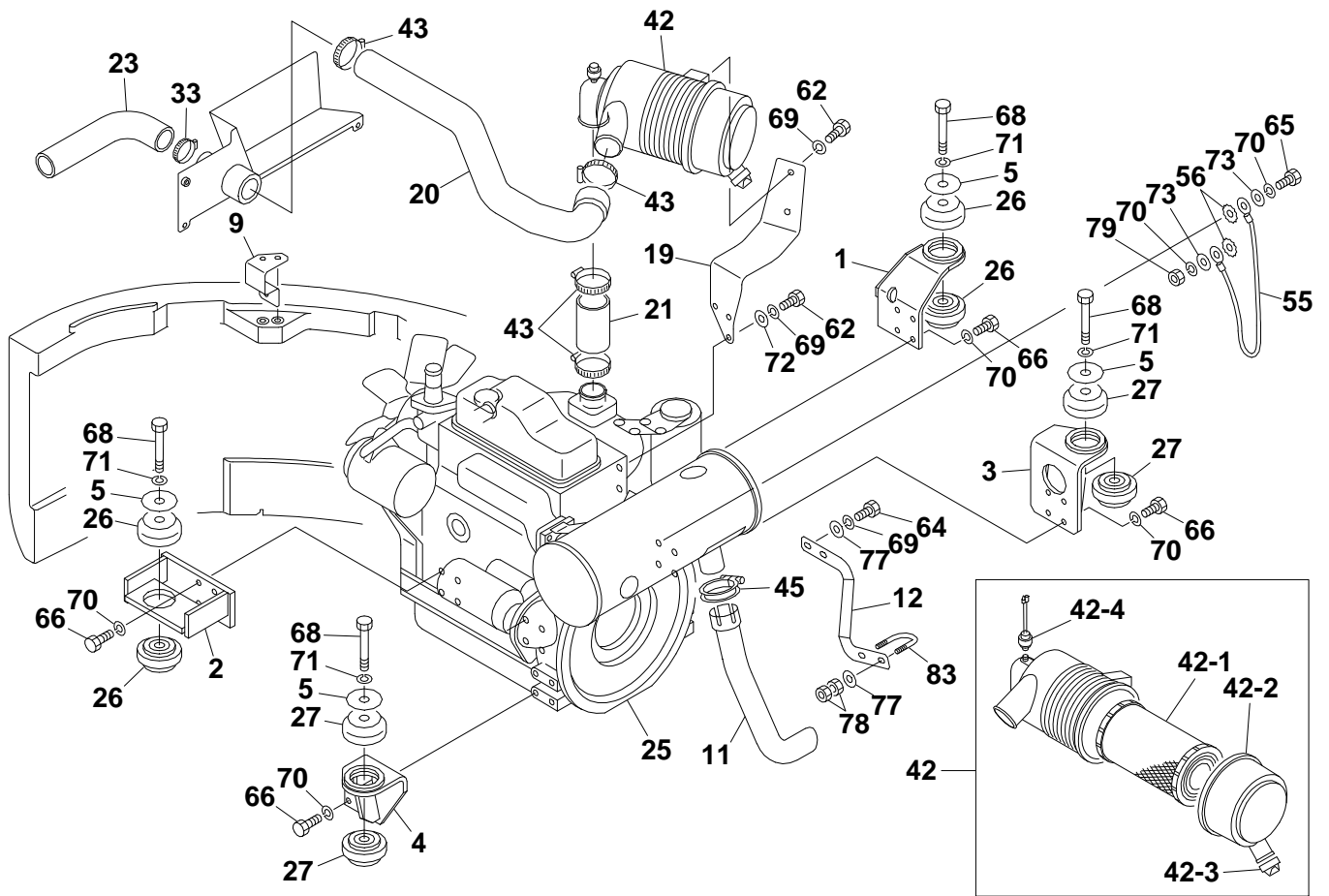
**TB138FR (P-T138FBBB) Book No. BG6Z001 S/N 13820001-
PIPING; OPERATION LEVER (2/2) (ISO-JCB pattern)**



PIPING; OPERATION LEVER (2/2) (ISO-JCB pattern)

Item	Part number	Description	Q'ty	Chan.	Serial No.	Serv.	Remarks
		PIPING ASSY					
		PIPING ASSY (1st aux. proportion)					
13	0377120130	HOSE ASSY	1				18010-22100
14	0377120140	HOSE ASSY	1				18010-22115
15	0377120150	HOSE ASSY	1				18010-22095
16	0377120160	HOSE ASSY	1				18010-22140
17	0377120170	HOSE ASSY	1				18010-52070
18	0377120180	HOSE ASSY	1				18010-52073
19	0377120190	HOSE ASSY (except for 1st aux. proportion)	1				18010-22120
20	0377120200	HOSE ASSY	1				18010-22125
21	0377120210	HOSE ASSY	1				18010-52075
22	0377120220	HOSE ASSY	1				18010-52075
23	0377120230	HOSE ASSY	1				19348-22080
24	0377120240	HOSE ASSY	1				19348-22100
33	0377120330	HOSE ASSY (1st aux. proportion)	1				18010-22105
40	1652231250	BAND	2				
50	1654629018	TRIM	1			M	sold by the meter
	G6b091						

TB138FR (P-T138FBBB) Book No. BG6Z001 S/N 13820001-
ENGINE & ACCESSORIES (1/3)



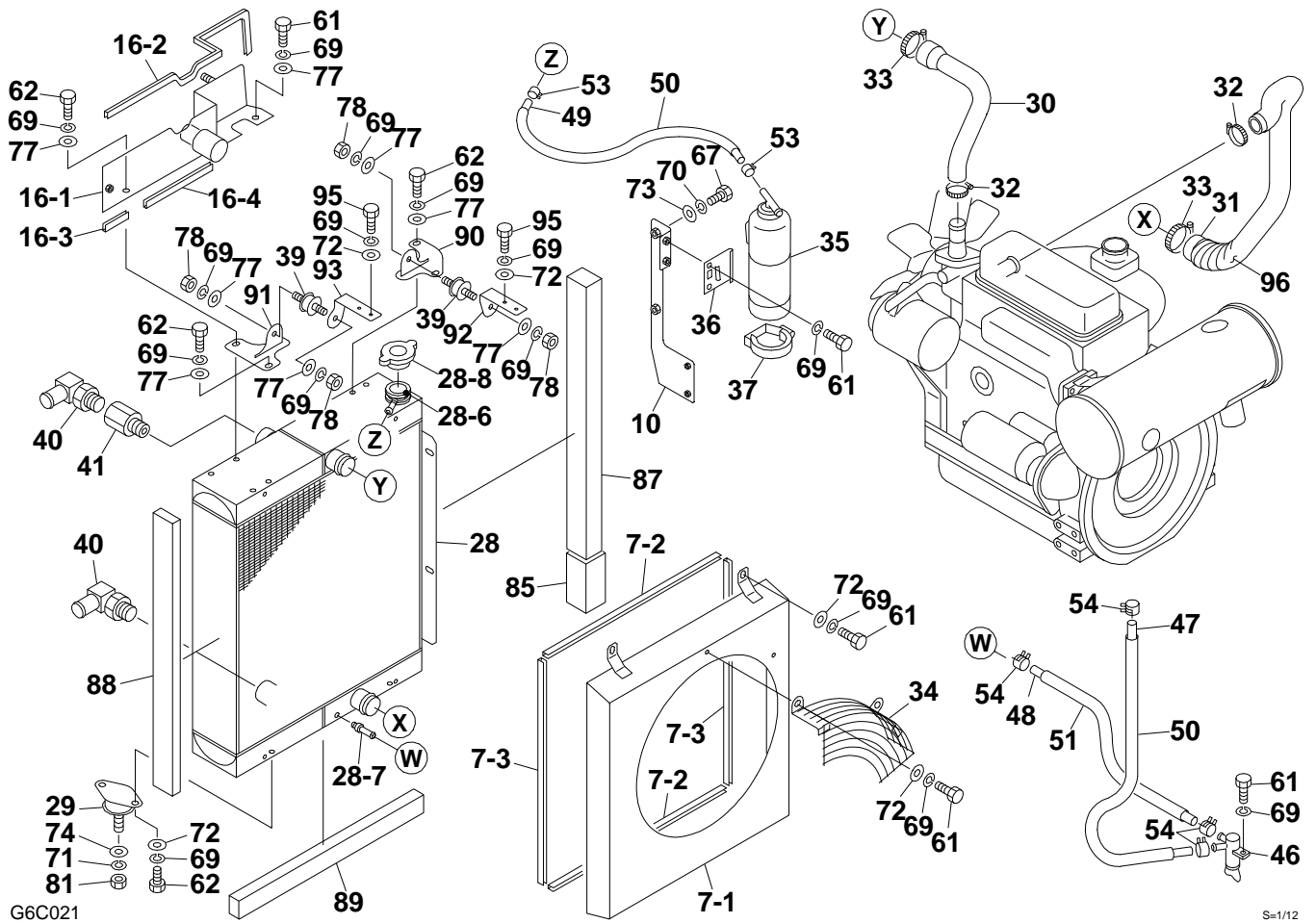
G6C010

S=1/12

ENGINE & ACCESSORIES (1/3)

Item	Part number	Description	Q'ty	Chan.	Serial No.	Serv.	Remarks
		ENGINE ASSY					
1	0374023100	FOOT, engine (F.R.)	1				
2	0374023110	FOOT, engine (F.L.)	1				
3	0374023120	FOOT, engine (R.R.)	1				
4	0374024100	FOOT, engine (R.L.)	1				
5	0394021028	WASHER	4				
9	0374018570	BRACKET	1				
11	0374018450	PIPE	1				
12	0374018560	BRACKET	1				
19	0374024220	BRACKET	1				
20	0374024230	HOSE	1				
21	0374024450	HOSE	1				
23	0374024240	HOSE	1				
25	1910260001	ENGINE	1				3TNV88-BPTBZ
26	1651030014	RUBBER, cushion	4				
27	1651030016	RUBBER, cushion	4				
33	1533700051	BAND	1				
42	0374018320	CLEANER, air	1				
42-1	X *****	· ELEMENT	1				Y119808-12520
42-2	X *****	· COVER	1				Y119866-12541
42-3	X *****	· VALVE	1				Y119808-12540
42-4	X *****	· INDICATOR	1				Y129953-12620
43	1533700071	BAND	4				
45	1910120023	CLAMP	1				Y121120-13590
55	1702430280	CABLE, earth	1				
56	1140330010	WASHER	2				
62	1100040820	BOLT	4				
64	1100040835	BOLT	2				
65	1100041016	BOLT	1				
66	1100041025	BOLT	15				
68	1101141200	BOLT	4				
69	1140020008	WASHER, spring	6				
70	1140020010	WASHER, spring	18				
71	1140020012	WASHER, spring	4				
72	1141110008	WASHER	2				
73	1141110010	WASHER	2				
77	0003608252	WASHER	4				
78	1130040008	NUT	4				
79	1130040010	NUT	1				
83	1533201012	U-BOLT	1				
	G6c011						

TB138FR (P-T138FBBB) Book No. BG6Z001 S/N 13820001-
ENGINE & ACCESSORIES (2/3)



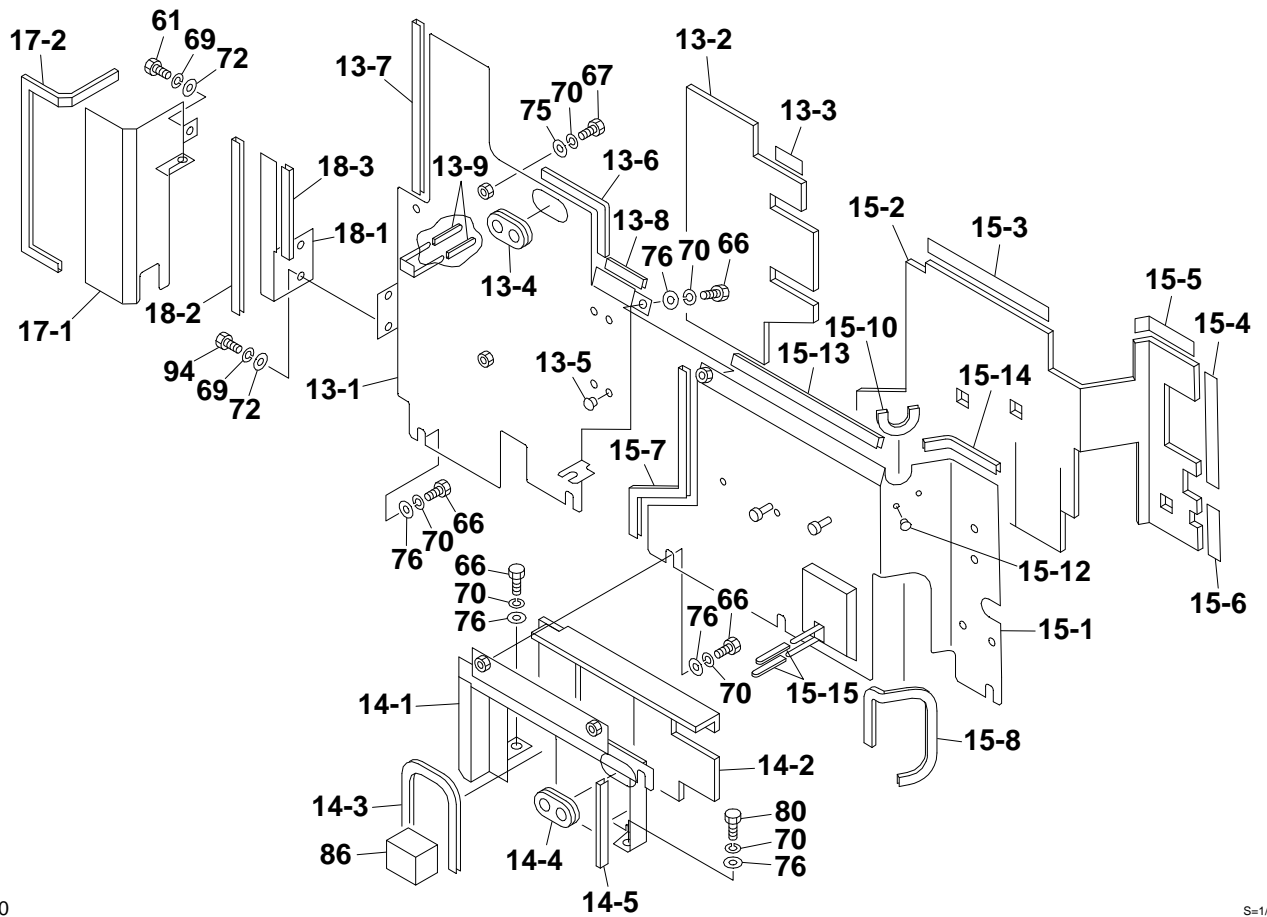
G6C021

S=1/12

ENGINE & ACCESSORIES (2/3)

Item	Part number	Description	Q'ty	Chan.	Serial No.	Serv.	Remarks
		ENGINE ASSY					
7	0374024110	SHROUD ASSY	1				
7-1	0374024120	· SHROUD	1				
7-2	1654606046	· SPONGE	2				sold by the meter
7-3	1654606050	· SEAL	2				sold by the meter
10	0374018210	BRACKET	1				
16	0374024160	PLATE ASSY	1				
16-1	0374024170	· PLATE	1				
16-2	1654606061	· SEAL	1				sold by the meter
16-3	1654606006	· SEAL	1				sold by the meter
16-4	1654606017	· SEAL	1				sold by the meter
28	1911300290	RADIATOR & OIL COOLER	1				AKG
28-6	1911300076	· FITTING, hose	1				
28-7	1911300077	· NIPPLE	1				
28-8	1911300078	· CAP, radiator	1				
29	1651024009	RUBBER, cushion	2				
30	0374019850	HOSE	1				
31	0374019840	HOSE	1				
32	1533700039	BAND	2				
33	1533700051	BAND	2				
34	0374024400	GUARD	1				
35	1910047040	TANK, sub	1				Y171064-44510
36	1910047052	BRACKET	1				Y121256-44600
37	1910047047	BAND	1				Y124450-44550
39	1651014003	RUBBER, cushion	2				
40	1513350027	ELBOW	1				
	1420010290	· O-RING	1				
41	0007213051	ADAPTOR	1				
46	1910078037	VALVE, drain	1				Y129150-49100
47	1530808034	HOSE	1			M	sold by the meter
48	1530808050	HOSE	1				sold by the meter
49	1531407034	HOSE	1			M	sold by the meter
50	1531115024	PROTECTOR	2			M	sold by the meter
51	1531115040	PROTECTOR	1				sold by the meter
53	1533120011	BAND	2				
54	1533120012	BAND	4				
61	1100040816	BOLT	10				
62	1100040820	BOLT	8				
67	1100041035	BOLT	2				
69	1140020008	WASHER, spring	25				
70	1140020010	WASHER, spring	2				
71	1140020012	WASHER, spring	2				
72	1141110008	WASHER	16				
73	1141110010	WASHER	2				
74	1141110012	WASHER	2				
77	0003608252	WASHER	8			M	
78	1130040008	NUT	4				
81	1130540012	NUT	2				
85	0374018092	URETHANE	1				
87	0374023230	URETHANE	1				
88	0374023231	URETHANE	1				
89	0374023232	URETHANE	1				
90	0374024250	SUPPORT (R.H.)	1				
91	0374024260	SUPPORT (L.H.)	1				
92	0374024270	SUPPORT (R.H.)	1				
93	0374024280	SUPPORT (L.H.)	1				
95	1100040830	BOLT	4				
96	1532224045	PROTECTOR	1			M	sold by the meter
	G6c021						

TB138FR (P-T138FBBB) Book No. BG6Z001 S/N 13820001-
ENGINE & ACCESSORIES (3/3)



G6C030

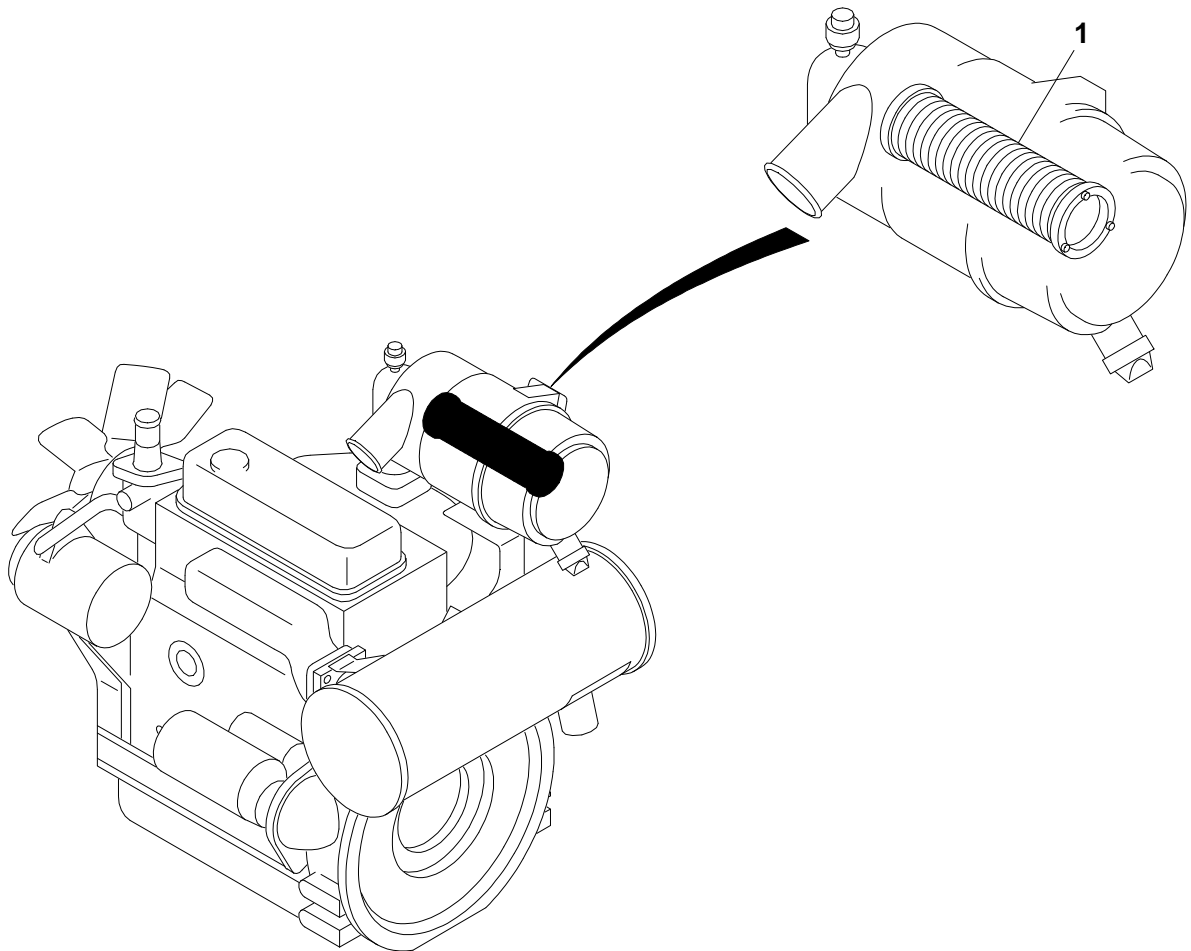
S=1/10

ENGINE & ACCESSORIES (3/3)

Item	Part number	Description	Q'ty	Chan.	Serial No.	Serv.	Remarks
		ENGINE ASSY					
13	0374024130	PLATE ASSY	1				
13-1	0374024140	· PLATE	1				
13-2	0374018343	· INSULATOR	1				
13-3	1654401006	· TAPE	1				sold by the meter
13-4	0337017300	· GUARD	1				
13-5	1652533019	· CAP	2				
13-6	1654625023	· TRIM	1				sold by the meter
13-7	1654625030	· TRIM	1				sold by the meter
13-8	1654625005	· TRIM	1				sold by the meter
13-9	0872433150	· TUBE	4				
14	0374018350	PLATE ASSY	1				
14-1	0374018470	· PLATE	1				
14-2	0374018353	· INSULATOR	1				
14-3	1654625039	· TRIM	1				sold by the meter
14-4	0097210300	· GUARD	1				
14-5	1654520013	· RUBBER	1				sold by the meter
15	0374018670	PLATE ASSY	1				
15-1	0374018680	· PLATE	1				
15-2	0374018673	· INSULATOR	1				
15-3	1654401026	· TAPE	1				sold by the meter
15-4	1654401021	· TAPE	1				sold by the meter
15-5	1654401012	· TAPE	1				sold by the meter
15-6	1654401009	· TAPE	1				sold by the meter
15-7	1654625041	· TRIM	1				sold by the meter
15-8	1654625027	· TRIM	1				sold by the meter
15-10	1654629008	· TRIM	1				sold by the meter
15-12	1652533017	· CAP	2				
15-13	1654625032	· TRIM	1				sold by the meter
15-14	1654625012	· TRIM	1				sold by the meter
15-15	0872433150	· TUBE	4				
17	0374024180	PLATE ASSY	1				
17-1	0374023190	· PLATE	1				
17-2	1654606058	· TRIM	1				sold by the meter
18	0374024200	PLATE ASSY	1				
18-1	0374024210	· PLATE	1				
18-2	1654606025	· SEAL	1				sold by the meter
18-3	1654606016	· TRIM	1				sold by the meter
61	1100040816	BOLT	2				
66	1100041025	BOLT	8				
67	1100041035	BOLT	2				
69	1140020008	WASHER, spring	4				
70	1140020010	WASHER, spring	11				
72	1141110008	WASHER	4				
75	0003600025	WASHER	2				
76	1141550010	WASHER	9				
80	1110041025	BOLT	1				
86	1654346006	SPONGE	1				sold by the meter
94	1110040814	BOLT	2				

G6c031

**TB138FR (P-T138FBBB) Book No. BG6Z001 S/N 13820001-
AIR CLEANER (for double element)**



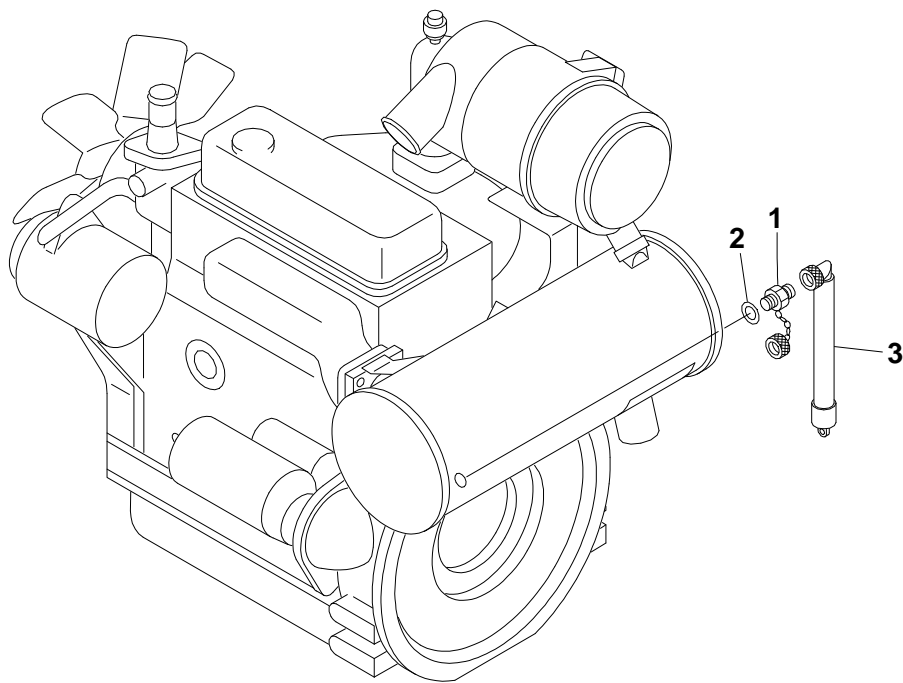
G5C040

S=1/4, 1/8

AIR CLEANER (for double element)

Item	Part number	Description	Q'ty	Chan.	Serial No.	Serv.	Remarks
1	1911102772 G4c150	CLEANER ASSY, air ELEMENT	1				Donaldson P82-2858

**TB138FR (P-T138FBBB) Book No. BG6Z001 S/N 13820001-
DRAIN PLUG**



G5C050

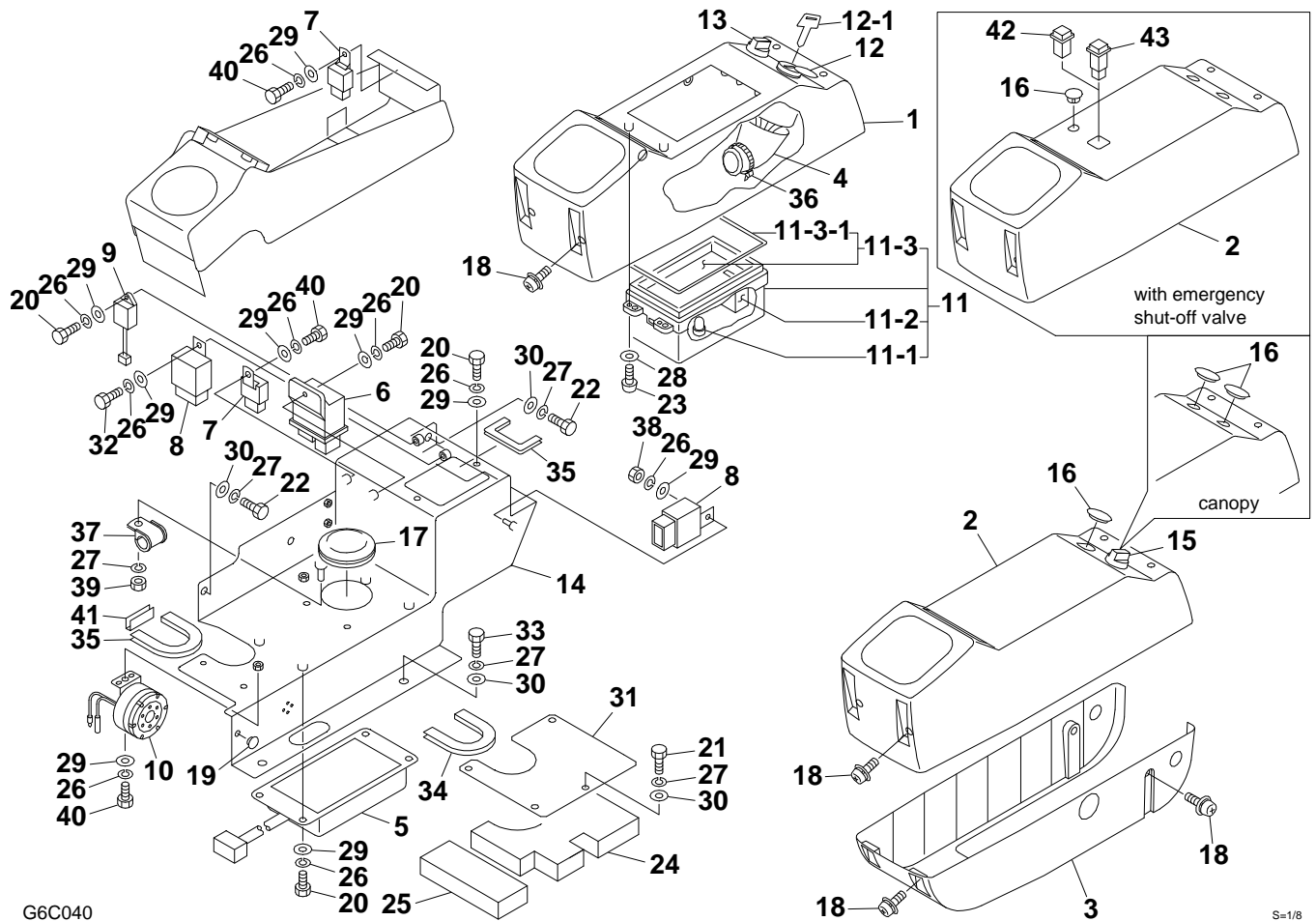
S=1/8

DRAIN PLUG

Item	Part number	Description	Q'ty	Chan.	Serial No.	Serv.	Remarks
1	1554502250	PLUG ASSY, drain PLUG	1				
2	1432122302	WASHER	1				
3	1554512601	TUBE	1				

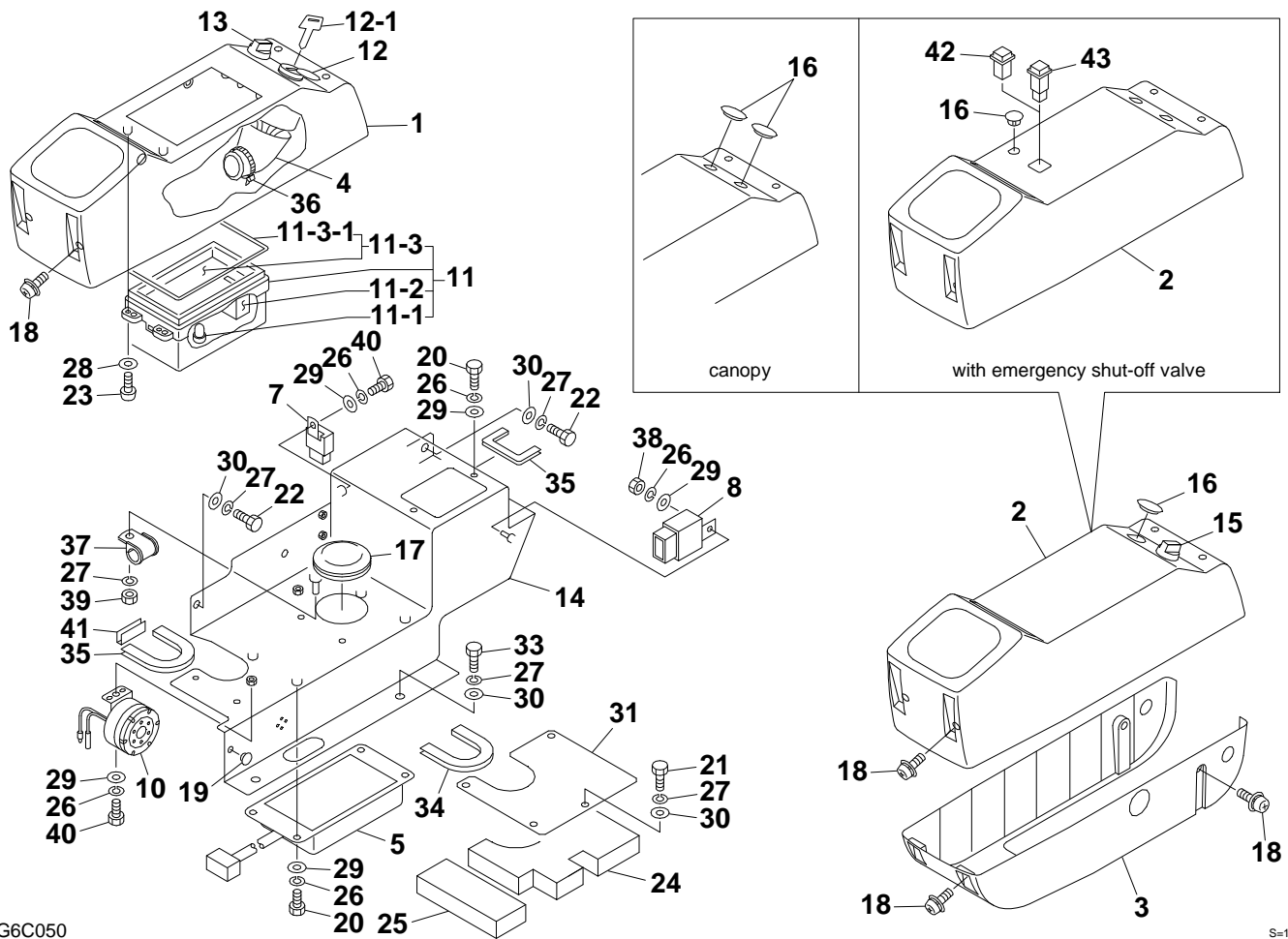
J1c031

**TB138FR (P-T138FBBB) Book No. BG6Z001 S/N 13820001-
CONTROL BOX (13820001-13820079)**



CONTROL BOX (13820001-13820079)					
Item	Part number	Description	Q'ty	Chan.	Serial No. Serv.
		BOX ASSY, control (cab)			
		BOX ASSY, control (canopy)			
		BOX ASSY, control (cab; with 3rd aux. line, with shut-off valve)			
		BOX ASSY, control (canopy; with 3rd aux. line, with shut-off valve)			
		BOX ASSY, control (cab; without 3rd aux. line, with shut-off valve)			
		BOX ASSY, control (canopy; without 3rd aux. line, with shut-off valve)			
1	0334326150	COVER (R.H.)	1		
2	0334327150	COVER (L.H.)	1		withou
	0374304100	COVER (L.H.)	1		with sf
3	0334327250	COVER (L.H.)	1		
4	0870431821	COVER	1		
5	1730140910	CONTROLLER	1		
6	1910181106	RELAY, safety	1		Y1198
7	1711900042	RELAY	2		
8	1711900062	RELAY	2		
9	1910150118	UNIT, timer	1		Y1292
10	1703700010	BUZZER	1		
11	1730141330	GAUGE, cluster	1		
11-1	1730140634	· BULB	8		
11-2	1730140652	· METER, hour	1		
11-3	1730140653	· GLASS	1		
11-3-1	1730140654	· · PACKING	1		
12	1700100052	SWITCH, starter	1		cab
	1700100072	SWITCH, starter	1		canop
12-1	1700100019	KEY	1		
13	1700000010	SWITCH, lamp	1		
14	0374307030	BOX	1		
15	1704300007	SWITCH, wiper	1		cab
16	1652533019	CAP	3		canop
	1652533019	CAP	2		cab
17	1652060063	BUSHING	1		
18	1110540614	BOLT, sems	10		
19	1652533016	CAP	1		cab
20	1100040616	BOLT	8		
21	1100040816	BOLT	4		
22	1100040814	BOLT	3		
23	1120530416	SCREW	4		
24	0374307001	URETHAN	1		
25	0564335002	URETHAN	1		
26	1140020006	WASHER, spring	13		
27	1140020008	WASHER, spring	10		
28	1141110004	WASHER	4		
29	1141110006	WASHER	13		
30	1141110008	WASHER	9		
31	0374307020	PLATE	1		
32	1100040620	BOLT	1		
33	1100040820	BOLT	2		
34	1653916013	TRIM	1		sold by
35	1653916011	TRIM	2		sold by
36	1652201005	BAND	1		
37	1711900072	CLAMP	1		
38	1130040006	NUT	1		
39	1130040008	NUT	1		
40	1100040612	BOLT	3		
41	1653916004	TRIM	1		sold by
42	1700550024	ORNAMENT (with shut-off valve)	1		withou
43	1700550032	LAMP, pilot (with shut-off valve)	1		with 3r

**TB138FR (P-T138FBBB) Book No. BG6Z001 S/N 13820001-
CONTROL BOX (13820080-)**



G6C050

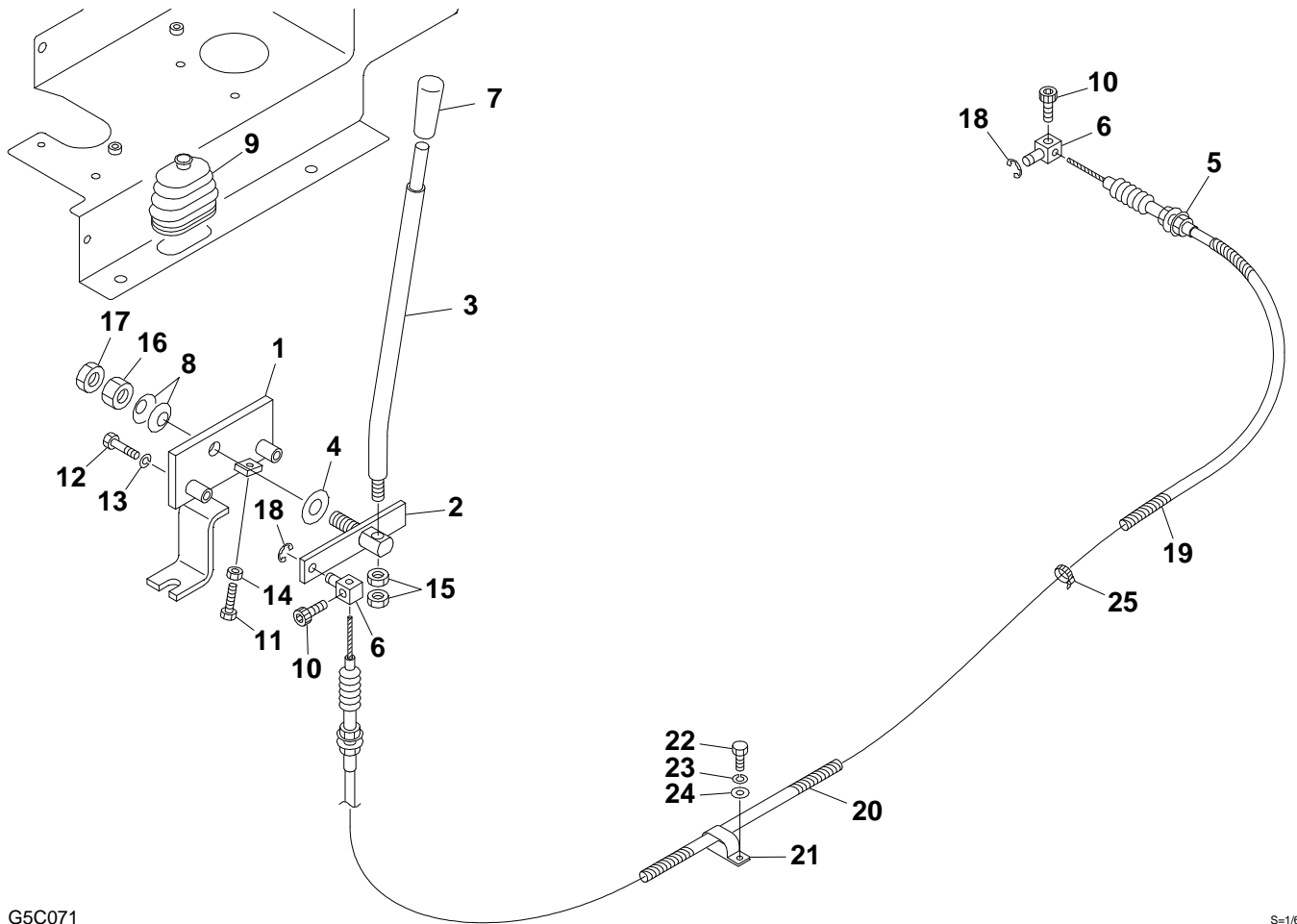
S=1/8

CONTROL BOX (13820080-)

Item	Part number	Description	Q'ty	Chan.	Serial No.	Serv.	I
		BOX ASSY, control (cab)					
		BOX ASSY, control (canopy)					
		BOX ASSY, control (cab; with 3rd aux. line, with shut-off valve)					
		BOX ASSY, control (canopy; with 3rd aux. line, with shut-off valve)					
		BOX ASSY, control (cab; without 3rd aux. line, with shut-off valve)					
		BOX ASSY, control (canopy; without 3rd aux. line, with shut-off valve)					
1	0334326150	COVER (R.H.)	1				
2	0334327150	COVER (L.H.)	1				withou
	0374304100	COVER (L.H.)	1				with sf
3	0334327250	COVER (L.H.)	1				
4	0870431821	COVER	1				
5	1730140910	CONTROLLER	1				
7	1711900042	RELAY	1				
8	1711900062	RELAY	1				
10	1703700010	BUZZER	1				
11	1730142160	GAUGE, cluster	1				
11-1	1730140634	· BULB	8				
11-2	1730140652	· METER, hour	1				
11-3	1730140653	· GLASS	1				
11-3-1	1730140654	· · PACKING	1				
12	1700100052	SWITCH, starter	1				cab
	1700100072	SWITCH, starter	1				canop;
12-1	1700100019	KEY	1				
13	1700000010	SWITCH, lamp	1				
14	0374307030	BOX	1				
15	1704300007	SWITCH, wiper	1				cab
16	1652533019	CAP	3				canop;
	1652533019	CAP	2				cab
17	1652060063	BUSHING	1				
18	1110540614	BOLT, sems	10				
19	1652533016	CAP	1				cab
20	1100040616	BOLT	6				
21	1100040816	BOLT	4				
22	1100040814	BOLT	3				
23	1120530416	SCREW	4				
24	0374307001	URETHAN	1				
25	0564335002	URETHAN	1				
26	1140020006	WASHER, spring	9				
27	1140020008	WASHER, spring	10				
28	1141110004	WASHER	4				
29	1141110006	WASHER	9				
30	1141110008	WASHER	9				
31	0374307020	PLATE	1				
33	1100040820	BOLT	2				
34	1653916013	TRIM	1				sold by
35	1653916011	TRIM	2				sold by
36	1652201005	BAND	1				
37	1711900072	CLAMP	1				
38	1130040006	NUT	1				
39	1130040008	NUT	1				
40	1100040612	BOLT	2				
41	1653916004	TRIM	1				sold by
42	1700550024	ORNAMENT (with shut-off valve)	1				withou
43	1700550032	LAMP, pilot (with shut-off valve)	1				with 3r

G6c050

TB138FR (P-T138FBBB) Book No. BG6Z001 S/N 13820001-
ENGINE CONTROL

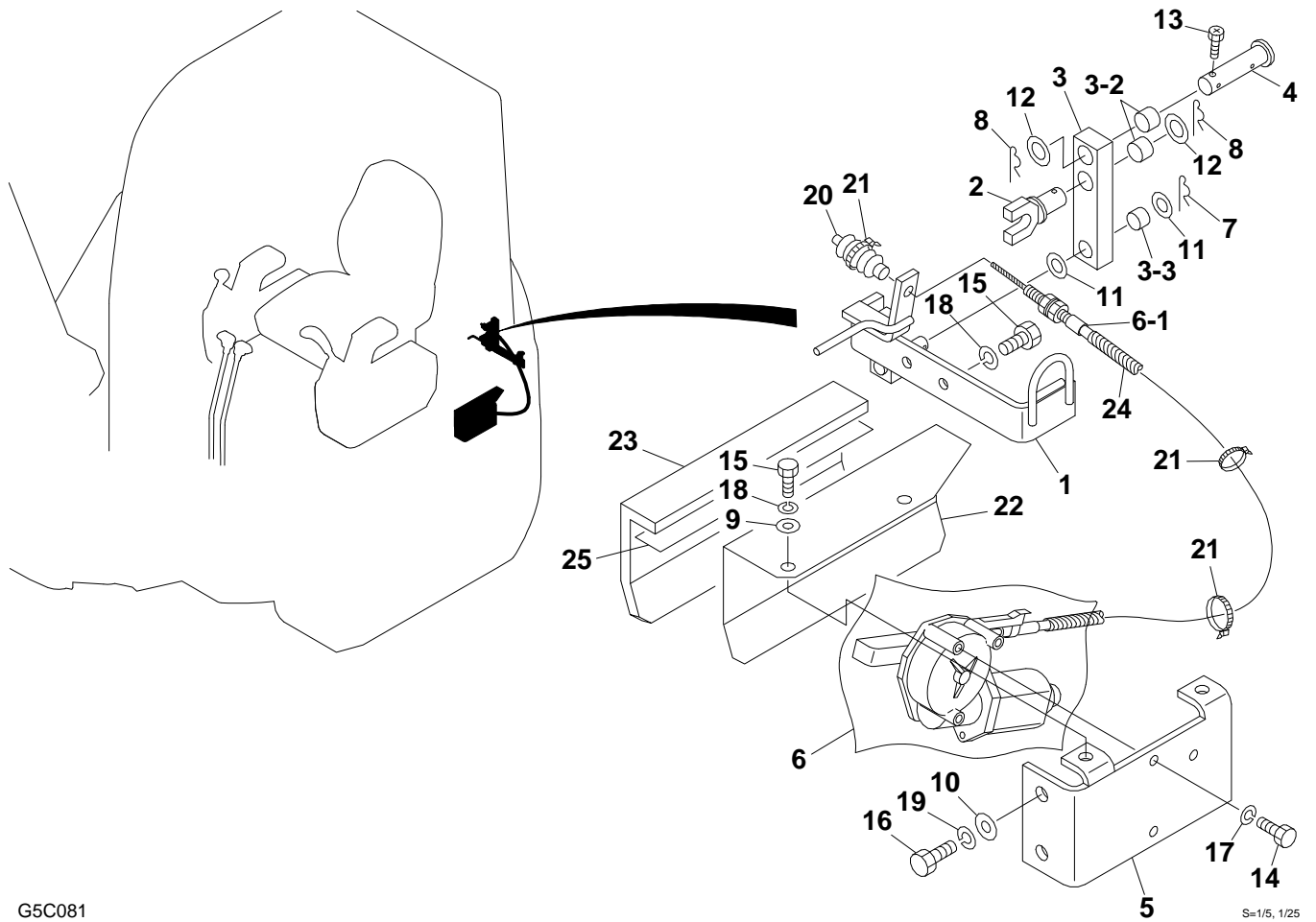


G5C071

S=1/6

ENGINE CONTROL						
Item	Part number	Description	Q'ty	Chan.	Serial No.	Serv. Remarks
		CONTROL ASSY, engine				
1	0394110040	PLATE	1			
2	0394110050	LEVER	1			
3	0394110060	SHAFT	1			
4	0344100400	WASHER	1			
5	0334121200	WIRE	1			
6	0007900016	PIN	2			
7	1650132050	GRIP	1			
8	1225110014	WASHER, conical	2			
9	0334120100	BOOT	1			
10	1110040510	SCREW, cap	2			
11	1100240635	BOLT	1			
12	1100040845	BOLT	2			
13	1140020008	WASHER, spring	2			
14	1130140006	NUT	1			
15	1130140010	NUT	2			
16	1130540014	NUT	1			
17	1130640014	NUT	1			
18	1224010006	RING, retaining	2			
19	1532208045	PROTECTOR	1			sold by the meter
20	1532208025	PROTECTOR	1			sold by the meter
21	0007300055	CLAMP	1			
22	1101041220	BOLT	1			
23	1140020012	WASHER, spring	1			
24	1141110012	WASHER	1			
25	1652231100	BAND	1			
	G5c071					

TB138FR (P-T138FBBB) Book No. BG6Z001 S/N 13820001-
DECEL UNIT



G5C081

S=1/5, 1/25

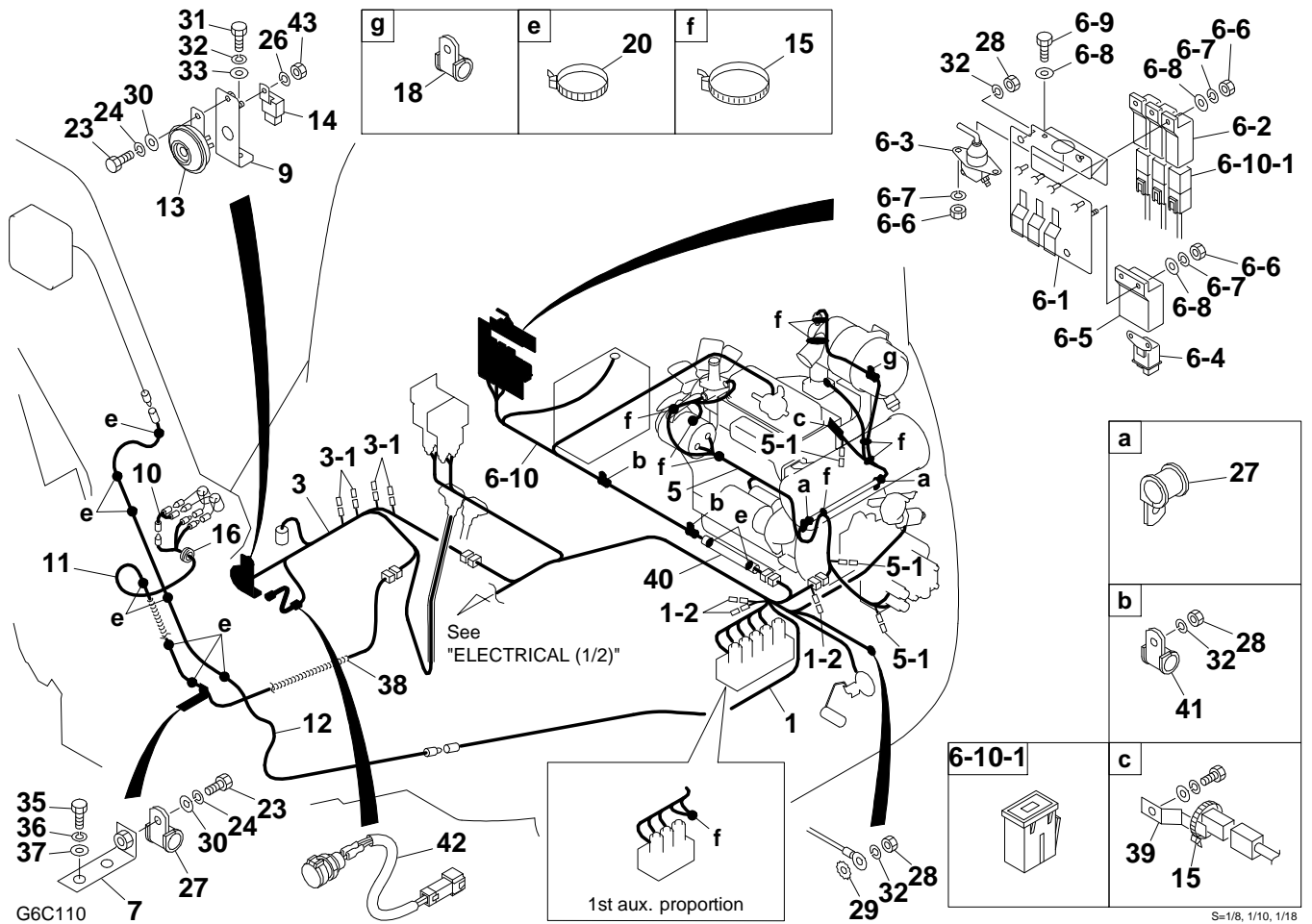
DECEL UNIT

Item	Part number	Description	Q'ty	Chan.	Serial No.	Serv.	Remarks
		UNIT ASSY, decel.					
1	0374105190	BRACKET	1				
2	0434107200	BRACKET	1				
3	0374105200	LEVER	1				
3-2	1333001415	· BUSHING	2				
3-3	1333001215	· BUSHING	1				
4	0374103020	PIN	1				
5	0374105450	PLATE	1				
6	1910087166	MOTOR, decel.	1				Y119032-77910
6-1	1910087167	· WIRE	1				
7	1214000012	PIN, snap	1				
8	1214000014	PIN, snap	2				
9	1141110008	WASHER	2				
10	1141110010	WASHER	2				
11	1141210012	WASHER	2				
12	1141210014	WASHER	2				
13	1105090510	BOLT	1				
14	1100040616	BOLT	3				
15	1100040820	BOLT	4				
16	1100041025	BOLT	2				
17	1140020006	WASHER, spring	3				
18	1140020008	WASHER, spring	4				
19	1140020010	WASHER, spring	2				
20	0007900014	BOOT	1				
21	1652201004	BAND	3				
22	0374105460	PLATE	1				
23	0374105423	INSULATOR	1				
24	1532208045	PROTECTOR	1				sold by the meter
25	1654401019	TAPE	1				sold by the meter
	G6c060						

ELECTRICAL (1/2) (13820001-13820079)

Item	Part number	Description	Q'ty	Chan.	Serial No.	Serv.	Rem
		ELECTRICAL ASSY (1st aux. ON-OFF)					
		ELECTRICAL ASSY (1st aux. proportion)					
		ELECTRICAL ASSY (1st aux. ON-OFF, 2nd aux. proportion)					
		ELECTRICAL ASSY (1st & 2nd aux. proportion)					
1	0374218010	HARNESS ASSY, wiring	1				
1-1	1701200002	· BOX, fuse	1				
1-2	1730500008	· DIODE (3A, yellow)	7				
2	0374213960	BOX ASSY	1				
2-1	0374213975	· BOX	1				
2-3	0374213885	· HARNESS ASSY, wiring	1				
2-3-1	1730500008	· · DIODE (3A, yellow)	5				
2-4	0354213650	· RESISTER ASSY	2				
2-5	1711900042	· RELAY	6				
2-6	1120530612	· SCREW	9				
2-7	1140020006	· WASHER, spring	11				
2-9	0872433150	· TUBE	2				
2-10	1653916012	· TRIM	1				sold by t
2-11	1711900131	· DETECTOR	1				
2-12	1100040616	· BOLT	1				
2-13	1141110006	· WASHER	2				
2-14	1130040006	· NUT	1				
8	0394226050	HARNESS, wiring (1st aux. ON-OFF)	1				
14	1711900042	RELAY	2				
17	1652022506	GROMMET	1				
19	0007300003	CLAMP	3				
21	0394226040	HARNESS, wiring (1st aux. ON-OFF, 2nd aux. proportion)	1				
22	0394226060	HARNESS, wiring (1st aux. proportion)	1				
23	1100040816	BOLT	7				
24	1140020008	WASHER, spring	7				
25	1100040610	BOLT	2				
26	1140020006	WASHER, spring	2				
30	1141110008	WASHER	7				
34	0354221600	HARNESS, wiring	1				
	G6c100						

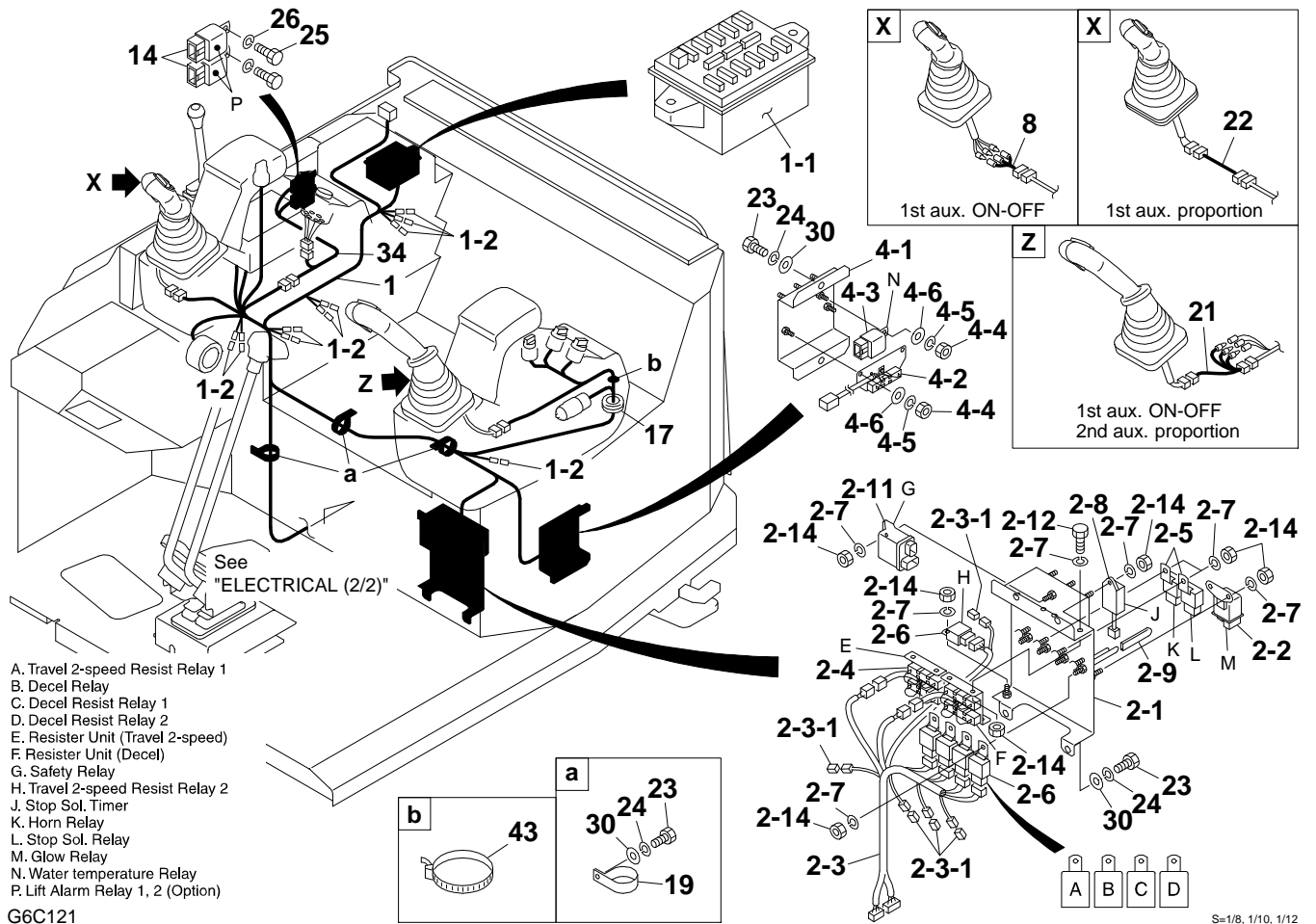
TB138FR (P-T138FBBB) Book No. BG6Z001 S/N 13820001-
ELECTRICAL (2/2) (13820001-13820079)



ELECTRICAL (2/2) (13820001-13820079)

Item	Part number	Description	Q'ty	Chan.	Serial No.	Serv.	Re
		ELECTRICAL ASSY (1st aux. ON-OFF)					
		ELECTRICAL ASSY (1st aux. proportion)					
		ELECTRICAL ASSY (1st aux. ON-OFF, 2nd aux. proportion)					
		ELECTRICAL ASSY (1st & 2nd aux. proportion)					
1	0374218010	HARNESS ASSY, wiring	1				
1-2	1730500008	· DIODE (3A, yellow)	3				
3	0374215030	HARNESS ASSY, wiring	1				
3-1	1730500008	· DIODE (3A, yellow)	4				
5	0374218040	HARNESS ASSY, wiring	1				
5-1	1730500008	· DIODE (3A, yellow)	3				
6	0374218020	BOX ASSY	1				
6-1	0374215410	· COVER	1				
6-2	1700100038	· COVER	3				
6-3	1700100051	· SWITCH	1				
6-4	1910161119	· RELAY	1				Y1196
6-5	1700100039	· COVER	1				
6-6	1130040006	· NUT	7				
6-7	1140020006	· WASHER, spring	7				
6-8	1141110006	· WASHER	7				
6-9	1100040614	· BOLT	2				
6-10	0374213980	· HARNESS ASSY, wiring	1				
6-10-1	1701330045	· · LINK, fusible	3				45A
7	0354221320	ANGLE	1				
9	0374215010	BRACKET	1				
10	0354221510	WIRE	1				
11	0354221500	HARNESS, wiring	1				
12	0394210350	WIRE	1				
13	1703500712	HORN	1				
14	1711900042	RELAY	1				
15	1652231250	BAND	9				
16	1652001202	GROMMET	1				
18	1711900105	CLIP	1				
20	1652201008	BAND	12				
23	1100040816	BOLT	2				
24	1140020008	WASHER, spring	2				
26	1140020006	WASHER, spring	1				
27	1711900076	CLAMP	3				
28	1130040010	NUT	8				
29	1140330010	WASHER	1				
30	1141110008	WASHER	2				
31	1100041016	BOLT	1				
32	1140020010	WASHER, spring	8				
33	1141110010	WASHER	1				
35	1101041220	BOLT	1				
36	1140020012	WASHER, spring	1				
37	1141110012	WASHER	1				
38	0354221650	SPRING	1				
39	1711900064	CLAMP	1				
40	1531325020	PROTECTOR	1				sold by
41	1711900071	CLAMP	2				
42	0394203100	SOCKET ASSY	1				
43	1130040006	NUT	1				
	G6c110						

TB138FR (P-T138FBBB) Book No. BG6Z001 S/N 13820001-
ELECTRICAL (1/2) (13820080-)

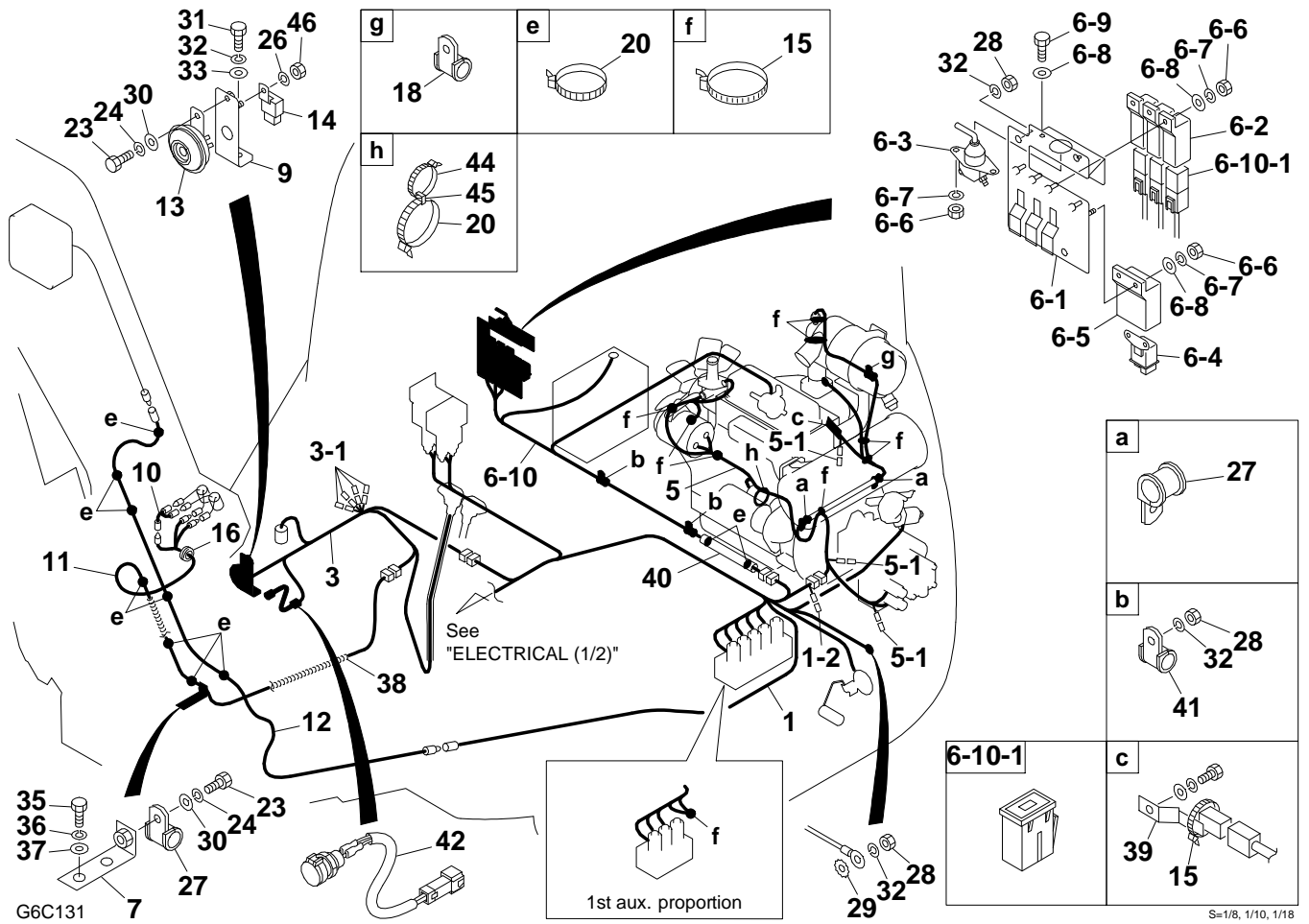


S=1/8, 1/10, 1/12

ELECTRICAL (1/2) (13820080-)

Item	Part number	Description	Q'ty	Chan.	Serial No.	Serv.	Rem
		ELECTRICAL ASSY (1st aux. ON-OFF)					
		ELECTRICAL ASSY (1st aux. proportion)					
		ELECTRICAL ASSY (1st aux. ON-OFF, 2nd aux. proportion)					
		ELECTRICAL ASSY (1st & 2nd aux. proportion)					
1	0374218030	HARNESS ASSY, wiring	1				
1-1	1701200002	· BOX, fuse	1				
	1701311005	· · FUSE				M	5A
	1701311010	· · FUSE				M	10A
	1701311015	· · FUSE				M	15A
	1701311020	· · FUSE				M	20A
	1701311030	· · FUSE				M	30A
1-2	1730500008	· DIODE (3A, yellow)	7				
2	0374218080	RELAY ASSY	1				
2-1	0374218090	· BOX	1				
2-2	1910161119	· RELAY	1				Y119646
2-3	0374213885	· HARNESS ASSY, wiring	1				
2-3-1	1730500008	· · DIODE (3A, yellow)	5				
2-4	0354213650	· RESISTER ASSY	2				
2-5	1711900123	· RELAY	2				ACA323
2-6	1711900042	· RELAY	5				
2-7	1140020006	· WASHER, spring	15				
2-8	1910150118	· TIMER	1				Y129211
2-9	0872433150	· TUBE	2				
2-11	1910181106	· RELAY	1				Y119802
2-12	1100040612	· BOLT	4				
2-14	1130040006	· NUT	15				
4	0374218050	RELAY ASSY	1				
4-1	0374218060	· COVER	1				
4-2	0374216190	· RESISTER ASSY	1				
4-3	1711900123	· RELAY	1				
4-4	1130040006	· NUT	3				
4-5	1140020006	· WASHER, spring	3				
4-6	1141110006	· WASHER	3				
8	0394226050	HARNESS, wiring (1st aux. ON-OFF)	1				
14	1711900042	RELAY	2				
17	1652022506	GROMMET	1				
19	0007300003	CLAMP	3				
21	0394226040	HARNESS, wiring (1st aux. ON-OFF, 2nd aux. proportion)	1				
22	0394226060	HARNESS, wiring (1st aux. proportion)	1				
23	1100040816	BOLT	9				
24	1140020008	WASHER, spring	9				
25	1100040610	BOLT	2				
26	1140020006	WASHER, spring	2				
30	1141110008	WASHER	9				
34	0354221600	HARNESS, wiring	1				
43	1652241300	BAND	1			M	
	G6c121						

TB138FR (P-T138FBBB) Book No. BG6Z001 S/N 13820001-
ELECTRICAL (2/2) (13820080-)

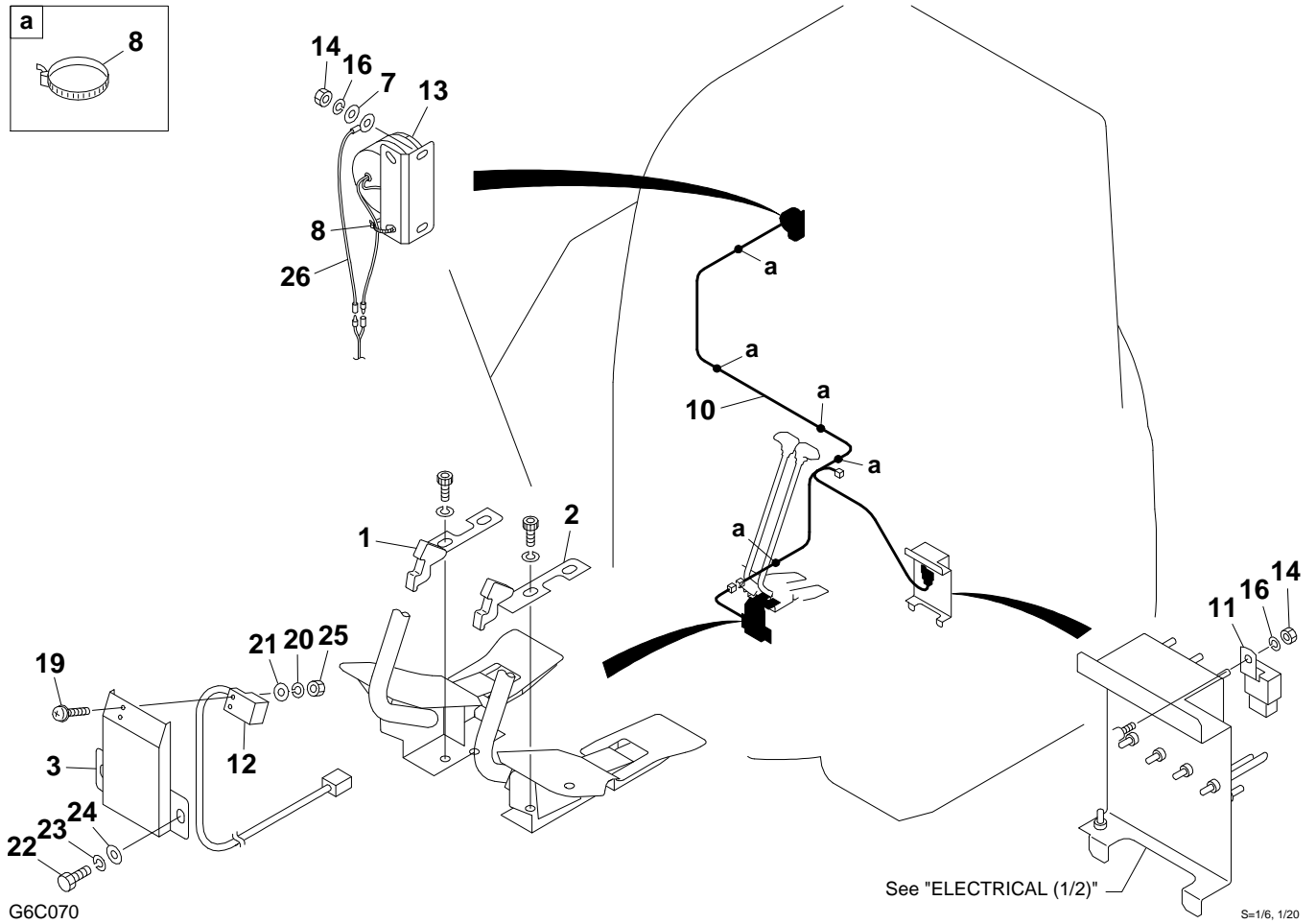


ELECTRICAL (2/2) (13820080-)

Item	Part number	Description	Q'ty	Chan.	Serial No.	Serv.	Re
		ELECTRICAL ASSY (1st aux. ON-OFF)					
		ELECTRICAL ASSY (1st aux. proportion)					
		ELECTRICAL ASSY (1st aux. ON-OFF, 2nd aux. proportion)					
		ELECTRICAL ASSY (1st & 2nd aux. proportion)					
1	0374218030	HARNESS ASSY, wiring	1				
1-2	1730500008	· DIODE (3A, yellow)	3				
3	0374218070	HARNESS ASSY, wiring	1				
3-1	1730500008	· DIODE (3A, yellow)	4				
5	0374218040	HARNESS ASSY, wiring	1				
5-1	1730500008	· DIODE (3A, yellow)	3				
6	0374218020	BOX ASSY	1				
6-1	0374215410	· COVER	1				
6-2	1700100038	· COVER	3				
6-3	1700100051	· SWITCH	1				
6-4	1910161119	· RELAY	1				Y11964
6-5	1700100039	· COVER	1				
6-6	1130040006	· NUT	7				
6-7	1140020006	· WASHER, spring	7				
6-8	1141110006	· WASHER	7				
6-9	1100040614	· BOLT	2				
6-10	0374218110	· HARNESS ASSY, wiring	1				
6-10-1	1701330045	· · LINK, fusible	3				45A
7	0354221320	ANGLE	1				
9	0374215010	BRACKET	1				
10	0354221510	WIRE	1				
11	0354221500	HARNESS, wiring	1				
12	0394210350	WIRE	1				
13	1703500712	HORN	1				
14	1711900042	RELAY	1				
15	1652231250	BAND	9				
16	1652001202	GROMMET	1				
18	1711900105	CLIP	1				
20	1652201008	BAND	13				
23	1100040816	BOLT	2				
24	1140020008	WASHER, spring	2				
26	1140020006	WASHER, spring	1				
27	1711900076	CLAMP	3				
28	1130040010	NUT	8				
29	1140330010	WASHER	1				
30	1141110008	WASHER	2				
31	1100041016	BOLT	1				
32	1140020010	WASHER, spring	8				
33	1141110010	WASHER	1				
35	1101041220	BOLT	1				
36	1140020012	WASHER, spring	1				
37	1141110012	WASHER	1				
38	0354221650	SPRING	1				
39	1711900064	CLAMP	1				
40	1531325020	PROTECTOR	1				sold by
41	1711900071	CLAMP	2				
42	0394203100	SOCKET ASSY	1				
44	1652201005	BAND	1				M
45	1652200010	RING	1				M
46	1130040006	NUT	1				

G6c131

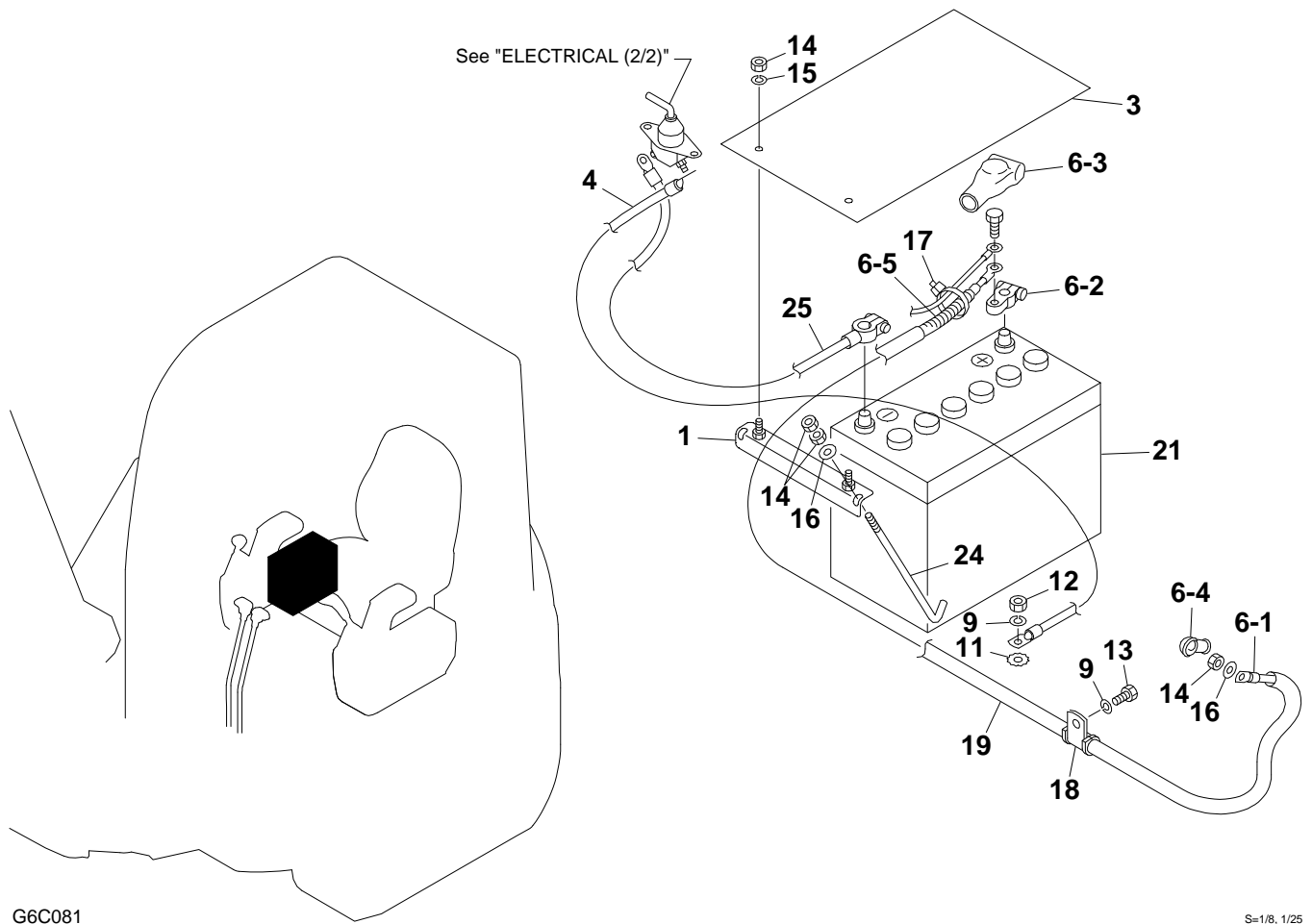
TB138FR (P-T138FBBB) Book No. BG6Z001 S/N 13820001-
TRAVEL ALARM



TRAVEL ALARM

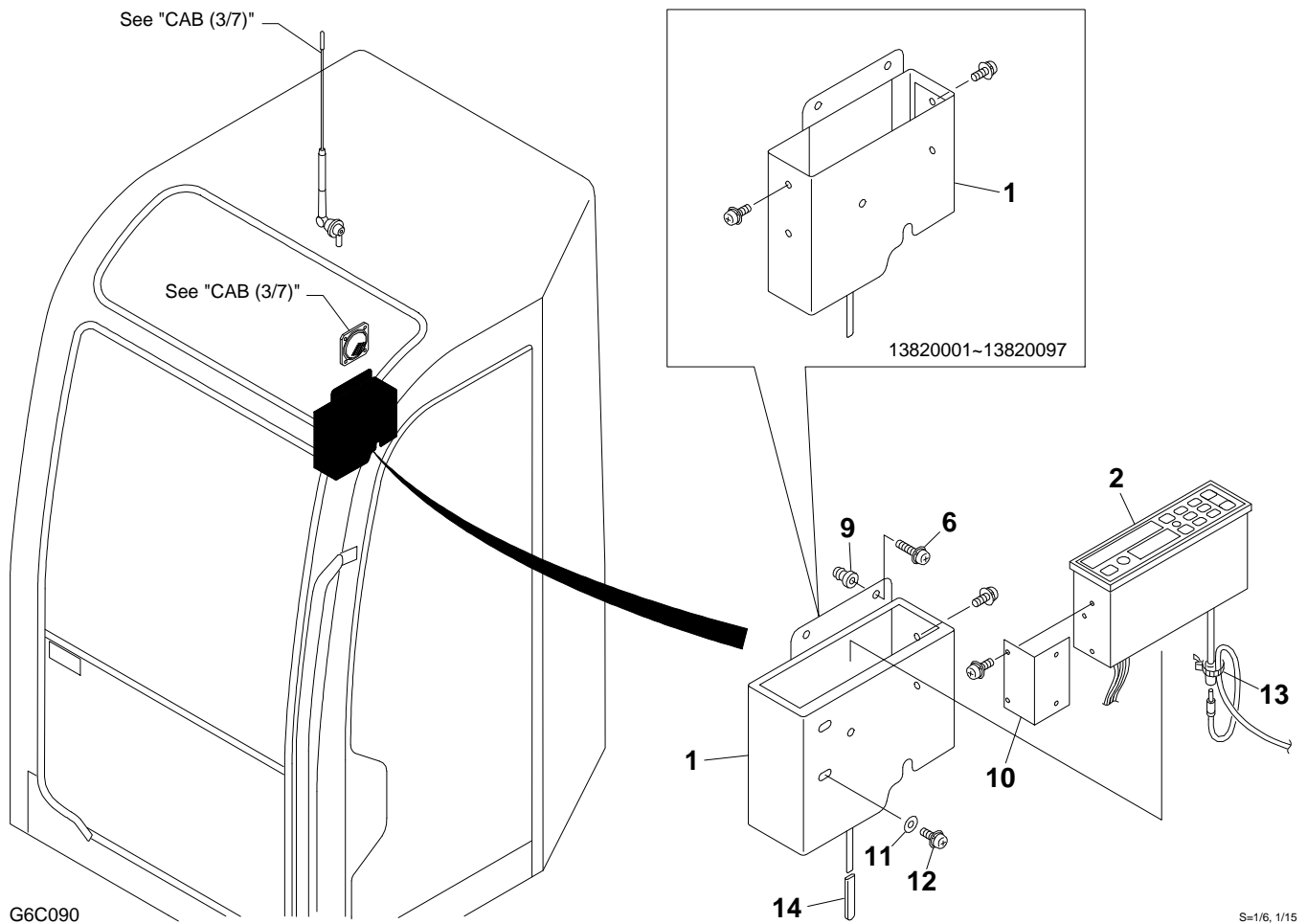
Item	Part number	Description	Q'ty	Chan.	Serial No.	Serv.	Remarks
		ALAME ASSY, travel					
1	0374218570	PLATE (R.H.)	1				
2	0374218580	PLATE (L.H.)	1				
3	0374218560	COVER	1				
7	1141110006	WASHER	2				
8	1652231250	BAND	6				
10	0374215510	HARNESS, wiring	1		13820001~13820079		
	0374218120	HARNESS, wiring	1		13820080~		
11	1711900123	RELAY	1		13820080~		ACA3233
12	1700009010	SWITCH, proximity	1				
13	1703700013	BUZZER	1				
14	1130030006	NUT	3				
16	1140020006	WASHER, spring	3				
19	1120530312	SCREW	2				
20	1140020003	WASHER, spring	2				
21	1141110003	WASHER	2				
22	1100040816	BOLT	2				
23	1140020008	WASHER, spring	2				
24	1141110008	WASHER	2				
25	1130030003	NUT	2				
26	0374218590	HARNESS, wiring	1		13820080~		
	G6c070						

TB138FR (P-T138FBBB) Book No. BG6Z001 S/N 13820001-
BATTERY



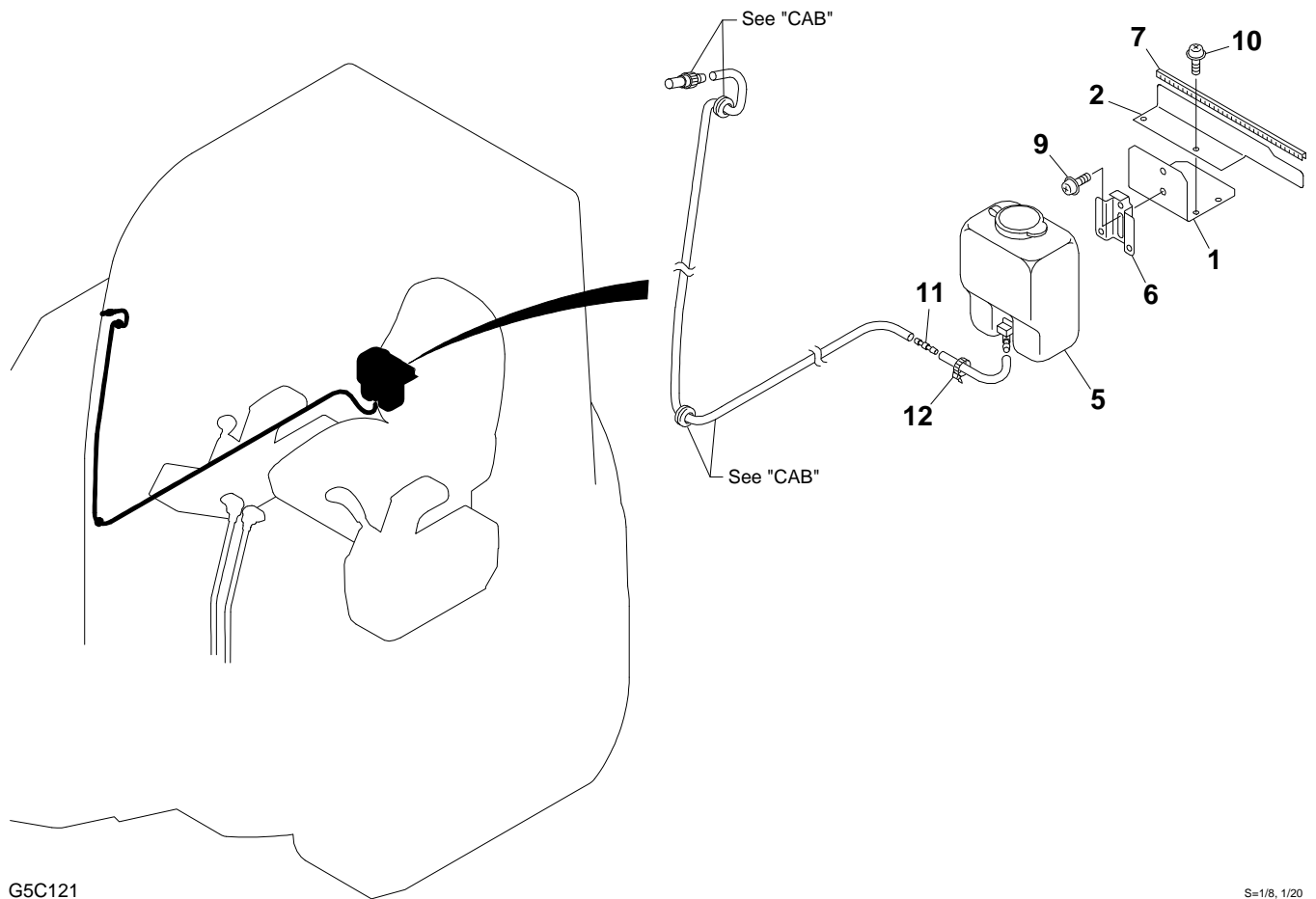
BATTERY							
Item	Part number	Description	Q'ty	Chan.	Serial No.	Serv.	Remarks
		BATTERY ASSY					
1	0564423610	CLAMP	1				
3	0564423640	SHEET	1				
4	1702531042	CABLE, battery	1		13820001~13820259		17025-30042
	1702531055	CABLE, battery	1	(H)	13820260~	M	
6	0374405020	CABLE ASSY, battery	1				
6-1	1702607100	· CABLE, battery	1				
6-2	1702330000	· TERMINAL	1				
6-3	1702920060	· COVER	1				
6-4	1702901283	· COVER	1				Y124550-77030
6-5	1703211392	· PROTECTOR	1				sold by the meter
9	1140020010	WASHER, spring	2				
11	1140330010	WASHER	1				
12	1130040010	NUT	1				
13	1100041020	BOLT	1				
14	1130040008	NUT	7				
15	1140020008	WASHER, spring	2				
16	1141110008	WASHER	3				
17	1652231140	BAND	5				
18	1711900072	CLAMP	1				
19	1531325088	PROTECTOR	1				sold by the meter
21	1702069531	BATTERY	1				
24	1702108245	BOLT	2				
25	1702230027	CABLE, earth	1				
	G6c081						

TB138FR (P-T138FBBB) Book No. BG6Z001 S/N 13820001-
RADIO



Item	Part number	Description	Q'ty	Chan.	Serial No.	Serv.	Remarks
		RADIO					
		RADIO ASSY (for Europe, Asia, Oceania)					
		RADIO ASSY (for America)					
		RADIO ASSY (for JAPAN)					
1	0374706310	COVER	1		13820001~13820097		
	0374706320	COVER	1	(H)	13820098~		
2	1705004660	RADIO (for Europe, Asia, Oceania)	1				
	1705004670	RADIO (for America)	1				
	1705004680	RADIO (for Japan)	1				
6	1150410625	SCREW	3				
9	1652520006	NUT	3				
10	0394716230	PLATE	1		13820098~		
11	0003606202	WASHER	2		13820098~		
12	1150110614	SCREW	2		13820098~		
13	1652231100	BAND	1				
14	0872433150	TUBE	2				
	G6c090						

TB138FR (P-T138FBBB) Book No. BG6Z001 S/N 13820001-
WINDOW WASHER



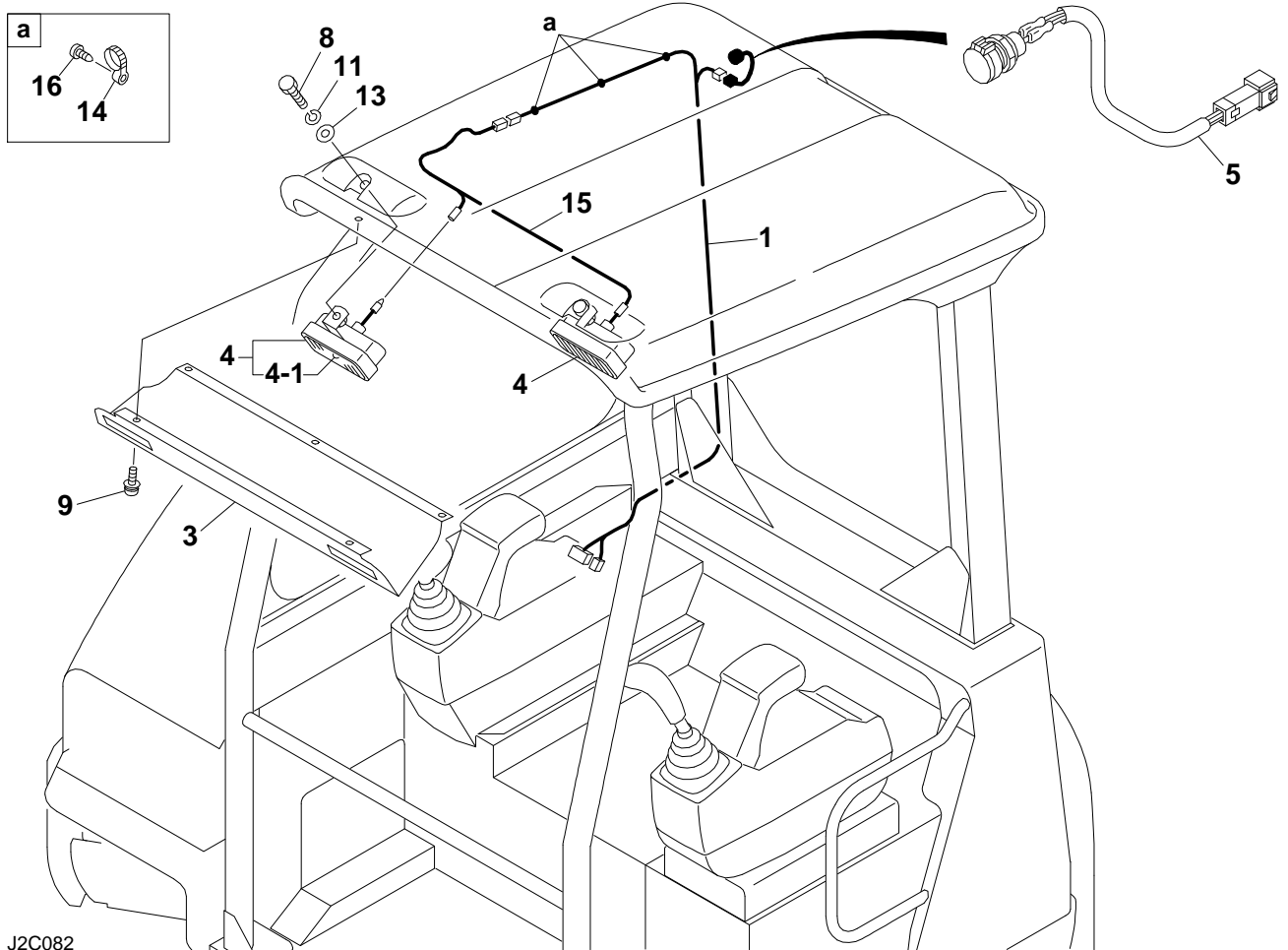
G5C121

S=1/8, 1/20

WINDOW WASHER

Item	Part number	Description	Q'ty	Chan.	Serial No.	Serv.	Remarks
		WASHER ASSY, window					
1	0378901600	BRACKET	1				
2	0378901700	PLATE	1				
5	1711910101	TANK	1				
6	1711910062	BRACKET	1				
7	1653917028	TRIM	1				
9	1150410614	SCREW	2				
10	1150410616	SCREW	4				
11	1711910080	VALVE, check	1				
12	1652231250	BAND	1				
	G5c121						

TB138FR (P-T138FBBB) Book No. BG6Z001 S/N 13820001-
CANOPY LIGHT



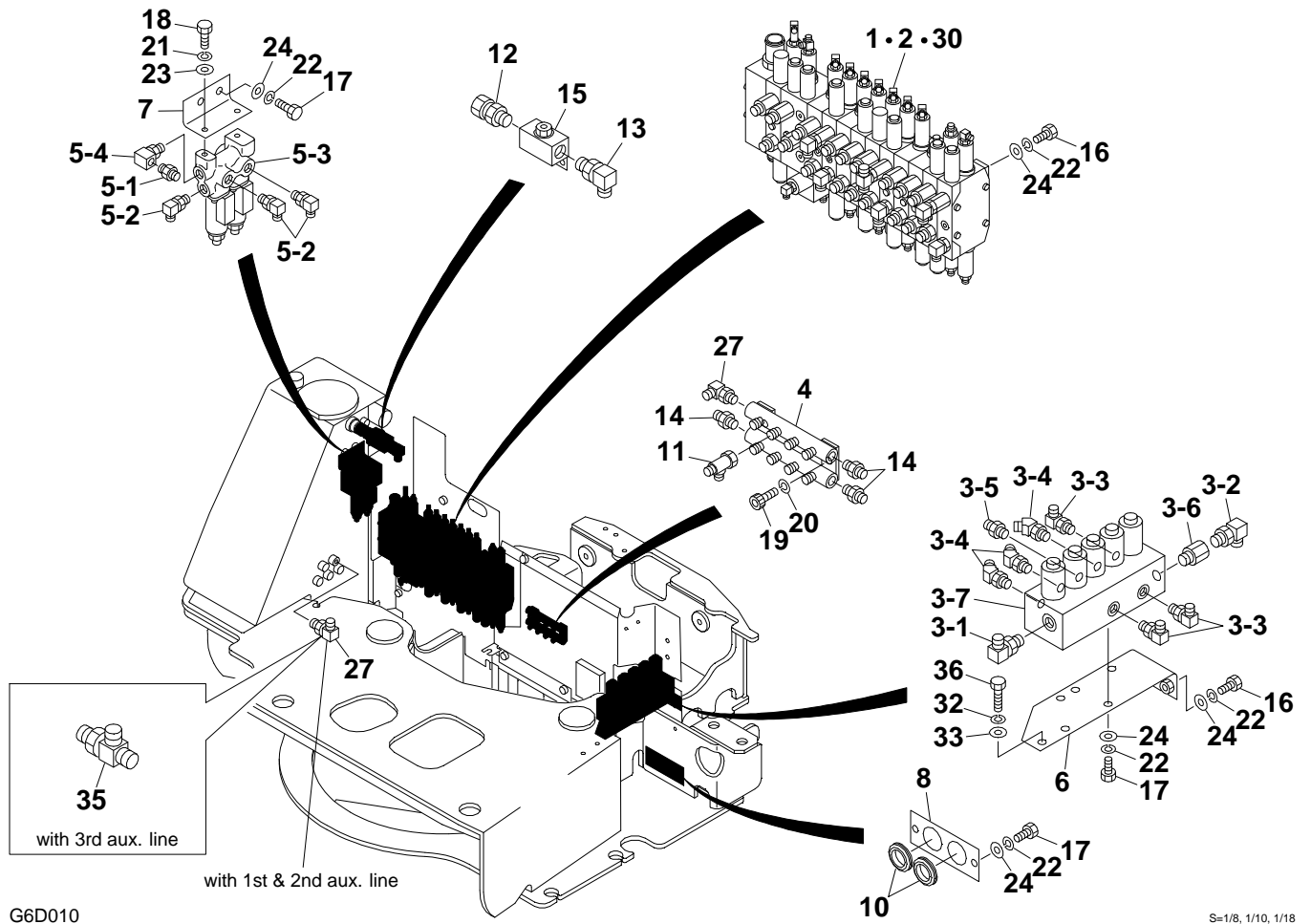
J2C082

S=1/12

CANOPY LIGHT

Item	Part number	Description	Q'ty	Chan.	Serial No.	Serv.	Remarks
1	0398404100	LAMP ASSY, canopy	1				
3	0358402700	HARNESS, wiring	1				
4	1703001900	COVER	1				
4	1703001900	LAMP	2				
4-1	1703001901	· BULB	1				12V, 20W
5	0394203100	SOCKET ASSY	1				
8	1100040820	BOLT	2				
9	1150420516	SCREW	5				
11	1140020008	WASHER, spring	2				
13	1141110008	WASHER	2				
14	1652221050	BAND	3				
15	0398402300	HARNESS, wiring	1				
16	1120530512	SCREW	3				
	J2c082						

TB138FR (P-T138FBBB) Book No. BG6Z001 S/N 13820001-
VALVE & ACCESSORIES (1/3)



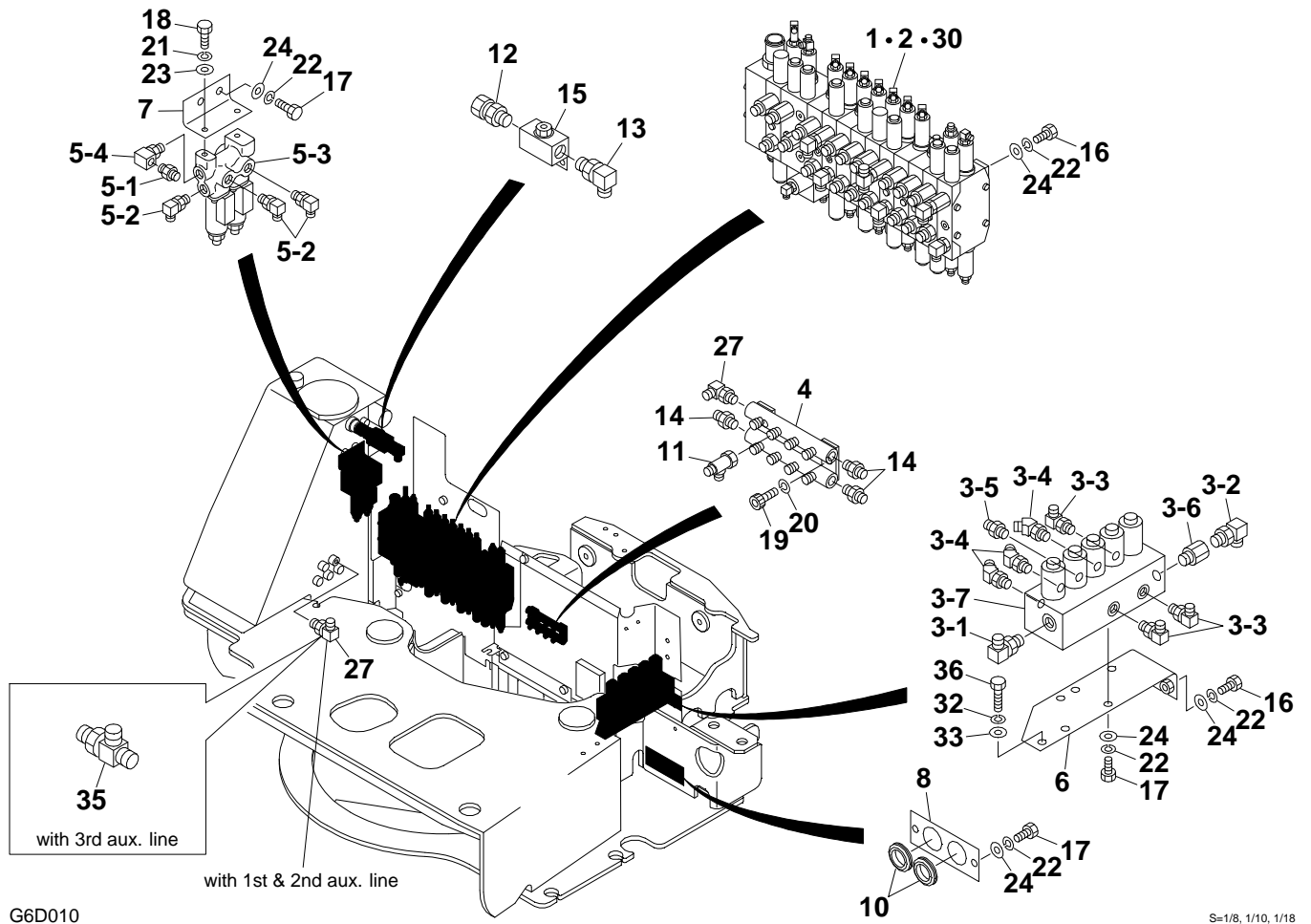
G6D010

S=1/8, 1/10, 1/18

VALVE & ACCESSORIES (1/3)

Item	Part number	Description	Q'ty	Chan.	Serial No.	Serv.	Rem
		VALVE ASSY (with 1st aux. line)					
		VALVE ASSY (with 1st & 2nd aux. line)					
		VALVE ASSY (with 1st, 2nd & 3rd aux. line)					
		VALVE ASSY (with 1st, 2nd & high press. 3rd aux. line)					
1	X *****	VALVE ASSY, control	1				
2	X *****	VALVE ASSY, control (with 2nd aux. line)	1				
3	X *****	VALVE ASSY, solenoid	1				
3-1	1515010051	· ELBOW	1				
	1420010180	· · O-RING	1				
3-2	1512375001	· ELBOW (with filter)	1				
	1420010140	· · O-RING	1				
3-3	1515012040	· ELBOW	3				
	1420010110	· · O-RING	1				
3-4	1515100110	· ELBOW	3				
	1420010110	· · O-RING	1				
3-5	1515600200	· ADAPTOR	1				
	1420010110	· · O-RING	1				
3-6	0007213023	· ADAPTOR	1				
	1420010140	· · O-RING	1				
3-7	1901749200	· VALVE, solenoid	1				
4	0375020040	MANIFOLD	1				
5	X *****	VALVE ASSY, solenoid (with 2nd aux. line)	1				
5-1	1512370008	· ADAPTOR (with filter)	1				
	1420010110	· · O-RING	1				
5-2	1515012040	· ELBOW	3				
	1420010110	· · O-RING	1				
5-3	1901752100	· VALVE, solenoid	1				
5-4	1513300014	· ELBOW	1				
	1420010110	· · O-RING	1				
6	0375020060	PLATE	1				
7	0395023070	PLATE	1				with 2nd au:
8	0395025034	PLATE	1				
10	1652061045	GROMMET	2				
11	1513390015	TEE	1				with 2nd au:
12	0007236041	ADAPTOR	1				
	1420010180	· O-RING	1				
13	1515010042	ELBOW	1				
	1420010180	· O-RING	1				
14	1515600200	ADAPTOR	3				
	1420010110	· O-RING	1				
15	1901719800	VALVE, stop	1				
16	1100041020	BOLT	5				
17	1100041016	BOLT	5				
	1100041016	BOLT	7				with 2nd au:
18	1100040816	BOLT	2				with 2nd au:
19	1110040820	SCREW, cap	2				
20	1140420008	WASHER, spring	2				
21	1140020008	WASHER, spring	2				with 2nd au:
22	1140020010	WASHER, spring	10				
	1140020010	WASHER, spring	12				with 2nd au:
23	1141110008	WASHER	2				with 2nd au:
24	1141110010	WASHER	7				
	1141110010	WASHER	9				with 2nd au:
27	1515012040	ELBOW	1				
	1515012040	ELBOW	2				with 1st & 2
	1420010110	· O-RING	1				
30	X *****	VALVE ASSY, control (with high press. 3rd aux. line)	1				
32	1140020012	WASHER, spring	1				
33	1141110012	WASHER	1				
35	1512370011	TEE	1				with 3rd aux
	1420010110	· O-RING	1				

TB138FR (P-T138FBBB) Book No. BG6Z001 S/N 13820001-
VALVE & ACCESSORIES (1/3)



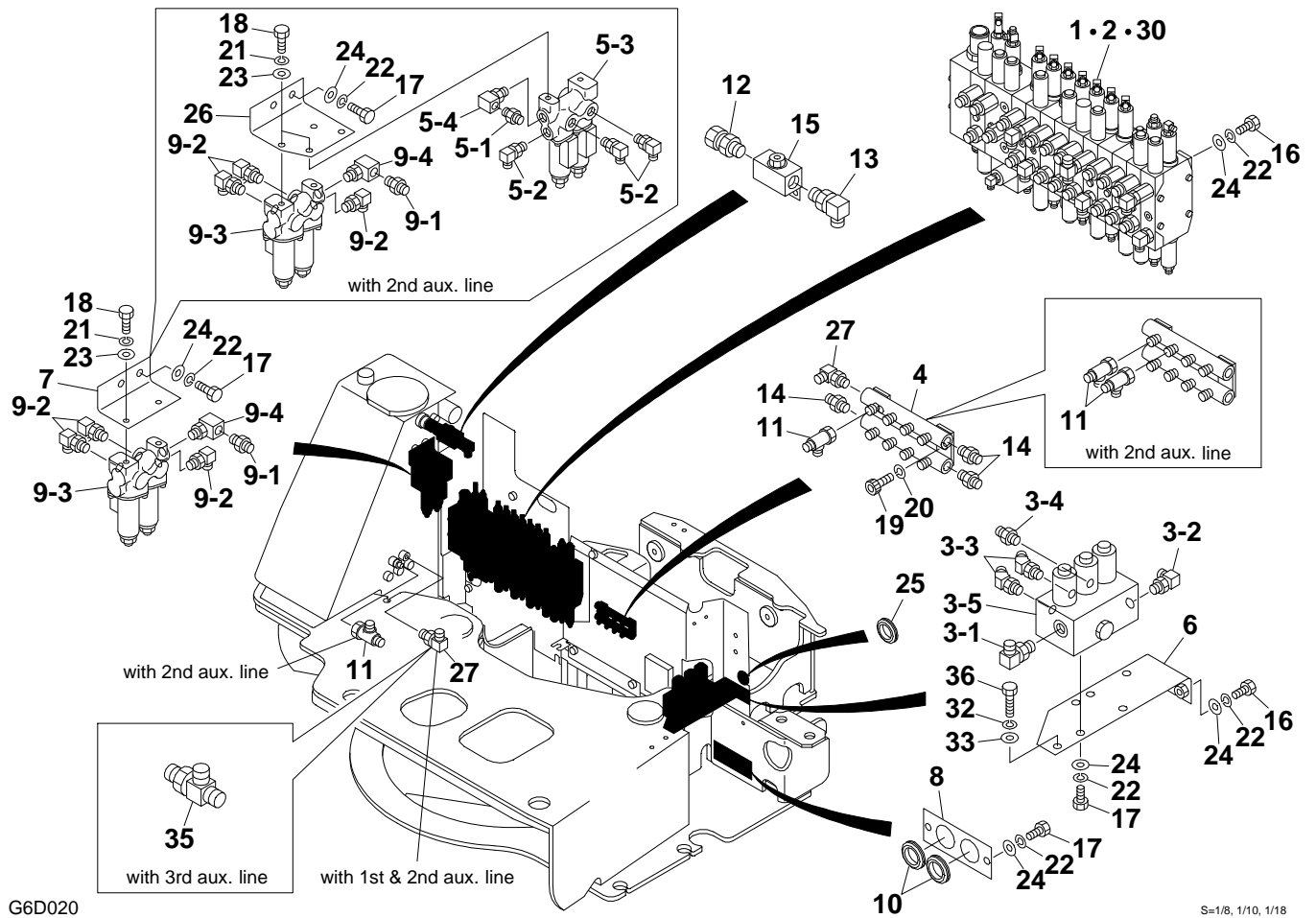
G6D010

S=1/8, 1/10, 1/18

VALVE & ACCESSORIES (1/3)

Item	Part number	Description	Q'ty	Chan.	Serial No.	Serv.	Rem
36	1101041220 G6d010	BOLT	1				

**TB138FR (P-T138FBBB) Book No. BG6Z001 S/N 13820001-
VALVE & ACCESSORIES (1/3) (1st aux. proportional cont.)**



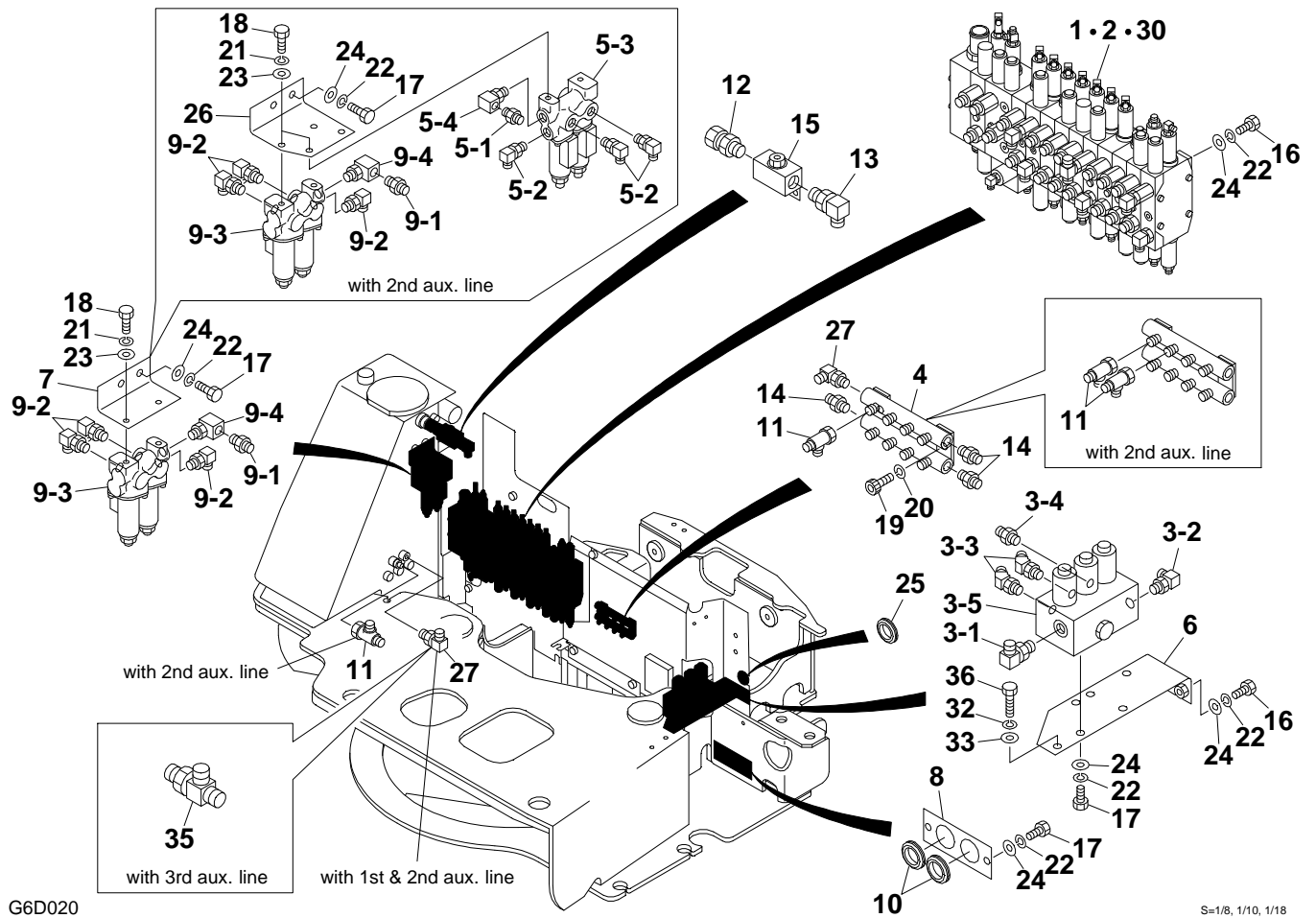
G6D020

S=1/8, 1/10, 1/18

VALVE & ACCESSORIES (1/3) (1st aux. proportional cont.)

Item	Part number	Description	Q'ty	Chan.	Serial No.	Serv.	Rem
		VALVE ASSY (with 1st aux. line)					
		VALVE ASSY (with 1st & 2nd aux. line)					
		VALVE ASSY (with 1st, 2nd & 3rd aux. line)					
		VALVE ASSY (with 1st, 2nd & high press. 3rd aux. line)					
1	X *****	VALVE ASSY, control	1				
2	X *****	VALVE ASSY, control (with 2nd aux. line)	1				
3	X *****	VALVE ASSY, solenoid	1				
3-1	1515010051	· ELBOW	1				
	1420010180	· · O-RING	1				
3-2	1515012040	· ELBOW	1				
	1420010110	· · O-RING	1				
3-3	1515100110	· ELBOW	2				
	1420010110	· · O-RING	1				
3-4	1515600200	· ADAPTOR	1				
	1420010110	· · O-RING	1				
3-5	1901748800	· VALVE, solenoid	1				
4	0375020040	MANIFOLD	1				
5	X *****	VALVE ASSY, solenoid (with 2nd aux. line)	1				
5-1	1512370008	· ADAPTOR (with filter)	1				
	1420010110	· · O-RING	1				
5-2	1515012040	· ELBOW	3				
	1420010110	· · O-RING	1				
5-3	1901752100	· VALVE, solenoid	1				
5-4	1513300014	· ELBOW	1				
	1420010110	· · O-RING	1				
6	0375020060	PLATE	1				
7	0375020220	PLATE	1				
8	0395025034	PLATE	1				
9	X *****	VALVE ASSY, solenoid	1				
9-1	1512370008	· ADAPTOR (with filter)	1				
	1420010110	· · O-RING	1				
9-2	1515012040	· ELBOW	3				
	1420010110	· · O-RING	1				
9-3	1901752100	· VALVE, solenoid	1				
9-4	1513300014	· ELBOW	1				
	1420010110	· · O-RING	1				
10	1652061045	GROMMET	2				
11	1513390015	TEE	1				
	1513390015	TEE	3				with 2nd au:
12	0007236041	ADAPTOR	1				
	1420010180	· O-RING	1				
13	1515010042	ELBOW	1				
	1420010180	· O-RING	1				
14	1515600200	ADAPTOR	3				
	1420010110	· O-RING	1				
15	1901719800	VALVE, stop	1				
16	1100041020	BOLT	5				
17	1100041016	BOLT	6				
18	1100040816	BOLT	2				
	1100040816	BOLT	4				with 2nd au:
19	1110040820	SCREW, cap	2				
20	1140420008	WASHER, spring	2				
21	1140020008	WASHER, spring	2				
	1140020008	WASHER, spring	4				with 2nd au:
22	1140020010	WASHER, spring	11				
	1140020010	WASHER, spring	13				with 2nd au:
23	1141110008	WASHER	2				
	1141110008	WASHER	4				with 2nd au:
24	1141110010	WASHER	11				
25	1652053400	GROMMET	1				
26	0375020310	PLATE	1				with 2nd au:

**TB138FR (P-T138FBBB) Book No. BG6Z001 S/N 13820001-
VALVE & ACCESSORIES (1/3) (1st aux. proportional cont.)**



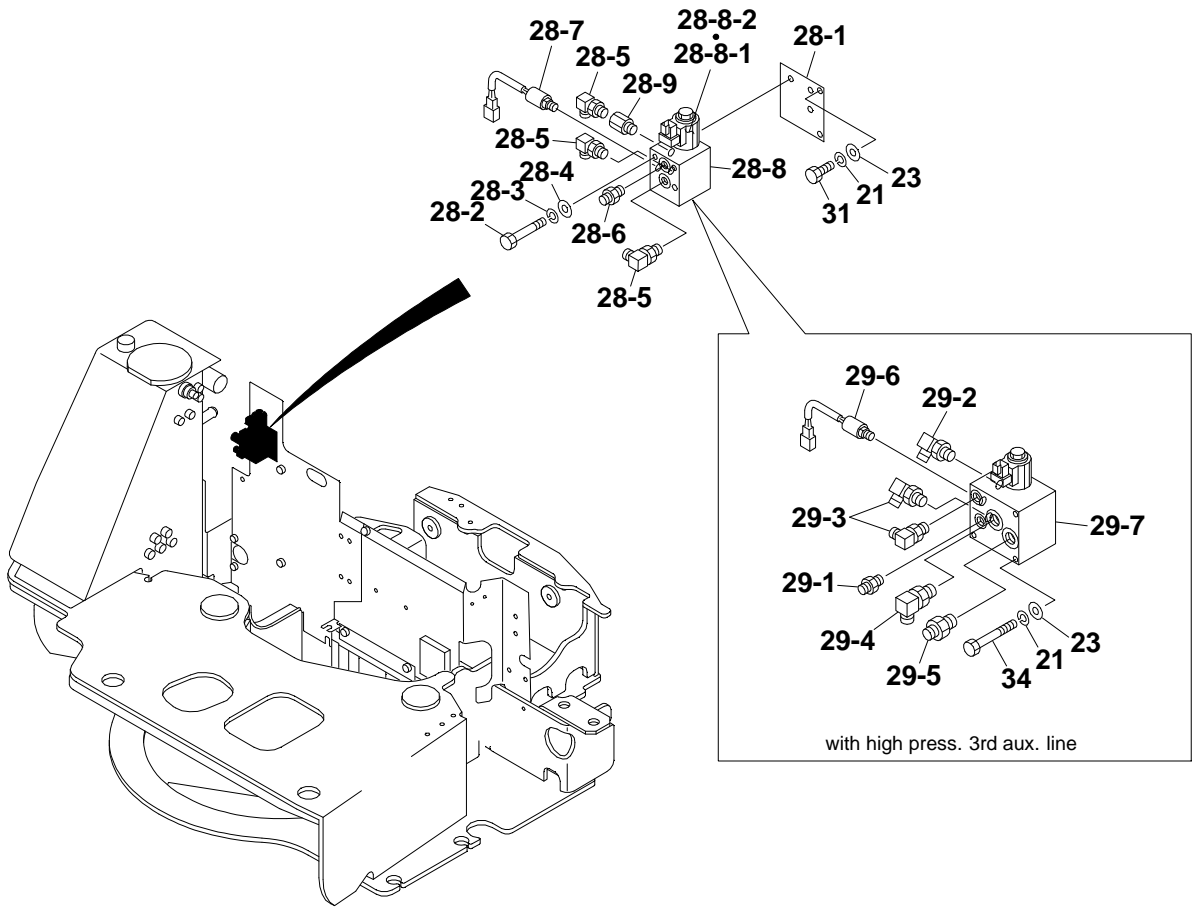
G6D020

S=1/8, 1/10, 1/18

VALVE & ACCESSORIES (1/3) (1st aux. proportional cont.)

Item	Part number	Description	Q'ty	Chan.	Serial No.	Serv.	Rem
27	1515012040	ELBOW	1				
	1515012040	ELBOW	2				with 1st & 2
	1420010110	· O-RING	1				
30	X *****	VALVE ASSY, control (with high press. 3rd aux. line)	1				
32	1140020012	WASHER, spring	1				
33	1141110012	WASHER	1				
35	1512370011	TEE	1				with 3rd aux
	1420010110	· O-RING	1				
36	1101041220	BOLT	1				
	G6d020						

**TB138FR (P-T138FBBB) Book No. BG6Z001 S/N 13820001-
VALVE & ACCESSORIES (2/3) (with 3rd aux. line)**



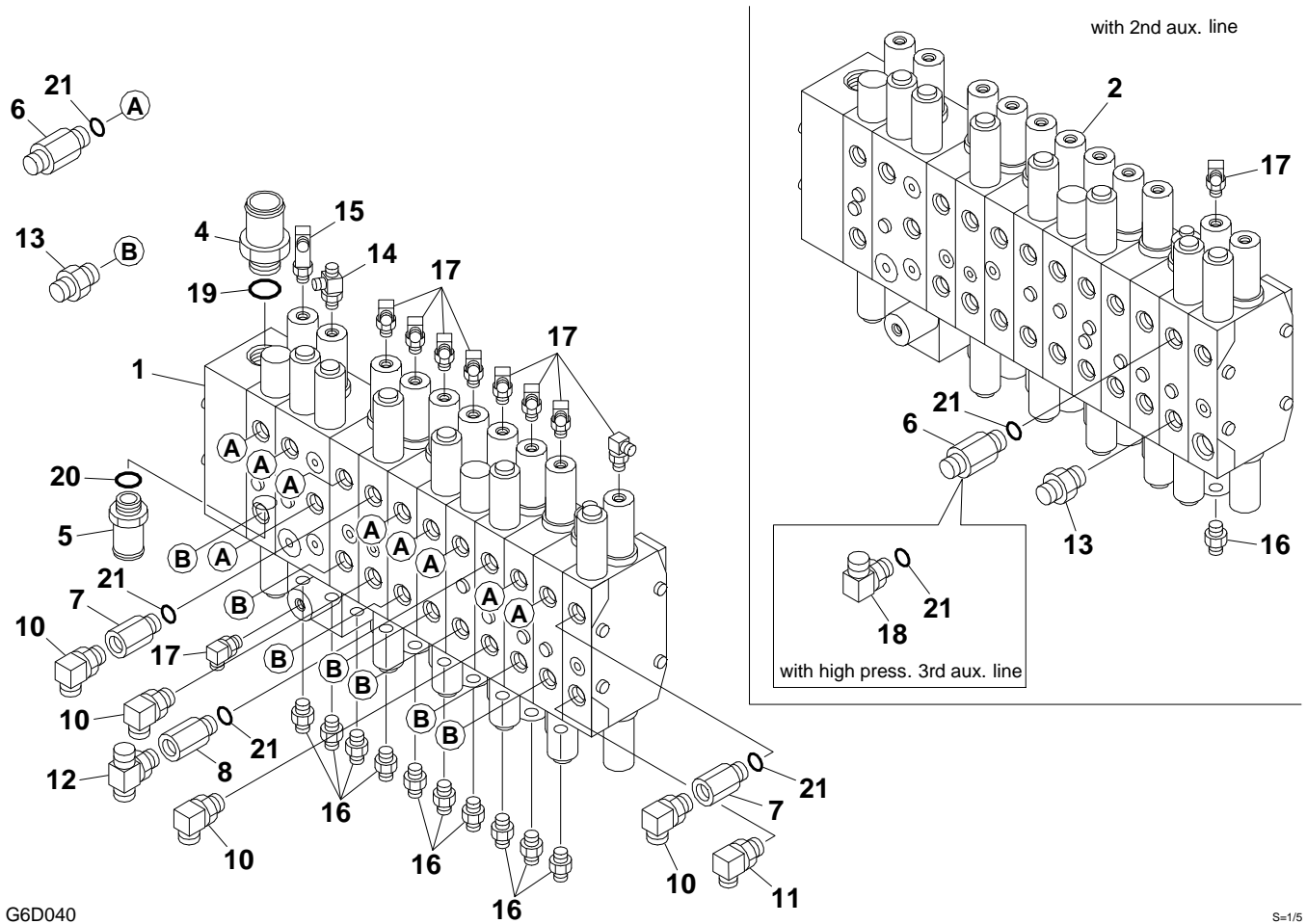
G6D030

S=1/10, 1/18

VALVE & ACCESSORIES (2/3) (with 3rd aux. line)

Item	Part number	Description	Q'ty	Chan.	Serial No.	Serv.
		VALVE ASSY (with 1st, 2nd & 3rd aux. line)				
		VALVE ASSY (with 1st, 2nd & high press. 3rd aux. line)				
		VALVE ASSY (with 1st, 2nd & 3rd aux. line)				
		VALVE ASSY (with 1st, 2nd & high press. 3rd aux. line)				
21	1140020008	WASHER, spring	2			with 3rd a
	1140020008	WASHER, spring	3			with high
23	1141110008	WASHER	2			with 3dr a
	1141110008	WASHER	3			with high
28	X *****	VALVE ASSY, solenoid (with 3rd aux. line)	1			
28-1	0375021061	· PLATE	1			
28-2	1100040870	· BOLT	3			
28-3	1140020008	· WASHER, spring	3			
28-4	1141110008	· WASHER	3			
28-5	1515012040	· ELBOW	3			
	1420010110	· · O-RING	1			
28-6	1515600200	· ADAPTOR	1			
	1420010110	· · O-RING	1			
28-7	1700100065	· SWITCH, pressure	1			
	1420010110	· · O-RING	1			
28-8	1901750700	· VALVE, solenoid	1			
28-8-1	1901741402	· · SOLENOID	1			
28-8-2	1901750703	· · COIL	1			
28-9	1513250202	· BUSHING	1			
	1420010110	· · O-RING	1			
29	X *****	VALVE ASSY, solenoid (with high press. 3rd aux. line)	1			
29-1	0375020090	· ADAPTOR (with orifice)	1			
	1420010110	· · O-RING	1			
29-2	1512375004	· ELBOW	1			
	1420010110	· · O-RING	1			
29-3	1515012040	· ELBOW	2			
	1420010110	· · O-RING	1			
29-4	1515010051	· ELBOW	1			
	1420010180	· · O-RING	1			
29-5	1515600577	· ADAPTOR	1			
	1420010180	· · O-RING	1			
29-6	1700100065	· SWITCH, pressure	1			
	1420010110	· · O-RING	1			
29-7	1901751600	· VALVE, solenoid	1			
31	1100040820	BOLT	2			with 3rd a
34	1100040890	BOLT	3			with high
	G6d030					

**TB138FR (P-T138FBBB) Book No. BG6Z001 S/N 13820001-
VALVE & ACCESSORIES (3/3)**



G6D040

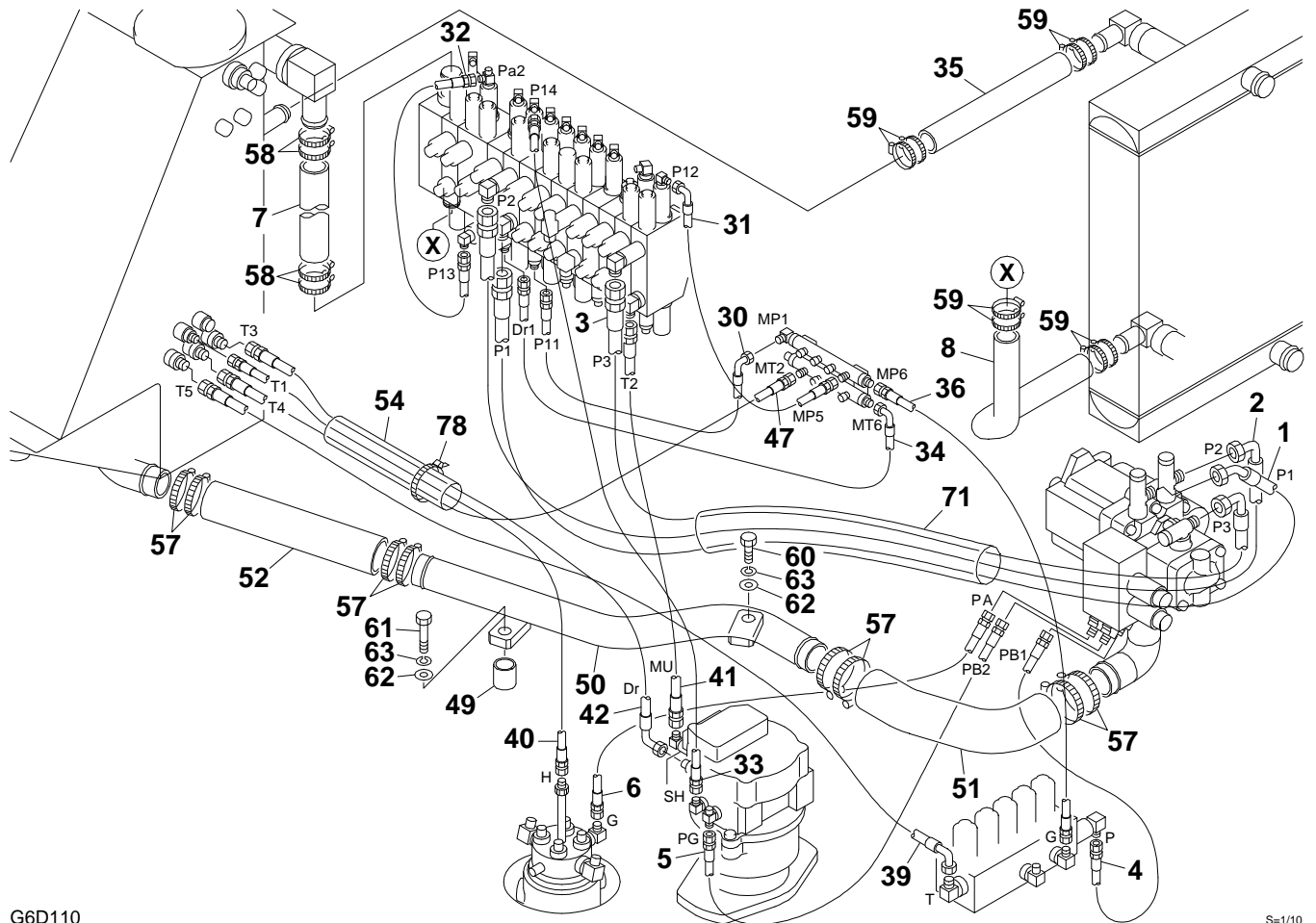
S=1/5

VALVE & ACCESSORIES (3/3)

Item	Part number	Description	Q'ty	Chan.	Serial No.	Serv.	Rem
0	X *****	VALVE ASSY, control	1				
	X *****	VALVE ASSY, control (with 2nd aux. line)	1				
	X *****	VALVE ASSY, control (with high press. 3rd aux. line)	1				
1	1901046000	· VALVE, control	1				
2	1901046100	· VALVE, control	1				with 2nd aux. I
4	0007224013	· ADAPTOR	1				
5	0007224006	· ADAPTOR	1				
	1420010180	· · O-RING	1				
6	0007203021	· ADAPTOR	9				
	0007203021	· ADAPTOR	10				with 2nd aux. I
	1420010140	· · O-RING	1				
7	0007213016	· BUSHING	2				
	1420010140	· · O-RING	1				
8	0007213064	· BUSHING	1				
10	1515010131	· ELBOW	4				
	1420010140	· · O-RING	1				
11	1515010051	· ELBOW	1				
	1420010180	· · O-RING	1				
12	1512374002	· ADAPTOR	1				
	1420010180	· · O-RING	1				
13	1515600201	· ADAPTOR	7				
	1515600201	· ADAPTOR	8				with 2nd aux. I
	1420010140	· · O-RING	1				
14	1512370011	· TEE	1				
	1420010110	· · O-RING	1				
15	1515012510	· ELBOW	1				
	1420010110	· · O-RING	1				
16	1515600200	· ADAPTOR	10				
	1515600200	· ADAPTOR	11				with 2nd aux. I
	1420010110	· · O-RING	1				
17	1515012040	· ELBOW	9				
	1515012040	· ELBOW	10				with 2nd aux. I
	1420010110	· · O-RING	1				
18	1515010041	· ELBOW	1				with high press
	1420010140	· · O-RING	1				
19	1420010290	· O-RING	1				
20	1420010180	· O-RING	1				
21	1420010140	· O-RING	12				
	1420010140	· O-RING	13				with 2nd aux. I

G6d040

TB138FR (P-T138FBBB) Book No. BG6Z001 S/N 13820001-
PIPING; UPPER (1/5)



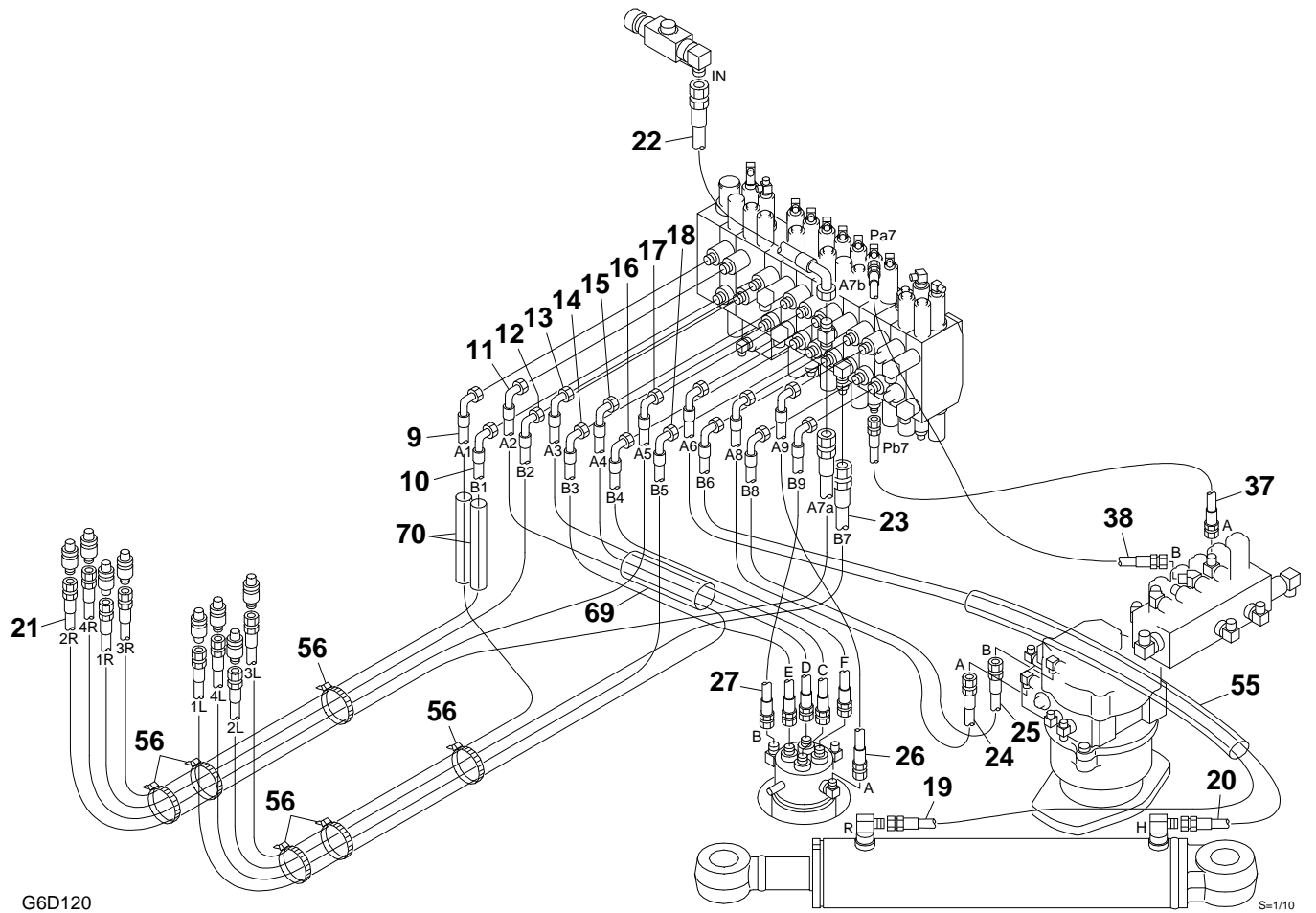
G6D110

S=1/10

PIPING; UPPER (1/5)					
Item	Part number	Description	Q'ty	Chan.	Serial No. Serv. Rem
		PIPING ASSY, upper (with 1st aux. line)			
		PIPING ASSY, upper (with 1st & 2nd aux. line)			
		PIPING ASSY, upper (with 1st, 2nd & 3rd aux. line)			
		PIPING ASSY, upper (with 1st, 2nd & high press. 3rd aux. line)			
1	0377016010	HOSE ASSY	1		18015-4
2	0377016020	HOSE ASSY	1		18015-4
3	0377016030	HOSE ASSY	1		18015-4
4	0377016040	HOSE ASSY	1		18010-2:
5	0377016050	HOSE ASSY	1		18010-2:
6	0377018880	HOSE ASSY	1		18010-2:
7	1530532026	HOSE	1		sold by t
8	0377018810	HOSE	1		
30	0377016300	HOSE ASSY	1		18010-5:
31	0377016310	HOSE ASSY	1		18010-5:
32	0377016320	HOSE ASSY	1		18010-2:
33	0377016330	HOSE ASSY	1		18010-2:
34	0377016340	HOSE ASSY	1		18010-5:
35	1530525029	HOSE	1		sold by t
36	0377016360	HOSE ASSY	1		18010-2:
39	0377016390	HOSE ASSY	1		18010-5:
40	0377018890	HOSE ASSY	1		18010-2:
41	0377016410	HOSE ASSY	1		18010-2:
42	0377016420	HOSE ASSY	1		18010-5:
47	0377016470	HOSE ASSY	1		18010-2:
49	0377016490	PIPE	1		
50	0377016500	PIPE	1		
51	0377016510	HOSE	1		
52	1530747032	HOSE	1		sold by t
54	1531345025	PROTECTOR	1		sold by t
57	1533700070	BAND	8		
58	1533700048	BAND	4		
59	1533700041	BAND	8		
60	1100041035	BOLT	1		
61	1100041070	BOLT	1		
62	0003600025	WASHER	2		
63	1140020010	WASHER, spring	2		
71	1531360060	PROTECTOR	1		sold by t
78	1652201007	BAND	1		

G6d111

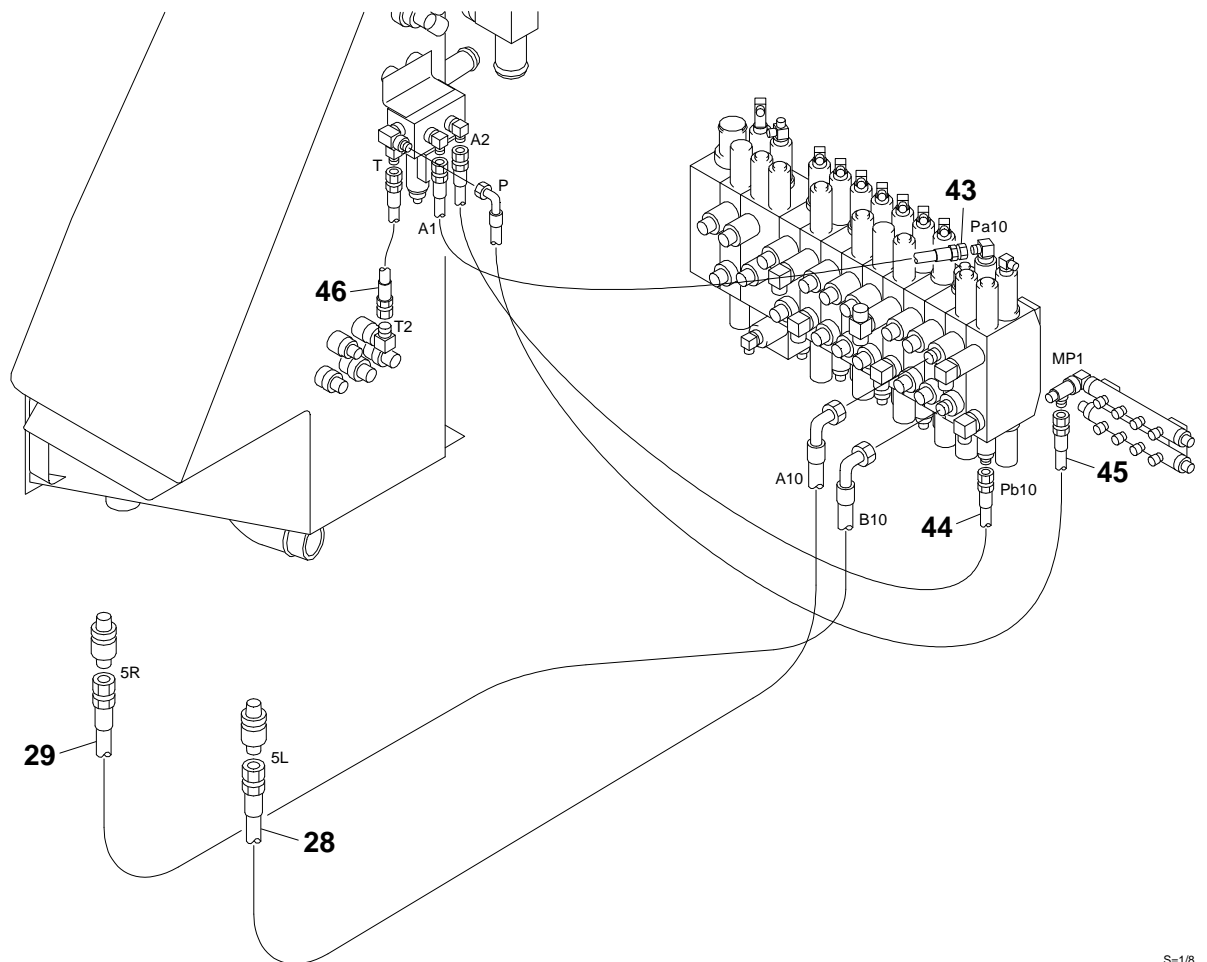
TB138FR (P-T138FBBB) Book No. BG6Z001 S/N 13820001-
PIPING; UPPER (2/5)



PIPING; UPPER (2/5)

Item	Part number	Description	Q'ty	Chan.	Serial No.	Serv.	Rem
		PIPING ASSY, upper (with 1st aux. line)					
		PIPING ASSY, upper (with 1st & 2nd aux. line)					
		PIPING ASSY, upper (with 1st, 2nd & 3rd aux. line)					
		PIPING ASSY, upper (with 1st, 2nd & high press. 3rd aux. line)					
9	0377016090	HOSE ASSY	1				18019-2
10	0377016100	HOSE ASSY	1				18019-2
11	0377016110	HOSE ASSY	1				18019-2
12	0377016120	HOSE ASSY	1				18019-2
13	0377018820	HOSE ASSY	1				18015-2
14	0377018830	HOSE ASSY	1				18015-2
15	0377018840	HOSE ASSY	1				18015-2
16	0377018850	HOSE ASSY	1				18015-2
17	0377016170	HOSE ASSY	1				18019-2
18	0377016180	HOSE ASSY	1				18019-2
19	0377016190	HOSE ASSY	1				18019-2
20	0377016200	HOSE ASSY	1				18019-2
21	0377016210	HOSE ASSY	1				18019-4
22	0377016220	HOSE ASSY	1				18015-4
23	0377016230	HOSE ASSY	1				18019-4
24	0377016240	HOSE ASSY	1				18017-2
25	0377016250	HOSE ASSY	1				18017-2
26	0377018860	HOSE ASSY	1				18015-2
27	0377018870	HOSE ASSY	1				18015-2
37	0377016370	HOSE ASSY	1				19348-2;
38	0377016380	HOSE ASSY	1				19348-2;
55	1531335070	PROTECTOR	1				sold by t
56	1652201008	BAND	6				
69	1531345015	PROTECTOR	1				sold by t
70	1531325030	PROTECTOR	2				sold by t
	G6d121						

**TB138FR (P-T138FBBB) Book No. BG6Z001 S/N 13820001-
PIPING; UPPER (3/5) (with 2nd aux. line)**

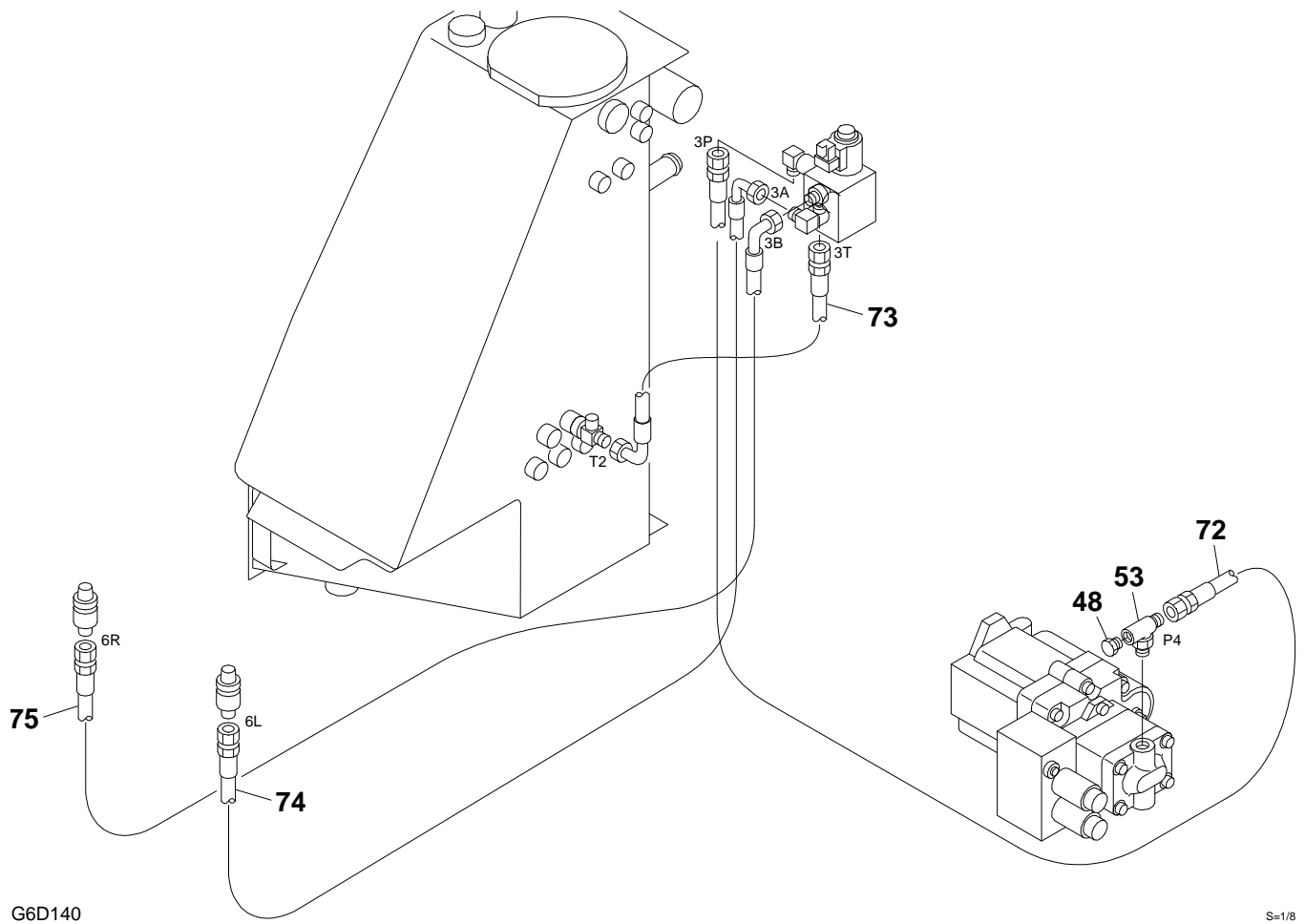


G6D130

S=1/8

PIPING; UPPER (3/5) (with 2nd aux. line)					
Item	Part number	Description	Q'ty	Chan.	Serial No. Serv. Remar
		PIPING ASSY, upper (with 1st & 2nd aux. line)			
		PIPING ASSY, upper (with 1st, 2nd & 3rd aux. line)			
		PIPING ASSY, upper (with 1st, 2nd & high press. 3rd aux. line)			
28	0377016280	HOSE ASSY (except for high press. 3rd aux. line)	1		18019-2
29	0377016290	HOSE ASSY	1		18019-2
43	0377018910	HOSE ASSY	1		19348-2:
44	0377016440	HOSE ASSY	1		19348-2:
45	0377016450	HOSE ASSY	1		19348-5:
46	0377016460	HOSE ASSY	1		19348-2:
	G6d131				

**TB138FR (P-T138FBBB) Book No. BG6Z001 S/N 13820001-
PIPING; UPPER (4/5) (with 3rd aux. line)**



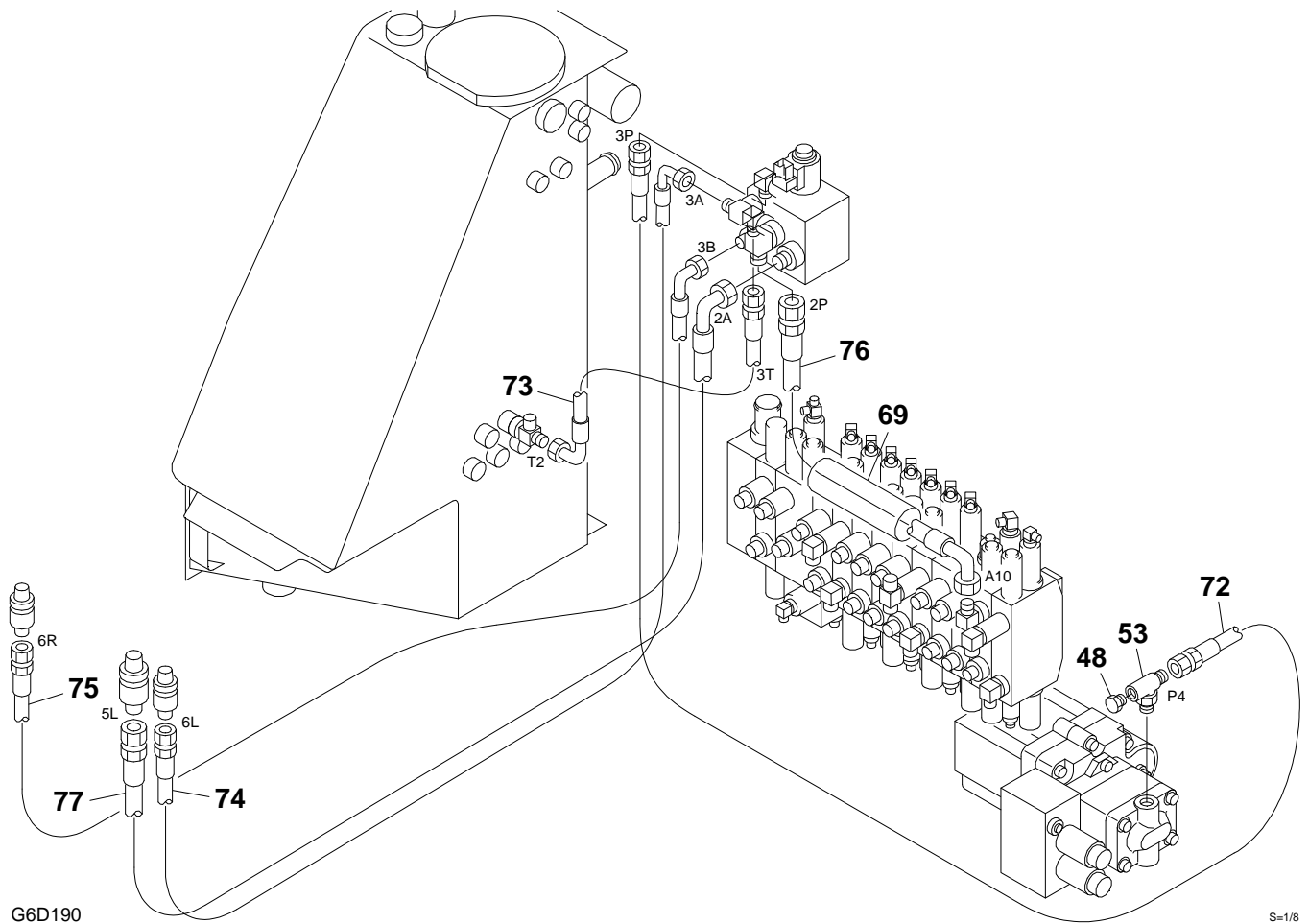
G6D140

S=1/8

PIPING; UPPER (4/5) (with 3rd aux. line)

Item	Part number	Description	Q'ty	Chan.	Serial No.	Serv.	Remarks
		PIPING ASSY, upper (with 1st, 2nd & 3rd aux. line)					
48	1501750002	PLUG	1				
	1420010110	· O-RING	1				
53	1513390046	TEE	1				
	1420010140	· O-RING	1				
72	0377019010	HOSE ASSY	1				18010-22200
73	0377019020	HOSE ASSY	1				18010-52055
74	0377019030	HOSE ASSY	1				18019-01185
75	0377019040	HOSE ASSY	1				18019-01170
	G6d141						

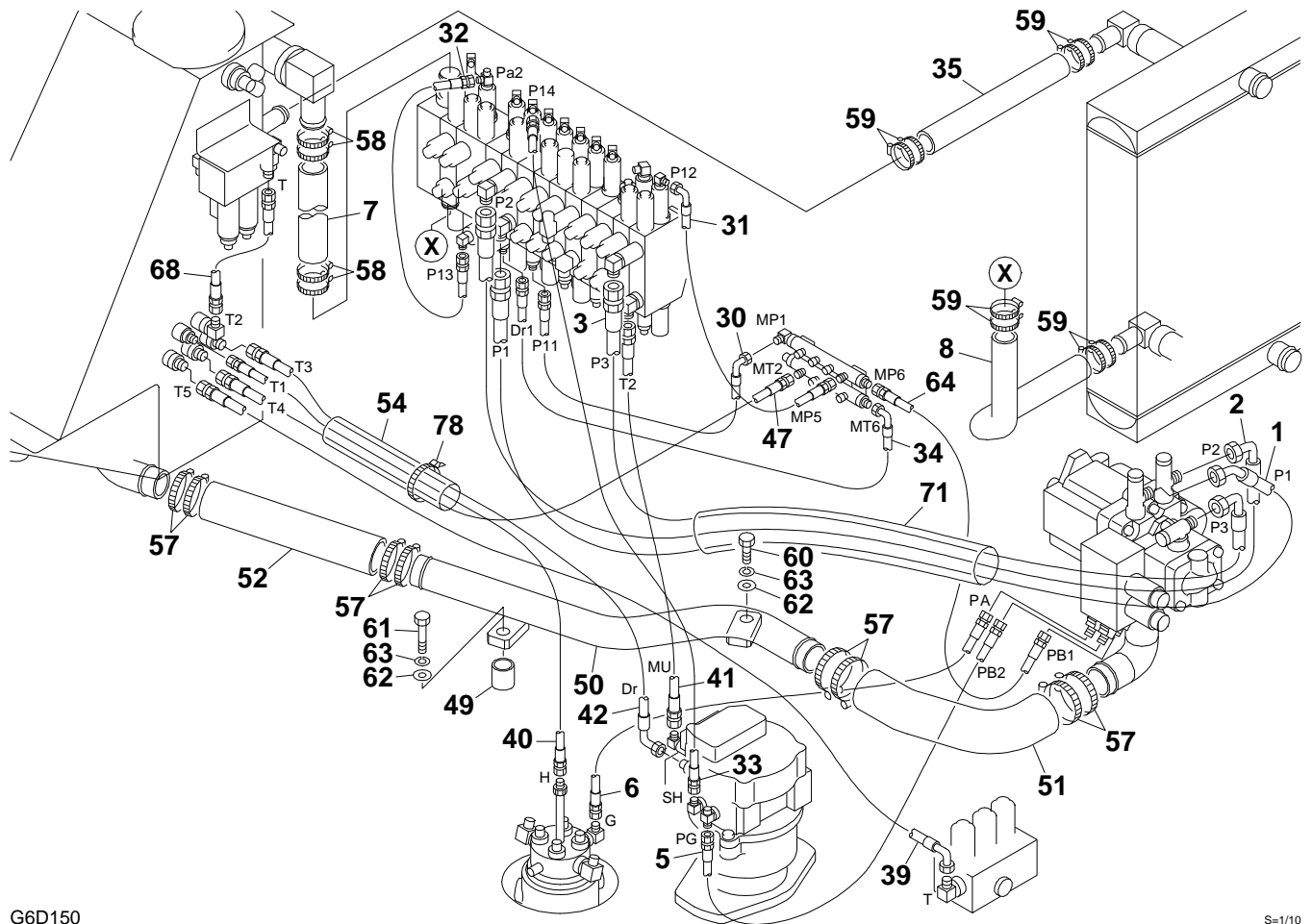
**TB138FR (P-T138FBBB) Book No. BG6Z001 S/N 13820001-
PIPING; UPPER (5/5) (with high press. 3rd aux. line)**



PIPING; UPPER (5/5) (with high press. 3rd aux. line)

Item	Part number	Description	Q'ty	Chan.	Serial No.	Serv.	Remar
		PIPING ASSY, upper (with 1st, 2nd & high press. 3rd aux. line)					
48	1501750002	PLUG	1				
	1420010110	· O-RING	1				
53	1513390046	TEE	1				
	1420010140	· O-RING	1				
69	1531345015	PROTECTOR	1				
72	0377019010	HOSE ASSY	1				18010-2
73	0377019020	HOSE ASSY	1				18010-5
74	0377019030	HOSE ASSY	1				18019-0
75	0377019040	HOSE ASSY	1				18019-0
76	0377019110	HOSE ASSY	1				18015-2
77	0377019120	HOSE ASSY	1				18019-2
	G6d191						

**TB138FR (P-T138FBBB) Book No. BG6Z001 S/N 13820001-
PIPING; UPPER (1/5) (1st aux. proportional cont.)**



G6D150

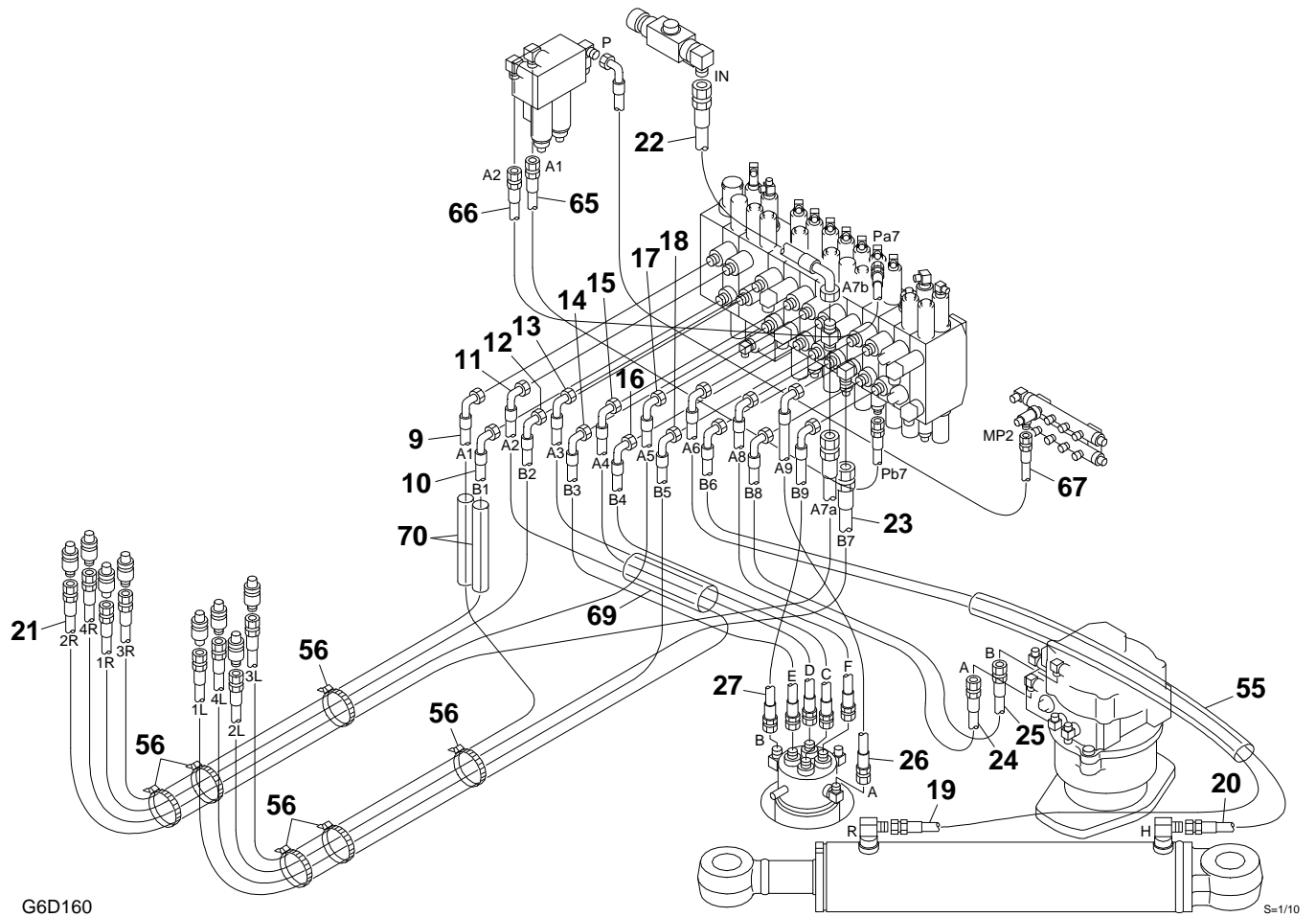
S=1/10

PIPING; UPPER (1/5) (1st aux. proportional cont.)

Item	Part number	Description	Q'ty	Chan.	Serial No.	Serv.	Rem
		PIPING ASSY, upper (with 1st aux. line)					
		PIPING ASSY, upper (with 1st & 2nd aux. line)					
		PIPING ASSY, upper (with 1st, 2nd & 3rd aux. line)					
		PIPING ASSY, upper (with 1st, 2nd & high press. 3rd aux. line)					
1	0377016010	HOSE ASSY	1				18015-4
2	0377016020	HOSE ASSY	1				18015-4
3	0377016030	HOSE ASSY	1				18015-4
5	0377016050	HOSE ASSY	1				18010-2:
6	0377018880	HOSE ASSY	1				18010-2:
7	1530532026	HOSE	1				sold by t
8	0377018810	HOSE	1				
30	0377016300	HOSE ASSY	1				18010-5:
31	0377016310	HOSE ASSY	1				18010-5:
32	0377016320	HOSE ASSY	1				18010-2:
33	0377016330	HOSE ASSY	1				18010-2:
34	0377016340	HOSE ASSY	1				18010-5:
35	1530525029	HOSE	1				sold by t
39	0377016390	HOSE ASSY	1				18010-5:
40	0377018890	HOSE ASSY	1				18010-2:
41	0377016410	HOSE ASSY	1				18010-2:
42	0377016420	HOSE ASSY	1				18010-5:
47	0377016470	HOSE ASSY	1				18010-2:
49	0377016490	PIPE	1				
50	0377016500	PIPE	1				
51	0377016510	HOSE	1				
52	1530747032	HOSE	1				sold by t
54	1531345025	PROTECTOR	1				sold by t
57	1533700070	BAND	8				
58	1533700048	BAND	4				
59	1533700041	BAND	8				
60	1100041030	BOLT	1				
61	1100041065	BOLT	1				
62	0003600025	WASHER	2				
63	1140020010	WASHER, spring	2				
64	0377017010	HOSE ASSY	1				18010-2:
68	0377017050	HOSE ASSY	1				19348-2:
71	1531360060	PROTECTOR	1				sold by t
78	1652201007	BAND	1				

G6d150

TB138FR (P-T138FBBB) Book No. BG6Z001 S/N 13820001-
PIPING; UPPER (2/5) (1st aux. proportional cont.)



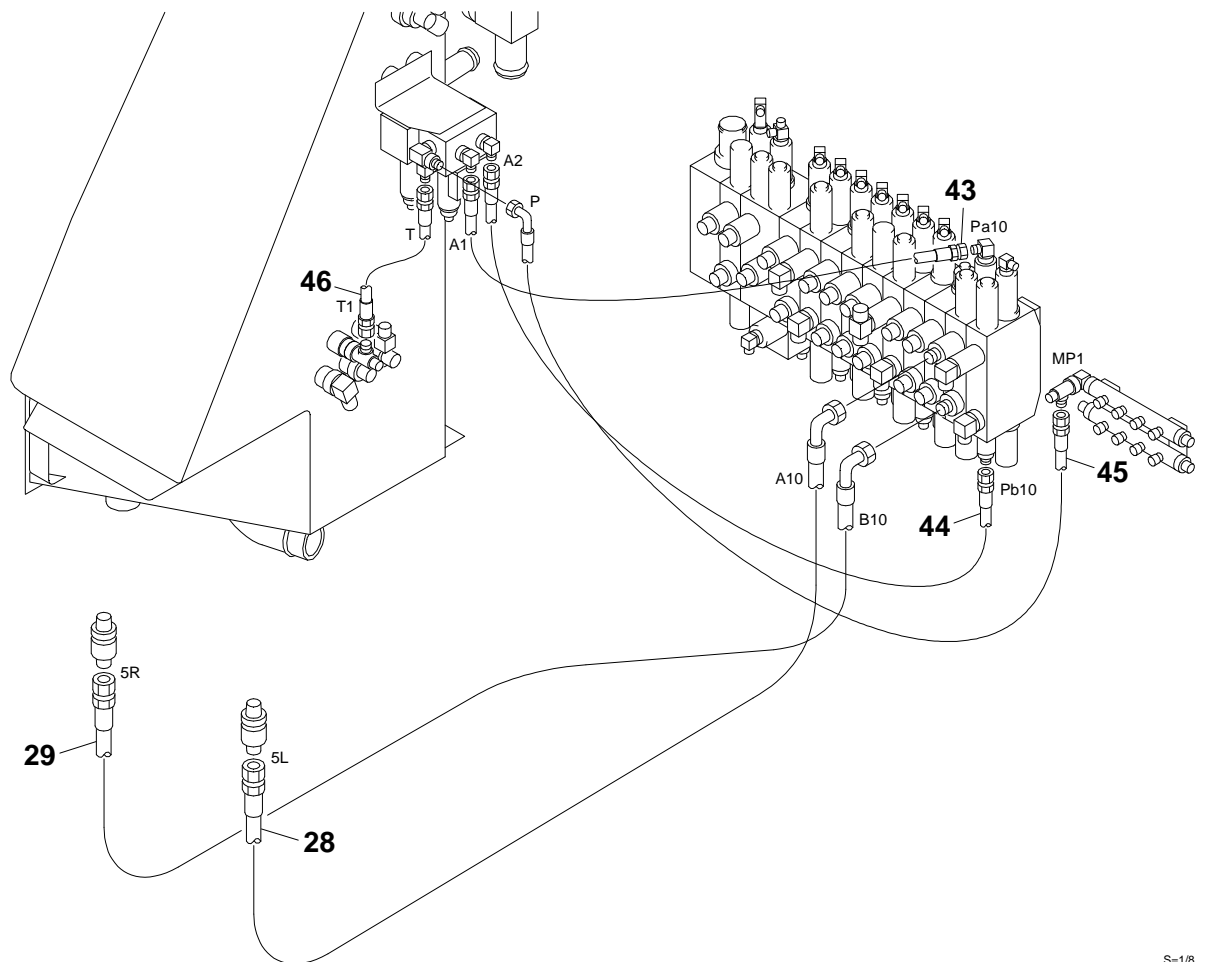
G6D160

S=1/10

PIPING; UPPER (2/5) (1st aux. proportional cont.)

Item	Part number	Description	Q'ty	Chan.	Serial No.	Serv.	Rem
		PIPING ASSY, upper (with 1st aux. line)					
		PIPING ASSY, upper (with 1st & 2nd aux. line)					
		PIPING ASSY, upper (with 1st, 2nd & 3rd aux. line)					
		PIPING ASSY, upper (with 1st, 2nd & high press. 3rd aux. line)					
9	0377016090	HOSE ASSY	1				18019-2
10	0377016100	HOSE ASSY	1				18019-2
11	0377016110	HOSE ASSY	1				18019-2
12	0377016120	HOSE ASSY	1				18019-2
13	0377018820	HOSE ASSY	1				18015-2
14	0377018830	HOSE ASSY	1				18015-2
15	0377018840	HOSE ASSY	1				18015-2
16	0377018850	HOSE ASSY	1				18015-2
17	0377016170	HOSE ASSY	1				18019-2
18	0377016180	HOSE ASSY	1				18019-2
19	0377016190	HOSE ASSY	1				18019-2
20	0377016200	HOSE ASSY	1				18019-2
21	0377016210	HOSE ASSY	1				18019-4
22	0377016220	HOSE ASSY	1				18015-4
23	0377016230	HOSE ASSY	1				18019-4
24	0377016240	HOSE ASSY	1				18017-2
25	0377016250	HOSE ASSY	1				18017-2
26	0377018860	HOSE ASSY	1				18015-2
27	0377018870	HOSE ASSY	1				18015-2
55	1531335070	PROTECTOR	1				sold by t
56	1652201008	BAND	6				
65	0377017020	HOSE ASSY	1				19348-2;
66	0377017030	HOSE ASSY	1				19348-2;
67	0377017040	HOSE ASSY	1				19348-5;
69	1531345015	PROTECTOR	1				sold by t
70	1531325030	PROTECTOR	2				sold by t
	G6d160						

**TB138FR (P-T138FBBB) Book No. BG6Z001 S/N 13820001-
PIPING; UPPER (3/5) (1st aux. proportional cont., with 2nd aux. line)**

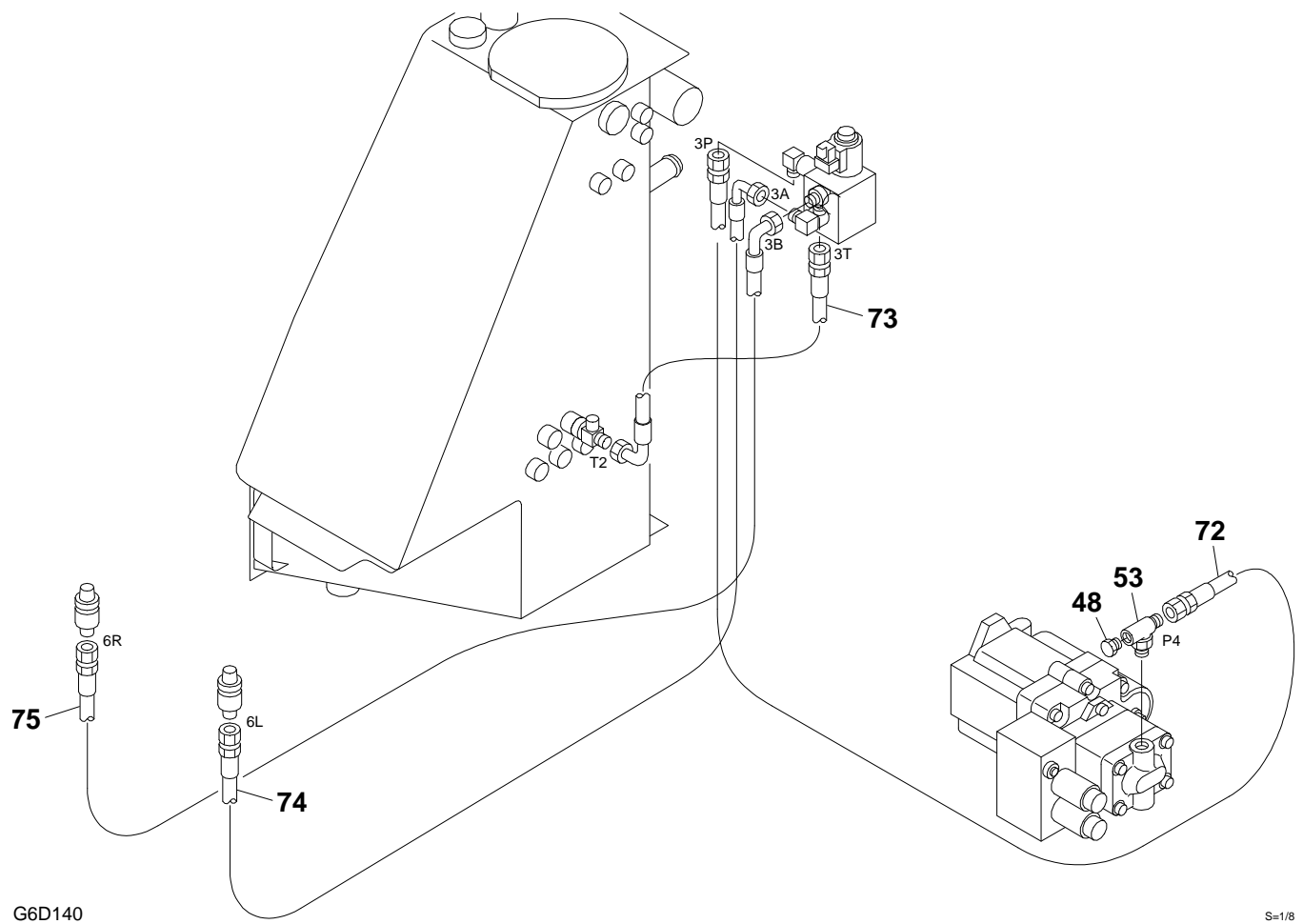


G6D170

S=1/8

PIPING; UPPER (3/5) (1st aux. proportional cont., with 2nd aux. line)						
Item	Part number	Description	Q'ty	Chan.	Serial No.	Serv. Remar
		PIPING ASSY, upper (with 1st & 2nd aux. line)				
		PIPING ASSY, upper (with 1st, 2nd & 3rd aux. line)				
		PIPING ASSY, upper (with 1st, 2nd & high press. 3rd aux. line)				
28	0377016280	HOSE ASSY (except for high press. 3rd aux. line)	1			18019-2
29	0377016290	HOSE ASSY	1			18019-2
43	0377018910	HOSE ASSY	1			19348-2
44	0377016440	HOSE ASSY	1			19348-2
45	0377016450	HOSE ASSY	1			19348-5
46	0377016460	HOSE ASSY	1			19348-2
	G6d170					

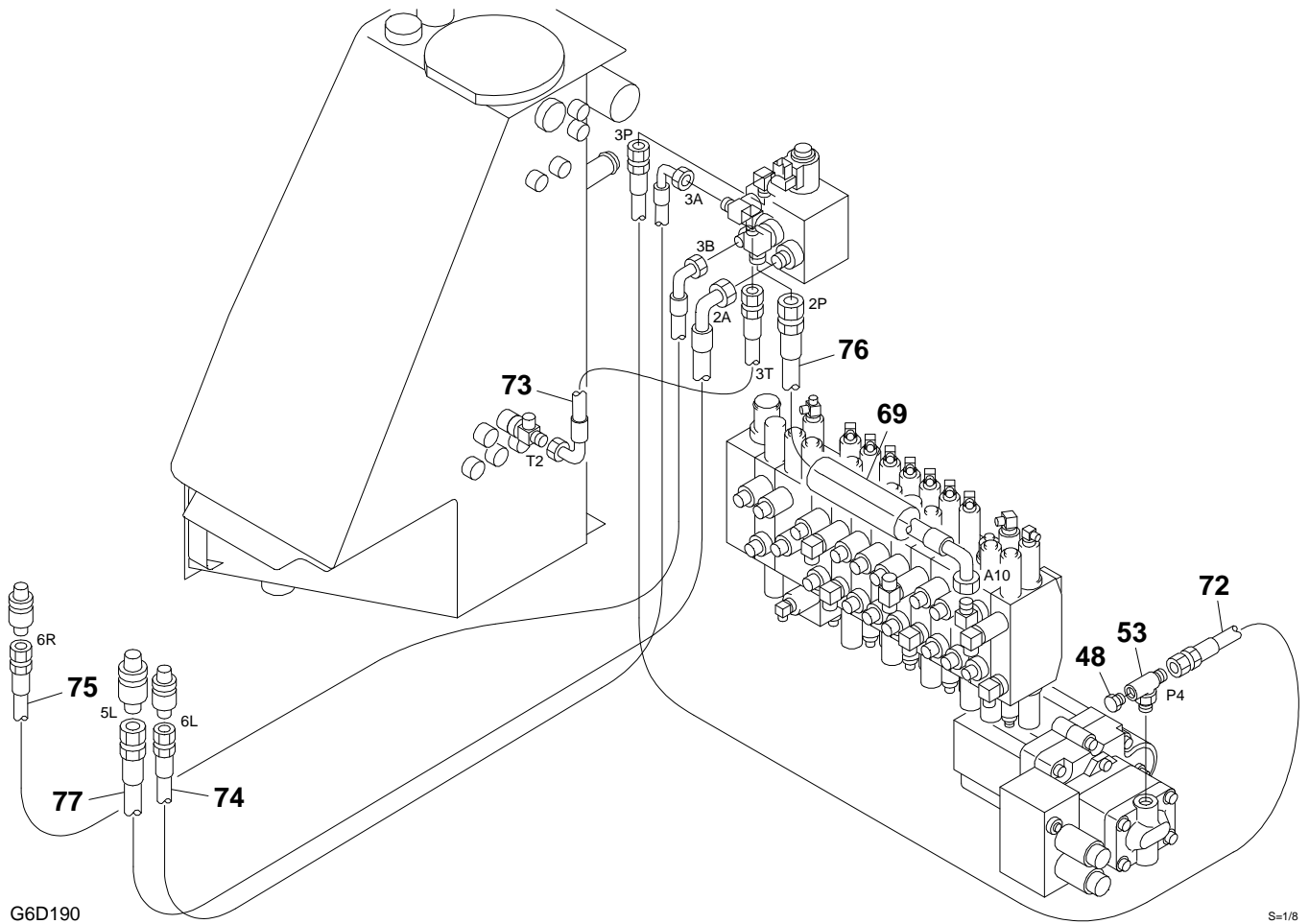
**TB138FR (P-T138FBBB) Book No. BG6Z001 S/N 13820001-
PIPING; UPPER (4/5) (1st aux. proportional cont., with 3rd aux. line)**



PIPING; UPPER (4/5) (1st aux. proportional cont., with 3rd aux. line)

Item	Part number	Description	Q'ty	Chan.	Serial No.	Serv.	Remarks
		PIPING ASSY, upper (with 1st, 2nd & 3rd aux. line)					
48	1501750002	PLUG	1				
	1420010110	· O-RING	1				
53	1513390046	TEE	1				
	1420010140	· O-RING	1				
72	0377019010	HOSE ASSY	1				18010-22200
73	0377019020	HOSE ASSY	1				18010-52055
74	0377019030	HOSE ASSY	1				18019-01185
75	0377019040	HOSE ASSY	1				18019-01170
	G6d180						

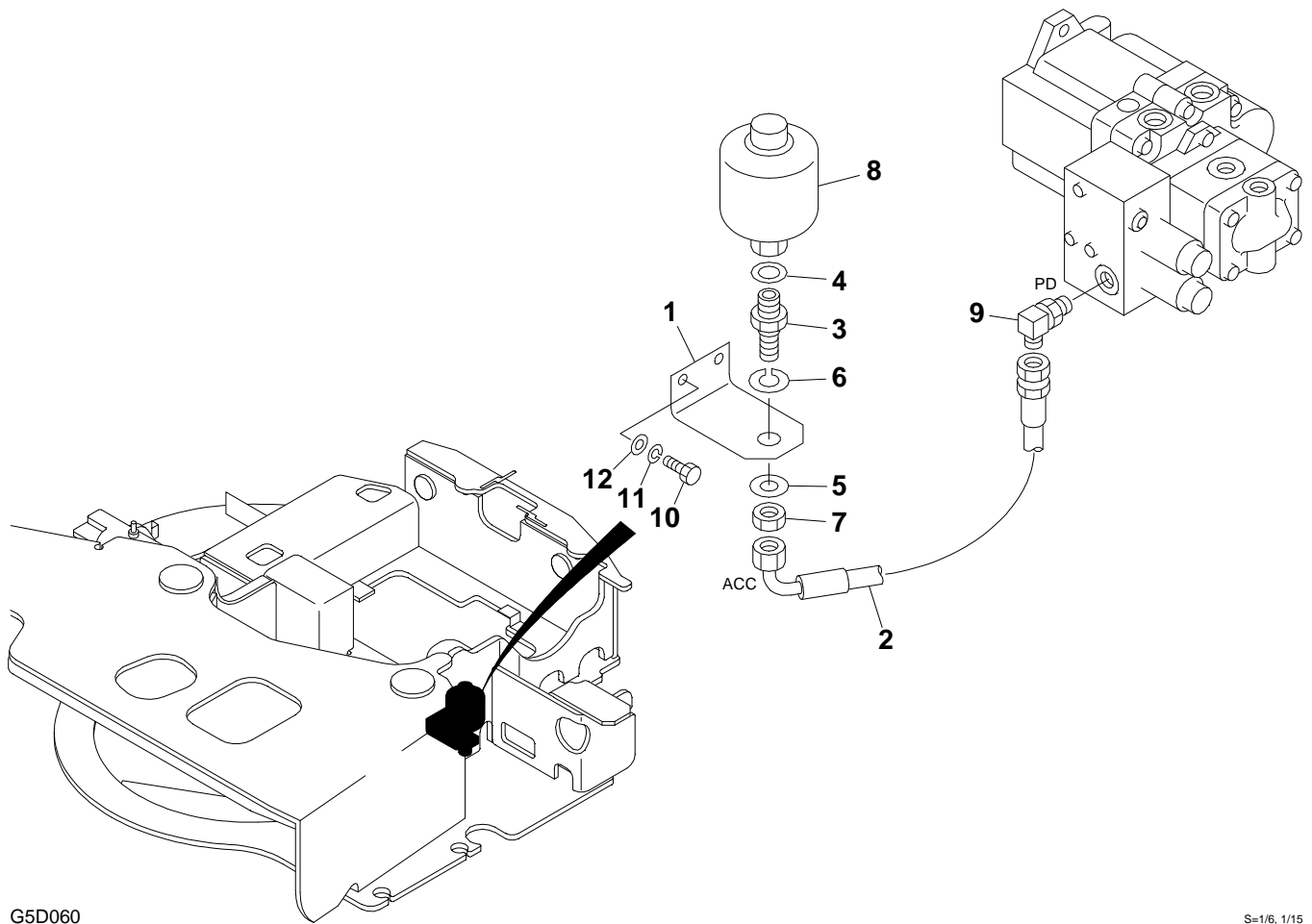
**TB138FR (P-T138FBBB) Book No. BG6Z001 S/N 13820001-
PIPING; UPPER (5/5) (1st aux. proportional cont., with high press. 3rd
aux. line)**



PIPING; UPPER (5/5) (1st aux. proportional cont., with high press. 3rd aux. line)

Item	Part number	Description	Q'ty	Chan.	Serial No.	Serv.	Remar
		PIPING ASSY, upper (with 1st, 2nd & high press. 3rd aux. line)					
48	1501750002	PLUG	1				
	1420010110	· O-RING	1				
53	1513390046	TEE	1				
	1420010140	· O-RING	1				
69	1531345015	PROTECTOR	1				
72	0377019010	HOSE ASSY	1				18010-2
73	0377019020	HOSE ASSY	1				18010-5
74	0377019030	HOSE ASSY	1				18019-0
75	0377019040	HOSE ASSY	1				18019-0
76	0377019110	HOSE ASSY	1				18015-2
77	0377019120	HOSE ASSY	1				18019-2
	G6d200						

TB138FR (P-T138FBBB) Book No. BG6Z001 S/N 13820001-
ACCUMULATOR



G5D060

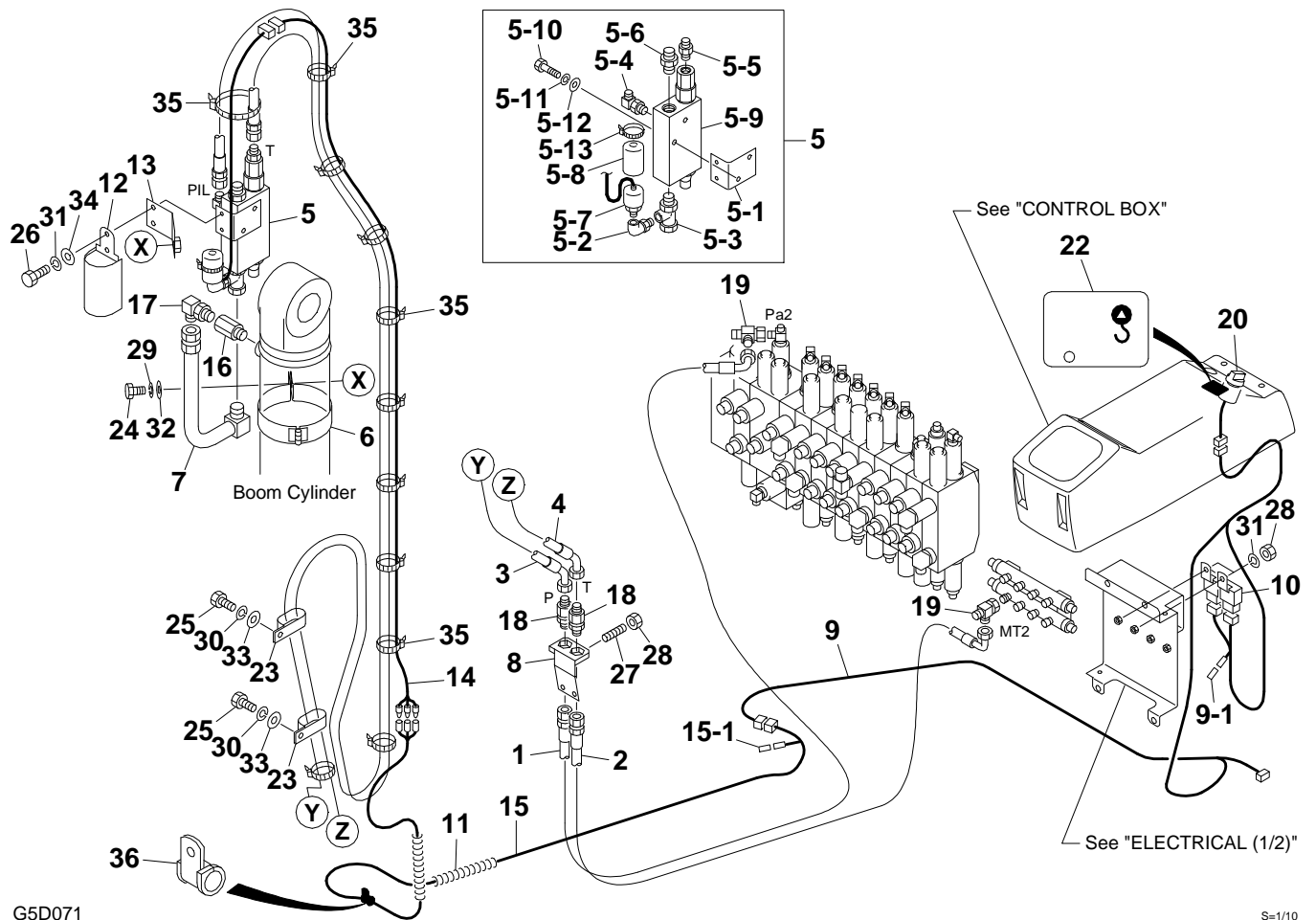
S=1/6, 1/15

ACCUMULATOR

Item	Part number	Description	Q'ty	Chan.	Serial No.	Serv.	Remarks
0	0375019500	ACCUMULATOR ASSY	1				
1	0395022410	· BRACKET	1				
2	0375019510	· HOSE ASSY	1				18010-53030
3	0007200222	· ADAPTOR	1				
4	1432160004	· SEAL	1				
5	1141110016	· WASHER	1				
6	1140020020	· WASHER, spring	1				
7	0007200154	· NUT	1				
8	1552200020	· ACCUMULATOR	1				
9	1515010041	· ELBOW	1				
	1420010140	· · O-RING	1				
10	1100041025	· BOLT	2				
11	1140020010	· WASHER, spring	2				
12	1141110010	· WASHER	2				

G5d060

**TB138FR (P-T138FBBB) Book No. BG6Z001 S/N 13820001-
BOOM EMERGENCY SHUT-OFF VALVE**



G5D071

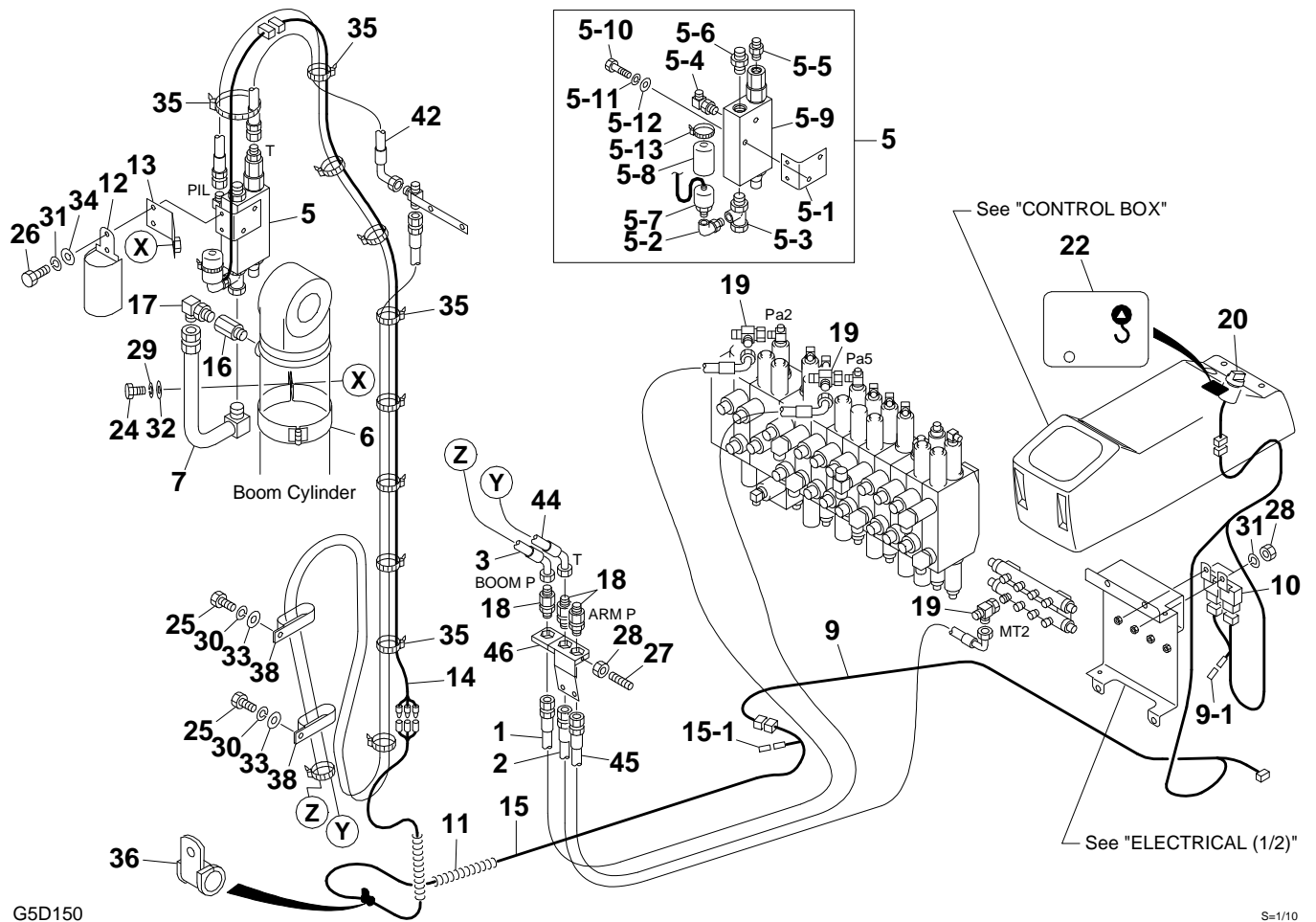
S=1/10

BOOM EMERGENCY SHUT-OFF VALVE

Item	Part number	Description	Q'ty	Chan.	Serial No.	Serv.	Remarks
0	0375019600	VALVE ASSY, emergency shut-off	1				
1	0375019610	· HOSE ASSY	1				18019-01200
2	0375019620	· HOSE ASSY	1				18019-01150
3	0375019630	· HOSE ASSY	1				18010-79295
4	0375019640	· HOSE ASSY	1				18010-79290
5	0375019650	· VALVE ASSY, emergency shut-off	1				
5-1	0395009600	· · BRACKET	1				
5-2	1513300022	· · ELBOW	1				
	1420010110	· · · O-RING	1				
5-3	1513390039	· · ADAPTOR	1				
	1420010180	· · · O-RING	1				
5-4	1515012040	· · ELBOW	1				
	1420010110	· · · O-RING	1				
5-5	1515600200	· · ADAPTOR	1				
	1420010110	· · · O-RING	1				
5-6	1515600577	· · ADAPTOR	1				
	1420010180	· · · O-RING	1				
5-7	1700100082	· · SWITCH, pressure	1				
5-8	1700100061	· · COVER	1				
5-9	1901745200	· · VALVE, emergency shut-off	1				
5-10	1100040645	· · BOLT	2				
5-11	1140020006	· · WASHER, spring	2				
5-12	1141110006	· · WASHER	2				
5-13	1652231250	· · BAND	1				
6	0375019660	· CLAMP	1				
7	0395012710	· PIPE	1				
8	0375019680	· CLAMP	1				
9	0375019690	· HARNESS ASSY, wiring	1				
9-1	1730500008	· DIODE (3A yellow)	1				
10	1711900042	· RELAY	2				
11	0354221650	· SPRING	1				
12	0395009620	· COVER	1				
13	0375019730	· PLATE	1				
14	0395024030	· HARNESS ASSY, wiring	1		13820001~13820079		
	0375019810	· HARNESS ASSY, wiring	1	(H)	13820080~		
15	0565048060	· HARNESS ASSY, wiring	1		13820001~13820079		
	0375019820	· HARNESS ASSY, wiring	1	(H)	13820080~		
15-1	1730500008	· DIODE (3A yellow)	1				
16	0007213023	· ADAPTOR	1				
	1420010140	· · O-RING	1				
17	1515010131	· ELBOW	1				
	1420010140	· · O-RING	1				
18	1514011102	· ADAPTOR	2				
19	1513390015	· TEE	2				
20	1700000019	· SWITCH, rotary	1				
22	0565017400	· DECAL	1				
23	0007300019	· CLAMP	2				
24	1100041030	· BOLT	1				
25	1100040820	· BOLT	2				
26	1100040620	· BOLT	2				
27	1121040614	· SET-SCREW	2				
28	1130040006	· NUT	4				
29	1140020010	· WASHER, spring	1				
30	1140020008	· WASHER, spring	2				
31	1140020006	· WASHER, spring	4				
32	1141110010	· WASHER	1				
33	1141110008	· WASHER	2				
34	1141110006	· WASHER	2				
35	1652201005	· BAND	14				
36	1711900076	· CLAMP	1				

G6d050

**TB138FR (P-T138FBBB) Book No. BG6Z001 S/N 13820001-
BOOM & ARM EMERGENCY SHUT-OFF VALVE (1/2)**



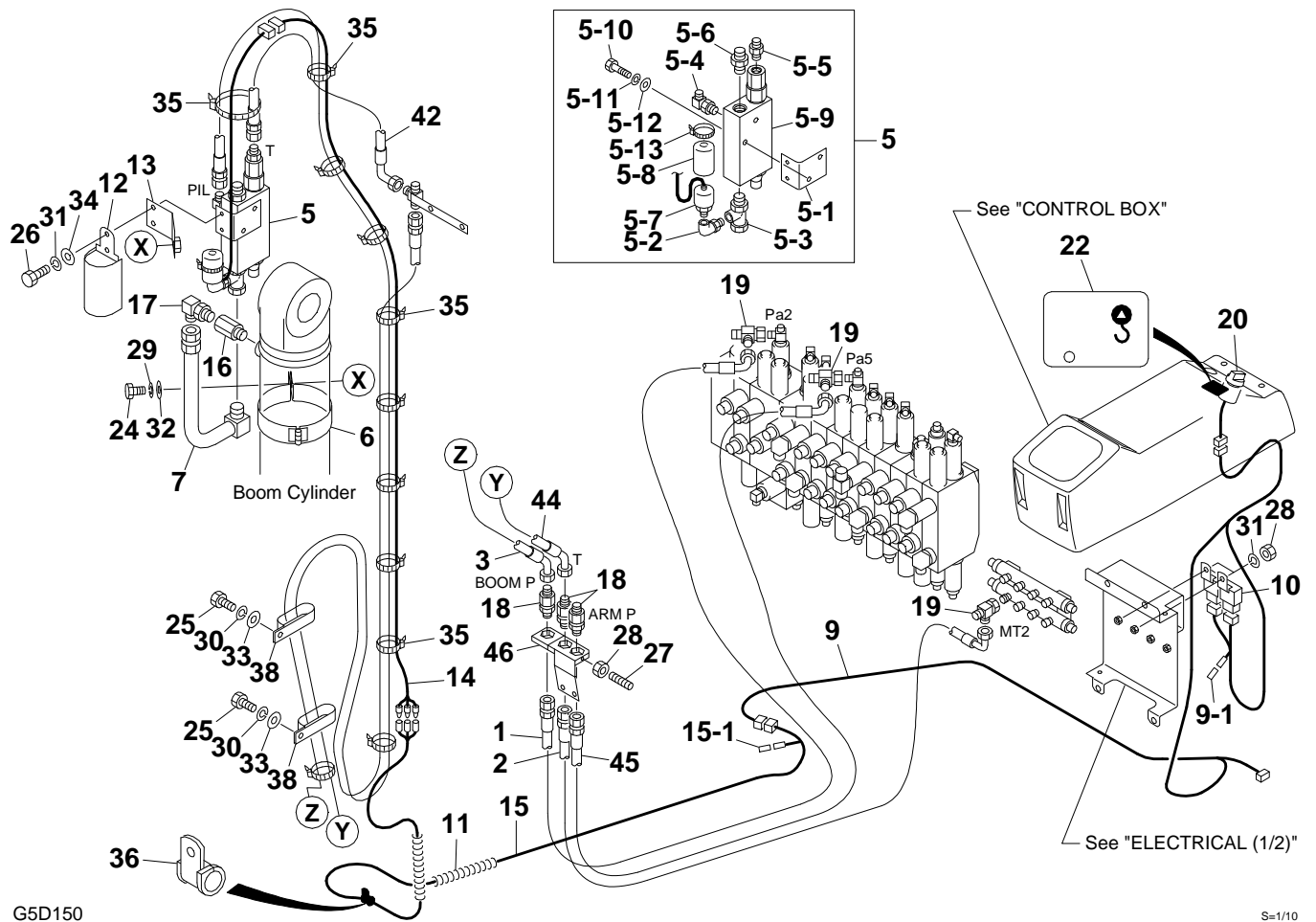
G5D150

S=1/10

BOOM & ARM EMERGENCY SHUT-OFF VALVE (1/2)

Item	Part number	Description	Q'ty	Chan.	Serial No.	Serv.	Remarks
0	0375019700	VALVE ASSY, emergency shut-off	1				
1	0375019610	· HOSE ASSY	1				18019-01200
2	0375019620	· HOSE ASSY	1				18019-01150
3	0375019630	· HOSE ASSY	1				18010-79295
5	0375019650	· VALVE ASSY, emergency shut-off	1				
5-1	0395009600	· · BRACKET	1				
5-2	1513300022	· · ELBOW	1				
	1420010110	· · · O-RING	1				
5-3	1513390039	· · ADAPTOR	1				
	1420010180	· · · O-RING	1				
5-4	1515012040	· · ELBOW	1				
	1420010110	· · · O-RING	1				
5-5	1515600200	· · ADAPTOR	1				
	1420010110	· · · O-RING	1				
5-6	1515600577	· · ADAPTOR	1				
	1420010180	· · · O-RING	1				
5-7	1700100082	· · SWITCH, pressure	1				
5-8	1700100061	· · COVER	1				
5-9	1901745200	· · VALVE, emergency shut-off	1				
5-10	1100040645	· · BOLT	2				
5-11	1140020006	· · WASHER, spring	2				
5-12	1141110006	· · WASHER	2				
5-13	1652231250	· · BAND	1				
6	0375019660	· CLAMP	1				
7	0395012710	· PIPE	1				
9	0375019690	· HARNESS ASSY, wiring	1				
9-1	1730500008	· DIODE (3A yellow)	1				
10	1711900042	· RELAY	2				
11	0354221650	· SPRING	1				
12	0395009620	· COVER	1				
13	0375019730	· PLATE	1				
14	0395024030	· HARNESS ASSY, wiring	1		13820001~13820079		
	0375019810	· HARNESS ASSY, wiring	1	(H)	13820080~		
15	0565048060	· HARNESS ASSY, wiring	1		13820001~13820079		
	0375019820	· HARNESS ASSY, wiring	1	(H)	13820080~		
15-1	1730500008	· DIODE (3A yellow)	1				
16	0007213023	· ADAPTOR	1				
	1420010140	· · O-RING	1				
17	1515010131	· ELBOW	1				
	1420010140	· · O-RING	1				
18	1514011102	· ADAPTOR	3				
19	1513390015	· TEE	3				
20	1700000019	· SWITCH, rotary	1				
22	0565017400	· DECAL	1				
24	1100041030	· BOLT	1				
25	1100040820	· BOLT	2				
26	1100040620	· BOLT	2				
27	1121040614	· SET-SCREW	3				
28	1130040006	· NUT	5				
29	1140020010	· WASHER, spring	1				
30	1140020008	· WASHER, spring	2				
31	1140020006	· WASHER, spring	4				
32	1141110010	· WASHER	1				
33	1141110008	· WASHER	2				
34	1141110006	· WASHER	2				
35	1652201005	· BAND	14				
36	1711900076	· CLAMP	1				
38	0007300018	· CLAMP	2				
42	0375019750	· HOSE ASSY	1				18010-52060
44	0375019770	· HOSE ASSY	1				18010-79240
45	0375019780	· HOSE ASSY	1				18019-01180

**TB138FR (P-T138FBBB) Book No. BG6Z001 S/N 13820001-
BOOM & ARM EMERGENCY SHUT-OFF VALVE (1/2)**



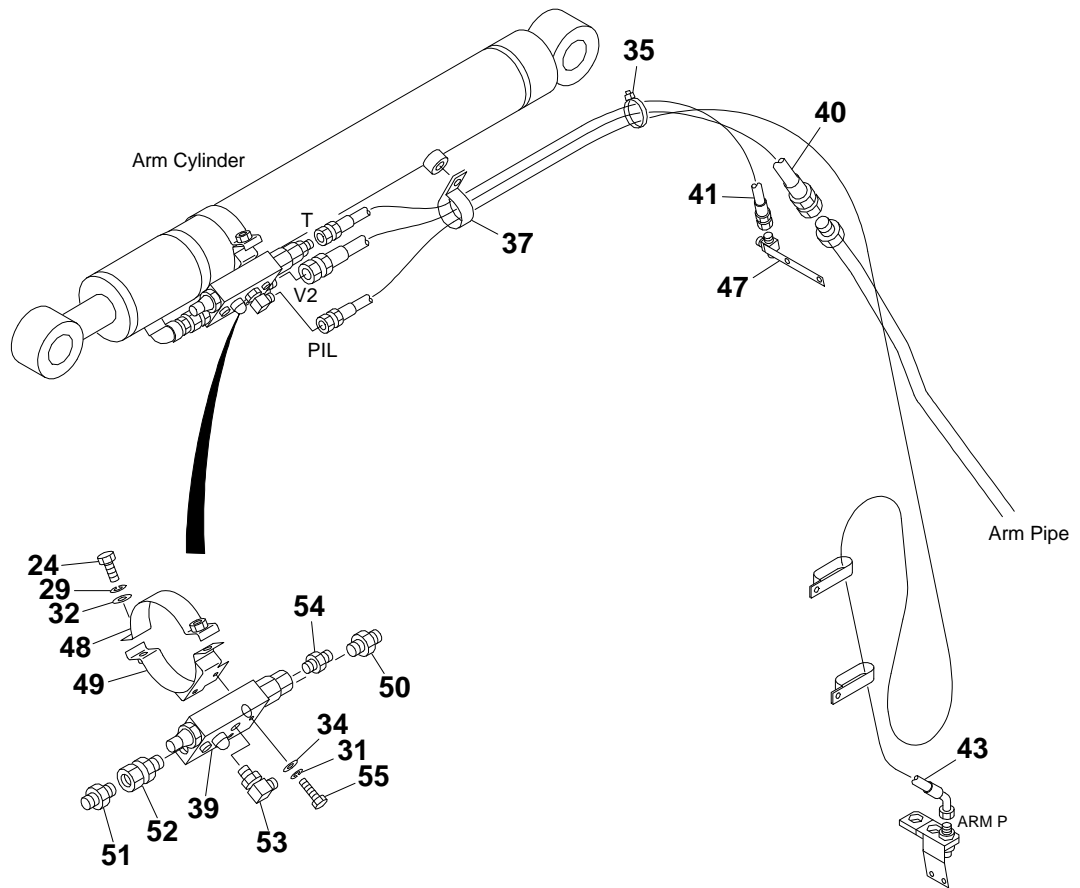
G5D150

S=1/10

BOOM & ARM EMERGENCY SHUT-OFF VALVE (1/2)

Item	Part number	Description	Q'ty	Chan.	Serial No.	Serv.	Remarks
46	0375019710 G6d060	· CLAMP	1				

TB138FR (P-T138FBBB) Book No. BG6Z001 S/N 13820001-
BOOM & ARM EMERGENCY SHUT-OFF VALVE (2/2)



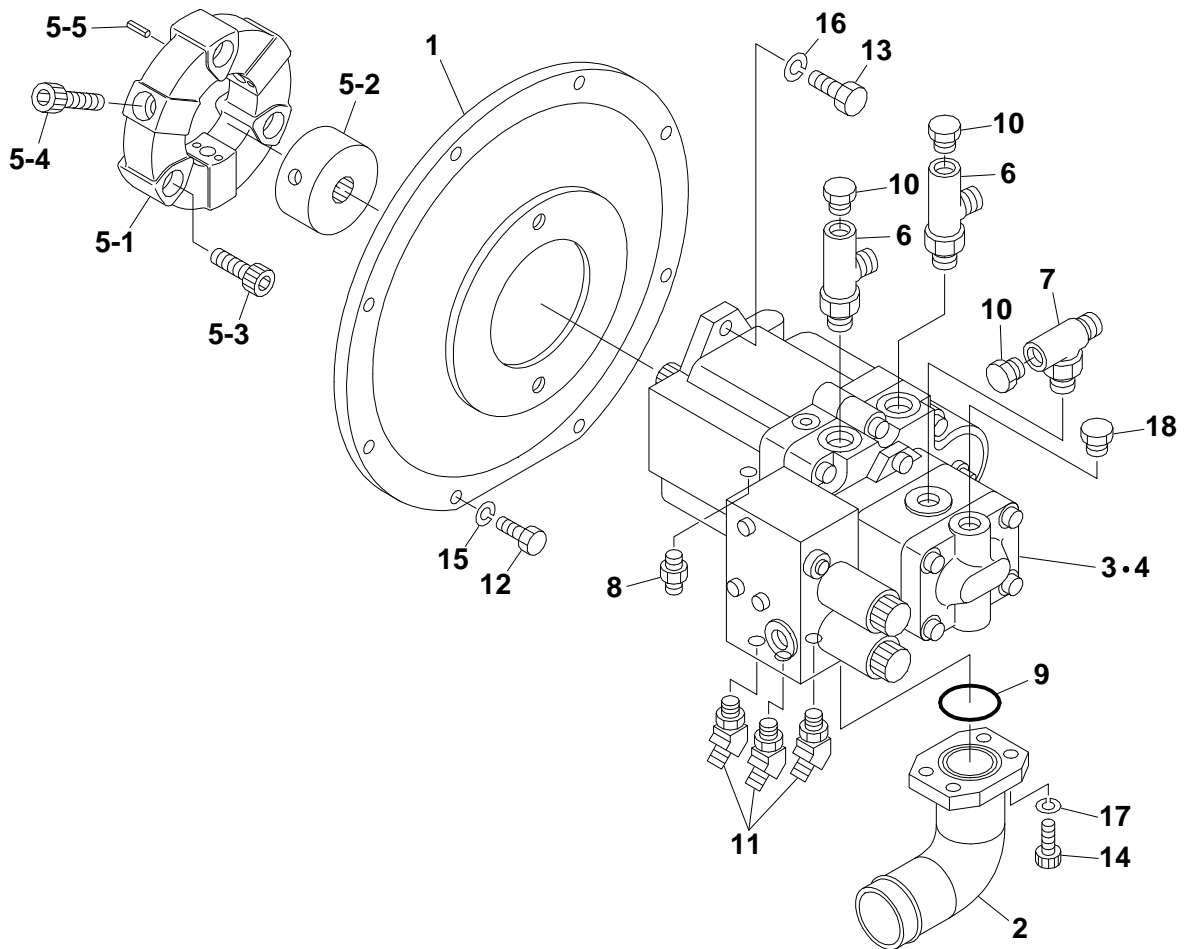
G5D160

S=1/10

BOOM & ARM EMERGENCY SHUT-OFF VALVE (2/2)

Item	Part number	Description	Qty	Chan.	Serial No.	Serv.	Remarks
0	0375019700	VALVE ASSY, emergency shut-off	1				
24	1100041030	· BOLT	2				
29	1140020010	· WASHER, spring	2				
31	1140020006	· WASHER, spring	2				
32	1141110010	· WASHER	2				
34	1141110006	· WASHER	2				
35	1652201005	· BAND	2				
37	0007300030	· CLAMP	1				
39	1901745200	· VALVE, emergency shut-off	1				
40	1801720113	· HOSE ASSY	1				
41	0375019740	· HOSE ASSY	1				18010-22112
43	0375019760	· HOSE ASSY	1				18010-79375
47	0375019310	· TEE	1				
48	0375019330	· BAND	1				
49	0375019340	· BAND	1				
50	1515600572	· ADAPTOR	1				
	1420010140	· · O-RING	1				
51	1515600577	· ADAPTOR	1				
	1420010180	· · O-RING	1				
52	0007236041	· ADAPTOR	1				
	1420010180	· · O-RING	1				
53	1515012040	· ELBOW	1				
	1420010110	· · O-RING	1				
54	1515600200	· ELBOW	1				
	1420010110	· · O-RING	1				
55	1100040645	· BOLT	1				
	G6d070						

**TB138FR (P-T138FBBB) Book No. BG6Z001 S/N 13820001-
PUMP DRIVE**



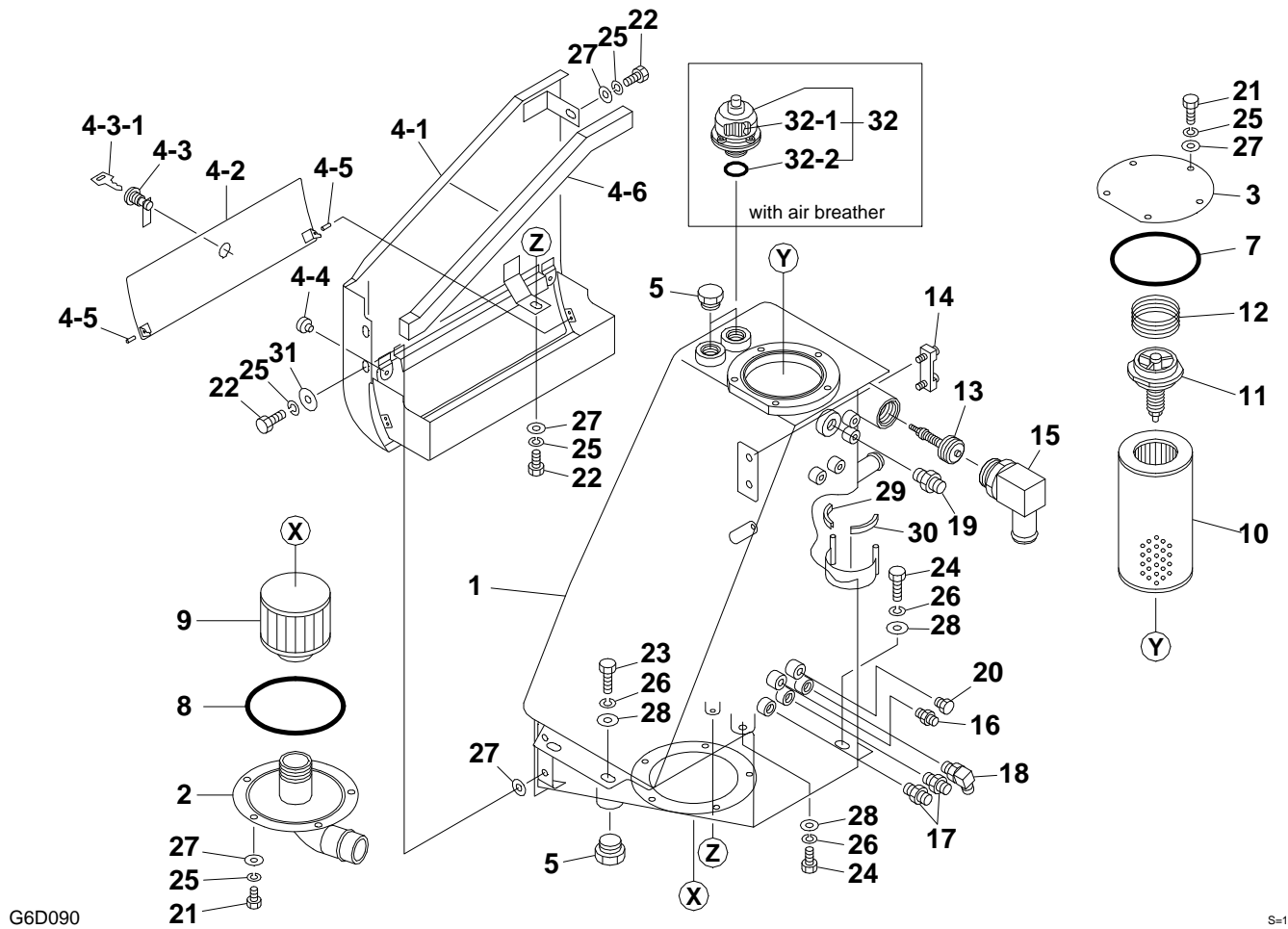
G6D080

S=1/5

PUMP DRIVE

Item	Part number	Description	Q'ty	Chan.	Serial No.	Serv.	Remarks
		PUMP ASSY, drive (with air conditioner)					
		PUMP ASSY, drive					
1	0375202100	HOUSING	1				
2	0375205820	FLANGE	1				
3	1902025400	PUMP, hydraulic	1				
4	1902025500	PUMP, hydraulic	1				with air con.
5	0355211020	COUPLING ASSY	1				
5-1	1602000160	· COUPLING	1				
5-2	0355211022	· BOSS	1				
5-3	1602031235	· SCREW, cap	3				
5-4	1602031240	· SCREW, cap	3				
5-5	1213000525	· PIN, spring	3				
6	1512340004	ELBOW	2				
	1420010180	· O-RING	1				
7	1513390045	TEE	1				
	1420010140	· O-RING	1				
8	1515600200	ADAPTOR	1				with air con.
	1420010110	· O-RING	1				
9	1420100400	O-RING	1				
10	1501750002	PLUG	3				
	1420010110	· O-RING	1				
11	1515100110	ELBOW	3				
	1420010110	· O-RING	1				
12	1100041025	BOLT	8				
13	1101041230	BOLT	2				
14	1110041025	SCREW, cap	4				
15	1140020010	WASHER, spring	8				
16	1140020012	WASHER, spring	2				
17	1140420010	WASHER, spring	4				
18	1501750003	PLUG	1				
	1420010140	· O-RING	1				
	G6d080						

**TB138FR (P-T138FBBB) Book No. BG6Z001 S/N 13820001-
HYDRAULIC TANK**



G6D090

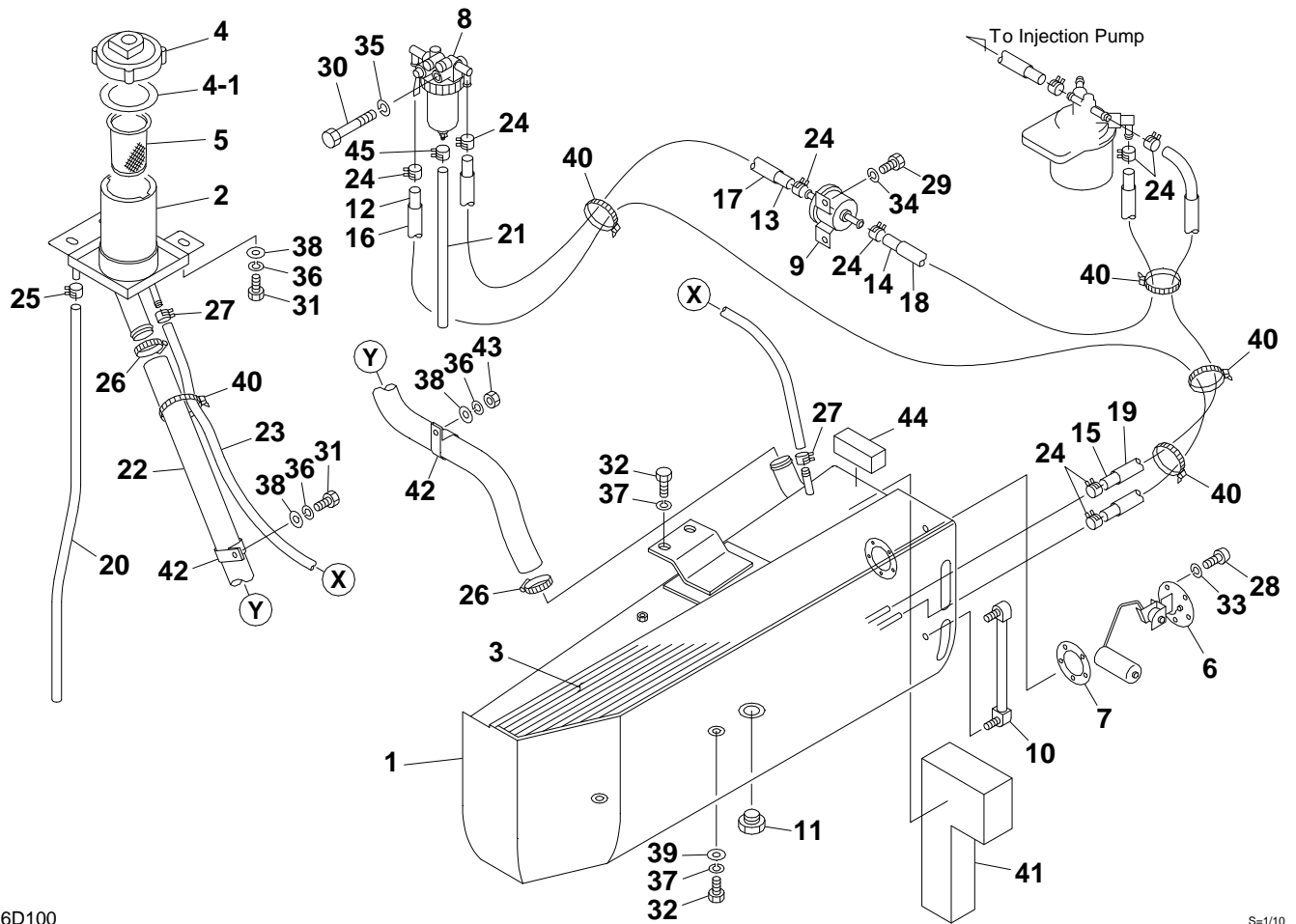
S=1/10

HYDRAULIC TANK

Item	Part number	Description	Q'ty	Chan.	Serial No.	Serv.	Remarks
		TANK ASSY, hydraulic					
		TANK ASSY, hydraulic (with air breather)					
1	0378010100	TANK, hydraulic	1			M	
2	0378008270	PIPE	1				
3	0568035102	COVER	1				
4	0378008240	COVER ASSY	1				
4-1	0378008290	· COVER	1				
4-2	0378008280	· COVER	1				
4-3	1653601395	· LOCK	1				
4-3-1	1700100019	· KEY	1				
4-4	1652515000	· RUBBER, cushion	2				
4-5	1213000420	· PIN, spring	4				
4-6	0378008246	· SPONGE	1				
5	1501750010	PLUG	3				
	1501750010	PLUG	2				with air breather
	1420010290	· O-RING	1				
7	1420101250	O-RING	1				
8	1420101450	O-RING	1				
9	1550014150	STRAINER	1				
10	1551103300	ELEMENT	1				
11	1551100300	VALVE ASSY	1				
12	0007000031	SPRING	1				
13	1540141025	VALVE, check	1				
14	1553020655	GAUGE	1				
15	1513350021	ELBOW	1				
	1420010380	· O-RING	1				
16	1515600200	ADAPTOR	1				
	1420010110	· O-RING	1				
17	1515600201	ADAPTOR	2				
	1420010140	· O-RING	1				
18	1515010041	ELBOW	1				
	1420010140	· O-RING	1				
19	1515600202	ADAPTOR	1				
	1420010180	· O-RING	1				
20	1501750002	PLUG	1				
	1420010110	· O-RING	1				
21	1100041016	BOLT	10				
22	1100041020	BOLT	4				
23	1101041220	BOLT	2				
24	1101041230	BOLT	2				
25	1140020010	WASHER, spring	14				
26	1140020012	WASHER, spring	4				
27	1141110010	WASHER	12				
28	0003600026	WASHER	4				
29	1654601003	TRIM	1				sold by the meter
30	1654601007	TRIM	1				sold by the meter
31	0003600020	WASHER	2				
32	1552002700	BREATHER, air	1				with air breather
32-1	1552002715	· ELEMENT	1				
32-2	1420010300	· O-RING	1				

G6d090

**TB138FR (P-T138FBBB) Book No. BG6Z001 S/N 13820001-
FUEL TANK & FUEL PIPING**

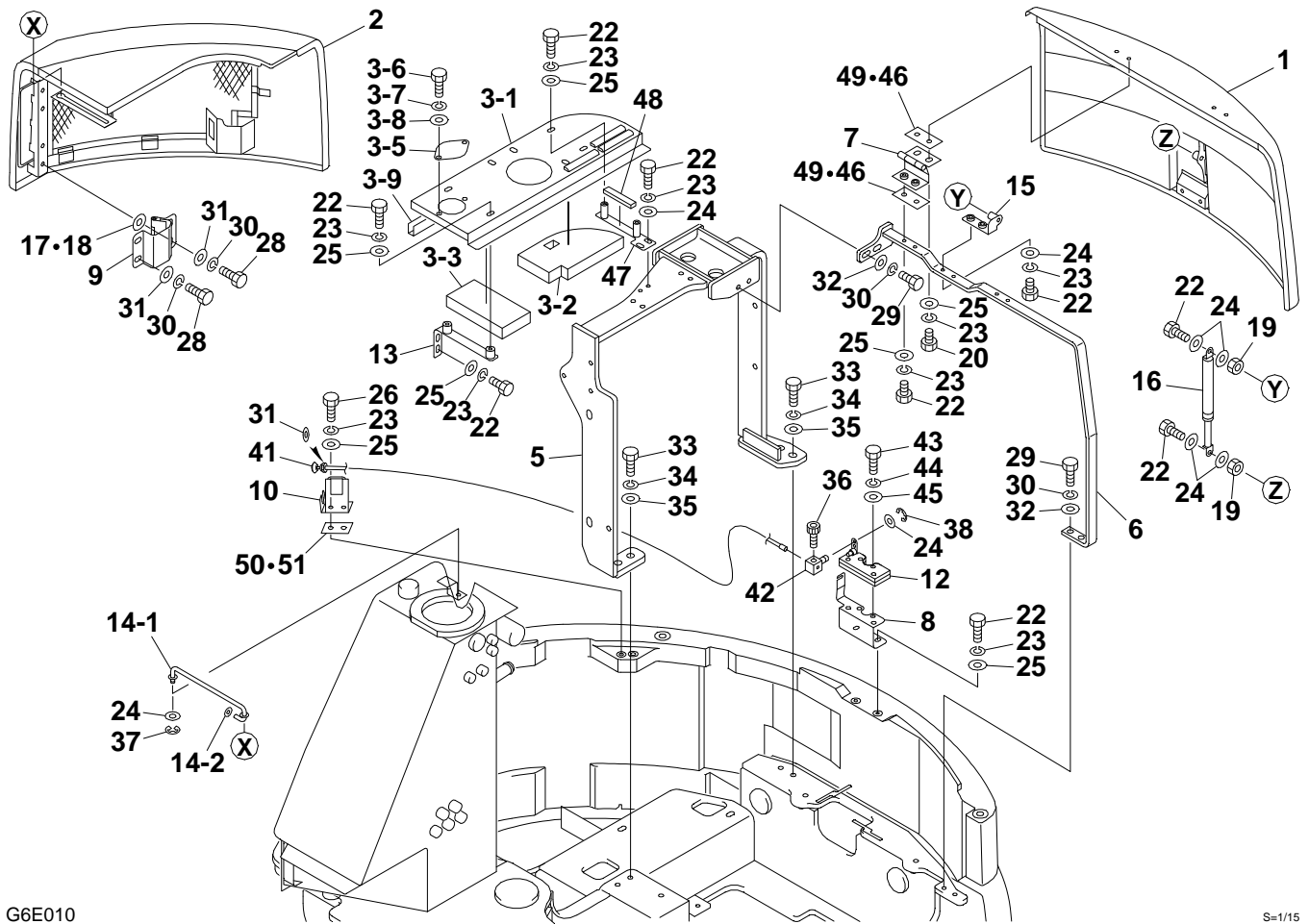


G6D100

S=1/10

FUEL TANK & FUEL PIPING						
Item	Part number	Description	Q'ty	Chan.	Serial No.	Serv. Remarks
		TANK ASSY, fuel				
1	0378107400	TANK	1			
2	0378107250	PORT, supply	1			
3	0378107303	SHEET	1			
4	1552100500	CAP	1			
4-1	1552100507	· PACKING	1			
5	1552100320	STRAINER	1			
6	1553201800	UNIT, gauge	1			
7	1553200800	PACKING	1			
8	1910186033	SEPARATOR, water	1			Y129906-55700
9	1910199034	PUMP, feed	1			Y129612-52100
10	1553001200	GAUGE, level	1			
11	1501750006	PLUG	1			
	1420010240	· O-RING	1			
12	1531207187	HOSE	1			sold by the meter
13	1531207071	HOSE	1			sold by the meter
14	1531207070	HOSE	1			sold by the meter
15	1531207124	HOSE	1			sold by the meter
16	1531115177	PROTECTOR	1			sold by the meter
17	1531115061	PROTECTOR	1			sold by the meter
18	1531115060	PROTECTOR	1			sold by the meter
19	1531115114	PROTECTOR	1			sold by the meter
20	1531110090	HOSE	1			sold by the meter
21	1531007024	HOSE	1			sold by the meter
22	1530531106	HOSE	1			sold by the meter
23	1530512124	HOSE	1			sold by the meter
24	1533120511	BAND	8			
25	1533700016	BAND	1			
26	1533700048	BAND	2			
27	1533700025	BAND	2			
28	1120530510	SCREW	5			
29	1100040616	BOLT	2			
30	1100040870	BOLT	1			
31	1100041020	BOLT	4			
32	1101041225	BOLT	4			
33	1140020005	WASHER, spring	5			
34	1140020006	WASHER, spring	2			
35	1140020008	WASHER, spring	1			
36	1140020010	WASHER, spring	5			
37	1140020012	WASHER, spring	4			
38	1141110010	WASHER	5			
39	0003600023	WASHER	2			
40	1652201005	BAND	5			
41	0378107341	SPONGE	1			
42	0007300030	CLAMP	2			
43	1130040010	NUT	1			
44	1654341008	SPONGE	1			sold by the meter
45	1533120009	BAND	1			
	G6d100					

TB138FR (P-T138FBBB) Book No. BG6Z001 S/N 13820001-
COVER (1/3)



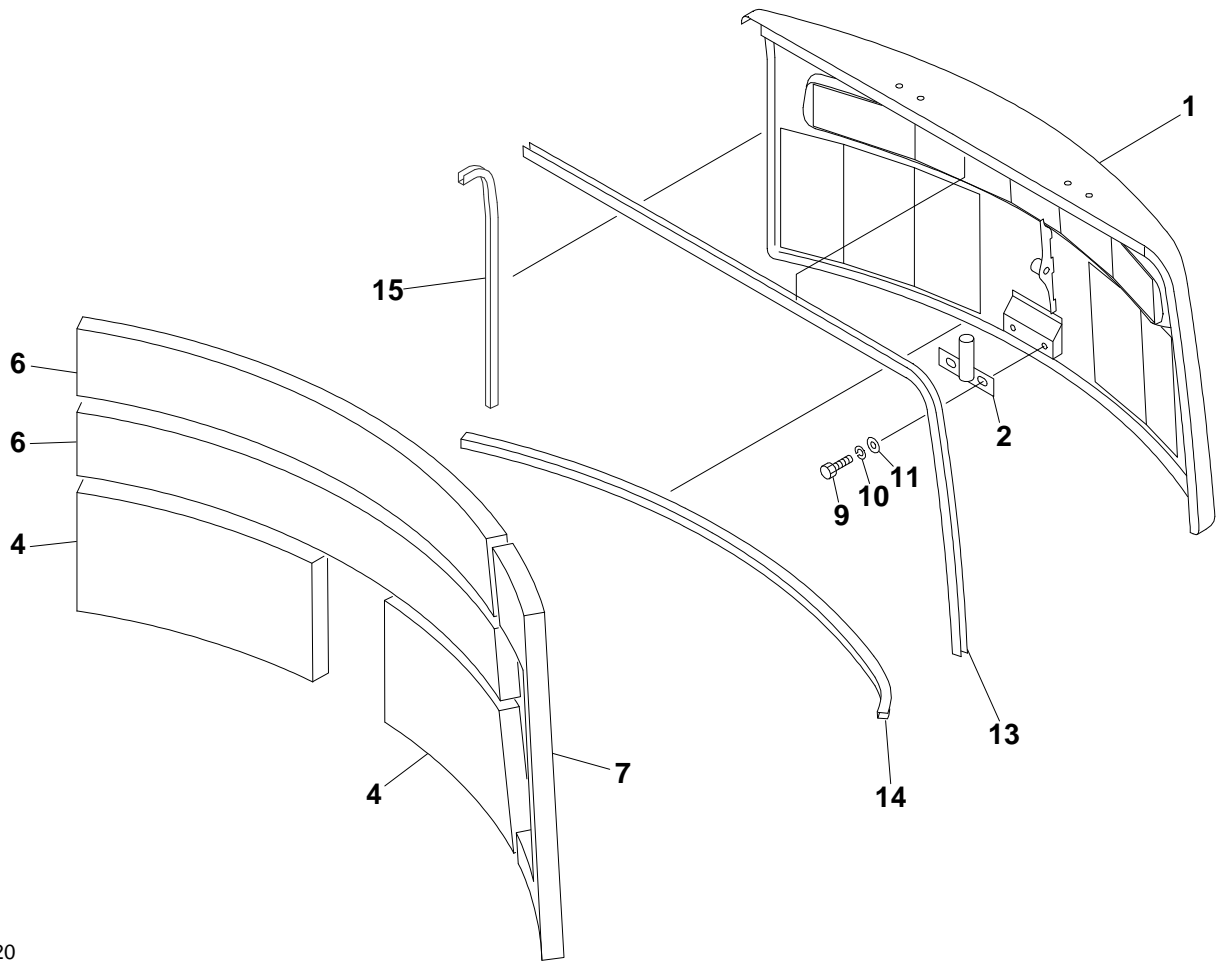
G6E010

S=1/15

COVER (1/3)						
Item	Part number	Description	Q'ty	Chan.	Serial No.	Serv. Remarks
		COVER ASSY				
1	0378221400	HOOD ASSY, engine	1			see page (2/3)
2	0378221500	COVER, side	1			see page (3/3)
3	0378221600	COVER ASSY, center	1			
3-1	0378221610	· COVER	1			
3-2	0378221630	· SPONGE	1			
3-3	0378221121	· SPONGE	1			
3-5	0378217530	· COVER	1			
3-6	1100040816	· BOLT	2			
3-7	1140020008	· WASHER, spring	2			
3-8	1141110008	· WASHER	2			
3-9	1654605019	· RUBBER	1			sold by the meter
5	0378221300	BRACKET (R.H.)	1			
6	0378218600	BRACKET	1			
7	0378218610	HINGE	2			
8	0378218050	BRACKET	1			
9	0378217010	HINGE	2			
10	0378218040	BRACKET	1			
12	1654011300	LOCK	1			
13	0378217020	BRACKET	1			
14	0398218010	ROD ASSY	1			
14-1	0398218011	· ROD	1			
14-2	0348204682	· WASHER	1			
15	0378218620	BRACKET	1			
16	1653900057	DAMPER	1			
17	0003900051	SHIM	AR			
18	0003900052	SHIM	AR			
19	1130040008	NUT	2			
20	1100040816	BOLT	4			
22	1100040825	BOLT	18			
23	1140020008	WASHER, spring	22			
24	1141110008	WASHER	10			
25	0003608252	WASHER	18			
26	1100040830	BOLT	2			
28	1100041025	BOLT	8			
29	1100041030	BOLT	4			
30	1140020010	WASHER, spring	12			
31	1141110010	WASHER	13			
32	0003600003	WASHER	4			
33	1101041230	BOLT	4			
34	1140020012	WASHER, spring	4			
35	0003600006	WASHER	4			
36	1110040510	SCREW, cap	1			
37	1224010008	E-RING	1			
38	1224010006	E-RING	1			
41	0378218060	ROPE, wire	1			
42	0007900023	PIN	1			
43	1100040630	BOLT	4			
44	1140020006	WASHER, spring	4			
45	1141110006	WASHER	4			
46	0003900057	SHIM	AR			
47	0378221250	BRACKET	1			
48	1654351008	SPONGE	1			sold by the meter
49	0003900058	SHIM	AR			
50	0003900070	SHIM	AR			t=4.5mm
51	0003900071	SHIM	AR			t=1.6mm

G6e010

TB138FR (P-T138FBBB) Book No. BG6Z001 S/N 13820001-
COVER (2/3) (engine hood)



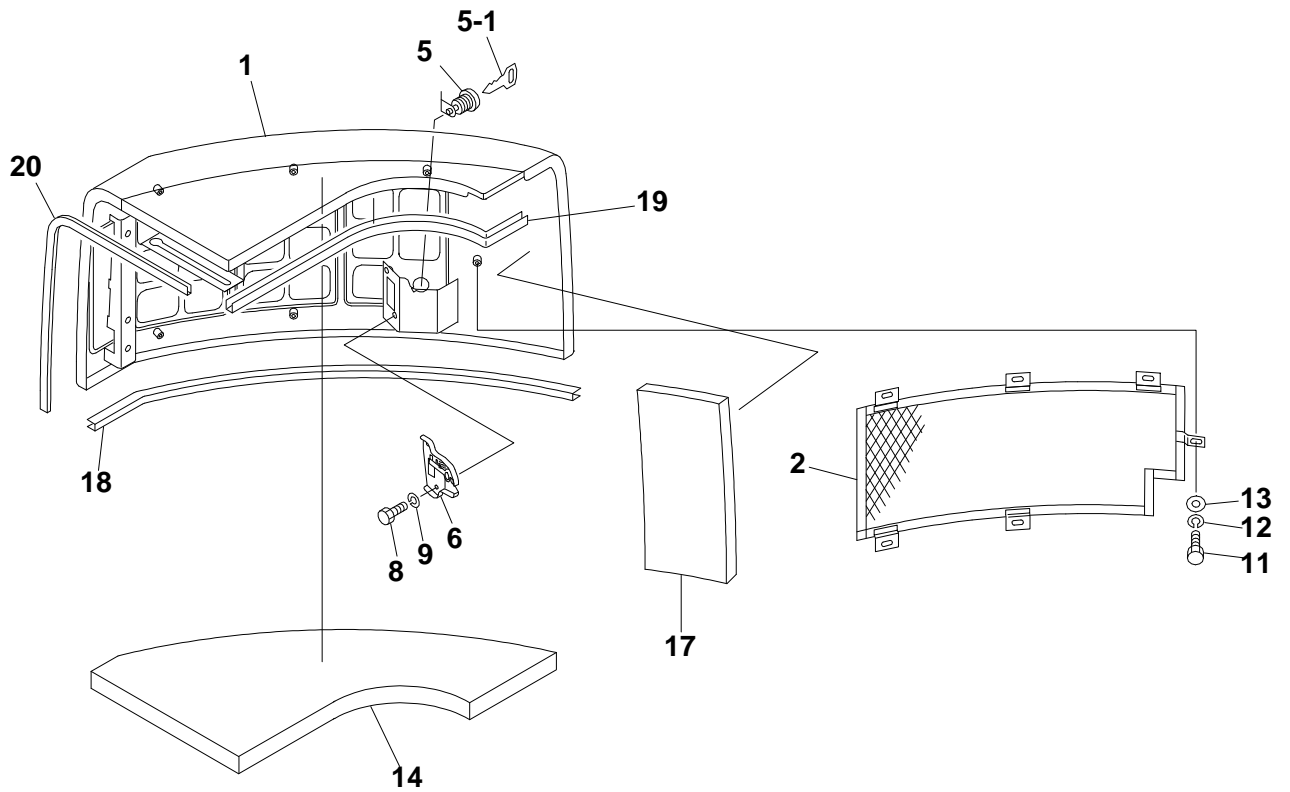
G6E020

S=1/9

COVER (2/3) (engine hood)

Item	Part number	Description	Q'ty	Chan.	Serial No.	Serv.	Remarks
0-1	0378221400	HOOD ASSY, engine	1				
1	0378217600	· HOOD, engine	1				
2	0378218160	· PLATE	1				
4	0378218570	· ABSORBENT, noise	2				
6	0378218571	· ABSORBENT, noise	2				
7	0378221407	· ABSORBENT, noise	1				
9	1100040820	· BOLT	2				
10	1140020008	· WASHER, spring	2				
11	1141110008	· WASHER	2				
13	1654605113	· RUBBER	1				sold by the meter
14	1654605086	· RUBBER	1				sold by the meter
15	1654605040	· RUBBER	1				sold by the meter
	G6e020						

TB138FR (P-T138FBBB) Book No. BG6Z001 S/N 13820001-
COVER (3/3) (side cover)

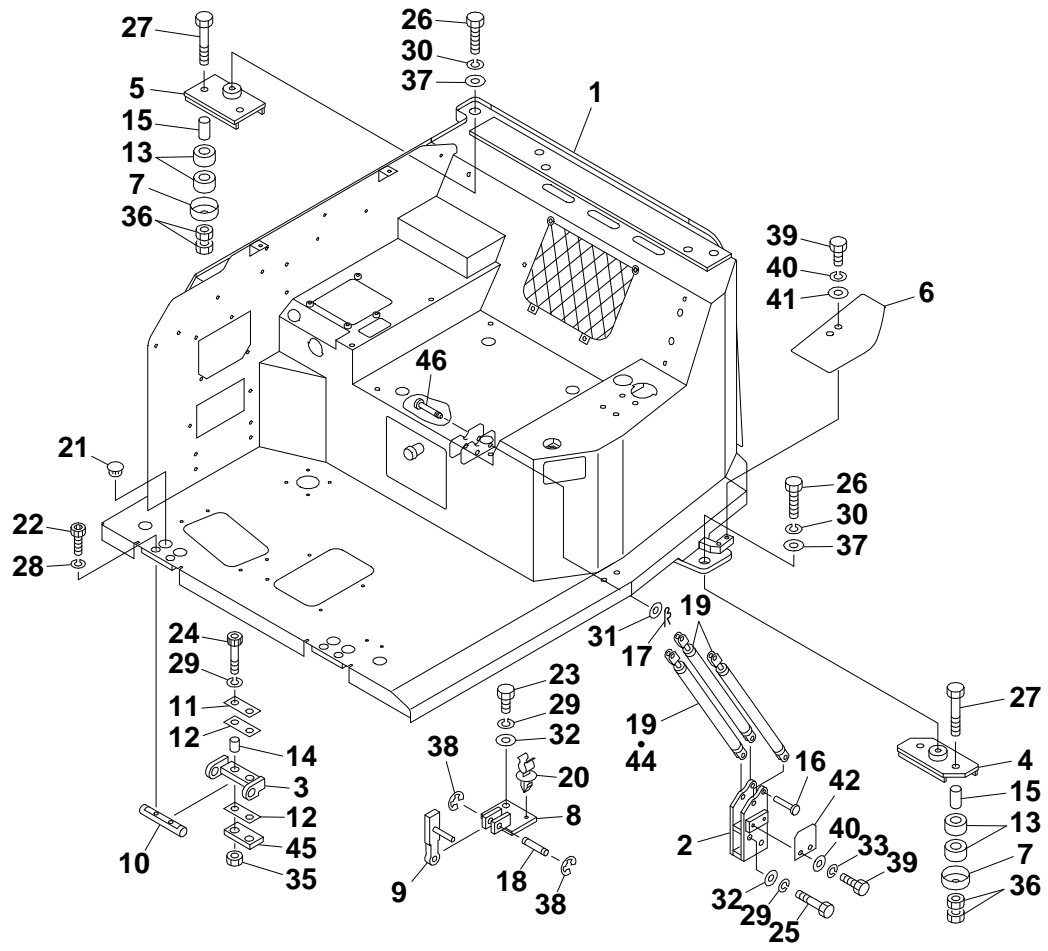


G6E030

S=1/10

COVER (3/3) (side cover)						
Item	Part number	Description	Q'ty	Chan.	Serial No.	Serv. Remarks
0-2	0378221500	COVER, side	1			
1	0378221510	· COVER	1			
2	0378221520	· NET	1			
5	1653601395	· LOCK	1			
5-1	1700100019	· KEY	1			
6	1653900024	· CATCH	1			
8	1100040612	· BOLT	2			
9	1140020006	· WASHER, spring	2			
11	1100040816	· BOLT	6			
12	1140020008	· WASHER, spring	6			
13	1141110008	· WASHER	6			
14	0378218201	· ABSORBENT, noise	1			
17	0378218204	· ABSORBENT, noise	1			
18	1653916073	· TRIM	1			sold by the meter
19	1654605052	· RUBBER	1			sold by the meter
20	1654605061	· RUBBER	1			sold by the meter
	G6e030					

TB138FR (P-T138FBBB) Book No. BG6Z001 S/N 13820001-
FLOOR FRAME (1/3)



G6E040

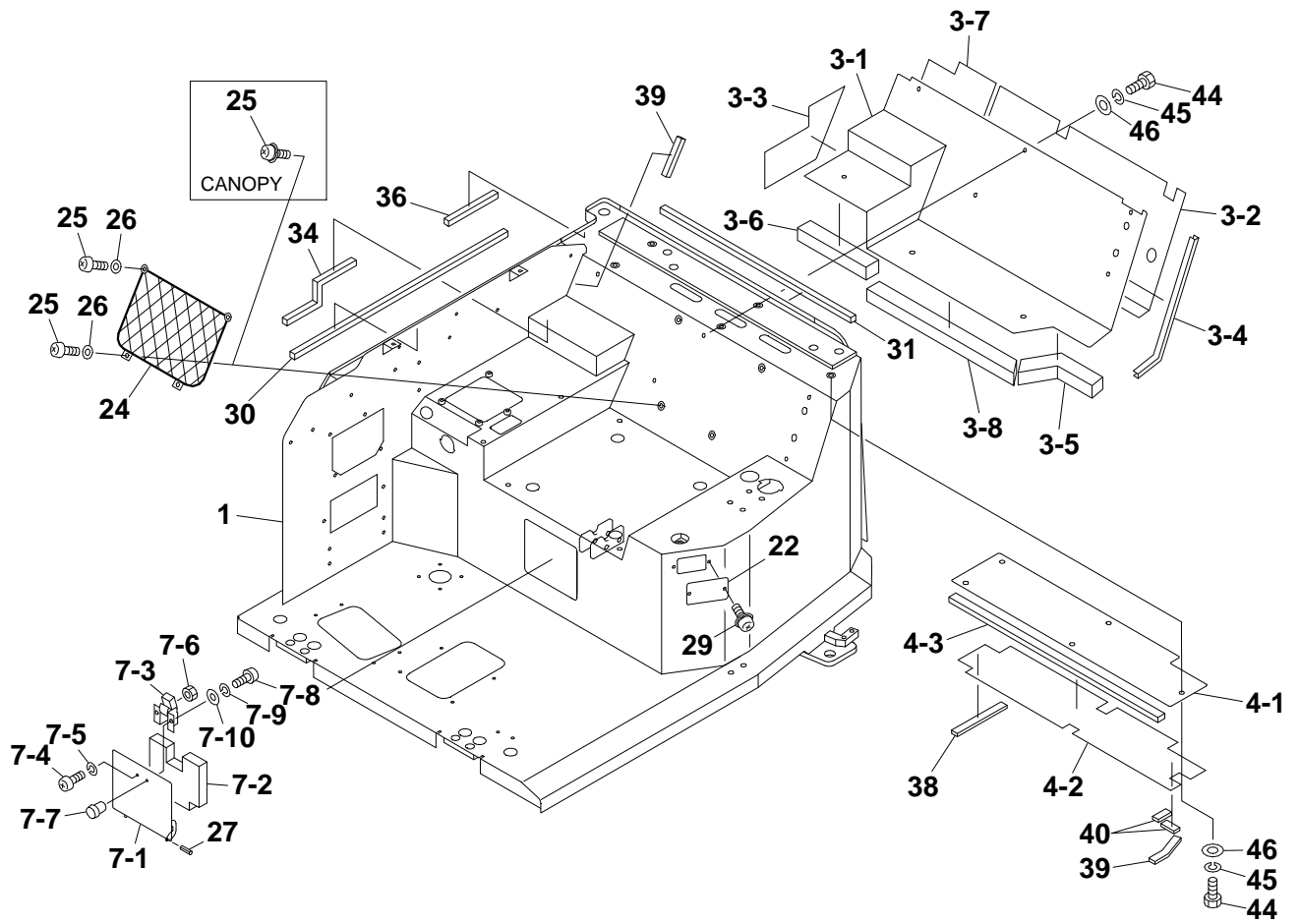
S=1/15

FLOOR FRAME (1/3)

Item	Part number	Description	Q'ty	Chan.	Serial No.	Serv.	Remarks
		FRAME ASSY, floor (cab)					
		FRAME ASSY, floor (canopy)					
1	X *****	FRAME ASSY (cab)	1				see page (2/3, 3/3)
	X *****	FRAME ASSY (canopy)	1				see page (2/3, 3/3)
2	0373513500	BRACKET	1				
3	0563531310	BRACKET	2				
4	0373513010	MOUNT, floor	1				
5	0373511400	MOUNT, floor	1				
6	0373516006	COVER	1				
7	0433503200	COVER	4				
8	0563511500	BRACKET	1				
9	0563511510	LEVER	1				
10	0343507070	SHAFT	2				
11	0343508102	PLATE	2				
12	0373502995	CUSHION	4				
13	0433503100	RUBBER	8				
14	0343515086	SPACER	4				
15	0393517250	PIPE	4				
16	0373513020	PIN	2				
17	1214000008	PIN, snap	2				
18	0004212040	SHAFT	1				
19	1653900043	SPRING, gas	2				cab
	1653900043	SPRING, gas	3				canopy
20	1652702023	HOLDER	1				
21	1652533008	CAP	4				
22	1110041035	SCREW, cap	4				
23	1101041225	BOLT	2				
24	1111041260	SCREW, cap	4				
25	1101041275	BOLT	2				
26	1101041440	BOLT	2				
27	1101041480	BOLT	4				
28	1140020010	WASHER, spring	4				
29	1140020012	WASHER, spring	8				
30	1140020014	WASHER, spring	2				
31	1141110010	WASHER	2				
32	1141110012	WASHER	4				
33	1141110008	WASHER	2				
35	1130540012	NUT	4				
36	1130540014	NUT	8				
37	0003600013	WASHER	2				
38	1224010010	RING, retaining	2				
39	1100040820	BOLT	4				
40	1140020008	WASHER, spring	4				
41	0003608252	WASHER	2				
42	0373513510	PLATE	1				
44	1653900047	SPRING, gas	1				cab
45	0003900046	SHIM	AR				
46	0373513030	PIN	2				

G6e040

TB138FR (P-T138FBBB) Book No. BG6Z001 S/N 13820001-
FLOOR FRAME (2/3)



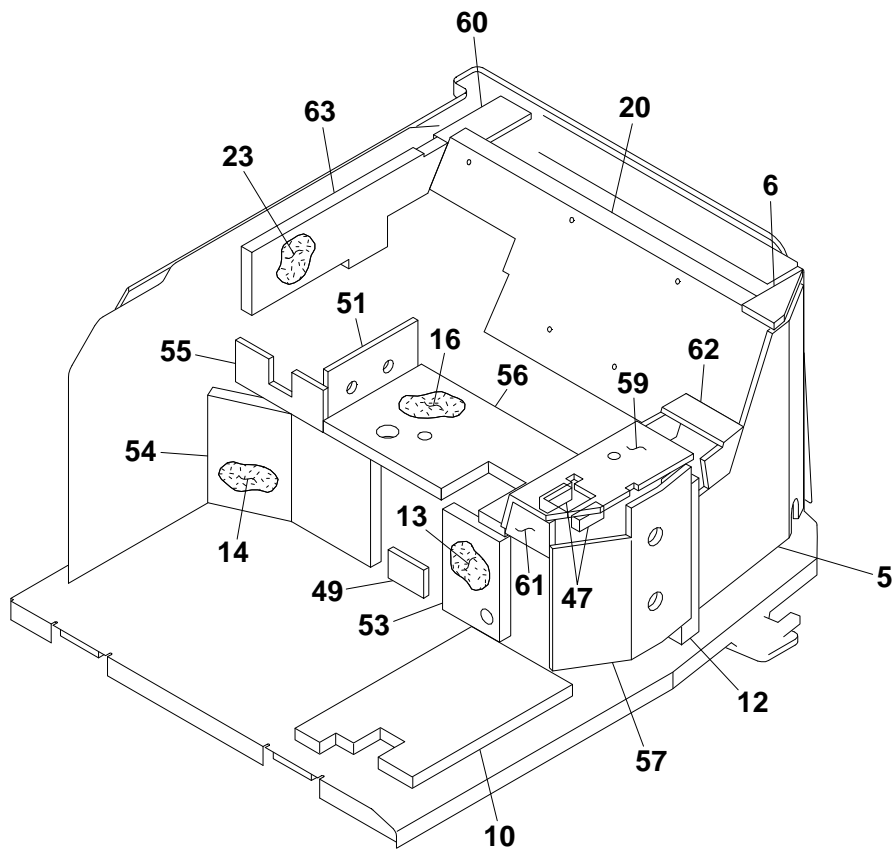
G6E050

S=1/15

FLOOR FRAME (2/3)

Item	Part number	Description	Q'ty	Chan.	Serial No.	Serv.	Remarks
0	0373516300	FRAME ASSY (cab)	1				
	0373516600	FRAME ASSY (canopy)	1				
1	0373516200	· FRAME	1				
3	0373516350	· PLATE ASSY	1				
3-1	0373513240	· · PLATE	1				
3-2	0373516352	· · INSULATOR	1				
3-3	0373513213	· · INSULATOR	1				
3-4	1654606034	· · SEAL	1				sold by the meter
3-5	0373516354	· · ABSORBENT, noise	1				
3-6	0373516355	· · ABSORBENT, noise	1				
3-7	0373516356	· · INSULATOR	1				
3-8	0373516357	· · ABSORBENT, noise	1				
4	0373513220	· PLATE ASSY	1				
4-1	0373513221	· · PLATE	1				
4-2	0373513222	· · INSULATOR	1				
4-3	1654606067	· · SEAL	1				sold by the meter
7	0373516330	· PLATE ASSY	1				
7-1	0393526120	· · PLATE	1				
7-2	0373516331	· · INSULATOR	1				
7-3	1653900015	· · LATCH	1				
7-4	1120530510	· · SCREW	1				
7-5	1140020005	· · WASHER, spring	1				
7-6	1130030005	· · NUT	1				
7-7	1652760001	· · KNOB	1				
7-8	1120530410	· · SCREW	1				
7-9	1140020004	· · WASHER, spring	1				
7-10	1141110004	· · WASHER	1				
22	0338230850	· COVER	1				
24	1654010600	· POCKET	1				cab
25	1120530420	· SCREW	4				cab
	1150410410	· SCREW	4				canopy
26	1141190004	· WASHER	4				cab
27	1213000420	· PIN, spring	2				
29	1150420616	· BOLT, sems	2				
30	1654352067	· SPONGE	1				sold by the meter
31	1654356060	· SPONGE	1				sold by the meter
34	1654356032	· SPONGE	1				sold by the meter
36	1654352023	· SPONGE	1				sold by the meter
38	1654356017	· SPONGE	1				sold by the meter
39	1654356012	· SPONGE	2				sold by the meter
40	1654356004	· SPONGE	2				sold by the meter
44	1100040816	· BOLT	13				
45	1140020008	· WASHER, spring	13				
46	0003608252	· WASHER	13				
	G6e051						

TB138FR (P-T138FBBB) Book No. BG6Z001 S/N 13820001-
FLOOR FRAME (3/3)



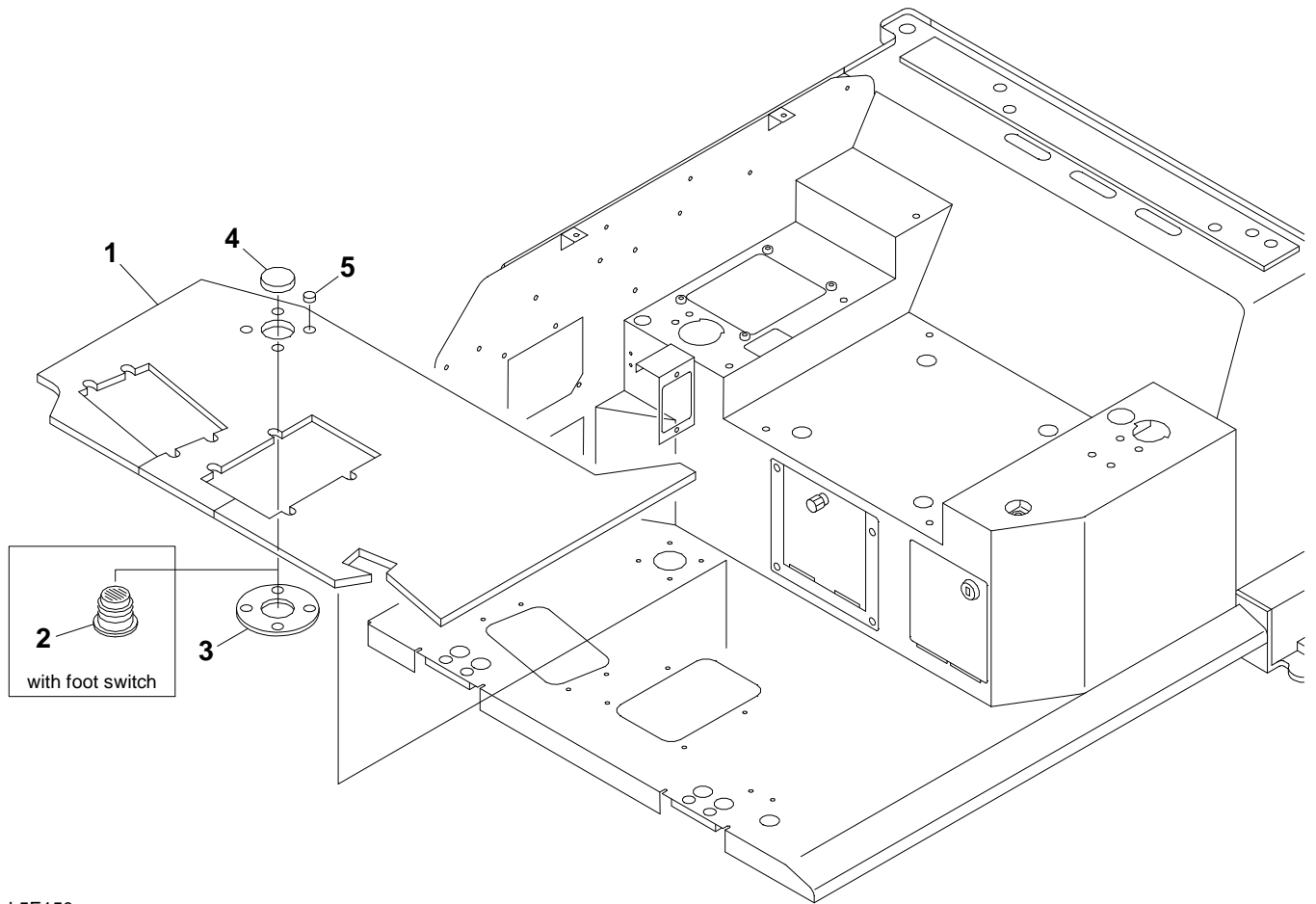
G6E060

S=1/12

FLOOR FRAME (3/3)

Item	Part number	Description	Q'ty	Chan.	Serial No.	Serv.	Remarks
0	0373516300	FRAME ASSY (cab)	1				
	0373516600	FRAME ASSY (canopy)	1				
5	0373516305	· INSULATOR	1				
6	0373513236	· INSULATOR	1				
10	0563532310	· ABSORBENT, noise	1				
12	0373513232	· ABSORBENT, noise	1				
13	0373516313	· ABSORBENT, noise	1				
14	0373516314	· ABSORBENT, noise	1				
16	0373516316	· ABSORBENT, noise	1				
20	0373513270	· SHEET	1				cab
23	0373516323	· ABSORBENT, noise	1				
47	0373513273	· ABSORBENT, noise	2				
49	0373516409	· INSULATOR	1				
51	0373516411	· INSULATOR	1				
53	0373516413	· INSULATOR	1				
54	0373516414	· INSULATOR	1				
55	0373516415	· INSULATOR	1				
56	0373516416	· INSULATOR	1				
57	0373516417	· INSULATOR	1				
59	0373516419	· INSULATOR	1				
60	0373516420	· INSULATOR	1				
61	0373516421	· INSULATOR	1				
62	0373516422	· INSULATOR	1				
63	0373516423	· INSULATOR	1				
	G6e060						

**TB138FR (P-T138FBBB) Book No. BG6Z001 S/N 13820001-
FLOOR MAT**



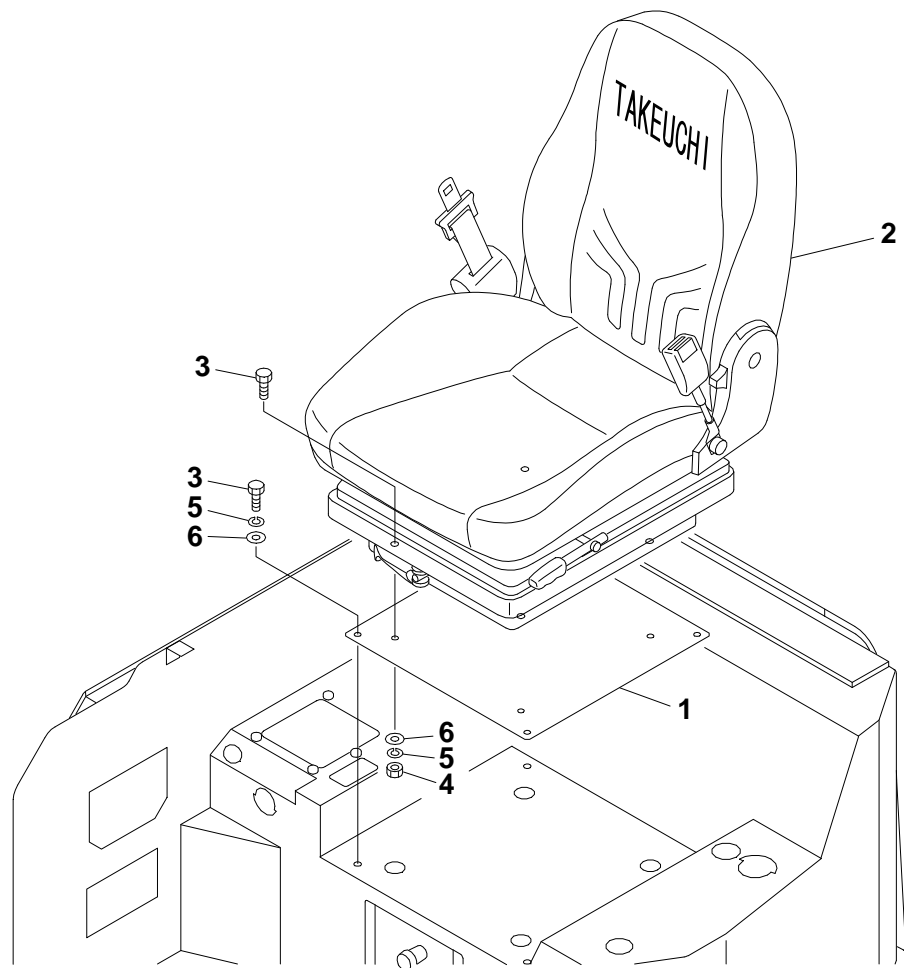
L5E150

S=1/10

FLOOR MAT

Item	Part number	Description	Q'ty	Chan.	Serial No.	Serv.	Remarks
		MAT ASSY, floor (without foot switch) (cab)					
		MAT ASSY, floor (with foot switch) (cab)					
		MAT ASSY, floor (without foot switch) (canopy)					
		MAT ASSY, floor (with foot switch) (canopy)					
1	0563532610	MAT, floor	1				cab
	0393524110	MAT, floor	1				canopy
2	0573500240	BOOT	1				with foot switch
3	0573500225	SPONGE	1				without foot switch
4	1652533013	CAP	1				without foot switch
5	1652533002	CAP	4				
	J2e250						

TB138FR (P-T138FBBB) Book No. BG6Z001 S/N 13820001-
SEAT (1/2)



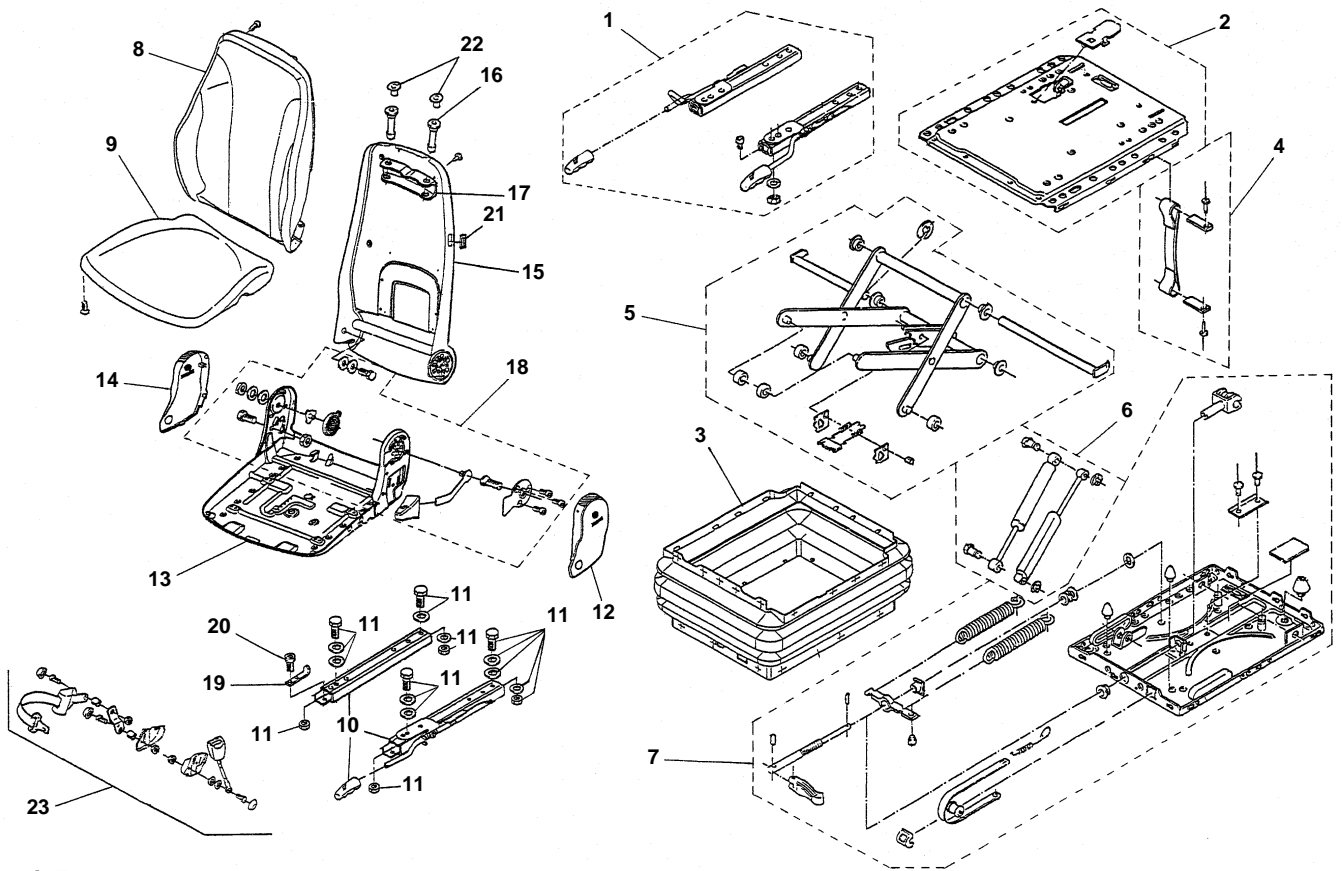
G5E080

S=1/10

SEAT (1/2)

Item	Part number	Description	Q'ty	Chan.	Serial No.	Serv.	Remarks
		SEAT ASSY (canopy)					
		SEAT ASSY (cab)					
1	0563416510	PLATE	1				
2	1914100071	SEAT (cab)	1				see page (2/2)
	1914100072	SEAT (canopy)	1				see page (2/2)
3	1100040820	BOLT	8				
4	1130040008	NUT	4				
5	1140020008	WASHER, spring	8				
6	1141110008	WASHER	8				
	J2e070						

TB138FR (P-T138FBBB) Book No. BG6Z001 S/N 13820001-
SEAT (2/2)



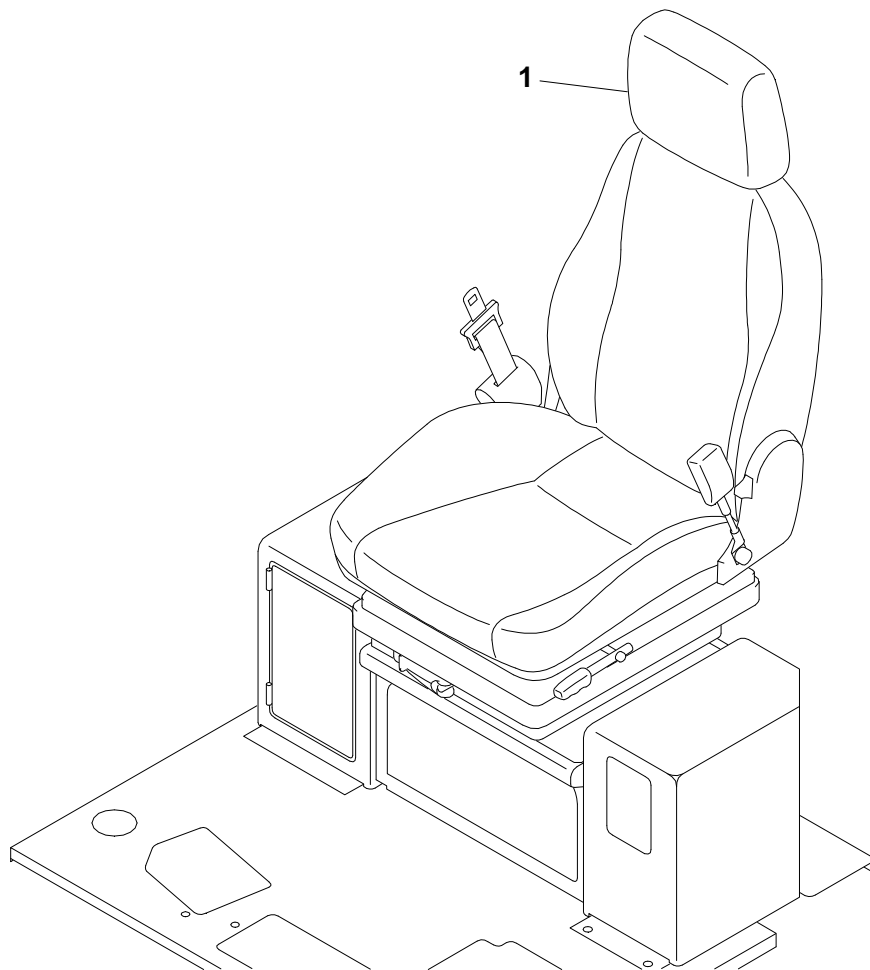
G4E180

S=Free

SEAT (2/2)

Item	Part number	Description	Q'ty	Chan.	Serial No.	Serv.	Remarks
0	1914100071	SEAT (fabric)	1				
	1914100072	SEAT (PVC)	1				
1	1914101071	· RAIL ASSY	1				fabric
	1914101072	· RAIL ASSY	1				PVC
2	1914102071	· PLATE ASSY	1				fabric
	1914102072	· PLATE ASSY	1				PVC
3	1914103071	· BOOT	1				fabric
	1914103072	· BOOT	1				PVC
4	1914104072	· ANGLE ASSY	1				
5	1914105072	· LINK ASSY	1				
6	1914106072	· DAMPER ASSY	1				
7	1914107072	· SPRING ASSY	1				
8	1914108072	· TRIM	1				
9	1914109072	· TRIM	1				
10	1914110072	· RAIL ASSY	1				
11	1914111072	· BOLT ASSY	1				
12	1914112072	· COVER (L.H.)	1				
13	1914113072	· FRAME	1				
14	1914114072	· COVER (R.H.)	1				
15	1914115072	· FRAME	1				
16	1914116072	· GUIDE	2				
17	1914117072	· BRACKET	1				
18	1914118072	· JOINT ASSY	1				
19	1914119072	· PLATE	1				
20	1914120072	· SCREW, cap	1				
21	1914121072	· PLATE	1				
22	1914122072	· PLUG	2				
23	1914123072	· BELT ASSY, seat	1				
	J1e140						

**TB138FR (P-T138FBBB) Book No. BG6Z001 S/N 13820001-
HEAD REST**

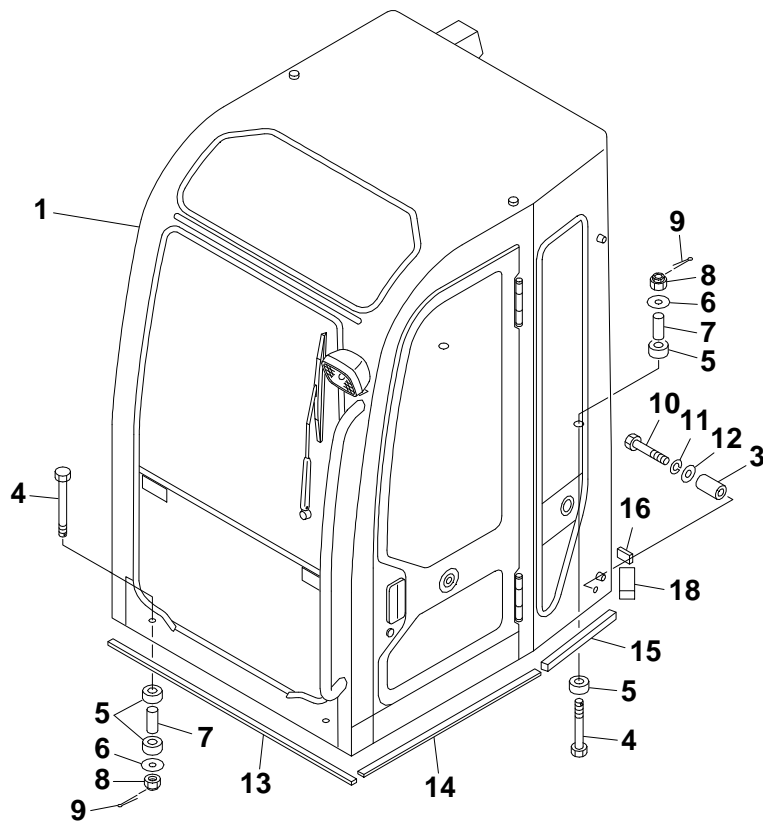


G4E070

S=1/10

HEAD REST						
Item	Part number	Description	Q'ty	Chan.	Serial No.	Serv. Remarks
		REST ASSY, head (fabric)				
		REST ASSY, head (PVC)				
1	1914100075	REST, head (fabric)	1		old type	
	1914100111	REST, head (fabric)	1	(H)	new type	M
	1914100076	REST, head (PVC)	1		old type	
	1914100112	REST, head (PVC)	1	(H)	new type	M
	J3e250					

TB138FR (P-T138FBBB) Book No. BG6Z001 S/N 13820001-
CAB MOUNT



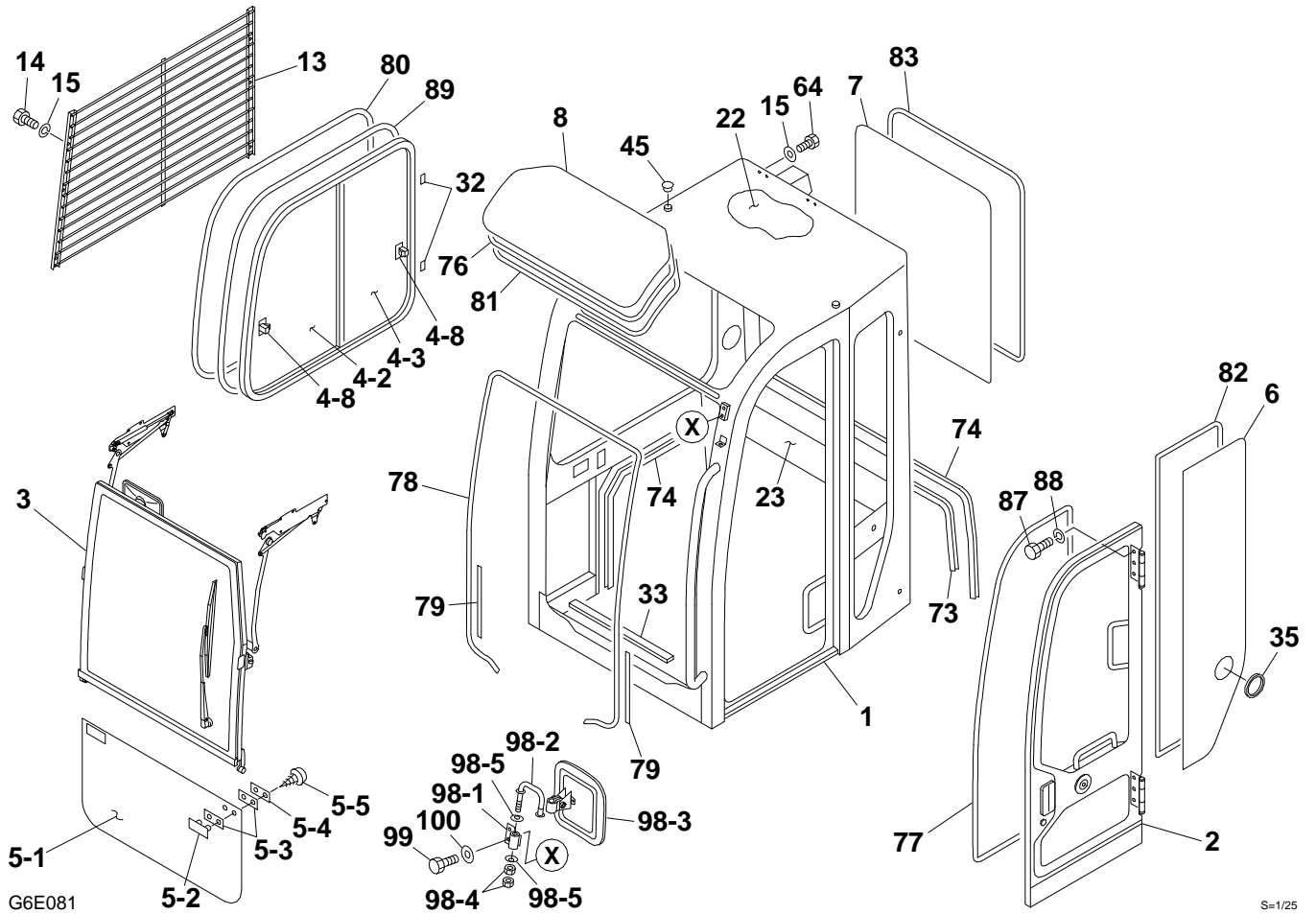
G6E070

S=1/20

CAB MOUNT

Item	Part number	Description	Q'ty	Chan.	Serial No.	Serv.	Remarks
1	0378609100	CAB MOUNT	1				
		CAB	1				see page cab (1/7)
3	0378609003	COLLAR	1				
4	0568640900	BOLT	4				
5	0433503100	RUBBER	8				
6	0003000010	WASHER	4				
7	0563500600	TUBE	4				
8	1132080016	NUT	4				
9	1210010430	PIN, split	4				
10	1101041465	BOLT	1				
11	1140020014	WASHER, spring	1				
12	0003600174	WASHER	1				
13	1654312100	SPONGE	1				sold by the meter
14	1654353073	SPONGE	1				sold by the meter
15	1654310042	SPONGE	1				sold by the meter
16	1654344005	SPONGE	1				sold by the meter
18	0378605002	ABSORBENT, noise	1				
	G6e070						

TB138FR (P-T138FBBB) Book No. BG6Z001 S/N 13820001-
 CAB (1/7)



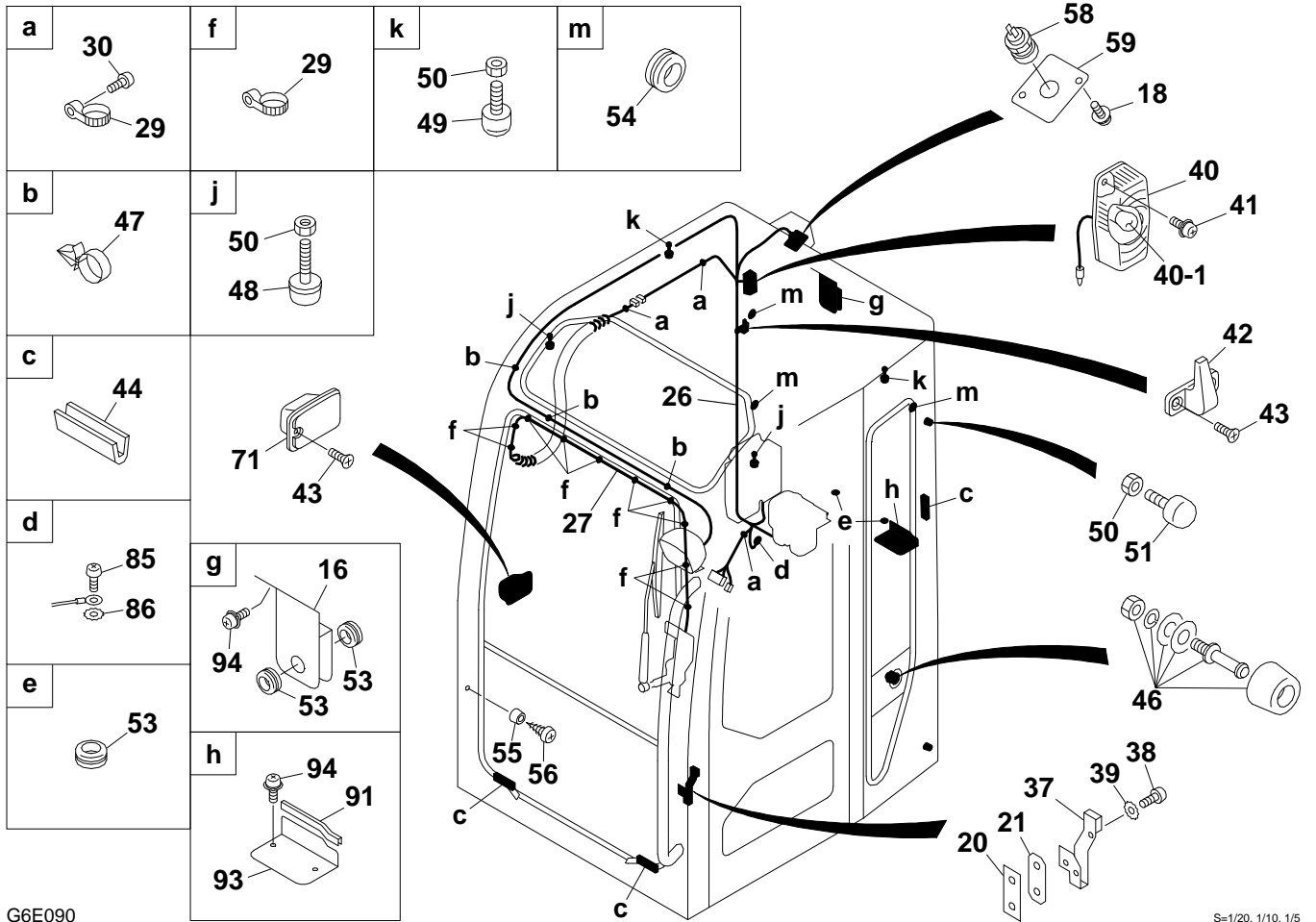
G6E081

S=1/25

							CAB (1/7)
Item	Part number	Description	Q'ty	Chan.	Serial No.	Serv.	Remarks
0	0378609100	CAB ASSY	1				
1	X *****	· CAB	1				
2	0378609300	· DOOR ASSY	1				see page (4/7)
3	0378605400	· ASSIST ASSY, front sash	1				see page (5/7)
4	0378601300	· SASH ASSY, side	1				
4-2	0378601320	· · GLASS	1				
4-3	0378601330	· · GLASS	1				
4-8	0338630650	· · LOCK ASSY	2				
5	0378601600	· GLASS ASSY, front	1				
5-1	0378601610	· · GLASS	1				
5-2	1654010900	· · RETAINER	2				
5-3	1654011100	· · PACKING	4				
5-4	1654011000	· · PLATE	2				
5-5	1122410412	· · SCREW	4				
6	0378605110	· GLASS	1				
7	0378605120	· GLASS	1				
8	0358605300	· GLASS	1				
13	0398619500	· GUARD	1				
14	1100040825	· BOLT	6				
15	1141110008	· WASHER	10				
22	0378605130	· SPONGE	1				
23	0378605140	· SPONGE	1				
32	0438601770	· SPACER	7				
33	0568634100	· SEAL	1				
35	0398603400	· GROMMET	1			M	
45	1653303010	· CAP	2				
64	1100040820	· BOLT	4				
73	1654636140	· TRIM	1				sold by the meter
74	1654636275	· TRIM	1				sold by the meter
76	1653916222	· TRIM	1				sold by the meter
77	1654605326	· RUBBER	1				sold by the meter
78	1654520374	· RUBBER	1				sold by the meter
79	1654605033	· RUBBER	2				sold by the meter
80	1653930355	· TRIM	1				sold by the meter
81	1654615216	· DAM	1				sold by the meter
82	1654231320	· H-RUBBER	1				sold by the meter
83	1654231325	· H-RUBBER	1				sold by the meter
87	1100040814	· BOLT	6				
88	1140090008	· WASHER, spring	6				
89	1654620350	· TAPE	1				sold by the meter
98	0378608400	· MIRROR ASSY (L.H.)	1		13820307~	M	
98-1	0378607880	· · HOLDER	1		13820307~	M	
98-2	0378608410	· · STAY	1		13820307~	M	
98-3	1656500140	· · MIRROR	1		13820307~	M	
98-4	1130040016	· · NUT	2		13820307~	M	
98-5	1225110016	· · WASHER, conical	2		13820307~	M	
99	1100041020	· BOLT	2		13820307~		
100	1654011900	· WASHER	2		13820307~		

G6e081

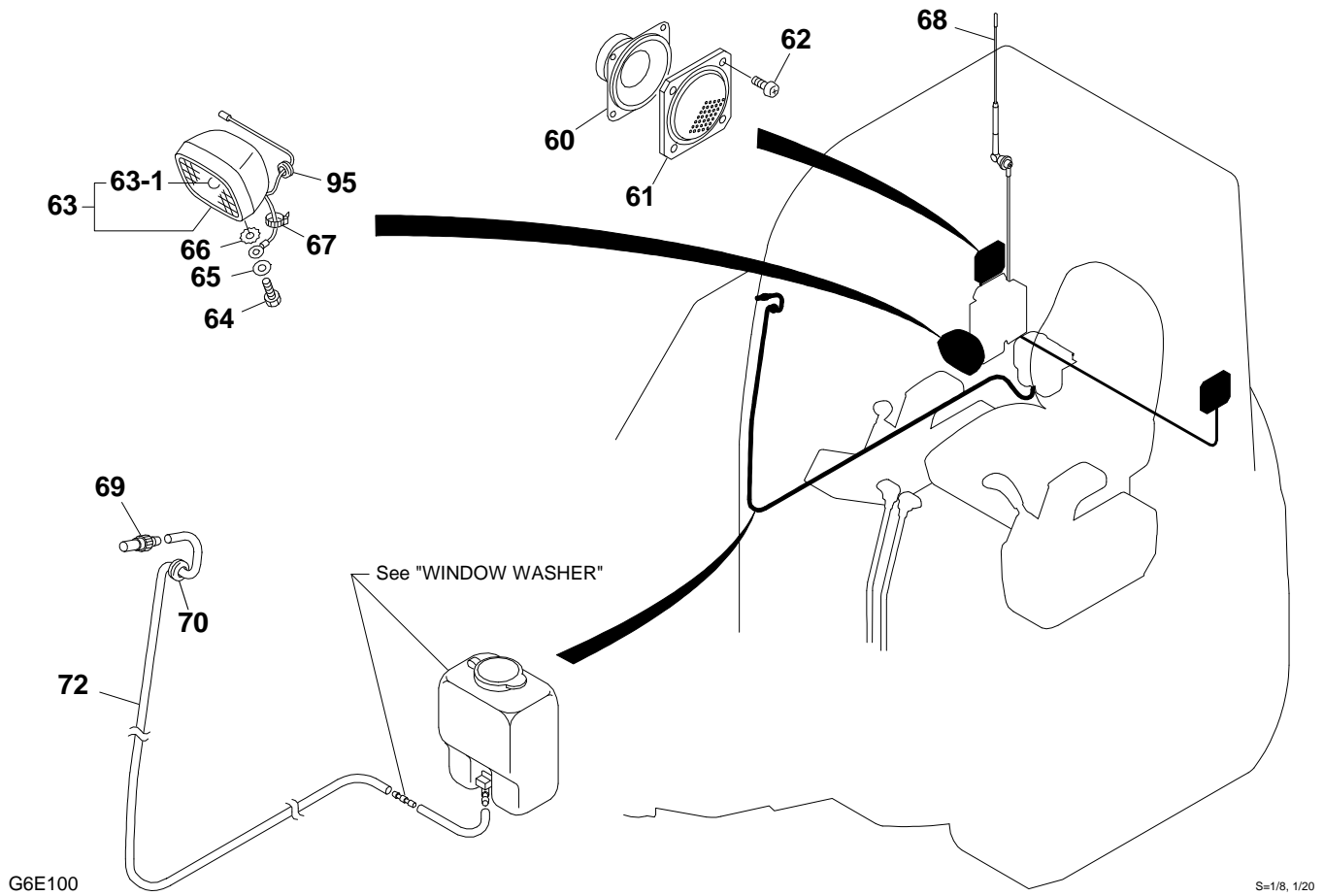
TB138FR (P-T138FBBB) Book No. BG6Z001 S/N 13820001-
CAB (2/7)



G6E090

S=1/20, 1/10, 1/5

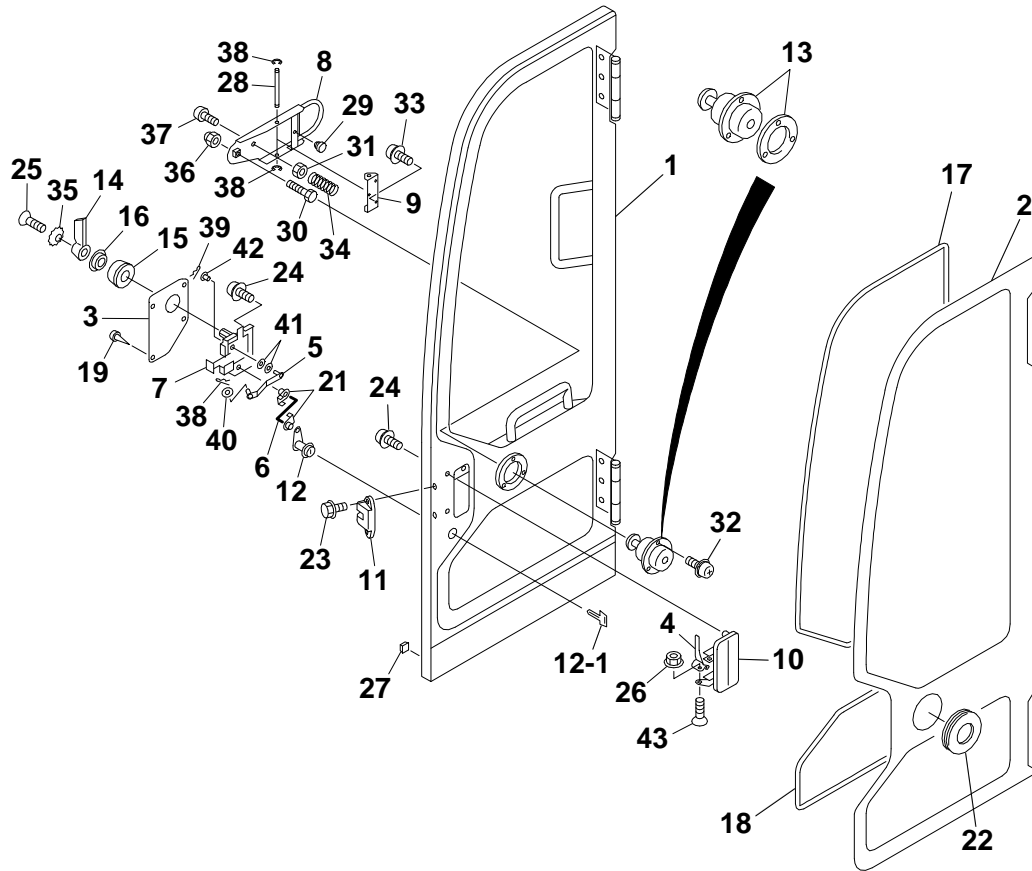
CAB (2/7)						
Item	Part number	Description	Q'ty	Chan.	Serial No.	Serv. Remarks
0	0378609100	CAB ASSY	1			
16	0378603516	· PLATE	1			
18	1150420512	· SCREW	2			
20	0338630880	· PLATE	1			
21	0338630930	· PACKING	1			
26	0378605150	· HARNESS, wiring	1			
27	0578602510	· HARNESS, wiring	1			
29	1652221050	· BAND	13			
30	1120590512	· SCREW	3			
37	0068620500	· STRIKER	1			
38	1120891025	· BOLT	2			
39	1140330010	· WASHER	2			
40	1703001700	· LAMP, room	1			
40-1	1703001701	· · BULB	1			
41	1150410420	· SCREW	2			
42	1654004800	· HANGER	1			
43	1120690412	· SCREW	4			
44	1654004900	· STOPPER	3			
46	1653691464	· CATCH	1			
47	1652351054	· CLAMP	3			
48	1651101028	· STOPPER	2			
49	1651101045	· STOPPER	2			
50	1130090010	· NUT	6			
51	1651101042	· STOPPER	2			
53	1652060016	· GROMMET	4			
54	1652060031	· BUSHING	3			
55	1652102320	· RUBBER	2			
56	1122400416	· SCREW	2			
58	1711900066	· SOCKET	1			
59	0578600143	· COVER	1			
71	1654010500	· ASHTRAY	1			
85	1150420516	· SCREW	1			
86	1140330005	· WASHER	1			
91	1653916013	· TRIM	1			sold by the meter
93	0378605170	· PLATE	1			
94	1150420616	· SCREW	4			
	G6e091					



CAB (3/7)

Item	Part number	Description	Q'ty	Chan.	Serial No.	Serv.	Remarks
0	0378609100	CAB ASSY	1				
60	1705003500	· SPEAKER	2				
61	1705003550	· GRILLE	2				
62	1120590412	· SCREW	8				
63	1703007600	· LAMP ASSY	1				
63-1	1703007605	· · BULB	1				12V, 55W
64	1100040820	· BOLT	1				
65	1141110008	· WASHER	1				
66	1140330008	· WASHER	1				
67	1652231250	· BAND	1				
68	1705003460	· ANTENNA	1				
69	1711910040	· NOZZLE, washer	1				
70	1652001002	· GROMMET	1				
72	1711919180	· HOSE	1				sold by the meter
95	1652050900	· GROMMET	1				
	G6e101						

TB138FR (P-T138FBBB) Book No. BG6Z001 S/N 13820001-
CAB (4/7) (door)

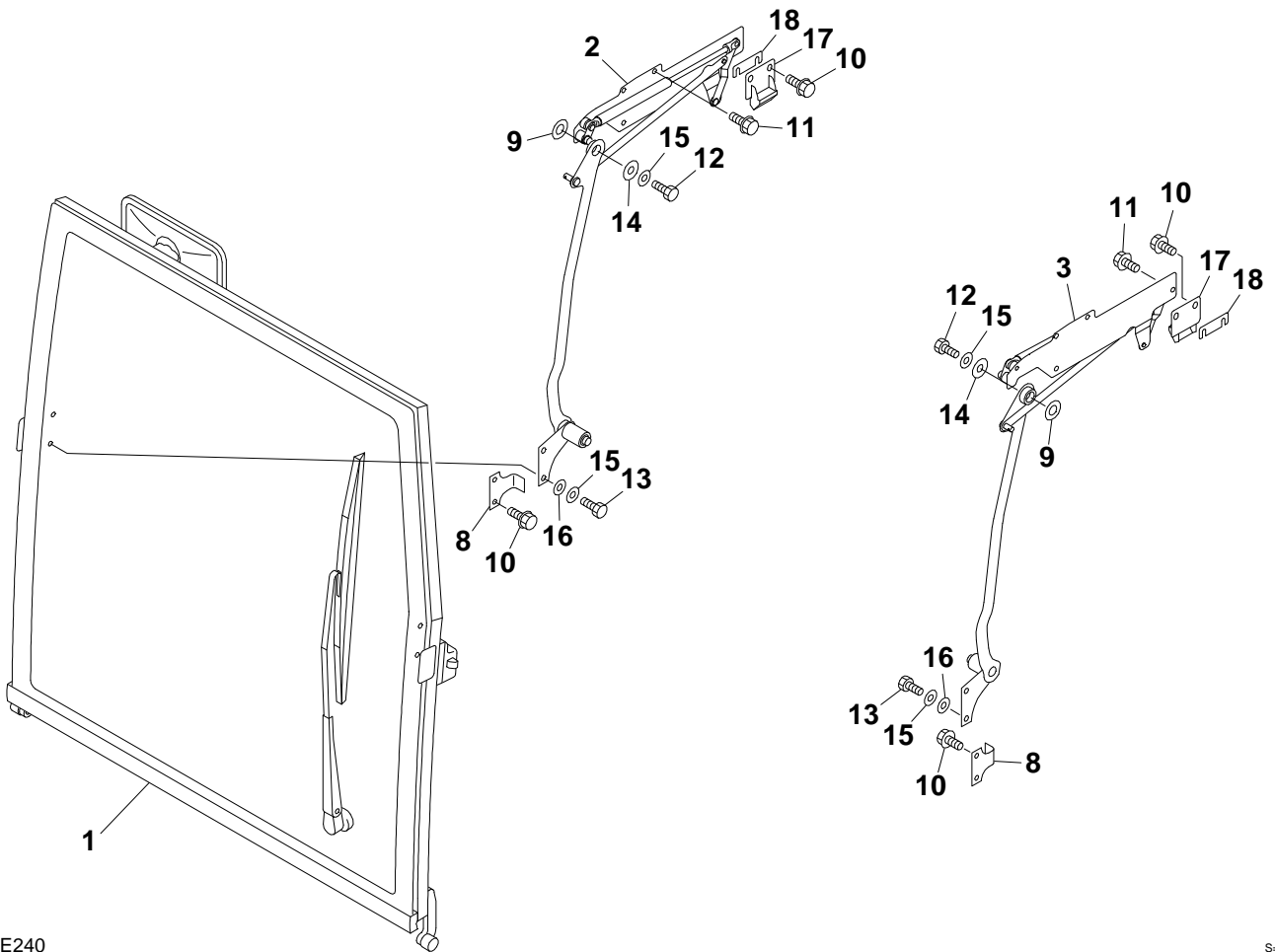


G6E110

S=1/15

CAB (4/7) (door)						
Item	Part number	Description	Q'ty	Chan.	Serial No.	Serv. Remarks
0-1	0378609300	DOOR ASSY	1			
1	0378605310	· DOOR	1			
2	0378605320	· GLASS	1			
3	0568623300	· COVER	1			
4	0338642610	· PLATE	1			
5	0338642600	· ROD	1			
6	0568630600	· ROD	1			
7	0568623400	· CONTROL ASSY	1			
8	0378605330	· LEVER	1			
9	0378605340	· BRACKET	1			
10	1654005600	· HANDLE	1			
11	0068620400	· LOCK ASSY	1			
12	1653611527	· LOCK	1			
12-1	1700100019	· KEY	1			
13	1653691460	· CATCHER	1			
14	1654005500	· HANDLE	1			
15	1654005800	· BASE	1			
16	1654005700	· ESCUTCHEON	1			
17	1654615280	· DAM	1			sold by the meter
18	1654615160	· DAM	1			sold by the meter
19	1652711432	· CLIP	4			
21	0398610900	· SNAP	2			
22	0398603400	· GROMMET	2			
23	1106690612	· BOLT	2			
24	1150410612	· SCREW	4			
25	1120790516	· SCREW	1			
26	1131283006	· NUT	1			
27	1651101060	· STOPPER	1			
28	0378605350	· PIN	1			
29	1652515000	· RUBBER, cushion	1			
30	1100240835	· BOLT	1			
31	1130030008	· NUT	1			
32	1150410508	· SCREW	3			
33	1150410512	· SCREW	3			
34	0007000025	· SPRING	1			
35	0378605301	· WASHER	1			
36	1134290008	· NUT	1			
37	1120530825	· SCREW	1			
38	1214000006	· PIN, snap	1			
39	1214000004	· PIN, snap	1			
40	1654011711	· WASHER	1			
41	0338642620	· WASHER	2			
42	0578600380	· BUSHING	1			
43	1120730616	· SCREW	1			
	G6e110					

TB138FR (P-T138FBBB) Book No. BG6Z001 S/N 13820001-
CAB (5/7) (front sash assist)

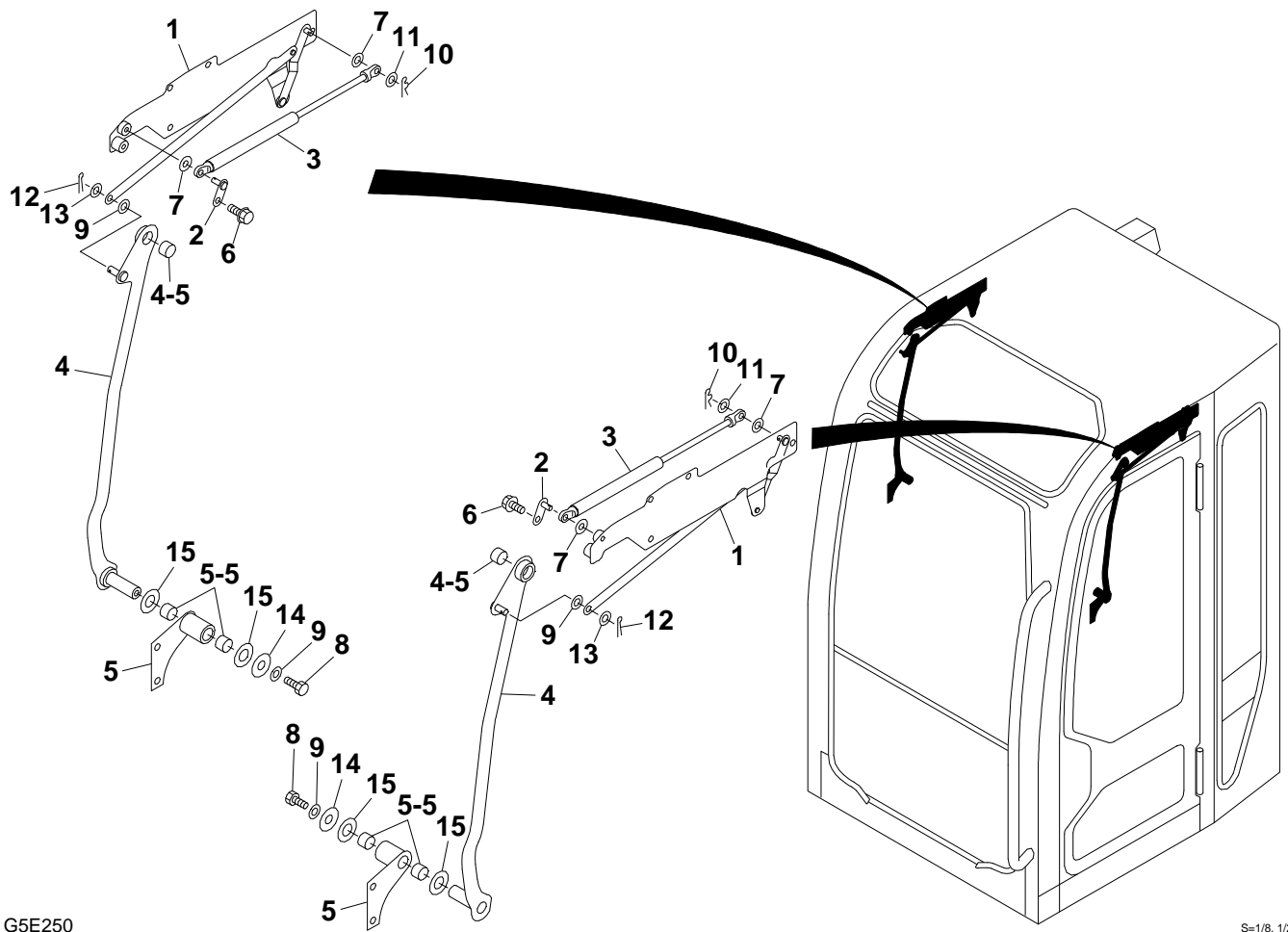


G5E240

S=1/10

CAB (5/7) (front sash assist)

Item	Part number	Description	Q'ty	Chan.	Serial No.	Serv.	Remarks
0-2	0378605400	ASSIST ASSY, front sash	1				
1	0378605500	· SASH ASSY, front	1				see page (7/7)
2	0378605600	· ASSIST ASSY (R.H.)	1				see page (6/7)
3	0378605700	· ASSIST ASSY (L.H.)	1				see page (6/7)
8	0378603710	· PLATE	2				
9	0083252100	· WASHER	2				
10	1106690616	· BOLT	8				
11	1106690620	· BOLT	8				
12	1100090820	· BOLT	2				
13	1100090816	· BOLT	4				
14	0578600401	· WASHER	2				
15	1654011705	· WASHER	6				
16	1141190008	· WASHER	4				
17	0378605410	· STRIKER	2				
18	0378605401	· SHIM	AR				t=1.6mm
	G5e240						



G5E250

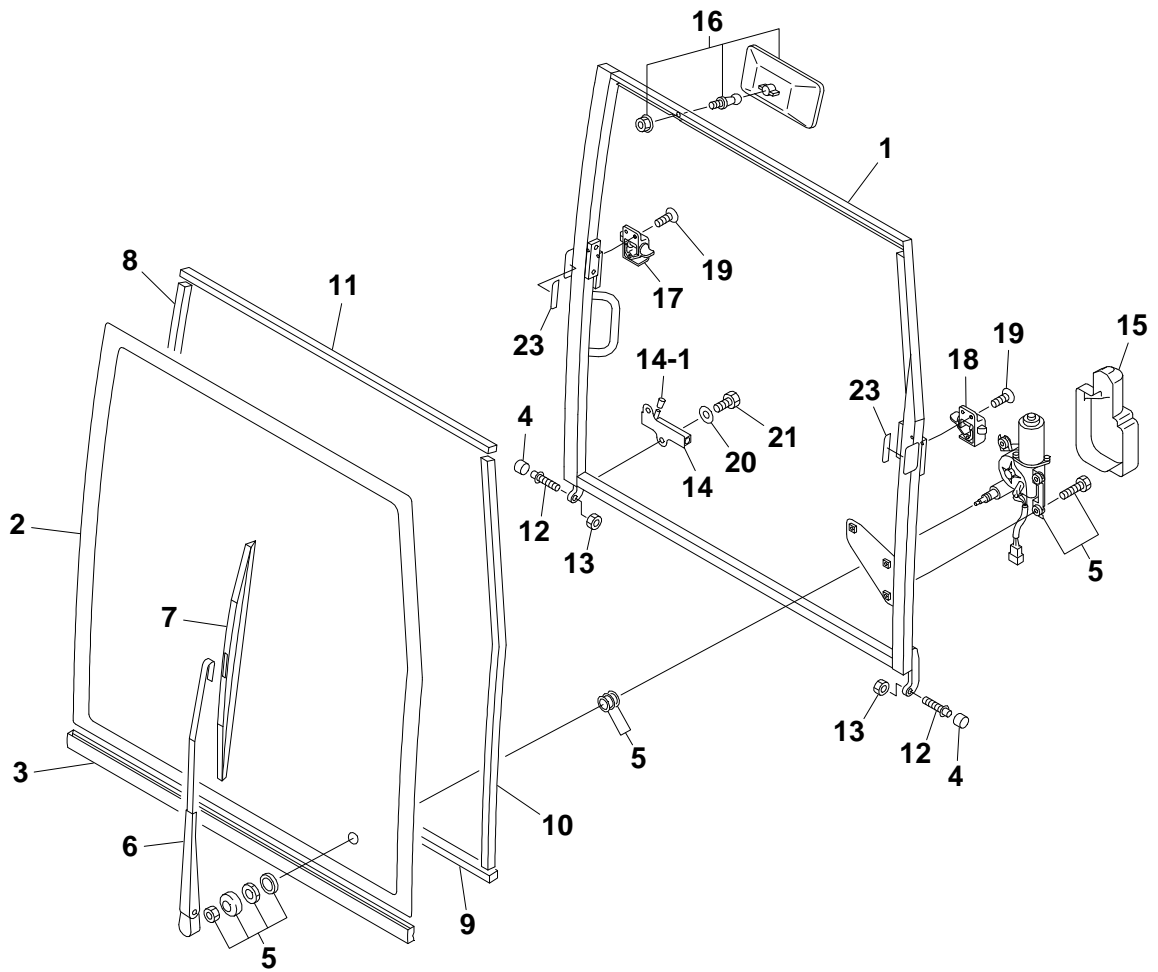
S=1/8, 1/20

CAB (6/7) (assist)

Item	Part number	Description	Q'ty	Chan.	Serial No.	Serv.	Remarks
0-3	0378605600	ASSIST ASSY (R.H.)	1				
	0378605700	ASSIST ASSY (L.H.)	1				
1	0568652720	· LINK ASSY (R.H.)	1				
	0568652770	· LINK ASSY (L.H.)	1				
2	0358601840	· PLATE	1				
3	1653900063	· SPRING, gas	1				
4	0378605610	· ARM ASSY (R.H.)	1				
	0378605710	· ARM ASSY (L.H.)	1				
4-5	1333001512	· · BUSHING	1				
5	0378603760	· PLATE ASSY (R.H.)	1				
	0378603780	· PLATE ASSY (L.H.)	1				
5-5	1333001515	· · BUSHING	2				
6	1106690616	· BOLT	1				
7	1654011756	· WASHER	2				
8	1100090820	· BOLT	1				
9	1654011705	· WASHER	2				
10	1214000006	· PIN, snap	1				
11	1654011712	· WASHER	1				
12	1210002015	· PIN, split	1				
13	1141190008	· WASHER	1				
14	0578600401	· WASHER	1				
15	0083252100	· WASHER	2				

G5e250

TB138FR (P-T138FBBB) Book No. BG6Z001 S/N 13820001-
CAB (7/7) (front sash)



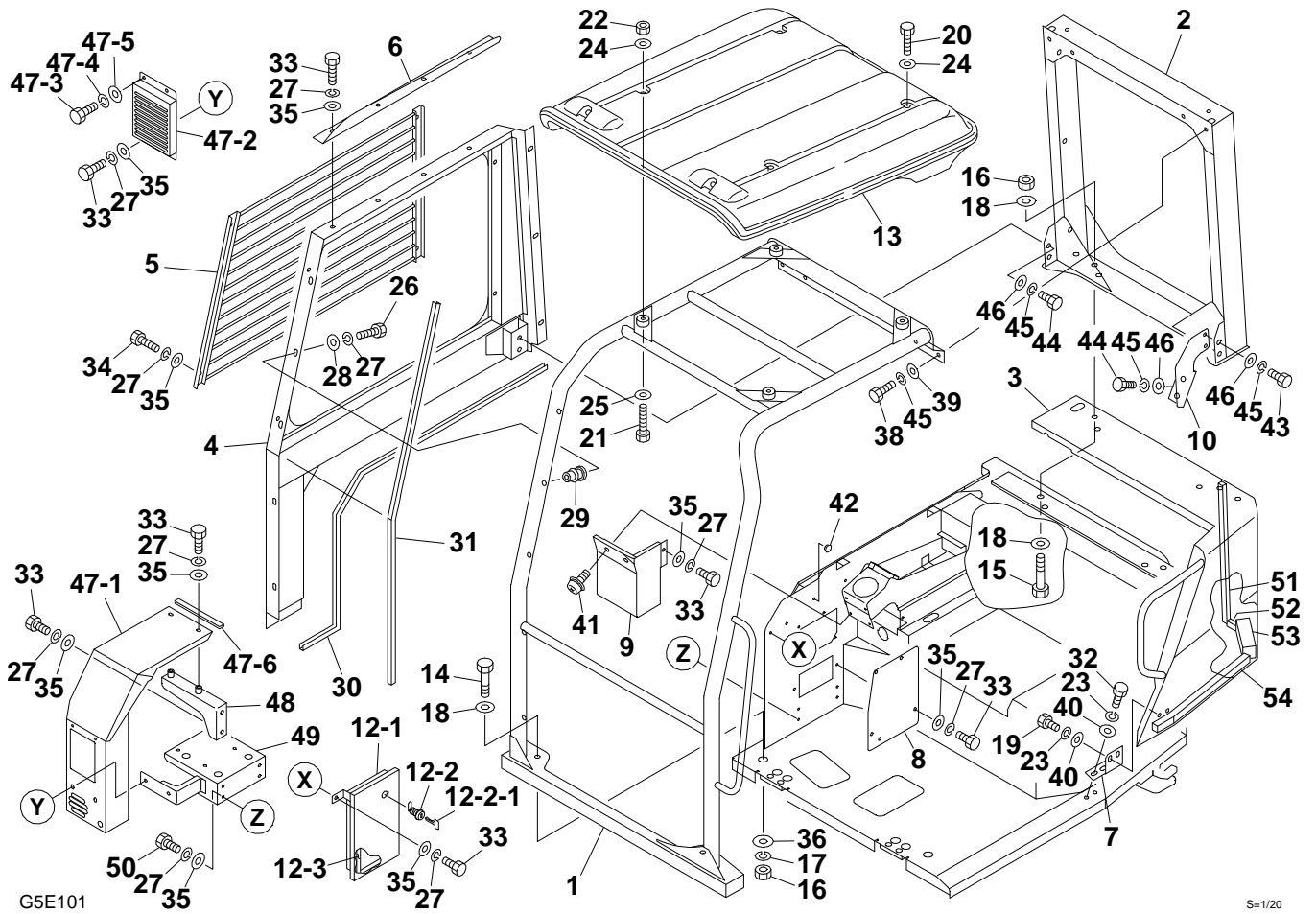
G5E260

S=1/12

CAB (7/7) (front sash)

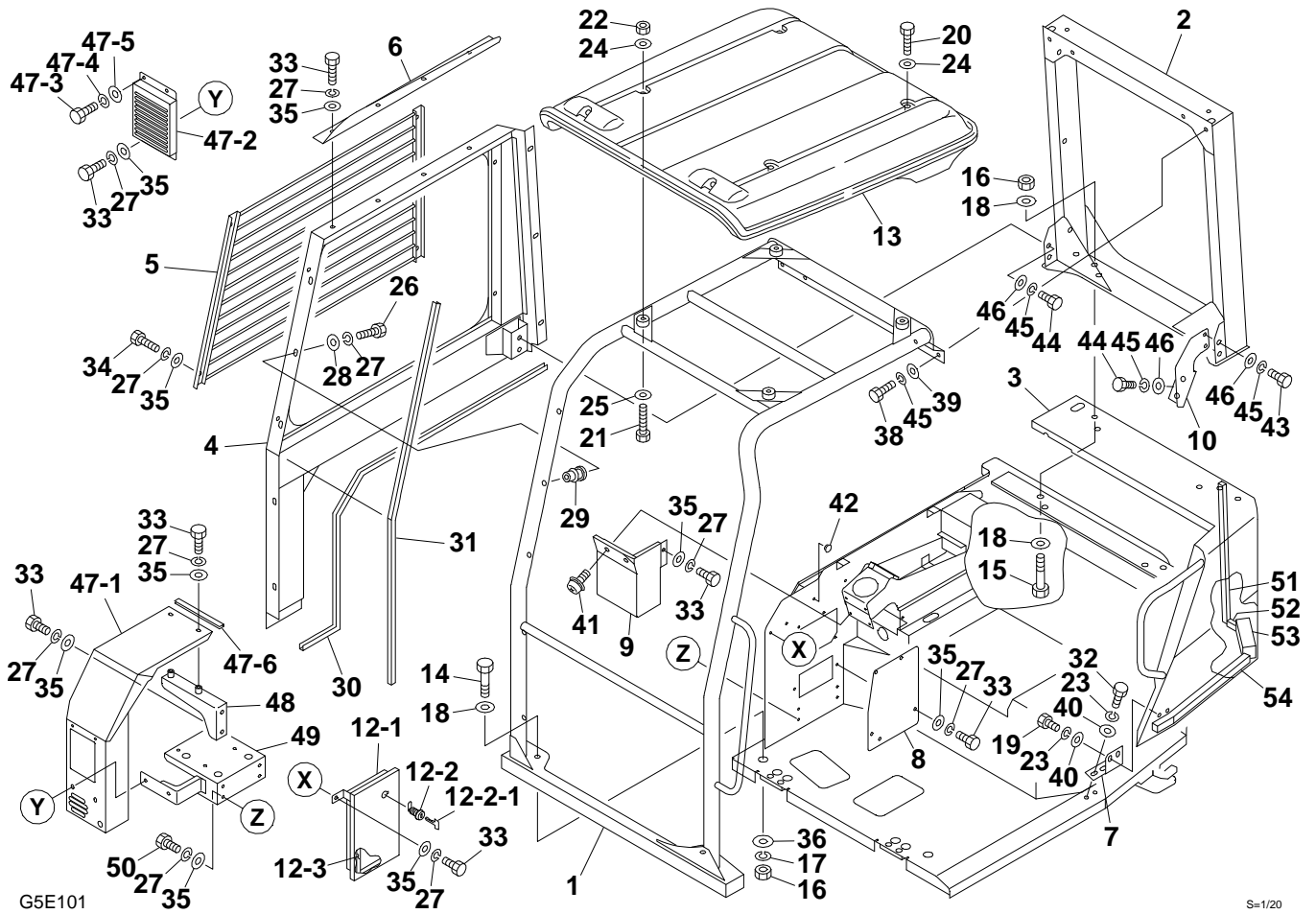
Item	Part number	Description	Q'ty	Chan.	Serial No.	Serv.	Remarks
0-4	0378605500	SASH ASSY, front	1				
1	0378605510	· SASH, front	1				
2	0378605520	· GLASS	1				
3	0378605530	· SEAL	1				
4	0568622200	· ROLLER	2				
5	1704021812	· MOTOR, wiper	1				
6	1704100530	· ARM, wiper	1				
7	1704200530	· BLADE	1				
8	1654616080	· DAM	1				sold by the meter
9	1654615080	· DAM	1				sold by the meter
10	1654616060	· DAM	1				sold by the meter
11	1654615070	· DAM	1				sold by the meter
12	0568643607	· SHAFT	2				
13	1130090010	· NUT	2				
14	0378605540	· LATCH	1				
14-1	0378605547	· · CAP	1				
15	1704400001	· COVER	1				
16	1654005460	· MIRROR	1				
17	0578600490	· HANDLE (R.H.)	1				
18	0578600480	· HANDLE (L.H.)	1				
19	0378605501	· SCREW	4				
20	1654011705	· WASHER	2				
21	1100090816	· BOLT	2				
23	0378605550	· PLATE	2				
	G5e260						

TB138FR (P-T138FBBB) Book No. BG6Z001 S/N 13820001-
CANOPY



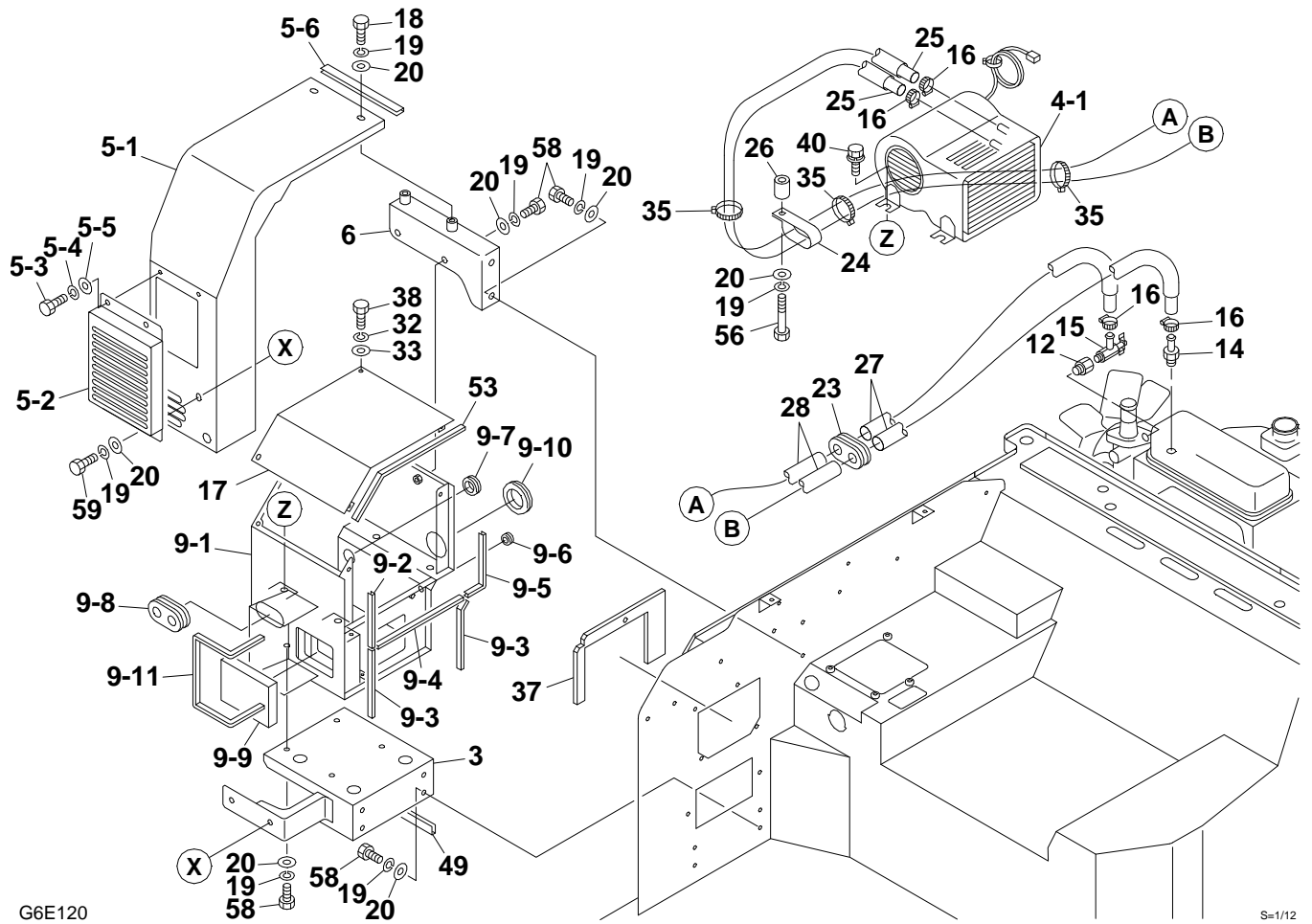
CANOPY						
Item	Part number	Description	Q'ty	Chan.	Serial No.	Serv. Remarks
		CANOPY ASSY				
1	0378405600	POLE	1			
2	0378405700	POLE	1			
3	0378405800	COVER	1			
4	0398403800	PANEL	1			
5	0398401500	GUARD	1			
6	0398403560	COVER	1			
7	0378405520	ANGLE	1			
8	0398403580	COVER	1			
9	0398403590	COVER	1			
10	0378405510	BRACKET	1			
12	0398403900	MANUAL STORAGE ASSY	1			
12-1	0398403910	· MANUAL STORAGE	1			
12-2	1653601395	· LOCK	1			
12-2-1	1700100019	· KEY	1			
12-3	1654601096	· TRIM	1			sold by the meter
13	0368416300	ROOF	1			
14	1101041445	BOLT	2			
15	1101041460	BOLT	4			
16	1130540014	NUT	6			
17	1140020014	WASHER, spring	2			
18	1141550014	WASHER	10			
19	1100041020	BOLT	2			
20	1100041035	BOLT	2			
21	1100041050	BOLT	2			
22	1130040010	NUT	2			
23	1140020010	WASHER, spring	4			
24	0003600020	WASHER	4			
25	1141110010	WASHER	2			
26	1100040835	BOLT	8			
27	1140020008	WASHER, spring	33			
28	0003608252	WASHER	8			
29	1652520008	NUT	8			
30	1654607140	SEAL	1			sold by the meter
31	1654605135	RUBBER	1			sold by the meter
32	1100041025	BOLT	2			
33	1100040816	BOLT	17			
34	1100040825	BOLT	4			
35	1141110008	WASHER	25			
36	0003600122	WASHER	2			
38	1101041240	BOLT	4			
39	0003600024	WASHER	4			
40	0003600003	WASHER	4			
41	1150110612	SCREW	2			
42	1652533016	CAP	2			
43	1101041225	BOLT	2			
44	1101041235	BOLT	4			
45	1140020012	WASHER, spring	6			
46	1141110012	WASHER	6			
47	0374507650	COVER ASSY, unit	1			
47-1	0374603760	· COVER	1			
47-2	0374603770	· COVER	1			
47-3	1100040816	· BOLT	2			
47-4	1140020008	· WASHER, spring	2			
47-5	1141110008	· WASHER	2			
47-6	1654606018	· RUBBER	1			sold by the meter
48	0564630860	BRACKET	1			
49	0564531730	BRACKET	1			
50	1100040814	BOLT	4			
51	1654304054	SPONGE	1			sold by the meter
52	1654304004	SPONGE	1			sold by the meter

TB138FR (P-T138FBBB) Book No. BG6Z001 S/N 13820001-
CANOPY



CANOPY							
Item	Part number	Description	Q'ty	Chan.	Serial No.	Serv.	Remarks
53	1654346015	SPONGE	1				sold by the meter
54	1654310043	SPONGE	1				sold by the meter
	G5e101						

TB138FR (P-T138FBBB) Book No. BG6Z001 S/N 13820001-
HEATER (1/2)

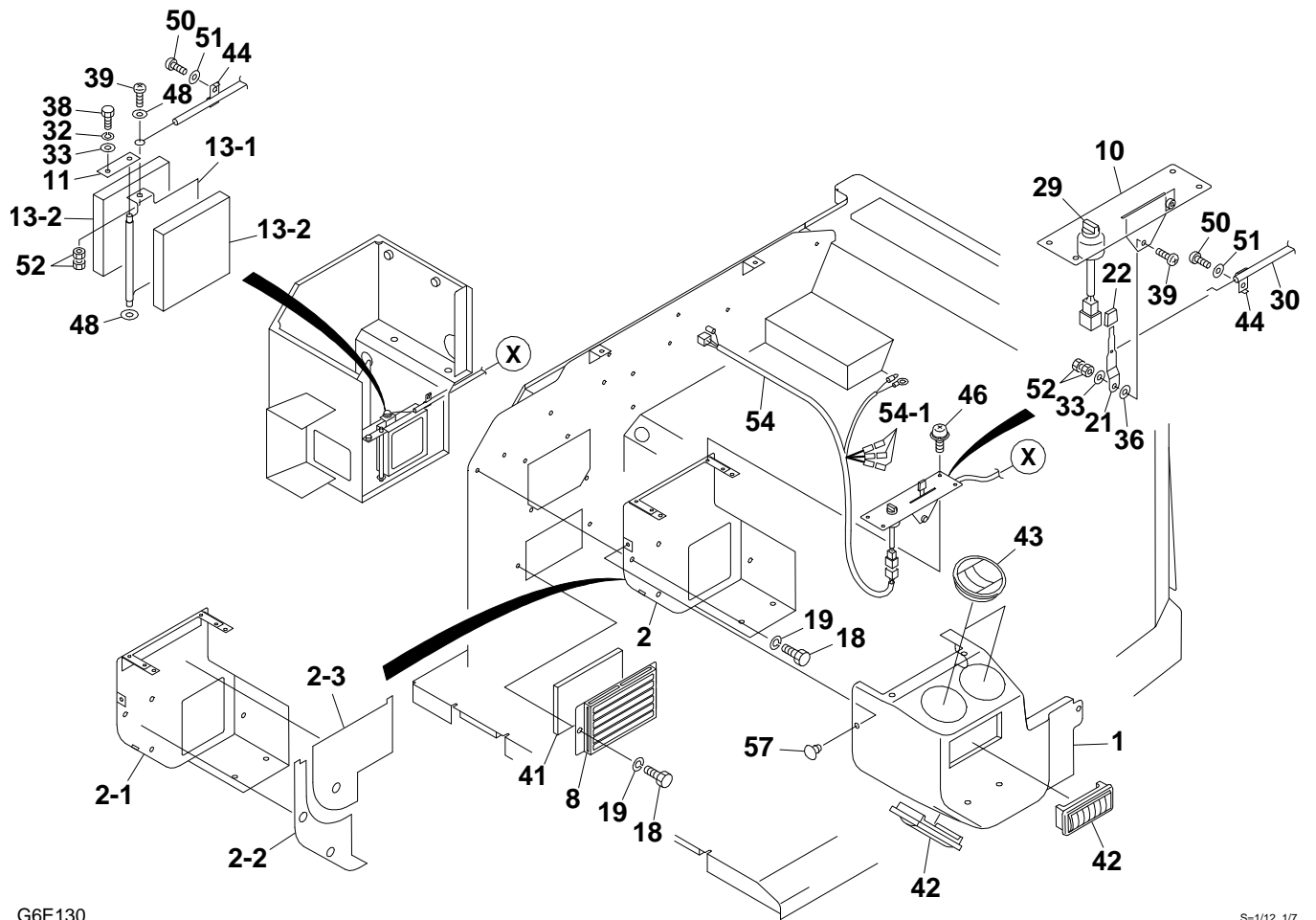


HEATER (1/2)

Item	Part number	Description	Q'ty	Chan.	Serial No.	Serv.	Remarks
		HEATER ASSY					
3	0564531730	BRACKET	1				
4	0564531910	HEATER UNIT ASSY	1				
4-1	1911508100	· HEATER UNIT	1				
5	0374507650	COVER ASSY, unit	1				
5-1	0374603780	· COVER	1				
5-2	0374603770	· COVER	1				
5-3	1100040816	· BOLT	2				
5-4	1140020008	· WASHER, spring	2				
5-5	1141110008	· WASHER	2				
5-6	1654606018	· RUBBER	1				sold by the meter
6	0394513510	BRACKET	1				
9	0564531920	BOX ASSY, heater	1				
9-1	0564531930	· BOX	1				
9-2	1654606012	· TRIM	1				sold by the meter
9-3	1654606015	· TRIM	2				sold by the meter
9-4	1654606022	· TRIM	1				sold by the meter
9-5	1654606014	· TRIM	1				sold by the meter
9-6	1652051200	· GROMMET	1				
9-7	1652060028	· GROMMET	1				
9-8	0337017300	· GUARD	1				
9-9	0564519550	· FILTER	1				
9-10	1652060051	· GROMMET	1				
9-11	1654606033	· TRIM	1				sold by the meter
12	1501910303	CONNECTOR	1				
14	1911502200	ADAPTOR	1				
15	1911502100	VALVE	1				
16	1911500500	BAND	4				
17	0564531940	COVER	1				
18	1100040816	BOLT	2				
19	1140020008	WASHER, spring	17				
20	1141110008	WASHER	21				
23	0097210300	GUARD	1				
24	0007300018	CLAMP	2				
25	1911511885	HOSE	2				sold by the meter
26	0394211020	COLLAR	1				
27	1531325035	PROTECTOR	2				sold by the meter
28	1531325100	PROTECTOR	2				sold by the meter
32	1140020006	WASHER, spring	4				
33	1141110006	WASHER	4				
35	1652231250	BAND	3				
37	0564531937	SPONGE	1				
38	1100040616	BOLT	4				
40	1100561016	SCREW	3				
49	1653916023	TRIM	1				sold by the meter
53	1654606030	TRIM	1				sold by the meter
56	1100040850	BOLT	1				
58	1100040814	BOLT	12				
59	1100040820	BOLT	2				

G6e121

TB138FR (P-T138FBBB) Book No. BG6Z001 S/N 13820001-
HEATER (2/2)



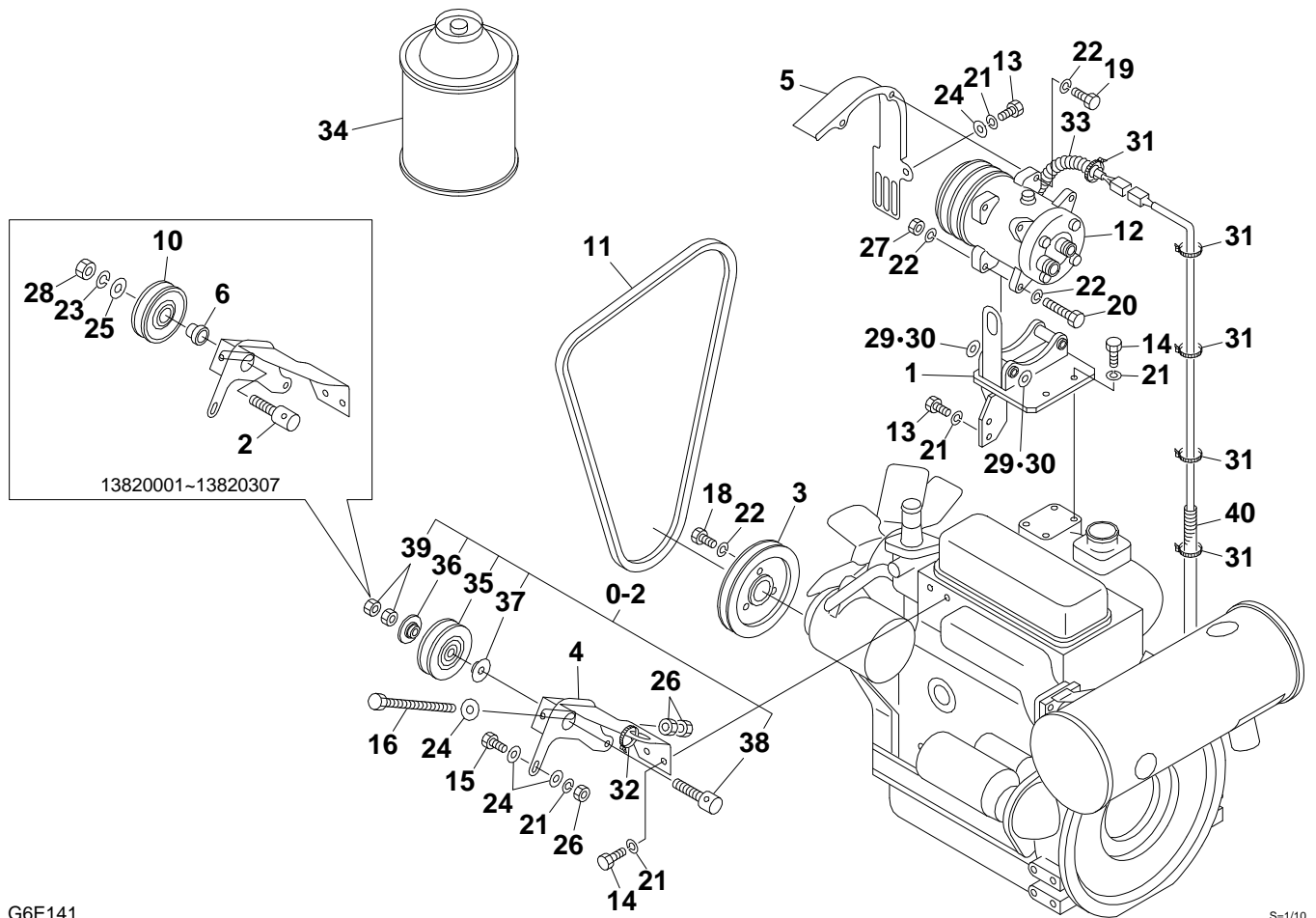
G6E130

S=1/12, 1/7

HEATER (2/2)

Item	Part number	Description	Q'ty	Chan.	Serial No.	Serv.	Remarks
		HEATER ASSY					
1	0564633600	BOX	1				
2	0564533300	PLATE ASSY	1				
2-1	0564533310	· PLATE	1				
2-2	0564633710	· SPONGE	1				
2-3	0564633720	· SPONGE	1				
8	0564633660	COVER	1				
10	0394513550	PANEL, control	1				
11	0394513501	PLATE	1				
13	0394513560	DAMPER ASSY	1				
13-1	0394513570	· DAMPER	1				
13-2	0394513562	· SPONGE	2				
18	1100040816	BOLT	8				
19	1140020008	WASHER, spring	8				
21	0564525300	LEVER	1				
22	0564612550	KNOB	1				
29	1700000011	SWITCH, heater	1				
30	0564525460	WIRE	1				
32	1140020006	WASHER, spring	1				
33	1141110006	WASHER	2				
36	1652540014	SPACER	1				
38	1100040616	BOLT	1				
39	1120590516	SCREW	2				
41	0564633665	FILTER	1				
42	1911505723	LOUVER	2				
43	1911505722	LOUVER	2				
44	0564612530	CLAMP	2				
46	1150420510	SCREW	4				
48	1141190005	WASHER	2				
50	1120530408	SCREW	2				
51	1141110004	WASHER	2				
52	1130040005	NUT	4				
54	0564531950	HARNESS ASSY, wiring	1				
54-1	1730500008	· DIODE (3A yellow)	3				
57	1652900015	RIVET	7				
	G6e131						

TB138FR (P-T138FBBB) Book No. BG6Z001 S/N 13820001-
AIR CONDITIONER (1/7) (compressor)



G6E141

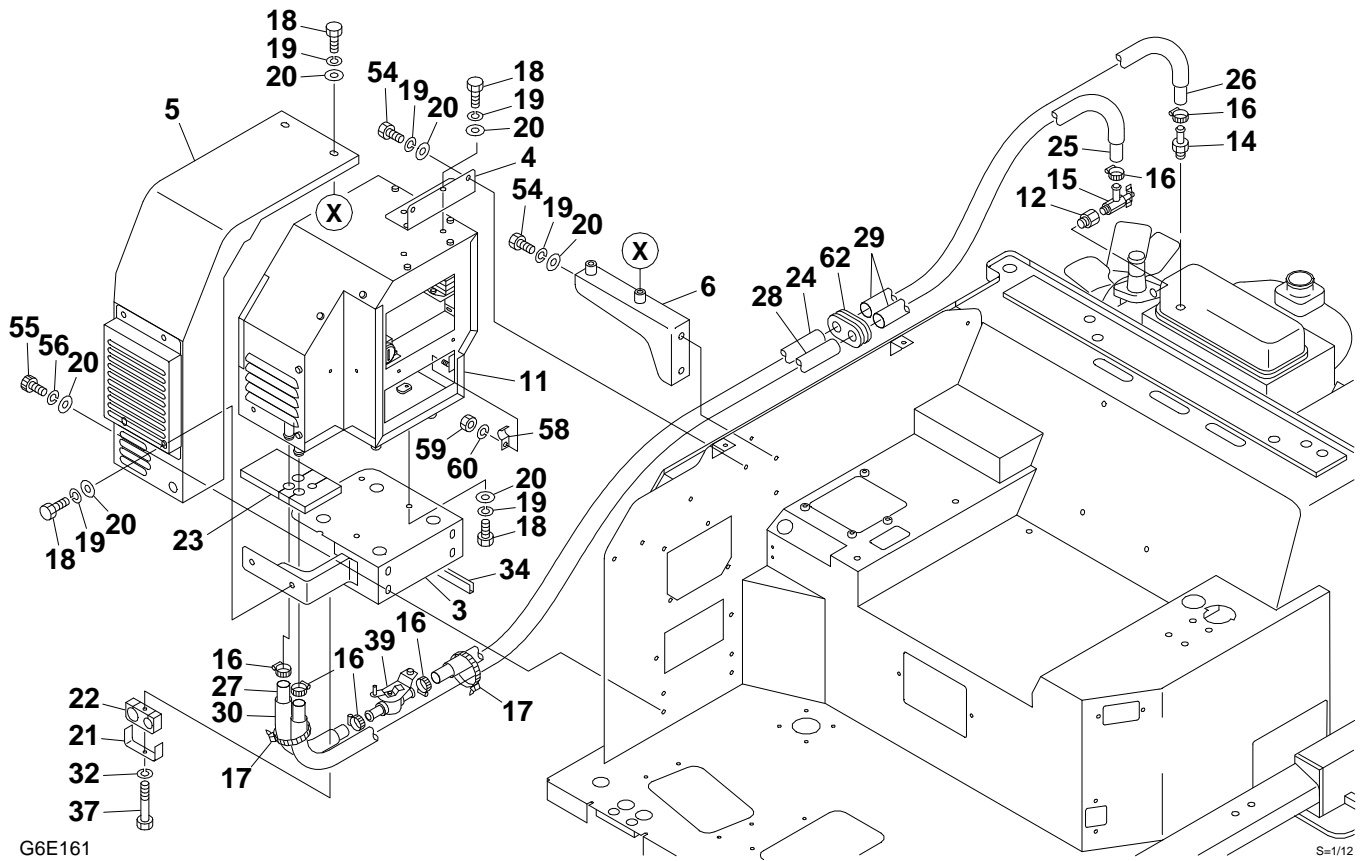
S=1/10

AIR CONDITIONER (1/7) (compressor)							
Item	Part number	Description	Q'ty	Chan.	Serial No.	Serv.	Remarks
0	X *****	CONDITIONER ASSY, air COMPRESSOR ASSY	1				
1	0374605110	· BRACKET	1				
2	0374600250	· SHAFT	1	A	13820001~13820307		
3	0374601101	· PULLEY	1				
4	0374602630	· BRACKET	1				
5	0374605130	· GUARD	1				
6	0564619240	· COLLAR	1	A	13820001~13820307		
10	1911505700	· PULLEY	1	A	13820001~13820307		
11	1621071057	· V-BELT	1				
12	1911506010	· COMPRESSOR	1				
13	1100040816	· BOLT	3				
14	1100040820	· BOLT	4				
15	1100040835	· BOLT	1				
16	0394602010	· BOLT	1				
18	1100041020	· BOLT	3				
19	1100041025	· BOLT	3				
20	1100141005	· BOLT	2				
21	1140020008	· WASHER, spring	8				
22	1140020010	· WASHER, spring	10				
23	1140020012	· WASHER, spring	1	A	13820001~13820307		
24	1141110008	· WASHER	3				
25	1141550012	· WASHER	1	A	13820001~13820307		
26	1130040008	· NUT	3				
27	1130040010	· NUT	2				
28	1130040012	· NUT	1	A	13820001~13820307		
29	0003600222	· SHIM	AR				t=0.2mm
30	0003600223	· SHIM	AR				t=0.3mm
31	1652231250	· BAND	5				
32	1652201005	· BAND	1				
33	1703210723	· TUBE	1				sold by the me
34	1919055000	· GAS	8				
35	0564634880	· PULLY ASSY	1	a	13820308~	M	
36	0564634890	· COLLAR	1	a	13820308~	M	
37	0564634895	· COLLAR	1	a	13820308~	M	
38	0374602650	· SHAFT	1	a	13820308~	M	
39	1130140012	· NUT	2	a	13820308~	M	
40	1703211550	· PROTECTOR	1		13820001~13820055		sold by the me
		<<NOTE>>					
0-2	0379601950	KIT, pully SET "A" is interchangeable with SET "a".	1	a	13820308~	M	
	G6e141						

AIR CONDITIONER (2/7) (condenser)

Item	Part number	Description	Q'ty	Chan.	Serial No.	Serv.	Remarks
0	X *****	CONDITIONER ASSY, air CONDENSER ASSY	1				
1	0374605210	· BRACKET	1				
2	0374603860	· BRACKET	1				
3	1911505514	· SWITCH, presser	1				
4	1911505503	· CONDENSER	1				
5	1911505511	· DRYER	1				
6	1911506301	· BRACKET	1				
7	1911509703	· HOSE	1				
	1911505602	· · O-RING	2				
8	1911509401	· HOSE	1				
	1911505601	· · O-RING	2				
9	1911509702	· HOSE	1				
	1911505601	· · O-RING	2				
10	1911509704	· HOSE	1				
	1911505603	· · O-RING	2				
12	1110040516	· SCREW, cap	6				
13	1100040816	· BOLT	2				
14	1100040820	· BOLT	6				
15	1140020008	· WASHER, spring	8				
16	1140020005	· WASHER, spring	6				
17	1141110008	· WASHER	6				
19	0374605220	· BRACKET	1				
20	0374604530	· BRACKET	1				
21	0374604540	· BRACKET	1				
23	1121530816	· BOLT	2				
	G6e150						

TB138FR (P-T138FBBB) Book No. BG6Z001 S/N 13820001-
AIR CONDITIONER (3/7) (air conditioner unit)

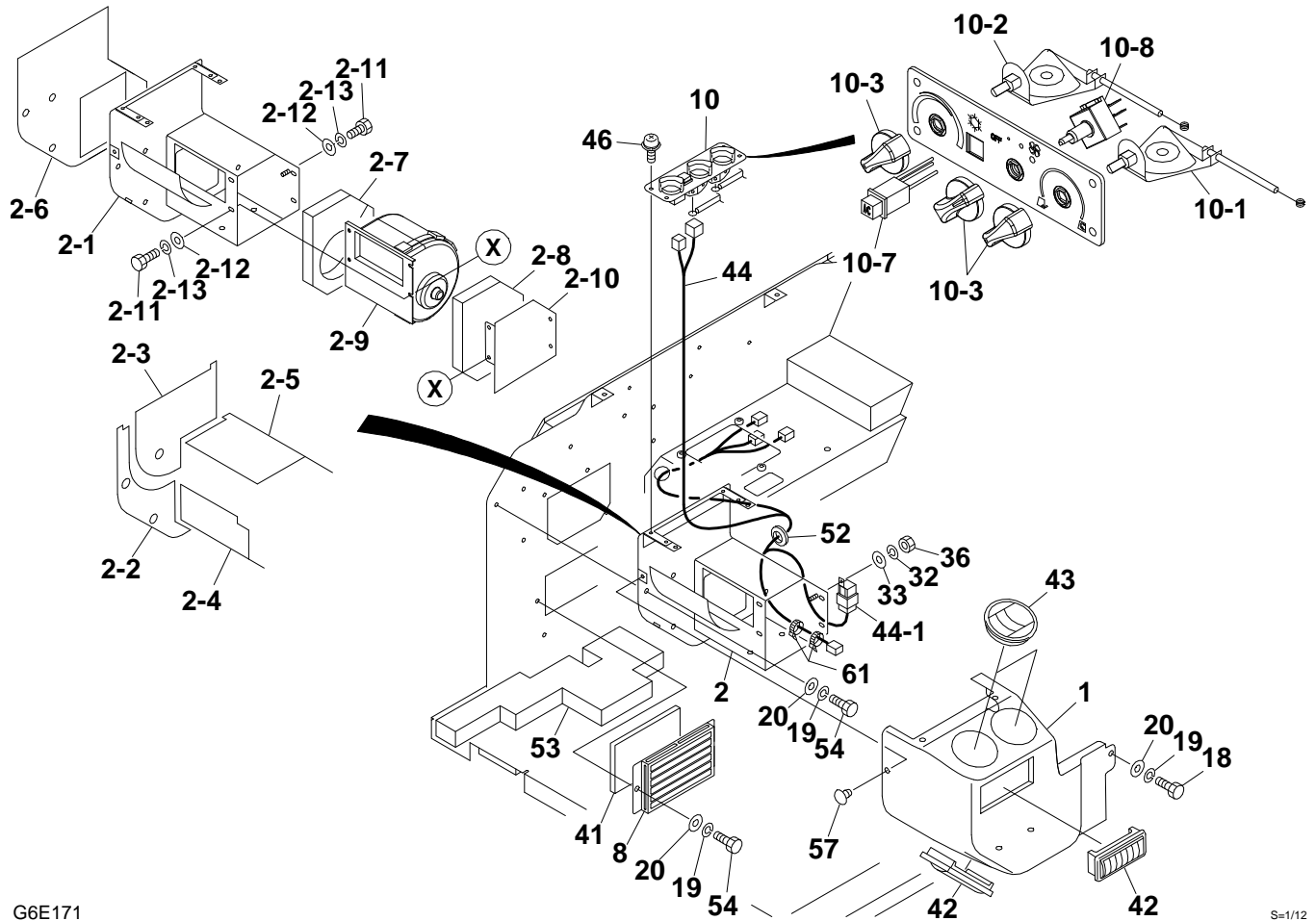


AIR CONDITIONER (3/7) (air conditioner unit)

Item	Part number	Description	Q'ty	Chan.	Serial No.	Serv.	Remarks
0	X *****	CONDITIONER ASSY, air UNIT ASSY	1				
3	0564531730	· BRACKET	1				
4	0564631230	· BRACKET	1				
5	0374603750	· COVER ASSY	1				see page (5/7)
6	0564630860	· BRACKET	1				
11	0564631240	· UNIT ASSY, air conditioner	1		13820001~13820307		see page (5/7)
	0394617940	· UNIT ASSY, air conditioner	1	(H)	13820308~	M	see page (5/7)
12	1501910303	· CONNECTOR	1				
14	1911502200	· ADAPTOR	1				
15	1911502100	· VALVE	1				
16	1911500500	· CLAMP	6				
17	1652241300	· BAND	2				
18	1100040816	· BOLT	12				
19	1140020008	· WASHER, spring	16				
20	1141110008	· WASHER	18				
21	0564631200	· CLAMP	1				
22	0564631210	· RUBBER	1				
23	0564631220	· URETHANE	1				
24	1531325060	· PROTECTOR	1				sold by the meter
25	1911511835	· HOSE	1				sold by the meter
26	1911515110	· HOSE	1				sold by the meter
27	1911501820	· HOSE	1				sold by the meter
28	1531325090	· PROTECTOR	1				sold by the meter
29	1531325033	· PROTECTOR	2				sold by the meter
30	1531325012	· PROTECTOR	1				sold by the meter
32	1140020006	· WASHER, spring	1				
34	1653916023	· TRIM	1				sold by the meter
37	1100040650	· BOLT	1				
39	1911506008	· VALVE, water	1				
54	1100040814	· BOLT	4				
55	1110040814	· SCREW, cap	4				
56	1140420008	· WASHER, spring	4				
58	0564612530	· CLAMP	1		13820308~	M	
59	1130040005	· NUT	1		13820308~		
60	1140020005	· WASHER, spring	1		13820308~		
62	0097210300	· GUARD	1				

G6e161

TB138FR (P-T138FBBB) Book No. BG6Z001 S/N 13820001-
AIR CONDITIONER (4/7) (air conditioner unit)



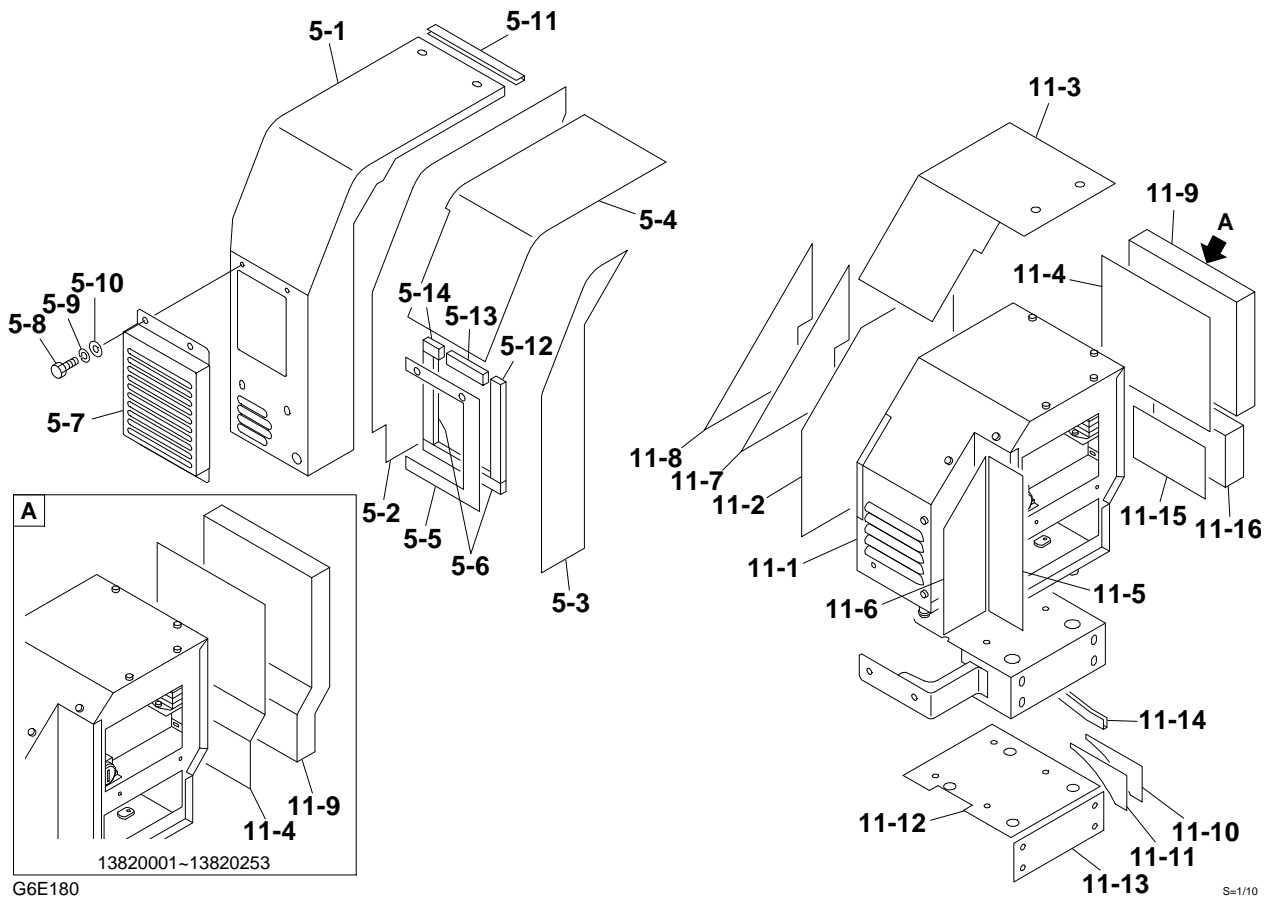
G6E171

S=1/12

AIR CONDITIONER (4/7) (air conditioner unit)

Item	Part number	Description	Q'ty	Chan.	Serial No.	Serv.	Remarks
		CONDITIONER ASSY, air					
0	X *****	UNIT ASSY	1				
1	0564633600	· BOX ASSY	1				
2	0564633700	· PLATE ASSY	1				
2-1	0564633610	· · PLATE	1				
2-2	0564633710	· · SPONGE	1				
2-3	0564633720	· · SPONGE	1				
2-4	0564633730	· · SPONGE	1				
2-5	0564633740	· · SPONGE	1				
2-6	0564633750	· · SPONGE	1				
2-7	0564633760	· · SPONGE	1		13820308~		M
2-8	0564633770	· · SPONGE	1		13820308~		M
2-9	1911509206	· · MOTOR, blower	1				
2-10	0564633670	· · COVER	1				
2-11	1100040616	· · BOLT	4				
2-12	1141110006	· · WASHER	4				
2-13	1140020006	· · WASHER, spring	4				
8	0564633660	· COVER	1				
10	1911509208	· PANEL ASSY, control	1				
10-1	1911509210	· · CONVERTER, cable control	1				
10-2	1911509220	· · CONVERTER, cable control	1				
10-3	1911505763	· · KNOB	3				
10-7	1911505767	· · SWTCH, air con.	1				
10-8	1911509280	· · ROTARY SWITCH, 3-speed	1				
18	1100040816	· BOLT	1				
19	1140020008	· WASHER, spring	7				
20	1141110008	· WASHER	7				
32	1140020006	· WASHER, spring	1				
33	1141110006	· WASHER	1				
36	1130040006	· NUT	1				
41	0564633665	· FILTER	1				
42	1911505723	· LOUVER	2				
43	1911505722	· LOUVER	2				
44	1911509205	· HARNESS, wiring	1				
44-1	1911506041	· · RELAY	1				M
46	1150420510	· SCREW, sems	4				
52	1652053600	· GROMMET	1		13820001~13820307		
53	0564631256	· INSULATOR	1				
54	1100040814	· BOLT	6				
57	1652900015	RIVET	6				
61	1652201004	· BAND	2				
	G6e171						

TB138FR (P-T138FBBB) Book No. BG6Z001 S/N 13820001-
AIR CONDITIONER (5/7) (air conditioner unit)

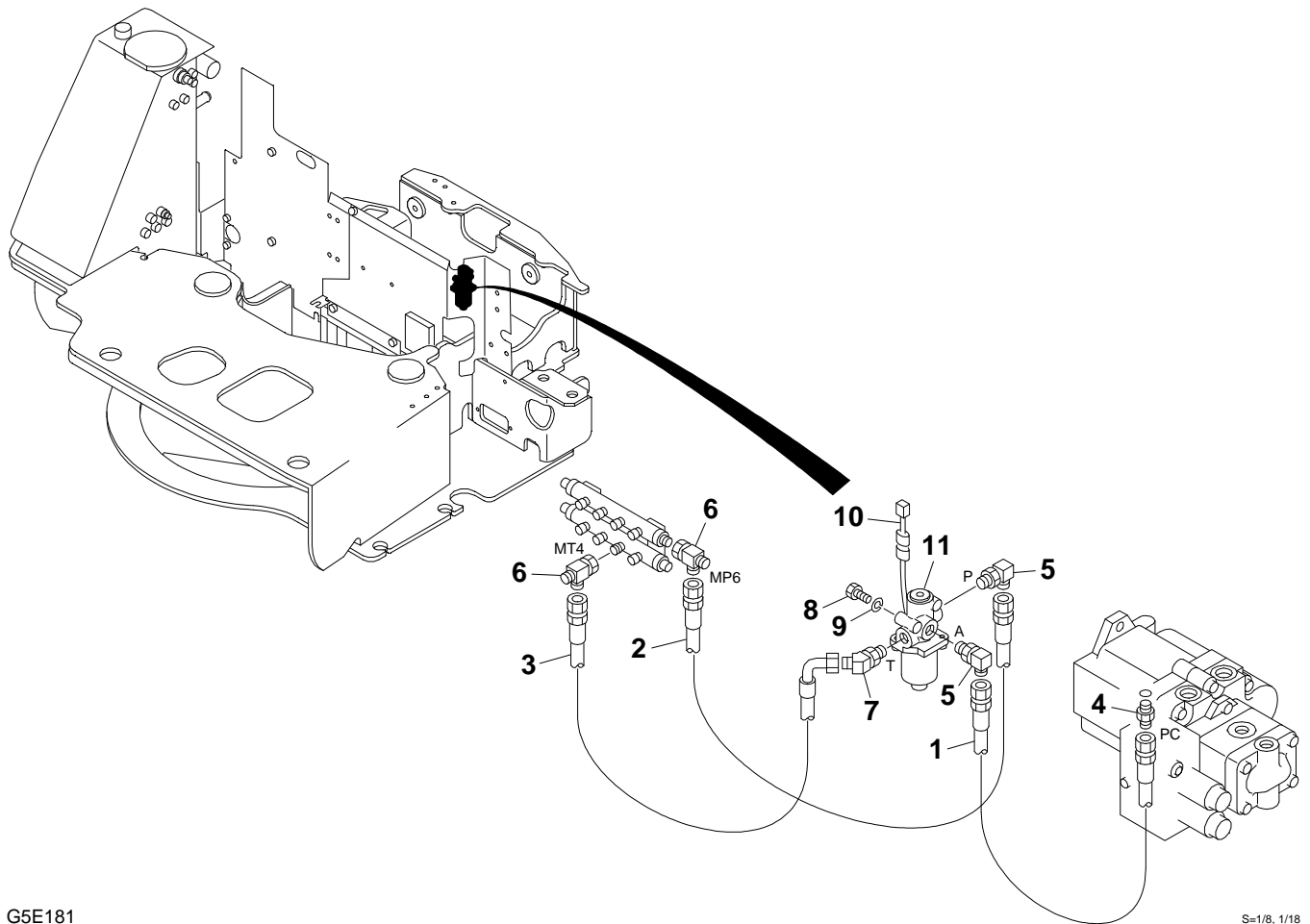


AIR CONDITIONER (5/7) (air conditioner unit)

Item	Part number	Description	Q'ty	Chan.	Serial No.	Serv.	Remarks
		CONDITIONER ASSY, air					
0	X *****	UNIT ASSY	1				
5	0374603750	· COVER ASSY	1				
5-1	0374603780	· · COVER	1				
5-2	0374603781	· · INSULATOR	1				
5-3	0374603782	· · INSULATOR	1				
5-4	0374603783	· · INSULATOR	1				
5-5	0374603784	· · INSULATOR	1				
5-6	1654304017	· · SPONGE	2				sold by the meter
5-7	0374603770	· · COVER	1				
5-8	1100040816	· · BOLT	2				
5-9	1140020008	· · WASHER, spring	2				
5-10	1141110008	· · WASHER	2				
5-11	1654606018	· · RUBBER	1				sold by the meter
5-12	1654304019	· · SPONGE	1				sold by the meter
5-13	1654304009	· · SPONGE	1				sold by the meter
5-14	1654304004	· · SPONGE	1				sold by the meter
11	0564631240	· UNIT ASSY, air conditioner	1		13820001~13820307		
	0394617940	· UNIT ASSY, air conditioner	1	(H)	13820308~	M	
11-1	1911509230	· UNIT, air conditioner	1				see page (7/7)
11-2	0564631113	· · INSULATOR	1				
11-3	0564631102	· · INSULATOR	1				
11-4	0564631115	· · URETHANE	1		13820001~13820253		
	0564631241	· · INSULATOR	1		13820254~	M	
11-5	0564631116	· · INSULATOR	1				
11-6	0564631117	· · INSULATOR	1				
11-7	0564631106	· · INSULATOR	1				
11-8	0564631107	· · URETHANE	1				
11-9	0564631114	· · URETHANE	1		13820001~13820253		
	0564631243	· · URETHANE	1		13820254~	M	
11-10	0564631109	· · INSULATOR	1		13820001~13820307		
	0394617941	· · INSULATOR	1		13820308~	M	
11-11	0564631110	· · INSULATOR	1		13820001~13820307		
	0394617942	· · INSULATOR	1		13820308~	M	
11-12	0564631111	· · INSULATOR	1				
11-13	0564631112	· · INSULATOR	1				
11-14	1653916022	· · TRIM	1		13820001~13820307		sold by the meter
	1653916018	· · TRIM	1		13820308~	M	sold by the meter
11-15	0564631242	· · INSULATOR	1		13820254~	M	
11-16	0564631244	· · URETHANE	1		13820254~	M	

G6e181

**TB138FR (P-T138FBBB) Book No. BG6Z001 S/N 13820001-
AIR CONDITIONER (6/7) (air conditioner solenoid)**



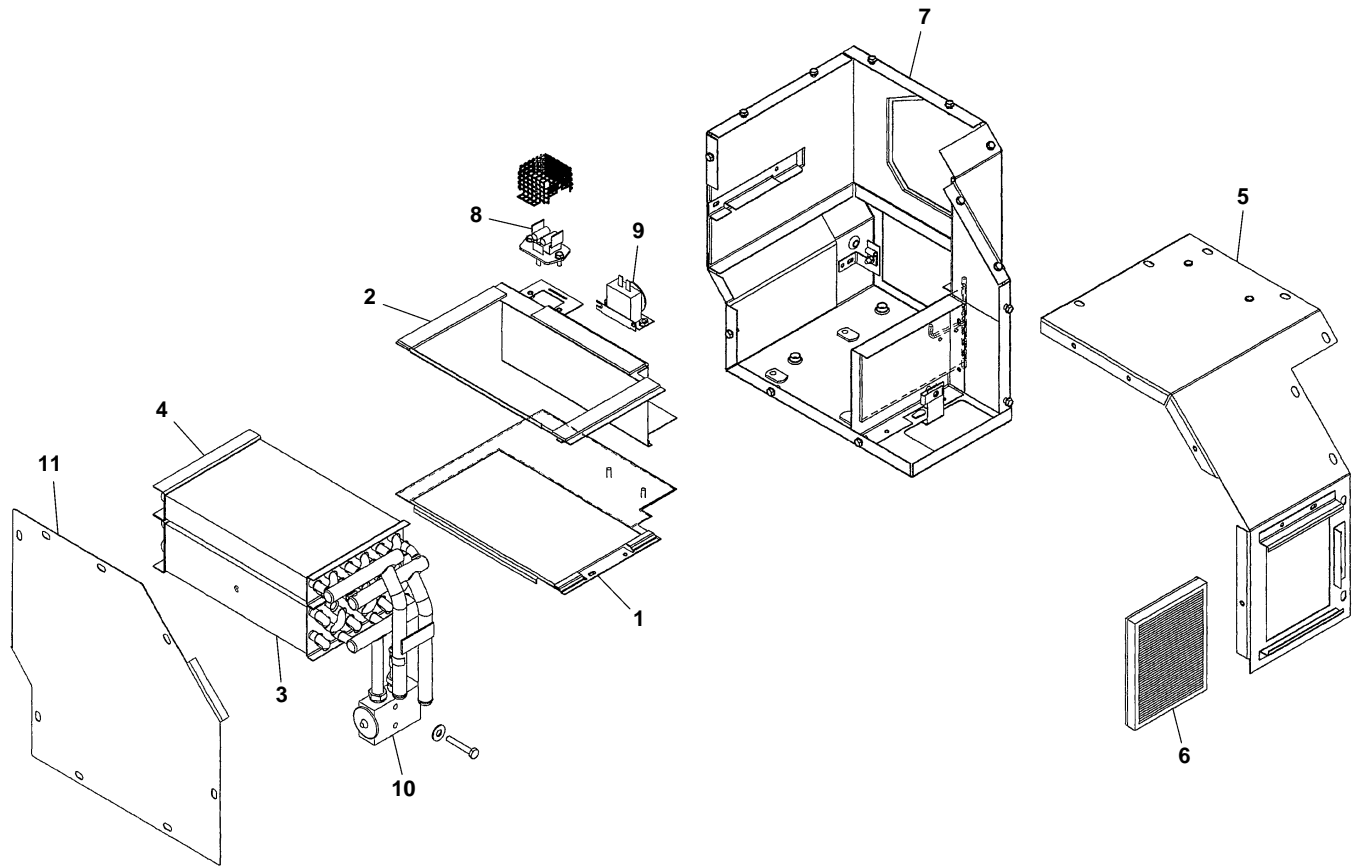
G5E181

S=1/8, 1/18

AIR CONDITIONER (6/7) (air conditiner solenoid)

Item	Part number	Description	Q'ty	Chan.	Serial No.	Serv.	Remarks
0	X *****	CONDITIONER ASSY, air SOLENOID ASSY, air conditioner	1				
1	0374603410	· HOSE ASSY	1				18010-22100
2	0374603420	· HOSE ASSY	1				18010-22065
3	0374603430	· HOSE ASSY	1				18015-52050
4	1515600200	· ADAPTOR	1				
	1420010110	· · O-RING	1				
5	1515012040	· ELBOW	2				
	1420010110	· · O-RING	1				
6	1513390015	· TEE	2				
7	1515100110	· ELBOW	1				
	1420010110	· · O-RING	1				
8	1100040616	· BOLT	2				
9	1140020006	· WASHER, spring	2				
10	0564630901	· HARNESS	1				
11	1901746600	· VALVE, solenoid	1				
	G6e190						

TB138FR (P-T138FBBB) Book No. BG6Z001 S/N 13820001-
AIR CONDITIONER (7/7)



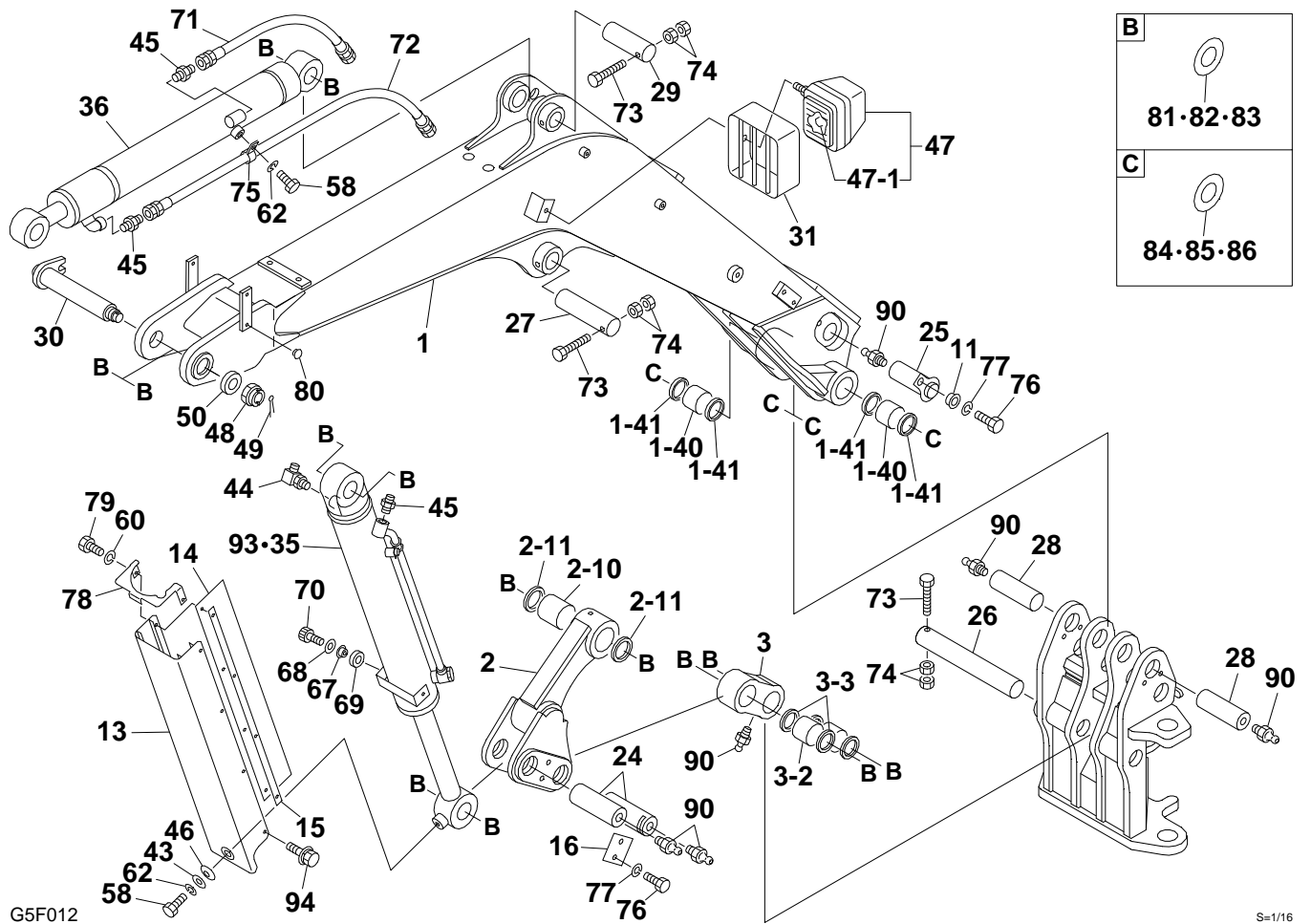
L5E230

S=free

AIR CONDITIONER (7/7)

Item	Part number	Description	Q'ty	Chan.	Serial No.	Serv.	Remarks
0	1911509230	UNIT, air conditioner	1				
1	1911509231	· COVER	1				
2	1911509232	· COVER	1				
3	1911509233	· CORE, evaporator	1				
4	1911509234	· CORE, heater	1				
5	1911509235	· COVER	1				
6	1911509413	· FILTER	1				
7	1911509236	· HOUSING	1				
8	1911506343	· RESISTOR	1				
9	1911505421	· THERMOSTAT	1				
10	1911505422	· VALVE, expansion	1				
11	1911509411	· COVER	1				
	L5e231						

TB138FR (P-T138FBBB) Book No. BG6Z001 S/N 13820001-
BOOM (1/2)

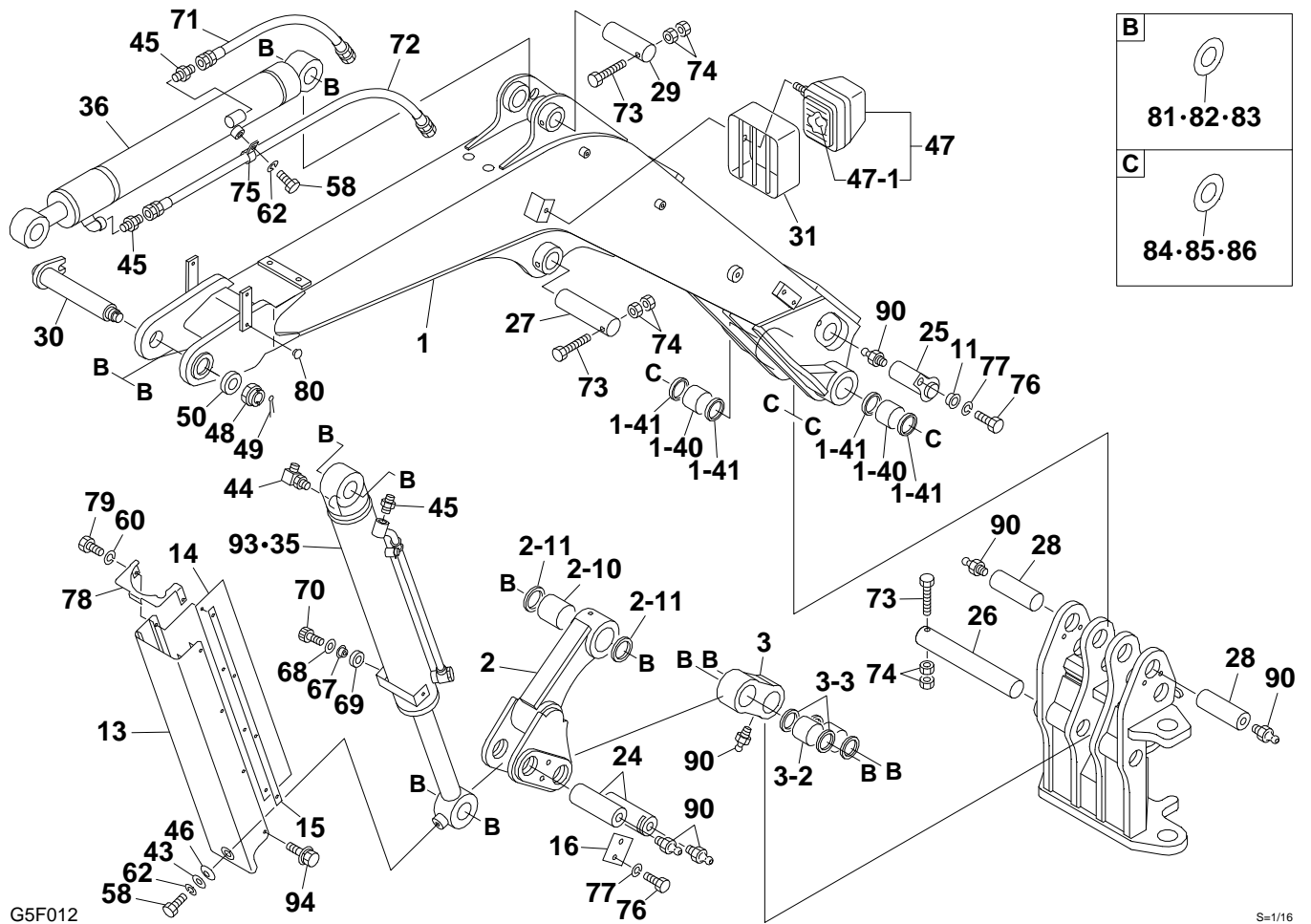


G5F012

S=1/16

							BOOM (1/2)	
Item	Part number	Description	Q'ty	Chan.	Serial No.	Serv.	Remarks	
		BOOM ASSY	1					
		BOOM ASSY (U.S. TAKEUCHI)	1					
1	0376014100	BOOM	1					
1-40	0002200016	· BUSHING	2					
1-41	1432200050	· SEAL, dust	4					
2	0376010300	LINK ASSY, boom	1					
2-10	0002400067	· BUSHING	1					
2-11	1432200045	· SEAL, dust	2					
3	0376009320	LINK	1					
3-2	0002400067	· BUSHING	2					
3-3	1432200045	· SEAL, dust	4					
11	0356018580	COLLAR	1					
13	0376014400	COVER	1					
14	0376014420	RUBBER	2					
15	0376009371	PLATE	2					
16	0376009372	PLATE	1					
24	0376009400	PIN	2					
25	0376009410	PIN	1					
26	0011504330	PIN	1					
27	0011504165	PIN	1					
28	0376009420	PIN	2					
29	0001604160	PIN	1					
30	0011904007	PIN	1					
31	0056031510	PROTECTOR	1					
35	1900100400	CYLINDER, boom	1					
36	1900091400	CYLINDER, arm	1					
43	0003600020	WASHER	1					
44	1515010041	ELBOW	1					
	1420010140	· O-RING	1					
45	1515600201	ADAPTOR	3					
	1420010140	· O-RING	1					
46	1225120016	WASHER, conical	1					
47	1703006100	LAMP ASSY	1					
47-1	1703006106	· BULB	1					
48	1132630030	NUT	1					
49	1210010655	PIN, split	1					
50	0003900020	WASHER	1					
58	1100041016	BOLT	2					
60	1140020006	WASHER, spring	2					
62	1140020010	WASHER, spring	2					
67	0396011710	COLLAR	2					
68	0003600079	WASHER	2					
69	1300206003	BEARING	2					
70	1110040812	SCREW, cap	2					
71	1801720075	HOSE ASSY	1					
72	1801720131	HOSE ASSY	1					
73	1103041085	BOLT	3					
74	1130240010	NUT	6					
75	0007300058	CLAMP	1					
76	1101041220	BOLT	3					
77	1140020012	WASHER, spring	3					
78	0376014410	COVER	1					
79	1100040620	BOLT	2					
80	1652533016	CAP	2					
81	0003600055	SHIM	AR				t=0.2mm	
82	0003600056	SHIM	AR				t=0.5mm	
83	0456008600	SHIM	AR				t=1.0mm	
84	0003600060	SHIM	AR				t=0.2mm	
85	0003600061	SHIM	AR				t=0.5mm	
86	0003600097	SHIM	AR				t=1.0mm	
90	1560001000	FITTING, grease	6					

TB138FR (P-T138FBBB) Book No. BG6Z001 S/N 13820001-
BOOM (1/2)

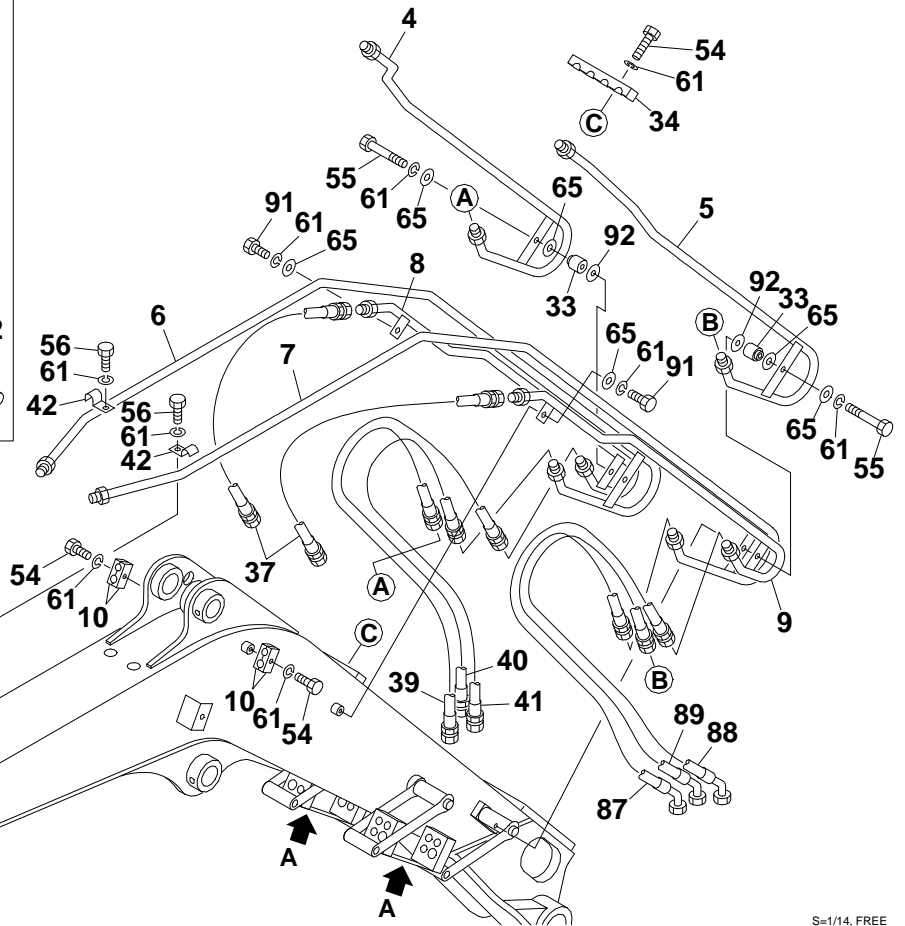
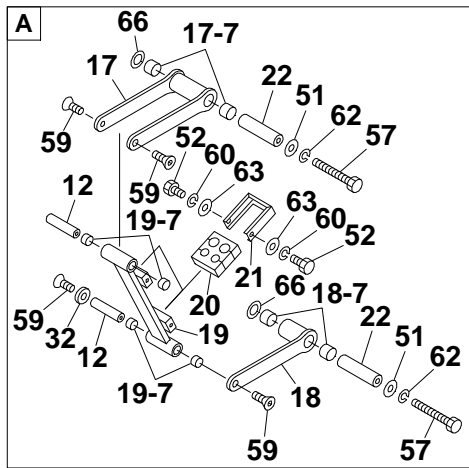


G5F012

S=1/16

BOOM (1/2)						
Item	Part number	Description	Q'ty	Chan.	Serial No.	Serv. Remarks
93	1900102500	CYLINDER, boom	1			U.S. TAKEUCHI
94	1100560616	BOLT	6			
	G5f012					

TB138FR (P-T138FBBB) Book No. BG6Z001 S/N 13820001-
BOOM (2/2)



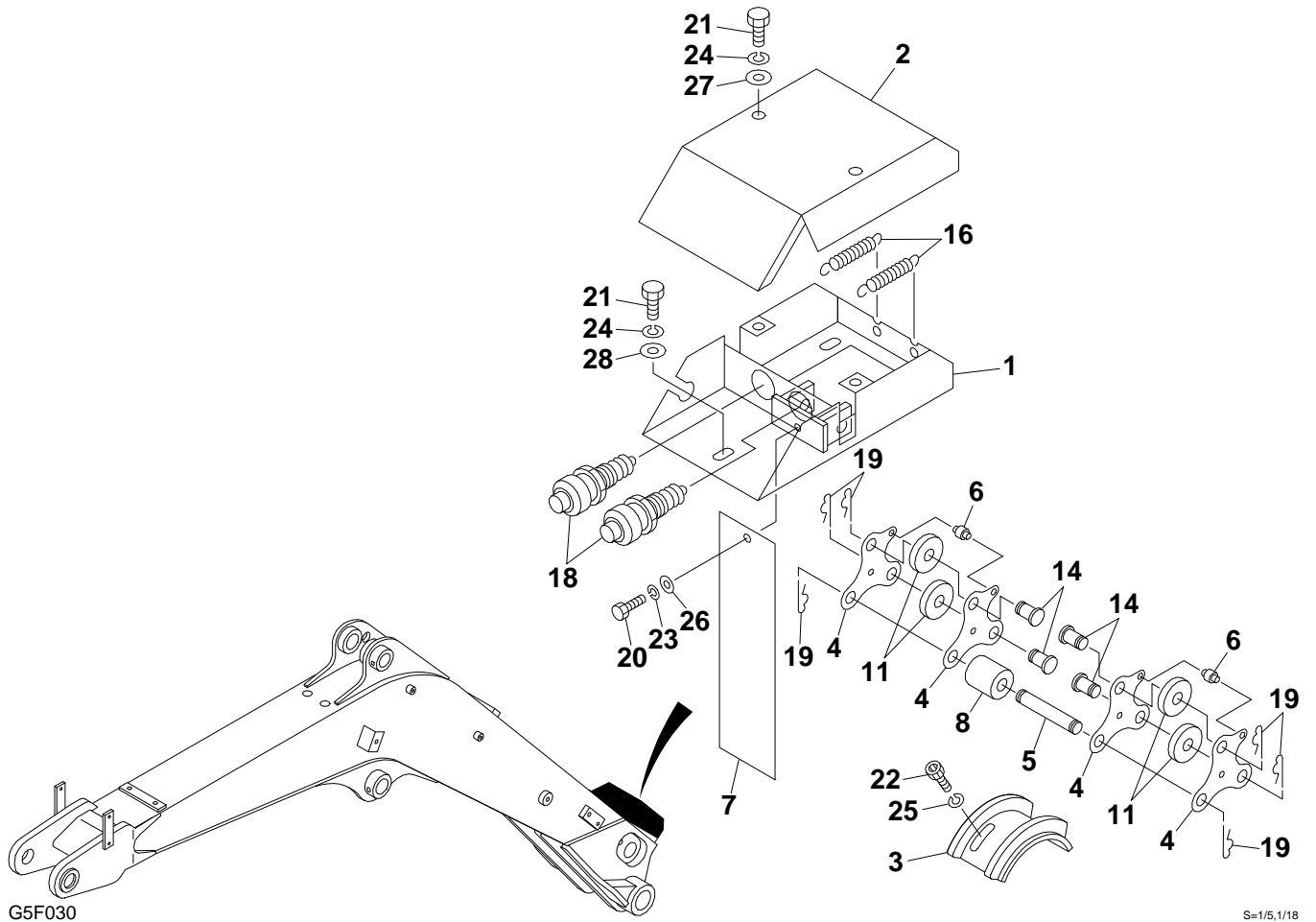
G5F021

S=1/14, FREE

BOOM (2/2)						
Item	Part number	Description	Q'ty	Chan.	Serial No.	Serv. Remarks
		BOOM ASSY	1			
		BOOM ASSY (U.S. TAKEUCHI)	1			
4	0356017310	PIPE (R.H.)	1			
5	0356017320	PIPE (L.H.)	1			
6	0376014500	PIPE (R.H.)	1			
7	0376014510	PIPE (L.H.)	1			
8	0356015350	PIPE (R.H.)	1			
9	0356015360	PIPE (L.H.)	1			
10	0376014320	CLAMP	4			
12	0356017490	SHAFT	4			
17	0376014350	ARM	2			
17-7	1333002015	· BUSHING	4			
18	0376014370	ARM	2			
18-7	1333002015	· BUSHING	4			
19	0356017440	LINK	2			
19-7	1333001515	· BUSHING	8			
20	0376014430	RUBBER	4			
21	0356017470	HOLDER	4			
22	0356018600	SHAFT	4			
32	0356015500	WASHER	2			
33	0356015510	COLLAR	2			
34	0436007800	CLAMP	1			
37	0356018620	HOSE ASSY	2			18015-20045
39	0376014440	HOSE ASSY	1			18015-20150
40	0376014450	HOSE ASSY	1			18015-20130
41	0376014460	HOSE ASSY	1			18015-20127
42	0577307100	CLAMP	2			
51	0003600178	WASHER	4			
52	1100040616	BOLT	8			
54	1100040840	BOLT	4			
55	1100040870	BOLT	2			
56	1100040830	BOLT	2			
57	1100041090	BOLT	4			
59	1120800820	SCREW	8			
60	1140020006	WASHER, spring	8			
61	1140020008	WASHER, spring	10			
62	1140020010	WASHER, spring	4			
63	1141110006	WASHER	16			
65	0003608252	WASHER	6			
66	0003600025	WASHER	4			
87	0376014470	HOSE ASSY	1			18015-27150
88	0376014480	HOSE ASSY	1			18015-27130
89	0376014490	HOSE ASSY	1			18015-27127
91	1100040820	BOLT	2			
92	0003900039	WASHER	2			

G5f022

TB138FR (P-T138FBBB) Book No. BG6Z001 S/N 13820001-
INTERFERENCE SENSOR



G5F030

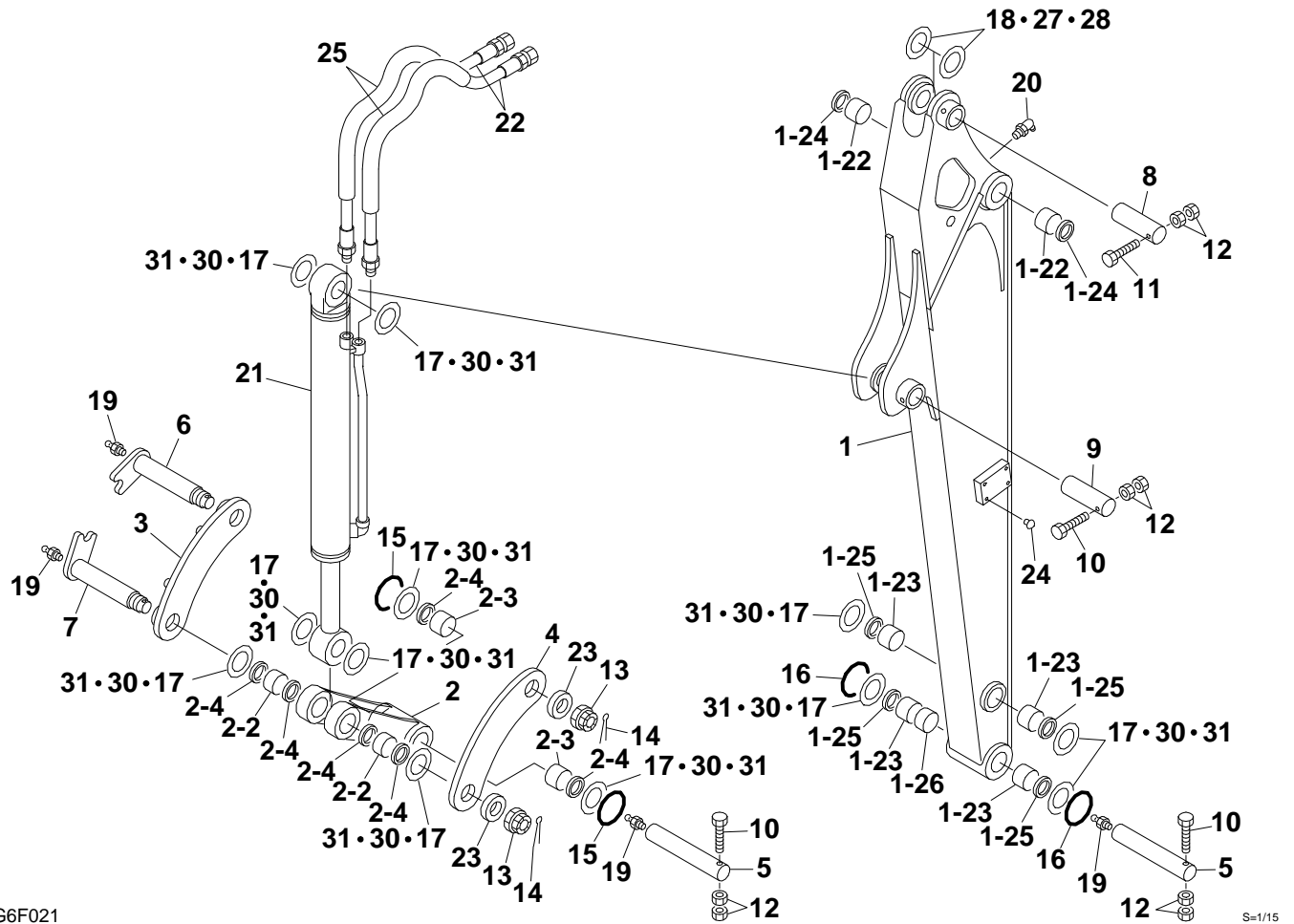
S=1/5,1/18

INTERFERENCE SENSOR

Item	Part number	Description	Q'ty	Chan.	Serial No.	Serv.	Remarks
		SWITCH ASSY, boom					
1	0356018910	BOX, switch	1				
2	0356018820	COVER	1				
3	0376014910	PLATE	1				
4	0356015840	PLATE	4				
5	0356015850	PIN	1				
6	0356015860	PIN	2				
7	0356015870	RUBBER	1				
8	0356018940	COLLAR	1				
11	0336032130	COLLAR	4				
14	0336032160	PIN	4				
16	0143283500	SPRING	2				
18	1700000014	SWITCH	2				
19	1214000008	PIN, snap	6				
20	1100040616	BOLT	1				
21	1100040816	BOLT	5				
22	1110040616	SCREW, cap	2				
23	1140020006	WASHER, spring	1				
24	1140020008	WASHER, spring	5				
25	1140420006	WASHER, spring	2				
26	1141110006	WASHER	1				
27	1141110008	WASHER	2				
28	0003600011	WASHER	3				
	G5f030						

ARM							
Item	Part number	Description	Q'ty	Chan.	Serial No.	Serv.	Remarks
		ARM ASSY					
1	0376117100	ARM SUB ASSY	1				
1-19	0002400022	· BUSHING	2				
1-20	0002400019	· BUSHING	4				
1-21	1432200045	· SEAL, dust	2				
1-22	1432200040	· SEAL, dust	4				
1-23	0003043000	· COLLAR	1				
2	0376117600	LINK ASSY, arm	1				
2-2	0002100031	· BUSHING	2				
2-3	0002400019	· BUSHING	2				
2-4	1432200040	· SEAL, dust	6				
3	0376100300	LINK, guide (R.H.)	1				
4	0456100500	LINK, guide (L.H.)	1				
5	0001524004	PIN	2				
6	0001793001	PIN	1				
7	0001793002	PIN	1				
8	0001614005	PIN	1				
9	0001613006	PIN	1				
10	1103041080	BOLT	3				
11	1103041085	BOLT	1				
12	1130240010	NUT	8				
13	1132630030	NUT	2				
14	1210010655	PIN, split	2				
15	1432900003	O-RING	2				
16	1432900046	O-RING	2				
17	0436011300	SHIM t=1.0	AR				
18	0456008600	SHIM t=1.0	AR				
19	1560001000	FITTING, grease	4				
20	1560001675	FITTING, grease	1				
21	1900097100	CYLINDER, bucket	1				
22	1801522090	HOSE ASSY	2				
23	0003900013	WASHER	2				
24	1652533016	CAP	8				
26	0003600056	SHIM t=0.5	AR				
27	0003600055	SHIM t=0.2	AR				
29	0003600036	SHIM t=0.5	AR				
30	0003600035	SHIM t=0.2	AR				
31	1531335072	PROTECTOR	2				sold by the meter
	G6f011						

TB138FR (P-T138FBBB) Book No. BG6Z001 S/N 13820001-
MIDDLE ARM, LONG ARM



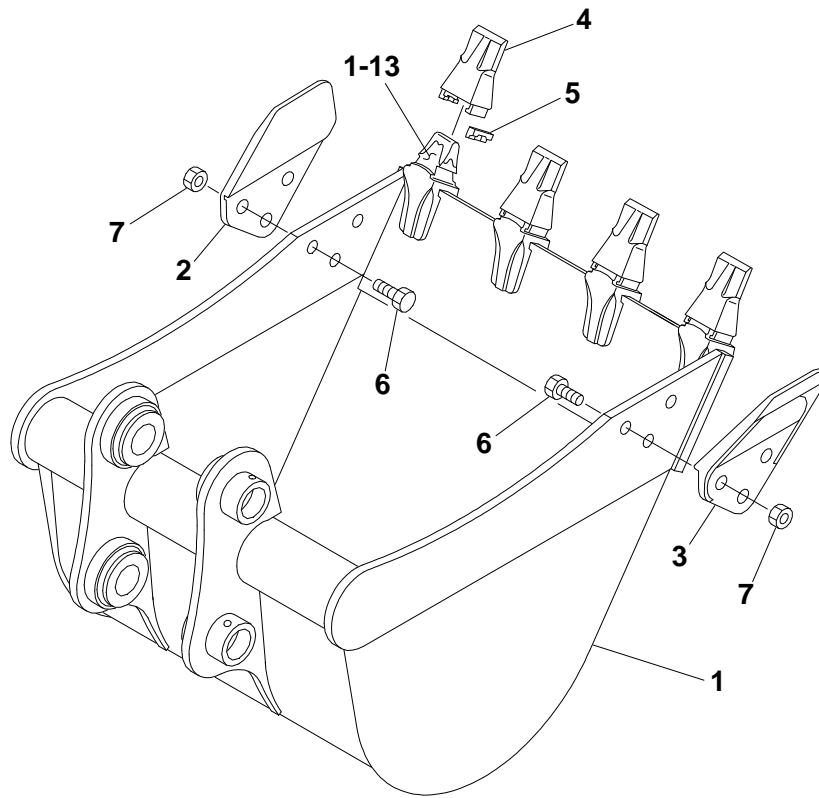
G6F021

S=1/15

MIDDLE ARM, LONG ARM

Item	Part number	Description	Q'ty	Chan.	Serial No.	Serv.	Remarks
		ARM ASSY, long					
		ARM ASSY, middle					
1	0376117300	ARM SUB ASSY, long	1				1600mm long
	0376120700	ARM SUB ASSY, middle	1				1450mm long
1-22	0002400022	· BUSHING	2				
1-23	0002400019	· BUSHING	4				
1-24	1432200045	· SEAL, dust	2				
1-25	1432200040	· SEAL, dust	4				
1-26	0003043000	· COLLAR	1				
2	0376117600	LINK ASSY, arm	1				
2-2	0002100031	· BUSHING	2				
2-3	0002400019	· BUSHING	2				
2-4	1432200040	· SEAL, dust	6				
3	0376100300	LINK, guide (R.H.)	1				
4	0456100500	LINK, guide (L.H.)	1				
5	0001524004	PIN	2				
6	0001793001	PIN	1				
7	0001793002	PIN	1				
8	0001614005	PIN	1				
9	0001613006	PIN	1				
10	1103041080	BOLT	3				
11	1103041085	BOLT	1				
12	1130240010	NUT	8				
13	1132630030	NUT	2				
14	1210010655	PIN, split	2				
15	1432900003	O-RING	2				
16	1432900046	O-RING	2				
17	0436011300	SHIM t=1.0	AR				
18	0456008600	SHIM t=1.0	AR				
19	1560001000	FITTING, grease	4				
20	1560001675	FITTING, grease	1				
21	1900097100	CYLINDER, bucket	1				
22	1801522118	HOSE ASSY	2				long arm
	1801522104	HOSE ASSY	2				middle arm
23	0003900013	WASHER	2				
24	1652533016	CAP	8				
25	1531335100	PROTECTOR (long arm)	2				sold by the meter
	1531335086	PROTECTOR (middle arm)	2				sold by the meter
27	0003600056	SHIM t=0.5	AR				
28	0003600055	SHIM t=0.2	AR				
30	0003600036	SHIM t=0.5	AR				
31	0003600035	SHIM t=0.2	AR				
	G6f021						

**TB138FR (P-T138FBBB) Book No. BG6Z001 S/N 13820001-
BUCKET**



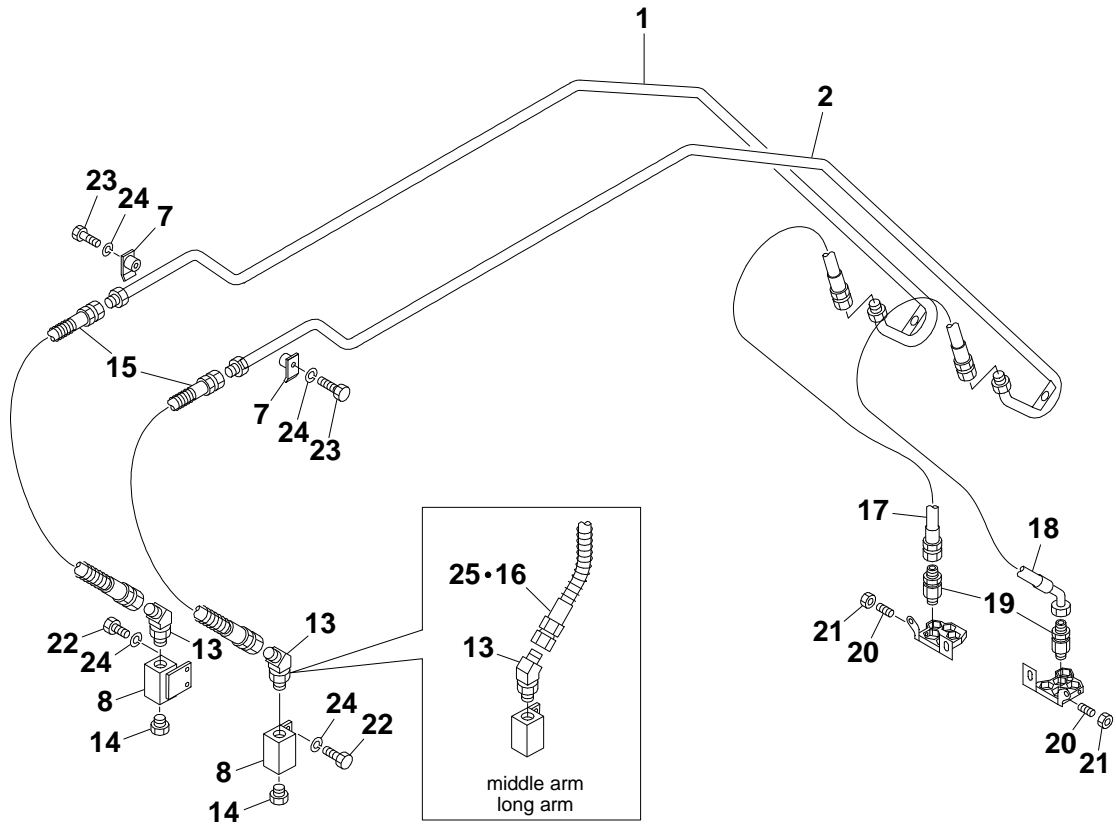
570 WIDE / STANDARD

G5F050

S=1/8

BUCKET							
Item	Part number	Description	Q'ty	Chan.	Serial No.	Serv.	Remarks
0	0376218000	BUCKET ASSY	1				570wide
1	X *****	· BUCKET	1				
1-13	1914201201	· · ADAPTOR, tooth	4				
2	0436201200	· CUTTER (R.H.)	1				
3	0436201300	· CUTTER (L.H.)	1				
4	1914201202	· POINT, tooth	4				
5	1914201203	· PIN, lock	4				
6	1100051635	· BOLT	6				
7	1130050016	· NUT	6				
	G5f050						

TB138FR (P-T138FBBB) Book No. BG6Z001 S/N 13820001-
AUXILIARY LINE



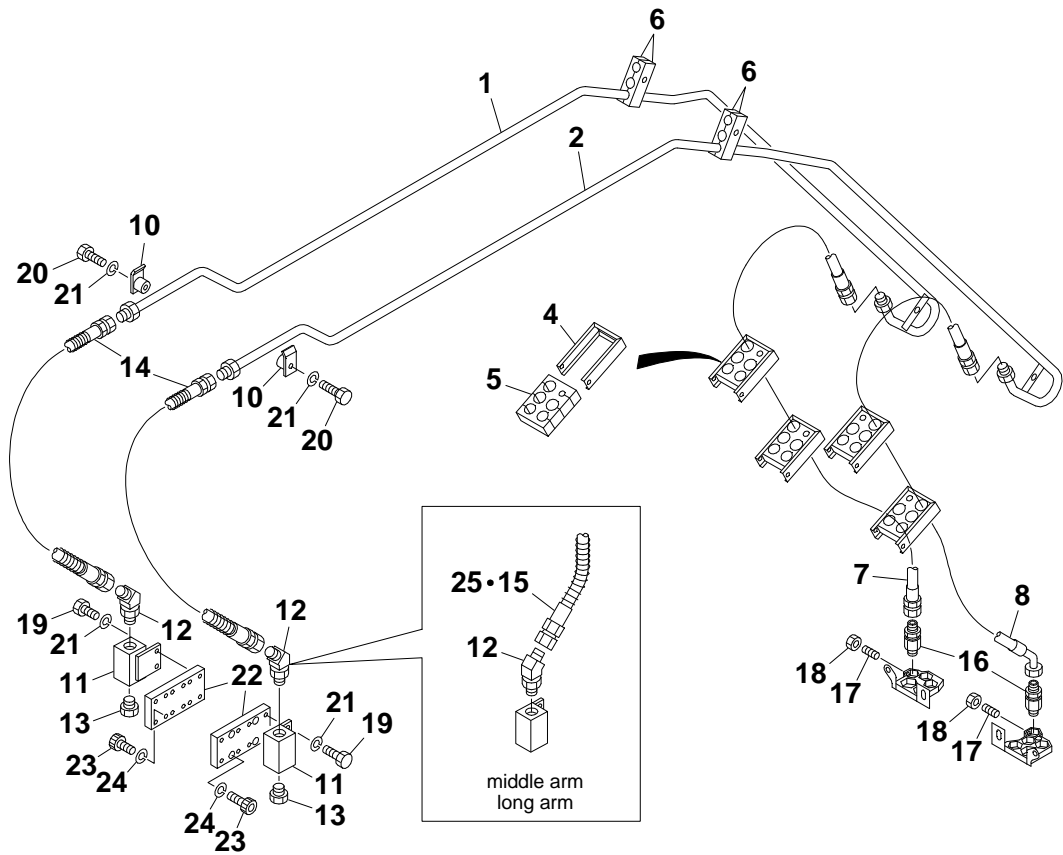
G6F030

S=1/12

AUXILIARY LINE

Item	Part number	Description	Q'ty	Chan.	Serial No.	Serv.	Remarks
0	0377314500	AUXILIARY LINE ASSY	1				
	0377314600	AUXILIARY LINE ASSY (long arm)	1				
	0377315400	AUXILIARY LINE ASSY (middle arm)	1				
1	0377311030	· PIPE (R.H.)	1				
2	0377311040	· PIPE (L.H.)	1				
7	0396015270	· CLAMP	2				
8	1901719800	· VALVE, stop	2				
13	1515100112	· ELBOW	2				
	1420010180	· · O-RING	1				
14	1501750004	· PLUG	2				
	1420010180	· · O-RING	1				
15	1801640078	· HOSE ASSY	2				
16	1801640121	· HOSE ASSY	2				long arm
17	0377311050	· HOSE ASSY	1				18015-40145
18	0377311060	· HOSE ASSY	1				18015-47145
19	1514011104	· ADAPTOR	2				
20	1121040610	· SET-SCREW	2				
21	1130040006	· NUT	2				
22	1100040816	· BOLT	4				
23	1100040835	· BOLT	2				
24	1140020008	· WASHER, spring	6				
25	1801640108	· HOSE ASSY	2				middle arm
	G6f030						

TB138FR (P-T138FBBB) Book No. BG6Z001 S/N 13820001-
2ND AUXILIARY LINE



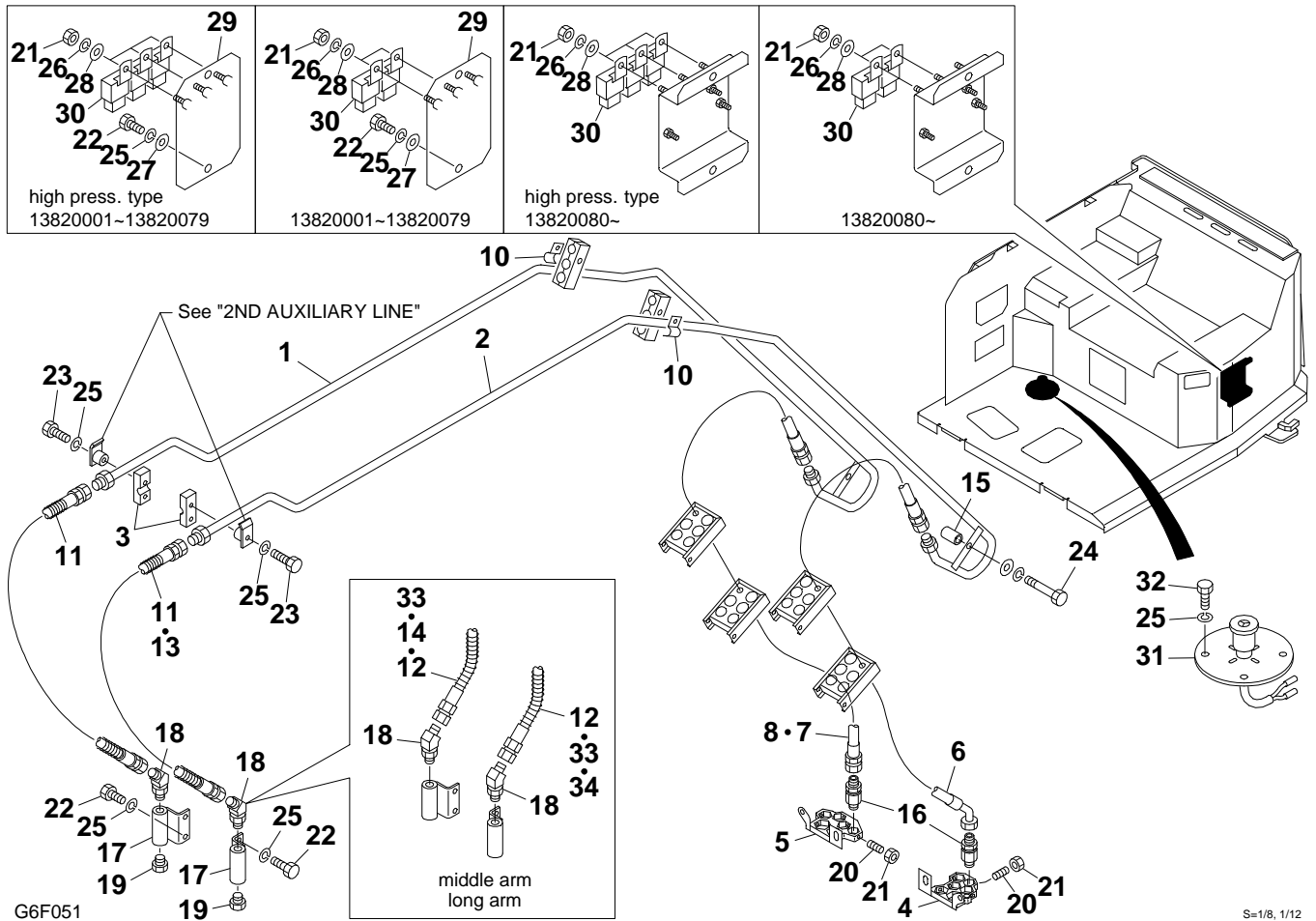
G6F041

S=1/12

2ND AUXILIARY LINE

Item	Part number	Description	Q'ty	Chan.	Serial No.	Serv.	Remarks
0	0377314700	LINE ASSY, 2nd auxiliary	1				
	0377314800	LINE ASSY, 2nd auxiliary (long arm)	1				
	0377315500	LINE ASSY, 2nd auxiliary (middle arm)	1				
1	0377311710	· PIPE (R.H.)	1				
2	0377311720	· PIPE (L.H.)	1				
4	0377311740	· HOLDER	4				
5	0377311750	· RUBBER	4				
6	0377311760	· CLAMP	4				
7	0377311770	· HOSE ASSY	1				18015-20150
8	0377311780	· HOSE ASSY	1				18015-27150
10	0577307100	· CLAMP	2				
11	1901719800	· VALVE, stop	2				
12	1515100047	· ELBOW	2				
	1420010440	· · O-RING	1				
13	1501750004	· PLUG	2				
	1420010180	· · O-RING	1				
14	1801620069	· HOSE ASSY	2				
15	1801620110	· HOSE ASSY	2				long arm
16	1514011103	· ADAPTOR	2				
17	1121040610	· SET-SCREW	2				
18	1130040006	· NUT	2				
19	1100040816	· BOLT	4				
20	1100040835	· BOLT	2				
21	1140020008	· WASHER, spring	6				
22	0377313740	· PLATE	2				
23	1110040816	· SCREW, cap	8				
24	1140420008	· WASHER, spring	8				
25	1801620098	· HOSE ASSY	2				middle arm
	G6f040						

**TB138FR (P-T138FBBB) Book No. BG6Z001 S/N 13820001-
3RD AUXILIARY LINE**

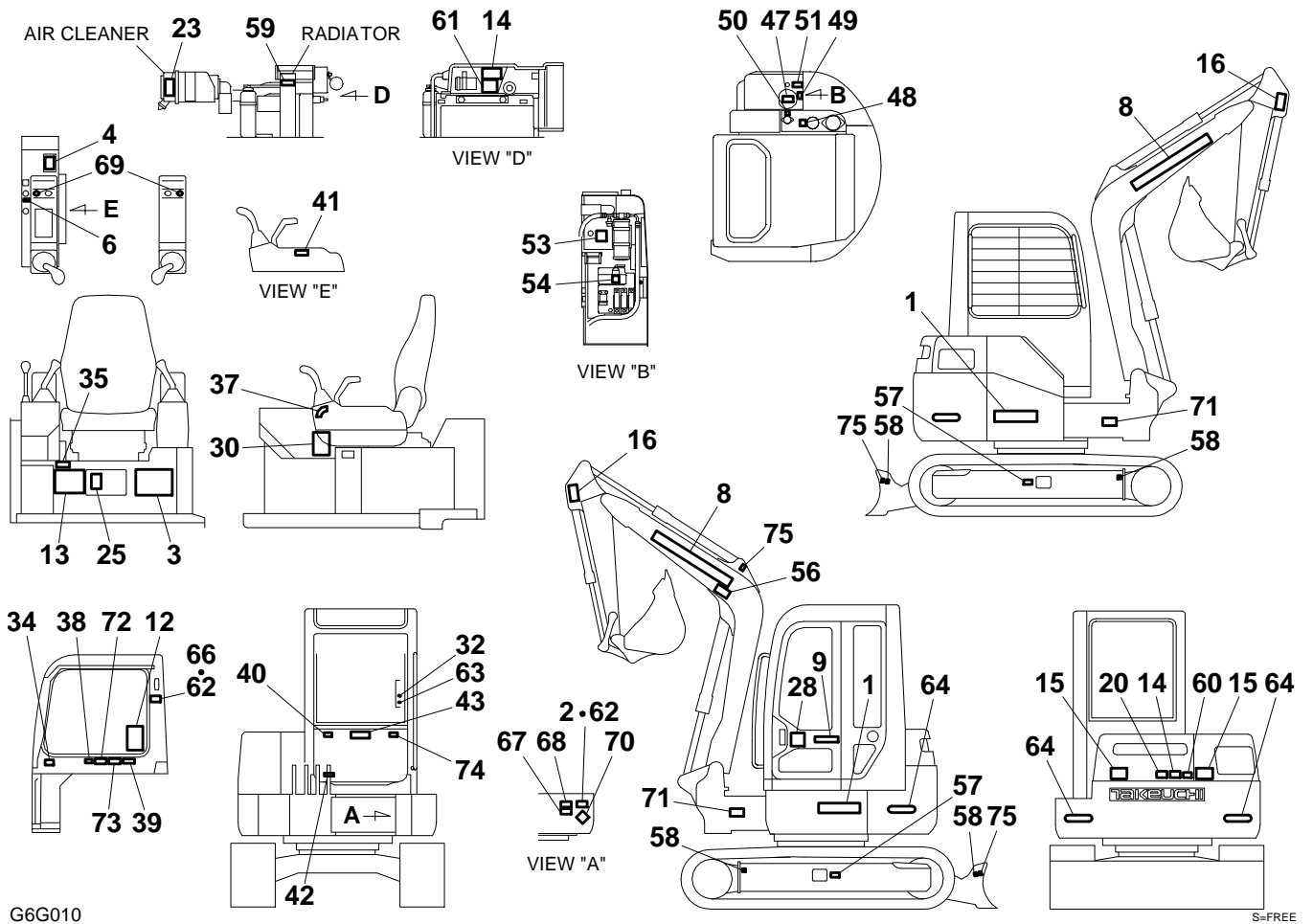


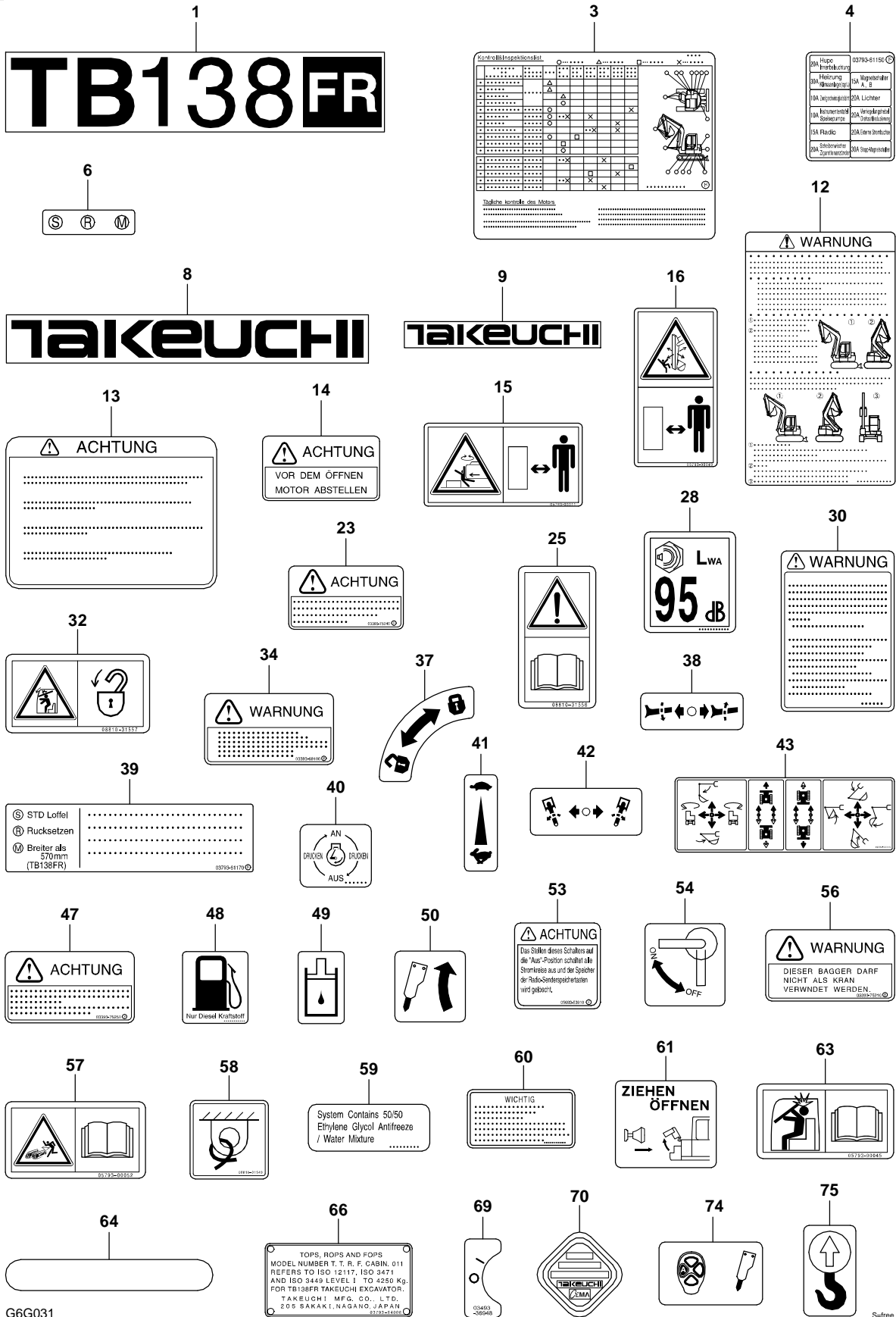
3RD AUXILIARY LINE

Item	Part number	Description	Q'ty	Chan.	Serial No.	Serv.
0	0377313100	LINE ASSY, 3rd auxiliary (STD arm)	1			
	0377315600	LINE ASSY, 3rd auxiliary (middle arm)	1			
	0377313200	LINE ASSY, 3rd auxiliary (long arm)	1			
	0377313300	LINE ASSY, 3rd auxiliary (high press. type; STD arm)	1			
	0377315700	LINE ASSY, 3rd auxiliary (high press. type; middle arm)	1			
	0377313400	LINE ASSY, 3rd auxiliary (high press. type; long arm)	1			
1	0377313110	· PIPE (R.H.)	1			
2	0377313120	· PIPE (L.H.)	1			
3	0377313130	· CLAMP	2			
4	0377313140	· CLAMP (L.H.)	1			
5	0377313150	· CLAMP (R.H.)	1			
6	0377313160	· HOSE ASSY	1			18
7	0377313170	· HOSE ASSY	1			18
8	0377313180	· HOSE ASSY (high press. type)	1			18
10	0567336070	· CLAMP	2			
11	1801032068	· HOSE ASSY (STD arm)	2			
	1801032068	· HOSE ASSY (high press. type; STD arm)	1			
12	1801032098	· HOSE ASSY (long arm)	2			
	1801032098	· HOSE ASSY (high press. type; long arm) (L.H.)	1			
13	1801600068	· HOSE ASSY (high press. type; STD arm)	1			
14	1801600098	· HOSE ASSY (high press. type; long arm) (R.H.)	1			
15	0003000075	· COLLAR	2			
16	1514011102	· ADAPTOR	2			
17	0377312760	· ADAPTOR	2			
18	1515100110	· ELBOW	2			
	1420010110	· · O-RING	1			
19	1501750002	· PLUG	2			
	1420010110	· · O-RING	1			
20	1121040610	· SET-SCREW	2			
21	1130040006	· NUT	4			
	1130040006	· NUT	5			
22	1100040816	· BOLT	6		13820001~13820079	hiç
	1100040816	· BOLT	4		13820080~	
23	1100040855	· BOLT	2			
24	1100040890	· BOLT	2			
25	1140020008	· WASHER, spring	12		13820001~13820079	
	1140020008	· WASHER, spring	10		13820080~	
26	1140020006	· WASHER, spring	2			
	1140020006	· WASHER, spring	3			hiç
27	1141110008	· WASHER	2		13820001~13820079	
28	1141110006	· WASHER	2			
	1141110006	· WASHER	3			hiç
29	0377313190	· PLATE	1		13820001~13820079	
30	1711900042	· RELAY	2			
	1711900042	· RELAY	3			hiç
31	1700100064	· SWITCH, foot	1			
32	1100040820	· BOLT	4			
33	1801032083	· HOSE ASSY (middle arm)	2			
	1801032083	· HOSE ASSY (high press. type; middle arm) (R.H.)	1			
34	1801600083	· HOSE ASSY (high press. type; middle arm) (L.H.)	1			

G6f051

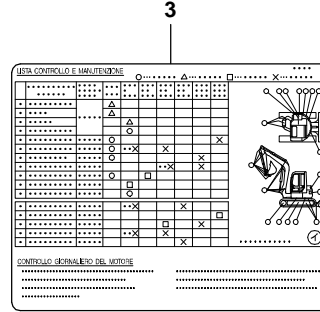
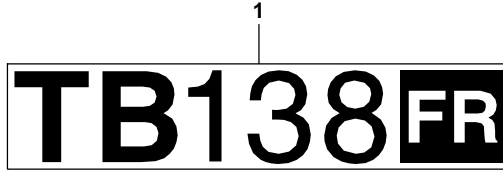
**TB138FR (P-T138FBBB) Book No. BG6Z001 S/N 13820001-
DECAL (cab)**





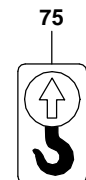
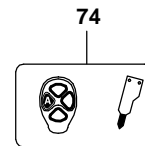
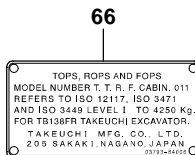
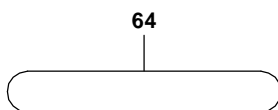
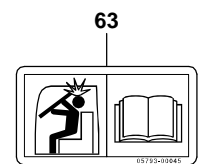
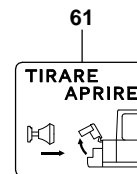
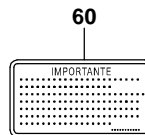
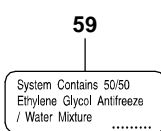
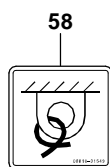
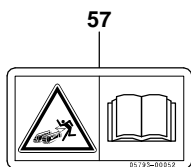
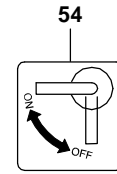
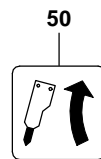
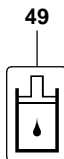
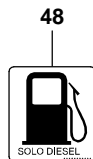
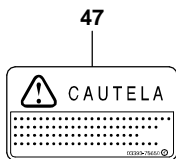
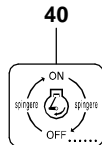
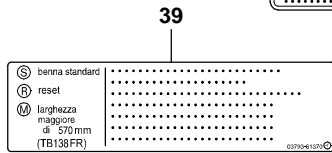
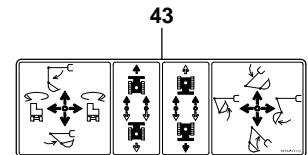
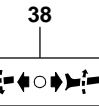
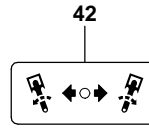
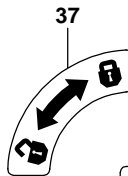
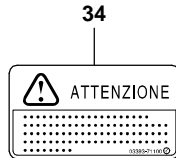
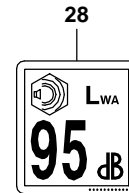
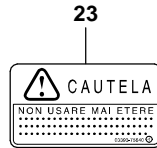
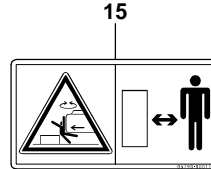
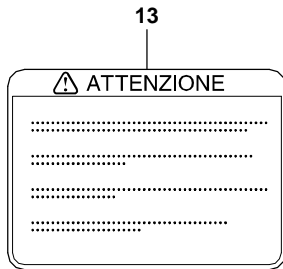
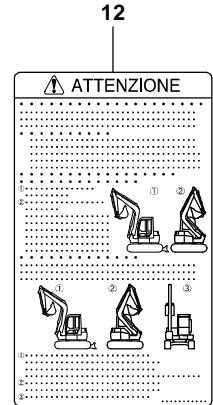
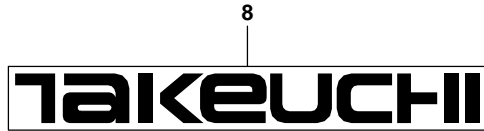
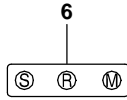
G6G031

Seefree



4

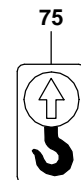
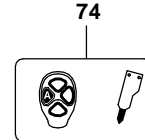
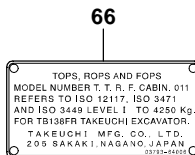
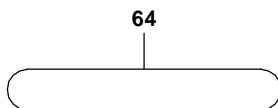
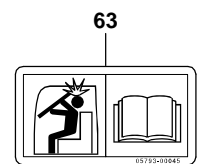
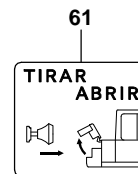
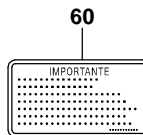
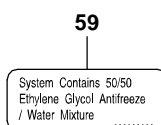
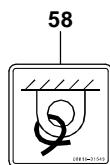
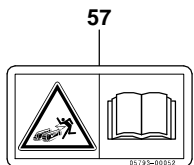
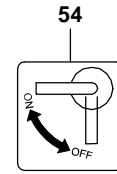
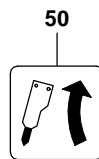
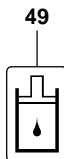
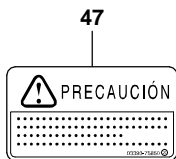
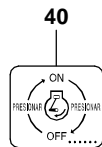
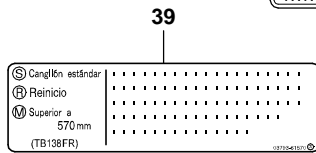
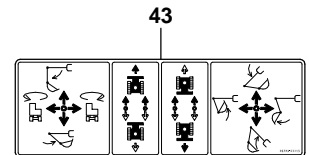
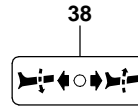
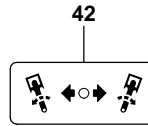
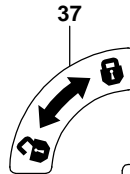
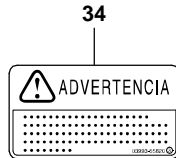
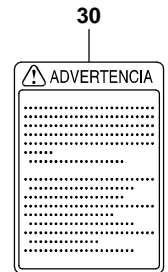
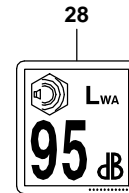
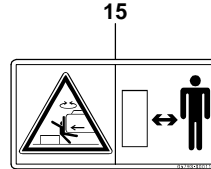
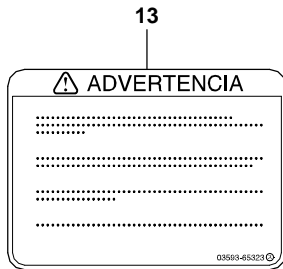
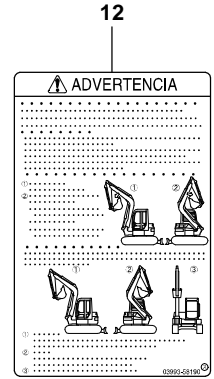
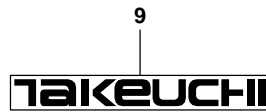
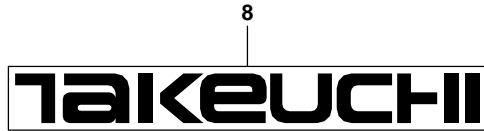
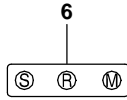
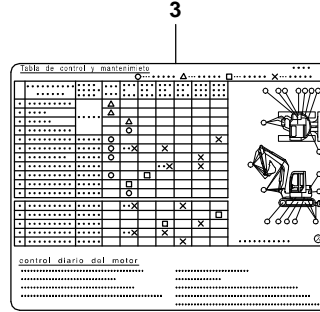
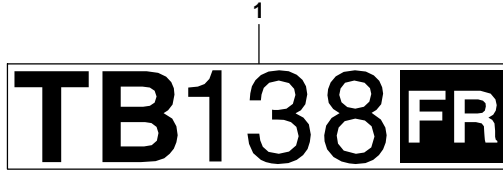
04A Clacson	0379341950
04B Lucce cabina	
04C Pulsatore	04 Solenoide
04D Colonna sterzo	04 B
04E Ministruttore	04 Luci III
04F Freni a cinghia	04 Anello freno
04G Cinghia frenata	04 Decelerazione
04H Fluido	04A Resistori in serie
04I Temporizzati	04A Segnali sintonici



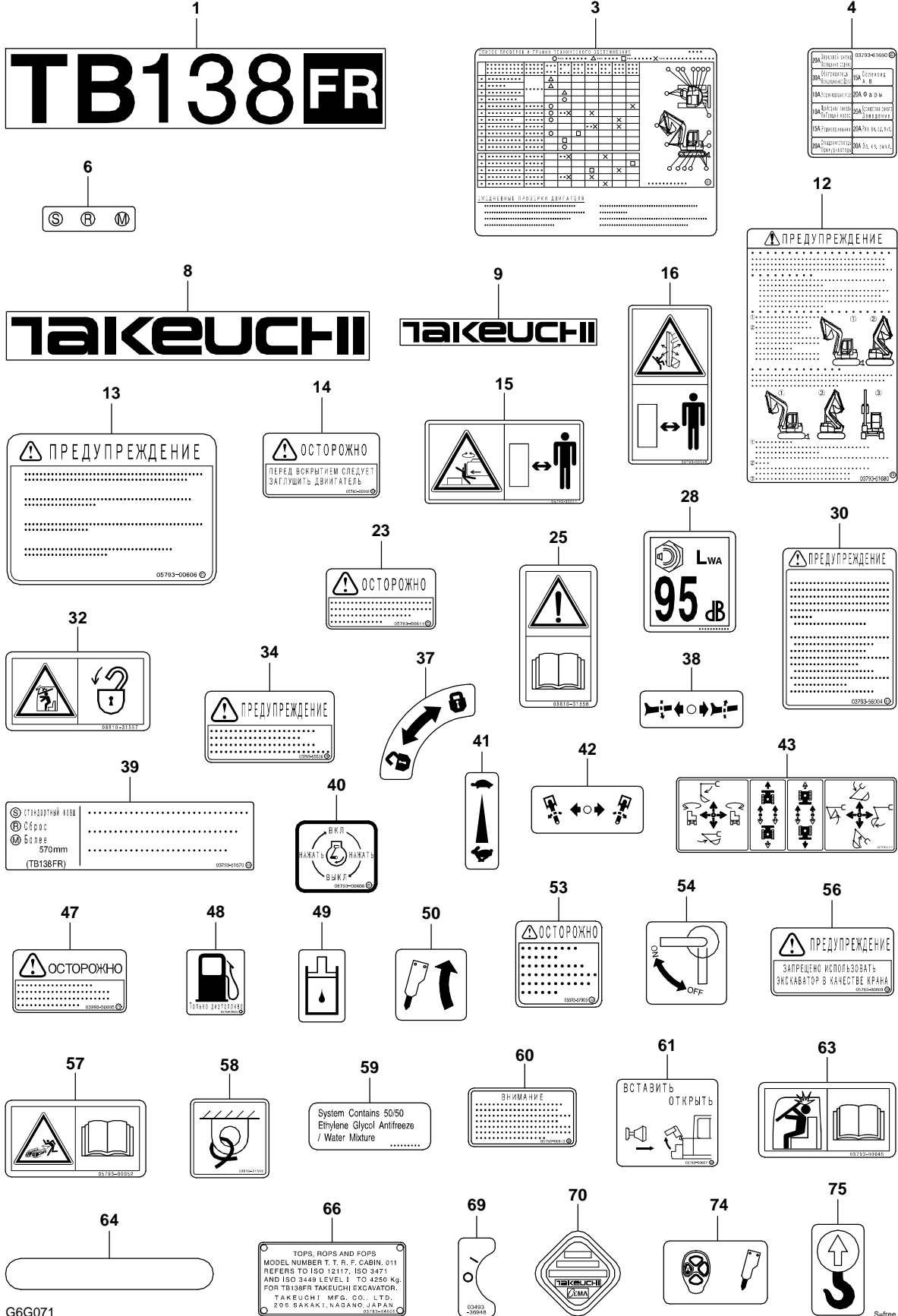
G6G051

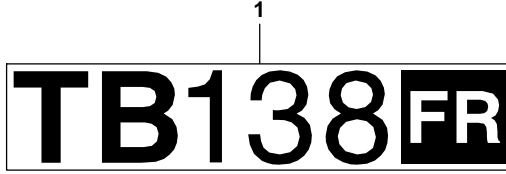
Ref. G6G010

Self-seal



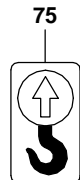
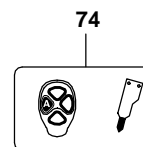
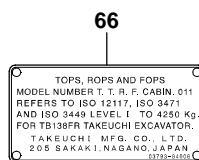
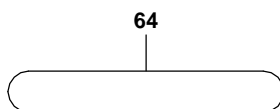
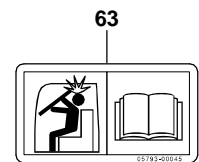
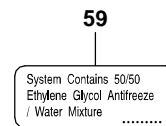
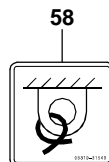
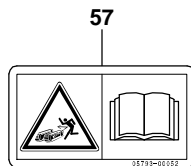
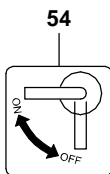
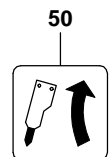
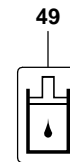
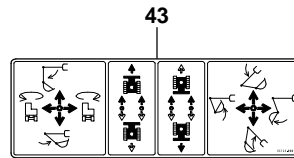
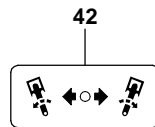
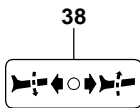
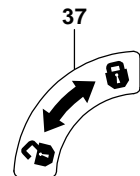
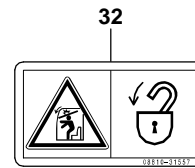
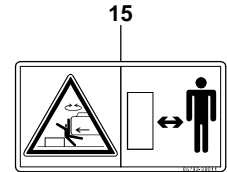
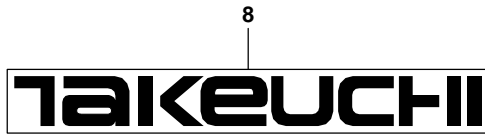
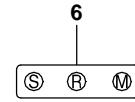
G6G061



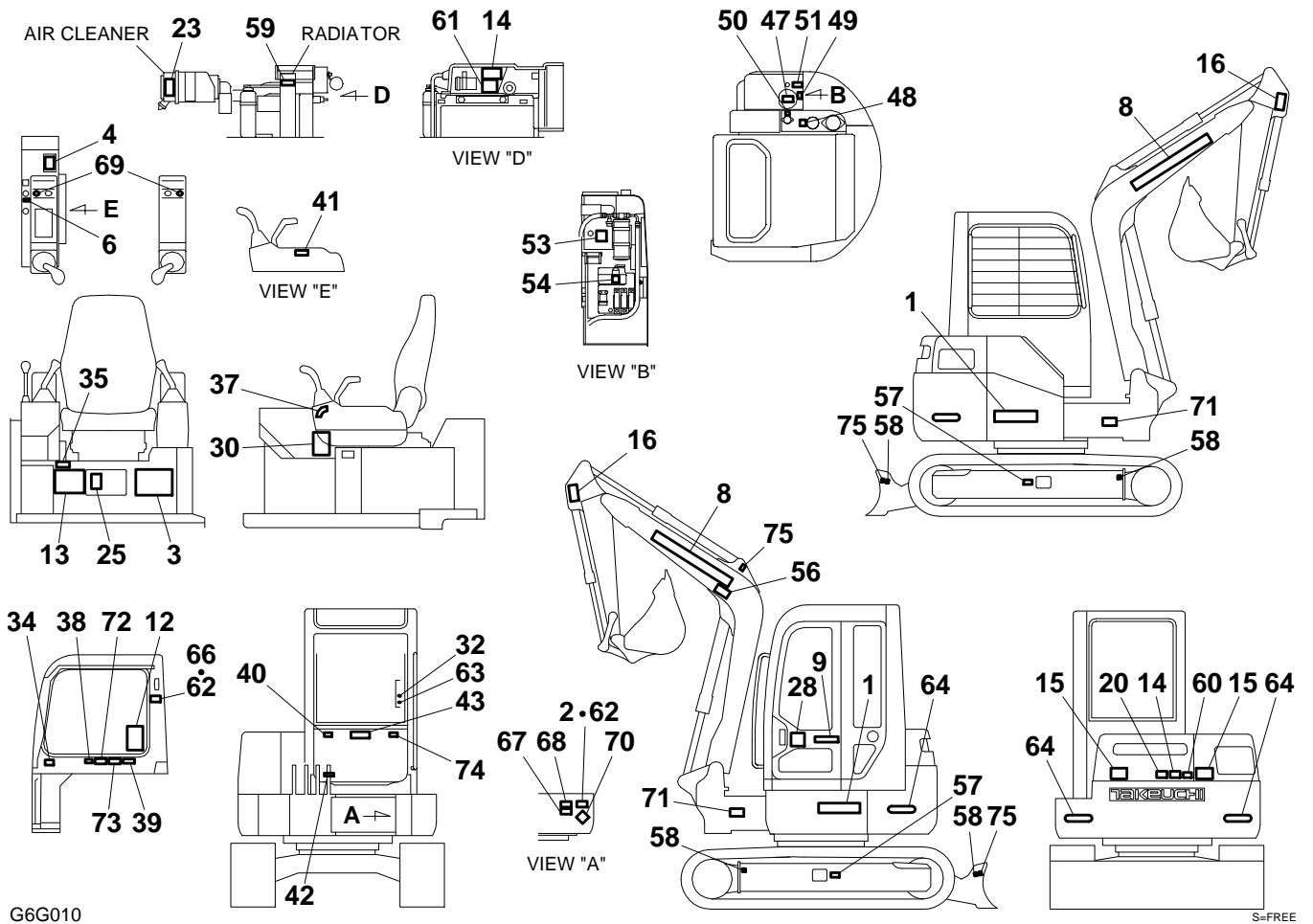


4

001	Horn	00793-01000 (C)
002	Interior Light	
003	Heater	015 Solenoid
004	Accumulator	015 A, B
005	Work Indicator	015 Lights
006	Retractor	015 Lever lock
007	Pressure	015 Swivel seat
008	SA Radio	015 Standover seat
009	Wiper	
010	Cigarette Lighter	015 Stop solenoid



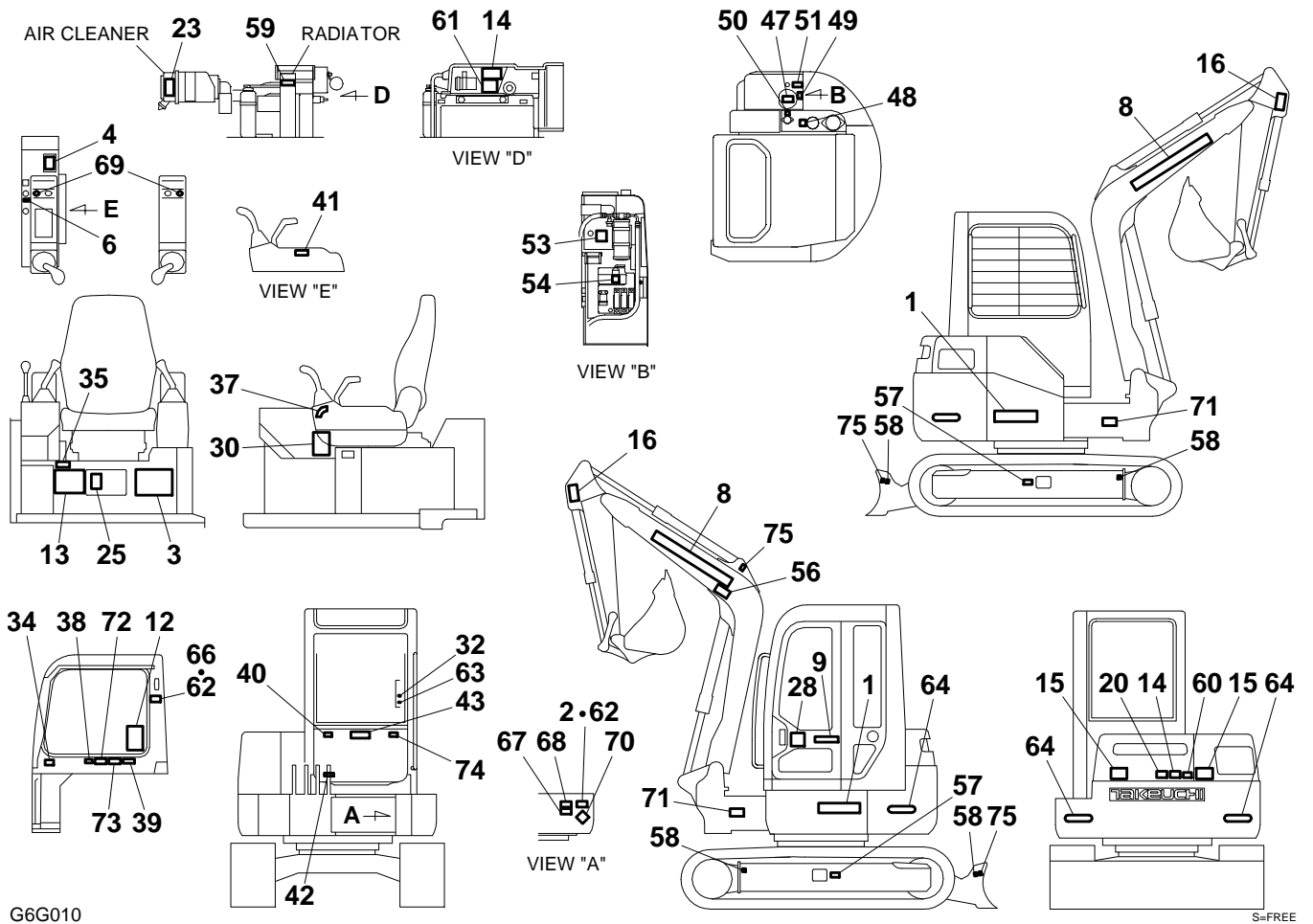
**TB138FR (P-T138FBBB) Book No. BG6Z001 S/N 13820001-
DECAL (cab)**



DECAL (cab)

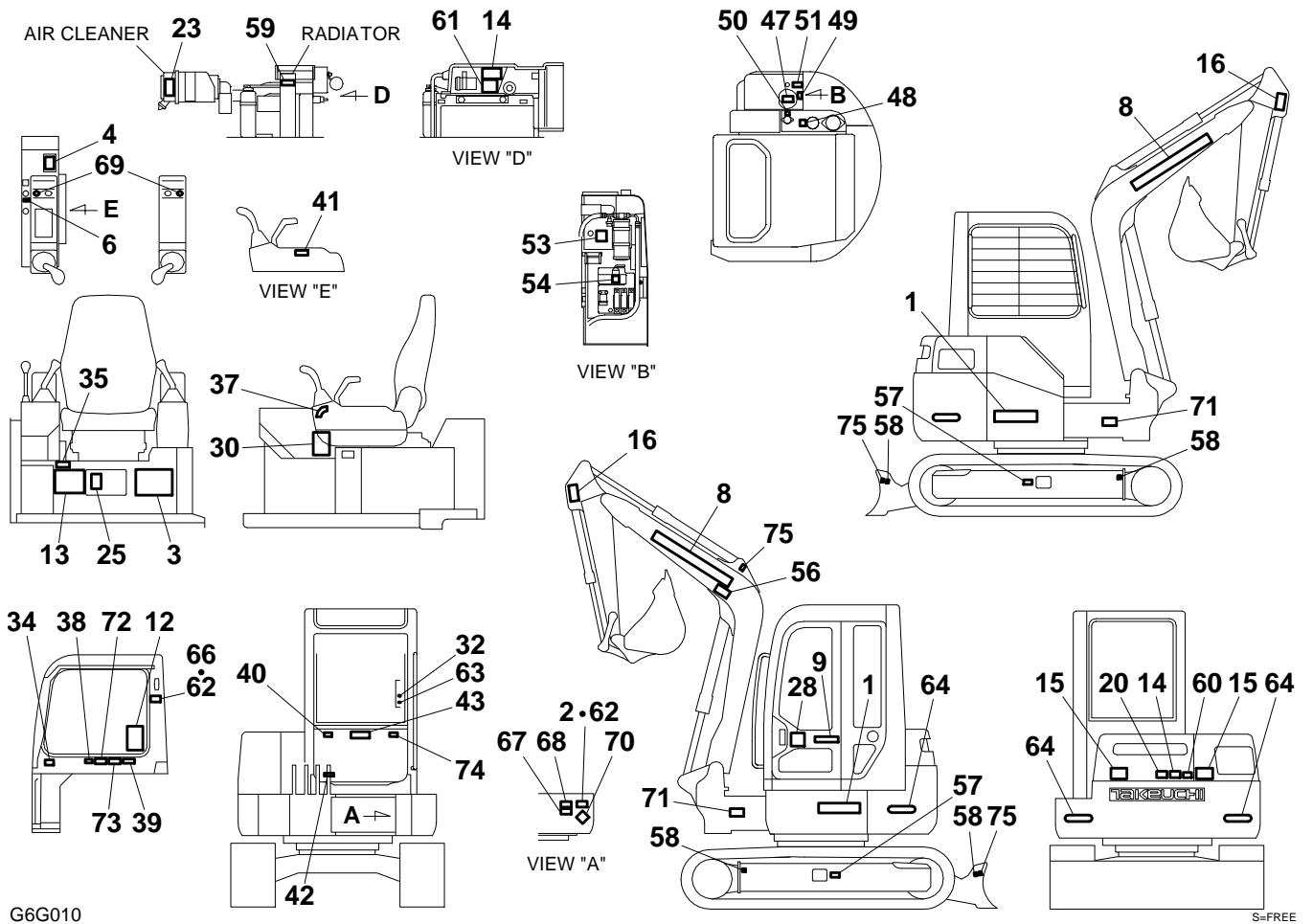
Item	Part number	Description	Qty	Chan.	Serial No.	Serv.	Remarks
0	0379364000	DECAL SET (English)	1				
	0379364100	DECAL SET (German)	1				
	0379364200	DECAL SET (French)	1				
	0379364300	DECAL SET (Italian)	1				
	0379364400	DECAL SET (U. S. TAKEUCHI)	1				
	0379364500	DECAL SET (Spanish)	1				
	0379364600	DECAL SET (Russian)	1				
	0379364700	DECAL SET (Dutch)	1				
	0379364800	DECAL SET (U. K. TAKEUCHI)	1				
	0379365800	DECAL SET (CANADA; English)	1				
	0379365900	DECAL SET (CANADA; French)	1				
1	0379361010	· DECAL	2				
2	X *****	· DECAL	1				
3	0379364003	· DECAL (English)	1				
	0379364103	· DECAL (German)	1				
	0379364203	· DECAL (French)	1				
	0379364303	· DECAL (Italian)	1				
	0379364503	· DECAL (Spanish)	1				
	0379364603	· DECAL (Russian)	1				
4	0379361050	· DECAL (English, Dutch)	1				
	0379361150	· DECAL (German)	1				
	0379361250	· DECAL (French)	1				
	0379361350	· DECAL (Italian)	1				
	0379361550	· DECAL (Spanish)	1				
	0379361650	· DECAL (Russian)	1				
6	0379361060	· DECAL	1				
8	0008500050	· DECAL	2				
9	0008500017	· DECAL	1				
12	0569352506	· DECAL (English)	1				
	0569352206	· DECAL (German)	1				
	0569352306	· DECAL (French)	1				
	0569352406	· DECAL (Italian)	1				
	0399358190	· DECAL (Spanish)	1				
	0379361680	· DECAL (Russian)	1				
13	0359313700	· DECAL (English)	1				
	0359314700	· DECAL (German)	1				
	0359315700	· DECAL (French)	1				
	0359316700	· DECAL (Italian)	1				
	0359365323	· DECAL (Spanish)	1				
	0579300606	· DECAL (Russian)	1				
14	0359307400	· DECAL (English)	2				
	0359314400	· DECAL (German)	2				
	0359315400	· DECAL (French)	2				
	0359316400	· DECAL (Italian)	2				
	0339364200	· DECAL (Spanish)	2				
	0579300602	· DECAL (Russian)	2				
15	0579300011	· DECAL	2				
16	0579300049	· DECAL	2				
20	0569321980	· DECAL (English)	1				
23	0339375040	· DECAL (English)	1				
	0339375240	· DECAL (German)	1				
	0339375440	· DECAL (French)	1				
	0339375640	· DECAL (Italian)	1				
	0339375840	· DECAL (Spanish)	1				
	0579300611	· DECAL (Russian)	1				
25	0881031556	· DECAL	1				
28	X *****	· DECAL	1				except for U.S. TAKEUCHI
30	0379337300	· DECAL (English)	1				
	0379338300	· DECAL (German)	1				
	0379339300	· DECAL (French)	1				
	0379340300	· DECAL (Italian)	1				

**TB138FR (P-T138FBBB) Book No. BG6Z001 S/N 13820001-
DECAL (cab)**

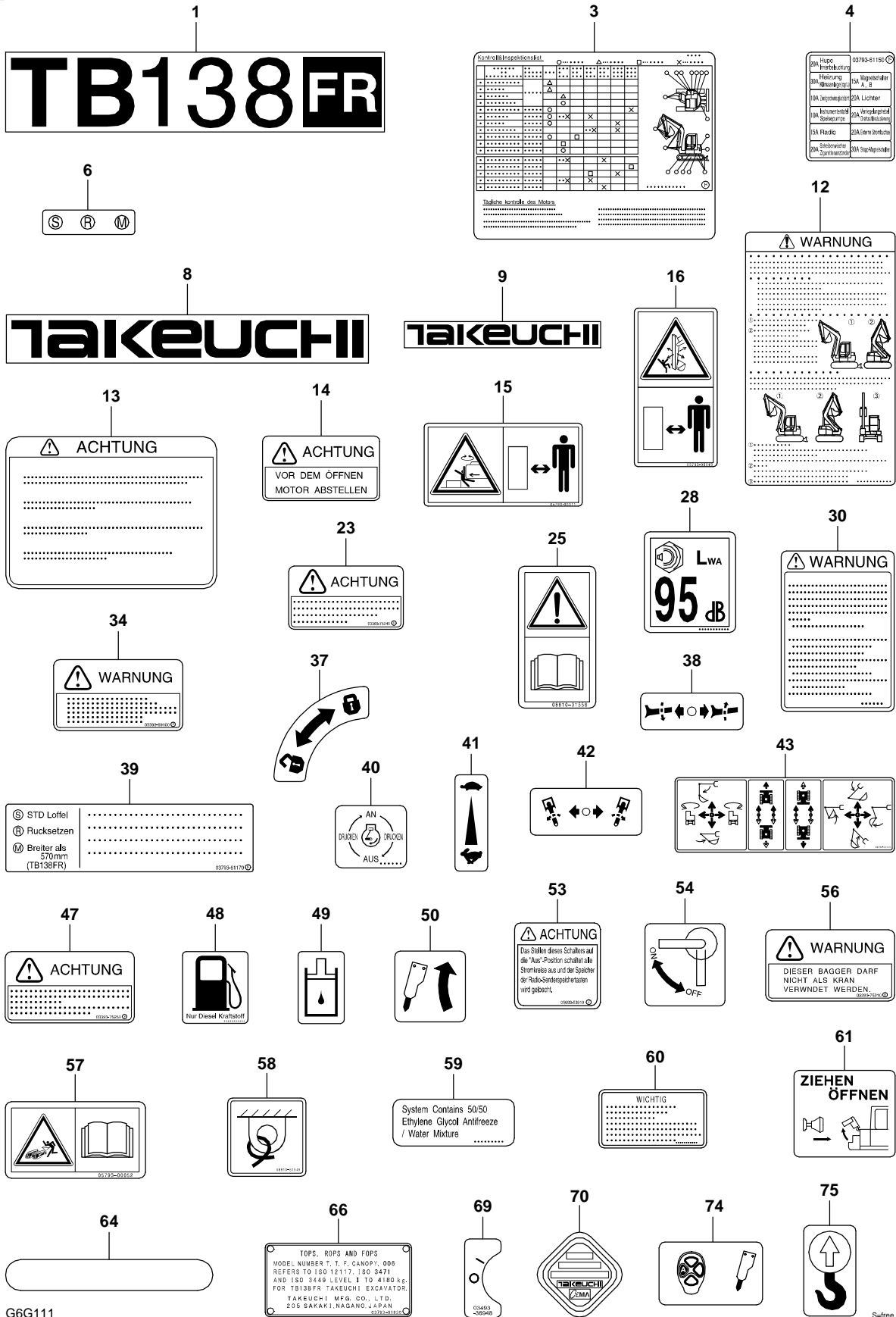


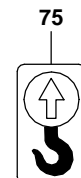
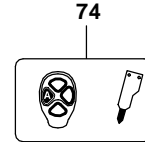
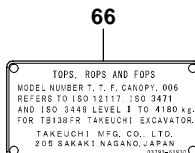
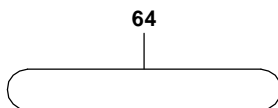
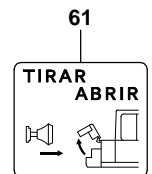
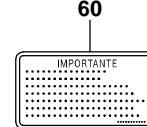
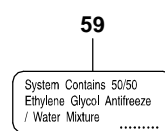
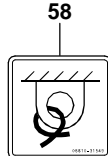
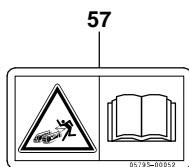
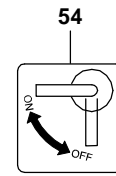
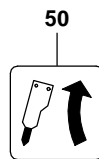
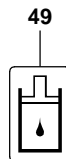
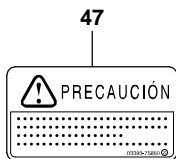
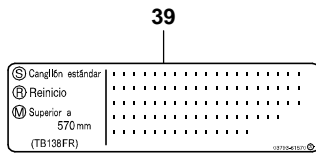
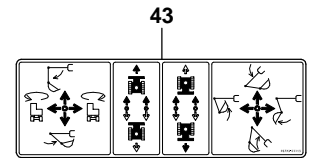
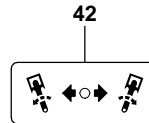
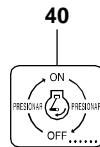
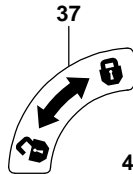
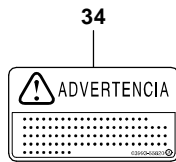
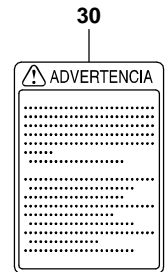
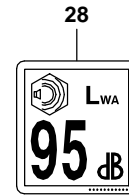
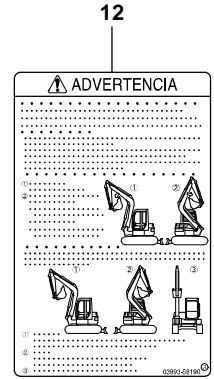
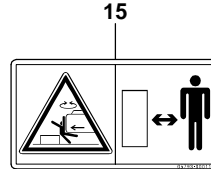
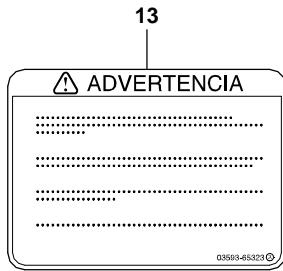
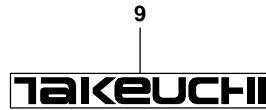
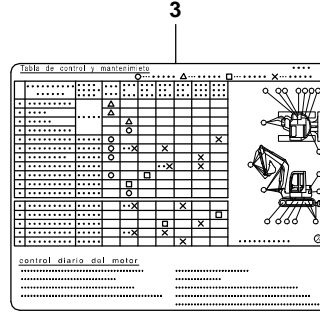
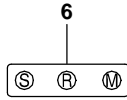
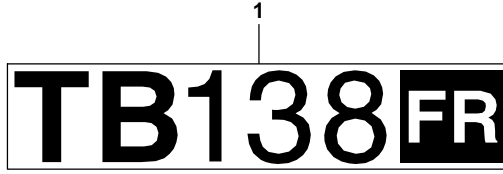
DECAL (cab)							
Item	Part number	Description	Q'ty	Chan.	Serial No.	Serv.	Remarks
30	0379354200	· DECAL (Spanish)	1				
	0399356004	· DECAL (Russian)	1				
32	0881031557	· DECAL	1				
34	0339368100	· DECAL (English)	1				
	0339369100	· DECAL (German)	1				
	0339370100	· DECAL (French)	1				
	0339371100	· DECAL (Italian)	1				
	0399355820	· DECAL (Spanish)	1				
	0329365506	· DECAL (Russian)	1				
35	X *****	· DECAL	1				
37	0329360100	· DECAL	1				
38	0359325190	· DECAL	1				
39	0379361070	· DECAL (English)	1				except for U.S. TAKEUCHI
	0379361170	· DECAL (German)	1				
	0379361270	· DECAL (French)	1				
	0379361370	· DECAL (Italian)	1				
	0379361470	· DECAL (U. S. TAKEUCHI)	1				
	0379361570	· DECAL (Spanish)	1				
	0379361670	· DECAL (Russian)	1				
40	0569335060	· DECAL (English)	1				
	0569327800	· DECAL (German)	1				
	0569328800	· DECAL (French)	1				
	0569329800	· DECAL (Italian)	1				
	0569348500	· DECAL (Spanish)	1				
	0579300608	· DECAL (Russian)	1				
41	0359317200	· DECAL	1				
42	0329360060	· DECAL	1				
43	0579300015	· DECAL	1				
47	0339375050	· DECAL (English)	1				
	0339375250	· DECAL (German)	1				
	0339375450	· DECAL (French)	1				
	0339375650	· DECAL (Italian)	1				
	0339375850	· DECAL (Spanish)	1				
	0399356005	· DECAL (Russian)	1				
48	0359306600	· DECAL (English)	1				
	0339375260	· DECAL (German)	1				
	0339375460	· DECAL (French)	1				
	0339375660	· DECAL (Italian, Spanish)	1				
	0579300603	· DECAL (Russian)	1				
49	0359306700	· DECAL	1				
50	0359325220	· DECAL	1				
51	0669300033	· DECAL (U. S. TAKEUCHI, CANADA)	1				
53	0569353810	· DECAL (English)	1				
	0569353910	· DECAL (German)	1				
	0569354010	· DECAL (French)	1				
	0569354110	· DECAL (Italian)	1				
	0569354310	· DECAL (Spanish)	1				
	0569357903	· DECAL (Russian)	1				
54	0399351210	· DECAL	1				
56	0359347010	· DECAL (English)	1				except for U.K. TAKEUCHI
	0339375210	· DECAL (German)	1				
	0339375410	· DECAL (French)	1				
	0339375610	· DECAL (Italian)	1				
	0339375810	· DECAL (Spanish)	1				
	0579300609	· DECAL (Russian)	1				
57	0579300052	· DECAL	2				
58	0881031549	· DECAL	4				
59	0359313900	· DECAL	1				
60	0339376240	· DECAL (English)	1				
	0339376340	· DECAL (German)	1				
	0339379440	· DECAL (French)	1				

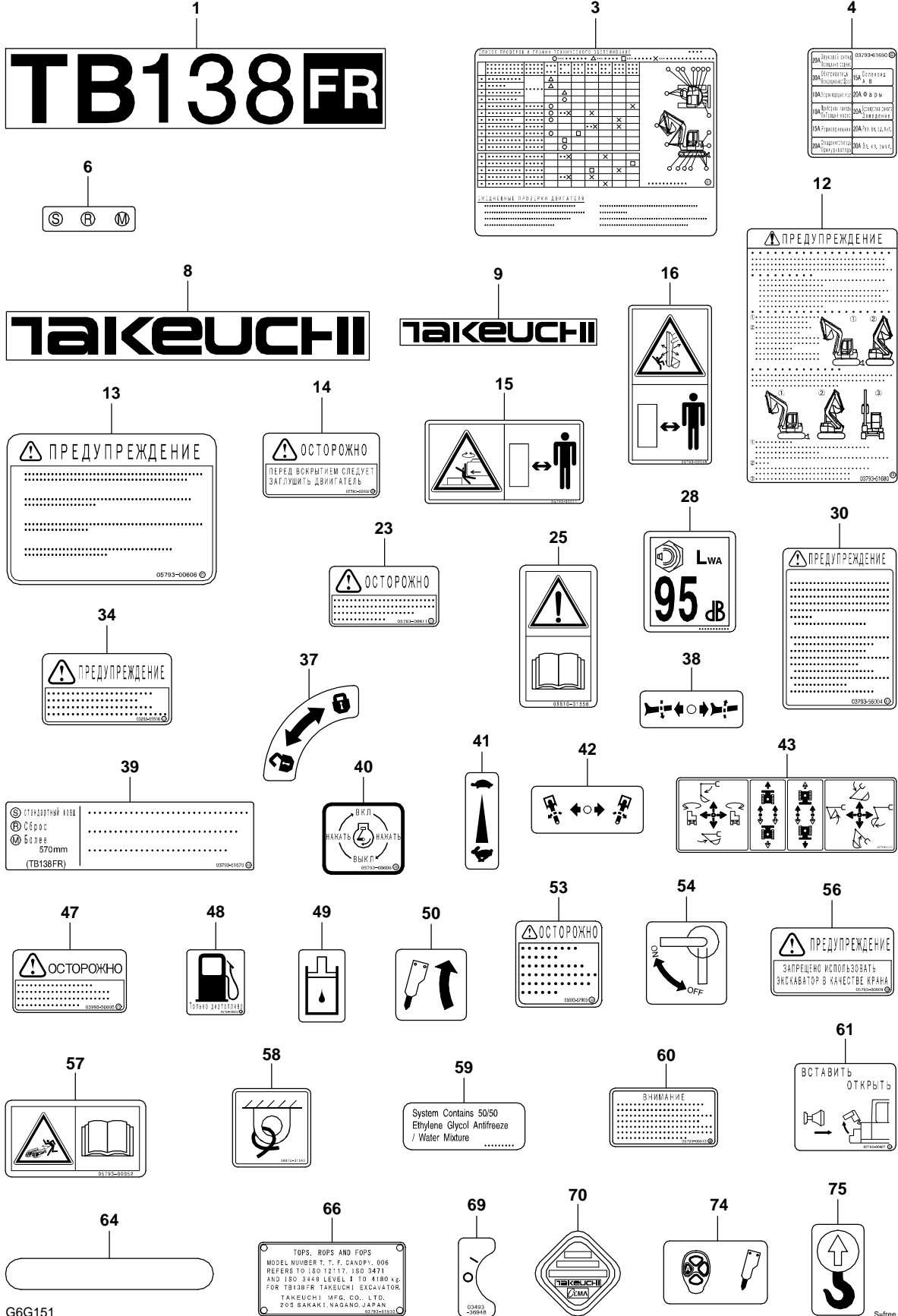
**TB138FR (P-T138FBBB) Book No. BG6Z001 S/N 13820001-
DECAL (cab)**



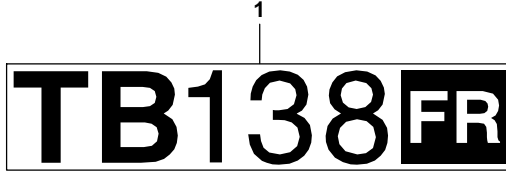
DECAL (cab)							
Item	Part number	Description	Q'ty	Chan.	Serial No.	Serv.	Remarks
60	0339379540	· DECAL (Italian)	1				
	0339379640	· DECAL (Spanish)	1				
	0579300613	· DECAL (Russian)	1				
61	0569326400	· DECAL (English)	1				
	0569327400	· DECAL (German)	1				
	0569328400	· DECAL (French)	1				
	0569329400	· DECAL (Italian)	1				
	0569348400	· DECAL (Spanish)	1				
	0579300607	· DECAL (Russian)	1				
62	X *****	· SCREW	8				
63	0579300045	· DECAL	1				
64	0569358070	· DECAL	2				
66	X *****	· DECAL	1				
67	X *****	· DECAL	1				
68	X *****	· DECAL	1				
69	0349336948	· DECAL	2				
70	X *****	· DECAL	1				
71	0399352302	· DECAL (U. S. TAKEUCHI)	2				
72	0399352303	· DECAL (U. S. TAKEUCHI)	1				
73	0379361480	· DECAL (U. S. TAKEUCHI)	1				
74	0379336800	· DECAL	1				
75	0399300500	· DECAL	3				
	G6g010						





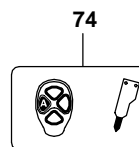
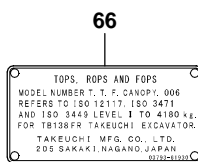
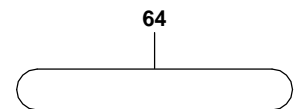
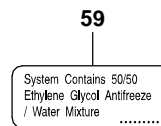
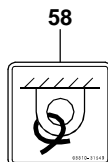
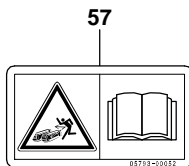
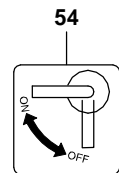
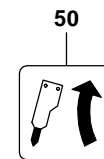
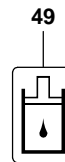
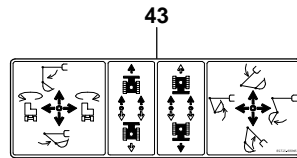
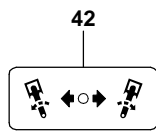
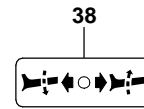
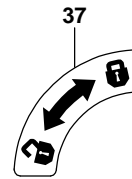
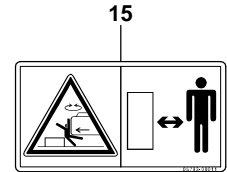
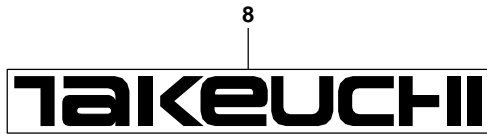
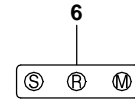


TB138FR (P-T138FBBB) Book No. BG6Z001 S/N 13820001-
Dutch

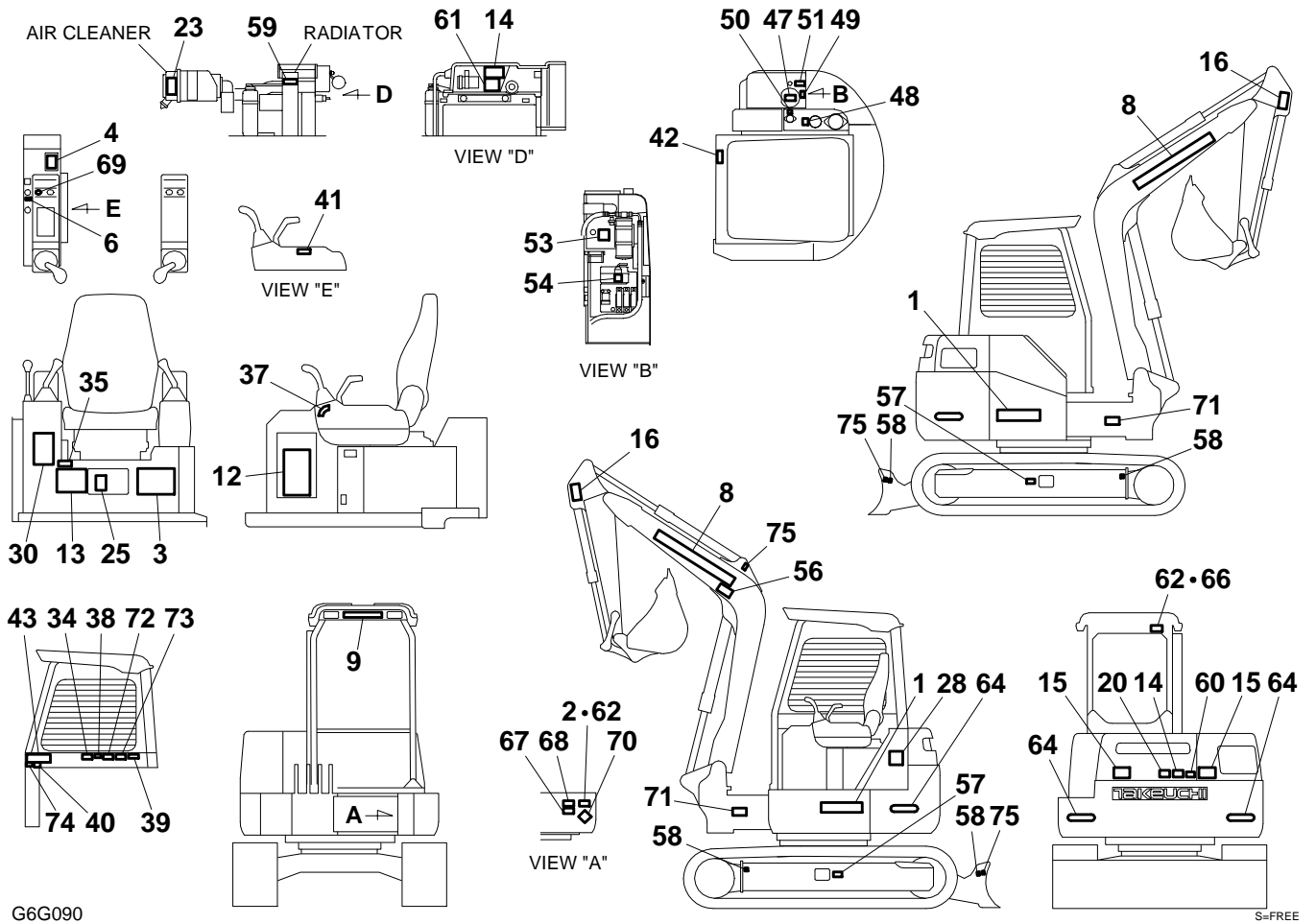


4

001	Horn	00793-01000 (C)
002	Interior Light	
003	Heater	003 Solenoid
004	Acceleration	004 A, B
005	Work Indicator	005 Lights
006	Retractor	006 Lever lock
007	Radio	007 Standover seat
008	Water	008 Stop solenoid
009	Cigarette Lighter	



**TB138FR (P-T138FBBB) Book No. BG6Z001 S/N 13820001-
DECAL (canopy)**



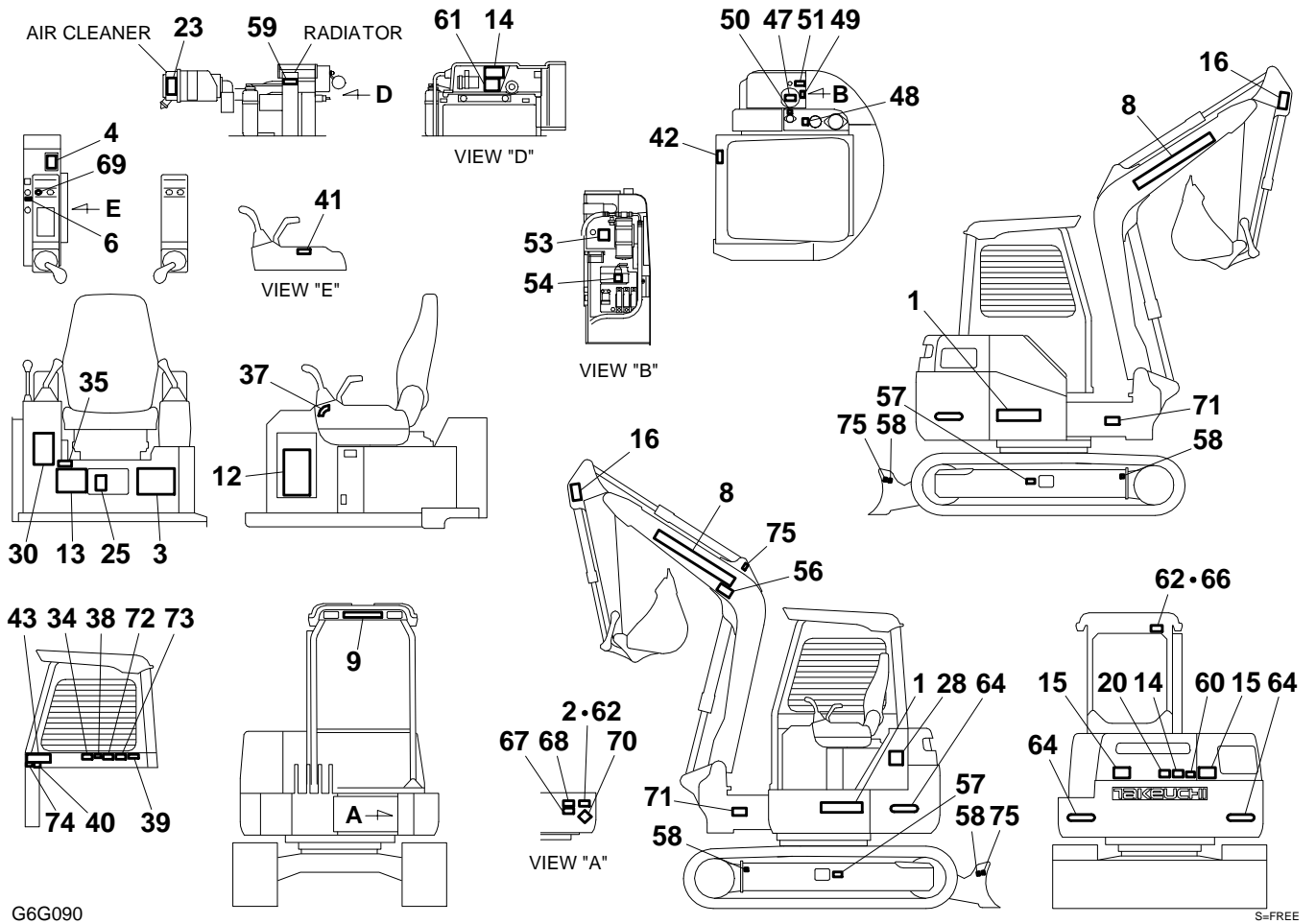
G6G090

S=FREE

DECAL (canopy)

Item	Part number	Description	Q'ty	Chan.	Serial No.	Serv.	Remarks
0	0379364900	DECAL SET (English)	1				
	0379365000	DECAL SET (German)	1				
	0379365100	DECAL SET (French)	1				
	0379365200	DECAL SET (Italian)	1				
	0379365300	DECAL SET (U. S. TAKEUCHI)	1				
	0379365400	DECAL SET (Spanish)	1				
	0379365500	DECAL SET (Russian)	1				
	0379365600	DECAL SET (Dutch)	1				
	0379365700	DECAL SET (U. K. TAKEUCHI)	1				
	0379367800	DECAL SET (CANADA; English)	1				
	0379367900	DECAL SET (CANADA; French)	1				
1	0379361010	· DECAL	2				
2	X *****	· DECAL	1				
3	0379364003	· DECAL (English)	1				
	0379364103	· DECAL (German)	1				
	0379364203	· DECAL (French)	1				
	0379364303	· DECAL (Italian)	1				
	0379364503	· DECAL (Spanish)	1				
	0379364603	· DECAL (Russian)	1				
4	0379361050	· DECAL (English, Dutch)	1				
	0379361150	· DECAL (German)	1				
	0379361250	· DECAL (French)	1				
	0379361350	· DECAL (Italian)	1				
	0379361550	· DECAL (Spanish)	1				
	0379361650	· DECAL (Russian)	1				
6	0379361060	· DECAL	1				
8	0008500050	· DECAL	2				
9	0008500332	· DECAL	1				
12	0569352506	· DECAL (English)	1				
	0569352206	· DECAL (German)	1				
	0569352306	· DECAL (French)	1				
	0569352406	· DECAL (Italian)	1				
	0399358190	· DECAL (Spanish)	1				
	0379361680	· DECAL (Russian)	1				
13	0359313700	· DECAL (English)	1				
	0359314700	· DECAL (German)	1				
	0359315700	· DECAL (French)	1				
	0359316700	· DECAL (Italian)	1				
	0359365323	· DECAL (Spanish)	1				
	0579300606	· DECAL (Russian)	1				
14	0359307400	· DECAL (English)	2				
	0359314400	· DECAL (German)	2				
	0359315400	· DECAL (French)	2				
	0359316400	· DECAL (Italian)	2				
	0339364200	· DECAL (Spanish)	2				
	0579300602	· DECAL (Russian)	2				
15	0579300011	· DECAL	2				
16	0579300049	· DECAL	2				
20	0569321980	· DECAL (English)	1				
23	0339375040	· DECAL (English)	1				
	0339375240	· DECAL (German)	1				
	0339375440	· DECAL (French)	1				
	0339375640	· DECAL (Italian)	1				
	0339375840	· DECAL (Spanish)	1				
	0579300611	· DECAL (Russian)	1				
25	0881031556	· DECAL	1				
28	X *****	· DECAL	1				except for U.S. TAKEUCHI
30	0379337300	· DECAL (English)	1				
	0379338300	· DECAL (German)	1				
	0379339300	· DECAL (French)	1				
	0379340300	· DECAL (Italian)	1				

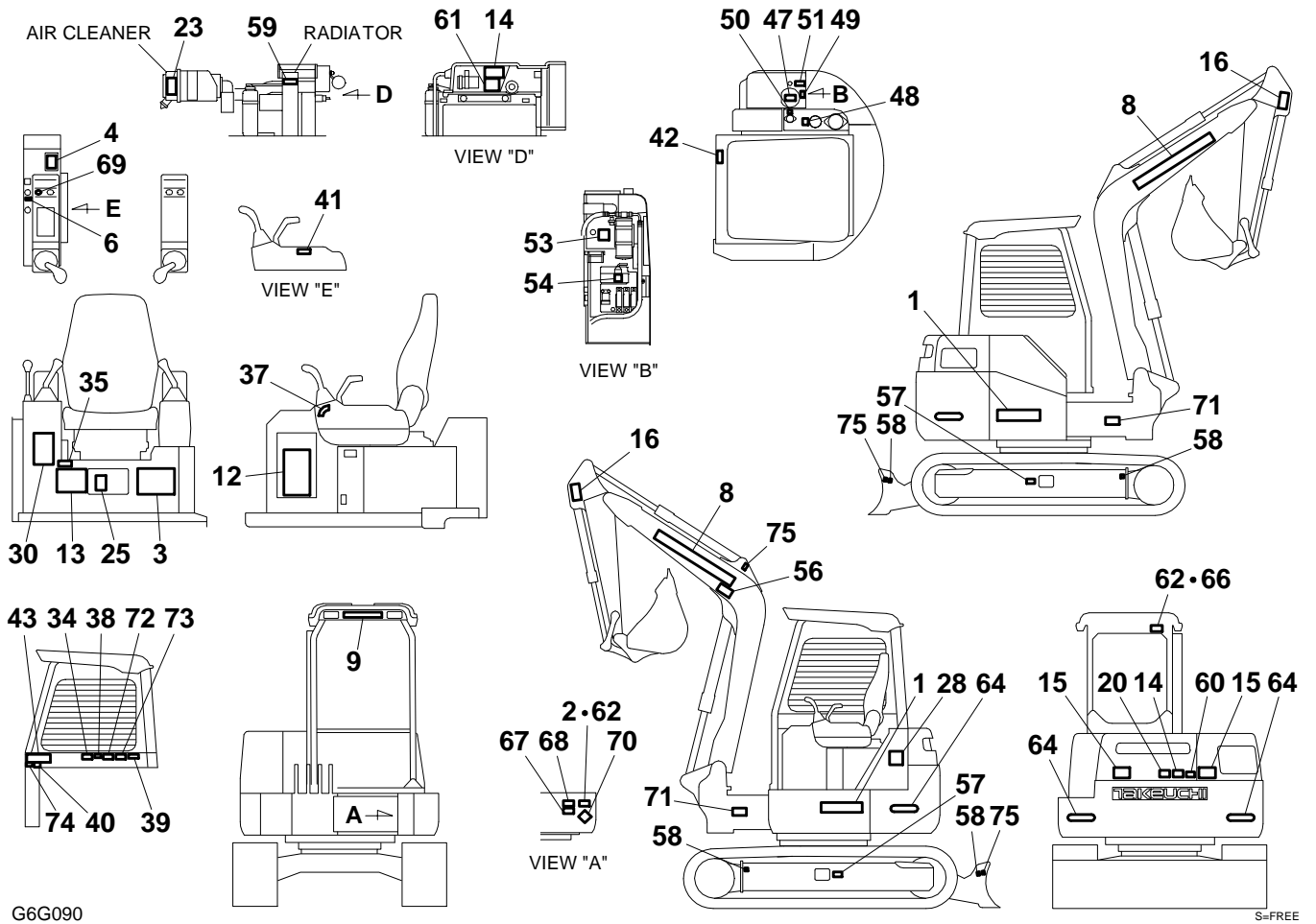
**TB138FR (P-T138FBBB) Book No. BG6Z001 S/N 13820001-
DECAL (canopy)**



DECAL (canopy)

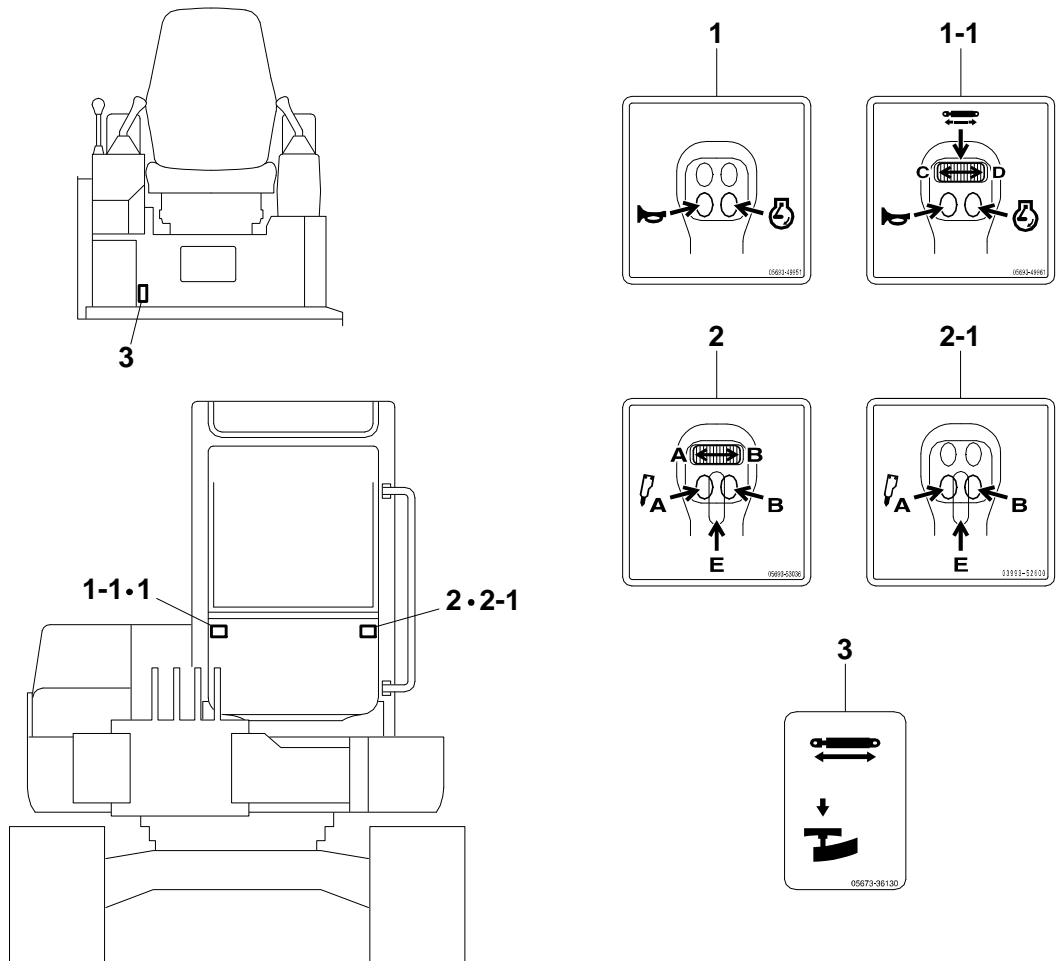
Item	Part number	Description	Q'ty	Chan.	Serial No.	Serv.	Remarks
30	0379354200	· DECAL (Spanish)	1				
	0399356004	· DECAL (Russian)	1				
34	0339368100	· DECAL (English)	1				
	0339369100	· DECAL (German)	1				
	0339370100	· DECAL (French)	1				
	0339371100	· DECAL (Italian)	1				
	0399355820	· DECAL (Spanish)	1				
	0329365506	· DECAL (Russian)	1				
35	X *****	· DECAL	1				
37	0329360100	· DECAL	1				
38	0359325190	· DECAL	1				
39	0379361070	· DECAL (English)	1				except for U.S. TAKEUCHI
	0379361170	· DECAL (German)	1				
	0379361270	· DECAL (French)	1				
	0379361370	· DECAL (Italian)	1				
	0379361470	· DECAL (U. S. TAKEUCHI)	1				
	0379361570	· DECAL (Spanish)	1				
	0379361670	· DECAL (Russian)	1				
40	0569335060	· DECAL (English)	1				
	0569327800	· DECAL (German)	1				
	0569328800	· DECAL (French)	1				
	0569329800	· DECAL (Italian)	1				
	0569348500	· DECAL (Spanish)	1				
	0579300608	· DECAL (Russian)	1				
41	0359317200	· DECAL	1				
42	0329360060	· DECAL	1				
43	0579300015	· DECAL	1				
47	0339375050	· DECAL (English)	1				
	0339375250	· DECAL (German)	1				
	0339375450	· DECAL (French)	1				
	0339375650	· DECAL (Italian)	1				
	0339375850	· DECAL (Spanish)	1				
	0399356005	· DECAL (Russian)	1				
48	0359306600	· DECAL (English)	1				
	0339375260	· DECAL (German)	1				
	0339375460	· DECAL (French)	1				
	0339375660	· DECAL (Italian, Spanish)	1				
	0579300603	· DECAL (Russian)	1				
49	0359306700	· DECAL	1				
50	0359325220	· DECAL	1				
51	0669300033	· DECAL (U. S. TAKEUCHI, CANADA)	1				
53	0569353810	· DECAL (English)	1				
	0569353910	· DECAL (German)	1				
	0569354010	· DECAL (French)	1				
	0569354110	· DECAL (Italian)	1				
	0569354310	· DECAL (Spanish)	1				
	0569357903	· DECAL (Russian)	1				
54	0399351210	· DECAL	1				
56	0359347010	· DECAL (English)	1				except for U.K. TAKEUCHI
	0339375210	· DECAL (German)	1				
	0339375410	· DECAL (French)	1				
	0339375610	· DECAL (Italian)	1				
	0339375810	· DECAL (Spanish)	1				
	0579300609	· DECAL (Russian)	1				
57	0579300052	· DECAL	2				
58	0881031549	· DECAL	4				
59	0359313900	· DECAL	1				
60	0339376240	· DECAL (English)	1				
	0339376340	· DECAL (German)	1				
	0339379440	· DECAL (French)	1				
	0339379540	· DECAL (Italian)	1				

**TB138FR (P-T138FBBB) Book No. BG6Z001 S/N 13820001-
DECAL (canopy)**



DECAL (canopy)							
Item	Part number	Description	Q'ty	Chan.	Serial No.	Serv.	Remarks
60	0339379640	· DECAL (Spanish)	1				
	0579300613	· DECAL (Russian)	1				
61	0569326400	· DECAL (English)	1				
	0569327400	· DECAL (German)	1				
	0569328400	· DECAL (French)	1				
	0569329400	· DECAL (Italian)	1				
	0569348400	· DECAL (Spanish)	1				
	0579300607	· DECAL (Russian)	1				
62	X *****	· SCREW	8				
64	0569358070	· DECAL	2				
66	X *****	· DECAL	1				
67	X *****	· DECAL	1				
68	X *****	· DECAL	1				
69	0349336948	· DECAL	1				
70	X *****	· DECAL	1				
71	0399352302	· DECAL (U. S. TAKEUCHI)	2				
72	0399352303	· DECAL (U. S. TAKEUCHI)	1				
73	0379361480	· DECAL (U. S. TAKEUCHI)	1				
74	0379336800	· DECAL	1				
75	0399300500	· DECAL	3				
	G6g090						

TB138FR (P-T138FBBB) Book No. BG6Z001 S/N 13820001-
DECAL (operation lever, cab)

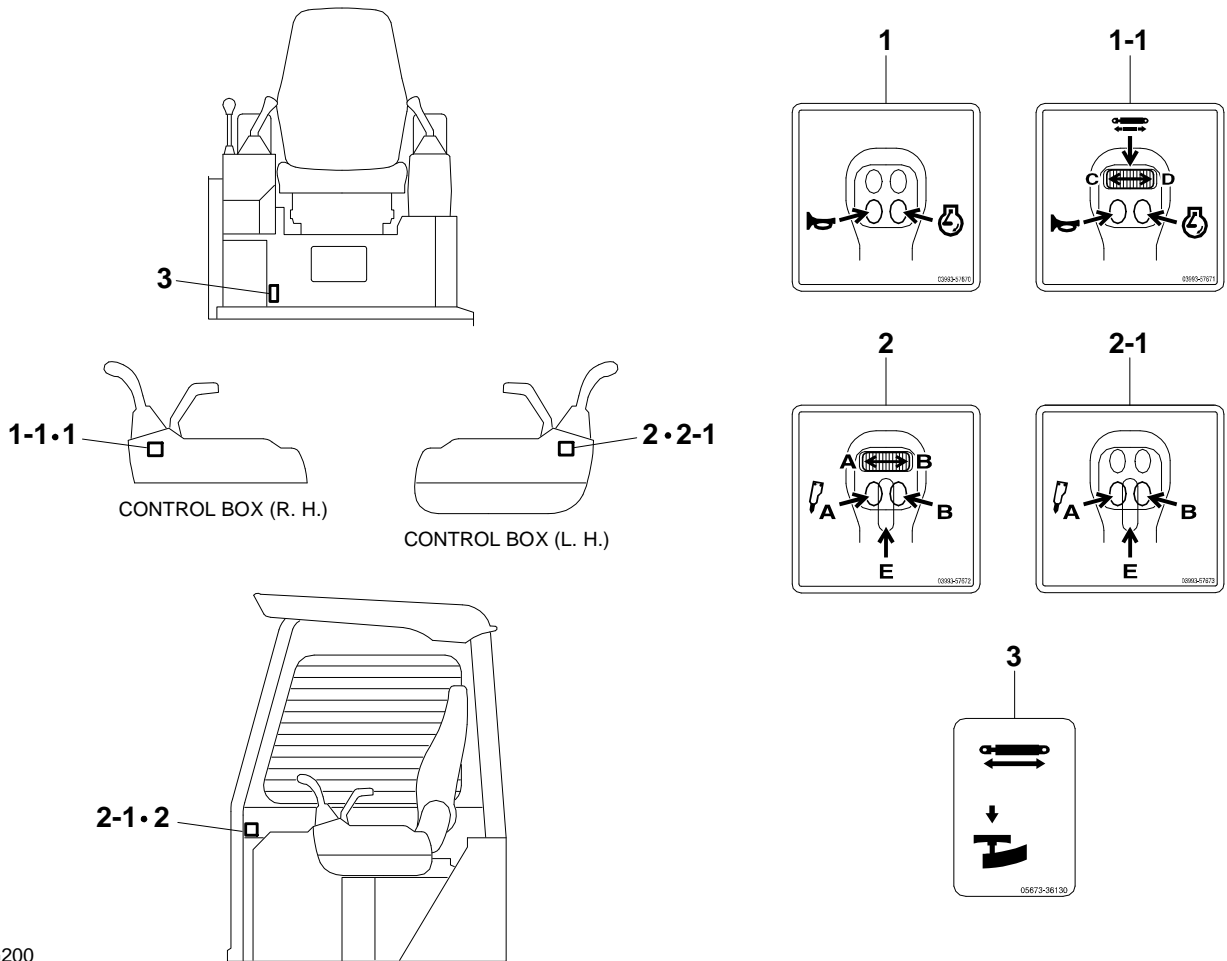


J2G190

S=FREE

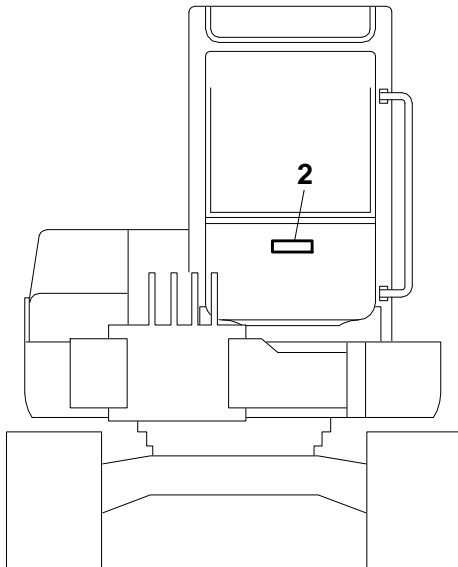
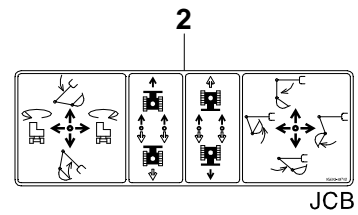
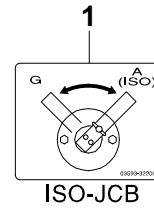
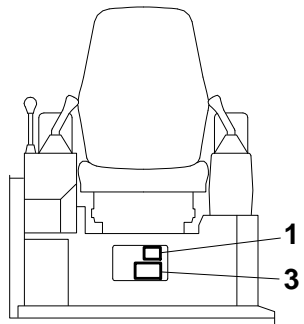
DECAL (operation lever, cab)						
Item	Part number	Description	Q'ty	Chan.	Serial No.	Serv. Remarks
0	0399359200	DECAL SET (1st aux. proportion)	1			
	0399359300	DECAL SET (2nd aux. proportion)	1			
	0399359400	DECAL SET (1st & 2nd aux. proportion)	1			
	0399359500	DECAL SET (with 3rd aux. 2nd aux. proportion)	1			
	0399359600	DECAL SET (with 3rd aux. 1st & 2nd aux. proportion)	1			
1	0569349951	· DECAL	1			
1-1	0569349961	· DECAL	1			2nd aux. proport
2	0569353036	· DECAL	1			1st aux. proporti
2-1	0399352600	· DECAL	1			
3	0567336130	· DECAL	1			with 3rd aux. line
	J2g190					

**TB138FR (P-T138FBBB) Book No. BG6Z001 S/N 13820001-
DECAL (operation lever, canopy)**



DECAL (operation lever, canopy)							
Item	Part number	Description	Q'ty	Chan.	Serial No.	Serv.	Remarks
0	0399360000	DECAL SET (1st aux. proportion)	1				
	0399360100	DECAL SET (2nd aux. proportion)	1				
	0399360200	DECAL SET (1st & 2nd aux. proportion)	1				
	0399360300	DECAL SET (with 3rd aux. 2nd aux. proportion)	1				
	0399360400	DECAL SET (with 3rd aux. 1st & 2nd aux. proportion)	1				
1	0399357670	· DECAL	1				
1-1	0399357671	· DECAL	1				2nd aux. proport
2	0399357672	· DECAL	1				1st aux. proporti
2-1	0399357673	· DECAL	1				
3	0567336130	· DECAL	1				with 3rd aux. line
	J2g200						

**TB138FR (P-T138FBBB) Book No. BG6Z001 S/N 13820001-
DECAL (selecter valve, cab)**



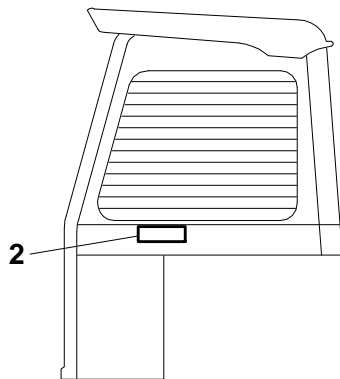
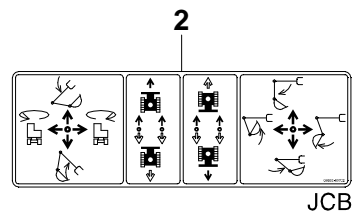
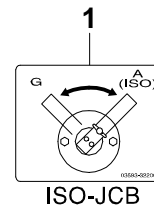
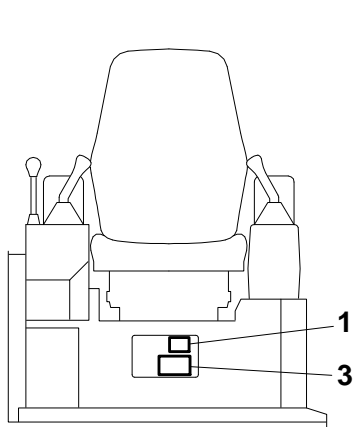
J2G211

S=FREE

DECAL (selecter valve, cab)

Item	Part number	Description	Q'ty	Chan.	Serial No.	Serv.	Remarks
0	0399358900	DECAL SET (English)	1				
	0399359000	DECAL SET (German)	1				
	0399359100	DECAL SET (Spanish)	1				
	0399361100	DECAL SET (French)	1				
	0399361200	DECAL SET (Italian)	1				
1	0359332200	· DECAL	1				ISO-JCB
2	0569349702	· DECAL	1				JCB
3	0359332300	· DECAL	1				English
	0359332400	· DECAL	1				German
	0329364020	· DECAL	1				Spanish
	0399361101	· DECAL	1				French
	0399361201	· DECAL	1				Italian
	J2g211						

**TB138FR (P-T138FBBB) Book No. BG6Z001 S/N 13820001-
DECAL (selecter valve, canopy)**



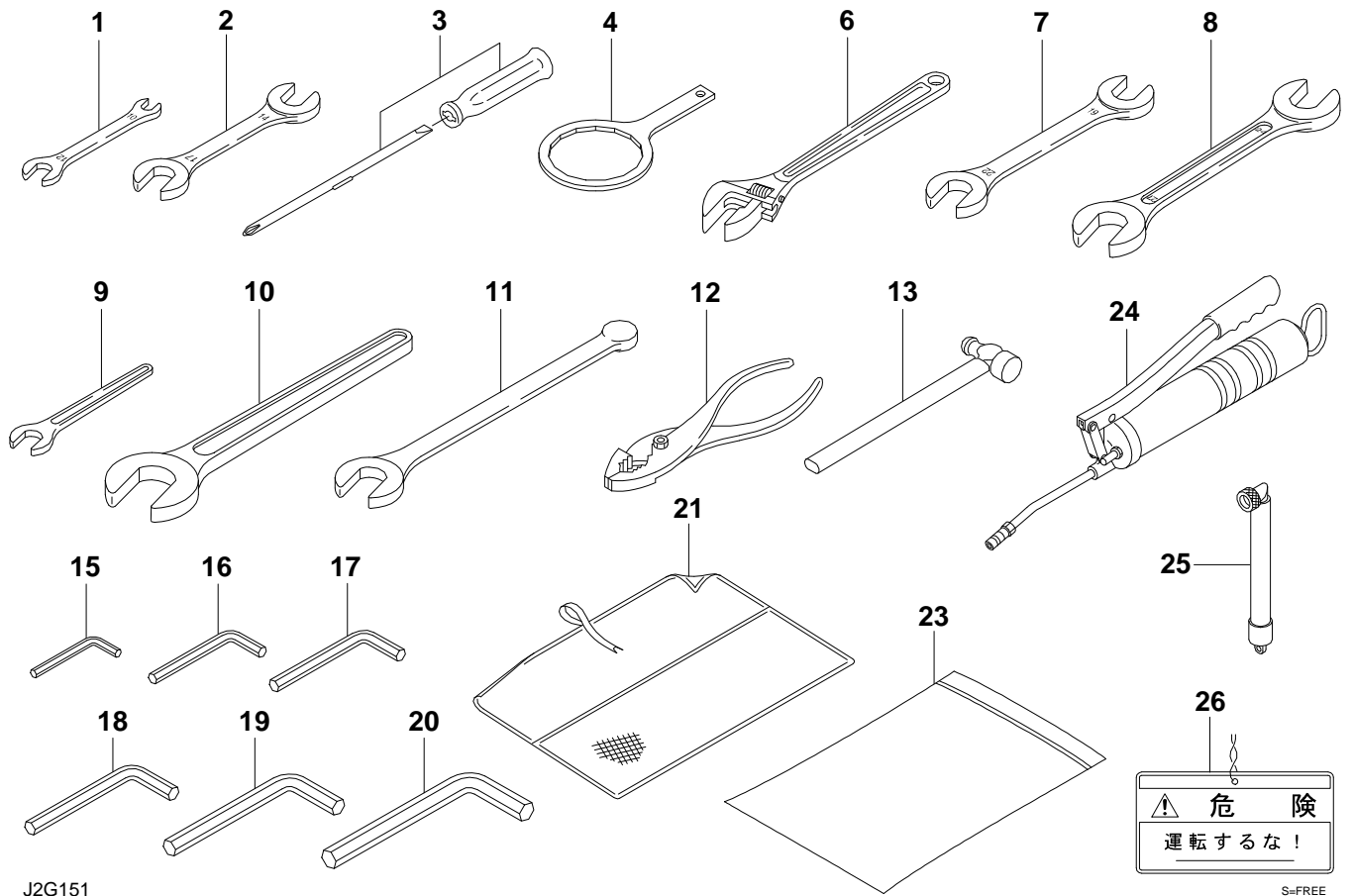
J2G221

S=FREE

DECAL (selecter valve, canopy)

Item	Part number	Description	Q'ty	Chan.	Serial No.	Serv.	Remarks
0	0399359700	DECAL SET (English)	1				
	0399359800	DECAL SET (German)	1				
	0399359900	DECAL SET (Spanish)	1				
	0399361400	DECAL SET (French)	1				
	0399361500	DECAL SET (Italian)	1				
1	0359332200	· DECAL	1				ISO-JCB
2	0569349702	· DECAL	1				JCB
3	0359332300	· DECAL	1				English
	0359332400	· DECAL	1				German
	0329364020	· DECAL	1				Spanish
	0399361101	· DECAL	1				French
	0399361201	· DECAL	1				Italian
	J2g221						

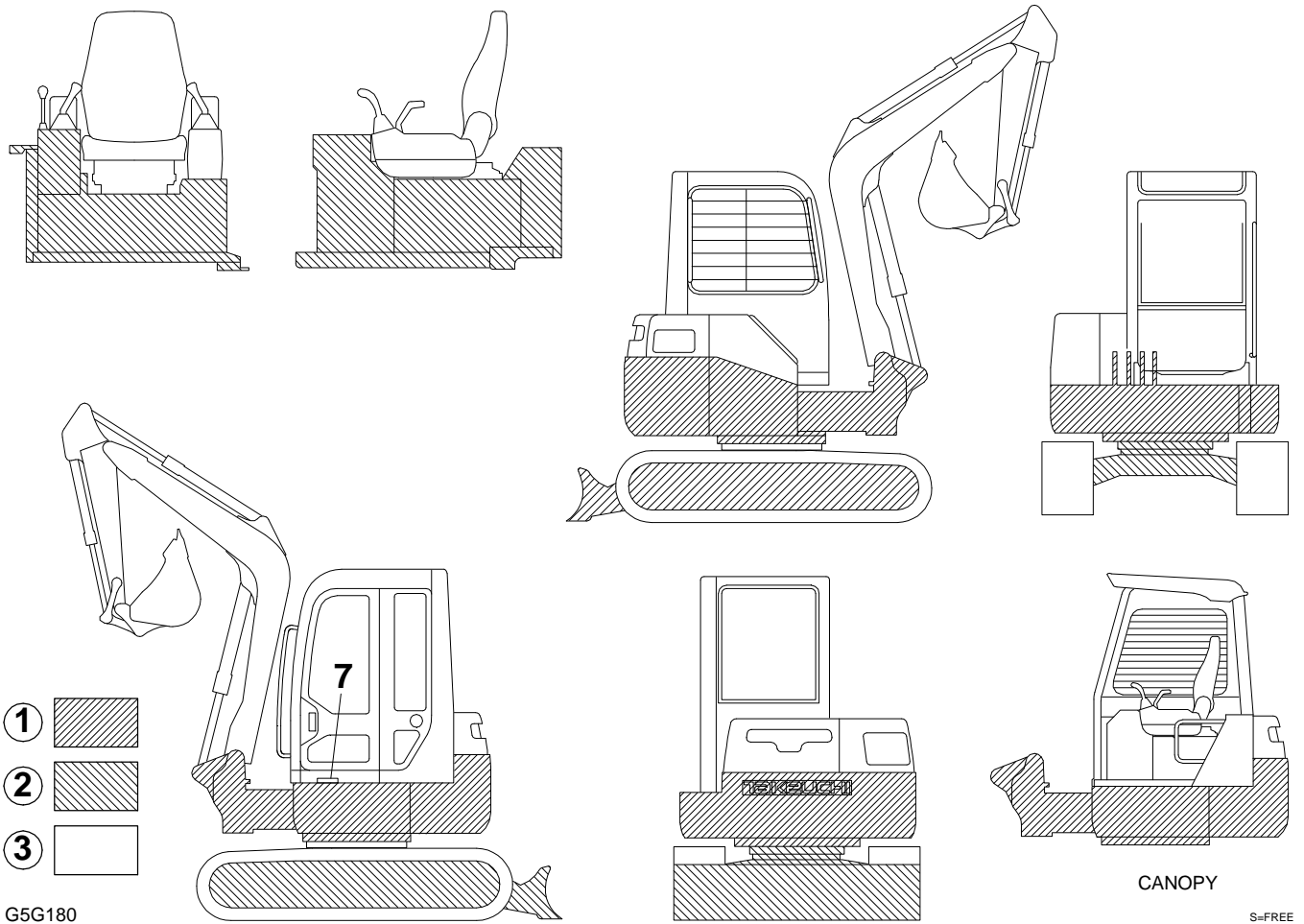
TB138FR (P-T138FBBB) Book No. BG6Z001 S/N 13820001-
TOOL & ACCESSORIES



TOOL & ACCESSORIES

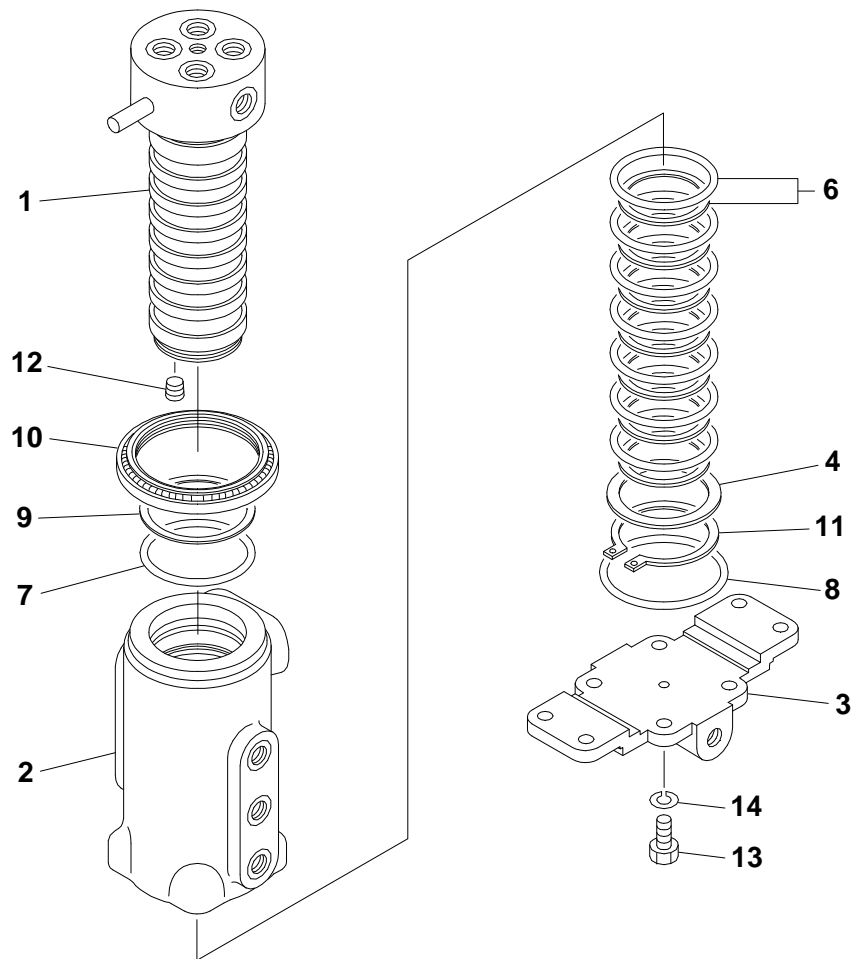
Item	Part number	Description	Q'ty	Chan.	Serial No.	Serv.	Remarks
		TOOL ASSY (for Japan)					
		TOOL ASSY					
0	0379207010	TOOL ASSY	1				
1	1910047081	· SPANNER	1				Y28110-100120
2	1910047082	· SPANNER	1				Y28110-140170
3	1910006112	· SCREWDRIVER	1				Y104200-92350
4	1910065081	· WRENCH, filter	1				Y119640-92750
6	1690400250	· WRENCH, monkey	1				
7	1690001922	· SPANNER	1				
8	1690002427	· SPANNER	1				
9	1690100013	· SPANNER	1				
10	1690100041	· SPANNER	1				
11	1690900026	· SPANNER	1				
12	1690500200	· PLIER	1				
13	1690300330	· HAMMER	1				
15	1690600400	· WRENCH, hex.	1				
16	1690600500	· WRENCH, hex.	1				
17	1690600600	· WRENCH, hex.	1				
18	1690600800	· WRENCH, hex.	1				
19	1690601000	· WRENCH, hex.	1				
20	1690601400	· WRENCH, hex.	1				
21	1691400001	· CASE, tool	1				
23	1691900001	· CASE	1				
24	1691060600	GUN, grease	1				
	1691010800	GUN, grease	1				for Japan
25	1554512601	TUBE	1				for EU
26	0359325160	PLATE	1				for Japan
	G5g170						

TB138FR (P-T138FBBB) Book No. BG6Z001 S/N 13820001-
PAINTED COLOR



PAINTED COLOR							
Item	Part number	Description	Q'ty	Chan.	Serial No.	Serv.	Remarks
		PAINTED COLOR (cab, rubber crawler)					
		PAINTED COLOR (cab, steel crawler)					
		PAINTED COLOR (canopy, rubber crawler)					
		PAINTED COLOR (canopy, steel crawler)					
1	1919060105	RED					
	1919069105	RED					spray
2	1919060208	GRAY					
	1919069208	GRAY					spray
3	1919060207	LIGHT GRAY					
	1919069207	LIGHT GRAY					spray
7	1919060175	YELLOW					
	1919069175	YELLOW					spray
		<<NOTE>>					
		The part of the steel carawler uses item 2.					
	G5g180						

TB138FR (P-T138FBBB) Book No. BG6Z001 S/N 13820001-
SWIVEL JOINT



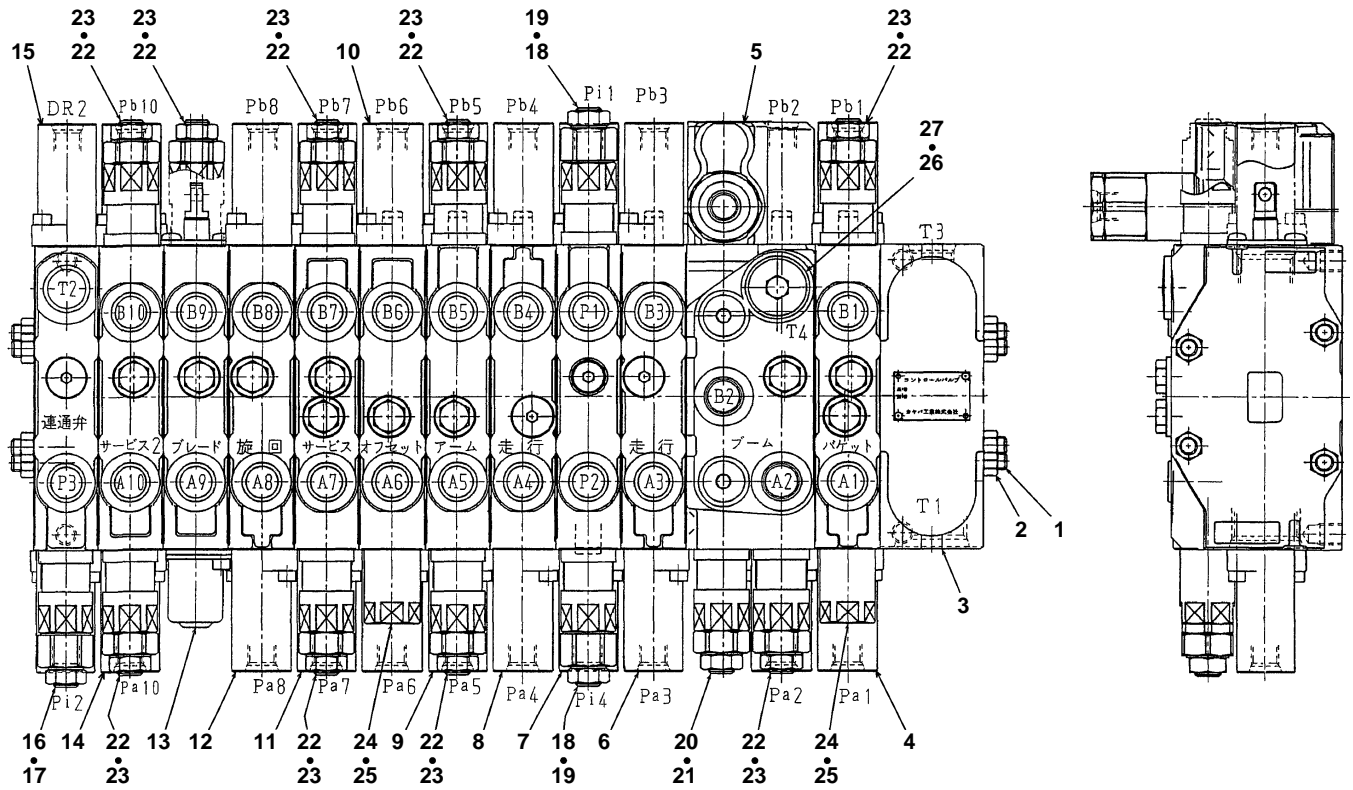
G7H010

S=1/5

SWIVEL JOINT

Item	Part number	Description	Q'ty	Chan.	Serial No.	Serv.	Remarks
0	1904008600	JOINT ASSY, swivel	1				
1	1904008601	· SHAFT	1				
2	1904008302	· HUB	1				
3	1904008602	· FLANGE	1				
4	1904004604	· SPACER	1				
6	1904008606	· SEAL, slipper	7				
7	1420010600	· O-RING	1				
8	1420310040	· O-RING	1				
9	1421030600	· RING, back-up	1				
10	1904001695	· SEAL, dust	1				
11	1221000055	· RING, snap	1				
12	1501810001	· PLUG	3				
13	1100040820	· BOLT	4				
14	1140020008	· WASHER, spring	4				
	G7h010						

TB138FR (P-T138FBBB) Book No. BG6Z001 S/N 13820001-
CONTROL VALVE



G6H010

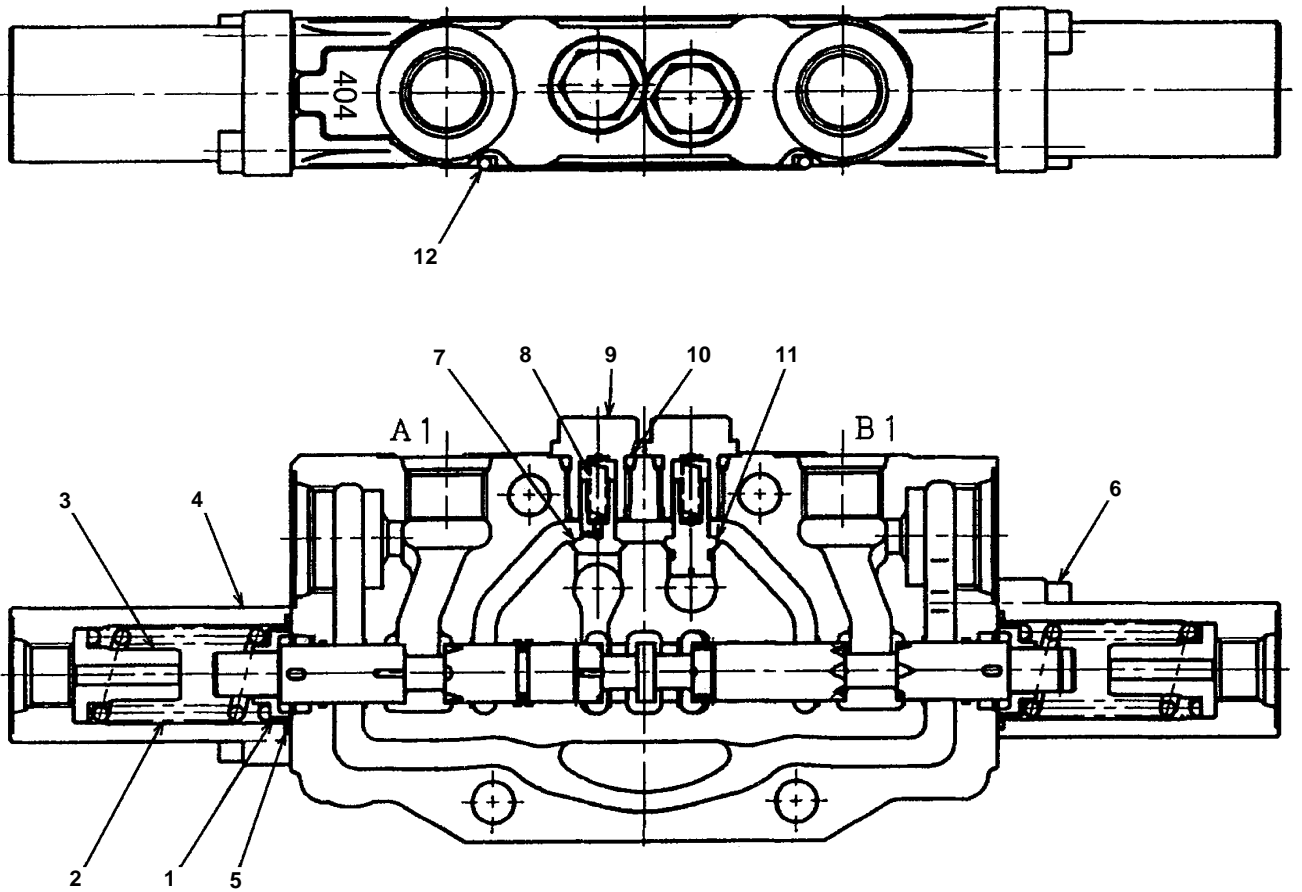
S=free

CONTROL VALVE

Item	Part number	Description	Qty	Chan.	Serial No.	Serv.	Remarks
0	1901046000	VALVE ASSY, control	1				
	1901046100	VALVE ASSY, control	1				with 2nd aux. line
1	1901044408	• ROD, tie	4				
	1901027607	• ROD, tie	4				with 2nd aux. line
2	1130020008	• NUT	8				
3	1901044404	• HOUSING ASSY	1				T1, T4
4	1901046013	• BLOCK ASSY; No.1	1				bucket
5	1901046011	• BLOCK ASSY; No.2	1				boom
6	1901046015	• BLOCK ASSY; No.3	1				traction R.H.
7	1901046003	• BLOCK ASSY; No.4	1				P1, P2
8	1901046016	• BLOCK ASSY; No.5	1				traction L.H.
9	1901045612	• BLOCK ASSY; No.6	1				arm
10	1901046002	• BLOCK ASSY; No.7	1				offset
11	1901046019	• BLOCK ASSY; No.8	1				auxiliary 1
12	1901046014	• BLOCK ASSY; No.9	1				slew
13	1901046017	• BLOCK ASSY; No.10	1				blade
14	1901045719	• BLOCK ASSY; No.11 (with 2nd aux. line)	1				auxiliary 2
15	1901046020	• BLOCK ASSY; No.12	1				
16	1901035322	• VALVE ASSY	1				relief
17	1420310910	• • O-RING	1				
18	1901045621	• VALVE ASSY	2				relief
19	1420310910	• • O-RING	1				
20	1901038023	• VALVE ASSY	1				over load
21	1420310910	• • O-RING	1				
22	1901038823	• VALVE ASSY	7				over load
	1901038823	• VALVE ASSY (with 2nd aux. line)	9				over load
23	1420310910	• • O-RING	1				
24	1901042625	• VALVE ASSY	2				antivoid
25	1420310910	• • O-RING	1				
26	1901036572	• PLUG ASSY	1				
27	1420010180	• • O-RING	1				

G6h010

TB138FR (P-T138FBBB) Book No. BG6Z001 S/N 13820001-
BLOCK ASSY; No. 1



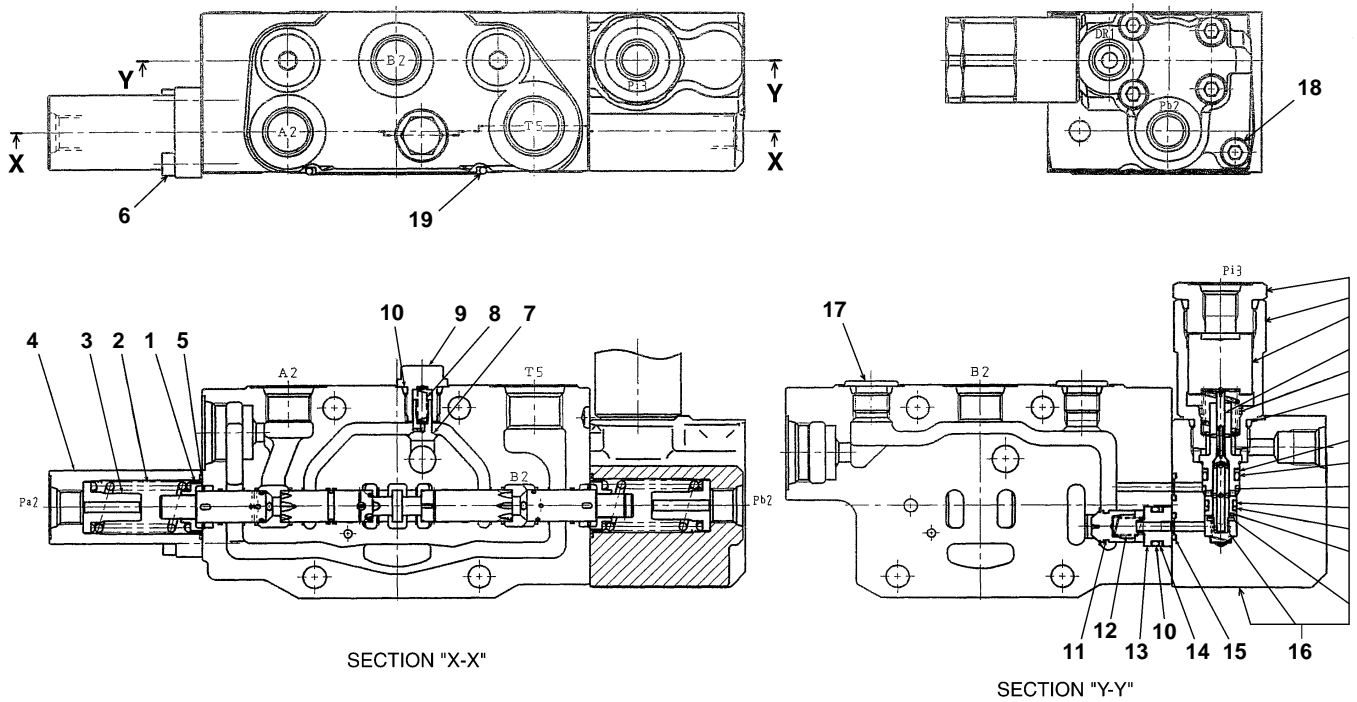
G6H020

S=free

BLOCK ASSY; No. 1

Item	Part number	Description	Q'ty	Chan.	Serial No.	Serv.	Remarks
0	1901046013	BLOCK ASSY; No.1	1				bucket
1	1901031752	· HOLDER, spring	2				
2	1901048656	· SPRING	2				
3	1901038851	· HOLDER, spring	2				
4	1901038866	· CAP	2				
5	1420500220	· O-RING	2				
6	1110020518	· SCREW, cap	4				
7	1901038826	· PLUNGER	1				
8	1901038857	· SPRING	2				
9	1901038890	· PLUG	2				
10	1420010110	· O-RING	2				
11	1901038827	· PLUNGER	1				
12	1901038881	· O-RING	1				
	G6h020						

TB138FR (P-T138FBBB) Book No. BG6Z001 S/N 13820001-
BLOCK ASSY; No. 2



G5H030

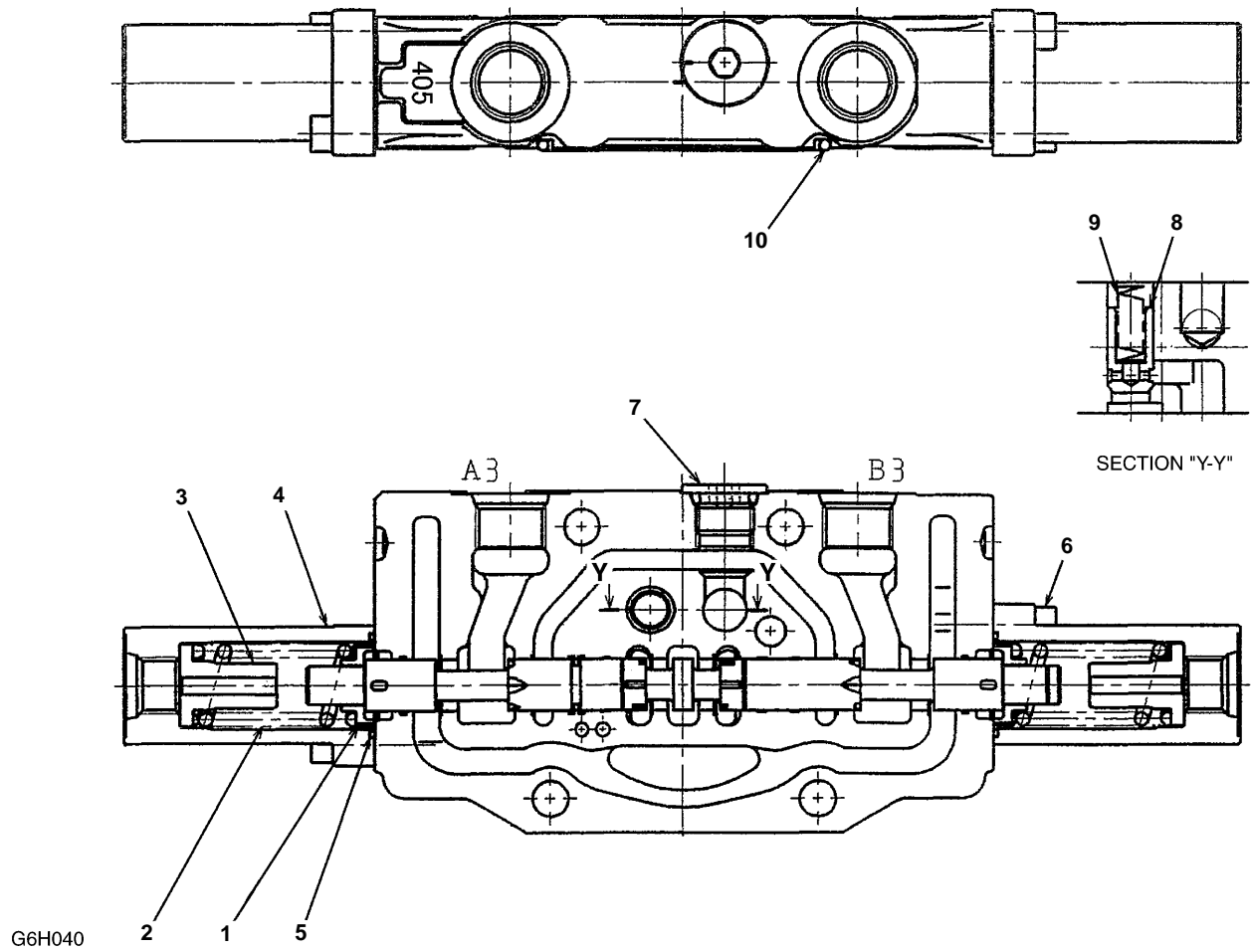
S=free

BLOCK ASSY; No. 2

Item	Part number	Description	Q'ty	Chan.	Serial No.	Serv.	Remarks
0	1901046011	BLOCK ASSY; No.2	1				boom
1	1901031752	· HOLDER, spring	2				
2	1901048656	· SPRING	2				
3	1901038851	· HOLDER, spring	2				
4	1901038866	· CAP	1				
5	1420500220	· O-RING	2				
6	1110020518	· SCREW, cap	2				
7	1901038826	· PLUNGER	1				
8	1901038857	· SPRING	1				
9	1901038890	· PLUG	1				
10	1420010110	· O-RING	2				
11	1901042660	· PLUNGER	1				
12	1901042659	· SPRING	1				
13	1901042658	· SPACER	1				
14	1421020110	· RING, back-up	1				
15	1420010070	· O-RING	2				
16	1901044498	· VALVE ASSY	1				
17	1901038893	· PLUG ASSY	2				
18	1110020660	· SCREW, cap	5				
19	1901038881	· O-RING	1				

G6h030

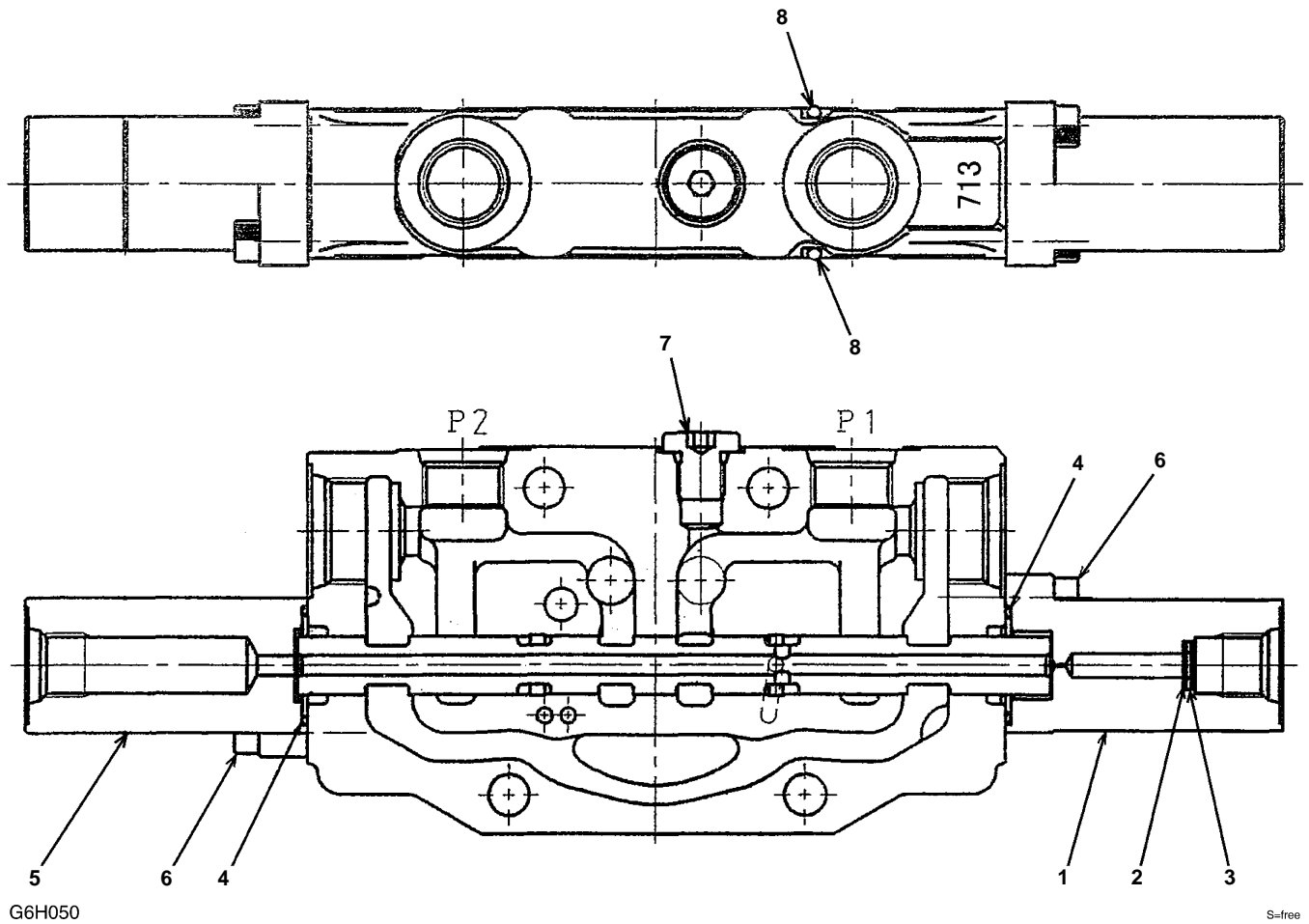
TB138FR (P-T138FBBB) Book No. BG6Z001 S/N 13820001-
BLOCK ASSY; No. 3



BLOCK ASSY; No. 3

Item	Part number	Description	Q'ty	Chan.	Serial No.	Serv.	Remarks
0	1901046015	BLOCK ASSY; No.3	1				traction R.H.
1	1901031752	· HOLDER, spring	2				
2	1901048656	· SPRING	2				
3	1901038851	· HOLDER, spring	2				
4	1901038866	· CAP	2				
5	1420500220	· O-RING	2				
6	1110020518	· SCREW, cap	4				
7	1901038893	· PLUG ASSY	1				
8	1901038829	· PLUNGER	1				
9	1901027757	· SPRING	1				
10	1901038881	· O-RING	1				
	G6h040						

TB138FR (P-T138FBBB) Book No. BG6Z001 S/N 13820001-
BLOCK ASSY; No. 4

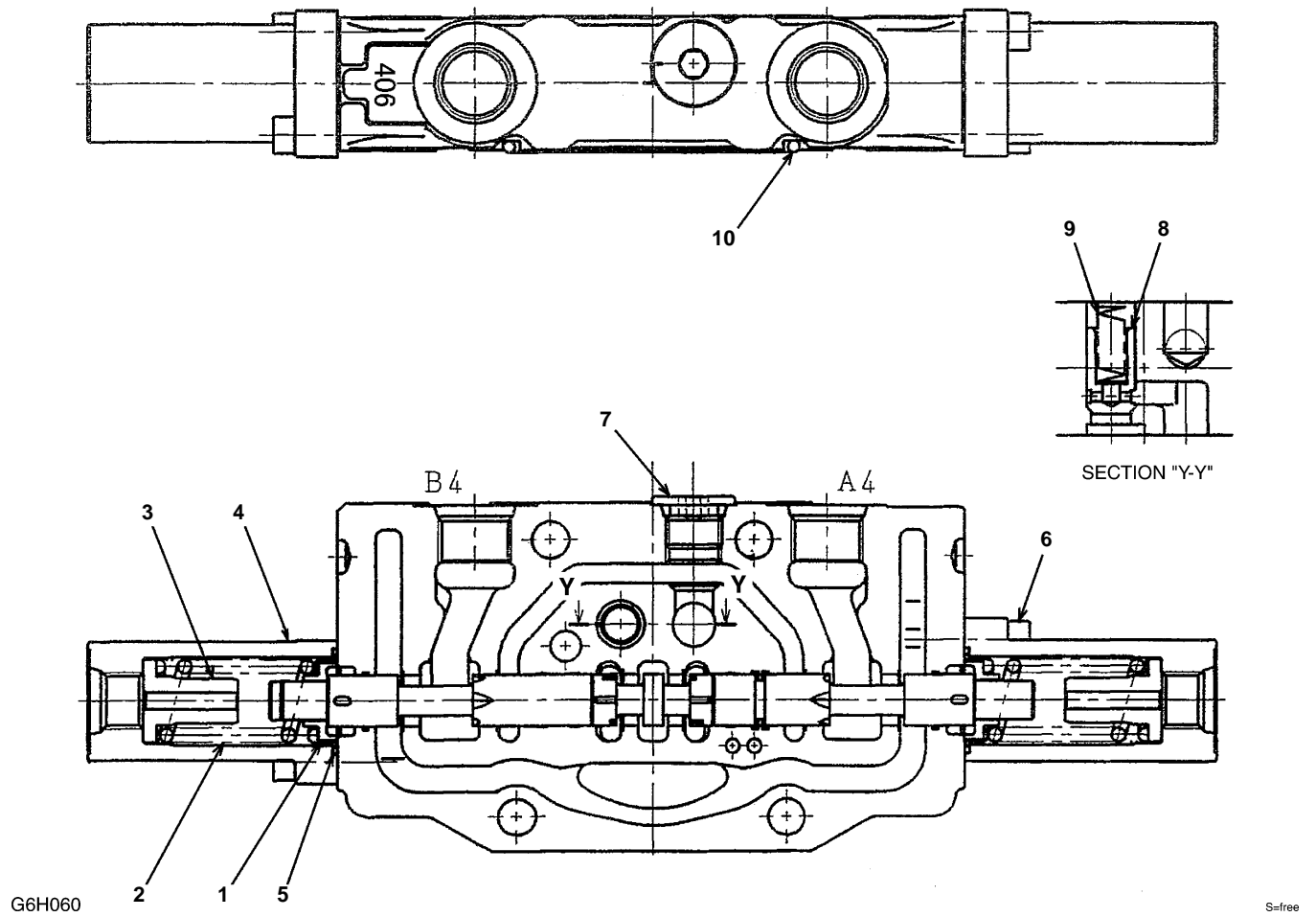


BLOCK ASSY; No. 4

Item	Part number	Description	Q'ty	Chan.	Serial No.	Serv.	Remarks
0	1901046003	BLOCK ASSY; No.4	1				P1, P2
1	1901038869	· CAP	1				
2	1901042672	· FILTER	1				
3	1901042673	· WASHER	1				
4	1420500220	· O-RING	2				
5	1901044466	· CAP	1				
6	1110020518	· SCREW, cap	4				
7	1901036677	· PLUG ASSY	1				
8	1901038881	· O-RING	2				

G6h050

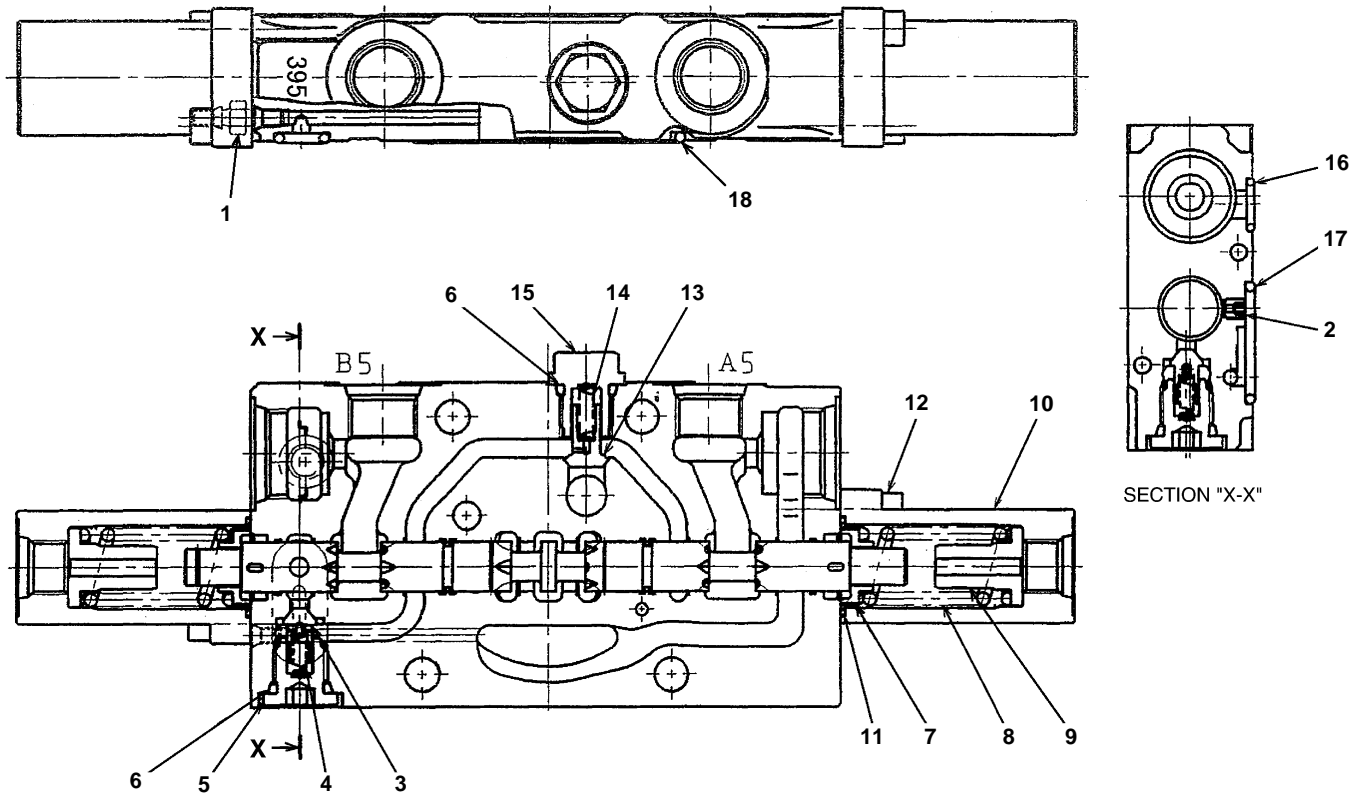
TB138FR (P-T138FBBB) Book No. BG6Z001 S/N 13820001-
BLOCK ASSY; No. 5



BLOCK ASSY; No. 5

Item	Part number	Description	Q'ty	Chan.	Serial No.	Serv.	Remarks
0	1901046016	BLOCK ASSY; No.5	1				traction L.H.
1	1901031752	· HOLDER, spring	2				
2	1901048656	· SPRING	2				
3	1901038851	· HOLDER, spring	2				
4	1901038866	· CAP	2				
5	1420500220	· O-RING	2				
6	1110020518	· SCREW, cap	4				
7	1901038893	· PLUG ASSY	1				
8	1901038829	· PLUNGER	1				
9	1901027757	· SPRING	1				
10	1901038881	· O-RING	1				
	G6h060						

TB138FR (P-T138FBBB) Book No. BG6Z001 S/N 13820001-
BLOCK ASSY; No. 6



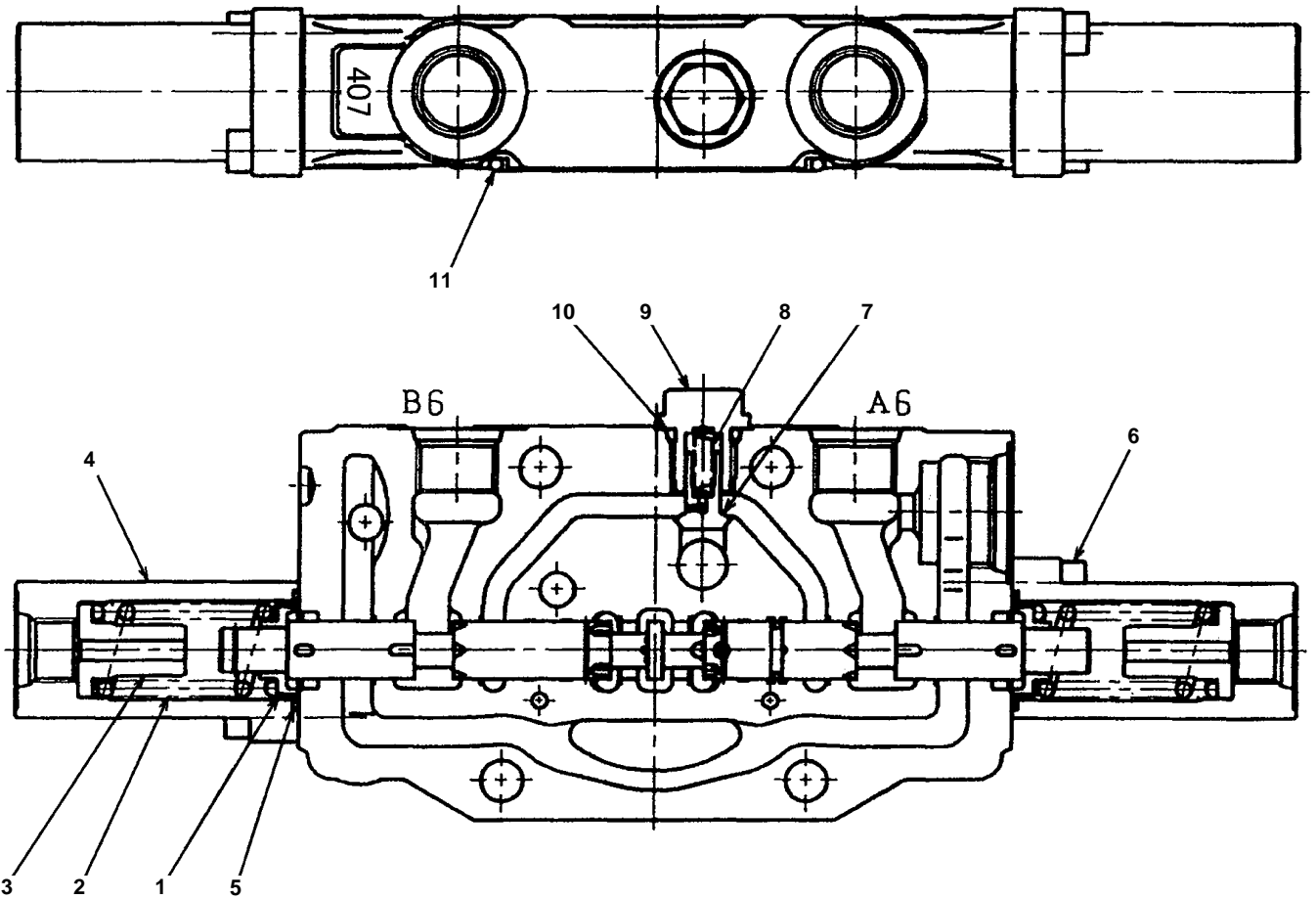
G6H070

S-free

BLOCK ASSY; No. 6

Item	Part number	Description	Q'ty	Chan.	Serial No.	Serv.	Remarks
0	1901045612	BLOCK ASSY; No.6	1				arm
1	1901042790	· PLUG	1				
2	1901044471	· ORIFICE PLUG	1				
3	1901038828	· PLUNGER	1				
4	1901027858	· SPRING	1				
5	1901038892	· PLUG	1				
6	1420010110	· O-RING	2				
7	1901031752	· HOLDER, spring	2				
8	1901048656	· SPRING	2				
9	1901038851	· HOLDER, spring	2				
10	1901038866	· CAP	2				
11	1420500220	· O-RING	2				
12	1110020518	· SCREW, cap	4				
13	1901038826	· PLUNGER	1				
14	1901038857	· SPRING	1				
15	1901038890	· PLUG	1				
16	1420000100	· O-RING	1				
17	1420010200	· O-RING	1				
18	1901038881	· O-RING	1				
	G6h070						

TB138FR (P-T138FBBB) Book No. BG6Z001 S/N 13820001-
BLOCK ASSY; No. 7



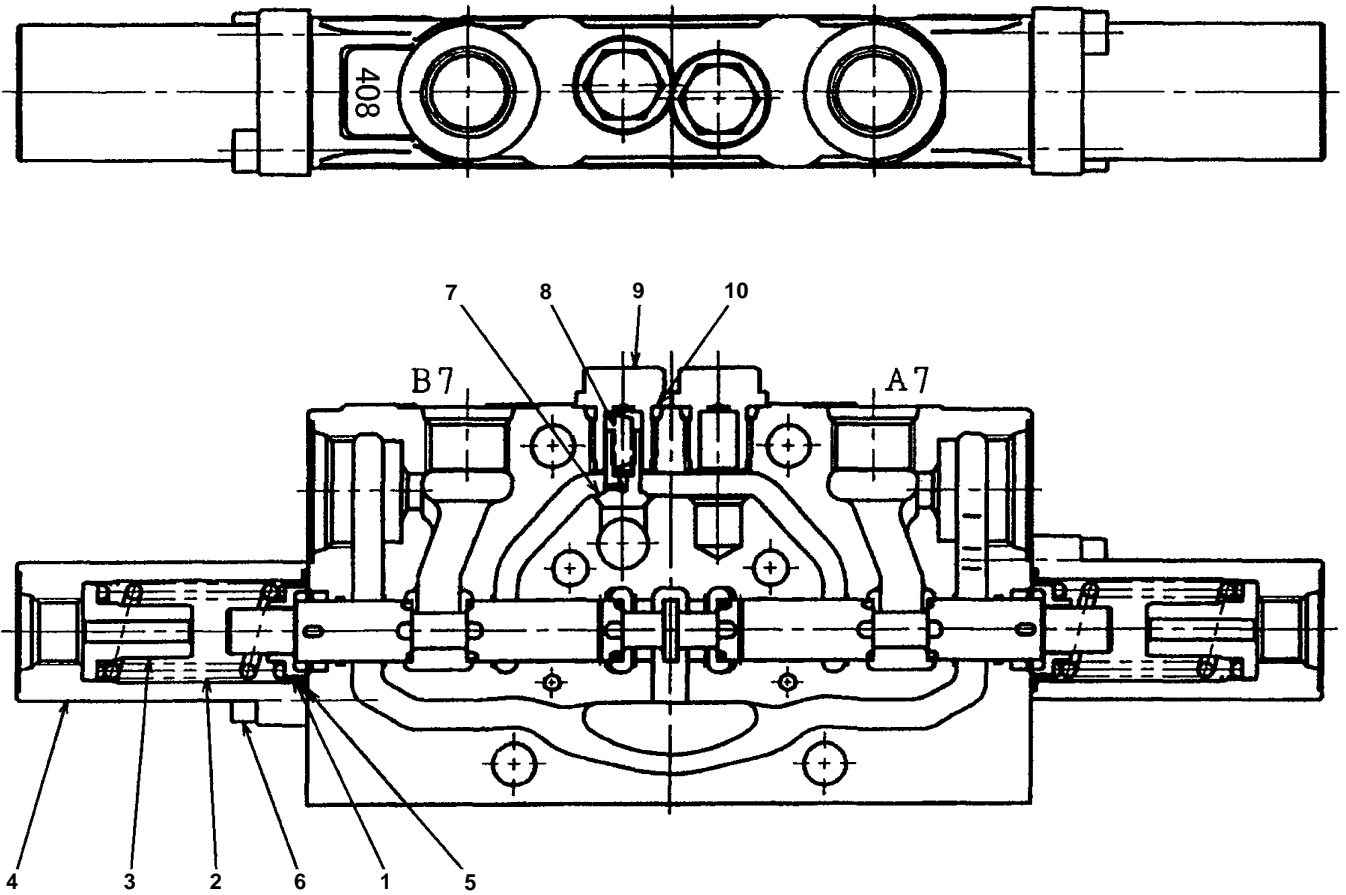
G6H080

S=free

BLOCK ASSY; No. 7

Item	Part number	Description	Q'ty	Chan.	Serial No.	Serv.	Remarks
0	1901046002	BLOCK ASSY; No.7	1				offset
1	1901031752	· HOLDER, spring	2				
2	1901048656	· SPRING	2				
3	1901038851	· HOLDER, spring	2				
4	1901038866	· CAP	2				
5	1420500220	· O-RING	2				
6	1110020518	· SCREW, cap	4				
7	1901038826	· PLUNGER	1				
8	1901038857	· SPRING	1				
9	1901038890	· PLUG	1				
10	1420010110	· O-RING	1				
11	1901038881	· O-RING	1				
	G6h080						

TB138FR (P-T138FBBB) Book No. BG6Z001 S/N 13820001-
BLOCK ASSY; No. 8



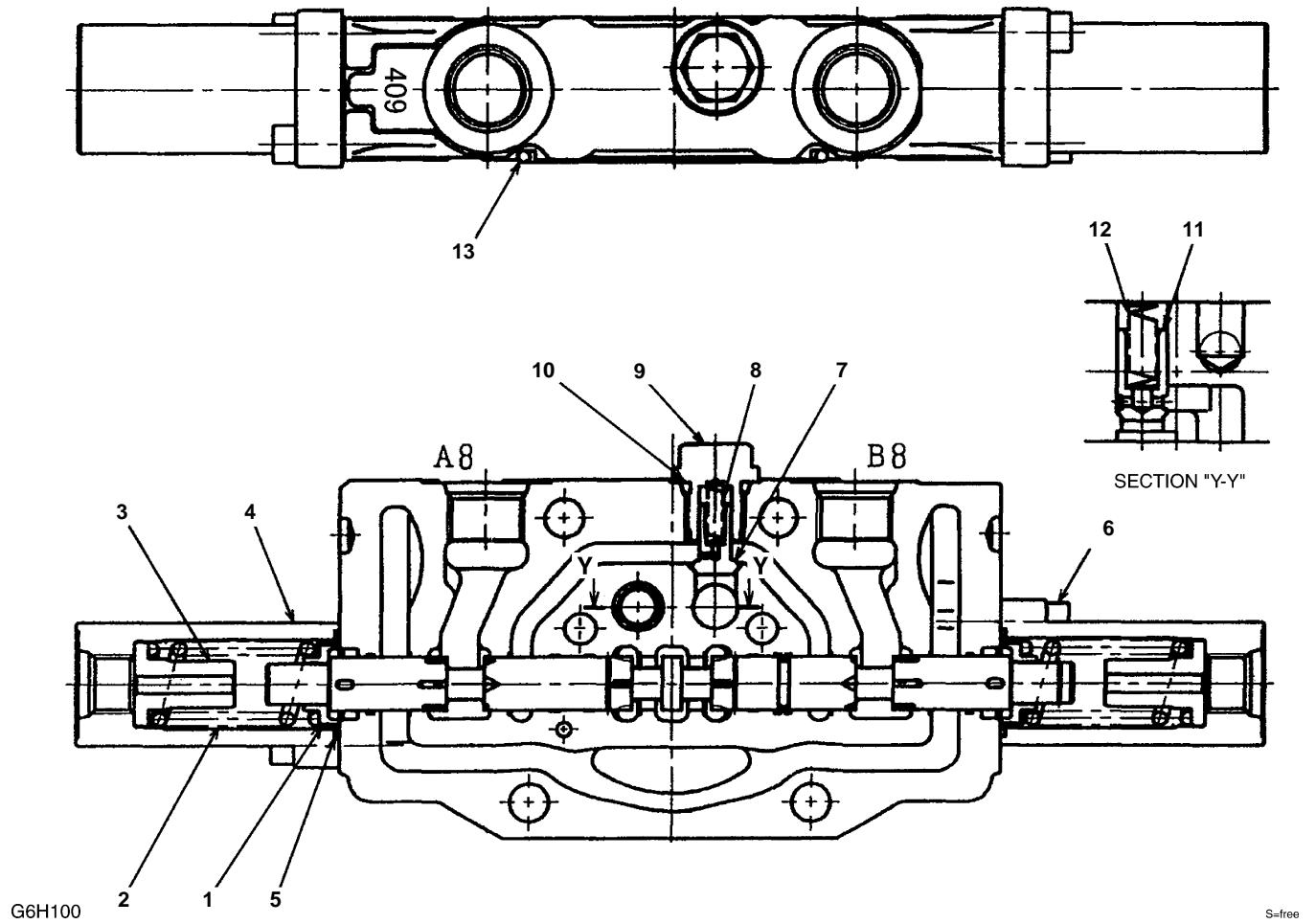
G6H090

S=free

BLOCK ASSY; No. 8

Item	Part number	Description	Q'ty	Chan.	Serial No.	Serv.	Remarks
0	1901046019	BLOCK ASSY; No.8	1				auxiliary 1
1	1901031752	· HOLDER, spring	2				
2	1901048656	· SPRING	2				
3	1901038851	· HOLDER, spring	2				
4	1901038866	· CAP	2				
5	1420500220	· O-RING	2				
6	1110020518	· SCREW, cap	4				
7	1901038826	· PLUNGER	1				
8	1901038857	· SPRING	1				
9	1901038890	· PLUG	1				
10	1420010110	· O-RING	1				
	G6h090						

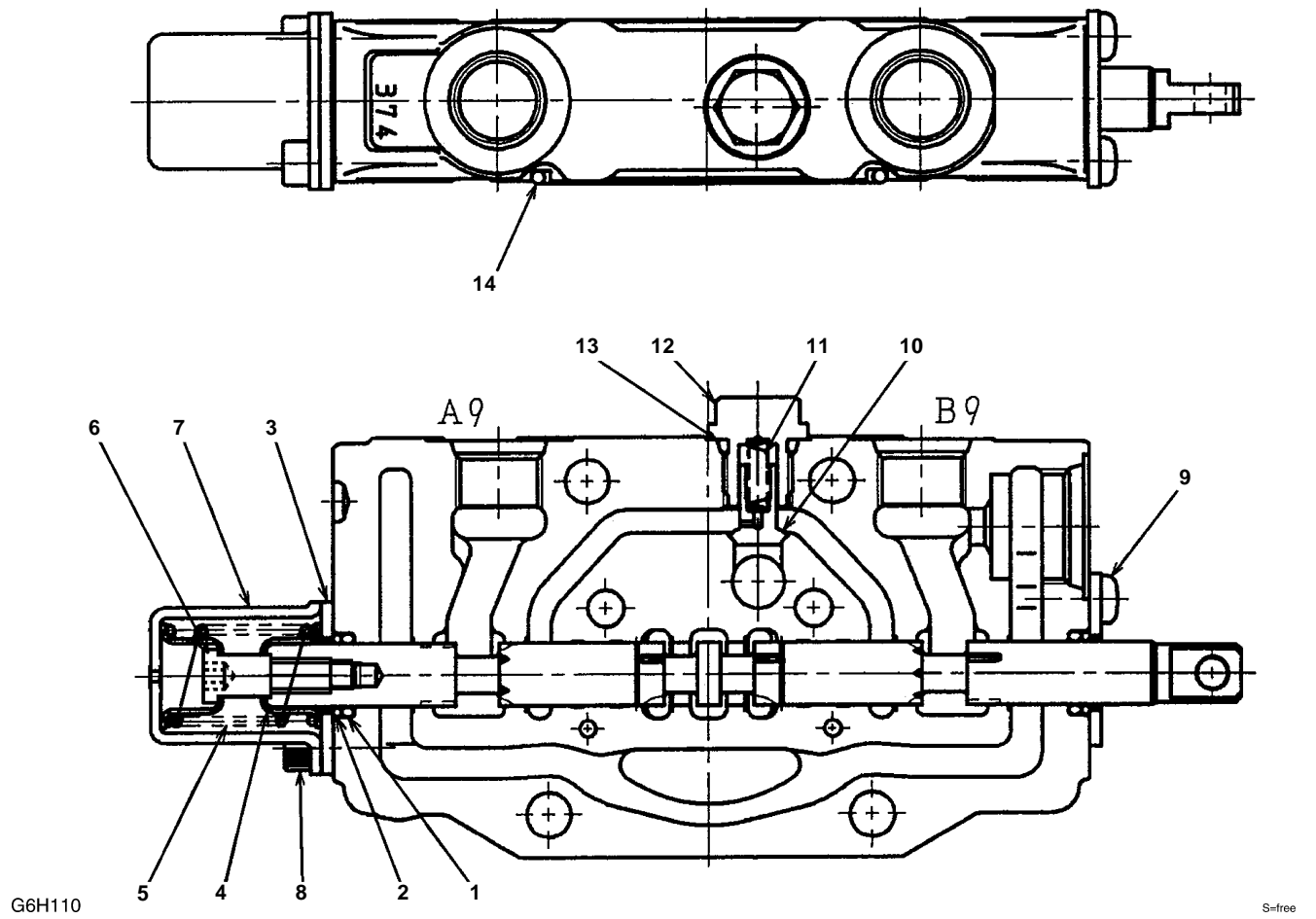
TB138FR (P-T138FBBB) Book No. BG6Z001 S/N 13820001-
BLOCK ASSY; No. 9



BLOCK ASSY; No. 9

Item	Part number	Description	Q'ty	Chan.	Serial No.	Serv.	Remarks
0	1901046014	BLOCK ASSY; No.9	1				slew
1	1901031752	· HOLDER, spring	2				
2	1901048656	· SPRING	2				
3	1901038851	· HOLDER, spring	2				
4	1901038866	· CAP	2				
5	1420500220	· O-RING	2				
6	1110020518	· SCREW, cap	4				
7	1901038826	· PLUNGER	1				
8	1901038857	· SPRING	1				
9	1901038890	· PLUG	1				
10	1420010110	· O-RING	1				
11	1901038829	· PLUNGER	1				
12	1901027757	· SPRING	1				
13	1901038881	· O-RING	1				
	G6h100						

TB138FR (P-T138FBBB) Book No. BG6Z001 S/N 13820001-
BLOCK ASSY; No. 10

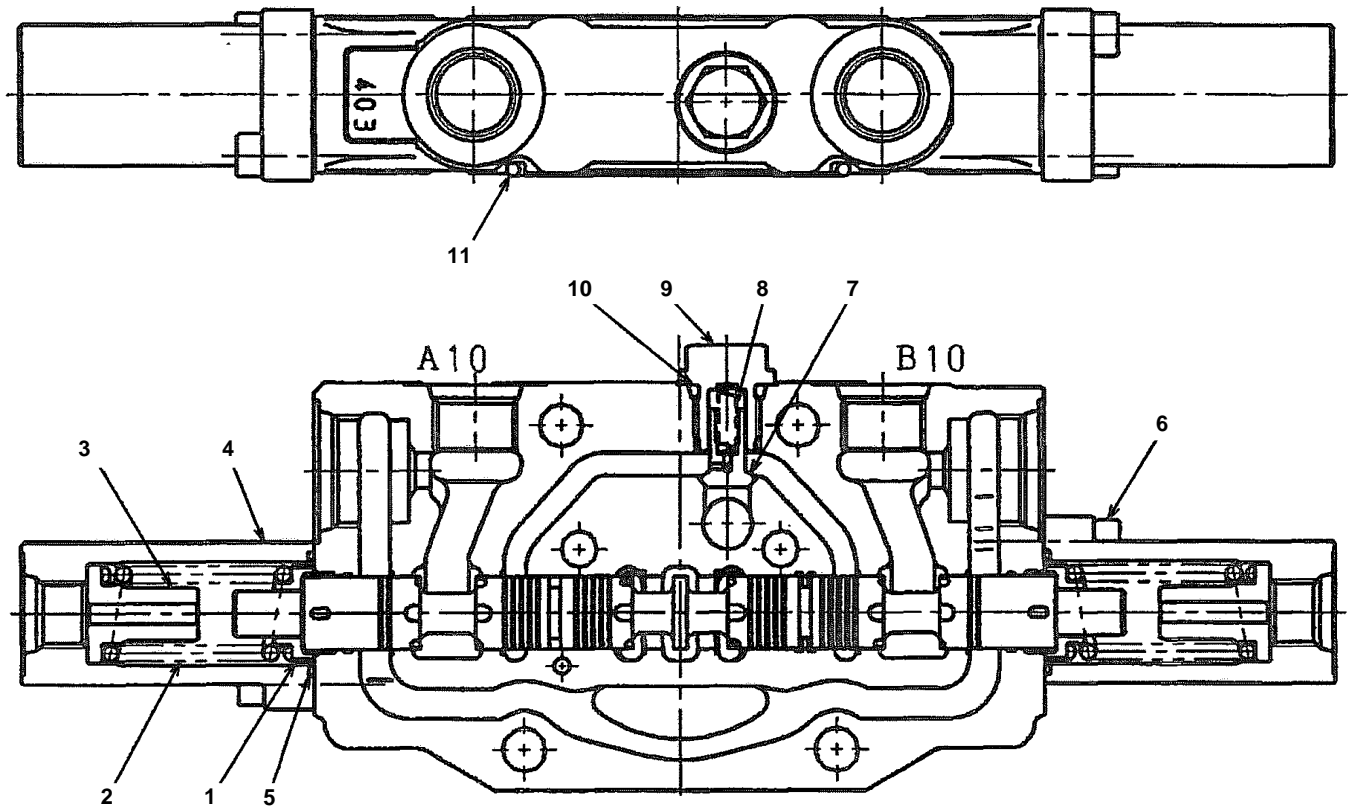


BLOCK ASSY; No. 10

Item	Part number	Description	Q'ty	Chan.	Serial No.	Serv.	Remarks
0	1901046017	BLOCK ASSY; No.10	1				blade
1	1901025484	· O-RING	2				
2	1901025485	· SEAL	2				
3	1901048641	· PLATE, seal	2				
4	1901025453	· HOLDER, spring	2				
5	1901048658	· SPRING	1				
6	1901043232	· SCREW, cap	1				
7	1901048666	· CAP	1				
8	1110020512	· SCREW, cap	2				
9	1120540510	· SCREW	2				
10	1901038826	· PLUNGER	1				
11	1901038857	· SPRING	1				
12	1901038890	· PLUG	1				
13	1420010110	· O-RING	1				
14	1901038881	· O-RING	1				

G6h110

TB138FR (P-T138FBBB) Book No. BG6Z001 S/N 13820001-
BLOCK ASSY; No. 11 (with 2nd aux. line)



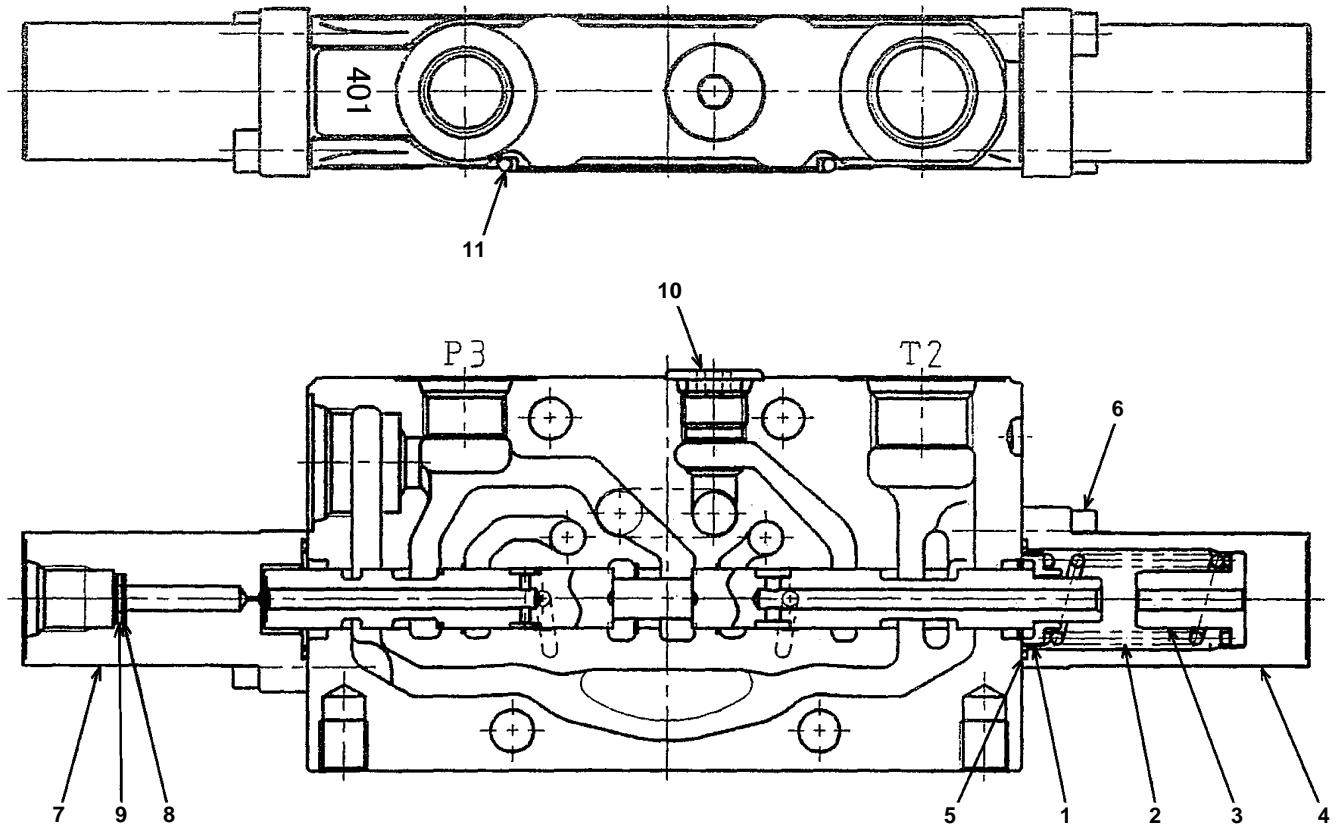
G7H140

S=free

BLOCK ASSY; No. 11 (with 2nd aux. line)

Item	Part number	Description	Q'ty	Chan.	Serial No.	Serv.	Remarks
0	1901045719	BLOCK ASSY, No.11	1				auxiliary 2
1	1901031752	· HOLDER, spring	2				
2	1901048656	· SPRING	2				
3	1901038851	· HOLDER, spring	2				
4	1901038866	· CAP	2				
5	1420500220	· O-RING	2				
6	1110020518	· SCREW, cap	4				
7	1901038826	· PLUNGER	1				
8	1901038857	· SPRING	1				
9	1901038890	· PLUG	1				
10	1420010110	· O-RING	1				
11	1901038881	· O-RING	1				
	G6h120						

TB138FR (P-T138FBBB) Book No. BG6Z001 S/N 13820001-
BLOCK ASSY; No. 12



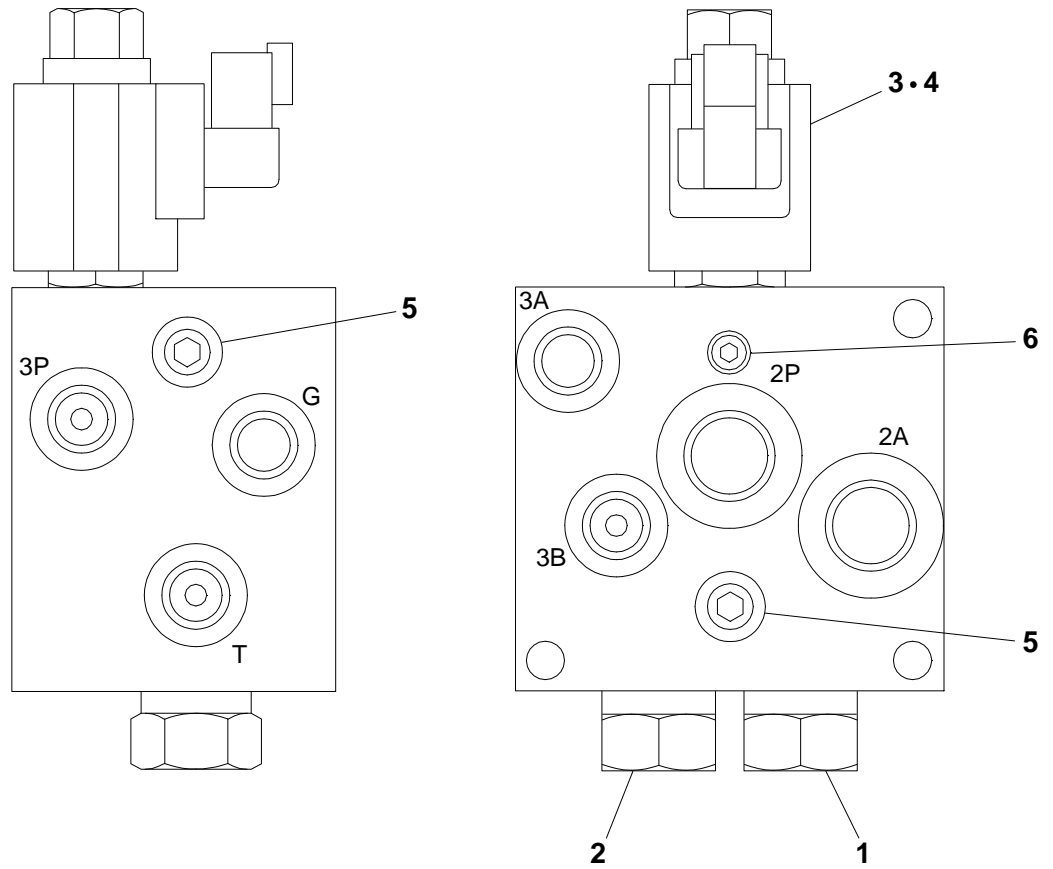
G6H130

S-free

BLOCK ASSY; No. 12

Item	Part number	Description	Q'ty	Chan.	Serial No.	Serv.	Remarks
0	1901046020	BLOCK ASSY; No.12	1				
1	1901031752	· HOLDER, spring	1				
2	1901048657	· SPRING	1				
3	1901038851	· HOLDER, spring	1				
4	1901038868	· CAP	1				
5	1420500220	· O-RING	2				
6	1110020518	· SCREW, cap	4				
7	1901038869	· CAP	1				
8	1901042672	· FILTER	1				
9	1901042673	· WASHER	1				
10	1901038893	· PLUG ASSY	1				
11	1901038881	· O-RING	1				
	G6h130						

TB138FR (P-T138FBBB) Book No. BG6Z001 S/N 13820001-
SOLENOID VALVE; 1 BLOCK



J3H011

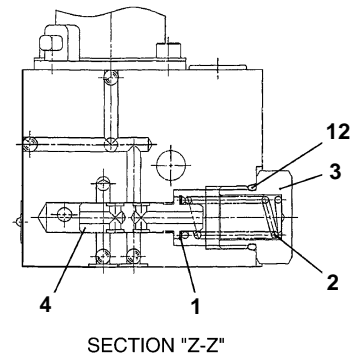
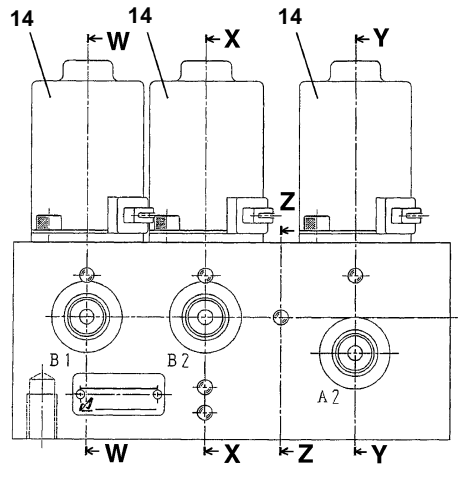
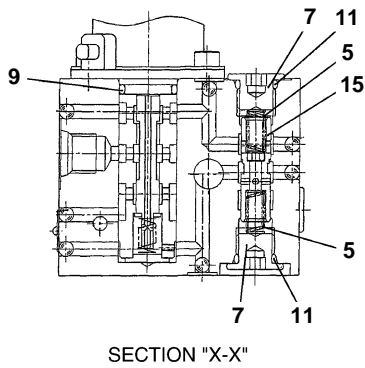
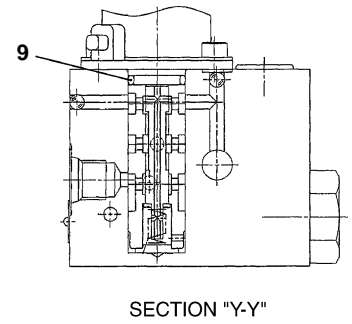
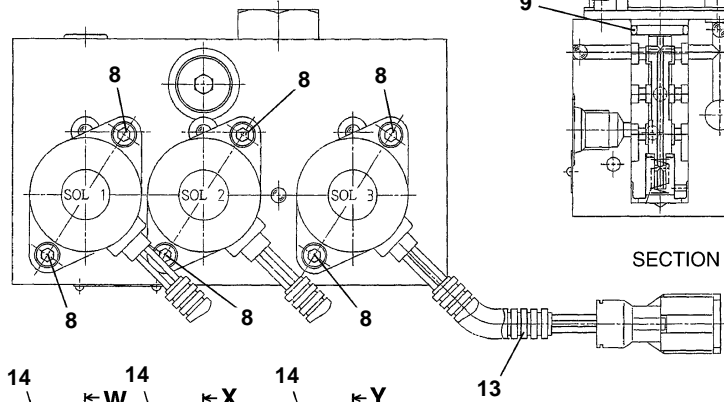
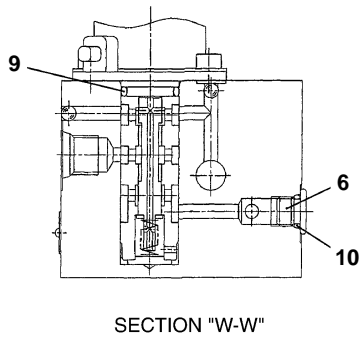
S=free

SOLENOID VALVE; 1 BLOCK

Item	Part number	Description	Q'ty	Chan.	Serial No.	Serv.	Remarks
0	1901751600	VALVE ASSY, solenoid	1				
1	1901751602	· VALVE, pilot	1				
2	1901751603	· VALVE, pilot	1				
3	1901741402	· SOLENOID	1				
4	1901750703	· COIL	1				
5	1501810002	· PLUG	2				
6	1501810000	· PLUG	8				

J3h011

**TB138FR (P-T138FBBB) Book No. BG6Z001 S/N 13820001-
SOLENOID VALVE; 3 BLOCKS**



L5H020

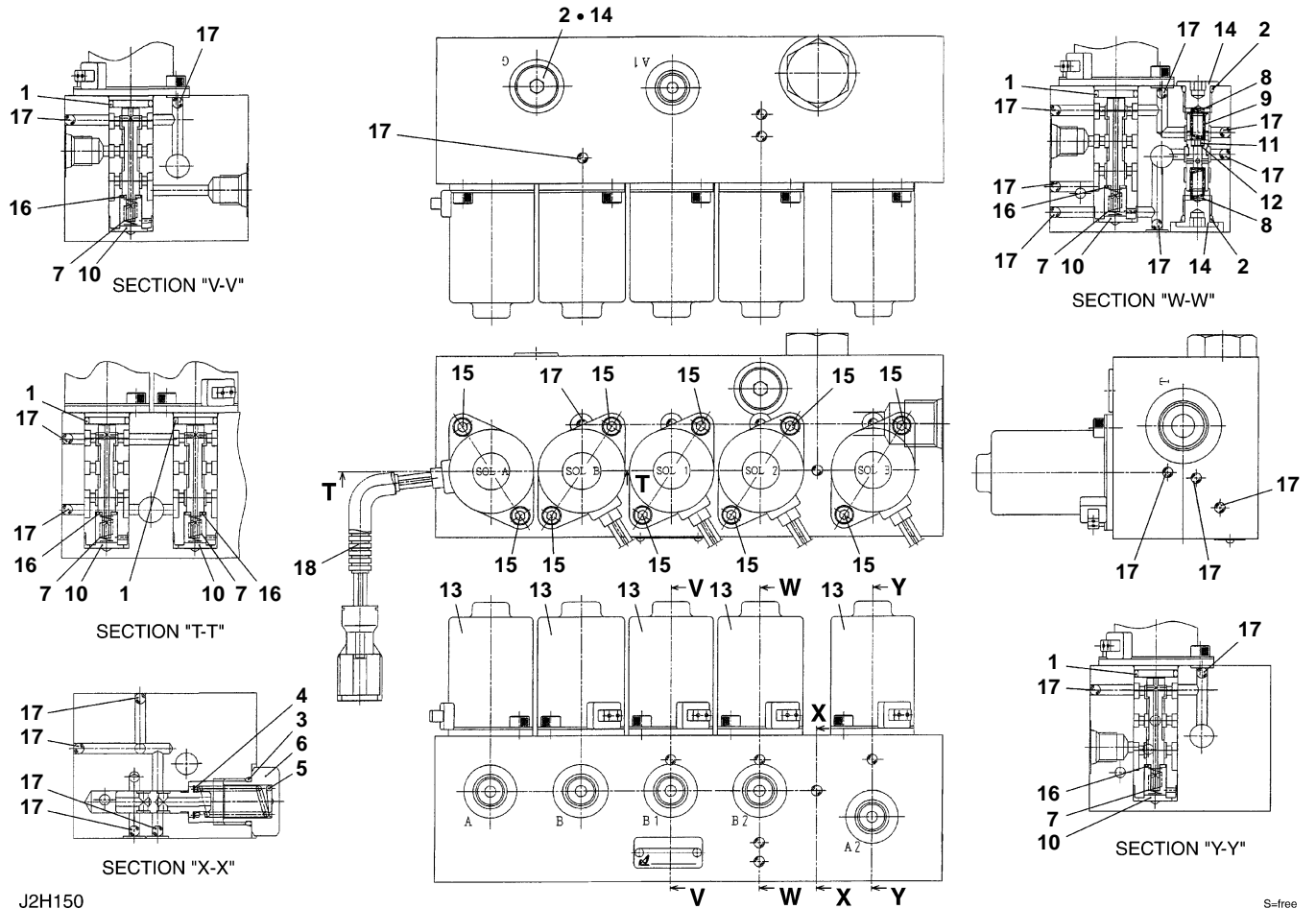
S-free

SOLENOID VALVE; 3 BLOCKS

Item	Part number	Description	Q'ty	Chan.	Serial No.	Serv.	Remarks
0	1901748800	VALVE ASSY, solenoid	1				
1	1901732003	· SHIM	4				
2	1901732502	· SPRING	1				
3	1901732004	· PLUG	1				
4	1901748805	· SPOOL	1				
5	1901729605	· SPRING	2				
6	1901729618	· PLUG	1				
7	1901720720	· PLUG	2				
8	1110050510	· SCREW, cap	6				
9	1420010160	· O-RING	3				
10	1420010080	· O-RING	1				
11	1420010110	· O-RING	2				
12	1420010180	· O-RING	1				
13	1901748828	· TUBE	3				
14	1901748816	· SOLENOID	3				
15	1901737727	· PLUNGER	1				

L5h020

**TB138FR (P-T138FBBB) Book No. BG6Z001 S/N 13820001-
SOLENOID VALVE; 5 BLOCKS**



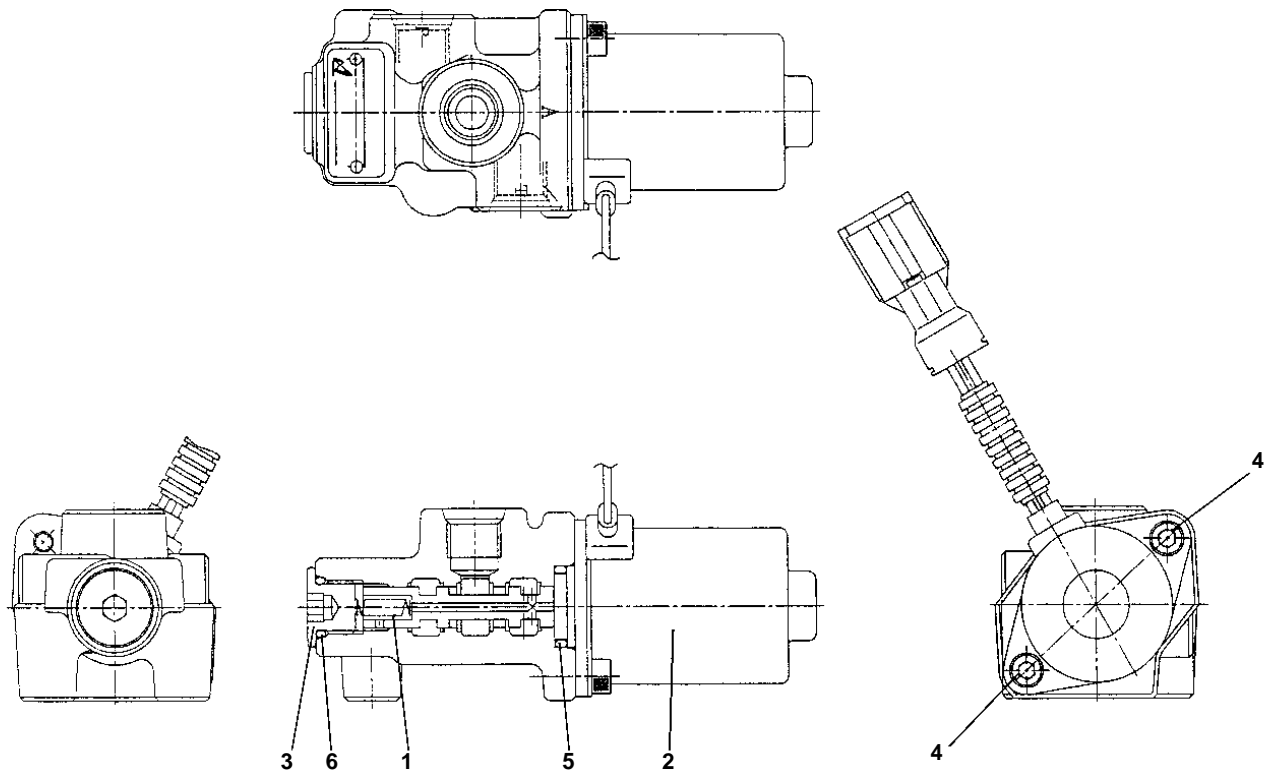
J2H150

S-free

SOLENOID VALVE; 5 BLOCKS

Item	Part number	Description	Q'ty	Chan.	Serial No.	Serv.	Remarks
0	1901749200	VALVE ASSY, solenoid	1				
0-1	1901732499	· KIT, seal	1				
1	X 1420000160	· · O-RING	5				
2	X 1420010110	· · O-RING	3				
3	X 1420010180	· · O-RING	1				
4	1901732003	· SHIM	4				
5	1901732502	· SPRING	1				
6	1901732004	· PLUG	1				
7	1901728703	· SPRING	5				
8	1901729605	· SPRING	2				
9	1901729610	· PLUNGER	1				
10	1901728711	· STOPPER	5				
11	1901729616	· RING	1				
12	1901732407	· ORIFICE	1				
13	1901748816	· SOLENOID	5				
14	1901720720	· PLUG	3				
15	1110020510	· SCREW, cap	10				
16	1140010004	· WASHER	5				
17	1901017793	· BALL, steel	22				
18	1901748828	· TUBE	5				
	J2h150						

TB138FR (P-T138FBBB) Book No. BG6Z001 S/N 13820001-
SOLENOID VALVE (for air conditioner)



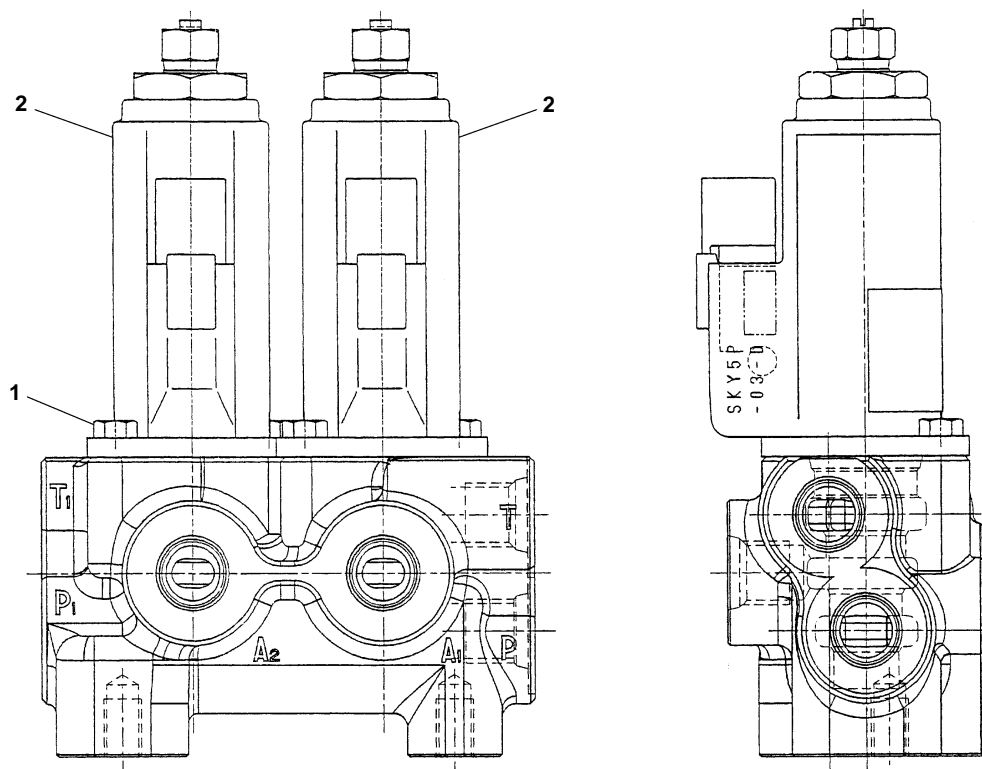
G4H310

S=FREE

SOLENOID VALVE (for air conditioner)

Item	Part number	Description	Q'ty	Chan.	Serial No.	Serv.	Remarks
0	1901746600	VALVE ASSY, solenoid	1				
1	1901734404	· SPRING	1				
2	1901746604	· SOLENOID	1				
3	1901738312	· PLUG	1				
4	1110050512	· SCREW, cap	2				
5	1420000160	· O-RING	1				
6	1420010110	· O-RING	1				
	G4h310						

TB138FR (P-T138FBBB) Book No. BG6Z001 S/N 13820001-
PROPORTIONAL VALVE



J3H020

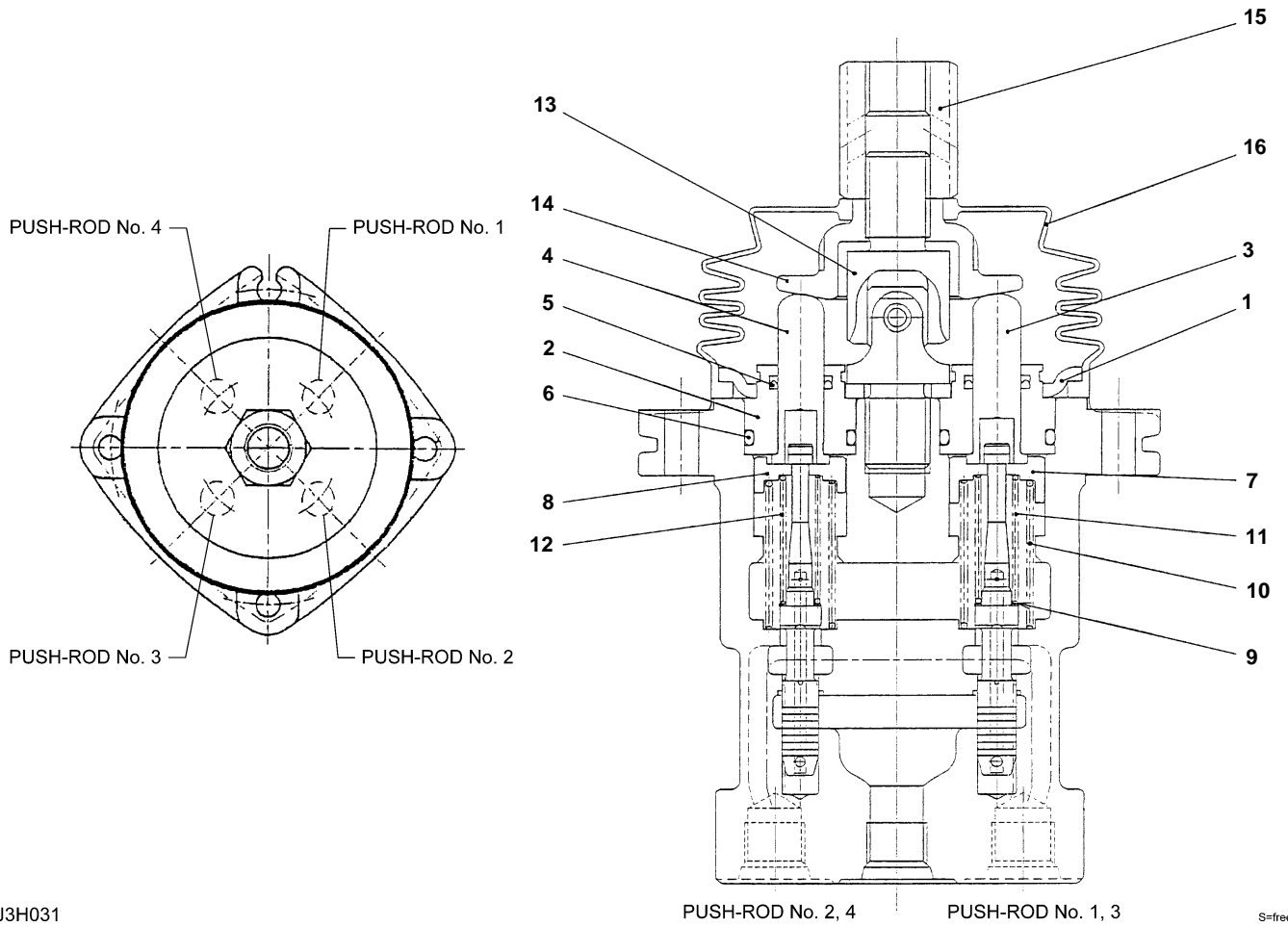
S=free

PROPORTIONAL VALVE

Item	Part number	Description	Q'ty	Chan.	Serial No.	Serv.	Remarks
0	1901752100	VALVE ASSY, proportional	1				
1	1110050512	· BOLT	4				
2	1901752103	· VALVE, proportional	2				

J3h020

TB138FR (P-T138FBBB) Book No. BG6Z001 S/N 13820001-
PILOT VALVE



J3H031

PUSH-ROD No. 2, 4

PUSH-ROD No. 1, 3

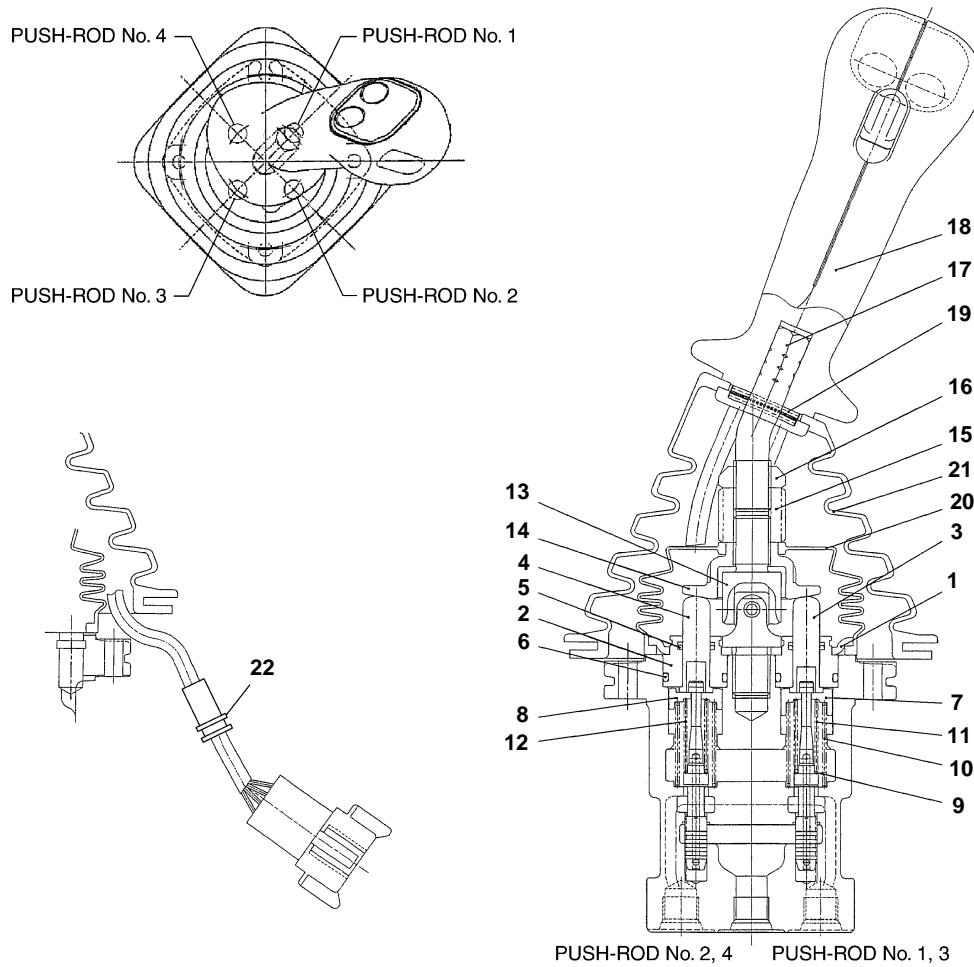
S=free

PILOT VALVE

Item	Part number	Description	Q'ty	Chan.	Serial No.	Serv.	Remarks
0	1901751100	VALVE ASSY, pilot	1				
1	1901742602	· PLATE	1				
2	1901710912	· PLUG	4				
3	1901719011	· ROD	2				
4	1901719012	· ROD	2				
5	1901710914	· SEAL	4				
6	1420010200	· O-RING	4				
7	1901745709	· HOLDER	2				
8	1901745710	· HOLDER	2				
9	1901710917	· WASHER	4				
10	1901745612	· SPRING	4				
11	1901742614	· SPRING	2				
12	1901742615	· SPRING	2				
13	1901720232	· JOINT	1				
14	1901743620	· PLATE	1				
15	1901703222	· NUT	1				
16	1901742619	· BUSHING	1				

J3h030

**TB138FR (P-T138FBBB) Book No. BG6Z001 S/N 13820001-
PILOT VALVE (R.H.) (with 3-switch)**



G7H150

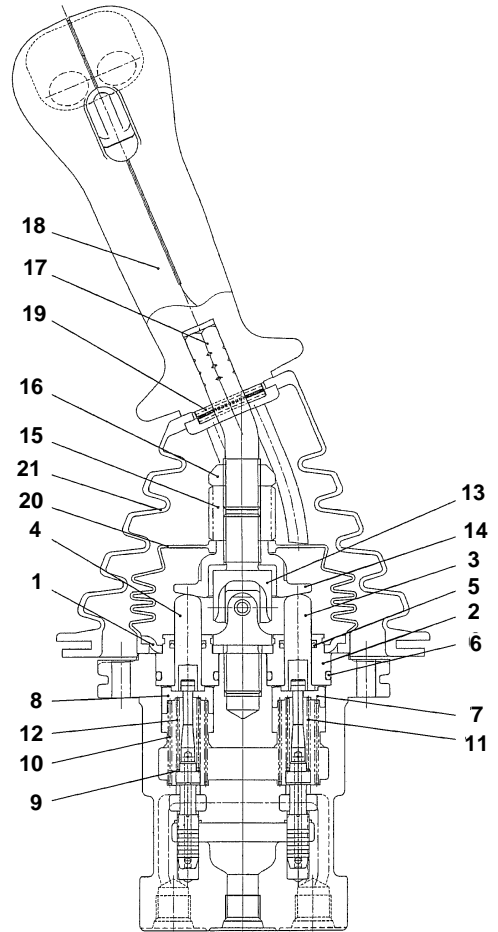
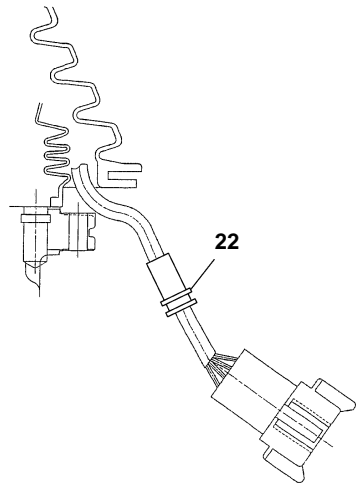
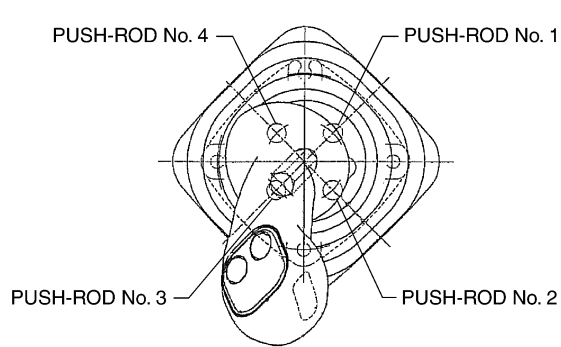
S-free

PILOT VALVE (R.H.) (with 3-switch)

Item	Part number	Description	Q'ty	Chan.	Serial No.	Serv.	Remarks
0	1901751200	VALVE ASSY, pilot (R.H.)	1				
1	1901742602	· PLATE	1				
2	1901710912	· PLUG	4				
3	1901719011	· ROD	2				
4	1901719012	· ROD	2				
5	1901710914	· SEAL	4				
6	1420010200	· O-RING	4				
7	1901745709	· HOLDER	2				
8	1901745710	· HOLDER	2				
9	1901710917	· WASHER	4				
10	1901745612	· SPRING	4				
11	1901742614	· SPRING	2				
12	1901742615	· SPRING	2				
13	1901720232	· JOINT	1				
14	1901743620	· PLATE	1				
15	1901735625	· NUT	1				
16	1901735626	· NUT	1				
17	1901740432	· LEVER	1				
18	1901741210	· HANDLE	1				
19	1901746521	· PIN, spring	1				
20	1901742619	· BOOT	1				
21	1901735632	· BOOT	1				
22	1700100092	· GROMMET	1				

G7h150

**TB138FR (P-T138FBBB) Book No. BG6Z001 S/N 13820001-
PILOT VALVE (L.H.) (with 3-switch)**



PUSH-ROD No. 2, 4 PUSH-ROD No. 1, 3

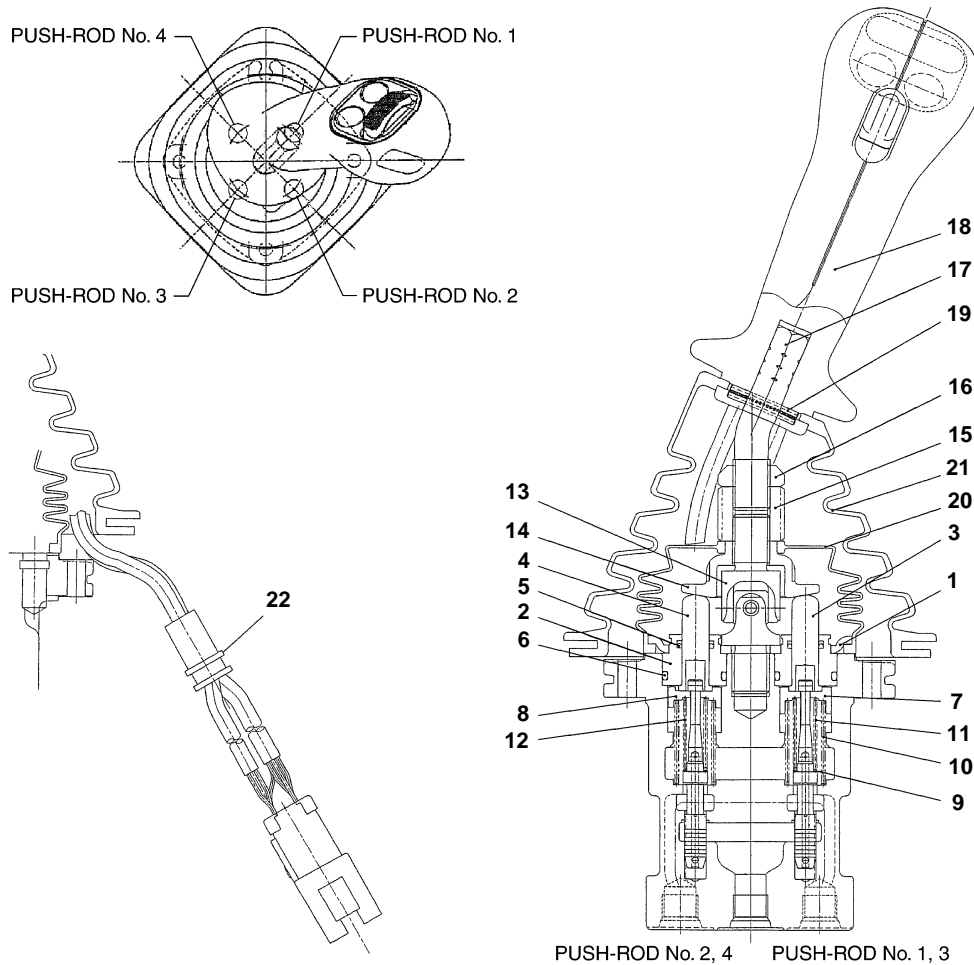
S=free

G7H160

PILOT VALVE (L.H.) (with 3-switch)

Item	Part number	Description	Q'ty	Chan.	Serial No.	Serv.	Remarks
0	1901751300	VALVE ASSY, pilot (L.H.)	1				
1	1901742602	· PLATE	1				
2	1901710912	· PLUG	4				
3	1901719011	· ROD	2				
4	1901719012	· ROD	2				
5	1901710914	· SEAL	4				
6	1420010200	· O-RING	4				
7	1901745709	· HOLDER	2				
8	1901745710	· HOLDER	2				
9	1901710917	· WASHER	4				
10	1901745612	· SPRING	4				
11	1901742614	· SPRING	2				
12	1901742615	· SPRING	2				
13	1901720232	· JOINT	1				
14	1901743620	· PLATE	1				
15	1901735625	· NUT	1				
16	1901735626	· NUT	1				
17	1901740432	· LEVER	1				
18	1901741210	· HANDLE	1				
19	1901746521	· PIN, spring	1				
20	1901742619	· BOOT	1				
21	1901735632	· BOOT	1				
22	1700100092	· GROMMET	1				
	G7h160						

**TB138FR (P-T138FBBB) Book No. BG6Z001 S/N 13820001-
PILOT VALVE (R.H.) (with slide switch)**



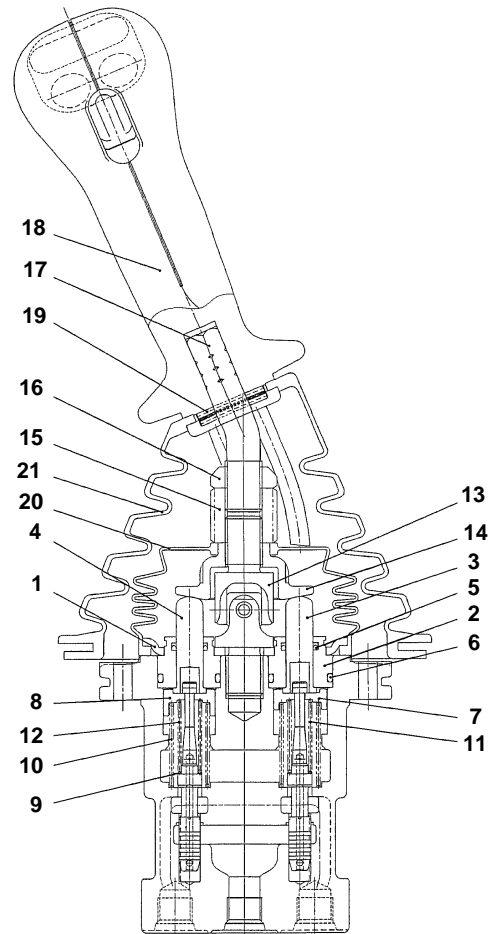
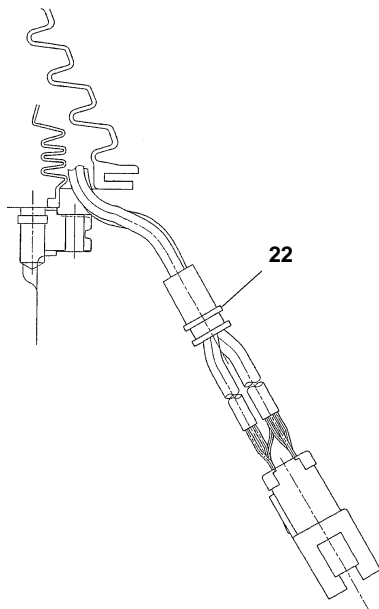
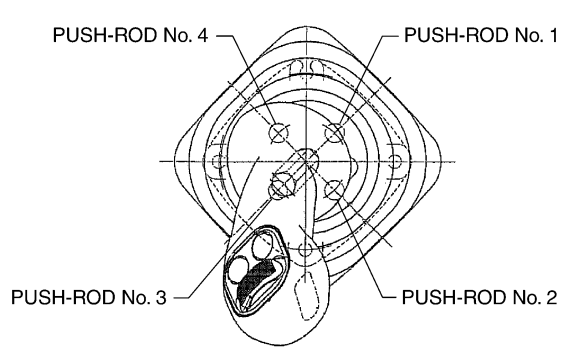
G7H340

S-free

PILOT VALVE (R.H.) (with slide switch)

Item	Part number	Description	Q'ty	Chan.	Serial No.	Serv.	Remarks
0	1901751400	VALVE ASSY, pilot (R.H.)	1				
1	1901742602	· PLATE	1				
2	1901710912	· PLUG	4				
3	1901719011	· ROD	2				
4	1901719012	· ROD	2				
5	1901710914	· SEAL	4				
6	1420010200	· O-RING	4				
7	1901745709	· HOLDER	2				
8	1901745710	· HOLDER	2				
9	1901710917	· WASHER	4				
10	1901745612	· SPRING	4				
11	1901742614	· SPRING	2				
12	1901742615	· SPRING	2				
13	1901720232	· JOINT	1				
14	1901743620	· PLATE	1				
15	1901735625	· NUT	1				
16	1901735626	· NUT	1				
17	1901740432	· LEVER	1				
18	1901751410	· HANDLE	1				
19	1901746521	· PIN, spring	1				
20	1901742619	· BOOT	1				
21	1901735632	· BOOT	1				
22	1700100092	· GROMMET	1				
	G7h341						

**TB138FR (P-T138FBBB) Book No. BG6Z001 S/N 13820001-
PILOT VALVE (L.H.) (with slide switch)**



PUSH-ROD No. 2, 4 PUSH-ROD No. 1, 3

S=free

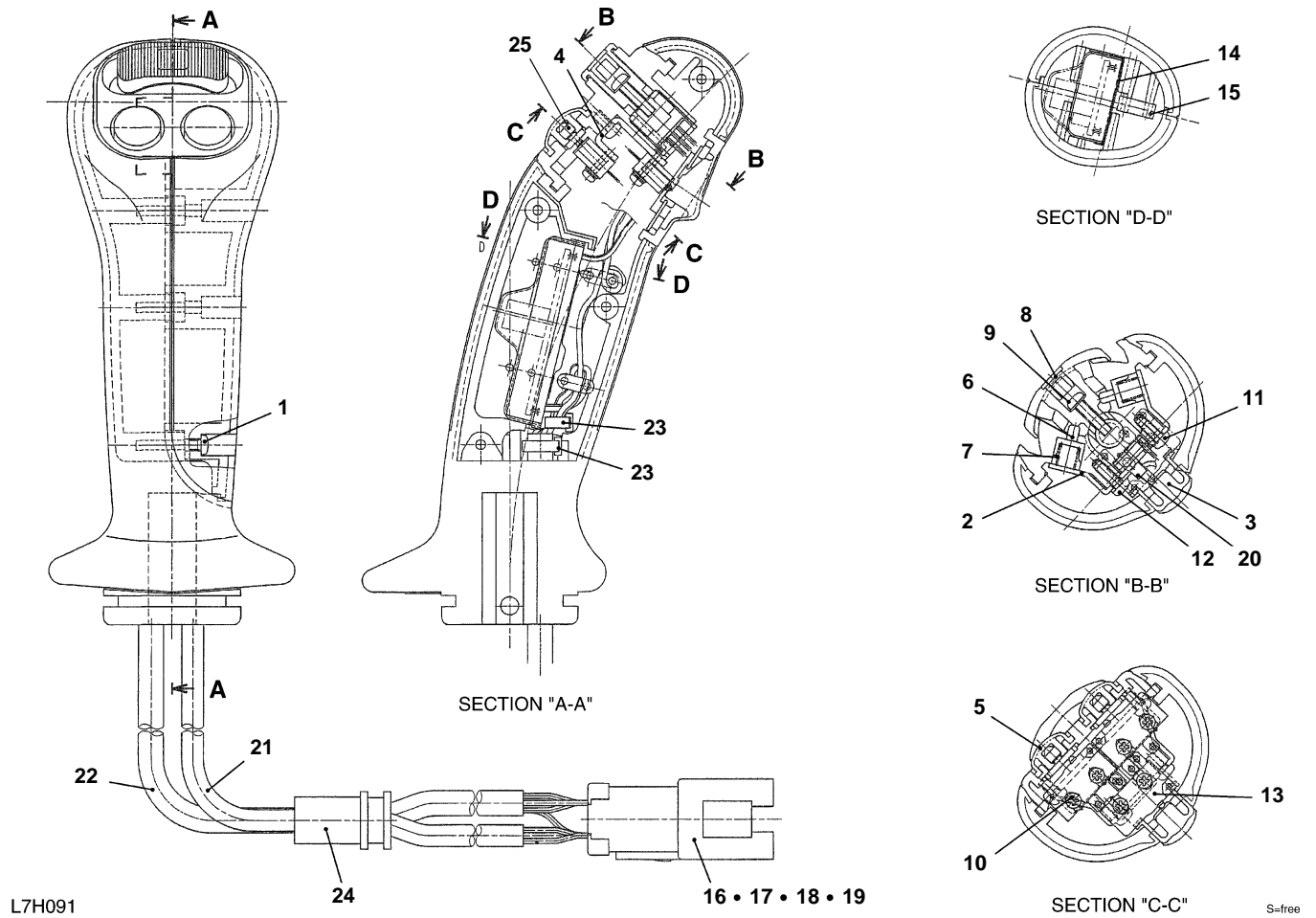
G7H350

PILOT VALVE (L.H.) (with slide switch)

Item	Part number	Description	Q'ty	Chan.	Serial No.	Serv.	Remarks
0	1901751500	VALVE ASSY, pilot (L.H.)	1				
1	1901742602	· PLATE	1				
2	1901710912	· PLUG	4				
3	1901719011	· ROD	2				
4	1901719012	· ROD	2				
5	1901710914	· SEAL	4				
6	1420010200	· O-RING	4				
7	1901745709	· HOLDER	2				
8	1901745710	· HOLDER	2				
9	1901710917	· WASHER	4				
10	1901745612	· SPRING	4				
11	1901742614	· SPRING	2				
12	1901742615	· SPRING	2				
13	1901720232	· JOINT	1				
14	1901743620	· PLATE	1				
15	1901735625	· NUT	1				
16	1901735626	· NUT	1				
17	1901740432	· LEVER	1				
18	1901751410	· HANDLE	1				
19	1901746521	· PIN, spring	1				
20	1901742619	· BOOT	1				
21	1901735632	· BOOT	1				
22	1700100092	· GROMMET	1				

G7h350

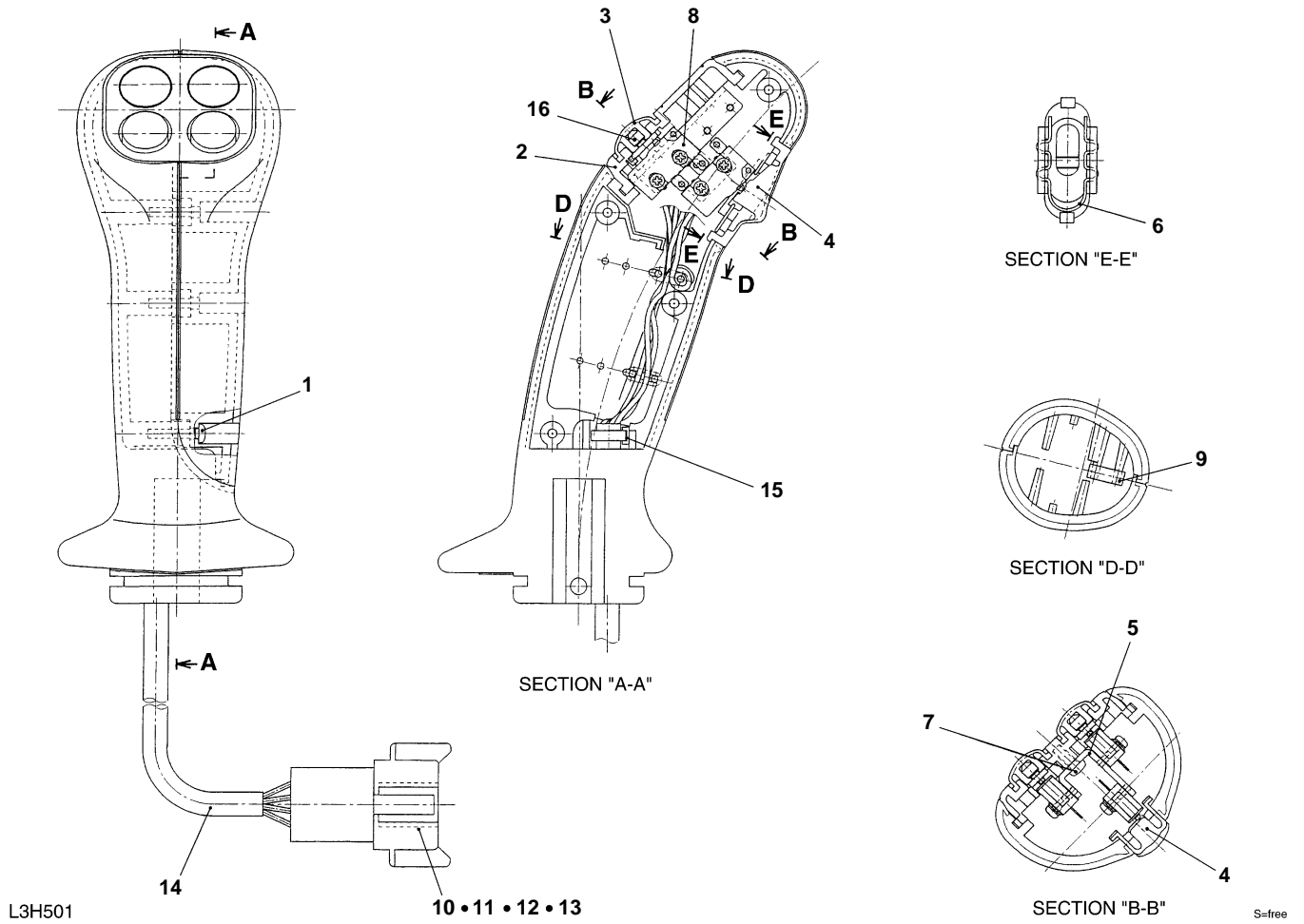
**TB138FR (P-T138FBBB) Book No. BG6Z001 S/N 13820001-
HANDLE (with slide switch)**



HANDLE (with slide switch)

Item	Part number	Description	Q'ty	Chan.	Serial No.	Serv.	Remarks
0	1901751410	HANDLE ASSY	1				
1	1122400316	· SCREW	4				
2	1901740401	· PLATE	1				
3	1901740402	· BUTTON	1				
4	1901751405	· BRACKET	1				
5	1901741216	· BUTTON	2				
6	1901740405	· PISTON	2				
7	1901740406	· SPRING	2				
8	1901740407	· CAP	1				
9	1150010312	· SCREW	1				
10	1901751472	· SCREW	6				
11	1122400306	· SCREW	3				
12	1122400308	· SCREW	1				
13	1901740408	· SWITCH	3				
14	1901751452	· COVER	1				
15	1901740412	· CAP	2				
16	1901751483	· RECEPTACLE	1				
17	1901751484	· WEDGE	1				
18	1901740413	· PIN	11				
19	1901741263	· CAP	1				
20	1901751489	· TERMINAL	1				
21	1901751490	· PROTECTOR	1				
22	1901751491	· PROTECTOR	1				
23	1901751492	· BAND	4				
24	1901751495	· GROMMET	1				
25	1901741312	· RETAINER	2				M
	L7h091						

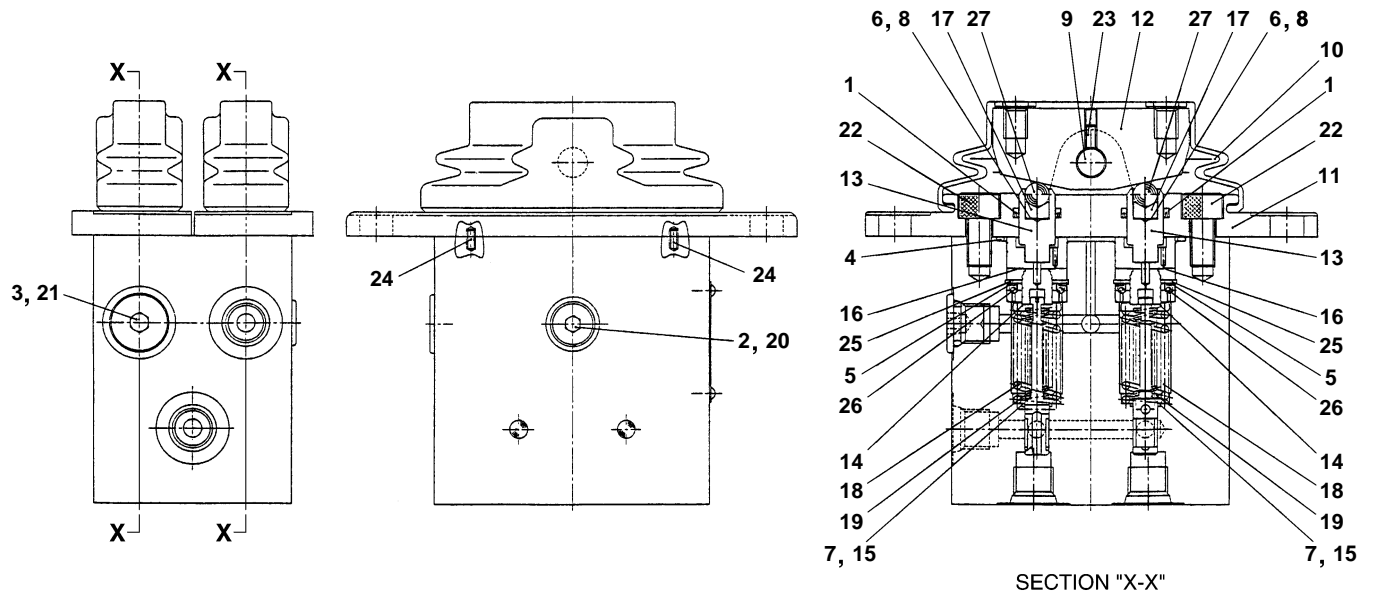
**TB138FR (P-T138FBBB) Book No. BG6Z001 S/N 13820001-
HANDLE (with 3-switch)**



HANDLE (with 3-switch)

Item	Part number	Description	Q'ty	Chan.	Serial No.	Serv.	Remarks
0	1901741210	HANDLE ASSY	1				
1	1122400312	· SCREW	4				
2	1901741211	· CASE	1				
3	1901741216	· BUTTON	2				
4	1901740402	· BUTTON	1				
5	1901741218	· BRACKET	1				
6	1901740404	· CLIP	1				
7	1122400306	· SCREW	2				
8	1901740408	· SWITCH	3				
9	1901740412	· CAP	2				
10	1901740446	· RECEPTACLE	1				
11	1901740447	· WEDGE	1				
12	1901740413	· PIN	5				
13	1901741263	· PIN, BLANKING	3				
14	1901740414	· PROTECTOR	1				
15	1901740415	· BAND	1				
16	1901741312	· RETAINER	2				M
	L3h501						

**TB138FR (P-T138FBBB) Book No. BG6Z001 S/N 13820001-
REMOTE CONTROL VALVE (for travel)**



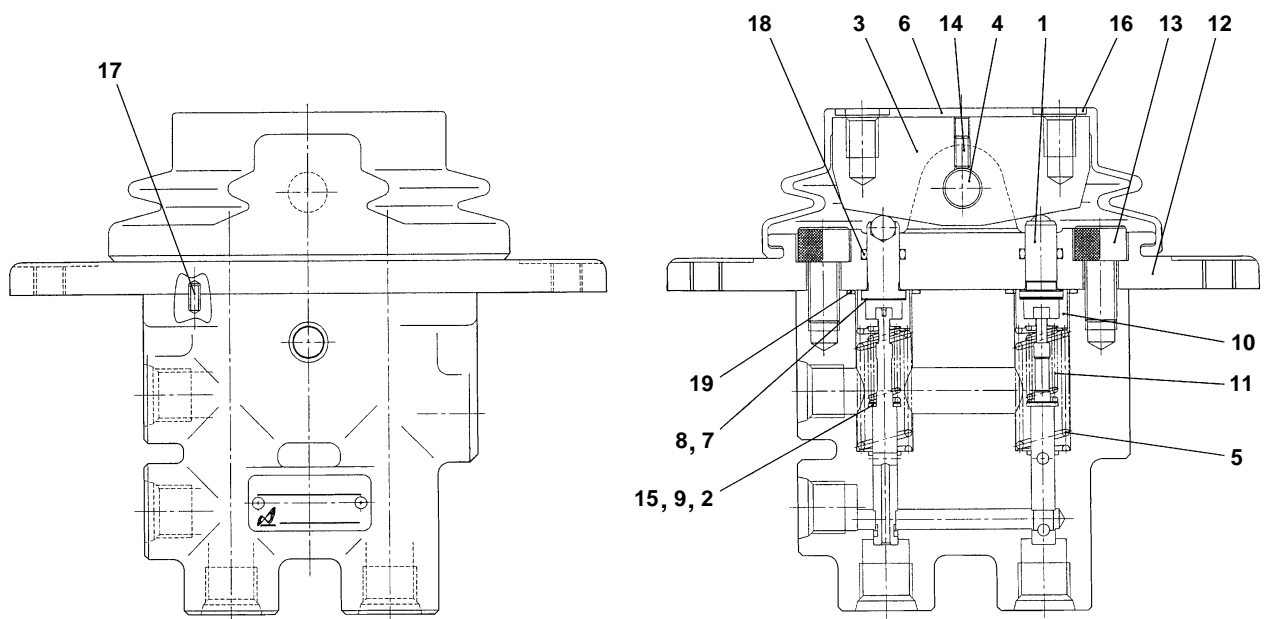
L4H110

S=FREE

REMOTE CONTROL VALVE (for travel)

Item	Part number	Description	Q'ty	Chan.	Serial No.	Serv.	Remarks
0	1901739100	VALVE ASSY, remote control	1				
0-1	1901739199	· KIT, seal	1				
1	X 1901728523	· · U-PACKING	4				
2	X 1420010080	· · O-RING	1				
3	X 1420010110	· · O-RING	1				
4	X 1420510460	· · O-RING	2				
5	1901739101	· SHIM	4				
6	1901739102	· ORIFICE	4				
7	1901739103	· SHIM	4				
8	1901739104	· ORIFICE	4				
9	1901729706	· PIN	2				
10	1901729708	· BOOT	2				
11	1901739108	· COVER	2				
12	1901739129	· CAM	2				
13	1901739113	· PUSHER	4				
14	1901739114	· RETAINER	4				
15	1901739115	· SHIM	4				
16	1901739116	· WASHER	4				
17	1901739118	· HOLDER	4				
18	1901739119	· SPRING	4				
19	1901739120	· SPRING	4				
20	1901729618	· PLUG	1				
21	1901720720	· PLUG	1				
22	1110050816	· SCREW, cap	4				
23	1121040606	· SET-SCREW	2				
24	1213040306	· PIN, spring	4				
25	1221000020	· RING, snap	4				
26	1390020020	· BALL, steel	8				
27	1390020500	· BALL, steel	4				
	L5h050						

**TB138FR (P-T138FBBB) Book No. BG6Z001 S/N 13820001-
REMOTE CONTROL VALVE (for offset, for 2nd aux. line)**



J1H160

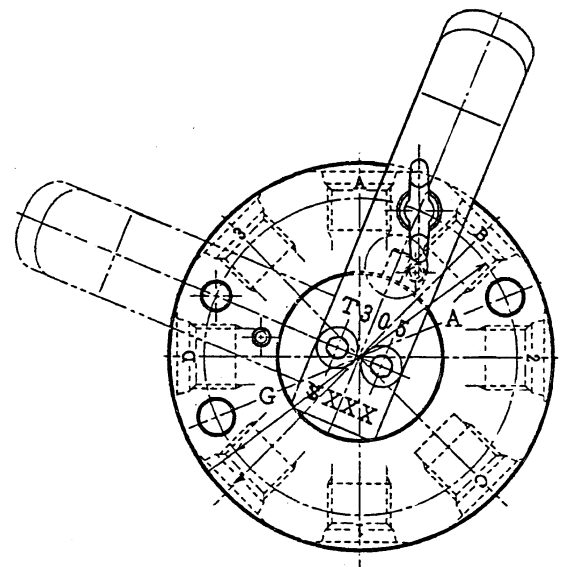
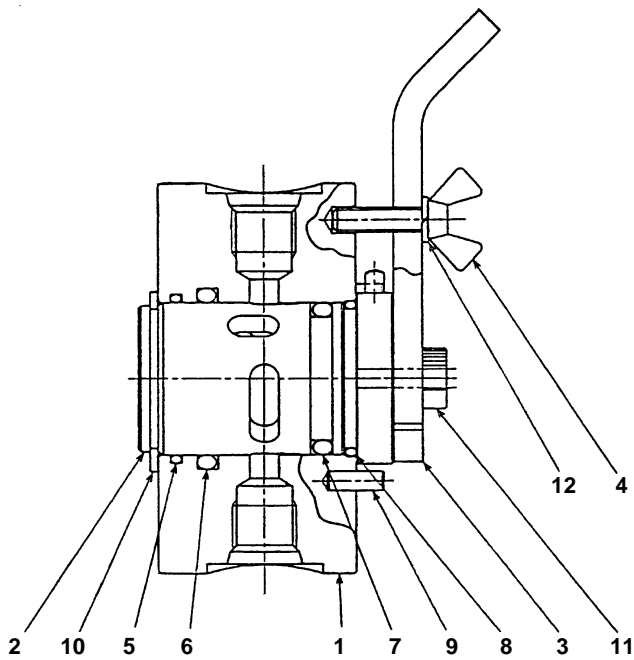
S-free

REMOTE CONTROL VALVE (for offset, for 2nd aux. line)

Item	Part number	Description	Q'ty	Chan.	Serial No.	Serv.	Remarks
0	1901746300	VALVE ASSY, pilot	1				
1	1901746301	· PUSHER	2				
2	1901729704	· SHIM t=0.1	2				
3	1901729705	· CAM	1				
4	1901729706	· PIN	1				
5	1901729707	· SPRING	2				
6	1901729708	· BOOT	1				
7	1901729709	· SHIM t=0.1	2				
8	1901729710	· SHIM t=0.2	2				
9	1901729711	· SHIM t=0.2	2				
10	1901729713	· HOLDER, spring	2				
11	1901729714	· SPRING	2				
12	1901746315	· COVER	1				
13	1100040816	· SCREW, cap	2				
14	1121340408	· SET-SCREW	1				
15	1141100004	· WASHER	2				
16	1141100008	· WASHER	2				
17	1213000306	· PIN, spring	2				
18	1420000080	· O-RING	2				
19	1420310016	· O-RING	2				

J1h160

TB138FR (P-T138FBBB) Book No. BG6Z001 S/N 13820001-
SELECTOR VALVE (ISO-JCB)



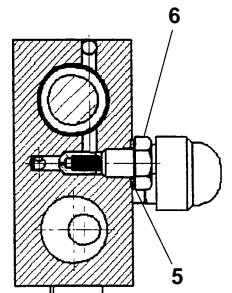
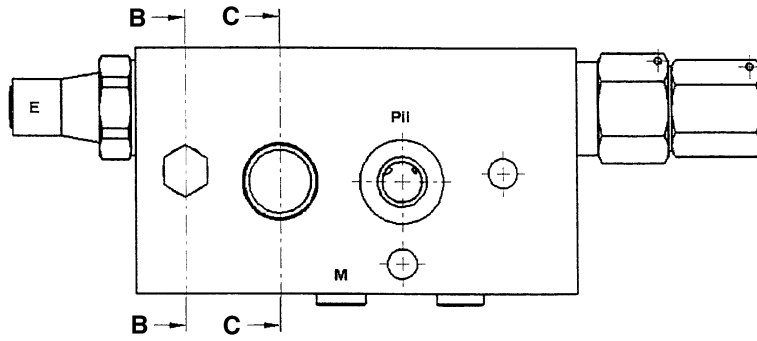
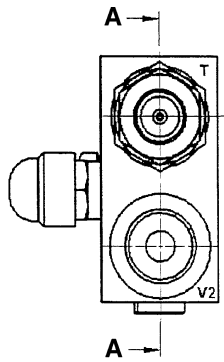
C4H180

S=FREE

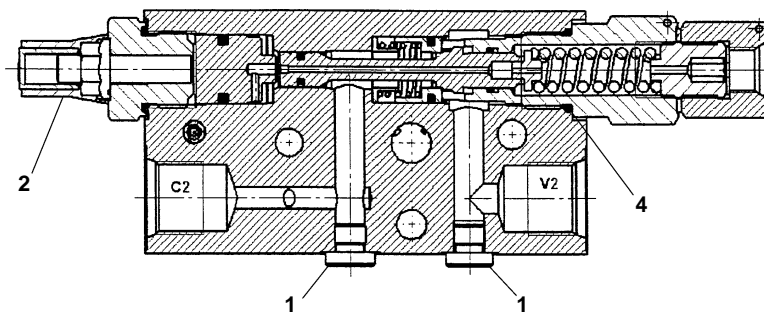
SELECTOR VALVE (ISO-JCB)

Item	Part number	Description	Q'ty	Chan.	Serial No.	Serv.	Remarks
0	1901730500	VALVE ASSY, selector	1				
1	1901730501	· BODY	1				
2	1901730502	· ROTOR	1				
3	1901730503	· LEVER	1				
4	1901730504	· BOLT	1				
5	1901730505	· O-RING	1				
6	1901730506	· O-RING	1				
7	1901730507	· O-RING	1				
8	1901730508	· O-RING	1				
9	1213000412	· PIN, spring	3				
10	1220000030	· RING, snap	1				
11	1110050514	· SCREW, cap	2				
12	1140010005	· WASHER, spring	1				
	C4h180						

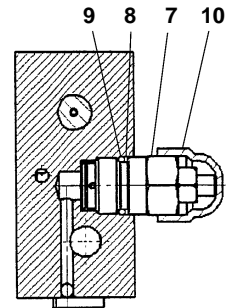
**TB138FR (P-T138FBBB) Book No. BG6Z001 S/N 13820001-
EMERGENCY SHUT-OFF VALVE**



SECTION "B-B"



SECTION "A-A"



SECTION "C-C"

E5H391

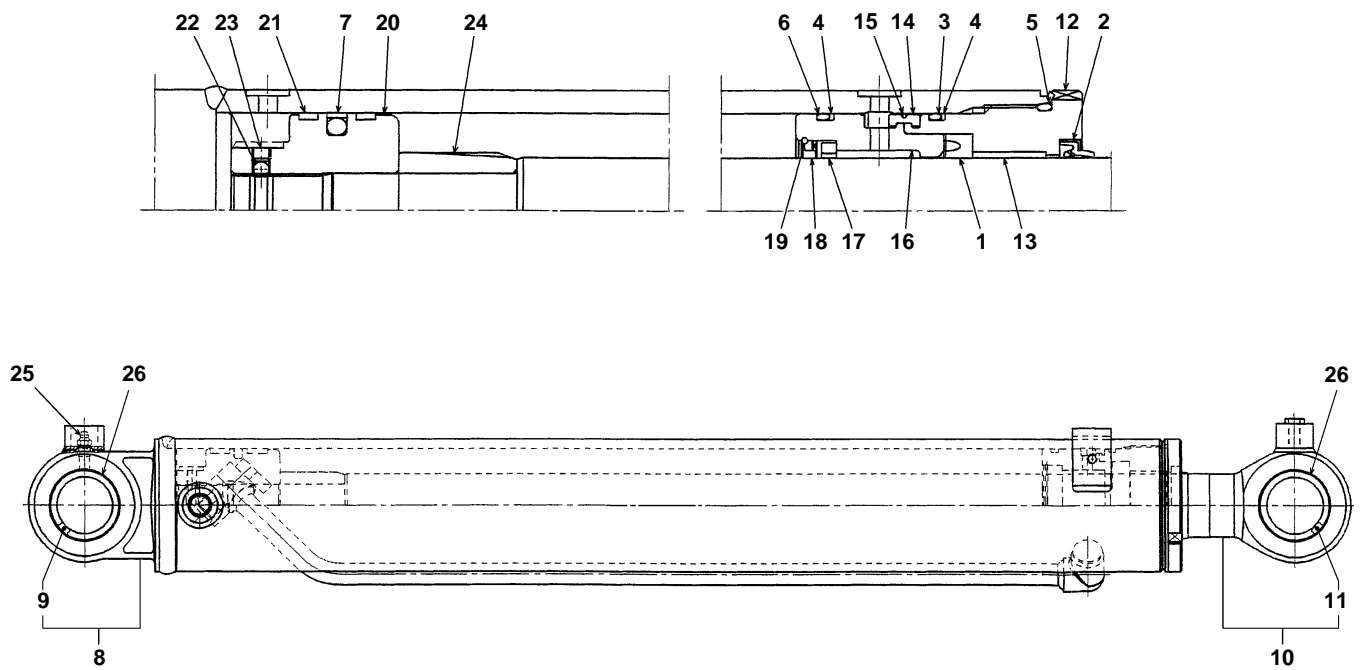
S=free

EMERGENCY SHUT-OFF VALVE

Item	Part number	Description	Q'ty	Chan.	Serial No.	Serv.	Remarks
0	1901745200	VALVE ASSY, load holding	1				
1	1901742903	· PLUG	2				
2	1901742901	· CAP	1				
4	1901742904	· · O-RING	1				
5	1901742906	· SEAL	1				
6	1901742907	· PLUG	1				
7	1901742909	· PLUG ASSY	1				
8	1901742911	· · RING, back-up	1				
9	1901742708	· · O-RING	1				
10	1901742910	· CAP	1				

E5h391

TB138FR (P-T138FBBB) Book No. BG6Z001 S/N 13820001-
BOOM CYLINDER



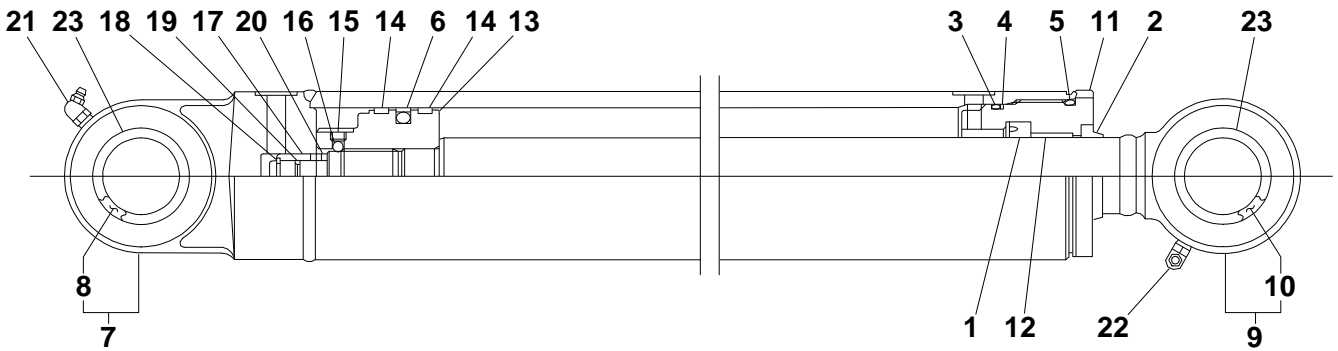
G5H140

S=free

BOOM CYLINDER

Item	Part number	Description	Q'ty	Chan.	Serial No.	Serv.	Remarks
0	1900100400	CYLINDER ASSY	1				boom
	1900102500	CYLINDER ASSY (U.S. TAKEUCHI)	1				boom
0-1	1900100499	· KIT, seal	1				
1	X 1900005812	· · PACKING, rod	1				
2	X 1900073933	· · SEAL, dust	1				
3	X 1420110850	· · O-RING	1				
4	X 1421130850	· · RING, back-up	2				
5	X 1420110900	· · O-RING	1				
6	X 1420110800	· · O-RING	1				
7	X 1900047131	· · PACKING, piston	1				
8	1900100498	· TUBE KIT	1				
	1900102598	· TUBE KIT	1				U.S. TAKEUCHI
9	1900100420	· · BUSHING	1				
10	1900100497	· ROD KIT, piston	1				
11	1900100402	· · BUSHING	1				
12	1900060003	· COVER, rod	1				
13	1333005030	· BUSHING	1				
	1900102502	· BUSHING	1				U.S. TAKEUCHI
14	1900060026	· HOLDER	1				
15	1900060027	· STOPPER	1				
16	1900060004	· RETAINER	1				
17	1900060016	· RING, cushion	1				
18	1900060015	· SPACER	1				
19	1900060028	· STOPPER	1				
20	1900060006	· PISTON	1				
21	1900047132	· RING, wear	2				
22	1390020350	· BALL, steel	1				
23	1121050808	· SET-SCREW	1				
24	1900100405	· CUSHION, rod	1				
25	1560001000	· FITTING, grease	1				
26	1432200045	· SEAL, dust	4				
	G5h141						

TB138FR (P-T138FBBB) Book No. BG6Z001 S/N 13820001-
ARM CYLINDER



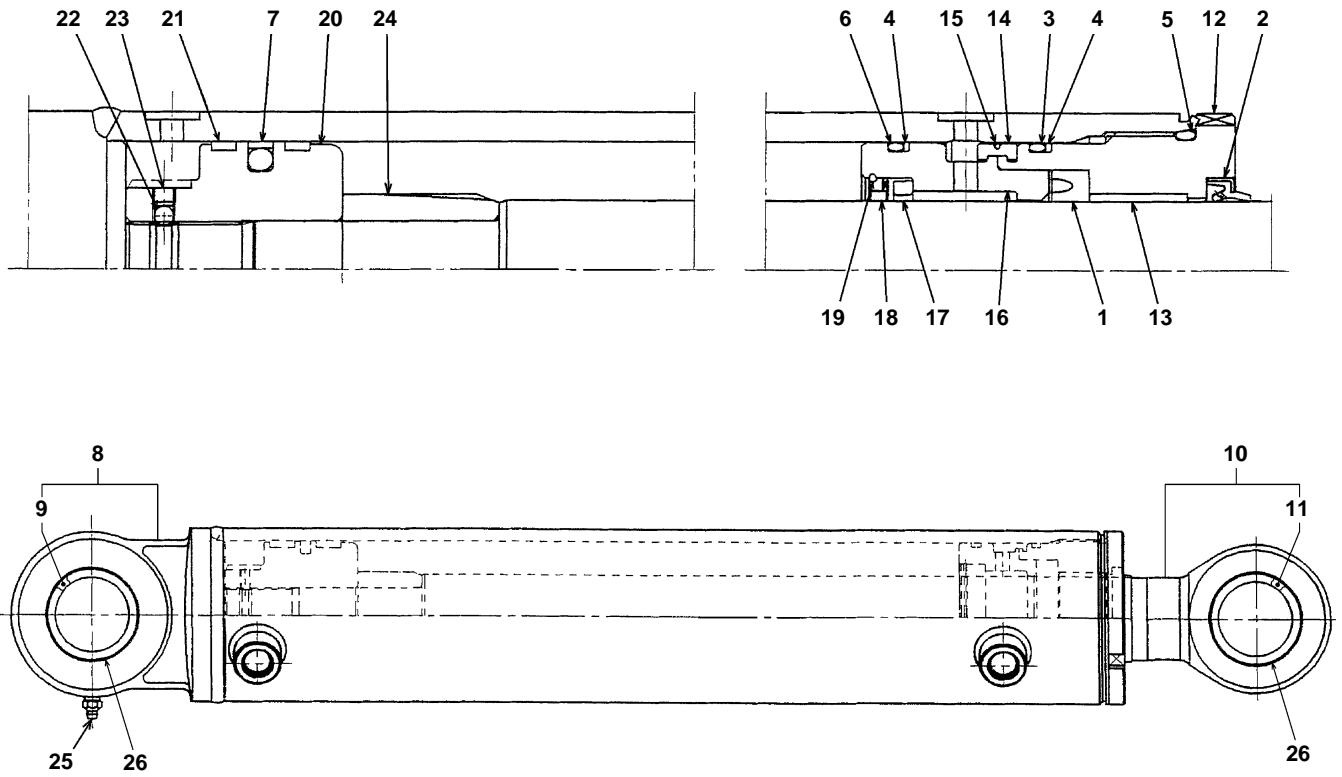
G4H162

S=FREE

ARM CYLINDER

Item	Part number	Description	Q'ty	Chan.	Serial No.	Serv.	Remarks
0	1900091400	CYLINDER ASSY	1				arm
0-1	1900091499	· KIT, seal	1				
1	X 1900005912	· · PACKING, rod	1				
2	X 1900075133	· · SEAL, dust	1				
3	X 1420110750	· · O-RING	1				
4	X 1900088727	· · RING, back-up	1				
5	X 1420110800	· · O-RING	1				
6	X 1900047231	· · PACKING, piston	1				
7	1900091498	· TUBE ASSY	1				
8	1900045602	· · BUSHING	1				
9	1900091497	· ROD ASSY, piston	1				
10	1900045602	· · BUSHING	1				
11	1900091403	· COVER, rod	1				
12	1333004525	· BUSHING	1				
13	1900091406	· PISTON	1				
14	1900090626	· RING, slide	2				
15	1121050508	· SET-SCREW	1				
16	1390020350	· BALL, steel	1				
17	1900091405	· CUSHION, rod	1				
18	1900047122	· STOPPER	2				
19	1900076335	· SEAL, cushion	1				
20	1900047114	· RING, snap	1				
21	1560001675	· FITTING, grease	1				
22	1560001900	· FITTING, grease	1				
23	1900091433	· SEAL, dust	4				
	G4h163						

TB138FR (P-T138FBBB) Book No. BG6Z001 S/N 13820001-
OFFSET CYLINDER



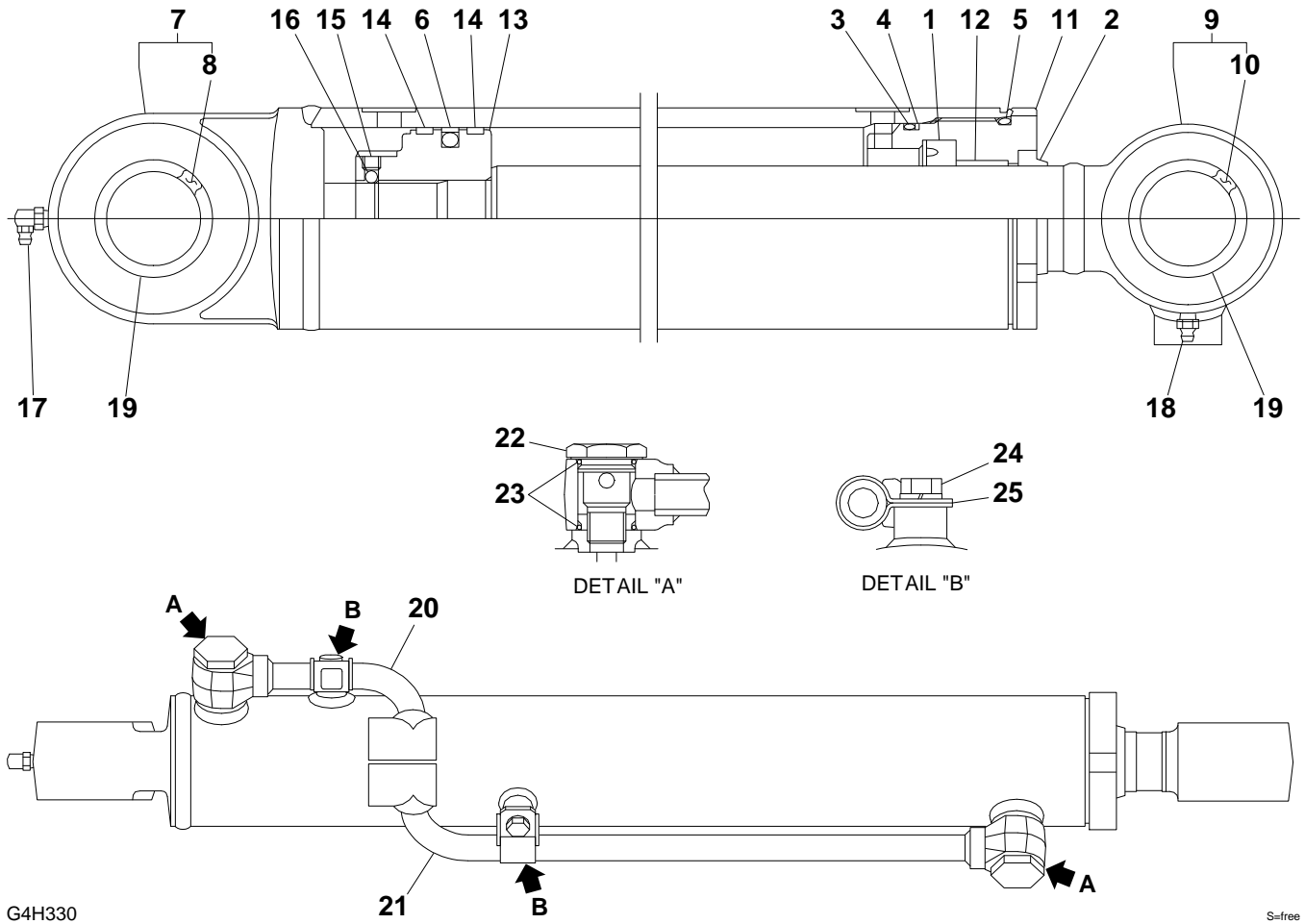
G5H150

S=free

OFFSET CYLINDER

Item	Part number	Description	Q'ty	Chan.	Serial No.	Serv.	Remarks
0	1900086600	CYLINDER ASSY	1				offset
0-1	1900086699	· KIT, seal	1				
1	X 1900005812	· · PACKING, rod	1				
2	X 1900073933	· · SEAL, dust	1				
3	X 1420110850	· · O-RING	1				
4	X 1421130850	· · RING, back-up	2				
5	X 1420110900	· · O-RING	1				
6	X 1420110800	· · O-RING	1				
7	X 1900047131	· · PACKING, piston	1				
8	1900086698	· TUBE KIT	1				
9	1900018502	· · BUSHING	1				
10	1900086697	· ROD KIT, piston	1				
11	1900045602	· · BUSHING	1				
12	1900060003	· COVER, rod	1				
13	1333005030	· BUSHING	1				
14	1900060026	· HOLDER	1				
15	1900060027	· STOPPER	1				
16	1900086604	· RETAINER	1				
17	1900060016	· RING, cushion	1				
18	1900060015	· SPACER	1				
19	1900060028	· STOPPER	1				
20	1900060006	· PISTON	1				
21	1900047132	· RING, wear	2				
22	1390020350	· BALL, steel	1				
23	1121050808	· SET-SCREW	1				
24	1900086605	· CUSHION, rod	1				
25	1560001000	· FITTING, grease	1				
26	1432200045	· SEAL, dust	4				
	G5h150						

**TB138FR (P-T138FBBB) Book No. BG6Z001 S/N 13820001-
 BUCKET CYLINDER**



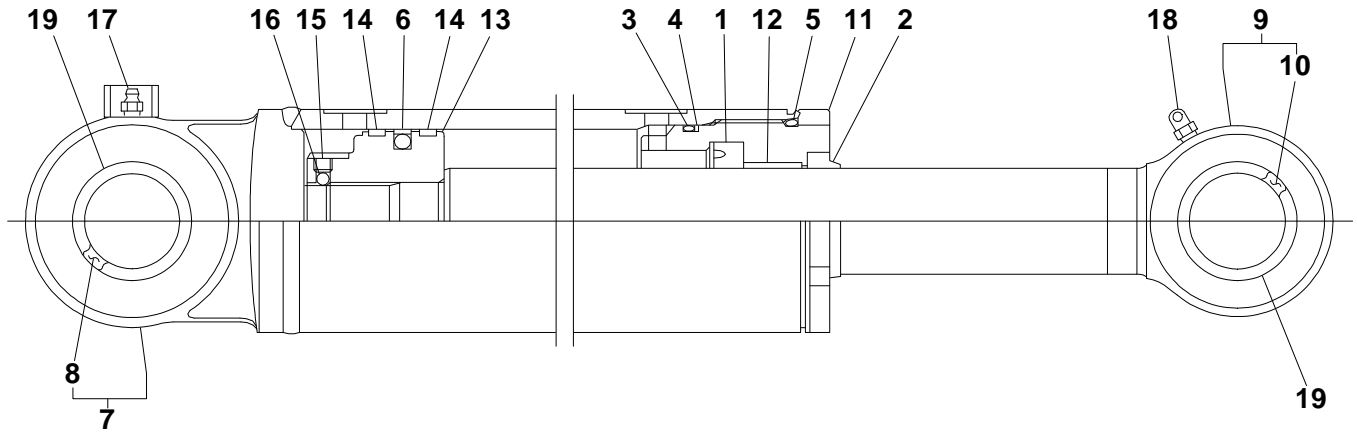
G4H330

S=free

BUCKET CYLINDER

Item	Part number	Description	Q'ty	Chan.	Serial No.	Serv.	Remarks
0	1900097100	CYLINDER ASSY	1				bucket
0-1	1900091599	· KIT, seal	1				
1	X 1900005612	· · PACKING, rod	1				
2	X 1900073033	· · SEAL, dust	1				
3	X 1420110650	· · O-RING	1				
4	X 1900088627	· · RING, back-up	1				
5	X 1420110700	· · O-RING	1				
6	X 1900051132	· · PACKING, piston	1				
7	1900097198	· TUBE ASSY	1				
8	1900015720	· · BUSHING	1				
9	1900091597	· ROD ASSY, piston	1				
10	1900015720	· · BUSHING	1				
11	1900088603	· COVER, rod	1				
12	1900088620	· BUSHING	1				
13	1900088606	· PISTON	1				
14	1900097131	· RING, slide	2				
15	1121050808	· SET-SCREW	1				
16	1390020350	· BALL, steel	1				
17	1560001900	· FITTING, grease	1				
18	1560001000	· FITTING, grease	1				
19	1900088633	· SEAL, dust	4				
20	1900097110	· PIPE ASSY	1				
21	1900097128	· PIPE ASSY	1				
22	1900093327	· PLUG	2				
23	1900093328	· O-RING	4				
24	1900008162	· BOLT	2				
25	1900090017	· HOLDER	2				
	G4h330						

TB138FR (P-T138FBBB) Book No. BG6Z001 S/N 13820001-
DOZER BLADE CYLINDER



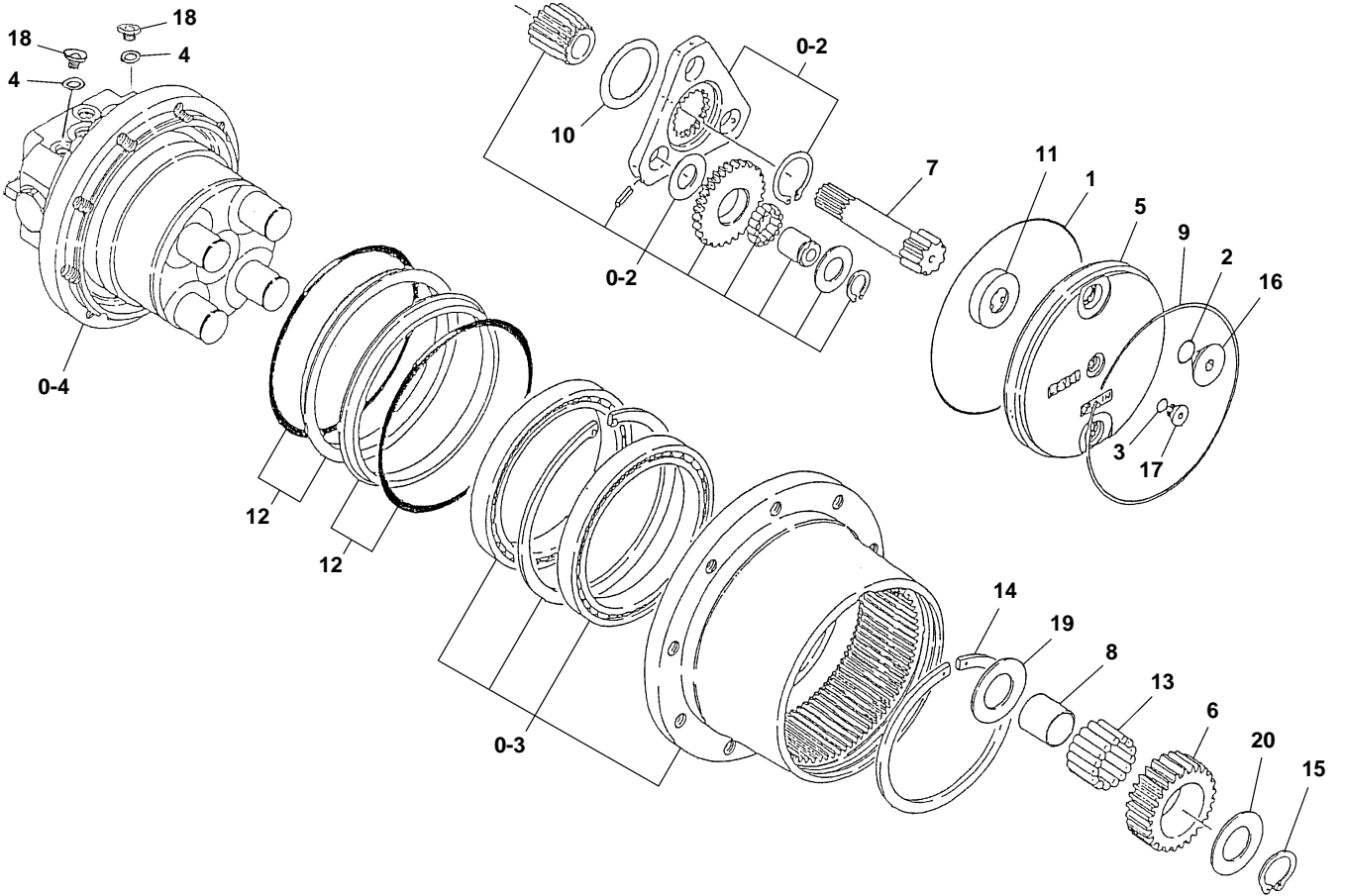
G4H202

S-free

DOZER BLADE CYLINDER

Item	Part number	Description	Q'ty	Chan.	Serial No.	Serv.	Remarks
0	1900091700	CYLINDER ASSY	1				blade
0-1	1900091799	· KIT, seal	1				
1	X 1900047033	· · PACKING, rod	1				
2	X 1900070831	· · SEAL, dust	1				
3	X 1420110950	· · O-RING	1				
4	X 1900086928	· · RING, back-up	1				
5	X 1420111000	· · O-RING	1				
6	X 1900047031	· · PACKING, piston	1				
7	1900091798	· TUBE ASSY	1				
8	1900046002	· · BUSHING	1				
9	1900091797	· ROD ASSY, piston	1				
10	1900046002	· · BUSHING	1				
11	1900091703	· COVER, rod	1				
12	1900047019	· BUSHING	1				
13	1900087806	· PISTON	1				
14	1900086926	· RING, slide	2				
15	1121051010	· SET-SCREW	1				
16	1390020400	· BALL, steel	1				
17	1560001000	· FITTING, grease	1				
18	1560001900	· FITTING, grease	1				
19	1900091733	· SEAL, dust	4				
	G4h202						

TB138FR (P-T138FBBB) Book No. BG6Z001 S/N 13820001-
TRAVEL MOTOR (1/3) (reduction sec.)



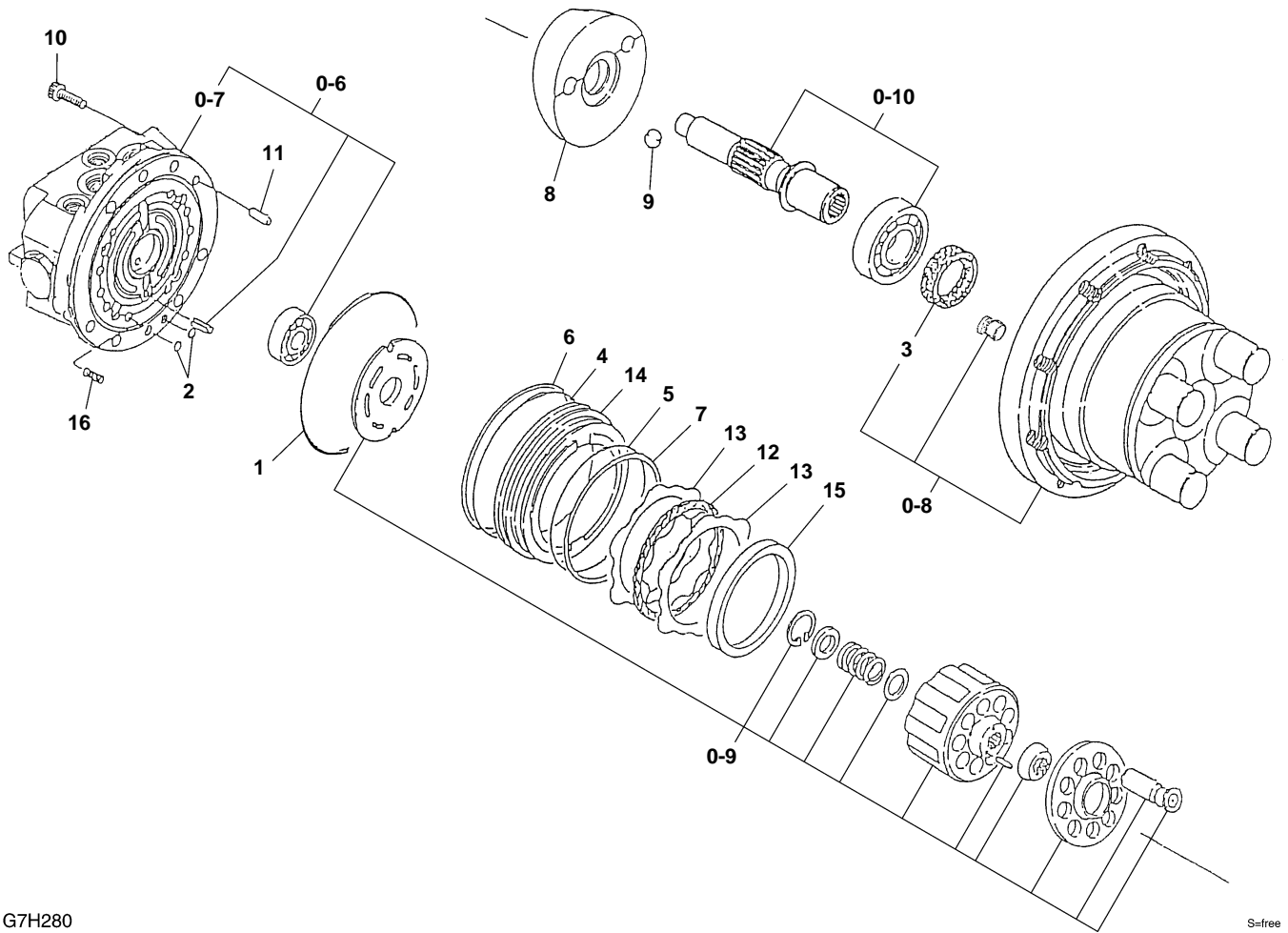
G7H270

S=free

TRAVEL MOTOR (1/3) (reduction sec.)

Item	Part number	Description	Q'ty	Chan.	Serial No.	Serv.	Remarks
0	1903126800	MOTOR ASSY, travel	1				
0-1	1903126899	· KIT, seal	1				
1	X 1420300261	· · O-RING	1				
2	X 1420010140	· · O-RING	2				
3	X 1420010080	· · O-RING	1				
4	X 1420010110	· · O-RING	2				
0-2	1903126898	· KIT, carrier	1				
0-3	1903126897	· KIT, body	1				
5	1903118902	· COVER	1				
6	1903126802	· GEAR	4				
7	1903126803	· GEAR	1				
8	1903118910	· RING	4				
9	1903118913	· RING, snap	1				
10	1903126806	· COLLAR, thrust	1				
11	1903126807	· RING, slide	1				
12	1903126808	· SEAL, floating	2				
13	1903118920	· NEEDLE	92				
14	1903126810	· RING, snap	1				
15	1220000028	· RING, snap	4				
16	1903118932	· PLUG	2				
17	1903118933	· PLUG	1				
0-4	1903908100	· MOTOR, hydraulic	1				
18	1901808206	· PLUG	2				
19	1903118940	· WASHER	4				
20	1903118941	· WASHER	4				
	G7h270						

TB138FR (P-T138FBBB) Book No. BG6Z001 S/N 13820001-
TRAVEL MOTOR (2/3) (motor sec.)



G7H280

S=free

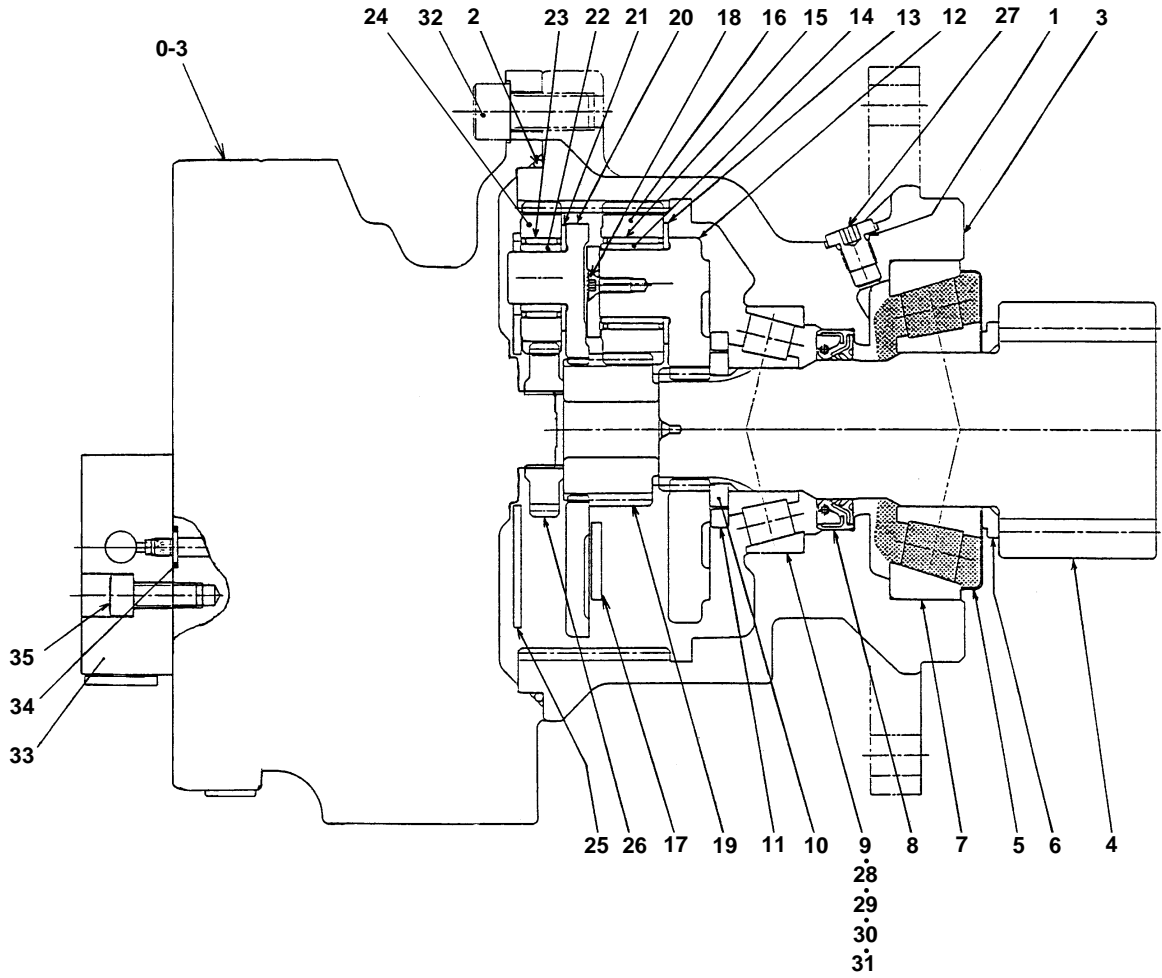
TRAVEL MOTOR (2/3) (motor sec.)

Item	Part number	Description	Q'ty	Chan.	Serial No.	Serv.	Remarks
0	1903126800	MOTOR ASSY, travel	1				
0-4	1903908100	· MOTOR, hydraulic	1				
0-5	1903908199	· · KIT, seal	1				
1	X 1420111250	· · · O-RING	1				
2	X 1420010070	· · · O-RING	2				
3	X 1903101819	· · · SEAL, oil	1				
4	X 1420111100	· · · O-RING	1				
5	X 1420111000	· · · O-RING	1				
6	X 1421131100	· · · RING, back-up	1				
7	X 1421131000	· · · RING, back-up	1				
0-6	1903908198	· · KIT, body 1	1				
0-7	X *****	· · · BODY ASSY	1				
0-8	1903908196	· · KIT, body 2	1				
0-9	1903904498	· · BARREL KIT, cylinder	1				
0-10	1903908197	· · SHAFT ASSY	1				
8	1903908101	· · PLATE	1				
9	1390021000	· · BALL, steel	2				
10	1110041025	· · SCREW, cap	7				
11	1212010815	· · PIN	1				
12	1903904425	· · PLATE	1				
13	1903904426	· · PLATE	2				
14	1903908109	· · PISTON, brake	1				
15	1903908110	· · SPACER	1				
16	1903908111	· · SPRING	10				
	G7h280						

TRAVEL MOTOR (3/3) (valve sec.)

Item	Part number	Description	Q'ty	Chan.	Serial No.	Serv.	Remarks
0	1903126800	MOTOR ASSY, travel	1				
0-4	1903908100	· MOTOR, hydraulic	1				
0-7	X *****	· · BODY ASSY	1				
0-11	1903908194	· · · KIT, seal	1				
1	X 1420010080	· · · · O-RING	2				
2	X 1420010140	· · · · O-RING	2				
3	X 1420010250	· · · · O-RING	2				
	G7h290						

TB138FR (P-T138FBBB) Book No. BG6Z001 S/N 13820001-
SLEW MOTOR (1/2) (reduction sec.)



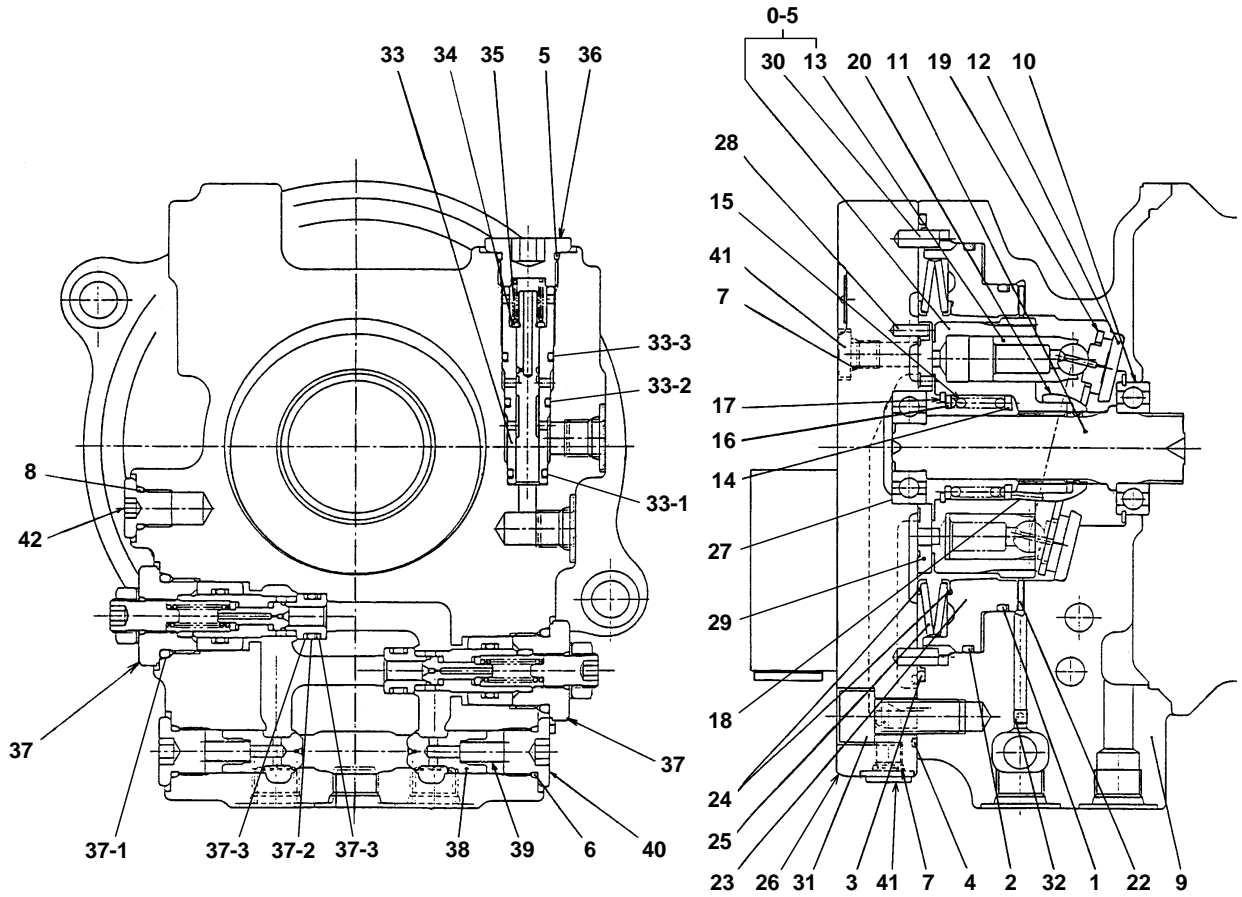
G4H250

S=FREE

SLEW MOTOR (1/2) (reduction sec.)

Item	Part number	Description	Q'ty	Chan.	Serial No.	Serv.	Remarks
0	1903123400	MOTOR ASSY, slew	1				
0-1	X *****	· GEAR, reduction	1				
0-2	1912905399	· · KIT, seal	1				
1	X 1420010080	· · · O-RING	1				
2	X 1420300260	· · · O-RING	1				
3	1912905301	· · HOUSING	1				
4	1912905302	· · SHAFT	1				
5	1912905303	· · PLATE	1				
6	1912905304	· · COLLAR	1				
7	1912905305	· · BEARING	1				
8	1912905306	· · SEAL, oil	1				
9	1912905307	· · BEARING	1				
10	1912905308	· · PLATE	2				
11	1912905309	· · PLATE	2				
12	1912905310	· · HOLDER	1				
13	1912905311	· · WASHER, thrust	4				
14	1912905312	· · LACE, inner	4				
15	1912905313	· · BEARING, needle	4				
16	1912905314	· · GEAR, planetary	4				
17	1912905315	· · PLATE, thrust	1				
18	1912905316	· · SCREW	4				
19	1912905317	· · GEAR, sun	1				
20	1912905318	· · HOLDER	1				
21	1912905319	· · WASHER, thrust	4				
22	1912905320	· · LACE, inner	4				
23	1912905321	· · BEARING, needle	4				
24	1912905322	· · GEAR, planetary	4				
25	1912905323	· · PLATE SET, thrust	1				
26	1912905324	· · GEAR, drive	1				
27	1912905325	· · PLUG	1				
28	1912905337	· · PLATE	2				
29	1912905338	· · PLATE	2				
30	1912905339	· · PLATE	2				
31	1912905340	· · COLLAR	1				
0-3	1903904500	· MOTOR, piston	1				
32	1110051230	· SCREW, cap	2				
33	1903119920	· VALVE ASSY	1				
34	1420010100	· O-RING	3				
35	1110050820	· SCREW, cap	3				
	G5h160						

TB138FR (P-T138FBBB) Book No. BG6Z001 S/N 13820001-
SLEW MOTOR (2/2) (motor sec.)



G4H261

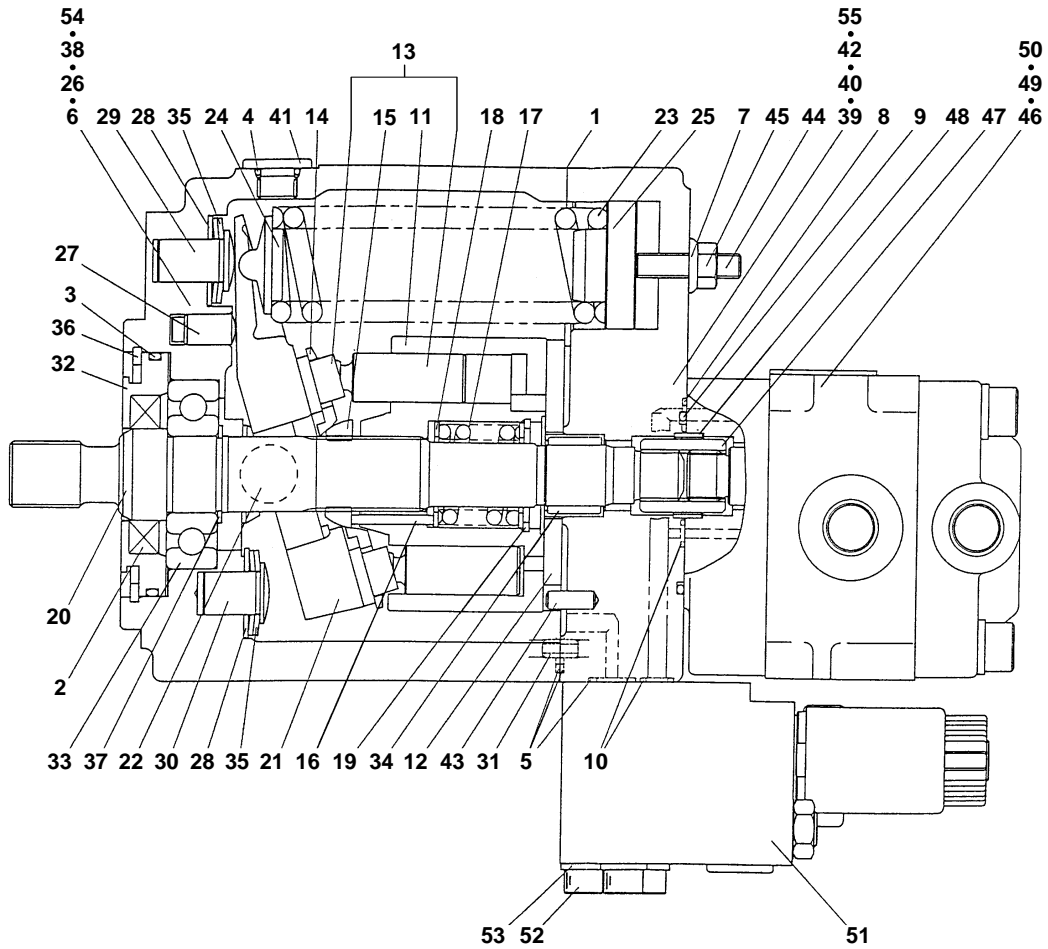
S=FREE

SLEW MOTOR (2/2) (motor sec.)

Item	Part number	Description	Q'ty	Chan.	Serial No.	Serv.	Remarks
0	1903123400	MOTOR ASSY, slew	1				
0-3	X *****	· MOTOR, piston	1				
0-4	1903904599	· · KIT, seal	1				
1	X 1420111100	· · · O-RING	1				
2	X 1420111350	· · · O-RING	1				
3	X 1903007227	· · · O-RING	1				
4	X 1420010210	· · · O-RING	2				
5	X 1420010180	· · · O-RING	1				
6	X 1420010140	· · · O-RING	2				
7	X 1420010080	· · · O-RING	2				
8	X 1420010110	· · · O-RING	1				
9	1903904501	· · CASE	1				
10	1903904502	· · BEARING, ball	1				
11	1903904503	· · SHAFT	1				
12	1903904504	· · PLATE, thrust	1				
0-5	1903120698	· · BLOCK, cylinder	1				
13	X *****	· · · PISTON ASSY	9				
14	1903106808	· · COLLAR	1				
15	1903904507	· · SPRING	1				
16	1903904508	· · WASHER	1				
17	1221000037	· · RING, snap	1				
18	1903904510	· · PIN	3				
19	1903904511	· · PLATE	1				
20	1903106813	· · HOLDER	1				
22	1903904514	· · DISK	1				
23	1903904515	· · PISTON	1				
24	1903904518	· · SHEET, spring	2				
25	1903904519	· · SPRING	1				
26	1903904521	· · COVER	1				
27	1903107927	· · BEARING	1				
28	1212000412	· · PIN	1				
29	1903904524	· · PLATE, valve	1				
30	1903904525	· · PIN	2				
31	1110021230	· · SCREW, cap	5				
32	1901802713	· · ORIFICE	1				
33	1901809200	· · VALVE ASSY	1				
33-1	1420000100	· · · O-RING	1				
33-2	1420010120	· · · O-RING	1				
33-3	1420010140	· · · O-RING	1				
34	1141100006	· · WASHER	1				
35	1903906135	· · SPRING	1				
36	1903904537	· · PLUG	1				
37	1901800049	· · VALVE ASSY, relief	2				
37-1	1420010240	· · · O-RING	1				
37-2	1420010120	· · · O-RING	1				
37-3	1421020120	· · · RING, back-up	2				
38	1903904539	· · VALVE, check	2				
39	1903904540	· · SPRING	2				
40	1903106843	· · PLUG	2				
41	1912905325	· · PLUG	2				
42	1903108655	· · PLUG	1				

G5h170

TB138FR (P-T138FBBB) Book No. BG6Z001 S/N 13820001-
HYDRAULIC PUMP (1/2)



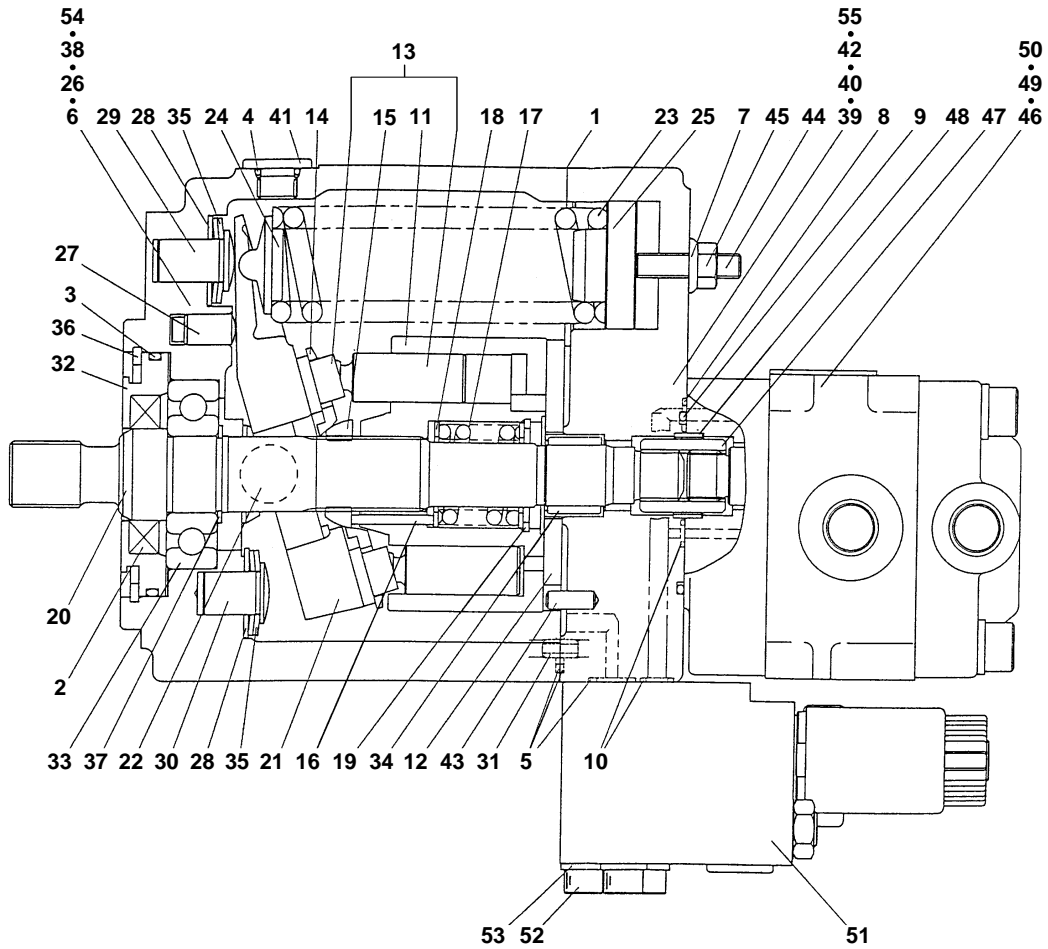
G4H271

S=free

HYDRAULIC PUMP (1/2)

Item	Part number	Description	Q'ty	Chan.	Serial No.	Serv.	Remarks
0	1902025400	PUMP, hydraulic	1				
	1902025500	PUMP, hydraulic	1				with air con.
0-1	1902016199	· KIT, seal	1				
1	X 1902012013	· · PACKING	1				
2	X 1902016032	· · SEAL, oil	1				
3	X 1420110750	· · O-RING	1				
4	X 1420010110	· · O-RING	1				
5	X 1420010120	· · O-RING	3				
6	X 1420010110	· · O-RING	1				
7	X 1902016062	· · WASHER, seal	1				
8	X 1420010070	· · O-RING	1				
9	X 1420110550	· · O-RING	1				
10	X 1420010080	· · O-RING	2				
0-2	1902912200	· BARREL KIT, cylinder	1				
11	X *****	· · BARREL, cylinder	1				
12	X *****	· · PLATE	1				
13	1902906100	· · PISTON ASSY	1				
14	1902909808	· · HOLDER	1				
15	1902016009	· · HOLDER	1				
16	1902011511	· · NEEDLE	3				
17	1902016014	· · SPRING	1				
18	1903902313	· · RETAINER	2				
19	1221000035	· · RING, snap	1				
20	1902016103	· SHAFT	1				
21	1902016010	· PLATE, swash	1				
22	1902016012	· PIN	1				
23	1902016115	· SPRING	1				
24	1902016118	· HOLDER	1				
25	1902016019	· GUIDE	1				
26	1902011526	· PIN	1				
27	1902016121	· ROD	1				
	1902016121	· ROD	2				with air con.
	1902020822	· ROD	1				with air con.
28	1902016023	· WASHER	2				
29	1902014725	· PIN	1				
30	1902020826	· PIN	1				
	1902025526	· PIN	1				with air con.
31	1902016027	· PIN	1				
32	1902025428	· HOLDER	1				
	1902016128	· HOLDER	1				with air con.
33	1300006305	· BEARING	1				
34	X *****	· BEARING	1				
35	1902016033	· WASHER	4				
36	1221000080	· RING, snap	1				
37	1220000025	· RING, snap	1				
38	1902014742	· PLUG	1				
39	1110021045	· SCREW, cap	5				
40	1902016049	· PLUG	5				
41	1902014742	· PLUG	1				
42	1140010010	· WASHER, spring	5				
43	1213000616	· PIN, spring	1				
44	1121050835	· SET-SCREW	1				
45	1130050008	· NUT	1				
46	1902912300	· PUMP, gear	1				
47	1902916066	· COUPLING	1				
48	1902916067	· COLLAR	1				
49	1100050820	· BOLT	2				
50	1902019870	· WASHER	2				
51	1902909000	· BLOCK ASSY, valve	1				
52	1100050875	· BOLT	3				
53	1140010008	· WASHER, spring	3				

TB138FR (P-T138FBBB) Book No. BG6Z001 S/N 13820001-
HYDRAULIC PUMP (1/2)



G4H271

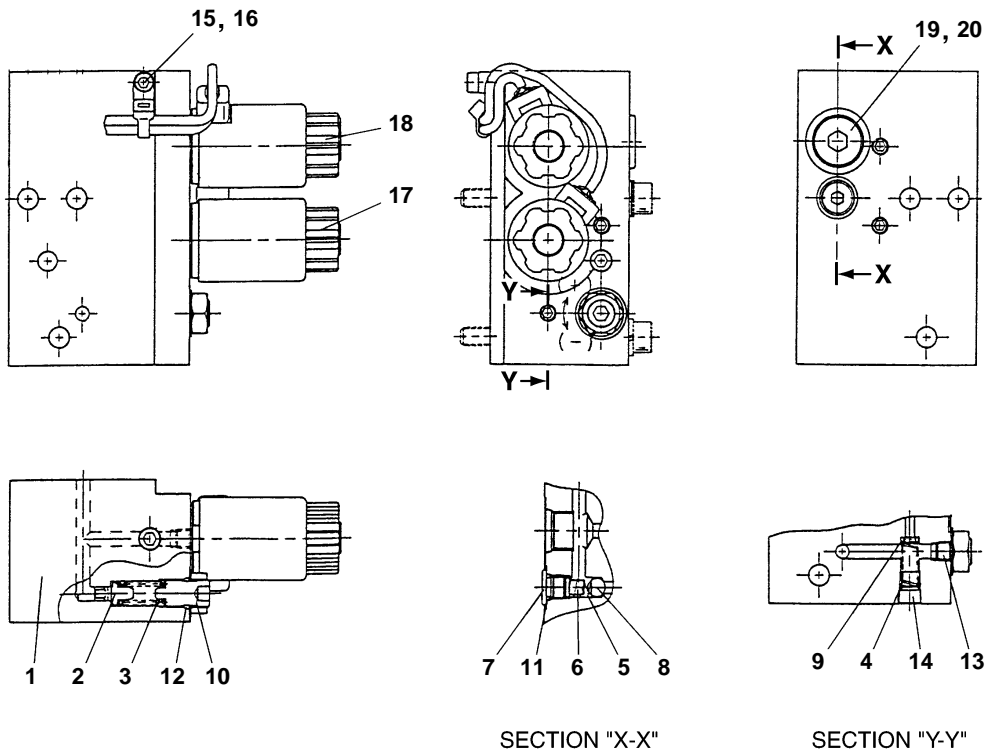
S=free

HYDRAULIC PUMP (1/2)

Item	Part number	Description	Q'ty	Chan.	Serial No.	Serv.	Remarks
54	X *****	• BODY(S)	1				
55	X *****	• BODY(H)	1				

G7h320

TB138FR (P-T138FBBB) Book No. BG6Z001 S/N 13820001-
HYDRAULIC PUMP (2/2)



G4H281

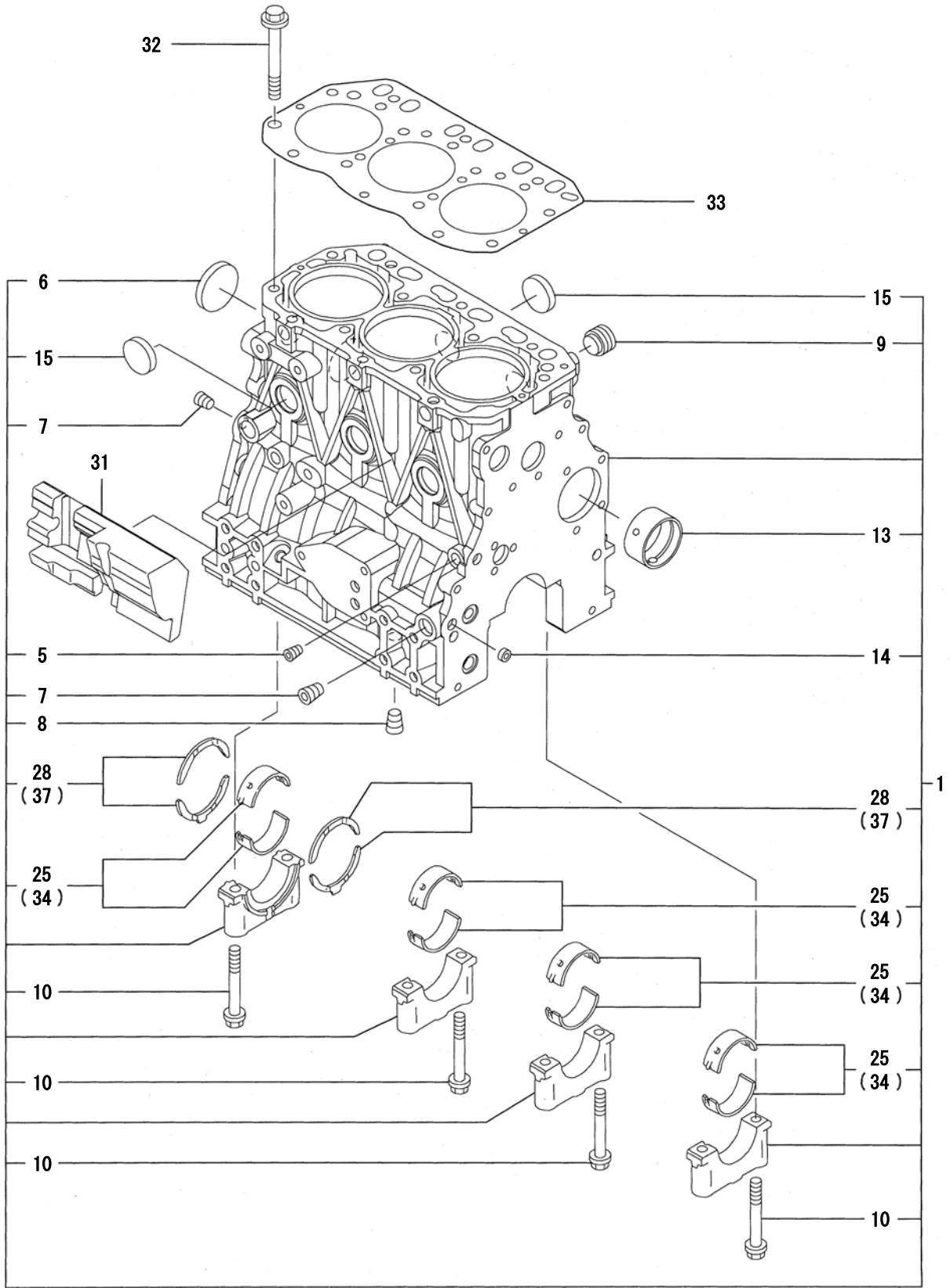
S=free

HYDRAULIC PUMP (2/2)

Item	Part number	Description	Q'ty	Chan.	Serial No.	Serv.	Remarks
0	1902025400	PUMP, hydraulic	1				
	1902025500	PUMP, hydraulic	1				with air con.
0-3	1902909000	· BLOCK ASSY, valve	1				
1	X *****	· · BLOCK	1				
2	X *****	· · VALVE, relief	1				
3	X *****	· · SPRING	1				
4	X *****	· · SPRING	1				
5	X *****	· · SPRING	1				
6	X *****	· · STOPPER	1				
7	1902909007	· · PLUG	1				
8	X *****	· · BALL, steel	1				
9	1902906605	· · FILTER	1				
10	1902906606	· · KIT, adjuster	1				
11	1420010080	· · O-RING	1				
12	1420010100	· · O-RING	1				
13	X *****	· · PLUG	7				
14	X *****	· · PLUG	2				
15	1110020510	· · SCREW, cap	1				
16	X *****	· · BAND	1				
17	1902909017	· · VALVE, solenoid	1				
18	1902909018	· · VALVE, solenoid	1				
19	1902016163	· · PLUG	1				
20	1420010140	· · O-RING	1				

G7h330

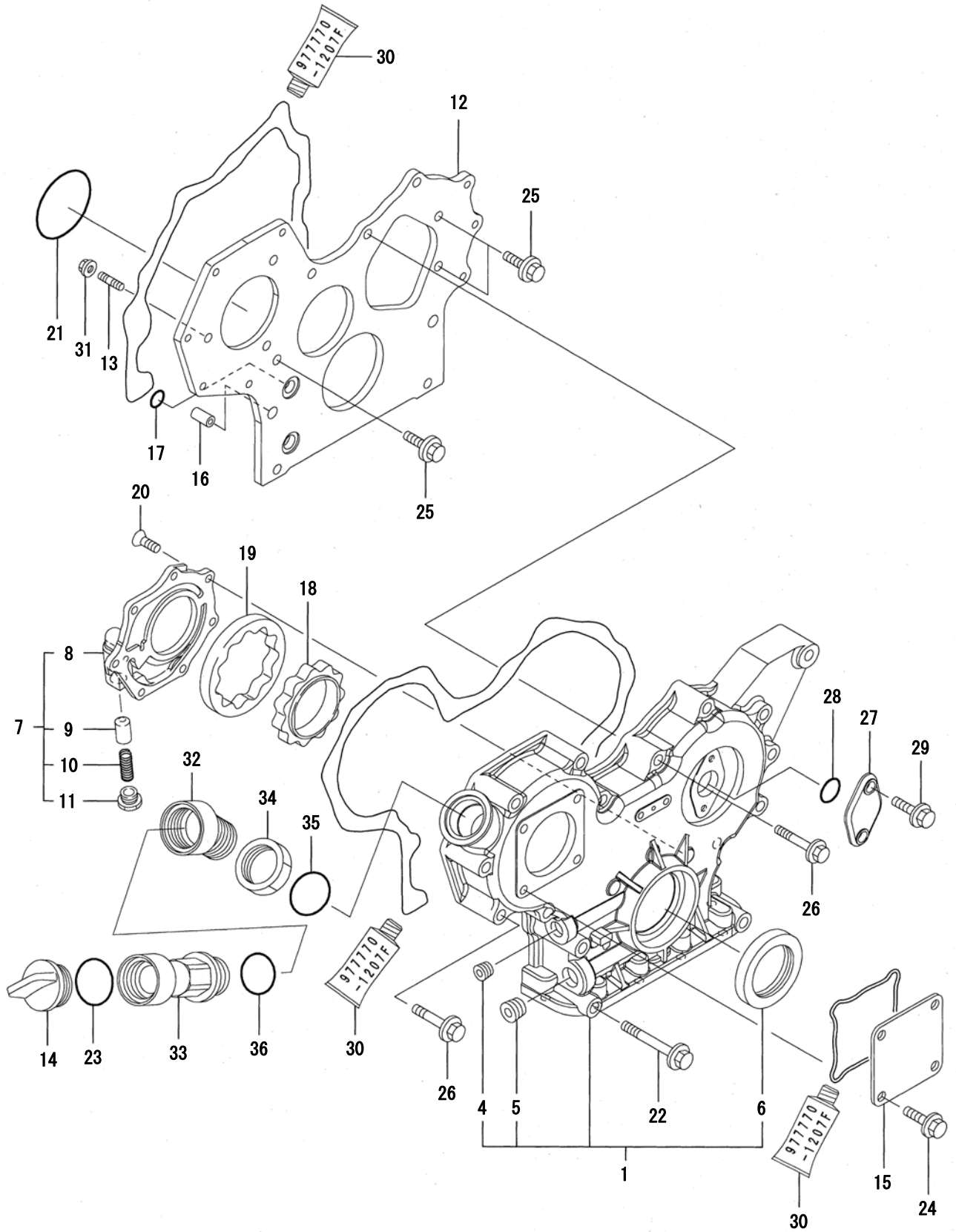
Engine for TB138FR 3TNV88-XTBZ
CYLINDER BLOCK



Y00D7761	1. シリンダブロック			
3TNV88-XTBZ		1, 07, 01		PLUS

見出 REF NO.	部品番号 PARTS NO.	部品名	Description	数量 Q'ty	互換性 I	R	備考
I 1	729005-01560	シリンダ*ブロック CMP	BLOCK ASSY, CYLINDER	1			
5	124060-01050	・ プラグ (PT1/8)	・ PLUG PT1/8	1			
6	129001-01250	・ サラカ* タブ* ラク* 50	・ PLUG 50	1			
7	124160-01910	・ プラグ* PT1/4	・ PLUG PT1/4	2			
8	124160-01910	・ プラグ* PT1/4	・ PLUG PT1/4	1			
9	171051-01921	・ プラグ* NPTF1	・ PLUG	1			
10	129150-02020	・ ボルト (メタルキャップ)	・ BOLT, METAL CAP	8			
13	129795-02411	・ ブッシュ (A)	・ BUSH, CAMSHAFT	1			
I 13-1	129795-02412 (A=E03990)	・ ブッシュ (A)	・ BUSH, CAMSHAFT	1	N		
14	27241-120000	・ ワンガ* タブ* ラク* 12	・ PLUG 12	2			
15	27241-300000	・ ワンガ* タブ* ラク* 30	・ PLUG 30	6			
25	129001-02930	・ メインメタルCMP (STDホヨウビン)	・ MAIN BEARING SET	4		(3)	ホヨウフ* ヒンデ* ス
I 25-1	129001-02931 (A=E03990)	・ メインメタルCMP (STDホヨウビン)	・ MAIN BEARING SET	4	N	(3)	ホヨウフ* ヒンデ* ス
28	129150-02930	・ スラスト* ベ* アリソク*	・ METAL, THRUST	2			
I 28-1	129150-02931 (A=E03990)	・ スラストメタルCMP STDホヨウビン	・ METAL, THRUST	2	N		
31	129004-01190	・ ティザ* イハス* ベ* サ	SPACER	1			
32	129150-01200	・ ヘット* ボ* ルト	STUD, CYL. HEAD	14			
33	129001-01340	・ ヘット* ガ* スケツト (ノンアス)	GASKET, (NON-ASB.)	1			
34	129150-02870	・ メインメタル U. S=0.25	MAIN METAL US=0.25	4		(1)	アンダ* -サイズ* (U. S=0.25) フ* ヒンデ* ス
I 34-1	129150-02871 (A=E03990)	・ メインメタル U. S=0.25	MAIN METAL US=0.25	4	N	(1)	アンダ* -サイズ* (U. S=0.25) フ* ヒンデ* ス
37	129150-02940	・ スラストメタルOS=.25 (2ヶ/セット)	METAL, THRUST. 25 (2PIE)	1		(2)	オーバ* -サイズ* (O. S=0.25) フ* ヒンデ* ス
I 37-1	129150-02941 (A=E03990)	・ スラストメタルOS=.25 (2ヶ/セット)	METAL, THRUST. 25 (2PIE)	1	N	(2)	オーバ* -サイズ* (O. S=0.25) フ* ヒンデ* ス

Engine for TB138FR 3TNV88-XTBZ
GEAR HOUSING



Y00D7761	2. ギヤケース		
3TNV88-XTBZ		1, 07, 01	PLUS

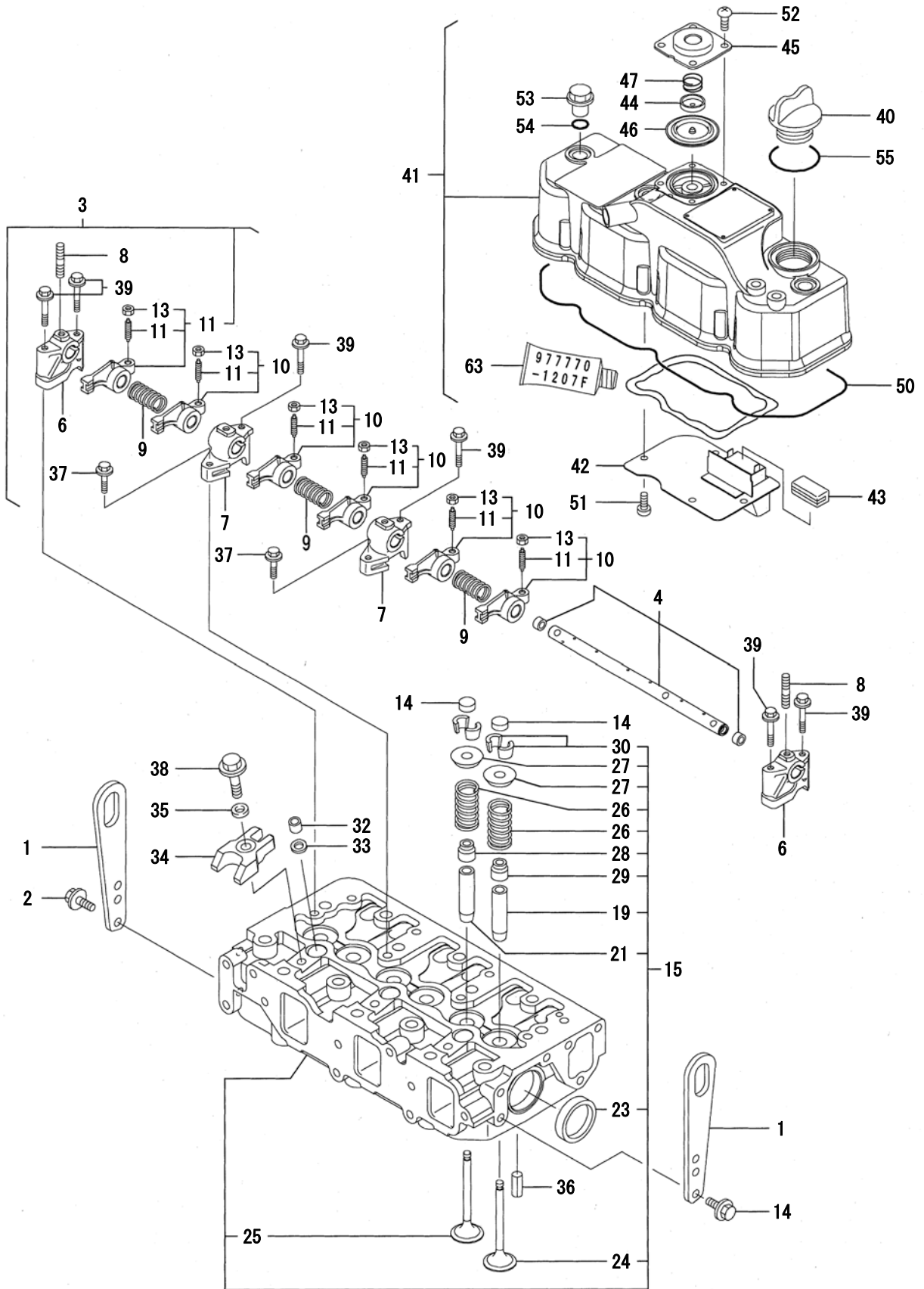
ギヤケース GEAR HOUSING

見出 REF NO.	部品番号 PARTS NO.	部品名	Description	数量 Q'ty	互換性 I R	備考
1	729240-01500	ギヤケース CMP	HOUSING ASSY, GEAR	1		
4	23876-030000	ネジプラグ PT 3/8	PLUG PT3/8, SCREW	1		
5	23876-040000	ネジプラグ PT 1/2	PLUG PT 1/2	1		
6	129795-01800	オイルシール	SEAL, OIL	1		
I 6-1	119934-01800 (A=E03972)	オイルシール	SEAL, OIL	1	N	
7	119802-32100	カバー-CMP (LOP)	COVER ASSY, PUMP	1		
8	119802-32070	カバー-(LOP)	COVER, LUB. OIL PUMP	1		
9	129900-32130	リリーフバルブ	VALVE, RELIEF	1		
10	129418-32320	スプリング	SPRING	1		
11	129001-32330	プラグ	PLUG	1		
12	119802-01520	フランジ (ギヤケース)	FRANGE, GEAR CASE	1		
13	119802-01560	スタッドボルト 8X25	STUD, M8X25	3		
I 13-1	119802-01561 (A=E02010)	スタッドボルト 8X25	STUD, M8X25	3	N	
14	124160-01751	フタ (ホコウ)	COVER, FILLER	1		
15	124240-01871	フタ (HO-P)	COVER, HO-P	1		
16	129795-01950	パイプノック	PIPE, KNOCK L=18	2		
17	119609-32040	Oリング	O-RING P16	4		
18	119802-32111	インナーロータ (LOP)	ROTOR, INNER	1		
19	119802-32120	アウトロータ (LOP)	ROTOR, OUTER	1		
20	119802-32130	サコネジ (+アナ 6X16)	SCREW, M6X16	7		
21	121850-51960	Oリング (FOPトリック)	O-RING, F. I. PUMP	1		
22	129001-91841	ツバボルト M8X85 (シールドウキ)	BOLT M 8X 85 PLATED	3		
23	24311-000320	Oリング 1A P 32.0	O-RING 1A P-32.0	1		
24	26106-080162	ツバボルト 8X 16	BOLT M 8X 16 PLATED	4		
25	26106-080162	ツバボルト 8X 16	BOLT M 8X 16 PLATED	3		
26	26106-080552	ツバボルト 8X 55	BOLT M 8X 55 PLATED	12		
27	121023-01550	フタ (タコメータ)	COVER, BLIND	1		
I 27-1	121023-01551 (A=E03990)	フタ (タコメータ)	COVER, BLIND	1	R	
28	24341-000240	Oリング 1A S 24.0	O-RING 1A S-24.0	1		
29	26106-060162	ツバボルト 6X 16	BOLT M 6X 16 PLATED	2		
I 30	977770-1207F	シリコンケイエキシヨウガスケット	GASKET, LIQUID	1		(1) オブション プリンデス
31	129612-77260	ナット (オルタネータ)	NUT, GENERATOR	3		
I 31-1	26306-080002 (A=E03989)	ツバツキナット (UBS 8)	NUT	3	N	
32	119225-11740	アダプター	ADAPTOR, OIL FILLER	1		
I 33	171031-11741 (A=EXXXXX)	ホコウパイプ	PIPE	1	Z	
I 34	119225-11750 (A=EXXXXX)	ナット	NUT, OIL FILLER	1	Z	
I 35	24311-000300 (A=EXXXXX)	Oリング 1A P 30.0	O-RING 1A P-30.0	1	Z	
I 36	24311-000320 (A=EXXXXX)	Oリング 1A P 32.0	O-RING 1A P-32.0	1	Z	

フライホイールハウジング & オイルパン FLYWHEEL HOUSING & OIL SUMP

見出 REF NO.	部品番号 PARTS NO.	部品名	Description	数量 Q'ty	互換性 I R	備考
1	129100-01580	ヘイコピン 8X16	PARALLEL PIN 8X16	2		
2	129612-01600	フライホイールハウジング	HOUSING, FLYWHEEL	1		
3	119620-01750	キャップ (ホイールカバー)	CAP, FLYWHEEL COVER	1		
4	26206-100252	ボルト 10X 25	BOLT M10X25	6		
5	26206-100302	ボルト 10X 30	BOLT M10X30	4		
6	129100-01730	カンザ (オイルパン)	SPACER, OIL SUMP	1		
7	729102-01540	オイルパン CMP	SUMP ASSY, LUB. OIL	1		
I 7-1	129175-01770 (A=E03990)	オイルパン CMP	SUMP ASSY, LUB. OIL	1	N	
8	119640-01640	・ ドレッププラグ M22	・ DRAIN PLUG M22	1		
10	22190-220002	・ シールワッシャー (コマル, ニトリル) 22	・ SEAL WASHER 22S	1		
11	26106-080162	ツハボルト 8X 16	BOLT M 8X 16 PLATED	4		
12	26106-080252	ツハボルト 8X 25	BOLT M 8X 25 PLATED	2		
13	26106-080452	ツハボルト 8X 45	BOLT M 8X 45 PLATED	20		
14	129100-01580	ヘイコピン 8X16	PARALLEL PIN 8X16	2		
15	129100-01640	オイルシールケース CMP	CASE ASSY, OIL SEAL	1		
17	129795-01780	・ オイルシール	・ SEAL, OIL	1		
18	129486-01670	ツハボルト 8X30	BOLT M8X30, COLLAR HD	6		
I 19	977770-1207F	シリコンケイ エキジ ヨウカ スケット	GASKET, LIQUID	1		(1) オプション フォンデス
20	26106-080352	ツハボルト 8X 35	BOLT M 8X 35 PLATED	3		

Engine for TB138FR 3TNV88-XTBZ
CYLINDER HEAD & BONNET



Y00D7761	4. シリンダヘッド & ボンネット			
3TNV88-XTBZ		1, 07, 01		PLUS

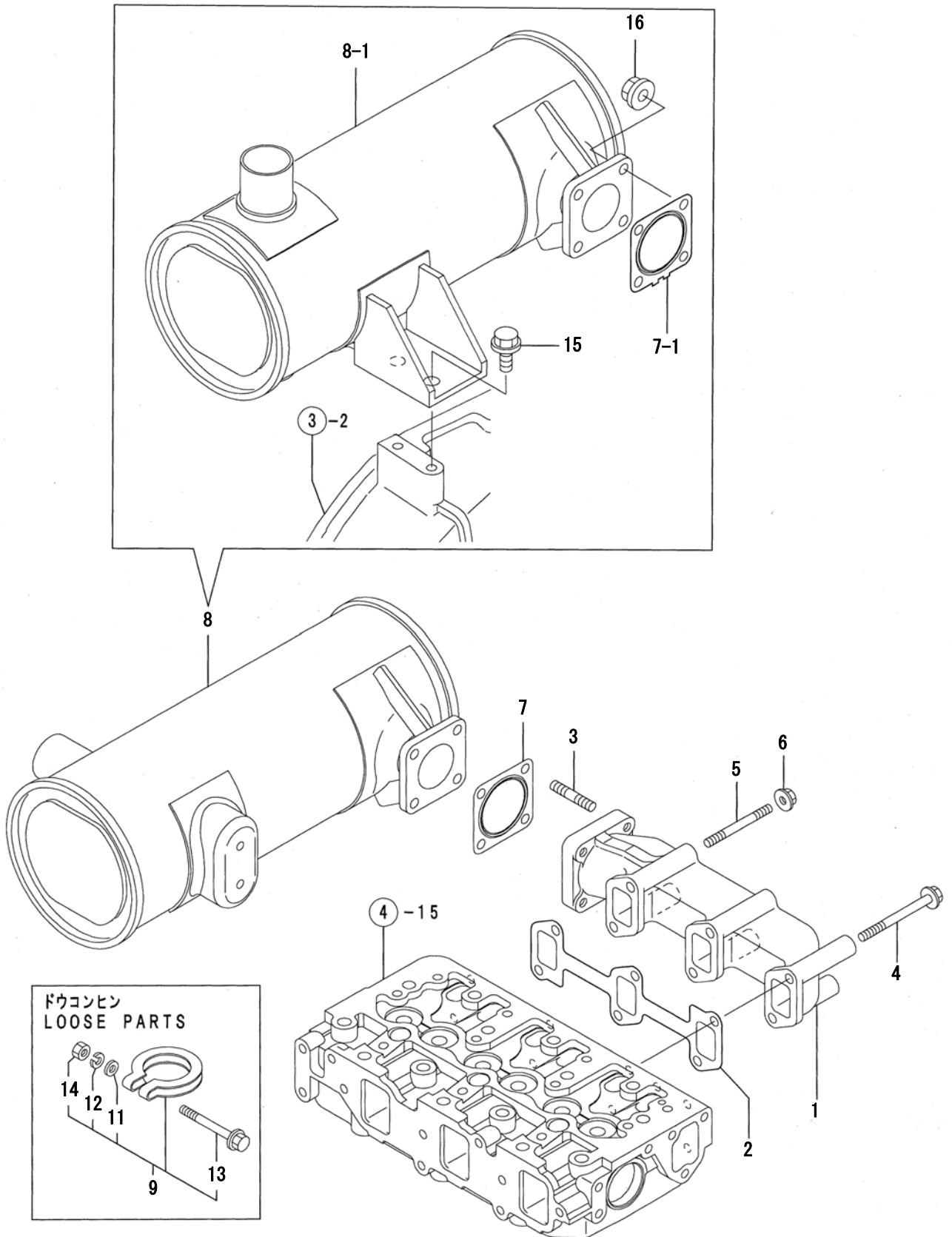
シリンダヘッド & ホンネット CYLINDER HEAD & BONNET

見出 REF NO.	部品番号 PARTS NO.	部品名	Description	数量 Q'ty	互換性 I	R	備考
1	129900-07900	ツリアケ カナク	LIFTER, ENGINE	2			
2	26106-080142	ツバネルト 8X 14	BOLT 8X 14 PLATED	4			
I 2-1	26106-080162 (A=E03990)	ツバネルト 8X 16	BOLT M 8X 16 PLATED	4	N		
3	129004-11241	ハンワシク CMP	SHAFT ASSY, ROCKER	1			
4	129004-11251	ハンワシク	SHAFT, ROCKER ARM	1			
6	119802-11260	ハンワシサポート (A)	SUPPORT, ROCKER ARM	2			
7	119802-11270	ハンワシサポート (B)	SUPPORT, ROCKER ARM	2			
8	119802-11280	ウエキネルト	STUD	3			
9	129150-11280	ハンワシクハネ	SPRING	3			
10	129004-11650	ハンワシ(SUC KIT)	ARM ASSY, ROCKER	6			
11	129150-11230	アジヤスタ (ハンスキマ)	SCREW, VALVE	6			
13	129150-11750	ナット M8XP1.0	NUT M8XP1.0	6			
14	129150-11370	キャップ (ハン)	CAP, VALVE	6			
15	129004-11700	シリンダヘッド CMP	HEAD ASSY, CYLINDER	1			
19	120130-11860	バルブガイド (SUC)	GUIDE, VALVE	3			(1) ホウフヒンデス
21	129150-11810	バルブガイド (EXH)	GUIDE, VALVE	3			(1) ホウフヒンデス
23	27241-400000	ワシタプラグ 40	PLUG 40	2			
24	129004-11100	バルブ (INT)	VALVE, INTAKE	3			
I 24-1	129004-11130 (A=E03990)	バルブ (INT)	VALVE, INTAKE	3		R	
25	129100-11110	バルブ (EXH)	VALVE, EXHAUST	3			
I 25-1	129100-11111 (A=E03989)	バルブ (EXH)	VALVE, EXHAUST	3		R	
I 25-2	129100-11112 (A=E03990)	バルブ (EXH)	VALVE, EXHAUST	3		R	
26	129795-11120	ハンハネ	SPRING, VALVE	6			
27	129795-11180	オサエ (ハンハネ)	RETAINER, SPRING	6			
28	121400-11340	バルブステムシール	SEAL, VALVE STEM	3			
29	124460-11340	バルブステムシール	SEAL, VALVE STEM	3			
30	27310-080001	コッター (ステム) 8 2ヶ=1SET	COTTER 8	6			
32	119802-11870	プロテクタ (ノズル)	PROTECTOR, NOZZLE	3			
33	119625-11880	ノズルシート	SEAT, NOZZLE	3			
34	129004-11900	ノズルオサエ	RETAINER, NOZZLE	3			
35	120270-54410	ワシタ (インジエクタ)	WASHER	3			
36	22351-060012	スプリングピン 6.0AX 12	SPRING PIN 6X12	2			
37	26106-080252	ツバネルト 8X 25	BOLT M 8X 25 PLATED	2			
38	26106-080352	ツバネルト 8X 35	BOLT M 8X 35 PLATED	3			
39	26106-080502	ツバネルト 8X 50	BOLT M 8X 50 PLATED	6			
40	124160-01751	フタ (ホウコウ)	COVER, FILLER	1			
41	129004-11350	ホンネット CMP	BONNET ASSY, HEAD	1			
42	129004-03010	バツフルプレート	PLATE, BAFFLE	1			
43	129150-03070	バツフル (フリーザ)	BAFFLE, BREATHER	1			
44	119802-03110	センタプレート	PLATE, DIAPHRAGM	1			
45	119802-03120	フタ, タイヤラム	COVER, DIAPHRAGM	1			
I 45-1	119802-03121 (A=E03989)	フタ, タイヤラム	COVER, DIAPHRAGM	1		N	
46	119802-03130	ダイヤフラム	DIAPHRAGM	1			
47	119802-03140	バネ, タイヤラム	SPRING, DIAPHRAGM	1			
I 47-1	119802-03141 (A=E03989)	バネ, タイヤラム	SPRING, DIAPHRAGM	1		N	
50	129004-11310	PK (ホンネット)	GASKET, BONNET	1			
51	22857-500100	タツビネジ 5.0X10	SCREW 5X10, TAPPING	4			
52	22857-500100	タツビネジ 5.0X10	SCREW 5X10, TAPPING	4			
53	124160-11360	トツテ	KNOB	3			
54	24311-000120	Oリング 1A P 12.0	O-RING 1A P 12.0	3			
55	24311-000320	Oリング 1A P 32.0	O-RING 1A P-32.0	1			
I 63	977770-1207F	シリコンカイ エキシヨウガスケツト	GASKET, LIQUID	1			(2) オフション プヒンデス

キユウキマニホ-ルト & エアクリ-ナ SUCTION MANIFOLD & AIR CLEANER

見出 REF NO.	部品番号 PARTS NO.	部品名	Description	数量 Q'ty	互換性 I R	備考
1	129004-03080	ﾌﾞﾘ-ｻﾞﾊﾞｲﾌ	PIPE, BREATHER	1		
I 1-1	129263-03080 (A=EXXXXX)	ﾌﾞﾘ-ｻﾞﾊﾞｲﾌ CMP	PIPE, BREATHER	1	S	
2	129410-03990	・ ﾎ-ｽｸﾘｯﾌﾟ 22	・ CLAMP 22	2		
3	129004-12100	ﾏﾆホ-ﾙﾄ (INT ﾖｺ)	MANIFOLD, INTAKE	1		
I 3-1	129263-12100 (A=EXXXXX)	ﾏﾆホ-ﾙﾄ (INT ﺍﾀｶﾝCMP)	MANIFOLD ASSY, INT.	1	S	
I 4A	129263-12210 (A=EXXXXX)	・ ｻﾞｷﾞﾃ(ﾌﾞﾘ-ｻﾞ)	・ JOINT, BREATHER	1	W	
5	129001-12110	PK(SUCマニホ-ﾙﾄ)	GASKET, INT. MANIFOLD	1		
I 5-1	129150-12111 (A=EXXXXX)	PK(SUCマニホ-ﾙﾄ) (ﾉﾝｱｽ)	GASKET, (NON-ASB.)	1	S	
6	26106-080202	ｻﾞﾊﾞ ﾎ-ﾙﾄ 8X 20	BOLT M 8X 20 PLATED	4		
I 6-1	26106-080252 (A=EXXXXX)	ｻﾞﾊﾞ ﾎ-ﾙﾄ 8X 25	BOLT M 8X 25 PLATED	3	S	
7	26106-080802	ｻﾞﾊﾞ ﾎ-ﾙﾄ 8X 80	BOLT M 8X 80 PLATED	1		
I 7-1	26106-080702 (A=EXXXXX)	ｻﾞﾊﾞ ﾎ-ﾙﾄ 8X 70	BOLT M 8X 70 PLATED	1	S	
8	129100-77500	ヒ-ﾀ- (エア-)	HEATER, AIR	1		
I 8-1	129100-77501 (A=EXXXXX)	エアヒ-ﾀ (ﾎﾞﾃﾞｲｱ-ｽ)	HEATER, AIR	1	S	
9	129100-77510	ﾊﾞ ｻﾞｷﾞﾝ(エアヒ-ﾀ-)	GASKET, AIR HEATER	1		
10	129150-77511	PK(エアヒ-ﾀ) (ﾉﾝｱｽ)	GASKET, (NON-ASB.)	1		
11	171340-77520	ﾍﾞﾝﾄﾞ	BEND	1		
I 11-1	129486-12581 (A=EXXXXX)	ｻﾞｷﾞﾃ(SUCマニホ-ﾙﾄ)	JOINT	1	S	
12	26106-080402	ｻﾞﾊﾞ ﾎ-ﾙﾄ 8X 40	BOLT M 8X 40 PLATED	2		
I 12-1	26106-080352 (A=EXXXXX)	ｻﾞﾊﾞ ﾎ-ﾙﾄ 8X 35	BOLT M 8X 35 PLATED	4	S	
I 13	26106-080802 (A=EXXXXX)	ｻﾞﾊﾞ ﾎ-ﾙﾄ 8X 80	BOLT M 8X 80 PLATED	2	Z	
I 14	119910-12210 (A=EXXXXX)	ｷｬｳｷﾎ-ｽ	PIPE, INTAKE	1	Z	
I 15	119802-12560 (A=EXXXXX)	ﾌﾞﾗｹｯﾄ, エアクリ-ナ	BRACKET, AIRCLEANER	1	Z	
I 16	129612-12691 (A=EXXXXX)	エアクリ-ナ CMP	CLEANER ASSY, AIR	1	Z	
I 17	119910-12510 (A=EXXXXX)	・ ﾎﾞﾃﾞｲ	・ BODY, AIR CLEANER	1	Z	
I 18	119808-12520 (A=EXXXXX)	・ ﺍﾚﾒﾝﾄ(ｱｳﾀ)	・ ELEMENT, OUTER	1	Z	
I 19	119808-12540 (A=EXXXXX)	・ ﾂﾞﾎﾞﾙﾌﾞ	・ VALVE, UNLOADER	1	Z	
I 20	119866-12541 (A=EXXXXX)	・ ｶﾊﾞ-ASSY	・ COVER ASSY	1	Z	
I 21	129259-12570 (A=EXXXXX)	・ リﾝｸﾞ	・ RING	1	Z	
I 22	129953-12620 (A=EXXXXX)	・ ﻳﾝｼﾞｹ-ﾀ CMP (ｳﾈ)	・ INDICATOR ASSY	1	Z	
I 25	23000-060000 (A=EXXXXX)	ﾎ-ｽｸﾘｯﾌﾟ 60	CLAMP 60	2	Z	
I 26	26013-08022 (A=EXXXXX)	ﾎ-ﾙﾄ(ﾊﾞ ﾈ 8X 22)	BOLT M 8X 22	4	Z	
I 27	26013-08022 (A=EXXXXX)	ﾎ-ﾙﾄ(ﾊﾞ ﾈ 8X 22)	BOLT M 8X 22	2	Z	
I 28	129612-12560 (A=EXXXXX)	ﻩﾙﾎﾞ (ｲﾝﾀｰｸ)	ELBOW, AIR INTAKE	1	Z	
I 30	129612-12590 (A=EXXXXX)	・ ｶﾞｽｹｯﾄ(ｲﾝﾀｰｸ)	・ ELBOW, AIR INTAKE	1	Z	
I 31	23000-060000 (A=EXXXXX)	ﾎ-ｽｸﾘｯﾌﾟ 60	CLAMP 60	2	Z	

Engine for TB138FR 3TNV88-XTBZ
EXHAUST MANIFOLD & SILENCER

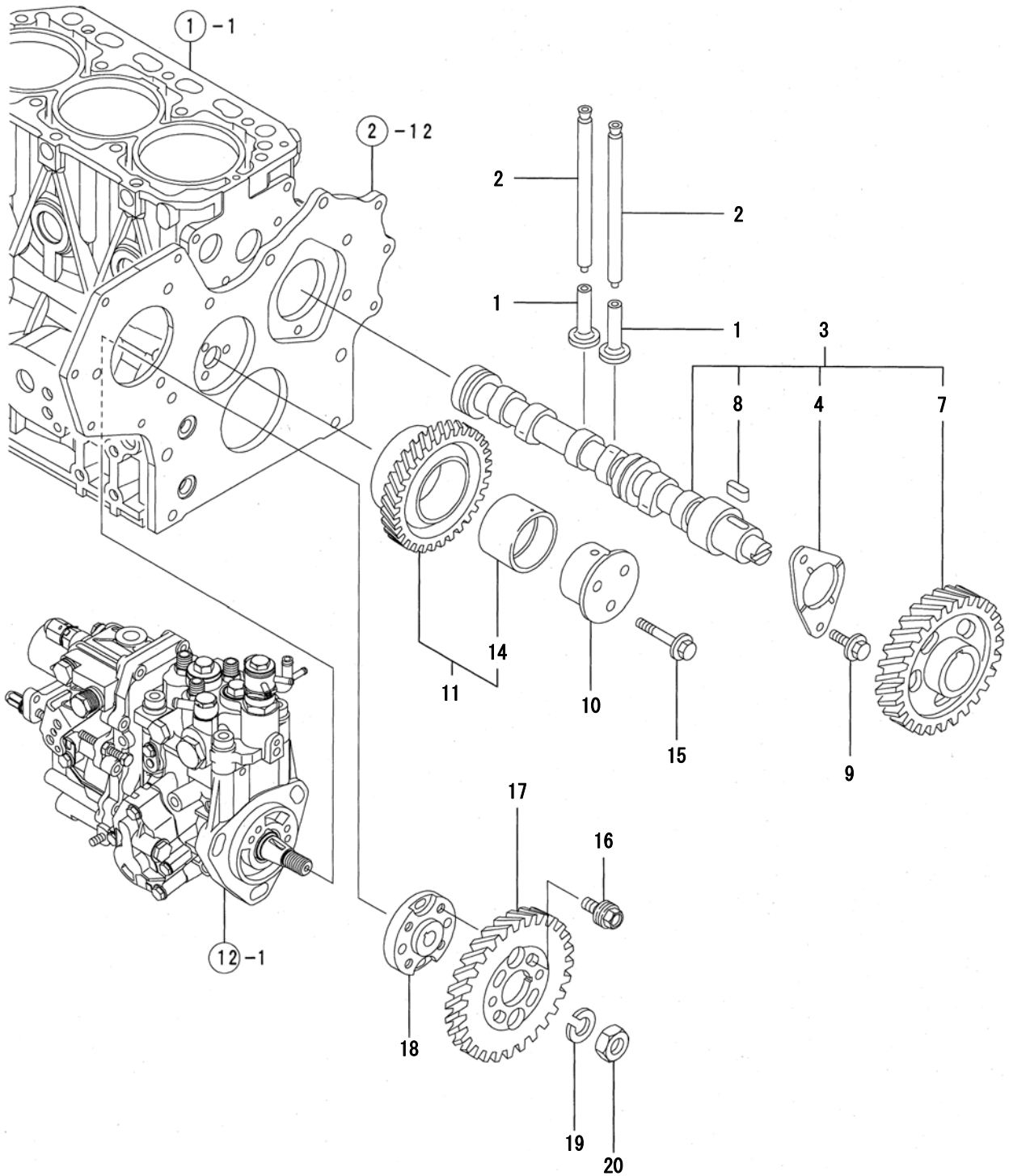


Y00D7761	6. ハイキマニホールド & サイレンサ		
3TNV88-XTBZ	1, 07. 01		PLUS

ハイキマニホ-ルト & サイレンサ EXHAUST MANIFOLD & SILENCER

見出 REF NO.	部品番号 PARTS NO.	部品名	Description	数量 Q'ty	互換性 I R	備考
1	129004-13129	マニホ-ルト (EXH サンテイ	MANIFOLD, EXHAUST	1		
2	129150-13110	PK (EXHマニホ-ルト	GASKET, EXH. MANIFOLD	1		
3	119131-18320	ウエコミホ-ルト M8X22	BOLT M 8X 22	4		
4	123900-13630	ツハ-ホ-ルト 80	BOLT 8X80	4		
5	123900-13610	ウエコミホ-ルト 8X80	STUD BOLT M 8X 80	2		
6	26306-080002	ツハ-ツキナツト (UBS 8	NUT	2		
7	124701-11911	ガ-スケツト (サイレンサ) (ノンアス)	GASKET, (NON-ASB.)	2		
I 7-1	129004-13200 (A=EXXXXX)	ガ-スケツトPK (サイレンサ	GASKET, SILENCER	1	N	
8	129242-13500	サイレンサ	SILENCER	1		
I 8-1	129242-13520 (A=EXXXXX)	サイレンサ	SILENCER	1	N	
9	121120-13590	クランプ (フンシュツコウ	CLAMP	1		
11	22117-100000	・ サ-ガ-ネ (コマル 10	・ WASHER 10	1		
12	22217-100000	・ ハ-ネサ-ガ-ネ 10	・ SPRING WASHER 10	1		
13	26106-100652	・ ツハ-ホ-ルト M10X65	・ BOLT M10X 65 PLATED	1		
14	26706-100002	・ ナツト 10	・ NUT M10	1		
I 15	26106-100202 (A=EXXXXX)	ツハ-ホ-ルト 10X 20	BOLT M10X 20 PLATED	2	W	
I 16	26306-080002 (A=EXXXXX)	ツハ-ツキナツト (UBS 8	NUT	4	W	

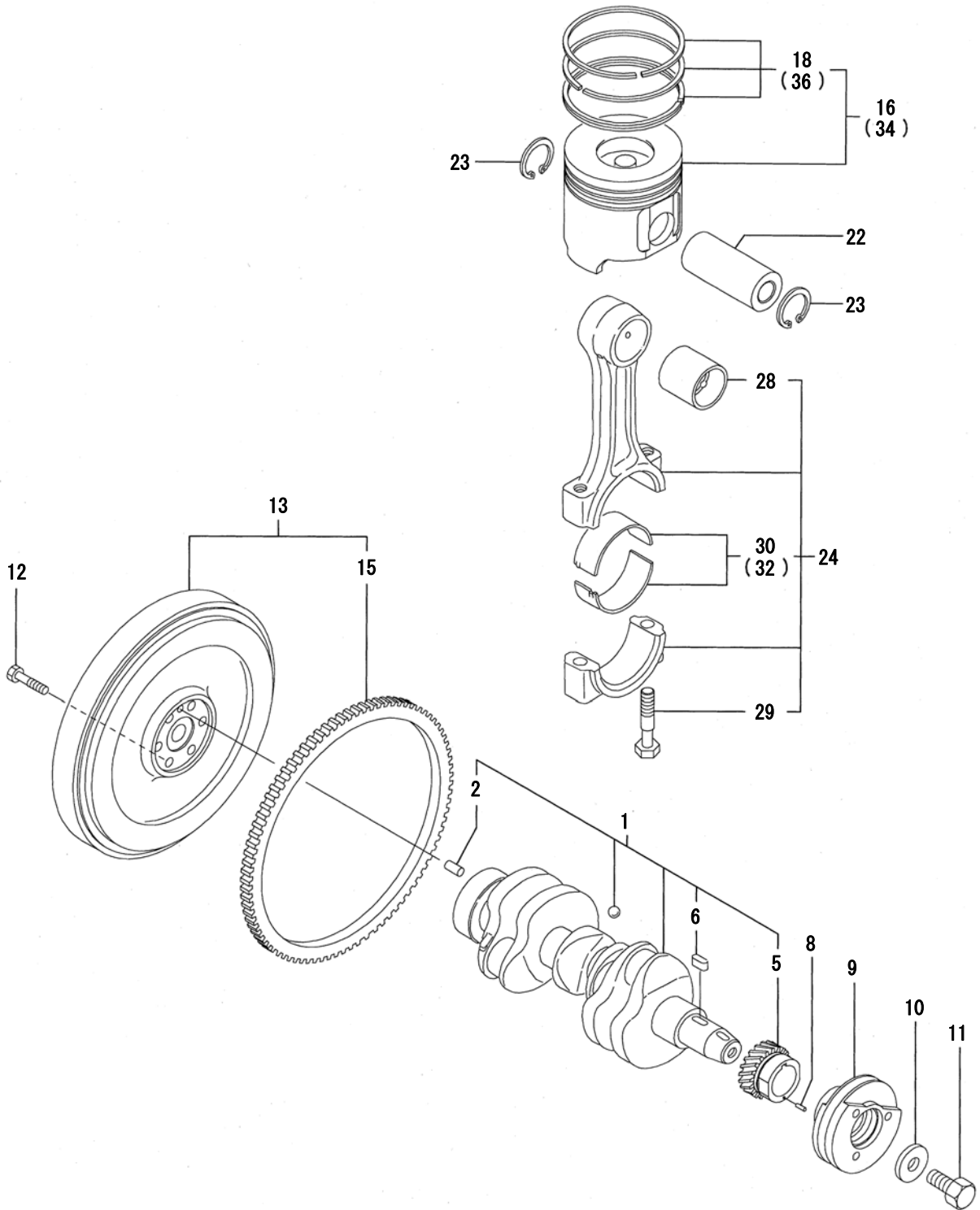
Engine for TB138FR 3TNV88-XTBZ
CAMSHAFT & DRIVING GEAR



Y00D7761	7. カムシャフト & クドウギヤ		
3TNV88-XTBZ	1, 07. 01		PLUS

見出 REF NO.	部品番号 PARTS NO.	部品名	カムシャフト & クリウギヤ	CAMSHAFT & DRIVING GEAR	数量 Q'ty	互換性		備考
			Description			I	R	
1	129150-14200	タペット	TAPPET		6			
2	129150-14400	プッシュロッド	ROD, PUSH		6			
3	129129-14580	カムシャフト	CAMSHAFT ASSY		1			
4	129150-02450	・ スラストメタル(カム	・ METAL, THRUST (CAM		1			
7	129150-14101	・ カムギヤ	・ GEAR, CAMSHAFT		1			
8	22512-070140	・ フェザークー 7X14	・ KEY 7X 14		1			
9	26106-080142	ツハネルト 8X 14	BOLT 8X 14 PLATED		2			
10	119802-25051	シャフト(アイドル)	SHAFT, IDLE GEAR		1			
11	119802-25100	アイドルギヤ CMP	GEAR ASSY, IDLE		1			
I 11-1	119802-25101 (A=E03990)	アイドルギヤ CMP	GEAR ASSY, IDLE		1	N		
14	119802-25070	・ プッシュ(ホヨウヒン	・ BUSH, IDLE GEAR		1		(1)	ホヨウフ・ヒンデス
I 14-1	119802-25071 (A=E03990)	・ プッシュ(ホヨウヒン	・ BUSH, IDLE GEAR		1	N	(1)	ホヨウフ・ヒンデス
15	26106-080402	ツハネルト 8X 40	BOLT M 8X 40 PLATED		3			
16	129150-25301	ネルト(FI-P	BOLT, FI-P		4			
17	119802-25901	ギヤ(FI-P	GEAR, PUMP		1			
I 18	158552-51151	フランジ(カムシクコティ	FLANGE		1			
I 19	22217-140000	ハネザガネ 14	SPRING WASHER 14		1			
I 20	26776-140002	トメナット(ホソ 14	LOCK NUT M14 PLATED		1			

Engine for TB138FR 3TNV88-XTBZ
CRANKSHAFT & PISTON

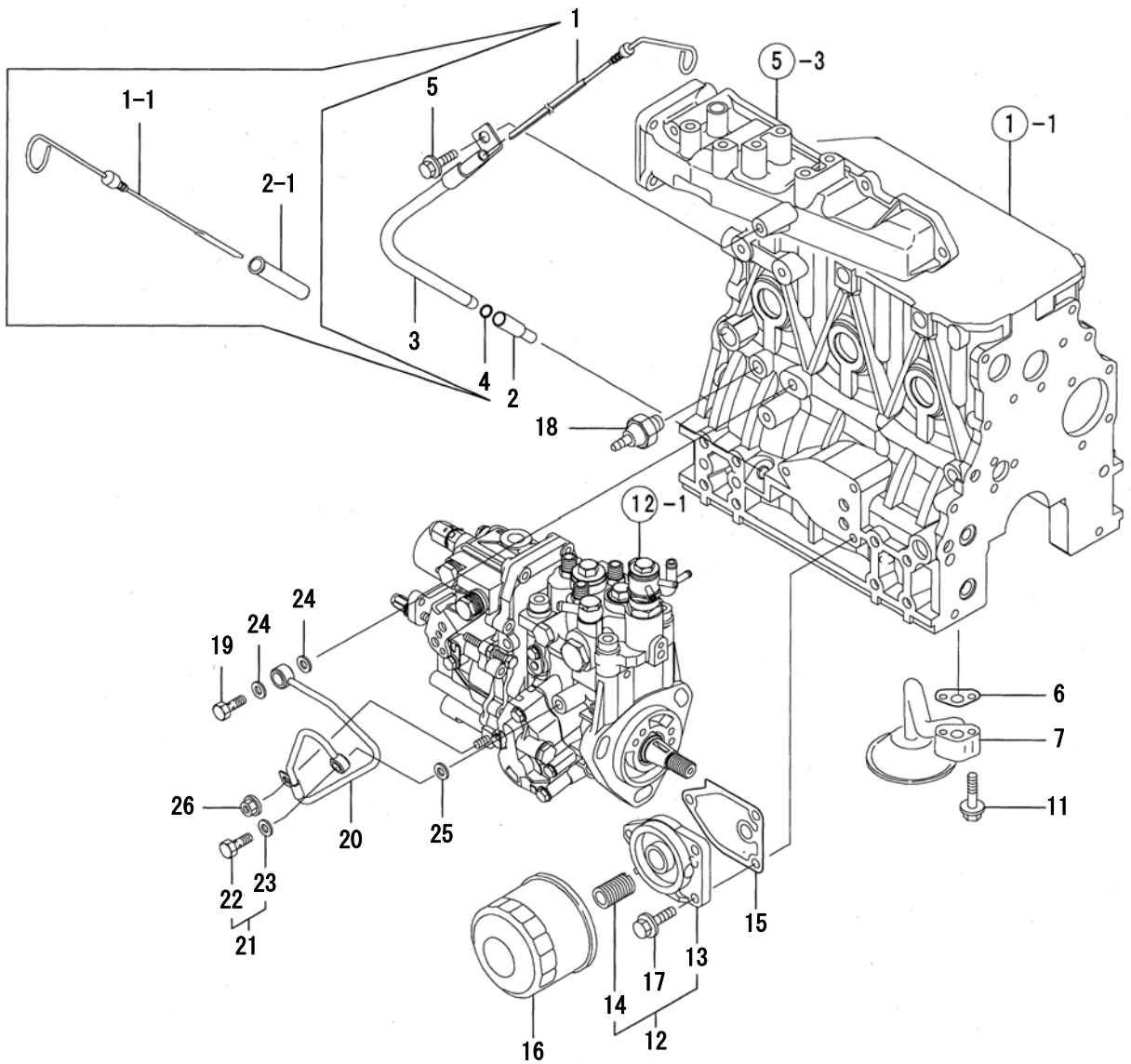


Y00D7761	8. クランクシャフト & ピストン		
3TNV88-XTBZ	1, 07. 01		PLUS

クランクシャフト & ピストン CRANKSHAFT & PISTON

見出 REF NO.	部品番号 PARTS NO.	部品名	Description	数量 Q'ty	互換性 I	R	備考
1	129004-21001	クランクシャフト CMP	CRANKSHAFT ASSY	1			
I 1-1	129004-21002 (A=E03989)	クランクシャフト CMP	CRANKSHAFT ASSY	1	N		
2	129100-01580	・ ヘイコウピン 8X16	・ PARALLEL PIN 8X16	1			
5	119802-21201	・ クランクギヤ	・ GEAR, CRANKSHAFT	1			
I 5-1	119802-21202 (A=E03989)	・ クランクギヤ	・ GEAR, CRANKSHAFT	1	N		
6	22512-070140	・ フェザークーキー 7X14	・ KEY 7X 14	1			
8	22351-030010	スプリングピン 3.0AX 10	SPRING PIN 3X10	1			
9	129004-21650	Vプーリ (クランク D110)	V-PULLEY, CRANKSHAFT	1			
I 9-1	129005-21650 (A=EXXXXX)	Vプーリ (クランク D120)	V-PULLEY, CRANKSHAFT	1	N		
10	129795-21661	ワッシャー	WASHER	1			
11	121850-21680	ボルト (Vプーリ)	BOLT, V-PULLEY	1			
12	121111-21501	ボルト (フライホイール)	BOLT, FLYWHEEL	6			
13	129002-21590	フライホイール CMP	FLYWHEEL ASSY	1			
15	119865-21600	・ リングギヤ	・ GEAR, RING	1			
16	129005-22080	ピストン CMP	PISTON ASSY	3			
18	129005-22500	・ ピストンリング SET	・ RING SET, PISTON	3			
22	129202-22300	ピストンピン (D26, L70)	PIN, PISTON (D26, L70)	3			
23	22252-000260	トルク (アナ 26)	CIRCLIP 26	6			
24	729402-23100	コネクティングロッド CMP	ROD ASSY, CONNECTING	3			
28	129100-23910	・ ピストンピンメタル	・ BUSH, PISTON PIN	3			(1) ホヨウピンテス
29	121550-23200	・ ロッドボルト	・ BOLT, CONNECTING ROD	6			
30	129150-23600	・ ベアリング (クランクピン)	・ METAL, CRANKPIN	3			
I 30-1	129150-23601 (A=E03990)	・ クランクピンメタル CMP STDホヨウ	・ METAL, CRANKPIN	3	N		
32	129150-23610	クランクピンメタル (U. S=0. 25)	METAL. PIN US=0. 25	3			(2) アンダーサイズ (U. S=0. 25) プーリ
I 32-1	129150-23611 (A=E03990)	クランクピンメタル (U. S=0. 25)	METAL. PIN US=0. 25	3	N		(2) アンダーサイズ (U. S=0. 25) プーリ
34	129005-22900	ピストン CMP (O. S=0. 25)	PISTON W/RING OS= . 25	3			(3) オーバーサイズ (O. S=0. 25) プーリ
36	129005-22950	・ ピストンリング SET OS=0. 25	・ RING SET O. S=0. 25	3			(3) オーバーサイズ (O. S=0. 25) プーリ

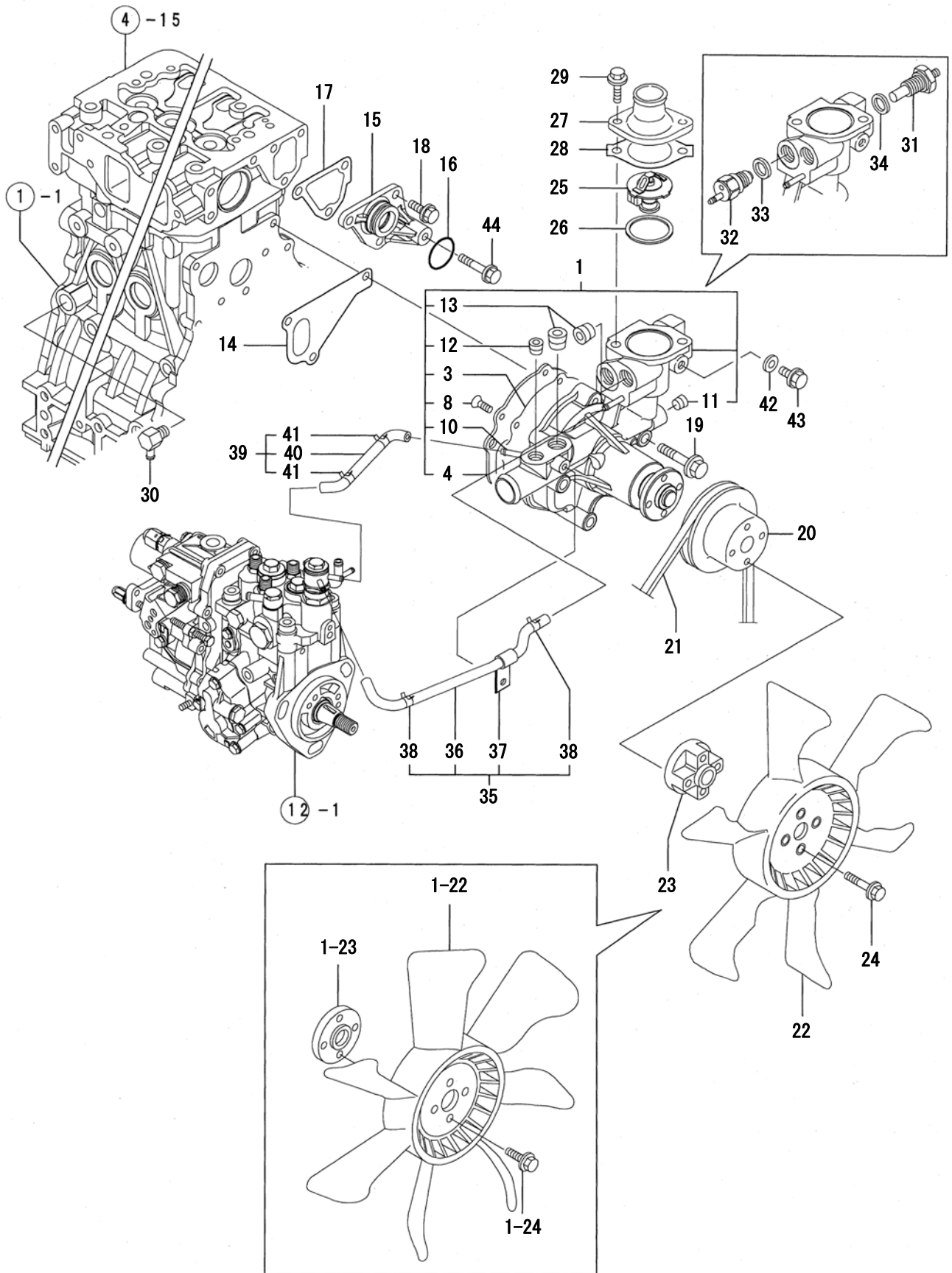
Engine for TB138FR 3TNV88-XTBZ
LUB. OIL SYSTEM



Y00D7761	9. LOシステム		
3TNV88-XTBZ		1, 07. 01	PLUS

見出 REF NO.	部品番号 PARTS NO.	部品名	Description	数量 Q'ty	互換性 I	R	備考
I 1	129602-34800	ケユホウ (アサカ)	DIPSTICK, LUB. OIL	1			
I 1-1	129005-34802 (A=EXXXXX)	ケユホウ (アサカ)	DIPSTICK, LUB. OIL	1	N		
I 2	119260-34810	ガイド (LOケージ)	GUIDE, DIPSTICK	1			
I 2-1	121520-34810 (A=EXXXXX)	ガイド (ケユホウ)	GUIDE, DIPSTICK	1	N		
I 3	119802-34850 (A=EXXXXX)	ガイド (ケユホウ)	GUIDE, DIPSTICK	1	Z		
I 4	24311-240100 (A=EXXXXX)	Oリング 1A P 10A	O-RING 1A P-10A	1	Z		
I 5	26106-080162 (A=EXXXXX)	ツバネルト 8X 16	BOLT M 8X 16 PLATED	1	Z		
I 6	129150-35041	PK (キユウニウカン) (ノンアス)	GASKET, (NON-ASB.)	1			
I 6-1	129150-35042 (A=E03990)	PK (キユウニウカン) (ノンアス)	GASKET, (NON-ASB.)	1	N		
	7	129150-35091	LOキユウニウカン CMP	PIPE ASSY, OIL INLET	1		
	11	26106-080352	ツバネルト 8X 35	BOLT M 8X 35 PLATED	2		
	12	119802-35100	ブラケット CMP	BRACKET ASSY, FILTER	1		
	13	119802-35110	ブラケット (LOフィルタ)	BRACKET, FILTER	1		
	14	129100-35140	スタット	STUD	1		
	15	129150-35111	PK (フィルタブラケット) (ノンアス)	GASKET, (NON-ASB.)	1		
	16	129150-35151	フィルタ D80XL80	FILTER 80X80L	1		
I 16-1	129150-35160 (A=E03990)	フィルタ D80XL80	FILTER 80X80L	1	R		
	17	26106-080202	ツバネルト 8X 20	BOLT M 8X 20 PLATED	3		
	18	114250-39450	ユアツスイツチ 0.5KG キホシ	SWITCH, (0.5KG)L. O.	1		
	19	124160-39140	カンツキネルト 10	BOLT 10, PIPE JOINT	1		
	20	119802-39450	LO-T CMP	PIPE ASSY, LUB. OIL	1		
	21	129005-59830	カンツキネルトCMP 8	BOLT ASSY, JOINT	1		
	22	23857-030000	カンツキネルト 3	JOINT BOLT 3	1		
	23	22190-080002	シールワッシャ (コマル. ニトリル) 8	SEAL WASHER 8S	1		
	24	22190-100002	シールワッシャ (コマル. ニトリル) 10	SEAL WASHER 10S	2		
	25	22190-080002	シールワッシャ (コマル. ニトリル) 8	SEAL WASHER 8S	1		
	26	26366-060002	ツバネナット 6	NUT M 6	1		

Engine for TB138FR 3TNV88-XTBZ
COOLING WATER SYSTEM

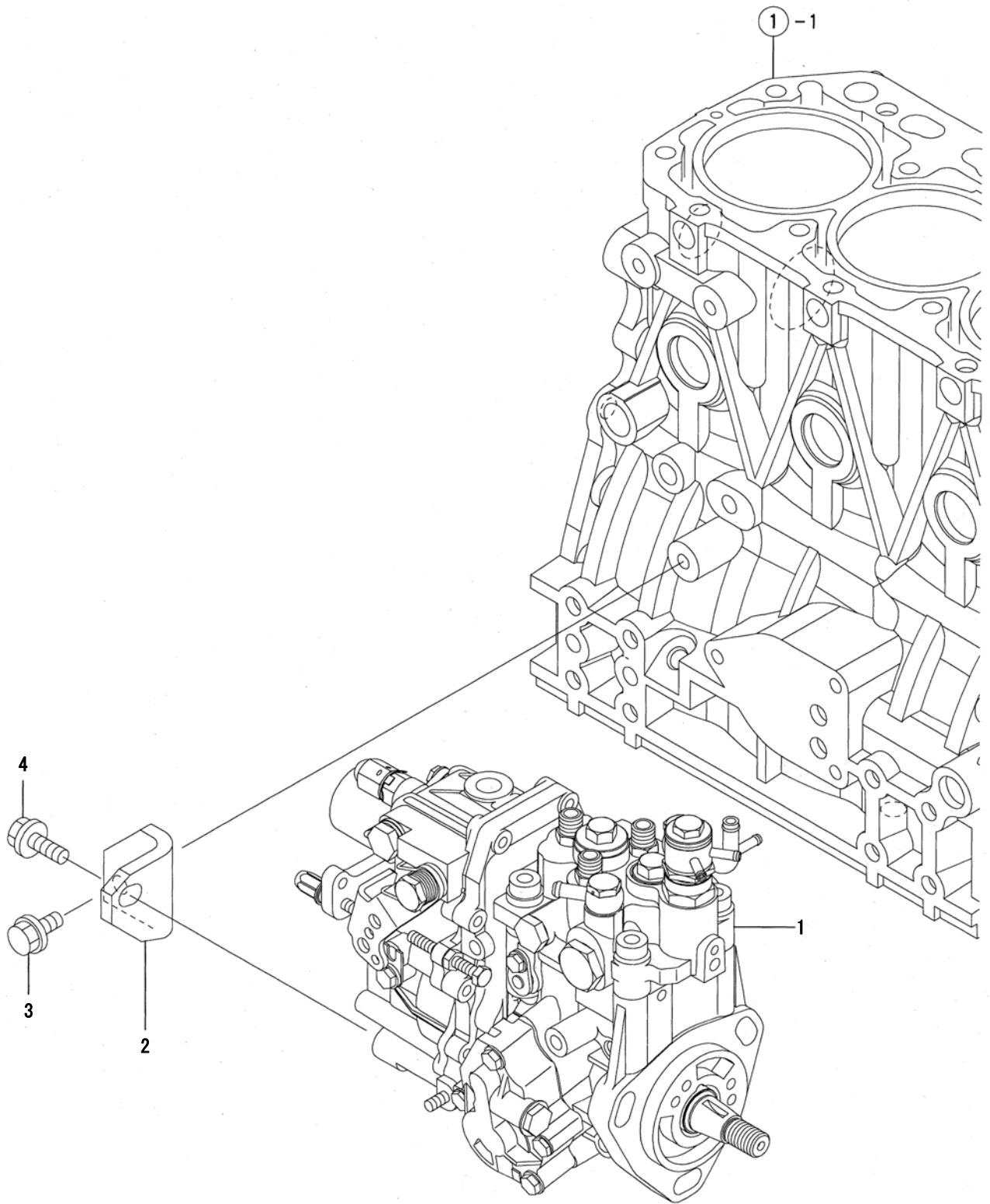


Y00D7761	10. CWシステム		
3TNV88-XTBZ	1, 07. 01		PLUS

見出 REF NO.	部品番号 PARTS NO.	部品名	Description	数量 Q'ty	互換性 I R	備考
	129004-42000	CWポンプ CMP	PUMP ASSY, WATER	1		
I 1-1	129004-42001 (A=E02010)	CWポンプ CMP	PUMP ASSY, WATER	1	R	
	3	129100-42051	PK(CW-P) (ノンアス)	GASKET, (NON-ASB.)	1	
	4	129100-42121	プレート	PLATE	1	
	8	121850-42410	スクリユウ	SCREW	3	
	10	119802-49112	CW-Tツギテ	PIPE, COOLING WATER	2	
I 10-1	119802-49113 (A=E02010)	CW-Tツギテ	JOINT	2	N	
	11	23876-010000	ネジプラグ PT1/8	PLUG PT1/8, SCREW	1	
	12	23876-020000	ネジプラグ PT1/4	PLUG PT1/4, SCREW	1	
	13	23876-030000	ネジプラグ PT 3/8	PLUG PT3/8, SCREW	2	
I 13-1	129916-49740 (A=E03413)	ネジプラグ R03	PLUG, DRAIN R03	2	N	
	14	129486-42021	PK(CW-P)	GASKET	1	
	15	129004-42040	ジョイント(CW-P)	JOINT	1	
	16	129486-42140	Oリング G 30	O-RING, CW-P	1	
	17	124395-49840	PK(サーモスタットケース)	GASKET, THERMO. CASE	1	
	18	26106-080162	ツバネルト 8X 16	BOLT M 8X 16 PLATED	3	
	19	26106-080602	ツバネルト 8X 60	BOLT M 8X 60 PLATED	3	
	20	129155-42350	Vプーリ (90)	V-PULLEY, C.W. PUMP	1	
	21	129612-42330	Vベルト(コグ A, 37.5インチ)	V-BELT	1	
	22	171340-44740	ファン (D335*NF)	FAN, COOLING	1	
I 22-1	119717-44740 (A=EXXXXX)	ファン(D335 X7)	FAN, COOLING D335X7	1	N	
	23	121267-44760	スペーサ (ブラツク:12)	SPACER	1	
I 23-1	124574-44761 (A=EXXXXX)	カンザ (ファン)	SPACER	1	N	
	24	26106-060302	ツバネルト 6X 30	BOLT M 6X 30 PLATED	4	
I 24-1	26106-060202 (A=EXXXXX)	ツバネルト 6X 20	BOLT M 6X 20 PLATED	4	N	
	25	129457-49801	サーモスタット (82° C)	THERMOSTAT (82	1	
	26	129150-49811	PK(サーモスタット シタ) (ノンアス)	GASKET, (NON-ASB.)	1	
	27	129350-49530	サーモスタットカバー (ブラツク:12)	COVER, THERMOSTAT	1	
	28	129795-49551	PK(サーモスタットカバー) (ノンアス)	GASKET, (NON-ASB.)	1	
	29	26106-080222	ツバネルト 8X 22	BOLT M 8X 22 PLATED	2	
	30	121750-49110	ツギテ (ミス スキパ イフ)	JOINT	1	
	31	119266-49350	サーモセンサ	SENSOR, THERMO.	1	
	32	121250-44901	サーモスイッチ (110° C 1センシキ)	SWITCH, THERMO(110° C	1	
	33	124465-44950	ハツキン16	GASKET 16	1	
	34	129150-49360	PK 10	GASKET 10	1	
	35	129004-49610	CW-T A CMP(MP2)	PIPE ASSY, A MP2	1	
	36	129004-49711	CW-T A(MP2)	PIPE ASSY, A MP2	1	
	37	119802-49730	プレート(CW-T)	CLAMP, CW-T	1	
	38	124722-59050	ホスクリツフ (マル 9)	CLAMP 9	2	
	39	129004-49620	CW-T B CMP(MP2)	PIPE ASSY, B MP2	1	
	40	129004-49721	CW-T B(MP2)	PIPE, WATER B MP2	1	
	41	124722-59050	ホスクリツフ (マル 9)	CLAMP 9	2	
	42	23414-080000	ハツキン(マル 8)	GASKET 8, ROUND	1	
	43	26106-080122	ツバネルト 8X 12	BOLT M 8X 12 PLATED	1	
	44	26106-080452	ツバネルト 8X 45	BOLT M 8X 45 PLATED	1	

見出 REF NO.	部品番号 PARTS NO.	部品名	ラジエータ RADIATOR Description	数量 Q'ty	互換性 I R	備考
1	171064-44510	サブタンク CMP	SUB-TANK ASSY	1		
3	121450-44531	・ キャップ	・ CAP	1		
4	124450-44560	・ オサエ (オーパ - フロ - ハ イフ)	・ CLAMP	1		
5	121470-44581	・ ハ ッキン	・ GASKET	1		
6	23065-070225	・ ヒ ニハ イフ コ ム 7X 9X225	・ HOSE 7X 225	1		
7	119802-44540	ラジエータ CMP	RADIATOR ASSY	1		
I 7-1	129642-44520 (A=E03990)	ラジエータ CMP	RADIATOR ASSY	1	N	
8	129107-44590	・ キャップ (0.9KG/CM2) D46	・ CAP, RADIATOR	1		
I 8A	129467-44580 (A=E03990)	・ マウントラバ -	・ MOUNT RUBBER	2	W	
I 8B	129467-44590 (A=E03990)	・ カラ	・ COLLAR	2	W	
9	124450-44550	ハ ント (サブタンク	CLAMP, SUB-TANK	1		
I 10	129132-44590 (A=EXXXXX)	ワイヤネット	NET, WIRE	1	Z	
11	121256-44600	ブ ラケツト (ブ ラツク:12)	BRACKET, SUB-TANK	1		
12	119255-44660	ホ ッ シン コ ム (ラジエータ	RUBBER	2		
I 13	129953-44910 (A=EXXXXX)	LOケーラ CMP	COOLER, OIL	1	Z	
14	129004-49010	CW-T (A	CW-T (A	1		
I 14-1	129242-49010 (A=E03990)	CW-T (A	PIPE, COOLING WATER	1	N	
I 15	129242-49020 (A=EXXXXX)	CW-T (B	CW-T (B	1	Z	
16	129150-49100	サ ン ホ ッ コ ッ ク CMP	COCK ASSY, 3-WAY	1		
17	129150-49080	・ ト レ ン コ ッ ク	・ COCK, DRAIN	1		
I 21	23010-038000 (A=EXXXXX)	ホ ー ス ハ ント 38	CLAMP 38	4	Z	

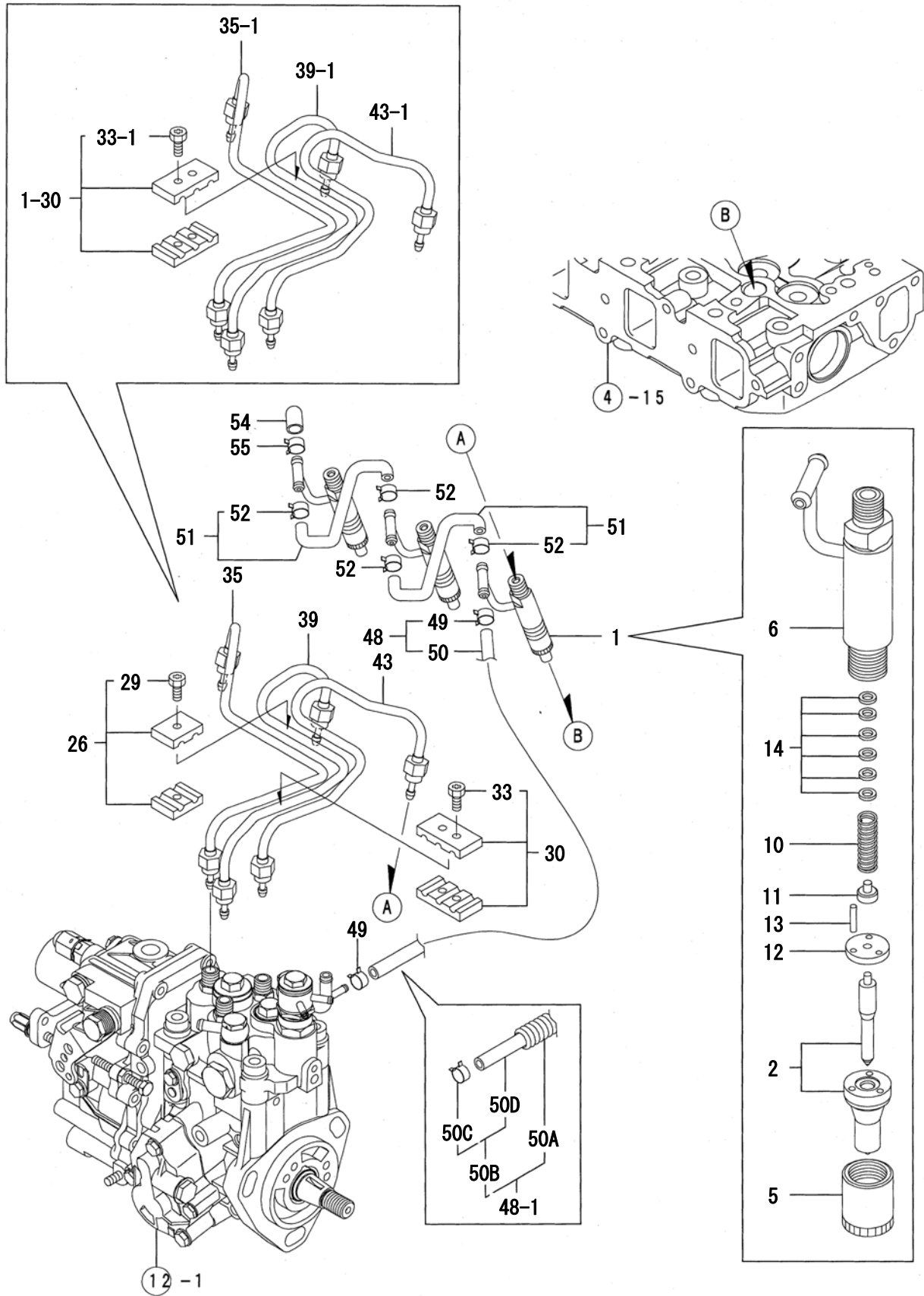
Engine for TB138FR 3TNV88-XTBZ
FUEL INJECTION PUMP



Y00D7761	12. F0ファンシャポン			
3TNV88-XTBZ		1, 07. 01		PLUS

見出 REF NO.	部品番号 PARTS NO.	部品名	Description	FUEL INJECTION PUMP 数量 Q'ty	互換性 I R	備考
I 1	729242-51340	F077シヤホ ^ン ASSY	PUMP ASSY, F. INJECT	1		
I 2	119802-51250	フレ ^ツ メ(FOP)	BRACKET, PUMP	1		
I 3	26106-080162	ツバ ^ホ ルト 8X 16	BOLT M 8X 16 PLATED	1		
I 4	26106-080202	ツバ ^ホ ルト 8X 20	BOLT M 8X 20 PLATED	1	(1)	インナー ^ハ ーツ ^ハ Fig. 18 & 19 オ ^サ シヨウ ^ホ カ ^イ マス.

Engine for TB138FR 3TNV88-XTBZ
FUEL INJECTION VALVE

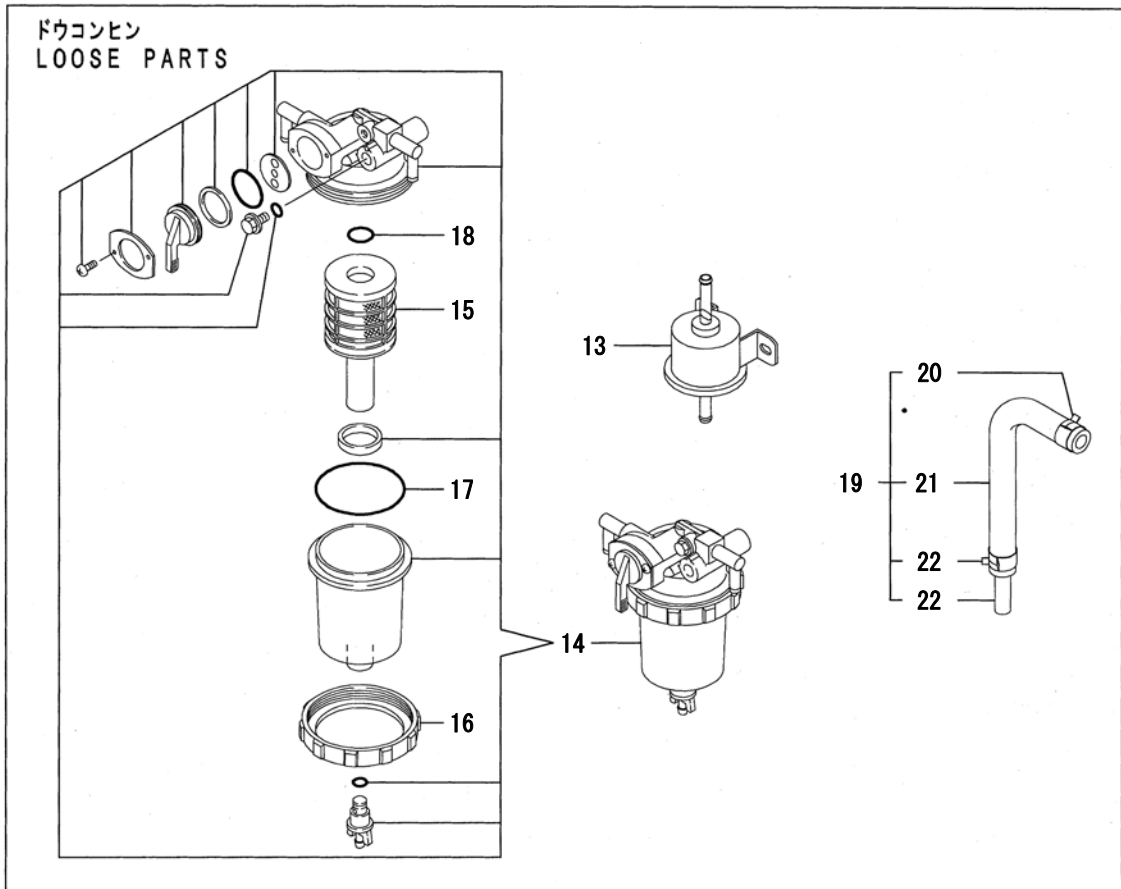
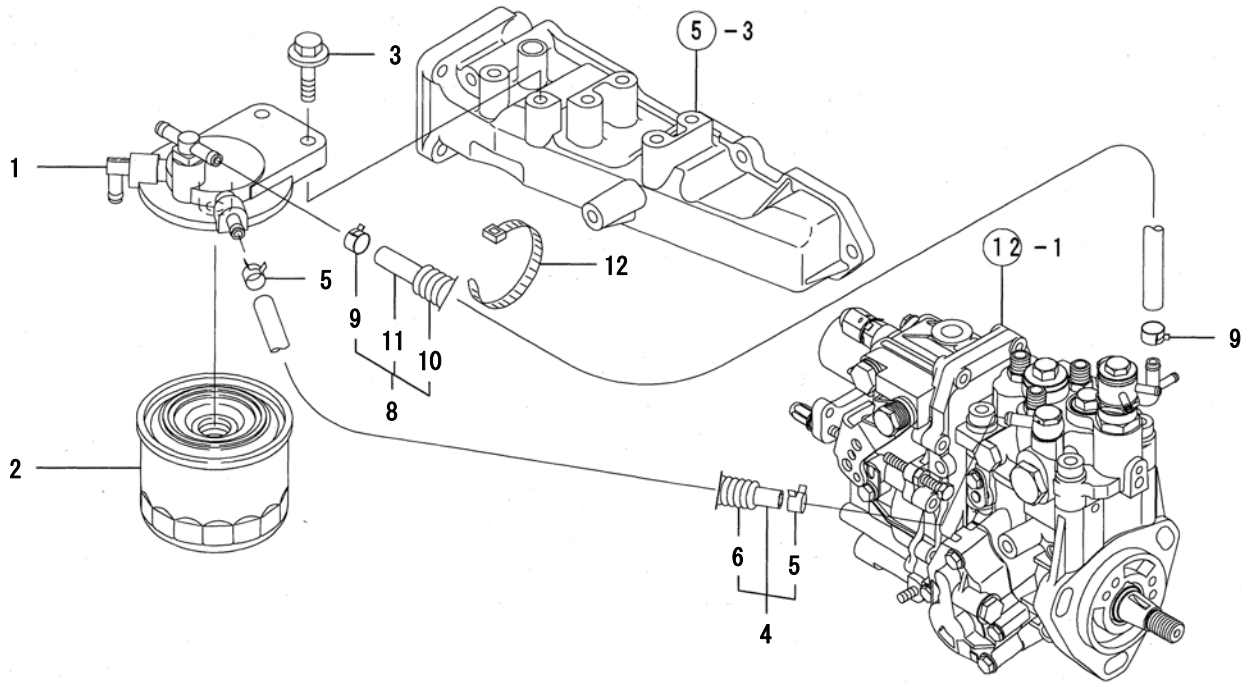


Y00D7761	13. F0ファンシャベン		
3TNV88-XTBZ	1, 07, 01		PLUS

F0フンシャベシ FUEL INJECTION VALVE

見出 REF NO.	部品番号 PARTS NO.	部品名	Description	数量 Q'ty	互換性 I R	備考
1	729245-53100	F0ベシ ASSY (WBC	FUEL INJECTOR (WBC	3		
2	129004-53001	・ ノズル CMP	・ NOZZLE CMP	3		
5	114250-53080	・ ケースナット (D16.95)	・ NUT, NOZZLE CASE	3		
6	119802-53100	・ ノズルホルダ CMP	・ HOLDER ASSY, NOZZLE	3		
10	114250-53120	・ スプリング (ノズル	・ SPRING, NOZZLE	3		
11	114250-53130	・ シート (ノズルスプリング	・ SEAT, NOZZLE SPRING	3		
12	114250-53140	・ ストッププレート	・ PLATE, STOP	3		
13	114250-53210	・ ピン (ノズルイキメ	・ PIN	6		
14	114250-53400	・ シム CMP	・ SHIM PACK	3		
I 26	119305-59120 (A=E03990)	フレドメ (フンシャカン CMP	RETAINER	1	Z	
I 29	129150-59131 (A=E03990)	・ HB4X14	・ BOLT M4X14, HEX. SCKT.	1	Z	
I 30-1	129150-59120	フレドメ (フンシャカン CMP	RETAINER, INJ. PIPE	1		
	129150-59120	フレドメ (フンシャカン CMP	RETAINER, INJ. PIPE	2	K	
	(A=E03990)					
I 33-1	129150-59131	・ HB4X14	・ BOLT M4X14, HEX. SCKT.	2		
	129150-59131	・ HB4X14	・ BOLT M4X14, HEX. SCKT.	4	K	
	(A=E03990)					
I 35-1	129004-59810	F0-T (フンシャ CMP	PIPE ASSY, INJECTION	1		
	129263-59811	F0-T (フンシャ CMP	PIPE ASSY, INJECTION	1	S	
	(A=E03990)					
I 39-1	129004-59820	F0-T (フンシャ CMP	PIPE ASSY, INJECTION	1		
	129263-59821	F0-T (フンシャ CMP	PIPE ASSY, INJECTION	1	S	
	(A=E03990)					
I 43-1	129004-59830	F0-T (フンシャ CMP	PIPE ASSY, INJECTION	1		
	129263-59831	F0-T (フンシャ CMP	PIPE ASSY, INJECTION	1	S	
	(A=E03990)					
I 48-1	119802-59550	F0-T (モトシ CMP	PIPE ASSY, RETURN	1		
	129263-59550	F0-T (モトシ CMP	PIPE ASSY, RETURN	1	N	
	(A=EXXXXX)					
I 49	124722-59050	・ ホースクリップ (マル 9	・ CLAMP 9	2	Z	
	(A=EXXXXX)					
I 50	119802-59560	・ F0-T (モトシ	・ PIPE, FUEL RETURN	1	Z	
	(A=EXXXXX)					
I 50A	129486-59320	・ コルゲートチューブ (10.7	・ CORRUGATED TUBE	1	W	
	(A=EXXXXX)					
I 50B	119802-59550	・ F0-T (モトシ CMP	・ PIPE ASSY, RETURN	1	W	
	(A=EXXXXX)					
I 50C	124722-59050	・ ・ ホースクリップ (マル 9	・ ・ CLAMP 9	2	W	
	(A=EXXXXX)					
I 50D	119802-59560	・ ・ F0-T (モトシ	・ ・ PIPE, FUEL RETURN	1	W	
	(A=EXXXXX)					
51	129486-59551	F0-T (モトシ CMP	PIPE, FUEL RETURN	2		
52	124722-59050	・ ホースクリップ (マル 9	・ CLAMP 9	4		
54	119593-59580	キャップ (F0-Tモトシ	CAP	1		
I 54-1	119593-59581	キャップ (F0-Tモトシ	CAP	1	N	
	(A=E03990)					
55	124060-77680	ホースクリップ (マル 10	CLAMP 10	1		

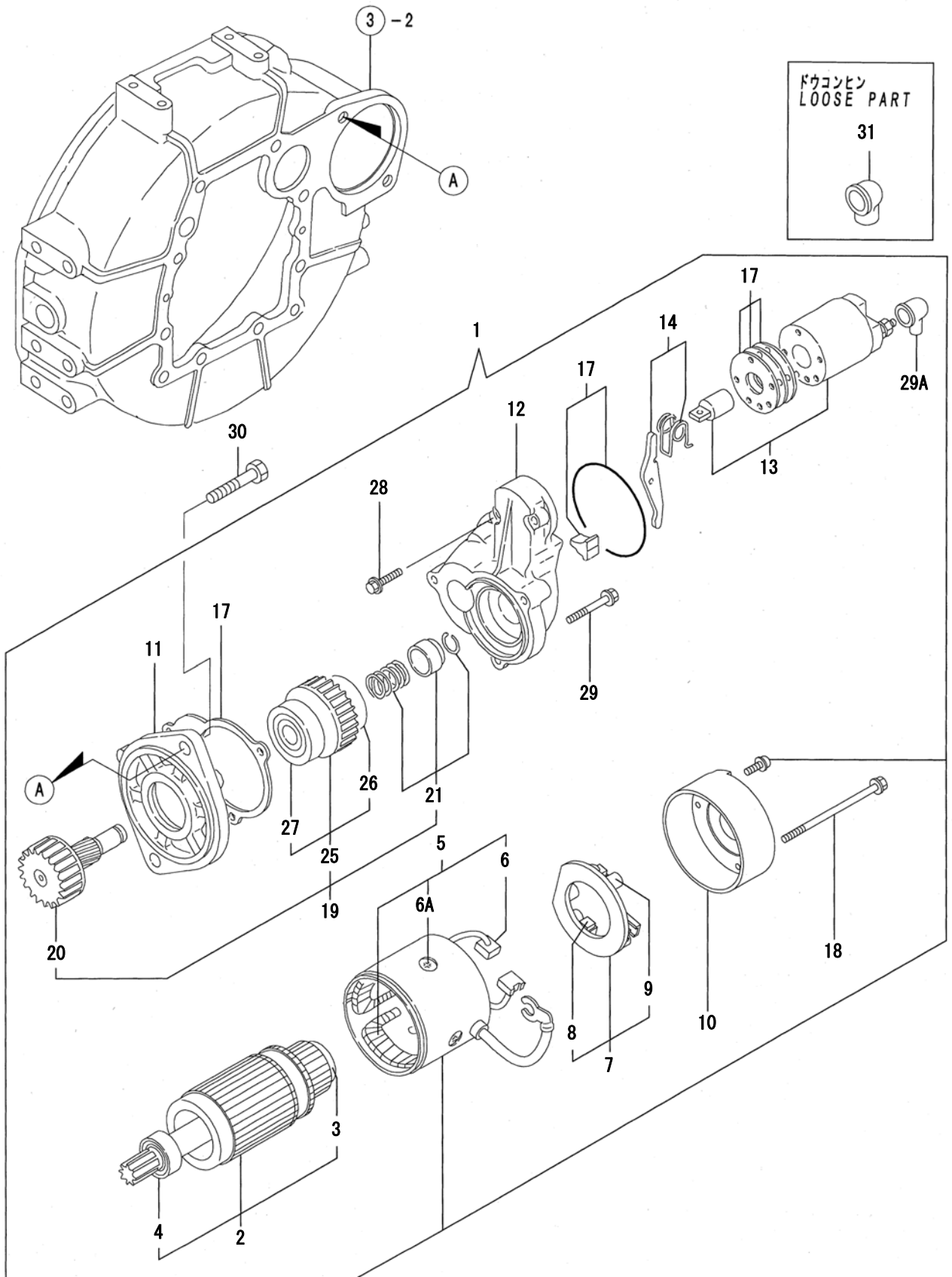
Engine for TB138FR 3TNV88-XTBZ
FUEL LINE



Y00D7761	14. F0147		
3TNV88-XTBZ	1, 07. 01		PLUS

見出 REF NO.	部品番号 PARTS NO.	部品名	Description	数量 Q'ty	互換性 I	R	備考
I 1-1	129004-55610 129004-55611 (A=E03989)	トリツケイ (F0フィルタ)	BRACKET, FILTER	1			
I 1-2	129004-55612 (A=E03990)	トリツケイ (F0フィルタ)	BRACKET, FUEL FILTER	1	R		
I 2-1	119802-55800 119802-55801 (A=E03990)	F0フィルタ	FILTER, FUEL	1			
	3	26106-080302	ツハ`ホ`ルト 8X 30	BOLT M 8X 30 PLATED	2		
	4	129044-59010	F0-T (D13/7. 5XL220)	PIPE, FUEL	1		
	5	124766-59050	・ ホースクリップ` (マル 12	・ CLAMP 12	2		
	6	129044-59100	・ コルゲ`-トチューブ` 15	・ PROTECTOR, PIPE 15	1		
	8	129950-59311	F0-T	PIPE, FUEL	1		
	9	124766-59050	・ ホースクリップ` (マル 12	・ CLAMP 12	2		
	10	129961-59110	・ コルゲ`-トチューブ` 15	・ TUBE	1		
	11	105025-59580	・ F0ハ`イフ` (タンク-コシキ)	・ PIPE, FUEL OIL	1		
	12	121750-59890	ナイロンパ`ント` 140	CLAMP 140	1		
	13	119225-52102	テ`ンジ` フイート` P (DC12V	PUMP ASSY, FUEL FEED	1		
I 13-1	129612-52100 (A=E03413)	F0フイート`ホ`ン`	FUEL PUMP	1	N		
	14	129906-55700	ユスイフ`ンリキ` CMP	SEPARATOR ASSY	1		
	15	119802-55710	・ エレメント (ユスイフ`ンリキ`	・ ELEMENT	1		
	16	129100-55690	・ リテ`ニ`ング` リン`	・ RING, RETAINING	1		
	17	24321-000650	・ Oリング` 1A G 65.0	・ O-RING 1A G-65.0	1		
	18	24311-000160	・ Oリング` 1A P 16.0	・ O-RING 1A P-16.0	1		
I 19	119840-59601 (A=EXXXXX)	パ`ント` (モト`シ`CMP	BEND ASSY	1	Z		
I 20	124766-59050 (A=EXXXXX)	・ ホースクリップ` (マル 12	・ CLAMP 12	2	Z		
I 21	119840-59611 (A=EXXXXX)	・ パ`ント` (モト`シ`	・ BEND, RETURN	1	Z		
I 22	119840-59621 (A=EXXXXX)	・ ジ`ョイント	・ JOINT	1	Z		

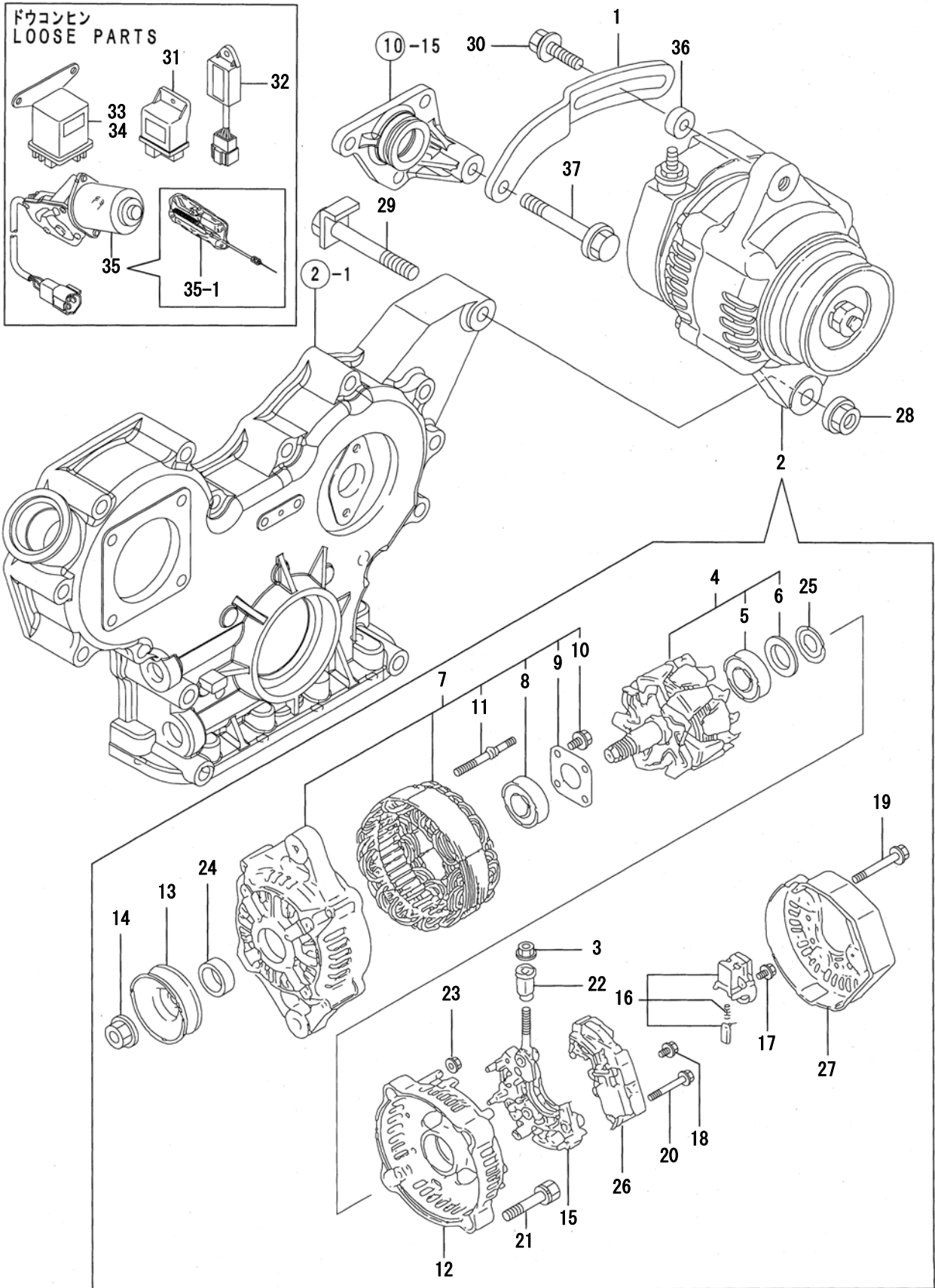
Engine for TB138FR 3TNV88-XTBZ
STARTING MOTOR



Y00D7761	15. スターティングモータ			
3TNV88-XTBZ		1, 07, 01		PLUS

見出 REF NO.	部品番号 PARTS NO.	部品名	Description	数量 Q'ty	互換性 I	R	備考
			スターティングモータ STARTING MOTOR				
			STARTING MOTOR	1			
I 1-1	129136-77011 (A=E03990)	スタータ (S13-294) スタータ	STARTER	1	N		
	129486-77400	・ アーマチュア	・ ARMATURE	1			
I 2-1	129900-77400 (A=E03990)	・ アーマチュア ASY	・ ARMATURE ASSY	1	S		
	171008-77410	・ ・ ベアリング (1)	・ ・ BEARING (1)	1			
I 3-1	X2130350900 (A=E03990)	・ ・ ボールベアリング (1)	・ ・ BALL BEARING	1	S		
	171008-77420	・ ・ ベアリング (2)	・ ・ BEARING (2)	1			
I 4-1	X2114255110 (A=E03990)	・ ・ ボールベアリング (2)	・ ・ BALL BEARING	1	S		
	129400-77441	・ フィールドコイル CMP	・ FIELD COIL ASSY	1			
I 5-1	129900-77440 (A=E03990)	・ フィールドコイル ASY	・ COIL ASSY, FIELD	1	S		
	129486-77460	・ ・ ブラシ (+)	・ ・ BRUSH	2			
I 6-1	129900-77450 (A=E03990)	・ ・ ブラシ (+)	・ ・ BRUSH (+)	2	S		
I 6A	171008-77450 (A=E03990)	・ ・ ボールコアセットスクリュー	・ ・ SCREW, POLE CORE SET	4	W		
	129486-77470	・ ブラシホルダ - シクミ	・ HOLDER ASSY, BRUSH	1			
I 7-1	129900-77480 (A=E03990)	・ ブラシホルダ ASY	・ HOLDER ASSY, BRASH	1	S		
	129486-77460	・ ・ ブラシ (+)	・ ・ BRUSH	2			
I 8-1	129900-77450 (A=E03990)	・ ・ ブラシ (+)	・ ・ BRUSH (+)	2	S		
	129486-77490	・ ・ スプリング, ブラシ	・ ・ SPRING, START BRUSH	4			
I 9-1	129400-77490 (A=E03990)	・ ・ スプリング, ブラシ	・ ・ SPRING, BRUSH	4	S		
	129900-77460	・ リヤカバー	・ COVER, REAR	1			
	171008-77510	・ キーケース	・ HOUSING ASSY, GEAR	1			
	129400-77520	・ センターハウジング	・ HOUSING, CENTER	1			
I 12-1	129136-77520 (A=E03990)	・ センターハウジング	・ CENTER HOUSING	1			
	129400-77531	・ マグネチックスイッチ CMP	・ SWITCH ASSY, MAGNETIC	1			
	171008-77540	・ レバーセット	・ LEVER SET, SHIFT	1			
	129400-77571	・ ダストカバーキット (ノンアス)	・ DUST COVER, (NON-ASB.	1			
	129900-77640	・ スロートボルト	・ BOLT, THROUGHT	2			
	171008-77650	・ ピニオンシクミ	・ PINION ASSY	1			
	171008-77660	・ ・ ピニオンシャフト	・ ・ SHAFT, PINION	1			
	171008-77670	・ ・ ストッパーセット	・ ・ STOPPER SET, PINION	1			
	X2114555500	・ ・ クラッチ ASY	・ ・ CLUTCH ASSY	1			
	X2114955020	・ ・ ・ ボールベアリング (3)	・ ・ ・ BALL BEARING	1			
	X2240410100	・ ・ ・ ボールベアリング (4)	・ ・ ・ BALL BEARING	1			
	26106-060322	・ ツバボルト 6X 32	・ BOLT M 6X 32 PLATED	2			
	26106-060402	・ ツバボルト 6X 40	・ BOLT M 6X 40 PLATED	3			
I 29A	171008-77750 (A=E03990)	・ カバー (ターミナル)	・ COVER, M TERMINAL	1	W		
	26116-120252	ボルト 12X 25	BOLT M12X 25 PLATED	2			
31	124550-77030	カバー (ST: Bターミナル)	COVER, TERMINAL	1			

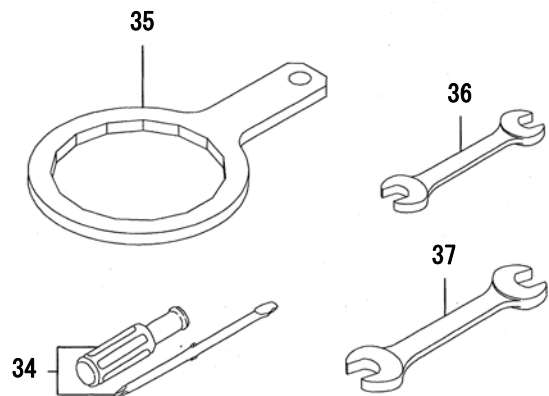
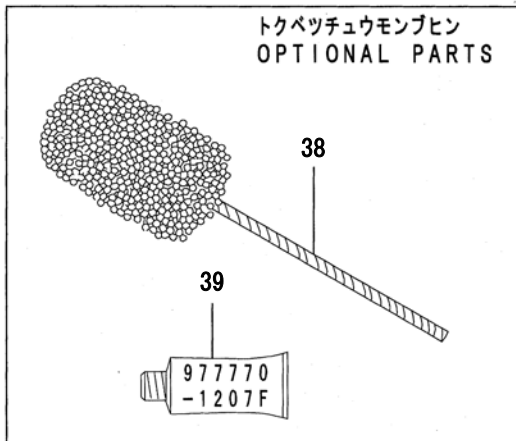
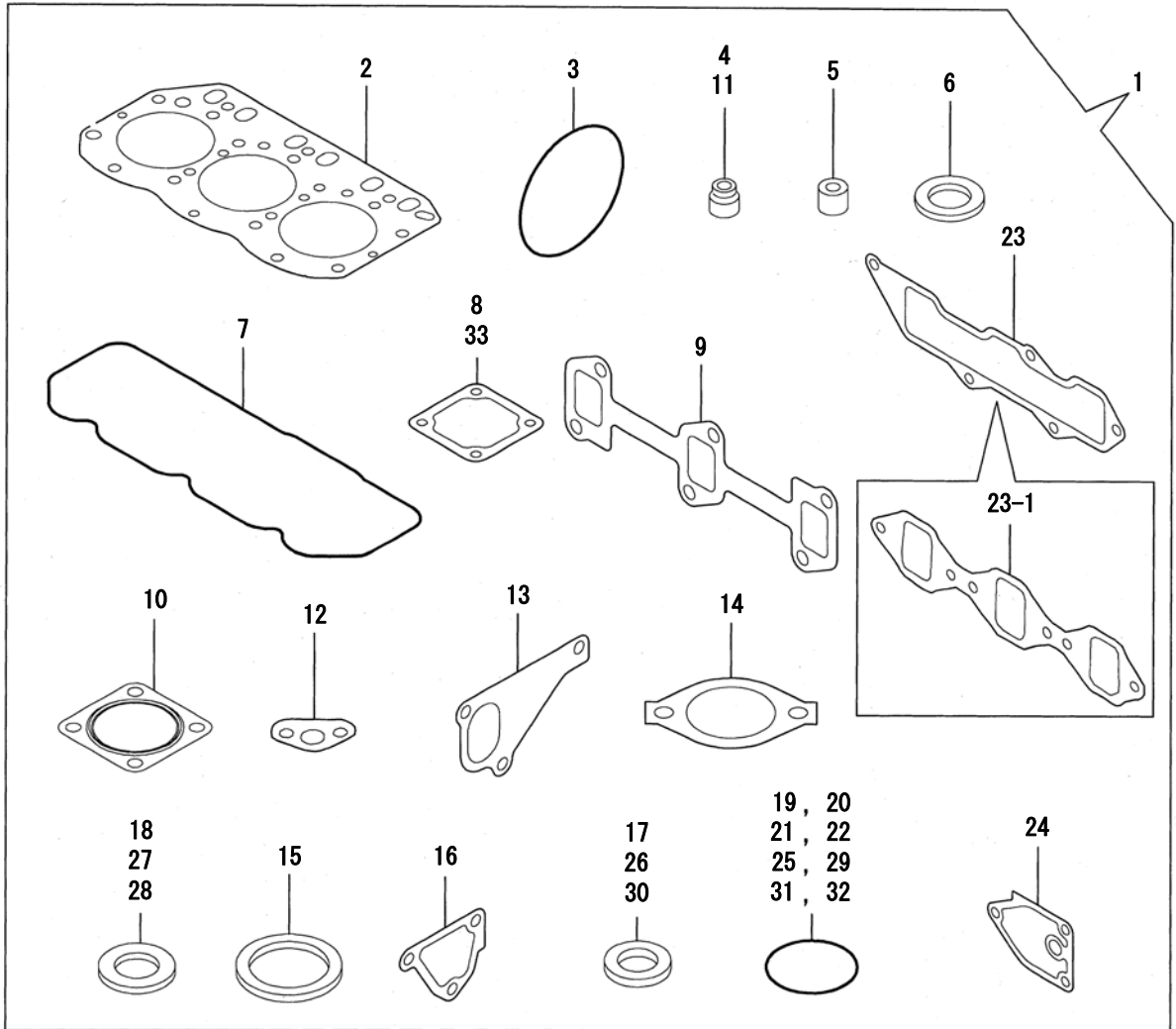
Engine for TB138FR 3TNV88-XTBZ
GENERATOR



Y00D7761	16. ジェネレータ		
3TNV88-XTBZ		1, 07. 01	PLUS

見出 REF NO.	部品番号 PARTS NO.	部品名	Description	数量 Q'ty	互換性 I R	備考
1	119802-77320	アジヤスタ(Vハ)ルト	ADJUSTER, BELT	1		
I 1-1	119802-77330 (A=E03990)	アジヤスタ(Vハ)ルト	ADJUSTER, BELT	1	N	
2	129240-77200	オルタネータ(40A	ALTERNATOR	1		
3	129240-79310	ナット	NUT	1		
4	119620-77380	ロータ ASSY	ROTOR ASSY	1		
5	126501-79240	ボールベアリング	BALL BEARING	1		
I 5-1	123501-79240 (A=E03990)	ボールベアリング	BEARING, BALL	1	N	
6	119620-79250	ベアリングカバー	COVER, BEARING	1		
7	119620-77421	フレームASSY, DRIVE	FLAME ASSY, DRIVE	1		
8	119620-79200	ボールベアリング	BALL BEARING	1		
9	119620-79210	プレート, リテーナ	PLATE	1		
10	119620-79220	スクリュー	SCREW	4		
11	119620-79230	ボルト, スタット	BOLT, STUD	2		
12	119620-77440	フレーム ASSY, REAR	FLAME ASSY, REAR	1		
13	119620-77461	プーリ	PULLEY	1		
14	119620-77471	ナット	NUT	1		
15	119620-79260	ホルダー	HOLDER	1		
16	129052-79270	ブラシホルダー	HOLDER, BRUSH	1		
17	119620-79290	スクリユウ	SCREW	6		
18	119620-79300	スクリユウ	SCREW	1		
19	119620-79310	ボルト	BOLT	3		
20	119620-79320	スクリユウ, W/ワッシャ	SCREW W/WASHER	2		
21	119620-79330	ボルト	BOLT	2		
22	119620-79340	インシュレーションブッシュ	INSULATION BUSH	1		
23	119620-79350	ナット	NUT	2		
24	119620-77490	カラー	COLLAR	1		
25	119620-79360	スラストワッシャ	THRUST WASHER	1		
26	129240-77710	レギュレータ ASSY	REGULATOR ASSY	1		
27	129240-79300	カバー, リヤエント	COVER	1		
28	26306-100002	ツハナット(UBS 10	NUT	1		
29	119740-77250	ボルト 10X76 (GEN	BOLT, M10X76	1		
30	119810-77340	ボルト(アジヤスタ	BOLT	1		
I 30-1	129972-77341 (A=E03990)	ボルト(アジヤスタ, L=50	BOLT, ADJUSTING	1	N	
31	119802-77200	セーフティリレー	RELAY, SAFETY	1		
32	129211-77920	タイマー(1 SEC.	TIMER	1		
33	119646-77900	パワーリレー	RELAY, POWER	1		
34	119646-77900	パワーリレー	RELAY, POWER	1		
35	129136-66810	ストップモーター	MOTOR, ENGINE STOP	1		
I 35-1	119032-77910 (A=E03990)	アクセルモータ CMP(12V	MOTOR ASSY, ENG. STOP	1	S	
I 36	119940-77270 (A=E03990)	カンザ(GEN	ADJUSTER, BELT	1	W	
I 37	26106-080452 (A=E03990)	ツハボルト 8X 45	BOLT M 8X 45 PLATED	1	W	

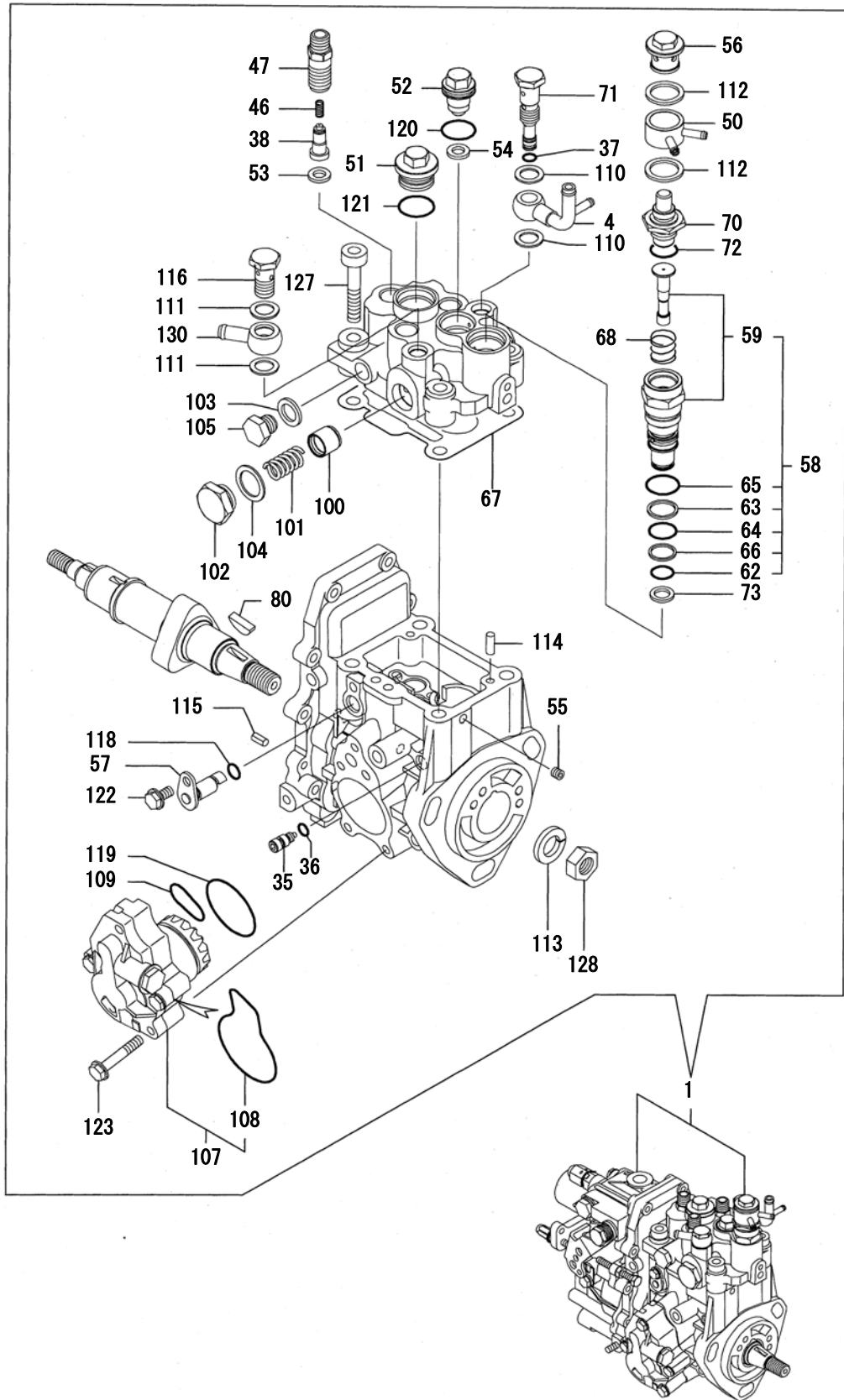
Engine for TB138FR 3TNV88-XTBZ
GASKET SET & TOOL



Y00D7761	17. コウグ & パッキンセット		
3TNV88-XTBZ	1, 07. 01		PLUS

見出 REF NO.	部品番号 PARTS NO.	部品名	Description	数量 Q'ty	互換性 I	R	備考
I 1	729001-92730	パツキンセット (ノンアス)	GASKET SET (NON-ASB.)	1		(1)	オプション ブヒンデス
I 1-1	729001-92731 (A=EXXXXX)	パツキンセット (ノンアス)	GASKET SET (NON-ASB.)	1	S	(1)	オプション ブヒンデス
2	129001-01340	・ ヘッド ガ スケツト (ノンアス)	・ GASKET, (NON-ASB.)	1			
3	121850-51960	・ オリング (FOPトリツケ)	・ O-RING, F. I. PUMP	1			
4	124460-11340	・ バルブ ステムシール	・ SEAL, VALVE STEM	3			
5	119802-11870	・ プ ロテクタ (ノズル)	・ PROTECTOR, NOZZLE	3			
6	119625-11880	・ ノズルシート	・ SEAT, NOZZLE	3			
7	129004-11310	・ PK (ホーンネット)	・ GASKET, BONNET	1			
8	129150-77511	・ PK (エアヒータ) (ノンアス)	・ GASKET, (NON-ASB.)	1			
9	129150-13110	・ PK (EXHマニホールド)	・ GASKET, EXH. MANIFOLD	1			
10	124701-11911	・ ガ スケツト (サイレンサ) (ノンアス)	・ GASKET, (NON-ASB.)	2			
11	121400-11340	・ バルブ ステムシール	・ SEAL, VALVE STEM	3			
12	129150-35041	・ PK (キユウニユウカン) (ノンアス)	・ GASKET, (NON-ASB.)	1			
I 12-1	129150-35042 (A=E03990)	・ PK (キユウニユウカン) (ノンアス)	・ GASKET, (NON-ASB.)	1	N		
13	129486-42021	・ PK (CW-P)	・ GASKET	1			
14	129795-49551	・ PK (サモスタットカバ) (ノンアス)	・ GASKET, (NON-ASB.)	1			
15	129150-49811	・ PK (サモスタット シタ) (ノンアス)	・ GASKET, (NON-ASB.)	1			
16	124395-49840	・ PK (サモスタットケース)	・ GASKET, THERMO. CASE	1			
17	22190-080002	・ シールワッシャ (コマル. ニトリル) 8	・ SEAL WASHER 8S	2			
18	124465-44950	・ パツキン16	・ GASKET 16	1			
19	24311-000120	・ オリング 1A P 12.0	・ O-RING 1A P 12.0	3			
20	24311-000320	・ オリング 1A P 32.0	・ O-RING 1A P-32.0	3			
I 20-1	24311-000320 (A=EXXXXX)	・ オリング 1A P 32.0	・ O-RING 1A P-32.0	2	K		
21	24341-000240	・ オリング 1A S 24.0	・ O-RING 1A S-24.0	1			
22	129486-42140	・ オリング G 30	・ O-RING, CW-P	1			
23	129001-12110	・ PK (SUCマニホールド)	・ GASKET, INT. MANIFOLD	1			
I 23-1	129150-12111 (A=EXXXXX)	・ PK (SUCマニホールド) (ノンアス)	・ GASKET, (NON-ASB.)	1	S		
24	129150-35111	・ PK (フィルタフ ラケツト) (ノンアス)	・ GASKET, (NON-ASB.)	1			
25	119609-32040	・ オリング	・ O-RING P16	4			
26	22190-100002	・ シールワッシャ (コマル. ニトリル) 10	・ SEAL WASHER 10S	2			
27	23414-080000	・ パツキン (マル) 8	・ GASKET 8, ROUND	1			
28	129150-49360	・ PK 10	・ GASKET 10	1			
29	24311-000150	・ オリング 1A P 15.0	・ O-RING 1A P-15.0	1			
30	22190-220002	・ シールワッシャ (コマル. ニトリル) 22	・ SEAL WASHER 22S	1			
I 31	24311-000300 (A=EXXXXX)	・ オリング 1A P 30.0	・ O-RING 1A P-30.0	1	Z		
I 32	24311-240100 (A=EXXXXX)	・ オリング 1A P 10A	・ O-RING 1A P-10A	1	Z		
33	129100-77510	・ パツキン (エアヒータ)	・ GASKET, AIR HEATER	1			
34	104200-92350	・ ドライバ (サシカエシキ)	DRIVER, SCREW	1			
35	119640-92750	・ フィルタレンヂ 80	WRENCH, FILTER	1			
36	28110-100120	・ スパナ 10X12	WRENCH 10X12	1			
37	28110-140170	・ スパナ 14X17	WRENCH 14X17	1			
38	129400-92430	・ フレツクスホーン	HORN, FLEX	1		(1)	オプション ブヒンデス
I 39	977770-1207F	・ シリコンケイ エキジ ヨウガ スケツト	GASKET. LIQUID	1		(1)	オプション ブヒンデス

Engine for TB138FR 3TNV88-XTBZ
 FUEL INJECTION PUMP (INNER PARTS)



Y00D7761	18. FOフンシャポンプ (インナーパーツ)		
3TNV88-XTBZ	1:07.01		PLUS

見出 REF NO.	部品番号 PARTS NO.	部品名 F07ンシャホ ^ン フ ASSY	Description PUMP ASSY, F. INJECT	数量 Q'ty	互換性 I	R (1)	備考 ミタ ^シ NO. 1 F07ンシャホ ^ン フ ASSY ニハコウモクNO. 19 ガ ^ハ ナ ^ヲ フクミマス。
1	729242-51340	F07ンシャホ ^ン フ ASSY	PUMP ASSY, F. INJECT	1			
4	158552-51670	・ ショイント(オーバ ^ー フロー	・ JOINT	1			
35	158600-51270	・ マワリト ^メ (タ ^ハ ツト	・ STOPPER	1			
36	158563-51281	・ オリ ^ン ク ^ン 4D S6	・ O-RING	1			
37	158563-51281	・ オリ ^ン ク ^ン 4D S6	・ O-RING	1			
38	158560-51300	・ テ ^リ ハ ^リ ハ ^ル フ ^ン CMP	・ VALVE ASSY, DILEVERY	3			
46	158563-51330	・ SP(テ ^リ ハ ^リ ハ ^ル フ ^ン	・ SPRING	3			
47	158601-51340	・ ホ ^ル ダ ^ン (テ ^リ ハ ^リ	・ HOLDER, DELIVERY	3			
50	158553-51551	・ ショイント(レイキヤクスイ	・ JOINT, COOLING WATER	1			
51	158601-51550	・ フ ^ラ ク ^ン (フ ^ン ハ ^イ ジ ^ク	・ PLUG	1			
52	119802-51560	・ ハ ^ル フ ^ラ ク ^ン	・ BARREL PLUG	1			
53	158552-51570	・ PK(ハ ^ル フ ^ラ ク ^ン	・ PK(BARREL PLUG	3			
54	158552-51570	・ PK(ハ ^ル フ ^ラ ク ^ン	・ PK(BARREL PLUG	1			
55	158557-51570	・ フ ^ラ ク ^ン (ラ ^ツ ク	・ PLUG	1			
56	158601-51570	・ フ ^ラ ク ^ン (レイキヤクスイ	・ PLUG, WATER PUMP	1			
57	158552-51580	・ リ ^ン ク ^リ フ ^{ター}	・ LIFTER	1			
58	119802-51590	・ タイマ ^ー セ ^ツ ト	・ TIMER SET	1			
59	119802-51600	・ タイマ ^ー CMP(サ ^ー モ ^エ レ ^メ ン ^ト	・ TIMER CMP	1			
62	158553-51670	・ オリ ^ン ク ^ン 1011	・ O-RING, 1011	1			
63	119802-51680	・ ハ ^ツ ク ^ア ツ ^ツ リ ^ン ク ^ン	・ BACKUP RING	1			
64	119802-51690	・ オリ ^ン ク ^ン	・ O RING	1			
65	24356-010200	・ オリ ^ン ク ^ン 4D 1020	・ PACKING, 1020	1			
66	24372-000150	・ ハ ^ツ ク ^ア ツ ^ツ リ ^ン ク ^ン	・ RING, BACKUP T2 P 15	1			
67	158552-51600	・ PK(ハ ^ツ ツ	・ PACKING, HEAD	1			
68	158553-51630	・ SP(タイマ ^ー	・ SPRING, TIMER	1			
70	158553-51640	・ サ ^ー モ ^エ レ ^メ ン ^ト	・ ELEMENT, THERMO	1			
71	158601-51650	・ オーバ ^ー フ ^ロ ー ^ツ キ ^ン テ	・ JOINT	1			
72	158553-51660	・ オリ ^ン ク ^ン P14	・ O-RING, P14	1			
73	158553-51680	・ PK(タイマ ^ー	・ PACKING, TIMER	1			
80	119802-51090	・ ハ ^ン ク ^ツ キ ^ン 4X16	・ KEY, WOODRUFF 4X16	1			
100	158601-51770	・ ア ^キ ユ ^ム レ ^ー タ ^ビ ス ^ト ン	・ PISTON	1			
101	158552-51780	・ ア ^キ ユ ^ム レ ^ー タ ^ビ SP	・ DAMPER ASSY	1			
101- 1	158552-51781 (A=EXXXXX)	・ ア ^キ ユ ^ム レ ^ー タ ^ビ SP	・ DAMPER ASSY	1	N		
102	158601-51790	・ ア ^キ ユ ^ム レ ^ー タ ^ビ ラ ^ク	・ PLUG	1			
103	22190-120002	・ シ ^{ール} ワ ^ッ シ ^ャ (コ ^マ ル 12	・ SEAL WASHER 12	1			
104	22190-180002	・ シ ^{ール} ワ ^ッ シ ^ャ (コ ^マ ル 18	・ SEAL WASHER 18	1			
105	23887-120002	・ 6カ ^ク フ ^ラ ク ^ン M12	・ PLUG M12, HEX.	1			
107	158552-52100	・ フ ^イ ード ^ホ ン ^プ CMP	・ PUMP ASSY, FEED	1			
108	158552-52500	・ O リ ^ン ク ^ン (フ ^イ ード ^ホ ン ^プ イ ^ン ナ ^ー	・ O-RING(FEED P INNER	1			
109	158552-52310	・ オリ ^ン ク ^ン (フ ^イ ード ^ホ ン ^プ	・ O-RING	1			
110	22190-120002	・ シ ^{ール} ワ ^ッ シ ^ャ (コ ^マ ル 12	・ SEAL WASHER 12	2			
111	22190-120002	・ シ ^{ール} ワ ^ッ シ ^ャ (コ ^マ ル 12	・ SEAL WASHER 12	2			
112	22190-180002	・ シ ^{ール} ワ ^ッ シ ^ャ (コ ^マ ル 18	・ SEAL WASHER 18	2			
113	22217-140000	・ ハ ^ネ サ ^ガ ネ 14	・ SPRING WASHER 14	1			
114	22312-050140	・ ヘ ^イ コ ^ウ ビ ^ン 5X14	・ PARALLEL PIN 5X14	2			
115	22351-050010	・ ス ^プ リ ^ン ク ^ン ピ ^ン 5.0AX 10	・ SPRING PIN 5X10	2			
116	23857-060000	・ カ ^ン ツ ^キ テ ^ホ ルト 6	・ JOINT BOLT 6, PIPE	1			
118	24311-000070	・ オリ ^ン ク ^ン 1A P 7.0	・ O-RING 1A P-7.0	1			
119	24341-000420	・ オリ ^ン ク ^ン 1A S 42.0	・ O-RING 1A S-42.0	1			
119- 1	158552-52400 (A=E02010)	・ O リ ^ン ク ^ン 4E S42	・ O-RING 4E S42	1	N		
120	24356-010180	・ オリ ^ン ク ^ン 4D 1018	・ O-RING	1			
121	24356-010200	・ オリ ^ン ク ^ン 4D 1020	・ PACKING, 1020	1			
122	26106-060102	・ ツ ^ハ ホ ^{ルト} 6X 10	・ BOLT 6X 10 PLATED	1			
123	26106-060352	・ ツ ^ハ ホ ^{ルト} 6X 35	・ BOLT M 6X 35 PLATED	4			
123- 1	158553-51770	・ ホ ^{ルト}	・ BOLT	4	N		
127	26450-080452	・ 6カ ^ク ア ^ナ ホ ^{ルト} 8X 45	・ BOLT M 8X 45	4			
128	26776-140002	・ ト ^メ ナ ^ツ ト(ホ ^リ 14	・ LOCK NUT M14 PLATED	1			
130	129916-59020	・ カ ^ン ツ ^キ テ ^ホ ルト 12	・ JOINT 12, PIPE	1			

ガバナ(インナーツ) GOVERNOR (INNER PARTS)

見出 REF NO.	部品番号 PARTS NO.	部品名	Description	数量 Q'ty	互換性 I	R	備考
2	158553-61050	・ PK(ガバナケース	・ PACKING, CASE	1			
3	158553-61070	・ PK(ガバナケースタ	・ PACKING	1			
5	129155-51280	・ オリング(S6	・ O-RING S6	1			
21	129255-61410	・ トメナツト(コントロールレバ	・ NUT	1			
22	119807-61420	・ モトシSP(コントロールレバ	・ SPRING	1			
23	158552-61441	・ レギユレタレバ	・ LEVER, REGULATOR	1			
24	129155-61460	・ アイトルセイゲンボルト	・ BOLT, IDLE LIMIT	1			
58	119660-61901	・ ヌケトメ	・ RETAINER, SHAFT	1			
62	22190-120000	・ シールワッシャ(ボルトヨウ)12	・ SEAL WASHER 12 (BOLT)	1			
64	23887-120002	・ 6カクフヲク M12	・ PLUG M12, HEX.	1			
66	26106-060102	・ ツハボルト 6X 10	・ BOLT 6X 10 PLATED	1			
67	26756-060002	・ トメナツト 6	・ LOCK NUT 6	1			
81	24341-000280	・ オリング 1A S 28.0	・ O-RING 1A S-28.0	1			
81-1	158552-61900 (A=E03990)	・ オリング	・ O-RING	1		R	
82	26106-060142	・ ツハボルト 6X 14	・ BOLT M 6X 14 PLATED	2			
83	26106-060142	・ ツハボルト 6X 14	・ BOLT M 6X 14 PLATED	4			
84	26106-060202	・ ツハボルト 6X 20	・ BOLT M 6X 20 PLATED	10			
95	119233-77932	・ ストップソレノイド	・ SOLENOID, STOP	1			
96	129642-61060	・ ガバナケースタ	・ COVER, CASE	1			