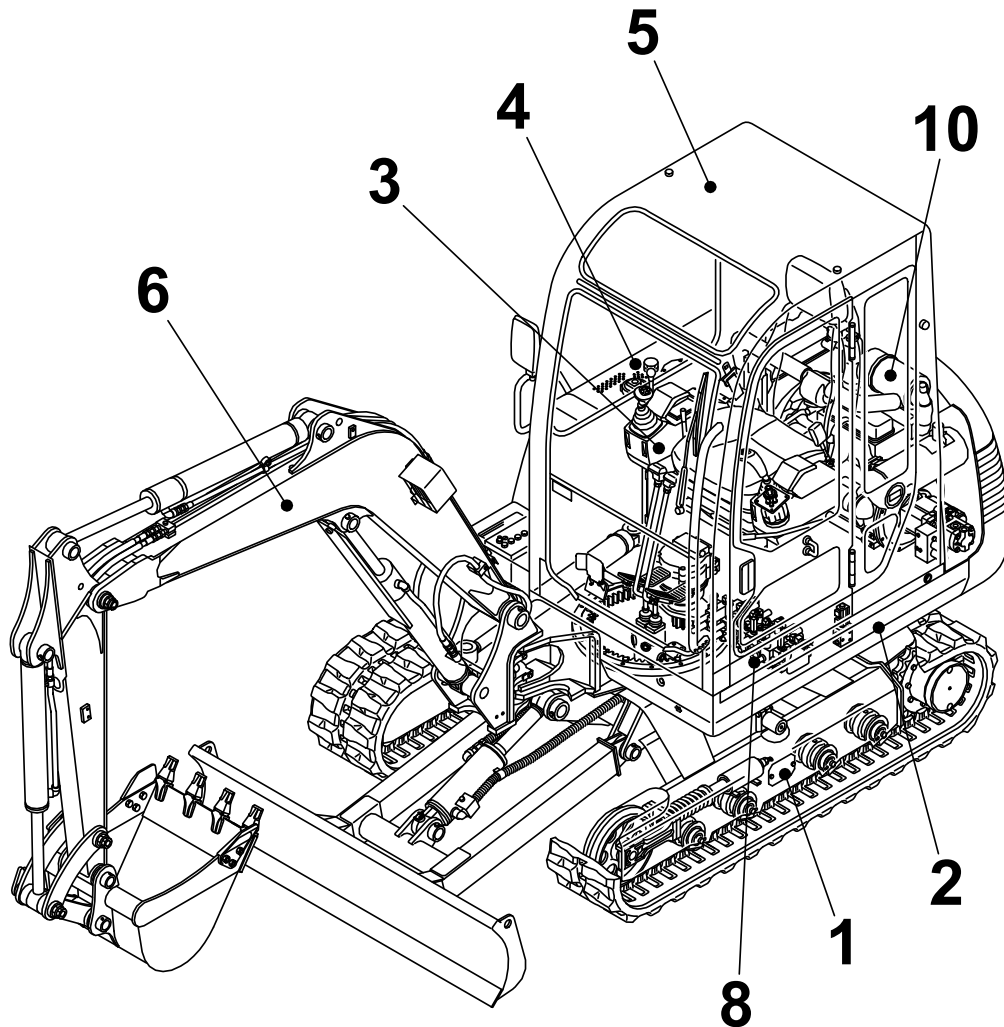


# TB145

Book No. BK3Z010  
Serial No. 14510004-

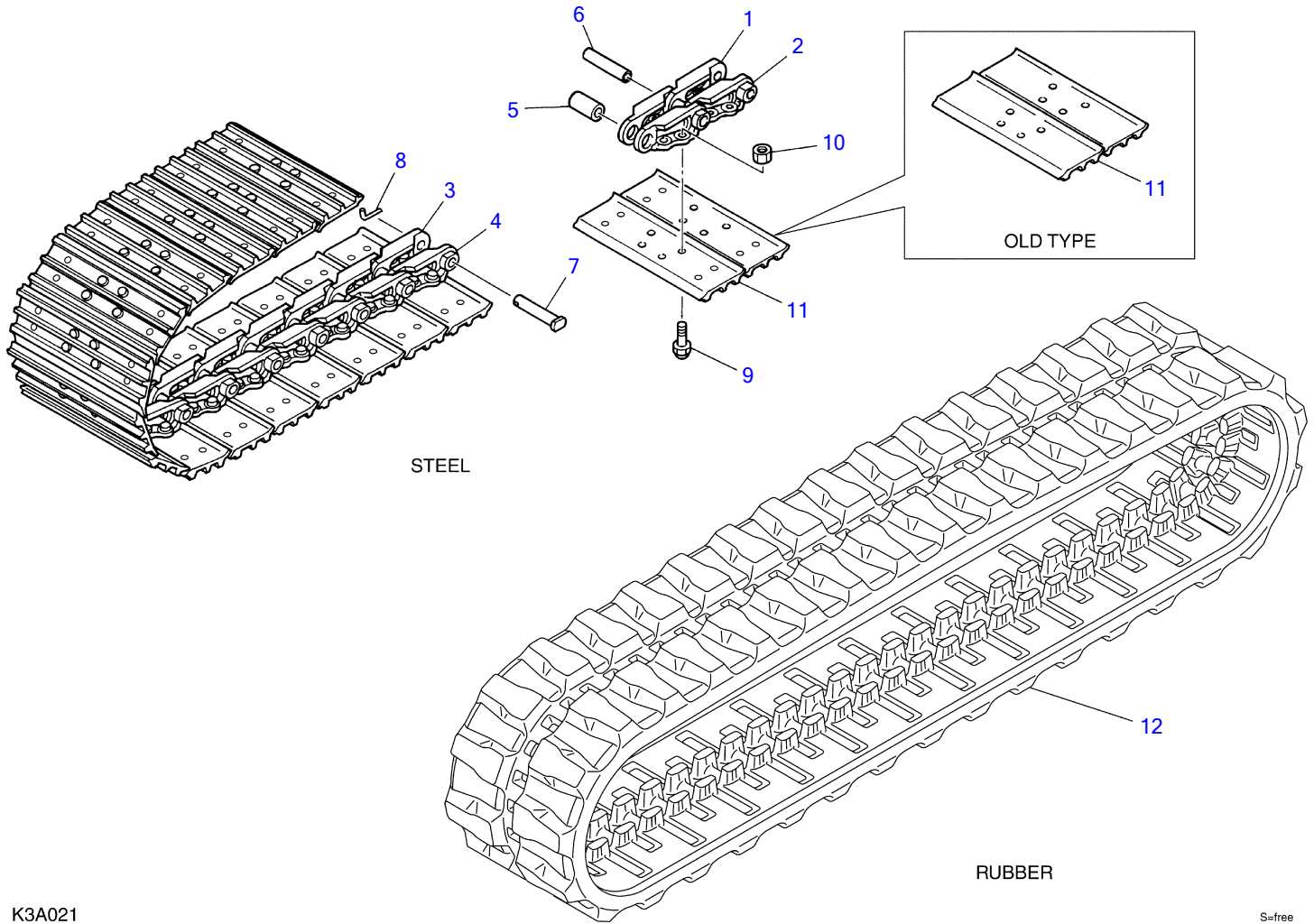


# TAKEUCHI



Item	Part number	Description	INDEX				Remarks
			Q'ty	Chan.	Serial No.	Serv.	
1		UNDERCARRIAGE					
2		TURNTABLE & CONTROL LEVER					
3		ENGINE & ELECTRICAL SYSTEM					
4		HYDRAULIC PIPNG & TANK					
5		COVER & CAB					
6		HOE ATTACHMENT					
7		DECAL & TOOL					
8		HYDRAULIC DEVICE					
10		ENGINE 4TBNE88-(E)TB(1)					
		ENGINE 4TNV88-QTB,QTBC					
		ENGINE 4TNV88-QTBC					
		2008.7.11					

TB145 Book No. BK3Z010 S/N 14510004-  
CRAWLER BELT



K3A021

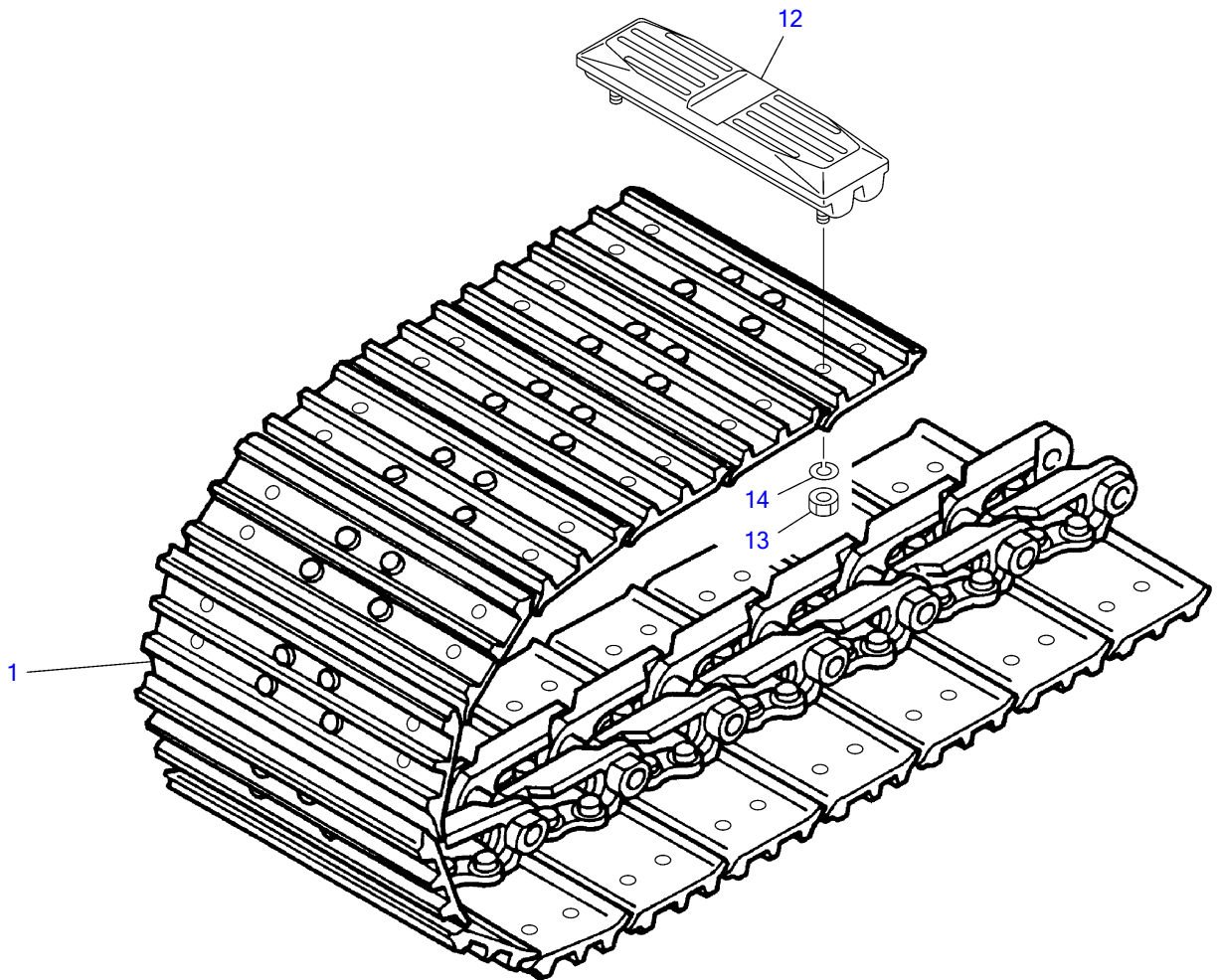
S=free

**CRAWLER BELT**

Item	Part number	Description	Q'ty	Chan.	Serial No.	Serv.	Remarks
0	<b>1914051300</b>	BELT, steel crawler (380wide)	2		old type		X19140-51300-0
	<b>1914051600</b>	BELT, steel crawler (400wide)	2	(H)	new type		X19140-51600-0
	<b>1914051400</b>	BELT, steel crawler (460wide)	2				X19140-51400-0
1	<b>1914039001</b>	▪ LINK (R.H.)	37				
2	<b>1914039002</b>	▪ LINK (L.H.)	37				
3	<b>1914039003</b>	▪ LINK, master (R.H.)	1				
4	<b>1914039004</b>	▪ LINK, master (L.H.)	1				
5	<b>1914039012</b>	▪ BUSHING	38				
6	<b>1914039006</b>	▪ PIN, track	37				
7	<b>1914039007</b>	▪ PIN, master	1				
8	<b>1914039008</b>	▪ PIN	1				
9	<b>1914039009</b>	▪ BOLT	152				
10	<b>1914033010</b>	▪ NUT	152				
11	<b>1914051311</b>	▪ PLATE, shoe	38		old type		380wide
	<b>1914051611</b>	▪ PLATE, shoe	38		new type		400wide
	<b>1914051411</b>	▪ PLATE, shoe	38				460wide
12	<b>1914065200</b>	BELT, rubber crawler	2		14510004~14512398		X19140-65200-0
	<b>1914065400</b>	BELT, rubber crawler	2	(H)	14512399~14512798		X19140-65400-0
	<b>1914065500</b>	BELT, rubber crawler	2	(H) (L)	14512799~14515681		X19140-65500-1
	<b>1914065610</b>	BELT, rubber crawler	2	(H)	14515682~14516264		X19140-65610-0
	<b>1914065500</b>	BELT, rubber crawler	2	(H) (L)	14516265~14516941		X19140-65500-1
	<b>1914065610</b>	BELT, rubber crawler	2	(H)	14516942~		X19140-65610-0

**K3a025**

TB145 Book No. BK3Z010 S/N 14510004-  
CRAWLER BELT (with rubber pads)



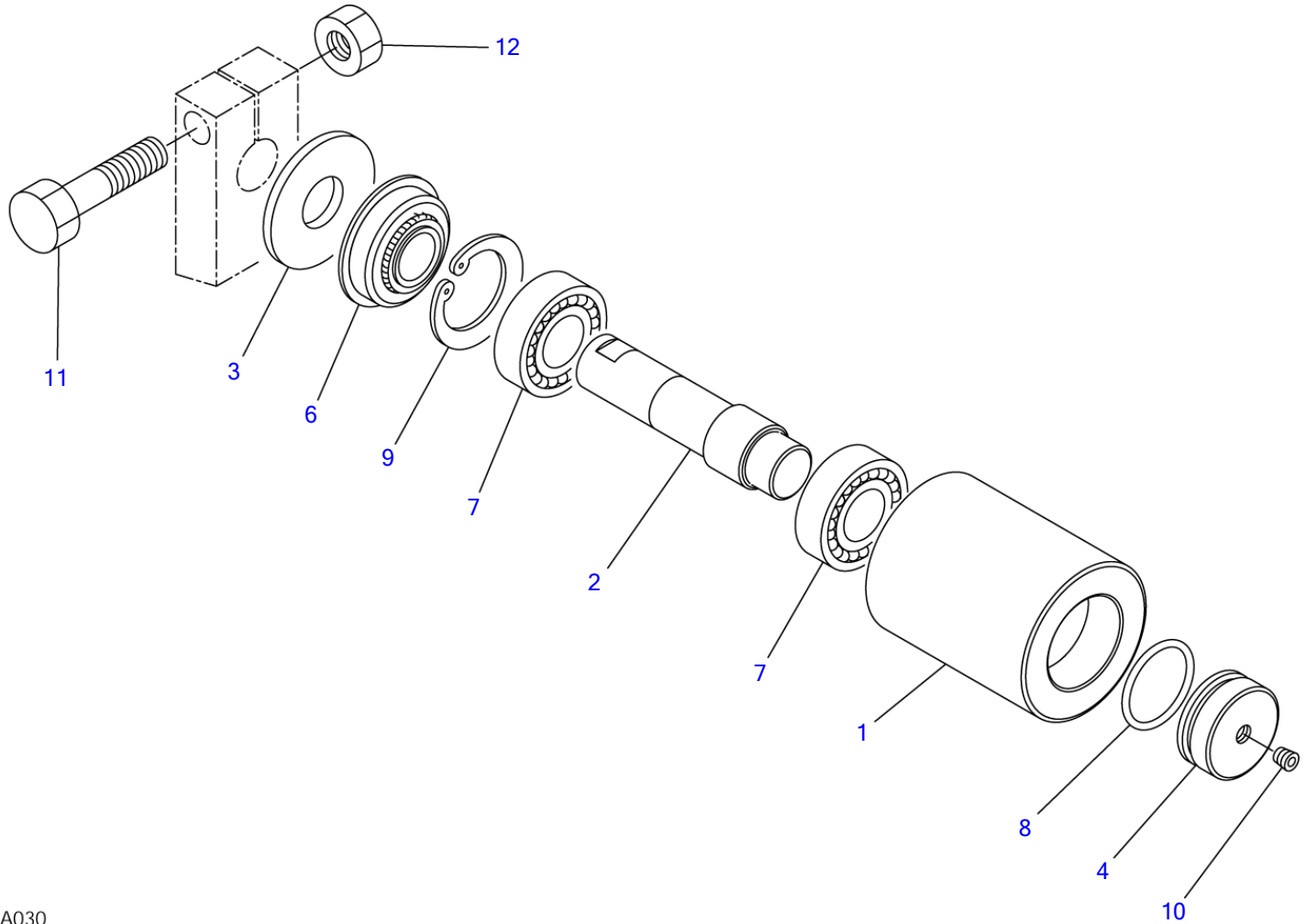
K3A152

S-free

**CRAWLER BELT (with rubber pads)**

Item	Part number	Description	Q'ty	Chan.	Serial No.	Serv.	Remarks
0	<b>1914051700</b>	BELT ASSY, steel crawler (with rubber pads)	2				X19140-51700-0
1	<b>1914051600</b>	▪ BELT, steel crawler	1				
12	<b>1914400500</b>	▪ PAD, rubber	38				
13	<b>1130020012</b>	▪ ▪ NUT	4				
14	<b>1140020012</b>	▪ ▪ WASHER, spring	4				
	<b>K3a153</b>						

TB145 Book No. BK3Z010 S/N 14510004-  
CARRIER ROLLER (14510004-14513278)



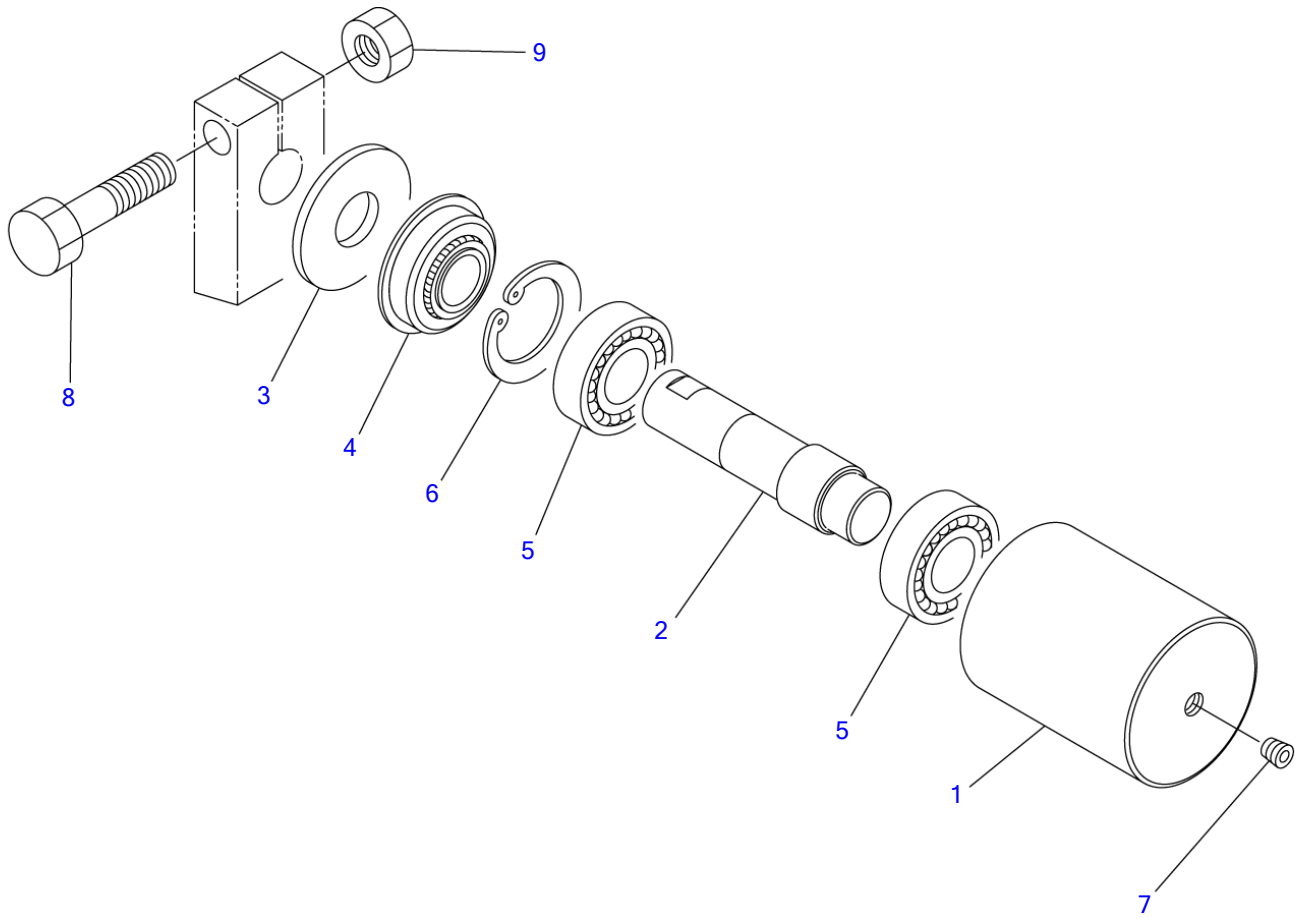
K3A030

S=1/3



**CARRIER ROLLER (14510004-14513278)**

Item	Part number	Description	Q'ty	Chan.	Serial No.	Serv.	Remarks
		ROLLER ASSY, carrier					X04612-01000-0
0-1	<b>0461201100</b>	ROLLER SUB ASSY	2				
1	<b>0461200200</b>	· ROLLER	1				
2	<b>0461201200</b>	· SHAFT	1				
3	<b>0141201300</b>	· COVER	1				
4	<b>0171200400</b>	· COVER	1				
6	<b>1431203062</b>	· SEAL	1				
7	<b>1300006206</b>	· BEARING	2				
8	<b>1420100500</b>	· O-RING	1				
9	<b>1221000062</b>	· RING, snap	1				
10	<b>1501810001</b>	· PLUG	1				
11	<b>1101051665</b>	BOLT	2				
12	<b>1130550016</b>	NUT	2				
	<b>K3a031</b>						



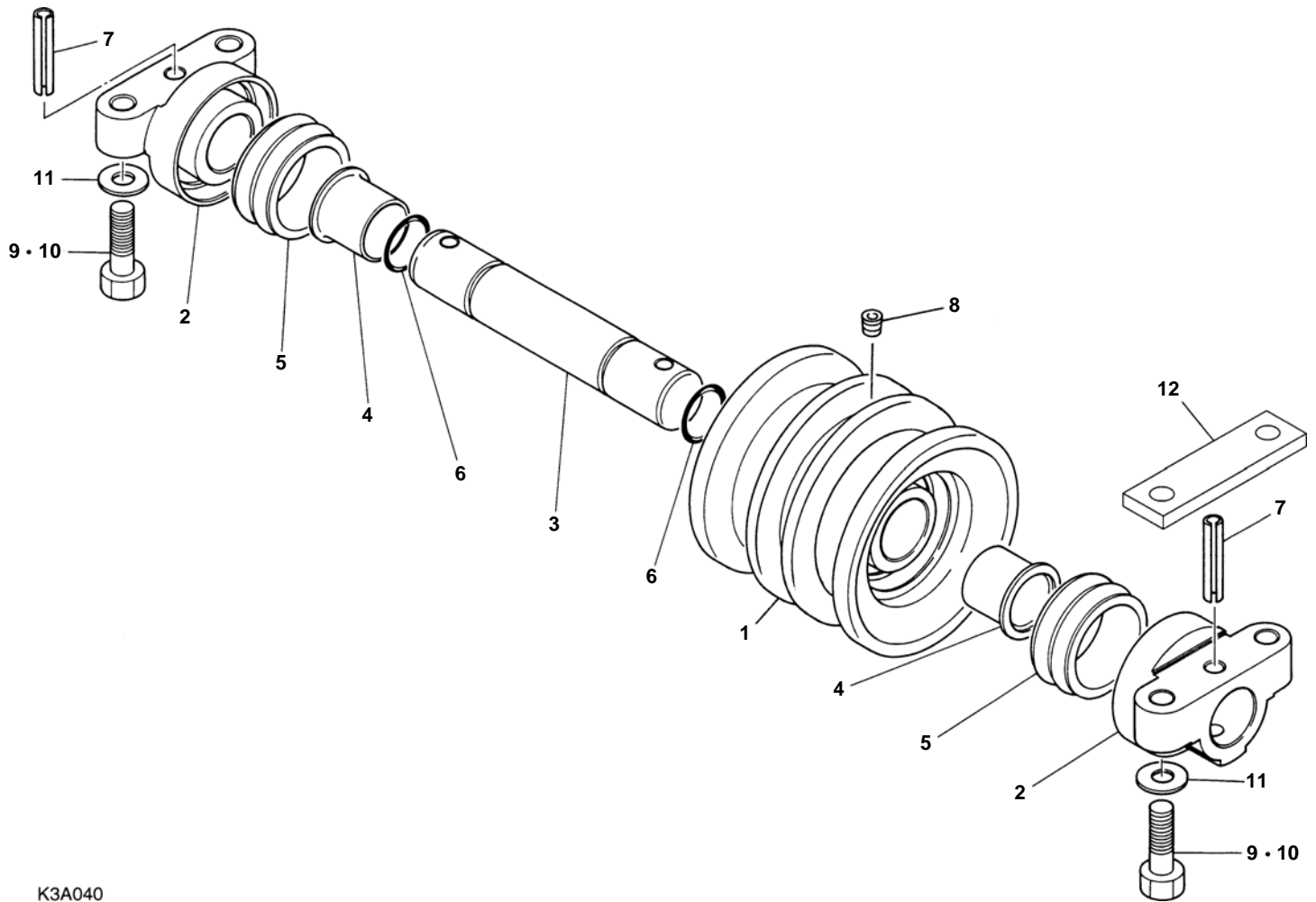
G4A100

S=1/3

**CARRIER ROLLER (14513279-)**

Item	Part number	Description	Q'ty	Chan.	Serial No.	Serv.	Remarks
		ROLLER ASSY, carrier					X03912-00000-2
0-1	<b>0391200100</b>	ROLLER SUB ASSY	2				
1	<b>0391200110</b>	▪ ROLLER	1				
2	<b>0391200120</b>	▪ SHAFT	1				
3	<b>0141201300</b>	▪ COVER	1				
4	<b>1431203062</b>	▪ SEAL	1				
5	<b>1300006206</b>	▪ BEARING	2				
6	<b>1221000062</b>	▪ RING, snap	1				
7	<b>1501820001</b>	▪ PLUG	1				
8	<b>1101041670</b>	BOLT	2				
9	<b>1130540016</b>	NUT	2				
	<b>K3a141</b>						

TB145 Book No. BK3Z010 S/N 14510004-  
TRACK ROLLER

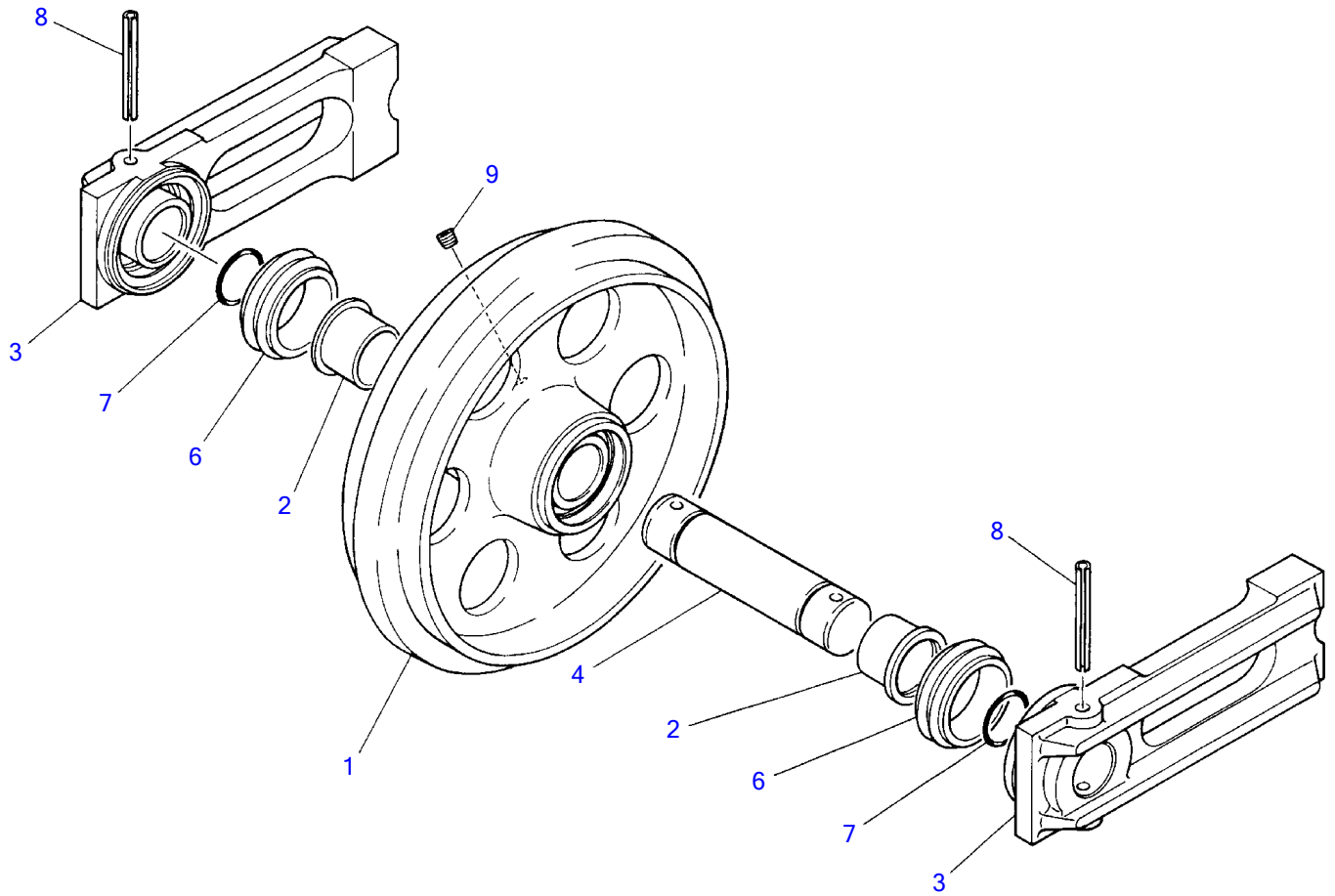


K3A040

**TRACK ROLLER**

Item	Part number	Description	Q'ty	Chan.	Serial No.	Serv.	Remarks
		ROLLER ASSY, track (rubber)					X03913-02000-5
		ROLLER ASSY, track (steel)					X03913-03000-5
0-1	<b>0391302100</b>	ROLLER SUB ASSY, track	10				
1	<b>0391302300</b>	• ROLLER	1				
2	<b>0461300300</b>	• COVER	2				
3	<b>0461300400</b>	• SHAFT	1				
4	<b>1333073535</b>	• BUSHING	2				
5	<b>1432500560</b>	• SEAL, floating	2				
6	<b>1420100300</b>	• O-RING	2				
7	<b>1213001055</b>	• PIN, spring	2				
8	<b>1501810001</b>	• PLUG	2				
9	<b>1101051245</b>	BOLT	40				
10	<b>1101051255</b>	BOLT	40				steel
11	<b>1141540012</b>	WASHER	40				
12	<b>0391300400</b>	PLATE	20				steel
	<b>K3a042</b>						

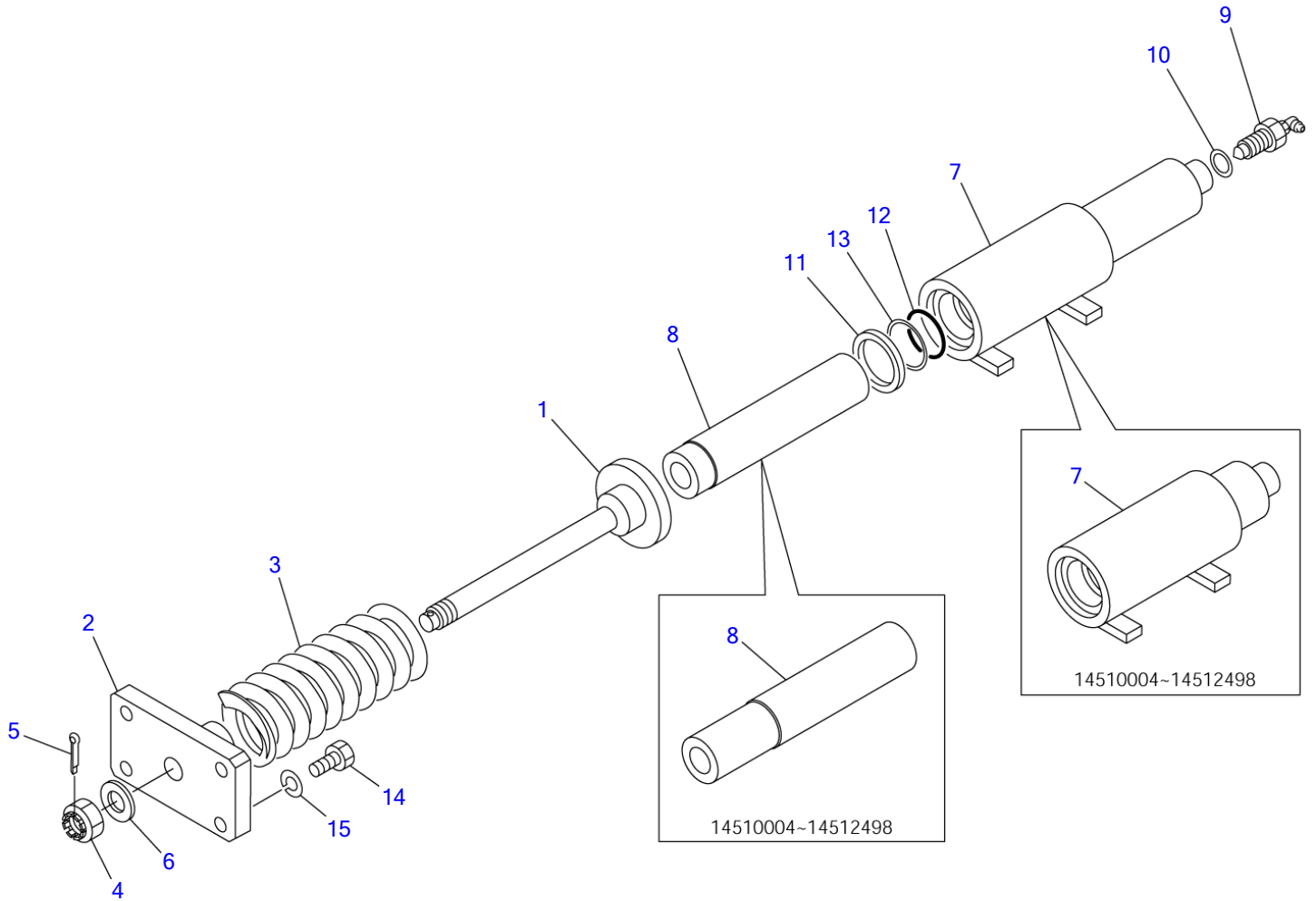
TB145 Book No. BK3Z010 S/N 14510004-  
FRONT IDLER



K3A050

Item	Part number	Description	FRONT IDLER			Remarks
			Q'ty	Chan.	Serial No.	
		IDLER ASSY, front				
0-1	<b>0461490010</b>	IDLER ASSY, sub	2			X04614-01000-4
1	<b>0461401100</b>	▪ IDLER	1			
2	<b>1333064540</b>	▪ BUSHING	2			
3	<b>0461400300</b>	▪ BLOCK	2			
4	<b>0461400400</b>	▪ SHAFT	1			
6	<b>1432500640</b>	▪ SEAL, floating	2			
7	<b>1420100400</b>	▪ O-RING	2			
8	<b>1213101000</b>	▪ PIN, spring	2			
9	<b>1501810001</b>	▪ PLUG	2			
	<b>K3a053</b>					

TB145 Book No. BK3Z010 S/N 14510004-  
TRACK ADJUSTER



K3A061

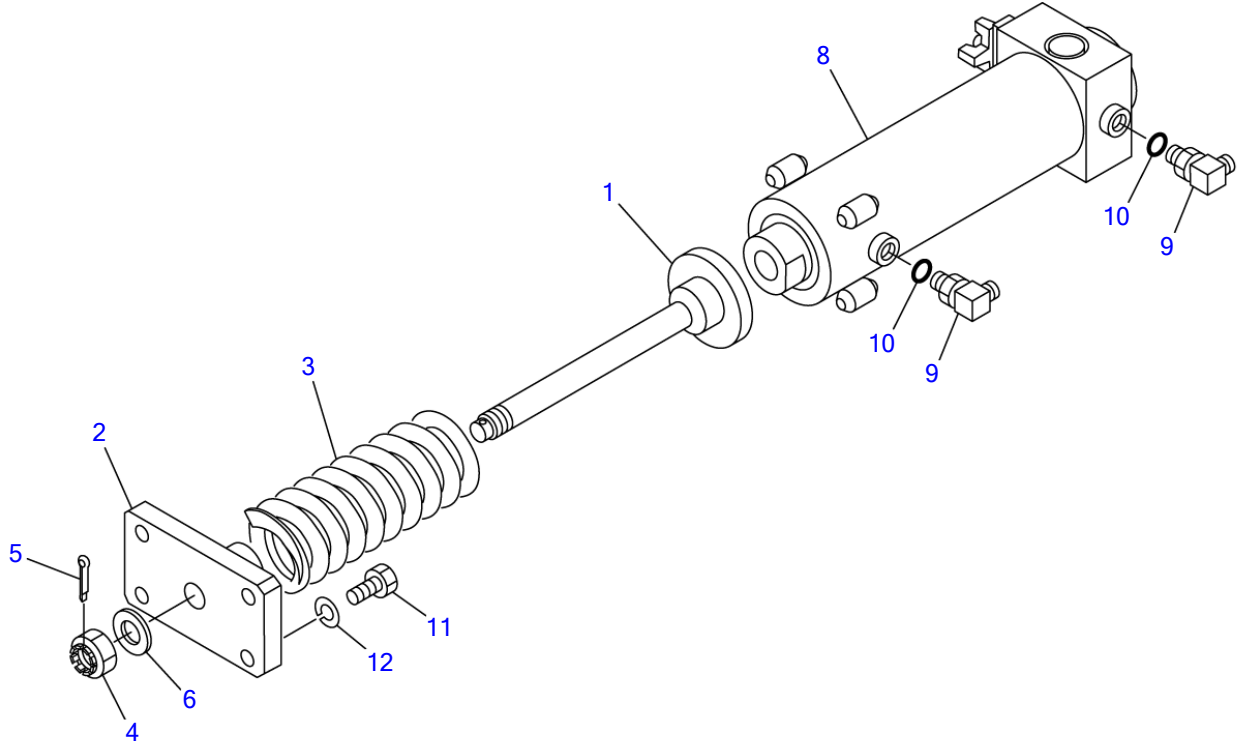
S=FREE



**TRACK ADJUSTER**

Item	Part number	Description	Q'ty	Chan.	Serial No.	Serv.	Remarks
		SPRING ASSY (R.H.)					X03915-07600-0
		SPRING ASSY (L.H.)					X03915-07700-0
0-1	<b>0391502100</b>	SPRING SUB ASSY	2		14510004~14512498		
	<b>0391507300</b>	SPRING SUB ASSY	2		14512499~		
1	<b>0391502200</b>	• ROD	1		14510004~14512498		
	<b>0391507310</b>	• ROD	1		14512499~		
2	<b>0461500400</b>	• PLATE	1		14510004~14512498		
	<b>0391507320</b>	• PLATE	1		14512499~		
3	<b>0007000002</b>	• SPRING	1				
4	<b>1132530020</b>	• NUT	1		14510004~14512498		
	<b>1132030024</b>	• NUT	1		14512499~		
5	<b>1210000440</b>	• PIN, split	1				
6	<b>1141540020</b>	• WASHER	1		14510004~14512498		
	<b>1141540024</b>	• WASHER	1		14512499~		
0-2	<b>0391504100</b>	CYLINDER ASSY, grease	2		14510004~14512498		
	<b>0391507400</b>	CYLINDER ASSY, grease	2		14512499~		
7	<b>0391504200</b>	• CYLINDER, grease	1		14510004~14512498		
	<b>0391507410</b>	• CYLINDER, grease	1		14512499~		
8	<b>0391502700</b>	• PISTON	1		14510004~14512498		
	<b>0391507420</b>	• PISTON	1		14512499~		
9	<b>1541301602</b>	• VALVE ASSY, check	1				
10	<b>1541201616</b>	• WASHER	1				
11	<b>1400402835</b>	• SEAL	1		14510004~14512498		
	<b>1400403038</b>	• SEAL	1		14512499~		
12	<b>1422010500</b>	• O-RING	1		14510004~14512498		
	<b>1422010550</b>	• O-RING	1		14512499~		
13	<b>1421020500</b>	• RING, back-up	1		14510004~14512498		
	<b>1421020550</b>	• RING, back-up	1		14512499~		
14	<b>1101051245</b>	BOLT	8				
15	<b>1140010012</b>	WASHER, spring	8				
	<b>K3a062</b>						

TB145 Book No. BK3Z010 S/N 14510004-  
TRACK ADJUSTER (automatic crawler adjuster)

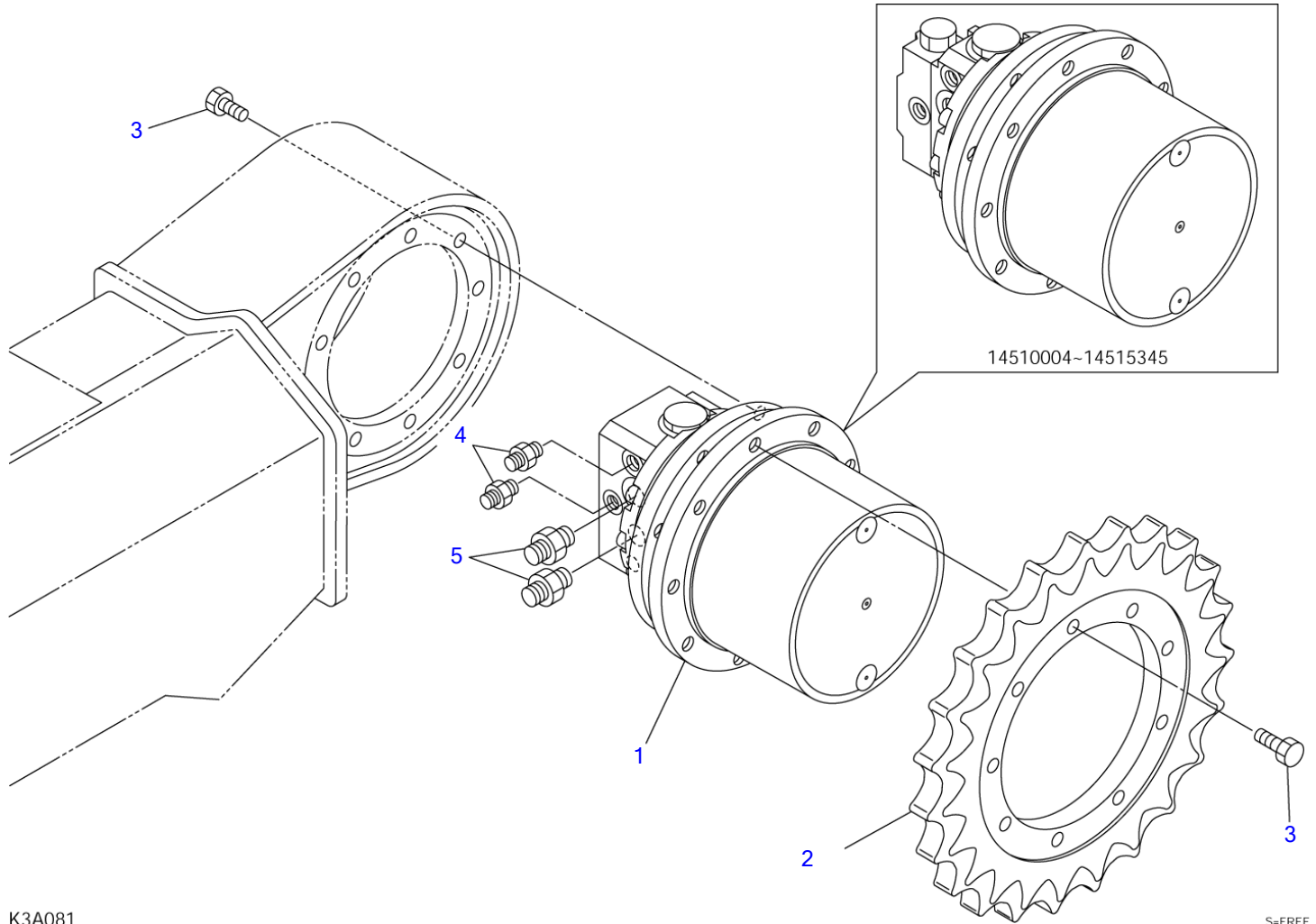


K3A070

S=FREE

**TRACK ADJUSTER (automatic crawler adjuster)**

Item	Part number	Description	Q'ty	Chan.	Serial No.	Serv.	Remarks
		SPRING ASSY					X03915-03000-3
0-1	<b>0391502100</b>	SPRING SUB ASSY	2				
1	<b>0391502200</b>	▪ ROD	1				
2	<b>0461500400</b>	▪ PLATE	1				
3	<b>0007000002</b>	▪ SPRING	1				
4	<b>1132530020</b>	▪ NUT	1				
5	<b>1210000440</b>	▪ PIN, split	1				
6	<b>1141540020</b>	▪ WASHER	1				
0-2	<b>0391503500</b>	CYLINDER ASSY, grease	2				
8	<b>1900076500</b>	▪ CYLINDER, crawler adjuster	1				
9	<b>1515012040</b>	▪ ELBOW	2				
	<b>1420010110</b>	▪ ▪ O-RING	1				
10	<b>1420010110</b>	▪ O-RING	2				
11	<b>1101051245</b>	BOLT	8				
12	<b>1140010012</b>	WASHER, spring	8				
	<b>K3a071</b>						



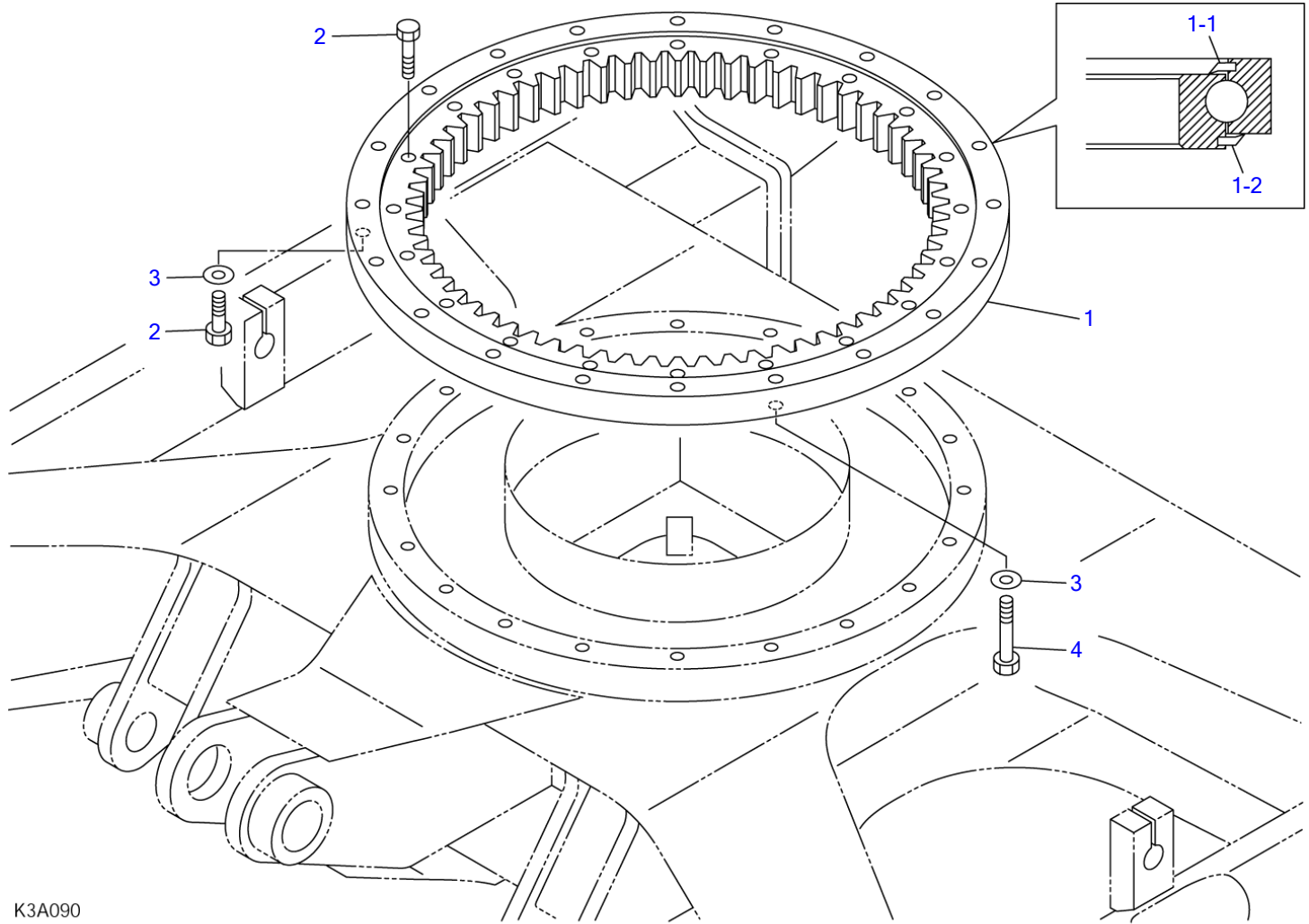
K3A081

S-FREE

TRAVEL DEVICE

Item	Part number	Description	Q'ty	Chan.	Serial No.	Serv.	Remarks
		MOTOR ASSY, travel					X03916-06000-0
1	<b>1903119500</b>	MOTOR, travel	2		14510004~14512498		
	<b>1903123000</b>	MOTOR, travel	2	(H)	14512499~14515345		
	<b>1903124800</b>	MOTOR, travel	2		14515346~		
2	<b>0261603100</b>	SPROCKET	2				
3	<b>1100051435</b>	BOLT	36				
4	<b>1515600200</b>	ADAPTOR	4				
	<b>1420010110</b>	• O-RING	1				
5	<b>1515600202</b>	ADAPTOR	4				
	<b>1420010180</b>	• O-RING	1				
	<b>K3a082</b>						

TB145 Book No. BK3Z010 S/N 14510004-  
SLEW BEARING



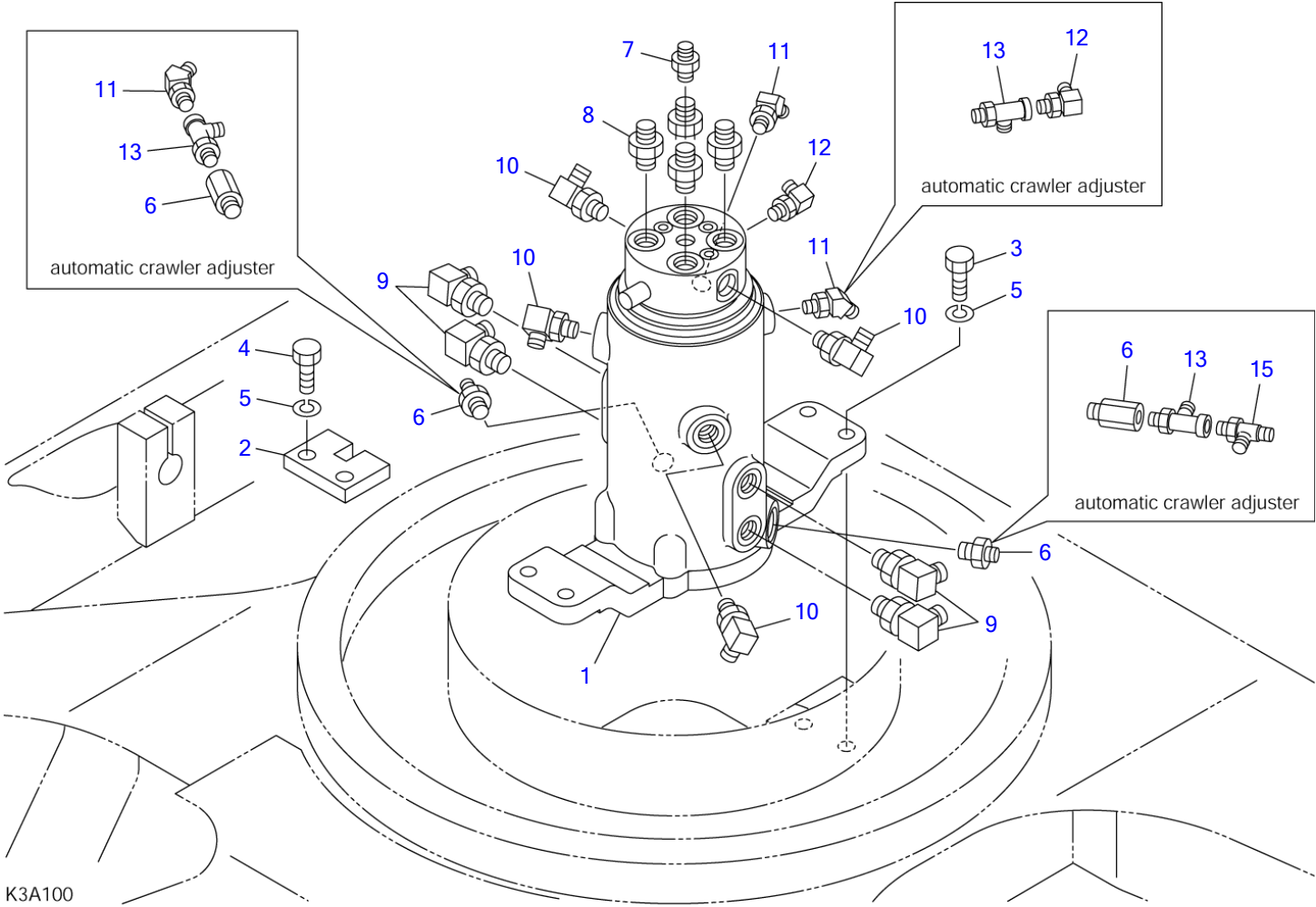
K3A090

S=FREE

**SLEW BEARING**

Item	Part number	Description	Q'ty	Chan.	Serial No.	Serv.	Remarks
		BEARING ASSY, slew					X03920-00000-1
1	<b>1913003500</b>	BEARING	1				
1-1	<b>1913003508</b>	• SEAL	1				
1-2	<b>1913003509</b>	• SEAL	1				
2	<b>1101051680</b>	BOLT	39				
3	<b>1141540016</b>	WASHER	20				
4	<b>0392000100</b>	BOLT	1				
	<b>K3a090</b>						

TB145 Book No. BK3Z010 S/N 14510004-  
SWIVEL JOINT & ACCESSORIES



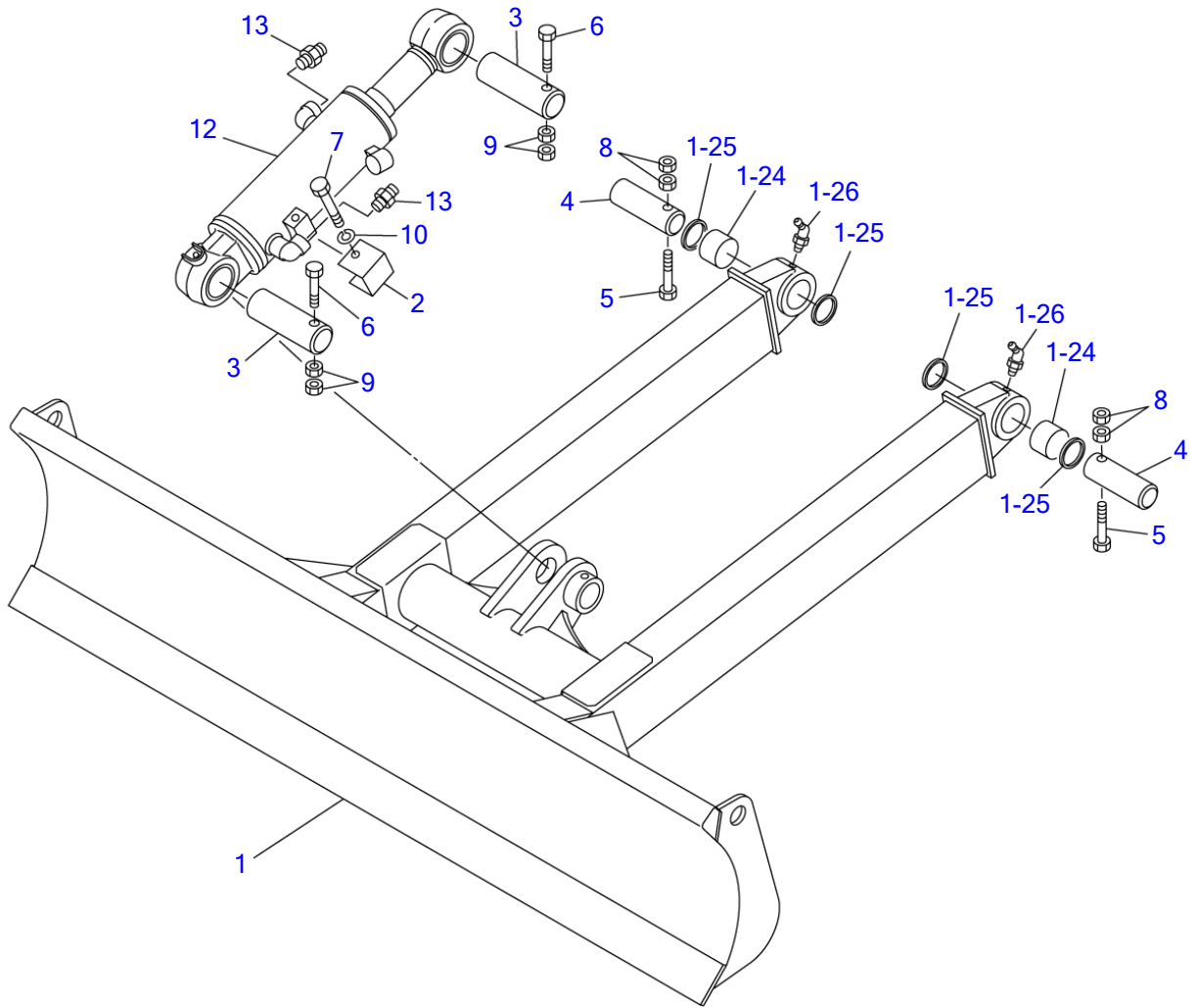
K3A100

S=FREE



**SWIVEL JOINT & ACCESSORIES**

Item	Part number	Description	Q'ty	Chan.	Serial No.	Serv.	Remarks
		JOINT ASSY, swivel (a.c.a. type)					X03921-01000-1
		JOINT ASSY, swivel					X03921-02000-1
1	1904006300	JOINT, swivel	1				
2	0442100100	STOPPER	1				
3	1101041245	BOLT	4				
4	1101041240	BOLT	2				
5	1140020012	WASHER, spring	6				
6	0007203057	NIPPLE	2				
	0007213039	BUSHING	2				a.c.a. type
7	1511050003	ADAPTOR	1				
8	1515600202	ADAPTOR	4				
	1420010180	• O-RING	1				
9	1515010042	ELBOW	4				
	1420010180	• O-RING	1				
10	1515010041	ELBOW	4				
	1420010140	• O-RING	1				
11	1515100110	ELBOW	2				
	1420010110	• O-RING	1				
12	1515012040	ELBOW	1				
	1515012040	ELBOW	2				a.c.a. type
	1420010110	• O-RING	1				
13	1512340001	ELBOW	3				a.c.a. type
	1420010110	• O-RING	1				
15	1512370011	NIPPLE	1				a.c.a. type
	1420010110	• O-RING	1				
	K3a101						



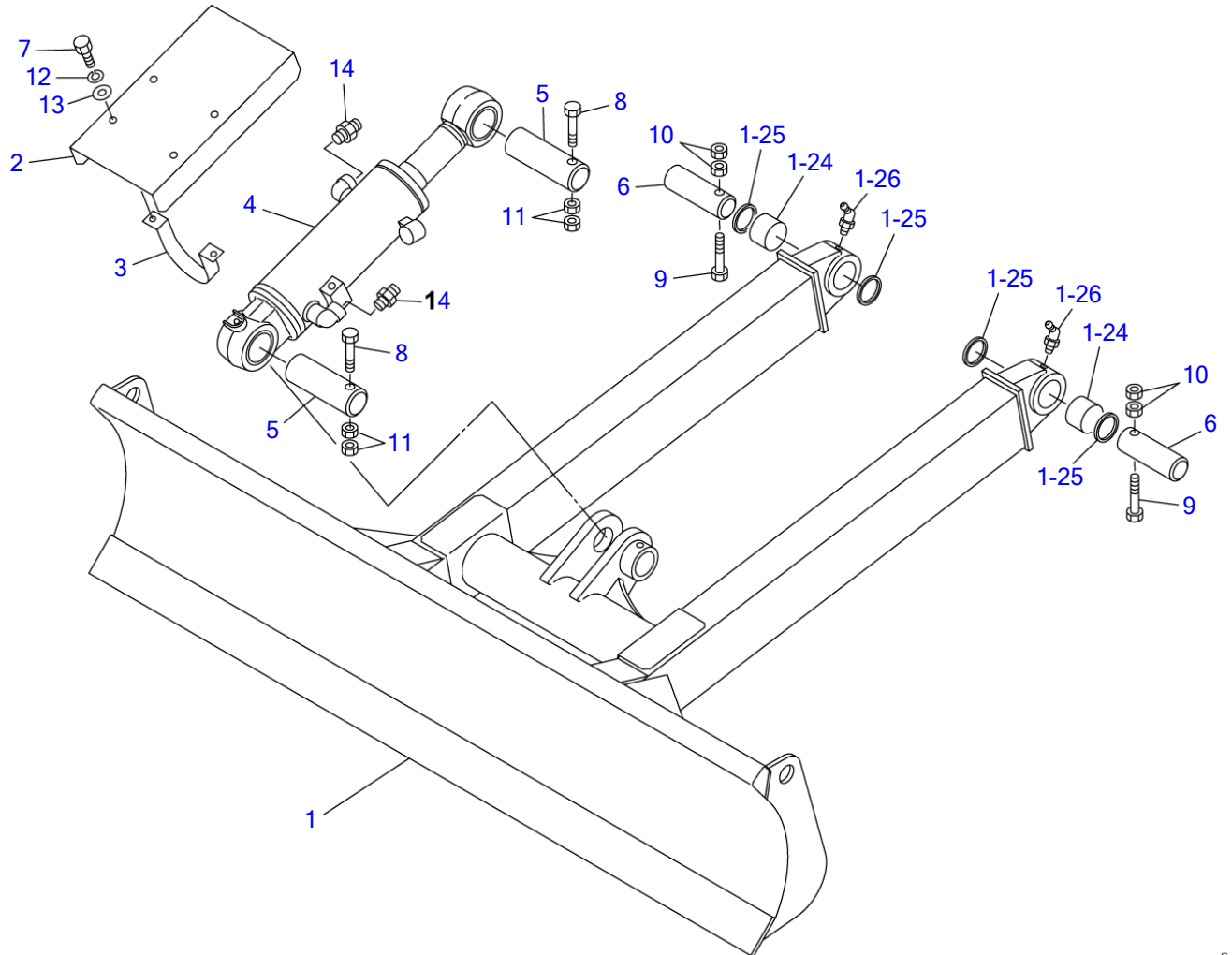
K3A111

S=FREE

**DOZER BLADE**

Item	Part number	Description	Q'ty	Chan.	Serial No.	Serv.	Remarks
		BLADE ASSY, dozer					X03963-08000-1
		BLADE ASSY, wide dozer					X03963-09000-1
1	<b>0396308100</b>	BLADE SUB ASSY, dozer	1				1840wide
	<b>0396309100</b>	BLADE SUB ASSY, wide dozer	1				1900wide
1-24	<b>0002200014</b>	• BUSHING	2				
1-25	<b>1432200045</b>	• SEAL, dust	4				
1-26	<b>1560001675</b>	• FITTING, grease	2				
2	<b>0426300400</b>	COVER	1				
3	<b>0001606150</b>	PIN	2				
4	<b>0001604135</b>	PIN	2				
5	<b>1103041085</b>	BOLT	2				
6	<b>1103141200</b>	BOLT	2				
7	<b>1100040860</b>	BOLT	1				
8	<b>1130240010</b>	NUT	4				
9	<b>1130240012</b>	NUT	4				
10	<b>1140020008</b>	WASHER, spring	1				
12	<b>1900077100</b>	CYLINDER, dozer blade	1				
13	<b>1515600201</b>	ADAPTOR	2				
	<b>1420010140</b>	• O-RING	1				
	<b>K3a112</b>						

TB145 Book No. BK3Z010 S/N 14510004-  
DOZER BLADE (for China)

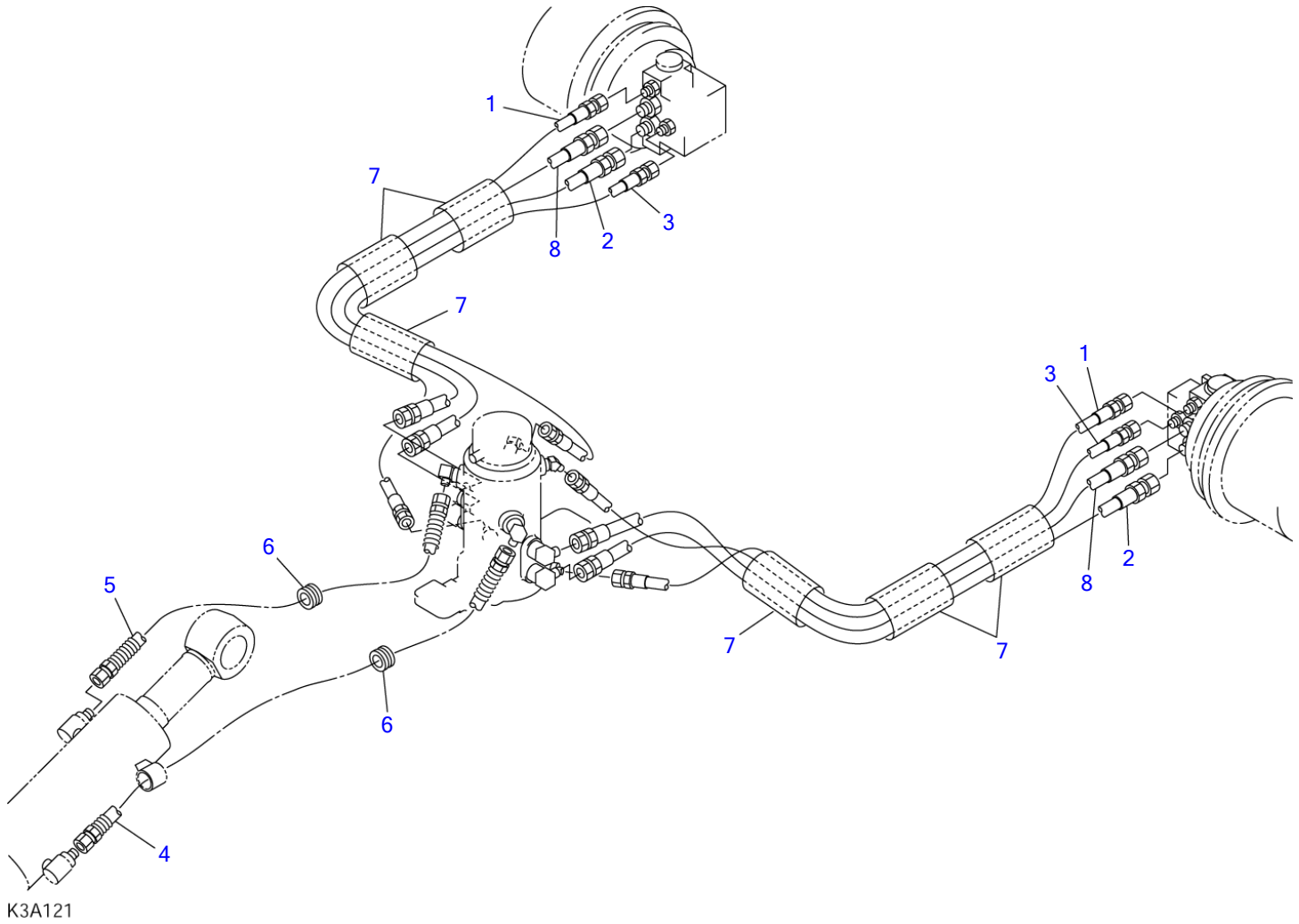


K3A160

S-FREE

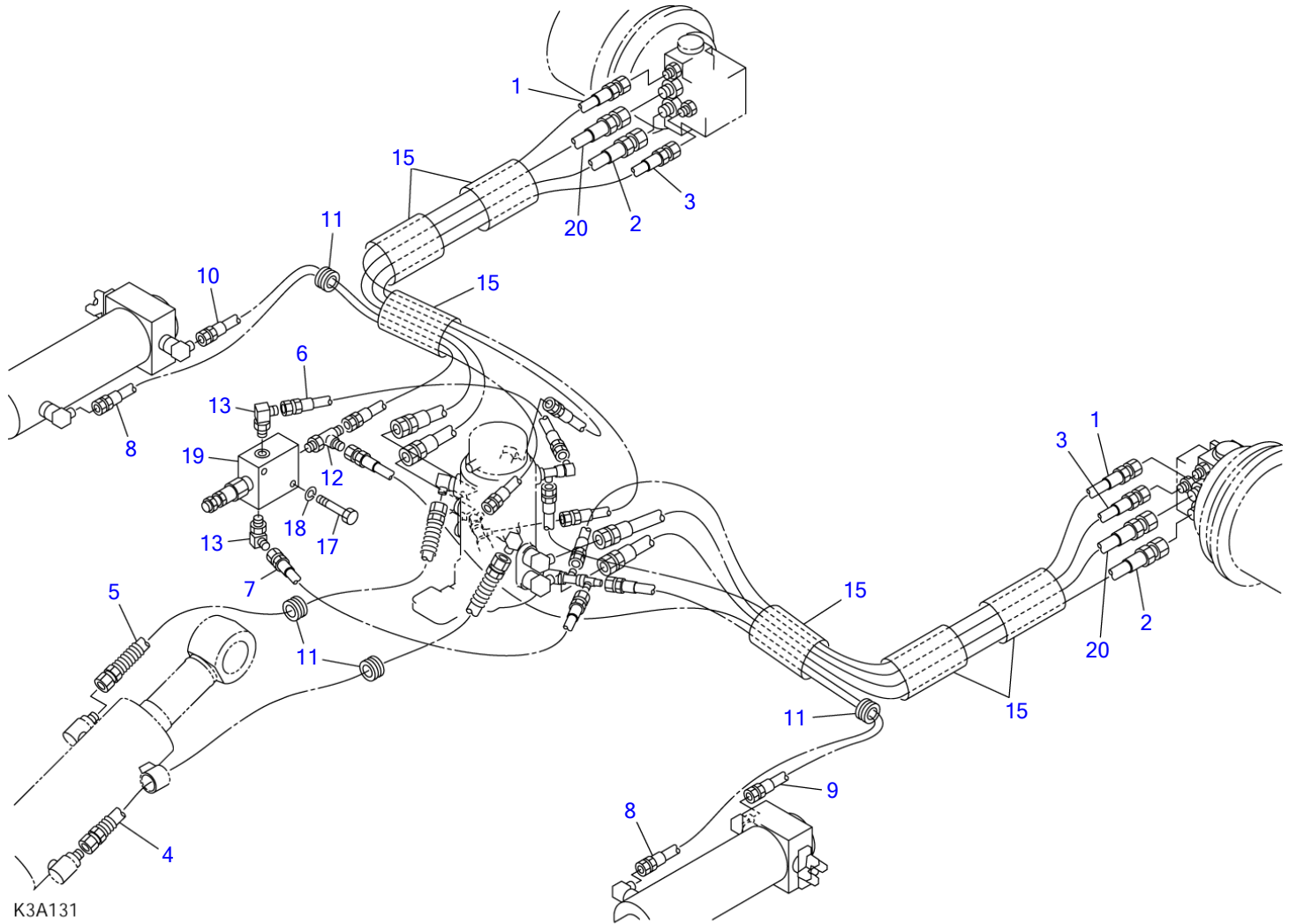
**DOZER BLADE (for China)**

Item	Part number	Description	Q'ty	Chan.	Serial No.	Serv.	Remarks
		BLADE ASSY, dozer					X03963-08500-0
1	<b>0396308100</b>	BLADE SUB ASSY, dozer	1				1840wide
1-24	<b>0002200014</b>	• BUSHING	2				
1-25	<b>1432200045</b>	• SEAL, dust	4				
1-26	<b>1560001675</b>	• FITTING, grease	2				
2	<b>0396308520</b>	COVER	1				
3	<b>0396308530</b>	BAND	2				
4	<b>1900077100</b>	CYLINDER, dozer blade	1				
5	<b>0001606150</b>	PIN	2				
6	<b>0001604135</b>	PIN	2				
7	<b>1100041030</b>	BOLT	4				
8	<b>1103141200</b>	BOLT	2				
9	<b>1103041085</b>	BOLT	2				
10	<b>1130240010</b>	NUT	4				
11	<b>1130240012</b>	NUT	4				
12	<b>1140020008</b>	WASHER, spring	4				
13	<b>1141110010</b>	WASHER	4				
14	<b>1515600201</b>	ADAPTOR	2				
	<b>1420010140</b>	• O-RING	1				
	<b>K3a160</b>						



**PIPING; LOWER**

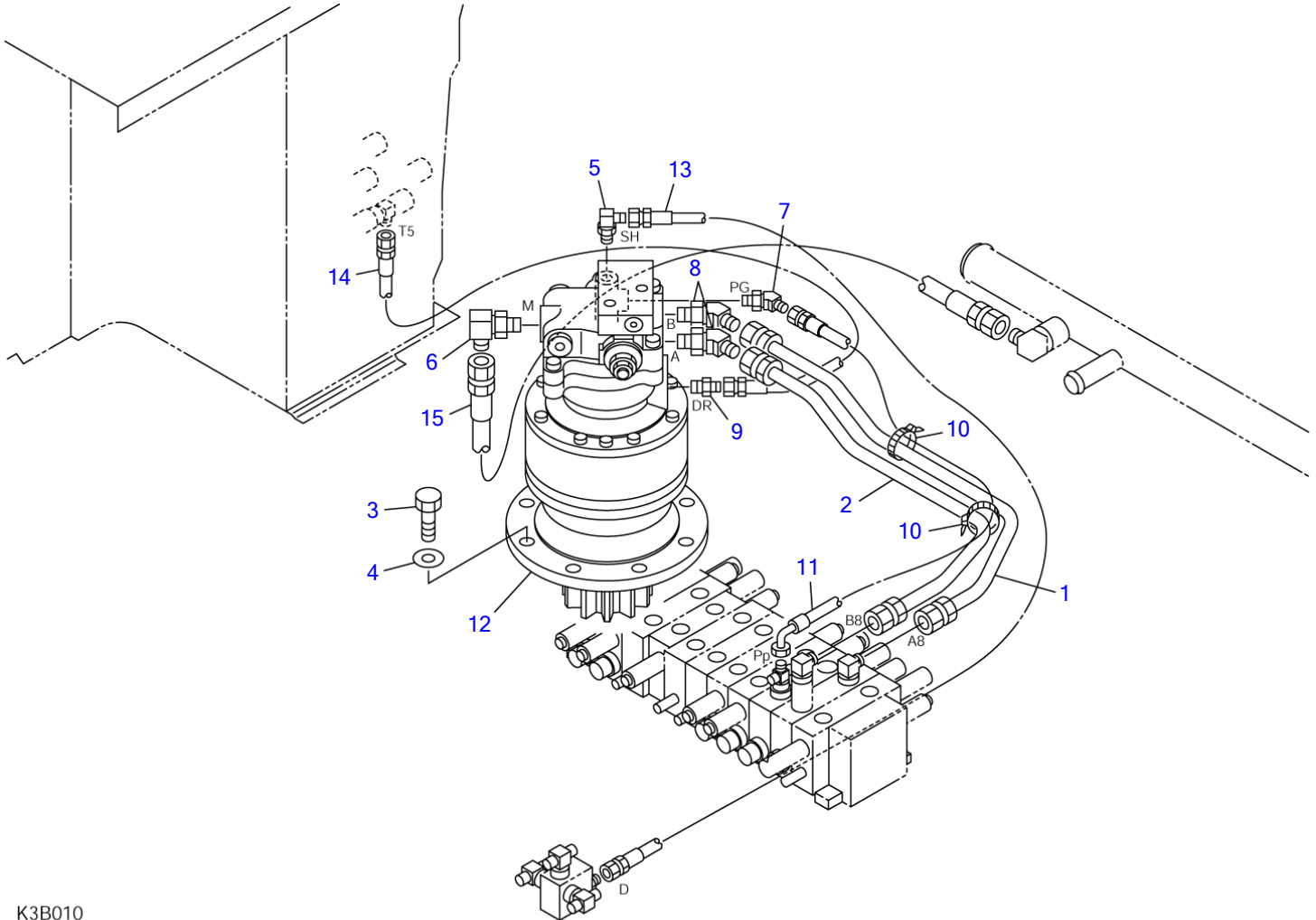
Item	Part number	Description	Q'ty	Chan.	Serial No.	Serv.	Remarks
		PIPING ASSY, lower					X03972-01000-2
1	<b>1801022124</b>	HOSE ASSY	2				
2	<b>1801540124</b>	HOSE ASSY	2				18010-22132
3	<b>0397201200</b>	HOSE ASSY	2				
4	<b>1801620116</b>	HOSE ASSY	1				
5	<b>1801620094</b>	HOSE ASSY	1				
6	<b>0437200100</b>	GUARD	2				
7	<b>1531350020</b>	PROTECTOR	6				sold by the meter
8	<b>0397201100</b>	HOSE ASSY	2				18015-40124
	<b>K3a122</b>						





<b>PIPING; LOWER (automatic crawler adjuster)</b>						
Item	Part number	Description	Q'ty	Chan.	Serial No.	Serv. Remarks
		PIPING ASSY, lower				X03972-03000-4
1	<b>1801022124</b>	HOSE ASSY	2			
2	<b>1801540124</b>	HOSE ASSY	2			
3	<b>0397201200</b>	HOSE ASSY	2			18010-22132
4	<b>1801620116</b>	HOSE ASSY	1			
5	<b>1801620094</b>	HOSE ASSY	1			
6	<b>1801022040</b>	HOSE ASSY	1			
7	<b>1801022060</b>	HOSE ASSY	1			
8	<b>1801022114</b>	HOSE ASSY	2			
9	<b>1801022122</b>	HOSE ASSY	1			
10	<b>1801022090</b>	HOSE ASSY	1			
11	<b>0437200100</b>	GUARD	4			
12	<b>1512370011</b>	TEE	1			
	<b>1420010110</b>	• O-RING	1			
13	<b>1515012040</b>	ELBOW	2			
	<b>1420010110</b>	• O-RING	1			
15	<b>1531350020</b>	PROTECTOR	6			sold by the meter
17	<b>1100040645</b>	BOLT	2			
18	<b>1140020006</b>	WASHER, spring	2			
19	<b>1901729800</b>	VALVE, reduce	1			
20	<b>0397201100</b>	HOSE ASSY	2			18015-40124
	<b>K3a133</b>					

TB145 Book No. BK3Z010 S/N 14510004-  
**SLEWING DEVICE (14510004-14510009)**



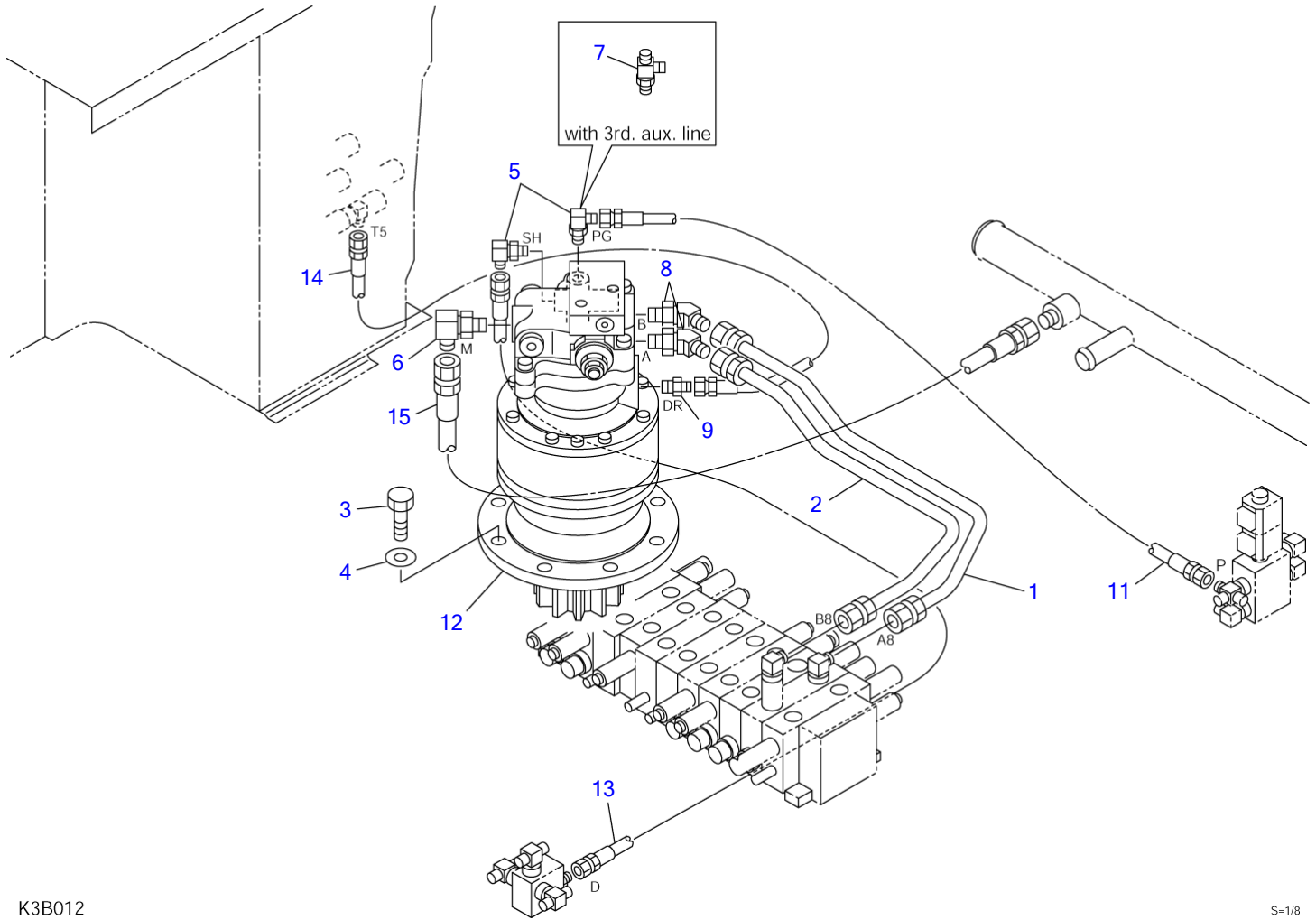
K3B010

S=1/8

**SLEWING DEVICE (14510004-14510009)**

Item	Part number	Description	Q'ty	Chan.	Serial No.	Serv.	Remarks
		DEVICE ASSY, slewing					X03923-13000-1
1	<b>0392313010</b>	PIPE	1				
2	<b>0392313020</b>	PIPE	1				
3	<b>1101041640</b>	BOLT	8				
4	<b>1141550016</b>	WASHER	8				
5	<b>1515010040</b>	ELBOW	1				
	<b>1420010110</b>	· O-RING	1				
6	<b>1515010042</b>	ELBOW	1				
	<b>1420010180</b>	· O-RING	1				
7	<b>1515100110</b>	ELBOW	1				
	<b>1420010110</b>	· O-RING	1				
8	<b>1515100112</b>	ELBOW	2				
	<b>1420010180</b>	· O-RING	1				
9	<b>1515600576</b>	ADAPTOR	1				
	<b>1420010140</b>	· O-RING	1				
10	<b>1652201005</b>	BAND	2				
11	<b>1801052076</b>	HOSE ASSY	1				
12	<b>1903120100</b>	MOTOR, slew	1				
13	<b>1801022126</b>	HOSE ASSY	1				
14	<b>1801022100</b>	HOSE ASSY	1				
15	<b>1801024050</b>	HOSE ASSY	1				
	<b>K3b010</b>						

TB145 Book No. BK3Z010 S/N 14510004-  
SLEWING DEVICE (14510010-14513260)



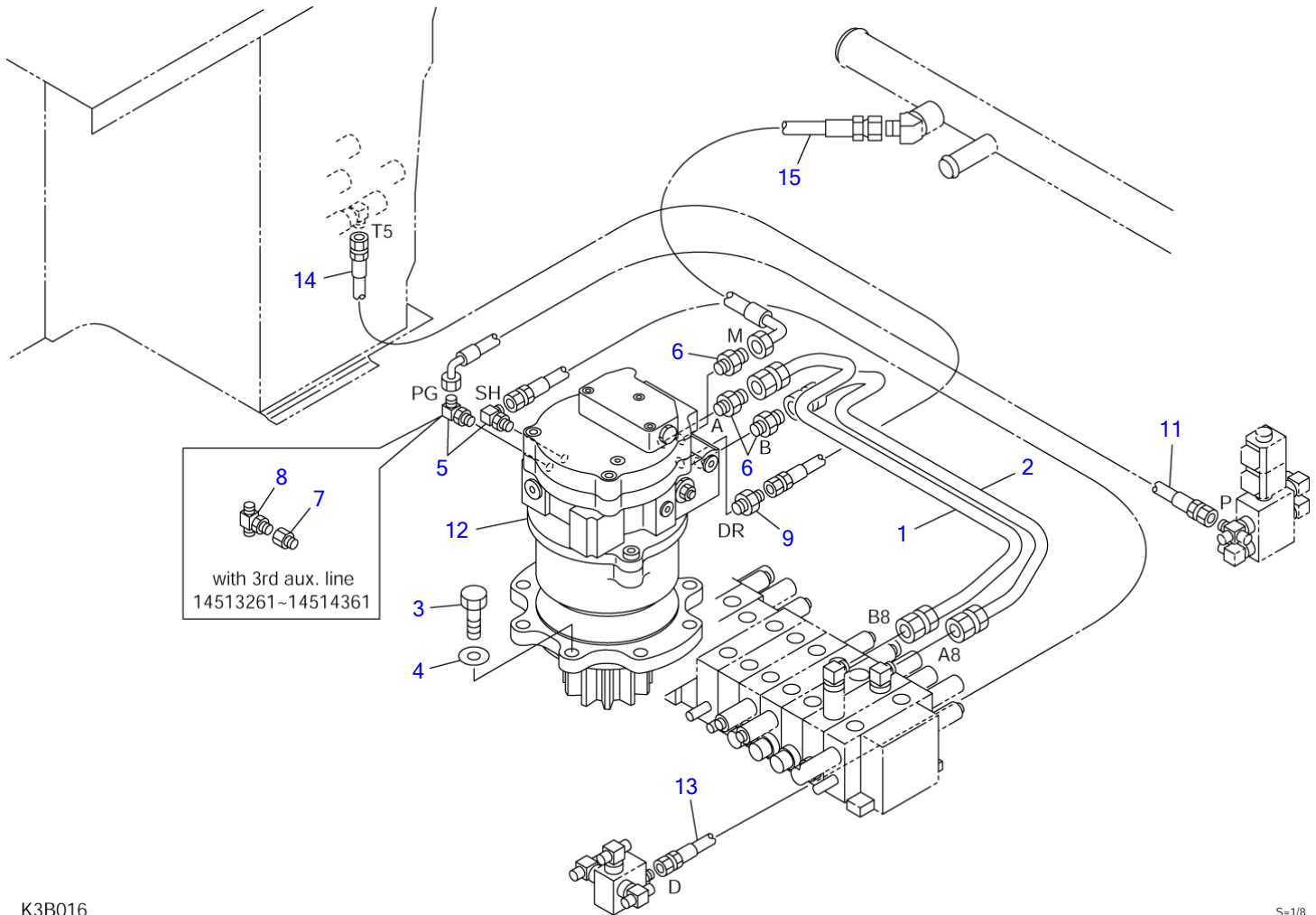
K3B012

S=1/8

**SLEWING DEVICE (14510010-14513260)**

Item	Part number	Description	Q'ty	Chan.	Serial No.	Serv.	Remarks
		DEVICE ASSY, slewing					X03923-14000-4
		DEVICE ASSY, slewing (with 3rd. aux. line)					X03923-14700-4
1	0392313010	PIPE	1				
2	0392313020	PIPE	1				
3	1101041640	BOLT	8				
4	1141550016	WASHER	8				
5	1515012040	ELBOW	2				
	1515012040	ELBOW	1				with 3rd aux. line
	1420010110	• O-RING	1				
6	1515010042	ELBOW	1				
	1420010180	• O-RING	1				
7	1512370011	TEE	1				with 3rd aux. line
	1420010110	• O-RING	1				
8	1515100112	ELBOW	2				
	1420010180	• O-RING	1				
9	1515600576	ADAPTOR	1				
	1420010140	• O-RING	1				
11	0392314150	HOSE ASSY	1				18010-22080
12	1903120200	MOTOR, slew	1				
13	0392314160	HOSE ASSY	1				18010-22130
14	0392314170	HOSE ASSY	1				18010-22100
15	0392314180	HOSE ASSY	1				18010-24070
	K3b013						

TB145 Book No. BK3Z010 S/N 14510004-  
SLEWING DEVICE (14513261-)

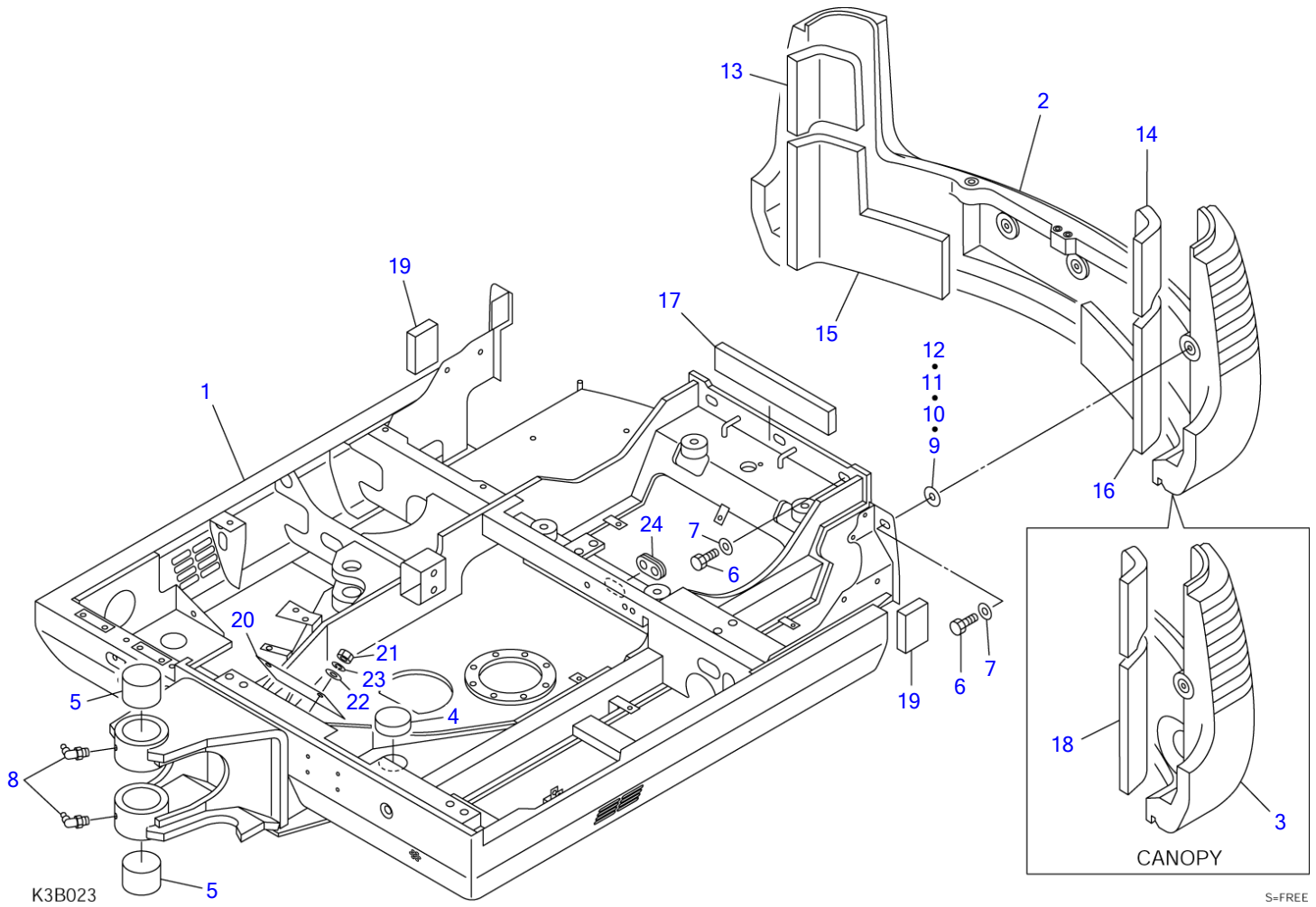


K3B016

S=1/8

**SLEWING DEVICE (14513261-)**

Item	Part number	Description	Q'ty	Chan.	Serial No.	Serv.	Remarks
		DEVICE ASSY, slewing					X03923-16500-5
		DEVICE ASSY, slewing (with 3rd. aux. line)			14513261~14514361		X03923-16700-3
1	<b>0392314240</b>	PIPE	1				
2	<b>0392314250</b>	PIPE	1				
3	<b>1101041640</b>	BOLT	8				
4	<b>1141550016</b>	WASHER	8				
5	<b>1515012040</b>	ELBOW	2				
	<b>1515012040</b>	ELBOW	1		14513261~14514361		with 3rd aux. line
	<b>1420010110</b>	· O-RING	1				
6	<b>0007203063</b>	ADAPTOR	3				
7	<b>1513250202</b>	BUSHING	1		14513261~14514361		with 3rd aux. line
	<b>1420010110</b>	· O-RING	1				
8	<b>1512370010</b>	TEE	1		14513261~14514361		with 3rd aux. line
	<b>1420010110</b>	· O-RING	1				
9	<b>1515600576</b>	ADAPTOR	1				
	<b>1420010140</b>	· O-RING	1				
11	<b>0392316520</b>	HOSE ASSY	1				18010-52098
12	<b>1903122000</b>	MOTOR, slew	1				
13	<b>0392316530</b>	HOSE ASSY	1				18010-22125
14	<b>0392316540</b>	HOSE ASSY	1				18010-22095
15	<b>0392316550</b>	HOSE ASSY	1				18010-54100
	<b>K3b016</b>						



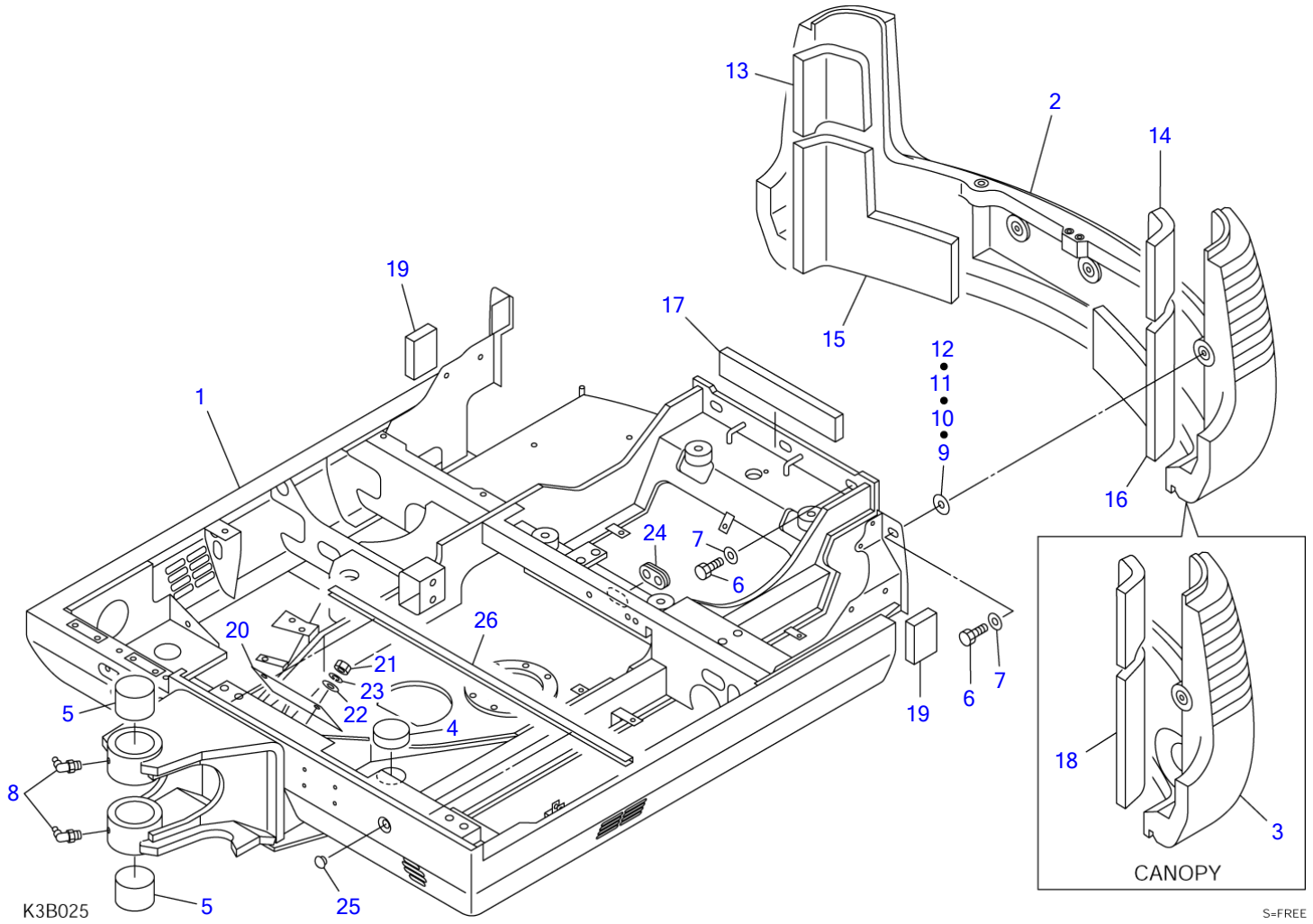
S=FREE



**TURNTABLE (14510004-4513260)**

Item	Part number	Description	Q'ty	Chan.	Serial No.	Serv.	Remarks
		TURNTABLE ASSY (cab)					X03930-12000-2
		TURNTABLE ASSY (canopy)					X03930-13000-2
1	X *****	TURNTABLE	1				
2	0393009500	COUNTERWEIGHT	1				cab
3	0393010500	COUNTERWEIGHT	1				canopy
4	0173216600	COVER	1				
5	0002400057	BUSHING	2				
6	1101041635	BOLT	5				
7	1141550016	WASHER	5				
8	1560001675	FITTING, grease	2				
9	0433010610	SHIM t=1.0	AR				
10	0433010620	SHIM t=1.6	AR				
11	0433010630	SHIM t=2.3	AR				
12	0433010640	SHIM t=3.2	AR				
13	0393009600	ABSORBENT, noise	1				
14	0393009610	ABSORBENT, noise	1				
15	0393009620	ABSORBENT, noise	1				
16	0393009630	ABSORBENT, noise	1				cab
17	0393009640	ABSORBENT, noise	1				
18	0393009680	ABSORBENT, noise	1				canopy
19	0393009660	ABSORBENT, noise	2				
20	0393009670	RUBBER	1				
21	1130040008	NUT	2				
22	1141110008	WASHER	2				
23	1140020008	WASHER, spring	2				
24	0337017300	GUARD	1				
	K3b022						

TB145 Book No. BK3Z010 S/N 14510004-  
TURNTABLE (14513261-)

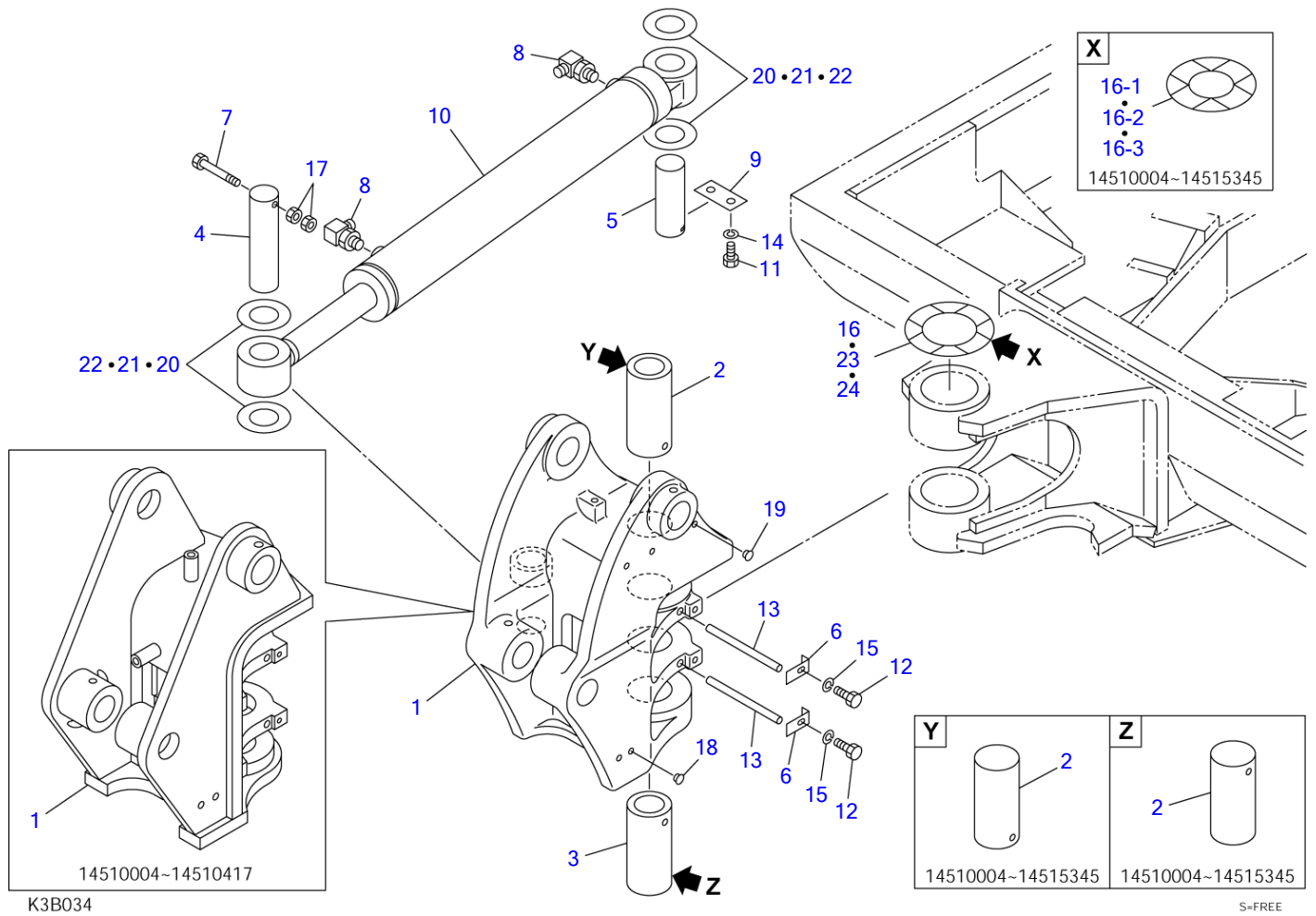


S=FREE

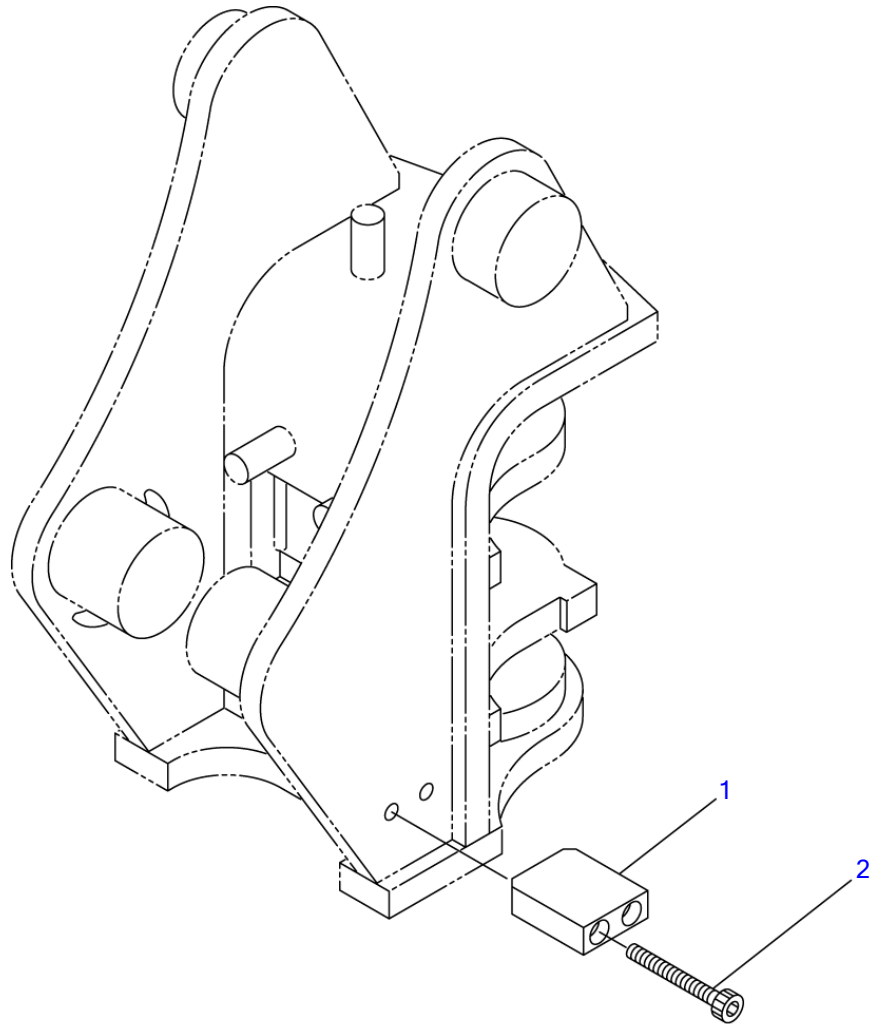
**TURNTABLE (14513261-)**

Item	Part number	Description	Q'ty	Chan.	Serial No.	Serv.	Remarks
		TURNTABLE ASSY (cab)					X03930-20000-2
		TURNTABLE ASSY (canopy)					X03930-21000-2
1	X *****	TURNTABLE	1				
2	0393009500	COUNTERWEIGHT	1				cab
3	0393010500	COUNTERWEIGHT	1				canopy
4	0173216600	COVER	1				
5	0002400057	BUSHING	2		14513261~14515345		
	0393020005	BUSHING	2		14515346~		
6	1101041635	BOLT	5				
7	1141550016	WASHER	5				
8	1560001675	FITTING, grease	2				
9	0433010610	SHIM t=1.0	AR				
10	0433010620	SHIM t=1.6	AR				
11	0433010630	SHIM t=2.3	AR				
12	0433010640	SHIM t=3.2	AR				
13	0393009600	ABSORBENT, noise	1				
14	0393009610	ABSORBENT, noise	1				
15	0393009620	ABSORBENT, noise	1				
16	0393009630	ABSORBENT, noise	1				cab
17	0393009640	ABSORBENT, noise	1				
18	0393009680	ABSORBENT, noise	1				canopy
19	0393009660	ABSORBENT, noise	2				
20	0393009670	RUBBER	1				
21	1130040008	NUT	2				
22	1141110008	WASHER	2				
23	1140020008	WASHER, spring	2				
24	0337017300	GUARD	1				
25	1652533023	CAP	1				
26	1654605097	RUBBER	1				
	<b>K3b026</b>						

TB145 Book No. BK3Z010 S/N 14510004-  
**BOOM SWING**



BOOM SWING							
Item	Part number	Description	Q'ty	Chan.	Serial No.	Serv.	Remarks
		SWING ASSY, boom					X03931-11000-3
1	0393105100	BACKET	1		14510004~14510417		
	0393106100	BACKET	1		14510418~14515345		
	0393111100	BACKET	1		14515346~		
2	0393103200	PIN	2		14510004~14515345		
	0393111200	PIN	1	(L)	14515346~14515477		
	0393111201	PIN	1		14515478~		
3	0393111300	PIN	1	(L)	14515346~14515477		
	0393111301	PIN	1		14515478~		
4	0001604200	PIN	1		14510004~14510417		
	0001614002	PIN	1		14510418~		
5	0001694010	PIN	1				
6	0333112200	PLATE	2				
7	1103041085	BOLT	1				
8	1515010041	ELBOW	2				
	1420010140	• O-RING	1				
9	0433105700	PLATE	1				
10	1900075900	CYLINDER, swing	1		14510004~14511685		
	1900083300	CYLINDER, swing	1	(H)	14511686~		
11	1101041220	BOLT	2				
12	1100040820	BOLT	2				
13	0393103300	PIN	2		14510004~14510417		
	0393106200	PIN	2		14510418~14515345		
	0393111013	PIN	2		14515346~		
14	1140020012	WASHER, spring	2				
15	1140020008	WASHER, spring	2				
16	0393103400	WASHER	1		14510004~14515345		
	0393111401	WASHER	1		14515346~		t=4.5
16-1	0393103401	• WASHER	1		14510004~14515345		t=4.5
16-2	0393103402	• WASHER	1		14510004~14515345		t=5.0
16-3	0393103403	• WASHER	1		14510004~14515345		t=5.5
17	1130240010	NUT	2				
18	1652533018	CAP	2			M	
19	1652533016	CAP	4				
20	0456008600	SHIM t=1.0	AR				
21	0003600056	SHIM t=0.5	AR				
22	0003600055	SHIM t=0.2	AR				
23	0393111402	WASHER	1		14515346~		t=5.0
24	0393111403	WASHER	1		14515346~		t=5.5
	K3b038						



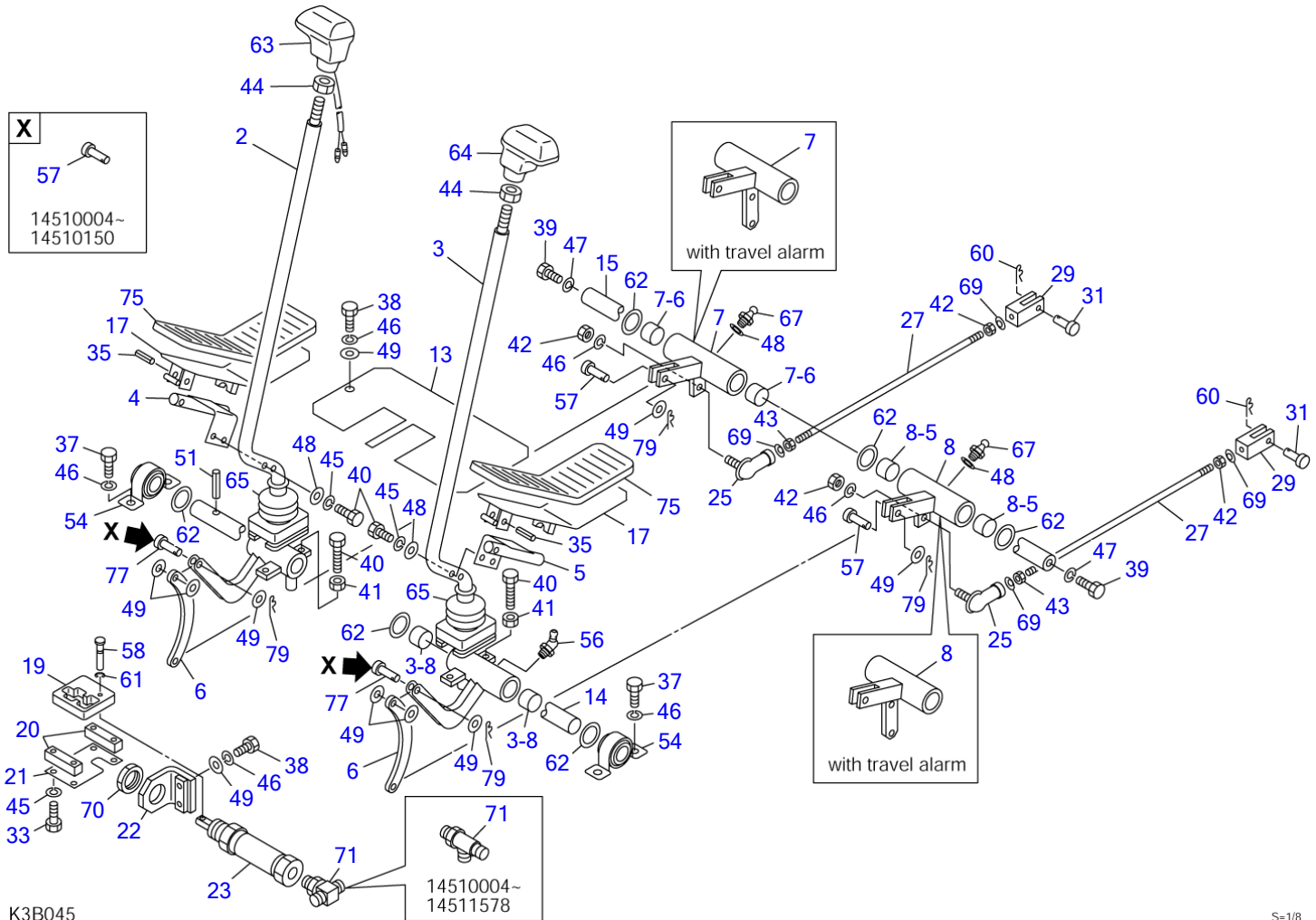
G4B040

S=1/5

**SWING STOPPER**

Item	Part number	Description	Q'ty	Chan.	Serial No.	Serv.	Remarks
		STOPPER ASSY, swing					X03939-01000-1
1	<b>0433101300</b>	PLATE	1		14510004~14510108		
	<b>0393901100</b>	PLATE	1		14510109~		
2	<b>1111041275</b>	SCREW, cap	2		14510004~14510108		
	<b>1111041270</b>	SCREW, cap	2		14510109~		
	<b>K3b091</b>						

TB145 Book No. BK3Z010 S/N 14510004-  
TRAVEL LEVER



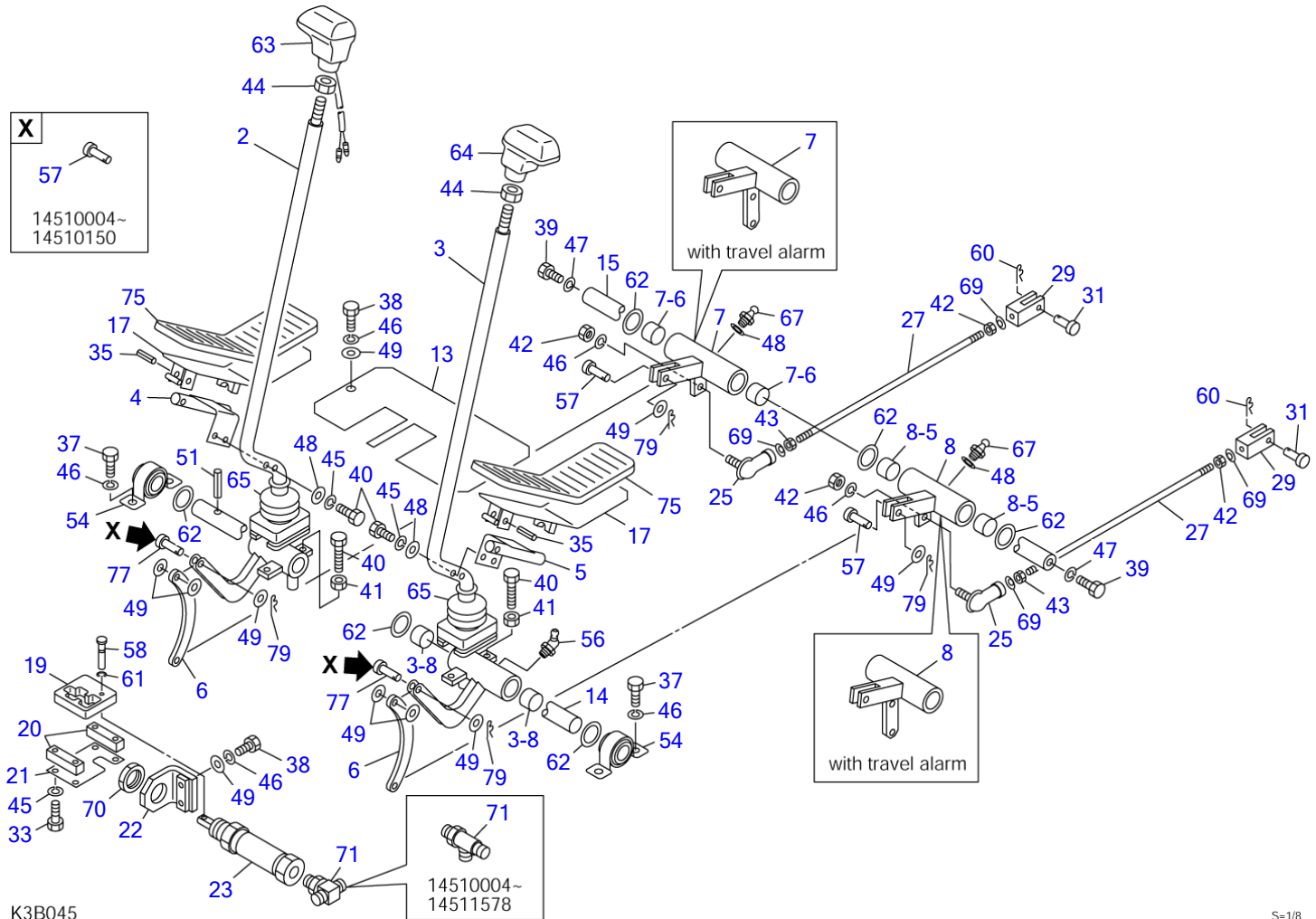
S=1/8



TRAVEL LEVER

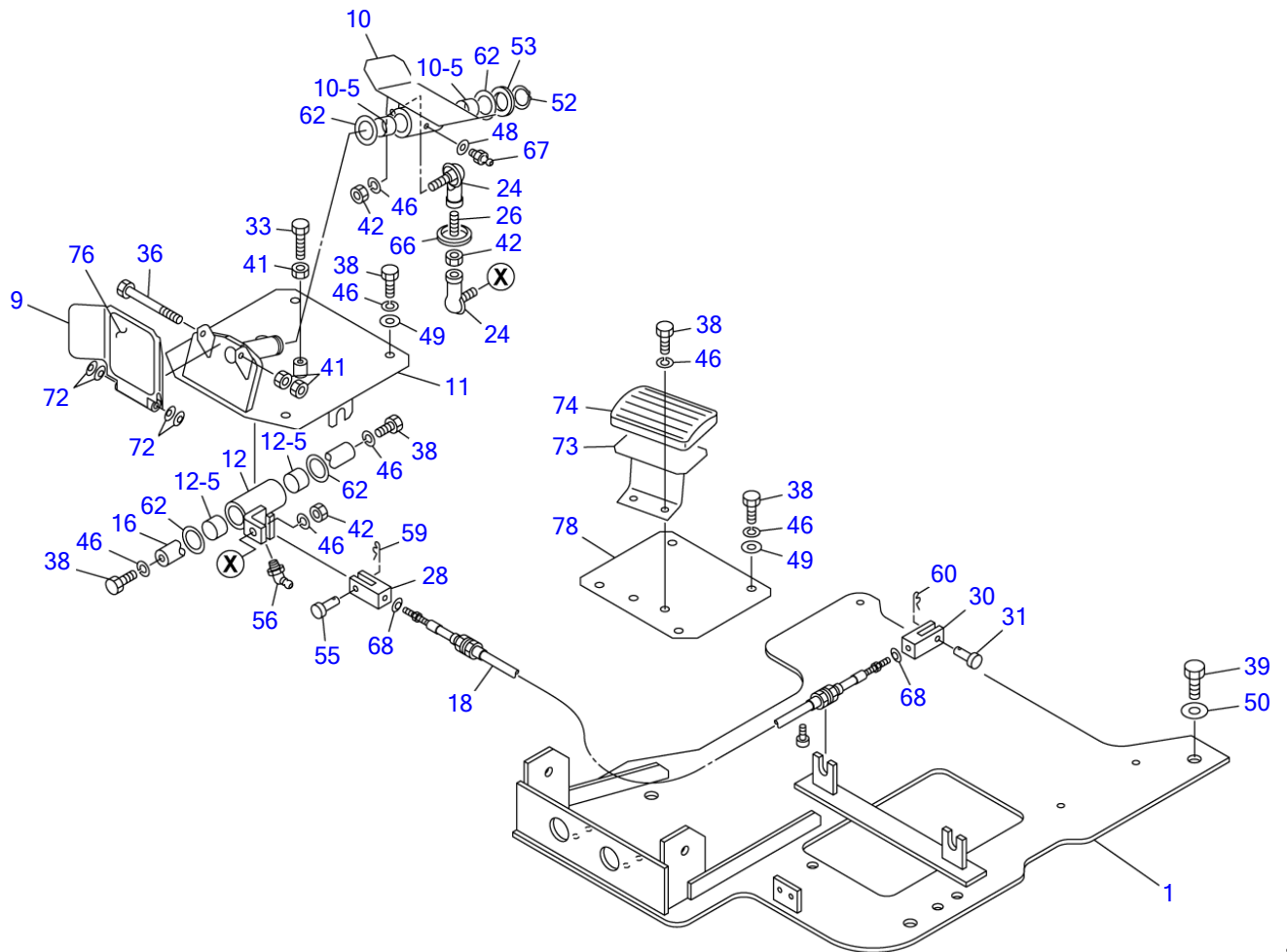
Item	Part number	Description	Q'ty	Chan.	Serial No.	Serv.	Remarks
		LEVER ASSY, control					X03932-18000-9
		LEVER ASSY, control (with travel alarm)					X03932-18100-9
2	0373201150	LEVER (R.H.)	1	A	14510004~14510150		
	0373201750	LEVER (R.H.)	1	a(H)	14510151~		
3	0373201200	LEVER (L.H.)	1	B	14510004~14510150		
	0373201800	LEVER (L.H.)	1	b(H)	14510151~		
3-8	1333002015	• BUSHING	2				
4	0373201250	BRACKET (R.H.)	1				
5	0373201300	BRACKET (L.H.)	1				
6	0373201350	PLATE	2				
7	0393215400	LEVER (R.H.)	1				
	0394211510	LEVER (R.H.)	1				with travel alarm
7-6	1333002015	• BUSHING	2				
8	0393215450	LEVER (L.H.)	1				
	0394211520	LEVER (L.H.)	1				with travel alarm
8-5	1333002015	• BUSHING	2				
13	0373200700	COVER	1				
14	0373200710	SHAFT	1				
15	0373200720	SHAFT	1				
17	0373201740	PEDAL	2				
19	0333236320	PLATE	1				
20	0333236330	BAR	2				
21	0333231480	PLATE	1				
22	0333236340	BRACKET	1				
23	1900074800	CYLINDER, lock	1				
25	1340010085	END, rod (L.H.)	2				
27	0005008340	ROD	2				
29	0005506031	YOKE	2				
31	0004006017	PIN	2				
33	1100040625	BOLT	4				
35	1213010630	PIN, spring	2				
37	1100040816	BOLT	4				
38	1100040820	BOLT	4				
39	1100041025	BOLT	2				
40	1100040630	SET-SCREW	8				
41	1130040006	NUT	4				
42	1130040008	NUT	4				
43	1131540008	NUT	2				
44	1131040012	NUT	2				
45	1140020006	WASHER, spring	8				
46	1140020008	WASHER, spring	10				
47	1140020010	WASHER, spring	2				
48	1141110006	WASHER	6				
49	1141110008	WASHER	6		14510004~14510150		
	1141110008	WASHER	12	a,b(H)	14510151~		
51	1213000830	PIN, spring	1				
54	1332002022	MINI-PILLOW	2				
56	1560012006	FITTING, grease	1				
57	0004008018	PIN	4		14510004~14510150		
	0004008018	PIN	2		14510151~		
58	0333236350	PIN	1				
60	1214010006	PIN, snap	2				M
61	1224010004	E-RING	1				
62	0093208300	WASHER	AR				
63	1650203210	GRIP (R.H.)	1				
64	1650202610	GRIP (L.H.)	1				
65	0563217700	BOOT	2				
67	1560011006	FITTING, grease	2				
69	1225000008	WASHER	4				
70	1130640024	NUT	1				
71	1512370011	TEE	1		14510004~14511578		
	1420010110	• O-RING	1				
	1512370010	TEE	1		14511579~		
	1420010110	• O-RING	1				
75	0363214600	COVER	2				
77	0004008021	PIN	2	a,b(H)	14510151~		
79	1214010006	PIN, snap	4				

TB145 Book No. BK3Z010 S/N 14510004-  
TRAVEL LEVER



Item	Part number	Description	Q'ty	Chan.	Serial No.	Serv.	Remarks
79		<<NOTE>>					
79		"A" is interchangeable with SET "a".					
79		"B" is interchangeable with SET "b".					
	<b>K3b046</b>						

TB145 Book No. BK3Z010 S/N 14510004-  
SWING PEDAL



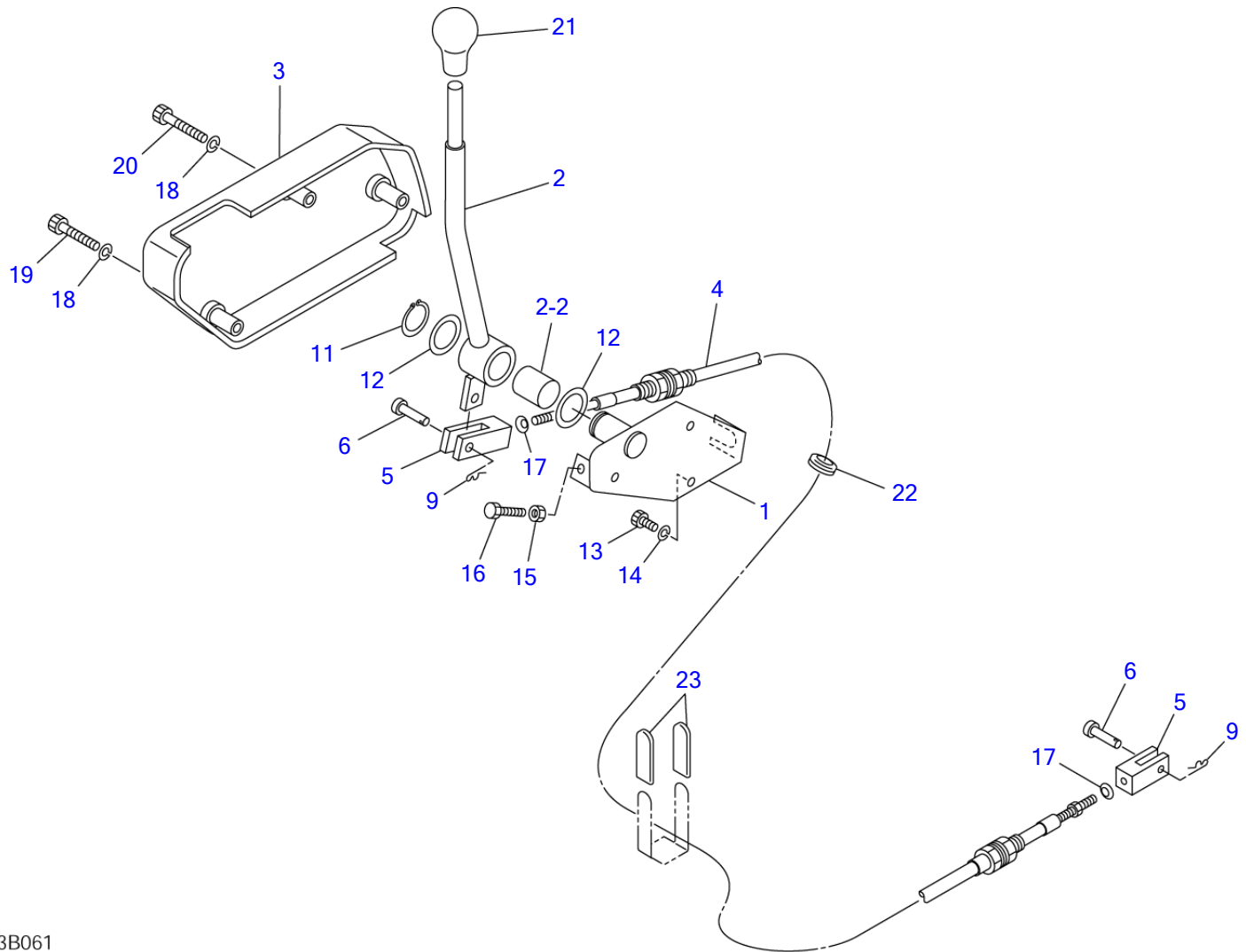
K3B052

S=1/8

**SWING PEDAL**

Item	Part number	Description	Q'ty	Chan.	Serial No.	Serv.	Remarks
		LEVER ASSY, control					X03932-18000-9
		LEVER ASSY, control (with travel alarm)					X03932-18100-9
1	<b>0393215100</b>	BRACKET	1		14510004~14511118		
	<b>0394211600</b>	BRACKET	1	(H)	14511119~		
9	<b>0333234260</b>	COVER	1				
10	<b>0373200550</b>	PEDAL	1				
10-5	<b>1333002020</b>	• BUSHING	2				
11	<b>0373201600</b>	BRACKET	1				
12	<b>0373201650</b>	LEVER	1				
12-5	<b>1333002015</b>	• BUSHING	2				
16	<b>0373201730</b>	SHAFT	1				
18	<b>1630771075</b>	CABLE, control	1				
24	<b>1340010080</b>	END, rod (R.H.)	2				
26	<b>1121040832</b>	SET-SCREW	1				
28	<b>0005500007</b>	YOKE	1				
30	<b>0005506024</b>	YOKE	1				
31	<b>0004006017</b>	PIN	1				
33	<b>1100040625</b>	BOLT	2				
36	<b>1100040680</b>	BOLT	1				
38	<b>1100040820</b>	BOLT	12				
39	<b>1100041025</b>	BOLT	4				
41	<b>1130040006</b>	NUT	4				
42	<b>1130040008</b>	NUT	3				
46	<b>1140020008</b>	WASHER, spring	14				
48	<b>1141110006</b>	WASHER	1				
49	<b>1141110008</b>	WASHER	8				
50	<b>1141550010</b>	WASHER	4				
52	<b>1220000020</b>	RING, snap	1				
53	<b>0003600034</b>	WASHER	1				
55	<b>0004005117</b>	PIN	1				
56	<b>1560012006</b>	FITTING, grease	1				
59	<b>1214010005</b>	PIN, snap	1				M
60	<b>1214010006</b>	PIN, snap	1				
62	<b>0093208300</b>	WASHER	AR				
66	<b>1652060031</b>	BUSHING	1		14510004~14511118		
67	<b>1560011006</b>	FITTING, grease	1				
68	<b>1225000005</b>	WASHER	2				
72	<b>1225110006</b>	WASHER, conical	4				
73	<b>0563219700</b>	REST, foot	1				
74	<b>0563218500</b>	COVER	1				
76	<b>0333241250</b>	SHEET	1				
78	<b>0373203200</b>	PLATE	1		14511579~		
	<b>K3b055</b>						

TB145 Book No. BK3Z010 S/N 14510004-  
DOZER BLADE LEVER



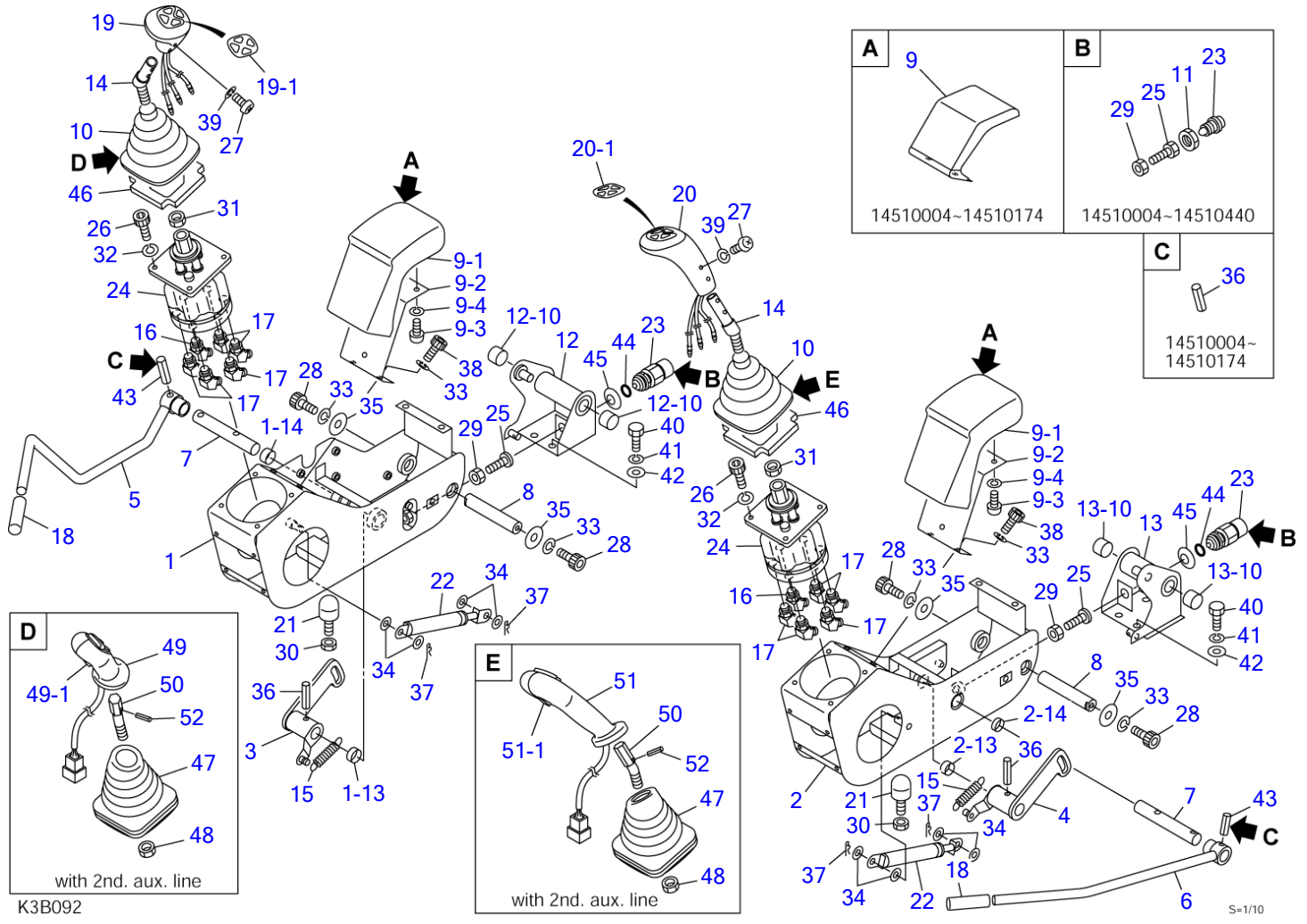
K3B061

S=1/5

**DOZER BLADE LEVER**

Item	Part number	Description	Q'ty	Chan.	Serial No.	Serv.	Remarks
		LEVER ASSY, blade					X03933-01000-5
1	0333304100	BRACKET	1				
2	0333302200	LEVER	1				
2-2	1333002025	• BUSHING	1				
3	0333302350	COVER	1				
4	1630771230	CABLE, control	1				
5	0005506024	YOKE	2				
6	0004006017	PIN	2				
9	1214010006	PIN, snap	2				
11	1220000020	RING, snap	1				
12	0093208300	WASHER	2				
13	1110040616	SCREW, cap	3				
14	1140020006	WASHER, spring	3				
15	1130040006	NUT	2				
16	1100040625	BOLT	2				
17	1225000005	WASHER	2				
18	1140020005	WASHER, spring	3				
19	1110040535	SCREW, cap	2				
20	1110040540	SCREW, cap	1				
21	1650153655	GRIP	1				
22	1652060038	BUSHING	1				
23	0872433150	TUBE	2				
	<b>K3b064</b>						

TB145 Book No. BK3Z010 S/N 14510004-  
**OPERATION LEVER & STAND (canopy; 14510004-14513260)**

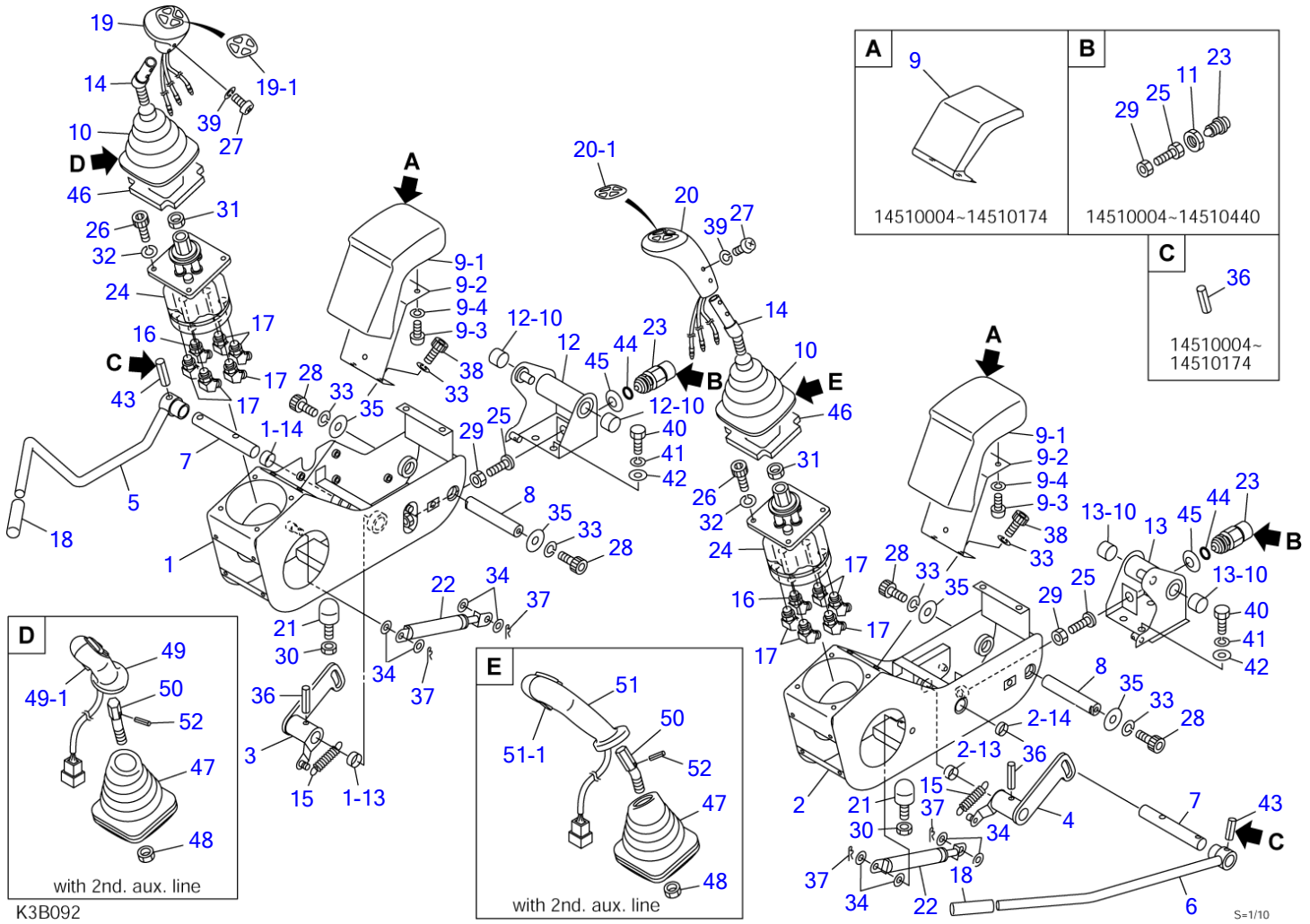




**OPERATION LEVER & STAND (canopy; 14510004-14513260)**

Item	Part number	Description	Q'ty	Chan.	Serial No.	Serv.	Remarks
		VALVE ASSY					X03751-05000-9
		VALVE ASSY (with 2nd aux. line)					X03751-05700-9
1	0335130100	BOX, control (R.H.)	1	A	14510004~14510788		
	0335130700	BOX, control (R.H.)	1	a(H)	14510789~		
1-13	1333002010	• BUSHING	1				
1-14	1333002015	• BUSHING	1				
2	0335130200	BOX, control (L.H.)	1	B	14510004~14510788		
	0335130800	BOX, control (L.H.)	1	b(H)	14510789~		
2-13	1333002010	• BUSHING	1				
2-14	1333002015	• BUSHING	1				
3	0335130300	PLATE (R.H.)	1				
4	0335130400	PLATE (L.H.)	1				
5	0335130500	LEVER (R.H.)	1		14510004~14510174		
	0375105300	LEVER (R.H.)	1	(H)	14510175~		
6	0335130600	LEVER (L.H.)	1		14510004~14510174		
	0375105400	LEVER (L.H.)	1	(H)	14510175~		
7	0335124700	SHAFT	2				
8	0335124750	SHAFT	2				
9	0335130900	REST, arm	2	(L)	14510004~14510174		
	X 0375105500	REST, arm	2	(H)	14510175~		
9-1	0375105510	• URETHANE	1				
9-2	0375105520	• PLATE	1				
9-3	1120530812	• SCREW	3				
9-4	1140020008	• WASHER, spring	3				
10	0335124900	BOOT	2				
11	0335120960	NUT	2		14510004~14510440		
12	0375104100	BRACKET (R.H.)	1	A	14510004~14510788		
	0375104300	BRACKET (R.H.)	1	a(H)	14510789~		
12-10	1333002015	• BUSHING	2				
13	0375104200	BRACKET (L.H.)	1	B	14510004~14510788		
	0375104400	BRACKET (L.H.)	1	b(H)	14510789~		
13-10	1333002015	• BUSHING	2				
14	0375105100	LEVER	2				
15	0425105100	SPRING	2				
16	1512370012	ADAPTOR	2				
	1420010110	• O-RING	1				
17	1515100110	ELBOW	10				
	1420010110	• O-RING	1				
18	1650202300	CAP	2				
19	1650204600	GRIP (R.H.)	1				horn, fffZf</decel
19-1	1650204601	• COVER	1				
20	1650204700	GRIP (L.H.)	1				A-B pattern
20-1	1650204701	• COVER	1				
21	1651101224	STOPPER	2				
22	1653900036	SPRING, gas	2	(L)	14510004~14511406		
	1653900057	SPRING, gas	2	(H)	14511407~		
23	1700000026	SWITCH, safety	2	(L)	14510004~14510440		
	1700000033	SWITCH, safety	2	(H)	14510441~		
24	1901730400	VALVE, pilot	2				
25	1100041030	BOLT	2	(L)	14510004~14510440		
	0335120970	BOLT	2	(H)	14510441~		
26	1110040616	SCREW, cap	8				
27	1120590610	SCREW	4				
28	1110040816	SCREW, cap	4				
29	1130040010	NUT	2				
30	1130040012	NUT	2				
31	1130040014	NUT	2				
32	1140020006	WASHER, spring	8				
33	1140020008	WASHER, spring	8				
34	1141110008	WASHER	4		14510004~14511406		
	1141110008	WASHER	8		14511407~		
35	0003600011	WASHER	4				
36	1213000832	PIN, spring	4		14510004~14510174		
	1213000832	PIN, spring	2		14510175~		
37	1214000008	PIN, snap	4				
38	1110040820	SCREW, cap	4				
39	1140090006	WASHER, spring	4				

TB145 Book No. BK3Z010 S/N 14510004-  
**OPERATION LEVER & STAND (canopy; 14510004-14513260)**

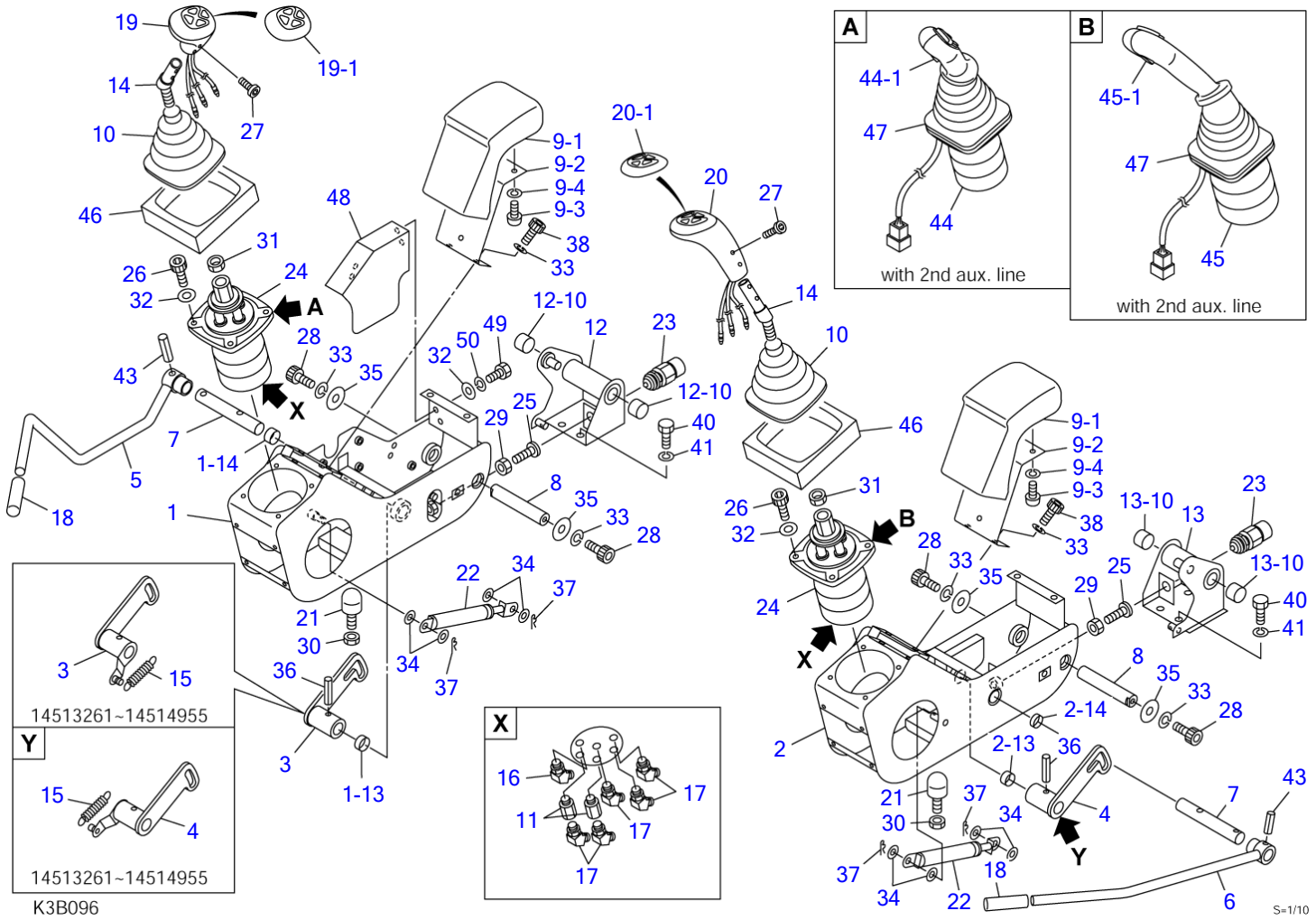


S=1/10

**OPERATION LEVER & STAND (canopy; 14510004-14513260)**

Item	Part number	Description	Q'ty	Chan.	Serial No.	Serv.	Remarks
40	1100041020	BOLT	8				
41	1140020010	WASHER, spring	8				
42	1141110010	WASHER	8				
43	1213000836	PIN, spring	2		14510175~		
44	1420010140	O-RING	2		14510441~14510788		
45	1225121016	WASHER	2		14510441~14510788		
46	0375105610	SPONGE	2		14511986~		
47	0881510020	BOOT	2				with 2nd aux. line
48	1901735626	NUT	2				with 2nd aux. line
49	1901740410	GRIP (R.H.)	1				with 2nd aux. line
49-1	1901740402	• SWITCH, button	1				with 2nd aux. line
50	1901740432	LEVER	2				with 2nd aux. line
51	1901741210	GRIP (L.H.)	1				with 2nd aux. line
51-1	1901740402	• SWITCH, button	1				with 2nd aux. line
52	1213000528	PIN, spring	2				with 2nd aux. line
52		<<NOTE>>					
52		SET "A" is interchangeable with SET "a".					
52		SET "B" is interchangeable with SET "b".					
	<b>K3b092</b>						

TB145 Book No. BK3Z010 S/N 14510004-  
**OPERATION LEVER & STAND (canopy; 14513261-)**

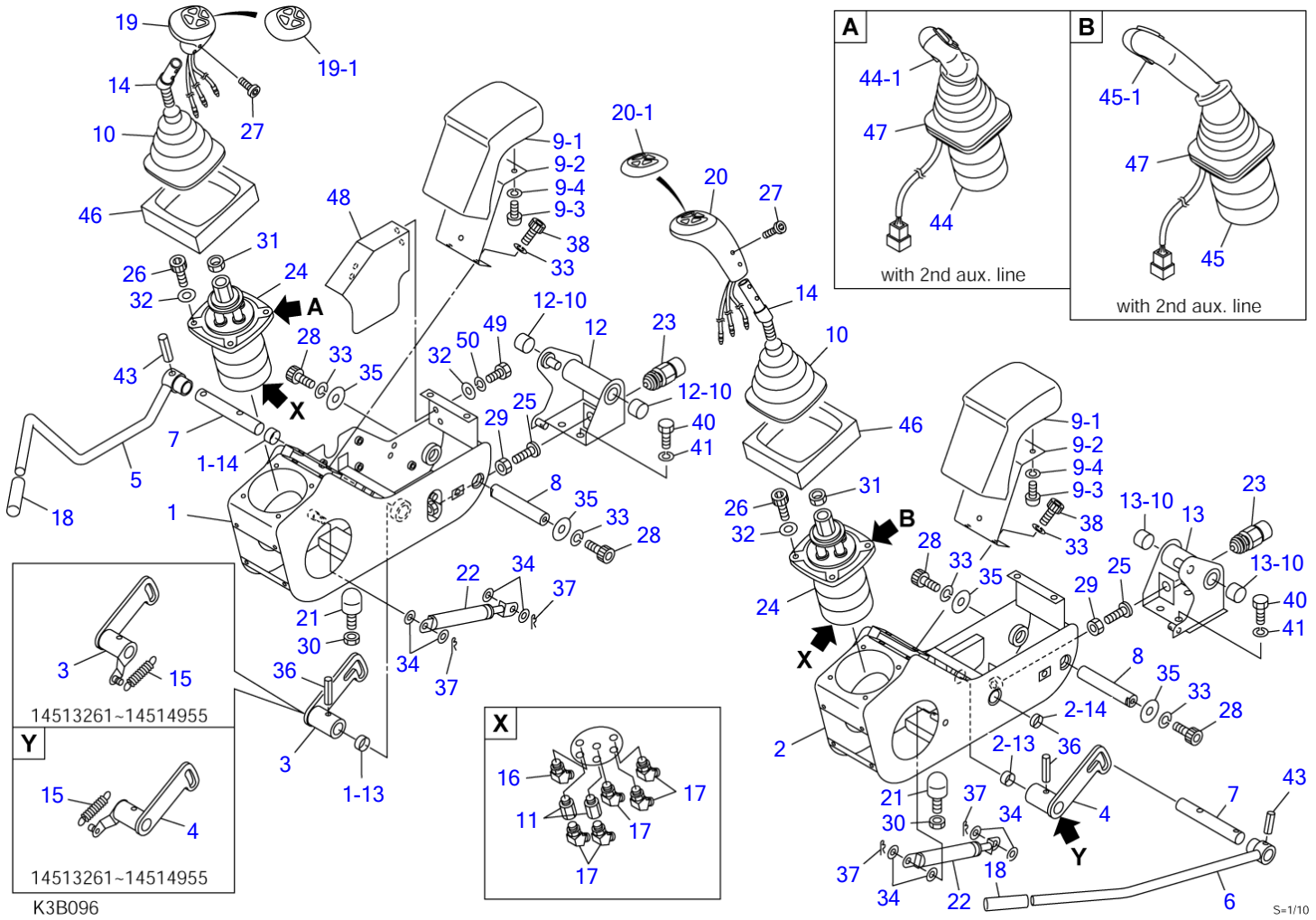


S-1/10

**OPERATION LEVER & STAND (canopy; 14513261-)**

Item	Part number	Description	Q'ty	Chan.	Serial No.	Serv.	Remarks
		VALVE ASSY					X03951-13000-7
		VALVE ASSY (with 2nd aux. line)					X03951-13500-7
1	0395113200	BOX, control (R.H.)	1		14513261~14514955		
	0395113600	BOX, control (R.H.)	1		14514956~		
1-13	1333002010	• BUSHING	1				
1-14	1333002015	• BUSHING	1				
2	0395113300	BOX, control (L.H.)	1		14513261~14514955		
	0395113700	BOX, control (L.H.)	1		14514956~		
2-13	1333002010	• BUSHING	1				
2-14	1333002015	• BUSHING	1				
3	0335130300	PLATE (R.H.)	1		14513261~14514955		
	0395113400	PLATE (R.H.)	1		14514956~		
4	0335130400	PLATE (L.H.)	1		14513261~14514955		
	0395113450	PLATE (L.H.)	1		14514956~		
5	0375105300	LEVER (R.H.)	1				
6	0375105400	LEVER (L.H.)	1				
7	0335124700	SHAFT	2				
8	0335124750	SHAFT	2				
9	X 0375105500	REST, arm	2				
9-1	0375105510	• URETHANE	1				
9-2	0375105520	• PLATE	1				
9-3	1120530812	• SCREW	3				
9-4	1140020008	• WASHER, spring	3				
10	0335124900	BOOT	2				
11	1513250202	BUSHING	4				
	1420010110	• O-RING	1				
12	0375104300	BRACKET (R.H.)	1				
12-10	1333002015	• BUSHING	2				
13	0375104400	BRACKET (L.H.)	1				
13-10	1333002015	• BUSHING	2				
14	0375105100	LEVER	2				
15	0425105100	SPRING	2		14513261~14514955		
16	1512370012	ADAPTOR	2				
	1420010110	• O-RING	1				
17	1515100110	ELBOW	10				
	1420010110	• O-RING	1				
18	1650202300	CAP	2				
19	1650204600	GRIP (R.H.) (horn, decel)	1				
19-1	1650204601	• COVER	1				
20	1650204700	GRIP (L.H.) (A-B)	1				
20-1	1650204701	• COVER	1				
21	1651101224	STOPPER	2				
22	1653900057	SPRING, gas	2				
23	1700000033	SWITCH, safety	2				
24	1901745600	VALVE, pilot	2				
25	0335120970	BOLT	2				
26	1110040625	SCREW, cap	8				
27	1111810610	SCREW	4				
28	1110040816	SCREW, cap	4				
29	1130040010	NUT	2				
30	1130040012	NUT	2				
31	1130140014	NUT	2				
32	1141110006	WASHER	12				
33	1140020008	WASHER, spring	8				
34	1141110008	WASHER	8				
35	0003609003	WASHER	4				
36	1213000832	PIN, spring	2				
37	1214000008	PIN, snap	4				
38	1110040825	SCREW, cap	4				
40	1100041020	BOLT	8				
41	1140020010	WASHER, spring	8				
43	1213000836	PIN, spring	2				
44	1901746400	VALVE, pilot (R.H.)	1				with 2nd aux. line
44-1	1901740402	• SWITCH, button	1				with 2nd aux. line
45	1901746500	VALVE, pilot (L.H.)	1				with 2nd aux. line
45-1	1901740402	• SWITCH, button	1				with 2nd aux. line
46	0395113046	SPONGE	2				

TB145 Book No. BK3Z010 S/N 14510004-  
**OPERATION LEVER & STAND (canopy; 14513261-)**

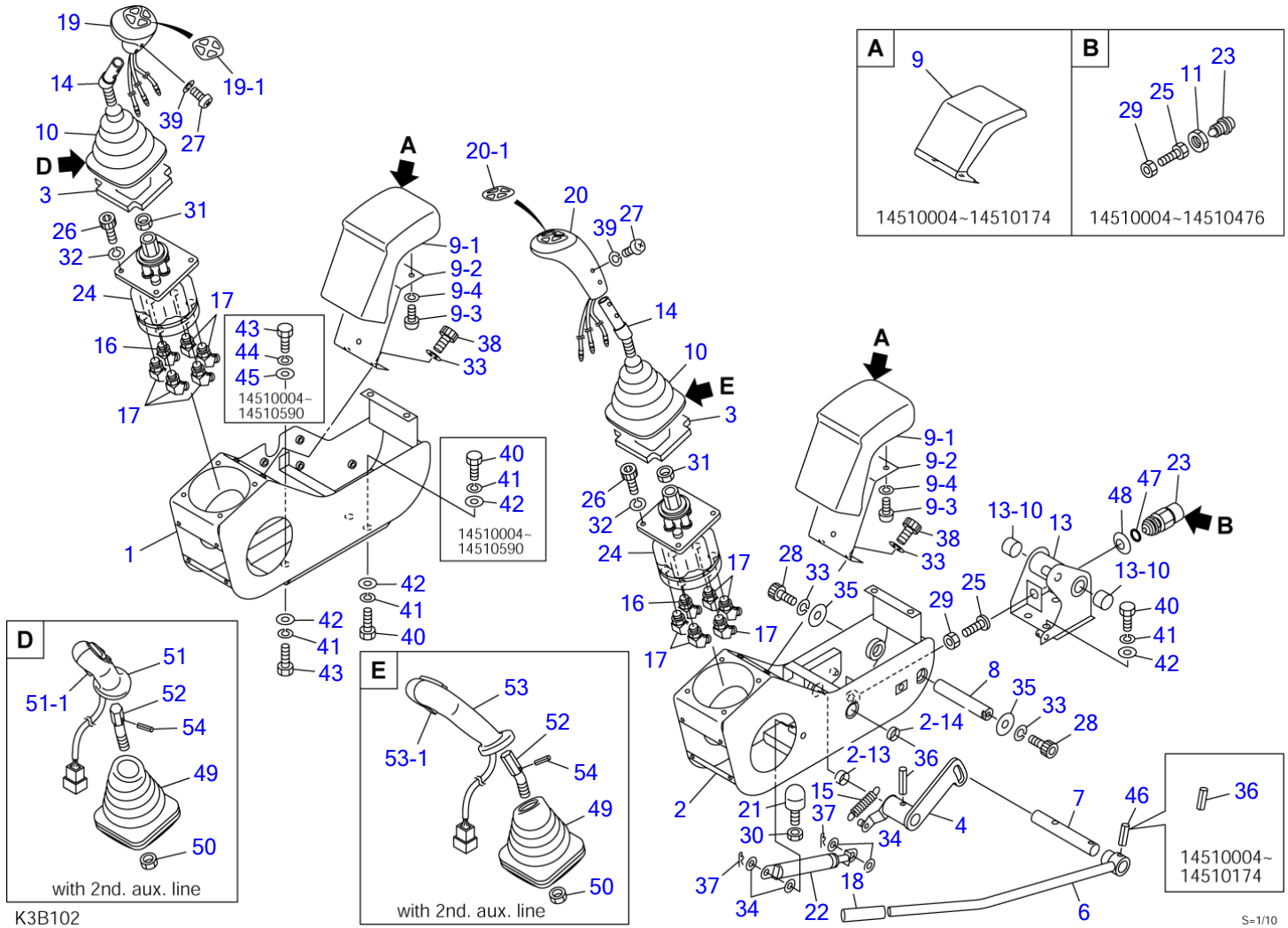


S-1/10

**OPERATION LEVER & STAND (canopy; 14513261-)**

Item	Part number	Description	Q'ty	Chan.	Serial No.	Serv.	Remarks
47	<b>0881510020</b>	BOOT	2				with 2nd aux. line
48	<b>0395113680</b>	COVER	1		14515538~		
49	<b>1100040612</b>	BOLT	4		14515538~		
50	<b>1140020006</b>	WASHER, spring	4		14515538~		
	<b>K3b096</b>						

TB145 Book No. BK3Z010 S/N 14510004-  
**OPERATION LEVER & STAND (cab; 14510004-14513260)**

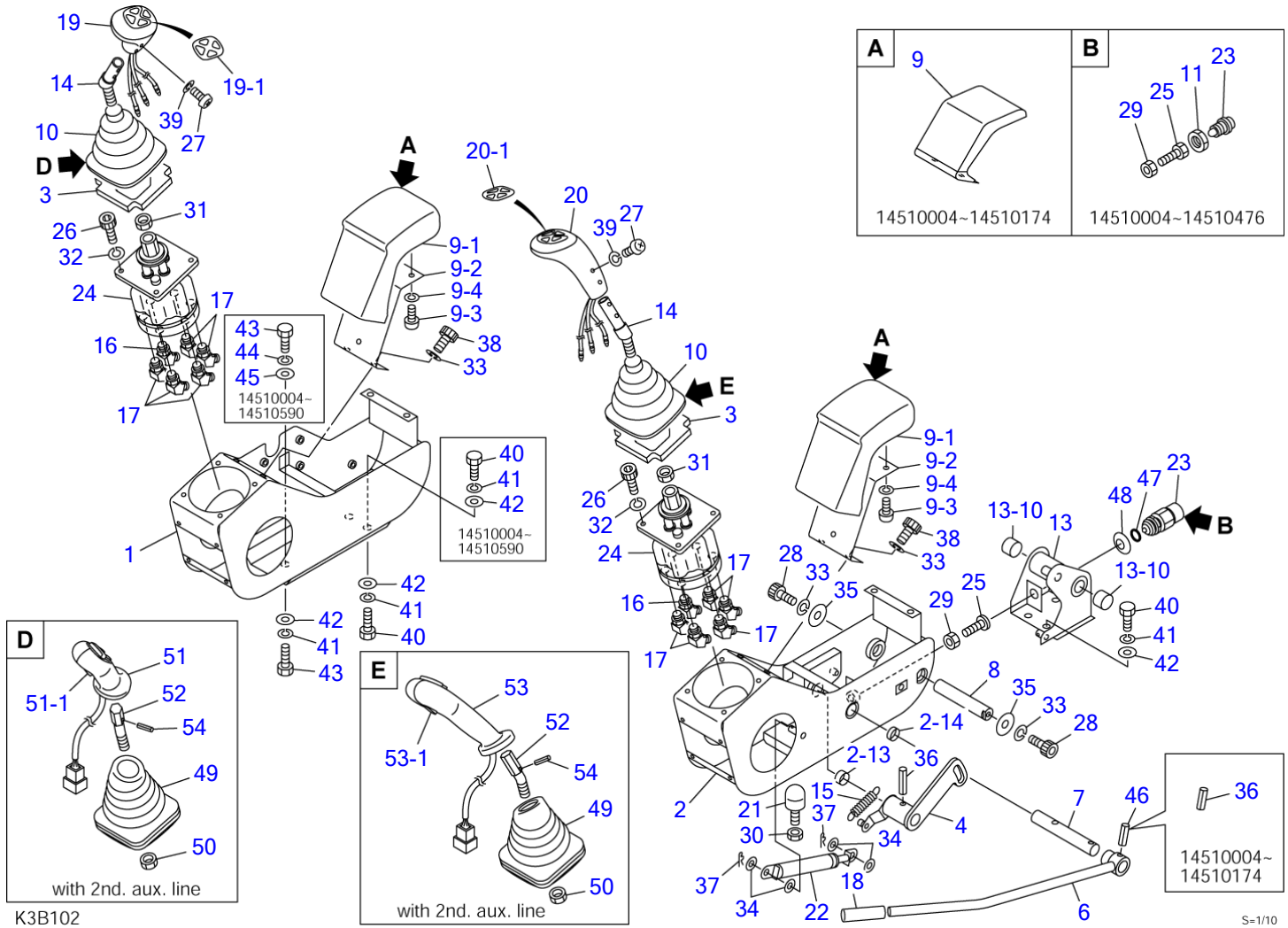




OPERATION LEVER & STAND (cab; 14510004-14513260)

Item	Part number	Description	Q'ty	Chan.	Serial No.	Serv.	Remarks
		VALVE ASSY					X03751-06000-9
		VALVE ASSY (with 2nd aux. line)					X03751-06100-9
1	0335131100	BOX, control (R.H.)	1		14510004~14510590		
	0335131200	BOX, control (R.H.)	1		14510591~		
2	0335130200	BOX, control (L.H.)	1	A	14510004~14510788		
	0335130800	BOX, control (L.H.)	1	a(H)	14510789~		
2-13	1333002010	• BUSHING	1				
2-14	1333002015	• BUSHING	1				
3	0375105610	SPONGE	2		14511986~		
4	0335130400	PLATE (L.H.)	1				
6	0335130600	LEVER (L.H.)	1		14510004~14510174		
	0375105400	LEVER (L.H.)	1	(H)	14510175~		
7	0335124700	SHAFT	1				
8	0335124750	SHAFT	1				
9	0335130900	REST, arm	2	(L)	14510004~14510174		
	X 0375105500	REST, arm	2	(H)	14510175~		
9-1	0375105510	• URETHANE	1				
9-2	0375105520	• PLATE	1				
9-3	1120530812	• SCREW	3				
9-4	1140020008	• WASHER, spring	3				
10	0335124900	BOOT	2				
11	0335120960	NUT	1		14510004~14510476		
13	0375104200	BRACKET (L.H.)	1	A	14510004~14510788		
	0375104400	BRACKET (L.H.)	1	a(H)	14510789~		
13-10	1333002015	• BUSHING	2				
14	0375105100	LEVER	2				
15	0425105100	SPRING	1				
16	1512370012	ADAPTOR	2				
	1420010110	• O-RING	1				
17	1515100110	ELBOW	10				
	1420010110	• O-RING	1				
18	1650202300	CAP	1				
19	1650204600	GRIP (R.H.)	1				horn, fffZf</decel
19-1	1650204601	• COVER	1				
20	1650204700	GRIP (L.H.)	1				A-B pattern
20-1	1650204701	• COVER	1				
21	1651101224	STOPPER	1				
22	1653900036	SPRING, gas	1	(L)	14510004~14511406		
	1653900057	SPRING, gas	1	(H)	14511407~		
23	1700000026	SWITCH, safety	1	(L)	14510004~14510476		
	1700000033	SWITCH, safety	1	(H)	14510477~		
24	1901730400	VALVE, pilot	2				
25	1100041030	BOLT	1	(L)	14510004~14510476		
	0335120970	BOLT	1	(H)	14510477~		
26	1110040616	SCREW, cap	8				
27	1120590610	SCREW	4				
28	1110040816	SCREW, cap	2				
29	1130040010	NUT	1				
30	1130040012	NUT	1				
31	1130040014	NUT	2				
32	1140020006	WASHER, spring	8				
33	1140020008	WASHER, spring	6				
34	1141110008	WASHER	2		14510004~14511406		
	1141110008	WASHER	4		14511407~		
35	0003600011	WASHER	2				
36	1213000832	PIN, spring	2		14510004~14510174		
	1213000832	PIN, spring	1		14510175~		
37	1214000008	PIN, snap	2				
38	1110040820	SCREW, cap	4				
39	1140090006	WASHER, spring	4				
40	1100041020	BOLT	6				
41	1140020010	WASHER, spring	6		14510004~14510590		
	1140020010	WASHER, spring	7		14510591~		
42	1141110010	WASHER	6		14510004~14510590		
	1141110010	WASHER	7		14510591~		
43	1100041235	BOLT	1		14510004~14510590		
	1100041040	BOLT	1		14510591~		

TB145 Book No. BK3Z010 S/N 14510004-  
**OPERATION LEVER & STAND (cab; 14510004-14513260)**



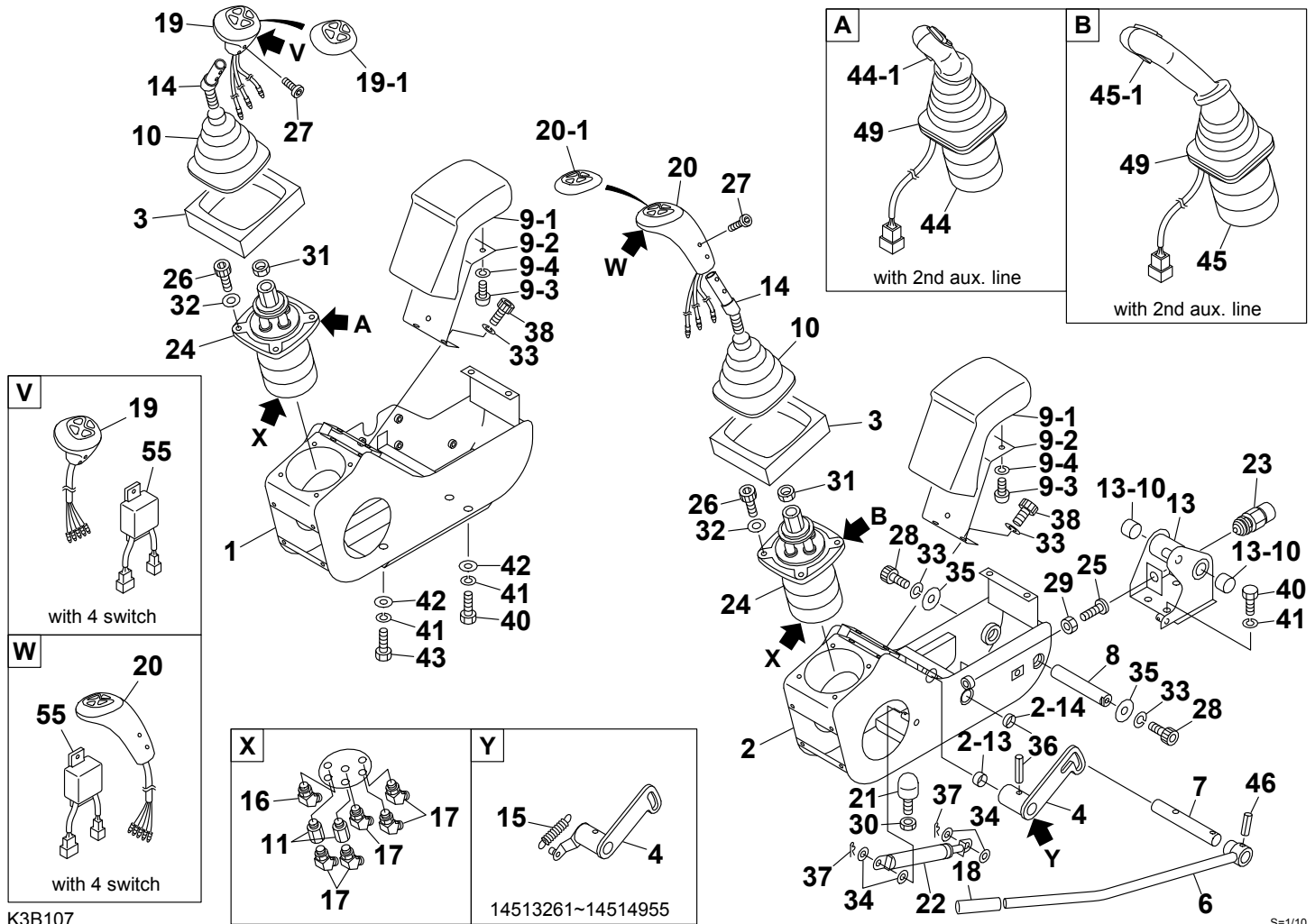
K3B102

S=1/10

**OPERATION LEVER & STAND (cab; 14510004-14513260)**

Item	Part number	Description	Q'ty	Chan.	Serial No.	Serv.	Remarks
44	1140020012	WASHER, spring	1		14510004~14510590		
45	1141110012	WASHER	1		14510004~14510590		
46	1213000836	PIN, spring	1		14510175~		
47	1420010140	O-RING	1		14510477~		
48	1225121016	WASHER	1		14510477~		
49	0881510020	BOOT	2				with 2nd aux. line
50	1901735626	NUT	2				with 2nd aux. line
51	1901740410	GRIP (R.H.)	1				with 2nd aux. line
51-1	1901740402	• SWITCH, button	1				with 2nd aux. line
52	1901740432	LEVER	2				with 2nd aux. line
53	1901741210	GRIP (L.H.)	1				with 2nd aux. line
53-1	1901740402	• SWITCH, button	1				with 2nd aux. line
54	1213000528	PIN, spring	2				with 2nd aux. line
54		<<NOTE>>					
54		SET "A" is interchangeable with SET "a".					
	<b>K3b102</b>						

TB145 Book No. BK3Z010 S/N 14510004-  
**OPERATION LEVER & STAND (cab; 14513261-)**



K3B107

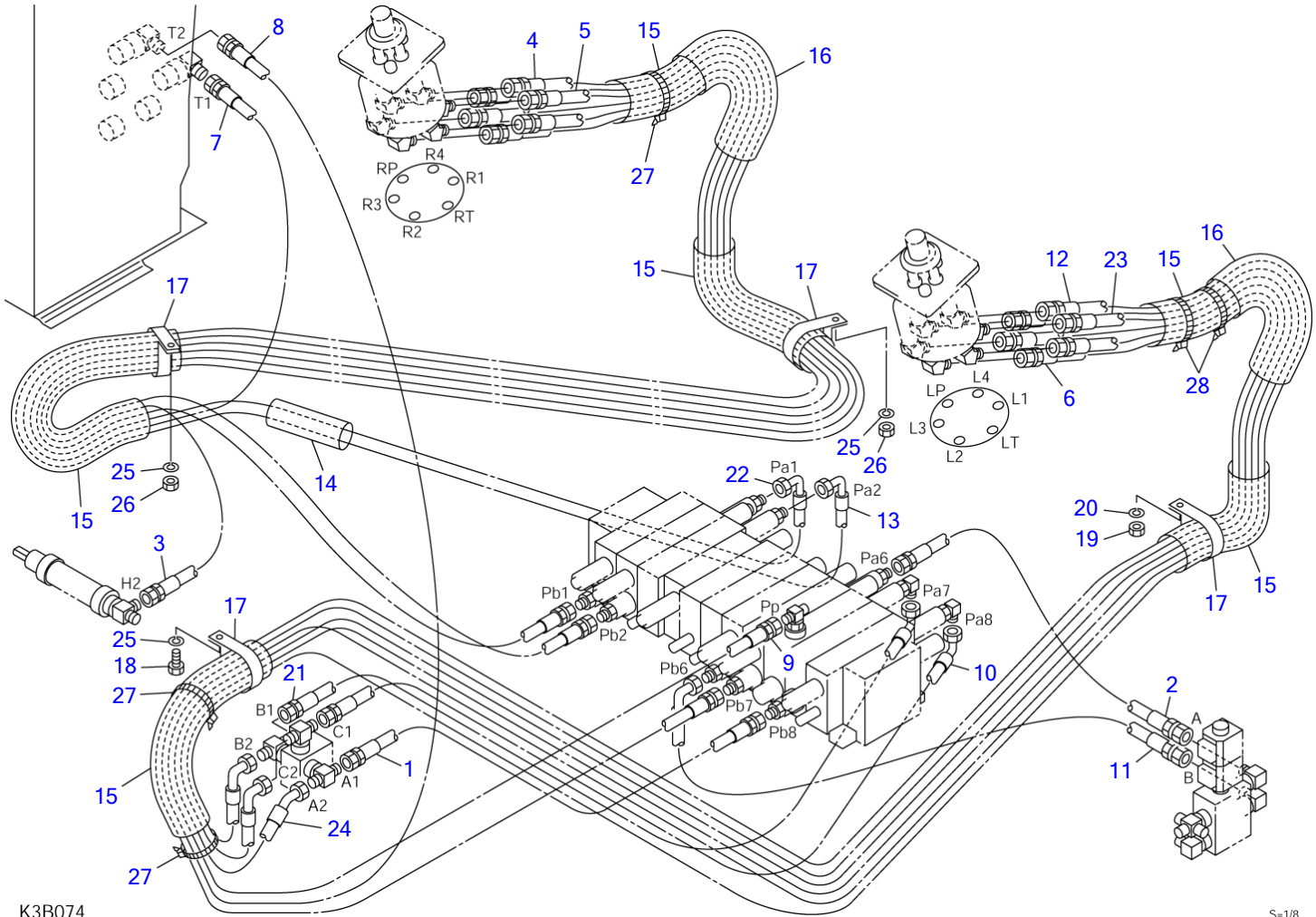
14513261~14514955

S=1/10

**OPERATION LEVER & STAND (cab; 14513261-)**

Item	Part number	Description	Q'ty	Chan.	Serial No.	Serv.	Remarks
		VALVE ASSY					X03951-14000-7
		VALVE ASSY (with 2nd aux. line)					X03951-14500-7
1	0395114100	BOX, control (R.H.)	1				
2	0395113300	BOX, control (L.H.)	1		14513261~14514955		
	0395113700	BOX, control (L.H.)	1		14514956~		
2-13	1333002010	• BUSHING	1				
2-14	1333002015	• BUSHING	1				
3	0395113046	SPONGE	2				
4	0335130400	PLATE (L.H.)	1		14513261~14514955		
	0395113450	PLATE (L.H.)	1		14514956~		
6	0375105400	LEVER (L.H.)	1				
7	0335124700	SHAFT	1				
8	0335124750	SHAFT	1				
9	X 0375105500	REST, arm	2				
9-1	0375105510	• URETHANE	1				
9-2	0375105520	• PLATE	1				
9-3	1120530812	• SCREW	3				
9-4	1140020008	• WASHER, spring	3				
10	0335124900	BOOT	2				
11	1513250202	BUSHING	4				
	1420010110	• O-RING	1				
13	0375104400	BRACKET (L.H.)	1				
13-10	1333002015	• BUSHING	2				
14	0375105100	LEVER	2				
15	0425105100	SPRING	1		14513261~14514955		
16	1512370012	ADAPTOR	2				
	1420010110	• O-RING	1				
17	1515100110	ELBOW	10				
	1420010110	• O-RING	1				
18	1650202300	CAP	1				
19	1650204600	GRIP (R.H.) (horn, decel)	1				
	1650204650	GRIP (R.H.) (horn, decel)	1			M	with 4 switch
19-1	1650204601	• COVER	1				
20	1650204700	GRIP (L.H.) (A-B)	1				
	1650204750	GRIP (L.H.) (A-B)	1			M	with 4 switch
20-1	1650204701	• COVER	1				
21	1651101224	STOPPER	1				
22	1653900057	SPRING, gas	1				
23	1700000033	SWITCH, safety	1				
24	1901745600	VALVE, pilot	2				
25	0335120970	BOLT	1				
26	1110040625	SCREW, cap	8				
27	1111810610	SCREW	4				
28	1110040816	SCREW, cap	2				
29	1130040010	NUT	1				
30	1130040012	NUT	1				
31	1130140014	NUT	2				
32	1141110006	WASHER	8				
33	1140020008	WASHER, spring	6				
34	1141110008	WASHER	4				
35	0003609003	WASHER	2				
36	1213000832	PIN, spring	1				
37	1214000008	PIN, snap	2				
38	1110040825	SCREW, cap	4				
40	1100041020	BOLT	6				
41	1140020010	WASHER, spring	7				
42	1141110010	WASHER	3				
43	1100041040	BOLT	1				
44	1901746400	VALVE, pilot (R.H.)	1				with 2nd aux. line
44-1	1901740402	• SWITCH, button	1				with 2nd aux. line
45	1901746500	VALVE, pilot (L.H.)	1				with 2nd aux. line
45-1	1901740402	• SWITCH, button	1				with 2nd aux. line
46	1213000836	PIN, spring	1				
49	0881510020	BOOT	2				with 2nd aux. line
55	1711900062	RELAY	2				with 4 switch
	K3b107						

TB145 Book No. BK3Z010 S/N 14510004-  
PIPING; OPERATION LEVER



K3B074

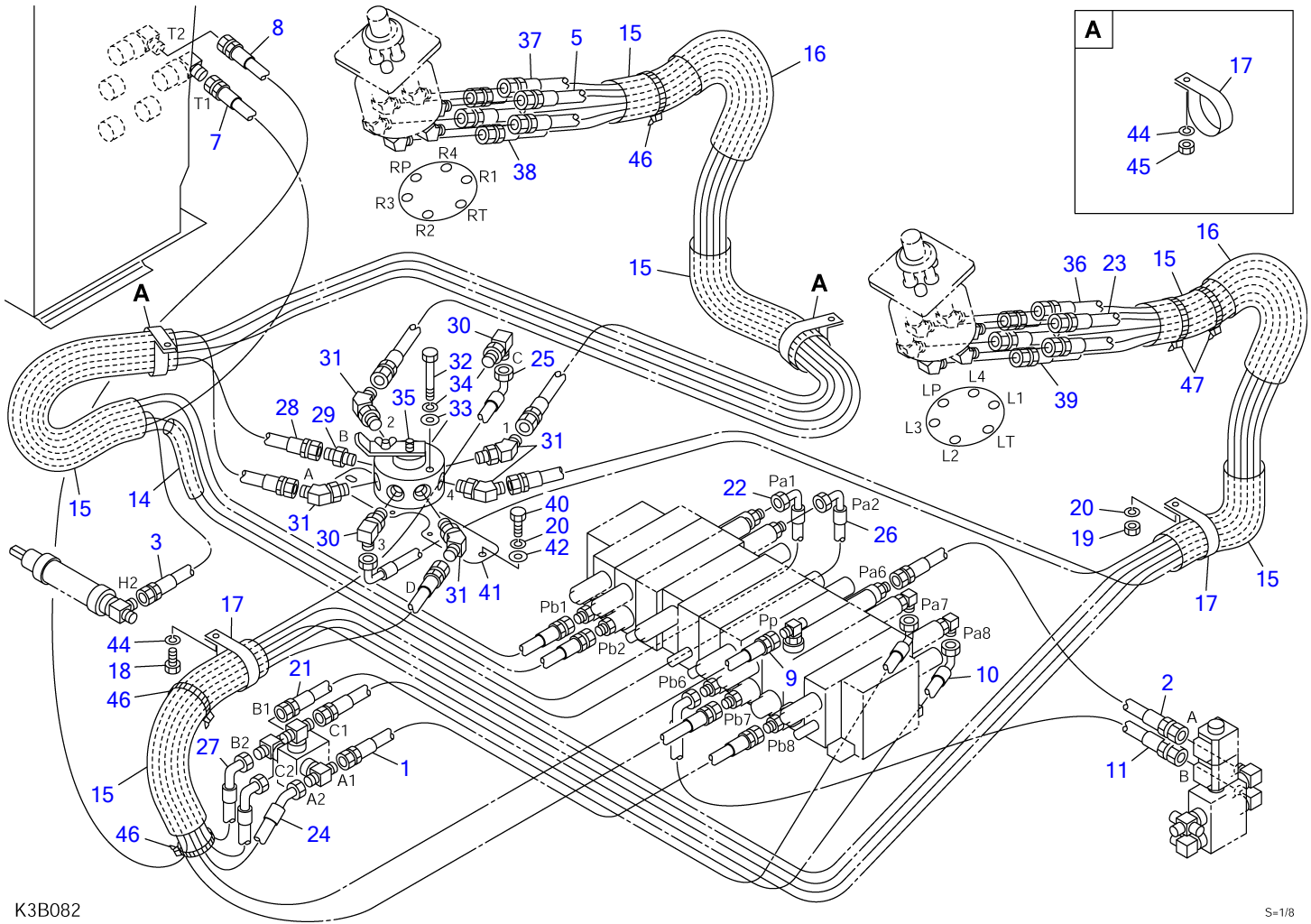
S=1/8

**PIPING; OPERATION LEVER**

Item	Part number	Description	Q'ty	Chan.	Serial No.	Serv.	Remarks
		PIPING ASSY					X03971-04000-6
1	0397104010	HOSE ASSY	1				19348-22026
2	0397104020	HOSE ASSY	1				19348-22038
3	0377104030	HOSE ASSY	1				19348-22180
4	0397104040	HOSE ASSY	1				19348-22210
5	0397104050	HOSE ASSY	1				19348-22210
6	0397104060	HOSE ASSY	1				19348-22235
7	0397104070	HOSE ASSY	1				19348-22355
8	0397104080	HOSE ASSY	1				19348-22365
9	0397104090	HOSE ASSY	1				19348-22235
10	0397104100	HOSE ASSY	1				19348-52062
11	0397104110	HOSE ASSY	1				19348-52080
12	0397104120	HOSE ASSY	1				19348-52205
13	0397104130	HOSE ASSY	1				19348-52255
14	1531235030	PROTECTOR	1				sold by the meter
15	1531645029	PROTECTOR	6				sold by the meter
16	1567315030	PROTECTOR	2				sold by the meter
17	0007300030	CLAMP	4				
18	1100041016	BOLT	1				
19	1130040008	NUT	1				
20	1140020008	WASHER, spring	1				
21	0397104140	HOSE ASSY	1				19348-52060
22	0397104150	HOSE ASSY	1				19348-52255
23	0397104160	HOSE ASSY	1				19348-52205
24	0397104170	HOSE ASSY	1				19348-72200
25	1140020010	WASHER, spring	3				
26	1130040010	NUT	2				
27	1652231250	BAND	3				M
28	1652201007	BAND	2				M

**K3b073**

TB145 Book No. BK3Z010 S/N 14510004-  
 PIPING; OPERATION LEVER (ISO-JCB pattern)



K3B082

S=1/8

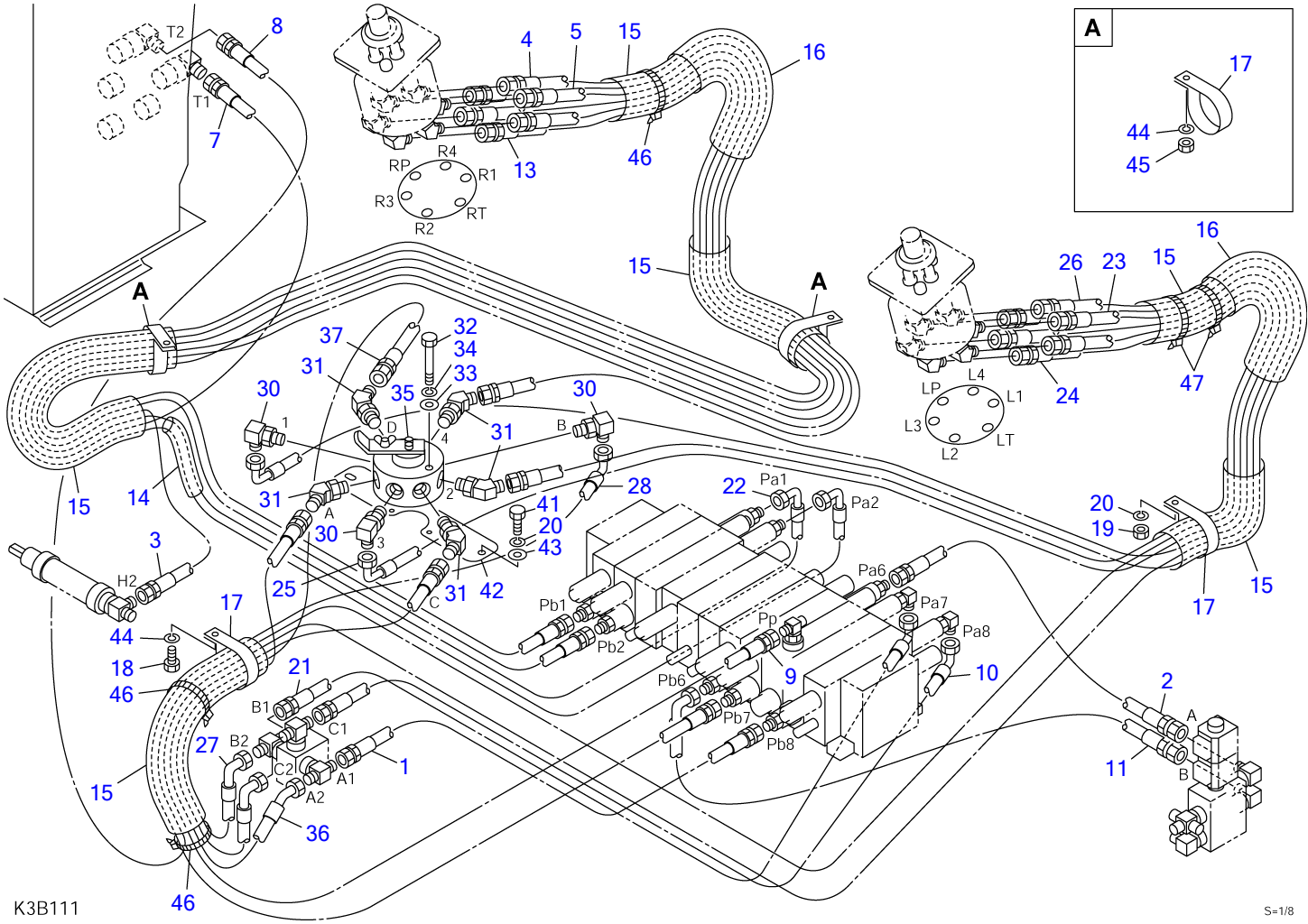


**PIPING; OPERATION LEVER (ISO-JCB pattern)**

Item	Part number	Description	Q'ty	Chan.	Serial No.	Serv.	Remarks
		PIPING ASSY					X03971-05000-8
1	0397104010	HOSE ASSY	1				19348-22026
2	0397104020	HOSE ASSY	1				19348-22038
3	0377104030	HOSE ASSY	1				19348-22180
5	0397104050	HOSE ASSY	1				19348-22210
7	0397104070	HOSE ASSY	1				19348-22355
8	0397104080	HOSE ASSY	1				19348-22365
9	0397104090	HOSE ASSY	1				19348-22235
10	0397104100	HOSE ASSY	1				19348-52062
11	0397104110	HOSE ASSY	1				19348-52080
14	1531335030	PROTECTOR	1				sold by the meter
15	1531645029	PROTECTOR	6				sold by the meter
16	1567315030	PROTECTOR	2				sold by the meter
17	0007300030	CLAMP	4				
18	1100041016	BOLT	1				
19	1130040008	NUT	1				
20	1140020008	WASHER, spring	3				
21	0397104140	HOSE ASSY	1				19348-52060
22	0397104150	HOSE ASSY	1				19348-52255
23	0397104160	HOSE ASSY	1				19348-52205
24	0397104170	HOSE ASSY	1				19348-72200
25	0397105010	HOSE ASSY	1				19348-52110
26	0397105020	HOSE ASSY	1				19348-52140
27	0377103010	HOSE ASSY	1				19348-52068
28	0397105030	HOSE ASSY	1				19348-22090
29	1515600200	ADAPTOR	1				
	1420010110	· O-RING	1				
30	1515012040	ELBOW	2				
	1420010110	· O-RING	1				
31	1515100110	ELBOW	5				
	1420010110	· O-RING	1				
32	1100040650	BOLT	2				
33	1141110006	WASHER	2				
34	1140020006	WASHER, spring	2				
35	1901730500	VALVE, selector	1				
36	0377103050	HOSE ASSY	1				19348-22126
37	0377103060	HOSE ASSY	1				19348-22160
38	0377103070	HOSE ASSY	1				19348-22170
39	0377103080	HOSE ASSY	1				19348-52140
40	1100040820	BOLT	2				
41	0377103300	PLATE	1				
42	1141110008	WASHER	2				
44	1140020010	WASHER, spring	3				
45	1130040010	NUT	2				
46	1652231250	BAND	3				
47	1652201007	BAND	2				

**K3b085**

TB145 Book No. BK3Z010 S/N 14510004-  
 PIPING; OPERATION LEVER (1/2) (A-B pattern)

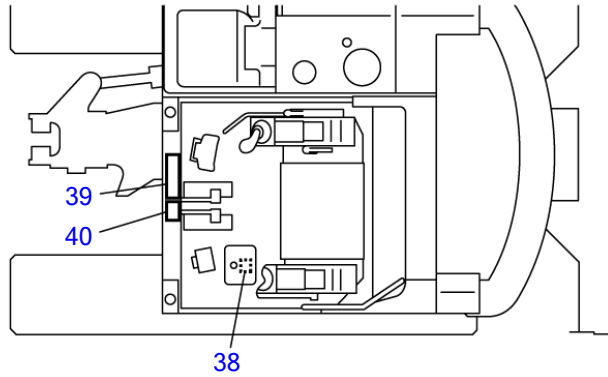


**PIPING; OPERATION LEVER (1/2) (A-B pattern)**

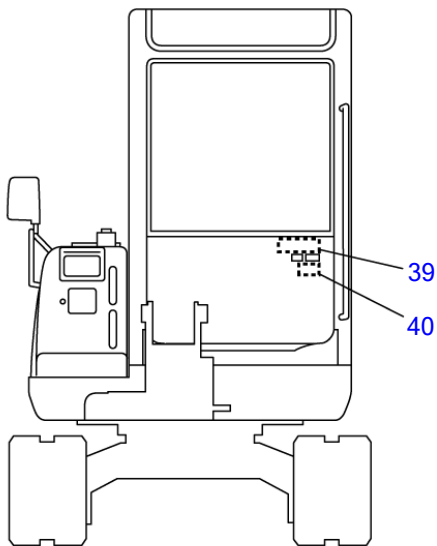
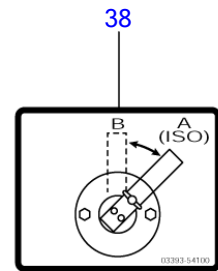
Item	Part number	Description	Q'ty	Chan.	Serial No.	Serv.	Remarks
		PIPING ASSY					X03971-06000-9
1	0397104010	HOSE ASSY	1				19348-22026
2	0397104020	HOSE ASSY	1				19348-22038
3	0397104030	HOSE ASSY	1				19348-22180
4	0397104040	HOSE ASSY	1				19348-22210
5	0397104050	HOSE ASSY	1				19348-22210
7	0397104070	HOSE ASSY	1				19348-22355
8	0397104080	HOSE ASSY	1				19348-22365
9	0397104090	HOSE ASSY	1				19348-22235
10	0397104100	HOSE ASSY	1				19348-52062
11	0397104110	HOSE ASSY	1				19348-52080
13	0397104130	HOSE ASSY	1				19348-52255
14	1531335030	PROTECTOR	1				sold by the meter
15	1531645029	PROTECTOR	6				sold by the meter
16	1567315030	PROTECTOR	2				sold by the meter
17	0007300030	CLAMP	4				
18	1100041016	BOLT	1				
19	1130040008	NUT	1				
20	1140020008	WASHER, spring	3				
21	0397104140	HOSE ASSY	1				19348-52060
22	0397104150	HOSE ASSY	1				19348-52255
23	0397106100	HOSE ASSY	1				19348-22126
24	0397106110	HOSE ASSY	1				19348-22132
25	0397106120	HOSE ASSY	1				19348-52140
26	0397106130	HOSE ASSY	1				19348-52134
27	0397106010	HOSE ASSY	1				19348-52070
28	0397106020	HOSE ASSY	1				19348-52110
30	1515012040	ELBOW	3				
	1420010110	· O-RING	1				
31	1515100110	ELBOW	5				
	1420010110	· O-RING	1				
32	1100040650	BOLT	2				
33	1141110006	WASHER	2				
34	1140020006	WASHER, spring	2				
35	1901731400	VALVE, selector	1				
36	0397106030	HOSE ASSY	1				19348-72068
37	0397106040	HOSE ASSY	1				19348-52110
41	1100040820	BOLT	2				
42	0377103300	PLATE	1				
43	1141110008	WASHER	2				
44	1140020010	WASHER, spring	3				
45	1130040010	NUT	2				
46	1652231250	BAND	3				
47	1652201007	BAND	2				

**K3b114**

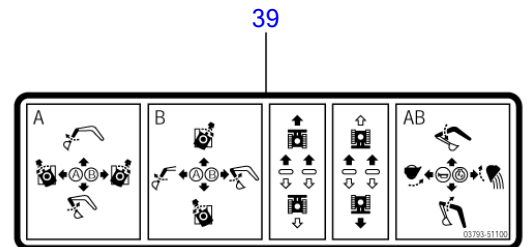
TB145 Book No. BK3Z010 S/N 14510004-  
 PIPING; OPERATION LEVER (2/2) (A-B pattern)



CANOPY



K3B120

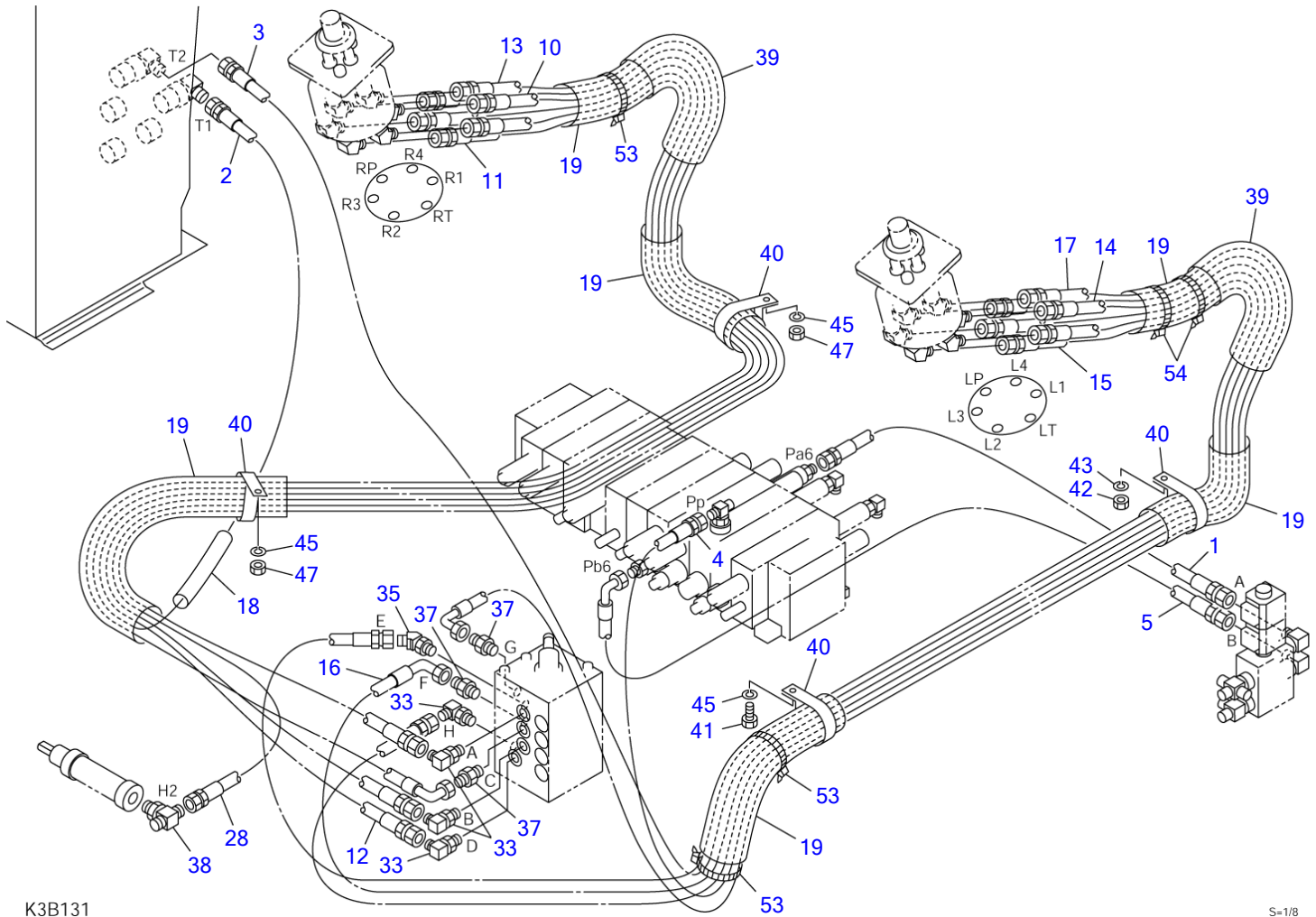


S=FREE

**PIPING; OPERATION LEVER (2/2) (A-B pattern)**

Item	Part number	Description	Q'ty	Chan.	Serial No.	Serv.	Remarks
		PIPING ASSY					X03971-06000-9
38	<b>0339354100</b>	DECAL	1				
39	<b>0379351100</b>	DECAL	1				
40	<b>0339354200</b>	DECAL	1				
	<b>K3b123</b>						

TB145 Book No. BK3Z010 S/N 14510004-  
 PIPING; OPERATION LEVER (1/3) (multi pattern)



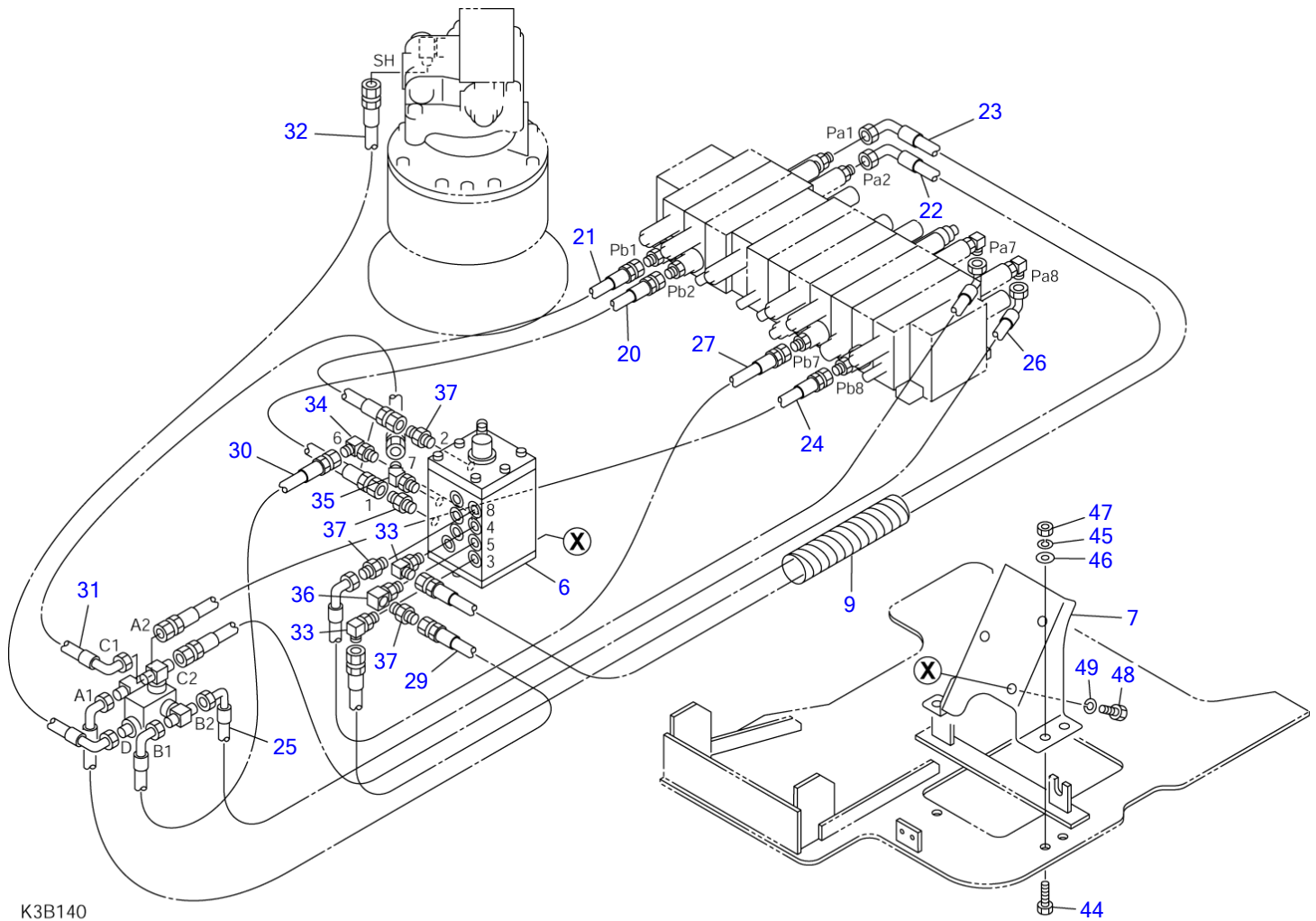
K3B131

S=1/8

**PIPING; OPERATION LEVER (1/3) (multi pattern)**

Item	Part number	Description	Q'ty	Chan.	Serial No.	Serv.	Remarks
		PIPING ASSY					X03971-07000-3
1	0397104020	HOSE ASSY	1				19348-22038
2	0397104070	HOSE ASSY	1				19348-22355
3	0397104080	HOSE ASSY	1				19348-22365
4	0397104090	HOSE ASSY	1				19348-22235
5	0397104110	HOSE ASSY	1				19348-52080
10	0397107100	HOSE ASSY	1				19348-22220
11	0397107110	HOSE ASSY	1				19348-52215
12	0397107120	HOSE ASSY	1				19348-22220
13	0397107130	HOSE ASSY	1				19348-22220
14	0397107140	HOSE ASSY	1				19348-22220
15	0397107150	HOSE ASSY	1				19348-52225
16	0397107160	HOSE ASSY	1				19348-52225
17	0397107170	HOSE ASSY	1				19348-52230
18	1531335030	PROTECTOR	1				sold by the meter
19	1531645029	PROTECTOR	6				sold by the meter
28	0397107280	HOSE ASSY	1				19348-52190
33	1515012040	ELBOW	4				
	1420010110	• O-RING	1				
35	1515100110	ELBOW	1				
	1420010110	• O-RING	1				
37	1515600200	ADAPTOR	3				
	1420010110	• O-RING	1				
38	1512370010	TEE	1				
	1420010110	• O-RING	1				
39	1567315030	PROTECTOR	2				sold by the meter
40	0007300030	CLAMP	4				
41	1100041016	BOLT	1				
42	1130040008	NUT	1				
43	1140020008	WASHER, spring	1				
45	1140020010	WASHER, spring	3				
47	1130040010	NUT	2				
53	1652231250	BAND	3				
54	1652201007	BAND	2				
	K3b133						

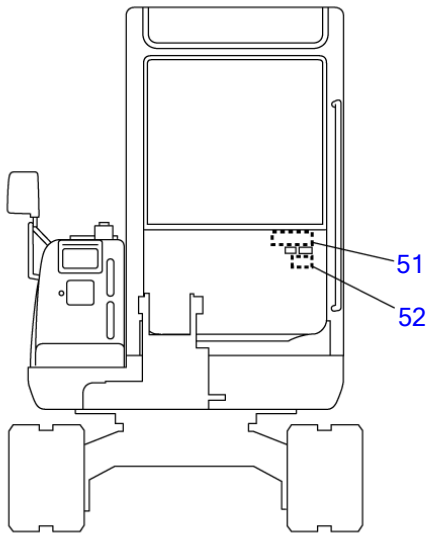
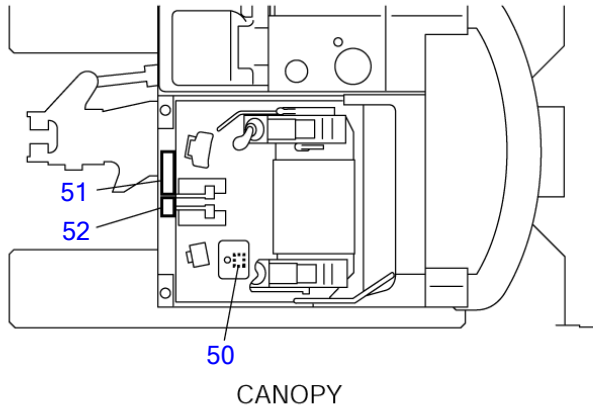
TB145 Book No. BK3Z010 S/N 14510004-  
PIPING; OPERATION LEVER (2/3) (multi pattern)



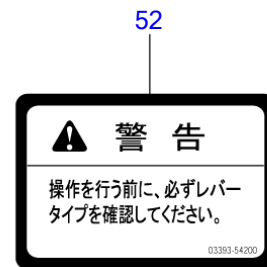
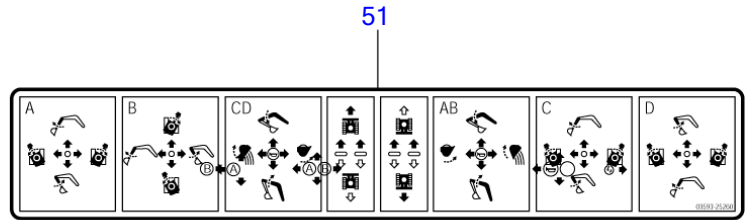
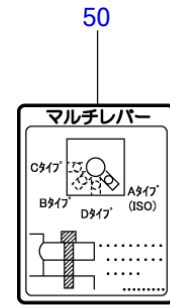


**PIPING; OPERATION LEVER (2/3) (multi pattern)**

Item	Part number	Description	Q'ty	Chan.	Serial No.	Serv.	Remarks
		PIPING ASSY					X03971-07000-3
6	1901733700	VALVE, rotary	1				
7	0397107010	BRACKET	1				
9	1532208020	PROTECTOR	1				sold by the meter
20	0397107200	HOSE ASSY	1				19348-22046
21	0397107210	HOSE ASSY	1				19348-22046
22	0397107220	HOSE ASSY	1				19348-52106
23	0397107230	HOSE ASSY	1				19348-52118
24	0397107240	HOSE ASSY	1				19348-22032
25	0397107250	HOSE ASSY	1				19348-52066
26	0397107260	HOSE ASSY	1				19348-52076
27	0397107270	HOSE ASSY	1				19348-52056
29	0397107290	HOSE ASSY	1				19348-52050
30	0397107300	HOSE ASSY	1				18010-52038
31	0397107310	HOSE ASSY	1				18010-52040
32	0397107320	HOSE ASSY	1				18010-52155
33	1515012040	ELBOW	2				
	1420010110	• O-RING	1				
34	1515012510	ELBOW	1				
	1420010110	• O-RING	1				
35	1515100110	ELBOW	1				
	1420010110	• O-RING	1				
36	1513300014	ELBOW	1				
	1420010110	• O-RING	1				
37	1515600200	ADAPTOR	4				
	1420010110	• O-RING	1				
44	1100041030	BOLT	3				
45	1140020010	WASHER, spring	3				
46	1141110010	WASHER	3				
47	1130040010	NUT	3				
48	1100041225	BOLT	3				
49	1140020012	WASHER, spring	3				
	K3b143						



G4B160

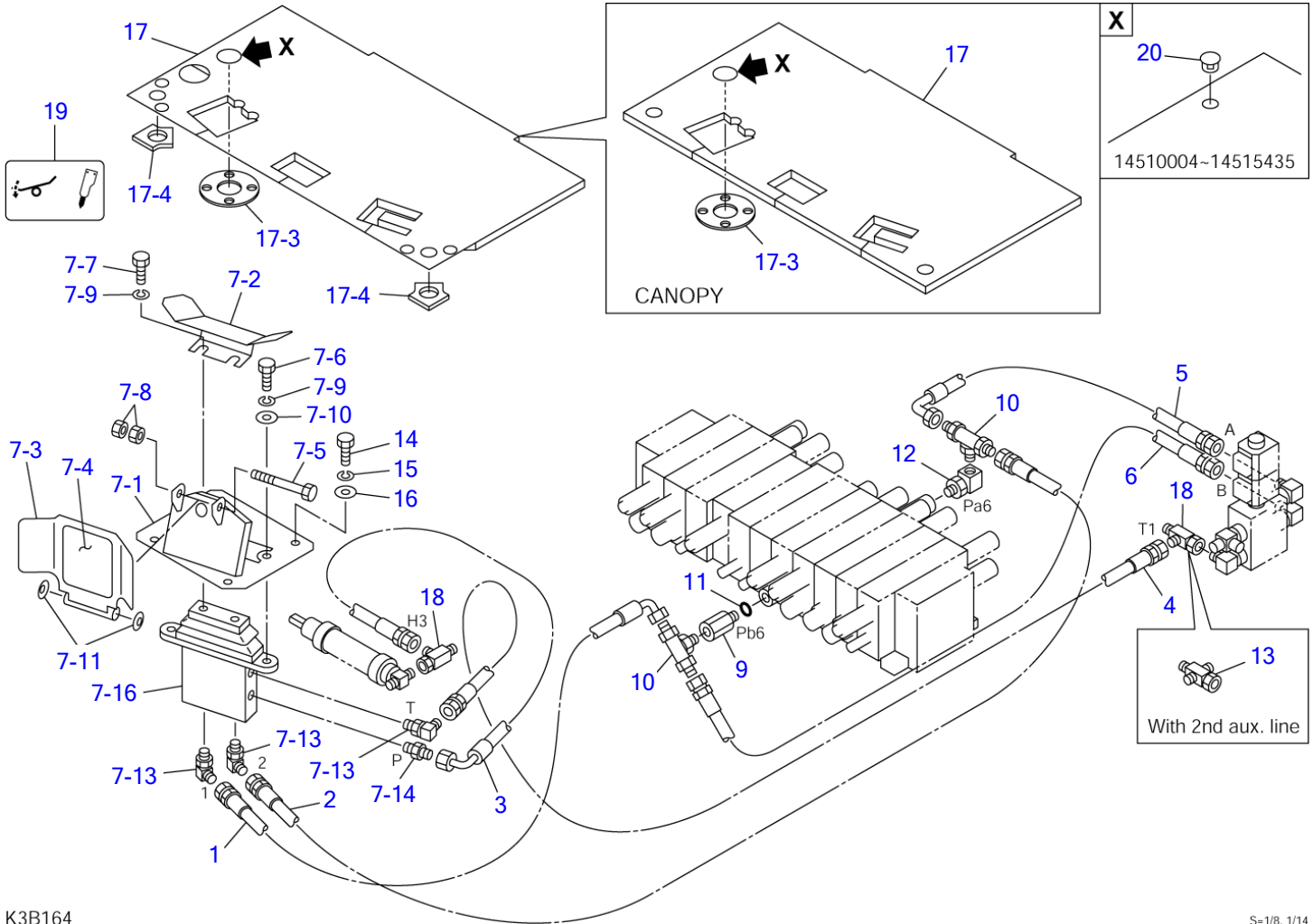


S=FREE

**PIPING; OPERATION LEVER (3/3) (multi pattern)**

Item	Part number	Description	Q'ty	Chan.	Serial No.	Serv.	Remarks
		PIPING ASSY					X03971-07000-3
50	<b>0399349600</b>	DECAL	1				
51	<b>0359325260</b>	DECAL	1				
52	<b>0339354200</b>	DECAL	1				
	<b>K3b152</b>						

TB145 Book No. BK3Z010 S/N 14510004-  
AUXILIARY PEDAL



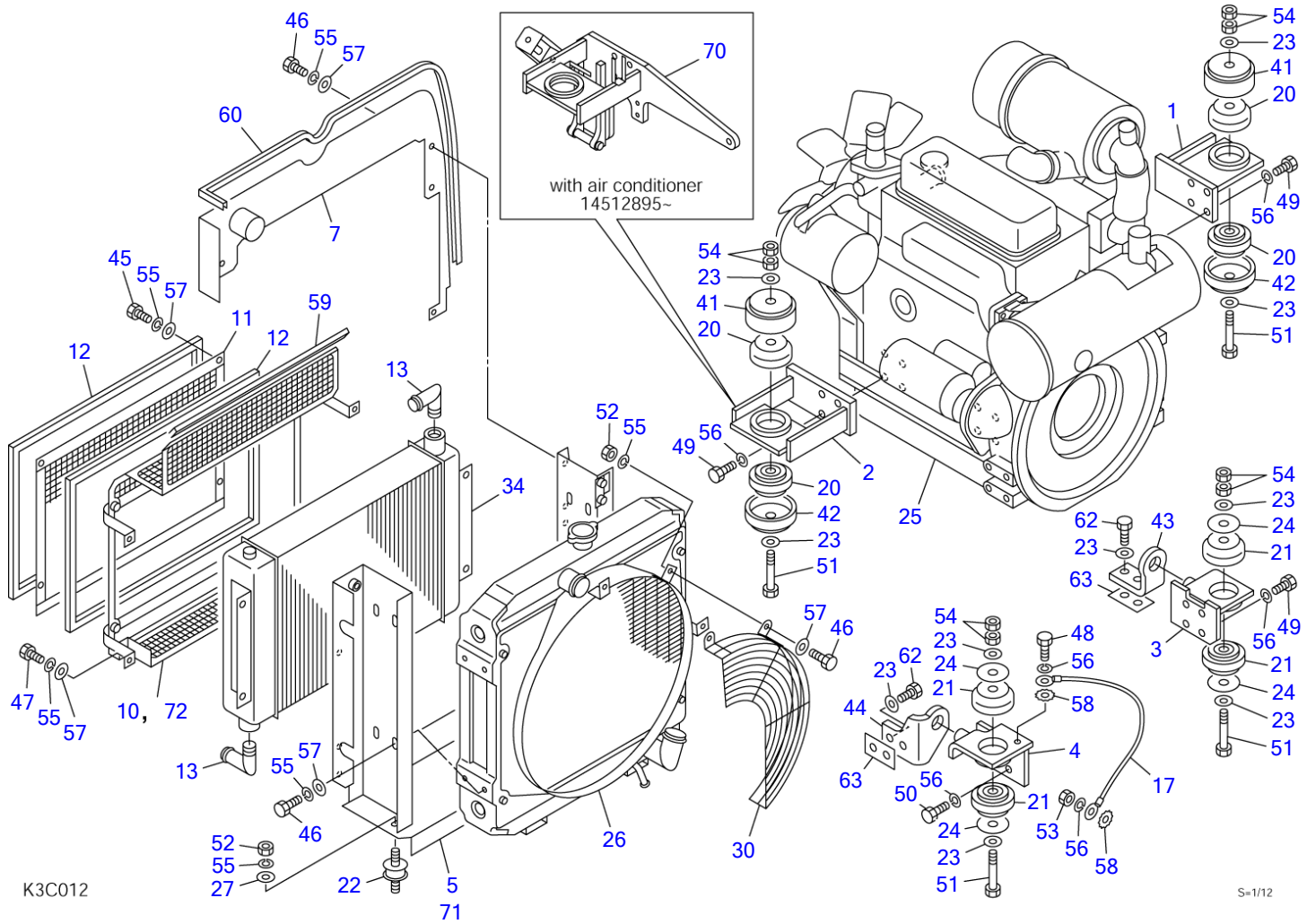
K3B164

S=1/8, 1/14

**AUXILIARY PEDAL**

Item	Part number	Description	Q'ty	Chan.	Serial No.	Serv.	Remarks
		PEDAL ASSY (cab)					X03971-11000-8
		PEDAL ASSY (cab, with 2nd aux. line)					X03971-11100-8
		PEDAL ASSY (canopy)					X03971-11500-8
		PEDAL ASSY (canopy, with 2nd aux. line)					X03971-11700-8
1	0397111010	HOSE ASSY	1				19348-52100
2	0397111020	HOSE ASSY	1				19348-22114
3	0397111030	HOSE ASSY	1				19348-52065
4	0397111040	HOSE ASSY	1				19348-22135
5	0397111050	HOSE ASSY	1				19348-52042
6	0397111060	HOSE ASSY	1				19348-52070
7	X 0377108200	PEDAL SUB ASSY, service	1				
7-1	0377108210	• BRACKET	1				
7-2	0563228060	• PEDAL	1				
7-3	0333234260	• COVER	1				
7-4	0333241250	• SHEET	1				
7-5	1100040680	• BOLT	1				
7-6	1100040814	• BOLT	2				
7-7	1100040816	• BOLT	2				
7-8	1130040006	• NUT	2				
7-9	1140020008	• WASHER, spring	4				
7-10	1141110008	• WASHER	2				
7-11	1225110006	• WASHER	2				
7-13	1515010040	• ELBOW	3				
	1420010110	• • O-RING	1				
7-14	1512370008	• NIPPLE	1				
	1420010110	• • O-RING	1				
7-16	1901735000	• VALVE, remote control	1				
9	0007213032	BUSHING	1				
10	1901735200	VALVE, shuttle	2				
11	1420010110	O-RING	1				
12	1513300022	ELBOW	1				
	1420010110	• O-RING	1				
13	0007263004	CROSS	1				with 2nd aux. line
14	1100040820	BOLT	4				
15	1140020008	WASHER, spring	4				
16	1141110008	WASHER	4				
17	0377108300	MAT, floor	1		14510004~14515435		cab
	0377108320	MAT, floor	1		14515436~		cab
	0377108510	MAT, floor	1		14510004~14515435		canopy
	0377108520	MAT, floor	1		14515436~		canopy
17-3	0373507423	• SPONGE	1		14515436~		
17-4	0373504345	• SPONGE	2		14515436~		
18	1513390015	TEE	2				cab
	1513390015	TEE	1				without 2nd aux. line
19	0339330800	DECAL	1				with 2nd aux. line
20	1652533010	CAP	1		14510004~14515435		
	K3b165						

TB145 Book No. BK3Z010 S/N 14510004-  
**ENGINE & ACCESSORIES (1/2) (14510004-14513260)**

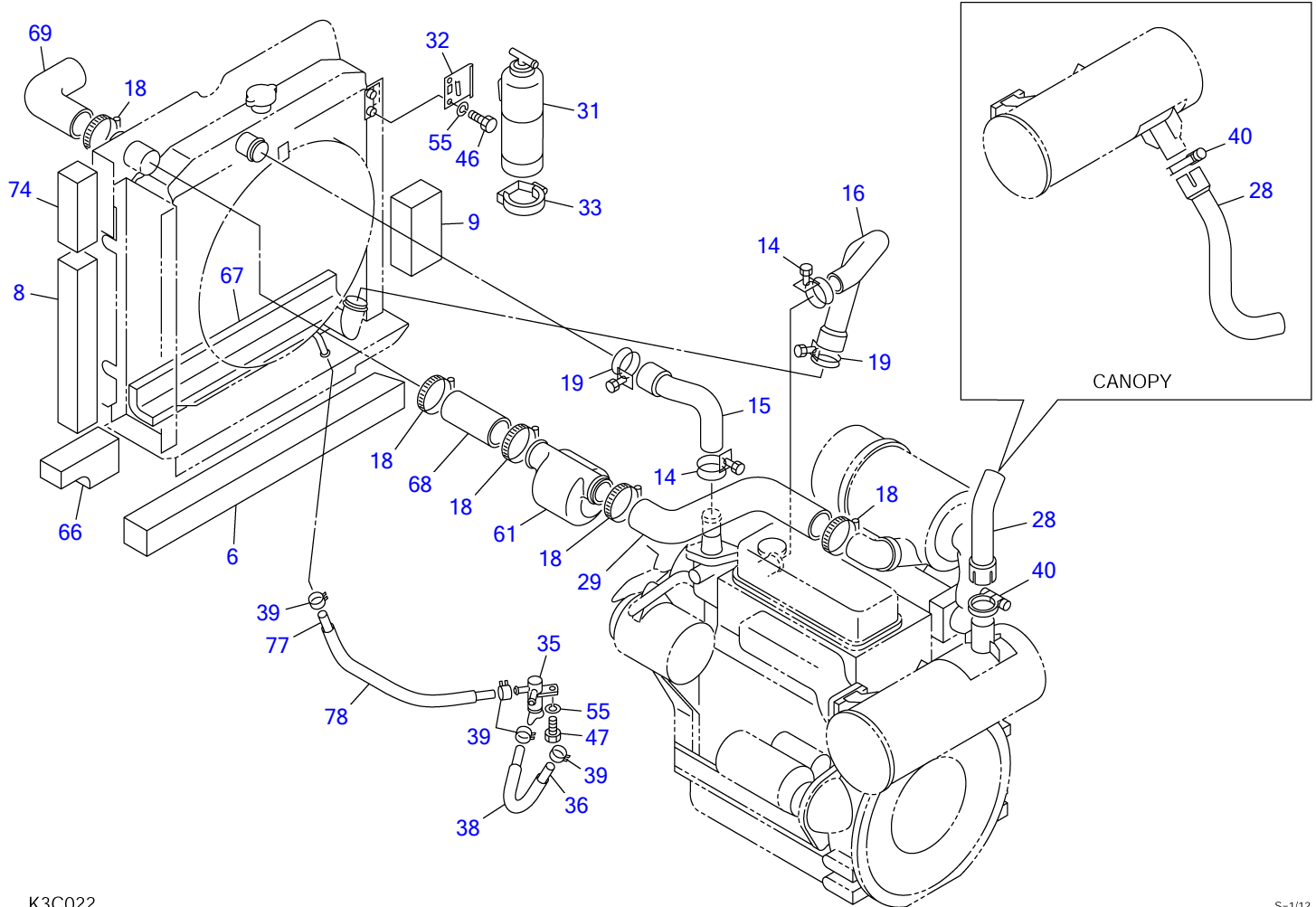


**ENGINE & ACCESSORIES (1/2) (14510004-14513260)**

Item	Part number	Description	Q'ty	Chan.	Serial No.	Serv.	Remarks
		ENGINE ASSY (cab)					X03940-07000-10
		ENGINE ASSY (canopy)					X03940-08000-6
		ENGINE ASSY (with air conditioner)			14512895~		X03940-13000-10
1	0394007100	FOOT, engine (F.R.)	1				
2	0394007200	FOOT, engine (F.L.)	1				
3	0394007300	FOOT, engine (R.R.)	1				
4	0394007400	FOOT, engine (R.L.)	1				
5	0394007500	BRACKET	1				
7	0394007610	PLATE	1				
10	0394007800	COVER	1				
11	0394007900	NET	1				
12	0364011600	URETHANE	2				
13	0444005100	NIPPLE	2				
17	1702430280	CABLE, earth	1				
20	1651030002	RUBBER, cushion	4				
21	1651030003	RUBBER, cushion	4				
22	1651014006	RUBBER, cushion	4				
23	1141540012	WASHER	12				
24	0003600085	WASHER	4				
25	1910136001	ENGINE (cab)	1		14510004~14510111		4TNE88-TB
	1910155001	ENGINE (cab)	1	(H)	14510112~14511382		4TNE88-ETB
	1910167001	ENGINE (cab)	1	(H)	14511383~		4TNE88-ETB
	1910140001	ENGINE (canopy)	1		14510004~14510108		4TNE88-TB1
	1910156001	ENGINE (canopy)	1	(H)	14510109~14511382		4TNE88-ETB1
	1910168001	ENGINE (canopy)	1	(H)	14511383~		4TNE88-ETB1
26	1910100202	RADIATOR	1	(L)	14510004~14512576		Y119032-44502
	1910134006	RADIATOR	1	(H)	14512577~		Y129953-44510
27	0003608252	WASHER	4				
30	0394003100	NET, wire	1				
34	1910029003	COOLER, oil	1				Y171091-44901
41	0394007640	STOPPER	2				
42	0394007650	STOPPER	2				
43	0394007660	STOPPER	1				
44	0394007670	STOPPER	1				
45	1100040820	BOLT	4				
46	1100040816	BOLT	11				
47	1100040825	BOLT	4				
48	1100041016	BOLT	1				
49	1100041025	BOLT	12				
50	1100041035	BOLT	4				
51	1101141220	BOLT	4				
52	1130040008	NUT	7				
53	1130040010	NUT	1				
54	1130540012	NUT	8				
55	1140020008	WASHER, spring	23				
56	1140020010	WASHER, spring	18				
57	1141110008	WASHER	19				
58	1140330010	WASHER	2				
59	1654601045	TRIM	1				sold by the meter
60	1654601109	TRIM	1				sold by the meter
62	1101041240	BOLT	4				
63	0394007680	SHIM t=0.8	AR				
	0394007690	SHIM t=1.6	AR				
	0394007700	SHIM t=2.3	AR				
70	0394013100	FOOT, engine (F.L.)	1		14512895~		with air con.
71	0394604230	BRACKET	1		14512895~		with air con.
72	0394605100	COVER	1		14512895~		with air con.

K3c014

TB145 Book No. BK3Z010 S/N 14510004-  
ENGINE & ACCESSORIES (2/2) (14510004-14513260)



K3C022

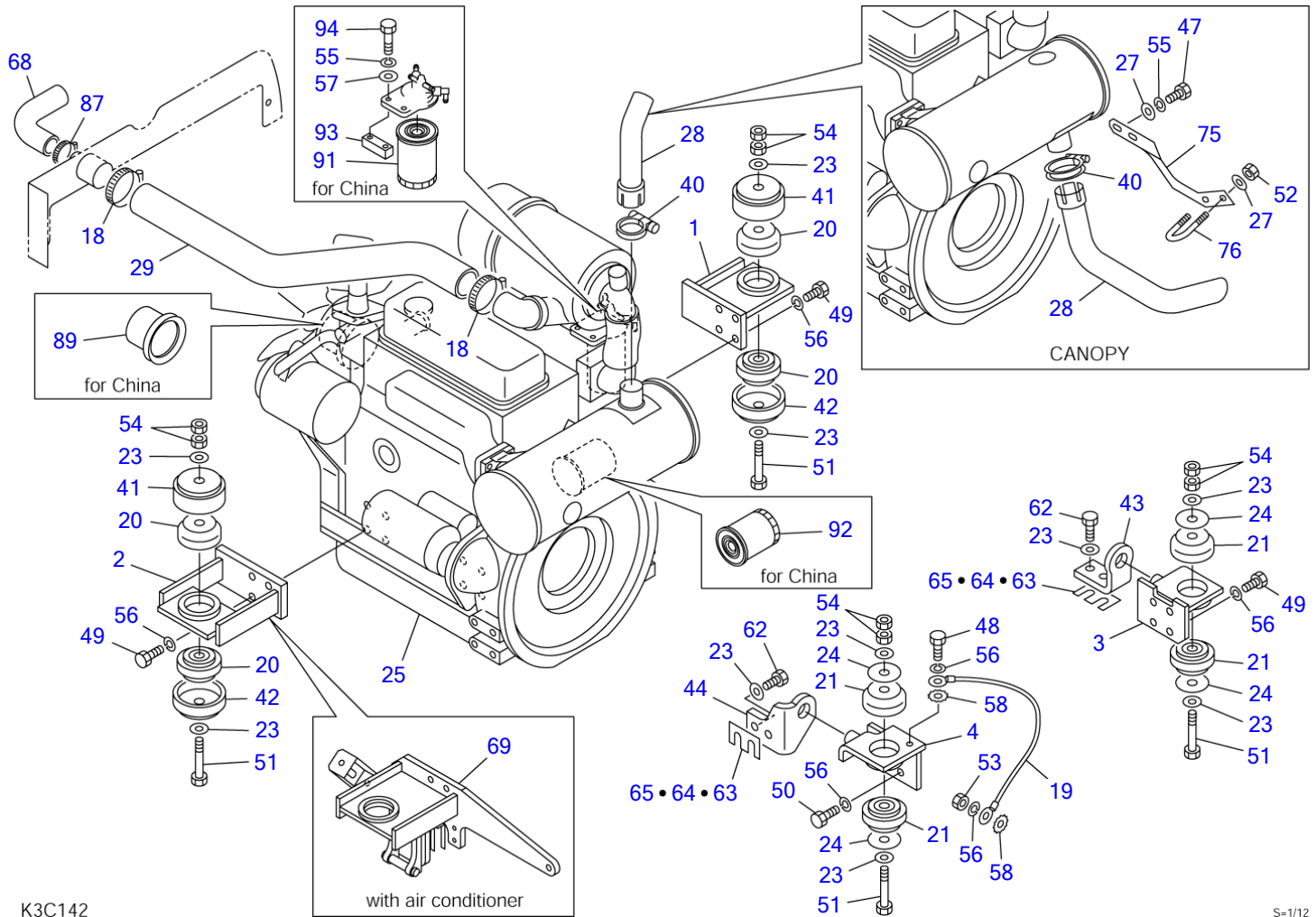
S=1/12



**ENGINE & ACCESSORIES (2/2) (14510004-14513260)**

Item	Part number	Description	Q'ty	Chan.	Serial No.	Serv.	Remarks
		ENGINE ASSY (cab)					X03940-07000-10
		ENGINE ASSY (canopy)					X03940-08000-6
		ENGINE ASSY (with air conditioner)			14512895~		X03940-13000-10
6	0394007600	URETHANE	1				
8	0394007620	URETHANE	1				
9	0394007630	URETHANE	1				
14	1910006013	BAND	2				Y23000-038000
15	1910136011	HOSE	1				Y129612-49010
16	1910167012	HOSE	1				Y129612-49021
18	1910032047	BAND	5				Y23000-060000
19	1910029015	BAND	2				Y23010-0500000
28	1910136021	PIPE, exhaust (cab)	1				Y129612-13620
	1910136023	PIPE, exhaust (canopy)	1				Y129612-13630
29	1910136024	PIPE	1				Y129612-12250
31	1910047040	TANK	1				Y171064-44510
32	1910047052	BRACKET	1				Y121256-44600
33	1910047047	BAND	1				Y124450-44550
35	1910078037	VALVE	1				Y129150-49100
36	1531211045	TUBE	1				sold by the meter
38	1531115040	PROTECTOR	1				sold by the meter
39	1533120010	BAND	4				
40	1910120023	CLAMP	1				Y121120-13590
46	1100040816	BOLT	2				
47	1100040825	BOLT	1				
55	1140020008	WASHER, spring	3				
61	1910135030	RESONATOR	1				Y121855-12060
66	0394007920	URETHANE	1				
67	0394007930	URETHANE	2				
68	1910136025	PIPE	1				Y129612-12260
69	1910136026	PIPE	1				Y119883-12210
74	0394007710	URETHANE	1				
77	1531211040	TUBE	1				sold by the meter
78	1531115033	PROTECTOR	1				sold by the meter
	<b>K3c023</b>						

TB145 Book No. BK3Z010 S/N 14510004-  
**ENGINE & ACCESSORIES (1/3) (14513261-14515345)**



K3C142

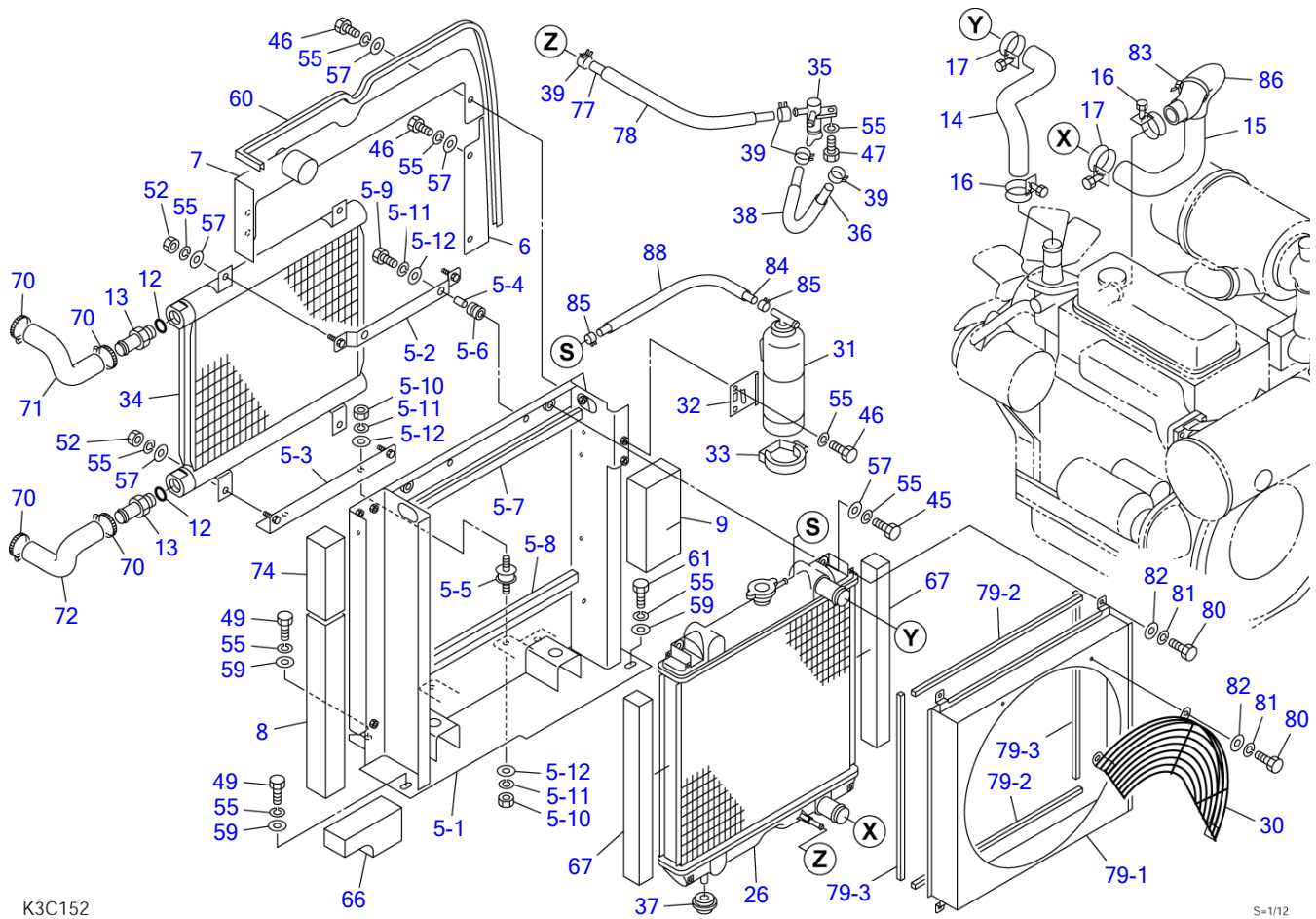
S=1/12

**ENGINE & ACCESSORIES (1/3) (14513261-14515345)**

Item	Part number	Description	Q'ty	Chan.	Serial No.	Serv.	Remarks
		ENGINE ASSY (cab)					X03940-15000-6
		ENGINE ASSY (canopy)					X03940-16000-6
		ENGINE ASSY (with air conditioner)					X03940-16500-6
		ENGINE ASSY (for China)					X03940-17000-6
1	0394007100	FOOT, engine (F.R.)	1				
2	0394015700	FOOT, engine (F.L.)	1				
3	0394007300	FOOT, engine (R.R.)	1				
4	0394007400	FOOT, engine (R.L.)	1				
18	1910032047	BAND	2				Y23000-060000
19	1702430280	CABLE, earth	1				
20	1651030002	RUBBER, cushion	4				
21	1651030003	RUBBER, cushion	4				
23	1141540012	WASHER	12				
24	0003600085	WASHER	4				
25	1910195001	ENGINE (cab)	1				4TNNV88-QTB
	1910196001	ENGINE (canopy)	1				4TNNV88-QTB1
27	0003608252	WASHER	4				canopy
28	1910195021	PIPE, exhaust (cab)	1				Y129642-13650
	1910196021	PIPE, exhaust (canopy)	1				Y129642-13660
29	1910195024	PIPE	1				Y129642-12240
40	1910195027	CLAMP	1				Y129642-13590
41	0394007640	STOPPER	2				
42	0394007650	STOPPER	2				
43	0394007660	STOPPER	1				
44	0394007670	STOPPER	1				
47	1100040825	BOLT	2				canopy
48	1100041016	BOLT	1				
49	1100041025	BOLT	12				
50	1100041035	BOLT	4				
51	1101141220	BOLT	4				
52	1130040008	NUT	2				canopy
53	1130040010	NUT	1				
54	1130540012	NUT	8				
55	1140020008	WASHER, spring	4				canopy
56	1140020010	WASHER, spring	18				
57	1141110008	WASHER	2				for China
58	1140330010	WASHER	2				
62	1101041240	BOLT	4				
63	0394007680	SHIM t=0.8	AR				
64	0394007690	SHIM t=1.6	AR				
65	0394007700	SHIM t=2.3	AR				
68	1910196025	PIPE	1				Y129642-12210
69	0394016800	FOOT, engine (F.L.)	1				with air con.
75	0394016010	PLATE	1				canopy
76	1533201012	U-BOLT	1				canopy
87	1910195047	BAND	1				Y23000-041000
89	0394016510	PULLEY (for China)	1				Y129155-42350
91	1990197054	FILTER, fuel (for China)	1				Y129907-55800
92	1990197055	FILTER, oil (for China)	1				Y119005-35150
93	0394017010	SPACER	1				for China
94	1100040850	BOLT	2				for China

K3c142

TB145 Book No. BK3Z010 S/N 14510004-  
ENGINE & ACCESSORIES (2/3) (14513261-14515345)



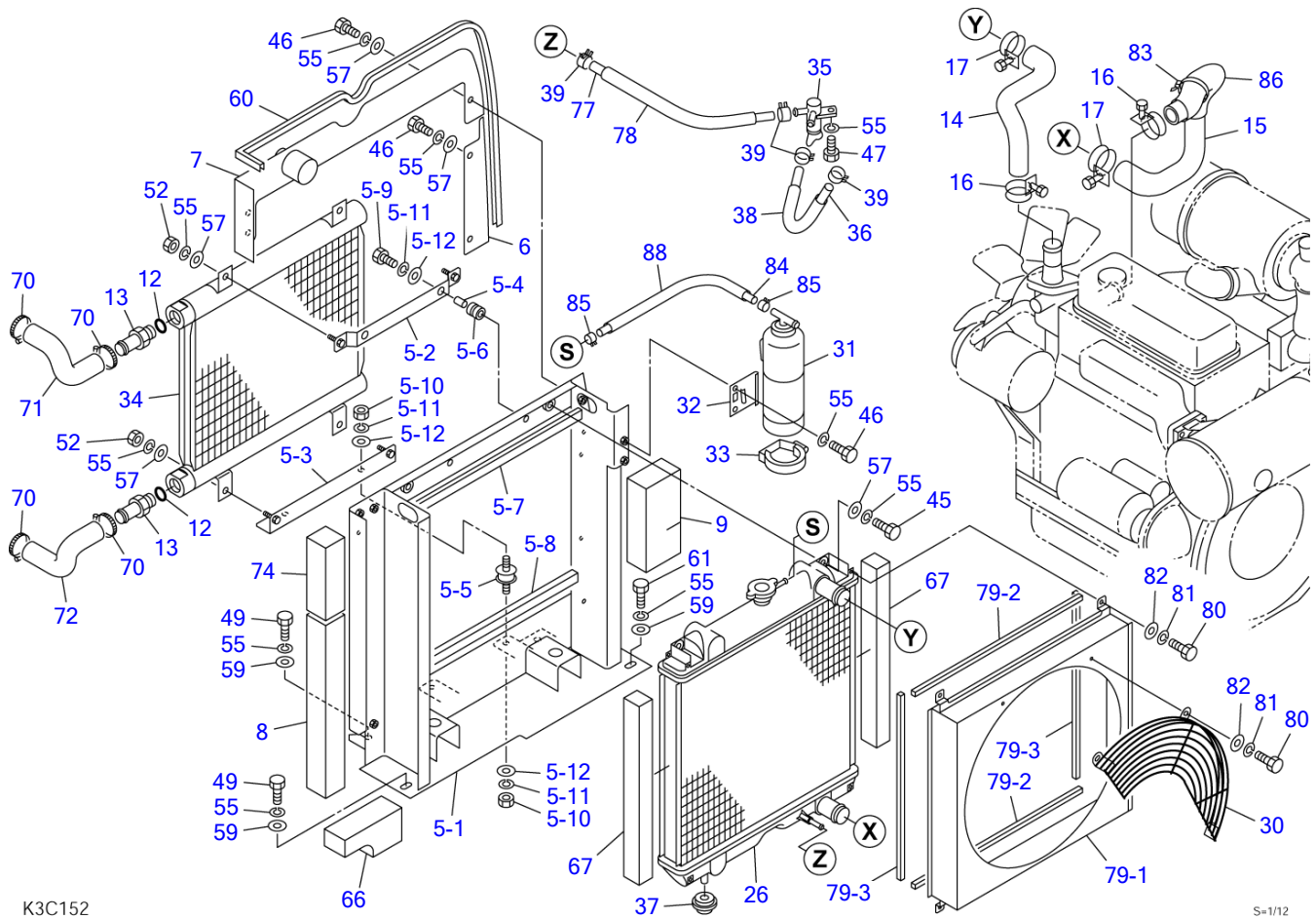
K3C152

S=1/12

**ENGINE & ACCESSORIES (2/3) (14513261-14515345)**

Item	Part number	Description	Q'ty	Chan.	Serial No.	Serv.	Remarks
		ENGINE					X03940-15000-6
		ASSY (cab)					
		ENGINE					X03940-16000-6
		ASSY (canopy)					
		ENGINE					X03940-16500-6
		ASSY (with air conditioner)					
		ENGINE					X03940-17000-6
		ASSY (for China)					
5	0394015100	BRACKET ASSY	1				
5-1	0394015150	• BRACKET	1				
5-2	0394015130	• BRACKET	1				
5-3	0394015140	• BRACKET	1				
5-4	0394015104	• PIPE	2				
5-5	1651014003	• RUBBER, cushion	2				
5-6	1651057014	• GROMMET	2				
5-7	1654302048	• SPONGE	1				sold by the meter
5-8	1654304048	• SPONGE	1				sold by the meter
5-9	1100040830	• BOLT	2				
5-10	1130040008	• NUT	4				
5-11	1140020008	• WASHER, spring	6				
5-12	1141110008	• WASHER	6				
6	0394015020	PLATE	1				
7	0394015200	PLATE	1				
8	0394007620	URETHANE	1				
9	0394015050	URETHANE	1				
12	1420010290	O-RING	2				
13	0007224015	ADAPTOR	2				
14	1910195011	HOSE	1				Y129612-49030
15	1910193012	HOSE	1				Y129612-49040
16	1910006013	BAND	2				Y23010-038000
17	1910195015	BAND	2				Y23010-044000
26	1910195002	RADIATOR	1				Y129642-44500
30	0394015500	NET, wire	1				
31	1910047040	TANK	1				Y171064-44510
32	1910047052	BRACKET	1				Y121256-44600
33	1910047047	BAND	1				Y124450-44550
34	1911300010	COOLER, oil	1				TOKYO RADIATOR 1412-186-1000
35	1910078037	VALVE	1				Y129150-49100
36	1530808050	TUBE	1				sold by the meter
37	1910170052	RUBBER, cushion	2				Y119255-44660
38	1531115045	PROTECTOR	1				sold by the meter
39	1533120010	BAND	4		14513261~14514043		
	1533120012	BAND	4		14514044~		
45	1100040830	BOLT	2				
46	1100040816	BOLT	7				
47	1100040825	BOLT	1				
49	1100041025	BOLT	3				
52	1130040008	NUT	4				
55	1140020008	WASHER, spring	18				
57	1141110008	WASHER	17				
59	0003600020	WASHER	4				
60	1654601109	TRIM	1				sold by the meter
61	1100041030	BOLT	1				
66	0394007920	URETHANE	1				
67	1654342042	SPONGE	2		14513261~14513680		sold by the meter
	0374010045	URETHAN	2	(H)	14513681~		
70	1533700041	BAND	4				
71	0394015030	HOSE	1				
72	0394015040	HOSE	1				

TB145 Book No. BK3Z010 S/N 14510004-  
ENGINE & ACCESSORIES (2/3) (14513261-14515345)

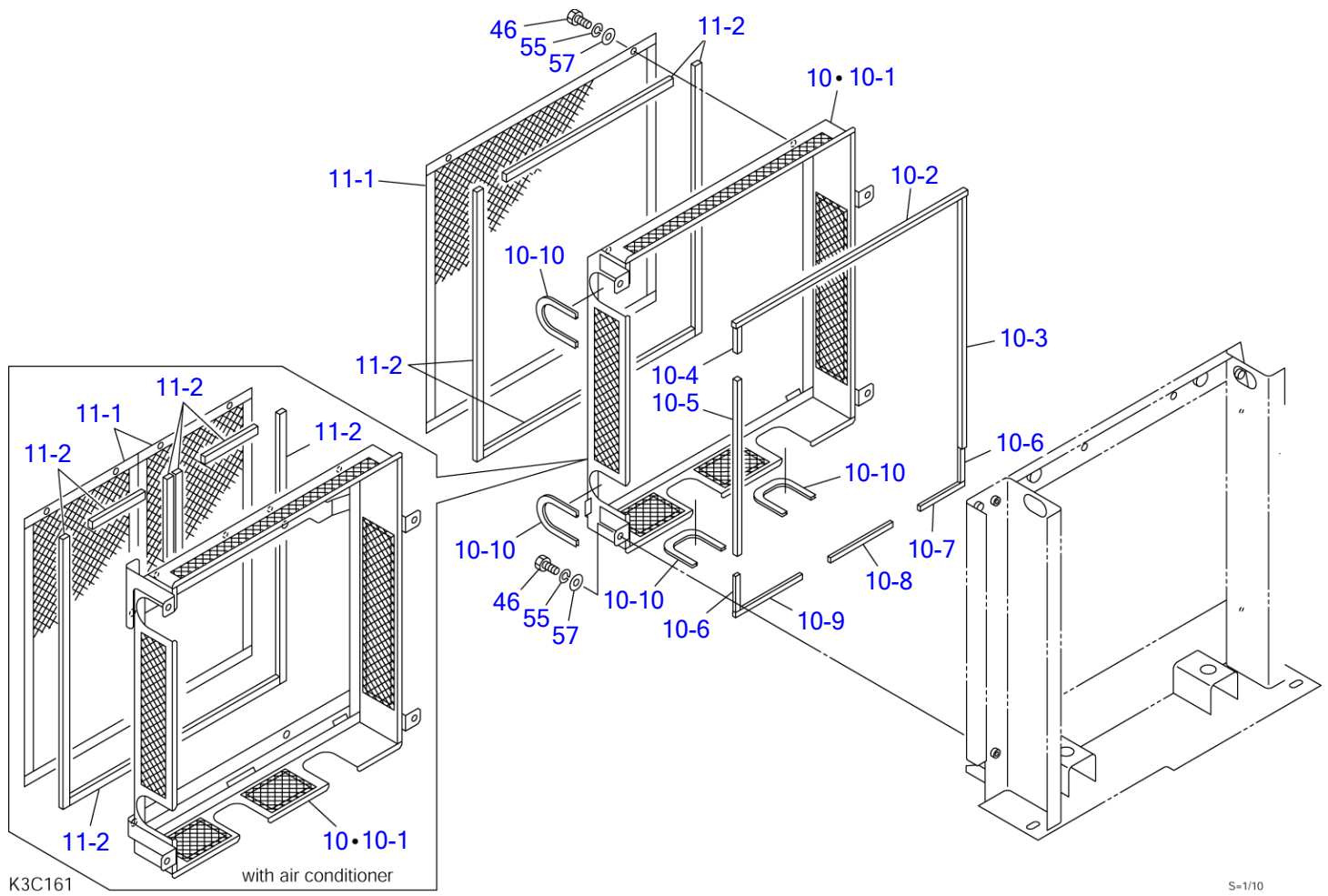


K3C152

S-1/12

**ENGINE & ACCESSORIES (2/3) (14513261-14515345)**

Item	Part number	Description	Q'ty	Chan.	Serial No.	Serv.	Remarks
74	<b>0394007710</b>	URETHANE	1				
77	<b>1530808040</b>	TUBE	1				sold by the meter
78	<b>1531115033</b>	PROTECTOR	1				sold by the meter
79	<b>0394015600</b>	SHROUD	1				
		ASSY					
79-1	<b>0394015650</b>	· SHROUD	1				
79-2	<b>1654319044</b>	· SPONGE	2				sold by the meter
79-3	<b>1654319042</b>	· SPONGE	2				sold by the meter
80	<b>1100040616</b>	BOLT	7				
81	<b>1140020006</b>	WASHER,	7				
		spring					
82	<b>1141110006</b>	WASHER	7				
83	<b>1652231250</b>	BAND	1				
84	<b>1531407030</b>	TUBE	1				sold by the meter
85	<b>1533120012</b>	BAND	2				
86	<b>1531345010</b>	PROTECTOR	1				sold by the meter
88	<b>1531115025</b>	PROTECTOR	1				sold by the meter
	<b>K3c152</b>						



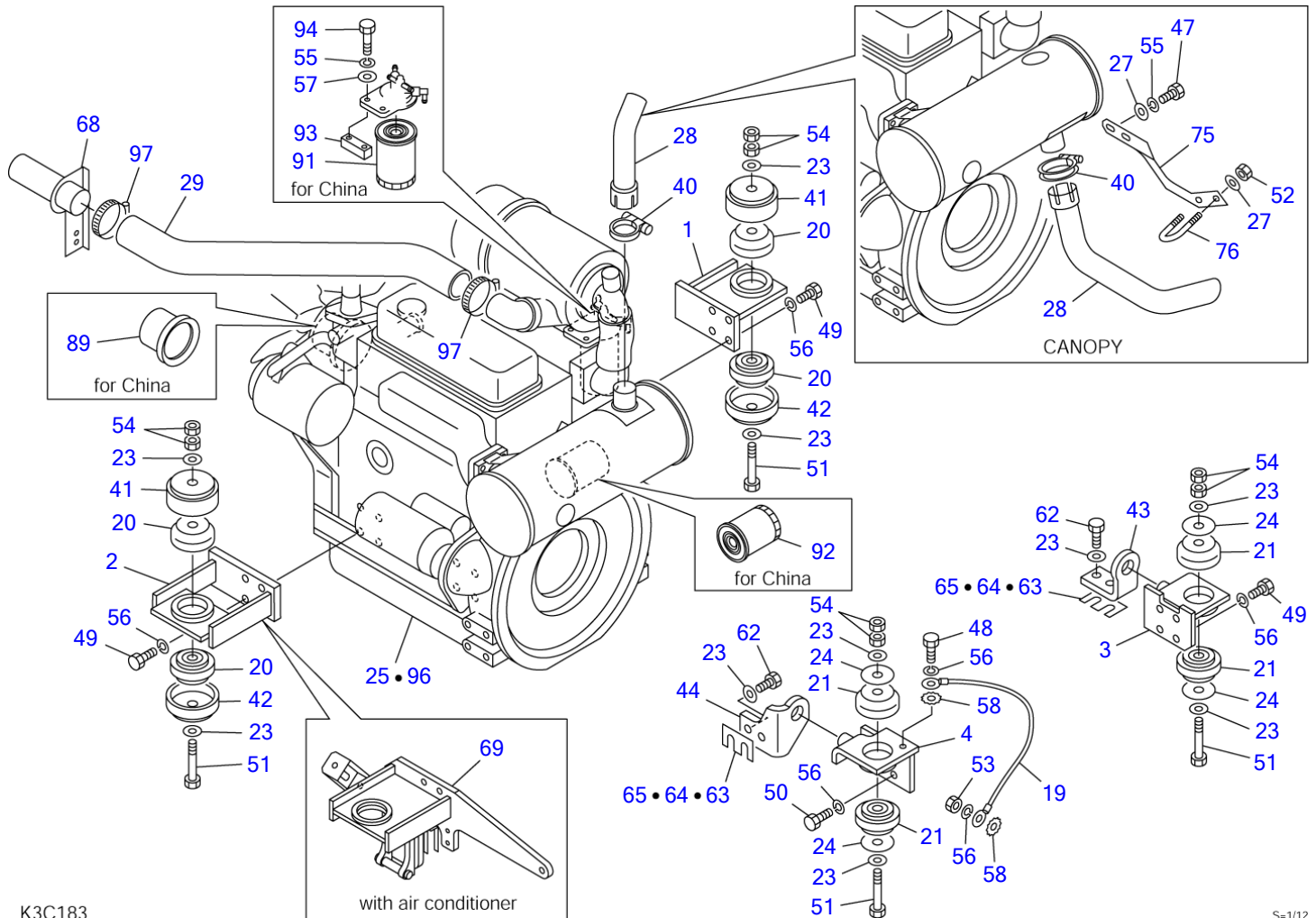
S-1/10



**ENGINE & ACCESSORIES (3/3) (14513261-14515345)**

Item	Part number	Description	Q'ty	Chan.	Serial No.	Serv.	Remarks
		ENGINE ASSY (cab)					X03940-15000-6
		ENGINE ASSY (canopy)					X03940-16000-6
		ENGINE ASSY (with air conditioner)					X03940-16500-6
		ENGINE ASSY (for China)					X03940-17000-6
10	<b>0394015300</b>	COVER ASSY	1		14513261~14515118		
	<b>0394015320</b>	COVER ASSY	1		14515119~		
	<b>0394016600</b>	COVER ASSY	1		14513261~14515118		with air con.
	<b>0394016620</b>	COVER ASSY	1		14515119~		with air con.
10-1	<b>0394015350</b>	• COVER	1		14513261~14515118		
	<b>0394016650</b>	• COVER	1		14513261~14515118		with air con.
10-2	<b>1654319052</b>	• SPONGE	1		14513261~14515118		sold by the meter
10-3	<b>1654319049</b>	• SPONGE	1		14513261~14515118		sold by the meter
10-4	<b>1654319005</b>	• SPONGE	1		14513261~14515118		sold by the meter
10-5	<b>1654319034</b>	• SPONGE	1		14513261~14515118		sold by the meter
10-6	<b>1654318007</b>	• SPONGE	2		14513261~14515118		sold by the meter
10-7	<b>1654318010</b>	• SPONGE	1		14513261~14515118		sold by the meter
10-8	<b>1654318014</b>	• SPONGE	1		14513261~14515118		sold by the meter
10-9	<b>1654318015</b>	• SPONGE	1		14513261~14515118		sold by the meter
10-10	<b>1654606018</b>	• SEAL	4		14513261~14515118		sold by the meter
11	<b>0394015400</b>	NET ASSY	1				
	<b>0394016700</b>	NET ASSY	2				with air con.
11-1	<b>0394015450</b>	• NET	1		14513261~14515118		
	<b>0394015460</b>	• NET	1		14515119~		
	<b>0394016750</b>	• NET	1				with air con.
11-2	<b>0364011600</b>	• URETHANE	4				
	<b>0364011600</b>	• URETHANE	8				with air con.
46	<b>1100040816</b>	BOLT	6				
55	<b>1140020008</b>	WASHER, spring	6				
57	<b>1141110008</b>	WASHER	6				
	<b>K3c162</b>						

TB145 Book No. BK3Z010 S/N 14510004-  
 ENGINE & ACCESSORIES (1/2) (14515346-)



K3C183

S=1/12

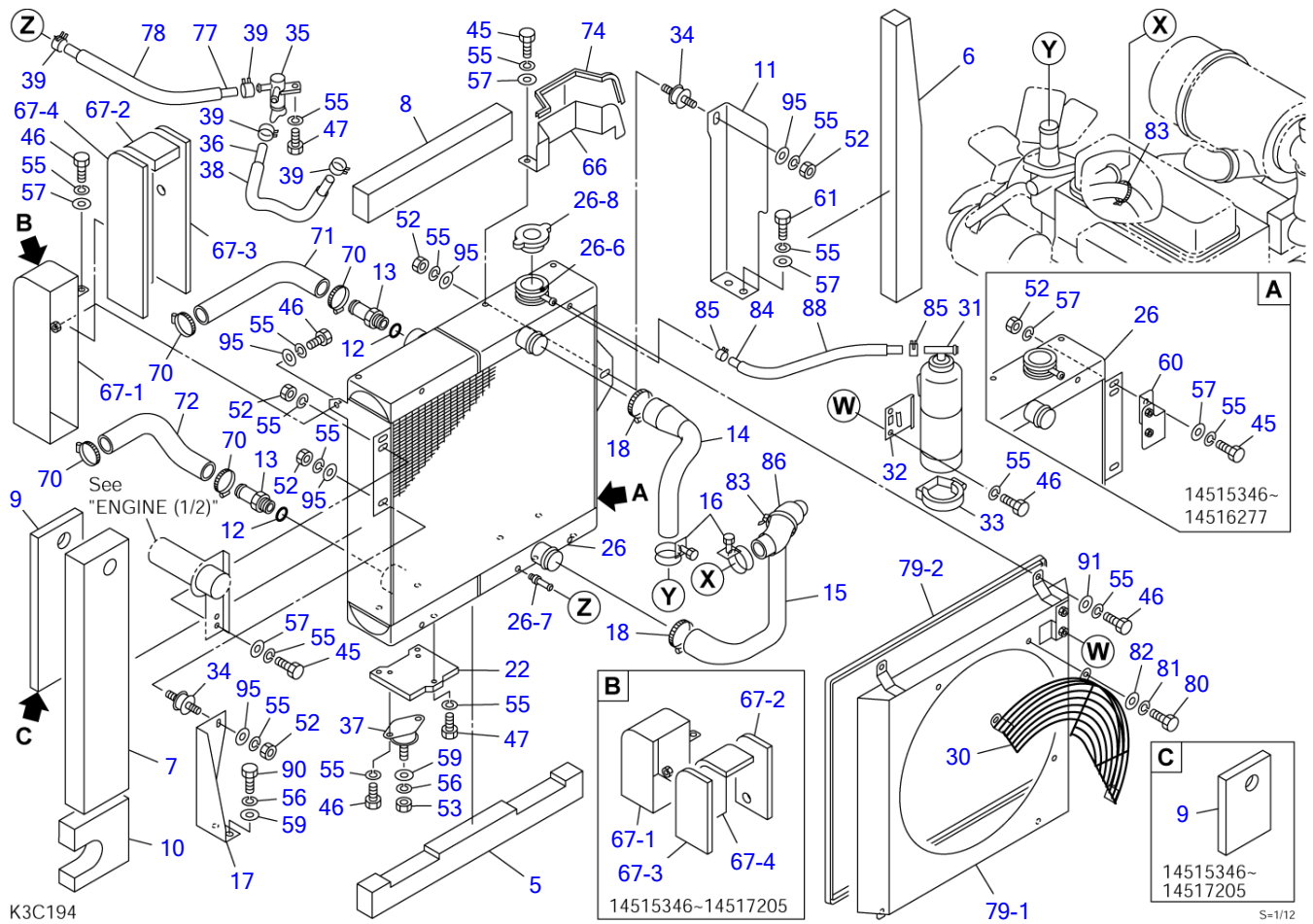
**ENGINE & ACCESSORIES (1/2) (14515346-)**

Item	Part number	Description	Q'ty	Chan.	Serial No.	Serv.	Remarks
		ENGINE ASSY (cab)					X03940-22000-9
		ENGINE ASSY (canopy)					X03940-22500-9
		ENGINE ASSY (with air conditioner)					X03940-23000-9
		ENGINE ASSY (for China)					X03940-23500-9
1	0394007100	FOOT, engine (F.R.)	1				
2	0394015700	FOOT, engine (F.L.)	1				
3	0394007300	FOOT, engine (R.R.)	1				
4	0394007400	FOOT, engine (R.L.)	1				
19	1702430280	CABLE, earth	1				
20	1651030002	RUBBER, cushion	4				
21	1651030003	RUBBER, cushion	4				
23	1141540012	WASHER	12				
24	0003600085	WASHER	4				
25	1910223001	ENGINE (cab)	1				4TNNV88-QTB
	1910224001	ENGINE (canopy)	1				4TNNV88-QTB1
27	0003608252	WASHER	4				canopy
28	1910195021	PIPE, exhaust (cab)	1				Y129642-13650
	1910196021	PIPE, exhaust (canopy)	1				Y129642-13660
29	0394019020	PIPE	1				
40	1910195027	CLAMP	1				Y129642-13590
41	0394007640	STOPPER	2				
42	0394007650	STOPPER	2				
43	0394007660	STOPPER	1				
44	0394007670	STOPPER	1				
47	1100040825	BOLT	2				canopy
48	1100041016	BOLT	1				
49	1100041025	BOLT	12				
50	1100041035	BOLT	4				
51	1101141220	BOLT	4				
52	1130040008	NUT	2				canopy
53	1130040010	NUT	1				
54	1130540012	NUT	8				
55	1140020008	WASHER, spring	4				canopy
56	1140020010	WASHER, spring	18				
57	1141110008	WASHER	2				for China
58	1140330010	WASHER	2				
62	1101041240	BOLT	4				
63	0394007680	SHIM t=0.8	AR				
64	0394007690	SHIM t=1.6	AR				
65	0394007700	SHIM t=2.3	AR				
68	0394019005	PIPE	1		14515346~14516941		
	0394022220	PIPE	1	(H)	14516942~14517205		
	0394026080	PIPE	1		14517206~		
69	0394016800	FOOT, engine (F.L.)	1				with air con.
75	0394016010	PLATE	1				canopy
76	1533201012	U-BOLT	1				canopy
89	0394016510	PULLEY (for China)	1				Y129155-42350
91	1990197054	FILTER, fuel (for China)	1				Y129907-55800
92	1990197055	FILTER, oil (for China)	1				Y119005-35150
93	0394017010	SPACER	1				for China
94	1100040850	BOLT	2				for China
96	1910227001	ENGINE (for China)	1				4TNNV88-QTBC
97	1910032047	BAND	2				Y23000-060000

<<NOTE>>  
 Item 68 & Item 7, 9, 67, 67  
 (2/2)  
 has interchangeability in a set.

**K3c184**

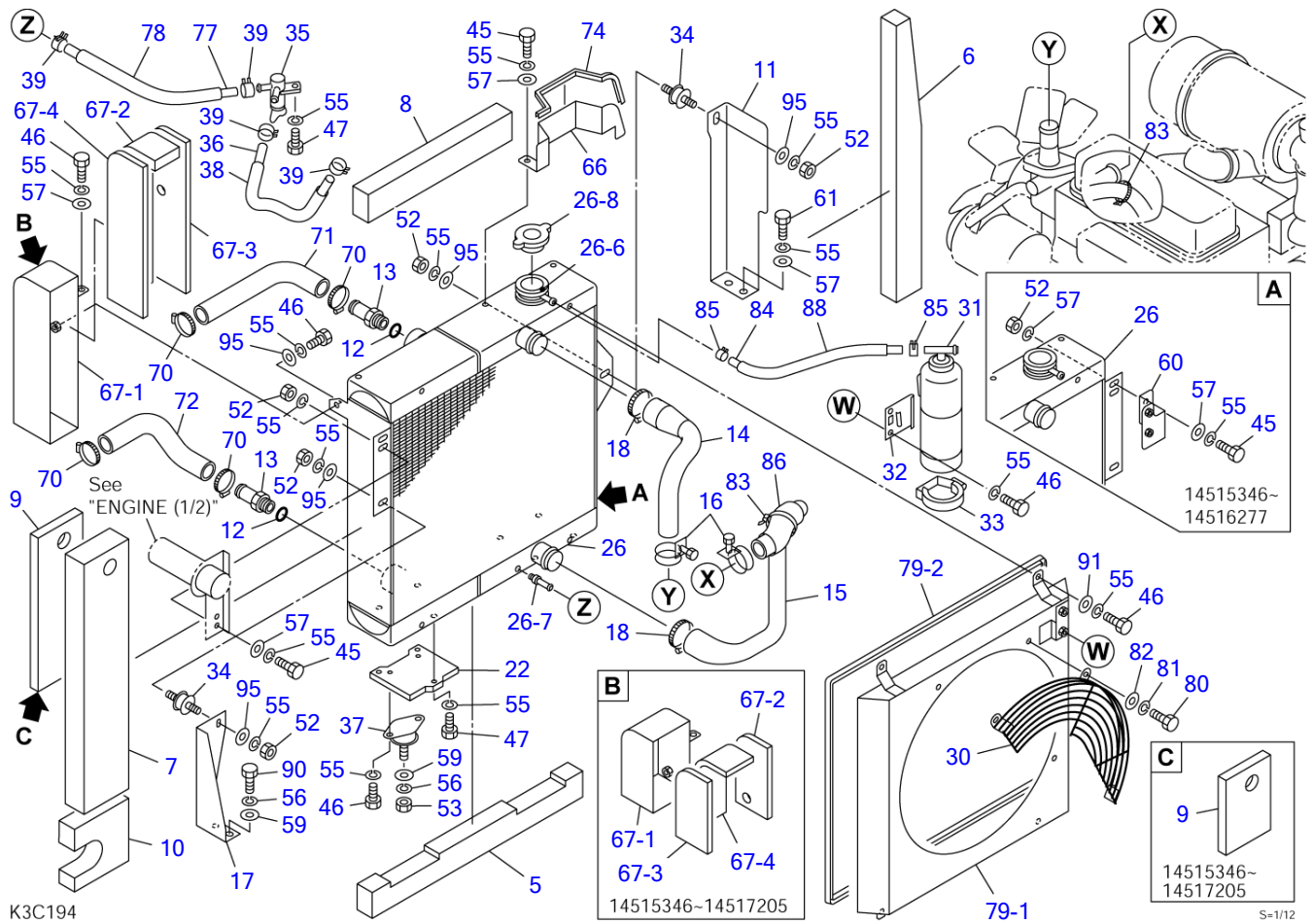
TB145 Book No. BK3Z010 S/N 14510004-  
**ENGINE & ACCESSORIES (2/2) (14515346-)**



**ENGINE & ACCESSORIES (2/2) (14515346-)**

Item	Part number	Description	Q'ty	Chan.	Serial No.	Serv.	Remarks
		ENGINE ASSY (cab)					X03940-22000-9
		ENGINE ASSY (canopy)					X03940-22500-9
		ENGINE ASSY (with air conditioner)					X03940-23000-9
		ENGINE ASSY (for China)					X03940-23500-9
5	0394019050	SPONGE	1				
6	0394019051	SPONGE	1				
7	0394019052	SPONGE	1		14515346~14516941		
	0394022210	SPONGE	1	(H)	14516942~14517205		
	0394022410	SPONGE	1		14517206~		
8	0394019056	SPONGE	1				
9	0394019058	SPONGE	1		14515346~14516941		
	0394022200	SPONGE	1	(H)	14516942~14517205		
	0394022400	SPONGE	1		14517206~		
10	0394019055	SPONGE	1				
11	0394019001	BRACKET	1				
12	1420010290	O-RING	2				
13	0007224015	ADAPTOR	2				
14	0394019030	HOSE	1				
15	0394019031	HOSE	1				
16	1910006013	BAND	2				Y23010-038000
17	0394019002	BRACKET	1				
18	1533001053	BAND	2			M	
22	0394019003	PLATE	2				
26	1911300180	RADIATOR & COOLER, oil	1		14515346~14516277		AKG
	1911300240	RADIATOR & COOLER, oil	1		14516278~		AKG
26-6	1911300076	· FITTING, hose	1				
26-7	1911300077	· NIPPLE	1				
26-8	1911300078	· CAP, radiator	1				
30	0394019006	NET, wire	1				
31	1910047040	TANK	1				Y171064-44510
32	1910047052	BRACKET	1				Y121256-44600
33	1910047047	BAND	1				Y124450-44550
34	1651014003	RUBBER, cushion	2				
35	1910078037	VALVE	1				Y129150-49100
36	1530808050	TUBE	1				sold by the meter
37	1651024007	RUBBER, cushion	2				
38	1531115045	PROTECTOR	1				sold by the meter
39	1533120012	BAND	4				
45	1100040820	BOLT	6				
46	1100040816	BOLT	14				
47	1100040825	BOLT	7				
52	1130040008	NUT	6				
53	1130040010	BOLT	2				
55	1140020008	WASHER, spring	27				
56	1140020010	WASHER, spring	4				
57	1141110008	WASHER	7				
59	1141110010	WASHER	4				
60	0394019007	PLATE	1		14515346~14516277		
61	1100041030	BOLT	2				
66	0394019008	PLATE	1				
67	0394019010	DUCT ASSY	1		14515346~14517205		
	0394022300	DUCT ASSY	1		14517206~		
67-1	0394019011	· DUCT	1		14515346~14517205		
	0394022310	· DUCT	1		14517206~		
67-2	0394019012	· ABSORBENT, noise	1		14515346~14517205		
	0394026320	· ABSORBENT, noise	1		14517206~		
67-3	0394019013	· ABSORBENT, noise	1		14515346~14517205		
	0394022330	· ABSORBENT, noise	1		14517206~		
67-4	0394019014	· ABSORBENT, noise	1		14515346~14517205		
	0394022340	· ABSORBENT, noise	1		14517206~		
70	1533700041	BAND	4				
71	0394019040	HOSE	1				
72	0394019041	HOSE	1				
74	1654601033	TRIM	1				sold by the meter
77	1530808040	TUBE	1				sold by the meter
78	1531115033	PROTECTOR	1				sold by the meter
79	0394019061	SHROUD ASSY	1		14515346~14516277		

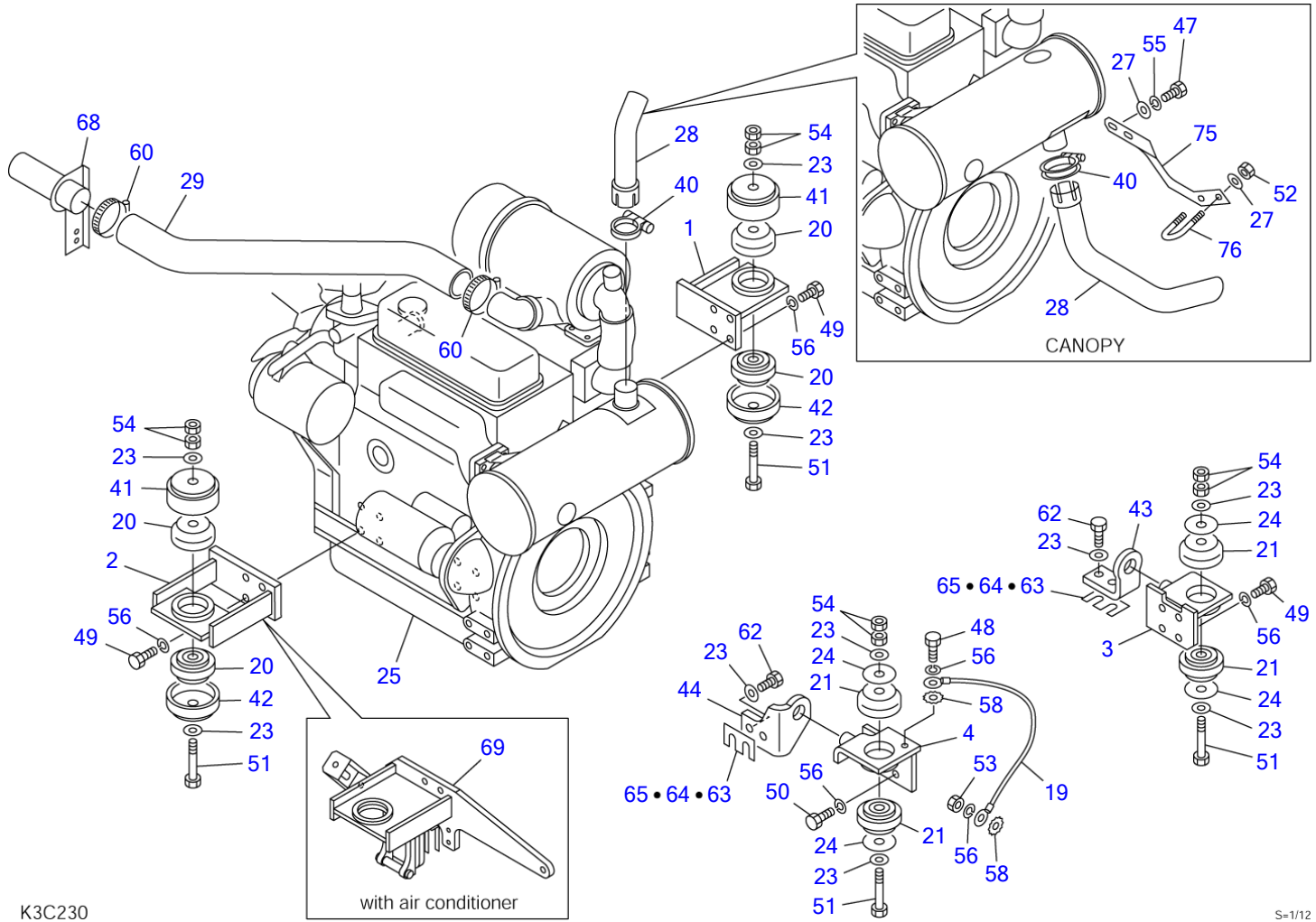
TB145 Book No. BK3Z010 S/N 14510004-  
 ENGINE & ACCESSORIES (2/2) (14515346-)



**ENGINE & ACCESSORIES (2/2) (14515346-)**

Item	Part number	Description	Q'ty	Chan.	Serial No.	Serv.	Remarks
79	<b>0394022100</b>	SHROUD ASSY	1		14516278~		
79-1	<b>0394019060</b>	· SHROUD	1		14515346~14516277		
79-1	<b>0394022110</b>	· SHROUD	1		14516278~		
79-2	<b>1654606202</b>	· TRIM	1				sold by the meter
80	<b>1100040616</b>	BOLT	3				
81	<b>1140020006</b>	WASHER, spring	3				
82	<b>1141110006</b>	WASHER	3				
83	<b>1652231250</b>	BAND	2				
84	<b>1531407017</b>	TUBE	1				sold by the meter
85	<b>1533120011</b>	BAND	2				
86	<b>1531345010</b>	PROTECTOR	1				sold by the meter
88	<b>1531115012</b>	PROTECTOR	1				sold by the meter
90	<b>1100041020</b>	BOLT	2				
91	<b>1141550008</b>	WASHER	4				
95	<b>0003608252</b>	WASHER	5			M	
95		<<NOTE>>					
95		Item 7, 9, 67 & Item 68 (1/2)					
95		has interchangeability in a set.					
	<b>K3c194</b>						

TB145 Book No. BK3Z010 S/N 14510004-  
ENGINE & ACCESSORIES (1/2) (for the tropics; 14517254-)



K3C230

S=1/12

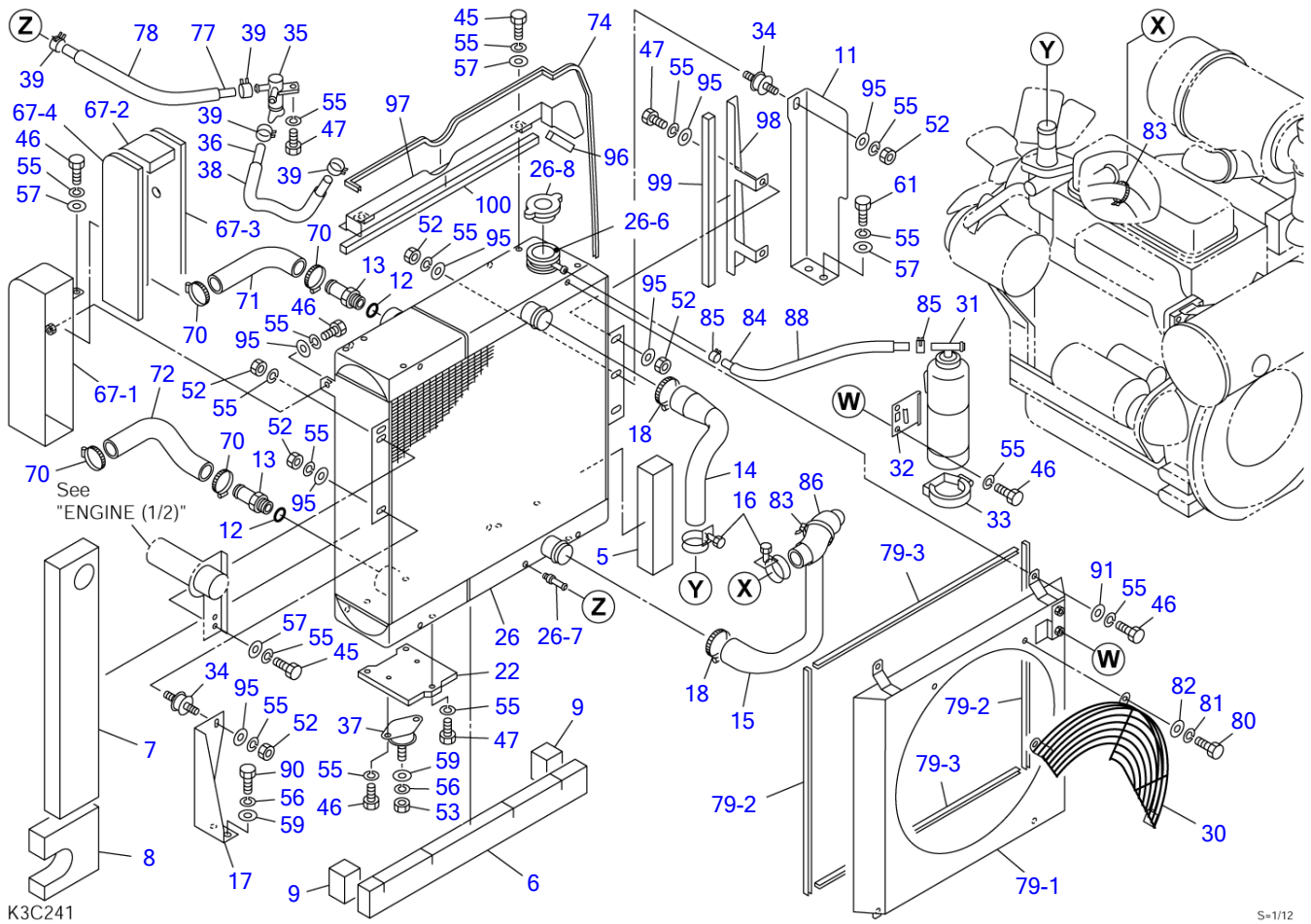


**ENGINE & ACCESSORIES (1/2) (for the tropics; 14517254-)**

Item	Part number	Description	Q'ty	Chan.	Serial No.	Serv.	Remarks
		ENGINE ASSY (cab)					X03940-26000-4
		ENGINE ASSY (canopy)					X03940-27000-4
		ENGINE ASSY (with air conditioner)					X03940-28000-4
1	0394007100	FOOT, engine (F.R.)	1				
2	0394015700	FOOT, engine (F.L.)	1				
3	0394007300	FOOT, engine (R.R.)	1				
4	0394007400	FOOT, engine (R.L.)	1				
19	1702430280	CABLE, earth	1				
20	1651030002	RUBBER, cushion	4				
21	1651030003	RUBBER, cushion	4				
23	1141540012	WASHER	12				
24	0003600085	WASHER	4				
25	1910223001	ENGINE (cab)	1				4TNV88-QTB
	1910224001	ENGINE (canopy)	1				4TNV88-QTB1
27	0003608252	WASHER	4				canopy
28	1910195021	PIPE, exhaust (cab)	1				Y129642-13650
	1910196021	PIPE, exhaust (canopy)	1				Y129642-13660
29	0394019020	PIPE	1				
40	1910195027	CLAMP	1				Y129642-13590
41	0394007640	STOPPER	2				
42	0394007650	STOPPER	2				
43	0394007660	STOPPER	1				
44	0394007670	STOPPER	1				
47	1100040825	BOLT	2				canopy
48	1100041016	BOLT	1				
49	1100041025	BOLT	12				
50	1100041035	BOLT	4				
51	1101141220	BOLT	4				
52	1130040008	NUT	2				canopy
53	1130040010	NUT	1				
54	1130540012	NUT	8				
55	1140020008	WASHER, spring	4				canopy
56	1140020010	WASHER, spring	18				
58	1140330010	WASHER	2				
60	1910032047	BAND	2				Y23000-060000
62	1101041240	BOLT	4				
63	0394007680	SHIM t=0.8	AR				
64	0394007690	SHIM t=1.6	AR				
65	0394007700	SHIM t=2.3	AR				
68	0394026080	BRACKET	1				
69	0394016800	FOOT, engine (F.L.)	1				with air con.
75	0394016010	PLATE	1				canopy
76	1533201012	U-BOLT	1				canopy

**K3c231**

TB145 Book No. BK3Z010 S/N 14510004-  
ENGINE & ACCESSORIES (2/2) (for the tropics; 14517254-)



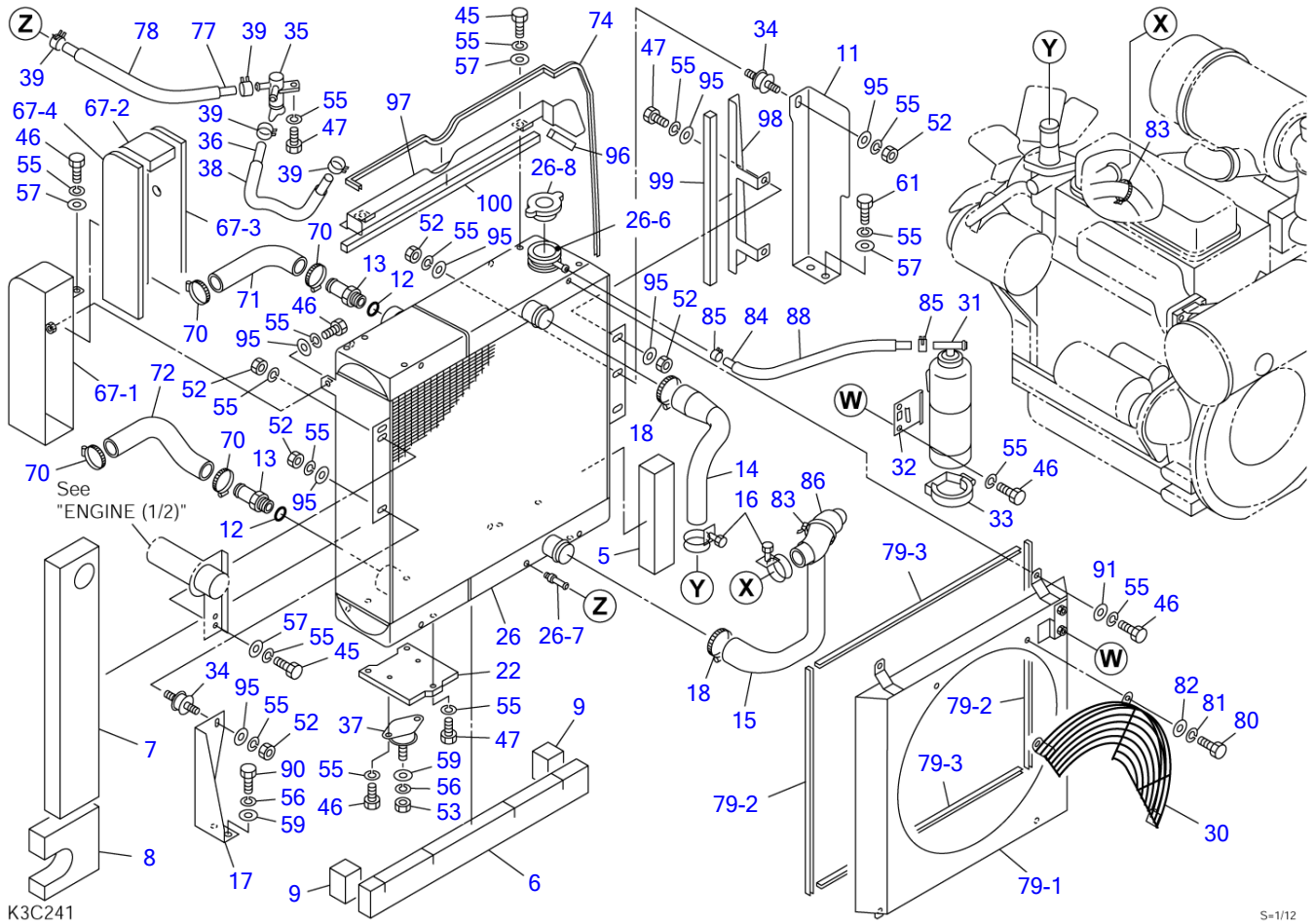
K3C241

S=1/12

**ENGINE & ACCESSORIES (2/2) (for the tropics; 14517254-)**

Item	Part number	Description	Q'ty	Chan.	Serial No.	Serv.	Remarks
		ENGINE ASSY (cab)					X03940-26000-4
		ENGINE ASSY (canopy)					X03940-27000-4
		ENGINE ASSY (with air conditioner)					X03940-28000-4
5	0394026010	SPONGE	1				
6	0394026020	SPONGE	1				
7	0394026030	SPONGE	1				
8	0394026040	SPONGE	1				
9	0394026050	SPONGE	1				
11	0394019001	BRACKET	1				
12	1420010290	O-RING	2				
13	0007224015	ADAPTOR	2				
14	0394026150	HOSE	1				
15	0394019031	HOSE	1				
16	1910006013	BAND	2				Y23010-038000
17	0394026060	BRACKET	1				
18	1533001053	BAND	2				
22	0394026070	PLATE	2				
26	1911300270	RADIATOR & COOLER, oil	1				AKG
26-6	1911300076	· FITTING, hose	1				
26-7	1911300077	· NIPPLE	1				
26-8	1911300078	· CAP, radiator	1				
30	0394019006	NET, wire	1				
31	1910047040	TANK	1				Y171064-44510
32	1910047052	BRACKET	1				Y121256-44600
33	1910047047	BAND	1				Y124450-44550
34	1651014003	RUBBER, cushion	2				
35	1910078037	VALVE	1				Y129150-49100
36	1530808050	TUBE	1				sold by the meter
37	1651024007	RUBBER, cushion	2				
38	1531115045	PROTECTOR	1				sold by the meter
39	1533120012	BAND	4				
45	1100040820	BOLT	6				
46	1100040816	BOLT	14				
47	1100040825	BOLT	9				
52	1130040008	NUT	8				
53	1130040010	NUT	2				
55	1140020008	WASHER, spring	33				
56	1140020010	WASHER, spring	4				
57	1141110008	WASHER	9				
59	1141110010	WASHER	4				
61	1100041030	BOLT	2				
67	0394026300	DUCT ASSY	1				
67-1	0394026310	· DUCT	1				
67-2	0394026320	· ABSORBENT, noise	1				
67-3	0394026330	· ABSORBENT, noise	1				
67-4	0394026340	· ABSORBENT, noise	1				
70	1533700041	BAND	4				
71	0394026090	HOSE	1				
72	0394026100	HOSE	1				
74	1654601105	TRIM	1				sold by the meter
77	1530808040	TUBE	1				sold by the meter
78	1531115033	PROTECTOR	1				sold by the meter
79	0394026200	SHROUD ASSY	1				
79-1	0394026210	· SHROUD	1				
79-2	1654606050	· TRIM	2				sold by the meter
79-3	1654606055	· TRIM	2				sold by the meter
80	1100040616	BOLT	3				
81	1140020006	WASHER, spring	3				
82	1141110006	WASHER	3				
83	1652231250	BAND	2				
84	1531407017	TUBE	1				sold by the meter
85	1533120011	BAND	2				
86	1531345010	PROTECTOR	1				sold by the meter
88	1531115012	PROTECTOR	1				sold by the meter
90	1100041020	BOLT	2				
91	1141550008	WASHER	4				
95	0003608252	WASHER	5				
96	1654606008	TRIM	1			M	sold by the meter

TB145 Book No. BK3Z010 S/N 14510004-  
ENGINE & ACCESSORIES (2/2) (for the tropics; 14517254-)

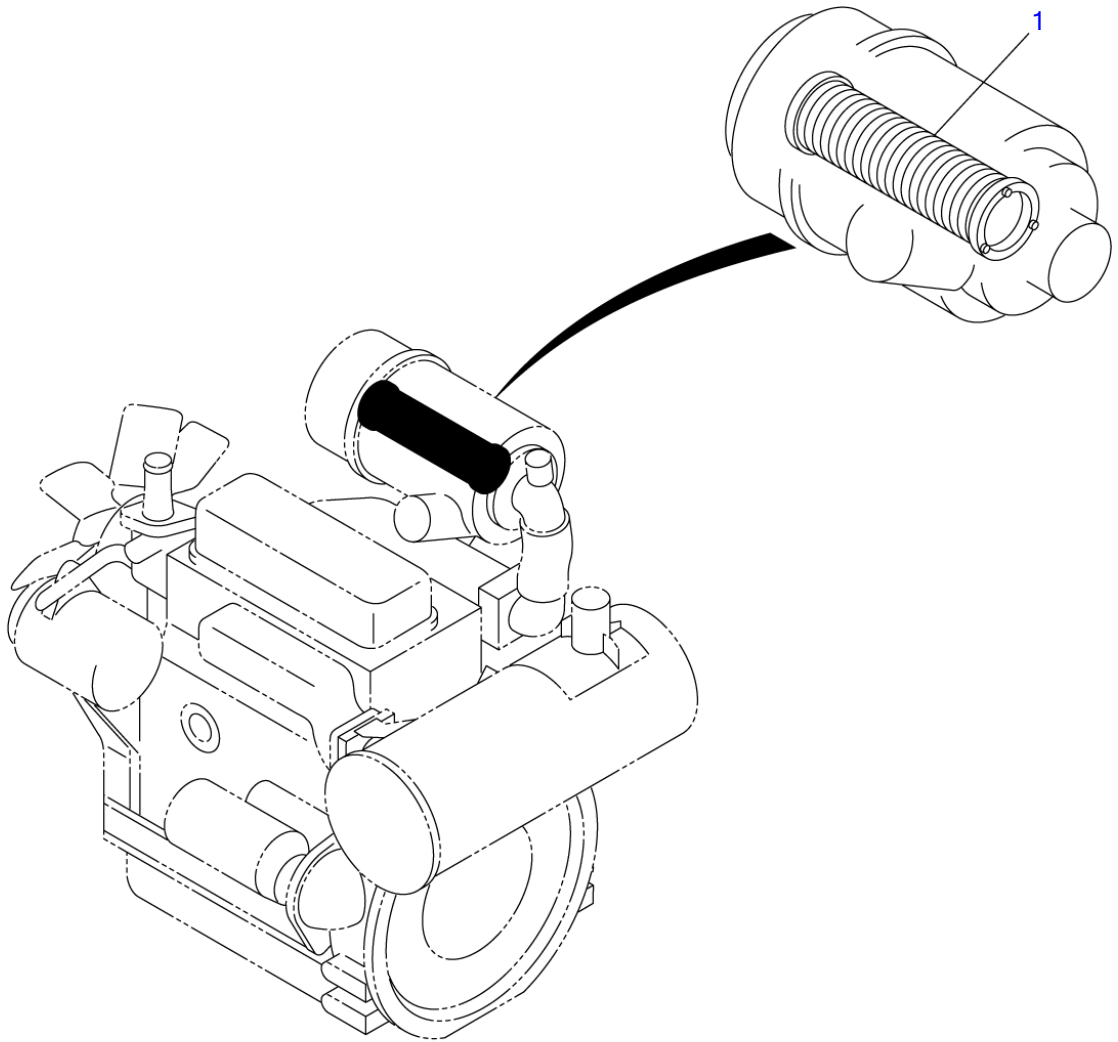


K3C241

S=1/12

ENGINE & ACCESSORIES (2/2) (for the tropics; 14517254-)

Item	Part number	Description	Q'ty	Chan.	Serial No.	Serv.	Remarks
97	0394026120	PLATE	1				
98	0394026130	PLATE	1				
99	1654354038	SPONGE	1				sold by the meter
100	1654351050	SPONGE	1				sold by the meter
	K3c241						

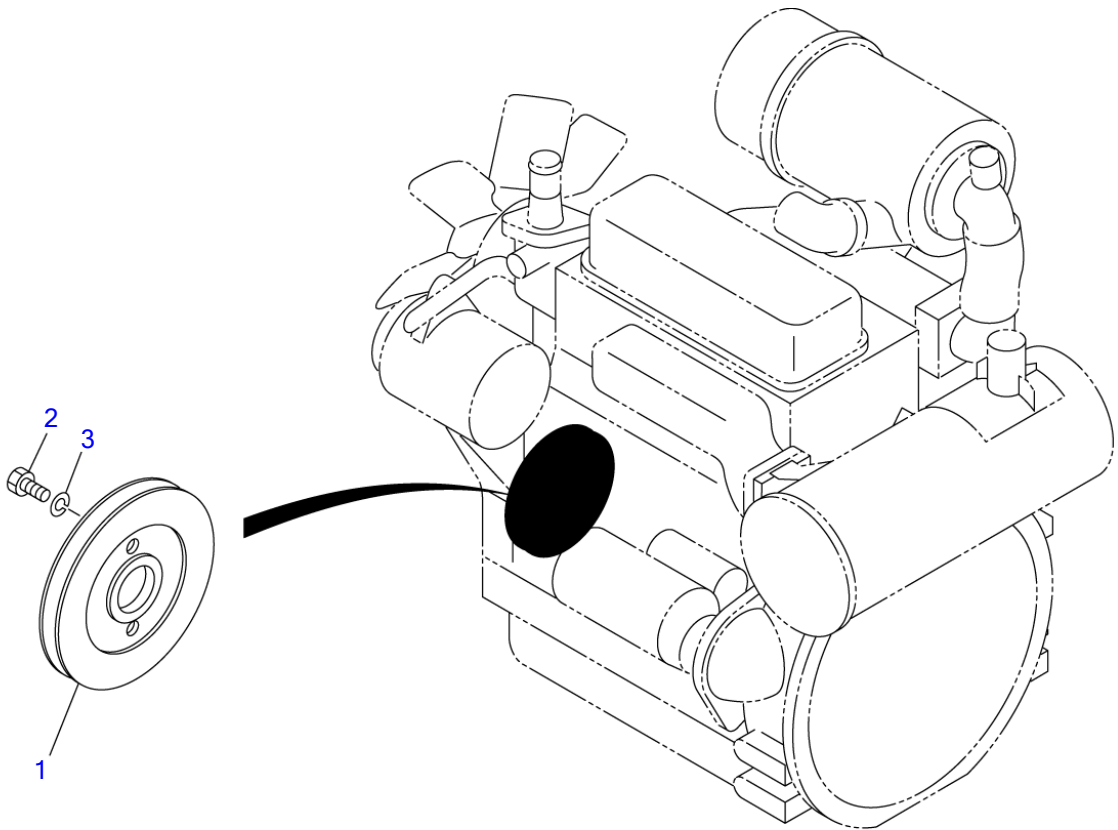


G4C150

S=1/4, 1/8

AIR CLEANER (for double element)

Item	Part number	Description	Q'ty	Chan.	Serial No.	Serv.	Remarks
1	<b>1911102772</b> <b>G4c150</b>	CLEANER ASSY, air ELEMENT	1				X03740-07500-0 fhfif<fhf\j" P82-2858



K3C090

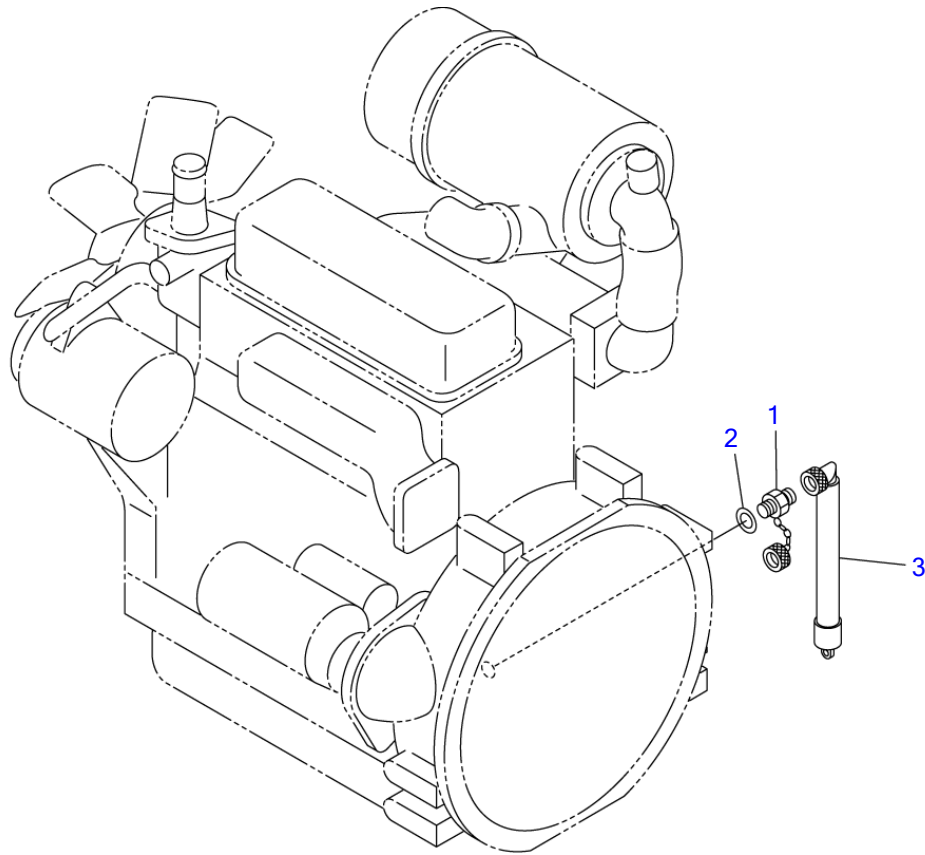
S=1/5, 1/8



<b>PULLEY</b>						
Item	Part number	Description	Q'ty	Chan.	Serial No.	Serv. Remarks
		PULLEY ASSY				X03940-12000-0
1	<b>0394604220</b>	PULLEY	1			
2	<b>1100041020</b>	BOLT	2			
3	<b>1140020010</b>	WASHER, spring	2			
	<b>K3c090</b>					

TB145 Book No. BK3Z010 S/N 14510004-  
DRAIN PLUG

---



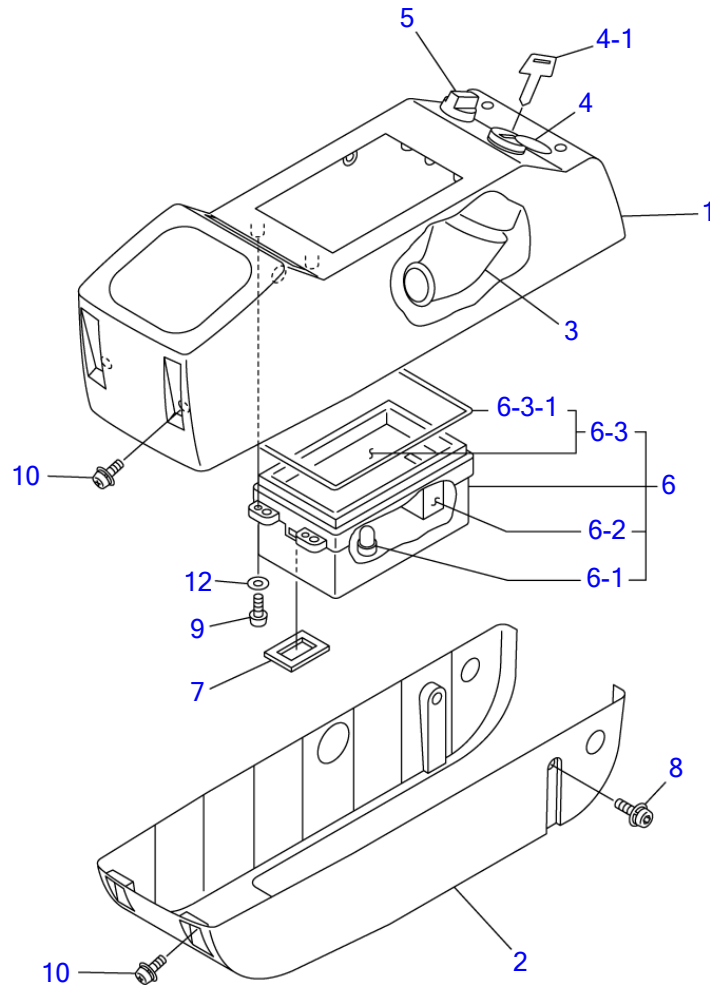
K3C030

S=1/8

**DRAIN PLUG**

Item	Part number	Description	Q'ty	Chan.	Serial No.	Serv.	Remarks
		PLUG ASSY, drain					X03340-13000-2
1	1554502250	PLUG	1				
2	1432116221	WASHER	1				
3	1554512601	TUBE	1				
	K3c031						

TB145 Book No. BK3Z010 S/N 14510004-  
CONTROL BOX; R.H.



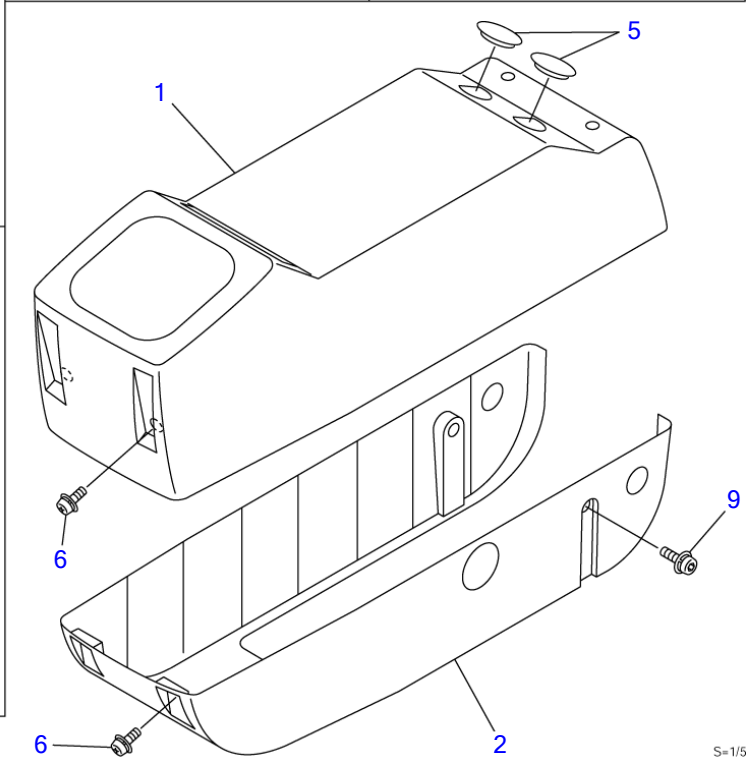
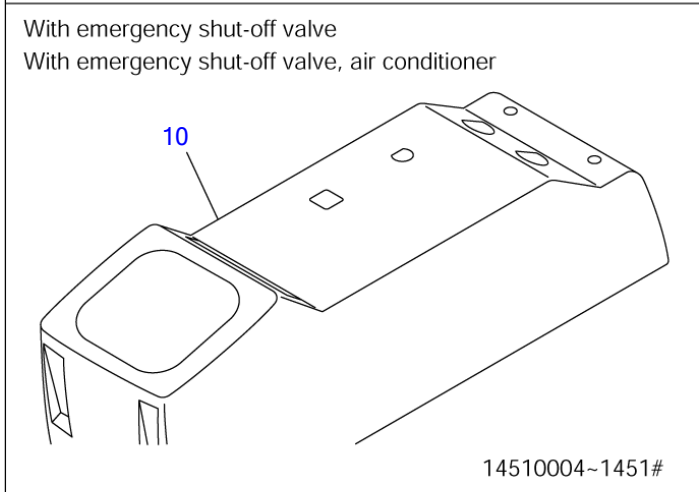
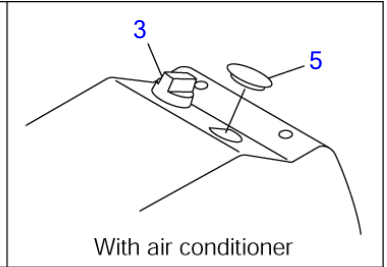
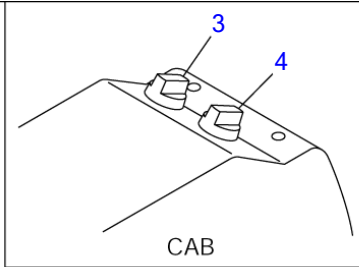
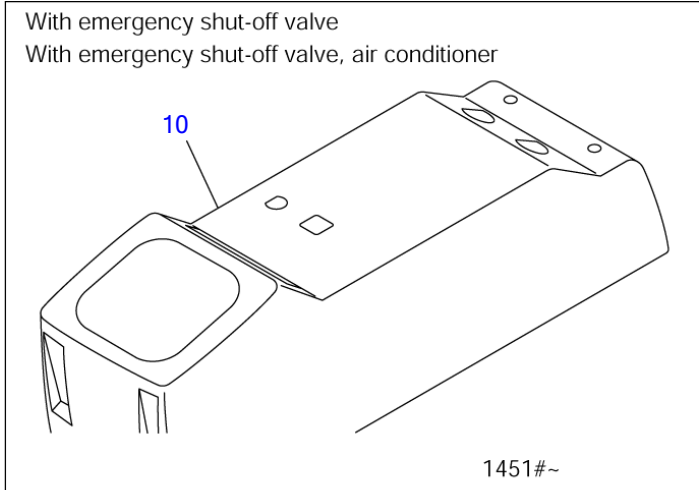
G4C042

S=1/6

**CONTROL BOX; R.H.**

Item	Part number	Description	Q'ty	Chan.	Serial No.	Serv.	Remarks
		BOX ASSY, (R.H.) (cab)					X03743-03000-6
		BOX ASSY, (R.H.) (canopy)					X03743-03500-6
1	<b>0334326150</b>	COVER (R.H.)	1				
2	<b>0334326250</b>	COVER (R.H.)	1				
3	<b>0870431821</b>	COVER	1				
4	<b>1700100023</b>	SWITCH, starter	1				cab
	<b>1700100072</b>	SWITCH, starter	1		14515916~		canopy
4-1	<b>1700100019</b>	KEY	1				
5	<b>1700000010</b>	SWITCH, lamp	1				
6	<b>1730140650</b>	GAUGE, cluster	1				
6-1	<b>1730140634</b>	· BULB (14V, 1.4W)	10				
6-2	<b>1730140652</b>	· METER, hour	1				
6-3	<b>1730140653</b>	· GLASS ASSY	1				
6-3-1	<b>1730140654</b>	· · PACKING	1				
7	<b>0334326010</b>	SPONGE	1		14511341~		
8	<b>1110540614</b>	SCREW	2				
9	<b>1120530416</b>	SCREW	4				
10	<b>1150410614</b>	BOLT, sems	6				
12	<b>1141190004</b>	WASHER	4				
	<b>K3c131</b>						

TB145 Book No. BK3Z010 S/N 14510004-  
CONTROL BOX; L.H.



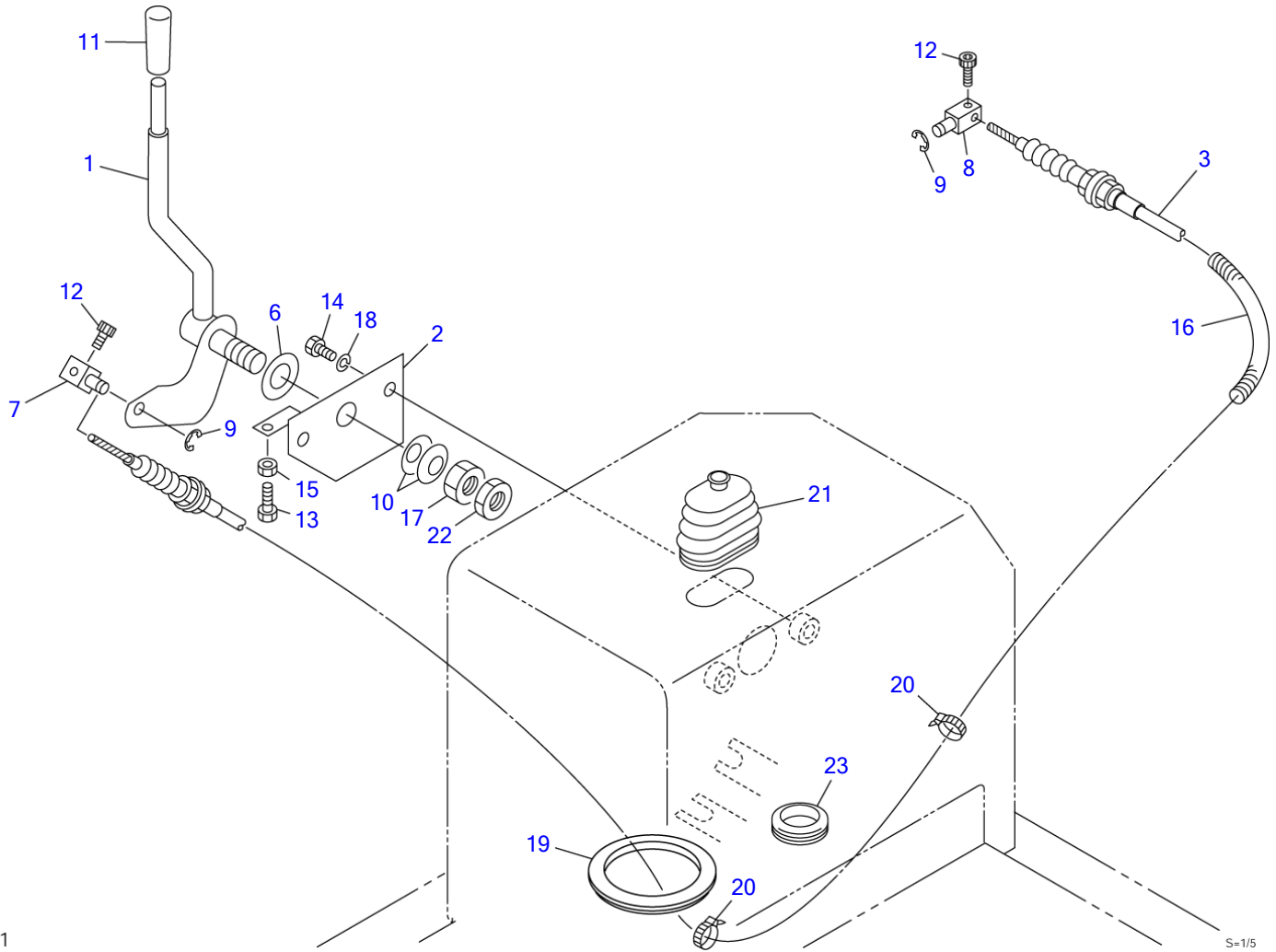
K3C280

S=1/5

**CONTROL BOX; L.H.**

Item	Part number	Description	Q'ty	Chan.	Serial No.	Serv.	Remarks
		BOX ASSY (L.H.) (cab)					X03743-04000-6
		BOX ASSY (L.H.) (canopy)					X03743-05000-6
		BOX ASSY (L.H.) (with shut-off valve) (cab)					X03743-04300-6
		BOX ASSY (L.H.) (with shut-off valve) (canopy)					X03743-05300-6
		BOX ASSY (L.H.) (with air con.) (cab)					X03743-05400-6
		BOX ASSY (L.H.) (with air con., shut-off valve) (canopy)					X03743-05500-6
1	<b>0334327150</b>	COVER (L.H.)	1				except for shut-off valve
2	<b>0334327250</b>	COVER (L.H.)	1				
3	<b>1704300007</b>	SWITCH, wiper	1				cab, with air con.
4	<b>1700000011</b>	SWITCH, heater	1				cab
5	<b>1652533019</b>	CAP	2				canopy, with air con.
6	<b>1150410614</b>	BOLT, sems	6				
9	<b>1110540614</b>	SCREW	2				
10	<b>0397313270</b>	COVER (L.H.)	1		14510004~1451#		with shut-off valve
	<b>0374304100</b>	COVER (L.H.)	1	(H)	1451#~	M	with shut-off valve No.23692
	<b>K3c280</b>						

TB145 Book No. BK3Z010 S/N 14510004-  
ENGINE CONTROL (14510004-14513260)



K3C041

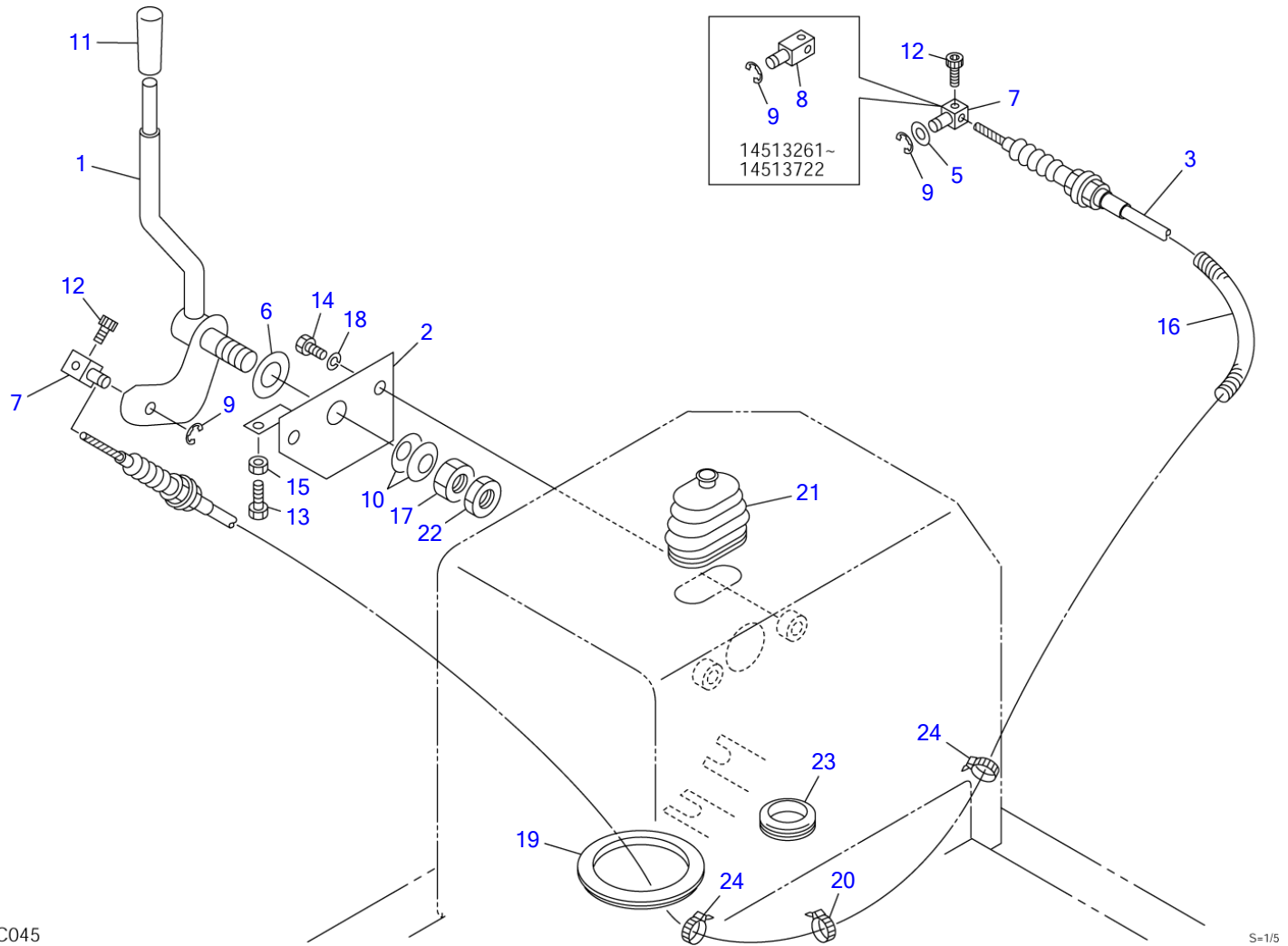
S=1/5



**ENGINE CONTROL (14510004-14513260)**

Item	Part number	Description	Q'ty	Chan.	Serial No.	Serv.	Remarks
		CONTROL ASSY, engine					X03941-08000-3
		CONTROL ASSY, engine (with air conditioner)			14512895~		X03941-08100-3
1	<b>0374104100</b>	LEVER	1				
2	<b>0374104200</b>	PLATE	1				
3	<b>0394104020</b>	WIRE	1				
6	<b>1141550018</b>	WASHER	1				
7	<b>0007900020</b>	PIN	1				
8	<b>0007900050</b>	PIN	1				
9	<b>1224010006</b>	E-RING	2				
10	<b>1225120018</b>	WASHER, conical	2				
11	<b>1650132050</b>	GRIP	1				
12	<b>1110040510</b>	SCREW, cap	2				
13	<b>1100040825</b>	BOLT	1				
14	<b>1100041020</b>	BOLT	2				
15	<b>1130040008</b>	NUT	1				
16	<b>1532208015</b>	PROTECTOR	1				
17	<b>1130640018</b>	NUT	1				
18	<b>1140020010</b>	WASHER, spring	2				
19	<b>1652060085</b>	BUSHING	1				without air con.
20	<b>1652231140</b>	BAND	2				
21	<b>0334120100</b>	BOOT	1				
22	<b>0064111700</b>	NUT	1				
23	<b>1652060035</b>	BUSHING	1				without air con.
	<b>K3c042</b>						

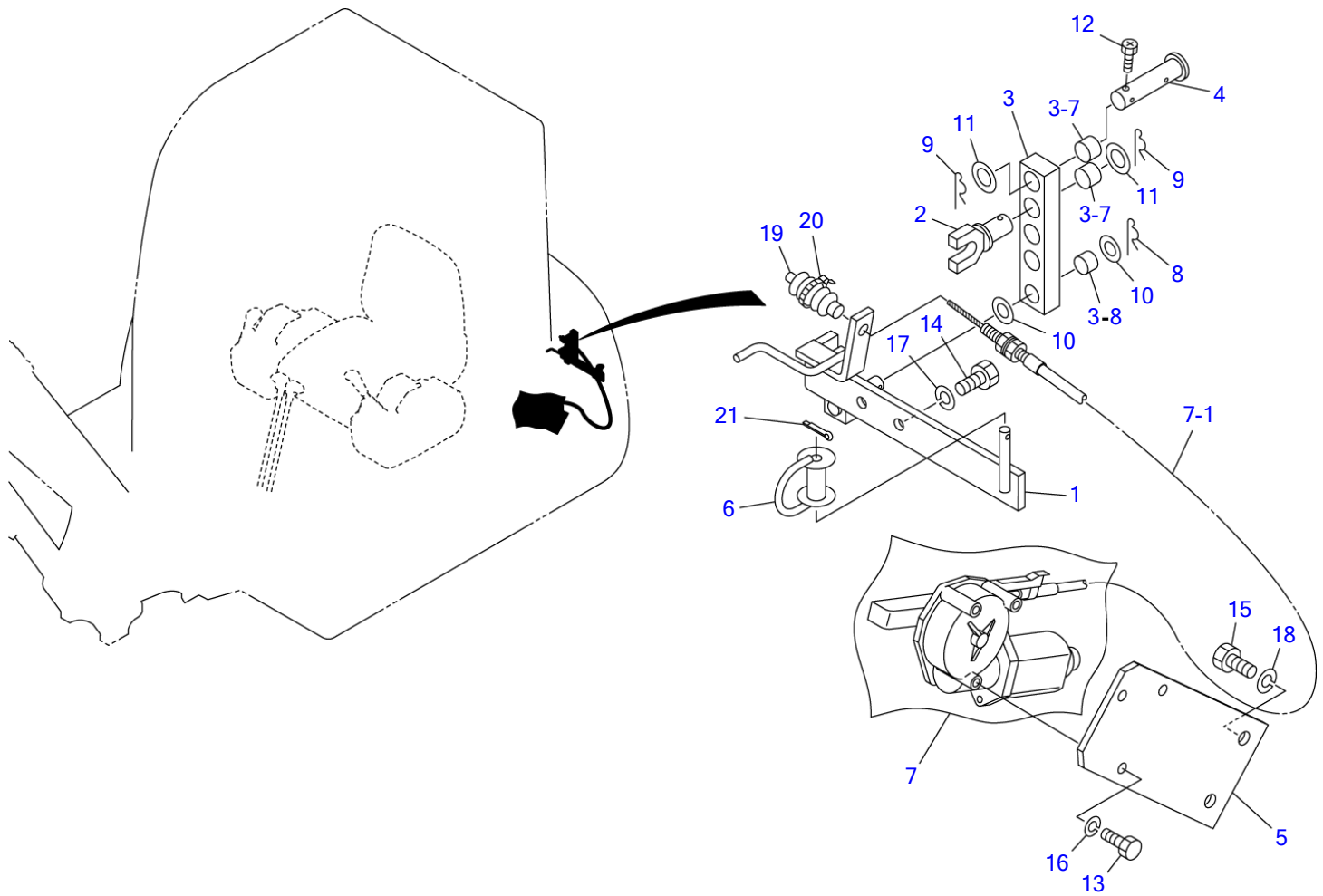
TB145 Book No. BK3Z010 S/N 14510004-  
ENGINE CONTROL (14513261-)



K3C045

S=1/5

ENGINE CONTROL (14513261-)							
Item	Part number	Description	Q'ty	Chan.	Serial No.	Serv.	Remarks
		CONTROL ASSY, engine					X03941-08200-2
		CONTROL ASSY, engine (with air conditioner)					X03941-08300-2
1	0374104510	LEVER	1				
2	0374104200	PLATE	1				
3	0394104020	WIRE	1				
5	1141110008	WASHER	1		14513724~		
6	1141550018	WASHER	1				
7	0007900020	PIN	1		14513261~14513723		
	0007900020	PIN	2		14513724~		
8	0007900050	PIN	1		14513261~14513723		
9	1224010006	E-RING	2				
10	1225120018	WASHER, conical	2				
11	1650132050	GRIP	1				
12	1110040510	SCREW, cap	2				
13	1100040820	BOLT	1				
14	1100041020	BOLT	2				
15	1130040008	NUT	1				
16	1532208015	PROTECTOR	1				
17	1130640018	NUT	1				
18	1140020010	WASHER, spring	2				
19	1652060085	BUSHING	1				without air con.
20	1652231140	BAND	1				
21	0334120100	BOOT	1				
22	0064111700	NUT	1				
23	1652060035	BUSHING	1				without air con.
24	1652231250	BAND	2				
	K3c045						

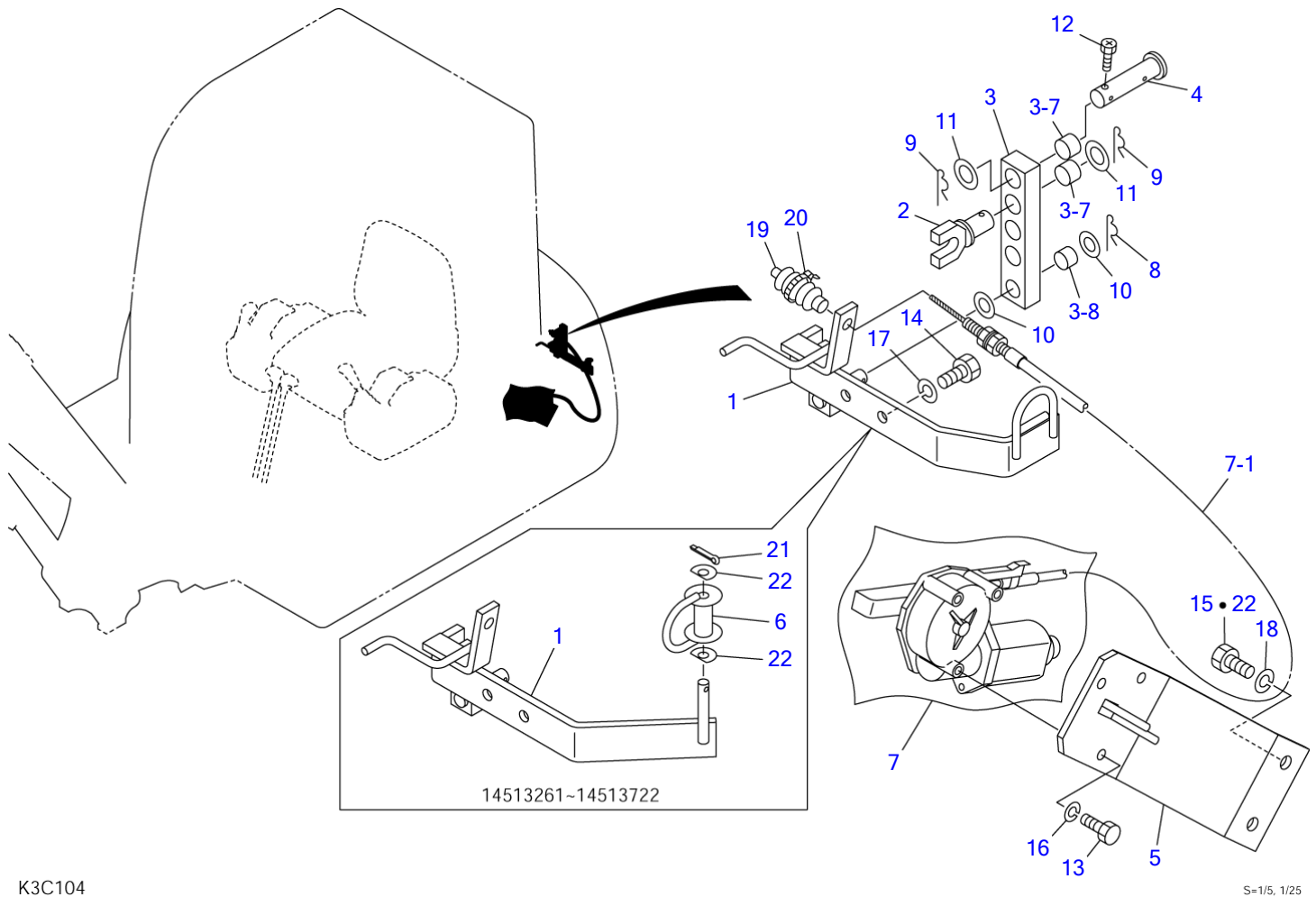


G4C072

S=1/5, 1/25

**DECEL. UNIT (14510004-14513260)**

Item	Part number	Description	Q'ty	Chan.	Serial No.	Serv.	Remarks
		UNIT ASSY, decel.					X03941-08500-0
1	<b>0394108510</b>	BRACKET	1				
2	<b>0434107200</b>	BRACKET	1				
3	<b>0434107300</b>	LEVER	1				
3-7	<b>1333001415</b>	• BUSHING	2				
3-8	<b>1333001215</b>	• BUSHING	1				
4	<b>0374103020</b>	PIN	1				
5	<b>0374103030</b>	BRACKET	1				
6	<b>0374103050</b>	GUIDE	1				
7	<b>1910087166</b>	MOTOR, decel.	1				Y119032-77910
7-1	<b>1910087167</b>	• WIRE	1				
8	<b>1214000012</b>	PIN, snap	1				
9	<b>1214000014</b>	PIN, snap	2				
10	<b>1141210012</b>	WASHER	2				
11	<b>1141210014</b>	WASHER	2				
12	<b>1105090510</b>	BOLT	1				
13	<b>1100040616</b>	BOLT	3				
14	<b>1100040820</b>	BOLT	2				
15	<b>1100041040</b>	BOLT	2				
16	<b>1140020006</b>	WASHER, spring	3				
17	<b>1140020008</b>	WASHER, spring	2				
18	<b>1140020010</b>	WASHER, spring	2				
19	<b>0007900014</b>	BOOT	1				
20	<b>1652201004</b>	BAND	1				
21	<b>1210010220</b>	PIN, split	1				
	<b>K3c101</b>						

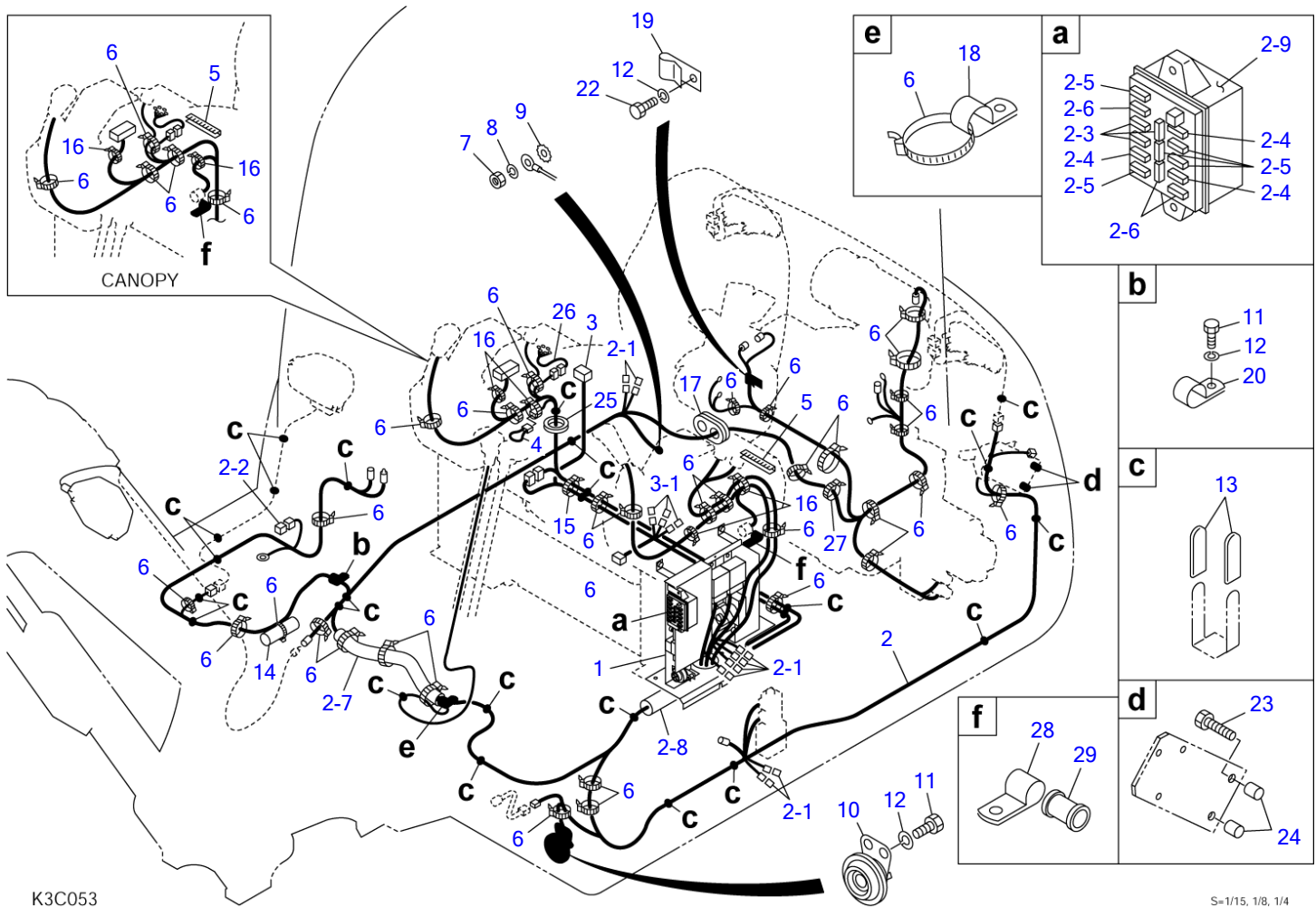


K3C104

S=1/5, 1/25

**DECEL. UNIT (14513261-)**

Item	Part number	Description	Q'ty	Chan.	Serial No.	Serv.	Remarks
		UNIT ASSY, decel.					X03941-08600-4
		UNIT ASSY, decel. (with air con.)					X03941-08700-4
1	<b>0394108610</b>	BRACKET	1		14513261~14513722		
	<b>0394108650</b>	BRACKET	1	(H)	14513723~		
2	<b>0434107200</b>	BRACKET	1				
3	<b>0434107300</b>	LEVER	1				
3-7	<b>1333001415</b>	· BUSHING	2				
3-8	<b>1333001215</b>	· BUSHING	1				
4	<b>0374103020</b>	PIN	1				
5	<b>0394108620</b>	BRACKET	1				
6	<b>0374103050</b>	GUIDE	1		14513261~14513722		
7	<b>1910087166</b>	MOTOR, decel.	1				Y119032-77910
7-1	<b>1910087167</b>	· WIRE	1				
8	<b>1214000012</b>	PIN, snap	1				
9	<b>1214000014</b>	PIN, snap	2				
10	<b>1141210012</b>	WASHER	2				
11	<b>1141210014</b>	WASHER	2				
12	<b>1105090510</b>	BOLT	1				
13	<b>1100040616</b>	BOLT	3				
14	<b>1100040820</b>	BOLT	2				
15	<b>1100041020</b>	BOLT	2				
16	<b>1140020006</b>	WASHER, spring	3				
17	<b>1140020008</b>	WASHER, spring	2				
18	<b>1140020010</b>	WASHER, spring	2				
19	<b>0007900014</b>	BOOT	1				
20	<b>1652201004</b>	BAND	1				
21	<b>1210010220</b>	PIN, split	1		14513261~14513722		
22	<b>0394108630</b>	SHEET	2		14513261~14513722		
	<b>1100041030</b>	BOLT	2				with air con.
	<b>K3c104</b>						



K3C053

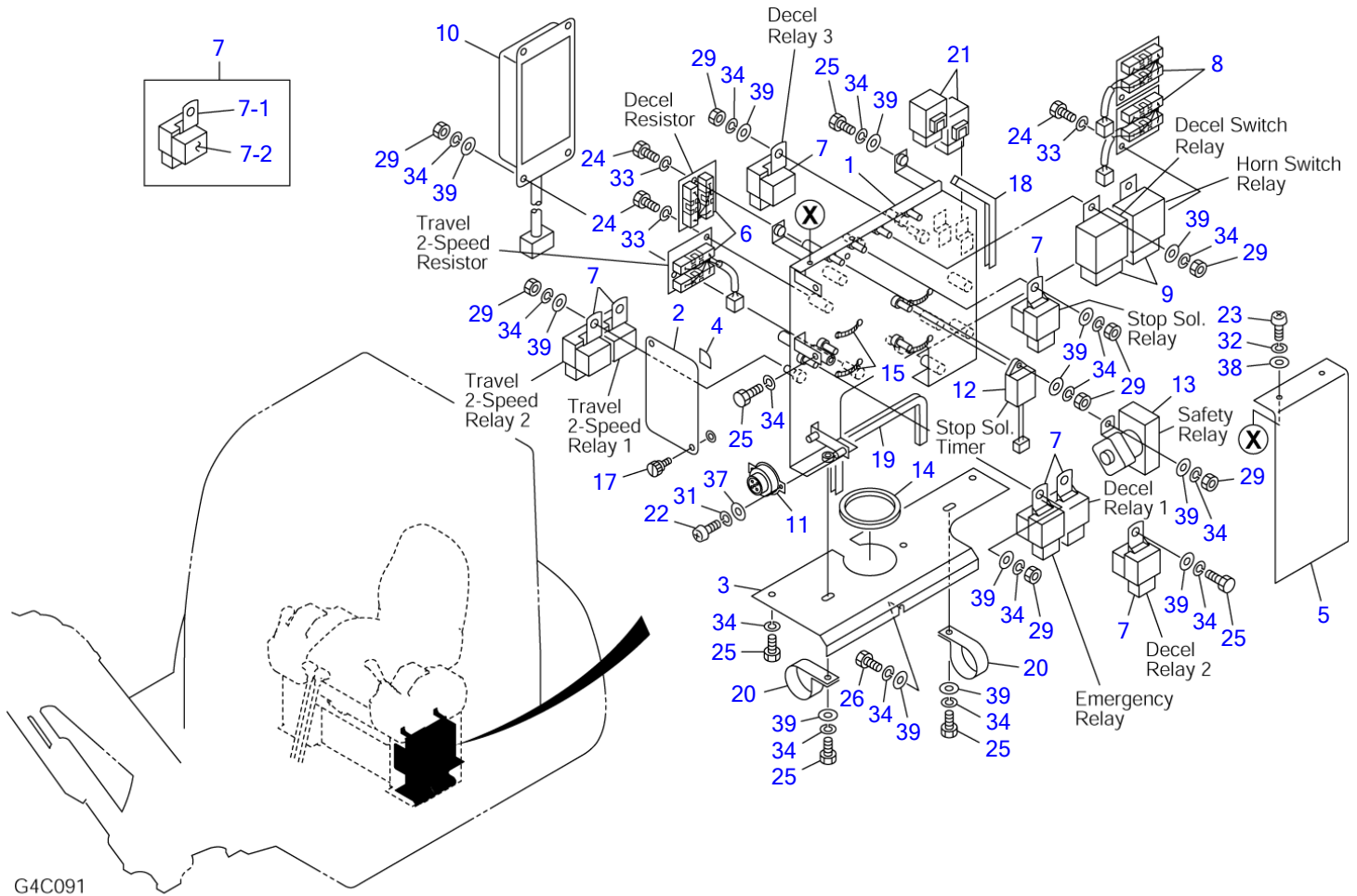
S=1/15, 1/8, 1/4



**ELECTRICAL (1/2) (14510004-14513260)**

Item	Part number	Description	Q'ty	Chan.	Serial No.	Serv.	Remarks
		ELECTRICAL ASSY (cab)					X03942-13000-4
		ELECTRICAL ASSY (canopy)					X03942-14000-4
1	0374205100	UNIT, control	1		14510004~14510300		see page (2/2)
	0354217100	UNIT, control	1		14510301~14510650		see page (2/2)
	0394213100	UNIT, control	1		14510651~		see page (2/2)
2	0394211200	HARNESS, wiring	1		14510004~14510300		
	0394211300	HARNESS, wiring	1		14510301~14510650		
	0394213200	HARNESS, wiring	1		14510651~		
2-1	1730500008	• DIODE (3A, yellow)	8				
2-2	1701330065	• FUSE	1				65A
2-3	1701310010	• FUSE	3				10A
2-4	1701310015	• FUSE	3				15A
2-5	1701310020	• FUSE	5				20A
2-6	1701310030	• FUSE	3				30A
2-7	1531335050	• PROTECTOR	1				sold by the meter
2-8	1531335035	• PROTECTOR	1				sold by the meter
2-9	1701200002	• BOX, fuse	1				
3	0374205300	HARNESS, wiring	1		14510004~14510300		cab
	0354217300	HARNESS, wiring	1	(H)	14510301~		cab
3-1	1730500008	• DIODE (3A, yellow)	3				
4	0334230400	CONNECTOR	1				cab
5	1653917009	TRIM	1				cab
	1653917009	TRIM	2				canopy
6	1652231250	BAND	38				cab
	1652231250	BAND	39				canopy
7	1130040010	NUT	1				
8	1140020010	WASHER, spring	1				
9	1140330010	WASHER	1				
10	1703500612	HORN	1				
11	1100040816	BOLT	2				
12	1140020008	WASHER, spring	3				
13	0872433150	CLAMP	60				
14	0394211010	GUARD	1				
15	1652201007	BAND	1				
16	1652201005	BAND	4				
17	0337017300	GUARD	1		14510004~14510369		
	0097022400	GUARD	1		14510370~		
18	0007300003	CLAMP	1				
19	0007300023	CLAMP	1				
20	0007300050	CLAMP	1				
22	1100040812	BOLT	1				
23	1100041065	BOLT	2		14512355~		
24	0354216010	COLLAR	2				
25	1652060063	BUSHING	1				
26	0374205600	HARNESS, wiring	1				
27	1652241400	BAND	1				
28	0007300001	CLAMP	2		14512355~		canopy
	0007300001	CLAMP	1		14512355~		cab
29	0868423862	GROMMET	2		14512355~		canopy
	0868423862	GROMMET	1		14512355~		cab

K3c053



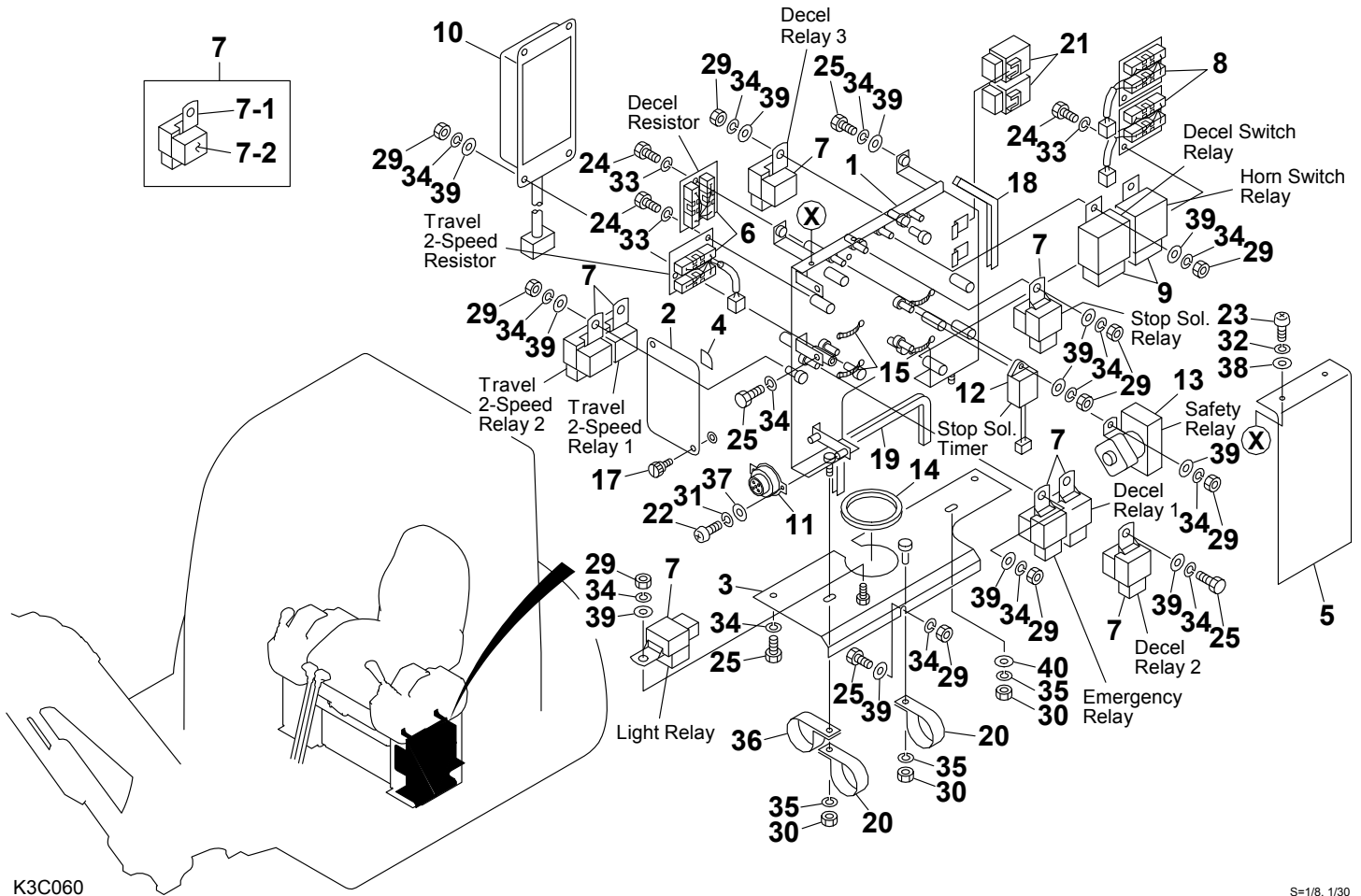
G4C091

S=1/8, 1/30

**ELECTRICAL (2/2) (14510004-14510300)**

Item	Part number	Description	Q'ty	Chan.	Serial No.	Serv.	Remarks
		ELECTRICAL ASSY (cab)					X03942-11000-7
		ELECTRICAL ASSY (canopy)					X03942-13000-2
0-1	X 0374205100	UNIT, control	1				
1	0374205110	• PLATE	1				
2	0374205140	• COVER	1				
3	0374205120	• COVER	1				
4	0374205150	• RUBBER	2				
5	0374205130	• RUBBER	1				
6	0334230120	• RESISTOR	2				
7	0334230130	• RELAY ASSY	7				
7-1	1711900042	• • RELAY	1				
7-2	1654302003	• • SPONGE	1				sold by the meter
8	0374203120	• RESISTOR	2				
9	1711900062	• RELAY	2				
10	1730140660	• CONTROLER	1				
11	1730140680	• BUZZER	1				
12	1910095116	• UNIT, timer	1				,x119632-77920
13	1910080106	• RELAY	1				Y129136-77100
14	1653916020	• TRIM	1				sold by the meter
15	1652231250	• BAND	4				
17	1652711698	• SCREW	2				
18	1653916020	• SEAL	1				sold by the meter
19	1653916029	• SEAL	1				sold by the meter
20	0007300030	• CLAMP	2				
21	1730500010	• UNIT, diode	2				
22	1120530310	• SCREW	2				
23	1120530410	• SCREW	2				
24	1100040510	• BOLT	8				
25	1100040616	• BOLT	10				
26	1100040610	• BOLT	1				
29	1130040006	• NUT	15				
31	1140020003	• WASHER, spring	2				
32	1140020004	• WASHER, spring	2				
33	1140020005	• WASHER, spring	8				
34	1140020006	• WASHER, spring	26				
37	1141110003	• WASHER	2				
38	1141110004	• WASHER	2				
39	1141110006	• WASHER	22				
	K3c061						

TB145 Book No. BK3Z010 S/N 14510004-  
ELECTRICAL (2/2) (14510301-14513260)



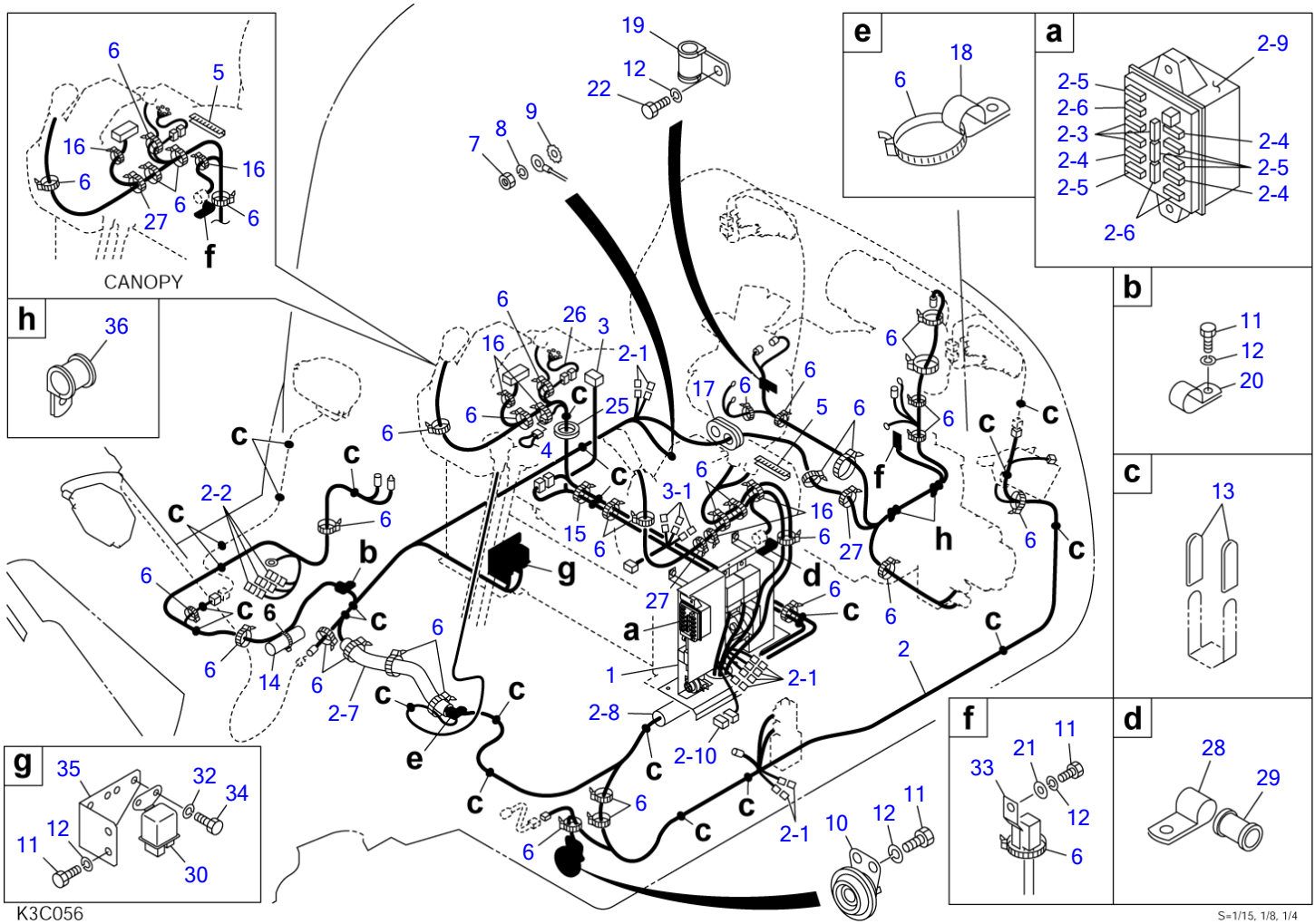
K3C060

S=1/8, 1/30

**ELECTRICAL (2/2) (14510301-14513260)**

Item	Part number	Description	Q'ty	Chan.	Serial No.	Serv.	Remarks
		ELECTRICAL ASSY (cab)					X03942-13000-4
		ELECTRICAL ASSY					X03942-14000-4
		(canopy)					
0-1	X 0354217100	UNIT, control	1		14510301~14510650		
	X 0394213100	UNIT, control	1		14510651~		
1	0354217150	• PLATE	1				
2	0374205140	• COVER	1				
3	0394213130	• COVER	1				
4	0374205150	• RUBBER	2				
5	0394213150	• RUBBER	1				
6	0334230120	• RESISTOR	2				
7	0334230130	• RELAY ASSY	7		14510301~14510650		
	0334230130	• RELAY ASSY	8		14510651~		
7-1	1711900042	• • RELAY	1				
7-2	1654302003	• • SPONGE	1				sold by the meter
8	0374203120	• RESISTOR	2				
9	1711900062	• RELAY	2				
10	1730140660	• CONTROLER	1				
11	1730140680	• BUZZER	1				
12	1910095116	• UNIT, timer	1	(L)	14510301~#		Y119632-77920
	1910150118	• UNIT, timer	1	(H)	#~		Y129211-77920
13	1910080106	• RELAY	1				Y129136-77100
14	1653916023	• TRIM	1				sold by the meter
15	1652231250	• BAND	4				
17	1652711698	• SCREW	2				
18	1653916020	• SEAL	1				sold by the meter
19	1653916029	• SEAL	1				sold by the meter
20	0007300030	• CLAMP	2				
21	1730500010	• UNIT, diode	2				
22	1120530310	• SCREW	2				
23	1120530410	• SCREW	2				
24	1100040510	• BOLT	8				
25	1100040616	• BOLT	8				
29	1130040006	• NUT	16		14510301~14510650		
	1130040006	• NUT	17		14510651~		
30	1130040008	• NUT	3				
31	1140020003	• WASHER, spring	2				
32	1140020004	• WASHER, spring	2				
33	1140020005	• WASHER, spring	8				
34	1140020006	• WASHER, spring	23		14510301~14510650		
	1140020006	• WASHER, spring	24		14510651~		
35	1140020008	• WASHER, spring	3				
36	0007300003	• CLAMP	1				
37	1141110003	• WASHER	2				
38	1141110004	• WASHER	2				
39	1141110006	• WASHER	19		14510301~14510650		
	1141110006	• WASHER	20		14510651~		
40	1141110008	• WASHER	1				

K3c063

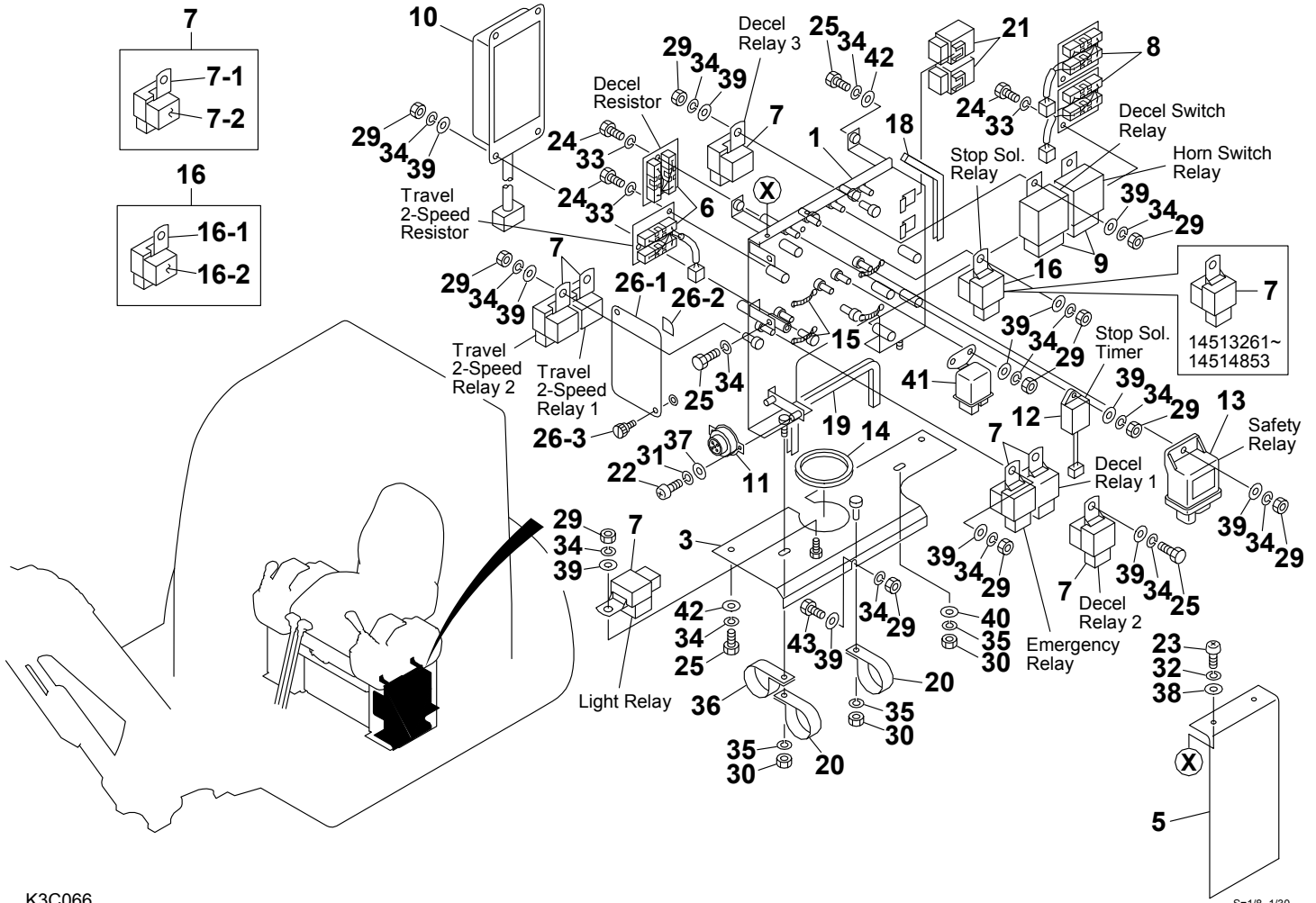


**ELECTRICAL (1/2) (14513261-)**

Item	Part number	Description	Q'ty	Chan.	Serial No.	Serv.	Remarks
		ELECTRICAL ASSY (cab)					X03942-14100-5
		ELECTRICAL ASSY (canopy)					X03942-14200-5
1	X *****	UNIT, control	1				see page (2/2)
2	0394214300	HARNES, wiring	1		14513261~14514853		
	0394221000	HARNES, wiring	1		14514854~		
2-1	1730500008	• DIODE (3A, yellow)	9				
2-2	1701330045	• LINK, fusible	3				45A
2-3	1701310010	• FUSE	3				10A
2-4	1701310015	• FUSE	3				15A
2-5	1701310020	• FUSE	5				20A
2-6	1701310030	• FUSE	3				30A
2-7	1531335050	• PROTECTOR	1				sold by the meter
2-8	1531335035	• PROTECTOR	1				sold by the meter
2-9	1701200002	• BOX, fuse	1				
2-10	0394221010	• CONNECTOR	1		14514854~		
3	0394214600	HARNES, wiring	1				cab
3-1	1730500008	• DIODE (3A, yellow)	3				
4	0334230400	CONNECTOR	1				cab
5	1653917009	TRIM	1				cab
	1653917009	TRIM	2				canopy
6	1652231250	BAND	38				
7	1130040010	NUT	1				
8	1140020010	WASHER, spring	1				
9	1140330010	WASHER	1				
10	1703500712	HORN	1				
11	1100040816	BOLT	5				
12	1140020008	WASHER, spring	6				
13	0872433150	CLAMP	60				
14	0394211010	GUARD	1				
15	1652201007	BAND	1				
16	1652201005	BAND	4				
17	0097022400	GUARD	1				
18	0007300003	CLAMP	1				
19	1652900007	CLAMP	1				
20	0007300050	CLAMP	1				
21	1140020008	WASHER	1				
22	1100040812	BOLT	1				
25	1652060063	BUSHING	1				
26	0374205600	HARNES, wiring	1				
27	1652241400	BAND	1				cab
	1652241400	BAND	3				canopy
28	0007300001	CLAMP	2				canopy
	0007300001	CLAMP	1				cab
29	0868423862	GROMMET	2				canopy
	0868423862	GROMMET	1				cab
30	1910161119	RELAY	2				Y119646-77900
32	1140020006	WASHER	4				
33	1711900064	CLIP	1				
34	1100040612	BOLT	4				
35	0394214110	BRACKET	1				
36	1711900076	CLAMP	2				

K3c057

TB145 Book No. BK3Z010 S/N 14510004-  
ELECTRICAL (2/2) (14513261-)



K3C066

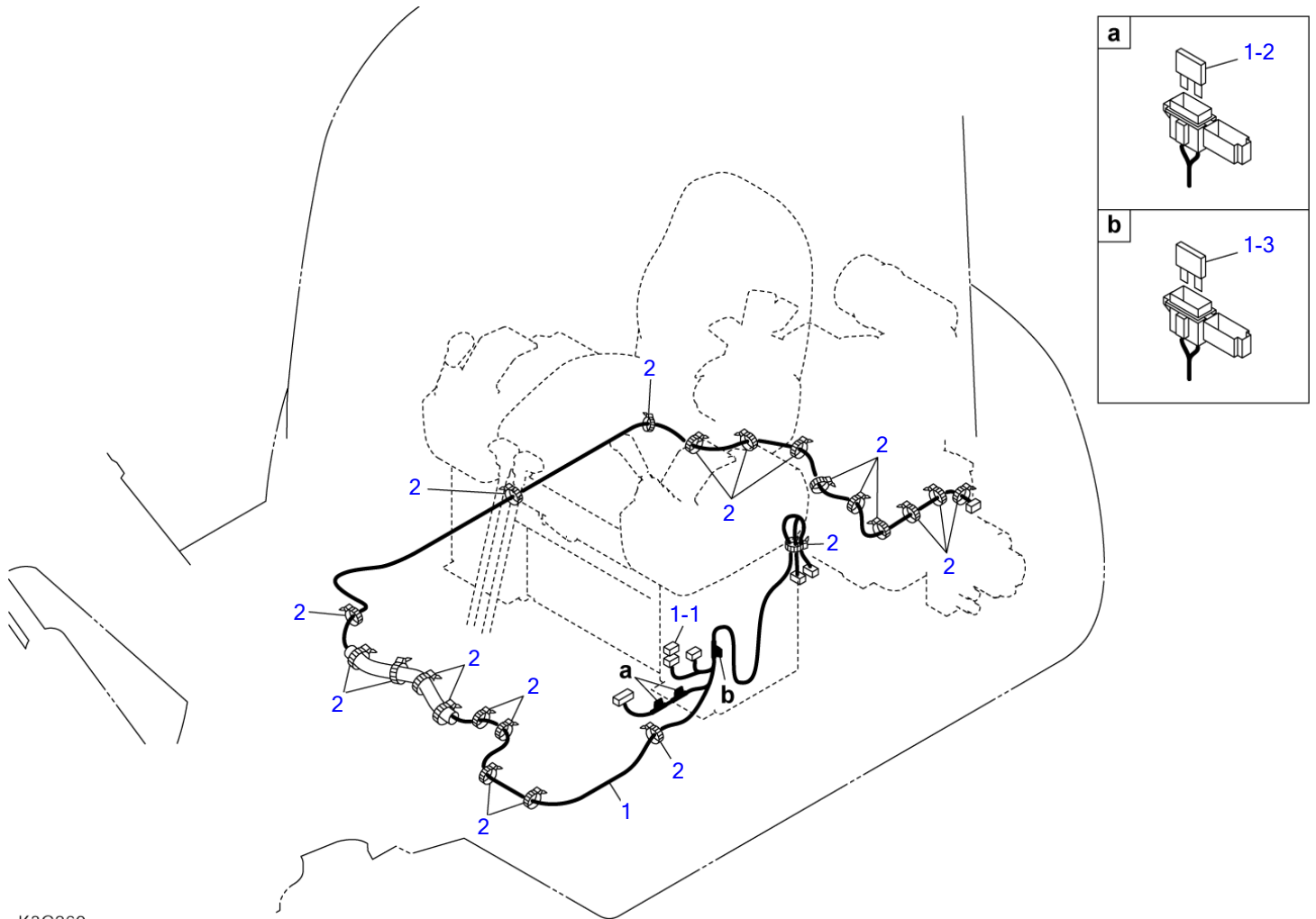
S=1/8, 1/30



**ELECTRICAL (2/2) (14513261-)**

Item	Part number	Description	Q'ty	Chan.	Serial No.	Serv.	Remarks
0-1	X *****	UNIT, control	1		14513261~14514853		X03942-14400-0
	X *****	UNIT, control	1		14514854~		X03942-21100-2
1	<b>0394214500</b>	• PLATE	1		14513261~14514853		
	<b>0394220800</b>	• PLATE	1	(H)	14514854~		
3	<b>0394213130</b>	• COVER	1				
5	<b>0394213150</b>	• RUBBER	1				
6	<b>0334230120</b>	• RESISTOR	2				
7	<b>0334230130</b>	• RELAY ASSY	8	(L)	14513261~14514853		
	<b>0394221200</b>	• RELAY ASSY	7	(H)	14514854~		
7-1	<b>1711900042</b>	• • RELAY	1	(L)	14513261~14514853		
	<b>1711900124</b>	• • RELAY	1	(H)	14514854~		
7-2	<b>1654302003</b>	• • SPONGE	1				sold by the meter
8	<b>0374203120</b>	• RESISTOR	2				
9	<b>1711900062</b>	• RELAY	2				
10	<b>1730140910</b>	• CONTROLER	1				
11	<b>1730140680</b>	• BUZZER	1				
12	<b>1910150118</b>	• UNIT, timer	1				Y129211-77920
13	<b>1910181106</b>	• RELAY	1				Y119802-77200
14	<b>1653916023</b>	• TRIM	1				sold by the meter
15	<b>1652231250</b>	• BAND	4				
16	<b>0394221200</b>	• RELAY ASSY	1		14514854~		
16-1	<b>1711900124</b>	• • RELAY	1		14514854~		
16-2	<b>1654302003</b>	• • SPONGE	1		14514854~		sold by the meter
18	<b>1653916020</b>	• SEAL	1				sold by the meter
19	<b>1653916029</b>	• SEAL	1				sold by the meter
20	<b>0007300030</b>	• CLAMP	2				
21	<b>1730500010</b>	• UNIT, diode	2				
22	<b>1120530310</b>	• SCREW	2				
23	<b>1120530410</b>	• SCREW	2				
24	<b>1100040510</b>	• BOLT	8				
25	<b>1100040616</b>	• BOLT	8				
26	<b>0374205160</b>	• PLATE ASSY	1				
26-1	<b>0374205140</b>	• • COVER	1				
26-2	<b>0374205150</b>	• • RUBBER	2				
26-3	<b>1652711698</b>	• • SCREW	2				
29	<b>1130040006</b>	• NUT	18				
30	<b>1130040008</b>	• NUT	3				
31	<b>1140020003</b>	• WASHER, spring	2				
32	<b>1140020004</b>	• WASHER, spring	2				
33	<b>1140020005</b>	• WASHER, spring	8				
34	<b>1140020006</b>	• WASHER, spring	25				
35	<b>1140020008</b>	• WASHER, spring	3				
36	<b>0007300003</b>	• CLAMP	1				
37	<b>1141110003</b>	• WASHER	2				
38	<b>1141110004</b>	• WASHER	2				
39	<b>1141110006</b>	• WASHER	21				
40	<b>1141110008</b>	• WASHER	1				
41	<b>1910161119</b>	• RELAY	1		14514854~		Y119646-77900
42	<b>0003600110</b>	• WASHER	4				
43	<b>1100040620</b>	• BOLT	1				

**K3c066**



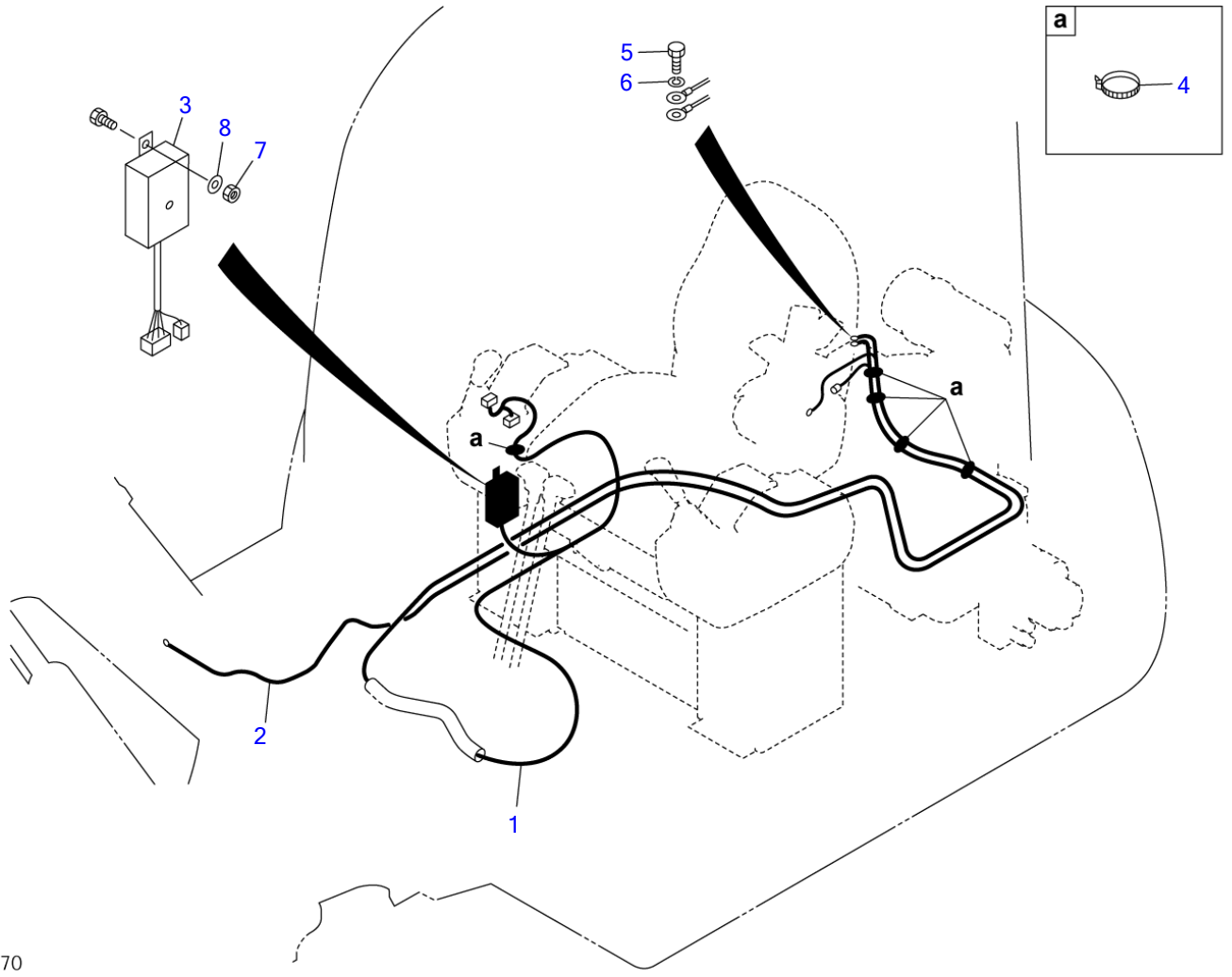
K3C260

S=1/15, 1/8

**ELECTRICAL (for KOSRAN)**

Item	Part number	Description	Q'ty	Chan.	Serial No.	Serv.	Remarks
0	<b>0394224100</b>	ELECTRICAL ASSY (for KOSRAN)	1			M	X03942-24100-0
1	<b>0394224110</b>	▪ HARNESS, wiring	1			M	
1-1	<b>0394214300</b>	▪ ▪ CONNECTOR, short	1			M	
1-2	<b>1701310005</b>	▪ ▪ FUSE (5A)	2			M	
1-3	<b>1701310002</b>	▪ ▪ FUSE (2A)	1			M	
2	<b>1652231250</b>	▪ BAND	25			M	
	<b>K3c260</b>						

TB145 Book No. BK3Z010 S/N 14510004-  
WATER TEMPERATURE CONTROLLER

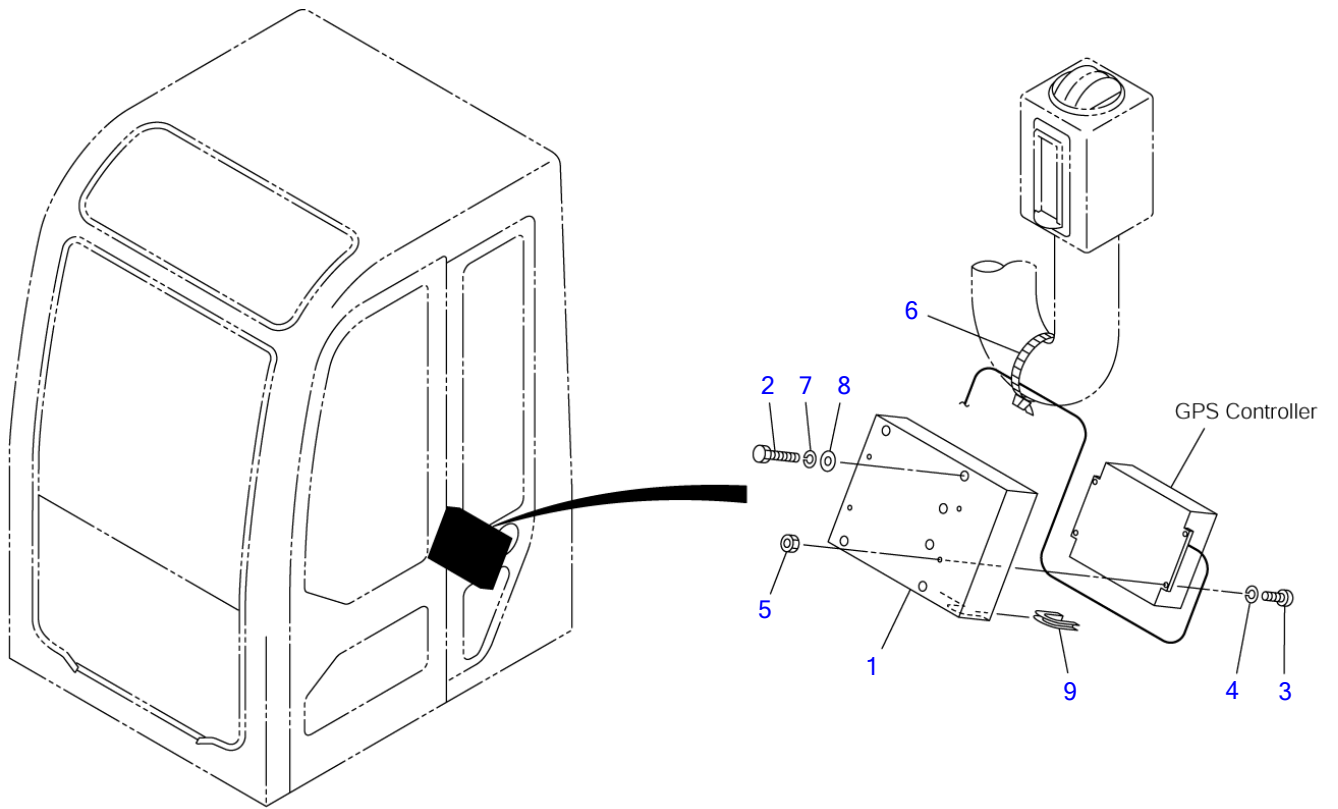


K3C270

S-1/15.1/8

**WATER TEMPERATURE CONTROLLER**

Item	Part number	Description	Q'ty	Chan.	Serial No.	Serv.	Remarks
		CONTROLLER ASSY, water temp.					X03942-24600-1
1	<b>0394221700</b>	HARNESS ASSY, wiring	1			M	
2	<b>0394404130</b>	HARNESS ASSY, wiring	1			M	
3	<b>1730111520</b>	DRIVER, meter	1			M	
4	<b>1652231250</b>	BAND	9			M	
5	<b>1100040812</b>	BOLT	1				
6	<b>1140020008</b>	WASHER, spring	1				
7	<b>1130040008</b>	NUT	1				
8	<b>1141110008</b>	WASHER	1				
	<b>K3c270</b>						



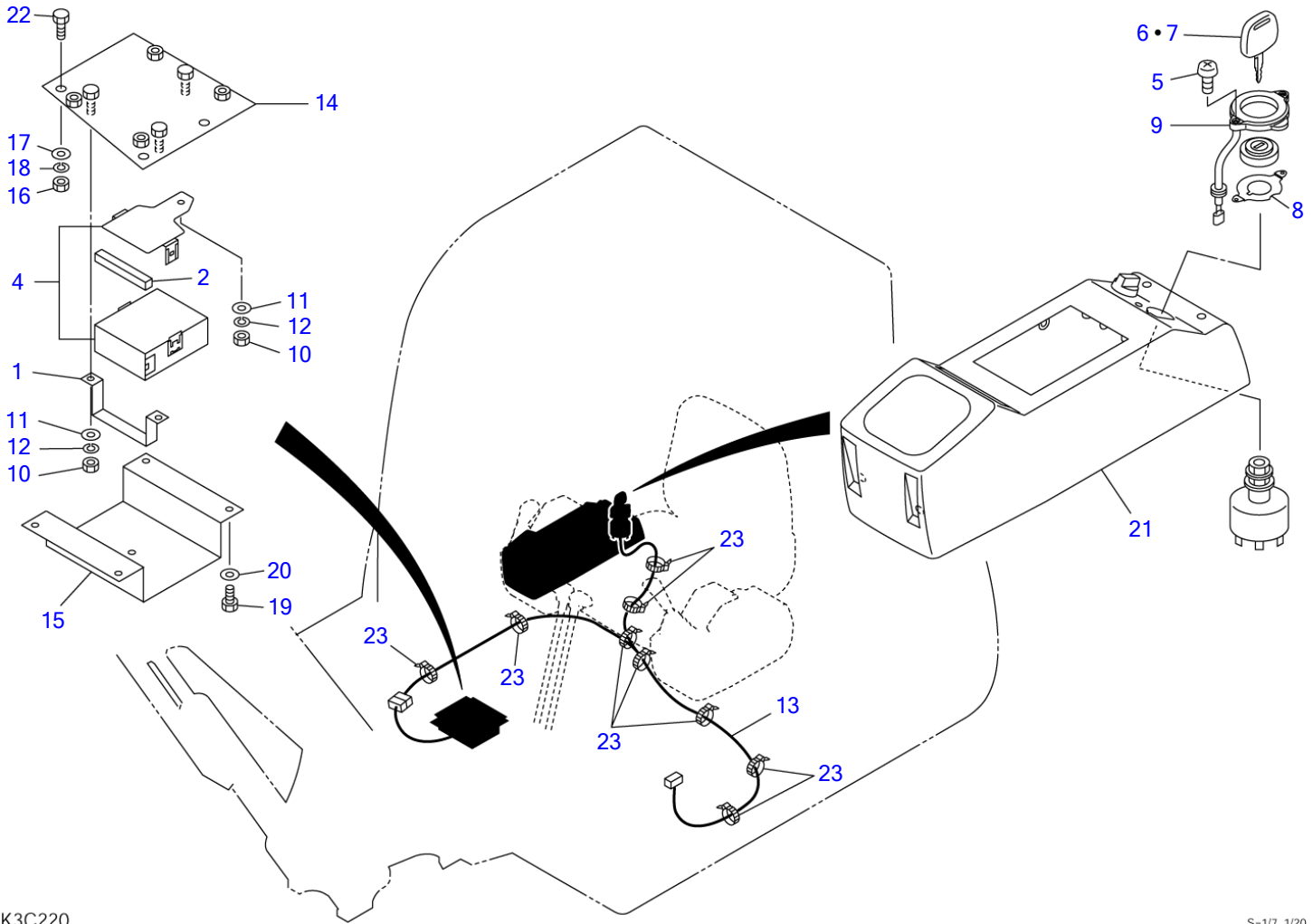
K3C250

S=1/8, 1/20

**GPS DEVICE (for China only)**

Item	Part number	Description	Q'ty	Chan.	Serial No.	Serv.	Remarks
		GPS DEVICE ASSY					X03942-24000-0
1	<b>0394224010</b>	COVER	1				
2	<b>1100040865</b>	BOLT	4				
3	<b>1120530412</b>	SCREW	4				
4	<b>1140020004</b>	WASHER, spring	4				
5	<b>1130040004</b>	NUT	4				
6	<b>1652241400</b>	BAND	1				
7	<b>1140020008</b>	WASHER, spring	4				
8	<b>1141110008</b>	WASHER	4				
9	<b>1653917009</b>	TRIM	1				sold by the meter
	<b>K3c250</b>						

TB145 Book No. BK3Z010 S/N 14510004-  
SECURITY SYSTEM



K3C220

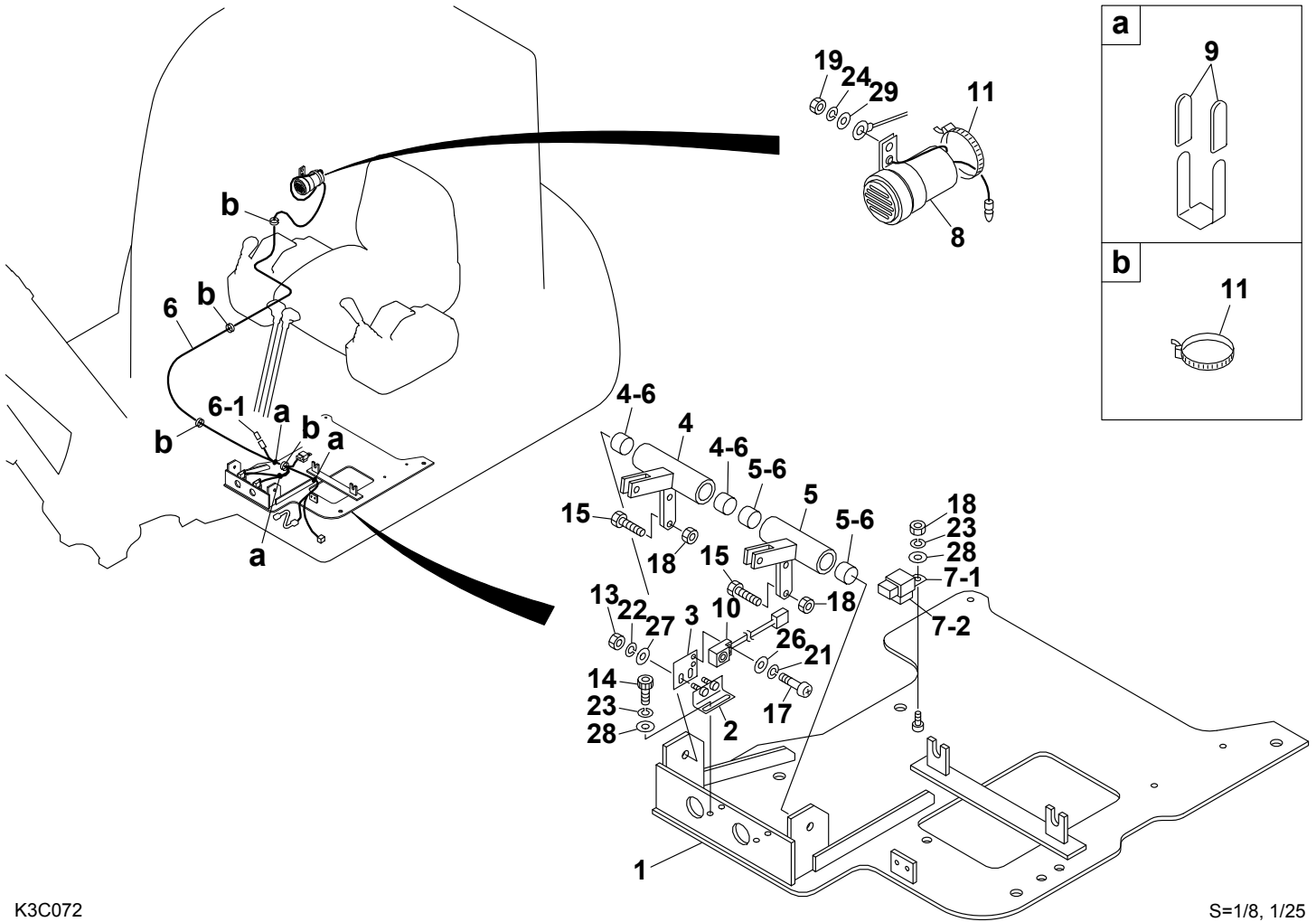
S=1/7, 1/20



**SECURITY SYSTEM**

Item	Part number	Description	Q'ty	Chan.	Serial No.	Serv.	Remarks
		SYSTEM ASSY, security					X03942-21500-1
1	<b>0564244002</b>	CLAMP	1				
2	<b>1654307008</b>	SPONGE	1				
0-1	<b>1730141200</b>	SYSTEM ASSY, security	1			M	
4	<b>1730141210</b>	· CONTROLLER	1				
5	<b>1730141151</b>	· SCREW	2				
6	<b>1730141120</b>	· KEY	2				black
7	<b>1730141130</b>	· KEY	1				gray
8	<b>1730141150</b>	· STAY	1				
9	<b>1730141140</b>	· COIL, antenna	1				
10	<b>1130040006</b>	NUT	3				
11	<b>1141110006</b>	WASHER	3				
12	<b>1140020006</b>	WASHER, spring	3				
13	<b>0394221510</b>	HARNESS, wiring	1				
14	<b>0394221520</b>	PLATE	1				
15	<b>0394221530</b>	SHEET	1				
16	<b>1130040008</b>	NUT	3				
17	<b>1141110008</b>	WASHER	3				
18	<b>1140020008</b>	WASHER, spring	3				
19	<b>1100040612</b>	BOLT	4				
20	<b>0003600110</b>	WASHER	4				
21	<b>0394221540</b>	COVER (R.H.)	1				
22	<b>1100040830</b>	BOLT	3				
23	<b>1652231250</b>	BAND	9				
	<b>K3c221</b>						

TB145 Book No. BK3Z010 S/N 14510004-  
**TRAVEL ALARM (14510004-14513527)**

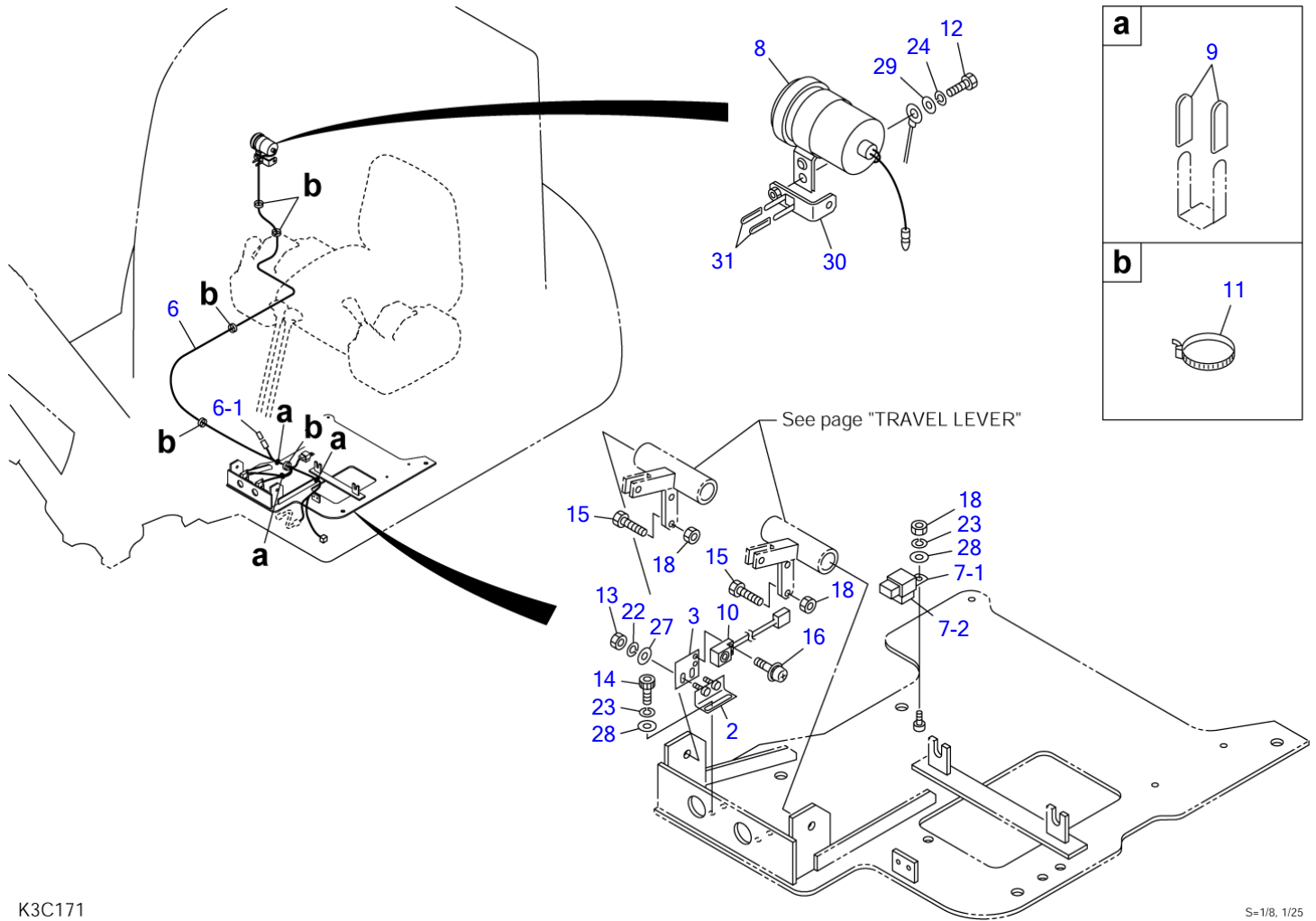


K3C072

S=1/8, 1/25

**TRAVEL ALARM (14510004-14513527)**

Item	Part number	Description	Q'ty	Chan.	Serial No.	Serv.	Remarks
		TRAVEL ALARM					X03942-11500-4
1	0394211600	BRACKET	1		14510004~14511118		
2	0394211530	BRACKET	2				
3	0374207300	PLATE	2				
4	0394211510	LEVER	1				
4-6	1333002015	· BUSHING	2				
5	0394211520	LEVER	1				
5-6	1333002015	· BUSHING	2				
6	0374207600	HARNES, wiring	1				
6-1	1730500008	· DIODE (3A, yellow)	1				
7	0334230130	RELAY ASSY	1				
7-1	1711900042	· RELAY	1				
7-2	1654302003	· SPONGE	1				
8	0354211050	BUZZER	1				
9	0872433150	TUBE	6				
10	1700009010	SWITCH	2				
11	1652231250	BAND	5				
13	1130040005	NUT	4				
14	1110040610	SCREW, cap	4				
15	1100040616	BOLT	2				
17	1120530312	SCREW	4				
18	1130030006	NUT	3				
19	1130030008	NUT	1				
21	1140020003	WASHER, spring	4				
22	1140020005	WASHER, spring	4				
23	1140020006	WASHER, spring	5				
24	1140020008	WASHER, spring	1				
26	1141110003	WASHER	4				
27	1141110005	WASHER	4				
28	1141110006	WASHER	5				
29	1141110008	WASHER	1				
	<b>K3c072</b>						



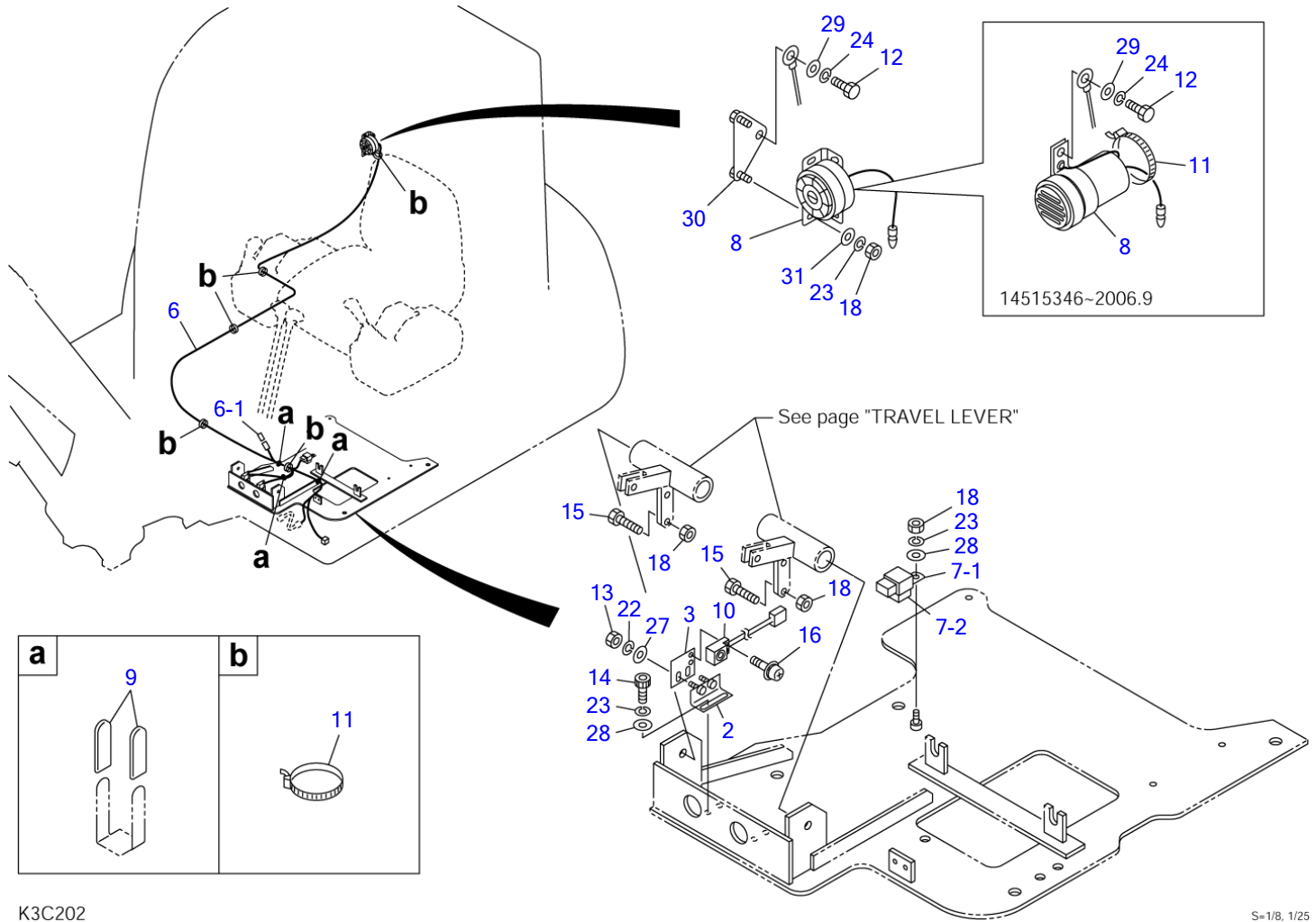
K3C171

S=1/8, 1/25

**TRAVEL ALARM (14513528-14515345)**

Item	Part number	Description	Q'ty	Chan.	Serial No.	Serv.	Remarks
		TRAVEL ALARM					X03942-11500-5
2	0394211530	BRACKET	2				
3	0374207300	PLATE	2				
6	0374207600	HARNESS, wiring	1				
6-1	1730500008	· DIODE (3A, yellow)	1				
7	0334230130	RELAY ASSY	1				
7-1	1711900042	· RELAY	1				
7-2	1654302003	· SPONGE	1				
8	0354211050	BUZZER	1				
9	0872433150	TUBE	6				
10	1700009010	SWITCH	2				
11	1652231250	BAND	5				
12	1100040820	BOLT	2				
13	1130040005	NUT	4				
14	1110040610	SCREW, cap	4				
15	1100040616	BOLT	2				
16	1150410312	SCREW	4				
18	1130030006	NUT	3				
22	1140020005	WASHER, spring	4				
23	1140020006	WASHER, spring	5				
24	1140020008	WASHER, spring	1				
27	1141110005	WASHER	4				
28	1141110006	WASHER	5				
29	1141110008	WASHER	1				
30	0374207710	BRACKET	1				
31	0872433150	TUBE	2				

K3c170



K3C202

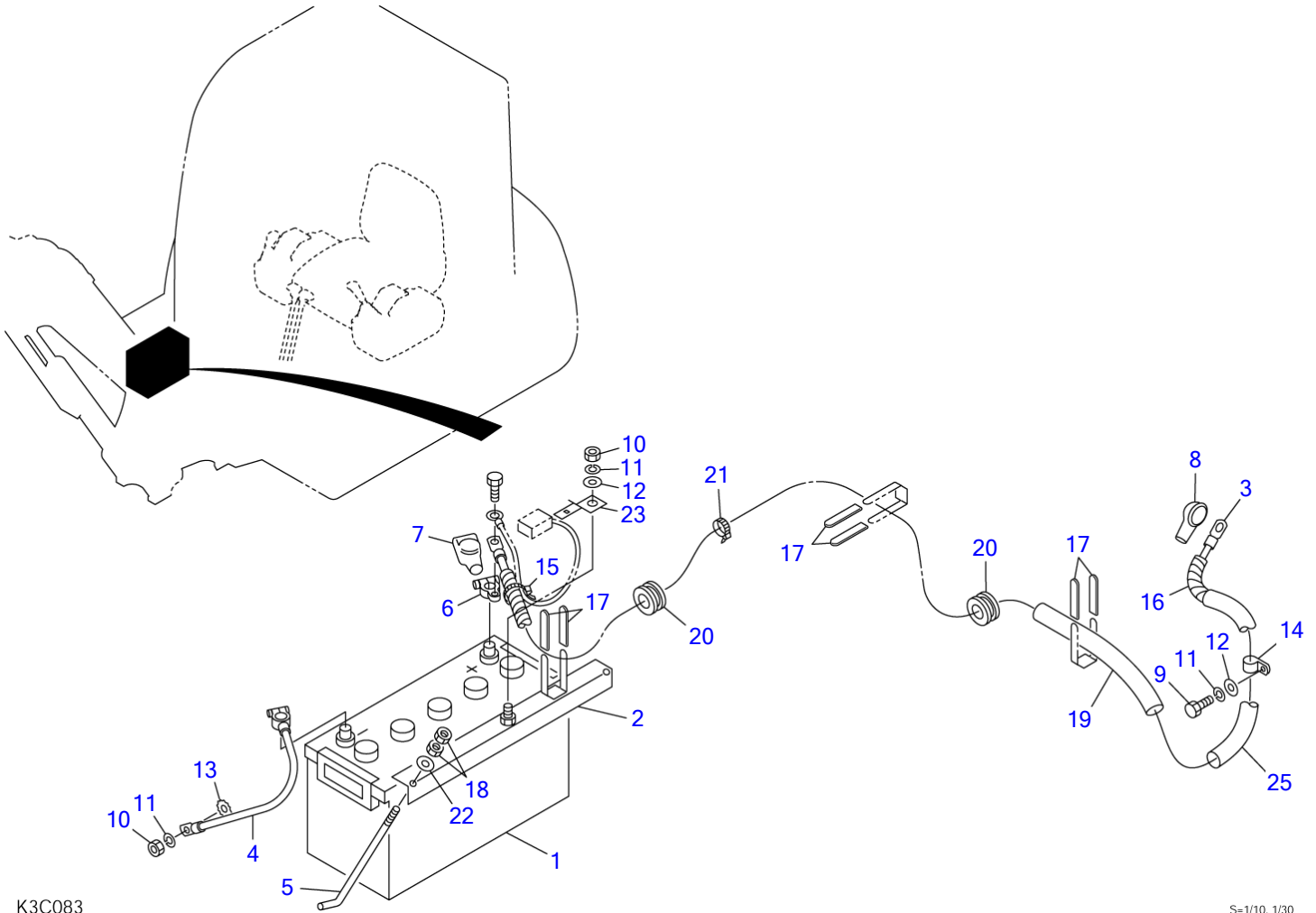
S=1/8, 1/25

**TRAVEL ALARM (14515346-)**

Item	Part number	Description	Q'ty	Chan.	Serial No.	Serv.	Remarks
		TRAVEL ALARM					X03942-22500-3
2	0394211530	BRACKET	2				
3	0374207300	PLATE	2				
6	0374207600	HARNES, wiring	1				
6-1	1730500008	· DIODE (3A, yellow)	1				
7	0334230130	RELAY ASSY	1				
7-1	1711900042	· RELAY	1				
7-2	1654302003	· SPONGE	1				
8	0354211050	BUZZER	1	A	14515346~1451#		
	1703700013	BUZZER	1	a(H)	1451#~		No23665
9	0872433150	TUBE	6				
10	1700009010	SWITCH	2				
11	1652231250	BAND	5				
12	1100040820	BOLT	1				
13	1130040005	NUT	4				
14	1110040610	SCREW, cap	4				
15	1100040616	BOLT	2				
16	1150410312	SCREW	4				
18	1130030006	NUT	5				
22	1140020005	WASHER, spring	4				
23	1140020006	WASHER, spring	7				
24	1140020008	WASHER, spring	1				
27	1141110005	WASHER	4				
28	1141110006	WASHER	5				
29	1141110008	WASHER	1				
30	0564228010	BRACKET	1	a	2006.10~		No23665
31	0003600110	WASHER	2		2006.10~		

<<NOTE>>  
 "A" is interchangeable with SET  
 "a".

**K3c202**



K3C083

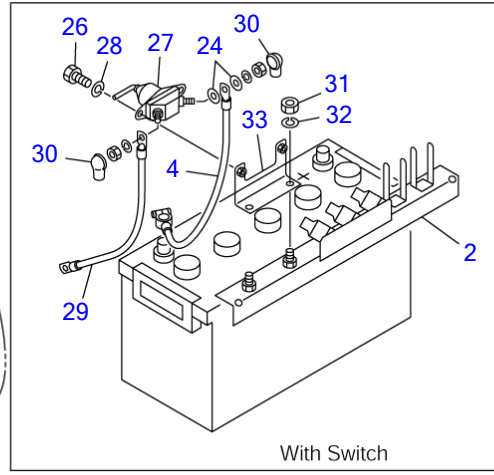
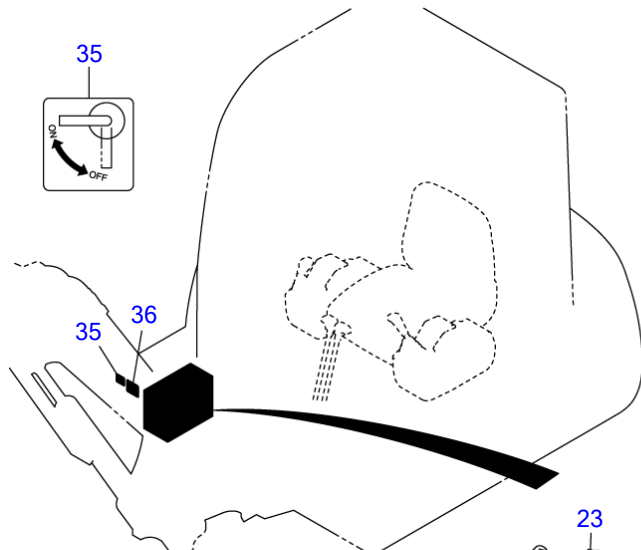
S=1/10, 1/30



**BATTERY (14510004-14513260)**

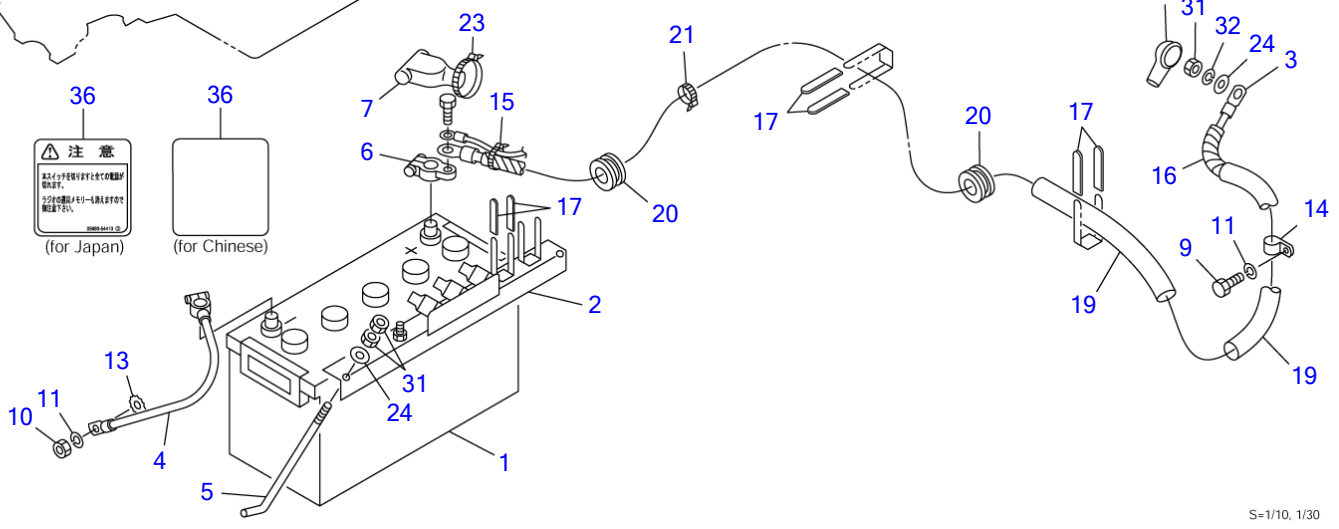
Item	Part number	Description	Q'ty	Chan.	Serial No.	Serv.	Remarks
		BATTERY ASSY					X03944-04000-6
1	1702053041	BATTERY	1				
2	0394404010	CLAMP	1				
3	1702607220	CABLE	1				
4	1702230030	CABLE, earth	1				
5	1702106250	BOLT	2				
6	1702330000	TERMINAL	1				
7	1702920060	COVER	1				
8	1910007119	COVER	1				
9	1100041016	BOLT	1				
10	1130040010	NUT	2				
11	1140020010	WASHER, spring	3				
12	1141110010	WASHER	2				
13	1140330010	WASHER	1				
14	1711900072	CLAMP	1				
15	1652231140	BAND	1				
16	1703231320	TUBE	1				
17	0872433150	CLAMP	6				
18	1130040006	NUT	4				
19	1531325040	PROTECTOR	1				sold by the meter
20	0437200100	GUARD	2				
21	1652231250	BAND	2				
22	1141110006	WASHER	2				
23	1711900064	CLIP	1				
25	1531325050	PROTECTOR	1		14512847~		
	K3c084						

TB145 Book No. BK3Z010 S/N 14510004-  
BATTERY (14513261-)



- 36 **CAUTION**  
Setting this switch to the "OFF" position will shut down all of the electrical circuits and the memory of the radio present talking features will be deleted.  
(for English)
- 36 **PRECAUZIONE**  
Impostare quest'interruttore in posizione "OFF" chiude tutti i circuiti elettrici e la memoria del talk di comunicazione intercomunicazione verrà cancellata.  
(for Italian)
- 36 **PRECAUCIÓN**  
Cuando se quite este interruptor a la posición "OFF" todos los circuitos eléctricos se apagarán y se borrarán la memoria de las funciones de comunicación de radio preprogramadas.  
(for Spanish)
- 36 **ACHTUNG**  
Das Entfernen dieses Schalters auf die "Aus"-Position schaltet alle Stromkreise aus und der Speicher der Radio-Sprechfunktionen wird gelöscht.  
(for German)

- 36 **ATTENTION**  
Le réglage de ce commutateur à la position "Off" ferme tous les circuits électriques et la mémoire des touches de système sera supprimée de manière efficace.  
(for French)
- 36 **注意**  
このスイッチを「OFF」位置に設定すると、電気回路がすべて停止し、あらかじめ設定された無線通信機能のメモリが削除されます。  
(for Japanese)
- 36 **(for Chinese)**

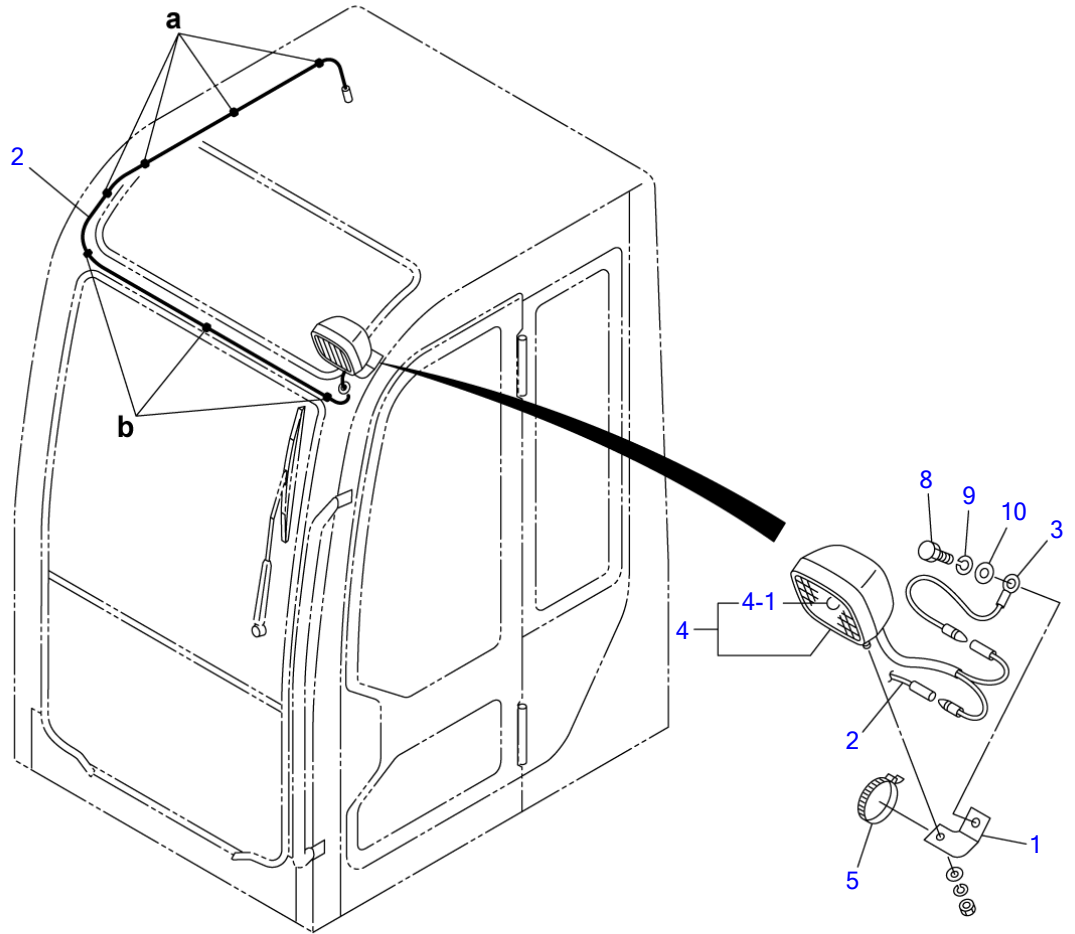
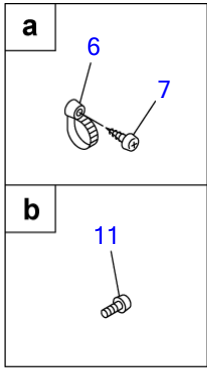


K3C086

S=1/10, 1/30

Item	Part number	Description	Q'ty	Chan.	Serial No.	Serv.	Remarks
		<b>BATTERY (14513261-)</b>					
		BATTERY ASSY					X03944-04100-4
		BATTERY ASSY (with switch) (for English)					X03944-04200-4
		BATTERY ASSY (with switch) (for German)					X03944-04300-4
		BATTERY ASSY (with switch) (for French)					X03944-04400-4
		BATTERY ASSY (with switch) (for Italian)					X03944-04500-4
		BATTERY ASSY (with switch) (for Spanish)					X03944-04600-4
		BATTERY ASSY (with switch) (for Japan)					X03944-04700-4
		BATTERY ASSY (with switch) (for Chinese)					X03944-04800-4
1	1702053041	BATTERY	1				
2	0394404110	CLAMP	1				
3	1702607220	CABLE, battery	1				
4	1702230030	CABLE, earth	1				
5	1702108245	BOLT	2				
6	1702330000	TERMINAL	1				
7	1702920060	COVER	1				
8	1910007119	COVER	1				,x124550-77030
9	1100041016	BOLT	1				
10	1130040010	NUT	1				
11	1140020010	WASHER, spring	2				
13	1140330010	WASHER	1				
14	1711900072	CLAMP	1				
15	1652231140	STRAP	1				
16	1703231320	TUBE	1				sold by the meter
17	0872433150	TUBE	6				
19	1531325040	PROTECTOR	2				sold by the meter
20	0437200100	GUARD	2				
21	1652231250	STRAP	1				
23	1652201005	BAND	1				
24	1141110008	WASHER	3				
	1141110008	WASHER	5				with switch
26	1100040620	BOLT	2				with switch
27	1700100051	SWITCH	1				with switch
28	1140020006	WASHER, spring	2				with switch
29	1702531040	CABLE, earth	1				with switch
30	1702901281	CAP	2				with switch
31	1130040008	NUT	5				
	1130040008	NUT	7				with switch
32	1140020008	WASHER, spring	1				
	1140020008	WASHER, spring	3				with switch
33	0394404120	PLATE	1				with switch
35	0399351210	DECAL	1				with switch
36	0569353810	DECAL (English)	1				with switch
	0569353910	DECAL (German)	1				with switch
	0569354010	DECAL (French)	1				with switch
	0569354110	DECAL (Italian)	1				with switch
	0569354310	DECAL (Spanish)	1				with switch
	0569354410	DECAL (Japan)	1				with switch
	0569355847	DECAL (Chinese)	1				with switch
	K3c087						

TB145 Book No. BK3Z010 S/N 14510004-  
CAB WORKING LIGHT

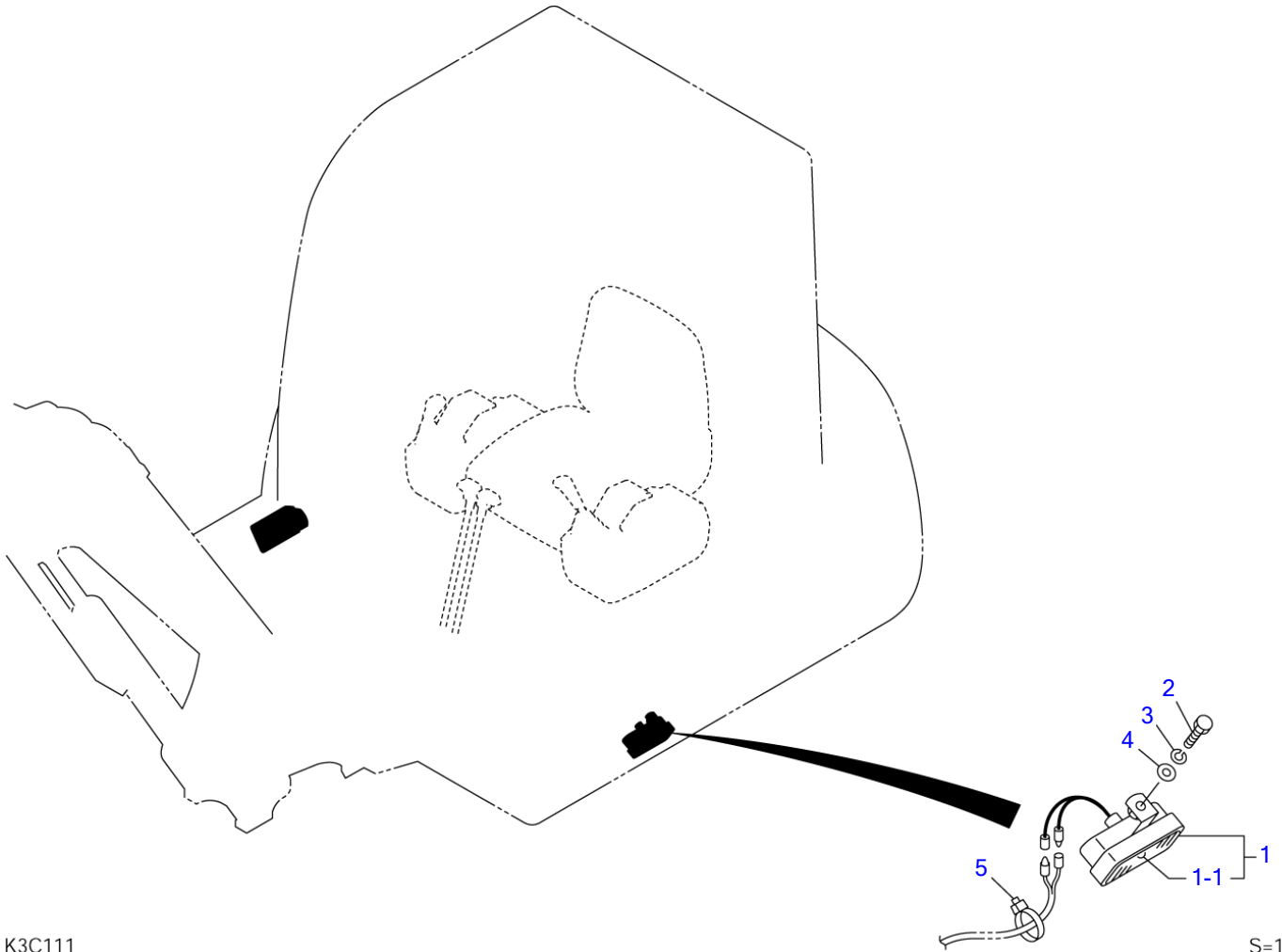


G4C160

S=1/10, 1/17

**CAB WORKING LIGHT**

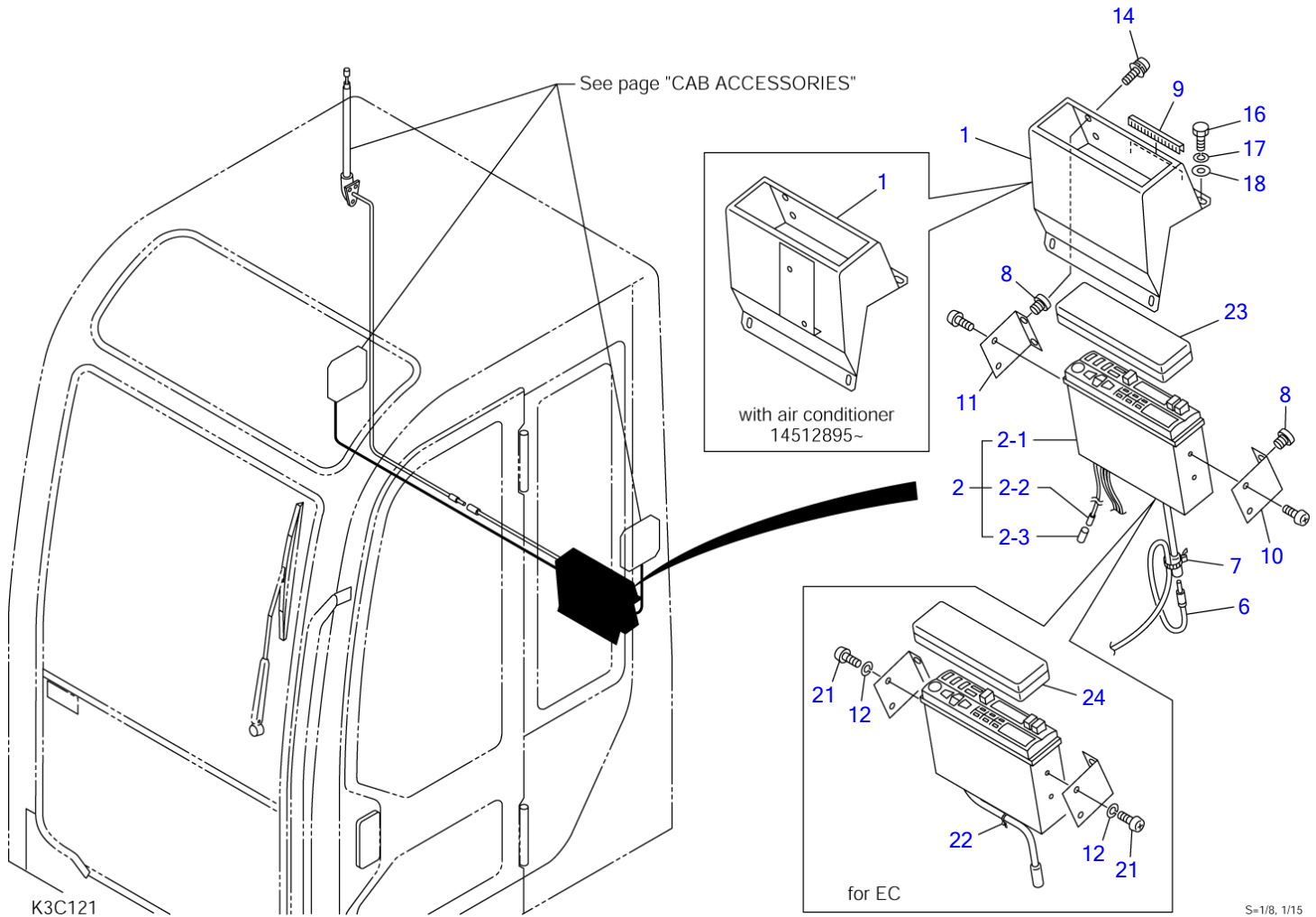
Item	Part number	Description	Q'ty	Chan.	Serial No.	Serv.	Remarks
		LIGHT ASSY, cab working					X03742-08000-0
1	<b>0334241510</b>	BRACKET	1				
2	<b>0374208010</b>	HARNESS, wiring	1				
3	<b>0336021400</b>	HARNESS, wiring	1				
4	<b>1703006000</b>	LAMP ASSY	1				
4-1	<b>1703005506</b>	• BULB	1				
5	<b>1652231250</b>	BAND	1				
6	<b>1652221050</b>	BAND	4				
7	<b>1122400512</b>	SCREW	4				
8	<b>1100031025</b>	BOLT	1				
9	<b>1140020010</b>	WASHER, spring	1				
10	<b>1140330010</b>	WASHER	1				
11	<b>1120590410</b>	SCREW	3				
	<b>G4c160</b>						



K3C111

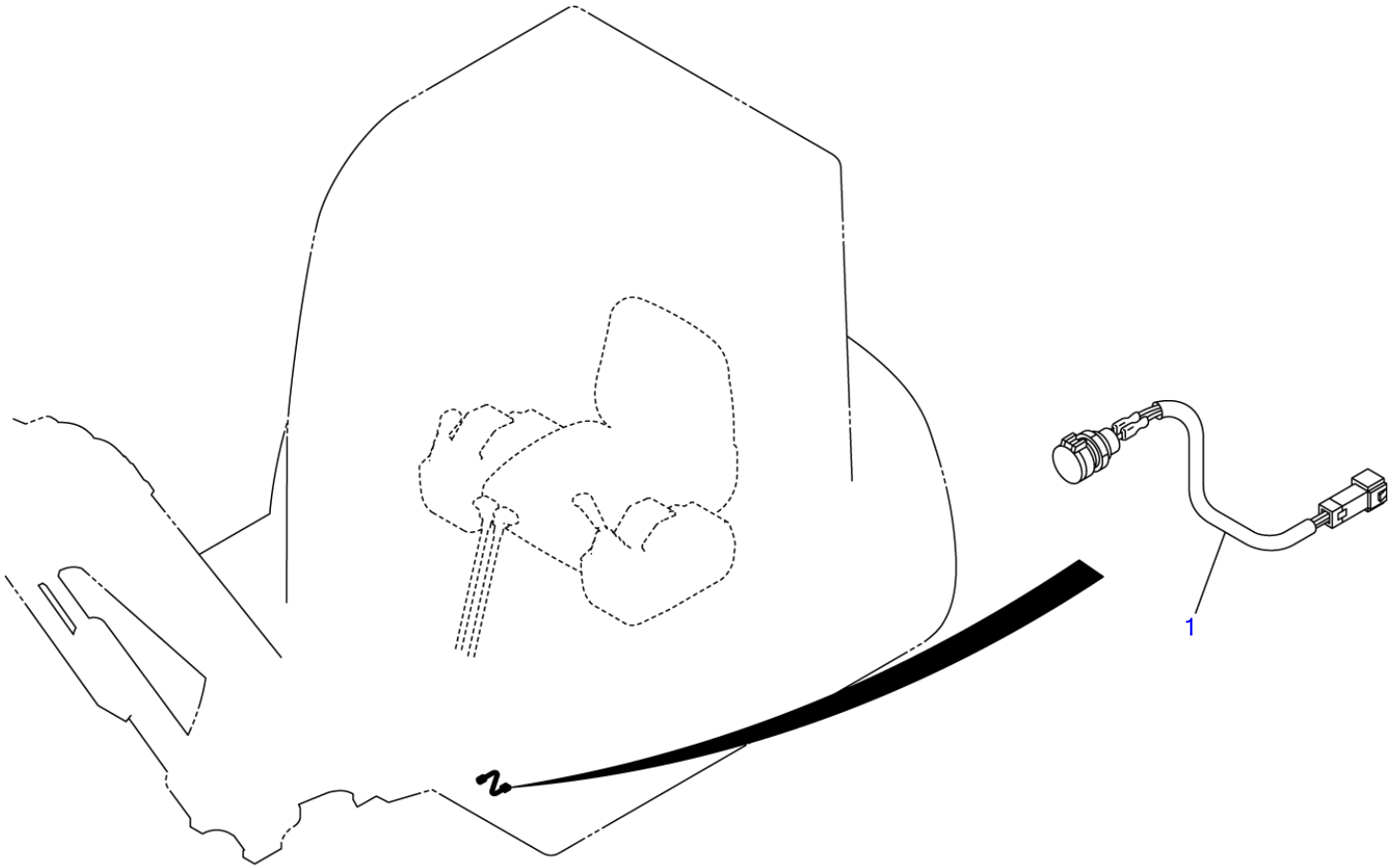
S=1/10, 1/20

Item	Part number	Description	SIDE LIGHT			Remarks
			Q'ty	Chan.	Serial No.	
		LIGHT ASSY, side				X03942-12500-1
1	1703006800	LAMP ASSY	2			
1-1	1703006801	• BULB	1			
2	1100040820	BOLT	2			
3	1140020008	WASHER, spring	2			
4	1141110008	WASHER	2			
5	1652231140	BAND	2		14511347~	
	K3c111					





RADIO							
Item	Part number	Description	Q'ty	Chan.	Serial No.	Serv.	Remarks
		RADIO ASSY (for EC)					X03747-03000-10
		RADIO ASSY (for EC) (with air con.)			14512895~		X03747-05100-10
		RADIO ASSY (for U.S.A.)					X03747-04000-10
		RADIO ASSY (for U.S.A.) (with air con.)			14512895~		X03747-05200-10
		RADIO ASSY (for JAPAN)					X03747-05000-10
		RADIO ASSY (for JAPAN) (with air con.)			14512895~		X03747-05300-10
1	<b>0374703100</b>	COVER ASSY	1		14510004~14510138		
	<b>0374703200</b>	COVER ASSY	1	(H)	14510139~		
	<b>0394612350</b>	COVER ASSY	1		14512895~		with air con.
2	X <b>0334704800</b>	CASSETTE STEREO ASSY	1				for EC
	X <b>0334704300</b>	CASSETTE STEREO ASSY	1				for U.S.A.
	X <b>0334704400</b>	CASSETTE STEREO ASSY	1				for JAPAN
2-1	<b>1705004500</b>	• CASSETTE STEREO	1				for EC
	<b>1705003700</b>	• CASSETTE STEREO	1				for U.S.A.
	<b>1705003800</b>	• CASSETTE STEREO	1				for JAPAN
2-2	<b>1702700002</b>	• SOCKET	1				
2-3	<b>1702700004</b>	• SLEEV	1				
6	<b>1705001610</b>	JUMPER	1		14510004~14515171		
7	<b>1652231100</b>	BAND	1				for Japan, USA
8	<b>1652520005</b>	RUBBER, cushion	4				
9	<b>1653917009</b>	TRIM	1				sold by the meter
10	<b>0334704600</b>	BRACKET (L.H.)	1				
11	<b>0334704700</b>	BRACKET (R.H.)	1				
12	<b>1140090005</b>	WASHER, spring	4				for EC
14	<b>1150410520</b>	SCREW	4				
16	<b>1100090616</b>	BOLT	4				
17	<b>1140090006</b>	WASHER, spring	4				
18	<b>1141190006</b>	WASHER	4				
21	<b>1120590510</b>	SCREW	4				for EC
22	<b>1652201003</b>	BAND	1				for EC
23	<b>1705003650</b>	COVER	1				for Japan, USA
24	<b>1705004550</b>	COVER	1				for EC
	<b>K3c125</b>						

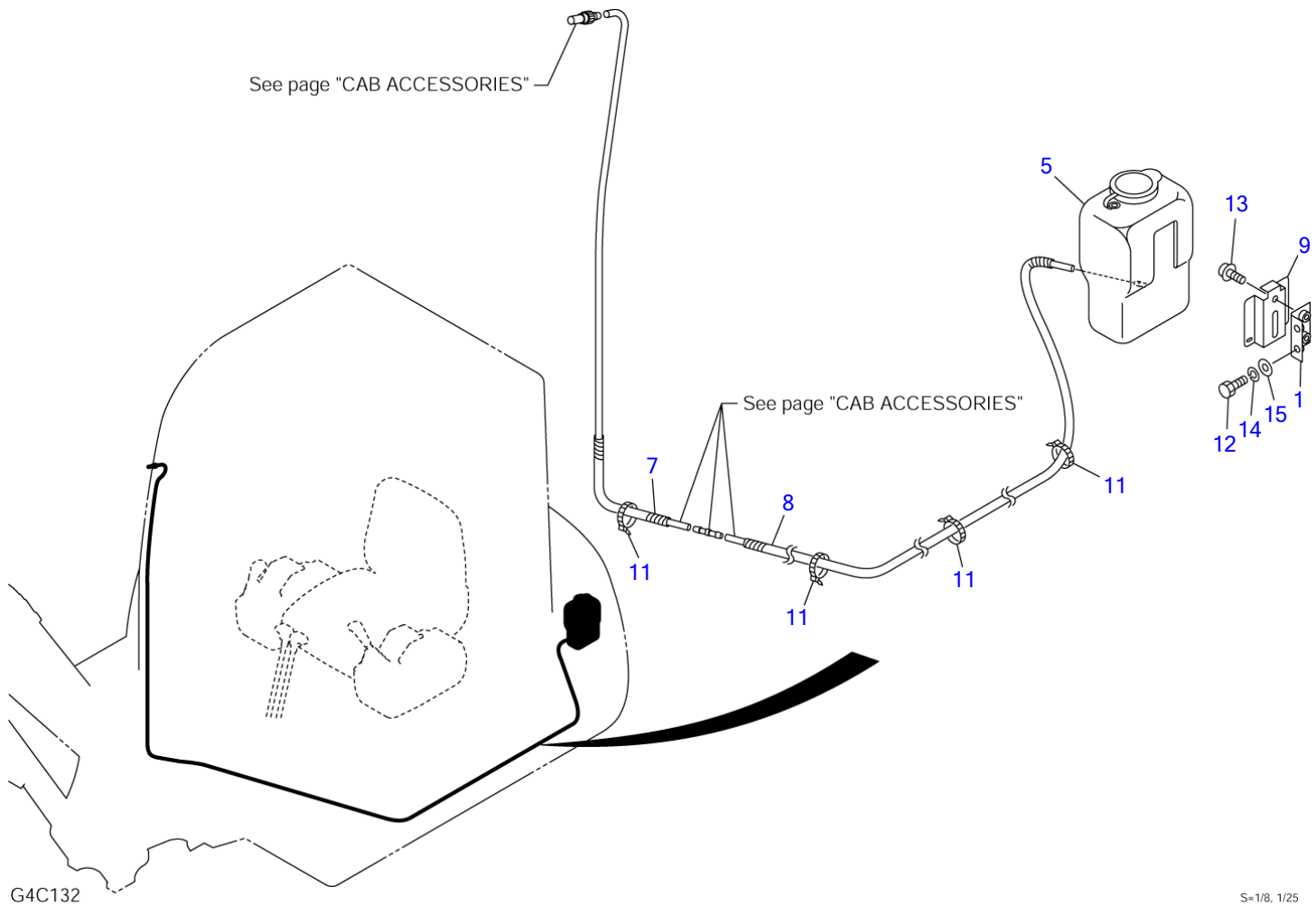


G4C120

S=1/20

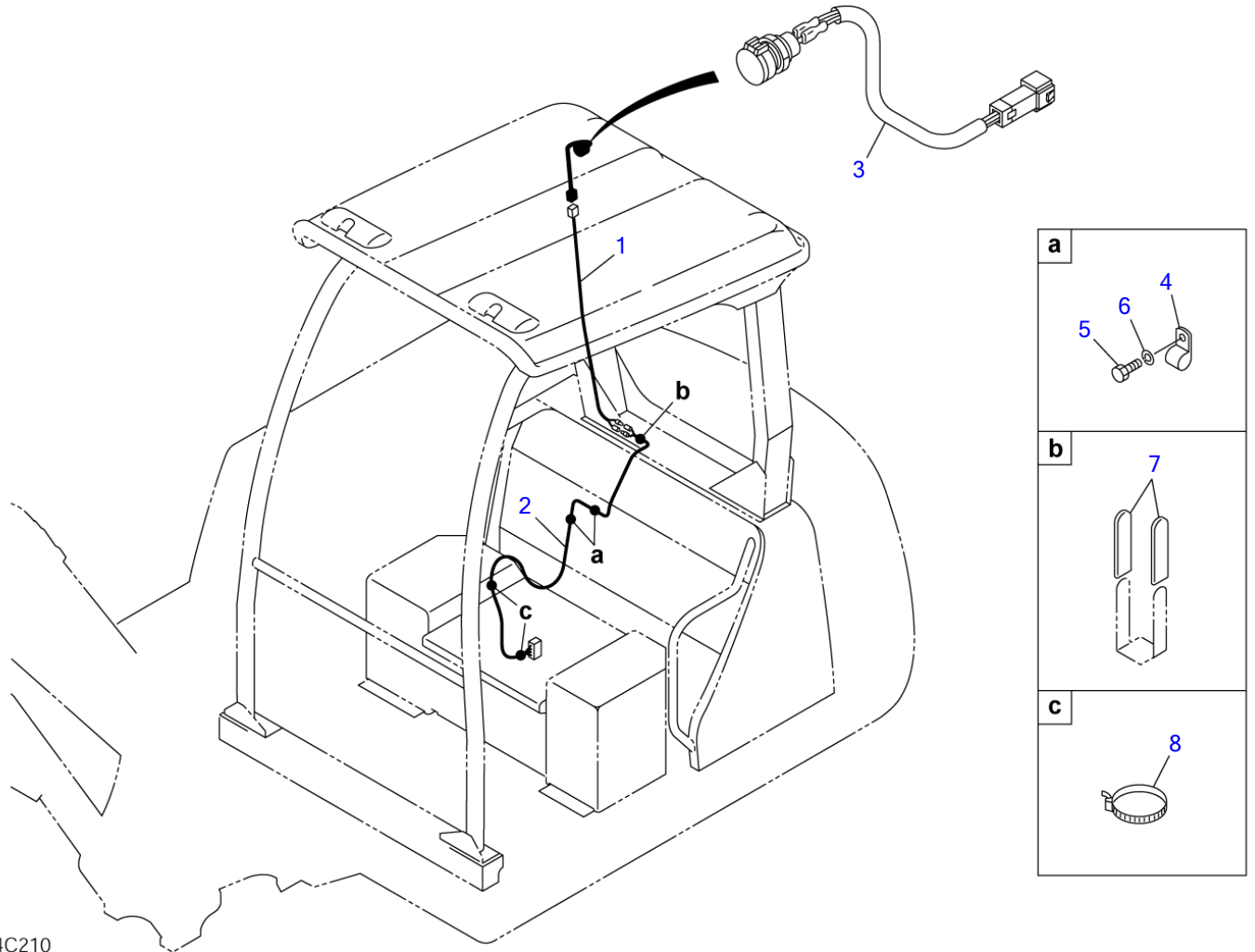
**MAINTENANCE LIGHT SOCKET**

Item	Part number	Description	Q'ty	Chan.	Serial No.	Serv.	Remarks
1	<b>0394203100</b> <b>G4c120</b>	SOCKET ASSY, maintenance light SOCKET ASSY	1				X03942-03000-0



WINDOW WASHER

Item	Part number	Description	Q'ty	Chan.	Serial No.	Serv.	Remarks
		WASHER ASSY, window					X03789-01000-2
1	0378901010	BRACKET	1				
5	1711910101	TANK	1				
7	1703210740	TUBE	1				
8	1703230710	TUBE	1				
9	1711910062	BRACKET	1				
11	1652231140	BAND	4				
12	1100040616	BOLT	2				
13	1150410612	SCREW	2				
14	1140020006	WASHER, spring	2				
15	1141110006	WASHER	2				
	G4c132						



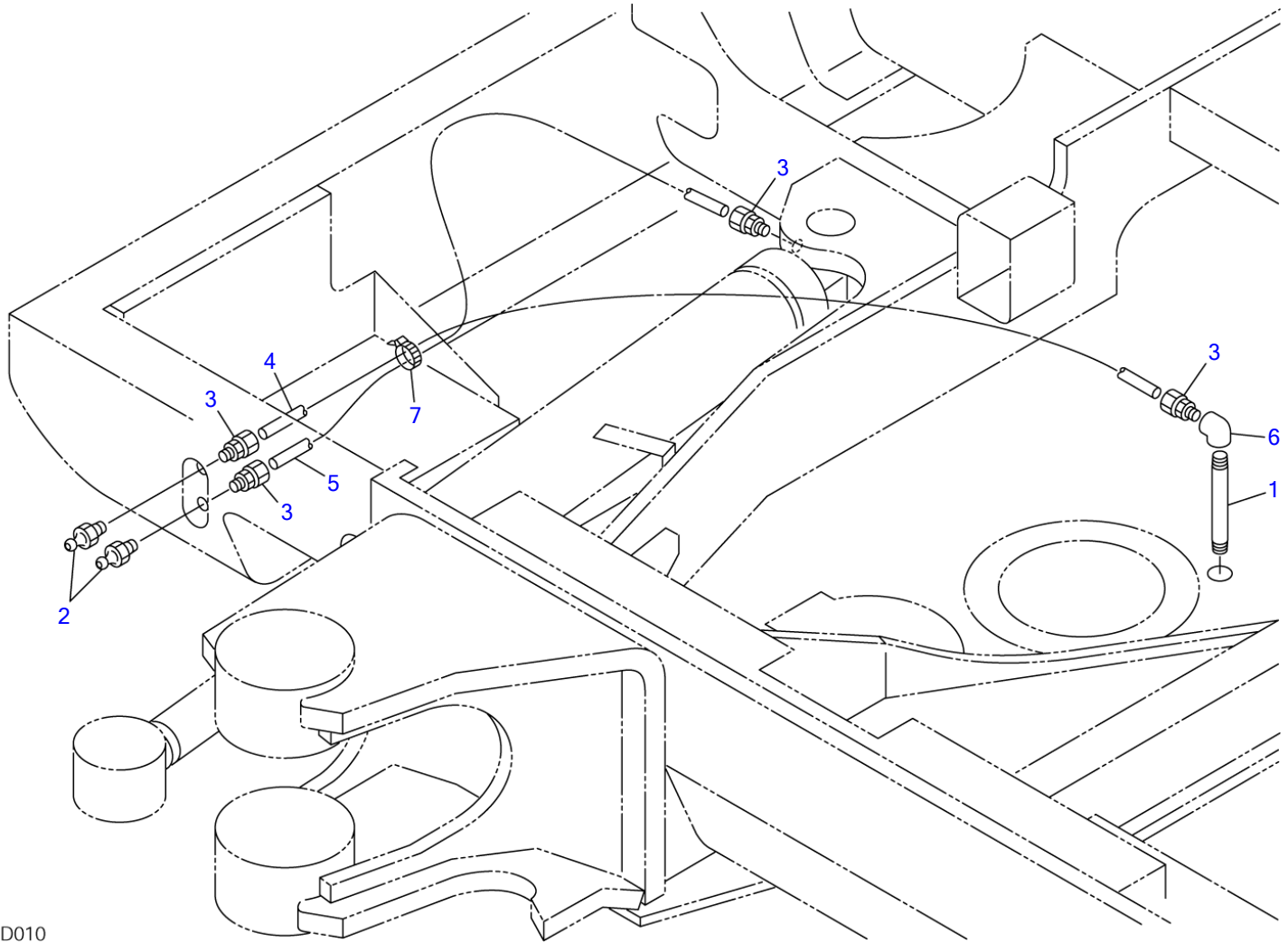
G4C210

S=1/6, 1/18

**BEACON SOCKET**

Item	Part number	Description	Q'ty	Chan.	Serial No.	Serv.	Remarks
		SOCKET ASSY, beacon					X03784-04000-0
		SOCKET ASSY, beacon (with heater)					X03784-04100-0
1	<b>0378404010</b>	HARNESS, wiring	1				
2	<b>0378404020</b>	HARNESS, wiring	1				without heater
3	<b>0394203100</b>	SOCKET ASSY	1				
4	<b>1652900006</b>	CLAMP	2				
5	<b>1100040814</b>	BOLT	2				
6	<b>1140020008</b>	WASHER, spring	2				
7	<b>0872433150</b>	TUBE	2				
8	<b>1652231250</b>	BAND	2				without heater
	<b>G4c210</b>						

TB145 Book No. BK3Z010 S/N 14510004-  
GREASE PIPING



K3D010

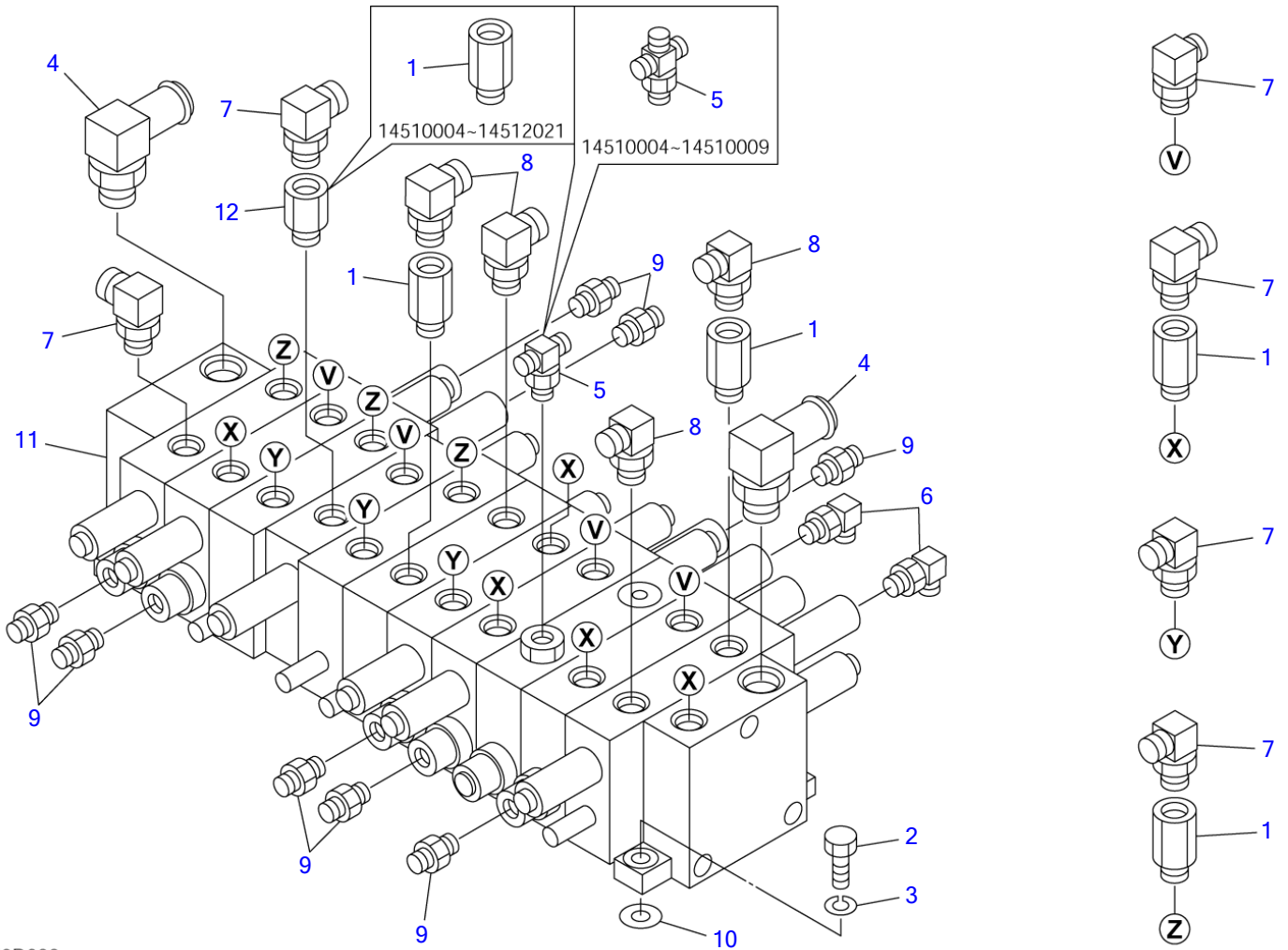
S=FREE



**GREASE PIPING**

Item	Part number	Description	Q'ty	Chan.	Serial No.	Serv.	Remarks
		PIPING ASSY, grease					X03924-02000-0
1	0009101090	NIPPLE	1				
2	1560001000	NIPPLE	2				
3	1532520601	NIPPLE	4				
4	1532120640	TUBE	1				sold by the meter
5	1532120602	TUBE	1				sold by the meter
6	1508010001	ELBOW	1				
7	1652231140	BAND	1				
	<b>K3d010</b>						

TB145 Book No. BK3Z010 S/N 14510004-  
**VALVE & ACCESSORIES**



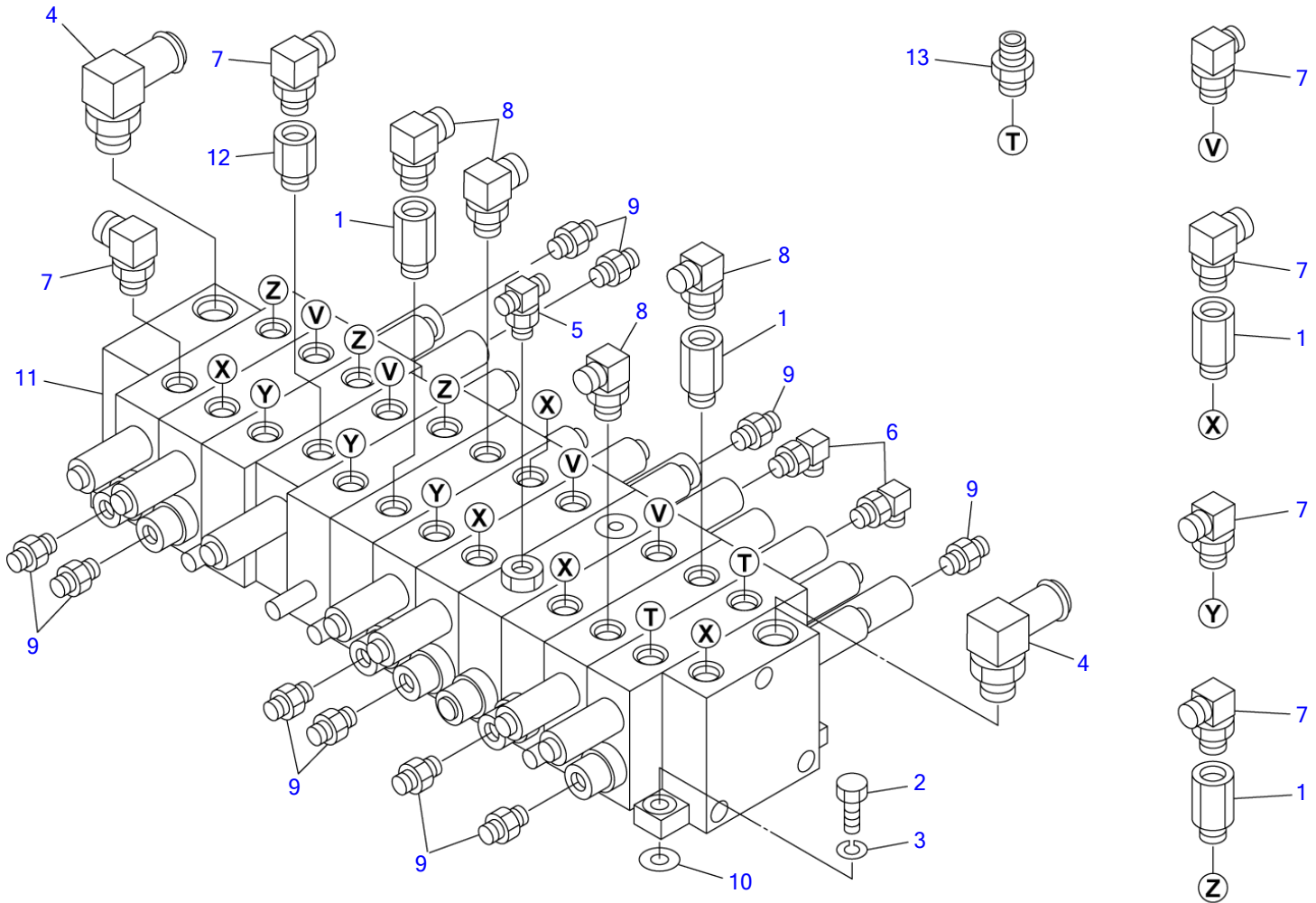
K3D022

S=1/4

**VALVE & ACCESSORIES**

Item	Part number	Description	Q'ty	Chan.	Serial No.	Serv.	Remarks
		VALVE ASSY, control					X03950-08000-7
		VALVE ASSY, control (high flow)					X03950-08500-5
1	0007213011	BUSHING	11		14510004~14512021		
	0007213011	BUSHING	10		14512022~		
2	1100040825	BOLT	3				
3	1140020008	WASHER, spring	3				
4	1513350005	CONNECTOR	2				
	1420010240	• O-RING	1				
5	1513390027	CROSS	1		14510004~14510009		
	1512370010	TEE	1		14510010~		
	1420010110	• O-RING	1				
6	1515012040	ELBOW	2				
	1420010110	• O-RING	1				
7	1515010042	ELBOW	17				
	1420010180	• O-RING	1				
8	1515010051	ELBOW	4				
	1420010180	• O-RING	1				
9	1515600200	ADAPTOR	8				
	1420010110	• O-RING	1				
10	1141110008	WASHER	3				
11	1901036500	VALVE, control	1		14510004~14514823		
	1901043600	VALVE, control	1	(H)	14514824~		
	1901040600	VALVE, control (high flow)	1		14510004~14514823		
	1901043700	VALVE, control (high flow)	1	(H)	14514824~		
12	0007213010	BUSHING	1		14512022~		
	K3d025						

TB145 Book No. BK3Z010 S/N 14510004-  
**VALVE & ACCESSORIES (with the 2nd auxiliary lines)**



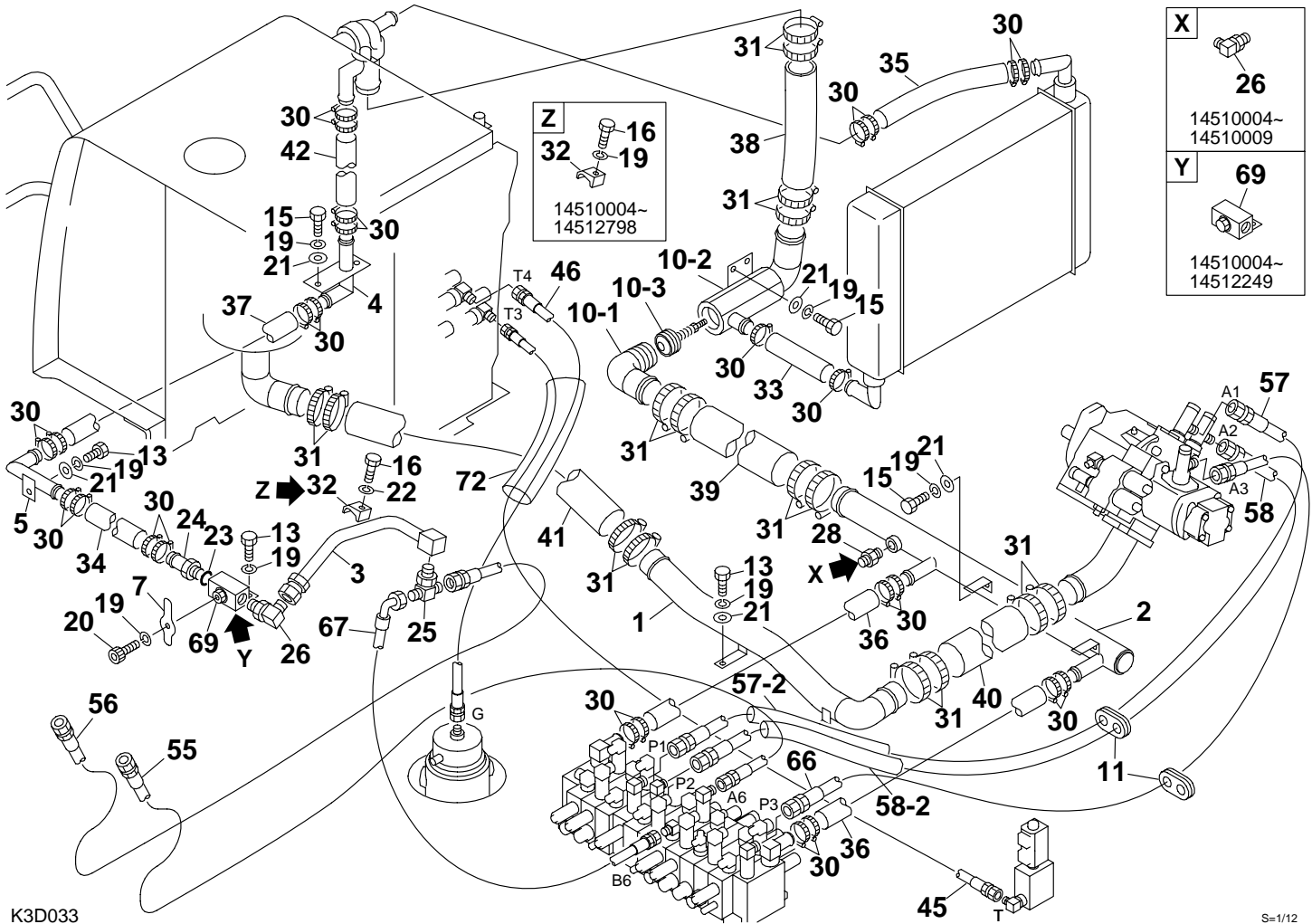
K3D120

S=1/4

**VALVE & ACCESSORIES (with the 2nd auxiliary lines)**

Item	Part number	Description	Q'ty	Chan.	Serial No.	Serv.	Remarks
		VALVE ASSY, control					X03950-14000-3
1	0007213011	BUSHING	10				
2	1100040825	BOLT	3				
3	1140020008	WASHER, spring	3				
4	1513350005	CONNECTOR	2				
	1420010240	• O-RING	1				
5	1512370010	TEE	1				
	1420010110	• O-RING	1				
6	1515012040	ELBOW	2				
	1420010110	• O-RING	1				
7	1515010042	ELBOW	17				
	1420010180	• O-RING	1				
8	1515010051	ELBOW	4				
	1420010180	• O-RING	1				
9	1515600200	ADAPTOR	10				
	1420010110	• O-RING	1				
10	1141110008	WASHER	3				
11	1901037100	VALVE, control	1		14510004~14514823		
	1901043000	VALVE, control	1	(H)	14514824~		
12	0007213010	BUSHING	1				
13	1515600202	ADAPTOR	2				
	1420010180	• O-RING	1				
	K3d123						

TB145 Book No. BK3Z010 S/N 14510004-  
 PIPING; UPPER (1/2) (14510004-14513260)



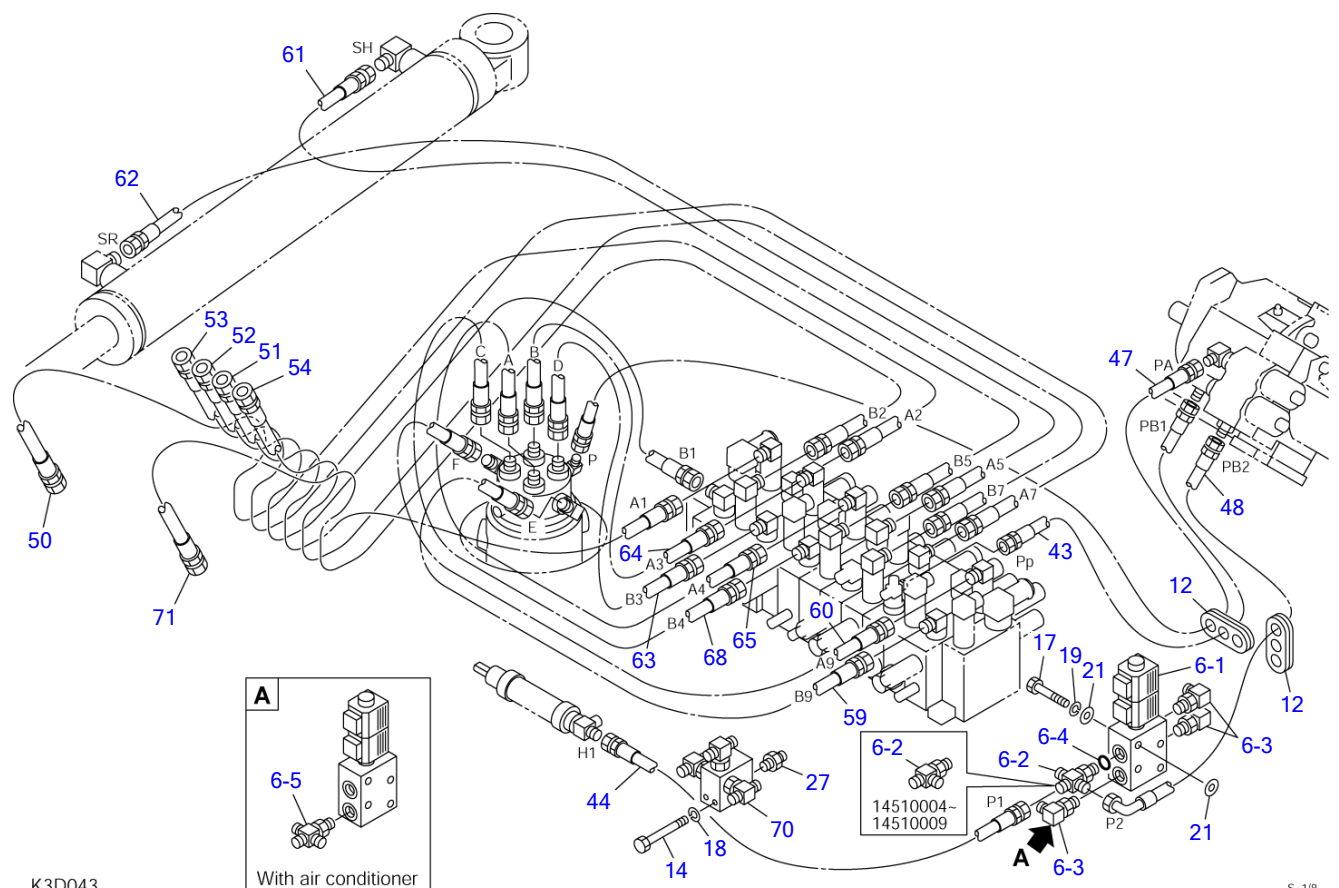
K3D033

S=1/12

**PIPING; UPPER (1/2) (14510004-14513260)**

Item	Part number	Description	Q'ty	Chan.	Serial No.	Serv.	Remarks
		PIPING ASSY, upper					X03970-07000-9
		PIPING ASSY, upper (with air conditioner)					X03970-07800-9
1	0397007010	PIPE	1				
2	0397007020	PIPE	1				
3	0397007030	PIPE	1				
4	0397007040	PIPE	1				
5	0397007050	PIPE	1				
7	0357007050	LEVER	1		14512250~		
10	0397007100	MANIFOLD	1				
10-1	0397007110	• PIPE	1				
10-2	0397007120	• PIPE	1				
10-3	1540141230	• VALVE, check	1				
11	0337017300	GROMMET	2				
13	1100040820	BOLT	5				
15	1100040825	BOLT	6				
16	1100040840	BOLT	1		14510004~14512798		
	1100041045	BOLT	1		14512799~		
19	1140020008	WASHER, spring	12		14510004~14512249		
	1140020008	WASHER, spring	13		14512250~14512798		
	1140020008	WASHER, spring	12		14512799~		
20	1110040820	SCREW, cap	1		14512250~		
21	1141110008	WASHER	9				
22	1140020010	WASHER, spring	1		14512799~		
23	1420010180	O-RING	1				
24	0007223015	NIPPLE	1				
25	1512374002	NIPPLE	1				
	1420010180	• O-RING	1				
26	1515010042	ELBOW	2		14510004~14510009		
	1420010180	• O-RING	1				
	1515010042	ELBOW	1		14510010~		
	1420010180	• O-RING	1				
28	1515600202	ADAPTOR	1				
	1420010180	• O-RING	1				
30	1533700041	CLIP	26				
31	1533700070	CLIP	16				
32	1534100217	CLAMP	1		14510004~14512798		
	1534100218	CLAMP	1		14512799~		
33	1530525014	HOSE	1				sold by the meter
34	1530525032	HOSE	1				sold by the meter
35	1530525037	HOSE	1				sold by the meter
36	1530525038	HOSE	2				sold by the meter
37	1530525125	HOSE	1				sold by the meter
38	1530547038	HOSE	1				sold by the meter
39	1530747068	HOSE	1				sold by the meter
40	0397007400	HOSE	1				sold by the meter
41	0397007410	HOSE	1				sold by the meter
42	1530525044	HOSE	1				sold by the meter
45	0397007450	HOSE ASSY	1				18010-22120
46	0397007460	HOSE ASSY	1				18010-23150
55	0397007550	HOSE ASSY	1				
56	0397007560	HOSE ASSY	1				
57	0397007570	HOSE ASSY	1				18015-30142
57-2	1530525060	• PROTECTOR	1				sold by the meter
58	0397007580	HOSE ASSY	1				18015-30128
58-2	1530525060	• PROTECTOR	1				sold by the meter
66	0397007660	HOSE ASSY	1				18015-40130
67	0397007670	HOSE ASSY	1				
69	1901719800	VALVE, stop	1		14510004~14512249		
	1901742000	VALVE, stop	1	(H)	14512250~		
72	1531645060	PROTECTOR	1				sold by the meter
	K3d034						

TB145 Book No. BK3Z010 S/N 14510004-  
 PIPING; UPPER (2/2) (14510004-14513260)



K3D043

S=1/8

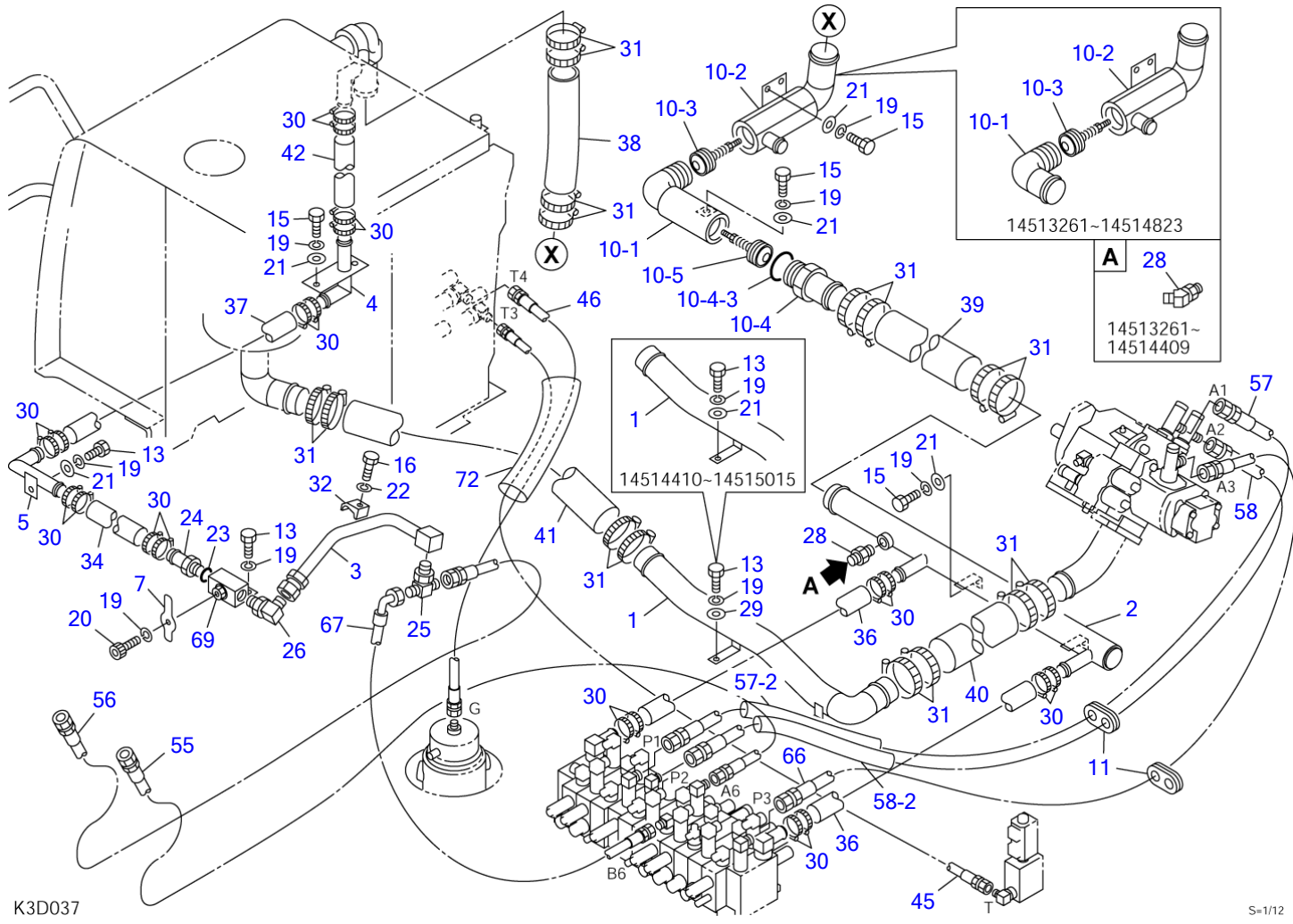


**PIPING; UPPER (2/2) (14510004-14513260)**

Item	Part number	Description	Q'ty	Chan.	Serial No.	Serv.	Remarks
		PIPING ASSY, upper					X03970-07000-9
		PIPING ASSY, upper (with air conditioner)					X03970-07800-9
6	<b>0397007060</b>	VALVE ASSY, solenoid	1				
	<b>0397007810</b>	VALVE ASSY, solenoid	1				with air con.
6-1	<b>1901731500</b>	• VALVE, solenoid	1				
6-2	<b>1512370011</b>	• TEE	1		14510004~14510009		
	<b>0397007061</b>	• CROSS	1		14510010~		
	<b>1420010110</b>	• • O-RING	1				
6-3	<b>1515012040</b>	• ELBOW	3				
	<b>1515012040</b>	• ELBOW	2				with air con.
	<b>1420010110</b>	• • O-RING	1				
6-4	<b>1420010110</b>	• O-RING	1				
6-5	<b>1512370010</b>	• TEE	1				with air con.
	<b>1420010110</b>	• • O-RING	1				
12	<b>0097022400</b>	GUARD	2				
14	<b>1100040660</b>	BOLT	2				
17	<b>1100040850</b>	BOLT	2				
18	<b>1140020006</b>	WASHER, spring	2				
19	<b>1140020008</b>	WASHER, spring	2				
21	<b>1141110008</b>	WASHER	4				
27	<b>1515600200</b>	ADAPTOR	1				
	<b>1420010110</b>	• O-RING	1				
43	<b>0397007430</b>	HOSE ASSY	1				18010-22100
44	<b>0397007440</b>	HOSE ASSY	1				18010-22106
47	<b>0397007470</b>	HOSE ASSY	1				18010-22140
48	<b>0397007480</b>	HOSE ASSY	1				18010-52076
50	<b>0397007500</b>	HOSE ASSY	1				18018-40400
51	<b>0397007510</b>	HOSE ASSY	1				18018-40240
52	<b>0397007520</b>	HOSE ASSY	1				18018-40250
53	<b>0397007530</b>	HOSE ASSY	1				18018-40335
54	<b>0397007540</b>	HOSE ASSY	1				18018-40335
59	<b>0397007590</b>	HOSE ASSY	1				18015-20092
60	<b>0397007600</b>	HOSE ASSY	1				18015-20108
61	<b>0397007610</b>	HOSE ASSY	1				18015-20150
62	<b>0397007620</b>	HOSE ASSY	1				18015-20175
63	<b>0397007630</b>	HOSE ASSY	1				18015-40054
64	<b>0397007640</b>	HOSE ASSY	1				18015-40067
65	<b>0397007650</b>	HOSE ASSY	1				18015-40072
68	<b>0397007680</b>	HOSE ASSY	1				18015-40072
70	<b>1901721800</b>	VALVE, shuttle	1				
71	<b>0397007690</b>	HOSE ASSY	1				18018-40400

**K3d043**

TB145 Book No. BK3Z010 S/N 14510004-  
 PIPING; UPPER (1/2) (14513261-14515345)



K3D037

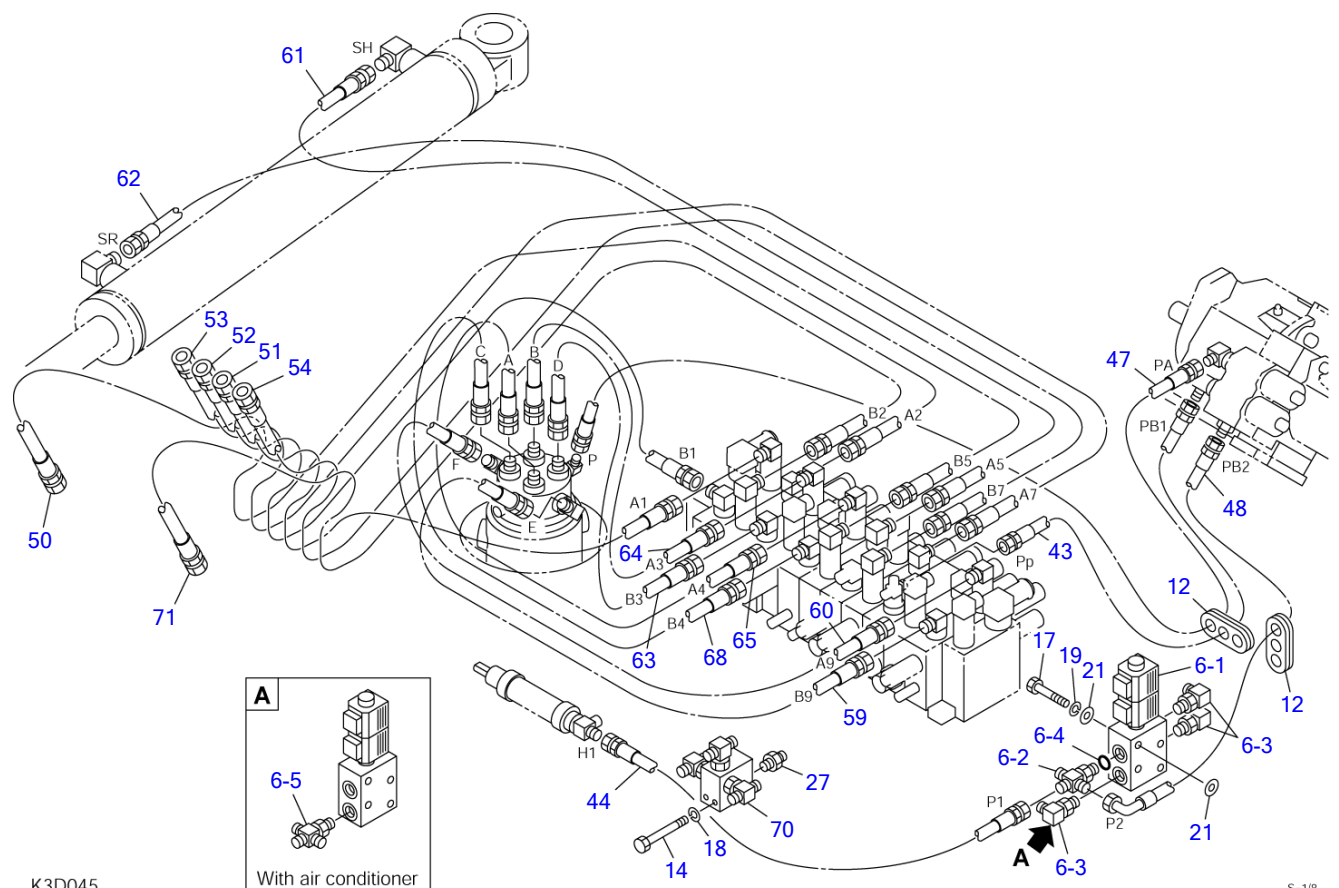
S=1/12

**PIPING; UPPER (1/2) (14513261-14515345)**

Item	Part number	Description	Q'ty	Chan.	Serial No.	Serv.	Remarks
		PIPING ASSY, upper					X03970-11000-4
		PIPING ASSY, upper (with air conditioner)					X03970-11500-4
1	0397007010	PIPE	1		14513261~14514409		
	0397011030	PIPE	1		14514410~14515015		
	0397007010	PIPE	1		14515016~		
2	0397007020	PIPE	1		14513261~14514409		
	0397011040	PIPE	1		14514410~		
3	0397007030	PIPE	1				
4	0397007040	PIPE	1				
5	0397007050	PIPE	1				
7	0357007050	LEVER	1				
10	0397007100	MANIFOLD	1		14513261~14514823		
	0397011100	MANIFOLD	1		14514824~		
10-1	0397007110	• PIPE	1		14513261~14514823		
	0397011110	• PIPE	1		14514824~		
10-2	0397007120	• PIPE	1				
10-3	1540141230	• VALVE, check	1				
10-4	0397011140	• ADAPTOR	1		14514824~		
10-4-3	1420010110	• • O-RING	1		14514824~		
10-5	1540141215	• VALVE, check	1		14514824~		
11	0337017300	GROMMET	2				
13	1100040820	BOLT	5				
15	1100040825	BOLT	7				
16	1100041045	BOLT	1				
19	1140020008	WASHER, spring	13				
20	1110040820	SCREW, cap	1				
21	1141110008	WASHER	6				
22	1140020010	WASHER, spring	1				
23	1420010180	O-RING	1				
24	0007223015	NIPPLE	1				
25	1512374002	NIPPLE	1				
	1420010180	• O-RING	1				
26	1515010042	ELBOW	1				
	1420010180	• O-RING	1				
28	1515100012	ELBOW	1		14513261~14514409		
	1515600202	ADAPTOR	1		14514410~		
	1420010180	• O-RING	1		14514410~		
29	0003600011	WASHER	2				
30	1533700041	CLIP	22				
31	1533700070	CLIP	16				
32	1534100218	CLAMP	1				
34	1530525032	HOSE	1				sold by the meter
36	1530525038	HOSE	2				sold by the meter
37	1530525125	HOSE	1				sold by the meter
38	1530547038	HOSE	1				sold by the meter
39	1530747068	HOSE	1		14513261~14514823		sold by the meter
	1530747055	HOSE	1		14514824~		sold by the meter
40	0397007400	HOSE	1				sold by the meter
41	0397007410	HOSE	1				sold by the meter
42	1530525044	HOSE	1				sold by the meter
45	0397007450	HOSE ASSY	1				18010-22120
46	0397007460	HOSE ASSY	1				18010-23150
55	0397007550	HOSE ASSY	1				
56	0397007560	HOSE ASSY	1				18019-40285
57	0397007570	HOSE ASSY	1				18015-30142
57-2	1530525060	• PROTECTOR	1				sold by the meter
58	0397007580	HOSE ASSY	1				18015-30128
58-2	1530525060	• PROTECTOR	1				sold by the meter
66	0397007660	HOSE ASSY	1				18015-40130
67	0397007670	HOSE ASSY	1				
69	1901742000	VALVE, stop	1				
72	1531645060	PROTECTOR	1				sold by the meter

**K3d037**

TB145 Book No. BK3Z010 S/N 14510004-  
 PIPING; UPPER (2/2) (14513261-14515345)



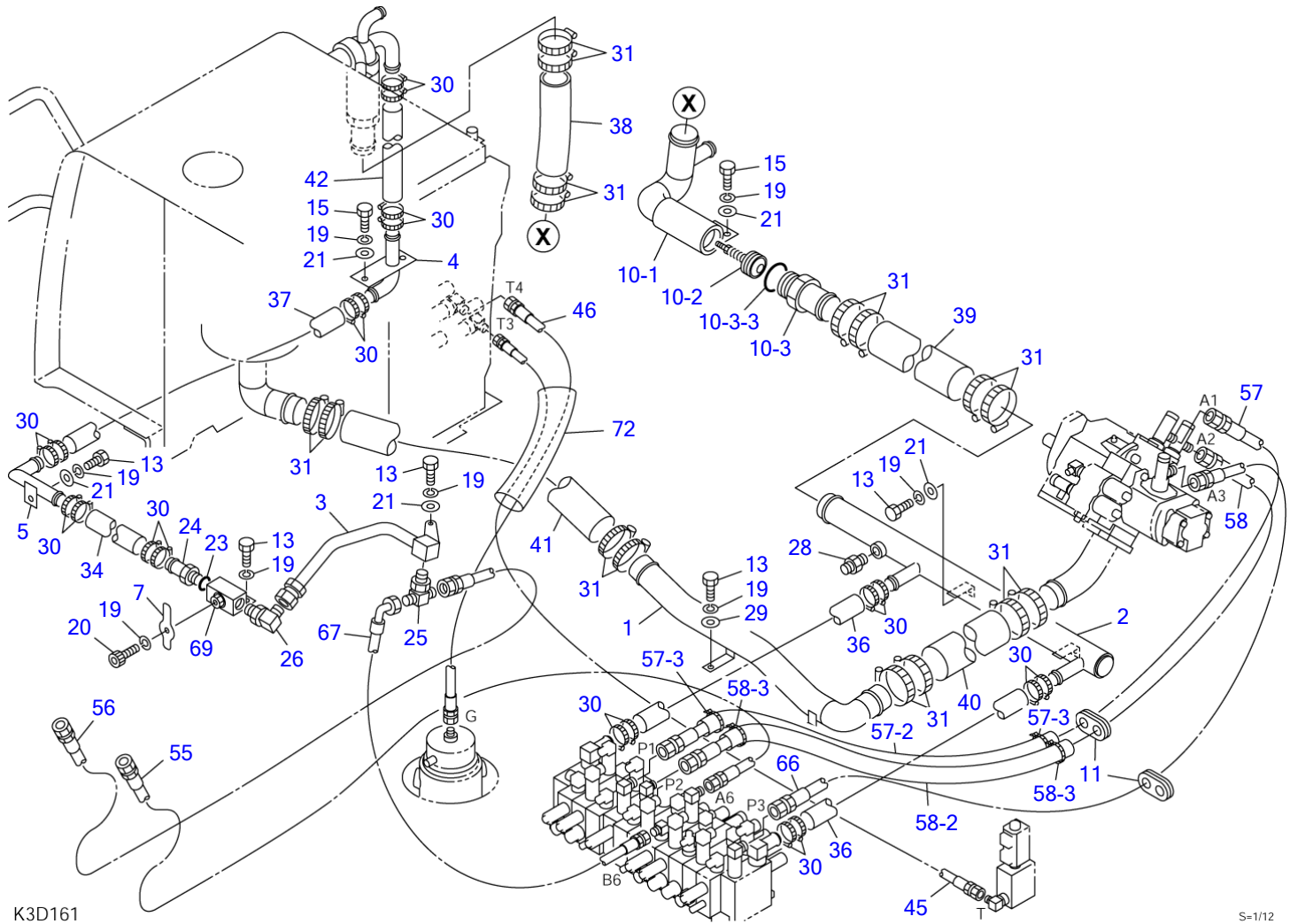
K3D045

S=1/8

**PIPING; UPPER (2/2) (14513261-14515345)**

Item	Part number	Description	Q'ty	Chan.	Serial No.	Serv.	Remarks
		PIPING ASSY, upper					X03970-11000-4
		PIPING ASSY, upper (with air conditioner)					X03970-11500-4
6	<b>0397007060</b>	VALVE ASSY, solenoid	1				
	<b>0397007810</b>	VALVE ASSY, solenoid	1				with air con.
6-1	<b>1901731500</b>	• VALVE, solenoid	1				
6-2	<b>0397007061</b>	• CROSS	1				
6-3	<b>1515012040</b>	• ELBOW	3				
	<b>1515012040</b>	• ELBOW	2				with air con.
	<b>1420010110</b>	• • O-RING	1				
6-4	<b>1420010110</b>	• O-RING	1				
6-5	<b>1512370010</b>	• TEE	1				with air con.
	<b>1420010110</b>	• • O-RING	1				
12	<b>0097022400</b>	GUARD	2				
14	<b>1100040660</b>	BOLT	2				
17	<b>1100040850</b>	BOLT	2				
18	<b>1140020006</b>	WASHER, spring	2				
19	<b>1140020008</b>	WASHER, spring	2				
21	<b>1141110008</b>	WASHER	4				
27	<b>1515600200</b>	ADAPTOR	1				
	<b>1420010110</b>	• O-RING	1				
43	<b>0397007430</b>	HOSE ASSY	1				18010-22100
44	<b>0397007440</b>	HOSE ASSY	1				18010-22106
47	<b>0397007470</b>	HOSE ASSY	1				18010-22140
48	<b>0397007480</b>	HOSE ASSY	1				18010-52076
50	<b>0397007500</b>	HOSE ASSY	1				18018-40400
51	<b>0397007510</b>	HOSE ASSY	1				18018-40240
52	<b>0397007520</b>	HOSE ASSY	1				18018-40250
53	<b>0397007530</b>	HOSE ASSY	1				18018-40335
54	<b>0397007540</b>	HOSE ASSY	1				18018-40335
59	<b>0397007590</b>	HOSE ASSY	1				18015-20092
60	<b>0397007600</b>	HOSE ASSY	1				18015-20108
61	<b>0397007610</b>	HOSE ASSY	1				18015-20150
62	<b>0397007620</b>	HOSE ASSY	1				18015-20175
63	<b>0397007630</b>	HOSE ASSY	1				18015-40054
64	<b>0397007640</b>	HOSE ASSY	1				18015-40067
65	<b>0397007650</b>	HOSE ASSY	1				18015-40072
68	<b>0397007680</b>	HOSE ASSY	1				18015-40072
70	<b>1901721800</b>	VALVE, shuttle	1				
71	<b>0397007690</b>	HOSE ASSY	1				18018-40400
	<b>K3d046</b>						

TB145 Book No. BK3Z010 S/N 14510004-  
PIPING; UPPER (1/2) (14515346-)



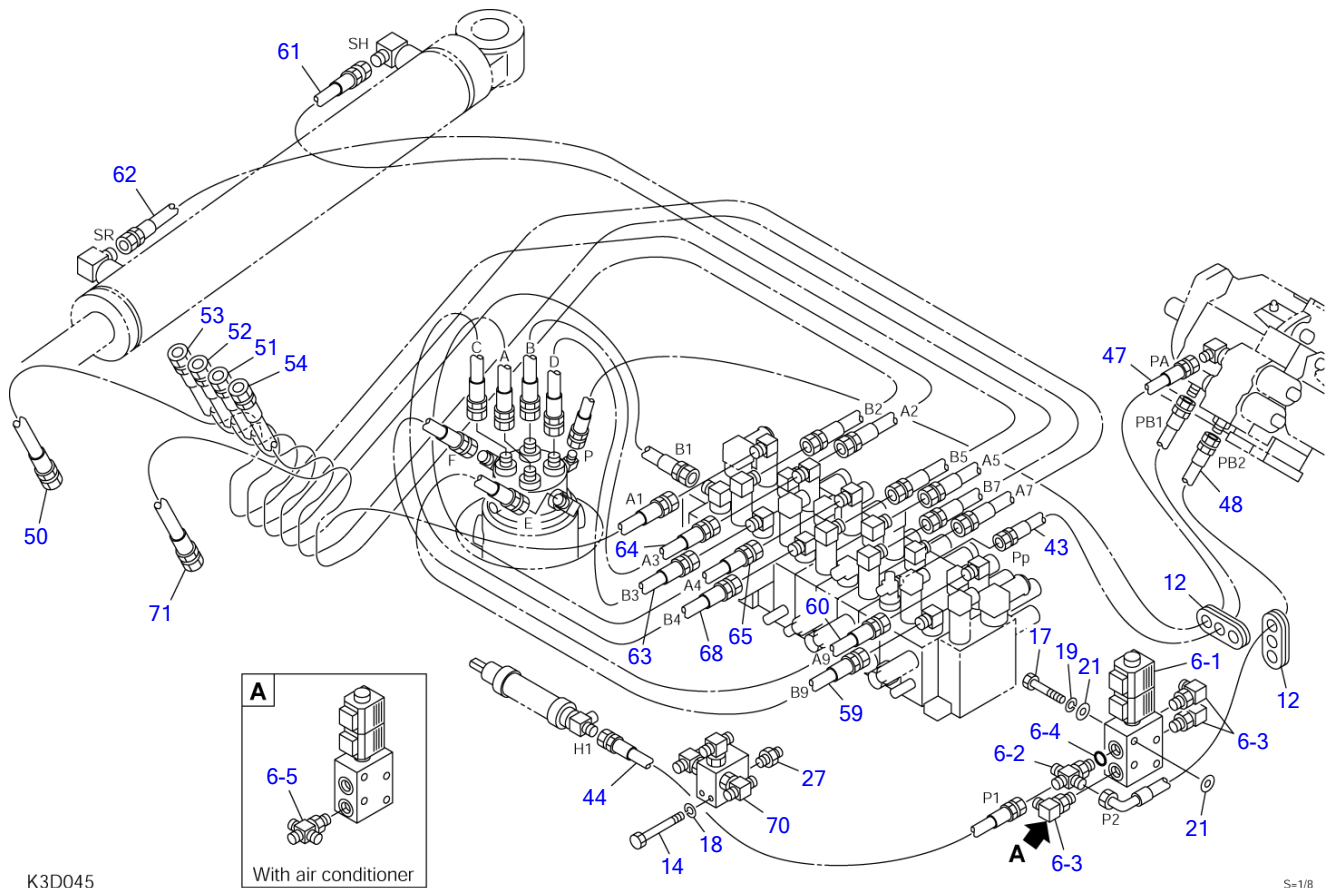
K3D161

S=1/12

PIPING; UPPER (1/2) (14515346-)							
Item	Part number	Description	Q'ty	Chan.	Serial No.	Serv.	Remarks
		PIPING ASSY, upper					X03970-12500-7
		PIPING ASSY, upper (with air conditioner)					X03970-13000-7
1	0397007010	PIPE	1				
2	0397011040	PIPE	1				
3	0397012540	PIPE	1				
4	0397012530	PIPE	1		14515346~14515477		
	0397012531	PIPE	1		14515478~		
5	0397007050	PIPE	1				
7	0357007050	LEVER	1				
10	0397012510	MANIFOLD	1				
10-1	0397012520	• PIPE	1				
10-2	1540141215	• VALVE, check	1				
10-3	0397011140	• ADAPTOR	1				
10-3-3	1420010110	• • O-RING	1				
11	0337017300	GROMMET	2				
13	1100040820	BOLT	8				
15	1100040825	BOLT	4				
19	1140020008	WASHER, spring	13				
20	1110040820	SCREW, cap	1				
21	1141110008	WASHER	8				
23	1420010180	O-RING	1				
24	0007223015	NIPPLE	1				
25	1512374002	NIPPLE	1				
	1420010180	• O-RING	1				
26	1515010042	ELBOW	1				
	1420010180	• O-RING	1				
28	1515600202	ADAPTOR	1				
	1420010180	• O-RING	1				
29	1141550008	WASHER	2				
30	1533700041	CLIP	22				
31	1533700070	CLIP	16				
34	1530525032	HOSE	1				sold by the meter
36	1530525038	HOSE	2				sold by the meter
37	1530525125	HOSE	1		14515346~14515477		sold by the meter
	1530525122	HOSE	1	(H)	14515478~		sold by the meter
38	1530547025	HOSE	1		14515346~14515477		sold by the meter
	1530547026	HOSE	1	(H)	14515478~		sold by the meter
39	1530747055	HOSE	1				sold by the meter
40	0397007400	HOSE	1				sold by the meter
41	0397007410	HOSE	1				sold by the meter
42	1530525050	HOSE	1				sold by the meter
45	0397007450	HOSE ASSY	1				18010-22120
46	0397007460	HOSE ASSY	1				18010-23150
55	0397007550	HOSE ASSY	1				18019-40320
56	0397007560	HOSE ASSY	1				18019-40285
57	0397007570	HOSE ASSY	1				18015-30142
57-2	1530525075	• PROTECTOR	1				sold by the meter
57-3	1652201005	• BAND	2				
58	0397007580	HOSE ASSY	1				18015-30128
58-2	1530525075	• PROTECTOR	1				sold by the meter
58-3	1652201005	• BAND	2				
66	0397007660	HOSE ASSY	1				18015-40130
67	0397007670	HOSE ASSY	1				18019-41086
69	1901742000	VALVE, stop	1				
72	1531645058	PROTECTOR	1				sold by the meter

K3d163

TB145 Book No. BK3Z010 S/N 14510004-  
 PIPING; UPPER (2/2) (14515346-)



K3D045

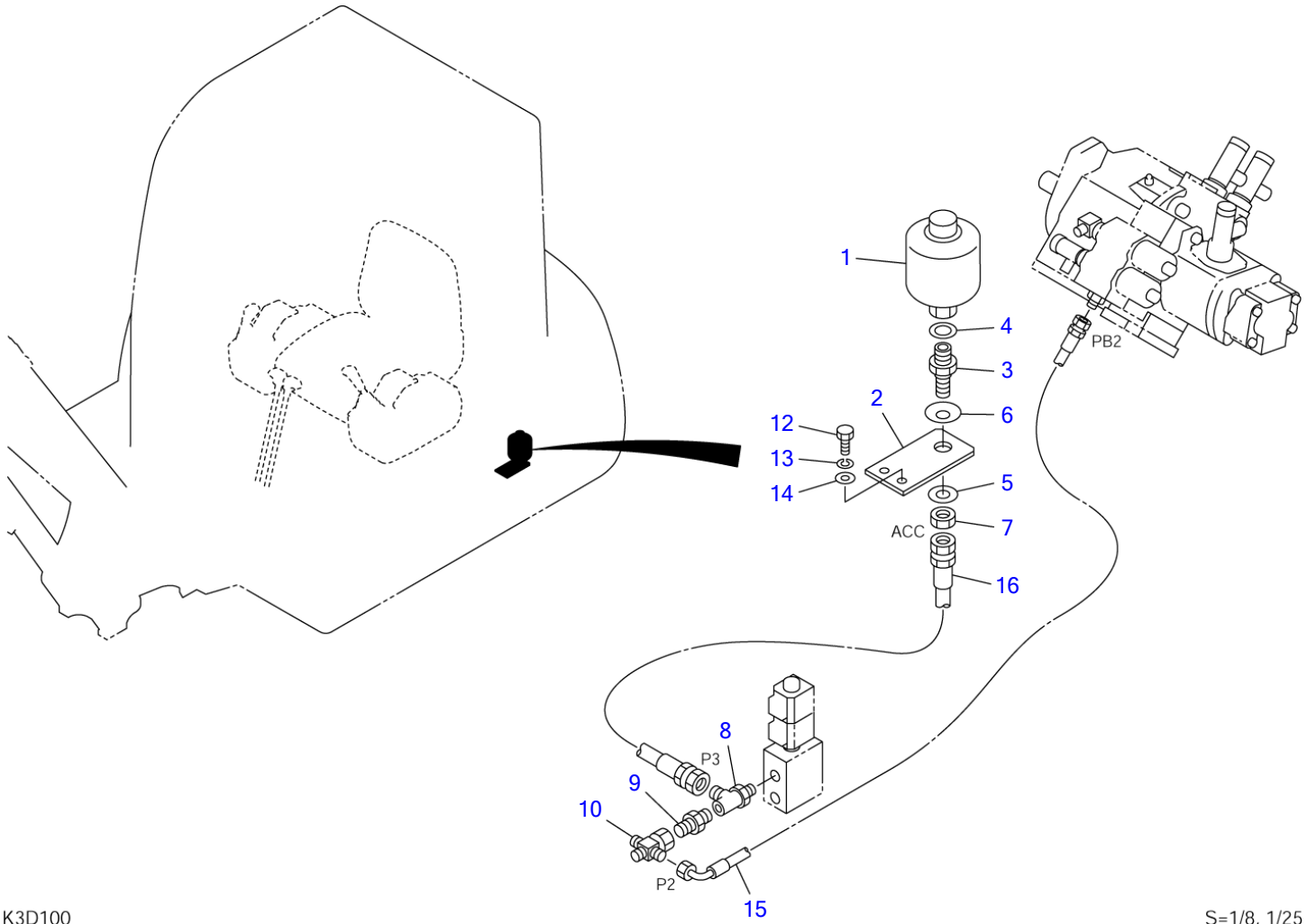
S=1/8



**PIPING; UPPER (2/2) (14515346-)**

Item	Part number	Description	Q'ty	Chan.	Serial No.	Serv.	Remarks
		PIPING ASSY, upper					X03970-12500-7
		PIPING ASSY, upper (with air conditioner)					X03970-13000-7
6	<b>0397007060</b>	VALVE ASSY, solenoid	1				
	<b>0397007810</b>	VALVE ASSY, solenoid	1				with air con.
6-1	<b>1901731500</b>	• VALVE, solenoid	1				
6-2	<b>0397007061</b>	• CROSS	1				
6-3	<b>1515012040</b>	• ELBOW	3				
	<b>1515012040</b>	• ELBOW	2				with air con.
	<b>1420010110</b>	• • O-RING	1				
6-4	<b>1420010110</b>	• O-RING	1				
6-5	<b>1512370010</b>	• TEE	1				with air con.
	<b>1420010110</b>	• • O-RING	1				
12	<b>0097022400</b>	GUARD	2				
14	<b>1100040660</b>	BOLT	2				
17	<b>1100040850</b>	BOLT	2				
18	<b>1140020006</b>	WASHER, spring	2				
19	<b>1140020008</b>	WASHER, spring	2				
21	<b>1141110008</b>	WASHER	4				
27	<b>1515600200</b>	ADAPTOR	1				
	<b>1420010110</b>	• O-RING	1				
43	<b>0397007430</b>	HOSE ASSY	1				18010-22100
44	<b>0397007440</b>	HOSE ASSY	1				18010-22106
47	<b>0397007470</b>	HOSE ASSY	1				18010-22140
48	<b>0397007480</b>	HOSE ASSY	1				18010-52076
50	<b>0397007500</b>	HOSE ASSY	1				18018-40400
51	<b>0397007510</b>	HOSE ASSY	1				18018-40240
52	<b>0397007520</b>	HOSE ASSY	1				18018-40250
53	<b>0397007530</b>	HOSE ASSY	1				18018-40335
54	<b>0397007540</b>	HOSE ASSY	1				18018-40335
59	<b>0397007590</b>	HOSE ASSY	1				18015-20092
60	<b>0397007600</b>	HOSE ASSY	1				18015-20108
61	<b>0397007610</b>	HOSE ASSY	1				18015-20150
62	<b>0397007620</b>	HOSE ASSY	1				18015-20175
63	<b>0397007630</b>	HOSE ASSY	1				18015-40054
64	<b>0397007640</b>	HOSE ASSY	1				18015-40067
65	<b>0397007650</b>	HOSE ASSY	1				18015-40072
68	<b>0397007680</b>	HOSE ASSY	1				18015-40072
70	<b>1901721800</b>	VALVE, shuttle	1				
71	<b>0397007690</b>	HOSE ASSY	1				18018-40400
	<b>K3d173</b>						

TB145 Book No. BK3Z010 S/N 14510004-  
ACCUMULATOR



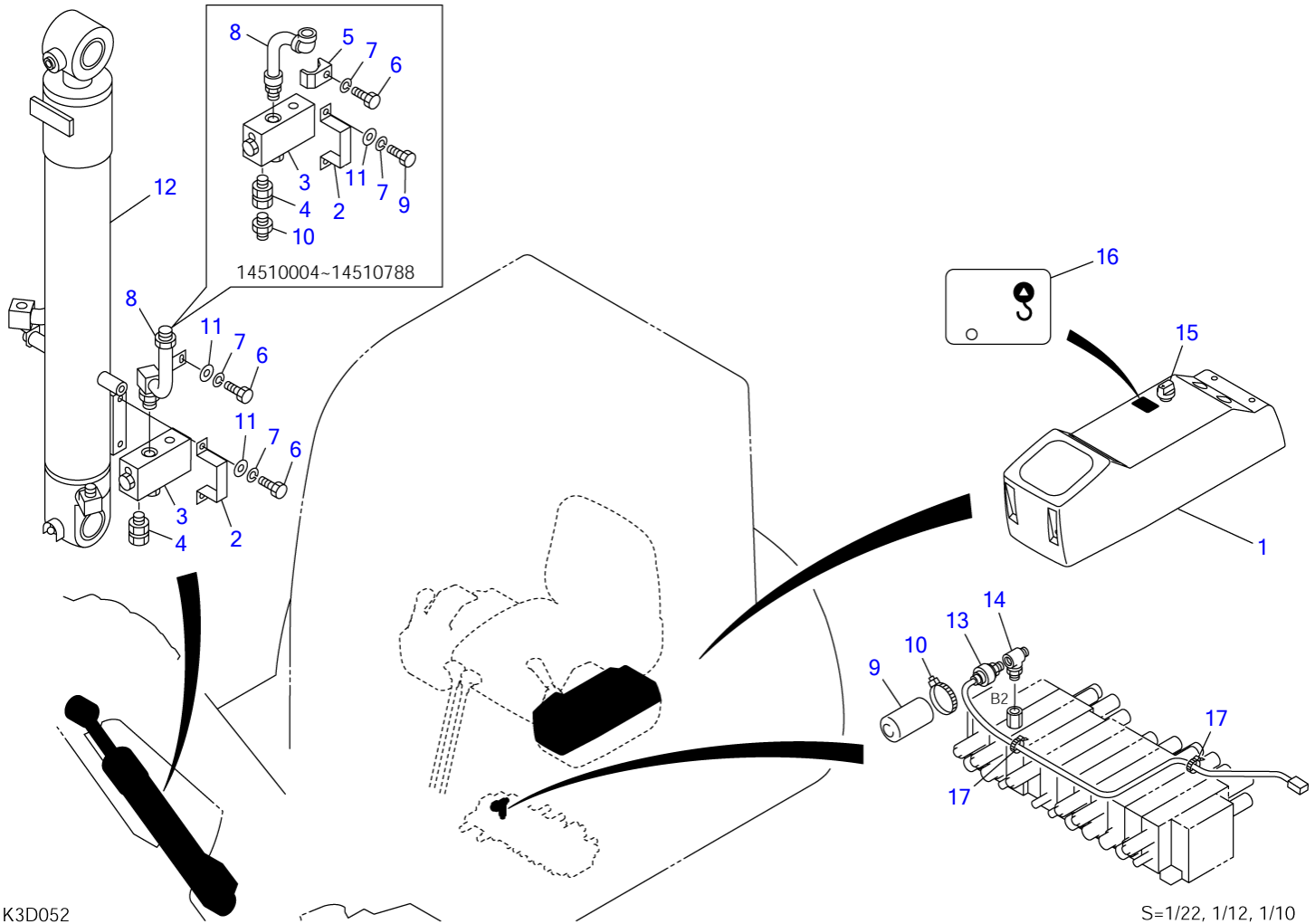
K3D100

S=1/8, 1/25

**ACCUMULATOR**

Item	Part number	Description	Q'ty	Chan.	Serial No.	Serv.	Remarks
		ACCUMULATOR ASSY					X03950-11000-2
1	1552200020	ACCUMULATOR	1				
2	0375016010	BRACKET	1				
3	0565033140	ADAPTOR	1	A	14511866~14512021		
	0007200222	ADAPTOR	1	a(H)	14512022~		
4	1541400721	WASHER	1	A	14511866~14512021		
	1432160004	WASHER	1	a(H)	14512022~		
5	1141110016	WASHER	1				
6	1140020016	WASHER, spring	1	A	14511866~14512021		
	1140020020	WASHER, spring	1	a(H)	14512022~		
7	0007200154	NUT	1				
8	1512340001	ELBOW	1				
	1420010110	· O-RING	1				
9	1901740700	VALVE, check	1				
10	0007263004	CROSS	1				
12	1100041025	BOLT	2				
13	1140020010	WASHER, spring	2				
14	1141110010	WASHER	2				
15	0395011100	HOSE ASSY	1				18010-52082
16	0395011120	HOSE ASSY	1				
		<<NOTE>>					
		SET "A" is interchangeable					
		with SET "a".					
	<b>K3d101</b>						

TB145 Book No. BK3Z010 S/N 14510004-  
EMERGENCY SHUT-OFF VALVE

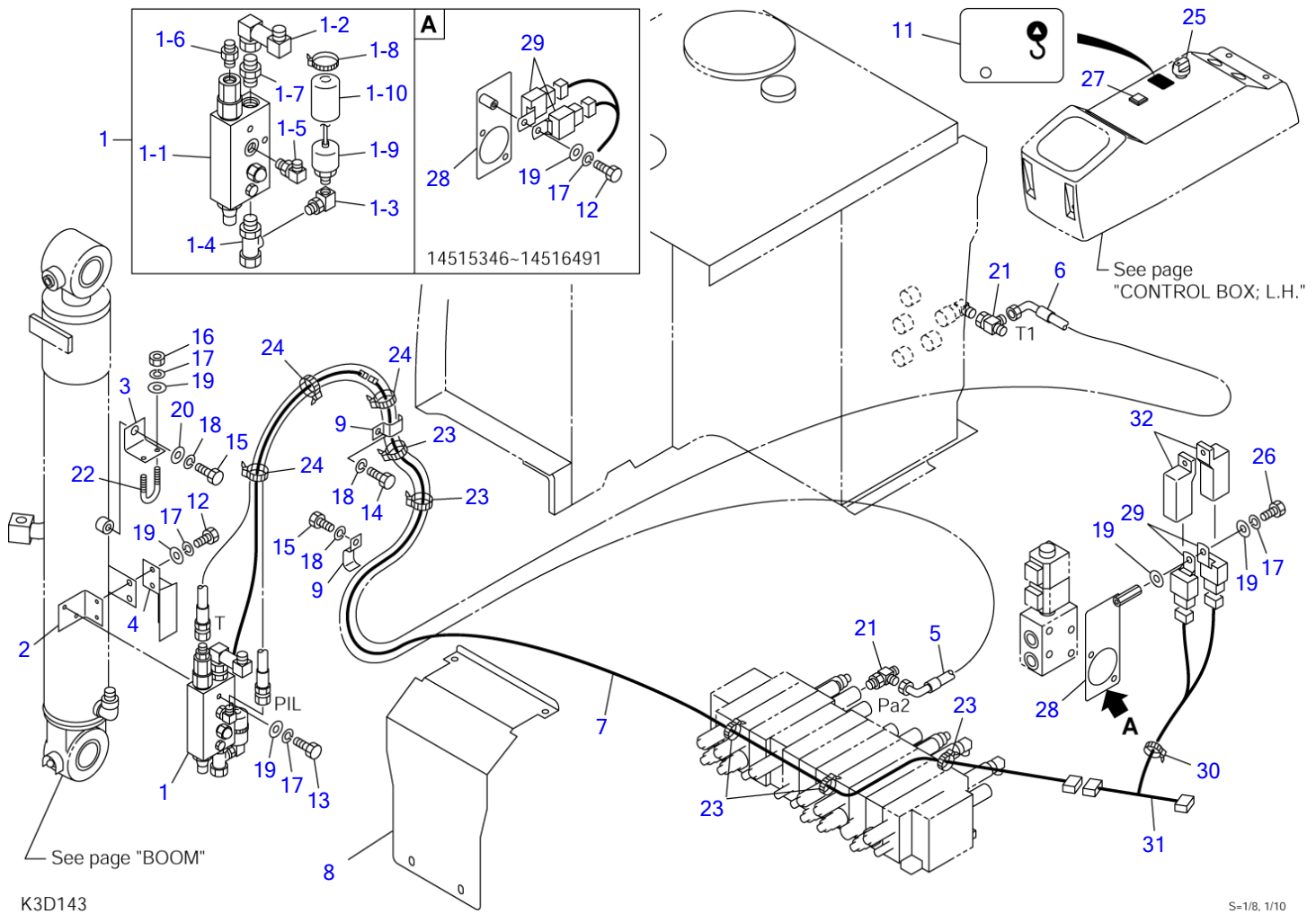


**EMERGENCY SHUT-OFF VALVE**

Item	Part number	Description	Q'ty	Chan.	Serial No.	Serv.	Remarks
		VALVE ASSY, emergency					X03950-09000-2
		shut-off					
1	0375010100	COVER (L.H.)	1				
2	0395004100	PLATE	1		14510004~14510788		
	0395009100	PLATE	1		14510789~		
3	1901731600	VALVE, shut-off	1				
4	0007236041	ADAPTOR	1				
	1420010180	· O-RING	1				
5	1534100217	CLAMP	1		14510004~14510788		
6	1100040840	BOLT	1		14510004~14510788		
	1100041020	BOLT	3		14510789~		
7	1140020008	WASHER, spring	3		14510004~14510788		
	1140020010	WASHER, spring	3		14510789~		
8	0395004200	NIPPLE	1		14510004~14510788		
	0395009300	NIPPLE	1		14510789~		
9	1100040816	BOLT	2		14510004~14510788		
	1700100061	COVER	1				
10	1515600202	ADAPTOR	1		14510004~14510788		
	1420010180	· O-RING	1				
	1652231250	BAND	1				
11	1141110008	WASHER	2		14510004~14510788		
	1141110010	WASHER	3		14510789~		
12	1900076100	CYLINDER, boom	1	(L)	14510004~14510476		
	1900080600	CYLINDER, boom	1	(H)	14510477~14510788		
	1900080000	CYLINDER, boom	1		14510789~		
13	1700100055	SWITCH, pressure	1				
14	1513390014	NIPPLE	1				
	1420010180	· O-RING	1				
15	1700000019	SWITCH, rotary	1				
16	0565017400	DECAL	1				
17	1652200005	BAND	2				

**K3d052**

TB145 Book No. BK3Z010 S/N 14510004-  
**BOOM EMERGENCY SHUT-OFF VALVE (with pilot)**



K3D143

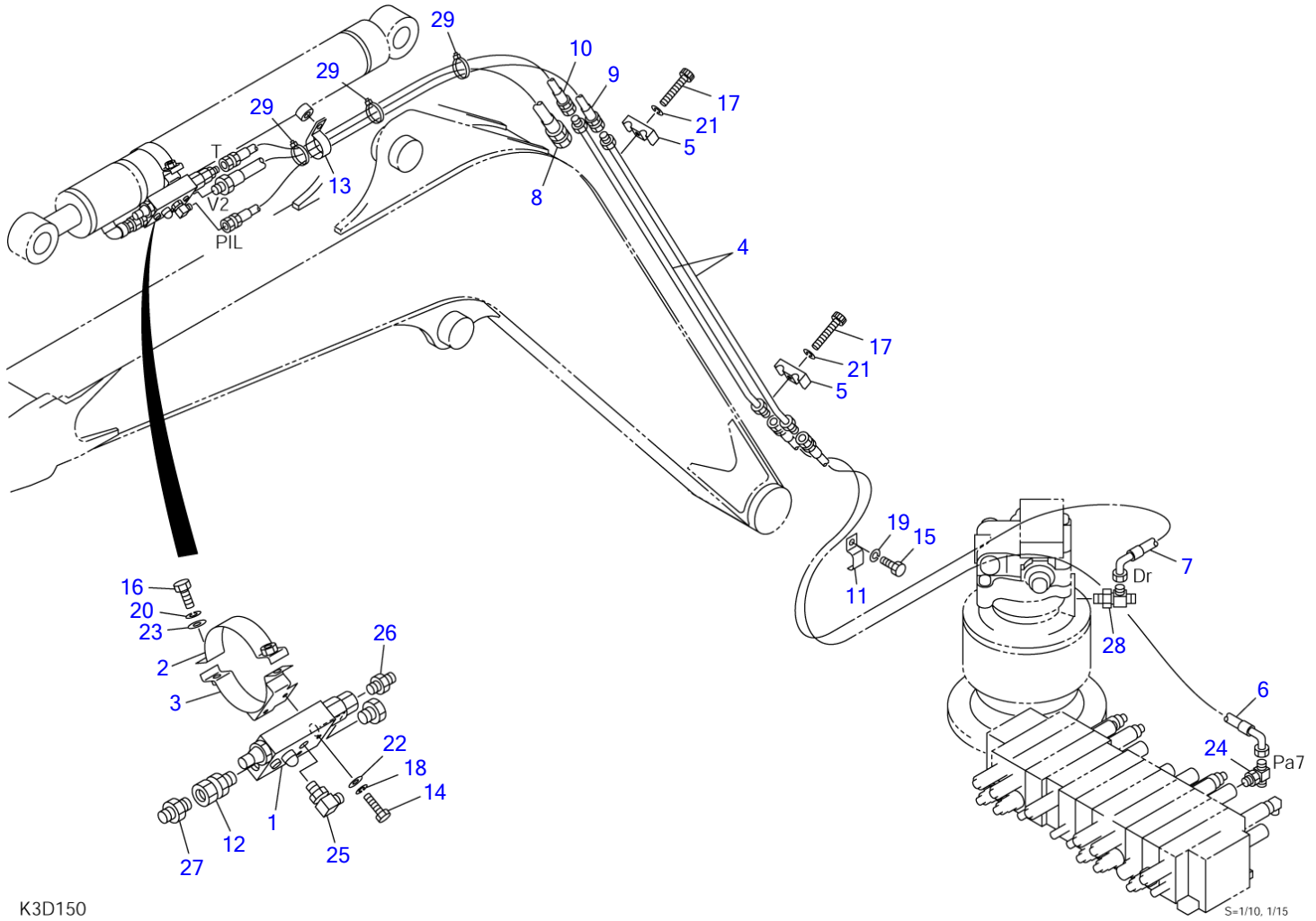
S=1/8, 1/10

**BOOM EMERGENCY SHUT-OFF VALVE (with pilot)**

Item	Part number	Description	Q'ty	Chan.	Serial No.	Serv.	Remarks
0	<b>0395012200</b>	VALVE ASSY, emergency shut-off (with 3rd. aux. line)	1		14510004~14515345		X03950-12200-3
	<b>0395021400</b>	VALVE ASSY, emergency shut-off (with 3rd. aux. line)	1		14515346~		X03950-21400-1
	<b>0395012000</b>	VALVE ASSY, emergency shut-off (without 3rd. aux. line)	1		14510004~14515345		X03950-12000-3
	<b>0395021300</b>	VALVE ASSY, emergency shut-off (without 3rd. aux. line)	1		14515346~		X03950-21300-1
1	<b>0395012100</b>	• VALVE ASSY, emergency shut-off	1		14510004~14515345		
	<b>0395021310</b>	• VALVE ASSY, emergency shut-off	1		14515346~		
1-1	<b>1901742700</b>	• • VALVE, emergency shut-off	1				
1-2	<b>0395009500</b>	• • ADAPTOR	1				
1-3	<b>1513300022</b>	• • ELBOW	1				
	<b>1420010110</b>	• • • O-RING	1				
1-4	<b>1513390039</b>	• • ADAPTOR	1				
	<b>1420010180</b>	• • • O-RING	1				
1-5	<b>1515012040</b>	• • ELBOW	1				
	<b>1420010110</b>	• • • O-RING	1				
1-6	<b>1515600200</b>	• • ADAPTOR	1				
	<b>1420010110</b>	• • • O-RING	1				
1-7	<b>1515600202</b>	• • ADAPTOR	1				
	<b>1420010180</b>	• • • O-RING	1				
1-8	<b>1652231250</b>	• • BAND	1				
1-9	<b>1700100055</b>	• • SWITCH, pressure	1		14510004~14515345		
	<b>1700100081</b>	• • SWITCH, pressure	1		14515346~		
1-10	<b>1700100061</b>	• • COVER	1				
2	<b>0395009600</b>	• BRACKET	1				
3	<b>0395009610</b>	• BRACKET	1				
4	<b>0395009620</b>	• COVER	1				
5	<b>0395012110</b>	• HOSE ASSY	1				18010-52380
6	<b>0395012120</b>	• HOSE ASSY	1				18010-52430
7	<b>0395012130</b>	• HARNESS, wiring	1				
8	<b>0395012140</b>	• COVER	1				
9	<b>0395012150</b>	• CLAMP	2				
11	<b>0565017400</b>	• DECAL	1				
12	<b>1100040616</b>	• BOLT	2				
13	<b>1100040645</b>	• BOLT	2				
14	<b>1100040816</b>	• BOLT	1				
15	<b>1100040820</b>	• BOLT	2				
16	<b>1130040006</b>	• NUT	2				
17	<b>1140020006</b>	• WASHER, spring	7				
18	<b>1140020008</b>	• WASHER, spring	3				
19	<b>1141110006</b>	• WASHER	8				
20	<b>1141110008</b>	• WASHER	1				
21	<b>1513390015</b>	• TEE	2				
22	<b>1533207004</b>	• U-BOLT	1				
23	<b>1652201005</b>	• BAND	5				
24	<b>1652201008</b>	• BAND	3				
25	<b>1700000019</b>	• SWITCH, rotary	1				
26	<b>1100040625</b>	• BOLT	1		14516492~		
27	<b>1700550024</b>	• ORNAMENT	1				without 3rd. aux. line
28	<b>0395021330</b>	• BRACKET	1		14515346~		
29	<b>1711900042</b>	• RELAY	2		14515346~		
30	<b>1652231250</b>	• BAND	1		14515346~		
31	<b>0395021320</b>	• HARNESS, wiring	1		14515346~		
32	<b>1700100038</b>	• COVER	2		14516492~		

K3d143

TB145 Book No. BK3Z010 S/N 14510004-  
ARM EMERGENCY SHUT-OFF VALVE (with pilot)

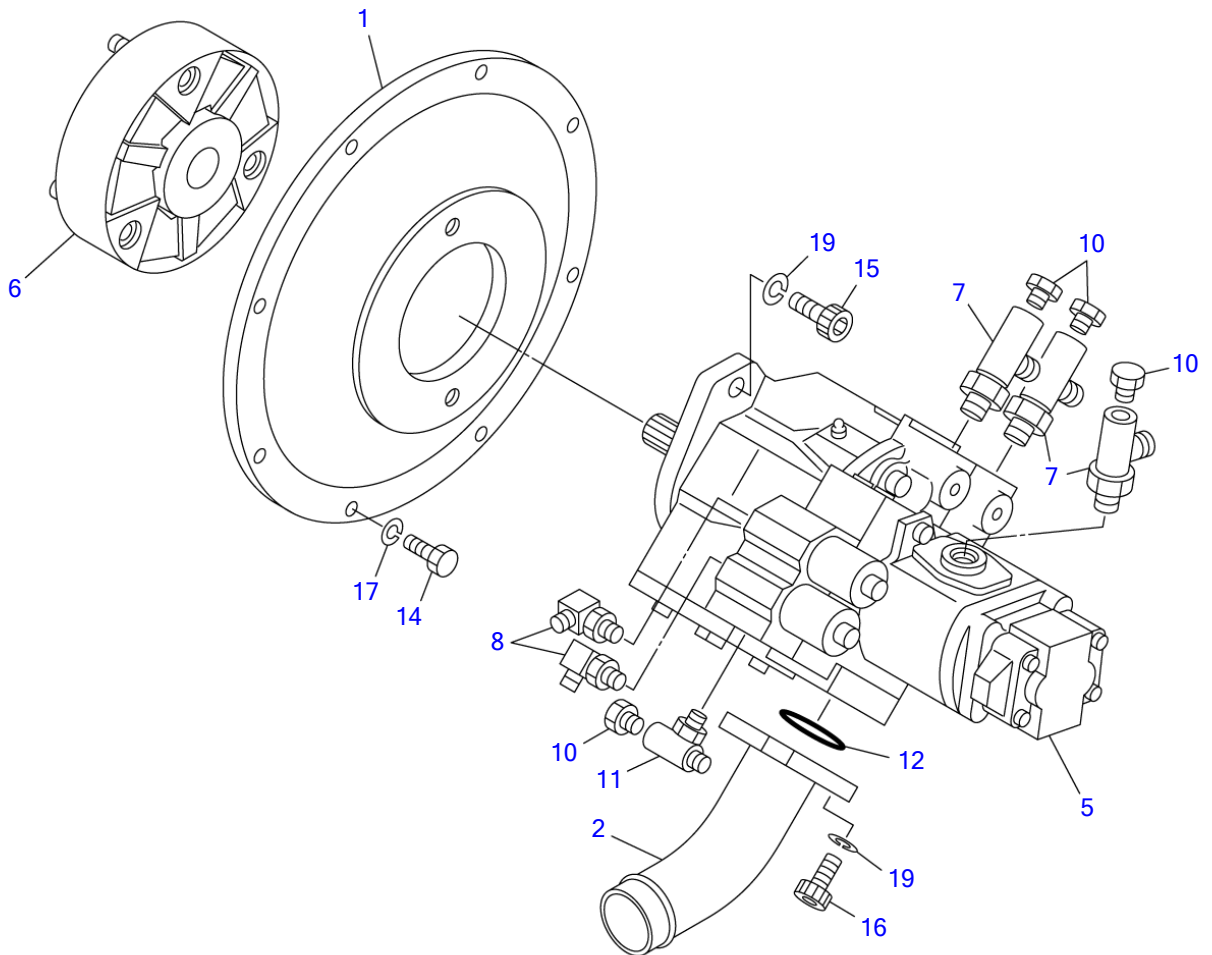




**ARM EMERGENCY SHUT-OFF VALVE (with pilot)**

Item	Part number	Description	Q'ty	Chan.	Serial No.	Serv.	Remarks
0	<b>0395013000</b>	VALVE ASSY, emergency shut-off					X03950-13000-1
1	<b>1901742800</b>	• VALVE, emergency shut-off	1				
2	<b>0395013100</b>	• BAND	1				
3	<b>0395013110</b>	• BAND	1				
4	<b>0395013120</b>	• PIPE	2				
5	<b>0395013130</b>	• CLAMP	2				
6	<b>0395013140</b>	• HOSE ASSY	1				18010-52335
7	<b>0395013155</b>	• HOSE ASSY	1				18010-52306
8	<b>0395013160</b>	• HOSE ASSY	1				18015-42137
9	<b>0395013170</b>	• HOSE ASSY	1				18010-22139
10	<b>0395013180</b>	• HOSE ASSY	1				18010-22130
11	<b>0395012150</b>	• CLAMP	1				
12	<b>0007236041</b>	• ADAPTOR	1				
	<b>1420010180</b>	• • O-RING	1				
13	<b>0007300030</b>	• CLAMP	1				
14	<b>1100040645</b>	• BOLT	2				
15	<b>1100040820</b>	• BOLT	1				
16	<b>1100041035</b>	• BOLT	2				
17	<b>1110040845</b>	• BOLT	2				
18	<b>1140020006</b>	• WASHER, spring	2				
19	<b>1140020008</b>	• WASHER, spring	1				
20	<b>1140020010</b>	• WASHER, spring	2				
21	<b>1140420008</b>	• WASHER, spring	2				
22	<b>1141110006</b>	• WASHER	2				
23	<b>1141110010</b>	• WASHER	2				
24	<b>1512370010</b>	• ADAPTOR	1				
	<b>1420010110</b>	• • O-RING	1				
25	<b>1515012040</b>	• ELBOW	1				
	<b>1420010110</b>	• • O-RING	1				
26	<b>1515600200</b>	• ADAPTOR	1				
	<b>1420010110</b>	• • O-RING	1				
27	<b>1515600202</b>	• ADAPTOR	1				
	<b>1420010180</b>	• • O-RING	1				
28	<b>1513390015</b>	• TEE	1				
29	<b>1652201008</b>	• BAND	3				
	<b>K3d151</b>						

TB145 Book No. BK3Z010 S/N 14510004-  
PUMP DRIVE

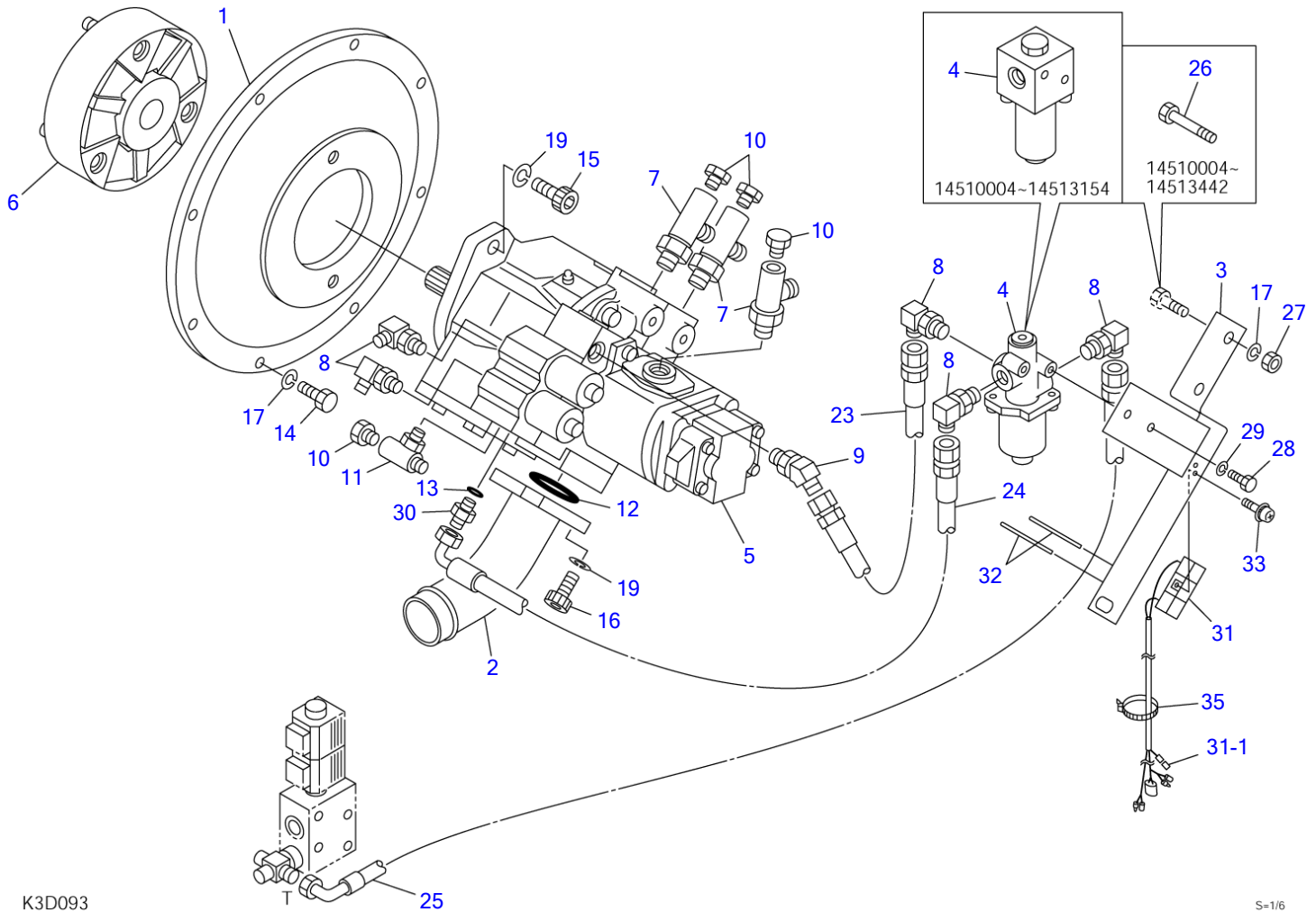


K3D062

S=1/5

Item	Part number	Description	PUMP DRIVE			Remarks
			Q'ty	Chan.	Serial No.	
		PUMP ASSY, drive				X03952-07000-7
1	0395205010	HOUSING	1			
2	0395205020	FLANGE	1			
5	1902017000	PUMP, hydraulic	1			
6	1603102500	COUPLING	1			
7	1512340004	ELBOW	3			
	1420010180	• O-RING	1			
8	1515012040	ELBOW	2			
	1420010110	• O-RING	1			
10	1501750002	PLUG	4			
	1420010110	• O-RING	1			
11	1513390029	TEE	1			
	1420010110	• O-RING	1			
12	1420100450	O-RING	1			
14	1100041025	BOLT	8			
15	1111041230	SCREW, cap	2			
16	1110041230	SCREW, cap	4			
17	1140020010	WASHER, spring	8			
19	1140420012	WASHER, spring	6			
	K3d064					

TB145 Book No. BK3Z010 S/N 14510004-  
PUMP DRIVE (for air conditioner)

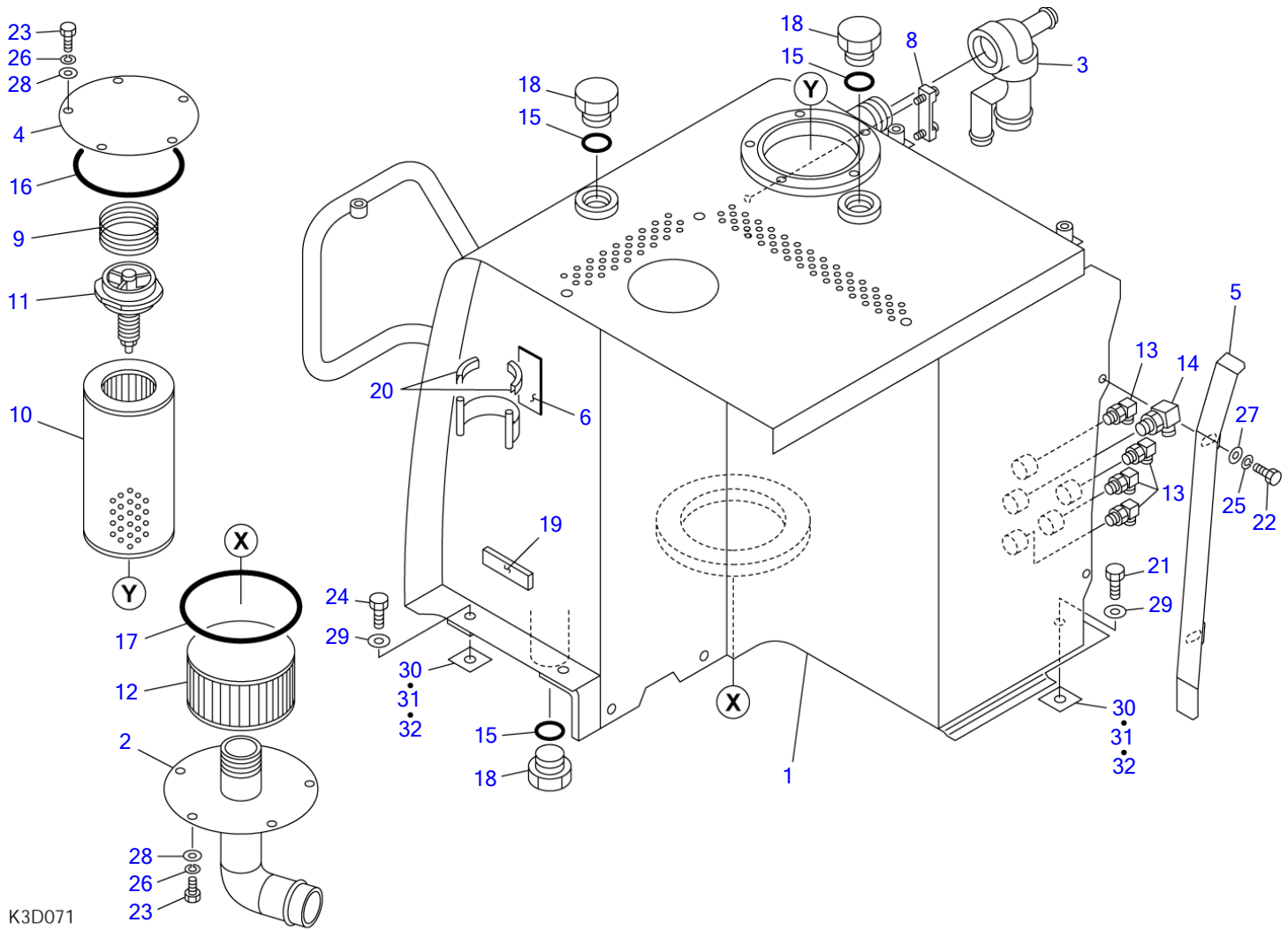


S=1/6

**PUMP DRIVE (for air conditioner)**

Item	Part number	Description	Q'ty	Chan.	Serial No.	Serv.	Remarks
		PUMP ASSY, drive					X03952-08000-11
1	0395205010	HOUSING	1				
2	0395205020	FLANGE	1				
3	0395208010	BRACKET	1				
4	1901734400	VALVE, solenoid	1		14510004~14513154		
	1901746600	VALVE, solenoid	1	(H)	14513155~		
5	1902017100	PUMP, hydraulic	1				
6	1603102500	COUPLING	1				
7	1512340004	ELBOW	3				
	1420010180	• O-RING	1				
8	1515012040	ELBOW	5				
	1420010110	• O-RING	1				
9	1515100110	ELBOW	1				
	1420010110	• O-RING	1				
10	1501750002	PLUG	4				
	1420010110	• O-RING	1				
11	1513390029	TEE	1				
	1420010110	• O-RING	1				
12	1420100450	O-RING	1				
13	1420010080	O-RING	1				
14	1100041025	BOLT	8				
15	1111041230	SCREW, cap	2				
16	1110041230	SCREW, cap	4				
17	1140020010	WASHER, spring	10				
19	1140420012	WASHER, spring	6				
23	0395208020	HOSE ASSY	1				18010-22050
24	0395208030	HOSE ASSY	1				18010-52055
25	0395208040	HOSE ASSY	1				18010-52090
26	1100041080	BOLT	2		14510004~14513442		
27	1130040010	NUT	2				
28	1100040616	BOLT	2				
29	1140020006	WASHER, spring	2				
30	0007203059	NIPPLE	1				
31	0395208050	RESISTOR	1				
31-1	1730500008	• DIODE (3A, yellow)	1				
32	0872433150	TUBE	2				
33	1150110306	SCREW	1				
35	1652231140	BAND	1			M	
	K3d096						

TB145 Book No. BK3Z010 S/N 14510004-  
 HYDRAULIC TANK (14510004-14513260)



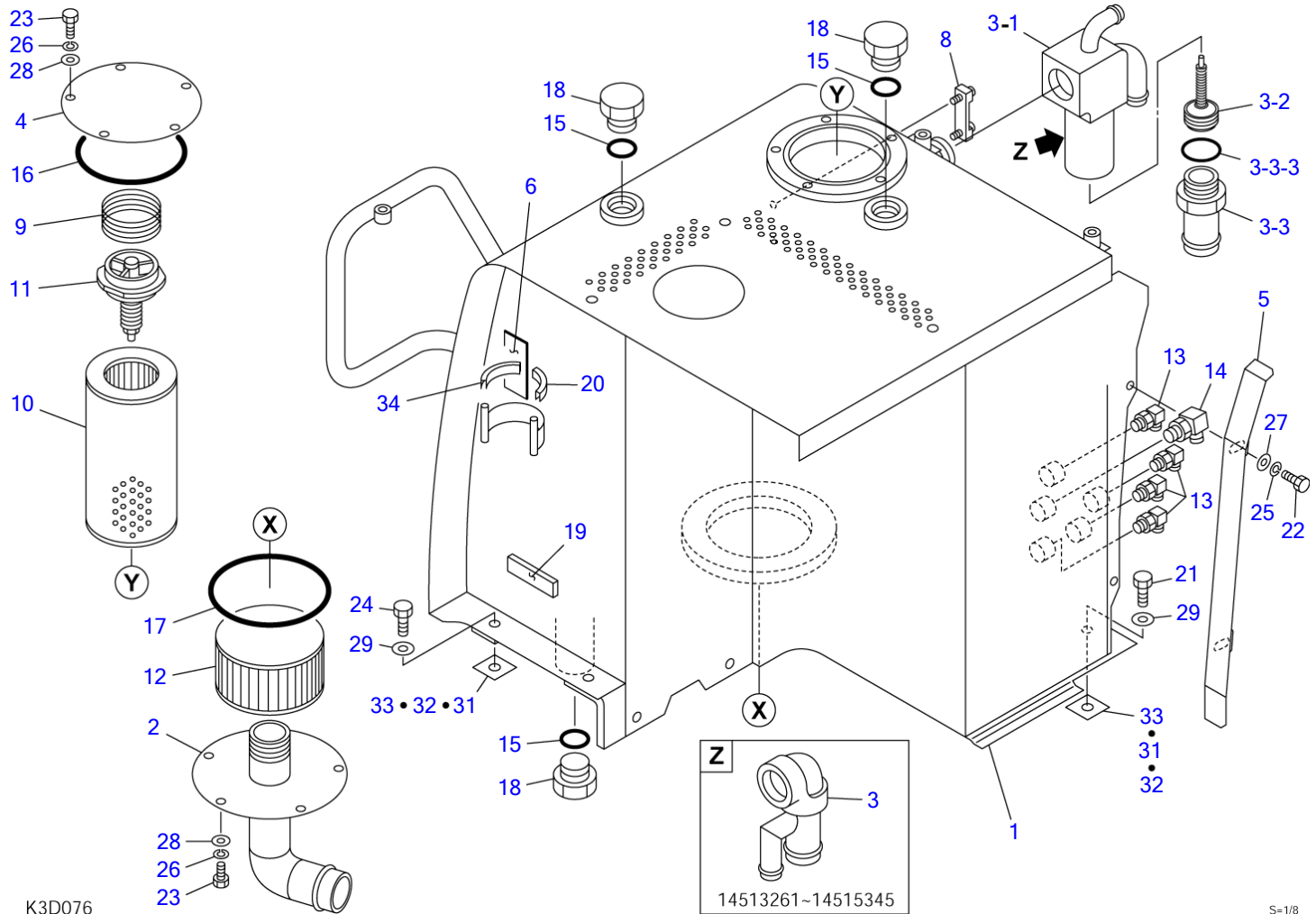
K3D071

S=1/8

**HYDRAULIC TANK (14510004-14513260)**

Item	Part number	Description	Q'ty	Chan.	Serial No.	Serv.	Remarks
		TANK ASSY, hydraulic					X03980-04000-5
1	0398004100	TANK, hydraulic	1				
2	0398004300	PIPE	1				
3	0398004310	NIPPLE	1				
4	0378004320	COVER	1				
5	0378004340	PLATE	1				
6	0373504320	RUBBER	1				
8	1553020685	GAUGE	1				
9	0007000031	SPRING	1				
10	1551100200	ELEMENT	1				
11	1551100300	VALVE ASSY	1				
12	1550020150	FILTER	1				
13	1515012040	ELBOW	4				
	1420010110	• O-RING	1				
14	1515010041	ELBOW	1				
	1420010140	• O-RING	1				
15	1420010290	O-RING	3				
16	1420101250	O-RING	1				
17	1420101450	O-RING	1				
18	0007256006	PLUG	3				
19	1654302008	SPONGE	1				
20	1654601004	TRIM	2				sold by the meter
21	1100041025	BOLT	2				
22	1100040820	BOLT	2				
23	1100041016	BOLT	10				
24	1100041035	BOLT	2				
25	1140020008	WASHER, spring	2				
26	1140020010	WASHER, spring	10				
27	1141110008	WASHER	2				
28	1141110010	WASHER	10				
29	1141550010	WASHER	4				
30	0003900025	SPACER	AR				t=1.2mm
31	0438211063	SPACER	AR				t=2.0mm
32	0438211062	SPACER	AR				t=3.2mm
	K3d072						

TB145 Book No. BK3Z010 S/N 14510004-  
HYDRAULIC TANK (14513261-)



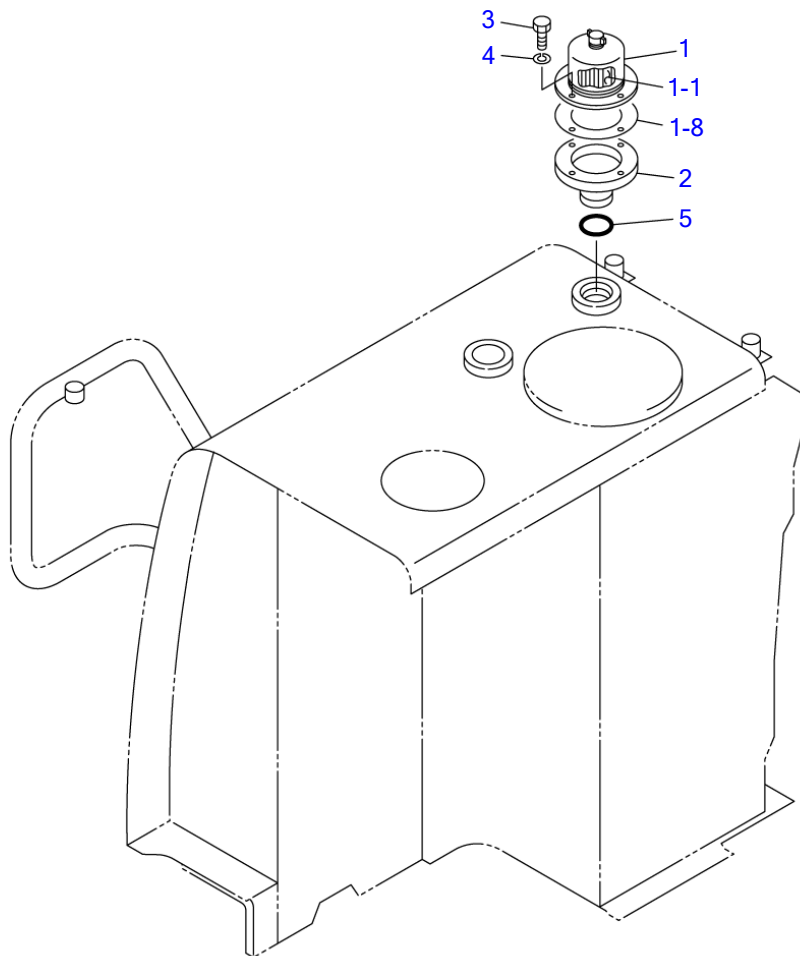
K3D076

S=1/8



**HYDRAULIC TANK (14513261-)**

Item	Part number	Description	Q'ty	Chan.	Serial No.	Serv.	Remarks
		TANK ASSY, hydraulic					X03980-08700-2
1	<b>0398008100</b>	TANK, hydraulic	1		14513261~14515345		
	<b>0398008800</b>	TANK, hydraulic	1		14515346~		
2	<b>0398004300</b>	PIPE	1				
3	<b>0398008310</b>	NIPPLE	1		14513261~14515345		
	<b>0398008710</b>	NIPPLE ASSY	1		14515346~		
3-1	<b>0398008720</b>	• PIPE	1		14515346~		
3-2	<b>1540141230</b>	• VALVE, check	1		14515346~		
3-3	<b>0397011140</b>	• ADAPTOR	1		14515346~		
3-3-3	<b>1420010110</b>	• • O-RING	1		14515346~		
4	<b>0378004320</b>	COVER	1				
5	<b>0378004340</b>	PLATE	1				
6	<b>0373504320</b>	RUBBER	1				
8	<b>1553020685</b>	GAUGE	1				
9	<b>0007000031</b>	SPRING	1				
10	<b>1551102600</b>	ELEMENT	1				
11	<b>1551100300</b>	VALVE ASSY	1				
12	<b>1550020150</b>	FILTER	1				
13	<b>1515012040</b>	ELBOW	4				
	<b>1420010110</b>	• O-RING	1				
14	<b>1515010041</b>	ELBOW	1				
	<b>1420010140</b>	• O-RING	1				
15	<b>1420010290</b>	O-RING	3				
16	<b>1420101250</b>	O-RING	1				
17	<b>1420101450</b>	O-RING	1				
18	<b>0007256006</b>	PLUG	3				
19	<b>1654302008</b>	SPONGE	1				
20	<b>1653917004</b>	TRIM	1			M	sold by the meter
21	<b>1100041025</b>	BOLT	2				
22	<b>1100040820</b>	BOLT	2				
23	<b>1100041016</b>	BOLT	10				
24	<b>1100041035</b>	BOLT	2				
25	<b>1140020008</b>	WASHER, spring	2				
26	<b>1140020010</b>	WASHER, spring	10				
27	<b>1141110008</b>	WASHER	2				
28	<b>1141110010</b>	WASHER	10				
29	<b>1141550010</b>	WASHER	4				
31	<b>0003900061</b>	SPACER	AR			M	t=1.2mm
32	<b>0003900062</b>	SPACER	AR			M	t=2.0mm
33	<b>0003900063</b>	SPACER	AR			M	t=3.2mm
34	<b>1653917006</b>	TRIM	1			M	sold by the meter
	<b>K3d075</b>						

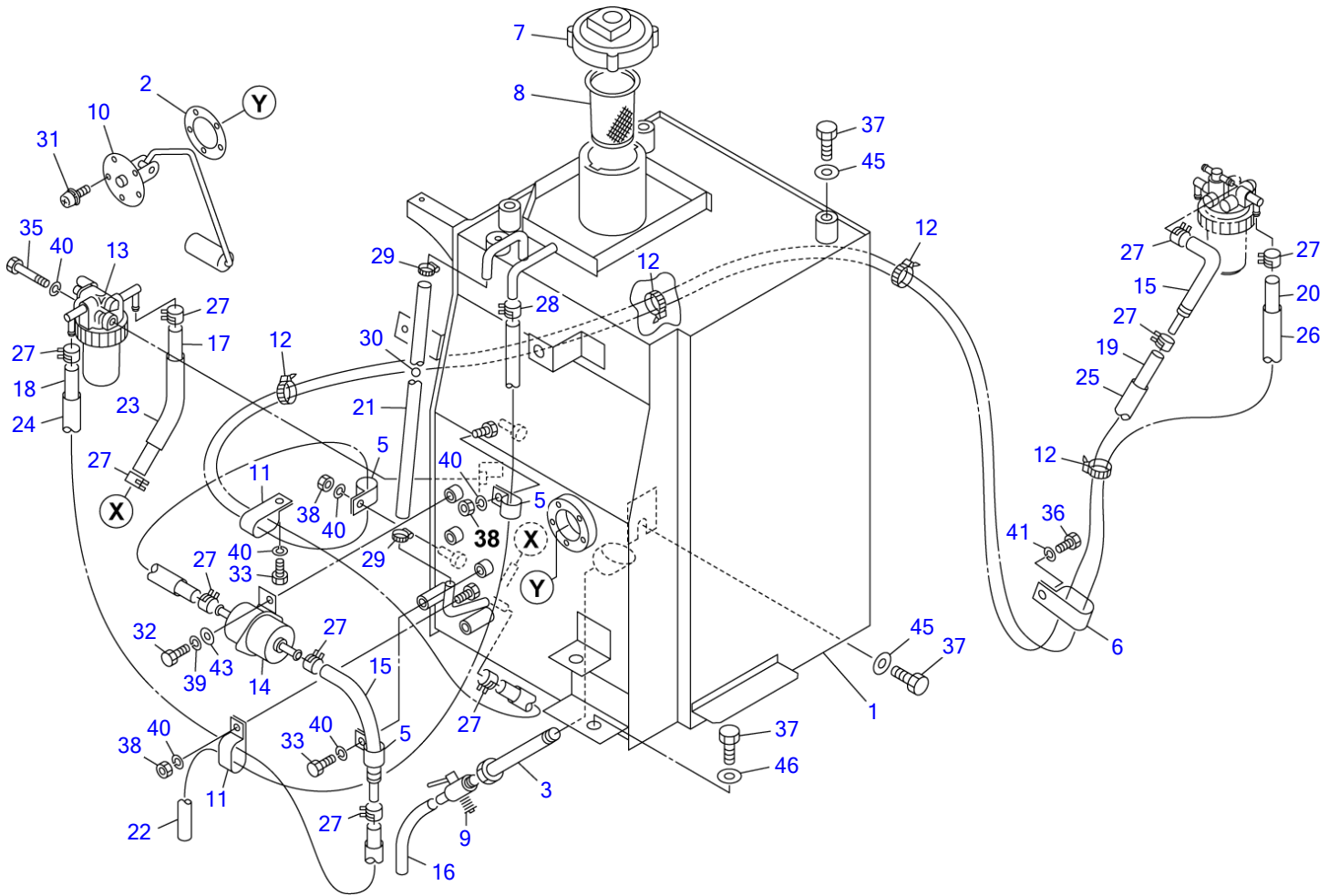


G4D100

S=1/8

Item	Part number	Description	BREATHER			Remarks
			Q'ty	Chan.	Serial No.	
		BREATHER ASSY				X03780-04400-0
1	1552000900	BREATHER, air	1			
1-1	1552000902	· ELEMENT	1			
1-8	1552000908	· PACKING	1			
2	0568026170	FLANGE	1			
3	1100040614	BOLT	4			
4	1140020006	WASHER, spring	4			
5	1420010290	O-RING	1			
	G4d100					

TB145 Book No. BK3Z010 S/N 14510004-  
**FUEL TANK & FUEL PIPING (14510004-14513260)**



K3D081

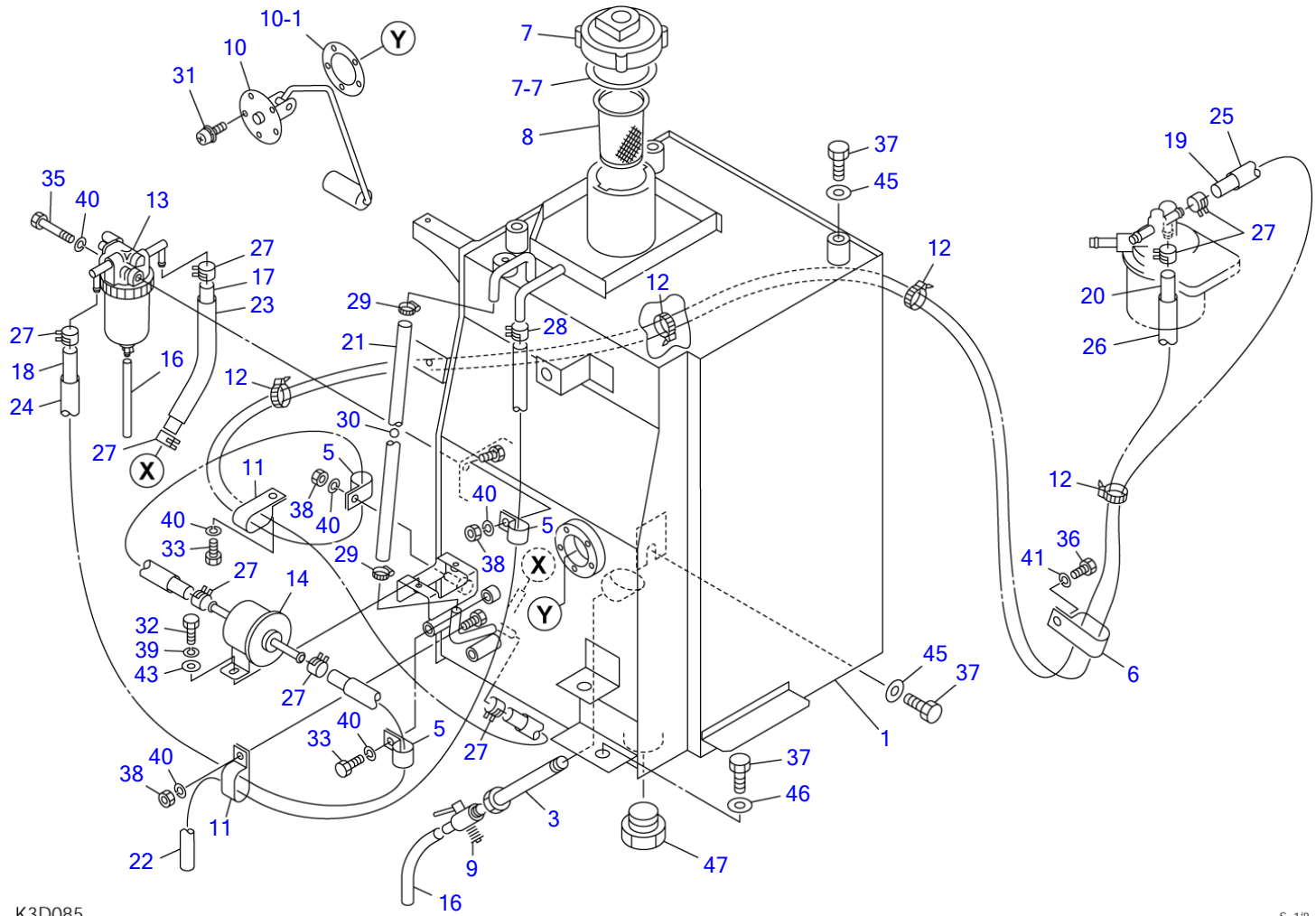
S=1/8

**FUEL TANK & FUEL PIPING (14510004-14513260)**

Item	Part number	Description	Q'ty	Chan.	Serial No.	Serv.	Remarks
		TANK ASSY, fuel					X03981-05000-4
1	0398105100	TANK	1				
2	0438101500	PACKING	1				
3	0398105200	NIPPLE	1				
5	0007300050	CLAMP	3				
6	0007300055	CLAMP	1				
7	1552100500	CAP	1				
7-7	1552100507	• PACKING	1				
8	1552100320	STRAINER	1				
9	1522100014	COCK	1				
10	1553201900	SENDER, fuel	1				
11	0007300019	CLAMP	2				
12	1652231140	BAND	4				
13	1910030033	SEPARATOR, water	1				Y129335-55700
14	1910047033	PUMP, feed	1				Y129322-77401
15	1910065047	HOSE, bend	2				Y119840-59601
16	1531007011	HOSE	1				sold by the meter
17	1531207016	HOSE	1				sold by the meter
18	1531207040	HOSE	1				sold by the meter
19	1531207256	HOSE	1				sold by the meter
20	1531207302	HOSE	1				sold by the meter
21	1531010046	HOSE	1				sold by the meter
22	1531010102	HOSE	1				sold by the meter
23	1531115009	HOSE	1				sold by the meter
24	1531115013	HOSE	2				sold by the meter
25	1531115082	HOSE	3				sold by the meter
26	1531115097	HOSE	3				sold by the meter
27	1533120012	BAND	10				
28	1533120015	BAND	1				
29	1533700015	BAND	2				
30	1553000001	FLOAT	1				
31	1150110510	SCREW	5				
32	1100040616	BOLT	2				
33	1100040816	BOLT	2				
35	1100040865	BOLT	1				
36	1100041020	BOLT	1				
37	1100041025	BOLT	6				
38	1130040008	NUT	3				
39	1140020006	WASHER, spring	2				
40	1140020008	WASHER, spring	6				
41	1140020010	WASHER, spring	1				
43	1141110006	WASHER	2				
45	1141550010	WASHER	5				
46	0003600025	WASHER	1				

K3d081

TB145 Book No. BK3Z010 S/N 14510004-  
FUEL TANK & FUEL PIPING (14513261-)



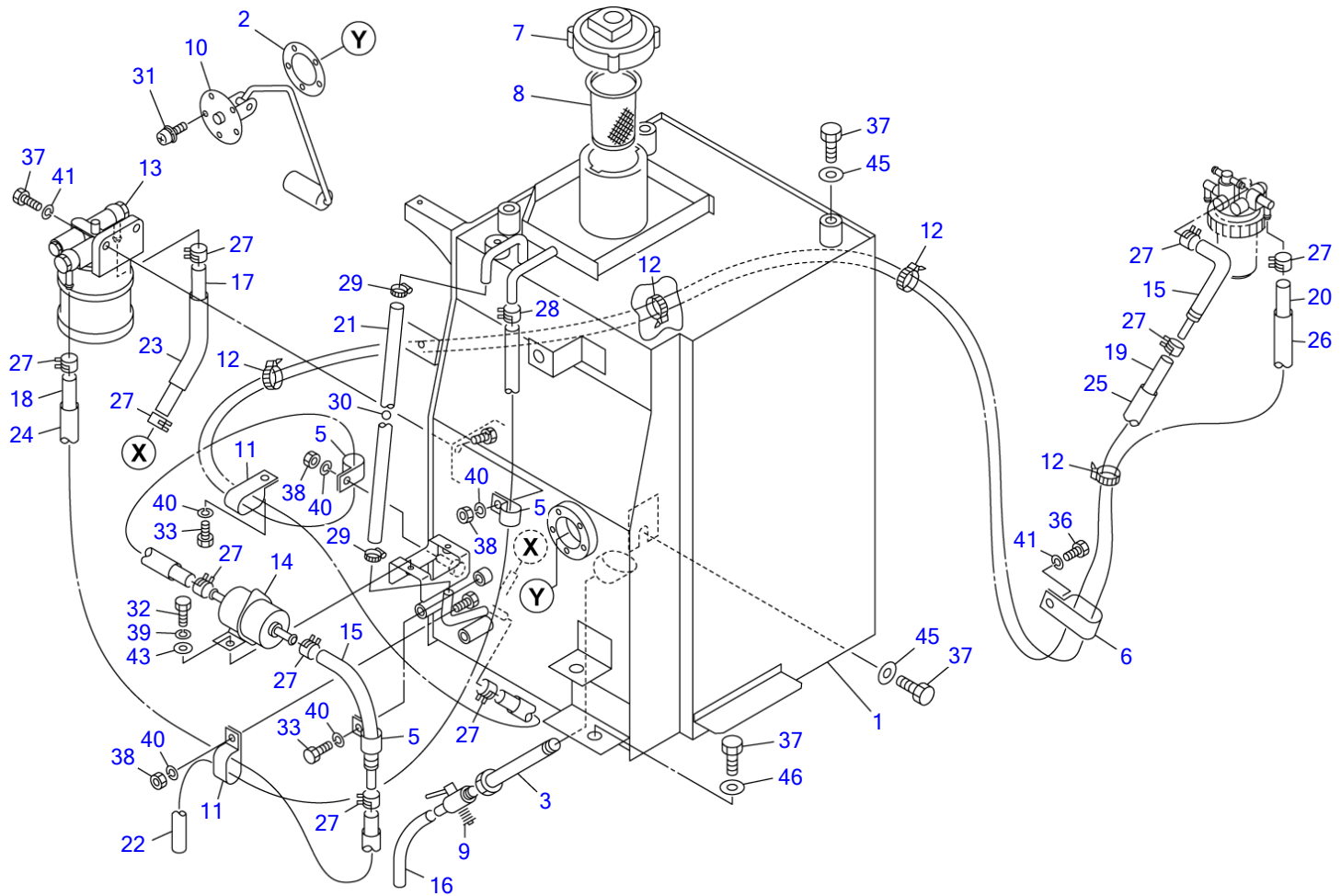
K3D085

S=1/8

**FUEL TANK & FUEL PIPING (14513261-)**

Item	Part number	Description	Q'ty	Chan.	Serial No.	Serv.	Remarks
		TANK ASSY, fuel					X03981-12000-6
		TANK ASSY, fuel (for China)					X03981-12800-6
1	0398105100	TANK	1				
3	0398105200	NIPPLE	1				
5	0007300050	CLAMP	3				
6	0007300055	CLAMP	1				
7	1552100500	CAP	1				
7-7	1552100507	• PACKING	1				
8	1552100320	STRAINER	1				
9	1522100014	COCK	1				
10	1553201900	SENDER, fuel	1				
10-1	1553201918	• PACKING	1			M	
11	0007300019	CLAMP	2				
12	1652231140	BAND	4				
13	1910186033	SEPARATOR, water	1				Y129906-55700
14	1910199034	PUMP, feed	1				Y129612-52100
16	1531007011	HOSE	2				sold by the meter
17	1531207025	HOSE	1				sold by the meter
18	1531207053	HOSE	1				sold by the meter
19	1531207270	HOSE	1				sold by the meter
	1531207272	HOSE (for China)	1				sold by the meter
20	1531207302	HOSE	1				sold by the meter
	1531207304	HOSE (for China)	1				sold by the meter
21	1531010046	HOSE	1				sold by the meter
22	1531010102	HOSE	1				sold by the meter
23	1531115012	PROTECTOR	1				sold by the meter
24	1531115020	PROTECTOR	2				sold by the meter
25	1531115082	PROTECTOR	3				sold by the meter
26	1531115099	PROTECTOR	3				sold by the meter
27	1533120511	BAND	8				
28	1533120015	BAND	1				
29	1533700015	BAND	2				
30	1553000001	FLOAT	1				
31	1150110510	SCREW	5				
32	1100040616	BOLT	4				
33	1100040816	BOLT	2				
35	1100040870	BOLT	1				
36	1100041020	BOLT	1				
37	1100041025	BOLT	6				
38	1130040008	NUT	3				
39	1140020006	WASHER, spring	2				
40	1140020008	WASHER, spring	6				
41	1140020010	WASHER, spring	1				
43	1141110006	WASHER	2				
45	1141550010	WASHER	5				
46	0003600025	WASHER	1				
47	1501750010	PLUG	1		14514410~		
	1420010290	• O-RING	1		14514410~		
	K3d087						

TB145 Book No. BK3Z010 S/N 14510004-  
FUEL TANK & FUEL PIPING (for HE-SERVICE; 14510004-14513260)



K3D110

S=1/8

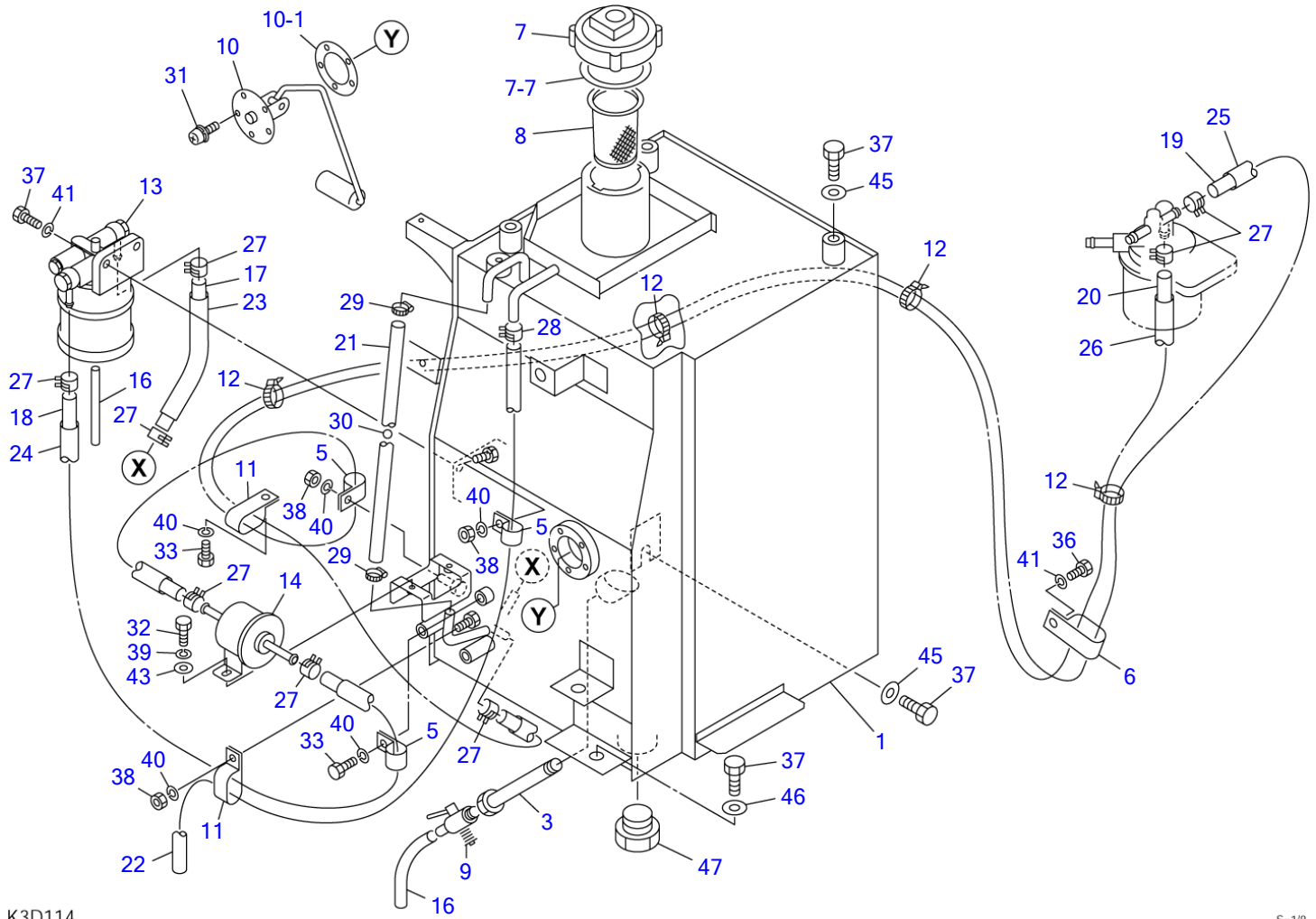


**FUEL TANK & FUEL PIPING (for HE-SERVICE; 14510004-14513260)**

Item	Part number	Description	Q'ty	Chan.	Serial No.	Serv.	Remarks
		TANK ASSY, fuel					X03981-09000-0
1	0398109100	TANK	1				
2	0438101500	PACKING	1				
3	0398105200	NIPPLE	1				
5	0007300050	CLAMP	3				
6	0007300055	CLAMP	1				
7	1552100500	CAP	1				
8	1552100320	STRAINER	1				
9	1522100014	COCK	1				
10	1553201900	SENDER, fuel	1				
11	0007300019	CLAMP	2				
12	1652231140	BAND	4				
13	1552001200	SEPARATOR, water	1				
14	1910047033	PUMP, feed	1				Y129322-77401
15	1910065047	HOSE, bend	2				Y119840-59601
16	1531007011	HOSE	1				sold by the meter
17	1531207025	HOSE	1				sold by the meter
18	1531207033	HOSE	1				sold by the meter
19	1531207256	HOSE	1				sold by the meter
20	1531207302	HOSE	1				sold by the meter
21	1531010046	HOSE	1				sold by the meter
22	1531010102	HOSE	1				sold by the meter
23	1531115018	HOSE	1				sold by the meter
24	1531115010	HOSE	2				sold by the meter
25	1531115082	HOSE	3				sold by the meter
26	1531115097	HOSE	3				sold by the meter
27	1533120012	BAND	10				
28	1533120015	BAND	1				
29	1533700015	BAND	2				
30	1553000001	FLOAT	1				
31	1150110510	SCREW	5				
32	1100040616	BOLT	2				
33	1100040816	BOLT	2				
36	1100041020	BOLT	1				
37	1100041025	BOLT	8				
38	1130040008	NUT	3				
39	1140020006	WASHER, spring	2				
40	1140020008	WASHER, spring	5				
41	1140020010	WASHER, spring	3				
43	1141110006	WASHER	2				
45	1141550010	WASHER	5				
46	0003600025	WASHER	1				
	K3d110						

TB145 Book No. BK3Z010 S/N 14510004-  
**FUEL TANK & FUEL PIPING (for HE-SERVICE; 14513261-)**

---



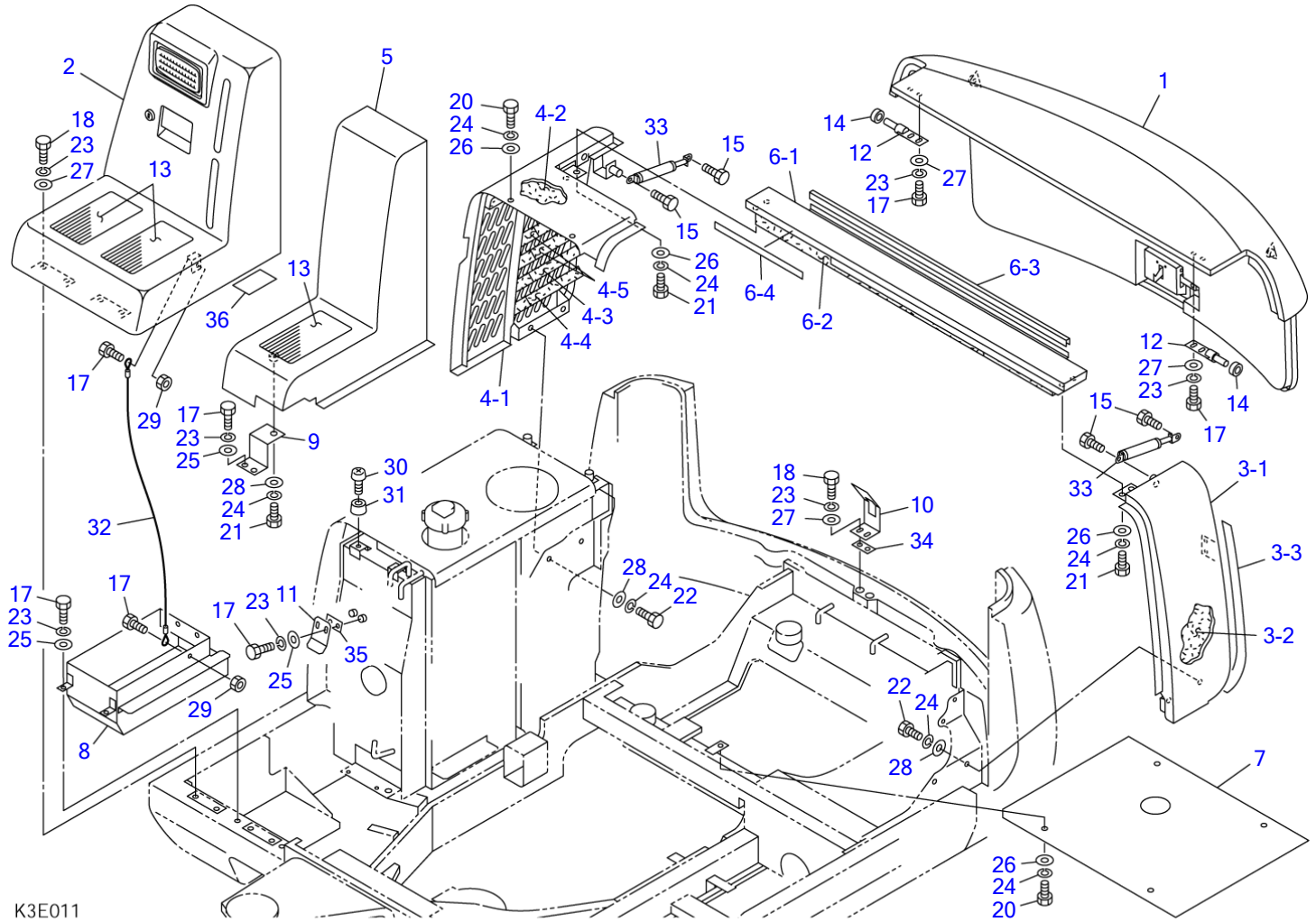
K3D114

S=1/8

**FUEL TANK & FUEL PIPING (for HE-SERVICE; 14513261-)**

Item	Part number	Description	Q'ty	Chan.	Serial No.	Serv.	Remarks
		TANK ASSY, fuel					X03981-12500-6
1	0398109100	TANK	1				
3	0398105200	NIPPLE	1				
5	0007300050	CLAMP	3				
6	0007300055	CLAMP	1				
7	1552100500	CAP	1				
8	1552100320	STRAINER	1				
9	1522100014	COCK	1				
10	1553201900	SENDER, fuel	1				
10-1	1553201918	• PACKING	1				
11	0007300019	CLAMP	2				
12	1652231140	BAND	4				
13	1552001200	SEPARATOR, water	1				
14	1910199034	PUMP, feed	1				Y129612-52100
16	1531007011	HOSE	2				sold by the meter
17	1531207025	HOSE	1				sold by the meter
18	1531207053	HOSE	1				sold by the meter
19	1531207270	HOSE	1				sold by the meter
20	1531207302	HOSE	1				sold by the meter
21	1531010046	HOSE	1				sold by the meter
22	1531010102	HOSE	1				sold by the meter
23	1531115012	PROTECTOR	1				sold by the meter
24	1531115020	PROTECTOR	1				sold by the meter
25	1531115082	PROTECTOR	1				sold by the meter
26	1531115099	PROTECTOR	1				sold by the meter
27	1533120511	BAND	8				
28	1533120015	BAND	1				
29	1533700015	BAND	2				
30	1553000001	FLOAT	1				
31	1150110510	SCREW	5				
32	1100040616	BOLT	2				
33	1100040816	BOLT	2				
36	1100041020	BOLT	1				
37	1100041025	BOLT	8				
38	1130040008	NUT	3				
39	1140020006	WASHER, spring	2				
40	1140020008	WASHER, spring	5				
41	1140020010	WASHER, spring	3				
43	1141110006	WASHER	2				
45	1141550010	WASHER	5				
46	0003600025	WASHER	1				
47	1501750010	PLUG	1		14514410~		
	1420010290	• O-RING	1		14514410~		
	K3d116						

TB145 Book No. BK3Z010 S/N 14510004-  
COVER (1/3) (14510004-14513260)



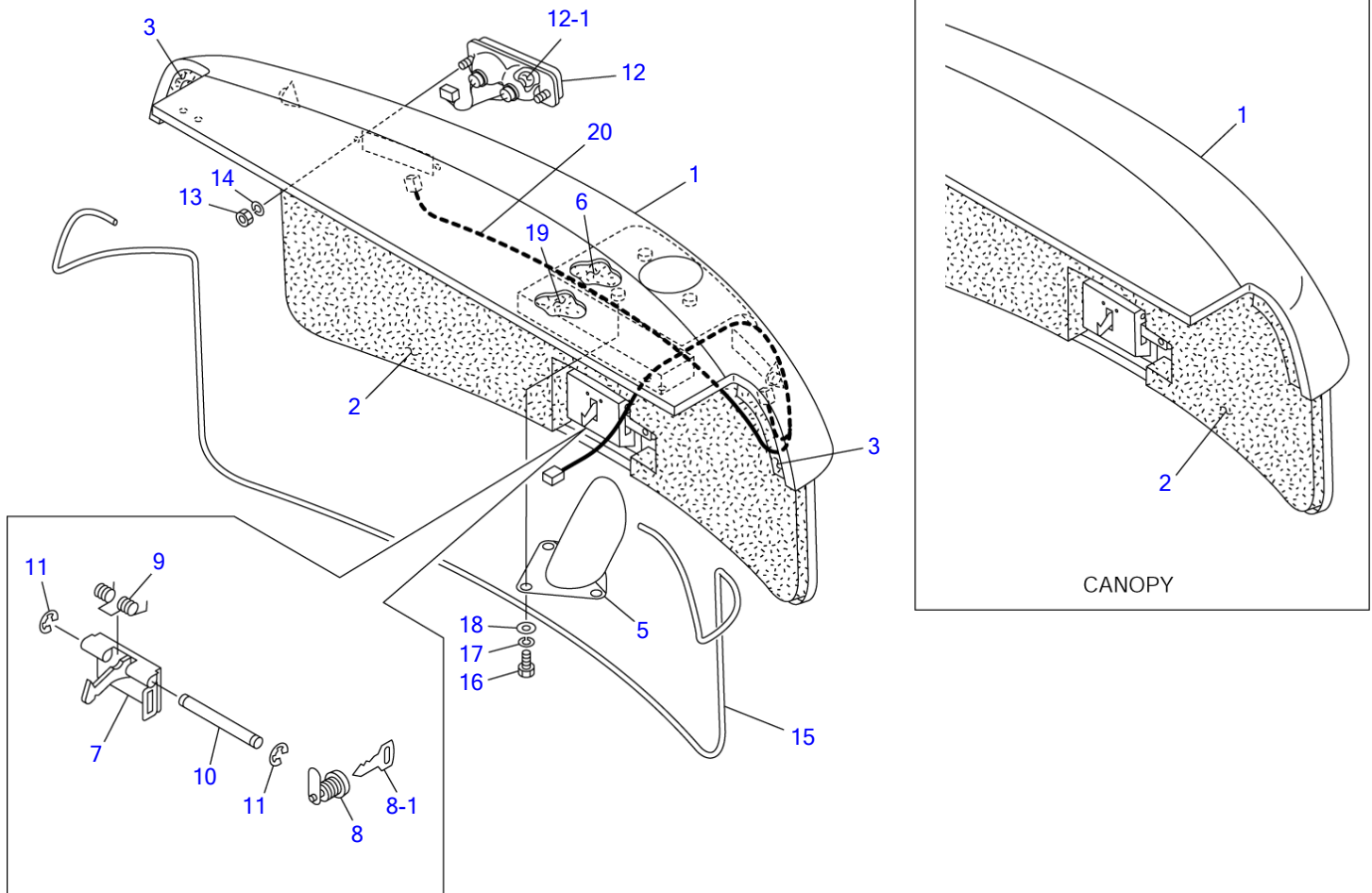
K3E011

S=FREE

**COVER (1/3) (14510004-14513260)**

Item	Part number	Description	Q'ty	Chan.	Serial No.	Serv.	Remarks
		COVER ASSY (cab)					X03982-05000-4
		COVER ASSY (canopy)					X03982-07000-4
1	0398205100	HOOD, engine (cab)	1				see page (2/3)
	0398207100	HOOD, engine (canopy)	1				see page (2/3)
2	0398206000	COVER, front	1				see page (3/3)
3	0398205300	COVER ASSY, side (L.H.)	1				
3-1	0398205400	• COVER, side (L.H.)	1		14510004~14510108		
	0398206200	• COVER, side (L.H.)	1	(H)	14510109~		
3-2	0398205310	• ABSORBENT, noise	1				
3-3	1654307049	• SPONGE	1				sold by the meter
4	0398205500	COVER ASSY, side (R.H.)	1				
4-1	0398205600	• COVER (R.H.)	1		14510004~14510108		
	0398206300	• COVER (R.H.)	1	(H)	14510109~		
4-2	0398205510	• ABSORBENT, noise	1				
4-3	0398205520	• ABSORBENT, noise	2				
4-4	0398205530	• ABSORBENT, noise	6				
4-5	0398205540	• ABSORBENT, noise	4				
5	0398205700	COVER, front	1				
6	0398205800	COVER ASSY, center	1				
6-1	0398205810	• COVER	1				
6-2	0398205801	• ABSORBENT, noise	1				
6-3	1654606104	• SEAL	1				sold by the meter
6-4	1654307048	• SPONGE	1				sold by the meter
7	0398205910	COVER	1				
8	0398205920	BOX	1				
9	0398205930	BRACKET	1				
10	0378206930	BRACKET	1		14510004~14510156		
	0378207600	BRACKET	1		14510157~		
11	0378206940	BRACKET	1				
12	0378206950	PIN	2				
13	0358202400	SHEET	3				
14	0398200800	COLLAR	2				
15	0138255300	BOLT	4				
17	1100040820	BOLT	14				
18	1100040830	BOLT	6				
20	1100041020	BOLT	6				
21	1100041025	BOLT	7				
22	1100041030	BOLT	4				
23	1140020008	WASHER, spring	18				
24	1140020010	WASHER, spring	17				
25	1141110008	WASHER	8				
26	1141110010	WASHER	10				
27	0003608252	WASHER	10				
28	0003600003	WASHER	7				
29	1130040008	NUT	2				
30	1120590412	SCREW	2				
31	1652102410	RUBBER	2				
32	1929900237	ROPE	1				
33	1653900037	DAMPER	2				sold by the meter
34	0003900028	SPACER	AR				t=4.5
35	0003900027	SPACER	AR				t=2.3
36	0358212034	RUBBER	AR				
	K3e011						

TB145 Book No. BK3Z010 S/N 14510004-  
COVER (2/3) (engine hood; 14510004-14513260)

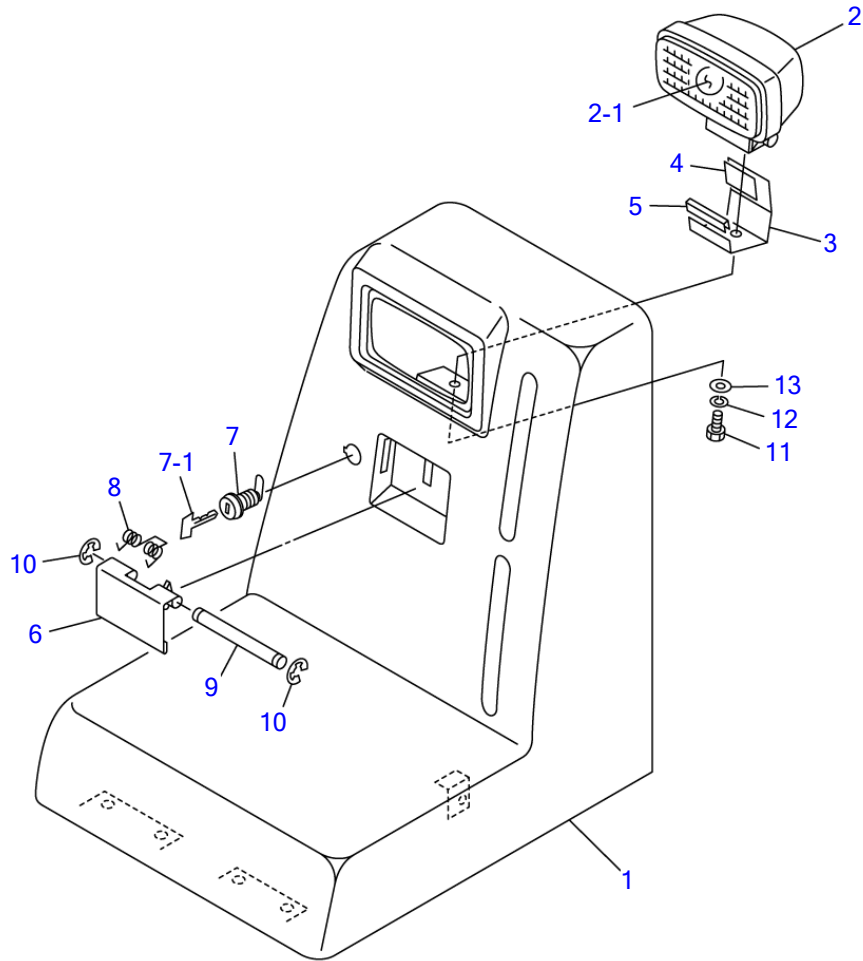


K3E021

S=FREE

**COVER (2/3) (engine hood; 14510004-14513260)**

Item	Part number	Description	Q'ty	Chan.	Serial No.	Serv.	Remarks
0-1	<b>0398205100</b>	HOOD ASSY, engine	1				cab
	<b>0398207100</b>	HOOD ASSY, engine	1				canopy
1	<b>0398205200</b>	• HOOD, engine	1				cab
	<b>0398207200</b>	• HOOD, engine	1				canopy
2	<b>0398205140</b>	• ABSORBENT, noise	1				cab
	<b>0398207120</b>	• ABSORBENT, noise	1				canopy
3	<b>0398205120</b>	• ABSORBENT, noise	2				
5	<b>0378206170</b>	• NOZZLE	1				cab
6	<b>0398205160</b>	• INSULATOR	1				cab
7	<b>0378206320</b>	• HANDLE	1		14510004~14510156		
	<b>0378207500</b>	• HANDLE	1		14510157~		
8	<b>1653601395</b>	• LOCK	1				
8-1	<b>1700100019</b>	• KEY	1				
9	<b>0007000095</b>	• SPRING	1				
10	<b>0004206111</b>	• SHAFT	1				
11	<b>1224010004</b>	• E-RING	2				
12	<b>1703002000</b>	• LAMP, tail	2				
12-1	<b>1703002003</b>	• • BULB	2				
13	<b>1130030004</b>	• NUT	4				
14	<b>1140020004</b>	• WASHER, spring	4				
15	<b>1654606280</b>	• SEAL	1				sold by the meter
16	<b>1100040816</b>	• BOLT	3				cab
17	<b>1140020008</b>	• WASHER, spring	3				cab
18	<b>0003608252</b>	• WASHER	3				cab
19	<b>0398205150</b>	• ABSORBENT, noise	1				cab
20	<b>0374203250</b>	• HARNESS, wiring	1				
	<b>K3e021</b>						



K3E030

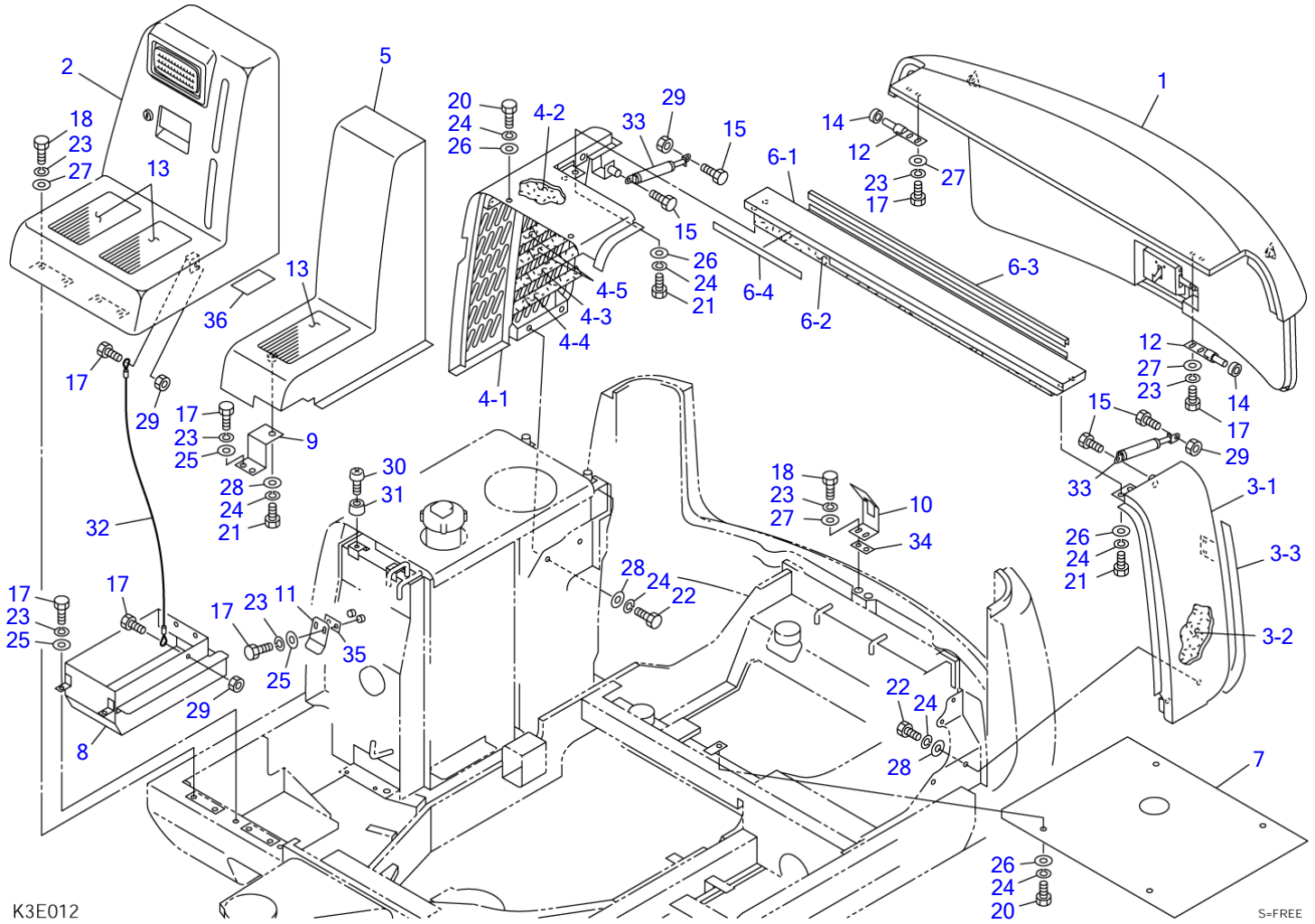
S=1/8



**COVER (3/3) (front cover; 14510004-14513260)**

Item	Part number	Description	Q'ty	Chan.	Serial No.	Serv.	Remarks
0-2	<b>0398206000</b>	COVER ASSY, front	1				
1	<b>0398206100</b>	▪ COVER, front	1				
2	<b>1703006200</b>	▪ LAMP ASSY	1				
2-1	<b>1703006205</b>	▪ ▪ BULB	1				
3	<b>0378206310</b>	▪ PLATE	1				
4	<b>0880841210</b>	▪ RUBBER	1				
5	<b>1654613006</b>	▪ PACKING	1				sold by the meter
6	<b>0378206320</b>	▪ HANDLE	1				
7	<b>1653601395</b>	▪ LOCK	1				
7-1	<b>1700100019</b>	▪ KEY	1				
8	<b>0007000095</b>	▪ SPRING	1				
9	<b>0004206111</b>	▪ SHAFT	1				
10	<b>1224010004</b>	▪ E-RING	2				
11	<b>1100040820</b>	▪ BOLT	1				
12	<b>1140020008</b>	▪ WASHER, spring	1				
13	<b>1141110008</b>	▪ WASHER	1				
	<b>K3e030</b>						

TB145 Book No. BK3Z010 S/N 14510004-  
COVER (1/3) (14513261-14515345)



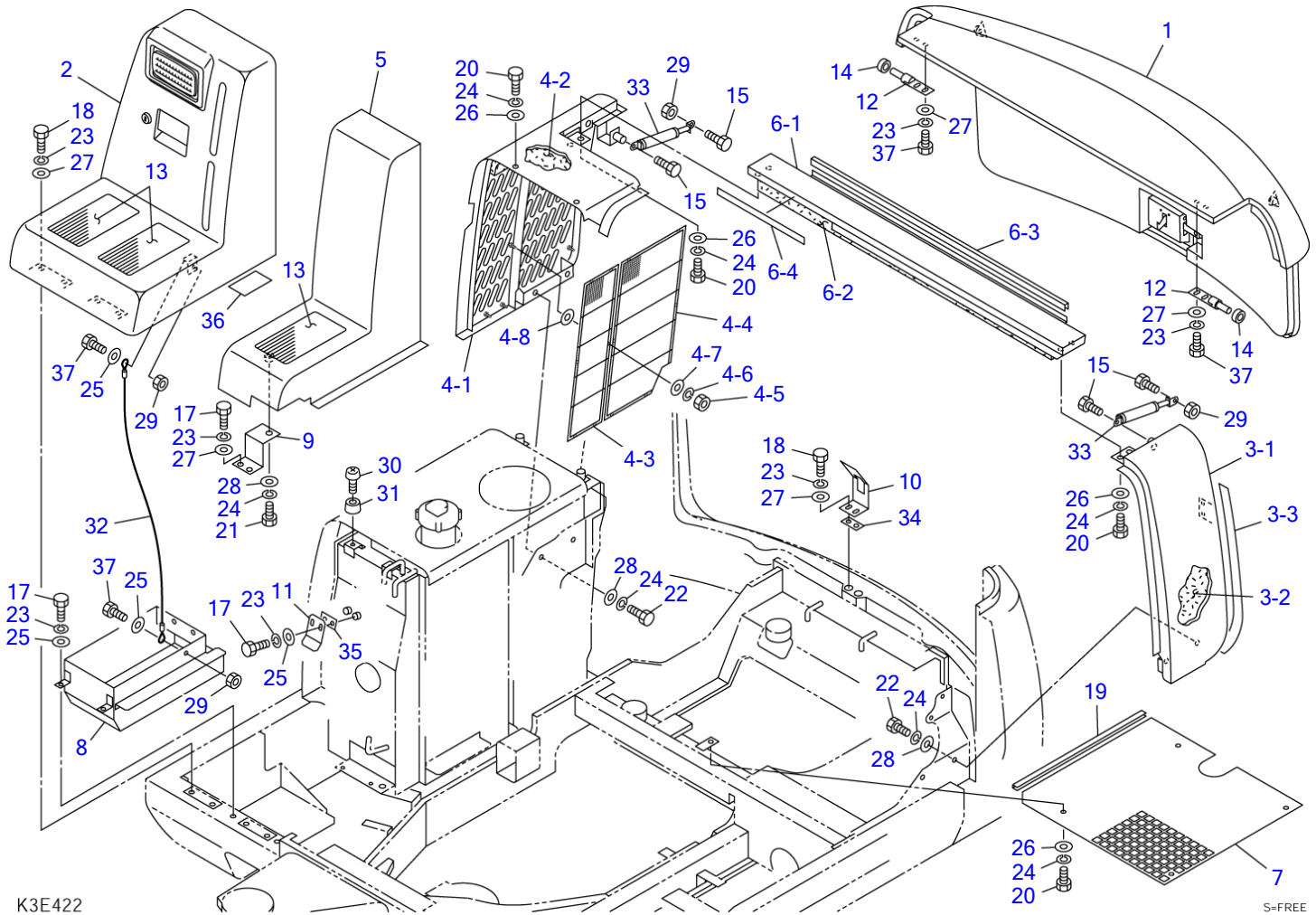
**COVER (1/3) (14513261-14515345)**

Item	Part number	Description	Q'ty	Chan.	Serial No.	Serv.	Remarks
		COVER ASSY (cab)					X03982-12000-3
		COVER ASSY (canopy)					X03982-12400-3
1	0398212100	HOOD, engine (cab)	1	A	14513261~14513476		see page (2/3)
	0398212500	HOOD, engine (cab)	1	a(H)	14513477~		see page (2/3)
	0398207100	HOOD, engine (canopy)	1	B	14513261~14513476		see page (2/3)
	0398207500	HOOD, engine (canopy)	1	b(H)	14513477~		see page (2/3)
2	0398212200	COVER, front	1				see page (3/3)
3	0398205300	COVER ASSY, side (L.H.)	1				
3-1	0398206200	· COVER, side (L.H.)	1				
3-2	0398205310	· ABSORBENT, noise	1				
3-3	1654307049	· SPONGE	1				sold by the meter
4	0398205500	COVER ASSY, side (R.H.)	1				
4-1	0398206300	· COVER (R.H.)	1				
4-2	0398205510	· ABSORBENT, noise	1				
4-3	0398205520	· ABSORBENT, noise	2				
4-4	0398205530	· ABSORBENT, noise	6				
4-5	0398205540	· ABSORBENT, noise	4				
5	0398205700	COVER, front	1				
6	0398205800	COVER ASSY, center	1				
6-1	0398205810	· COVER	1				
6-2	0398205801	· ABSORBENT, noise	1				
6-3	1654606104	· SEAL	1				sold by the meter
6-4	1654307048	· SPONGE	1				sold by the meter
7	0398205910	COVER	1				
8	0398205920	BOX	1				
9	0398205930	BRACKET	1				
10	0378207600	BRACKET	1	A, B	14513261~14513476		
	0378207560	BRACKET	1	a, b	14513477~		
11	0378206940	BRACKET	1				
12	0378206950	PIN	2				
13	0358202400	SHEET	3				
14	0398200800	COLLAR	2				
15	0138255300	BOLT	4				
17	1100040820	BOLT	14				
18	1100040830	BOLT	6				
20	1100041020	BOLT	6				
21	1100041025	BOLT	7				
22	1100041030	BOLT	4				
23	1140020008	WASHER, spring	18				
24	1140020010	WASHER, spring	17				
25	1141110008	WASHER	8				
26	1141110010	WASHER	10				
27	0003608252	WASHER	10				
28	0003600003	WASHER	7				
29	1130040008	NUT	4				
30	1120590412	SCREW	2				
31	1652102410	RUBBER	2				
32	1929900237	ROPE	1				
33	1653900037	DAMPER	2				sold by the meter
34	0003900028	SPACER	AR				t=4.5
35	0003900027	SPACER	AR				t=2.3
36	0358212034	RUBBER	AR				

<<NOTE>>  
 SET "A" is interchangeable  
 with SET "a".  
 SET "B" is interchangeable  
 with SET "b".

**K3e013**

TB145 Book No. BK3Z010 S/N 14510004-  
COVER (1/3) (14515346-)



K3E422

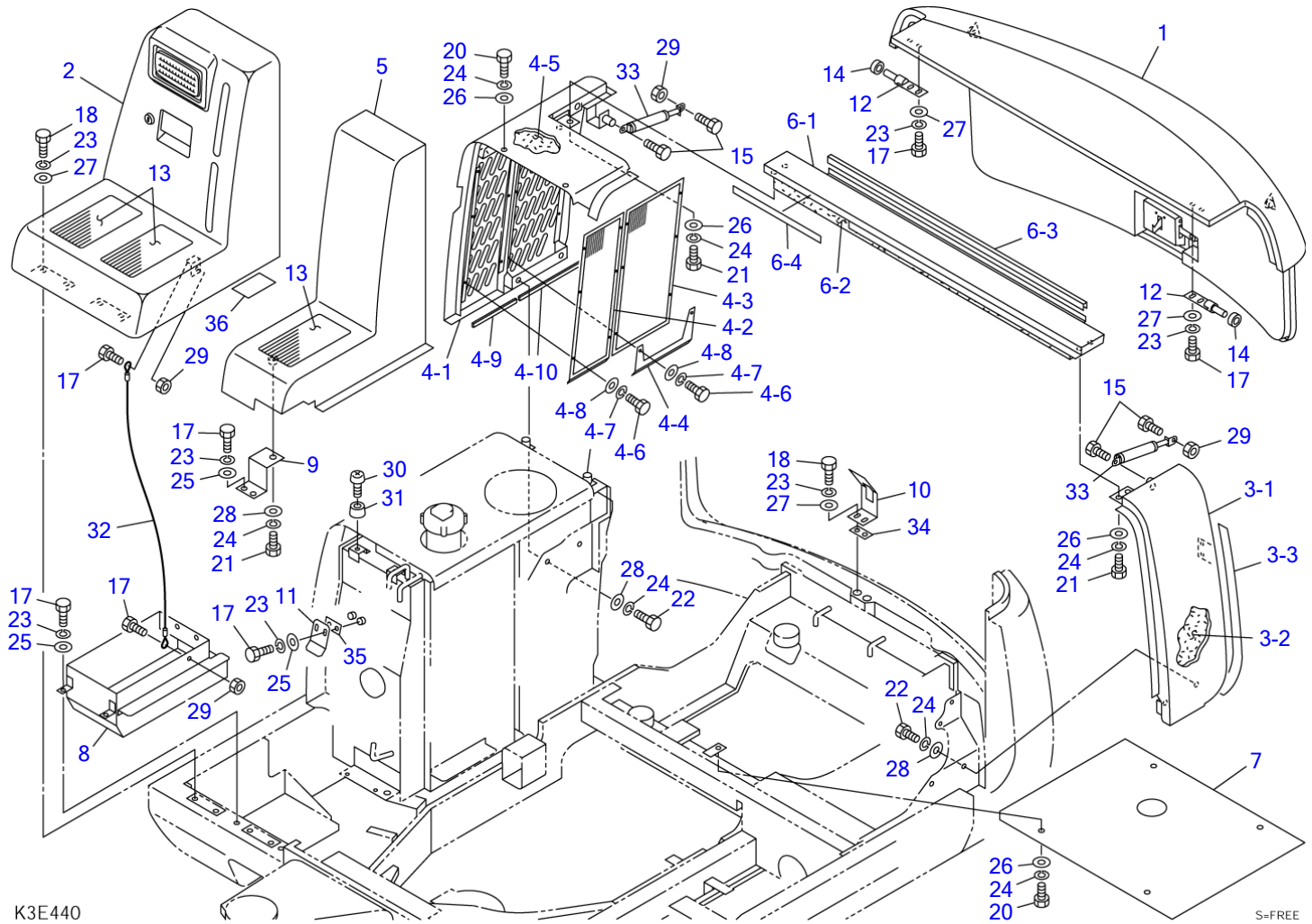
S=FREE

**COVER (1/3) (14515346-)**

Item	Part number	Description	Q'ty	Chan.	Serial No.	Serv.	Remarks
		COVER ASSY (cab)					X03982-20000-4
		COVER ASSY (canopy)					X03982-20500-4
1	<b>0398213500</b>	HOOD, engine (cab)	1		14515346~14516277		see page (2/3)
	<b>0398212500</b>	HOOD, engine (cab)	1	(H)	14516278~		see page (2/3)
	<b>0398213600</b>	HOOD, engine (canopy)	1		14515346~14516277		see page (2/3)
	<b>0398207500</b>	HOOD, engine (canopy)	1	(H)	14516278~		see page (2/3)
2	<b>0398212200</b>	COVER, front	1				see page (3/3)
3	<b>0398205300</b>	COVER ASSY, side (L.H.)	1				
3-1	<b>0398206200</b>	· COVER, side (L.H.)	1				
3-2	<b>0398205310</b>	· ABSORBENT, noise	1				
3-3	<b>1654307049</b>	· SPONGE	1				sold by the meter
4	<b>0398213230</b>	COVER ASSY, side (R.H.)	1				
4-1	<b>0398213240</b>	· COVER (R.H.)	1				
4-2	<b>0398205510</b>	· ABSORBENT, noise	1				
4-3	<b>0398213250</b>	· NET	1				
4-4	<b>0398213251</b>	· NET	1				
4-5	<b>1130040006</b>	· NUT	13				
4-6	<b>1140020006</b>	· WASHER, spring	13				
4-7	<b>1141110006</b>	· WASHER	13				
4-8	<b>0003600090</b>	· WASHER	13				
5	<b>0398205700</b>	COVER, front	1				
6	<b>0398205800</b>	COVER ASSY, center	1				
6-1	<b>0398205810</b>	· COVER	1				
6-2	<b>0398205801</b>	· ABSORBENT, noise	1				
6-3	<b>1654606104</b>	· SEAL	1				sold by the meter
6-4	<b>1654307048</b>	· SPONGE	1				sold by the meter
7	<b>0398213210</b>	COVER	1				
8	<b>0398205920</b>	BOX	1				
9	<b>0398205930</b>	BRACKET	1				
10	<b>0378207560</b>	BRACKET	1				
11	<b>0378206940</b>	BRACKET	1				
12	<b>0378206950</b>	PIN	2				
13	<b>0358202400</b>	SHEET	3				
14	<b>0398200800</b>	COLLAR	2				
15	<b>0138255300</b>	BOLT	4				
17	<b>1100040820</b>	BOLT	8				
18	<b>1100040830</b>	BOLT	6				
19	<b>1654619048</b>	TRIM	1				sold by the meter
20	<b>1100041020</b>	BOLT	10				
21	<b>1100041025</b>	BOLT	3				
22	<b>1100041030</b>	BOLT	4				
23	<b>1140020008</b>	WASHER, spring	18				
24	<b>1140020010</b>	WASHER, spring	17				
25	<b>1141110008</b>	WASHER	8				
26	<b>1141110010</b>	WASHER	10				
27	<b>0003608252</b>	WASHER	12				
28	<b>0003600025</b>	WASHER	7				
29	<b>1130040008</b>	NUT	4				
30	<b>1120590412</b>	SCREW	2				
31	<b>1652102410</b>	RUBBER	2				
32	<b>1929900237</b>	ROPE	1				
33	<b>1653900037</b>	DAMPER	2		14515346~14517433		
	<b>1653900068</b>	DAMPER	2	(H)	14517434~	M	
34	<b>0003900028</b>	SPACER	AR				t=4.5
35	<b>0003900027</b>	SPACER	AR				t=2.3
36	<b>0358212034</b>	RUBBER	AR				
37	<b>1100040825</b>	BOLT	6				

**K3e424**

TB145 Book No. BK3Z010 S/N 14510004-  
COVER (1/3) (for China, with air conditioner)



K3E440

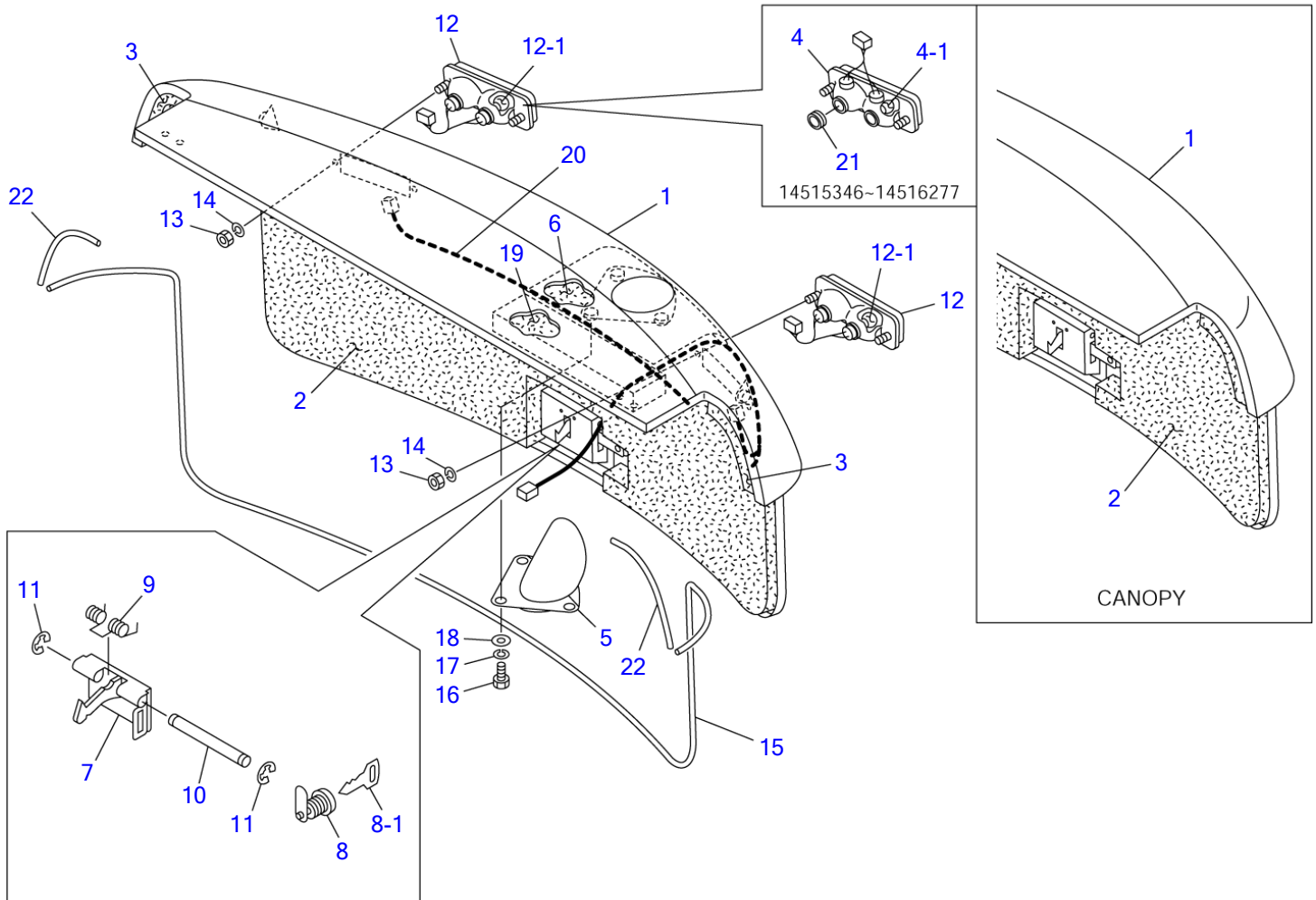
S=FREE

**COVER (1/3) (for China, with air conditioner)**

Item	Part number	Description	Q'ty	Chan.	Serial No.	Serv.	Remarks
		COVER ASSY (cab)					X03982-13400-0
1	0398212500	HOOD, engine (cab)	1				see page (2/3)
2	0398212200	COVER, front	1				see page (3/3)
3	0398205300	COVER ASSY, side (L.H.)	1				
3-1	0398206200	· COVER, side (L.H.)	1				
3-2	0398205310	· ABSORBENT, noise	1				
3-3	1654307049	· SPONGE	1				sold by the meter
4	0398212600	COVER ASSY, side (R.H.)	1				
4-1	0398212610	· COVER (R.H.)	1				
4-2	0398212680	· NET	1				
4-3	0398212690	· NET	1				
4-4	0398212700	· PLATE	1				
4-5	0398205510	· ABSORBENT, noise	1				
4-6	1100040816	· BOLT	12				
4-7	1140020008	· WASHER, spring	12				
4-8	1141110008	· WASHER	12				
4-9	1654307014	· SPONGE	1				sold by the meter
4-10	0654307023	· SPONGE	1				sold by the meter
5	0398205700	COVER, front	1				
6	0398205800	COVER ASSY, center	1				
6-1	0398205810	· COVER	1				
6-2	0398205801	· ABSORBENT, noise	1				
6-3	1654606104	· SEAL	1				sold by the meter
6-4	1654307048	· SPONGE	1				sold by the meter
7	0398205910	COVER	1				
8	0398205920	BOX	1				
9	0398205930	BRACKET	1				
10	0378207560	BRACKET	1				
11	0378206940	BRACKET	1				
12	0378206950	PIN	2				
13	0358202400	SHEET	3				
14	0398200800	COLLAR	2				
15	0138255300	BOLT	4				
17	1100040820	BOLT	14				
18	1100040830	BOLT	6				
20	1100041020	BOLT	6				
21	1100041025	BOLT	7				
22	1100041030	BOLT	4				
23	1140020008	WASHER, spring	18				
24	1140020010	WASHER, spring	17				
25	1141110008	WASHER	8				
26	1141110010	WASHER	10				
27	0003608252	WASHER	10				
28	0003600003	WASHER	7				
29	1130040008	NUT	4				
30	1120590412	SCREW	2				
31	1652102410	RUBBER	2				
32	1929900237	ROPE	1				
33	1653900037	DAMPER	2				sold by the meter
34	0003900028	SPACER	AR				t=4.5
35	0003900027	SPACER	AR				t=2.3
36	0358212034	RUBBER	AR				
		<<NOTE>>					
		14512994~14513002,					
		14513147~14513152					
		14513156~14513161,					
		14513198~14513206					
		14513374, 14513379, 14513380					
		14513474~14513476, 14513483					
		14513492~14513494, 14513522,					
		14513523					

**K3e440**

TB145 Book No. BK3Z010 S/N 14510004-  
COVER (2/3) (engine hood; 14513261-)



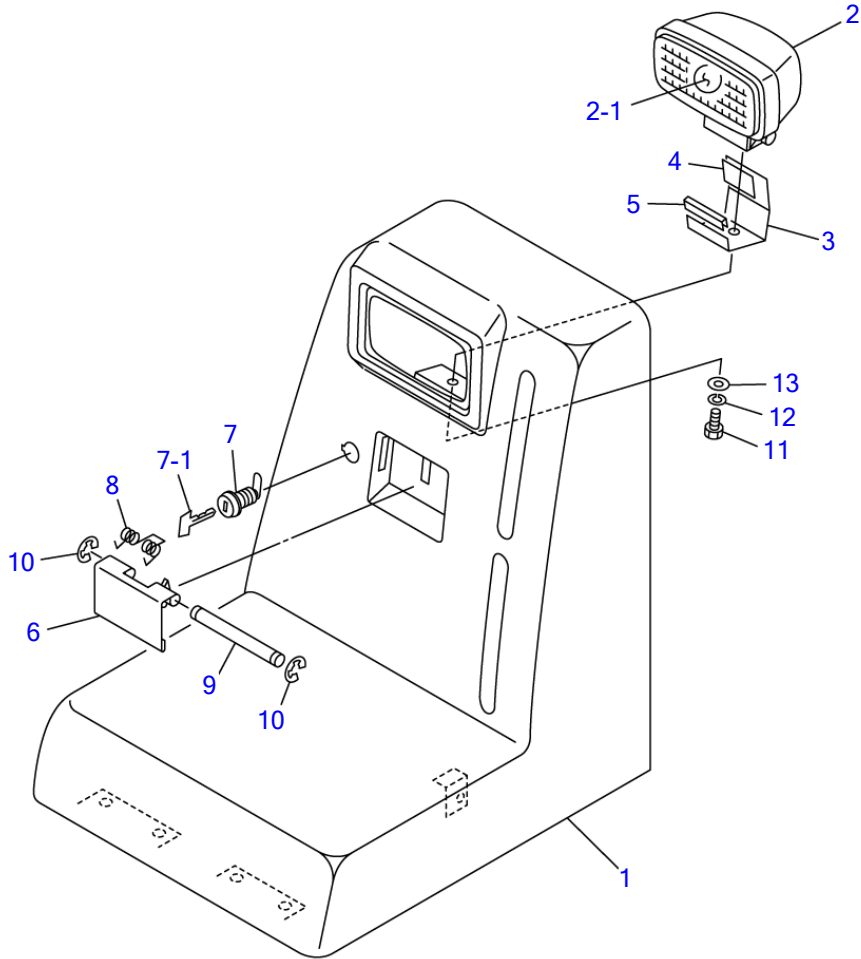
K3E024

S-FREE



## COVER (2/3) (engine hood; 14513261-)

Item	Part number	Description	Q'ty	Chan.	Serial No.	Serv.	Remarks
0-1	0398212100	HOOD ASSY, engine	1		14513261~14513476		cab
	0398212500	HOOD ASSY, engine	1		14513477~14515345		cab
	0398213500	HOOD ASSY, engine	1		14515346~14516277		cab
	0398212500	HOOD ASSY, engine	1	(H)	14516278~		cab
	0398207100	HOOD ASSY, engine	1		14513261~14513476		canopy
	0398207500	HOOD ASSY, engine	1		14513477~14515345		canopy
	0398213600	HOOD ASSY, engine	1		14515346~14516277		canopy
	0398207500	HOOD ASSY, engine	1	(H)	14516278~		canopy
1	0398212150	• HOOD, engine	1		14513261~14513476		cab
	0398212550	• HOOD, engine	1		14513477~		cab
	0398207200	• HOOD, engine	1		14513261~14513476		canopy
	0398207550	• HOOD, engine	1		14513477~		canopy
2	0398205140	• ABSORBENT, noise	1				cab
	0398207120	• ABSORBENT, noise	1				canopy
3	0398205120	• ABSORBENT, noise	2				
4	0398213510	• LAMP, tail (R.H.)	1		14515346~14516279		
4-1	1703002003	• • BULB	2				
5	0398212130	• NOZZLE	1				cab
6	0398212140	• INSULATOR	1				cab
7	0378207500	• HANDLE	1		14513261~14513476		
	0378211570	• HANDLE	1		14513477~		
8	1653601395	• LOCK	1				
8-1	1700100019	• KEY	1				
9	0007000095	• SPRING	1				
10	0004206111	• SHAFT	1				
11	1224010004	• E-RING	2				
12	1703002000	• LAMP, tail	1		14515346~14516277		
	1703002000	• LAMP, tail	2		14516278~		
12-1	1703002003	• • BULB	2				
13	1130030004	• NUT	4				
14	1140020004	• WASHER, spring	4				
15	1654606243	• SEAL	1				sold by the meter
16	1100040816	• BOLT	3				cab
17	1140020008	• WASHER, spring	3				cab
18	0003608252	• WASHER	3				cab
19	0398205150	• ABSORBENT, noise	1				cab
20	0374203250	• HARNESS, wiring	1				
21	1652051400	• GROMMET	2		14515346~14516277		
22	1654606018	• SEAL	2				sold by the meter
	K3e024						

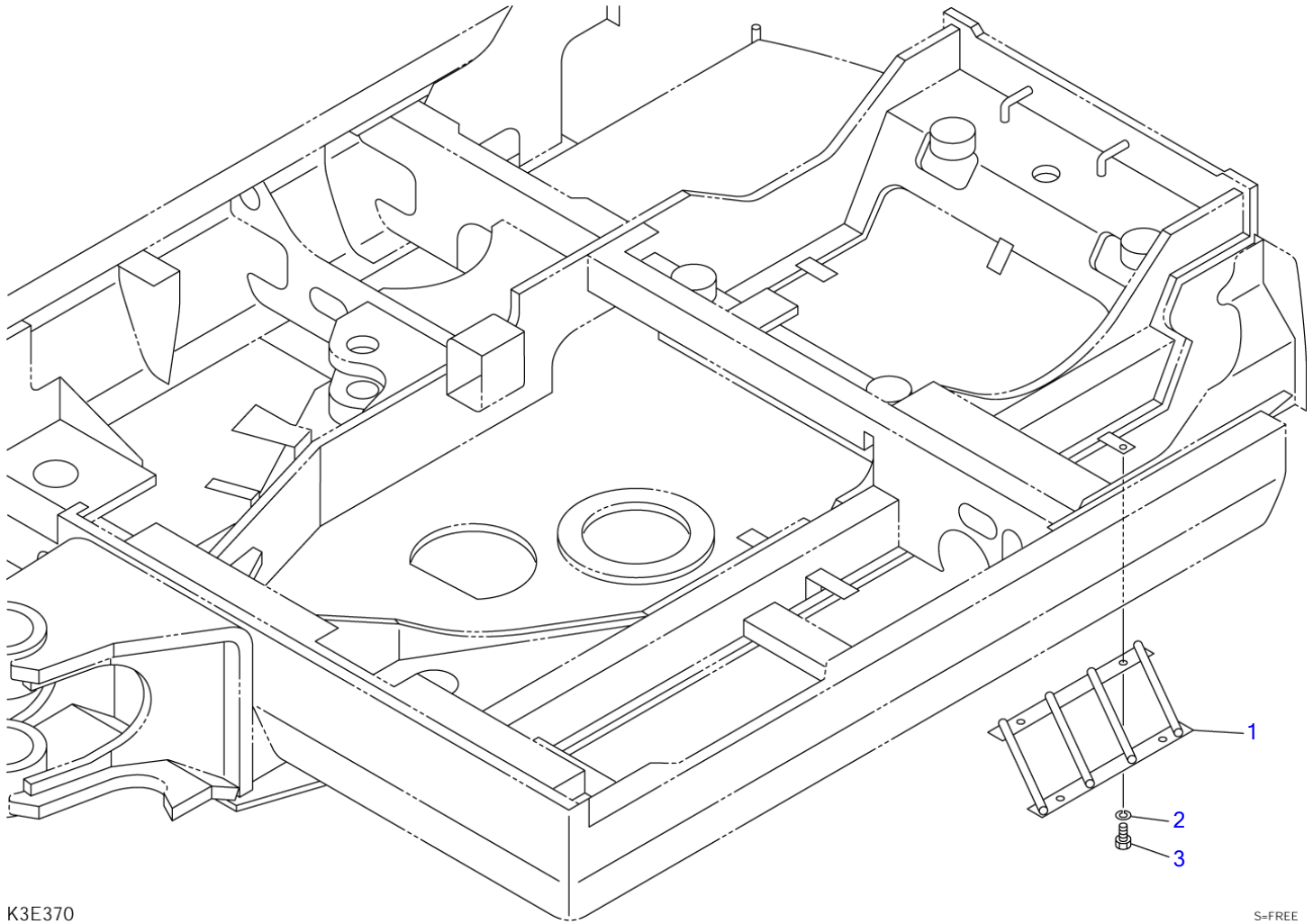


K3E030

S=1/8

**COVER (3/3) (front cover; 14513261-)**

Item	Part number	Description	Q'ty	Chan.	Serial No.	Serv.	Remarks
0-2	<b>0398212200</b>	COVER ASSY, front	1				
1	<b>0398212300</b>	· COVER, front	1				
2	<b>1703006200</b>	· LAMP ASSY	1				
2-1	<b>1703006205</b>	· · BULB	1				
3	<b>0378206310</b>	· PLATE	1				
4	<b>0880841210</b>	· RUBBER	1				
5	<b>1654613006</b>	· PACKING	1				sold by the meter
6	<b>0378206320</b>	· HANDLE	1				
7	<b>1653601395</b>	· LOCK	1				
7-1	<b>1700100019</b>	· KEY	1				
8	<b>0007000095</b>	· SPRING	1				
9	<b>0004206111</b>	· SHAFT	1				
10	<b>1224010004</b>	· E-RING	2				
11	<b>1100040820</b>	· BOLT	1				
12	<b>1140020008</b>	· WASHER, spring	1				
13	<b>1141110008</b>	· WASHER	1				
	<b>K3e031</b>						



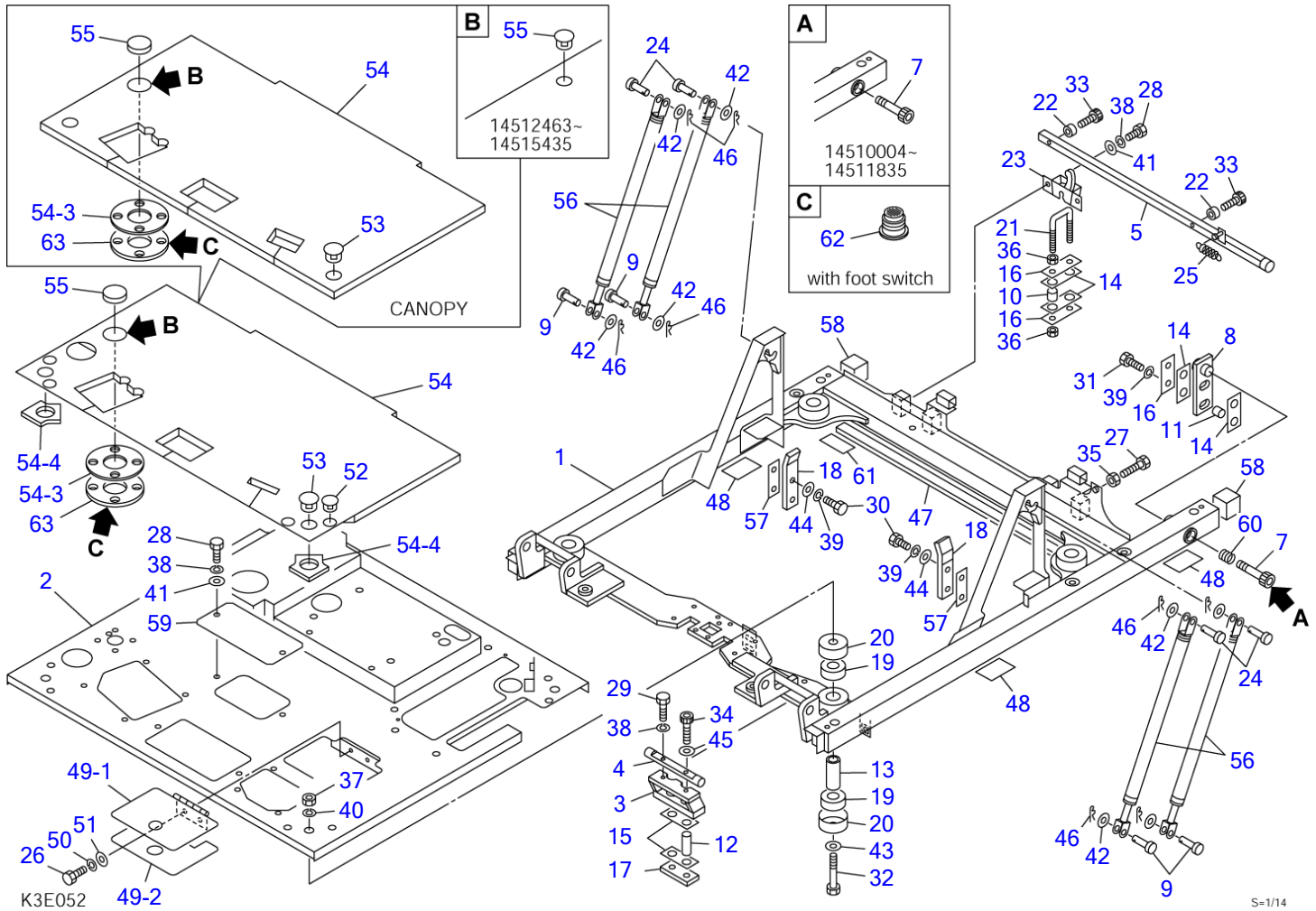
K3E370

S=FREE

**UNDER GUARD**

Item	Part number	Description	Q'ty	Chan.	Serial No.	Serv.	Remarks
		GUARD ASSY, under					X03982-13100-0
1	<b>0398213110</b>	GUARD	1				
2	<b>1100041020</b>	BOLT	4				
3	<b>1140020010</b>	WASHER, spring	4				
	<b>K3e370</b>						

TB145 Book No. BK3Z010 S/N 14510004-  
**FLOOR FRAME**

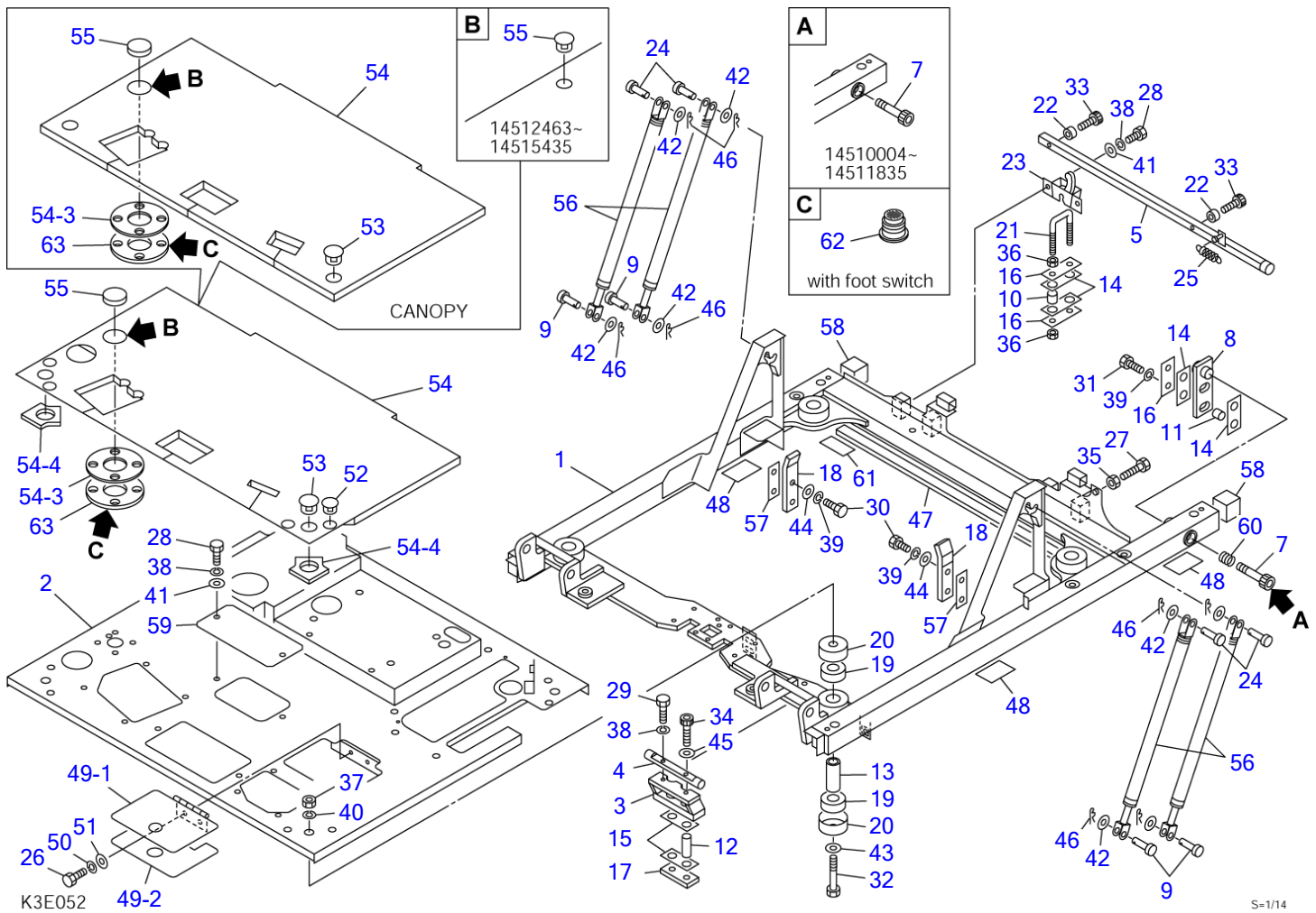


S=1/14

FLOOR FRAME

Item	Part number	Description	Q'ty	Chan.	Serial No.	Serv.	Remarks
		FLOOR ASSY (cab)					X03935-19000-12
		FLOOR ASSY (cab) (with 3rd aux. line)					X03935-19200-12
		FLOOR ASSY (canopy)					X03935-20000-12
		FLOOR ASSY (canopy) (with 3rd aux. line)					X03935-19300-12
		FLOOR ASSY (with air conditioner)			14512895~		X03935-19100-12
1	0373504100	FRAME (canopy)	1	A	14510004~14510390		
	0373504600	FRAME (canopy)	1	a(H)	14510391~14511578		
	0373507100	FRAME (canopy)	1	C	14511579~14511835		
	0373508100	FRAME (canopy)	1	c(H)	14511836~		
	0373504500	FRAME (cab)	1	B	14510004~14510390		
	0373504700	FRAME (cab)	1	b(H)	14510391~14511578		
	0373507200	FRAME (cab)	1	D	14511579~14511835		
	0373507500	FRAME (cab)	1	d(H)	14511836~		
2	0373504200	PLATE	1		14510004~14510530		
	0373504800	PLATE	1		14510531~14511578		
	0373507300	PLATE	1		14511579~		
	0397311400	PLATE	1				with 3rd aux. line
	0394612400	PLATE	1		14512895~		with air con.
3	0373504300	HINGE	2				
4	0373504370	SHAFT	2				
5	0373504350	ROD	1				
7	0343500800	BOLT	1	C,D	14510004~14511835		
	0373507007	BOLT	1	c,d(H)	14511836~		
8	0343500900	PLATE	1				
9	0343503200	PIN	4				cab
	0343503200	PIN	3				canopy
10	0373502600	SPACER	4				
11	0343501200	SPACER	2				
12	0373504360	SPACER	4				
13	0373502900	SPACER	4				
14	0343501400	CUSHION	6				
15	0373502990	CUSHION	4		14510004~14513179		
	0373502995	CUSHION	4		14513180~		
16	0343501600	PLATE	5				
17	0343501700	PLATE	2		14510004~14513179		
	0373504510	PLATE	2		14513180~		
18	0373504380	STOPPER	2				
19	0433503100	RUBBER	8				
20	0433503200	COVER	8				
21	0393504150	HOOK	2	A, B	14510004~14510390		
	0393514100	HOOK	2	a, b(H)	14510391~		
22	0393501000	COLLAR	2				
23	0373504450	LOCK	2				
24	0004010025	PIN	4				cab
	0004010025	PIN	3				canopy
25	0007000029	SPRING	1				
26	1100040612	BOLT	2				
27	1100040640	BOLT	1				
28	1100040816	BOLT	6				
29	1100040830	BOLT	4				
30	1100041030	BOLT	4				
31	1100041040	BOLT	2				
32	1100141605	BOLT	4				
33	1110040820	BOLT	2				
34	1111041265	SCREW, cap	4				
35	1130040006	NUT	2				
36	1130140010	NUT	8	A, B	14510004~14510390		
	1130040010	NUT	8	a, b(H)	14510391~		
37	1130040016	NUT	4				
38	1140020008	WASHER, spring	10				
39	1140020010	WASHER, spring	6				
40	1140020016	WASHER, spring	4				
41	1141110008	WASHER	6				
42	1141110010	WASHER	8				cab
	1141110010	WASHER	6				canopy

TB145 Book No. BK3Z010 S/N 14510004-  
**FLOOR FRAME**



S=1/14

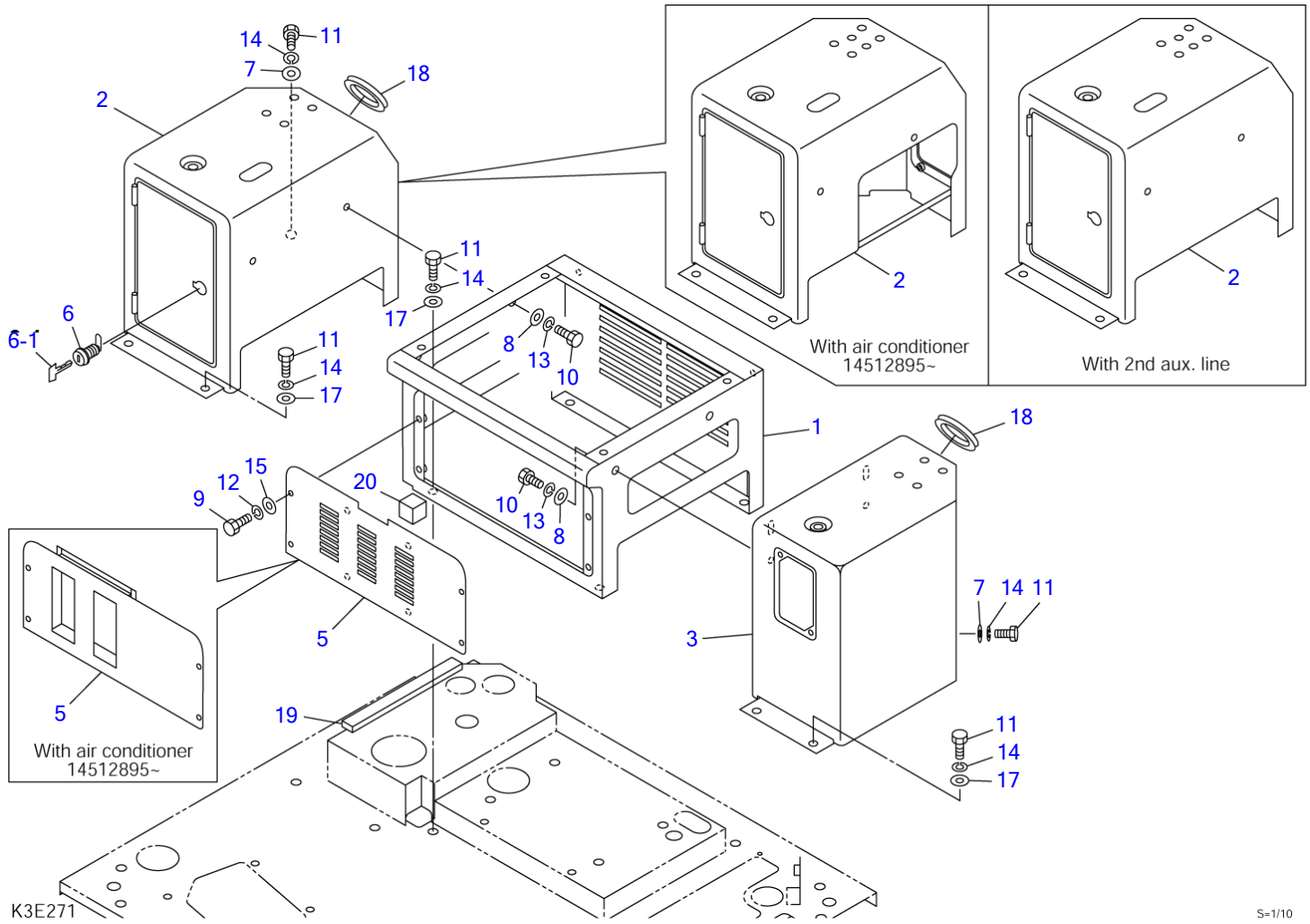


FLOOR FRAME

Item	Part number	Description	Q'ty	Chan.	Serial No.	Serv.	Remarks
43	1141110016	WASHER	4				
44	1141550010	WASHER	4				
45	1141550012	WASHER	4				
46	1214000008	PIN, snap	8				cab
46	1214000008	PIN, snap	6				canopy
47	1654312088	SPONGE	1				sold by the meter
48	0373507048	RUBBER	3				
49	0373504400	COVER ASSY	1				
49-1	0373504410	· COVER	1				
49-2	0373504420	· RUBBER	1				
50	1140020006	WASHER, spring	2				
51	1141110006	WASHER	2				
52	0373508010	CAP	4				cab
53	1652533010	CAP	2				
54	0373504340	MAT, floor	1		14510004~14511578		cab
54	0373507410	MAT, floor	1		14511579~14515435		cab
54	0373507430	MAT, floor	1		14515436~		cab
54	0373504330	MAT, floor	1		14510004~14511578		canopy
54	0373507400	MAT, floor	1		14511579~14515435		canopy
54	0373507420	MAT, floor	1		14515436~		canopy
54-3	0373507423	· SPONGE	1		14515436~		
54-4	X *****	· SPONGE	2		14511579~		cab X03735-04345
55	1652533010	CAP	1		14512463~14515435		without foot switch
55	1652533013	CAP	1		14515436~		without foot switch
56	1653900043	SPRING, gas	3				canopy
56	1653900043	SPRING, gas	4				cab
57	0373504390	SHIM t=1.2	AR				
58	0363511500	URETHANE	2				
59	0373504470	PLATE	1		14510323~		
60	0007000111	SPRING	1		14511836~		
61	0353514055	RUBBER	1				
62	0573500240	BOOT	1		14515436~		with foot switch
63	0573500225	SPONGE	1		14515436~		without foot switch
63		<<NOTE>>					
63		SET "A" is interchangeable with SET "a".					
63		SET "B" is interchangeable with SET "b".					
63		SET "C" is interchangeable with SET "c".					
63		SET "D" is interchangeable with SET "d".					

K3e056

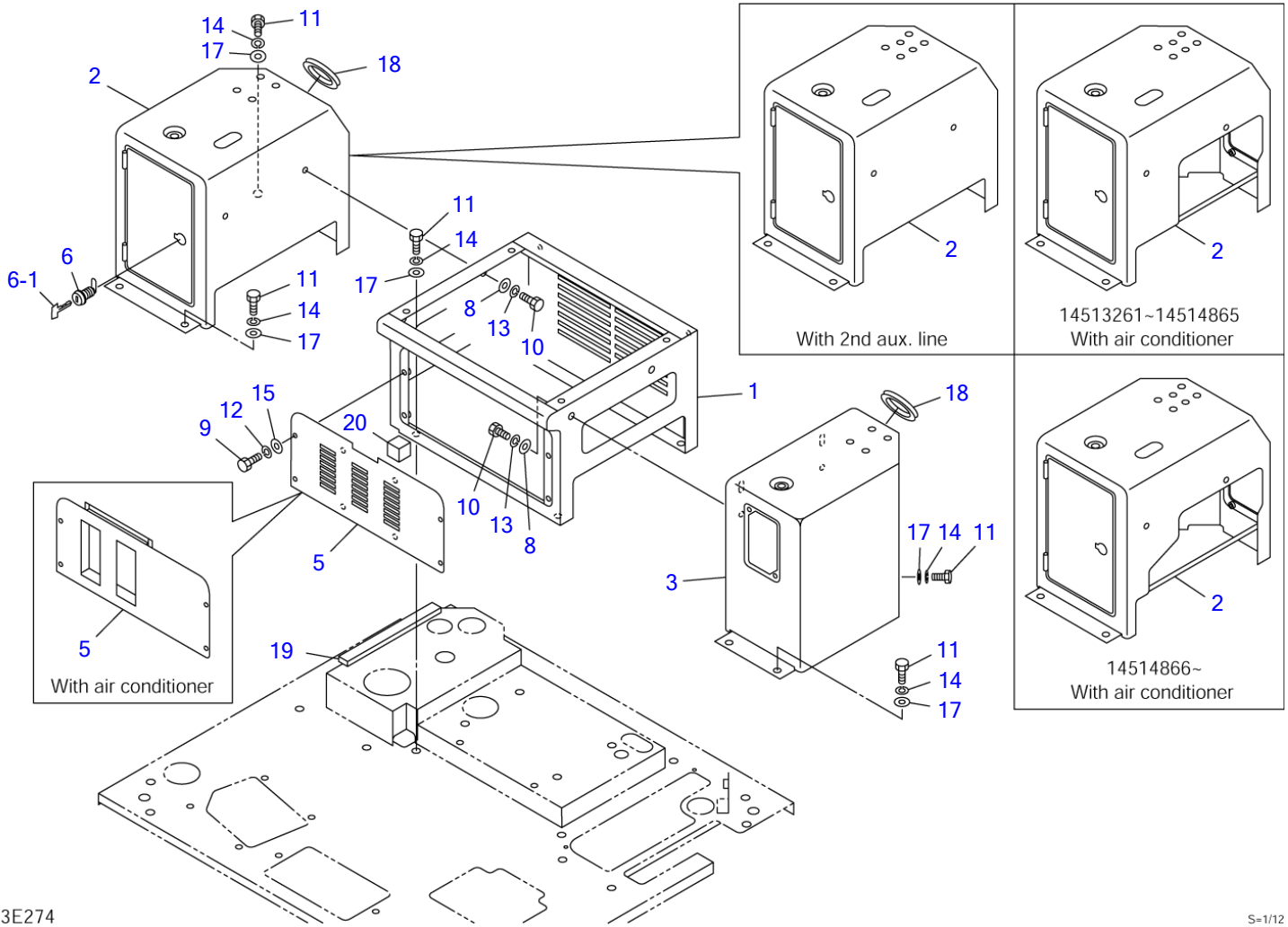
TB145 Book No. BK3Z010 S/N 14510004-  
SEAT BOX (14510004-14513260)



**SEAT BOX (14510004-14513260)**

Item	Part number	Description	Q'ty	Chan.	Serial No.	Serv.	Remarks
		BOX ASSY, seat					X03734-11000-5
		BOX ASSY, seat (with air conditioner)			14512895~		X03734-11700-5
		BOX ASSY, seat (with 2nd. aux. line)					X03734-11800-5
1	<b>0373411100</b>	BOX	1				
	<b>0394612600</b>	BOX	1		14512895~		with air con.
2	<b>0373411200</b>	SIDE BOX (R.H.)	1				
	<b>0394612500</b>	SIDE BOX (R.H.)	1		14512895~		with air con.
	<b>0397311500</b>	SIDE BOX (R.H.)	1				with 2nd aux. line
3	<b>0373411300</b>	SIDE BOX (L.H.)	1				
5	<b>0373411600</b>	COVER	1				
	<b>0394612310</b>	COVER	1		14512895~		with air con.
6	<b>0373401640</b>	LOCK	1				
6-1	<b>1700100019</b>	KEY	1				
7	<b>0003600020</b>	WASHER	2				
8	<b>0003608252</b>	WASHER	4				
9	<b>1100040616</b>	BOLT	4				
10	<b>1100040820</b>	BOLT	4				
11	<b>1100041020</b>	BOLT	10				
12	<b>1140020006</b>	WASHER, spring	4				
13	<b>1140020008</b>	WASHER, spring	4				
14	<b>1140020010</b>	WASHER, spring	10				
15	<b>1141110006</b>	WASHER	4				
17	<b>1141110010</b>	WASHER	8				
18	<b>1653916020</b>	TRIM	2				
19	<b>1654302024</b>	SPONGE	1				sold by the meter
20	<b>1654309003</b>	SPONGE	1				sold by the meter
	<b>K3e270</b>						sold by the meter

TB145 Book No. BK3Z010 S/N 14510004-  
SEAT BOX (14513261-)

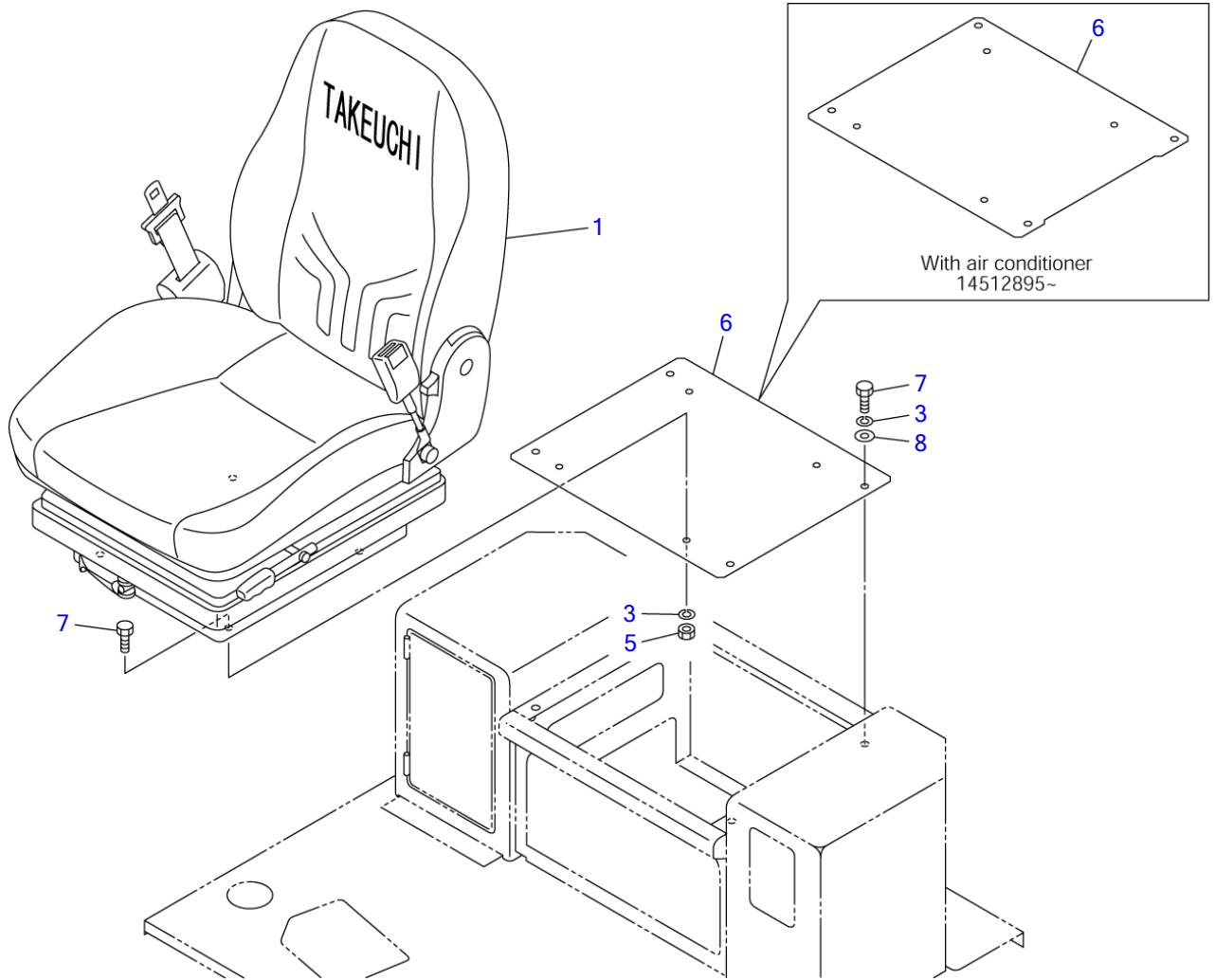


K3E274

S-1/12

**SEAT BOX (14513261-)**

Item	Part number	Description	Q'ty	Chan.	Serial No.	Serv.	Remarks
		BOX ASSY, seat					X03734-12000-2
		BOX ASSY, seat (with air conditioner)					X03734-12200-2
		BOX ASSY, seat (with 2nd. aux. line)					X03934-07100-1
1	<b>0373411100</b>	BOX	1				
	<b>0394612600</b>	BOX	1		14513261~14514865		with air con.
	<b>0373412600</b>	BOX	1		14514866~		with air con.
2	<b>0373412300</b>	SIDE BOX (R.H.)	1				
	<b>0373412400</b>	SIDE BOX (R.H.)	1		14513261~14514865		with air con.
	<b>0373412500</b>	SIDE BOX (R.H.)	1		14514866~		with air con.
	<b>0393407200</b>	SIDE BOX (R.H.)	1				with 2nd aux. line
3	<b>0373411300</b>	SIDE BOX (L.H.)	1				
5	<b>0373411600</b>	COVER	1				
	<b>0394612310</b>	COVER	1				with air con.
6	<b>0373401640</b>	LOCK	1				
6-1	<b>1700100019</b>	KEY	1				
8	<b>1141110008</b>	WASHER	4				
9	<b>1100040616</b>	BOLT	4				
10	<b>1100040820</b>	BOLT	4				
11	<b>1100041020</b>	BOLT	10				
12	<b>1140020006</b>	WASHER, spring	4				
13	<b>1140020008</b>	WASHER, spring	4				
14	<b>1140020010</b>	WASHER, spring	10				
15	<b>1141110006</b>	WASHER	4				
17	<b>1141110010</b>	WASHER	10				
18	<b>1653917022</b>	TRIM	2			M	sold by the meter
19	<b>1654302024</b>	SPONGE	1				sold by the meter
20	<b>1654309003</b>	SPONGE	1				sold by the meter
	<b>K3e274</b>						

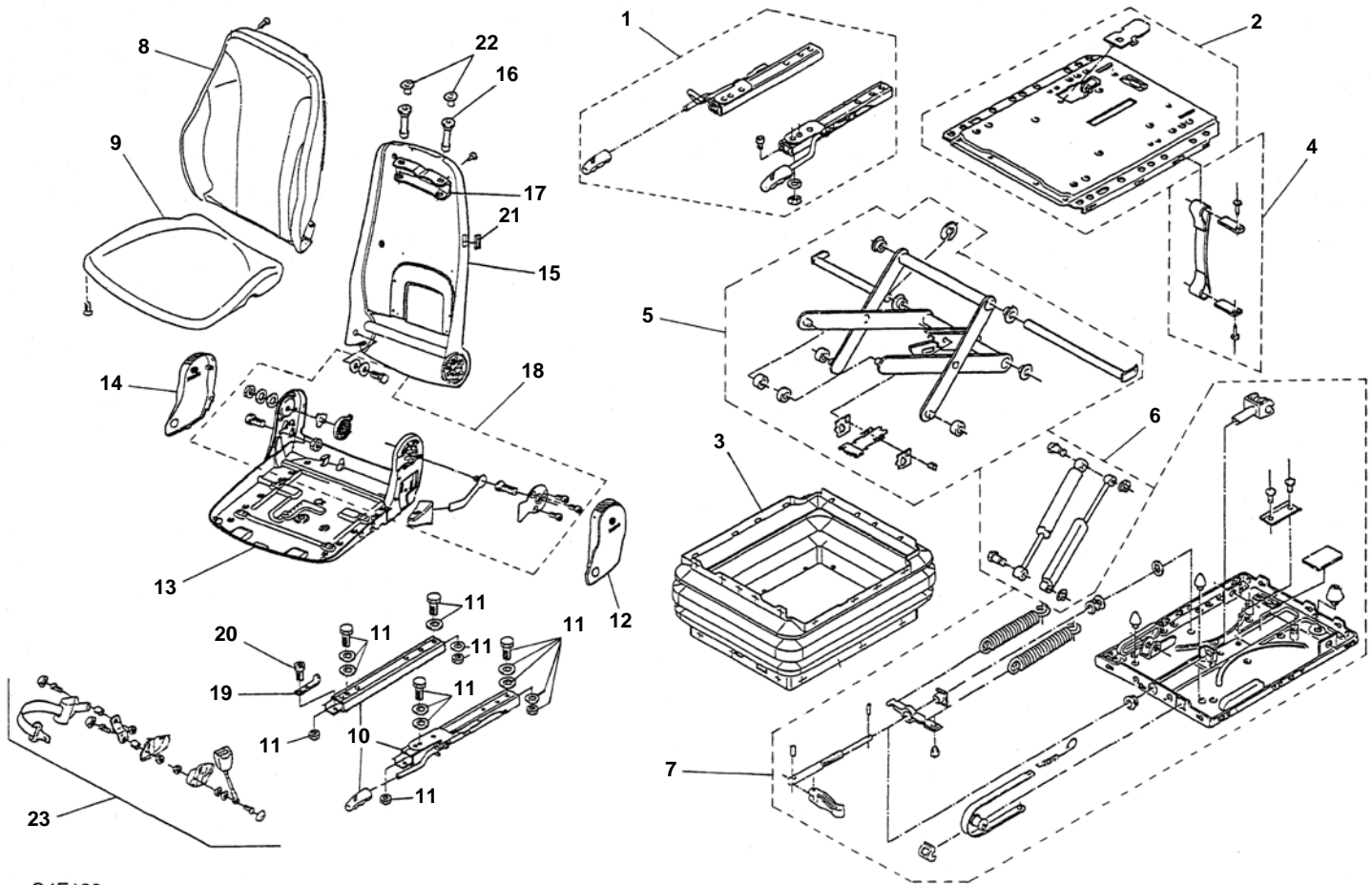


K3E282

S=1/10

SEAT (1/2)							
Item	Part number	Description	Q'ty	Chan.	Serial No.	Serv.	Remarks
		SEAT ASSY (fabric)					X03734-05000-5
		SEAT ASSY (fabric) (with air conditioner)			14512895~		X03734-06100-5
		SEAT ASSY (PVC)					X03734-06000-5
		SEAT ASSY (PVC) (with air conditioner)			14512895~		X03734-06200-5
1	1914100071	SEAT (fabric)	1				see page (2/2)
	1914100072	SEAT (PVC)	1				see page (2/2)
3	1140020008	WASHER, spring	8				
5	1130040008	NUT	4				
6	0373411400	COVER	1				
	0394612330	COVER	1		14512895~		with air con.
7	1100040820	BOLT	8				
8	0003608252	WASHER	4				
	K3e282						

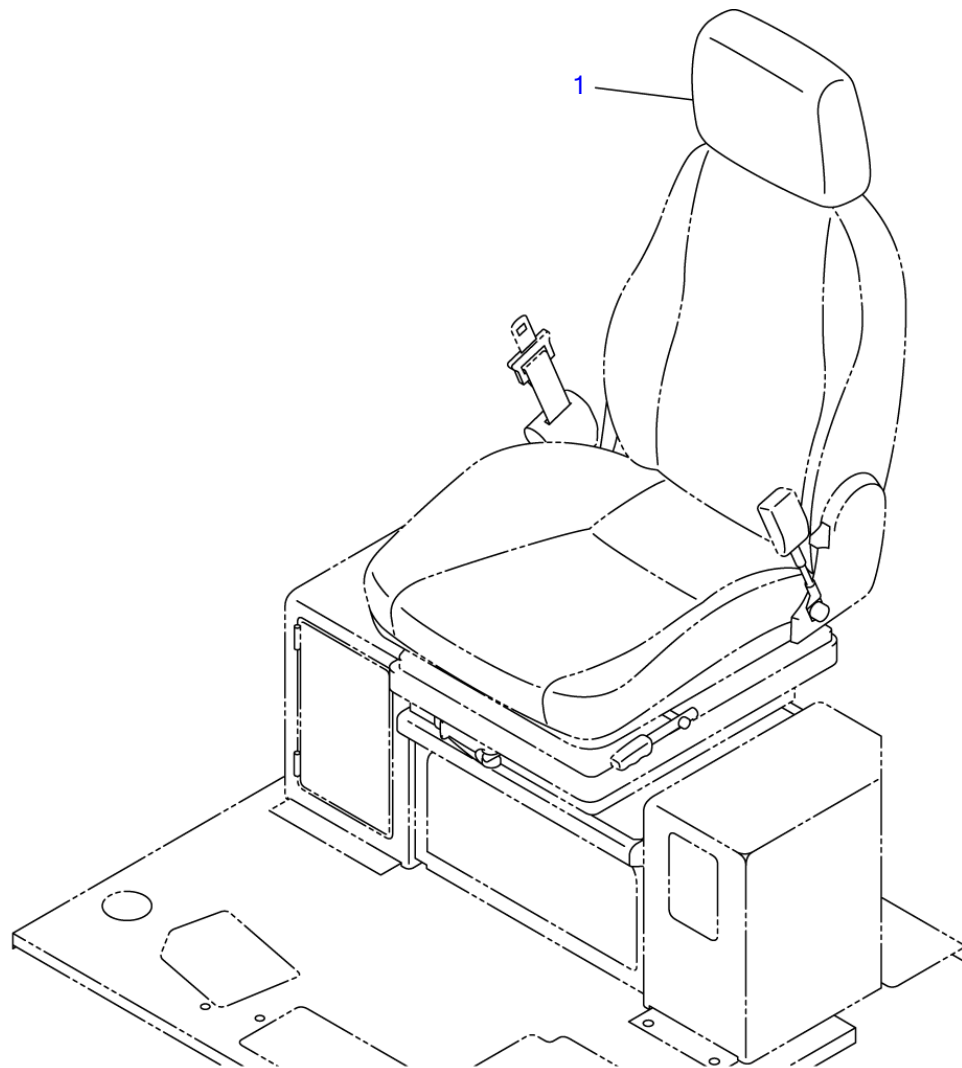
TB145 Book No. BK3Z010 S/N 14510004-  
SEAT (1/2)



G4E180



SEAT (1/2)							
Item	Part number	Description	Q'ty	Chan.	Serial No.	Serv.	Remarks
0	1914100071	SEAT (fabric)	1				
	1914100072	SEAT (PVC)	1				
1	1914101072	· RAIL ASSY	1				
2	1914102072	· PLATE ASSY	1				
3	1914103071	· BOOT	1				fabric
	1914103072	· BOOT	1				PVC
4	1914104072	· ANGLE ASSY	1				
5	1914105072	· LINK ASSY	1				
6	1914106072	· DAMPER ASSY	1				
7	1914107072	· SPRING ASSY	1				
8	1914108072	· TRIM	1				PVC
	1914101071	· TRIM	1				fabric
9	1914109072	· TRIM	1				PVC
	1914102071	· TRIM	1				fabric
10	1914110072	· RAIL ASSY	1				
11	1914111072	· BOLT ASSY	1				
12	1914112072	· COVER (L.H.)	1				
13	1914113072	· FRAME	1				
14	1914114072	· COVER (R.H.)	1				
15	1914115072	· FRAME	1				
16	1914116072	· GUIDE	2				for USA,Canada,EC
17	1914117072	· BRACKET	1				for USA,Canada,EC
18	1914118072	· JOINT ASSY	1				
19	1914119072	· PLATE	1				
20	1914120072	· SCREW, cap	1				
21	1914121072	· PLATE	1				
22	1914122072	· PLUG	2				for USA,Canada,EC
23	1914123072	· BELT ASSY, seat	1				
	<b>G4e181</b>						



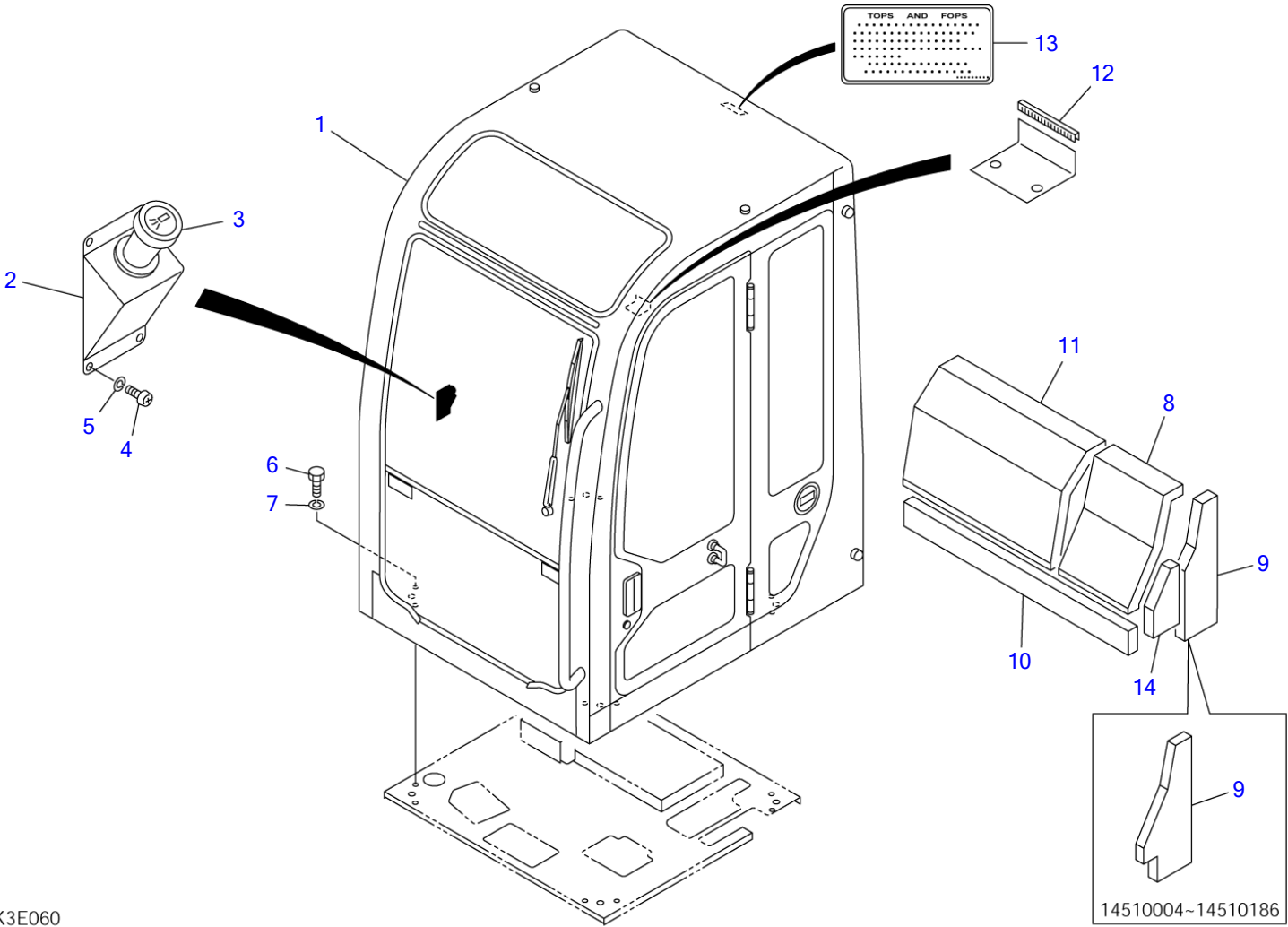
G4E070

S=1/10

HEAD REST

Item	Part number	Description	Q'ty	Chan.	Serial No.	Serv.	Remarks
		REST ASSY, head (fabric)					X03734-09000-0
		REST ASSY, head (PVC)					X03734-10000-0
1	<b>1914100075</b>	REST, head (fabric)	1				
	<b>1914100076</b>	REST, head (PVC)	1				
	<b>G4e070</b>						

TB145 Book No. BK3Z010 S/N 14510004-  
CAB MOUNT (14510004-14513260)

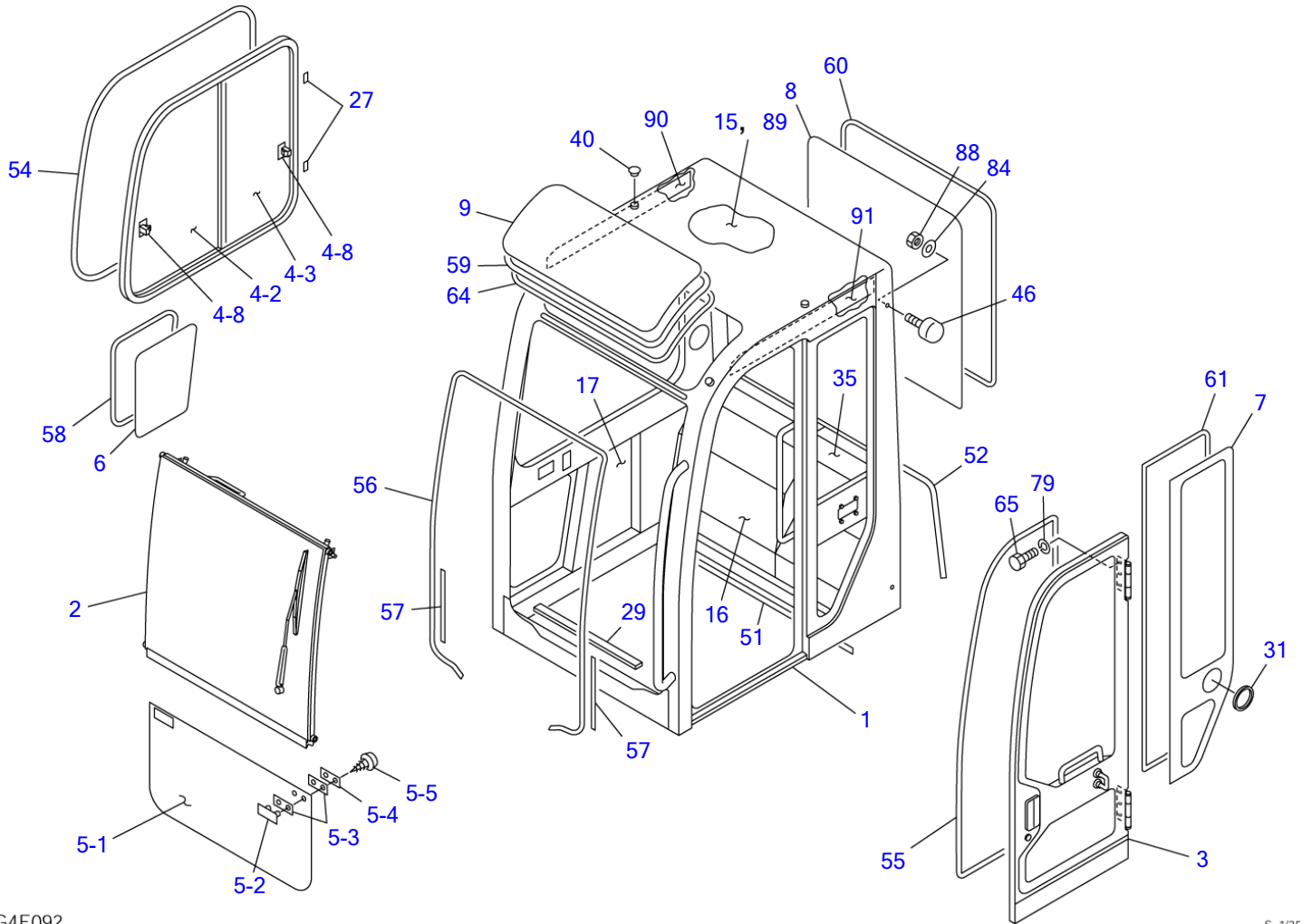


K3E060

S=1/20

**CAB MOUNT (14510004-14513260)**

Item	Part number	Description	Q'ty	Chan.	Serial No.	Serv.	Remarks
0	X *****	CAB MOUNT	1				X03786-01000-7
	X *****	CAB MOUNT (with air conditioner)	1		14512895~		X03786-02100-7
1	X *****	• CAB ASSY	1		14510004~14510140		X03786-01100 see page (1/4)
	X *****	• CAB ASSY	1	(H)	14510141~14513221		X03786-01700 see page (1/4)
	X *****	• CAB ASSY	1	(H)	14513222~		X03786-02500 see page (1/4)
	X *****	• CAB ASSY	1	(H)			X03786-04000 see page (1/4)
	X *****	• CAB ASSY (with air conditioner)	1		14512895~14513221		X03786-02200 see page (1/4)
	X *****	• CAB ASSY (with air conditioner)	1	(H)	14513222~		X03786-02800 see page (1/4)
	<b>0378604300</b>	• CAB ASSY	1	(H)			X03786-04300 see page (1/4)
2	<b>0338627020</b>	• BRACKET	1				
3	<b>1711900059</b>	• LIGHTER	1				
4	<b>1120590410</b>	• SCREW	4				
5	<b>1140090004</b>	• WASHER, spring	4				
6	<b>1100041230</b>	• BOLT	8				
7	<b>1140020012</b>	• WASHER, spring	8				
8	<b>0378601010</b>	• ABSORBENT, noise	1				
9	<b>0378600800</b>	• ABSORBENT, noise	1		14510004~14510186		
	<b>0378600810</b>	• ABSORBENT, noise	1		14510187~		
10	<b>0378601020</b>	• ABSORBENT, noise	1				
11	<b>0378601031</b>	• ABSORBENT, noise	1				
12	<b>1653917007</b>	• TRIM	1				sold by the meter
13	X *****	• DECAL	1		14510141~		
14	<b>0378600820</b>	• ABSORBENT, noise	1		14510187~		
	<b>K3e063</b>						



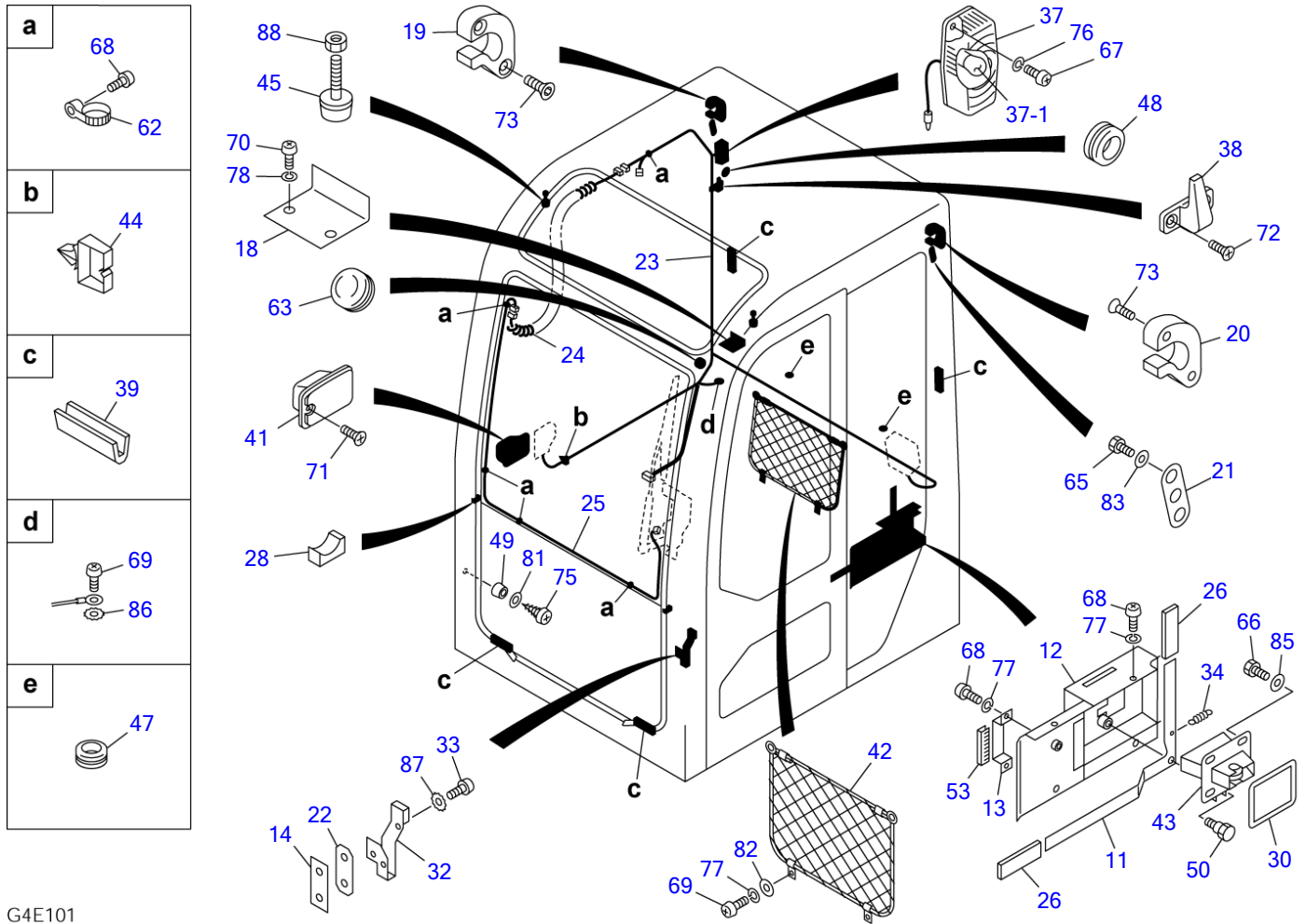
G4E092

S=1/25

CAB (1/4) (14510004-14513260)

Item	Part number	Description	Q'ty	Chan.	Serial No.	Serv.	Remarks
0	X *****	CAB ASSY	1		14510004~14510140		X03786-01100
	X *****	CAB ASSY	1	(H)	14510141~14513221		X03786-01700
	X *****	CAB ASSY	1	(H)	14513222~		X03786-02500
	X *****	CAB ASSY	1	(H)			X03786-04000
	X *****	CAB ASSY (with air conditioner)	1		14512895~14513221		X03786-02200
	X *****	CAB ASSY (with air conditioner)	1	(H)	14513222~		X03786-02800
	<b>0378604300</b>	CAB ASSY	1	(H)			X03786-04300
1	X *****	• CAB	1				
2	<b>0338630400</b>	• SASH, front	1				see page (3/4)
3	<b>0568629200</b>	• DOOR	1				see page (4/4)
4	<b>0378601300</b>	• SASH ASSY	1				
4-2	<b>0378601320</b>	• • GLASS	1				
4-3	<b>0378601330</b>	• • GLASS	1				
4-8	<b>0338630650</b>	• • LOCK ASSY	2				
5	<b>0378601600</b>	• GLASS, front	1				
5-1	<b>0378601610</b>	• • GLASS	1				
5-2	<b>1654010900</b>	• • RETAINER	2				
5-3	<b>1654011100</b>	• • PACKING	4				
5-4	<b>1654011000</b>	• • PLATE	2				
5-5	<b>1122410412</b>	• • SCREW	4				
6	<b>0568639530</b>	• GLASS	1				
7	<b>0378601400</b>	• GLASS	1				
8	<b>0338630820</b>	• GLASS	1		14510004~14510140		
	<b>0378601900</b>	• GLASS	1		14510141~		
9	<b>0568633200</b>	• GLASS	1		14510004~14513221		
	<b>0358605300</b>	• GLASS	1		14513222~		
15	<b>0378601450</b>	• ABSORBENT, noise	1				
16	<b>0378601460</b>	• ABSORBENT, noise	1				
17	<b>0378601470</b>	• ABSORBENT, noise	1				
27	<b>0438601770</b>	• SPACER	7				
29	<b>0568634100</b>	• SEAL	1				
31	<b>0568626600</b>	• GROMMET	1				
35	<b>0378601500</b>	• ABSORBENT, noise	1				
40	<b>1653303010</b>	• CAP	3				
46	<b>1651101042</b>	• RUBBER	2				
51	<b>1654606090</b>	• SEAL	1				sold by the meter
52	<b>1654619203</b>	• SEAL	1				sold by the meter
54	<b>1653930355</b>	• RUBBER	1				sold by the meter
55	<b>1654605341</b>	• RUBBER	1				sold by the meter
56	<b>1654605374</b>	• RUBBER	1				sold by the meter
57	<b>1654605033</b>	• RUBBER	2				sold by the meter
58	<b>1654262150</b>	• H-RUBBER	1				sold by the meter
59	<b>1654231255</b>	• H-RUBBER	1		14510004~14513221		sold by the meter
	<b>1654615216</b>	• H-RUBBER	1		14513222~		sold by the meter
60	<b>1654231336</b>	• H-RUBBER	1				sold by the meter
61	<b>1654615296</b>	• DAM	1				sold by the meter
64	<b>1653916222</b>	• TRIM	1		14513222~		sold by the meter
65	<b>1100090820</b>	• BOLT	6				
79	<b>1140090008</b>	• WASHER, spring	6				
84	<b>1141190010</b>	• WASHER	2				
88	<b>1130090010</b>	• NUT	2				
89	<b>0394608010</b>	• ABSORBENT, noise	1		14512895~		with air con.
90	<b>0394608011</b>	• ABSORBENT, noise	1		14512895~		with air con.
91	<b>0394608012</b>	• ABSORBENT, noise	1		14512895~		with air con.

K3e073



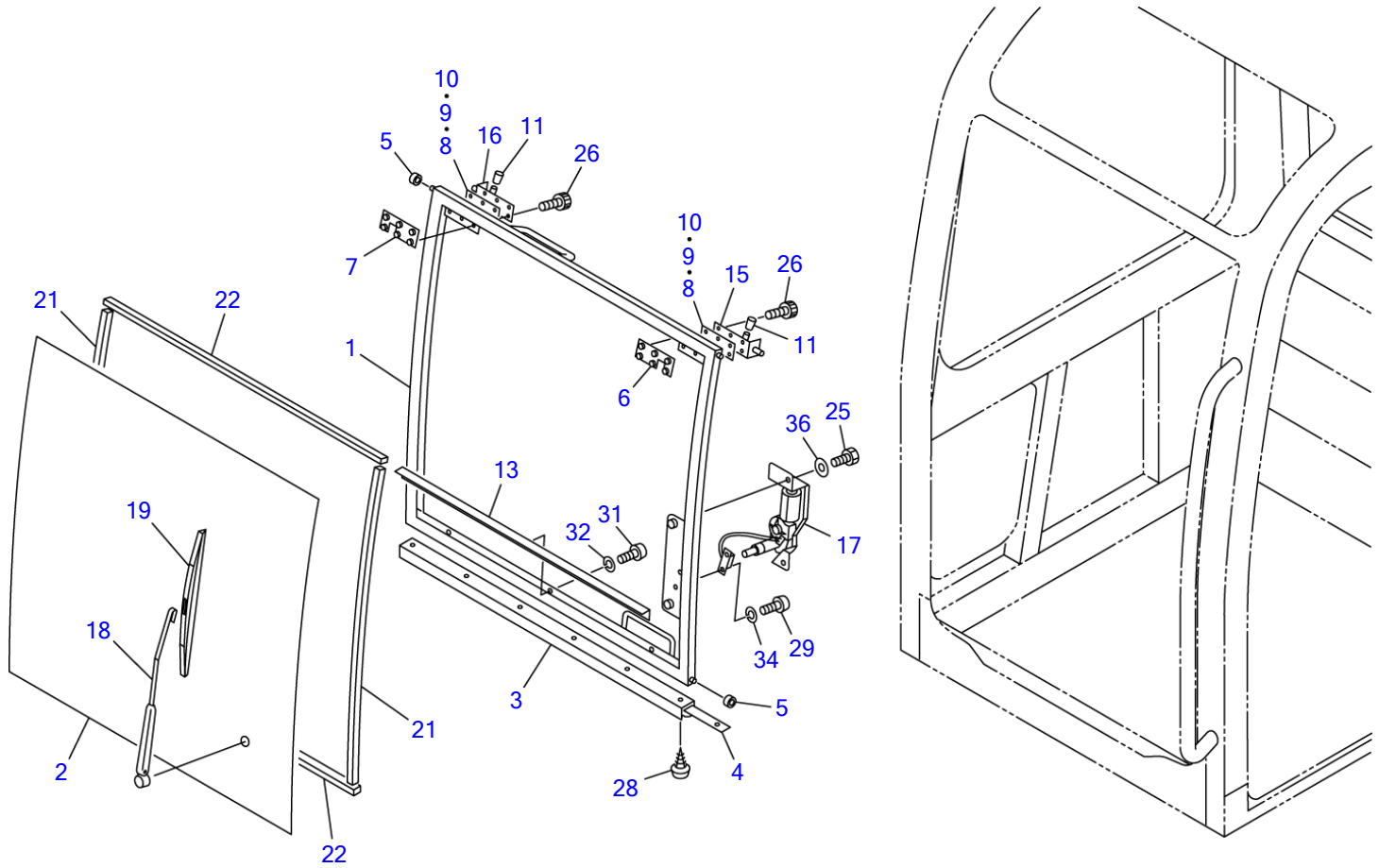
G4E101

S=1/20, 1/10, 1/5



**CAB (2/4) (14510004-14513260)**

Item	Part number	Description	Q'ty	Chan.	Serial No.	Serv.	Remarks
0	X *****	CAB ASSY	1		14510004~14510140		X03786-01100
	X *****	CAB ASSY	1	(H)	14510141~14513221		X03786-01700
	X *****	CAB ASSY	1	(H)	14513222~		X03786-02500
	X *****	CAB ASSY	1	(H)			X03786-04000
	X *****	CAB ASSY (with air conditioner)	1		14512895~14513221		X03786-02200
	X *****	CAB ASSY (with air conditioner)	1	(H)	14513222~		X03786-02800
	<b>0378604300</b>	CAB ASSY	1	(H)			X03786-04300
11	<b>0378601420</b>	· PLATE	1				
12	<b>0378601430</b>	· COVER	1		14510004~14510140		
	<b>0378602000</b>	· COVER	1	(H)	14510141~		
13	<b>0338630870</b>	· PLATE	1				
14	<b>0338630880</b>	· PLATE	1				
18	<b>0378601480</b>	· PLATE	1				
19	<b>0338630910</b>	· STOPPER (R.H.)	1				
20	<b>0338630960</b>	· STOPPER (L.H.)	1				
21	<b>0338630920</b>	· PLATE	2				
22	<b>0338630930</b>	· PACKING	1				
23	<b>0378601490</b>	· HARNESS, wiring	1		14510004~14510140		
	<b>0378601710</b>	· HARNESS, wiring	1	(H)	14510141~		
24	<b>0398802200</b>	· HARNESS, wiring	1				
25	<b>0338631010</b>	· HARNESS, wiring	1				
26	<b>0438601760</b>	· COVER	2				
28	<b>0568633300</b>	· STOPPER	2				
30	<b>0568634400</b>	· SEAL	1				
32	<b>0068620500</b>	· STRIKER	1				
33	<b>0068621300</b>	· SCREW	2				
34	<b>0007000096</b>	· SPRING	1				
37	<b>1703001700</b>	· LAMP, room	1				
37-1	<b>1703001701</b>	· · BULB	1				
38	<b>1654004800</b>	· HANGER	1				
39	<b>1654004900</b>	· STOPPER	4				
41	<b>1654010500</b>	· ASHTRAY	1				
42	<b>1653691350</b>	· POCKET	1				
43	<b>1654005100</b>	· LOCK	1				
44	<b>1652341547</b>	· CLAMP	4				
45	<b>1651101028</b>	· STOPPER	2				
47	<b>1652060016</b>	· GROMMET	2				
48	<b>1652060031</b>	· BUSHING	1				
49	<b>1652102320</b>	· RUBBER	2				
50	<b>0378601510</b>	· PIN	1				
53	<b>1653916007</b>	· RUBBER	1				sold by the meter
62	<b>1652221050</b>	· BAND	4				
63	<b>1652050900</b>	· GROMMET	1				
65	<b>1100090820</b>	· BOLT	4				
66	<b>1100040825</b>	· BOLT	4				
67	<b>1120540408</b>	· SCREW	2				
68	<b>1120590512</b>	· SCREW	9				
69	<b>1120590516</b>	· SCREW	5				
70	<b>1120590616</b>	· SCREW	2				
71	<b>1120630412</b>	· SCREW	2				
72	<b>1120790412</b>	· SCREW	2				
73	<b>1120800830</b>	· SCREW	4				
75	<b>1122410416</b>	· SCREW	2				
76	<b>1140090004</b>	· WASHER, spring	2				
77	<b>1140090005</b>	· WASHER, spring	9				
78	<b>1140090006</b>	· WASHER, spring	2				
81	<b>1141190004</b>	· WASHER	2				
82	<b>1141190005</b>	· WASHER	4				
83	<b>1141190008</b>	· WASHER	4				
85	<b>1141550008</b>	· WASHER	4				
86	<b>1140330005</b>	· WASHER	1				
87	<b>1140330010</b>	· WASHER	2				
88	<b>1130090010</b>	· NUT	2				
	<b>K3e083</b>						

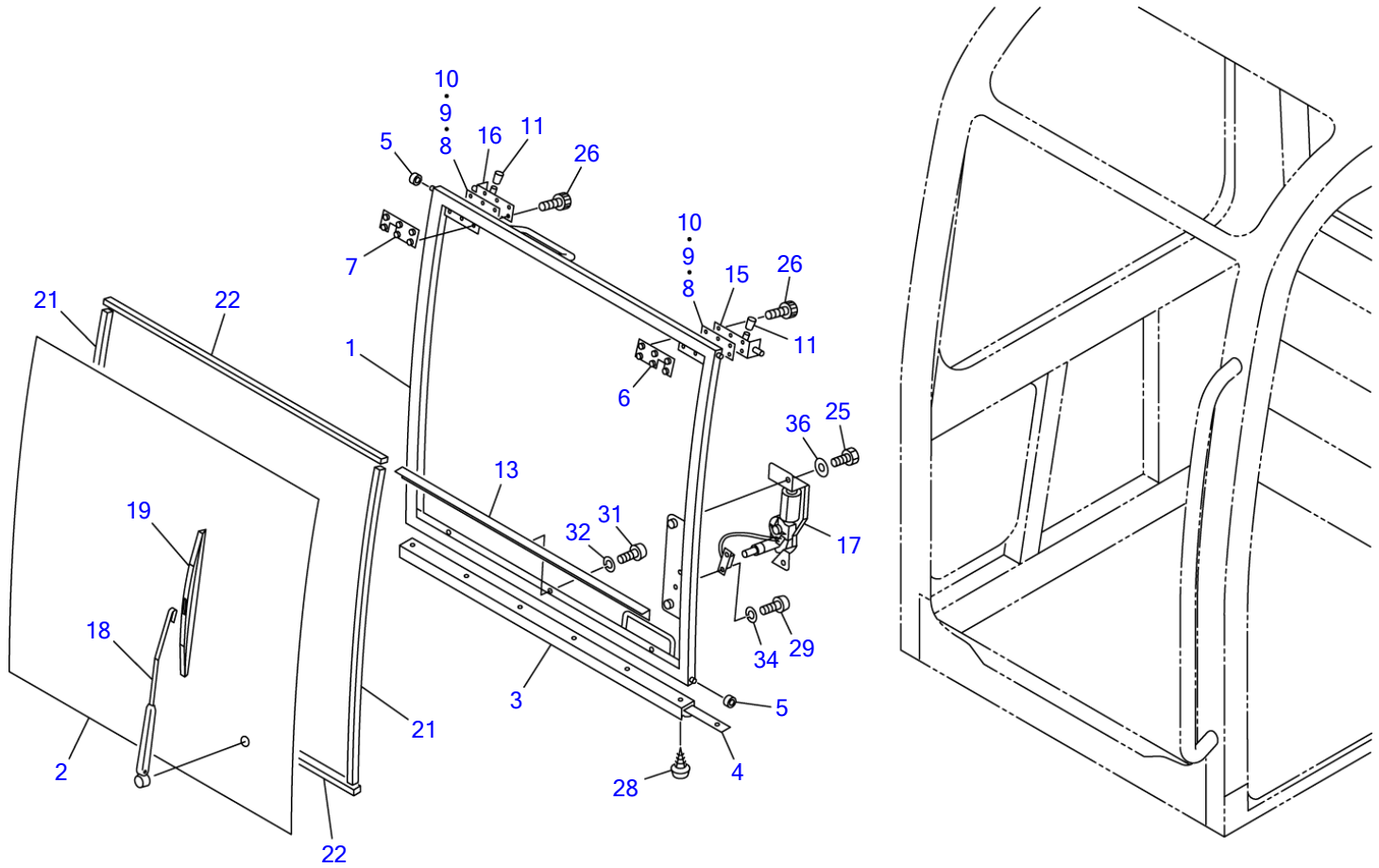


G4E110

S=1/15

**CAB (3/4) (front sash; 14510004-14513260)**

Item	Part number	Description	Q'ty	Chan.	Serial No.	Serv.	Remarks
0-1	<b>0338630400</b>	SASH ASSY, front	1				
1	<b>0338630430</b>	▪ SASH, front	1				
2	<b>0568639330</b>	▪ GLASS	1				
3	<b>0568621800</b>	▪ SEAL	1				
4	<b>0568621900</b>	▪ PLATE	1				
5	<b>0568622200</b>	▪ ROLLER	4				
6	<b>0568622400</b>	▪ PLATE (L.H.)	1				
7	<b>0568622300</b>	▪ PLATE	1				
8	<b>0468605031</b>	▪ SHIM t=0.7	AR				
9	<b>0468605032</b>	▪ SHIM t=1.2	AR				
10	<b>0468605033</b>	▪ SHIM t=1.6	AR				
11	<b>0398612500</b>	▪ COVER	2				
13	<b>0338630440</b>	▪ PLATE	1				
15	<b>1654005350</b>	▪ LATCH (L.H.)	1				
16	<b>1654005300</b>	▪ LATCH (R.H.)	1				
17	<b>1704078912</b>	▪ MOTOR, wiper	1				
18	<b>1704100530</b>	▪ ARM, wiper	1				
19	<b>1704200530</b>	▪ BLADE	1				
21	<b>1654616080</b>	▪ DAM	2				
22	<b>1654615085</b>	▪ DAM	2				
25	<b>1100290820</b>	▪ BOLT	2				
26	<b>1110090516</b>	▪ SCREW, cap	12				
28	<b>1122510412</b>	▪ SCREW	6				
29	<b>1120590408</b>	▪ SCREW	2				
31	<b>1120590516</b>	▪ SCREW	3				
32	<b>1140090005</b>	▪ WASHER, spring	3				
34	<b>1140090004</b>	▪ WASHER, spring	2				
36	<b>1141190008</b>	▪ WASHER	2				
	<b>G4e112</b>						

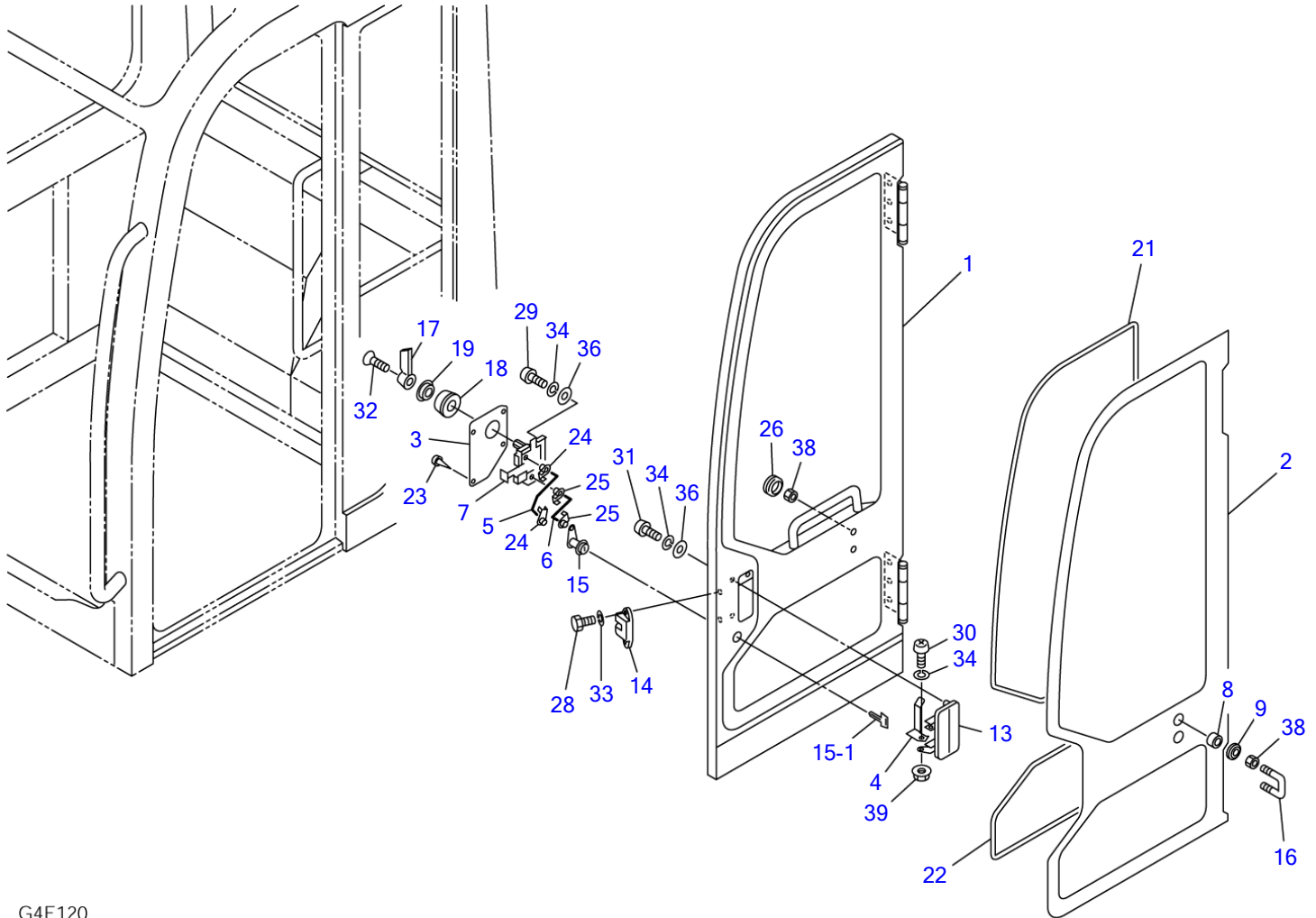


G4E110

S=1/15

**CAB (3/4) (front sash; 14513261-)**

Item	Part number	Description	Q'ty	Chan.	Serial No.	Serv.	Remarks
0-1	<b>0338630400</b>	SASH ASSY, front	1				
1	<b>0338630430</b>	▪ SASH, front	1				
2	<b>0568639330</b>	▪ GLASS	1				
3	<b>0568621800</b>	▪ SEAL	1				
4	<b>0568621900</b>	▪ PLATE	1				
5	<b>0568622200</b>	▪ ROLLER	4				
6	<b>0568622400</b>	▪ PLATE (L.H.)	1				
7	<b>0568622300</b>	▪ PLATE	1				
8	<b>0468605031</b>	▪ SHIM t=0.7	AR				
9	<b>0468605032</b>	▪ SHIM t=1.2	AR				
10	<b>0468605033</b>	▪ SHIM t=1.6	AR				
11	<b>0398612500</b>	▪ COVER	2				
13	<b>0338630440</b>	▪ PLATE	1				
15	<b>1654005350</b>	▪ LATCH (L.H.)	1				
16	<b>1654005300</b>	▪ LATCH (R.H.)	1				
17	<b>1704078912</b>	▪ MOTOR, wiper	1				
18	<b>1704100530</b>	▪ ARM, wiper	1				
19	<b>1704200530</b>	▪ BLADE	1				
21	<b>1654616080</b>	▪ DAM	2				
22	<b>1654615085</b>	▪ DAM	2				
25	<b>1100290820</b>	▪ BOLT	2				
26	<b>1110090516</b>	▪ SCREW, cap	12				
28	<b>1122510412</b>	▪ SCREW	6				
29	<b>1120590408</b>	▪ SCREW	2				
31	<b>1120590516</b>	▪ SCREW	3				
32	<b>1140090005</b>	▪ WASHER, spring	3				
34	<b>1140090004</b>	▪ WASHER, spring	2				
36	<b>1141190008</b>	▪ WASHER	2				
	<b>G4e112</b>						

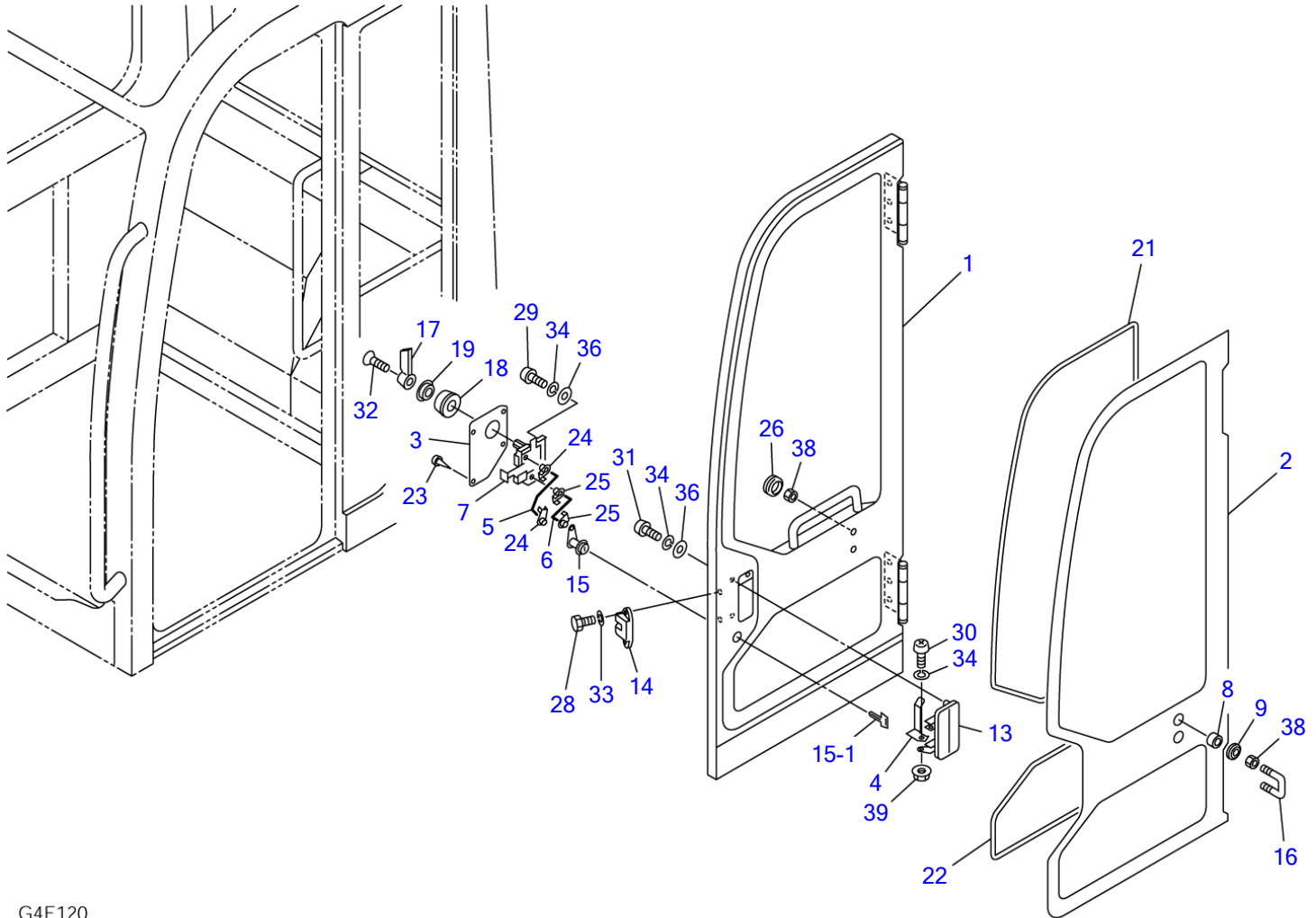


G4E120

S-1/15

**CAB (4/4) (door; 14510004-14513260)**

Item	Part number	Description	Q'ty	Chan.	Serial No.	Serv.	Remarks
0-2	<b>0568629200</b>	DOOR ASSY	1				
1	<b>0568623100</b>	▪ DOOR	1				
2	<b>0568639430</b>	▪ GLASS	1				
3	<b>0568623300</b>	▪ COVER	1				
4	<b>0568630900</b>	▪ PLATE	1				
5	<b>0568630800</b>	▪ ROD	1				
6	<b>0568630600</b>	▪ ROD	1				
7	<b>0568623400</b>	▪ CONTROL ASSY	1				
8	<b>0568623500</b>	▪ COLLAR	2				
9	<b>0568623600</b>	▪ SEAL	2				
13	<b>1654005600</b>	▪ HANDLE	1				
14	<b>0068620400</b>	▪ LOCK ASSY	1				
15	<b>1653611527</b>	▪ LOCK	1				
15-1	<b>1700100019</b>	▪ KEY	1				
16	<b>1654005900</b>	▪ STRIKER	1				
17	<b>1654005500</b>	▪ HANDLE	1				
18	<b>1654005800</b>	▪ BASE	1				
19	<b>1654005700</b>	▪ ESCUTCHEON	1				
21	<b>1654615280</b>	▪ DAM	1				sold by the meter
22	<b>1654615160</b>	▪ DAM	1				sold by the meter
23	<b>1652711432</b>	▪ CLIP	4				
24	<b>0068621500</b>	▪ SNAP	2				
25	<b>0398610900</b>	▪ SNAP	2				
26	<b>1652053200</b>	▪ GROMMET	2				
28	<b>1100290616</b>	▪ BOLT	2				
29	<b>1120530612</b>	▪ SCREW	2				
30	<b>1120530616</b>	▪ SCREW	1				
31	<b>1120530608</b>	▪ SCREW	2				
32	<b>1120790516</b>	▪ SCREW	1				
33	<b>1140090006</b>	▪ WASHER, spring	2				
34	<b>1140020006</b>	▪ WASHER, spring	5				
36	<b>1141110006</b>	▪ WASHER	4				
38	<b>1130040010</b>	▪ NUT	2				
39	<b>1131242006</b>	▪ NUT	1				
	<b>G4e122</b>						



G4E120

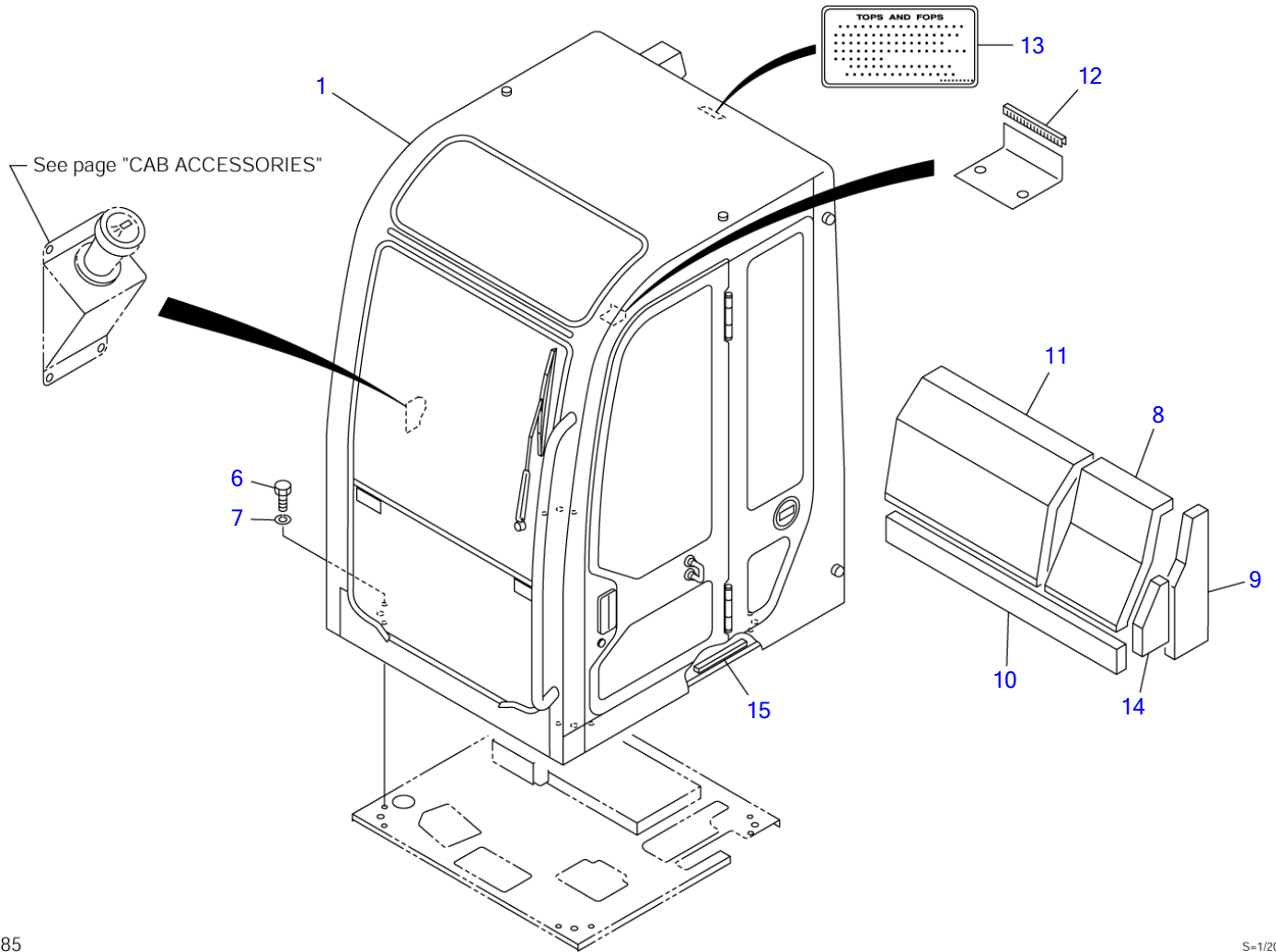
S-1/15



CAB (4/4) (door; 14513261-)

Item	Part number	Description	Q'ty	Chan.	Serial No.	Serv.	Remarks
0-2	0568629200	DOOR ASSY	1				
1	0568623100	• DOOR	1				
2	0568639430	• GLASS	1				
3	0568623300	• COVER	1				
4	0568630900	• PLATE	1				
5	0568630800	• ROD	1				
6	0568630600	• ROD	1				
7	0568623400	• CONTROL ASSY	1				
8	0568623500	• COLLAR	2				
9	0568623600	• SEAL	2				
13	1654005600	• HANDLE	1				
14	0068620400	• LOCK ASSY	1				
15	1653611527	• LOCK	1				
15-1	1700100019	• KEY	1				
16	1654005900	• STRIKER	1				
17	1654005500	• HANDLE	1				
18	1654005800	• BASE	1				
19	1654005700	• ESCUTCHEON	1				
21	1654615280	• DAM	1				sold by the meter
22	1654615160	• DAM	1				sold by the meter
23	1652711432	• CLIP	4				
24	0068621500	• SNAP	2				
25	0398610900	• SNAP	2				
26	1652053200	• GROMMET	2				
28	1100290616	• BOLT	2				
29	1120530612	• SCREW	2				
30	1120530616	• SCREW	1				
31	1120530608	• SCREW	2				
32	1120790516	• SCREW	1				
33	1140090006	• WASHER, spring	2				
34	1140020006	• WASHER, spring	5				
36	1141110006	• WASHER	4				
38	1130040010	• NUT	2				
39	1131242006	• NUT	1				
	G4e122						

TB145 Book No. BK3Z010 S/N 14510004-  
CAB MOUNT (14513261-)

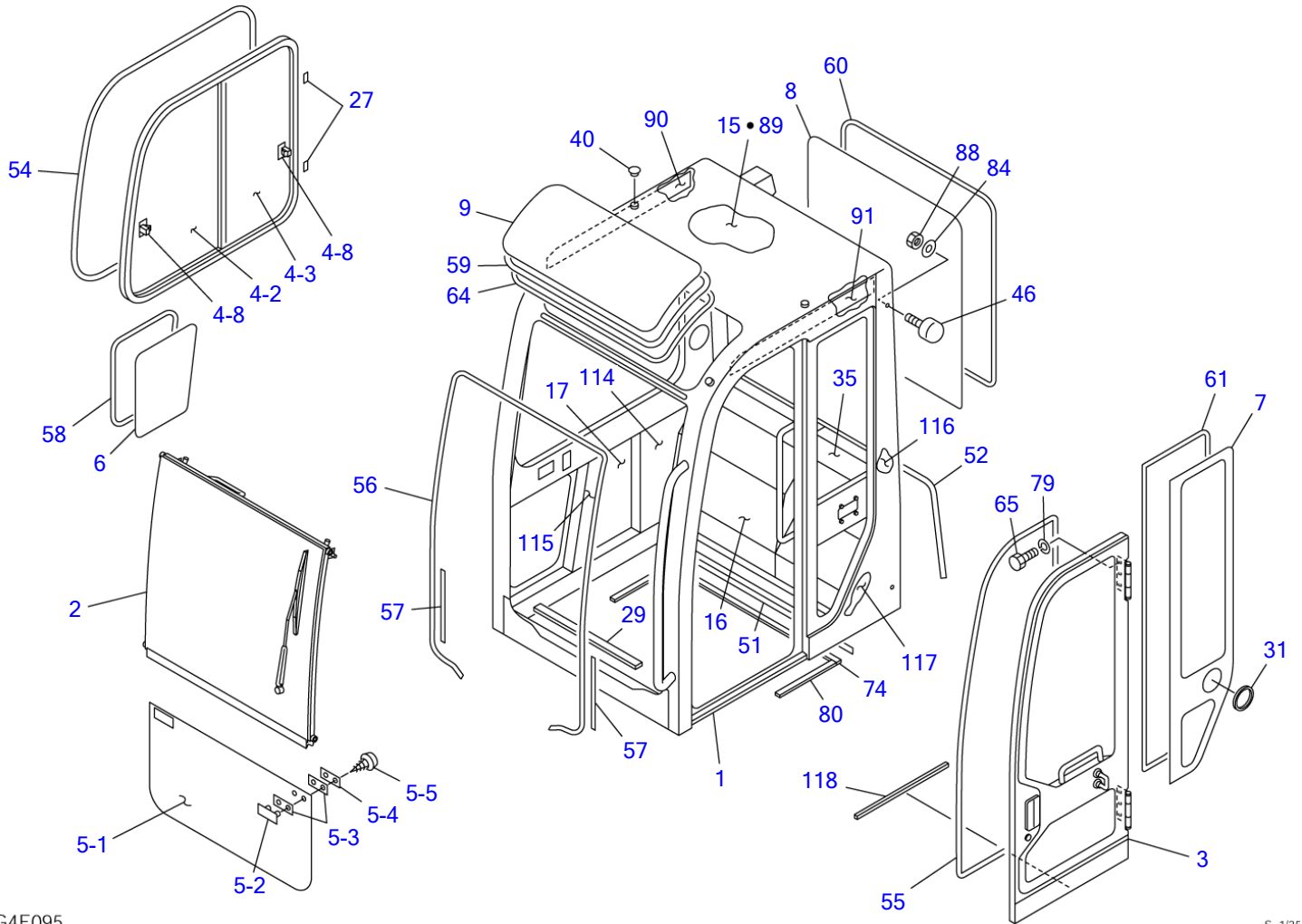


G4E085

S-1/20

**CAB MOUNT (14513261-)**

Item	Part number	Description	Q'ty	Chan.	Serial No.	Serv.	Remarks
0	X *****	CAB MOUNT	1				X03786-01000-11
	X *****	CAB MOUNT (with air conditioner)	1				X03786-02100-11
1	X *****	· CAB ASSY	1				X03786-04000 see page (1/4)
	<b>0378604300</b>	· CAB ASSY	1				X03786-04300 see page (1/4)
6	<b>1100041230</b>	· BOLT	8				
7	<b>1140020012</b>	· WASHER, spring	8				
8	<b>0378601010</b>	· ABSORBENT, noise	1				
9	<b>0378600810</b>	· ABSORBENT, noise	1				
10	<b>0378601020</b>	· ABSORBENT, noise	1				
11	<b>0378601031</b>	· ABSORBENT, noise	1				
12	<b>1653917006</b>	· TRIM	1			M	sold by the meter
13	X *****	· DECAL	1				
14	<b>0378600820</b>	· ABSORBENT, noise	1				
15	<b>0394601000</b>	· INSULATOR	1				with air con.
	<b>G4e087</b>						

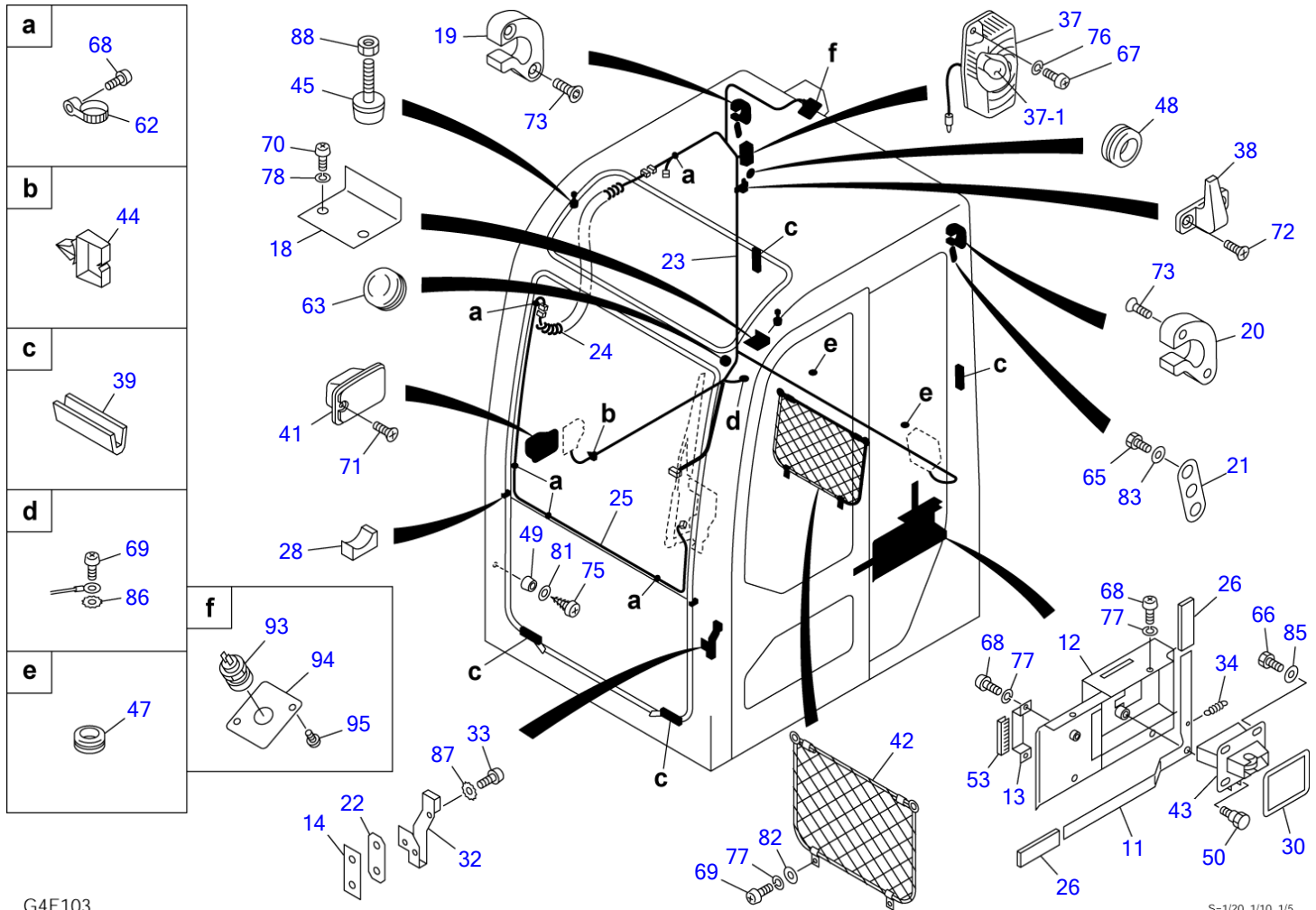


G4E095

S=1/25

CAB (1/4) (14513261-)

Item	Part number	Description	Q'ty	Chan.	Serial No.	Serv.	Remarks
0	X *****	CAB ASSY	1				X03786-04000-6
	0378604300	CAB ASSY	1				X03786-04300-6
1	X *****	• CAB	1				
2	0338630400	• SASH, front	1				see page (3/4)
3	0568629200	• DOOR	1				see page (4/4)
4	0378601300	• SASH ASSY	1				
4-2	0378601320	• • GLASS	1				
4-3	0378601330	• • GLASS	1				
4-8	0338630650	• • LOCK ASSY	2				
5	0378601600	• GLASS, front	1				
5-1	0378601610	• • GLASS	1				
5-2	1654010900	• • RETAINER	2				
5-3	1654011100	• • PACKING	4				
5-4	1654011000	• • PLATE	2				
5-5	1122410412	• • SCREW	4				
6	0568639530	• GLASS	1				
7	0378601400	• GLASS	1				
8	0378601900	• GLASS	1				
9	0358605300	• GLASS	1				
15	0378601450	• ABSORBENT, noise	1				
16	0378601460	• ABSORBENT, noise	1				
17	0378601470	• ABSORBENT, noise	1				
27	0438601770	• SPACER	7				
29	0568634100	• SEAL	1				
31	0568626600	• GROMMET	1				
35	0378601500	• ABSORBENT, noise	1				
40	1653303010	• CAP	3				
46	1651101042	• RUBBER	2				
51	1654606090	• SEAL	1				sold by the meter
52	1654619203	• SEAL	1				sold by the meter
54	1653930355	• RUBBER	1				sold by the meter
55	1654605341	• RUBBER	1				sold by the meter
56	1654605374	• RUBBER	1				sold by the meter
57	1654605033	• RUBBER	2				sold by the meter
58	1654262150	• H-RUBBER	1				sold by the meter
59	1654615216	• H-RUBBER	1				sold by the meter
60	1654231336	• H-RUBBER	1				sold by the meter
61	1654615296	• DAM	1				sold by the meter
64	1653916222	• TRIM	1				sold by the meter
65	1100090820	• BOLT	6				
74	1654312090	• SPONGE	1				sold by the meter
79	1140090008	• WASHER, spring	6				
80	1654312030	• SPONGE	2				sold by the meter
84	1141190010	• WASHER	2				
88	1130090010	• NUT	2				
89	0394608010	• ABSORBENT, noise	1				with air con.
90	0394608011	• ABSORBENT, noise	1				with air con.
91	0394608012	• ABSORBENT, noise	1				with air con.
114	0378603310	• URETHANE	1				
115	0378603311	• URETHANE	1				
116	0378603312	• URETHANE	1				
117	0378603313	• URETHANE	1				
118	1654318050	• SPONGE	1				sold by the meter
	G4e098						



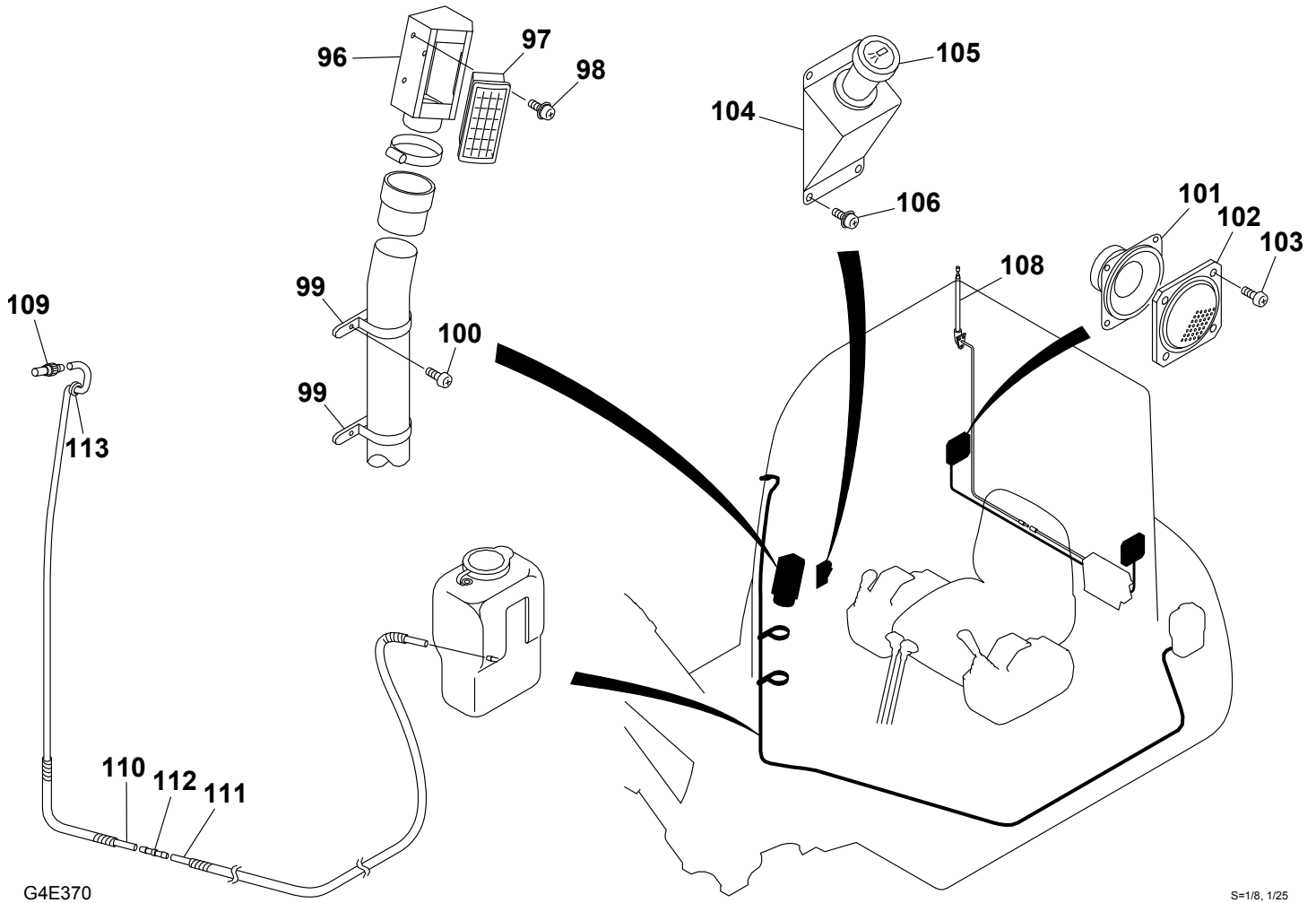
G4E103

S=1/20, 1/10, 1/5

CAB (2/4) (14513261-)

Item	Part number	Description	Q'ty	Chan.	Serial No.	Serv.	Remarks
0	X *****	CAB ASSY	1				X03786-04000-6
	0378604300	CAB ASSY	1				X03786-04300-6
11	0378601420	• PLATE	1				
12	0378602000	• COVER	1				
13	0338630870	• PLATE	1				
14	0338630880	• PLATE	1				
18	0378601480	• PLATE	1				
19	0338630910	• STOPPER (R.H.)	1				
20	0338630960	• STOPPER (L.H.)	1				
21	0338630920	• PLATE	2				
22	0338630930	• PACKING	1				
23	0378602400	• HARNESS, wiring	1				
24	0398802200	• HARNESS, wiring	1				
25	0338631010	• HARNESS, wiring	1				
26	0438601760	• COVER	2				
28	0568633300	• STOPPER	2				
30	0568634400	• SEAL	1				
32	0068620500	• STRIKER	1				
33	0068621300	• SCREW	2				
34	0007000096	• SPRING	1				
37	1703001700	• LAMP, room	1				
37-1	1703001701	• • BULB	1				
38	1654004800	• HANGER	1				
39	1654004900	• STOPPER	4				
41	1654010500	• ASHTRAY	1				
42	1653691350	• POCKET	1				
43	1654005100	• LOCK	1				
44	1652341547	• CLAMP	4				
45	1651101028	• STOPPER	2				
47	1652060016	• GROMMET	2				
48	1652060031	• BUSHING	1				
49	1652102320	• RUBBER	2				
50	0378601510	• PIN	1				
53	1653916007	• RUBBER	1				sold by the meter
62	1652221050	• BAND	4				
63	1652050900	• GROMMET	1				
65	1100090820	• BOLT	4				
66	1100040825	• BOLT	4				
67	1120540408	• SCREW	2				
68	1120590512	• SCREW	9				
69	1120590516	• SCREW	5				
70	1120590616	• SCREW	2				
71	1120630412	• SCREW	2				
72	1120790412	• SCREW	2				
73	1120800830	• SCREW	4				
75	1122410416	• SCREW	2				
76	1140090004	• WASHER, spring	2				
77	1140090005	• WASHER, spring	9				
78	1140090006	• WASHER, spring	2				
81	1141190004	• WASHER	2				
82	1141190005	• WASHER	4				
83	1141190008	• WASHER	4				
85	1141550008	• WASHER	4				
86	1140330005	• WASHER	1				
87	1140330010	• WASHER	2				
88	1130090010	• NUT	2				
93	1711900066	• SOCKET	1				
94	0578600143	• COVER	1				
95	1150420512	• SCREW	2				
	G4e108						

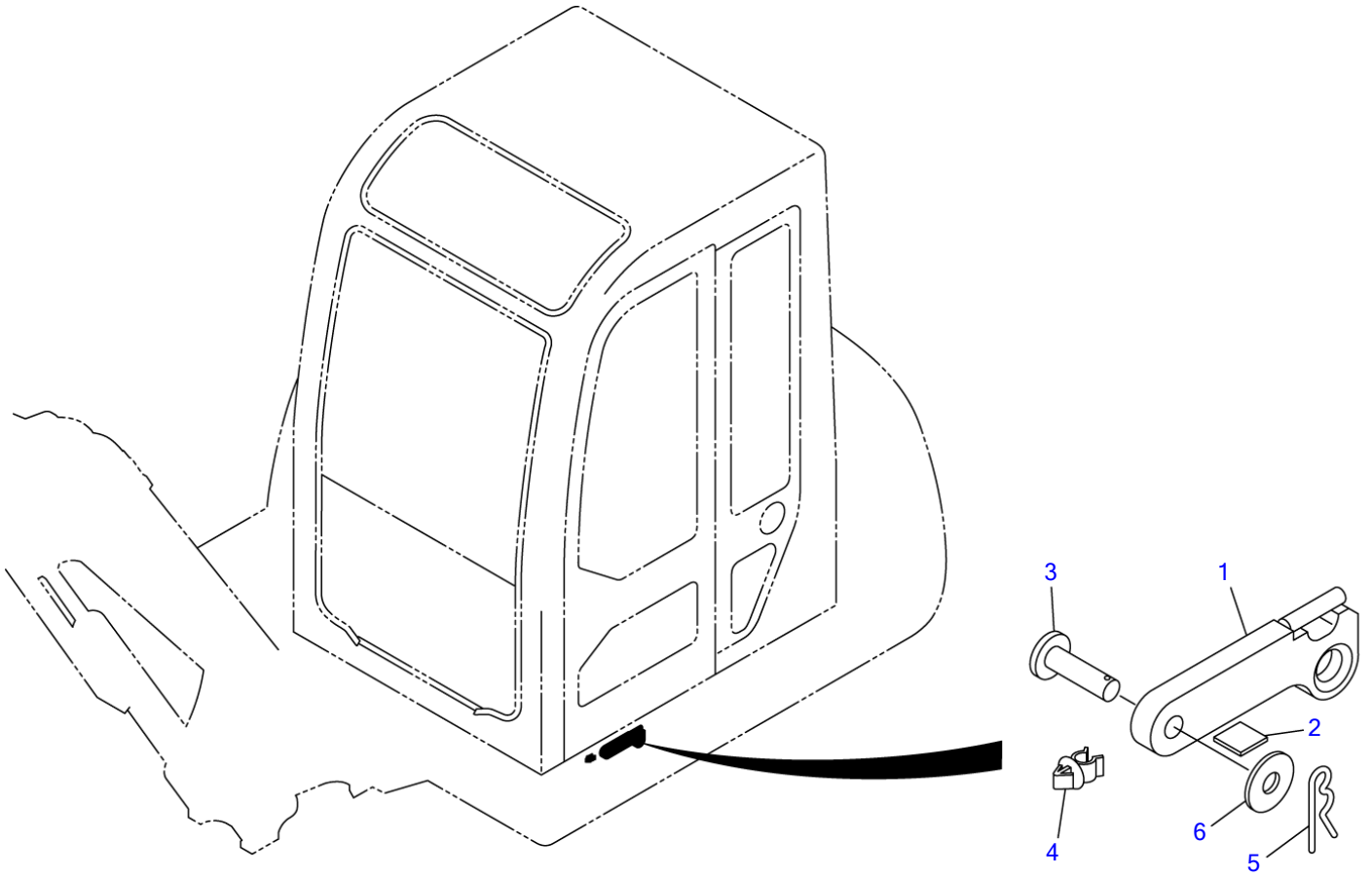
TB145 Book No. BK3Z010 S/N 14510004-  
CAB ACCESSORIES (14513261-)





**CAB ACCESSORIES (14513261-)**

Item	Part number	Description	Q'ty	Chan.	Serial No.	Serv.	Remarks
96	<b>0872453510</b>	DEFROSTER	1				
97	<b>1911504000</b>	LOUVER	1				
98	<b>1150120512</b>	SCREW	3				
99	<b>1652261410</b>	BAND	2				
100	<b>1120590514</b>	SCREW	2				
101	<b>1705003500</b>	SPEAKER	2				
102	<b>1705003550</b>	GRILLE	2				
103	<b>1120590410</b>	SCREW	8				
104	<b>0338627020</b>	BRACKET	1				
105	<b>1711900059</b>	LIGHTER	1				
106	<b>1150120410</b>	SCREW	4				
108	<b>1705003400</b>	ANTENNA	1		14513261~14515171		
	<b>1705003460</b>	ANTENNA	1	(H)	14515172~	M	
109	<b>1711910040</b>	NOZZLE	1				
110	<b>1711919150</b>	HOSE	1				sold by the meter
111	<b>1711919230</b>	HOSE	1				sold by the meter
112	<b>1711910014</b>	JOINT	1				
113	<b>1652001002</b>	GROMMET	1				
	<b>K3e391</b>						



G4E130

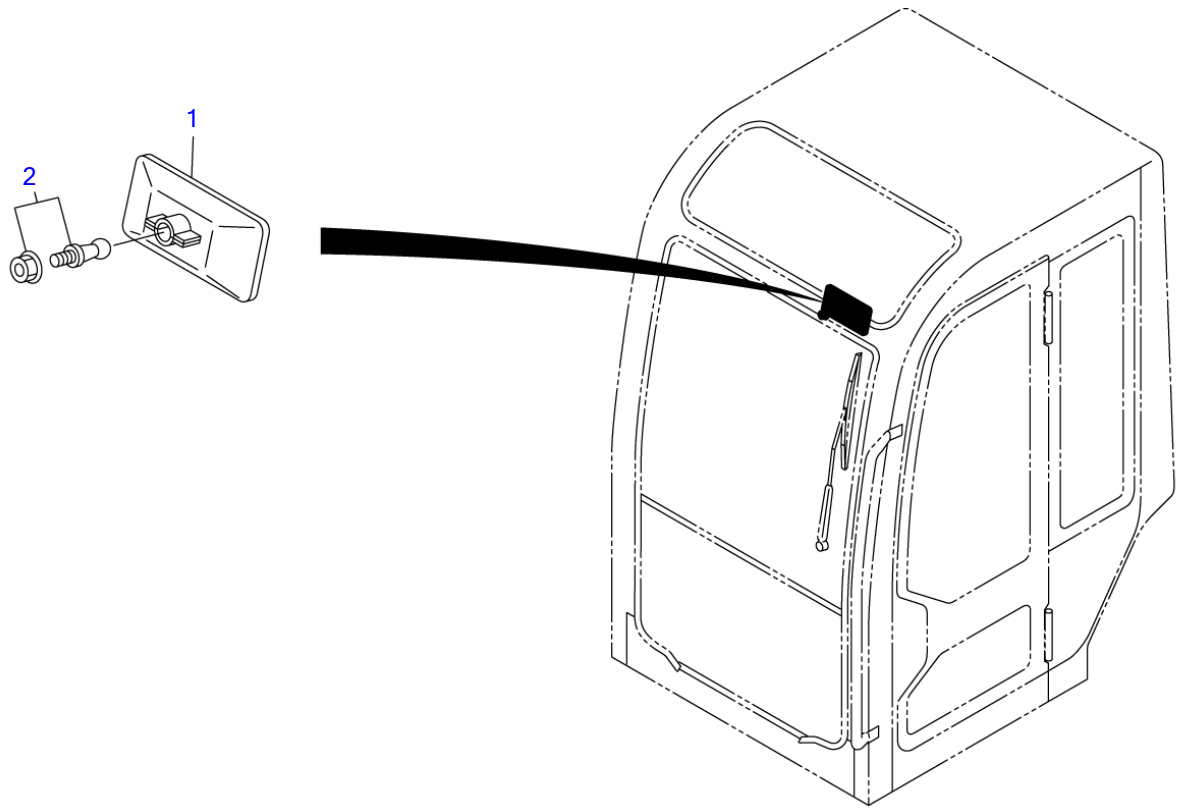
S=1/4, 1/20

**STOPPER**

Item	Part number	Description	Q'ty	Chan.	Serial No.	Serv.	Remarks
		STOPPER ASSY					X03735-06000-0
1	<b>0373506010</b>	STOPPER	1				
2	<b>0373506020</b>	RUBBER	1				
3	<b>0004012035</b>	PIN	1				
4	<b>1652702023</b>	HOLDER	1				
5	<b>1214000010</b>	PIN, snap	1				
6	<b>1141110012</b>	WASHER	1				
	<b>G4e130</b>						

TB145 Book No. BK3Z010 S/N 14510004-  
REARVIEW MIRROR

---

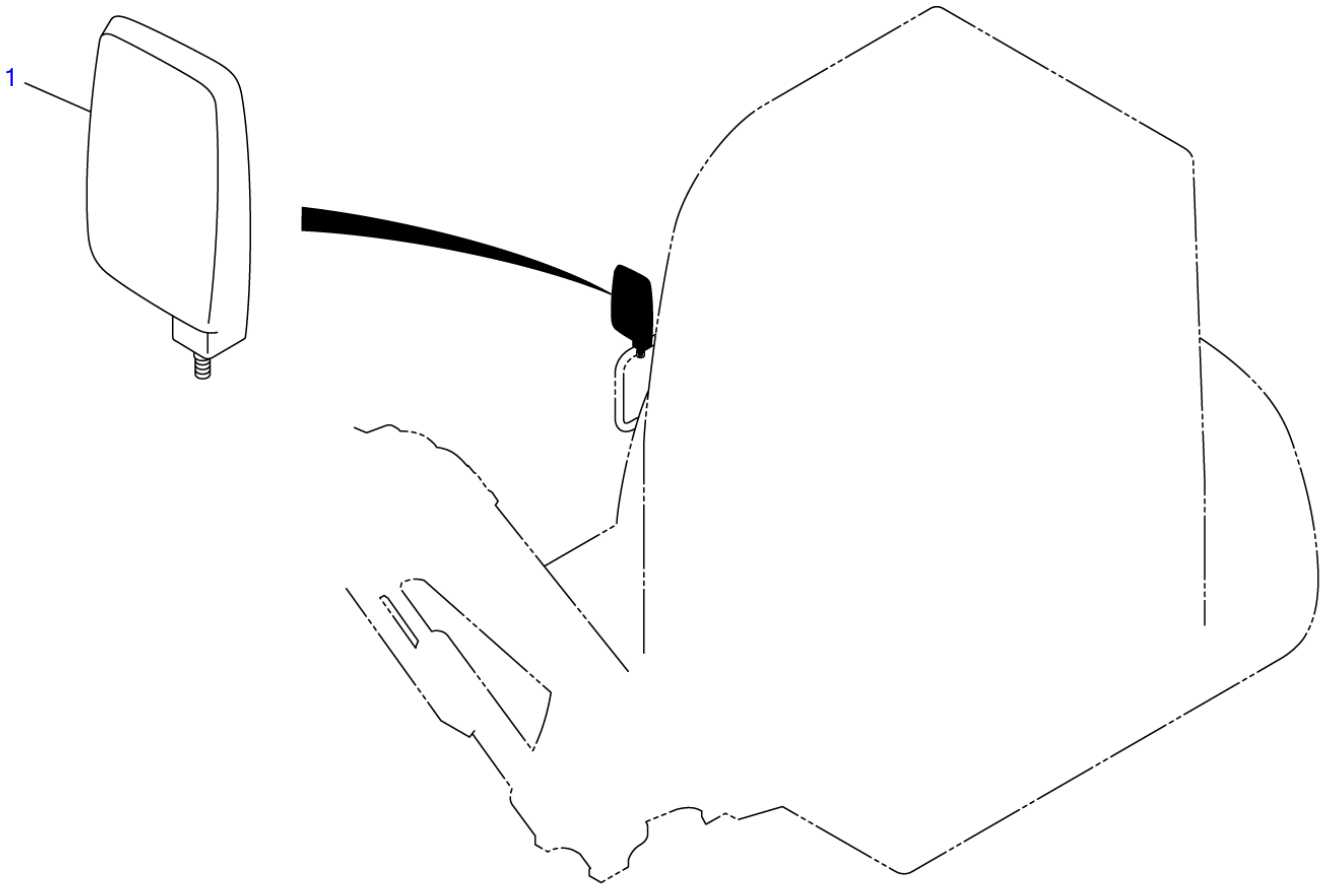


K3E470

S=1/20, 1/5

**REARVIEW MIRROR**

Item	Part number	Description	Q'ty	Chan.	Serial No.	Serv.	Remarks
		MIRROR ASSY, rearview					X03387-00000-1
1	<b>1654005400</b>	MIRROR	1				
2	<b>1654006000</b>	PIVOT	1				
	<b>K3e470</b>						



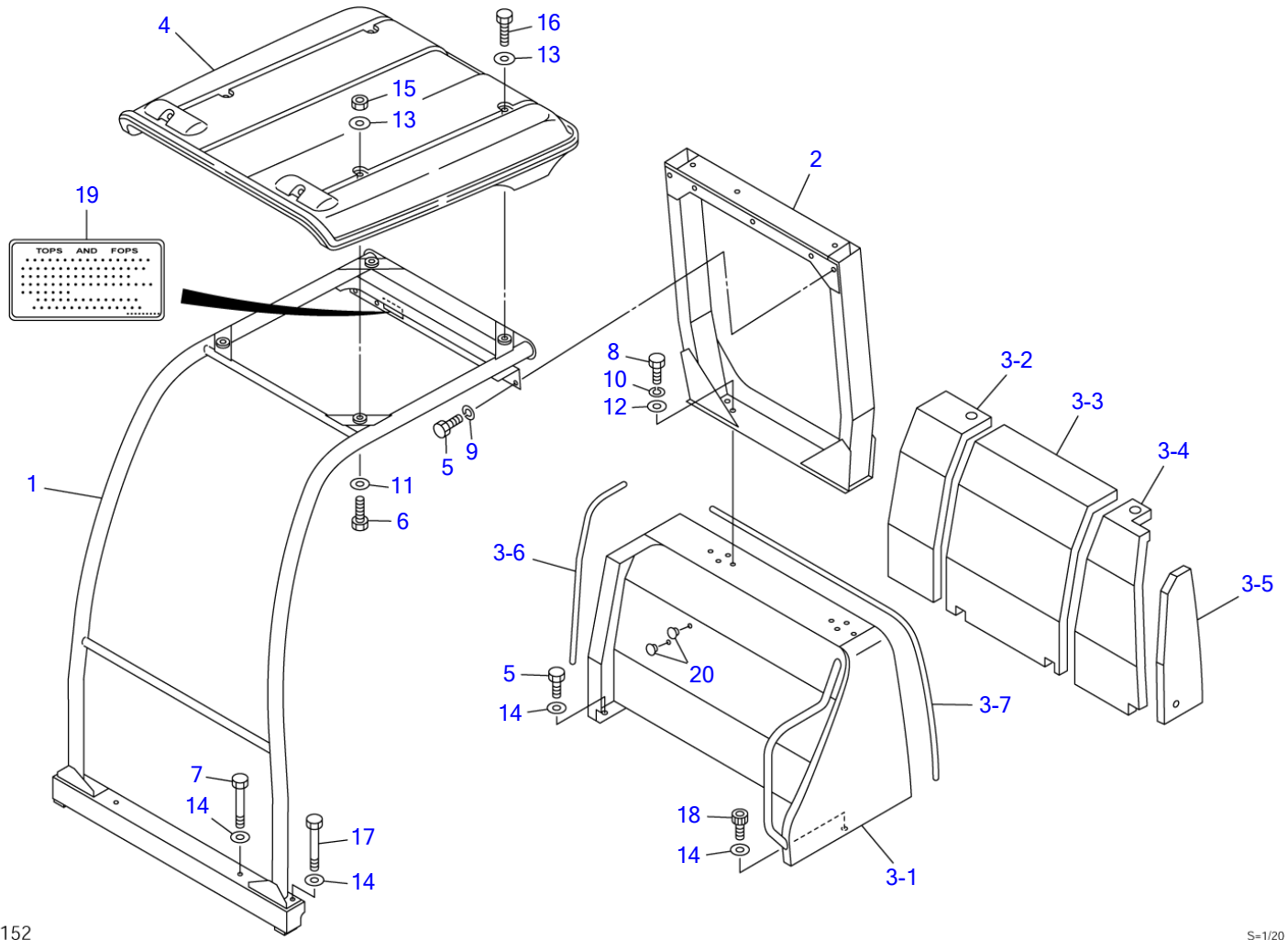
G4E140

S=1/5, 1/20

OUT SIDE REARVIEW MIRROR

Item	Part number	Description	Q'ty	Chan.	Serial No.	Serv.	Remarks
1	<b>1656500610</b> <b>G4e141</b>	MIRROR ASSY MIRROR	1				X03787-00000-0

TB145 Book No. BK3Z010 S/N 14510004-  
CANOPY (4 poles)

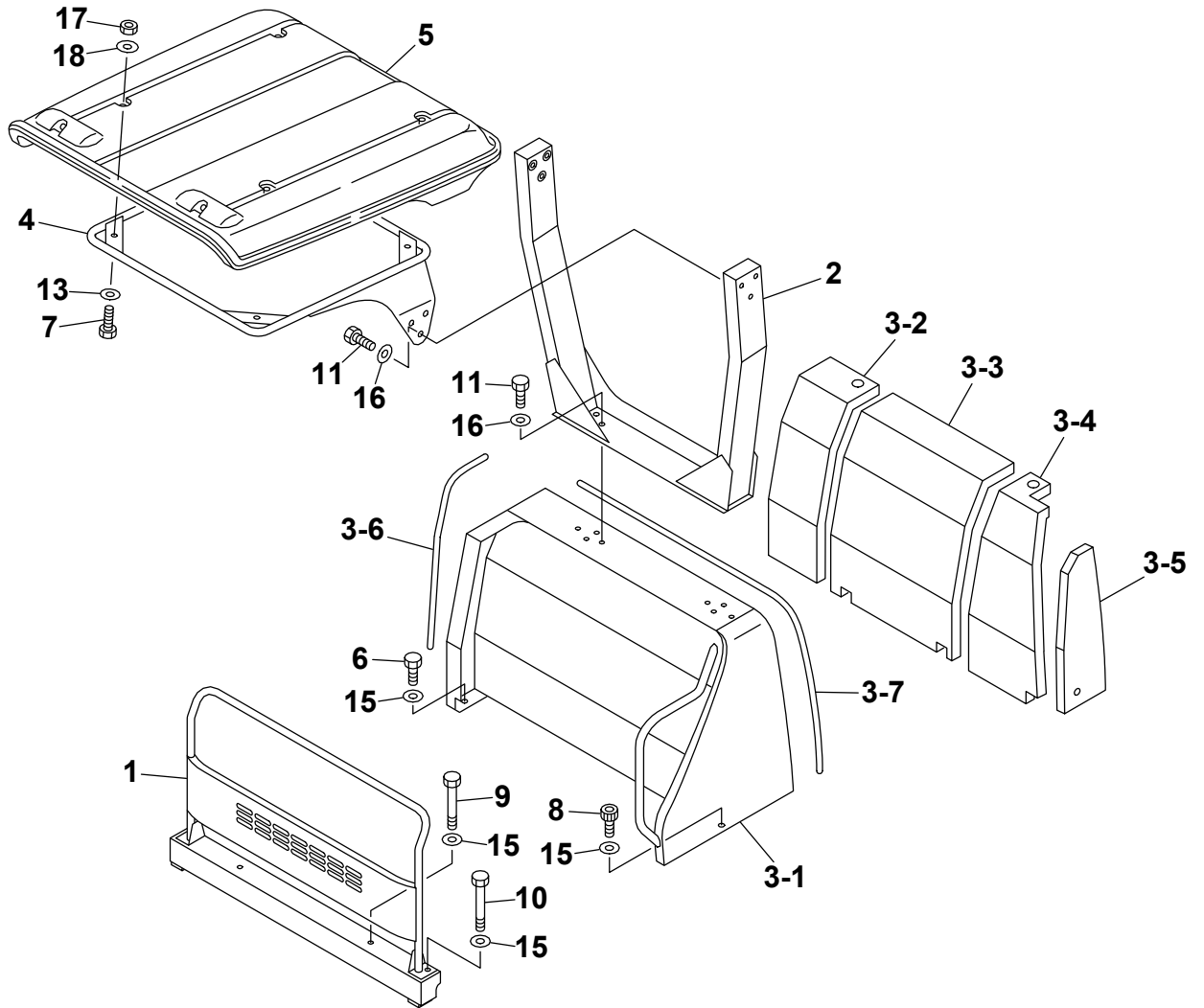


G4E152

S=1/20



CANOPY (4 poles)							
Item	Part number	Description	Q'ty	Chan.	Serial No.	Serv.	Remarks
		CANOPY ASSY					X03784-02000-3
1	0378402500	POLE	1				
2	0378402600	POLE	1				
3	0378402300	COVER ASSY, engine	1				
3-1	0378402400	· COVER, engine	1				
3-2	0378401310	· ABSORBENT, noise	1				
3-3	0378401320	· ABSORBENT, noise	1				
3-4	0378401330	· ABSORBENT, noise	1				
3-5	0378402310	· ABSORBENT, noise	1				
3-6	1654606064	· SEAL	1				sold by the meter sold by the meter
3-7	1654606138	· SEAL	1				
4	0368416300	ROOF	1				
5	1100041025	BOLT	10				
6	1100041040	BOLT	2				
7	1100141000	BOLT	2				
8	1101041230	BOLT	6				
9	1140020010	WASHER, spring	4				
10	1140020012	WASHER, spring	6				
11	1141110010	WASHER	2				
12	1141110012	WASHER	6				
13	0003600020	WASHER	4				
14	1141550010	WASHER	11				
15	1130040010	NUT	2				
16	1100041030	BOLT	2				
17	1100141010	BOLT	2				
18	1110041025	SCREW, cap	1				
19	X *****	DECAL	1				
20	1652533016	CAP	2		14513261~		
	K3e360						



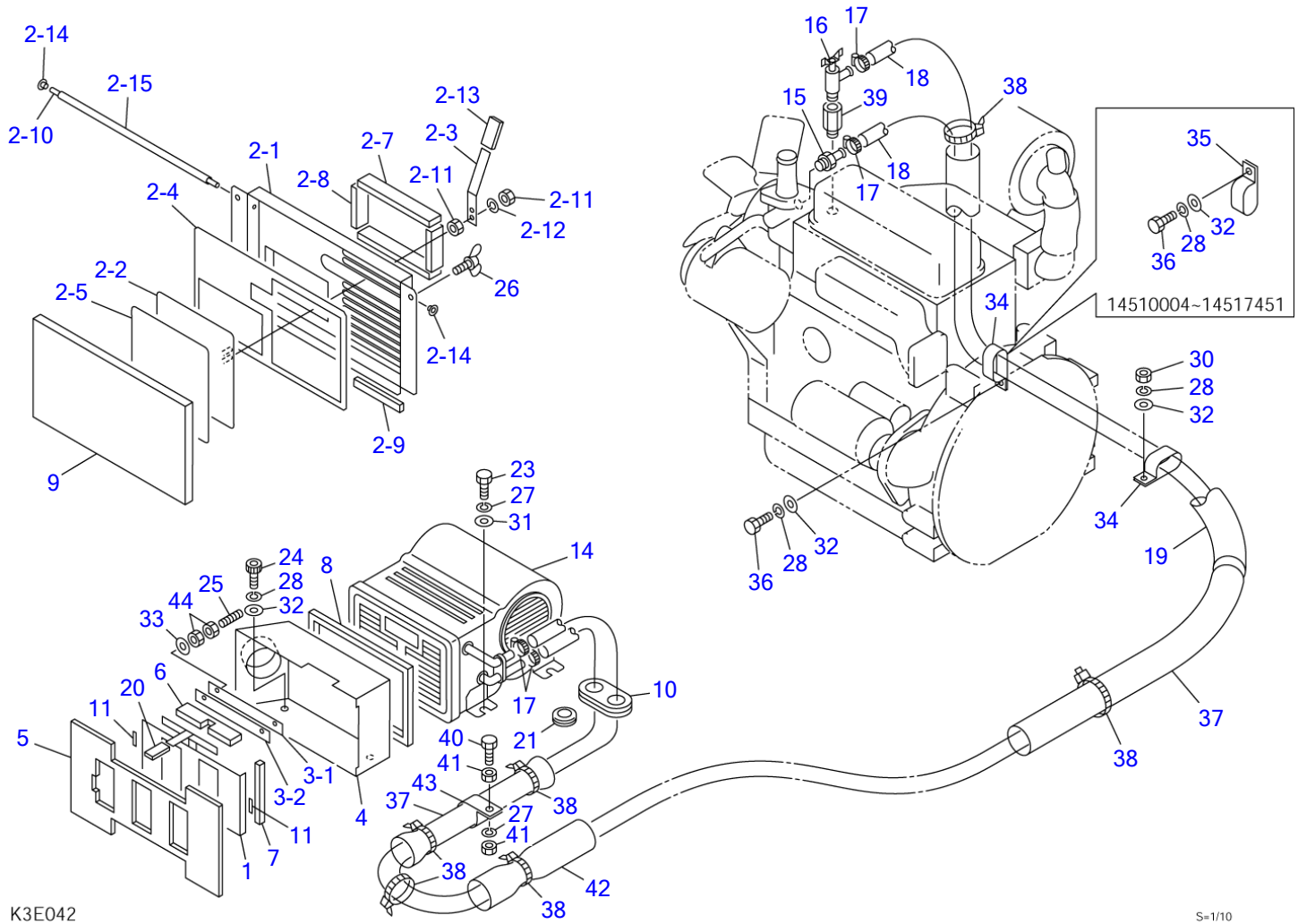
G4E190

S=1/20

**CANOPY (2 poles)**

Item	Part number	Description	Q'ty	Chan.	Serial No.	Serv.	Remarks
		CANOPY ASSY					X03784-03000-0
1	0378403100	GUARD	1				
2	0378403200	POLE	1				
3	0378403300	COVER ASSY, engine	1				
3-1	0378403400	· COVER, engine	1				
3-2	0378401310	· ABSORBENT, noise	1				
3-3	0378401320	· ABSORBENT, noise	1				
3-4	0378401330	· ABSORBENT, noise	1				
3-5	0378402310	· ABSORBENT, noise	1				
3-6	1654606064	· SEAL	1				sold by the meter sold by the meter
3-7	1654606138	· SEAL	1				
4	0358403300	FRAME	1				
5	0368416300	ROOF	1				
6	1100041025	BOLT	6				
7	1100041030	BOLT	4				
8	1110041025	SCREW, cap	1				
9	1100141000	BOLT	2				
10	1100141010	BOLT	2				
11	1101041230	BOLT	12				
13	1141110010	WASHER	4				
15	1141550010	WASHER	11				
16	1141550012	WASHER	12				
17	1130040010	NUT	4				
18	0003600020	WASHER	4				
	<b>G4e190</b>						

TB145 Book No. BK3Z010 S/N 14510004-  
HEATER (cab)



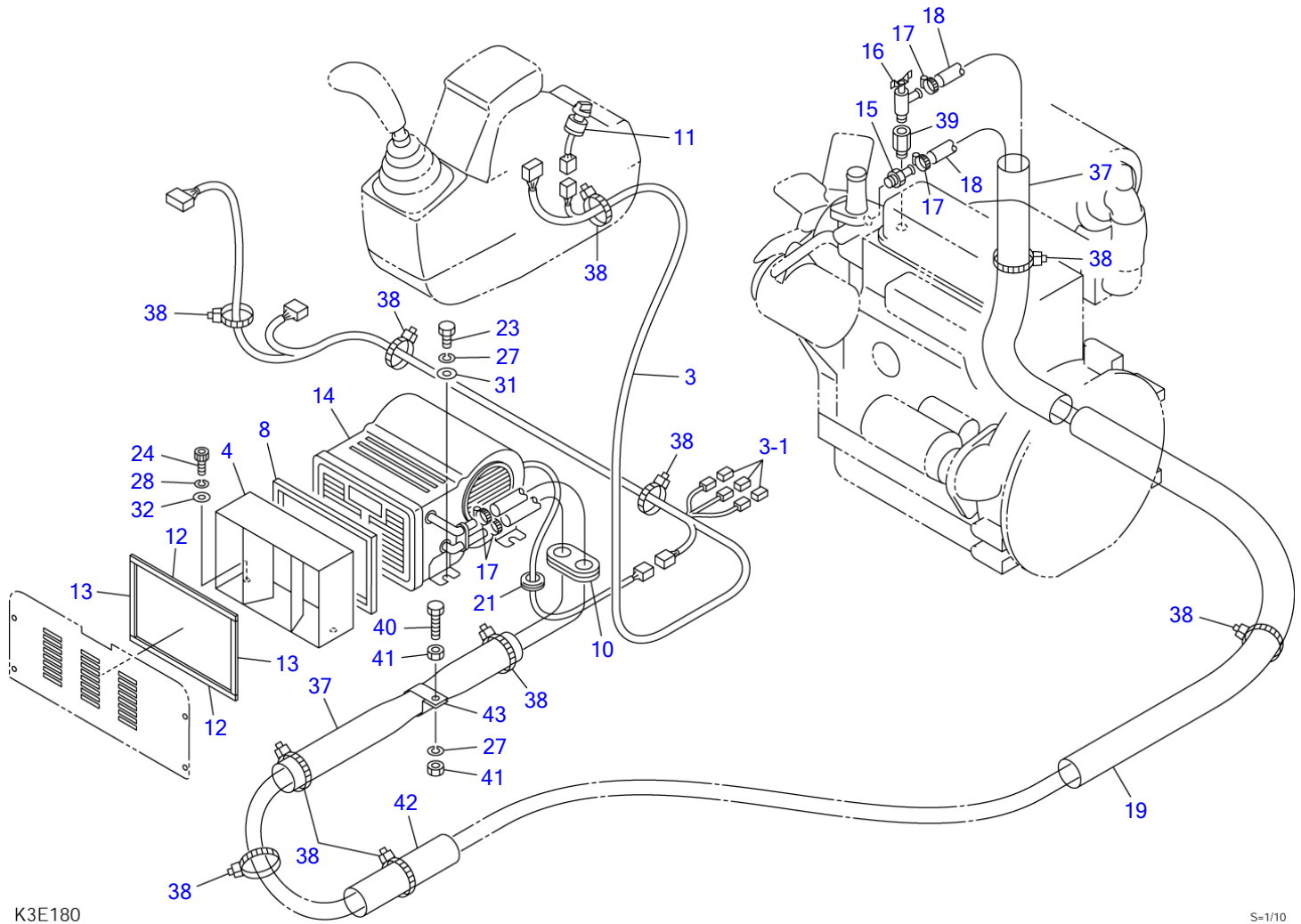
K3E042

S-1/10

HEATER (cab)							
Item	Part number	Description	Q'ty	Chan.	Serial No.	Serv.	Remarks
		HEATER ASSY					X03945-10000-6
1	0374504100	LEVER	1				
2	X 0374504200	COVER ASSY, suction	1				
2-1	0374504270	· COVER	1				
2-2	0374504220	· PLATE	1				
2-3	0374504230	· LEVER	1				
2-4	0374504240	· RUBBER	1				
2-5	0374504241	· RUBBER	1				
2-7	0374504246	· URETHANE	2				
2-8	0374504247	· URETHANE	2				
2-9	0374504245	· SPONGE	2				
2-10	0374504250	· SHAFT	2				
2-11	1130040005	· NUT	4				
2-12	1140020005	· WASHER, spring	2				
2-13	1650100415	· CAP	1				
2-14	1224100007	· NUT	4				
2-15	0374504260	· TUBE	2				
3	0374504300	GUIDE ASSY	2				
3-1	0374504310	· GUIDE	1				
3-2	0374504320	· RUBBER	1				
4	0374504400	COVER	1				
5	0374504500	URETHANE	1				
6	0374504550	URETHANE	1				
7	0374504520	SPONGE	1				
8	0374504530	SPONGE	1				
9	0374504540	FILTER	1				
10	0097210300	GUARD	1				
11	0374504570	RUBBER	2				
14	1911508100	HEATER	1				
15	1911502200	NIPPLE	1				
16	1911502100	VALVE	1				
17	1911500500	CLAMP	4				
18	1911541850	HOSE	2				sold by the meter
19	1531345100	PROTECTOR	1				sold by the meter
20	1650100415	CAP	1				
21	1652052600	GROMMET	1				
23	1100041020	BOLT	4				
24	1110040820	SCREW, cap	2				
25	1121040625	SET-SCREW	4				
26	1121530616	BOLT, wing	2				
27	1140020010	WASHER, spring	5				
28	1140020008	WASHER, spring	4				
30	1130040008	NUT	1		14517452~		
31	1141110010	WASHER	4				
32	1141110008	WASHER	4				
33	1141110006	WASHER	4				
34	0007300065	CLAMP	2		14517452~	M	
35	0007300018	CLAMP	1		14510004~14517451		
36	1100040816	BOLT	1				
37	1531345050	PROTECTOR	2				sold by the meter
38	1652231250	BAND	6				
39	0007210029	BUSHING	1				
40	1100241040	BOLT	1				
41	1130040010	NUT	2				
42	1531345020	PROTECTOR	1				sold by the meter
43	0007300030	CLAMP	1				
44	1130040006	NUT	8				

K3e043

TB145 Book No. BK3Z010 S/N 14510004-  
HEATER (canopy; 14510004-14513260)



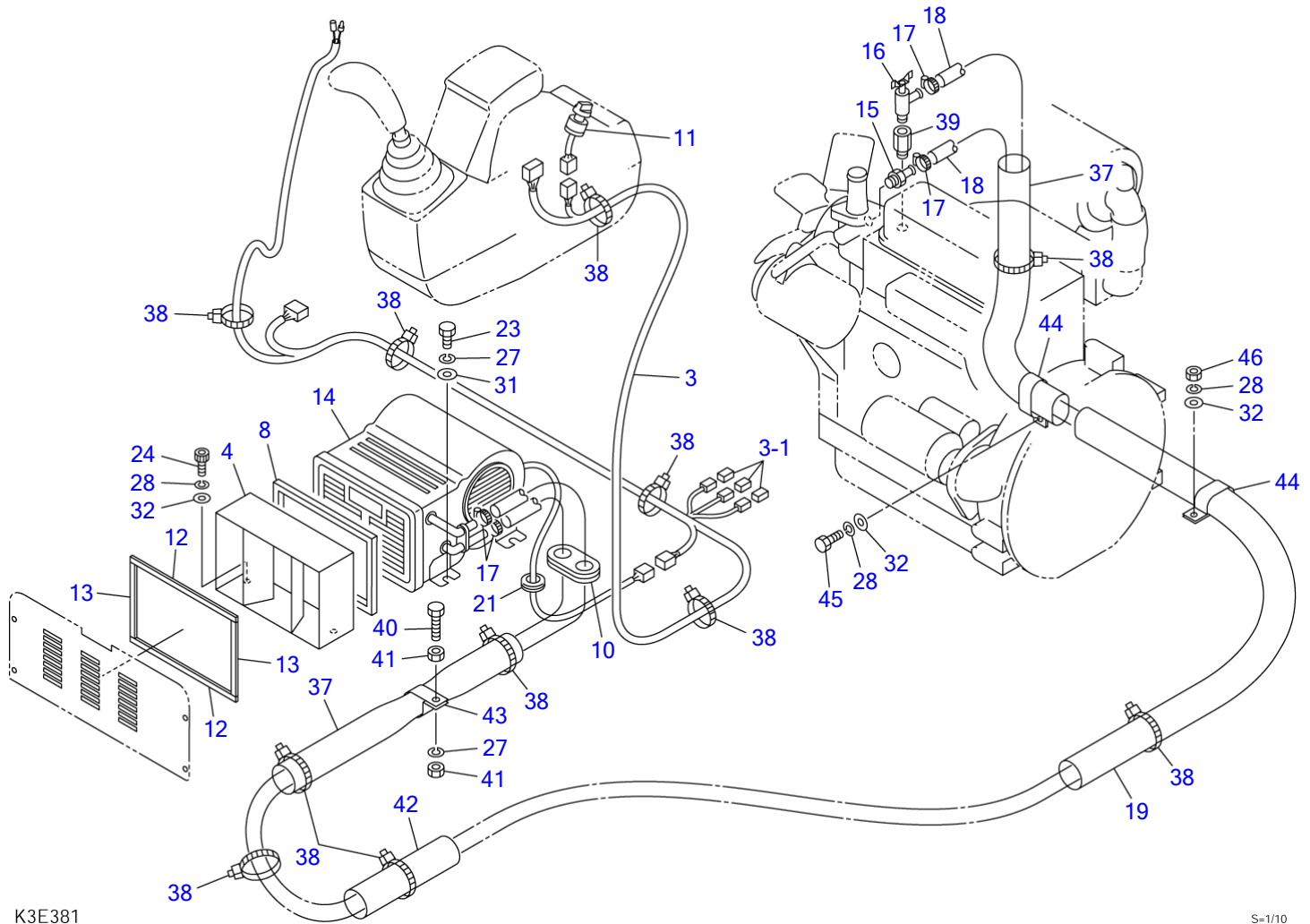
K3E180

S=1/10

**HEATER (canopy; 14510004-14513260)**

Item	Part number	Description	Q'ty	Chan.	Serial No.	Serv.	Remarks
		HEATER ASSY					X03945-13000-1
3	<b>0354217300</b>	HARNASS, wiring	1				
3-1	<b>1730500008</b>	• DIODE (3A, yellow)	3				
4	<b>0374505400</b>	COVER	1				
8	<b>0374504530</b>	SPONGE	1				
10	<b>0097210300</b>	GUARD	1				
11	<b>1700000011</b>	SWITCH, heater	1				
12	<b>1654307023</b>	SPONGE	2				
13	<b>1654307014</b>	SPONGE	2				
14	<b>1911508100</b>	HEATER	1				
15	<b>1911502200</b>	NIPPLE	1				
16	<b>1911502100</b>	VALVE	1				
17	<b>1911500500</b>	CLAMP	4				
18	<b>1911541845</b>	HOSE	2				sold by the meter
19	<b>1531345100</b>	PROTECTOR	1				sold by the meter
21	<b>1652052600</b>	GROMMET	1				
23	<b>1100041020</b>	BOLT	4				
24	<b>1110040820</b>	SCREW, cap	2				
27	<b>1140020010</b>	WASHER, spring	5				
28	<b>1140020008</b>	WASHER, spring	2				
31	<b>1141110010</b>	WASHER	4				
32	<b>1141110008</b>	WASHER	2				
37	<b>1531345050</b>	PROTECTOR	2				sold by the meter
38	<b>1652231250</b>	BAND	10				
39	<b>0007210029</b>	BUSHING	1				
40	<b>1100241040</b>	BOLT	1				
41	<b>1130040010</b>	NUT	2				
42	<b>1531345020</b>	PROTECTOR	1				sold by the meter
43	<b>0007300030</b>	CLAMP	1				
	<b>K3e181</b>						

TB145 Book No. BK3Z010 S/N 14510004-  
HEATER (canopy; 14513261-)



K3E381

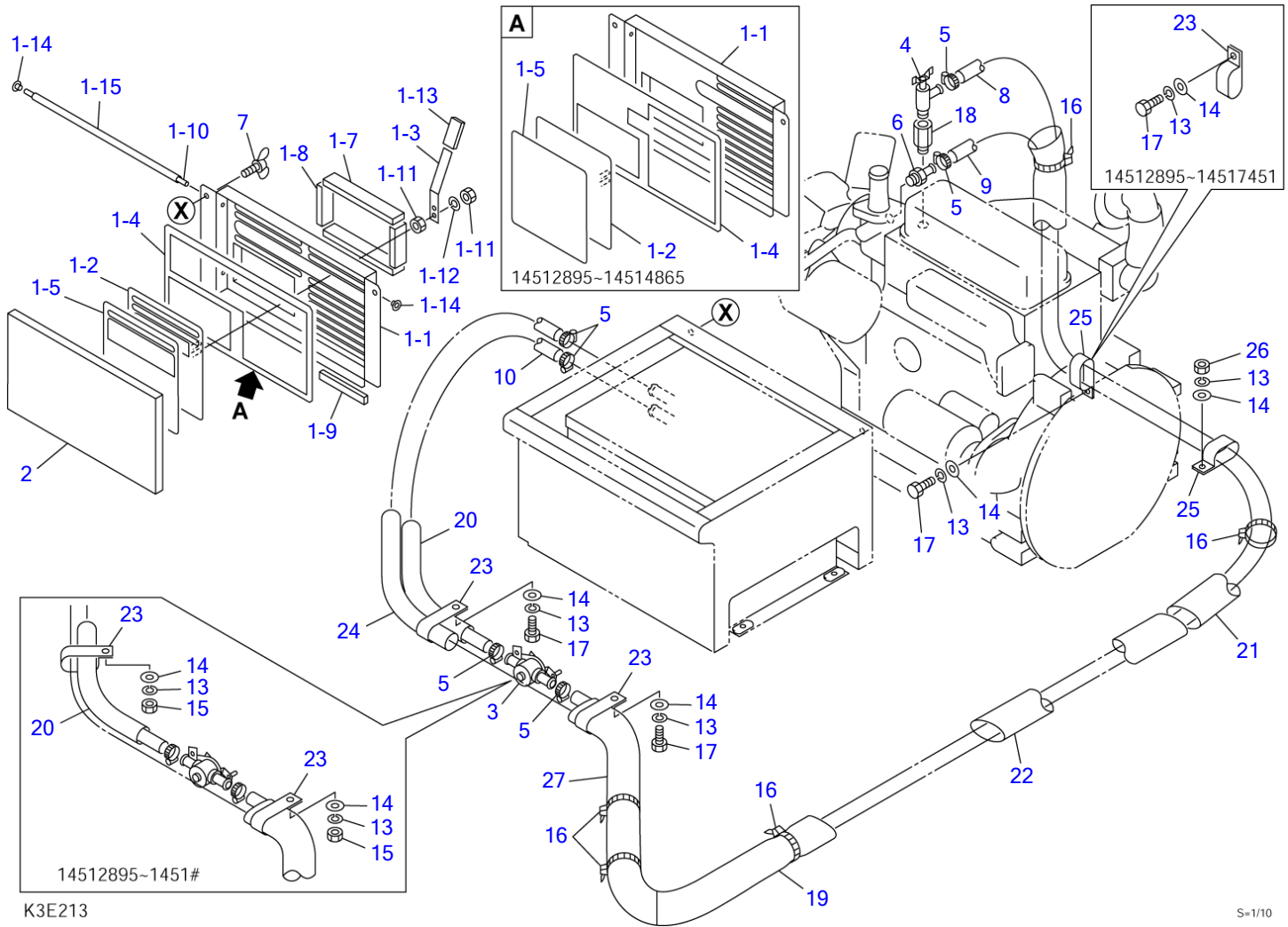
S=1/10



**HEATER (canopy; 14513261-)**

Item	Part number	Description	Qty	Chan.	Serial No.	Serv.	Remarks
		HEATER ASSY					X03945-13200-1
3	<b>0374507010</b>	HARNES, wiring	1				
3-1	<b>1730500008</b>	• DIODE (3A, yellow)	3				
4	<b>0374505400</b>	COVER	1				
8	<b>0374504530</b>	SPONGE	1				
10	<b>0097210300</b>	GUARD	1				
11	<b>1700000011</b>	SWITCH, heater	1				
12	<b>1654307023</b>	SPONGE	2				
13	<b>1654307014</b>	SPONGE	2				
14	<b>1911508100</b>	HEATER	1				
15	<b>1911502200</b>	NIPPLE	1				
16	<b>1911502100</b>	VALVE	1				
17	<b>1911500500</b>	CLAMP	4				
18	<b>1911541845</b>	HOSE	2				sold by the meter
19	<b>1531345100</b>	PROTECTOR	1				sold by the meter
21	<b>1652052600</b>	GROMMET	1				
23	<b>1100041020</b>	BOLT	4				
24	<b>1110040820</b>	SCREW, cap	2				
27	<b>1140020010</b>	WASHER, spring	5				
28	<b>1140020008</b>	WASHER, spring	4				
31	<b>1141110010</b>	WASHER	4				
32	<b>1141110008</b>	WASHER	4				
37	<b>1531345050</b>	PROTECTOR	2				sold by the meter
38	<b>1652231250</b>	BAND	12				
39	<b>0007210029</b>	BUSHING	1				
40	<b>1100241040</b>	BOLT	1				
41	<b>1130040010</b>	NUT	2				
42	<b>1531345020</b>	PROTECTOR	1				sold by the meter
43	<b>0007300030</b>	CLAMP	1				
44	<b>0007300065</b>	CLAMP	2		14517452~	M	
45	<b>1100040816</b>	BOLT	1		14517452~		
46	<b>1130040008</b>	NUT	1		14517452~		
	<b>K3e381</b>						

TB145 Book No. BK3Z010 S/N 14510004-  
**HEATER (with air conditioner; 14512895-)**



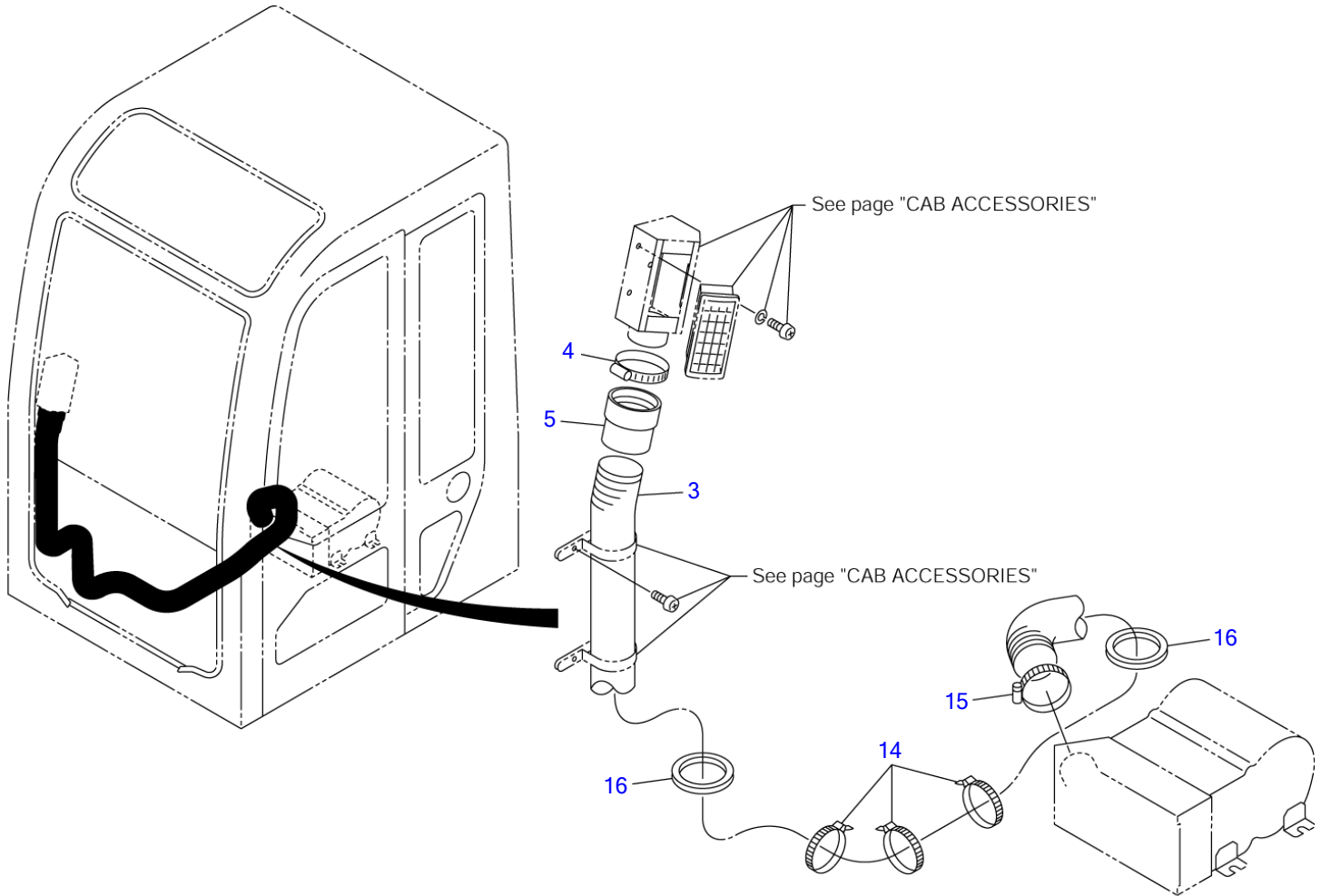
K3E213

S=1/10

**HEATER (with air conditioner; 14512895-)**

Item	Part number	Description	Q'ty	Chan.	Serial No.	Serv.	Remarks
	<b>0394513100</b>	HEATER ASSY					X03945-13100-8
1	X <b>0374504200</b>	COVER ASSY, suction	1		14512895~14514865		
	X <b>0374506610</b>	COVER ASSY, suction	1	(H)	14514866~		
1-1	<b>0374504270</b>	· COVER	1		14512895~14514865		
	<b>0374506620</b>	· COVER	1		14514866~		
1-2	<b>0374504220</b>	· PLATE	1		14512895~14514865		
	<b>0374506630</b>	· PLATE	1		14514866~		
1-3	<b>0374504230</b>	· LEVER	1				
1-4	<b>0374504240</b>	· RUBBER	1		14512895~14514865		
	<b>0374506614</b>	· RUBBER	1		14514866~		
1-5	<b>0374504241</b>	· RUBBER	1		14512895~14514865		
	<b>0374506615</b>	· RUBBER	1		14514866~		
1-7	<b>0374504246</b>	· URETHANE	2				
1-8	<b>0374504247</b>	· URETHANE	2				
1-9	<b>0374504245</b>	· SPONGE	2				
1-10	<b>0374504250</b>	· SHAFT	2				
1-11	<b>1130040005</b>	· NUT	4				
1-12	<b>1140020005</b>	· WASHER, spring	2				
1-13	<b>1650100415</b>	· CAP	1				
1-14	<b>1224100007</b>	· NUT	4				
1-15	<b>0374504260</b>	· TUBE	2				
2	<b>0374504540</b>	FILTER	1				
3	<b>1911506008</b>	VALVE	1				
4	<b>1911502100</b>	VALVE	1				
5	<b>1911500500</b>	CLAMP	6				
6	<b>1911502200</b>	ADAPTOR	1				
7	<b>1121530616</b>	BOLT, wing	2				
8	<b>1911541810</b>	HOSE	1				sold by the meter
9	<b>1911535110</b>	HOSE	1				
10	<b>1911511800</b>	HOSE	1				sold by the meter
13	<b>1140020008</b>	WASHER, spring	4				
14	<b>1141110008</b>	WASHER	4				
15	<b>1130040008</b>	NUT	2		14512895~1451#		
16	<b>1652231250</b>	BAND	5				
17	<b>1100040816</b>	BOLT	1		14512895~1451#		
	<b>1100040816</b>	BOLT	3		1451#~		
18	<b>0007210029</b>	BUSHING	1				
19	<b>1531345030</b>	PROTECTOR	1			M	sold by the meter
20	<b>1531325030</b>	PROTECTOR	1			M	sold by the meter
21	<b>1531345100</b>	PROTECTOR	1				sold by the meter
22	<b>1531345050</b>	PROTECTOR	1				sold by the meter
23	<b>0007300030</b>	CLAMP	3		14510004~14517451		
	<b>0007300030</b>	CLAMP	2		14517452~	M	
24	<b>1531325050</b>	PROTECTOR	1				sold by the meter
25	<b>0007300065</b>	CLAMP	2		14517452~	M	
26	<b>1130040008</b>	NUT	1		14517452~		
27	<b>1531345050</b>	PROTECTOR	1			M	sold by the meter

**K3e214**

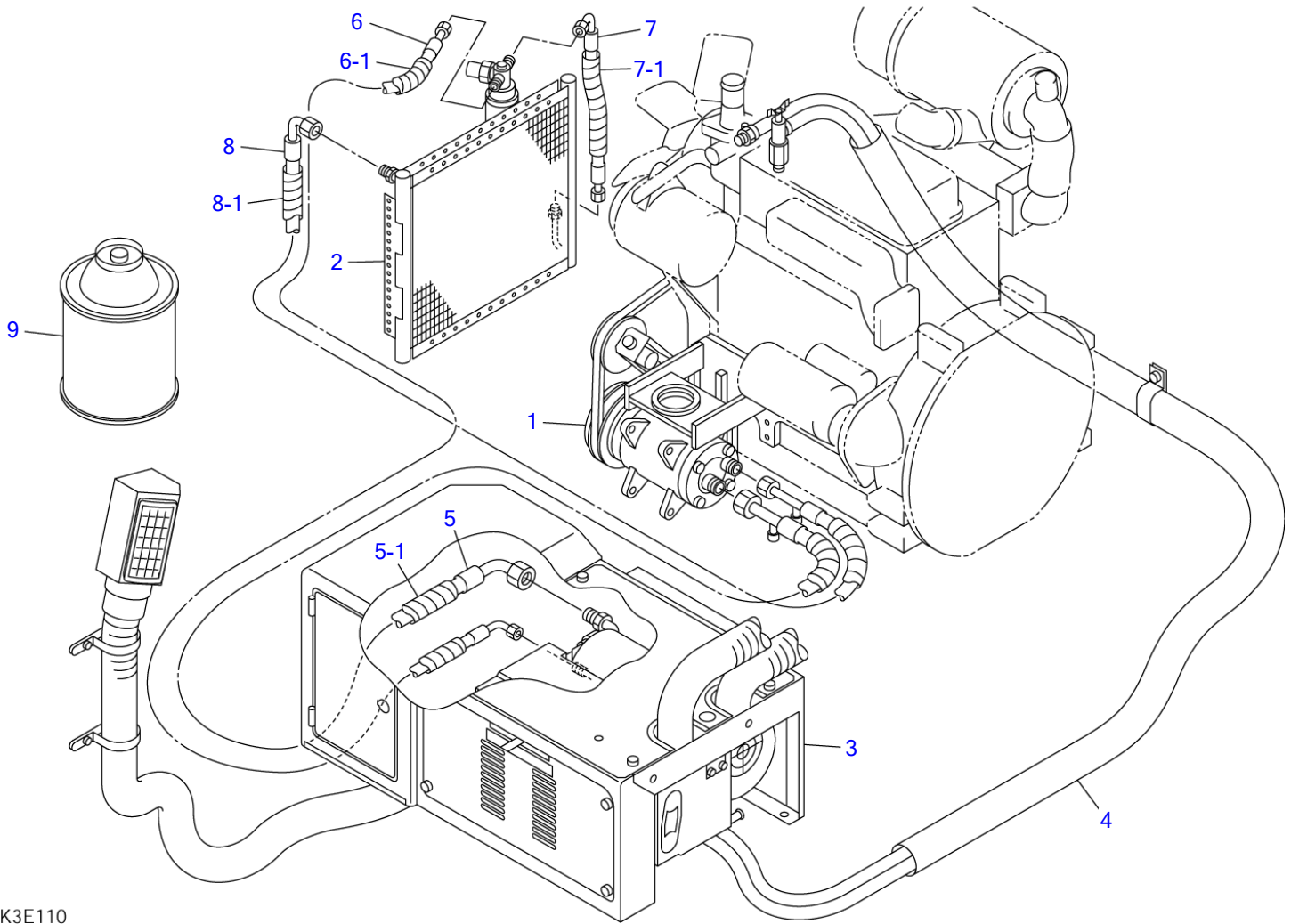


E5E190

S=1/10, 1/20

DEFROSTER						
Item	Part number	Description	Q'ty	Chan.	Serial No.	Serv. Remarks
		DEFROSTER ASSY				X03545-05500-3
3	1567415072	HOSE	1			sold by the meter
4	1533700070	BAND	1			
5	1567325000	CUFF	1			
14	1652231250	BAND	2			
15	1533700061	BAND	1			
16	1653916021	TRIM	2			sold by the meter
	E5e190					

TB145 Book No. BK3Z010 S/N 14510004-  
AIR CONDITIONER (1/7) (14510004-14511994)



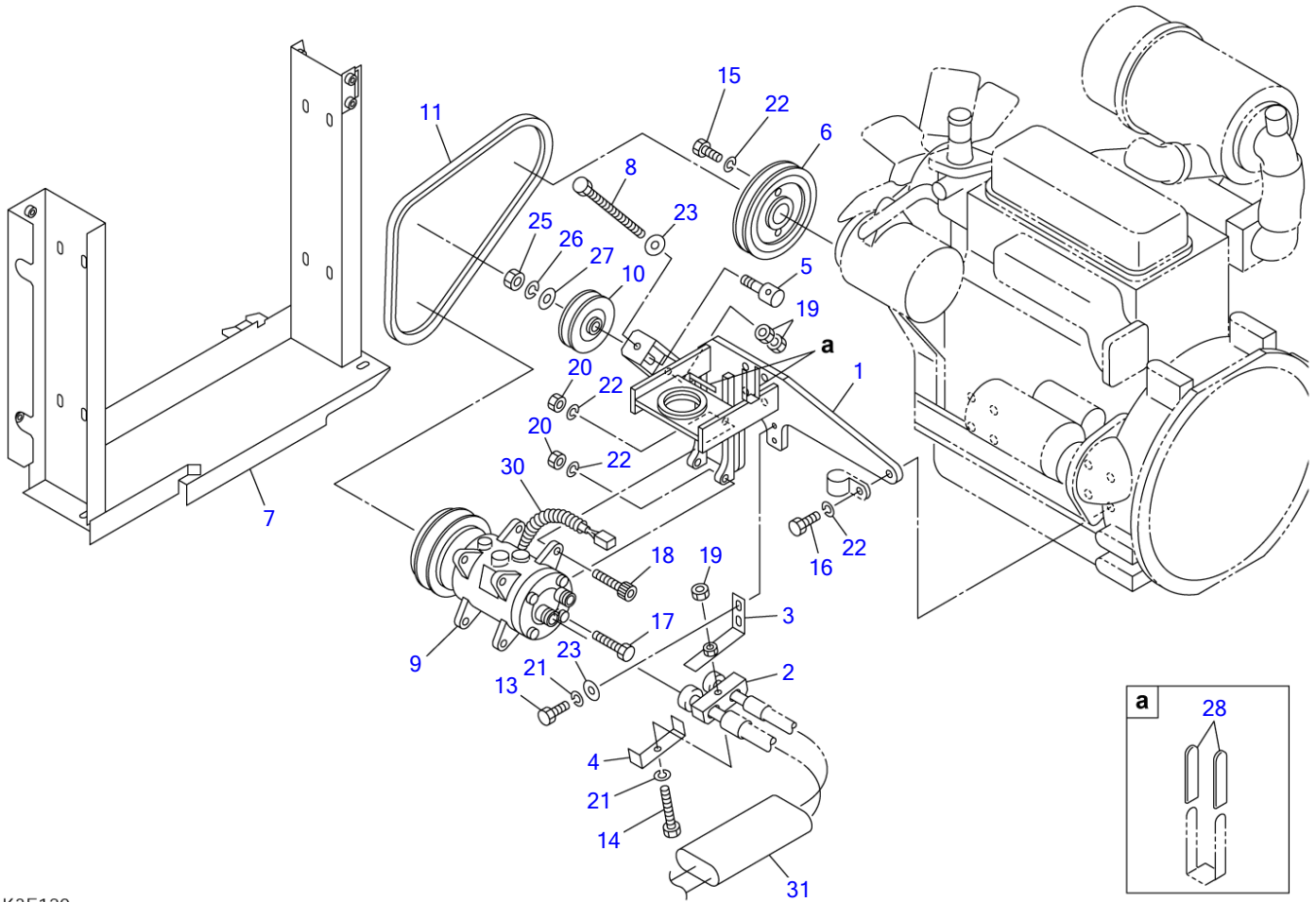
K3E110

S=1/10

**AIR CONDITIONER (1/7) (14510004-14511994)**

Item	Part number	Description	Q'ty	Chan.	Serial No.	Serv.	Remarks
		CONDITIONER ASSY, air					X03946-03000-1
1	X 0394604000	COMPRESSOR ASSY	1				see page (2/7)
2	X 0394605000	CONDENSER ASSY	1				see page (3/7)
3	X 0394606000	UNIT, air conditioner	1				see page (4/7)
4	X 0394607000	UNIT, heater	1				see page (7/7)
5	0394603010	HOSE ASSY	1				
5-1	1532212235	· PROTECTOR	1				sold by the meter
6	0394603020	HOSE ASSY	1				
6-1	1532208260	· PROTECTOR	1				sold by the meter
7	0394603030	HOSE ASSY	1				
7-1	1532208018	· PROTECTOR	1				sold by the meter
8	0394603040	HOSE ASSY	1				
8-1	1532210165	· PROTECTOR	1				sold by the meter
9	0872463100	GAS, coolant	4				
	<b>K3e110</b>						

TB145 Book No. BK3Z010 S/N 14510004-  
AIR CONDITIONER (2/7) (14510004-14511994)



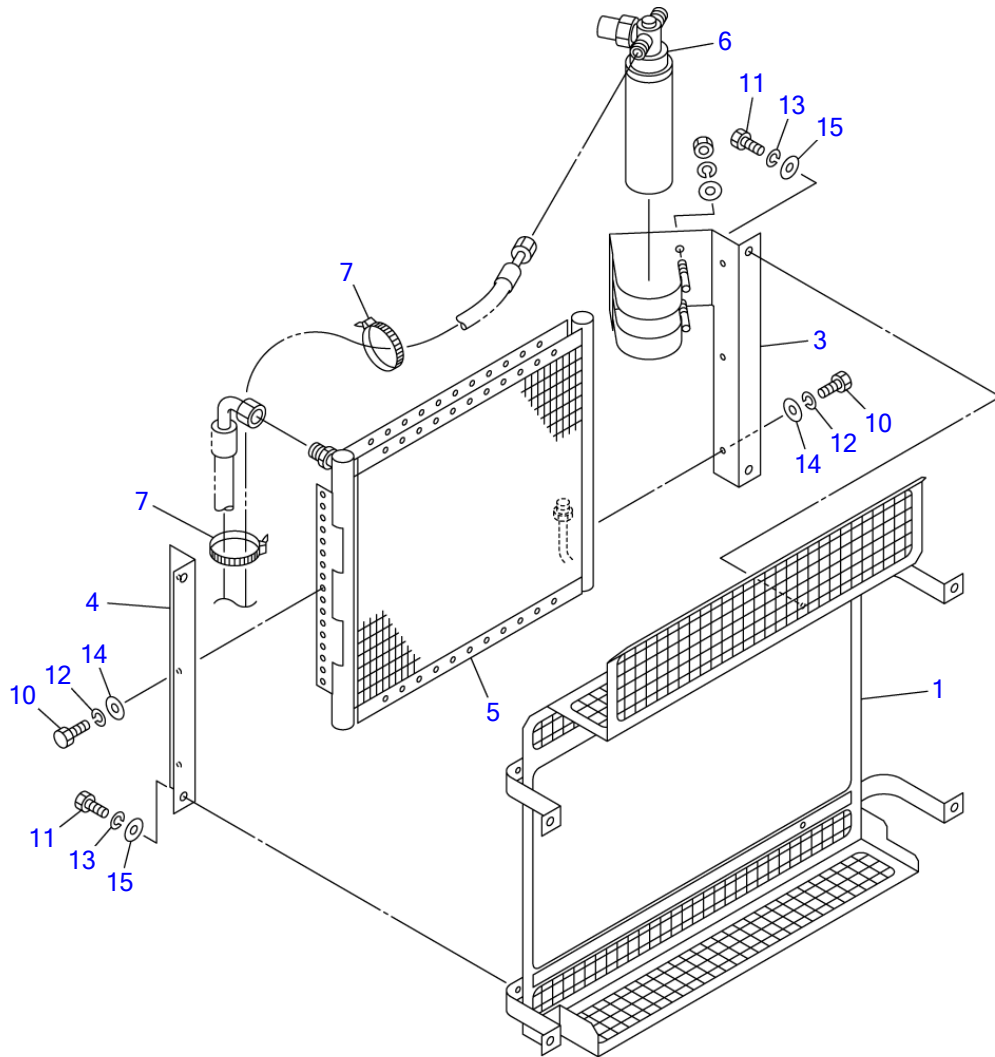
K3E120

S=1/10



**AIR CONDITIONER (2/7) (14510004-14511994)**

Item	Part number	Description	Q'ty	Chan.	Serial No.	Serv.	Remarks
		CONDITIONER ASSY, air					X03946-03000-1
0-1	X 0394604000	COMPRESSOR ASSY	1				
1	0394604100	· FOOT, engine (F.L.)	1				
2	0394600200	· RUBBER	1				
3	0394600300	· BRACKET	1				
4	0394600400	· PLATE	1				
5	0394604210	· SHAFT	1				
6	0394604220	· PULLEY	1				
7	0394604230	· BRACKET	1				
8	0394602010	· BOLT	1				
9	1911504610	· COMPRESSOR	1				
10	1911504660	· PULLEY ASSY	1				
11	1911504670	· V-BELT	1				
13	1100040816	· BOLT	2				
14	1100040850	· BOLT	1				
15	1100041020	· BOLT	2				
16	1100041025	· BOLT	1				
17	1100041035	· BOLT	3				
18	1110041035	· SCREW, cap	1				
19	1130040008	· NUT	3				
20	1130040010	· NUT	8				
21	1140020008	· WASHER, spring	3				
22	1140020010	· WASHER, spring	7				
23	1141110008	· WASHER	3				
25	1131540012	· NUT	1				
26	1140020012	· WASHER, spring	1				
27	1141110012	· WASHER	1				
28	0872433150	· TUBE	4				sold by the meter
30	1703210730	· PROTECTOR	1				sold by the meter
31	1531360020	· PROTECTOR	1				
	<b>K3e120</b>						



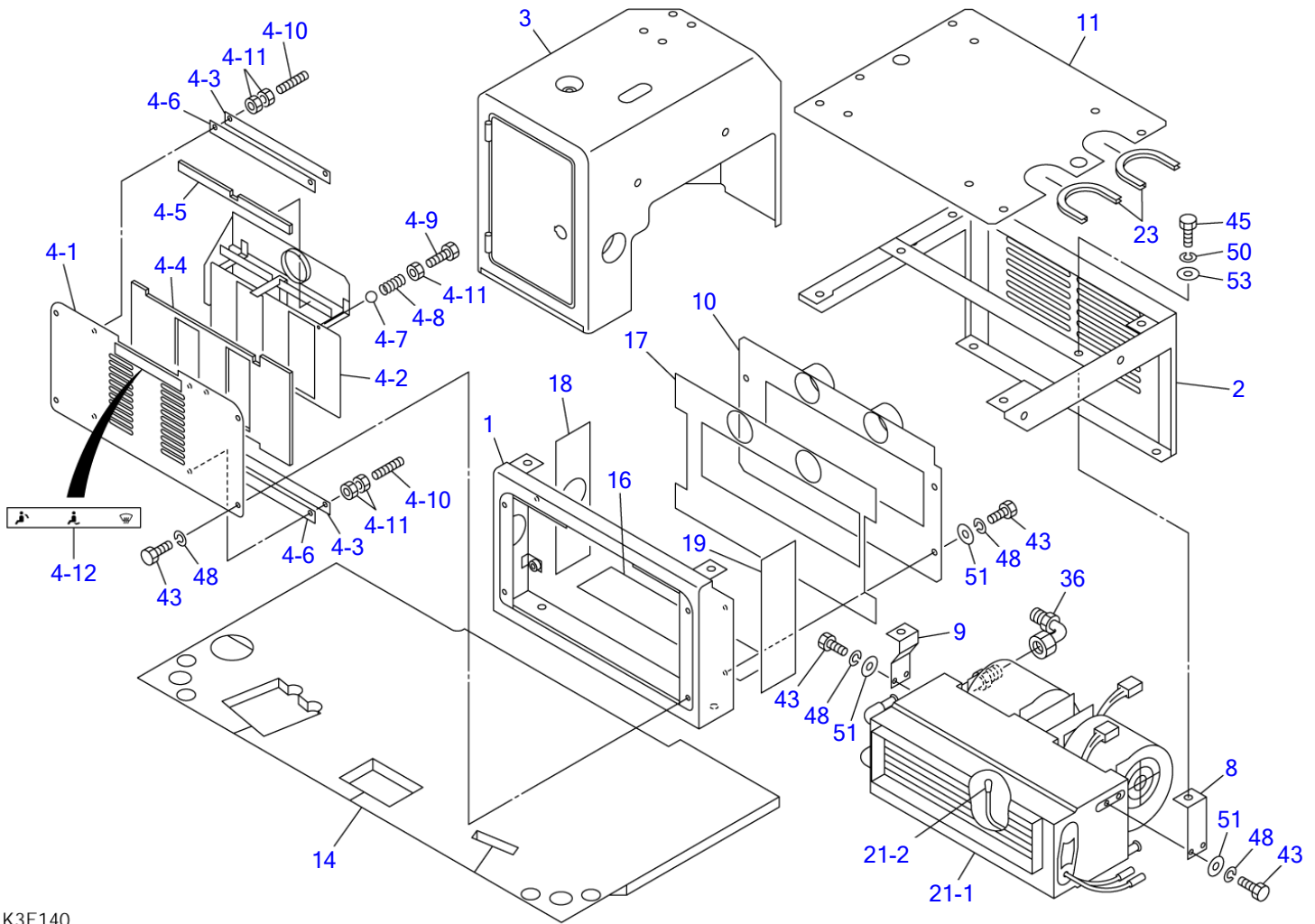
K3E130

S=1/8

**AIR CONDITIONER (3/7) (14510004-14511994)**

Item	Part number	Description	Q'ty	Chan.	Serial No.	Serv.	Remarks
		CONDITIONER ASSY, air					X03946-03000-1
0-2	X 0394605000	CONDENSER ASSY	1				
1	0394605100	· COVER	1				
3	0394600800	· BRACKET (L.H.)	1				
4	0394600900	· BRACKET (R.H.)	1				
5	1911504680	· CONDENSER	1				
6	1911504690	· DRYER	1				
7	1652241400	· BAND	2				
10	1100040616	· BOLT	6				
11	1100040816	· BOLT	4				
12	1140020006	· WASHER, spring	6				
13	1140020008	· WASHER, spring	4				
14	1141110006	· WASHER	6				
15	1141110008	· WASHER	4				
	<b>K3e130</b>						

TB145 Book No. BK3Z010 S/N 14510004-  
AIR CONDITIONER (4/7) (14510004-14511994)



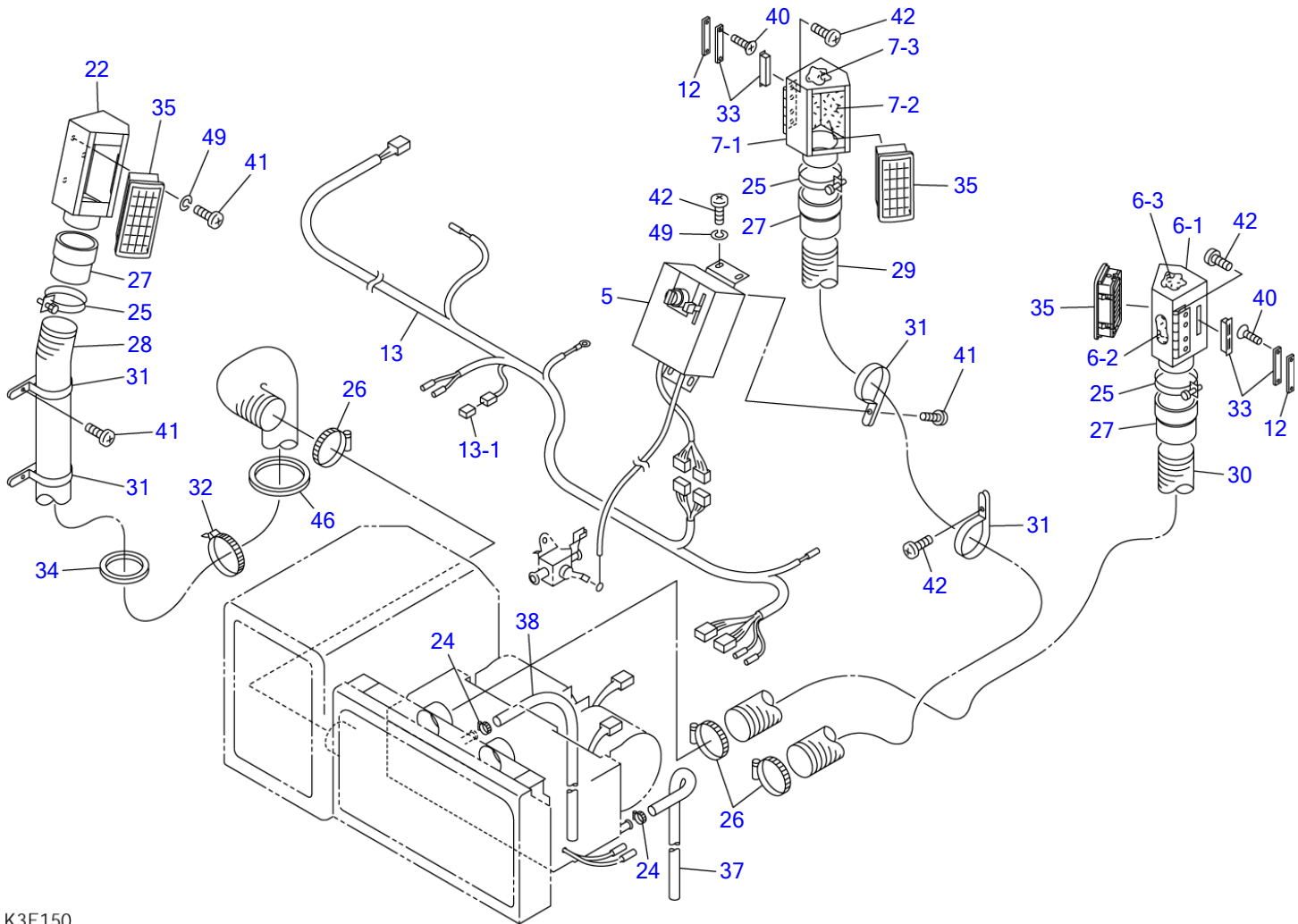
K3E140

S=1/10

**AIR CONDITIONER (4/7) (14510004-14511994)**

Item	Part number	Description	Q'ty	Chan.	Serial No.	Serv.	Remarks
		CONDITIONER ASSY, air					X03946-03000-1
0-3	X 0394606000	UNIT, air conditioner	1				
1	0394606100	• BOX 1, center	1				
2	0394606200	• BOX 2, center	1				
3	0394606300	• BOX, side	1				
4	0394606400	• COVER ASSY, front	1				
4-1	0394606410	• • COVER	1				
4-2	0394606420	• • DAMPER	1				
4-3	0394606430	• • GUIDE	2				
4-4	0394606440	• • URETHANE	1				
4-5	0394606450	• • URETHANE	1				
4-6	0394606460	• • RUBBER	2				
4-7	1390020300	• • BALL, steel	1				
4-8	0007000097	• • SPRING	1				
4-9	1100040616	• • BOLT	1				
4-10	1121040625	• • SET-SCREW	2				
4-11	1130040006	• • NUT	5				
4-12	0394606470	• • DECAL	1				
8	0394606700	• BRACKET (L.H.)	1				
9	0394606710	• BRACKET (R.H.)	1				
10	0394606720	• PLATE	1				
11	0394606730	• COVER	1				
14	0394606760	• MAT, floor	1				
16	0394606780	• URETHANE	1				
17	0394606790	• URETHANE	1				
18	0394606800	• URETHANE	1				
19	0394606810	• URETHANE	1				
21	0394602500	• UNIT, air conditioner	1				
21-1	1911504600	• • CONDITIONER, air	1				
21-2	1911504550	• • THERMISTOR	1				
23	1653916016	• TRIM	1				
36	1911504530	• PIPE	1				sold by the meter
43	1100040616	• BOLT	12				
45	1100041025	• BOLT	2				
48	1140020006	• WASHER, spring	12				
50	1140020010	• WASHER, spring	2				
51	1141110006	• WASHER	8				
53	1141110010	• WASHER	2				
	<b>K3e140</b>						

TB145 Book No. BK3Z010 S/N 14510004-  
 AIR CONDITIONER (5/7) (14510004-14511994)



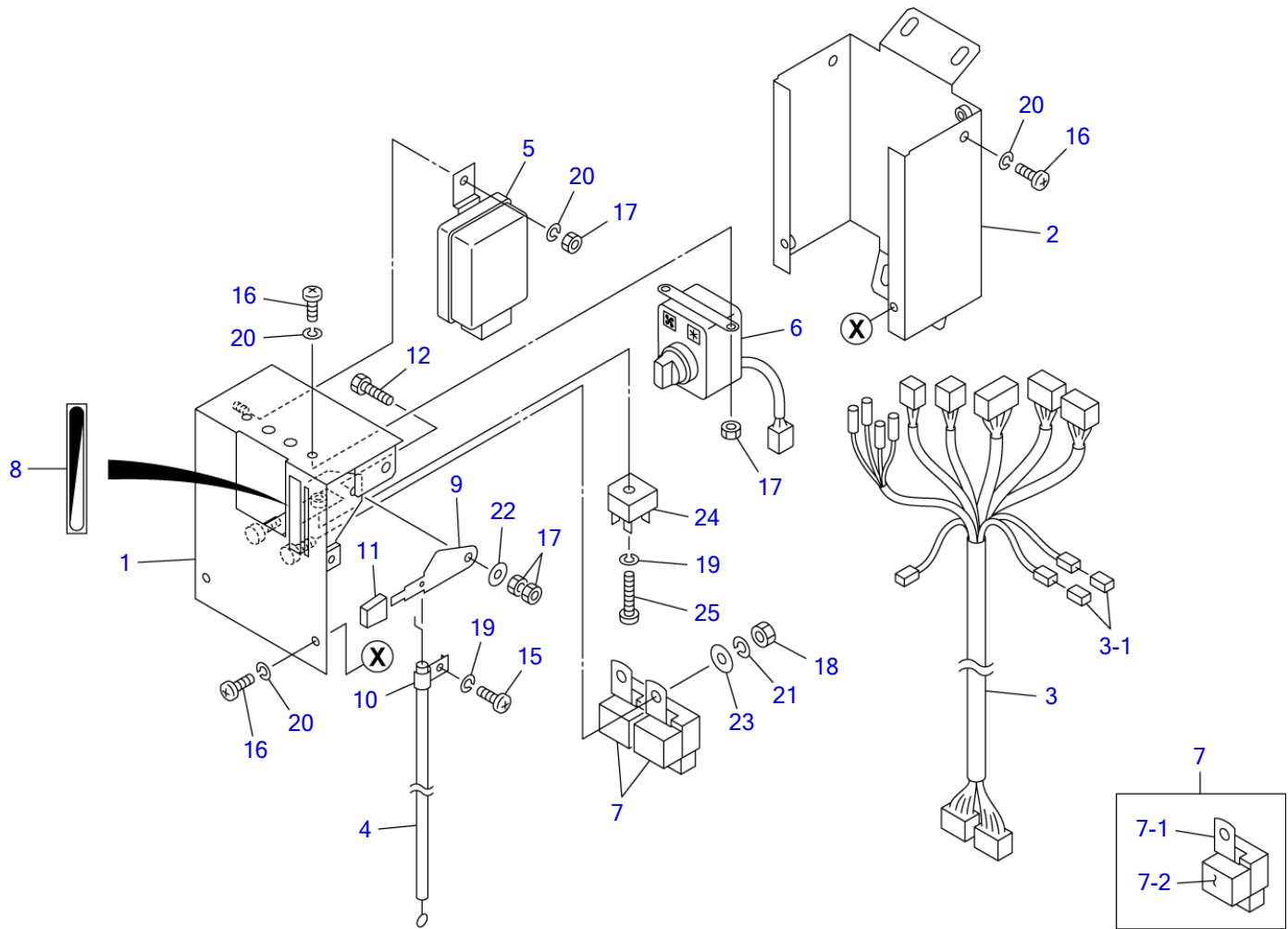
K3E150

S=1/11

**AIR CONDITIONER (5/7) (14510004-14511994)**

Item	Part number	Description	Q'ty	Chan.	Serial No.	Serv.	Remarks
		CONDITIONER ASSY, air					X03946-03000-1
0-3	X 0394606000	UNIT, air conditioner	1				
5	X 0394606500	• CONTROL ASSY	1				see page (6/7)
6	0394606600	• DUCT (L.H.) ASSY	1				
6-1	0394606620	• • DUCT	1				
6-2	0394606625	• • INSULATOR	1				
6-3	0872463233	• • INSULATOR	1				
7	0394606650	• DUCT (R.H.) ASSY	1				
7-1	0394606670	• • DUCT	1				
7-2	0394606625	• • INSULATOR	1				
7-3	0872463223	• • INSULATOR	1				
12	0394606740	• SPACER	2				
13	0394606750	• HARNESS, wiring	1				
13-1	1730500008	• • DIODE (3A yellow)	1				
22	0872463220	• DUCT ASSY	1				
24	1533700017	• BAND	2				
25	1533011070	• CLAMP	3				
26	1533700061	• BAND	3				
27	1567325000	• CUFF	3				
28	1567415072	• HOSE	1				sold by the meter
29	1567415080	• HOSE	1				sold by the meter
30	1567415000	• HOSE	1				sold by the meter
31	1652261410	• BAND	4				
32	1652231250	• BAND	1				
33	1652711690	• CATCH	2				
34	1653916021	• TRIM	1				
35	1911504000	• LOUVER	3				
37	1531112020	• HOSE	1				sold by the meter
38	1531112050	• HOSE	1				sold by the meter
40	1120630310	• SCREW	4				
41	1120590512	• SCREW	6				
42	1122400512	• SCREW	13				
46	1653917028	• TRIM	1				sold by the meter
49	1140020005	• WASHER, spring	7				
	K3e150						

TB145 Book No. BK3Z010 S/N 14510004-  
 AIR CONDITIONER (6/7) (14510004-14511994)



K3E160

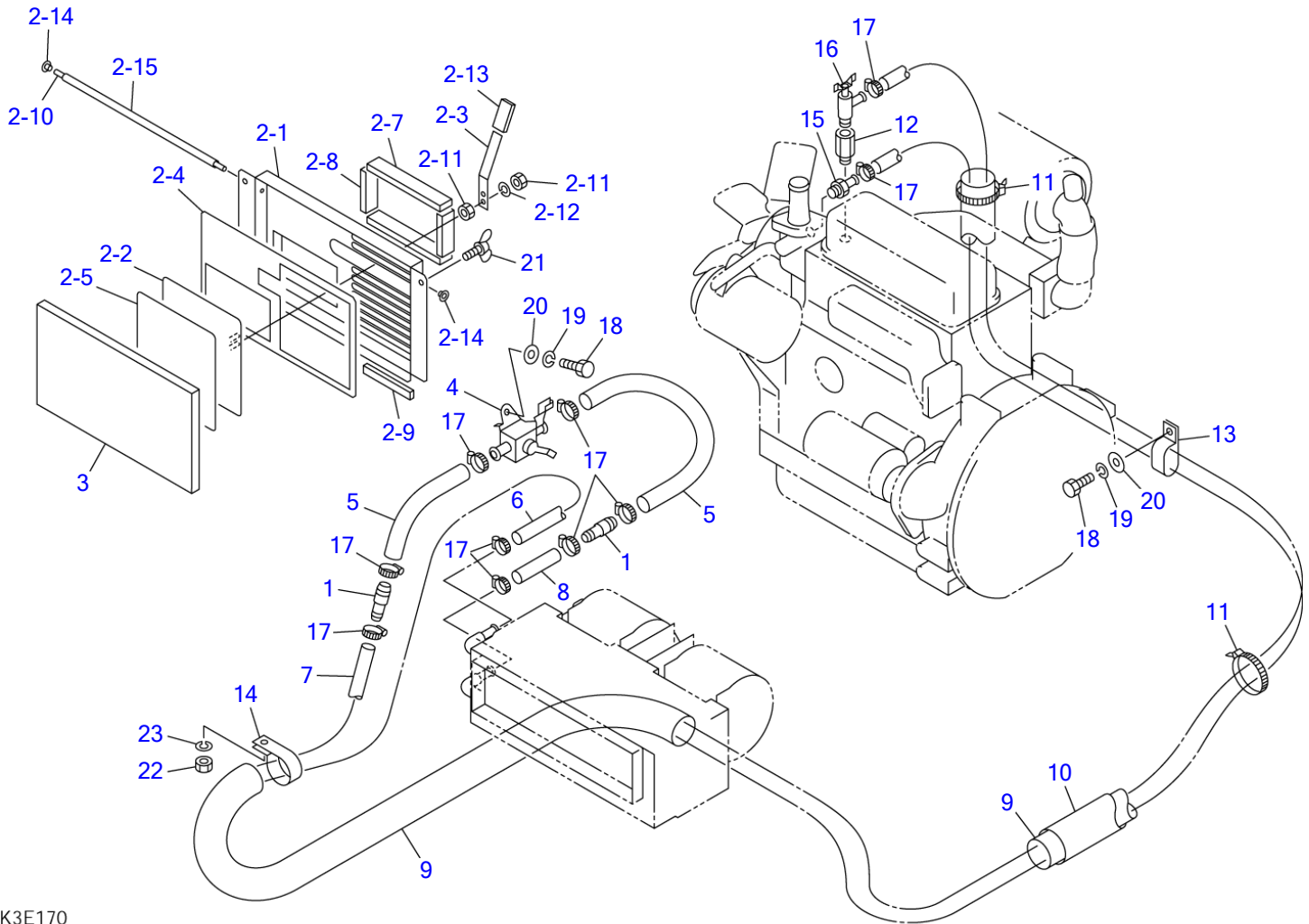
S=1/4.5



**AIR CONDITIONER (6/7) (14510004-14511994)**

Item	Part number	Description	Q'ty	Chan.	Serial No.	Serv.	Remarks
		CONDITIONER ASSY, air					X03946-03000-1
0-3	X 0394606000	UNIT, air conditioner	1				
0-3-5	X 0394606500	• CONTROL ASSY	1				
1	0394606560	• • COVER	1				
2	0394606570	• • PLATE	1				
3	0394606530	• • HARNESS, wiring	1				
3-1	1730500008	• • • DIODE (3A yellow)	2				
4	0394606540	• • WIRE	1				
5	1911504500	• • THERMOSTAT	1				
6	1911504510	• • SWITCH	1				
7	0334230130	• • RELAY ASSY	2				
7-1	1711900042	• • • RELAY	1				
7-2	1654302003	• • • SPONGE	1				
8	0394606550	• • DECAL	1				
9	0564612520	• • LEVER	1				
10	0564612530	• • CLAMP	1				
11	0564612550	• • KNOB	1				
12	1100040516	• • BOLT	1				
15	1120530408	• • SCREW	1				
16	1120530510	• • SCREW	6				
17	1130040005	• • NUT	6				
18	1130040006	• • NUT	2				
19	1140020004	• • WASHER, spring	2				
20	1140020005	• • WASHER, spring	7				
21	1140020006	• • WASHER, spring	2				
22	1141110005	• • WASHER	1				
23	1141110006	• • WASHER	2				
24	0568800400	• • DIODE	1				
25	1120530420	• • SCREW	1				
	<b>K3e160</b>						

TB145 Book No. BK3Z010 S/N 14510004-  
AIR CONDITIONER (7/7) (14510004-14511994)



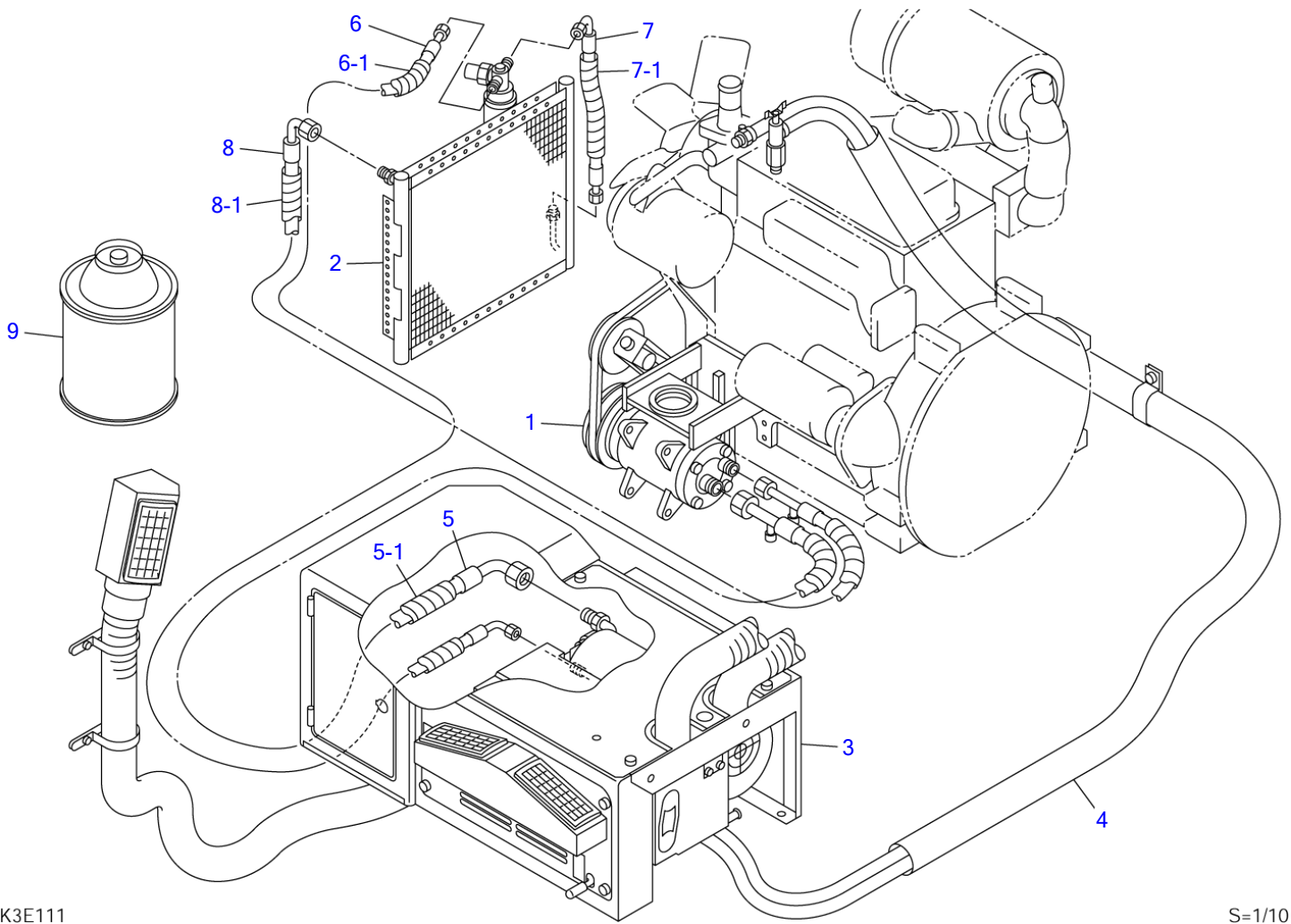
K3E170

S=1/10

**AIR CONDITIONER (7/7) (14510004-14511994)**

Item	Part number	Description	Q'ty	Chan.	Serial No.	Serv.	Remarks
		CONDITIONER ASSY, air					X03946-03000-1
0-4	X 0394607000	UNIT, heater hose	1				
1	0394607010	· JOINT	2				
2	X 0374504200	· COVER ASSY, suction	1				
2-1	0374504270	· · COVER	1				
2-2	0374504220	· · PLATE	1				
2-3	0374504230	· · LEVER	1				
2-4	0374504240	· · RUBBER	1				
2-5	0374504241	· · RUBBER	1				
2-7	0374504246	· · URETHANE	2				
2-8	0374504247	· · URETHANE	2				
2-9	0374504245	· · SPONGE	2				
2-10	0374504250	· · BOSS	2				
2-11	1130040005	· · NUT	4				
2-12	1140020005	· · WASHER, spring	2				
2-13	1650100415	· · GRIP	1				
2-14	1224100007	· · NUT	4				
2-15	0374504260	· · TUBE	2				
3	0374504540	· FILTER	1				
4	1911504520	· VALVE	1				
5	1911504540	· HOSE	2				sold by the meter
6	1911541850	· HOSE	1				sold by the meter
7	1911541800	· HOSE	1				sold by the meter
8	1911501810	· HOSE	1				sold by the meter
9	1531345100	· PROTECTOR	2				sold by the meter
10	1531345050	· PROTECTOR	1				sold by the meter
11	1652231250	· BAND	2				
12	0007210028	· BUSHING	1				
13	0007300018	· CLAMP	1				
14	0007300030	· CLAMP	1				
15	1911502200	· NIPPLE	1				
16	1911502100	· VALVE	1				
17	1911500500	· CLAMP	8				
18	1100040816	· BOLT	2				
19	1140020008	· WASHER, spring	2				
20	1141110008	· WASHER	2				
21	1121530616	· BOLT	2				
22	1130040010	· NUT	1				
23	1140020010	· WASHER, spring	1				
	<b>K3e170</b>						

TB145 Book No. BK3Z010 S/N 14510004-  
AIR CONDITIONER (1/8) (14511995-14512894)



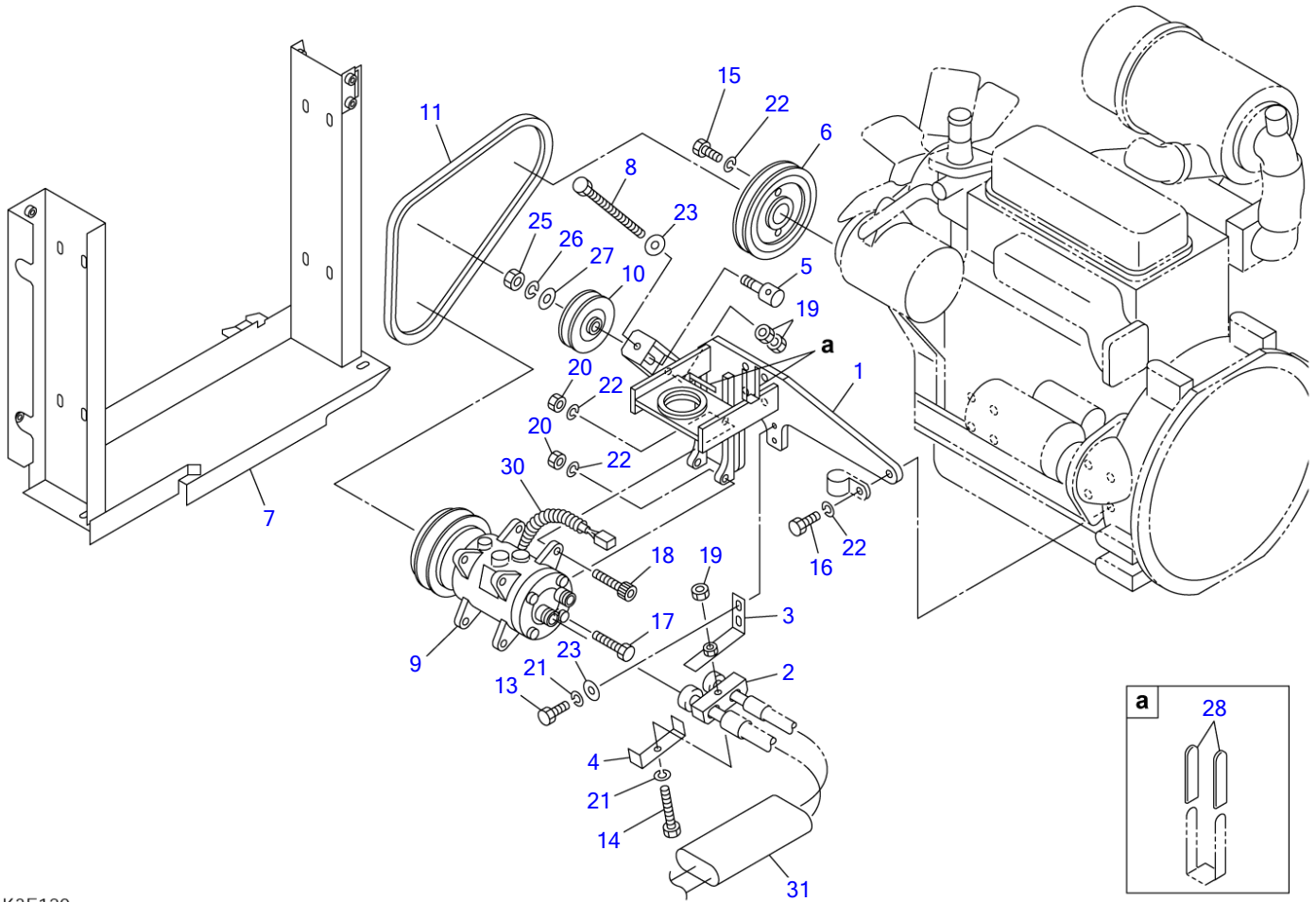
K3E111

S=1/10

**AIR CONDITIONER (1/8) (14511995-14512894)**

Item	Part number	Description	Q'ty	Chan.	Serial No.	Serv.	Remarks
		CONDITIONER ASSY, air					X03946-10000-0
1	X 0394609000	COMPRESSOR ASSY	1				see page (2/8)
2	X 0394605000	CONDENSER ASSY	1				see page (3/8)
3	X 0394608000	UNIT ASSY, air conditioner	1				see page (4/8)
4	X 0394607000	UNIT, heater	1				see page (8/8)
5	0394603010	HOSE ASSY	1				
5-1	1532212235	• PROTECTOR	1				sold by the meter
6	0394603020	HOSE ASSY	1				
6-1	1532208260	• PROTECTOR	1				sold by the meter
7	0394603030	HOSE ASSY	1				
7-1	1532208018	• PROTECTOR	1				sold by the meter
8	0394603040	HOSE ASSY	1				
8-1	1532210165	• PROTECTOR	1				sold by the meter
9	0872463100	GAS, coolant	4				
	<b>K3e111</b>						

TB145 Book No. BK3Z010 S/N 14510004-  
AIR CONDITIONER (2/8) (14511995-14512894)

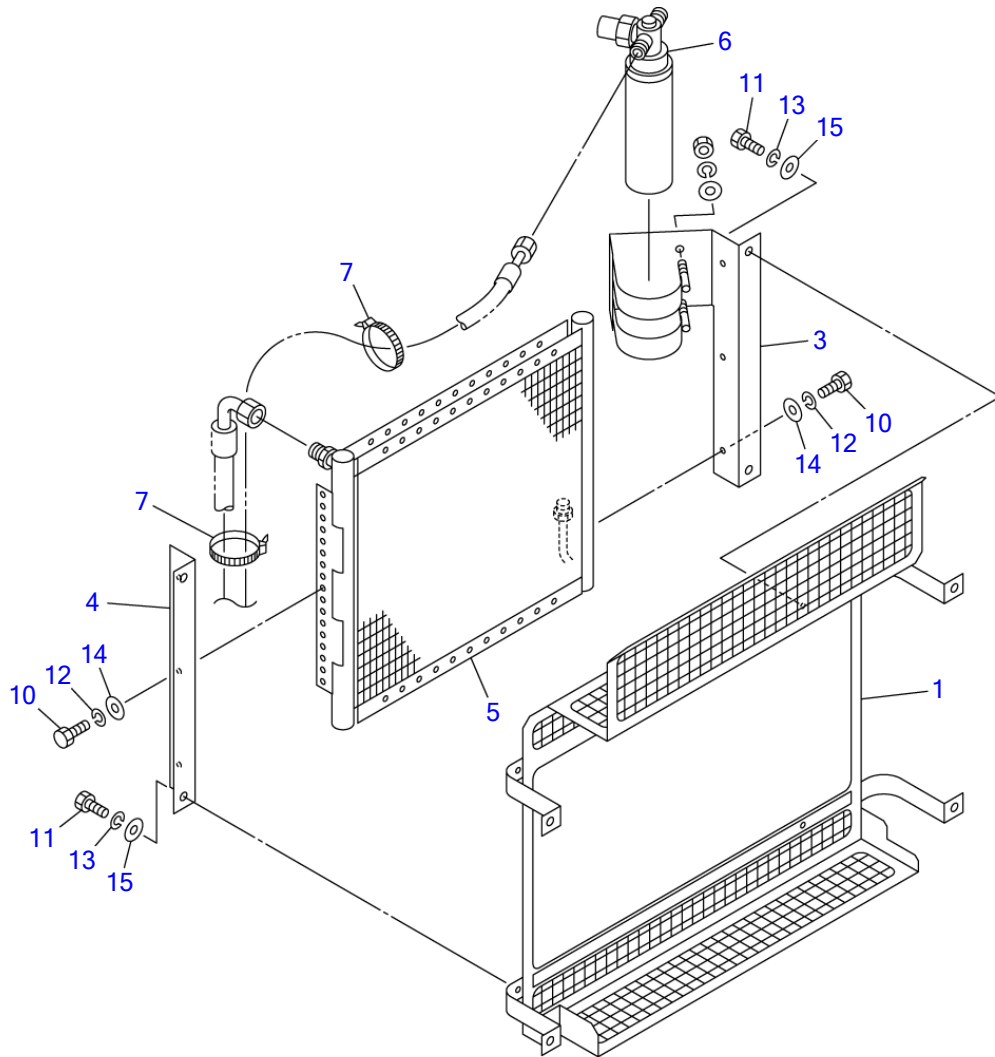


K3E120

S=1/10

**AIR CONDITIONER (2/8) (14511995-14512894)**

Item	Part number	Description	Q'ty	Chan.	Serial No.	Serv.	Remarks
		CONDITIONER ASSY, air					X03946-10000-0
0-1	X 0394609000	COMPRESSOR ASSY	1				X03946-09000-0
1	0394604100	· FOOT, engine (F.L.)	1				
2	0394600200	· RUBBER	1				
3	0394600300	· BRACKET	1				
4	0394600400	· PLATE	1				
5	0394604210	· SHAFT	1				
6	0394609010	· PULLEY	1				
7	0394604230	· BRACKET	1				
8	0394602010	· BOLT	1				
9	1911504610	· COMPRESSOR	1				
10	1911504660	· PULLEY ASSY	1				
11	1911504671	· V-BELT	1				
13	1100040816	· BOLT	2				
14	1100040850	· BOLT	1				
15	1100041020	· BOLT	2				
16	1100041025	· BOLT	1				
17	1100041035	· BOLT	3				
18	1110041035	· SCREW, cap	1				
19	1130040008	· NUT	3				
20	1130040010	· NUT	8				
21	1140020008	· WASHER, spring	3				
22	1140020010	· WASHER, spring	7				
23	1141110008	· WASHER	3				
25	1131540012	· NUT	1				
26	1140020012	· WASHER, spring	1				
27	1141110012	· WASHER	1				
28	0872433150	· TUBE	4				sold by the meter
30	1703210730	· PROTECTOR	1				sold by the meter
31	1531360020	· PROTECTOR	1				
	K3e121						



K3E130

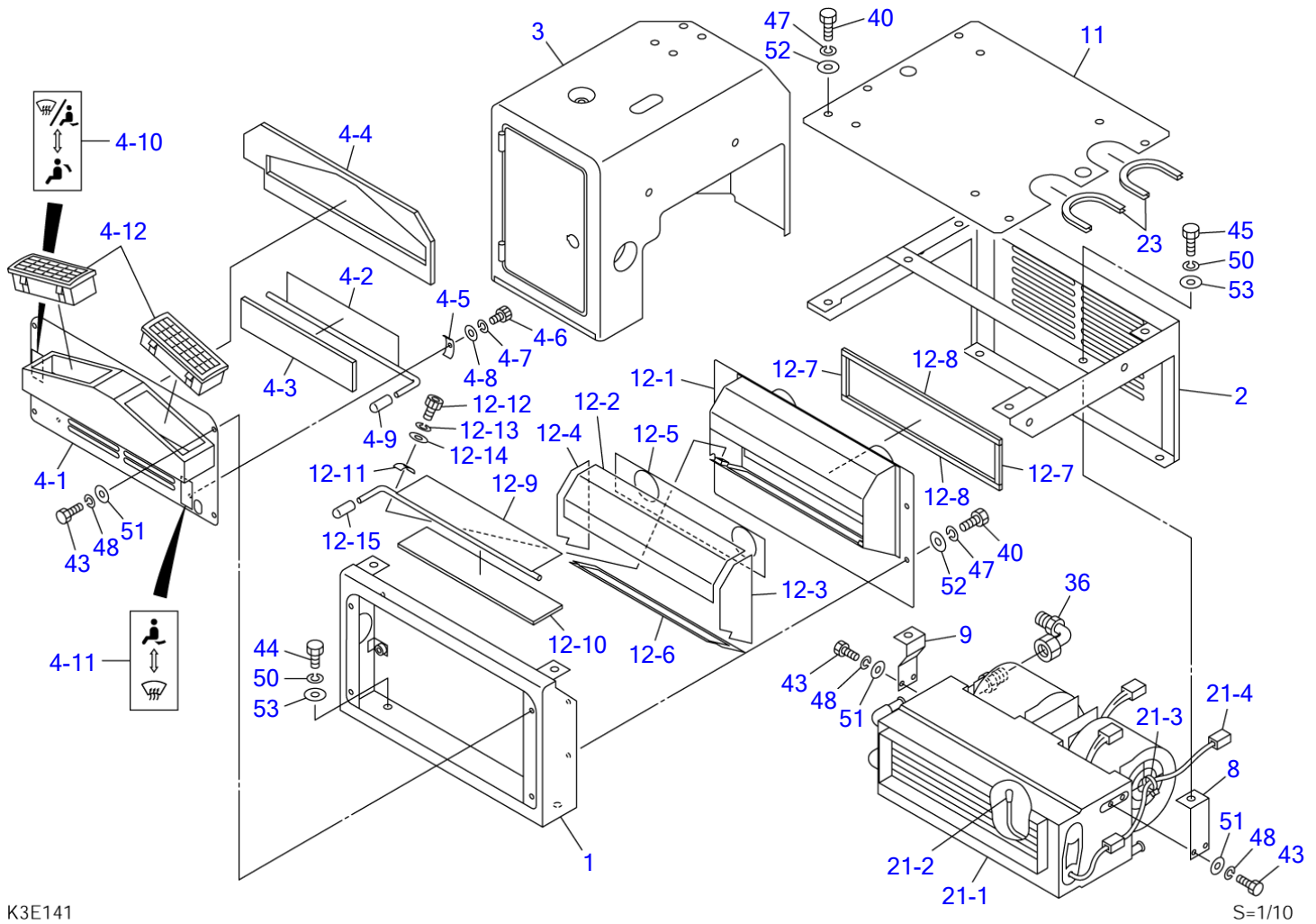
S=1/8



**AIR CONDITIONER (3/8) (14511995-14512894)**

Item	Part number	Description	Q'ty	Chan.	Serial No.	Serv.	Remarks
		CONDITIONER ASSY, air					X03946-10000-0
0-2	X 0394605000	CONDENSER ASSY	1				X03946-05000-1
1	0394605100	· COVER	1				
3	0394600800	· BRACKET (L.H.)	1				
4	0394600900	· BRACKET (R.H.)	1				
5	1911504680	· CONDENSER	1				
6	1911504690	· DRYER	1				
7	1652241400	· BAND	2				
10	1100040616	· BOLT	6				
11	1100040816	· BOLT	4				
12	1140020006	· WASHER, spring	6				
13	1140020008	· WASHER, spring	4				
14	1141110006	· WASHER	6				
15	1141110008	· WASHER	4				
	<b>K3e131</b>						

TB145 Book No. BK3Z010 S/N 14510004-  
AIR CONDITIONER (4/8) (14511995-14512894)



K3E141

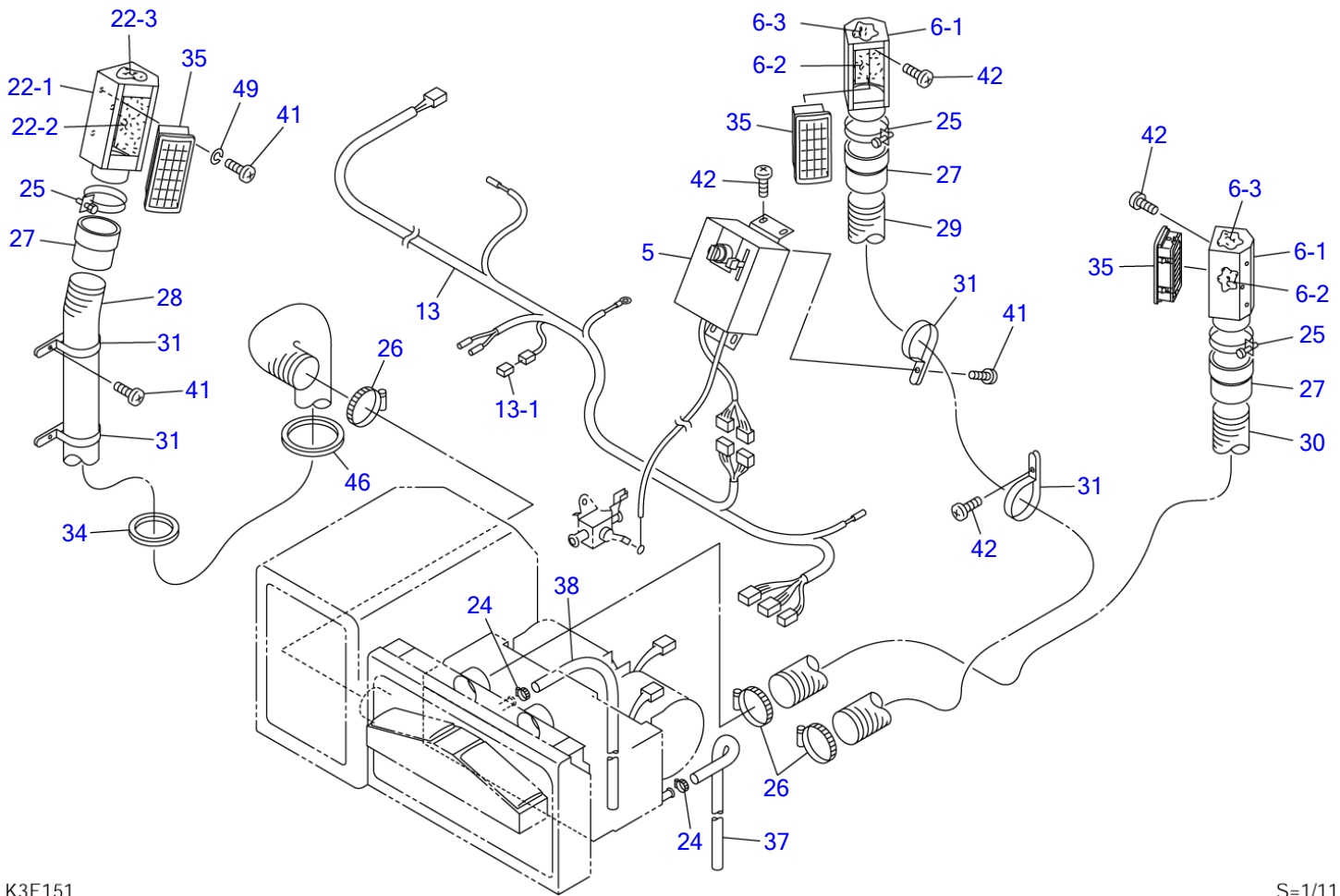
S=1/10

**AIR CONDITIONER (4/8) (14511995-14512894)**

Item	Part number	Description	Q'ty	Chan.	Serial No.	Serv.	Remarks
		CONDITIONER ASSY, air					X03946-10000-0
0-3	X 0394608000	UNIT ASSY, air conditioner					X03946-08000-1
1	0394608160	• BOX	1				
2	0394606200	• BOX	1				
3	0394606300	• BOX,side	1				
4	X *****	• COVER ASSY,font	1				X03946-08800-0
4-1	0394608190	• • COVER	1				
4-2	0394608210	• • DAMPER	1				
4-3	0394608242	• • URETHANE	1				
4-4	0394608810	• • URETHANE	1				
4-5	0334517500	• • PLATE	2				
4-6	1110040510	• • SCREW, cap	2				
4-7	1140020005	• • WASHER, spring	2				
4-8	1141110005	• • WASHER	2				
4-9	0543208900	• • GRIP	1				
4-10	0394608250	• • DECAL	1				
4-11	0394608251	• • DECAL	1				
4-12	0564511100	• • LOUVER	2				
8	0394606700	• BRACKET	1				
9	0394606710	• BRACKET (R.H.)	1				
11	0394606730	• COVER	1				
12	X *****	• COVER ASSY	1				X03946-08700-0
12-1	0394608710	• • COVER	1				
12-2	0394608750	• • URETHANE	1				
12-3	0394608751	• • URETHANE	1				
12-4	0394608752	• • URETHANE	1				
12-5	0394608753	• • URETHANE	1				
12-6	0394608754	• • URETHANE	1				
12-7	0394608155	• • URETHANE	2				
12-8	0394608156	• • URETHANE	2				
12-9	0394608170	• • DAMPER	1				
12-10	0394608171	• • URETHANE	1				
12-11	0334517500	• • PLATE	2				
12-12	1110040510	• • SCREW, cap	2				
12-13	1140020005	• • WASHER, spring	2				
12-14	1141110005	• • WASHER	2				
12-15	0543208900	• • GRIP	1				
21	0394608600	• UNIT, air conditioner	1				X03946-08600-0
21-1	1911504800	• • CONDITIONER, air	1				
21-2	1911504701	• • THERMISTOR	1				
21-3	1652201003	• • BAND	1				
21-4	0564618610	• • HARNESS, wiring	1				
23	1653916016	• TRIM	2				sold by the meter
36	1911504530	• PIPE	1				
40	1100040820	• BOLT	6				
43	1100040616	• BOLT	8				
44	1100041020	• BOLT	2				
45	1100041025	• BOLT	2				
47	1140020008	• WASHER, spring	6				
48	1140020006	• WASHER, spring	8				
50	1140020010	• WASHER, spring	4				
51	1141110006	• WASHER	8				
52	1141110008	• WASHER	6				
53	1141110010	• WASHER	4				

K3e141

TB145 Book No. BK3Z010 S/N 14510004-  
AIR CONDITIONER (5/8) (14511995-14512894)

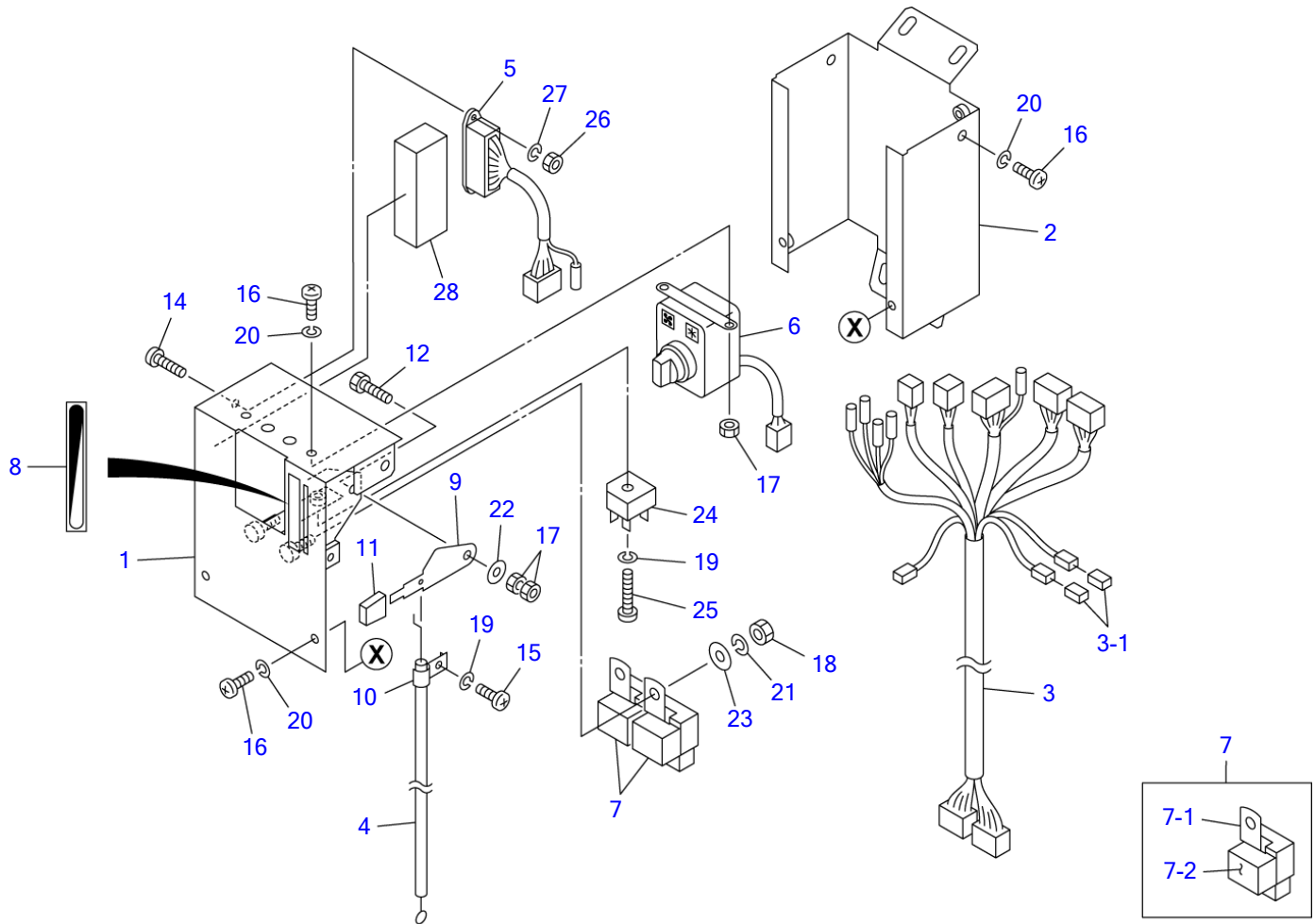


K3E151

S=1/11

**AIR CONDITIONER (5/8) (14511995-14512894)**

Item	Part number	Description	Q'ty	Chan.	Serial No.	Serv.	Remarks
		CONDITIONER ASSY, air					X03946-10000-0
0-3	X 0394608000	UNIT ASSY, air conditioner	1				X03946-08000-1
5	X 0394608300	• CONTROL ASSY	1				see page (6/8)
6	X *****	• DUCT ASSY	2				X05646-17400
6-1	0564617410	• • DUCT	1				
6-2	0564617420	• • INSULATOR	1				
6-3	0564617430	• • INSULATOR	1				
13	0394608020	• HARNESS, wiring	1				
13-1	1730500008	• • DIODE (3A yellow)	1				
22	0872463220	• DUCT ASSY	1				
22-1	0872453510	• • DEFROSTER	1				
22-2	0872463222	• • INSULATOR	1				
22-3	0872463223	• • INSULATOR	1				
24	1533700017	• BAND	2				
25	1533011070	• CLAMP	3				
26	1533700061	• BAND	3				
27	1567325000	• CUFF	3				
28	1567415072	• HOSE	1				sold by the meter
29	1567415080	• HOSE	1				sold by the meter
30	1567415000	• HOSE	1				sold by the meter
31	1652261410	• BAND	4				
34	1653916021	• TRIM	1				
35	1911504000	• LOUVER	3				
37	1531112020	• HOSE	1				sold by the meter
38	1531112050	• HOSE	1				sold by the meter
41	1120590512	• SCREW	6				
42	1122400512	• SCREW	11				
46	1653917028	• TRIM	1				sold by the meter
49	1140020005	• WASHER, spring	3				
	K3e151						

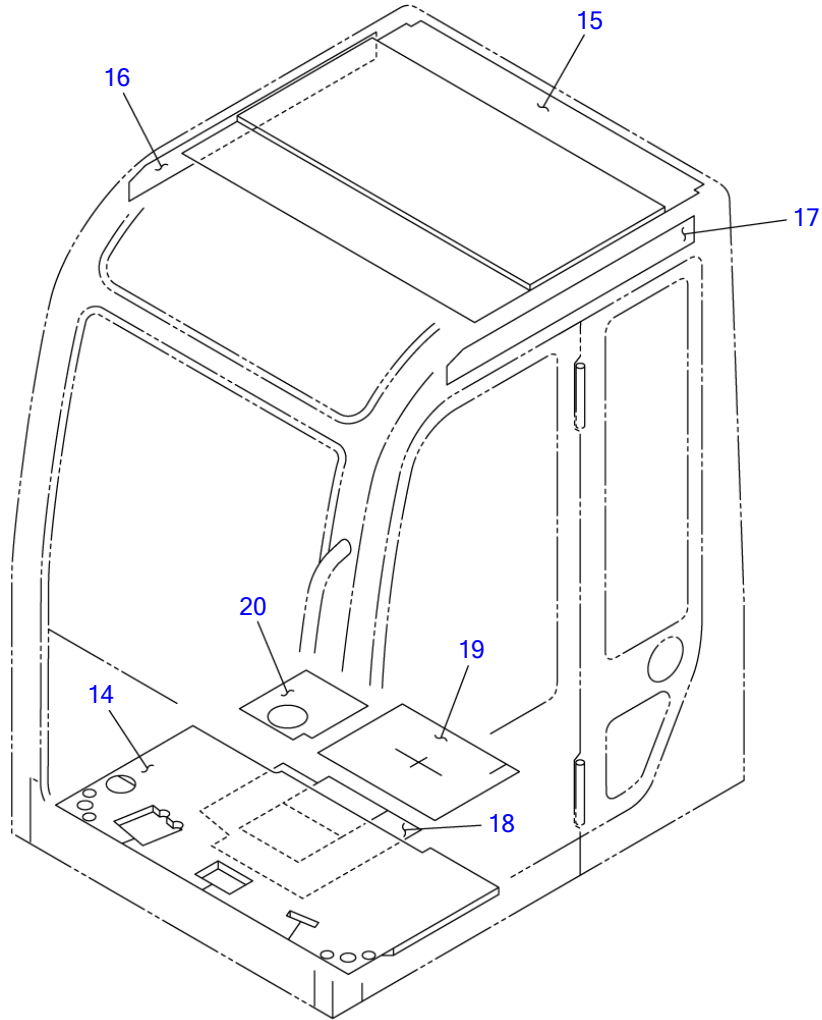


K3E161

S=1/4.5

**AIR CONDITIONER (6/8) (14511995-14512894)**

Item	Part number	Description	Q'ty	Chan.	Serial No.	Serv.	Remarks
		CONDITIONER ASSY, air					X03946-10000-0
0-3	X 0394608000	UNIT ASSY, air conditioner	1				X03946-08000-1
0-3-5	X *****	· CONTROL ASSY	1				X03946-08300-0
1	0394606560	· · COVER	1				
2	0394606570	· · PLATE	1				
3	0394608310	· · HARNESS, wiring	1				
3-1	1730500008	· · · DIODE (3A yellow)	2				
4	0394606540	· · WIRE	1				
5	1911504501	· · THERMOSTAT	1				
6	1911504510	· · SWITCH	1				
7	0334230130	· · RELAY ASSY	2				
7-1	1711900042	· · · RELAY	1				
7-2	1654302003	· · · SPONGE	1				
8	0394606550	· · DECAL	1				
9	0564612520	· · LEVER	1				
10	0564612530	· · CLAMP	1				
11	0564612550	· · KNOB	1				
12	1100040516	· · BOLT	1				
14	1120530310	· · SCREW	1				
15	1120530408	· · SCREW	1				
16	1120530510	· · SCREW	6				
17	1130040005	· · NUT	4				
18	1130040006	· · NUT	2				
19	1140020004	· · WASHER, spring	2				
20	1140020005	· · WASHER, spring	6				
21	1140020006	· · WASHER, spring	2				
22	1141110005	· · WASHER	1				
23	1141110006	· · WASHER	2				
24	0568800400	· · DIODE	1				
25	1120530420	· · SCREW	1				
26	1130040003	· · NUT	1				
27	1140020003	· · WASHER, spring	1				
28	0394608320	· · SPONGE	1				
	K3e161						



K3E200

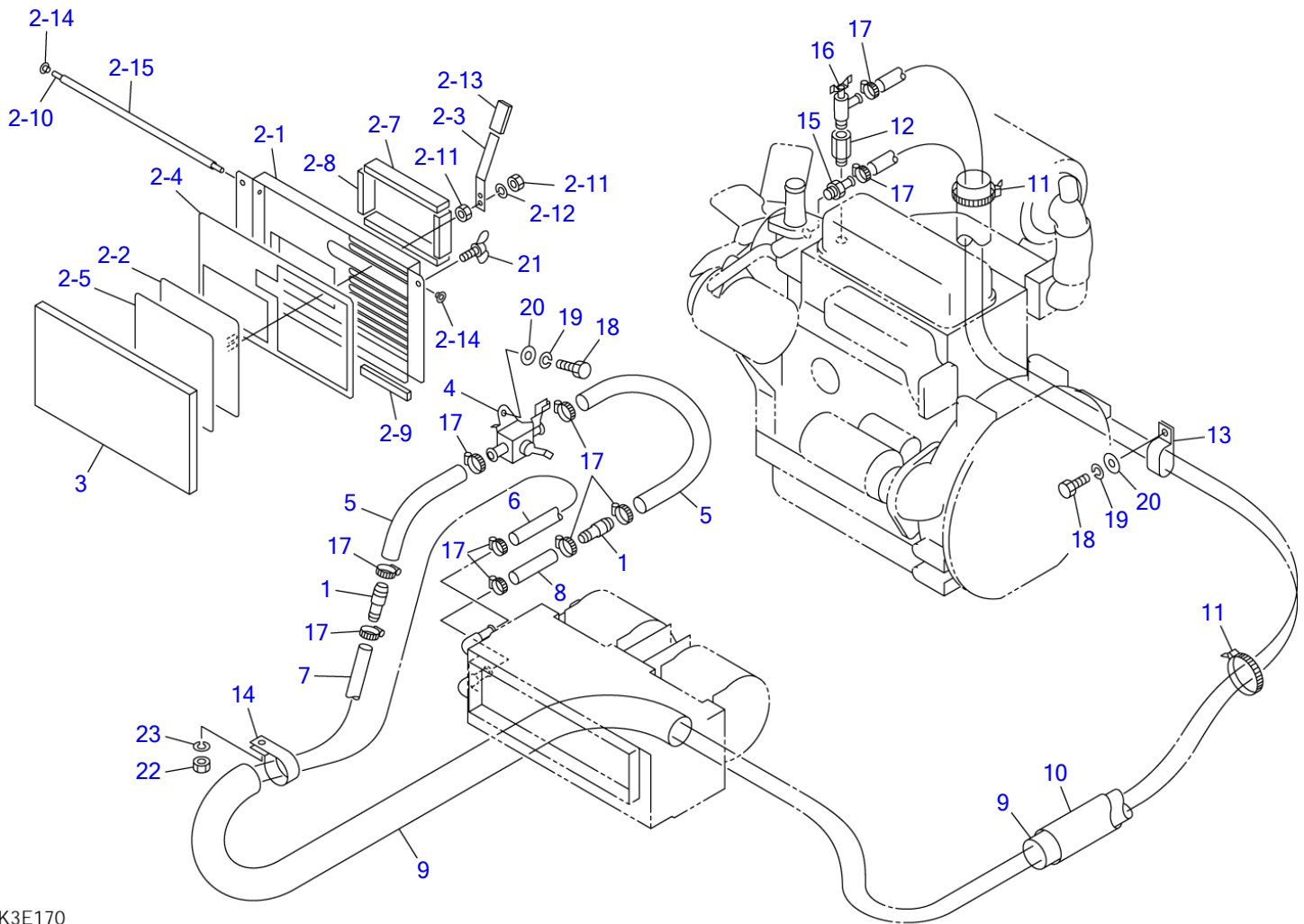
S=1/16



**AIR CONDITIONER (7/8) (14511995-14512894)**

Item	Part number	Description	Q'ty	Chan.	Serial No.	Serv.	Remarks
		CONDITIONER ASSY, air					X03946-10000-0
0-3	X 0394608000	UNIT ASSY, air conditioner	1				X03946-08000-1
14	0394606760	▪ MAT, floor	1				
15	0394608010	▪ INSULATOR	1				
16	0394608011	▪ INSULATOR	1				
17	0394608012	▪ INSULATOR	1				
18	0394608013	▪ URETHANE	1				
19	0394608014	▪ URETHANE	1				
20	0394608015	▪ URETHANE	1				
	<b>K3e200</b>						

TB145 Book No. BK3Z010 S/N 14510004-  
AIR CONDITIONER (8/8) (14511995-14512894)



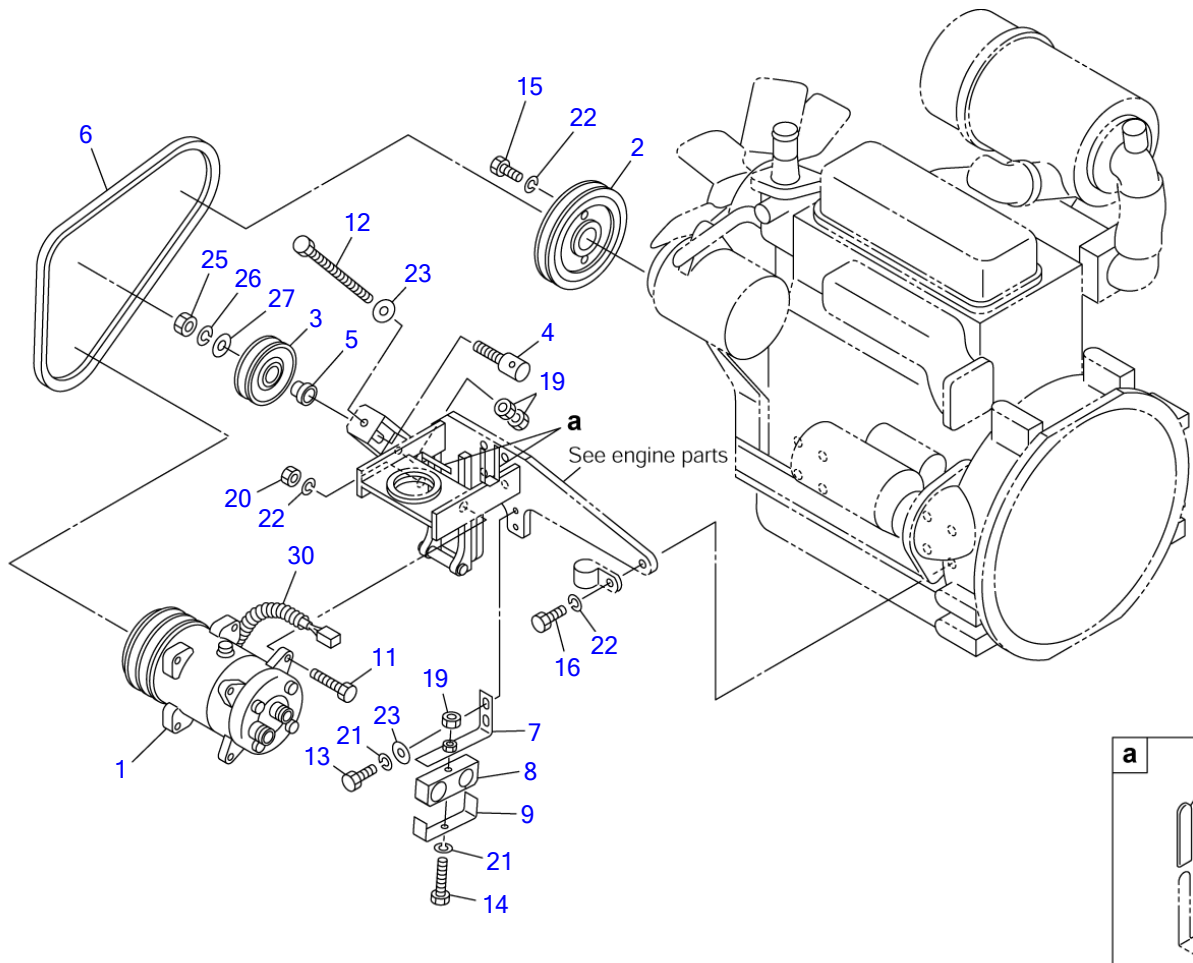
K3E170

S=1/10

**AIR CONDITIONER (8/8) (14511995-14512894)**

Item	Part number	Description	Q'ty	Chan.	Serial No.	Serv.	Remarks
		CONDITIONER ASSY, air					X03946-10000-0
0-4	X 0394607000	UNIT, heater hose	1				X03946-07000-0
1	0394607010	• JOINT	2				
2	X *****	• COVER ASSY, suction	1				X03745-04200
2-1	0374504270	• • COVER	1				
2-2	0374504220	• • PLATE	1				
2-3	0374504230	• • LEVER	1				
2-4	0374504240	• • RUBBER	1				
2-5	0374504241	• • RUBBER	1				
2-7	0374504246	• • URETHANE	2				
2-8	0374504247	• • URETHANE	2				
2-9	0374504245	• • SPONGE	2				
2-10	0374504250	• • BOSS	2				
2-11	1130040005	• • NUT	4				
2-12	1140020005	• • WASHER, spring	2				
2-13	1650100415	• • GRIP	1				
2-14	1224100007	• • NUT	4				
2-15	0374504260	• • TUBE	2				
3	0374504540	• FILTER	1				
4	1911504520	• VALVE	1				
5	1911504540	• HOSE	2				sold by the meter
6	1911541850	• HOSE	1				sold by the meter
7	1911541800	• HOSE	1				sold by the meter
8	1911501810	• HOSE	1				sold by the meter
9	1531345100	• PROTECTOR	2				sold by the meter
10	1531345050	• PROTECTOR	1				sold by the meter
11	1652231250	• BAND	2				
12	0007210028	• BUSHING	1				
13	0007300018	• CLAMP	1				
14	0007300030	• CLAMP	1				
15	1911502200	• NIPPLE	1				
16	1911502100	• VALVE	1				
17	1911500500	• CLAMP	8				
18	1100040816	• BOLT	2				
19	1140020008	• WASHER, spring	2				
20	1141110008	• WASHER	2				
21	1121530616	• BOLT	2				
22	1130040010	• NUT	1				
23	1140020010	• WASHER, spring	1				
	K3e171						

TB145 Book No. BK3Z010 S/N 14510004-  
AIR CONDITIONER (1/6) (14512895-14513260)

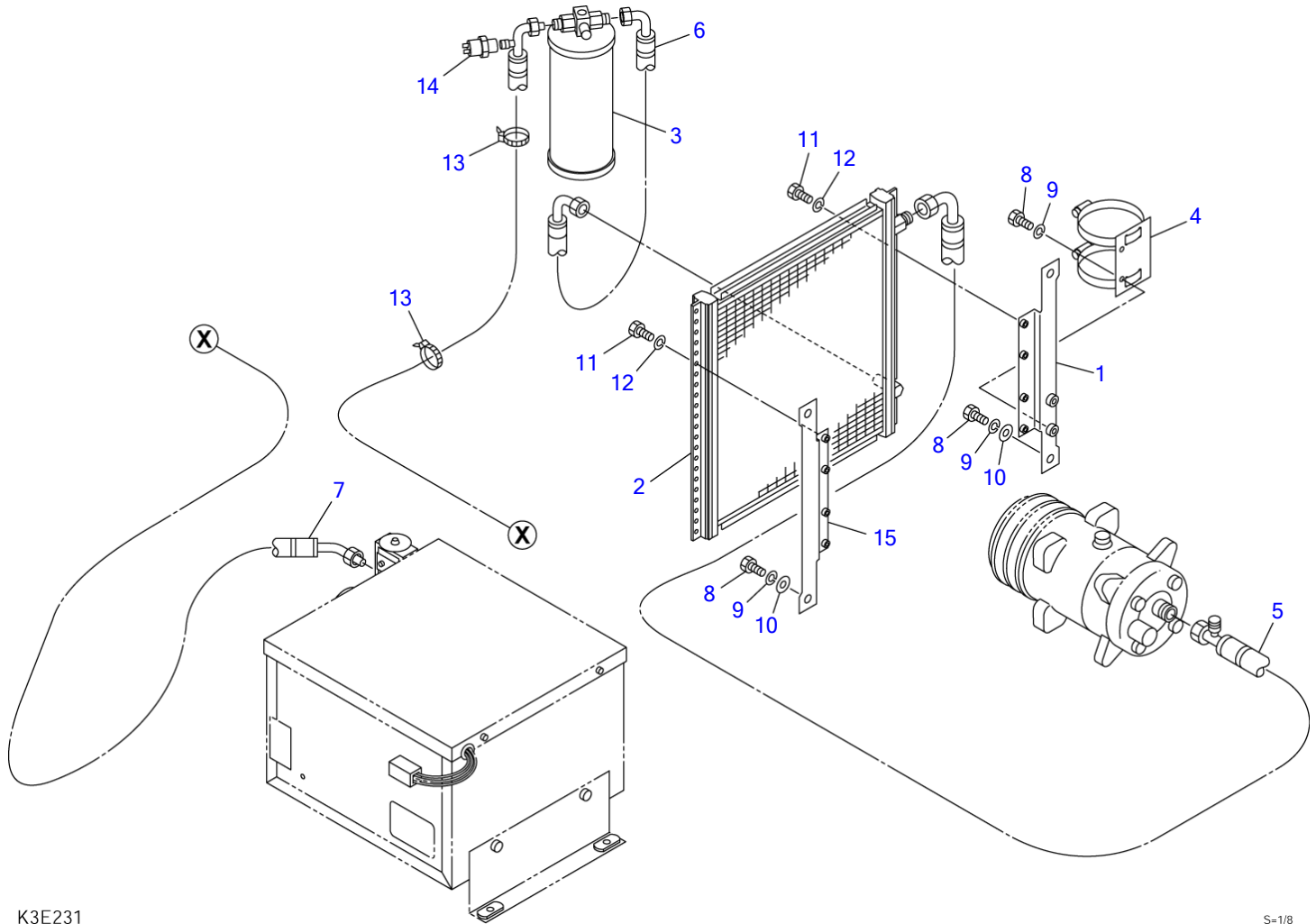


K3E220

S=1/10

**AIR CONDITIONER (1/6) (14512895-14513260)**

Item	Part number	Description	Q'ty	Chan.	Serial No.	Serv.	Remarks
		CONDITIONER ASSY, air					X03946-12000-0
0	X 0394612100	COMPRESSOR ASSY	1				X03946-12100-1
1	1911506010	· COMPRESSOR	1				
2	0394609010	· PULLEY	1				
3	1911505700	· PULLEY	1				
4	0564619210	· SHAFT	1				
5	0564619240	· COLLAR	1				
6	1911506330	· V-BELT	1				
7	0394612110	· BRACKET	1				
8	0394612120	· RUBBER	1				
9	0394612130	· PLATE	1				
11	1100141005	· BOLT	2				
12	0394602010	· BOLT	1				
13	1100040820	· BOLT	2				
14	1100040860	· BOLT	1				
15	1100041020	· BOLT	2				
16	1100041025	· BOLT	1				
19	1130040008	· NUT	3				
20	1130040010	· NUT	2				
21	1140020008	· WASHER, spring	3				
22	1140020010	· WASHER, spring	5				
23	1141110008	· WASHER	3				
25	1130040012	· NUT	1				
26	1140020012	· WASHER, spring	1				
27	1141110012	· WASHER	1				
28	0872433150	· TUBE	4				
30	1703210725	· PROTECTOR	1				sold by the meter
	K3e220						



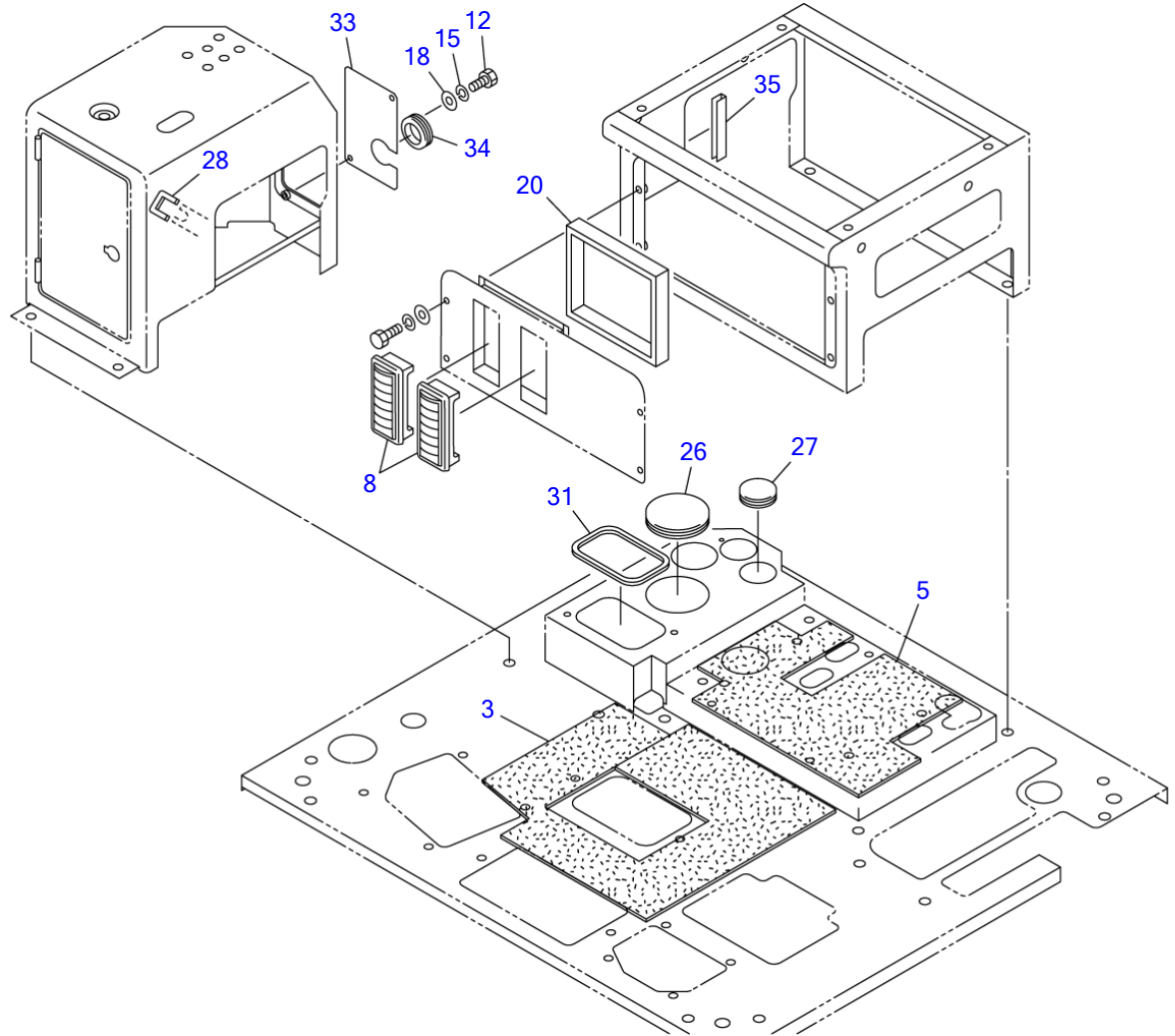
K3E231

S=1/8

**AIR CONDITIONER (2/6) (14512895-14513260)**

Item	Part number	Description	Q'ty	Chan.	Serial No.	Serv.	Remarks
		CONDITIONER ASSY, air					X03946-12000-0
0	X 0394612200	CONDENSER ASSY	1				X03946-12200-1
1	0394612210	▪ BRACKET	1				
2	1911505503	▪ CONDENSER	1				
3	1911505511	▪ DRYER	1				
4	1911506301	▪ BRACKET	1				
5	1911506302	▪ HOSE	1				
	1911505602	▪ ▪ O-RING	1				RD-5-4017-013
6	1911506304	▪ HOSE	1				
	1911505601	▪ ▪ O-RING	1				RD-5-4017-011
7	1911506303	▪ HOSE	1				
	1911505601	▪ ▪ O-RING	1				RD-5-4017-011
8	1100040816	▪ BOLT	6				
9	1140020008	▪ WASHER, spring	6				
10	1141110008	▪ WASHER	4				
11	1100040512	▪ BOLT	8				
12	1140020005	▪ WASHER, spring	8				
13	1652231100	▪ BAND	2				
14	1911505514	▪ SWITCH, presser	1				
15	0394612220	▪ BRACKET	1				
	K3e232						

TB145 Book No. BK3Z010 S/N 14510004-  
AIR CONDITIONER (3/6) (14512895-14513260)



K3E241

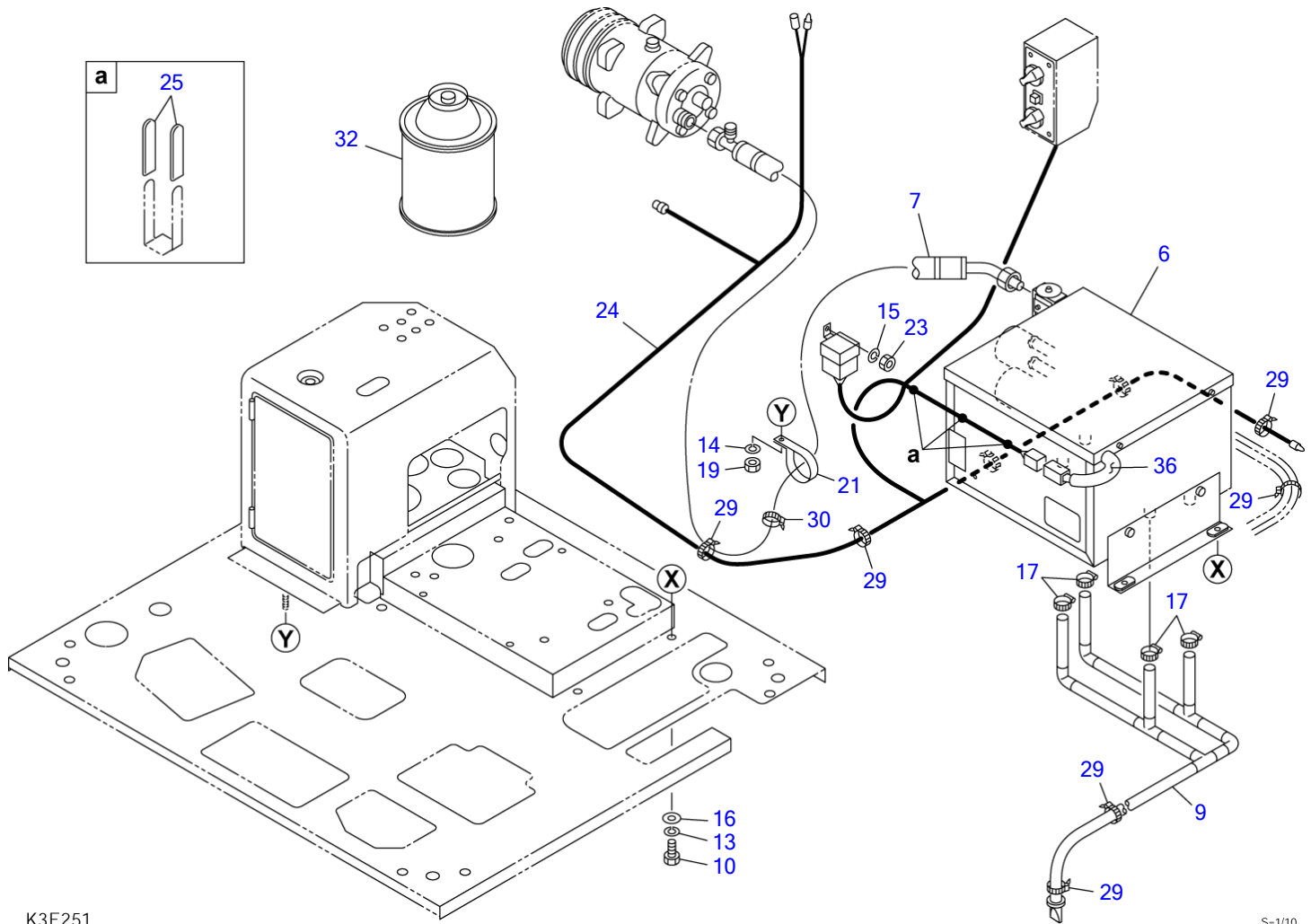
S=1/10



**AIR CONDITIONER (3/6) (14512895-14513260)**

Item	Part number	Description	Q'ty	Chan.	Serial No.	Serv.	Remarks
		CONDITIONER ASSY, air					X03946-12000-0
0	X 0394612300	UNIT ASSY, air conditioner	1				X03946-12300-5
3	0394608013	▪ URETHANE	1				
5	0394612422	▪ URETHANE	1				
8	1911505723	▪ LOUVER	2				
12	1100040616	▪ BOLT	2				
15	1140020006	▪ WASHER, spring	2				
18	1141110006	▪ WASHER	2				
20	1654319015	▪ SPONGE	1				sold by the meter
26	1652060085	▪ BUSHING	1				
27	1652060051	▪ BUSHING	1				
28	1653916008	▪ TRIM	1				sold by the meter
31	1653916039	▪ TRIM	1				sold by the meter
33	0394612370	▪ COVER	1				
34	1652060038	▪ BUSHING	1				
35	1654601010	▪ TRIM	1				sold by the meter
	<b>K3e241</b>						

TB145 Book No. BK3Z010 S/N 14510004-  
AIR CONDITIONER (4/6) (14512895-14513260)

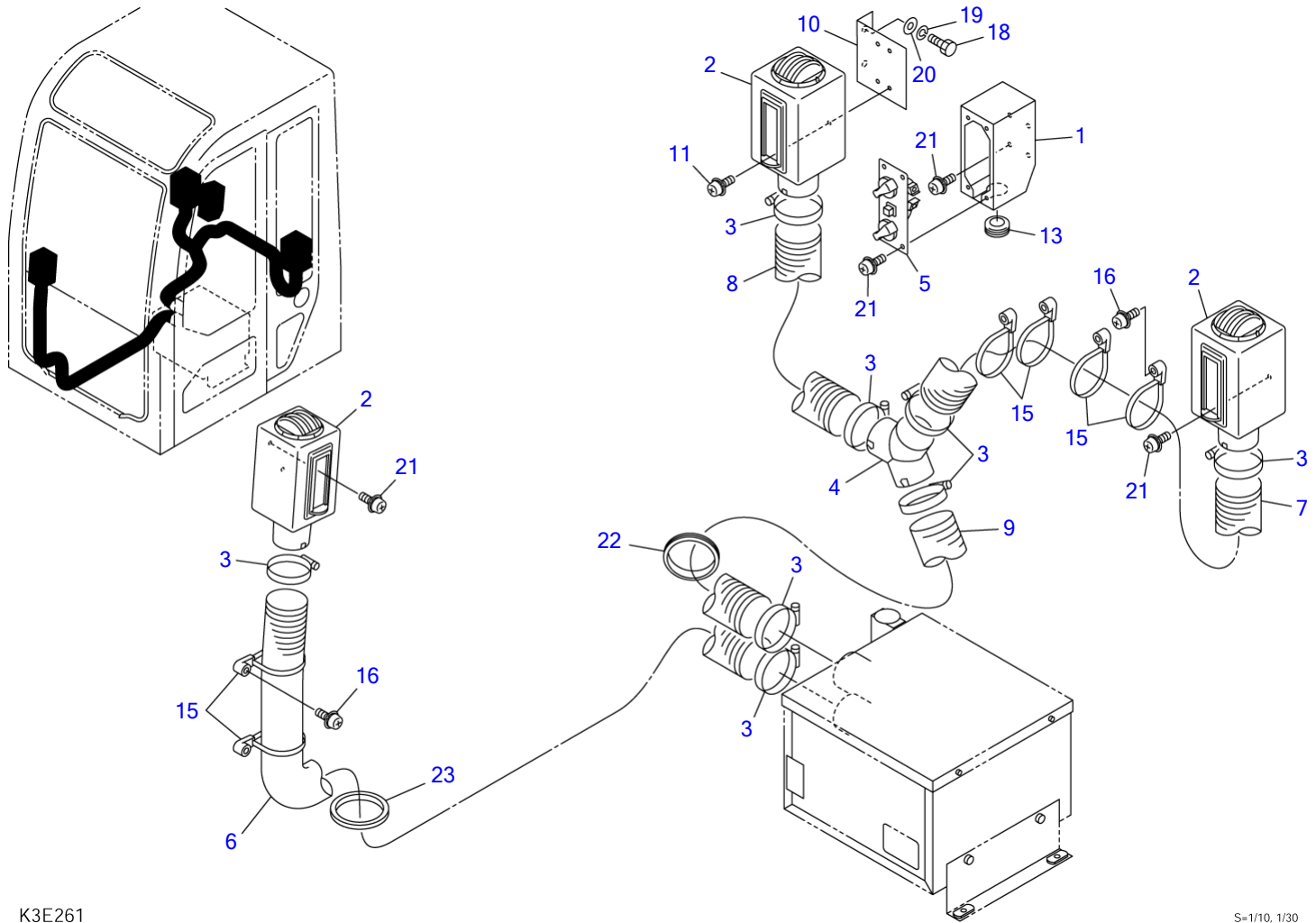


K3E251

S-1/10

**AIR CONDITIONER (4/6) (14512895-14513260)**

Item	Part number	Description	Q'ty	Chan.	Serial No.	Serv.	Remarks
		CONDITIONER ASSY, air					X03946-12000-0
0	X 0394612300	UNIT ASSY, air conditioner	1				X03946-12300-5
6	1911506340	▪ UNIT, air conditioner	1				see page (6/6)
7	1911506305	▪ HOSE	1				
	1911505602	▪ ▪ O-RING	1				RD-5-4017-013
9	1911506320	▪ HOSE	1				
10	1100041020	▪ BOLT	4				
13	1140020010	▪ WASHER, spring	4				
14	1140020008	▪ WASHER, spring	1				
15	1140020006	▪ WASHER, spring	1				
16	1141110010	▪ WASHER	4				
17	1533700019	▪ CLAMP	4				
19	1130040008	▪ NUT	1				
21	0007300044	▪ CLAMP	1				
23	1130040006	▪ NUT	1				
24	1911506310	▪ HARNESS, wiring	1				
25	0872433150	▪ TUBE	6				
29	1652231100	▪ BAND	8				
30	1652201005	▪ BAND	1				
32	0872463100	▪ GAS	4				
36	1703211010	▪ PROTECTOR	1				sold by the meter
	K3e252						

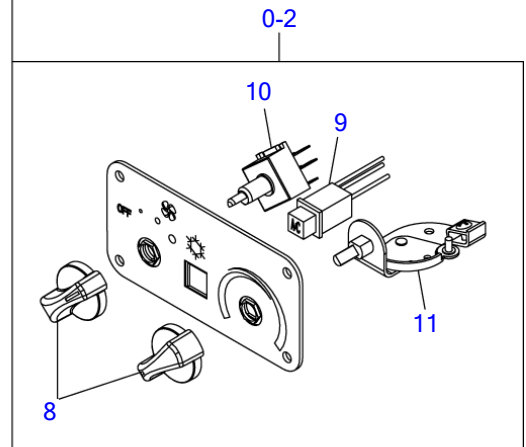
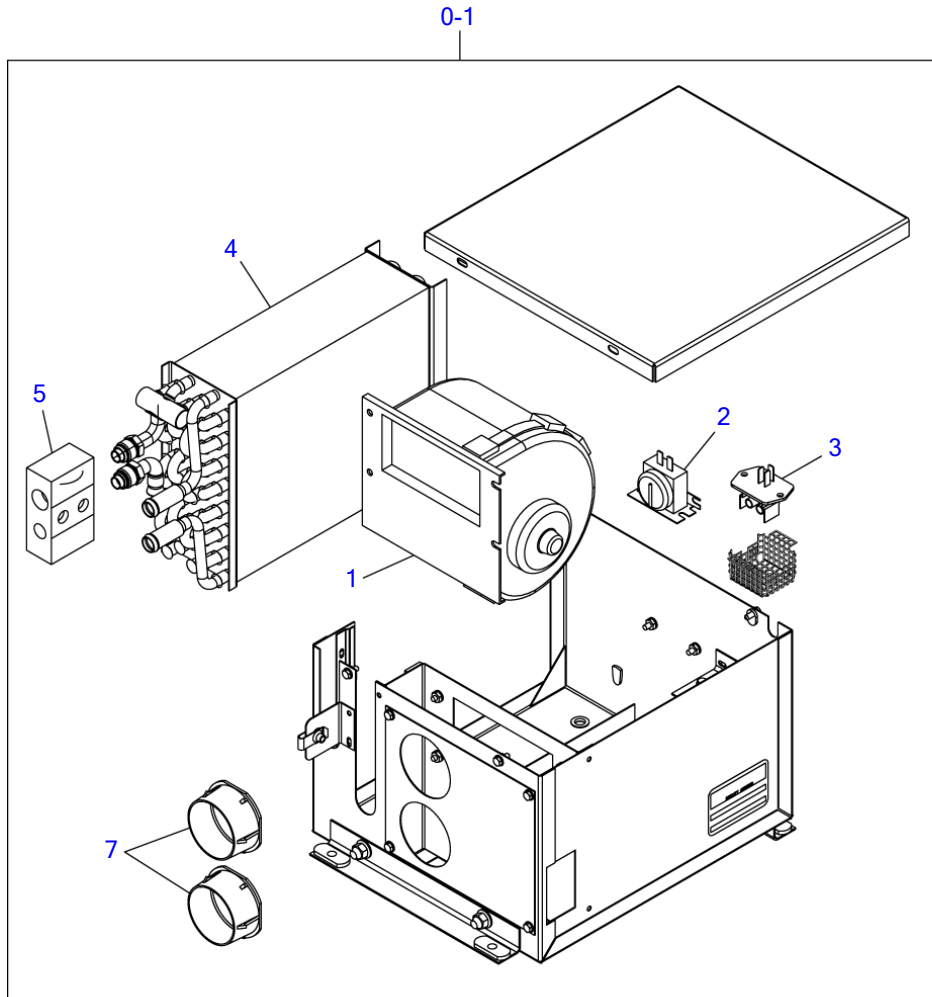


K3E261

S=1/10, 1/30

**AIR CONDITIONER (5/6) (14512895-14513260)**

Item	Part number	Description	Q'ty	Chan.	Serial No.	Serv.	Remarks
		CONDITIONER ASSY, air					X03946-12000-0
0	X 0394612700	DEFROSTER ASSY	1				X03946-12700-3
1	0394612340	▪ COVER	1				
2	1911505720	▪ DUCT ASSY	3				
3	1911505670	▪ CLAMP	8				
4	1911505680	▪ Y-CONNECTOR	1				
5	1911506020	▪ PANEL ASSY, control	1				see page (6/6)
6	1911506306	▪ HOSE	1				sold by the meter
7	1911506307	▪ HOSE	1				sold by the meter
8	1911506308	▪ HOSE	1				sold by the meter
9	1911506309	▪ HOSE	1				sold by the meter
10	1911505730	▪ BRACKET	1				
11	1911505810	▪ SCREW	2				
13	1652002201	▪ GROMMET	1				
15	1652261410	▪ BAND	6				
16	1120590514	▪ SCREW	6				
18	1100040612	▪ BOLT	2				
19	1140020006	▪ WASHER, spring	2				
20	1141110006	▪ WASHER	2				
21	1150420510	▪ BOLT, sems	10				
22	1654606027	▪ SEAL	1				sold by the meter
23	1653916023	▪ TRIM	1				sold by the meter
	<b>K3e261</b>						



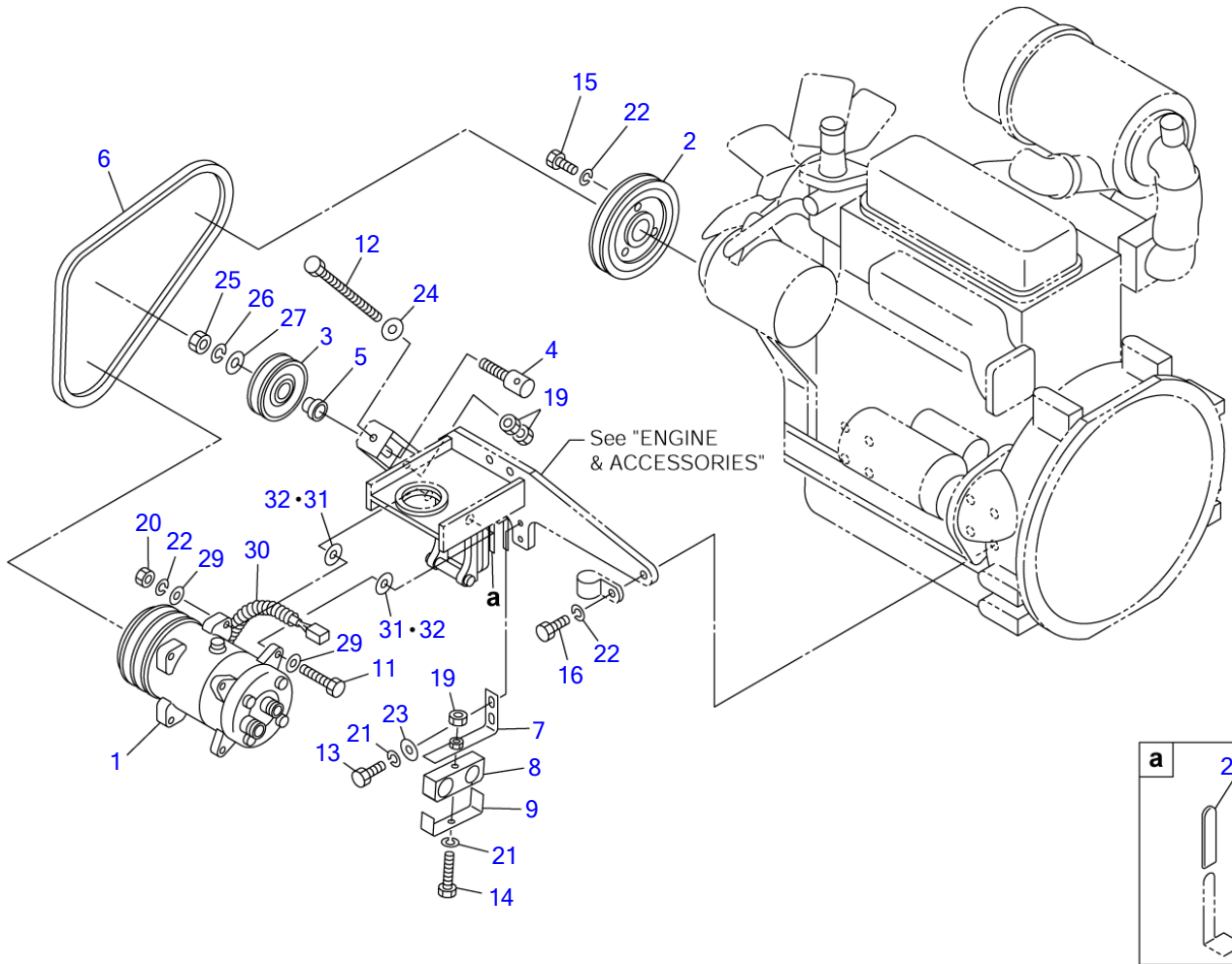
G4E362

S-free

**AIR CONDITIONER (6/6) (14512895-14513260)**

Item	Part number	Description	Q'ty	Chan.	Serial No.	Serv.	Remarks
		CONDITIONER ASSY, air					X03946-12000-0
0-1	<b>1911506340</b>	UNIT, air conditioner	1				
1	<b>1911506341</b>	▪ MOTOR, blower	1				
2	<b>1911505421</b>	▪ THERMOSTAT	1				
3	<b>1911506343</b>	▪ RESISTOR	1				
4	<b>1911506344</b>	▪ CORE	1				
5	<b>1911505422</b>	▪ VALVE	1				
6	<b>1911506346</b>	▪ HARNESS, wiring	1				not shown
7	<b>1911506711</b>	▪ ADAPTER, hose	2				
0-2	<b>1911506020</b>	PANEL ASSY, control	1				
8	<b>1911505763</b>	▪ KNOB	2				
9	<b>1911505767</b>	▪ SWITCH, A/C	1				
10	<b>1911506027</b>	▪ SWITCH, rotary	1				
11	<b>1911505762</b>	▪ CABLE, control	1				
	<b>K3e293</b>						

TB145 Book No. BK3Z010 S/N 14510004-  
AIR CONDITIONER (1/6) (14513261-)



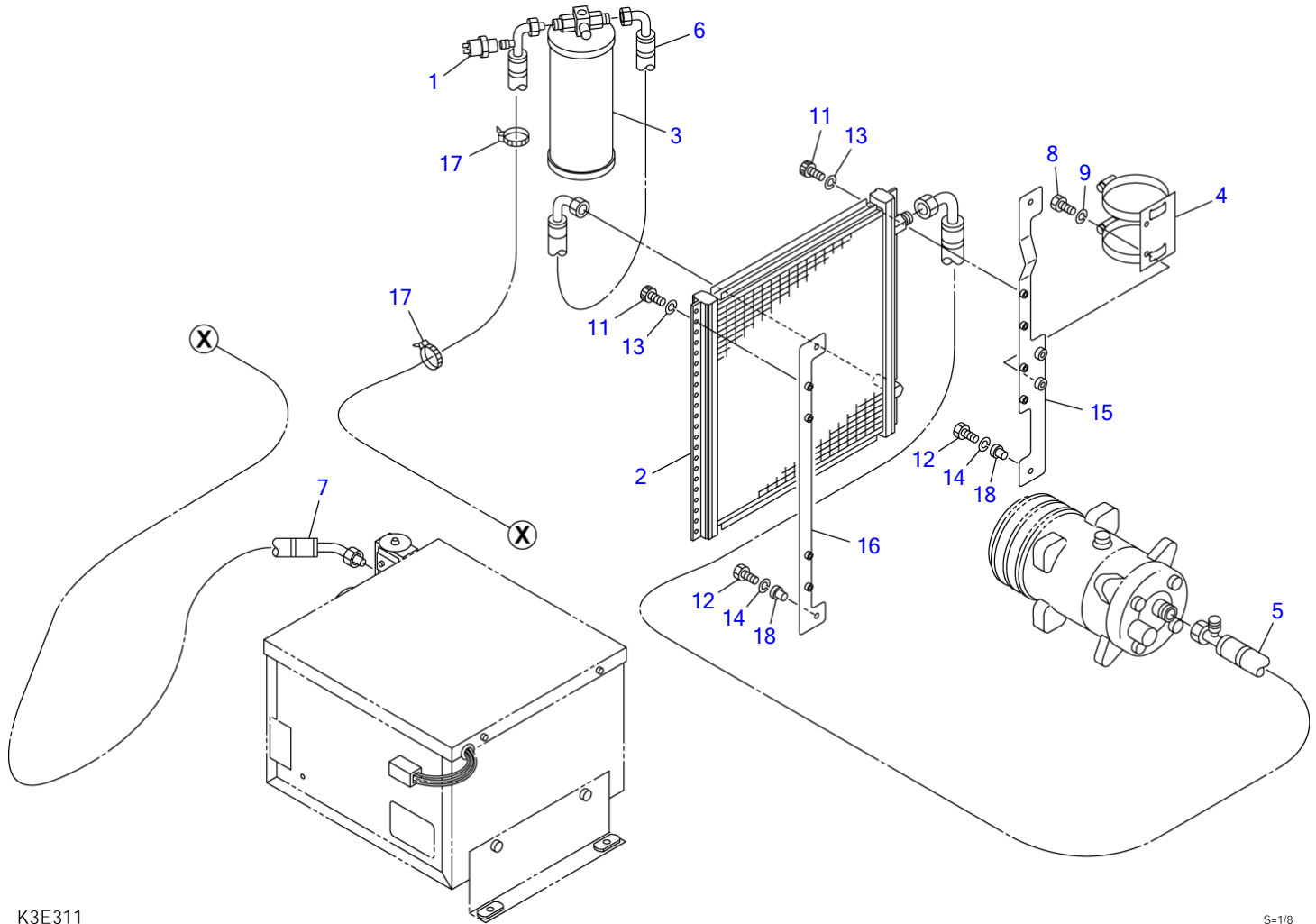
K3E303

S=1/10



**AIR CONDITIONER (1/6) (14513261-)**

Item	Part number	Description	Q'ty	Chan.	Serial No.	Serv.	Remarks
		CONDITIONER ASSY, air					X03946-16000-1
		CONDITIONER ASSY, air (with boost fan)					X03946-16200-0
		CONDITIONER ASSY, air (for the tropics)					X03946-16500-1
0	X 0394614700	COMPRESSOR ASSY	1				X03946-14700-6
1	1911506010	• COMPRESSOR	1				
2	0394614710	• PULLEY	1				
3	1911505700	• PULLEY	1				
4	0564619210	• SHAFT	1				
5	0564619240	• COLLAR	1				
6	1911506330	• V-BELT	1				
7	0394612110	• BRACKET	1				
8	0394612120	• RUBBER	1				
9	0394612130	• PLATE	1				
11	1100141005	• BOLT	2				
12	0394602010	• BOLT	1				
13	1100040820	• BOLT	2				
14	1100040860	• BOLT	1				
15	1100041020	• BOLT	3				
16	1100041030	• BOLT	1				
19	1130040008	• NUT	3				
20	1130040010	• NUT	2				
21	1140020008	• WASHER, spring	3				
22	1140020010	• WASHER, spring	6				
23	1141110008	• WASHER	2				
24	1141550008	• WASHER	1				
25	1130040012	• NUT	1				
26	1140020012	• WASHER, spring	1				
27	1141550012	• WASHER	1				
28	0872433150	• TUBE	4				
29	1141110010	• WASHER	4				
30	1703210725	• PROTECTOR	1				sold by the meter
31	0003600222	• SHIM	AR				t=0.2mm
32	0003600223	• SHIM	AR				t=0.3mm
	K3e307						



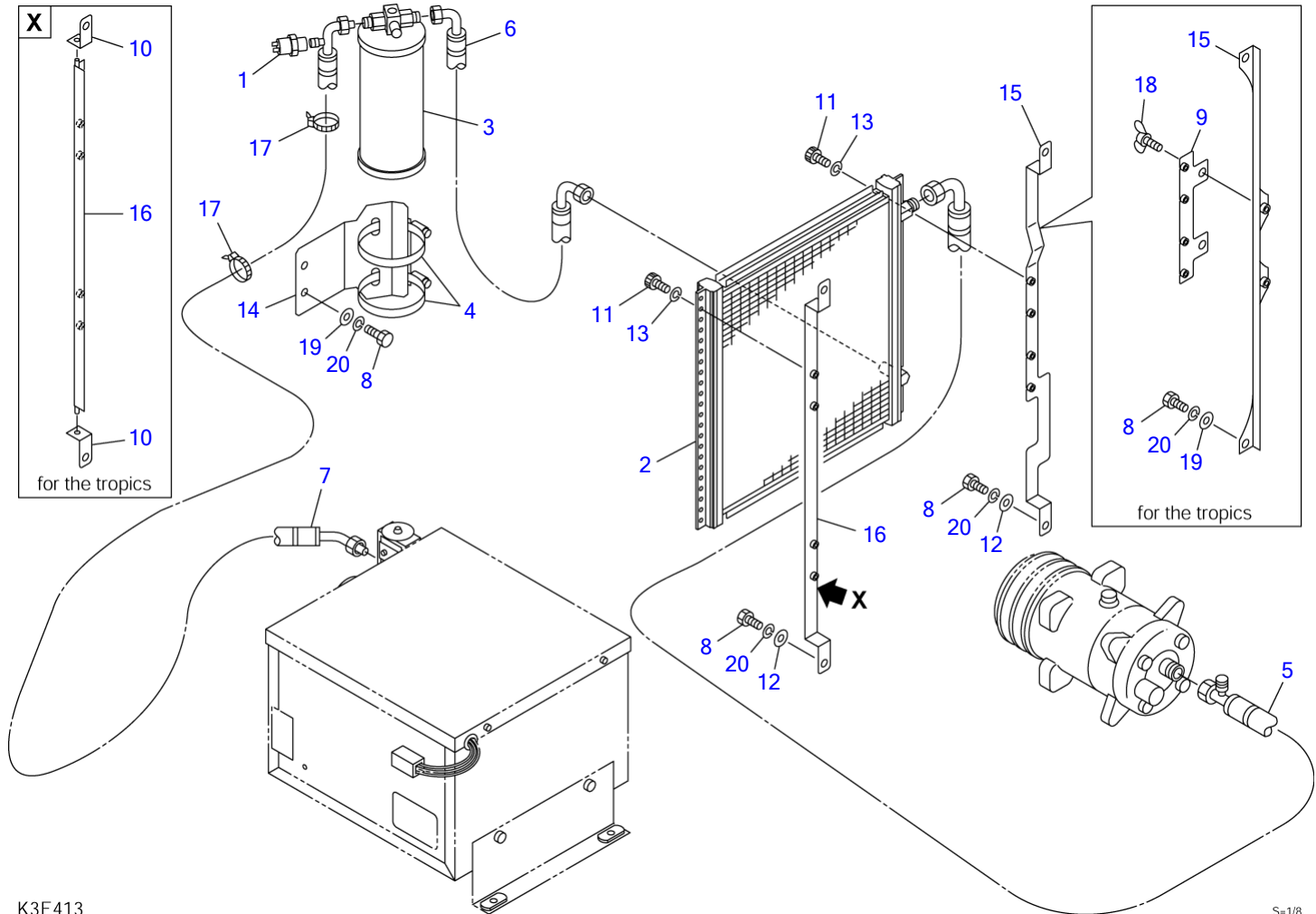
K3E311

S=1/8

**AIR CONDITIONER (2/6) (14513261-14515345)**

Item	Part number	Description	Q'ty	Chan.	Serial No.	Serv.	Remarks
		CONDITIONER ASSY, air					X03946-14500-1
0	X 0394614600	CONDENSER ASSY	1				X03946-14600-4
1	1911505514	▪ SWITCH, presser	1				
2	1911505503	▪ CONDENSER	1				
3	1911505511	▪ DRYER	1				
4	1911506301	▪ BRACKET	1				
5	1911506302	▪ HOSE	1				
	1911505602	▪ ▪ O-RING	1				RD-5-4017-013
6	1911506304	▪ HOSE	1				
	1911505601	▪ ▪ O-RING	1				RD-5-4017-011
7	1911506403	▪ HOSE	1				
	1911505601	▪ ▪ O-RING	1				RD-5-4017-011
8	1100040816	▪ BOLT	2				
9	1140020008	▪ WASHER, spring	2				
11	1110040512	▪ SCREW, cap	8				
12	1100040625	▪ BOLT	4				
13	1140020005	▪ WASHER, spring	8				
14	1141110006	▪ WASHER	4				
15	0394614620	▪ BRACKET	1				
16	0394614230	▪ BRACKET	1				
17	1652231100	▪ BAND	2				
18	1652520006	▪ NUT	4				
	<b>K3e313</b>						

TB145 Book No. BK3Z010 S/N 14510004-  
AIR CONDITIONER (2/6) (14515346-)

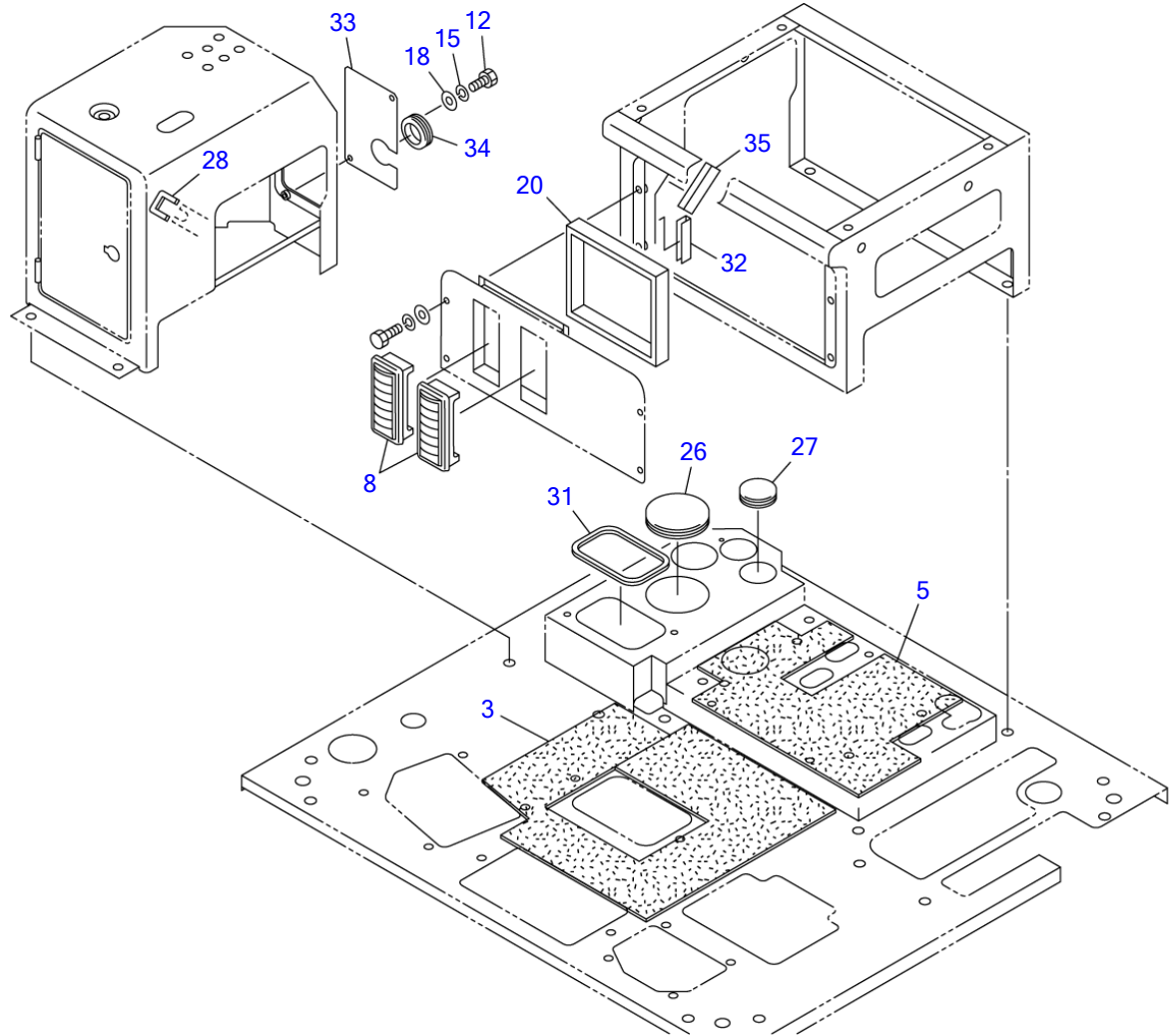


K3E413

S=1/8

**AIR CONDITIONER (2/6) (14515346-)**

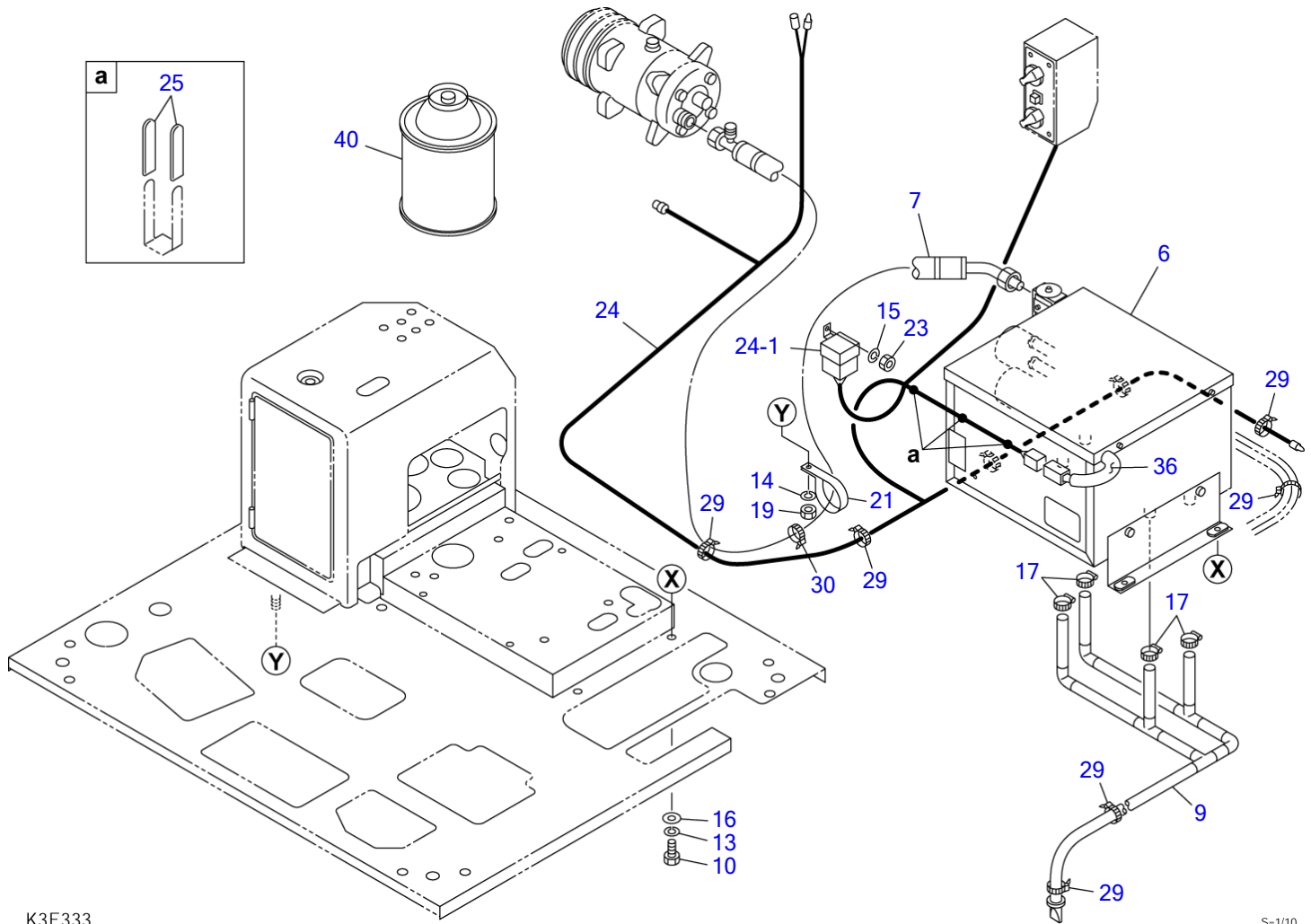
Item	Part number	Description	Q'ty	Chan.	Serial No.	Serv.	Remarks
		CONDITIONER ASSY, air					X03946-16000-1
		CONDITIONER ASSY, air (with boost fan)					X03946-16200-0
		CONDITIONER ASSY, air (for the tropics)					X03946-16500-1
0	X 0394615000	CONDENSER ASSY	1				X03946-15000-4
	X 0394618000	CONDENSER ASSY (for the tropics)	1				X03946-18000-1
1	1911505514	▪ SWITCH, presser	1				
2	1911505503	▪ CONDENSER	1				
3	1911505511	▪ DRYER	1				
4	1911506301	▪ BRACKET	1				
5	1911506302	▪ HOSE	1				
	1911505602	▪ ▪ O-RING	1				RD-5-4017-013
6	1911506304	▪ HOSE	1				
	1911505601	▪ ▪ O-RING	1				RD-5-4017-011
7	1911506403	▪ HOSE	1				
	1911505601	▪ ▪ O-RING	1				RD-5-4017-011
8	1100040816	▪ BOLT	6				
9	0394618030	▪ BRACKET	1				for the tropics
10	0394618040	▪ BRACKET	2				for the tropics
11	1110040512	▪ SCREW, cap	8				
12	0003608252	▪ WASHER	4				
	0003608252	▪ WASHER	2				for the tropics
13	1140020005	▪ WASHER, spring	8				
14	0374602710	▪ PLATE	1				
15	0394615010	▪ BRACKET	1				
	0394618010	▪ BRACKET	1				for the tropics
16	0394615020	▪ BRACKET	1				
	0394618020	▪ BRACKET	1				for the tropics
17	1652231100	▪ BAND	2				
18	1121530816	▪ BOLT, wing	2				for the tropics
19	1141110008	▪ WASHER	2				
	1141110008	▪ WASHER	4				for the tropics
20	1140020008	▪ WASHER, spring	6				
	<b>K3e413</b>						



K3E320

S=1/10

AIR CONDITIONER (3/6) (14513261-)							
Item	Part number	Description	Q'ty	Chan.	Serial No.	Serv.	Remarks
		CONDITIONER ASSY, air					X03946-16000-1
		CONDITIONER ASSY, air (with boost fan)					X03946-16200-0
		CONDITIONER ASSY, air (for the tropics)					X03946-16500-1
0	X 0394612300	UNIT ASSY, air conditioner	1		14513261~14514865		X03946-12300-7
	X 0394614900	UNIT ASSY, air conditioner	1		14514866~		X03946-14900-1
3	0394608013	• URETHANE	1				
5	0394612422	• URETHANE	1				
8	1911505723	• LOUVER	2				
12	1100040616	• BOLT	2				
15	1140020006	• WASHER, spring	2				
18	1141110006	• WASHER	2				
20	1654319015	• SPONGE	1				sold by the meter
26	1652060085	• BUSHING	1				
27	1652060051	• BUSHING	1				
28	1653916008	• TRIM	1				sold by the meter
31	1653916037	• TRIM	1			M	sold by the meter
32	1654601003	• TRIM	1			M	sold by the meter
33	0394612370	• COVER	1				
34	1652060038	• BUSHING	1				
35	1654601007	• TRIM	1			M	sold by the meter
	K3e325						

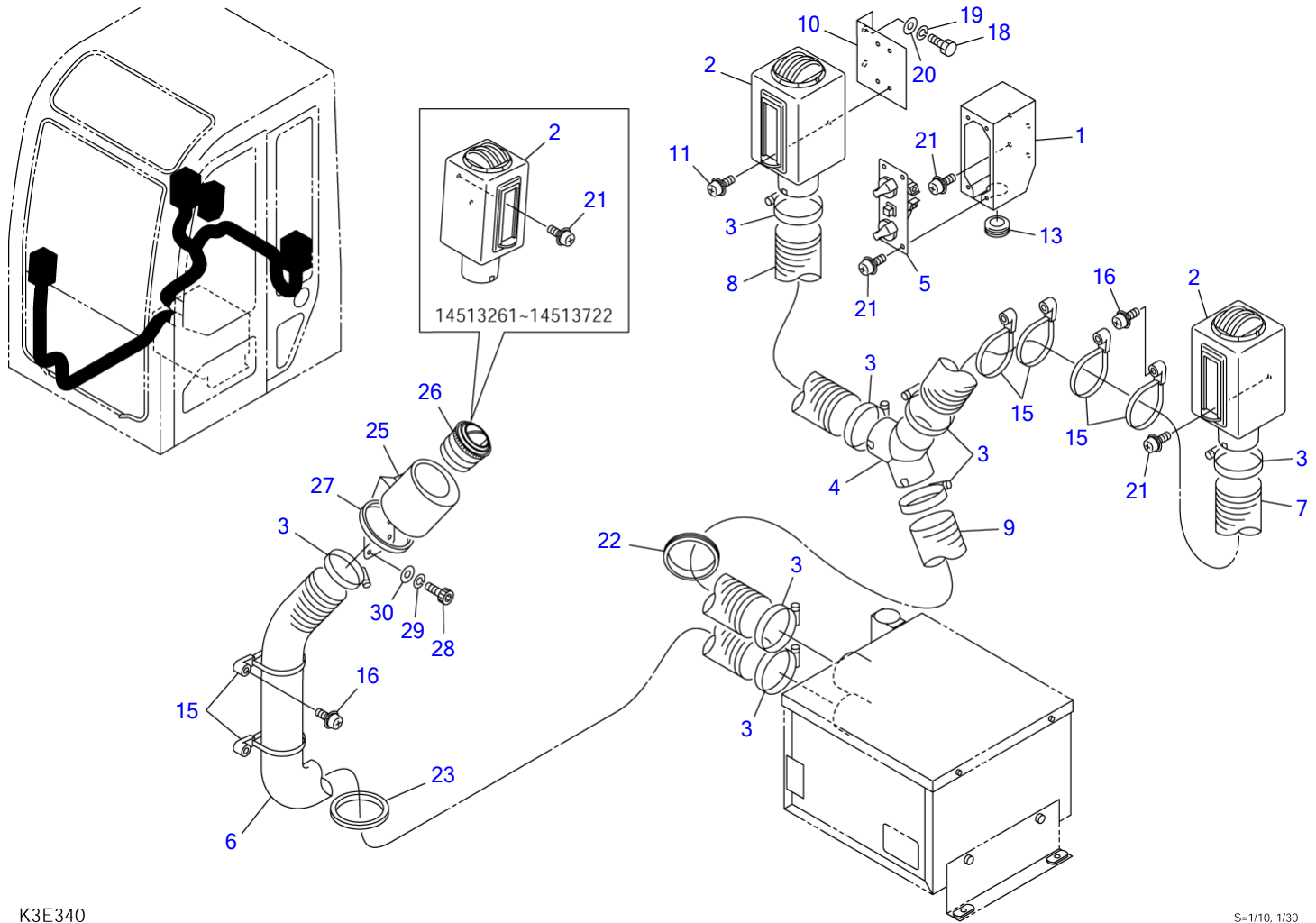


K3E333

S-1/10



AIR CONDITIONER (4/6) (14513261-)							
Item	Part number	Description	Q'ty	Chan.	Serial No.	Serv.	Remarks
		CONDITIONER ASSY, air					X03946-16000-1
		CONDITIONER ASSY, air (with boost fan)					X03946-16200-0
		CONDITIONER ASSY, air (for the tropics)					X03946-16500-1
0	X 0394612300	UNIT ASSY, air conditioner	1		14513261~14514865		X03946-12300-7
	X 0394614900	UNIT ASSY, air conditioner	1		14514866~		X03946-14900-1
6	1911506340	▪ UNIT, air conditioner	1		14513261~14514865		see page (6/6)
	1911508740	▪ UNIT, air conditioner	1		14514866~		see page (6/6)
7	1911506405	▪ HOSE	1				
	1911505603	▪ ▪ O-RING	1				RD-5-4017-015
9	1911506420	▪ HOSE	1				
10	1100041020	▪ BOLT	4				
13	1140020010	▪ WASHER, spring	4				
14	1140020008	▪ WASHER, spring	1				
15	1140020006	▪ WASHER, spring	3				
16	1141110010	▪ WASHER	4				
17	1533700019	▪ CLAMP	4				
19	1130040008	▪ NUT	1				
21	0007300044	▪ CLAMP	1				
23	1130040006	▪ NUT	1				
24	1911506410	▪ HARNESS, wiring	1				
24-1	1911506041	▪ ▪ RELAY	1				12V
25	0872433150	▪ TUBE	6				
29	1652231100	▪ BAND	8				
30	1652201005	▪ BAND	1				
36	1703211010	▪ PROTECTOR	1				sold by the meter
40	0872463100	▪ GAS	4				
	K3e335						

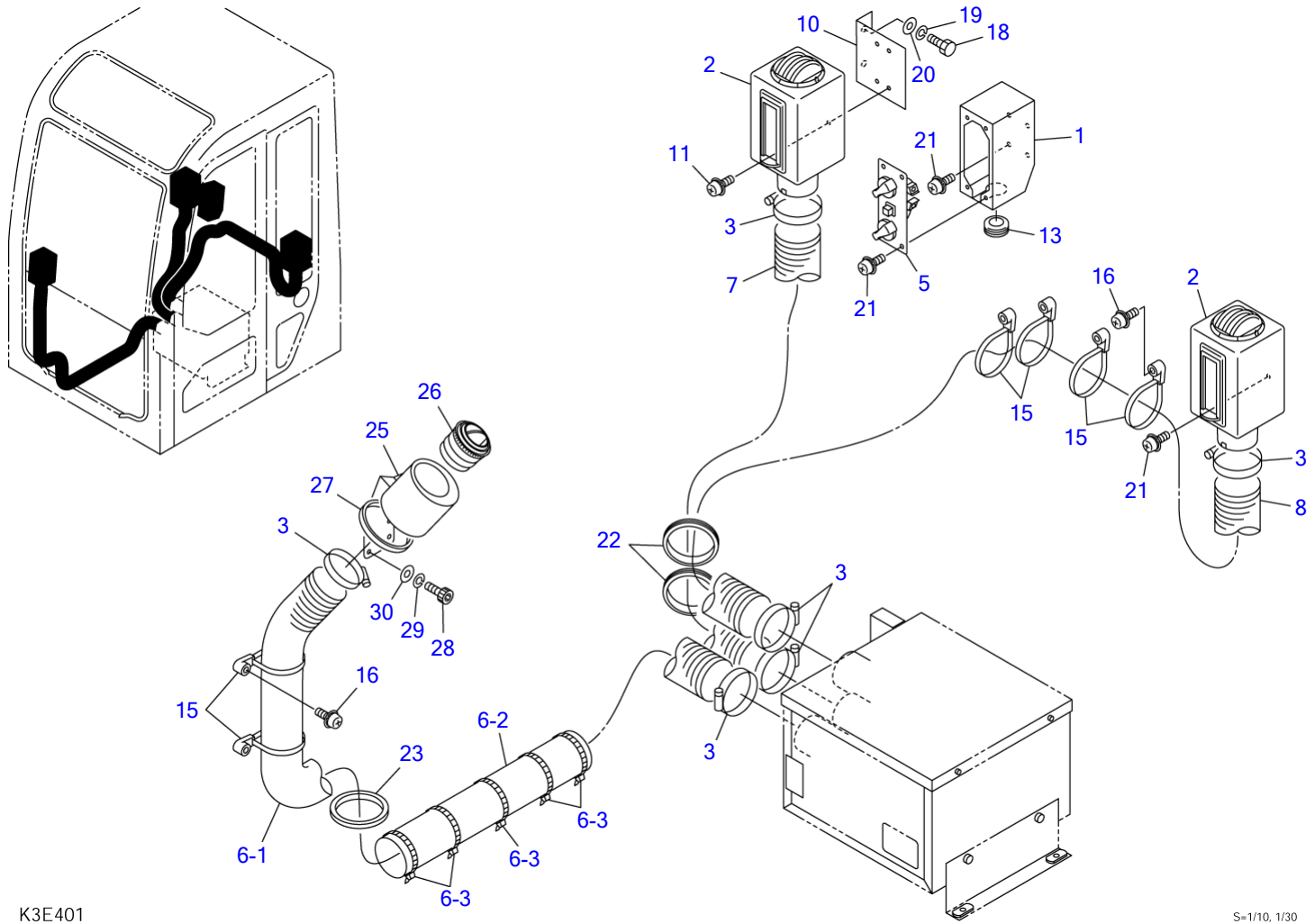


K3E340

S=1/10, 1/30

**AIR CONDITIONER (5/6) (14513261-14514865)**

Item	Part number	Description	Q'ty	Chan.	Serial No.	Serv.	Remarks
		CONDITIONER ASSY, air					X03946-14500-0
0	X 0394612700	DEFROSTER ASSY	1				X03946-12700-6
1	0394612340	• COVER	1				
2	1911505720	• DUCT ASSY	3		14513261~14513722		
	1911505720	• DUCT ASSY	2		14513723~		
3	1911505670	• CLAMP	8				
4	1911505680	• Y-CONNECTOR	1				
5	1911506020	• PANEL ASSY, control	1				see page (6/6)
6	1911508591	• HOSE	1				
7	1911508539	• HOSE	1				
8	1911508510	• HOSE	1				
9	1911508528	• HOSE	1				
10	1911505730	• BRACKET	1				
11	1911505810	• SCREW	2				
13	1652002201	• GROMMET	1				
15	1652261410	• BAND	6				
16	1120590514	• SCREW	6				
18	1100040612	• BOLT	2				
19	1140020006	• WASHER, spring	2				
20	1141110006	• WASHER	2				
21	1150420510	• BOLT, sems	10				
22	1654606027	• SEAL	1				sold by the meter
23	1653916023	• TRIM	1				sold by the meter
25	0394612710	• BRACKET	1		14513723~		
26	1911506060	• LOUVER	1		14513723~		
27	1653916026	• TRIM	1		14513723~		
28	1110090512	• SCREW, cap	4		14513723~		
29	1140090005	• WASHER, spring	4		14513723~		
30	1141190005	• WASHER	4		14513723~		
	<b>K3e342</b>						



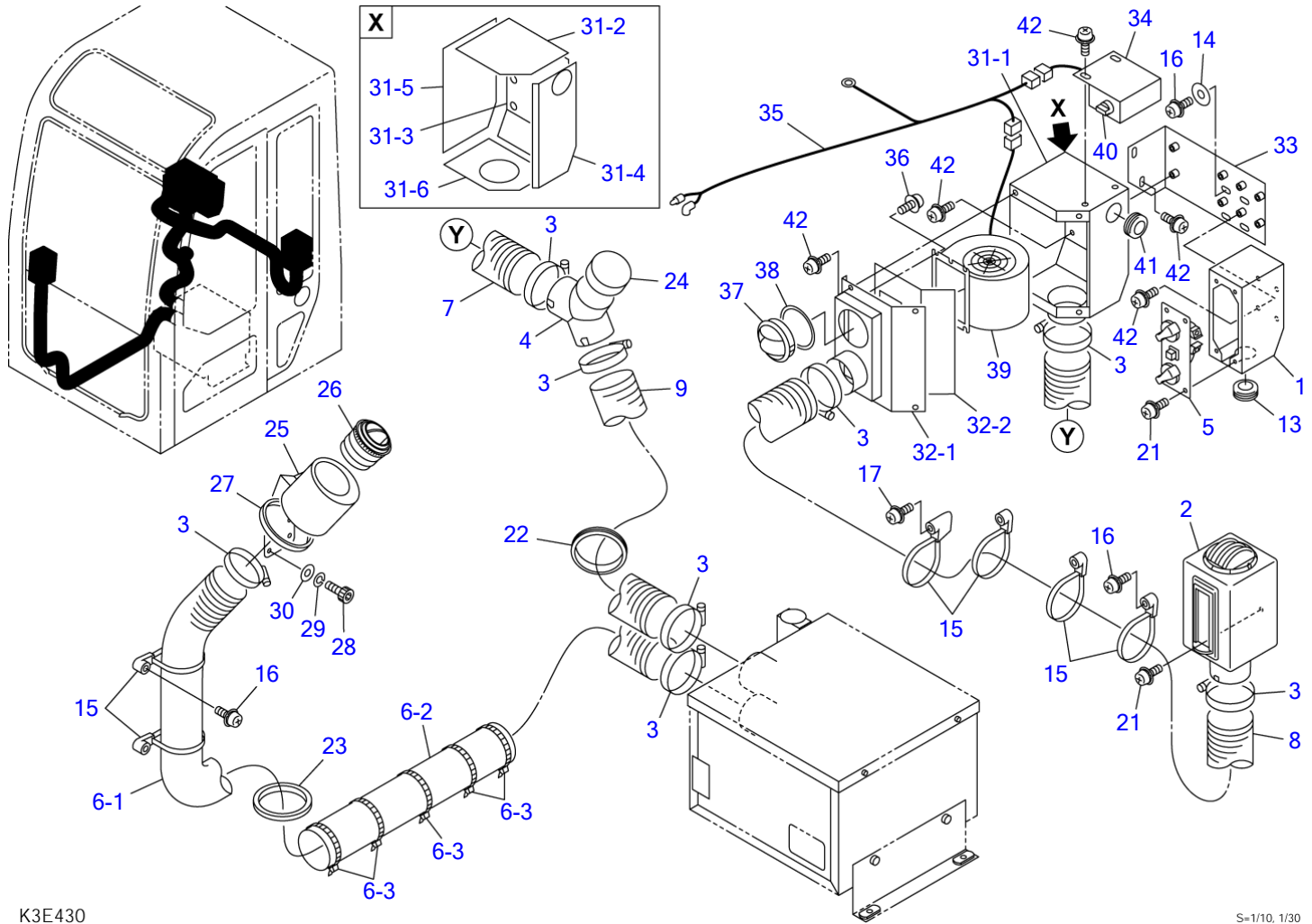
K3E401

S=1/10, 1/30

**AIR CONDITIONER (5/6) (14514866-)**

Item	Part number	Description	Q'ty	Chan.	Serial No.	Serv.	Remarks
		CONDITIONER ASSY, air					X03946-16000-1
		CONDITIONER ASSY, air (for the tropics)					X03946-16500-1
0	X 0394614800	DEFROSTER ASSY	1				X03946-14800-3
1	0394612340	• COVER	1				
2	1911505720	• DUCT ASSY	2				
3	1911505670	• CLAMP	6				
5	1911506020	• PANEL ASSY, control	1				see page (6/6)
6	0394615140	• HOSE ASSY, duct	1				
6-1	1911508591	• • HOSE	1				
6-2	0394615141	• • INSULATOR	1				
6-3	1652201007	• • BAND	5				
7	1911508539	• HOSE	1				
8	1911508567	• HOSE	1				
10	1911505730	• BRACKET	1				
11	1911505810	• SCREW	2				
13	1652002201	• GROMMET	1				
15	1652261410	• BAND	6				
16	1150420514	• SCREW	6				
18	1100040612	• BOLT	2				
19	1140020006	• WASHER, spring	2				
20	1141110006	• WASHER	2				
21	1150420510	• BOLT, sems	10				
22	1654606050	• SEAL	1				sold by the meter
23	1653916023	• TRIM	1				sold by the meter
25	0394612710	• BRACKET	1				
26	1911506060	• LOUVER	1				
27	1653916026	• TRIM	1				sold by the meter
28	1110090512	• SCREW, cap	4				
29	1140090005	• WASHER, spring	4				
30	1141190005	• WASHER	4				
	<b>K3e403</b>						

TB145 Book No. BK3Z010 S/N 14510004-  
 AIR CONDITIONER (5/6) (for China, with boost fan; 2holes)



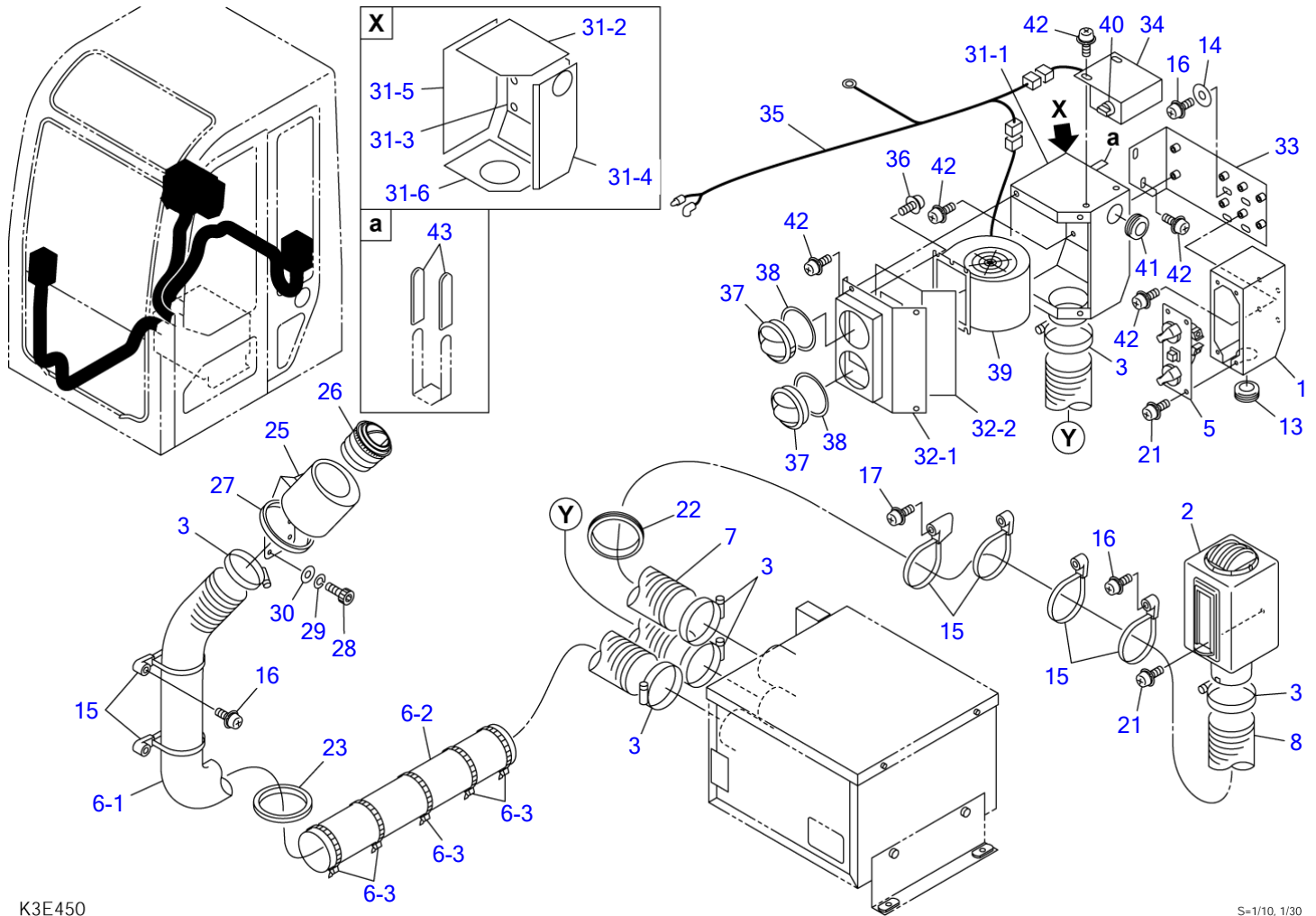
K3E430

S=1/10, 1/30

**AIR CONDITIONER (5/6) (for China, with boost fan; 2holes)**

Item	Part number	Description	Q'ty	Chan.	Serial No.	Serv.	Remarks
		CONDITIONER ASSY, air					X03946-14500-1
0	X 0394615100	DEFROSTER ASSY	1				X03946-15100-0
1	0394612340	• COVER	1				
2	1911505720	• DUCT ASSY	1				
3	1911505670	• CLAMP	8				
4	1911505680	• CONNECTOR	1				
5	1911506020	• PANEL ASSY, control	1				see page (6/6)
6	0394615140	• HOSE ASSY, duct	1				
6-1	1911508591	• • HOSE	1				
6-2	0394615141	• • INSULATOR	1				
6-3	1652201007	• • BAND	5				
7	1911508510	• HOSE	1				
8	1911508567	• HOSE	1				
9	1911508528	• HOSE	1				
13	1652002201	• GROMMET	1				
14	0003606202	• WASHER	4				
15	1652261410	• BAND	6				
16	1150420514	• SCREW	9				
17	1150420516	• SCREW	1				
21	1150420510	• BOLT, sems	5				
22	1654606050	• SEAL	1				sold by the meter
23	1653916023	• TRIM	1				sold by the meter
24	1911503000	• COVER	1				
25	0394612710	• BRACKET	1				
26	1911506060	• LOUVER	1				
27	1653916026	• TRIM	1				sold by the meter
28	1110090512	• SCREW, cap	4				
29	1140090005	• WASHER, spring	4				
30	1141190005	• WASHER	4				
31	0394615110	• BOX ASSY	1				
31-1	0394614950	• • BOX	1				
31-2	0394614992	• • INSULATOR	1				
31-3	0394614993	• • INSULATOR	1				
31-4	0394614995	• • INSULATOR	1				
31-5	0394614996	• • INSULATOR	1				
31-6	0394614991	• • INSULATOR	1				
32	0394615120	• COVER ASSY	1				
32-1	0394614960	• • COVER	1				
32-2	0394614994	• • INSULATOR	1				
33	0394614970	• BRACKET	1				
34	0394614980	• BOX	1				
35	0394614990	• HARNESS ASSY, wiring	1				
36	1150420410	• SCREW	4				
37	1911506012	• LOUVER	1				
38	1911506063	• ADAPTER	1				
39	0394615150	• FAN ASSY	1				19115-08200
40	1700000031	• SWITCH	1				
41	1652053200	• GROMMET	1				
42	1150420614	• SCREW	16				
		<<NOTE>>					
		14512994~14513002,					
		14513147~14513152,					
		14513156~14513161,					
		14513198~14513206,					
		14513374, 14513379,14513380					
		14513474~14513476, 14513483					
		14513492~14513494, 14513522,					
		14513523					
	<b>K3e431</b>						

TB145 Book No. BK3Z010 S/N 14510004-  
**AIR CONDITIONER (5/6) (with boost fan; 3holes) (14510004-14517313)**



K3E450

S=1/10, 1/30



**AIR CONDITIONER (5/6) (with boost fan; 3holes) (14510004-14517313)**

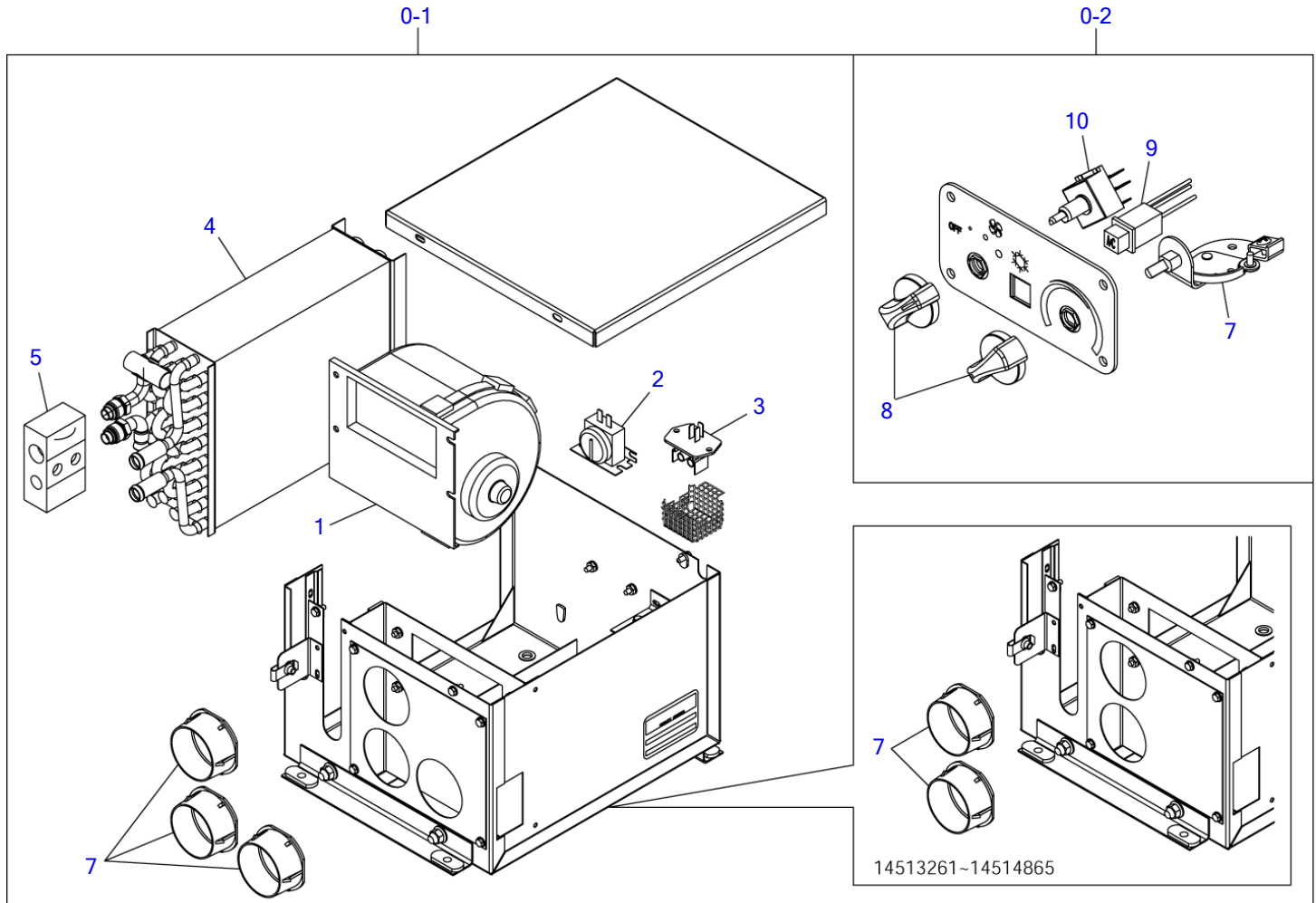
Item	Part number	Description	Q'ty	Chan.	Serial No.	Serv.	Remarks
		CONDITIONER ASSY, air					X03946-16200-0
0	X 0394615200	DEFROSTER ASSY	1				X03946-15200-2
1	0394612340	• COVER	1				
2	1911505720	• DUCT ASSY	1				
3	1911505670	• CLAMP	6				
5	1911506020	• PANEL ASSY, control	1				see page (6/6)
6	0394615140	• HOSE ASSY, duct	1				
6-1	1911508591	• • HOSE	1				
6-2	0394615141	• • INSULATOR	1				
6-3	1652201007	• • BAND	5				
7	1911508539	• HOSE	1				
8	1911508567	• HOSE	1				
13	1652002201	• GROMMET	1				
14	0003606202	• WASHER	4				
15	1652261410	• BAND	6				
16	1150420514	• SCREW	10				
17	1150420516	• SCREW	1				
21	1150420510	• SCREW	5				
22	1654606050	• SEAL	1				sold by the meter
23	1653916023	• TRIM	1				sold by the meter
25	0394612710	• BRACKET	1				
26	1911506060	• LOUVER	1				
27	1653916026	• TRIM	1				sold by the meter
28	1110090512	• SCREW, cap	4				
29	1140090005	• WASHER, spring	4				
30	1141190005	• WASHER	4				
31	0394615110	• BOX ASSY	1				
31-1	0394614950	• • BOX	1				
31-2	0394614992	• • INSULATOR	1				
31-3	0394614993	• • INSULATOR	1				
31-4	0394614995	• • INSULATOR	1				
31-5	0394614996	• • INSULATOR	1				
31-6	0394614991	• • INSULATOR	1				
32	0394615160	• COVER ASSY	1				
32-1	0394615130	• • COVER	1				
32-2	0394614994	• • INSULATOR	1				
33	0394614970	• BRACKET	1				
34	0394614980	• BOX	1				
35	0394614990	• HARNESS ASSY, wiring	1				
36	1150420410	• SCREW	4				
37	1911506012	• LOUVER	2				
38	1911506063	• ADAPTER	2				
39	0394615150	• FAN ASSY	1				19115-08200
40	1700000031	• SWITCH	1				
41	1652053200	• GROMMET	1				
42	1150420614	• SCREW	16				
43	0872433150	• CLAMP	2				
	K3e450						



**AIR CONDITIONER (5/6) (with boost fan; 3holes) (14517314-)**

Item	Part number	Description	Q'ty	Chan.	Serial No.	Serv.	Remarks
		CONDITIONER ASSY, air					X03946-16200-0
0	X 0394615200	DEFROSTER ASSY	1				X03946-15200-3
2	1911505720	• DUCT ASSY	1				
3	1911505670	• CLAMP	6				
5	1911506020	• PANEL ASSY, control	1				see page (6/6)
6	0394615140	• HOSE ASSY, duct	1				
6-1	1911508591	• • HOSE	1				
6-2	0394615141	• • INSULATOR	1				
6-3	1652201007	• • BAND	5				
7	1911508539	• HOSE	1				
8	1911508567	• HOSE	1				
13	1652002201	• GROMMET	1				
14	0003606202	• WASHER	4				
15	1652261410	• BAND	6				
16	1150420514	• SCREW	10				
17	1150420516	• SCREW	1				
21	1150420510	• SCREW	5				
22	1654606050	• SEAL	1				sold by the meter
23	1653916023	• TRIM	1				sold by the meter
25	0394612710	• BRACKET	1				
26	1911506060	• LOUVER	1				
27	1653916026	• TRIM	1				sold by the meter
28	1110090512	• SCREW, cap	4				
29	1140090005	• WASHER, spring	4				
30	1141190005	• WASHER	4				
31	0394615300	• BOX ASSY	1				M
31-1	0394615250	• • BOX	1				M
31-2	0394614992	• • INSULATOR	1				
31-3	0394614993	• • INSULATOR	1				
31-4	0394614995	• • INSULATOR	1				
31-5	0394614996	• • INSULATOR	1				
31-6	0394614991	• • INSULATOR	1				
32	0394615160	• COVER ASSY	1				
32-1	0394615130	• • COVER	1				
32-2	0394614994	• • INSULATOR	1				
33	0394614970	• BRACKET	1				
35	0394614990	• HARNESS ASSY, wiring	1				
36	1150420410	• SCREW	4				
37	1911506012	• LOUVER	2				
38	1911506063	• ADAPTER	2				
39	0394615150	• FAN ASSY	1				19115-08200
40	1700000031	• SWITCH	1				
41	1652053200	• GROMMET	1				
42	1150420614	• SCREW	16				
43	0872433150	• CLAMP	2				
44	0394612800	• COVER	1				M
	<b>K3e460</b>						

TB145 Book No. BK3Z010 S/N 14510004-  
AIR CONDITIONER (6/6) (14513261-)

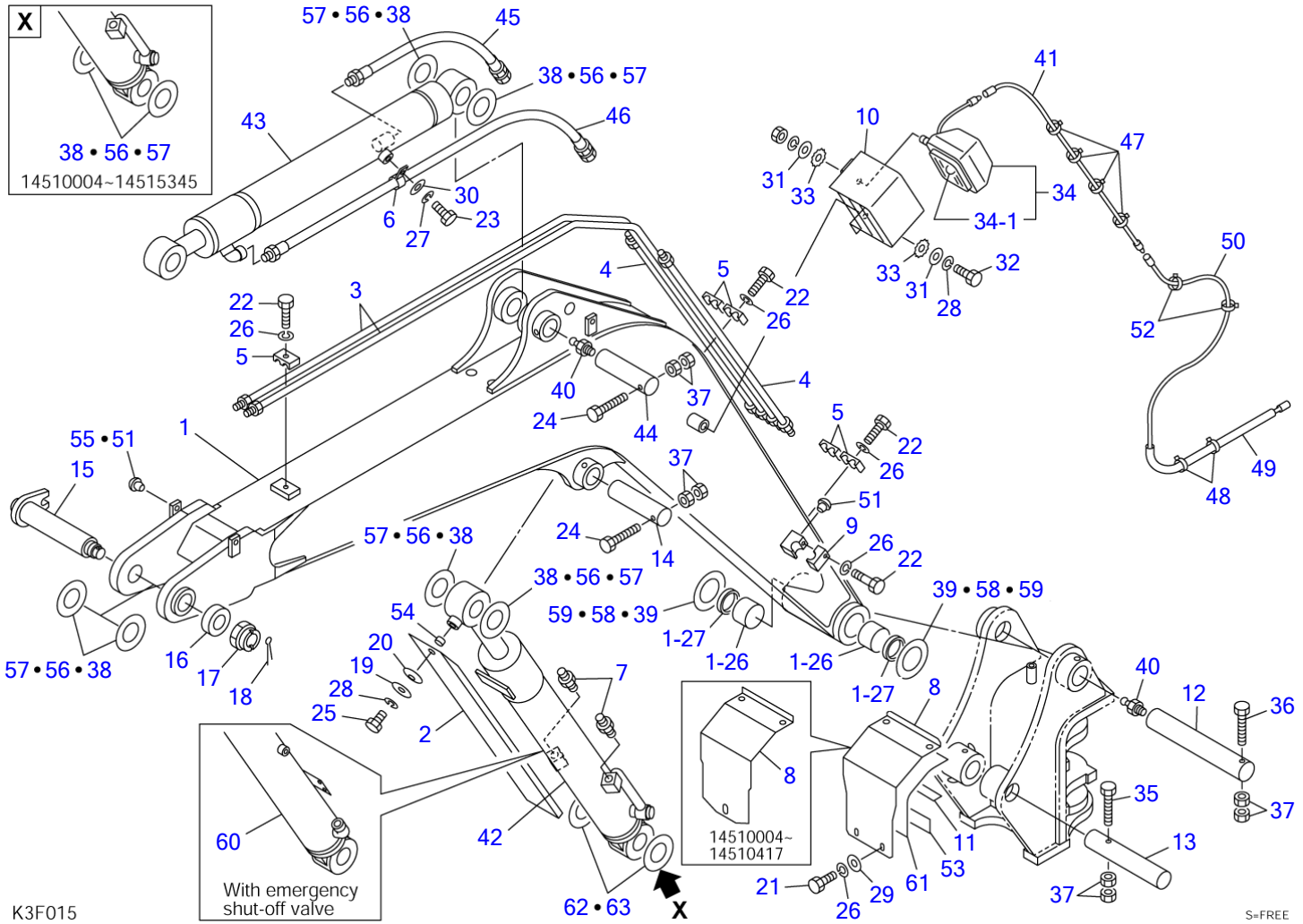


K3E350

S-free

AIR CONDITIONER (6/6) (14513261-)							
Item	Part number	Description	Q'ty	Chan.	Serial No.	Serv.	Remarks
		CONDITIONER ASSY, air					X03946-16000-1
		CONDITIONER ASSY, air (with boost fan)					X03946-16200-0
		CONDITIONER ASSY, air (for the tropics)					X03946-16500-1
0-1	1911506340	UNIT, air conditioner	1		14513261~14514865		
	1911508740	UNIT, air conditioner	1		14514866~		
1	1911506341	▪ MOTOR, blower	1				
2	1911505421	▪ THERMOSTAT	1				
3	1911506343	▪ RESISTOR	1				
4	1911506344	▪ CORE	1				
5	1911505422	▪ VALVE	1				
6	1911506346	▪ HARNESS, wiring	1				not shown
7	1911506711	▪ ADAPTER, hose	3				
0-2	1911506020	PANEL ASSY, control	1				
7	1911505762	▪ CABLE, control	1				
8	1911505763	▪ KNOB	2				
9	1911505767	▪ SWITCH, A/C	1				
10	1911506027	▪ SWITCH, rotary	1				
	K3e353						

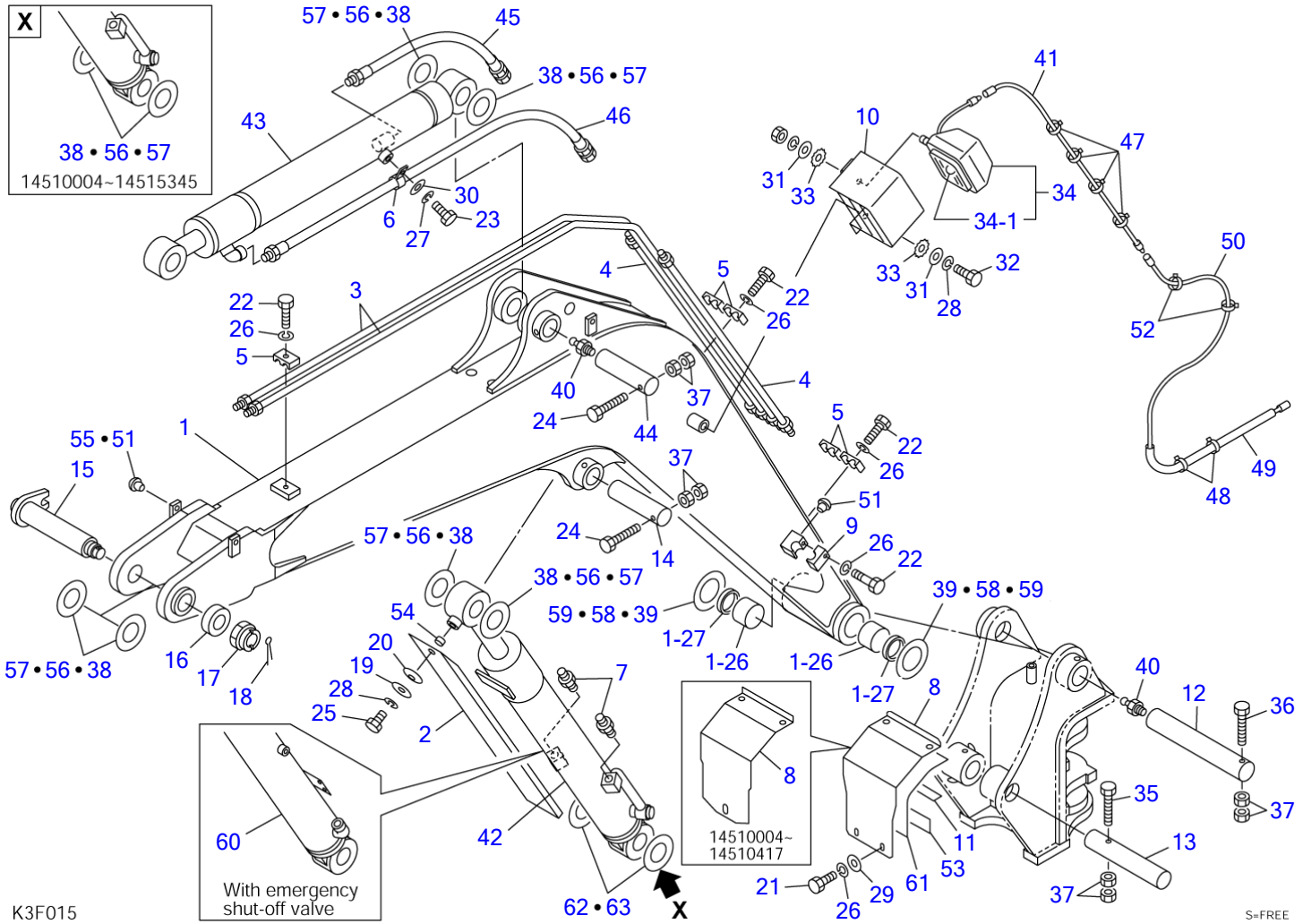
TB145 Book No. BK3Z010 S/N 14510004-  
BOOM



S-FREE

Item	Part number	Description	BOOM		Serial No.	Serv.	Remarks
			Q'ty	Chan.			
		BOOM ASSY					X03960-14700-3
		BOOM ASSY (with shut-off valve)					X03960-15000-3
1	0396008100	BOOM SUB ASSY	1		14510004~14512798		
	0396010100	BOOM SUB ASSY	1		14512799~14515345		
	0396014800	BOOM SUB ASSY	1		14515346~		
1-26	0002400055	• BUSHING	2		14512799~14515345		
	0002400048	• BUSHING	2		14515346~14515477		
	0002400078	• BUSHING	2	(H)	14515478~		
1-27	1432200055	• SEAL, dust	2		14512799~14515345		
	1432200060	• SEAL, dust	2		14515346~		
2	0396008300	COVER, rod	1	(L)	14510004~14510150		
	0396008370	COVER, rod	1	(H)	14510151~14510476		
	0396008400	COVER, rod	1	(H)	14510477~14510788		
	0396010400	COVER, rod	1		14510789~		
3	0396005300	PIPE	2				
4	0396002500	PIPE	2				
5	1534000018	CLAMP	5				
6	0007300058	CLAMP	1				
7	1515600202	ADAPTOR	2				
	1420010180	• O-RING	1				
8	0396008500	COVER	1		14510004~14510417		without shut-off valve
	0396009100	COVER	1		14510418~		without shut-off valve
9	0376006282	CLAMP	2				
10	0376007500	GUARD	1				
11	0396008600	RUBBER	1				
12	0011576001	PIN	1		14510004~14510417		
	0011576003	PIN	1		14510418~14515345		
	0011577001	PIN	1	(L)	14515346~14515477		
	0011577002	PIN	1		14515478~		
13	0011515006	PIN	1		14510004~14515345		
	0011517005	PIN	1	(L)	14515346~14515477		
	0011517006	PIN	1		14515478~		
14	0001605215	PIN	1				
15	0011905003	PIN	1				
16	0003900019	WASHER	1				
17	1132630039	NUT	1				
18	1210010670	PIN, split	1				
19	0003600057	WASHER	1				
20	1225120022	WASHER, conical	1				
21	1100040816	BOLT	4				
22	1100040840	BOLT	7				
23	1100041016	BOLT	1				
24	1103041295	BOLT	2				
25	1101041220	BOLT	1				
26	1140020008	WASHER, spring	11				
27	1140020010	WASHER, spring	1				
28	1140020012	WASHER, spring	2				
29	1141110008	WASHER	4				
30	1141110010	WASHER	1				
31	1141110012	WASHER	2				
32	1100041230	BOLT	1				
33	1140330012	WASHER	2				
34	1703002700	LAMP ASSY	1				
34-1	1703002706	• BULB	1				
35	1103141205	BOLT	1		14510004~14510417		
	1103141225	BOLT	1		14510418~		
36	1103141220	BOLT	1		14510004~14510417		
	1103141240	BOLT	1		14510418~		
37	1130240012	NUT	8				
38	0003600096	SHIM	AR				t=1.0
39	0003600098	SHIM	AR		14510004~14515345		t=1.0
	0003600099	SHIM	AR		14515346~		t=1.0
40	1560001000	FITTING, grease	2				
41	0434200600	WIRE	1				
42	1900075600	CYLINDER, boom	1	A(L)	14510004~14510476		without shut-off valve
	1900080500	CYLINDER, boom	1	a(H)	14510477~14510788		without shut-off valve
	1900079900	CYLINDER, boom	1	(H)(L)	14510789~14512426		without shut-off valve

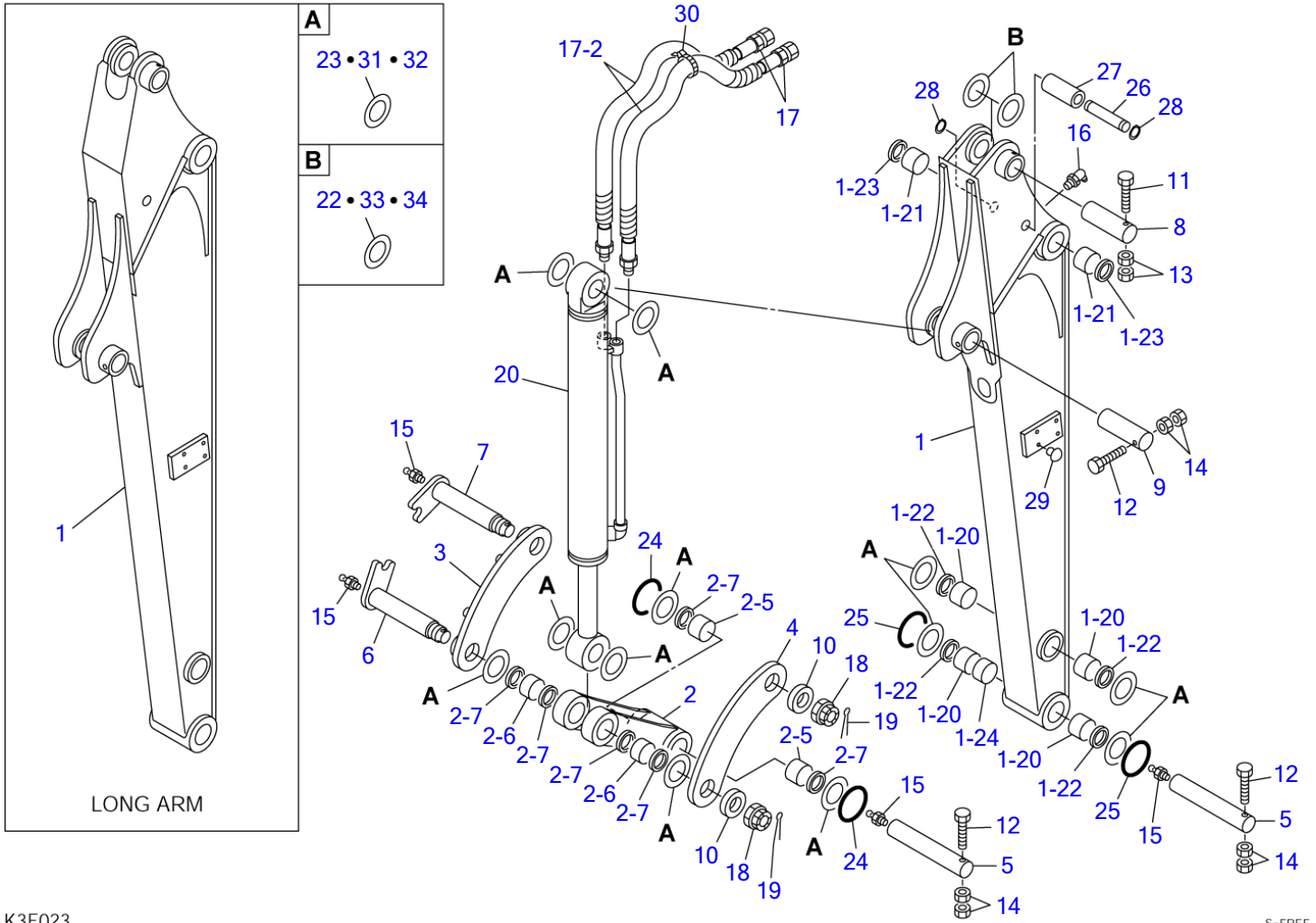
TB145 Book No. BK3Z010 S/N 14510004-  
BOOM





Item	Part number	Description	BOOM Q'ty	Chan.	Serial No.	Serv.	Remarks
42	1900089000	CYLINDER, boom	1	(H)	14512427~14515345		without shut-off valve
42	1900093800	CYLINDER, boom	1		14515346~		without shut-off valve
43	1900075700	CYLINDER, arm	1		14510004~14510788		
43	1900081500	CYLINDER, arm	1	(H)(L)	14510789~14512426		
43	1900087900	CYLINDER, arm	1	(H)	14512427~		
44	0001675001	PIN	1				
45	0396008700	HOSE ASSY	1				18015-42080
46	0396008800	HOSE ASSY	1				18015-42154
47	1652200004	BAND	4				
48	1652201005	BAND	2				
49	1531312050	HOSE	1				sold by the meter
50	0434200500	WIRE	1				
51	1652533016	CAP	8		14510004~14512798		without shut-off valve
51	1652533016	CAP	3		14512799~		without shut-off valve
51	1652533016	CAP	2				with shut-off valve
52	1652201004	BAND	2				
53	0396008900	RUBBER	1				
54	0003600159	COLLER	1	a(H)	14510477~		
55	1652533017	CAP	6		14512799~		
56	0003600060	SHIM	AR				t=0.2
57	0003600061	SHIM	AR				t=0.5
58	0003600108	SHIM	AR		14510004~14515345		t=0.2
58	0003600094	SHIM	AR		14515346~		t=0.2
59	0003600109	SHIM	AR		14510004~14515345		t=0.5
59	0003600095	SHIM	AR		14515346~		t=0.5
60	1900087800	CYLINDER, boom	1		14510004~14515345		with shut-off valve
60	1900097900	CYLINDER, boom	1		14515346~		with shut-off valve
61	0396010061	PLATE, rubber	1				
62	0003600219	SHIM	AR		14515346~		t=0.2
63	0003600220	SHIM	AR		14515346~		t=0.5
63		<<NOTE>>					
63		"A" is interchangeable with SET "a".					

K3f016



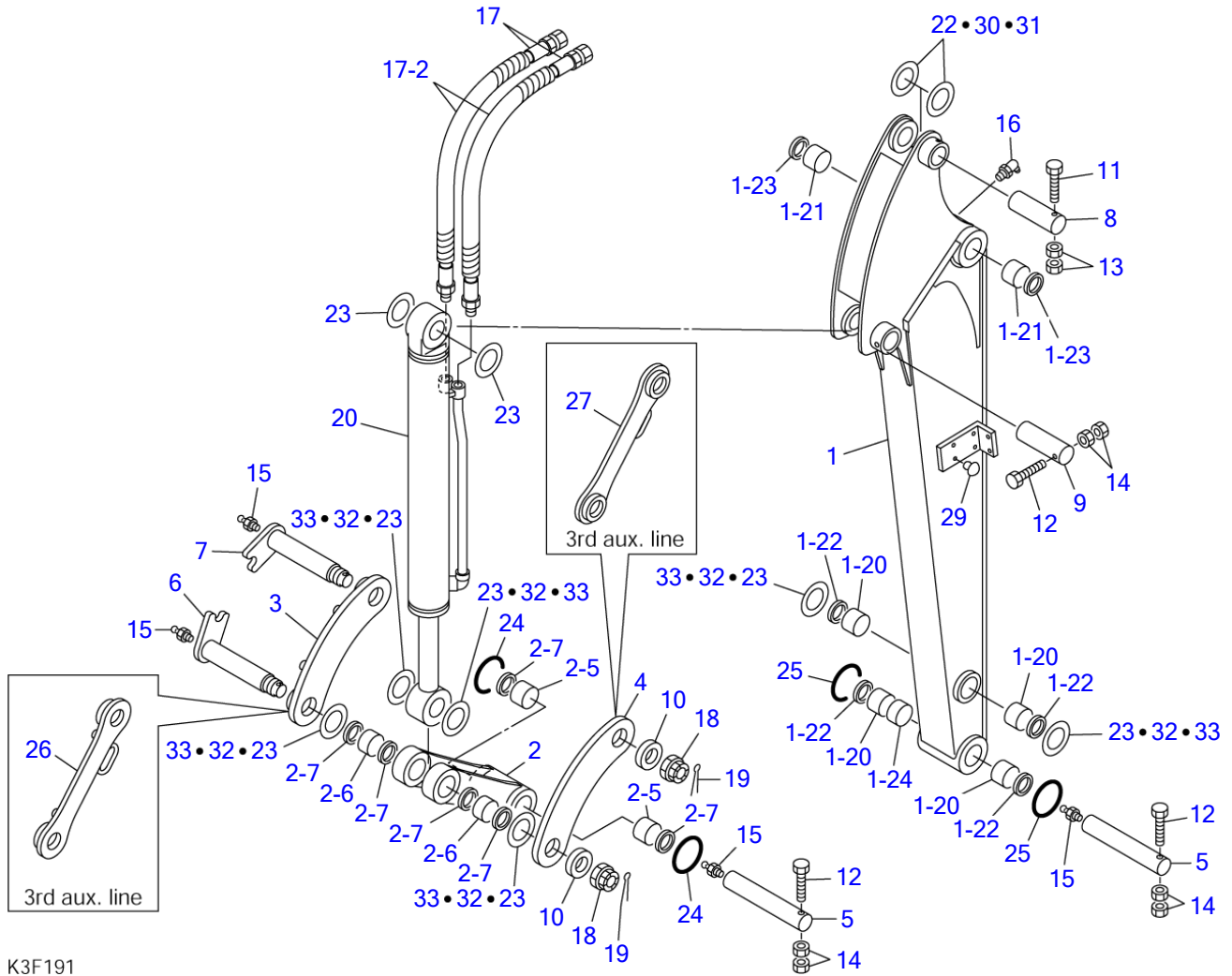
K3F023

S=FREE

Item	Part number	Description	ARM	Q'ty	Chan.	Serial No.	Serv.	Remarks
		ARM ASSY						X03961-13000-2
		ARM ASSY, long						X03961-12000-3
1	0396110700	ARM SUB ASSY		1		14510004~14510348		
	0396113100	ARM SUB ASSY		1	(H)	14510349~		
	0396112100	ARM SUB ASSY, long		1				for long arm
1-20	0002400040	• BUSHING		4				
1-21	0002400050	• BUSHING		2				
1-22	1432200045	• SEAL, dust		4				
1-23	1432200050	• SEAL, dust		2				
1-24	0003048000	• COLLAR		1				
2	0396110300	LINK ASSY, bucket		1				
2-5	0002400040	• BUSHING		2				
2-6	0002100027	• BUSHING		2				
2-7	1432200045	• SEAL, dust		6				
3	0396107400	LINK, guide (R.H.)		1				
4	0396107500	LINK, guide (L.H.)		1				
5	0001524502	PIN		2				
6	0001794012	PIN		1				
7	0001794013	PIN		1				
8	0001605155	PIN		1				
9	0001604150	PIN		1				
10	0003900020	WASHER		2				
11	1103041295	BOLT		1				
12	1103041085	BOLT		3				
13	1130240012	NUT		2				
14	1130240010	NUT		6				
15	1560001000	FITTING, grease		4				
16	1560001675	FITTING, grease		1				
17	0396110900	HOSE ASSY		2				18015-42095
	0396112300	HOSE ASSY (for long arm)		2				18015-42116
17-2	1532224082	• PROTECTOR		1				sold by the meter
	1532224103	• PROTECTOR (for long arm)		1				sold by the meter
18	1132630030	NUT		2				
19	1210010655	PIN, split		2				
20	1900075800	CYLINDER, bucket		1				
22	0003600096	SHIM		AR				t=1.0
23	0456008600	SHIM		AR				t=1.0
24	1432900046	O-RING		2				
25	1432900008	O-RING		2				
26	0396110500	PIN		1		14510004~14510348		
27	0396110600	PIPE		1		14510004~14510348		
28	1220000015	RING, snap		2		14510004~14510348		
29	1652333016	CAP		8				
30	1652231250	BAND		1		14510004~14510348		
31	0003600055	SHIM		AR				t=0.2
32	0003600056	SHIM		AR				t=0.5
33	0003600060	SHIM		AR				t=0.2
34	0003600061	SHIM		AR				t=0.5

K3f023

TB145 Book No. BK3Z010 S/N 14510004-  
 MIDDLE ARM (for HUPPENKOTHEN)



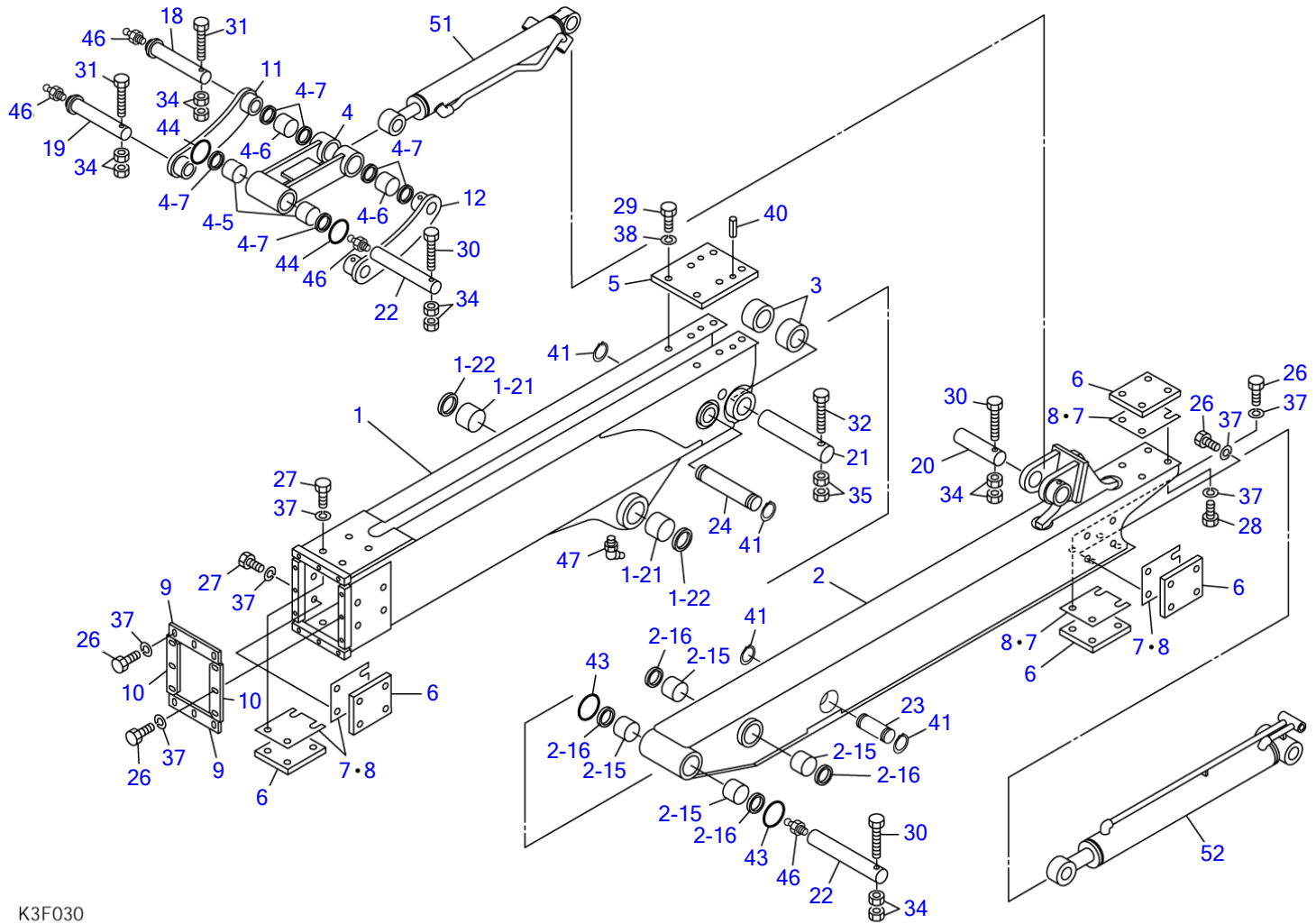
K3F191

S=FREE

MIDDLE ARM (for HUPPENKOTHEN)							
Item	Part number	Description	Q'ty	Chan.	Serial No.	Serv.	Remarks
		ARM ASSY, middle					X03961-18500-1
		ARM ASSY, middle (3rd aux. line)					X03961-19000-1
1	0396117100	ARM SUB ASSY, middle	1		14510004~14516341		1600mm long
	0396118600	ARM SUB ASSY, middle	1		14516342~		1600mm long
1-20	0002400040	· BUSHING	4				
1-21	0002400050	· BUSHING	2				
1-22	1432200045	· SEAL, dust	4				
1-23	1432200050	· SEAL, dust	2				
1-24	0003048000	· COLLAR	1				
2	0396110300	LINK ASSY, bucket	1				
2-5	0002400040	· BUSHING	2				
2-6	0002100027	· BUSHING	2				
2-7	1432200045	· SEAL, dust	6				
3	0396107400	LINK, guide (R.H.)	1				
4	0396107500	LINK, guide (L.H.)	1				
5	0001524502	PIN	2				
6	0001794012	PIN	1				
7	0001794013	PIN	1				
8	0001605155	PIN	1				
9	0001604150	PIN	1				
10	0003900020	WASHER	2				
11	1103041295	BOLT	1				
12	1103041085	BOLT	3				
13	1130240012	NUT	2				
14	1130240010	NUT	6				
15	1560001000	FITTING, grease	4				
16	1560001675	FITTING, grease	1				
17	0396117900	HOSE ASSY	2				18015-42110
17-2	1532224082	· PROTECTOR	1				sold by the meter
18	1132630030	NUT	2				
19	1210010655	PIN, split	2				
20	1900075800	CYLINDER, bucket	1				
22	0003600096	SHIM	AR				t=1.0
23	0456008600	SHIM	AR				t=1.0
24	1432900046	O-RING	2				
25	1432900008	O-RING	2				
26	0396118560	PLATE	1		14516342~		3rd aux. line
27	0396118570	PLATE	1		14516342~		3rd aux. line
29	1652533016	CAP	8				
30	0003600061	SHIM	AR				t=0.5
31	0003600060	SHIM	AR				t=0.2
32	0003600056	SHIM	AR				t=0.5
33	0003600055	SHIM	AR				t=0.2

K3f192

TB145 Book No. BK3Z010 S/N 14510004-  
TELESCOPIC ARM (1/2)



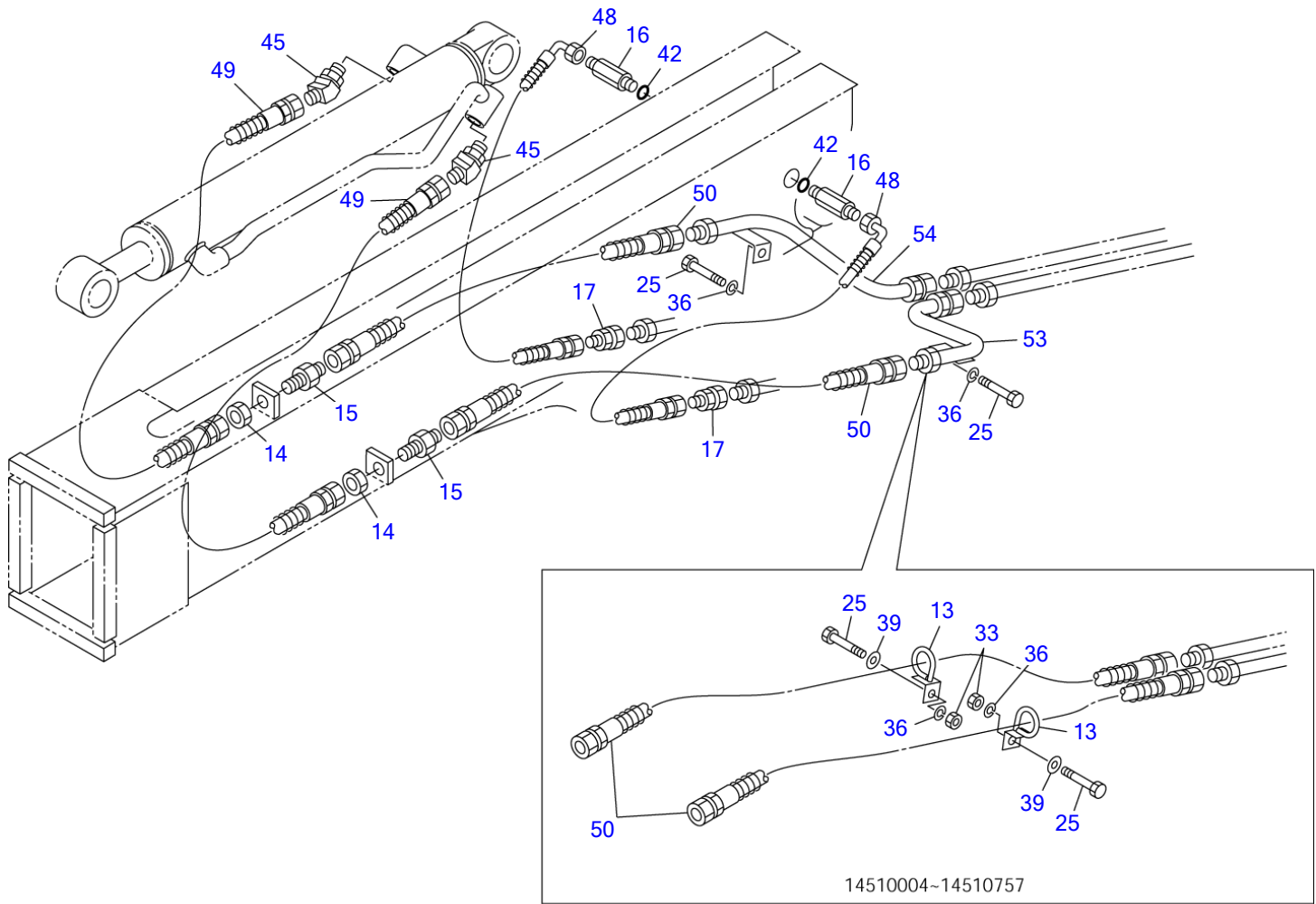
K3F030

S=1/18

**TELESCOPIC ARM (1/2)**

Item	Part number	Description	Q'ty	Chan.	Serial No.	Serv.	Remarks
		ARM ASSY, telescopic					X03961-09000-3
1	<b>0396106100</b>	ARM ASSY, outside	1				
1-21	<b>0002400025</b>	• BUSHING	2				
1-22	<b>1432200050</b>	• SEAL, dust	2				
2	<b>0396106300</b>	ARM ASSY, inside	1				
2-15	<b>0002400022</b>	• BUSHING	4				
2-16	<b>1432200045</b>	• SEAL, dust	4				
3	<b>0396106500</b>	COLLAR	2				
4	<b>0466100300</b>	LINK ASSY, bucket	1				
4-5	<b>0002400022</b>	• BUSHING	2				
4-6	<b>0002100027</b>	• BUSHING	2				
4-7	<b>1432200045</b>	• SEAL, dust	6				
5	<b>0466103500</b>	PLATE	1				
6	<b>0466103600</b>	LINER	8				
7	<b>0466103701</b>	SHIM	AR				
8	<b>0466103702</b>	SHIM	AR				
9	<b>0466103800</b>	CUTTER	2				
10	<b>0466103900</b>	CUTTER	2				
11	<b>0466104000</b>	LINK, guide (R.H.)	1				
12	<b>0466104100</b>	LINK, guide (L.H.)	1				
18	<b>0011024003</b>	PIN	1				
19	<b>0011044001</b>	PIN	1				
20	<b>0011504125</b>	PIN	1				
21	<b>0011505240</b>	PIN	1				
22	<b>0001524502</b>	PIN	2				
23	<b>0014240107</b>	PIN	1				
24	<b>0014240198</b>	PIN	1				
26	<b>1100041020</b>	BOLT	24				
27	<b>1100041030</b>	BOLT	16				
28	<b>1100041040</b>	BOLT	4				
29	<b>1101041430</b>	BOLT	6				
30	<b>1103041085</b>	BOLT	3				
31	<b>1103041095</b>	BOLT	2				
32	<b>1103141210</b>	BOLT	1				
34	<b>1130240010</b>	NUT	10				
35	<b>1130240012</b>	NUT	2				
37	<b>1140020010</b>	WASHER, spring	44				
38	<b>1140020014</b>	WASHER, spring	6				
40	<b>1213001026</b>	PIN, spring	2				
41	<b>1222016040</b>	RING, seeger	4				
43	<b>1432900008</b>	O-RING	2				
44	<b>1432900046</b>	O-RING	2				
46	<b>1560001000</b>	FITTING, grease	4				
47	<b>1560001675</b>	FITTING, grease	1				
51	<b>1900047200</b>	CYLINDER, bucket	1				
52	<b>1900049800</b>	CYLINDER, telescopic	1				
	<b>K3f030</b>						

TB145 Book No. BK3Z010 S/N 14510004-  
TELESCOPIC ARM (2/2)



K3F041

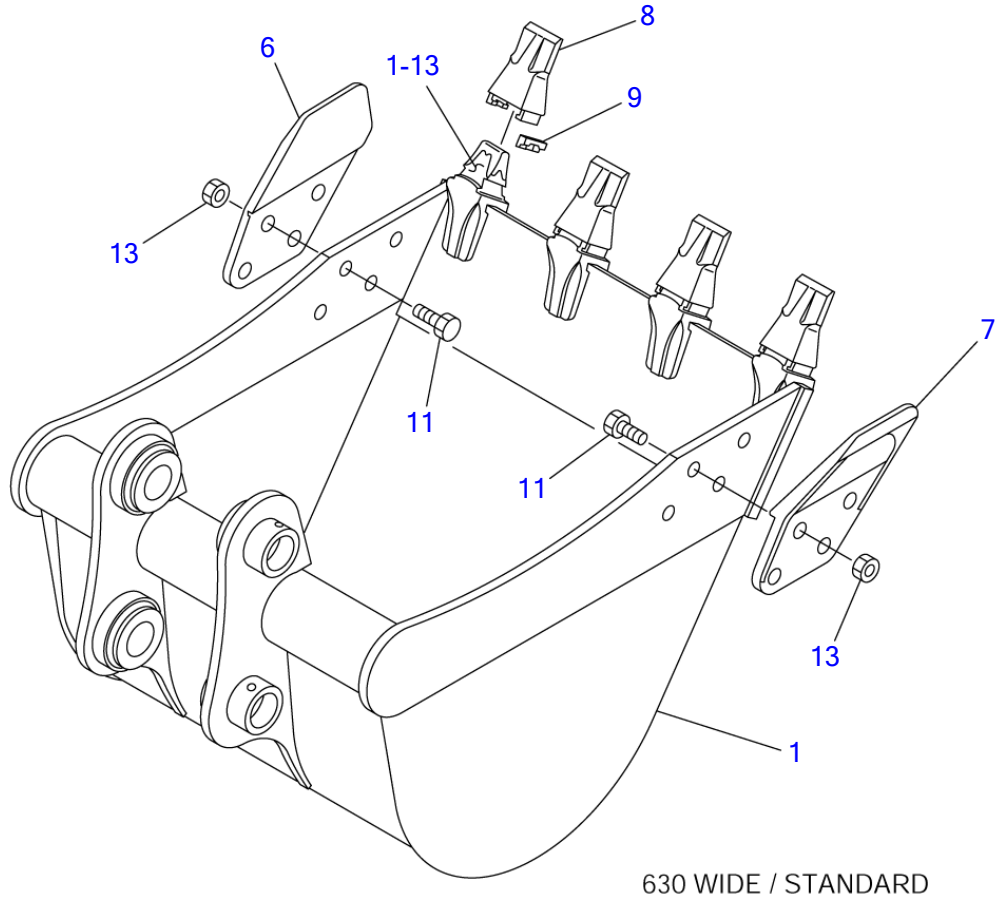
S=1/8



**TELESCOPIC ARM (2/2)**

Item	Part number	Description	Q'ty	Chan.	Serial No.	Serv.	Remarks
		ARM ASSY, telescopic					X03961-09000-3
13	<b>0376109500</b>	GUIDE	2		14510004~14510757		
14	<b>0007200156</b>	NUT	2				
15	<b>0007200189</b>	ADAPTOR	2				
16	<b>0007203025</b>	ADAPTOR	2				
17	<b>0007236040</b>	ADAPTOR	2				
25	<b>1100240860</b>	BOLT	2		14510004~14510757		
	<b>1100240850</b>	BOLT	2		14510758~		
33	<b>1130040008</b>	NUT	2		14510004~14510757		
36	<b>1140020008</b>	WASHER, spring	2				
39	<b>1141110008</b>	WASHER	2		14510004~14510757		
42	<b>1420010110</b>	O-RING	2				
45	<b>1515100112</b>	ELBOW	2				
	<b>1420010180</b>	· O-RING	1				
48	<b>1801601056</b>	HOSE ASSY	2				
49	<b>1935312095</b>	HOSE ASSY	2				
50	<b>1801640112</b>	HOSE ASSY	2		14510004~14510757		
	<b>1801640092</b>	HOSE ASSY	2		14510758~		
53	<b>0396109600</b>	PIPE	1				
54	<b>0396109700</b>	PIPE	1				
	<b>K3f041</b>						

TB145 Book No. BK3Z010 S/N 14510004-  
BUCKET 1 (14510004-1451#)



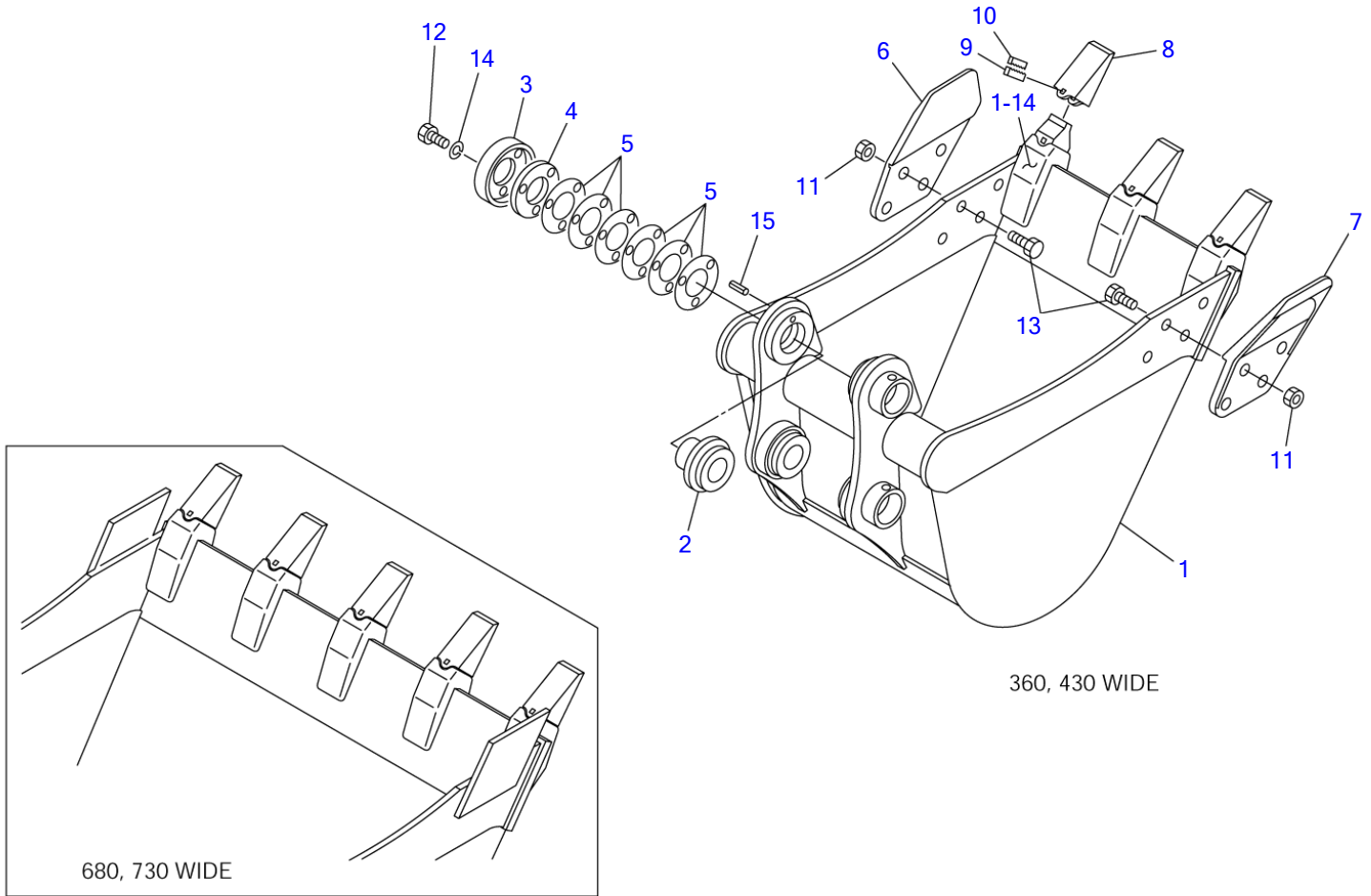
K3F050

S=1/8

**BUCKET 1 (14510004-1451#)**

Item	Part number	Description	Q'ty	Chan.	Serial No.	Serv.	Remarks
0	<b>0396216000</b>	BUCKET ASSY	1				630wide
	<b>0396217000</b>	BUCKET ASSY	1				530wide
1	X *****	· BUCKET	1				
1-13	<b>1914201302</b>	· · ADAPTOR, tooth	4				
6	<b>1914210001</b>	· CUTTER (R.H.)	1				
7	<b>1914210002</b>	· CUTTER (L.H.)	1				
8	<b>1914201301</b>	· POINT, tooth	4				
9	<b>1914201203</b>	· PIN	4				
11	<b>1100051635</b>	· BOLT	8				
13	<b>1130050016</b>	· NUT	8				
	<b>K3f050</b>						

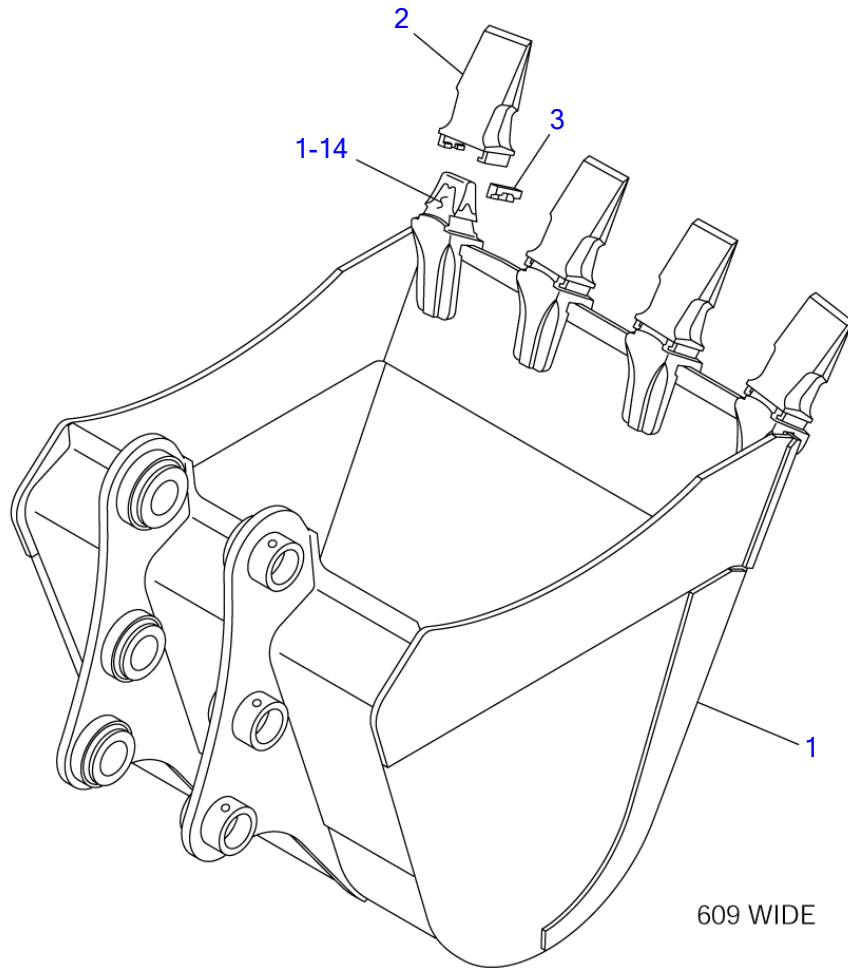
TB145 Book No. BK3Z010 S/N 14510004-  
BUCKET 2



K3F080

S=1/10

BUCKET 2						
Item	Part number	Description	Q'ty	Chan.	Serial No.	Serv. Remarks
0	0396202000	BUCKET ASSY	1			430wide
	0396204000	BUCKET ASSY	1			680wide
	0396205000	BUCKET ASSY	1			730wide
	0396206000	BUCKET ASSY	1			360wide
1	X *****	· BUCKET	1			
1-14	1914200381	· · ADAPTOR, tooth	3			360w, 430w
	1914200381	· · ADAPTOR, tooth	5			680w, 730w
2	0396201200	· BUSHING	1			
3	0396201300	· PLATE, end	1			
4	0396200400	· FLANGE	1			
5	0396200500	· SHIM	6			
6	1914210001	· CUTTER, side (R.H.)				
7	1914210002	· CUTTER, side (L.H.)				
8	1914200182	· POINT, tooth	3			360w, 430w
	1914200182	· POINT, tooth	5			680w, 730w
9	1914200183	· PIN, lock	3			360w, 430w
	1914200183	· PIN, lock	5			680w, 730w
10	1914200184	· PIN	3			360w, 430w
	1914200184	· PIN	5			680w, 730w
11	1101051635	· BOLT	8			
12	1100051025	· BOLT	3			
13	1130550016	· NUT	8			
14	1140010010	· WASHER, spring	3			
15	1213000832	· PIN, sping	1			
	K3f080					



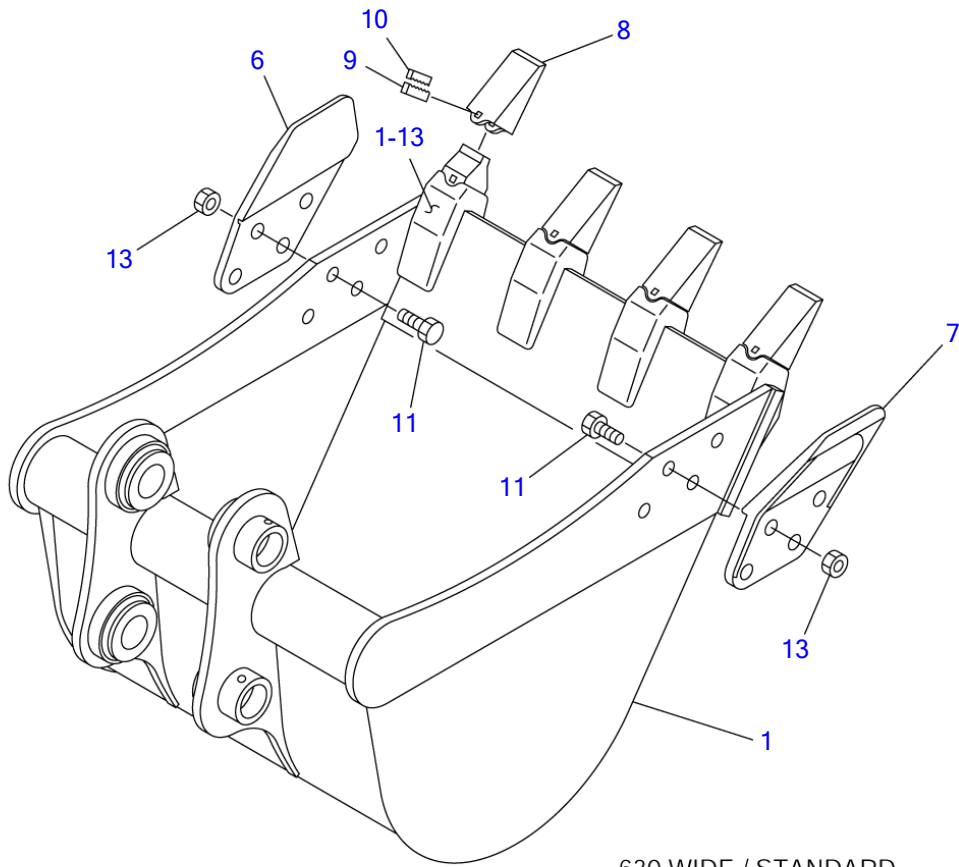
K3F060

S=1/8

**BUCKET (for U.S.A.; 14510004-1451#)**

Item	Part number	Description	Q'ty	Chan.	Serial No.	Serv.	Remarks
0	<b>0396213000</b>	BUCKET ASSY	1				609wide
1	X *****	▪ BUCKET	1				
1-14	<b>1914201302</b>	▪ ▪ ADAPTOR, tooth	4				
2	<b>1914201301</b>	▪ POINT, tooth	4				
3	<b>1914201203</b>	▪ PIN	4				
	<b>K3f060</b>						

TB145 Book No. BK3Z010 S/N 14510004-  
BUCKET 3 (1451#-)



630 WIDE / STANDARD

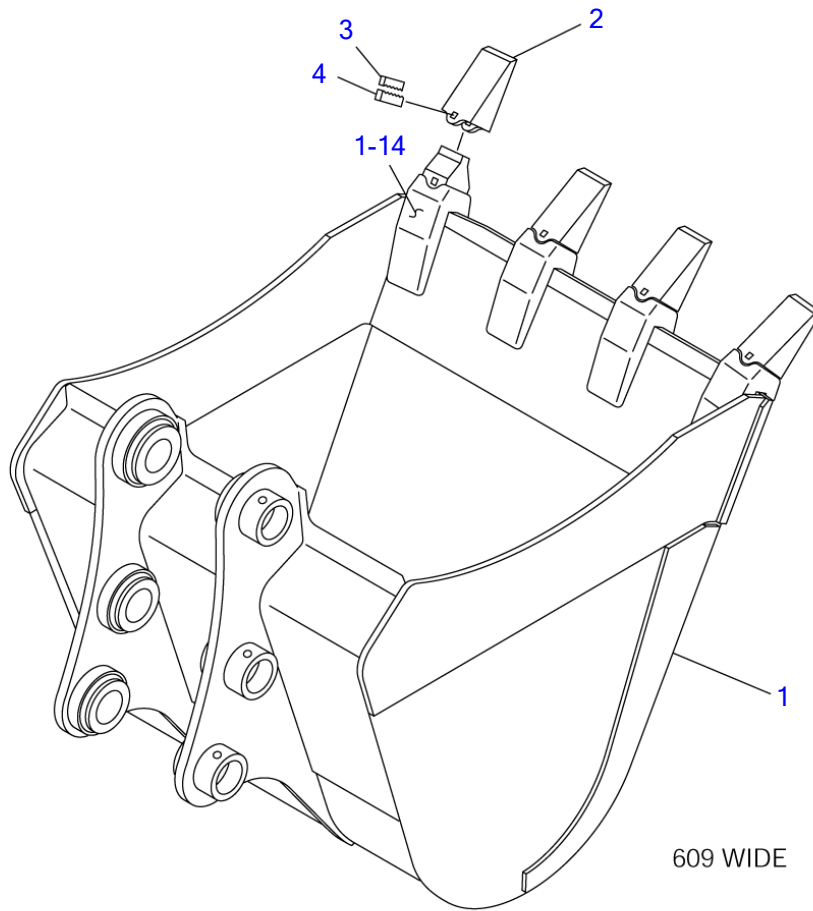
K3F210

S-1/8



**BUCKET 3 (1451#-)**

Item	Part number	Description	Q'ty	Chan.	Serial No.	Serv.	Remarks
0	<b>0396217200</b>	BUCKET ASSY	1				630wide No23613
	<b>0396217300</b>	BUCKET ASSY	1				530wide No23613
1	X *****	· BUCKET	1				
1-13	<b>1914200381</b>	· · ADAPTOR, tooth	4				
6	<b>1914210001</b>	· CUTTER (R.H.)	1				
7	<b>1914210002</b>	· CUTTER (L.H.)	1				
8	<b>1914200182</b>	· POINT, tooth	4				
9	<b>1914200183</b>	· PIN, lock	4				
10	<b>1914200184</b>	· PIN	4				
11	<b>1100051635</b>	· BOLT	8				
13	<b>1130050016</b>	· NUT	8				
	<b>K3f210</b>						



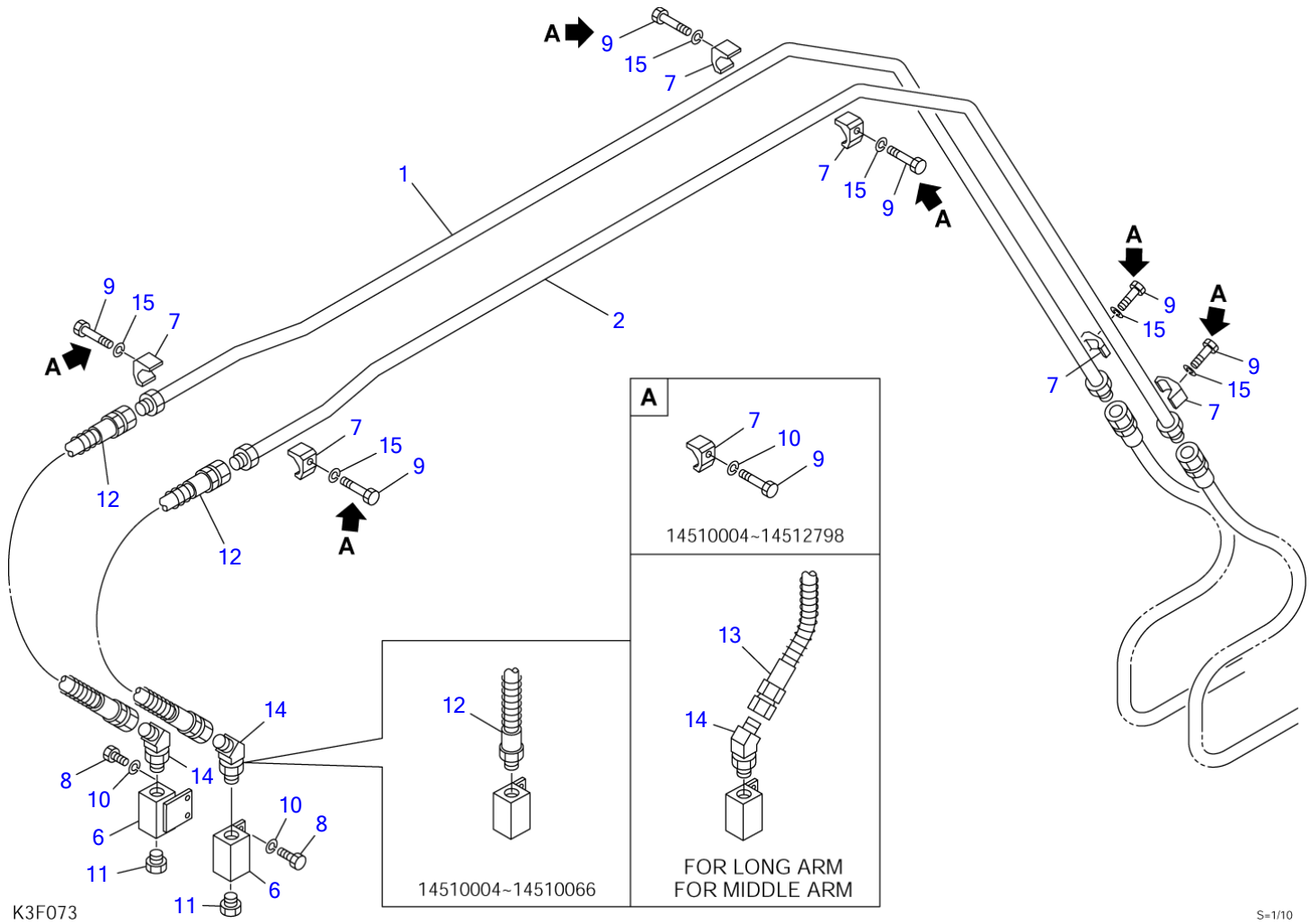
K3F220

S=1/8

**BUCKET 4 (1451#-)**

Item	Part number	Description	Q'ty	Chan.	Serial No.	Serv.	Remarks
0	<b>0396217400</b>	BUCKET ASSY	1				610wide No23613
1	X *****	▪ BUCKET	1				
1-14	<b>1914200381</b>	▪ ▪ ADAPTOR, tooth	4				
2	<b>1914200182</b>	▪ POINT, tooth	4				
3	<b>1914200184</b>	▪ PIN	4				
4	<b>1914200183</b>	▪ PIN	4				
	<b>K3f220</b>						

TB145 Book No. BK3Z010 S/N 14510004-  
AUXILIARY LINE

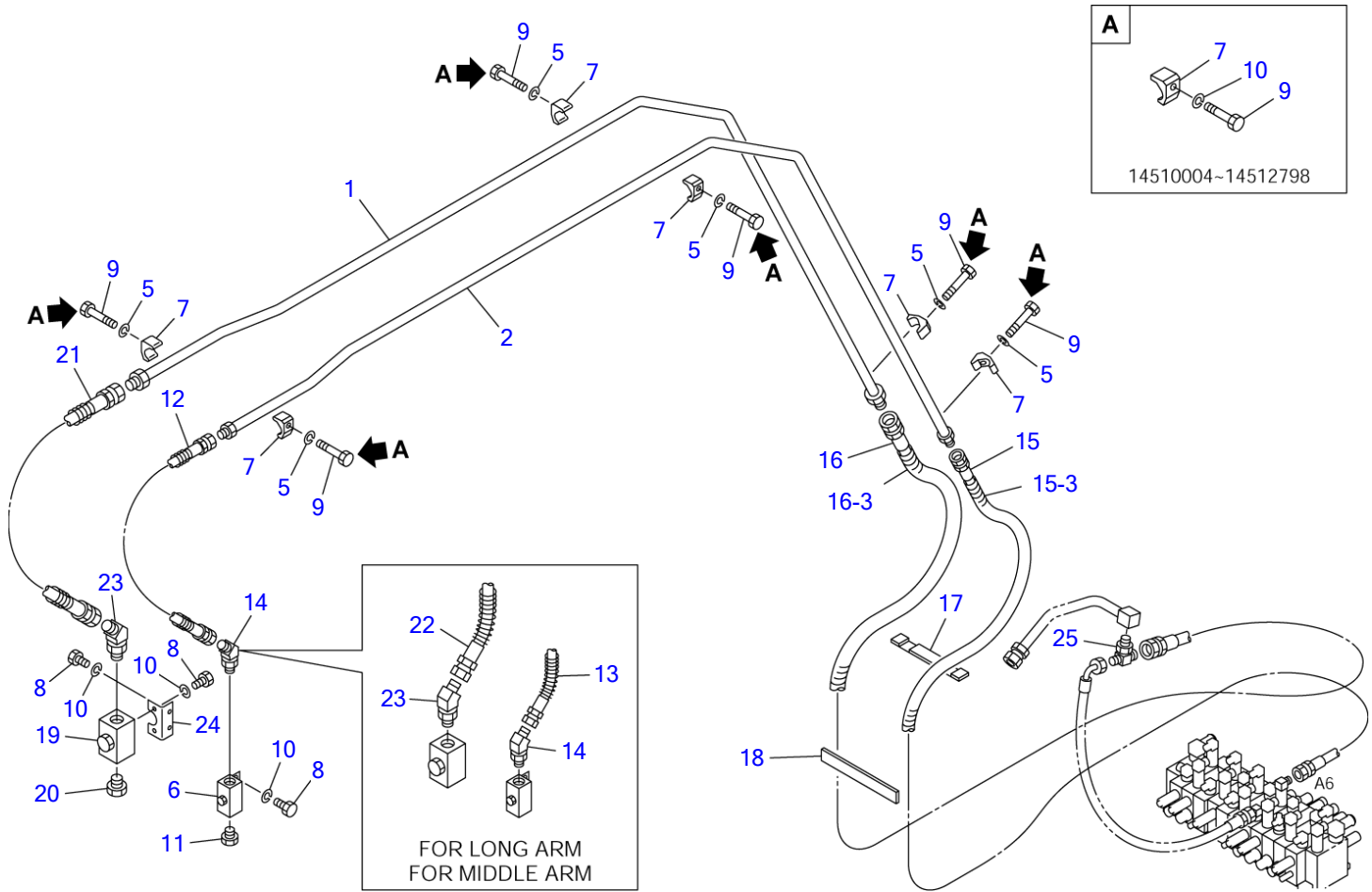


S=1/10

**AUXILIARY LINE**

Item	Part number	Description	Q'ty	Chan.	Serial No.	Serv.	Remarks
0	<b>0397305000</b>	LINE ASSY, auxiliary	1		14510004~14515345		X03973-05000-7
	<b>0397322000</b>	LINE ASSY, auxiliary	1		14515346~		X03973-22000-1
	<b>0397306000</b>	LINE ASSY, auxiliary (long arm)	1		14510004~14515345		X03973-06000-7
	<b>0397322100</b>	LINE ASSY, auxiliary (long arm)	1		14515346~		X03973-22100-1
	<b>0397306500</b>	LINE ASSY, auxiliary (middle arm)	1		14510004~14515345		X03973-06500-7
	<b>0397322200</b>	LINE ASSY, auxiliary (middle arm)	1		14515346~14516341		X03973-22200-0
	<b>0397325000</b>	LINE ASSY, auxiliary (middle arm)	1		14516342~		X03973-25000-0
1	<b>0397305300</b>	• PIPE (R.H.)	1		14510004~14515345		
	<b>0397322010</b>	• PIPE (R.H.)	1		14515346~		
2	<b>0397305400</b>	• PIPE (L.H.)	1		14510004~14515345		
	<b>0397322020</b>	• PIPE (L.H.)	1		14515346~		
6	<b>1901719800</b>	• VALVE, stop	2				
7	<b>1534100217</b>	• CLAMP	6		14510004~14512798		
	<b>1534100218</b>	• CLAMP	6		14512799~		
8	<b>1100040816</b>	• BOLT	4				
9	<b>1100040840</b>	• BOLT	6		14510004~14512798		
	<b>1100041045</b>	• BOLT	6		14512799~		
10	<b>1140020008</b>	• WASHER, spring	10		14510004~14512798		
	<b>1140020008</b>	• WASHER, spring	4		14512799~		
11	<b>1501750004</b>	• PLUG	2				
	<b>1420010180</b>	• • O-RING	1				
12	<b>1801642076</b>	• HOSE ASSY	2		14510004~14510066		
	<b>1801640078</b>	• HOSE ASSY	2		14510067~		
13	<b>1801640104</b>	• HOSE ASSY	2				for long arm
	<b>1801640088</b>	• HOSE ASSY	2				for middle arm
14	<b>1515100112</b>	• ELBOW	2				
	<b>1420010180</b>	• • O-RING	1				
15	<b>1140020010</b>	• WASHER, spring	6		14512799~		
	<b>K3f076</b>						

TB145 Book No. BK3Z010 S/N 14510004-  
**AUXILIARY LINE (high flow)**



K3F092

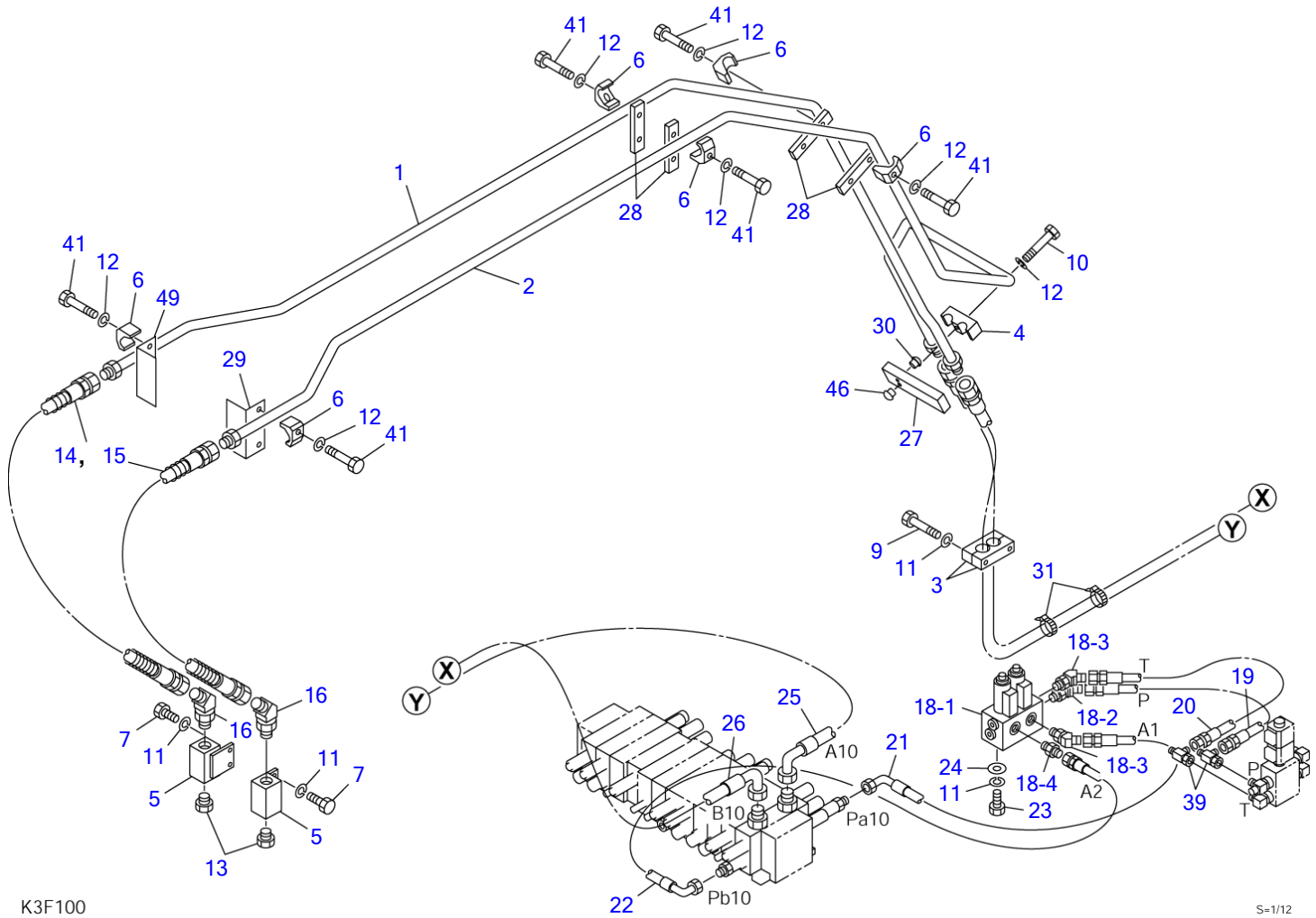
S=1/15

**AUXILIARY LINE (high flow)**

Item	Part number	Description	Q'ty	Chan.	Serial No.	Serv.	Remarks
0	<b>0397309000</b>	LINE ASSY, auxiliary	1		14510004~14515345		X03973-09000-6
	<b>0397322400</b>	LINE ASSY, auxiliary	1		14515346~		X03973-22400-1
	<b>0397309500</b>	LINE ASSY, auxiliary (long arm)	1		14510004~14515345		X03973-09500-6
	<b>0397322500</b>	LINE ASSY, auxiliary (long arm)	1		14515346~		X03973-22500-1
	<b>0397309800</b>	LINE ASSY, auxiliary (middle arm)	1		14510004~14515345		X03973-09800-6
	<b>0397322600</b>	LINE ASSY, auxiliary (middle arm)	1		14515346~14516341		X03973-22600-0
	<b>0397325100</b>	LINE ASSY, auxiliary (middle arm)	1		14516342~		X03973-25100-0
1	<b>0397309110</b>	• PIPE (R.H.)	1		14510004~14515345		
	<b>0397322410</b>	• PIPE (R.H.)	1		14515346~		
2	<b>0397309200</b>	• PIPE (L.H.)	1		14510004~14515345		
	<b>0397322420</b>	• PIPE (L.H.)	1		14515346~		
5	<b>1140020010</b>	• WASHER, spring	6		14512799~		
6	<b>1901719800</b>	• VALVE , stop	1				
7	<b>1534100217</b>	• CLAMP	6		14510004~14512798		
	<b>1534100218</b>	• CLAMP	6		14512799~		
8	<b>1100040816</b>	• BOLT	6				
9	<b>1100040840</b>	• BOLT	6		14510004~14512798		
	<b>1100041045</b>	• BOLT	6		14512799~		
10	<b>1140020008</b>	• WASHER, spring	12		14510004~14512798		
	<b>1140020008</b>	• WASHER, spring	6		14512799~		
11	<b>1501750004</b>	• PLUG	1				
	<b>1420010180</b>	• • O-RING	1				
12	<b>0397309300</b>	• HOSE ASSY	1				
13	<b>0397309310</b>	• HOSE ASSY	1				for long arm
	<b>0397309810</b>	• HOSE ASSY (18016-40093)	1				for middle arm
14	<b>1515100112</b>	• ELBOW	1				
	<b>1420010180</b>	• • O-RING	1				
15	<b>0397309320</b>	• HOSE ASSY	1				
15-3	<b>1532224229</b>	• • PROTECTOR	1				
16	<b>0397309140</b>	• HOSE ASSY	1				
16-3	<b>1532224194</b>	• • PROTECTOR	1				
17	<b>0397309340</b>	• RUBBER	1				
18	<b>0397309350</b>	• RUBBER	1				
19	<b>1901723700</b>	• VALVE , stop	1				
20	<b>1501750006</b>	• PLUG	1				
	<b>1420010240</b>	• • O-RING	1				
21	<b>0397309170</b>	• HOSE ASSY	1				
22	<b>0397309160</b>	• HOSE ASSY	1				for long arm
	<b>0397309820</b>	• HOSE ASSY (18016-50093)	1				for middle arm
23	<b>1515100113</b>	• ELBOW	1				
	<b>1420010240</b>	• • O-RING	1				
24	<b>0397309380</b>	• PLATE	1				
25	<b>1513370044</b>	• TEE	1				
	<b>1420010180</b>	• • O-RING	1				

**K3f095**

TB145 Book No. BK3Z010 S/N 14510004-  
2ND AUXILIARY LINE (1/2)



K3F100

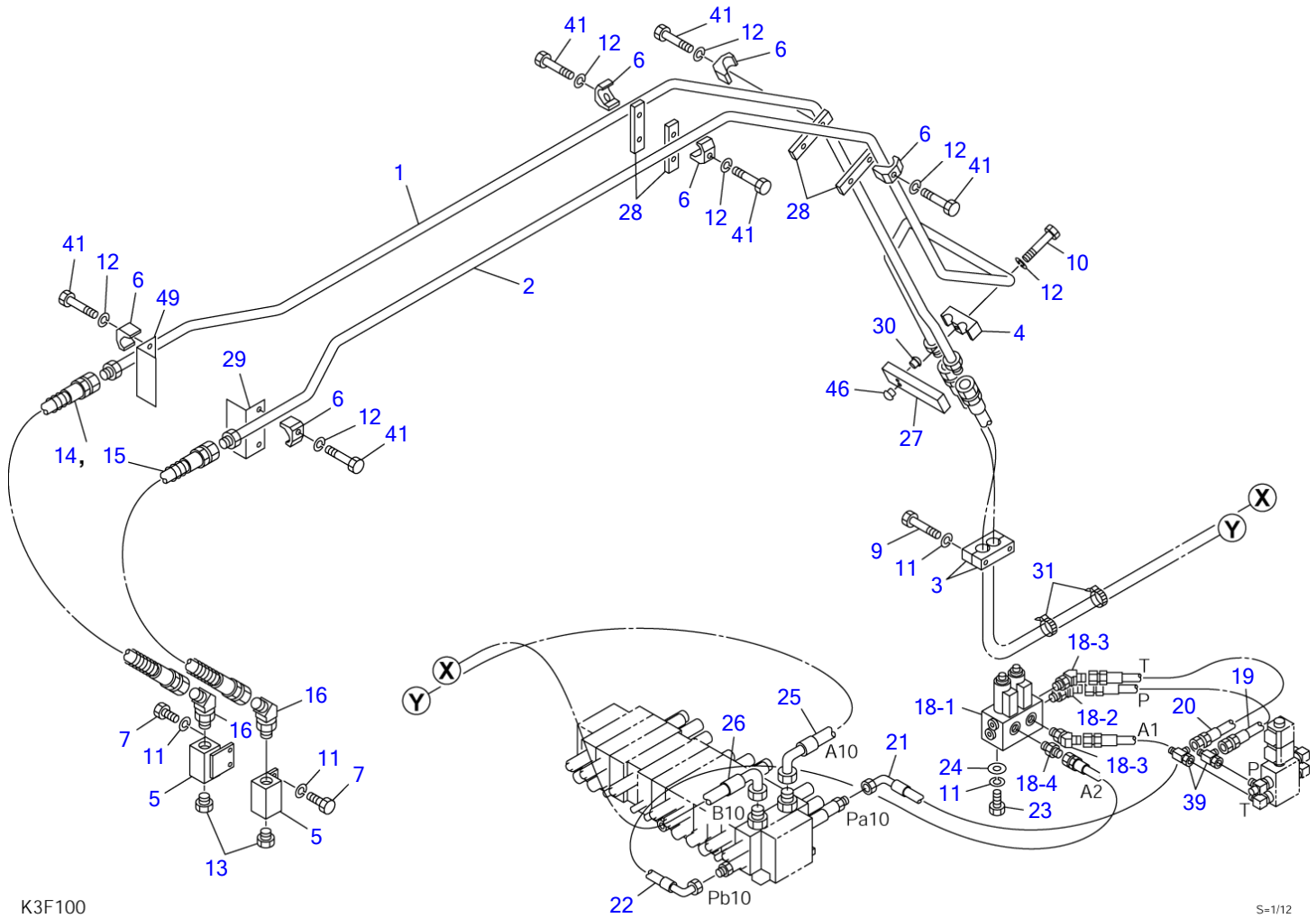
S=1/12



**2ND AUXILIARY LINE (1/2)**

Item	Part number	Description	Q'ty	Chan.	Serial No.	Serv.	Remarks
0	<b>0397311000</b>	LINE ASSY, 2nd aux.	1		14510004~14515345		X03973-11000-8
	<b>0397323000</b>	LINE ASSY, 2nd aux.	1		14515346~		X03973-23000-3
	<b>0397312000</b>	LINE ASSY, 2nd aux. (long arm)	1		14510004~14515345		X03973-12000-8
	<b>0397323100</b>	LINE ASSY, 2nd aux. (long arm)	1		14515346~		X03973-23100-3
	<b>0397312500</b>	LINE ASSY, 2nd aux. (middle arm)	1		14510004~14515345		X03973-12500-8
	<b>0397323200</b>	LINE ASSY, 2nd aux. (middle arm)	1		14515346~14516341		X03973-23200-2
	<b>0397325200</b>	LINE ASSY, 2nd aux. (middle arm)	1		14516342~		X03973-25200-0
	<b>0397311600</b>	LINE ASSY, 2nd aux. (with air con.)	1		14510004~14515345		X03973-11600-8
	<b>0397323300</b>	LINE ASSY, 2nd aux. (with air con.)	1		14515346~		X03973-23300-3
	<b>0397311700</b>	LINE ASSY, 2nd aux. (long arm) (with air con.)	1		14510004~14515345		X03973-11700-8
	<b>0397323400</b>	LINE ASSY, 2nd aux. (long arm) (with air con.)	1		14515346~		X03973-23400-3
	<b>0397311800</b>	LINE ASSY, 2nd aux. (middle arm) (with air con.)	1		14510004~14515345		X03973-11800-8
	<b>0397323500</b>	LINE ASSY, 2nd aux. (middle arm) (with air con.)	1		14515346~14516341		X03973-23500-2
	<b>0397325300</b>	LINE ASSY, 2nd aux. (middle arm) (with air con.)	1		14516342~		X03973-25300-0
1	<b>0397311110</b>	• PIPE (R.H.)	1		14510004~14515345		
	<b>0397323010</b>	• PIPE (R.H.)	1		14515346~		
2	<b>0397311160</b>	• PIPE (L.H.)	1		14510004~14515345		
	<b>0397323020</b>	• PIPE (L.H.)	1		14515346~		
3	<b>0397311210</b>	• CLAMP	2				
4	<b>1534000022</b>	• CLAMP	1				
5	<b>1901719800</b>	• VALVE, stop	2				
6	<b>1534100218</b>	• CLAMP	6				
7	<b>1100040816</b>	• BOLT	4				
9	<b>1100040865</b>	• BOLT	2				
10	<b>1100041050</b>	• BOLT	1				
11	<b>1140020008</b>	• WASHER, spring	8				
12	<b>1140020010</b>	• WASHER, spring	7				
13	<b>1501750004</b>	• PLUG	2				
	<b>1420010180</b>	• • O-RING	1				
14	<b>1801640068</b>	• HOSE ASSY	2				
15	<b>1801640098</b>	• HOSE ASSY	2				for long arm
	<b>1801640082</b>	• HOSE ASSY	2				for middle arm
16	<b>1515100112</b>	• ELBOW	2				
	<b>1420010180</b>	• • O-RING	1				
18	<b>0397311310</b>	• VALVE ASSY, solenoid	1				
18-1	<b>1901738400</b>	• • VALVE, solenoid	1				
18-2	<b>1512370012</b>	• • ELBOW (with filter)	1				
	<b>1420010110</b>	• • • O-RING	1				
18-3	<b>1515100110</b>	• • ELBOW	2				
	<b>1420010110</b>	• • • O-RING	1				
18-4	<b>1515600200</b>	• • ADAPTOR	1				
	<b>1420010110</b>	• • • O-RING	1				
19	<b>0397311260</b>	• HOSE ASSY	1				18010-22038
20	<b>0397311270</b>	• HOSE ASSY	1				18010-22043
21	<b>0397311280</b>	• HOSE ASSY	1				18010-52055
22	<b>0397311290</b>	• HOSE ASSY	1				18010-52057
23	<b>1100040816</b>	• BOLT	2				
24	<b>1141110008</b>	• WASHER	2				
25	<b>0397311355</b>	• HOSE ASSY	1				18019-41338
26	<b>0397311365</b>	• HOSE ASSY	1				18019-41275
27	<b>0396008280</b>	• PLATE	1				
28	<b>0397311028</b>	• PLATE	4				
29	<b>0397311029</b>	• PLATE	1				
30	<b>1652533016</b>	• CAP	6				
31	<b>1652201007</b>	• BAND	2				
39	<b>1513390015</b>	• TEE	2				

TB145 Book No. BK3Z010 S/N 14510004-  
2ND AUXILIARY LINE (1/2)

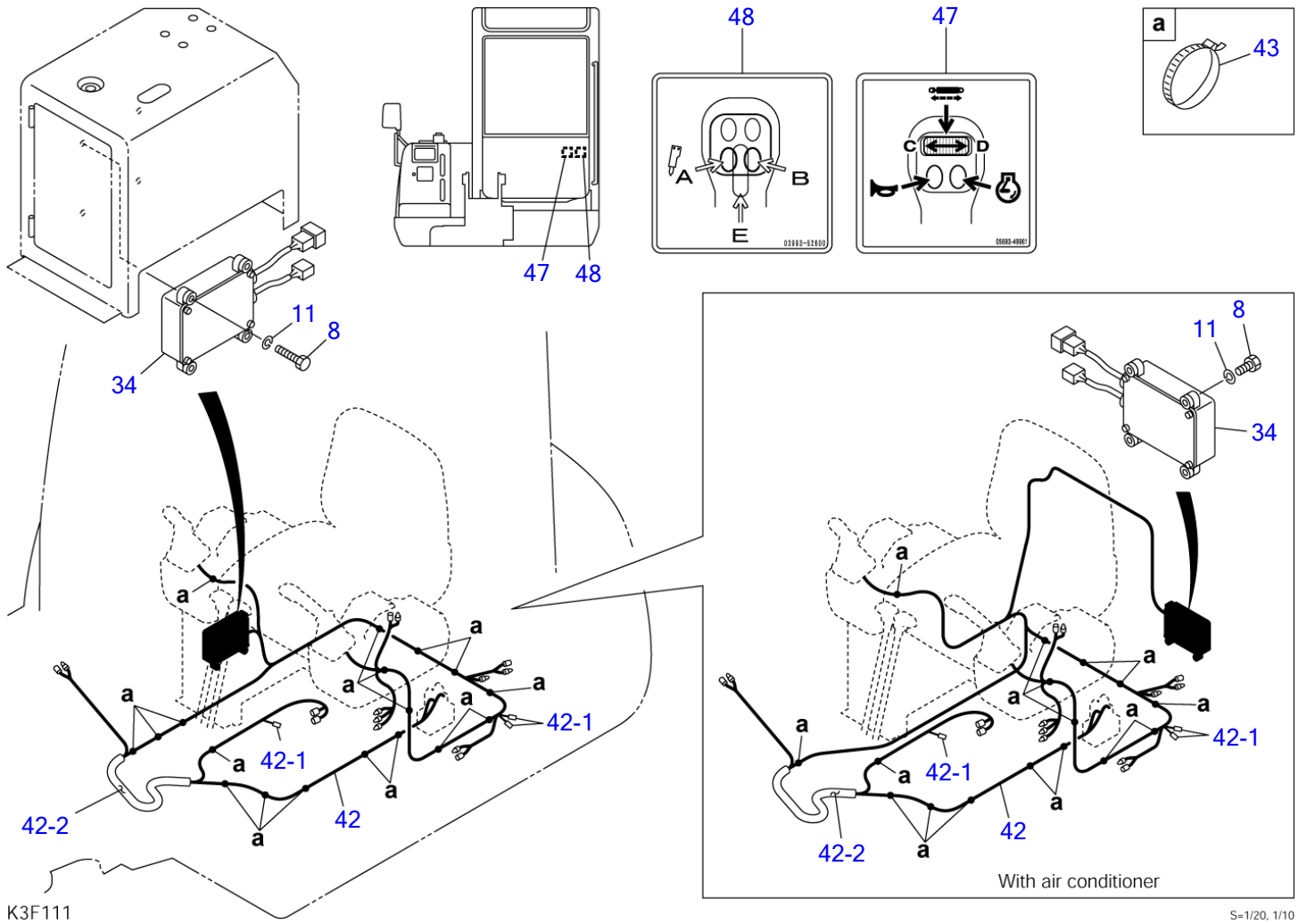


K3F100

S=1/12

**2ND AUXILIARY LINE (1/2)**

Item	Part number	Description	Q'ty	Chan.	Serial No.	Serv.	Remarks
41	<b>1100041045</b>	· BOLT	6				
46	<b>1652533017</b>	· CAP	1				
49	<b>0397311049</b>	· PLATE	1				
	<b>K3f105</b>						



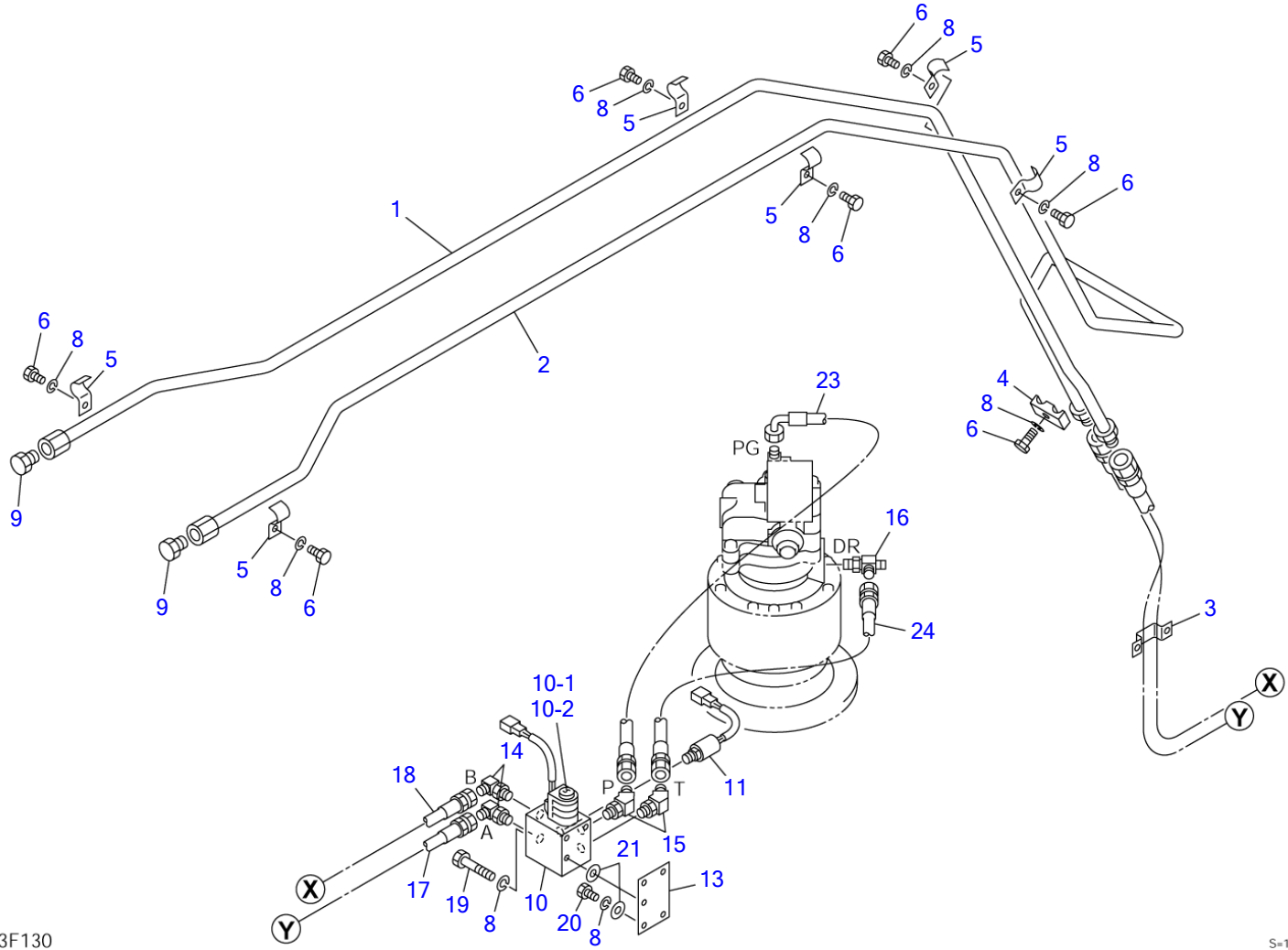
K3F111

S=1/20, 1/10

**2ND AUXILIARY LINE (2/2)**

Item	Part number	Description	Q'ty	Chan.	Serial No.	Serv.	Remarks
0	<b>0397311000</b>	LINE ASSY, 2nd aux.	1		14510004~14515345		X03973-11000-8
	<b>0397323000</b>	LINE ASSY, 2nd aux.	1		14515346~		X03973-23000-3
	<b>0397312000</b>	LINE ASSY, 2nd aux. (long arm)	1		14510004~14515345		X03973-12000-8
	<b>0397323100</b>	LINE ASSY, 2nd aux. (long arm)	1		14515346~		X03973-23100-3
	<b>0397312500</b>	LINE ASSY, 2nd aux. (middle arm)	1		14510004~14515345		X03973-12500-8
	<b>0397323200</b>	LINE ASSY, 2nd aux. (middle arm)	1		14515346~14516341		X03973-23200-2
	<b>0397325200</b>	LINE ASSY, 2nd aux. (middle arm)	1		14516342~		X03973-25200-0
	<b>0397311600</b>	LINE ASSY, 2nd aux. (with air con.)	1		14510004~14515345		X03973-11600-8
	<b>0397323300</b>	LINE ASSY, 2nd aux. (with air con.)	1		14515346~		X03973-23300-3
	<b>0397311700</b>	LINE ASSY, 2nd aux. (long arm) (with air con.)	1		14510004~14515345		X03973-11700-8
	<b>0397323400</b>	LINE ASSY, 2nd aux. (long arm) (with air con.)	1		14515346~		X03973-23400-3
	<b>0397311800</b>	LINE ASSY, 2nd aux. (middle arm) (with air con.)	1		14510004~14515345		X03973-11800-8
	<b>0397323500</b>	LINE ASSY, 2nd aux. (middle arm) (with air con.)	1		14515346~14516341		X03973-23500-2
	<b>0397325300</b>	LINE ASSY, 2nd aux. (middle arm) (with air con.)	1		14516342~		X03973-25300-0
8	<b>1100040840</b>	• BOLT	4				
11	<b>1140020008</b>	• WASHER, spring	4				
34	<b>1730140730</b>	• CONTROLLER	1				
42	<b>0397311250</b>	• HARNESS, wiring	1		14510004~14514853		
	<b>0397321000</b>	• HARNESS, wiring	1		14514854~		
	<b>0397311650</b>	• HARNESS, wiring	1		14510004~14514853		with air con.
	<b>0397321100</b>	• HARNESS, wiring	1		14514854~		with air con.
42-1	<b>1730500008</b>	• • DIODE (3A, yellow)	3				
42-2	<b>1531325050</b>	• • PROTECTOR	1				sold by the meter
43	<b>1652231250</b>	• BAND	14				
47	<b>0569349961</b>	• DECAL	1				
48	<b>0399352600</b>	• DECAL	1				
	<b>K3f115</b>						

TB145 Book No. BK3Z010 S/N 14510004-  
3RD AUXILIARY LINE (1/2) (available only with the 2nd aux. lines;  
14510004-14513260)



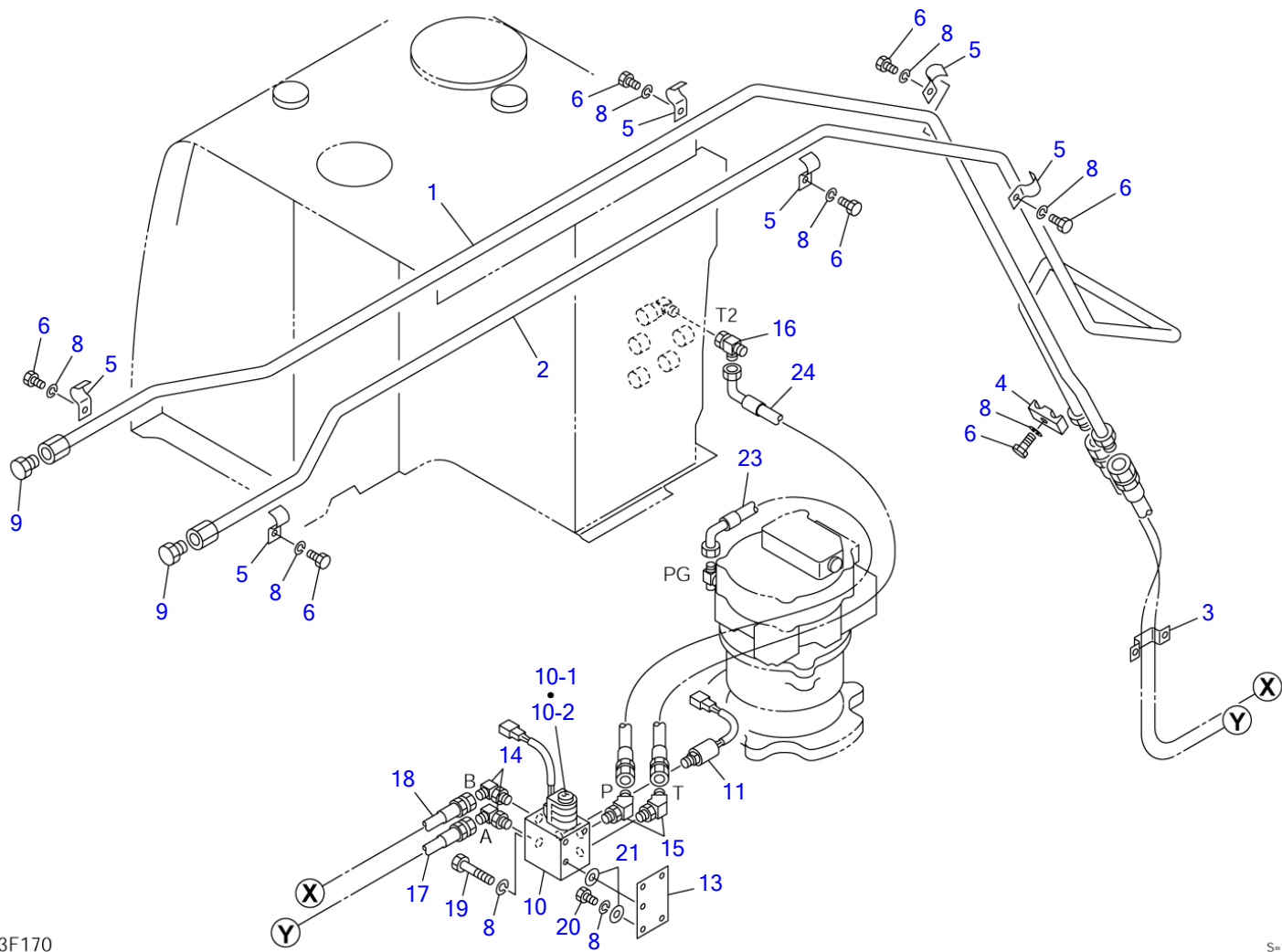
K3F130

S=1/10

**3RD AUXILIARY LINE (1/2) (available only with the 2nd aux. lines; 14510004-14513260)**

Item	Part number	Description	Q'ty	Chan.	Serial No.	Serv.	Remarks
0	<b>0397313000</b>	LINE ASSY, 3rd aux.	1				X03973-13000-6
1	<b>0397313110</b>	• PIPE (R.H.)	1				
2	<b>0397313160</b>	• PIPE (L.H.)	1				
3	<b>0397313210</b>	• CLAMP	1				
4	<b>0376006060</b>	• CLAMP	1				
5	<b>0567336070</b>	• CLAMP	6				
6	<b>1100040840</b>	• BOLT	7				
8	<b>1140020008</b>	• WASHER, spring	12				
9	<b>1501750002</b>	• PLUG	2				
	<b>1420010110</b>	• • O-RING	1				
10	<b>1901741700</b>	• VALVE ASSY, solenoid	1				
	<b>1901747100</b>	• VALVE ASSY, solenoid	1	(H)			
10-1	<b>1901741402</b>	• • VALVE, solenoid	1				
10-2	<b>1901741703</b>	• • COIL	1				
11	<b>1700100065</b>	• SWITCH, presser	1				
	<b>1420010110</b>	• • O-RING	1				
13	<b>0397313260</b>	• PLATE	1				
14	<b>1515012040</b>	• ELBOW	2				
	<b>1420010110</b>	• • O-RING	1				
15	<b>1515100110</b>	• ELBOW	2				
	<b>1420010110</b>	• • O-RING	1				
16	<b>1513390015</b>	• TEE	1				
17	<b>0397313225</b>	• HOSE ASSY	1				18010-22189
18	<b>0397313235</b>	• HOSE ASSY	1				18010-22189
19	<b>1100040885</b>	• BOLT	3				
20	<b>1100040820</b>	• BOLT	2				
21	<b>1141110008</b>	• WASHER	5				
23	<b>0397313240</b>	• HOSE ASSY	1				18010-52072
24	<b>0397313250</b>	• HOSE ASSY	1				18010-22057
	<b>K3f133</b>						

TB145 Book No. BK3Z010 S/N 14510004-  
3RD AUXILIARY LINE (1/2) (available only with the 2nd aux. lines;  
14513261-14514361)



K3F170

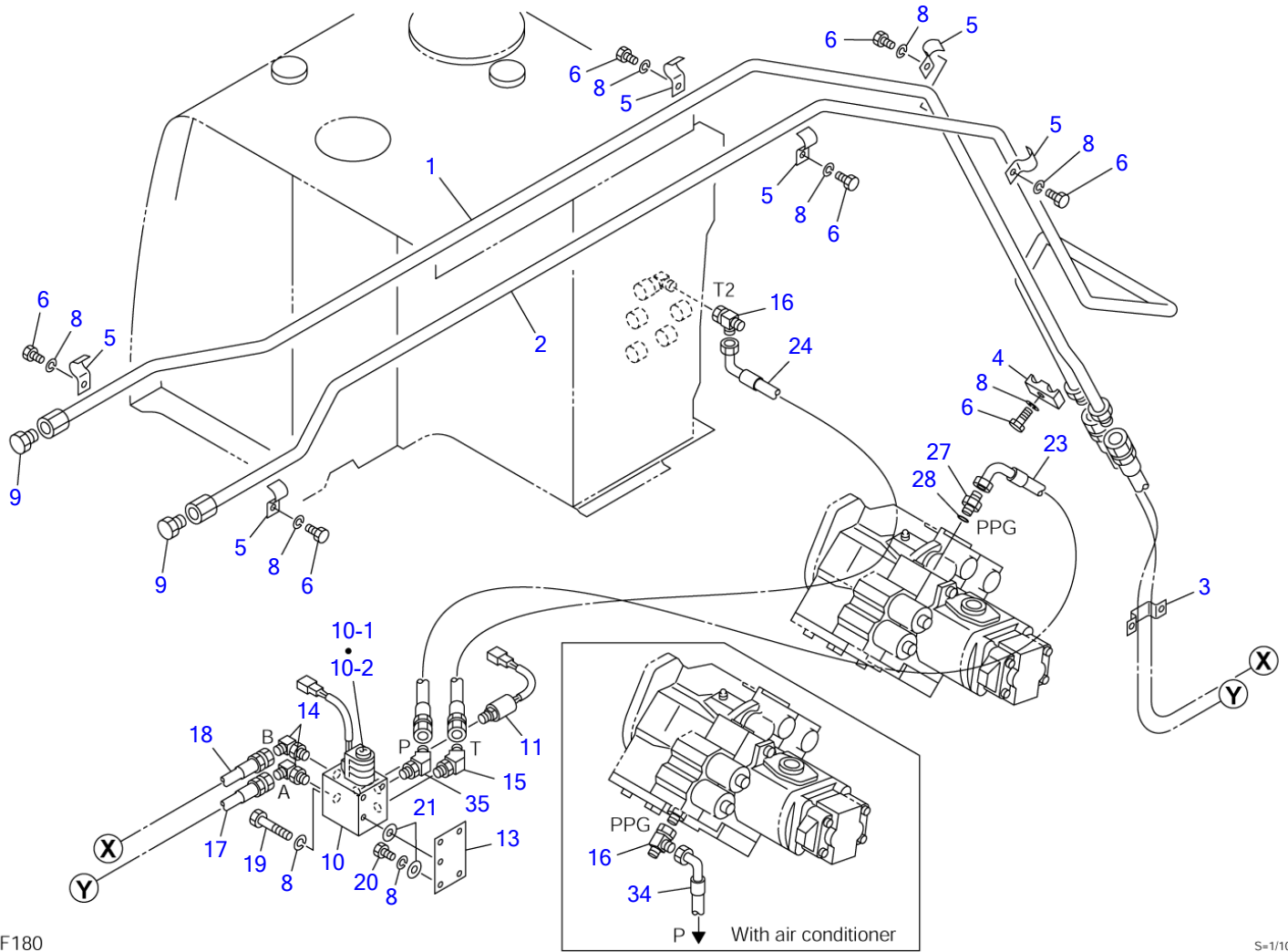
S=1/10



**3RD AUXILIARY LINE (1/2) (available only with the 2nd aux. lines; 14513261-14514361)**

Item	Part number	Description	Q'ty	Chan.	Serial No.	Serv.	Remarks
0	<b>0397320000</b>	LINE ASSY, 3rd aux.	1				X03973-20000-0
1	<b>0397313110</b>	• PIPE (R.H.)	1				
2	<b>0397313160</b>	• PIPE (L.H.)	1				
3	<b>0397313210</b>	• CLAMP	1				
4	<b>1534000015</b>	• CLAMP	1				
5	<b>0567336070</b>	• CLAMP	6				
6	<b>1100040840</b>	• BOLT	7				
8	<b>1140020008</b>	• WASHER, spring	12				
9	<b>1501750002</b>	• PLUG	2				
	<b>1420010110</b>	• • O-RING	1				
10	<b>1901747100</b>	• VALVE ASSY, solenoid	1				
10-1	<b>1901741402</b>	• • VALVE, solenoid	1				
10-2	<b>1901741703</b>	• • COIL	1				
11	<b>1700100065</b>	• SWITCH, presser	1				
	<b>1420010110</b>	• • O-RING	1				
13	<b>0397313260</b>	• PLATE	1				
14	<b>1515012040</b>	• ELBOW	2				
	<b>1420010110</b>	• • O-RING	1				
15	<b>1515100110</b>	• ELBOW	2				
	<b>1420010110</b>	• • O-RING	1				
16	<b>1513390015</b>	• TEE	1				
17	<b>0397313225</b>	• HOSE ASSY	1				18010-22189
18	<b>0397313235</b>	• HOSE ASSY	1				18010-22189
19	<b>1100040885</b>	• BOLT	3				
20	<b>1100040820</b>	• BOLT	2				
21	<b>1141110008</b>	• WASHER	5				
23	<b>0397313240</b>	• HOSE ASSY	1				18010-52072
24	<b>0397320240</b>	• HOSE ASSY	1				18010-52130
	<b>K3f170</b>						

TB145 Book No. BK3Z010 S/N 14510004-  
**3RD AUXILIARY LINE (1/2) (available only with the 2nd aux. lines; 14514362-)**



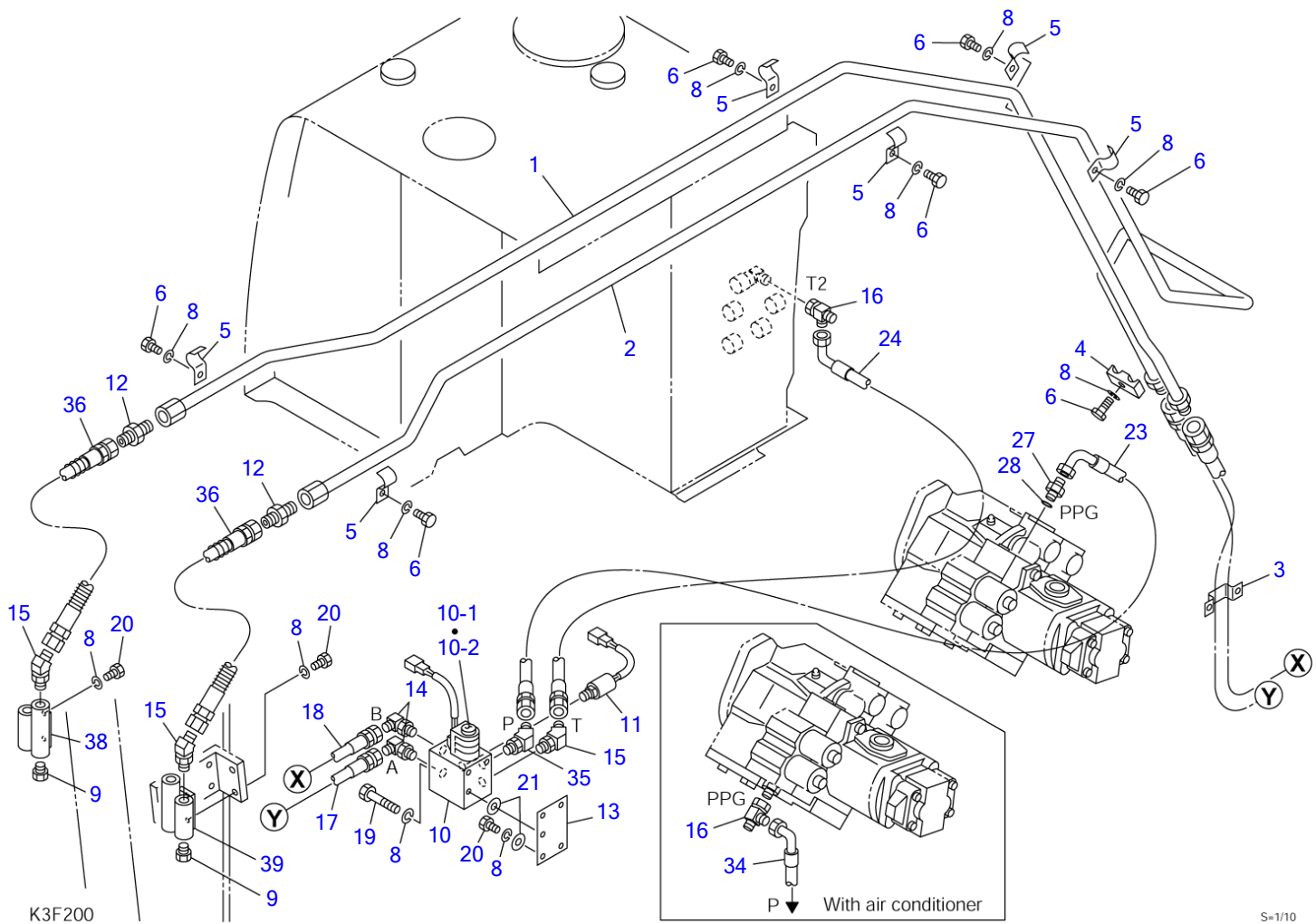
K3F180

S=1/10

**3RD AUXILIARY LINE (1/2) (available only with the 2nd aux. lines; 14514362-)**

Item	Part number	Description	Q'ty	Chan.	Serial No.	Serv.	Remarks
0	<b>0397320000</b>	LINE ASSY, 3rd aux.	1		14514362~14515345		X03973-20000-1
	<b>0397323800</b>	LINE ASSY, 3rd aux.	1		14515346~		X03973-23800-3
	<b>0397320500</b>	LINE ASSY, 3rd aux. (with air con.)	1		14514362~14515345		X03973-20500-1
	<b>0397323900</b>	LINE ASSY, 3rd aux. (with air con.)	1		14515346~		X03973-23900-3
1	<b>0397313110</b>	• PIPE (R.H.)	1		14514362~14515345		
	<b>0397323810</b>	• PIPE (R.H.)	1		14515346~		
2	<b>0397313160</b>	• PIPE (L.H.)	1		14514362~14515345		
	<b>0397323820</b>	• PIPE (L.H.)	1		14515346~		
3	<b>0397313210</b>	• CLAMP	1				
4	<b>1534000015</b>	• CLAMP	1				
5	<b>0567336070</b>	• CLAMP	6				
6	<b>1100040840</b>	• BOLT	7				
8	<b>1140020008</b>	• WASHER, spring	12				
9	<b>1501750002</b>	• PLUG	2				
	<b>1420010110</b>	• • O-RING	1				
10	<b>1901747100</b>	• VALVE ASSY, solenoid	1				
10-1	<b>1901741402</b>	• • VALVE, solenoid	1				
10-2	<b>1901741703</b>	• • COIL	1				
11	<b>1700100065</b>	• SWITCH, presser	1				
	<b>1420010110</b>	• • O-RING	1				
13	<b>0397313260</b>	• PLATE	1				
14	<b>1515012040</b>	• ELBOW	2				
	<b>1420010110</b>	• • O-RING	1				
15	<b>1515100110</b>	• ELBOW	1				
	<b>1420010110</b>	• • O-RING	1				
16	<b>1513390015</b>	• TEE	1				
	<b>1513390015</b>	• TEE	2				with air con.
17	<b>0397313225</b>	• HOSE ASSY	1				18010-22189
18	<b>0397313235</b>	• HOSE ASSY	1				18010-22189
19	<b>1100040885</b>	• BOLT	3				
20	<b>1100040820</b>	• BOLT	2				
21	<b>1141110008</b>	• WASHER	5				
23	<b>0397320230</b>	• HOSE ASSY (18010-52150)	1				without air con.
24	<b>0397320240</b>	• HOSE ASSY	1				18010-52130
27	<b>0007203059</b>	• NIPPLE	1				without air con.
28	<b>1420010080</b>	• O-RING	1				without air con.
34	<b>0397320340</b>	• HOSE ASSY (18010-52115)	1				with air con.
35	<b>1512370012</b>	• ELBOW (with filter)	1				
	<b>1420010110</b>	• • O-RING	1				
	<b>K3f183</b>						

TB145 Book No. BK3Z010 S/N 14510004-  
**3RD AUXILIARY LINE (1/2) (middle arm) (available only with the 2nd aux. lines;  
 14514362-)**

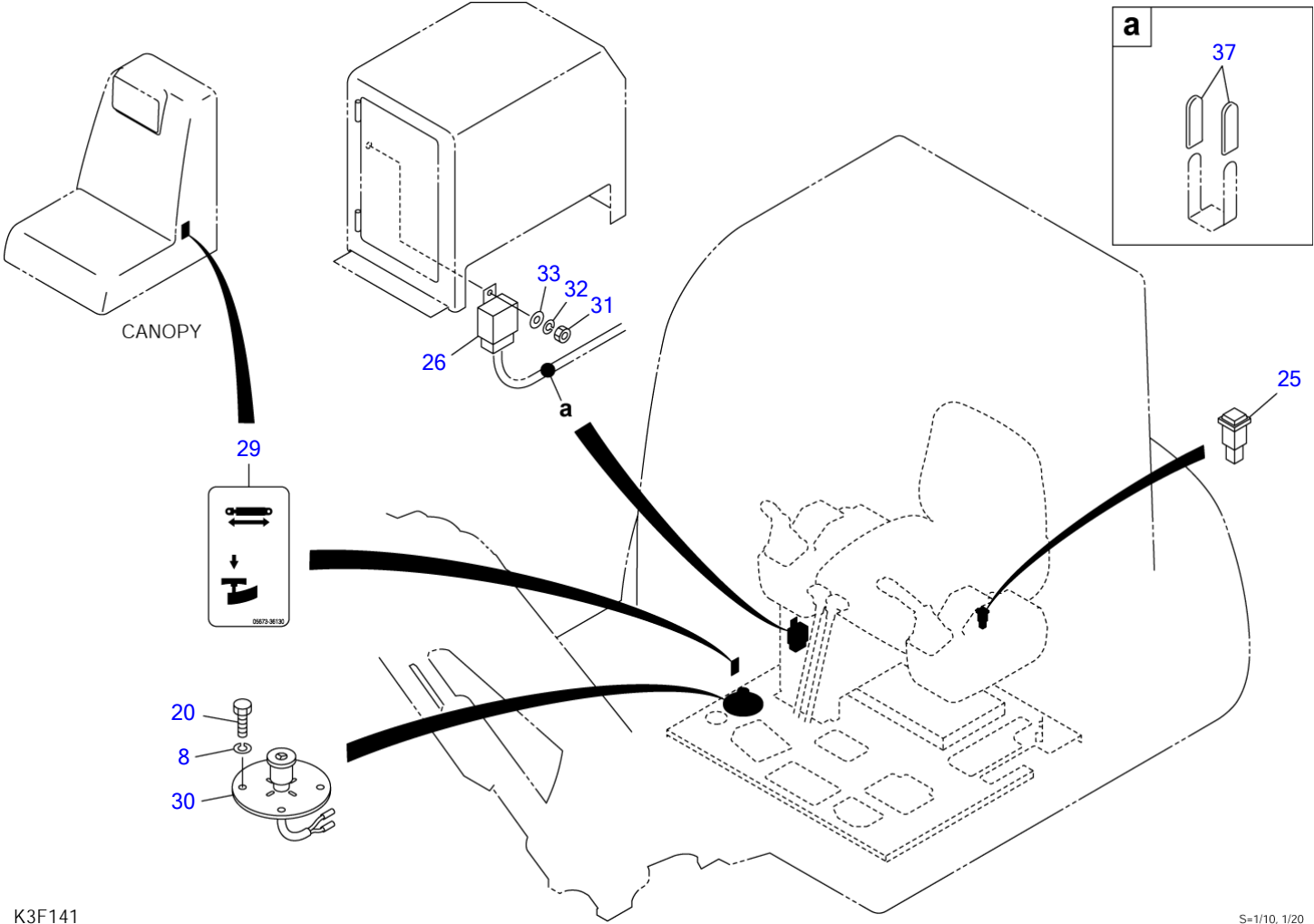


**3RD AUXILIARY LINE (1/2) (middle arm) (available only with the 2nd aux. lines; 14514362-)**

Item	Part number	Description	Q'ty	Chan.	Serial No.	Serv.	Remarks
0	<b>0397325400</b>	LINE ASSY, 3rd aux. (middle arm)	1				X03973-25400-0
	<b>0397325500</b>	LINE ASSY, 3rd aux. (middle arm) (with air con.)	1				X03973-25500-0
1	<b>0397323810</b>	• PIPE (R.H.)	1				
2	<b>0397323820</b>	• PIPE (L.H.)	1				
3	<b>0397313210</b>	• CLAMP	1				
4	<b>1534000015</b>	• CLAMP	1				
5	<b>0567336070</b>	• CLAMP	6				
6	<b>1100040840</b>	• BOLT	7				
8	<b>1140020008</b>	• WASHER, spring	18				
9	<b>1501750002</b>	• PLUG	6				
	<b>1420010110</b>	• • O-RING	1				
10	<b>1901747100</b>	• VALVE ASSY, solenoid	1				
10-1	<b>1901741402</b>	• • VALVE, solenoid	1				
10-2	<b>1901741703</b>	• • COIL	1				
11	<b>1700100065</b>	• SWITCH, presser	1				
	<b>1420010110</b>	• • O-RING	1				
12	<b>1515600200</b>	• ADAPTOR	1				
12-1	<b>1420010110</b>	• • O-RING	1				
13	<b>0397313260</b>	• PLATE	1				
14	<b>1515012040</b>	• ELBOW	2				
	<b>1420010110</b>	• • O-RING	1				
15	<b>1515100110</b>	• ELBOW	3				
	<b>1420010110</b>	• • O-RING	1				
16	<b>1513390015</b>	• TEE	1				
	<b>1513390015</b>	• TEE	2				with air con.
17	<b>0397313225</b>	• HOSE ASSY	1				18010-22189
18	<b>0397313235</b>	• HOSE ASSY	1				18010-22189
19	<b>1100040885</b>	• BOLT	3				
20	<b>1100040820</b>	• BOLT	6				
21	<b>1141110008</b>	• WASHER	5				
23	<b>0397320230</b>	• HOSE ASSY (18010-52150)	1				without air con.
24	<b>0397320240</b>	• HOSE ASSY	1				18010-52130
27	<b>0007203059</b>	• NIPPLE	1				without air con.
28	<b>1420010080</b>	• O-RING	1				without air con.
34	<b>0397320340</b>	• HOSE ASSY (18010-52115)	1				with air con.
35	<b>1512370012</b>	• ELBOW (with filter)	1				
	<b>1420010110</b>	• • O-RING	1				
36	<b>1801032076</b>	• HOSE ASSY	1				
38	<b>0397325480</b>	• ADAPTOR, hose (R.H.)	1				
39	<b>0397325490</b>	• ADAPTOR, hose (L.H.)	1				

**K3f200**

TB145 Book No. BK3Z010 S/N 14510004-  
3RD AUXILIARY LINE (2/2) (available only with the 2nd aux. lines)

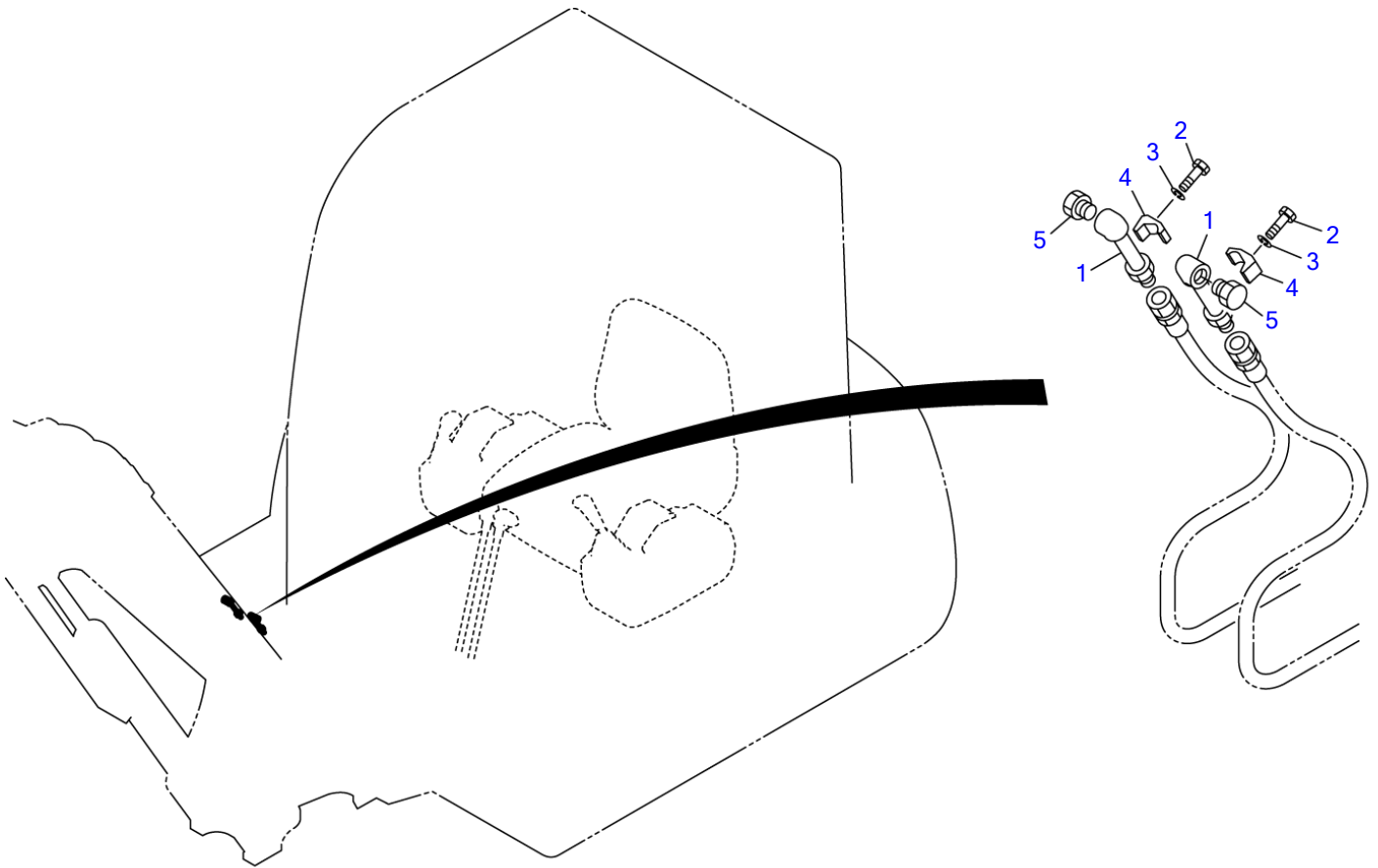


K3F141

S=1/10, 1/20

**3RD AUXILIARY LINE (2/2) (available only with the 2nd aux. lines)**

Item	Part number	Description	Q'ty	Chan.	Serial No.	Serv.	Remarks
0	<b>0397313000</b>	LINE ASSY, 3rd aux.	1		14510004~14513260		X03973-13000-6
	<b>0397320000</b>	LINE ASSY, 3rd aux.	1		14513261~14515345		X03973-20000-1
	<b>0397323800</b>	LINE ASSY, 3rd aux.	1		14515346~		X03973-23800-3
	<b>0397325400</b>	LINE ASSY, 3rd aux. (middle arm)	1		14516342~		X03973-25400-0
	<b>0397320500</b>	LINE ASSY, 3rd aux. (with air con.)	1		14514362~14515345		X03973-20500-1
	<b>0397323900</b>	LINE ASSY, 3rd aux. (with air con.)	1		14515346~		X03973-23900-3
	<b>0397325500</b>	LINE ASSY, 3rd aux. (middle arm) (with air con.)	1		14516342~		X03973-25500-0
8	<b>1140020008</b>	• WASHER, spring	4				
20	<b>1100040820</b>	• BOLT	4				
25	<b>1700550032</b>	• LAMP, pilot	1				
26	<b>1711900062</b>	• RELAY	1				
29	<b>0567336130</b>	• DECAL	1				
30	<b>1700100064</b>	• SWITCH, foot	1				
31	<b>1130040006</b>	• NUT	1				
32	<b>1140020006</b>	• WASHER, spring	1				
33	<b>1141110006</b>	• WASHER	1				
37	<b>0872433150</b>	• TUBE	2				
	<b>K3f144</b>						



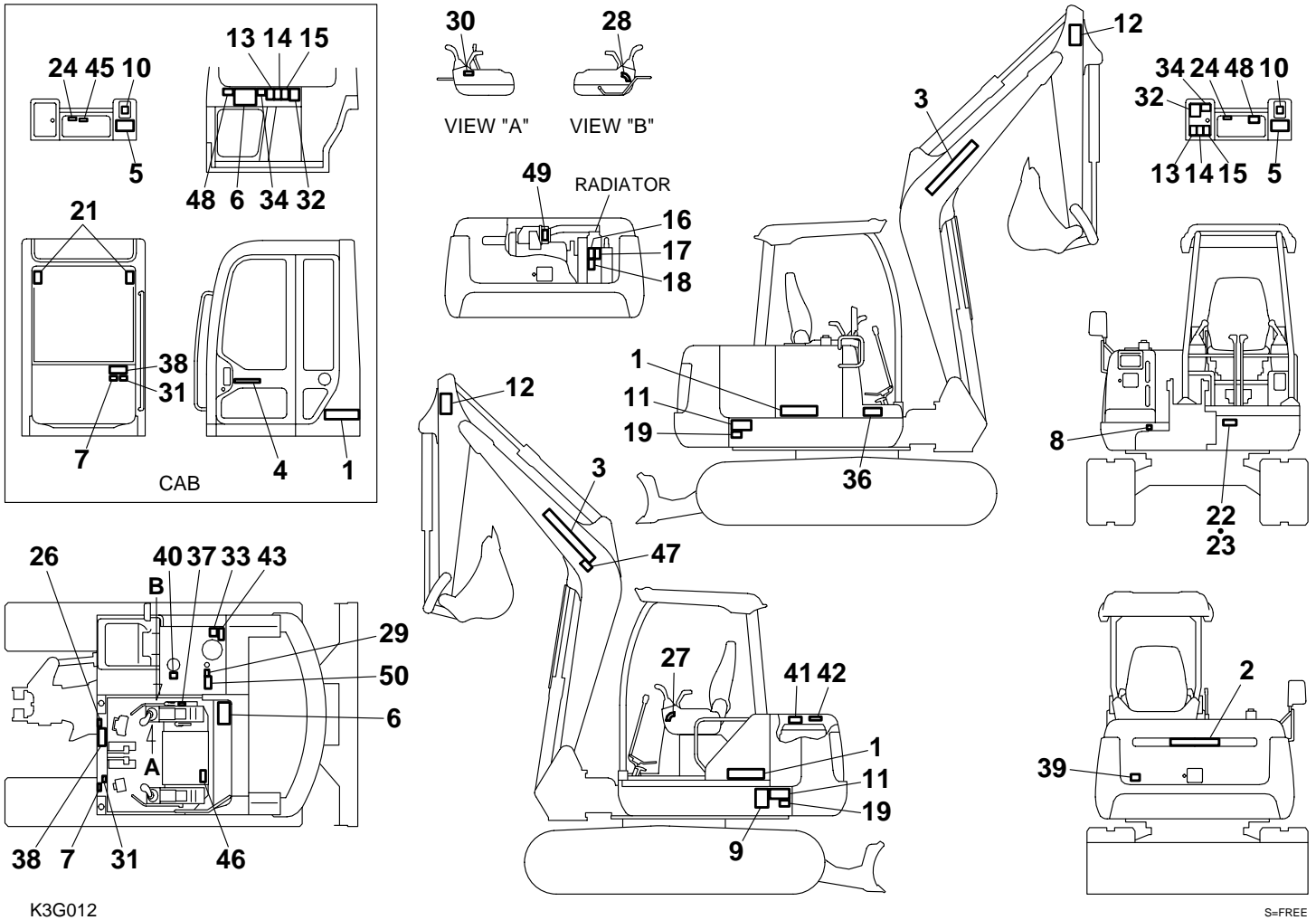
G4F080

S=FREE



Item	Part number	Description	PLUG ASSY		Serial No.	Serv.	Remarks
			Q'ty	Chan.			
		PLUG ASSY					X03778-00000-2
1	<b>0377800010</b>	ADAPTOR	2				
2	<b>1100040840</b>	BOLT	2		14510004~14512798		
	<b>1100041045</b>	BOLT	2		14512799~		
3	<b>1140020008</b>	WASHER, spring	2		14510004~14512798		
	<b>1140020010</b>	WASHER, spring	2		14512799~		
4	<b>1534100217</b>	CLAMP	2		14510004~14512798		
	<b>1534100218</b>	CLAMP	2		14512799~		
5	<b>1501750004</b>	PLUG	2				
	<b>1420010180</b>	· O-RING	1				
	<b>K3f160</b>						

TB145 Book No. BK3Z010 S/N 14510004-  
 DECAL (for Japan; 14510004-14513260)

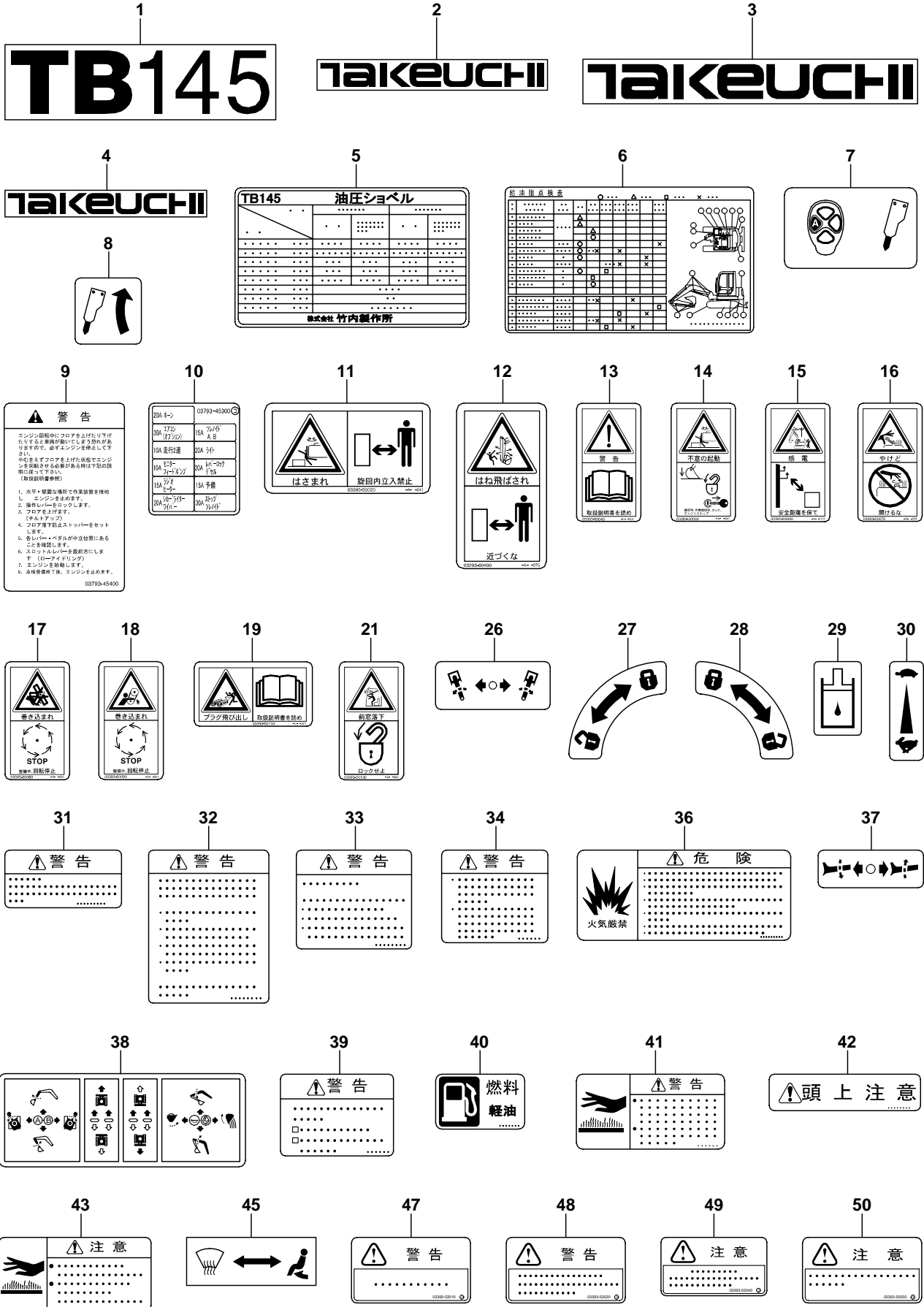


DECAL (for Japan; 14510004-14513260)

Item	Part number	Description	Q'ty	Chan.	Serial No.	Serv.	Remarks
0	0399345000	DECAL SET (canopy)	1				X03993-45000-7
	0399346000	DECAL SET (cab)	1				X03993-46000-7
1	0399337100	• DECAL	2				
2	0329350200	• DECAL	1				
3	0359306300	• DECAL	2				
4	0569321400	• DECAL	1				cab
5	0399345300	• DECAL	1				
6	0399345200	• DECAL	1				
7	0379336800	• DECAL	1				
8	0359325220	• DECAL	1				
9	0379345400	• DECAL	1				
10	0379345300	• DECAL	1				
11	0339350020	• DECAL	2				
12	0329360400	• DECAL	2				
13	0339350040	• DECAL	1				
14	0339350050	• DECAL	1				
15	0339350060	• DECAL	1				
16	0339350070	• DECAL	1				
17	0339350080	• DECAL	1				
18	0339350090	• DECAL	1				
19	0339350110	• DECAL	2				
21	0339350130	• DECAL	2				cab
22	X *****	• DECAL	1				
23	X *****	• SCREW	4				
24	X *****	• DECAL	1				
26	0329360060	• DECAL	1				
27	0329360100	• DECAL	1				
28	0349325020	• DECAL	1				canopy
29	0359306700	• DECAL	1				
30	0359317200	• DECAL	1				
31	0359325020	• DECAL	1				
32	0359325030	• DECAL	1				
33	0359325080	• DECAL	1				
34	0359325090	• DECAL	1				
36	0359325140	• DECAL	1				
37	0359325190	• DECAL	1				
38	0379336600	• DECAL	1				
39	0871082120	• DECAL	1				
40	0871082240	• DECAL	1				
41	0871082280	• DECAL	1				
42	0871082300	• DECAL	1				
43	0871082220	• DECAL	1				
45	0394504900	• DECAL	1				cab
46	0189311800	• DECAL	1				cab
47	0339352010	• DECAL	1		14512022~		
48	0339352020	• DECAL	1		14512022~		
49	0339352040	• DECAL	1		14512022~		
50	0339352050	• DECAL	1		14512022~		

K3g012

TB145 Book No. BK3Z010 S/N 14510004-  
for Japan

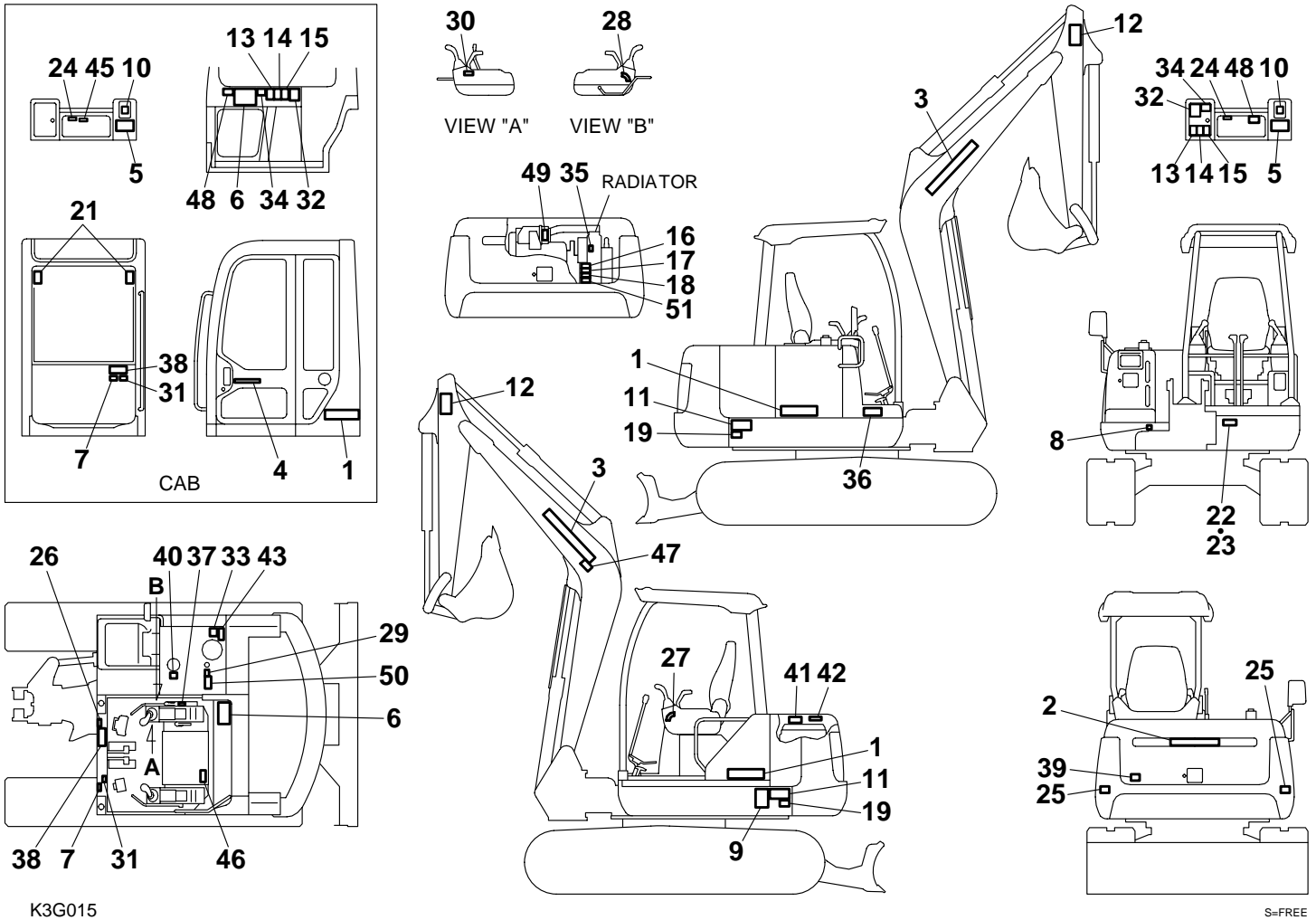


**DECAL (for Japan; 14510004-14513260)**

Item	Part number	Description	Q'ty	Chan.	Serial No.	Serv.	Remarks
0	0399345000	DECAL SET (canopy)	1				X03993-45000-7
	0399346000	DECAL SET (cab)	1				X03993-46000-7
1	0399337100	• DECAL	2				
2	0329350200	• DECAL	1				
3	0359306300	• DECAL	2				
4	0569321400	• DECAL	1				cab
5	0399345300	• DECAL	1				
6	0399345200	• DECAL	1				
7	0379336800	• DECAL	1				
8	0359325220	• DECAL	1				
9	0379345400	• DECAL	1				
10	0379345300	• DECAL	1				
11	0339350020	• DECAL	2				
12	0329360400	• DECAL	2				
13	0339350040	• DECAL	1				
14	0339350050	• DECAL	1				
15	0339350060	• DECAL	1				
16	0339350070	• DECAL	1				
17	0339350080	• DECAL	1				
18	0339350090	• DECAL	1				
19	0339350110	• DECAL	2				
21	0339350130	• DECAL	2				cab
22	X *****	• DECAL	1				
23	X *****	• SCREW	4				
24	X *****	• DECAL	1				
26	0329360060	• DECAL	1				
27	0329360100	• DECAL	1				
28	0349325020	• DECAL	1				canopy
29	0359306700	• DECAL	1				
30	0359317200	• DECAL	1				
31	0359325020	• DECAL	1				
32	0359325030	• DECAL	1				
33	0359325080	• DECAL	1				
34	0359325090	• DECAL	1				
36	0359325140	• DECAL	1				
37	0359325190	• DECAL	1				
38	0379336600	• DECAL	1				
39	0871082120	• DECAL	1				
40	0871082240	• DECAL	1				
41	0871082280	• DECAL	1				
42	0871082300	• DECAL	1				
43	0871082220	• DECAL	1				
45	0394504900	• DECAL	1				cab
46	0189311800	• DECAL	1				cab
47	0339352010	• DECAL	1		14512022~		
48	0339352020	• DECAL	1		14512022~		
49	0339352040	• DECAL	1		14512022~		
50	0339352050	• DECAL	1		14512022~		

K3g012

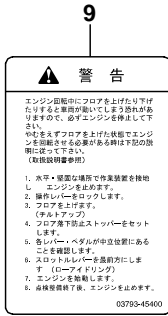
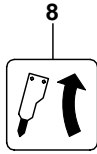
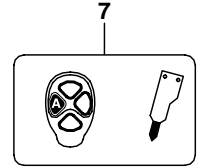
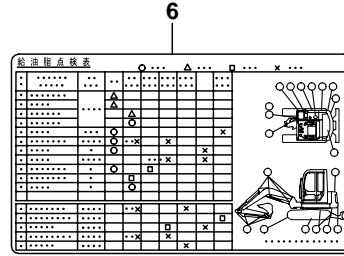
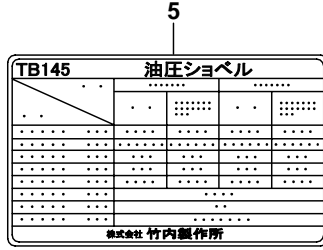
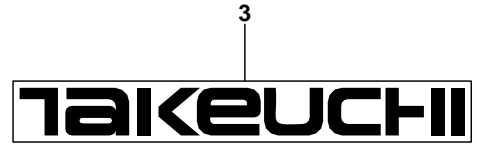
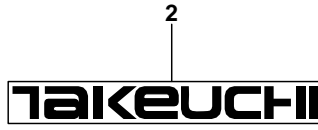
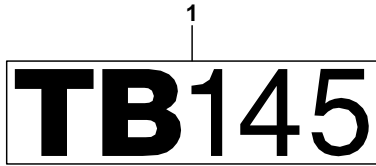
TB145 Book No. BK3Z010 S/N 14510004-  
 DECAL (for Japan; 14513261-)



DECAL (for Japan; 14513261-)

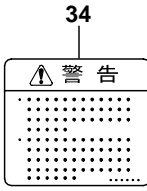
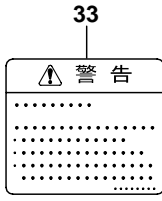
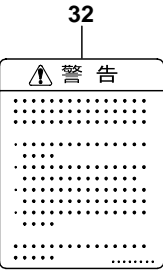
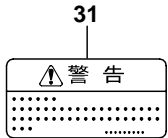
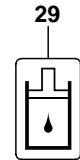
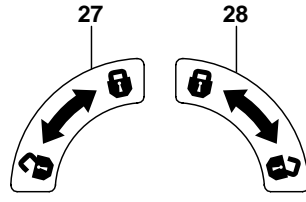
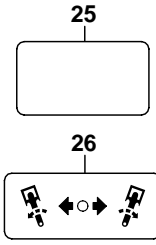
Item	Part number	Description	Q'ty	Chan.	Serial No.	Serv.	Remarks
0	0399354500	DECAL SET (canopy)	1				X03993-54500-4
	0399354400	DECAL SET (cab)	1				X03993-54400-4
1	0399337100	• DECAL	2				
2	0329350200	• DECAL	1				
3	0359306300	• DECAL	2				
4	0569321400	• DECAL	1				cab
5	0399354405	• DECAL	1				
6	0399345200	• DECAL	1				
7	0379336800	• DECAL	1				
8	0359325220	• DECAL	1				
9	0379345400	• DECAL	1				
10	0379345300	• DECAL	1				
11	0339350020	• DECAL	2				
12	0329360400	• DECAL	2				
13	0339350040	• DECAL	1				
14	0339350050	• DECAL	1				
15	0339350060	• DECAL	1				
16	0339350070	• DECAL	1				
17	0339350080	• DECAL	1				
18	0339350090	• DECAL	1				
19	0339350110	• DECAL	2				
21	0339350130	• DECAL	2				cab
22	X *****	• DECAL	1				
23	X *****	• SCREW	4				
24	X *****	• DECAL	1				
25	0379358560	• DECAL	2				
26	0329360060	• DECAL	1				
27	0329360100	• DECAL	1				
28	0349325020	• DECAL	1				canopy
29	0359306700	• DECAL	1				
30	0359317200	• DECAL	1				
31	0359325020	• DECAL	1				
32	0359325030	• DECAL	1				
33	0359325080	• DECAL	1				
34	0359325090	• DECAL	1				
35	0359313900	• DECAL	1				
36	0359325140	• DECAL	1				
37	0359325190	• DECAL	1				
38	0379336600	• DECAL	1				
39	0871082120	• DECAL	1				
40	0871082240	• DECAL	1				
41	0871082280	• DECAL	1				
42	0871082300	• DECAL	1				
43	0871082220	• DECAL	1				
45	0394504900	• DECAL	1				cab
46	0189311800	• DECAL	1				cab
47	0339352010	• DECAL	1		14512022~		
48	0339352020	• DECAL	1		14512022~		
49	0339352040	• DECAL	1		14512022~		
50	0339352050	• DECAL	1		14512022~		
51	0339377640	• DECAL	1				

K3g016



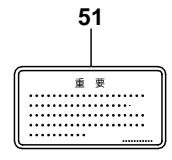
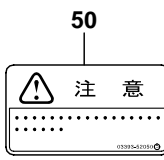
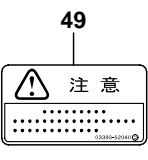
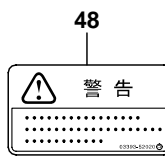
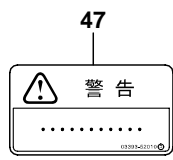
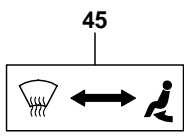
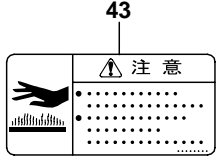
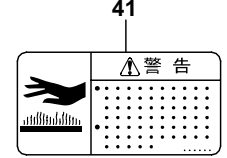
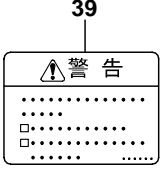
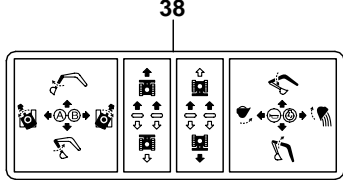
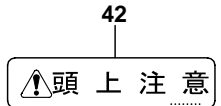
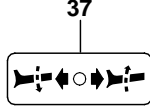
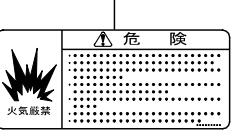
10

03A キー	03790-45300
03A 1P2	15A 20/45
03A 2P2P2	15A A, B
10A 走行速度	20A 5分
10A E3-	20A 14~20分
10A 2+2+2	20A 7分
15A 1分	15A 手摺
20A 7分	30A 25分
20A 7分	30A 7分



35

System Contains 50/50 Ethylene Glycol Antifreeze / Water Mixture



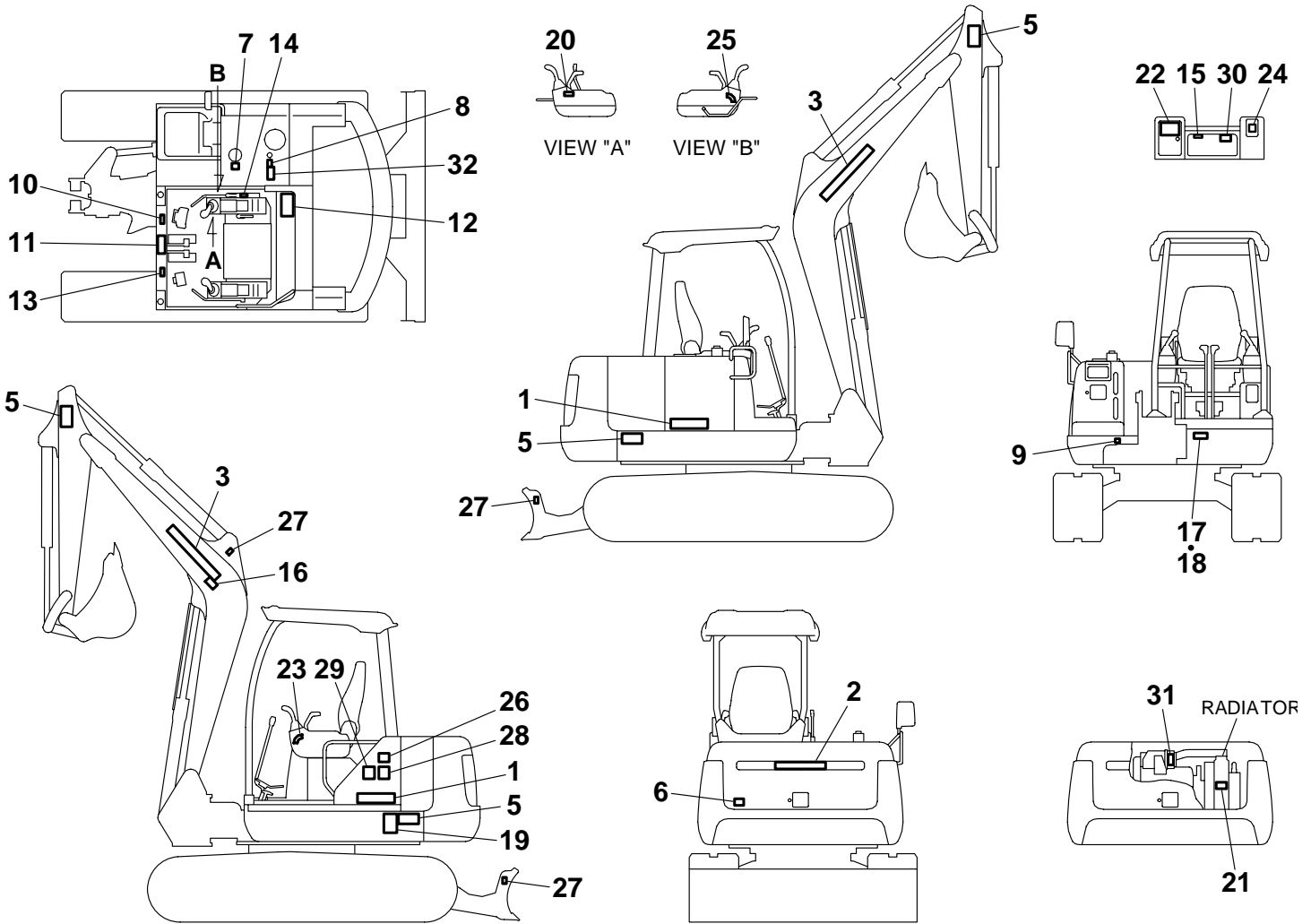


DECAL (for Japan; 14513261-)

Item	Part number	Description	Q'ty	Chan.	Serial No.	Serv.	Remarks
0	0399354500	DECAL SET (canopy)	1				X03993-54500-4
	0399354400	DECAL SET (cab)	1				X03993-54400-4
1	0399337100	• DECAL	2				
2	0329350200	• DECAL	1				
3	0359306300	• DECAL	2				
4	0569321400	• DECAL	1				cab
5	0399354405	• DECAL	1				
6	0399345200	• DECAL	1				
7	0379336800	• DECAL	1				
8	0359325220	• DECAL	1				
9	0379345400	• DECAL	1				
10	0379345300	• DECAL	1				
11	0339350020	• DECAL	2				
12	0329360400	• DECAL	2				
13	0339350040	• DECAL	1				
14	0339350050	• DECAL	1				
15	0339350060	• DECAL	1				
16	0339350070	• DECAL	1				
17	0339350080	• DECAL	1				
18	0339350090	• DECAL	1				
19	0339350110	• DECAL	2				
21	0339350130	• DECAL	2				cab
22	X *****	• DECAL	1				
23	X *****	• SCREW	4				
24	X *****	• DECAL	1				
25	0379358560	• DECAL	2				
26	0329360060	• DECAL	1				
27	0329360100	• DECAL	1				
28	0349325020	• DECAL	1				canopy
29	0359306700	• DECAL	1				
30	0359317200	• DECAL	1				
31	0359325020	• DECAL	1				
32	0359325030	• DECAL	1				
33	0359325080	• DECAL	1				
34	0359325090	• DECAL	1				
35	0359313900	• DECAL	1				
36	0359325140	• DECAL	1				
37	0359325190	• DECAL	1				
38	0379336600	• DECAL	1				
39	0871082120	• DECAL	1				
40	0871082240	• DECAL	1				
41	0871082280	• DECAL	1				
42	0871082300	• DECAL	1				
43	0871082220	• DECAL	1				
45	0394504900	• DECAL	1				cab
46	0189311800	• DECAL	1				cab
47	0339352010	• DECAL	1		14512022~		
48	0339352020	• DECAL	1		14512022~		
49	0339352040	• DECAL	1		14512022~		
50	0339352050	• DECAL	1		14512022~		
51	0339377640	• DECAL	1				

K3g016

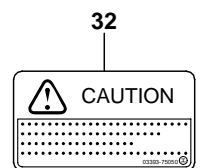
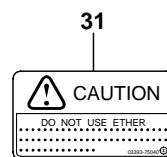
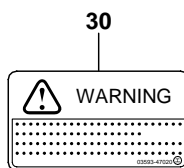
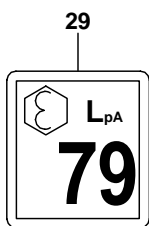
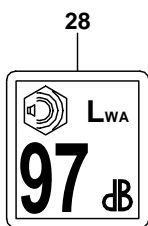
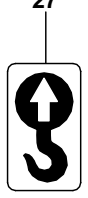
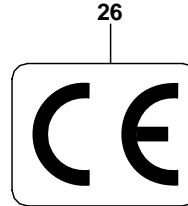
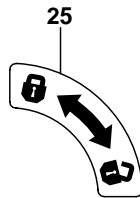
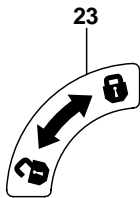
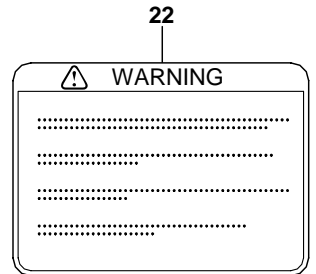
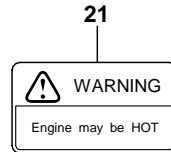
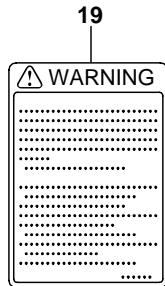
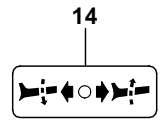
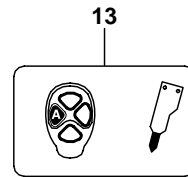
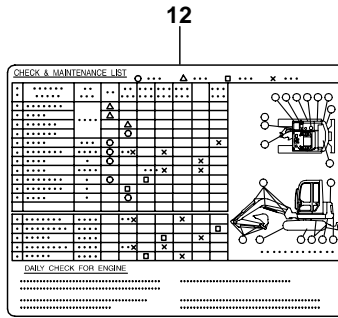
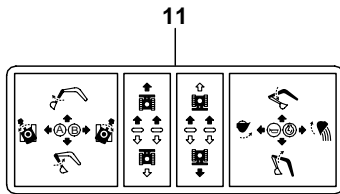
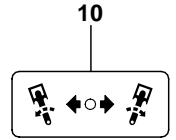
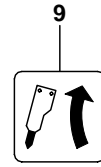
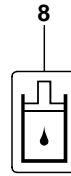
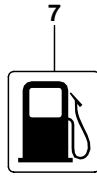
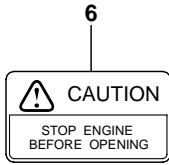
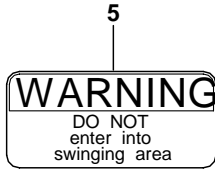
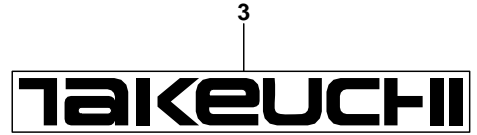
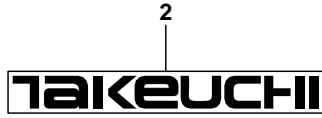
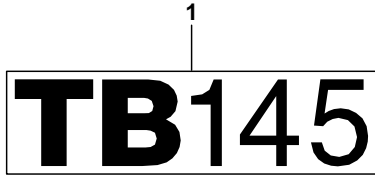
TB145 Book No. BK3Z010 S/N 14510004-  
**DECAL (canopy) (14510004-14513260)**



K3G032

S=FREE

TB145 Book No. BK3Z010 S/N 14510004-  
for English



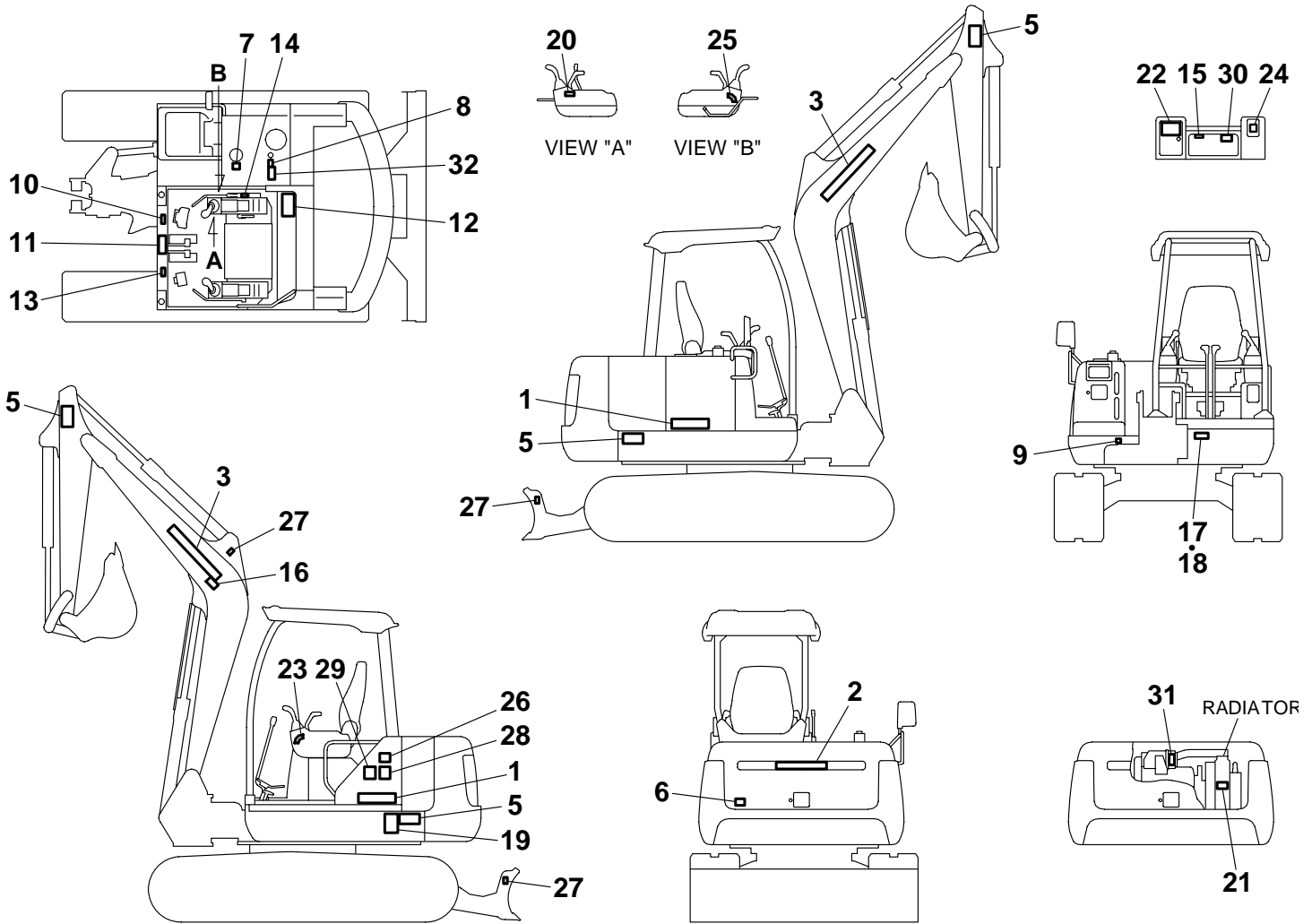








TB145 Book No. BK3Z010 S/N 14510004-  
**DECAL (canopy) (14510004-14513260)**



K3G032

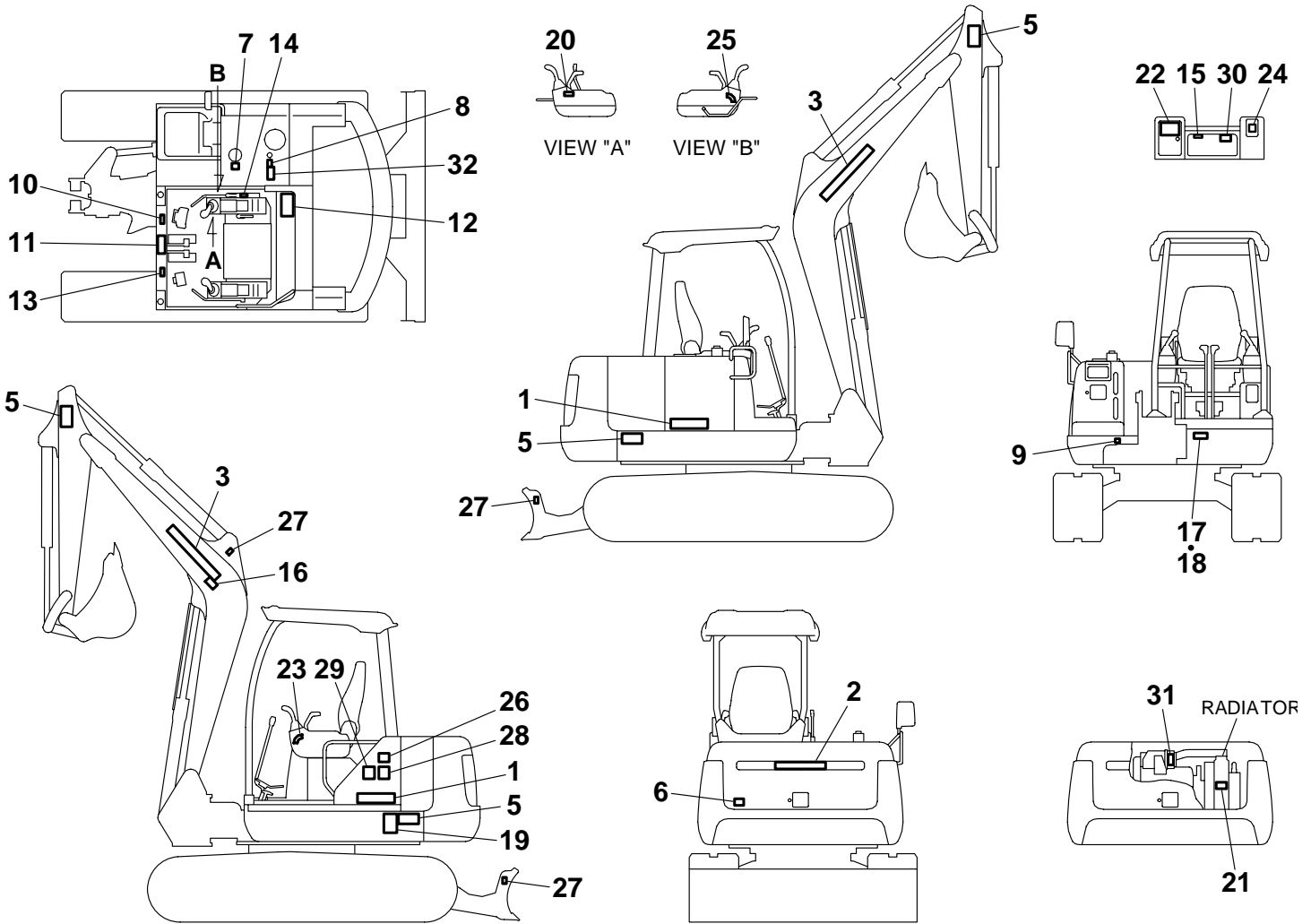
S=FREE



**DECAL (canopy) (14510004-14513260)**

Item	Part number	Description	Q'ty	Chan.	Serial No.	Serv.	Remarks
0	<b>0399337000</b>	DECAL SET (English)	1				X03993-37000-11
	<b>0399338000</b>	DECAL SET (German)	1				X03993-38000-11
	<b>0399339000</b>	DECAL SET (French)	1				X03993-39000-11
	<b>0399340000</b>	DECAL SET (Italian)	1				X03993-40000-11
	<b>0399351000</b>	DECAL SET (Spanish)	1				X03993-51000-11
1	<b>0399337100</b>	• DECAL	2				
2	<b>0329350200</b>	• DECAL	1				
3	<b>0359306300</b>	• DECAL	2				
5	<b>0359306500</b>	• DECAL (English)	4				
	<b>0359308100</b>	• DECAL (German)	4				
	<b>0359309100</b>	• DECAL (French)	4				
	<b>0359310100</b>	• DECAL (Italian)	4				
	<b>0339364100</b>	• DECAL (Spanish)	4				
6	<b>0359307400</b>	• DECAL (English)	1				
	<b>0359314400</b>	• DECAL (German)	1				
	<b>0359315400</b>	• DECAL (French)	1				
	<b>0359316400</b>	• DECAL (Italian)	1				
	<b>0339364200</b>	• DECAL (Spanish)	1				
7	<b>0359306600</b>	• DECAL (English)	1				
	<b>0339375260</b>	• DECAL (German)	1				
	<b>0339375460</b>	• DECAL (French)	1				
	<b>0339375660</b>	• DECAL (Italian, Spanish)	1				
8	<b>0359306700</b>	• DECAL	1				
9	<b>0359325220</b>	• DECAL	1				
10	<b>0329360060</b>	• DECAL	1				
11	<b>0379336600</b>	• DECAL	1				
12	<b>0399337200</b>	• DECAL (English)	1				
	<b>0399338200</b>	• DECAL (German)	1				
	<b>0399339200</b>	• DECAL (French)	1				
	<b>0399340200</b>	• DECAL (Italian)	1				
	<b>0399351001</b>	• DECAL (Spanish)	1				
13	<b>0379336800</b>	• DECAL	1				
14	<b>0359325190</b>	• DECAL	1				
15	X *****	• DECAL	1				
16	<b>0359347010</b>	• DECAL (English)	1				
	<b>0339375210</b>	• DECAL (German)	1				
	<b>0339375410</b>	• DECAL (French)	1				
	<b>0339375610</b>	• DECAL (Italian)	1				
	<b>0339375810</b>	• DECAL (Spanish)	1				
17	X *****	• DECAL	1				
18	X *****	• SCREW	4				
19	<b>0379337300</b>	• DECAL (English)	1				
	<b>0379338300</b>	• DECAL (German)	1				
	<b>0379339300</b>	• DECAL (French)	1				
	<b>0379340300</b>	• DECAL (Italian)	1				
	<b>0379354200</b>	• DECAL (Spanish)	1				
20	<b>0359317200</b>	• DECAL	1				
21	<b>0569321980</b>	• DECAL (English)	1				
22	<b>0359313700</b>	• DECAL (English)	1				
	<b>0359314700</b>	• DECAL (German)	1				
	<b>0359315700</b>	• DECAL (French)	1				
	<b>0359316700</b>	• DECAL (Italian)	1				
	<b>0339364500</b>	• DECAL (Spanish)	1				
23	<b>0329360100</b>	• DECAL	1				
24	<b>0379337100</b>	• DECAL (English)	1				
	<b>0379338200</b>	• DECAL (German)	1				
	<b>0379339100</b>	• DECAL (French)	1				
	<b>0379340100</b>	• DECAL (Italian)	1				
	<b>0379354300</b>	• DECAL (Spanish)	1				
25	<b>0349325020</b>	• DECAL	1				
26	X *****	• DECAL	1				
27	<b>0399300500</b>	• DECAL	1				
28	X *****	• DECAL	1				
29	X *****	• DECAL	1				
30	<b>0359347020</b>	• DECAL (English)	1				
	<b>0339375220</b>	• DECAL (German)	1				
	<b>0339375420</b>	• DECAL (French)	1				
	<b>0339375620</b>	• DECAL (Italian)	1				

TB145 Book No. BK3Z010 S/N 14510004-  
**DECAL (canopy) (14510004-14513260)**



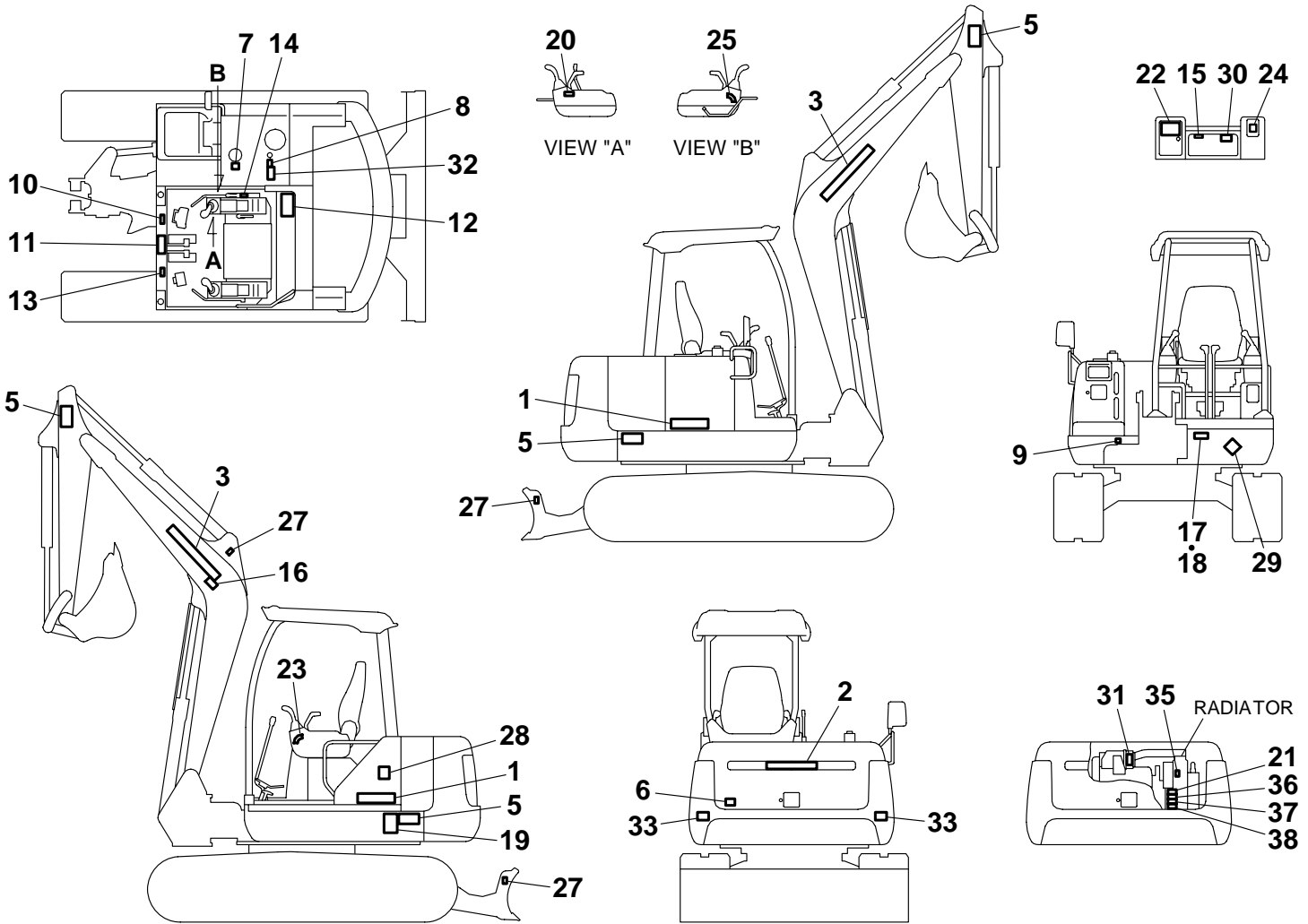
K3G032

S=FREE

**DECAL (canopy) (14510004-14513260)**

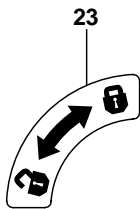
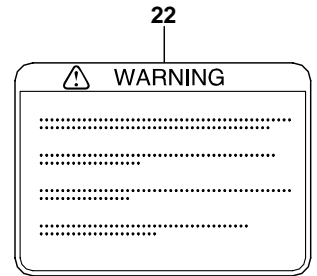
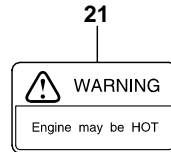
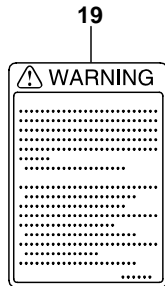
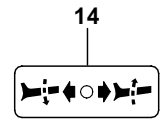
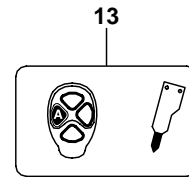
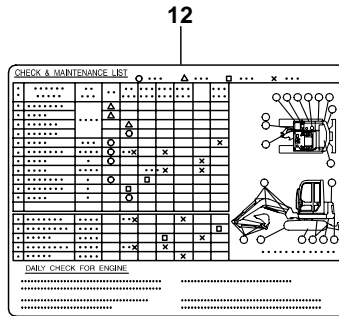
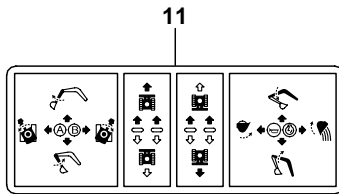
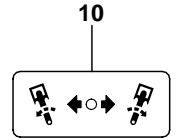
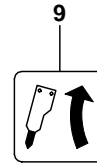
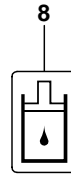
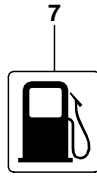
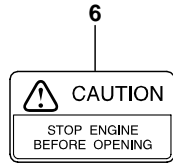
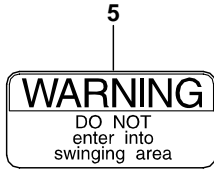
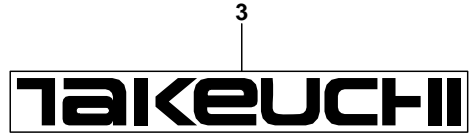
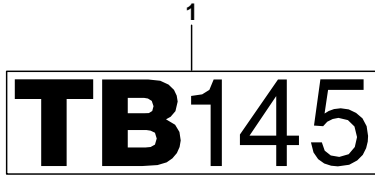
Item	Part number	Description	Q'ty	Chan.	Serial No.	Serv.	Remarks
30	<b>0339375820</b>	• DECAL (Spanish)	1				
31	<b>0339375040</b>	• DECAL (English)	1				
31	<b>0339375240</b>	• DECAL (German)	1				
31	<b>0339375440</b>	• DECAL (French)	1				
31	<b>0339375640</b>	• DECAL (Italian)	1				
31	<b>0339375840</b>	• DECAL (Spanish)	1				
32	<b>0339375050</b>	• DECAL (English)	1				
32	<b>0339375250</b>	• DECAL (German)	1				
32	<b>0339375450</b>	• DECAL (French)	1				
32	<b>0339375650</b>	• DECAL (Italian)	1				
32	<b>0339375850</b>	• DECAL (Spanish)	1				
	<b>K3g032</b>						

TB145 Book No. BK3Z010 S/N 14510004-  
**DECAL (canopy) (14513261-)**



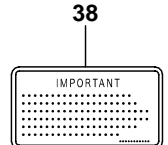
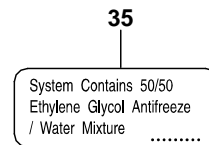
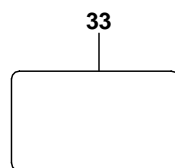
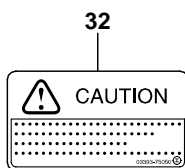
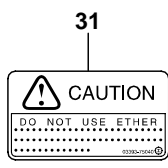
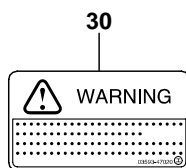
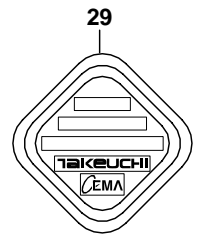
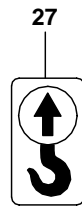
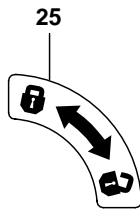
K3G035

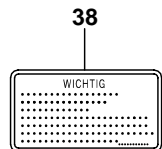
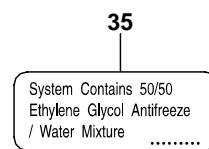
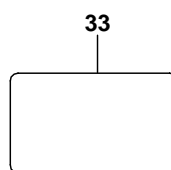
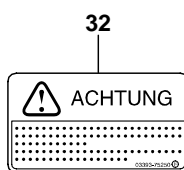
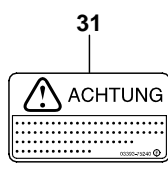
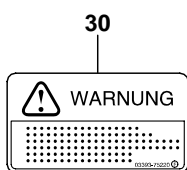
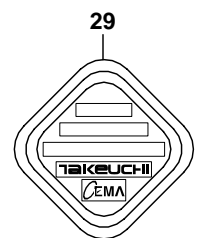
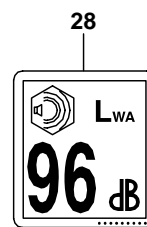
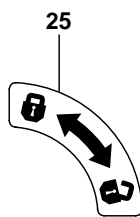
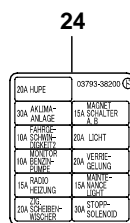
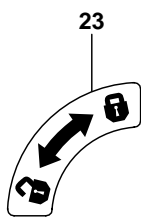
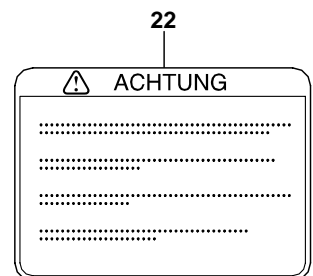
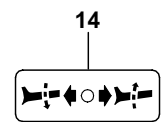
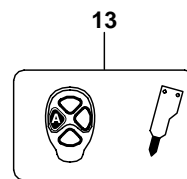
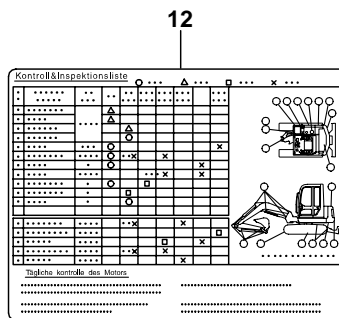
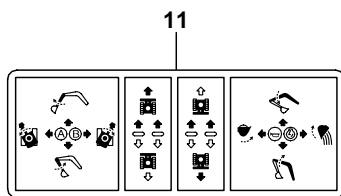
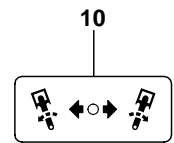
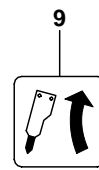
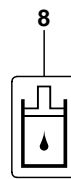
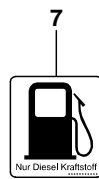
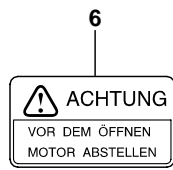
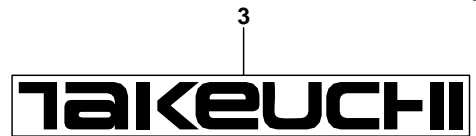
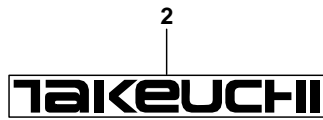
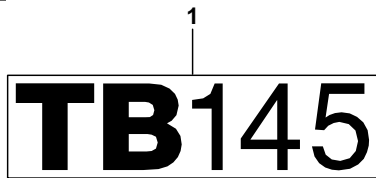
S=FREE



24

20A HORN	10790-37100
20A LAMP	10A SOLENOID
20A SWITCH	10A B
20A PRESS	20A LIGHT
20A BATTERY	20A LEVER
20A MOTOR	10A LOCK
20A PUMP	10A HANDLE
20A BEATER	10A HANDLE
20A LIGHTER	10A STOP-SOLENOID
20A METER	





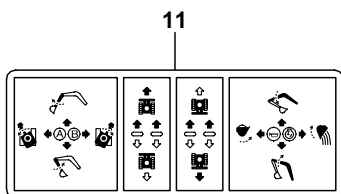
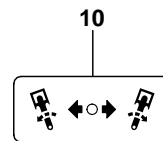
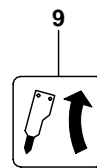
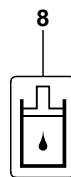
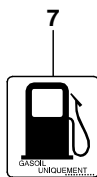
1  
**TB145**

2  
**TAKEUCHI**

3  
**TAKEUCHI**

5  
**ATTENTION**  
Défense d'entrer dans la zone d'orientation

6  
**ATTENTION**  
Arrêter le moteur avant d'ouvrir le capot



12

Tableau de contrôle et d'entretien

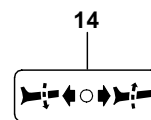
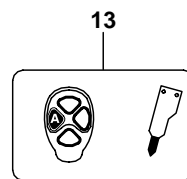
1	2	3	4	5	6	7	8	9	10	11	12	13	14	15	16	17	18
.....	.....	.....	.....	.....	.....	.....	.....	.....	.....	.....	.....	.....	.....	.....	.....	.....	.....
.....	.....	.....	.....	.....	.....	.....	.....	.....	.....	.....	.....	.....	.....	.....	.....	.....	.....
.....	.....	.....	.....	.....	.....	.....	.....	.....	.....	.....	.....	.....	.....	.....	.....	.....	.....
.....	.....	.....	.....	.....	.....	.....	.....	.....	.....	.....	.....	.....	.....	.....	.....	.....	.....
.....	.....	.....	.....	.....	.....	.....	.....	.....	.....	.....	.....	.....	.....	.....	.....	.....	.....
.....	.....	.....	.....	.....	.....	.....	.....	.....	.....	.....	.....	.....	.....	.....	.....	.....	.....
.....	.....	.....	.....	.....	.....	.....	.....	.....	.....	.....	.....	.....	.....	.....	.....	.....	.....
.....	.....	.....	.....	.....	.....	.....	.....	.....	.....	.....	.....	.....	.....	.....	.....	.....	.....
.....	.....	.....	.....	.....	.....	.....	.....	.....	.....	.....	.....	.....	.....	.....	.....	.....	.....
.....	.....	.....	.....	.....	.....	.....	.....	.....	.....	.....	.....	.....	.....	.....	.....	.....	.....

Contrôle journalier du moteur

.....

.....

.....

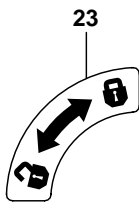


16  
**AVERTISSEMENT**  
NE PAS UTILISER CETTE MACHINE POUR LA MANUTENTION

19  
**AVERTISSEMENT**  
.....  
.....  
.....  
.....  
.....  
.....  
.....  
.....  
.....

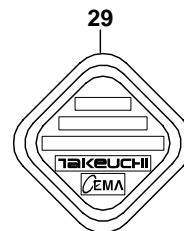
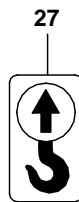
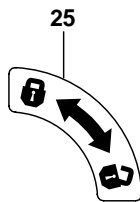


22  
**ATTENTION**  
.....  
.....  
.....  
.....  
.....



24

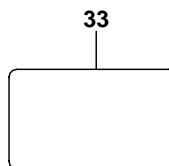
20A	Maison	00790-30101	
10A	01-conç.	15A	sdérnoide
	02-Exp		A, B
10B	03-mont.	20A	éclap-
	04-trans-		page
10C	05-roul.	20A	éclap-
	06-roul.		page
10A	07-roul.	20A	éclap-
	08-roul.		page
15A	09-roul.	15A	éclap-
	10-roul.		page
20A	11-roul.	20A	éclap-
	12-roul.		page



30  
**AVERTISSEMENT**  
.....  
.....

31  
**ATTENTION**  
NE PAS UTILISER DE STAR PILOTE

32  
**ATTENTION**  
.....  
.....



35  
System Contains 50/50 Ethylene Glycol Antifreeze / Water Mixture

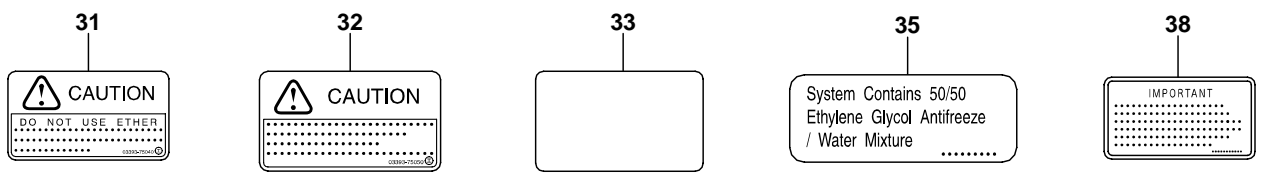
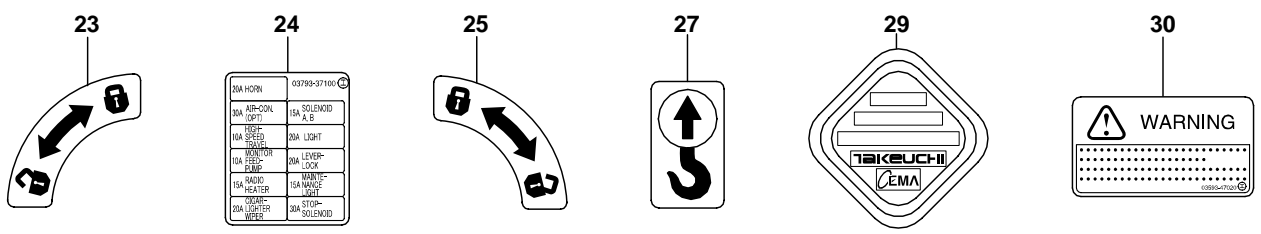
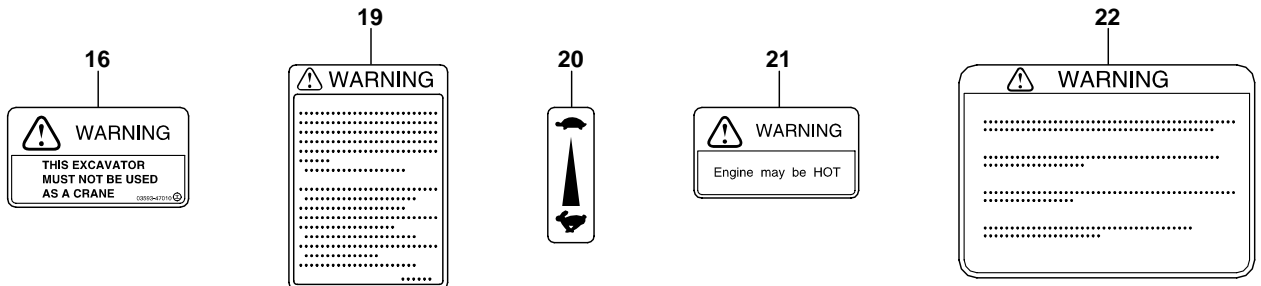
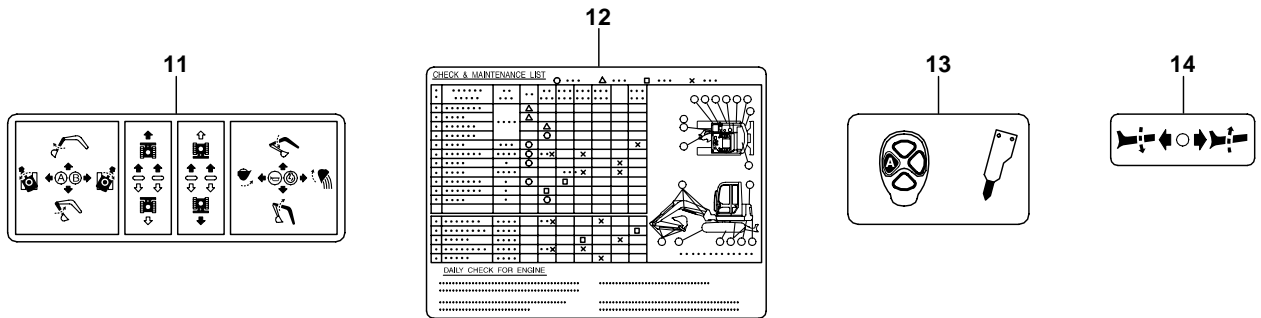
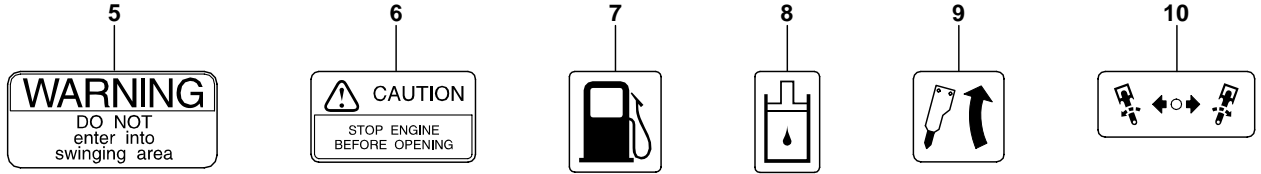
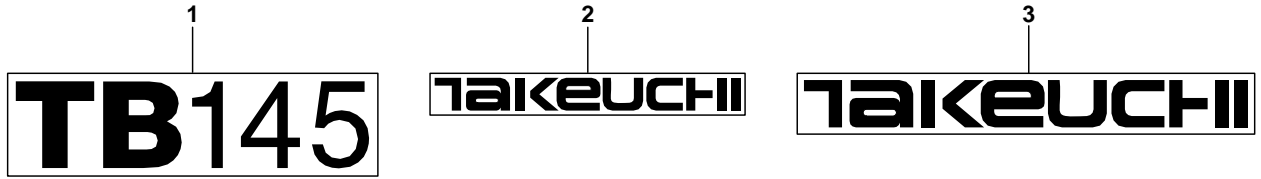
38  
**IMPORTANT**  
.....  
.....

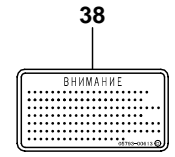
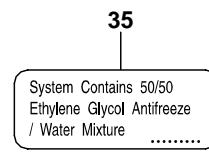
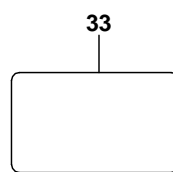
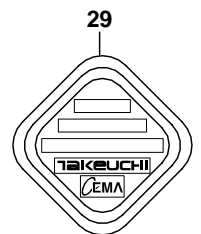
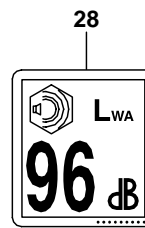
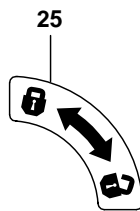
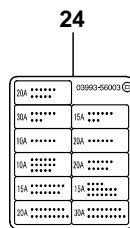
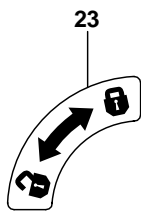
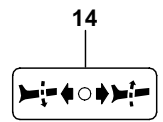
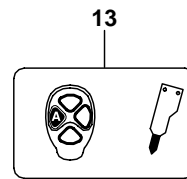
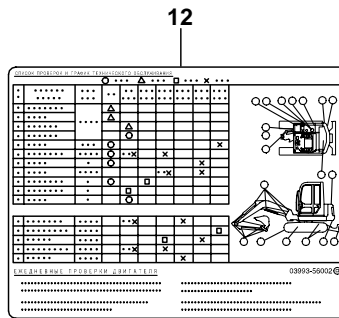
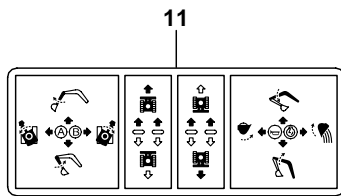
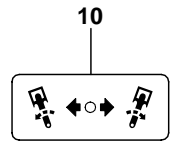
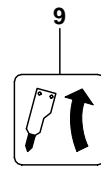
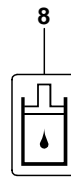
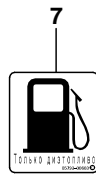
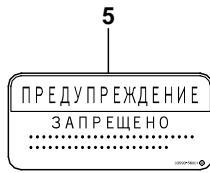
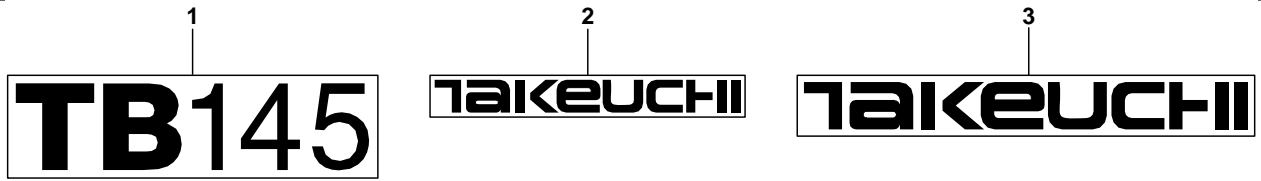


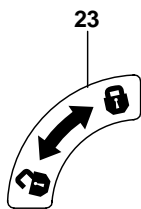
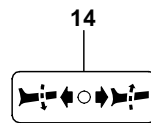
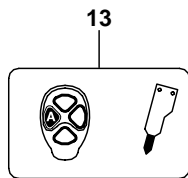
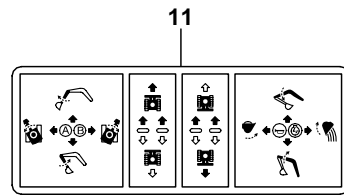
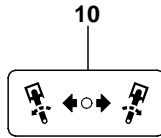
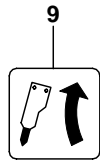
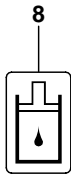
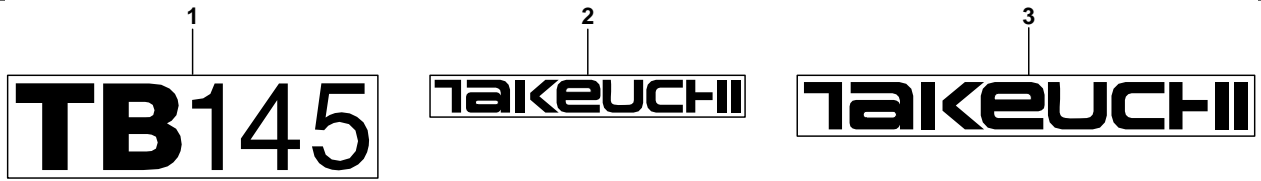




TB145 Book No. BK3Z010 S/N 14510004-  
US TAKEUCHI

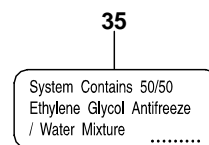
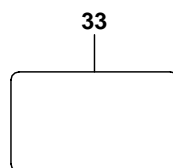
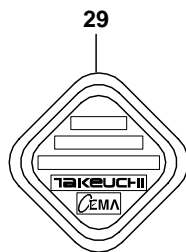
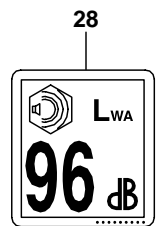
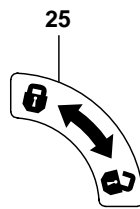




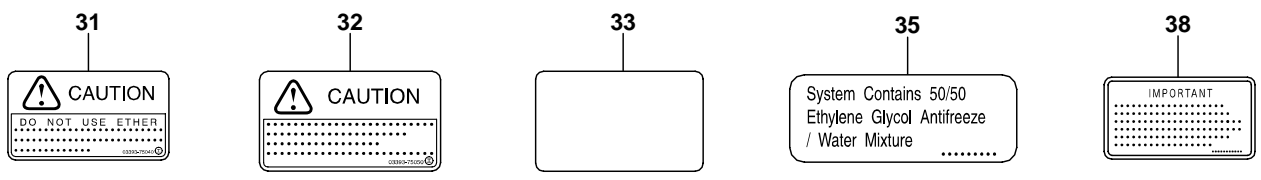
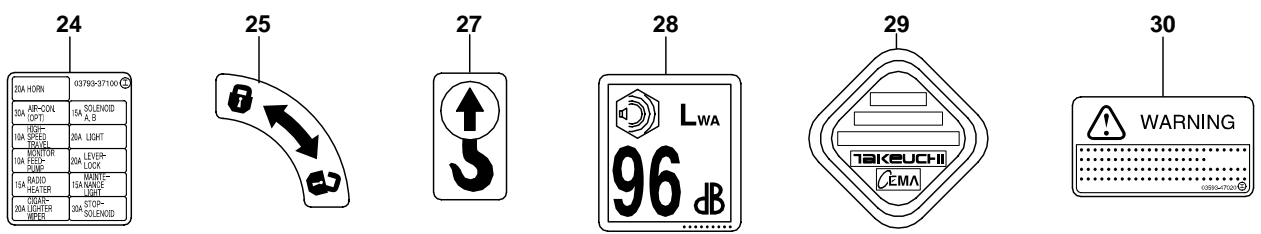
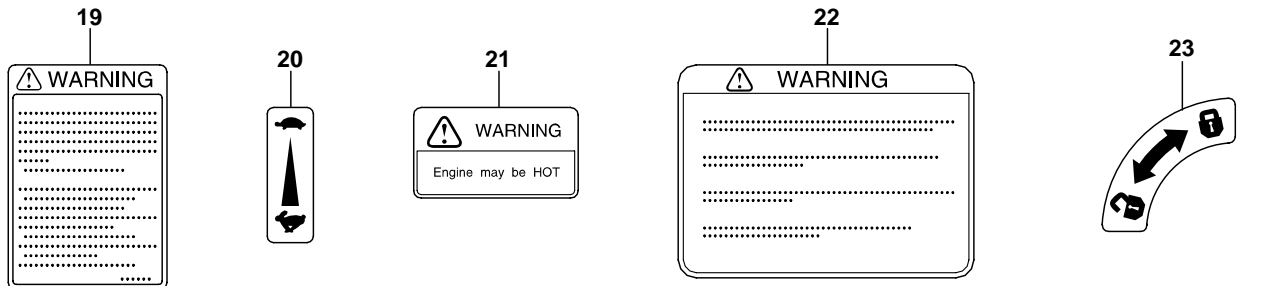
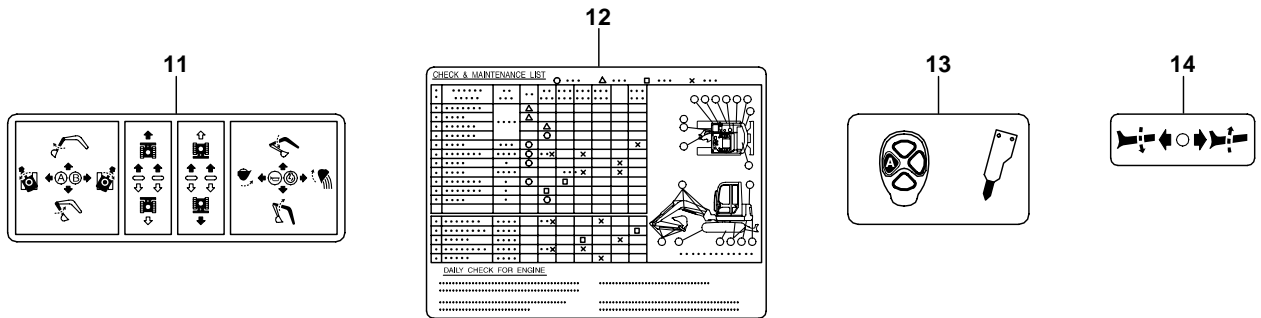
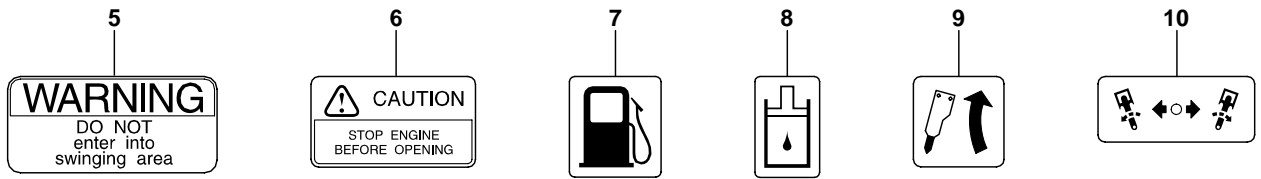
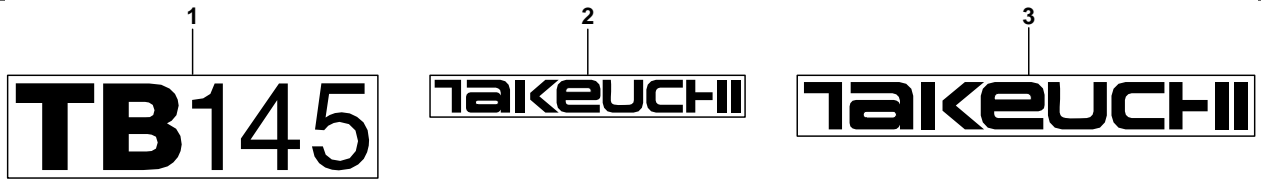


24

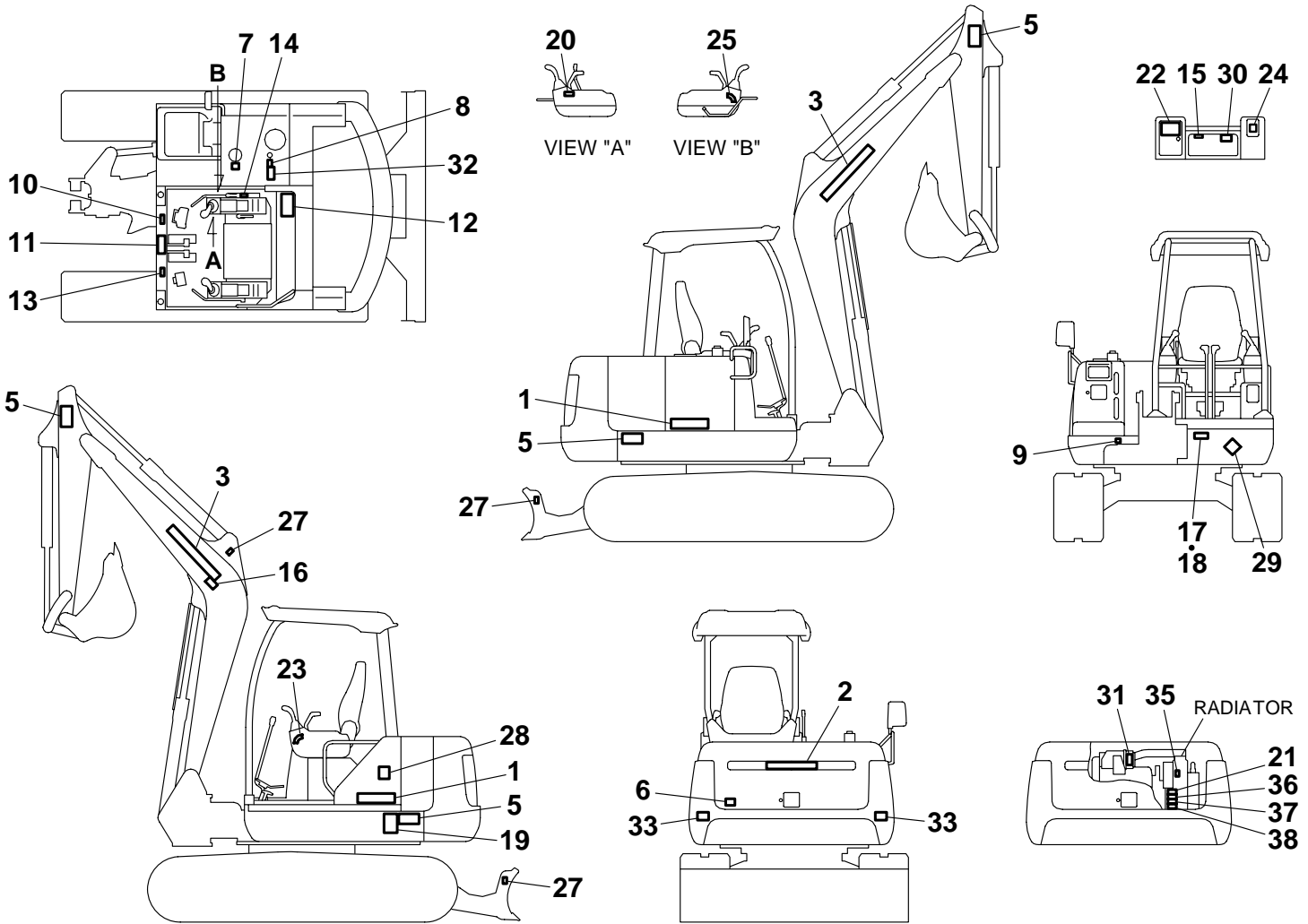
00A HORN	00700-07100 ©
00A AIR-CON (OPT)	00A SOLENOID A, B
00A SPEED TRAIL	00A LIGHT
00A MONITOR	00A LEVER LOCK
00A FEELER SWMP	00A WIPER HEATER
00A RADIO	00A WIPER LIGHT
00A LIGHTER MISC	00A STOP SW SOLENOID



TB145 Book No. BK3Z010 S/N 14510004-  
UK TAKEUCHI



TB145 Book No. BK3Z010 S/N 14510004-  
**DECAL (canopy) (14513261-)**



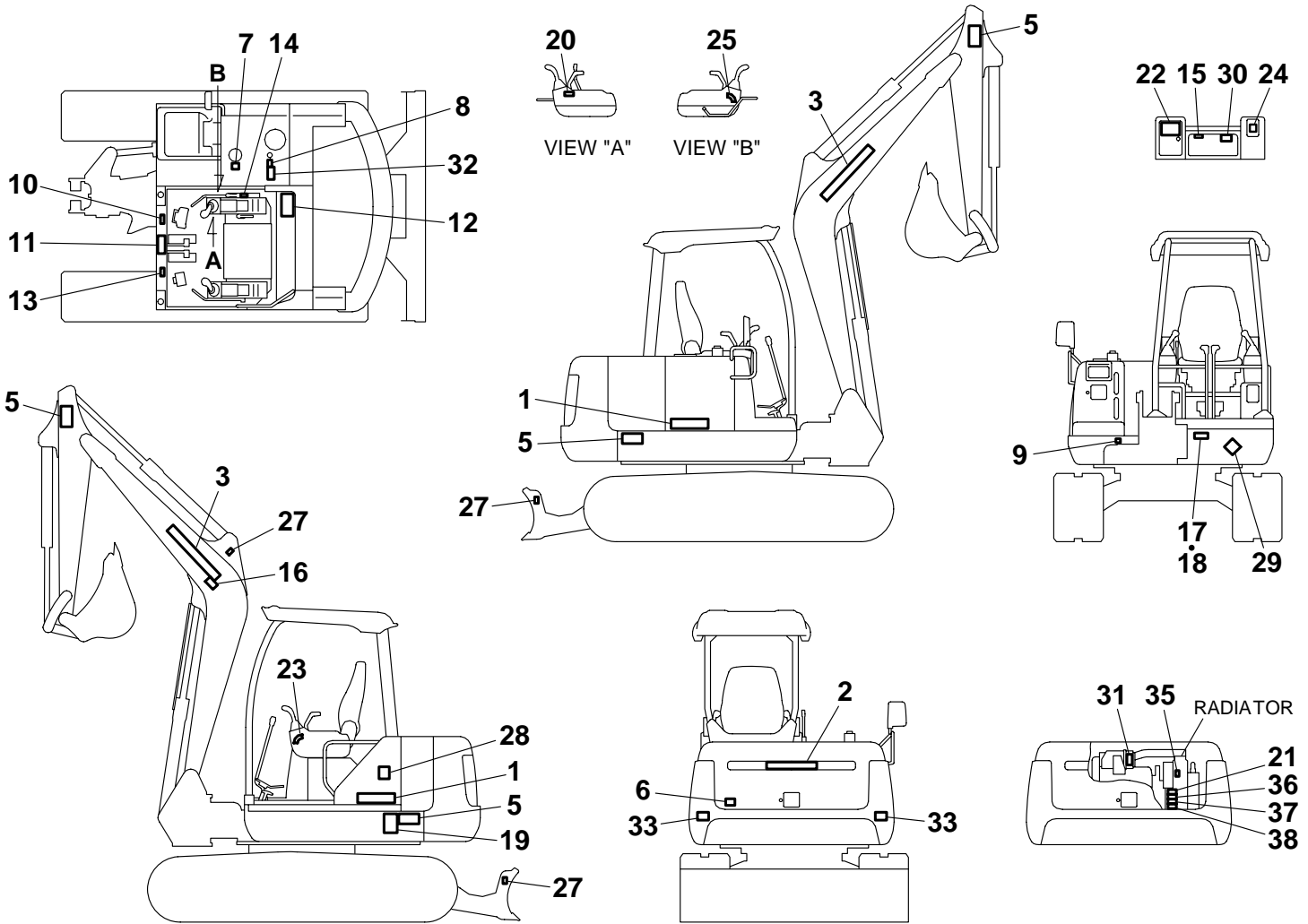
K3G035

S=FREE

**DECAL (canopy) (14513261-)**

Item	Part number	Description	Q'ty	Chan.	Serial No.	Serv.	Remarks
0	<b>0399353800</b>	DECAL SET (English)	1				X03993-53800-7
	<b>0399353900</b>	DECAL SET (German)	1				X03993-53900-7
	<b>0399354000</b>	DECAL SET (French)	1				X03993-54000-7
	<b>0399354100</b>	DECAL SET (Italian)	1				X03993-54100-7
	<b>0399354200</b>	DECAL SET (Spanish)	1				X03993-54200-7
	<b>0399354300</b>	DECAL SET (U.S. TAKEUCHI)	1				X03993-54300-7
	<b>0399356100</b>	DECAL SET (Russian)	1				X03993-56100-7
	<b>0399356200</b>	DECAL SET (Dutch)	1				X03993-56200-7
	<b>0399356300</b>	DECAL SET (U.K. TAKEUCHI)	1				X03993-56300-7
1	<b>0399337100</b>	• DECAL	2				
2	<b>0329350200</b>	• DECAL	1				
3	<b>0359306300</b>	• DECAL	2				
5	<b>0359306500</b>	• DECAL (English)	4				
	<b>0359308100</b>	• DECAL (German)	4				
	<b>0359309100</b>	• DECAL (French)	4				
	<b>0359310100</b>	• DECAL (Italian)	4				
	<b>0339364100</b>	• DECAL (Spanish)	4				
	<b>0399356001</b>	• DECAL (Russian)	4				
6	<b>0359307400</b>	• DECAL (English)	1				
	<b>0359314400</b>	• DECAL (German)	1				
	<b>0359315400</b>	• DECAL (French)	1				
	<b>0359316400</b>	• DECAL (Italian)	1				
	<b>0339364200</b>	• DECAL (Spanish)	1				
	<b>0579300602</b>	• DECAL (Russian)	1				
7	<b>0359306600</b>	• DECAL (English)	1				
	<b>0339375260</b>	• DECAL (German)	1				
	<b>0339375460</b>	• DECAL (French)	1				
	<b>0339375660</b>	• DECAL (Italian, Spanish)	1				
	<b>0579300603</b>	• DECAL (Russian)	1				
8	<b>0359306700</b>	• DECAL	1				
9	<b>0359325220</b>	• DECAL	1				
10	<b>0329360060</b>	• DECAL	1				
11	<b>0379336600</b>	• DECAL	1				
12	<b>0399337200</b>	• DECAL (English)	1				
	<b>0399338200</b>	• DECAL (German)	1				
	<b>0399339200</b>	• DECAL (French)	1				
	<b>0399340200</b>	• DECAL (Italian)	1				
	<b>0399351001</b>	• DECAL (Spanish)	1				
	<b>0399356002</b>	• DECAL (Russian)	1				
13	<b>0379336800</b>	• DECAL	1				
14	<b>0359325190</b>	• DECAL	1				
15	X *****	• DECAL	1				
16	<b>0359347010</b>	• DECAL (English)	1				except for U.K. TAKEUCHI
	<b>0339375210</b>	• DECAL (German)	1				
	<b>0339375410</b>	• DECAL (French)	1				
	<b>0339375610</b>	• DECAL (Italian)	1				
	<b>0339375810</b>	• DECAL (Spanish)	1				
	<b>0579300609</b>	• DECAL (Russian)	1				
17	X *****	• DECAL	1				
18	X *****	• SCREW	4				
19	<b>0379337300</b>	• DECAL (English)	1				
	<b>0379338300</b>	• DECAL (German)	1				
	<b>0379339300</b>	• DECAL (French)	1				
	<b>0379340300</b>	• DECAL (Italian)	1				
	<b>0379354200</b>	• DECAL (Spanish)	1				
	<b>0399356004</b>	• DECAL (Russian)	1				
20	<b>0359317200</b>	• DECAL	1				
21	<b>0569321980</b>	• DECAL (English)	1				
22	<b>0359313700</b>	• DECAL (English)	1				
	<b>0359314700</b>	• DECAL (German)	1				
	<b>0359315700</b>	• DECAL (French)	1				
	<b>0359316700</b>	• DECAL (Italian)	1				
	<b>0339364500</b>	• DECAL (Spanish)	1				
	<b>0579300606</b>	• DECAL (Russian)	1				
23	<b>0329360100</b>	• DECAL	1				
24	<b>0379337100</b>	• DECAL (English)	1				
	<b>0379338200</b>	• DECAL (German)	1				
	<b>0379339100</b>	• DECAL (French)	1				

TB145 Book No. BK3Z010 S/N 14510004-  
**DECAL (canopy) (14513261-)**



K3G035

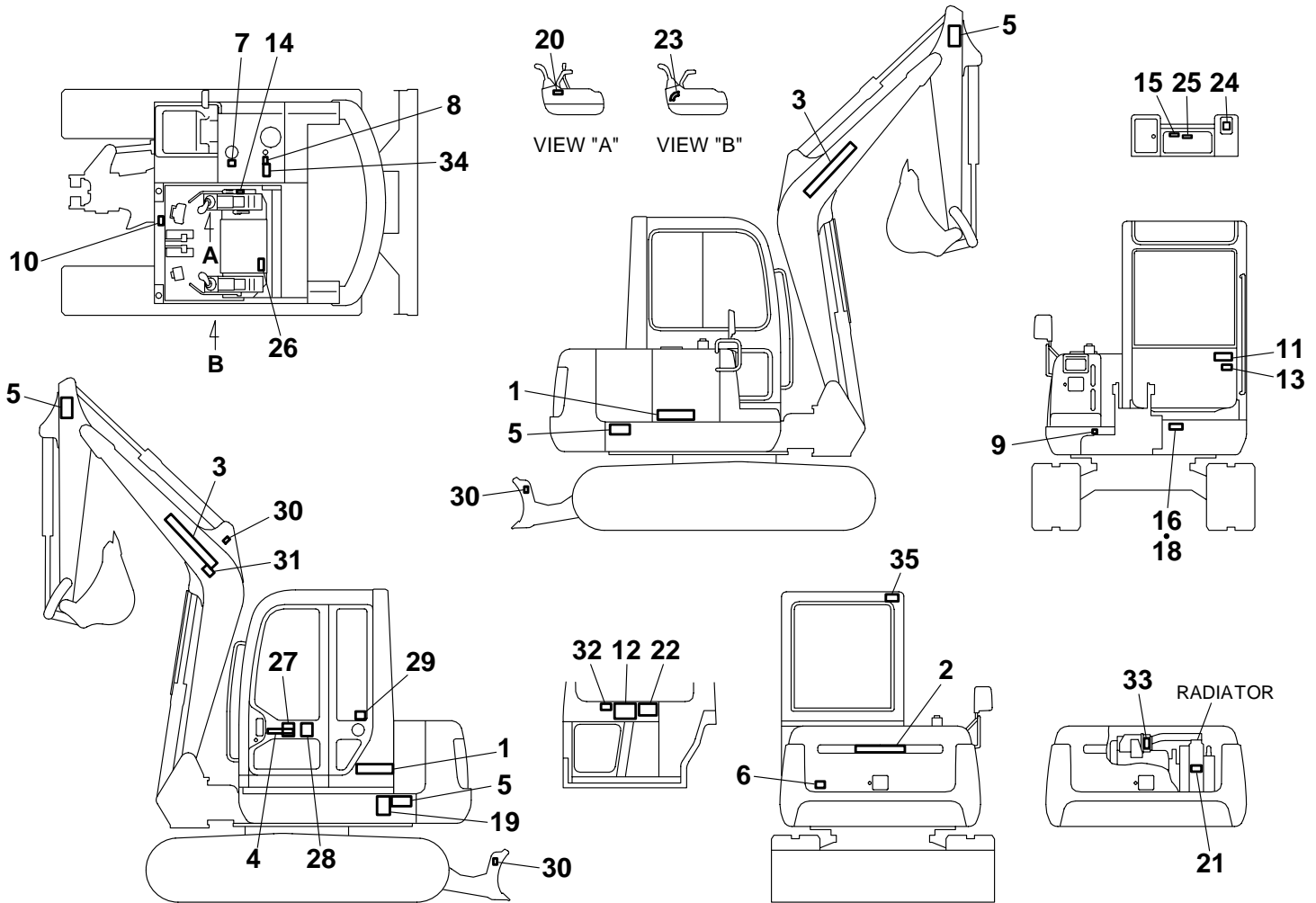
S=FREE



DECAL (canopy) (14513261-)

Item	Part number	Description	Q'ty	Chan.	Serial No.	Serv.	Remarks
24	0379340100	• DECAL (Italian)	1				
24	0379354300	• DECAL (Spanish)	1				
24	0399356003	• DECAL (Russian)	1				
25	0349325020	• DECAL	1				
27	0399300500	• DECAL	3				
28	X *****	• DECAL	1				
29	X *****	• DECAL	1				
30	0359347020	• DECAL (English)	1				
30	0339375220	• DECAL (German)	1				
30	0339375420	• DECAL (French)	1				
30	0339375620	• DECAL (Italian)	1				
30	0339375820	• DECAL (Spanish)	1				
30	0579300610	• DECAL (Russian)	1				
31	0339375040	• DECAL (English)	1				
31	0339375240	• DECAL (German)	1				
31	0339375440	• DECAL (French)	1				
31	0339375640	• DECAL (Italian)	1				
31	0339375840	• DECAL (Spanish)	1				
31	0579300611	• DECAL (Russian)	1				
32	0339375050	• DECAL (English)	1				
32	0339375250	• DECAL (German)	1				
32	0339375450	• DECAL (French)	1				
32	0339375650	• DECAL (Italian)	1				
32	0339375850	• DECAL (Spanish)	1				
32	0399356005	• DECAL (Russian)	1				
33	0379358560	• SEAL	2				
35	0359313900	• DECAL	1				
36	X *****	• DECAL	1				4TNV88-QTB(1)
37	X *****	• DECAL	1				4TNV88-QTB(1)
38	0339376240	• DECAL (English)	1				
38	0339376340	• DECAL (German)	1				
38	0339379440	• DECAL (French)	1				
38	0339379540	• DECAL (Italian)	1				
38	0339379640	• DECAL (Spanish)	1				
38	0579300613	• DECAL (Russian)	1				
	K3g037						

TB145 Book No. BK3Z010 S/N 14510004-  
**DECAL (cab) (14510004-14513260)**



K3G083

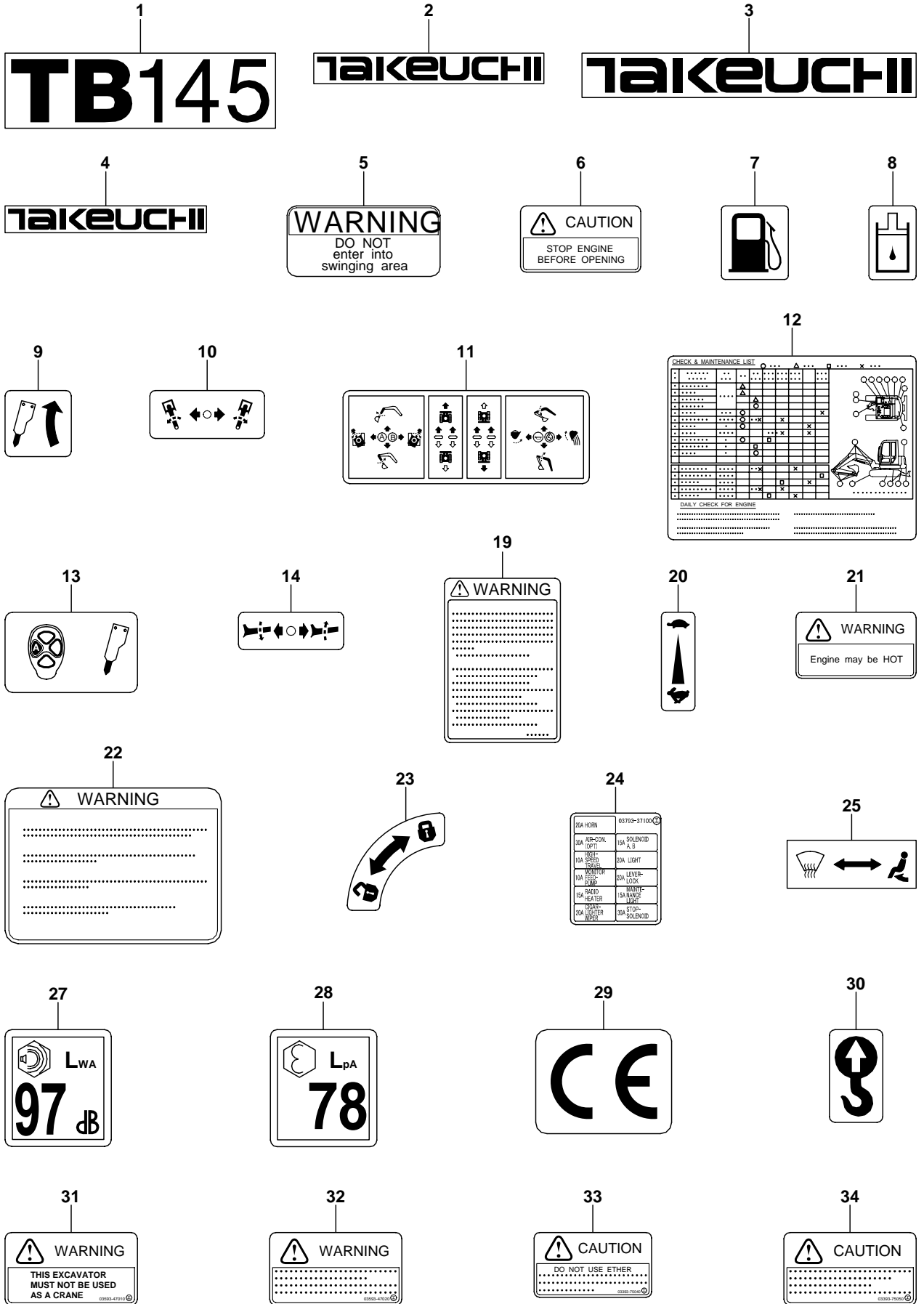
S-FREE

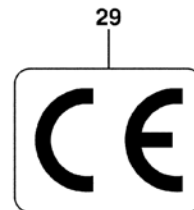
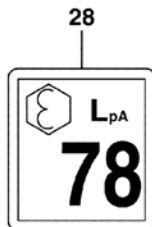
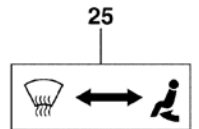
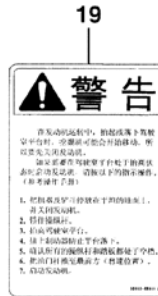
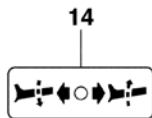
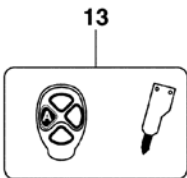
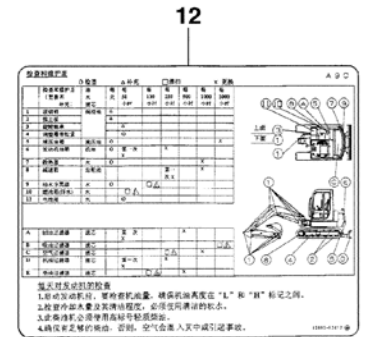
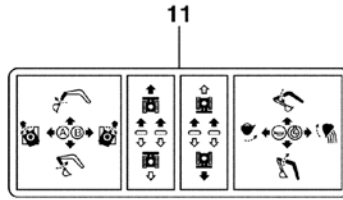
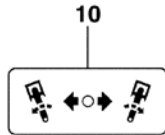
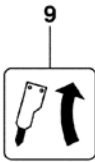
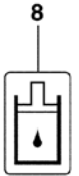
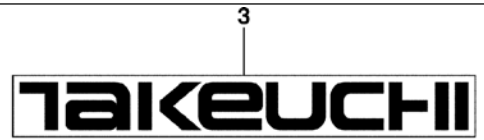
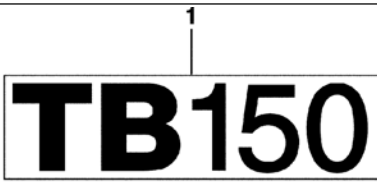










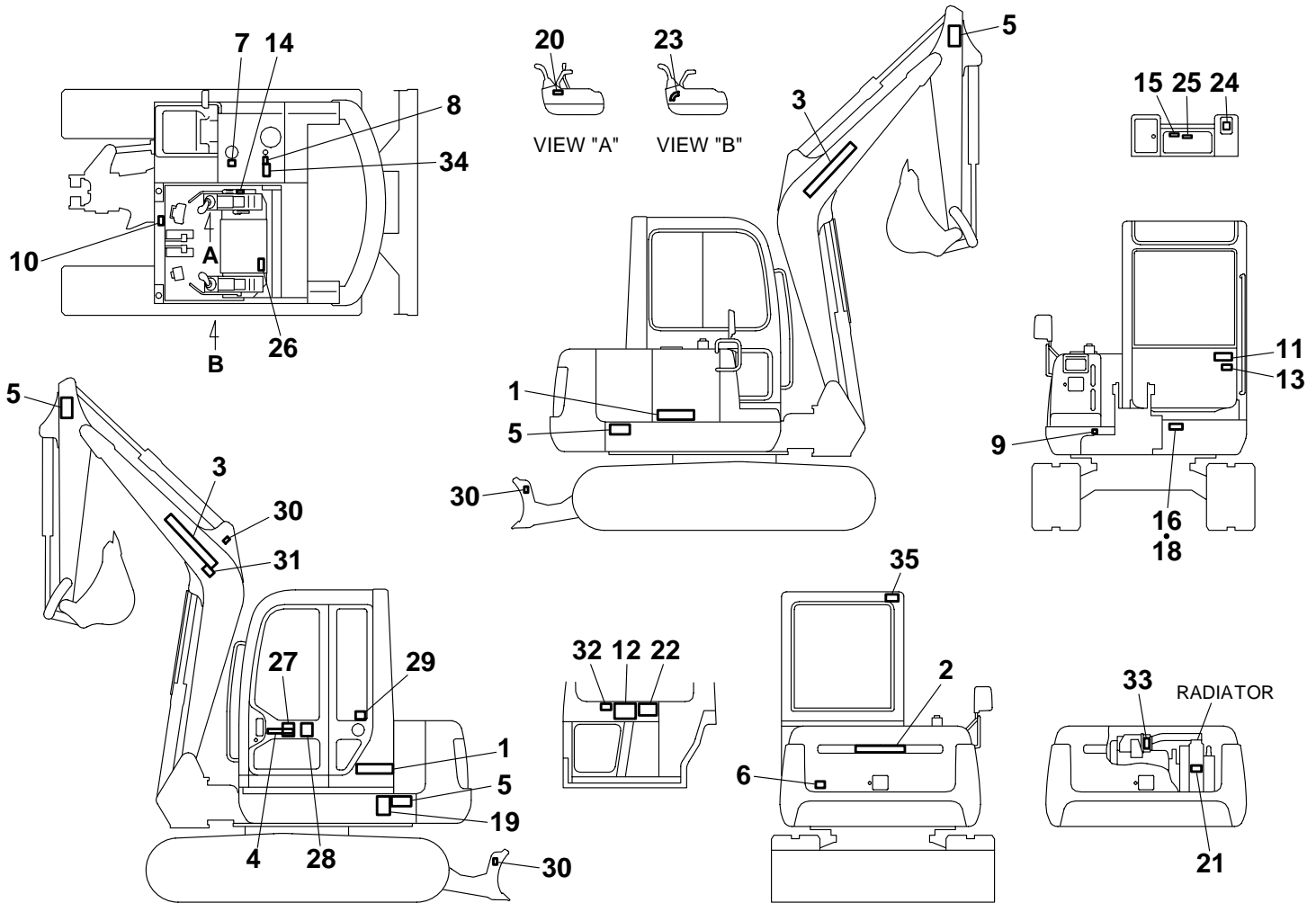




**DECAL (cab) (14510004-14513260)**

Item	Part number	Description	Q'ty	Chan.	Serial No.	Serv.	Remarks
0	0399341000	DECAL SET (English)	1				X03993-41000-13
	0399342000	DECAL SET (German)	1				X03993-42000-13
	0399343000	DECAL SET (French)	1				X03993-43000-13
	0399344000	DECAL SET (Italian)	1				X03993-44000-13
	0399352200	DECAL SET (Spanish)	1				X03993-52200-13
	0399353000	DECAL SET (Chinese)	1				X03993-53000-13
1	0399337100	• DECAL	2				
	0399353001	• DECAL (Chinese)	2				
2	0329350200	• DECAL	1				
3	0359306300	• DECAL	2				
4	0569321400	• DECAL	1				
5	0359306500	• DECAL (English)	4				
	0359308100	• DECAL (German)	4				
	0359309100	• DECAL (French)	4				
	0359310100	• DECAL (Italian)	4				
	0339364100	• DECAL (Spanish)	4				
	0399353005	• DECAL (Chinese)	4				
6	0359307400	• DECAL (English)	1				
	0359314400	• DECAL (German)	1				
	0359315400	• DECAL (French)	1				
	0359316400	• DECAL (Italian)	1				
	0339364200	• DECAL (Spanish)	1				
	0399353006	• DECAL (Chinese)	1				
7	0359306600	• DECAL (English)	1				
	0339375260	• DECAL (German)	1				
	0339375460	• DECAL (French)	1				
	0339375660	• DECAL (Italian, Spanish)	1				
	0399353007	• DECAL (Chinese)	1				
8	0359306700	• DECAL	1				
9	0359325220	• DECAL	1				
10	0329360060	• DECAL	1				
11	0379336600	• DECAL	1				
12	0399337200	• DECAL (English)	1				
	0399338200	• DECAL (German)	1				
	0399339200	• DECAL (French)	1				
	0399340200	• DECAL (Italian)	1				
	0399351001	• DECAL (Spanish)	1				
	0399353012	• DECAL (Chinese)	1				
13	0379336800	• DECAL	1				
14	0359325190	• DECAL	1				
15	X *****	• DECAL	1				
16	X *****	• DECAL	1				
18	X *****	• SCREW	4				
19	0379337300	• DECAL (English)	1				
	0379338300	• DECAL (German)	1				
	0379339300	• DECAL (French)	1				
	0379340300	• DECAL (Italian)	1				
	0379354200	• DECAL (Spanish)	1				
	0399353019	• DECAL (Chinese)	1				
20	0359317200	• DECAL	1				
21	0569321980	• DECAL (English)	1				
	0399353021	• DECAL (Chinese)	1				
22	0359313700	• DECAL (English)	1				
	0359314700	• DECAL (German)	1				
	0359315700	• DECAL (French)	1				
	0359316700	• DECAL (Italian)	1				
	0339364500	• DECAL (Spanish)	1				
	0399353022	• DECAL (Chinese)	1				
23	0329360100	• DECAL	1				
24	0379337100	• DECAL (English)	1				
	0379338200	• DECAL (German)	1				
	0379339100	• DECAL (French)	1				
	0379340100	• DECAL (Italian)	1				
	0379354300	• DECAL (Spanish)	1				
	0399353024	• DECAL (Chinese)	1				
25	0394504900	• DECAL	1				
26	0189311800	• DECAL	1				
27	X *****	• DECAL	1				

TB145 Book No. BK3Z010 S/N 14510004-  
**DECAL (cab) (14510004-14513260)**



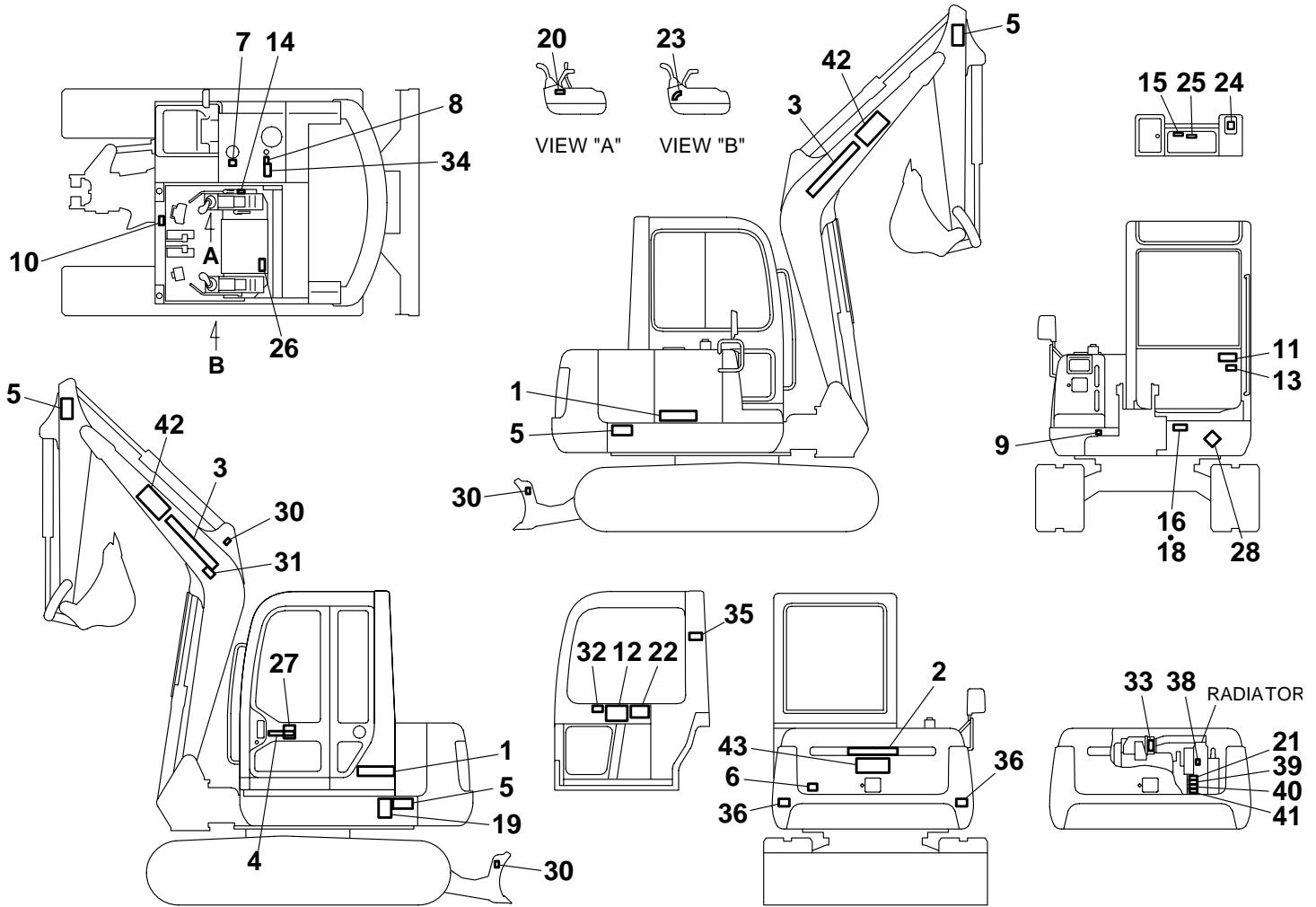
K3G083

S-FREE

DECAL (cab) (14510004-14513260)

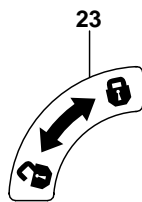
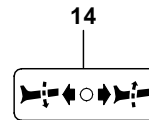
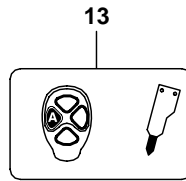
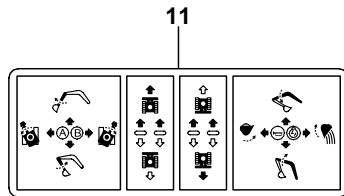
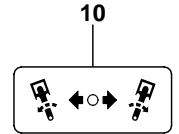
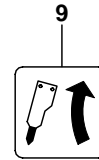
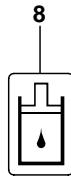
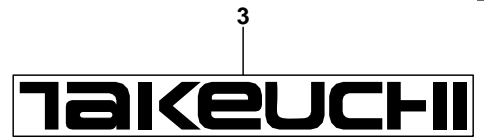
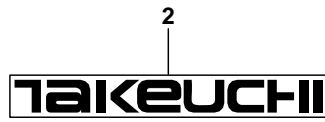
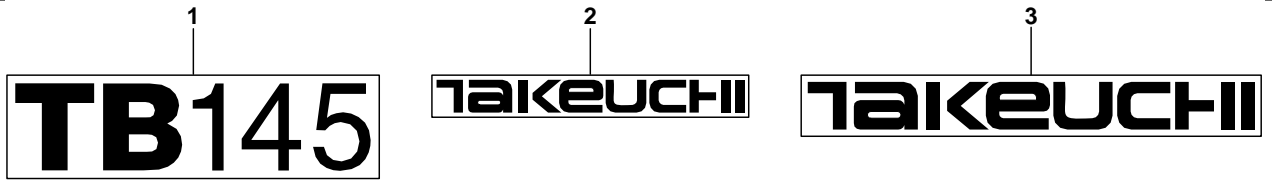
Item	Part number	Description	Q'ty	Chan.	Serial No.	Serv.	Remarks
28	X *****	• DECAL	1				
29	X *****	• DECAL	1				
30	0399300500	• DECAL	3				
31	0359347010	• DECAL (English)	1				
31	0339375210	• DECAL (German)	1				
31	0339375410	• DECAL (French)	1				
31	0339375610	• DECAL (Italian)	1				
31	0339375810	• DECAL (Spanish)	1				
31	0399353031	• DECAL (Chinese)	1				
32	0359347020	• DECAL (English)	1				
32	0339375220	• DECAL (German)	1				
32	0339375420	• DECAL (French)	1				
32	0339375620	• DECAL (Italian)	1				
32	0339375820	• DECAL (Spanish)	1				
32	0399353032	• DECAL (Chinese)	1				
33	0339375040	• DECAL (English)	1				
33	0339375240	• DECAL (German)	1				
33	0339375440	• DECAL (French)	1				
33	0339375640	• DECAL (Italian)	1				
33	0339375840	• DECAL (Spanish)	1				
33	0399353033	• DECAL (Chinese)	1				
34	0339375050	• DECAL (English)	1				
34	0339375250	• DECAL (German)	1				
34	0339375450	• DECAL (French)	1				
34	0339375650	• DECAL (Italian)	1				
34	0339375850	• DECAL (Spanish)	1				
34	0399353034	• DECAL (Chinese)	1				
35	0399353035	• DECAL (Chinese)	1				
	K3g083						

TB145 Book No. BK3Z010 S/N 14510004-  
**DECAL (cab) (14513261-)**



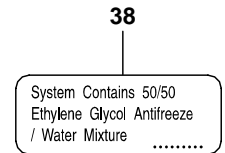
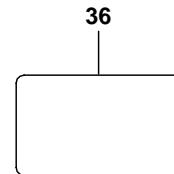
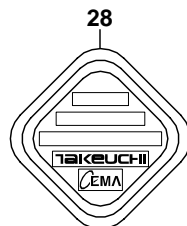
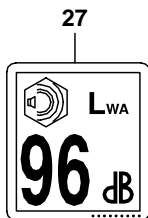
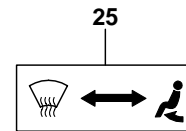
K3G087

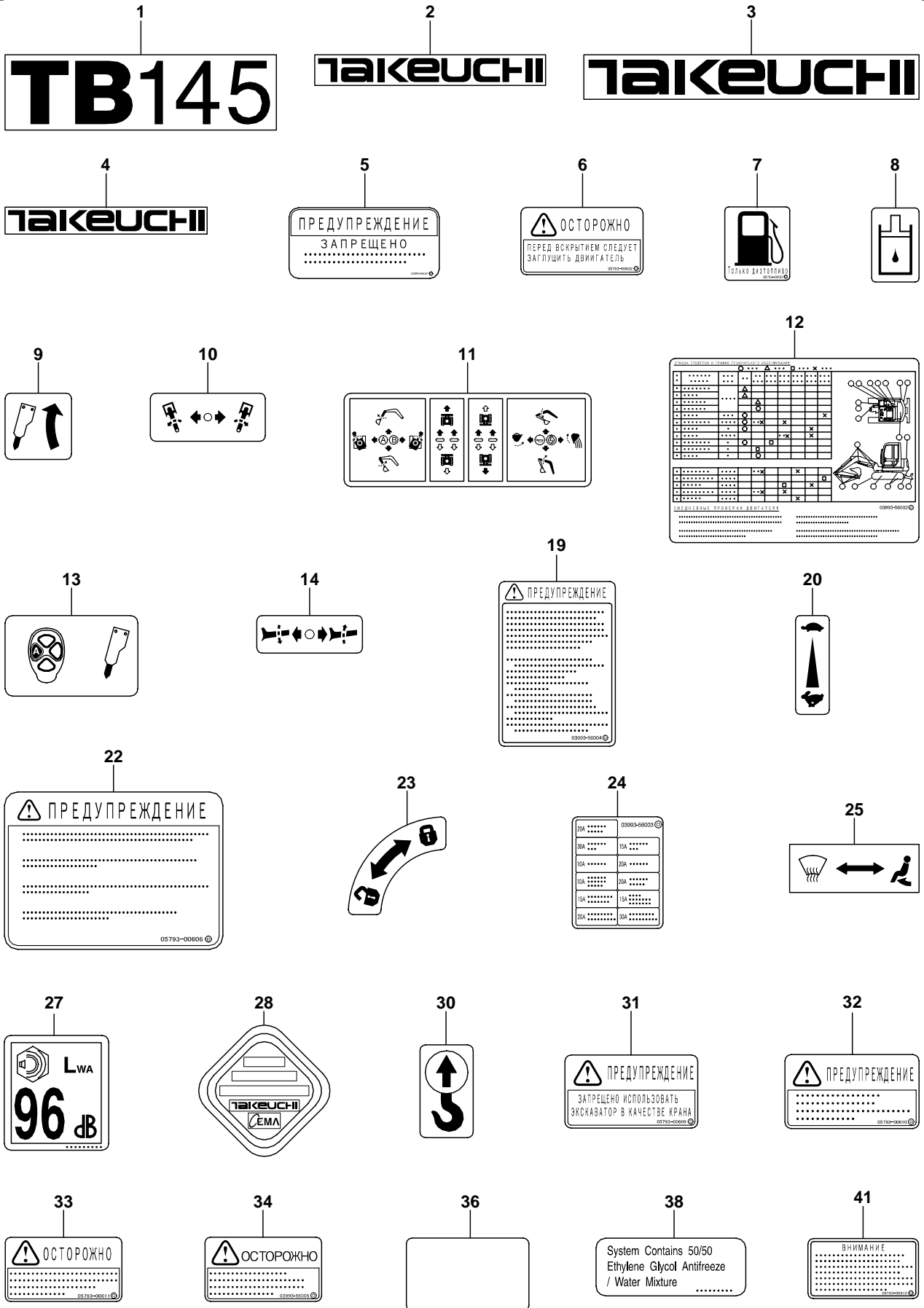
S=FREE



24

20A HORN	03793-37100
20A AIR-CON. SWIT.	15A SOLENOID A, B
10A SPEED TRIP	20A LIGHT
10A SPEED WASHOR	20A LEVER-LOCK
10A SPEED-TRIP	15A WASH-FLIGHT
15A RADIO HEATER	30A STOP-SOLENOID
20A LIGHTER WHEEL	





1  
**TB150**

2  
**TAKEUCHI**

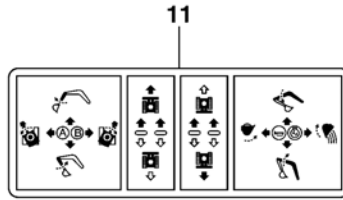
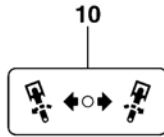
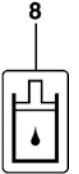
3  
**TAKEUCHI**

4  
**TAKEUCHI**

5  
**警告**  
请勿进入回转区域

6  
**注意**  
开启前要  
关闭发动机

7  
仅可使用柴油

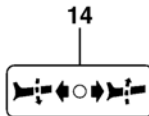
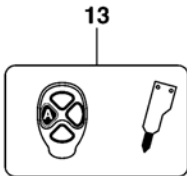


12

项目	名称	规格	容量	更换周期	备注
1	液压油	46#	100L	500小时	
2	机油	SAE 15W-40	10L	500小时	
3	冷却液	防冻液	10L	500小时	
4	空气滤清器			500小时	
5	燃油滤清器			500小时	
6	电瓶			500小时	
7	制动油			500小时	
8	转向油			500小时	
9	液压油	46#	100L	500小时	
10	机油	SAE 15W-40	10L	500小时	
11	冷却液	防冻液	10L	500小时	
12	空气滤清器			500小时	
13	燃油滤清器			500小时	
14	电瓶			500小时	
15	制动油			500小时	
16	转向油			500小时	

**液压油加注位置**

1. 液压油加注时，要检查油位，确保油位高度在“L”和“H”标记之间。
2. 检查内部水量及清洁程度，必须使用正确的技术。
3. 此类操作必须使用合格等级的液压油。
4. 确保液压油密封良好，否则，空气会混入其中而引起事故。



19  
**警告**

在发动机运转时，负载或满斗负载  
水平移动，控制阀可能会产生抖动，所  
以要完全停止发动机。  
如果负载或满斗负载于负载或  
空斗时移动发动机，请停止下列指示操作。  
(如“负载”图标)

1. 负载或满斗负载置于下列的轴向上，  
并关闭发动机。
2. 停止操作杆。
3. 防止负载或满斗。
4. 防止负载或满斗置于下列。
5. 防止所有负载杆和负载杆处于空位。
6. 防止负载或满斗处于“加速控制”。
7. 防止发动机。



21  
**警告**  
发动机可能很热，  
会导致烫伤！

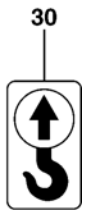
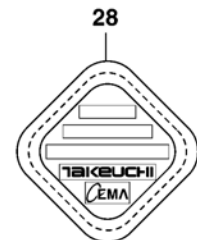
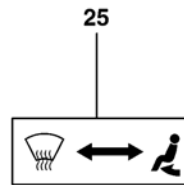
22  
**警告**

1. 如果使用不正确的方法操作或维护此机器，  
会导致身体伤亡事故。
2. 在操作机器前，务必阅读和理解随机器附  
送的操作手册。
3. 确保所有的安全设施就位且有效。
4. 在操作机器之前，请佩戴好安全带。



24

20A 喇叭	81315-51814④
20A 空调 (可选)	15A 限位器 A. 灯
10A 高速灯	20A 灯
10A 监视器	20A 限位器 限位器
15A 收音机	15A 限位器 限位器
20A 点烟器	30A 限位器 限位器



31  
**警告**  
此挖掘机不能  
作为起重机使用

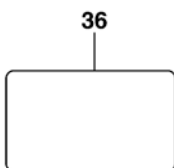
32  
**警告**  
如果在机器上安装宽了标准的铲  
斗，当铲斗处在最大左偏摆位置时，  
可能会损坏驾驶室。

33  
**注意**  
请勿使用乙醚！  
为发动机使用乙醚可能会导  
致发动机内部损坏。

34  
**注意**  
液压油箱必须保持一定的  
压力，以防止对泵的损坏。  
参见操作手册上的指示。

35

新设备，以下液体规格  
型号 J.T.F.C. 008  
竹内挖掘机 TB150, TB140 规格书后附  
适用于 ISO 2217 标准 18# ISO 2449, 所  
加重量为 4900kg。  
株式会社竹内制作所  
日本长野县长野市 200  
2003-0203



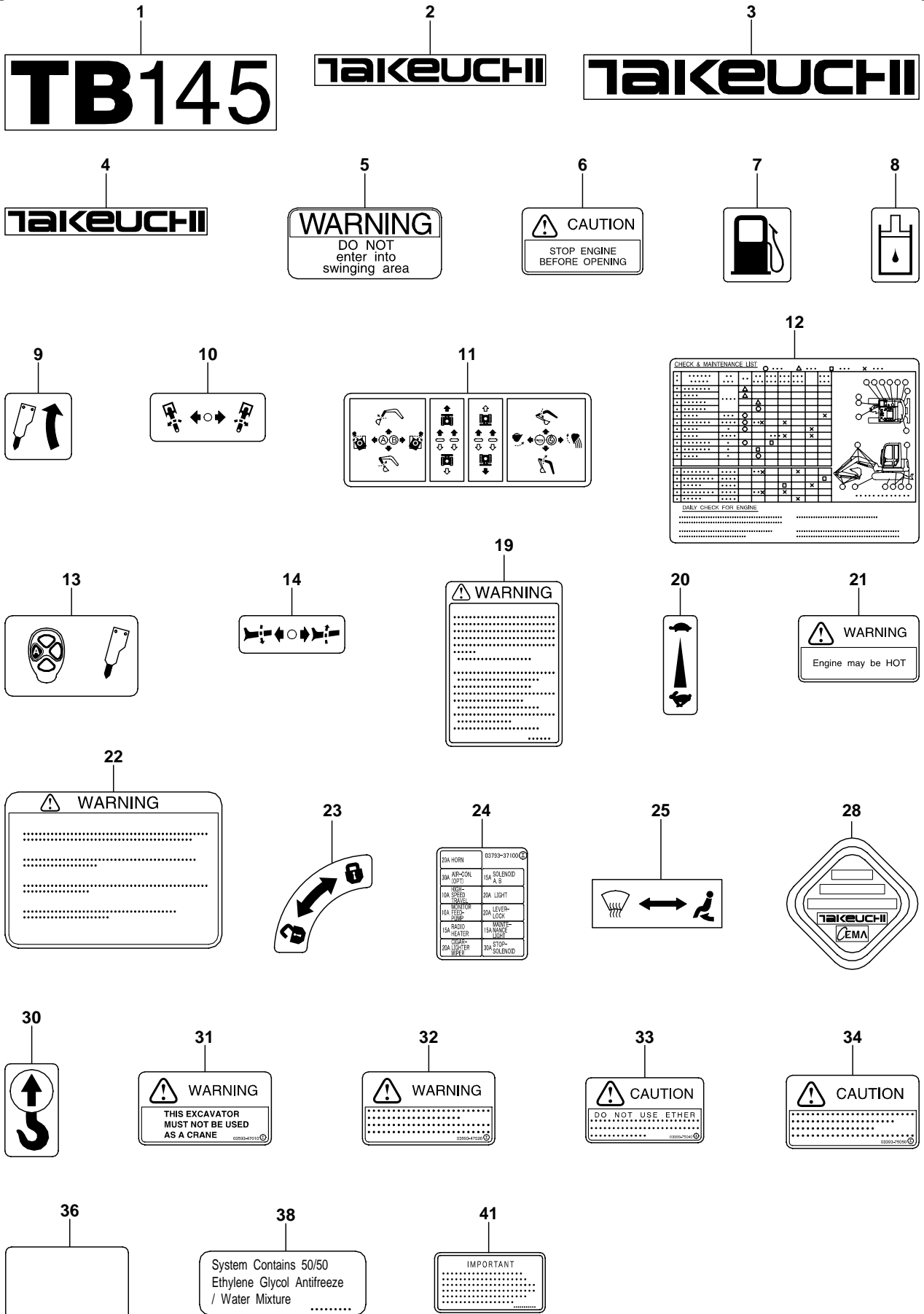
38  
System Contains 50/50  
Ethylene Glycol Antifreeze  
/ Water Mixture

41  
**重要**

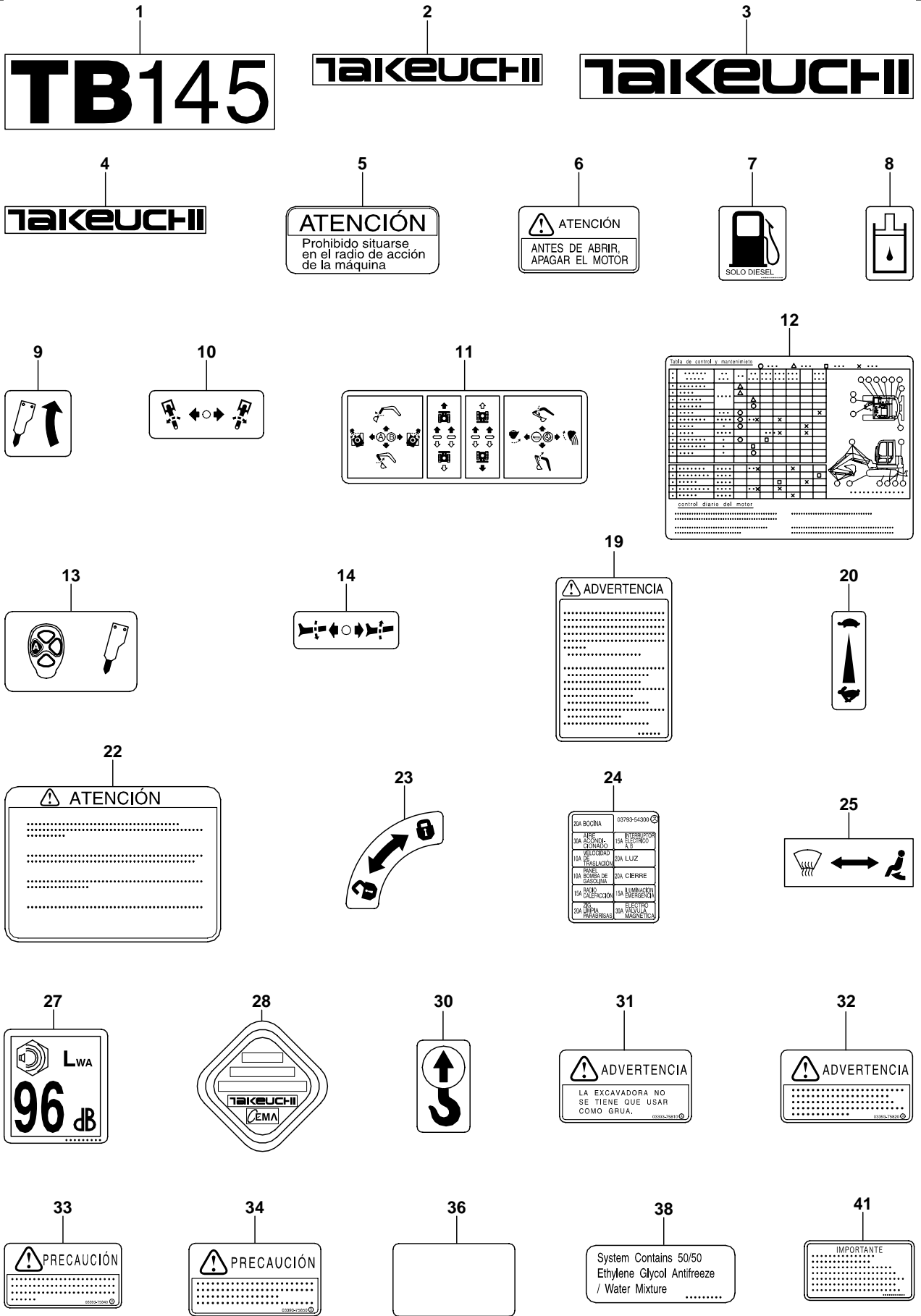
42  
**竹内**

43  
**竹内**

TB145 Book No. BK3Z010 S/N 14510004-  
US TAKEUCHI







K3G196

Self-free

1  
**TB145**


2  
**takeuchi**


3  
**takeuchi**


4  
**takeuchi**

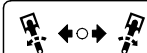
5  
**ATTENZIONE**  
Non restare  
nella zona di  
lavoro della macchina

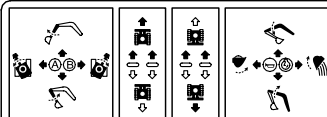
6  
 **ATTENZIONE**  
Spegnere il motore  
prima di aprire il  
cofano.

7  
  
SOLO DIESEL

8  


9  



10  



11  


12  
**LISTA CONTROLLI E MANUTENZIONE**  

...	...	...	...	...	...	...	...	...	...
...	...	...	...	...	...	...	...	...	...
...	...	...	...	...	...	...	...	...	...
...	...	...	...	...	...	...	...	...	...
...	...	...	...	...	...	...	...	...	...
...	...	...	...	...	...	...	...	...	...
...	...	...	...	...	...	...	...	...	...
...	...	...	...	...	...	...	...	...	...
...	...	...	...	...	...	...	...	...	...
...	...	...	...	...	...	...	...	...	...
...	...	...	...	...	...	...	...	...	...
...	...	...	...	...	...	...	...	...	...

  
**CONTROLLI (RINVIARE DEL MOTORE)**  
 .....  
 .....

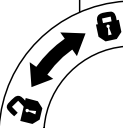
13  


14  


19  
**AVVERTENZA**  
.....  
.....  
.....  
.....  
.....

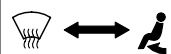
20  

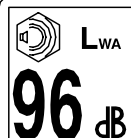

22  
**ATTENZIONE**  
.....  
.....  
.....  
.....  
.....


23  



24  

03A	03B	03C	03D
03E	03F	03G	03H
03I	03J	03K	03L
03M	03N	03O	03P
03Q	03R	03S	03T
03U	03V	03W	03X
03Y	03Z	03AA	03AB
03AC	03AD	03AE	03AF

25  


27  
  
L<sub>WA</sub>  
**96** dB

28  


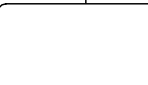
30  


31  
**ATTENZIONE**  
QUESTO ESCAVATORE NON  
DEVE MAI ESSERE USATO  
COME UNA GRU.  
03350-79410 ©

32  
**ATTENZIONE**  
.....  
.....  
.....  
.....

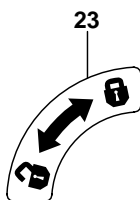
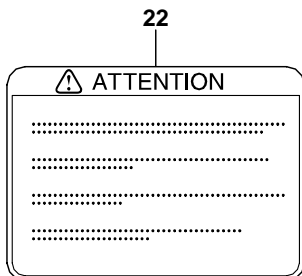
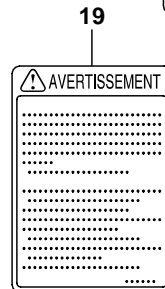
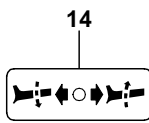
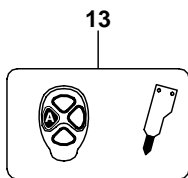
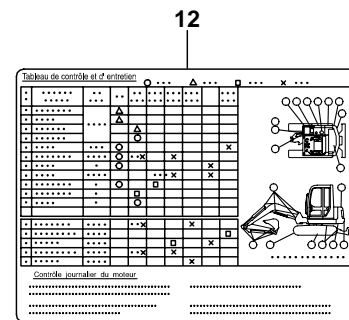
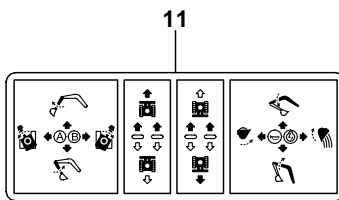
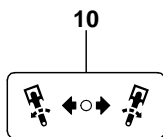
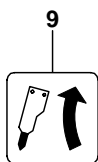
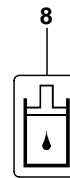
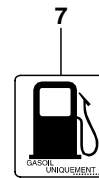
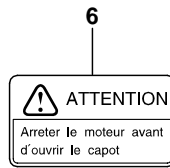
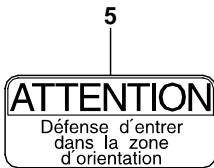
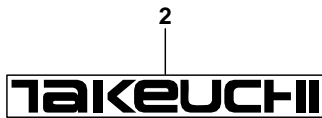
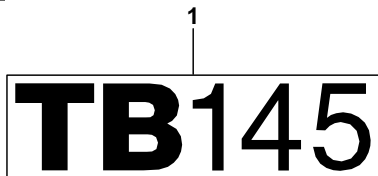
33  
**CAUTELA**  
NON USARE MAI ETERE  
.....  
.....

34  
**CAUTELA**  
.....  
.....  
.....

36  


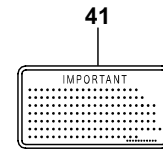
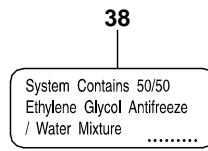
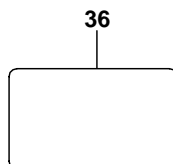
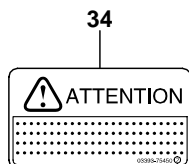
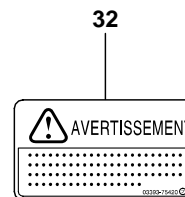
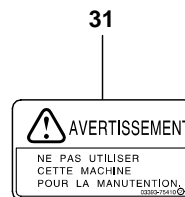
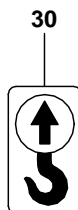
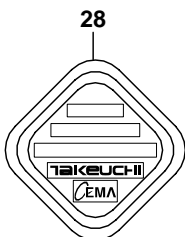
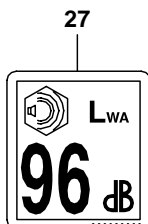
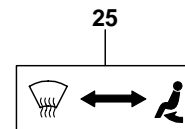
38  
System Contains 50/50  
Ethylene Glycol Antifreeze  
/ Water Mixture .....

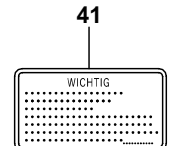
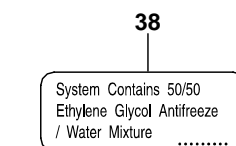
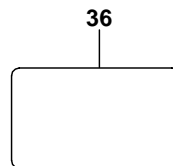
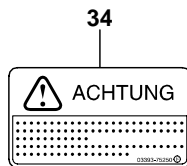
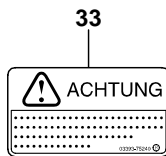
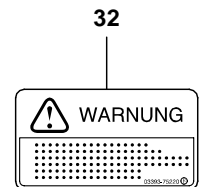
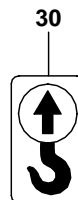
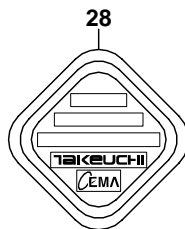
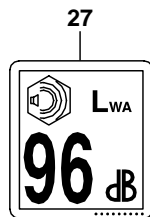
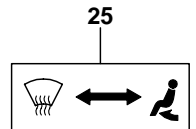
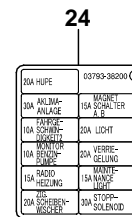
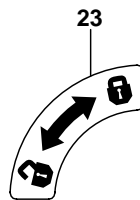
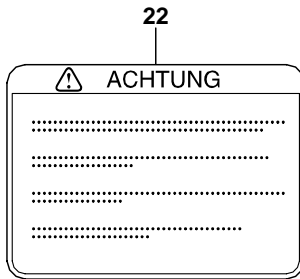
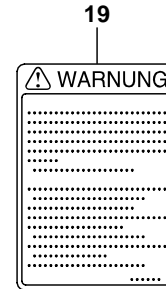
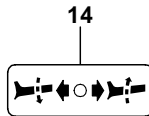
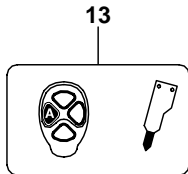
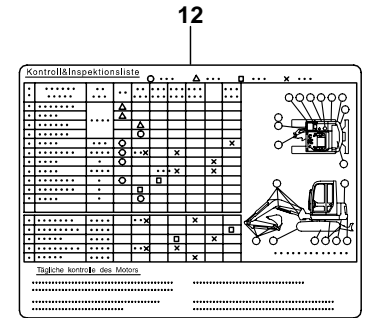
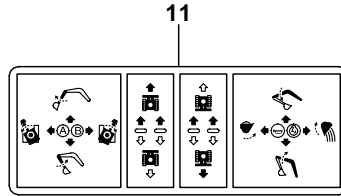
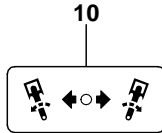
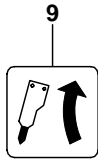
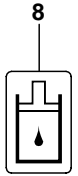
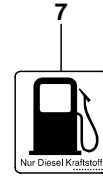
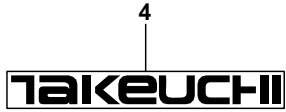
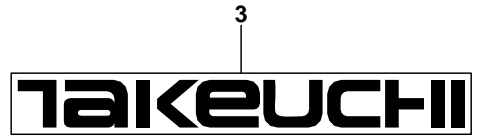
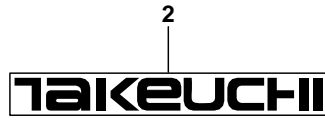
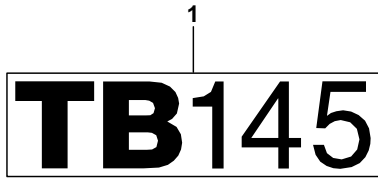
41  
**IMPORTANTE**  
.....  
.....  
.....



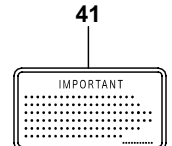
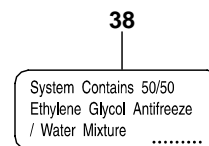
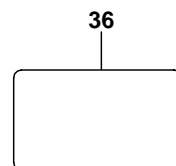
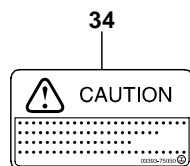
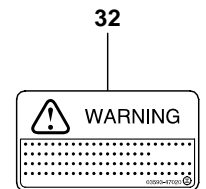
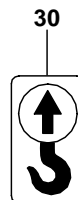
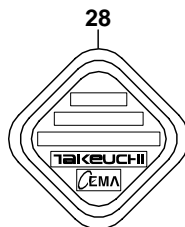
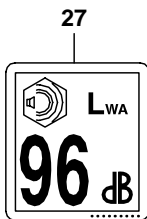
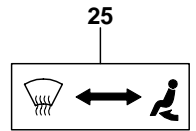
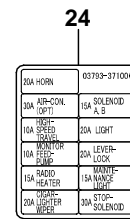
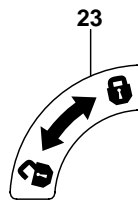
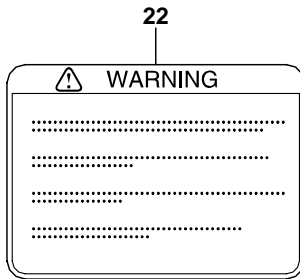
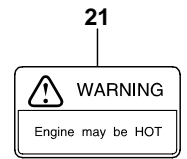
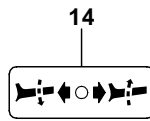
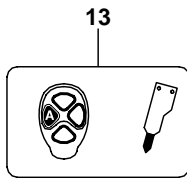
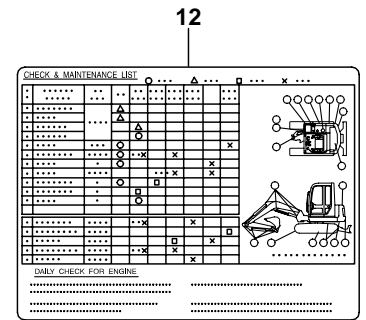
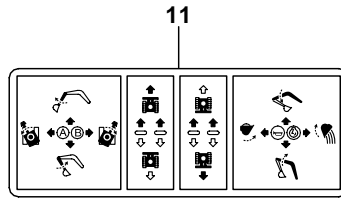
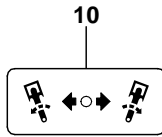
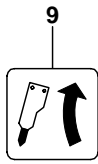
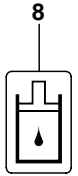
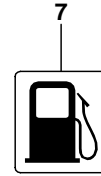
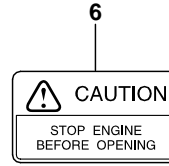
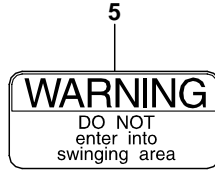
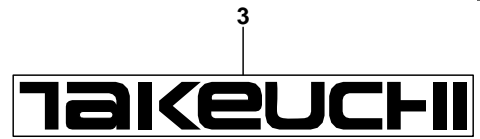
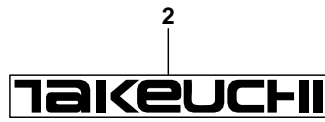
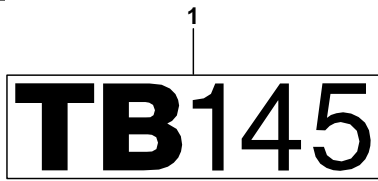
24

03A klaxon	03709-30100
03A ancrond. (Cov)	15A générale A & B
10A système de freinage	20A pédale
10A système de freinage	20A pédale
10A système de freinage	20A pédale
15A radio chauffage	15A système de chauffage
20A système de chauffage	20A système de chauffage

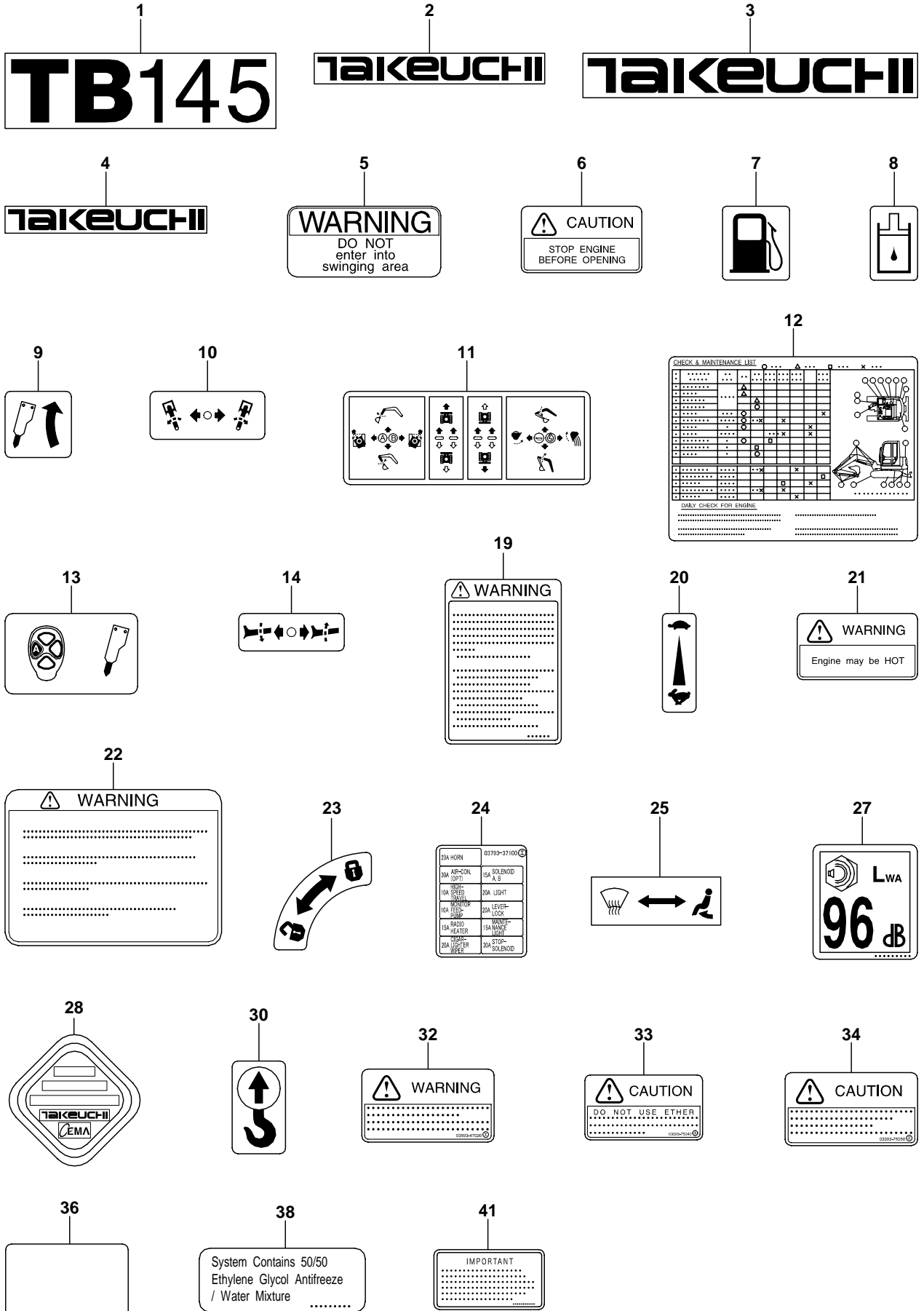




TB145 Book No. BK3Z010 S/N 14510004-  
English



TB145 Book No. BK3Z010 S/N 14510004-  
UK TAKEUCHI

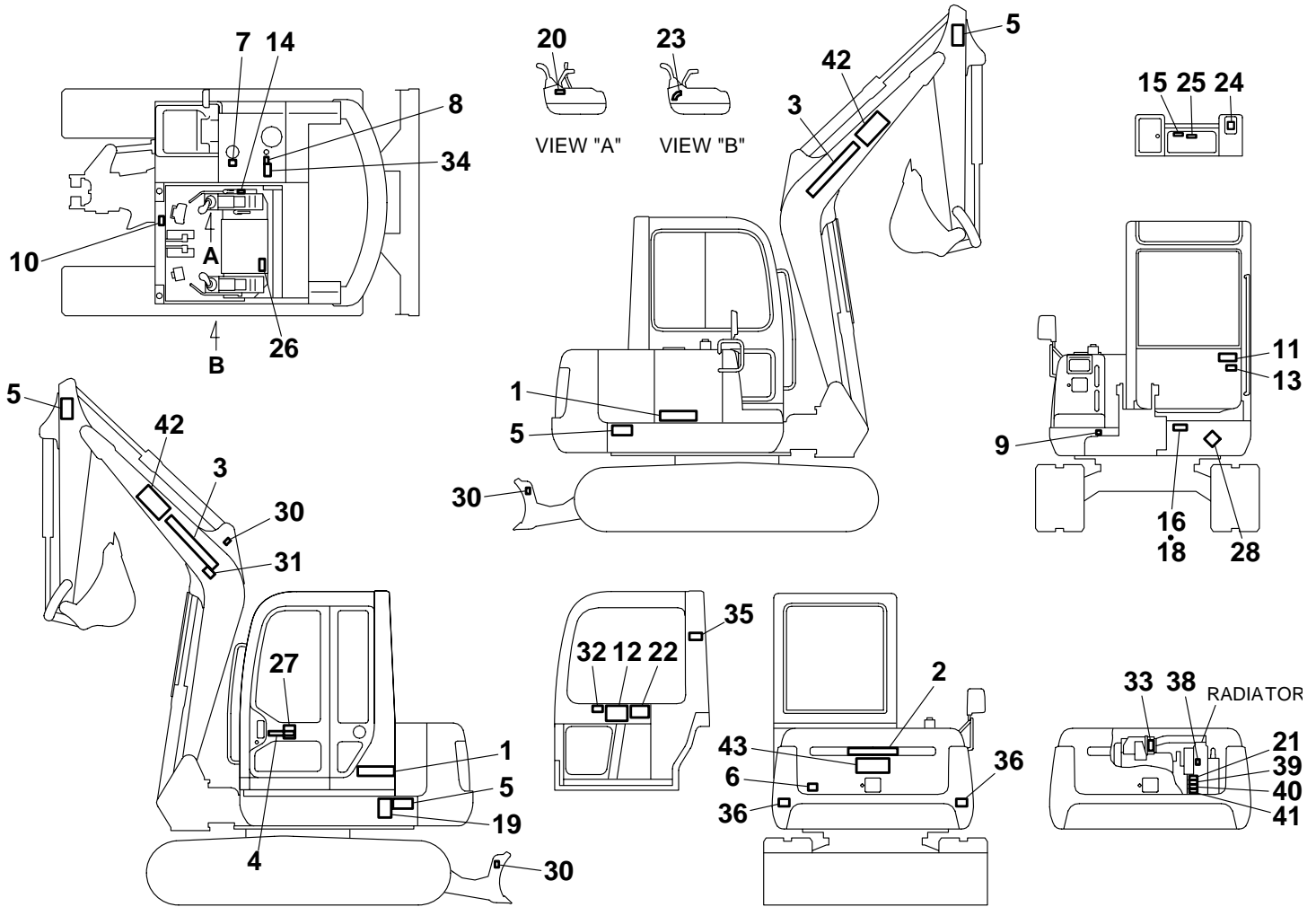


K3G290

**DECAL (cab) (14513261-)**

Item	Part number	Description	Q'ty	Chan.	Serial No.	Serv.	Remarks
0	<b>0399353100</b>	DECAL SET (English)	1				X03993-53100-8
	<b>0399353200</b>	DECAL SET (German)	1				X03993-53200-8
	<b>0399353300</b>	DECAL SET (French)	1				X03993-53300-8
	<b>0399353400</b>	DECAL SET (Italian)	1				X03993-53400-8
	<b>0399353500</b>	DECAL SET (Spanish)	1				X03993-53500-8
	<b>0399353600</b>	DECAL SET (U.S. TAKEUCHI)	1				X03993-53600-8
	<b>0399353700</b>	DECAL SET (Chinese)	1				X03993-53700-8
	<b>0399356000</b>	DECAL SET (Russian)	1				X03993-56000-8
	<b>0399356400</b>	DECAL SET (Dutch)	1				X03993-56400-8
	<b>0399356500</b>	DECAL SET (U.K. TAKEUCHI)	1				X03993-56500-8
1	<b>0399337100</b>	• DECAL	2				
	<b>0399353001</b>	• DECAL (Chinese)	2				
2	<b>0329350200</b>	• DECAL	1				
3	<b>0359306300</b>	• DECAL	2				
4	<b>0569321400</b>	• DECAL	1				
5	<b>0359306500</b>	• DECAL (English)	4				
	<b>0359308100</b>	• DECAL (German)	4				
	<b>0359309100</b>	• DECAL (French)	4				
	<b>0359310100</b>	• DECAL (Italian)	4				
	<b>0339364100</b>	• DECAL (Spanish)	4				
	<b>0399353005</b>	• DECAL (Chinese)	4				
	<b>0399356001</b>	• DECAL (Russian)	4				
6	<b>0359307400</b>	• DECAL (English)	1				
	<b>0359314400</b>	• DECAL (German)	1				
	<b>0359315400</b>	• DECAL (French)	1				
	<b>0359316400</b>	• DECAL (Italian)	1				
	<b>0339364200</b>	• DECAL (Spanish)	1				
	<b>0399353006</b>	• DECAL (Chinese)	1				
	<b>0579300602</b>	• DECAL (Russian)	1				
7	<b>0359306600</b>	• DECAL (English)	1				
	<b>0339375260</b>	• DECAL (German)	1				
	<b>0339375460</b>	• DECAL (French)	1				
	<b>0339375660</b>	• DECAL (Italian, Spanish)	1				
	<b>0399353007</b>	• DECAL (Chinese)	1				
	<b>0579300603</b>	• DECAL (Russian)	1				
8	<b>0359306700</b>	• DECAL	1				
9	<b>0359325220</b>	• DECAL	1				
10	<b>0329360060</b>	• DECAL	1				
11	<b>0379336600</b>	• DECAL	1				
12	<b>0399337200</b>	• DECAL (English)	1				
	<b>0399338200</b>	• DECAL (German)	1				
	<b>0399339200</b>	• DECAL (French)	1				
	<b>0399340200</b>	• DECAL (Italian)	1				
	<b>0399351001</b>	• DECAL (Spanish)	1				
	<b>0399353012</b>	• DECAL (Chinese)	1				
	<b>0399356002</b>	• DECAL (Russian)	1				
13	<b>0379336800</b>	• DECAL	1				
14	<b>0359325190</b>	• DECAL	1				
15	X *****	• DECAL	1				
16	X *****	• DECAL	1				
18	X *****	• SCREW	4				
19	<b>0379337300</b>	• DECAL (English)	1				
	<b>0379338300</b>	• DECAL (German)	1				
	<b>0379339300</b>	• DECAL (French)	1				
	<b>0379340300</b>	• DECAL (Italian)	1				
	<b>0379354200</b>	• DECAL (Spanish)	1				
	<b>0399353019</b>	• DECAL (Chinese)	1				
	<b>0399356004</b>	• DECAL (Russian)	1				
20	<b>0359317200</b>	• DECAL	1				
21	<b>0569321980</b>	• DECAL (English)	1				
	<b>0399353021</b>	• DECAL (Chinese)	1				
22	<b>0359313700</b>	• DECAL (English)	1				
	<b>0359314700</b>	• DECAL (German)	1				
	<b>0359315700</b>	• DECAL (French)	1				
	<b>0359316700</b>	• DECAL (Italian)	1				
	<b>0339364500</b>	• DECAL (Spanish)	1				
	<b>0399353022</b>	• DECAL (Chinese)	1				
	<b>0579300606</b>	• DECAL (Russian)	1				

TB145 Book No. BK3Z010 S/N 14510004-  
**DECAL (cab) (14513261-)**



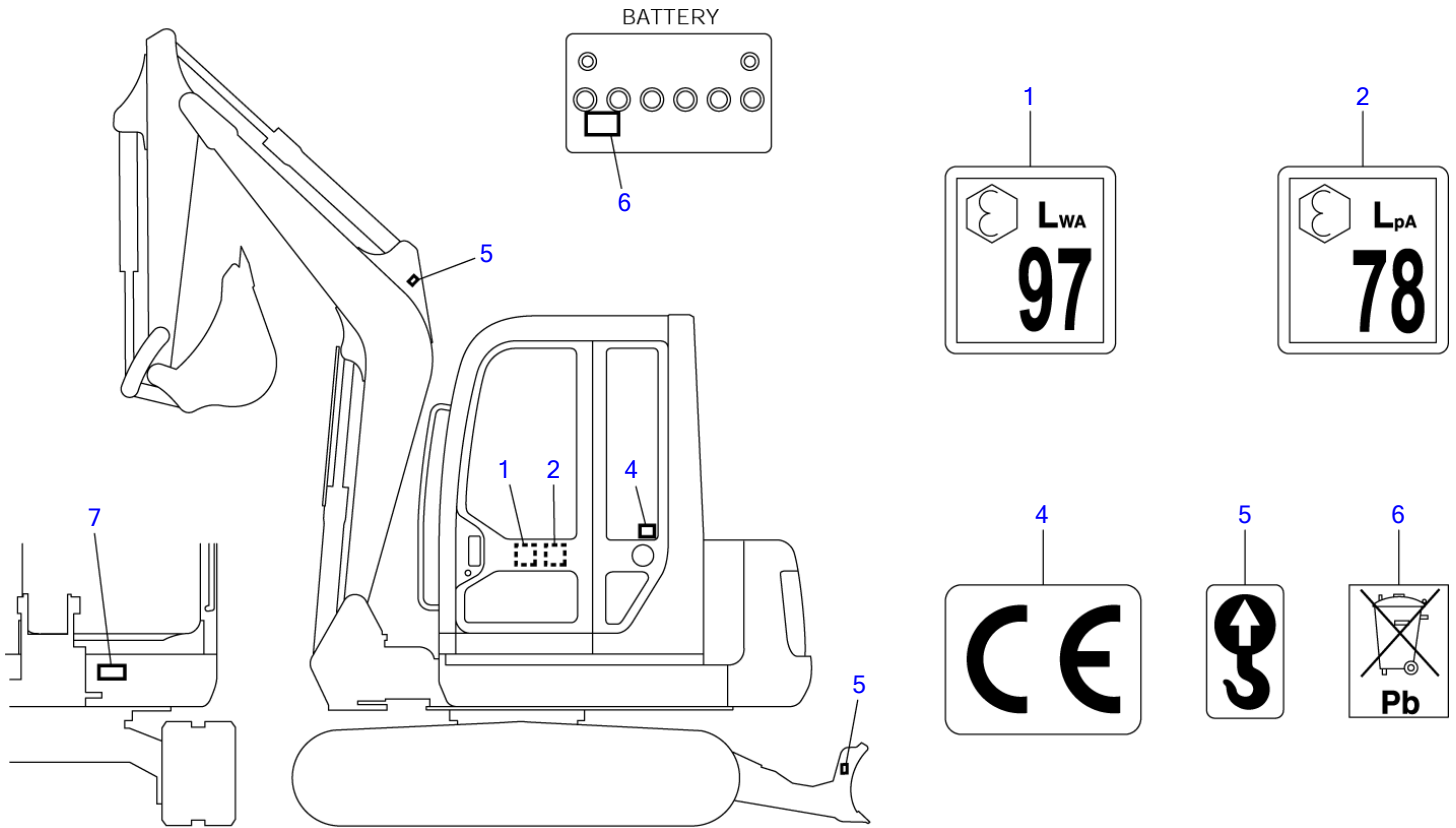
K3G087

S=FREE



DECAL (cab) (14513261-)

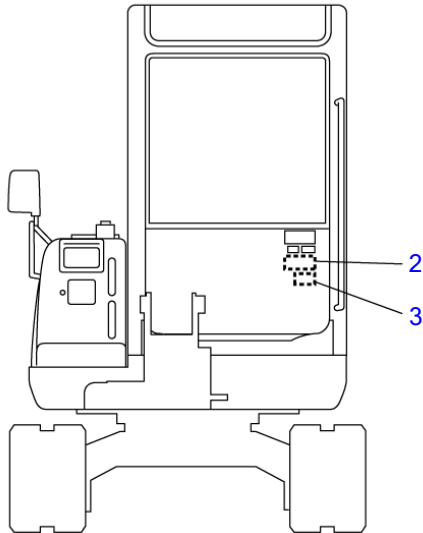
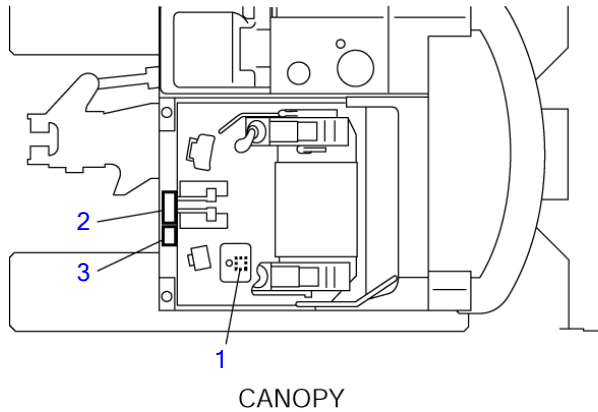
Item	Part number	Description	Q'ty	Chan.	Serial No.	Serv.	Remarks
23	0329360100	• DECAL	1				
24	0379337100	• DECAL (English)	1				
24	0379338200	• DECAL (German)	1				
24	0379339100	• DECAL (French)	1				
24	0379340100	• DECAL (Italian)	1				
24	0379354300	• DECAL (Spanish)	1				
24	0399353024	• DECAL (Chinese)	1				
24	0399356003	• DECAL (Russian)	1				
25	0394504900	• DECAL	1				
26	0189311800	• DECAL	1				
27	X *****	• DECAL	1				
28	X *****	• DECAL	1				
30	0399300500	• DECAL	3				
31	0359347010	• DECAL (English)	1				except for U.K. TAKEUCHI
31	0339375210	• DECAL (German)	1				
31	0339375410	• DECAL (French)	1				
31	0339375610	• DECAL (Italian)	1				
31	0339375810	• DECAL (Spanish)	1				
31	0399353031	• DECAL (Chinese)	1				
31	0579300609	• DECAL (Russian)	1				
32	0359347020	• DECAL (English)	1				
32	0339375220	• DECAL (German)	1				
32	0339375420	• DECAL (French)	1				
32	0339375620	• DECAL (Italian)	1				
32	0339375820	• DECAL (Spanish)	1				
32	0399353032	• DECAL (Chinese)	1				
32	0579300610	• DECAL (Russian)	1				
33	0339375040	• DECAL (English)	1				
33	0339375240	• DECAL (German)	1				
33	0339375440	• DECAL (French)	1				
33	0339375640	• DECAL (Italian)	1				
33	0339375840	• DECAL (Spanish)	1				
33	0399353033	• DECAL (Chinese)	1				
33	0579300611	• DECAL (Russian)	1				
34	0339375050	• DECAL (English)	1				
34	0339375250	• DECAL (German)	1				
34	0339375450	• DECAL (French)	1				
34	0339375650	• DECAL (Italian)	1				
34	0339375850	• DECAL (Spanish)	1				
34	0399353034	• DECAL (Chinese)	1				
34	0399356005	• DECAL (Russian)	1				
35	0399353035	• DECAL (Chinese)	1				
36	0379358560	• SEAL	2				
38	0359313900	• DECAL	1				
39	X *****	• DECAL	1				4TNV88-QTB(1)
40	X *****	• DECAL	1				4TNV88-QTB(1)
41	0339376240	• DECAL (English)	1				
41	0339376340	• DECAL (German)	1				
41	0339379440	• DECAL (French)	1				
41	0339379540	• DECAL (Italian)	1				
41	0339379640	• DECAL (Spanish)	1				
41	0339353740	• DECAL (Chinese)	1				
41	0579300613	• DECAL (Russian)	1				
42	0399357510	• DECAL	2			M	
43	0399357520	• DECAL	1			M	
	K3g089						



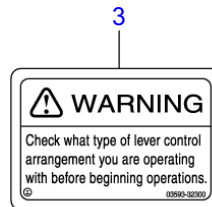
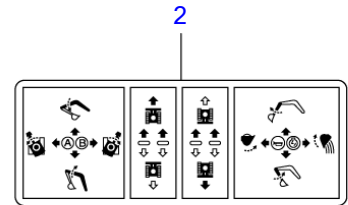
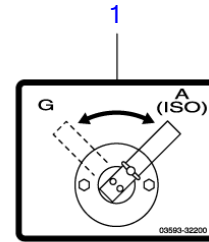
K3G131

S=FREE

Item	Part number	Description	Q'ty	DECAL (for EU)			Remarks
				Chan.	Serial No.	Serv.	
0	X *****	DECAL SET	1				X03993-47000-2
1	X *****	▪ DECAL	1				
2	X *****	▪ DECAL	1				
4	X *****	▪ DECAL	1				
5	<b>0399300500</b>	▪ DECAL	3				
6	<b>0379347200</b>	▪ DECAL	1				
7	<b>0339355200</b>	▪ DECAL	1				
	<b>K3g131</b>						



G4G143



(English)



(German)



(Spanish)



(French)

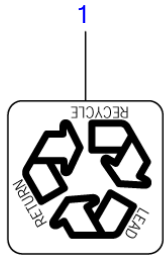
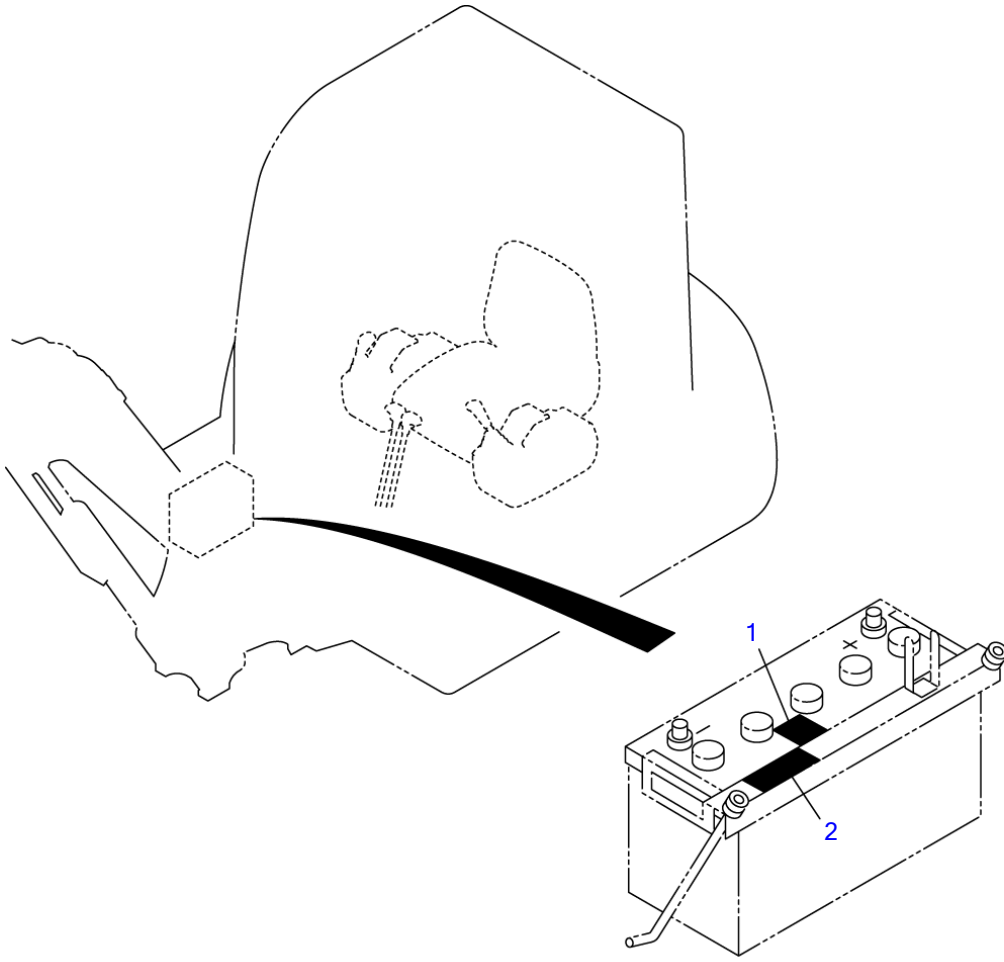


(Italian)

S=FREE

**DECAL (selector valve)**

Item	Part number	Description	Q'ty	Chan.	Serial No.	Serv.	Remarks
0	<b>0379348000</b>	DECAL SET (English)	1				X03793-48000-3
	<b>0379349000</b>	DECAL SET (German)	1				X03793-49000-3
	<b>0379349100</b>	DECAL SET (Spanish)	1				X03793-49100-3
	<b>0379363400</b>	DECAL SET (French)	1				X03793-63400-3
	<b>0379363500</b>	DECAL SET (Italian)	1				X03793-63500-3
1	<b>0359332200</b>	• DECAL	1				ISO-JCB
2	<b>0379348100</b>	• DECAL	1				JCB
3	<b>0359332300</b>	• DECAL (English)	1				
	<b>0359332400</b>	• DECAL (German)	1				
	<b>0329364020</b>	• DECAL (Spanish)	1				
	<b>0399361101</b>	• DECAL (French)	1				
	<b>0399361201</b>	• DECAL (Italian)	1				
	<b>G4g143</b>						

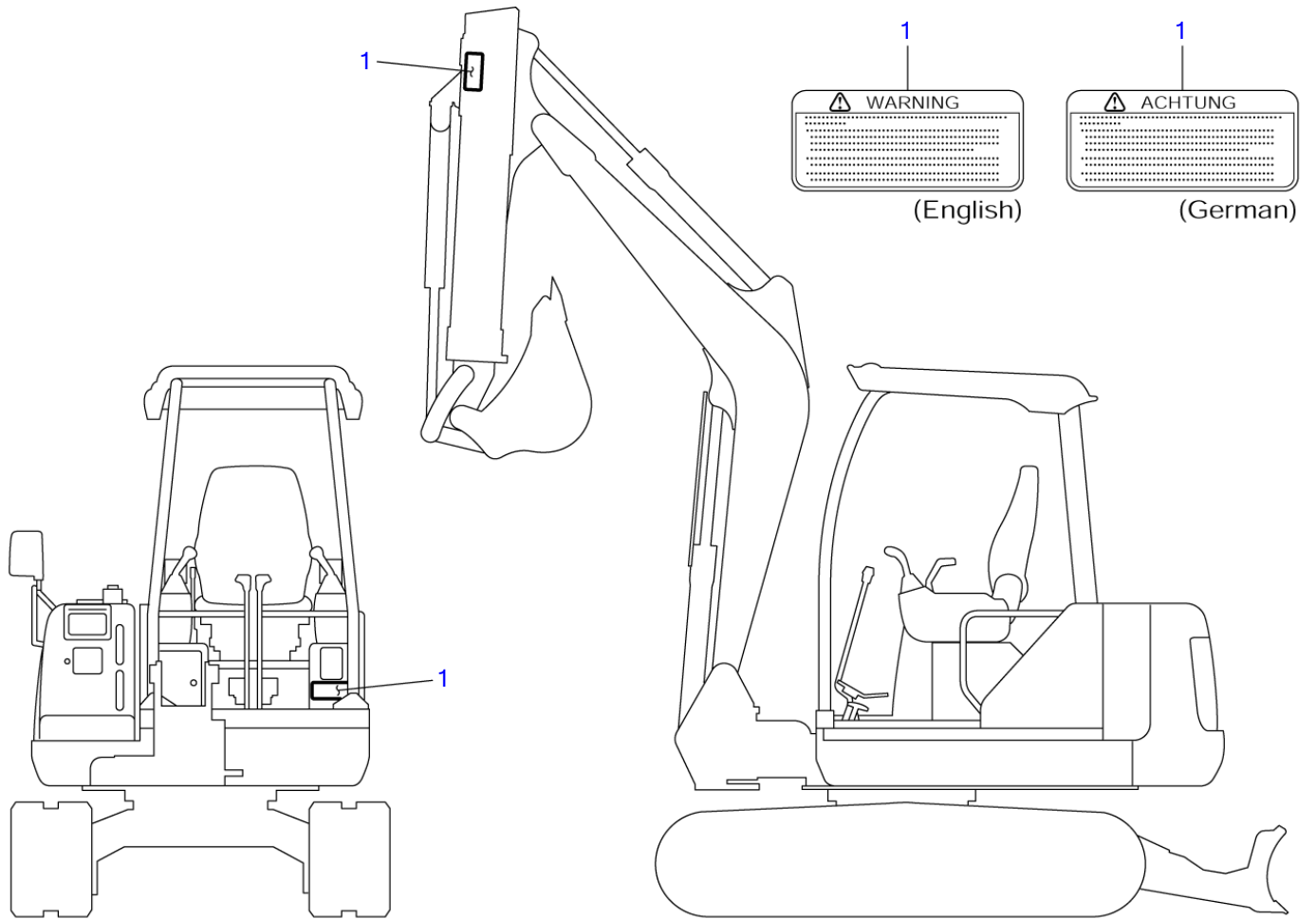


2  
DANGER EXPLOSIVE GASES  
.....  
KEEP VENT CAPS TIGHT AND LEVEL  
POISON CAUSES SEVERE BURNS  
.....  
KEEP OUT OF REACH OF CHILDREN

K3G140

S=FREE

Item	Part number	Description	Q'ty	DECAL (for U.S.A.)			Remarks
				Chan.	Serial No.	Serv.	
0	<b>0399348000</b>	DECAL SET	1				X03993-48000-0
1	<b>0379350010</b>	· DECAL	1				
2	<b>0379350020</b>	· DECAL	1				
	<b>K3g140</b>						



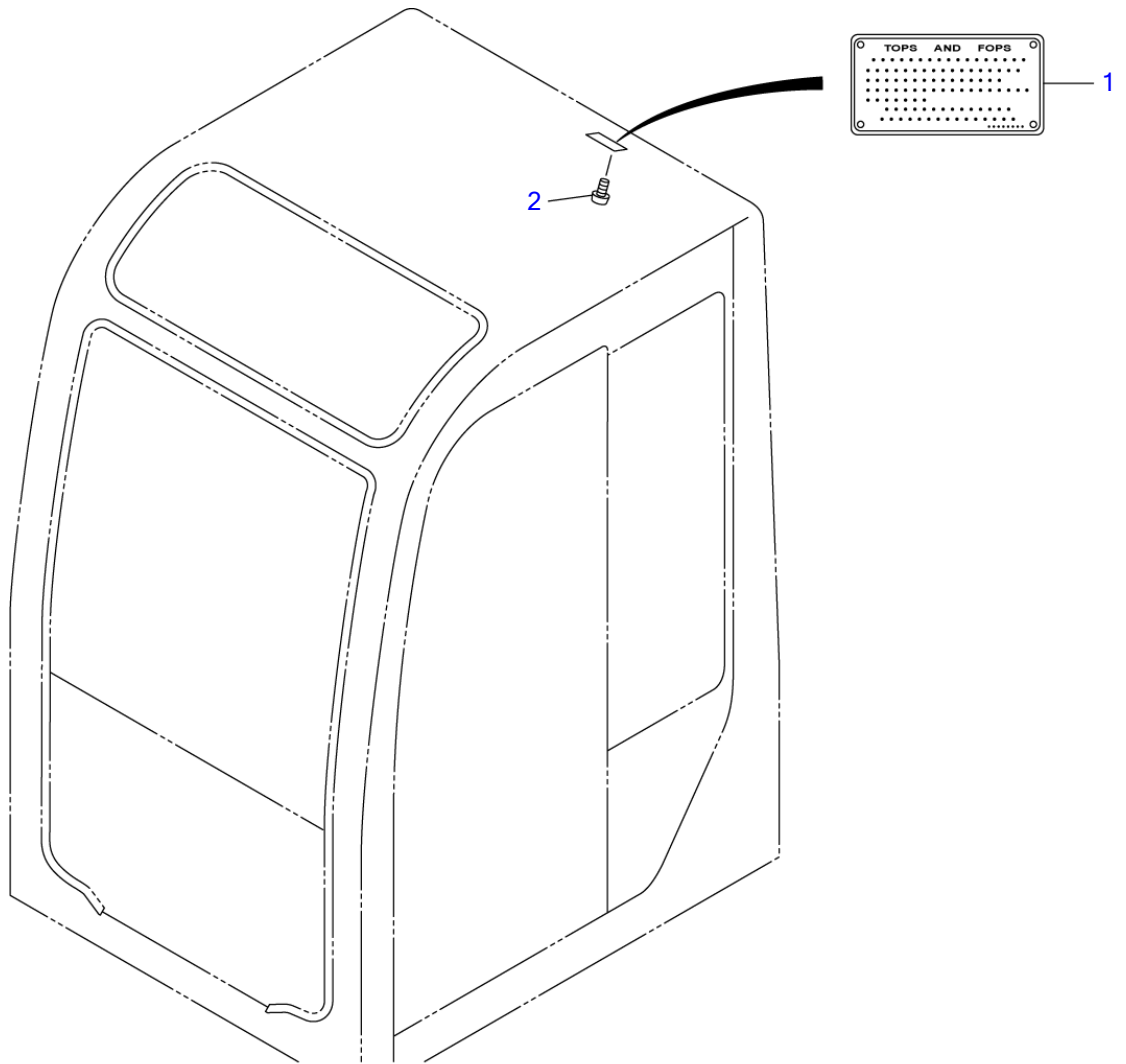
K3G170

S=FREE



**DECAL (telescopic arm)**

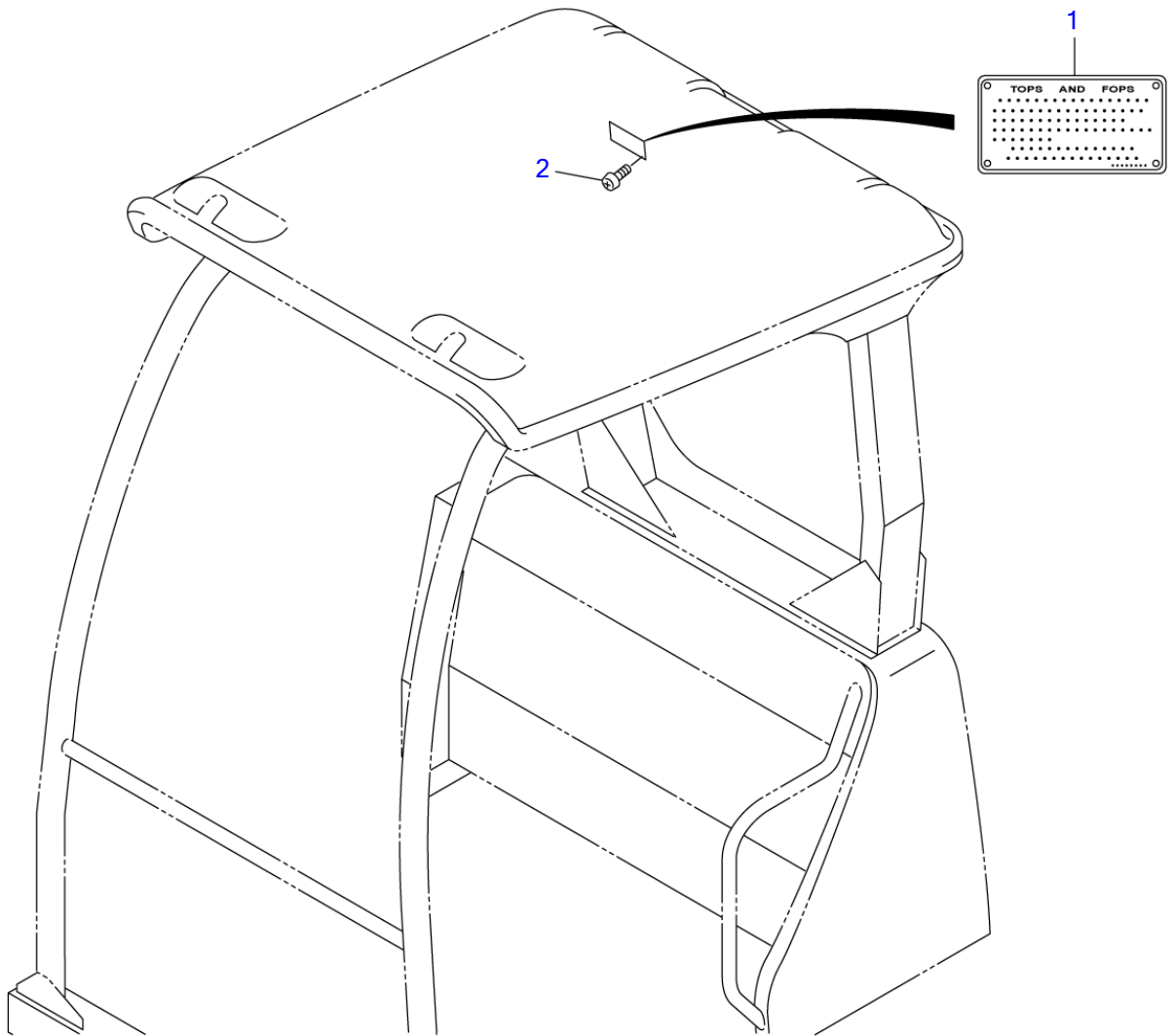
Item	Part number	Description	Q'ty	Chan.	Serial No.	Serv.	Remarks
0	<b>0399349000</b>	DECAL SET (English)	1				X03993-49000-0
	<b>0399349500</b>	DECAL SET (German)	1				X03993-49500-0
1	<b>0399328100</b>	• DECAL	2				English
	<b>0399329100</b>	• DECAL	2				German
	<b>K3g170</b>						



G4G210

S=1/15

DECAL (TOPS; cab)							
Item	Part number	Description	Q'ty	Chan.	Serial No.	Serv.	Remarks
0	X *****	DECAL SET	1				X03793-56000-0
1	X *****	· DECAL	1				
2	1122800006 G4g210	· SCREW	4				

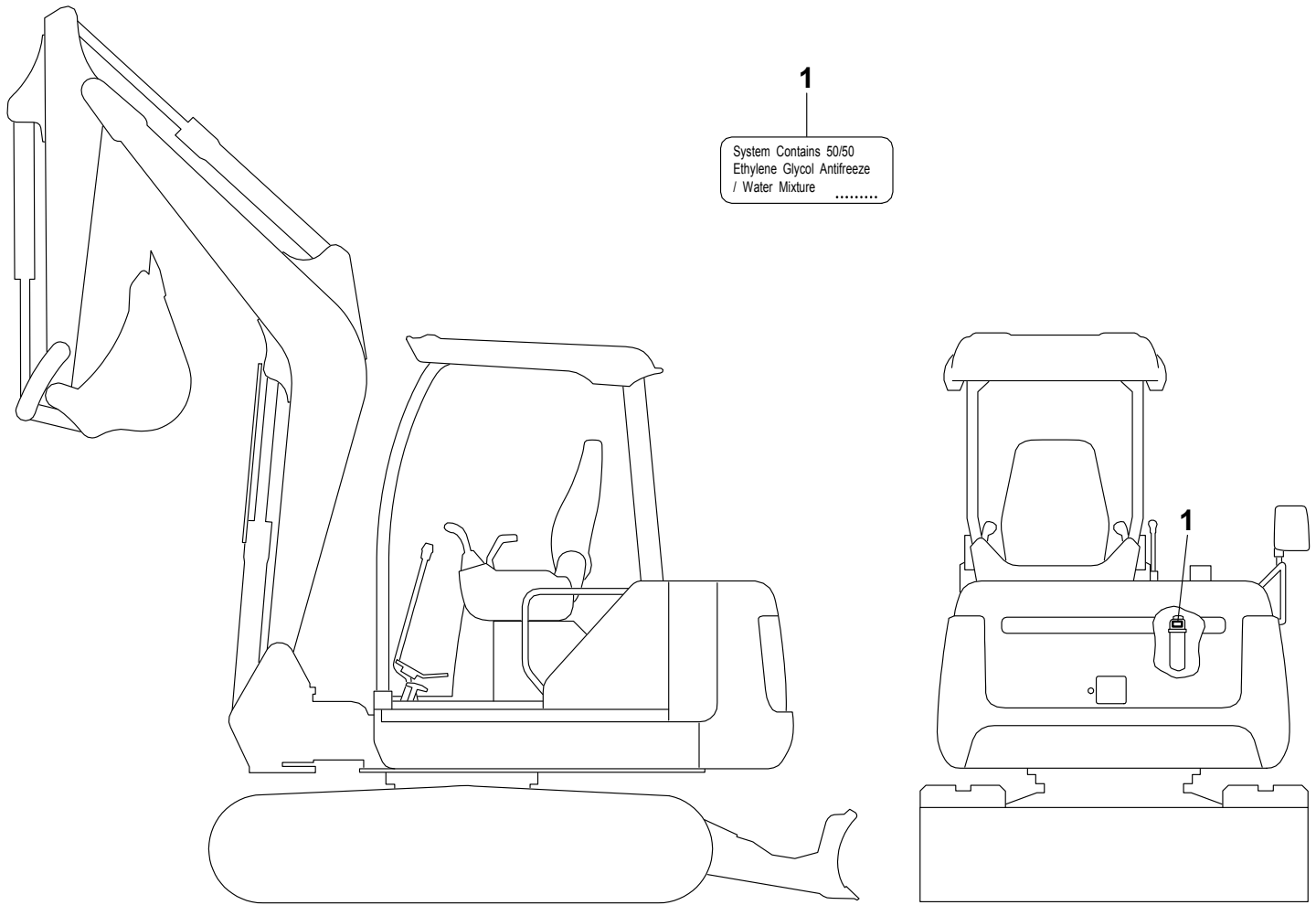


G4G220

S=1/12

Item	Part number	Description	DECAL (TOPS; canopy)			Remarks
			Q'ty	Chan.	Serial No. Serv.	
0	X *****	DECAL SET	1			X03793-57000-0
1	X *****	· DECAL	1			
2	1122800006 G4g220	· SCREW	4			

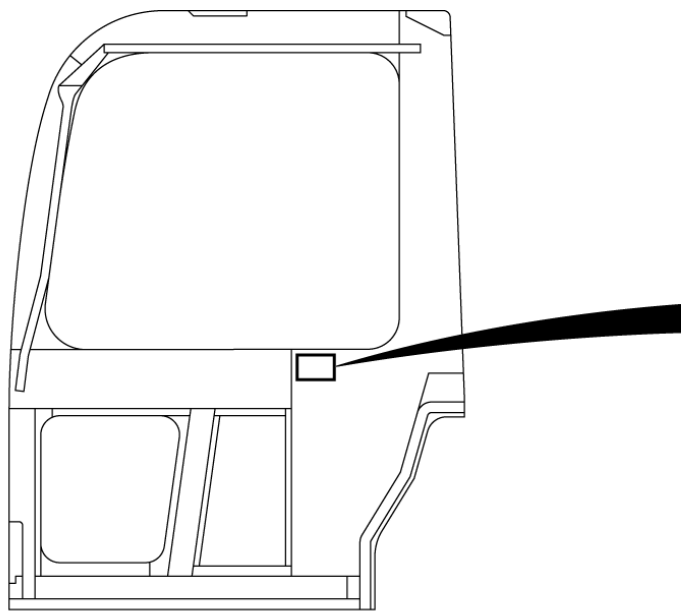
TB145 Book No. BK3Z010 S/N 14510004-  
DECAL (for US TAKEUCHI)



G4G230

S=FREE

DECAL (for US TAKEUCHI)						
Item	Part number	Description	Q'ty	Chan.	Serial No.	Serv. Remarks
0	0399350000	DECAL SET	1			X03993-50000-0
1	0359313900 G4g230	· DECAL	1			



1

フロン回収・破壊法		<b>第一種特定製品</b>	
この製品に使われている冷媒の種類及び数量			
種類	冷媒番号	出荷時封入量(kg)	
HFC	R134a	0.8	
地球環境を保護する為、次のことが法律で決められていますので必ず守って下さい。			
(1) この製品に封入されている冷媒を、あだりに大気中へ放出しないで下さい。			
(2) この製品の廃棄時は、封入されている冷媒を回収して下さい。			
<small>05848-23910</small>			

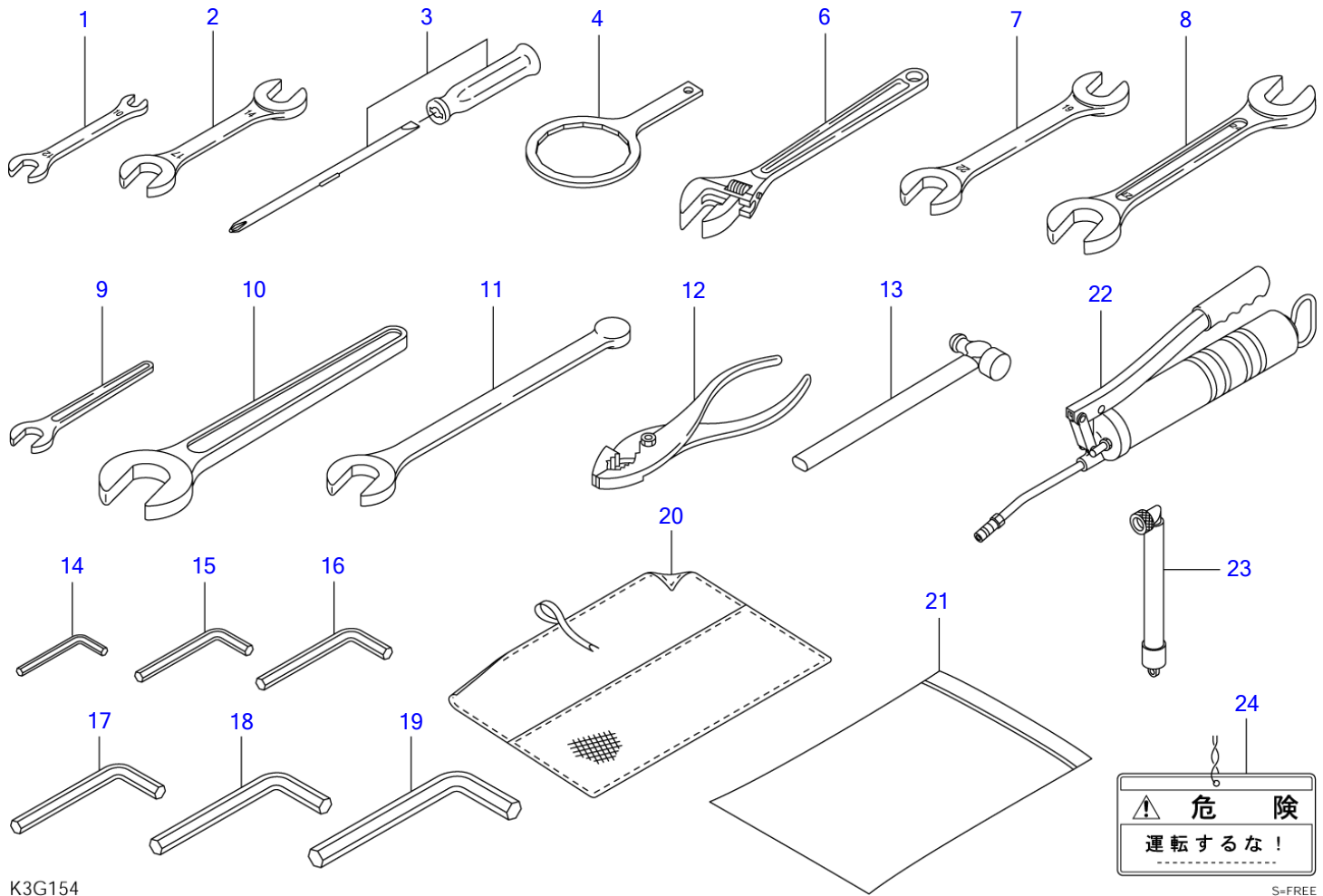
K3G200

S=FREE



Item	Part number	Description	DECAL (air conditioner)			Remarks
			Q'ty	Chan.	Serial No.	
0	0399351100	DECAL SET	1			X03993-51100-0
1	0564623910 K3g200	• DECAL	1			

TB145 Book No. BK3Z010 S/N 14510004-  
TOOL & ACCESSORIES



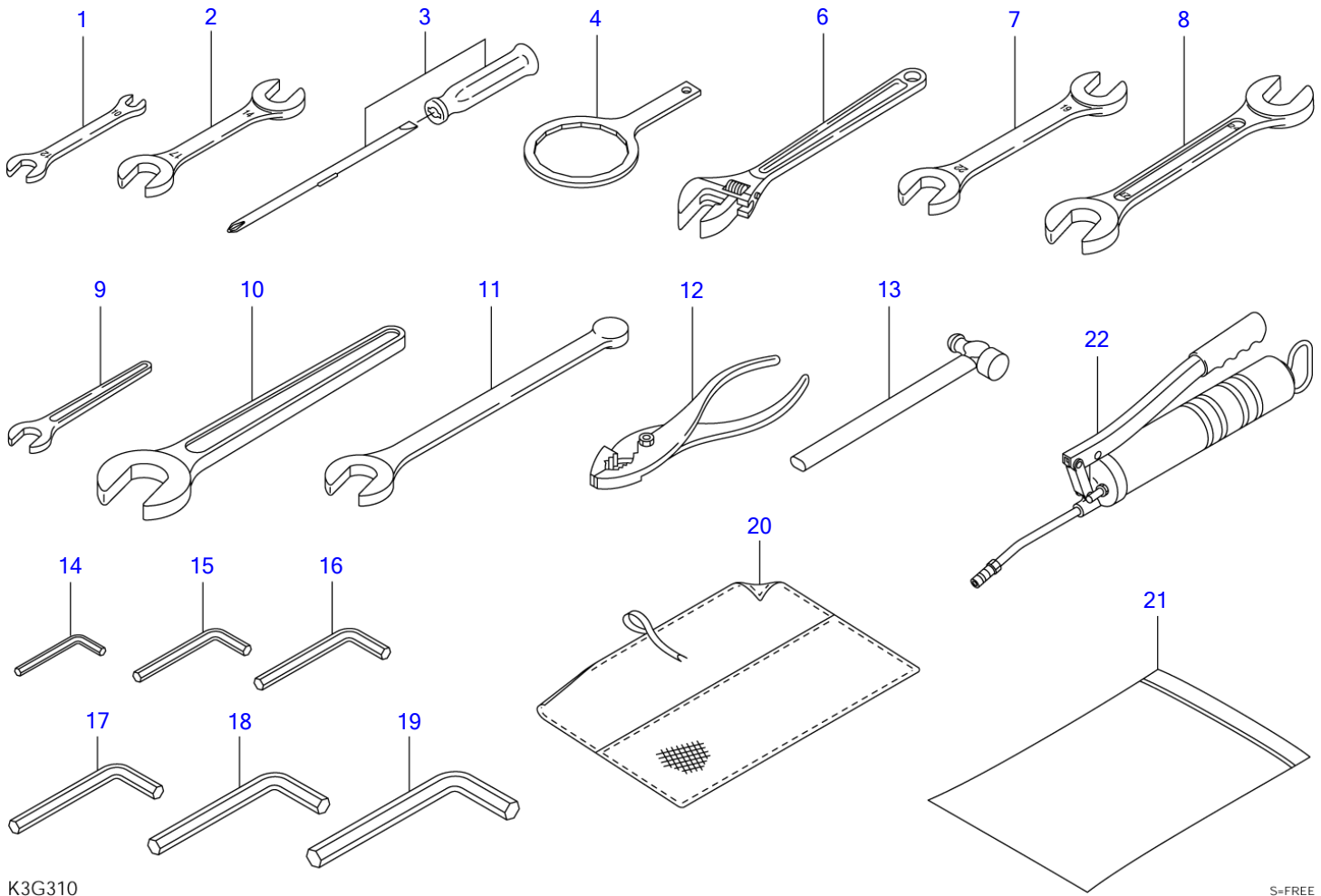
K3G154

S=FREE

**TOOL & ACCESSORIES**

Item	Part number	Description	Q'ty	Chan.	Serial No.	Serv.	Remarks
0	<b>0379207010</b>	TOOL ASSY	1				
1	<b>1910047081</b>	▪ SPANNER	1				Y28110-100120
2	<b>1910047082</b>	▪ SPANNER	1				Y28110-140170
3	<b>1910006112</b>	▪ DRIVER, screw	1				Y104200-92350
4	<b>1910065081</b>	▪ WRENCH, filter	1				Y119640-92750
6	<b>1690400250</b>	▪ WRENCH, monkey	1				
7	<b>1690001922</b>	▪ SPANNER	1				
8	<b>1690002427</b>	▪ SPANNER	1				
9	<b>1690100013</b>	▪ SPANNER	1				
10	<b>1690100041</b>	▪ SPANNER	1				
11	<b>1690900026</b>	▪ SPANNER	1				
12	<b>1690500200</b>	▪ PLIER	1				
13	<b>1690300330</b>	▪ HAMMER	1				
14	<b>1690600400</b>	▪ WRENCH, hex	1				
15	<b>1690600500</b>	▪ WRENCH, hex	1				
16	<b>1690600600</b>	▪ WRENCH, hex	1				
17	<b>1690600800</b>	▪ WRENCH, hex	1				
18	<b>1690601000</b>	▪ WRENCH, hex	1				
19	<b>1690601400</b>	▪ WRENCH, hex	1				
20	<b>1691400001</b>	▪ CASE, tool	1				
21	<b>1691900001</b>	▪ CASE	1				
22	<b>1691010800</b>	GUN ASSY, grease	1				for Japan
	<b>1691060610</b>	GUN ASSY, grease	1				
23	<b>1554512601</b>	TUBE	1				for EU
24	<b>0359325160</b>	PLATE	1				for Japan
	<b>K3g153</b>						

TB145 Book No. BK3Z010 S/N 14510004-  
TOOL & ACCESSORIES (1/2) (for China)

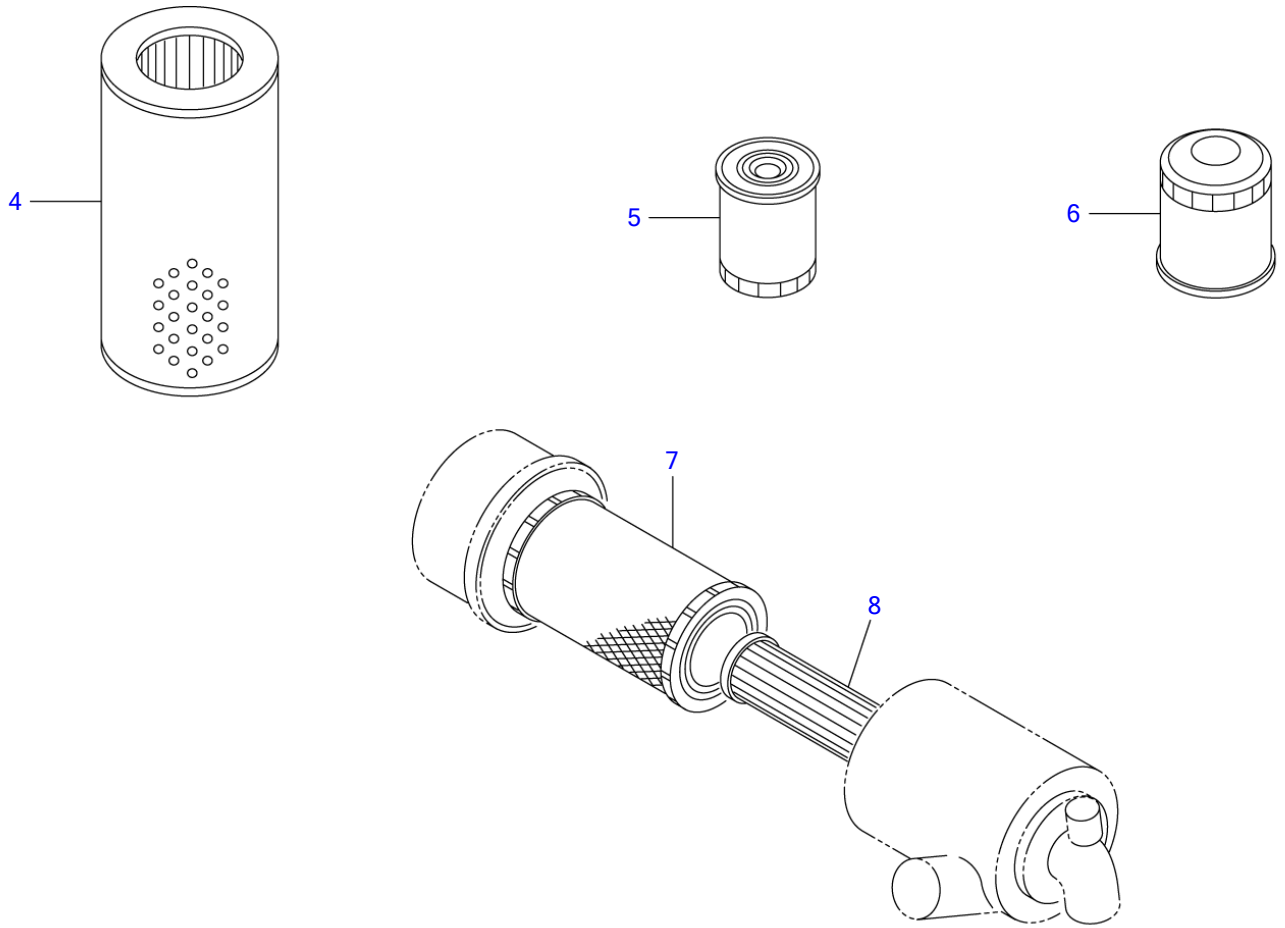


K3G310

S=FREE

**TOOL & ACCESSORIES (1/2) (for China)**

Item	Part number	Description	Q'ty	Chan.	Serial No.	Serv.	Remarks
		TOOL SET					X03992-11450-1
0	<b>0379207010</b>	TOOL ASSY	1				
1	<b>1910047081</b>	• SPANNER	1				Y28110-100120
2	<b>1910047082</b>	• SPANNER	1				Y28110-140170
3	<b>1910006112</b>	• DRIVER, screw	1				Y104200-92350
4	<b>1910065081</b>	• WRENCH, filter	1				Y119640-92750
6	<b>1690400250</b>	• WRENCH, monkey	1				
7	<b>1690001922</b>	• SPANNER	1				
8	<b>1690002427</b>	• SPANNER	1				
9	<b>1690100013</b>	• SPANNER	1				
10	<b>1690100041</b>	• SPANNER	1				
11	<b>1690900026</b>	• SPANNER	1				
12	<b>1690500200</b>	• PLIER	1				
13	<b>1690300330</b>	• HAMMER	1				
14	<b>1690600400</b>	• WRENCH, hex	1				
15	<b>1690600500</b>	• WRENCH, hex	1				
16	<b>1690600600</b>	• WRENCH, hex	1				
17	<b>1690600800</b>	• WRENCH, hex	1				
18	<b>1690601000</b>	• WRENCH, hex	1				
19	<b>1690601400</b>	• WRENCH, hex	1				
20	<b>1691400001</b>	• CASE, tool	1				
21	<b>1691900001</b>	• CASE	1				
22	<b>1691060610</b>	GUN ASSY, grease	1				
	<b>K3g310</b>						

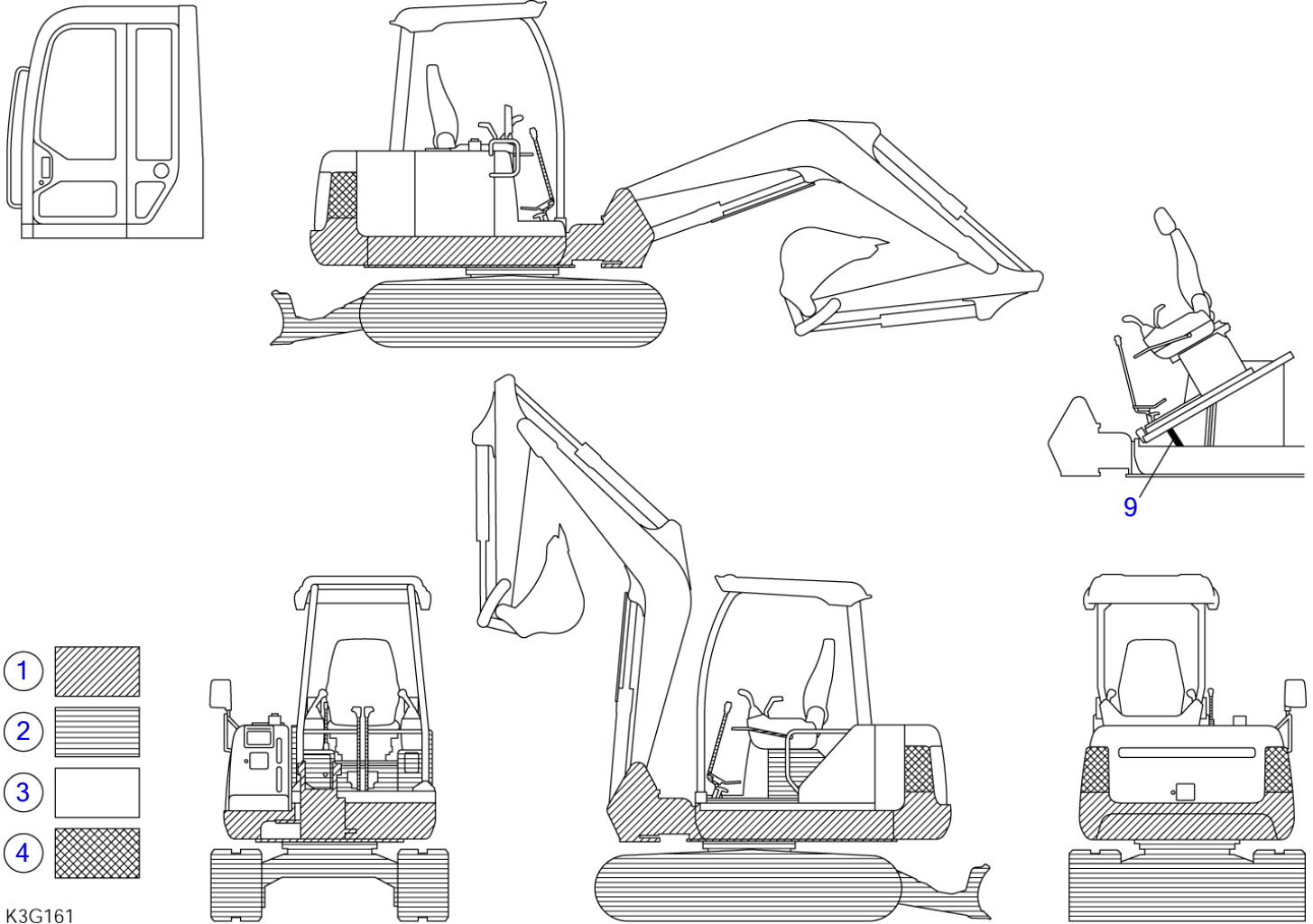


K3G300

S=free

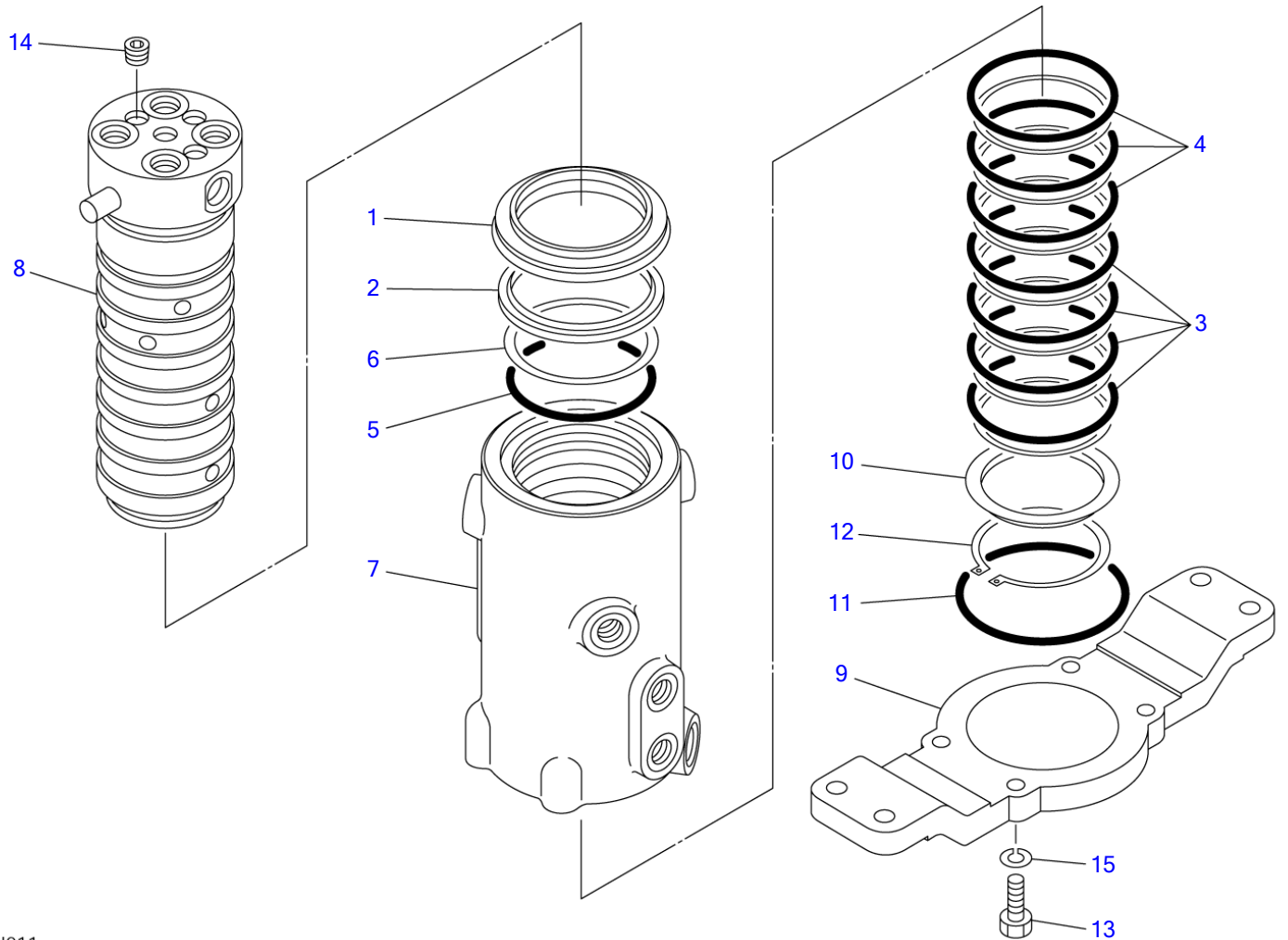
**TOOL & ACCESSORIES (2/2) (for China)**

Item	Part number	Description	Q'ty	Chan.	Serial No.	Serv.	Remarks
		TOOL SET					X03992-11450-1
4	<b>1551102600</b>	FILTER, return	5				
5	<b>1990197054</b>	FILTER, fuel	8			M	Y129907-55800
6	<b>1990197055</b>	FILTER, engine oil	9			M	Y119005-35150
7	<b>1911102771</b>	AIR FILTER, outer	4			M	fhfjf\fhf\fhf" P82-1575
8	<b>1911102772</b>	AIR FILTER, inner	4				fhfjf\fhf\fhf" P82-2858
	<b>K3g300</b>						





Item	Part number	Description	PAINTED COLOR			Remarks
			Q'ty	Chan.	Serial No.	
		PAINTED COLOR				X03991-02000-6
		PAINTED COLOR				X03991-03000-6
		PAINTED COLOR				X03991-04000-6
		PAINTED COLOR				X03991-05000-6
1	<b>1919060105</b>	RED				
	<b>1919069105</b>	RED				spray
2	<b>1919060144</b>	GRAY				
	<b>1919069144</b>	GRAY				spray
3	<b>1919060142</b>	LIGHT GRAY				
	<b>1919069142</b>	LIGHT GRAY				spray
4	<b>1919060005</b>	BLACK				
	<b>1919069159</b>	BLACK				spray
9	<b>1919060175</b>	YELLOW				
	<b>1919069175</b>	YELLOW				spray
	<b>K3g163</b>					

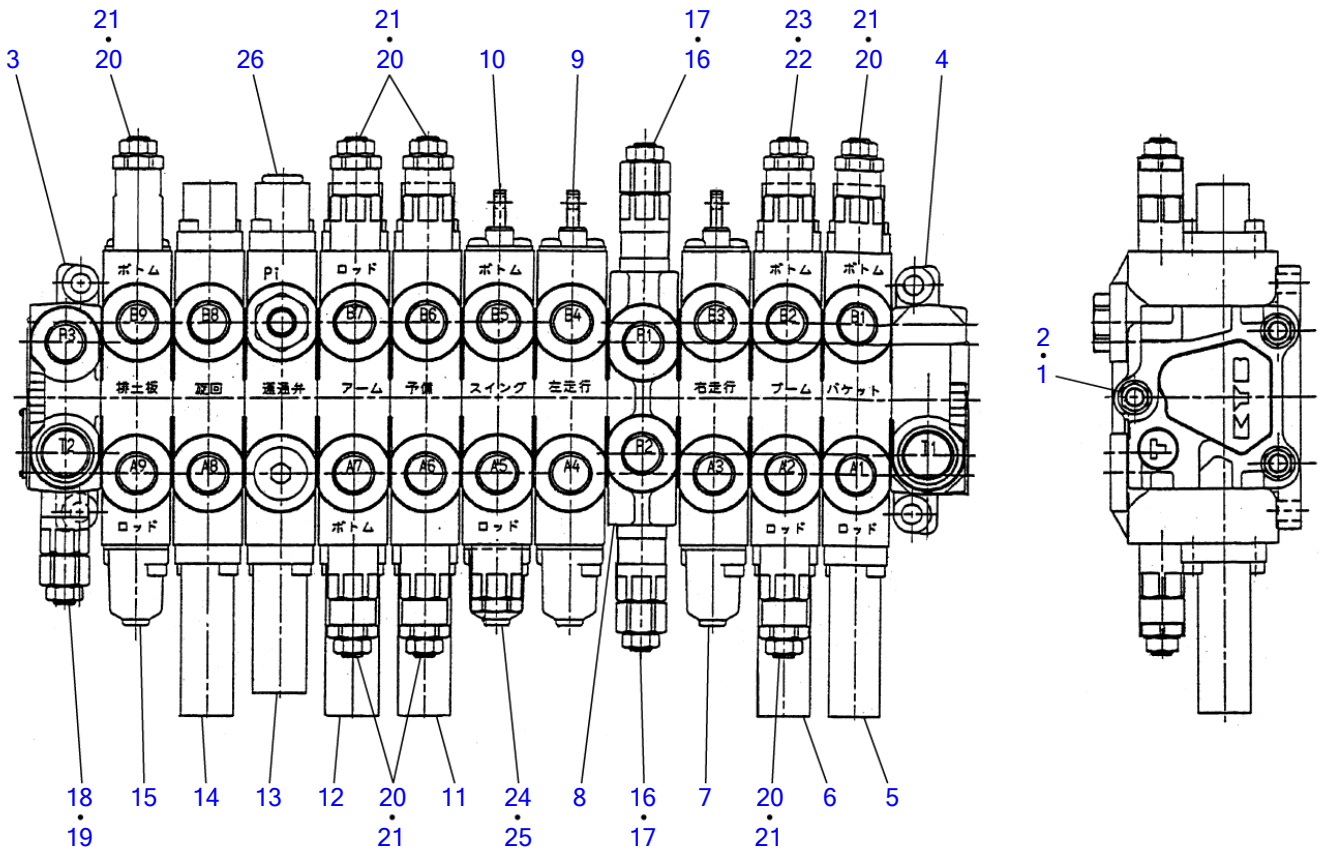


K3H011

S=1/4

**SWIVEL JOINT**

Item	Part number	Description	Q'ty	Chan.	Serial No.	Serv.	Remarks
0	<b>1904006300</b>	JOINT, swivel	1				
0-1	<b>1904006399</b>	• KIT, seal	1				
1	X <b>1904002391</b>	• • SEAL, dust	1				
2	X <b>1904000494</b>	• • SEAL, dust	1				
3	X <b>1904006316</b>	• • SEAL, slipper	4				
4	X <b>1904006317</b>	• • SEAL, slipper	3				
5	X <b>1420010800</b>	• • O-RING	1				
6	X <b>1421030800</b>	• • RING, back-up	1				
7	<b>1904006301</b>	• HUB	1				
8	<b>1904006311</b>	• SHAFT	1				
9	<b>1904003621</b>	• FRANGE	1				
10	<b>1904003691</b>	• SPACER	1				
11	<b>1420110950</b>	• O-RING	1				
12	<b>1220000072</b>	• RING, snap	1				
13	<b>1100041030</b>	• BOLT	4				
14	<b>1501810002</b>	• PLUG	3				
15	<b>1140010010</b>	• WASHER, spring	4				
	<b>K3h012</b>						



K3H020

S=FREE

**CONTROL VALVE**

Item	Part number	Description	Q'ty	Chan.	Serial No.	Serv.	Remarks
0	1901036500	VALVE ASSY, control	1		14510004~14514823		
	1901043600	VALVE ASSY, control	1	(H)	14514824~		
	1901040600	VALVE ASSY, control	1		14510004~14514823		high flow
	1901043700	VALVE ASSY, control	1	(H)	14514824~		high flow
1	1130050008	• NUT	6				
2	1901036508	• ROD, tie	3				
3	1901036501	• HOUSING ASSY	1				P3,T2
4	1901036504	• HOUSING ASSY	1				T1
5	1901036513	• BLOCK ASSY; No.1	1		14510004~14514823		bucket
	1901043013	• BLOCK ASSY; No.1	1		14514824~		bucket
6	1901036511	• BLOCK ASSY; No.2	1		14510004~14512510		boom
	1901036541	• BLOCK ASSY; No.2	1	(H)	14512511~2004. 07		boom
	1901036561	• BLOCK ASSY; No.2	1	(H)	2004. 07~14514823		boom 21983
	1901043011	• BLOCK ASSY; No.2	1		14514824~		boom
7	1901036515	• BLOCK ASSY; No.3	1				traction R.H.
8	1901036502	• HOUSING ASSY	1				P1,P2
9	1901036516	• BLOCK ASSY; No.4	1				traction L.H.
	1901040615	• BLOCK ASSY; No.4 (high flow)	1				traction L.H.
10	1901036518	• BLOCK ASSY; No.5	1		14510004~14514823		swing
	1901043018	• BLOCK ASSY; No.5	1		14514824~		swing
	1901040618	• BLOCK ASSY; No.5 (high flow)	1		14510004~14514823		swing
	1901043718	• BLOCK ASSY; No.5 (high flow)	1		14514824~		swing
11	1901036519	• BLOCK ASSY; No.6	1		14510004~14514823		auxiliary
	1901043019	• BLOCK ASSY; No.6	1		14514824~		auxiliary
	1901040619	• BLOCK ASSY; No.6 (high flow)	1		14510004~14514823		auxiliary
	1901043719	• BLOCK ASSY; No.6 (high flow)	1		14514824~		auxiliary
12	1901036512	• BLOCK ASSY; No.7	1		14510004~14512510		arm
	1901036542	• BLOCK ASSY; No.7	1	(H)	14512511~2004. 07		arm
	1901036562	• BLOCK ASSY; No.7	1	(H)	2004. 07~14514823		arm 21983
	1901043012	• BLOCK ASSY; No.7	1		14514824~		arm
	1901040612	• BLOCK ASSY; No.7 (high flow)	1		14512511~2004. 07		arm
	1901040662	• BLOCK ASSY; No.7 (high flow)	1	(H)	2004. 07~14514823		arm 21983
	1901043712	• BLOCK ASSY; No.7 (high flow)	1		14514824~		arm
13	1901036510	• BLOCK ASSY; No.8	1				
14	1901036514	• BLOCK ASSY; No.9	1				slew
15	1901036517	• BLOCK ASSY; No.10	1		14510004~14514823		blade
	1901043017	• BLOCK ASSY; No.10	1		14514824~		blade
16	1901036521	• VALVE ASSY	2				relief
17	1901025482	• • O-RING	1				
18	1901036522	• VALVE ASSY	1				relief
19	1901025482	• • O-RING	1				
20	1901036523	• VALVE ASSY	7		14510004~14514823		over load
	1901043021	• VALVE ASSY	7		14514824~		over load
21	1901025482	• • O-RING	1				
22	1901036524	• VALVE ASSY	1		14510004~14514823		over load
	1901043022	• VALVE ASSY	1		14514824~		over load
23	1901025482	• • O-RING	1				
24	1901027721	• VALVE ASSY	1		~2004. 07		antivoid
	1901042625	• VALVE ASSY	1	(H)	2004. 07~		antivoid 21983
25	1901025482	• • O-RING	1				
26	1901036573	• PLUG	1				

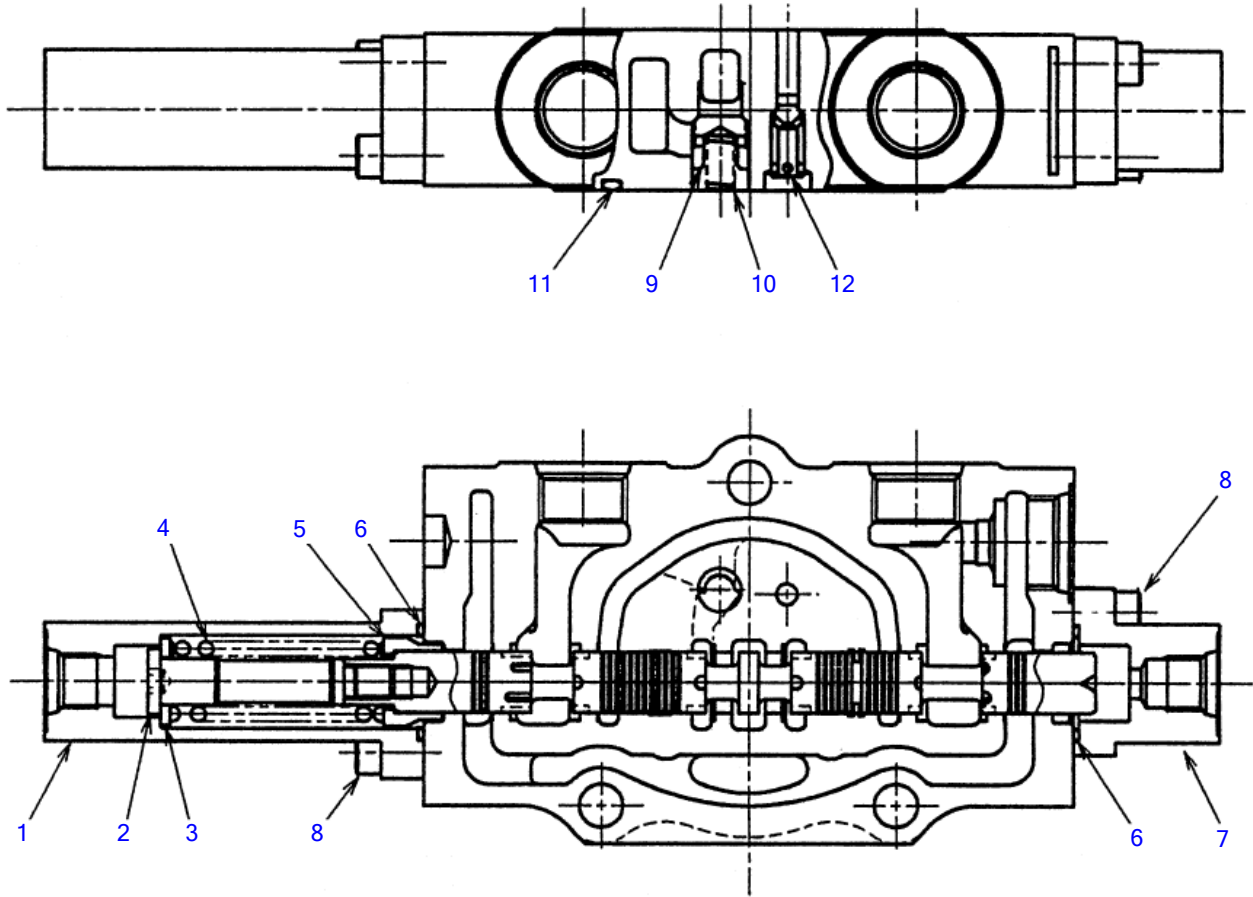
K3h023



**CONTROL VALVE (with the 2nd auxiliary lines)**

Item	Part number	Description	Q'ty	Chan.	Serial No.	Serv.	Remarks
0	1901037100	VALVE ASSY, control	1		14510004~14514823		
	1901043000	VALVE ASSY, control	1	(H)	14514824~		
1	1130050008	• NUT	6				
2	1901041708	• ROD, tie	3				
3	1901036501	• HOUSING ASSY	1				P3,T2
4	1901036504	• HOUSING ASSY	1				T1
5	1901036513	• BLOCK ASSY; No.1	1		14510004~14514823		bucket
	1901043013	• BLOCK ASSY; No.1	1		14514824~		bucket
6	1901036541	• BLOCK ASSY; No.2	1		~2004. 07		boom
	1901036561	• BLOCK ASSY; No.2	1	(H)	2004. 07~14514823		boom 21983
	1901043011	• BLOCK ASSY; No.2	1		14514824~		boom
7	1901036515	• BLOCK ASSY; No.3	1				traction R.H.
8	1901036502	• HOUSING ASSY	1				P1,P2
9	1901036516	• BLOCK ASSY; No.4	1				traction L.H.
10	1901036518	• BLOCK ASSY; No.5	1		14510004~14514823		swing
	1901043018	• BLOCK ASSY; No.5	1		14514824~		swing
11	1901036519	• BLOCK ASSY; No.6	1		14510004~14514823		auxiliary
	1901043019	• BLOCK ASSY; No.6	1		14514824~		auxiliary
12	1901036542	• BLOCK ASSY; No.7	1		~2004. 07		arm
	1901036562	• BLOCK ASSY; No.7	1	(H)	2004. 07~14514823		arm 21983
	1901043012	• BLOCK ASSY; No.7	1		14514824~		arm
13	1901036510	• BLOCK ASSY; No.8	1				
14	1901036514	• BLOCK ASSY; No.9	1				slew
15	1901036517	• BLOCK ASSY; No.10	1		14510004~14514823		blade
	1901043017	• BLOCK ASSY; No.10	1		14514824~		blade
16	1901036521	• VALVE ASSY	2				relief
17	1901025482	• • O-RING	1				
18	1901036522	• VALVE ASSY	1				relief
19	1901025482	• • O-RING	1				
20	1901036523	• VALVE ASSY	9		14510004~14514823		over load
	1901043021	• VALVE ASSY	9		14514824~		over load
21	1901025482	• • O-RING	1				
22	1901036524	• VALVE ASSY	1		14510004~14514823		over load
	1901043022	• VALVE ASSY	1		14514824~		over load
23	1901025482	• • O-RING	1				
24	1901027721	• VALVE ASSY	1		~2004. 07		antivoid
	1901042625	• VALVE ASSY	1	(H)	2004. 07~		antivoid 21983
25	1901025482	• • O-RING	1				
26	1901036573	• PLUG	1				
27	1901041719	• BLOCK ASSY; No.11	1		14510004~14514823		auxiliary 2
	1901043020	• BLOCK ASSY; No.11	1		14514824~		auxiliary 2

K3h342



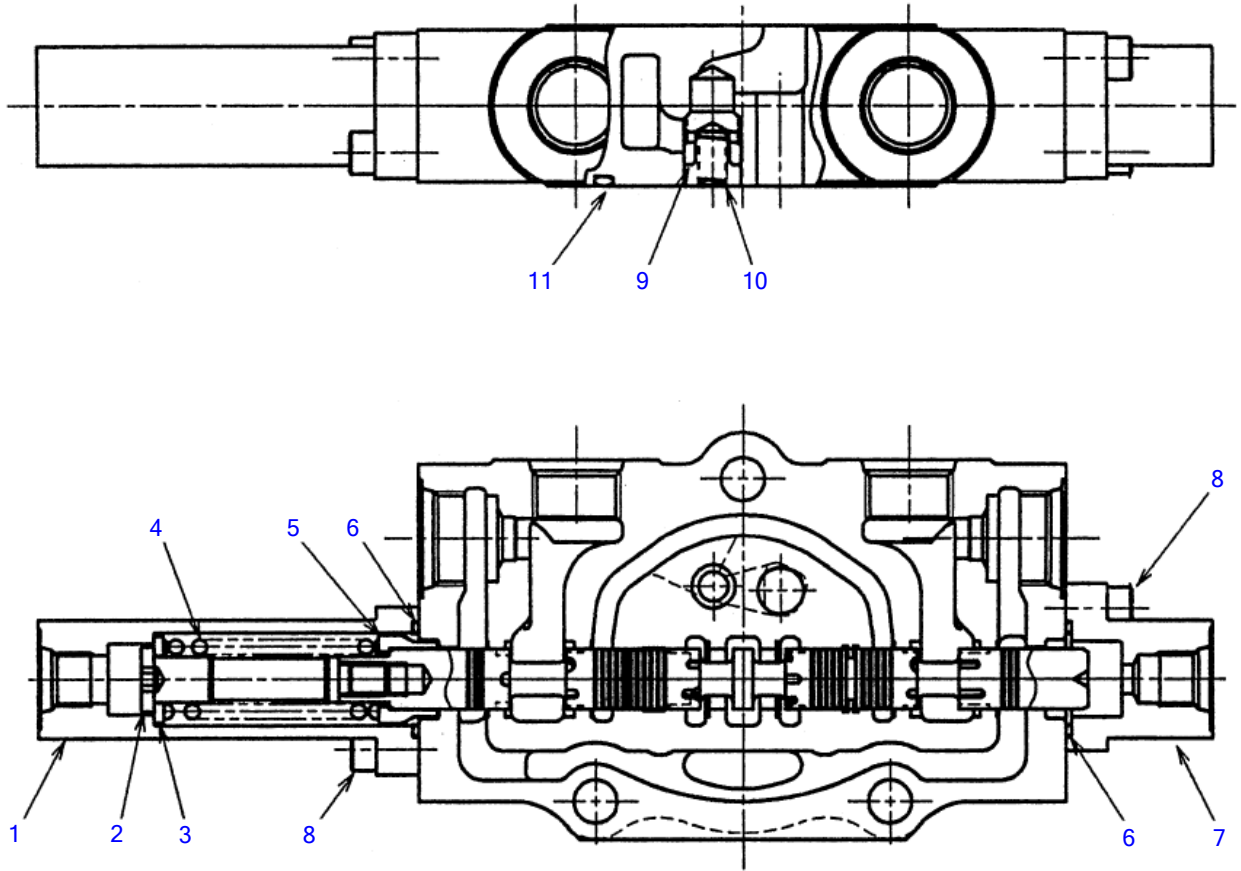
K3H030

S=FREE



**BLOCK ASSY; No. 1**

Item	Part number	Description	Q'ty	Chan.	Serial No.	Serv.	Remarks
0	<b>1901036513</b>	BLOCK ASSY; No.1	1		14510004~14514823		bucket
	<b>1901043013</b>	BLOCK ASSY; No.1	1		14514824~		bucket
1	<b>1901036566</b>	· CAP	1				
2	<b>1901036531</b>	· END, spool	1				
3	<b>1901029754</b>	· HOLDER, spring	1				
4	<b>1901036556</b>	· SPRING	1				
5	<b>1901036551</b>	· HOLDER, spring	1				
6	<b>1420500240</b>	· O-RING	2				
7	<b>1901036567</b>	· CAP	1				
8	<b>1110020618</b>	· SCREW, cap	4				
9	<b>1901025467</b>	· PLUNGER	1				
10	<b>1901034239</b>	· SPRING	1				
11	<b>1420100650</b>	· O-RING	1				
12	<b>1901036526</b>	· PLUNGER	1				
	<b>K3h031</b>						



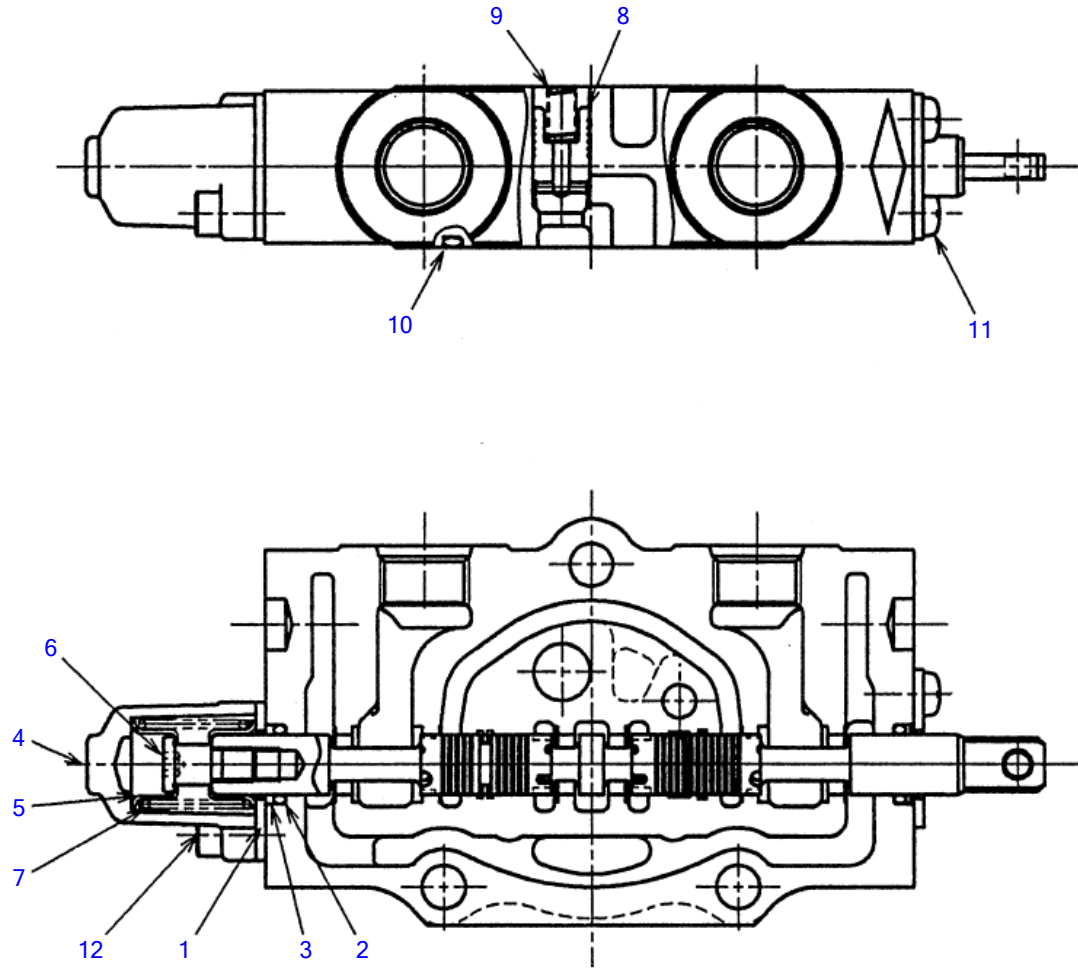
K3H040

S=FREE

**BLOCK ASSY; No. 2**

Item	Part number	Description	Q'ty	Chan.	Serial No.	Serv.	Remarks
0	<b>1901036511</b>	BLOCK ASSY; No.2	1		14510004~14512510		boom
	<b>1901036541</b>	BLOCK ASSY; No.2	1	(H)	14512511~2004. 07		boom
	<b>1901036561</b>	BLOCK ASSY; No.2	1	(H)	2004. 07~14514823		boom
	<b>1901043011</b>	BLOCK ASSY; No.2	1		14514824~		boom
1	<b>1901036566</b>	• CAP	1				
2	<b>1901036531</b>	• END, spool	1				
3	<b>1901029754</b>	• HOLDER, spring	1				
4	<b>1901036556</b>	• SPRING	1				
5	<b>1901036551</b>	• HOLDER, spring	1				
6	<b>1420500240</b>	• O-RING	2				
7	<b>1901036567</b>	• CAP	1				
8	<b>1110020618</b>	• SCREW, cap	4				
9	<b>1901025467</b>	• PLUNGER	1				
10	<b>1901034239</b>	• SPRING	1				
11	<b>1420100650</b>	• O-RING	1				

**K3h043**

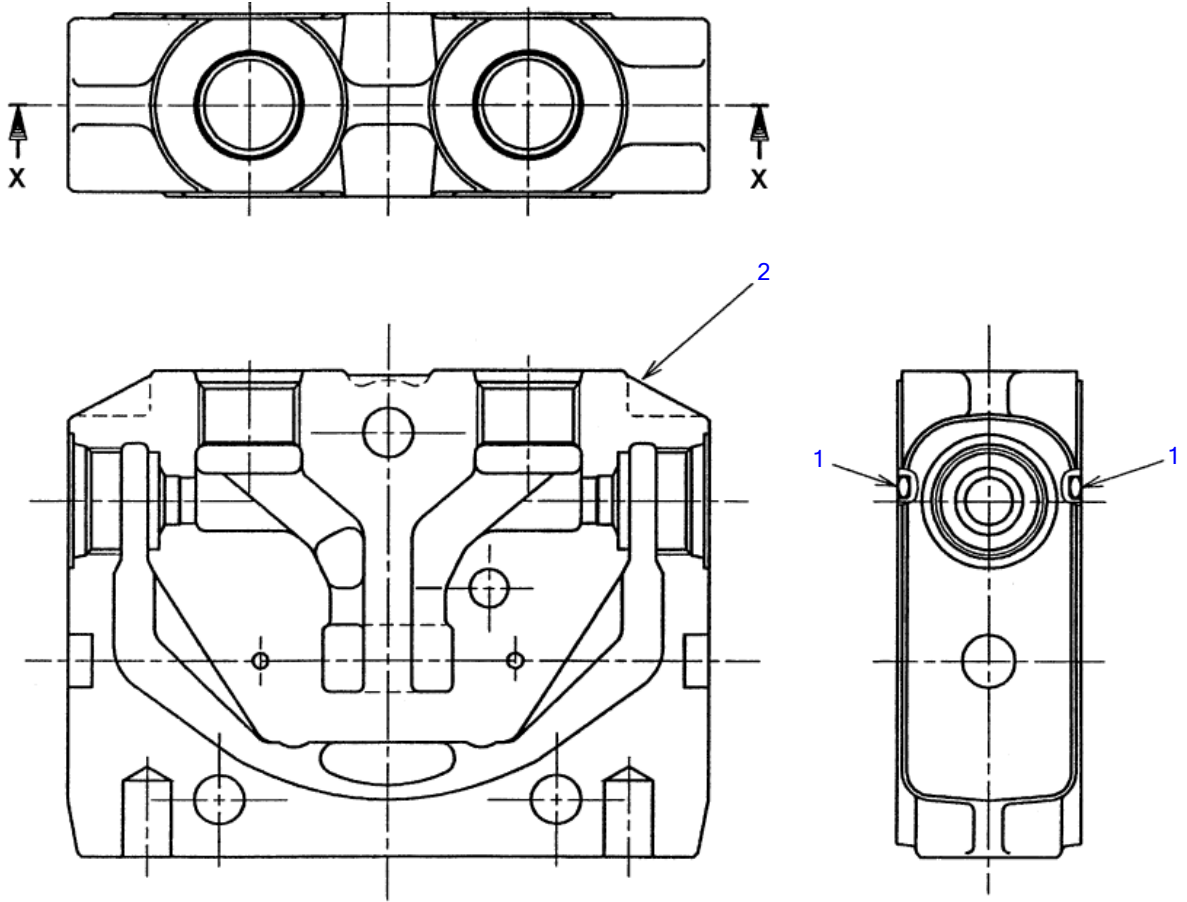


K3H050

S=FREE

**BLOCK ASSY; No. 3**

Item	Part number	Description	Q'ty	Chan.	Serial No.	Serv.	Remarks
0	<b>1901036515</b>	BLOCK ASSY; No.3	1				traction R.H.
1	<b>1901025483</b>	▪ PLATE, seal	2				
2	<b>1901025484</b>	▪ O-RING	2				
3	<b>1901025485</b>	▪ SEAL	2				
4	<b>1901025462</b>	▪ CAP	1				
5	<b>1901025453</b>	▪ HOLDER, spring	2				
6	<b>1901025432</b>	▪ END, spool	1				
7	<b>1901025457</b>	▪ SPRING	1				
8	<b>1901036528</b>	▪ PLUNGER	1				
9	<b>1901034239</b>	▪ SPRING	1				
10	<b>1420100650</b>	▪ O-RING	1				
11	<b>1120540610</b>	▪ SCREW	2				
12	<b>1110020618</b>	▪ SCREW, cap	2				
	<b>K3h050</b>						

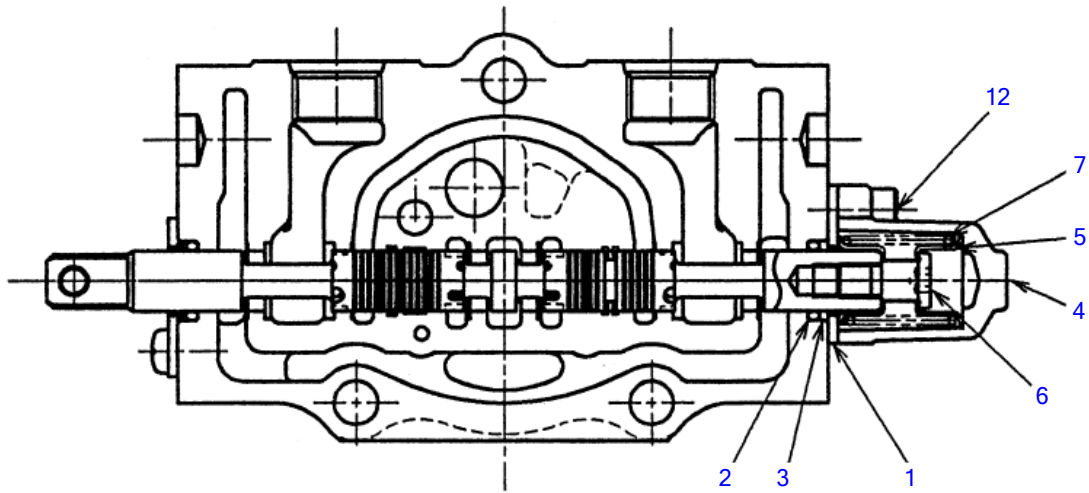
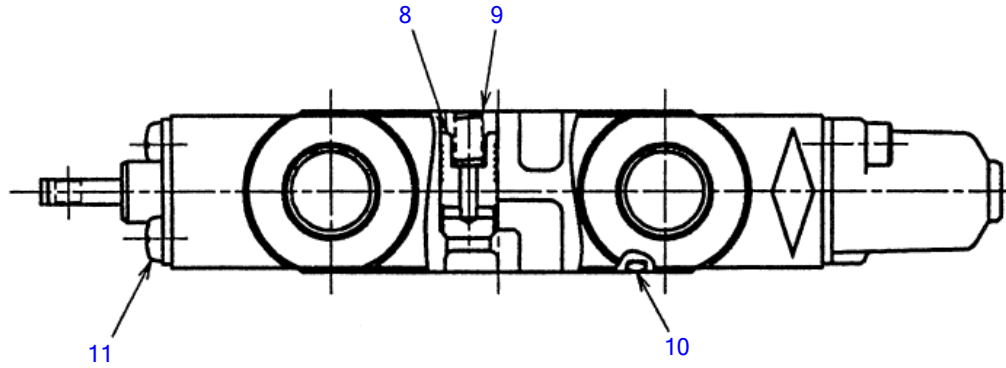


K3H060

SECTION "X-X"

S=FREE

HOUSING ASSY						
Item	Part number	Description	Q'ty	Chan.	Serial No.	Serv. Remarks
0	1901036502	HOUSING ASSY	1			P1,P2
1	1420100650	· O-RING	2			
2	1901036505	· HOUSING	1			
	<b>K3h060</b>					



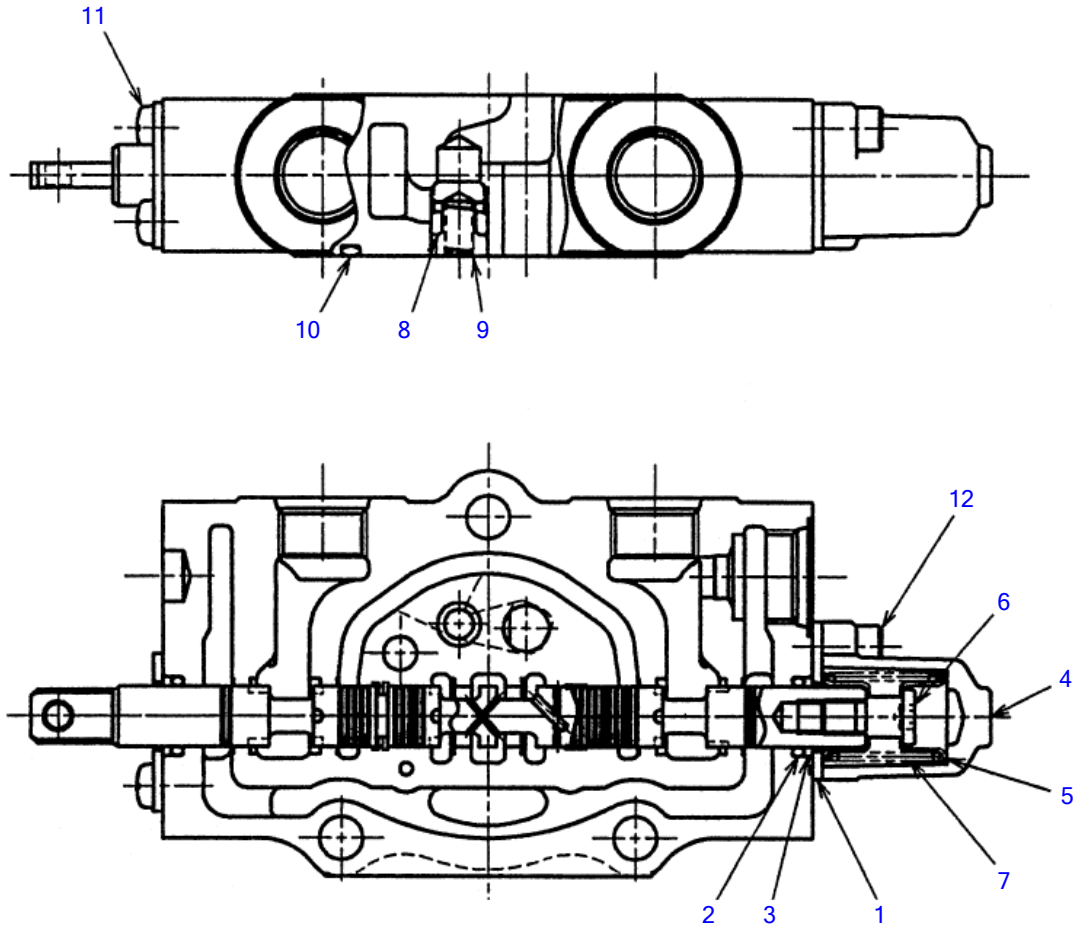
K3H070

S=FREE



**BLOCK ASSY; No. 4**

Item	Part number	Description	Q'ty	Chan.	Serial No.	Serv.	Remarks
0	<b>1901036516</b>	BLOCK ASSY; No.4	1				traction L.H.
	<b>1901040615</b>	BLOCK ASSY; No.4 (high flow)	1				traction L.H.
1	<b>1901025483</b>	▪ PLATE, seal	2				
2	<b>1901025484</b>	▪ O-RING	2				
3	<b>1901025485</b>	▪ SEAL	2				
4	<b>1901025462</b>	▪ CAP	1				
5	<b>1901025453</b>	▪ HOLDER, spring	2				
6	<b>1901025432</b>	▪ END, spool	1				
7	<b>1901025457</b>	▪ SPRING	1				
8	<b>1901036528</b>	▪ PLUNGER	1				
9	<b>1901034239</b>	▪ SPRING	1				
10	<b>1420100650</b>	▪ O-RING	1				
11	<b>1120540610</b>	▪ SCREW	2				
12	<b>1110020618</b>	▪ SCREW, cap	2				
	<b>K3h071</b>						

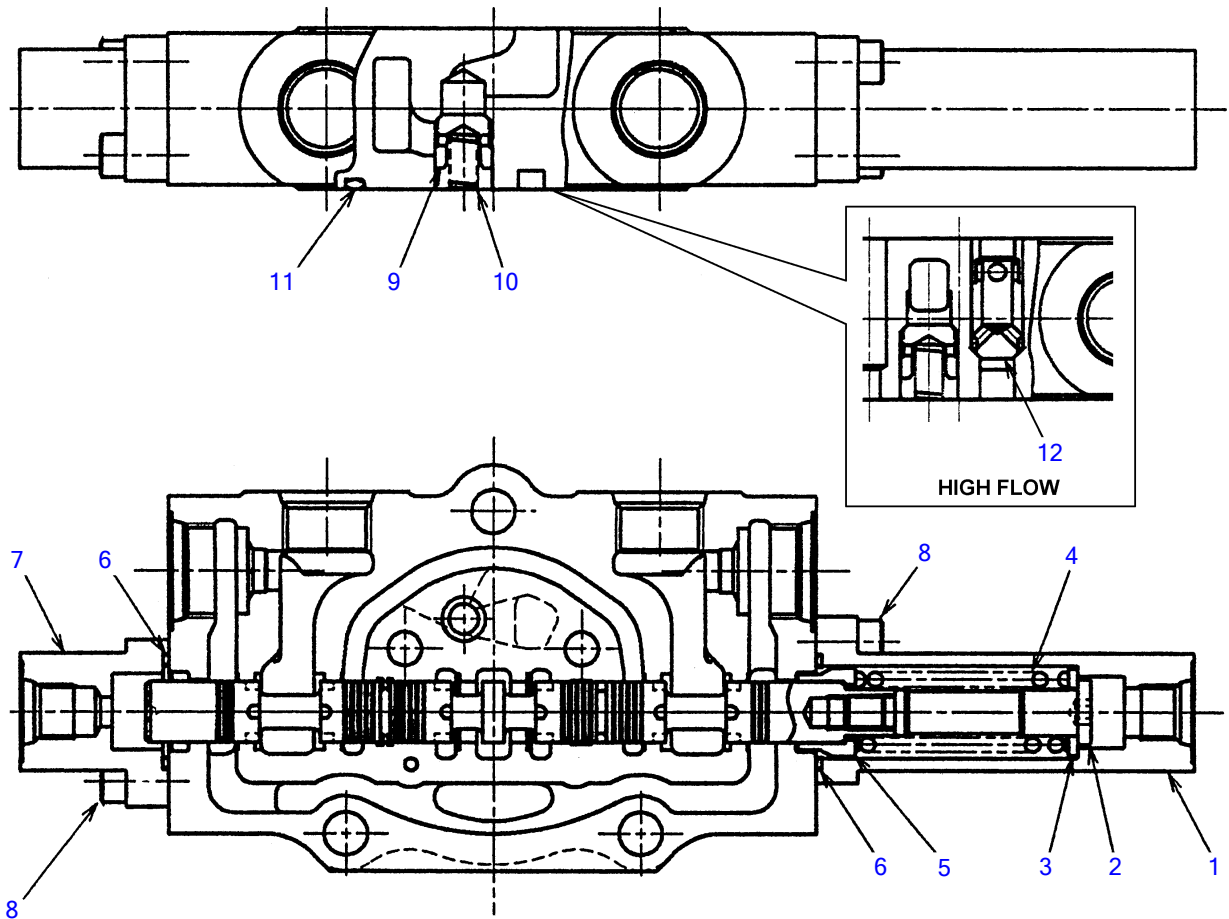


K3H080

S=FREE

**BLOCK ASSY; No. 5**

Item	Part number	Description	Q'ty	Chan.	Serial No.	Serv.	Remarks
0	<b>1901036518</b>	BLOCK ASSY; No.5	1		14510004~14514823		swing
	<b>1901043018</b>	BLOCK ASSY; No.5	1		14514824~		swing
	<b>1901040618</b>	BLOCK ASSY; No.5 (high flow)	1		14510004~14514823		swing
	<b>1901043718</b>	BLOCK ASSY; No.5 (high flow)	1		14514824~		swing
1	<b>1901025483</b>	▪ PLATE, seal	2				
2	<b>1901025484</b>	▪ O-RING	2				
3	<b>1901025485</b>	▪ SEAL	2				
4	<b>1901025462</b>	▪ CAP	1				
5	<b>1901025453</b>	▪ HOLDER, spring	2				
6	<b>1901025432</b>	▪ END, spool	1				
7	<b>1901025457</b>	▪ SPRING	1				
8	<b>1901025467</b>	▪ PLUNGER	1				
9	<b>1901034239</b>	▪ SPRING	1				
10	<b>1420100650</b>	▪ O-RING	1				
11	<b>1120540610</b>	▪ SCREW	2				
12	<b>1110020618</b>	▪ SCREW, cap	2				
	<b>K3h082</b>						

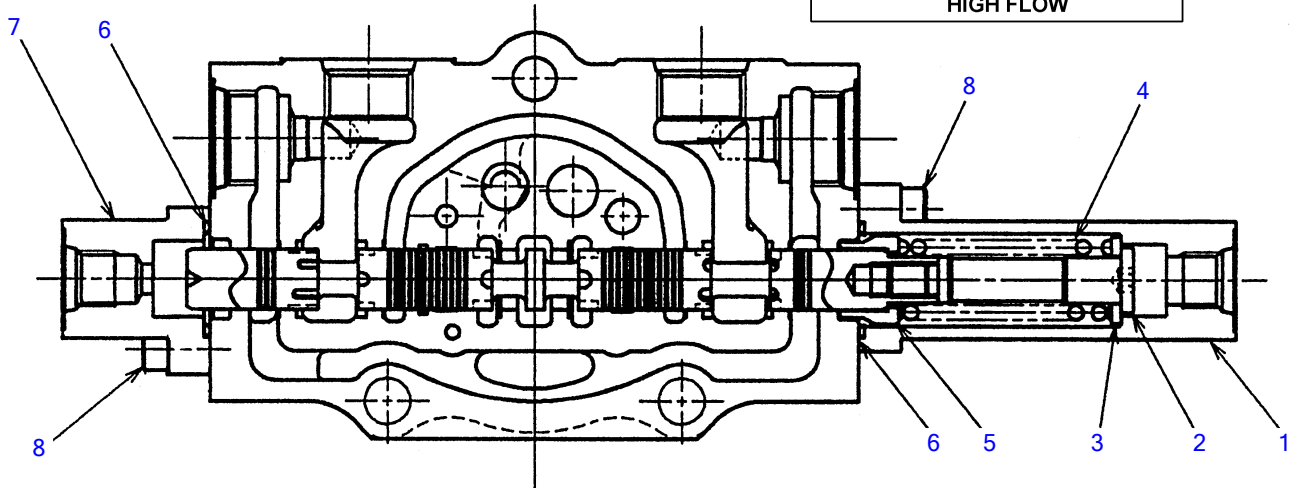
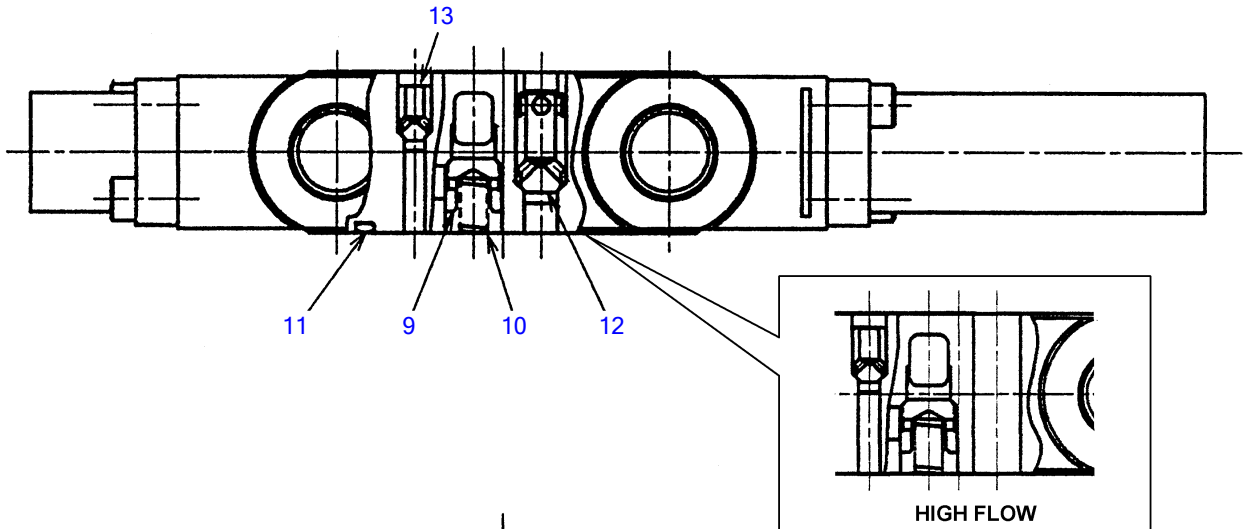


K3H091

S=FREE

**BLOCK ASSY; No. 6**

Item	Part number	Description	Q'ty	Chan.	Serial No.	Serv.	Remarks
0	<b>1901036519</b>	BLOCK ASSY; No.6	1		14510004~14514823		auxiliary
	<b>1901043019</b>	BLOCK ASSY; No.6	1		14514824~		auxiliary
	<b>1901040619</b>	BLOCK ASSY; No.6 (high flow)	1		14510004~14514823		auxiliary
	<b>1901043719</b>	BLOCK ASSY; No.6 (high flow)	1		14514824~		auxiliary
1	<b>1901036566</b>	▪ CAP	1				
2	<b>1901036531</b>	▪ END, spool	1				
3	<b>1901029754</b>	▪ HOLDER, spring	1				
4	<b>1901036556</b>	▪ SPRING	1				
5	<b>1901036551</b>	▪ HOLDER, spring	1				
6	<b>1420500240</b>	▪ O-RING	2				
7	<b>1901036567</b>	▪ CAP	1				
8	<b>1110020618</b>	▪ SCREW, cap	4				
9	<b>1901025467</b>	▪ PLUNGER	1				
10	<b>1901034239</b>	▪ SPRING	1				
11	<b>1420100650</b>	▪ O-RING	1				
12	<b>1901036529</b>	▪ PLUNGER	1				high flow
	<b>K3h092</b>						

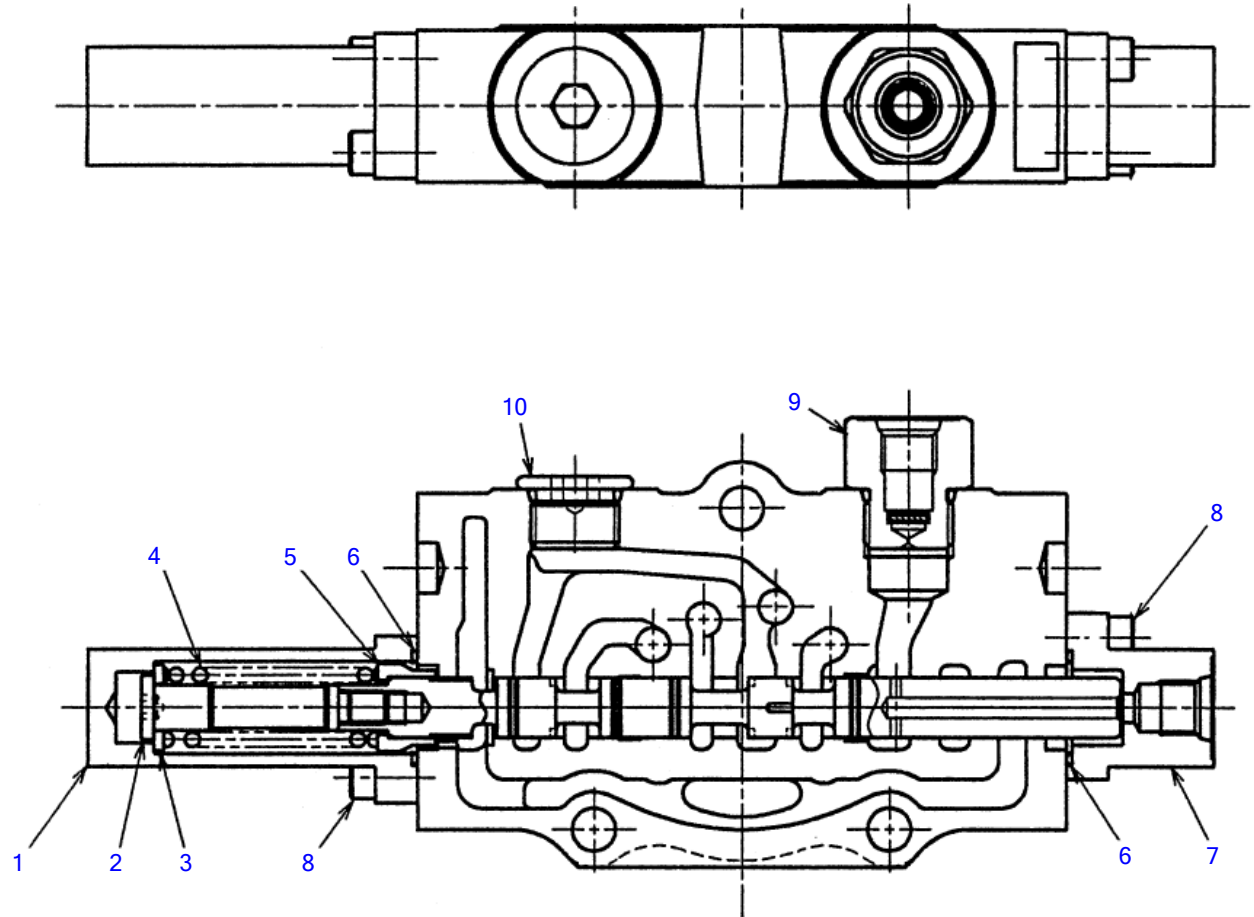


K3H101

S=FREE

**BLOCK ASSY; No. 7**

Item	Part number	Description	Q'ty	Chan.	Serial No.	Serv.	Remarks
0	<b>1901036512</b>	BLOCK ASSY; No.7	1		14510004~14512510		arm
	<b>1901036542</b>	BLOCK ASSY; No.7	1	(H)	14512511~2004.07		arm
	<b>1901036562</b>	BLOCK ASSY; No.7	1	(H)	2004.07~14514823		arm
	<b>1901043012</b>	BLOCK ASSY; No.7	1		14514824~		arm
	<b>1901040612</b>	BLOCK ASSY; No.7 (high flow)	1		~2004.07		arm
	<b>1901040662</b>	BLOCK ASSY; No.7 (high flow)	1	(H)	2004.07~14514823		arm
	<b>1901043712</b>	BLOCK ASSY; No.7 (high flow)	1		14514824~		arm
1	<b>1901036566</b>	• CAP	1				
2	<b>1901036531</b>	• END, spool	1				
3	<b>1901029754</b>	• HOLDER, spring	1				
4	<b>1901036556</b>	• SPRING	1				
5	<b>1901036551</b>	• HOLDER, spring	1				
6	<b>1420500240</b>	• O-RING	2				
7	<b>1901036567</b>	• CAP	1				
8	<b>1110020618</b>	• SCREW, cap	4				
9	<b>1901025467</b>	• PLUNGER	1				
10	<b>1901034239</b>	• SPRING	1				
11	<b>1420100650</b>	• O-RING	1				
12	<b>1901036529</b>	• PLUNGER	1				
13	<b>1901036530</b>	• PLUNGER	1				
	<b>K3h103</b>						



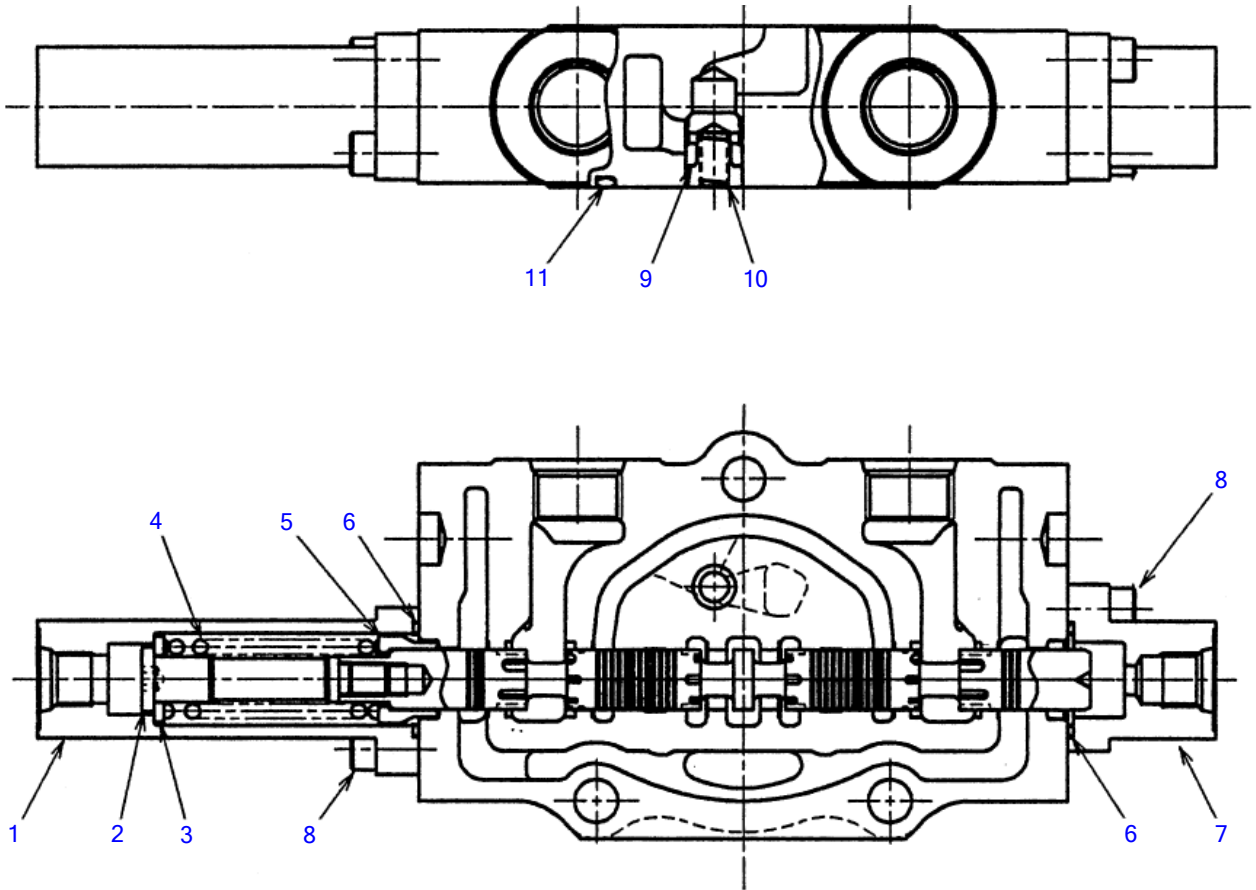
K3H110

S=FREE



**BLOCK ASSY; No. 8**

Item	Part number	Description	Q'ty	Chan.	Serial No.	Serv.	Remarks
0	<b>1901036510</b>	BLOCK ASSY; No.8	1				
1	<b>1901036568</b>	▪ CAP	1				
2	<b>1901036531</b>	▪ END, spool	1				
3	<b>1901029754</b>	▪ HOLDER, spring	1				
4	<b>1901036552</b>	▪ SPRING	1				
5	<b>1901036551</b>	▪ HOLDER, spring	1				
6	<b>1420500240</b>	▪ O-RING	2				
7	<b>1901036567</b>	▪ CAP	1				
8	<b>1110020618</b>	▪ SCREW, cap	4				
9	<b>1901036571</b>	▪ PLUG	1				
10	<b>1901036572</b>	▪ PLUG	1				
	<b>K3h110</b>						

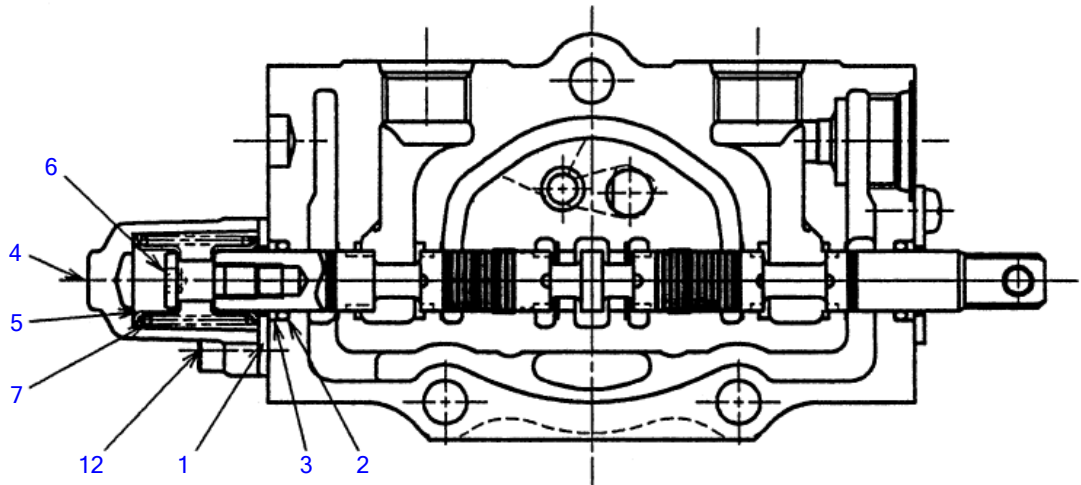
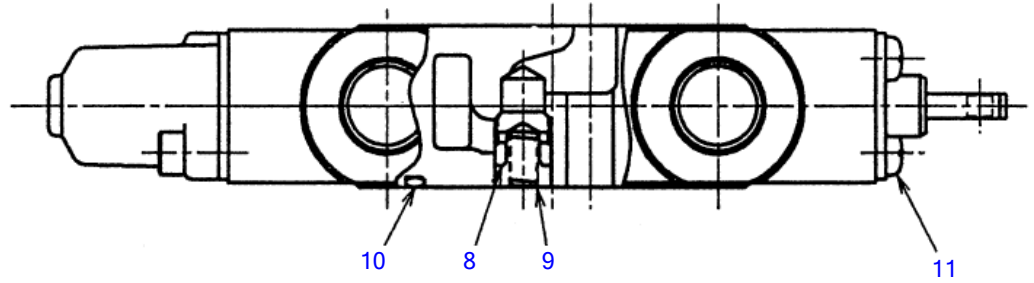


K3H120

S=FREE

**BLOCK ASSY; No. 9**

Item	Part number	Description	Q'ty	Chan.	Serial No.	Serv.	Remarks
0	<b>1901036514</b>	BLOCK ASSY; No.9	1				slew
1	<b>1901036566</b>	• CAP	1				
2	<b>1901036531</b>	• END, spool	1				
3	<b>1901029754</b>	• HOLDER, spring	1				
4	<b>1901036556</b>	• SPRING	1				
5	<b>1901036551</b>	• HOLDER, spring	1				
6	<b>1420500240</b>	• O-RING	2				
7	<b>1901036567</b>	• CAP	1				
8	<b>1110020618</b>	• SCREW, cap	4				
9	<b>1901025467</b>	• PLUNGER	1				
10	<b>1901034239</b>	• SPRING	1				
11	<b>1420100650</b>	• O-RING	1				
	<b>K3h120</b>						



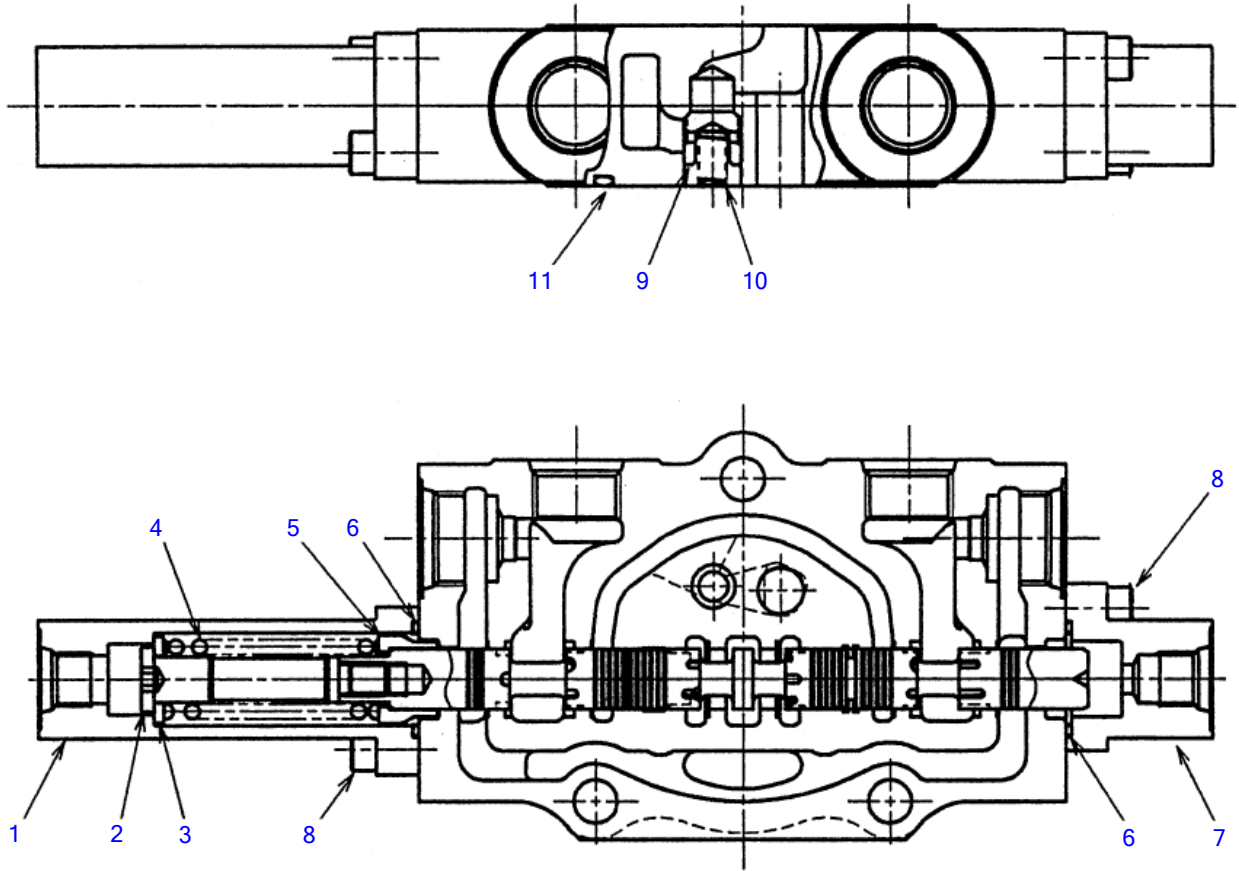
K3H130

S=FREE

**BLOCK ASSY; No. 10**

Item	Part number	Description	Q'ty	Chan.	Serial No.	Serv.	Remarks
0	<b>1901036517</b>	BLOCK ASSY; No.10	1		14510004~14514823		blade
	<b>1901043017</b>	BLOCK ASSY; No.10	1		14514824~		blade
1	<b>1901025483</b>	▪ PLATE, seal	2				
2	<b>1901025484</b>	▪ O-RING	2				
3	<b>1901025485</b>	▪ SEAL	2				
4	<b>1901025462</b>	▪ CAP	1				
5	<b>1901025453</b>	▪ HOLDER, spring	2				
6	<b>1901025432</b>	▪ END, spool	1				
7	<b>1901025457</b>	▪ SPRING	1				
8	<b>1901025467</b>	▪ PLUNGER	1				
9	<b>1901034239</b>	▪ SPRING	1				
10	<b>1420100650</b>	▪ O-RING	1				
11	<b>1120540610</b>	▪ SCREW	2				
12	<b>1110020618</b>	▪ SCREW, cap	2				
	<b>K3h131</b>						

TB145 Book No. BK3Z010 S/N 14510004-  
BLOCK ASSY; No. 11 (with the 2nd auxiliary lines)



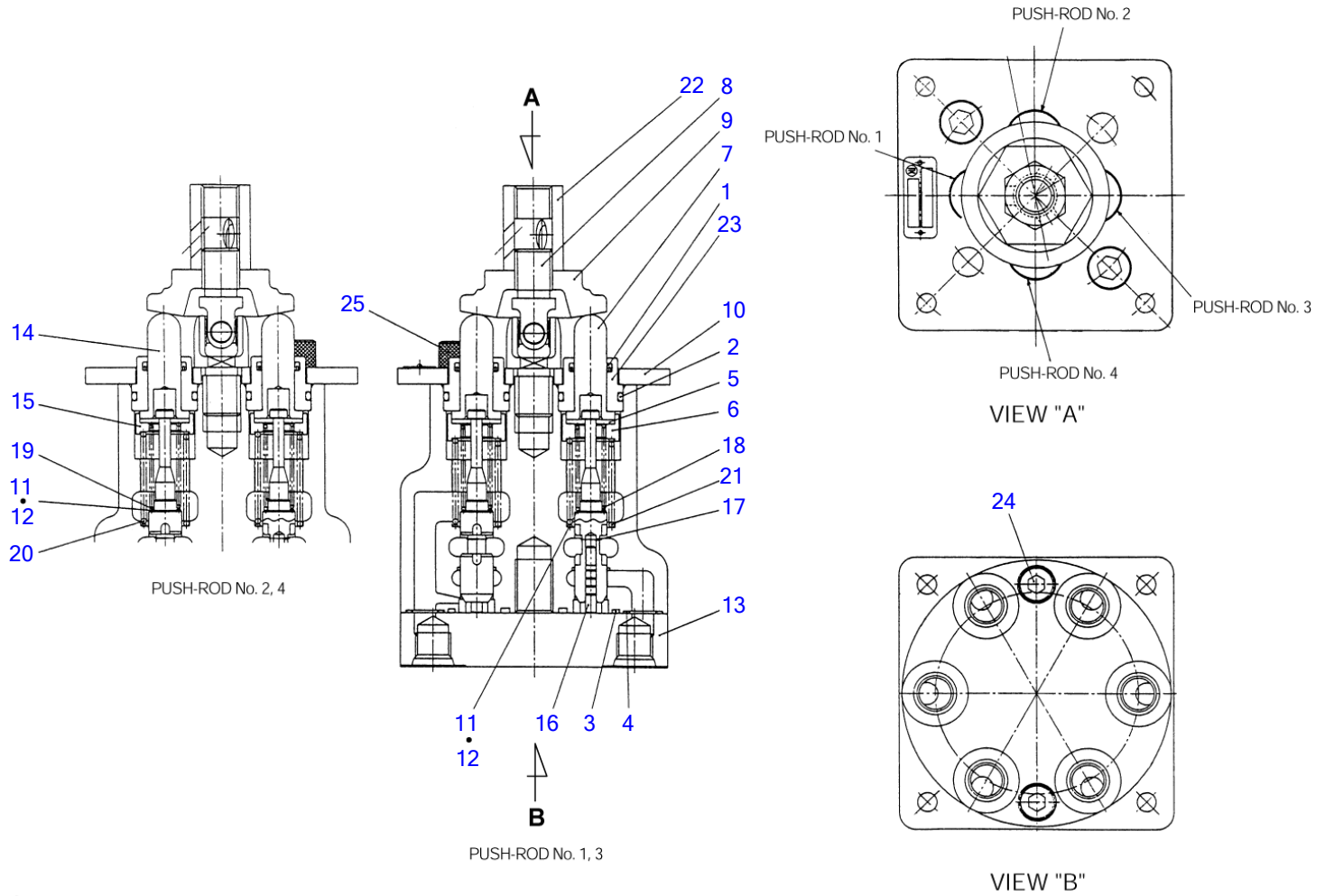
K3H040

S=FREE

**BLOCK ASSY; No. 11 (with the 2nd auxiliary lines)**

Item	Part number	Description	Q'ty	Chan.	Serial No.	Serv.	Remarks
0	<b>1901041719</b>	BLOCK ASSY; No.11	1		14510004~14514823		auxiliary 2
	<b>1901043020</b>	BLOCK ASSY; No.11	1		14514824~		auxiliary 2
1	<b>1901036566</b>	▪ CAP	1				
2	<b>1901036531</b>	▪ END, spool	1				
3	<b>1901029754</b>	▪ HOLDER, spring	1				
4	<b>1901036556</b>	▪ SPRING	1				
5	<b>1901036551</b>	▪ HOLDER, spring	1				
6	<b>1420500240</b>	▪ O-RING	2				
7	<b>1901036567</b>	▪ CAP	1				
8	<b>1110020618</b>	▪ SCREW, cap	4				
9	<b>1901025467</b>	▪ PLUNGER	1				
10	<b>1901034239</b>	▪ SPRING	1				
11	<b>1420100650</b>	▪ O-RING	1				
	<b>K3h351</b>						

TB145 Book No. BK3Z010 S/N 14510004-  
PILOT VALVE (14510004-14513260)



C4H160

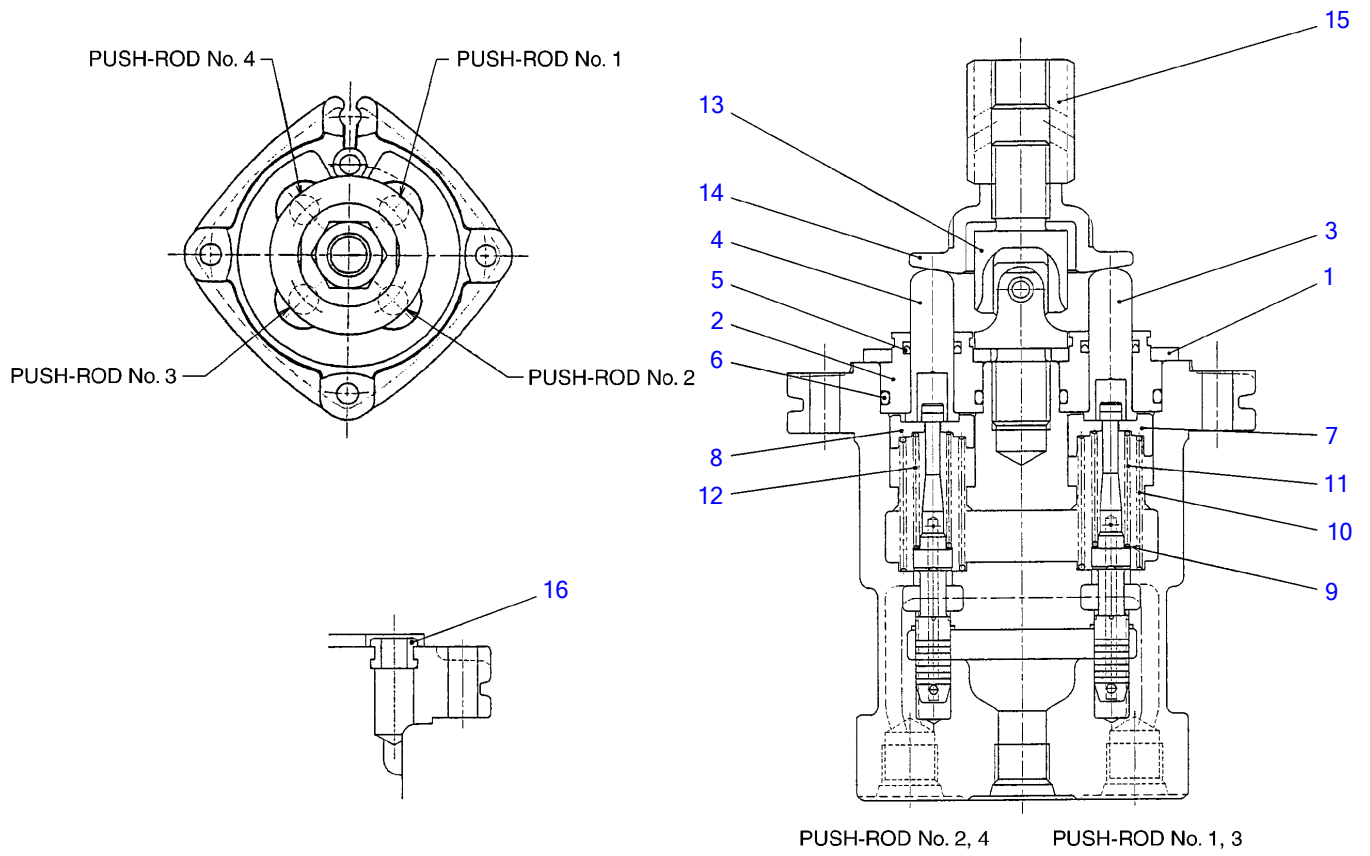
S=FREE



**PILOT VALVE (14510004-14513260)**

Item	Part number	Description	Q'ty	Chan.	Serial No.	Serv.	Remarks
0	<b>1901730400</b>	VALVE ASSY, pilot	1				
0-1	<b>1901730499</b>	· KIT, seal	1				
1	X <b>1901728523</b>	· · PACKING	4				
2	X <b>1420000200</b>	· · O-RING	4				
3	X <b>1420500600</b>	· · O-RING	1				
4	X <b>1420500120</b>	· · O-RING	6				
5	<b>1901730401</b>	· RETAINER	4				
6	<b>1901730402</b>	· HOLDER	2				
7	<b>1901730403</b>	· ROD	2				
8	<b>1901728501</b>	· JOINT	1				
9	<b>1901728502</b>	· CAM	1				
10	<b>1901730406</b>	· PLATE	1				
11	<b>1901730407</b>	· SHIM t=0.2	4				
12	<b>1901730408</b>	· SHIM t=0.1	4				
13	<b>1901730409</b>	· PLATE	1				
14	<b>1901730410</b>	· ROD	2				
15	<b>1901730411</b>	· HOLDER	2				
16	<b>1901730412</b>	· PISTON	4				
17	<b>1901730415</b>	· RING	4				
18	<b>1901730416</b>	· SPRING	2				
19	<b>1901730417</b>	· SPRING	2				
20	<b>1901730418</b>	· SPRING	2				
21	<b>1901730419</b>	· SPRING	2				
22	<b>1901728513</b>	· NUT	1				
23	<b>1901730422</b>	· SLEEVE	4				
24	<b>1110050825</b>	· SCREW, cap	2				
25	<b>1110051020</b>	· SCREW, cap	2				
	<b>C4h161</b>						

TB145 Book No. BK3Z010 S/N 14510004-  
PILOT VALVE (14513261-)



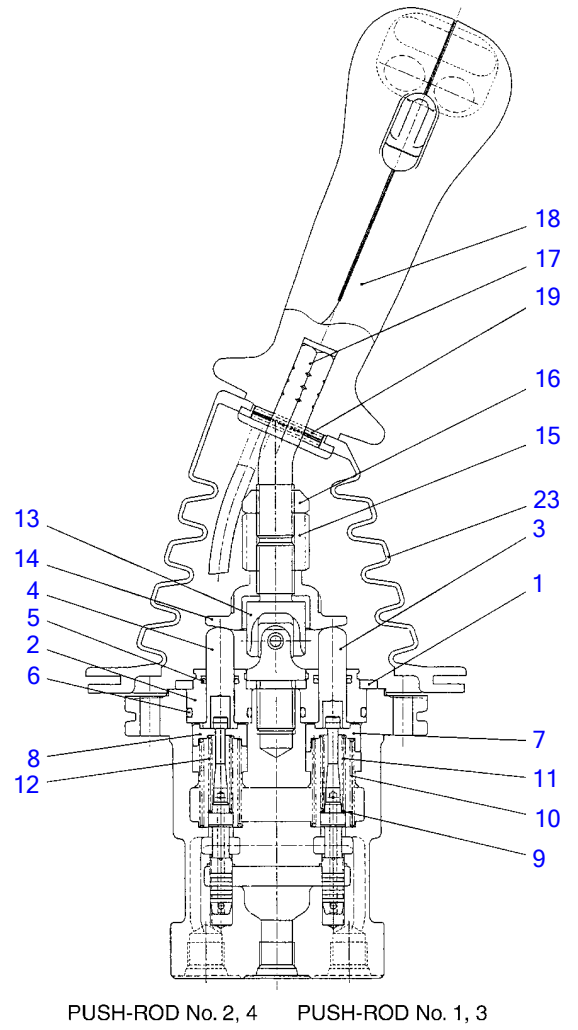
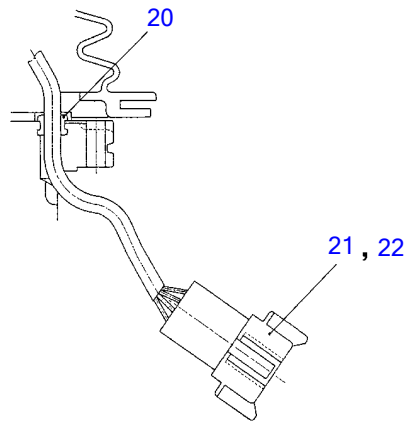
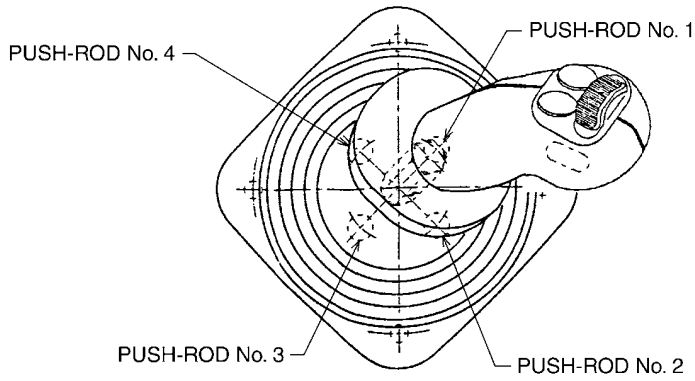
G4H300

S=free

**PILOT VALVE (14513261-)**

Item	Part number	Description	Q'ty	Chan.	Serial No.	Serv.	Remarks
0	<b>1901745600</b>	VALVE ASSY, pilot	1				
1	<b>1901745702</b>	▪ PLATE	1				
2	<b>1901710912</b>	▪ PLUG	4				
3	<b>1901710911</b>	▪ ROD	2				
4	<b>1901719012</b>	▪ ROD	2				
5	<b>1901710914</b>	▪ SEAL	4				
6	<b>1420010200</b>	▪ O-RING	4				
7	<b>1901745709</b>	▪ HOLDER	2				
8	<b>1901745710</b>	▪ HOLDER	2				
9	<b>1901710917</b>	▪ ROD	4				
10	<b>1901745612</b>	▪ SPRING	4				
11	<b>1901742614</b>	▪ SPRING	2				
12	<b>1901742615</b>	▪ SPRING	2				
13	<b>1901720232</b>	▪ JOINT	1				
14	<b>1901743620</b>	▪ PLATE	1				
15	<b>1901703222</b>	▪ NUT	1				
16	<b>1901735630</b>	▪ BUSHING	1				
	<b>G4h300</b>						

TB145 Book No. BK3Z010 S/N 14510004-  
**PILOT VALVE (R) (with the 2nd auxiliary lines; 14513261-)**



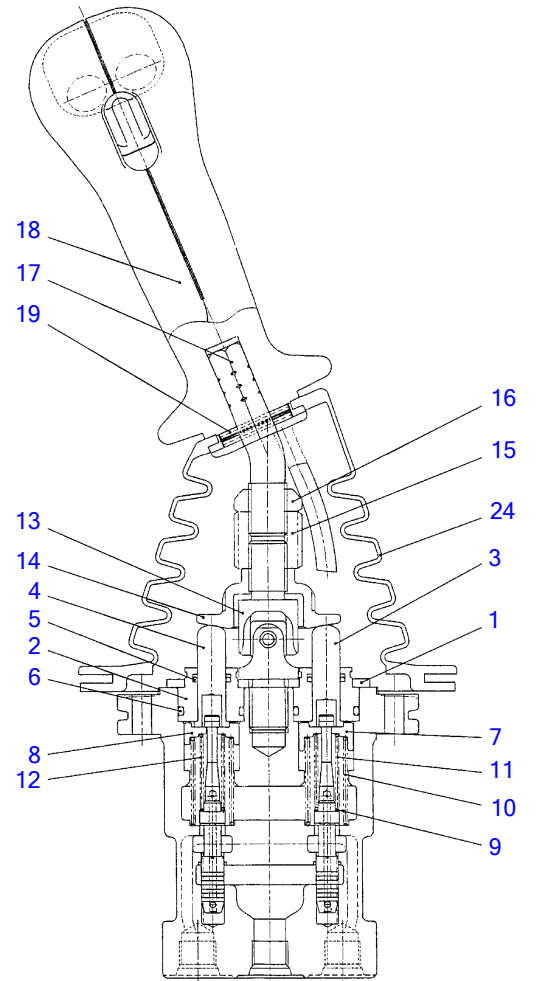
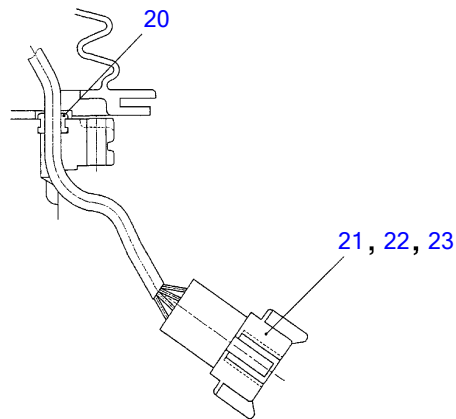
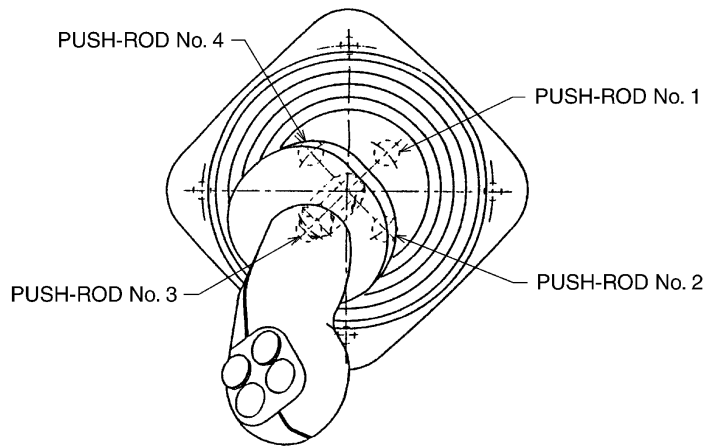
K3H430

S-free

**PILOT VALVE (R) (with the 2nd auxiliary lines; 14513261-)**

Item	Part number	Description	Q'ty	Chan.	Serial No.	Serv.	Remarks
0	<b>1901746400</b>	VALVE ASSY, pilot	1				
1	<b>1901745702</b>	• PLATE	1				
2	<b>1901710912</b>	• PLUG	4				
3	<b>1901719011</b>	• ROD	2				
4	<b>1901719012</b>	• ROD	2				
5	<b>1901710914</b>	• SEAL	4				
6	<b>1420010200</b>	• O-RING	4				
7	<b>1901745709</b>	• HOLDER	2				
8	<b>1901745710</b>	• HOLDER	2				
9	<b>1901710917</b>	• WASHER	4				
10	<b>1901745612</b>	• SPRING	4				
11	<b>1901742614</b>	• SPRING	2				
12	<b>1901742615</b>	• SPRING	2				
13	<b>1901720232</b>	• JOINT	1				
14	<b>1901743620</b>	• PLATE	1				
15	<b>1901735625</b>	• NUT	1				
16	<b>1901735626</b>	• NUT	1				
17	<b>1901740432</b>	• LEVER	1				
18	<b>1901740410</b>	• HANDLE	1				
19	<b>1901746521</b>	• PIN, spring	1				
20	<b>1901735630</b>	• BUSHING	1				
21	<b>1901740446</b>	• RECEPTACLE	1				
22	<b>1901740447</b>	• WEDGE	1				
23	<b>1901735632</b>	• BOOT	1				
	<b>K3h430</b>						

TB145 Book No. BK3Z010 S/N 14510004-  
 PILOT VALVE (L) (with the 2nd auxiliary lines; 14513261-)



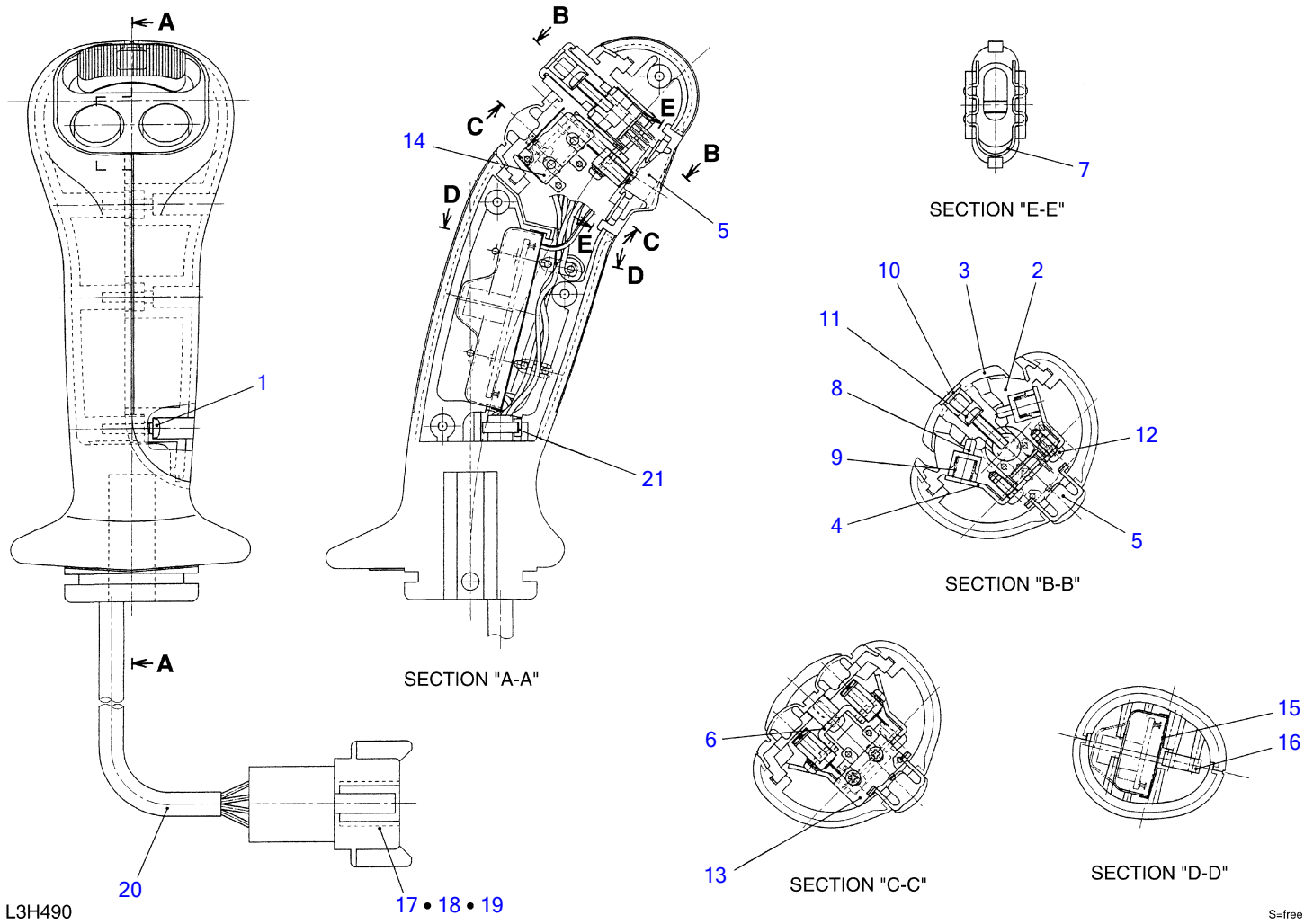
PUSH-ROD No. 2, 4      PUSH-ROD No. 1, 3

S-free

K3H440

**PILOT VALVE (L) (with the 2nd auxiliary lines; 14513261-)**

Item	Part number	Description	Q'ty	Chan.	Serial No.	Serv.	Remarks
0	<b>1901746500</b>	VALVE ASSY, pilot	1				
1	<b>1901745702</b>	▪ PLATE	1				
2	<b>1901710912</b>	▪ PLUG	4				
3	<b>1901719011</b>	▪ ROD	2				
4	<b>1901719012</b>	▪ ROD	2				
5	<b>1901710914</b>	▪ SEAL	4				
6	<b>1420010200</b>	▪ O-RING	4				
7	<b>1901745709</b>	▪ HOLDER	2				
8	<b>1901745710</b>	▪ HOLDER	2				
9	<b>1901710917</b>	▪ WASHER	4				
10	<b>1901745612</b>	▪ SPRING	4				
11	<b>1901742614</b>	▪ SPRING	2				
12	<b>1901742615</b>	▪ SPRING	2				
13	<b>1901720232</b>	▪ JOINT	1				
14	<b>1901743620</b>	▪ PLATE	1				
15	<b>1901735625</b>	▪ NUT	1				
16	<b>1901735626</b>	▪ NUT	1				
17	<b>1901740432</b>	▪ LEVER	1				
18	<b>1901741210</b>	▪ HANDLE	1				
19	<b>1901746521</b>	▪ PIN, spring	1				
20	<b>1901735630</b>	▪ BUSHING	1				
21	<b>1901740446</b>	▪ RECEPTACLE	1				
22	<b>1901740447</b>	▪ WEDGE	1				
23	<b>1901741263</b>	▪ PLUG	3				
24	<b>1901735632</b>	▪ BOOT	1				
	<b>K3h440</b>						



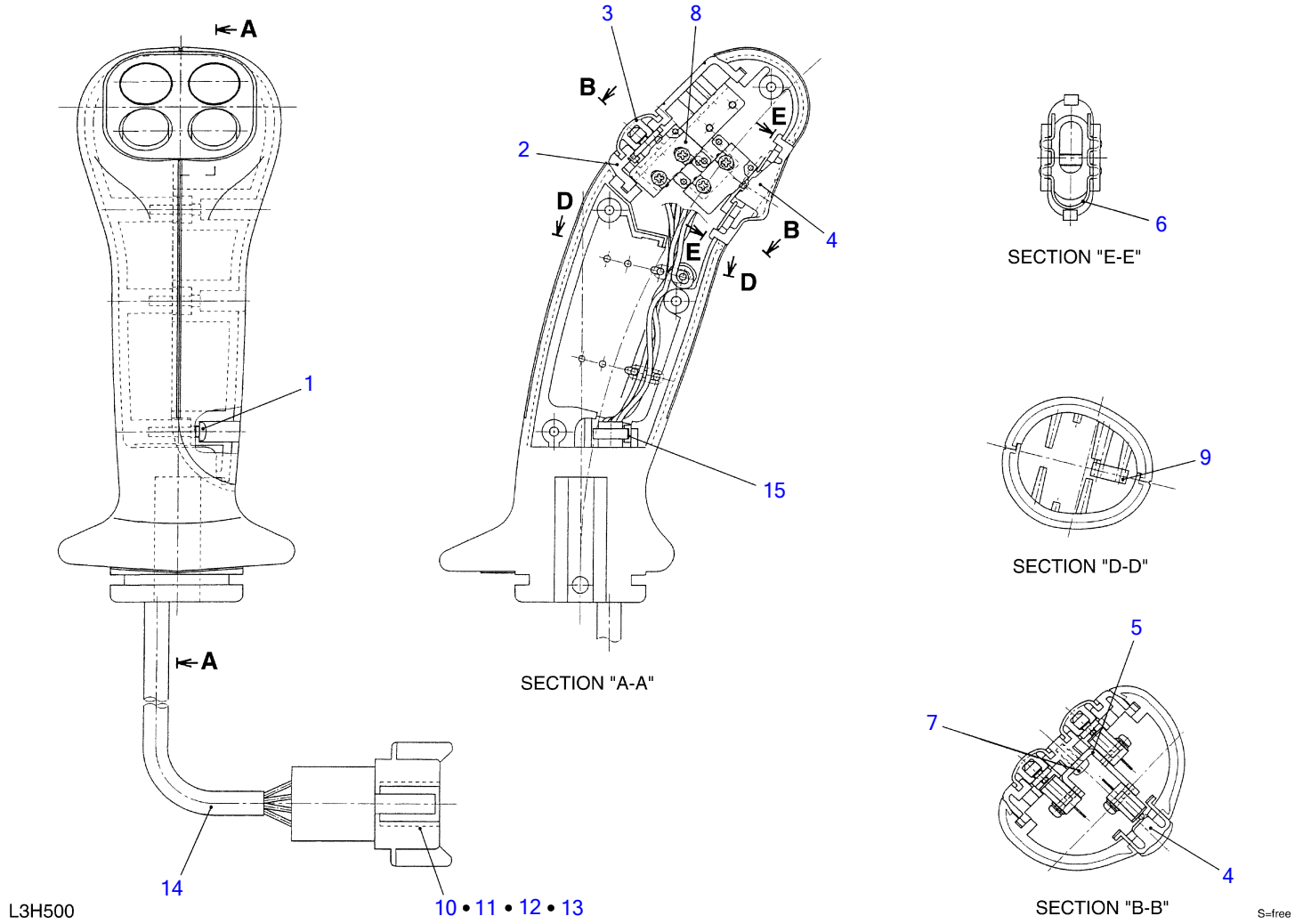


**HANDLE (with slide switch)**

Item	Part number	Description	Q'ty	Chan.	Serial No.	Serv.	Remarks
0	1901740410	HANDLE ASSY	1				
1	1122400312	• SCREW	4				
2	1901740417	• CASE	1				
3	1901740418	• CAM	1				
4	1901740401	• PLATE	1				
5	1901740402	• BUTTON	1				
6	1901740403	• BRACKET	1				
7	1901740404	• CLIP	1				
8	1901740405	• PISTON	2				
9	1901740406	• SPRING	2				
10	1901740407	• CAP	1				
11	1150010312	• SCREW	1				
12	1122400306	• SCREW	3				
13	1901740408	• SWITCH	1				
14	1901740409	• SWITCH	2				
15	1901740411	• COVER	1				
16	1901740412	• CAP	2				
17	1901740446	• RECEPTACLE	1				
18	1901740447	• WEDGE	1				
19	1901740413	• PIN	8				
20	1901740414	• PROTECTOR	1				
21	1901740415	• BAND	1				

L3h490

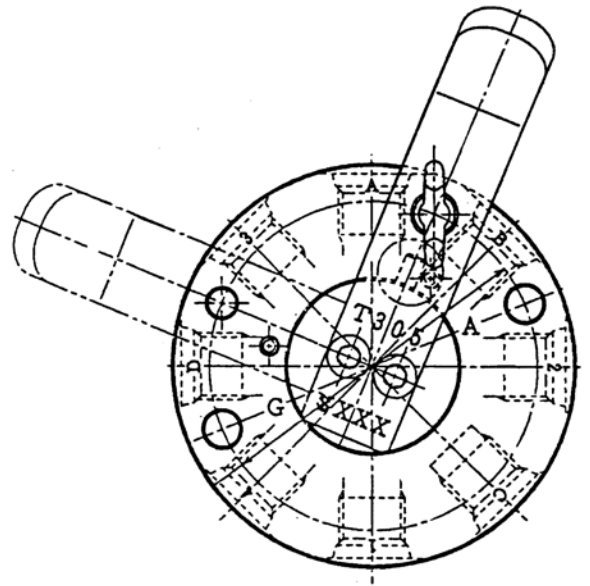
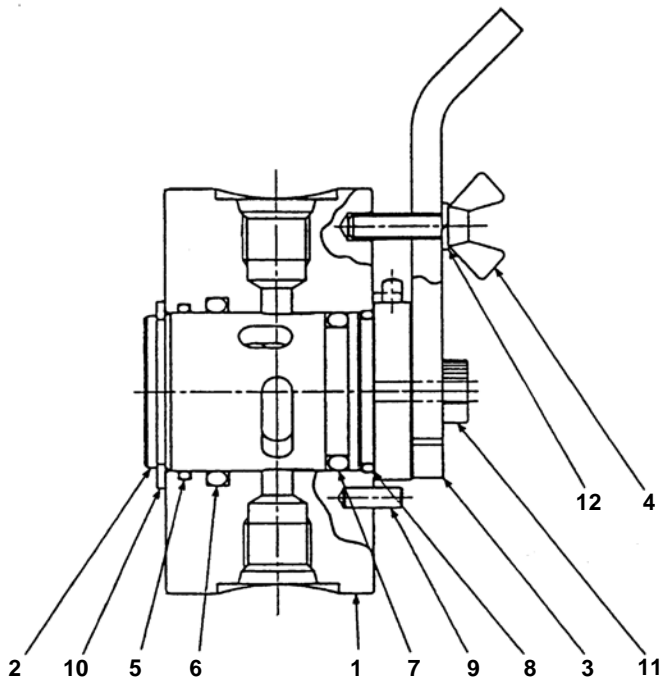
TB145 Book No. BK3Z010 S/N 14510004-  
HANDLE (with 3 switches)



**HANDLE (with 3 switches)**

Item	Part number	Description	Q'ty	Chan.	Serial No.	Serv.	Remarks
0	<b>1901741210</b>	HANDLE ASSY	1				
1	<b>1122400312</b>	▪ SCREW	4				
2	<b>1901741211</b>	▪ CASE	1				
3	<b>1901741216</b>	▪ BUTTON	2				
4	<b>1901740402</b>	▪ BUTTON	1				
5	<b>1901741218</b>	▪ BRACKET	1				
6	<b>1901740404</b>	▪ CLIP	1				
7	<b>1122400306</b>	▪ SCREW	2				
8	<b>1901740408</b>	▪ SWITCH	3				
9	<b>1901740412</b>	▪ CAP	2				
10	<b>1901740446</b>	▪ RECEPTACLE	1				
11	<b>1901740447</b>	▪ WEDGE	1				
12	<b>1901740413</b>	▪ PIN	5				
13	<b>1901741263</b>	▪ PIN, BLANKING	3				
14	<b>1901740414</b>	▪ PROTECTOR	1				
15	<b>1901740415</b>	▪ BAND	1				
	<b>L3h500</b>						

TB145 Book No. BK3Z010 S/N 14510004-  
SELECTOR VALVE (ISO-JCB pattern)

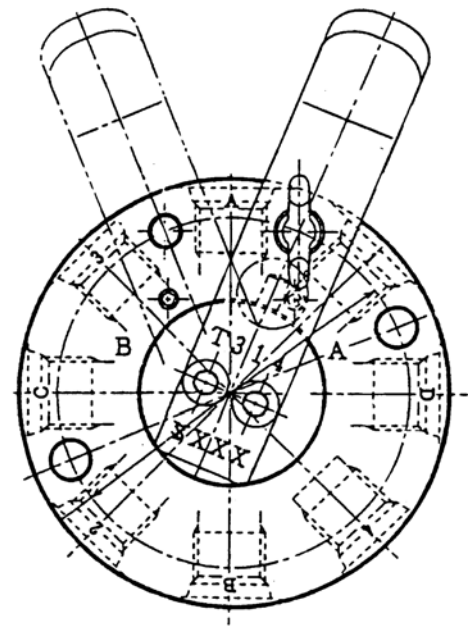
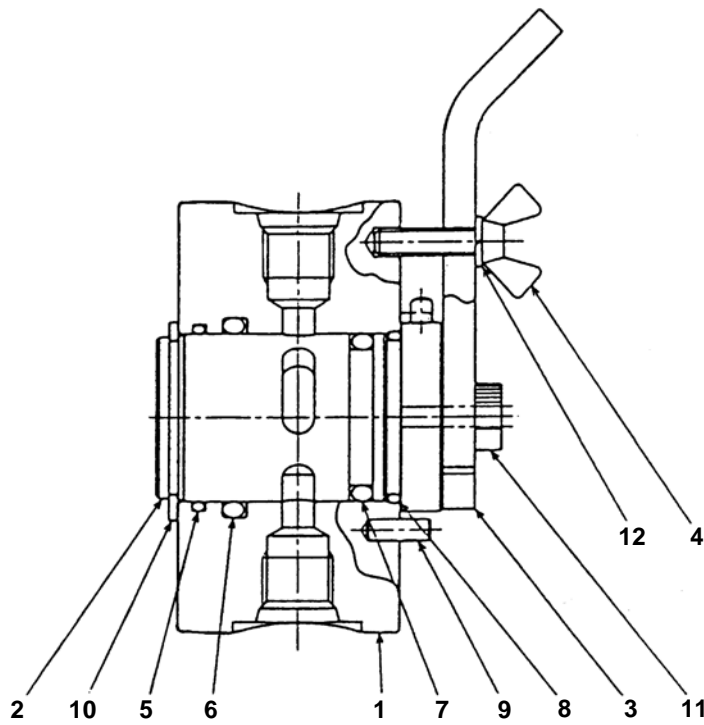


C4H180

**SELECTOR VALVE (A-B pattern)**

Item	Part number	Description	Q'ty	Chan.	Serial No.	Serv.	Remarks
0	<b>1901731400</b>	VALVE ASSY, selector	1				
1	<b>1901731401</b>	▪ BODY	1				
2	<b>1901731402</b>	▪ ROTOR	1				
3	<b>1901730503</b>	▪ LEVER	1				
4	<b>1901730504</b>	▪ BOLT	1				
5	<b>1901730505</b>	▪ O-RING	1				
6	<b>1901730506</b>	▪ O-RING	1				
7	<b>1901730507</b>	▪ O-RING	1				
8	<b>1901730508</b>	▪ O-RING	1				
9	<b>1213000412</b>	▪ PIN, spring	3				
10	<b>1220000030</b>	▪ RING, snap	1				
11	<b>1110050514</b>	▪ SCREW, cap	2				
12	<b>1140010005</b>	▪ WASHER, spring	1				
	<b>C4h170</b>						

TB145 Book No. BK3Z010 S/N 14510004-  
SELECTOR VALVE (A-B pattern)

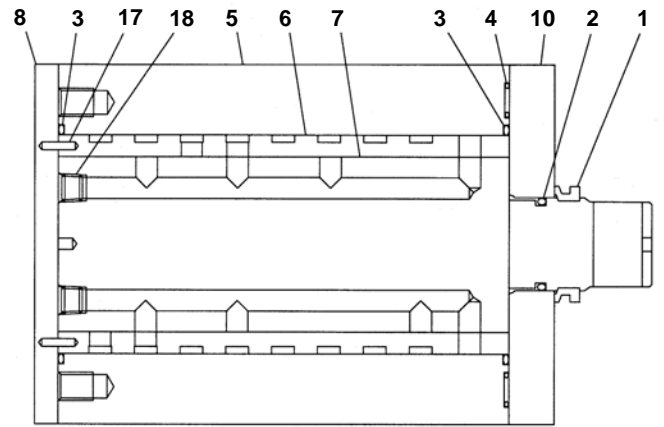
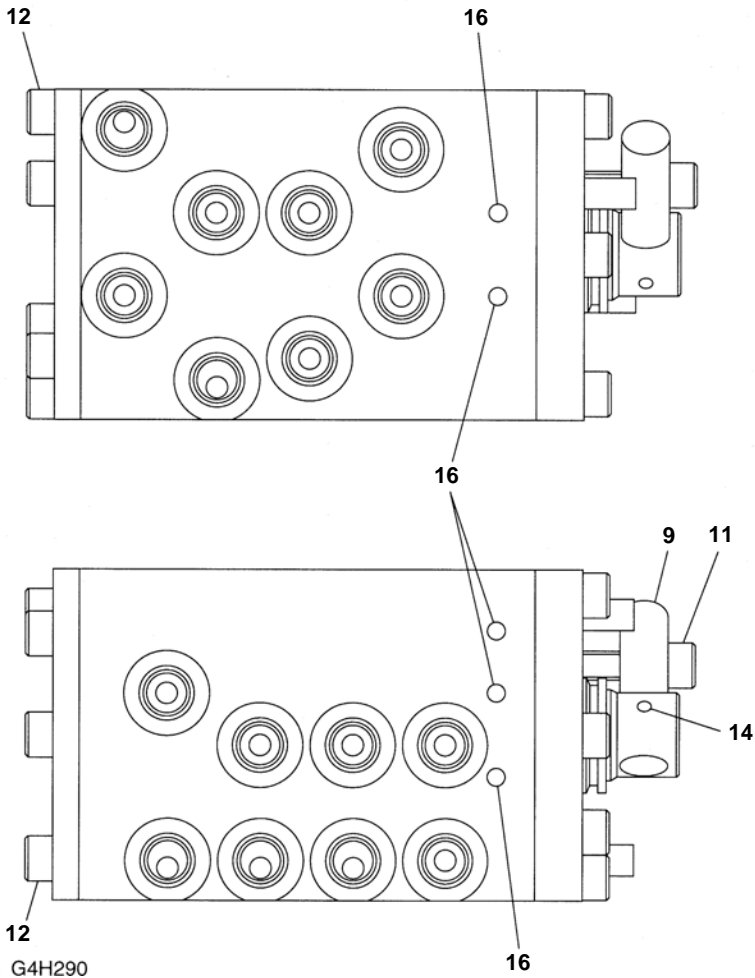


C4H170

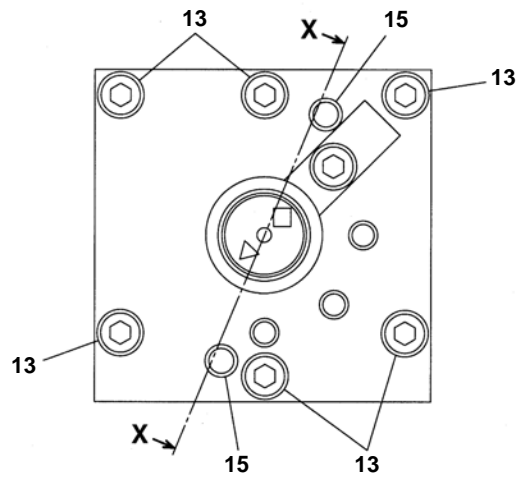
**SELECTOR VALVE (ISO-JCB pattern)**

Item	Part number	Description	Q'ty	Chan.	Serial No.	Serv.	Remarks
0	<b>1901730500</b>	VALVE ASSY, selector	1				
1	<b>1901730501</b>	▪ BODY	1				
2	<b>1901730502</b>	▪ ROTOR	1				
3	<b>1901730503</b>	▪ LEVER	1				
4	<b>1901730504</b>	▪ BOLT	1				
5	<b>1901730505</b>	▪ O-RING	1				
6	<b>1901730506</b>	▪ O-RING	1				
7	<b>1901730507</b>	▪ O-RING	1				
8	<b>1901730508</b>	▪ O-RING	1				
9	<b>1213000412</b>	▪ PIN, spring	3				
10	<b>1220000030</b>	▪ RING, snap	1				
11	<b>1110050514</b>	▪ SCREW, cap	2				
12	<b>1140010005</b>	▪ WASHER, spring	1				
	<b>C4h180</b>						

TB145 Book No. BK3Z010 S/N 14510004-  
**ROTARY VALVE**



SECTION "X-X"

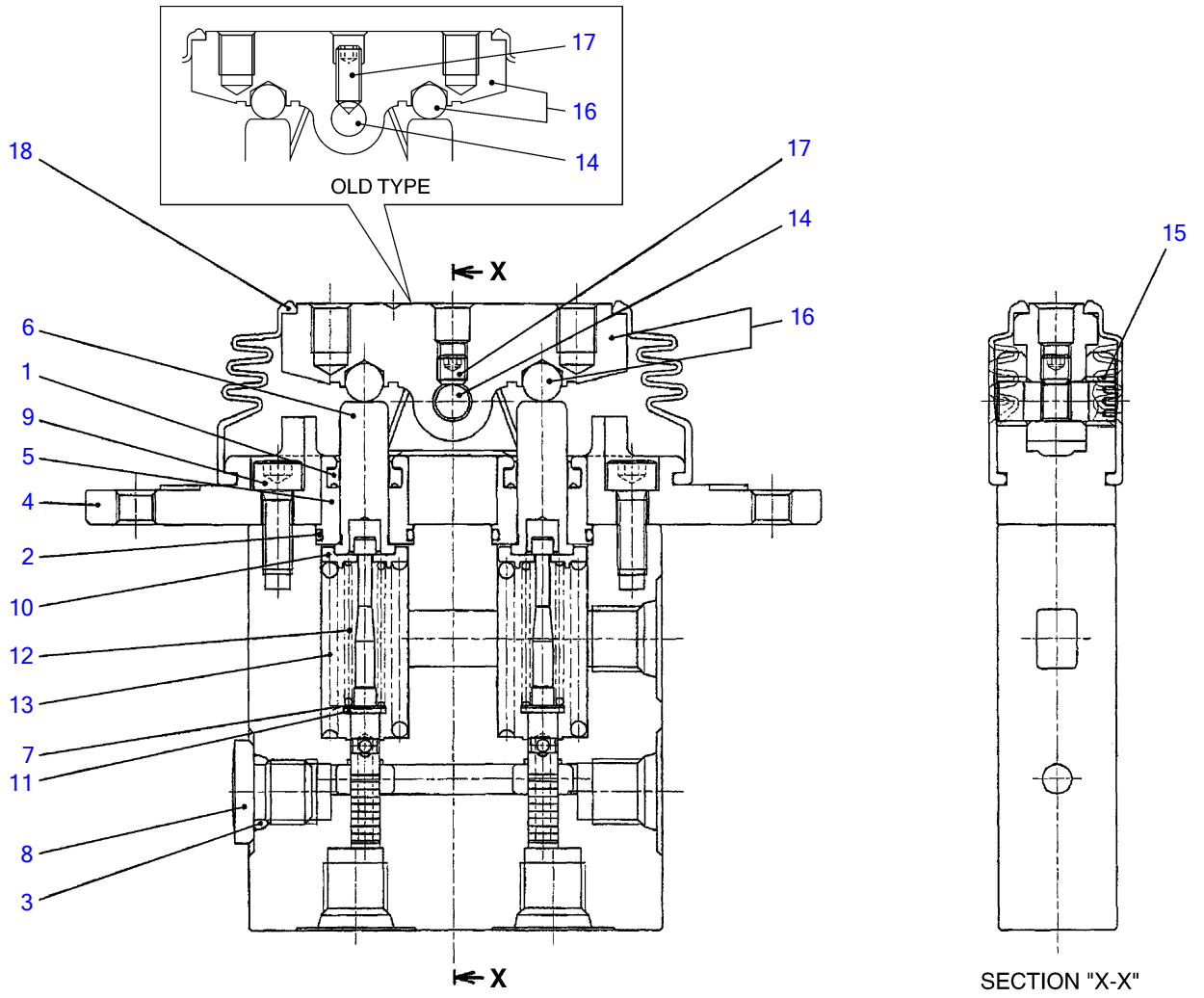




**ROTARY VALVE**

Item	Part number	Description	Q'ty	Chan.	Serial No.	Serv.	Remarks
0	<b>1901733700</b>	VALVE, rotary	1				
0-1	<b>1901733799</b>	• KIT, seal	1				
1	X <b>1901733717</b>	• • SEAL, oil	1				
2	X <b>1420010220</b>	• • O-RING	1				
3	X <b>1420500650</b>	• • O-RING	2				
4	X <b>1420500080</b>	• • O-RING	8				
5	<b>1901733701</b>	• CASE	1				
6	<b>1901733702</b>	• SLEEVE	1				
7	<b>1901733703</b>	• SHAFT	1				
8	<b>1901733704</b>	• COVER	1				
9	<b>1901733705</b>	• LEVER	1				
10	<b>1901733706</b>	• COVER	1				
11	<b>1110040830</b>	• SCREW, cap	1				
12	<b>1110040816</b>	• SCREW, cap	6				
13	<b>1110040825</b>	• SCREW, cap	6				
14	<b>1213000426</b>	• PIN, spring	1				
15	<b>1213000824</b>	• PIN, spring	2				
16	<b>1390010400</b>	• BALL, steel	1				
17	<b>1901733716</b>	• BEARING	4				
18	<b>1501810000</b>	• PLUG	8				
	<b>G4h290</b>						

TB145 Book No. BK3Z010 S/N 14510004-  
REMOTE CONTROL VALVE



L3H151

**REMOTE CONTROL VALVE**

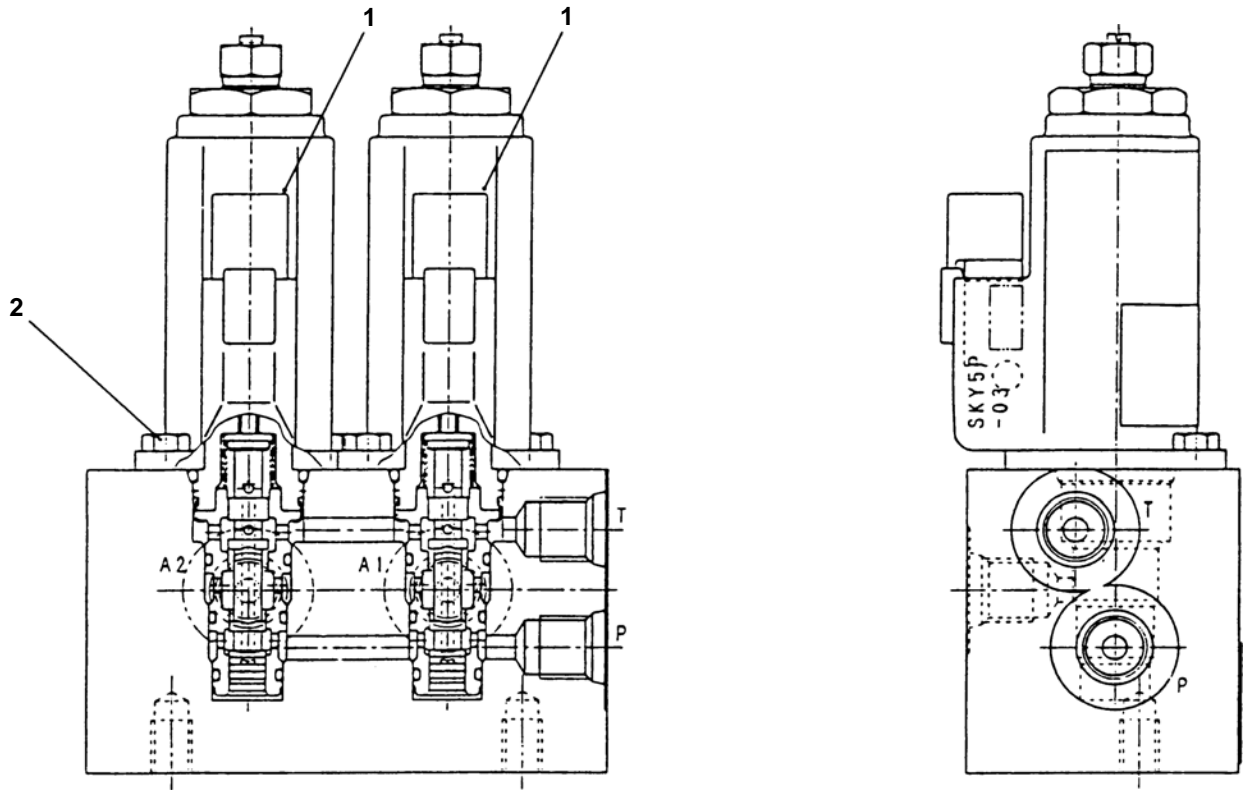
Item	Part number	Description	Q'ty	Chan.	Serial No.	Serv.	Remarks
0	<b>1901735000</b>	VALVE ASSY, remote-control	1				swing
0-1	<b>1901745499</b>	· KIT, seal	1				
1	X <b>1901745404</b>	· · PACKING	2				
2	X <b>1420300017</b>	· · O-RING	2				
3	X <b>1420010110</b>	· · O-RING	1				
4	<b>1901745402</b>	· COVER	1				
5	<b>1901745403</b>	· PLUG	2				
6	<b>1901745406</b>	· ROD	2				
7	<b>1901745407</b>	· SHIM	2				
8	<b>1501750002</b>	· PLUG	1				
	<b>1420010110</b>	· · O-RING	1				
9	<b>1110020616</b>	· SCREW, cap	2				
10	<b>1901745412</b>	· HOLDER	2				
11	<b>1901745413</b>	· WASHER	2				
12	<b>1901745414</b>	· SPRING	2				
13	<b>1901735015</b>	· SPRING	2				
14	<b>1901745416</b>	· SHAFT	1	A	old type		
	<b>1901735016</b>	· SHAFT	1	a(H)	new type		No. 23759
15	<b>1901745417</b>	· BUSHING	2				
16	<b>1901745418</b>	· CAM ASSY	1	A	old type		
	<b>1901735018</b>	· CAM ASSY	1	a(H)	new type		No. 23759
17	<b>1901745420</b>	· SET-SCREW	1	A	old type		
	<b>1121040606</b>	· SET-SCREW	1	a(H)	new type		No. 23759
18	<b>1901735001</b>	· BOOT	1				

<<NOTE>>

SET "A" is interchangeable with SET "a".

**L3h151**

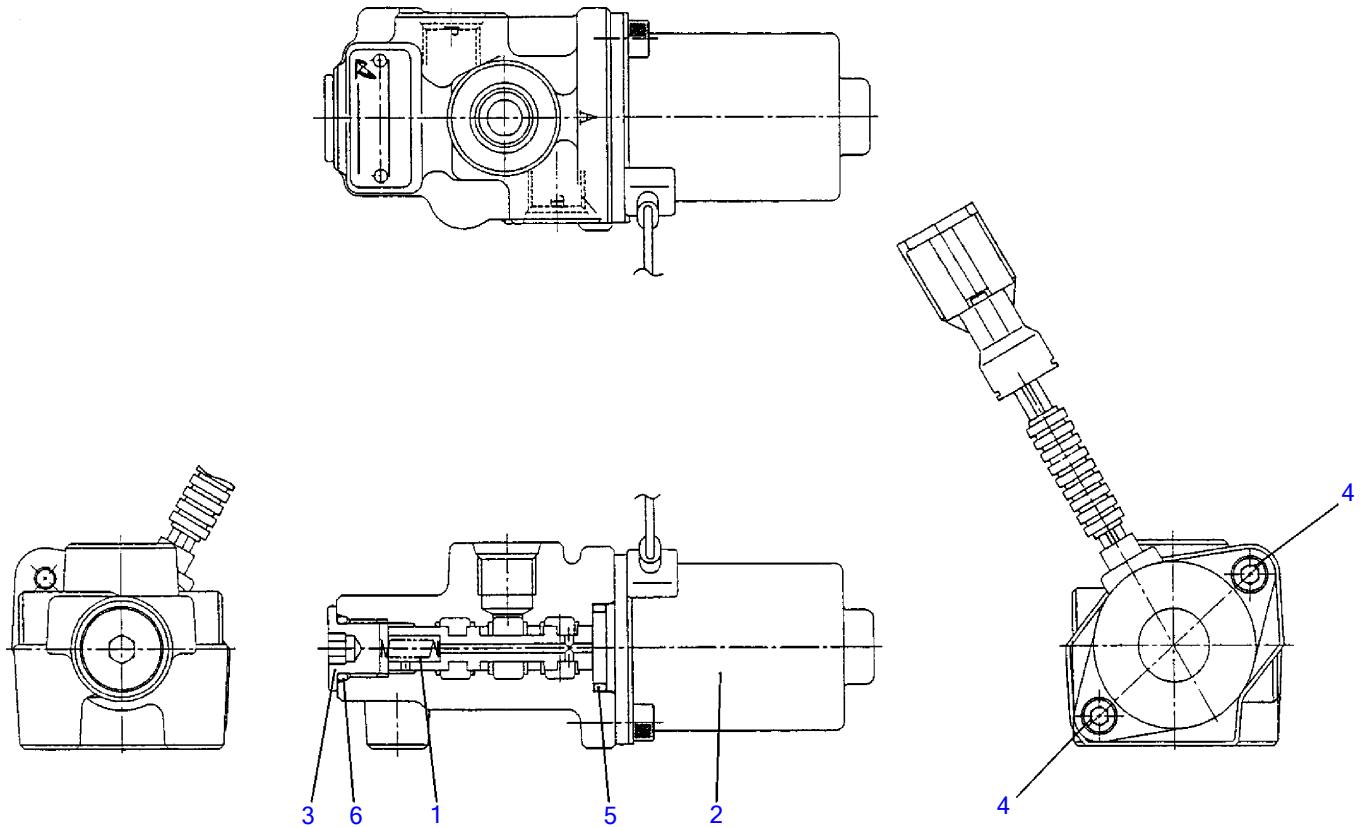
TB145 Book No. BK3Z010 S/N 14510004-  
PROPORTIONAL VALVE



W2H140

**PROPORTIONAL VALVE**

Item	Part number	Description	Q'ty	Chan.	Serial No.	Serv.	Remarks
0	<b>1901738400</b>	VALVE, proportional	1				
1	<b>1901738460</b>	· VALVE ASSY, proportional	2				
2	<b>1100050512</b>	· BOLT	4				
	<b>K3h370</b>						



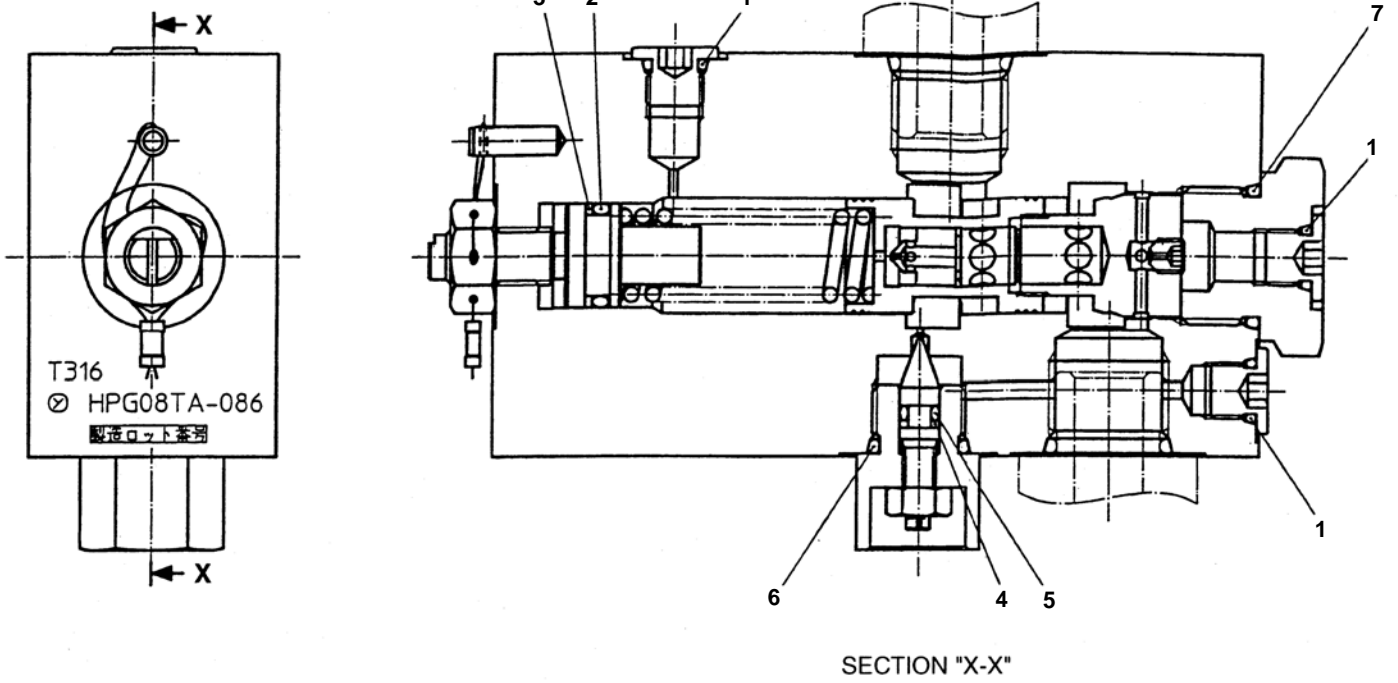
G4H310

S-FREE

**SOLENOID VALVE (1 block)**

Item	Part number	Description	Q'ty	Chan.	Serial No.	Serv.	Remarks
0	<b>1901746600</b>	VALVE ASSY, solenoid	1				
1	<b>1901734404</b>	▪ SPRING	1				
2	<b>1901746604</b>	▪ SOLENOID	1				
3	<b>1901738312</b>	▪ PLUG	1				
4	<b>1110050512</b>	▪ SCREW, cap	2				
5	<b>1420000160</b>	▪ O-RING	1				
6	<b>1420010110</b>	▪ O-RING	1				
	<b>G4h310</b>						

TB145 Book No. BK3Z010 S/N 14510004-  
SHUT-OFF VALVE



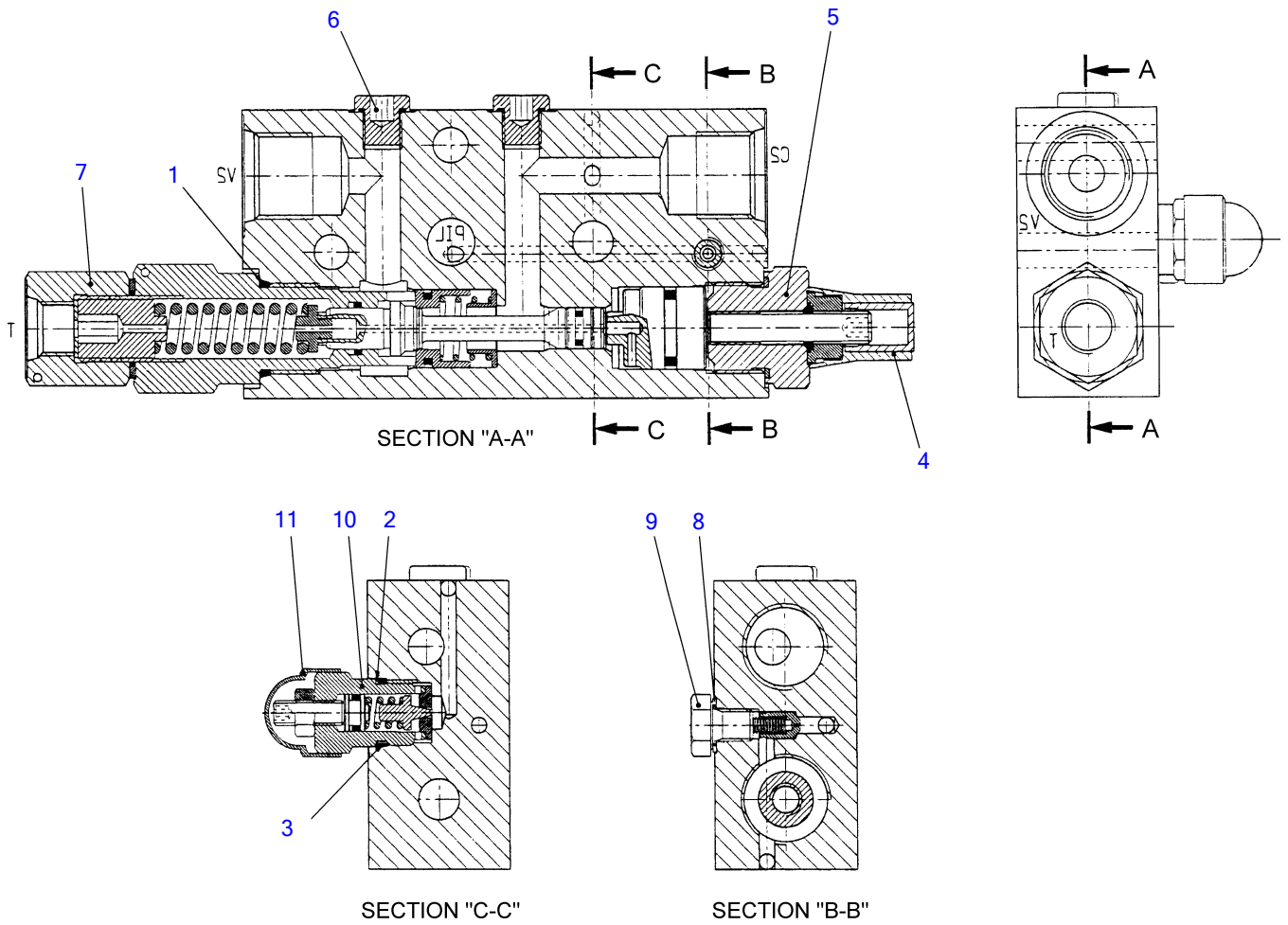
K3H140



**SHUT-OFF VALVE**

Item	Part number	Description	Q'ty	Chan.	Serial No.	Serv.	Remarks
0	<b>1901731600</b>	VALVE, shut-off	1				
0-1	<b>1901731699</b>	▪ KIT, seal	1				
1	X <b>1420010080</b>	▪ ▪ O-RING	3				
2	X <b>1420010140</b>	▪ ▪ O-RING	1				
3	X <b>1421020140</b>	▪ ▪ RING, back-up	1				
4	X <b>1421020040</b>	▪ ▪ RING, back-up	1				
5	X <b>1420010040</b>	▪ ▪ O-RING	1				
6	X <b>1420010140</b>	▪ ▪ O-RING	1				
7	X <b>1420010210</b>	▪ ▪ O-RING	1				
	<b>K3h141</b>						

TB145 Book No. BK3Z010 S/N 14510004-  
**SHUT-OFF VALVE (with pilot)**



K3H380

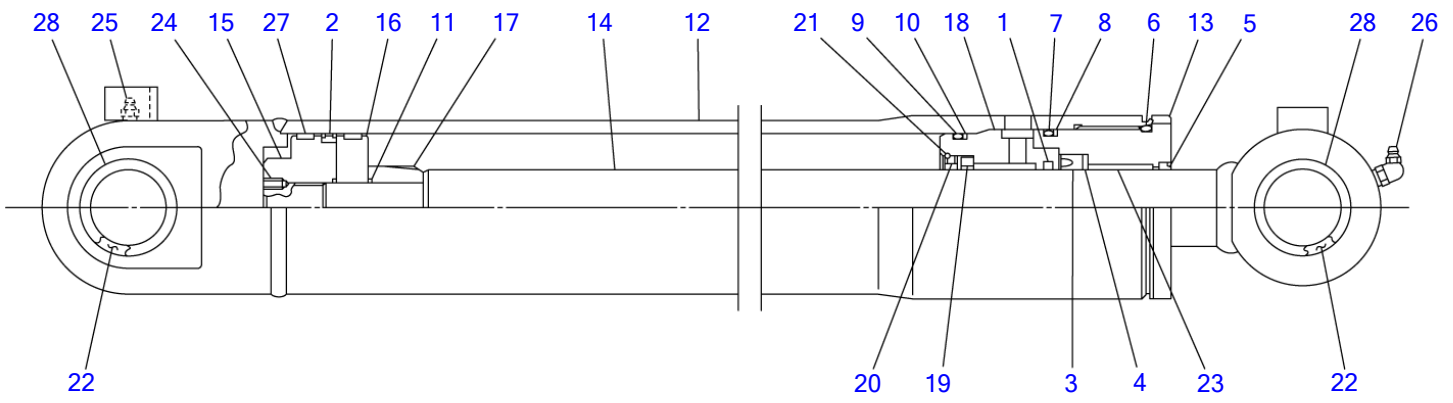
S=free

**SHUT-OFF VALVE (with pilot)**

Item	Part number	Description	Q'ty	Chan.	Serial No.	Serv.	Remarks
0	<b>1901742700</b>	VALVE ASSY, load holding	1				boom
	<b>1901742800</b>	VALVE ASSY, load holding	1				arm
0-1	<b>1901742799</b>	· KIT, seal	1				
1	<b>1901742904</b>	· · O-RING	1				
2	<b>1901742908</b>	· · RING, back-up	1				
3	<b>1901742708</b>	· · O-RING	1				
4	<b>1901742901</b>	· CAP	1				
5	<b>1901742902</b>	· PLUG	1				
6	<b>1901742903</b>	· PLUG	2				
7	<b>1901742704</b>	· SOCKET	1				
8	<b>1901742906</b>	· SEAL	1				
9	<b>1901742907</b>	· PLUG	1				
10	<b>1901742909</b>	· PLUG	1				
11	<b>1901742711</b>	· CAP	1				
	<b>K3h380</b>						

TB145 Book No. BK3Z010 S/N 14510004-  
BOOM CYLINDER (14510004-14510788)

---



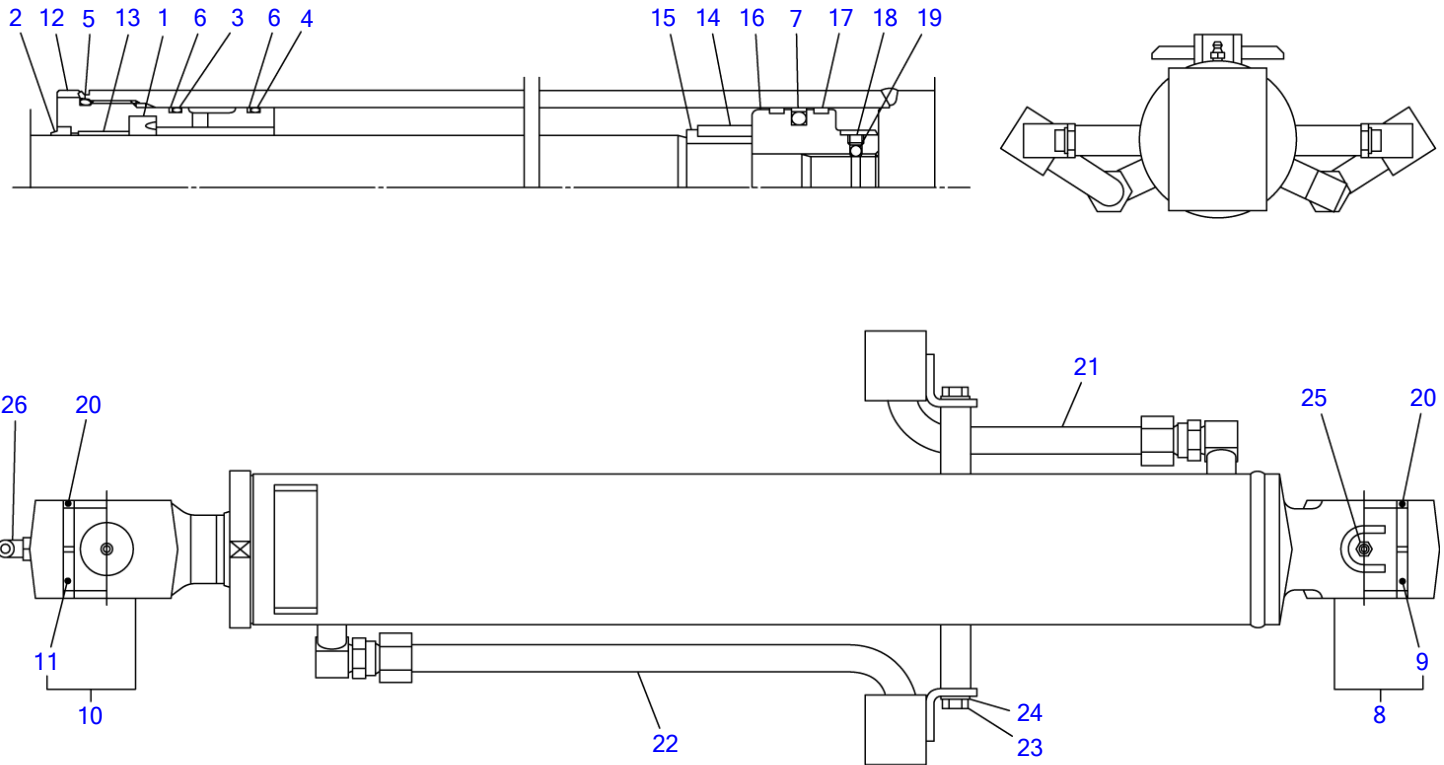
K3H151

S-FREE

**BOOM CYLINDER (14510004-14510788)**

Item	Part number	Description	Q'ty	Chan.	Serial No.	Serv.	Remarks
0	<b>1900075600</b>	CYLINDER ASSY	1		14510004~14510476		boom
	<b>1900080500</b>	CYLINDER ASSY	1		14510477~14510788		
	<b>1900076100</b>	CYLINDER ASSY (for emergency shut-off valve)	1		14510004~14510476		
	<b>1900080600</b>	CYLINDER ASSY (for emergency shut-off valve)	1		14510477~14510788		
0-1	<b>1900075699</b>	• KIT, seal	1		14510004~14510476		
	<b>1900080599</b>	• KIT, seal	1	(H)	14510477~14510788		
1	X <b>1900075635</b>	• • PG-RING	1				
2	X <b>1410221000</b>	• • PACKING, piston	1				
3	X <b>1410555712</b>	• • PACKING, rod	1				
4	X <b>1411271553</b>	• • RING, back-up	1				
5	X <b>1411500550</b>	• • SEAL, dust	1		14510004~14510476		
	X <b>1900080533</b>	• • SEAL, dust	1	(H)	14510477~14510788		
6	X <b>1420111050</b>	• • O-RING	1				
7	X <b>1420111000</b>	• • O-RING	1				
8	X <b>1421131000</b>	• • RING, back-up	1				
9	X <b>1420110950</b>	• • O-RING	1				
10	X <b>1421130950</b>	• • RING, back-up	1				
11	X <b>1420110400</b>	• • O-RING	2				
12	<b>1900075607</b>	• TUBE	1				
	<b>1900076107</b>	• TUBE (for emergency shut-off valve)	1				
13	<b>1900075603</b>	• COVER, rod	1				
	<b>1900076103</b>	• COVER, rod (for emergency shut-off valve)	1				
14	<b>1900075601</b>	• ROD, piston	1				
15	<b>1900075606</b>	• PISTON	1				
16	<b>1900075655</b>	• HOLDER, packing	1				
17	<b>1900075605</b>	• CUSHION, rod	1				
18	<b>1900075604</b>	• RETAINER	1				
19	<b>1900075631</b>	• RING, seal	1				
20	<b>1900075615</b>	• SPACER	1				
21	<b>1900075614</b>	• RING, stop	1				
22	<b>1900075602</b>	• BUSHING	2				
23	<b>1333005530</b>	• BUSHING	1				
24	<b>1121050812</b>	• SET-SCREW	1				
25	<b>1560001000</b>	• FITTING, grease	1				
26	<b>1560001675</b>	• FITTING, grease	1				
27	<b>1410811000</b>	• RING, wear	2				
28	<b>1432200050</b>	• SEAL, dust	4				
	<b>K3h151</b>						

TB145 Book No. BK3Z010 S/N 14510004-  
BOOM CYLINDER (14510789-14512426)



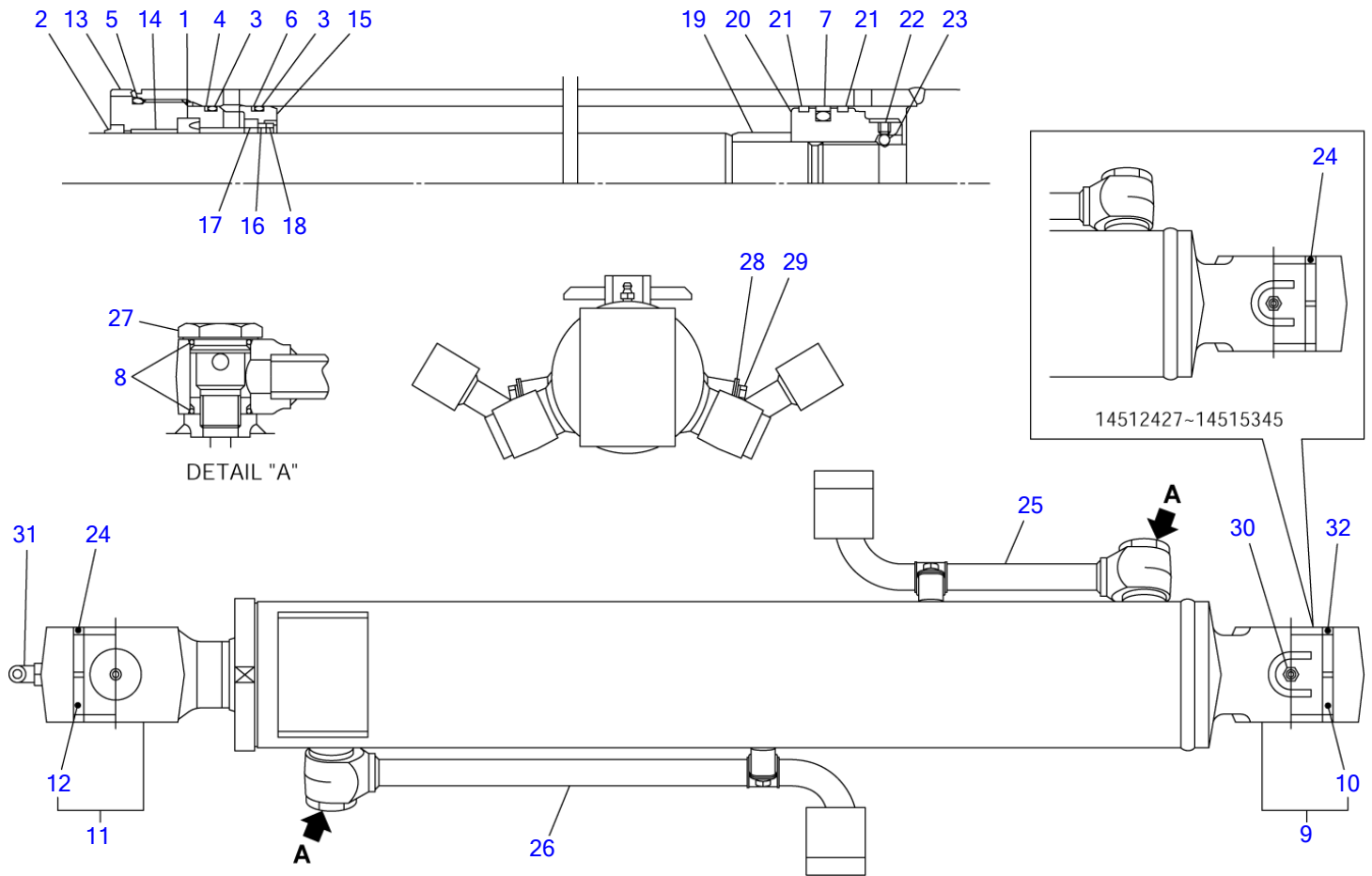
K3H152

S-free

**BOOM CYLINDER (14510789-14512426)**

Item	Part number	Description	Q'ty	Chan.	Serial No.	Serv.	Remarks
0	<b>1900079900</b>	CYLINDER ASSY	1				boom
	<b>1900080000</b>	CYLINDER ASSY (for emergency shut-off valve)	1				
0-1	<b>1900079999</b>	• KIT, seal	1				
1	X <b>1900047033</b>	• • PACKING, rod	1				
2	X <b>1900070831</b>	• • SEAL, dust	1				
3	X <b>1420110950</b>	• • O-RING	1				
4	X <b>1420110900</b>	• • O-RING	1				
5	X <b>1420101000</b>	• • O-RING	1				
6	X <b>1900063728</b>	• • RING, back-up	2				
7	X <b>1900047031</b>	• • PACKING, piston	1				
8	<b>1900079998</b>	• TUBE ASSY	1				
	<b>1900080098</b>	• TUBE ASSY (for emergency shut-off valve)	1				
9	<b>1900079902</b>	• • BUSHING	1				
10	<b>1900079997</b>	• ROD ASSY, piston	1				
11	<b>1900079902</b>	• • BUSHING	1				
12	<b>1900050803</b>	• COVER, rod	1				
13	<b>1900067426</b>	• BUSHING	1				
14	<b>1900047005</b>	• BEARING, cushion	1				
15	<b>1900047015</b>	• SPACER	1				
16	<b>1900079906</b>	• PISTON	1				
17	<b>1900079926</b>	• RING, wear	2				
18	<b>1121050808</b>	• SET-SCREW	1				
19	<b>1390020350</b>	• BALL, steel	1				
20	<b>1900079933</b>	• SEAL, dust	4				
21	<b>1900079910</b>	• PIPE ASSY	1				not used 19000-80000
22	<b>1900079928</b>	• PIPE ASSY	1				
23	<b>1100051016</b>	• BOLT	2				
	<b>1100051016</b>	• BOLT (for emergency shut-off valve)	1				
24	<b>1141190010</b>	• WASHER	2				
	<b>1141190010</b>	• WASHER (for emergency shut-off valve)	1				
25	<b>1560001000</b>	• FITTING, grease	1				
26	<b>1560001675</b>	• FITTING, grease	1				
	<b>K3h152</b>						

TB145 Book No. BK3Z010 S/N 14510004-  
BOOM CYLINDER (14512427-)



K3H401

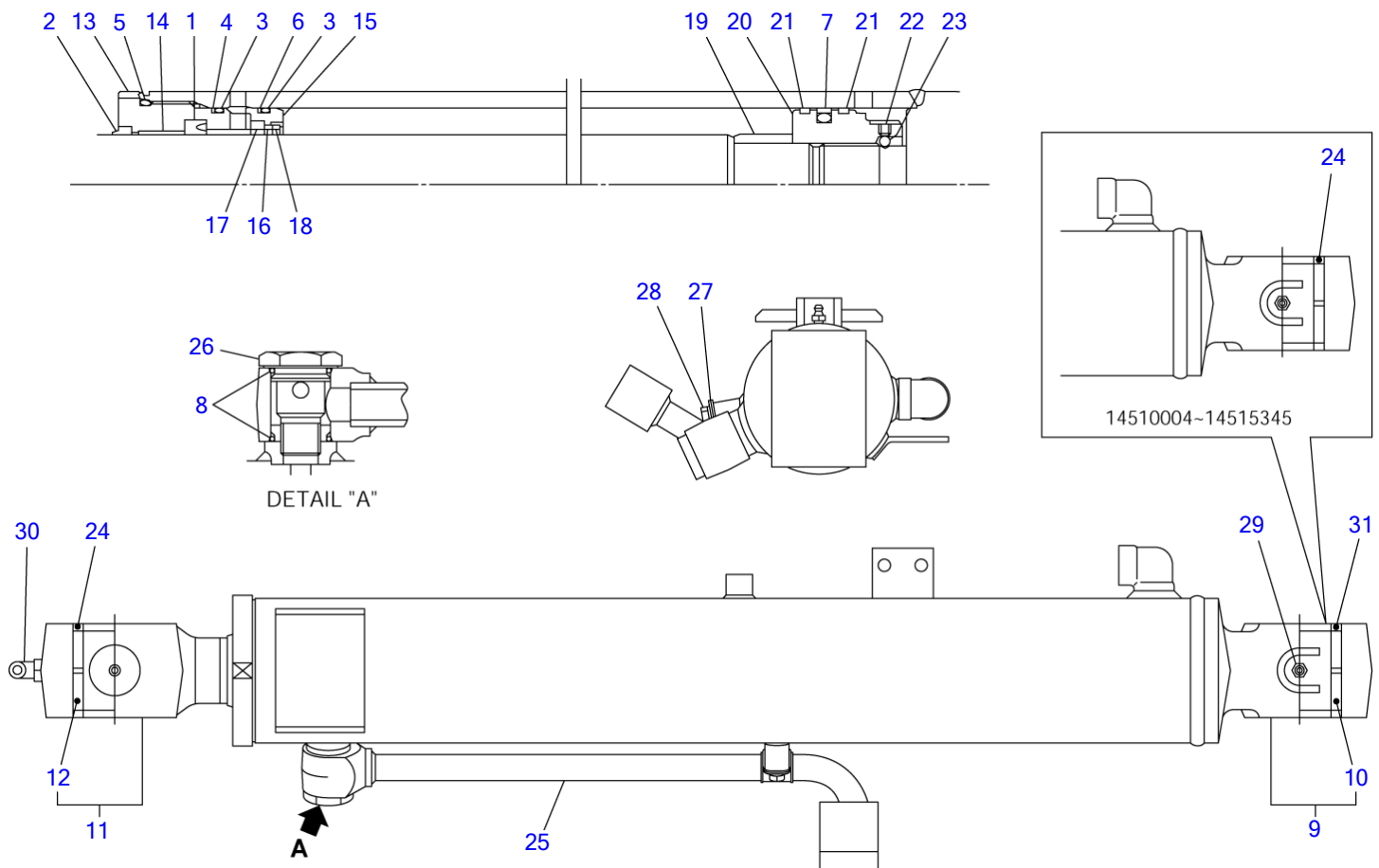
S=free



**BOOM CYLINDER (14512427-)**

Item	Part number	Description	Q'ty	Chan.	Serial No.	Serv.	Remarks
0	<b>1900089000</b>	CYLINDER ASSY	1		14512427~14515345		boom
	<b>1900093800</b>	CYLINDER ASSY	1		14515346~		boom
0-1	<b>1900089099</b>	• KIT, seal	1				
1	X <b>1900047033</b>	• • PACKING, rod	1				
2	X <b>1900070831</b>	• • SEAL, dust	1				
3	X <b>1420110950</b>	• • O-RING	2				
4	X <b>1900086928</b>	• • RING, back-up	1				
5	X <b>1420101000</b>	• • O-RING	1				
6	X <b>1900063728</b>	• • RING, back-up	1				
7	X <b>1900047031</b>	• • PACKING, piston	1				
8	X <b>1420010260</b>	• • O-RING	4				
9	<b>1900089098</b>	• TUBE ASSY	1		14512427~14515345		
	<b>1900093898</b>	• TUBE ASSY	1		14515346~		
10	<b>1900087820</b>	• • BUSHING	1		14512427~14515345		
	<b>1900093802</b>	• • BUSHING	1		14515346~		
11	<b>1900087897</b>	• ROD ASSY, piston	1				
12	<b>1900079902</b>	• • BUSHING	1				
13	<b>1900087803</b>	• COVER, rod	1				
14	<b>1900087813</b>	• BUSHING	1				
15	<b>1900086908</b>	• HOLDER	1				
16	<b>1900086916</b>	• RING, cushion	1				
17	<b>1900086919</b>	• COLLAR	1				
18	<b>1900087815</b>	• SPACER	1				
19	<b>1900087816</b>	• BEARING, cushion	1				
20	<b>1900087806</b>	• PISTON	1				
21	<b>1900089525</b>	• RING, wear	2				
22	<b>1121051010</b>	• SET-SCREW	1				
23	<b>1390020400</b>	• BALL, steel	1				
24	<b>1900079933</b>	• SEAL, dust	4		14512427~14515345		
	<b>1900079933</b>	• SEAL, dust	2		14515346~		
25	<b>1900089010</b>	• PIPE ASSY	1				
26	<b>1900087810</b>	• PIPE ASSY	1				
27	<b>1900086958</b>	• PLUG	2				
28	<b>1900086917</b>	• HOLDER	2				
29	<b>1900087819</b>	• BOLT	2				
30	<b>1560001000</b>	• FITTING, grease	1				
31	<b>1560001675</b>	• FITTING, grease	1				
32	<b>1900063433</b>	• SEAL, dust	2		14515346~		
	<b>K3h402</b>						

TB145 Book No. BK3Z010 S/N 14510004-  
BOOM CYLINDER (with emergency shut-off valve, with pilot)



K3H411

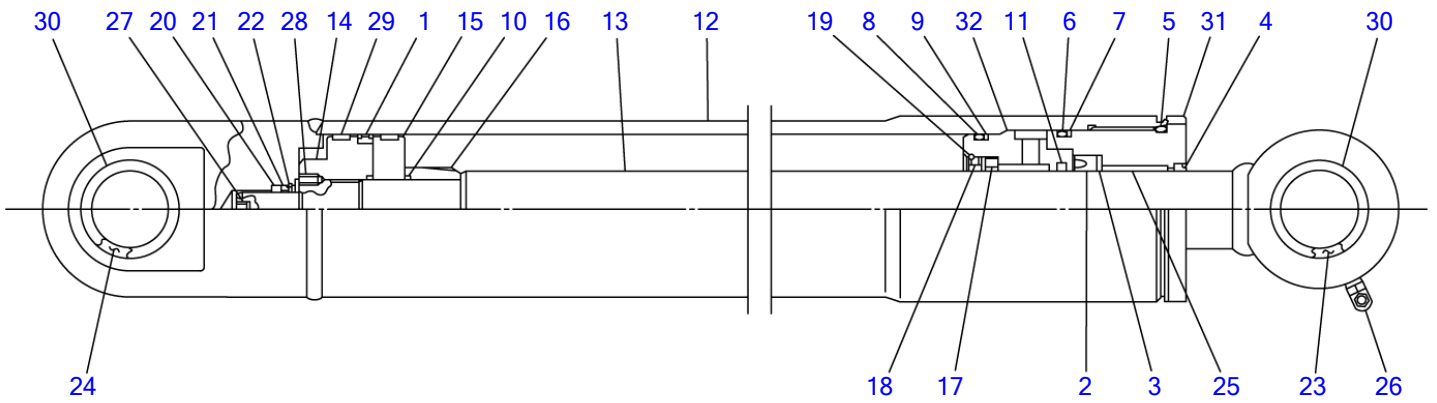
S-free

**BOOM CYLINDER (with emergency shut- off valve, with pilot)**

Item	Part number	Description	Q'ty	Chan.	Serial No.	Serv.	Remarks
0	<b>1900087800</b>	CYLINDER ASSY	1		14510004~14515345		boom
	<b>1900097900</b>	CYLINDER ASSY	1		14515346~		boom
0-1	<b>1900087899</b>	• KIT, seal	1				
1	X <b>1900047033</b>	• • PACKING, rod	1				
2	X <b>1900070831</b>	• • SEAL, dust	1				
3	X <b>1420110950</b>	• • O-RING	2				
4	X <b>1900086928</b>	• • RING, back-up	1				
5	X <b>1420101000</b>	• • O-RING	1				
6	X <b>1900063728</b>	• • RING, back-up	1				
7	X <b>1900047031</b>	• • PACKING, piston	1				
8	X <b>1420010260</b>	• • O-RING	2				
9	<b>1900087898</b>	• TUBE ASSY	1		14510004~14515345		
	<b>1900097998</b>	• TUBE ASSY	1		14515346~		
10	<b>1900087820</b>	• • BUSHING	1		14510004~14515345		
	<b>1900093802</b>	• • BUSHING	1		14515346~		
11	<b>1900087897</b>	• ROD ASSY, piston	1				
12	<b>1900079902</b>	• • BUSHING	1				
13	<b>1900087803</b>	• COVER, rod	1				
14	<b>1900087813</b>	• BUSHING	1				
15	<b>1900086908</b>	• HOLDER	1				
16	<b>1900086916</b>	• RING, cushion	1				
17	<b>1900086919</b>	• COLLAR	1				
18	<b>1900087815</b>	• SPACER	1				
19	<b>1900087816</b>	• BEARING, cushion	1				
20	<b>1900087806</b>	• PISTON	1				
21	<b>1900089525</b>	• RING, wear	2				
22	<b>1121051010</b>	• SET-SCREW	1				
23	<b>1390020400</b>	• BALL, steel	1				
24	<b>1900079933</b>	• SEAL, dust	4		14510004~14515345		
	<b>1900079933</b>	• SEAL, dust	2		14515346~		
25	<b>1900087810</b>	• PIPE ASSY	1				
26	<b>1900086958</b>	• PLUG	1				
27	<b>1900086917</b>	• HOLDER	1				
28	<b>1900087819</b>	• BOLT	1				
29	<b>1560001000</b>	• FITTING, grease	1				
30	<b>1560001675</b>	• FITTING, grease	1				
31	<b>1900063433</b>	• SEAL, dust	2		14515346~		
	<b>K3h412</b>						

TB145 Book No. BK3Z010 S/N 14510004-  
ARM CYLINDER (14510004-14510788)

---



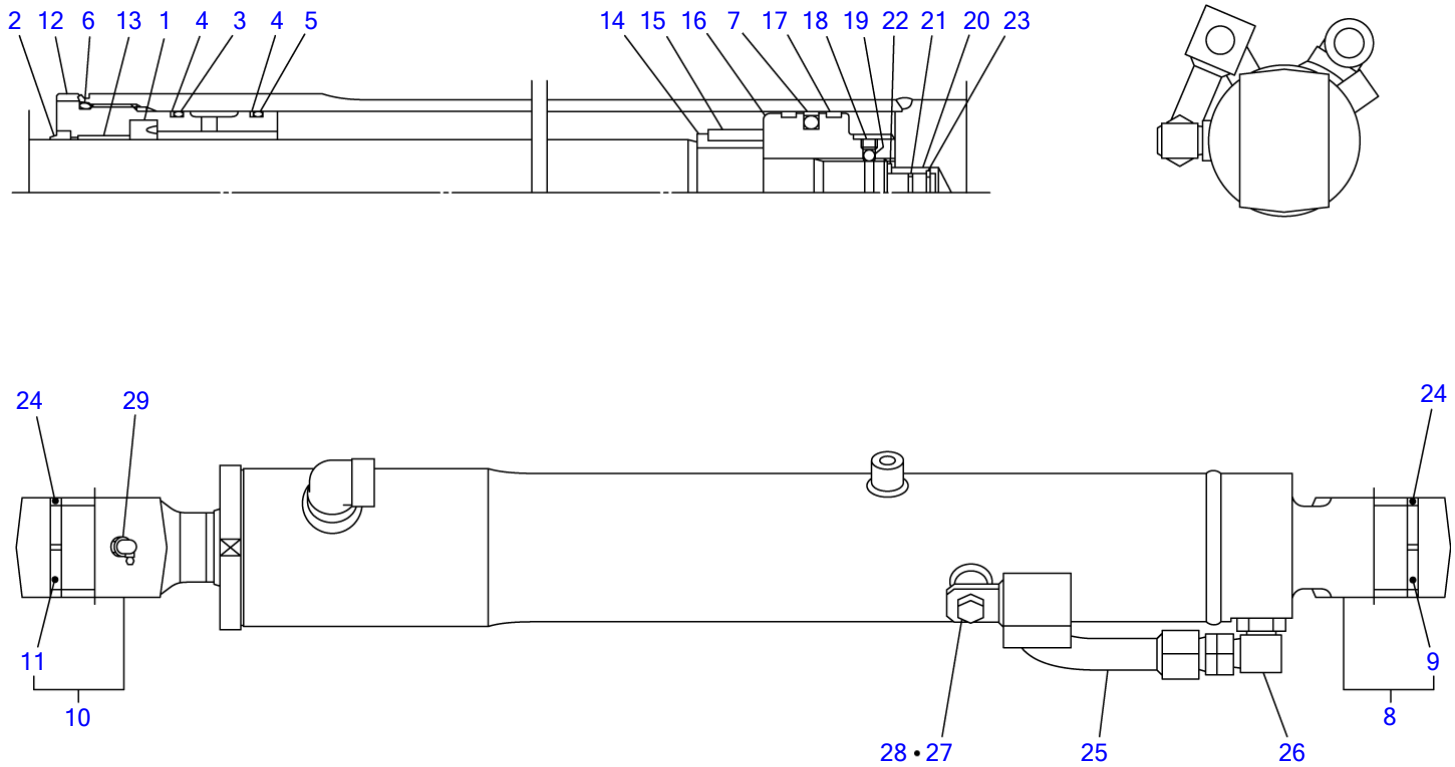
K3H160

S=FREE

**ARM CYLINDER (14510004-14510788)**

Item	Part number	Description	Q'ty	Chan.	Serial No.	Serv.	Remarks
0	<b>1900075700</b>	CYLINDER ASSY	1				arm
0-1	<b>1900075799</b>	• KIT, seal	1				
1	X <b>1410220900</b>	• • PACKING, piston	1				
2	X <b>1410550662</b>	• • PACKING, rod	1				
3	X <b>1411266503</b>	• • RING, back-up	1				
4	X <b>1900075723</b>	• • SEAL, dust	1				
5	X <b>1420110900</b>	• • O-RING	1				
6	X <b>1420110850</b>	• • O-RING	1				
7	X <b>1900075735</b>	• • RING, back-up	1				
8	X <b>1420110850</b>	• • O-RING	1				
9	X <b>1421130850</b>	• • RING, back-up	1				
10	X <b>1420110400</b>	• • O-RING	2				
11	X <b>1900075736</b>	• • PG-RING	1				
12	<b>1900075707</b>	• TUBE	1				
13	<b>1900075701</b>	• ROD, piston	1				
14	<b>1900075706</b>	• PISTON	1				
15	<b>1900075755</b>	• HOLDER, packing	1				
16	<b>1900075725</b>	• CUSHION, rod	1				
17	<b>1900075731</b>	• RING, seal	1				
18	<b>1900075719</b>	• STOPPER	1				
19	<b>1900075714</b>	• RING, stop	1				
20	<b>1900059627</b>	• RING, seal	1				
21	<b>1900059629</b>	• STOPPER	1				
22	<b>1900059615</b>	• RING, stop	1				
23	<b>1900075702</b>	• BUSHING	1				
24	<b>1900075720</b>	• BUSHING	1				
25	<b>1333005030</b>	• BUSHING	1				
26	<b>1560001900</b>	• FITTING, grease	1				
27	<b>1900075729</b>	• ORIFICE	1				
28	<b>1121050812</b>	• SET-SCREW	1				
29	<b>1410810900</b>	• RING, wear	2				
30	<b>1432200050</b>	• SEAL, dust	4				
31	<b>1900075703</b>	• COVER, rod	1				
32	<b>1900075704</b>	• RETAINER	1				
	<b>K3h161</b>						

TB145 Book No. BK3Z010 S/N 14510004-  
ARM CYLINDER (14510789-14512426)



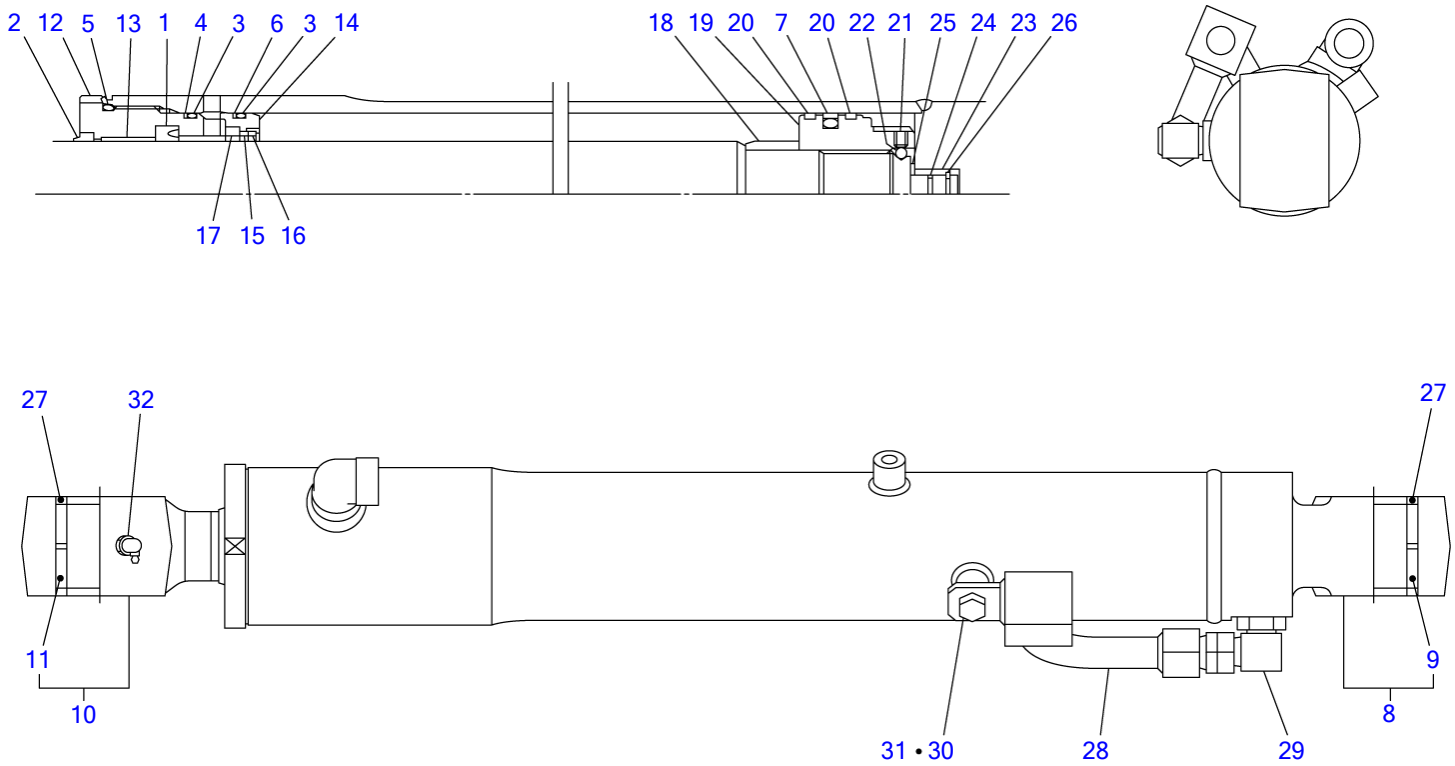
K3H162

S=free

**ARM CYLINDER (14510789-14512426)**

Item	Part number	Description	Q'ty	Chan.	Serial No.	Serv.	Remarks
0	<b>1900081500</b>	CYLINDER ASSY	1				arm
0-1	<b>1900081599</b>	▪ KIT, seal	1				
1	X <b>1900005812</b>	▪ ▪ PACKING, rod	1				
2	X <b>1900073933</b>	▪ ▪ SEAL, dust	1				
3	X <b>1420110850</b>	▪ ▪ O-RING	1				
4	X <b>1900081529</b>	▪ ▪ RING, back-up	2				
5	X <b>1420110900</b>	▪ ▪ O-RING	1				
6	X <b>1420110800</b>	▪ ▪ O-RING	1				
7	X <b>1900047131</b>	▪ ▪ PACKING, piston	1				
8	<b>1900081598</b>	▪ TUBE	1				
9	<b>1900047102</b>	▪ ▪ BUSHING	1				
10	<b>1900081597</b>	▪ ROD, piston	1				
11	<b>1900081502</b>	▪ ▪ BUSHING	1				
12	<b>1900081503</b>	▪ COVER, rod	1				
13	<b>1900067526</b>	▪ BUSHING	1				
14	<b>1900047105</b>	▪ BEARING, cushion	1				
15	<b>1900081515</b>	▪ SPACER	1				
16	<b>1900067406</b>	▪ PISTON	1				
17	<b>1900067427</b>	▪ RING, wear	2				
18	<b>1121050808</b>	▪ SET-SCREW	1				
19	<b>1390020350</b>	▪ BALL, steel	1				
20	<b>1900081505</b>	▪ BEARING, cushion	1				
21	<b>1900047116</b>	▪ SEAL, cushion	1				
22	<b>1900047114</b>	▪ RING, snap	1				
23	<b>1900047122</b>	▪ STOPPER	2				
24	<b>1900047023</b>	▪ SEAL, dust	4				
25	<b>1900081528</b>	▪ PIPE ASSY	1				
26	<b>1900081519</b>	▪ NIPPLE	1				
27	<b>1110051016</b>	▪ BOLT	1				
28	<b>1141190010</b>	▪ WASHER	1				
29	<b>1560001900</b>	▪ FITTING, grease	1				
	<b>K3h162</b>						

TB145 Book No. BK3Z010 S/N 14510004-  
ARM CYLINDER (14512427-)



K3H420

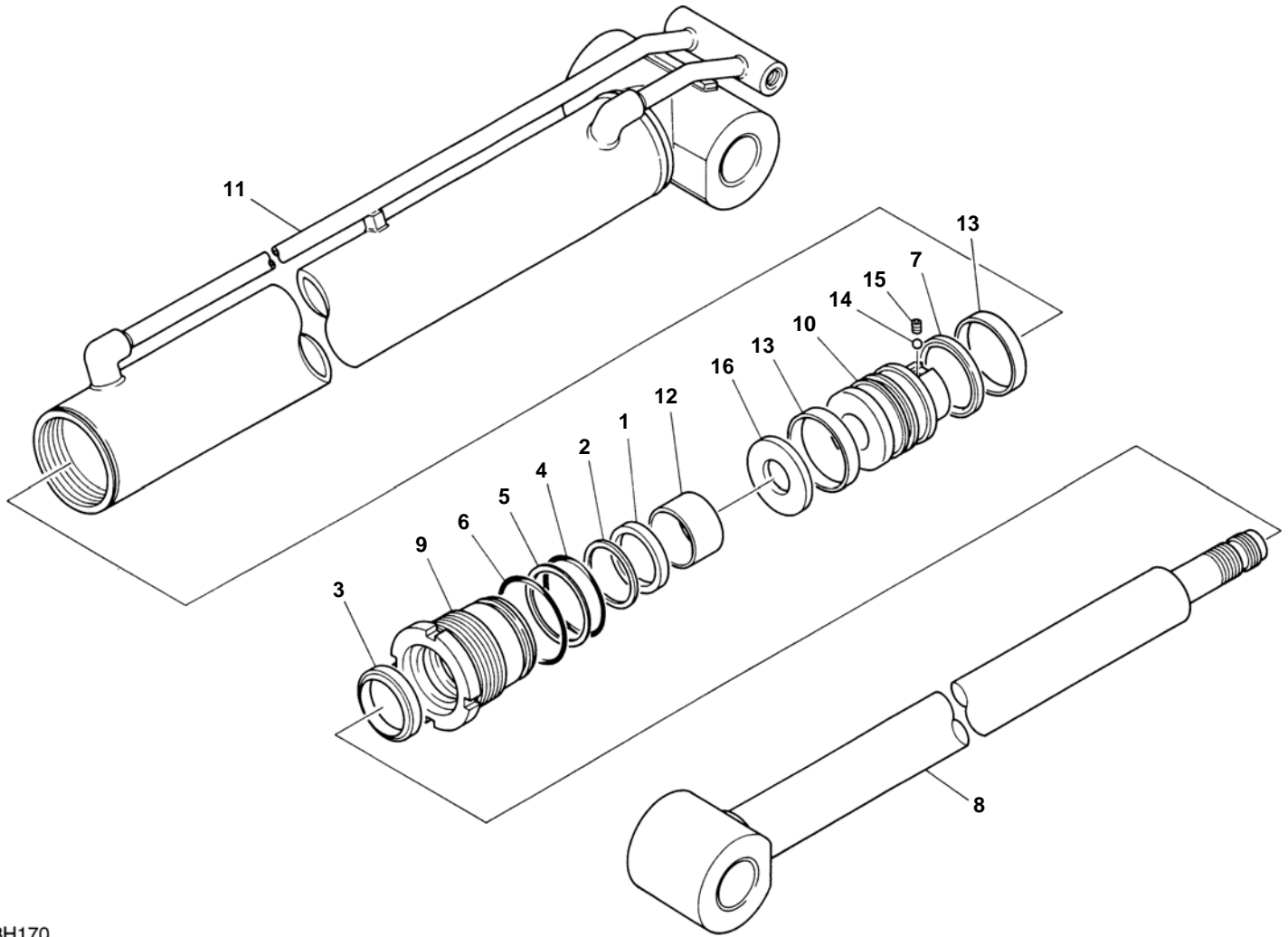
S=free



**ARM CYLINDER (14512427-)**

Item	Part number	Description	Q'ty	Chan.	Serial No.	Serv.	Remarks
0	<b>1900087900</b>	CYLINDER ASSY	1				arm
0-1	<b>1900087999</b>	• KIT, seal	1				
1	X <b>1900005812</b>	• • PACKING, rod	1				
2	X <b>1900073933</b>	• • SEAL, dust	1				
3	X <b>1420110850</b>	• • O-RING	2				
4	X <b>1900087028</b>	• • RING, back-up	1				
5	X <b>1420100900</b>	• • O-RING	1				
6	X <b>1900081529</b>	• • RING, back-up	1				
7	X <b>1900047131</b>	• • PACKING, piston	1				
8	<b>1900087998</b>	• TUBE	1				
9	<b>1900047102</b>	• • BUSHING	1				
10	<b>1900087997</b>	• ROD, piston	1				
11	<b>1900081502</b>	• • BUSHING	1				
12	<b>1900087903</b>	• COVER, rod	1				
13	<b>1900087913</b>	• BUSHING	1				
14	<b>1900087908</b>	• HOLDER	1				
15	<b>1900087916</b>	• BEARING, cushion	1				
16	<b>1900087915</b>	• SPACER	1				
17	<b>1900087919</b>	• COLLAR	1				
18	<b>1900087917</b>	• BEARING, cushion	1				
19	<b>1900087906</b>	• PISTON	1				
20	<b>1900087926</b>	• RING, wear	2				
21	<b>1121050808</b>	• SET-SCREW	1				
22	<b>1390020350</b>	• BALL, steel	1				
23	<b>1900081505</b>	• BEARING, cushion	1				
24	<b>1900076335</b>	• SEAL, cushion	1				
25	<b>1900047114</b>	• RING, snap	1				
26	<b>1900047122</b>	• STOPPER	2				
27	<b>1900047023</b>	• SEAL, dust	4				
28	<b>1900081528</b>	• PIPE ASSY	1				
29	<b>1900081519</b>	• NIPPLE	1				
30	<b>1100051016</b>	• BOLT	1				
31	<b>1141110010</b>	• WASHER	1				
32	<b>1560001900</b>	• FITTING, grease	1				
	<b>K3h421</b>						

TB145 Book No. BK3Z010 S/N 14510004-  
TELESCOPIC CYLINDER

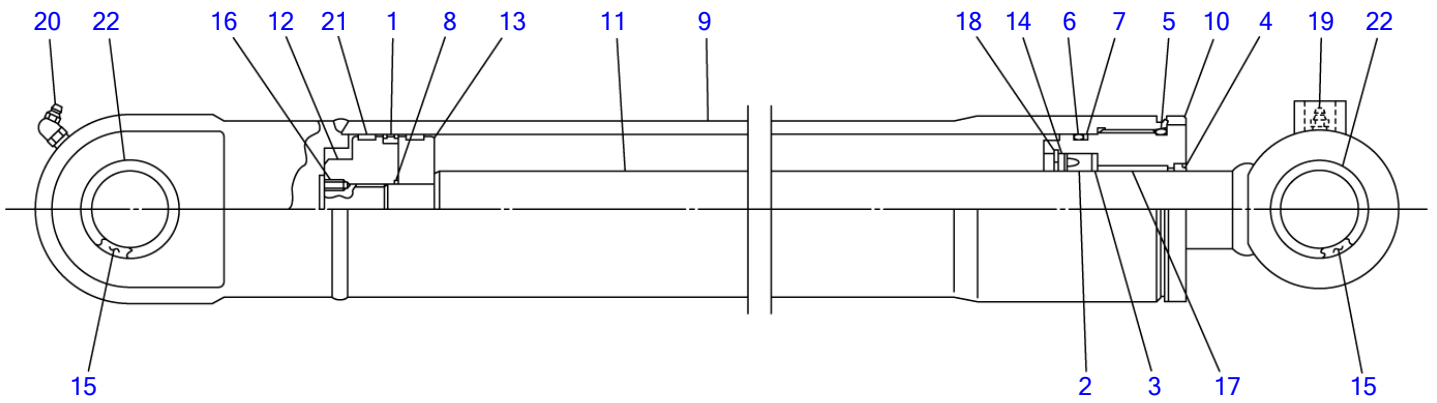


K3H170

**TELESCOPIC CYLINDER**

Item	Part number	Description	Q'ty	Chan.	Serial No.	Serv.	Remarks
0	<b>1900049800</b>	CYLINDER ASSY	1				telescopic
0-1	<b>1900049899</b>	• KIT, seal	1				
1	X <b>1410545609</b>	• • PACKING, rod	1				
2	X <b>1411260453</b>	• • RING, back-up	1				
3	X <b>1900047233</b>	• • SEAL, dust	1				
4	X <b>1420110650</b>	• • O-RING	1				
5	X <b>1421120650</b>	• • RING, back-up	1				
6	X <b>1420110700</b>	• • O-RING	1				
7	X <b>1900051132</b>	• • PACKING, piston	1				
8	<b>1900049801</b>	• ROD, piston	1				
9	<b>1900049803</b>	• COVER, rod	1				
10	<b>1900051106</b>	• PISTON	1				
11	<b>1900049807</b>	• TUBE	1				
12	<b>1333004530</b>	• BUSHING	1				
13	<b>1900051131</b>	• RING, wear	2				
14	<b>1390010250</b>	• BALL, steel	1				
15	<b>1121040612</b>	• SET-SCREW	1				
16	<b>1900013855</b>	• HOLDER, piston	1				
	<b>K3h171</b>						

TB145 Book No. BK3Z010 S/N 14510004-  
BUCKET CYLINDER



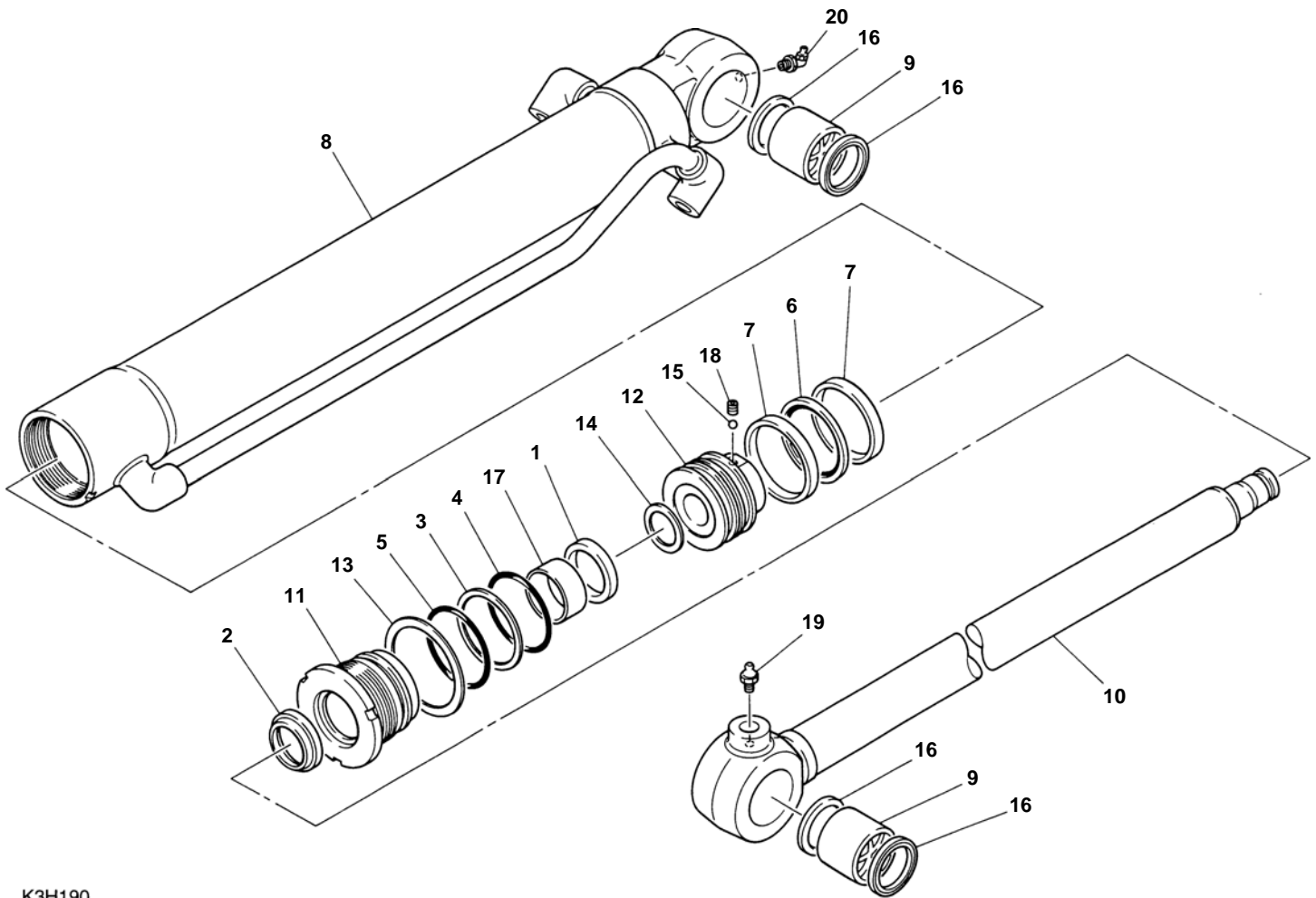
K3H180

S=FREE

**BUCKET CYLINDER**

Item	Part number	Description	Q'ty	Chan.	Serial No.	Serv.	Remarks
0	<b>1900075800</b>	CYLINDER ASSY	1				bucket
0-1	<b>1900075899</b>	KIT, seal	1				
1	X <b>1410220800</b>	• • PACKING, piston	1				
2	X <b>1410545612</b>	• • PACKING, rod	1				
3	X <b>1411261453</b>	• • RING, back-up	1				
4	X <b>1900075823</b>	• • SEAL, dust	1				
5	X <b>1420110800</b>	• • O-RING	1				
6	X <b>1420110750</b>	• • O-RING	1				
7	X <b>1421130750</b>	• • RING, back-up	1				
8	X <b>1420110750</b>	• • O-RING	1				
9	<b>1900075807</b>	• TUBE	1				
10	<b>1900075803</b>	• COVER, rod	1				
11	<b>1900075801</b>	• ROD, piston	1				
12	<b>1900059606</b>	• PISTON	1				
13	<b>1900075855</b>	• HOLDER, packing	1				
14	<b>1900075808</b>	• HOLDER, packing rod	1				
15	<b>1900075802</b>	• BUSHING	2				
16	<b>1121050812</b>	• SET-SCREW	1				
17	<b>1333004540</b>	• BUSHING	1				
18	<b>1221000060</b>	• RING, snap	1				
19	<b>1560001000</b>	• FITTING, grease	1				
20	<b>1560001675</b>	• FITTING, grease	1				
21	<b>1410810800</b>	• RING, wear	2				
22	<b>1432200045</b>	• SEAL, dust	4				
	<b>K3h182</b>						

TB145 Book No. BK3Z010 S/N 14510004-  
BUCKET CYLINDER (for telescopic)

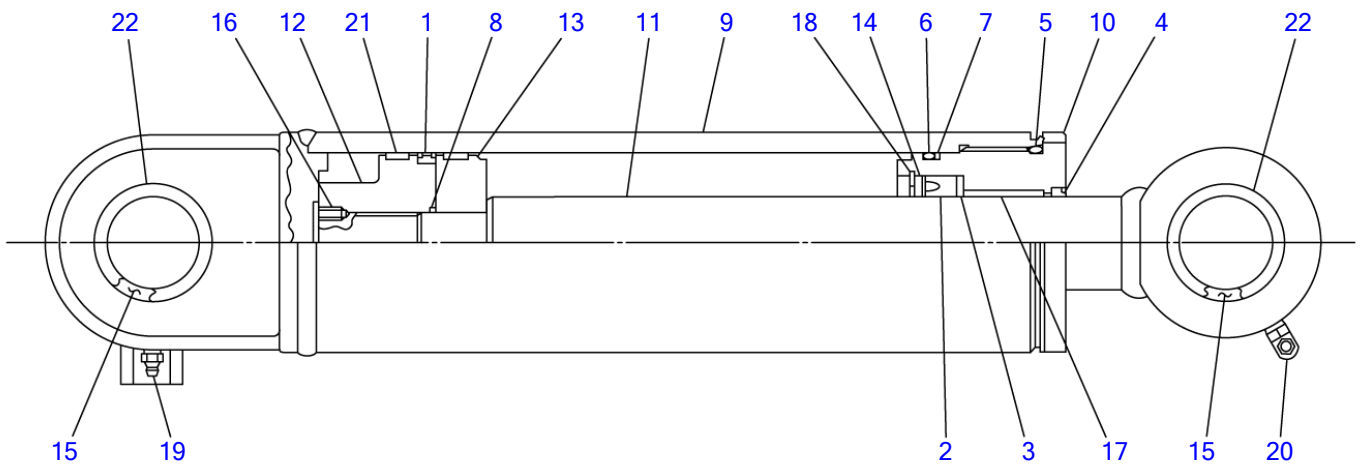


K3H190

**BUCKET CYLINDER (for telescopic)**

Item	Part number	Description	Q'ty	Chan.	Serial No.	Serv.	Remarks
0	<b>1900047200</b>	CYLINDER ASSY	1				bucket
0-1	<b>1900047295</b>	KIT, seal	1				
1	X <b>1900005912</b>	PACKING, rod	1				
2	X <b>1900047233</b>	SEAL, dust	1				
3	X <b>1421120750</b>	RING, back-up	1				
4	X <b>1420110750</b>	O-RING	1				
5	X <b>1420100800</b>	O-RING	1				
6	X <b>1900047231</b>	PACKING, piston	1				
7	<b>1900047232</b>	▪ RING, wear	2				
8	<b>1900047207</b>	▪ TUBE	1				
9	<b>1900047202</b>	▪ BUSHING	2				
10	<b>1900047201</b>	▪ ROD, piston	1				
11	<b>1900047203</b>	▪ COVER, rod	1				
12	<b>1900047206</b>	▪ PISTON	1				
13	<b>1900047220</b>	▪ WASHER	1				
14	<b>1900047221</b>	▪ SHIM	1				
15	<b>1900047022</b>	▪ BALL, steel	1				
16	<b>1900047222</b>	▪ SEAL, dust	1				
17	<b>1333004525</b>	▪ BUSHING	1				
18	<b>1121000808</b>	▪ SET-SCREW	1				
19	<b>1560001000</b>	▪ FITTING, grease	1				
20	<b>1560001900</b>	▪ FITTING, grease	1				
	<b>K3h191</b>						

TB145 Book No. BK3Z010 S/N 14510004-  
DOZER BLADE CYLINDER



K3H200

S=FREE

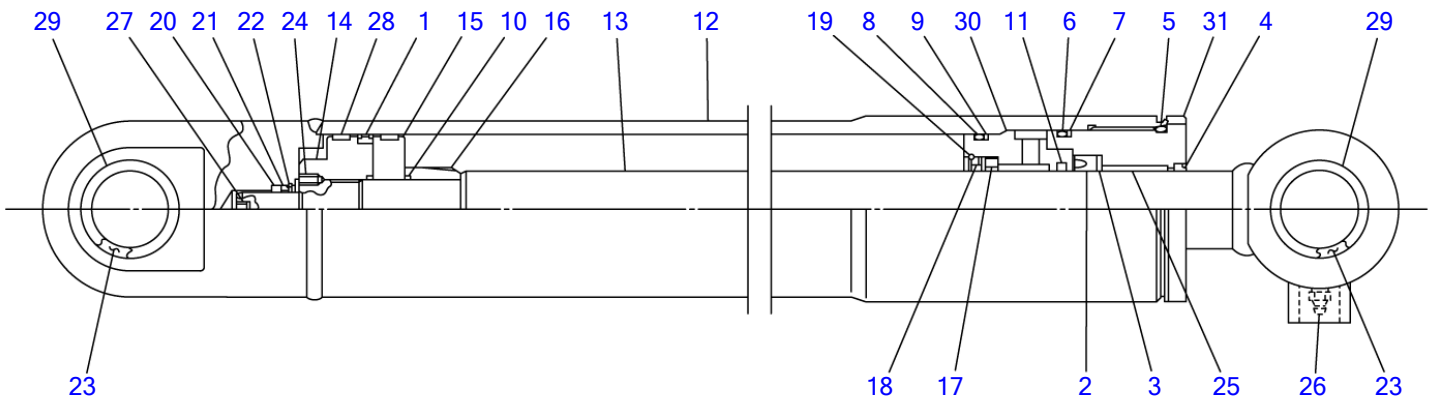


**DOZER BLADE CYLINDER**

Item	Part number	Description	Q'ty	Chan.	Serial No.	Serv.	Remarks
0	<b>1900077100</b>	CYLINDER ASSY	1				blade
0-1	<b>1900077199</b>	• KIT, seal	1				
1	X <b>1410221100</b>	• • PACKING, piston	1				
2	X <b>1410560762</b>	• • PACKING, rod	1				
3	X <b>1411276603</b>	• • RING, back-up	1				
4	X <b>1900077123</b>	• • SEAL, dust	1				
5	X <b>1420111100</b>	• • O-RING	1				
6	X <b>1420111050</b>	• • O-RING	1				
7	X <b>1421131050</b>	• • RING, back-up	1				
8	X <b>1420110450</b>	• • O-RING	1				
9	<b>1900077107</b>	• TUBE	1				
10	<b>1900077103</b>	• COVER, rod	1				
11	<b>1900077101</b>	• ROD, piston	1				
12	<b>1900077106</b>	• PISTON	1				
13	<b>1900077155</b>	• HOLDER, packing	1				
14	<b>1900077108</b>	• HOLDER, rod packing	1				
15	<b>1900077102</b>	• BUSHING	2				
16	<b>1121050812</b>	• SET-SCREW	1				
17	<b>1333006040</b>	• BUSHING	1				
18	<b>1221000075</b>	• RING, snap	1				
19	<b>1560001000</b>	• FITTING, grease	1				
20	<b>1560001675</b>	• FITTING, grease	1				
21	<b>1410811100</b>	• RING, wear	2				
22	<b>1432200055</b>	• SEAL, dust	4				
	<b>K3h202</b>						

TB145 Book No. BK3Z010 S/N 14510004-  
SWING CYLINDER (14510004-14511685)

---



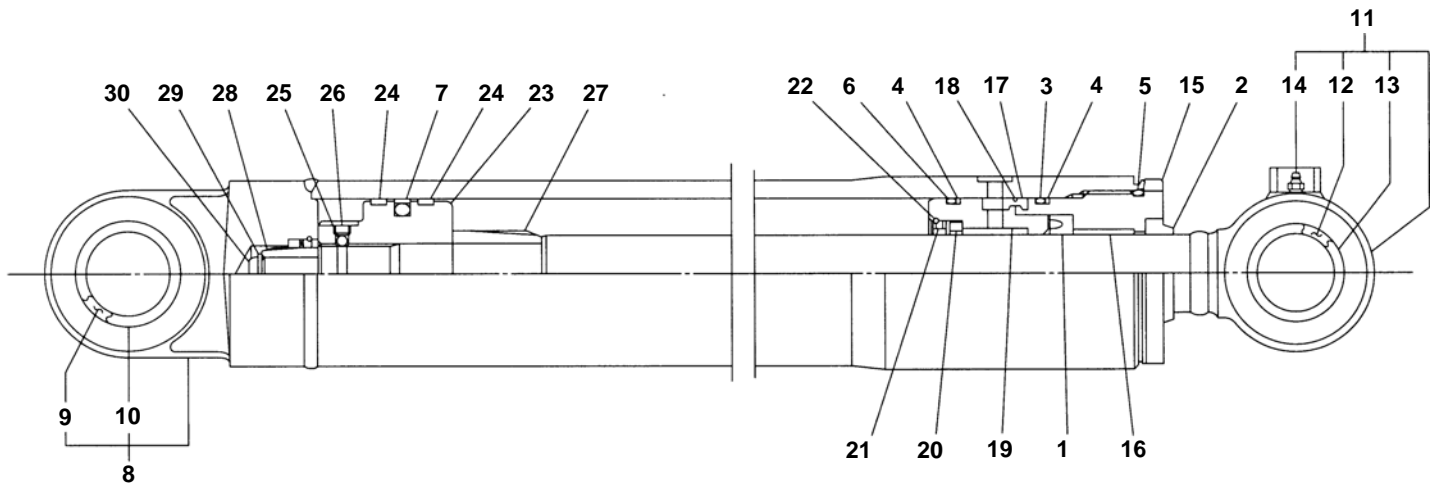
K3H210

S=FREE

**SWING CYLINDER (14510004-14511685)**

Item	Part number	Description	Q'ty	Chan.	Serial No.	Serv.	Remarks
0	<b>1900075900</b>	CYLINDER ASSY	1				swing
0-1	<b>1900075799</b>	• KIT, seal	1				
1	X <b>1410220900</b>	• • PACKING, piston	1				
2	X <b>1410550662</b>	• • PACKING, rod	1				
3	X <b>1411266503</b>	• • RING, back-up	1				
4	X <b>1900075723</b>	• • SEAL, dust	1				
5	X <b>1420110900</b>	• • O-RING	1				
6	X <b>1420110850</b>	• • O-RING	1				
7	X <b>1900075735</b>	• • RING, back-up	1				
8	X <b>1420110850</b>	• • O-RING	1				
9	X <b>1421130850</b>	• • RING, back-up	1				
10	X <b>1420110400</b>	• • O-RING	2				
11	X <b>1900075736</b>	• • PG-RING	1				
12	<b>1900075907</b>	• TUBE	1				
13	<b>1900075901</b>	• ROD, piston	1				
14	<b>1900075706</b>	• PISTON	1				
15	<b>1900075755</b>	• HOLDER, packing	1				
16	<b>1900075905</b>	• CUSHION, rod	1				
17	<b>1900075731</b>	• RING, seal	1				
18	<b>1900075719</b>	• STOPPER	1				
19	<b>1900075714</b>	• RING, stop	1				
20	<b>1900059627</b>	• RING, seal	1				
21	<b>1900059629</b>	• STOPPER	1				
22	<b>1900059615</b>	• RING, stop	1				
23	<b>1900075902</b>	• BUSHING	2				
24	<b>1121050812</b>	• SET-SCREW	1				
25	<b>1333005030</b>	• BUSHING	1				
26	<b>1560001000</b>	• FITTING, grease	1				
27	<b>1900075729</b>	• ORIFICE	1				
28	<b>1410810900</b>	• RING, wear	2				
29	<b>1432200045</b>	• SEAL, dust	4				
30	<b>1900075904</b>	• RETAINER	1				
31	<b>1900075903</b>	• COVER, rod	1				
	<b>K3h212</b>						

TB145 Book No. BK3Z010 S/N 14510004-  
SWING CYLINDER (14511686-)



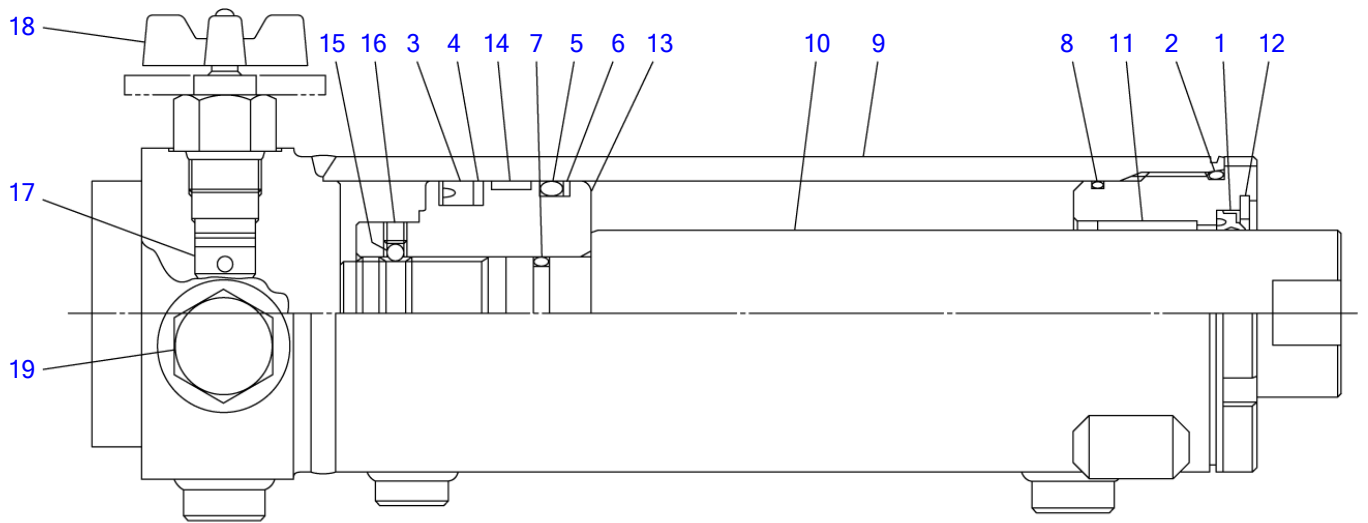
K3H211

S=FREE

**SWING CYLINDER (14511686-)**

Item	Part number	Description	Q'ty	Chan.	Serial No.	Serv.	Remarks
0	<b>1900083300</b>	CYLINDER ASSY	1				swing
0-1	<b>1900083399</b>	• KIT, seal	1				
1	X <b>1900005812</b>	• • PACKING, rod	1				
2	X <b>1900073933</b>	• • SEAL, dust	1				
3	X <b>1420110850</b>	• • O-RING	1				
4	X <b>1421130850</b>	• • RING, back-up	2				
5	X <b>1420110900</b>	• • O-RING	1				
6	X <b>1420110800</b>	• • O-RING	1				
7	X <b>1900047131</b>	• • PACKING, piston	1				
8	<b>1900083398</b>	• TUBE ASSY	1				
9	<b>1900083320</b>	• • BUSHING	1				
10	<b>1432200045</b>	• • SEAL, dust	2				
11	<b>1900083397</b>	• ROD ASSY, piston	1				
12	<b>1900083320</b>	• • BUSHING	1				
13	<b>1432200045</b>	• • SEAL, dust	2				
14	<b>1560001000</b>	• • FITTING, grease	1				
15	<b>1900060003</b>	• COVER, rod	1				
16	<b>1900083321</b>	• BUSHING	1				
17	<b>1900060026</b>	• CONNECTOR	1				
18	<b>1900060027</b>	• STOPPER	1				
19	<b>1900060004</b>	• RETAINER	1				
20	<b>1900060016</b>	• RING, cushion	1				
21	<b>1900060015</b>	• SPACER	1				
22	<b>1900060028</b>	• STOPPER	1				
23	<b>1900060006</b>	• PISTON	1				
24	<b>1900047132</b>	• RING, wear	2				
25	<b>1390020350</b>	• BALL, steel	1				
26	<b>1121050808</b>	• SET-SCREW	1				
27	<b>1900060005</b>	• CUSHION, rod	1				
28	<b>1900083315</b>	• BEARING, cushion	1				
29	<b>1141110012</b>	• WASHER	1				
30	<b>1900064429</b>	• BOLT	1				
	<b>K3h213</b>						

TB145 Book No. BK3Z010 S/N 14510004-  
CRAWLER ADJUSTER CYLINDER



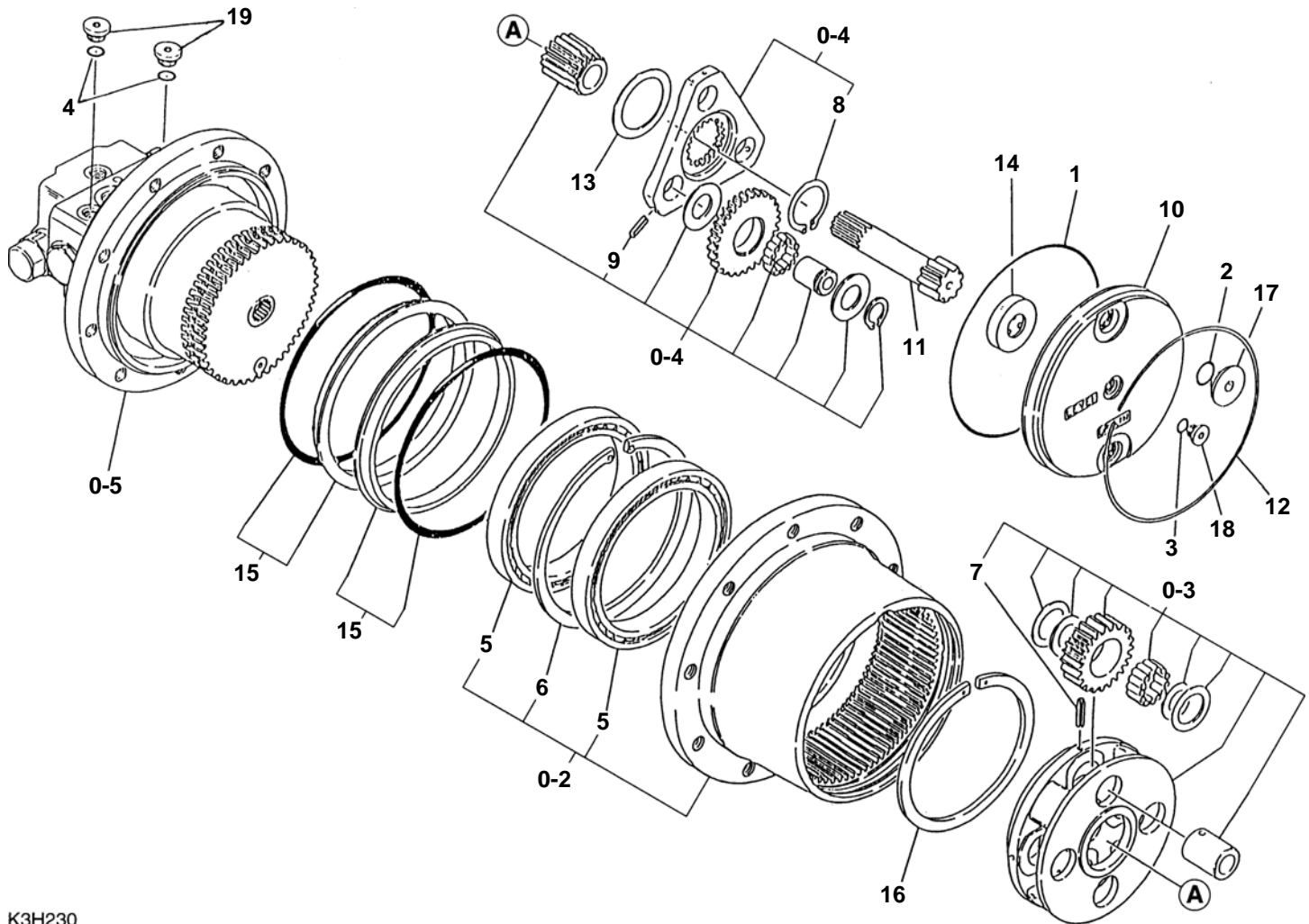
K3H221

S=FREE

**CRAWLER ADJUSTER CYLINDER**

Item	Part number	Description	Q'ty	Chan.	Serial No.	Serv.	Remarks
0	<b>1900076500</b>	CYLINDER ASSY	1				crawler adjuster
0-1	<b>1900076599</b>	· KIT, seal	1				
1	X <b>1411100050</b>	· · SEAL, dust	1				
2	X <b>1420110800</b>	· · O-RING	1				
3	X <b>1411130800</b>	· · PACKING, piston	1				
4	X <b>1411280653</b>	· · RING, back-up	1				
5	X <b>1420010700</b>	· · O-RING	1				
6	X <b>1421020700</b>	· · RING, back-up	1				
7	X <b>1420010260</b>	· · O-RING	1				
8	X <b>1420110750</b>	· · O-RING	1				
9	<b>1900076507</b>	· TUBE	1				
10	<b>1900076501</b>	· ROD, piston	1				
11	<b>1333005030</b>	· BUSHING	1				
12	<b>1221000068</b>	· RING, snap	1				
13	<b>1900076506</b>	· PISTON	1				
14	<b>1410708012</b>	· RING, wear	1				
15	<b>1390020350</b>	· BALL, steel	1				
16	<b>1121050808</b>	· SET-SCREW	1				
17	<b>1900069428</b>	· VALVE ASSY	1				
18	<b>1900069429</b>	· HANDL ASSY	1				
19	<b>1900063126</b>	· VALVE ASSY	1				
	<b>K3h222</b>						

TB145 Book No. BK3Z010 S/N 14510004-  
TRAVEL MOTOR (1/3) (reduction sec. ; 14510004-14515345)



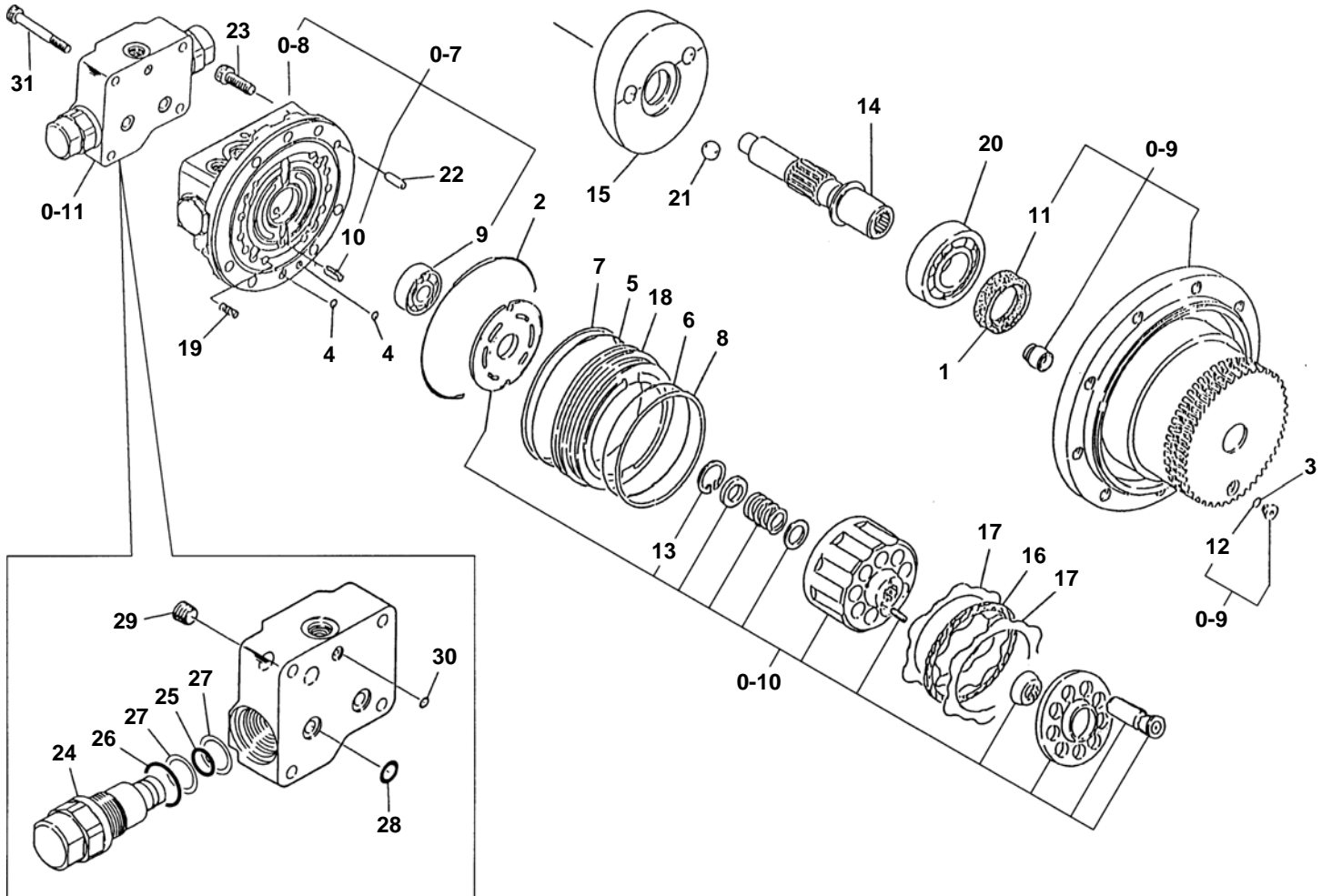
K3H230



**TRAVEL MOTOR (1/3) (reduction sec. ; 14510004-14515345)**

Item	Part number	Description	Q'ty	Chan.	Serial No.	Serv.	Remarks
0	<b>1903119500</b>	MOTOR ASSY, travel	1		14510004~14512498		
	<b>1903123000</b>	MOTOR ASSY, travel	1		14512499~		
0-1	<b>1903119599</b>	· KIT, seal	1				
1	X <b>1420300264</b>	· · O-RING	1				
2	X <b>1420010140</b>	· · O-RING	2				
3	X <b>1420010080</b>	· · O-RING	1				
4	X <b>1420010110</b>	· · O-RING	2				
0-2	<b>1903119598</b>	· KIT, body	1				
5	<b>1903119519</b>	· · BEARING	2				
6	<b>1903119524</b>	· · RING, snap	1				
0-3	<b>1903119597</b>	· KIT, carrier1	1				
7	<b>1213000632</b>	· · PIN, spring	4				
0-4	<b>1903119596</b>	· KIT, carrier2	1				
8	<b>1220000035</b>	· · RING, snap	4				
9	<b>1213000532</b>	· · PIN, spring	3				
0-5	<b>1903904600</b>	· MOTOR, hydraulic	1		14510004~14512498		
	<b>1903906500</b>	· MOTOR, hydraulic	1		14512499~		
10	<b>1903119502</b>	· COVER	1				
11	<b>1903119509</b>	· GEAR	1				
12	<b>1903119513</b>	· RING, snap	1				
13	<b>1903118915</b>	· WASHER	1				
14	<b>1903118916</b>	· RING	1				
15	<b>1903118917</b>	· SEAL, floating	2				
16	<b>1903119523</b>	· RING, snap	1				
17	<b>1903118932</b>	· PLUG	2				
18	<b>1903118993</b>	· PLUG	1				
19	<b>1903901930</b>	· PLUG	2				
	<b>K3h233</b>						

TB145 Book No. BK3Z010 S/N 14510004-  
TRAVEL MOTOR (2/3) (motor sec. ; 14510004-14515345)



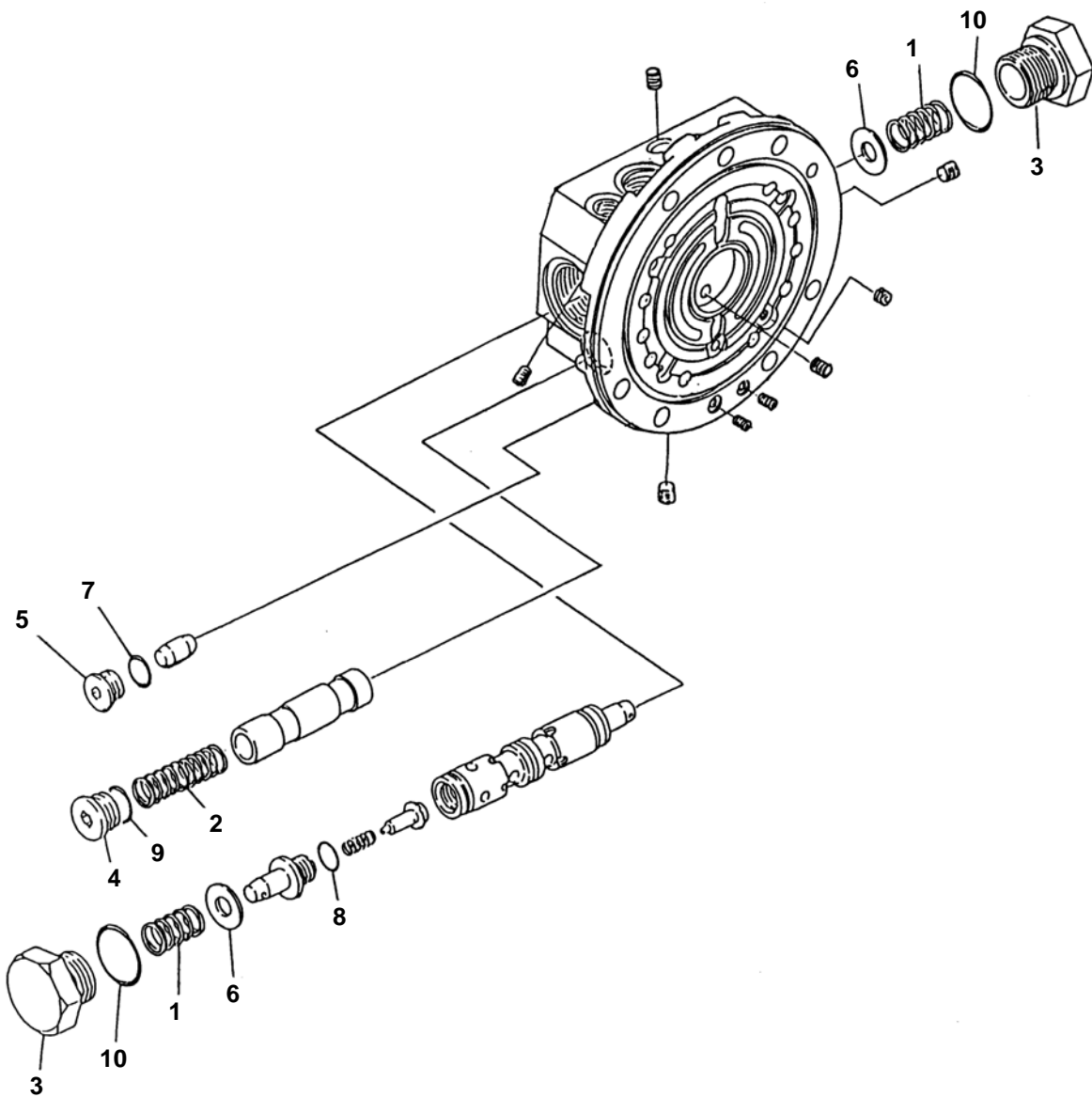
K3H240

TRAVEL MOTOR (2/3) (motor sec. ; 14510004-14515345)

Item	Part number	Description	Q'ty	Chan.	Serial No.	Serv.	Remarks
0	1903119500	MOTOR ASSY, travel	1		14510004~14512498		
	1903123000	MOTOR ASSY, travel	1		14512499~		
0-5	1903904600	· MOTOR, hydraulic	1		14510004~14512498		
	1903906500	· MOTOR, hydraulic	1		14512499~		
0-6	1903904699	· · KIT, seal	1				
1	X 1903902319	· · · SEAL, oil	1				
2	X 1420111350	· · · O-RING	1				
3	X 1420010080	· · · O-RING	1				
4	X 1420010070	· · · O-RING	2				
5	X 1420111250	· · · O-RING	1				
6	X 1420111150	· · · O-RING	1				
7	X 1421131250	· · · RING, back-up	1				
8	X 1421131150	· · · RING, back-up	1				
0-7	1903904698	· · KIT, body1	1		14510004~14512498		
	1903904694	· · KIT, body1	1		14512499~		
0-8	X *****	· · · BODY ASSY	1				
9	1300006302	· · · BEARNIG	1				
10	1213000616	· · · PIN, spring	1				
0-9	1903904697	· · KIT, body2	1				
11	1903902319	· · · SEAL, oil	1				
12	1420010080	· · · O-RING	1				
0-10	1903904696	· · BARREL KIT, cylinder	1				
13	1221000035	· · · RING, snap	1				
14	1903904603	· · SHAFT	1				
15	1903904610	· · PLATE	1		14510004~14512498		
	1903904630	· · PLATE	1		14512499~		
16	1903904615	· · PLATE	1				
17	1903904616	· · PLATE	2				
18	1903904617	· · PISTON	1				
19	1903904429	· · SPRING	10		14510004~14511817		
	1903904429	· · SPRING	12		14511818~		
20	1300006206	· · BEARING	1				
21	1390021000	· · BALL, steel	2				
22	1212010815	· · PIN	1				
23	1110021025	· · SCREW, cap	7				
0-11	1901808900	· · VALVE ASSY, relief	1				
24	1901808902	· · · VALVE, relief	2				
25	1420010150	· · · · O-RING	1				
26	1420010280	· · · · O-RING	1				
27	1421020150	· · · · RING back-up	2				
28	1420010120	· · · O-RING	2				
29	1501810002	· · · PLUG	2				
30	1420010070	· · · O-RING	1				
31	1110020845	· · SCREW	4				

K3h243

TB145 Book No. BK3Z010 S/N 14510004-  
TRAVEL MOTOR (3/3) (valve sec. ; 14510004-14515345)

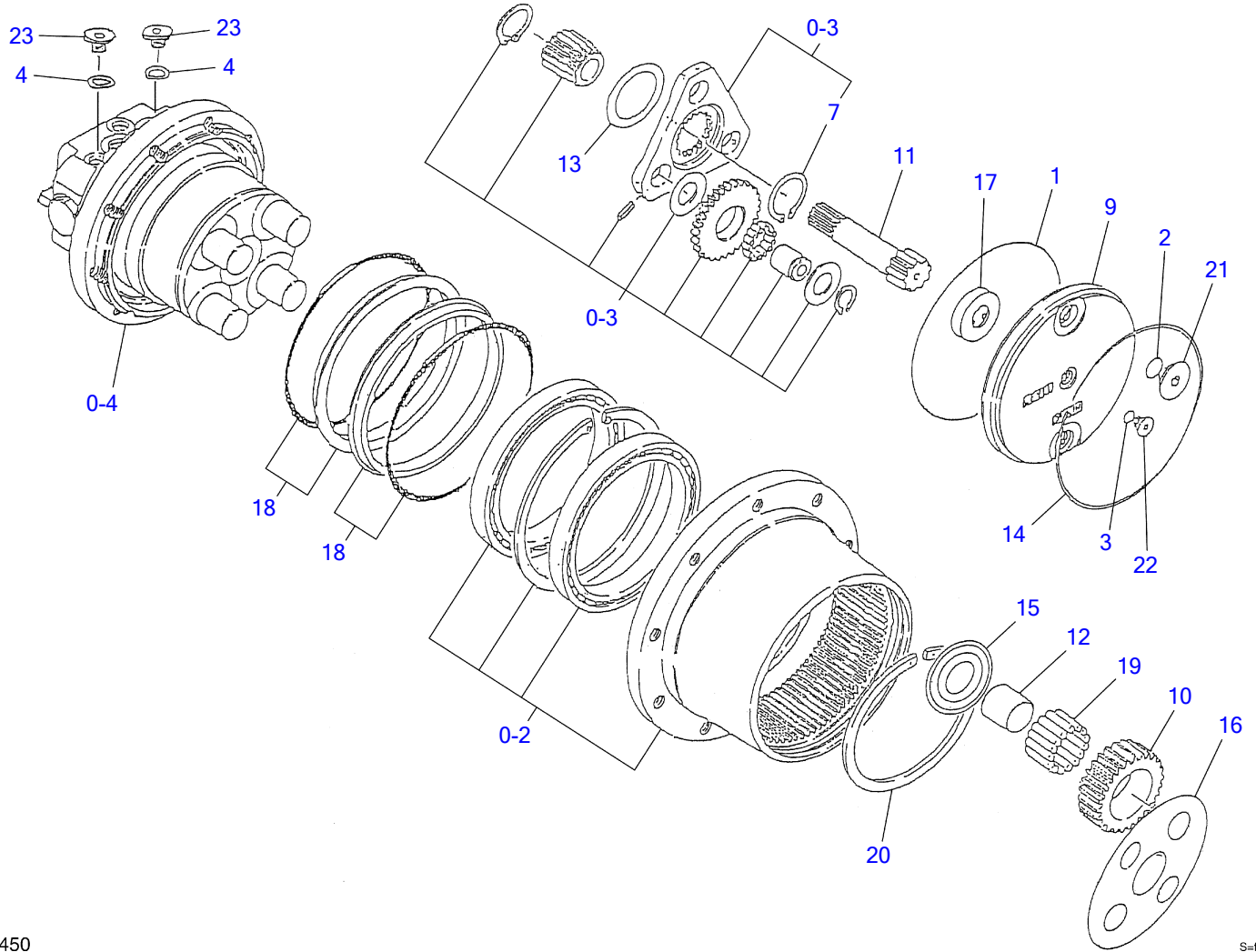


K3H250

**TRAVEL MOTOR (3/3) (valve sec. ; 14510004-14515345)**

Item	Part number	Description	Q'ty	Chan.	Serial No.	Serv.	Remarks
0	<b>1903119500</b>	MOTOR ASSY, travel	1		14510004~14512498		
	<b>1903123000</b>	MOTOR ASSY, travel	1		14512499~		
0-8	X *****	· BODY ASSY	1				
1	<b>1903904138</b>	· · SPRING	2		14510004~14512498		
	<b>1903904145</b>	· · SPRING	2	(H)	14512499~		
2	<b>1903904139</b>	· · SPRING	1				
3	<b>1903904140</b>	· · PLUG	2				
4	<b>1901807011</b>	· · PLUG	2				
5	<b>1903904142</b>	· · PLUG	2				
6	<b>1903904144</b>	· · RING	2				
7	<b>1420010080</b>	· · O-RING	2				
8	<b>1420000125</b>	· · O-RING	2				
9	<b>1420010140</b>	· · O-RING	2				
10	<b>1420010250</b>	· · O-RING	2				
	<b>K3h251</b>						

TB145 Book No. BK3Z010 S/N 14510004-  
TRAVEL MOTOR (1/3) (reduction sec. ; 14515346-)



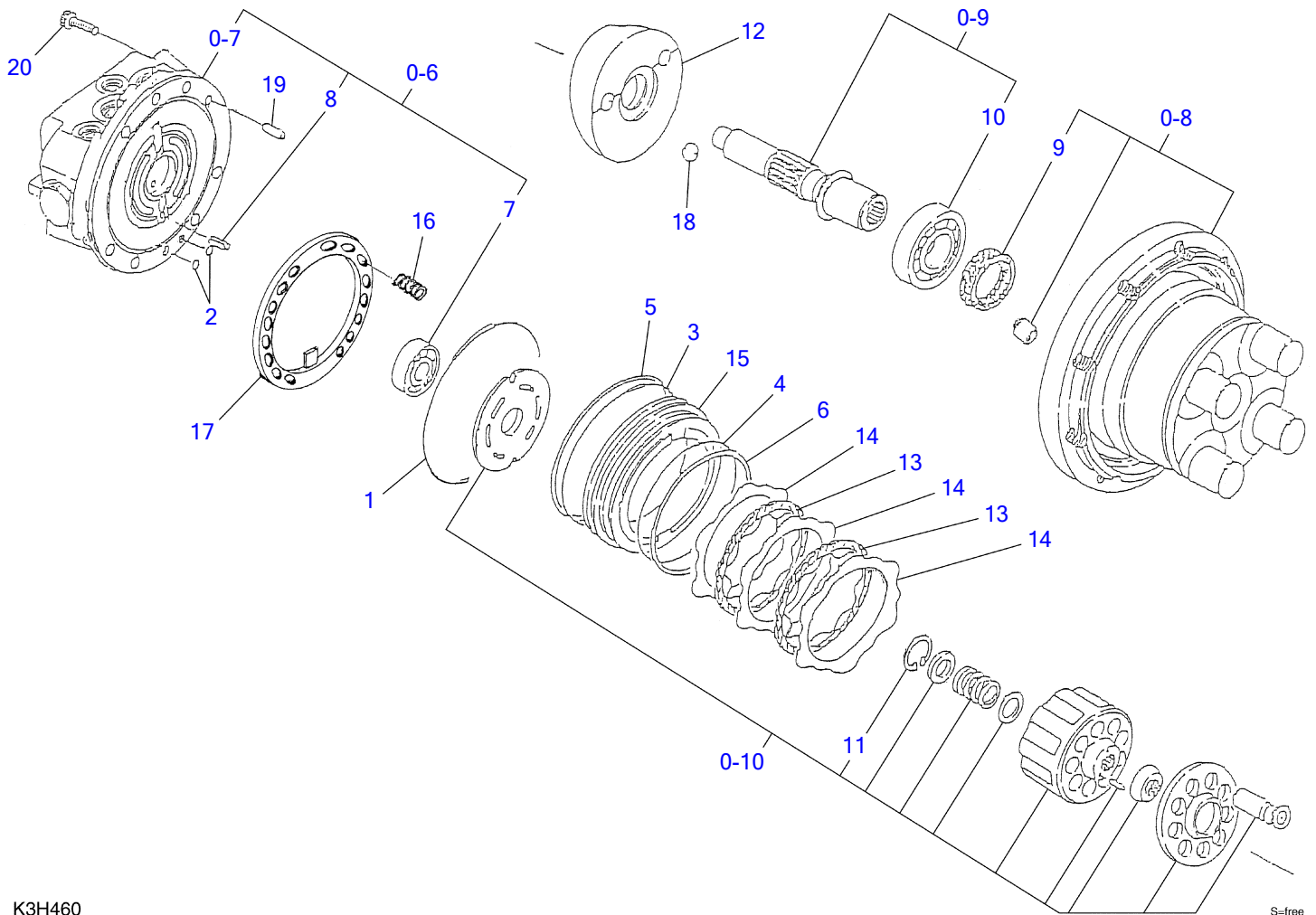
K3H450

S=free

**TRAVEL MOTOR (1/3) (reduction sec. ; 14515346-)**

Item	Part number	Description	Q'ty	Chan.	Serial No.	Serv.	Remarks
0	<b>1903124800</b>	MOTOR ASSY, travel	1				
0-1	<b>1903119599</b>	· KIT, seal	1				
1	X <b>1420300264</b>	· · O-RING	1				
2	X <b>1420010140</b>	· · O-RING	2				
3	X <b>1420010080</b>	· · O-RING	1				
4	X <b>1420010110</b>	· · O-RING	2				
0-2	<b>1903124898</b>	· KIT, body	1				
0-3	<b>1903124897</b>	· KIT, carrier2	1				
7	<b>1220000035</b>	· · RING, snap	4				
9	<b>1903119502</b>	· COVER	1				
10	<b>1903124806</b>	· GEAR	4				
11	<b>1903124809</b>	· GEAR	1				
12	<b>1903124810</b>	· RING	4				
13	<b>1903124812</b>	· WASHER	1				
14	<b>1903119513</b>	· RING, snap	1				
15	<b>1903124814</b>	· PLATE	4				
16	<b>1903124815</b>	· PLATE	1				
17	<b>1903118916</b>	· RING	1				
18	<b>1903124817</b>	· SEAL, floating	2				
19	<b>1903124820</b>	· BEARING	136				
20	<b>1903119523</b>	· RING, snap	1				
21	<b>1903118932</b>	· PLUG	2				
22	<b>1903118933</b>	· PLUG	1				
23	<b>1903901930</b>	· PLUG	2				
0-4	<b>1903907300</b>	· MOTOR, hydraulic	1				
	<b>K3h451</b>						

TB145 Book No. BK3Z010 S/N 14510004-  
TRAVEL MOTOR (2/3) (motor sec. ; 14515346-)



K3H460

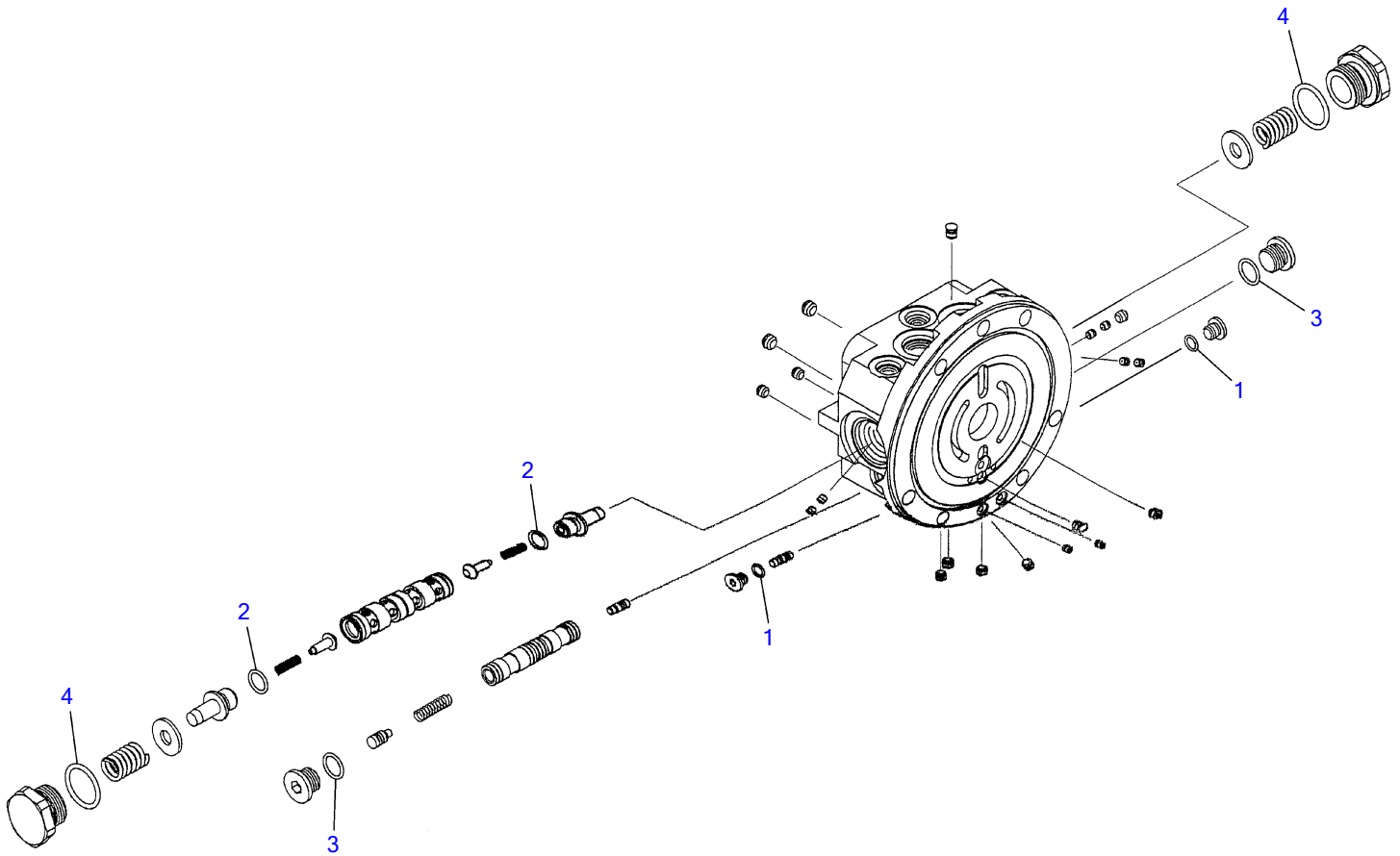
S=free



**TRAVEL MOTOR (2/3) (motor sec. ; 14515346-)**

Item	Part number	Description	Q'ty	Chan.	Serial No.	Serv.	Remarks
0	<b>1903124800</b>	MOTOR ASSY, travel	1				
0-4	<b>1903907300</b>	· MOTOR, hydraulic	1				
0-5	<b>1903907399</b>	· · KIT, seal	1				
1	X <b>1420111350</b>	· · · O-RING	1				
2	X <b>1420010070</b>	· · · O-RING	2				
3	X <b>1420111250</b>	· · · O-RING	1				
4	X <b>1420111150</b>	· · · O-RING	1				
5	X <b>1421131250</b>	· · · RING, back-up	1				
6	X <b>1421131150</b>	· · · RING, back-up	1				
0-6	<b>1903907398</b>	· · KIT, body1	1				
0-7	X *****	· · · BODY ASSY	1				
7	<b>1300006206</b>	· · · BEARNIG	1				
8	<b>1213000616</b>	· · · PIN, spring	1				
0-8	<b>1903907397</b>	· · KIT, body2	1				
9	<b>1903902319</b>	· · · SEAL, oil	1				
0-9	<b>1903907396</b>	· · SHAFT ASSY	1				
10	<b>1300006206</b>	· · · BEARING	1				
0-10	<b>1903907395</b>	· · BARREL KIT, cylinder	1				
11	<b>1221000035</b>	· · · RING, snap	1				
12	<b>1903907310</b>	· · PLATE	1				
13	<b>1903904615</b>	· · PLATE	2				
14	<b>1903907316</b>	· · PLATE	3				
15	<b>1903907317</b>	· · PISTON	1				
16	<b>1903907319</b>	· · SPRING	10				
17	<b>1903907320</b>	· · RETAINER	1				
18	<b>1390021000</b>	· · BALL, steel	2				
19	<b>1212010815</b>	· · PIN	2				
20	<b>1110021025</b>	· · SCREW, cap	7				
	<b>K3h460</b>						

TB145 Book No. BK3Z010 S/N 14510004-  
TRAVEL MOTOR (3/3) (valve sec. ; 14515346-)



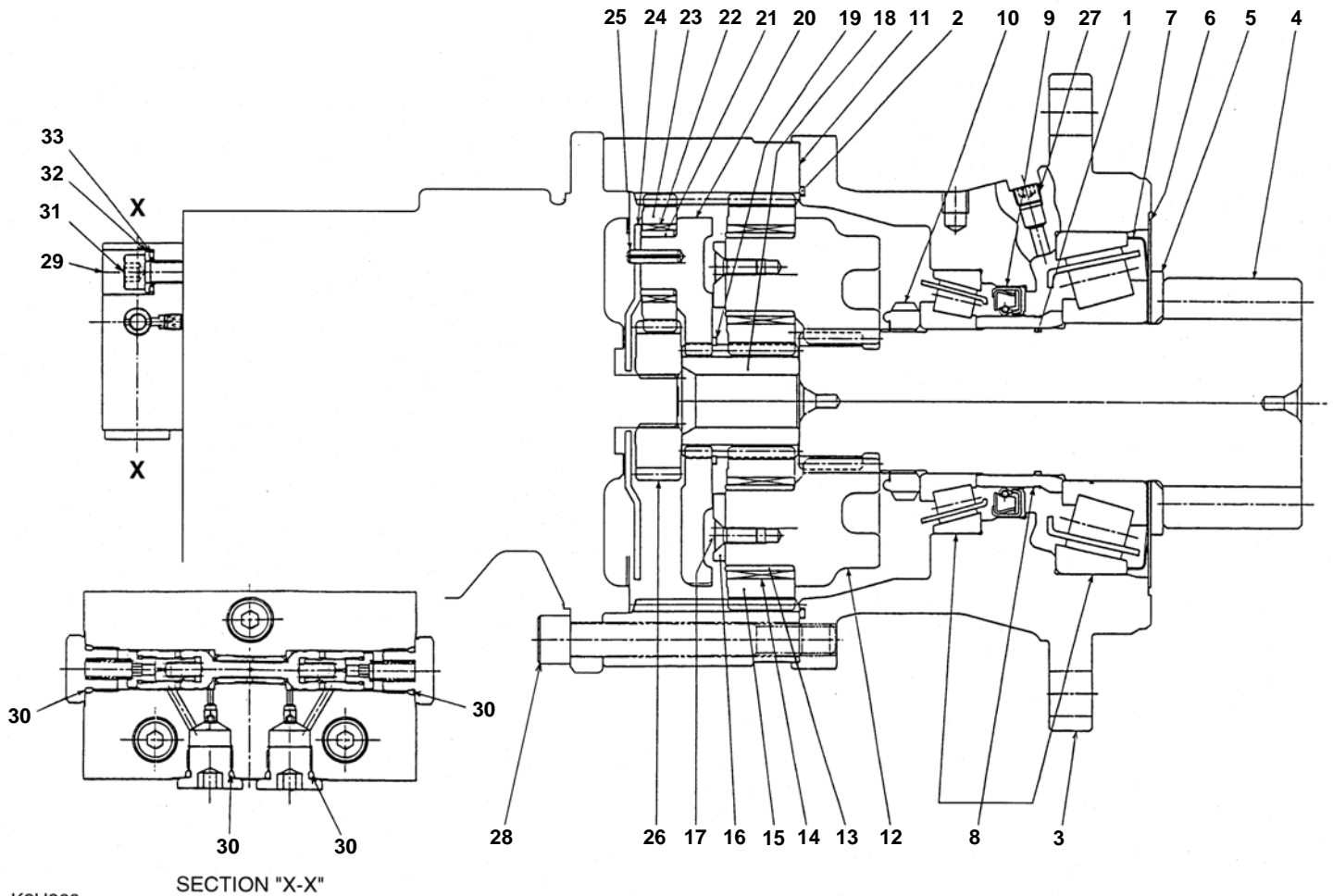
K3H470

S=free

**TRAVEL MOTOR (3/3) (valve sec. ; 14515346-)**

Item	Part number	Description	Q'ty	Chan.	Serial No.	Serv.	Remarks
0	<b>1903124800</b>	MOTOR ASSY, travel	1				
0-7	X *****	▪ BODY ASSY	1				
0-8	<b>1903907393</b>	▪ ▪ KIT, seal	1				
1	<b>1420010080</b>	▪ ▪ ▪ O-RING	2				
2	<b>1420000125</b>	▪ ▪ ▪ O-RING	2				
3	<b>1420010140</b>	▪ ▪ ▪ O-RING	2				
4	<b>1420010250</b>	▪ ▪ ▪ O-RING	2				
	<b>K3h470</b>						

TB145 Book No. BK3Z010 S/N 14510004-  
SLEW MOTOR (1/2) (reduction sec. ; 14510004-14510009)



K3H260

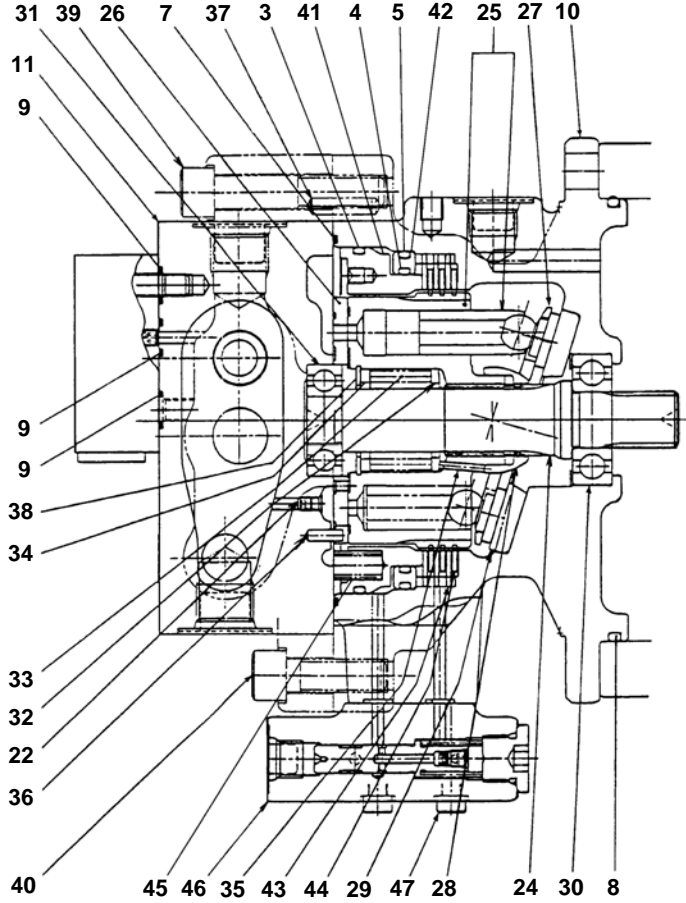
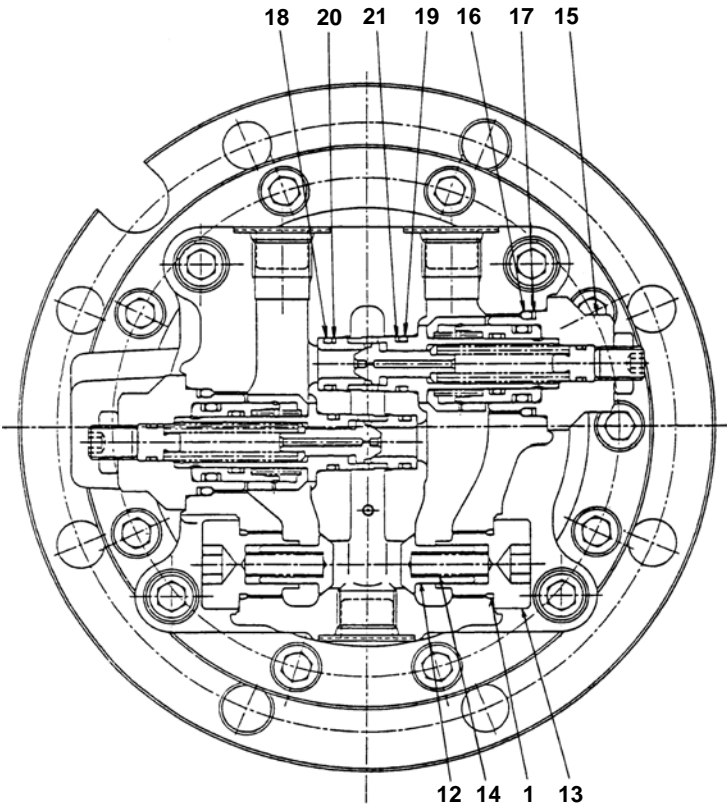
SECTION "X-X"

**SLEW MOTOR (1/2) (reduction sec. ; 14510004-14510009)**

Item	Part number	Description	Q'ty	Chan.	Serial No.	Serv.	Remarks
0	<b>1903120100</b>	MOTOR ASSY, slew	1				
0-1	X *****	• GEAR, reduction	1				
0-2	<b>1912905499</b>	• • KIT, seal	1				
1	X <b>1420500530</b>	• • • O-RING	1				
2	X <b>1420300164</b>	• • • O-RING	1				
3	<b>1912905401</b>	• • BODY	1				
4	<b>1912905402</b>	• • SHAFT	1				
5	<b>1912905403</b>	• • COLLAR	1				
6	<b>1912905404</b>	• • PLATE	1				
7	<b>1912905405</b>	• • PLATE	1				
8	<b>1912905406</b>	• • SET, bearing	1				
9	<b>1912905409</b>	• • SEAL, oil	1				
10	<b>1912905411</b>	• • NUT	1				
11	<b>1912905413</b>	• • GEAR	1				
12	<b>1912905414</b>	• • HOLDER	1				
13	<b>1912905415</b>	• • LACE, inner	4				
14	<b>1912905416</b>	• • BEARNIG	4				
15	<b>1912904517</b>	• • GEAR	4				
16	<b>1912905418</b>	• • PLATE	1				
17	<b>1912900714</b>	• • SCREW	4				
18	<b>1912900915</b>	• • GEAR	1				
19	<b>1220000042</b>	• • RING, snap	1				
20	<b>1912905420</b>	• • HOLDER	1				
21	<b>1912900720</b>	• • LACE, inner	3				
22	<b>1912905422</b>	• • CAGE&ROLLER	3				
23	<b>1912905425</b>	• • GEAR	3				
24	<b>1912905429</b>	• • PLATE SET	1				
25	<b>1213000520</b>	• • PIN, spring	3				
26	<b>1912905424</b>	• • GEAR	1				
27	<b>1501810001</b>	• • PLUG	1				
28	<b>1110121200</b>	• SCREW, cap	9				
29	<b>1901809100</b>	• VALVE ASSY	1				
30	<b>1420010140</b>	• • O-RING	4				
31	<b>1110050825</b>	• • SCREW, cap	3				
32	<b>1141190008</b>	• • WASHER	3				
33	<b>1901809131</b>	• • SEAL	3				

**K3h261**

TB145 Book No. BK3Z010 S/N 14510004-  
SLEW MOTOR (2/2) (motor sec. ; 14510004-14510009)

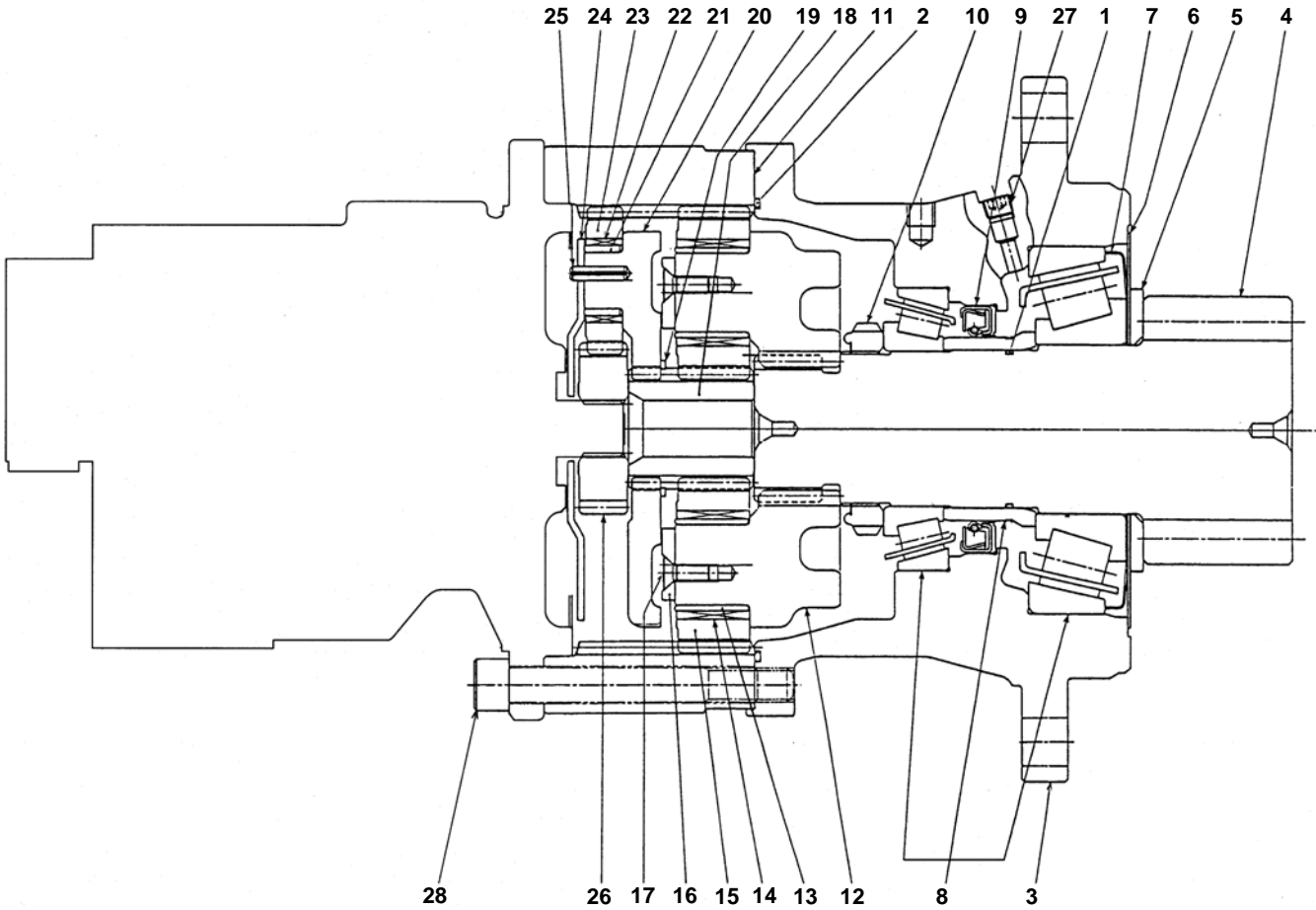


K3H270

**SLEW MOTOR (2/2) (motor sec. ; 14510004-14510009)**

Item	Part number	Description	Q'ty	Chan.	Serial No.	Serv.	Remarks
0	<b>1903120100</b>	MOTOR ASSY, slew	1				
0-3	X *****	• MOTOR, piston	1				
0-4	<b>1903904799</b>	• • KIT, seal	1				
1	X <b>1420010210</b>	• • • O-RING	2				
3	X <b>1420111200</b>	• • • O-RING	1				
4	X <b>1420111050</b>	• • • O-RING	1				
5	X <b>1420111150</b>	• • • O-RING	1				
7	X <b>1903120165</b>	• • • O-RING	1				
8	X <b>1420300258</b>	• • • O-RING	1				
9	X <b>1420010100</b>	• • • O-RING	6				
10	<b>1903904701</b>	• • CASE	1				
11	<b>1903904721</b>	• • COVER	1				
12	<b>1903904722</b>	• • POPPET	2				
13	<b>1903904723</b>	• • PLUG	2				
14	<b>1903904725</b>	• • SPRING	2				
15	<b>1901800046</b>	• • VALVE, relief	2				
16	<b>1420010320</b>	• • • O-RING	1				
17	<b>1421020320</b>	• • • RING, back-up	1				
18	<b>1420010150</b>	• • • O-RING	1				
19	<b>1420010160</b>	• • • O-RING	1				
20	<b>1421020150</b>	• • • RING, back-up	1				
21	<b>1421020160</b>	• • • RING, back-up	1				
22	<b>1901802713</b>	• • ORIFICE	1				
24	<b>1903120103</b>	• • SHAFT	1				
25	<b>1903920191</b>	• • KIT, block	1				
26	<b>1903106825</b>	• • PLATE	1				
27	<b>1903106814</b>	• • PLATE	1				
28	<b>1903106813</b>	• • HOLDER	1				
29	<b>1903904709</b>	• • PLATE	1				
30	<b>1903904711</b>	• • BEARING	1				
31	<b>1903107927</b>	• • BEARING	1				
32	<b>1903106808</b>	• • COLLAR	1				
33	<b>1903106809</b>	• • SPRING	1				
34	<b>1903007109</b>	• • WASHER	1				
35	<b>1903106812</b>	• • PIN	3				
36	<b>1212000412</b>	• • PIN	1				
37	<b>1903120119</b>	• • PIN	2				
38	<b>1221000037</b>	• • RING, snap	1				
39	<b>1110021260</b>	• • SCREW, cap	2				
40	<b>1110021235</b>	• • SCREW, cap	2				
41	<b>1903120136</b>	• • PISTON	1				
42	<b>1903120137</b>	• • COLLAR	1				
43	<b>1903120138</b>	• • PLATE	3				
44	<b>1903120139</b>	• • PLATE	3				
45	<b>1903120141</b>	• • SPRING	20				
46	<b>1901809000</b>	• • VALVE ASSY	1				
47	<b>1110020640</b>	• SCREW, cap	2				
	<b>K3h271</b>						

TB145 Book No. BK3Z010 S/N 14510004-  
SLEW MOTOR (1/2) (reduction sec. ; 14510010-14513260)



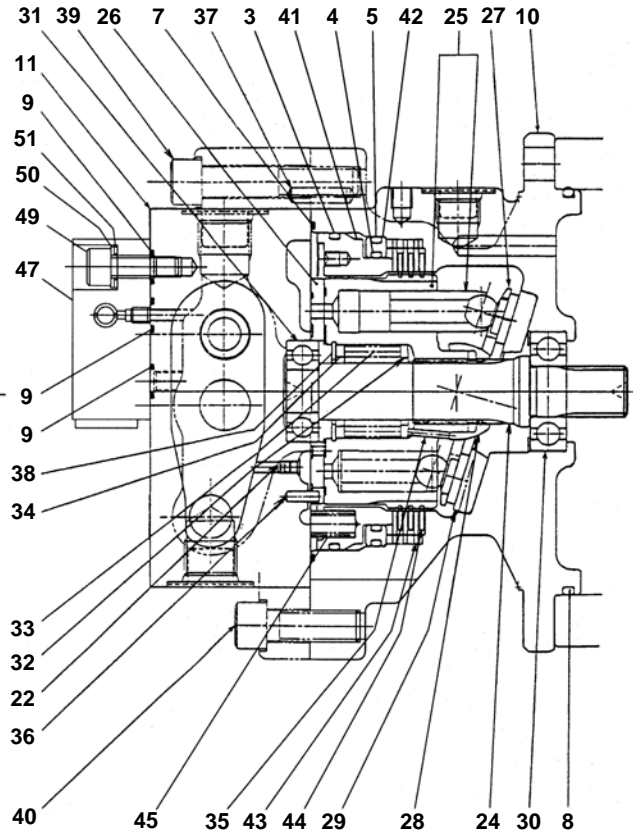
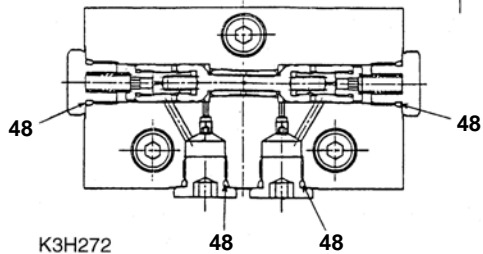
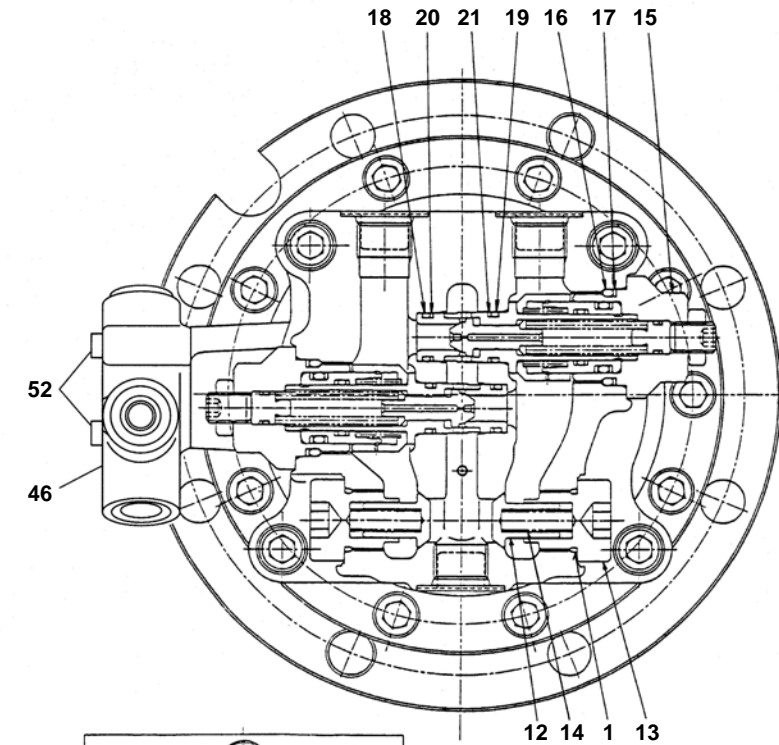
K3H262



**SLEW MOTOR (1/2) (reduction sec. ; 14510010-14513260)**

Item	Part number	Description	Q'ty	Chan.	Serial No.	Serv.	Remarks
0	<b>1903120200</b>	MOTOR ASSY, slew	1				
0-1	X *****	· GEAR, reduction	1				
0-2	<b>1912905499</b>	· · KIT, seal	1				
1	X <b>1420500530</b>	· · · O-RING	1				
2	X <b>1420300164</b>	· · · O-RING	1				
3	<b>1912905401</b>	· · BODY	1				
4	<b>1912905502</b>	· · SHAFT	1				
5	<b>1912905403</b>	· · COLLAR	1				
6	<b>1912905404</b>	· · PLATE	1				
7	<b>1912905405</b>	· · PLATE	1				
8	<b>1912905406</b>	· · SET, bearing	1				
9	<b>1912905409</b>	· · SEAL, oil	1				
10	<b>1912905411</b>	· · NUT	1				
11	<b>1912905413</b>	· · GEAR	1				
12	<b>1912905414</b>	· · HOLDER	1				
13	<b>1912905415</b>	· · LACE, inner	4				
14	<b>1912905416</b>	· · BEARNIG	4				
15	<b>1912904517</b>	· · GEAR	4				
16	<b>1912905418</b>	· · PLATE	1				
17	<b>1912900714</b>	· · SCREW	4				
18	<b>1912900915</b>	· · GEAR	1				
19	<b>1220000042</b>	· · RING, snap	1				
20	<b>1912905420</b>	· · HOLDER	1				
21	<b>1912900720</b>	· · LACE, inner	3				
22	<b>1912905422</b>	· · CAGE&ROLLER	3				
23	<b>1912905425</b>	· · GEAR	3				
24	<b>1912905429</b>	· · PLATE SET	1				
25	<b>1213000520</b>	· · PIN, spring	3				
26	<b>1912905424</b>	· · GEAR	1				
27	<b>1501810001</b>	· · PLUG	1				
28	<b>1110151200</b>	· SCREW, cap	9				
	<b>K3h262</b>						

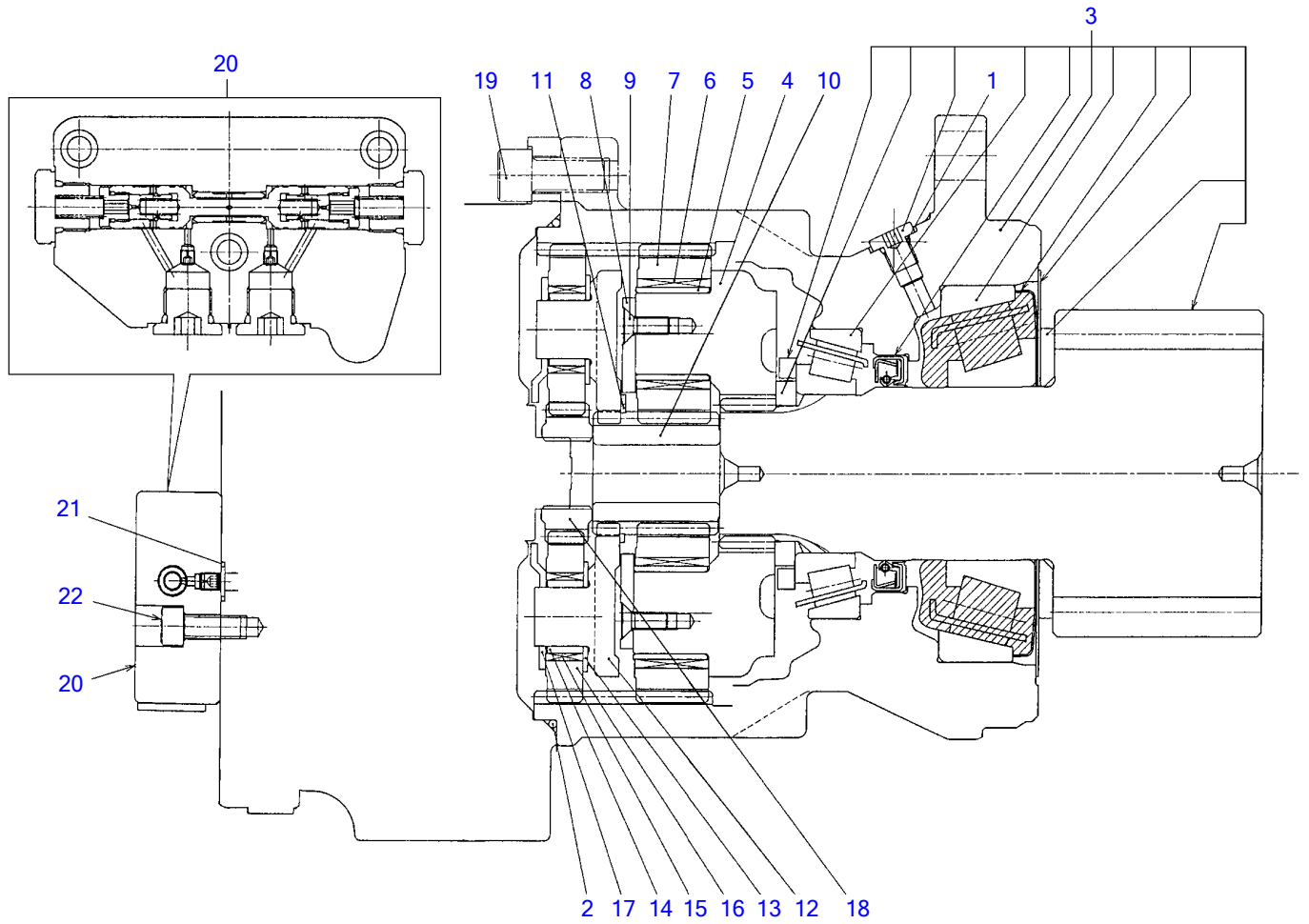
TB145 Book No. BK3Z010 S/N 14510004-  
**SLEW MOTOR (2/2) (motor sec. ; 14510010-14513260)**



**SLEW MOTOR (2/2) (motor sec. ; 14510010-14513260)**

Item	Part number	Description	Q'ty	Chan.	Serial No.	Serv.	Remarks
0	<b>1903120200</b>	MOTOR ASSY, slew	1				
0-3	X *****	• MOTOR, piston	1				
0-4	<b>1903904799</b>	• • KIT, seal	1				
1	X <b>1420010210</b>	• • • O-RING	2				
3	X <b>1420111200</b>	• • • O-RING	1				
4	X <b>1420111050</b>	• • • O-RING	1				
5	X <b>1420111150</b>	• • • O-RING	1				
7	X <b>1903120165</b>	• • • O-RING	1				
8	X <b>1420300253</b>	• • • O-RING	1				
9	X <b>1420010100</b>	• • • O-RING	6				
10	<b>1903904801</b>	• • CASE	1				
11	<b>1903904821</b>	• • COVER	1				
12	<b>1903904722</b>	• • POPPET	2				
13	<b>1903904723</b>	• • PLUG	2				
14	<b>1903904725</b>	• • SPRING	2				
15	<b>1901800047</b>	• • VALVE, relief	2				
16	<b>1420010320</b>	• • • O-RING	1				
17	<b>1421020320</b>	• • • RING, back-up	1				
18	<b>1420010150</b>	• • • O-RING	1				
19	<b>1420010160</b>	• • • O-RING	1				
20	<b>1421020150</b>	• • • RING, back-up	1				
21	<b>1421020160</b>	• • • RING, back-up	1				
22	<b>1901802713</b>	• • ORIFICE	1				
24	<b>1903120103</b>	• • SHAFT	1				
25	<b>1903920191</b>	• • KIT, block	1		14510010~14511202		
	<b>1903920291</b>	• • KIT, block	1		14511203~		
26	<b>1903106825</b>	• • PLATE	1		14510010~14511202		
	<b>1903904524</b>	• • PLATE	1		14511203~		
27	<b>1903106814</b>	• • PLATE	1		14510010~14511202		
	<b>1903904511</b>	• • PLATE	1		14511203~		
28	<b>1903106813</b>	• • HOLDER	1				
29	<b>1903904709</b>	• • PLATE	1				
30	<b>1903904711</b>	• • BEARING	1				
31	<b>1903107927</b>	• • BEARING	1				
32	<b>1903106808</b>	• • COLLAR	1				
33	<b>1903106809</b>	• • SPRING	1				
34	<b>1903007109</b>	• • WASHER	1				
35	<b>1903106812</b>	• • PIN	3				
36	<b>1212000412</b>	• • PIN	1				
37	<b>1903120119</b>	• • PIN	2				
38	<b>1221000037</b>	• • RING, snap	1				
39	<b>1110021260</b>	• • SCREW, cap	2				
40	<b>1110021235</b>	• • SCREW, cap	2				
41	<b>1903120136</b>	• • PISTON	1				
42	<b>1903120137</b>	• • COLLAR	1				
43	<b>1903120138</b>	• • PLATE	3				
44	<b>1903120139</b>	• • PLATE	3				
45	<b>1903120141</b>	• • SPRING	20				
46	<b>1901809000</b>	• • VALVE ASSY	1				
47	<b>1901809200</b>	• • VALVE ASSY	1				
48	<b>1420010140</b>	• • • O-RING	4				
49	<b>1110050825</b>	• • • SCREW, cap	3				
50	<b>1141190008</b>	• • • WASHER	3				
51	<b>1901809131</b>	• • • SEAL	3				
52	<b>1110020640</b>	• SCREW, cap	2				

**K3h273**



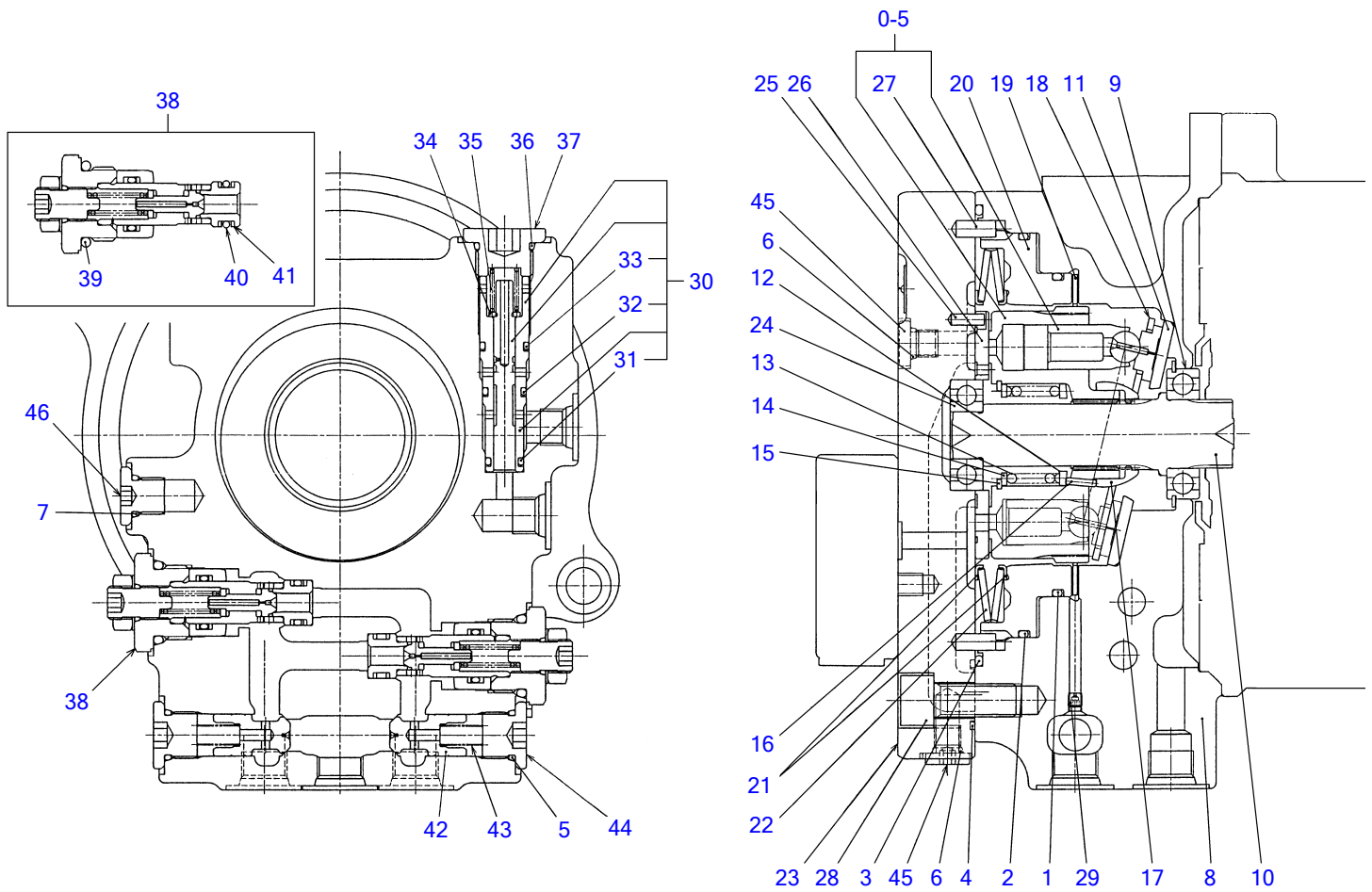
K3H263

S=free

**SLEW MOTOR (1/2) (reduction sec. ; 14513261-)**

Item	Part number	Description	Q'ty	Chan.	Serial No.	Serv.	Remarks
0	<b>1903122000</b>	MOTOR ASSY, slew	1				
0-1	X *****	• GEAR, reduction	1				X19129-07700
0-2	<b>1912907799</b>	• • KIT, seal	1				
1	X <b>1420010080</b>	• • • O-RING	1				
2	X <b>1420300260</b>	• • • O-RING	1				
3	<b>1912907798</b>	• • HOUSING ASSY	1				
4	<b>1912907011</b>	• • HOLDER	1				
5	<b>1912905415</b>	• • LACE, inner	4				
6	<b>1912905416</b>	• • BEARING	4				
7	<b>1912904517</b>	• • GEAR	4				
8	<b>1912907015</b>	• • PLATE, thrust	1				
9	<b>1912900714</b>	• • SCREW	4				
10	<b>1912906009</b>	• • GEAR	1				
11	<b>1220000042</b>	• • RING, snap	1				
12	<b>1912907019</b>	• • HOLDER	1				
13	<b>1912907020</b>	• • WASHER, thrust	3				
14	<b>1912900720</b>	• • LACE, inner	3				
15	<b>1912905422</b>	• • CAGE&ROLLER	3				
16	<b>1912907023</b>	• • GEAR	3				
17	<b>1912907097</b>	• • PLATE, thrust	1				
18	<b>1912907025</b>	• • GEAR	1				
19	<b>1110041230</b>	• SCREW, cap	2				
20	<b>1903119920</b>	• VALVE ASSY	1				
21	<b>1420010100</b>	• O-RING	3				
22	<b>1110040820</b>	• SCREW, cap	3				
	<b>K3h263</b>						

TB145 Book No. BK3Z010 S/N 14510004-  
SLEW MOTOR (2/2) (motor sec. ; 14513261-)



K3H274

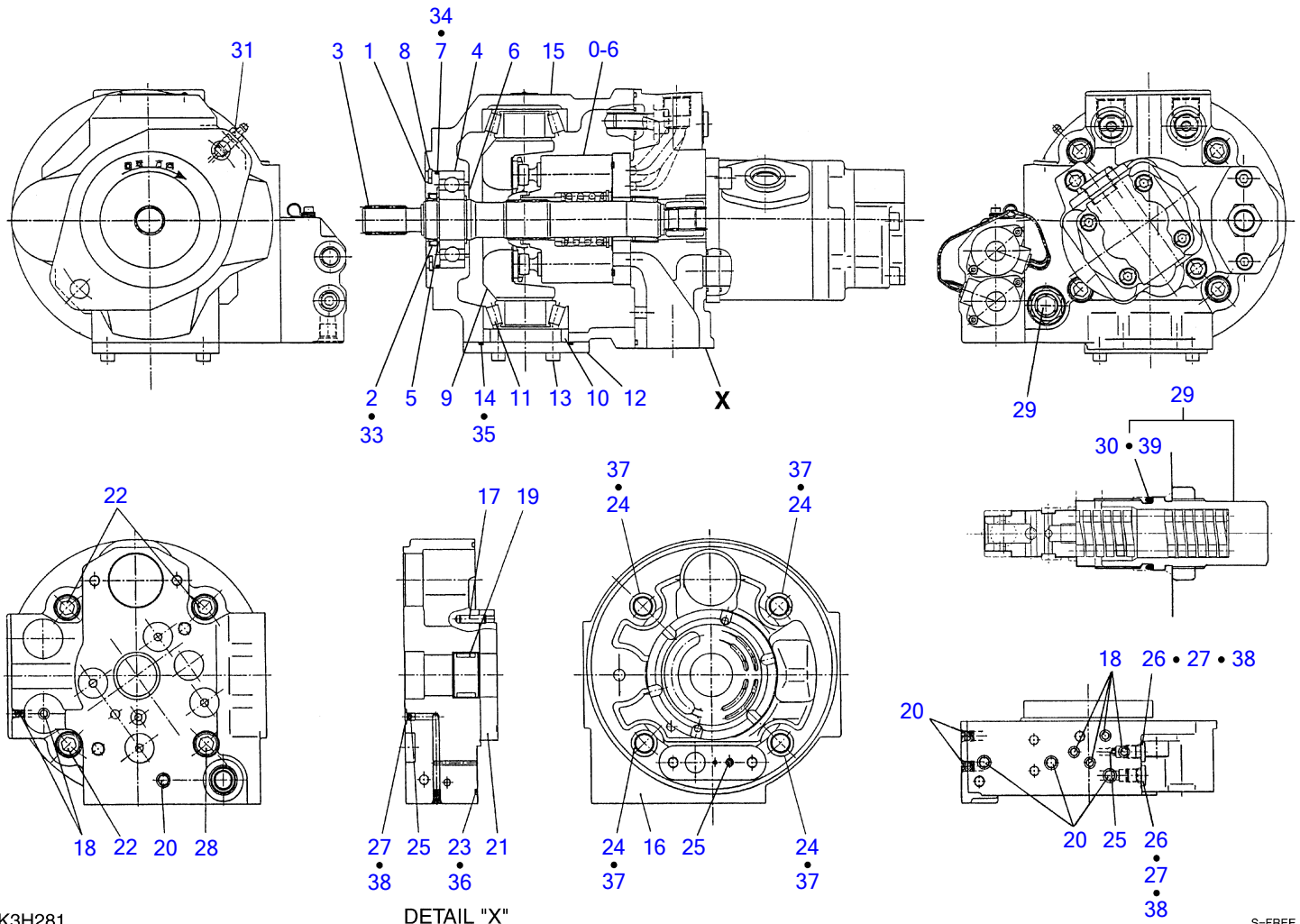
S=free

**SLEW MOTOR (2/2) (motor sec. ; 14513261-)**

Item	Part number	Description	Q'ty	Chan.	Serial No.	Serv.	Remarks
0	<b>1903122000</b>	MOTOR ASSY, slew	1				
0-3	X *****	• MOTOR, piston	1				X19039-06700
0-4	<b>1903906799</b>	• • KIT, seal	1				
1	X <b>1420111100</b>	• • • O-RING	1				
2	X <b>1420111350</b>	• • • O-RING	1				
3	X <b>1903007227</b>	• • • O-RING	1				
4	X <b>1420010210</b>	• • • O-RING	2				
5	X <b>1420010140</b>	• • • O-RING	2				
6	X <b>1420010080</b>	• • • O-RING	2				
7	X <b>1420010110</b>	• • • O-RING	1				
8	<b>1903906701</b>	• • CASE	1				
9	<b>1903904502</b>	• • BEARING, ball	1				
10	<b>1903904503</b>	• • SHAFT	1				
11	<b>1903904504</b>	• • PLATE, thrust	1				
0-5	<b>1903120698</b>	• • KIT, cylinder block	1				
12	<b>1903106808</b>	• • COLLAR	1				
13	<b>1903904507</b>	• • SPRING	1				
14	<b>1903904508</b>	• • WASHER	1				
15	<b>1221000037</b>	• • RING, snap	1				
16	<b>1903904510</b>	• • PIN	3				
17	<b>1903106813</b>	• • HOLDER	1				
18	<b>1903904511</b>	• • PLATE	1				
19	<b>1903904514</b>	• • DISK	1				
20	<b>1903904515</b>	• • PISTON	1				
21	<b>1903904518</b>	• • SHEET, spring	2				
22	<b>1903904519</b>	• • SPRING	1				
23	<b>1903904521</b>	• • COVER	1				
24	<b>1903107927</b>	• • BEARING	1				
25	<b>1903005224</b>	• • PIN	1				
26	<b>1903904524</b>	• • PLATE, valve	1				
27	<b>1903904525</b>	• • PIN	2				
28	<b>1110041230</b>	• • SCREW, cap	5				
29	<b>1901802713</b>	• • ORIFICE	1				
30	<b>1901809200</b>	• • VALVE ASSY	1				
31	<b>1420010101</b>	• • • O-RING	1				
32	<b>1420010120</b>	• • • O-RING	1				
33	<b>1420010140</b>	• • • O-RING	1				
34	<b>1141110008</b>	• • WASHER	1				
35	<b>1903904535</b>	• • SPRING	1				
36	<b>1420010180</b>	• • O-RING	1				
37	<b>1903904537</b>	• • PLUG	1				
38	<b>1903906798</b>	• • VALVE ASSY, relief	2				
39	<b>1420010240</b>	• • • O-RING	1				
40	<b>1420010120</b>	• • • O-RING	1				
41	<b>1421020120</b>	• • • RING, back-up	2				
42	<b>1903904539</b>	• • VALVE, check	2				
43	<b>1903904540</b>	• • SPRING	2				
44	<b>1903106843</b>	• • PLUG	2				
45	<b>1912905325</b>	• • PLUG	2				
46	<b>1903108655</b>	• • PLUG	1				

**K3h274**

TB145 Book No. BK3Z010 S/N 14510004-  
HYDRAULIC PUMP (1/3)



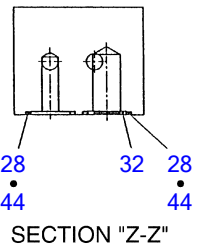
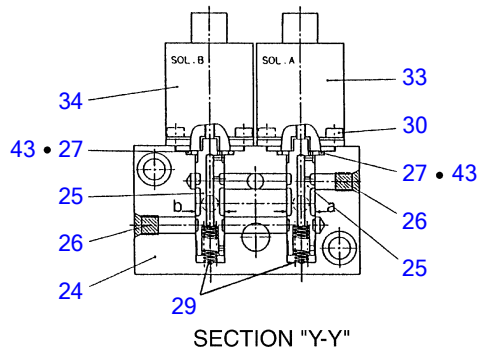
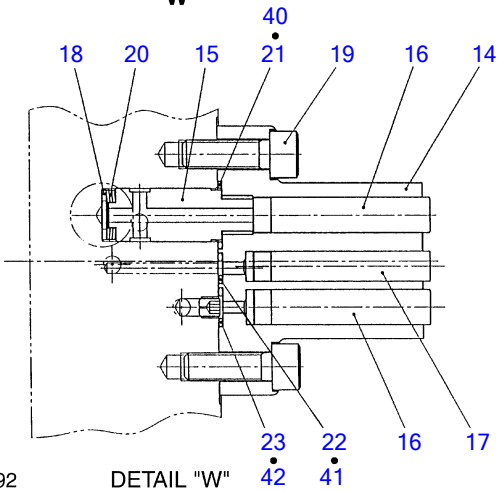
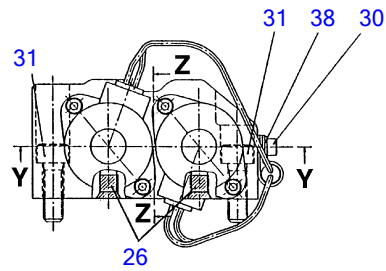
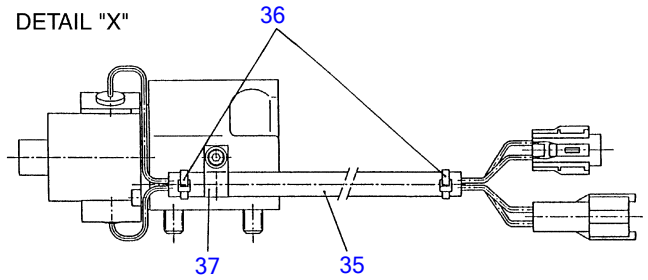
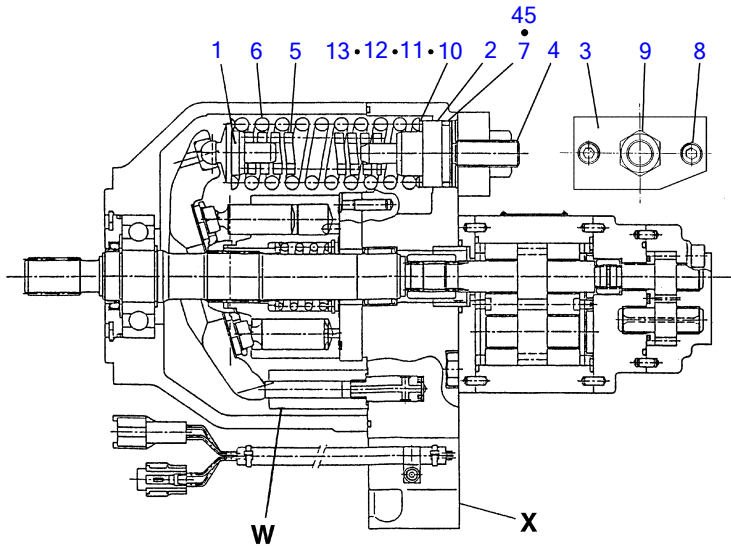


**HYDRAULIC PUMP (1/3)**

Item	Part number	Description	Q'ty	Chan.	Serial No.	Serv.	Remarks
0	1902017000	PUMP, hydraulic	1				
0-1	1902903400	· SHAFT ASSY	1				
0-2	1902903498	· · CASE ASSY, seal	1				
1	X *****	· · · CASE, seal	1				
2	X *****	· · · SEAL, dust	1				
3	1902903401	· · SHAFT	1				
4	1902903403	· · BEARING	1				
5	1220000028	· · RING, snap	1				
6	1220000030	· · RING, snap	1				
7	1420300147	· · O-RING	1				
8	1221000072	· · RING, snap	1				
0-3	1902017098	· HANGER ASSY	1				
0-4	X *****	· · HANGER ASSY	1				
0-5	1902906798	· · · HANGER SUB ASSY	1				
9	X *****	· · · · HANGER	1				
10	X *****	· · · · PIECE, distance	1				
11	X *****	· · · · BEARING	2				
12	1902903501	· · · PLATE	1				
13	1110020616	· · · SCREW, cap	4				
14	1420300144	· · · O-RING	1				
15	X *****	· · HOUSING	1				
0-6	1902906800	· ROTARY ASSY	1				
0-7	1902906900	· COVER ASSY	1				
0-8	1902906998	· · COVER SUB ASSY	1				
16	X *****	· · · COVER	1				
17	X *****	· · · PIN	2				
18	X *****	· · · PLUG	3				
19	X *****	· · · BEARING	1				
20	X *****	· · · PLUG	3				
21	1902906902	· · PLATE	1				
22	1110021230	· · SCREW, cap	3				
23	1420300168	· · O-RING	1				
24	1902903602	· · O-RING	4				
25	1902903603	· · ORIFICE	3				
26	1902900964	· · PLUG	2				
27	1420010080	· · O-RING	3				
28	1110021255	· · SCREW, cap	1				
29	1902017010	· VALVE, relief	1		14510004~14512075		
	1901800050	· VALVE, relief	1	(H)	14512076~		
30	1902903602	· · O-RING	1				
31	1902017011	· VALVE	1				
32	1902017099	· KIT, seal 1	1				
33	X *****	· · SEAL, dust	1				
34	1420300147	· · O-RING	1				
35	1420300144	· · O-RING	1				
36	1420300168	· · O-RING	1				
37	1902903602	· · O-RING	4				
38	1420010080	· · O-RING	3				
39	1902903602	· · O-RING	1				

K3h284

TB145 Book No. BK3Z010 S/N 14510004-  
HYDRAULIC PUMP (2/3)



K3H292

DETAIL "W"

SECTION "Y-Y"

SECTION "Z-Z"

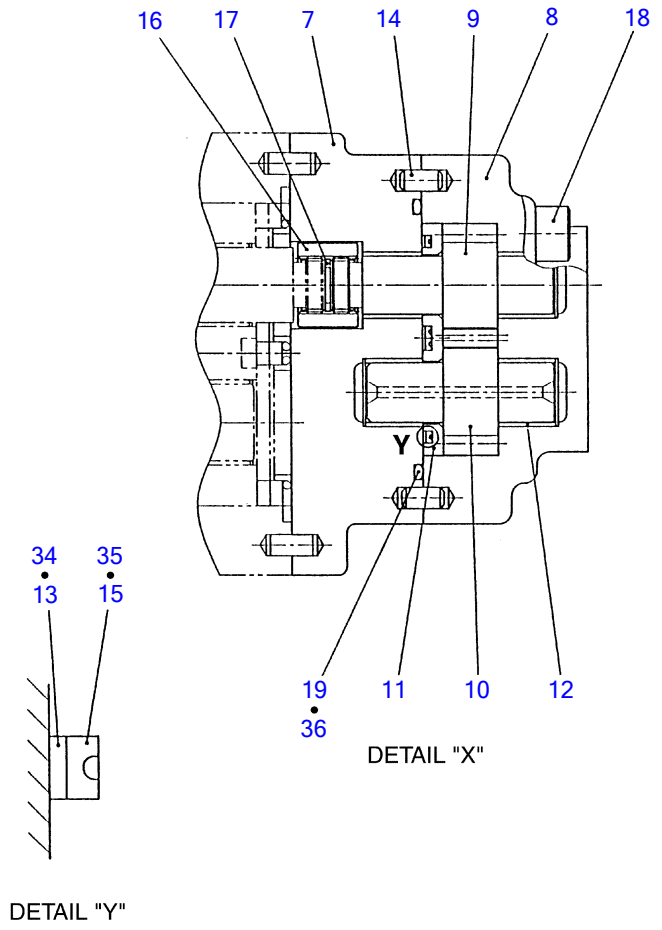
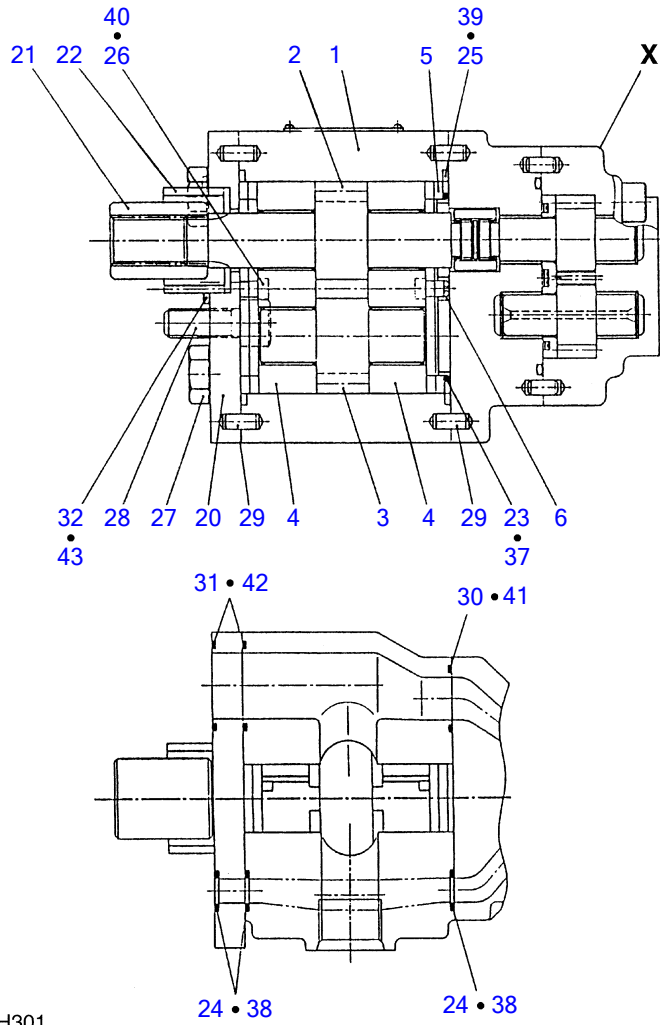
S=FREE

**HYDRAULIC PUMP (2/3)**

Item	Part number	Description	Q'ty	Chan.	Serial No.	Serv.	Remarks
0	1902017000	PUMP, hydraulic	1				
0-9	1902907000	• SPRING ASSY	1		14510004~14512075		
	1902909200	• SPRING ASSY	1	(H)	14512076~		
1	1902903502	• • HOLDER, spring	1				
2	1902907002	• • HOLDER, spring	1				
3	1902907003	• • COVER	1		14510004~14512075		
	1902909203	• • COVER	1	(H)	14512076~		
4	1902903505	• • SCREW	1				
5	1902903506	• • SPRING	1				
6	1902907006	• • SPRING	1				
7	1420000340	• • O-RING	1				
8	1110020830	• • SCREW, cap	2				
9	1130050016	• • NUT	1				
10	1902903508	• • SHIM t=0.3	2				
11	1902903509	• • SHIM t=0.5	2				
12	1902903510	• • SHIM t=1.0	2				
13	1902903511	• • SHIM t=2.0	2				
0-10	1902907100	• CONTROL ASSY, piston	1				
0-11	1902907198	• • CYLINDER ASSY	1				
14	X *****	• • • CYLINDER	1				
15	X *****	• • • PISTON	1				
16	1902907103	• • PIN	2				
17	1902903607	• • PIN	1				
18	1902907105	• • HOLDER, spring	1				
19	1110020825	• • SCREW, cap	2				
20	1902903608	• • WASHER, conical	3				
21	1420310016	• • O-RING	1				
22	1420310009	• • O-RING	1				
23	1420310011	• • O-RING	1				
0-12	1902907300	• VALVE ASSY	1				
0-13	1902907398	• • BODY SUB ASSY	1				
24	X *****	• • • BODY	1				
25	X *****	• • • SPOOL	2				
26	X *****	• • • PLUG	2				
27	1420000160	• • O-RING	2				
28	1420300017	• • O-RING	2				
29	1902012663	• • SPRING	2				
30	1110020410	• • SCREW, cap	5				
31	1110020825	• • SCREW, cap	2				
32	1902907309	• • ELEMENT, filter	1				
33	1902907310	• • SOLENOID	1				
34	1902907311	• • SOLENOID	1				
35	1902907313	• • COVER	1				
36	1902907314	• • BAND	2				
37	1902907315	• • CLAMP	1				
38	1141100004	• • WASHER	1				
39	1902017097	• KIT, seal 2	1				
40	1420310016	• • O-RING	1				
41	1420310009	• • O-RING	1				
42	1420310011	• • O-RING	1				
43	1420000160	• • O-RING	2				
44	1420300017	• • O-RING	2				
45	1420000340	• • O-RING	1				

K3h293

TB145 Book No. BK3Z010 S/N 14510004-  
 HYDRAULIC PUMP (3/3) (14510004-14512093)



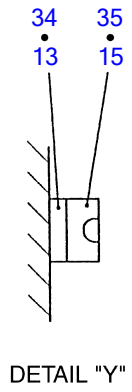
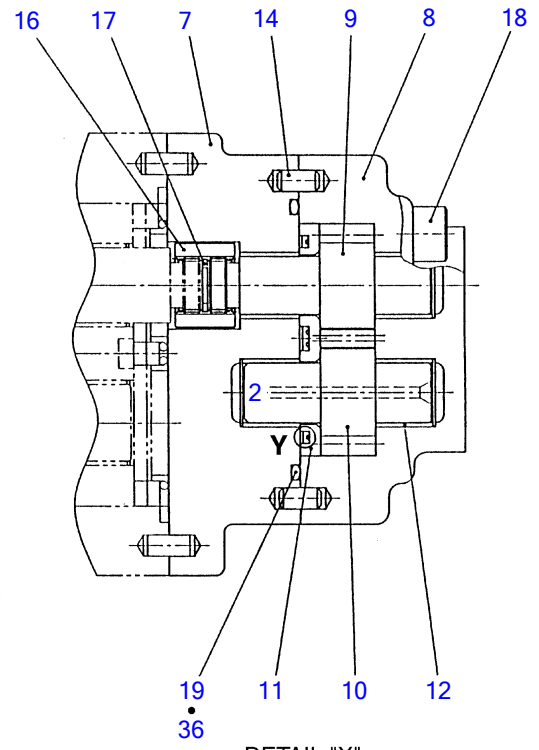
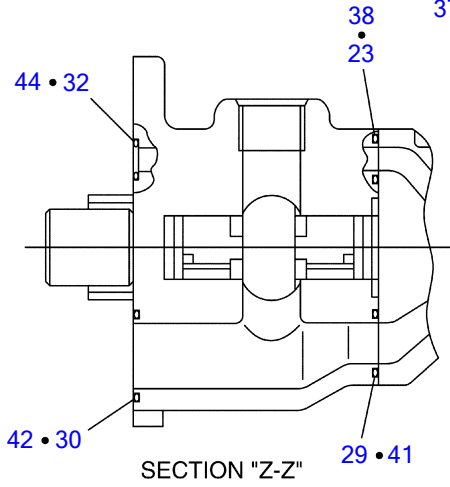
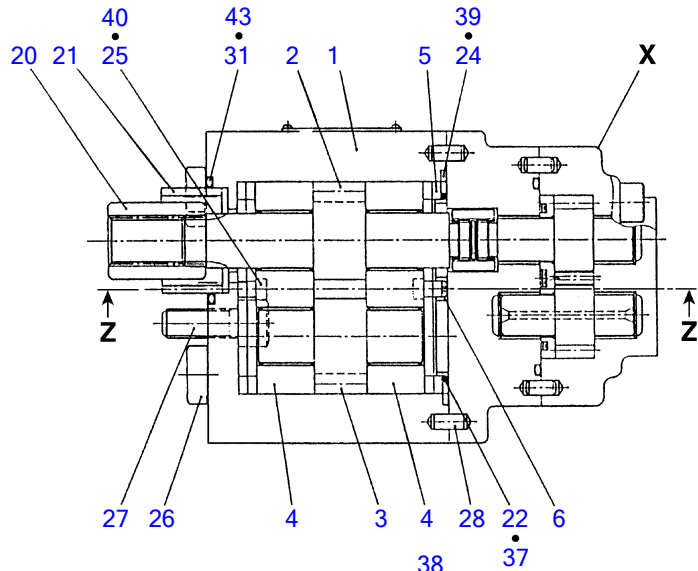
K3H301

S=FREE

**HYDRAULIC PUMP (3/3) (14510004-14512093)**

Item	Part number	Description	Q'ty	Chan.	Serial No.	Serv.	Remarks
0	<b>1902017000</b>	PUMP, hydraulic	1				
0-14	<b>1902907200</b>	· PUMP ASSY, gear	1				
0-15	<b>1902907298</b>	· · KIT, body	1				
1	X *****	· · · CASE	1				
2	X *****	· · · GEAR	1				
3	X *****	· · · GEAR	1				
4	X *****	· · · PLATE, side	2				
5	X *****	· · · PLATE	2				
6	X *****	· · · GUIDE	2				
0-16	<b>1902907400</b>	· · PUMP ASSY, sub gear	1				
0-17	<b>1902907498</b>	· · · KIT, body	1				
7	X *****	· · · · FRAME	1				
8	X *****	· · · · HOUSING	1				
9	X *****	· · · · GEAR	1				
10	X *****	· · · · GEAR	1				
11	X *****	· · · · PLATE, side	1				
12	X *****	· · · · METAL	4				
13	<b>1902905907</b>	· · · RING, back-up	1				
14	<b>1902900716</b>	· · · PIN	2				
15	<b>1902905908</b>	· · · RING	1				
16	<b>1902905909</b>	· · · RING	1				
17	<b>1221000012</b>	· · · RING, snap	1				
18	<b>1110020840</b>	· · · SCREW, cap	4				
19	<b>1420300138</b>	· · · O-RING	1				
20	<b>1902907202</b>	· · FRAME	1				
21	<b>1902907212</b>	· · COUPLING	1				
22	<b>1902907213</b>	· · BUSHING	1				
23	<b>1902901612</b>	· · O-RING	2				
24	<b>1420010100</b>	· · O-RING	3				
25	<b>1902901611</b>	· · RING	2				
26	<b>1902903714</b>	· · RING	2				
27	<b>1100051095</b>	· · BOLT	4				
28	<b>1110021025</b>	· · SCREW, cap	2				
29	<b>1902900716</b>	· · PIN	4				
30	<b>1420300018</b>	· · O-RING	1				
31	<b>1420300023</b>	· · O-RING	2				
32	<b>1420300128</b>	· · O-RING	1				
33	<b>1902907297</b>	· KIT, seal	1				
34	<b>1902905907</b>	· · RING, back-up	1				
35	<b>1902905908</b>	· · RING	1				
36	<b>1420300138</b>	· · O-RING	1				
37	<b>1902901612</b>	· · O-RING	2				
38	<b>1420010100</b>	· · O-RING	3				
39	<b>1902901611</b>	· · RING	2				
40	<b>1902903714</b>	· · RING	2				
41	<b>1420300018</b>	· · O-RING	1				
42	<b>1420300023</b>	· · O-RING	2				
43	<b>1420300128</b>	· · O-RING	1				
	<b>K3h301</b>						

TB145 Book No. BK3Z010 S/N 14510004-  
 HYDRAULIC PUMP (3/3) (14512094-)



K3H302

SECTION "Z-Z"

DETAIL "X"

DETAIL "Y"

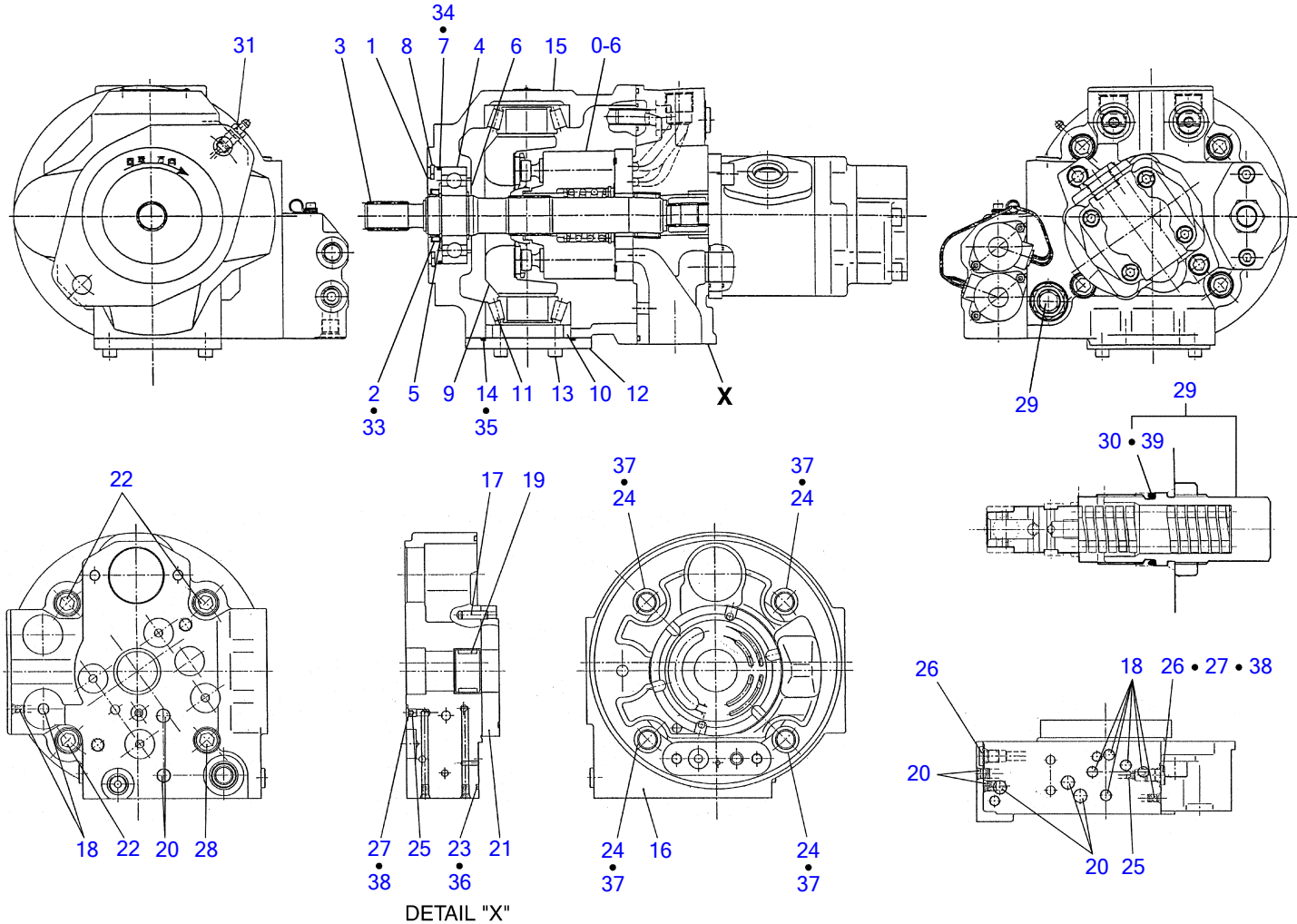
S=FREE

**HYDRAULIC PUMP (3/3) (14512094-)**

Item	Part number	Description	Q'ty	Chan.	Serial No.	Serv.	Remarks
0	<b>1902017000</b>	PUMP, hydraulic	1				
0-14	<b>1902909300</b>	· PUMP ASSY, gear	1				
0-15	<b>1902909398</b>	· · KIT, body	1				
1	X *****	· · · CASE	1				
2	X *****	· · · GEAR	1				
3	X *****	· · · GEAR	1				
4	X *****	· · · PLATE, side	2				
5	X *****	· · · PLATE	2				
6	X *****	· · · GUIDE	2				
0-16	<b>1902907400</b>	· · PUMP ASSY, sub gear	1				
0-17	<b>1902907498</b>	· · · KIT, body	1				
7	X *****	· · · · FRAME	1				
8	X *****	· · · · HOUSING	1				
9	X *****	· · · · GEAR	1				
10	X *****	· · · · GEAR	1				
11	X *****	· · · · PLATE, side	1				
12	X *****	· · · · METAL	4				
13	<b>1902905907</b>	· · · RING, back-up	1				
14	<b>1902900716</b>	· · · PIN	2				
15	<b>1902905908</b>	· · · RING	1				
16	<b>1902905909</b>	· · · RING	1				
17	<b>1221000012</b>	· · · RING, snap	1				
18	<b>1110020840</b>	· · · SCREW, cap	4				
19	<b>1420300138</b>	· · · O-RING	1				
20	<b>1902907212</b>	· · COUPLING	1				
21	<b>1902907213</b>	· · BUSHING	1				
22	<b>1902901612</b>	· · O-RING	2				
23	<b>1420300014</b>	· · O-RING	1				
24	<b>1902901611</b>	· · RING	1				
25	<b>1902903714</b>	· · RING	2				
26	<b>1100051090</b>	· · BOLT	4				
27	<b>1110051025</b>	· · SCREW, cap	2				
28	<b>1902900716</b>	· · PIN	2				
29	<b>1420300018</b>	· · O-RING	1				
30	<b>1420300023</b>	· · O-RING	1				
31	<b>1420300128</b>	· · O-RING	1				
32	<b>1420010100</b>	· · O-RING	1				
33	<b>1902909399</b>	· KIT, seal	1				
34	<b>1902905907</b>	· · RING, back-up	1				
35	<b>1902905908</b>	· · RING	1				
36	<b>1420300138</b>	· · O-RING	1				
37	<b>1902901612</b>	· · O-RING	2				
38	<b>1420300014</b>	· · O-RING	1				
39	<b>1902901611</b>	· · RING	1				
40	<b>1902903714</b>	· · RING	2				
41	<b>1420300018</b>	· · O-RING	1				
42	<b>1420300023</b>	· · O-RING	1				
43	<b>1420300128</b>	· · O-RING	1				
44	<b>1420010100</b>	· · O-RING	1				

**K3h302**

TB145 Book No. BK3Z010 S/N 14510004-  
 HYDRAULIC PUMP (1/3) (for air conditioner)



K3H311

S=FREE

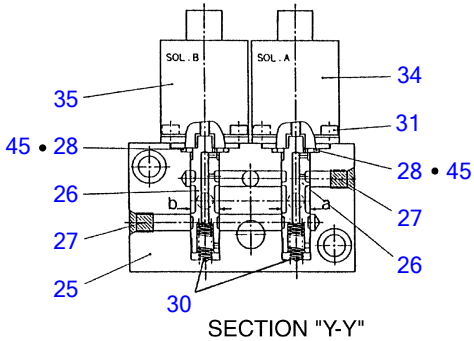
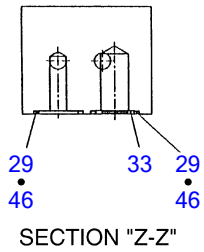
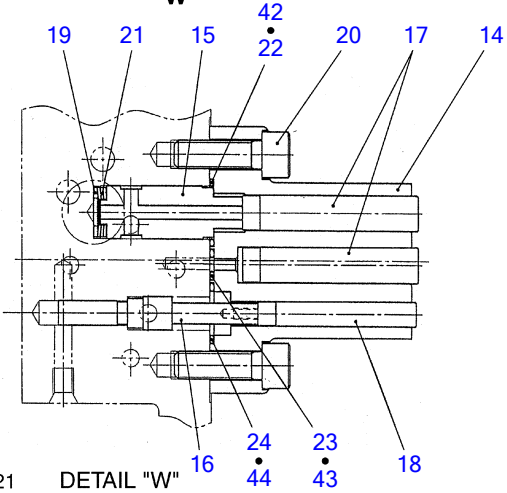
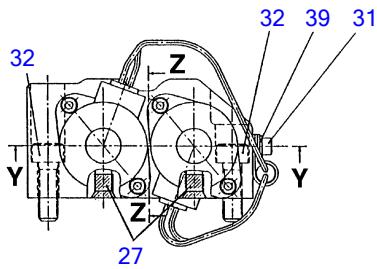
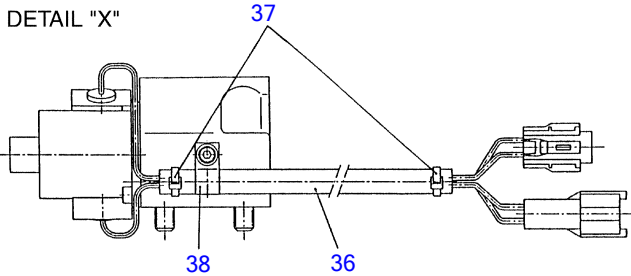
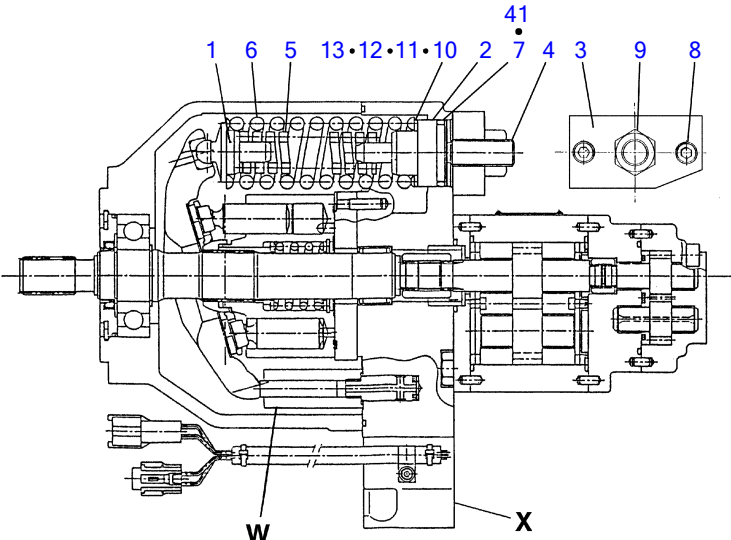


**HYDRAULIC PUMP (1/3) (for air conditioner)**

Item	Part number	Description	Q'ty	Chan.	Serial No.	Serv.	Remarks
0	1902017100	PUMP, hydraulic	1				
0-1	1902903400	· SHAFT ASSY	1				
0-2	1902903498	· · CASE ASSY, seal	1				
1	X *****	· · · CASE, seal	1				
2	X *****	· · · SEAL, dust	1				
3	1902903401	· · SHAFT	1				
4	1902903403	· · BEARING	1				
5	1220000028	· · RING, snap	1				
6	1220000030	· · RING, snap	1				
7	1420300147	· · O-RING	1				
8	1221000072	· · RING, snap	1				
0-3	1902017098	· HANGER ASSY	1				
0-4	X *****	· · HANGER ASSY	1				
0-5	1902906798	· · · HANGER SUB ASSY	1				
9	X *****	· · · · HANGER	1				
10	X *****	· · · · PIECE, distance	1				
11	X *****	· · · · BEARING	2				
12	1902903501	· · · PLATE	1				
13	1110020616	· · · SCREW, cap	4				
14	1420300144	· · · O-RING	1				
15	X *****	· · HOUSING	1				
0-6	1902906800	· ROTARY ASSY	1				
0-7	1902907500	· COVER ASSY	1				
0-8	1902907598	· · COVER SUB ASSY	1				
16	X *****	· · · COVER	1				
17	X *****	· · · PIN	2				
18	X *****	· · · PLUG	4				
19	X *****	· · · BEARING	1				
20	X *****	· · · PLUG	4				
21	1902906902	· · PLATE	1				
22	1110021230	· · SCREW, cap	3				
23	1420300168	· · O-RING	1				
24	1902903602	· · O-RING	4				
25	1902903603	· · ORIFICE	2				
26	1902905703	· · PLUG	2				
27	1420010080	· · O-RING	1				
28	1110021255	· · SCREW, cap	1				
29	1902017010	· VALVE, relief	1		14510004~14512075		
	1901800050	· VALVE, relief	1	(H)	14512076~		
30	1902903602	· · O-RING	1				
31	1902017011	· VALVE	1				
32	1902017099	· KIT, seal 1	1				
33	X *****	· · SEAL, dust	1				
34	1420300147	· · O-RING	1				
35	1420300144	· · O-RING	1				
36	1420300168	· · O-RING	1				
37	1902903602	· · O-RING	4				
38	1420010080	· · O-RING	3				
39	1902903602	· · O-RING	1				

K3h313

TB145 Book No. BK3Z010 S/N 14510004-  
 HYDRAULIC PUMP (2/3) (for air conditioner)



K3H321 DETAIL "W"

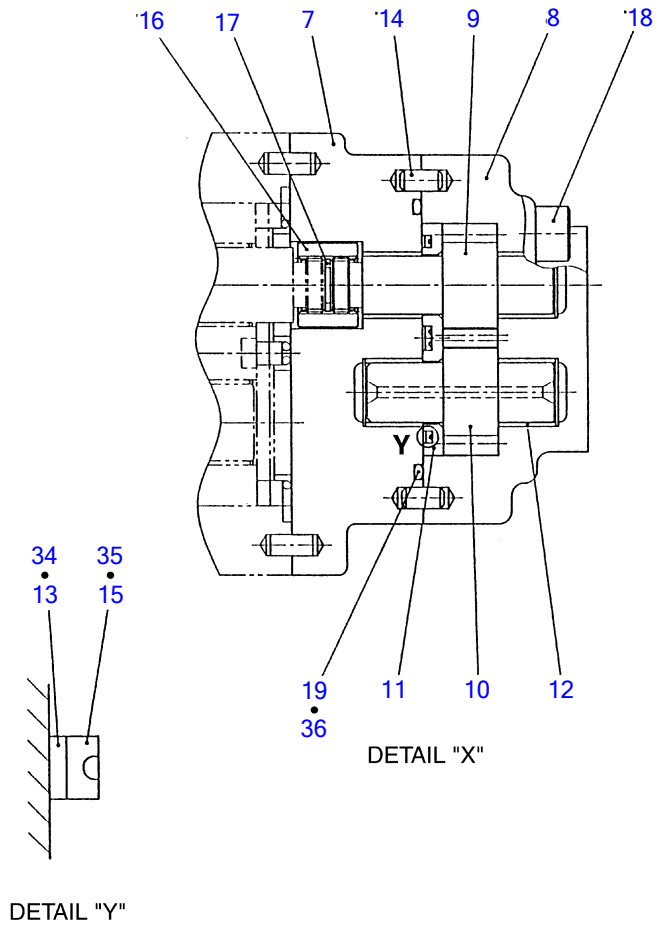
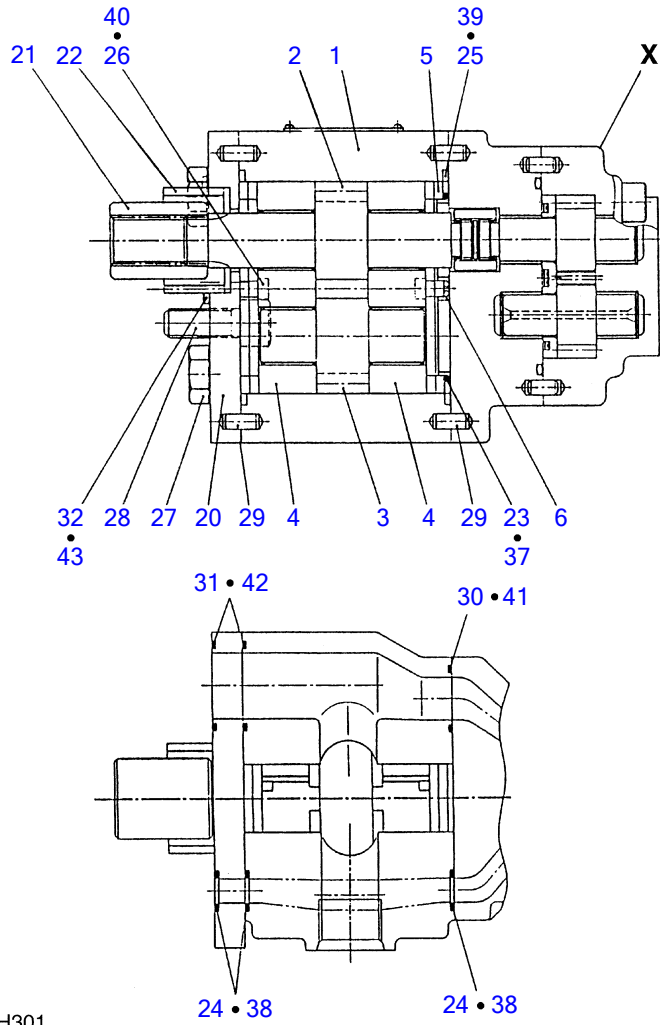
S=FREE

**HYDRAULIC PUMP (2/3) (for air conditioner)**

Item	Part number	Description	Q'ty	Chan.	Serial No.	Serv.	Remarks
0	1902017100	PUMP, hydraulic	1				
0-9	1902907000	• SPRING ASSY	1		14510004~14512075		
	1902909200	• SPRING ASSY	1	(H)	14512076~		
1	1902903502	• • HOLDER, spring	1				
2	1902907002	• • HOLDER, spring	1				
3	1902907003	• • COVER	1		14510004~14512075		
	1902909203	• • COVER	1	(H)	14512076~		
4	1902903505	• • SCREW	1				
5	1902903506	• • SPRING	1				
6	1902907006	• • SPRING	1				
7	1420000340	• • O-RING	1				
8	1110020830	• • SCREW, cap	2				
9	1130050016	• • NUT	1				
10	1902903508	• • SHIM t=0.3	2				
11	1902903509	• • SHIM t=0.5	2				
12	1902903510	• • SHIM t=1.0	2				
13	1902903511	• • SHIM t=2.0	2				
0-10	1902907600	• CONTROL ASSY, piston	1				
0-11	1902907698	• • CYLINDER ASSY	1				
14	X *****	• • • CYLINDER	1				
15	X *****	• • • PISTON	1				
16	X *****	• • • PISTON	1				
17	1902907103	• • PIN	2				
18	1902907604	• • PIN	1				
19	1902907105	• • HOLDER, spring	1				
20	1110020825	• • SCREW, cap	2				
21	1902903608	• • WASHER, conical	3				
22	1420310016	• • O-RING	1				
23	1420310009	• • O-RING	1				
24	1420310015	• • O-RING	1				
0-12	1902907300	• VALVE ASSY	1				
0-13	1902907398	• • BODY SUB ASSY	1				
25	X *****	• • • BODY	1				
26	X *****	• • • SPOOL	2				
27	X *****	• • • PLUG	2				
28	1420000160	• • O-RING	2				
29	1420300017	• • O-RING	2				
30	1902012663	• • SPRING	2				
31	1110020410	• • SCREW, cap	5				
32	1110020825	• • SCREW, cap	2				
33	1902907309	• • ELEMENT, filter	1				
34	1902907310	• • SOLENOID	1				
35	1902907311	• • SOLENOID	1				
36	1902907313	• • COVER	1				
37	1902907314	• • BAND	2				
38	1902907315	• • CLAMP	1				
39	1141100004	• • WASHER	1				
40	1902017199	• KIT, seal 2	1				
41	1420000340	• • O-RING	1				
42	1420310016	• • O-RING	1				
43	1420310009	• • O-RING	1				
44	1420310015	• • O-RING	1				
45	1420000160	• • O-RING	2				
46	1420300017	• • O-RING	2				

K3h322

TB145 Book No. BK3Z010 S/N 14510004-  
 HYDRAULIC PUMP (3/3) (for air conditioner; 14510004-14512093)



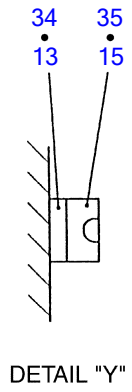
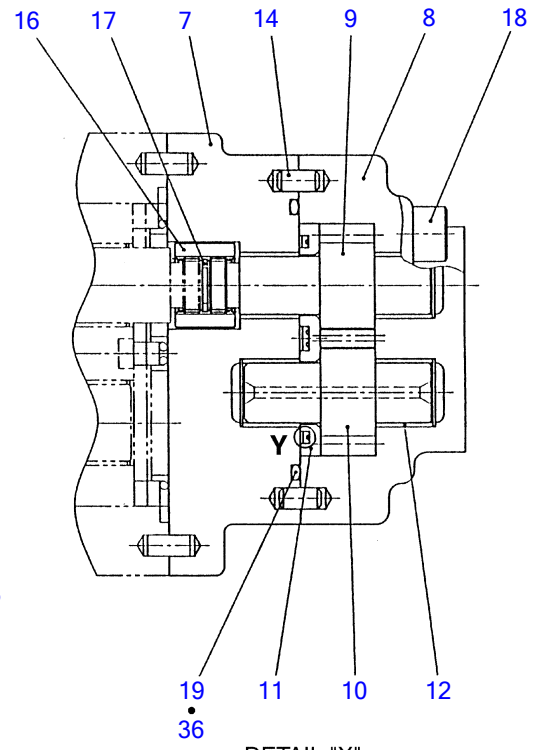
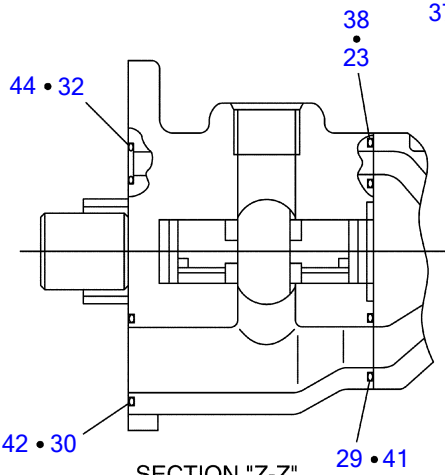
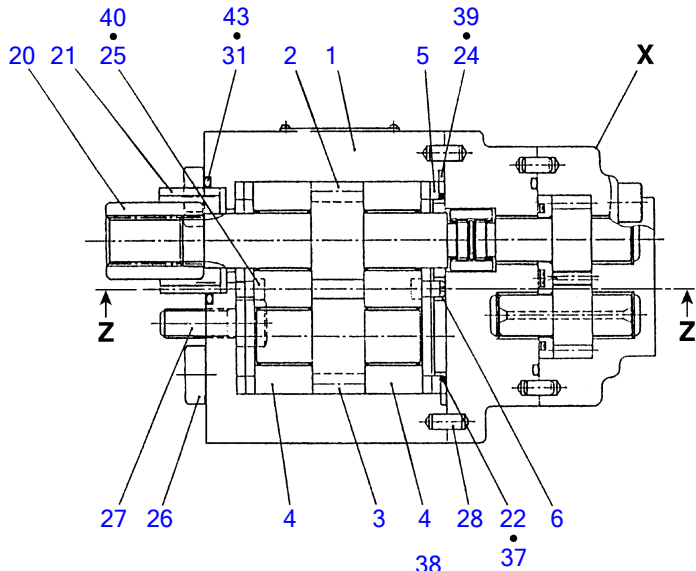
K3H301

S=FREE

**HYDRAULIC PUMP (3/3) (for air conditioner; 14510004-14512093)**

Item	Part number	Description	Q'ty	Chan.	Serial No.	Serv.	Remarks
0	<b>1902017100</b>	PUMP, hydraulic	1				
0-14	<b>1902907200</b>	· PUMP ASSY, gear	1				
0-15	<b>1902907298</b>	· · KIT, body	1				
1	X *****	· · · CASE	1				
2	X *****	· · · GEAR	1				
3	X *****	· · · GEAR	1				
4	X *****	· · · PLATE, side	2				
5	X *****	· · · PLATE	2				
6	X *****	· · · GUIDE	2				
0-16	<b>1902907400</b>	· · PUMP ASSY, sub gear	1				
0-17	<b>1902907498</b>	· · · KIT, body	1				
7	X *****	· · · · FRAME	1				
8	X *****	· · · · HOUSING	1				
9	X *****	· · · · GEAR	1				
10	X *****	· · · · GEAR	1				
11	X *****	· · · · PLATE, side	1				
12	X *****	· · · · METAL	4				
13	<b>1902905907</b>	· · · RING, back-up	1				
14	<b>1902900716</b>	· · · PIN	2				
15	<b>1902905908</b>	· · · RING	1				
16	<b>1902905909</b>	· · · RING	1				
17	<b>1221000012</b>	· · · RING, snap	1				
18	<b>1110020840</b>	· · · SCREW, cap	4				
19	<b>1420300138</b>	· · · O-RING	1				
20	<b>1902907202</b>	· · FRAME	1				
21	<b>1902907212</b>	· · COUPLING	1				
22	<b>1902907213</b>	· · BUSHING	1				
23	<b>1902901612</b>	· · O-RING	2				
24	<b>1420010100</b>	· · O-RING	3				
25	<b>1902901611</b>	· · RING	2				
26	<b>1902903714</b>	· · RING	2				
27	<b>1100051095</b>	· · BOLT	4				
28	<b>1110021025</b>	· · SCREW, cap	2				
29	<b>1902900716</b>	· · PIN	4				
30	<b>1420300018</b>	· · O-RING	1				
31	<b>1420300023</b>	· · O-RING	2				
32	<b>1420300128</b>	· · O-RING	1				
33	<b>1902907297</b>	· KIT, seal	1				
34	<b>1902905907</b>	· · RING, back-up	1				
35	<b>1902905908</b>	· · RING	1				
36	<b>1420300138</b>	· · O-RING	1				
37	<b>1902901612</b>	· · O-RING	2				
38	<b>1420010100</b>	· · O-RING	3				
39	<b>1902901611</b>	· · RING	2				
40	<b>1902903714</b>	· · RING	2				
41	<b>1420300018</b>	· · O-RING	1				
42	<b>1420300023</b>	· · O-RING	2				
43	<b>1420300128</b>	· · O-RING	1				
	<b>K3h331</b>						

TB145 Book No. BK3Z010 S/N 14510004-  
 HYDRAULIC PUMP (3/3) (for air conditioner; 14512094-)



K3H302

SECTION "Z-Z"

DETAIL "X"

DETAIL "Y"

S=FREE

HYDRAULIC PUMP (3/3) (for air conditioner; 14512094-)

Item	Part number	Description	Q'ty	Chan.	Serial No.	Serv.	Remarks
0	1902017100	PUMP, hydraulic	1				
0-14	1902909400	· PUMP ASSY, gear	1				
0-15	1902909498	· · KIT, body	1				
1	X *****	· · · CASE	1				
2	X *****	· · · GEAR	1				
3	X *****	· · · GEAR	1				
4	X *****	· · · PLATE, side	2				
5	X *****	· · · PLATE	2				
6	X *****	· · · GUIDE	2				
0-16	1902907400	· · PUMP ASSY, sub gear	1				
0-17	1902907498	· · · KIT, body	1				
7	X *****	· · · · FRAME	1				
8	X *****	· · · · HOUSING	1				
9	X *****	· · · · GEAR	1				
10	X *****	· · · · GEAR	1				
11	X *****	· · · · PLATE, side	1				
12	X *****	· · · · METAL	4				
13	1902905907	· · · RING, back-up	1				
14	1902900716	· · · PIN	2				
15	1902905908	· · · RING	1				
16	1902905909	· · · RING	1				
17	1221000012	· · · RING, snap	1				
18	1110020840	· · · SCREW, cap	4				
19	1420300138	· · · O-RING	1				
20	1902907212	· · COUPLING	1				
21	1902907213	· · BUSHING	1				
22	1902901612	· · O-RING	2				
23	1420300014	· · O-RING	1				
24	1902901611	· · RING	1				
25	1902903714	· · RING	2				
26	1100051090	· · BOLT	4				
27	1110051025	· · SCREW, cap	2				
28	1902900716	· · PIN	2				
29	1420300018	· · O-RING	1				
30	1420300023	· · O-RING	1				
31	1420300128	· · O-RING	1				
32	1420010100	· · O-RING	1				
33	1902909399	· KIT, seal	1				
34	1902905907	· · RING, back-up	1				
35	1902905908	· · RING	1				
36	1420300138	· · O-RING	1				
37	1902901612	· · O-RING	2				
38	1420300014	· · O-RING	1				
39	1902901611	· · RING	1				
40	1902903714	· · RING	2				
41	1420300018	· · O-RING	1				
42	1420300023	· · O-RING	1				
43	1420300128	· · O-RING	1				
44	1420010100	· · O-RING	1				

K3h332





# How to read this Parts Catalog.

1. Parts mentioned in this Parts Catalog may not necessarily be standard equipping parts.
2. Parts change may be made without prior notice.
3. Form of this Parts Catalog.

Y00F2161 (1997.09.01)

**Fig. 29 燃料噴射ポンプ(ブーコン用)**  
**FUEL INJECTION PUMP (W/BOOST)**

●見出 REF.No.		レベル LEV.	部品番号 PARTS No.	部品名	DESCRIPTION	個数 (Qty)						備考
		0				A	B	C	D	E	F	
1	1-1	●	729595-51390	F0#ポンプ ASY(7-コック)	FULE INJECTION PUMP	1	1	1	1	1	1	1
		●	729595-51391	F0#ポンプ ASY(7-コック)	FULE INJECTION PUMP	1	1	1	1	1	1	1
		●	(A=E/#00185)(B=E/#00200)									
3		●●	26022-060162	ナメネジ M 6X 16	SCREW M 6X 16	9	9	9	9	9		
I 3-1		●●	26022-060162	ナメネジ M 6X 16	SCREW M 6X 16	4	4	4	4	4		K
			(A=E/#00185)(B=E/#00200)(C=E/#00156)(D=E/#00156)(E=E/#00156)									
4		●●	129470-51040	カムシャフト	CAMSHAFT	1	1	1	1	1		
5		●●	122710-51050	ベアリングローラ	BEARING, ROLLER	2	2	2	2	2		
6		●●	129470-51060	ベアリングホルダ	RETAINER	1	1	1	1	1		

<b>備考</b>	<b>Remarks</b>
(1) ブーストコンペンセータ付き。4JH-DT, 4JH-DTZとも E/# 00155 までは、特別注文仕様とします	(1) BOOST COMPENSATOR TYPE. OPTIONAL PART, TO E/# 00155, (4JH - DT, 4JH - DTZ)

**① Ref. No.**

The Ref. No. in the list may not be accord with the Ref. No. on illustration.  
(Ex.) Illustration No.                      List head No.

1    1 (Befor change)                      →                      1 -1 (After change)

When interchangeable symbol N, R, and K, illustrations for new parts are sometimes omitted.

**② Lev.(Level)**

Indication and Meaning of Level

Level: Hereunder is given the relation among the number of dots(●), the level and the nominal parent-child relationship.

- .....Parent parts(Assembly parts)
- .....Child parts included in "●" (Semi- Assembly parts, component parts of Assembly parts.)
- .....Child parts included in "●●", Grand-child parts in terms of "●".  
(Component parts of Semi- Assembly parts.)

Note) A parts of non- sale parts are illustrated but not listed.

**③ Change Mark**

Change Mark "I" is given to the part for which a design change was made at this time.  
The design change was not shown in the last published Parts Catalog.

**④ Interchangeability Mark**

In the case where a part change took place, one of the following interchangeability marks is indicated for that part.

Symbol	interchangeability	Contents note
N	Old $\longleftrightarrow$ New	New Part is interchangeable for Old Part but not interchangeable conversely.
Q	Old $\longleftrightarrow$ New	New Part is not interchangeable for Old Part but interchangeable conversely.
R	Old $\longleftrightarrow$ New	New Part is interchangeable for Old Part and vice versa.
S	Old $\longleftrightarrow$ New	New Part is not interchangeable for Old Part and vice versa.
W		Part newly added.
Z		Part discontinued.
F		Not interchangeable single part but interchangeable by set of the related parts.
K		Changed only in quantity used.

**⑤ Effective Machine No.**

When a part is changed, Effective Machine No. of a Model for which the part is applicable is indication in each column of (A)- (F).

Product Symbol	Product No.	Product Symbol	Product No.
C	Clutch No. Compressor No.	M	Machine No.
D	Drive No.	T	Tractor No.
E	Engine No.	Note1) ※	Date

Note1) Date may follow the symbol in some cases. (Ex.) ※ 1996.01

Note2) As far as engine models shown by "XXX" are concerned, the modification of the parts could not be predicted or the engine models themselves could not be identified.

Note3) (A=E/#00185) means that the design change on the part has been effective for the model at the column (A) (in this case, for 4JH- DT) on and from E/# (Engine Serial Number) 00185.

**⑥ Remarks Mark**

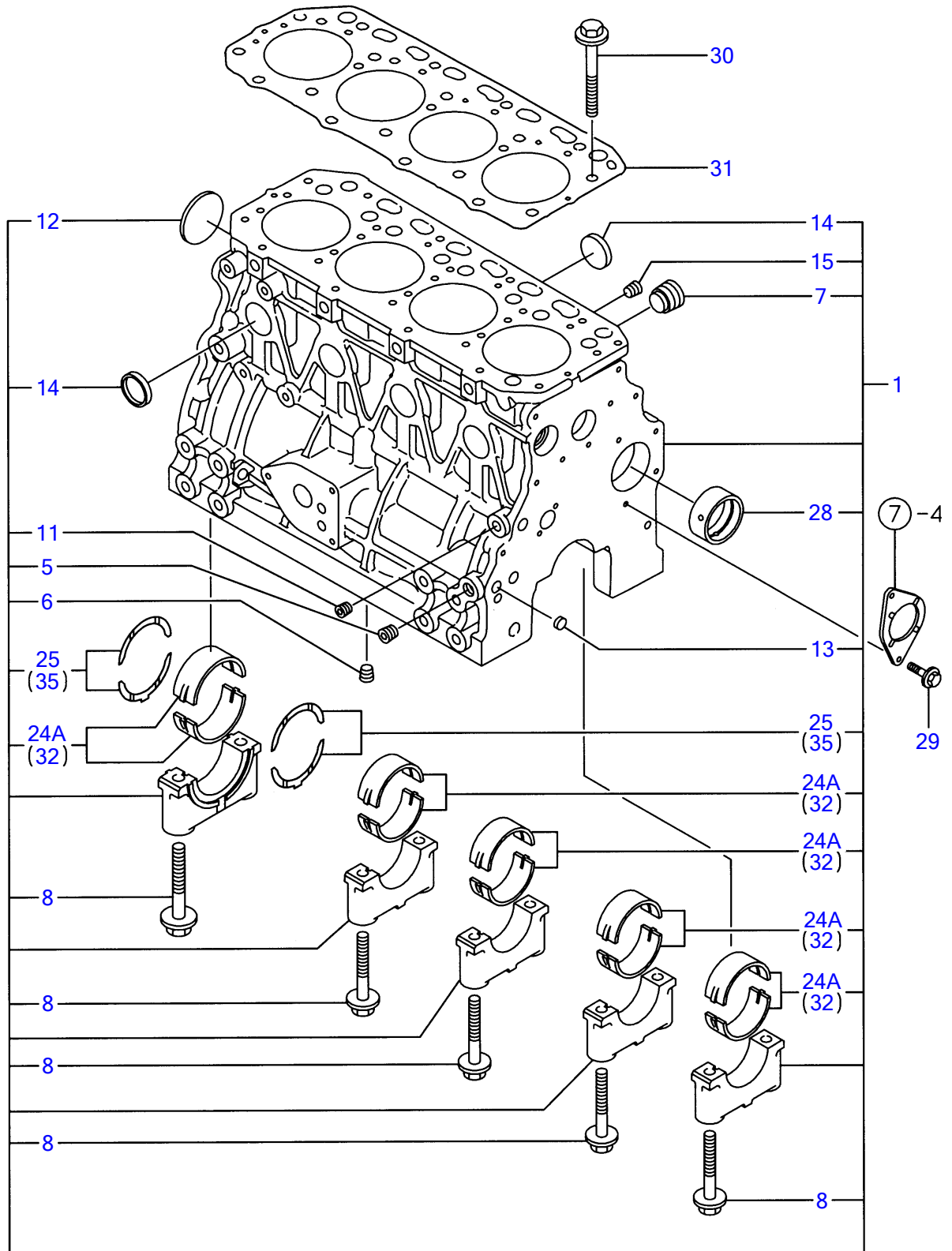
Figures or alphabets (Symbols) are entered in the remark column.

The comments (remarks) on the pertinent parts are indicated in the lower part of the list by the same symbols as those stated above.

Engine for TB145 4TNE88-(E)TB(1)(Z) S/N 14510004-14513260  
CYLINDER BLOCK

Y00D6852  
4TNE88-(E)TB(1,Z)

1 シリンダブロック  
1 CYLINDER BLOCK

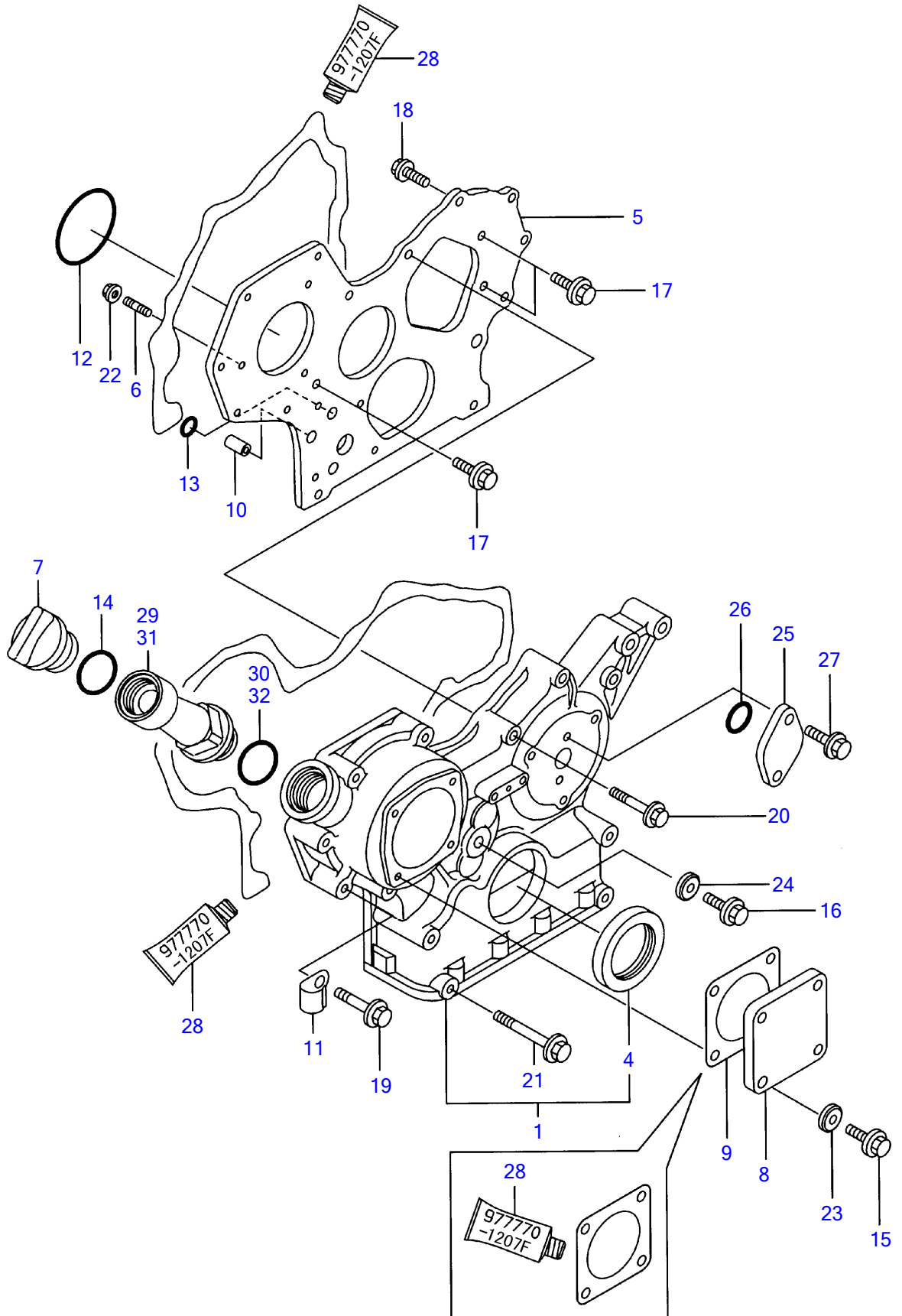


REF NO.	PARTS NO.	Description	Q'ty	I	R	Notes
1	Y729407-01561	1/4 CYLINDER BLOCK ASSY, CMP	1			
5	Y124160-01910	• 1/8 x 3/8 PT1/4	2			
6	Y124160-01910	• 1/8 x 3/8 PT1/4	1			
7	Y171051-01921	• 1/8 x 3/8 NPTF1	1			
8	Y129150-02020	• 1/2 BOLT (0.25) METAL CAP	10			
11	Y23871-010000	• 1/8 x 3/8 PT 1/8	1			
11- 1	Y23876-010000	• 1/8 x 3/8 PT1/8 (ALL=EXXX)	1	N		
12	Y27231-500000	• 50 PLUG	1			
12- 1	Y129001-01250	• 50 PLUG (ALL=EXXX)	1	N		
13	Y27241-120000	• 12 PLUG	2			
14	Y27241-300000	• 30 PLUG	8			
15	Y23871-030000	• 3/8 x 1/8 PT 3/8	1			
15- 1	Y23876-030000	• 3/8 x 1/8 PT 3/8 (ALL=EXXX)	1	N		
24A	Y129001-02930	• MAIN BEARING SET (STD) (0.25)	5	W		(3) 1/2 BOLT (0.25)
25	Y129150-02930	• METAL, THRUST	2			
28	Y129795-02411	• BUSH, CAMSHAFT	1			
29	Y26106-080162	• BOLT M 8X 16 PLATED	2			
30	Y129150-01200	• STUD, CYL. HEAD	18			
31	Y129407-01340	• GASKET, CYL. HEAD	1			
32	Y129150-02870	• MAIN METAL US=0.25	5			(1) 1/2 BOLT (U.S.=0.25)
35	Y129150-02940	• METAL, THRUST.25(2PIE)	1			(2) 1/2 BOLT (O.S.=0.25)

Engine for TB145 4TNE88-(E)TB(1)(Z) S/N 14510004-14513260  
GEAR HOUSING

Y00D6852  
4TNE88-(E)TB(1,Z)

ギヤケース  
GEAR HOUSING

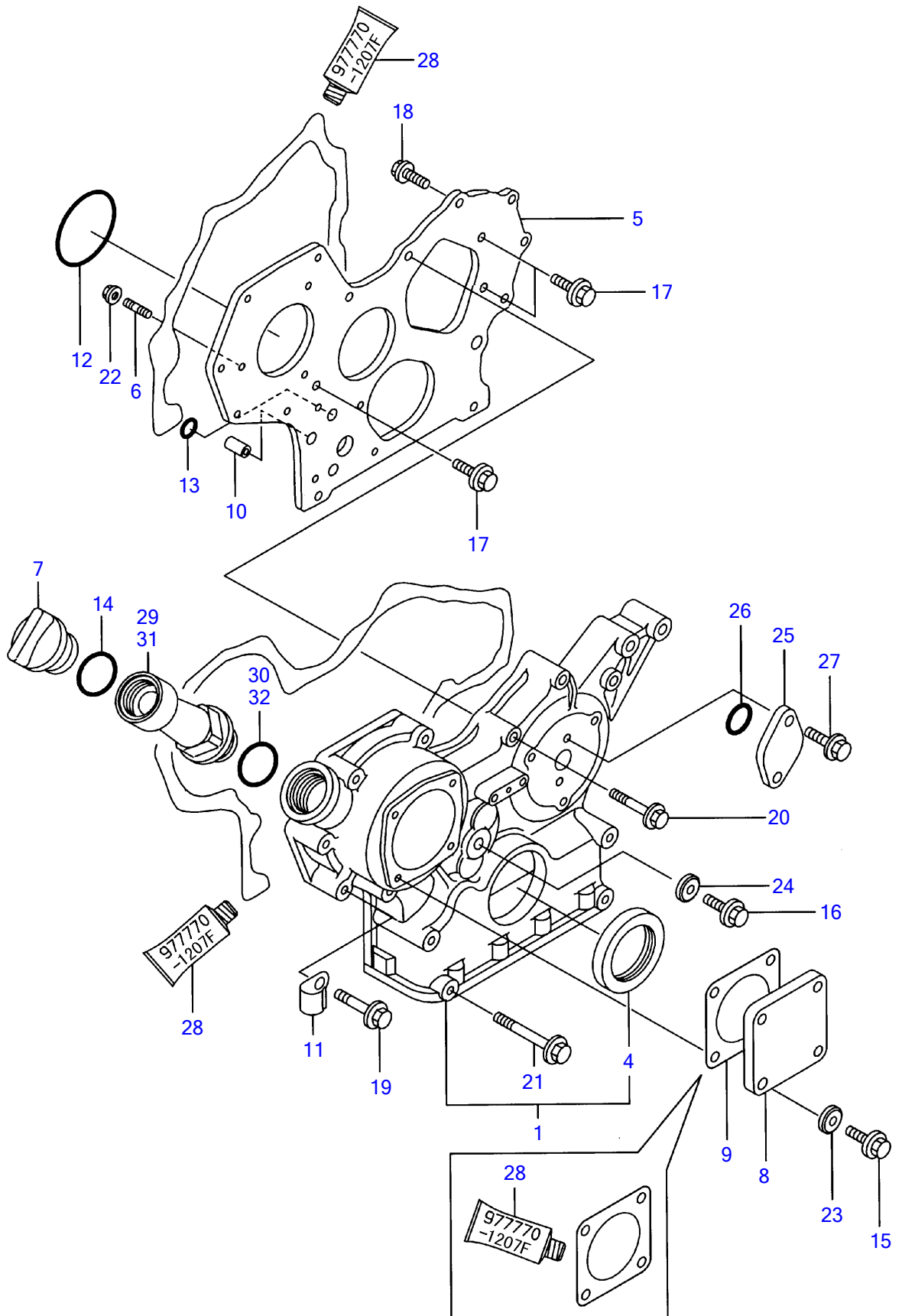


REF NO.	PARTS NO.	Description	Q'ty		
1	Y719810-01500	HOUSING ASSY, GEAR	1		
4	Y129795-01800	SEAL, OIL	1		
5	Y129400-01520	FLANGE, GEARS	1		
6	Y121450-01560	STUD M 8X 22	3		
7	Y124160-01751	COVER, FILLER	1		
8	Y124240-01871	COVER, HO-P	1		
9	Y124240-01883	GASKET, (NON-ASB.)	1	Z	
	(ALL=EXXX)				
10	Y129795-01950	PIPE, KNOCK L=18	2		
11	Y129150-03100	RETAINER	1		
12	Y121850-51960	O-RING, F.I.PUMP	1		
13	Y24311-000160	O-RING 1A P-16.0	2		
13- 1	Y119609-32040 (TB(1)=*2001. 11) (ETB=E68438, ETB1=E70363) (ETBZ=E69218)	O-RING P16	2	R	
14	Y24311-000320	O-RING 1A P-32.0	1		
15	Y26106-080122	BOLT M 8X 12 PLATED	4		
16	Y26106-080162	BOLT M 8X 16 PLATED	1		
17	Y26106-080162	BOLT M 8X 16 PLATED	3		
18	Y26106-080202	BOLT M 8X 20 PLATED	2		
19	Y26106-080452	BOLT M 8X 45 PLATED	6		
20	Y26106-080552	BOLT M 8X 55 PLATED	3		
21	Y129001-91840	BOLT M 8X 85 PLATED	4		
21- 1	Y129001-91841 (TB=E39207 TB1=*2000.03) (ETB=E51081 ETB1=E51218)	BOLT M 8X 85 PLATED	4	R	
22	Y26366-080002	NUT M 8	3		
22- 1	Y26306-080002 (ALL=EXXX)	NUT	3	N	
23	Y22190-080002	SEAL WASHER 8S	4		
24	Y22190-080002	SEAL WASHER 8S	1		
25	Y121023-01550	COVER, BLIND	1		
26	Y24341-000240	O-RING 1A S-24.0	1		
27	Y26106-060162	BOLT M 6X 16 PLATED	2		
28	Y977770-1207F	GASKET, LIQUID	1		(1) μ18¼ØÝ 1PÉÝÄP½
29	Y171031-11741 (TB=E40680)	PIPE	1	Z	
30	Y24311-000320 (TB=E40680)	O-RING 1A P-32.0	1	Z	
31	Y171031-11741 (ETBZ=FROME 1ST)	PIPE	1	W	
32	Y24311-000320 (ETBZ=FROME 1ST)	O-RING 1A P-32.0	1	W	

Engine for TB145 4TNE88-(E)TB(1)(Z) S/N 14510004-14513260  
GEAR HOUSING

Y00D6852  
4TNE88-(E)TB(1,Z)

ギヤケース  
GEAR HOUSING



REF NO.

PARTS NO.

GEAR HOUSING

•i-¼

Description

Q'ty

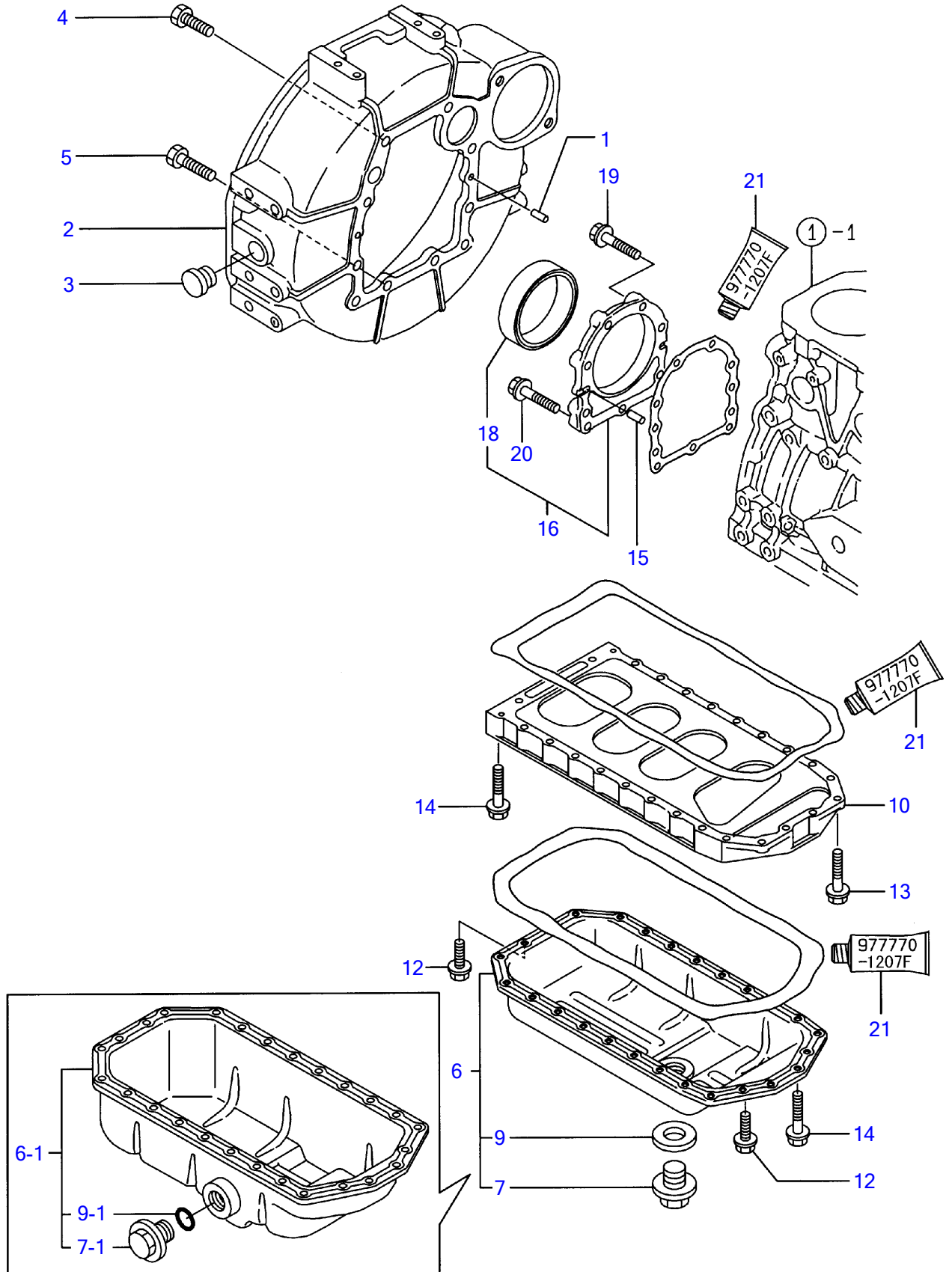
I R

”óll

Engine for TB145 4TNE88-(E)TB(1)(Z) S/N 14510004-14513260  
FLYWHEEL HOUSING & OIL SUMP

Y00D6852  
4TNE88-(E)TB(1,Z)

3 フライホイールハウジング & オイルパン  
FLYWHEEL HOUSING & OIL SUMP





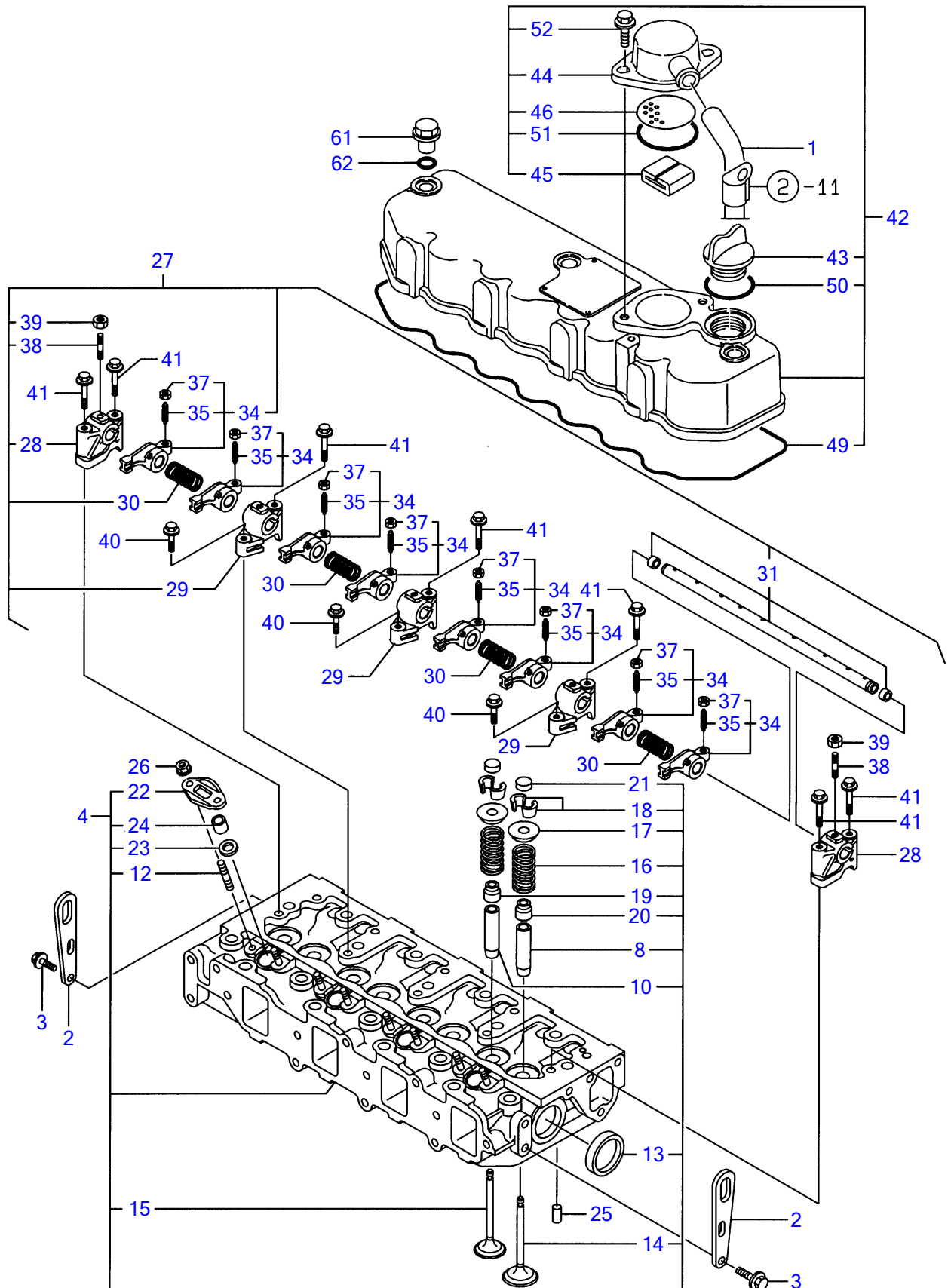
FLYWHEEL HOUSING & OIL SUMP

REF NO.	PARTS NO.	Description	Q'ty	I	R	"öll
1	Y129100-01580	PARALLEL PIN 8X16	2			
2	Y129612-01600	HOUSING, FLYWHEEL	1			
3	Y119620-01750	CAP, FLYWHEEL COVER	1			
4	Y26206-100252	BOLT M10X25	6			
5	Y26206-100302	BOLT M10X30	4			
6	Y729402-01540	SUMP ASSY, LUB OIL	1			
6-1	Y129400-01770 (TB=E38541)	SUMP ASSY, LUB. OIL	1	N		
7	Y119640-01640	• DRAIN PLUG M22	1			
7-1	Y171301-01640 (TB=E38541)	• PLUG M22	1	S		
9	Y22190-220002	• SEAL WASHER 22S	1			
9-1	Y24341-000250 (TB=E38541)	• O-RING 1A S-25.0	1	S		
10	Y129400-01730	SPACER, OIL SUMP	1			
12	Y26106-080162	BOLT M 8X 16 PLATED	4			
13	Y26106-080252	BOLT M 8X 25 PLATED	2			
14	Y26106-080452	BOLT M 8X 45 PLATED	24			
15	Y129100-01580	PARALLEL PIN 8X16	2			
16	Y129100-01640	CASE ASSY, OIL SEAL	1			
18	Y129795-01780	• SEAL OIL	1			
19	Y129486-01670	BOLT M8X30, COLLAR HD	6			
20	Y26106-080352	BOLT M 8X 35 PLATED	3			
21	Y977770-1207F	GASKET, LIQUID	1			(1) μlß¼@Ý lPËÝÃß½

Engine for TB145 4TNE88-(E)TB(1)(Z) S/N 14510004-14513260  
**CYLINDER HEAD & BONNET**

Y00D6852  
 4TNE88-(E) TB (1, Z)

4 シリンダヘッド & ボンネット  
 CYLINDER HEAD & BONNET



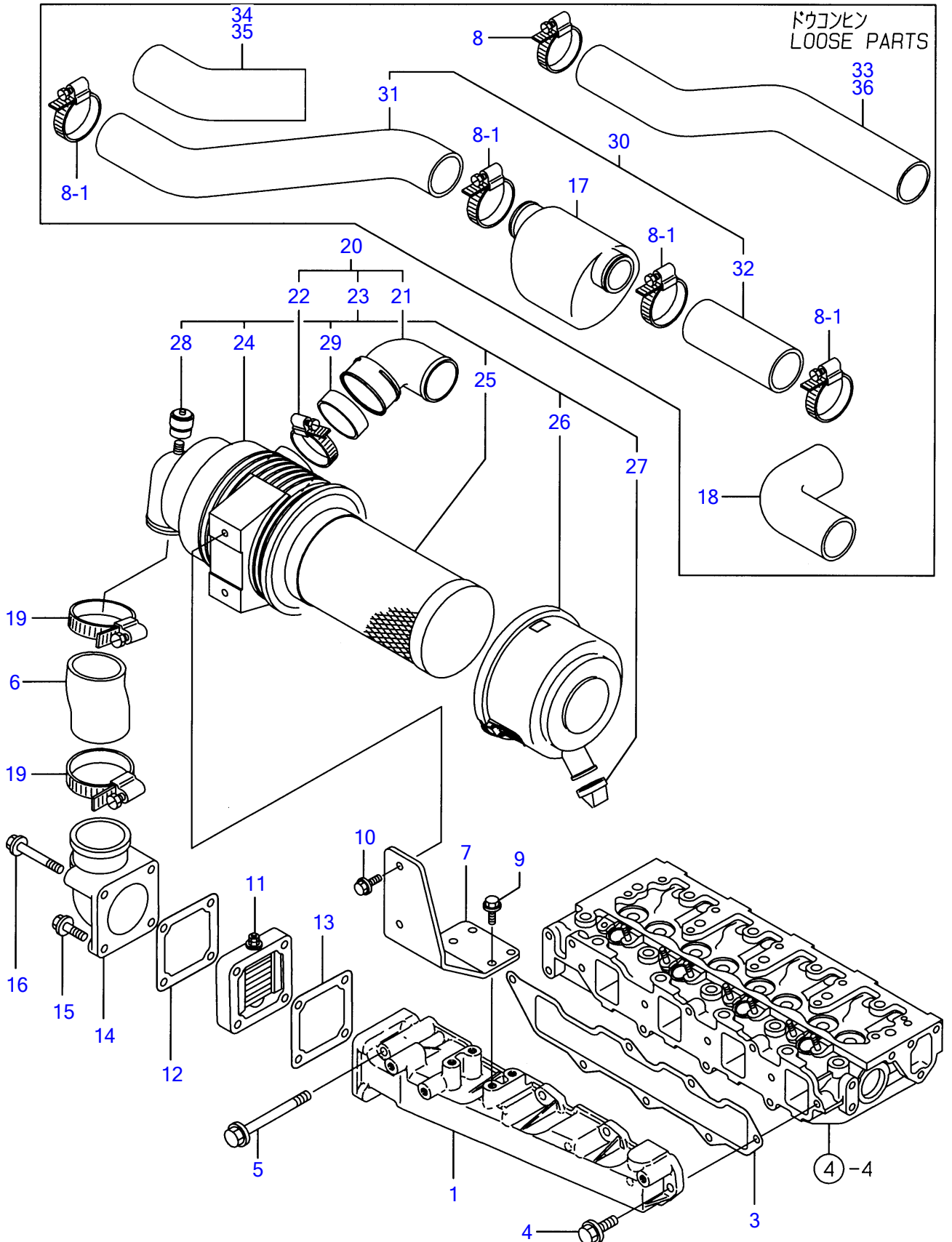
¼ØÝÁÞÍÄÄ & ÍÞÝËÄÄ CYLINDER HEAD & BONNET

REF NO.	PARTS NO.	Description	Q'ty	I	R	Notes
1	Y171350-03090	PIPE, BREATHER	1			
2	Y124736-07900	LIFTER, ENGINE	2			
3	Y26106-080142	BOLT M 8X 14 PLATED	4			
4	Y129407-11700	HEAD ASSY, CYLINDER	1			
8	Y120130-11860	• GUIDE, VALVE	4			(1) ÍÖ³ÍÞËÝÄÞ½
10	Y129150-11810	• GUIDE, VALVE	4			(1) ÍÖ³ÍÞËÝÄÞ½
12	Y26216-060202	• STUD M 6X 20 PLATED	8			
13	Y27241-400000	• PLUG 40	2			
14	Y129100-11100	• VALVE, INTAKE	4			
15	Y129100-11110	• VALVE, EXHAUST	4			
16	Y129795-11120	• SPRING, VALVE	8			
17	Y129795-11180	• RETAINER, SPRING	8			
18	Y27310-080000	• COTTER	8			
19	Y121400-11340	• SEAL, VALVE STEM	4			
20	Y124460-11340	• SEAL, VALVE STEM	4			
21	Y129150-11370	• CAP, VALVE	8			
22	Y119625-11900	• RETAINER	4			
23	Y119625-11880	• SEAT, NOZZLE	4			
24	Y119625-11870	• PROTECTOR, NOZZLE	4			
25	Y22351-060012	SPRING PIN 6X12	2			
26	Y26366-060002	NUT M 6	8			
27	Y129500-11240	SHAFT, ROCKER ARM	1			
28	Y129155-11260	• SUPPORT, ROCKER ARM	2			
29	Y129155-11270	• SUPPORT, ROCKER ARM	3			
30	Y129150-11280	• SPRING	4			
31	Y129550-11290	• SHAFT, ROCKER ARM	1			
34	Y129100-11650	• ARM ASSY, ROCKER	8			
35	Y129150-11230	• SCREW, VALVE	8			
37	Y129150-11750	• NUT M8XP1.0	8			
38	Y26226-080182	• STUD M 8X 18 PLATED	3			
38- 1	Y119802-11280	• STUD	3		R	
	(ALL=EXXX)					
39	Y26756-080002	• LOCK NUT M 8 PLATED	3			
40	Y26106-080252	BOLT M 8X 25 PLATED	3			
41	Y26106-080502	BOLT M 8X 50 PLATED	7			
42	Y129400-11350	BONNET ASSY	1			
43	Y124160-01751	• COVER, FILLER	1			
44	Y129150-03020	• COVER, BREATHER	1			
45	Y129150-03070	• BAFFLE, BREATHER	1			
46	Y129150-03080	• PLATE, SHELTER	1			
49	Y129550-11310	• GASKET, BONNET	1			
50	Y24311-000320	• O-RING 1A P-32.0	1			
51	Y24341-000500	• O-RING 1A S-50.0	1			
52	Y26106-080162	• BOLT M 8X 16 PLATED	2			
61	Y124160-11360	KNOB	3			
62	Y24311-000120	O-RING 1A P 12.0	3			

Engine for TB145 4TNE88-(E)TB(1)(Z) S/N 14510004-14513260  
**SUCTION MANIFOLD & AIR CLEANER**

Y00D6852  
 4TNE88-(E)TB(1,Z)

5 キョウキマニホールド & エアクリーナ  
 SUCTION MANIFOLD & AIR CLEANER



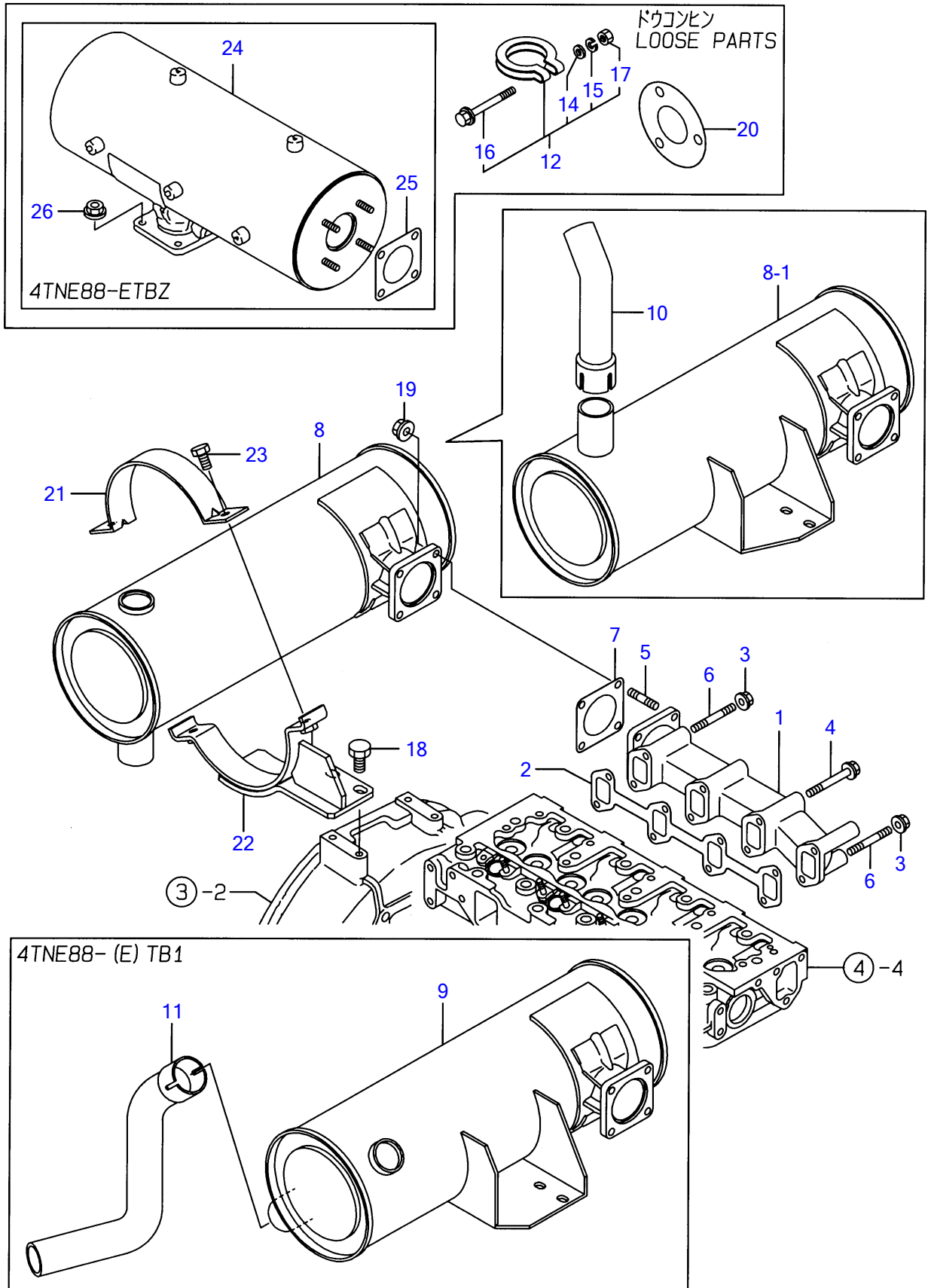
·Ö³·ĪÆĪ-ÛÄÞ & '±,Ø-Ä SUCTION MANIFOLD & AIR CLEANER

REF NO.	PARTS NO.	Description	Q'ty		
1	Y129407-12100	ĪÆĪÛÄÞ(INT	1		
3	Y129407-12110	PK(ĪÆĪÛÄÞ	1		
4	Y26106-080202	ÂÊÞĪÞÛÄ 8X 20	6		
5	Y26106-080802	ÂÊÞĪÞÛÄ 8X 80	1		
6	Y119910-12210	·Ö³·Ī-½	1		
7	Y119910-12560	ĪÞ×¹ÄÄ, '±,Ø-Ä	1		
8	Y23000-060000	Ī-½,ØÄĪß 60(TB)	2		
8- 1	Y23000-060000 (TB=E37950)	Ī-½,ØÄĪß 60	6	K	
8- 2	Y23000-060000 (TB=E39207 TB1=E*1999-08) (ETB=E44619 ETB1=E44920)	Ī-½,ØÄĪß 60	5	K	
8- 3	Y23000-060000 (ETBZ=E69947)	Ī-½,ØÄĪß 60	2	K	
9	Y26013-080222	ĪÞÛÄ(ÊÞÈ 8X 22	4		
10	Y26013-080222	ĪÞÛÄ(ÊÞÈ 8X 22	2		
11	Y129100-77500	È-Ä- ('±-	1		
12	Y129100-77510	ÊßÄ·Y('±-È-Ä-	1		
13	Y129150-77511	PK('±È-Ä)(ÈÝ±½)	1		
14	Y171340-77520	ĪÞÝÄÞ	1		
15	Y26106-080402	ÂÊÞĪÞÛÄ 8X 40	2		
16	Y26106-080802	ÂÊÞĪÞÛÄ 8X 80	2		
17	Y121855-12060 (TB=E37950)	·Ö³·»²ÚÝ»-	1	W	
18	Y119883-12210 (TB=E37950)	·Ö³·Ī-½	1	W	
19	Y23000-060000	Ī-½,ØÄĪß 60	2		
20	Y129612-12680	'±,Ø-Ä CMP	1		
20- 1	Y129612-12681 (TB(1)=*2001. 11) (ETB=E68438 ETB1=E70363) (ETBZ=E69218)	'±,Ø-Ä CMP	1	N	
21	Y129612-12560	· ÚĪÞ(²ÝÄ-	1		
22	Y23000-060000	· Ī-½,ØÄĪß 60	1		
23	Y129612-12690	· '±,Ø-Ä CMP	1		
23- 1	Y129612-12691 (TB(1)=*2001. 11) (ETB=E68438 ETB1=E70363) (ETBZ=E69218)	· '±,Ø-Ä CMP	1	N	
24	Y119910-12510	· · ĪÞÄÞ²	1		
25	Y119808-12520	· · ÚÖÝÄ(±³Ä	1		
26	Y119866-12541	· · ¶ĪÈÞ-ASSY	1		
27	Y119808-12540	· · ±ÝÛ-ÄÞÈÞÛĪÞ	1		
28	Y119140-12680	· · ²Ý¼Þ¹-Ä (ÄÞÝ·¼·	1		
28- 1	Y129953-12620 (TB(1)=*2001. 11) (ETB=E68438 ETB1=E70363) (ETBZ=E69218)	· · ²Ý¼Þ¹-Ä CMP(³'	1	N	
29	Y129259-12570	· · ØÝ Þ	1		
30	Y129612-12241 (TB=E37950)	· Ö³·ÝÄÖ³¶Ý	1	W	
31	Y129612-12250 (TB=E37950)	· Ö³·ÝÄÖ³¶Ý	1	W	
32	Y129612-12260 (TB=E37950)	· Ö³·ÝÄÖ³¶Ý	1	W	
33	Y129132-12210	· Ö³·ÝÄÖ³¶Ý	1		
33- 1	Y129612-12240 (ALL=EXXX)	· Ö³·ÝÄÖ³¶Ý	1	N	
33- 2	Y129612-12240 (TB=E37950)	· Ö³·ÝÄÖ³¶Ý	1	Z	
34	Y119869-12220 (TB=E39207)	· Ö³·ÝÄÖ³¶Ý B	1		
35	Y119869-12220 (ETBZ=E69974)	· Ö³·ÝÄÖ³¶Ý B	1	Z	
36	Y129612-12270	· Ö³·ÝÄÖ³¶Ý	1		

Engine for TB145 4TNE88-(E)TB(1)(Z) S/N 14510004-14513260  
**EXHAUST MANIFOLD & SILENCER**

Y00D6852  
 4TNE88-(E)TB(1,Z)

6 ハイキマニホールド & サイレンサ  
 EXHAUST MANIFOLD & SILENCER

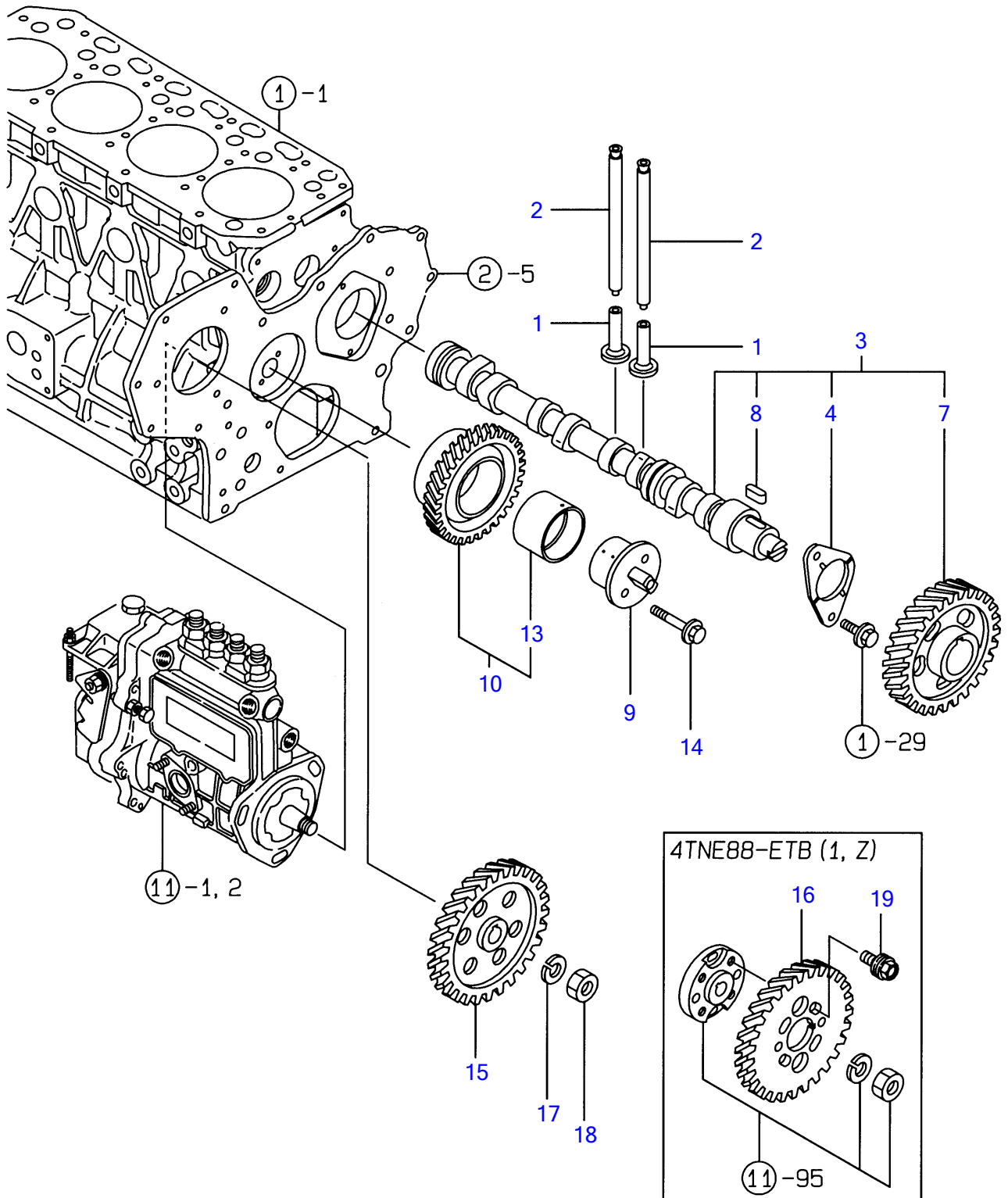




Engine for TB145 4TNE88-(E)TB(1)(Z) S/N 14510004-14513260  
**CAMSHAFT & DRIVING GEAR**

Y00D6852  
 4TNE88-(E)TB(1,Z)

カムシャフト & クドウギヤ  
 CAMSHAFT & DRIVING GEAR





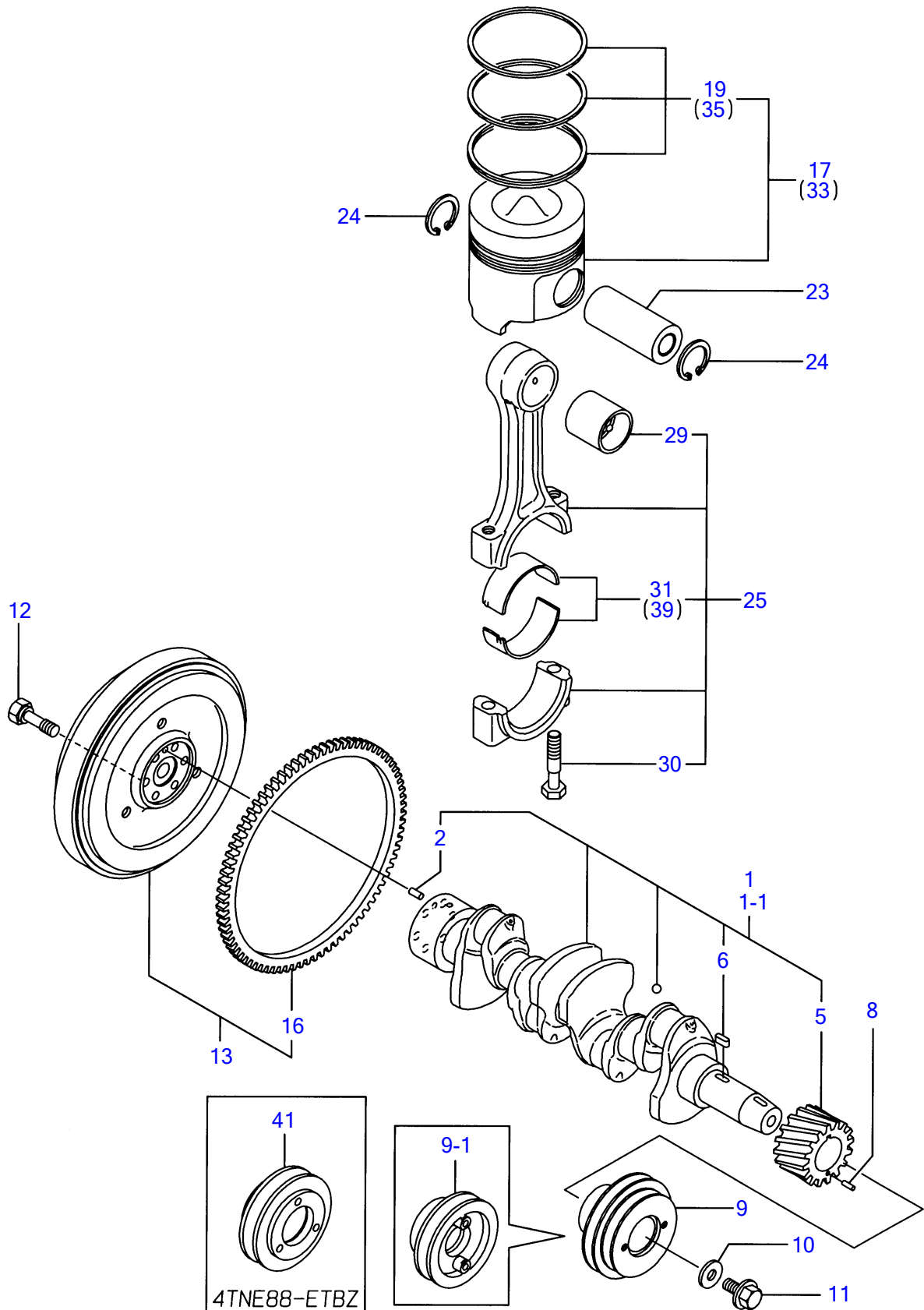
1/2 & 3/4 CAMSHAFT & DRIVING GEAR

REF NO.	PARTS NO.	Description	Q'ty	I	R	Q'ty
1	Y129150-14200	TAPPET	8			
2	Y129150-14400	ROD, PUSH	8			
3	Y729402-14580	CAMSHAFT ASSY	1			
4	Y129150-02450	METAL,THRUST(CAM	1			
7	Y129150-14101	GEAR, CAMSHAFT	1			
8	Y22512-070140	KEY 7X 14	1			
9	Y129100-25061	SHAFT, IDLE GEAR	1			
10	Y129150-25101	GEAR W/BUSH	1			
13	Y129150-25920	BUSH, IDLE GEAR	1			(1) 1/2
14	Y26106-080452	BOLT M 8X 45 PLATED	2			
15	Y129150-25900	GEAR, FUEL INJ. PUMP(TB,TB1)	1			
16	Y129150-25930	GEAR, FUEL INJ. PUMP	1			
16	Y129150-25931 (ETB=E43700 ETB1=E43720)	GEAR, FUEL INJ. PUMP	1			
17	Y22217-120000	SPRING WASHER	1			
18	Y26716-120002	NUT 12	1			
	Y129150-25301	BOLT(ETB,ETB1)	4			

Engine for TB145 4TNE88-(E)TB(1)(Z) S/N 14510004-14513260  
CRANKSHAFT & PISTON

Y00D6852  
4TNE88-(E)TB(1,Z)

クランクシャフト & ピストン  
CRANKSHAFT & PISTON



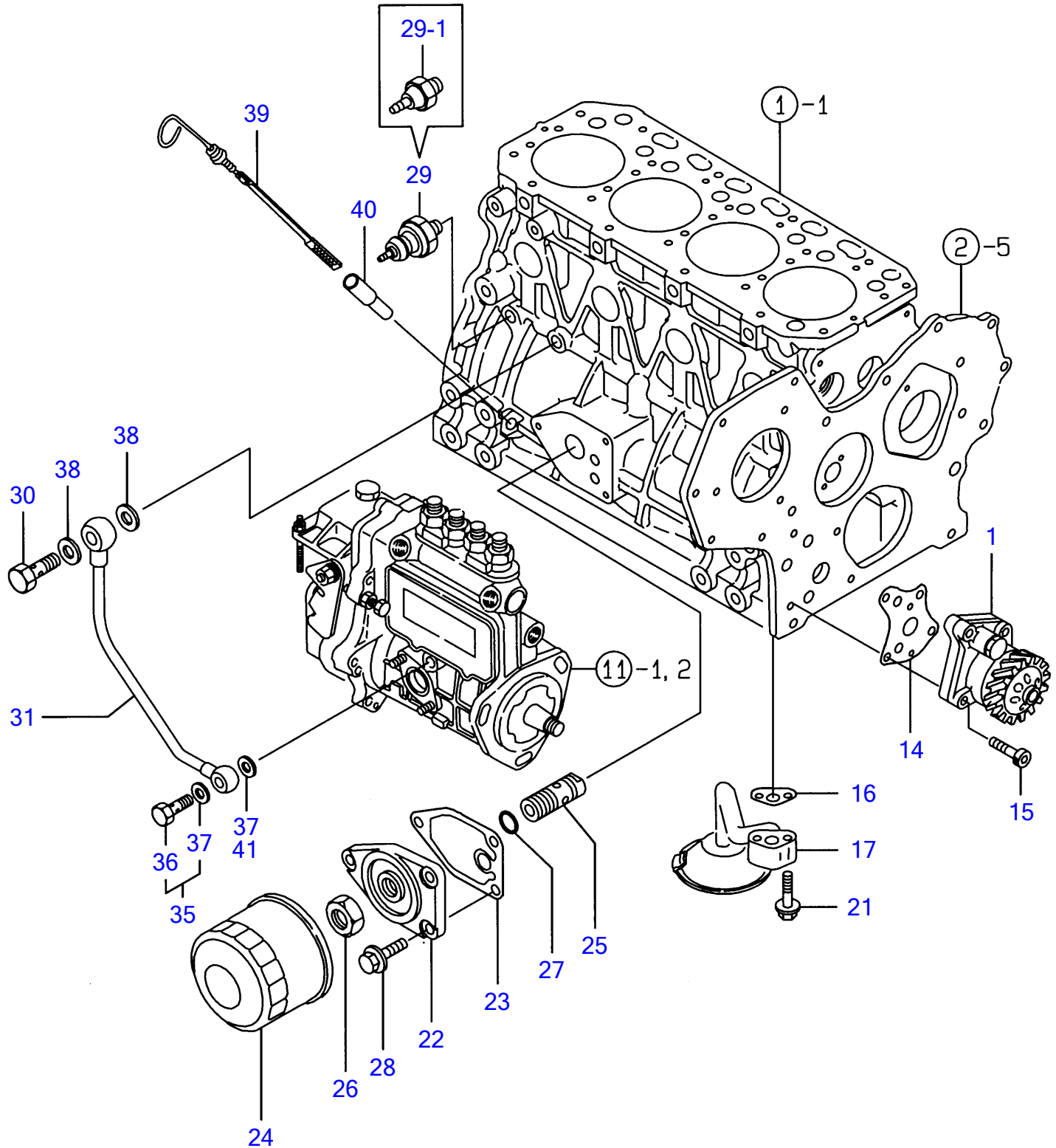
CRANKSHAFT & PISTON

REF NO.	PARTS NO.	Description	Q'ty	I	R	"öll
1	Y129407-21000	CRANKSHAFT ASSY	1			
1- 1	Y129407-21100	CRANKSHAFT ASSY	1	S		
	(TB=E39207 TB1=*2000.6) (ETB=E53291 TB1=E54367)					
2	Y129100-01580	PARALLEL PIN 8X16	1			
5	Y129150-21200	GEAR, CRANKSHAFT	1			
6	Y22512-070140	KEY 7X 14	1			
8	Y22351-040010	SPRING PIN 4X10	1			
9	Y129466-21650	PULLEY, CRANKSHAFT	1			
9- 1	Y129550-21650	V-PULLEY, CRANKSHAFT	1	N		
	(TB=E39207)					
10	Y129795-21661	WASHER	1			
11	Y121850-21680	BOLT, V-PULLEY	1			
12	Y121111-21501	BOLT, FLYWHEEL	6			
13	Y129612-21570	FLYWHEEL ASSY	1			
16	Y119865-21600	GEAR, RING	1			
17	Y129001-22081	PISTON W/RINGS	4			
19	Y129001-22500	RING SET, PISTON	4			
23	Y129202-22300	PIN,PISTON	4			
24	Y22252-000260	CIRCLIP 26	8			
25	Y729402-23100	ROD ASSY, CONNECTING	4			
29	Y129100-23910	BUSH, PISTON PIN	4			(1) íÖ³ìpÈÝÄp½
30	Y121550-23200	BOLT, CONNECTING ROD	8			
31	Y129150-23600	BEARING, CRANKPIN	4			
33	Y129001-22901	PISTON W/RING OS=.25	4			(2) μ°ÊP°»²½P(O.S=0.25)ìP
35	Y129001-22950	RING SET O.S=0.25	4			(2) μ°ÊP°»²½P(O.S=0.25)ìP
39	Y129150-23610	METAL.PIN US=0.25	4			(3) ±ÝÀP°»²½P(U.S=0.25)ìP
41	Y171301-21650	V-PULLEY, CRANKSHAFT	1			

Engine for TB145 4TNE88-(E)TB(1)(Z) S/N 14510004-14513260  
LUB.OIL SYSTEM

Y00D6852  
4TNE88-(E)TB(1,Z)

9 LOシステム  
LUB.OIL SYSTEM



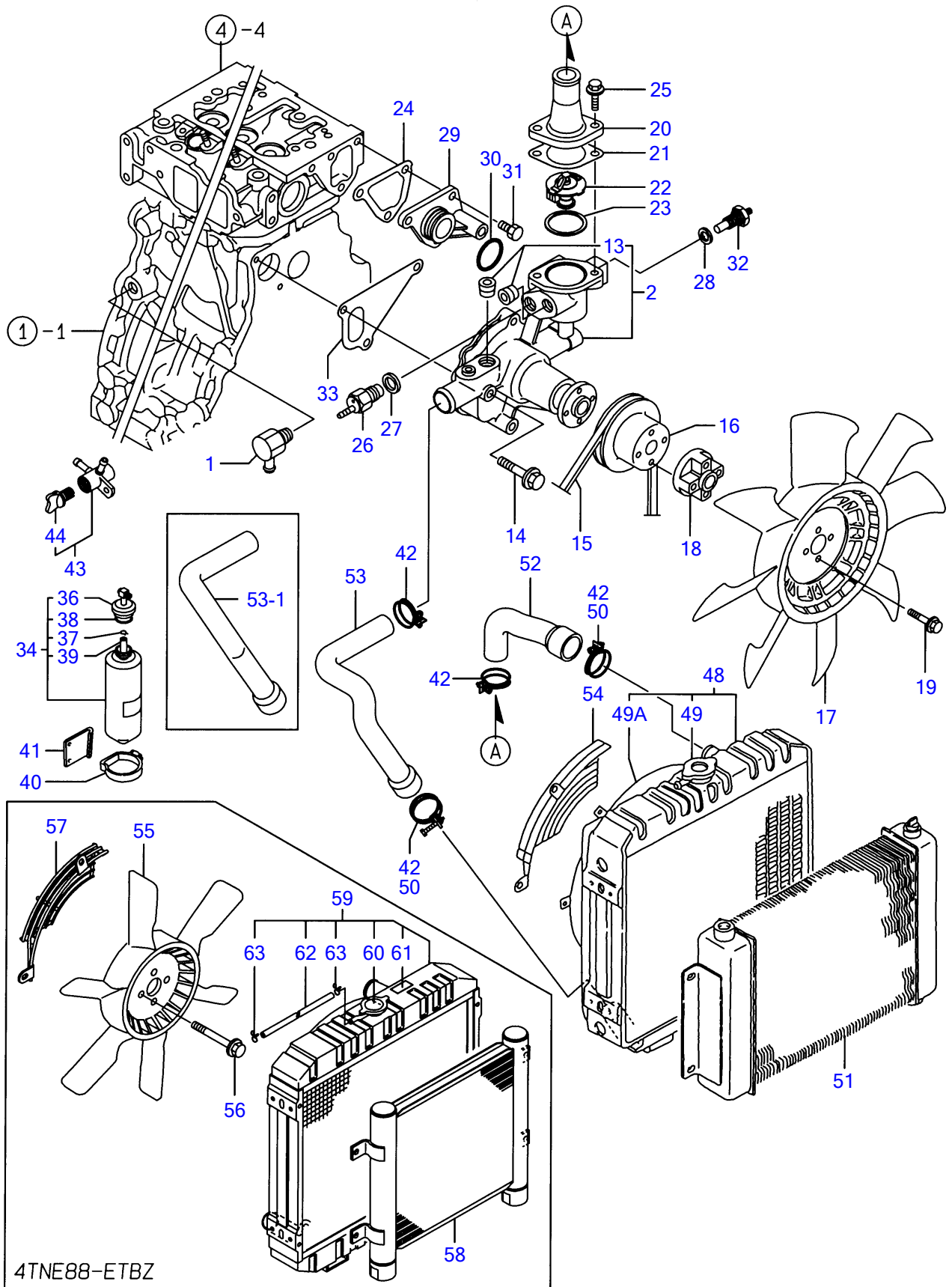
LO-OIL SYSTEM

REF NO.	PARTS NO.	Description	Q'ty	
1	Y129407-32000	LO-P CMP	1	
14	Y129150-32020	PK(LO-P	1	
15	Y26450-060252	6X 25	4	
16	Y129150-35041	PK(ON-ASB.)	1	
17	Y129150-35091	LO-OIL INLET	1	
17- 1	Y129436-35091 (TB=E38541)	LO-OIL CMP	1	N
21	Y26106-080352	BOLT M 8X 35 PLATED	2	
22	Y129150-35101	BRACKET, STRAINER	1	
23	Y129150-35111	GASKET, (NON-ASB.)	1	
24	Y129150-35152	FILTER 80X80L	1	
25	Y129001-35300	BOLT, LUB.O. STRAINER	1	
26	Y129150-35350	NUT	1	
27	Y24311-000160	O-RING 1A P-16.0	1	
28	Y26106-080202	BOLT M 8X 20 PLATED	3	
29	Y124160-39451	SWITCH, OIL PRESSURE	1	
29- 1	Y124160-39450 (TB=E36807)	SWITCH, OIL PRESSURE	1	N
29- 2	Y114250-39450 (TB=E39207 TB1=*1999.12) (ETB=E47698 ETB1=50273)	SWITCH,(0.5KG)L.O.	1	N
30	Y124160-39140	BOLT 10, PIPE JOINT	1	
31	Y129550-39450	PIPE ASSY, LUB. OIL	1	
35	Y124550-59830 (TB=E38541)	BOLT W/ SEAL WASHER	1	W
36	Y124550-59820	BOLT 8, PIPE JOINT	1	
37	Y22190-080002	SEAL WASHER 8S	2	
37- 1	Y22190-080002 (TB=E38541)	SEAL WASHER 8S	1	K
38	Y23414-100000	GASKET 10, ROUND	2	
38- 1	Y22190-100002 (TB=E39207 TB1=*1999.10) (ETB=E45989 ETB1=46180)	SEAL WASHER 10S	2	N
39	Y171420-34800	DIPSTICK	1	
39- 1	Y171420-34820 (TB=E38541)	DIPSTICK, LUB. OIL	1	N
40	Y121520-34810	GUIDE, DIPSTICK	1	
41	Y22190-080002 (TB=E38541)	SEAL WASHER 8S	1	W

Engine for TB145 4TNE88-(E)TB(1)(Z) S/N 14510004-14513260  
**COOLING WATER SYSTEM**

Y00D6852  
 4TNE88-(E)TB(1,Z)

10 CWシステム  
 COOLING WATER SYSTEM



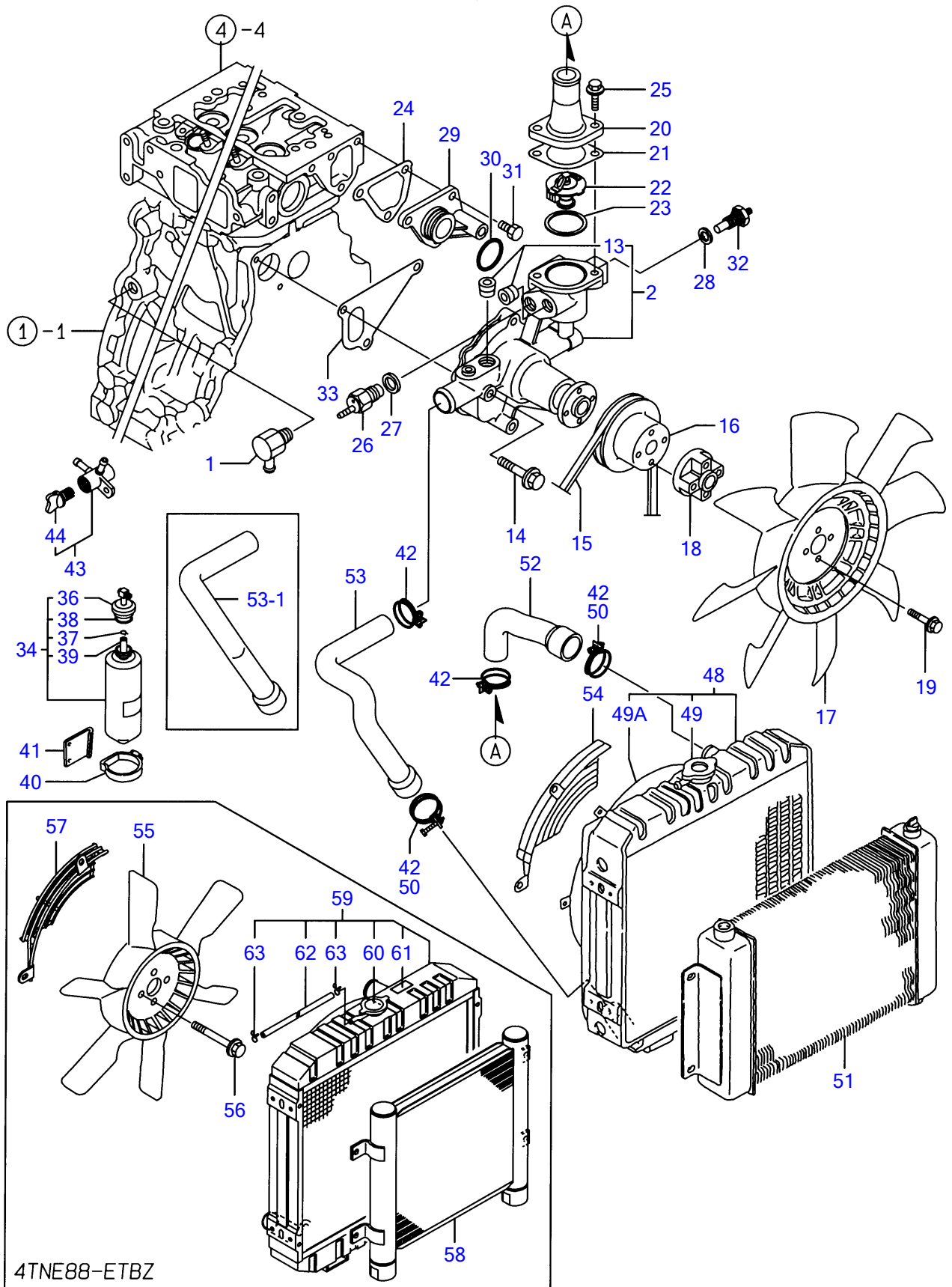
CW¼½ÄÑ COOLING WATER SYSTEM

REF NO.	PARTS NO.	Description	Q'ty	
1	Y121750-49110	JOINT	1	
2	Y129001-42002	PUMP ASSY, C. WATER	1	
2- 1	Y129001-42003 (TB=E39207 TB1=*1999.08) (ETB=E44619 ETB1=E44920)	PUMP ASSY, COOLANT	1	N
13	Y23871-030000	• PLUG PT3/8, SCREW	2	
13- 1	Y23876-030000 (TB=E39207 TB1=*1999.08) (ETB=E44619 ETB1=E44920)	• PLUG PT3/8, SCREW	2	N
14	Y26106-080602	BOLT M 8X 60 PLATED	3	
15	Y25132-003900	V-BELT (A-39)	1	
15-1	Y25132-003800 (ETBZ=E59591)	V-BELT (A-38)	1	N
16	Y129403-42380	V-PULLEY(D=110)	1	
17	Y129436-44740	FAN, COOLING	1	
18	Y121267-44760	SPACER	1	
19	Y26014-060302	BOLT W/WASHER 6X 30	4	
20	Y129350-49560	COVER, THERMOSTAT	1	
21	Y129795-49551	GASKET, (NON-ASB.)	1	
22	Y129155-49800	THERMOSTAT	1	
22-1	Y129574-49800 (ETB=60245 ETB1=E60841) (ETBZ=60350)	THERMOSTAT	1	N
22-2	Y129457-49800 (ETB=63829 ETB1=E64070) (ETBZ=64159)	THERMOSTAT	1	N
22-3	Y129457-49801 (TB1=*2002.11) (ETB(1)(Z)=*2002.11)	THERMOSTAT	1	N
23	Y129150-49811	GASKET, (NON-ASB.)	1	
24	Y129100-49840	GASKET, THERMO.	1	
24- 1	Y124395-49840 (TB=E39207 TB1=*2000.03) (ETB=E51081 ETB1=E51218)	CASE GASKET, THERMO.	1	N
25	26106-080202	BOLT M 8X 20 PLATED	2	
26	121250-44901	SWITCH, THERMO(110BC	1	
27	124465-44950	GASKET 16	1	
28	129150-49360	GASKET 10	1	
29	129001-42040	JOINT	1	
30	24321-000300	O-RING G30	1	
30- 1	129486-42140 (TB=E39207 TB1=*2000.03) (ETB=E43700 ETB1=E43720)	O-RING, CW-P	1	N
31	26106-080162	BOLT M 8X 16 PLATED	3	
32	119266-49350	SENSOR, THERMO.	1	
33	129100-42020	GASKET, C.W. PUMP	1	
33- 1	129486-42021 (TB=E39207 TB1=*1999.08) (ETB=E44619 ETB1=E44920)	GASKET	1	N
34	171064-44510	SUB-TANK ASSY	1	
36	121450-44531	• CAP	1	
37	124450-44560	• CLAMP	1	
38	121470-44581	• GASKET	1	
39	23065-070225	• HOSE 7X 225	1	
40	124450-44550	CLAMP, SUB-TANK	1	
41	121256-44600	BRACKET, SUB-TANK	1	
42	23010-038000	CLAMP 38	4	
42- 1	23010-038000 (TB=E39207)	CLAMP 38	2	K
43	129150-49100	COCK ASSY, 3-WAY	1	
44	129150-49080	• COCK, DRAIN	1	
48	119032-44502	RADIATOR	1	

Engine for TB145 4TNE88-(E)TB(1)(Z) S/N 14510004-14513260  
**COOLING WATER SYSTEM**

Y00D6852  
 4TNE88-(E)TB(1,Z)

10 CWシステム  
 COOLING WATER SYSTEM





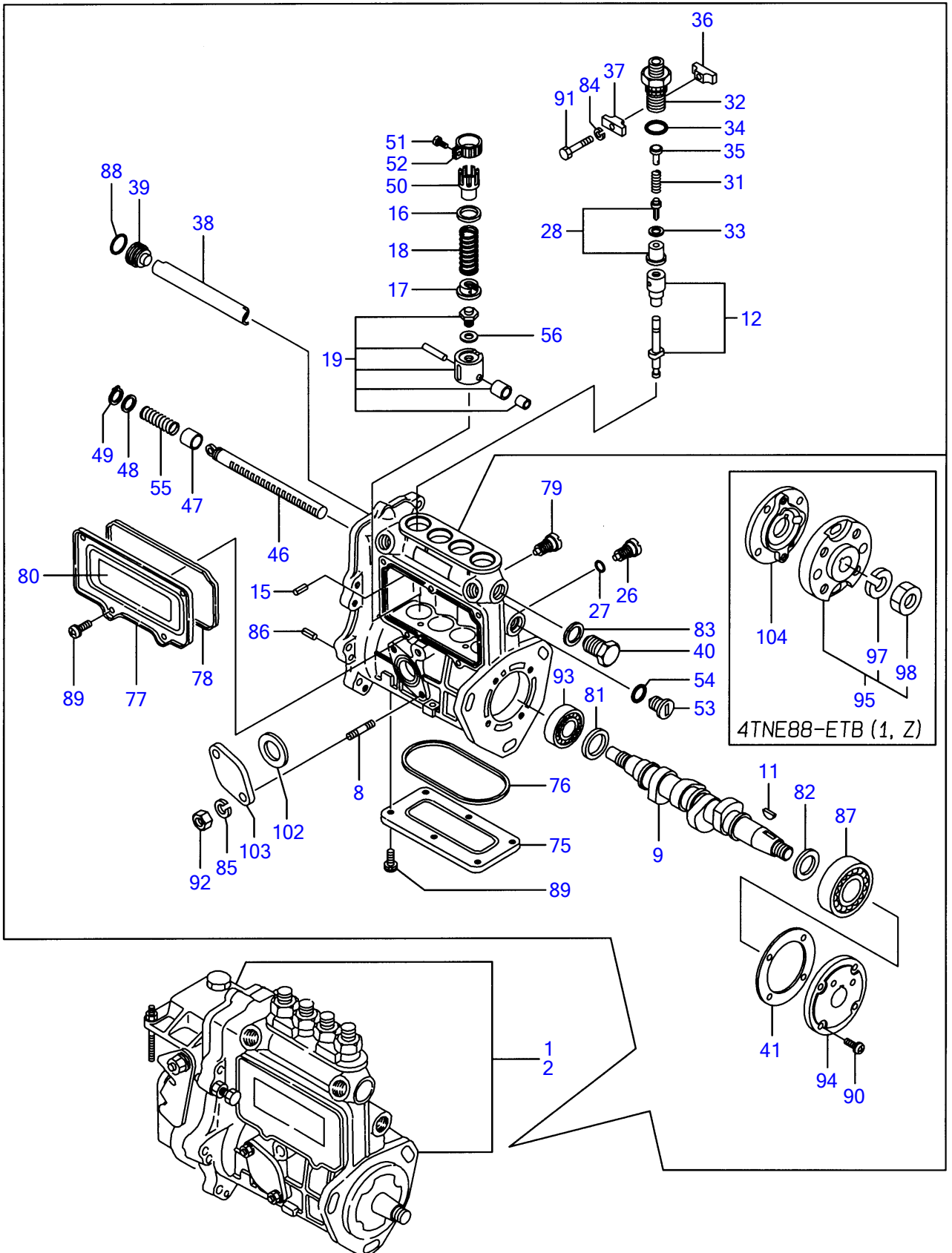
CW¼½ÃÑ COOLING WATER SYSTEM

REF NO.	PARTS NO.	Description	Q'ty	W	N	Z
49	119032-44660	• ·ÔÀÏß ASSY	1			
49A	X0227108012 (ALL=FROM 1ST)	• Ì±Ý¼Ô×³ÄÞ	1	W		
50	23010-050000 (TB=E39207)	Î-½ËÞÝÄÞ 50	2	W		
51	171091-44900	μ²Û,-x-	1			
52	129612-49010	CW-T(A)	1			
53	129612-49020	CW-T(B)	1			
53- 1	129612-49021 (TB=E39207)	CW-T(B)	1		N	
54	119032-44591 (TB=E39207)	Û²ÔÈÄÄ	1			Z
55	129110-44740	ìšÝ	1			
56	26106-060302	ÄËÞÍÞÛÄ	4			
57	129132-44590	Û²ÔÈ Ä	1			
58	129953-44910	μ²Û,°x°CMP	1			
59	129953-44510	x¼Þ'°Ä@CMP	1			
60	119032-44660	·-Ïß@ASSY	1			
61	121400-44900	ÏÄ³·Ô²ËÞÝ	1			
62	119032-44670	Î°½××ËÞ°	1			
63	119032-44680	,xÝÏß	2			

Engine for TB145 4TNE88-(E)TB(1)(Z) S/N 14510004-14513260  
**FUEL INJECTION PUMP**

Y00D6852  
 4TNE88-(E)TB(1,Z)

11 FO7ンシャポンプ  
 11 FUEL INJECTION PUMP



FOIY¼OÍBÝÍB FUEL INJECTION PUMP

REF NO.	PARTS NO.	Description	Q'ty	
1	Y729612-51400	FO IY¼OÍBÝÍB ASSY	1	(1)
2	Y729612-51450	FO IY¼OÍBÝÍB ASSY.(ETB(1))	1	(1)
8	Y129155-51020	• 3ºDÍPÚÄ(Í²-ÄBP)	2	
9	Y129470-51040	• ¶N¼OÍÄ	1	
11	Y122710-51090	• ÉY¼PÄ	1	
12	Y129506-51100	• ÍB×Y¼PÔCMP	4	
15	Y129155-51140	• ÈBÝ(ÈPÚÜÍÜÖÄPÒ	4	
16	Y174307-51170	• ÈPÈ³¹ A(ÍB×Y¼PÔ	4	
17	Y129155-51180	• ÍB×Y¼PÔÈPÈ³¹¶PÈ	4	
18	Y124950-51190	• ÍB×Y¼PÔ½ÍBØÝ, P	4	
19	Y129155-51200	• ÁÍBÄÄ ¼, D	4	
26	Y129155-51270	• ÁÍBÄÄÍÜÖÄPÒ	4	
27	Y129155-51280	• OØÝ, P(S6	4	
28	Y129100-51300	• ÄPØÍPØÈPÜÍP CMP	4	
31	Y129155-51320	• ÈPÈ(ÄPØÍPØÈPÜÍP	4	
32	Y129155-51340	• Ä¼ÖÄÍPÝµ»´	4	
33	Y124550-51350	• ÈBÄ-Y(ÄPØÍPØ	4	
34	Y124550-51370	• OØÝ, P(ÄPØÍPØ	4	
35	Y129155-51370	• Ä¼ÖÄÍPÝ½ÄÄÈB	4	
36	Y129155-51380	• ÍÜÖÄPÒ(A)	2	
37	Y129155-51390	• ÍÜÖÄPÒ(B)	2	
38	Y129555-51400	• ÄPÍÜ, Ä	1	
39	Y129155-51410	• ÄÖÍPÜÄ(ÄPÍÜ, Ä	1	
40	Y129155-51420	• ÍB×, P (M16)	1	
41	Y129155-51450	• ÄÖ³³⁄²ÈBÄ-Y CMP	1	
46	Y129555-51500	• °YÄÜ-Ü×Ä,	1	
47	Y129155-51521	• ÍPÄ¼Ö (×Ä,	1	
48	Y129155-51530	• ¶Y»P(×Ä, Í¼PÖSP	1	
49	Y129155-51540	• ÄÖÜ(C¶PÄ	1	
50	Y129155-51550	• °YÄÜ-ÜÈBÆµÝ (B	4	
51	Y122117-51560	• ÄÖÈ¼P(FO¶PÝÈØÝ	4	
51- 1	Y129100-51570 (ALL=EXXX)	• ÈBÆµÝÖ³È¼P	4	N
52	Y174307-51560	• ÈBÆµÝ	4	
52- 1	Y129100-51560 (ALL=EXXX)	• ÈBÆµÝ	4	N
53	Y129155-51570	• ÍB×, P (M12)	1	
54	Y129155-51580	• OØÝ, P	1	
55	Y129155-51591	• ×Ä, Í¼PÖÈPÈ	1	
56	Y129155-51600	• ÄÖ³³⁄²¼N CMP	4	
75	Y129555-51700	• ¿, ÍÄ (ÍYÄ²	1	
75- 1	Y129555-51701 (TB=E39207 TB1=*2000.01) (ETB=E50221 ETB1=E50273)	• ÍBÝÍBÍYÄ²¿, ÍÄ	1	N
76	129555-51710	• PK (ÍYÄ²¿, ÍÄ	1	
76- 1	129555-51711 (TB=E39207 TB1=*2000.09) (ETB=E56610 ETB1=E56596) (ETBZ=E55929)	• PK(ÍYÄ²¿, ÍÄ	1	N
77	129555-51750	• ¿, ÍÄ (ÍYÄ²	1	
77- 1	129555-51751 (TB=E39207 TB1=*2000.01)	• ¿, ÍÄ(4CYL	1	N



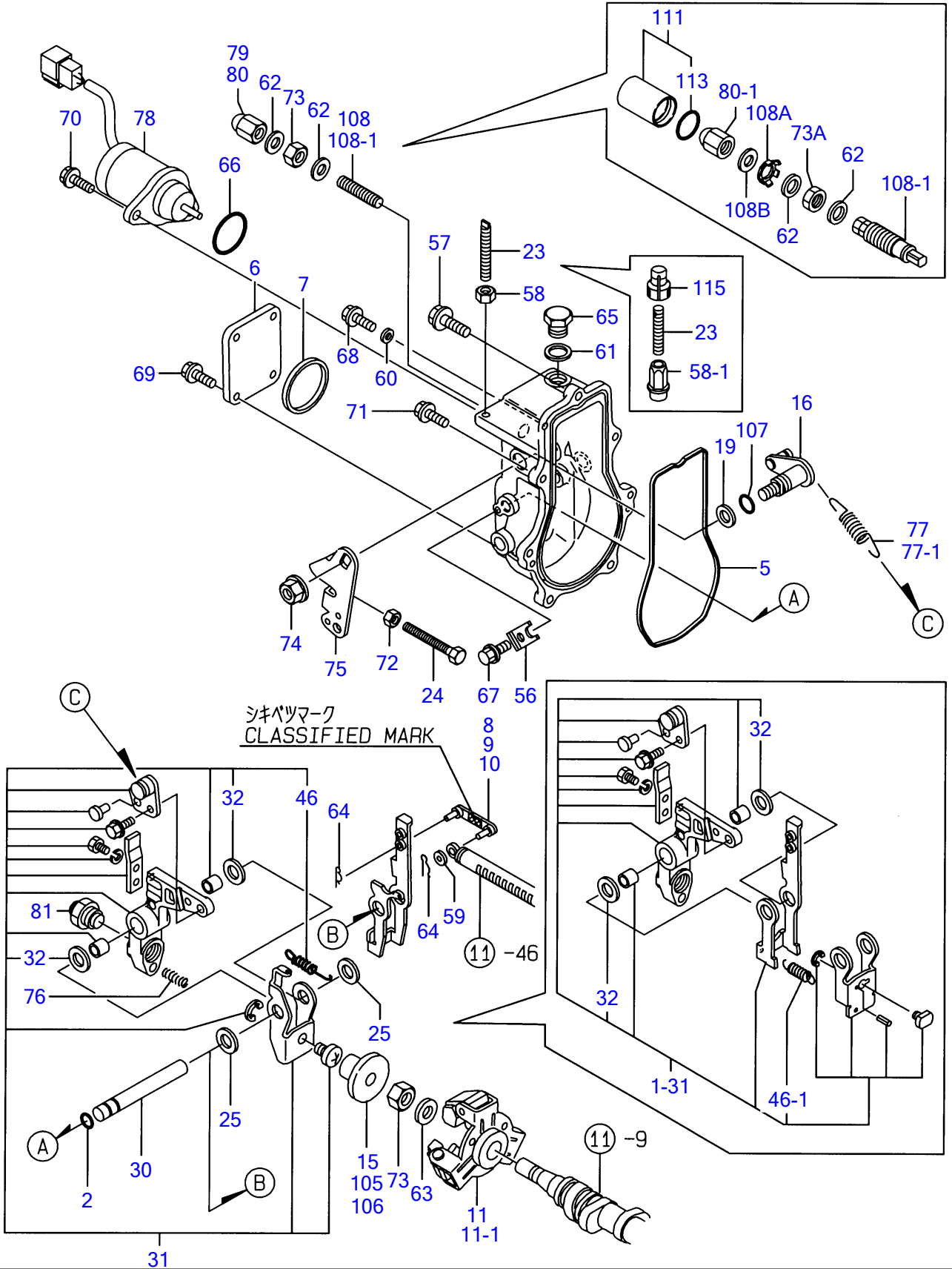
FOIY¼ÔIBYIB FUEL INJECTION PUMP

REF NO.	PARTS NO.	Description	Q'ty	I	R
	(ETB=E50221 ETB1=E50273)				
78	129555-51760	• PK (ÍYÀ², ÌÀ	1		
79	129155-51790	• xÀ, ÌÜØÄPÖ	1		
80	129156-51910	• Ö²ÈPÝ (ÄÖ³²	1		
81	129155-51930	• ¶Y»P T=3.25	1		
82	129155-51940	• ¶Y»P T=1.5	1		
83	22190-160002	• ¼-ÜÜÄ¼Ö(¶Ü.ÆÄØÜ)16	1		
84	22217-050000	• ÈPÈ»P¶PÈ 5	2		
85	22217-060000	• ÈPÈ»P¶PÈ 6	2		
86	22351-050010	• ½ÌBØY, PÈBÝ 5.0AX 10	2		
87	24101-063034	• ÍP±ØY, P 6303	1		
88	24341-000160	• OØY, P 1A S 16.0	1		
89	26022-050102	• ÁÍPºÈ¼P(ÈPÈ5X10	11		
89- 1	26022-050122	• ÁÍPºÈ¼P(ÈPÈ5X12	11	N	
	(TB=E39207 TB1=*2000.01)				
	(ETB=E50221 ETB1=E50273)				
90	26022-060162	• ÁÍPºÈ¼P(ÈPÈ6X16	4		
91	26116-050302	• ÍPÜÄ 5X 30	2		
92	26716-060002	• ÄÄÄ 6	2		
93	129155-51050	• ÄÍ¼P, ³¹(½x½Ä	1		
93- 1	129155-51051	• ¼P, ³¹(Í, PÈÄÄÄ	1	N	
	(TB=*2002.07 TB1=*2000.07)				
	(ETB=E73677 ETB1=E73826)				
	(ETBZ=E73830)				
94	129155-51060	• ¶N¼P, »ÍB-Ä	1		
95	129208-54500	• • ÍxY¼P	1		
97	22217-120000	• • Ü¼-½ÌBØY, P	1		
98	26716-120002	• • Ä-Ä	1		
102	129155-52050	• ÈBÄ-Y (ÄØÄ¹	1		
103	129100-52200	• ¶ÈP-(ÍY¼Ö¼P-ÌÄP)	1		
104	129208-51060	• »ÍBºÄ	1		

Engine for TB145 4TNE88-(E)TB(1)(Z) S/N 14510004-14513260  
GOVERNOR

Y00D6852  
4TNE88-(E)TB(1,Z)

12 がバネ  
GOVERNOR



REF NO.	PARTS NO.	GOVERNOR	Description	Q'ty	I	R	Q'ty
2	Y129155-51280	• OØÝ, Þ(S6	• O-RING S6	1			
5	Y129052-61050	• ÉßÄ·Ý (¶ÞÉÞÄ¹·½	• PACKING	1			
6	Y129052-61060	• ¶ÞÉÞÄ¹·½Ä	• COVER	1			
7	Y129052-61070	• ÉßÄ·Ý (¹·½Ä	• PACKING	1			
8	Y129155-61120	• ØÝ, L=30(İ-, 0	• LINK L=30(MARK 0	1			(1) ¾ÝÄ, ¼Ä, ¼Ä·ÍÞÄ, 0
9	Y129155-61130	• ØÝ, L=31(İ-, 1	• LINK L=31(MARK 1	1			(1) ¾ÝÄ, ¼Ä, ¼Ä·ÍÞÄ, 0
10	Y129155-61140	• ØÝ, L=30.5 (İ-, 05)	• LINK L=30.5(MARK 05)	1			(1) ¾ÝÄ, ¼Ä, ¼Ä·ÍÞÄ, 0
11	Y129155-61201	• ¶ÞÉÞÄ³·²Ä CMP	• WEIGHT ASSY, GOVERNOR	1			¶, ÄÝÉ: ÄÖ³ÓÝ (²x½Ä »
11-1	Y129486-61200	• ¶ÞÉÞÄ³·²Ä CMP	• WEIGHT ASSY, GOVERNOR	1	S		¶, ÄÝÉ: ÄÖ³ÓÝ (²x½Ä »
11-2	(ETB=E45989 ETB1=E46180) Y129155-61202	• ¶ÞÉÞÄ³·²Ä CMP	• WEIGHT ASSY, GOVERNOR	1		R	¶, ÄÝÉ: ÄÖ³ÓÝ (²x½Ä »
11-3	(TB=E39207 TB1=*2000.01) Y129486-61201	• ¶ÞÉÞÄ³·²Ä CMP	• WEIGHT ASSY, GOVERNOR	1		R	¶, ÄÝÉ: ÄÖ³ÓÝ (²x½Ä »
15	Y129155-61341	• ½Ø-ÌÞ	• SLEEVE	1			(2) ¾ÝÄ, ¼Ä
16	Y129100-61400	• 9ÝÄÛ-ÛÜÉÞ¼Þ, CMP	• SHAFT ASSY, CONTROL	1			
19	Y129155-61430	• ¶Ý»Þ(9ÝÄÛ-ÛÜÉÞ ¼Þ,	• SPACER, SHAFT	1			
23	Y129155-61450	• ¶²ÄÝ¾²¹ÞÝÍÞÜÄ	• BOLT, REVOL. LIMIT	1			
24	Y129155-61460	• ±²ÄÞÜ¾²¹ÞÝÍÞÜÄ	• BOLT, IDLE LIMIT	1			
25	Y129155-61480	• ¶Ý»Þ COMP	• SPACER ASSY	2			
30	Y129052-61390	• ¼ÖÌÄ(¶ÞÉÞÄÜÉÞ	• SHAFT, GOV. LEVER	1			
31	Y129052-61500	• ¶ÞÉÞÄÜÉÞ- CMP	• LEVER ASSY, GOVERNOR	1			
31-1	Y119908-61501	• ¶ÞÉÞÄÜÉÞ- CMP	• LEVER ASSY, GOVERNOR	1		R	
32	(TB=E39207 TB1=*2000.07) (ETB=E54741 ETB1=E54736) 174307-51700	• ¼Ñ¾ÄÄ(ÄÖ³¾²Ö³	• SHIM SET	2			
46	129052-61540	• ¾ÄÄ½ÌßØÝ, Þ(GÜÉÞ-	• SPRING	1			
46-1	129486-61540	• ¾ÄÄ½ÌßØÝ, Þ	• SPRING, SET	1		S	
56	(TB=E39207 TB1=*2000.03) (ETB=E51081 ETB1=E51218) 119660-61901	• Ç¹ÄÞÖ	• RETAINER, SHAFT	1			
57	129155-61950	• »ÞÄ· B(Ì³²Ý	• BOLT, WASHER BASED	1			
58	124550-66370	• ÄÖÄÄÄ 6 (ÄÄÞØ±Ä	• LOCK NUT M 6	1			
58-1	129209-61370	• ÄÄÄ(ARB	• NUT M6	1		S	
59	(TB=E*2000.06 TB1=*2000.06) (ETB=E72919 ETB1=E73826) (ETBZ=E73172) 22117-040000	• »Þ¶ÞÉ(9İÜ 4	• WASHER 4	1			
60	22190-060002	• ¼-ÛÜÄ¼Ö(9İÜ.ÆÄØÜ) 6	• SEAL WASHER 6S	1			
60-1	22190-060003	• ¼-ÛÜÄ¼Ö(İÜ 6	• WASHER, SEAL 6	1		N	
61	(TB=E36807) 22190-100002	• ¼-ÛÜÄ¼Ö(9İÜ.ÆÄØÜ)10	• SEAL WASHER 10S	1			
62	22190-120002	• ¼-ÛÜÄ¼Ö(9İÜ 12	• SEAL WASHER 12	2			
63	22287-120000	• ½-Éß-ÜÄ, »Þ¶ÞÉ 12	• WASHER 12	1			
64	22372-040000	• ½ÄÄÌßÉßÝJASO 4	• SNAP PIN 4	2			





ጥቅም ላይ የዋለ ጠቅላይ ግዴታ ጠቅላይ ግዴታ GOVERNOR

REF NO.	PARTS NO.	Description	Q'ty	I	R
65	23887-100002	• ጥቅም ላይ የዋለ 10	1		
66	24341-000280	• ጠቅላይ ግዴታ 1A S 28.0	1		
67	26106-060102	• ለጠቅላይ ግዴታ M 6X 10	1		
68	26106-060102	• ለጠቅላይ ግዴታ M 6X 10	1		
69	26106-060102	• ለጠቅላይ ግዴታ M 6X 10	4		
70	26106-060142	• ለጠቅላይ ግዴታ 6X 14	2		
71	26106-060202	• ለጠቅላይ ግዴታ 6X 20	6		
72	26756-060002	• ለጠቅላይ ግዴታ 6	1		
73	26776-120002	• ለጠቅላይ ግዴታ (ጠቅላይ ግዴታ) 12	2		
73- 1	26776-120002	• ለጠቅላይ ግዴታ (ጠቅላይ ግዴታ) 12	1	K	
	(TB=*2001.09 TB1=*2001.09) (ETB=E66880 ETB1=E70363) (ETBZ=E67520)				
73A	26736-120002	• ለጠቅላይ ግዴታ (ጠቅላይ ግዴታ) 12	1	W	
	(TB=*2001.09 TB1=*2001.09) (ETB=E66880 ETB1=E70363) (ETBZ=E67520)				
74	26366-080002	• ለጠቅላይ ግዴታ ለጠቅላይ ግዴታ 8	1		
75	129100-61440	• ጠቅላይ ግዴታ ለጠቅላይ ግዴታ	1		
76	129100-61650	• ጠቅላይ ግዴታ ለጠቅላይ ግዴታ	1		
77	129489-61700	• ጠቅላይ ግዴታ ለጠቅላይ ግዴታ	1		
77-1	129486-61710	• ጠቅላይ ግዴታ ለጠቅላይ ግዴታ	1	S	
	(ETB=E44619 ETB1=E44920)				
78	119285-77951	• ጠቅላይ ግዴታ ለጠቅላይ ግዴታ	1		
78- 1	119285-77952	• ጠቅላይ ግዴታ ለጠቅላይ ግዴታ	1	N	
	(TB=*2001.03 TB1=*2001.03) (ETB=E62124 ETB1=E62868) (ETBZ=E62133)				
79	26687-120002	• ጠቅላይ ግዴታ ለጠቅላይ ግዴታ 12	1		
80	129100-61930	• ጠቅላይ ግዴታ ለጠቅላይ ግዴታ	1		
80-1	129209-61930	• ጠቅላይ ግዴታ ለጠቅላይ ግዴታ	1	S	
	(ETB=E69297 ETB1=E70363) (ETBZ=E69220)				
81	129132-61550	• ጠቅላይ ግዴታ ለጠቅላይ ግዴታ CMP	1		
105	129155-61350	• ጠቅላይ ግዴታ ለጠቅላይ ግዴታ (ጠቅላይ ግዴታ)	1		
106	129155-61360	• ጠቅላይ ግዴታ ለጠቅላይ ግዴታ (ጠቅላይ ግዴታ)	1		(2) 3/4 ግዴታ, 1/4
107	129155-61830	• ጠቅላይ ግዴታ (S10)	1		(2) 3/4 ግዴታ, 1/4
108	129155-61470	• ጠቅላይ ግዴታ ለጠቅላይ ግዴታ	1		
108-1	120323-61470	• ጠቅላይ ግዴታ ለጠቅላይ ግዴታ	1	S	
	(ETB=E45989 ETB1=E46180)				
108A	129209-61970	• ጠቅላይ ግዴታ ለጠቅላይ ግዴታ	1		
	(ETB=E69297 ETB1=E70363) (ETBZ=E69220)				
108B	23414-120016	• ጠቅላይ ግዴታ ለጠቅላይ ግዴታ	1	W	
	(ETB=E69297 ETB1=E70363) (ETBZ=E69220)				
111	129209-61940	• ጠቅላይ ግዴታ ለጠቅላይ ግዴታ	1	W	
	(ETB=E69297 ETB1=E70363) (ETBZ=E69220)				
113	24311-000150	• ጠቅላይ ግዴታ ለጠቅላይ ግዴታ	1	W	
	(ETB=E69297 ETB1=E70363) (ETBZ=E69220)				
115	119285-66650	• ጠቅላይ ግዴታ ለጠቅላይ ግዴታ	1	W	
	(ETB=E69297 ETB1=E70363)				



REF NO.

PARTS NO.  
(ETBZ=E69220)

GOVERNOR

•"i-¼

Description

Q'ty

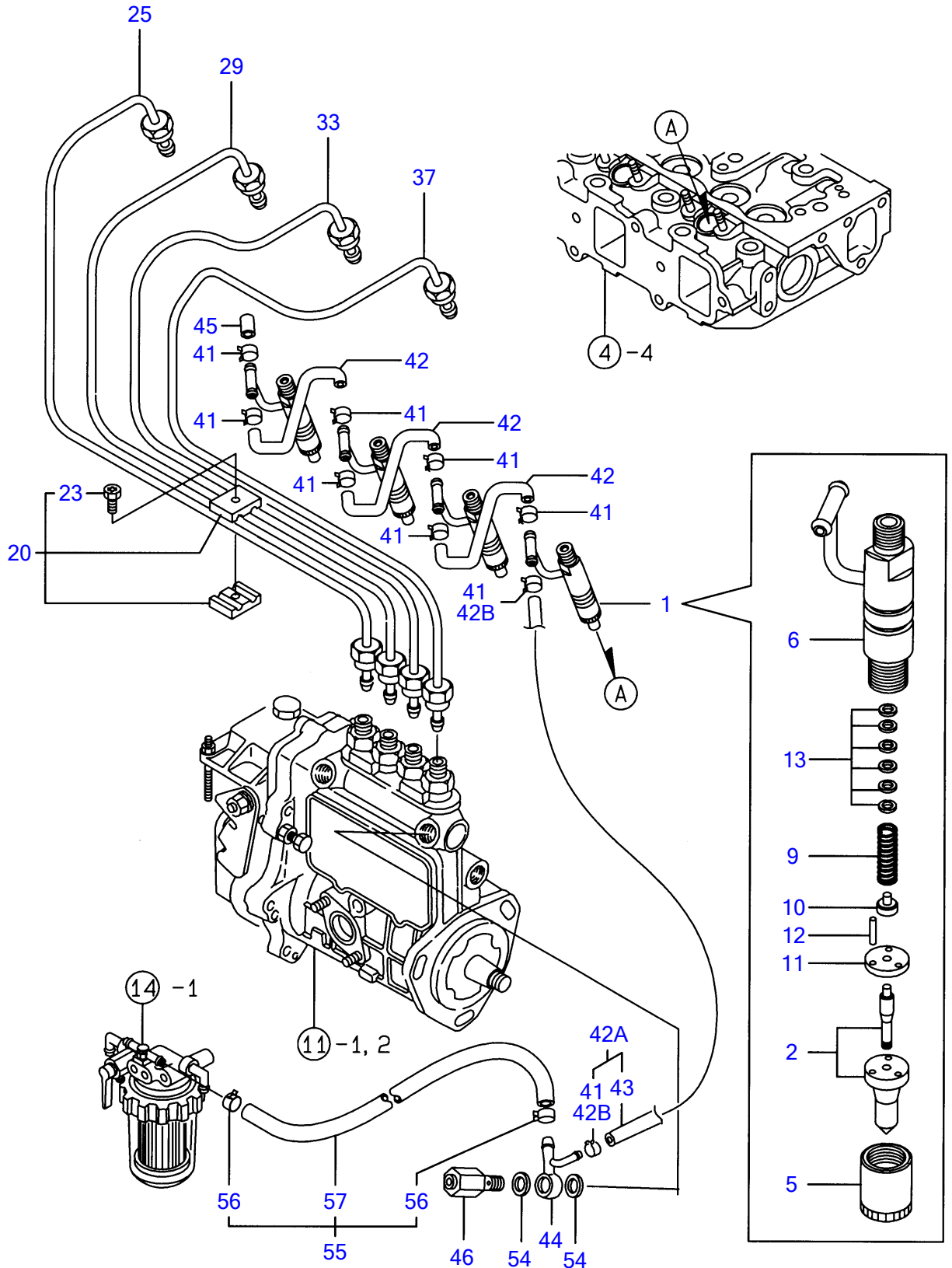
(3)

ASSY)  
FOIY¼  
Æ l, DÍ¼

Engine for TB145 4TNE88-(E)TB(1)(Z) S/N 14510004-14513260  
**FUEL INJECTION VALVE**

Y00D6852  
 4TNE88-(E)TB(1,Z)

13 FO7ンシャベン  
 FUEL INJECTION VALVE



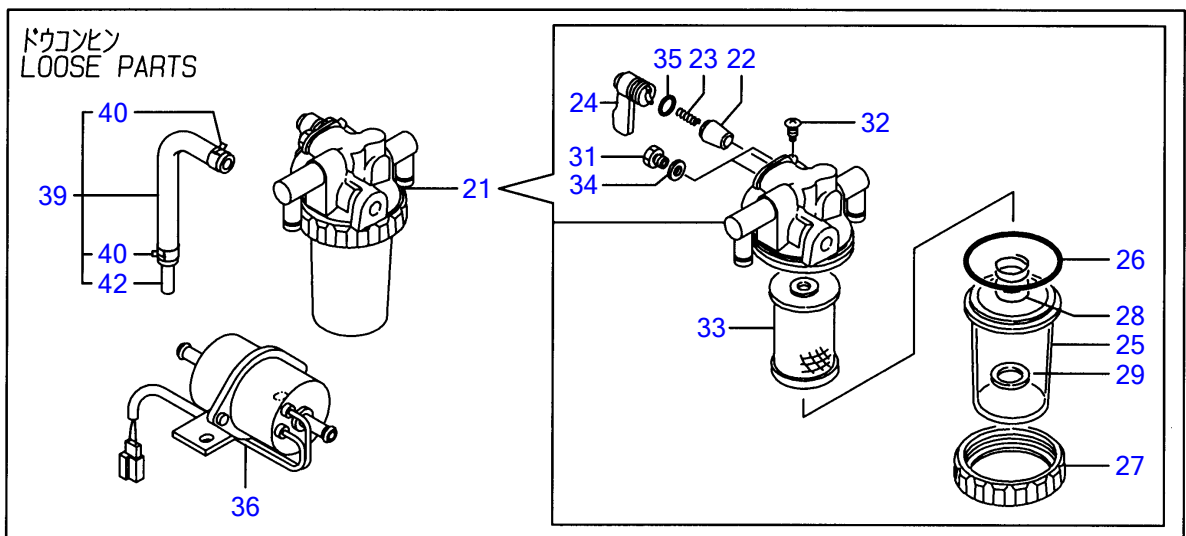
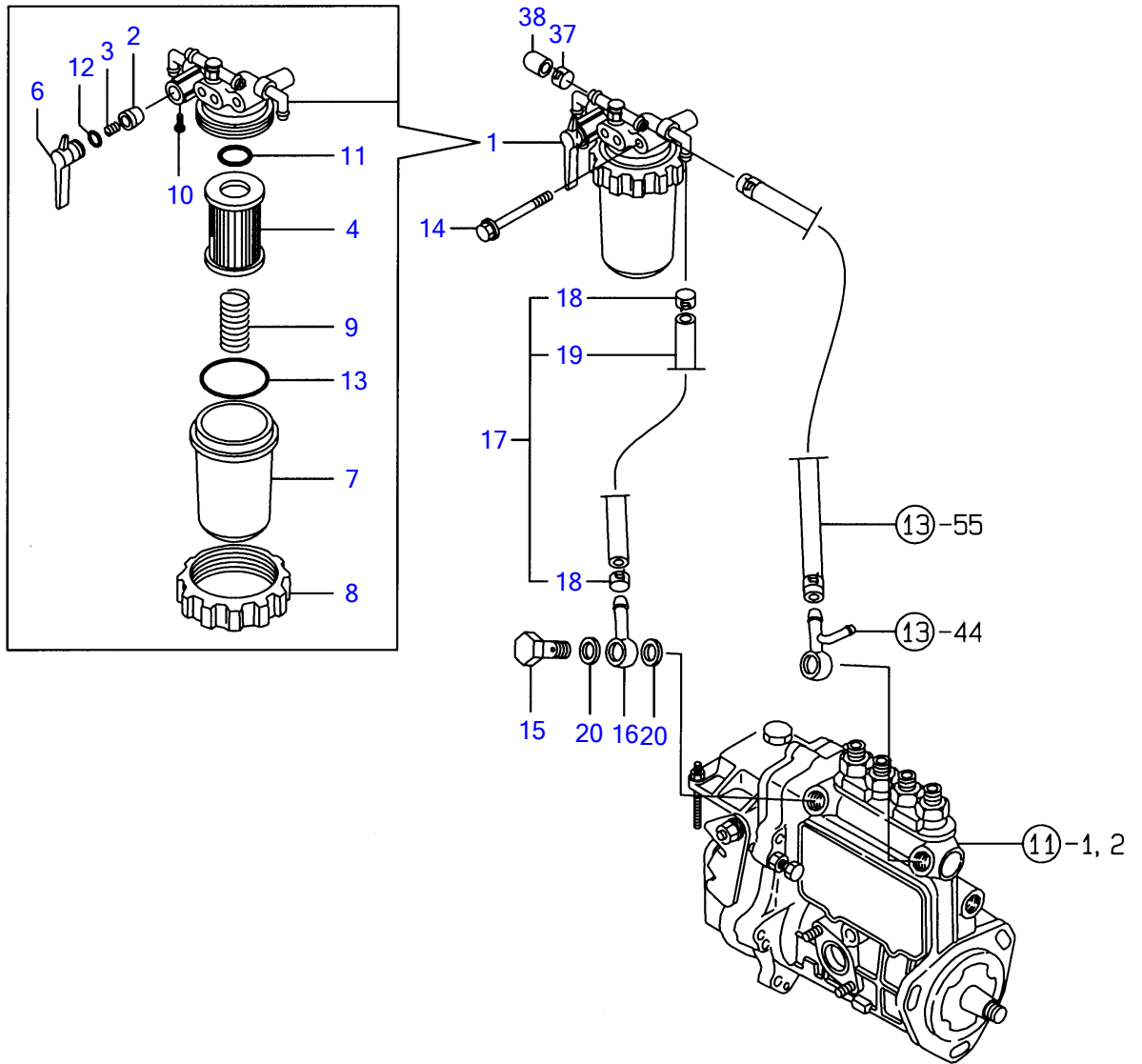
FOIY¼-ÍPÝ FUEL INJECTION VALVE

REF NO.	PARTS NO.	Description	Q'ty	I	R	Q'ty
1	Y729102-53100	FOIY¼ÓÍPÝ ASSY	4			
2	Y129102-53000	• É½PÙ CMP	4			
5	Y114250-53080	• ÁÁÁ(É½PÙÁØÁ¹	4			
6	Y129100-53100	• É½PÙÍÙÁP- CMP	4			
9	Y114250-53120	• ½ÍØÝ, P(É½PÙ	4			
10	Y114250-53130	• ¼-Á(É½PÙ½ÍØÝ, P	4			
11	Y114250-53140	• ½ÁÁÍÍÍÚ-Á	4			
12	Y114250-53210	• ÉÍÝ(É½PÙ²Á-PÒ	8			
13	Y114250-53400	• ¼Ñ CMP	4			
20	Y119305-59120	ÍÙÁPÒ(ÍY¼ÓÍPÝCMP	2			
23	Y129150-59131	• +±Á HB4X14	2			
25	Y129612-59831	FOIY¼ÓÍPÝ CMP	1			
29	Y129407-59910	FO-T(ÍY¼Ó CMP	1			
33	Y129407-59920	FO-T(ÍY¼Ó CMP	1			
37	Y129407-59940	FO-T(ÍY¼Ó CMP	1			
41	Y124066-59100	Î-½, ØÁÍÍ(ÍÙ 8	9			
41- 1	Y124066-59100 (TB=E39207 TB1=*1999.12) (ETB=E47698 ETB1=E50273)	Î-½, ØÁÍÍ(ÍÙ 8	7			K
42	Y121250-59550	FO-T(D8XL120	3			
42A	Y119840-59500 (TB=E39207 TB1=*1999.12) (ETB=E47698 ETB1=E50273)	FO-T(ÓÁP¼ CMP	1			W
42B	Y124066-59100 (TB=E39207 TB1=*1999.12) (ETB=E47698 ETB1=E50273)	• Î-½, ØÁÍÍ(ÍÙ 8	2			W
43	Y119840-59560	• FO-T ÓÁP¼	1			
44	Y119840-59570	Á-PÁ	1			
45	Y129150-59580	• ÓÁÍÍ(FO-TÓÁP¼	1			
46	Y129100-59951	Á'Á, ÊPÙÍP CMP	1			
54	Y23414-120000	ÉÍÁ-Y(ÍÙ 12	2			
54- 1	Y22190-120002 (TB=E39207 TB1=*1999.07) (ETB=E43700 ETB1=E43720)	¼-ÚÚÁ¼Ó(ÍÙ 12	2			N
55	Y129210-59150	FO-T CMP	1			
56	Y124766-59050	• Î-½, ØÁÍÍ(ÍÙ 12	2			
57	Y105025-59530	• FOÉÍÍÍÍ (D13XL400)	1			

Engine for TB145 4TNE88-(E)TB(1)(Z) S/N 14510004-14513260  
**FUEL LINE**

Y00D6852  
 4TNE88-(E)TB(1,Z)

14 FUEL LINE

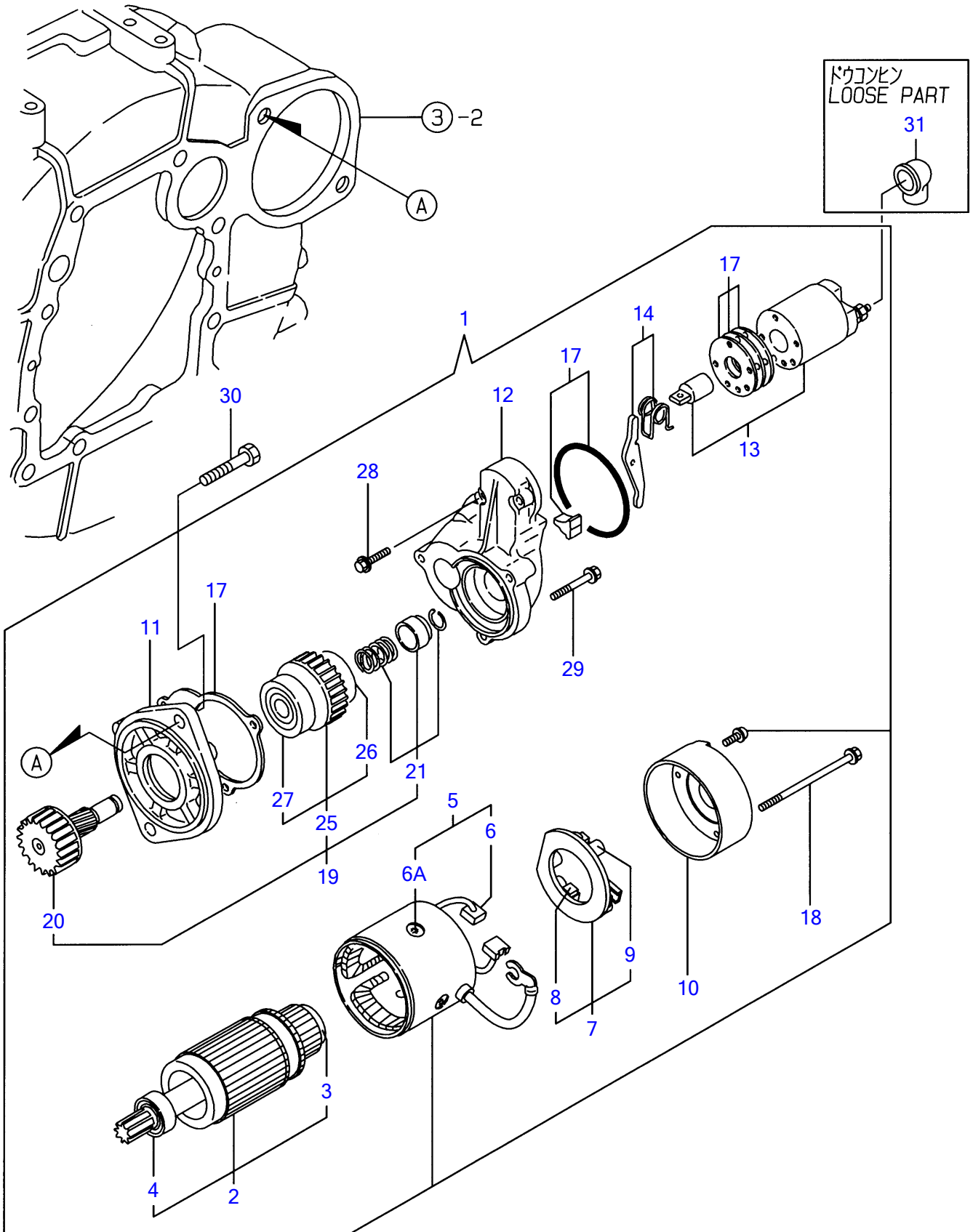


REF NO.	PARTS NO.	Description	Q'ty	I	R	»
1	Y129052-55620	STRAINER ASSY, FUEL	1			
2	Y104200-55321	• VALVE, TAPER	1			
3	Y104200-55330	• SPRING, TAPER VALVE	1			
4	Y129100-55650	• ELEMENT, FUEL	1			
6	Y129100-55670	• LEVER	1			
7	Y129100-55680	• CUP, STRAINER	1			
8	Y129100-55690	• RING, RETAINING	1			
9	Y129100-55700	• SPRING	1			
10	Y104200-55750	• SCREW M 4	1			
11	Y24311-000160	• O-RING 1A P-16.0	1			
12	Y24311-240100	• O-RING 1A P-10A	1			
13	Y24321-000650	• O-RING 1A G-65.0	1			
14	Y26014-080702	BOLT W/WASHER M8X 70	1			
15	Y103854-39140	BOLT, PIPE JOINT	1			
16	Y101304-59020	JOINT 12, PIPE	1			
17	Y129210-59040	PIPE ASSY, FUEL OIL	1			
18	Y124766-59050	• CLAMP 12	2			
19	Y129555-59510	• PIPE, FUEL	1			
20	Y22190-120002	SEAL WASHER 12	2			
21	Y129335-55700	SEPARATOR, WATER	1			
22	Y104200-55321	• VALVE, TAPER	1			
23	Y104200-55330	• SPRING, TAPER VALVE	1			
24	Y104200-55341	• HANDLE, COCK	1			
25	Y124064-55510	• BOWL, FUEL STRAINER	1			
26	Y102103-55520	• O-RING	1			
27	Y110250-55610	• RING, RETAINING	1			
28	Y121257-55720	• SPRING, SCREEN	1			
29	Y121257-55731	• FLOAT	1			
31	Y101720-55750	• PLUG 6	2			
32	Y104200-55750	• SCREW M 4	1			
33	Y171081-55910	• SCREEN	1			
34	Y23418-060000	• GASKET 6, NYLON	2			
35	Y24311-240100	• O-RING 1A P-10A	1			
36	Y129322-77401	FEED PUMP	1			
37	Y124066-59100	CLAMP 8	1			
38	Y129150-59580	CAP	1			
39	Y119840-59601	BEND ASSY	1			
39- 1	Y119840-59601 (TB=E38938)	BEND ASSY	2			K
39-2	Y119840-59601 (ETBZ=E69974)	BEND ASSY	1			Z
40	Y124766-59050	• CLAMP 12	2			
40- 1	Y124766-59050 (TB=E38938)	• CLAMP 12	4			K
40-2	Y124766-59050 (ETBZ=E69974)	• CLAMP 12	2			Z
42	Y119840-59621	• JOINT	1			
42- 1	Y119840-59621 (TB=E38938)	• JOINT	2			K
42-2	Y119840-59621 (ETBZ=E69974)	• JOINT	1			Z

Engine for TB145 4TNE88-(E)TB(1)(Z) S/N 14510004-14513260  
STARTING MOTOR

Y00D6852  
4TNE88-(E)TB(1,Z)

15 スターティングモータ  
STARTING MOTOR





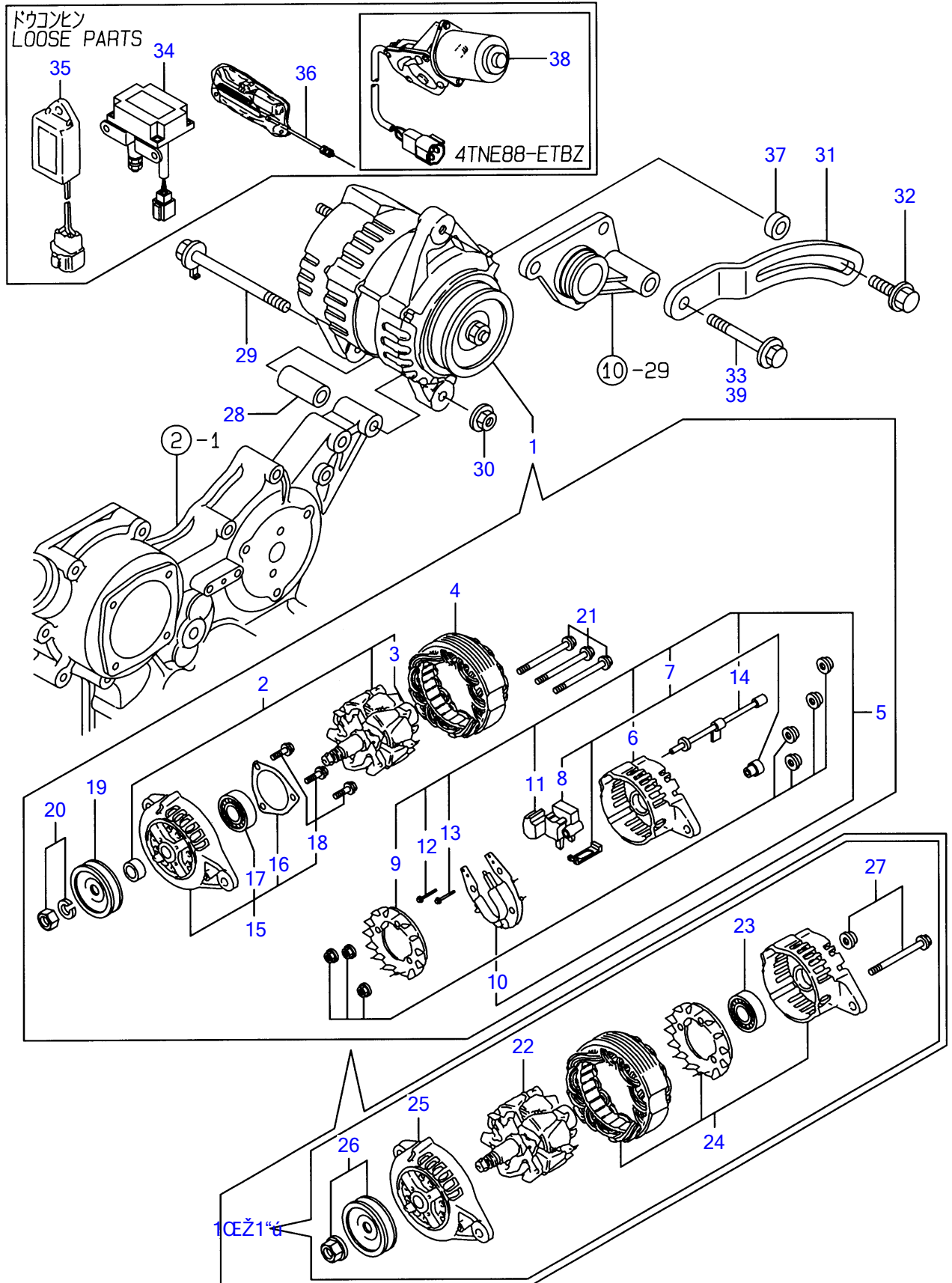
½Ä-Ä²Ý, ÞÓ-Ä STARTING MOTOR

REF NO.	PARTS NO.	Description	Q'ty	I	R	ö
1	Y129400-77012	STARTING MOTOR	1			
1- 1	Y129136-77011 (TB=E38009)	STARTER	1	S		
2	Y129486-77400	• ARMATUER	1			
2- 1	Y129900-77400 (TB=E38009)	• ARMATURE ASSY	1	S		
3	Y171008-77410 (TB=E38009)	• • BEARING(1)	1	Z		
4	Y171008-77420 (TB=E38009)	• • BEARING(2)	1	Z		
5	Y129400-77441	• FIELD COIL ASSY	1			
5- 1	Y129900-77440 (TB=E38009)	• COIL ASSY, FIELD	1	S		
6	Y129486-77460	• • BRUSH	2			
6- 1	Y129900-77450 (TB=E38009)	• • BRUSH (+)	2	S		
6A	Y171008-77450 (TB=E38009)	• • SCREW, POLE CORE SET	4	W		
7	Y129486-77470	• HOLDER ASSY, BRUSH	1			
7- 1	Y129900-77480 (TB=E38009)	• HOLDER ASSY, BRASH	1	S		
8	Y129486-77460	• • BRUSH	2			
8- 1	Y129900-77500 (TB=E38009)	• • BRUSH (-)	2	S		
9	Y129486-77490 (TB=E38009)	• • SPRING, START BRUSH	4	Z		
10	Y129900-77460	• COVER, REAR	1			
11	Y171008-77510	• HOUSING ASSY, GEAR	1			
12	Y129400-77520	• HOUSING, CENTER	1			
12- 1	Y129136-77520 (TB=E38009)	• CENTER HOUSING	1	S		
13	Y129400-77531	• SWITCH ASSY, MAGNETIC	1			
13- 1	Y129136-77310 (TB=E38009)	• SHAFT, PINION	1	S		
14	Y171008-77540	• LEVER SET, SHIFT	1			
17	Y129400-77571	• DUST COVER, (NON-ASB.	1			
18	Y129900-77640	• BOLT, THROUGH	2			
19	Y171008-77650	• PINION ASSY	1			
20	Y171008-77660	• • SHAFT, PINION	1			
21	Y171008-77670	• • STOPPER SET, PINION	1			
25	YX2114555500	• • CLUTCH ASSY	1			
26	YX2114955020	• • • BALL BEARING	1			
27	YX2240410100	• • • BALL BEARING	1			
28	Y26106-060322	• BOLT M 6X 32 PLATED	2			
29	Y26106-060402	• BOLT M 6X 40 PLATED	3			
30	Y26116-120252	BOLT M12X 25 PLATED	2			
31	Y124550-77030	COVER, TERMINAL	1			

Engine for TB145 4TNE88-(E)TB(1)(Z) S/N 14510004-14513260  
**GENERATOR**

Y00D6852  
 4TNE88-(E)TB(1,Z)

16 ジェネレータ  
 GENERATOR



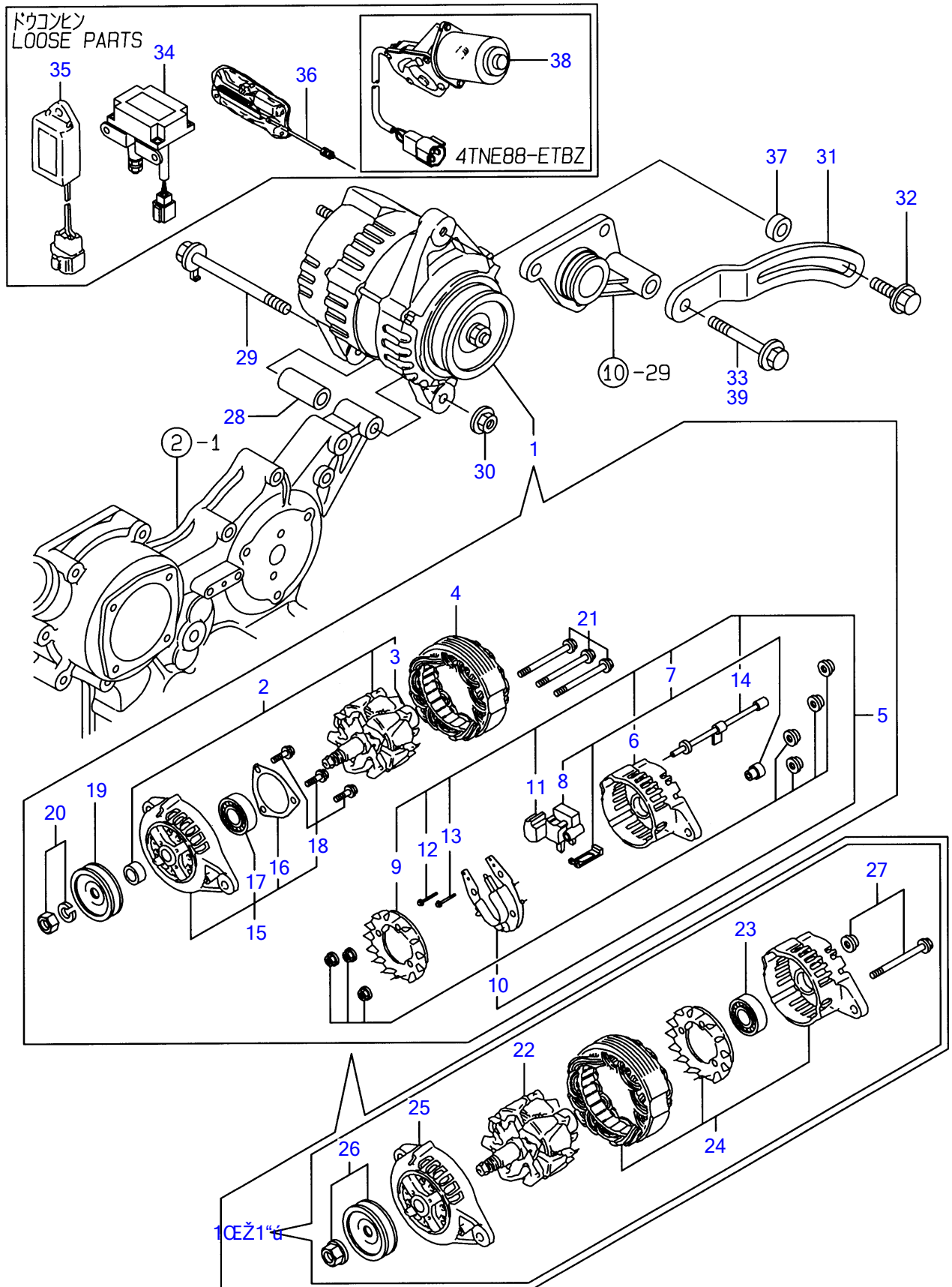
¼P'ÈÚ-À GENERATOR

REF NO.	PARTS NO.	Description	Q'ty	I	R	"õ
1	Y119836-77200	¼P'ÈÚ-À-(LR140-714	1			
1- 1	Y119836-77201 (TB=E39207)	AC¼P'ÈÚ-À	1	R		
2	Y119836-77700 (TB=E39207)	• Û-À ASY	1	Z		
3	Y119836-77850 (TB=E39207)	• • ÎP-ÛÍP±ØÝ, P 6000S	1	Z		
4	Y119836-77710 (TB=E39207)	• ½Ä-À CMP	1	Z		
5	Y119836-77721 (TB=E39207)	• ØÔ¶ÊP- ASY	1	Z		
6	Y119836-77730 (TB=E39207)	• • ØÔ¶ÊP-	1	Z		
7	Y119836-77741  (TB=E39207)	• • ÛPÕÚ-ÀÏP×¼ ASY	1	Z		
8	Y119836-77750 (TB=E39207)	• • • ÏP×¼(L170-1325	1	Z		
9	Y119836-77760 (TB=E39207)	• • Ì±Ý¶P²ÄP	1	Z		
10	Y119836-77770 (TB=E39207)	• • ÄP²µ-ÄP ASY	1	Z		
11	Y119836-77780 (TB=E39207)	• • °ÝÄPÝ»	1	Z		
12	Y119836-77871 (TB=E39207)	• • ÎPÙÄ(1)	1	Z		
13	Y119836-77880 (TB=E39207)	• • ÎPÙÄ(2)	1	Z		
14	Y119836-77890 (TB=E39207)	• • Ø-ÄPÛ²Ô ASY	1	Z		
15	Y119836-77790 (TB=E39207)	• F¶ÊP-ASY L140-44002	1	Z		
16	Y119836-77800 (TB=E39207)	• • ÍP±ØÝ, PØÄ-Ä	1	Z		
17	Y119836-77840 (TB=E39207)	• • ÎP-ÛÍP±ØÝ, P	1	Z		
18	Y119836-77860 (TB=E39207)	• • ½, ØÕ³ ·ÄÄP	1	Z		
19	Y119836-77810 (TB=E39207)	• ÌB-Ø	1	Z		
20	Y119836-77820 (TB=E39207)	• ÌB-ØÄÄÄ ASY	1	Z		
21	Y119836-77830 (TB=E39207)	• ½Û-ÎPÙÄ	1	Z		
22	Y129612-77700 (TB=E39207)	• Û-À ASY	1	W		
23	Y129612-77710 (TB=E39207)	• ÎP-ÛÍP±ØÝ, P	1	W		
24	Y119836-77920 (TB=E39207)	• ØÔÏP×¹ÄÄ ASY	1	W		
25	Y129612-77730  (TB=E39207)	• ÌÛÝÄÏP×¹ÄÄ ASY	1	W		
26	Y129612-77740 (TB=E39207)	• ÌB-Ø-	1	W		
27	Y129612-77750 (TB=E39207)	• ½, ØÕ³ ·ÄÄ	1	W		
28	Y119820-77340	ÄP²½ÄÝ½ËB-½	1			
29	Y129136-77251	ÎPÙÄ 8X110 (GEN	1			
30	Y26366-080002	ÄÊPÄ ·ÄÄÄ 8	1			
30- 1	Y129612-77260 (TB=E38541)	ÄÄÄ(µÙÄË-Ä	1	R		
31	Y129136-77350	±¼PÕ½Ä	1			
31-1	Y129100-77330 (ETBZ=E59591)	±¼PÕ½Ä	1	N		
32	Y26014-080352	ÎPÙÄ(Ë×+ÊPË 8X 35	1			
32-1	Y119810-77340	ÎPÙÄ	1	N		

Engine for TB145 4TNE88-(E)TB(1)(Z) S/N 14510004-14513260  
**GENERATOR**

Y00D6852  
 4TNE88-(E)TB(1,Z)

16 ジェネレータ  
 GENERATOR



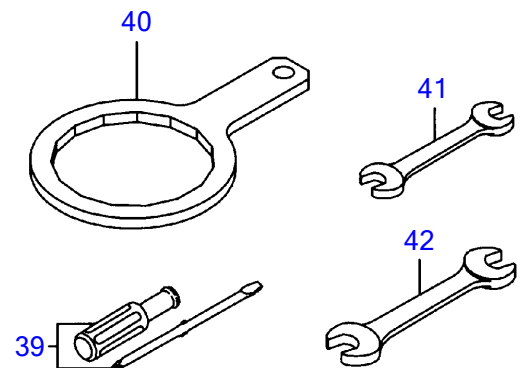
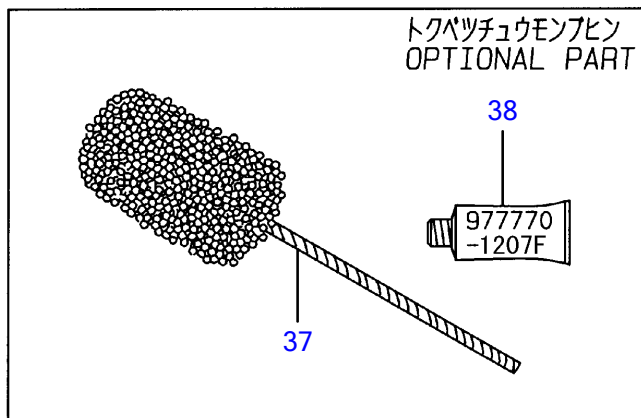
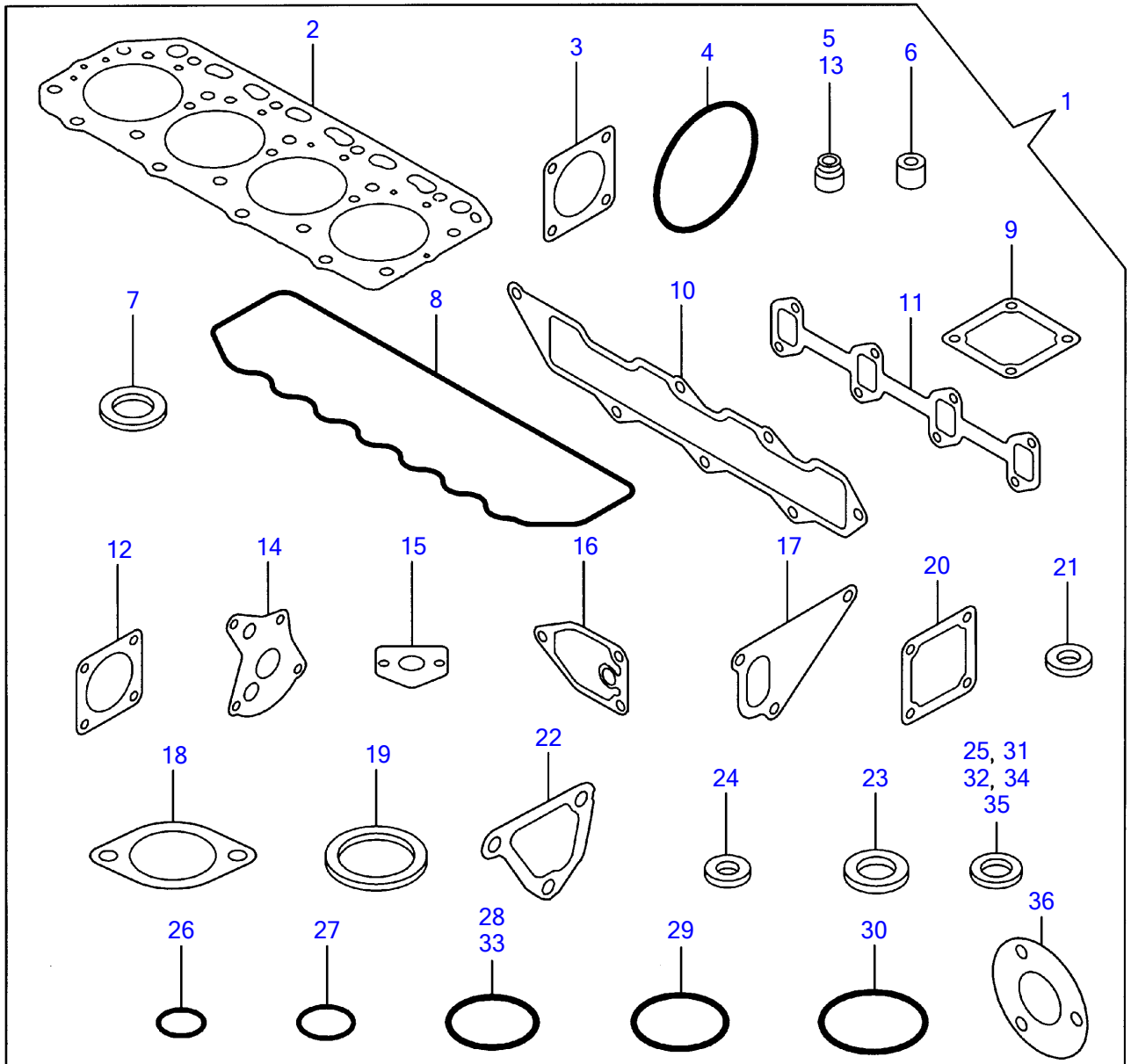
GENERATOR

REF NO.	PARTS NO.	Description	Q'ty	I	R	ø
33	(ETBZ=E59591) Y26106-080502	8X 50 BOLT M 8X 50 PLATED	1	Z		
34	(TB=E38938) Y129136-77100	RELAY, SAFETY	1			
35	Y119632-77920	TIMER	1			
35- 1	Y129211-77920 (TB=E39207 TB1=*2000.10) (ETB=E56610 ETB1=E56596) (ETBZ=E55929)	TIMER	1	N		
36	Y114654-77900	STOP, ENGINE	1			
36- 1	Y119032-77910	MOTOR ASSY, ENG.STOP	1	N		
36-2	(TB=E37950) Y119032-77910	MOTOR ASSY, ENG.STOP	1	Z		
37	(ETBZ=*****) Y106500-44810 (ETBZ=59591)	SPACER	1	Z		
38	Y129136-66810	MOTOR ASSY, ENG.STOP	1			
39	Y26106-080502 (ETBZ=59591)	8X 50 BOLT M 8X 50 PLATED	1	W		

GASKET SET

Y00D6852  
4TNE88-(E)TB(1,Z)

17 パッキンセット  
GASKET SET

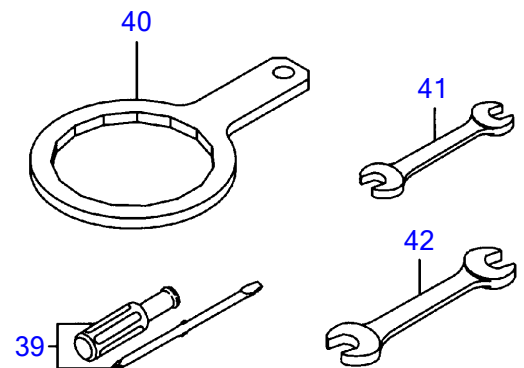
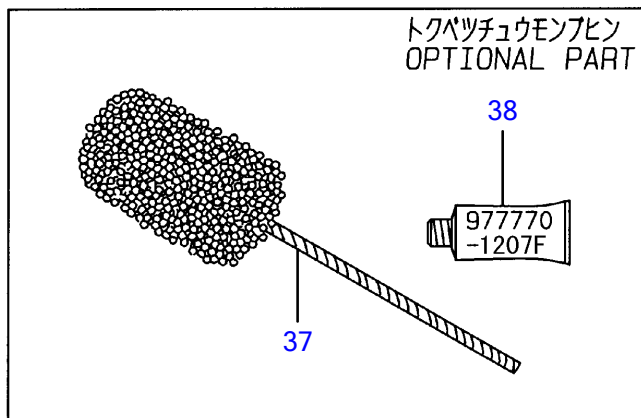
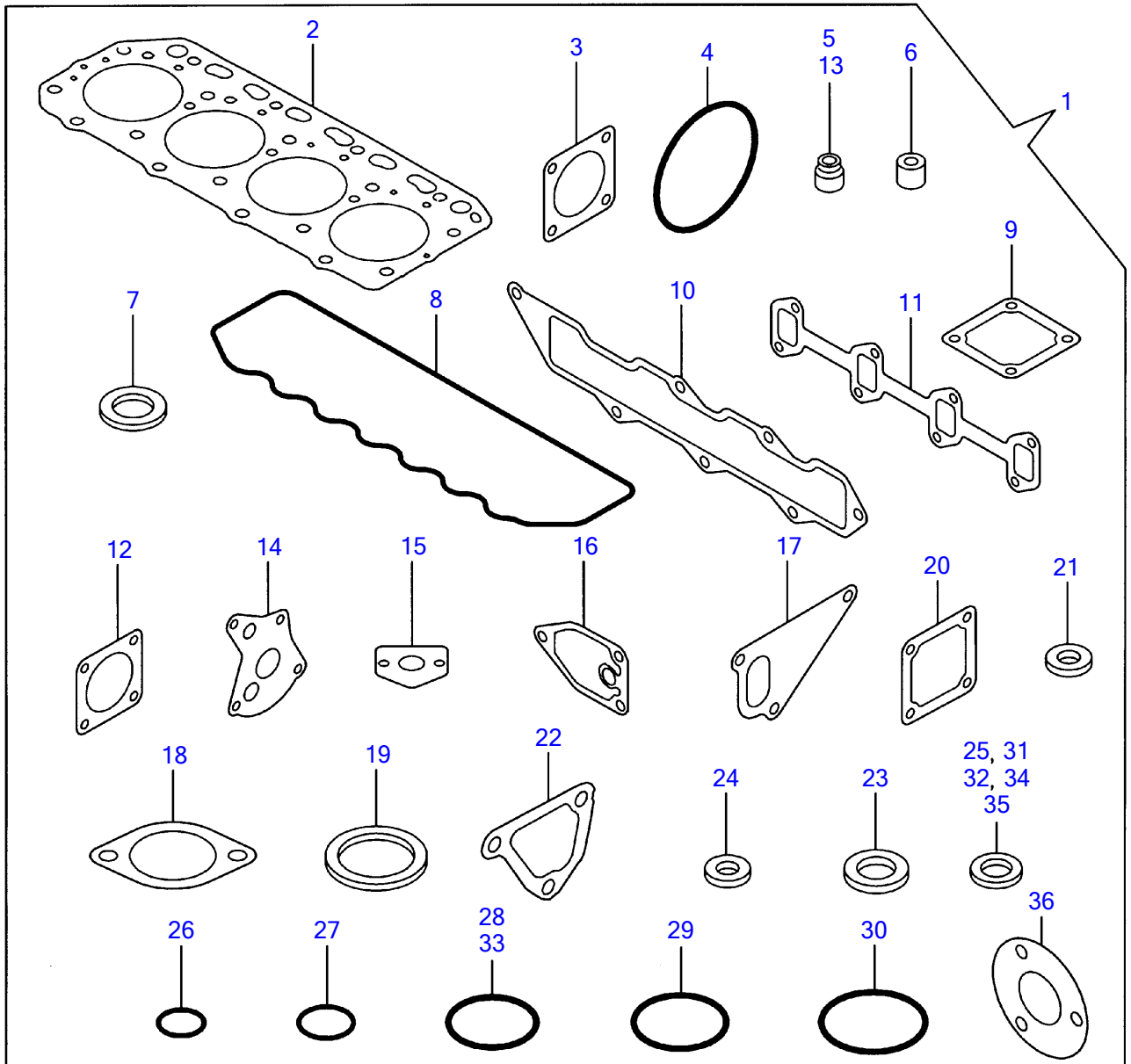


REF NO.	PARTS NO.	Description	Q'ty			
1	Y729407-92640	GASKET SET(NON-ASB.)	1			(1)
1- 1	Y729407-92700 (TB=EXXX)	GASKET SET(NON-ASB.)	1	N		(1)
1- 2	Y729407-92701 (ALL=EXXX)	GASKET SET(NON-ASB.)	1	N		(1)
2	Y129407-01340	GASKET,CYL.HEAD	1			
3	Y124240-01883 (ALL=EXXX)	GASKET, (NON-ASB.)	1	Z		
4	Y121850-51960	O-RING, F.I.PUMP	1			
5	Y124460-11340	SEAL, VALVE STEM	4			
6	Y119625-11870	PROTECTOR, NOZZLE	4			
7	Y119625-11880	SEAT, NOZZLE	4			
8	Y129550-11310	GASKET, BONNET	1			
9	Y129150-77511	GASKET, (NON-ASB.)	1			
10	Y129407-12110	GASKET,INT.MANOFOLD	1			
11	Y129550-13110	GASKET, EXH.MANIFOLD	1			
12	Y129400-13201	GASKET, (NON-ASB.)	1			
13	Y121400-11340	SEAL, VALVE STEM	4			
14	Y129150-32020	GASKET, L.O. PUMP	1			
15	Y129150-35041	GASKET, (NON-ASB.)	1			
16	Y129100-77511	GASKET, (NON-ASB.)	1			
17	Y129100-42020	GASKET, C.W. PUMP	1			
17- 1	Y129486-42021 (TB=E39207 TB1=*1999.08) (ETB=E44619 ETB1=44920)	GASKET	1	N		
18	Y129795-49551	GASKET, (NON-ASB.)	1			
19	Y129150-49811	GASKET, (NON-ASB.)	1			
20	Y129100-77510	GASKET, AIR HEATER	1			
21	Y124465-44950 (TB=EXXX)	GASKET 16	1	W		
22	Y129100-49840	GASKET, THERMO. CASE	1			
22- 1	Y124395-49840 (TB=E39207 TB1=*2003.03) (ETB=E51081 ETB1=51218)	GASKET, THERMO. CASE	1	N		
23	Y129155-52050	GASKET	1			
24	Y22190-080002	SEAL WASHER 8S	7			
25	Y23414-100000	GASKET 10, ROUND	2			
25- 1	Y22190-100002 (TB=E39207 TB1=*1999.10) (ETB=E45989 ETB1=E46180)	SEAL WASHER 10S	2	N		
26	Y24311-000120	O-RING 1A P 12.0	3			
27	Y24311-000160	O-RING 1A P-16.0	3			
28	Y24311-000320	O-RING 1A P-32.0	3			
28- 1	Y24311-000320 (TB=E40680)	O-RING 1A P-32.0	2	K		
29	Y24341-000240	O-RING 1A S-24.0	1			
30	Y24341-000500	O-RING 1A S-50.0	1			
31	Y22190-220002	SEAL WASHER 22S	1			
31- 1	Y24341-000250 (TB=E38541)	O-RING 1A S-25.0	1	S		
32	Y129150-49360 (TB=EXXX)	GASKET 10	1	W		
33	Y24321-000300 (TB=EXXX)	O-RING G30	1	W		
33- 1	Y129486-42140 (TB=E39207 TB1=*1999.07) (ETB=E43700 ETB1=E43720)	O-RING,CW-P	1	N		
34	Y23414-120000 (TB=EXXX)	GASKET 12, ROUND	2	W		
34- 1	Y23414-120000 (TB=E39207 TB1=*1999.07)	GASKET 12, ROUND	2	Z		

GASKET SET

Y00D6852  
4TNE88-(E)TB(1,Z)

17 パッキンセット  
GASKET SET





REF NO.	PARTS NO.	Description	Q'ty	I	R
	(ETB=E43700 ETB1=E43720)	<b>GASKET SET</b>			
35	Y22190-120002 (TB=EXXX)	• ¼-ÜÜÄ¼Ô(ëÛ 12	• SEAL WASHER 12	2	W
35- 1	Y22190-120002 (TB=E39207 TB1=*1999.07)	• ¼-ÜÜÄ¼Ô(ëÛ 12	• SEAL WASHER 12	4	K
36	Y103954-13201 (ETB=E43700 ETB1=E43720) (TB=E38009)	• ¶p½¹ÄÄ(»²ÚÝ»)	• GASKET, SILENCER	1	Z
37	Y129400-92420	ÛÜÄ½Û-Ý	FLEX HORN	1	(1) µÛB! ÛPË
38	Y977770-1207F	¼Øº-Ý¹² ·¼pÖ³¶p½¹ÄÄ	GASKET, LIQUID	1	(1) µÛB! ÛPË
39	Y104200-92350	Äb×²Ëb-(»¼¶¹¼·	DRIVER, SCREW	1	
40	Y119640-92750	ÛÜÄÚÝÁ 80	WRENCH, FILTER	1	
41	Y28110-100120	½ËÄ 10X12	WRENCH 10X12	1	
42	Y28110-140170	½ËÄ 14X17	WRENCH 14X17	1	

# How to read this Parts Catalog.

1. Parts mentioned in this Parts Catalog may not necessarily be standard equipping parts.
2. Parts change may be made without prior notice.
3. Form of this Parts Catalog.

Y00F2161 (1997.09.01)

**Fig. 29 燃料噴射ポンプ(ブーコン用)**  
**FUEL INJECTION PUMP (W/BOOST)**

見出 REF.No.	レベル LEV.	部品番号 PARTS No.	部品名	DESCRIPTION	個数 (Qty)						備考
					A	B	C	D	E	F	
1	.	729595-51390	F0ポンプ ASY(7-コック)	FULE INJECTION PUMP	1	1	1	1	1	1	
1-1	.	729595-51391	F0ポンプ ASY(7-コック)	FULE INJECTION PUMP	1	1	1	1	1	1	
3	..	26022-060162	ナメネジ M 6X 16	SCREW M 6X 16	9	9	9	9	9	9	
I 3-1	..	26022-060162	ナメネジ M 6X 16	SCREW M 6X 16	4	4	4	4	4	4	K
4	..	129470-51040	カムシャフト	CAMSHAFT	1	1	1	1	1	1	
5	..	122710-51050	ベアリングローラ	BEARING, ROLLER	2	2	2	2	2	2	
6	..	129470-51060	ベアリングオサヒ	RETAINER	1	1	1	1	1	1	

**備考**

(1) ブーストコンペンセータ付き。4JH-DT, 4JH-DTZとも  
E/# 00155 までは、特別注文仕様とします

**Remarks**

(1) BOOST COMPENSATOR TYPE.  
OPTIONAL PART, TO E/# 00155.  
(4JH - DT, 4JH - DTZ)

**① Ref. No.**

The Ref. No. in the list may not be accord with the Ref. No. on illustration.

(Ex.) Illustration No.                      List head No.

1    1 (Befor change)                      →                      1 -1 (After change)

When interchangeable symbol N, R, and K, illustrations for new parts are sometimes omitted.

**② Lev.(Level)**

Indication and Meaning of Level

Level : Hereunder is given the relation among the number of dots(•), the level and the nominal parent- child relationship.

- .....Parent parts(Assembly parts)
- .....Child parts included in "••" (Semi- Assembly parts, component parts of Assembly parts.)
- .....Child parts included in "•••", Grand- child parts in terms of "••".  
(Compornent parts of Semi- Assembly parts.)

Note) A parts of non- sale parts are illustlated but not listed.

**③ Change Mark**

Change Mark "I" is given to the part for which a desigh change was made at this time.

The design change was not shown in the last published Parts Catalog.

**④ Interchangeability Mark**

In the case where a part change took place, one of the following interchangeability marks is indicated for that part.

Symbol	interchangeability	Contents note
N	Old $\longleftrightarrow$ New	New Part is interchangeable for Old Part but not interchangeable conversely.
Q	Old $\longleftrightarrow$ New	New Part is not interchangeable for Old Part but interchangeable conversely.
R	Old $\longleftrightarrow$ New	New Part is interchangeable for Old Part and vice versa.
S	Old $\longleftrightarrow$ New	New Part is not interchangeable for Old Part and vice versa.
W		Part newly added.
Z		Part discontinued.
F		Not interchangeable single part but interchangeable by set of the related parts.
K		Changed only in quantity used.

**⑤ Effective Machine No.**

When a part is changed, Effective Machine No. of a Model for which the part is applicable is indication in each column of (A)- (F).

Product Symbol	Product No.	Product Symbol	Product No.
C	Clutch No. Compressor No.	M	Machine No.
D	Drive No.	T	Tractor No.
E	Engine No.	Note1) ※	Date

Note1) Date may follow the symbol in some cases. (Ex.) ※ 1996.01

Note2) As far as engine models shown by "XXX" are concerned, the modification of the parts could not be predicted or the engine models themselves could not be identified.

Note3) (A=E/#00185) means that the design change on the part has been effective for the model at the column (A)(in this case, for 4JH- DT) on and from E/#(Engine Serial Number) 00185.

**⑥ Remarks Mark**

Figures or alphabets (Symbols) are entered in the remark column.

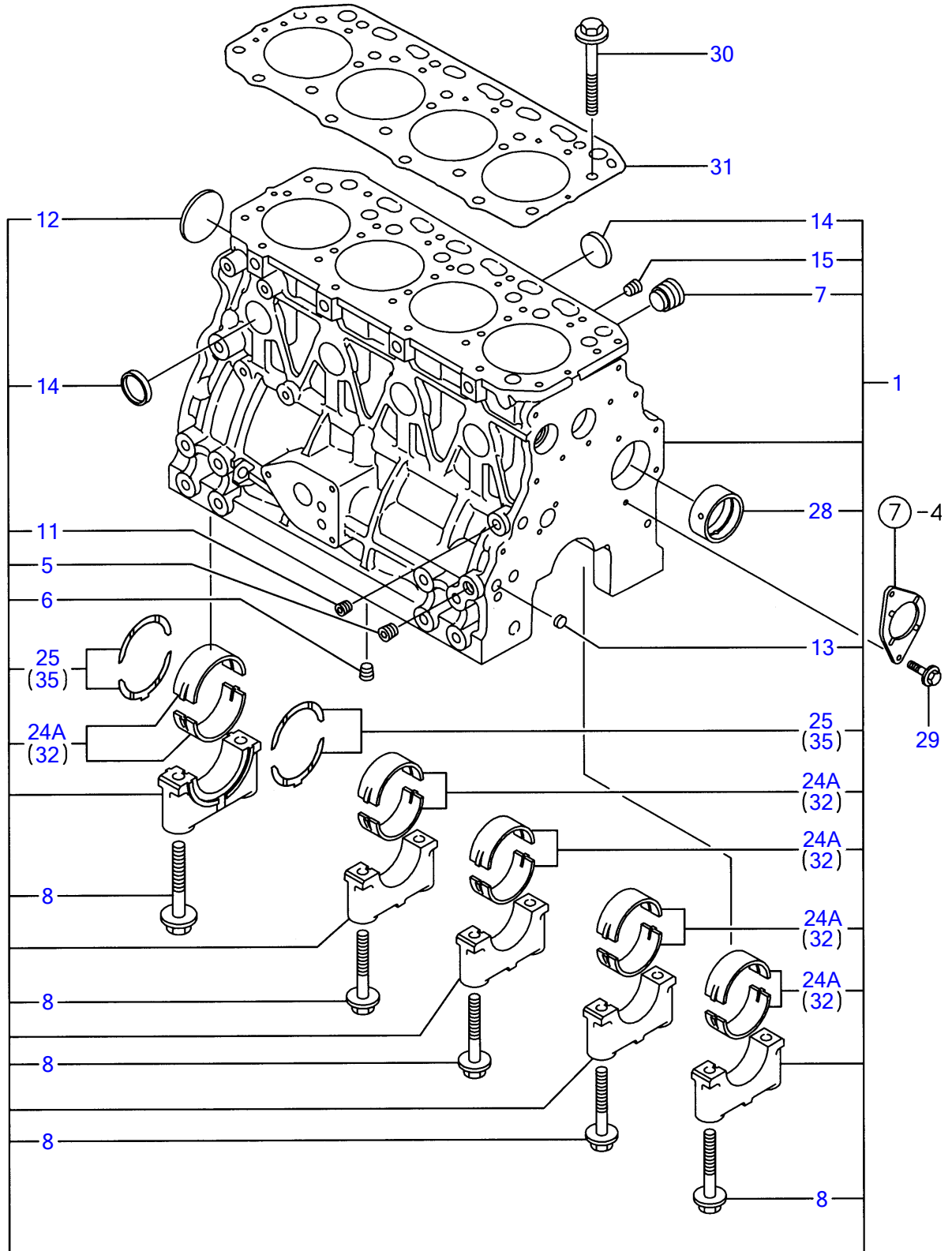
The comments(remarks)on the pertinent parts are indicated in the lower part of the list by the same symbols as those stated above.



Engine for TB145 4TNE88-ETBZ S/N 14513261-  
CYLINDER BLOCK

Y00D6852  
4TNE88-(E) TB (1, Z)

1 シリンダブロック  
1 CYLINDER BLOCK



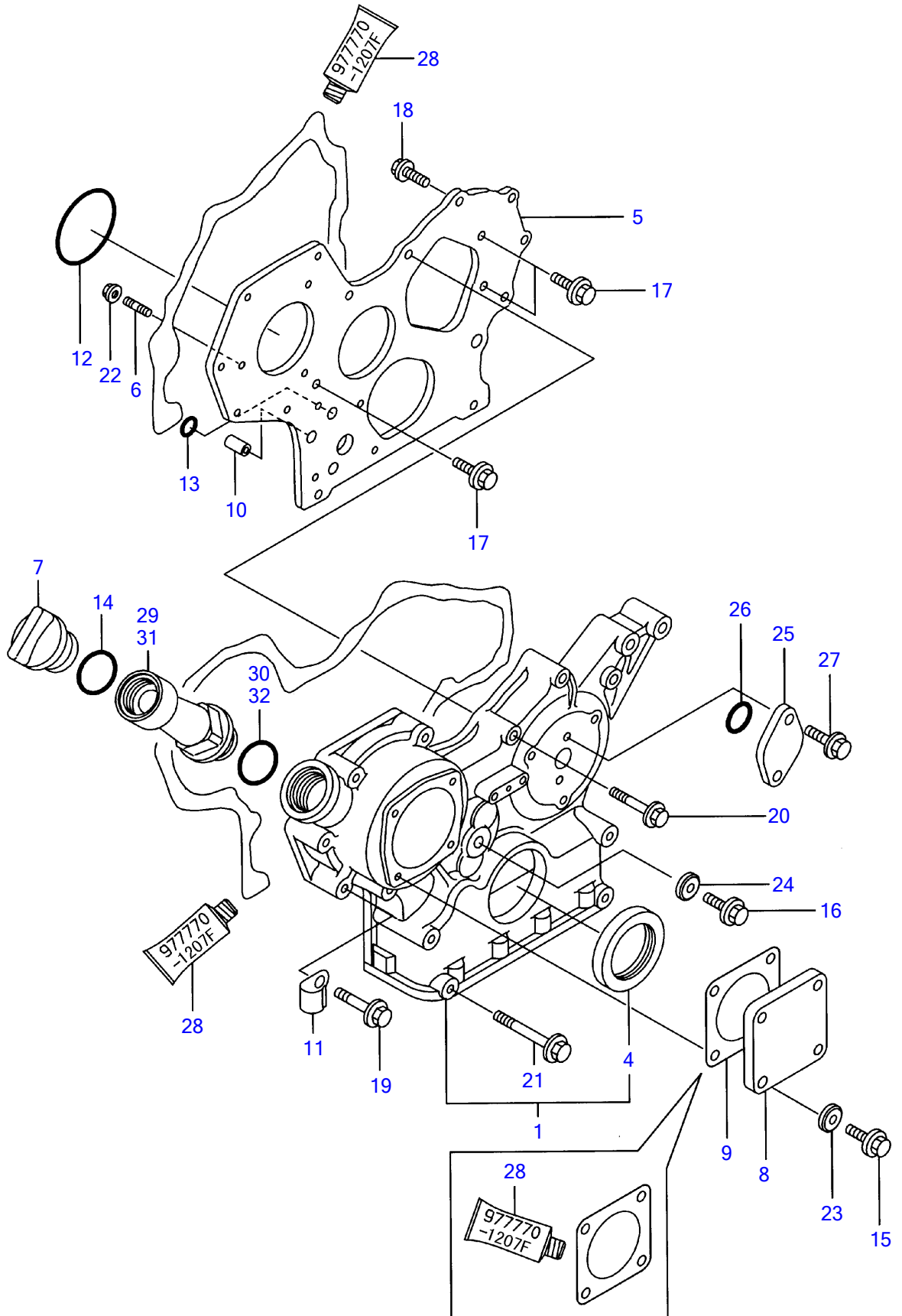
¼ØÝÄÞÍÞÙÄ, CYLINDER BLOCK

REF NO.	PARTS NO.	Description	Q'ty	I	R	Notes
1	Y729407-01561	¼ØÝÄÞÍÞÙÄ, CMP	1			
5	Y124160-01910	• Ìß×, Þ PT1/4	2			
6	Y124160-01910	• Ìß×, Þ PT1/4	1			
7	Y171051-01921	• Ìß×, Þ NPTF1	1			
8	Y129150-02020	• ÍÞÙÄ(ÔÄÙ·ÔÄÌß	10			
11	Y23871-010000	• È¼ÞÍß×, ÞPT 1/8	1			
11- 1	Y23876-010000	• È¼ÞÍß×, ÞPT1/8	1	N		
12	Y27231-500000	• »×¶ÞÄÌß×, Þ 50	1			
12- 1	Y129001-01250	• »×¶ÞÄÌß×, Þ 50	1	N		
13	Y27241-120000	• ÙÝ¶ÞÄÌß×, Þ 12	2			
14	Y27241-300000	• ÙÝ¶ÞÄÌß×, Þ 30	8			
15	Y23871-030000	• È¼ÞÍß×, ÞPT 3/8	1			
15- 1	Y23876-030000	• È¼ÞÍß×, ÞPT 3/8	1	N		
24A	Y129001-02930	• Ô²ÝÔÄÙCMP(STDÎÖ³ËÝ)	5	W		(3) ÎÖ³ÞËËÝÄÞ½
25	Y129150-02930	• ½×½ÄÖÄÙ	2			
28	Y129795-02411	• ÌÞÄ¼Ö (A	1			
29	Y26106-080162	ÄËÞÍÞÙÄ 8X 16	2			
30	Y129150-01200	ÍÄÄÞÍÞÙÄ	18			
31	Y129407-01340	ÍÄÄÞÍÞ½¹ÄÄ	1			
32	Y129150-02870	Ô²ÝÔÄÙ U.S=0.25	5			(1) ±ÝÄÞ°»²½Þ(U.S=0.2
35	Y129150-02940	½×½ÄÖÄÙ 0.25(2¹=1¼ÄÄ	1			(2) µ°ËÞ°»²½Þ(O.S=0.2

Engine for TB145 4TNE88-ETBZ S/N 14513261-  
GEAR HOUSING

Y00D6852  
4TNE88- (E) TB (1, Z)

ギヤケース  
GEAR HOUSING



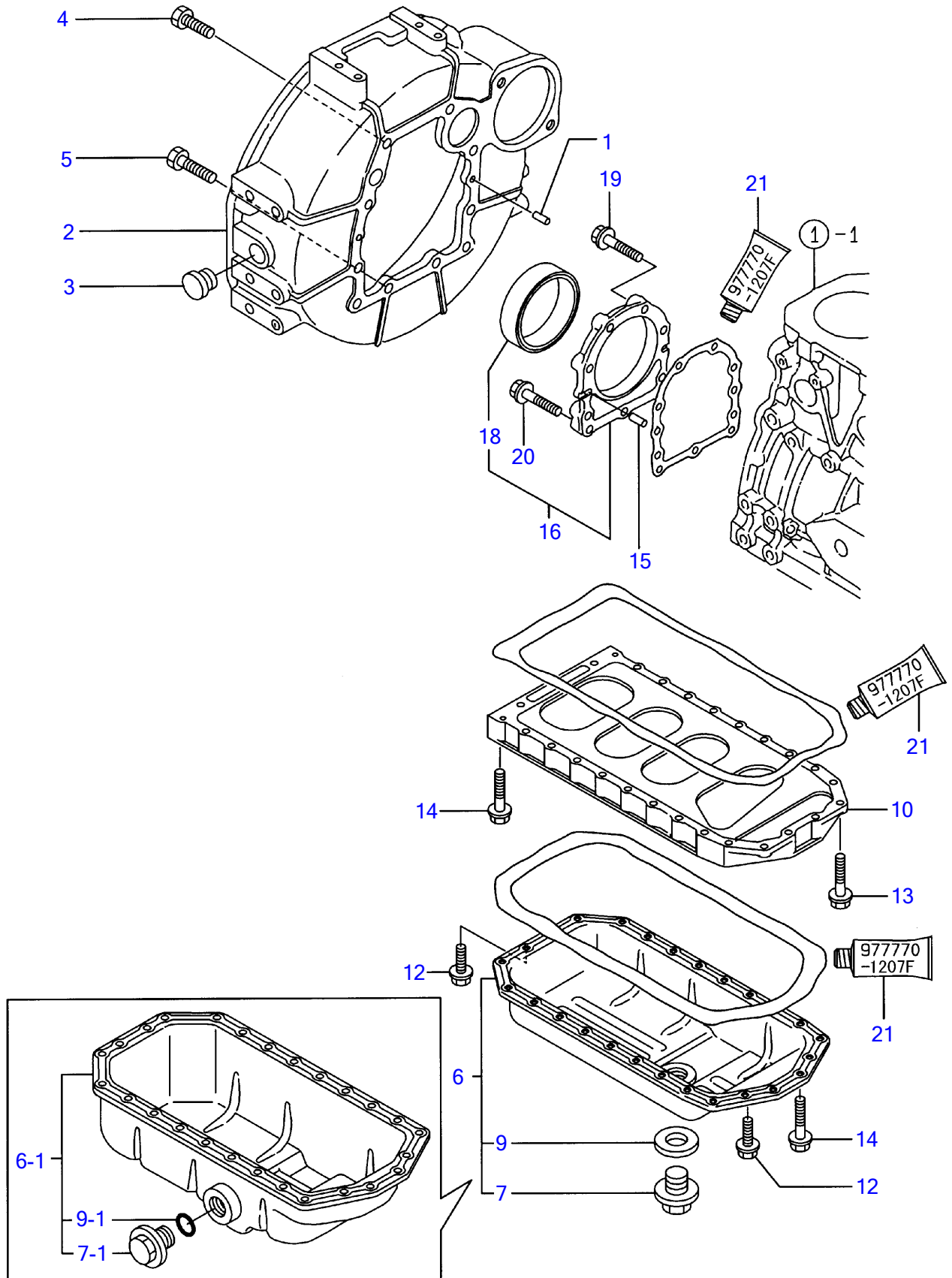
·PÔ¹-½ GEAR HOUSING

REF NO.	PARTS NO.	Description	Q'ty	I	R	Notes
1	Y719810-01500	HOUSING ASSY, GEAR	1			
4	Y129795-01800	SEAL, OIL	1			
5	Y129400-01520	FLANGE, GEARS HOUSING	1			
6	Y121450-01560	STUD M 8X 22	3			
7	Y124160-01751	COVER, FILLER	1			
8	Y124240-01871	COVER, HO-P	1			
9	Y124240-01883	GASKET, (NON-ASB.)	1	Z		
10	Y129795-01950	PIPE, KNOCK L=18	2			
11	Y129150-03100	RETAINER	1			
12	Y121850-51960	O-RING, F.I.PUMP	1			
13	Y24311-000160	O-RING 1A P-16.0	2			
13-1	Y119609-32040	O-RING P16	2	R		
14	Y24311-000320	O-RING 1A P-32.0	1			
15	Y26106-080122	BOLT M 8X 12 PLATED	4			
16	Y26106-080162	BOLT M 8X 16 PLATED	1			
17	Y26106-080162	BOLT M 8X 16 PLATED	3			
18	Y26106-080202	BOLT M 8X 20 PLATED	2			
19	Y26106-080452	BOLT M 8X 45 PLATED	6			
20	Y26106-080552	BOLT M 8X 55 PLATED	3			
21	Y129001-91840	BOLT M 8X 85 PLATED	4			
21-1	Y129001-91841	BOLT M 8X 85 PLATED	4	R		
22	Y26366-080002	NUT M 8	3			
22-1	Y26306-080002	NUT	3	N		
23	Y22190-080002	SEAL WASHER 8S	4			
24	Y22190-080002	SEAL WASHER 8S	1			
25	Y121023-01550	COVER, BLIND	1			
26	Y24341-000240	O-RING 1A S-24.0	1			
27	Y26106-060162	BOLT M 6X 16 PLATED	2			
28	Y977770-1207F	GASKET, LIQUID	1			(1) μİB¼@Ý İPËÝÄP½
29	Y171031-11741	PIPE	1	Z		
30	Y24311-000320	O-RING 1A P-32.0	1	Z		

Engine for TB145 4TNE88-ETBZ S/N 14513261-  
FLYWHEEL HOUSING & OIL SUMP

Y00D6852  
4TNE88- (E) TB (1, Z)

3 フライホイールハウジング & オイルパン  
FLYWHEEL HOUSING & OIL SUMP





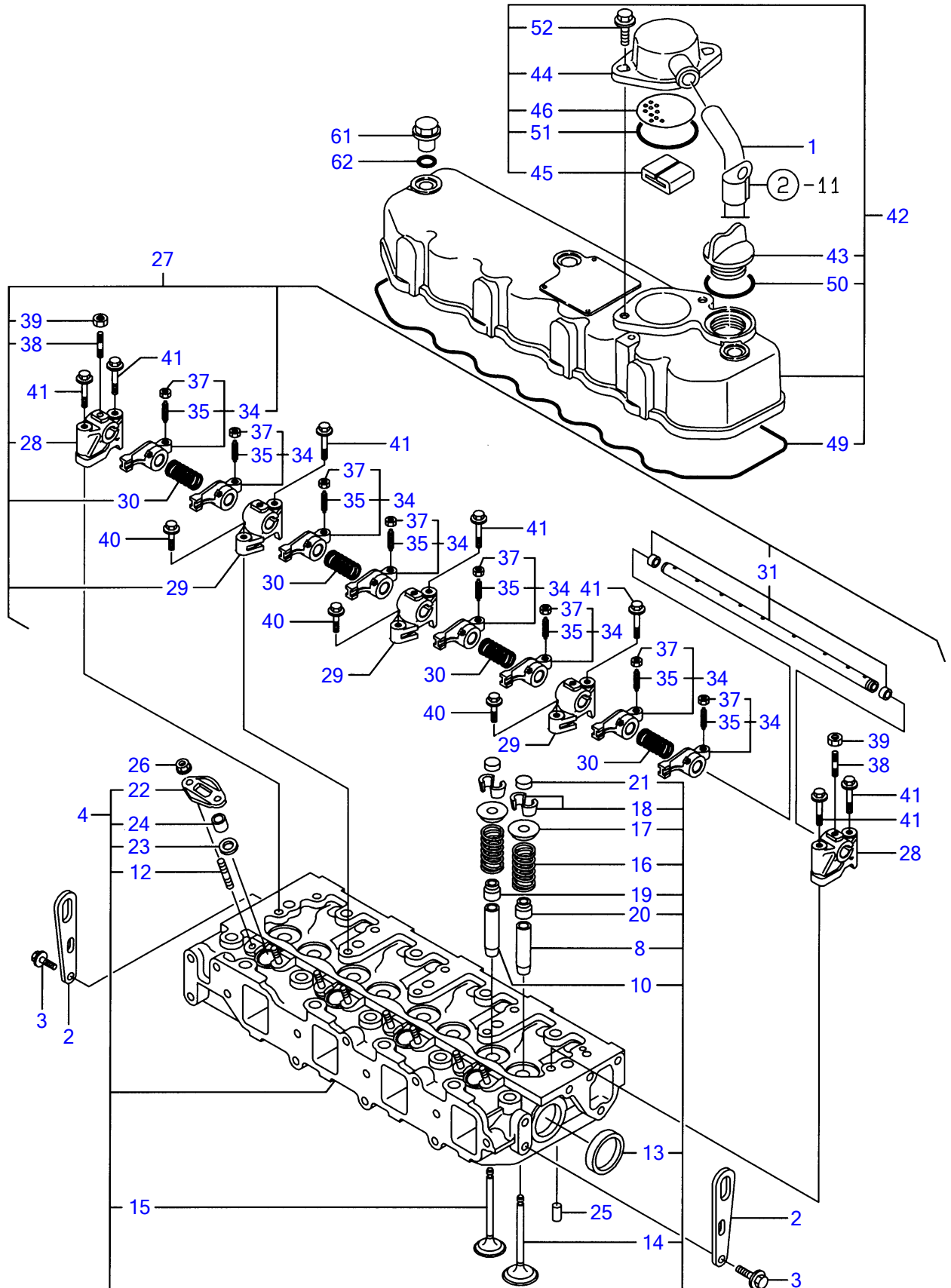
FLYWHEEL HOUSING & OIL SUMP

REF NO.	PARTS NO.	Description	Q'ty	I	R	"öll
1	Y129100-01580	PARALLEL PIN 8X16	2			
2	Y129612-01600	HOUSING,FLYWHEEL	1			
3	Y119620-01750	CAP, FLYWHEEL COVER	1			
4	Y26206-100252	BOLT M10X25	6			
5	Y26206-100302	BOLT M10X30	4			
6	Y729402-01540	SUMP ASSY, LUB OIL	1			
6-1	Y129400-01770	SUMP ASSY, LUB. OIL	1	N		
7	Y119640-01640	• DRAIN PLUG M22	1			
7-1	Y171301-01640	• PLUG M22	1	S		
9	Y22190-220002	• SEAL WASHER 22S	1			
9-1	Y24341-000250	• O-RING 1A S-25.0	1	S		
10	Y129400-01730	SPACER, OIL SUMP	1			
12	Y26106-080162	BOLT M 8X 16 PLATED	4			
13	Y26106-080252	BOLT M 8X 25 PLATED	2			
14	Y26106-080452	BOLT M 8X 45 PLATED	24			
15	Y129100-01580	PARALLEL PIN 8X16	2			
16	Y129100-01640	CASE ASSY, OIL SEAL	1			
18	Y129795-01780	• SEAL OIL	1			
19	Y129486-01670	BOLT M8X30,COLLAR HD	6			
20	Y26106-080352	BOLT M 8X 35 PLATED	3			
21	Y977770-1207F	GASKET, LIQUID	1			(1) µlß¼®Ý lPËÝÃp½

Engine for TB145 4TNE88-ETBZ S/N 14513261-  
CYLINDER HEAD & BONNET

Y00D6852  
4TNE88-(E) TB (1, Z)

4 シリンダヘッド & ボンネット  
CYLINDER HEAD & BONNET



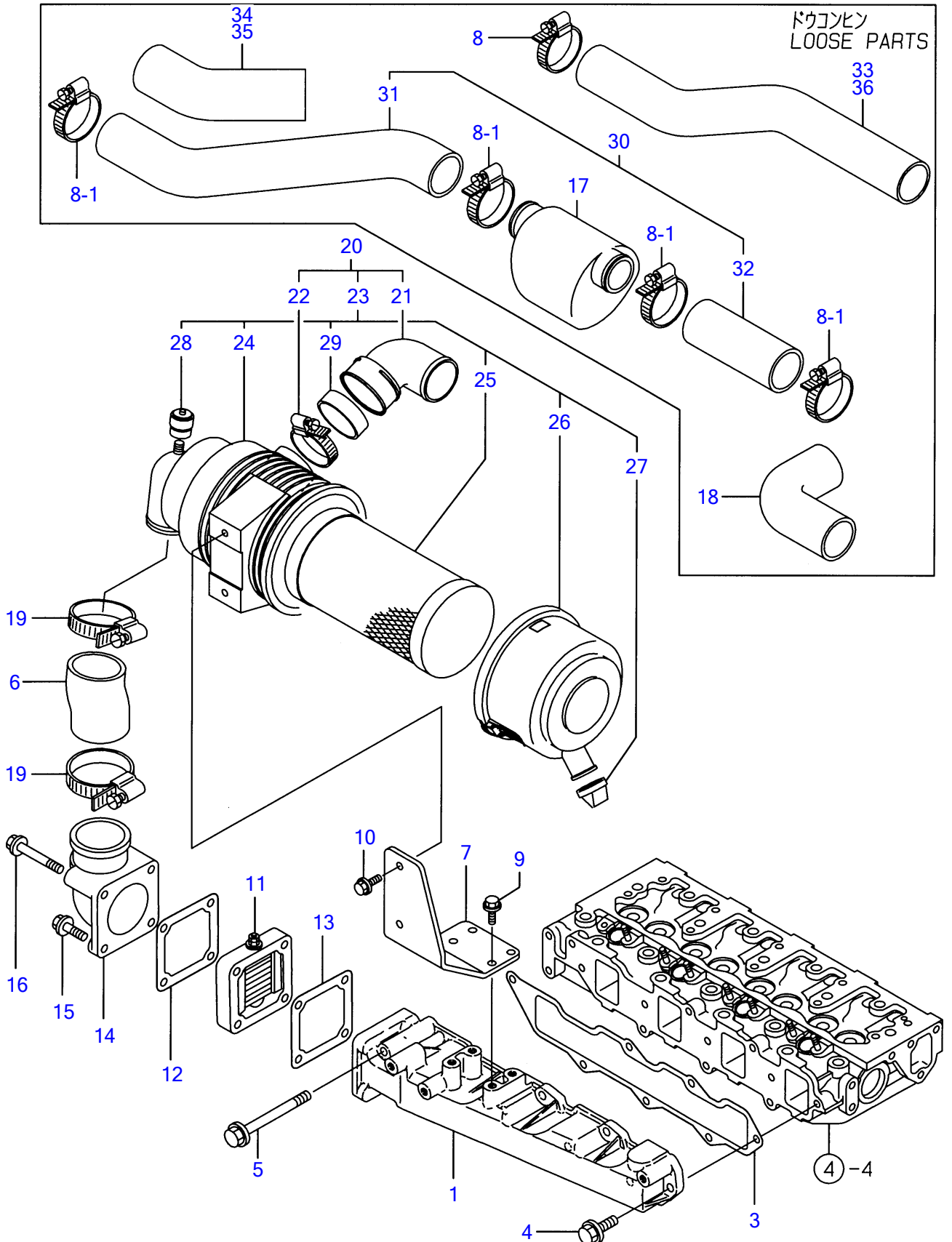
¼ØÝÁÞÍÄÄ & ÍÞÝËÄÄ CYLINDER HEAD & BONNET

REF NO.	PARTS NO.	Description	Q'ty	I	R	Notes
1	Y171350-03090	PIPE, BREATHER	1			
2	Y124736-07900	LIFTER, ENGINE	2			
3	Y26106-080142	BOLT M 8X 14 PLATED	4			
4	Y129407-11700	HEAD ASSY, CYLINDER	1			
8	Y120130-11860	• GUIDE, VALVE	4			(1) ÎÖ³ÍÞËÝÄÞ½
10	Y129150-11810	• GUIDE, VALVE	4			(1) ÎÖ³ÍÞËÝÄÞ½
12	Y26216-060202	• STUD M 6X 20 PLATED	8			
13	Y27241-400000	• PLUG 40	2			
14	Y129100-11100	• VALVE, INTAKE	4			
15	Y129100-11110	• VALVE, EXHAUST	4			
16	Y129795-11120	• SPRING, VALVE	8			
17	Y129795-11180	• RETAINER, SPRING	8			
18	Y27310-080000	• COTTER	8			
19	Y121400-11340	• SEAL, VALVE STEM	4			
20	Y124460-11340	• SEAL, VALVE STEM	4			
21	Y129150-11370	• CAP, VALVE	8			
22	Y119625-11900	• RETAINER	4			
23	Y119625-11880	• SEAT, NOZZLE	4			
24	Y119625-11870	• PROTECTOR, NOZZLE	4			
25	Y22351-060012	SPRING PIN 6X12	2			
26	Y26366-060002	NUT M 6	8			
27	Y129500-11240	SHAFT, ROCKER ARM	1			
28	Y129155-11260	• SUPPORT, ROCKER ARM	2			
29	Y129155-11270	• SUPPORT, ROCKER ARM	3			
30	Y129150-11280	• SPRING	4			
31	Y129550-11290	• SHAFT, ROCKER ARM	1			
34	Y129100-11650	• ARM ASSY, ROCKER	8			
35	Y129150-11230	• SCREW, VALVE	8			
37	Y129150-11750	• NUT M8XP1.0	8			
38	Y26226-080182	• STUD M 8X 18 PLATED	3			
38- 1	Y119802-11280	• STUD	3		R	
39	Y26756-080002	• LOCK NUT M 8 PLATED	3			
40	Y26106-080252	BOLT M 8X 25 PLATED	3			
41	Y26106-080502	BOLT M 8X 50 PLATED	7			
42	Y129400-11350	BONNET ASSY	1			
43	Y124160-01751	• COVER, FILLER	1			
44	Y129150-03020	• COVER, BREATHER	1			
45	Y129150-03070	• BAFFLE, BREATHER	1			
46	Y129150-03080	• PLATE, SHELTER	1			
49	Y129550-11310	• GASKET, BONNET	1			
50	Y24311-000320	• O-RING 1A P-32.0	1			
51	Y24341-000500	• O-RING 1A S-50.0	1			
52	Y26106-080162	• BOLT M 8X 16 PLATED	2			
61	Y124160-11360	KNOB	3			
62	Y24311-000120	O-RING 1A P 12.0	3			

Engine for TB145 4TNE88-ETBZ S/N 14513261-  
**SUCTION MANIFOLD & AIR CLEANER**

Y00D6852  
 4TNE88- (E) TB (1, Z)

5 キョウキマニホールド & エアクリーナ  
 SUCTION MANIFOLD & AIR CLEANER



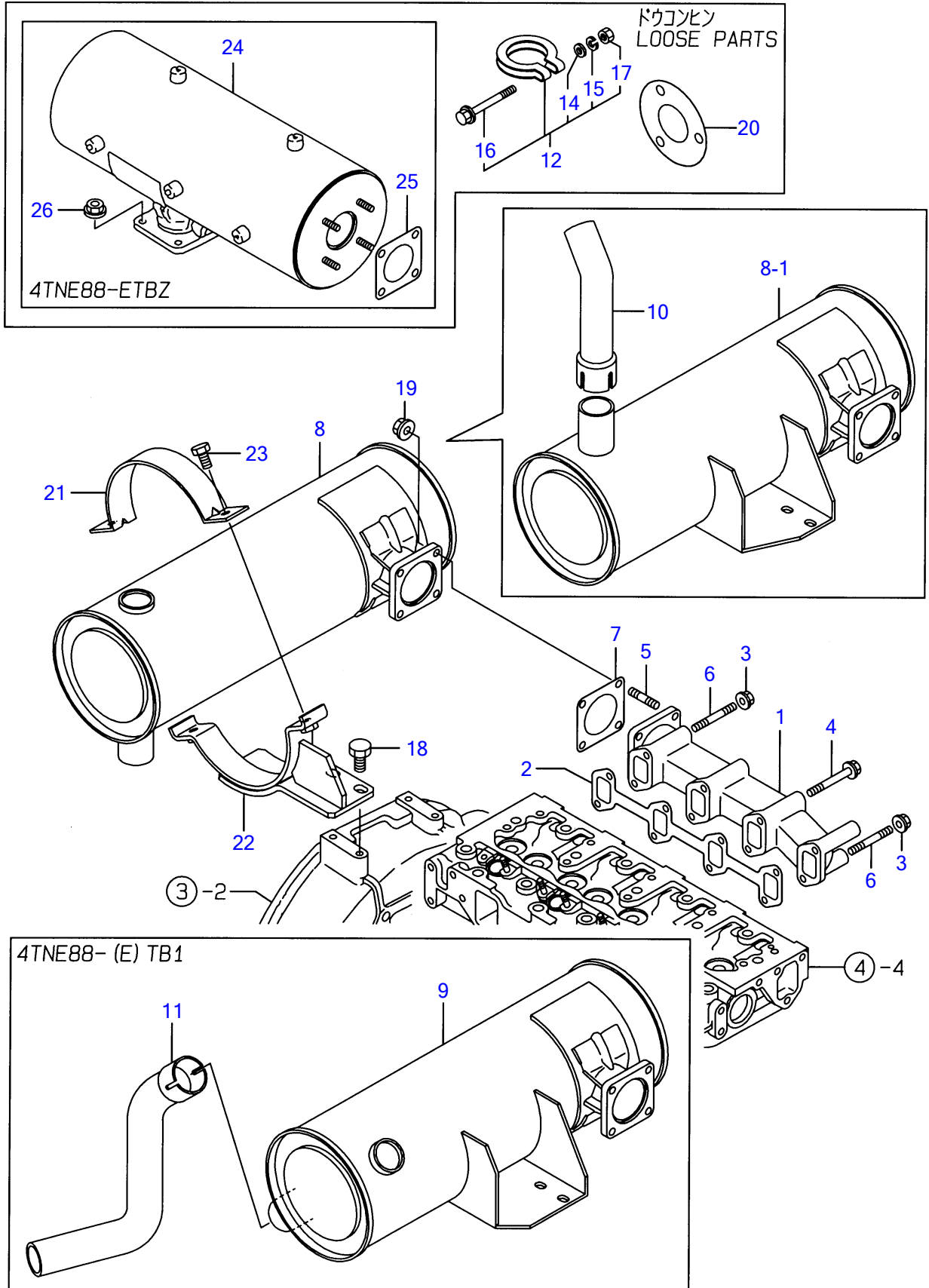
·Ö³·ĪÆĪ-ŪÄÞ & '±,Ø-Ä SUCTION MANIFOLD & AIR CLEANER

REF NO.	PARTS NO.	Description	Qty	I	R	ö
1	Y129407-12100	MAINFOLD,INTAKE	1			
3	Y129407-12110	GASKET,INT.MANOFOLD	1			
4	Y26106-080202	BOLT M 8X 20 PLATED	6			
5	Y26106-080802	BOLT M 8X 80 PLATED	1			
6	Y119910-12210	PIPE,INTAKE	1			
7	Y119910-12560	BRACKET,AIRCLEANER	1			
8	Y23000-060000	CLAMP 60	2			
8- 1	Y23000-060000	CLAMP 60	6	K		
8- 2	Y23000-060000	CLAMP 60	5	K		
9	Y26013-080222	BOLT M 8X 22	4			
10	Y26013-080222	BOLT M 8X 22	2			
11	Y129100-77500	HEATER, AIR	1			
12	Y129100-77510	GASKET, AIR HEATER	1			
13	Y129150-77511	GASKET, (NON-ASB.)	1			
14	Y171340-77520	BEND	1			
15	Y26106-080402	BOLT M 8X 40 PLATED	2			
16	Y26106-080802	BOLT M 8X 80 PLATED	2			
17	Y121855-12060	SILENCER,INLET	1	W		
18	Y119883-12210	HOSE, AIR INTAKE	1	W		
19	Y23000-060000	CLAMP 60	2			
20	Y129612-12680	AIR CLEANER	1			
20- 1	Y129612-12681	CLEANER ASSY, AIR	1	N		
21	Y129612-12560	· RING	1			
22	Y23000-060000	· CLAMP 60	1			
23	Y129612-12690	· CLEANER ASSY, AIR	1			
23- 1	Y129612-12691	· CLEANER ASSY, AIR	1	N		
24	Y119910-12510	· · BODY, AIR CLEANER	1			
25	Y119808-12520	· · ELEMENT, OUTER	1			
26	Y119866-12541	· · COVER ASSY	1			
27	Y119808-12540	· · VALVE, UNLOADER	1			
28	Y119140-12680	· · INDICATOR	1			
28- 1	Y129953-12620	· · INDICATOR ASSY	1	N		
29	Y129259-12570	· · RING	1			
30	Y129612-12241	PIPE, EXTENSION	1	W		

Engine for TB145 4TNE88-ETBZ S/N 14513261-  
**EXHAUST MANIFOLD & SILENCER**

Y00D6852  
 4TNE88- (E) TB (1, 2)

6 ハイキマニホールド & サイレンサ  
 EXHAUST MANIFOLD & SILENCER



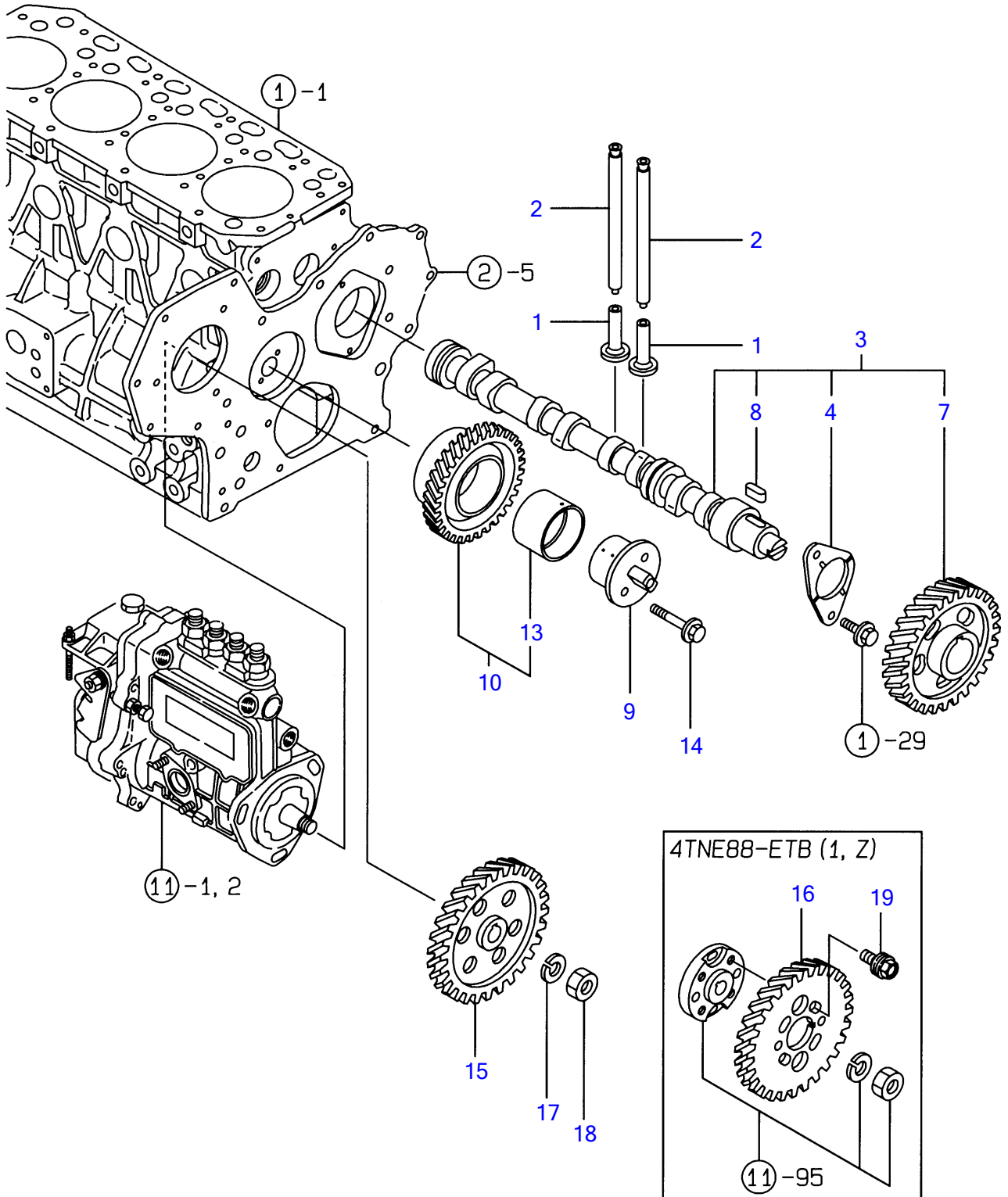
Ê²-ĪÆĪ-ÛÄĖ & »²ÚÝ» EXHAUST MANIFOLD & SILENCER

REF NO.	PARTS NO.	Description	Q'ty	I	R	»ðĪĪ
1	Y129402-13101	MANIFOLD, EXHAUST	1			
2	Y129550-13110	GASKET, EXH.MANIFOLD	1			
3	Y26366-080002	NUT M 8	2			
3- 1	Y26306-080002	NUT	2	N		
4	Y26106-080802	BOLT M 8X 80 PLATED	6			
4- 1	Y123900-13630	BOLT 8X80	6	R		
5	Y119131-18320	BOLT M 8X 22	4			
6	Y26216-080802	STUD M 8X 80 PLATED	2			
6- 1	Y123900-13610	STUD BOLT M 8X 80	2	R		
7	Y129400-13201	GASKET, (NON-ASB.)	1			
8	Y129612-13590	SILENCER	1			
8- 1	Y129612-13610	SILENCER	1	N		
8- 2	Y129612-13611	SILENCER	1	N		
10	Y129612-13620	TAIL PIPE	1	W		
12	Y121120-13590	CLAMP	1			
14	Y22137-100000	WASHER 10,POLISHED	1			
15	Y22217-100000	SPRING WASHER 10	1			
16	Y26106-100652	BOLT M10X 65 PLATED	1			
17	Y26706-100002	NUT M10	1			
18	Y26106-100162	BOLT M10X 16 PLATED	4			
19	Y26366-080002	NUT M 8	4			
19- 1	Y26306-080002	NUT	4	N		
20	Y103954-13201	GASKET, SILENCER	1	Z		
21	Y171091-13670	BAND	2	Z		
22	Y129612-13680	BRACKET,SILENCER	2	Z		
23	Y26106-080352	BOLT M 8X 35 PLATED	4	Z		

Engine for TB145 4TNE88-ETBZ S/N 14513261-  
**CAMSHAFT & DRIVING GEAR**

Y00D6852  
 4TNE88- (E) TB (1, Z)

7 カムシャフト & クドウギヤ  
 CAMSHAFT & DRIVING GEAR





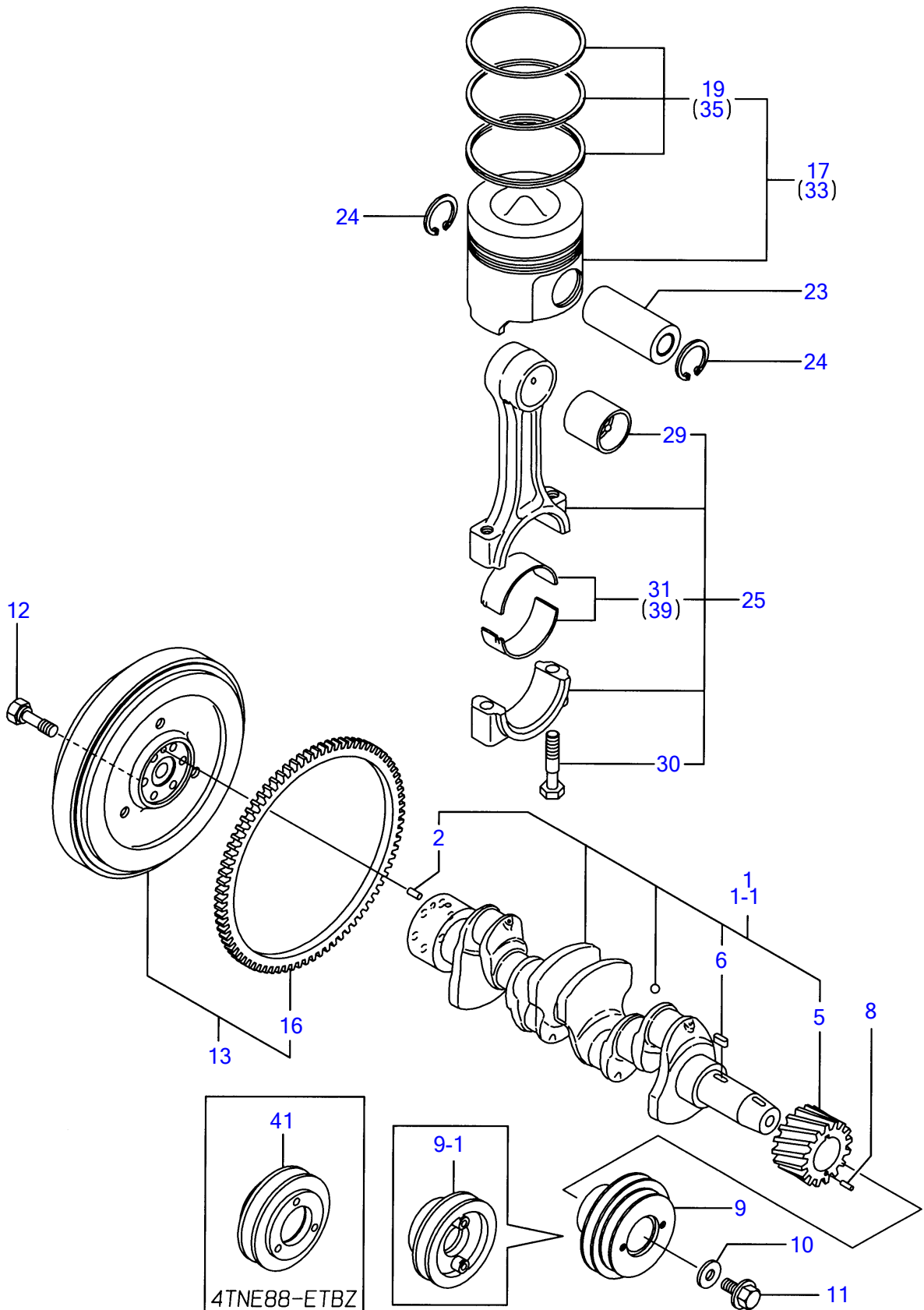
CAMSHAFT & DRIVING GEAR

REF NO.	PARTS NO.	Description	Q'ty	I	R	"ö
1	Y129150-14200	TAPPET	8			
2	Y129150-14400	ROD, PUSH	8			
3	Y729402-14580	CAMSHAFT ASSY	1			
4	Y129150-02450	• METAL, THRUST (CAM	1			
7	Y129150-14101	• GEAR, CAMSHAFT	1			
8	Y22512-070140	• KEY 7X 14	1			
9	Y129100-25061	SHAFT, IDLE GEAR	1			
10	Y129150-25101	GEAR W/BUSH	1			
13	Y129150-25920	• BUSH, IDLE GEAR	1			(1) ÎÖ³ pËÛÄb½
14	Y26106-080452	BOLT M 8X 45 PLATED	2			
15	Y129150-25900	GEAR, FUEL INJ. PUMP	1			
17	Y22217-120000	SPRING WASHER	1			
18	Y26716-120002	NUT 12	1			

Engine for TB145 4TNE88-ETBZ S/N 14513261-  
CRANKSHAFT & PISTON

Y00D6852  
4TNE88- (E) TB (1, Z)

クランクシャフト & ピストン  
CRANKSHAFT & PISTON



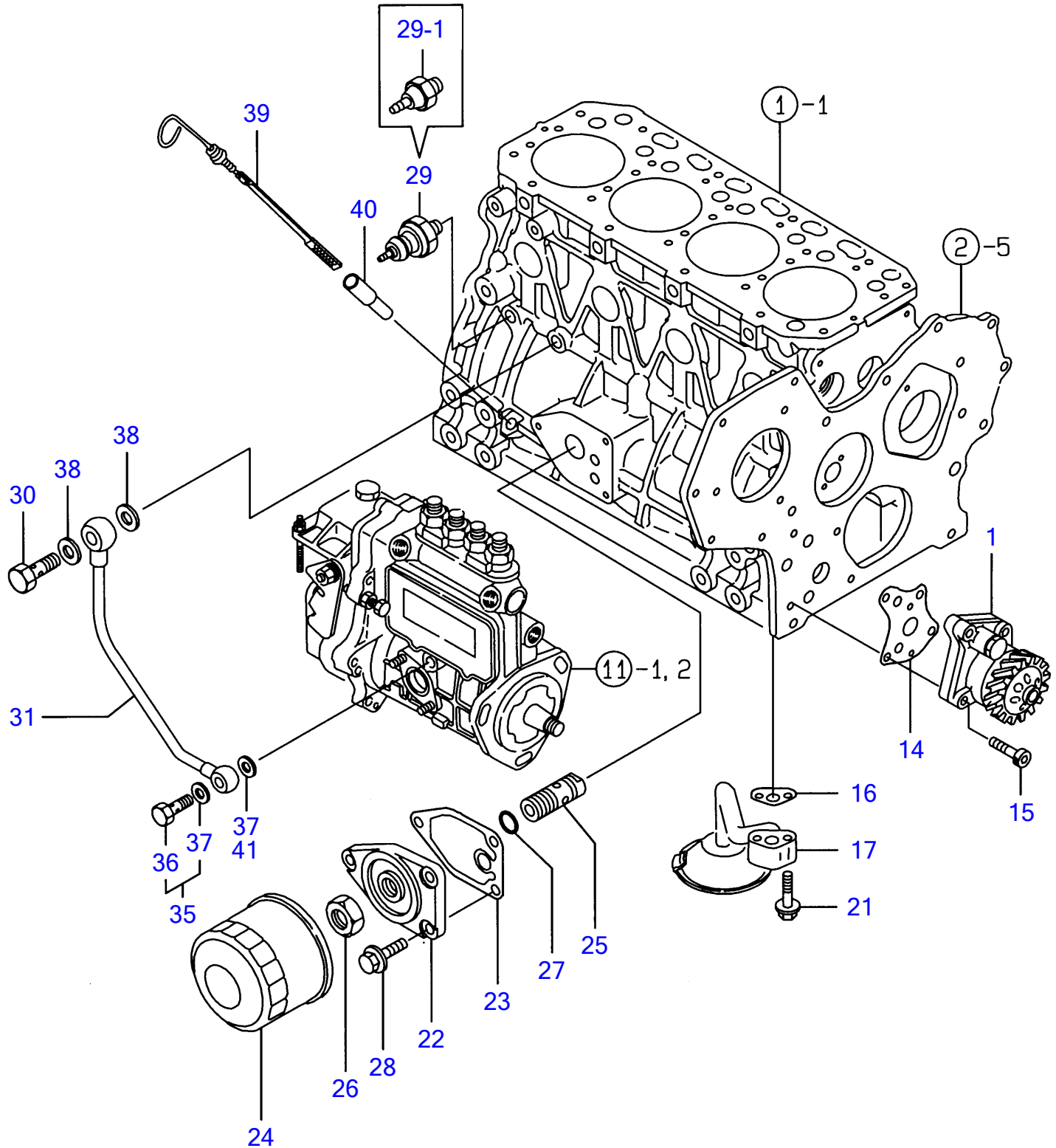
**CRANKSHAFT & PISTON**

REF NO.	PARTS NO.	Description	Q'ty	I	R	"öll
1	Y129407-21000	CRANKSHAFT ASSY	1			
1- 1	Y129407-21100	CRANKSHAFT ASSY	1	S		
2	Y129100-01580	PARALLEL PIN 8X16	1			
5	Y129150-21200	GEAR, CRANKSHAFT	1			
6	Y22512-070140	KEY 7X 14	1			
8	Y22351-040010	SPRING PIN 4X10	1			
9	Y129466-21650	PULLEY, CRANKSHAFT	1			
9- 1	Y129550-21650	V-PULLEY, CRANKSHAFT	1	N		
10	Y129795-21661	WASHER	1			
11	Y121850-21680	BOLT, V-PULLEY	1			
12	Y121111-21501	BOLT, FLYWHEEL	6			
13	Y129612-21570	FLYWHEEL ASSY	1			
16	Y119865-21600	GEAR, RING	1			
17	Y129001-22081	PISTON W/RINGS	4			
19	Y129001-22500	RING SET, PISTON	4			
23	Y129202-22300	PIN,PISTON	4			
24	Y22252-000260	CIRCLIP 26	8			
25	Y729402-23100	ROD ASSY, CONNECTING	4			
29	Y129100-23910	BUSH, PISTON PIN	4			(1) ð³ðËÝÃ½
30	Y121550-23200	BOLT, CONNECTING ROD	8			
31	Y129150-23600	BEARING, CRANKPIN	4			
33	Y129001-22901	PISTON W/RING O.S=0.25	4			(2) µ°Ëð°»²½ð(O.S=0.25)ðËÝÃ½
35	Y129001-22950	RING SET O.S=0.25	4			(2) µ°Ëð°»²½ð(O.S=0.25)ðËÝÃ½
39	Y129150-23610	METAL.PIN US=0.25	4			(3) ±ÝÃð°»²½ð(U.S=0.25)ðËÝÃ½

Engine for TB145 4TNE88-ETBZ S/N 14513261-  
LUB.OIL SYSTEM

Y00D6852  
4TNE88- (E) TB (1, Z)

9 LOシステム  
LUB.OIL SYSTEM



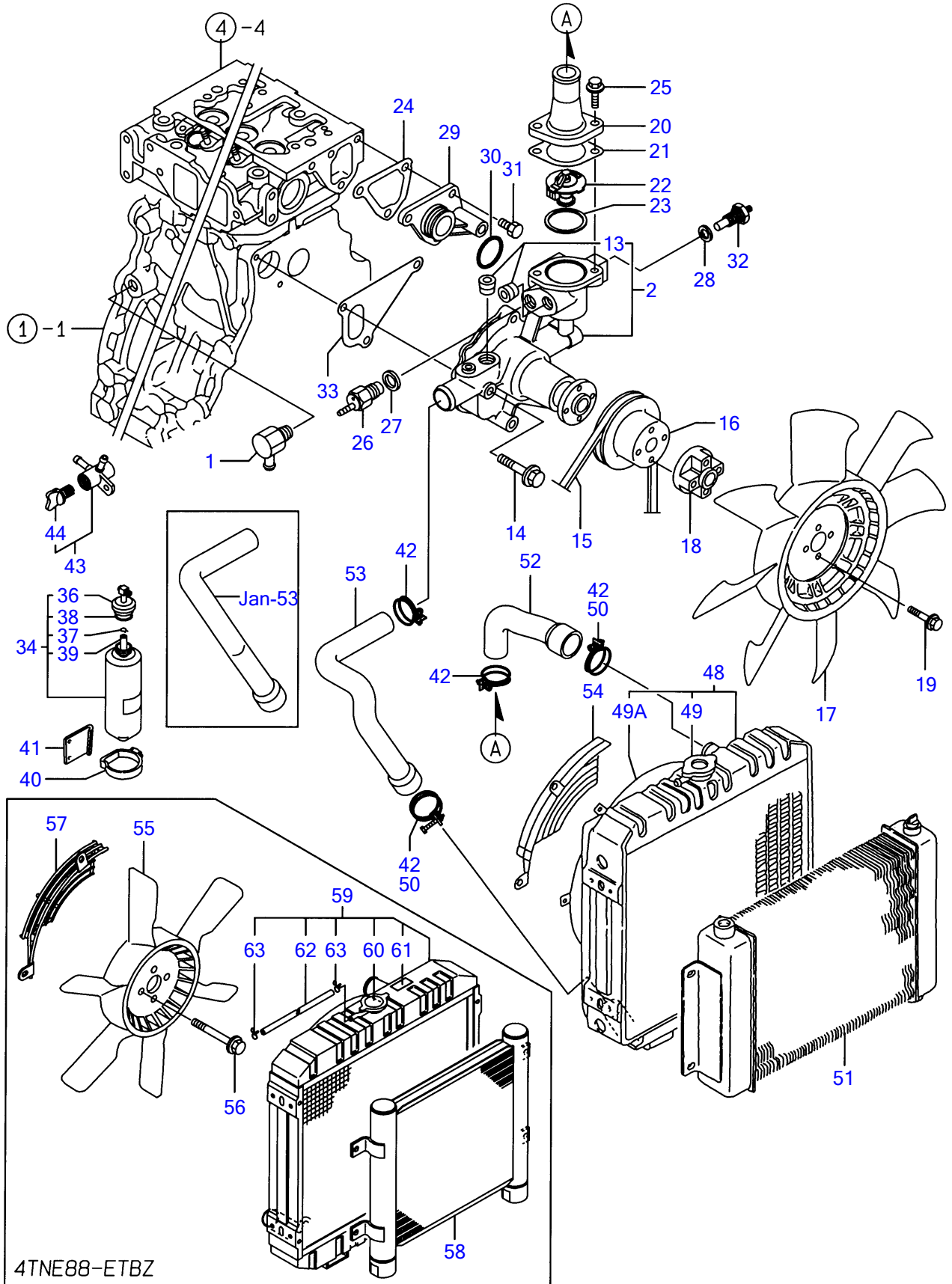
LO 1/2" LUB.OIL SYSTEM

REF NO.	PARTS NO.	Description	Q'ty		
1	Y129407-32000	LO-P CMP PUMP ASSY, LUB. OIL	1		
14	Y129150-32020	PK(LO-P GASKET, L.O. PUMP	1		
15	Y26450-060252	6 6X 25 BOLT M 6X 25	4		
16	Y129150-35041	PK(·Ö³ÆÖ³)(ÉÝ±½) GASKET, (NON-ASB.)	1		
17	Y129150-35091	LO·Ö³ÆÖ³ CMP PIPE ASSY, OIL INLET	1		
17- 1	Y129436-35091	LO·Ö³ÆÖ³ CMP PIPE ASSY, LUB. OIL	1	N	
21	Y26106-080352	ÅÊÞÍÞÜÄ 8X 35 BOLT M 8X 35 PLATED	2		
22	Y129150-35101	ÌÞ×¹ÄÄ BRACKET, STRAINER	1		
23	Y129150-35111	PK(Ì²ÜÄÌÞ×¹ÄÄ)(ÉÝ±½) GASKET, (NON-ASB.)	1		
24	Y129150-35152	Ì²ÜÄ D80XL80 FILTER 80X80L	1		
25	Y129001-35300	ÌÞÜÄ,LOÌ²ÜÄ BOLT,LUB.O. STRAINER	1		
26	Y129150-35350	ÄÄÄ(ÌÞÝ¹ÝÄ² NUT	1		
27	Y24311-000160	OØÝ, Þ 1A P 16.0 O-RING 1A P-16.0	1		
28	Y26106-080202	ÅÊÞÍÞÜÄ 8X 20 BOLT M 8X 20 PLATED	3		
29	Y124160-39451	Ö±Ä½²ÄÄ(0.5KG SWITCH,OIL PRESSURE	1		
29- 1	Y124160-39450	Ö±Ä½²ÄÄ 0.5KG ·ÞÍÞ¼ SWITCH, OIL PRESSURE	1	N	
29- 2	Y114250-39450	Ö±Ä½²ÄÄ 0.5KG ·ÞÍÞ¼ SWITCH,(0.5KG)L.O.	1	N	
30	Y124160-39140	¶ÝÄ·ÞÄÍÞÜÄ 10 BOLT 10, PIPE JOINT	1		
31	Y129550-39450	LO-T CMP PIPE ASSY, LUB. OIL	1		
35	Y124550-59830	¶ÝÄ·ÞÄÍÞÜÄ CMP 8 BOLT W/ SEAL WASHER	1	W	
36	Y124550-59820	· ¶ÝÄ·ÞÄÍÞÜÄ 8 · BOLT 8, PIPE JOINT	1		
37	Y22190-080002	· ¼-ÜÜÄ¼Ö(ØÏÜ.ÆÄØÜ) 8 · SEAL WASHER 8S	2		
37- 1	Y22190-080002	· ¼-ÜÜÄ¼Ö(ØÏÜ.ÆÄØÜ) 8 · SEAL WASHER 8S	1	K	
38	Y23414-100000	ÊßÄ·Ý(ÏÜ 10 GASKET 10, ROUND	2		
38- 1	Y22190-100002	¼-ÜÜÄ¼Ö(ØÏÜ.ÆÄØÜ) 10 SEAL WASHER 10S	2	N	
39	Y171420-34800	¹ÝÖÌÞ³ DIPSTICK	1		
39- 1	Y171420-34820	¹ÝÖÌÞ³ DIPSTICK, LUB. OIL	1	N	
40	Y121520-34810	¶Þ²ÄÞ(¹ÝÖÌÞ³ GUIDE, DIPSTICK	1		
41	Y22190-080002	¼-ÜÜÄ¼Ö(ØÏÜ.ÆÄØÜ) 8 SEAL WASHER 8S	1	W	

Engine for TB145 4TNE88-ETBZ S/N 14513261-  
**COOLING WATER SYSTEM**

Y00D6852  
 4TNE88- (E) TB (1, Z)

10 CWシステム  
 COOLING WATER SYSTEM



4TNE88-ETBZ

CW¼½ÄÑ COOLING WATER SYSTEM

REF NO.	PARTS NO.	Description	Q'ty	I	R	ö
1	Y121750-49110	JOINT	1			
2	Y129001-42002	PUMP ASSY, C.WATER	1			
2- 1	Y129001-42003	PUMP ASSY,COOLANT	1	N		
13	Y23871-030000	• PLUG PT3/8,SCREW	2			
13- 1	Y23876-030000	• PLUG PT3/8,SCREW	2	N		
14	Y26106-080602	BOLT M 8X 60 PLATED	3			
15	Y25132-003900	V-BELT (A-39)	1			
16	Y129403-42380	V-PULLEY(D=110)	1			
17	Y129436-44740	FAN,COOLING	1			
18	Y121267-44760	SPACER	1			
19	Y26014-060302	BOLT W/WASHER 6X 30	4			
20	Y129350-49560	COVER, THERMOSTAT	1			
21	Y129795-49551	GASKET, (NON-ASB.)	1			
22	Y129155-49800	THERMOSTAT	1			
23	Y129150-49811	GASKET, (NON-ASB.)	1			
24	Y129100-49840	GASKET, THERMO. CASE	1			
24- 1	Y124395-49840	GASKET, THERMO. CASE	1	N		
25	Y26106-080202	BOLT M 8X 20 PLATED	2			
26	Y121250-44901	SWITCH, THERMO(110&C	1			
27	Y124465-44950	GASKET 16	1			
28	Y129150-49360	GASKET 10	1			
29	Y129001-42040	JOINT	1			
30	Y24321-000300	O-RING G30	1			
30- 1	Y129486-42140	O-RING,CW-P	1	N		
31	Y26106-080162	BOLT M 8X 16 PLATED	3			
32	Y119266-49350	SENSOR, THERMO.	1			
33	Y129100-42020	GASKET, C.W. PUMP	1			
33- 1	Y129486-42021	GASKET	1	N		
34	Y171064-44510	SUB-TANK ASSY	1			
36	Y121450-44531	• CAP	1			
37	Y124450-44560	• CLAMP	1			
38	Y121470-44581	• GASKET	1			
39	Y23065-070225	• HOSE 7X 225	1			
40	Y124450-44550	CLAMP, SUB-TANK	1			
41	Y121256-44600	BRACKET, SUB-TANK	1			
42	Y23010-038000	CLAMP 38	4			
42- 1	Y23010-038000	CLAMP 38	2	K		
43	Y129150-49100	COCK ASSY, 3-WAY	1			
44	Y129150-49080	• COCK, DRAIN	1			
48	Y119032-44502	RADIATOR	1			
49	Y119032-44660	• CAP ASSY	1			
49A	YX0227108012	• FAN SHURAUD	1	W		
50	Y23010-050000	CLAMP 50	2	W		
51	Y171091-44900	COOLER,OIL	1			
52	Y129612-49010	PIPE(A), C. WATER	1			
53	Y129612-49020	PIPE(B), C. WATER	1			
53- 1	Y129612-49021	PIPE, C.W.	1	N		
54	Y119032-44591	NET, WIRE	1	Z		



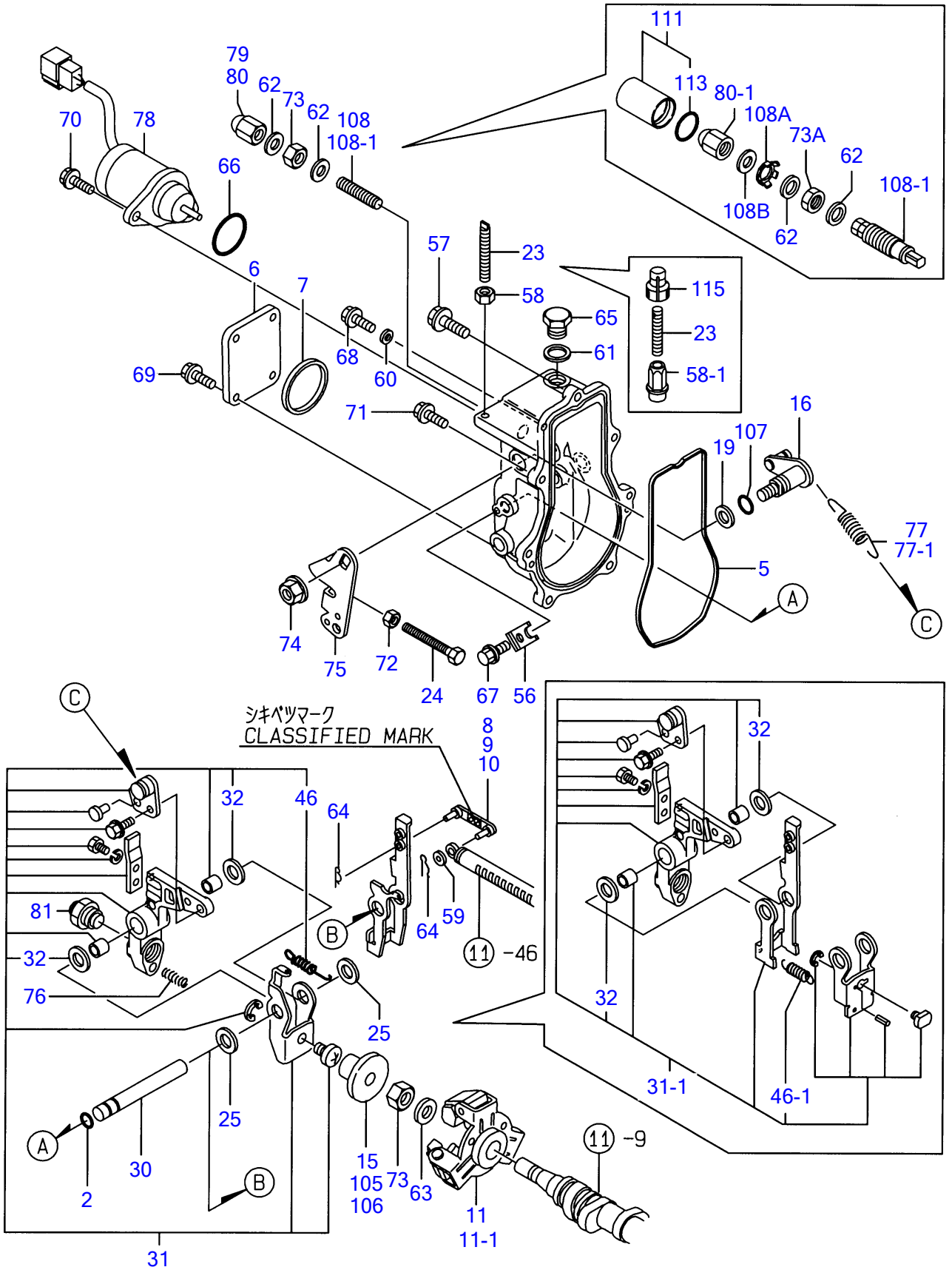


REF NO.	PARTS NO.	Description	Q'ty			
1	Y729612-51400	FOIY¼ÓÍßÝÍß ASSY	1			(1) ÐÀÞ¼ NO.1,2 FOIY¼ÓÍßÝÍß ASSY Ë³Ó, NO.12 ¶ÞËÞÀ μ Ì,Ñ.
8	Y129155-51020	• ³ºÐÍÞÙÄ(Ì²-ÄÞÞ)	2			
9	Y129470-51040	• ¶Ñ¼ÓÌÄ	1			
11	Y122710-51090	• ËÝÞÄ	1			
12	Y129506-51100	• Ìß×Ý¼ÞÓCMP	4			
15	Y129155-51140	• ËßÝ(ËÞÙÜÜØÄÞØ	4			
16	Y174307-51170	• ÊÞË³¹ A(Ìß×Ý¼ÞÓ	4			
17	Y129155-51180	• Ìß×Ý¼ÞÓÊÞË³¹¶ÞË	4			
18	Y124950-51190	• Ìß×Ý¼ÞÓ½ÌßØÝ,Þ	4			
19	Y129155-51200	• ÄÌßÄÄ ¼,Ð	4			
26	Y129155-51270	• ÄÌßÄÄÜØÄÞØ	4			
27	Y129155-51280	• OØÝ,Þ(S6)	4			
28	Y129100-51300	• ÄÞØÍÞØÊÞÙÌÞ CMP	4			
31	Y129155-51320	• ÊÞË(ÄÞØÍÞØÊÞÙÌÞ	4			
32	Y129155-51340	• Ä¼ÖÄÍÞÝμ»´	4			
33	Y124550-51350	• ÊßÄ-Ý(ÄÞØÍÞØ	4			
34	Y124550-51370	• OØÝ,Þ(ÄÞØÍÞØ	4			
35	Y129155-51370	• Ä¼ÖÄÍÞÝ½ÄÄÊß	4			
36	Y129155-51380	• ÜÜØÄÞØ(A)	2			
37	Y129155-51390	• ÜÜØÄÞØ(B)	2			
38	Y129555-51400	• ÄÞÍÜ,Ä	1			
39	Y129155-51410	• ÄÓÍÞÙÄ(ÄÞÍÜ,Ä)	1			
40	Y129155-51420	• Ìß×,Þ (M16)	1			
41	Y129155-51450	• ÄÓ³¼²ÊßÄ-Ý CMP	1			
46	Y129555-51500	• °ÝÄÜ-Ü×Ä	1			
47	Y129155-51521	• ÌÞÄ¼Ö (×Ä)	1			
48	Y129155-51530	• ¶Ý»Þ(×Ä,Ì¼ÞÖSP)	1			
49	Y129155-51540	• ÄÖÜ(C¶ÞÄ)	1			
50	Y129155-51550	• °ÝÄÜ-ÜÊßÆμÝ (B)	4			
51	Y122117-51560	• ÄÖË¼Þ(FO¶¶¹ÞÝËØÝ)	4			
51- 1	Y129100-51570	• ÊßÆμÝÖ³Ë¼Þ	4		N	
52	Y174307-51560	• ÊßÆμÝ	4			
52- 1	Y129100-51560	• ÊßÆμÝ	4		N	
53	Y129155-51570	• Ìß×,Þ (M12)	1			
54	Y129155-51580	• OØÝ,Þ	1			
55	Y129155-51591	• ×Ä,Ì¼ÞÖÊÞË	1			
56	Y129155-51600	• ÄÓ³¼²¼Ñ CMP	4			
75	Y129555-51700	• ¿¼Ä (ÍÝÄ²)	1			
75- 1	Y129555-51701	• ÍßÝÍßÍÝÄ²¿¼Ä	1		N	
76	Y129555-51710	• ÞK (ÍÝÄ²¿¼Ä)	1			

Engine for TB145 4TNE88-ETBZ S/N 14513261-  
GOVERNOR

Y00D6852  
4TNE88- (E) TB (1, Z)

12 12 12  
ガバナー  
GOVERNOR



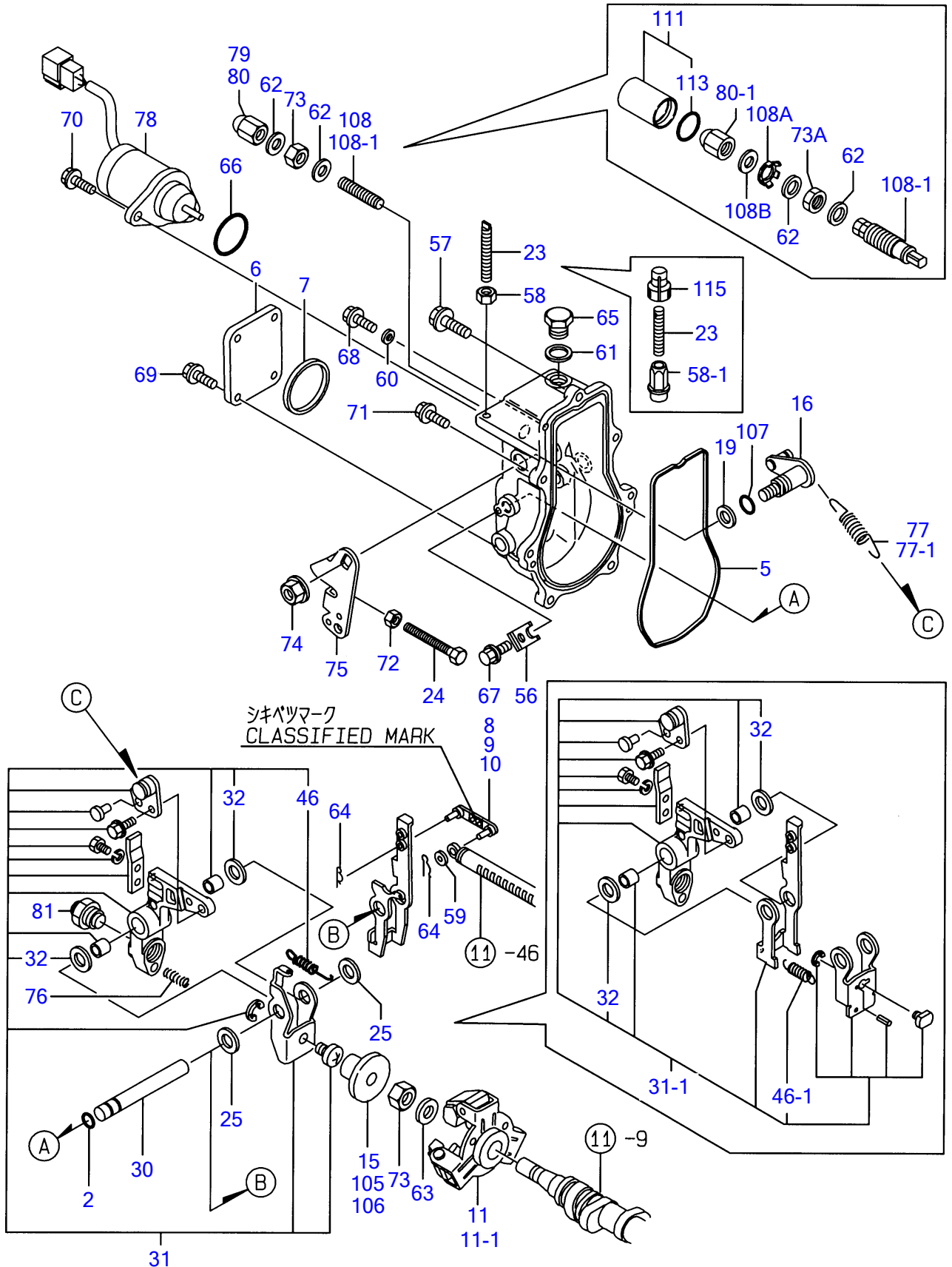
ГОВОРНА ГОВОРНА

REF NO.	PARTS NO.	Description	Q'ty			
2	Y129155-51280	• OØÝ Þ(S6	1			
5	Y129052-61050	• ÊÛÁ·Ý (ГПÊÞÁ¹·½	1			
6	Y129052-61060	• ГПÊÞÁ¹·½ÏÄ	1			
7	Y129052-61070	• ÊÛÁ·Ý (¹·½ÏÄ	1			
8	Y129155-61120	• ØÝ, L=30(Ï-, 0	1			(1) ¼ÝÄ, ¼Ö³ÞËÝ: ¼·ÏÄ·³µ Г,ÆÝÉ³' ÄÖ³ÖÝËГ²½. (²x½Ä »Ý¼Ö³)
9	Y129155-61130	• ØÝ, L=31(Ï-, 1	1			(1) ¼ÝÄ, ¼Ö³ÞËÝ: ¼·ÏÄ·³µ Г,ÆÝÉ³' ÄÖ³ÖÝËГ²½. (²x½Ä »Ý¼Ö³)
10	Y129155-61140	• ØÝ, L=30.5(Ï-, 05)	1			(1) ¼ÝÄ, ¼Ö³ÞËÝ: ¼·ÏÄ·³µ Г,ÆÝÉ³' ÄÖ³ÖÝËГ²½. (²x½Ä »Ý¼Ö³)
11	Y129155-61201	• ГПÊÞÁ³·²Ä CMP	1			
11- 2	Y129155-61202	• ГПÊÞÁ³·²Ä CMP	1		R	
15	Y129155-61341	• ½Ø-ÏÞ	1			(2) ) ¼ÝÄ, ¼Ö³ÞËÝ: ¼·ÏÄ·³µ Г,ÆÝÉ³' ÄÖ³ÖÝËГ²½. (²x½Ä »Ý¼Ö³)
16	Y129100-61400	• ²ÝÄÛ-ÛÛËÞ¼Þ, CMP	1			
19	Y129155-61430	• ГГ»Þ(²ÝÄÛ-ÛÛËÞ¼Þ,	1			
23	Y129155-61450	• Г²ÄÝ³¼²¹ÞÝÏÞÛÄ	1			
24	Y129155-61460	• ±²ÄÞÛ³¼²¹ÞÝÏÞÛÄ	1			
25	Y129155-61480	• ГГ»Þ COMP	2			
30	Y129052-61390	• ¼ÖÏÄ(ГПÊÞÁÛËÞ	1			
31	Y129052-61500	• ГПÊÞÁÛËÞ- CMP	1			
31- 1	Y119908-61501	• ГПÊÞÁÛËÞ- CMP	1		R	
32	Y174307-51700	• ¼Ï³¼ÄÄ(ÄÖ³¼²Ö³	2			
46	Y129052-61540	• ¼ÄÄ½ÏÛØÝ Þ(ГÛËÞ-	1			
46- 1	Y129486-61540	• ¼ÄÄ½ÏÛØÝ Þ	1		S	
56	Y119660-61901	• Ç'ÄÞÖ	1			
57	Y129155-61950	• »ÞÄ· B(Ï³²Ý	1			
58	Y124550-66370	• ÄÖÄÄÄ 6 (ÄÄÞØ±Ä	1			
58- 1	Y129209-61370	• ÄÄÄ(ARB	1		S	
59	Y22117-040000	• »ÞГПÊ(ËÛ 4	1			
60	Y22190-060002	• ¼-ÛÛÄ¼Ö(ËÛ·ÆÄØÛ) 6	1			
60- 1	Y22190-060003	• ¼-ÛÛÄ¼Ö(Û 6	1		N	
61	Y22190-100002	• ¼-ÛÛÄ¼Ö(ËÛ·ÆÄØÛ)10	1			
62	Y22190-120002	• ¼-ÛÛÄ¼Ö(ËÛ 12	2			
63	Y22287-120000	• ½-ËÛ-ÛÄ,»ÞГПÊ 12	1			
64	Y22372-040000	• ½ÄÄÏËËÝJASO 4	2			
65	Y23887-100002	• 6Г, ÏÛx, Þ 10	1			
66	Y24341-000280	• OØÝ Þ 1A S 28.0	1			
67	Y26106-060102	• ÄËÞÏÞÛÄ M 6X 10	1			
68	Y26106-060102	• ÄËÞÏÞÛÄ M 6X 10	1			
69	Y26106-060102	• ÄËÞÏÞÛÄ M 6X 10	4			
70	Y26106-060142	• ÄËÞÏÞÛÄ 6X 14	2			
71	Y26106-060202	• ÄËÞÏÞÛÄ 6X 20	6			
72	Y26756-060002	• ÄÖÄÄÄ 6	1			

Engine for TB145 4TNE88-ETBZ S/N 14513261-  
GOVERNOR

Y00D6852  
4TNE88- (E) TB (1, Z)

12 がバネ  
GOVERNOR

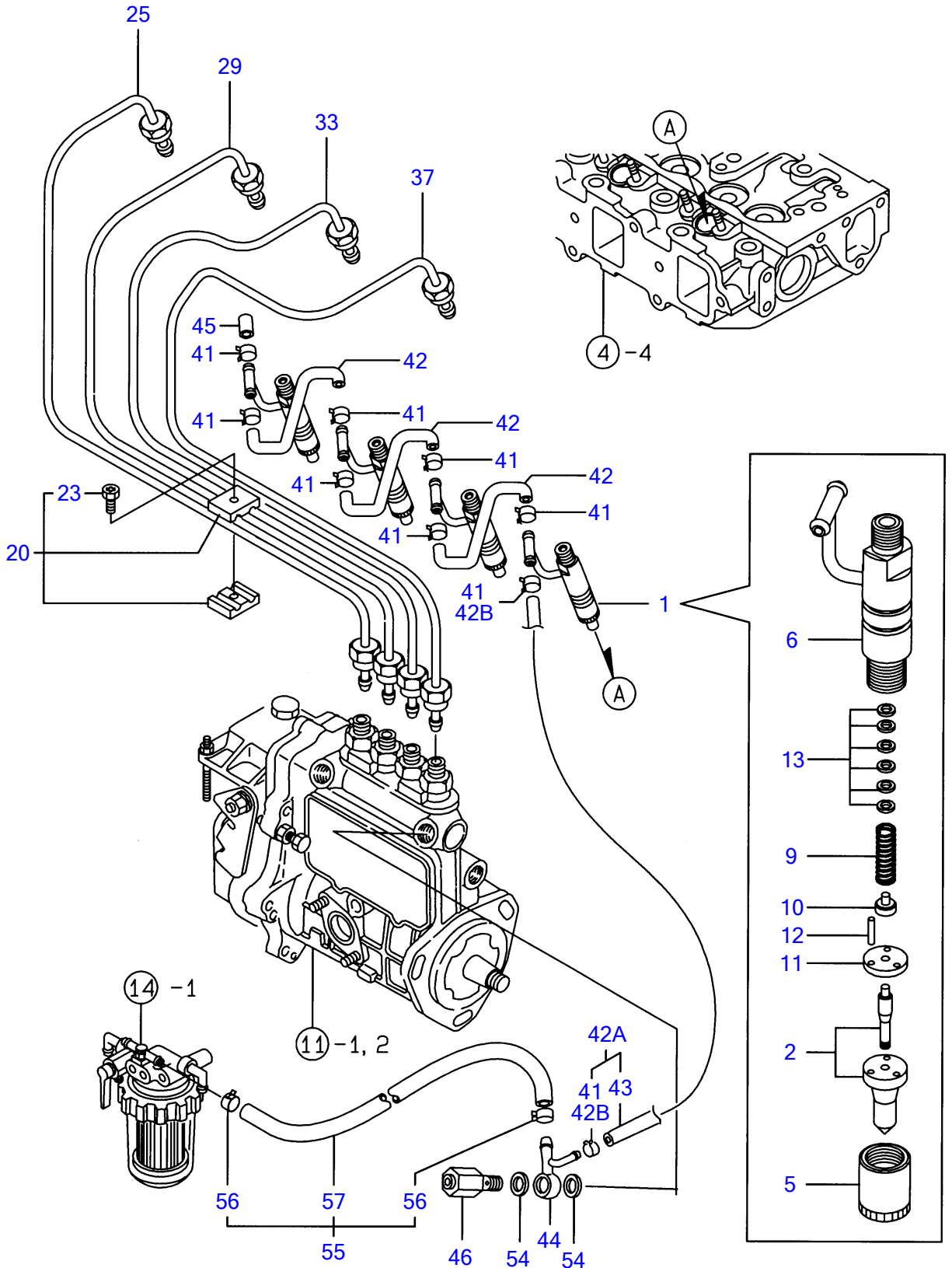


REF NO.	PARTS NO.	Description	Q'ty	I	R	"ö
73	Y26776-120002	• LOCK NUT M12 PLATED	2			
73- 1	Y26776-120002	• LOCK NUT M12 PLATED	1	K		
73A	Y26736-120002	• NUT M12	1	W		
74	Y26366-080002	• NUT M 8	1			
75	Y129100-61440	• LEVER, CONTROL	1			
76	Y129100-61650	• SPRING, FUEL CONTROL	1			
77	Y129489-61700	• SPRING, GOVERNOR	1			
78	Y119285-77951	• SOLENOID	1			
78- 1	Y119285-77952	• SOLENOID, STOP	1	N		
79	Y26687-120002	• CAP NUT M12	1			
81	Y129132-61550	• ANGLEICH ASSY	1			
105	Y129155-61350	• SLEEVE	1			(2) ) ¼YÄ, ¼Ö³ PÉY: ¼· PÄ· <sup>9</sup> P³ μ ¶,ÆYÉ³' ÄÖ³ÖYÈ¶P² ½. (²x½Ä »Y¼Ö³)
106	Y129155-61360	• SLEEVE	1			(2) ) ¼YÄ, ¼Ö³ PÉY: ¼· PÄ· <sup>9</sup> P³ μ ¶,ÆYÉ³' ÄÖ³ÖYÈ¶P² ½. (²x½Ä »Y¼Ö³)
107	Y129155-61830	• O-RING S10	1			
108	Y129155-61470	• BOLT, FUEL CONTROL	1			

Engine for TB145 4TNE88-ETBZ S/N 14513261-  
**FUEL INJECTION VALVE**

Y00D6852  
 4TNE88- (E) TB (1, Z)

13 FO7ンシャペン  
 FUEL INJECTION VALVE



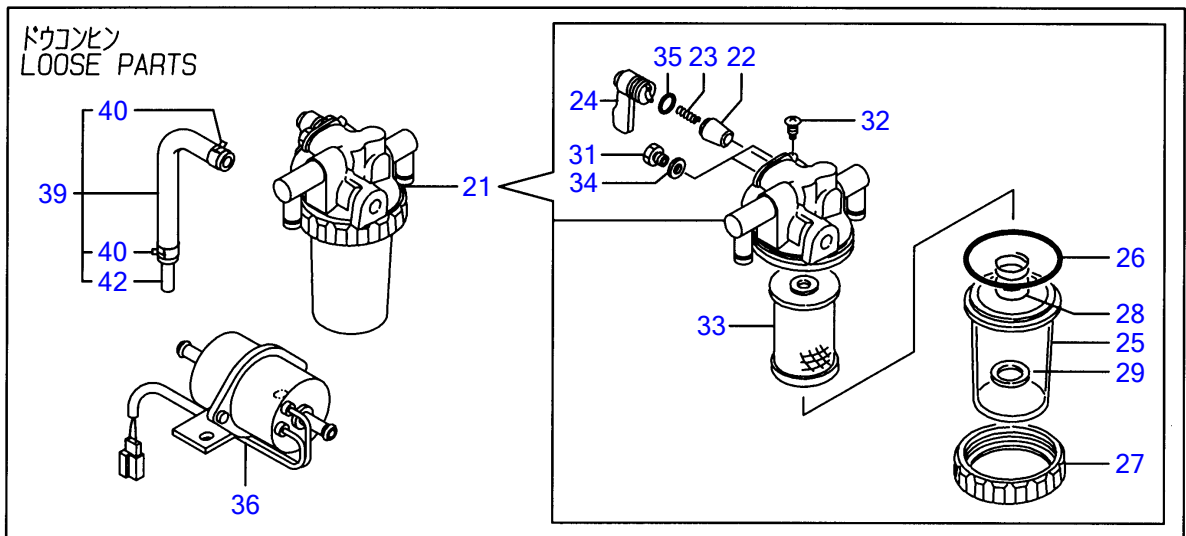
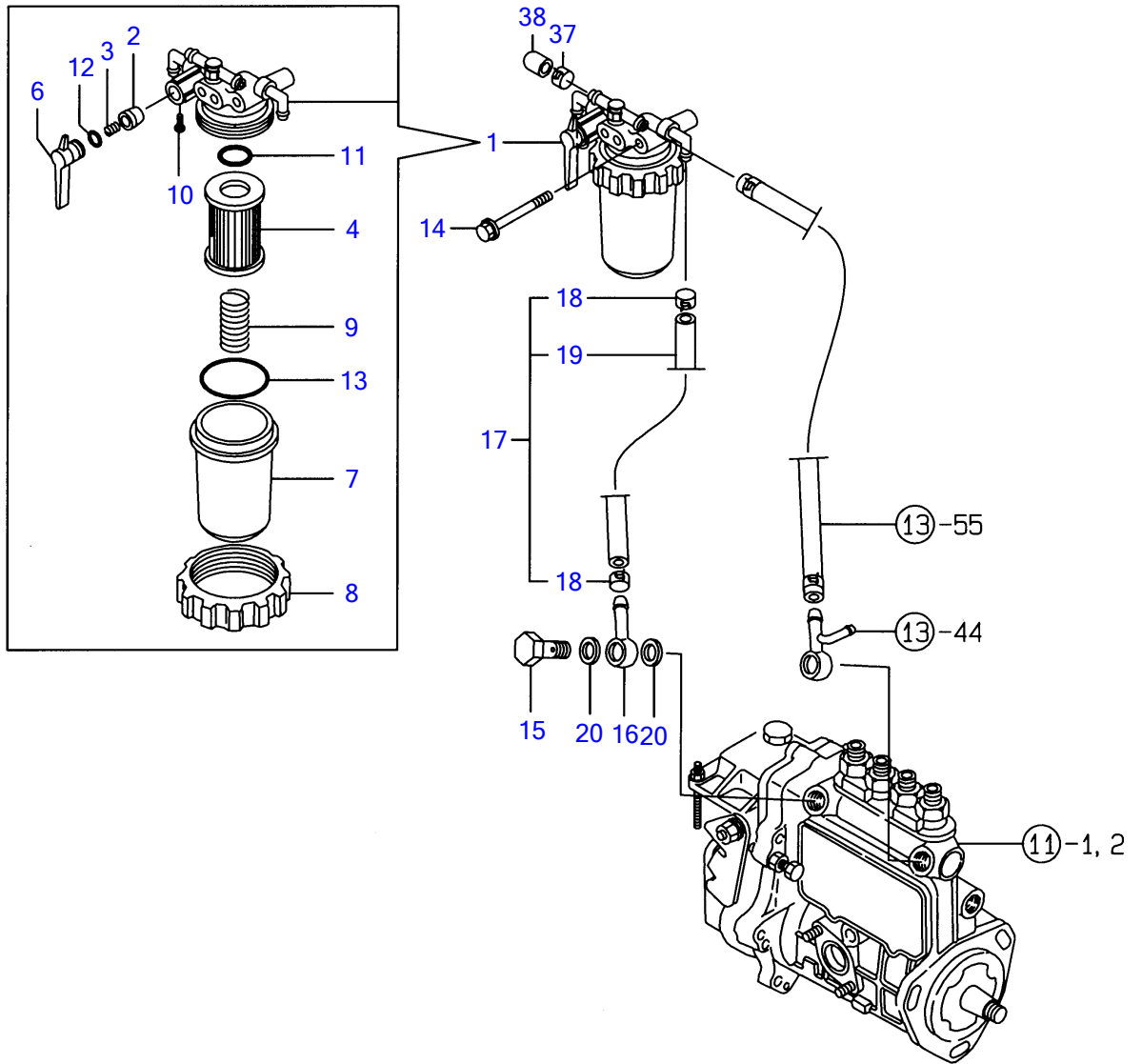
**FOIY¼-ÍPÝ FUEL INJECTION VALVE**

REF NO.	PARTS NO.	Description	Q'ty	I	R	»óll
1	Y729102-53100	FOIY¼ÓÍPÝ ASSY	4			
2	Y129102-53000	• É½PÙ CMP	4			
5	Y114250-53080	• ÁÁ(É½PÙÄØÁ¹	4			
6	Y129100-53100	• É½PÙÍÙÄP- CMP	4			
9	Y114250-53120	• ½ÍØÝ,P(É½PÙ	4			
10	Y114250-53130	• ¼-Ä(É½PÙ½ÍØÝ,P	4			
11	Y114250-53140	• ½ÄÍØÍÙ-Ä	4			
12	Y114250-53210	• ÉÝ(É½PÙ²Á·PÒ	8			
13	Y114250-53400	• ¼Ñ CMP	4			
20	Y119305-59120	ÍÙÄPÒ(ÍY¼ÓÍPÝCMP	2			
23	Y129150-59131	• +±Ä HB4X14	2			
25	Y129612-59831	FOIY¼ÓÍPÝ CMP	1			
29	Y129407-59910	FO-T(ÍY¼Ó CMP	1			
33	Y129407-59920	FO-T(ÍY¼Ó CMP	1			
37	Y129407-59940	FO-T(ÍY¼Ó CMP	1			
41	Y124066-59100	Î-½,ØÄÍØ(ÍÙ 8	9			
41- 1	Y124066-59100	Î-½,ØÄÍØ(ÍÙ 8	7		K	
42	Y121250-59550	FO-T(D8XL120	3			
42A	Y119840-59500	FO-T(ÓÄP¼ CMP	1		W	
42B	Y124066-59100	• Î-½,ØÄÍØ(ÍÙ 8	2		W	
43	Y119840-59560	• FO-T ÓÄP¼	1			
44	Y119840-59570	Ä·PÄ	1			
45	Y129150-59580	·ÓÄÍØ(FO-TÓÄP¼	1			
46	Y129100-59951	Á'Ä, ÉPÙÍP CMP	1			
54	Y23414-120000	ÉßÄ·Ý(ÍÙ 12	2			
54- 1	Y22190-120002	¼-ÙÜÄ¼Ó(ÍÙ 12	2		N	
55	Y129210-59150	FO-T CMP	1			
56	Y124766-59050	• Î-½,ØÄÍØ(ÍÙ 12	2			
57	Y105025-59530	• FOÉß²ÍØ (D13XL400)	1			

Engine for TB145 4TNE88-ETBZ S/N 14513261-  
**FUEL LINE**

Y00D6852  
 4TNE88-(E) TB (1, Z)

14 FUEL LINE  
 FUEL LINE





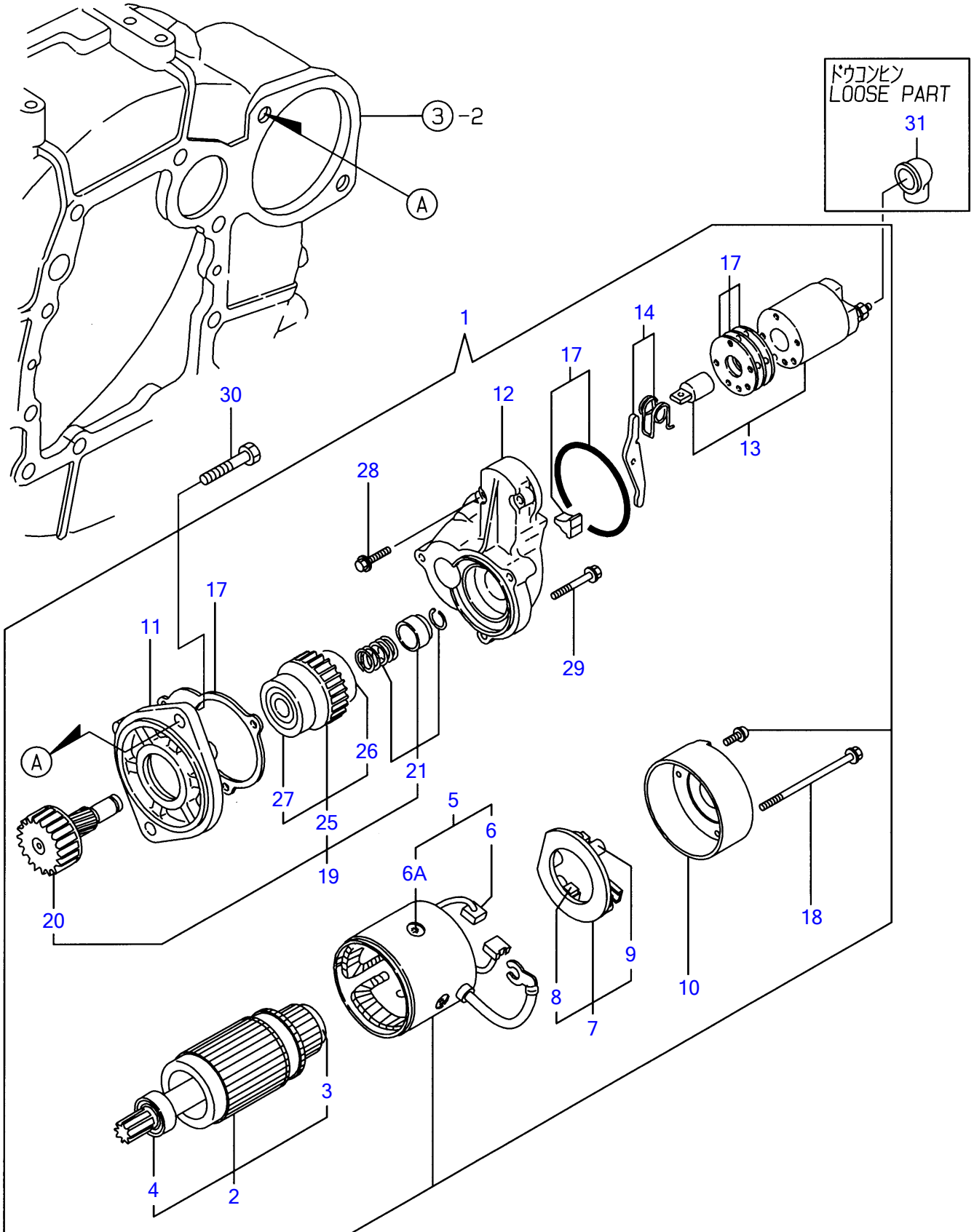
FOËËË FUEL LINE

REF NO.	PARTS NO.	Description	Q'ty	I	R	δ
1	Y129052-55620	STRAINER ASSY, FUEL	1			
2	Y104200-55321	• VALVE, TAPER	1			
3	Y104200-55330	• SPRING, TAPER VALVE	1			
4	Y129100-55650	• ELEMENT, FUEL	1			
6	Y129100-55670	• LEVER	1			
7	Y129100-55680	• CUP, STRAINER	1			
8	Y129100-55690	• RING, RETAINING	1			
9	Y129100-55700	• SPRING	1			
10	Y104200-55750	• SCREW M 4	1			
11	Y24311-000160	• O-RING 1A P-16.0	1			
12	Y24311-240100	• O-RING 1A P-10A	1			
13	Y24321-000650	• O-RING 1A G-65.0	1			
14	Y26014-080702	BOLT W/WASHER M8X 70	1			
15	Y103854-39140	BOLT, PIPE JOINT	1			
16	Y101304-59020	JOINT 12, PIPE	1			
17	Y129210-59040	PIPE ASSY, FUEL OIL	1			
18	Y124766-59050	• CLAMP 12	2			
19	Y129555-59510	• PIPE, FUEL	1			
20	Y22190-120002	SEAL WASHER 12	2			
21	Y129335-55700	SEPARATOR, WATER	1			
22	Y104200-55321	• VALVE, TAPER	1			
23	Y104200-55330	• SPRING, TAPER VALVE	1			
24	Y104200-55341	• HANDLE, COCK	1			
25	Y124064-55510	• BOWL, FUEL STRAINER	1			
26	Y102103-55520	• O-RING	1			
27	Y110250-55610	• RING, RETAINING	1			
28	Y121257-55720	• SPRING, SCREEN	1			
29	Y121257-55731	• FLOAT	1			
31	Y101720-55750	• PLUG 6	2			
32	Y104200-55750	• SCREW M 4	1			
33	Y171081-55910	• SCREEN	1			
34	Y23418-060000	• GASKET 6, NYLON	2			
35	Y24311-240100	• O-RING 1A P-10A	1			
36	Y129322-77401	FEED PUMP	1			
37	Y124066-59100	CLAMP 8	1			
38	Y129150-59580	CAP	1			
39	Y119840-59601	BEND ASSY	1			
39- 1	Y119840-59601	BEND ASSY	2			K
40	Y124766-59050	• CLAMP 12	2			
40- 1	Y124766-59050	• CLAMP 12	4			K

Engine for TB145 4TNE88-ETBZ S/N 14513261-  
STARTING MOTOR

Y00D6852  
4TNE88- (E) TB (1, Z)

15 スタートモータ  
STARTING MOTOR



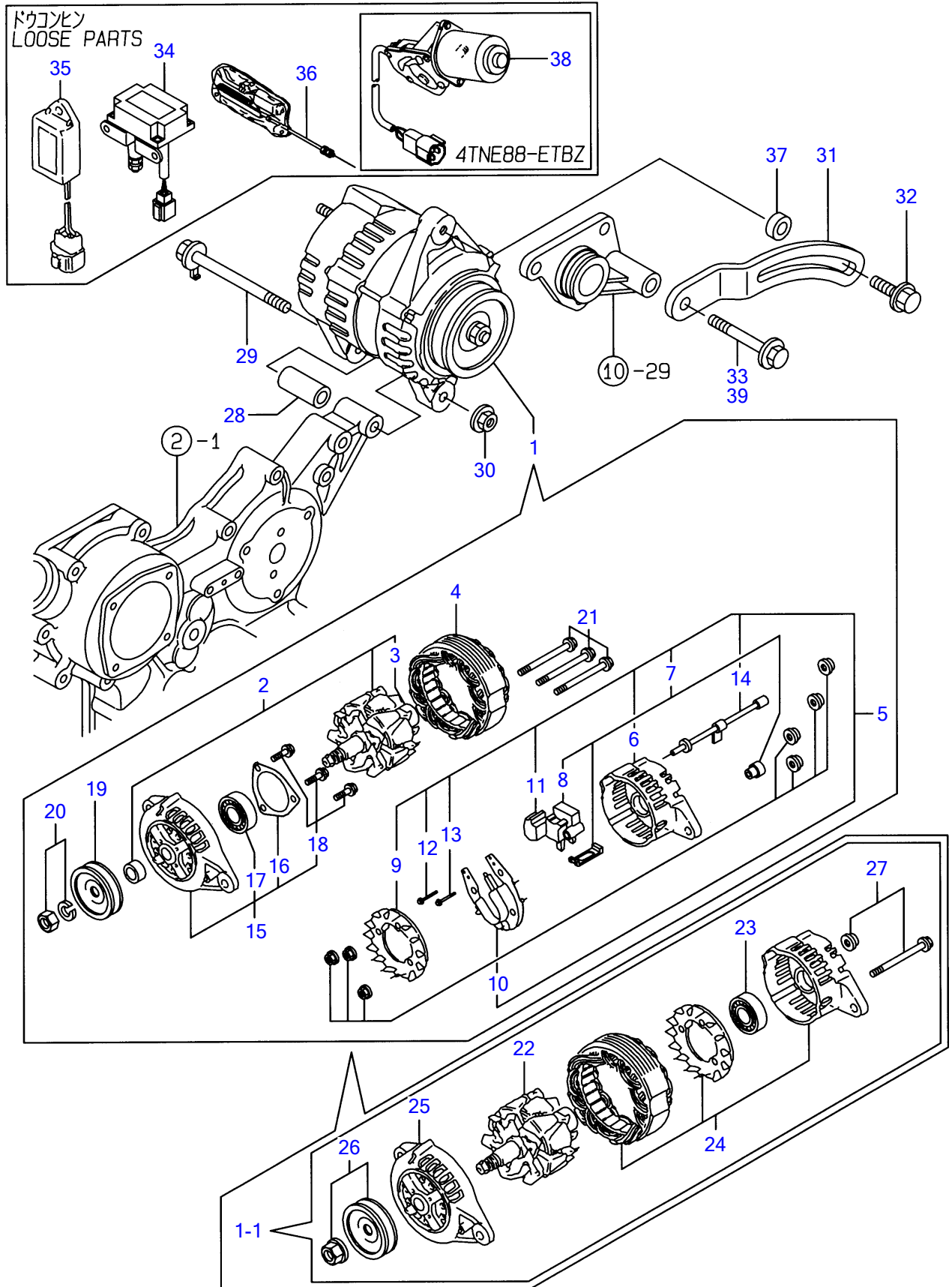
½Ä-Ä²Ý, ÞÓ-Ä STARTING MOTOR

REF NO.	PARTS NO.	Description	Q'ty	I	R	ö
1	Y129400-77012	STARTING MOTOR	1			
1- 1	Y129136-77011	STARTER	1	S		
2	Y129486-77400	• ARMATUER	1			
2- 1	Y129900-77400	• ARMATURE ASSY	1	S		
3	Y171008-77410	• • BEARING(1)	1	Z		
4	Y171008-77420	• • BEARING(2)	1	Z		
5	Y129400-77441	• FIELD COIL ASSY	1			
5- 1	Y129900-77440	• COIL ASSY, FIELD	1	S		
6	Y129486-77460	• • BRUSH	2			
6- 1	Y129900-77450	• • BRUSH (+)	2	S		
6A	Y171008-77450	• • SCREW, POLE CORE SET	4	W		
7	Y129486-77470	• HOLDER ASSY, BRUSH	1			
7- 1	Y129900-77480	• HOLDER ASSY, BRASH	1	S		
8	Y129486-77460	• • BRUSH	2			
8- 1	Y129900-77500	• • BRUSH (-)	2	S		
9	Y129486-77490	• • SPRING, START BRUSH	4	Z		
10	Y129900-77460	• COVER, REAR	1			
11	Y171008-77510	• HOUSING ASSY, GEAR	1			
12	Y129400-77520	• HOUSING, CENTER	1			
12- 1	Y129136-77520	• CENTER HOUSING	1	S		
13	Y129400-77531	• SWITCH ASSY, MAGNETIC	1			
13- 1	Y129136-77310	• SHAFT, PINION	1	S		
14	Y171008-77540	• LEVER SET, SHIFT	1			
17	Y129400-77571	• DUST COVER, (NON-ASB.)	1			
18	Y129900-77640	• BOLT, THROUGH	2			
19	Y171008-77650	• PINION ASSY	1			
20	Y171008-77660	• • SHAFT, PINION	1			
21	Y171008-77670	• • STOPPER SET, PINION	1			
25	YX2114555500	• • CLUTCH ASSY	1			
26	YX2114955020	• • • BALL BEARING	1			
27	YX2240410100	• • • BALL BEARING	1			
28	Y26106-060322	• BOLT M 6X 32 PLATED	2			
29	Y26106-060402	• BOLT M 6X 40 PLATED	3			
30	Y26116-120252	BOLT M12X 25 PLATED	2			
31	Y124550-77030	COVER, TERMINAL	1			

Engine for TB145 4TNE88-ETBZ S/N 14513261-  
GENERATOR

Y00D6852  
4TNE88-(E) TB (1, Z)

16 ジェネレータ  
GENERATOR



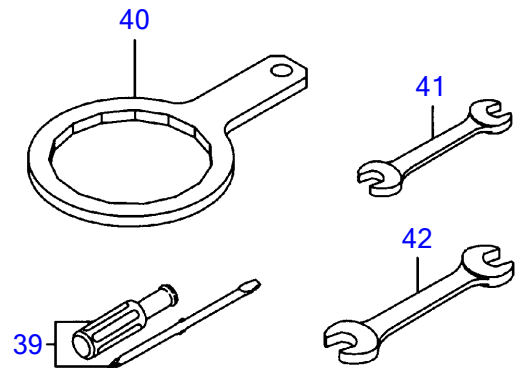
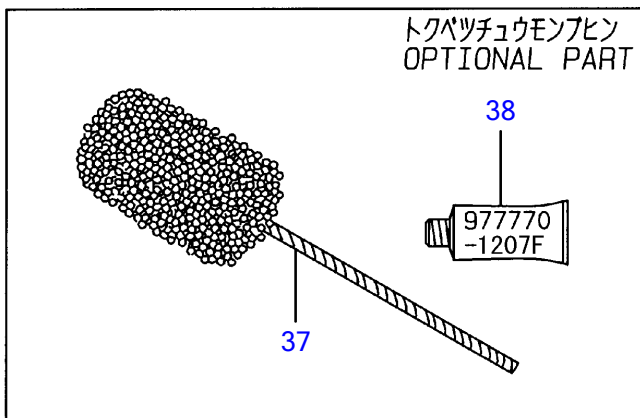
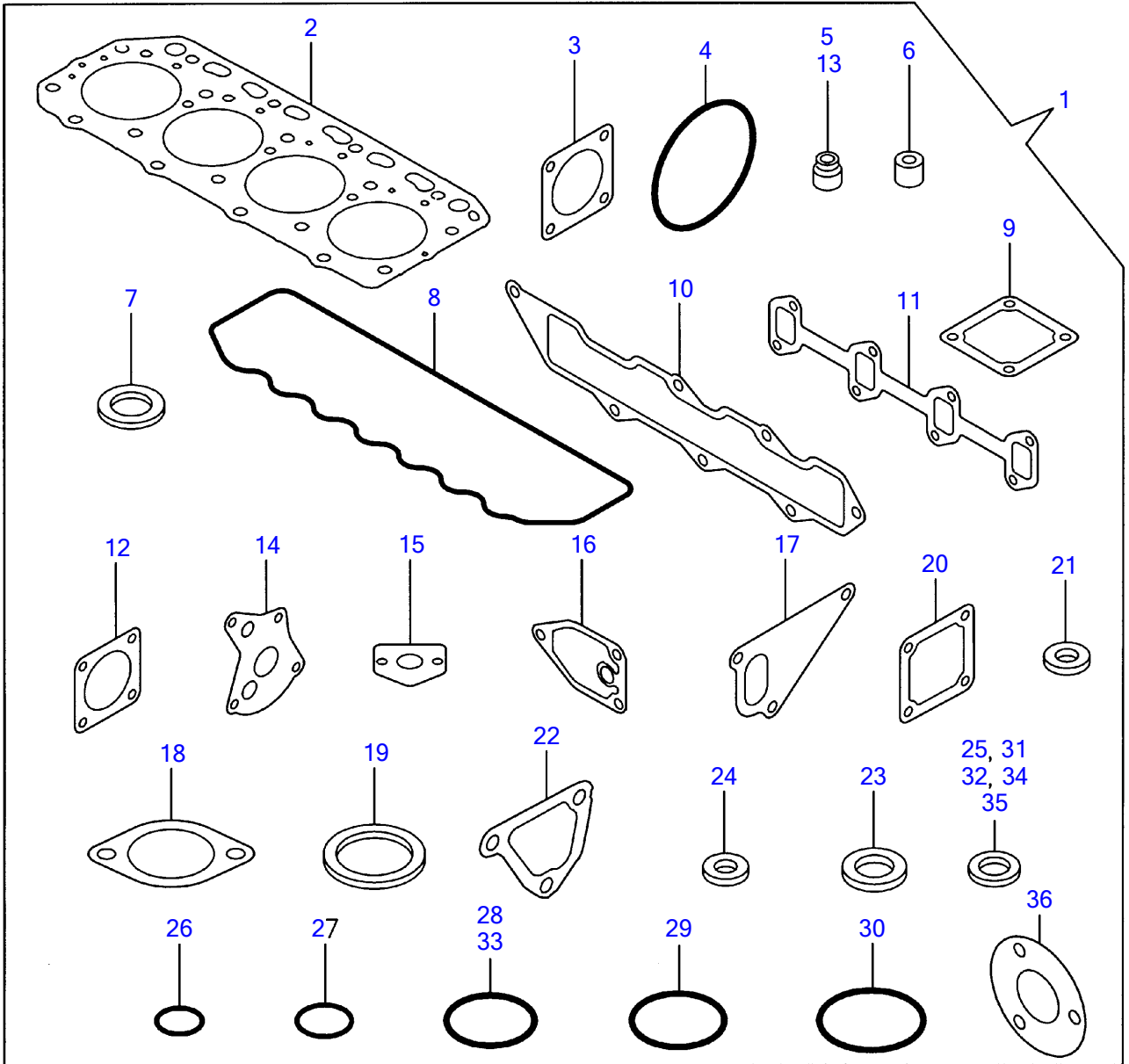
¼P'ÈÚ-À GENERATOR

REF NO.	PARTS NO.	Description	Q'ty	I	R	»ö
1	Y119836-77200	¼P'ÈÚ-À-(LR140-714	1			
1- 1	Y119836-77201	AC¼P'ÈÚ-À	1	R		
2	Y119836-77700	• Û-À ASY	1	Z		
3	Y119836-77850	• ÌP-ÛÌP±ØÝ, P 6000S	1	Z		
4	Y119836-77710	• ½Ä-À CMP	1	Z		
5	Y119836-77721	• ØÔ¶ÈP- ASY	1	Z		
6	Y119836-77730	• • ØÔ¶ÈP-	1	Z		
7	Y119836-77741	• • Û·PÔÛ-ÀÌP×¼ ASY	1	Z		
8	Y119836-77750	• • • ÌP×¼(L170-1325	1	Z		
9	Y119836-77760	• • Ì±Ý¶P²ÄP	1	Z		
10	Y119836-77770	• • ÄP²µ-ÄP ASY	1	Z		
11	Y119836-77780	• • °ÝÄPÝ»	1	Z		
12	Y119836-77871	• • ÌPÛÄ(1)	1	Z		
13	Y119836-77880	• • ÌPÛÄ(2)	1	Z		
14	Y119836-77890	• • Ø-ÄPÛ²Ô ASY	1	Z		
15	Y119836-77790	• F¶ÈP-ASY L140-44002	1	Z		
16	Y119836-77800	• • ÌP±ØÝ, PØÄ-Ä	1	Z		
17	Y119836-77840	• • ÌP-ÛÌP±ØÝ, P	1	Z		
18	Y119836-77860	• • ½, ØÖ³ ·ÄÄP	1	Z		
19	Y119836-77810	• ÌB-Ø	1	Z		
20	Y119836-77820	• ÌB-ØÄÄÄ ASY	1	Z		
21	Y119836-77830	• ½Û-ÌPÛÄ	1	Z		
22	Y129612-77700	• Û-À ASY	1	W		
23	Y129612-77710	• ÌP-ÛÌP±ØÝ, P	1	W		
24	Y119836-77920	• ØÖÌP×¹ÄÄ ASY	1	W		
25	Y129612-77730	• ÌÛÝÄÌP×¹ÄÄ ASY	1	W		
26	Y129612-77740	• ÌB-Ø-	1	W		
27	Y129612-77750	• ½, ØÖ³ ·ÄÄ	1	W		
28	Y119820-77340	ÄP²½ÄÝ½ÈB-½	1			
29	Y129136-77251	ÌPÛÄ 8X110 (GEN	1			
30	Y26366-080002	ÄÈPÄ·ÄÄÄ 8	1			
30- 1	Y129612-77260	ÄÄÄ(µÛÄÈ-Ä	1	R		
31	Y129136-77350	±¼PÖ½Ä	1			
32	Y26014-080352	ÌPÛÄ(È×+ÈPÈ 8X 35	1			
33	Y26106-080502	ÄÈPÌPÛÄ 8X 50	1	Z		
34	Y129136-77100	¾Ä²ØÛ-(AST1-11)	1			
35	Y119632-77920	Ä²Ì-(1 SEC.	1			
35- 1	Y129211-77920	Ä²Ì-(1 SEC.	1	N		
36	Y114654-77900	Ý¼PÝ ½ÄÄÌB CMP	1			
36- 1	Y119032-77910	±¾ÛÓ-Ä CMP	1	N		
37	Y106500-44810	¶Ý»P	1	Z		

Engine for TB145 4TNE88-ETBZ S/N 14513261-  
**GASKET SET**

Y00D6852  
 4TNE88- (E) TB (1, Z)

17 パッキンセット  
 GASKET SET



REF NO.	PARTS NO.	Description	Q'ty		R	
1	Y729407-92640	GASKET SET(NON-ASB.)	1		(1)	μlB¼@Ý lPÉYÁb½
1- 1	Y729407-92700	GASKET SET(NON-ASB.)	1	N	(1)	μlB¼@Ý lPÉYÁb½
1- 2	Y729407-92701	GASKET SET(NON-ASB.)	1	N	(1)	μlB¼@Ý lPÉYÁb½
2	Y129407-01340	GASKET,CYL.HEAD	1			
3	Y124240-01883	GASKET, (NON-ASB.)	1	Z		
4	Y121850-51960	O-RING, F.I.PUMP	1			
5	Y124460-11340	SEAL, VALVE STEM	4			
6	Y119625-11870	PROTECTOR, NOZZLE	4			
7	Y119625-11880	SEAT, NOZZLE	4			
8	Y129550-11310	GASKET, BONNET	1			
9	Y129150-77511	GASKET, (NON-ASB.)	1			
10	Y129407-12110	GASKET,INT.MANOFOLD	1			
11	Y129550-13110	GASKET, EXH.MANIFOLD	1			
12	Y129400-13201	GASKET, (NON-ASB.)	1			
13	Y121400-11340	SEAL, VALVE STEM	4			
14	Y129150-32020	GASKET, L.O. PUMP	1			
15	Y129150-35041	GASKET, (NON-ASB.)	1			
16	Y129150-35111	GASKET, (NON-ASB.)	1			
17	Y129100-42020	GASKET, C.W. PUMP	1			
17- 1	Y129486-42021	GASKET	1	N		
18	Y129795-49551	GASKET, (NON-ASB.)	1			
19	Y129150-49811	GASKET, (NON-ASB.)	1			
20	Y129100-77510	GASKET, AIR HEATER	1			
21	Y124465-44950	GASKET 16	1	W		
22	Y129100-49840	GASKET, THERMO. CASE	1			
22- 1	Y124395-49840	GASKET, THERMO. CASE	1	N		
23	Y129155-52050	GASKET	1			
24	Y22190-080002	SEAL WASHER 8S	7			
25	Y23414-100000	GASKET 10, ROUND	2			
25- 1	Y22190-100002	SEAL WASHER 10S	2	N		
26	Y24311-000120	O-RING 1A P 12.0	3			
27	Y24311-000160	O-RING 1A P-16.0	3			
28	Y24311-000320	O-RING 1A P-32.0	3			
28- 1	Y24311-000320	O-RING 1A P-32.0	2	K		
29	Y24341-000240	O-RING 1A S-24.0	1			
30	Y24341-000500	O-RING 1A S-50.0	1			
31	Y22190-220002	SEAL WASHER 22S	1			
31- 1	Y24341-000250	O-RING 1A S-25.0	1	S		
32	Y129150-49360	GASKET 10	1	W		
33	Y24321-000300	O-RING G30	1	W		
33- 1	Y129486-42140	O-RING,CW-P	1	N		
34	Y23414-120000	GASKET 12, ROUND	2	W		
34- 1	Y23414-120000	GASKET 12, ROUND	2	Z		
35	Y22190-120002	SEAL WASHER 12	2	W		
35- 1	Y22190-120002	SEAL WASHER 12	4	K		
36	Y103954-13201	GASKET, SILENCER	1	Z		
37	Y129400-92420	FLEX HORN	1		(1)	μlB¼@Ý lPÉYÁb½
38	Y977770-1207F	GASKET, LIQUID	1		(1)	μlB¼@Ý lPÉYÁb½
39	Y104200-92350	DRIVER, SCREW	1			
40	Y119640-92750	WRENCH, FILTER	1			
41	Y28110-100120	WRENCH 10X12	1			
42	Y28110-140170	WRENCH 14X17	1			

# How to read this Parts Catalog.

1. Parts mentioned in this Parts Catalog may not necessarily be standard equipping parts.
2. Parts change may be made without prior notice.
3. Form of this Parts Catalog.

Y00F2161 (1997.09.01)

**Fig. 29 燃料噴射ポンプ(ブーコン用)**  
**FUEL INJECTION PUMP (W/BOOST)**

見出 REF.No.	レベル LEV.	部品番号 PARTS No.	部品名	DESCRIPTION	個数 (Qty)						備考
					A	B	C	D	E	F	
1	.	729595-51390	F0ポンプ ASY(7-コック)	FULE INJECTION PUMP	1	1	1	1	1	1	
1-1	.	729595-51391	F0ポンプ ASY(7-コック)	FULE INJECTION PUMP	1	1	1	1	1	1	
3	..	26022-060162	ナメネジ M 6X 16	SCREW M 6X 16	9	9	9	9	9	9	
I 3-1	..	26022-060162	ナメネジ M 6X 16	SCREW M 6X 16	4	4	4	4	4	4	K
4	..	129470-51040	カムシャフト	CAMSHAFT	1	1	1	1	1	1	
5	..	122710-51050	ベアリングローラ	BEARING, ROLLER	2	2	2	2	2	2	
6	..	129470-51060	ベアリングホルダ	RETAINER	1	1	1	1	1	1	

**備考**  
(1) ブーストコンペンセータ付き。4JH-DT, 4JH-DTZとも  
E/# 00155 までは、特別注文仕様とします

**Remarks**  
(1) BOOST COMPENSATOR TYPE.  
OPTIONAL PART, TO E/# 00155.  
(4JH - DT, 4JH - DTZ)

**① Ref. No.**

The Ref. No. in the list may not be accord with the Ref. No. on illustration.  
(Ex.) Illustration No.                      List head No.

1                      1 (Befor change)                      →                      1 -1 (After change)

When interchangeable symbol N, R, and K, illustrations for new parts are sometimes omitted.

**② Lev.(Level)**

Indication and Meaning of Level

Level : Hereunder is given the relation among the number of dots(•), the level and the nominal parent- child relationship.

- .....Parent parts(Assembly parts)
- .....Child parts included in "••" (Semi- Assembly parts, component parts of Assembly parts.)
- .....Child parts included in "•••", Grand- child parts in terms of "••".  
(Compornent parts of Semi- Assembly parts.)

Note) A parts of non- sale parts are illustlated but not listed.

**③ Change Mark**

Change Mark "I" is given to the part for which a desigh change was made at this time.  
The design change was not shown in the last published Parts Catalog.

**④ Interchangeability Mark**

In the case where a part change took place, one of the following interchangeability marks is indicated for that part.

Symbol	interchangeability	Contents note
N	Old $\longleftrightarrow$ New	New Part is interchangeable for Old Part but not interchangeable conversely.
Q	Old $\longleftrightarrow$ New	New Part is not interchangeable for Old Part but interchangeable conversely.
R	Old $\longleftrightarrow$ New	New Part is interchangeable for Old Part and vice versa.
S	Old $\longleftrightarrow$ New	New Part is not interchangeable for Old Part and vice versa.
W		Part newly added.
Z		Part discontinued.
F		Not interchangeable single part but interchangeable by set of the related parts.
K		Changed only in quantity used.

**⑤ Effective Machine No.**

When a part is changed, Effective Machine No. of a Model for which the part is applicable is indication in each column of (A)- (F).

Product Symbol	Product No.	Product Symbol	Product No.
C	Clutch No. Compressor No.	M	Machine No.
D	Drive No.	T	Tractor No.
E	Engine No.	Note1) ※	Date

Note1) Date may follow the symbol in some cases. (Ex.) ※ 1996.01

Note2) As far as engine models shown by "XXX" are concerned, the modification of the parts could not be predicted or the engine models themselves could not be identified.

Note3) (A=E/#00185) means that the design change on the part has been effective for the model at the column (A) (in this case, for 4JH- DT) on and from E/#(Engine Serial Number) 00185.

**⑥ Remarks Mark**

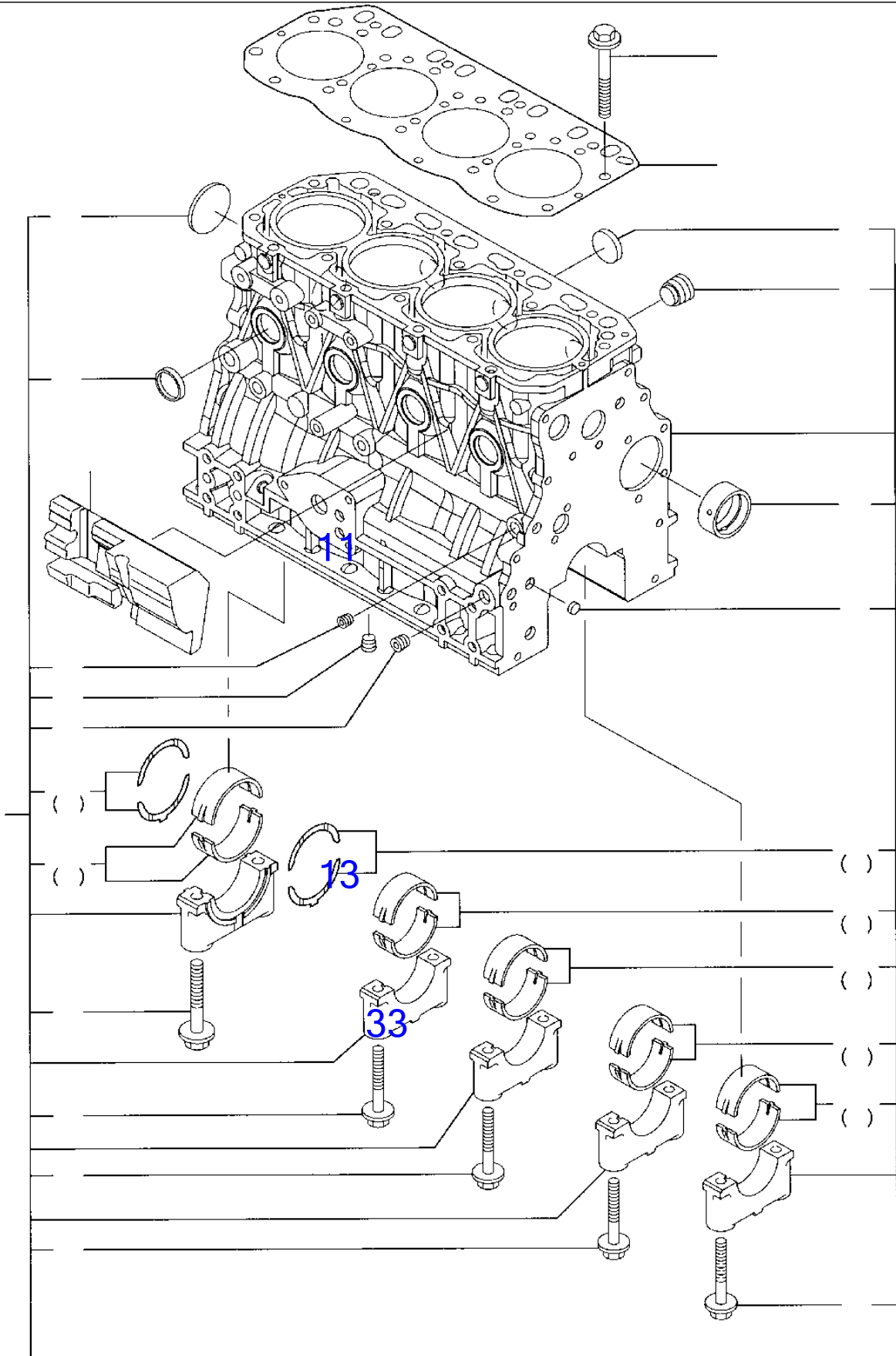
Figures or alphabets (Symbols) are entered in the remark column.

The comments(remarks) on the pertinent parts are indicated in the lower part of the list by the same symbols as those stated above.





Engine for TB145 4TNV88-QTB(cab), QTB1(canopy) S/N 14513261-  
CYLINDER BLOCK

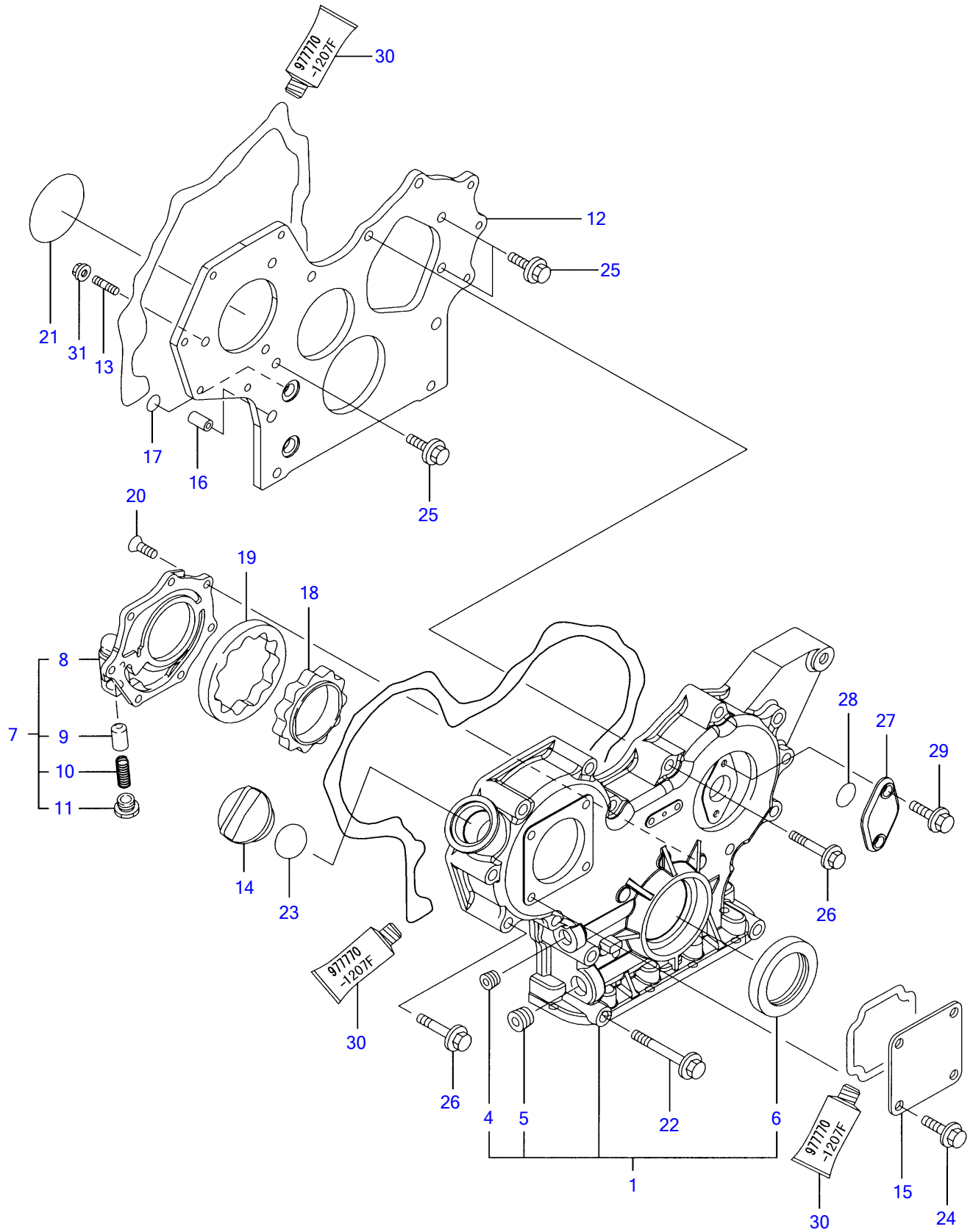


Y0008100	1. シリンダブロック			
4TNV88-QTB, QTB1		1:2004 01		PI IIS

¼ØÝÀÞÍÞÛ, CYLINDER BLOCK

REF NO.	PARTS NO.	Description	Q'ty	I	R	Notes
1	Y729602-01560	¼ØÝÀÞÍÞÛ, ASSY	1			
5	Y124160-01910	• Ìß×, Þ PT1/4	2			
6	Y171051-01921	• Ìß×, Þ NPTF1	1			
7	Y129150-02020	• ÍÞÛÀ(ÒÀÛ-ÒÀÏß	10			
10	Y124060-01050	• Ìß×, Þ	1			
11	Y129001-01250	• »×¶ÍÞÀÏß×, Þ 50	1			
12	Y27241-120000	• ÛÝ¶ÍÞÀÏß×, Þ 12	2			
13	Y27241-300000	• ÛÝ¶ÍÞÀÏß×, Þ 30	8			
14	Y129795-02411	• ÌÞÀ¼Ö (A)	1			
15	Y124160-01910	• Ìß×, Þ PT1/4	1			
25	Y129001-02930	• Ò²ÝÒÀÛCMP(STDÏ³ËÝ)	5			(3) ÍÖ³ÍÞËÝÀÞ½
28	Y129150-02930	• ½×½ÀÒÀÛ	2			
31	Y129150-01200	ÍÀÀÞÍÞÛÀ	18			
32	Y129407-01340	ÍÀÀÞ¶ÍÞ½'ÀÀ	1			
33	Y129004-01190	À²»Þ²Ë½Íß-»	1			
34	Y129150-02870	Ò²ÝÒÀÛ U.S=0.25	5			(1) ±ÝÀÞ»²½Þ(U.S=0.25
37	Y129150-02940	½×½ÀÒÀÛ 0.25(2¹=1¼ÀÀ	1			(2) μ°ËÞ°»²½Þ(O.S=0.25)

Engine for TB145 4TNV88-QTB(cab), QTB1(canopy) S/N 14513261-  
GEAR HOUSING

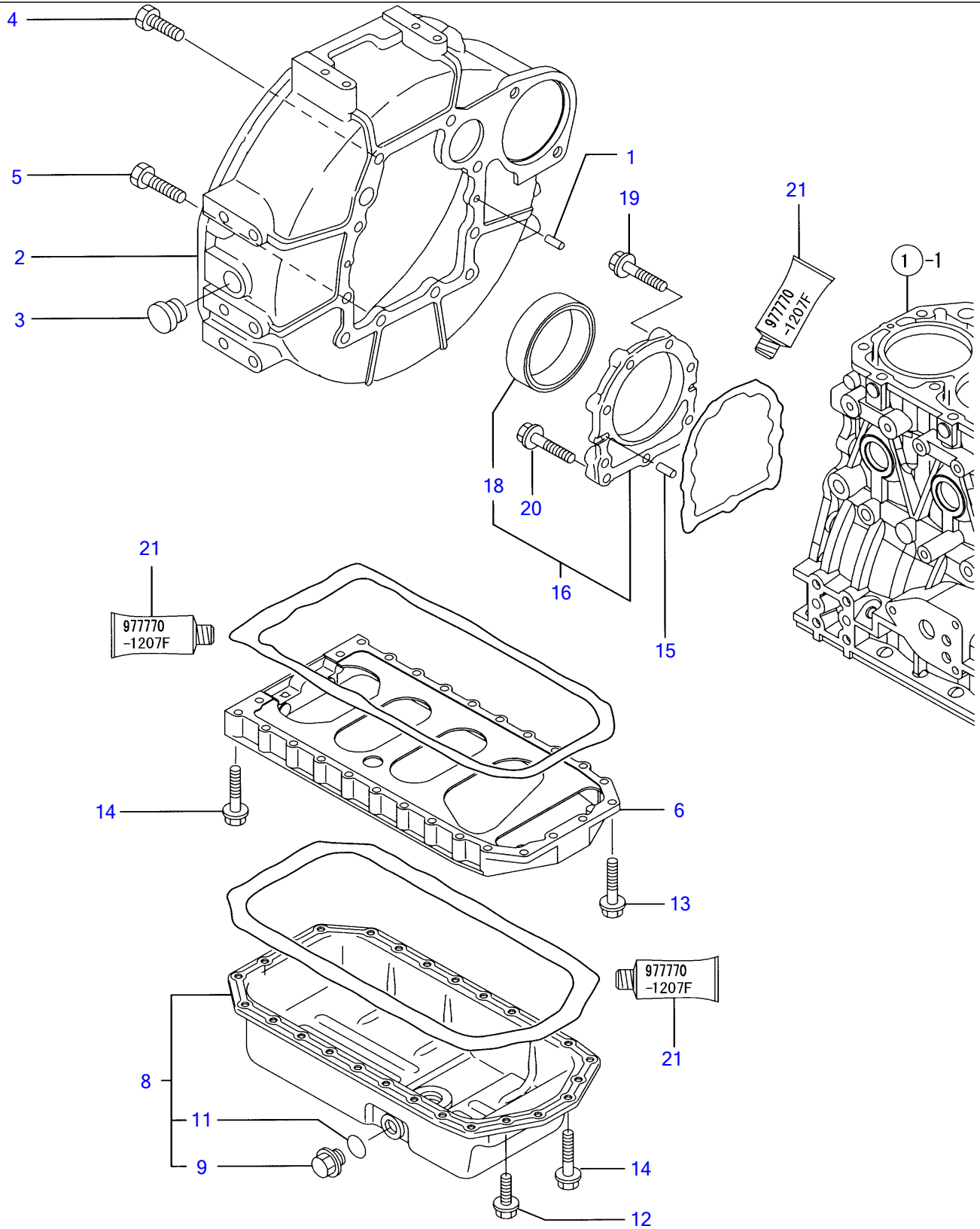


Y00D8100	2. ギヤケース			
4TNV88-QTB, QTB1		1:2004 01		PI IIS

·PÔ¹-½ GEAR HOUSING

REF NO.	PARTS NO.	Description	Q'ty	I	R	Notes
1	Y729240-01500	·PÔ¹-½CMP	1			
4	Y23876-030000	· È¼bìðx, bPT 3/8	1			
5	Y23876-040000	· È¼bìðx, bPT 1/2	1			
6	Y119934-01800	· µ²Ù¼-Ù	1			
7	Y119802-32100	¶ÈÈP-CMP(LOP	1			
8	Y119802-32070	· ¶ÈÈP-(LOP	1			
9	Y129900-32130	· ØØ-ìÈÈÙìP	1			
10	Y129418-32320	· ½ìðØÝ, b	1			
11	Y129001-32330	· Ìðx, b	1			
12	Y119802-01520	ìxÝ¼b (·PÔ¹-½	1			
13	Y119802-01560	½ÄÄbìPÜÄ 8X25	3			
14	Y124160-01751	ìÄ(ÏÖ³)	1			
15	Y124240-01871	ìÄ(HO-P	1			
16	Y129795-01950	ÈÈ²ìÈÈÄ,	2			
17	Y119609-32040	OØÝ, b P16	4			
18	Y119802-32111	²ÝÄ-Ù-Ä(LOP	1			
19	Y119802-32120	±³Ä-Ù-Ä(LOP	1			
20	Y119802-32130	»xºÈ¼b(+±Ä 6X16	7			
21	Y121850-51960	OØÝ, b(FOPÄØÄ¹)	1			
22	Y129001-91841	ÄÈÈìPÜÄM8X85(¼PÄb³, ð	3			
23	Y24311-000320	OØÝ, b 1A P 32.0	1			
24	Y26106-080162	ÄÈÈìPÜÄ 8X 16	4			
25	Y26106-080162	ÄÈÈìPÜÄ 8X 16	3			
26	Y26106-080552	ÄÈÈìPÜÄ 8X 55	12			
27	Y121023-01550	ìÄ(ÄºÒ-Ä	1			
28	Y24341-000240	OØÝ, b 1A S 24.0	1			
29	Y26106-060162	ÄÈÈìPÜÄ 6X 16	2			
30	Y977770-1207F	¼Øº-Ý¹² ·¼PÖ³¶P½¹ÄÄ	1			(1) µìð¼ØÝ ìPÈÝÄP½
31	Y26306-080002	ÄÈÈPÄ-ÄÄÄ(UBS 8	3			

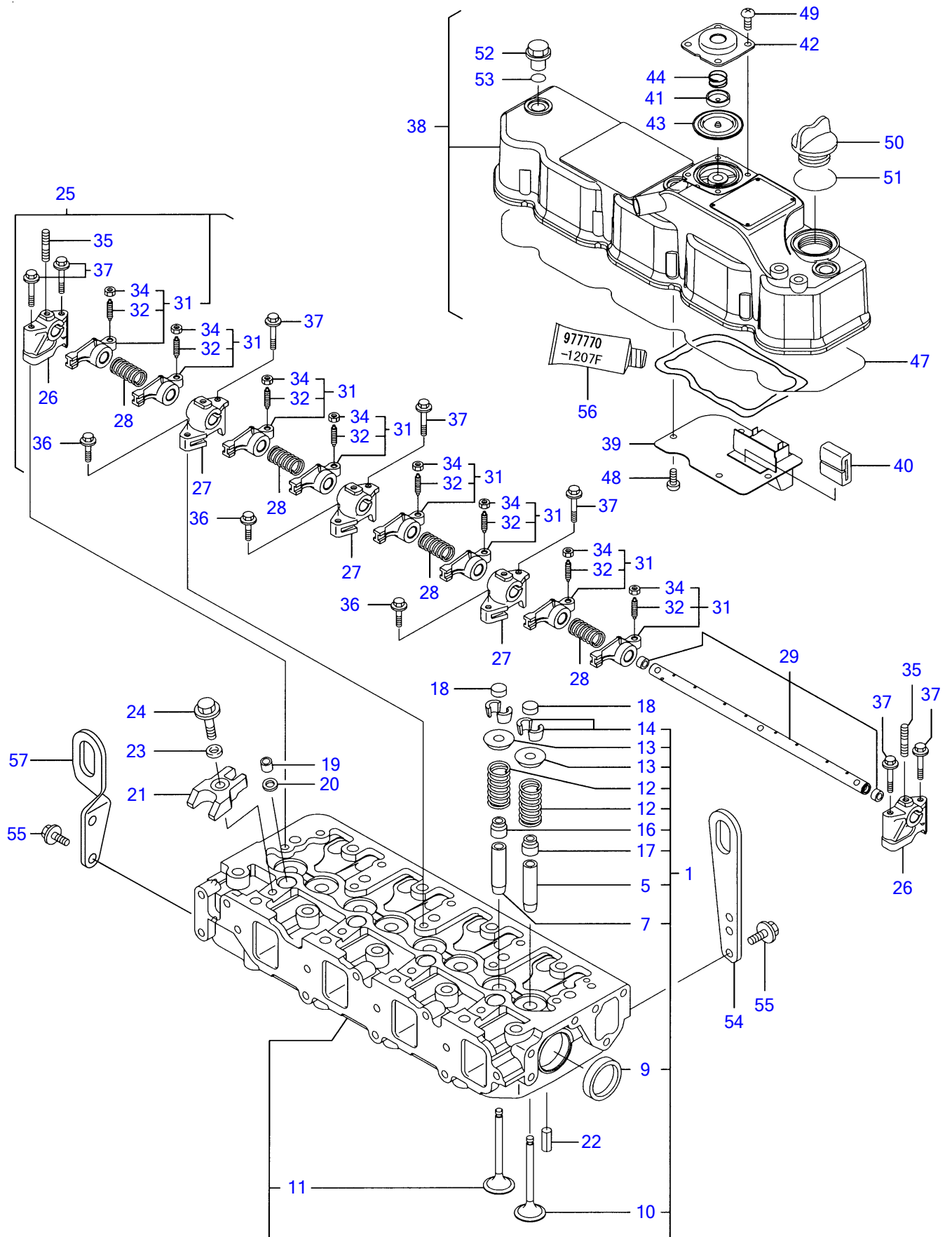
Engine for TB145 4TNV88-QTB(cab), QTB1(canopy) S/N 14513261-  
**FLYWHEEL HOUSING & OIL SUMP**



FLYWHEEL HOUSING & OIL SUMP

REF NO.	PARTS NO.	Description	Q'ty	I	R	Notes
1	Y129100-01580	PARALLEL PIN 8X16	2			
2	Y129612-01600	HOUSING, FLYWHEEL	1			
3	Y119620-01750	CAP, FLYWHEEL COVER	1			
4	Y26206-100252	BOLT M10X25	6			
5	Y26206-100302	BOLT M10X30	4			
6	Y129400-01730	SPACER, OIL SUMP	1			
8	Y129400-01770	SUMP ASSY, LUB. OIL	1			
9	Y171301-01640	PLUG M22	1			
11	Y24341-000250	O-RING 1A S-25.0	1			
12	Y26106-080162	BOLT M 8X 16 PLATED	4			
13	Y26106-080252	BOLT M 8X 25 PLATED	2			
14	Y26106-080452	BOLT M 8X 45 PLATED	24			
15	Y129100-01580	PARALLEL PIN 8X16	2			
16	Y129100-01640	CASE ASSY, OIL SEAL	1			
18	Y129795-01780	SEAL, OIL	1			
19	Y129486-01670	BOLT M8X30, COLLAR HD	6			
20	Y26106-080352	BOLT M 8X 35 PLATED	3			
21	Y977770-1207F	GASKET, LIQUID	1			(1) μìß¼@Ý ìbÈÝÃb½

Engine for TB145 4TNV88-QTB(cab), QTB1(canopy) S/N 14513261-  
CYLINDER HEAD & BONNET

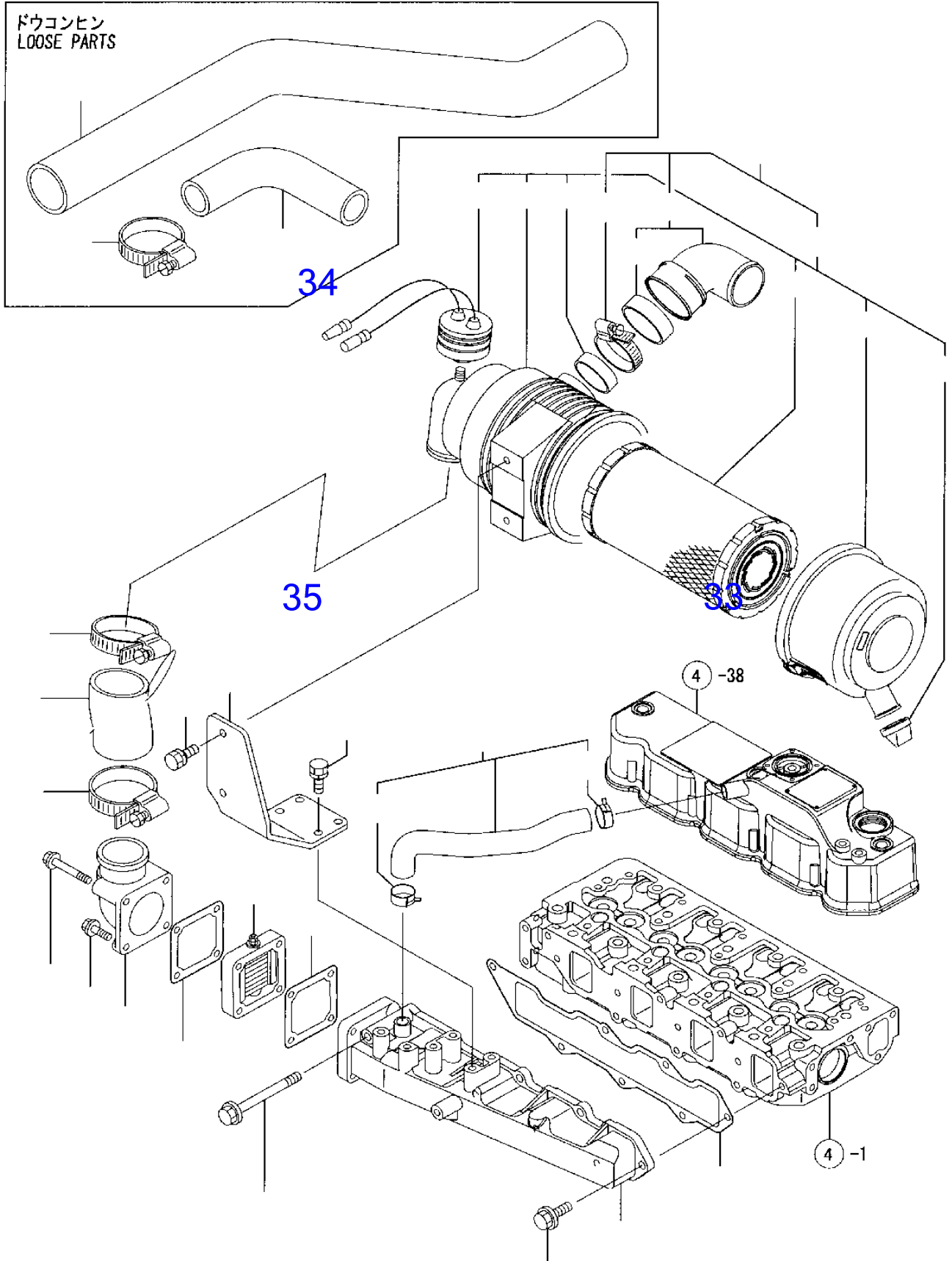


Y00D8100	4. シリンダヘッド & ボンネット		
4TNV88-QTB, QTB1	1:2004 01		PI IIS



REF NO.	PARTS NO.	Description	Q'ty	I	R	"δ
1	Y129601-11700	¼ØÝÁÞÍÄÅÞ CMP	HED ASSY, CYLINDER	1		
5	Y120130-11860	• ÊÞÙÏÞ²ÄÞ(SUC	• GUIDE, VALVE	4	(1)	ÏÖ³ÞËÝÄÞ½
7	Y129150-11810	• Ê²·ÍÞÝ¶²ÄÞ	• GUIDE, VALVE	4	(1)	ÏÖ³ÞËÝÄÞ½
9	Y27241-400000	• ÛÝ¶²ÄÞ×, Þ 40	• PLUG 40	2		
10	Y129004-11100	• ÊÞÙÏÞ(INT	• VALVE, INTAKE	4		
11	Y129100-11110	• ÊÞÙÏÞ(EXH	• VALVE, EXHAUST	4		
12	Y129795-11120	• ÍÞÝÊÞË	• SPRING, VALVE	8		
13	Y129795-11180	• µ»´(ÍÞÝÊÞË)	• RETAINER, SPRING	8		
14	Y27310-080001	• ²ÄÄ-(½ÄÑ)8 2¹=1SET	• COTTER 8	8		
16	Y121400-11340	• ÊÞÙÏÞ½ÄÑ¼-Û	• SEAL, VALVE STEM	4		
17	Y124460-11340	• ÊÞÙÏÞ½ÄÑ¼-Û	• SEAL, VALVE STEM	4		
18	Y129150-11370	• ÕÄÏÞ(ÍÞÝ	CAP, VALVE	8		
19	Y119802-11870	ÏÖÛÄ, Ä(É½ÞÙ	PROTECTOR, NOZZLE	4		
20	Y119625-11880	É½ÞÙ¼-Ä	SEAT, NOZZLE	4		
21	Y129004-11900	É½ÞÙµ»´	RETAINER, NOZZLE	4		
22	Y22351-060012	½ÏÖÝ, ÞËËÝ 6.0AX 12	SPRING PIN 6X12	2		
23	Y120270-54410	»Þ¶ÞË(²Ý¼Þ´, Ä	WASHER	4		
24	Y26106-080352	ÄÊÞÏÞÛÄ 8X 35	BOLT M 8X 35 PLATED	4		
25	Y129601-11241	ÍÞÝÛÝ¼Þ, CMP	SHAFT ASSY, ROCKER	1		
26	Y119802-11260	• ÍÞÝÛÝ»Íß-Ä (A	• SUPPORT, ROCKER	2		
27	Y119802-11270	• ÍÞÝÛÝ»Íß-Ä (B	• SUPPORT, ROCKER	3		
28	Y129150-11280	• ÍÞÝÛÝ¼Þ, ÊÞË	• SPRING	4		
29	Y129601-11251	• ÍÞÝÛÝ¼Þ,	• SHAFT	1		
31	Y129004-11650	• ÍÞÝÛÝKIT	• ARM ASSY, ROCKER	8		
32	Y129150-11230	• • ±¼ÞÏ½Ä (ÍÞÝ½·Ï	• • SCREW, VALVE	8		
34	Y129150-11750	• • ÄÄÄ M8XP1.0	• • NUT M8XP1.0	8		
35	Y26226-080182	• ³ºÞÏÞÛÄ(2D 8X 18	• STUD M 8X 18 PLATED	3		
36	Y26106-080252	ÄÊÞÏÞÛÄ 8X 25	BOLT M 8X 25 PLATED	3		
37	Y26106-080502	ÄÊÞÏÞÛÄ 8X 50	BOLT M 8X 50 PLATED	7		
38	Y129601-11350	ÍÞÝËÄÄ CMP	BONNET ASSY	1		
39	Y129004-03010	• ÊÞÄÏÏÏÛ-Ä	• PLATE, BAFFLE	1		
40	Y129150-03070	• ÊÞÄÏÏ(ÍÞØ-»Þ	• BAFFLE, BREATHER	1		
41	Y119802-03110	• ¼ÝÄÏÛ-Ä	• PLATE, DIAPHRAGM	1		
42	Y119802-03120	• Ì, ÄÞ²ÏÏ×Ñ	• COVER, DIAPHRAGM	1		
43	Y119802-03130	• ÄÞ²ÏÏ×Ñ	• DIAPHRAGM	1		
44	Y119802-03140	• ÊÞË, ÄÞ²ÏÏ×Ñ	• SPRING, DIAPHRAGM	1		
47	Y129601-11310	• ÊßÄ·Ý(ÍÞÝÛÝ¼Ä	• GASKET, COVER	1		
48	Y22857-500100	• ÄÄËËÝË¼Þ 5.0X10	• SCREW 5X10, TAPPING	4		
49	Y22857-500100	• ÄÄËËÝË¼Þ 5.0X10	• SCREW 5X10, TAPPING	4		
50	Y124160-01751	ÌÄ(ÏÖº)	COVER, FILLER	1		
51	Y24311-000320	ØØÝ, Þ 1A P 32.0	O-RING 1A P-32.0	1		
52	Y124160-11360	ÄÄÄ	KNOB	3		
53	Y24311-000120	ØØÝ, Þ 1A P 12.0	O-RING 1A P 12.0	3		
54	Y129900-07900	ÄØ±¹Þ¶Ä, Þ	LIFTER, ENGINE	1		
55	Y26106-080142	ÄÊÞÏÞÛÄ M 8X 14	BOLT M 8X 14 PLATED	4		
56	Y977770-1207F	¼Øº-Ý¹² ·¼ÞÏ³¶Þ½¹ÄÄ	GASKET, LIQUID	1	(2)	µÏ¼ØÝ ÍÞËÝÄÞ½
57	Y129910-07900	ÄØ±¹Þ¶Ä, Þ	LIFTER, ENGINE	1		

Engine for TB145 4TNV88-QTB(cab), QTB1(canopy) S/N 14513261-  
**SUCTION MANIFOLD & AIR CLEANER**

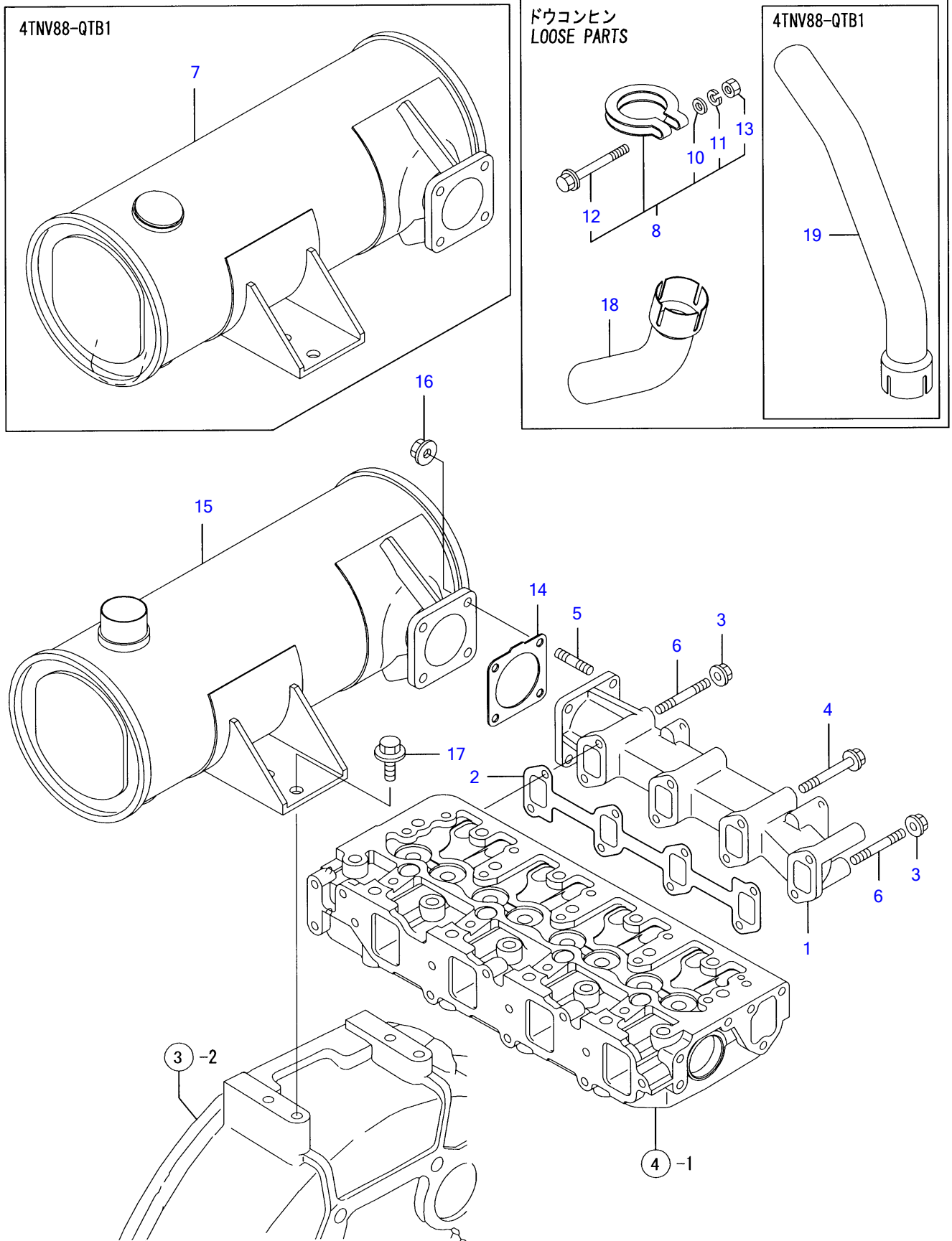


Y00D8100	5. キュウキマニホールド & エアクリーナ		
4TNV88-QTB, QTB1	1:2004 01		PI US

·Ö³·ĪÆĪ-ÛÄÞ & '±,Ø-Ä SUCTION MANIFOLD & AIR CLEANER

REF NO.	PARTS NO.	Description	Q'ty	I	R	"ö
1	Y129601-03080	ĪÞØ-»ÞÊß²Īß	1			
2	Y129410-03990	· Ī-½, ØÄĪß 24	2			
3	Y129601-12100	ĪÆĪ-ÛÄÞ(INT Ö²)	1			
5	Y129407-12110	PK(ĪÆĪÛÄÞ)	1			
6	Y26106-080202	ÂÊÞĪÞÛÄ 8X 20	6			
7	Y26106-080802	ÂÊÞĪÞÛÄ 8X 80	1			
8	Y129100-77500	Ë-Ä- ('±-	1			
9	Y129100-77510	ÊßÄ·Y('±Ë-Ä-	1			
10	Y129150-77511	PK('±Ë-Ä)(ËÝ±½)	1			
11	Y171340-77520	ĪÞÝÄÞ	1			
12	Y26106-080402	ÂÊÞĪÞÛÄ 8X 40	2			
13	Y26106-080802	ÂÊÞĪÞÛÄ 8X 80	2			
14	Y119910-12210	·Ö³·Ī-½	1			
15	Y119802-12560	ĪÞ×¹ÄÄ, '±,Ø-Ä	1			
16	Y129612-12681	'±,Ø-Ä CMP	1			
17	Y129612-12691	· · ±,Ø-ÄCMP	1			
18	Y119910-12510	· · ĪÞÄÞ²	1			
19	Y119808-12520	· · ÚÖÝÄ(±³Ä)	1			
20	Y119808-12540	· · ±ÝÛ-ÄÞÊÞÛĪÞ	1			
21	Y119866-12541	· · ¶ĪÊÞ-ASSY	1			
22	Y129259-12570	· · ØÝ, Þ	1			
23	Y129953-12620	· · ²Ý¼Þ¹-Ä CMP(³)	1			
26	Y23000-060000	· Ī-½, ØÄĪß 60	1			
27	Y129612-12560	· ÚĪÞ(²ÝÄ-	1			
29	Y129612-12590	· · ¶ĪÞ½¹ÄÄ(²ÝÄ-	1			
30	Y26013-080222	ĪÞÛÄ(ÊÞË 8X 22	4			
31	Y26013-080222	ĪÞÛÄ(ÊÞË 8X 22	2			
32	Y23000-060000	Ī-½, ØÄĪß 60	2			
33	Y129642-12210	·Ö³·Ī-½	1			
34	Y129642-12240	·Ö³·ÝÄÖ³¶Ý	1			
35	Y23000-060000	Ī-½, ØÄĪß 60	2			

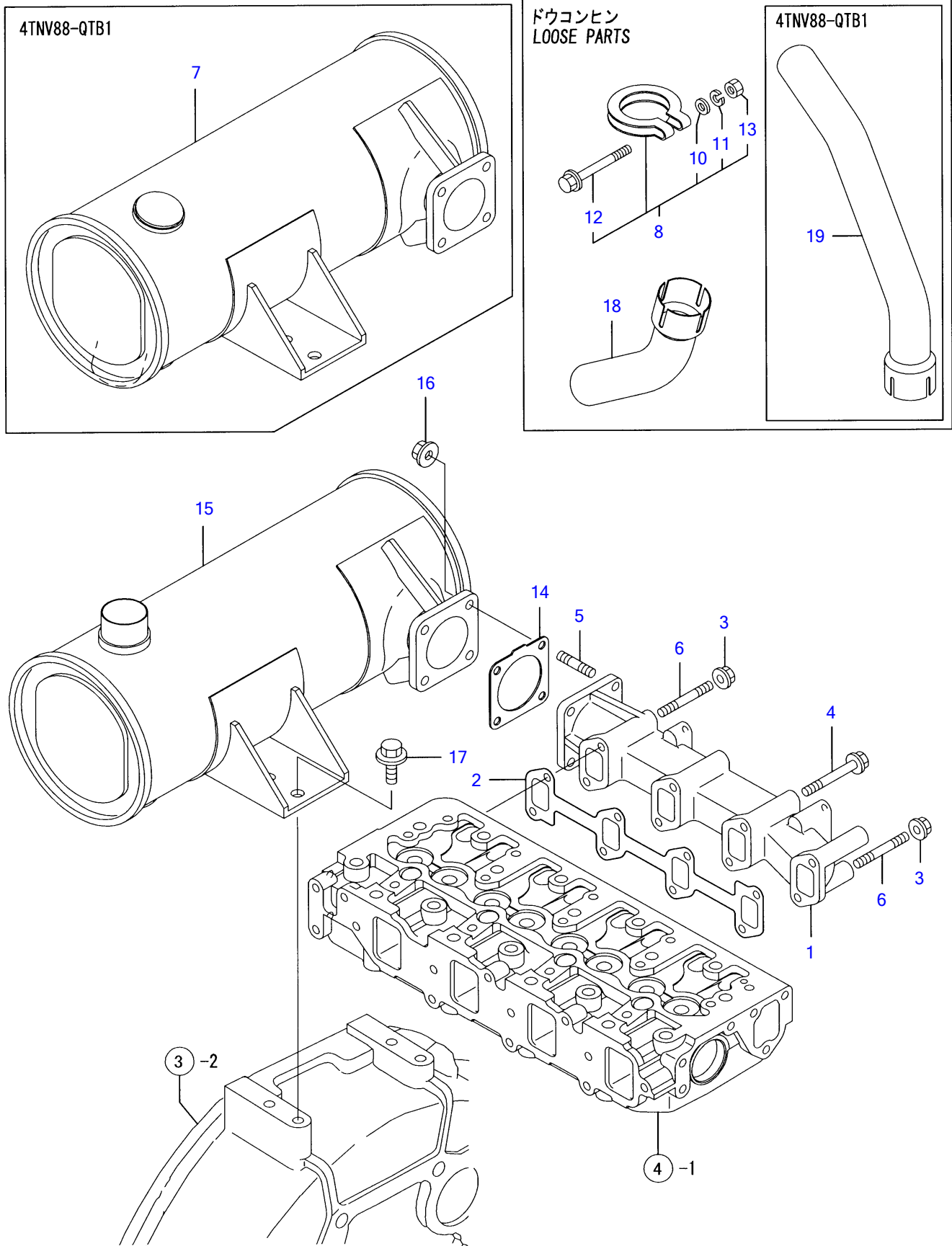
Engine for TB145 4TNV88-QTB(cab), QTB1(canopy) S/N 14513261-  
**EXHAUST MANIFOLD & SILENCER**



Y00D8100	6. ハイキマニホールド & サイレンサ		
4TNV88-QTB, QTB1	1:2004 01		PI IIS

REF NO.	PARTS NO.	Description	Q'ty	CEYŠ-ll«	I	R	”óll
1	Y129640-13109	MANIFOLD, EXHAUST	1				
2	Y129550-13110	GASKET, EXH.MANIFOLD	1				
3	Y26306-080002	NUT	2				
4	Y123900-13630	BOLT 8X80	6				
5	Y119131-18320	BOLT M 8X 22	4				
6	Y123900-13610	STUD BOLT M 8X 80	2				
8	Y129642-13590	CLAMP	1				
10	Y22117-100000	• WASHER 10	1				
11	Y22217-100000	• SPRING WASHER 10	1				
12	Y26106-100652	• BOLT M10X 65 PLATED	1				
13	Y26706-100002	• NUT M10	1				
14	Y129930-13201	GASKET, SILENCER	1				
15	Y129642-13520	SILENCER	1				
16	Y26306-080002	NUT	4				
17	Y26106-100202	BOLT M10X 20 PLATED	2				
18	Y129642-13650	PIPE, SILENCER	1				

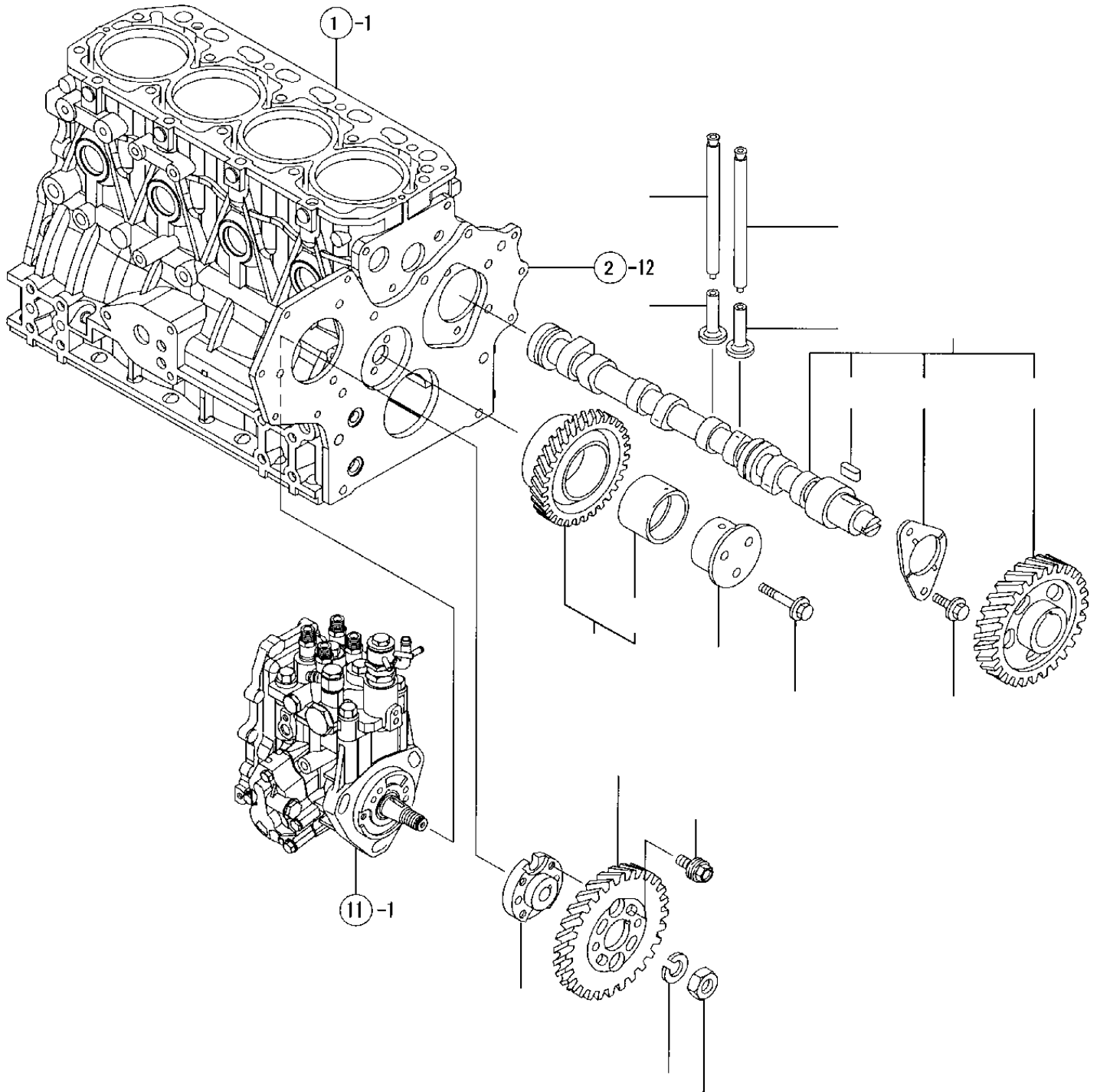
Engine for TB145 4TNV88-QTB(cab), QTB1(canopy) S/N 14513261-  
**EXHAUST MANIFOLD & SILENCER( for QTB1)**



Y00D8100	6. ハイキマニホールド & サイレンサ		
4TNV88-QTB. QTB1	1:2004 01		PI IIS

REF NO.	PARTS NO.	Description	Q'ty	I	R	”ó
1	Y129640-13109	MANIFOLD, EXHAUST	1			
2	Y129550-13110	GASKET, EXH.MANIFOLD	1			
3	Y26306-080002	NUT	2			
4	Y123900-13630	BOLT 8X80	6			
5	Y119131-18320	BOLT M 8X 22	4			
6	Y123900-13610	STUD BOLT M 8X 80	2			
7	Y129642-13530	SILENCER	1			
8	Y129642-13590	CLAMP	1			
10	Y22117-100000	• WASHER 10	1			
11	Y22217-100000	• SPRING WASHER 10	1			
12	Y26106-100652	• BOLT M10X 65 PLATED	1			
13	Y26706-100002	• NUT M10	1			
14	Y129930-13201	GASKET, SILENCER	1			
16	Y26306-080002	NUT	4			
17	Y26106-100202	BOLT M10X 20 PLATED	2			
19	Y129642-13660	PIPE, SILENCER	1			

Engine for TB145 4TNV88-QTB(cab), QTB1(canopy) S/N 14513261-  
**CAMSHAFT & DRIVING GEAR**



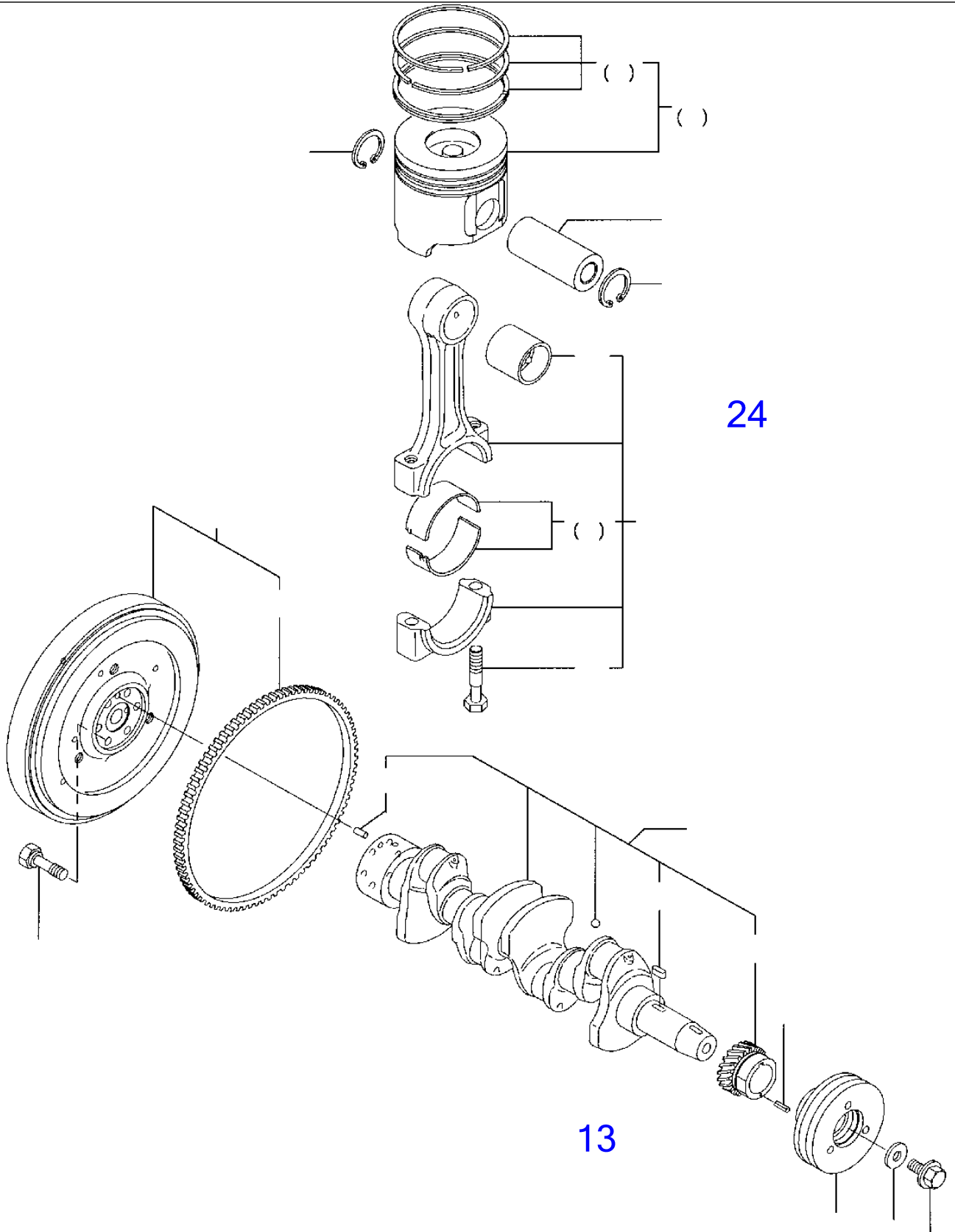
Y0008100	7. カムシャフト & クドウギヤ			
4TNV88-QTB, QTB1	1:2004 01			PI IIS



CAMSHAFT & DRIVING GEAR

REF NO.	PARTS NO.	Description	Q'ty	I	R	"öll
1	Y129150-14200	TAPPET	8			
2	Y129150-14400	ROD, PUSH	8			
3	Y729402-14580	CAMSHAFT ASSY	1			
4	Y129150-02450	• METAL, THRUST (CAM	1			
7	Y129150-14101	• GEAR, CAMSHAFT	1			
8	Y22512-070140	• KEY 7X 14	1			
9	Y119802-25051	SHAFT, IDLE GEAR	1			
10	Y119802-25100	GEAR ASSY, IDLE	1			
13	Y119802-25070	• BUSH, IDLE GEAR	1			(1) ÎÖ³ÏPËÝÄP½
14	Y26106-080402	BOLT M 8X 40 PLATED	3			
15	Y119802-25901	GEAR, PUMP	1			
16	Y129150-25301	BOLT, FI-P	4			
17	Y26106-080142	BOLT M 8X 14 PLATED	2			
18	Y158552-51151	FLANGE	1			
19	Y22217-140000	SPRING WASHER 14	1			
20	Y26776-140002	LOCK NUT M14 PLATED	1			

Engine for TB145 4TNV88-QTB(cab), QTB1(canopy) S/N 14513261-  
**CRANKSHAFT & PISTON**

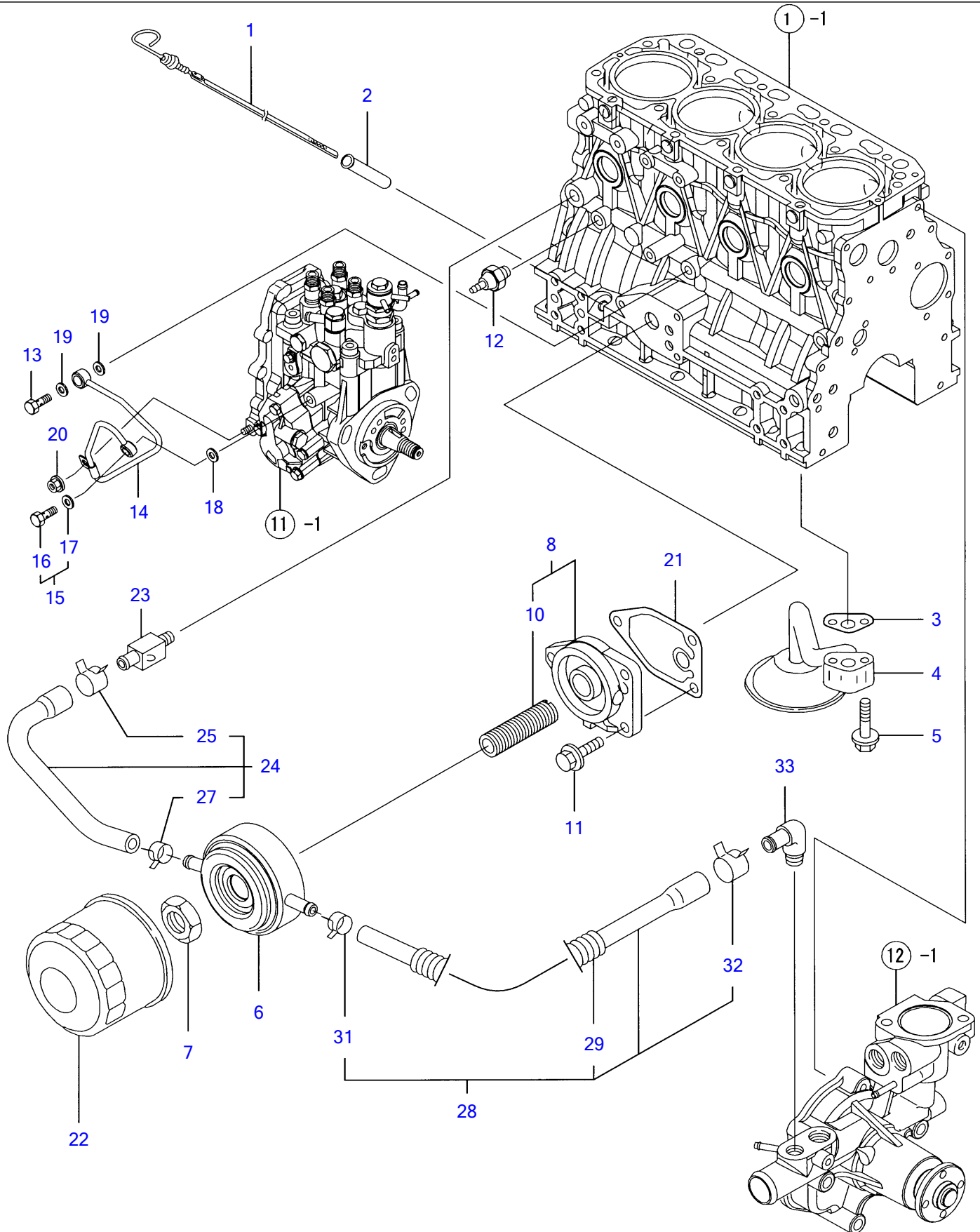


Y0008100	8. クランクシャフト & ピストン	16	
4TNV88-QTB, QTB1		1:2004 01	PI IIS

**CRANKSHAFT & PISTON**

REF NO.	PARTS NO.	Description	Q'ty		
1	Y129601-21001	CRANKSHAFT ASSY	1		
2	Y129100-01580	PARALLEL PIN 8X16	1		
5	Y119802-21201	GEAR, CRANKSHAFT	1		
6	Y22512-070140	KEY 7X 14	1		
8	Y22351-030010	SPRING PIN 3X10	1		
9	Y119802-21650	V-PULLEY, CRANKSHAFT	1		
10	Y129795-21661	WASHER	1		
11	Y121850-21680	BOLT, V-PULLEY	1		
12	Y121111-21501	BOLT, FLYWHEEL	6		
13	Y129642-21590	FLYWHEEL ASSY	1		
16	Y119865-21600	GEAR, RING	1		
17	Y129005-22080	PISTON ASSY	4		
19	Y129005-22500	RING SET, PISTON	4		
23	Y129202-22300	PIN, PISTON(D26,L70)	4		
24	Y22252-000260	CIRCLIP 26	8		
25	Y729402-23100	ROD ASSY, CONNECTING	4		
29	Y129100-23910	BUSH, PISTON PIN	4	(1)	
30	Y121550-23200	BOLT, CONNECTING ROD	8		
31	Y129150-23600	BEARING, CRANKPIN	4		
33	Y129005-22900	PISTON W/RING OS=.25	4	(2)	
35	Y129005-22950	RING SET O.S=0.25	4	(2)	
39	Y129150-23610	METAL.PIN US=0.25	4	(3)	

Engine for TB145 4TNV88-QTB(cab), QTB1(canopy) S/N 14513261-  
LUB.OIL SYSTEM

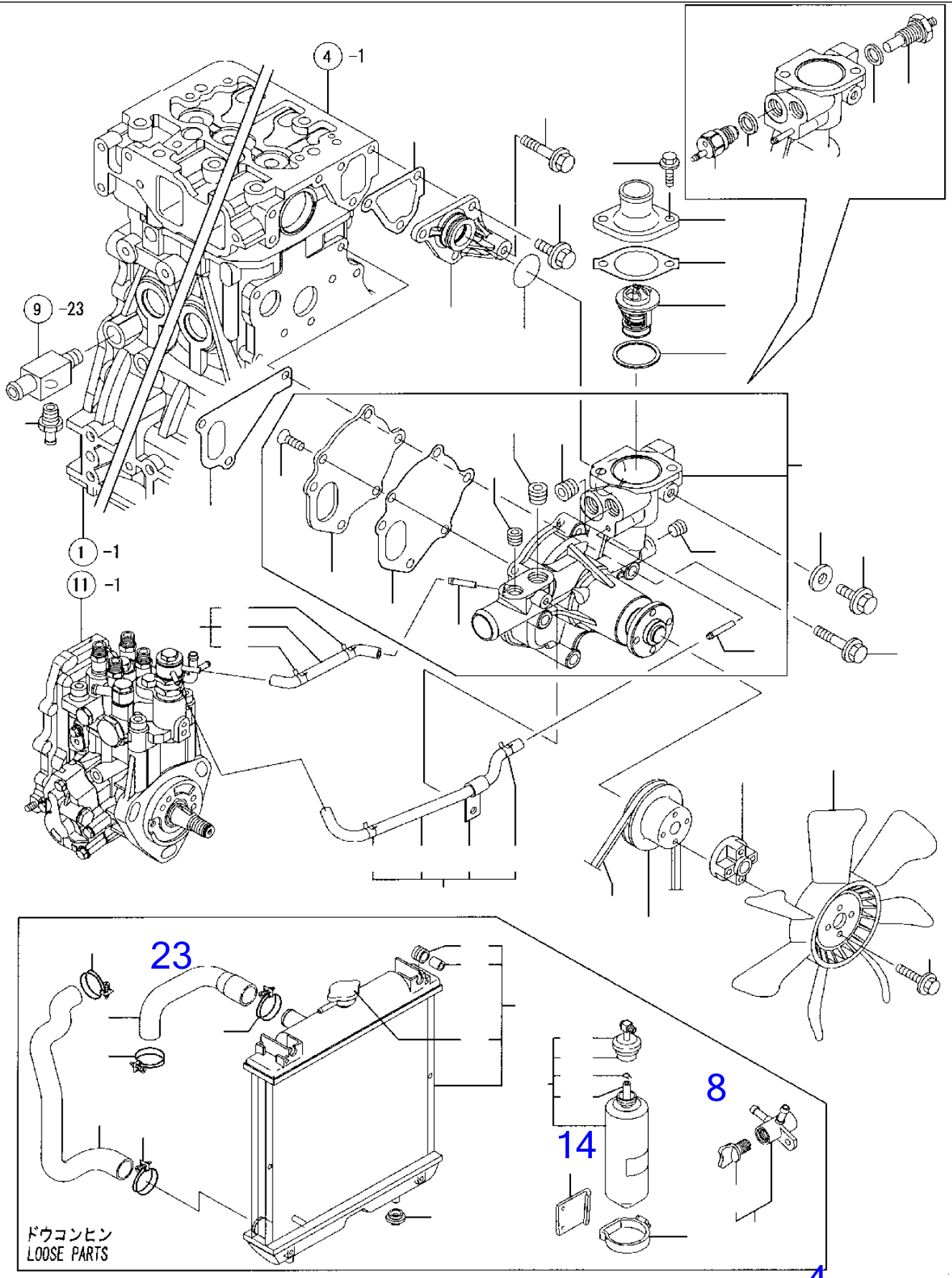


Y00D8100	9. LONシステム		
4TNV88-QTB, QTB1		1:2004 01	PI IIS

LO $\frac{1}{2}$ ÅÑ LUB.OIL SYSTEM

REF NO.	PARTS NO.	Description	Q'ty
1	Y129004-34802	DIPSTICK, LUB.OIL	1
2	Y121520-34810	GUIDE, DIPSTICK	1
3	Y129150-35041	GASKET, (NON-ASB.)	1
4	Y129436-35091	PIPE ASSY, LUB. OIL	1
5	Y26106-080352	BOLT M 8X 35 PLATED	2
6	Y129508-33010	COOLER ASSY, OIL	1
7	Y129417-33110	NUT OIL COOLER	1
8	Y129006-35100	BRACKET ASSY, FILTER	1
10	Y129417-35150	• STUD	1
11	Y26106-080202	BOLT M 8X 20 PLATED	3
12	Y114250-39450	SWITCH,(0.5KG)L.O.	1
13	Y124160-39140	BOLT 10, PIPE JOINT	1
14	Y119802-39450	PIPE ASSY, LUB. OIL	1
15	Y129005-59830	BOLT ASSY, JOINT	1
16	Y23857-030000	• JOINT BOLT 3	1
17	Y22190-080002	• SEAL WASHER 8S	1
18	Y22190-080002	SEAL WASHER 8S	1
19	Y22190-100002	SEAL WASHER 10S	2
20	Y26366-060002	NUT M 6	1
21	Y129150-35111	GASKET, (NON-ASB.)	1
22	Y129150-35152	FILTER 80X80L	1
23	Y129006-44480	JOINT	1
24	Y129508-49030	PIPE,COOLER IN	1
25	Y171008-03990	• CLAMP 18.5	1
27	Y23080-015000	• CLAMP	1
28	Y129508-49040	PIPE,COOLER OUT	1
29	Y119940-59130	• PROTECTOR, PIPE 19	1
31	Y23080-015000	• CLAMP	1
32	Y23080-018000	• CLAMP 18	1
33	Y129103-49301	ELBOW PT 1/4	1

Engine for TB145 4TNV88-QTB(cab), QTB1(canopy) S/N 14513261-  
**COOLING WATER SYSTEM**

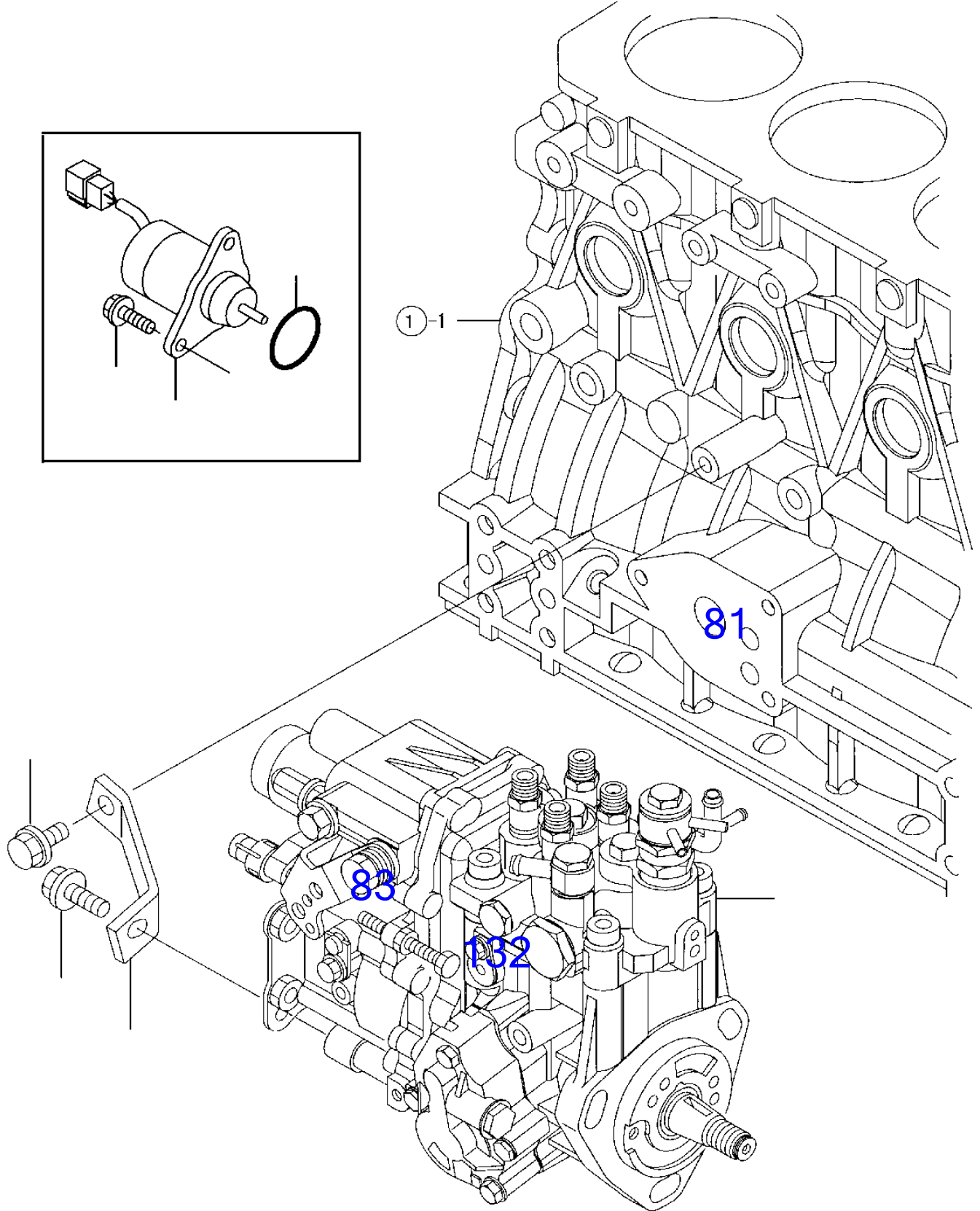


Y0008100	10. CWシステム			
4TNV88-QTB, QTB1	39	1:2004 01		PI US

CW¼½ÄÑ COOLING WATER SYSTEM

REF NO.	PARTS NO.	Description	Q'ty	
1	Y129004-42001	CWÍßÝÍß CMP	1	
3	Y129100-42051	• PK(CW-P)(ÉÝ±½)	1	
4	Y129100-42121	• ÍßÚ-Ä	1	
8	Y121850-42410	• ½,ØÖ³	3	
10	Y119802-49113	• CW-T Ä-ÞÄ	2	
11	Y23876-010000	• É¼ÞÍß×, ÞPT1/8	1	
12	Y23876-020000	• É¼ÞÍß×, Þ 1/4	1	
13	Y129916-49740	• É¼ÞÍß×, Þ R03	2	
14	Y129486-42021	PK(CW-P)	1	
15	Y129004-42040	¼ÞÖ²ÝÄ(CW-P)	1	
16	Y129486-42140	OØÝ, Þ G 30	1	
17	Y124395-49840	PK(»-Ó½ÄÄÄ¹-½	1	
18	Y26106-080162	ÄÉÞÍÞÜÄ 8X 16	3	
19	Y26106-080602	ÄÉÞÍÞÜÄ 8X 60	3	
20	Y129556-42350	VÍß-Ø(96)	1	
20-1	Y129403-42380	VÍß-Ø(110)	1	S
(Machine Serial No. 14515346-)				
20-2	Y129556-42350	VÍß-Ø(96)	1	S
(Machine Serial No. 14517074-)				
21	Y25152-003700	VÍÞÜÄ(Ü°Ä¼ÞA37	1	
22	Y129655-44740	,-ØÝ, ÞÍ±Ý(D380	1	
23	Y121550-49111	¼ÞÖ²ÝÄ PT1/4	1	
24	Y26106-080122	ÄÉÞÍÞÜÄ 8X 12	1	
25	Y129457-49801	»-Ó½ÄÄÄ(82	1	
26	Y129150-49811	PK(»-Ó½ÄÄÄ ¼Ä)(ÉÝ±½)	1	
27	Y129350-49530	»-Ó½ÄÄÄ¶ÉÞ-(ÍÞ×Ä, :12	1	
28	Y129795-49551	PK(»-Ó½ÄÄÄ¶ÉÞ-)(ÉÝ±½	1	
29	Y26106-080222	ÄÉÞÍÞÜÄ 8X 22	2	
30	Y23414-080000	ÉßÄ·Ý(ÍÜ 8	1	
31	Y121250-44901	»-Ó½²ÄÄ(110ßC 1¾Ý¼·	1	
32	Y124465-44950	ÉßÄ·Ý16	1	
33	Y129004-49610	CW-T A CMP(MP2	1	
34	Y129004-49711	• CW-T A(MP2	1	
35	Y119802-49730	• ÍÜÄÞÖ(CW-T	1	
36	Y124722-59050	• Í-½,ØÄÍß(ÍÜ 9	2	
37	Y129004-49620	CW-T B CMP(MP2	1	
38	Y129004-49721	• CW-T B(MP2	1	
39	Y124722-59050	• Í-½,ØÄÍß(ÍÜ 9	2	
40	Y121267-44760	½Íß-» (ÍÞ×Ä, :12)	1	
41	Y26106-060302	ÄÉÞÍÞÜÄ 6X 30	4	
42	Y26106-080452	ÄÉÞÍÞÜÄ 8X 45	1	
43	Y119266-49350	»-Ó¾Ý»-	1	
44	Y129150-49360	PK 10	1	
45	Y171064-44510	»ÍÞÄÝ, CMP	1	
47	Y121450-44531	• ÖÄÍß	1	
48	Y124450-44560	• µ»'(µ-ÉÞ-ÍÜ-Éß³Íß	1	
49	Y121470-44581	• ÉßÄ·Ý	1	
50	Y23065-070225	• 23061-070300(Ä³Ö²í	1	
51	Y124450-44550	ÉÞÝÄÞ(»ÍÞÄÝ,	1	
52	Y121256-44600	ÍÞ×¹ÄÄ (ÍÞ×Ä, :12)	1	
53	Y129612-49030	CW-T (A	1	
54	Y129612-49040	CW-T (B	1	
55	Y23010-038000	Í-½ÉÞÝÄÞ 38	2	
56	Y23010-044000	Í-½ÉÞÝÄÞ 44	2	
57	Y119255-44660	ÍÞ³¼ÝºÞÑ(×¼Þ·Ä	2	
58	Y129150-49100	»ÝÍß³ºÄ, CMP	1	
59	Y129150-49080	• ÄÞÜÝºÄ,	1	
63	Y129642-44500	×¼Þ·-Ä ASSY	1	
64	Y129107-44590	• ÖÄÍß(0.9KG/CM2) D46	1	
65	Y129467-44580	• Í³ÝÄ×ÉÞ-	2	
66	Y129467-44590	• ¶×-	2	

Engine for TB145 4TNV88-QTB(cab), QTB1(canopy) S/N 14513261-  
**FUEL INJECTION PUMP**



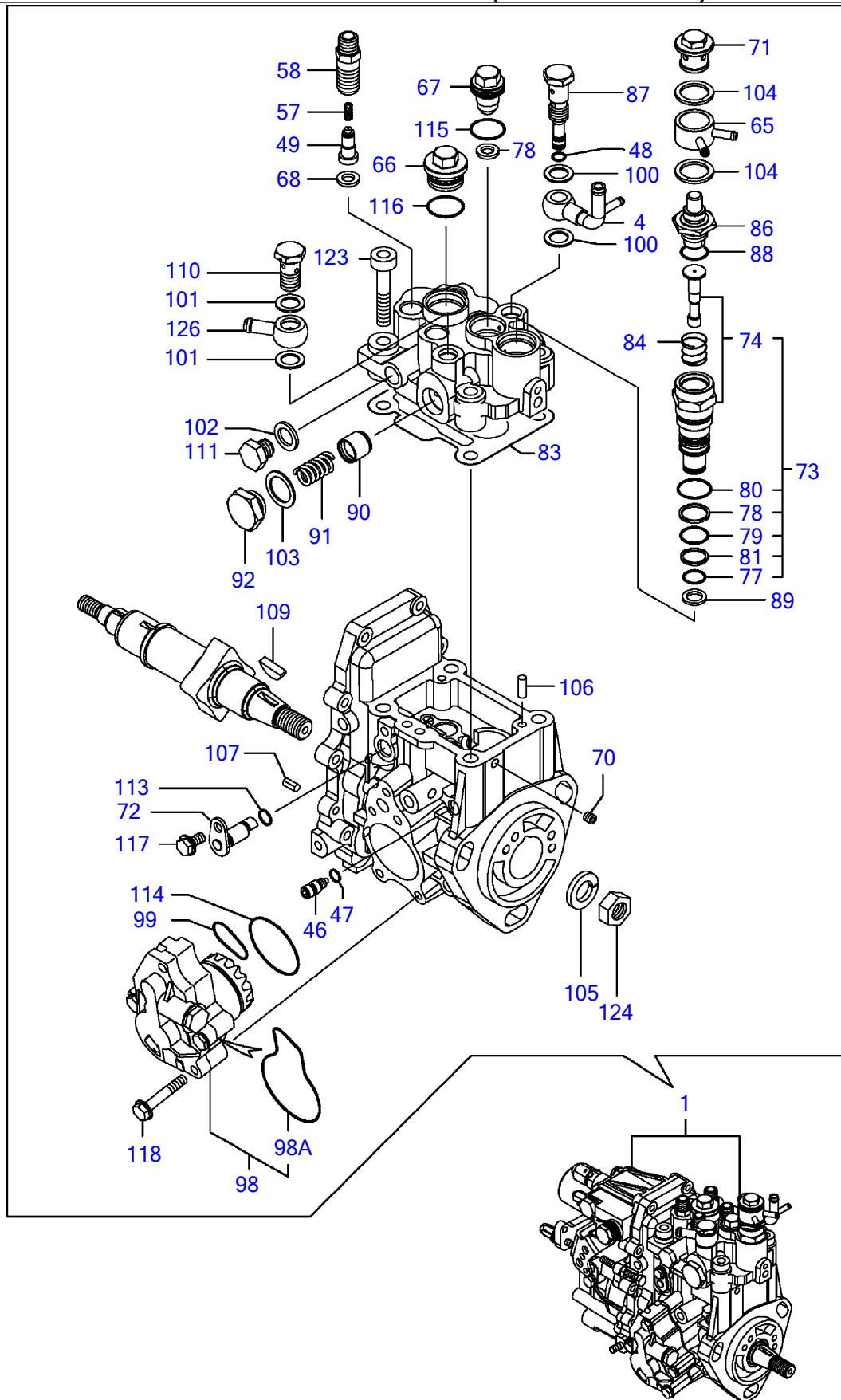
Y00D8100	11. F0ファンシャポンプ		
4TNV88-QTB, QTB1	1:2004 01		PI IIS



**FUEL INJECTION PUMP**

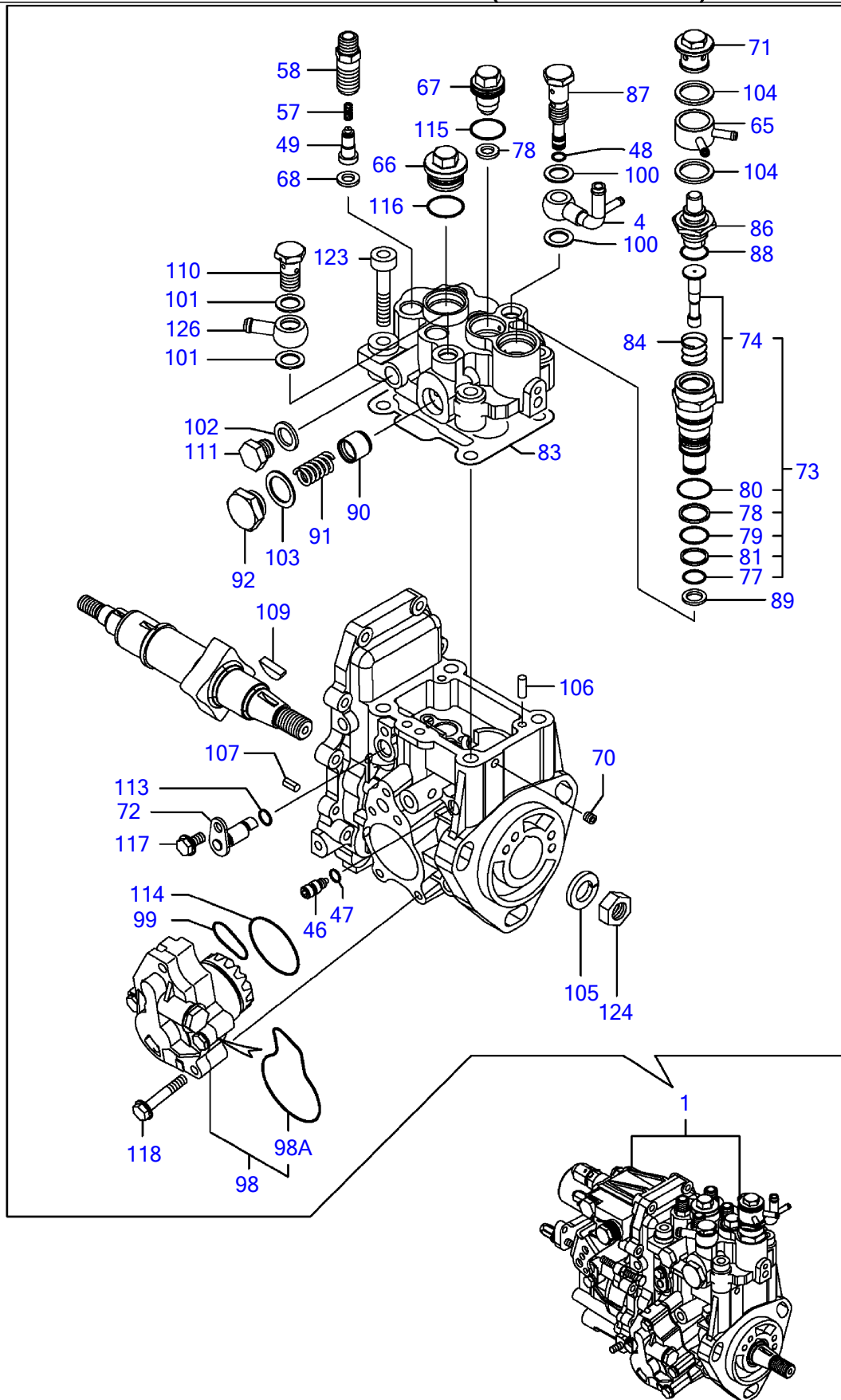
REF NO.	PARTS NO.	Description	Q'ty
1	Y729642-51410	PUMP ASSY, F.INJECT	1
2	Y26106-080162	BOLT M 8X 16 PLATED	1
3	Y26106-080202	BOLT M 8X 20 PLATED	1
4	Y129601-51250	SUPPORT,FIP	1
81	Y24341-000280	O-RING 1A S28.01	1
83	Y26106-060142	BOLT	2
132	Y119233-77932	SOLENOID, STOP	1

Engine for TB145 4TNV88-QTB(cab), QTB1(canopy) S/N 14513261-  
**FUEL INJECTION PUMP (INNER PARTS)**



REF NO.	PARTS NO.	Description	Q'ty	R	Notes
1	Y729642-51410	FUEL INJECTION PUMP (INNER PARTS) PUMP ASSY, F.INJECT	1	(1)	(1) DAP NO. 1 FOIY¼-İBÝİB ASSY ÆÊºÓ, NO. 11-2 ¶PÈPÁ   İ,Đİ½ı
4	Y158552-51670	• ¼PÖ²YÄ(µ-ÊP-İÜ-	1		
46	Y158600-51270	• İÜØÄBÖ(ÄİBÄÄ	1		
47	Y158563-51281	• OØY, P4D S6	1		
48	Y158563-51281	• OØY, P4D S6	1		
49	Y158560-51300	• ÄBØİBØÊPÜİB CMP	4		
57	Y158563-51330	• SP(ÄBØİBØÊPÜİB	4		
58	Y158601-51340	• İÜÄP(ÄBØİBØ	4		
65	Y158553-51551	• ¼PÖ²YÄ(Ü².Ö, ½²	1		
66	Y158601-51550	• İBx, P(İBÝÊB²¼P,	1		
67	Y119802-51560	• ÊPÜÜİBx	1		
68	Y158552-51570	• PK(ÊPÜÜİBx, P	4		
69	Y158552-51570	• PK(ÊPÜÜİBx, P	1		
70	Y158557-51570	• İBx, P(xÄ,	1		
71	Y158601-51570	• İBx, P(Ü².Ö, ½²	1		
72	Y158552-51580	• ØY, ØİÄ-	1		
73	Y119802-51590	• Ä²İ-¾ÄÄ	1		
74	Y119802-51600	• Ä²İ-CMP(»-Ó'ÚÓYÄ	1		
77	Y158553-51670	• OØY, P1011	1		
78	Y119802-51680	• ÊPÄ, ±ÄİBØY, P	1		
79	Y119802-51690	• OØY, P	1		
80	Y24356-010200	• OØY, P4D 1020	1		
81	Y24372-000150	• ÊPÄ, ±ÄİBØY, P	1		
83	Y158552-51600	• PK(HİÄÄB	1		
84	Y158553-51630	• SP(Ä²İ-	1		
86	Y158553-51640	• »-Ó'ÚÓYÄ	1		
87	Y158601-51650	• µ-ÊPİÜ-Ä. PÄ	1		
88	Y158553-51660	• OØY, P14	1		
89	Y158553-51680	• PK(Ä²İ-	1		
90	Y158601-51770	• ±.ÖÑÜ-ÄÊB½ÄY	1		
91	Y158552-51780	• ±.ÖÑÜ-ÄSP	1		
92	Y158601-51790	• ±.ÖÑÜ-ÄİBx, P	1		
98	Y158552-52100	• İ²-ÄPİBÝİB CMP	1		
98A	Y158552-52500	• OØY, P(İ².ÄB P²YÄ°	1		
99	Y158552-52310	• OØY, P(İ²-ÄPİBÝİB	1		
100	Y22190-120002	• ¼-ÜÜÄ¼Ö(İÜ12	2		
101	Y22190-120002	• ¼-ÜÜÄ¼Ö(İÜ12	2		
102	Y22190-120002	• ¼-ÜÜÄ¼Ö(İÜ12	1		
103	Y22190-180002	• ¼-ÜÜÄ¼Ö(İÜ18	1		
104	Y22190-180002	• ¼-ÜÜÄ¼Ö(İÜ18	2		
105	Y22217-140000	• ÊPÈ»P¶PÈ14	1		
106	Y22312-050140	• İ²ºÈBÝ5X14	2		
107	Y22351-050010	• ½İBØY, PÈBÝ5.0AX10	2		
110	Y23857-060000	• ¶YÄ. BÄİPÜÄ6	1		
111	Y23887-120002	• 6¶, İBx, P M12	1		
113	Y24311-000070	• OØY, P1A P7.0	1		

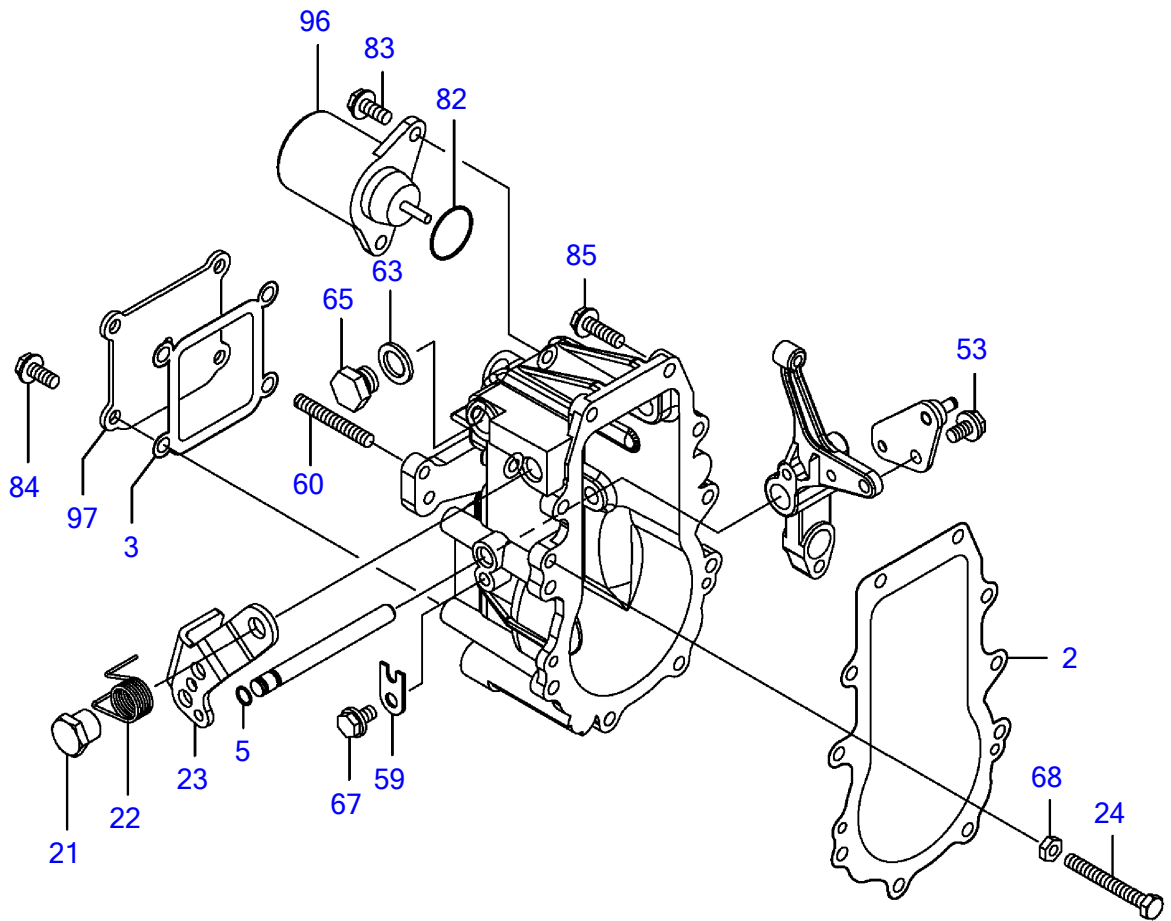
Engine for TB145 4TNV88-QTB(cab), QTB1(canopy) S/N 14513261-  
**FUEL INJECTION PUMP (INNER PARTS)**



Y00D8100	11-1. FOファンシャポンプ (インナパーツ)		
4TNV88-QTB, QTB1	1:2004 01		PI IIS

REF NO.	PARTS NO.	Description	Q'ty	I	R	"ö"
114	Y158552-52400	O-RING 4E S42	1			
115	Y24356-010180	O-RING	1			
116	Y24356-010200	PACKING, 1020	1			
117	Y26106-060102	BOLT M 6X 10 PLATED	1			
118	Y158553-51770	BOLT	4			
123	Y26450-080452	BOLT M 8X 45	4			
124	Y26776-140002	LOCK NUT M14 PLATED	1			
126	Y129916-59020	JOINT 12, PIPE	1			

Engine for TB145 4TNV88-QTB(cab), QTB1(canopy) S/N 14513261-  
GOVERNOR (INNER PARTS)

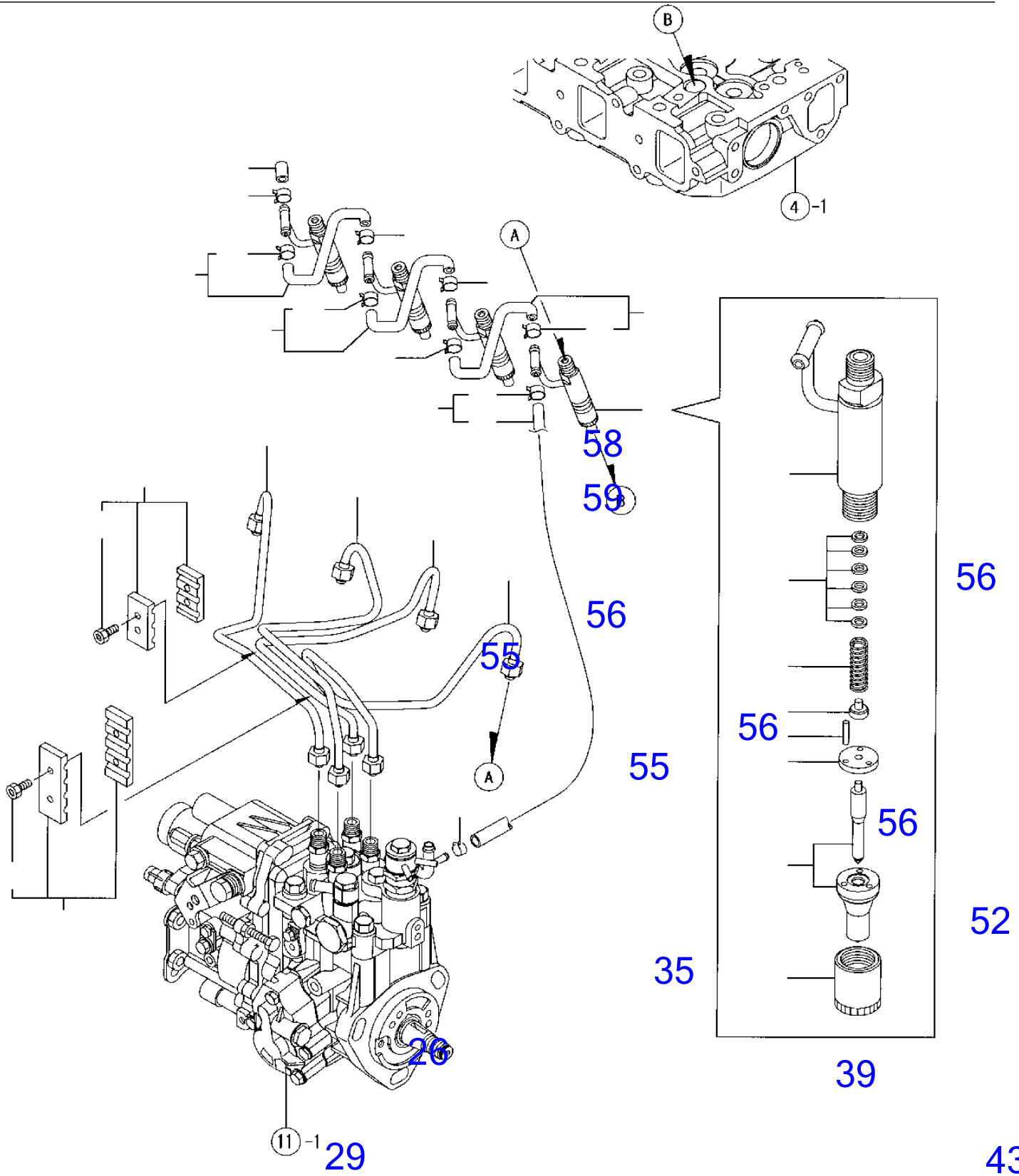


Y00D8100	11-2. ガバナ (インナパーツ)		
4TNV88-QTB, QTB1		1:2004 01	PI IIS

REF NO.	PARTS NO.	Description	Q'ty	Notes
2	Y158553-61050	• PK(ΓΠΕΠΑ <sup>1</sup> -½	• PACKING, CASE	1
3	Y158553-61070	• PK(ΓΠΕΠΑ <sup>1</sup> -½)À	• PACKING	1
5	Y129155-51280	• • ØÝ Þ(S6	• • O-RING S6	1
21	Y129255-61410	• • ÆÏÀÀ(°ÝÀÛ-ÛÛËÞ-	• • NUT	1
22	Y119807-61420	• • ÆÞ¼SP(°ÝÀÛ-ÛÛËÞ-	• • SPRING	1
23	Y158552-61441	• • ÛÞÏÛ-ÀÛËÞ-	• • LEVER, REGULATOR	1
24	Y129155-61460	• • ±²ÄÞÛ¼²¹ÞÝÞÛÀ	• • BOLT, IDLE LIMIT	1
53	Y26106-060102	• • ÆËÞÞÛÄM6X10	• • BOLT M 6X 10 PLATED	1
60	Y171002-66830	• • ½,ØÏ(±¼ÞÏ½Ä	• • SCREW, ADJUST	1
63	Y22190-120000	• • ¼-ÛÛÄ¼Ï(ÞÛÄÏ³)12	• • SEAL WASHER 12(BOLT)	1
65	Y23887-120002	• • 6¶,Ï×,ÞM12	• • PLUG M12,HEX.	1
67	Y26106-060102	• • ÆËÞÞÛÄM6X10	• • BOLT M 6X 10 PLATED	1
68	Y26756-060002	• • ÆÏÀÀÄ6	• • LOCK NUT 6	1
82	Y24341-000280	• ØÝ,Þ1AS28.0	• O-RING 1A S-28.0	1
83	Y26106-060142	• ÆËÞÞÛÄ6X14	• BOLT M 6X 14 PLATED	2
84	Y26106-060142	• ÆËÞÞÛÄ6X14	• BOLT M 6X 14 PLATED	4
85	Y26106-060202	• ÆËÞÞÛÄ6X20	• BOLT M 6X 20 PLATED	10
96	Y119233-77932	½ÄÄÏ¼ÛË²ÄÞ	SOLENOID, STOP	1
97	Y129642-61060	ΓΠΕΠΑ <sup>1</sup> -½)À	COVER, CASE	1

\* °É³Ó (ΓΠΕΠΑ  
 ASSY)ÉFIG.11-1  
 FOÏÝ¼ÏÏÏÝÏ Æ  
 Ï,ÛÛ¼.

Engine for TB145 4TNV88-QTB(cab), QTB1(canopy) S/N 14513261-  
**FUEL INJECTION VALVE**



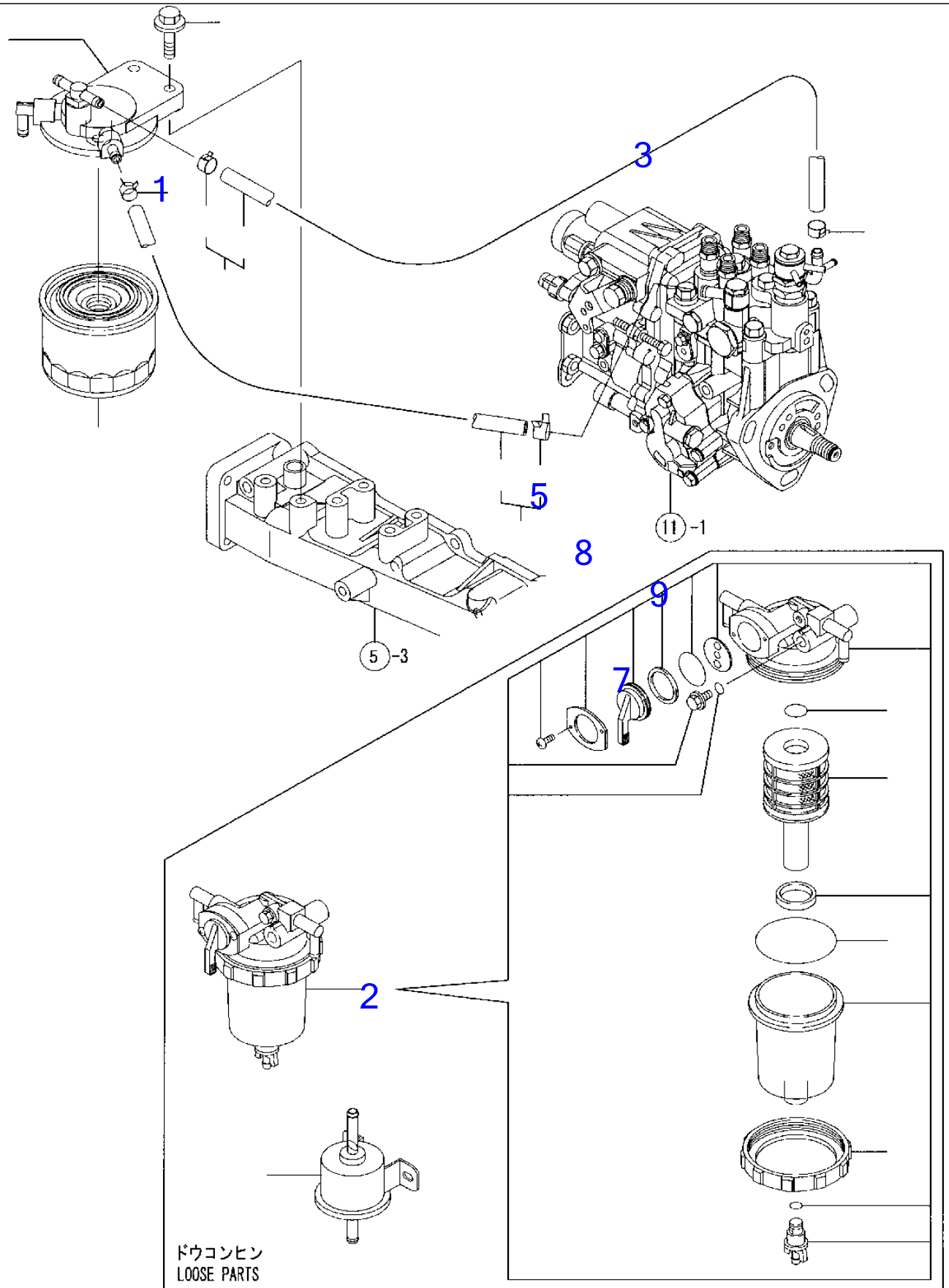
Y0008100	12. F077ンシャベン			
4TNV88-QTB, QTB1		1:2004 01		PI IIS



FOI¼-ÍPÝ FUEL INJECTION VALVE

REF NO.	PARTS NO.	Description	Q'ty
1	Y729642-53100	FOÍPÝ ASSY(WBH)	4
2	Y129640-53001	• É½PÙ CMP	4
5	Y114250-53080	• ÅÅÅ(É½PÙÅØÅ¹	4
6	Y119802-53100	• É½PÙÍÙÅP CMP	4
10	Y114250-53120	• ½ÍRØÝ,P(É½PÙ	4
11	Y114250-53130	• ¼-Å(É½PÙ½ÍRØÝ,P	4
12	Y114250-53140	• ½ÅÅÍRÍRÚ-Å	4
13	Y114250-53210	• ÉRÝ(É½PÙ²Á·PÒ	8
14	Y114250-53400	• ¼Ñ CMP	4
26	Y129150-59120	ÍÙÅPÒ(ÍÝ¼ÔÞÝ CMP	1
29	Y129150-59131	• ÎPÙÅÅ¿¹-Å	2
30	Y129550-59120	ÍÙÅPÒ(ÍÝ¼ÔÞÝCMP	1
33	Y129150-59131	• ÎPÙÅÅ¿¹-Å	2
35	Y129601-59810	FO-T(ÍÝ¼Ô CMP	1
39	Y129601-59820	FO-T(ÍÝ¼Ô CMP	1
43	Y129601-59830	FO-T(ÍÝ¼Ô CMP	1
47	Y129601-59840	FO-T(ÍÝ¼Ô CMP	1
52	Y119802-59550	FO-T(ÓÅP¼ CMP	1
53	Y124722-59050	• Î-½,ØÅÍR(ÍÙ 9	2
54	Y119802-59560	• FO-T(ÓÅP¼	1
55	Y129486-59551	FOÓÅP¼ÞÝ CMP	3
56	Y124722-59050	• Î-½,ØÅÍR(ÍÙ 9	6
58	Y119593-59580	• ÓÅÍR(FO-TÓÅP¼	1
59	Y124060-77680	Î-½,ØÅÍR(ÍÙ 10	1

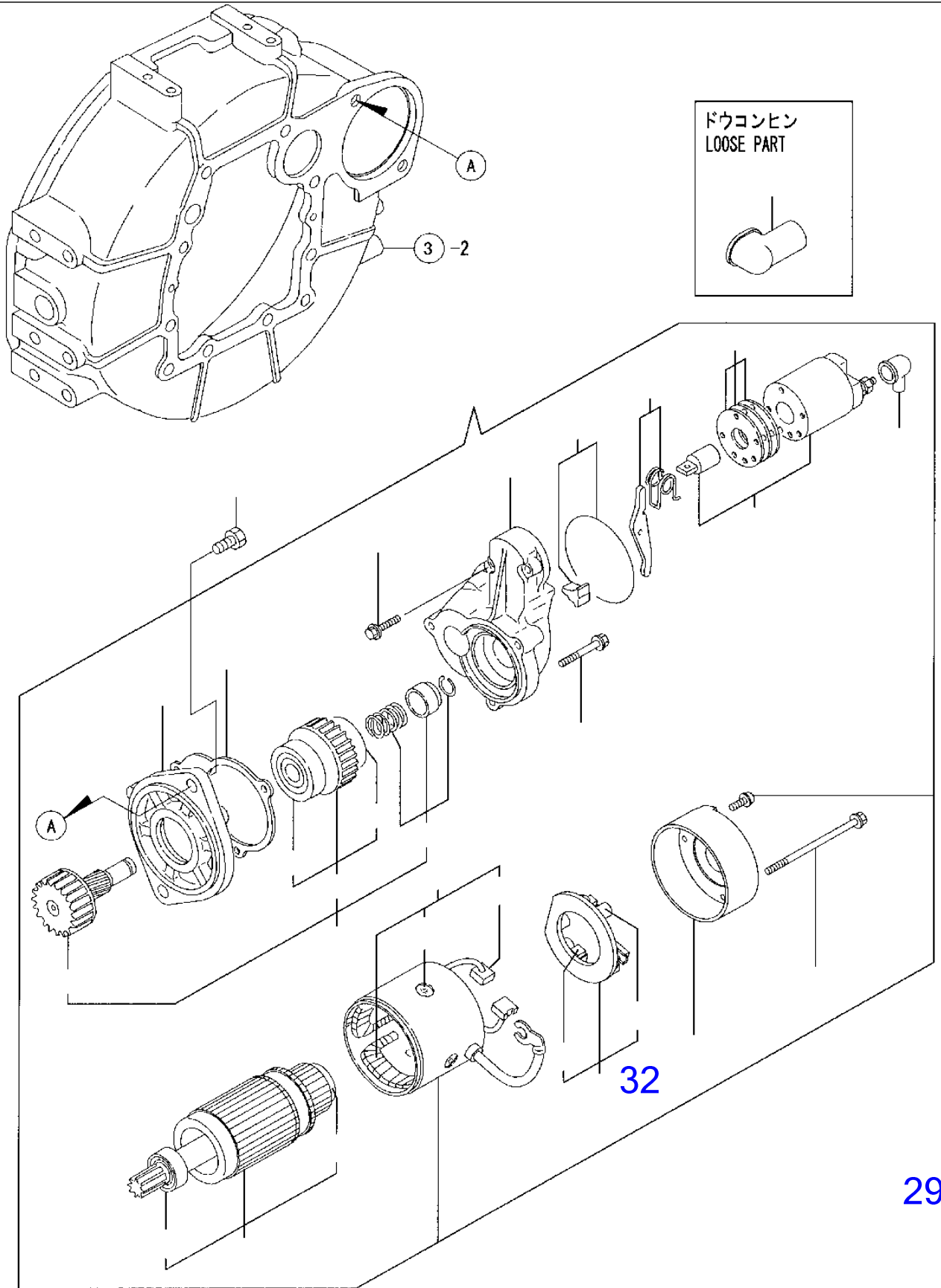
Engine for TB145 4TNV88-QTB(cab), QTB1(canopy) S/N 14513261-  
**FUEL LINE**



Y00D8100	13. FOパイプ			
4TNV88-QTB, QTB1		1:2004 01		PI LIS

REF NO.	PARTS NO.	Description	Q'ty	I	R	Q'ty
1	Y129004-55611	BRACKET, FILTER	1			
2	Y119802-55800	FILTER, FUEL	1			
3	Y26106-080302	BOLT M 8X 30 PLATED	2			
4	Y129210-59090	PIPE ASSY, FUEL OIL	1			
5	Y124766-59050	• CLAMP 12	2			
6	Y105325-59570	• PIPE, FUEL OIL	1			
7	Y129210-59150	PIPE ASSY, FUEL OIL	1			
8	Y124766-59050	• CLAMP 12	2			
9	Y105025-59530	• PIPE, FUEL (D13XL400)	1			
10	Y129612-52100	FUEL PUMP	1			
11	Y129906-55700	SEPARATOR ASSY	1			
12	Y129100-55690	• RING, RETAINING	1			
13	Y24321-000650	• O-RING 1A G-65.0	1			
14	Y24311-000160	• O-RING 1A P-16.0	1			
15	Y119802-55710	• ELEMENT	1			

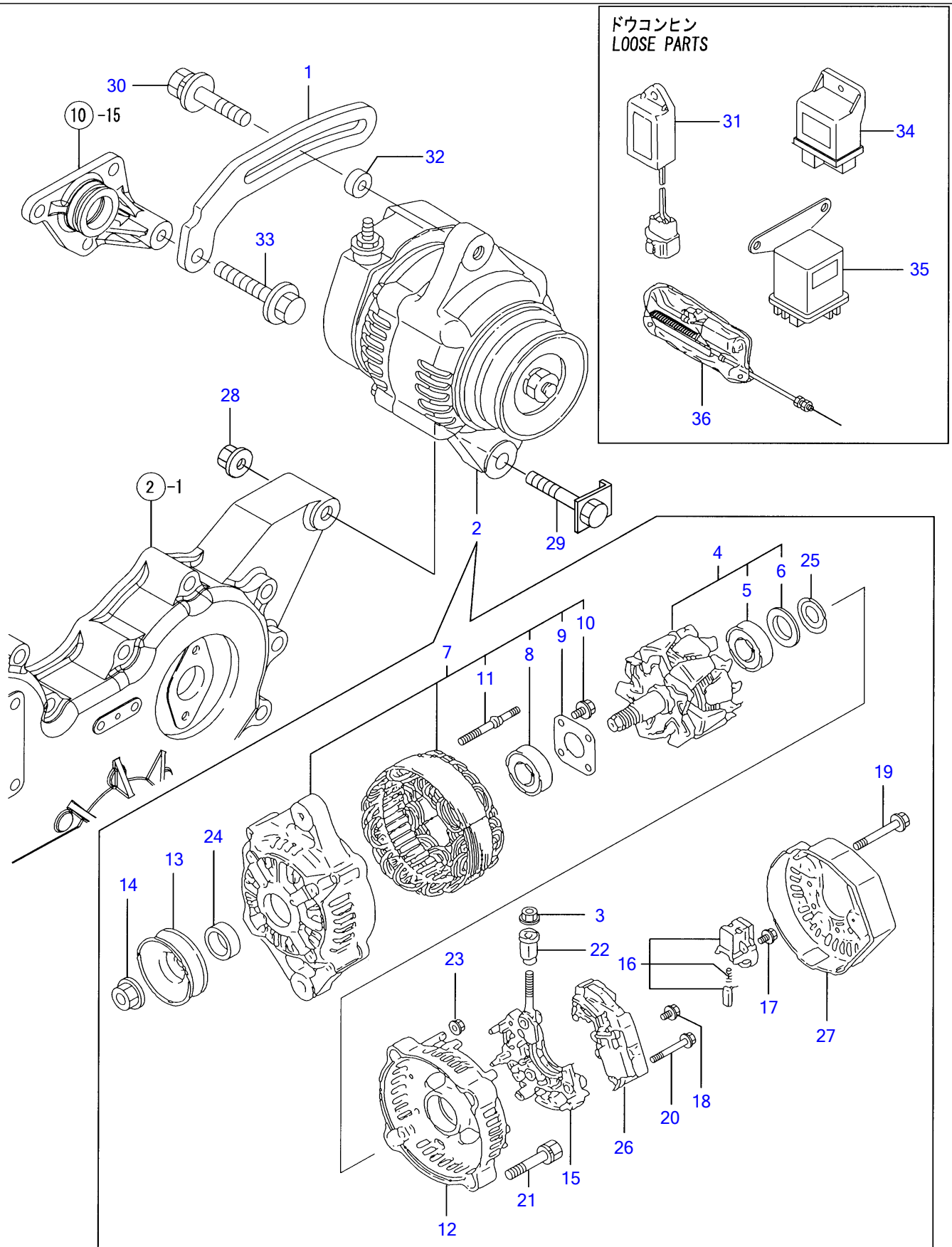
Engine for TB145 4TNV88-QTB(cab), QTB1(canopy) S/N 14513261-  
STARTING MOTOR



½Ä-Ä²Ý, ÞÓ-Ä STARTING MOTOR

REF NO.	PARTS NO.	Description	Q'ty
1	Y129136-77011	STARTER	1
2	Y129136-77310	• SHAFT, PINION	1
3	Y129900-77400	• ARMATURE ASSY	1
4	YX2130350900	• • BALL BEARING	1
5	YX2114255110	• • BALL BEARING	1
6	Y129900-77440	• COIL ASSY, FIELD	1
7	Y129900-77450	• • BRUSH (+)	2
8	Y171008-77450	• • SCREW, POLE CORE SET	4
9	Y129900-77460	• COVER, REAR	1
10	Y129900-77480	• HOLDER ASSY, BRASH	1
11	Y129900-77450	• • BRUSH (+)	2
12	Y129400-77490	• • SPRING, BRUSH	4
13	Y171008-77510	• HOUSING ASSY, GEAR	1
14	Y129136-77520	• CENTER HOUSING	1
15	Y171008-77540	• LEVER SET, SHIFT	1
18	Y129400-77571	• DUST COVER, (NON-ASB.)	1
19	Y129900-77640	• BOLT, THROUGH	2
20	Y171008-77650	• PINION ASSY	1
21	YX2114555500	• • CLUTCH ASSY	1
22	YX2114955020	• • • BEARING	1
23	YX2240410100	• • • BEARING	1
24	Y171008-77660	• • SHAFT, PINION	1
25	Y171008-77670	• • STOPPER SET, PINION	1
29	Y26106-060322	• BOLT M 6X 32 PLATED	2
30	Y26106-060402	• BOLT M 6X 40 PLATED	3
31	Y171008-77750	• COVER, M TERMINAL	1
32	Y26116-120252	BOLT M12X 25 PLATED	2
33	Y124550-77030	COVER, TERMINAL	1

Engine for TB145 4TNV88-QTB(cab), QTB1(canopy) S/N 14513261-  
GENERATOR

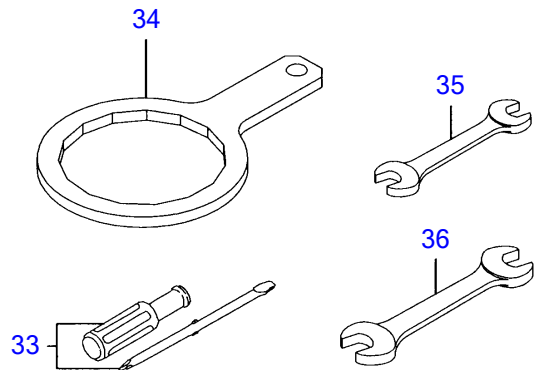
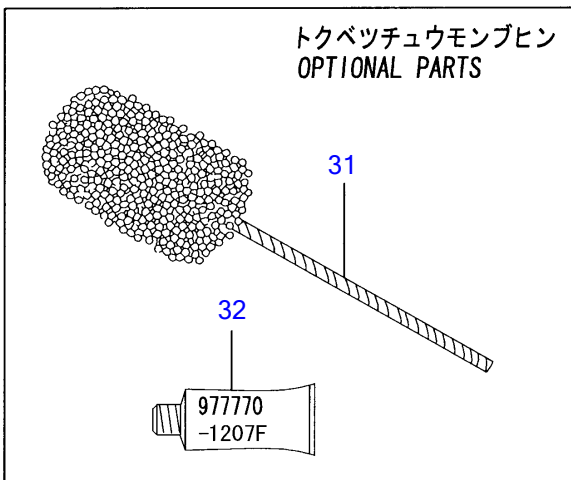
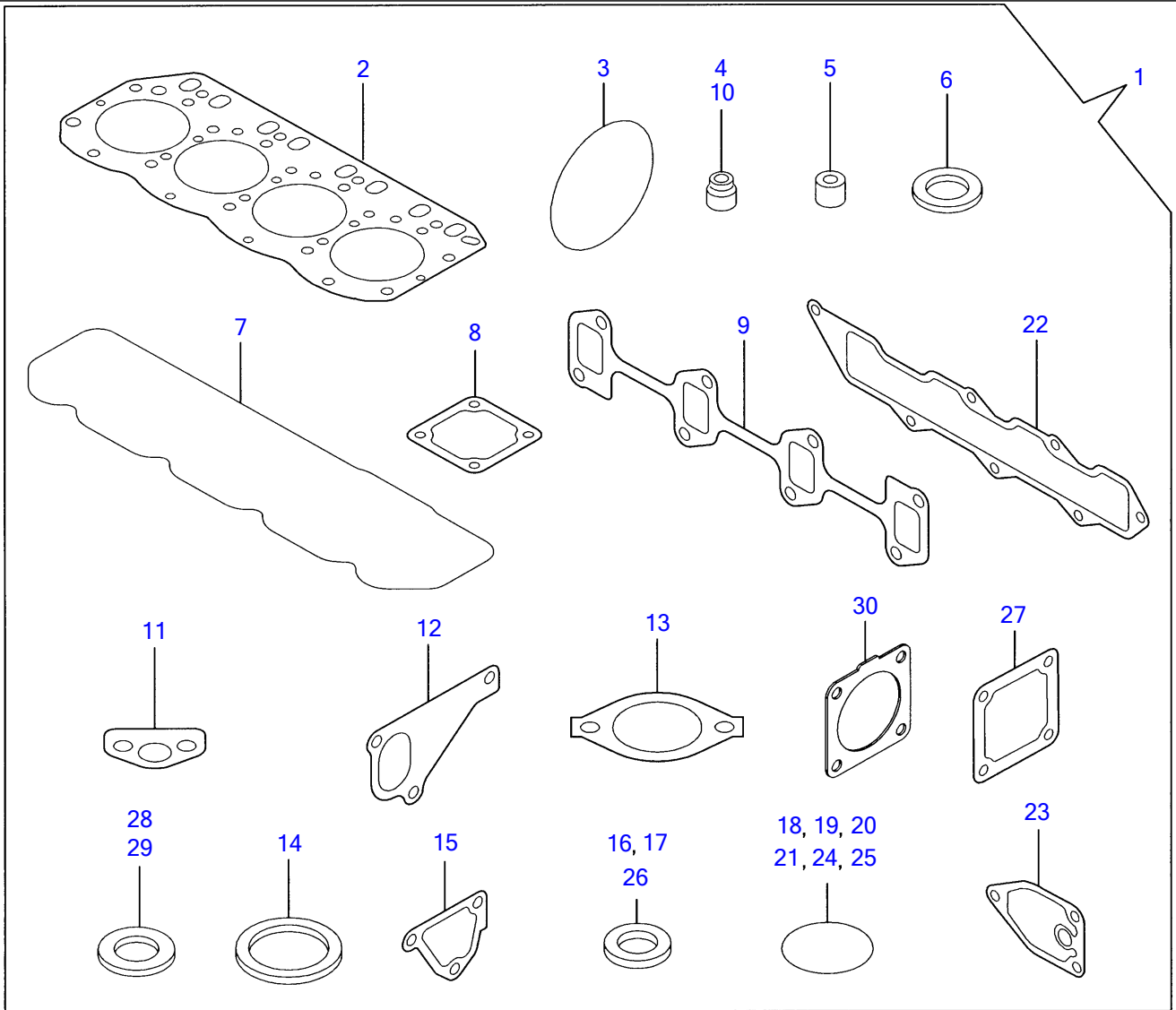


Y00D8100	15. ジェネレータ			
4TNV88-QTB, QTB1		1:2004 01		PI IIS

¼P'ÈÚ-À GENERATOR

REF NO.	PARTS NO.	Description	Q'ty
1	Y119940-77330	ADJUSTER, BELT	1
2	Y129240-77200	ALTERNATOR	1
3	Y129240-79310	• NUT	1
4	Y119620-77380	• ROTOR ASSY	1
5	Y126501-79240	• • BALL BEARING	1
6	Y119620-79250	• • COVER, BEARING	1
7	Y119620-77421	• FLAME ASSY, DRIVE	1
8	Y119620-79200	• • BALL BEARING	1
9	Y119620-79210	• • PLATE	1
10	Y119620-79220	• • SCREW	4
11	Y119620-79230	• • BOLT, STUD	2
12	Y119620-77440	• FLAME ASSY, REAR	1
13	Y119620-77461	• PULLEY	1
14	Y119620-77471	• NUT	1
15	Y119620-79260	• HOLDER	1
16	Y129052-79270	• HOLDER, BRUSH	1
17	Y119620-79290	• SCREW	6
18	Y119620-79300	• SCREW	1
19	Y119620-79310	• BOLT	3
20	Y119620-79320	• SCREW WWASHER	2
21	Y119620-79330	• BOLT	2
22	Y119620-79340	• INSULATION BUSH	1
23	Y119620-79350	• NUT	2
24	Y119620-77490	• COLLAR	1
25	Y119620-79360	• THRUST WASHER	1
26	Y129240-77710	• REGULATOR ASSY	1
27	Y129240-79300	• COVER	1
28	Y26306-080002	NUT	1
29	Y119740-77250	BOLT	1
30	Y119802-77340	BOLT, ADJUSTER	1
31	Y129211-77920	TIMER	1
32	Y119940-77270	ADJUSTER, BELT	1
33	Y26106-080452	BOLT M 8X 45 PLATED	1
34	Y119802-77200	RELAY, SAFETY	1
35	Y119646-77900	RELAY, POWER	2
36	Y119032-77910	MOTOR ASSY, ENG.STOP	1

Engine for TB145 4TNV88-QTB(cab), QTB1(canopy) S/N 14513261-  
GASKET SET



Y00D8100	16. パッキンセット			
4TNV88-QTB, QTB1		1:2004 01		PI IIS



93, P & EBA-Y3AA GASKET SET

REF NO.	PARTS NO.	Description	Q'ty	I	R	"öll
1	Y729601-92700	GASKET SET(NON-ASB.)	1		(1)	µlß¼@Ý lþËÝÄþ½
2	Y129407-01340	• ÍÄÄþ¶þ½¹ÄÄ	1			
3	Y121850-51960	• OØÝ, P(FOPÄØÄ¹)	1			
4	Y124460-11340	• ÊþÙlþ½ÄÑ¼-Ù	4			
5	Y119802-11870	• lßÜÄ, Ä(É½þÙ	4			
6	Y119625-11880	• É½þÙ¼-Ä	4			
7	Y129601-11310	• ÊßÄ·Ý(lþÝÜÝ¼Ä	1			
8	Y129150-77511	• PK(±Ë-Ä)(ÉÝ±½)	1			
9	Y129550-13110	• PK(EXHlÆlÜÄþ	1			
		EXH.MANIFOLD				
10	Y121400-11340	• ÊþÙlþ½ÄÑ¼-Ù	4			
11	Y129150-35041	• PK(·Ö³ÆÖ³¶Ý)(ÉÝ±½)	1			
12	Y129486-42021	• PK(CW-P	1			
13	Y129795-49551	• PK(»-Ö½ÄÄÄ¶Êþ-)(ÉÝ±½)	1			
14	Y129150-49811	• PK(»-Ö½ÄÄÄ¼Ä)(ÉÝ±½)	1			
15	Y124395-49840	• PK(»-Ö½ÄÄÄ¹-½	1			
		CASE				
16	Y22190-080002	• ¼-ÙÜÄ¼Ö(¶lÜ.ÆÄØÙ) 8	2			
17	Y124465-44950	• ÊßÄ·Ý16	1			
18	Y24311-000120	• OØÝ, P 1A P 12.0	3			
19	Y24311-000320	• OØÝ, P 1A P 32.0	2			
20	Y24341-000240	• OØÝ, P 1A S 24.0	1			
21	Y129486-42140	• OØÝ, P G 30	1			
22	Y129407-12110	• PK(lÆlÜÄþ	1			
23	Y129150-35111	• PK(l²ÜÄlþ×¹ÄÄ)(ÉÝ±½)	1			
24	Y24341-000250	• OØÝ, P 1A S 25.0	1			
25	Y119609-32040	• OØÝ, P P16	4			
26	Y22190-100002	• ¼-ÙÜÄ¼Ö(¶lÜ.ÆÄØÙ)10	2			
27	Y129100-77510	• ÊßÄ·Ý(±Ë-Ä-	1			
28	Y23414-080000	• ÊßÄ·Ý(lÜ 8	1			
29	Y129150-49360	• PK 10	1			
30	Y129930-13201	• ¶þ½¹ÄÄ(»²ÜÝ»	1			
31	Y129400-92430	lÜÄ, ½l-Ý	1			(1) µlß¼@Ý lþËÝÄþ½
32	Y977770-1207F	¼Ø²·Ý¹² ·¼þÖ³¶þ½¹ÄÄ	1			(1) µlß¼@Ý lþËÝÄþ½
33	Y104200-92350	Äþ×²Êþ-(»¼¶¹¼·	1			
34	Y119640-92750	l²ÜÄÜÝÄ 80	1			
35	Y28110-100120	½ÊßÄ 10X12	1			
36	Y28110-140170	½ÊßÄ 14X17	1			