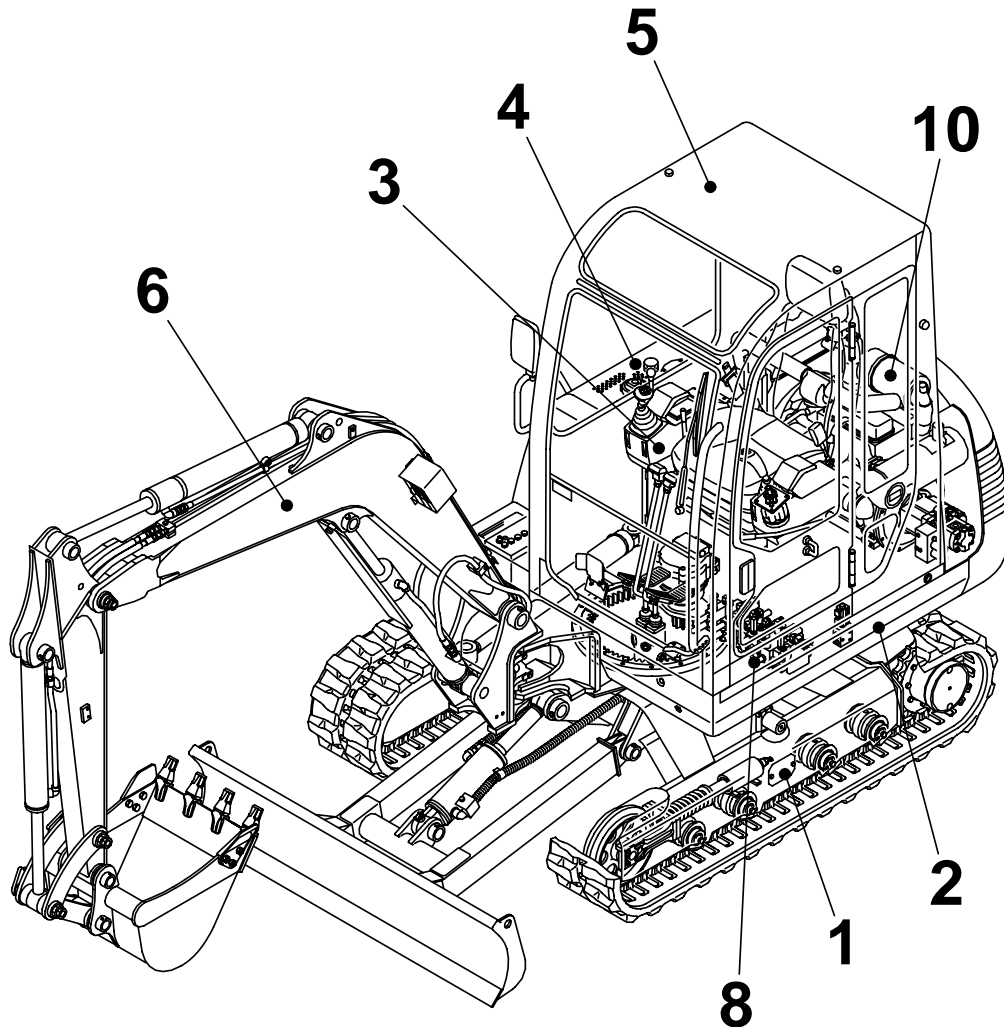


# TB135

Book No.BG4Z010  
Serial No.13510004-

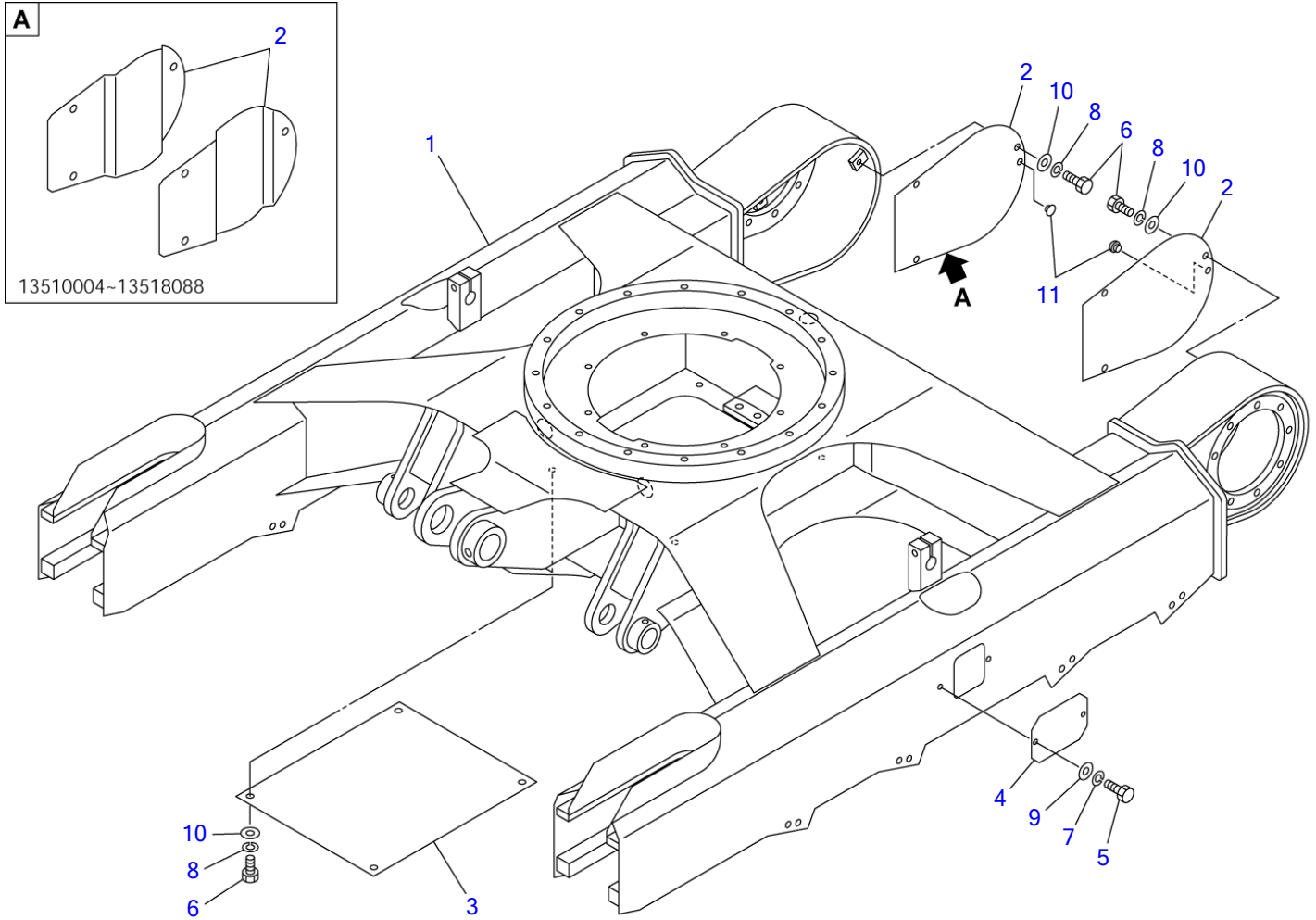


# TAKEUCHI



| Item | Part number | Description                | INDEX |       |            |       | Remarks |
|------|-------------|----------------------------|-------|-------|------------|-------|---------|
|      |             |                            | Q'ty  | Chan. | Serial No. | Serv. |         |
| 1    |             | UNDERCARRIAGE              |       |       |            |       |         |
| 2    |             | TURNTABLE & CONTROL LEVER  |       |       |            |       |         |
| 3    |             | ENGINE & ELECTRICAL SYSTEM |       |       |            |       |         |
| 4    |             | HYDRAULIC PIPNG & TANK     |       |       |            |       |         |
| 5    |             | COVER & CAB                |       |       |            |       |         |
| 6    |             | HOE ATTACHMENT             |       |       |            |       |         |
| 7    |             | DECAL & TOOL               |       |       |            |       |         |
| 8    |             | HYDRAULIC DEVICE           |       |       |            |       |         |
| 10   |             | ENGINE 3TNE88-(E)TB(1)     |       |       |            |       |         |
|      |             | ENGINE 3TNV88-QTB,QTb1     |       |       |            |       |         |
|      |             | ENGINE 3TNV88-QTB2         |       |       |            |       |         |
|      |             | 2007.5.31                  |       |       |            |       |         |

TB135 Book No. BG4Z010 S/N 13510004-  
LOWER FRAME



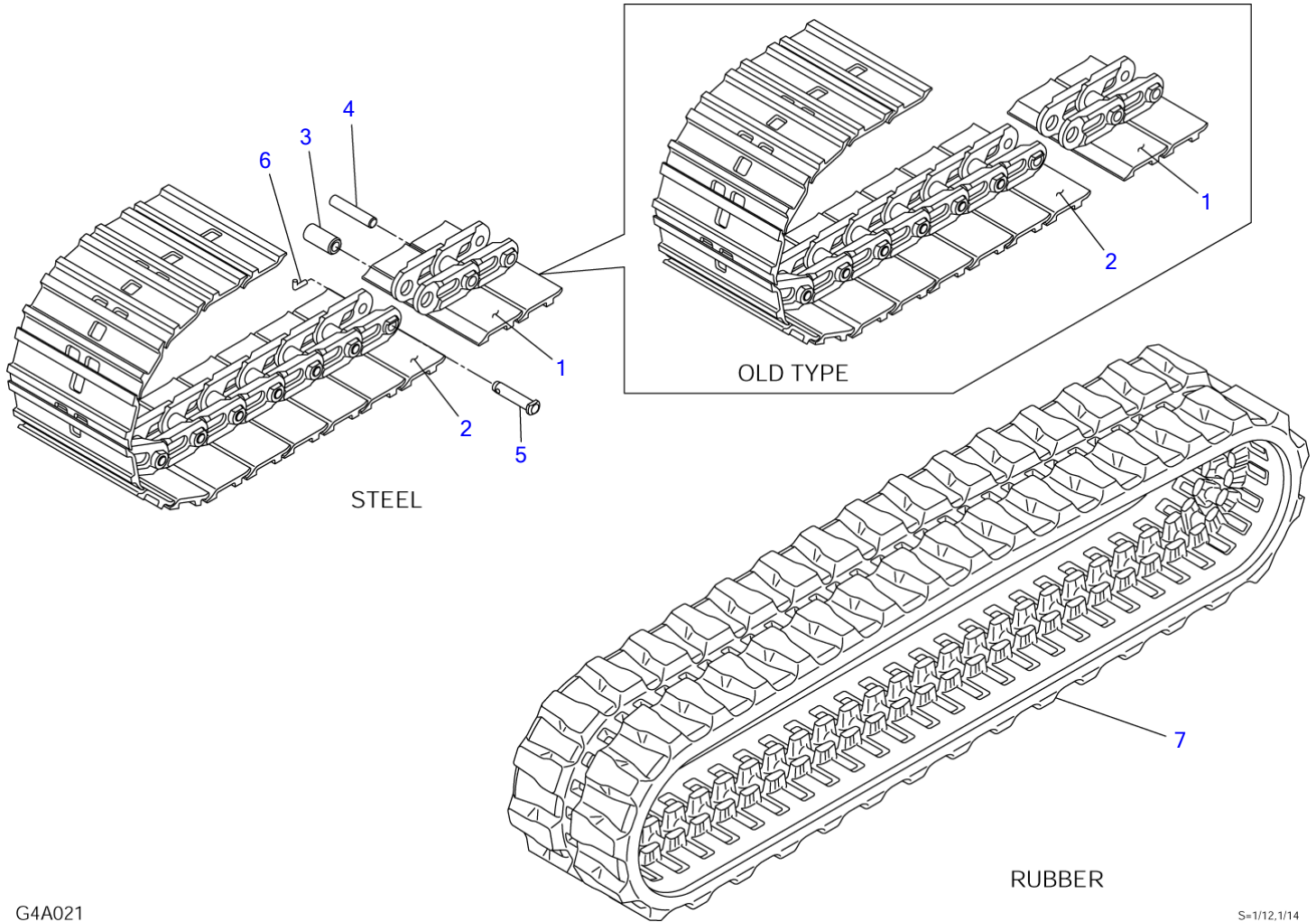
G4A011

S-1/12

**LOWER FRAME**

| Item | Part number       | Description       | Q'ty | Chan. | Serial No.        | Serv. | Remarks        |
|------|-------------------|-------------------|------|-------|-------------------|-------|----------------|
|      |                   | FRAME ASSY, lower |      |       |                   |       | X03710-11000-1 |
| 1    | X *****           | FRAME             | 1    |       |                   |       |                |
| 2    | <b>0471001400</b> | COVER             | 2    | (L)   | 13510004~13518088 |       |                |
|      | <b>0351006010</b> | COVER             | 2    |       | 13518089~         |       |                |
| 3    | <b>0431003600</b> | COVER             | 1    |       |                   |       |                |
| 4    | <b>0331018600</b> | COVER             | 2    |       |                   |       |                |
| 5    | <b>1100040816</b> | BOLT              | 4    |       |                   |       |                |
| 6    | <b>1100041020</b> | BOLT              | 10   |       |                   |       |                |
| 7    | <b>1140020008</b> | WASHER, spring    | 4    |       |                   |       |                |
| 8    | <b>1140020010</b> | WASHER, spring    | 10   |       |                   |       |                |
| 9    | <b>1141110008</b> | WASHER            | 4    |       |                   |       |                |
| 10   | <b>1141110010</b> | WASHER            | 10   |       |                   |       |                |
| 11   | <b>1652533019</b> | CAP               | 2    |       | 13518089~         |       |                |
|      | <b>G4a011</b>     |                   |      |       |                   |       |                |

TB135 Book No. BG4Z010 S/N 13510004-  
CRAWLER BELT

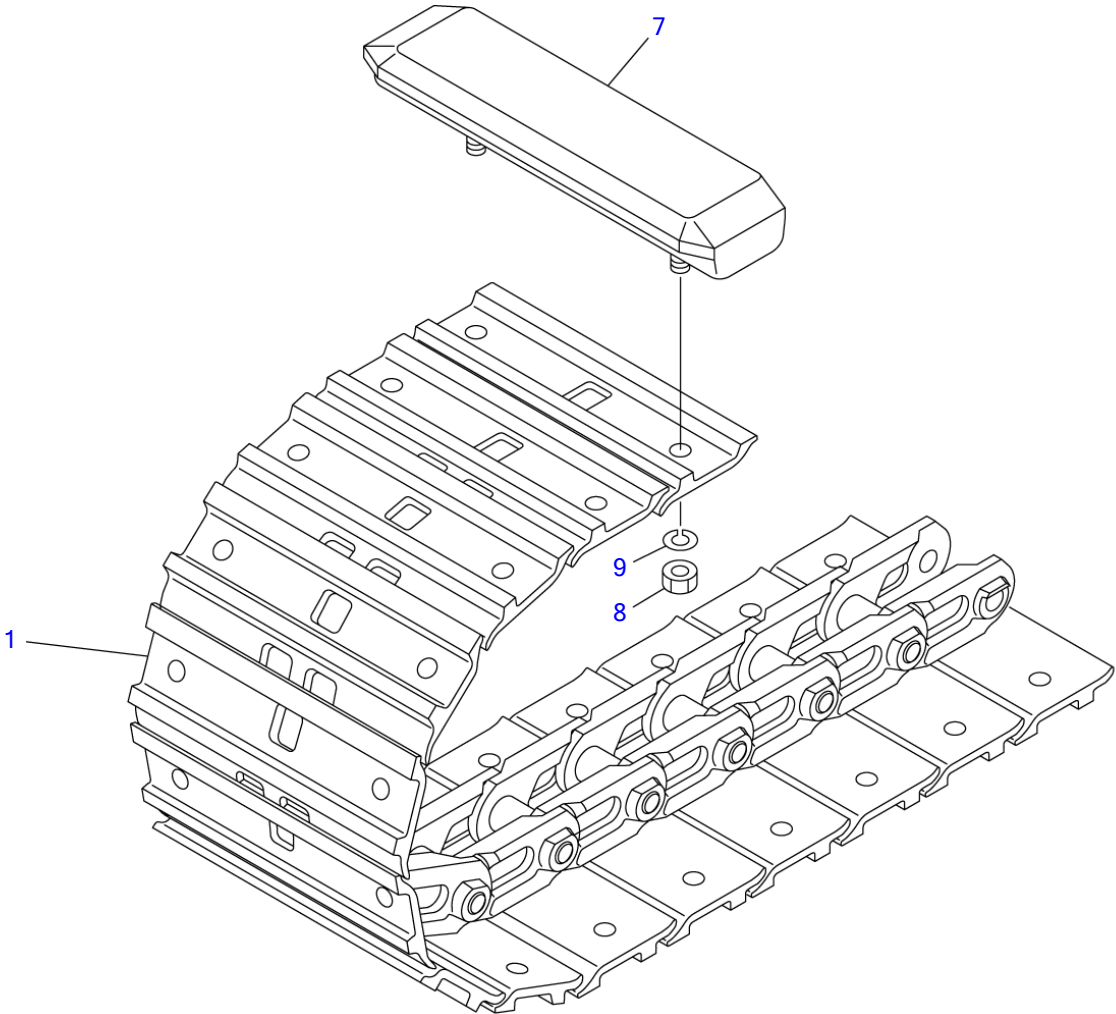


G4A021

S=1/12,1/14

**CRAWLER BELT**

| Item | Part number       | Description          | Q'ty | Chan. | Serial No.        | Serv. | Remarks |
|------|-------------------|----------------------|------|-------|-------------------|-------|---------|
| 0-1  | <b>1914054200</b> | BELT, steel crawler  | 2    |       | old type          |       |         |
|      | <b>1914054300</b> | BELT, steel crawler  | 2    | (H)   | new type          |       |         |
| 1    | <b>1914054213</b> | ▪ PLATE ASSY         | 42   |       | old type          |       |         |
|      | <b>1914054313</b> | ▪ PLATE ASSY         | 42   |       | new type          |       |         |
| 2    | <b>1914054214</b> | ▪ PLATE ASSY, master | 1    |       | old type          |       |         |
|      | <b>1914054314</b> | ▪ PLATE ASSY, master | 1    |       | new type          |       |         |
| 3    | <b>1914053505</b> | ▪ BUSHING            | 43   |       |                   |       |         |
| 4    | <b>1914053506</b> | ▪ PIN, track         | 42   |       |                   |       |         |
| 5    | <b>1914053507</b> | ▪ PIN, master        | 1    |       |                   |       |         |
| 6    | <b>1914053508</b> | ▪ PIN, cotter        | 1    |       |                   |       |         |
| 7    | <b>1914068300</b> | BELT, rubber crawler | 2    |       | 13510004~13513664 |       |         |
|      | <b>1914068400</b> | BELT, rubber crawler | 2    | (H)   | 13513665~         |       |         |
|      | <b>G4a023</b>     |                      |      |       |                   |       |         |



G4A112

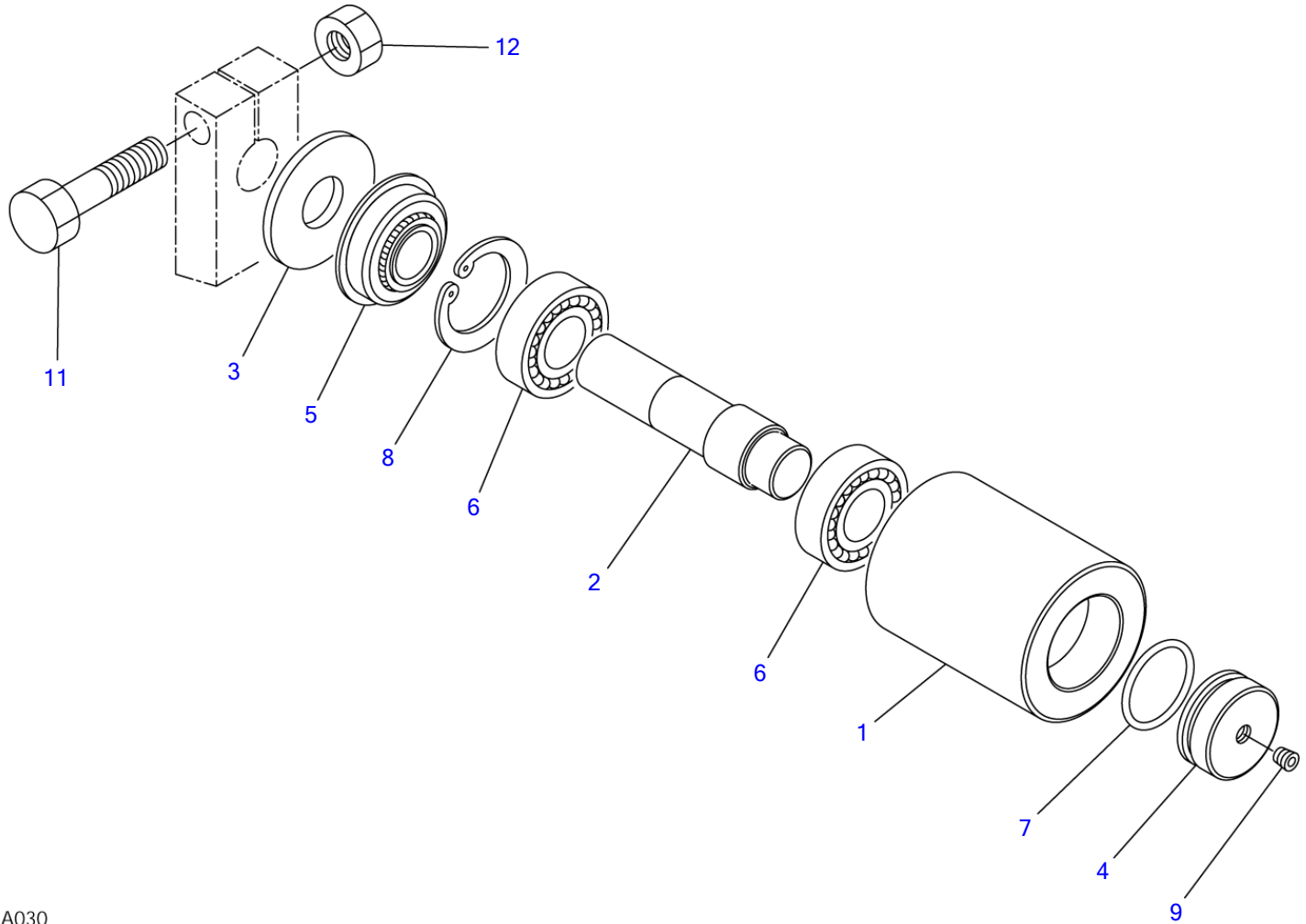
S=1/6



**CRAWLER BELT (with rubber pads)**

| Item | Part number       | Description                                 | Q'ty | Chan. | Serial No. | Serv. | Remarks |
|------|-------------------|---|------|-------|------------|-------|---------|
| 0    | <b>1914054400</b> | BELT ASSY, steel crawler (with rubber pads) | 2    |       |            |       |         |
| 1    | <b>1914054300</b> | ▪ BELT, steel crawler                       | 1    |       |            |       |         |
| 7    | <b>1914400400</b> | ▪ PAD, rubber                               | 43   |       |            |       |         |
| 8    | <b>1130020012</b> | ▪ ▪ NUT                                     | 2    |       |            |       |         |
| 9    | <b>1140020012</b> | ▪ ▪ WASHER, spring                          | 2    |       |            |       |         |
|      | <b>G4a113</b>     |   |      |       |            |       |         |

TB135 Book No. BG4Z010 S/N 13510004-  
CARRIER ROLLER (13510004-13514104)



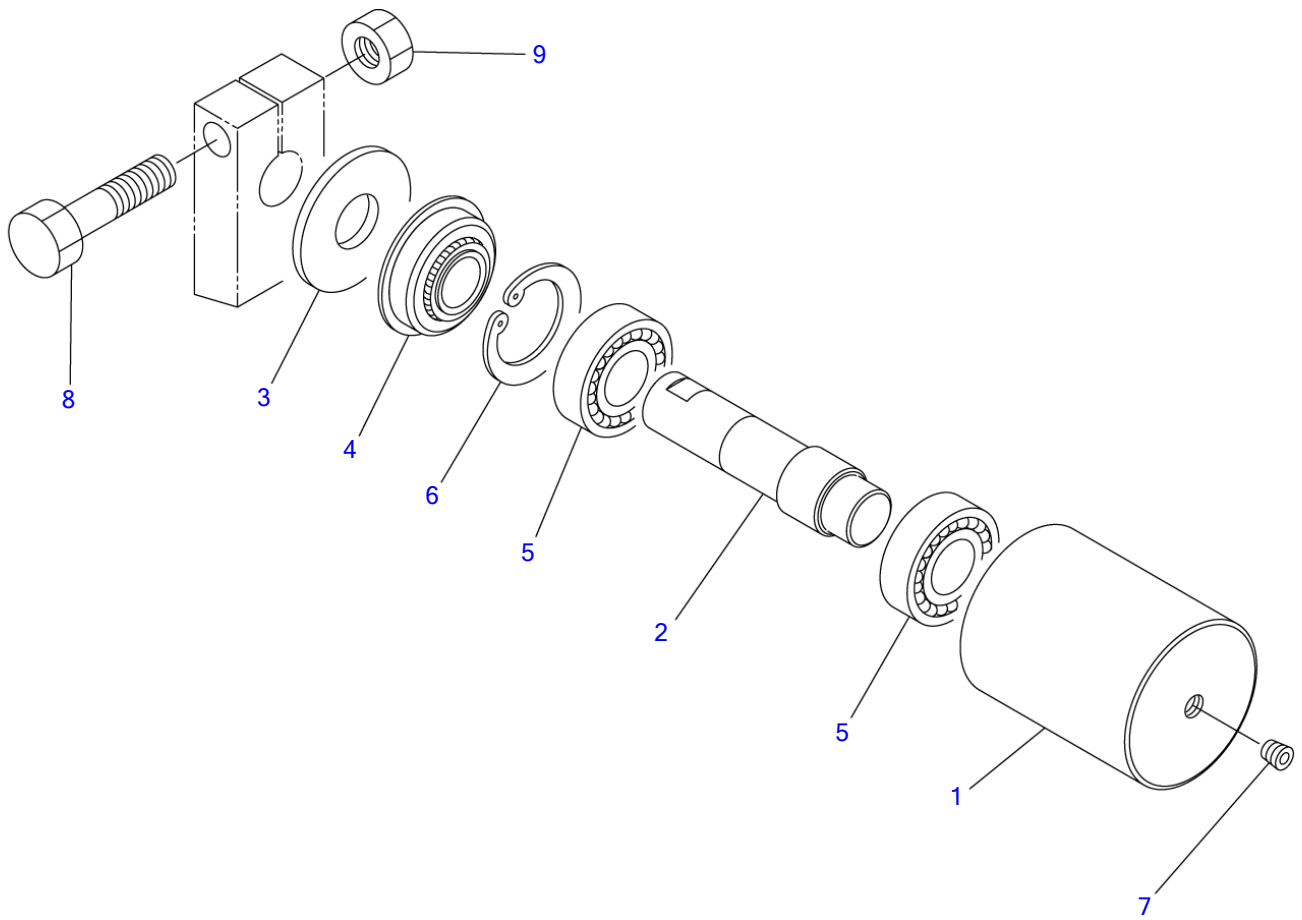
U1A030

S=1/3

**CARRIER ROLLER (13510004-13514104)**

| Item | Part number       | Description          | Q'ty | Chan. | Serial No. | Serv. | Remarks        |
|------|-------------------|----------------------|------|-------|------------|-------|----------------|
|      |                   | ROLLER ASSY, carrier |      |       |            |       | X04312-02000-0 |
| 0-1  | <b>0431200500</b> | ROLLER SUB ASSY      | 2    |       |            |       |                |
| 1    | <b>0431200100</b> | · ROLLER             | 1    |       |            |       |                |
| 2    | <b>0431200200</b> | · SHAFT              | 1    |       |            |       |                |
| 3    | <b>0431200300</b> | · COVER              | 1    |       |            |       |                |
| 4    | <b>0431200400</b> | · COVER              | 1    |       |            |       |                |
| 5    | <b>1431202552</b> | · SEAL               | 1    |       |            |       |                |
| 6    | <b>1300006205</b> | · BEARING            | 2    |       |            |       |                |
| 7    | <b>1420100400</b> | · O-RING             | 1    |       |            |       |                |
| 8    | <b>1221000052</b> | · RING, snap         | 1    |       |            |       |                |
| 9    | <b>1501810001</b> | · PLUG               | 1    |       |            |       |                |
| 11   | <b>1100051060</b> | BOLT                 | 2    |       |            |       |                |
| 12   | <b>1130050010</b> | NUT                  | 2    |       |            |       |                |
|      | <b>U1a030</b>     |                      |      |       |            |       |                |

TB135 Book No. BG4Z010 S/N 13510004-  
CARRIER ROLLER (13514105-)



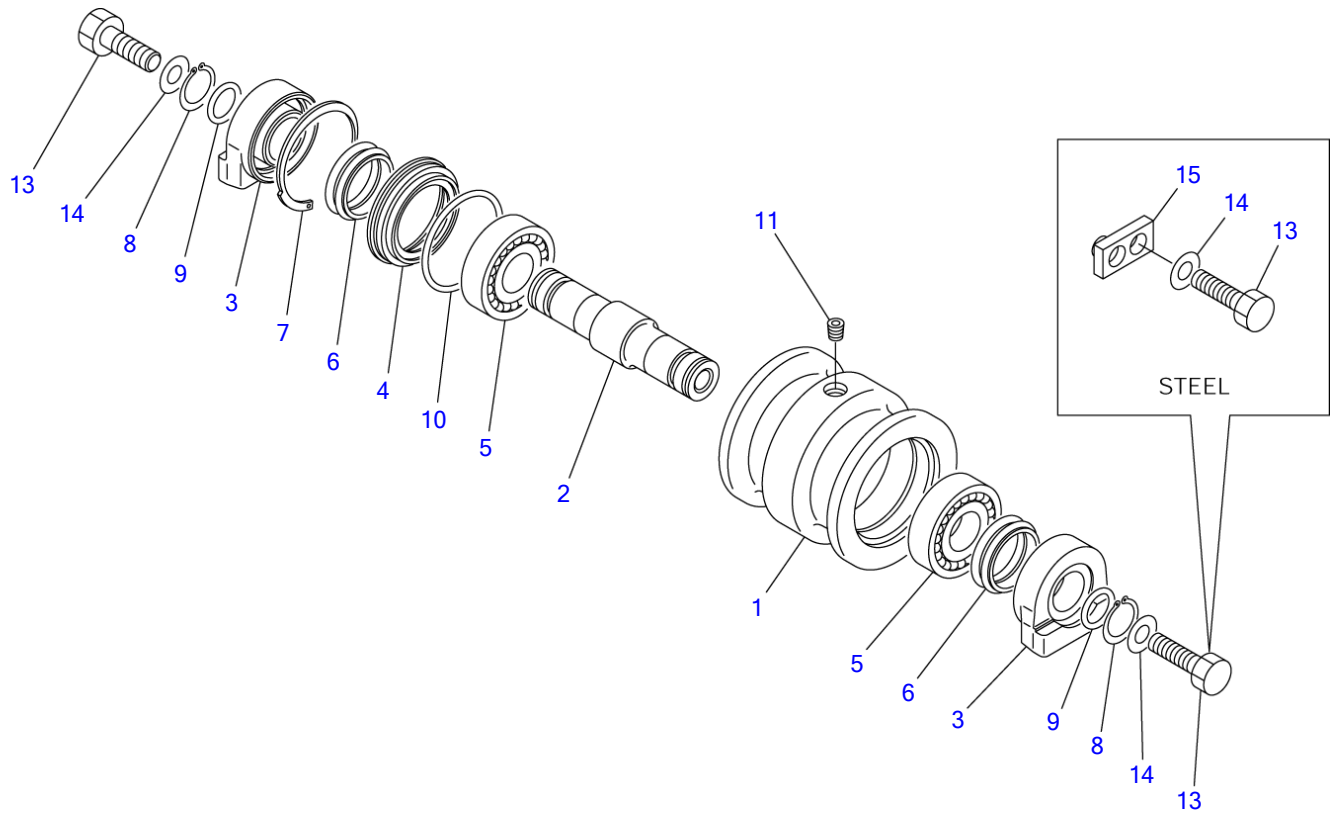
G4A100

S=1/3

**CARRIER ROLLER (13514105-)**

| Item | Part number       | Description          | Q'ty | Chan. | Serial No. | Serv. | Remarks        |
|------|-------------------|----------------------|------|-------|------------|-------|----------------|
|      |                   | ROLLER ASSY, carrier |      |       |            |       | X03712-00000-1 |
| 0-1  | <b>0371200100</b> | ROLLER SUB ASSY      | 2    |       |            |       |                |
| 1    | <b>0371200110</b> | ▪ ROLLER             | 1    |       |            |       |                |
| 2    | <b>0431200200</b> | ▪ SHAFT              | 1    |       |            |       |                |
| 3    | <b>0431200300</b> | ▪ COVER              | 1    |       |            |       |                |
| 4    | <b>1431202552</b> | ▪ SEAL               | 1    |       |            |       |                |
| 5    | <b>1300006205</b> | ▪ BEARING            | 2    |       |            |       |                |
| 6    | <b>1221000052</b> | ▪ RING, snap         | 1    |       |            |       |                |
| 7    | <b>1501820001</b> | ▪ PLUG               | 1    |       |            |       |                |
| 8    | <b>1100041060</b> | BOLT                 | 2    |       |            |       |                |
| 9    | <b>1130040010</b> | NUT                  | 2    |       |            |       |                |
|      | <b>G4a100</b>     |                      |      |       |            |       |                |

TB135 Book No. BG4Z010 S/N 13510004-  
TRACK ROLLER



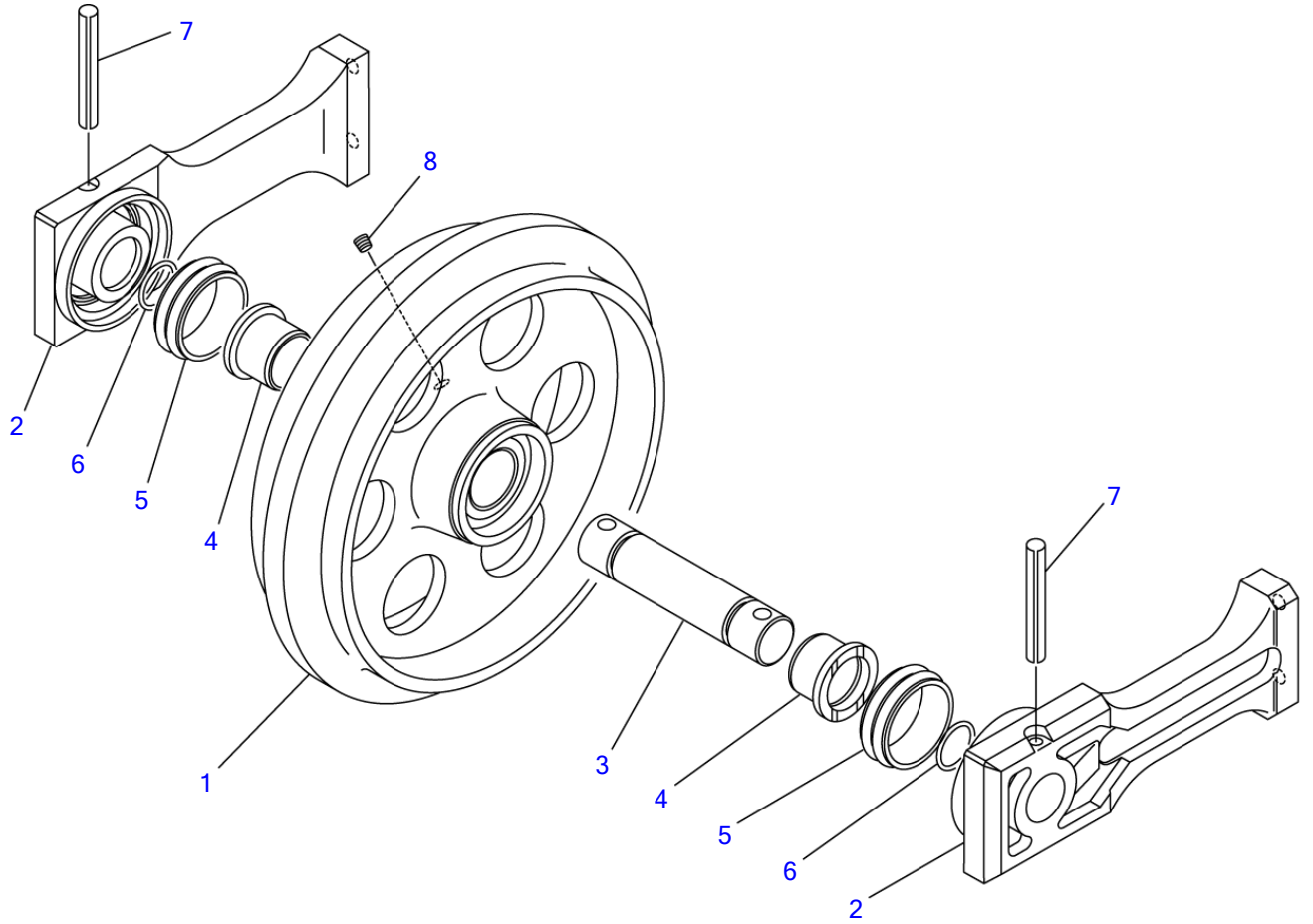
G4A030

S=1/5

**TRACK ROLLER**

| Item | Part number       | Description                 | Q'ty | Chan. | Serial No. | Serv. | Remarks        |
|------|-------------------|-----------------------------|------|-------|------------|-------|----------------|
|      |                   | ROLLER ASSY, track (steel)  |      |       |            |       | X03713-00000-2 |
|      |                   | ROLLER ASSY, track (rubber) |      |       |            |       | X04313-11000-2 |
| 0-1  | <b>0431311100</b> | ROLLER SUB ASSY, track      | 8    |       |            |       |                |
| 1    | <b>0431311300</b> | • ROLLER                    | 1    |       |            |       |                |
| 2    | <b>0431310200</b> | • SHAFT                     | 1    |       |            |       |                |
| 3    | <b>0431310300</b> | • COVER                     | 2    |       |            |       |                |
| 4    | <b>0431300400</b> | • RETAINER                  | 1    |       |            |       |                |
| 5    | <b>1300006306</b> | • BEARING                   | 2    |       |            |       |                |
| 6    | <b>1432500450</b> | • SEAL, floating            | 2    |       |            |       |                |
| 7    | <b>1222015080</b> | • RING, seeger              | 1    |       |            |       |                |
| 8    | <b>1220000030</b> | • RING, snap                | 2    |       |            |       |                |
| 9    | <b>1420100250</b> | • O-RING                    | 2    |       |            |       |                |
| 10   | <b>1420100700</b> | • O-RING                    | 1    |       |            |       |                |
| 11   | <b>1501810001</b> | • PLUG                      | 1    |       |            |       |                |
| 13   | <b>1101051440</b> | BOLT                        | 16   |       |            |       |                |
|      | <b>1101051450</b> | BOLT                        | 16   |       |            |       | steel          |
| 14   | <b>1141540014</b> | WASHER                      | 16   |       |            |       |                |
| 15   | <b>0371300100</b> | STOPPER                     | 16   |       |            |       | steel          |
|      | <b>G4a031</b>     |                             |      |       |            |       |                |

TB135 Book No. BG4Z010 S/N 13510004-  
FRONT IDLER



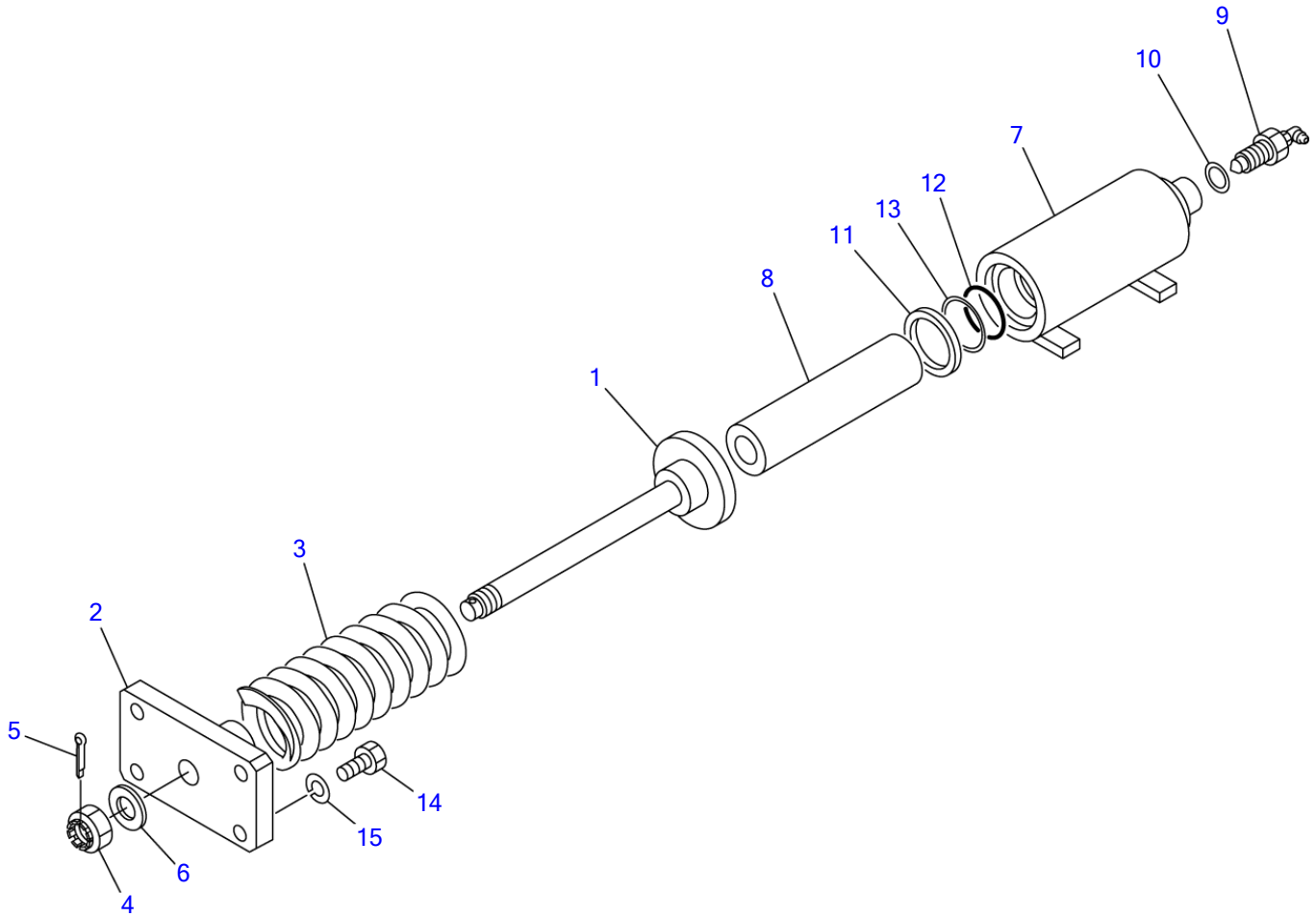
U1A050

S=1/5



| FRONT IDLER |                   |                   |      |       |                   |       |                |
|-------------|-------------------|-------------------|------|-------|-------------------|-------|----------------|
| Item        | Part number       | Description       | Q'ty | Chan. | Serial No.        | Serv. | Remarks        |
| 0-1         | <b>0431410000</b> | IDLER ASSY, front | 2    | (L)   | 13510004~13512646 |       | X04314-10000-3 |
|             | <b>0371400000</b> | IDLER ASSY, front | 2    | (H)   | 13512647~         |       | X03714-00000-2 |
| 1           | <b>0431401100</b> | ▪ IDLER           | 1    |       | 13510004~13512646 |       |                |
|             | <b>0371400100</b> | ▪ IDLER           | 1    |       | 13512647~         |       |                |
| 2           | <b>0431410100</b> | ▪ BLOCK           | 2    |       | 13510004~13512646 |       |                |
|             | <b>0371400200</b> | ▪ BLOCK           | 2    |       | 13512647~         |       |                |
| 3           | <b>0431410200</b> | ▪ SHAFT           | 1    |       | 13510004~13512646 |       |                |
|             | <b>0371400300</b> | ▪ SHAFT           | 1    |       | 13512647~         |       |                |
| 4           | <b>0431400600</b> | ▪ BUSHING         | 2    |       | 13510004~13512646 |       |                |
|             | <b>1333064039</b> | ▪ BUSHING         | 2    |       | 13512647~         |       |                |
| 5           | <b>1432500560</b> | ▪ SEAL, floating  | 2    |       | 13510004~13512646 |       |                |
|             | <b>1432500640</b> | ▪ SEAL, floating  | 2    |       | 13512647~         |       |                |
| 6           | <b>1420100300</b> | ▪ O-RING          | 2    |       | 13510004~13512646 |       |                |
|             | <b>1420100350</b> | ▪ O-RING          | 2    |       | 13512647~         |       |                |
| 7           | <b>1213000885</b> | ▪ PIN, spring     | 2    |       |                   |       |                |
| 8           | <b>1501810001</b> | ▪ PLUG            | 1    |       |                   |       |                |
|             | <b>G4a121</b>     |                   |      |       |                   |       |                |

TB135 Book No. BG4Z010 S/N 13510004-  
TRACK ADJUSTER

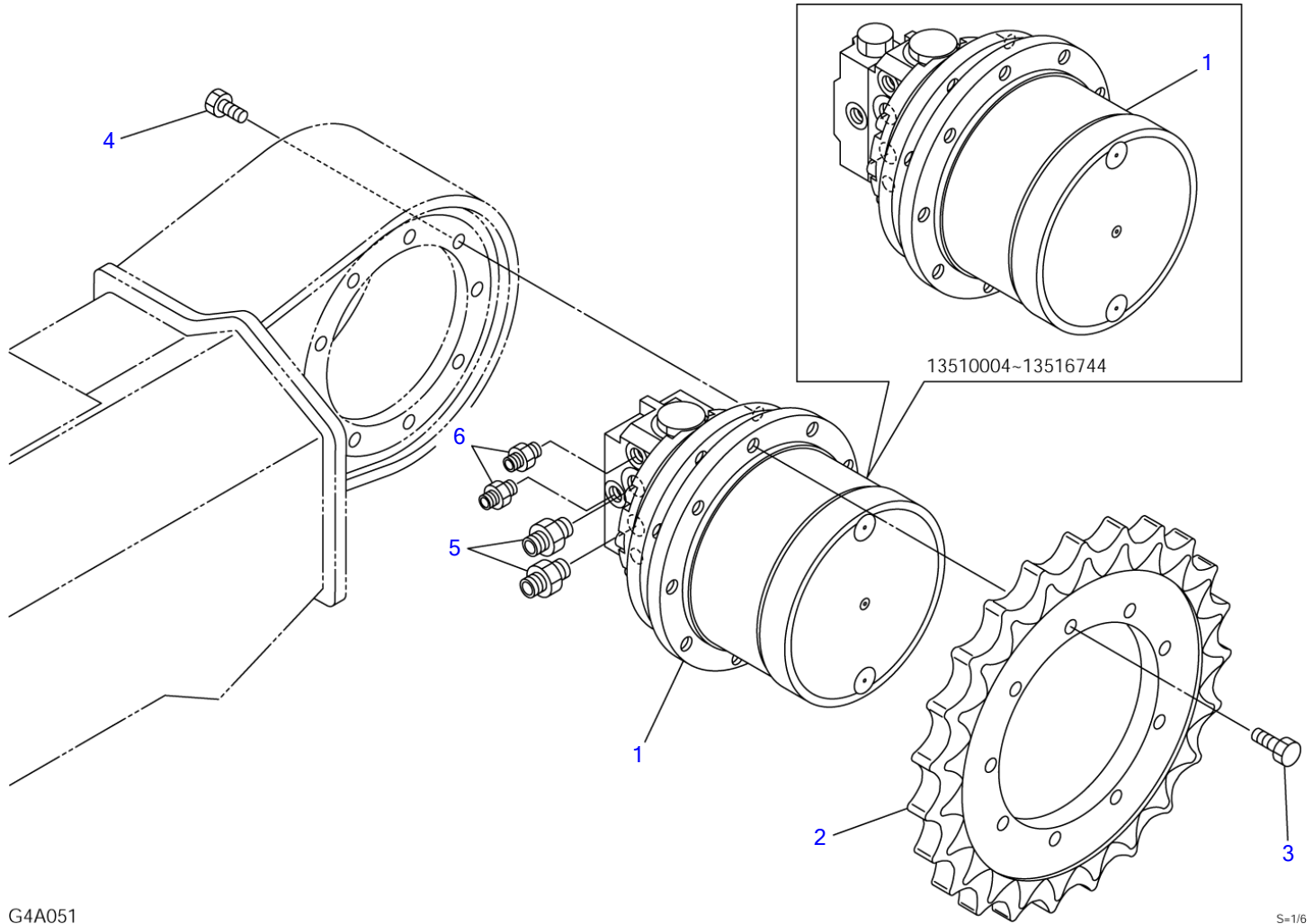


G4A040

S=1/6

**TRACK ADJUSTER**

| Item | Part number       | Description           | Q'ty | Chan. | Serial No. | Serv. | Remarks        |
|------|-------------------|-----------------------|------|-------|------------|-------|----------------|
|      |                   | SPRING ASSY           |      |       |            |       | X03715-01000-1 |
| 0-1  | <b>0371501100</b> | SPRING SUB ASSY       | 2    |       |            |       |                |
| 1    | <b>0371501200</b> | • ROD                 | 1    |       |            |       |                |
| 2    | <b>0431510300</b> | • PLATE               | 1    |       |            |       |                |
| 3    | <b>0007000004</b> | • SPRING              | 1    |       |            |       |                |
| 4    | <b>1132030020</b> | • NUT                 | 1    |       |            |       |                |
| 5    | <b>1210000440</b> | • PIN, split          | 1    |       |            |       |                |
| 6    | <b>1141540020</b> | • WASHER              | 1    |       |            |       |                |
| 0-2  | <b>0371501500</b> | CYLINDER ASSY, grease | 2    |       |            |       |                |
| 7    | <b>0371501600</b> | • CYLINDER, grease    | 1    |       |            |       |                |
| 8    | <b>0371501700</b> | • PISTON              | 1    |       |            |       |                |
| 9    | <b>1541301602</b> | • VALVE, check        | 1    |       |            |       |                |
| 10   | <b>1541201616</b> | • WASHER              | 1    |       |            |       |                |
| 11   | <b>1400402640</b> | • SEAL, oil           | 1    |       |            |       |                |
| 12   | <b>1422010450</b> | • O-RING              | 1    |       |            |       |                |
| 13   | <b>1421020450</b> | • RING, back-up       | 1    |       |            |       |                |
| 14   | <b>1101051240</b> | BOLT                  | 8    |       |            |       |                |
| 15   | <b>1140010012</b> | WASHER, spring        | 8    |       |            |       |                |
|      | <b>G4a041</b>     |                       |      |       |            |       |                |



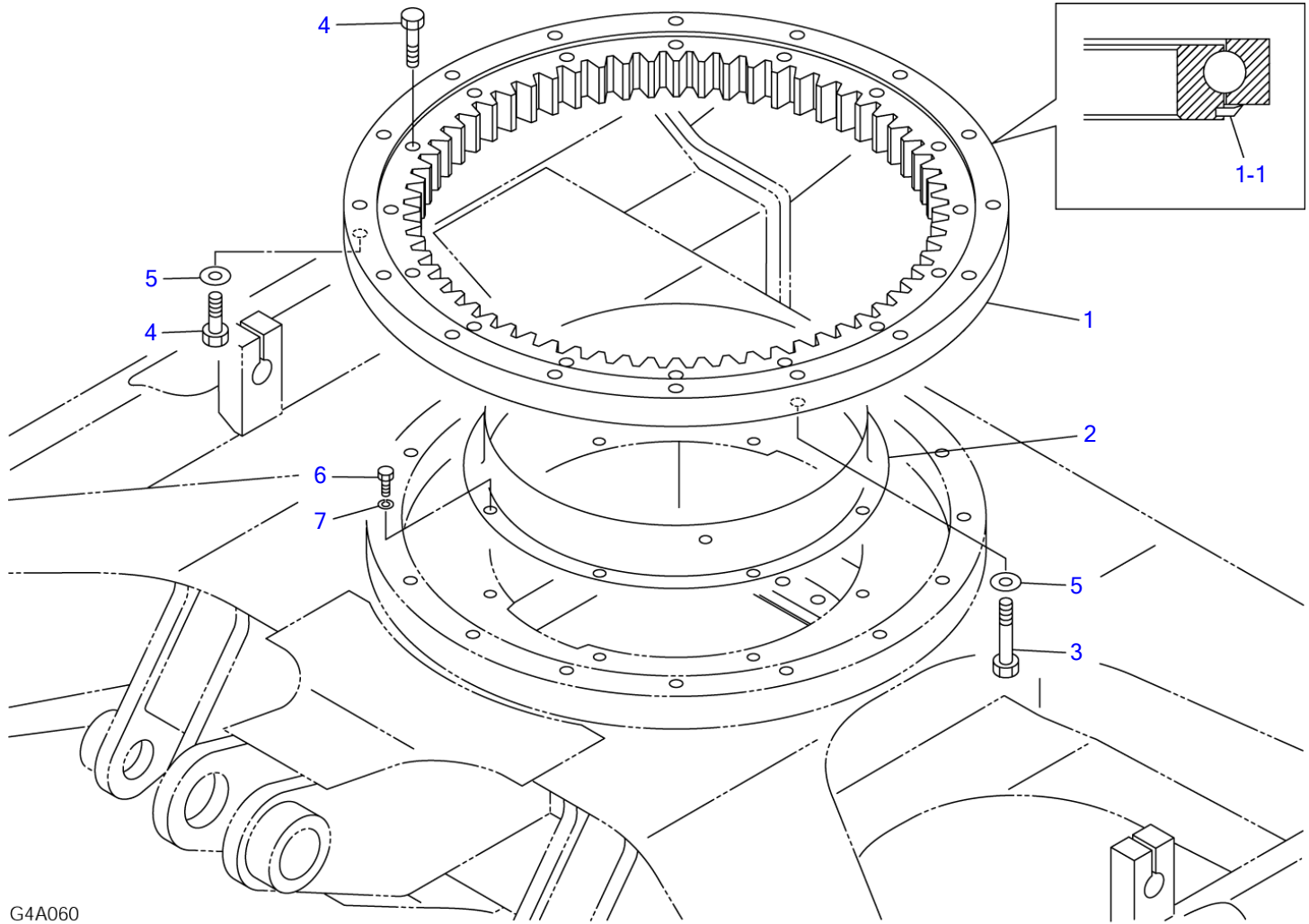
G4A051

S=1/6

**TRAVEL DEVICE**

| Item | Part number       | Description        | Q'ty | Chan. | Serial No.        | Serv. | Remarks        |
|------|-------------------|--------------------|------|-------|-------------------|-------|----------------|
|      |                   | MOTOR ASSY, travel |      |       |                   |       | X03716-08000-1 |
| 1    | <b>1903119400</b> | MOTOR, travel      | 2    |       | 13510004~13510348 |       |                |
|      | <b>1903120700</b> | MOTOR, travel      | 2    | (H)   | 13510349~13516744 |       |                |
|      | <b>1903125700</b> | MOTOR, travel      | 2    |       | 13516745~13519426 |       |                |
|      | <b>1903127300</b> | MOTOR, travel      | 2    |       | 13519427~         | M     |                |
| 2    | <b>0471000600</b> | SPROCKET           | 2    |       |                   |       |                |
| 3    | <b>1100051235</b> | BOLT               | 18   |       |                   |       |                |
| 4    | <b>1100051230</b> | BOLT               | 18   |       |                   |       |                |
| 5    | <b>1515600577</b> | ADAPTOR            | 4    |       |                   |       |                |
|      | <b>1420010180</b> | · O-RING           | 1    |       |                   |       |                |
| 6    | <b>1515600200</b> | ADAPTOR            | 4    |       |                   |       |                |
|      | <b>1420010110</b> | · O-RING           | 1    |       |                   |       |                |
|      | <b>G4a054</b>     |                    |      |       |                   |       |                |

TB135 Book No. BG4Z010 S/N 13510004-  
SLEW BEARING



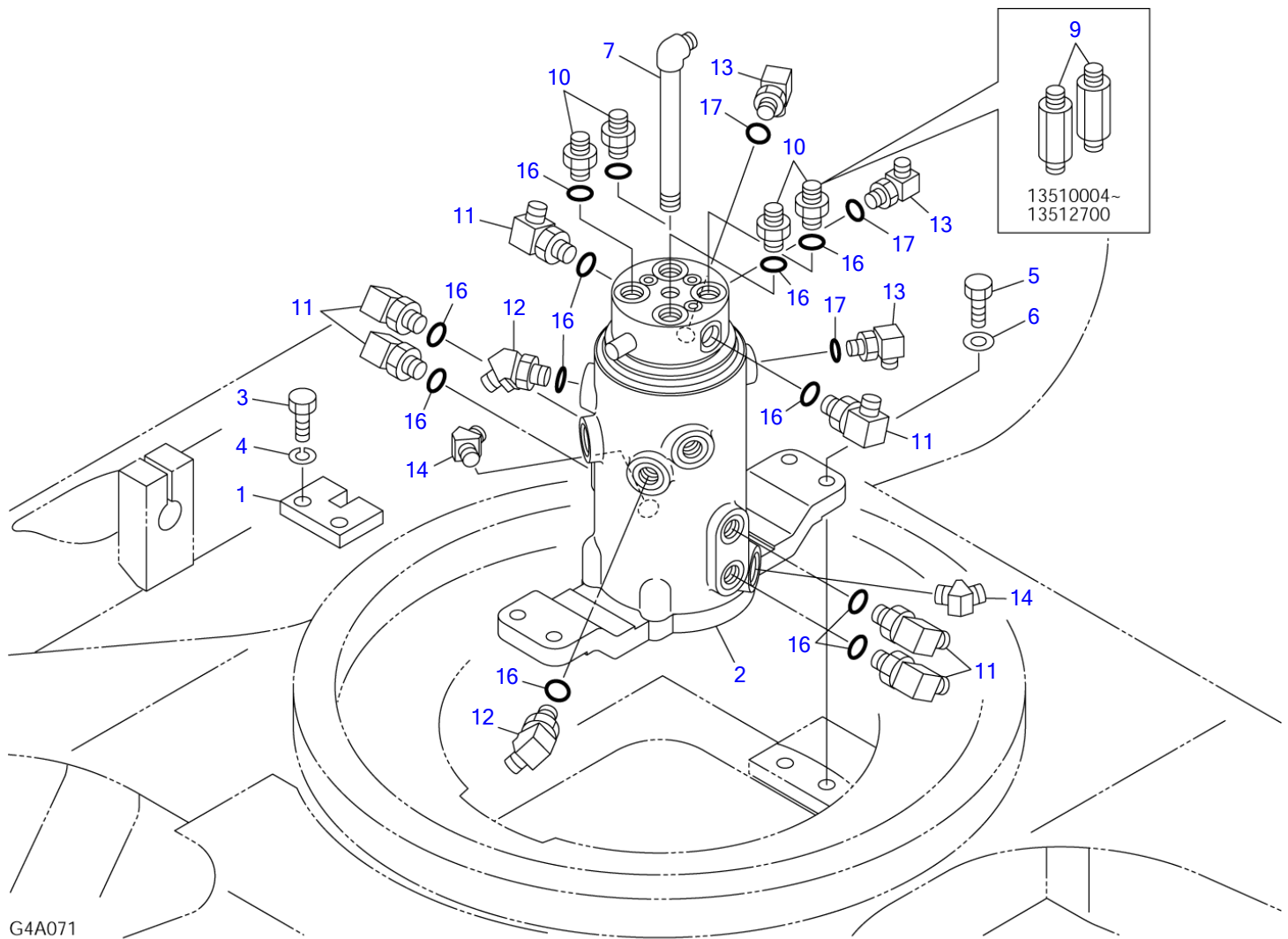
G4A060

S=1/6

**SLEW BEARING**

| Item | Part number       | Description        | Q'ty | Chan. | Serial No. | Serv. | Remarks        |
|------|-------------------|--------------------|------|-------|------------|-------|----------------|
|      |                   | BEARING ASSY, slew |      |       |            |       | X03720-00000-1 |
| 1    | <b>1913003700</b> | BEARING            | 1    |       |            |       |                |
| 1-1  | <b>1913003709</b> | • SEAL             | 1    |       |            |       |                |
| 2    | <b>0432300100</b> | BATH, grease       | 1    |       |            |       |                |
| 3    | <b>0352000100</b> | BOLT               | 1    |       |            |       |                |
| 4    | <b>1101051265</b> | BOLT               | 31   |       |            |       |                |
| 5    | <b>1141540012</b> | WASHER             | 16   |       |            |       |                |
| 6    | <b>1100040816</b> | BOLT               | 8    |       |            |       |                |
| 7    | <b>1140020008</b> | WASHER, spring     | 8    |       |            |       |                |
|      | <b>G4a060</b>     |                    |      |       |            |       |                |

TB135 Book No. BG4Z010 S/N 13510004-  
SWIVEL JOINT & ACCESSORIES



G4A071

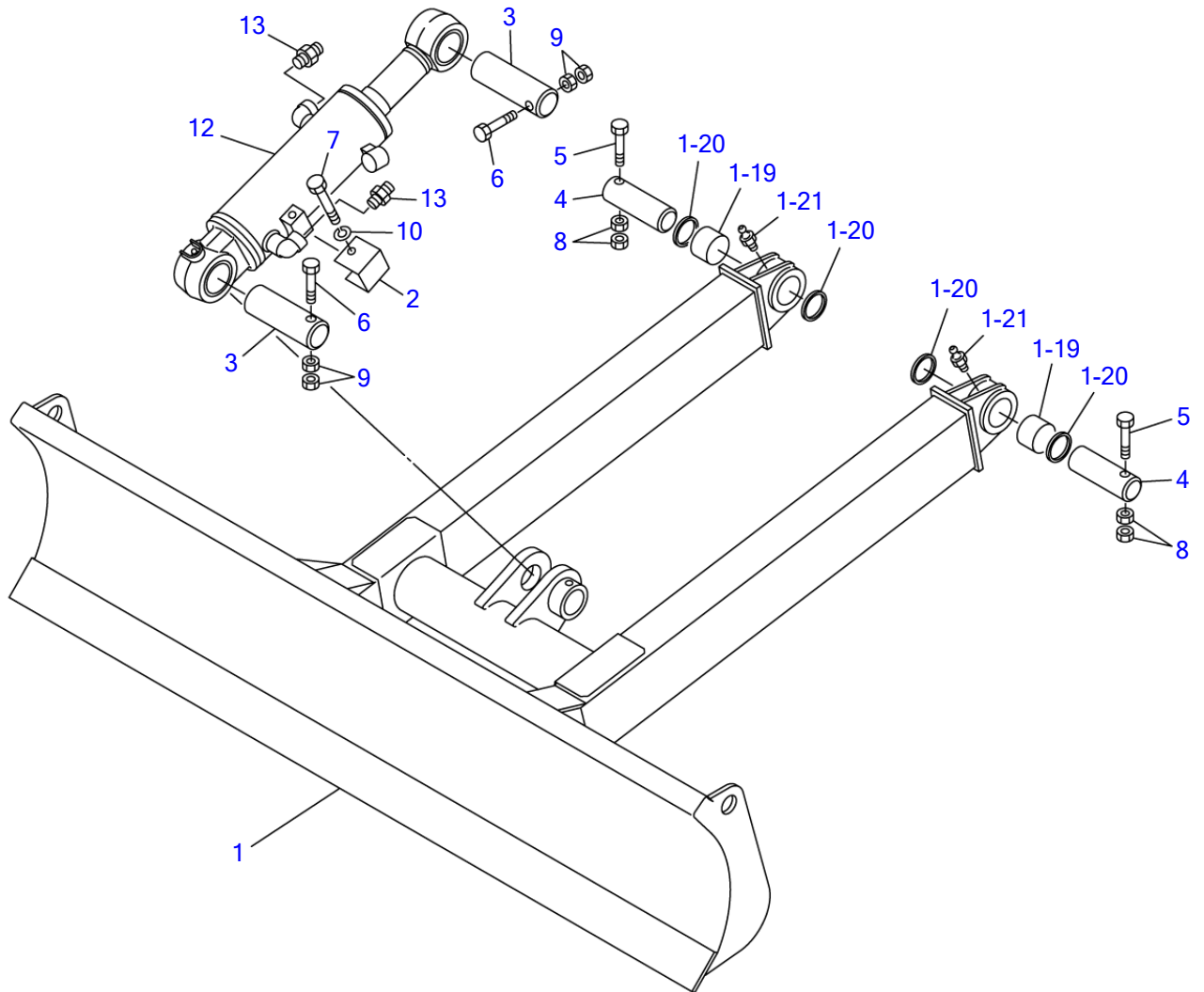
S=1/5



**SWIVEL JOINT & ACCESSORIES**

| Item | Part number | Description        | Q'ty | Chan. | Serial No.        | Serv. | Remarks        |
|------|-------------|--------------------|------|-------|-------------------|-------|----------------|
|      |             | JOINT ASSY, swivel |      |       |                   |       | X04421-02000-3 |
| 1    | 0442100100  | STOPPER            | 1    |       |                   |       |                |
| 2    | 1904005900  | JOINT, swivel      | 1    |       |                   |       |                |
| 3    | 1101041230  | BOLT               | 2    |       |                   |       |                |
| 4    | 1140020012  | WASHER, spring     | 2    |       |                   |       |                |
| 5    | 1101041240  | BOLT               | 4    |       |                   |       |                |
| 6    | 1141100012  | WASHER             | 4    |       |                   |       |                |
| 7    | 0432102100  | ELBOW              | 1    |       |                   |       |                |
| 9    | 0007203021  | ADAPTOR            | 2    |       | 13510004~13512700 |       |                |
| 10   | 1515600201  | ADAPTOR            | 2    |       | 13510004~13512700 |       |                |
|      | 1515600201  | ADAPTOR            | 4    | (H)   | 13512701~         |       |                |
|      | 1420010140  | · O-RING           | 1    |       |                   |       |                |
| 11   | 1515010041  | ELBOW              | 6    |       |                   |       |                |
|      | 1420010140  | · O-RING           | 1    |       |                   |       |                |
| 12   | 1515100111  | ELBOW              | 2    |       |                   |       |                |
|      | 1420010140  | · O-RING           | 1    |       |                   |       |                |
| 13   | 1515012040  | ELBOW              | 3    |       |                   |       |                |
|      | 1420010110  | · O-RING           | 1    |       |                   |       |                |
| 14   | 1511250002  | ELBOW              | 2    |       |                   |       |                |
| 16   | 1420010140  | O-RING             | 12   |       |                   |       |                |
| 17   | 1420010110  | O-RING             | 3    |       |                   |       |                |
|      | G4a071      |                    |      |       |                   |       |                |

TB135 Book No. BG4Z010 S/N 13510004-  
DOZER BLADE (13510004-13514050)

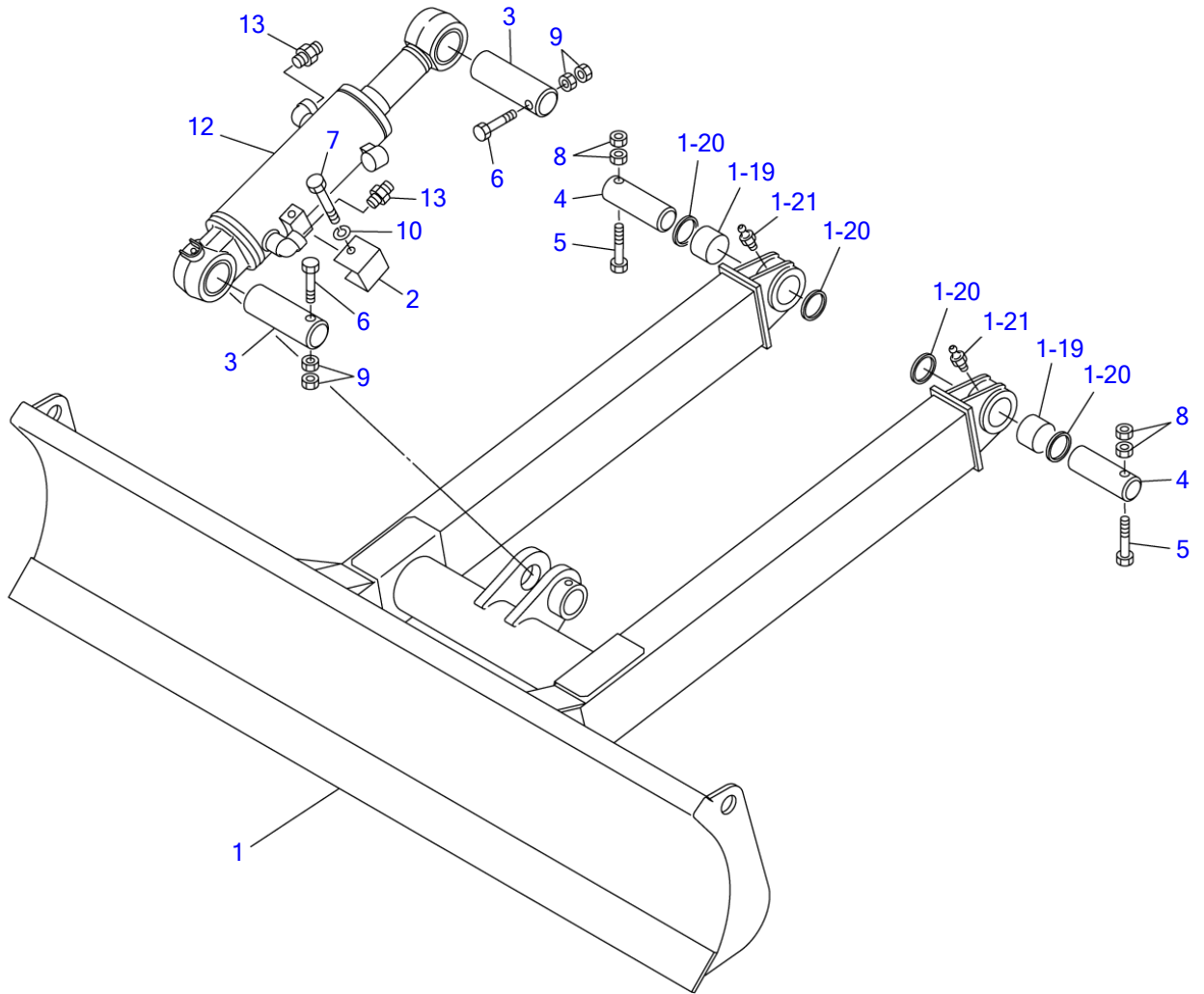


G4A080

S=1/12

**DOZER BLADE (13510004-13514050)**

| Item | Part number       | Description           | Q'ty | Chan. | Serial No.        | Serv. | Remarks        |
|------|-------------------|-----------------------|------|-------|-------------------|-------|----------------|
|      |                   | BLADE ASSY, dozer     |      |       |                   |       | X03763-07000-1 |
| 1    | <b>0376305100</b> | BLADE SUB ASSY, dozer | 1    |       | 13510004~13510559 |       |                |
|      | <b>0376307100</b> | BLADE SUB ASSY, dozer | 1    | (H)   | 13510560~         |       |                |
| 1-19 | <b>0436312300</b> | • BUSHING             | 2    |       |                   |       |                |
| 1-20 | <b>1432200040</b> | • SEAL, dust          | 4    |       |                   |       |                |
| 1-21 | <b>1560001000</b> | • FITTING, grease     | 2    |       |                   |       |                |
| 2    | <b>0426300400</b> | COVER                 | 1    |       |                   |       |                |
| 3    | <b>0001606140</b> | PIN                   | 2    |       |                   |       |                |
| 4    | <b>0001603125</b> | PIN                   | 2    |       |                   |       |                |
| 5    | <b>1103041080</b> | BOLT                  | 2    |       |                   |       |                |
| 6    | <b>1103141200</b> | BOLT                  | 2    |       |                   |       |                |
| 7    | <b>1100040860</b> | BOLT                  | 1    |       |                   |       |                |
| 8    | <b>1130240010</b> | NUT                   | 4    |       |                   |       |                |
| 9    | <b>1130240012</b> | NUT                   | 4    |       |                   |       |                |
| 10   | <b>1140020008</b> | WASHER, spring        | 1    |       |                   |       |                |
| 12   | <b>1900055100</b> | CYLINDER, dozer blade | 1    |       |                   |       |                |
| 13   | <b>1515600201</b> | ADAPTOR               | 2    |       |                   |       |                |
|      | <b>1420010140</b> | • O-RING              | 1    |       |                   |       |                |
|      | <b>G4a081</b>     |                       |      |       |                   |       |                |

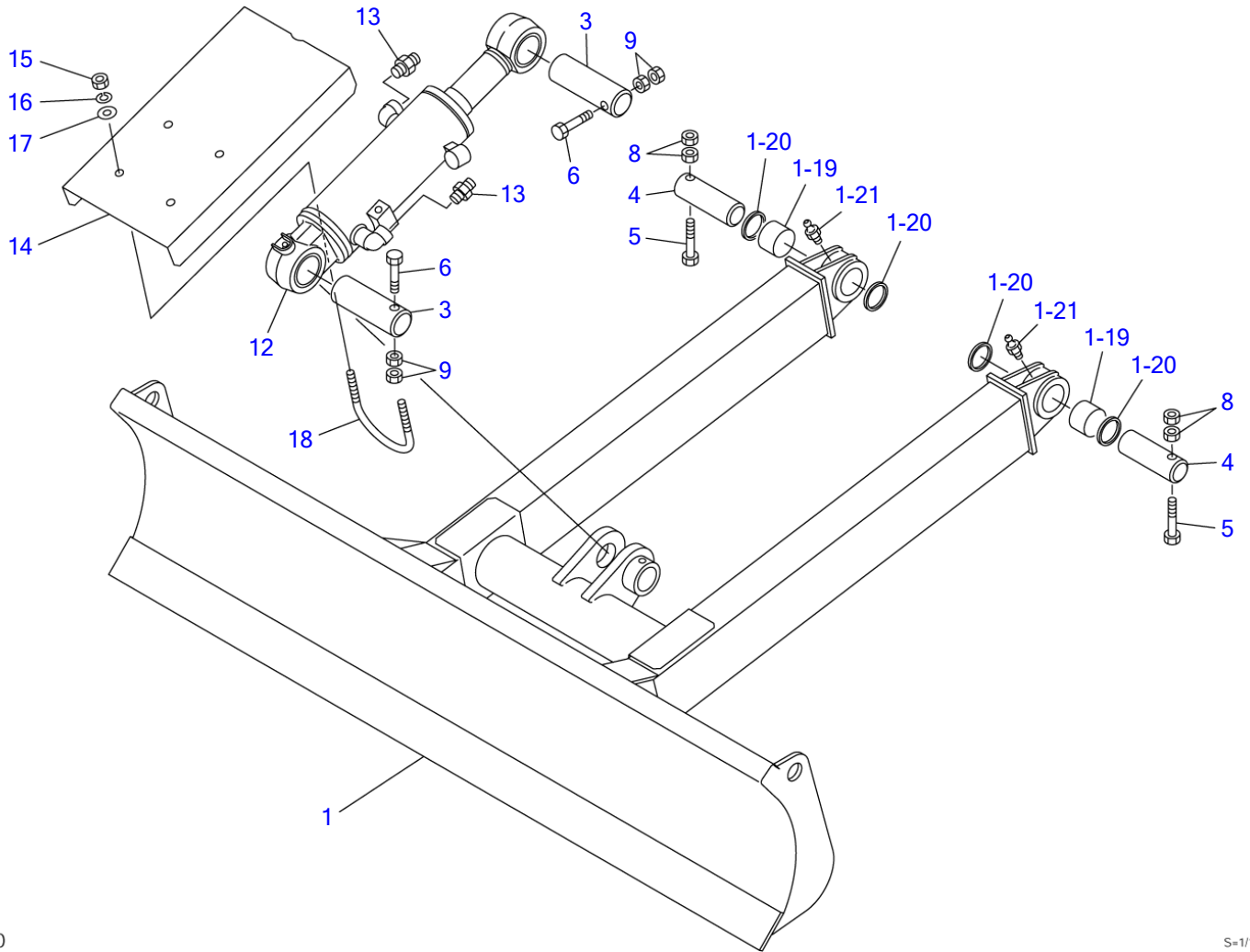


G4A081

S=1/12

**DOZER BLADE (13514051-)**

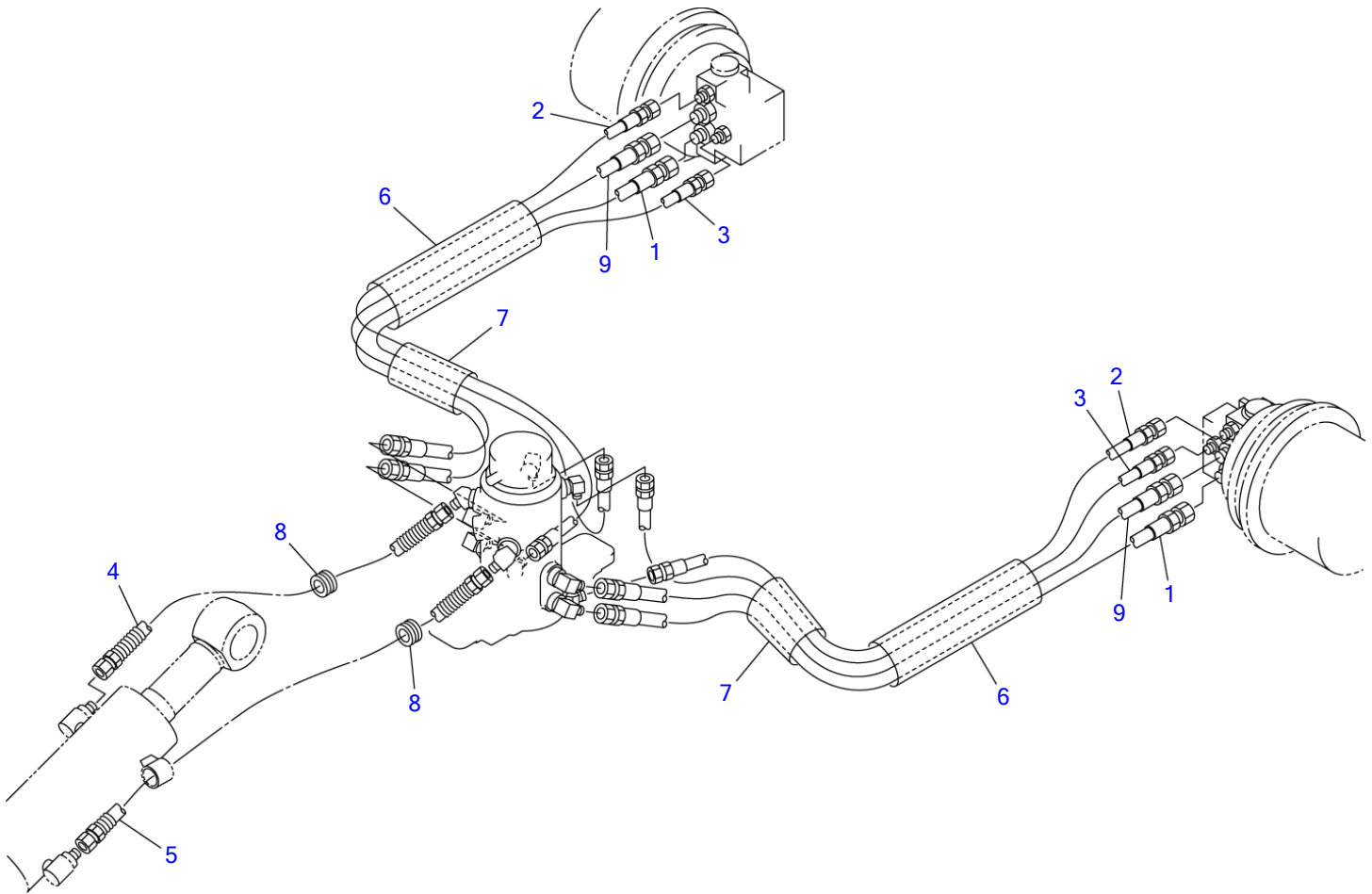
| Item | Part number       | Description           | Q'ty | Chan. | Serial No. | Serv. | Remarks        |
|------|-------------------|-----------------------|------|-------|------------|-------|----------------|
|      |                   | BLADE ASSY, dozer     |      |       |            |       | X03763-10000-1 |
| 1    | <b>0376307100</b> | BLADE SUB ASSY, dozer | 1    |       |            |       |                |
| 1-19 | <b>0436312300</b> | • BUSHING             | 2    |       |            |       |                |
| 1-20 | <b>1432200040</b> | • SEAL, dust          | 4    |       |            |       |                |
| 1-21 | <b>1560001000</b> | • FITTING, grease     | 2    |       |            |       |                |
| 2    | <b>0426300400</b> | COVER                 | 1    |       |            |       |                |
| 3    | <b>0001606140</b> | PIN                   | 2    |       |            |       |                |
| 4    | <b>0001603125</b> | PIN                   | 2    |       |            |       |                |
| 5    | <b>1103041080</b> | BOLT                  | 2    |       |            |       |                |
| 6    | <b>1103141200</b> | BOLT                  | 2    |       |            |       |                |
| 7    | <b>1100040860</b> | BOLT                  | 1    |       |            |       |                |
| 8    | <b>1130240010</b> | NUT                   | 4    |       |            |       |                |
| 9    | <b>1130240012</b> | NUT                   | 4    |       |            |       |                |
| 10   | <b>1140020008</b> | WASHER, spring        | 1    |       |            |       |                |
| 12   | <b>1900091700</b> | CYLINDER, dozer blade | 1    |       |            |       |                |
| 13   | <b>1515600201</b> | ADAPTOR               | 2    |       |            |       |                |
|      | <b>1420010140</b> | • O-RING              | 1    |       |            |       |                |
|      | <b>G4a083</b>     |                       |      |       |            |       |                |



G4A130

S=1/12

| DOZER BLADE (for China; 13514051-) |             |                       |      |       |            |                |
|------------------------------------|-------------|-----------------------|------|-------|------------|----------------|
| Item                               | Part number | Description           | Q'ty | Chan. | Serial No. | Serv. Remarks  |
|                                    |             | BLADE ASSY, dozer     |      |       |            | X03763-11000-1 |
| 1                                  | 0376307100  | BLADE SUB ASSY, dozer | 1    |       |            |                |
| 1-19                               | 0436312300  | • BUSHING             | 2    |       |            |                |
| 1-20                               | 1432200040  | • SEAL, dust          | 4    |       |            |                |
| 1-21                               | 1560001000  | • FITTING, grease     | 2    |       |            |                |
| 3                                  | 0001606140  | PIN                   | 2    |       |            |                |
| 4                                  | 0001603125  | PIN                   | 2    |       |            |                |
| 5                                  | 1103041080  | BOLT                  | 2    |       |            |                |
| 6                                  | 1103141200  | BOLT                  | 2    |       |            |                |
| 8                                  | 1130240010  | NUT                   | 4    |       |            |                |
| 9                                  | 1130240012  | NUT                   | 4    |       |            |                |
| 12                                 | 1900091700  | CYLINDER, dozer blade | 1    |       |            |                |
| 13                                 | 1515600201  | ADAPTOR               | 2    |       |            |                |
|                                    | 1420010140  | • O-RING              | 1    |       |            |                |
| 14                                 | 0566327010  | COVER                 | 1    |       |            |                |
| 15                                 | 1130040010  | NUT                   | 4    |       |            |                |
| 16                                 | 1140020010  | WASHER, spring        | 4    |       |            |                |
| 17                                 | 1141110010  | WASHER                | 4    |       |            |                |
| 18                                 | 1533203040  | U-BOLT                | 2    |       |            |                |
|                                    | G4a130      |                       |      |       |            |                |



G4A091

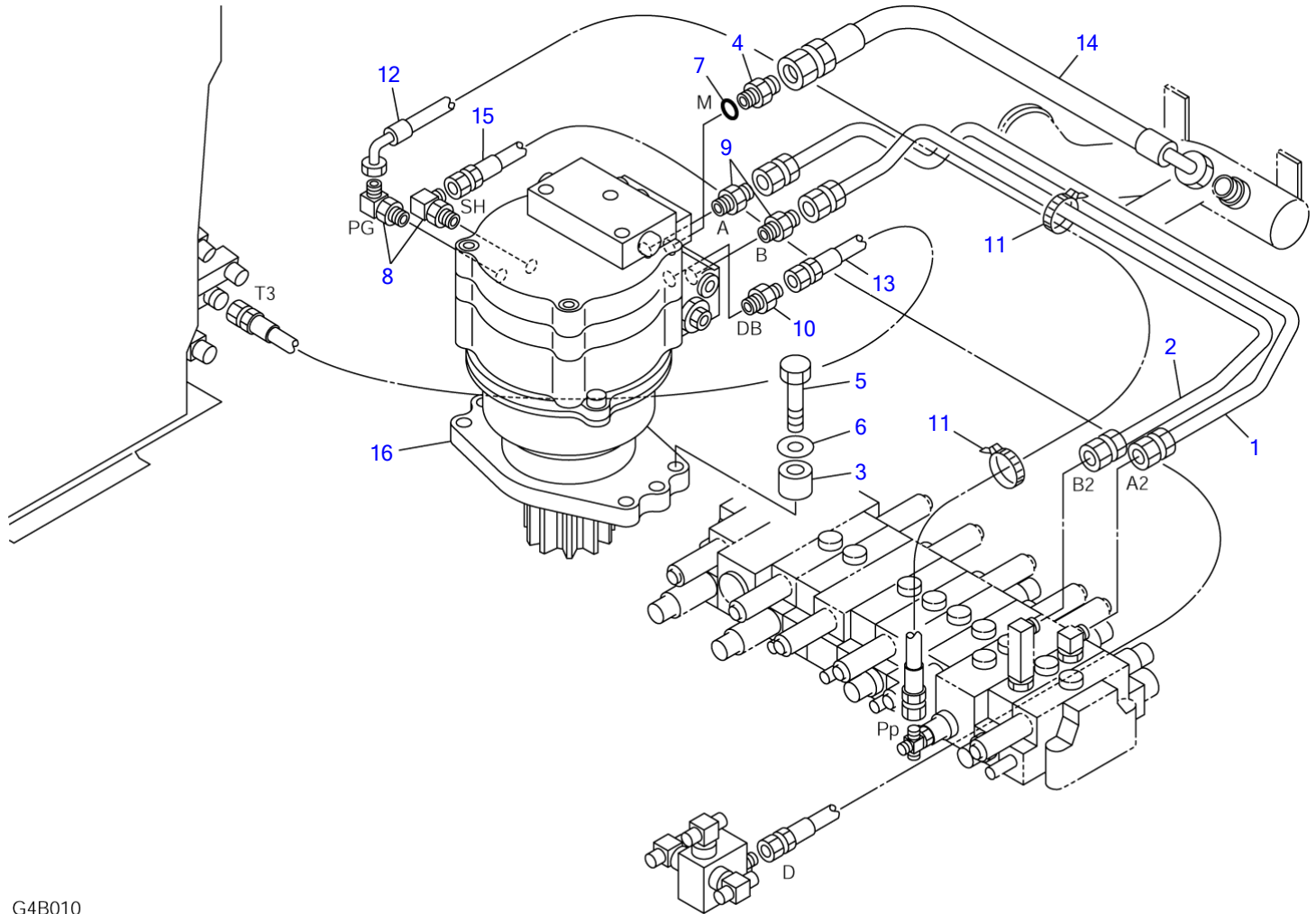
S=1/10



**PIPING; LOWER**

| Item | Part number       | Description        | Q'ty | Chan. | Serial No. | Serv. | Remarks           |
|------|-------------------|--------------------|------|-------|------------|-------|-------------------|
|      |                   | PIPING ASSY, lower |      |       |            |       | X03772-07000-1    |
| 1    | <b>1801520108</b> | HOSE ASSY          | 2    |       |            |       |                   |
| 2    | <b>1801022106</b> | HOSE ASSY          | 2    |       |            |       |                   |
| 3    | <b>0377207200</b> | HOSE ASSY          | 2    |       |            |       | 18010-22116       |
| 4    | <b>1801620090</b> | HOSE ASSY          | 1    |       |            |       |                   |
| 5    | <b>1801620110</b> | HOSE ASSY          | 1    |       |            |       |                   |
| 6    | <b>1531350040</b> | PROTECTOR          | 2    |       |            |       | sold by the meter |
| 7    | <b>1531350015</b> | PROTECTOR          | 2    |       |            |       | sold by the meter |
| 8    | <b>0437200100</b> | GUARD              | 2    |       |            |       |                   |
| 9    | <b>0377207100</b> | HOSE ASSY          | 2    |       |            |       | 18015-20108       |
|      | <b>G4a091</b>     |                    |      |       |            |       |                   |

TB135 Book No. BG4Z010 S/N 13510004-  
SLEWING DEVICE (13510004-13510135)



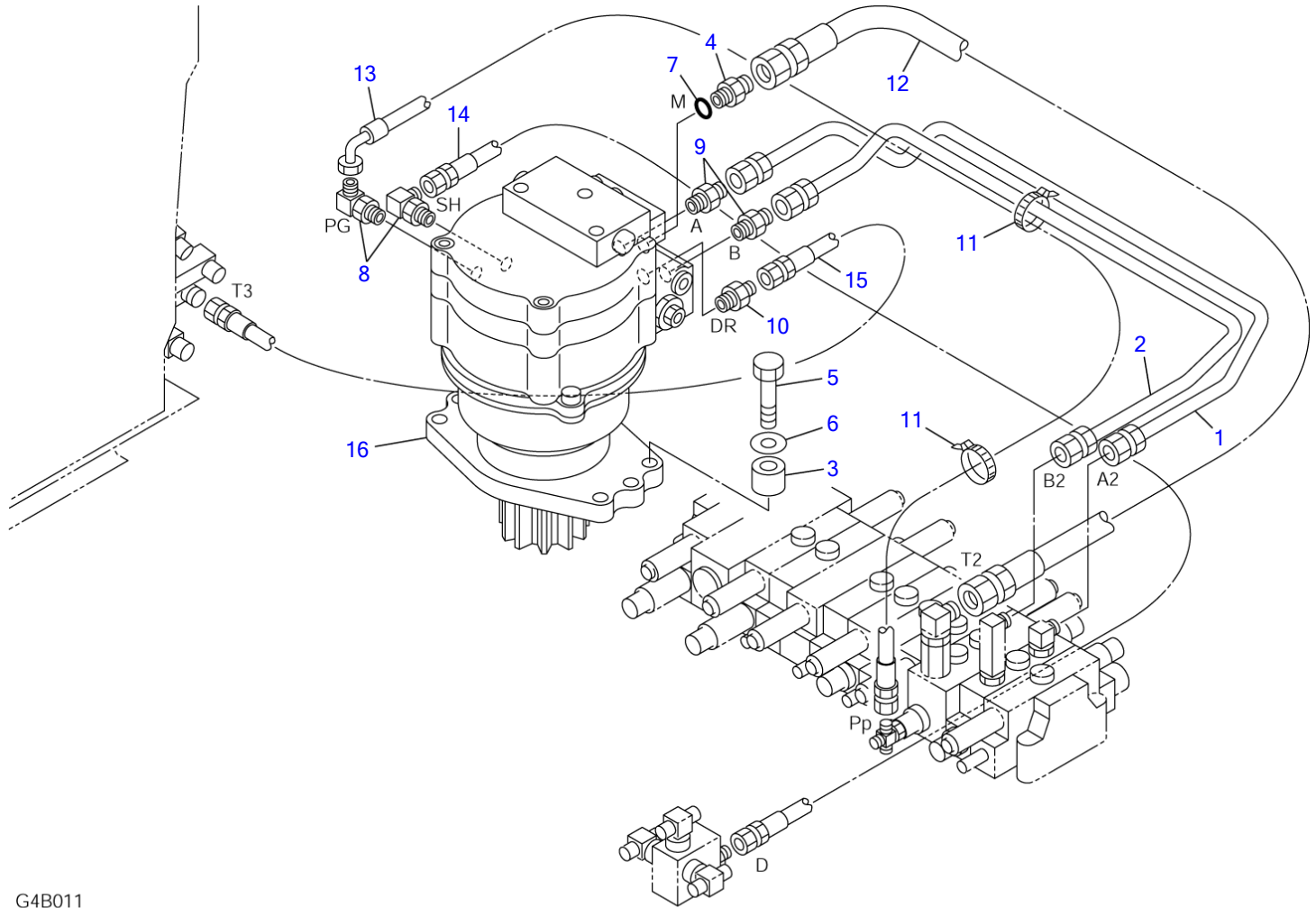
G4B010

S=1/6

**SLEWING DEVICE (13510004-13510135)**

| Item | Part number | Description          | Q'ty | Chan. | Serial No. | Serv. | Remarks        |
|------|-------------|----------------------|------|-------|------------|-------|----------------|
|      |             | DEVICE ASSY, slewing |      |       |            |       | X03723-09000-1 |
| 1    | 0372309010  | PIPE                 | 1    |       |            |       |                |
| 2    | 0372309020  | PIPE                 | 1    |       |            |       |                |
| 3    | 0372309030  | SPACER               | 6    |       |            |       |                |
| 4    | 0007203063  | ADAPTOR              | 1    |       |            |       |                |
| 5    | 1101041465  | BOLT                 | 6    |       |            |       |                |
| 6    | 1141550014  | WASHER               | 6    |       |            |       |                |
| 7    | 1420010140  | O-RING               | 1    |       |            |       |                |
| 8    | 1515010040  | ELBOW                | 2    |       |            |       |                |
|      | 1420010110  | · O-RING             | 1    |       |            |       |                |
| 9    | 1515600201  | ADAPTOR              | 2    |       |            |       |                |
|      | 1420010140  | · O-RING             | 1    |       |            |       |                |
| 10   | 1515600576  | ADAPTOR              | 1    |       |            |       |                |
|      | 1420010140  | · O-RING             | 1    |       |            |       |                |
| 11   | 1652201005  | BAND                 | 2    |       |            |       |                |
| 12   | 1801052110  | HOSE ASSY            | 1    |       |            |       |                |
| 13   | 1801022105  | HOSE ASSY            | 1    |       |            |       |                |
| 14   | 1801054042  | HOSE ASSY            | 1    |       |            |       |                |
| 15   | 1801022124  | HOSE ASSY            | 1    |       |            |       |                |
| 16   | 1903119900  | MOTOR, slew          | 1    |       |            |       |                |
|      | G4b010      |                      |      |       |            |       |                |

TB135 Book No. BG4Z010 S/N 13510004-  
SLEWING DEVICE (13510136-)

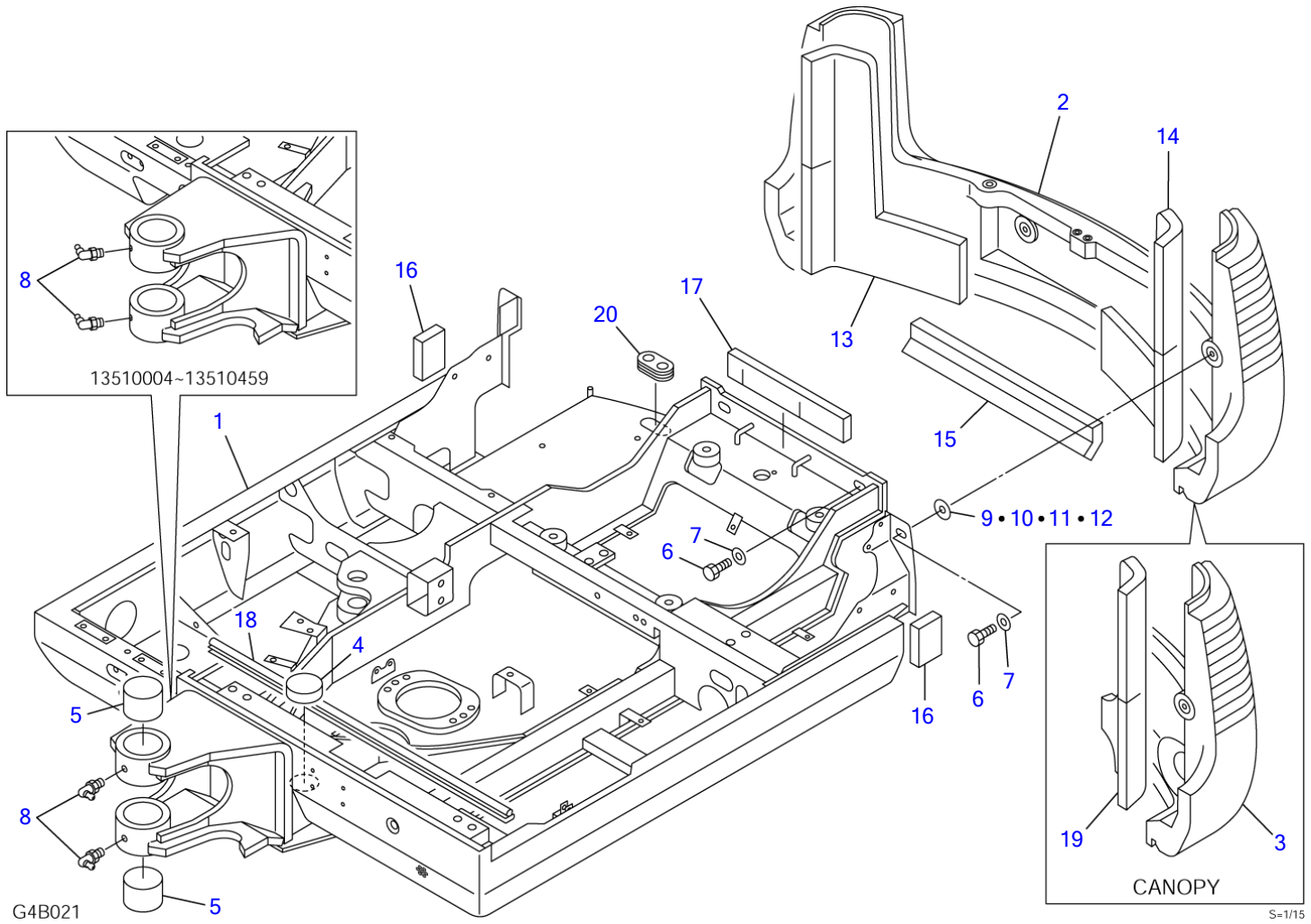


G4B011

S=1/6

**SLEWING DEVICE (13510136-)**

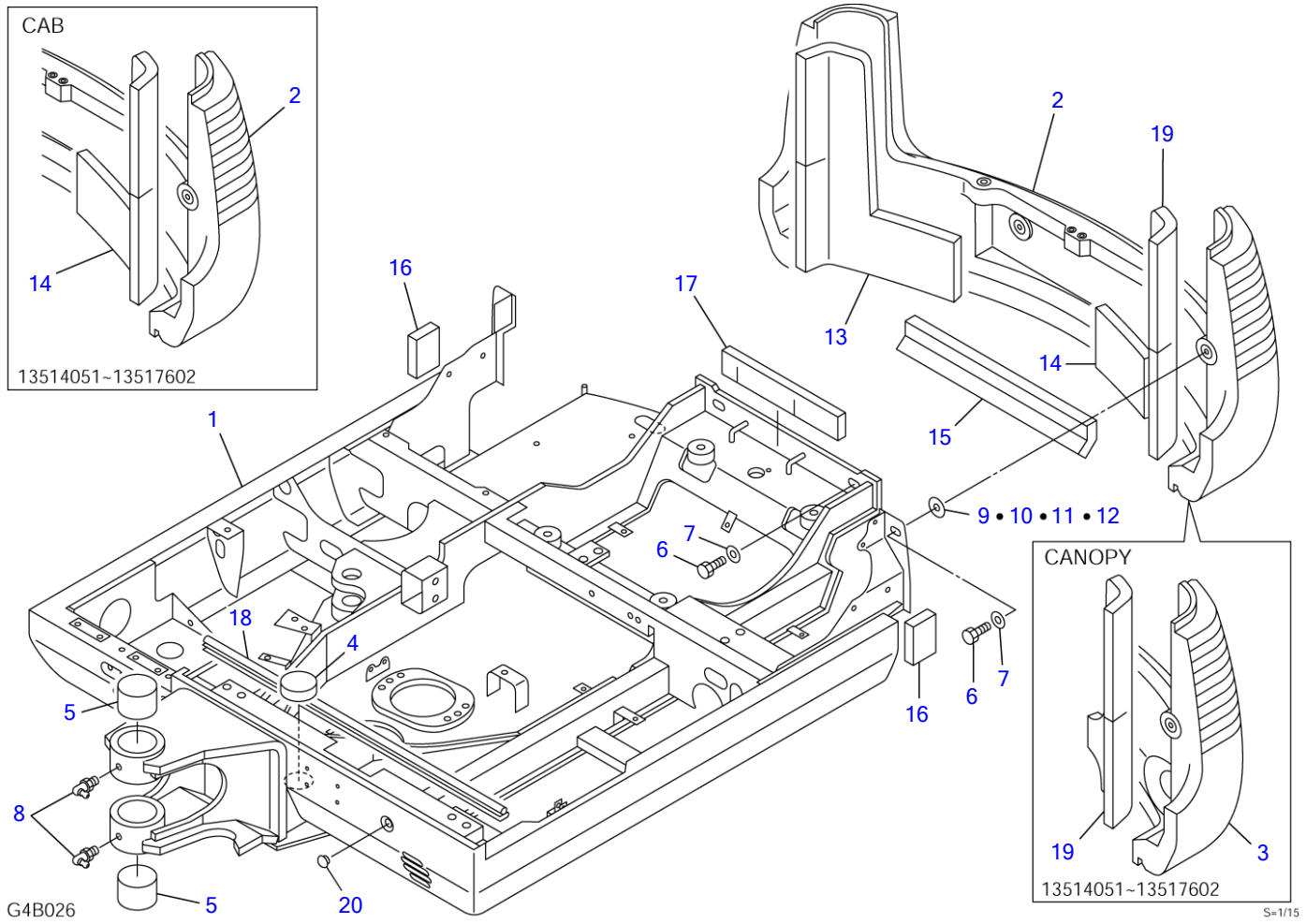
| Item | Part number | Description          | Q'ty | Chan. | Serial No. | Serv. | Remarks        |
|------|-------------|----------------------|------|-------|------------|-------|----------------|
|      |             | DEVICE ASSY, slewing |      |       |            |       | X03723-10000-1 |
| 1    | 0372309010  | PIPE                 | 1    |       |            |       |                |
| 2    | 0372309020  | PIPE                 | 1    |       |            |       |                |
| 3    | 0372309030  | SPACER               | 6    |       |            |       |                |
| 4    | 0007203063  | ADAPTOR              | 1    |       |            |       |                |
| 5    | 1101041465  | BOLT                 | 6    |       |            |       |                |
| 6    | 1141550014  | WASHER               | 6    |       |            |       |                |
| 7    | 1420010140  | O-RING               | 1    |       |            |       |                |
| 8    | 1515012040  | ELBOW                | 2    |       |            |       |                |
|      | 1420010110  | · O-RING             | 1    |       |            |       |                |
| 9    | 1515600201  | ADAPTOR              | 2    |       |            |       |                |
|      | 1420010140  | · O-RING             | 1    |       |            |       |                |
| 10   | 1515600576  | ADAPTOR              | 1    |       |            |       |                |
|      | 1420010140  | · O-RING             | 1    |       |            |       |                |
| 11   | 1652201005  | BAND                 | 2    |       |            |       |                |
| 12   | 0372310150  | HOSE ASSY            | 1    |       |            |       | 18010-24090    |
| 13   | 0372310160  | HOSE ASSY            | 1    |       |            |       | 18010-52110    |
| 14   | 0372310170  | HOSE ASSY            | 1    |       |            |       | 18010-22124    |
| 15   | 0372310180  | HOSE ASSY            | 1    |       |            |       | 18010-22105    |
| 16   | 1903119900  | MOTOR, slew          | 1    |       |            |       |                |
|      | G4b012      |                      |      |       |            |       |                |



**TURNTABLE (13510004-13514050)**

| Item | Part number | Description             | Q'ty | Chan. | Serial No.        | Serv. | Remarks        |
|------|-------------|-------------------------|------|-------|-------------------|-------|----------------|
|      |             | TURNTABLE ASSY (cab)    |      |       |                   |       | X03730-07000-7 |
|      |             | TURNTABLE ASSY (canopy) |      |       |                   |       | X03730-08000-7 |
| 1    | X *****     | TURNTABLE               | 1    |       |                   |       |                |
| 2    | 0373007500  | COUNTERWEIGHT           | 1    |       |                   |       | cab            |
| 3    | 0373008500  | COUNTERWEIGHT           | 1    |       |                   |       | canopy         |
| 4    | 0173216600  | COVER                   | 1    |       |                   |       |                |
| 5    | 0002400056  | BUSHING                 | 2    |       |                   |       |                |
| 6    | 1101041640  | BOLT                    | 4    |       |                   |       |                |
| 7    | 1141550016  | WASHER                  | 4    |       |                   |       |                |
| 8    | 1560001675  | FITTING, grease         | 2    |       | 13510004~13510459 |       |                |
|      | 1560001900  | FITTING, grease         | 2    |       | 13510460~         |       |                |
| 9    | 0433010610  | SHIM                    | AR   |       |                   |       | t=1.0          |
| 10   | 0433010620  | SHIM                    | AR   |       |                   |       | t=1.6          |
| 11   | 0433010630  | SHIM                    | AR   |       |                   |       | t=2.3          |
| 12   | 0433010640  | SHIM                    | AR   |       |                   |       | t=3.2          |
| 13   | 0373007600  | ABSORBENT, noise        | 1    |       |                   |       |                |
| 14   | 0373007610  | ABSORBENT, noise        | 1    |       |                   |       | cab            |
| 15   | 0373007620  | ABSORBENT, noise        | 1    |       |                   |       |                |
| 16   | 0373007630  | ABSORBENT, noise        | 2    |       |                   |       |                |
| 17   | 0373007640  | ABSORBENT, noise        | 1    |       |                   |       |                |
| 18   | 1654605097  | RUBBER                  | 1    |       |                   |       |                |
| 19   | 0373007650  | ABSORBENT, noise        | 1    |       |                   |       | canopy         |
| 20   | 0337017300  | GUARD                   | 1    |       |                   |       |                |
|      | G4b022      |                         |      |       |                   |       |                |

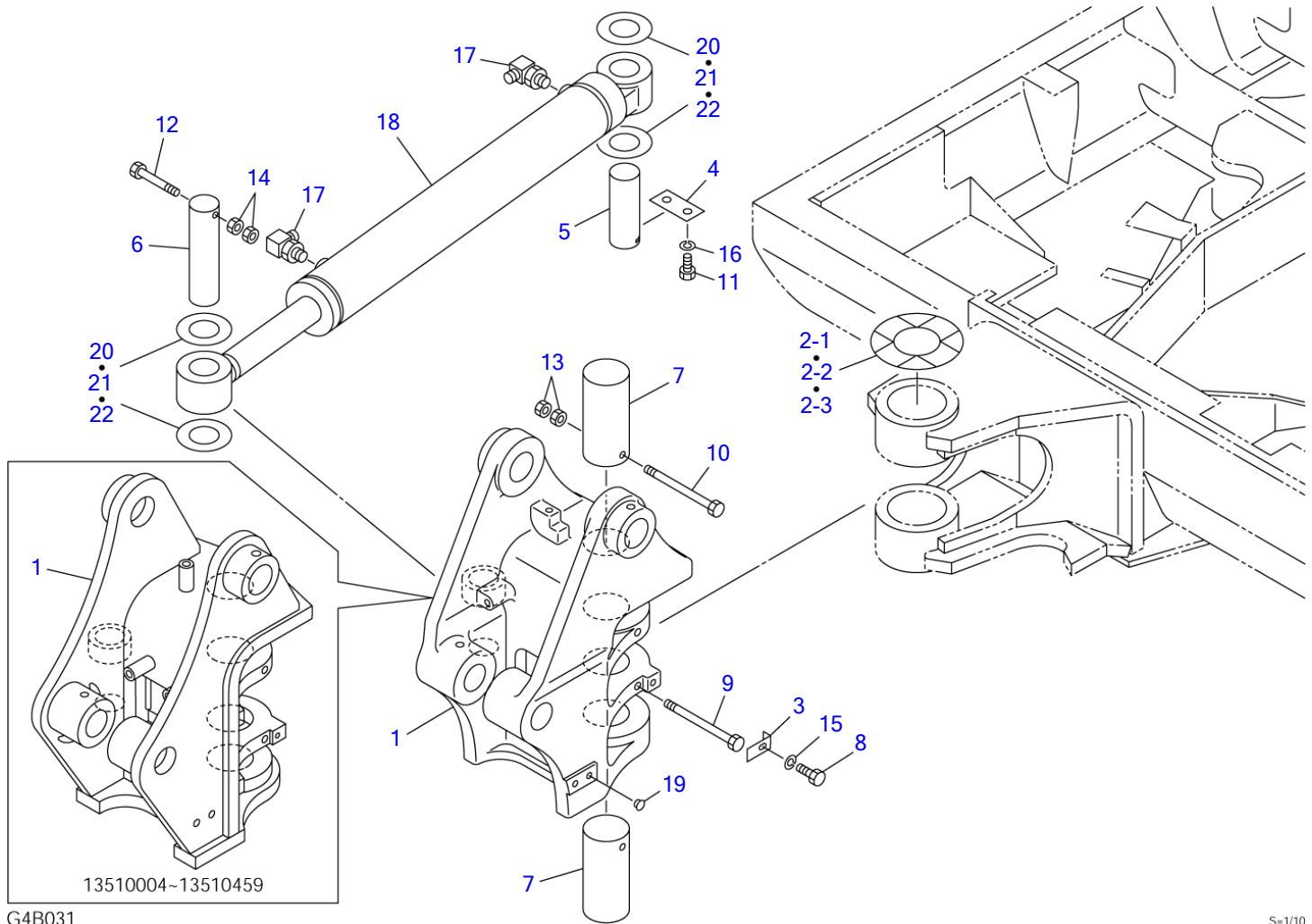
TB135 Book No. BG4Z010 S/N 13510004-  
TURNTABLE (13514051-)





**TURNTABLE (13514051-)**

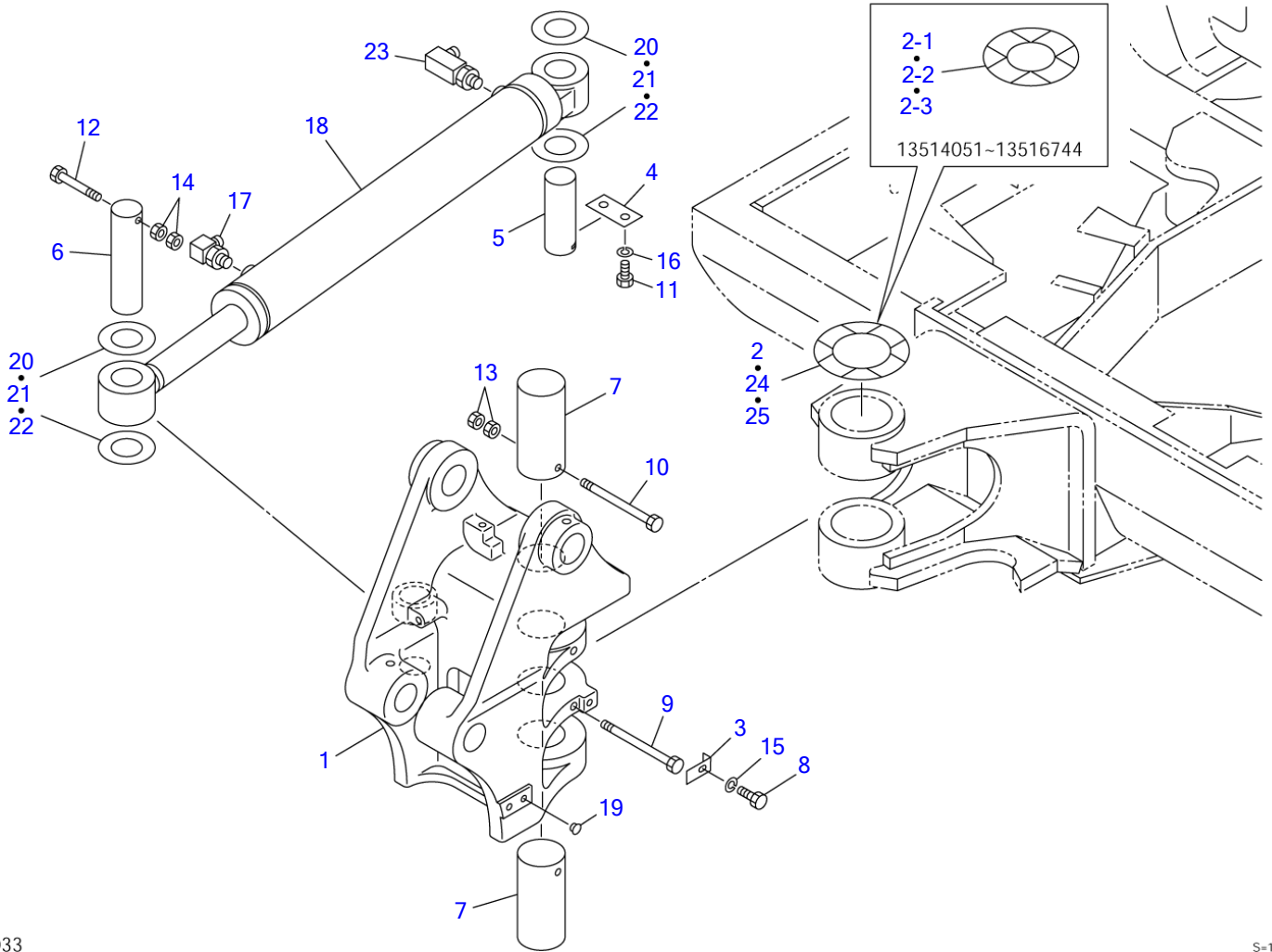
| Item | Part number | Description             | Q'ty | Chan. | Serial No.        | Serv. | Remarks        |
|------|-------------|-------------------------|------|-------|-------------------|-------|----------------|
|      |             | TURNTABLE ASSY (cab)    |      |       |                   |       | X03730-13000-2 |
|      |             | TURNTABLE ASSY (canopy) |      |       |                   |       | X03730-13500-2 |
| 1    | X *****     | TURNTABLE               | 1    |       |                   |       |                |
| 2    | 0373007500  | COUNTERWEIGHT           | 1    |       |                   |       | cab            |
| 3    | 0373008500  | COUNTERWEIGHT           | 1    |       |                   |       | canopy         |
| 4    | 0173216600  | COVER                   | 1    |       |                   |       |                |
| 5    | 0002400056  | BUSHING                 | 2    |       | 13514051~13516744 |       |                |
|      | 0373013005  | BUSHING                 | 2    |       | 13516745~         |       |                |
| 6    | 1101041640  | BOLT                    | 4    |       |                   |       |                |
| 7    | 1141550016  | WASHER                  | 4    |       |                   |       |                |
| 8    | 1560001900  | FITTING, grease         | 2    |       |                   |       |                |
| 9    | 0433010610  | SHIM                    | AR   |       |                   |       | t=1.0          |
| 10   | 0433010620  | SHIM                    | AR   |       |                   |       | t=1.6          |
| 11   | 0433010630  | SHIM                    | AR   |       |                   |       | t=2.3          |
| 12   | 0433010640  | SHIM                    | AR   |       |                   |       | t=3.2          |
| 13   | 0373007600  | ABSORBENT, noise        | 1    |       |                   |       |                |
| 14   | 0373007610  | ABSORBENT, noise        | 1    |       | 13514051~13517602 |       | cab            |
|      | 0373007660  | ABSORBENT, noise        | 1    |       | 13517603~         |       | cab            |
| 15   | 0373007620  | ABSORBENT, noise        | 1    |       |                   |       |                |
| 16   | 0373007630  | ABSORBENT, noise        | 2    |       |                   |       |                |
| 17   | 0373007640  | ABSORBENT, noise        | 1    |       |                   |       |                |
| 18   | 1654605097  | RUBBER                  | 1    |       |                   |       |                |
| 19   | 0373007650  | ABSORBENT, noise        | 1    |       |                   |       | canopy         |
| 20   | 1652533023  | CAP                     | 1    |       |                   |       |                |
|      | G4b027      |                         |      |       |                   |       |                |



**BOOM SWING (13510004-13514050)**

| Item | Part number       | Description      | Q'ty | Chan. | Serial No.        | Serv. | Remarks        |
|------|-------------------|------------------|------|-------|-------------------|-------|----------------|
|      |                   | SWING ASSY, boom |      |       |                   |       | X03731-05000-1 |
| 1    | <b>0373104100</b> | BRACKET          | 1    |       | 13510004~13510459 |       |                |
|      | <b>0373104600</b> | BRACKET          | 1    |       | 13510460~         |       |                |
| 2    | <b>0373104200</b> | WASHER           | 1    |       |                   |       |                |
| 2-1  | <b>0373104201</b> | · WASHER         | 1    |       |                   |       | t=4.5          |
| 2-2  | <b>0373104202</b> | · WASHER         | 1    |       |                   |       | t=5.0          |
| 2-3  | <b>0373104203</b> | · WASHER         | 1    |       |                   |       | t=5.5          |
| 3    | <b>0333112200</b> | PLATE            | 1    |       |                   |       |                |
| 4    | <b>0433105700</b> | PLATE            | 1    |       |                   |       |                |
| 5    | <b>0001694008</b> | PIN              | 1    |       |                   |       |                |
| 6    | <b>0001604170</b> | PIN              | 1    |       | 13510004~13510459 |       |                |
|      | <b>0001614001</b> | PIN              | 1    |       | 13510460~         |       |                |
| 7    | <b>0011519002</b> | PIN              | 2    |       |                   |       |                |
| 8    | <b>1100040820</b> | BOLT             | 1    |       |                   |       |                |
| 9    | <b>1100141020</b> | BOLT             | 1    |       |                   |       |                |
| 10   | <b>1100141050</b> | BOLT             | 1    |       |                   |       |                |
| 11   | <b>1101041225</b> | BOLT             | 2    |       |                   |       |                |
| 12   | <b>1103041085</b> | BOLT             | 1    |       |                   |       |                |
| 13   | <b>1130040010</b> | NUT              | 2    |       |                   |       |                |
| 14   | <b>1130240010</b> | NUT              | 2    |       |                   |       |                |
| 15   | <b>1140020008</b> | WASHER, spring   | 1    |       |                   |       |                |
| 16   | <b>1140020012</b> | WASHER, spring   | 4    |       |                   |       |                |
| 17   | <b>1515010041</b> | ELBOW            | 2    |       |                   |       |                |
|      | <b>1420010140</b> | · O-RING         | 1    |       |                   |       |                |
| 18   | <b>1900075500</b> | CYLINDER, swing  | 1    |       |                   |       |                |
| 19   | <b>1652062006</b> | CAP              | 2    |       |                   |       |                |
| 20   | <b>0003600055</b> | SHIM             | AR   |       |                   |       | t=0.2          |
| 21   | <b>0003600056</b> | SHIM             | AR   |       |                   |       | t=0.5          |
| 22   | <b>0456008600</b> | SHIM             | AR   |       |                   |       | t=1.0          |
|      | <b>G4b031</b>     |                  |      |       |                   |       |                |

TB135 Book No. BG4Z010 S/N 13510004-  
BOOM SWING (13514051-)



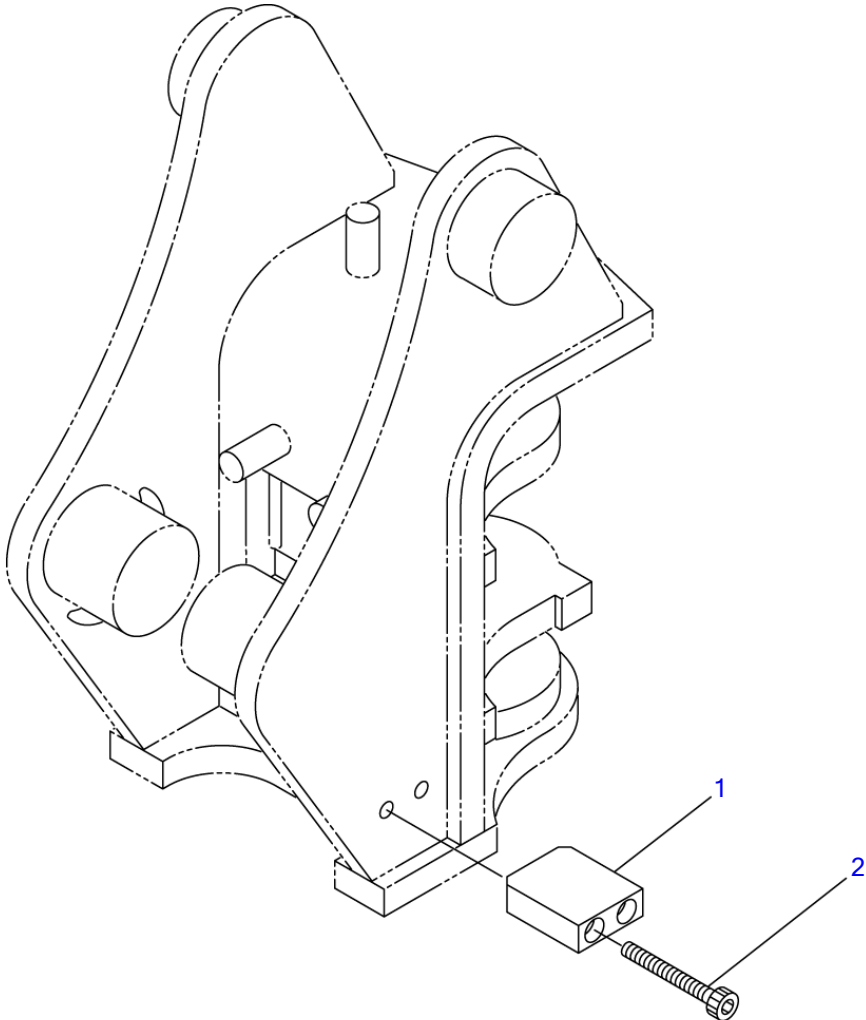
G4B033

S=1/10

**BOOM SWING (13514051-)**

| Item | Part number | Description      | Q'ty | Chan. | Serial No.        | Serv. | Remarks        |
|------|-------------|------------------|------|-------|-------------------|-------|----------------|
|      |             | SWING ASSY, boom |      |       |                   |       | X03731-09000-3 |
| 1    | 0373104600  | BRACKET          | 1    |       | 13514051~13516744 |       |                |
|      | 0373109100  | BRACKET          | 1    |       | 13516745~         |       |                |
| 2    | 0373104200  | WASHER           | 1    |       | 13514051~13516744 |       |                |
|      | 0373109201  | WASHER           | 1    |       | 13516745~         |       |                |
| 2-1  | 0373104201  | · WASHER         | 1    |       | 13514051~13516744 |       | t=4.5          |
| 2-2  | 0373104202  | · WASHER         | 1    |       | 13514051~13516744 |       | t=5.0          |
| 2-3  | 0373104203  | · WASHER         | 1    |       | 13514051~13516744 |       | t=5.5          |
| 3    | 0333112200  | PLATE            | 1    |       |                   |       |                |
| 4    | 0433105700  | PLATE            | 1    |       |                   |       |                |
| 5    | 0001694008  | PIN              | 1    |       |                   |       |                |
| 6    | 0001614001  | PIN              | 1    |       |                   |       |                |
| 7    | 0011519002  | PIN              | 2    |       | 13514051~13516744 |       |                |
|      | 0373109070  | PIN              | 2    | (L)   | 13516745~13517074 |       |                |
|      | 0373109071  | PIN              | 2    |       | 13517075~         |       |                |
| 8    | 1100040820  | BOLT             | 1    |       |                   |       |                |
| 9    | 1100141020  | BOLT             | 1    |       | 13514051~13516744 |       |                |
|      | 1100141040  | BOLT             | 1    |       | 13516745~         |       |                |
| 10   | 1100141050  | BOLT             | 1    |       | 13514051~13516744 |       |                |
|      | 1100141070  | BOLT             | 1    |       | 13516745~         |       |                |
| 11   | 1101041225  | BOLT             | 2    |       |                   |       |                |
| 12   | 1103041085  | BOLT             | 1    |       |                   |       |                |
| 13   | 1130040010  | NUT              | 2    |       |                   |       |                |
| 14   | 1130240010  | NUT              | 2    |       |                   |       |                |
| 15   | 1140020008  | WASHER, spring   | 1    |       |                   |       |                |
| 16   | 1140020012  | WASHER, spring   | 4    |       |                   |       |                |
| 17   | 1515010041  | ELBOW            | 1    |       |                   |       |                |
|      | 1420010140  | · O-RING         | 1    |       |                   |       |                |
| 18   | 1900091600  | CYLINDER, swing  | 1    |       |                   |       |                |
| 19   | 1652533018  | CAP              | 2    |       |                   | M     |                |
| 20   | 0456008600  | SHIM             | AR   |       |                   |       | t=1.0          |
| 21   | 0003600056  | SHIM             | AR   |       |                   |       | t=0.5          |
| 22   | 0003600055  | SHIM             | AR   |       |                   |       | t=0.2          |
| 23   | 1512375007  | ELBOW            | 1    |       |                   |       |                |
|      | 1420010140  | · O-RING         | 1    |       |                   |       |                |
| 24   | 0373109202  | WASHER           | 1    |       | 13516745~         |       | t=5.0          |
| 25   | 0373109203  | WASHER           | 1    |       | 13516745~         |       | t=5.5          |

G4b037



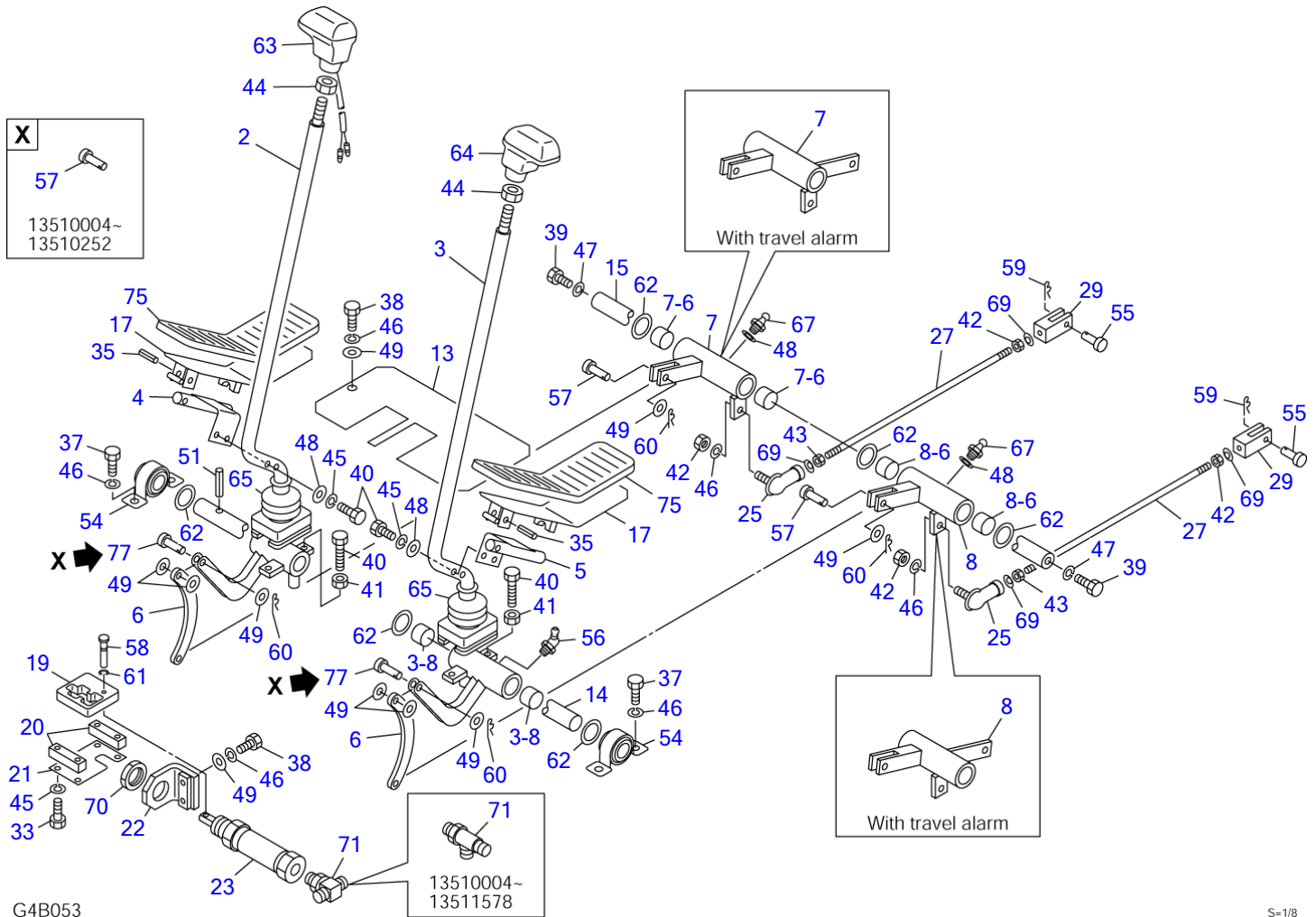
G4B040

S=1/5

**SWING STOPPER**

| Item | Part number       | Description         | Q'ty | Chan. | Serial No. | Serv. | Remarks        |
|------|-------------------|---------------------|------|-------|------------|-------|----------------|
|      |                   | STOPPER ASSY, swing |      |       |            |       | X03739-00000-1 |
| 1    | <b>0433101300</b> | PLATE               | 1    |       |            |       |                |
| 2    | <b>1111041280</b> | SCREW, cap          | 2    |       |            |       |                |
|      | <b>G4b041</b>     |                     |      |       |            |       |                |

TB135 Book No. BG4Z010 S/N 13510004-  
TRAVEL LEVER



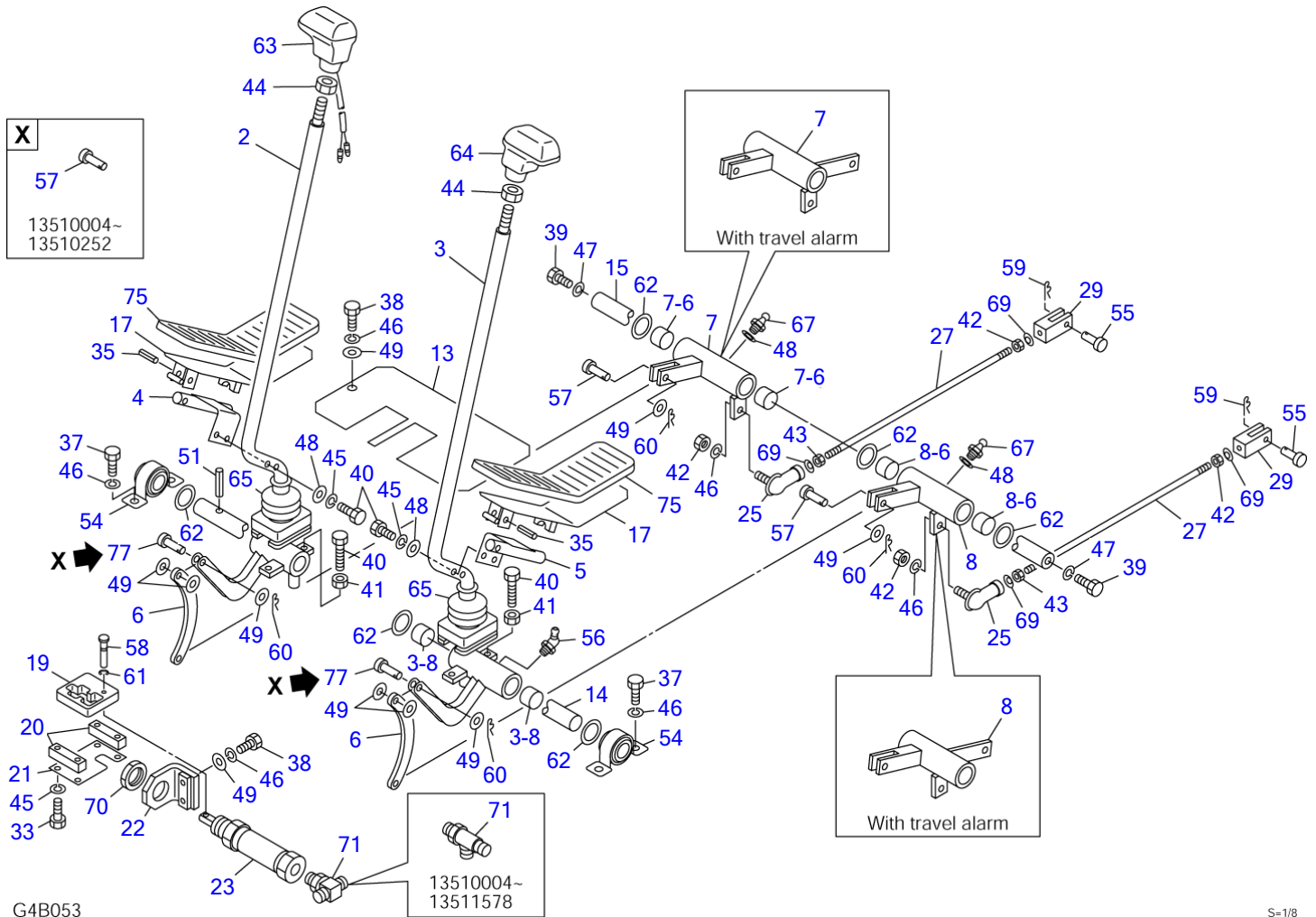
S=1/8



TRAVEL LEVER

| Item | Part number | Description                             | Q'ty | Chan.   | Serial No.        | Serv. | Remarks           |
|------|-------------|---|------|---------|-------------------|-------|-------------------|
|      |             | LEVER ASSY, control                     |      |         |                   |       | X03732-03000-9    |
|      |             | LEVER ASSY, control (with travel alarm) |      |         |                   |       | X03732-03600-9    |
| 2    | 0373201150  | LEVER (R.H.)                            | 1    | A       | 13510004~13510252 |       |                   |
|      | 0373201750  | LEVER (R.H.)                            | 1    | a(H)    | 13510253~         |       |                   |
| 3    | 0373201200  | LEVER (L.H.)                            | 1    | B       | 13510004~13510252 |       |                   |
|      | 0373201800  | LEVER (L.H.)                            | 1    | b(H)    | 13510253~         |       |                   |
| 3-8  | 1333002015  | • BUSHING                               | 2    |         |                   |       |                   |
| 4    | 0373201250  | BRACKET (R.H.)                          | 1    |         |                   |       |                   |
| 5    | 0373201300  | BRACKET (L.H.)                          | 1    |         |                   |       |                   |
| 6    | 0373201350  | PLATE                                   | 2    |         |                   |       |                   |
| 7    | 0373201400  | LEVER ASSY (R.H.)                       | 1    |         |                   |       |                   |
|      | 0373207400  | LEVER ASSY (R.H.)                       | 1    |         |                   |       | with travel alarm |
| 7-6  | 1333002015  | • BUSHING                               | 2    |         |                   |       |                   |
| 8    | 0373201450  | LEVER ASSY (L.H.)                       | 1    |         |                   |       |                   |
|      | 0373207500  | LEVER ASSY (L.H.)                       | 1    |         |                   |       | with travel alarm |
| 8-6  | 1333002015  | • BUSHING                               | 2    |         |                   |       |                   |
| 13   | 0373200700  | COVER                                   | 1    |         |                   |       |                   |
| 14   | 0373200710  | SHAFT                                   | 1    |         |                   |       |                   |
| 15   | 0373200720  | SHAFT                                   | 1    |         |                   |       |                   |
| 17   | 0373201740  | PEDAL                                   | 2    |         |                   |       |                   |
| 19   | 0333236320  | PLATE                                   | 1    |         |                   |       |                   |
| 20   | 0333236330  | BAR                                     | 2    |         |                   |       |                   |
| 21   | 0333231480  | PLATE                                   | 1    |         |                   |       |                   |
| 22   | 0333236340  | BRACKET                                 | 1    |         |                   |       |                   |
| 23   | 1900074800  | CYLINDER, lock                          | 1    |         |                   |       |                   |
| 25   | 1340010085  | END, rod (L.H.)                         | 2    |         |                   |       |                   |
| 27   | 0005008340  | ROD                                     | 2    |         |                   |       |                   |
| 29   | 0005505032  | YOKE                                    | 2    |         |                   |       |                   |
| 33   | 1100040625  | BOLT                                    | 4    |         |                   |       |                   |
| 35   | 1213010630  | PIN, spring                             | 2    |         |                   |       |                   |
| 37   | 1100040816  | BOLT                                    | 4    |         |                   |       |                   |
| 38   | 1100040820  | BOLT                                    | 4    |         |                   |       |                   |
| 39   | 1100041025  | BOLT                                    | 2    |         |                   |       |                   |
| 40   | 1100040630  | BOLT                                    | 8    |         |                   |       |                   |
| 41   | 1130040006  | NUT                                     | 4    |         |                   |       |                   |
| 42   | 1130040008  | NUT                                     | 4    |         |                   |       |                   |
| 43   | 1131540008  | NUT                                     | 2    |         |                   |       |                   |
| 44   | 1131040012  | NUT                                     | 2    |         |                   |       |                   |
| 45   | 1140020006  | WASHER, spring                          | 8    |         |                   |       |                   |
| 46   | 1140020008  | WASHER, spring                          | 10   |         |                   |       |                   |
| 47   | 1140020010  | WASHER, spring                          | 2    |         |                   |       |                   |
| 48   | 1141110006  | WASHER                                  | 9    |         |                   |       |                   |
| 49   | 1141110008  | WASHER                                  | 6    |         | 13510004~13510252 |       |                   |
|      | 1141110008  | WASHER                                  | 12   | a, b(H) | 13510253~         |       |                   |
| 51   | 1213000830  | PIN, spring                             | 1    |         |                   |       |                   |
| 54   | 1332002022  | MINI-PILLOW                             | 2    |         |                   |       |                   |
| 55   | 0004005117  | PIN                                     | 2    |         |                   |       |                   |
| 56   | 1560012006  | FITTING, grease                         | 1    |         |                   |       |                   |
| 57   | 0004008018  | PIN                                     | 4    |         | 13510004~13510252 |       |                   |
|      | 0004008018  | PIN                                     | 2    |         | 13510253~         |       |                   |
| 58   | 0333236350  | PIN                                     | 1    |         |                   |       |                   |
| 59   | 1214010005  | PIN, snap                               | 2    |         |                   |       |                   |
| 60   | 1214010006  | PIN, snap                               | 4    |         |                   |       | M                 |
| 61   | 1224010004  | E-RING                                  | 1    |         |                   |       |                   |
| 62   | 0093208300  | WASHER                                  | AR   |         |                   |       |                   |
| 63   | 1650203210  | GRIP (R.H.)                             | 1    |         |                   |       | with switch       |
| 64   | 1650202610  | GRIP (L.H.)                             | 1    |         |                   |       |                   |
| 65   | 0563217700  | BOOT                                    | 2    |         |                   |       |                   |
| 67   | 1560011006  | FITTING, grease                         | 2    |         |                   |       |                   |
| 69   | 1225000008  | WASHER                                  | 4    |         |                   |       |                   |
| 70   | 1130640024  | NUT                                     | 1    |         |                   |       |                   |
| 71   | 1512370011  | TEE                                     | 1    |         | 13510004~13511578 |       |                   |
|      | 1512370010  | TEE                                     | 1    |         | 13511579~         |       |                   |
|      | 1420010110  | • O-RING                                | 1    |         |                   |       |                   |
| 75   | 0363214600  | COVER                                   | 2    |         |                   |       |                   |
| 77   | 0004008021  | PIN                                     | 2    | a, b(H) | 13510253~         |       |                   |
|      |             | <<NOTE>>                                |      |         |                   |       |                   |

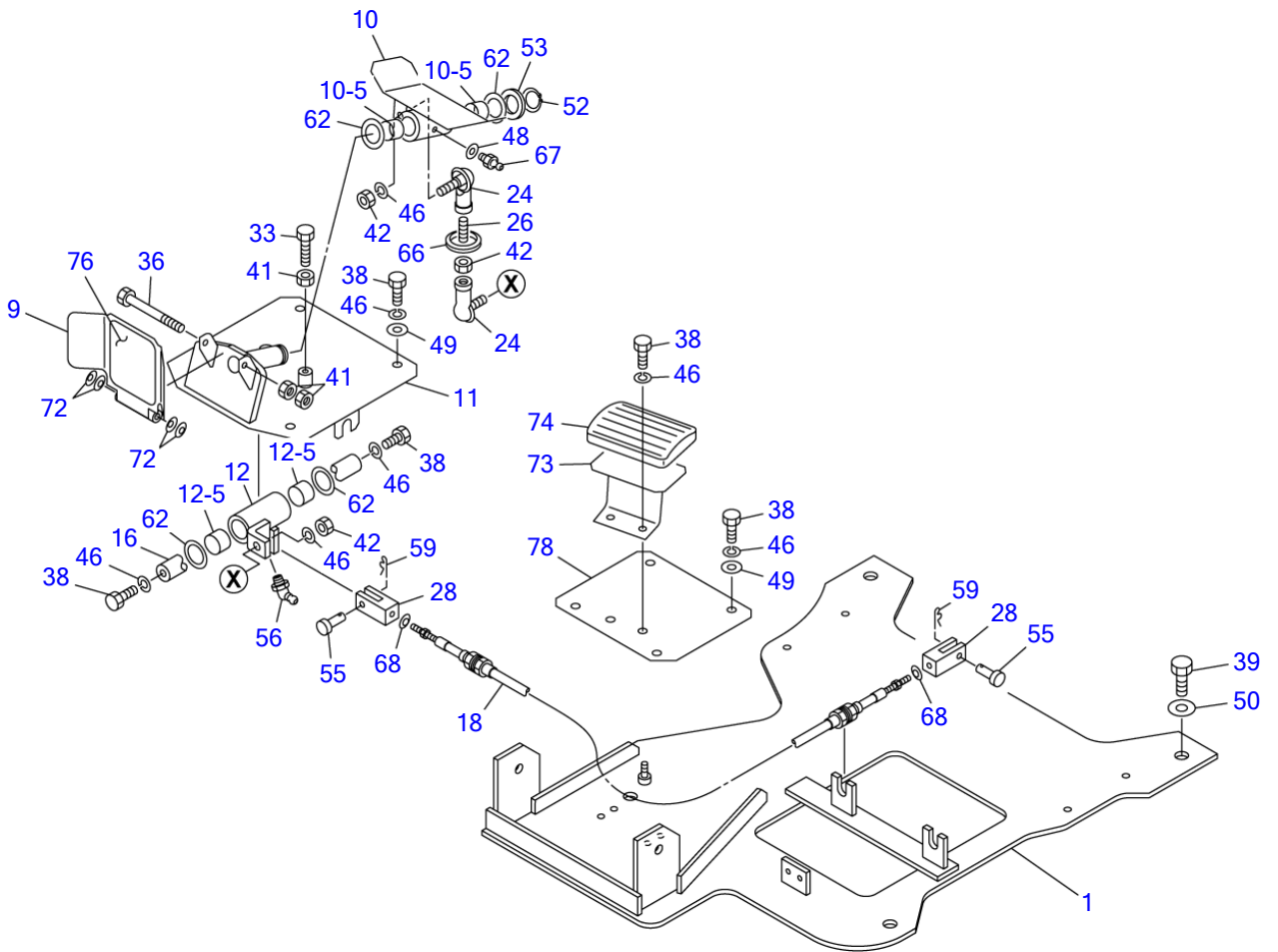
TB135 Book No. BG4Z010 S/N 13510004-  
TRAVEL LEVER



S=1/8

| Item | Part number   | Description                          | Q'ty | Chan. | Serial No. | Serv. | Remarks |
|------|---------------|--------------------------------------|------|-------|------------|-------|---------|
| 77   |               | "A" is interchangeable with SET "a". |      |       |            |       |         |
| 77   |               | "B" is interchangeable with SET "b". |      |       |            |       |         |
|      | <b>G4b056</b> |                                      |      |       |            |       |         |

TB135 Book No. BG4Z010 S/N 13510004-  
SWING PEDAL



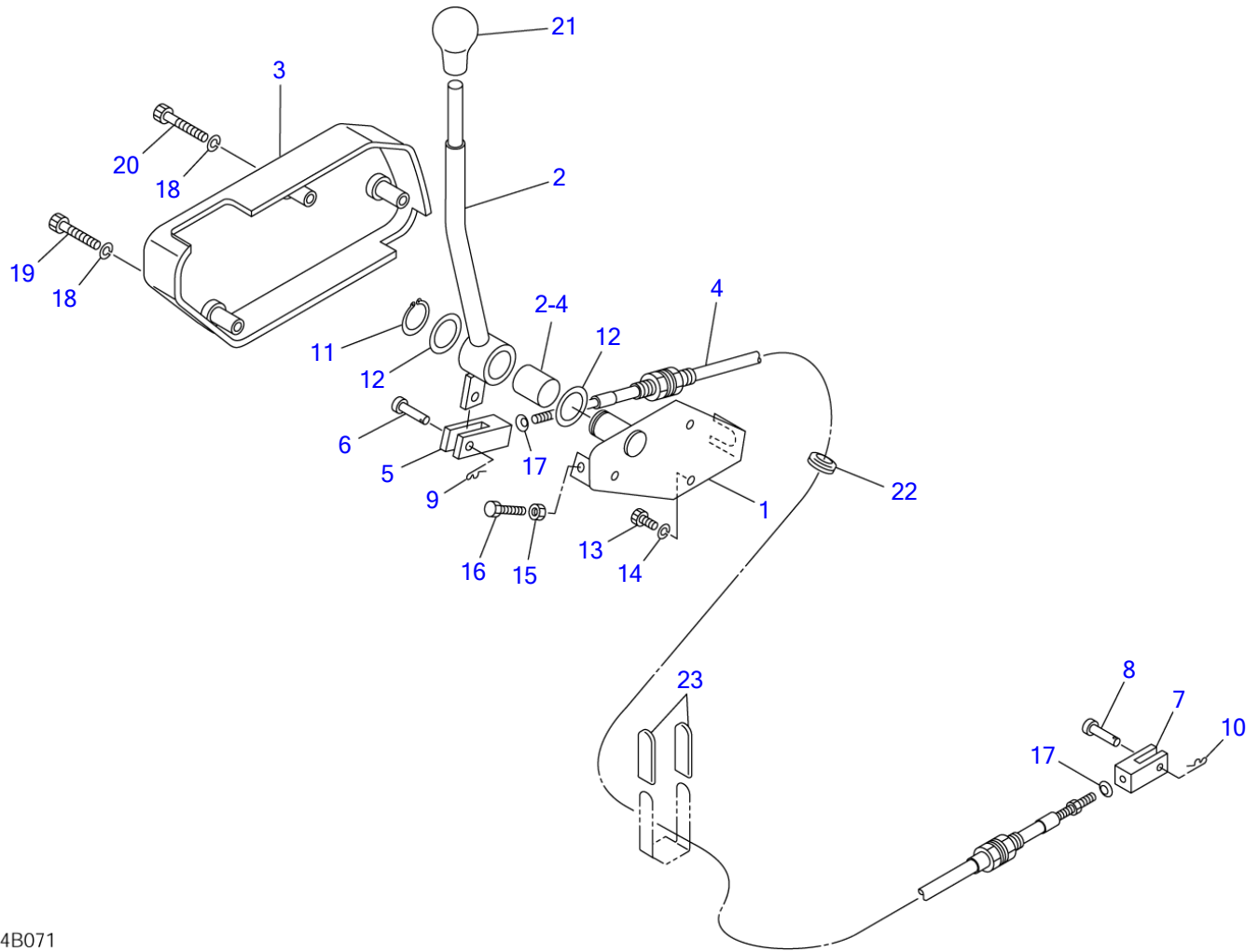
G4B062

S=1/8

**SWING PEDAL**

| Item | Part number       | Description                             | Q'ty | Chan. | Serial No.        | Serv. | Remarks        |
|------|-------------------|---|------|-------|-------------------|-------|----------------|
|      |                   | LEVER ASSY, control                     |      |       |                   |       | X03732-03000-9 |
|      |                   | LEVER ASSY, control (with travel alarm) |      |       |                   |       | X03732-03600-9 |
| 1    | <b>0373201100</b> | BRACKET                                 | 1    |       | 13510004~13511214 |       |                |
|      | <b>0373203100</b> | BRACKET                                 | 1    | (H)   | 13511215~13511290 |       |                |
|      | <b>0374207150</b> | BRACKET                                 | 1    | (H)   | 13511291~         |       |                |
| 9    | <b>0333234260</b> | COVER                                   | 1    |       |                   |       |                |
| 10   | <b>0373200550</b> | PEDAL                                   | 1    |       |                   |       |                |
| 10-5 | <b>1333002020</b> | • BUSHING                               | 2    |       |                   |       |                |
| 11   | <b>0373201600</b> | BRACKET                                 | 1    |       |                   |       |                |
| 12   | <b>0373201650</b> | LEVER                                   | 1    |       |                   |       |                |
| 12-5 | <b>1333002015</b> | • BUSHING                               | 2    |       |                   |       |                |
| 16   | <b>0373201730</b> | SHAFT                                   | 1    |       |                   |       |                |
| 18   | <b>1630771080</b> | CABLE, control                          | 1    |       |                   |       |                |
| 24   | <b>1340010080</b> | END, rod (R.H.)                         | 2    |       |                   |       |                |
| 26   | <b>1121040832</b> | SET-SCREW                               | 1    |       |                   |       |                |
| 28   | <b>0005500007</b> | YOKE                                    | 2    |       |                   |       |                |
| 33   | <b>1100040625</b> | BOLT                                    | 2    |       |                   |       |                |
| 36   | <b>1100040680</b> | BOLT                                    | 1    |       |                   |       |                |
| 38   | <b>1100040820</b> | BOLT                                    | 12   |       |                   |       |                |
| 39   | <b>1100041025</b> | BOLT                                    | 4    |       |                   |       |                |
| 41   | <b>1130040006</b> | NUT                                     | 4    |       |                   |       |                |
| 42   | <b>1130040008</b> | NUT                                     | 3    |       |                   |       |                |
| 46   | <b>1140020008</b> | WASHER, spring                          | 14   |       |                   |       |                |
| 48   | <b>1141110006</b> | WASHER                                  | 2    |       |                   |       |                |
| 49   | <b>1141110008</b> | WASHER                                  | 8    |       |                   |       |                |
| 50   | <b>1141550010</b> | WASHER                                  | 4    |       |                   |       |                |
| 52   | <b>1220000020</b> | RING, snap                              | 1    |       |                   |       |                |
| 53   | <b>0003600034</b> | WASHER                                  | 1    |       |                   |       |                |
| 55   | <b>0004005117</b> | PIN                                     | 2    |       |                   |       |                |
| 56   | <b>1560012006</b> | FITTING, grease                         | 1    |       |                   |       |                |
| 59   | <b>1214010005</b> | PIN, snap                               | 2    |       |                   |       |                |
| 62   | <b>0093208300</b> | WASHER                                  | 4    |       |                   |       |                |
| 66   | <b>1652060031</b> | BUSHING                                 | 1    |       | 13510004~13511290 |       |                |
| 67   | <b>1560011006</b> | FITTING, grease                         | 1    |       |                   |       |                |
| 68   | <b>1225000005</b> | WASHER                                  | 2    |       |                   |       |                |
| 72   | <b>1225110006</b> | WASHER, conical                         | 4    |       |                   |       |                |
| 73   | <b>0563219700</b> | REST, foot                              | 1    |       |                   |       |                |
| 74   | <b>0563218500</b> | COVER                                   | 1    |       |                   |       |                |
| 76   | <b>0333241250</b> | SHEET                                   | 1    |       |                   |       |                |
| 78   | <b>0373203200</b> | PLATE                                   | 1    |       | 13511579~         |       |                |
|      | <b>G4b065</b>     |   |      |       |                   |       |                |

TB135 Book No. BG4Z010 S/N 13510004-  
DOZER BLADE LEVER



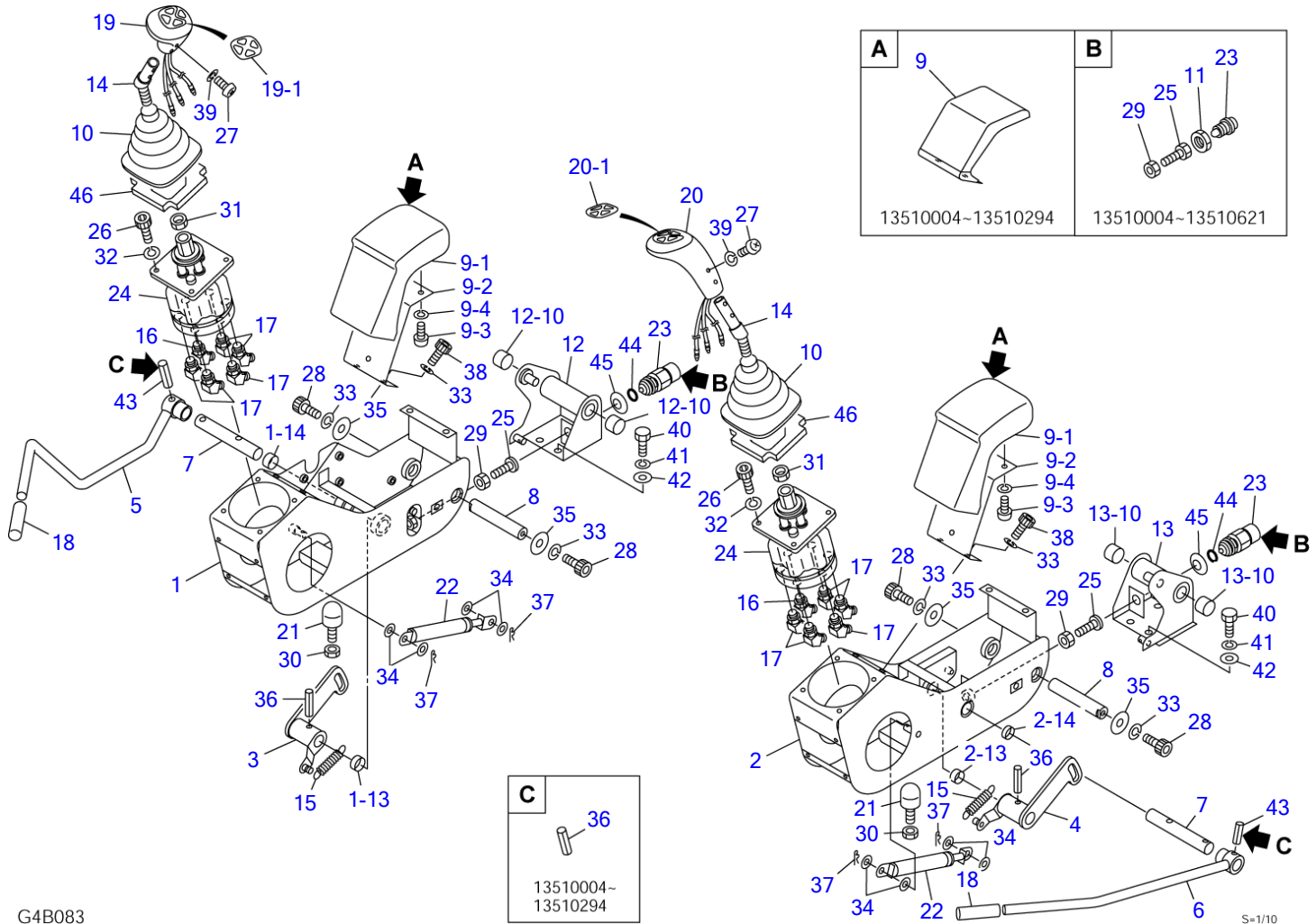
G4B071

S=1/5

**DOZER BLADE LEVER**

| Item | Part number | Description       | Q'ty | Chan. | Serial No.        | Serv. | Remarks        |
|------|-------------|-------------------|------|-------|-------------------|-------|----------------|
|      |             | LEVER ASSY, blade |      |       |                   |       | X03733-01000-5 |
| 1    | 0333304100  | BRACKET           | 1    |       |                   |       |                |
| 2    | 0333302200  | LEVER             | 1    |       |                   |       |                |
| 2-4  | 1333002025  | • BUSHING         | 1    |       |                   |       |                |
| 3    | 0333302350  | COVER             | 1    |       |                   |       |                |
| 4    | 1630771230  | CABLE, control    | 1    |       |                   |       |                |
| 5    | 0005506024  | YOKE              | 1    |       |                   |       |                |
| 6    | 0004006017  | PIN               | 1    |       |                   |       |                |
| 7    | 0005500007  | YOKE              | 1    |       |                   |       |                |
| 8    | 0004005117  | PIN               | 1    |       |                   |       |                |
| 9    | 1214010006  | PIN, snap         | 1    |       |                   | M     |                |
| 10   | 1214010005  | PIN, snap         | 1    |       |                   |       |                |
| 11   | 1220000020  | RING, snap        | 1    |       |                   |       |                |
| 12   | 0093208300  | WASHER            | 2    |       |                   |       |                |
| 13   | 1110040616  | SCREW, cap        | 3    |       |                   |       |                |
| 14   | 1140020006  | WASHER, spring    | 3    |       |                   |       |                |
| 15   | 1130040006  | NUT               | 2    |       |                   |       |                |
| 16   | 1100040625  | BOLT              | 2    |       |                   |       |                |
| 17   | 1225000005  | WASHER            | 2    |       |                   |       |                |
| 18   | 1140020005  | WASHER, spring    | 3    |       |                   |       |                |
| 19   | 1110040535  | SCREW, cap        | 2    |       |                   |       |                |
| 20   | 1110040540  | SCREW, cap        | 1    |       |                   |       |                |
| 21   | 1650153655  | GRIP              | 1    |       |                   |       |                |
| 22   | 1652060031  | BUSHING           | 1    |       | 13510004~13510420 |       |                |
|      | 1652060038  | BUSHING           | 1    |       | 13510421~         |       |                |
| 23   | 0872433150  | CLAMP             | 2    |       |                   |       |                |
|      | G4b074      |                   |      |       |                   |       |                |

TB135 Book No. BG4Z010 S/N 13510004-  
 OPERATION LEVER & STAND (canopy; 13510004-13514050)



G4B083

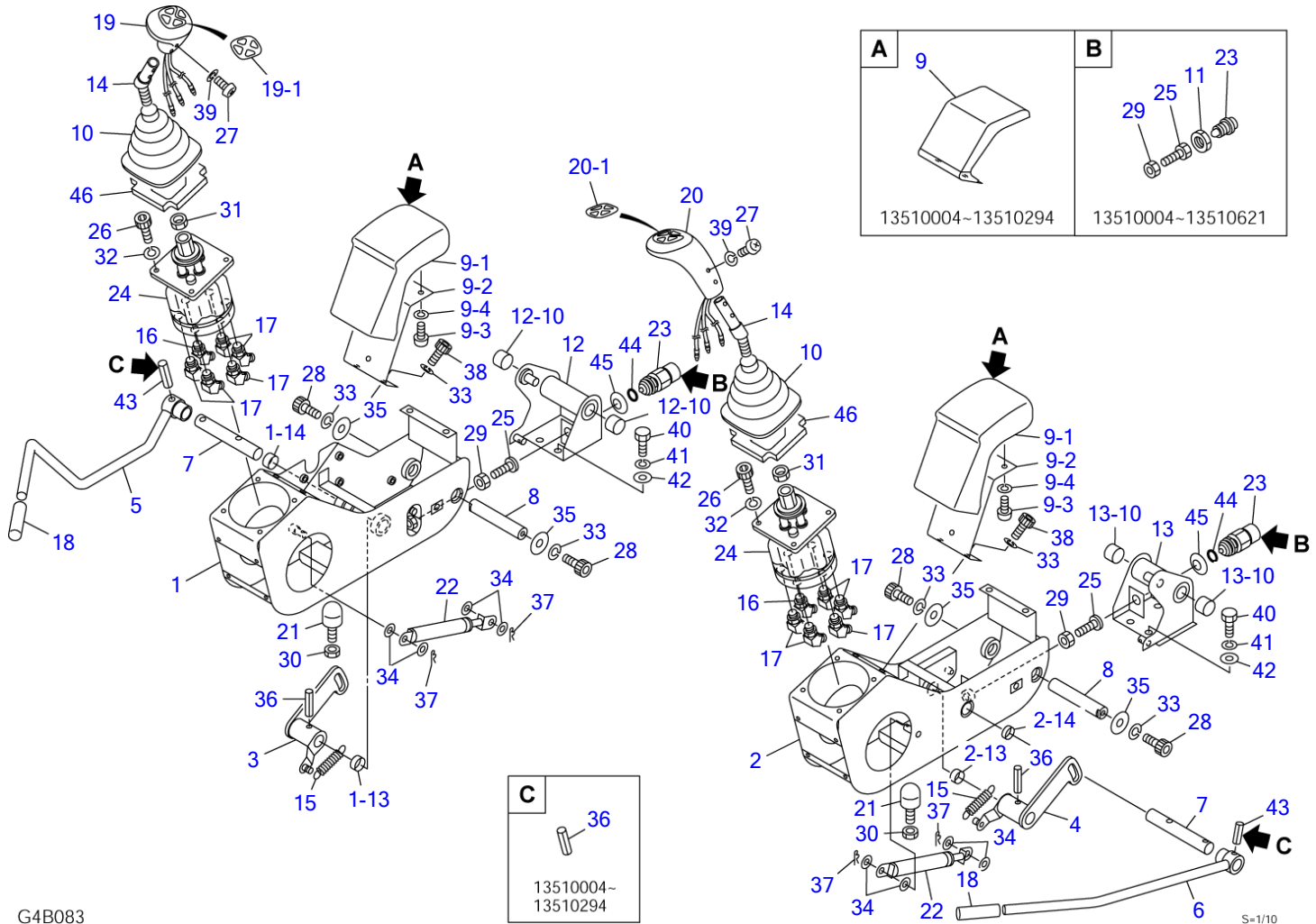
S=1/10



**OPERATION LEVER & STAND (canopy; 13510004-13514050)**

| Item  | Part number  | Description         | Q'ty | Chan. | Serial No.        | Serv. | Remarks        |
|-------|--------------|---------------------|------|-------|-------------------|-------|----------------|
|       |              | VALVE ASSY          |      |       |                   |       | X03751-05000-9 |
| 1     | 0335130100   | BOX, control (R.H.) | 1    | A     | 13510004~13511068 |       |                |
|       | 0335130700   | BOX, control (R.H.) | 1    | a(H)  | 13511069~         |       |                |
| 1-13  | 1333002010   | • BUSHING           | 1    |       |                   |       |                |
| 1-14  | 1333002015   | • BUSHING           | 1    |       |                   |       |                |
| 2     | 0335130200   | BOX, control (L.H.) | 1    | B     | 13510004~13511068 |       |                |
|       | 0335130800   | BOX, control (L.H.) | 1    | b(H)  | 13511069~         |       |                |
| 2-13  | 1333002010   | • BUSHING           | 1    |       |                   |       |                |
| 2-14  | 1333002015   | • BUSHING           | 1    |       |                   |       |                |
| 3     | 0335130300   | PLATE (R.H.)        | 1    |       |                   |       |                |
| 4     | 0335130400   | PLATE (L.H.)        | 1    |       |                   |       |                |
| 5     | 0335130500   | LEVER (R.H.)        | 1    |       | 13510004~13510294 |       |                |
|       | 0375105300   | LEVER (R.H.)        | 1    | (H)   | 13510295~         |       |                |
| 6     | 0335130600   | LEVER (L.H.)        | 1    |       | 13510004~13510294 |       |                |
|       | 0375105400   | LEVER (L.H.)        | 1    | (H)   | 13510295~         |       |                |
| 7     | 0335124700   | SHAFT               | 2    |       |                   |       |                |
| 8     | 0335124750   | SHAFT               | 2    |       |                   |       |                |
| 9     | 0335130900   | REST, arm           | 2    | (L)   | 13510004~13510294 |       |                |
|       | X 0375105500 | REST, arm           | 2    | (H)   | 13510295~         |       |                |
| 9-1   | 0375105510   | • URETHANE          | 1    |       |                   |       |                |
| 9-2   | 0375105520   | • PLATE             | 1    |       |                   |       |                |
| 9-3   | 1120530812   | • SCREW             | 3    |       |                   |       |                |
| 9-4   | 1140020008   | • WASHER, spring    | 3    |       |                   |       |                |
| 10    | 0335124900   | BOOT                | 2    |       |                   |       |                |
| 11    | 0335120960   | NUT                 | 2    |       | 13510004~13510621 |       |                |
| 12    | 0375104100   | BRACKET (R.H.)      | 1    | A     | 13510004~13511068 |       |                |
|       | 0375104300   | BRACKET (R.H.)      | 1    | a(H)  | 13511069~         |       |                |
| 12-10 | 1333002015   | • BUSHING           | 2    |       |                   |       |                |
| 13    | 0375104200   | BRACKET (L.H.)      | 1    | B     | 13510004~13511068 |       |                |
|       | 0375104400   | BRACKET (L.H.)      | 1    | b(H)  | 13511069~         |       |                |
| 13-10 | 1333002015   | • BUSHING           | 2    |       |                   |       |                |
| 14    | 0375105100   | LEVER               | 2    |       |                   |       |                |
| 15    | 0425105100   | SPRING              | 2    |       |                   |       |                |
| 16    | 1512370012   | ADAPTOR             | 2    |       |                   |       |                |
|       | 1420010110   | • O-RING            | 1    |       |                   |       |                |
| 17    | 1515100110   | ELBOW               | 10   |       |                   |       |                |
|       | 1420010110   | • O-RING            | 1    |       |                   |       |                |
| 18    | 1650202300   | CAP                 | 2    |       |                   |       |                |
| 19    | 1650204600   | GRIP (R.H.)         | 1    |       |                   |       | horn, decel.   |
| 19-1  | 1650204601   | • COVER             | 1    |       |                   |       |                |
| 20    | 1650204700   | GRIP (L.H.)         | 1    |       |                   |       | A-B            |
| 20-1  | 1650204701   | • COVER             | 1    |       |                   |       |                |
| 21    | 1651101224   | STOPPER             | 2    |       |                   |       |                |
| 22    | 1653900036   | SPRING, gas         | 2    | (L)   | 13510004~13511950 |       |                |
|       | 1653900057   | SPRING, gas         | 2    | (H)   | 13511951~         |       |                |
| 23    | 1700000026   | SWITCH, safety      | 2    | (L)   | 13510004~13510621 |       |                |
|       | 1700000033   | SWITCH, safety      | 2    | (H)   | 13510622~         |       |                |
| 24    | 1901730400   | VALVE, pilot        | 2    |       |                   |       |                |
| 25    | 1100041030   | BOLT                | 2    | (L)   | 13510004~13510621 |       |                |
|       | 0335120970   | BOLT                | 2    | (H)   | 13510622~         |       |                |
| 26    | 1110040616   | SCREW, cap          | 8    |       |                   |       |                |
| 27    | 1120590610   | SCREW               | 4    |       |                   |       |                |
| 28    | 1110040816   | SCREW, cap          | 4    |       |                   |       |                |
| 29    | 1130040010   | NUT                 | 2    |       |                   |       |                |
| 30    | 1130040012   | NUT                 | 2    |       |                   |       |                |
| 31    | 1130040014   | NUT                 | 2    |       |                   |       |                |
| 32    | 1140020006   | WASHER, spring      | 8    |       |                   |       |                |
| 33    | 1140020008   | WASHER, spring      | 8    |       |                   |       |                |
| 34    | 1141110008   | WASHER              | 4    |       | 13510004~13511950 |       |                |
|       | 1141110008   | WASHER              | 8    |       | 13511951~         |       |                |
| 35    | 0003600011   | WASHER              | 4    |       |                   |       |                |
| 36    | 1213000832   | PIN, spring         | 4    |       | 13510004~13510294 |       |                |
|       | 1213000832   | PIN, spring         | 2    |       | 13510295~         |       |                |
| 37    | 1214000008   | PIN, snap           | 4    |       |                   |       |                |
| 38    | 1110040820   | SCREW, cap          | 4    |       |                   |       |                |
| 39    | 1140090006   | WASHER, spring      | 4    |       |                   |       |                |
| 40    | 1100041020   | BOLT                | 8    |       |                   |       |                |
| 41    | 1140020010   | WASHER, spring      | 8    |       |                   |       |                |

TB135 Book No. BG4Z010 S/N 13510004-  
 OPERATION LEVER & STAND (canopy; 13510004-13514050)

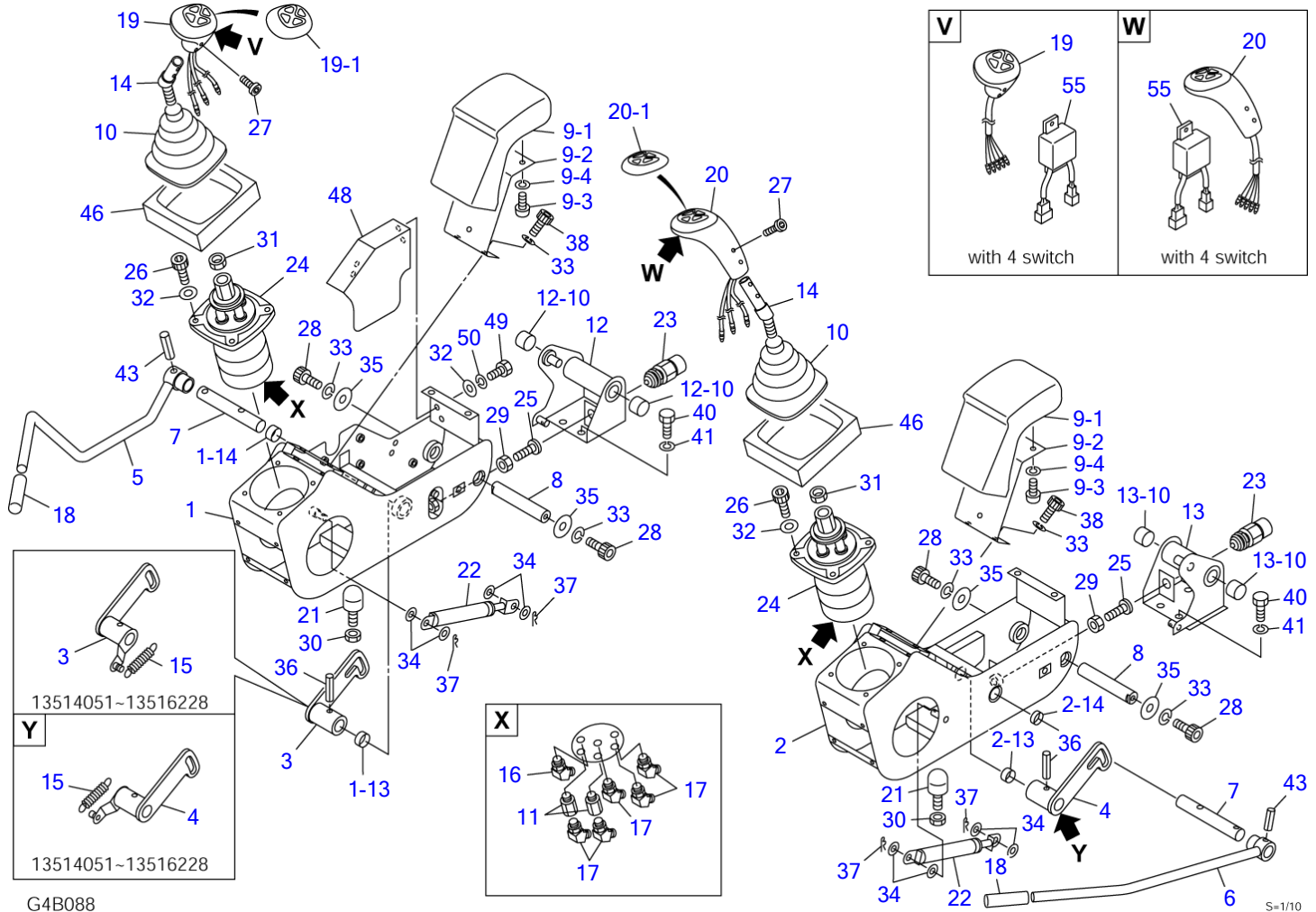


G4B083

**OPERATION LEVER & STAND (canopy; 13510004-13514050)**

| Item | Part number       | Description                                 | Q'ty | Chan. | Serial No.        | Serv. | Remarks |
|------|-------------------|---|------|-------|-------------------|-------|---------|
| 42   | <b>1141110010</b> | WASHER                                      | 8    |       |                   |       |         |
| 43   | <b>1213000836</b> | PIN, spring                                 | 2    |       | 13510295~         |       |         |
| 44   | <b>1420010140</b> | O-RING                                      | 2    |       | 13510622~13511068 |       |         |
| 45   | <b>1225121016</b> | WASHER                                      | 2    |       | 13510622~13511068 |       |         |
| 46   | <b>0375105610</b> | SPONGE                                      | 2    |       | 13512623~         |       |         |
| 46   |                   | <<NOTE>>                                    |      |       |                   |       |         |
| 46   |                   | SET "A" is interchangeable<br>with SET "a". |      |       |                   |       |         |
| 46   |                   | SET "B" is interchangeable<br>with SET "b". |      |       |                   |       |         |
|      | <b>G4b083</b>     |   |      |       |                   |       |         |

**TB135 Book No. BG4Z010 S/N 13510004-  
OPERATION LEVER & STAND (canopy; 13514051-)**



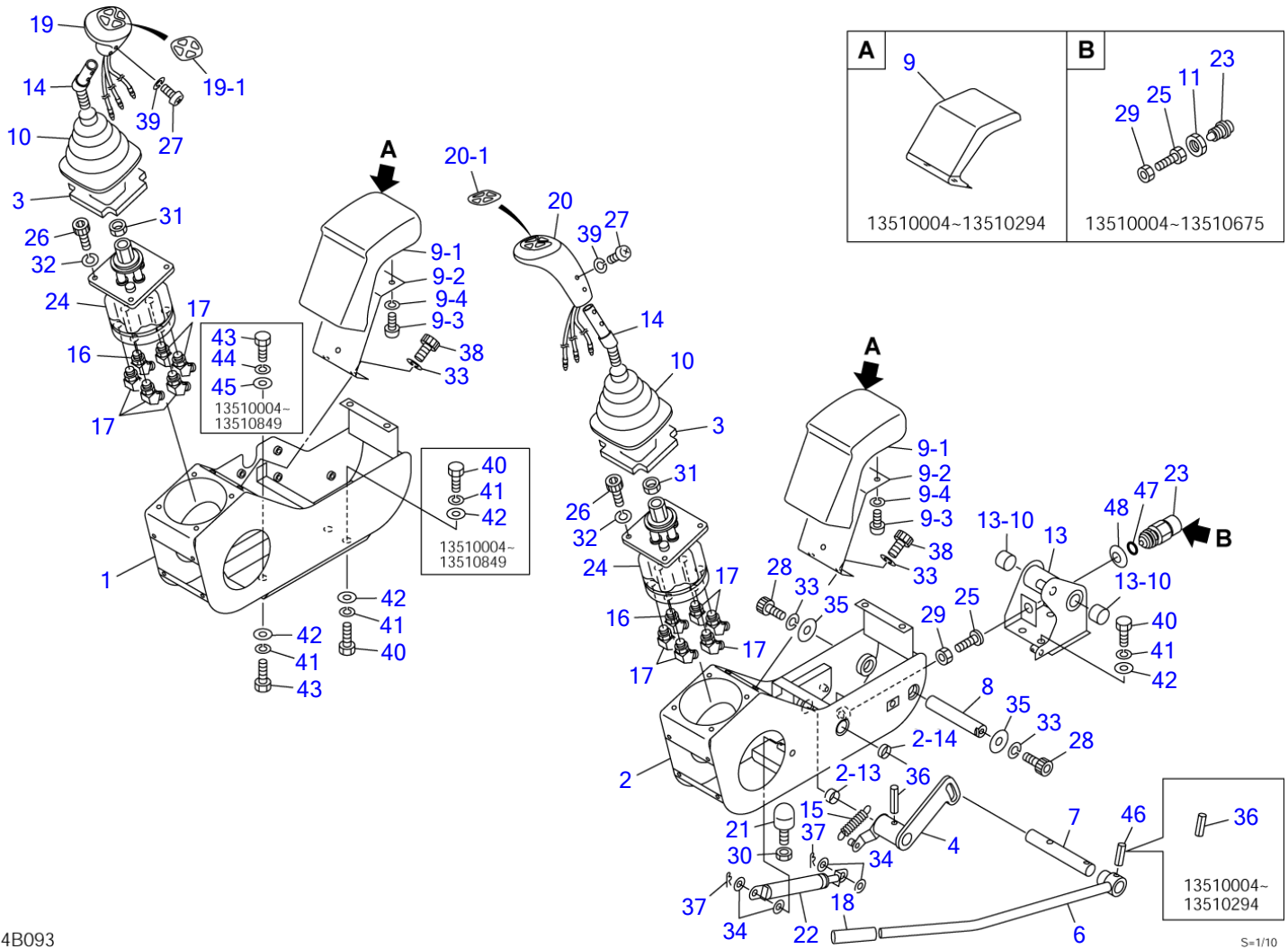
G4B088

S=1/10

**OPERATION LEVER & STAND (canopy; 13514051-)**

| Item  | Part number  | Description                 | Q'ty | Chan. | Serial No.        | Serv. | Remarks        |
|-------|--------------|-----------------------------|------|-------|-------------------|-------|----------------|
|       |              | VALVE ASSY                  |      |       |                   |       | X03951-13000-7 |
| 1     | 0395113200   | BOX, control (R.H.)         | 1    |       | 13514051~13516228 |       |                |
|       | 0395113600   | BOX, control (R.H.)         | 1    |       | 13516229~         |       |                |
| 1-13  | 1333002010   | • BUSHING                   | 1    |       |                   |       |                |
| 1-14  | 1333002015   | • BUSHING                   | 1    |       |                   |       |                |
| 2     | 0395113300   | BOX, control (L.H.)         | 1    |       | 13514051~13516228 |       |                |
|       | 0395113700   | BOX, control (L.H.)         | 1    |       | 13516229~         |       |                |
| 2-13  | 1333002010   | • BUSHING                   | 1    |       |                   |       |                |
| 2-14  | 1333002015   | • BUSHING                   | 1    |       |                   |       |                |
| 3     | 0335130300   | PLATE (R.H.)                | 1    |       | 13514051~13516228 |       |                |
|       | 0395113400   | PLATE (R.H.)                | 1    |       | 13516229~         |       |                |
| 4     | 0335130400   | PLATE (L.H.)                | 1    |       | 13514051~13516228 |       |                |
|       | 0395113450   | PLATE (L.H.)                | 1    |       | 13516229~         |       |                |
| 5     | 0375105300   | LEVER (R.H.)                | 1    |       |                   |       |                |
| 6     | 0375105400   | LEVER (L.H.)                | 1    |       |                   |       |                |
| 7     | 0335124700   | SHAFT                       | 2    |       |                   |       |                |
| 8     | 0335124750   | SHAFT                       | 2    |       |                   |       |                |
| 9     | X 0375105500 | REST, arm                   | 2    |       |                   |       |                |
| 9-1   | 0375105510   | • URETHANE                  | 1    |       |                   |       |                |
| 9-2   | 0375105520   | • PLATE                     | 1    |       |                   |       |                |
| 9-3   | 1120530812   | • SCREW                     | 3    |       |                   |       |                |
| 9-4   | 1140020008   | • WASHER, spring            | 3    |       |                   |       |                |
| 10    | 0335124900   | BOOT                        | 2    |       |                   |       |                |
| 11    | 1513250202   | BUSHING                     | 4    |       |                   |       |                |
|       | 1420010110   | • O-RING                    | 1    |       |                   |       |                |
| 12    | 0375104300   | BRACKET (R.H.)              | 1    |       |                   |       |                |
| 12-10 | 1333002015   | • BUSHING                   | 2    |       |                   |       |                |
| 13    | 0375104400   | BRACKET (L.H.)              | 1    |       |                   |       |                |
| 13-10 | 1333002015   | • BUSHING                   | 2    |       |                   |       |                |
| 14    | 0375105100   | LEVER                       | 2    |       |                   |       |                |
| 15    | 0425105100   | SPRING                      | 2    |       | 13514051~13516228 |       |                |
| 16    | 1512370012   | ADAPTOR                     | 2    |       |                   |       |                |
|       | 1420010110   | • O-RING                    | 1    |       |                   |       |                |
| 17    | 1515100110   | ELBOW                       | 10   |       |                   |       |                |
|       | 1420010110   | • O-RING                    | 1    |       |                   |       |                |
| 18    | 1650202300   | CAP                         | 2    |       |                   |       |                |
| 19    | 1650204600   | GRIP (R.H.)                 | 1    |       |                   |       | horn, decel.   |
|       | 1650204650   | GRIP (R.H.) (with 4 switch) | 1    |       |                   | M     | horn, decel.   |
| 19-1  | 1650204601   | • COVER                     | 1    |       |                   |       |                |
| 20    | 1650204700   | GRIP (L.H.)                 | 1    |       |                   |       | A-B            |
|       | 1650204750   | GRIP (L.H.) (with 4 switch) | 1    |       |                   | M     | A-B            |
| 20-1  | 1650204701   | • COVER                     | 1    |       |                   |       |                |
| 21    | 1651101224   | STOPPER                     | 2    |       |                   |       |                |
| 22    | 1653900057   | SPRING, gas                 | 2    |       |                   |       |                |
| 23    | 1700000033   | SWITCH, safety              | 2    |       |                   |       |                |
| 24    | 1901745600   | VALVE, pilot                | 2    |       |                   |       |                |
| 25    | 0335120970   | BOLT                        | 2    |       |                   |       |                |
| 26    | 1110040625   | SCREW, cap                  | 8    |       |                   |       |                |
| 27    | 1111810610   | SCREW                       | 4    |       |                   |       |                |
| 28    | 1110040816   | SCREW, cap                  | 4    |       |                   |       |                |
| 29    | 1130040010   | NUT                         | 2    |       |                   |       |                |
| 30    | 1130140012   | NUT                         | 2    |       |                   |       |                |
| 31    | 1130140014   | NUT                         | 2    |       |                   |       |                |
| 32    | 1141110006   | WASHER                      | 12   |       |                   |       |                |
| 33    | 1140020008   | WASHER, spring              | 8    |       |                   |       |                |
| 34    | 1141110008   | WASHER                      | 8    |       |                   |       |                |
| 35    | 0003609003   | WASHER                      | 4    |       |                   |       |                |
| 36    | 1213000832   | PIN, spring                 | 2    |       |                   |       |                |
| 37    | 1214000008   | PIN, snap                   | 4    |       |                   |       |                |
| 38    | 1110040825   | SCREW, cap                  | 4    |       |                   |       |                |
| 40    | 1100041020   | BOLT                        | 8    |       |                   |       |                |
| 41    | 1140020010   | WASHER, spring              | 8    |       |                   |       |                |
| 43    | 1213000836   | PIN, spring                 | 2    |       |                   |       |                |
| 46    | 0395113046   | SPONGE                      | 2    |       |                   |       |                |
| 48    | 0395113680   | COVER                       | 1    |       | 13517183~         |       |                |
| 49    | 1100040612   | BOLT                        | 4    |       | 13517183~         |       |                |
| 50    | 1140020006   | WASHER, spring              | 4    |       | 13517183~         |       |                |
| 55    | 1711900062   | RELAY                       | 2    |       |                   | M     | with 4 switch  |

TB135 Book No. BG4Z010 S/N 13510004-  
**OPERATION LEVER & STAND (cab; 13510004-13514050)**



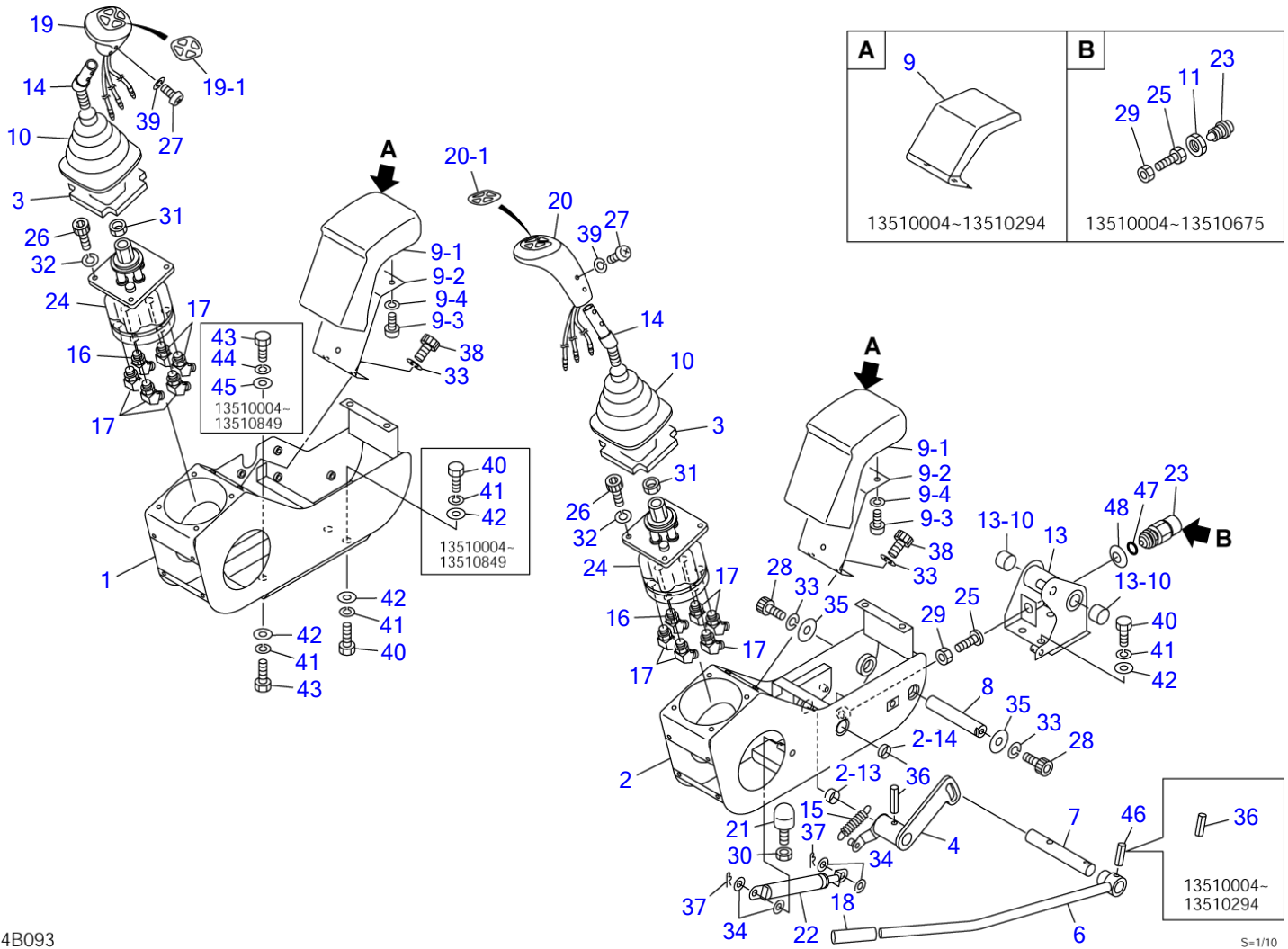
G4B093

S=1/10

OPERATION LEVER & STAND (cab; 13510004-13514050)

| Item  | Part number  | Description         | Q'ty | Chan. | Serial No.        | Serv. | Remarks        |
|-------|--------------|---------------------|------|-------|-------------------|-------|----------------|
|       |              | VALVE ASSY          |      |       |                   |       | X03751-06000-9 |
| 1     | 0335131100   | BOX, control (R.H.) | 1    |       | 13510004~13510849 |       |                |
|       | 0335131200   | BOX, control (R.H.) | 1    |       | 13510850~         |       |                |
| 2     | 0335130200   | BOX, control (L.H.) | 1    | A     | 13510004~13511068 |       |                |
|       | 0335130800   | BOX, control (L.H.) | 1    | a(H)  | 13511069~         |       |                |
| 2-13  | 1333002010   | · BUSHING           | 1    |       |                   |       |                |
| 2-14  | 1333002015   | · BUSHING           | 1    |       |                   |       |                |
| 3     | 0375105610   | SPONGE              | 2    |       | 13512623~         |       |                |
| 4     | 0335130400   | PLATE (L.H.)        | 1    |       |                   |       |                |
| 6     | 0335130600   | LEVER (L.H.)        | 1    |       | 13510004~13510294 |       |                |
|       | 0375105400   | LEVER (L.H.)        | 1    | (H)   | 13510295~         |       |                |
| 7     | 0335124700   | SHAFT               | 1    |       |                   |       |                |
| 8     | 0335124750   | SHAFT               | 1    |       |                   |       |                |
| 9     | 0335130900   | REST, arm           | 2    | (L)   | 13510004~13510294 |       |                |
|       | X 0375105500 | REST, arm           | 2    | (H)   | 13510295~         |       |                |
| 9-1   | 0375105510   | · URETHANE          | 1    |       |                   |       |                |
| 9-2   | 0375105520   | · PLATE             | 1    |       |                   |       |                |
| 9-3   | 1120530812   | · SCREW             | 3    |       |                   |       |                |
| 9-4   | 1140020008   | · WASHER, spring    | 3    |       |                   |       |                |
| 10    | 0335124900   | BOOT                | 2    |       |                   |       |                |
| 11    | 0335120960   | NUT                 | 1    |       | 13510004~13510675 |       |                |
| 13    | 0375104200   | BRACKET (L.H.)      | 1    | A     | 13510004~13511068 |       |                |
|       | 0375104400   | BRACKET (L.H.)      | 1    | a(H)  | 13511069~         |       |                |
| 13-10 | 1333002015   | · BUSHING           | 2    |       |                   |       |                |
| 14    | 0375105100   | LEVER               | 2    |       |                   |       |                |
| 15    | 0425105100   | SPRING              | 1    |       |                   |       |                |
| 16    | 1512370012   | ADAPTOR             | 2    |       |                   |       |                |
|       | 1420010110   | · O-RING            | 1    |       |                   |       |                |
| 17    | 1515100110   | ELBOW               | 10   |       |                   |       |                |
|       | 1420010110   | · O-RING            | 1    |       |                   |       |                |
| 18    | 1650202300   | CAP                 | 1    |       |                   |       |                |
| 19    | 1650204600   | GRIP (R.H.)         | 1    |       |                   |       | horn, decel.   |
| 19-1  | 1650204601   | · COVER             | 1    |       |                   |       |                |
| 20    | 1650204700   | GRIP (L.H.)         | 1    |       |                   |       | A-B            |
| 20-1  | 1650204701   | · COVER             | 1    |       |                   |       |                |
| 21    | 1651101224   | STOPPER             | 1    |       |                   |       |                |
| 22    | 1653900036   | SPRING, gas         | 1    | (L)   | 13510004~13511950 |       |                |
|       | 1653900057   | SPRING, gas         | 1    | (H)   | 13511951~         |       |                |
| 23    | 1700000026   | SWITCH, safety      | 1    | (L)   | 13510004~13510675 |       |                |
|       | 1700000033   | SWITCH, safety      | 1    | (H)   | 13510676~         |       |                |
| 24    | 1901730400   | VALVE, pilot        | 2    |       |                   |       |                |
| 25    | 1100041030   | BOLT                | 1    | (L)   | 13510004~13510675 |       |                |
|       | 0335120970   | BOLT                | 1    | (H)   | 13510676~         |       |                |
| 26    | 1110040616   | SCREW, cap          | 8    |       |                   |       |                |
| 27    | 1120590610   | SCREW               | 4    |       |                   |       |                |
| 28    | 1110040816   | SCREW, cap          | 2    |       |                   |       |                |
| 29    | 1130040010   | NUT                 | 1    |       |                   |       |                |
| 30    | 1130040012   | NUT                 | 1    |       |                   |       |                |
| 31    | 1130040014   | NUT                 | 2    |       |                   |       |                |
| 32    | 1140020006   | WASHER, spring      | 8    |       |                   |       |                |
| 33    | 1140020008   | WASHER, spring      | 6    |       |                   |       |                |
| 34    | 1141110008   | WASHER              | 2    |       | 13510004~13511950 |       |                |
|       | 1141110008   | WASHER              | 4    |       | 13511951~         |       |                |
| 35    | 0003600011   | WASHER              | 2    |       |                   |       |                |
| 36    | 1213000832   | PIN, spring         | 2    |       | 13510004~13510294 |       |                |
|       | 1213000832   | PIN, spring         | 1    |       | 13510295~         |       |                |
| 37    | 1214000008   | PIN, snap           | 2    |       |                   |       |                |
| 38    | 1110040820   | SCREW, cap          | 4    |       |                   |       |                |
| 39    | 1140090006   | WASHER, spring      | 4    |       |                   |       |                |
| 40    | 1100041020   | BOLT                | 6    |       |                   |       |                |
| 41    | 1140020010   | WASHER, spring      | 6    |       | 13510004~13510849 |       |                |
|       | 1140020010   | WASHER, spring      | 7    |       | 13510850~         |       |                |
| 42    | 1141110010   | WASHER              | 6    |       | 13510004~13510849 |       |                |
|       | 1141110010   | WASHER              | 7    |       | 13510850~         |       |                |
| 43    | 1100041235   | BOLT                | 1    |       | 13510004~13510849 |       |                |
|       | 1100041040   | BOLT                | 1    |       | 13510850~         |       |                |
| 44    | 1140020012   | WASHER, spring      | 1    |       | 13510004~13510849 |       |                |
| 45    | 1141110012   | WASHER              | 1    |       | 13510004~13510849 |       |                |

TB135 Book No. BG4Z010 S/N 13510004-  
**OPERATION LEVER & STAND (cab; 13510004-13514050)**



G4B093

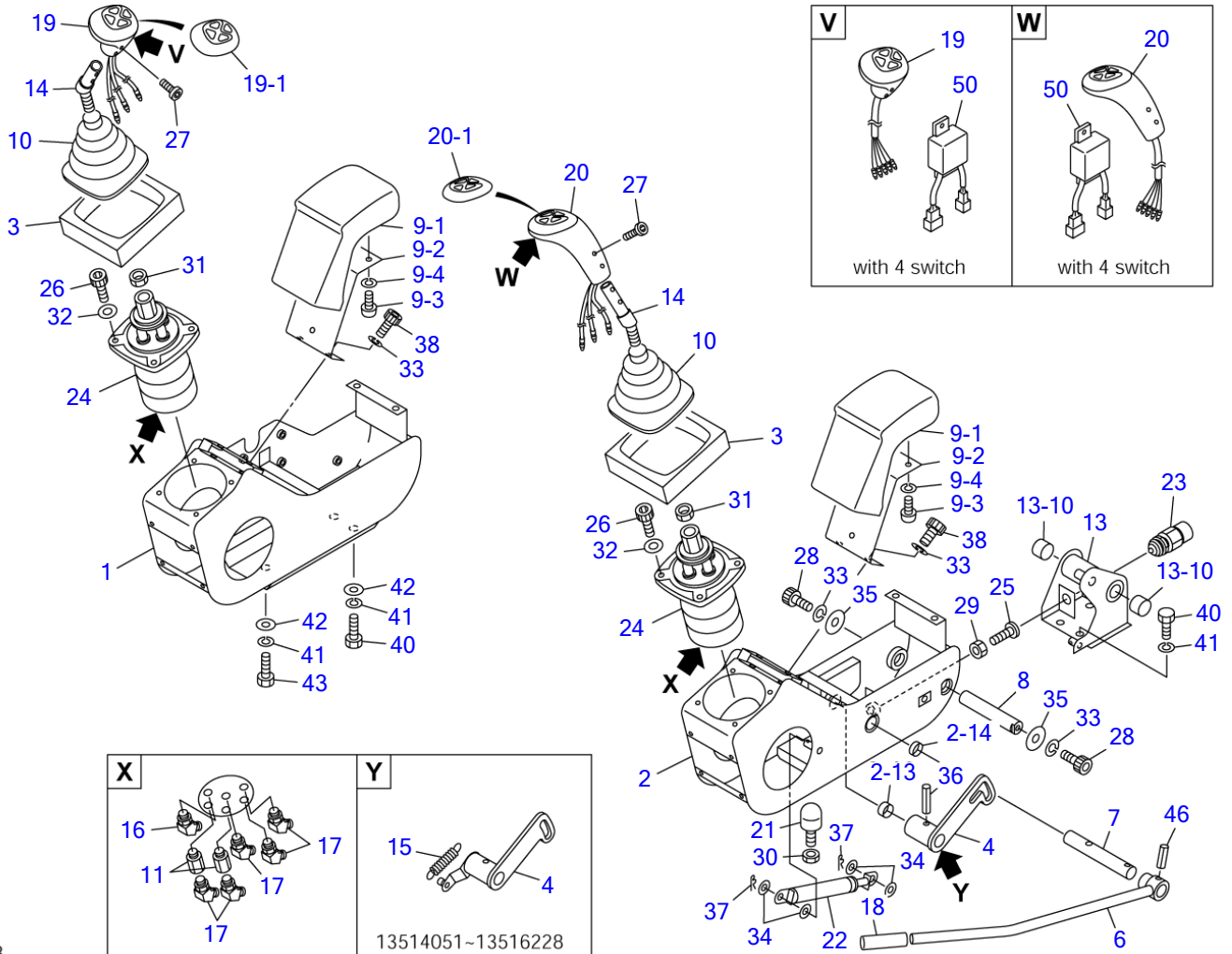
S=1/10



**OPERATION LEVER & STAND (cab; 13510004-13514050)**

| Item | Part number       | Description                                 | Q'ty | Chan. | Serial No.        | Serv. | Remarks |
|------|-------------------|---|------|-------|-------------------|-------|---------|
| 46   | <b>1213000836</b> | PIN, spring                                 | 1    |       | 13510295~         |       |         |
| 47   | <b>1420010140</b> | O-RING                                      | 1    |       | 13510676~13511068 |       |         |
| 48   | <b>1225121016</b> | WASHER                                      | 1    |       | 13510676~13511068 |       |         |
| 48   |                   | <<NOTE>>                                    |      |       |                   |       |         |
| 48   |                   | SET "A" is interchangeable<br>with SET "a". |      |       |                   |       |         |
|      | <b>G4b093</b>     |   |      |       |                   |       |         |

TB135 Book No. BG4Z010 S/N 13510004-  
**OPERATION LEVER & STAND (cab; 13514051-)**



G4B098

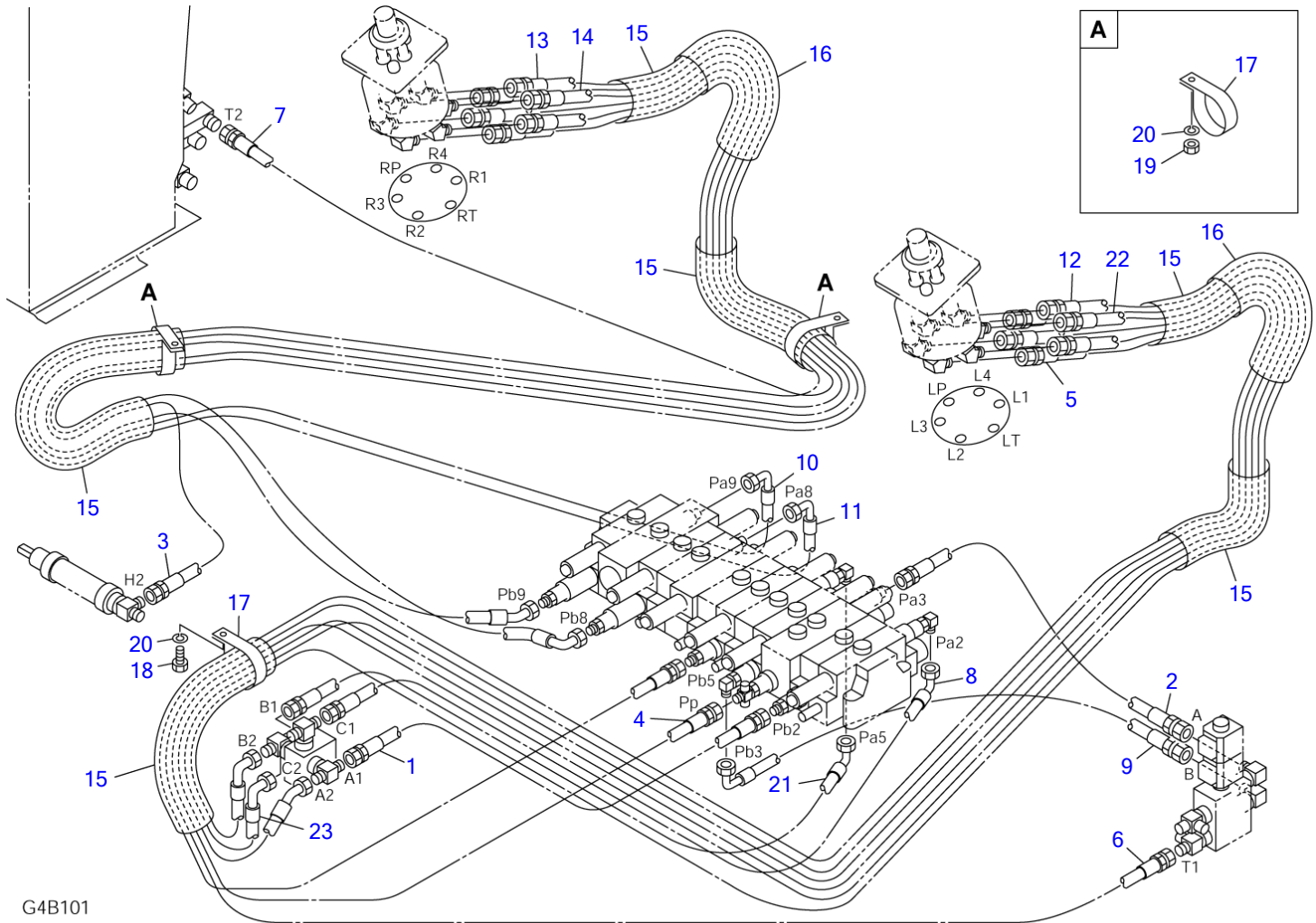
13514051-13516228

S-1/10

**OPERATION LEVER & STAND (cab; 13514051-)**

| Item  | Part number  | Description                 | Q'ty | Chan. | Serial No.        | Serv. | Remarks        |
|-------|--------------|-----------------------------|------|-------|-------------------|-------|----------------|
|       |              | VALVE ASSY                  |      |       |                   |       | X03951-14000-7 |
| 1     | 0395114100   | BOX, control (R.H.)         | 1    |       |                   |       |                |
| 2     | 0395113300   | BOX, control (L.H.)         | 1    |       | 13514051~13516228 |       |                |
|       | 0395113700   | BOX, control (L.H.)         | 1    |       | 13516229~         |       |                |
| 2-13  | 1333002010   | • BUSHING                   | 1    |       |                   |       |                |
| 2-14  | 1333002015   | • BUSHING                   | 1    |       |                   |       |                |
| 3     | 0395113046   | SPONGE                      | 2    |       |                   |       |                |
| 4     | 0335130400   | PLATE (L.H.)                | 1    |       | 13514051~13516228 |       |                |
|       | 0395113450   | PLATE (L.H.)                | 1    |       | 13516229~         |       |                |
| 6     | 0375105400   | LEVER (L.H.)                | 1    |       |                   |       |                |
| 7     | 0335124700   | SHAFT                       | 1    |       |                   |       |                |
| 8     | 0335124750   | SHAFT                       | 1    |       |                   |       |                |
| 9     | X 0375105500 | REST, arm                   | 2    |       |                   |       |                |
| 9-1   | 0375105510   | • URETHANE                  | 1    |       |                   |       |                |
| 9-2   | 0375105520   | • PLATE                     | 1    |       |                   |       |                |
| 9-3   | 1120530812   | • SCREW                     | 3    |       |                   |       |                |
| 9-4   | 1140020008   | • WASHER, spring            | 3    |       |                   |       |                |
| 10    | 0335124900   | BOOT                        | 2    |       |                   |       |                |
| 11    | 1513250202   | BUSHING                     | 4    |       |                   |       |                |
|       | 1420010110   | • O-RING                    | 1    |       |                   |       |                |
| 13    | 0375104400   | BRACKET (L.H.)              | 1    |       |                   |       |                |
| 13-10 | 1333002015   | • BUSHING                   | 2    |       |                   |       |                |
| 14    | 0375105100   | LEVER                       | 2    |       |                   |       |                |
| 15    | 0425105100   | SPRING                      | 1    |       | 13514051~13516228 |       |                |
| 16    | 1512370012   | ADAPTOR                     | 2    |       |                   |       |                |
|       | 1420010110   | • O-RING                    | 1    |       |                   |       |                |
| 17    | 1515100110   | ELBOW                       | 10   |       |                   |       |                |
|       | 1420010110   | • O-RING                    | 1    |       |                   |       |                |
| 18    | 1650202300   | CAP                         | 1    |       |                   |       |                |
| 19    | 1650204600   | GRIP (R.H.)                 | 1    |       |                   |       | horn, decel.   |
|       | 1650204650   | GRIP (R.H.) (with 4 switch) | 1    |       |                   |       | horn, decel.   |
| 19-1  | 1650204601   | • COVER                     | 1    |       |                   |       |                |
| 20    | 1650204700   | GRIP (L.H.)                 | 1    |       |                   |       | A-B            |
|       | 1650204750   | GRIP (L.H.) (with 4 switch) | 1    |       |                   |       | A-B            |
| 20-1  | 1650204701   | • COVER                     | 1    |       |                   |       |                |
| 21    | 1651101224   | STOPPER                     | 1    |       |                   |       |                |
| 22    | 1653900057   | SPRING, gas                 | 1    |       |                   |       |                |
| 23    | 1700000033   | SWITCH, safety              | 1    |       |                   |       |                |
| 24    | 1901745600   | VALVE, pilot                | 2    |       |                   |       |                |
| 25    | 0335120970   | BOLT                        | 1    |       |                   |       |                |
| 26    | 1110040625   | SCREW, cap                  | 8    |       |                   |       |                |
| 27    | 1111810610   | SCREW                       | 4    |       |                   |       |                |
| 28    | 1110040816   | SCREW, cap                  | 2    |       |                   |       |                |
| 29    | 1130040010   | NUT                         | 1    |       |                   |       |                |
| 30    | 1130040012   | NUT                         | 1    |       |                   |       |                |
| 31    | 1130140014   | NUT                         | 2    |       |                   |       |                |
| 32    | 1141110006   | WASHER                      | 8    |       |                   |       |                |
| 33    | 1140020008   | WASHER, spring              | 6    |       |                   |       |                |
| 34    | 1141110008   | WASHER                      | 4    |       |                   |       |                |
| 35    | 0003609003   | WASHER                      | 2    |       |                   |       |                |
| 36    | 1213000832   | PIN, spring                 | 1    |       |                   |       |                |
| 37    | 1214000008   | PIN, snap                   | 2    |       |                   |       |                |
| 38    | 1110040825   | SCREW, cap                  | 4    |       |                   |       |                |
| 40    | 1100041020   | BOLT                        | 6    |       |                   |       |                |
| 41    | 1140020010   | WASHER, spring              | 7    |       |                   |       |                |
| 42    | 1141110010   | WASHER                      | 3    |       |                   |       |                |
| 43    | 1100041040   | BOLT                        | 1    |       |                   |       |                |
| 46    | 1213000836   | PIN, spring                 | 1    |       |                   |       |                |
| 50    | 1711900062   | RELAY                       | 2    |       |                   |       | with 4 switch  |
|       | G4b098       |                             |      |       |                   |       |                |

TB135 Book No. BG4Z010 S/N 13510004-  
PIPING; OPERATION LEVER (13510004-13512532)



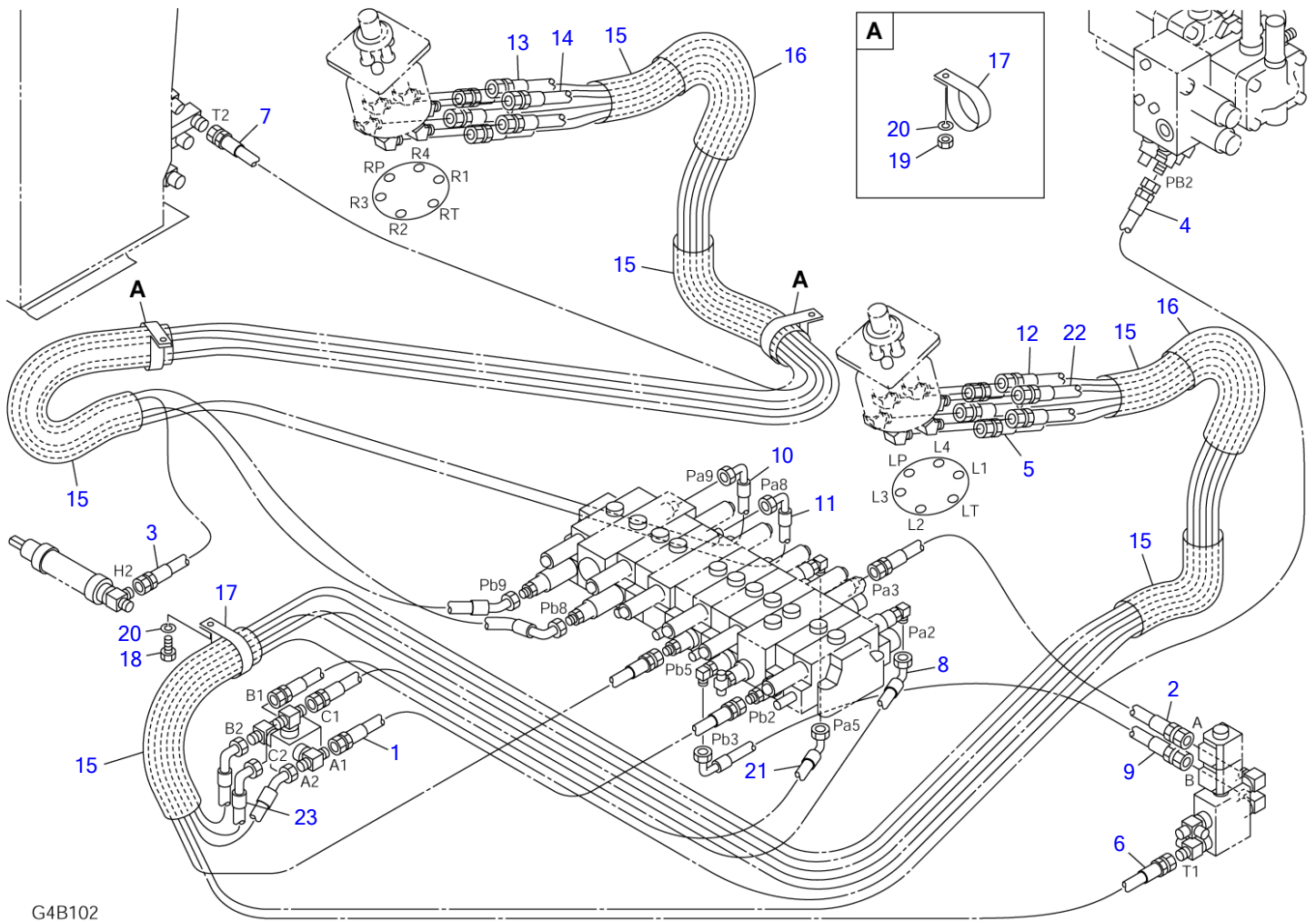
G4B101

S=1/8

**PIPING; OPERATION LEVER (13510004-13512532)**

| Item | Part number       | Description    | Q'ty | Chan. | Serial No. | Serv. | Remarks           |
|------|-------------------|----------------|------|-------|------------|-------|-------------------|
|      |                   | PIPING ASSY    |      |       |            |       | X03771-04000-2    |
| 1    | <b>0377104010</b> | HOSE ASSY      | 1    |       |            |       | 19348-22027       |
| 2    | <b>0377104020</b> | HOSE ASSY      | 1    |       |            |       | 19348-22030       |
| 3    | <b>0377104030</b> | HOSE ASSY      | 1    |       |            |       | 19348-22180       |
| 4    | <b>0377104040</b> | HOSE ASSY      | 1    |       |            |       | 19348-22230       |
| 5    | <b>0377104050</b> | HOSE ASSY      | 1    |       |            |       | 19348-22230       |
| 6    | <b>0377104060</b> | HOSE ASSY      | 1    |       |            |       | 19348-22245       |
| 7    | <b>0377104070</b> | HOSE ASSY      | 1    |       |            |       | 19348-22335       |
| 8    | <b>0377104080</b> | HOSE ASSY      | 1    |       |            |       | 19348-52056       |
| 9    | <b>0377104090</b> | HOSE ASSY      | 1    |       |            |       | 19348-52056       |
| 10   | <b>0377104100</b> | HOSE ASSY      | 1    |       |            |       | 19348-52260       |
| 11   | <b>0377104110</b> | HOSE ASSY      | 1    |       |            |       | 19348-52260       |
| 12   | <b>0377104120</b> | HOSE ASSY      | 1    |       |            |       | 19348-52200       |
| 13   | <b>0377104130</b> | HOSE ASSY      | 1    |       |            |       | 19348-52220       |
| 14   | <b>0377104140</b> | HOSE ASSY      | 1    |       |            |       | 19348-72215       |
| 15   | <b>1531645030</b> | PROTECTOR      | 6    |       |            |       | sold by the meter |
| 16   | <b>1567315030</b> | PROTECTOR      | 2    |       |            |       | sold by the meter |
| 17   | <b>0007300030</b> | CLAMP          | 3    |       |            |       |                   |
| 18   | <b>1100040816</b> | BOLT           | 1    |       |            |       |                   |
| 19   | <b>1130030008</b> | NUT            | 2    |       |            |       |                   |
| 20   | <b>1140020008</b> | WASHER, spring | 3    |       |            |       |                   |
| 21   | <b>0377104150</b> | HOSE ASSY      | 1    |       |            |       | 19348-52050       |
| 22   | <b>0377104160</b> | HOSE ASSY      | 1    |       |            |       | 19348-72195       |
| 23   | <b>0377104170</b> | HOSE ASSY      | 1    |       |            |       | 19348-52205       |
|      | <b>G4b180</b>     |                |      |       |            |       |                   |

TB135 Book No. BG4Z010 S/N 13510004-  
 PIPING; OPERATION LEVER (13512533-)



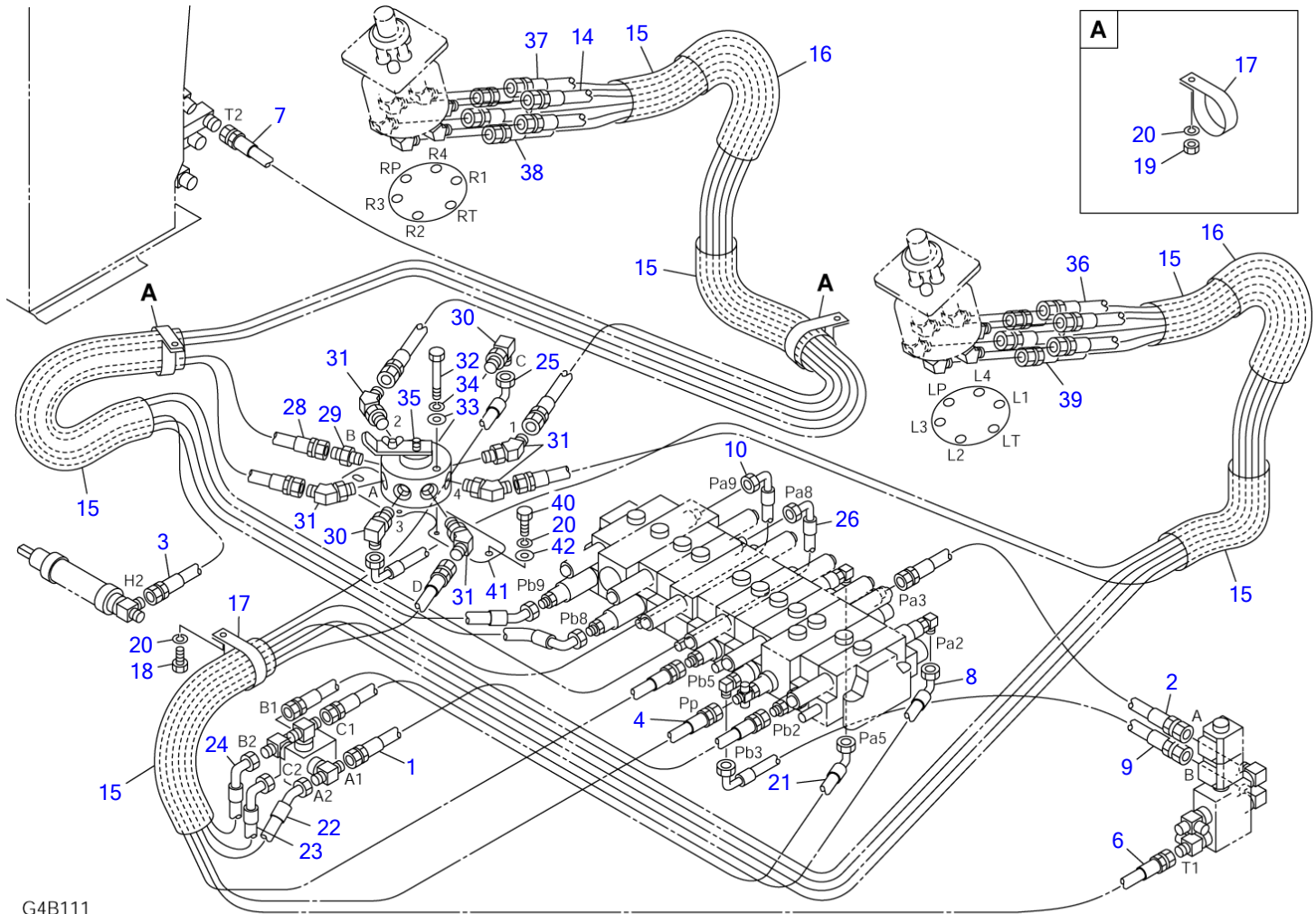
G4B102

S=1/8

**PIPING; OPERATION LEVER (13512533-)**

| Item | Part number       | Description    | Q'ty | Chan. | Serial No. | Serv. | Remarks           |
|------|-------------------|----------------|------|-------|------------|-------|-------------------|
|      |                   | PIPING ASSY    |      |       |            |       | X03771-09000-1    |
| 1    | <b>0377104010</b> | HOSE ASSY      | 1    |       |            |       | 19348-22027       |
| 2    | <b>0377104020</b> | HOSE ASSY      | 1    |       |            |       | 19348-22030       |
| 3    | <b>0377104030</b> | HOSE ASSY      | 1    |       |            |       | 19348-22180       |
| 4    | <b>0377109010</b> | HOSE ASSY      | 1    |       |            |       | 19348-22320       |
| 5    | <b>0377104050</b> | HOSE ASSY      | 1    |       |            |       | 19348-22230       |
| 6    | <b>0377104060</b> | HOSE ASSY      | 1    |       |            |       | 19348-22245       |
| 7    | <b>0377104070</b> | HOSE ASSY      | 1    |       |            |       | 19348-22335       |
| 8    | <b>0377104080</b> | HOSE ASSY      | 1    |       |            |       | 19348-52056       |
| 9    | <b>0377104090</b> | HOSE ASSY      | 1    |       |            |       | 19348-52056       |
| 10   | <b>0377104100</b> | HOSE ASSY      | 1    |       |            |       | 19348-52260       |
| 11   | <b>0377104110</b> | HOSE ASSY      | 1    |       |            |       | 19348-52260       |
| 12   | <b>0377104120</b> | HOSE ASSY      | 1    |       |            |       | 19348-52200       |
| 13   | <b>0377104130</b> | HOSE ASSY      | 1    |       |            |       | 19348-52220       |
| 14   | <b>0377104140</b> | HOSE ASSY      | 1    |       |            |       | 19348-72215       |
| 15   | <b>1531645030</b> | PROTECTOR      | 6    |       |            |       | sold by the meter |
| 16   | <b>1567315030</b> | PROTECTOR      | 2    |       |            |       | sold by the meter |
| 17   | <b>0007300030</b> | CLAMP          | 3    |       |            |       |                   |
| 18   | <b>1100040816</b> | BOLT           | 1    |       |            |       |                   |
| 19   | <b>1130030008</b> | NUT            | 2    |       |            |       |                   |
| 20   | <b>1140020008</b> | WASHER, spring | 3    |       |            |       |                   |
| 21   | <b>0377104150</b> | HOSE ASSY      | 1    |       |            |       | 19348-52050       |
| 22   | <b>0377104160</b> | HOSE ASSY      | 1    |       |            |       | 19348-72195       |
| 23   | <b>0377104170</b> | HOSE ASSY      | 1    |       |            |       | 19348-52205       |
|      | <b>G4b103</b>     |                |      |       |            |       |                   |

TB135 Book No. BG4Z010 S/N 13510004-  
 PIPING; OPERATION LEVER (ISO-JCB pattern; 13510004-13512532)



G4B111

S=1/8

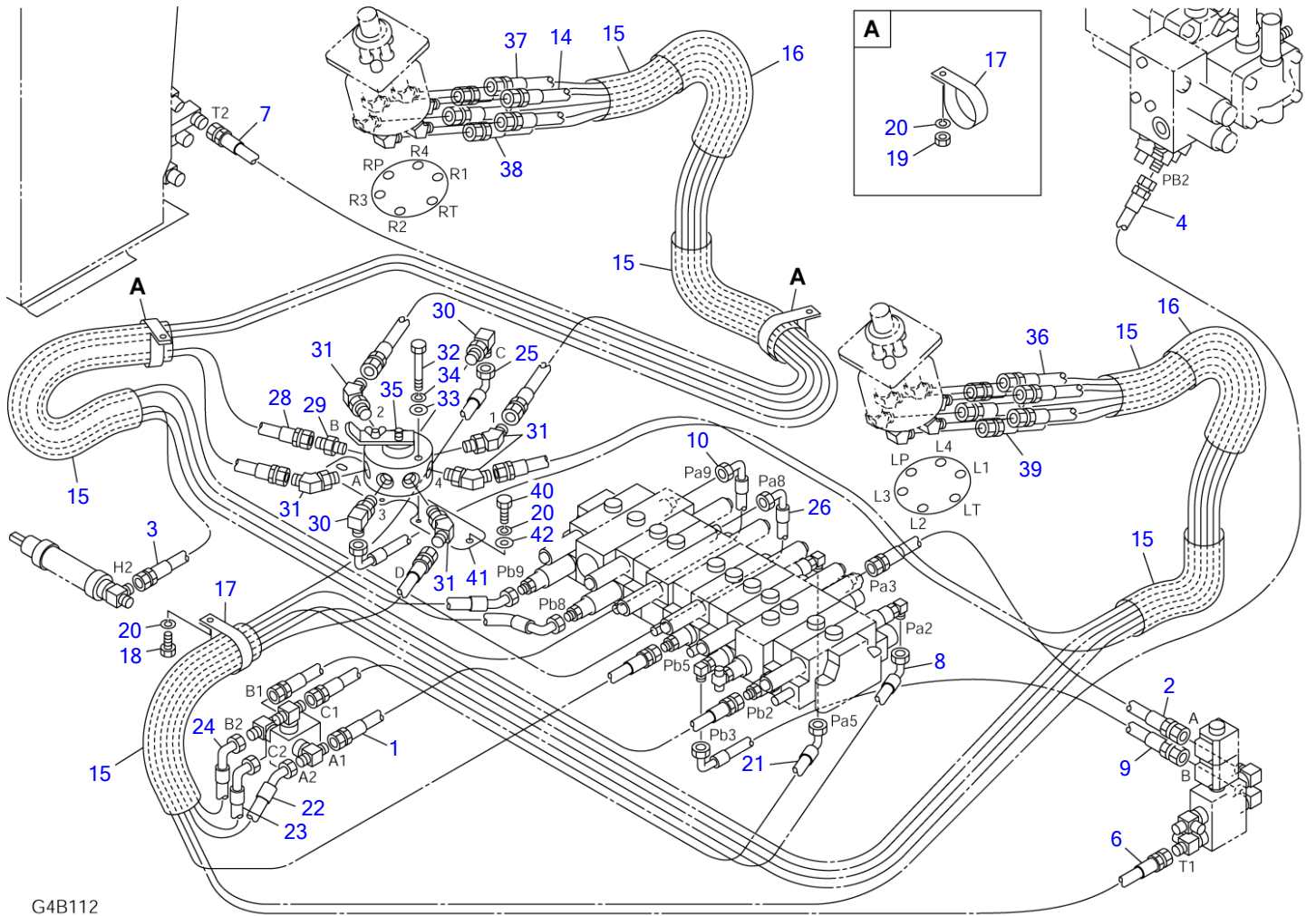


**PIPING; OPERATION LEVER (ISO-JCB pattern; 13510004-13512532)**

| Item | Part number | Description     | Qty | Chan. | Serial No. | Serv. | Remarks           |
|------|-------------|-----------------|-----|-------|------------|-------|-------------------|
|      |             | PIPING ASSY     |     |       |            |       | X03771-03000-7    |
| 1    | 0377104010  | HOSE ASSY       | 1   |       |            |       | 19348-22027       |
| 2    | 0377104020  | HOSE ASSY       | 1   |       |            |       | 19348-22030       |
| 3    | 0377104030  | HOSE ASSY       | 1   |       |            |       | 19348-22180       |
| 4    | 0377104040  | HOSE ASSY       | 1   |       |            |       | 19348-22230       |
| 6    | 0377104060  | HOSE ASSY       | 1   |       |            |       | 19348-22245       |
| 7    | 0377104070  | HOSE ASSY       | 1   |       |            |       | 19348-22335       |
| 8    | 0377104080  | HOSE ASSY       | 1   |       |            |       | 19348-52056       |
| 9    | 0377104090  | HOSE ASSY       | 1   |       |            |       | 19348-52056       |
| 10   | 0377104100  | HOSE ASSY       | 1   |       |            |       | 19348-52260       |
| 14   | 0377104140  | HOSE ASSY       | 1   |       |            |       | 19348-72215       |
| 15   | 1531645030  | PROTECTOR       | 6   |       |            |       | sold by the meter |
| 16   | 1567315030  | PROTECTOR       | 2   |       |            |       | sold by the meter |
| 17   | 0007300030  | CLAMP           | 3   |       |            |       |                   |
| 18   | 1100040816  | BOLT            | 1   |       |            |       |                   |
| 19   | 1130030008  | NUT             | 2   |       |            |       |                   |
| 20   | 1140020008  | WASHER, spring  | 5   |       |            |       |                   |
| 21   | 0377104150  | HOSE ASSY       | 1   |       |            |       | 19348-52054       |
| 22   | 0377104160  | HOSE ASSY       | 1   |       |            |       | 19348-72195       |
| 23   | 0377104170  | HOSE ASSY       | 1   |       |            |       | 19348-52205       |
| 24   | 0377103010  | HOSE ASSY       | 1   |       |            |       | 19348-52068       |
| 25   | 0377103020  | HOSE ASSY       | 1   |       |            |       | 19348-52015       |
| 26   | 0377103030  | HOSE ASSY       | 1   |       |            |       | 19348-52135       |
| 28   | 0377103040  | HOSE ASSY       | 1   |       |            |       | 19348-52100       |
| 29   | 1515600200  | ADAPTOR         | 1   |       |            |       |                   |
|      | 1420010110  | · O-RING        | 1   |       |            |       |                   |
| 30   | 1515012040  | ELBOW           | 2   |       |            |       |                   |
|      | 1420010110  | · O-RING        | 1   |       |            |       |                   |
| 31   | 1515001110  | ELBOW           | 5   |       |            |       |                   |
|      | 1420010110  | · O-RING        | 1   |       |            |       |                   |
| 32   | 1100040650  | BOLT            | 2   |       |            |       |                   |
| 33   | 1141110006  | WASHER          | 2   |       |            |       |                   |
| 34   | 1140020006  | WASHER, spring  | 2   |       |            |       |                   |
| 35   | 1901730500  | VALVE, selector | 1   |       |            |       |                   |
| 36   | 0377103050  | HOSE ASSY       | 1   |       |            |       | 19348-22126       |
| 37   | 0377103060  | HOSE ASSY       | 1   |       |            |       | 19348-22160       |
| 38   | 0377103070  | HOSE ASSY       | 1   |       |            |       | 19348-22170       |
| 39   | 0377103080  | HOSE ASSY       | 1   |       |            |       | 19348-52140       |
| 40   | 1100040820  | BOLT            | 2   |       |            |       |                   |
| 41   | 0377103300  | PLATE           | 1   |       |            |       |                   |
| 42   | 1141110008  | WASHER          | 2   |       |            |       |                   |

**G4b190**

TB135 Book No. BG4Z010 S/N 13510004-  
 PIPING; OPERATION LEVER (ISO-JCB pattern; 13512533-)



G4B112

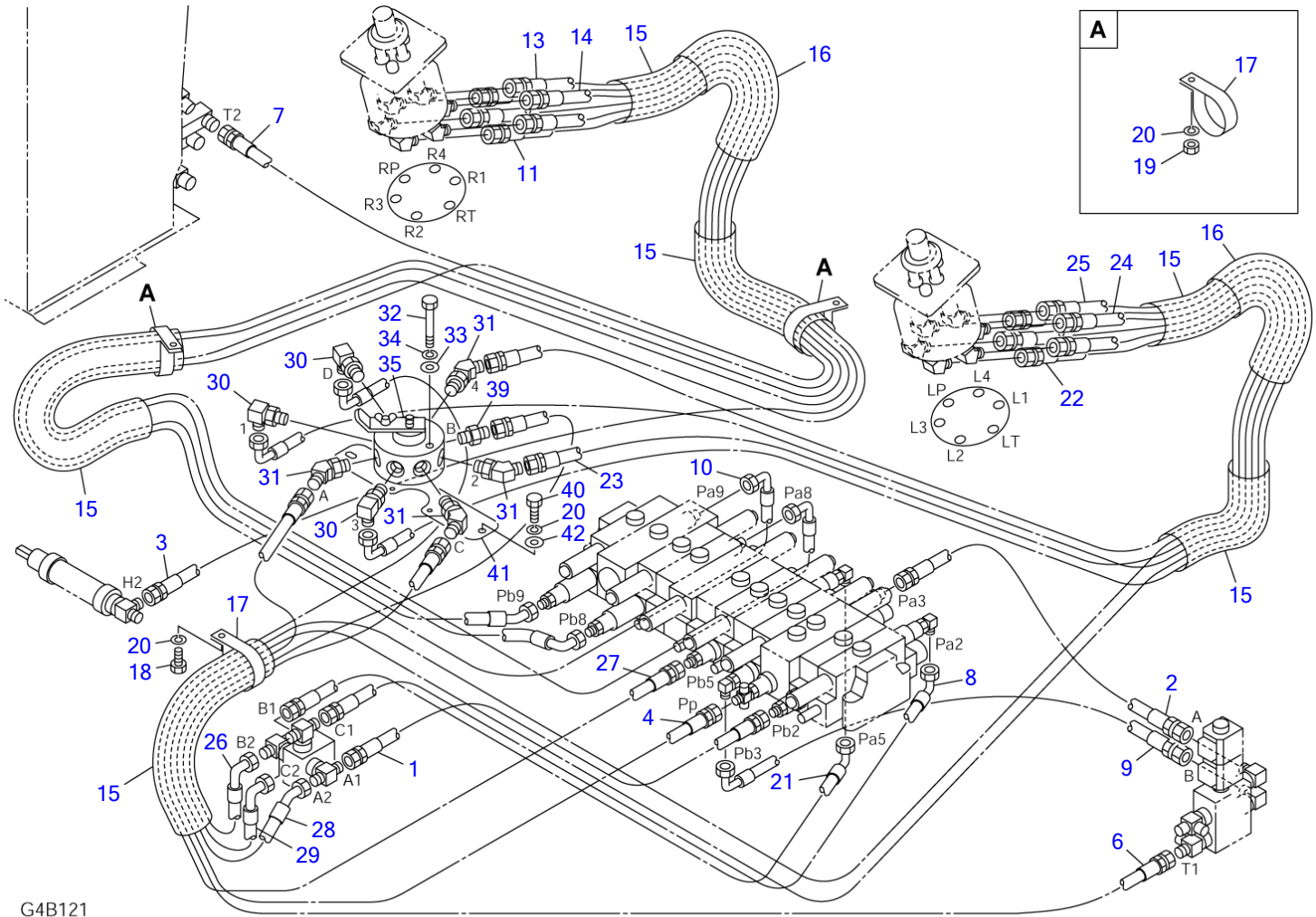
S=1/8

**PIPING; OPERATION LEVER (ISO-JCB pattern; 13512533-)**

| Item | Part number | Description     | Q'ty | Chan. | Serial No. | Serv. | Remarks           |
|------|-------------|-----------------|------|-------|------------|-------|-------------------|
|      |             | PIPING ASSY     |      |       |            |       | X03771-10000-2    |
| 1    | 0377104010  | HOSE ASSY       | 1    |       |            |       | 19348-22027       |
| 2    | 0377104020  | HOSE ASSY       | 1    |       |            |       | 19348-22030       |
| 3    | 0377104030  | HOSE ASSY       | 1    |       |            |       | 19348-22180       |
| 4    | 0377109010  | HOSE ASSY       | 1    |       |            |       | 19348-22320       |
| 6    | 0377104060  | HOSE ASSY       | 1    |       |            |       | 19348-22245       |
| 7    | 0377104070  | HOSE ASSY       | 1    |       |            |       | 19348-22335       |
| 8    | 0377104080  | HOSE ASSY       | 1    |       |            |       | 19348-52056       |
| 9    | 0377104090  | HOSE ASSY       | 1    |       |            |       | 19348-52056       |
| 10   | 0377104100  | HOSE ASSY       | 1    |       |            |       | 19348-52260       |
| 14   | 0377104140  | HOSE ASSY       | 1    |       |            |       | 19348-72215       |
| 15   | 1531645030  | PROTECTOR       | 6    |       |            |       | sold by the meter |
| 16   | 1567315030  | PROTECTOR       | 2    |       |            |       | sold by the meter |
| 17   | 0007300030  | CLAMP           | 3    |       |            |       |                   |
| 18   | 1100040816  | BOLT            | 1    |       |            |       |                   |
| 19   | 1130030008  | NUT             | 2    |       |            |       |                   |
| 20   | 1140020008  | WASHER, spring  | 5    |       |            |       |                   |
| 21   | 0377104150  | HOSE ASSY       | 1    |       |            |       | 19348-52054       |
| 22   | 0377104160  | HOSE ASSY       | 1    |       |            |       | 19348-72195       |
| 23   | 0377104170  | HOSE ASSY       | 1    |       |            |       | 19348-52205       |
| 24   | 0377103010  | HOSE ASSY       | 1    |       |            |       | 19348-52068       |
| 25   | 0377103020  | HOSE ASSY       | 1    |       |            |       | 19348-52015       |
| 26   | 0377103030  | HOSE ASSY       | 1    |       |            |       | 19348-52135       |
| 28   | 0377103040  | HOSE ASSY       | 1    |       |            |       | 19348-52100       |
| 29   | 1515600200  | ADAPTOR         | 1    |       |            |       |                   |
|      | 1420010110  | • O-RING        | 1    |       |            |       |                   |
| 30   | 1515012040  | ELBOW           | 2    |       |            |       |                   |
|      | 1420010110  | • O-RING        | 1    |       |            |       |                   |
| 31   | 1515100110  | ELBOW           | 5    |       |            |       |                   |
|      | 1420010110  | • O-RING        | 1    |       |            |       |                   |
| 32   | 1100040650  | BOLT            | 2    |       |            |       |                   |
| 33   | 1141110006  | WASHER          | 2    |       |            |       |                   |
| 34   | 1140020006  | WASHER, spring  | 2    |       |            |       |                   |
| 35   | 1901730500  | VALVE, selector | 1    |       |            |       |                   |
| 36   | 0377103050  | HOSE ASSY       | 1    |       |            |       | 19348-22126       |
| 37   | 0377103060  | HOSE ASSY       | 1    |       |            |       | 19348-22160       |
| 38   | 0377103070  | HOSE ASSY       | 1    |       |            |       | 19348-22170       |
| 39   | 0377103080  | HOSE ASSY       | 1    |       |            |       | 19348-52140       |
| 40   | 1100040820  | BOLT            | 2    |       |            |       |                   |
| 41   | 0377103300  | PLATE           | 1    |       |            |       |                   |
| 42   | 1141110008  | WASHER          | 2    |       |            |       |                   |

G4b115

TB135 Book No. BG4Z010 S/N 13510004-  
 PIPING; OPERATION LEVER (1/2) (A-B pattern; 13510004-13512532)



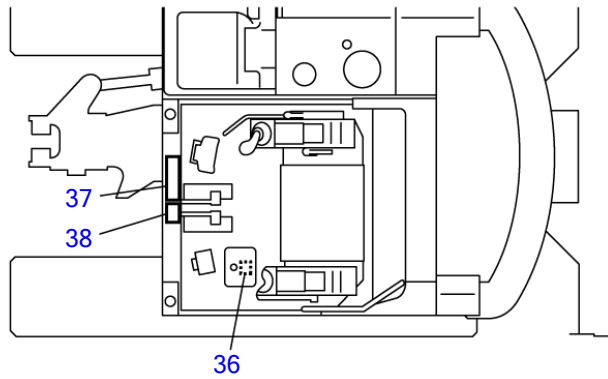
G4B121

S=1/8

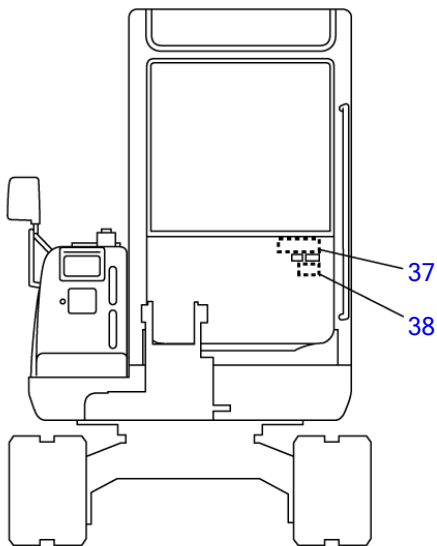
**PIPING; OPERATION LEVER (1/2) (A-B pattern; 13510004-13512532)**

| Item | Part number       | Description     | Q'ty | Chan. | Serial No. | Serv. | Remarks           |
|------|-------------------|-----------------|------|-------|------------|-------|-------------------|
|      |                   | PIPING ASSY     |      |       |            |       | X03771-05000-8    |
| 1    | <b>0377104010</b> | HOSE ASSY       | 1    |       |            |       | 19348-22027       |
| 2    | <b>0377104020</b> | HOSE ASSY       | 1    |       |            |       | 19348-22030       |
| 3    | <b>0377104030</b> | HOSE ASSY       | 1    |       |            |       | 19348-22180       |
| 4    | <b>0377104040</b> | HOSE ASSY       | 1    |       |            |       | 19348-22230       |
| 6    | <b>0377104060</b> | HOSE ASSY       | 1    |       |            |       | 19348-22245       |
| 7    | <b>0377104070</b> | HOSE ASSY       | 1    |       |            |       | 19348-22335       |
| 8    | <b>0377104080</b> | HOSE ASSY       | 1    |       |            |       | 19348-52056       |
| 9    | <b>0377104090</b> | HOSE ASSY       | 1    |       |            |       | 19348-52056       |
| 10   | <b>0377104100</b> | HOSE ASSY       | 1    |       |            |       | 19348-52260       |
| 11   | <b>0377104110</b> | HOSE ASSY       | 1    |       |            |       | 19348-52260       |
| 13   | <b>0377104130</b> | HOSE ASSY       | 1    |       |            |       | 19348-52220       |
| 14   | <b>0377104140</b> | HOSE ASSY       | 1    |       |            |       | 19348-72215       |
| 15   | <b>1531645030</b> | PROTECTOR       | 6    |       |            |       | sold by the meter |
| 16   | <b>1567315030</b> | PROTECTOR       | 2    |       |            |       | sold by the meter |
| 17   | <b>0007300030</b> | CLAMP           | 3    |       |            |       |                   |
| 18   | <b>1100040816</b> | BOLT            | 1    |       |            |       |                   |
| 19   | <b>1130030008</b> | NUT             | 2    |       |            |       |                   |
| 20   | <b>1140020008</b> | WASHER, spring  | 5    |       |            |       |                   |
| 21   | <b>0377104150</b> | HOSE ASSY       | 1    |       |            |       | 19348-52054       |
| 22   | <b>0377105010</b> | HOSE ASSY       | 1    |       |            |       | 19348-22126       |
| 23   | <b>0377105020</b> | HOSE ASSY       | 1    |       |            |       | 19348-22132       |
| 24   | <b>0377105030</b> | HOSE ASSY       | 1    |       |            |       | 19348-52140       |
| 25   | <b>0377105040</b> | HOSE ASSY       | 1    |       |            |       | 19348-52134       |
| 26   | <b>0377105050</b> | HOSE ASSY       | 1    |       |            |       | 19348-52070       |
| 27   | <b>0377105060</b> | HOSE ASSY       | 1    |       |            |       | 19348-52105       |
| 28   | <b>0377105070</b> | HOSE ASSY       | 1    |       |            |       | 19348-72068       |
| 29   | <b>0377105080</b> | HOSE ASSY       | 1    |       |            |       | 19348-52110       |
| 30   | <b>1515012040</b> | ELBOW           | 3    |       |            |       |                   |
|      | <b>1420010110</b> | • O-RING        | 1    |       |            |       |                   |
| 31   | <b>1515100110</b> | ELBOW           | 4    |       |            |       |                   |
|      | <b>1420010110</b> | • O-RING        | 1    |       |            |       |                   |
| 32   | <b>1100040650</b> | BOLT            | 2    |       |            |       |                   |
| 33   | <b>1141110006</b> | WASHER          | 2    |       |            |       |                   |
| 34   | <b>1140020006</b> | WASHER, spring  | 2    |       |            |       |                   |
| 35   | <b>1901731400</b> | VALVE, selector | 1    |       |            |       |                   |
| 39   | <b>1515600200</b> | ADAPTOR         | 1    |       |            |       |                   |
|      | <b>1420010110</b> | • O-RING        | 1    |       |            |       |                   |
| 40   | <b>1100040820</b> | BOLT            | 2    |       |            |       |                   |
| 41   | <b>0377103300</b> | PLATE           | 1    |       |            |       |                   |
| 42   | <b>1141110008</b> | WASHER          | 2    |       |            |       |                   |

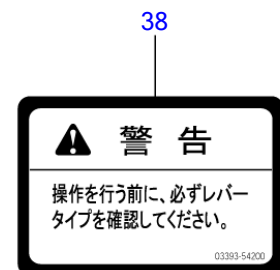
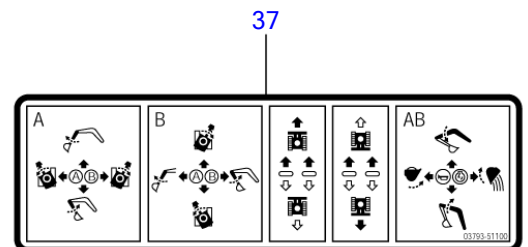
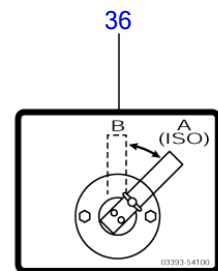
**G4b200**



CANOPY



G4B130

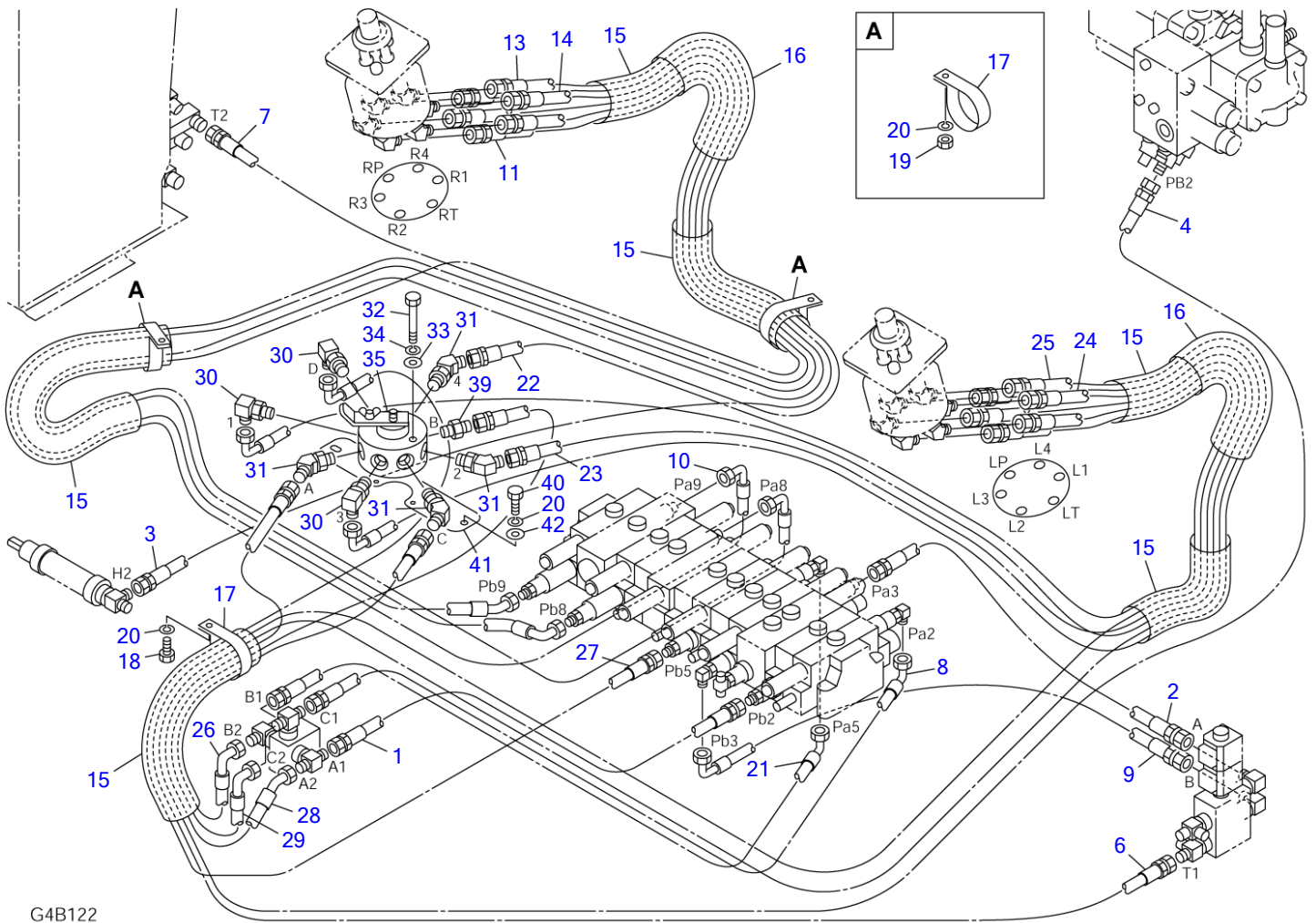


S=FREE

**PIPING; OPERATION LEVER (2/2) (A-B pattern; 13510004-13512532)**

| Item | Part number       | Description | Q'ty | Chan. | Serial No. | Serv. | Remarks        |
|------|-------------------|-------------|------|-------|------------|-------|----------------|
|      |                   | PIPING ASSY |      |       |            |       | X03771-05000-8 |
| 36   | <b>0339354100</b> | DECAL       | 1    |       |            |       |                |
| 37   | <b>0379351100</b> | DECAL       | 1    |       |            |       |                |
| 38   | <b>0339354200</b> | DECAL       | 1    |       |            |       |                |
|      | <b>G4b210</b>     |             |      |       |            |       |                |

TB135 Book No. BG4Z010 S/N 13510004-  
 PIPING; OPERATION LEVER (1/2) (A-B pattern; 13512533-)



G4B122

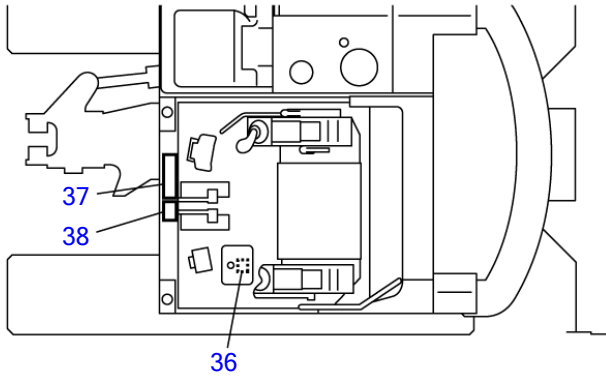
S=1/8



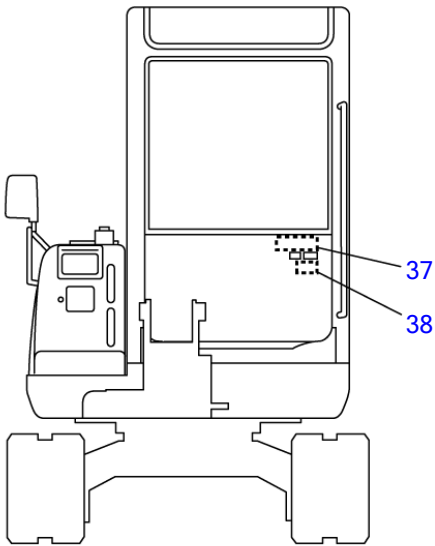
**PIPING; OPERATION LEVER (1/2) (A-B pattern; 13512533-)**

| Item | Part number | Description     | Q'ty | Chan. | Serial No. | Serv. | Remarks           |
|------|-------------|-----------------|------|-------|------------|-------|-------------------|
|      |             | PIPING ASSY     |      |       |            |       | X03771-11000-2    |
| 1    | 0377104010  | HOSE ASSY       | 1    |       |            |       | 19348-22027       |
| 2    | 0377104020  | HOSE ASSY       | 1    |       |            |       | 19348-22030       |
| 3    | 0377104030  | HOSE ASSY       | 1    |       |            |       | 19348-22180       |
| 4    | 0377109010  | HOSE ASSY       | 1    |       |            |       | 19348-22320       |
| 6    | 0377104060  | HOSE ASSY       | 1    |       |            |       | 19348-22245       |
| 7    | 0377104070  | HOSE ASSY       | 1    |       |            |       | 19348-22335       |
| 8    | 0377104080  | HOSE ASSY       | 1    |       |            |       | 19348-52056       |
| 9    | 0377104090  | HOSE ASSY       | 1    |       |            |       | 19348-52056       |
| 10   | 0377104100  | HOSE ASSY       | 1    |       |            |       | 19348-52260       |
| 11   | 0377104110  | HOSE ASSY       | 1    |       |            |       | 19348-52260       |
| 13   | 0377104130  | HOSE ASSY       | 1    |       |            |       | 19348-52220       |
| 14   | 0377104140  | HOSE ASSY       | 1    |       |            |       | 19348-72215       |
| 15   | 1531645030  | PROTECTOR       | 6    |       |            |       | sold by the meter |
| 16   | 1567315030  | PROTECTOR       | 2    |       |            |       | sold by the meter |
| 17   | 0007300030  | CLAMP           | 3    |       |            |       |                   |
| 18   | 1100040816  | BOLT            | 1    |       |            |       |                   |
| 19   | 1130030008  | NUT             | 2    |       |            |       |                   |
| 20   | 1140020008  | WASHER, spring  | 5    |       |            |       |                   |
| 21   | 0377104150  | HOSE ASSY       | 1    |       |            |       | 19348-52054       |
| 22   | 0377105010  | HOSE ASSY       | 1    |       |            |       | 19348-22126       |
| 23   | 0377105020  | HOSE ASSY       | 1    |       |            |       | 19348-22132       |
| 24   | 0377105030  | HOSE ASSY       | 1    |       |            |       | 19348-52140       |
| 25   | 0377105040  | HOSE ASSY       | 1    |       |            |       | 19348-52134       |
| 26   | 0377105050  | HOSE ASSY       | 1    |       |            |       | 19348-52070       |
| 27   | 0377105060  | HOSE ASSY       | 1    |       |            |       | 19348-52105       |
| 28   | 0377105070  | HOSE ASSY       | 1    |       |            |       | 19348-72068       |
| 29   | 0377105080  | HOSE ASSY       | 1    |       |            |       | 19348-52110       |
| 30   | 1515012040  | ELBOW           | 3    |       |            |       |                   |
|      | 1420010110  | • O-RING        | 1    |       |            |       |                   |
| 31   | 1515100110  | ELBOW           | 4    |       |            |       |                   |
|      | 1420010110  | • O-RING        | 1    |       |            |       |                   |
| 32   | 1100040650  | BOLT            | 2    |       |            |       |                   |
| 33   | 1141110006  | WASHER          | 2    |       |            |       |                   |
| 34   | 1140020006  | WASHER, spring  | 2    |       |            |       |                   |
| 35   | 1901731400  | VALVE, selector | 1    |       |            |       |                   |
| 39   | 1515600200  | ADAPTOR         | 1    |       |            |       |                   |
|      | 1420010110  | • O-RING        | 1    |       |            |       |                   |
| 40   | 1100040820  | BOLT            | 2    |       |            |       |                   |
| 41   | 0377103300  | PLATE           | 1    |       |            |       |                   |
| 42   | 1141110008  | WASHER          | 2    |       |            |       |                   |

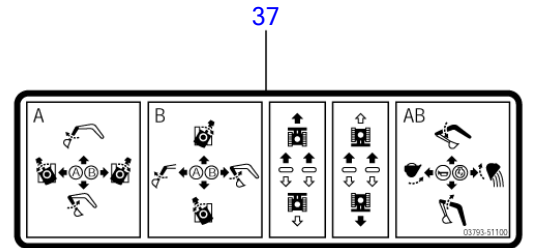
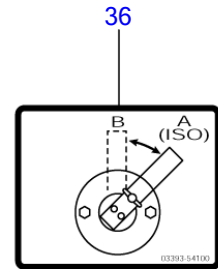
**G4b125**



CANOPY



G4B130

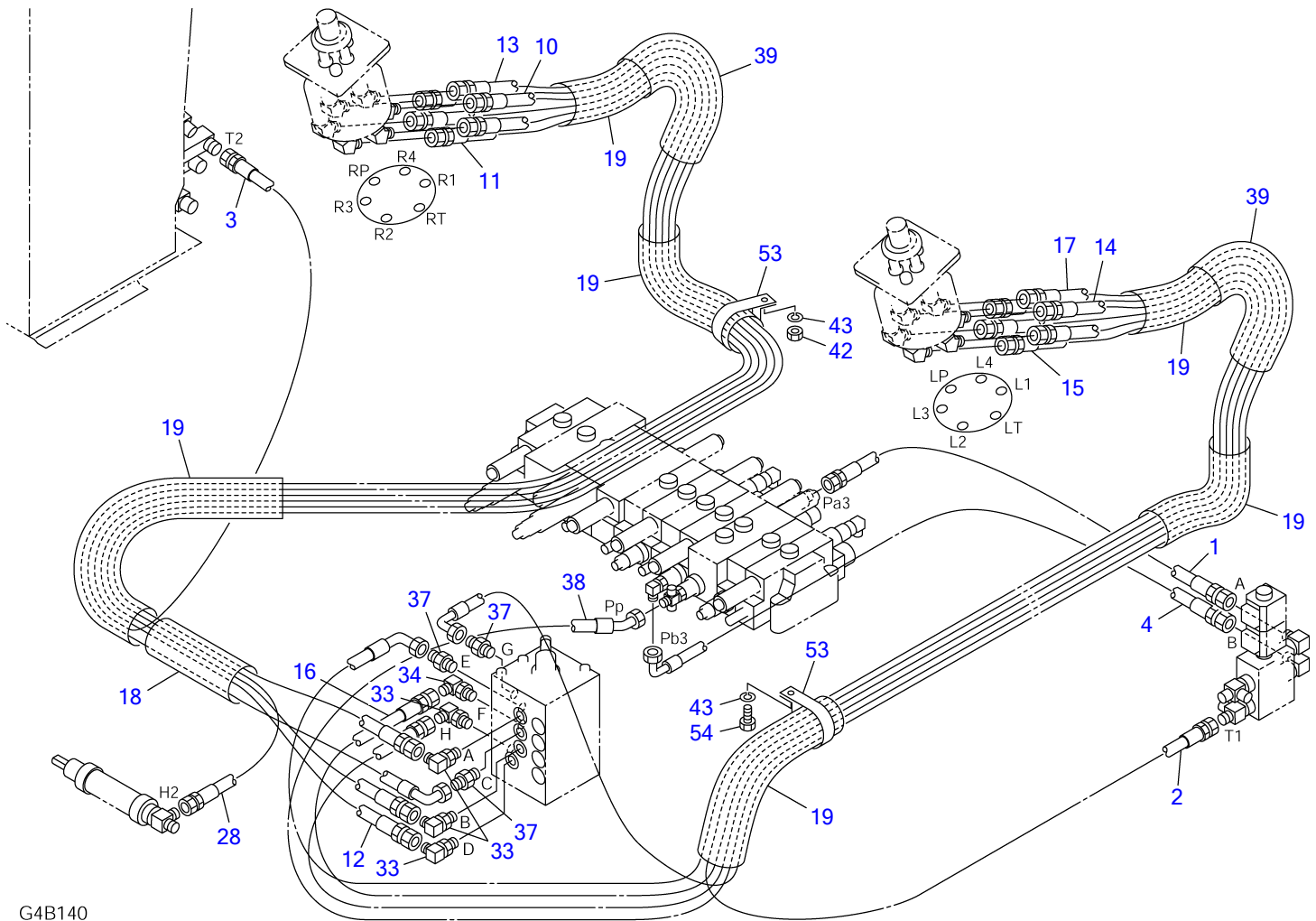


S=FREE

**PIPING; OPERATION LEVER (2/2) (A-B pattern; 13512533-)**

| Item | Part number       | Description | Q'ty | Chan. | Serial No. | Serv. | Remarks        |
|------|-------------------|-------------|------|-------|------------|-------|----------------|
|      |                   | PIPING ASSY |      |       |            |       | X03771-11000-2 |
| 36   | <b>0339354100</b> | DECAL       | 1    |       |            |       |                |
| 37   | <b>0379351100</b> | DECAL       | 1    |       |            |       |                |
| 38   | <b>0339354200</b> | DECAL       | 1    |       |            |       |                |
|      | <b>G4b133</b>     |             |      |       |            |       |                |

TB135 Book No. BG4Z010 S/N 13510004-  
PIPING; OPERATION LEVER (1/3) (multi pattern; 13510004-13512532)



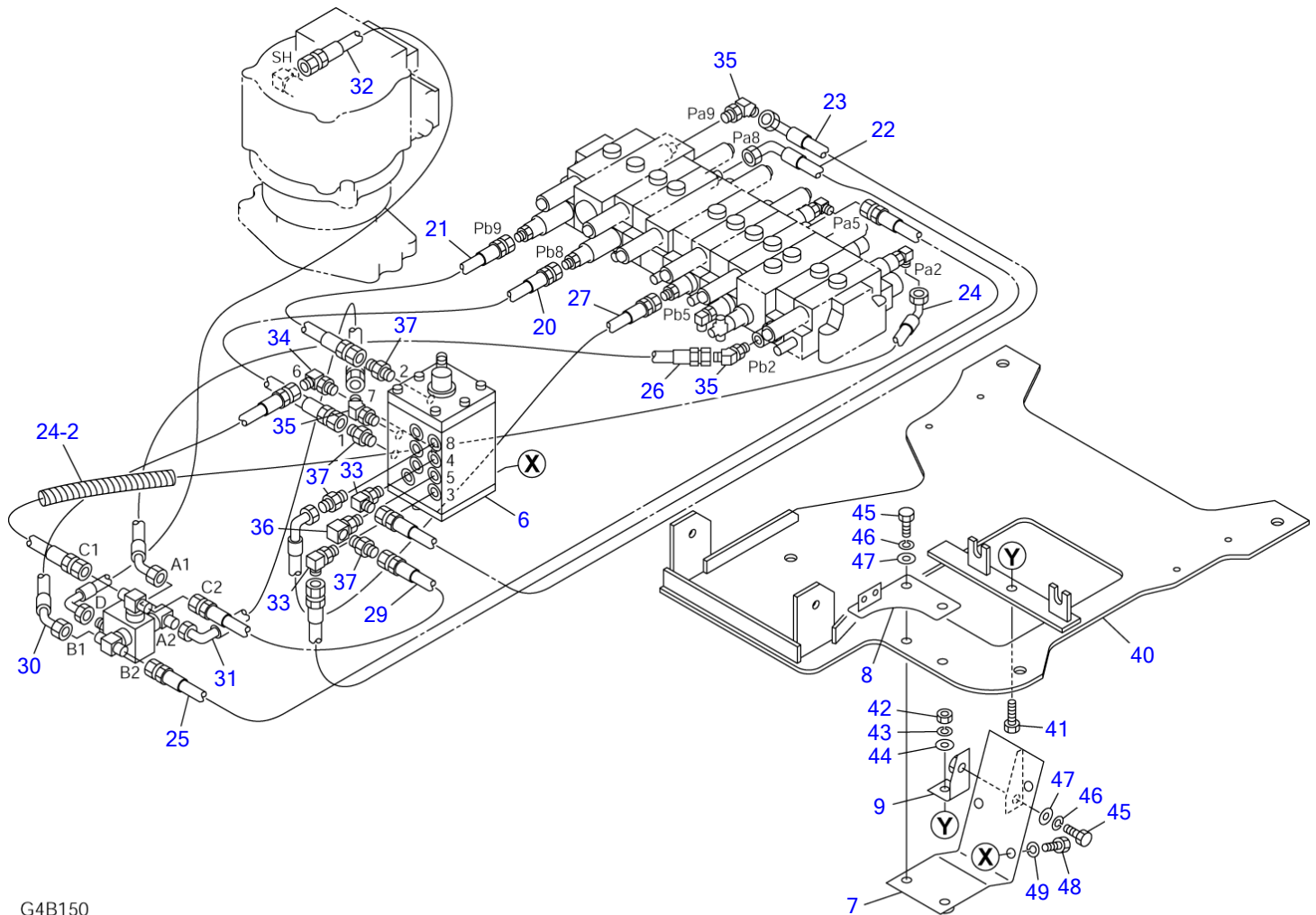
G4B140

S=1/8

PIPING; OPERATION LEVER (1/3) (multi pattern; 13510004-13512532)

| Item | Part number | Description    | Q'ty | Chan. | Serial No. | Serv. | Remarks           |
|------|-------------|----------------|------|-------|------------|-------|-------------------|
|      |             | PIPING ASSY    |      |       |            |       | X03771-07000-1    |
| 1    | 0377104020  | HOSE ASSY      | 1    |       |            |       | 19348-22030       |
| 2    | 0377104060  | HOSE ASSY      | 1    |       |            |       | 19348-22245       |
| 3    | 0377104070  | HOSE ASSY      | 1    |       |            |       | 19348-22335       |
| 4    | 0377104090  | HOSE ASSY      | 1    |       |            |       | 19348-52056       |
| 10   | 0377107100  | HOSE ASSY      | 1    |       |            |       | 19348-22210       |
| 11   | 0377107110  | HOSE ASSY      | 1    |       |            |       | 19348-52225       |
| 12   | 0377107120  | HOSE ASSY      | 1    |       |            |       | 19348-22215       |
| 13   | 0377107130  | HOSE ASSY      | 1    |       |            |       | 19348-22215       |
| 14   | 0377107140  | HOSE ASSY      | 1    |       |            |       | 19348-22205       |
| 15   | 0377107150  | HOSE ASSY      | 1    |       |            |       | 19348-52235       |
| 16   | 0377107160  | HOSE ASSY      | 1    |       |            |       | 19348-22235       |
| 17   | 0377107170  | HOSE ASSY      | 1    |       |            |       | 19348-52230       |
| 18   | 1531345033  | PROTECTOR      | 6    |       |            |       | sold by the meter |
| 19   | 1531645030  | PROTECTOR      | 1    |       |            |       | sold by the meter |
| 28   | 0377107280  | HOSE ASSY      | 1    |       |            |       | 19348-52195       |
| 33   | 1515012040  | ELBOW          | 4    |       |            |       |                   |
|      | 1420010110  | • O-RING       | 1    |       |            |       |                   |
| 34   | 1515012510  | ELBOW          | 1    |       |            |       |                   |
|      | 1420010110  | • O-RING       | 1    |       |            |       |                   |
| 37   | 1515600200  | ADAPTOR        | 3    |       |            |       |                   |
|      | 1420010110  | • O-RING       | 1    |       |            |       |                   |
| 38   | 0377107330  | HOSE ASSY      | 1    |       |            |       | 19348-72235       |
| 39   | 1567315030  | PROTECTOR      | 2    |       |            |       | sold by the meter |
| 42   | 1130030008  | NUT            | 1    |       |            |       |                   |
| 43   | 1140020008  | WASHER, spring | 2    |       |            |       |                   |
| 53   | 0007300030  | CLAMP          | 2    |       |            |       |                   |
| 54   | 1100040816  | BOLT           | 1    |       |            |       |                   |
|      | G4b141      |                |      |       |            |       |                   |

TB135 Book No. BG4Z010 S/N 13510004-  
PIPING; OPERATION LEVER (2/3) (multi pattern; 13510004-13512532)



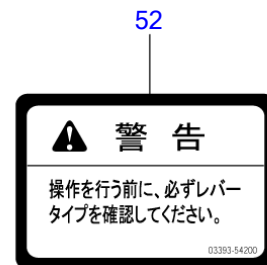
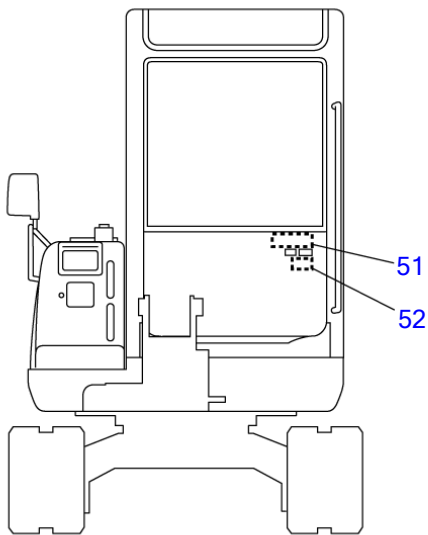
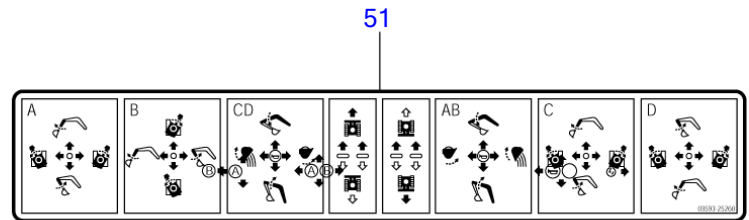
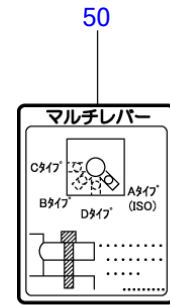
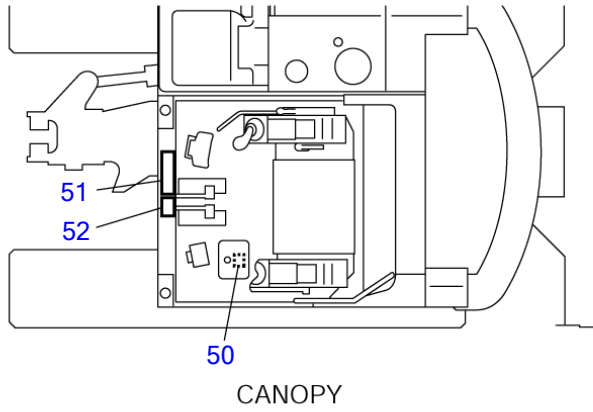
G4B150

S=1/8

**PIPING; OPERATION LEVER (2/3) (multi pattern; 13510004-13512532)**

| Item | Part number | Description    | Q'ty | Chan. | Serial No. | Serv. | Remarks           |
|------|-------------|----------------|------|-------|------------|-------|-------------------|
|      |             | PIPING ASSY    |      |       |            |       | X03771-07000-1    |
| 6    | 1901733700  | VALVE, rotary  | 1    |       |            |       |                   |
| 7    | 0377107010  | BRACKET        | 1    |       |            |       |                   |
| 8    | 0377107020  | BRACKET        | 1    |       |            |       |                   |
| 9    | 0377107030  | BRACKET        | 1    |       |            |       |                   |
| 20   | 0377107200  | HOSE ASSY      | 1    |       |            |       | 19348-22032       |
| 21   | 0377107210  | HOSE ASSY      | 1    |       |            |       | 19348-22035       |
| 22   | 0377107220  | HOSE ASSY      | 1    |       |            |       | 19348-52106       |
| 23   | 0377107230  | HOSE ASSY      | 1    |       |            |       | 19348-52116       |
| 24   | 0377107240  | HOSE ASSY      | 1    |       |            |       | 19348-52070       |
| 24-2 | 1532208015  | • PROTECTOR    | 1    |       |            |       | sold by the meter |
| 25   | 0377107250  | HOSE ASSY      | 1    |       |            |       | 19348-22102       |
| 26   | 0377107260  | HOSE ASSY      | 1    |       |            |       | 19348-72038       |
| 27   | 0377107270  | HOSE ASSY      | 1    |       |            |       | 19348-52046       |
| 29   | 0377107290  | HOSE ASSY      | 1    |       |            |       | 18010-22028       |
| 30   | 0377107300  | HOSE ASSY      | 1    |       |            |       | 18010-79022       |
| 31   | 0377107310  | HOSE ASSY      | 1    |       |            |       | 18010-52076       |
| 32   | 0377107320  | HOSE ASSY      | 1    |       |            |       | 18010-52140       |
| 33   | 1515012040  | ELBOW          | 2    |       |            |       |                   |
|      | 1420010110  | • O-RING       | 1    |       |            |       |                   |
| 34   | 1515012510  | ELBOW          | 1    |       |            |       |                   |
|      | 1420010110  | • O-RING       | 1    |       |            |       |                   |
| 35   | 1515100110  | ELBOW          | 3    |       |            |       |                   |
|      | 1420010110  | • O-RING       | 1    |       |            |       |                   |
| 36   | 1513300014  | ELBOW          | 1    |       |            |       |                   |
|      | 1420010110  | • O-RING       | 1    |       |            |       |                   |
| 37   | 1515600200  | ADAPTOR        | 4    |       |            |       |                   |
|      | 1420010110  | • O-RING       | 1    |       |            |       |                   |
| 40   | 0377107400  | BRACKET        | 1    |       |            |       |                   |
| 41   | 1100040825  | BOLT           | 1    |       |            |       |                   |
| 42   | 1130030008  | NUT            | 1    |       |            |       |                   |
| 43   | 1140020008  | WASHER, spring | 1    |       |            |       |                   |
| 44   | 1141110008  | WASHER         | 1    |       |            |       |                   |
| 45   | 1100041035  | BOLT           | 3    |       |            |       |                   |
| 46   | 1140020010  | WASHER, spring | 3    |       |            |       |                   |
| 47   | 1141110010  | WASHER         | 3    |       |            |       |                   |
| 48   | 1100041225  | BOLT           | 3    |       |            |       |                   |
| 49   | 1140020012  | WASHER, spring | 3    |       |            |       |                   |

**G4b151**



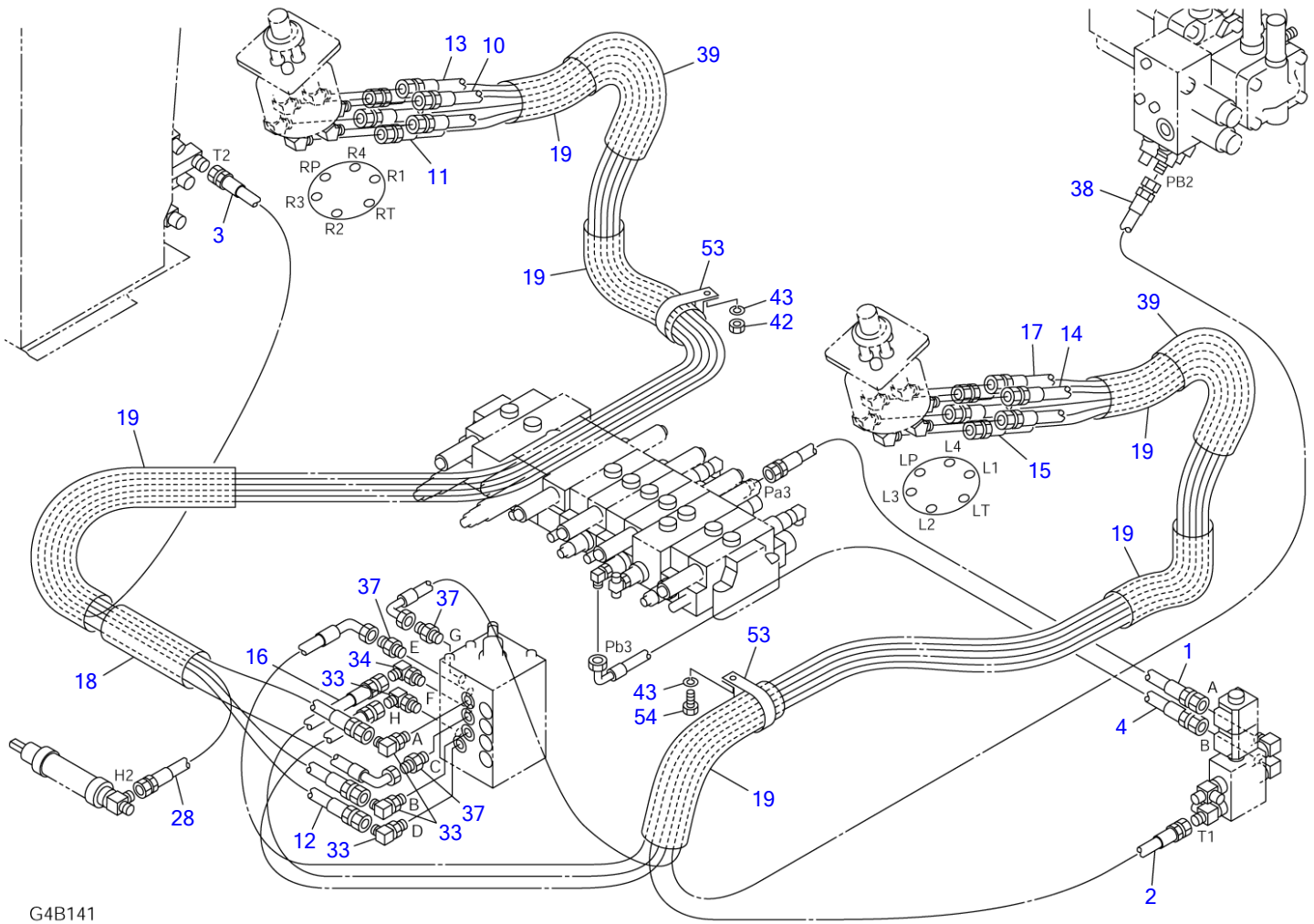
S=FREE



**PIPING; OPERATION LEVER (3/3) (multi pattern; 13510004-13512532)**

| Item | Part number       | Description | Q'ty | Chan. | Serial No. | Serv. | Remarks        |
|------|-------------------|-------------|------|-------|------------|-------|----------------|
|      |                   | PIPING ASSY |      |       |            |       | X03771-07000-1 |
| 50   | <b>0399349600</b> | DECAL       | 1    |       |            |       |                |
| 51   | <b>0359325260</b> | DECAL       | 1    |       |            |       |                |
| 52   | <b>0339354200</b> | DECAL       | 1    |       |            |       |                |
|      | <b>G4b160</b>     |             |      |       |            |       |                |

TB135 Book No. BG4Z010 S/N 13510004-  
PIPING; OPERATION LEVER (1/3) (multi pattern; 13512533-)



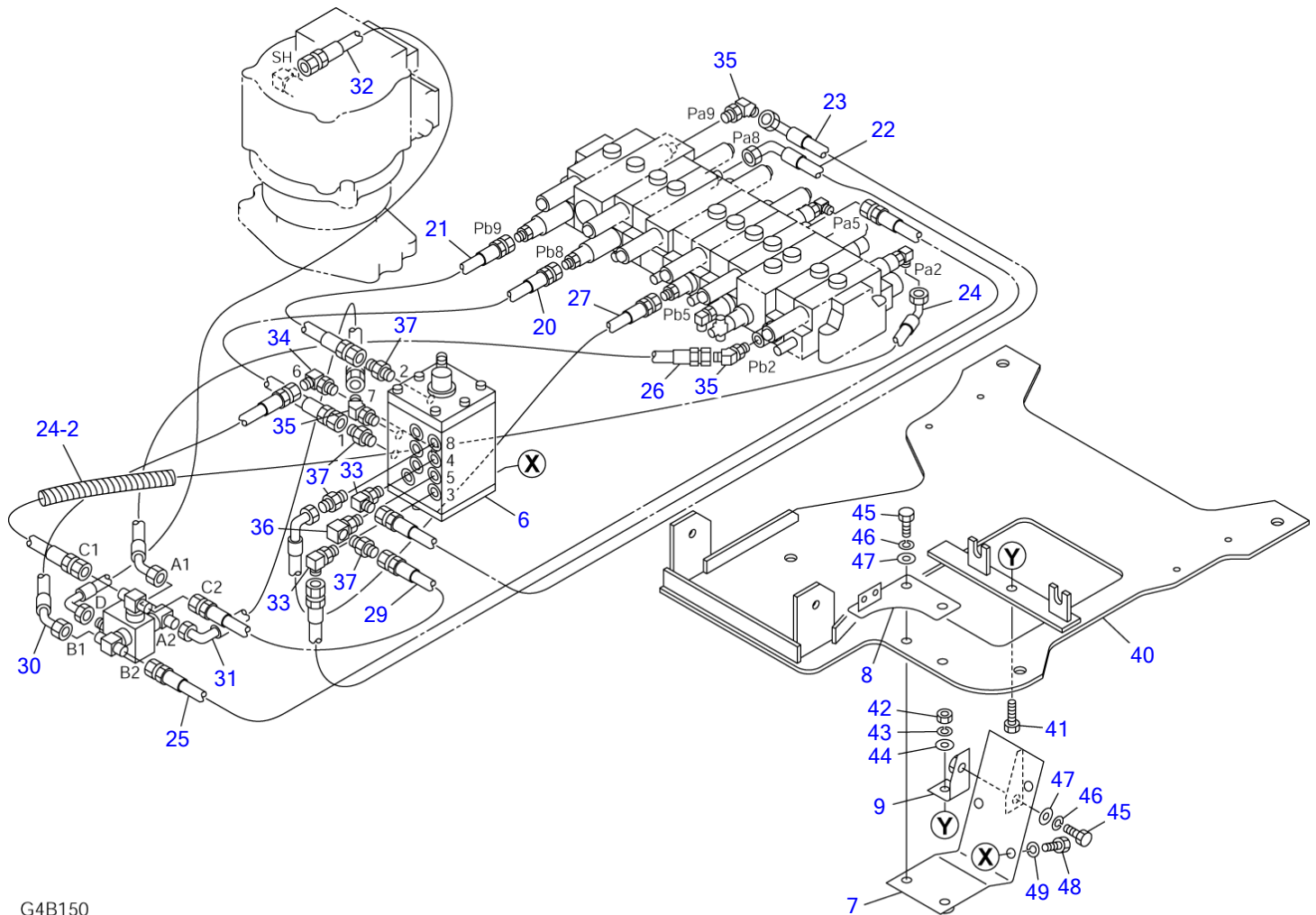
G4B141

S=1/8

**PIPING; OPERATION LEVER (1/3) (multi pattern; 13512533-)**

| Item | Part number   | Description    | Q'ty | Chan. | Serial No. | Serv. | Remarks           |
|------|---------------|----------------|------|-------|------------|-------|-------------------|
|      |               | PIPING ASSY    |      |       |            |       | X03771-12000-0    |
| 1    | 0377104020    | HOSE ASSY      | 1    |       |            |       | 19348-22030       |
| 2    | 0377104060    | HOSE ASSY      | 1    |       |            |       | 19348-22245       |
| 3    | 0377104070    | HOSE ASSY      | 1    |       |            |       | 19348-22335       |
| 4    | 0377104090    | HOSE ASSY      | 1    |       |            |       | 19348-52056       |
| 10   | 0377107100    | HOSE ASSY      | 1    |       |            |       | 19348-22210       |
| 11   | 0377107110    | HOSE ASSY      | 1    |       |            |       | 19348-52225       |
| 12   | 0377107120    | HOSE ASSY      | 1    |       |            |       | 19348-22215       |
| 13   | 0377107130    | HOSE ASSY      | 1    |       |            |       | 19348-22215       |
| 14   | 0377107140    | HOSE ASSY      | 1    |       |            |       | 19348-22205       |
| 15   | 0377107150    | HOSE ASSY      | 1    |       |            |       | 19348-52235       |
| 16   | 0377107160    | HOSE ASSY      | 1    |       |            |       | 19348-22235       |
| 17   | 0377107170    | HOSE ASSY      | 1    |       |            |       | 19348-52230       |
| 18   | 1531345033    | PROTECTOR      | 6    |       |            |       | sold by the meter |
| 19   | 1531645030    | PROTECTOR      | 1    |       |            |       | sold by the meter |
| 28   | 0377107280    | HOSE ASSY      | 1    |       |            |       | 19348-52195       |
| 33   | 1515012040    | ELBOW          | 4    |       |            |       |                   |
|      | 1420010110    | • O-RING       | 1    |       |            |       |                   |
| 34   | 1515012510    | ELBOW          | 1    |       |            |       |                   |
|      | 1420010110    | • O-RING       | 1    |       |            |       |                   |
| 37   | 1515600200    | ADAPTOR        | 3    |       |            |       |                   |
|      | 1420010110    | • O-RING       | 1    |       |            |       |                   |
| 38   | 0377112010    | HOSE ASSY      | 1    |       |            |       | 19348-22325       |
| 39   | 1567315030    | PROTECTOR      | 2    |       |            |       | sold by the meter |
| 42   | 1130030008    | NUT            | 1    |       |            |       |                   |
| 43   | 1140020008    | WASHER, spring | 2    |       |            |       |                   |
| 53   | 0007300030    | CLAMP          | 2    |       |            |       |                   |
| 54   | 1100040816    | BOLT           | 1    |       |            |       |                   |
|      | <b>G4b142</b> |                |      |       |            |       |                   |

TB135 Book No. BG4Z010 S/N 13510004-  
PIPING; OPERATION LEVER (2/3) (multi pattern; 13512533-)



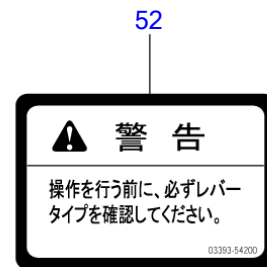
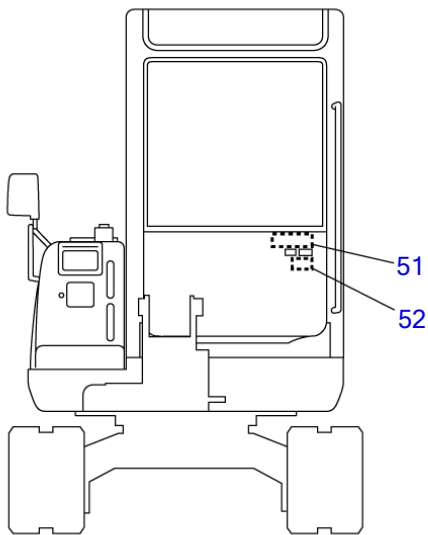
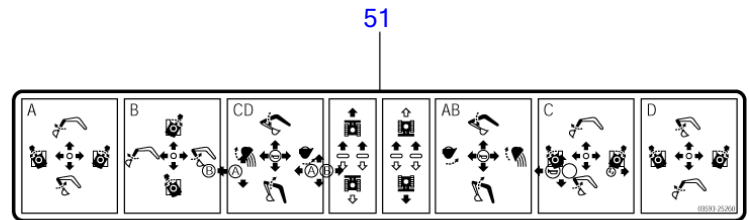
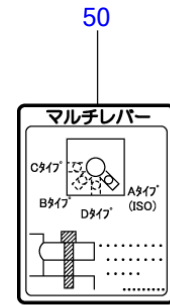
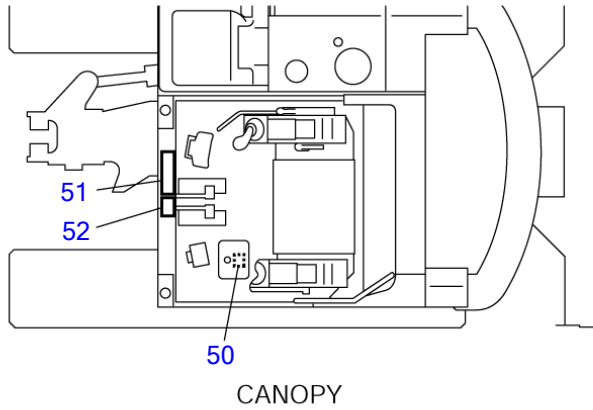
G4B150

S=1/8

**PIPING; OPERATION LEVER (2/3) (multi pattern; 13512533-)**

| Item | Part number | Description    | Q'ty | Chan. | Serial No. | Serv. | Remarks           |
|------|-------------|----------------|------|-------|------------|-------|-------------------|
|      |             | PIPING ASSY    |      |       |            |       | X03771-12000-0    |
| 6    | 1901733700  | VALVE, rotary  | 1    |       |            |       |                   |
| 7    | 0377107010  | BRACKET        | 1    |       |            |       |                   |
| 8    | 0377107020  | BRACKET        | 1    |       |            |       |                   |
| 9    | 0377107030  | BRACKET        | 1    |       |            |       |                   |
| 20   | 0377107200  | HOSE ASSY      | 1    |       |            |       | 19348-22032       |
| 21   | 0377107210  | HOSE ASSY      | 1    |       |            |       | 19348-22035       |
| 22   | 0377107220  | HOSE ASSY      | 1    |       |            |       | 19348-52106       |
| 23   | 0377107230  | HOSE ASSY      | 1    |       |            |       | 19348-52116       |
| 24   | 0377107240  | HOSE ASSY      | 1    |       |            |       | 19348-52070       |
| 24-2 | 1532208015  | • PROTECTOR    | 1    |       |            |       | sold by the meter |
| 25   | 0377107250  | HOSE ASSY      | 1    |       |            |       | 19348-22102       |
| 26   | 0377107260  | HOSE ASSY      | 1    |       |            |       | 19348-72038       |
| 27   | 0377107270  | HOSE ASSY      | 1    |       |            |       | 19348-52046       |
| 29   | 0377107290  | HOSE ASSY      | 1    |       |            |       | 18010-22028       |
| 30   | 0377107300  | HOSE ASSY      | 1    |       |            |       | 18010-79022       |
| 31   | 0377107310  | HOSE ASSY      | 1    |       |            |       | 18010-52076       |
| 32   | 0377107320  | HOSE ASSY      | 1    |       |            |       | 18010-52140       |
| 33   | 1515012040  | ELBOW          | 2    |       |            |       |                   |
|      | 1420010110  | • O-RING       | 1    |       |            |       |                   |
| 34   | 1515012510  | ELBOW          | 1    |       |            |       |                   |
|      | 1420010110  | • O-RING       | 1    |       |            |       |                   |
| 35   | 1515100110  | ELBOW          | 3    |       |            |       |                   |
|      | 1420010110  | • O-RING       | 1    |       |            |       |                   |
| 36   | 1513300014  | ELBOW          | 1    |       |            |       |                   |
|      | 1420010110  | • O-RING       | 1    |       |            |       |                   |
| 37   | 1515600200  | ADAPTOR        | 4    |       |            |       |                   |
|      | 1420010110  | • O-RING       | 1    |       |            |       |                   |
| 40   | 0377107400  | BRACKET        | 1    |       |            |       |                   |
| 41   | 1100040825  | BOLT           | 1    |       |            |       |                   |
| 42   | 1130030008  | NUT            | 1    |       |            |       |                   |
| 43   | 1140020008  | WASHER, spring | 1    |       |            |       |                   |
| 44   | 1141110008  | WASHER         | 1    |       |            |       |                   |
| 45   | 1100041035  | BOLT           | 3    |       |            |       |                   |
| 46   | 1140020010  | WASHER, spring | 3    |       |            |       |                   |
| 47   | 1141110010  | WASHER         | 3    |       |            |       |                   |
| 48   | 1100041225  | BOLT           | 3    |       |            |       |                   |
| 49   | 1140020012  | WASHER, spring | 3    |       |            |       |                   |

**G4b152**

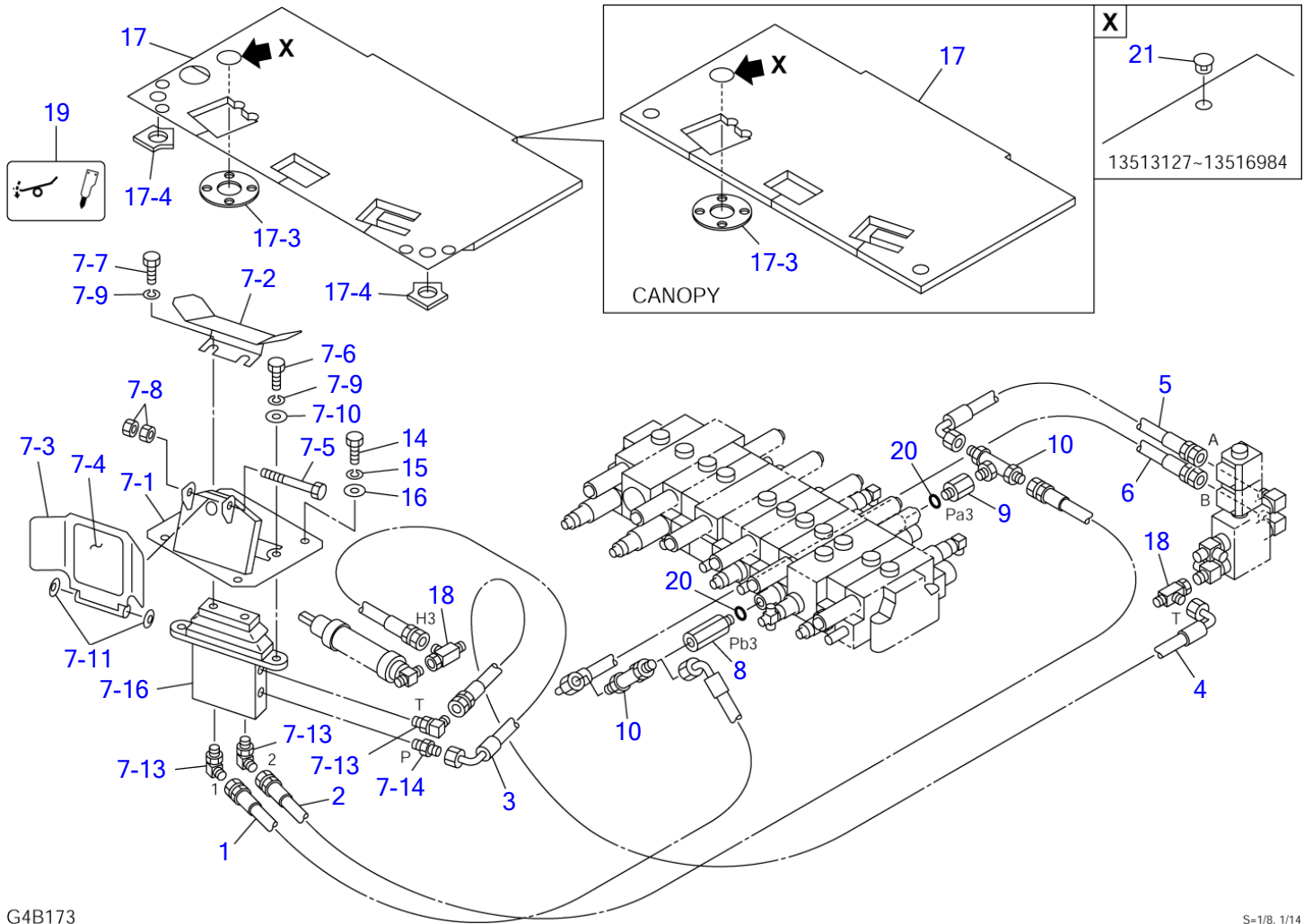


S=FREE

**PIPING; OPERATION LEVER (3/3) (multi pattern; 13512533-)**

| Item | Part number       | Description | Q'ty | Chan. | Serial No. | Serv. | Remarks        |
|------|-------------------|-------------|------|-------|------------|-------|----------------|
|      |                   | PIPING ASSY |      |       |            |       | X03771-12000-0 |
| 50   | <b>0399349600</b> | DECAL       | 1    |       |            |       |                |
| 51   | <b>0359325260</b> | DECAL       | 1    |       |            |       |                |
| 52   | <b>0339354200</b> | DECAL       | 1    |       |            |       |                |
|      | <b>G4b161</b>     |             |      |       |            |       |                |

TB135 Book No. BG4Z010 S/N 13510004-  
**AUXILIARY PEDAL**



G4B173

S-1/8, 1/14

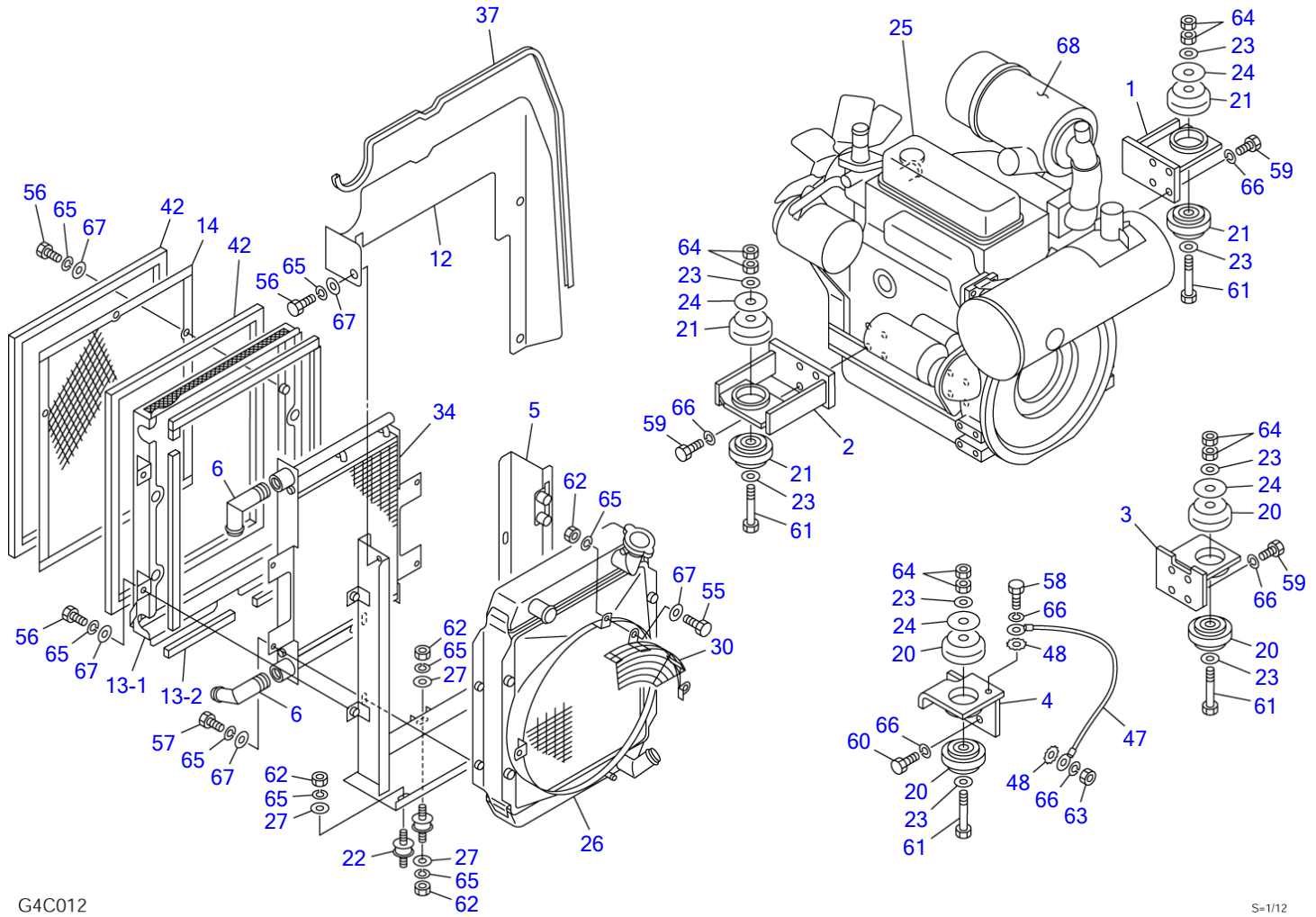


**AUXILIARY PEDAL**

| Item | Part number  | Description             | Q'ty | Chan. | Serial No.        | Serv. | Remarks        |
|------|--------------|-------------------------|------|-------|-------------------|-------|----------------|
|      |              | PEDAL ASSY (cab)        |      |       |                   |       | X03771-08000-5 |
|      |              | PEDAL ASSY (canopy)     |      |       |                   |       | X03771-08500-5 |
| 1    | 0377108010   | HOSE ASSY               | 1    |       |                   |       | 19348-52050    |
| 2    | 0377108020   | HOSE ASSY               | 1    |       |                   |       | 19348-22090    |
| 3    | 0377108030   | HOSE ASSY               | 1    |       |                   |       | 19348-52065    |
| 4    | 0377108040   | HOSE ASSY               | 1    |       |                   |       | 19348-52110    |
| 5    | 0377108050   | HOSE ASSY               | 1    |       |                   |       | 19348-52034    |
| 6    | 0377108060   | HOSE ASSY               | 1    |       |                   |       | 19348-52062    |
| 7    | X 0377108200 | PEDAL SUB ASSY, service | 1    |       |                   |       |                |
| 7-1  | 0377108210   | • BRACKET               | 1    |       |                   |       |                |
| 7-2  | 0563228060   | • PEDAL                 | 1    |       |                   |       |                |
| 7-3  | 0333234260   | • COVER                 | 1    |       |                   |       |                |
| 7-4  | 0333241250   | • SHEET                 | 1    |       |                   |       |                |
| 7-5  | 1100040680   | • BOLT                  | 1    |       |                   |       |                |
| 7-6  | 1100040814   | • BOLT                  | 2    |       |                   |       |                |
| 7-7  | 1100040816   | • BOLT                  | 2    |       |                   |       |                |
| 7-8  | 1130040006   | • NUT                   | 2    |       |                   |       |                |
| 7-9  | 1140020008   | • WASHER, spring        | 4    |       |                   |       |                |
| 7-10 | 1141110008   | • WASHER                | 2    |       |                   |       |                |
| 7-11 | 1225110006   | • WASHER                | 2    |       |                   |       |                |
| 7-13 | 1515010040   | • ELBOW                 | 3    |       |                   |       |                |
|      | 1420010110   | • • O-RING              | 1    |       |                   |       |                |
| 7-14 | 1512370008   | • NIPPLE                | 1    |       |                   |       |                |
|      | 1420010110   | • • O-RING              | 1    |       |                   |       |                |
| 7-16 | 1901735000   | • VALVE, remote control | 1    |       |                   |       |                |
| 8    | 1513250202   | BUSHING                 | 1    |       |                   |       |                |
|      | 1420010110   | • O-RING                | 1    |       |                   |       |                |
| 9    | 0007213032   | BUSHING                 | 1    |       |                   |       |                |
| 10   | 1901735200   | VALVE, shuttle          | 2    |       |                   |       |                |
| 14   | 1100040820   | BOLT                    | 4    |       |                   |       |                |
| 15   | 1140020008   | WASHER, spring          | 4    |       |                   |       |                |
| 16   | 1141110008   | WASHER                  | 4    |       |                   |       |                |
| 17   | 0377108300   | MAT, floor              | 1    |       | 13510004~13516984 |       | cab            |
|      | 0377108320   | MAT, floor              | 1    |       | 13516985~         |       | cab            |
|      | 0377108510   | MAT, floor              | 1    |       | 13510004~13516984 |       | canopy         |
|      | 0377108520   | MAT, floor              | 1    |       | 13516985~         |       | canopy         |
| 17-3 | 0373507423   | • SPONGE                | 1    |       | 13516985~         |       |                |
| 17-4 | 0373504345   | • SPONGE                | 2    |       | 13516985~         |       | cab            |
| 18   | 1513390015   | TEE                     | 2    |       |                   |       |                |
| 19   | 0339330800   | DECAL                   | 1    |       |                   |       |                |
| 20   | 1420010110   | O-RING                  | 2    |       | #~                |       |                |
| 21   | 1652533010   | CAP                     | 1    |       | 13513127~13516984 |       |                |

**G4b173**

TB135 Book No. BG4Z010 S/N 13510004-  
ENGINE & ACCESSORIES (1/3) (13510004-13514050)



G4C012

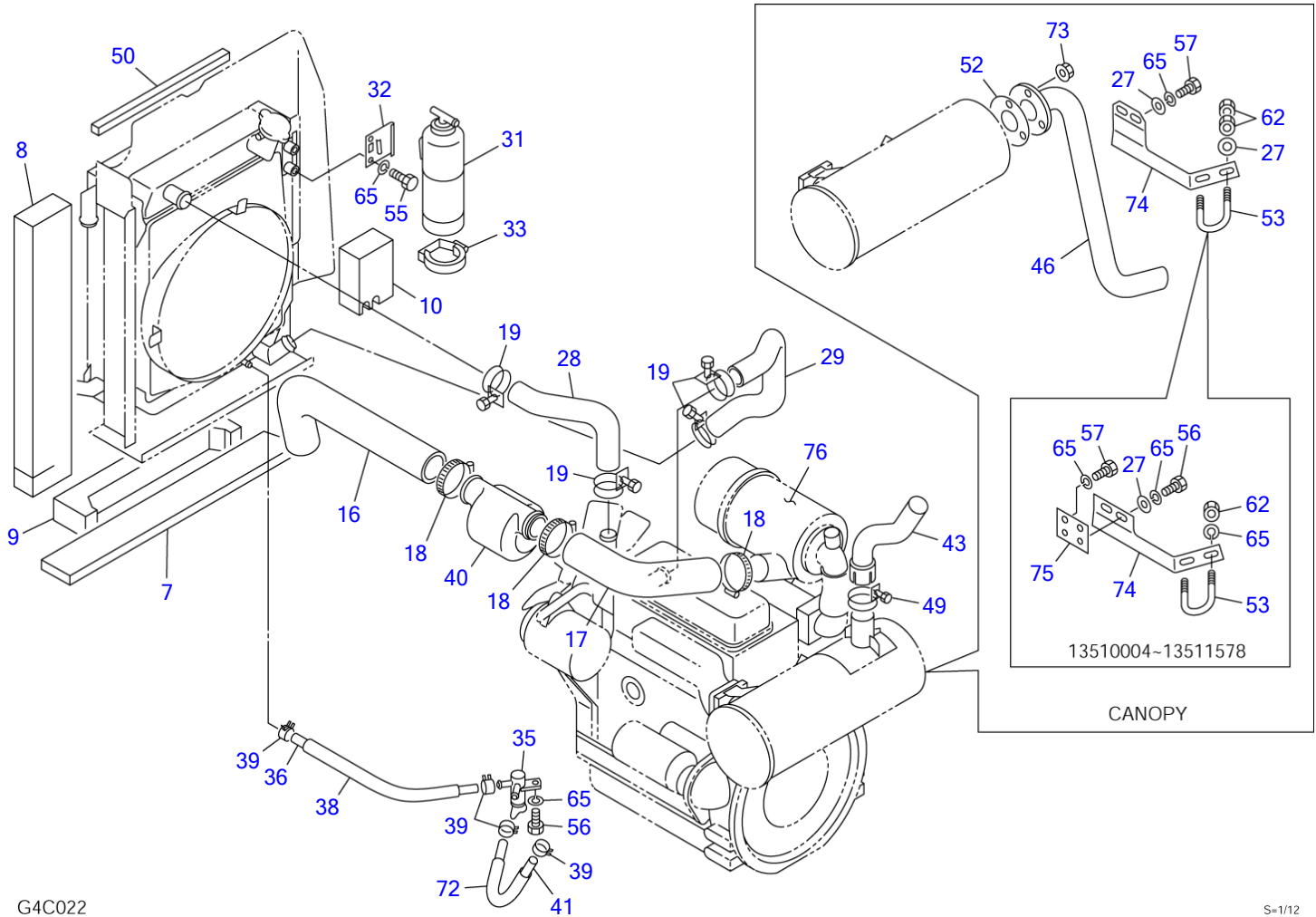
S=1/12

**ENGINE & ACCESSORIES (1/3) (13510004-13514050)**

| Item | Part number  | Description                        | Q'ty | Chan. | Serial No.        | Serv. | Remarks           |
|------|--------------|------------------------------------|------|-------|-------------------|-------|-------------------|
|      |              | ENGINE ASSY (cab)                  |      |       |                   |       | X03740-06000-11   |
|      |              | ENGINE ASSY (canopy)               |      |       |                   |       | X03740-07000-11   |
|      |              | ENGINE ASSY (with air conditioner) |      |       |                   |       | X03740-06600-11   |
| 1    | 0444006100   | FOOT, engine (F.R.)                | 1    |       |                   |       |                   |
| 2    | 0374004100   | FOOT, engine (F.L.)                | 1    |       |                   |       |                   |
| 3    | 0374006100   | FOOT, engine (R.R.)                | 1    |       |                   |       |                   |
| 4    | 0374004300   | FOOT, engine (R.L.)                | 1    |       |                   |       |                   |
| 5    | 0374006200   | BRACKET                            | 1    |       |                   |       |                   |
| 6    | 0374006300   | PIPE                               | 2    |       |                   |       |                   |
| 12   | 0374006012   | PLATE                              | 1    |       |                   |       |                   |
| 13   | 0374006400   | COVER ASSY                         | 1    |       |                   |       |                   |
| 13-1 | 0374006450   | · COVER                            | 1    |       |                   |       |                   |
| 13-2 | 0364011600   | · URETHANE                         | 1    |       |                   |       |                   |
| 14   | 0374006500   | NET                                | 1    |       |                   |       | without air con.  |
| 20   | 1651030003   | RUBBER, cushion                    | 4    |       |                   |       |                   |
| 21   | 1651030002   | RUBBER, cushion                    | 4    |       |                   |       |                   |
| 22   | 1651014003   | RUBBER, cushion                    | 3    |       |                   |       |                   |
| 23   | 1141540012   | WASHER                             | 8    |       |                   |       |                   |
| 24   | 0003600085   | WASHER                             | 4    |       |                   |       |                   |
| 25   | 1910135001   | ENGINE (cab)                       | 1    |       | 13510004~13510183 |       | 3TNE88-TB         |
|      | 1910153001   | ENGINE (cab)                       | 1    | (H)   | 13510184~13511382 |       | 3TNE88-ETB        |
|      | 1910165001   | ENGINE (cab)                       | 1    | (H)   | 13511383~         |       | 3TNE88-ETB        |
|      | 1910139001   | ENGINE (canopy)                    | 1    | (H)   | 13510004~13510183 |       | 3TNE88-TB1        |
|      | 1910154001   | ENGINE (canopy)                    | 1    | (H)   | 13510184~13511382 |       | 3TNE88-ETB1       |
|      | 1910166001   | ENGINE (canopy)                    | 1    | (H)   | 13511383~         |       | 3TNE88-ETB1       |
| 26   | 1910135002   | RADIATOR (without air con.)        | 1    |       |                   |       | Y129030-44510     |
| 27   | 0003608252   | WASHER                             | 4    |       |                   |       |                   |
| 30   | 1910067051   | GUARD, fun (without air con.)      | 1    |       |                   |       | Y129132-44590     |
| 34   | 1910081003   | COOLER, oil                        | 1    |       |                   |       | Y129132-44901     |
| 37   | 1654601112   | TRIM                               | 1    |       |                   |       | sold by the meter |
| 42   | 0364011600   | URETHANE                           | 2    |       |                   |       |                   |
| 47   | 1702430280   | CABLE, earth                       | 1    |       |                   |       |                   |
| 48   | 1140330010   | WASHER                             | 2    |       |                   |       |                   |
| 55   | 1100040816   | BOLT                               | 2    |       |                   |       |                   |
| 56   | 1100040820   | BOLT                               | 8    |       |                   |       |                   |
| 57   | 1100040825   | BOLT                               | 4    |       |                   |       |                   |
| 58   | 1100041016   | BOLT                               | 1    |       |                   |       |                   |
| 59   | 1100041025   | BOLT                               | 12   |       |                   |       |                   |
| 60   | 1100041035   | BOLT                               | 4    |       |                   |       |                   |
| 61   | 1101141240   | BOLT                               | 4    |       |                   |       |                   |
| 62   | 1130040008   | NUT                                | 6    |       |                   |       |                   |
| 63   | 1130040010   | NUT                                | 1    |       |                   |       |                   |
| 64   | 1130540012   | NUT                                | 8    |       |                   |       |                   |
| 65   | 1140020008   | WASHER, spring                     | 18   |       |                   |       |                   |
| 66   | 1140020010   | WASHER, spring                     | 18   |       |                   |       |                   |
| 67   | 1141110008   | WASHER                             | 14   |       |                   |       |                   |
| 68   | Y12961212690 | AIR CLEANER                        | 1    |       |                   |       | engine parts      |

G4c014

TB135 Book No. BG4Z010 S/N 13510004-  
ENGINE & ACCESSORIES (2/3) (13510004-13514050)

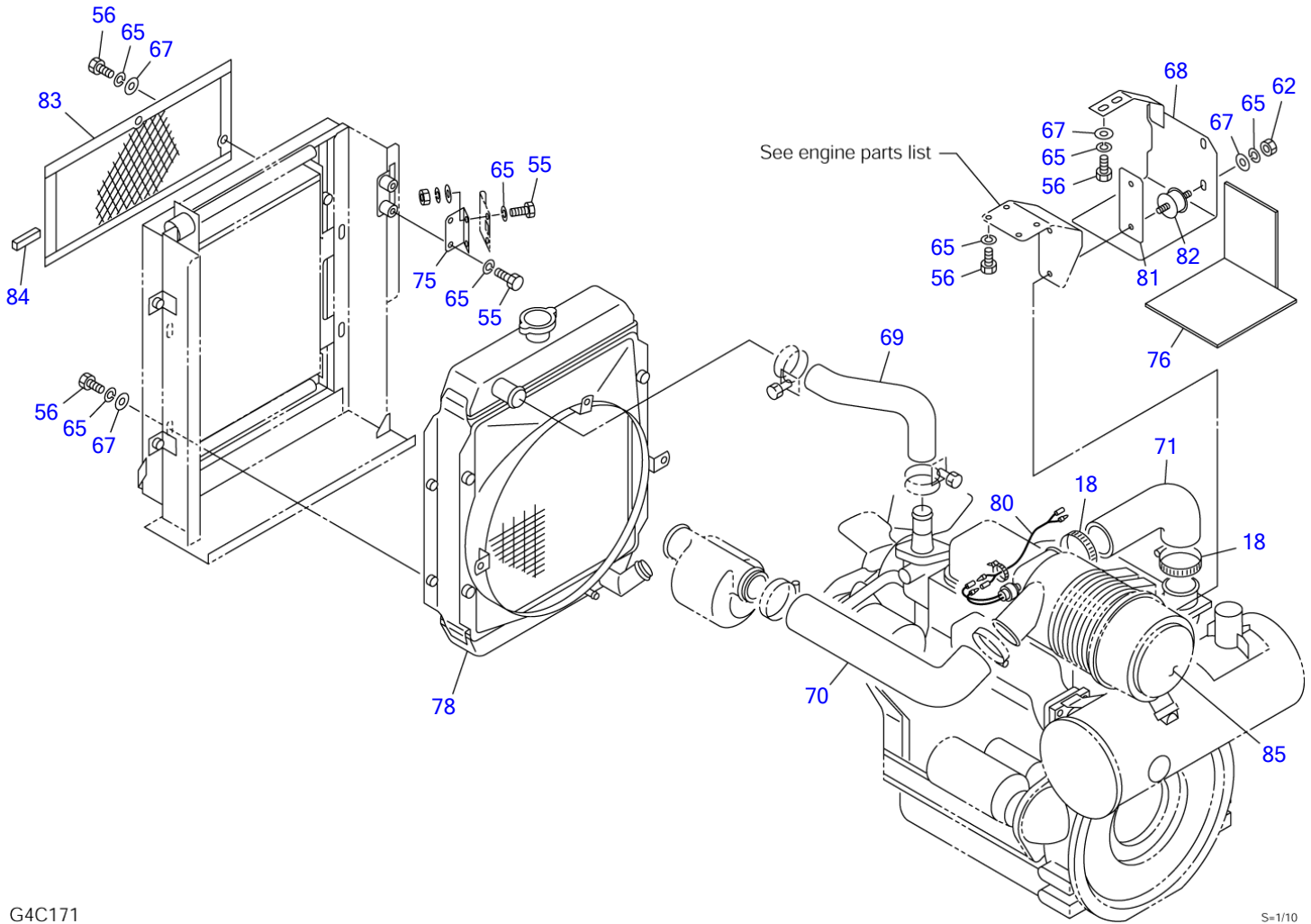


G4C022

S-1/12

**ENGINE & ACCESSORIES (2/3) (13510004-13514050)**

| Item | Part number            | Description                           | Q'ty | Chan. | Serial No.        | Serv. | Remarks              |
|------|------------------------|---------------------------------------|------|-------|-------------------|-------|----------------------|
|      |                        | ENGINE ASSY<br>(cab)                  |      |       |                   |       | X03740-06000-11      |
|      |                        | ENGINE ASSY<br>(canopy)               |      |       |                   |       | X03740-07000-11      |
|      |                        | ENGINE ASSY (with<br>air conditioner) |      |       |                   |       | X03740-06600-11      |
| 7    | 0374006007             | URETHANE                              | 1    |       |                   |       |                      |
| 8    | 0374006008             | URETHANE                              | 1    |       |                   |       |                      |
| 9    | 0374006009             | URETHANE                              | 1    |       |                   |       |                      |
| 10   | 0374006010             | URETHANE                              | 1    |       |                   |       |                      |
| 16   | 1910142024             | PIPE, air intake                      | 1    |       |                   |       | Y119869-12210        |
| 17   | 1910135024             | PIPE (without air<br>con.)            | 1    |       |                   |       | Y129030-12201        |
| 18   | 1910032047             | BAND                                  | 3    |       |                   |       | Y23000-060000        |
| 19   | 1910006013             | BAND                                  | 4    |       |                   |       | Y23010-038000        |
| 27   | 0003608252             | WASHER                                | 4    |       |                   |       |                      |
| 28   | 1910067611             | HOSE (without air<br>con.)            | 1    |       |                   |       | Y119860-49010        |
| 29   | 1910135012             | HOSE                                  | 1    |       |                   |       | Y119859-49020        |
| 31   | 1910047040             | TANK                                  | 1    |       |                   |       | Y171064-44510        |
| 32   | 1910047052             | BRACKET                               | 1    |       |                   |       | Y121256-44600        |
| 33   | 1910047047             | BAND                                  | 1    |       |                   |       | Y124450-44550        |
| 35   | 1910078037             | VALVE                                 | 1    |       |                   |       | Y129150-49100        |
| 36   | 1531211045             | TUBE                                  | 1    |       |                   |       | sold by the meter    |
| 38   | 1531115040             | HOSE                                  | 1    |       |                   |       | sold by the meter    |
| 39   | 1533120010             | BAND                                  | 4    |       |                   |       |                      |
| 40   | 1910135030             | RESONATOR                             | 1    |       |                   |       | Y121855-12060        |
| 41   | 1531211027             | TUBE                                  | 1    |       |                   |       | sold by the meter    |
| 43   | 1910135021             | PIPE, exhaust (cab)                   | 1    |       |                   |       | Y129030-13580        |
| 46   | 1910135023             | PIPE, exhaust<br>(canopy)             | 1    |       |                   |       | Y129030-13600        |
| 49   | 1910120023             | CLAMP (cab)                           | 1    |       |                   |       | Y121120-13590        |
| 50   | 1654306034             | SPONGE                                | 1    |       |                   |       | sold by the meter    |
| 52   | 1910009022             | GASKET (canopy)                       | 1    |       |                   |       | Y103954-13201        |
| 53   | 1533201012             | BOLT                                  | 1    |       |                   |       | canopy               |
| 55   | 1100040816             | BOLT                                  | 2    |       |                   |       |                      |
| 56   | 1100040820             | BOLT                                  | 3    |       |                   |       |                      |
| 57   | 1100040825             | BOLT                                  | 2    |       |                   |       |                      |
| 62   | 1130040008             | NUT                                   | 4    |       |                   |       | canopy               |
| 65   | 1140020008             | WASHER, spring                        | 3    |       |                   |       | cab                  |
|      | 1140020008             | WASHER, spring                        | 5    |       |                   |       | canopy               |
| 72   | 1531115020             | HOSE                                  | 1    |       |                   |       | sold by the meter    |
| 73   | 1910135035             | NUT                                   | 3    |       |                   |       | canopy Y26366-100002 |
| 74   | 0374007130             | BRACKET                               | 1    |       | 13510004~13511578 |       | canopy               |
|      | 0374007140             | BRACKET                               | 1    |       | 13511579~         |       | canopy               |
| 75   | 0374007120             | BRACKET                               | 1    |       | 13510004~13511578 |       |                      |
| 76   | Y12961212690<br>G4c025 | AIR CLEANER                           | 1    |       |                   |       | engine parts         |



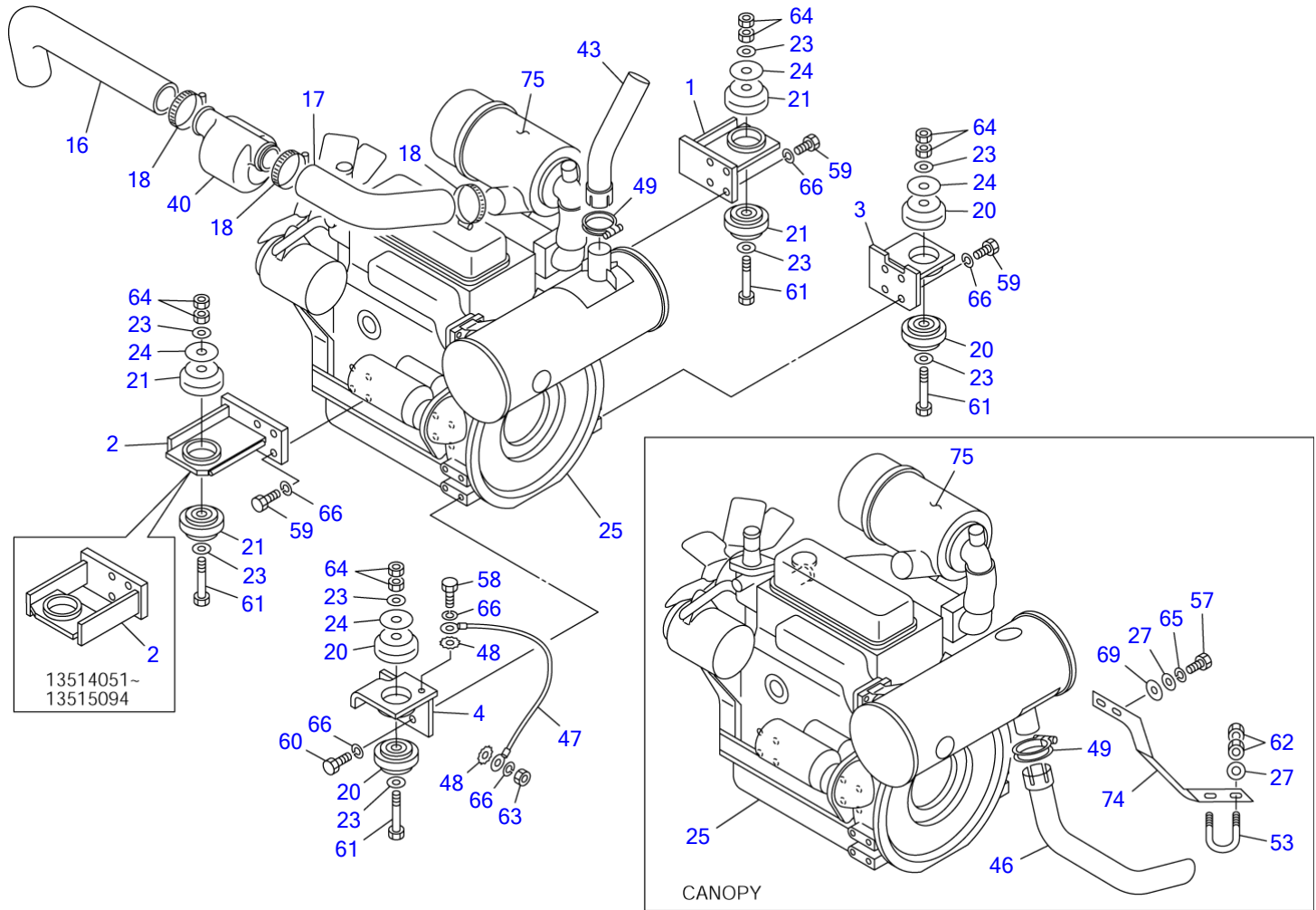
G4C171

S=1/10

**ENGINE & ACCESSORIES (3/3) (with air conditioner 13510004-13514050)**

| Item | Part number            | Description     | Q'ty | Chan. | Serial No. | Serv. | Remarks                          |
|------|------------------------|-----------------|------|-------|------------|-------|----------------------------------|
|      |                        | ENGINE ASSY     |      |       |            |       | X03740-06600-11<br>Y23000-060000 |
| 18   | 1910032047             | BAND            | 2    |       |            |       |                                  |
| 55   | 1100040816             | BOLT            | 4    |       |            |       |                                  |
| 56   | 1100040820             | BOLT            | 12   |       |            |       |                                  |
| 62   | 1130040008             | NUT             | 2    |       |            |       |                                  |
| 65   | 1140020008             | WASHER, spring  | 18   |       |            |       |                                  |
| 67   | 1141110008             | WASHER          | 10   |       |            |       |                                  |
| 68   | 0374006610             | PLATE           | 1    |       |            |       |                                  |
| 69   | 0374006620             | HOSE            | 1    |       |            |       |                                  |
| 70   | 0374006630             | HOSE            | 1    |       |            |       |                                  |
| 71   | 0374006640             | HOSE            | 1    |       |            |       |                                  |
| 75   | 0374006650             | STAY            | 1    |       |            |       |                                  |
| 76   | 0374006660             | INSULATOR       | 1    |       |            |       |                                  |
| 78   | 1910067602             | RADIATOR        | 1    |       |            |       | Y129132-44500                    |
| 80   | 0374006680             | HARNES, wiring  | 1    |       |            |       |                                  |
| 81   | 0374006690             | SPACER          | 1    |       |            |       |                                  |
| 82   | 1651014005             | RUBBER, cushion | 2    |       |            |       |                                  |
| 83   | 0374006710             | NET             | 1    |       |            |       |                                  |
| 84   | 0374006720             | URETHANE        | 1    |       |            |       |                                  |
| 85   | Y12961212690<br>G4c171 | AIR CLEANER     | 1    |       |            |       | engine parts                     |

TB135 Book No. BG4Z010 S/N 13510004-  
 ENGINE & ACCESSORIES (1/3) (13514051-13516744)



G4C182

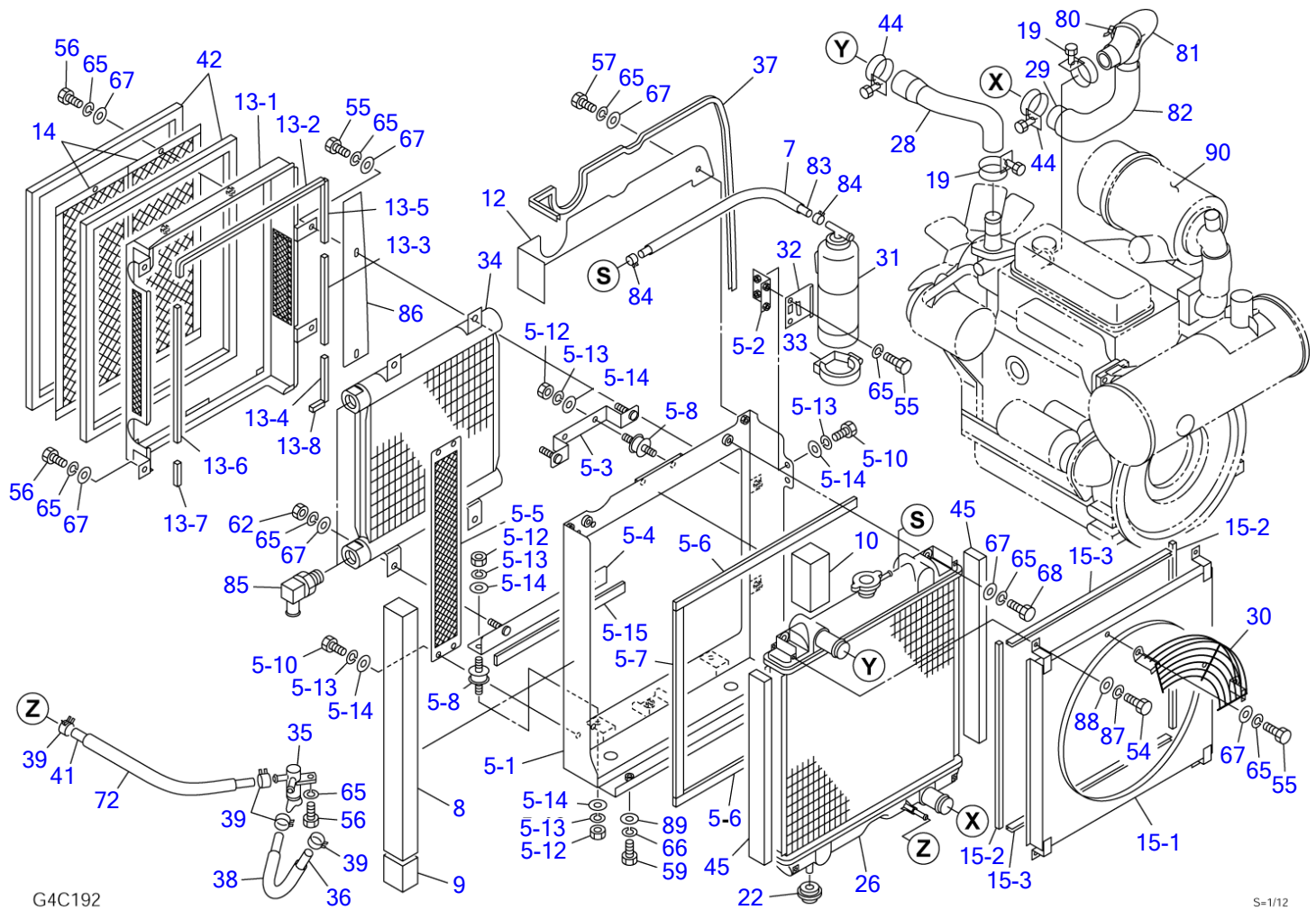
S=1/12



**ENGINE & ACCESSORIES (1/3) (13514051-13516744)**

| Item | Part number         | Description                        | Q'ty | Chan. | Serial No.        | Serv. | Remarks          |
|------|---------------------|------------------------------------|------|-------|-------------------|-------|------------------|
|      |                     | ENGINE ASSY (cab)                  |      |       |                   |       | X03740-10000-8   |
|      |                     | ENGINE ASSY (canopy)               |      |       |                   |       | X03740-11000-8   |
|      |                     | ENGINE ASSY (with air conditioner) |      |       |                   |       | X03740-11100-8   |
| 1    | <b>0444006100</b>   | FOOT, engine (F.R.)                | 1    |       |                   |       |                  |
| 2    | <b>0374010700</b>   | FOOT, engine (F.L.)                | 1    |       | 13514051~13515094 |       |                  |
|      | <b>0374010750</b>   | FOOT, engine (F.L.)                | 1    | (H)   | 13515095~         |       |                  |
| 3    | <b>0374006100</b>   | FOOT, engine (R.R.)                | 1    |       |                   |       |                  |
| 4    | <b>0374004300</b>   | FOOT, engine (R.L.)                | 1    |       |                   |       |                  |
| 16   | <b>1910142024</b>   | PIPE, air intake                   | 1    |       |                   |       |                  |
| 17   | <b>1910135024</b>   | PIPE, air intake                   | 1    |       |                   |       | without air con. |
| 18   | <b>1910032047</b>   | BAND                               | 3    |       |                   |       | Y23000-060000    |
| 20   | <b>1651030003</b>   | RUBBER, cushion                    | 4    |       |                   |       |                  |
| 21   | <b>1651030002</b>   | RUBBER, cushion                    | 4    |       |                   |       |                  |
| 23   | <b>1141540012</b>   | WASHER                             | 8    |       |                   |       |                  |
| 24   | <b>0003600085</b>   | WASHER                             | 4    |       |                   |       |                  |
| 25   | <b>1910193001</b>   | ENGINE (cab)                       | 1    |       |                   |       | 3TNV88-QTB       |
|      | <b>1910194001</b>   | ENGINE (canopy)                    | 1    |       |                   |       | 3TNV88-QTB1      |
| 27   | <b>0003608252</b>   | WASHER                             | 4    |       |                   |       | canopy           |
| 40   | <b>1910135030</b>   | RESONATOR                          | 1    |       |                   |       | Y121855-12060    |
| 43   | <b>1910193021</b>   | PIPE, exhaust (cab)                | 1    |       |                   |       | Y129242-13650    |
| 46   | <b>1910194021</b>   | PIPE, exhaust (canopy)             | 1    |       |                   |       | Y129242-13660    |
| 47   | <b>1702430280</b>   | CABLE, earth                       | 1    |       |                   |       |                  |
| 48   | <b>1140330010</b>   | WASHER                             | 2    |       |                   |       |                  |
| 49   | <b>1910120023</b>   | CLAMP                              | 1    |       |                   |       | Y121120-13590    |
| 53   | <b>1533201012</b>   | BOLT                               | 1    |       |                   |       | canopy           |
| 57   | <b>1100040825</b>   | BOLT                               | 2    |       |                   |       |                  |
| 58   | <b>1100041016</b>   | BOLT                               | 1    |       |                   |       |                  |
| 59   | <b>1100041025</b>   | BOLT                               | 12   |       |                   |       |                  |
| 60   | <b>1100041035</b>   | BOLT                               | 4    |       |                   |       |                  |
| 61   | <b>1101141240</b>   | BOLT                               | 4    |       |                   |       |                  |
| 62   | <b>1130040008</b>   | NUT                                | 4    |       |                   |       |                  |
| 63   | <b>1130040010</b>   | NUT                                | 1    |       |                   |       |                  |
| 64   | <b>1130540012</b>   | NUT                                | 8    |       |                   |       |                  |
| 65   | <b>1140020008</b>   | WASHER, spring                     | 2    |       |                   |       |                  |
| 66   | <b>1140020010</b>   | WASHER, spring                     | 18   |       |                   |       |                  |
| 69   | <b>0003608252</b>   | WASHER                             | 2    |       |                   |       | canopy           |
| 74   | <b>0374011010</b>   | BRACKET                            | 1    |       |                   |       | canopy           |
| 75   | <b>Y12961212691</b> | AIR CLEANER                        | 1    |       |                   |       | engine parts     |
|      | <b>G4c182</b>       |                                    |      |       |                   |       |                  |

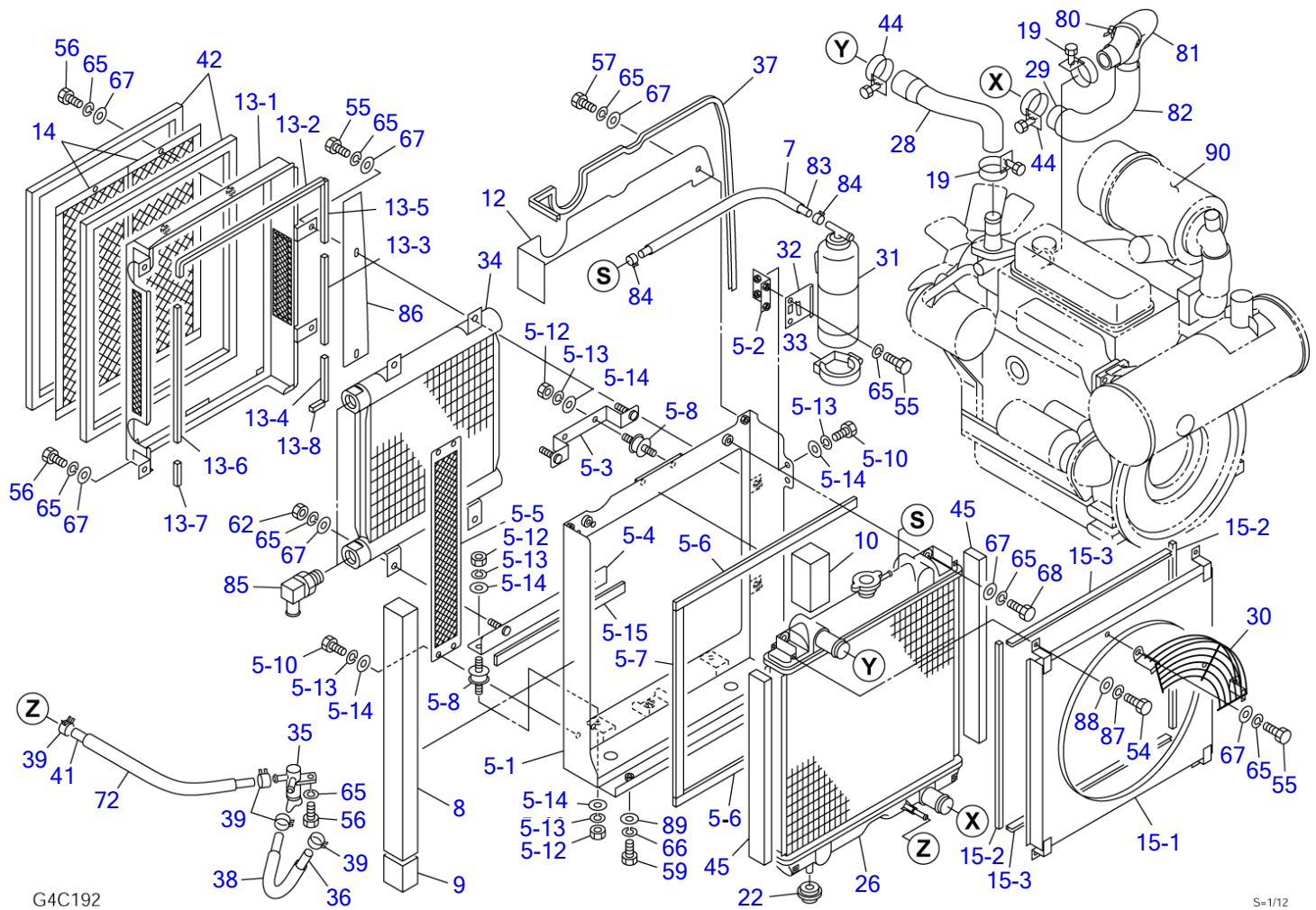
TB135 Book No. BG4Z010 S/N 13510004-  
ENGINE & ACCESSORIES (2/3) (13514051-13515142)



**ENGINE & ACCESSORIES (2/3) (13514051-13515142)**

| Item | Part number | Description                           | Q'ty | Chan. | Serial No.                     | Serv. | Remarks                |
|------|-------------|---------------------------------------|------|-------|--------------------------------|-------|------------------------|
|      |             | ENGINE ASSY<br>(cab)                  |      |       |                                |       | X03740-10000-8         |
|      |             | ENGINE ASSY<br>(canopy)               |      |       |                                |       | X03740-11000-8         |
|      |             | ENGINE ASSY<br>(with air conditioner) |      |       |                                |       | X03740-11100-8         |
| 5    | 0374010100  | BRACKET ASSY                          | 1    |       |                                |       |                        |
| 5-1  | 0374010200  | • BRACKET                             | 1    |       |                                |       |                        |
| 5-2  | 0374010130  | • PLATE                               | 1    |       |                                |       |                        |
| 5-3  | 0374010140  | • BRACKET                             | 1    |       |                                |       |                        |
| 5-4  | 0374010150  | • BRACKET                             | 1    |       |                                |       |                        |
| 5-5  | 0374010160  | • NET                                 | 1    |       |                                |       |                        |
| 5-6  | 1654303048  | • SPONGE                              | 2    |       |                                |       | sold by the meter      |
| 5-7  | 1654318043  | • SPONGE                              | 1    |       |                                |       | sold by the meter      |
| 5-8  | 1651014003  | • RUBBER,<br>cushion                  | 4    |       |                                |       |                        |
| 5-10 | 1100040816  | • BOLT                                | 4    |       |                                |       |                        |
| 5-12 | 1130040008  | • NUT                                 | 6    |       |                                |       |                        |
| 5-13 | 1140020008  | • WASHER,<br>spring                   | 10   |       |                                |       |                        |
| 5-14 | 1141110008  | • WASHER                              | 10   |       |                                |       |                        |
| 5-15 | 1654303034  | • SPONGE                              | 1    |       |                                |       | sold by the meter      |
| 7    | 1531115025  | PROTECTOR                             | 1    |       |                                |       | sold by the meter      |
| 8    | 0374010008  | URETHANE                              | 1    |       |                                |       |                        |
| 9    | 0374010009  | URETHANE                              | 1    |       |                                |       |                        |
| 10   | 0374010010  | URETHANE                              | 1    |       |                                |       | without air con.       |
| 12   | 0374010012  | PLATE                                 | 1    |       |                                |       |                        |
| 13   | 0374010300  | COVER ASSY                            | 1    |       |                                |       | without air con.       |
| 13-1 | 0374010350  | • COVER                               | 1    |       |                                |       |                        |
| 13-2 | 1654319039  | • SPONGE                              | 1    |       |                                |       | sold by the meter      |
| 13-3 | 1654319020  | • SPONGE                              | 1    |       |                                |       | sold by the meter      |
| 13-4 | 1654319010  | • SPONGE                              | 1    |       |                                |       | sold by the meter      |
| 13-5 | 1654319014  | • SPONGE                              | 1    |       |                                |       | sold by the meter      |
| 13-6 | 1654319031  | • SPONGE                              | 1    |       |                                |       | sold by the meter      |
| 13-7 | 1654319005  | • SPONGE                              | 1    |       |                                |       | sold by the meter      |
| 13-8 | 1654319003  | • SPONGE                              | 1    |       |                                |       | sold by the meter      |
| 14   | 0374010400  | NET                                   | 2    |       |                                |       | without air con.       |
| 15   | 0374010500  | SHROUD ASSY                           | 1    |       |                                |       |                        |
| 15-1 | 0374010550  | • SHROUD                              | 1    |       |                                |       |                        |
| 15-2 | 1654318042  | • SPONGE                              | 2    |       |                                |       | sold by the meter      |
| 15-3 | 1654606044  | • SEAL                                | 2    |       |                                |       | sold by the meter      |
| 19   | 1910006013  | BAND                                  | 2    |       |                                |       | Y23010-038000          |
| 22   | 1910170052  | RUBBER, cushion                       | 2    |       |                                |       | Y119255-44660          |
| 26   | 1910193002  | RADIATOR                              | 1    |       |                                |       | Y129242-44500          |
| 28   | 1910193011  | HOSE                                  | 1    |       |                                |       | Y129612-49030          |
| 29   | 1910193012  | HOSE                                  | 1    |       |                                |       | Y129612-49040          |
| 30   | 0374010600  | GUARD                                 | 1    |       |                                |       | without air con.       |
| 31   | 1910047040  | TANK                                  | 1    |       |                                |       | Y171064-44510          |
| 32   | 1910047052  | BRACKET                               | 1    |       |                                |       | Y121256-44600          |
| 33   | 1910047047  | BAND                                  | 1    |       |                                |       | Y124450-44550          |
| 34   | 1911300060  | COOLER, oil                           | 1    |       |                                |       | “CE f% fW1412-180-1000 |
| 35   | 1910078037  | VALVE                                 | 1    |       |                                |       | Y129150-49100          |
| 36   | 1531211042  | TUBE                                  | 1    |       |                                |       | sold by the meter      |
|      | 1530808042  | TUBE                                  | 1    | (H)   | 13514051~13515088<br>13515089~ |       | sold by the meter      |
| 37   | 1654601112  | TRIM                                  | 1    |       |                                |       | sold by the meter      |
| 38   | 1531115037  | PROTECTOR                             | 1    |       |                                |       | sold by the meter      |
| 39   | 1533120010  | BAND                                  | 4    |       | 13514051~13515088              |       |                        |
|      | 1533120512  | BAND                                  | 4    |       | 13515089~                      |       |                        |
| 41   | 1531211027  | TUBE                                  | 1    |       | 13514051~13515088              |       | sold by the meter      |
|      | 1530808027  | TUBE                                  | 1    | (H)   | 13515089~                      |       | sold by the meter      |
| 42   | 0364011600  | URETHANE                              | 2    |       |                                |       | without air con.       |
| 44   | 1910195015  | BAND                                  | 2    |       |                                |       | Y23010-044000          |
| 45   | 0374010045  | SPONGE                                | 2    |       |                                |       | sold by the meter      |
| 54   | 1100040616  | BOLT                                  | 4    |       |                                |       |                        |
| 55   | 1100040816  | BOLT                                  | 6    |       |                                |       |                        |
| 56   | 1100040820  | BOLT                                  | 5    |       |                                |       |                        |
| 57   | 1100040825  | BOLT                                  | 2    |       |                                |       |                        |

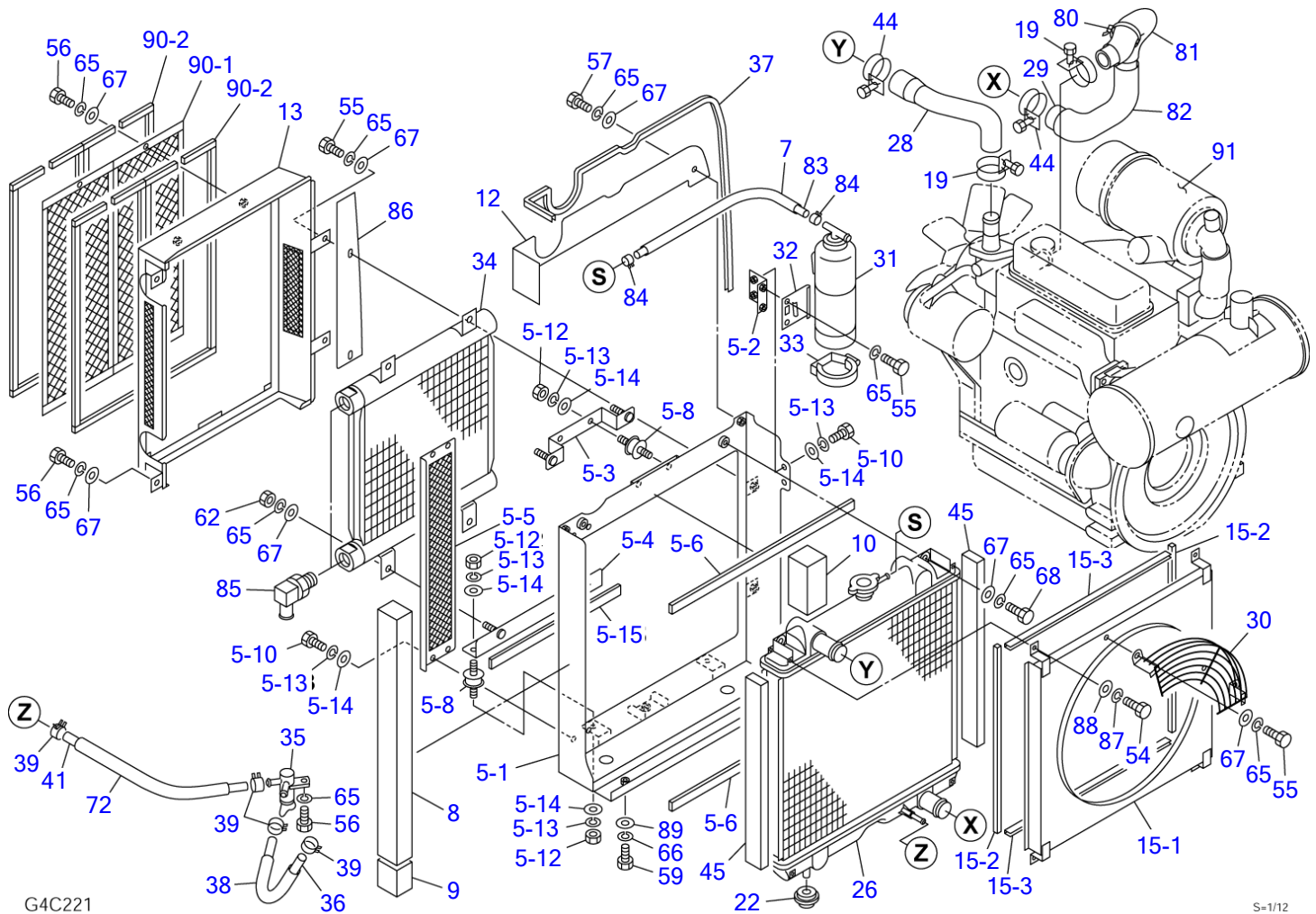
TB135 Book No. BG4Z010 S/N 13510004-  
ENGINE & ACCESSORIES (2/3) (13514051-13515142)



**ENGINE & ACCESSORIES (2/3) (13514051-13515142)**

| Item | Part number            | Description    | Q'ty | Chan. | Serial No. | Serv. | Remarks           |
|------|------------------------|----------------|------|-------|------------|-------|-------------------|
| 59   | 1100041025             | BOLT           | 3    |       |            |       |                   |
| 62   | 1130040008             | NUT            | 4    |       |            |       |                   |
| 65   | 1140020008             | WASHER, spring | 22   |       |            |       |                   |
| 66   | 1140020010             | WASHER, spring | 3    |       |            |       |                   |
| 67   | 1141110008             | WASHER         | 21   |       |            |       |                   |
| 68   | 1100040830             | BOLT           | 2    |       |            |       |                   |
| 72   | 1531115020             | PROTECTOR      | 1    |       |            |       | sold by the meter |
| 80   | 1652231250             | BAND           | 1    |       |            |       |                   |
| 81   | 1531345010             | PROTECTOR      | 1    |       |            |       | sold by the meter |
| 82   | 1531350030             | PROTECTOR      | 1    |       |            |       | sold by the meter |
| 83   | 1531407030             | HOSE           | 1    |       |            |       |                   |
| 84   | 1533120012             | CLAMP          | 2    |       |            |       |                   |
| 85   | 1513350027             | ELBOW          | 2    |       |            |       |                   |
| 85   | 1420010290             | • O-RING       | 1    |       |            |       |                   |
| 86   | 0374010086             | PLATE          | 1    |       |            |       |                   |
| 87   | 1140020006             | WASHER, spring | 4    |       |            |       |                   |
| 88   | 1141110006             | WASHER         | 4    |       |            |       |                   |
| 89   | 0003600020             | WASHER         | 3    |       |            |       |                   |
| 90   | Y12961212691<br>G4c192 | AIR CLEANER    | 1    |       |            |       | engine parts      |

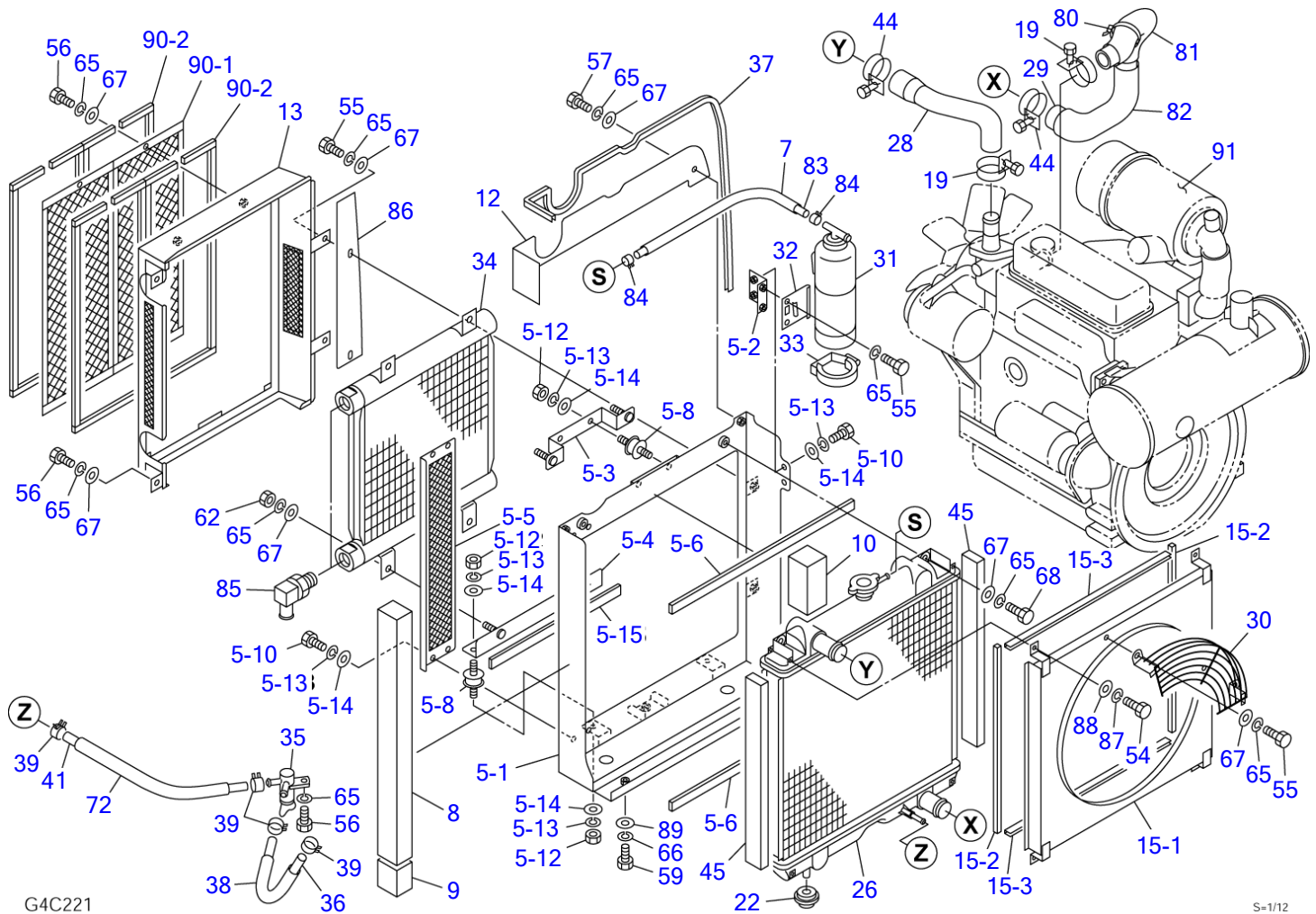
TB135 Book No. BG4Z010 S/N 13510004-  
ENGINE & ACCESSORIES (2/3) (13515143-13516744)



**ENGINE & ACCESSORIES (2/3) (13515143-13516744)**

| Item | Part number | Description                        | Q'ty | Chan. | Serial No. | Serv. | Remarks                             |
|------|-------------|------------------------------------|------|-------|------------|-------|-------------------------------------|
|      |             | ENGINE ASSY (cab)                  |      |       |            |       | X03740-10000-8                      |
|      |             | ENGINE ASSY (canopy)               |      |       |            |       | X03740-11000-8                      |
|      |             | ENGINE ASSY (with air conditioner) |      |       |            |       | X03740-11100-8                      |
| 5    | 0374010100  | BRACKET ASSY                       | 1    |       |            |       |                                     |
| 5-1  | 0374010200  | • BRACKET                          | 1    |       |            |       |                                     |
| 5-2  | 0374010130  | • PLATE                            | 1    |       |            |       |                                     |
| 5-3  | 0374010140  | • BRACKET                          | 1    |       |            |       |                                     |
| 5-4  | 0374010150  | • BRACKET                          | 1    |       |            |       |                                     |
| 5-5  | 0374010160  | • NET                              | 1    |       |            |       |                                     |
| 5-6  | 1654303048  | • SPONGE                           | 2    |       |            |       | sold by the meter                   |
| 5-8  | 1651014003  | • RUBBER, cushion                  | 4    |       |            |       |                                     |
| 5-10 | 1100040816  | • BOLT                             | 4    |       |            |       |                                     |
| 5-12 | 1130040008  | • NUT                              | 6    |       |            |       |                                     |
| 5-13 | 1140020008  | • WASHER, spring                   | 10   |       |            |       |                                     |
| 5-14 | 1141110008  | • WASHER                           | 10   |       |            |       |                                     |
| 5-15 | 1654303034  | • SPONGE                           | 1    |       |            |       | sold by the meter                   |
| 7    | 1531115025  | PROTECTOR                          | 1    |       |            |       | sold by the meter                   |
| 8    | 0374010008  | URETHANE                           | 1    |       |            |       |                                     |
| 9    | 0374010009  | URETHANE                           | 1    |       |            |       |                                     |
| 10   | 0374010010  | URETHANE                           | 1    |       |            |       | without air con.                    |
| 12   | 0374010012  | PLATE                              | 1    |       |            |       |                                     |
| 13   | 0374010320  | COVER                              | 1    |       |            |       | without air con.                    |
| 15   | 0374010500  | SHROUD ASSY                        | 1    |       |            |       |                                     |
| 15-1 | 0374010550  | • SHROUD                           | 1    |       |            |       |                                     |
| 15-2 | 1654318042  | • SPONGE                           | 2    |       |            |       | sold by the meter                   |
| 15-3 | 1654606044  | • SEAL                             | 2    |       |            |       | sold by the meter                   |
| 19   | 1910006013  | BAND                               | 2    |       |            |       | Y23010-038000                       |
| 22   | 1910170052  | RUBBER, cushion                    | 2    |       |            |       | Y119255-44660                       |
| 26   | 1910193002  | RADIATOR                           | 1    |       |            |       | Y129242-44500                       |
| 28   | 1910193011  | HOSE                               | 1    |       |            |       | Y129612-49030                       |
| 29   | 1910193012  | HOSE                               | 1    |       |            |       | Y129612-49040                       |
| 30   | 0374010600  | GUARD                              | 1    |       |            |       | without air con.                    |
| 31   | 1910047040  | TANK                               | 1    |       |            |       | Y171064-44510                       |
| 32   | 1910047052  | BRACKET                            | 1    |       |            |       | Y121256-44600                       |
| 33   | 1910047047  | BAND                               | 1    |       |            |       | Y124450-44550                       |
| 34   | 1911300060  | COOLER, oil                        | 1    |       |            |       | "CE f% <sub>o</sub> fW1412-180-1000 |
| 35   | 1910078037  | VALVE                              | 1    |       |            |       | Y129150-49100                       |
| 36   | 1530808042  | TUBE                               | 1    |       |            |       | sold by the meter                   |
| 37   | 1654601112  | TRIM                               | 1    |       |            |       | sold by the meter                   |
| 38   | 1531115037  | PROTECTOR                          | 1    |       |            |       | sold by the meter                   |
| 39   | 1533120512  | BAND                               | 4    |       |            |       |                                     |
| 41   | 1530808027  | TUBE                               | 1    |       |            |       | sold by the meter                   |
| 44   | 1910195015  | BAND                               | 2    |       |            |       | Y23010-044000                       |
| 45   | 0374010045  | SPONGE                             | 2    |       |            |       | sold by the meter                   |
| 54   | 1100040616  | BOLT                               | 4    |       |            |       |                                     |
| 55   | 1100040816  | BOLT                               | 6    |       |            |       |                                     |
| 56   | 1100040820  | BOLT                               | 5    |       |            |       |                                     |
| 57   | 1100040825  | BOLT                               | 2    |       |            |       |                                     |
| 59   | 1100041025  | BOLT                               | 3    |       |            |       |                                     |
| 62   | 1130040008  | NUT                                | 4    |       |            |       |                                     |
| 65   | 1140020008  | WASHER, spring                     | 22   |       |            |       |                                     |
| 66   | 1140020010  | WASHER, spring                     | 3    |       |            |       |                                     |
| 67   | 1141110008  | WASHER                             | 21   |       |            |       |                                     |
| 68   | 1100040830  | BOLT                               | 2    |       |            |       |                                     |
| 72   | 1531115020  | PROTECTOR                          | 1    |       |            |       | sold by the meter                   |
| 80   | 1652231250  | BAND                               | 1    |       |            |       |                                     |
| 81   | 1531345010  | PROTECTOR                          | 1    |       |            |       | sold by the meter                   |
| 82   | 1531350030  | PROTECTOR                          | 1    |       |            |       | sold by the meter                   |
| 83   | 1531407030  | HOSE                               | 1    |       |            |       |                                     |
| 84   | 1533120012  | CLAMP                              | 2    |       |            |       |                                     |
| 85   | 1513350027  | ELBOW                              | 2    |       |            |       |                                     |
|      | 1420010290  | • O-RING                           | 1    |       |            |       |                                     |
| 86   | 0374010086  | PLATE                              | 1    |       |            |       |                                     |
| 87   | 1140020006  | WASHER, spring                     | 4    |       |            |       |                                     |
| 88   | 1141110006  | WASHER                             | 4    |       |            |       |                                     |
| 89   | 0003600020  | WASHER                             | 3    |       |            |       |                                     |
| 90   | 0374011170  | NET ASSY                           | 2    |       |            |       |                                     |

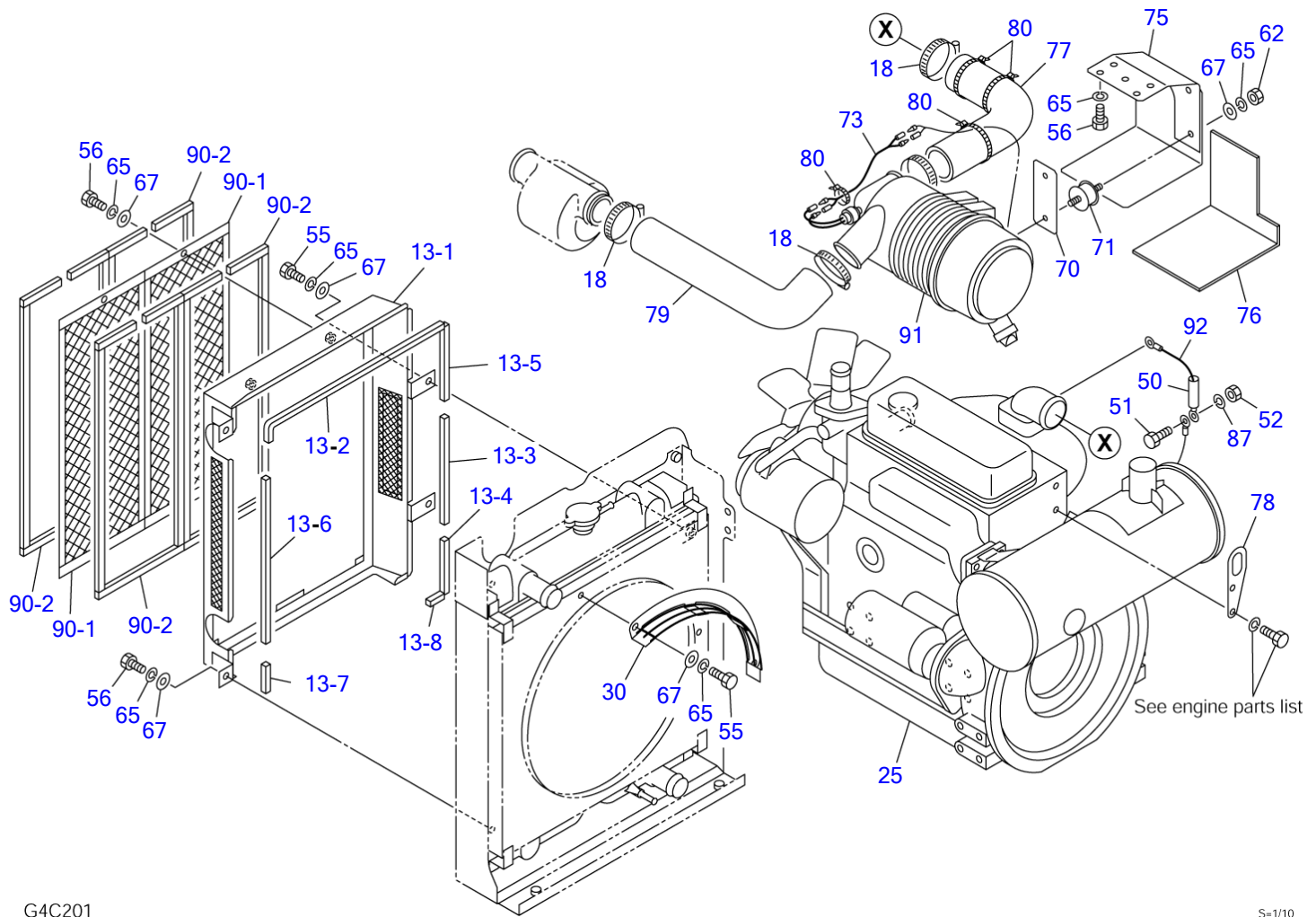
TB135 Book No. BG4Z010 S/N 13510004-  
ENGINE & ACCESSORIES (2/3) (13515143-13516744)





**ENGINE & ACCESSORIES (2/3) (13515143-13516744)**

| Item | Part number         | Description | Q'ty | Chan. | Serial No. | Serv. | Remarks      |
|------|---------------------|-------------|------|-------|------------|-------|--------------|
| 90-1 | <b>0374011180</b>   | • NET       | 1    |       |            |       |              |
| 90-2 | <b>0364011600</b>   | • URETHANE  | 2    |       |            |       |              |
| 91   | <b>Y12961212691</b> | AIR CLEANER | 1    |       |            |       | engine parts |
|      | <b>G4c221</b>       |             |      |       |            |       |              |



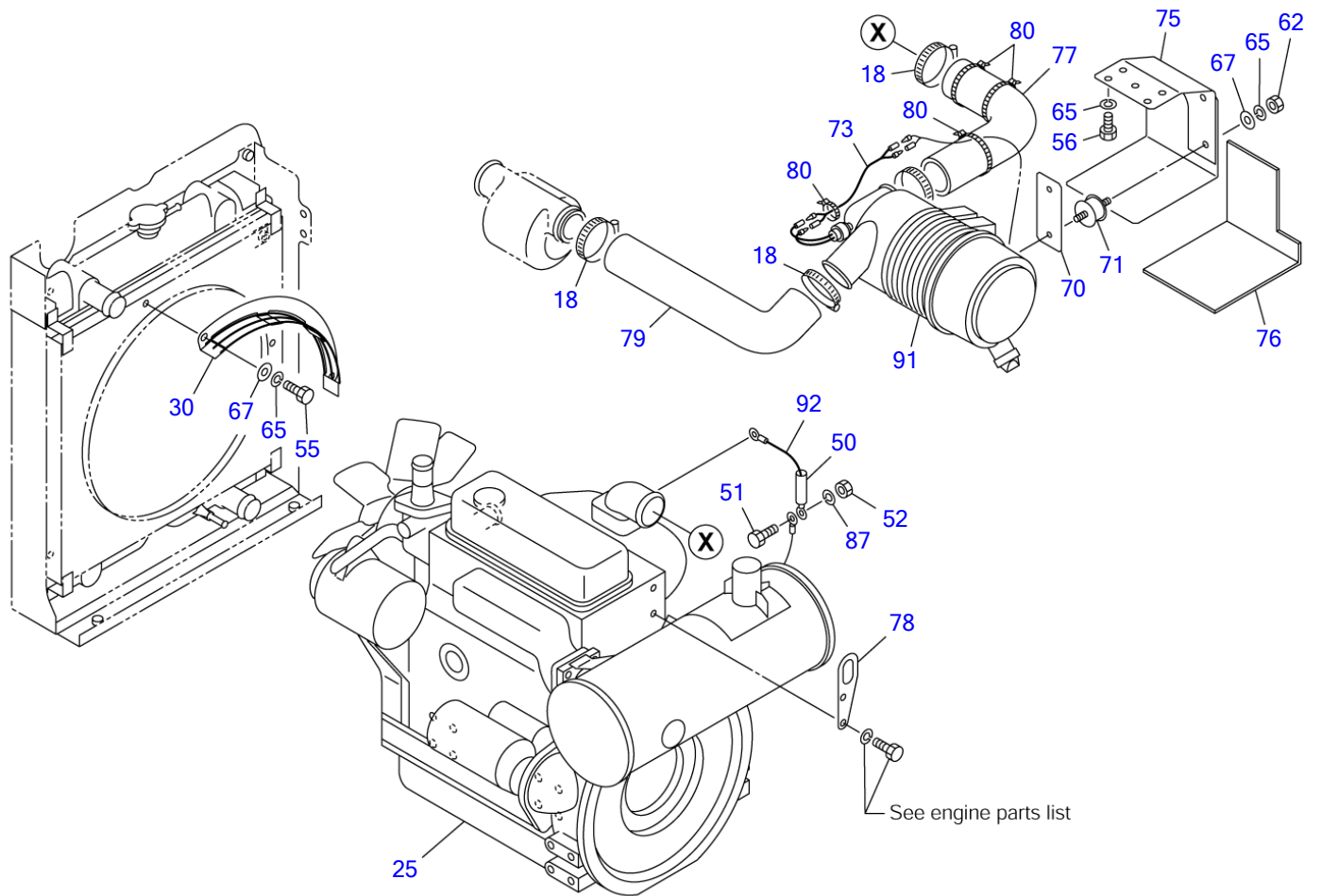
G4C201

S=1/10

**ENGINE & ACCESSORIES (3/3) (with air conditioner 13514051-13515142)**

| Item | Part number | Description                        | Q'ty | Chan. | Serial No. | Serv. | Remarks           |
|------|-------------|------------------------------------|------|-------|------------|-------|-------------------|
|      |             | ENGINE ASSY                        |      |       |            |       | X03740-11100-8    |
| 13   | 0374011150  | COVER ASSY                         | 1    |       |            |       |                   |
| 13-1 | 0374011160  | · COVER                            | 1    |       |            |       |                   |
| 13-2 | 1654319039  | · SPONGE                           | 1    |       |            |       | sold by the meter |
| 13-3 | 1654319020  | · SPONGE                           | 1    |       |            |       | sold by the meter |
| 13-4 | 1654319010  | · SPONGE                           | 1    |       |            |       | sold by the meter |
| 13-5 | 1654319014  | · SPONGE                           | 1    |       |            |       | sold by the meter |
| 13-6 | 1654319031  | · SPONGE                           | 1    |       |            |       | sold by the meter |
| 13-7 | 1654319005  | · SPONGE                           | 1    |       |            |       | sold by the meter |
| 13-8 | 1654319003  | · SPONGE                           | 1    |       |            |       | sold by the meter |
| 18   | 1910032047  | BAND                               | 4    |       |            |       | Y23000-060000     |
| 25   | 1910204000  | ENGINE                             | 1    |       |            |       | 3TNV88-QTB2       |
| 30   | 0374010650  | GUARD                              | 1    |       |            |       |                   |
| 50   | 1531115005  | PROTECTOR                          | 1    |       | 13514313~  |       | sold by the meter |
| 51   | 1100040612  | BOLT                               | 1    |       | 13514313~  |       |                   |
| 52   | 1130040006  | NUT                                | 1    |       | 13514313~  |       |                   |
| 55   | 1100040816  | BOLT                               | 4    |       |            |       |                   |
| 56   | 1100040820  | BOLT                               | 8    |       |            |       |                   |
| 62   | 1130040008  | NUT                                | 2    |       |            |       |                   |
| 65   | 1140020008  | WASHER, spring                     | 14   |       |            |       |                   |
| 67   | 1141110008  | WASHER                             | 10   |       |            |       |                   |
| 70   | 0374006690  | SPACER                             | 1    |       |            |       |                   |
| 71   | 1651014005  | RUBBER, cushion                    | 2    |       |            |       |                   |
| 73   | 0374006680  | HARNES, wiring                     | 1    |       |            |       |                   |
| 75   | 0374011110  | PLATE                              | 1    |       |            |       |                   |
| 76   | 0374011120  | INSULATOR                          | 1    |       |            |       |                   |
| 77   | 0374011130  | PIPE                               | 1    |       |            |       |                   |
| 78   | 0374011140  | HOOK                               | 1    |       |            |       |                   |
| 79   | 0374006630  | PIPE                               | 1    |       |            |       |                   |
| 80   | 1652231250  | BAND                               | 4    |       |            |       |                   |
| 87   | 1140020006  | WASHER, spring                     | 1    |       | 13514313~  |       |                   |
| 90   | 0374011170  | NET ASSY                           | 2    |       |            |       |                   |
| 90-1 | 0374011180  | · NET                              | 1    |       |            |       |                   |
| 90-2 | 0364011600  | · URETHANE                         | 2    |       |            |       |                   |
| 91   | 1910204007  | CLEANER, air (with air conditiner) | 1    |       |            |       |                   |
| 92   | 0374011190  | HARNES, wiring                     | 1    |       | 13514313~  |       |                   |

G4c202



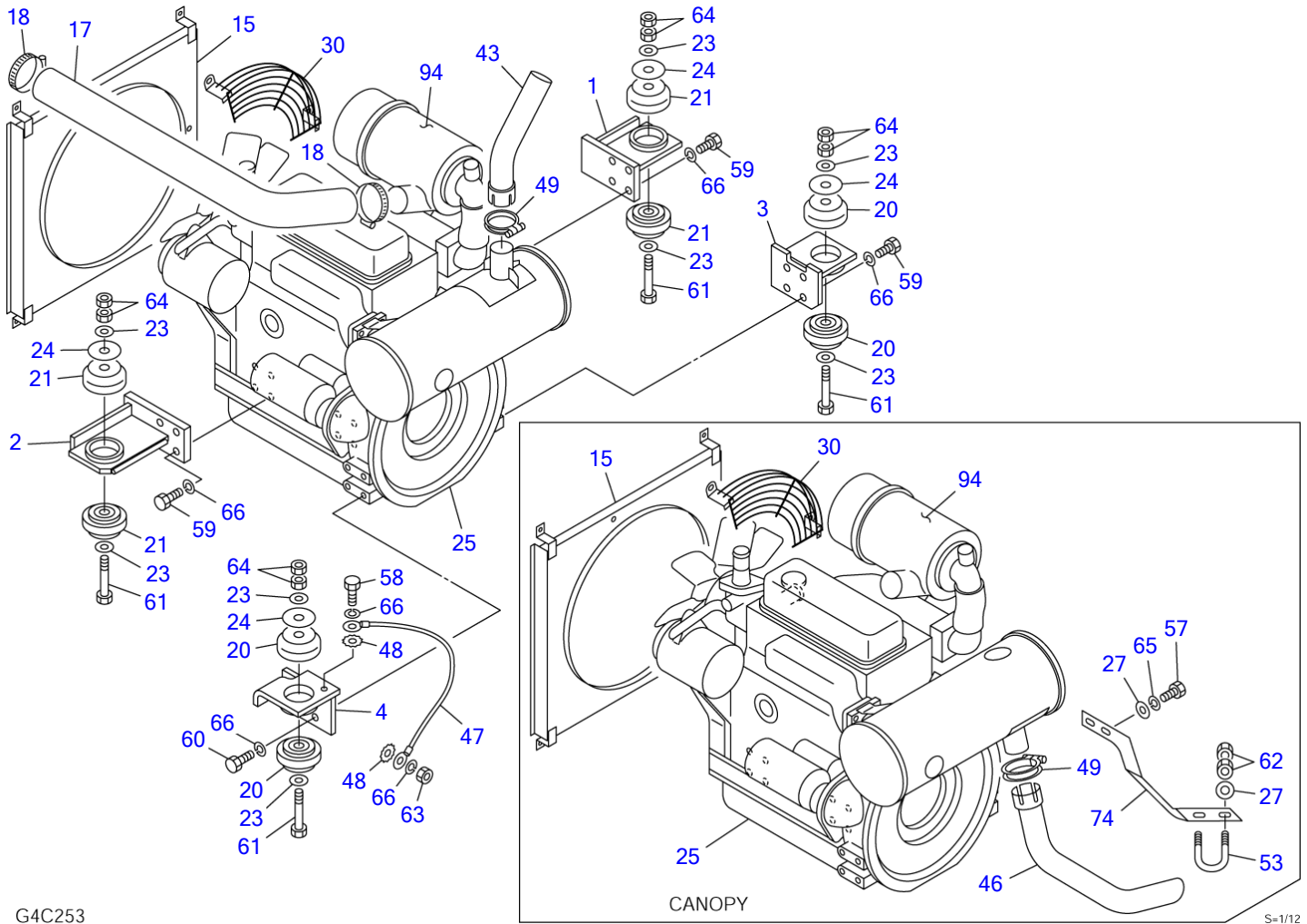
G4C230

S=1/10

**ENGINE & ACCESSORIES (3/3) (with air conditioner 13515143-13516744)**

| Item | Part number | Description                        | Q'ty | Chan. | Serial No. | Serv. | Remarks           |
|------|-------------|------------------------------------|------|-------|------------|-------|-------------------|
|      |             | ENGINE ASSY                        |      |       |            |       | X03740-11100-8    |
| 18   | 1910032047  | BAND                               | 4    |       |            |       | Y23000-060000     |
| 25   | 1910204000  | ENGINE                             | 1    |       |            |       | 3TNV88-QTB2       |
| 30   | 0374010650  | GUARD                              | 1    |       |            |       |                   |
| 50   | 1531115005  | PROTECTOR                          | 1    |       |            |       | sold by the meter |
| 51   | 1100040612  | BOLT                               | 1    |       |            |       |                   |
| 52   | 1130040006  | NUT                                | 1    |       |            |       |                   |
| 55   | 1100040816  | BOLT                               | 2    |       |            |       |                   |
| 56   | 1100040820  | BOLT                               | 4    |       |            |       |                   |
| 62   | 1130040008  | NUT                                | 2    |       |            |       |                   |
| 65   | 1140020008  | WASHER, spring                     | 8    |       |            |       |                   |
| 67   | 1141110008  | WASHER                             | 4    |       |            |       |                   |
| 70   | 0374006690  | SPACER                             | 1    |       |            |       |                   |
| 71   | 1651014005  | RUBBER, cushion                    | 2    |       |            |       |                   |
| 73   | 0374006680  | HARNESS, wiring                    | 1    |       |            |       |                   |
| 75   | 0374011110  | PLATE                              | 1    |       |            |       |                   |
| 76   | 0374011120  | INSULATOR                          | 1    |       |            |       |                   |
| 77   | 0374011130  | PIPE                               | 1    |       |            |       |                   |
| 78   | 0374011140  | HOOK                               | 1    |       |            |       |                   |
| 79   | 0374006630  | PIPE                               | 1    |       |            |       |                   |
| 80   | 1652231250  | BAND                               | 4    |       |            |       |                   |
| 87   | 1140020006  | WASHER, spring                     | 1    |       |            |       |                   |
| 91   | 1910204007  | CLEANER, air (with air conditiner) | 1    |       |            |       |                   |
| 92   | 0374011190  | HARNESS, wiring                    | 1    |       |            |       |                   |
|      | G4c231      |                                    |      |       |            |       |                   |

TB135 Book No. BG4Z010 S/N 13510004-  
ENGINE & ACCESSORIES (1/3) (13516745-)



G4C253

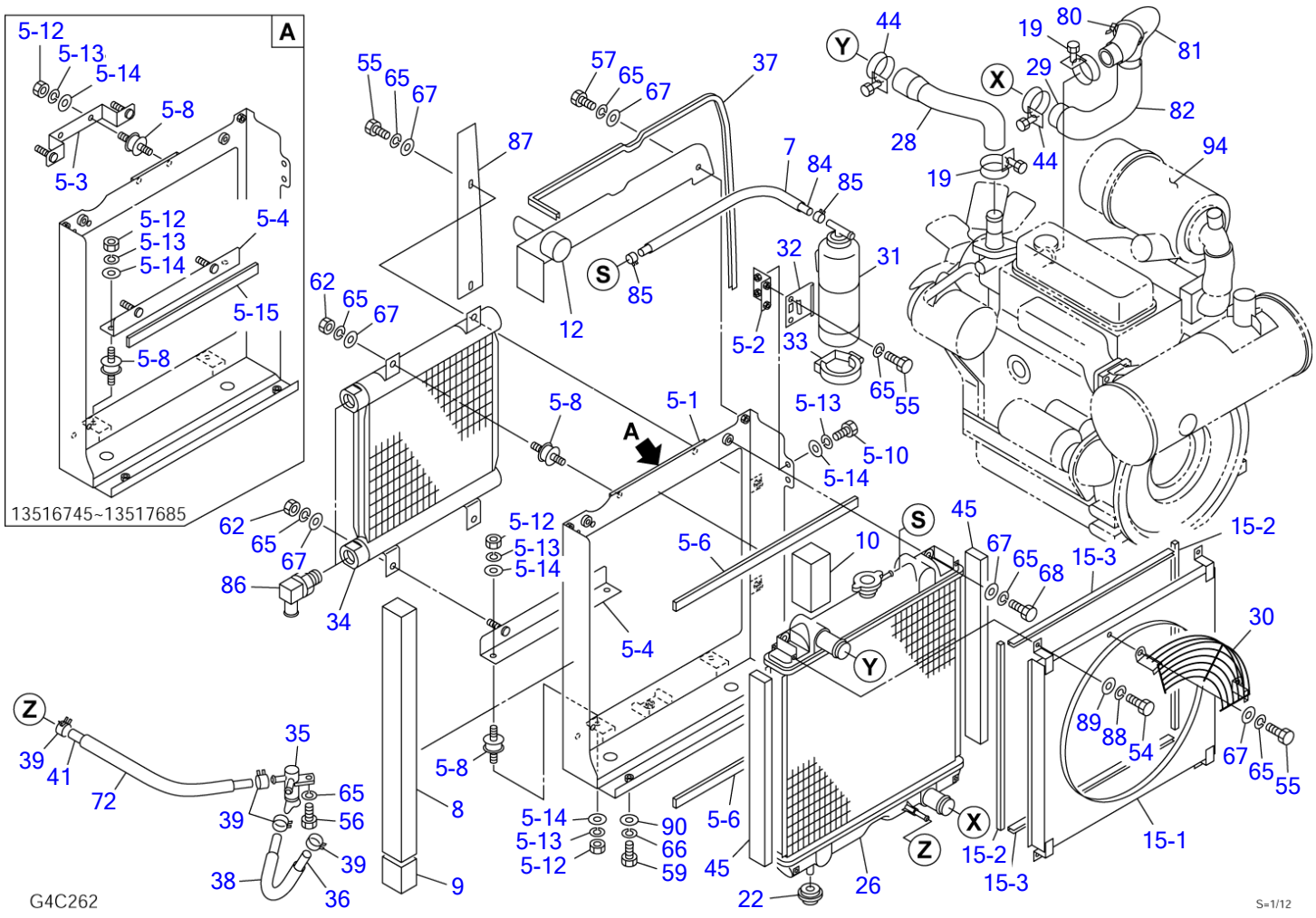
S=1/12

**ENGINE & ACCESSORIES (1/3) (13516745-)**

| Item | Part number  | Description                          | Q'ty | Chan. | Serial No.        | Serv. | Remarks          |
|------|--------------|--------------------------------------|------|-------|-------------------|-------|------------------|
|      |              | ENGINE ASSY (cab)                    |      |       |                   |       | X03740-14000-6   |
|      |              | ENGINE ASSY (canopy)                 |      |       |                   |       | X03740-15000-6   |
|      |              | ENGINE ASSY (with air conditioner)   |      |       |                   |       | X03740-16000-6   |
|      |              | ENGINE ASSY (for China)              |      |       |                   |       | X03740-17000-6   |
| 1    | 0444006100   | FOOT, engine (F.R.)                  | 1    |       |                   |       |                  |
| 2    | 0374010750   | FOOT, engine (F.L.)                  | 1    |       |                   |       |                  |
| 3    | 0374006100   | FOOT, engine (R.R.)                  | 1    |       |                   |       |                  |
| 4    | 0374004300   | FOOT, engine (R.L.)                  | 1    |       |                   |       |                  |
| 15   | 0374014400   | SHROUD ASSY                          | 1    | a, b  | 13519307~         |       |                  |
| 17   | 0374014210   | PIPE, air intake                     | 1    |       |                   |       | without air con. |
| 18   | 1910032047   | BAND                                 | 2    |       |                   |       | Y23000-060000    |
| 20   | 1651030003   | RUBBER, cushion                      | 4    |       |                   |       |                  |
| 21   | 1651030002   | RUBBER, cushion                      | 4    |       |                   |       |                  |
| 23   | 1141540012   | WASHER                               | 8    |       |                   |       |                  |
| 24   | 0003600085   | WASHER                               | 4    |       |                   |       |                  |
| 25   | 1910193001   | ENGINE (cab)                         | 1    | A     | 13516745~13519306 |       | 3TNV88-QTB       |
|      | 1910241001   | ENGINE (cab)                         | 1    | a     | 13519307~         | M     | 3TNV88-QTB       |
|      | 1910194001   | ENGINE (canopy)                      | 1    | B     | 13516745~13519306 |       | 3TNV88-QTB1      |
|      | 1910242001   | ENGINE (canopy)                      | 1    | b     | 13519307~         | M     | 3TNV88-QTB1      |
| 27   | 0003608252   | WASHER                               | 4    |       |                   |       | canopy           |
| 30   | 0374014550   | GUARD                                | 1    | a, b  | 13519307~         |       |                  |
| 43   | 1910193021   | PIPE, exhaust (cab)                  | 1    |       |                   |       | Y129242-13650    |
| 46   | 1910194021   | PIPE, exhaust (canopy)               | 1    |       |                   |       | Y129242-13660    |
| 47   | 1702430280   | CABLE, earth                         | 1    |       |                   |       |                  |
| 48   | 1140330010   | WASHER                               | 2    |       |                   |       |                  |
| 49   | 1910120023   | CLAMP                                | 1    |       |                   |       | Y121120-13590    |
| 53   | 1533201012   | BOLT                                 | 1    |       |                   |       | canopy           |
| 57   | 1100040825   | BOLT                                 | 2    |       |                   |       |                  |
| 58   | 1100041016   | BOLT                                 | 1    |       |                   |       |                  |
| 59   | 1100041025   | BOLT                                 | 12   |       |                   |       |                  |
| 60   | 1100041035   | BOLT                                 | 4    |       |                   |       |                  |
| 61   | 1101141240   | BOLT                                 | 4    |       |                   |       |                  |
| 62   | 1130040008   | NUT                                  | 4    |       |                   |       |                  |
| 63   | 1130040010   | NUT                                  | 1    |       |                   |       |                  |
| 64   | 1130540012   | NUT                                  | 8    |       |                   |       |                  |
| 65   | 1140020008   | WASHER, spring                       | 2    |       |                   |       |                  |
| 66   | 1140020010   | WASHER, spring                       | 18   |       |                   |       |                  |
| 74   | 0374011010   | BRACKET                              | 1    |       |                   |       | canopy           |
| 94   | Y12961212691 | AIR CLEANER                          | 1    |       |                   |       | engine parts     |
|      |              | <<NOTE>>                             |      |       |                   |       |                  |
|      |              | "A" is interchangeable with SET "a". |      |       |                   |       |                  |
|      |              | "B" is interchangeable with SET "b". |      |       |                   |       |                  |

**G4c254**

TB135 Book No. BG4Z010 S/N 13510004-  
 ENGINE & ACCESSORIES (2/3) (13516745-)

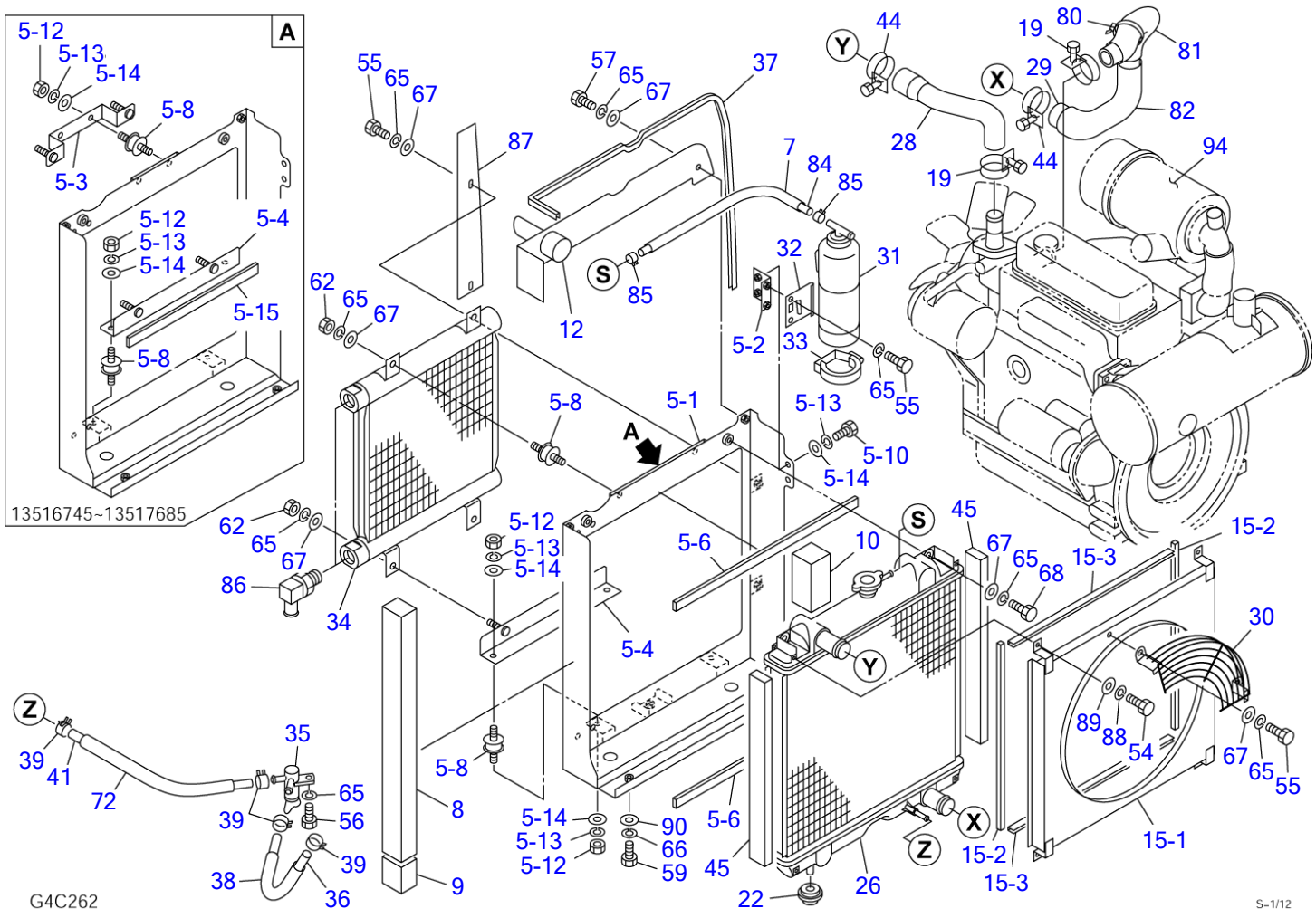




**ENGINE & ACCESSORIES (2/3) (13516745-)**

| Item | Part number | Description                           | Q'ty | Chan. | Serial No.        | Serv. | Remarks                |
|------|-------------|---------------------------------------|------|-------|-------------------|-------|------------------------|
|      |             | ENGINE ASSY<br>(cab)                  |      |       |                   |       | X03740-14000-6         |
|      |             | ENGINE ASSY<br>(canopy)               |      |       |                   |       | X03740-15000-6         |
|      |             | ENGINE ASSY<br>(with air conditioner) |      |       |                   |       | X03740-16000-6         |
|      |             | ENGINE ASSY<br>(for China)            |      |       |                   |       | X03740-17000-6         |
| 5    | 0374014100  | BRACKET ASSY                          | 1    |       | 13516745~13517686 |       |                        |
|      | 0374014300  | BRACKET ASSY                          | 1    |       | 13517687~         |       |                        |
| 5-1  | 0374014110  | • BRACKET                             | 1    |       | 13516745~13517686 |       |                        |
|      | 0374014310  | • BRACKET                             | 1    |       | 13517687~         |       |                        |
| 5-2  | 0374010130  | • PLATE                               | 1    |       |                   |       |                        |
| 5-3  | 0374010140  | • BRACKET                             | 1    |       | 13516745~13517686 |       |                        |
| 5-4  | 0374010150  | • BRACKET                             | 1    |       | 13516745~13517686 |       |                        |
|      | 0374014320  | • BRACKET                             | 1    |       | 13517687~         |       |                        |
| 5-6  | 1654303048  | • SPONGE                              | 2    |       |                   |       | sold by the meter      |
| 5-8  | 1651014003  | • RUBBER,<br>cushion                  | 4    |       |                   |       |                        |
| 5-10 | 1100040816  | • BOLT                                | 2    |       |                   |       |                        |
| 5-12 | 1130040008  | • NUT                                 | 4    |       |                   |       |                        |
| 5-13 | 1140020008  | • WASHER,<br>spring                   | 6    |       |                   |       |                        |
| 5-14 | 1141110008  | • WASHER                              | 6    |       |                   |       |                        |
| 5-15 | 1654303034  | • SPONGE                              | 1    |       | 13516745~13517686 |       | sold by the meter      |
| 7    | 1531115025  | PROTECTOR                             | 1    |       |                   |       | sold by the meter      |
| 8    | 0374010008  | URETHANE                              | 1    |       |                   |       |                        |
| 9    | 0374010009  | URETHANE                              | 1    |       |                   |       |                        |
| 10   | 0374010010  | URETHANE                              | 1    |       |                   |       | without air con.       |
| 12   | 0374014200  | PLATE                                 | 1    |       |                   |       |                        |
| 15   | 0374010500  | SHROUD ASSY                           | 1    |       | 13516745~13519306 |       |                        |
|      | 0374014400  | SHROUD ASSY                           | 1    |       | 13519307~         | M     |                        |
| 15-1 | 0374010550  | • SHROUD                              | 1    |       | 13516745~13519306 |       |                        |
|      | 0374014410  | • SHROUD                              | 1    |       | 13519307~         | M     |                        |
| 15-2 | 1654318042  | • SPONGE                              | 2    |       |                   |       | sold by the meter      |
| 15-3 | 1654606044  | • SEAL                                | 2    |       |                   |       | sold by the meter      |
| 19   | 1910006013  | BAND                                  | 2    |       |                   |       | Y23010-038000          |
| 22   | 1910170052  | RUBBER, cushion                       | 2    |       |                   |       | Y119255-44660          |
| 26   | 1910201003  | RADIATOR                              | 1    |       |                   |       | Y129642-44520          |
| 28   | 1910193011  | HOSE                                  | 1    |       |                   |       | Y129612-49030          |
| 29   | 1910193012  | HOSE                                  | 1    | (L)   | 13516745~13517278 |       | Y129612-49040          |
|      | 0394010029  | HOSE                                  | 1    | (H)   | 13517279~         |       |                        |
| 30   | 0374010600  | GUARD                                 | 1    |       | 13516745~13519306 |       | without air con.       |
|      | 0374014550  | GUARD                                 | 1    |       | 13519307~         | M     | without air con.       |
| 31   | 1910047040  | TANK                                  | 1    |       |                   |       | Y171064-44510          |
| 32   | 1910047052  | BRACKET                               | 1    |       |                   |       | Y121256-44600          |
| 33   | 1910047047  | BAND                                  | 1    |       |                   |       | Y124450-44550          |
| 34   | 1911300060  | COOLER, oil                           | 1    |       |                   |       | “CE f% fW1412-180-1000 |
| 35   | 1910078037  | VALVE                                 | 1    |       |                   |       | Y129150-49100          |
| 36   | 1530808042  | TUBE                                  | 1    |       |                   |       | sold by the meter      |
| 37   | 1654601095  | TRIM                                  | 1    |       |                   |       | sold by the meter      |
| 38   | 1531115037  | PROTECTOR                             | 1    |       |                   |       | sold by the meter      |
| 39   | 1533120512  | BAND                                  | 4    |       |                   |       |                        |
| 41   | 1530808027  | TUBE                                  | 1    |       |                   |       | sold by the meter      |
| 44   | 1910195015  | BAND                                  | 2    |       |                   |       | Y23010-044000          |
| 45   | 0374010045  | SPONGE                                | 2    |       |                   |       | sold by the meter      |
| 54   | 1100040616  | BOLT                                  | 4    |       |                   |       |                        |
| 55   | 1100040816  | BOLT                                  | 6    |       |                   |       |                        |
| 56   | 1100040820  | BOLT                                  | 1    |       |                   |       |                        |
| 57   | 1100040825  | BOLT                                  | 2    |       |                   |       |                        |
| 59   | 1100041025  | BOLT                                  | 3    |       |                   |       |                        |
| 62   | 1130040008  | NUT                                   | 4    |       |                   |       |                        |
| 65   | 1140020008  | WASHER, spring                        | 15   |       |                   |       |                        |
| 66   | 1140020010  | WASHER, spring                        | 3    |       |                   |       |                        |
| 67   | 1141110008  | WASHER                                | 8    |       |                   |       |                        |
| 68   | 1100040830  | BOLT                                  | 2    |       |                   |       |                        |
| 72   | 1531115020  | PROTECTOR                             | 1    |       |                   |       | sold by the meter      |

TB135 Book No. BG4Z010 S/N 13510004-  
**ENGINE & ACCESSORIES (2/3) (13516745-)**



13516745~13517685

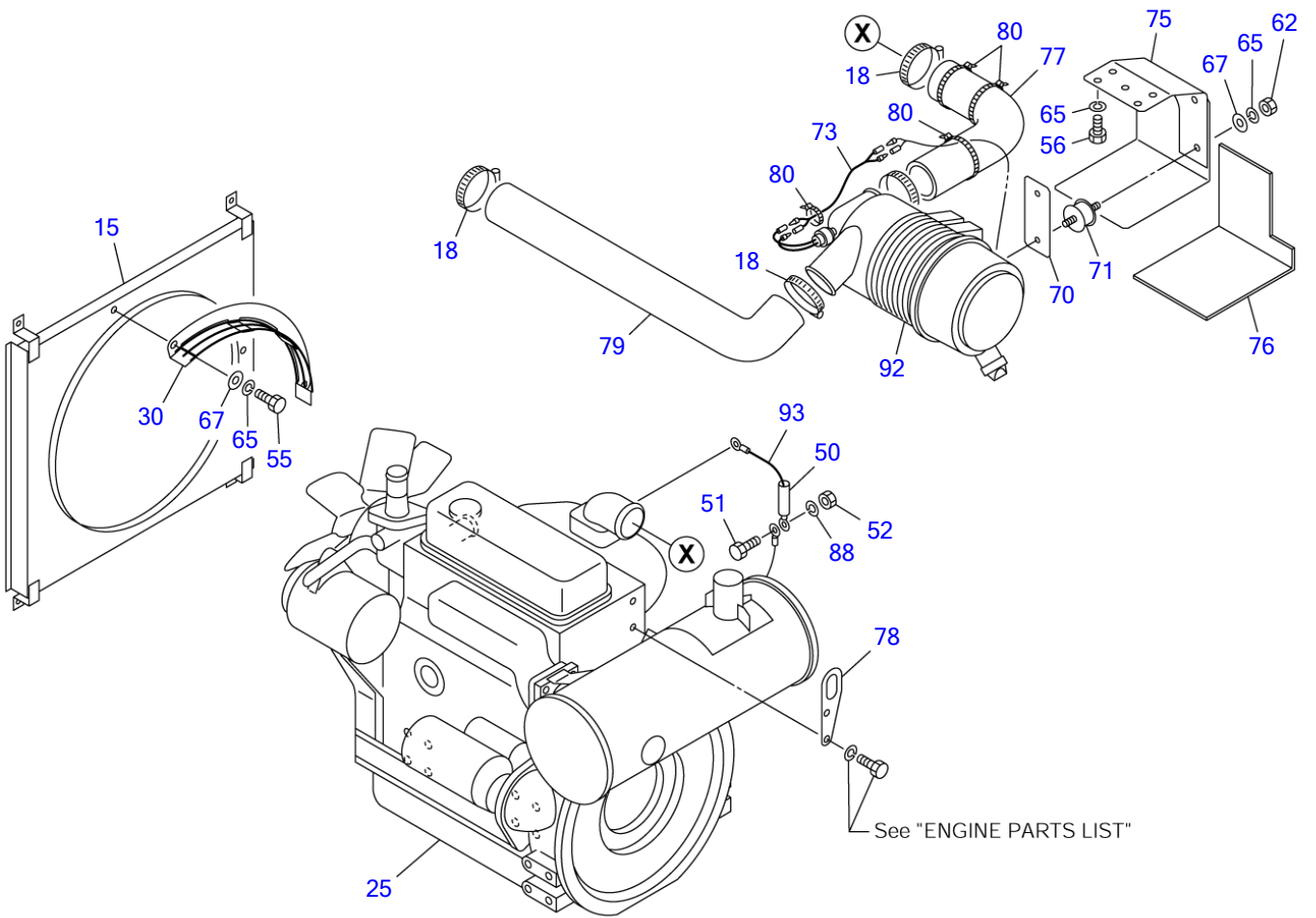
G4C262

S-1/12

**ENGINE & ACCESSORIES (2/3) (13516745-)**

| Item | Part number                          | Description    | Q'ty | Chan. | Serial No.        | Serv. | Remarks           |
|------|--------------------------------------|----------------|------|-------|-------------------|-------|-------------------|
| 80   | <b>1652231250</b>                    | BAND           | 1    |       |                   |       |                   |
| 81   | <b>1531345010</b>                    | PROTECTOR      | 1    |       |                   |       | sold by the meter |
| 82   | <b>1531350030</b>                    | PROTECTOR      | 1    |       | 13516745~13517278 |       | sold by the meter |
| 84   | <b>1531407030</b>                    | HOSE           | 1    |       |                   |       |                   |
| 85   | <b>1533120012</b>                    | CLAMP          | 2    |       |                   |       |                   |
| 86   | <b>1513350027</b>                    | ELBOW          | 2    |       |                   |       |                   |
| 86   | <b>1420010290</b>                    | • O-RING       | 1    |       |                   |       |                   |
| 87   | <b>0374010086</b>                    | PLATE          | 1    |       |                   |       |                   |
| 88   | <b>1140020006</b>                    | WASHER, spring | 4    |       |                   |       |                   |
| 89   | <b>1141110006</b>                    | WASHER         | 4    |       |                   |       |                   |
| 90   | <b>0003600020</b>                    | WASHER         | 3    |       |                   |       |                   |
| 94   | <b>Y12961212691</b><br><b>G4c264</b> | AIR CLEANER    | 1    |       |                   |       | engine parts      |

TB135 Book No. BG4Z010 S/N 13510004-  
ENGINE & ACCESSORIES (3/3) (with air conditioner 13516745-)

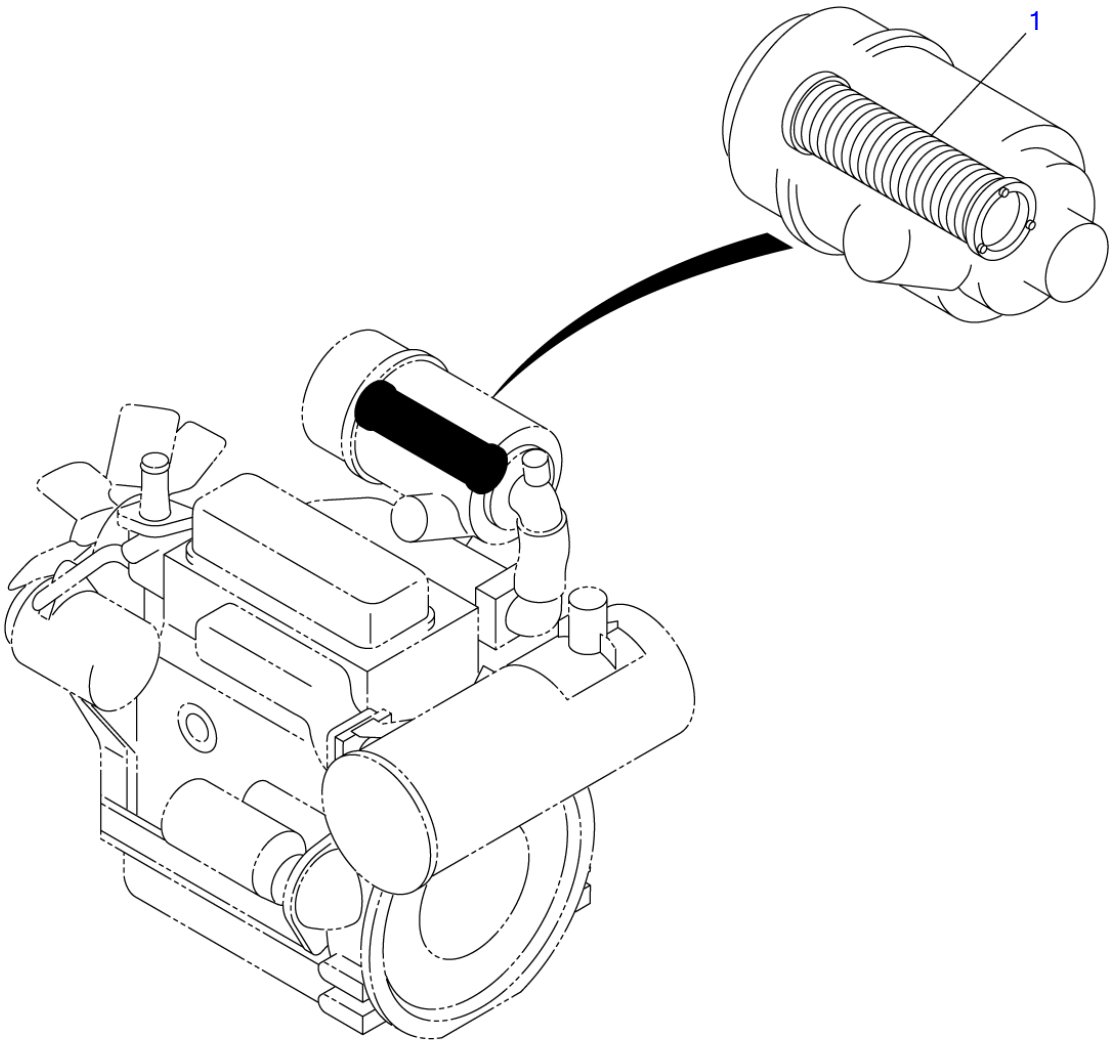


G4C272

S=1/10

**ENGINE & ACCESSORIES (3/3) (with air conditioner 13516745-)**

| Item | Part number       | Description                          | Q'ty | Chan. | Serial No.        | Serv. | Remarks           |
|------|-------------------|--------------------------------------|------|-------|-------------------|-------|-------------------|
|      |                   | ENGINE ASSY (with air conditioner)   |      |       |                   |       | X03740-16000-6    |
|      |                   | ENGINE ASSY (for China)              |      |       |                   |       | X03740-17000-6    |
| 15   | <b>0374014400</b> | SHROUD ASSY                          | 1    | a, b  | 13519307~         |       |                   |
| 18   | <b>1910032047</b> | BAND                                 | 4    |       |                   |       | Y23000-060000     |
| 25   | <b>1910222001</b> | ENGINE (with air conditioner)        | 1    | A     | 13516745~13519311 |       | 3TNV88-QTB2       |
|      | <b>1910243001</b> | ENGINE (with air conditioner)        | 1    | a     | 13519312~         | M     | 3TNV88-QTB2       |
|      | <b>1910229001</b> | ENGINE (for China)                   | 1    | B     | 13516745~13519306 |       | 3TNV88-QTB3       |
|      | <b>1910244001</b> | ENGINE (for China)                   | 1    | b     | 13519307~         | M     | 3TNV88-QTB3       |
| 30   | <b>0374010650</b> | GUARD                                | 1    |       | 13516745~13519306 |       |                   |
|      | <b>0374014500</b> | GUARD                                | 1    | a, b  | 13519307~         | M     |                   |
| 50   | <b>1531115005</b> | PROTECTOR                            | 1    |       |                   |       | sold by the meter |
| 51   | <b>1100040612</b> | BOLT                                 | 1    |       |                   |       |                   |
| 52   | <b>1130040006</b> | NUT                                  | 1    |       |                   |       |                   |
| 55   | <b>1100040816</b> | BOLT                                 | 2    |       |                   |       |                   |
| 56   | <b>1100040820</b> | BOLT                                 | 4    |       |                   |       |                   |
| 62   | <b>1130040008</b> | NUT                                  | 2    |       |                   |       |                   |
| 65   | <b>1140020008</b> | WASHER, spring                       | 8    |       |                   |       |                   |
| 67   | <b>1141110008</b> | WASHER                               | 4    |       |                   |       |                   |
| 70   | <b>0374006690</b> | SPACER                               | 1    |       |                   |       |                   |
| 71   | <b>1651014005</b> | RUBBER, cushion                      | 2    |       |                   |       |                   |
| 73   | <b>0374006680</b> | HARNES, wiring                       | 1    |       |                   |       |                   |
| 75   | <b>0374011110</b> | PLATE                                | 1    |       |                   |       |                   |
| 76   | <b>0374011120</b> | INSULATOR                            | 1    |       |                   |       |                   |
| 77   | <b>0374011130</b> | PIPE                                 | 1    |       |                   |       |                   |
| 78   | <b>0374011140</b> | HOOK                                 | 1    |       |                   |       |                   |
| 79   | <b>0374014220</b> | PIPE                                 | 1    |       |                   |       |                   |
| 80   | <b>1652231250</b> | BAND                                 | 4    |       |                   |       |                   |
| 88   | <b>1140020006</b> | WASHER, spring                       | 1    |       |                   |       |                   |
| 92   | <b>1910204007</b> | CLEANER, air (with air conditiner)   | 1    |       |                   |       |                   |
| 93   | <b>0374011190</b> | HARNES, wiring                       | 1    |       |                   |       |                   |
|      |                   | <<NOTE>>                             |      |       |                   |       |                   |
|      |                   | "A" is interchangeable with SET "a". |      |       |                   |       |                   |
|      |                   | "B" is interchangeable with SET "b". |      |       |                   |       |                   |
|      | <b>G4c274</b>     |                                      |      |       |                   |       |                   |



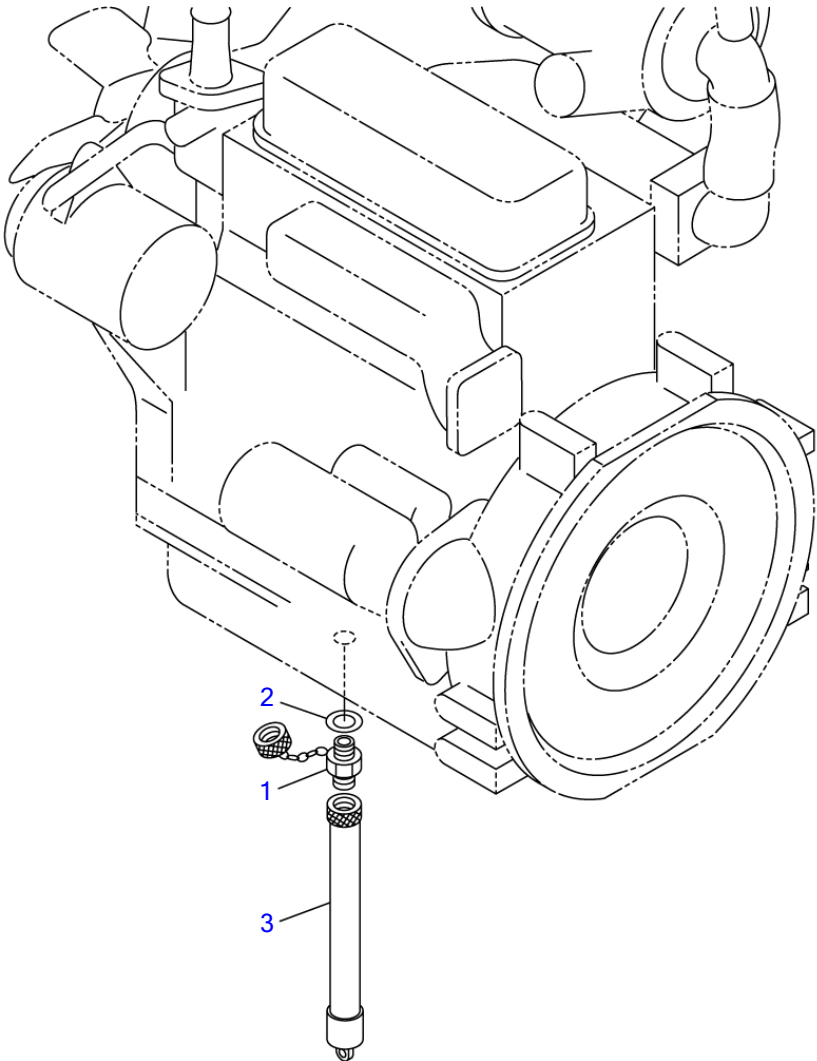
G4C150

S=1/4, 1/8

**AIR CLEANER (for double element)**

| Item | Part number                        | Description                  | Q'ty | Chan. | Serial No. | Serv. | Remarks        |
|------|------------------------------------|------------------------------|------|-------|------------|-------|----------------|
| 1    | <b>1911102772</b><br><b>G4c150</b> | CLEANER ASSY, air<br>ELEMENT | 1    |       |            |       | X03740-07500-0 |

TB135 Book No. BG4Z010 S/N 13510004-  
DRAIN PLUG



G4C030

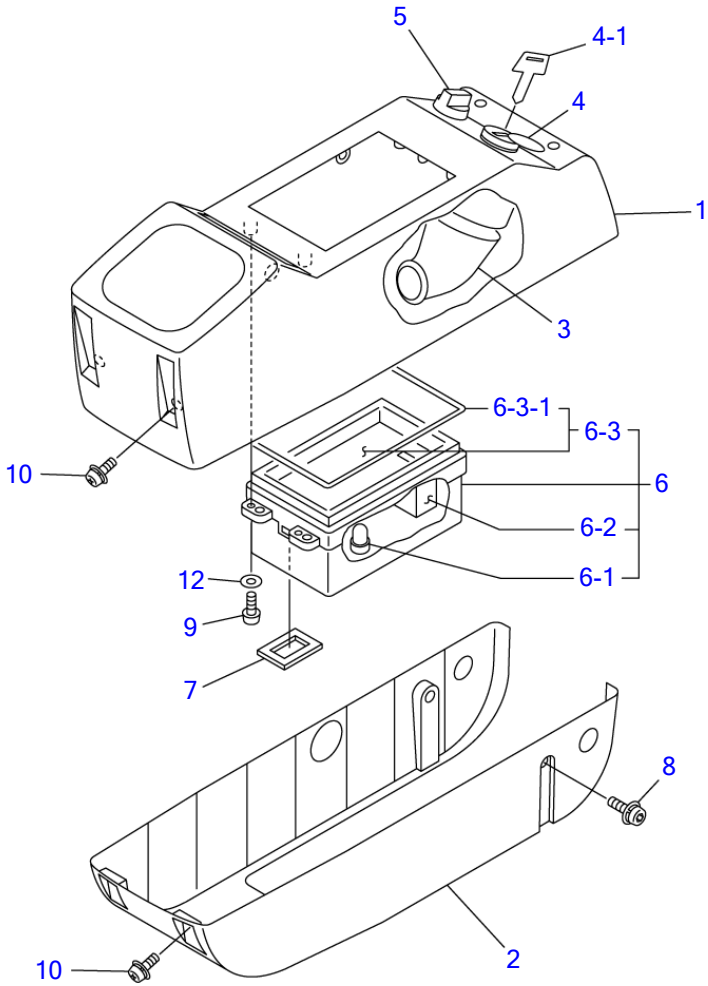
S=1/6



**DRAIN PLUG**

| Item | Part number | Description      | Q'ty | Chan. | Serial No. | Serv. | Remarks        |
|------|-------------|------------------|------|-------|------------|-------|----------------|
|      |             | PLUG ASSY, drain |      |       |            |       | X03540-02000-2 |
| 1    | 1554502250  | PLUG             | 1    |       |            |       |                |
| 2    | 1432122302  | WASHER           | 1    |       |            |       |                |
| 3    | 1554512600  | TUBE             | 1    |       |            |       |                |
|      | G4c031      |                  |      |       |            |       |                |

TB135 Book No. BG4Z010 S/N 13510004-  
CONTROL BOX; R.H.



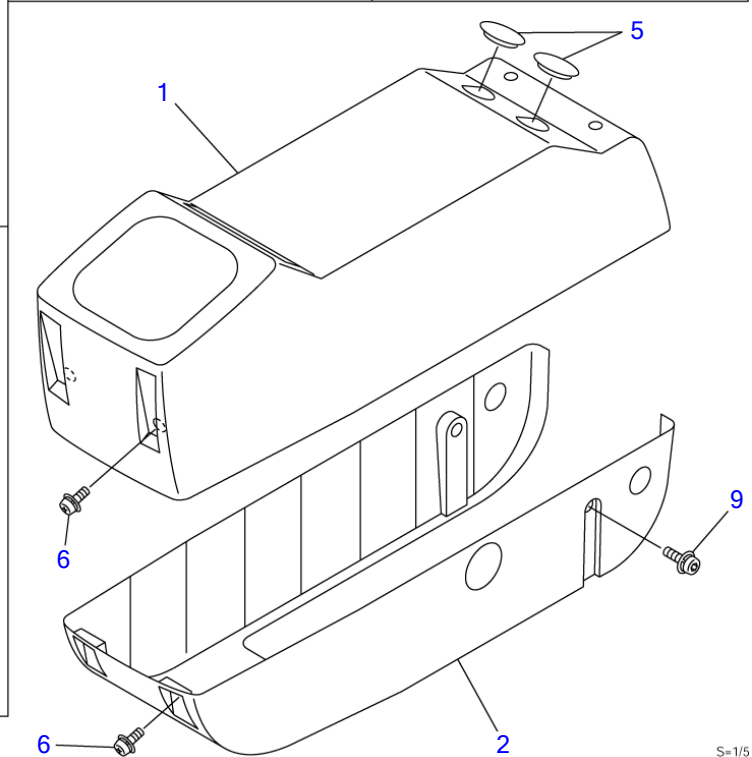
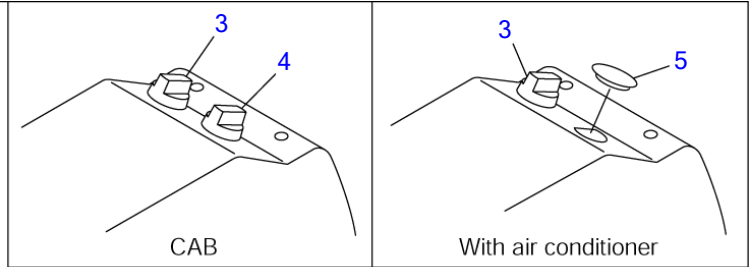
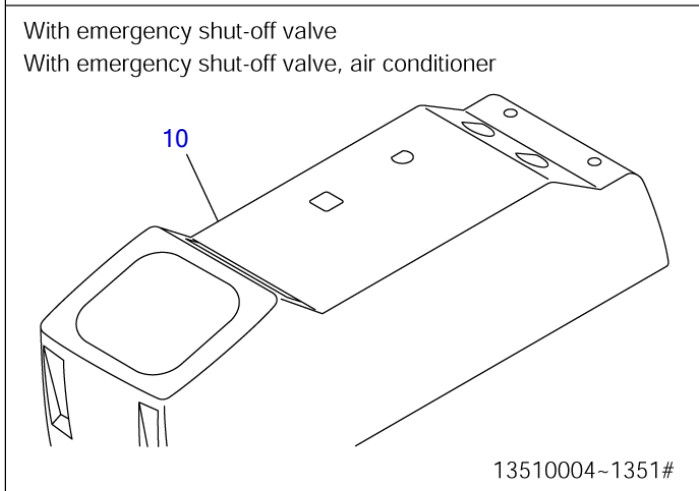
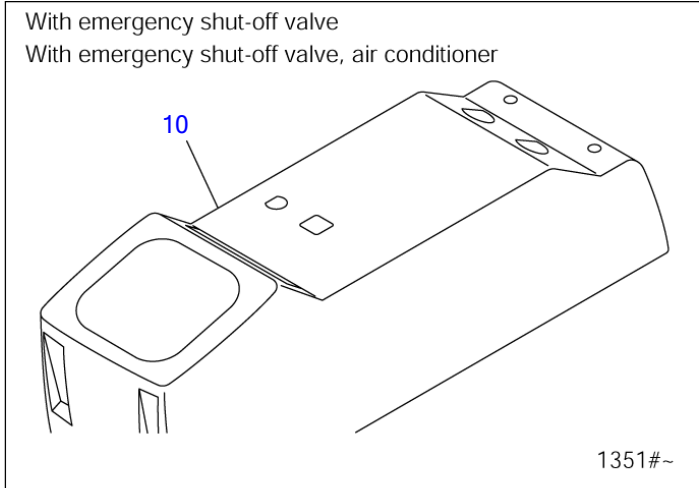
G4C042

S=1/6

**CONTROL BOX; R.H.**

| Item  | Part number       | Description               | Q'ty | Chan. | Serial No. | Serv. | Remarks        |
|-------|-------------------|---------------------------|------|-------|------------|-------|----------------|
|       |                   | BOX ASSY, (R.H.) (cab)    |      |       |            |       | X03743-03000-6 |
|       |                   | BOX ASSY, (R.H.) (canopy) |      |       |            |       | X03743-03500-6 |
| 1     | <b>0334326150</b> | COVER (R.H.)              | 1    |       |            |       |                |
| 2     | <b>0334326250</b> | COVER (R.H.)              | 1    |       |            |       |                |
| 3     | <b>0870431821</b> | COVER                     | 1    |       |            |       |                |
| 4     | <b>1700100023</b> | SWITCH, starter           | 1    |       |            |       | cab            |
|       | <b>1700100072</b> | SWITCH, starter           | 1    |       | 13517771~  |       | canopy         |
| 4-1   | <b>1700100019</b> | KEY                       | 1    |       |            |       |                |
| 5     | <b>1700000010</b> | SWITCH, lamp              | 1    |       |            |       |                |
| 6     | <b>1730140650</b> | GAUGE, cluster            | 1    |       |            |       |                |
| 6-1   | <b>1730140634</b> | · BULB (14V, 1.4W)        | 10   |       |            |       |                |
| 6-2   | <b>1730140652</b> | · METER, hour             | 1    |       |            |       |                |
| 6-3   | <b>1730140653</b> | · GLASS ASSY              | 1    |       |            |       |                |
| 6-3-1 | <b>1730140654</b> | · · PACKING               | 1    |       |            |       |                |
| 7     | <b>0334326010</b> | SPONGE                    | 1    |       | 13511879~  |       |                |
| 8     | <b>1110540614</b> | SCREW                     | 2    |       |            |       |                |
| 9     | <b>1120530416</b> | SCREW                     | 4    |       |            |       |                |
| 10    | <b>1150410614</b> | BOLT, sems                | 6    |       |            |       |                |
| 12    | <b>1141190004</b> | WASHER                    | 4    |       |            |       |                |
|       | <b>G4c043</b>     |                           |      |       |            |       |                |

TB135 Book No. BG4Z010 S/N 13510004-  
CONTROL BOX; L.H.



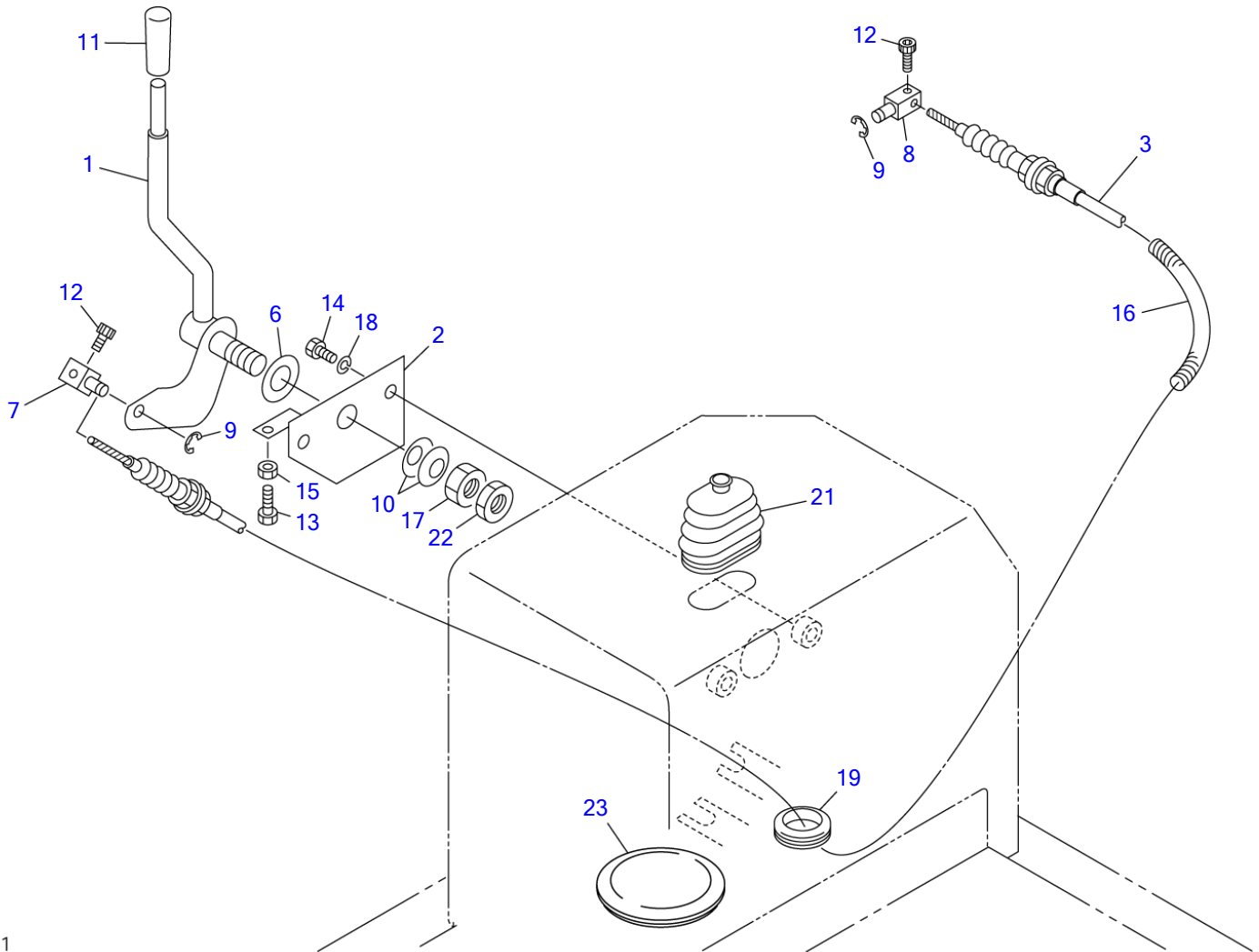
G4C055

S=1/5

**CONTROL BOX; L.H.**

| Item | Part number       | Description  | Q'ty | Chan. | Serial No.     | Serv. | Remarks                      |
|------|-------------------|--|------|-------|----------------|-------|------------------------------|
|      |                   | BOX ASSY (L.H.) (cab)  |      |       |                |       | X03743-04000-6               |
|      |                   | BOX ASSY (L.H.)<br>(canopy)                                    |      |       |                |       | X03743-05000-6               |
|      |                   | BOX ASSY (L.H.) (with<br>shut-off valve) (cab)                 |      |       |                |       | X03743-04300-6               |
|      |                   | BOX ASSY (L.H.) (with<br>shut-off valve)<br>(canopy)           |      |       |                |       | X03743-05300-6               |
|      |                   | BOX ASSY (L.H.) (with<br>air con.) (cab)                       |      |       |                |       | X03743-05400-6               |
|      |                   | BOX ASSY (L.H.) (with<br>air con., shut-off valve)<br>(canopy) |      |       |                |       | X03743-05500-6               |
| 1    | <b>0334327150</b> | COVER (L.H.)   | 1    |       |                |       | except for shut-off valve    |
| 2    | <b>0334327250</b> | COVER (L.H.)   | 1    |       |                |       |                              |
| 3    | <b>1704300007</b> | SWITCH, wiper  | 1    |       |                |       | cab, with air con.           |
| 4    | <b>1700000011</b> | SWITCH, heater   | 1    |       |                |       | cab                          |
| 5    | <b>1652533019</b> | CAP  | 2    |       |                |       | canopy, with air con.        |
| 6    | <b>1150410614</b> | BOLT, sems   | 6    |       |                |       |                              |
| 9    | <b>1110540614</b> | SCREW  | 2    |       |                |       |                              |
| 10   | <b>0397313270</b> | COVER (L.H.)   | 1    |       | 13510004~1351# |       | with shut-off valve          |
|      | <b>0374304100</b> | COVER (L.H.)   | 1    | (H)   | 1351#~         | M     | with shut-off valve No.23692 |
|      | <b>G4c055</b>     |  |      |       |                |       |                              |

TB135 Book No. BG4Z010 S/N 13510004-  
ENGINE CONTROL (13510004-13514050)



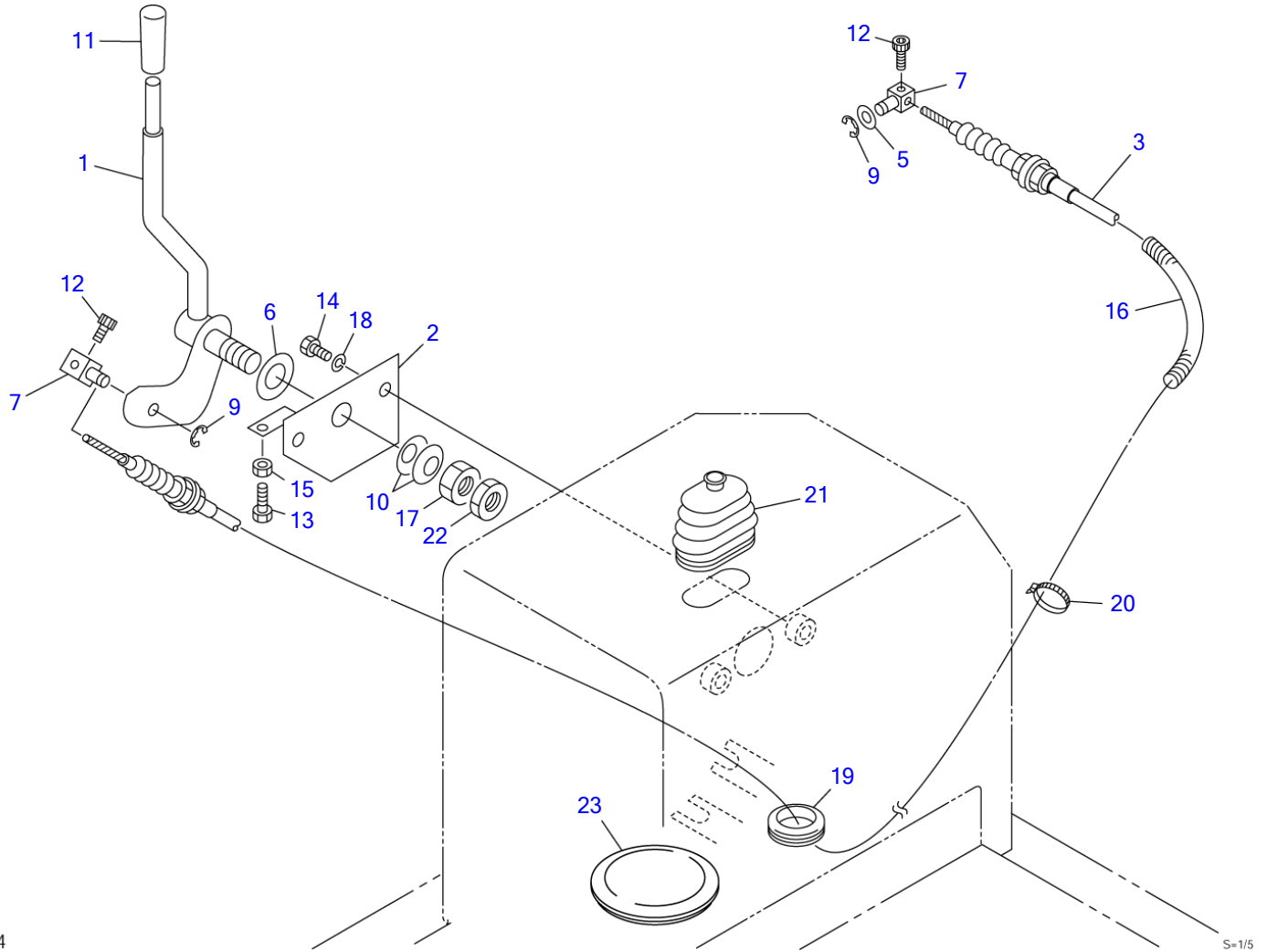
G4C061

S=1/5

**ENGINE CONTROL (13510004-13514050)**

| Item | Part number | Description                                 | Q'ty | Chan. | Serial No. | Serv. | Remarks           |
|------|-------------|---|------|-------|------------|-------|-------------------|
|      |             | CONTROL ASSY, engine                        |      |       |            |       | X03741-04000-3    |
|      |             | CONTROL ASSY, engine (with air conditioner) |      |       |            |       | X03741-04400-3    |
| 1    | 0374104100  | LEVER                                       | 1    |       |            |       |                   |
| 2    | 0374104200  | PLATE                                       | 1    |       |            |       |                   |
| 3    | 0374102040  | WIRE  | 1    |       |            |       |                   |
| 6    | 1141550018  | WASHER                                      | 1    |       |            |       |                   |
| 7    | 0007900020  | PIN   | 1    |       |            |       |                   |
| 8    | 0007900050  | PIN   | 1    |       |            |       |                   |
| 9    | 1224010006  | E-RING                                      | 2    |       |            |       |                   |
| 10   | 1225120018  | WASHER, conical                             | 2    |       |            |       |                   |
| 11   | 1650132050  | GRIP  | 1    |       |            |       |                   |
| 12   | 1110040510  | SCREW, cap                                  | 2    |       |            |       |                   |
| 13   | 1100040825  | BOLT  | 1    |       |            |       |                   |
| 14   | 1100041020  | BOLT  | 2    |       |            |       |                   |
| 15   | 1130040008  | NUT   | 1    |       |            |       |                   |
| 16   | 1532208015  | PROTECTOR                                   | 1    |       |            |       | sold by the meter |
| 17   | 1130640018  | NUT   | 1    |       |            |       |                   |
| 18   | 1140020010  | WASHER, spring                              | 2    |       |            |       |                   |
| 19   | 1652060035  | BUSHING                                     | 1    |       |            |       | without air con.  |
| 21   | 0334120100  | BOOT  | 1    |       |            |       |                   |
| 22   | 0064111700  | NUT   | 1    |       |            |       |                   |
| 23   | 1652060085  | GROMMET                                     | 1    |       |            |       | without air con.  |
|      | G4c062      |   |      |       |            |       |                   |

TB135 Book No. BG4Z010 S/N 13510004-  
ENGINE CONTROL (13514051-)



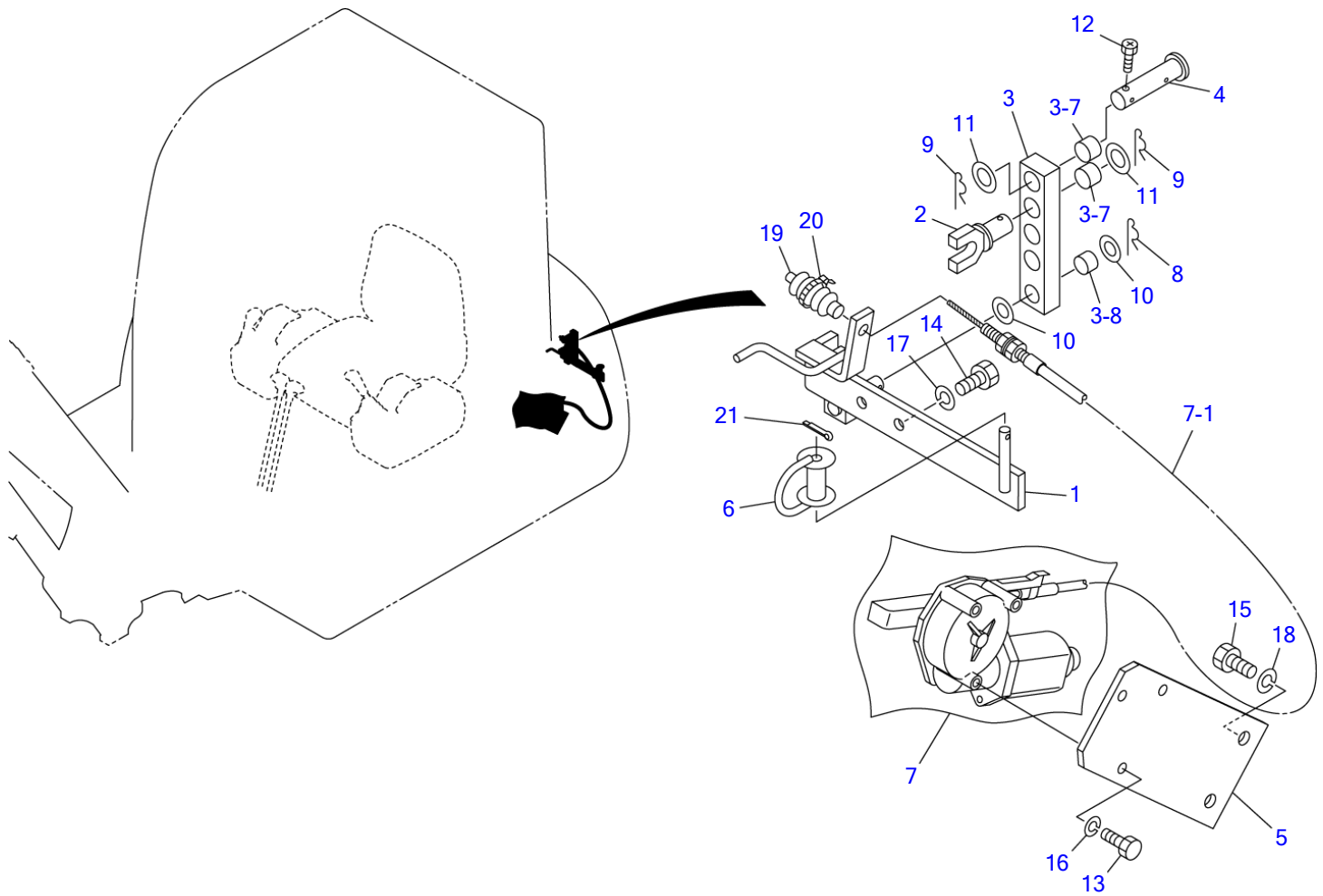
G4C064

S=1/5



**ENGINE CONTROL (13514051-)**

| Item | Part number   | Description                                 | Q'ty | Chan. | Serial No. | Serv. | Remarks           |
|------|---------------|---|------|-------|------------|-------|-------------------|
|      |               | CONTROL ASSY, engine                        |      |       |            |       | X03741-04500-1    |
|      |               | CONTROL ASSY, engine (with air conditioner) |      |       |            |       | X03741-04600-1    |
| 1    | 0374104510    | LEVER                                       | 1    |       |            |       |                   |
| 2    | 0374104200    | PLATE                                       | 1    |       |            |       |                   |
| 3    | 0374102040    | WIRE  | 1    |       |            |       |                   |
| 5    | 1141110008    | WASHER                                      | 1    |       |            |       |                   |
| 6    | 1141550018    | WASHER                                      | 1    |       |            |       |                   |
| 7    | 0007900020    | PIN   | 2    |       |            |       |                   |
| 9    | 1224010006    | E-RING                                      | 2    |       |            |       |                   |
| 10   | 1225120018    | WASHER, conical                             | 2    |       |            |       |                   |
| 11   | 1650132050    | GRIP  | 1    |       |            |       |                   |
| 12   | 1110040510    | SCREW, cap                                  | 2    |       |            |       |                   |
| 13   | 1100040820    | BOLT  | 1    |       |            |       |                   |
| 14   | 1100041020    | BOLT  | 2    |       |            |       |                   |
| 15   | 1130040008    | NUT   | 1    |       |            |       |                   |
| 16   | 1532208015    | PROTECTOR                                   | 1    |       |            |       | sold by the meter |
| 17   | 1130640018    | NUT   | 1    |       |            |       |                   |
| 18   | 1140020010    | WASHER, spring                              | 2    |       |            |       |                   |
| 19   | 1652060035    | BUSHING                                     | 1    |       |            |       | without air con.  |
| 20   | 1652231140    | BAND  | 1    |       |            |       |                   |
| 21   | 0334120100    | BOOT  | 1    |       |            |       |                   |
| 22   | 0064111700    | NUT   | 1    |       |            |       |                   |
| 23   | 1652060085    | GROMMET                                     | 1    |       |            |       | without air con.  |
|      | <b>G4c064</b> |   |      |       |            |       |                   |

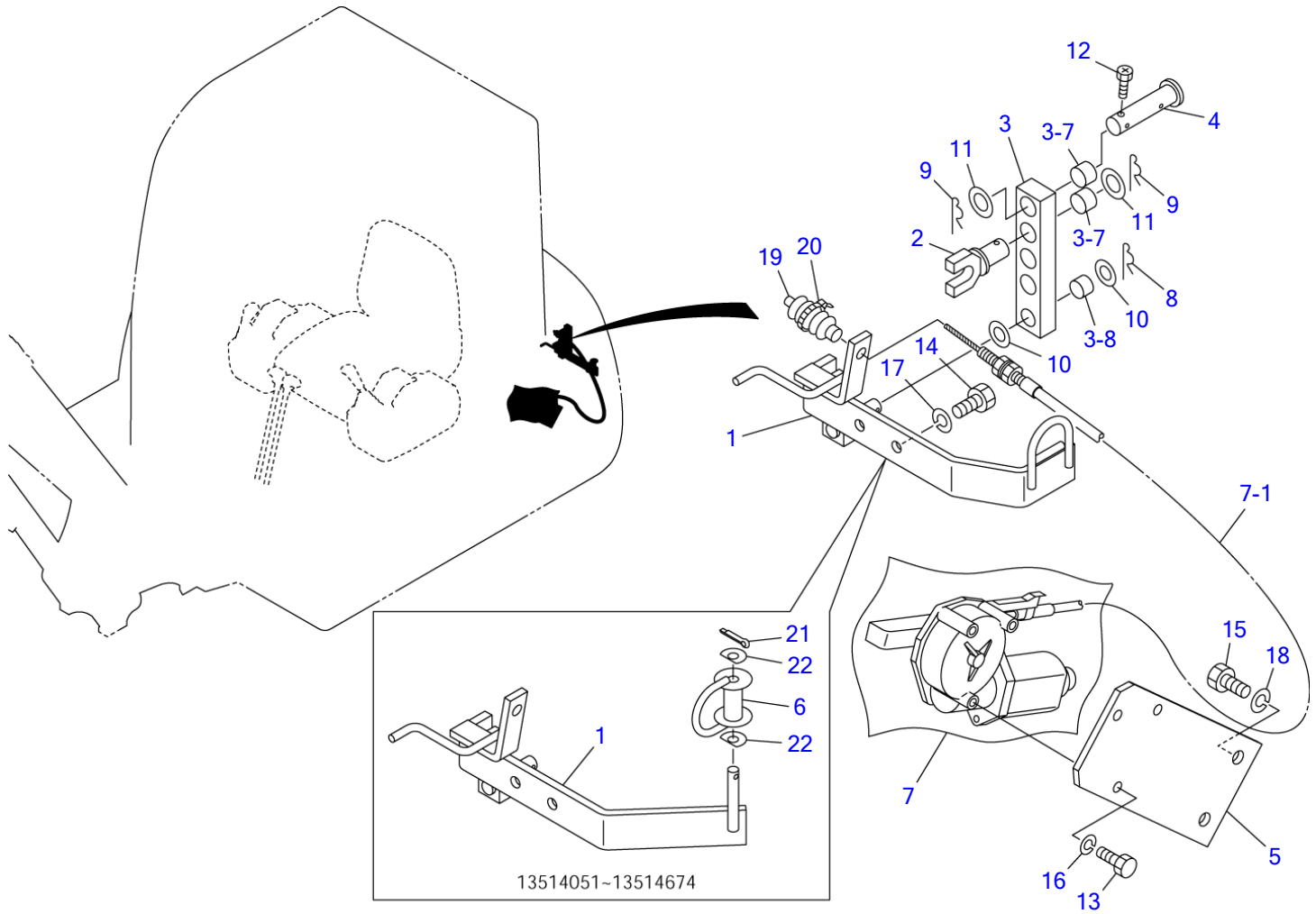


G4C072

S=1/5, 1/25

**DECEL. UNIT (13510004-13514050)**

| Item | Part number | Description       | Q'ty | Chan. | Serial No. | Serv. | Remarks        |
|------|-------------|-------------------|------|-------|------------|-------|----------------|
|      |             | UNIT ASSY, decel. |      |       |            |       | X03741-03000-1 |
| 1    | 0374103040  | BRACKET           | 1    |       |            |       |                |
| 2    | 0434107200  | BRACKET           | 1    |       |            |       |                |
| 3    | 0434107300  | LEVER             | 1    |       |            |       |                |
| 3-7  | 1333001415  | • BUSHING         | 2    |       |            |       |                |
| 3-8  | 1333001215  | • BUSHING         | 1    |       |            |       |                |
| 4    | 0374103020  | PIN               | 1    |       |            |       |                |
| 5    | 0374103030  | BRACKET           | 1    |       |            |       |                |
| 6    | 0374103050  | GUIDE             | 1    |       |            |       |                |
| 7    | 1910087166  | MOTOR, decel.     | 1    |       |            |       | Y119032-77910  |
| 7-1  | 1910087167  | • WIRE            | 1    |       |            |       |                |
| 8    | 1214000012  | PIN, snap         | 1    |       |            |       |                |
| 9    | 1214000014  | PIN, snap         | 2    |       |            |       |                |
| 10   | 1141210012  | WASHER            | 2    |       |            |       |                |
| 11   | 1141210014  | WASHER            | 2    |       |            |       |                |
| 12   | 1105090510  | BOLT              | 1    |       |            |       |                |
| 13   | 1100040616  | BOLT              | 3    |       |            |       |                |
| 14   | 1100040820  | BOLT              | 2    |       |            |       |                |
| 15   | 1100041025  | BOLT              | 2    |       |            |       |                |
| 16   | 1140020006  | WASHER, spring    | 3    |       |            |       |                |
| 17   | 1140020008  | WASHER, spring    | 2    |       |            |       |                |
| 18   | 1140020010  | WASHER, spring    | 2    |       |            |       |                |
| 19   | 0007900014  | BOOT              | 1    |       |            |       |                |
| 20   | 1652201004  | BAND              | 1    |       |            |       |                |
| 21   | 1210010220  | PIN, split        | 1    |       |            |       |                |
|      | G4c072      |                   |      |       |            |       |                |



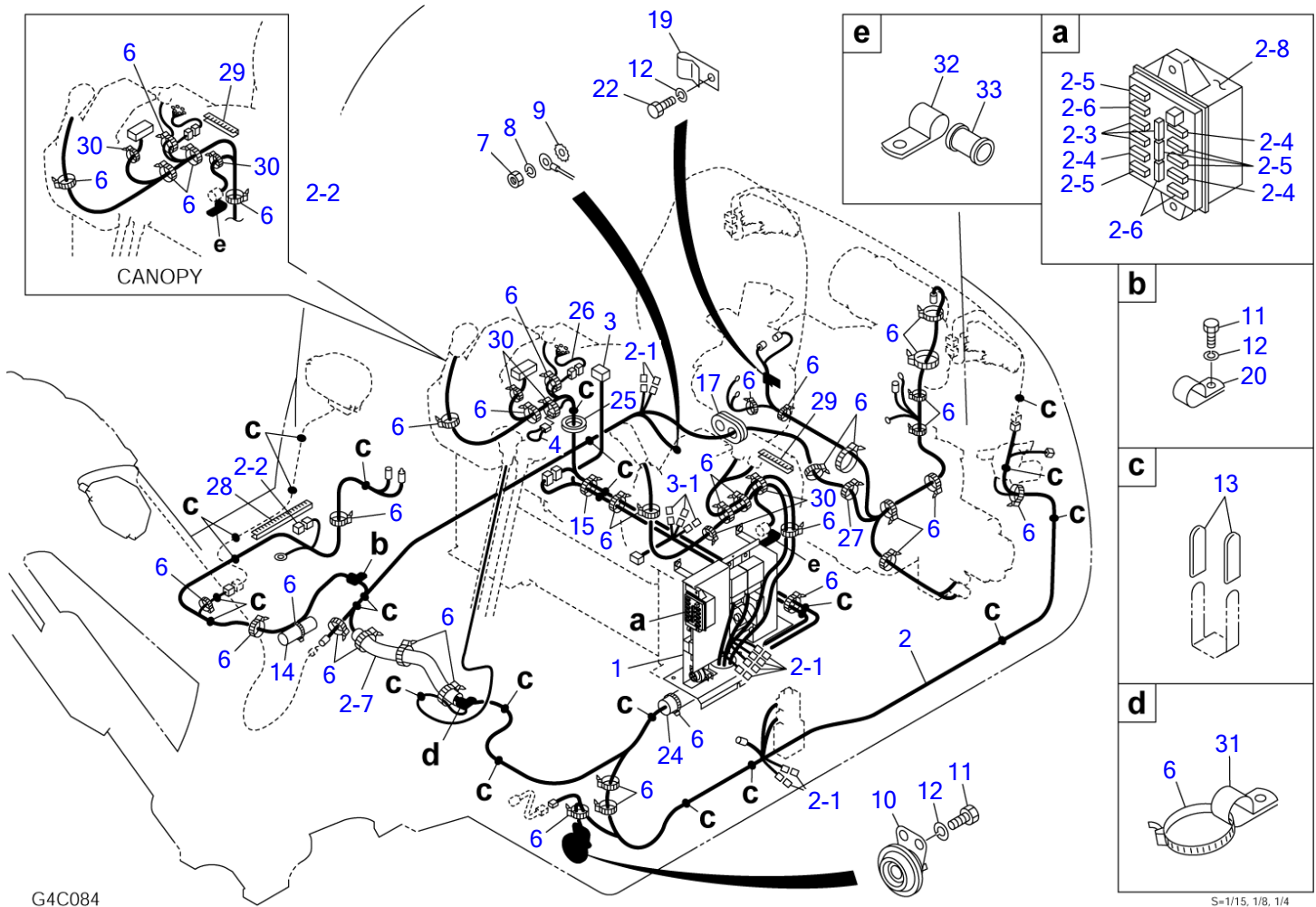
G4C074

S=1/5, 1/25

**DECEL. UNIT (13514051-)**

| Item | Part number       | Description       | Q'ty | Chan. | Serial No.        | Serv. | Remarks        |
|------|-------------------|-------------------|------|-------|-------------------|-------|----------------|
|      |                   | UNIT ASSY, decel. |      |       |                   |       | X03741-03100-2 |
| 1    | <b>0394108610</b> | BRACKET           | 1    |       | 13514051~13514674 |       |                |
|      | <b>0394108650</b> | BRACKET           | 1    | (H)   | 13514675~         |       |                |
| 2    | <b>0434107200</b> | BRACKET           | 1    |       |                   |       |                |
| 3    | <b>0434107300</b> | LEVER             | 1    |       |                   |       |                |
| 3-7  | <b>1333001415</b> | · BUSHING         | 2    |       |                   |       |                |
| 3-8  | <b>1333001215</b> | · BUSHING         | 1    |       |                   |       |                |
| 4    | <b>0374103020</b> | PIN               | 1    |       |                   |       |                |
| 5    | <b>0374103030</b> | BRACKET           | 1    |       |                   |       |                |
| 6    | <b>0374103050</b> | GUIDE             | 1    |       | 13514051~13514674 |       |                |
| 7    | <b>1910087166</b> | MOTOR, decel.     | 1    |       |                   |       | Y119032-77910  |
| 7-1  | <b>1910087167</b> | · WIRE            | 1    |       |                   |       |                |
| 8    | <b>1214000012</b> | PIN, snap         | 1    |       |                   |       |                |
| 9    | <b>1214000014</b> | PIN, snap         | 2    |       |                   |       |                |
| 10   | <b>1141210012</b> | WASHER            | 2    |       |                   |       |                |
| 11   | <b>1141210014</b> | WASHER            | 2    |       |                   |       |                |
| 12   | <b>1105090510</b> | BOLT              | 1    |       |                   |       |                |
| 13   | <b>1100040616</b> | BOLT              | 3    |       |                   |       |                |
| 14   | <b>1100040820</b> | BOLT              | 2    |       |                   |       |                |
| 15   | <b>1100041020</b> | BOLT              | 2    |       |                   |       |                |
| 16   | <b>1140020006</b> | WASHER, spring    | 3    |       |                   |       |                |
| 17   | <b>1140020008</b> | WASHER, spring    | 2    |       |                   |       |                |
| 18   | <b>1140020010</b> | WASHER, spring    | 2    |       |                   |       |                |
| 19   | <b>0007900014</b> | BOOT              | 1    |       |                   |       |                |
| 20   | <b>1652201004</b> | BAND              | 1    |       |                   |       |                |
| 21   | <b>1210010220</b> | PIN, split        | 1    |       | 13514051~13514674 |       |                |
| 22   | <b>0394108630</b> | SHEET             | 2    |       | 13514051~13514674 |       |                |
|      | <b>G4c074</b>     |                   |      |       |                   |       |                |

TB135 Book No. BG4Z010 S/N 13510004-  
ELECTRICAL (1/2) (13510004-13514050)



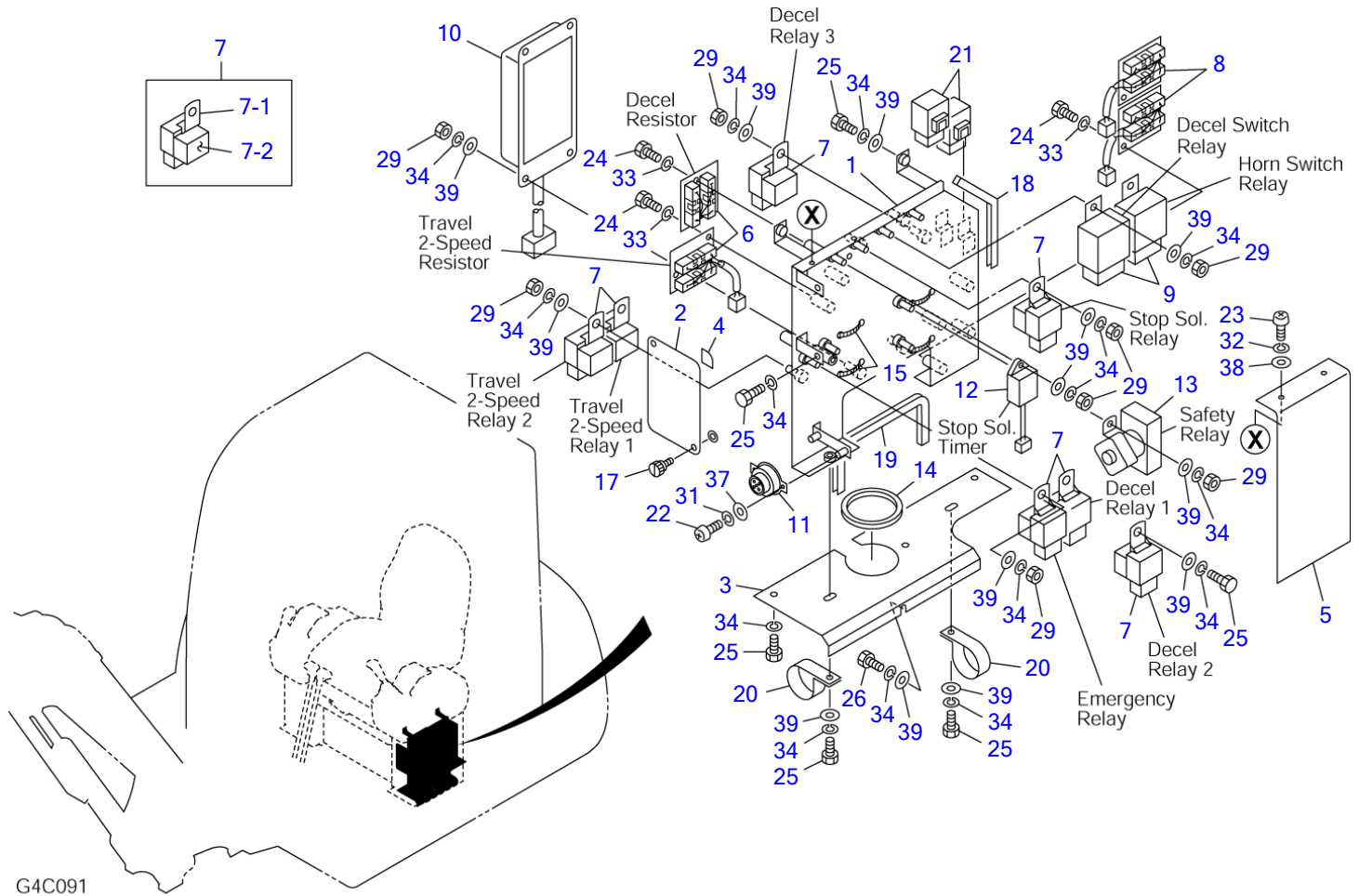
G4C084

S=1/15, 1/8, 1/4

**ELECTRICAL (1/2) (13510004-13514050)**

| Item | Part number  | Description              | Q'ty | Chan. | Serial No.        | Serv. | Remarks           |
|------|--------------|--------------------------|------|-------|-------------------|-------|-------------------|
|      |              | ELECTRICAL ASSY (cab)    |      |       |                   |       | X03742-05000-12   |
|      |              | ELECTRICAL ASSY (canopy) |      |       |                   |       | X03742-06000-12   |
| 1    | X 0374205100 | UNIT, control            | 1    |       | 13510004~13510420 |       | see page (2/2)    |
|      | X 0354217100 | UNIT, control            | 1    |       | 13510421~         |       | see page (2/2)    |
| 2    | 0374205400   | HARNESS, wiring          | 1    |       | 13510004~13510420 |       |                   |
|      | 0374205500   | HARNESS, wiring          | 1    |       | 13510421~         |       |                   |
| 2-1  | 1730500008   | • DIODE (3A, yellow)     | 8    |       |                   |       |                   |
| 2-2  | 1701330065   | • LINK, fusible          | 1    |       |                   |       | 65A               |
| 2-3  | 1701310010   | • FUSE                   | 3    |       |                   |       | 10A               |
| 2-4  | 1701310015   | • FUSE                   | 3    |       |                   |       | 15A               |
| 2-5  | 1701310020   | • FUSE                   | 5    |       |                   |       | 20A               |
| 2-6  | 1701310030   | • FUSE                   | 3    |       |                   |       | 30A               |
| 2-7  | 1531335050   | • PROTECTOR              | 1    |       |                   |       | sold by the meter |
| 2-8  | 1701200002   | • BOX, fuse              | 1    |       |                   |       |                   |
| 3    | 0354217300   | HARNESS, wiring          | 1    |       |                   |       | cab               |
| 3-1  | 1730500008   | • DIODE (3A, yellow)     | 3    |       |                   |       |                   |
| 4    | 0334230400   | CONNECTOR                | 1    |       |                   |       | cab               |
| 6    | 1652231250   | BAND                     | 38   |       |                   |       | cab               |
|      | 1652231250   | BAND                     | 37   |       |                   |       | canopy            |
| 7    | 1130040010   | NUT                      | 1    |       |                   |       |                   |
| 8    | 1140020010   | WASHER, spring           | 1    |       |                   |       |                   |
| 9    | 1140330010   | WASHER                   | 1    |       |                   |       |                   |
| 10   | 1703500612   | HORN                     | 1    |       |                   |       |                   |
| 11   | 1100040816   | BOLT                     | 2    |       |                   |       |                   |
| 12   | 1140020008   | WASHER, spring           | 3    |       |                   |       |                   |
| 13   | 0872433150   | CLAMP                    | 66   |       |                   |       |                   |
| 14   | 0374205010   | GUARD                    | 1    |       |                   |       |                   |
| 15   | 1652201007   | BAND                     | 1    |       |                   |       |                   |
| 17   | 0337017300   | GUARD                    | 1    |       |                   |       |                   |
| 19   | 0007300023   | CLAMP                    | 1    |       |                   |       |                   |
| 20   | 0007300050   | CLAMP                    | 1    |       |                   |       |                   |
| 22   | 1100040812   | BOLT                     | 1    |       |                   |       |                   |
| 24   | 0374205030   | COVER                    | 1    |       |                   |       |                   |
| 25   | 1652060063   | BUSHING                  | 1    |       |                   |       |                   |
| 26   | 0374205600   | HARNESS, wiring          | 1    |       |                   |       |                   |
| 27   | 1652241400   | BAND                     | 1    |       |                   |       |                   |
| 28   | 1653916017   | TRIM                     | 1    |       |                   |       | sold by the meter |
| 29   | 1653917009   | TRIM (cab)               | 1    |       |                   |       | sold by the meter |
|      | 1653917009   | TRIM (canopy)            | 2    |       |                   |       | sold by the meter |
| 30   | 1652201005   | BAND                     | 4    |       |                   |       |                   |
| 31   | 0007300003   | CLAMP                    | 1    |       |                   |       |                   |
| 32   | 0007300001   | CLAMP                    | 2    |       | 13512923~         |       | canopy            |
|      | 0007300001   | CLAMP                    | 1    |       | 13512923~         |       | cab               |
| 33   | 0868423862   | GROMMET                  | 2    |       | 13512923~         |       | canopy            |
|      | 0868423862   | GROMMET                  | 1    |       | 13512923~         |       | cab               |
|      | G4c084       |                          |      |       |                   |       |                   |

TB135 Book No. BG4Z010 S/N 13510004-  
ELECTRICAL (2/2) (13510004-13510420)



G4C091

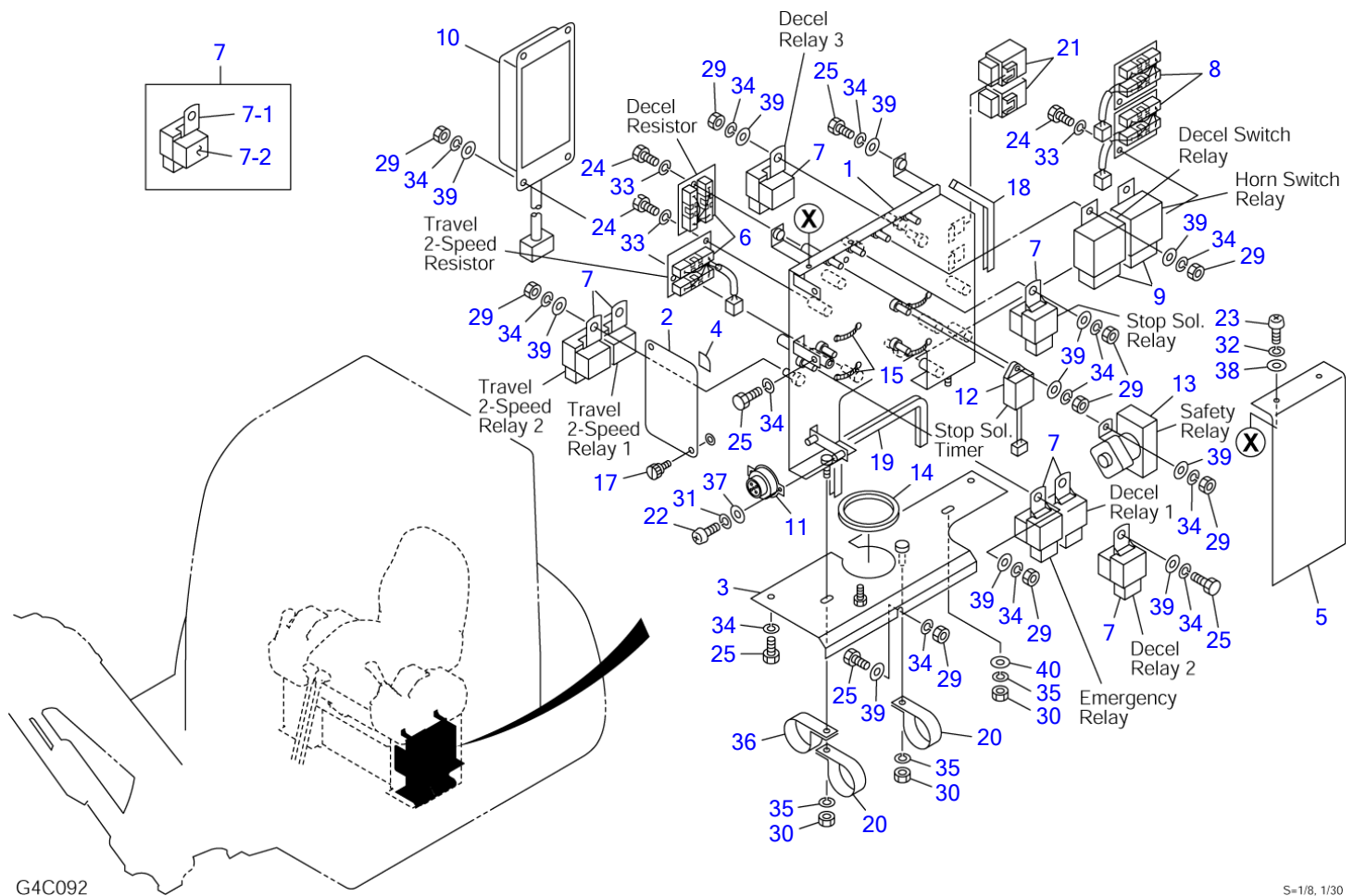
S=1/8, 1/30



**ELECTRICAL (2/2) (13510004-13510420)**

| Item | Part number   | Description              | Q'ty | Chan. | Serial No. | Serv. | Remarks           |
|------|---------------|--------------------------|------|-------|------------|-------|-------------------|
|      |               | ELECTRICAL ASSY (cab)    |      |       |            |       | X03742-05000      |
|      |               | ELECTRICAL ASSY (canopy) |      |       |            |       | X03742-06000      |
| 0-1  | X 0374205100  | UNIT, control            | 1    |       |            |       |                   |
| 1    | 0374205110    | • PLATE                  | 1    |       |            |       |                   |
| 2    | 0374205140    | • COVER                  | 1    |       |            |       |                   |
| 3    | 0374205120    | • COVER                  | 1    |       |            |       |                   |
| 4    | 0374205150    | • RUBBER                 | 2    |       |            |       |                   |
| 5    | 0374205130    | • RUBBER                 | 1    |       |            |       |                   |
| 6    | 0334230120    | • RESISTOR               | 2    |       |            |       |                   |
| 7    | 0334230130    | • RELAY ASSY             | 7    |       |            |       |                   |
| 7-1  | 1711900042    | • • RELAY                | 1    |       |            |       |                   |
| 7-2  | 1654302003    | • • SPONGE               | 1    |       |            |       | sold by the meter |
| 8    | 0374203120    | • RESISTOR               | 2    |       |            |       |                   |
| 9    | 1711900062    | • RELAY                  | 2    |       |            |       |                   |
| 10   | 1730140660    | • CONTROLER              | 1    |       |            |       |                   |
| 11   | 1730140680    | • BUZZER                 | 1    |       |            |       |                   |
| 12   | 1910095116    | • UNIT, timer            | 1    |       |            |       | ,x119632-77920    |
| 13   | 1910080106    | • RELAY                  | 1    |       |            |       | Y129136-77100     |
| 14   | 1653916020    | • TRIM                   | 1    |       |            |       | sold by the meter |
| 15   | 1652231250    | • BAND                   | 4    |       |            |       |                   |
| 17   | 1652711698    | • SCREW                  | 2    |       |            |       |                   |
| 18   | 1653916020    | • SEAL                   | 1    |       |            |       | sold by the meter |
| 19   | 1653916029    | • SEAL                   | 1    |       |            |       | sold by the meter |
| 20   | 0007300030    | • CLAMP                  | 2    |       |            |       |                   |
| 21   | 1730500010    | • UNIT, diode            | 2    |       |            |       |                   |
| 22   | 1120530310    | • SCREW                  | 2    |       |            |       |                   |
| 23   | 1120530410    | • SCREW                  | 2    |       |            |       |                   |
| 24   | 1100040510    | • BOLT                   | 8    |       |            |       |                   |
| 25   | 1100040616    | • BOLT                   | 10   |       |            |       |                   |
| 26   | 1100040610    | • BOLT                   | 1    |       |            |       |                   |
| 29   | 1130040006    | • NUT                    | 15   |       |            |       |                   |
| 31   | 1140020003    | • WASHER, spring         | 2    |       |            |       |                   |
| 32   | 1140020004    | • WASHER, spring         | 2    |       |            |       |                   |
| 33   | 1140020005    | • WASHER, spring         | 8    |       |            |       |                   |
| 34   | 1140020006    | • WASHER, spring         | 26   |       |            |       |                   |
| 37   | 1141110003    | • WASHER                 | 2    |       |            |       |                   |
| 38   | 1141110004    | • WASHER                 | 2    |       |            |       |                   |
| 39   | 1141110006    | • WASHER                 | 22   |       |            |       |                   |
|      | <b>G4c091</b> |                          |      |       |            |       |                   |

TB135 Book No. BG4Z010 S/N 13510004-  
ELECTRICAL (2/2) (13510421-13514050)



G4C092

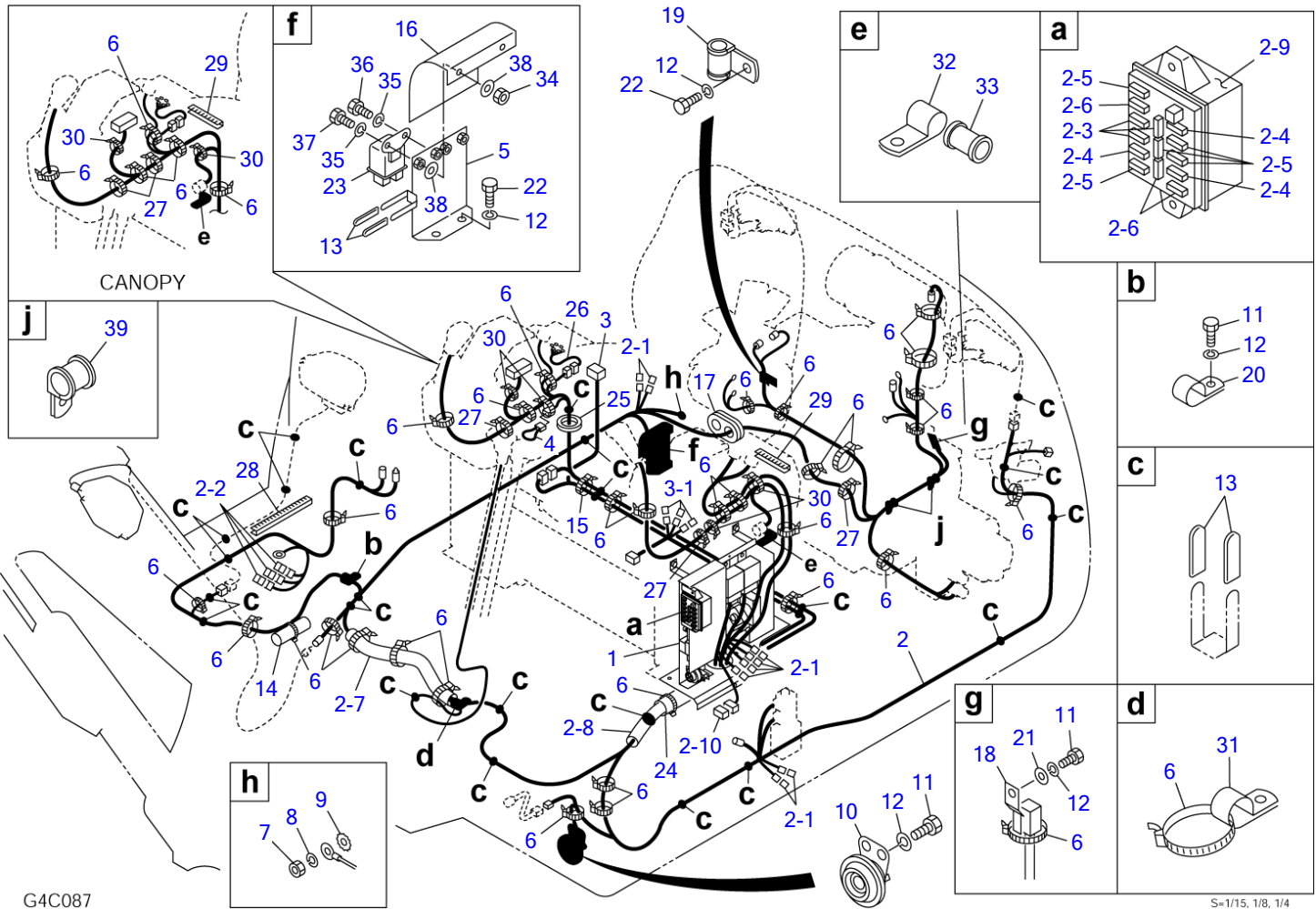
S=1/8, 1/30

**ELECTRICAL (2/2) (13510421-13514050)**

| Item | Part number  | Description              | Q'ty | Chan. | Serial No. | Serv. | Remarks           |
|------|--------------|--------------------------|------|-------|------------|-------|-------------------|
|      |              | ELECTRICAL ASSY (cab)    |      |       |            |       | X03742-05000-12   |
|      |              | ELECTRICAL ASSY (canopy) |      |       |            |       | X03742-06000-12   |
| 0-1  | X 0354217100 | UNIT, control            | 1    |       |            |       |                   |
| 1    | 0354217150   | • PLATE                  | 1    |       |            |       |                   |
| 2    | 0374205140   | • COVER                  | 1    |       |            |       |                   |
| 3    | 0394213130   | • COVER                  | 1    |       |            |       |                   |
| 4    | 0374205150   | • RUBBER                 | 2    |       |            |       |                   |
| 5    | 0394213150   | • RUBBER                 | 1    |       |            |       |                   |
| 6    | 0334230120   | • RESISTOR               | 2    |       |            |       |                   |
| 7    | 0334230130   | • RELAY ASSY             | 7    |       |            |       |                   |
| 7-1  | 1711900042   | • • RELAY                | 1    |       |            |       |                   |
| 7-2  | 1654302003   | • • SPONGE               | 1    |       |            |       | sold by the meter |
| 8    | 0374203120   | • RESISTOR               | 2    |       |            |       |                   |
| 9    | 1711900062   | • RELAY                  | 2    |       |            |       |                   |
| 10   | 1730140660   | • CONTROLER              | 1    |       |            |       |                   |
| 11   | 1730140680   | • BUZZER                 | 1    |       |            |       |                   |
| 12   | 1910095116   | • UNIT, timer            | 1    |       |            |       | ,x119632-77920    |
| 13   | 1910080106   | • RELAY                  | 1    |       |            |       | Y129136-77100     |
| 14   | 1653916023   | • TRIM                   | 1    |       |            |       | sold by the meter |
| 15   | 1652231250   | • BAND                   | 4    |       |            |       |                   |
| 17   | 1652711698   | • SCREW                  | 2    |       |            |       |                   |
| 18   | 1653916020   | • SEAL                   | 1    |       |            |       | sold by the meter |
| 19   | 1653916029   | • SEAL                   | 1    |       |            |       | sold by the meter |
| 20   | 0007300030   | • CLAMP                  | 2    |       |            |       |                   |
| 21   | 1730500010   | • UNIT, diode            | 2    |       |            |       |                   |
| 22   | 1120530310   | • SCREW                  | 2    |       |            |       |                   |
| 23   | 1120530410   | • SCREW                  | 2    |       |            |       |                   |
| 24   | 1100040510   | • BOLT                   | 8    |       |            |       |                   |
| 25   | 1100040616   | • BOLT                   | 8    |       |            |       |                   |
| 29   | 1130040006   | • NUT                    | 16   |       |            |       |                   |
| 30   | 1130040008   | • NUT                    | 3    |       |            |       |                   |
| 31   | 1140020003   | • WASHER, spring         | 2    |       |            |       |                   |
| 32   | 1140020004   | • WASHER, spring         | 2    |       |            |       |                   |
| 33   | 1140020005   | • WASHER, spring         | 8    |       |            |       |                   |
| 34   | 1140020006   | • WASHER, spring         | 23   |       |            |       |                   |
| 35   | 1140020008   | • WASHER, spring         | 3    |       |            |       |                   |
| 36   | 0007300003   | • CLAMP                  | 1    |       |            |       |                   |
| 37   | 1141110003   | • WASHER                 | 2    |       |            |       |                   |
| 38   | 1141110004   | • WASHER                 | 2    |       |            |       |                   |
| 39   | 1141110006   | • WASHER                 | 19   |       |            |       |                   |
| 40   | 1141110008   | • WASHER                 | 1    |       |            |       |                   |

G4c092

TB135 Book No. BG4Z010 S/N 13510004-  
ELECTRICAL (1/2) (13514051-)



G4C087

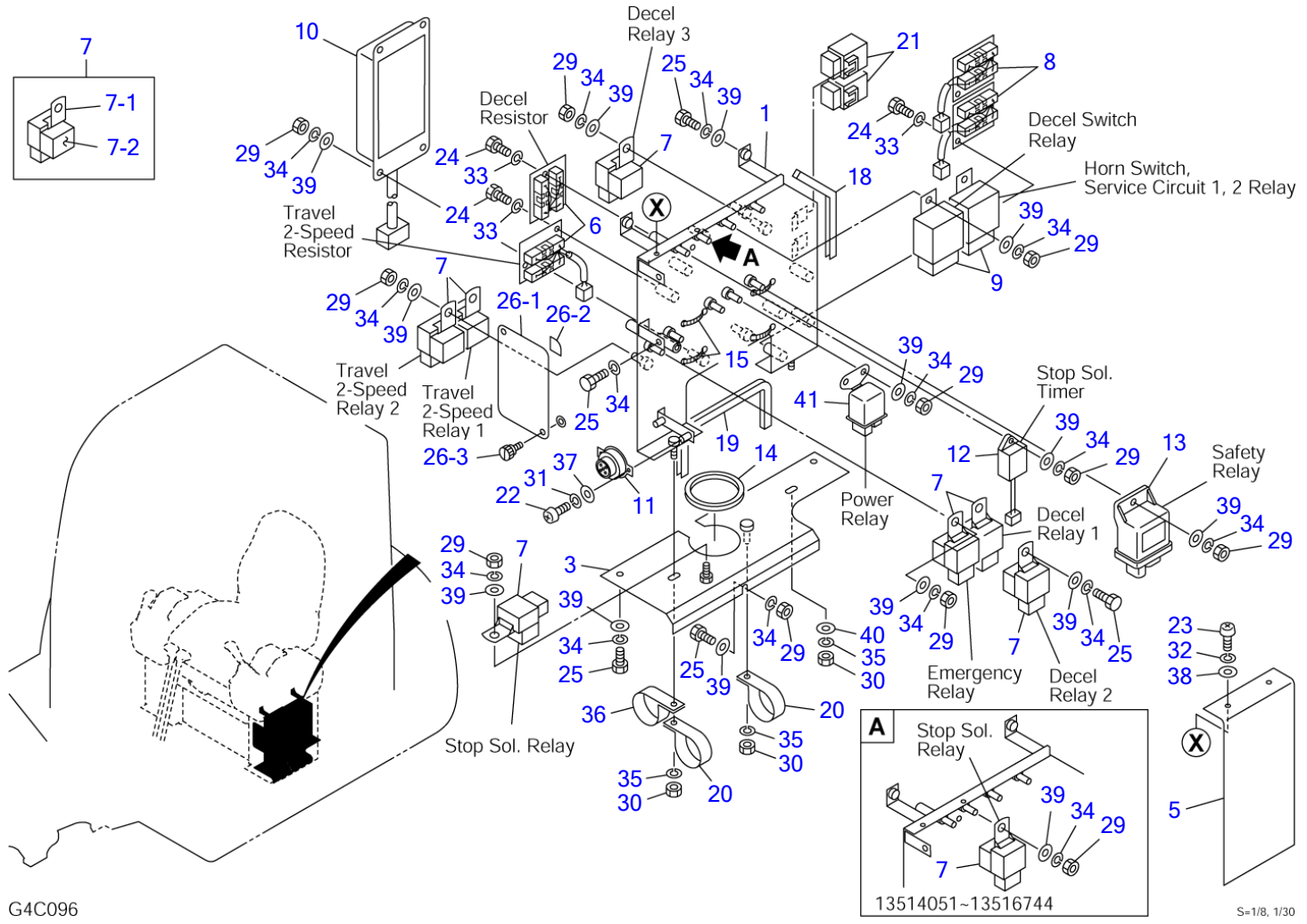
S=1/15, 1/8, 1/4

**ELECTRICAL (1/2) (13514051-)**

| Item | Part number | Description              | Q'ty | Chan. | Serial No.        | Serv. | Remarks           |
|------|-------------|--------------------------|------|-------|-------------------|-------|-------------------|
|      |             | ELECTRICAL ASSY (cab)    |      |       |                   |       | X03742-14000-0    |
|      |             | ELECTRICAL ASSY (canopy) |      |       |                   |       | X03742-14100-0    |
| 1    | X *****     | UNIT, control            | 1    |       |                   |       | see page (2/2)    |
| 2    | 0374209200  | HARNES, wiring           | 1    |       | 13514051~13516744 |       |                   |
|      | 0374214300  | HARNES, wiring           | 1    |       | 13516745~         |       |                   |
| 2-1  | 1730500008  | • DIODE (3A, yellow)     | 9    |       |                   |       |                   |
| 2-2  | 1701330045  | • LINK, fusible          | 3    |       |                   |       | 45A               |
| 2-3  | 1701310010  | • FUSE                   | 3    |       |                   |       | 10A               |
| 2-4  | 1701310015  | • FUSE                   | 3    |       |                   |       | 15A               |
| 2-5  | 1701310020  | • FUSE                   | 5    |       |                   |       | 20A               |
| 2-6  | 1701310030  | • FUSE                   | 3    |       |                   |       | 30A               |
| 2-7  | 1531335050  | • PROTECTOR              | 1    |       |                   |       | sold by the meter |
| 2-8  | 1531335035  | • PROTECTOR              | 1    |       |                   |       | sold by the meter |
| 2-9  | 1701200002  | • BOX, fuse              | 1    |       |                   |       |                   |
| 2-10 | 0394221010  | • CONNECTOR              | 1    |       | 13516745~         |       |                   |
| 3    | 0394214600  | HARNES, wiring           | 1    |       |                   |       | cab               |
| 3-1  | 1730500008  | • DIODE (3A, yellow)     | 3    |       |                   |       |                   |
| 4    | 0334230400  | CONNECTOR                | 1    |       |                   |       | cab               |
| 5    | 0374209010  | BRACKET                  | 1    |       |                   |       |                   |
| 6    | 1652231250  | BAND                     | 38   |       |                   |       |                   |
| 7    | 1130040010  | NUT                      | 1    |       |                   |       |                   |
| 8    | 1140020010  | WASHER, spring           | 1    |       |                   |       |                   |
| 9    | 1140330010  | WASHER                   | 1    |       |                   |       |                   |
| 10   | 1703500712  | HORN                     | 1    |       |                   |       |                   |
| 11   | 1100040816  | BOLT                     | 4    |       |                   |       |                   |
| 12   | 1140020008  | WASHER, spring           | 7    |       |                   |       |                   |
| 13   | 0872433150  | CLAMP                    | 66   |       |                   |       |                   |
| 14   | 0374205010  | GUARD                    | 1    |       |                   |       |                   |
| 15   | 1652201007  | BAND                     | 1    |       |                   |       |                   |
| 16   | 0374209020  | COVER, relay             | 1    |       |                   |       |                   |
| 17   | 0337017300  | GUARD                    | 1    |       |                   |       |                   |
| 18   | 1711900064  | CLIP                     | 1    |       |                   |       |                   |
| 19   | 1652900005  | CLAMP                    | 1    |       |                   |       |                   |
| 20   | 0007300050  | CLAMP                    | 1    |       |                   |       |                   |
| 21   | 1141110008  | WASHER                   | 1    |       |                   |       |                   |
| 22   | 1100040812  | BOLT                     | 3    |       |                   |       |                   |
| 23   | 1910161119  | RELAY                    | 2    |       |                   |       | Y119646-77900     |
| 24   | 0374205030  | COVER                    | 1    |       |                   |       |                   |
| 25   | 1652060063  | BUSHING                  | 1    |       |                   |       |                   |
| 26   | 0374205600  | HARNES, wiring           | 1    |       |                   |       |                   |
| 27   | 1652241400  | BAND                     | 2    |       |                   |       | cab               |
|      | 1652241400  | BAND                     | 3    |       |                   |       | canopy            |
| 28   | 1653916017  | TRIM                     | 1    |       |                   |       | sold by the meter |
| 29   | 1653917009  | TRIM (cab)               | 1    |       |                   |       | sold by the meter |
|      | 1653917009  | TRIM (canopy)            | 2    |       |                   |       | sold by the meter |
| 30   | 1652201005  | BAND                     | 4    |       |                   |       |                   |
| 31   | 0007300003  | CLAMP                    | 1    |       |                   |       |                   |
| 32   | 0007300001  | CLAMP                    | 2    |       |                   |       | canopy            |
|      | 0007300001  | CLAMP                    | 1    |       |                   |       | cab               |
| 33   | 0868423862  | GROMMET                  | 2    |       |                   |       | canopy            |
|      | 0868423862  | GROMMET                  | 1    |       |                   |       | cab               |
| 34   | 1130040006  | NUT                      | 2    |       |                   |       |                   |
| 35   | 1140020006  | WASHER, spring           | 4    |       |                   |       |                   |
| 36   | 1100040612  | BOLT                     | 2    |       |                   |       |                   |
| 37   | 1100040620  | BOLT                     | 2    |       |                   |       |                   |
| 38   | 1141110006  | WASHER                   | 4    |       |                   |       |                   |
| 39   | 1711900076  | CLAMP                    | 2    |       |                   |       |                   |

G4c087

TB135 Book No. BG4Z010 S/N 13510004-  
ELECTRICAL (2/2) (13514051-)



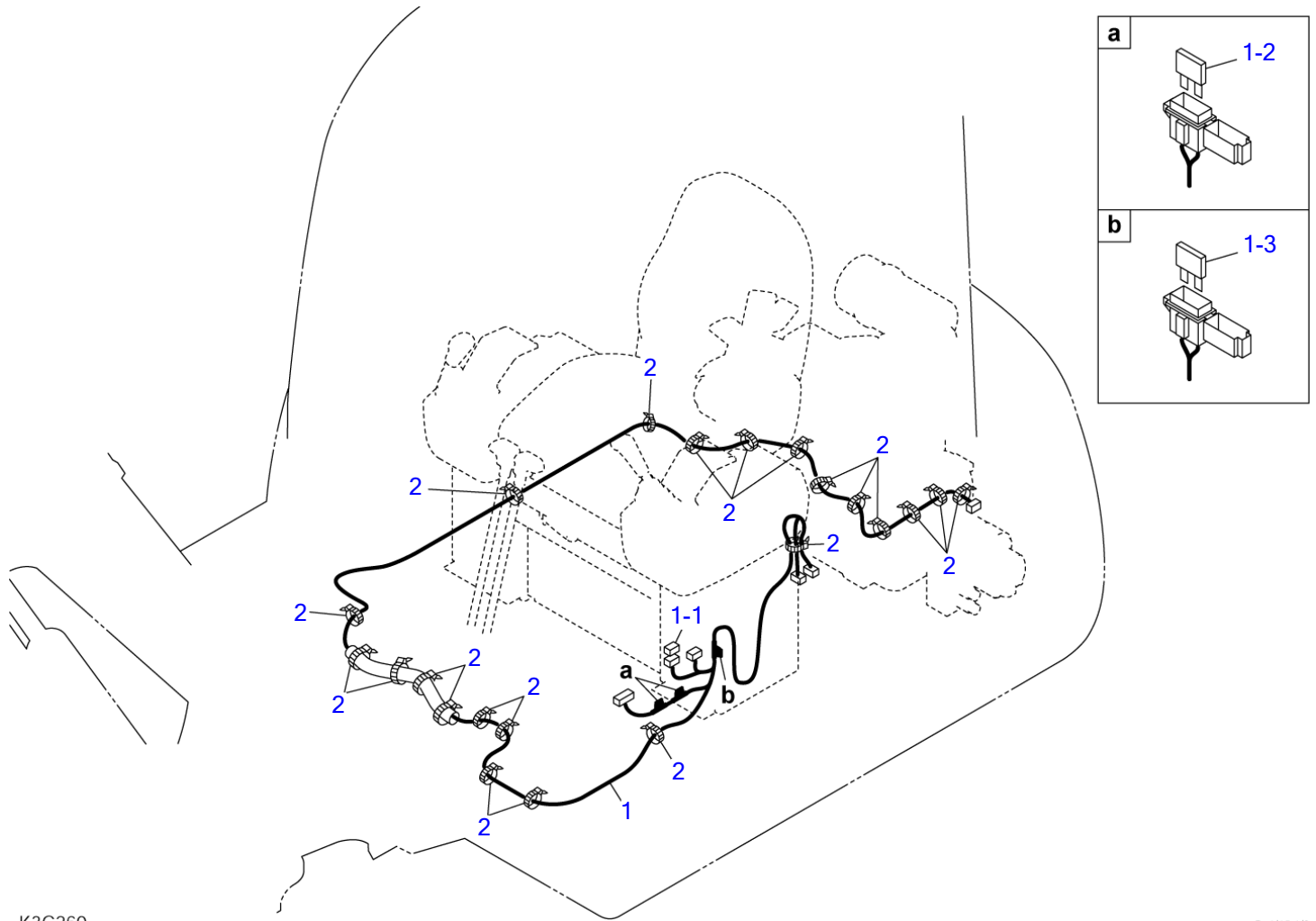
G4C096

S=1/8, 1/30

## ELECTRICAL (2/2) (13514051-)

| Item | Part number | Description      | Q'ty | Chan. | Serial No.        | Serv. | Remarks           |
|------|-------------|------------------|------|-------|-------------------|-------|-------------------|
| 0-1  | X *****     | UNIT, control    | 1    |       | 13514051~13516744 |       | X03742-09300-1    |
|      | X *****     | UNIT, control    | 1    |       | 13516745~         |       | X03742-14200-1    |
| 1    | 0394214500  | • PLATE          | 1    |       | 13514051~13516744 |       |                   |
|      | 0394220800  | • PLATE          | 1    |       | 13516745~         |       |                   |
| 3    | 0394213130  | • COVER          | 1    |       |                   |       |                   |
| 5    | 0394213150  | • RUBBER         | 1    |       |                   |       |                   |
| 6    | 0334230120  | • RESISTOR       | 2    |       |                   |       |                   |
| 7    | 0334230130  | • RELAY ASSY     | 7    |       | 13514051~13516744 |       |                   |
|      | 0394221200  | • RELAY ASSY     | 7    |       | 13516745~         |       |                   |
| 7-1  | 1711900042  | • • RELAY        | 1    |       | 13514051~13516744 |       |                   |
|      | 1711900124  | • • RELAY        | 1    |       | 13516745~         |       |                   |
| 7-2  | 1654302003  | • • SPONGE       | 1    |       |                   |       | sold by the meter |
| 8    | 0374203120  | • RESISTOR       | 2    |       |                   |       |                   |
| 9    | 1711900062  | • RELAY          | 2    |       |                   |       |                   |
| 10   | 1730140910  | • CONTROLER      | 1    |       |                   |       |                   |
| 11   | 1730140680  | • BUZZER         | 1    |       |                   |       |                   |
| 12   | 1910150118  | • UNIT, timer    | 1    |       |                   |       | ,x129211-77920    |
| 13   | 1910181106  | • RELAY          | 1    |       |                   |       | Y119802-77200     |
| 14   | 1653916023  | • TRIM           | 1    |       |                   |       | sold by the meter |
| 15   | 1652231250  | • BAND           | 4    |       |                   |       |                   |
| 18   | 1653916020  | • SEAL           | 1    |       |                   |       | sold by the meter |
| 19   | 1653916029  | • SEAL           | 1    |       |                   |       | sold by the meter |
| 20   | 0007300030  | • CLAMP          | 2    |       |                   |       |                   |
| 21   | 1730500010  | • UNIT, diode    | 2    |       |                   |       |                   |
| 22   | 1120530310  | • SCREW          | 2    |       |                   |       |                   |
| 23   | 1120530410  | • SCREW          | 2    |       |                   |       |                   |
| 24   | 1100040510  | • BOLT           | 8    |       |                   |       |                   |
| 25   | 1100040616  | • BOLT           | 9    |       |                   |       |                   |
| 26   | 0374205160  | • COVER ASSY     | 1    |       |                   |       |                   |
| 26-1 | 0374205140  | • • COVER        | 1    |       |                   |       |                   |
| 26-2 | 0374205150  | • • RUBBER       | 2    |       |                   |       |                   |
| 26-3 | 1652711698  | • • SCREW        | 2    |       |                   |       |                   |
| 29   | 1130040006  | • NUT            | 16   |       |                   |       |                   |
| 30   | 1130040008  | • NUT            | 3    |       |                   |       |                   |
| 31   | 1140020003  | • WASHER, spring | 2    |       |                   |       |                   |
| 32   | 1140020004  | • WASHER, spring | 2    |       |                   |       |                   |
| 33   | 1140020005  | • WASHER, spring | 8    |       |                   |       |                   |
| 34   | 1140020006  | • WASHER, spring | 25   |       |                   |       |                   |
| 35   | 1140020008  | • WASHER, spring | 3    |       |                   |       |                   |
| 36   | 0007300003  | • CLAMP          | 1    |       |                   |       |                   |
| 37   | 1141110003  | • WASHER         | 2    |       |                   |       |                   |
| 38   | 1141110004  | • WASHER         | 2    |       |                   |       |                   |
| 39   | 1141110006  | • WASHER         | 22   |       |                   |       |                   |
| 40   | 1141110008  | • WASHER         | 1    |       |                   |       |                   |
| 41   | 1910161119  | • RELAY          | 1    |       | 13516745~         |       | Y119646-77900     |

G4c096



K3C260

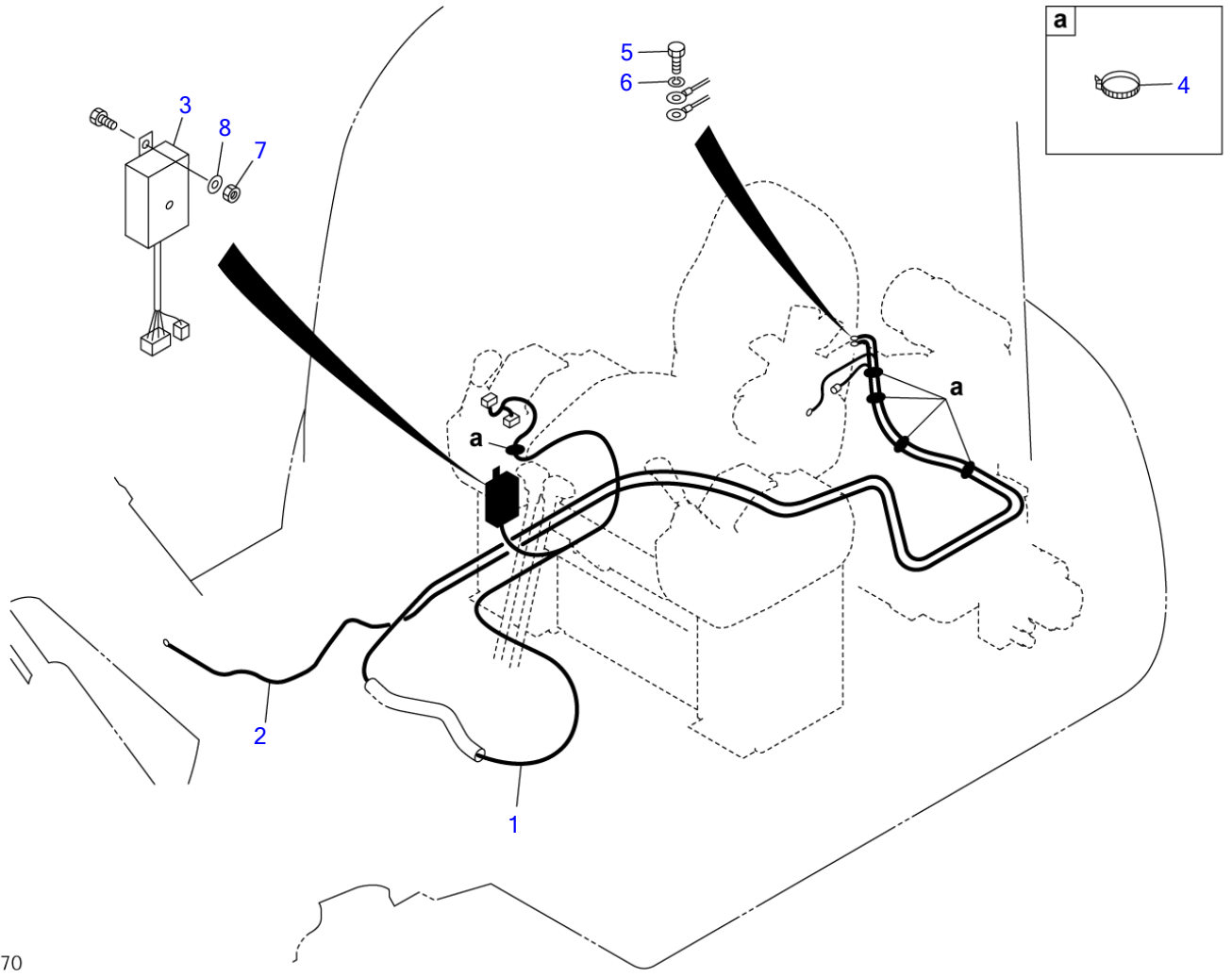
S=1/15, 1/8



**ELECTRICAL (for KOSRAN)**

| Item | Part number       | Description                  | Q'ty | Chan. | Serial No. | Serv. | Remarks        |
|------|-------------------|------------------------------|------|-------|------------|-------|----------------|
| 0    | <b>0374214600</b> | ELECTRICAL ASSY (for KOSRAN) | 1    |       |            | M     | X03742-14600-0 |
| 1    | <b>0374214610</b> | ▪ HARNESS ASSY, wiring       | 1    |       |            | M     |                |
| 1-1  | <b>0394224120</b> | ▪ ▪ CONNECTOR, short         | 1    |       |            | M     |                |
| 1-2  | <b>1701310005</b> | ▪ ▪ FUSE (5A)                | 2    |       |            | M     |                |
| 1-3  | <b>1701310002</b> | ▪ ▪ FUSE (2A)                | 1    |       |            | M     |                |
| 2    | <b>1652231250</b> | ▪ BAND                       | 25   |       |            | M     |                |
|      | <b>G4c280</b>     |                              |      |       |            |       |                |

TB135 Book No. BG4Z010 S/N 13510004-  
WATER TEMPERATURE CONTROLLER

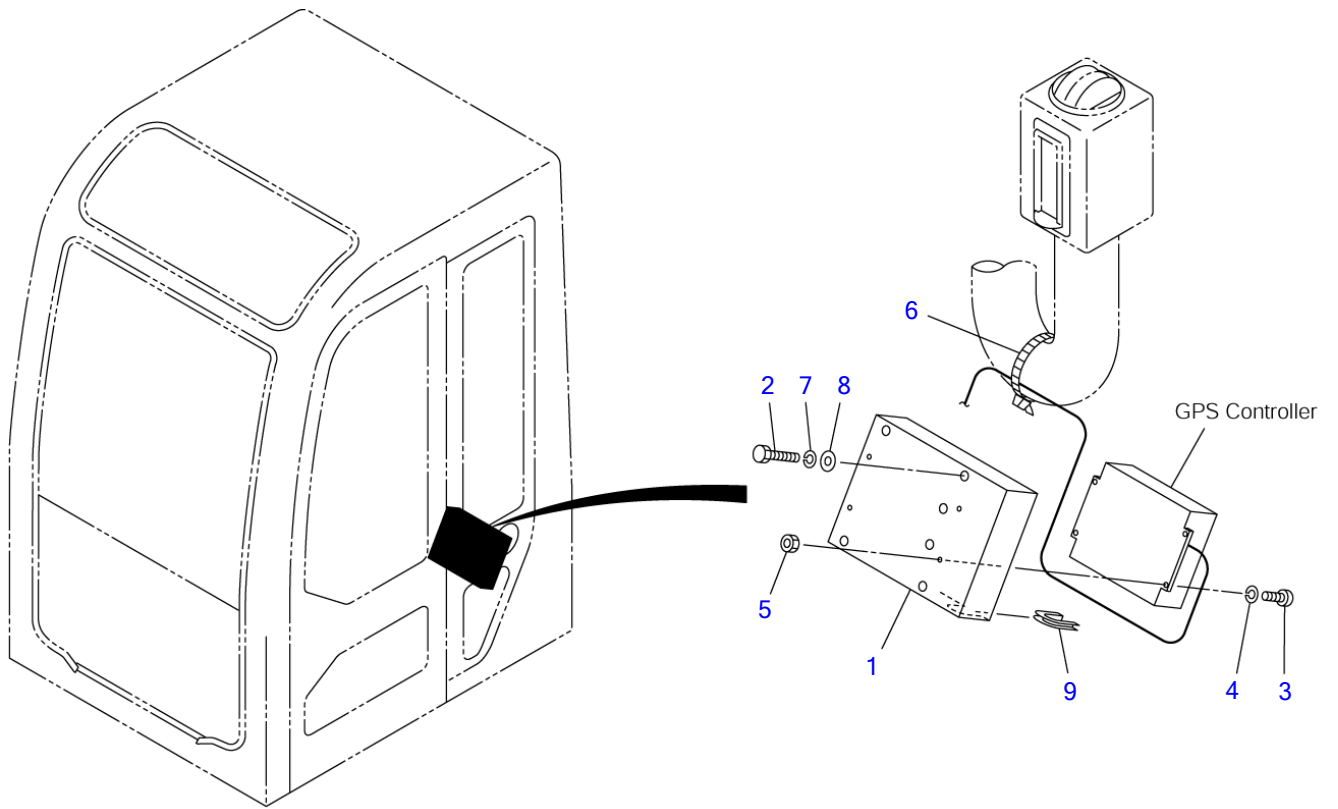


K3C270

S-1/15.1/8

**WATER TEMPERATURE CONTROLLER**

| Item | Part number       | Description                  | Q'ty | Chan. | Serial No. | Serv. | Remarks        |
|------|-------------------|------------------------------|------|-------|------------|-------|----------------|
|      |                   | CONTROLLER ASSY, water temp. |      |       |            |       | X03942-24600-1 |
| 1    | <b>0394221700</b> | HARNESS ASSY, wiring         | 1    |       |            | M     |                |
| 2    | <b>0394404130</b> | HARNESS ASSY, wiring         | 1    |       |            | M     |                |
| 3    | <b>1730111520</b> | DRIVER, meter                | 1    |       |            | M     |                |
| 4    | <b>1652231250</b> | BAND                         | 9    |       |            | M     |                |
| 5    | <b>1100040812</b> | BOLT                         | 1    |       |            |       |                |
| 6    | <b>1140020008</b> | WASHER, spring               | 1    |       |            |       |                |
| 7    | <b>1130040008</b> | NUT                          | 1    |       |            |       |                |
| 8    | <b>1141110008</b> | WASHER                       | 1    |       |            |       |                |
|      | <b>K3c270</b>     |                              |      |       |            |       |                |

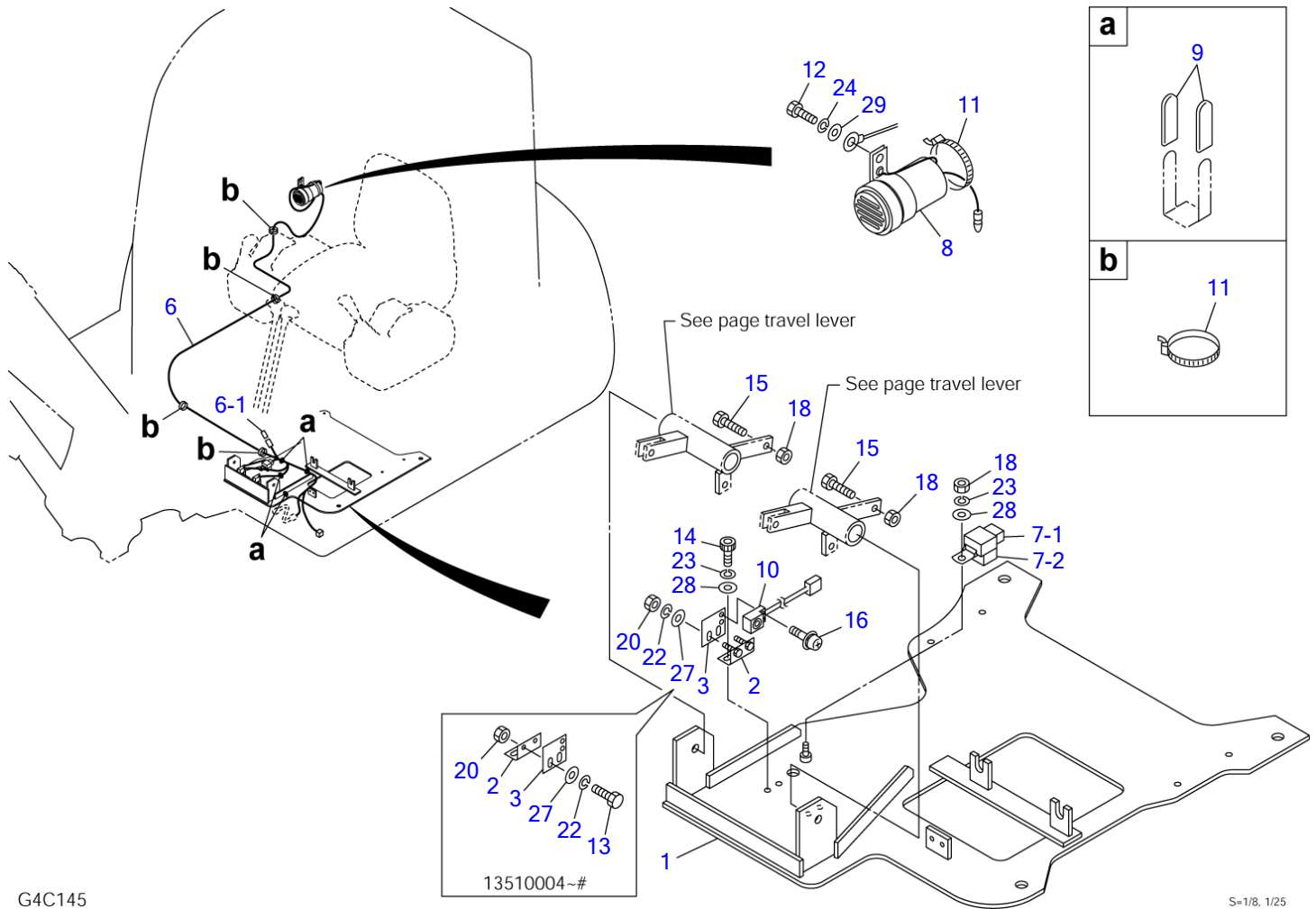


K3C250

S=1/8, 1/20

**GPS DEVICE (for China only)**

| Item | Part number       | Description     | Q'ty | Chan. | Serial No. | Serv. | Remarks           |
|------|-------------------|-----------------|------|-------|------------|-------|-------------------|
|      |                   | GPS DEVICE ASSY |      |       |            |       | X03942-24000-0    |
| 1    | <b>0394224010</b> | COVER           | 1    |       |            |       |                   |
| 2    | <b>1100040865</b> | BOLT            | 4    |       |            |       |                   |
| 3    | <b>1120530412</b> | SCREW           | 4    |       |            |       |                   |
| 4    | <b>1140020004</b> | WASHER, spring  | 4    |       |            |       |                   |
| 5    | <b>1130040004</b> | NUT             | 4    |       |            |       |                   |
| 6    | <b>1652241400</b> | BAND            | 1    |       |            |       |                   |
| 7    | <b>1140020008</b> | WASHER, spring  | 4    |       |            |       |                   |
| 8    | <b>1141110008</b> | WASHER          | 4    |       |            |       |                   |
| 9    | <b>1653917009</b> | TRIM            | 1    |       |            |       | sold by the meter |
|      | <b>K3c250</b>     |                 |      |       |            |       |                   |



G4C145

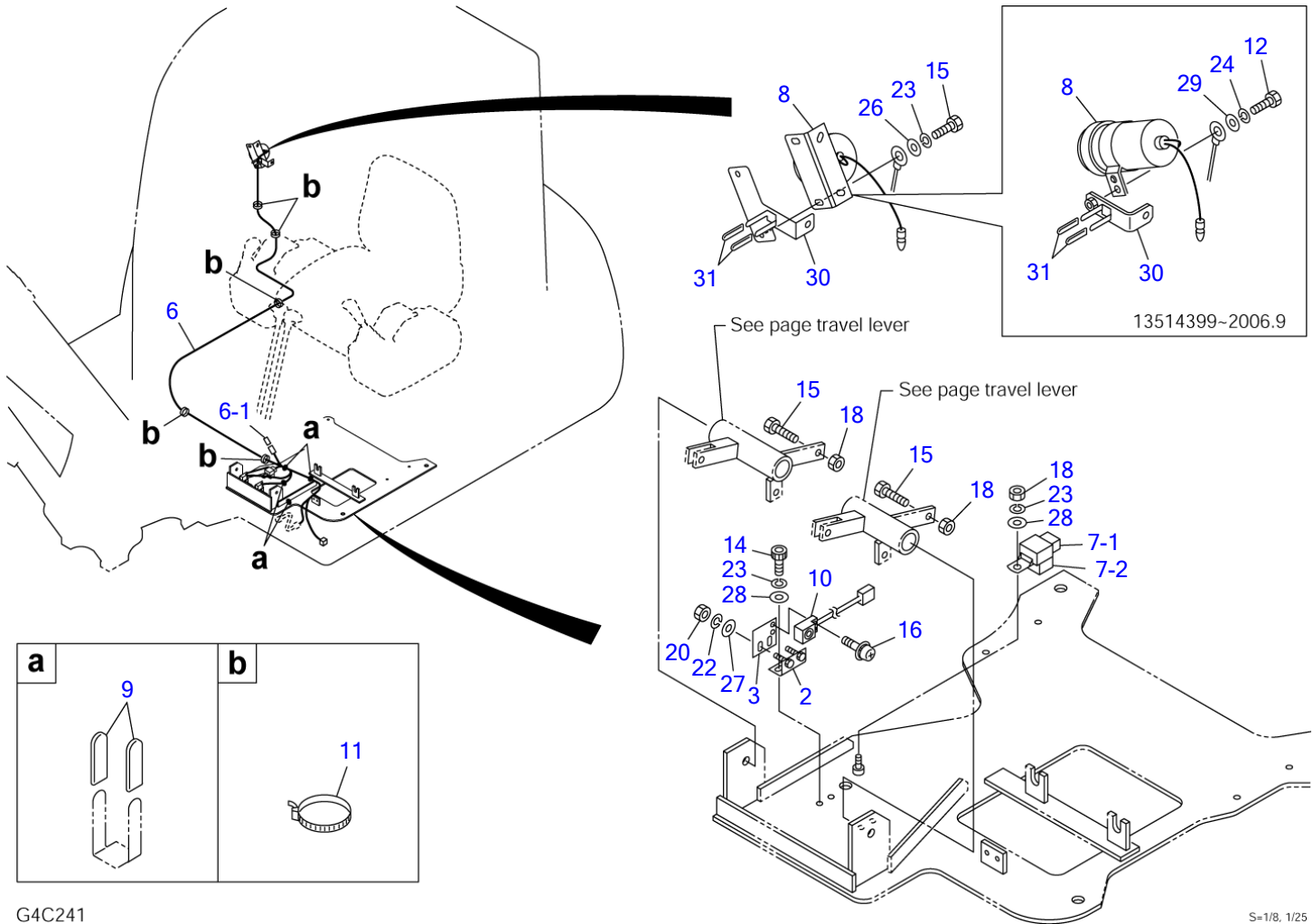
13510004-#

S=1/8, 1/25

**TRAVEL ALARM (13510004-13514398)**

| Item | Part number       | Description          | Q'ty | Chan. | Serial No.        | Serv. | Remarks        |
|------|-------------------|----------------------|------|-------|-------------------|-------|----------------|
|      |                   | TRAVEL ALARM ASSY    |      |       |                   |       | X03742-07000-8 |
| 1    | <b>0374207100</b> | BACKET               | 1    |       | 13510094~13511214 |       |                |
|      | <b>0374207150</b> | BACKET               | 1    | (H)   | 13511215~13511290 |       |                |
| 2    | <b>0374207200</b> | BACKET               | 2    |       | 13510004~1351#    |       |                |
|      | <b>0374207250</b> | BACKET               | 2    | (H)   | 1351#~            |       |                |
| 3    | <b>0374207300</b> | PLATE                | 2    |       |                   |       |                |
| 6    | <b>0374207600</b> | HARNESS, wiring      | 1    |       |                   |       |                |
| 6-1  | <b>1730500008</b> | · DIODE (3A, yellow) | 1    |       |                   |       |                |
| 7    | <b>0334230130</b> | RELAY ASSY           | 1    |       |                   |       |                |
| 7-1  | <b>1711900042</b> | · RELAY              | 1    |       |                   |       |                |
| 7-2  | <b>1654302003</b> | · SPONGE             | 1    |       |                   |       |                |
| 8    | <b>0354211050</b> | BUZZER               | 1    |       |                   |       |                |
| 9    | <b>0872433150</b> | TUBE                 | 8    |       |                   |       |                |
| 10   | <b>1700009010</b> | SWITCH               | 2    |       |                   |       |                |
| 11   | <b>1652231250</b> | BAND                 | 5    |       |                   |       |                |
| 12   | <b>1100040820</b> | BOLT                 | 1    |       |                   |       |                |
| 13   | <b>1100040514</b> | BOLT                 | 4    |       | 13510004~1351#    |       |                |
| 14   | <b>1110040610</b> | SCREW, cap           | 4    |       |                   |       |                |
| 15   | <b>1100040616</b> | BOLT                 | 2    |       |                   |       |                |
| 16   | <b>1150410312</b> | SCREW                | 4    |       |                   |       |                |
| 18   | <b>1130030006</b> | NUT                  | 3    |       |                   |       |                |
| 20   | <b>1130030005</b> | NUT                  | 4    |       |                   |       |                |
| 22   | <b>1140020005</b> | WASHER, spring       | 4    |       |                   |       |                |
| 23   | <b>1140020006</b> | WASHER, spring       | 5    |       |                   |       |                |
| 24   | <b>1140020008</b> | WASHER, spring       | 1    |       |                   |       |                |
| 27   | <b>1141110005</b> | WASHER               | 4    |       |                   |       |                |
| 28   | <b>1141110006</b> | WASHER               | 5    |       |                   |       |                |
| 29   | <b>1141110008</b> | WASHER               | 1    |       |                   |       |                |
|      | <b>G4c145</b>     |                      |      |       |                   |       |                |

TB135 Book No. BG4Z010 S/N 13510004-  
TRAVEL ALARM (13514399-)



G4C241

S=1/8, 1/25

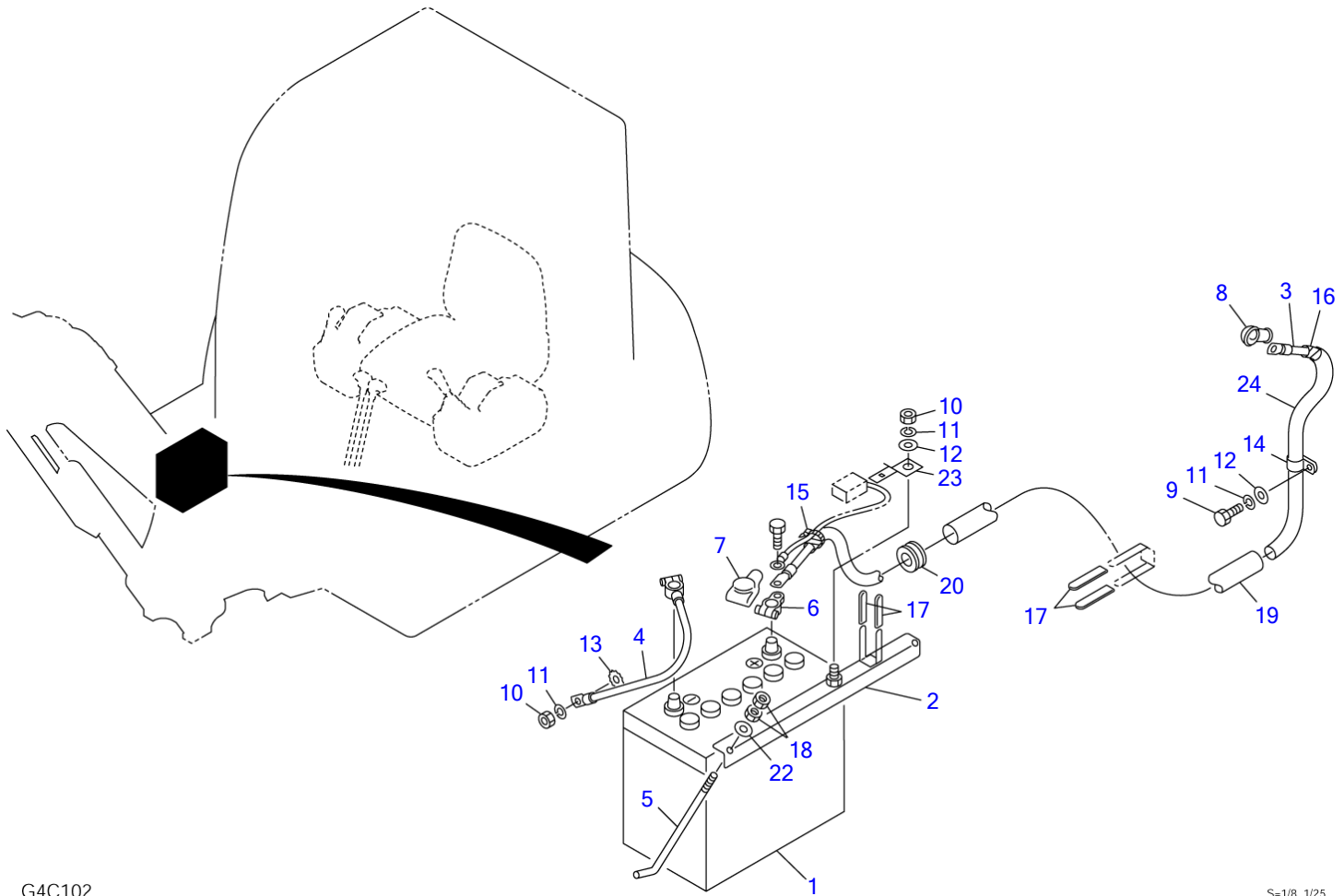


**TRAVEL ALARM (13514399-)**

| Item | Part number | Description          | Q'ty | Chan. | Serial No.     | Serv. | Remarks        |
|------|-------------|----------------------|------|-------|----------------|-------|----------------|
|      |             | TRAVEL ALARM ASSY    |      |       |                |       | X03742-07700-9 |
| 2    | 0374207250  | BACKET               | 2    |       |                |       |                |
| 3    | 0374207300  | PLATE                | 2    |       |                |       |                |
| 6    | 0374207600  | HARNESS, wiring      | 1    |       |                |       |                |
| 6-1  | 1730500008  | · DIODE (3A, yellow) | 1    |       |                |       |                |
| 7    | 0334230130  | RELAY ASSY           | 1    |       |                |       |                |
| 7-1  | 1711900042  | · RELAY              | 1    |       |                |       |                |
| 7-2  | 1654302003  | · SPONGE             | 1    |       |                |       |                |
| 8    | 0354211050  | BUZZER               | 1    | A     | 13514399~1351# |       | No23665        |
|      | 1703700013  | BUZZER               | 1    | a (H) | 1351#~         |       |                |
| 9    | 0872433150  | TUBE                 | 8    |       |                |       |                |
| 10   | 1700009010  | SWITCH               | 2    |       |                |       |                |
| 11   | 1652231250  | BAND                 | 5    |       |                |       |                |
| 12   | 1100040820  | BOLT                 | 1    |       | 13514399~1351# |       | No23665        |
| 14   | 1110040610  | SCREW, cap           | 4    |       |                |       |                |
| 15   | 1100040616  | BOLT                 | 4    |       |                |       |                |
| 16   | 1150410312  | SCREW                | 4    |       |                |       |                |
| 18   | 1130030006  | NUT                  | 3    |       |                |       |                |
| 20   | 1130030005  | NUT                  | 4    |       |                |       |                |
| 22   | 1140020005  | WASHER, spring       | 4    |       |                |       |                |
| 23   | 1140020006  | WASHER, spring       | 7    |       |                |       |                |
| 24   | 1140020008  | WASHER, spring       | 1    |       | 13514399~1351# |       | No23665        |
| 26   | 0003600110  | WASHER               | 2    |       |                |       |                |
| 27   | 1141110005  | WASHER               | 4    |       |                |       |                |
| 28   | 1141110006  | WASHER               | 5    |       |                |       |                |
| 29   | 1141110008  | WASHER               | 1    |       |                |       |                |
| 30   | 0374207710  | BRACKET              | 1    | A     | 13514399~1351# |       | No23665        |
|      | 0374207720  | BRACKET              | 1    | a (H) | 1351#~         |       |                |
| 31   | 0872433150  | TUBE                 | 2    |       |                |       |                |

<<NOTE>>  
 SET "A" is interchangeable with  
 SET "a".

**G4c241**

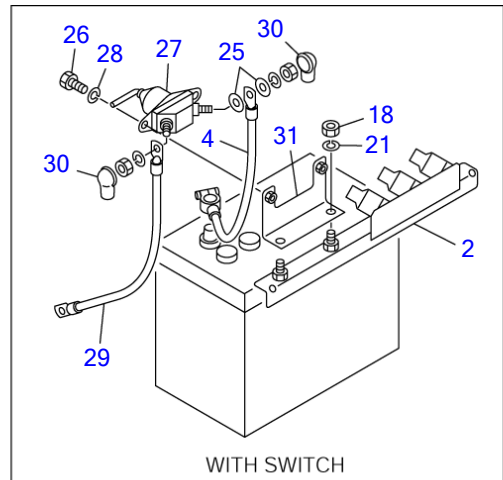
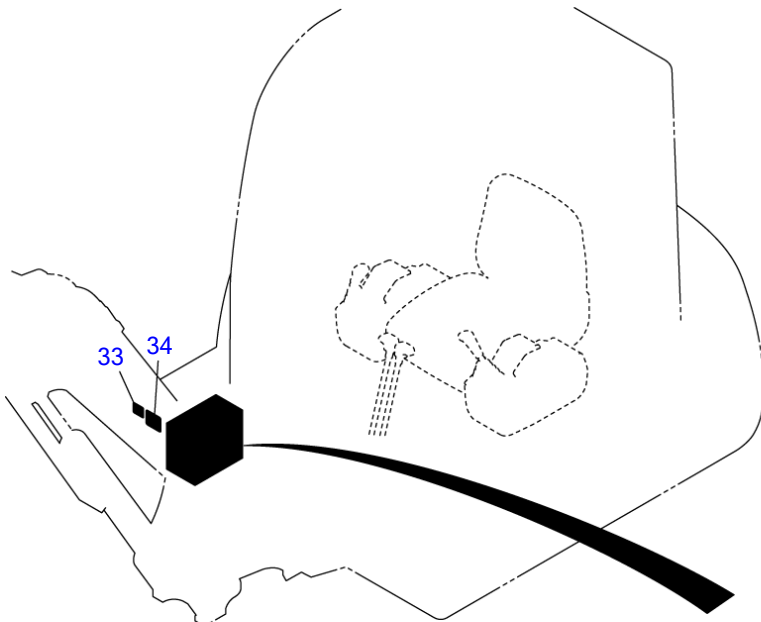


G4C102

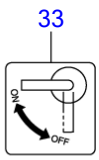
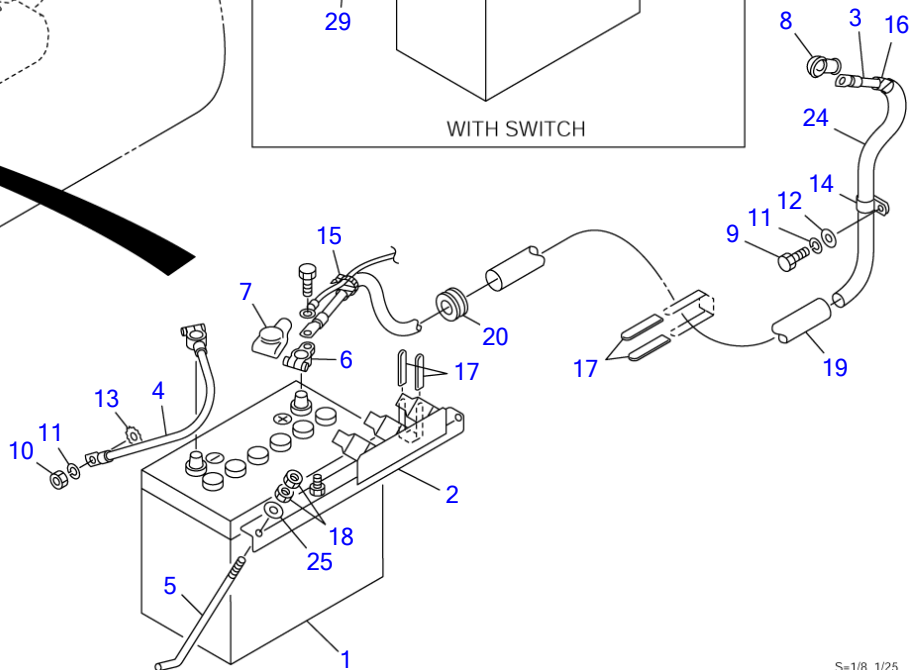
S-1/8, 1/25

**BATTERY (13510004-13514050)**

| Item | Part number | Description    | Q'ty | Chan. | Serial No. | Serv. | Remarks           |
|------|-------------|----------------|------|-------|------------|-------|-------------------|
|      |             | BATTERY ASSY   |      |       |            |       | X03744-01000-5    |
| 1    | 1702059531  | BATTERY        | 1    |       |            |       |                   |
| 2    | 0374400010  | CLAMP          | 1    |       |            |       |                   |
| 3    | 1702607190  | CABLE          | 1    |       |            |       |                   |
| 4    | 1702230030  | CABLE, earth   | 1    |       |            |       |                   |
| 5    | 1702106240  | BOLT           | 2    |       |            |       |                   |
| 6    | 1702330000  | TERMINAL       | 1    |       |            |       |                   |
| 7    | 1702920060  | COVER          | 1    |       |            |       |                   |
| 8    | 1910007119  | COVER          | 1    |       |            |       | ,x08038-04030     |
| 9    | 1100041016  | BOLT           | 1    |       |            |       |                   |
| 10   | 1130040010  | NUT            | 2    |       |            |       |                   |
| 11   | 1140020010  | WASHER, spring | 3    |       |            |       |                   |
| 12   | 1141110010  | WASHER         | 2    |       |            |       |                   |
| 13   | 1140330010  | WASHER         | 1    |       |            |       |                   |
| 14   | 1711900072  | CLAMP          | 1    |       |            |       |                   |
| 15   | 1652231140  | BAND           | 1    |       |            |       |                   |
| 16   | 1703221390  | TUBE           | 1    |       |            |       |                   |
| 17   | 0872433150  | CLAMP          | 4    |       |            |       |                   |
| 18   | 1130040006  | NUT            | 4    |       |            |       |                   |
| 19   | 1531325100  | PROTECTOR      | 1    |       |            |       | sold by the meter |
| 20   | 0437200100  | GUARD          | 1    |       |            |       |                   |
| 22   | 1141110006  | WASHER         | 2    |       |            |       |                   |
| 23   | 1711900064  | CLIP           | 1    |       |            |       |                   |
| 24   | 1531325025  | PROTECTOR      | 1    |       |            |       | sold by the meter |
|      | G4c103      |                |      |       |            |       |                   |



WITH SWITCH



34  
**CAUTION**  
 Setting this switch to the "OFF" position will shut down all of the selector circuits and the memory of the radio preset tuning buttons will be deleted.  
 (for English)

34  
**ACHTUNG**  
 Das Stellen dieses Schalters auf die "Aus" Position erlischt alle Stromkreise aus und die Speicher der Radio-Sendeschaltstation wird gelöscht.  
 (for German)

34  
**ATTENTION**  
 Le Poggio de ce commutateur à la position "Extinction" tous les circuits électriques et la mémoire des touches de système type de présélection de cette est effacée.  
 (for French)

34  
**PRECAUZIONE**  
 Impostare quest'interruttore in posizione "OFF" chiuderà tutti i circuiti elettrici e la memoria dei tasti di sintonizzazione preimpostati sarà cancellata.  
 (for Italian)  
 G4C104

34  
**PRECAUCIÓN**  
 Cuando se ajuste este interruptor a la posición "OFF" todos los circuitos eléctricos se apagarán y se borrarán la memoria de los botones de sintonización de radio preimpostados.  
 (for Spanish)

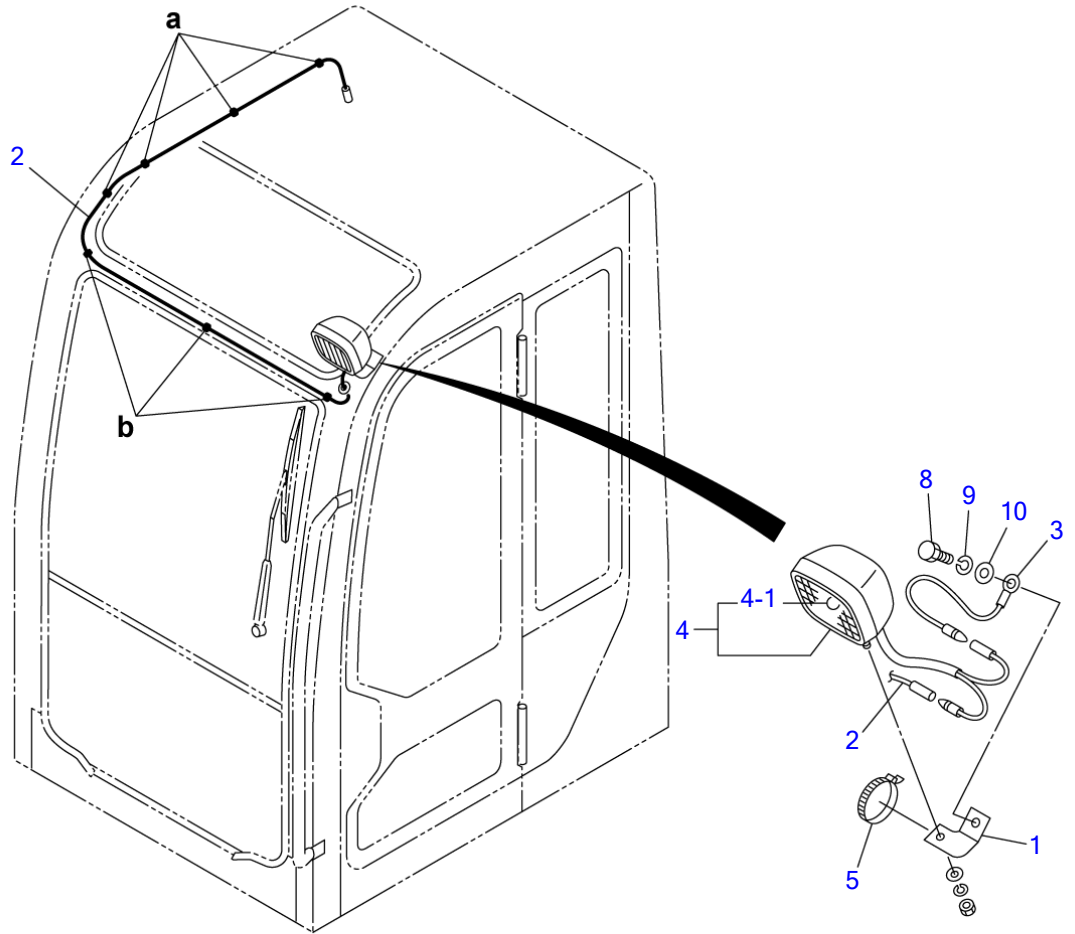
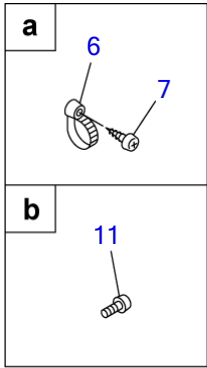
34  
**注意**  
 このスイッチをOFFにすると、全ての電路が遮断され、ラジオのプリセットボタン記憶が削除されます。  
 (for Japanese)

34  
**注意**  
 切断此开关后，全部的电路将被切断。  
 请注意，收音机的选台记忆将被清除。  
 (for Chinese)

| BATTERY (13514051-) |             |  |      |       |            |       |                |                   |
|---------------------|-------------|--|------|-------|------------|-------|----------------|-------------------|
| Item                | Part number | Description                              | Q'ty | Chan. | Serial No. | Serv. | Remarks        |                   |
|                     |             | BATTERY ASSY                             |      |       |            |       | X03744-01100-4 |                   |
|                     |             | BATTERY ASSY (with switch) (for English) |      |       |            |       | X03744-01200-4 |                   |
|                     |             | BATTERY ASSY (with switch) (for German)  |      |       |            |       | X03744-01300-4 |                   |
|                     |             | BATTERY ASSY (with switch) (for French)  |      |       |            |       | X03744-01400-4 |                   |
|                     |             | BATTERY ASSY (with switch) (for Italian) |      |       |            |       | X03744-01500-4 |                   |
|                     |             | BATTERY ASSY (with switch) (for Spanish) |      |       |            |       | X03744-01600-4 |                   |
|                     |             | BATTERY ASSY (with switch) (for Japan)   |      |       |            |       | X03744-01700-4 |                   |
|                     |             | BATTERY ASSY (with switch) (for Chinese) |      |       |            |       | X03744-01800-4 |                   |
| 1                   | 1702069531  | BATTERY                                  | 1    |       |            |       |                |                   |
| 2                   | 0374401110  | CLAMP                                    | 1    |       |            |       |                |                   |
| 3                   | 1702607190  | CABLE                                    | 1    |       |            |       |                |                   |
| 4                   | 1702230030  | CABLE, earth                             | 1    |       |            |       |                |                   |
| 5                   | 1702108245  | BOLT                                     | 2    |       |            |       |                |                   |
| 6                   | 1702330000  | TERMINAL                                 | 1    |       |            |       |                |                   |
| 7                   | 1702920060  | COVER                                    | 1    |       |            |       |                |                   |
| 8                   | 1910007119  | COVER                                    | 1    |       |            |       |                | ,x124550-77030    |
| 9                   | 1100041016  | BOLT                                     | 1    |       |            |       |                |                   |
| 10                  | 1130040010  | NUT                                      | 1    |       |            |       |                |                   |
| 11                  | 1140020010  | WASHER, spring                           | 2    |       |            |       |                |                   |
| 13                  | 1140330010  | WASHER                                   | 1    |       |            |       |                |                   |
| 14                  | 1711900072  | CLAMP                                    | 1    |       |            |       |                |                   |
| 15                  | 1652231140  | BAND                                     | 1    |       |            |       |                |                   |
| 16                  | 1703221390  | TUBE                                     | 1    |       |            |       |                |                   |
| 17                  | 0872433150  | CLAMP                                    | 4    |       |            |       |                |                   |
| 18                  | 1130040006  | NUT                                      | 4    |       |            |       |                |                   |
|                     | 1130040006  | NUT                                      | 6    |       |            |       |                | with switch       |
| 19                  | 1531325100  | PROTECTOR                                | 1    |       |            |       |                | sold by the meter |
| 20                  | 0437200100  | GUARD                                    | 1    |       |            |       |                |                   |
| 21                  | 1140020008  | WASHER, spring                           | 2    |       |            |       |                | with switch       |
| 24                  | 1531325025  | PROTECTOR                                | 1    |       |            |       |                | sold by the meter |
| 25                  | 1141110008  | WASHER                                   | 2    |       |            |       |                |                   |
|                     | 1141110008  | WASHER                                   | 4    |       |            |       |                | with switch       |
| 26                  | 1100040620  | BOLT                                     | 2    |       |            |       |                | with switch       |
| 27                  | 1700100051  | SWITCH                                   | 1    |       |            |       |                | with switch       |
| 28                  | 1140020006  | WASHER, spring                           | 2    |       |            |       |                | with switch       |
| 29                  | 1702531040  | CABLE, earth                             | 1    |       |            |       |                | with switch       |
| 30                  | 1702901281  | CAP                                      | 2    |       |            |       |                | with switch       |
| 31                  | 0394404120  | PLATE                                    | 1    |       |            |       |                | with switch       |
| 33                  | 0399351210  | DECAL                                    | 1    |       |            |       |                | with switch       |
| 34                  | 0569353810  | DECAL (English)                          | 1    |       |            |       |                | with switch       |
|                     | 0569353910  | DECAL (German)                           | 1    |       |            |       |                | with switch       |
|                     | 0569354010  | DECAL (French)                           | 1    |       |            |       |                | with switch       |
|                     | 0569354110  | DECAL (Italian)                          | 1    |       |            |       |                | with switch       |
|                     | 0569354310  | DECAL (Spanish)                          | 1    |       |            |       |                | with switch       |
|                     | 0569354410  | DECAL (Japan)                            | 1    |       |            |       |                | with switch       |
|                     | 0569355847  | DECAL (Chinese)                          | 1    |       |            |       |                | with switch       |

G4c106

TB135 Book No. BG4Z010 S/N 13510004-  
CAB WORKING LIGHT

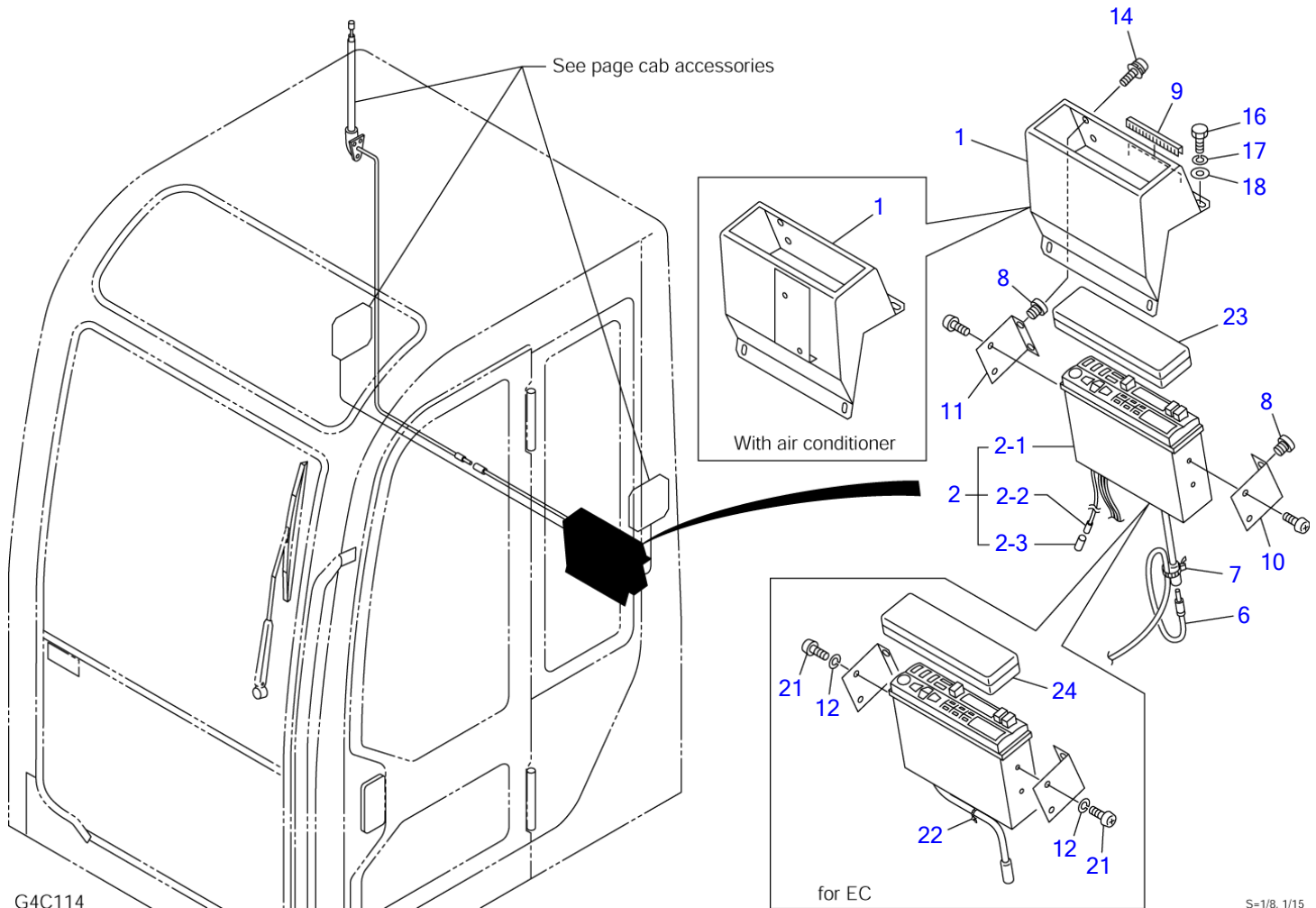


G4C160

S=1/10, 1/17

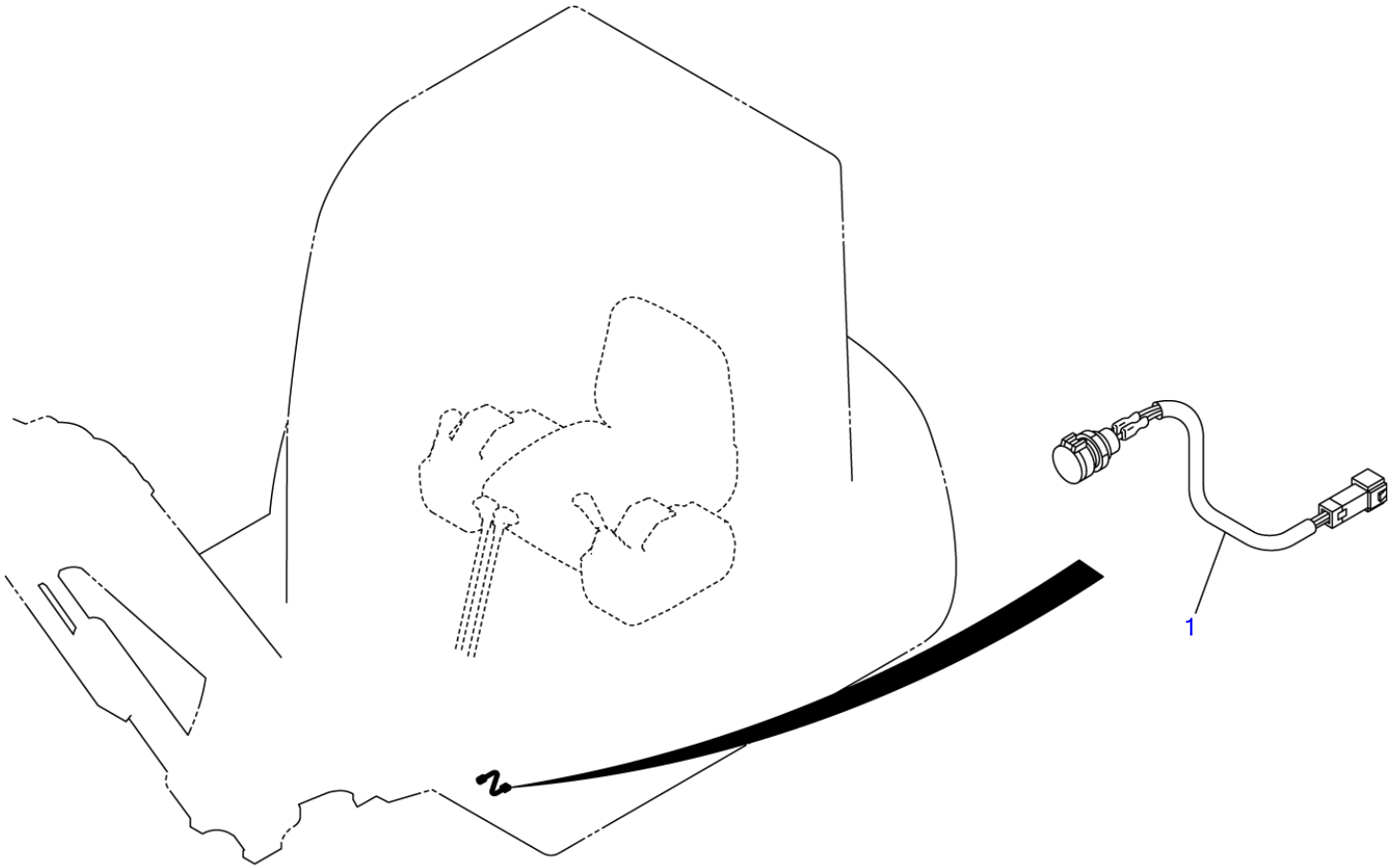
**CAB WORKING LIGHT**

| Item | Part number       | Description             | Q'ty | Chan. | Serial No. | Serv. | Remarks        |
|------|-------------------|-------------------------|------|-------|------------|-------|----------------|
|      |                   | LIGHT ASSY, cab working |      |       |            |       | X03742-08000-0 |
| 1    | <b>0334241510</b> | BRACKET                 | 1    |       |            |       |                |
| 2    | <b>0374208010</b> | HARNESS, wiring         | 1    |       |            |       |                |
| 3    | <b>0336021400</b> | HARNESS, wiring         | 1    |       |            |       |                |
| 4    | <b>1703006000</b> | LAMP ASSY               | 1    |       |            |       |                |
| 4-1  | <b>1703005506</b> | • BULB                  | 1    |       |            |       |                |
| 5    | <b>1652231250</b> | BAND                    | 1    |       |            |       |                |
| 6    | <b>1652221050</b> | BAND                    | 4    |       |            |       |                |
| 7    | <b>1122400512</b> | SCREW                   | 4    |       |            |       |                |
| 8    | <b>1100031025</b> | BOLT                    | 1    |       |            |       |                |
| 9    | <b>1140020010</b> | WASHER, spring          | 1    |       |            |       |                |
| 10   | <b>1140330010</b> | WASHER                  | 1    |       |            |       |                |
| 11   | <b>1120590410</b> | SCREW                   | 3    |       |            |       |                |
|      | <b>G4c160</b>     |                         |      |       |            |       |                |





| Item | Part number         | Description                                    | Q'ty | Chan. | Serial No.        | Serv. | Remarks           |
|------|---------------------|--|------|-------|-------------------|-------|-------------------|
|      |                     | RADIO ASSY (for EC)                            |      |       |                   |       | X03747-03000-10   |
|      |                     | RADIO ASSY (for EC) (with air conditioner)     |      |       |                   |       | X03747-05100-10   |
|      |                     | RADIO ASSY (for U.S.A.)                        |      |       |                   |       | X03747-04000-10   |
|      |                     | RADIO ASSY (for U.S.A.) (with air conditioner) |      |       |                   |       | X03747-05200-10   |
|      |                     | RADIO ASSY (for JAPAN)                         |      |       |                   |       | X03747-05000-10   |
|      |                     | RADIO ASSY (for JAPAN) (with air conditioner)  |      |       |                   |       | X03747-05300-10   |
| 1    | <b>0374703100</b>   | COVER ASSY                                     | 1    |       | 13510004~13510234 |       |                   |
|      | <b>0374703200</b>   | COVER ASSY                                     | 1    | (H)   | 13510235~         |       |                   |
|      | <b>0394612350</b>   | COVER ASSY                                     | 1    |       |                   |       | with air con.     |
| 2    | X <b>0334704800</b> | CASSETTE STEREO ASSY                           | 1    |       |                   |       | for EC            |
|      | X <b>0334704300</b> | CASSETTE STEREO ASSY                           | 1    |       |                   |       | for U.S.A.        |
|      | X <b>0334704400</b> | CASSETTE STEREO ASSY                           | 1    |       |                   |       | for JAPAN         |
| 2-1  | <b>1705004500</b>   | • CASSETTE STEREO                              | 1    |       |                   |       | for EC            |
|      | <b>1705003700</b>   | • CASSETTE STEREO                              | 1    |       |                   |       | for U.S.A.        |
|      | <b>1705003800</b>   | • CASSETTE STEREO                              | 1    |       |                   |       | for JAPAN         |
| 2-2  | <b>1702700002</b>   | • SOCKET                                       | 1    |       |                   |       |                   |
| 2-3  | <b>1702700004</b>   | • SLEEV  | 1    |       |                   |       |                   |
| 6    | <b>1705001610</b>   | JUMPER   | 1    |       | 13510004~13516570 |       |                   |
| 7    | <b>1652231100</b>   | BAND   | 1    |       |                   |       | for Japan, USA    |
| 8    | <b>1652520005</b>   | RUBBER, cushion                                | 4    |       |                   |       |                   |
| 9    | <b>1653917009</b>   | TRIM   | 1    |       |                   |       | sold by the meter |
| 10   | <b>0334704600</b>   | BRACKET (L.H.)                                 | 1    |       |                   |       |                   |
| 11   | <b>0334704700</b>   | BRACKET (R.H.)                                 | 1    |       |                   |       |                   |
| 12   | <b>1140090005</b>   | WASHER, spring                                 | 4    |       |                   |       | for EC            |
| 14   | <b>1150410520</b>   | SCREW  | 4    |       |                   |       |                   |
| 16   | <b>1100090616</b>   | BOLT   | 4    |       |                   |       |                   |
| 17   | <b>1140090006</b>   | WASHER, spring                                 | 4    |       |                   |       |                   |
| 18   | <b>1141190006</b>   | WASHER   | 4    |       |                   |       |                   |
| 21   | <b>1120590510</b>   | SCREW  | 4    |       |                   |       | for EC            |
| 22   | <b>1652201003</b>   | BAND   | 1    |       |                   |       | for EC            |
| 23   | <b>1705003650</b>   | COVER  | 1    |       |                   |       | for Japan, USA    |
| 24   | <b>1705004550</b>   | COVER  | 1    |       |                   |       | for EC            |
|      | <b>G4c116</b>       |  |      |       |                   |       |                   |

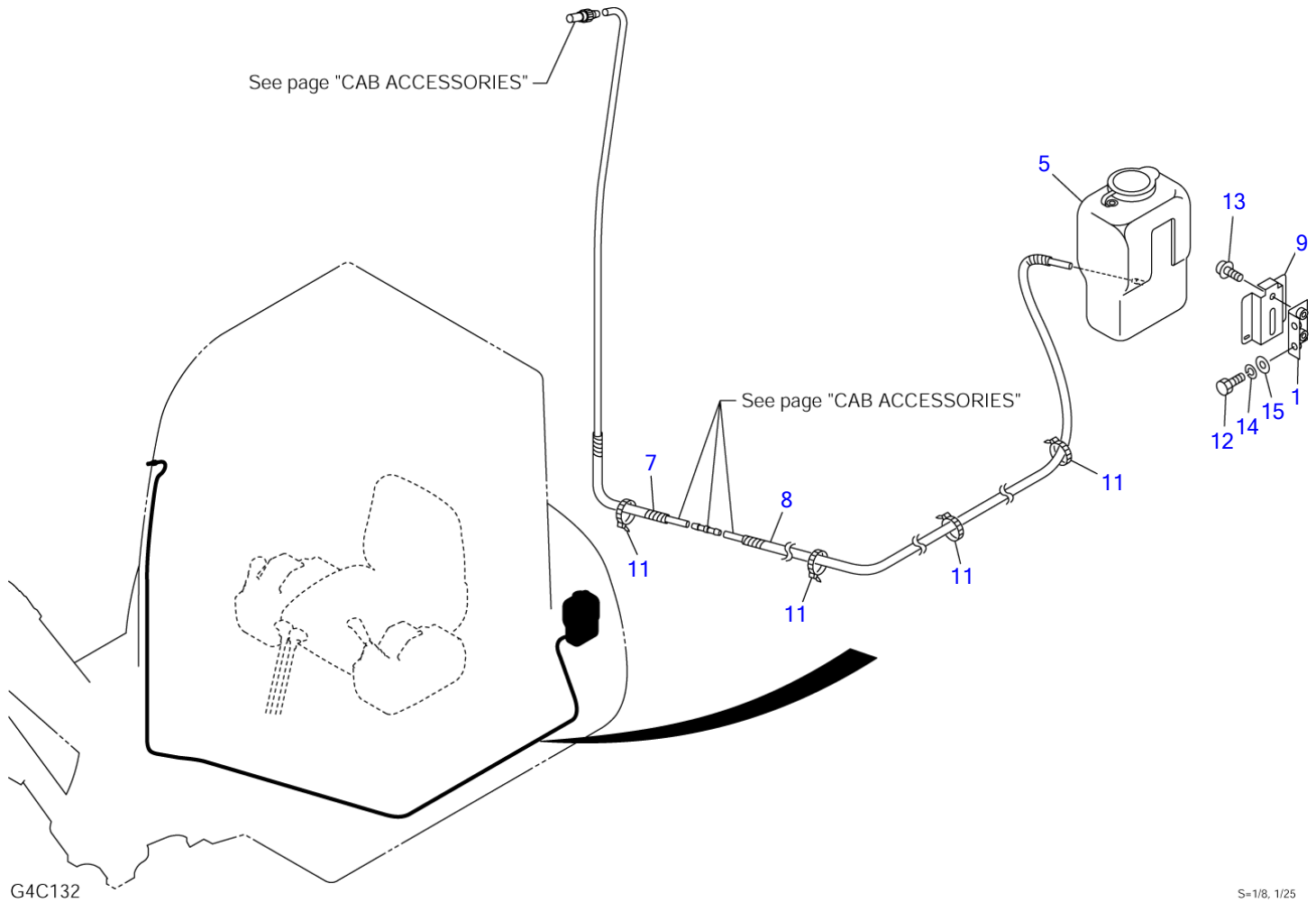


G4C120

S=1/20

**MAINTENANCE LIGHT SOCKET**

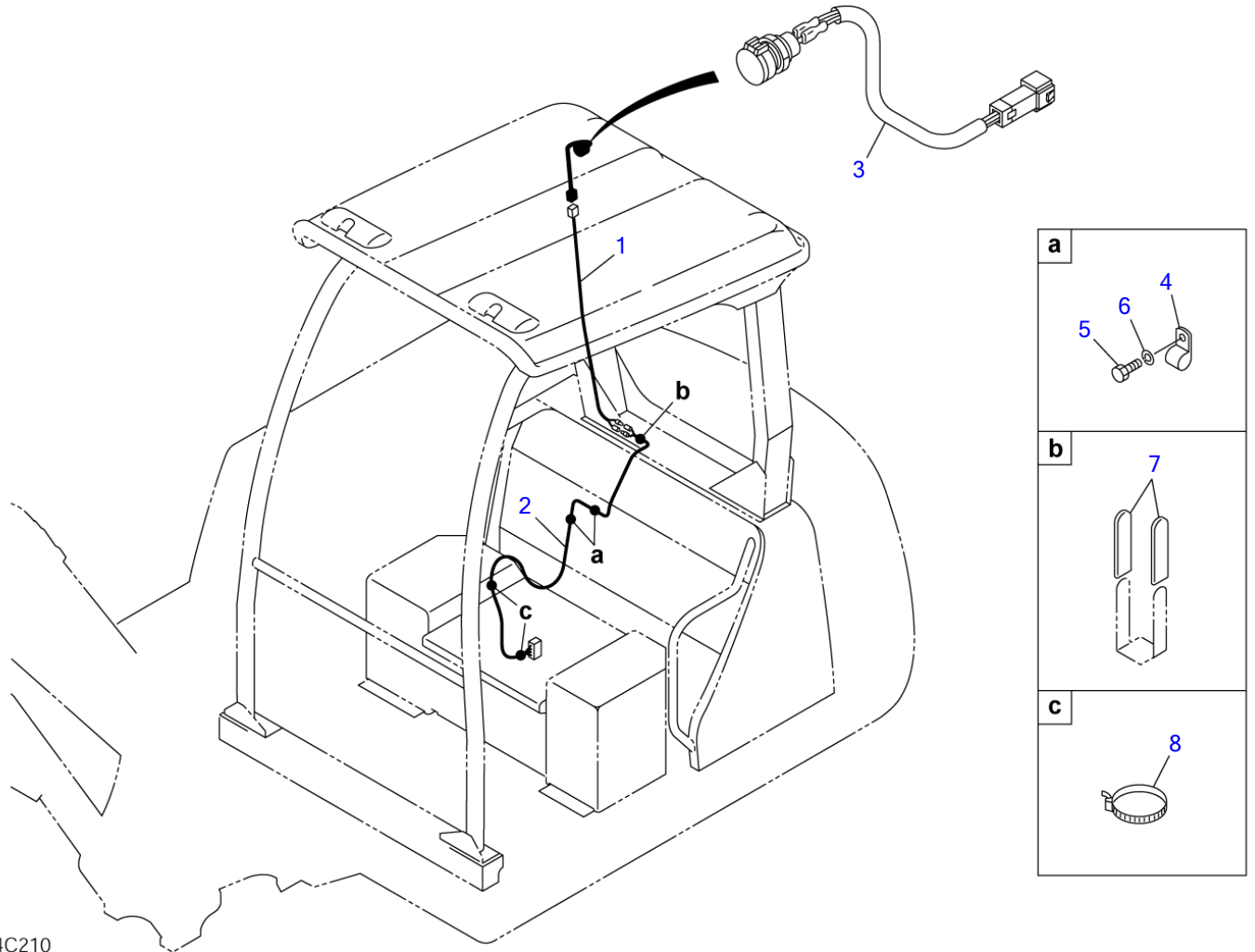
| Item | Part number                        | Description                                   | Q'ty | Chan. | Serial No. | Serv. | Remarks        |
|------|------------------------------------|---|------|-------|------------|-------|----------------|
| 1    | <b>0394203100</b><br><b>G4c120</b> | SOCKET ASSY, maintenance light<br>SOCKET ASSY | 1    |       |            |       | X03942-03000-0 |



**WINDOW WASHER**

| Item | Part number       | Description         | Q'ty | Chan. | Serial No. | Serv. | Remarks        |
|------|-------------------|---------------------|------|-------|------------|-------|----------------|
|      |                   | WASHER ASSY, window |      |       |            |       | X03789-01000-2 |
| 1    | <b>0378901010</b> | BRACKET             | 1    |       |            |       |                |
| 5    | <b>1711910101</b> | TANK                | 1    |       |            |       |                |
| 7    | <b>1703210740</b> | TUBE                | 1    |       |            |       |                |
| 8    | <b>1703230710</b> | TUBE                | 1    |       |            |       |                |
| 9    | <b>1711910062</b> | BRACKET             | 1    |       |            |       |                |
| 11   | <b>1652231140</b> | BAND                | 4    |       |            |       |                |
| 12   | <b>1100040616</b> | BOLT                | 2    |       |            |       |                |
| 13   | <b>1150410612</b> | SCREW               | 2    |       |            |       |                |
| 14   | <b>1140020006</b> | WASHER, spring      | 2    |       |            |       |                |
| 15   | <b>1141110006</b> | WASHER              | 2    |       |            |       |                |
|      | <b>G4c132</b>     |                     |      |       |            |       |                |

TB135 Book No. BG4Z010 S/N 13510004-  
BEACON SOCKET



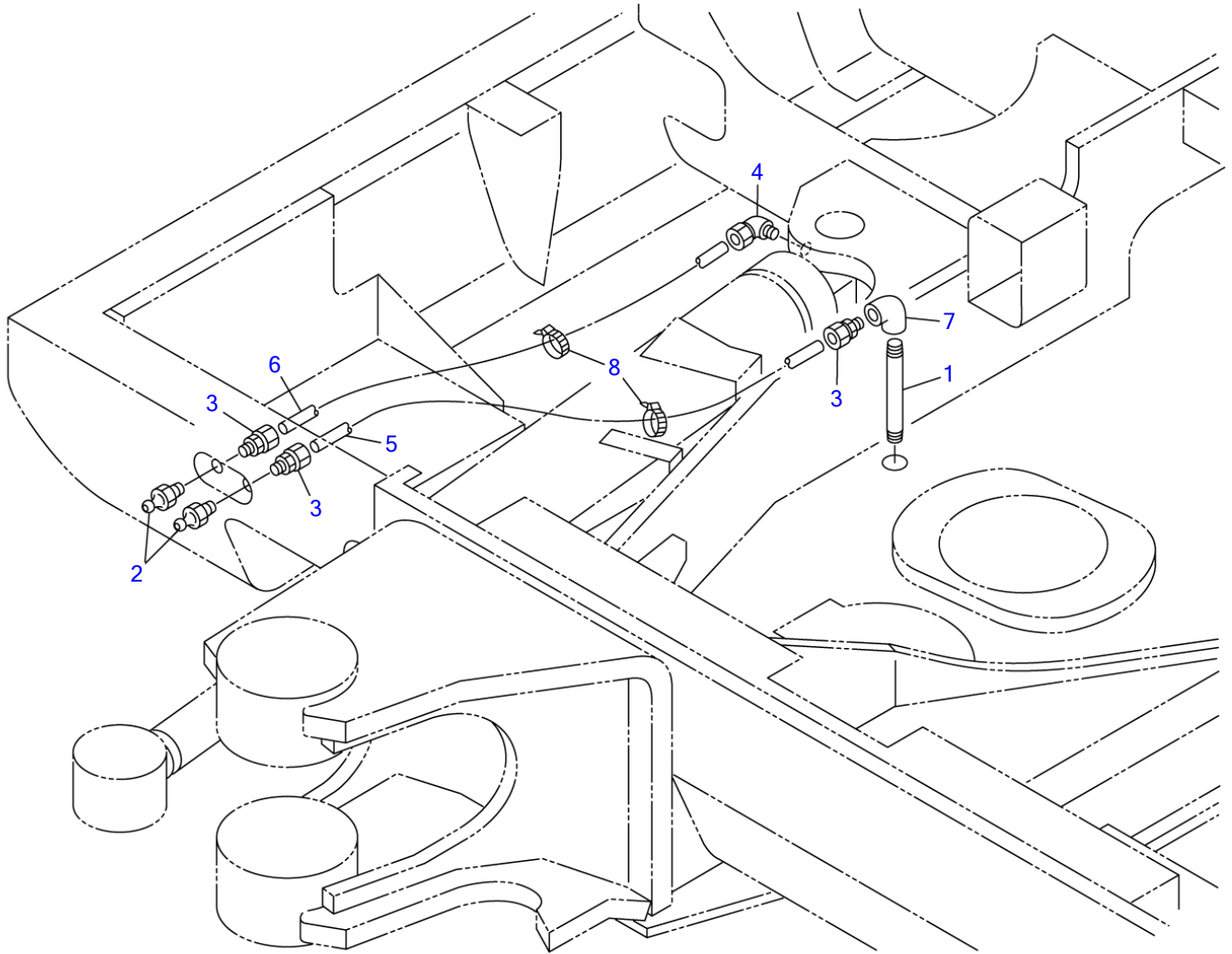
G4C210

S=1/6, 1/18

**BEACON SOCKET**

| Item | Part number       | Description                       | Q'ty | Chan. | Serial No. | Serv. | Remarks        |
|------|-------------------|-----------------------------------|------|-------|------------|-------|----------------|
|      |                   | SOCKET ASSY, beacon               |      |       |            |       | X03784-04000-0 |
|      |                   | SOCKET ASSY, beacon (with heater) |      |       |            |       | X03784-04100-0 |
| 1    | <b>0378404010</b> | HARNESS, wiring                   | 1    |       |            |       |                |
| 2    | <b>0378404020</b> | HARNESS, wiring                   | 1    |       |            |       | without heater |
| 3    | <b>0394203100</b> | SOCKET ASSY                       | 1    |       |            |       |                |
| 4    | <b>1652900006</b> | CLAMP                             | 2    |       |            |       |                |
| 5    | <b>1100040814</b> | BOLT                              | 2    |       |            |       |                |
| 6    | <b>1140020008</b> | WASHER, spring                    | 2    |       |            |       |                |
| 7    | <b>0872433150</b> | TUBE                              | 2    |       |            |       |                |
| 8    | <b>1652231250</b> | BAND                              | 2    |       |            |       | without heater |
|      | <b>G4c210</b>     |                                   |      |       |            |       |                |

TB135 Book No. BG4Z010 S/N 13510004-  
GREASE PIPING



G4D010

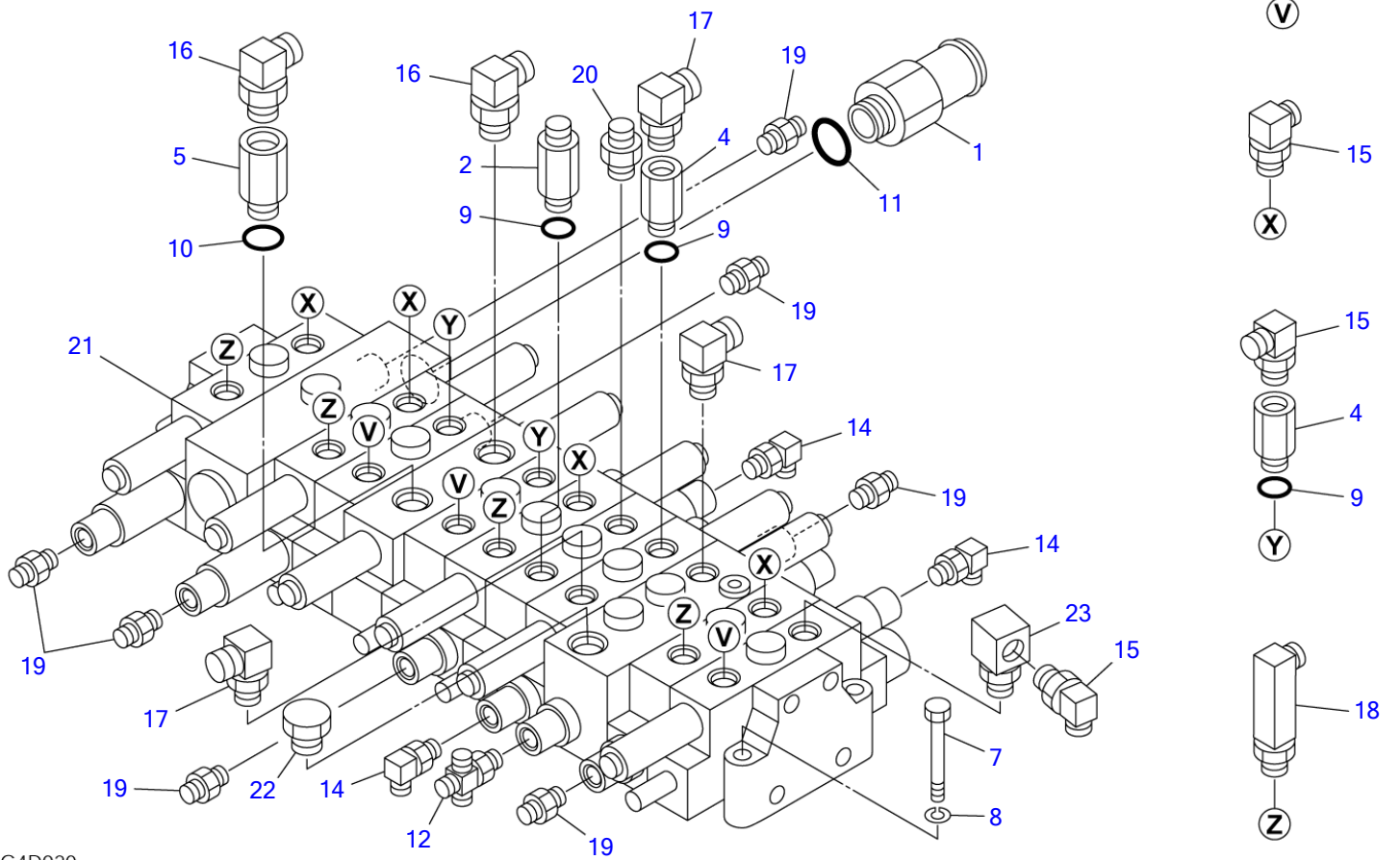
S=1/6



**GREASE PIPING**

| Item | Part number | Description        | Q'ty | Chan. | Serial No. | Serv. | Remarks           |
|------|-------------|--------------------|------|-------|------------|-------|-------------------|
|      |             | PIPIG ASSY, grease |      |       |            |       | X03724-03000-2    |
| 1    | 0009101090  | NIPPLE             | 1    |       |            |       |                   |
| 2    | 1560001000  | FITTING, grease    | 2    |       |            |       |                   |
| 3    | 1532520601  | CONNECTOR          | 3    |       |            |       |                   |
| 4    | 1532620601  | ELBOW              | 1    |       |            |       |                   |
| 5    | 1532020666  | TUBE               | 1    |       |            |       | sold by the meter |
| 6    | 1532020665  | TUBE               | 1    |       |            |       | sold by the meter |
| 7    | 1508010001  | ELBOW              | 1    |       |            |       |                   |
| 8    | 1652231140  | BAND               | 2    |       |            |       |                   |
|      | G4d011      |                    |      |       |            |       |                   |

TB135 Book No. BG4Z010 S/N 13510004-  
**VALVE & ACCESSORIES (13510004-13510135)**



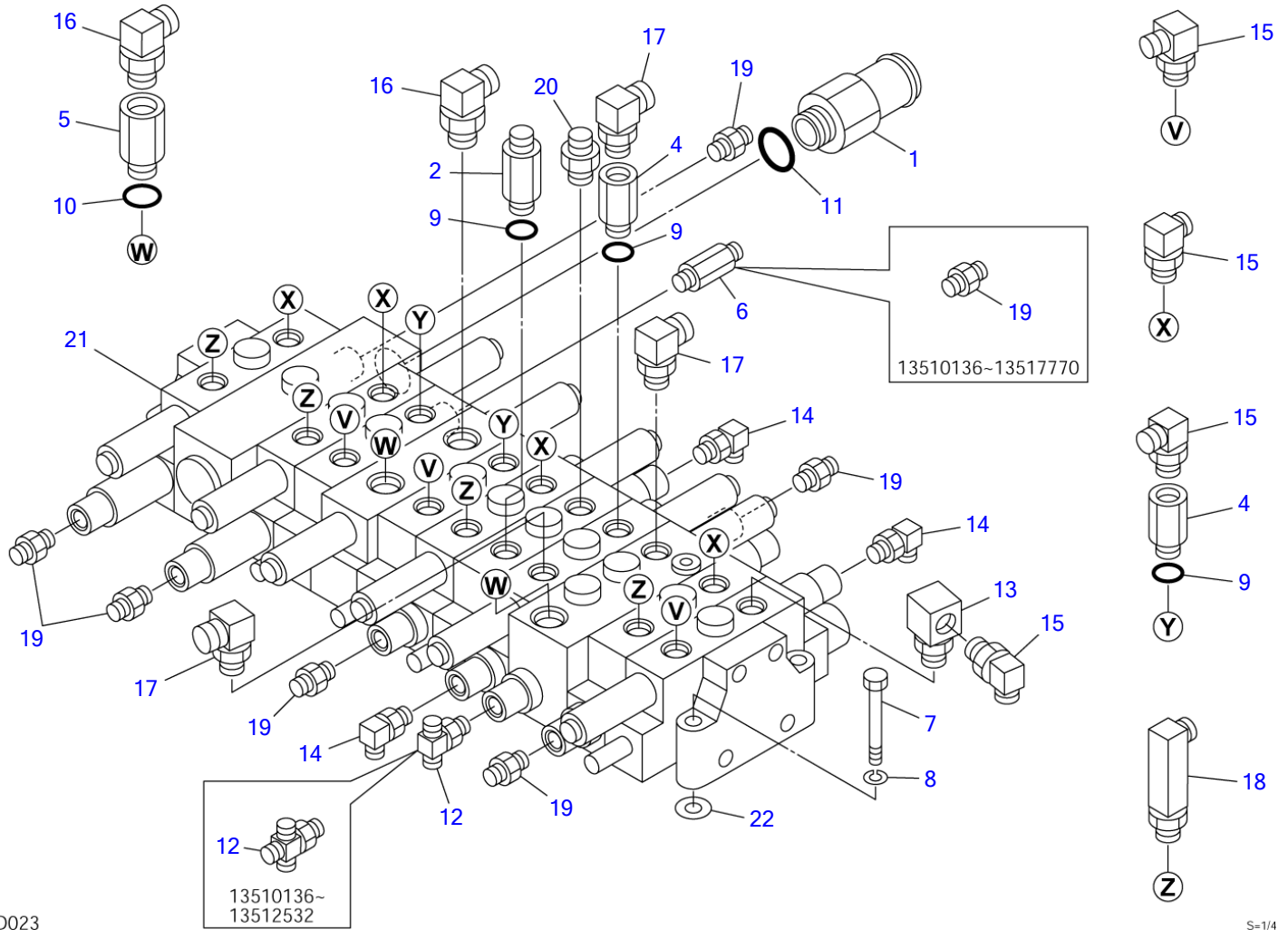
G4D020

S=1/4

**VALVE & ACCESSORIES (13510004-13510135)**

| Item | Part number | Description         | Q'ty | Chan. | Serial No. | Serv. | Remarks        |
|------|-------------|---------------------|------|-------|------------|-------|----------------|
|      |             | VALVE ASSY, control |      |       |            |       | X03750-12000-1 |
| 1    | 0375012001  | NIPPLE              | 1    |       |            |       |                |
| 2    | 0007203021  | BUSHING             | 1    |       |            |       |                |
| 4    | 0007213016  | BUSHING             | 3    |       |            |       |                |
| 5    | 0007213029  | BUSHING             | 1    |       |            |       |                |
| 7    | 1100040850  | BOLT                | 4    |       |            |       |                |
| 8    | 1140020008  | WASHER, spring      | 4    |       |            |       |                |
| 9    | 1420010140  | O-RING              | 4    |       |            |       |                |
| 10   | 1420010180  | O-RING              | 1    |       |            |       |                |
| 11   | 1420010290  | O-RING              | 1    |       |            |       |                |
| 12   | 1513390027  | CROSS               | 1    |       |            |       |                |
|      | 1420010110  | • O-RING            | 1    |       |            |       |                |
| 14   | 1515010040  | ELBOW               | 3    |       |            |       |                |
|      | 1420010110  | • O-RING            | 1    |       |            |       |                |
| 15   | 1515010041  | ELBOW               | 10   |       |            |       |                |
|      | 1420010140  | • O-RING            | 1    |       |            |       |                |
| 16   | 1515010042  | ELBOW               | 2    |       |            |       |                |
|      | 1420010180  | • O-RING            | 1    |       |            |       |                |
| 17   | 1515010131  | ELBOW               | 3    |       |            |       |                |
|      | 1420010140  | • O-RING            | 1    |       |            |       |                |
| 18   | 1515010511  | ELBOW               | 4    |       |            |       |                |
|      | 1420010140  | • O-RING            | 1    |       |            |       |                |
| 19   | 1515600200  | ADAPTOR             | 7    |       |            |       |                |
|      | 1420010110  | • O-RING            | 1    |       |            |       |                |
| 20   | 1515600201  | ADAPTOR             | 1    |       |            |       |                |
|      | 1420010140  | • O-RING            | 1    |       |            |       |                |
| 21   | 1901036400  | VALVE, control      | 1    |       |            |       |                |
| 22   | 1515600502  | PLUG                | 1    |       |            |       |                |
|      | 1420010180  | • O-RING            | 1    |       |            |       |                |
| 23   | 1513300017  | ELBOW               | 1    |       |            |       |                |
|      | 1420010140  | • O-RING            | 1    |       |            |       |                |
|      | G4d020      |                     |      |       |            |       |                |

TB135 Book No. BG4Z010 S/N 13510004-  
 VALVE & ACCESSORIES (13510136-)



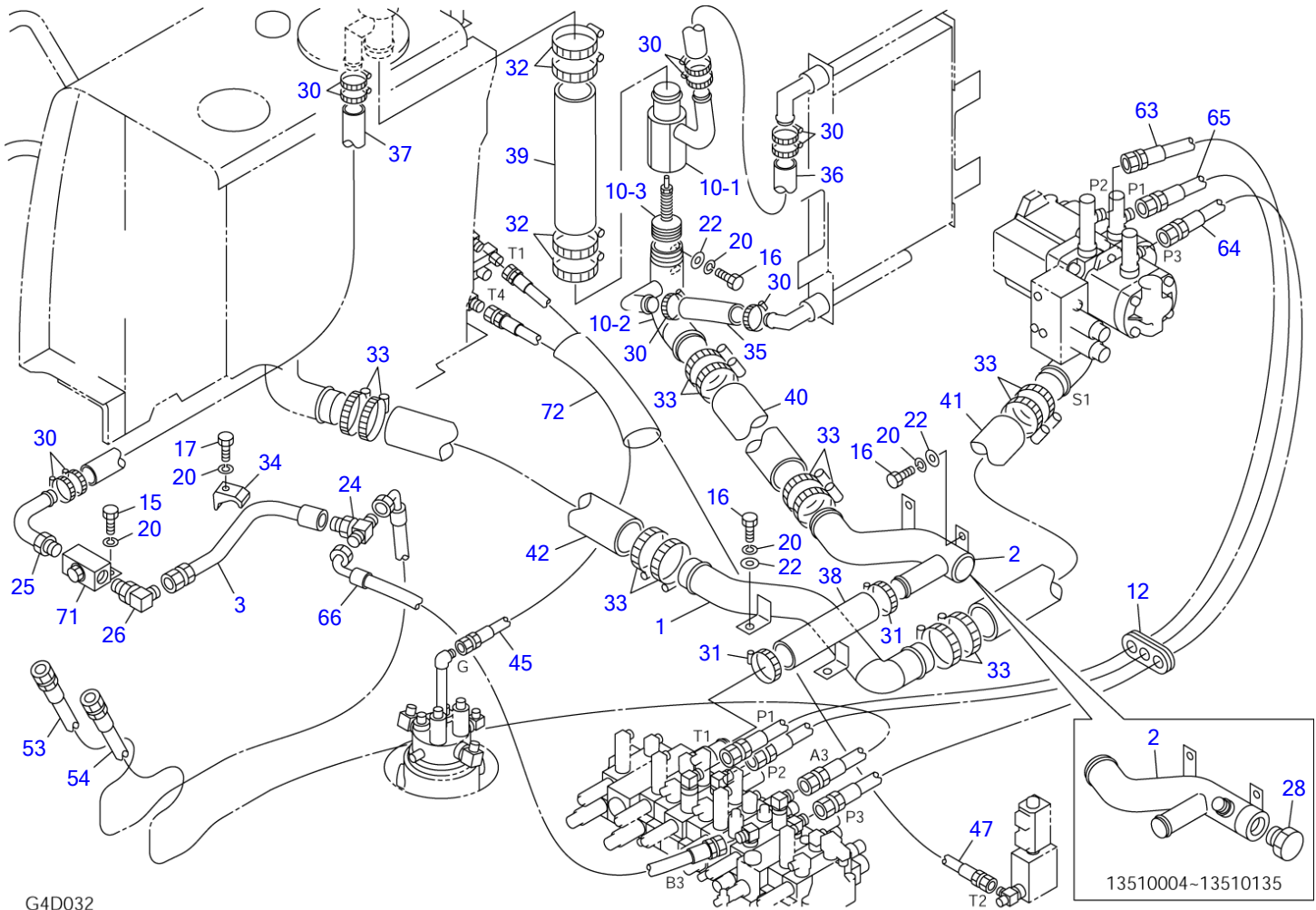
G4D023

S=1/4

**VALVE & ACCESSORIES (13510136-)**

| Item | Part number | Description         | Q'ty | Chan. | Serial No.        | Serv. | Remarks        |
|------|-------------|---------------------|------|-------|-------------------|-------|----------------|
|      |             | VALVE ASSY, control |      |       |                   |       | X03750-14000-2 |
| 1    | 0375012001  | NIPPLE              | 1    |       |                   |       |                |
| 2    | 0007203021  | BUSHING             | 1    |       |                   |       |                |
| 4    | 0007213016  | BUSHING             | 3    |       |                   |       |                |
| 5    | 0007213011  | BUSHING             | 2    |       |                   |       |                |
| 6    | 0007203034  | ADAPTOR             | 1    |       | 13517771~         |       |                |
| 7    | 1100040850  | BOLT                | 3    |       |                   |       |                |
| 8    | 1140020008  | WASHER, spring      | 3    |       |                   |       |                |
| 9    | 1420010140  | O-RING              | 4    |       |                   |       |                |
| 10   | 1420010180  | O-RING              | 2    |       |                   |       |                |
| 11   | 1420010290  | O-RING              | 1    |       |                   |       |                |
| 12   | 1513390027  | CROSS               | 1    |       | 13510136~13512532 |       |                |
|      | 1512370010  | TEE                 | 1    |       | 13512533~         |       |                |
|      | 1420010110  | • O-RING            | 1    |       |                   |       |                |
| 13   | 1513300017  | ELBOW               | 1    |       |                   |       |                |
|      | 1420010140  | • O-RING            | 1    |       |                   |       |                |
| 14   | 1515012040  | ELBOW               | 3    |       |                   |       |                |
|      | 1420010110  | • O-RING            | 1    |       |                   |       |                |
| 15   | 1515010041  | ELBOW               | 10   |       |                   |       |                |
|      | 1420010140  | • O-RING            | 1    |       |                   |       |                |
| 16   | 1515010042  | ELBOW               | 3    |       |                   |       |                |
|      | 1420010180  | • O-RING            | 1    |       |                   |       |                |
| 17   | 1515010131  | ELBOW               | 3    |       |                   |       |                |
|      | 1420010140  | • O-RING            | 1    |       |                   |       |                |
| 18   | 1515010511  | ELBOW               | 4    |       |                   |       |                |
|      | 1420010140  | • O-RING            | 1    |       |                   |       |                |
| 19   | 1515600200  | ADAPTOR             | 6    |       |                   |       |                |
|      | 1420010110  | • O-RING            | 1    |       |                   |       |                |
| 20   | 1515600201  | ADAPTOR             | 1    |       |                   |       |                |
|      | 1420010140  | • O-RING            | 1    |       |                   |       |                |
| 21   | 1901036400  | VALVE, control      | 1    |       | 13510136~13511440 |       |                |
|      | 1901039400  | VALVE, control      | 1    | (H)   | 13511441~         |       |                |
| 22   | 1141110008  | WASHER              | 3    |       | 13510229~         |       |                |
|      | G4d024      |                     |      |       |                   |       |                |

TB135 Book No. BG4Z010 S/N 13510004-  
PIPING; UPPER (1/2) (13510004-13512532)



G4D032

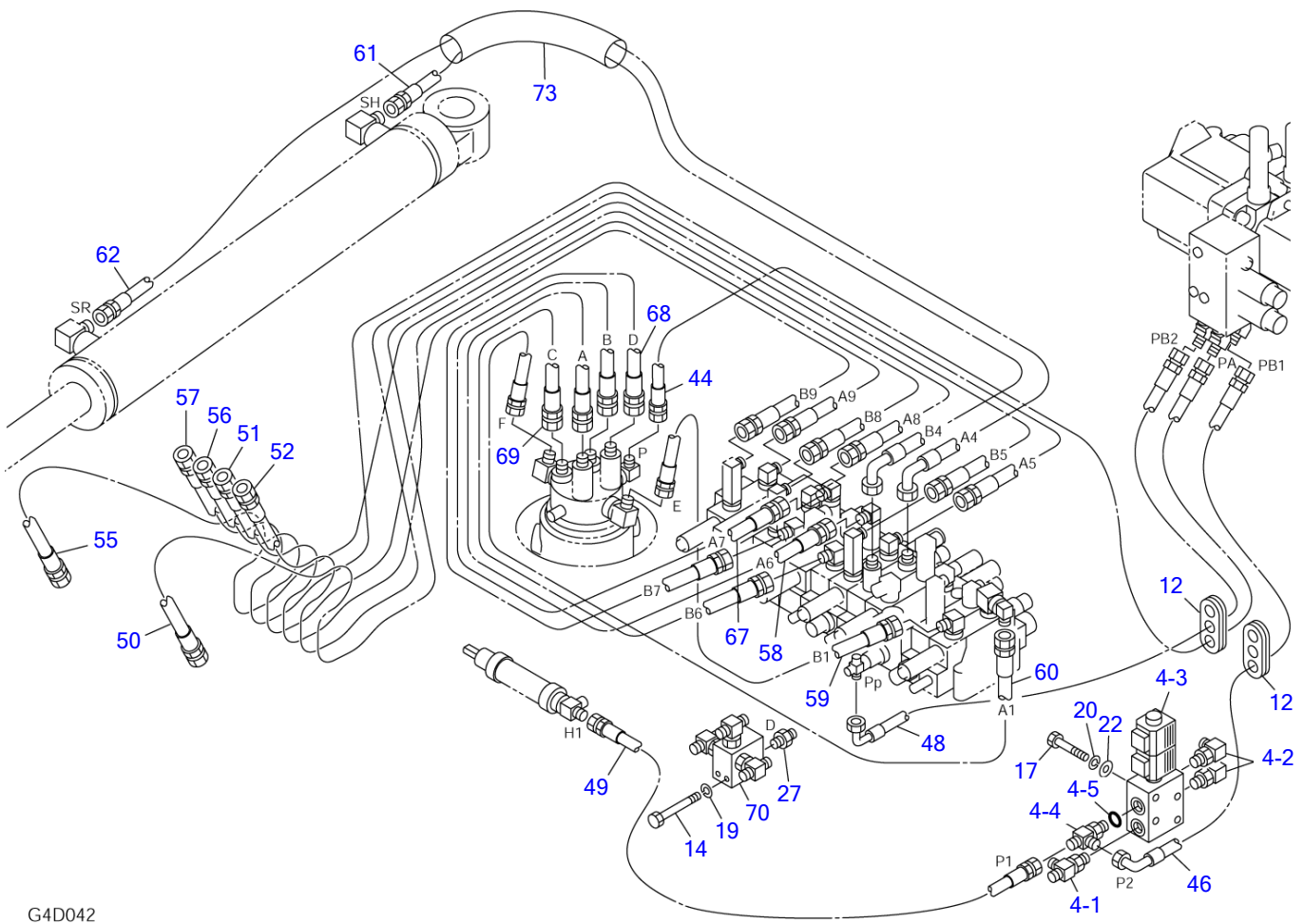
13510004~13510135

S=1/10

PIPING; UPPER (1/2) (13510004-13512532)

| Item | Part number  | Description        | Q'ty | Chan. | Serial No.        | Serv. | Remarks           |
|------|--------------|--------------------|------|-------|-------------------|-------|-------------------|
|      |              | PIPING ASSY, upper |      |       |                   |       | X03770-09000-3    |
| 1    | 0377008010   | PIPE               | 1    |       |                   |       |                   |
| 2    | 0377008020   | PIPE               | 1    |       | 13510004~13510135 |       |                   |
|      | 0377009020   | PIPE               | 1    |       | 13510136~13512532 |       |                   |
| 3    | 0377008030   | PIPE               | 1    |       |                   |       |                   |
| 10   | X 0377008100 | MANIFOLD ASSY      | 1    |       |                   |       |                   |
| 10-1 | 0377008110   | • PIPE             | 1    |       |                   |       |                   |
| 10-2 | 0377008120   | • PIPE             | 1    |       |                   |       |                   |
| 10-3 | 1540141225   | • VALVE, check     | 1    |       |                   |       |                   |
| 12   | 0097022400   | GUARD              | 1    |       |                   |       |                   |
| 15   | 1100040816   | BOLT               | 2    |       |                   |       |                   |
| 16   | 1100040830   | BOLT               | 6    |       |                   |       |                   |
| 17   | 1100040850   | BOLT               | 1    |       |                   |       |                   |
| 20   | 1140020008   | WASHER, spring     | 9    |       |                   |       |                   |
| 22   | 1141110008   | WASHER             | 6    |       |                   |       |                   |
| 24   | 1512374002   | NIPPLE             | 1    |       |                   |       |                   |
|      | 1420010180   | • O-RING           | 1    |       |                   |       |                   |
| 25   | 1513350017   | NIPPLE             | 1    |       |                   |       |                   |
|      | 1420010180   | • O-RING           | 1    |       |                   |       |                   |
| 26   | 1515010042   | ELBOW              | 1    |       |                   |       |                   |
|      | 1420010180   | • O-RING           | 1    |       |                   |       |                   |
| 28   | 1515600503   | PLUG               | 1    |       | 13510004~13510135 |       |                   |
|      | 1420010240   | • O-RING           | 1    |       |                   |       |                   |
| 30   | 1533700041   | CLIP               | 10   |       |                   |       |                   |
| 31   | 1533700048   | CLIP               | 2    |       |                   |       |                   |
| 32   | 1533700060   | BAND               | 4    |       |                   |       |                   |
| 33   | 1533700070   | CLIP               | 12   |       |                   |       |                   |
| 34   | 1534100217   | CLAMP              | 1    |       |                   |       |                   |
| 35   | 1530525015   | HOSE               | 1    |       |                   |       | sold by the meter |
| 36   | 1530525036   | HOSE               | 1    |       |                   |       | sold by the meter |
| 37   | 1530525160   | HOSE               | 1    |       |                   |       | sold by the meter |
| 38   | 1530532018   | HOSE               | 1    |       |                   |       | sold by the meter |
| 39   | 1530541029   | HOSE               | 1    |       |                   |       | sold by the meter |
| 40   | 1530547058   | HOSE               | 1    |       |                   |       | sold by the meter |
| 41   | 1530747036   | HOSE               | 1    |       |                   |       | sold by the meter |
| 42   | 1530747062   | HOSE               | 1    |       |                   |       | sold by the meter |
| 45   | 0377009410   | HOSE ASSY          | 1    |       |                   |       | 18010-22140       |
| 47   | 0377009430   | HOSE ASSY          | 1    |       |                   |       | 18010-22126       |
| 53   | 0377009530   | HOSE ASSY          | 1    |       |                   |       |                   |
| 54   | 0377009540   | HOSE ASSY          | 1    |       |                   |       |                   |
| 63   | 0377009630   | HOSE ASSY          | 1    |       |                   |       | 18015-40114       |
| 64   | 0377009640   | HOSE ASSY          | 1    |       |                   |       | 18015-40114       |
| 65   | 0377009650   | HOSE ASSY          | 1    |       |                   |       | 18015-41022       |
| 66   | 0377009660   | HOSE ASSY          | 1    |       |                   |       |                   |
| 71   | 1901719800   | VALVE, stop        | 1    |       |                   |       |                   |
| 72   | 1531645065   | PROTECTOR          | 1    |       |                   |       | sold by the meter |
|      | G4d032       |                    |      |       |                   |       |                   |

TB135 Book No. BG4Z010 S/N 13510004-  
PIPING; UPPER (2/2) (13510004-13512532)



G4D042

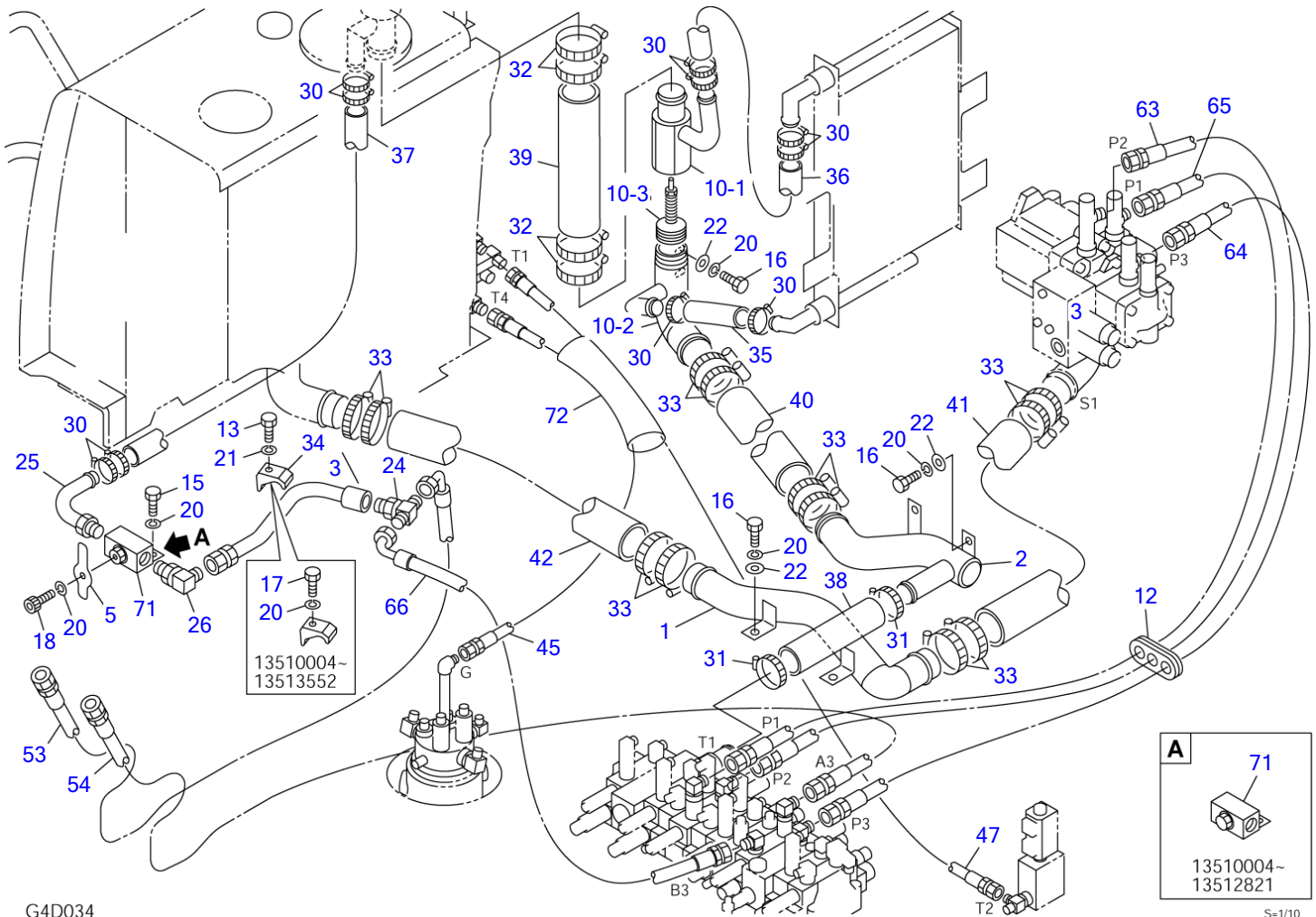
S=1/8



**PIPING; UPPER (2/2) (13510004-13512532)**

| Item | Part number  | Description        | Q'ty | Chan. | Serial No. | Serv. | Remarks           |
|------|--------------|--------------------|------|-------|------------|-------|-------------------|
|      |              | PIPING ASSY, upper |      |       |            |       | X03770-09000-3    |
| 4    | X 0377008040 | VALVE, solenoid    | 1    |       |            |       |                   |
| 4-1  | 1512370011   | • TEE              | 1    |       |            |       |                   |
|      | 1420010110   | • • O-RING         | 1    |       |            |       |                   |
| 4-2  | 1515010040   | • ELBOW            | 2    |       |            |       |                   |
|      | 1420010110   | • • O-RING         | 1    |       |            |       |                   |
| 4-3  | 1901731500   | • VALVE, solenoid  | 1    |       |            |       |                   |
| 4-4  | 0377008041   | • TEE              | 1    |       |            |       |                   |
| 4-5  | 1420010110   | • O-RING           | 1    |       |            |       |                   |
| 12   | 0097022400   | GUARD              | 2    |       |            |       |                   |
| 14   | 1100040660   | BOLT               | 2    |       |            |       |                   |
| 17   | 1100040850   | BOLT               | 2    |       |            |       |                   |
| 19   | 1140020006   | WASHER, spring     | 2    |       |            |       |                   |
| 20   | 1140020008   | WASHER, spring     | 2    |       |            |       |                   |
| 22   | 1141110008   | WASHER             | 2    |       |            |       |                   |
| 27   | 1515600200   | ADAPTOR            | 1    |       |            |       |                   |
|      | 1420010110   | • O-RING           | 1    |       |            |       |                   |
| 44   | 0377009400   | HOSE ASSY          | 1    |       |            |       | 18010-22124       |
| 46   | 0377009420   | HOSE ASSY          | 1    |       |            |       | 18010-52054       |
| 48   | 0377009440   | HOSE ASSY          | 1    |       |            |       | 18010-52080       |
| 49   | 0377009450   | HOSE ASSY          | 1    |       |            |       | 18010-22100       |
| 50   | 0377009500   | HOSE ASSY          | 1    |       |            |       |                   |
| 51   | 0377009510   | HOSE ASSY          | 1    |       |            |       |                   |
| 52   | 0377009520   | HOSE ASSY          | 1    |       |            |       |                   |
| 55   | 0377009550   | HOSE ASSY          | 1    |       |            |       |                   |
| 56   | 0377009560   | HOSE ASSY          | 1    |       |            |       |                   |
| 57   | 0377009570   | HOSE ASSY          | 1    |       |            |       |                   |
| 58   | 0377009580   | HOSE ASSY          | 1    |       |            |       | 18015-20060       |
| 59   | 0377009590   | HOSE ASSY          | 1    |       |            |       | 18015-20072       |
| 60   | 0377009600   | HOSE ASSY          | 1    |       |            |       | 18015-20092       |
| 61   | 0377009610   | HOSE ASSY          | 1    |       |            |       | 18018-21140       |
| 62   | 0377009620   | HOSE ASSY          | 1    |       |            |       | 18018-21195       |
| 67   | 0377009670   | HOSE ASSY          | 1    |       |            |       | 18015-20058       |
| 68   | 0377009680   | HOSE ASSY          | 1    |       |            |       | 18015-20050       |
| 69   | 0377009690   | HOSE ASSY          | 1    |       |            |       | 18015-20058       |
| 70   | 1901721800   | VALVE, shuttle     | 1    |       |            |       |                   |
| 73   | 1531335020   | PROTECTOR          | 1    |       |            |       | sold by the meter |
|      | G4d042       |                    |      |       |            |       |                   |

TB135 Book No. BG4Z010 S/N 13510004-  
 PIPING; UPPER (1/2) (13512533-13514050)



G4D034

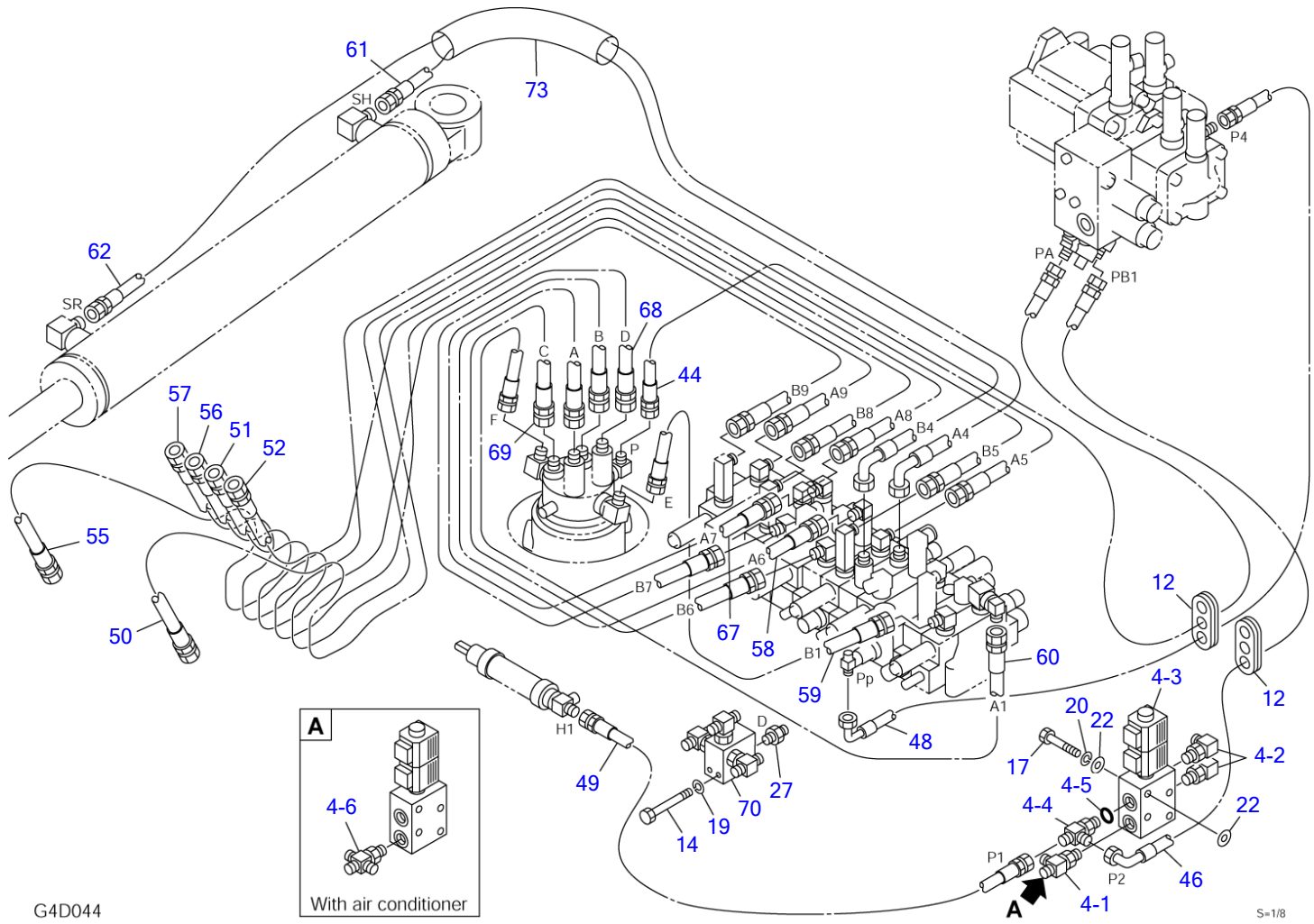
S=1/10

**PIPING; UPPER (1/2) (13512533-13514050)**

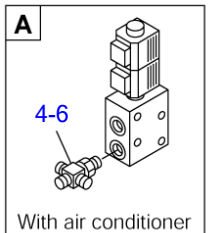
| Item | Part number  | Description                               | Q'ty | Chan. | Serial No.        | Serv. | Remarks           |
|------|--------------|---|------|-------|-------------------|-------|-------------------|
|      |              | PIPING ASSY, upper                        |      |       |                   |       | X03770-10000-4    |
|      |              | PIPING ASSY, upper (with air conditioner) |      |       |                   |       | X03770-10200-4    |
| 1    | 0377008010   | PIPE                                      | 1    |       |                   |       |                   |
| 2    | 0377009020   | PIPE                                      | 1    |       |                   |       |                   |
| 3    | 0377008030   | PIPE                                      | 1    |       |                   |       |                   |
| 5    | 0357007050   | LEVER                                     | 1    |       | 13512821~         |       |                   |
| 10   | X 0377008100 | MANIFOLD ASSY                             | 1    |       |                   |       |                   |
| 10-1 | 0377008110   | • PIPE                                    | 1    |       |                   |       |                   |
| 10-2 | 0377008120   | • PIPE                                    | 1    |       |                   |       |                   |
| 10-3 | 1540141225   | • VALVE, check                            | 1    |       |                   |       |                   |
| 12   | 0097022400   | GUARD                                     | 1    |       |                   |       |                   |
| 13   | 1100041045   | BOLT                                      | 1    |       | 13513553~         |       |                   |
| 15   | 1100040820   | BOLT                                      | 2    |       |                   |       |                   |
| 16   | 1100040830   | BOLT                                      | 6    |       |                   |       |                   |
| 17   | 1100040850   | BOLT                                      | 1    |       | 13510004~13513552 |       |                   |
| 18   | 1110040820   | SCREW, cap                                | 1    |       | 13512821~         |       |                   |
| 20   | 1140020008   | WASHER, spring                            | 12   |       | 13510004~13513552 |       |                   |
|      | 1140020008   | WASHER, spring                            | 11   |       | 13513553~         |       |                   |
| 21   | 1140020010   | WASHER, spring                            | 1    |       | 13513553~         |       |                   |
| 22   | 1141110008   | WASHER                                    | 6    |       |                   |       |                   |
| 24   | 1512374002   | NIPPLE                                    | 1    |       |                   |       |                   |
|      | 1420010180   | • O-RING                                  | 1    |       |                   |       |                   |
| 25   | 1513350017   | NIPPLE                                    | 1    |       |                   |       |                   |
|      | 1420010180   | • O-RING                                  | 1    |       |                   |       |                   |
| 26   | 1515010042   | ELBOW                                     | 1    |       |                   |       |                   |
|      | 1420010180   | • O-RING                                  | 1    |       |                   |       |                   |
| 30   | 1533700041   | CLIP                                      | 10   |       |                   |       |                   |
| 31   | 1533700048   | CLIP                                      | 2    |       |                   |       |                   |
| 32   | 1533700060   | BAND                                      | 4    |       |                   |       |                   |
| 33   | 1533700070   | CLIP                                      | 12   |       |                   |       |                   |
| 34   | 1534100217   | CLAMP                                     | 1    |       | 13510004~13513552 |       |                   |
|      | 1534100218   | CLAMP                                     | 1    |       | 13513553~         |       |                   |
| 35   | 1530525015   | HOSE                                      | 1    |       |                   |       | sold by the meter |
| 36   | 1530525036   | HOSE                                      | 1    |       |                   |       | sold by the meter |
| 37   | 1530525160   | HOSE                                      | 1    |       |                   |       | sold by the meter |
| 38   | 1530532018   | HOSE                                      | 1    |       |                   |       | sold by the meter |
| 39   | 1530541029   | HOSE                                      | 1    |       |                   |       | sold by the meter |
| 40   | 1530547058   | HOSE                                      | 1    |       |                   |       | sold by the meter |
| 41   | 1530747036   | HOSE                                      | 1    |       |                   |       | sold by the meter |
| 42   | 1530747062   | HOSE                                      | 1    |       |                   |       | sold by the meter |
| 45   | 0377009410   | HOSE ASSY                                 | 1    |       |                   |       | 18010-22140       |
| 47   | 0377009430   | HOSE ASSY                                 | 1    |       |                   |       | 18010-22126       |
| 53   | 0377009530   | HOSE ASSY                                 | 1    |       |                   |       |                   |
| 54   | 0377009540   | HOSE ASSY                                 | 1    |       |                   |       |                   |
| 63   | 0377009630   | HOSE ASSY                                 | 1    |       |                   |       | 18015-40114       |
| 64   | 0377009640   | HOSE ASSY                                 | 1    |       |                   |       | 18015-40114       |
| 65   | 0377009650   | HOSE ASSY                                 | 1    |       |                   |       | 18015-41022       |
| 66   | 0377009660   | HOSE ASSY                                 | 1    |       |                   |       |                   |
| 71   | 1901719800   | VALVE, stop                               | 1    |       | 13510004~13512820 |       |                   |
|      | 1901742000   | VALVE, stop                               | 1    | (H)   | 13512821~         |       |                   |
| 72   | 1531645065   | PROTECTOR                                 | 1    |       |                   |       | sold by the meter |

G4d035

TB135 Book No. BG4Z010 S/N 13510004-  
 PIPING; UPPER (2/2) (13512533-13514050)



G4D044



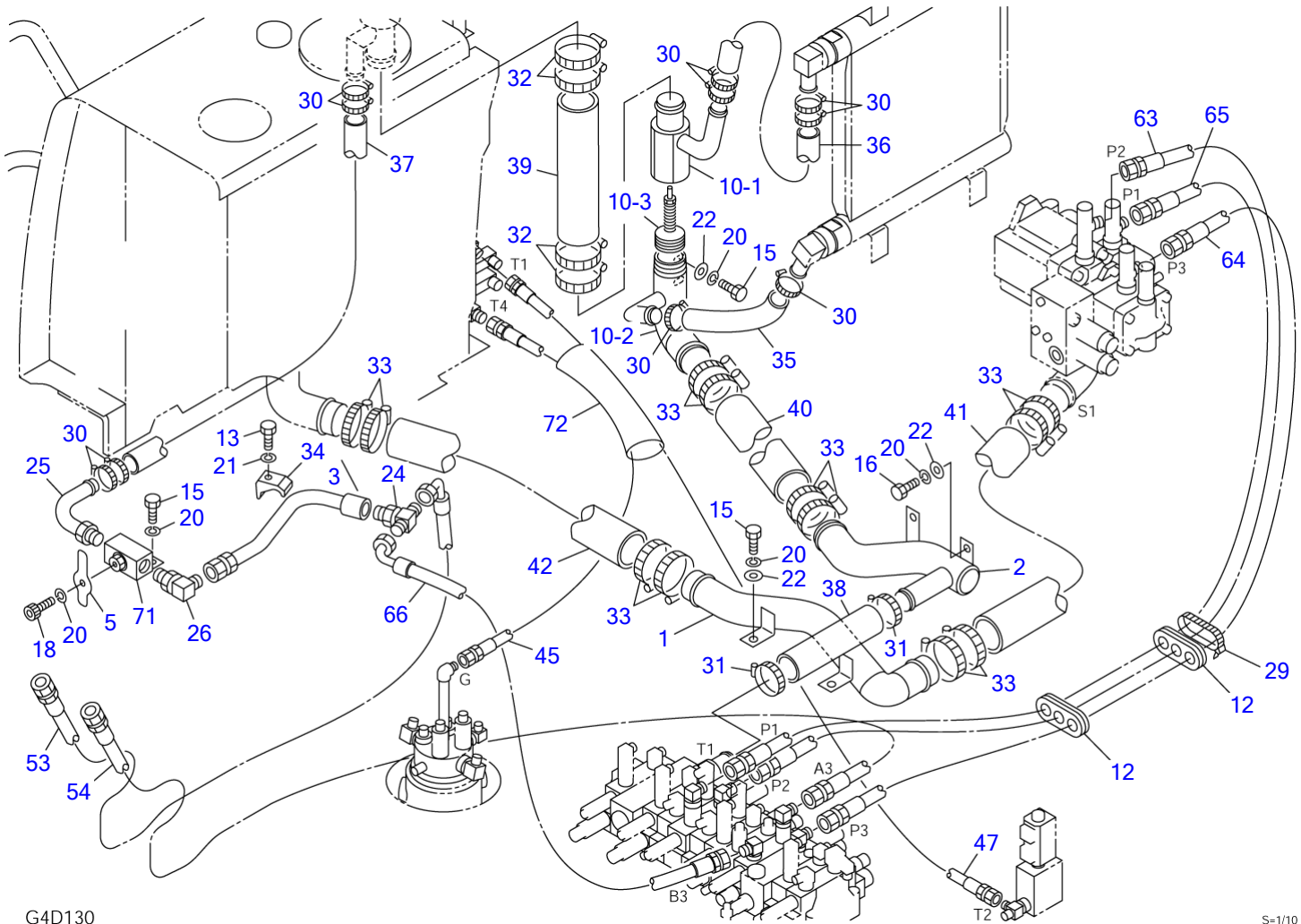
S=1/8

**PIPING; UPPER (2/2) (13512533-13514050)**

| Item | Part number  | Description                               | Q'ty | Chan. | Serial No. | Serv. | Remarks           |
|------|--------------|---|------|-------|------------|-------|-------------------|
|      |              | PIPING ASSY, upper                        |      |       |            |       | X03770-10000-4    |
|      |              | PIPING ASSY, upper (with air conditioner) |      |       |            |       | X03770-10200-4    |
| 4    | X 0377008040 | VALVE ASSY, solenoid                      | 1    |       |            |       |                   |
|      | X 0377010210 | VALVE ASSY, solenoid                      | 1    |       |            |       | with air con.     |
| 4-1  | 1512370011   | • TEE                                     | 1    |       |            |       |                   |
|      | 1420010110   | • • O-RING                                | 1    |       |            |       |                   |
| 4-2  | 1515012040   | • ELBOW                                   | 2    |       |            |       |                   |
|      | 1420010110   | • • O-RING                                | 1    |       |            |       |                   |
| 4-3  | 1901731500   | • VALVE, solenoid                         | 1    |       |            |       |                   |
| 4-4  | 0377008041   | • TEE                                     | 1    |       |            |       |                   |
| 4-5  | 1420010110   | • O-RING                                  | 1    |       |            |       |                   |
| 4-6  | 1513390027   | • CROSS                                   | 1    |       |            |       | with air con.     |
|      | 1420010110   | • • O-RING                                | 1    |       |            |       |                   |
| 12   | 0097022400   | GUARD                                     | 2    |       |            |       |                   |
| 14   | 1100040660   | BOLT                                      | 2    |       |            |       |                   |
| 17   | 1100040850   | BOLT                                      | 2    |       |            |       |                   |
| 19   | 1140020006   | WASHER, spring                            | 2    |       |            |       |                   |
| 20   | 1140020008   | WASHER, spring                            | 2    |       |            |       |                   |
| 22   | 1141110008   | WASHER                                    | 4    |       |            |       |                   |
| 27   | 1515600200   | ADAPTOR                                   | 1    |       |            |       |                   |
|      | 1420010110   | • O-RING                                  | 1    |       |            |       |                   |
| 44   | 0377010100   | HOSE ASSY                                 | 1    |       |            |       | 18010-22126       |
| 46   | 0377009420   | HOSE ASSY                                 | 1    |       |            |       | 18010-52054       |
| 48   | 0377010110   | HOSE ASSY                                 | 1    |       |            |       | 18010-52115       |
| 49   | 0377009450   | HOSE ASSY                                 | 1    |       |            |       | 18010-22100       |
| 50   | 0377009500   | HOSE ASSY                                 | 1    |       |            |       |                   |
| 51   | 0377009510   | HOSE ASSY                                 | 1    |       |            |       |                   |
| 52   | 0377009520   | HOSE ASSY                                 | 1    |       |            |       |                   |
| 55   | 0377009550   | HOSE ASSY                                 | 1    |       |            |       |                   |
| 56   | 0377009560   | HOSE ASSY                                 | 1    |       |            |       |                   |
| 57   | 0377009570   | HOSE ASSY                                 | 1    |       |            |       |                   |
| 58   | 0377009580   | HOSE ASSY                                 | 1    |       |            |       | 18015-20060       |
| 59   | 0377009590   | HOSE ASSY                                 | 1    |       |            |       | 18015-20072       |
| 60   | 0377009600   | HOSE ASSY                                 | 1    |       |            |       | 18015-20092       |
| 61   | 0377009610   | HOSE ASSY                                 | 1    |       |            |       | 18018-21140       |
| 62   | 0377009620   | HOSE ASSY                                 | 1    |       |            |       | 18018-21195       |
| 67   | 0377009670   | HOSE ASSY                                 | 1    |       |            |       | 18015-20058       |
| 68   | 0377009680   | HOSE ASSY                                 | 1    |       |            |       | 18015-20050       |
| 69   | 0377009690   | HOSE ASSY                                 | 1    |       |            |       | 18015-20058       |
| 70   | 1901721800   | VALVE, shuttle                            | 1    |       |            |       |                   |
| 73   | 1531335020   | PROTECTOR                                 | 1    |       |            |       | sold by the meter |

G4d044

TB135 Book No. BG4Z010 S/N 13510004-  
PIPING; UPPER (1/2) (13514051-)

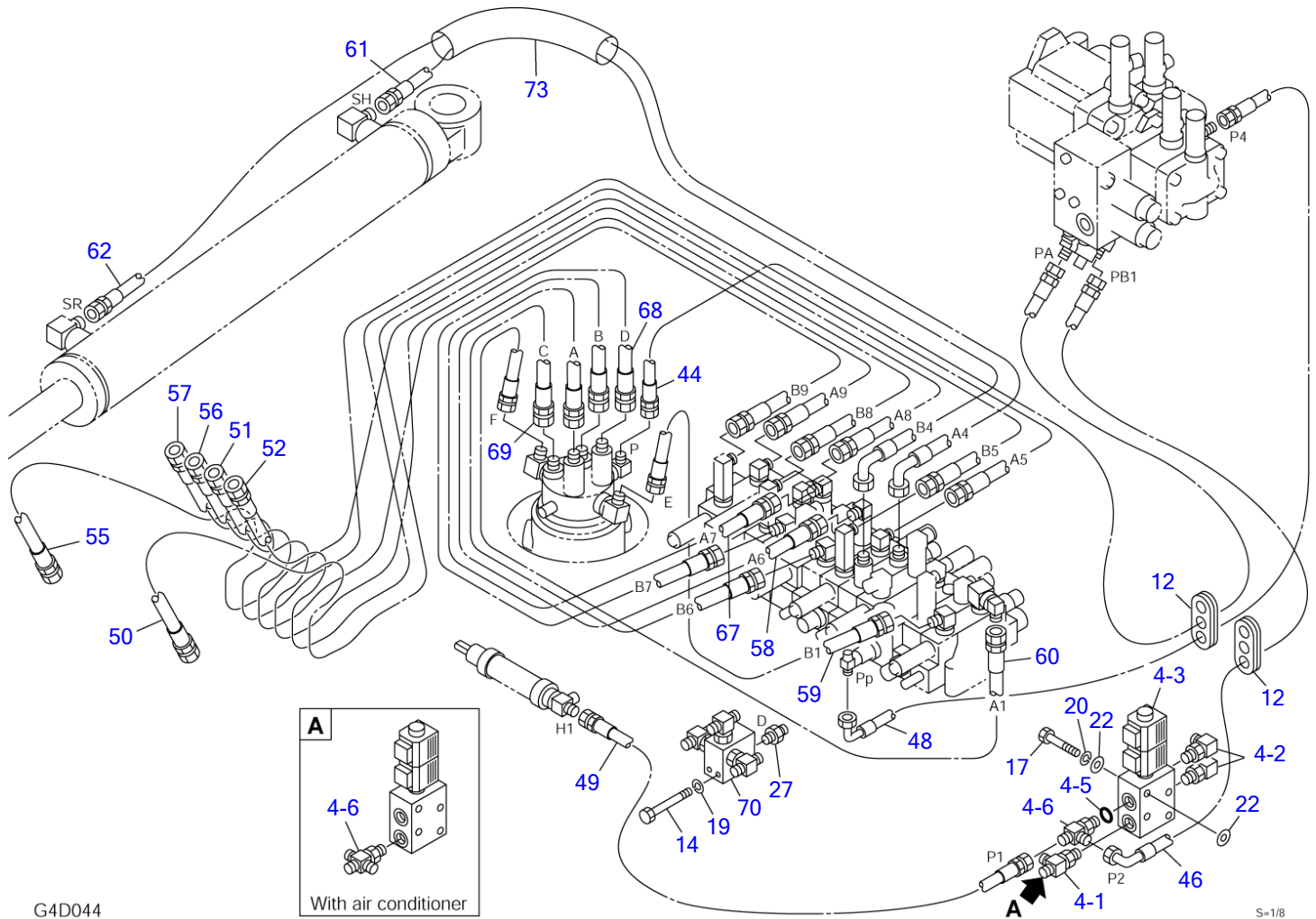


G4D130

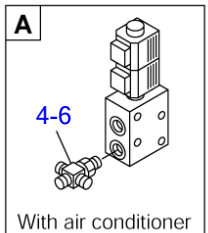
S-1/10

| PIPING; UPPER (1/2) (13514051-) |              |   |      |       |            |       |                   |
|---------------------------------|--------------|---|------|-------|------------|-------|-------------------|
| Item                            | Part number  | Description                               | Q'ty | Chan. | Serial No. | Serv. | Remarks           |
|                                 |              | PIPING ASSY, upper                        |      |       |            |       | X03770-14000-7    |
|                                 |              | PIPING ASSY, upper (with air conditioner) |      |       |            |       | X03770-15000-7    |
| 1                               | 0377008010   | PIPE                                      | 1    |       |            |       |                   |
| 2                               | 0377009020   | PIPE                                      | 1    |       |            |       |                   |
| 3                               | 0377008030   | PIPE                                      | 1    |       |            |       |                   |
| 5                               | 0357007050   | LEVER                                     | 1    |       |            |       |                   |
| 10                              | X 0377014200 | MANIFOLD ASSY                             | 1    |       |            |       |                   |
| 10-1                            | 0377014210   | • PIPE                                    | 1    |       |            |       |                   |
| 10-2                            | 0377014220   | • PIPE                                    | 1    |       |            |       |                   |
| 10-3                            | 1540141225   | • VALVE, check                            | 1    |       |            |       |                   |
| 12                              | 0097022400   | GUARD                                     | 2    |       |            |       |                   |
| 13                              | 1100041045   | BOLT                                      | 1    |       |            |       |                   |
| 15                              | 1100040820   | BOLT                                      | 6    |       |            |       |                   |
| 16                              | 1100040825   | BOLT                                      | 2    |       |            |       |                   |
| 18                              | 1110040820   | SCREW, cap                                | 1    |       |            |       |                   |
| 20                              | 1140020008   | WASHER, spring                            | 11   |       |            |       |                   |
| 21                              | 1140020010   | WASHER, spring                            | 1    |       |            |       |                   |
| 22                              | 1141110008   | WASHER                                    | 6    |       |            |       |                   |
| 24                              | 1512374002   | NIPPLE                                    | 1    |       |            |       |                   |
|                                 | 1420010180   | • O-RING                                  | 1    |       |            |       |                   |
| 25                              | 1513350017   | NIPPLE                                    | 1    |       |            |       |                   |
|                                 | 1420010180   | • O-RING                                  | 1    |       |            |       |                   |
| 26                              | 1515010042   | ELBOW                                     | 1    |       |            |       |                   |
|                                 | 1420010180   | • O-RING                                  | 1    |       |            |       |                   |
| 29                              | 1652201005   | BAND                                      | 1    |       | 13518305~  |       |                   |
| 30                              | 1533700041   | CLIP                                      | 10   |       |            |       |                   |
| 31                              | 1533700048   | CLIP                                      | 2    |       |            |       |                   |
| 32                              | 1533700060   | BAND                                      | 4    |       |            |       |                   |
| 33                              | 1533700070   | CLIP                                      | 12   |       |            |       |                   |
| 34                              | 1534100218   | CLAMP                                     | 1    |       |            |       |                   |
| 35                              | 1530525014   | HOSE                                      | 1    |       |            |       | sold by the meter |
| 36                              | 1530525032   | HOSE                                      | 1    |       |            |       | sold by the meter |
| 37                              | 1530525157   | HOSE                                      | 1    |       |            |       | sold by the meter |
| 38                              | 1530532018   | HOSE                                      | 1    |       |            |       | sold by the meter |
| 39                              | 1530541029   | HOSE                                      | 1    |       |            |       | sold by the meter |
| 40                              | 1530547058   | HOSE                                      | 1    |       |            |       | sold by the meter |
| 41                              | 1530747036   | HOSE                                      | 1    |       |            |       | sold by the meter |
| 42                              | 1530747062   | HOSE                                      | 1    |       |            |       | sold by the meter |
| 45                              | 0377009410   | HOSE ASSY                                 | 1    |       |            |       | 18010-22140       |
| 47                              | 0377009430   | HOSE ASSY                                 | 1    |       |            |       | 18010-22126       |
| 53                              | 0377009530   | HOSE ASSY                                 | 1    |       |            |       |                   |
| 54                              | 0377009540   | HOSE ASSY                                 | 1    |       |            |       |                   |
| 63                              | 0377009630   | HOSE ASSY                                 | 1    |       |            |       | 18015-40114       |
| 64                              | 0377009640   | HOSE ASSY                                 | 1    |       |            |       | 18015-40105       |
| 65                              | 0377009650   | HOSE ASSY                                 | 1    |       |            |       | 18015-41022       |
| 66                              | 0377009660   | HOSE ASSY                                 | 1    |       |            |       |                   |
| 71                              | 1901742000   | VALVE, stop                               | 1    |       |            |       |                   |
| 72                              | 1531645065   | PROTECTOR                                 | 1    |       |            |       | sold by the meter |
|                                 | G4d130       |   |      |       |            |       |                   |

TB135 Book No. BG4Z010 S/N 13510004-  
 PIPING; UPPER (2/2) (13514051-)



G4D044



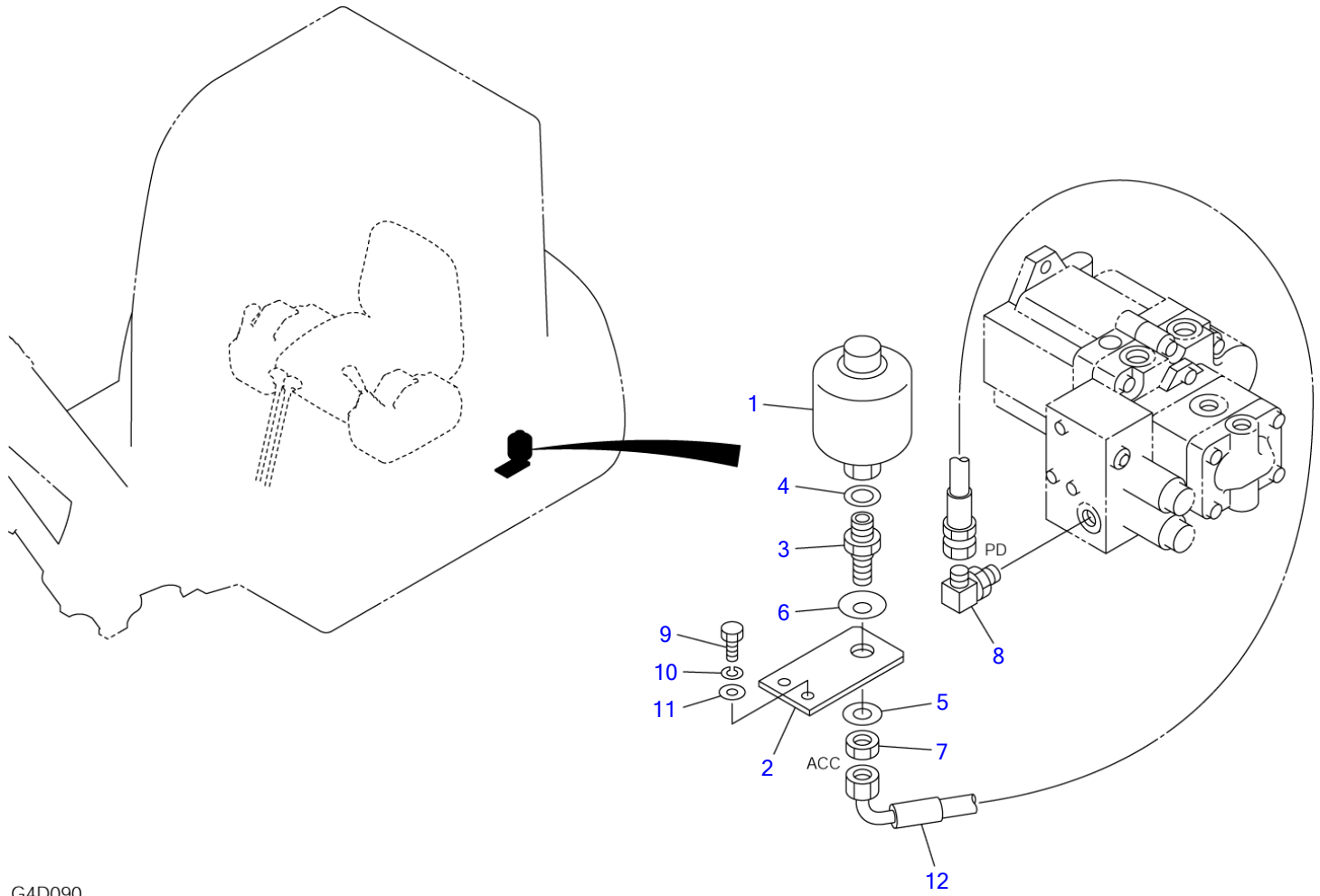
S=1/8



**PIPING; UPPER (2/2) (13514051-)**

| Item | Part number  | Description                               | Q'ty | Chan. | Serial No. | Serv. | Remarks           |
|------|--------------|---|------|-------|------------|-------|-------------------|
|      |              | PIPING ASSY, upper                        |      |       |            |       | X03770-14000-7    |
|      |              | PIPING ASSY, upper (with air conditioner) |      |       |            |       | X03770-15000-7    |
| 4    | X 0377008040 | VALVE ASSY, solenoid                      | 1    |       |            |       |                   |
|      | X 0377010210 | VALVE ASSY, solenoid                      | 1    |       |            |       | with air con.     |
| 4-1  | 1512370011   | • TEE                                     | 1    |       |            |       |                   |
|      | 1420010110   | • • O-RING                                | 1    |       |            |       |                   |
| 4-2  | 1515012040   | • ELBOW                                   | 2    |       |            |       |                   |
|      | 1420010110   | • • O-RING                                | 1    |       |            |       |                   |
| 4-3  | 1901731500   | • VALVE, solenoid                         | 1    |       |            |       |                   |
| 4-4  | 0377008041   | • TEE                                     | 1    |       |            |       |                   |
| 4-5  | 1420010110   | • O-RING                                  | 1    |       |            |       |                   |
| 4-6  | 1513390027   | • CROSS                                   | 1    |       |            |       | with air con.     |
|      | 1420010110   | • • O-RING                                | 1    |       |            |       |                   |
| 12   | 0097022400   | GUARD                                     | 2    |       |            |       |                   |
| 14   | 1100040660   | BOLT                                      | 2    |       |            |       |                   |
| 17   | 1100040850   | BOLT                                      | 2    |       |            |       |                   |
| 19   | 1140020006   | WASHER, spring                            | 2    |       |            |       |                   |
| 20   | 1140020008   | WASHER, spring                            | 2    |       |            |       |                   |
| 22   | 1141110008   | WASHER                                    | 4    |       |            |       |                   |
| 27   | 1515600200   | ADAPTOR                                   | 1    |       |            |       |                   |
|      | 1420010110   | • O-RING                                  | 1    |       |            |       |                   |
| 44   | 0377010100   | HOSE ASSY                                 | 1    |       |            |       | 18010-22126       |
| 46   | 0377009420   | HOSE ASSY                                 | 1    |       |            |       | 18010-52054       |
| 48   | 0377010110   | HOSE ASSY                                 | 1    |       |            |       | 18010-52115       |
| 49   | 0377009450   | HOSE ASSY                                 | 1    |       |            |       | 18010-22100       |
| 50   | 0377009500   | HOSE ASSY                                 | 1    |       |            |       | 18010-10370       |
| 51   | 0377009510   | HOSE ASSY                                 | 1    |       |            |       | 18018-10270       |
| 52   | 0377009520   | HOSE ASSY                                 | 1    |       |            |       | 18018-10290       |
| 55   | 0377009550   | HOSE ASSY                                 | 1    |       |            |       | 18010-10385       |
| 56   | 0377009560   | HOSE ASSY                                 | 1    |       |            |       | 18018-10290       |
| 57   | 0377009570   | HOSE ASSY                                 | 1    |       |            |       | 18018-10300       |
| 58   | 0377009580   | HOSE ASSY                                 | 1    |       |            |       | 18015-20060       |
| 59   | 0377009590   | HOSE ASSY                                 | 1    |       |            |       | 18015-20072       |
| 60   | 0377009600   | HOSE ASSY                                 | 1    |       |            |       | 18015-20092       |
| 61   | 0377009610   | HOSE ASSY                                 | 1    |       |            |       | 18018-21140       |
| 62   | 0377009620   | HOSE ASSY                                 | 1    |       |            |       | 18018-21195       |
| 67   | 0377009670   | HOSE ASSY                                 | 1    |       |            |       | 18015-20058       |
| 68   | 0377009680   | HOSE ASSY                                 | 1    |       |            |       | 18015-20050       |
| 69   | 0377009690   | HOSE ASSY                                 | 1    |       |            |       | 18015-20058       |
| 70   | 1901721800   | VALVE, shuttle                            | 1    |       |            |       |                   |
| 73   | 1531335020   | PROTECTOR                                 | 1    |       |            |       | sold by the meter |
|      | G4d049       |   |      |       |            |       |                   |

TB135 Book No. BG4Z010 S/N 13510004-  
ACCUMULATOR



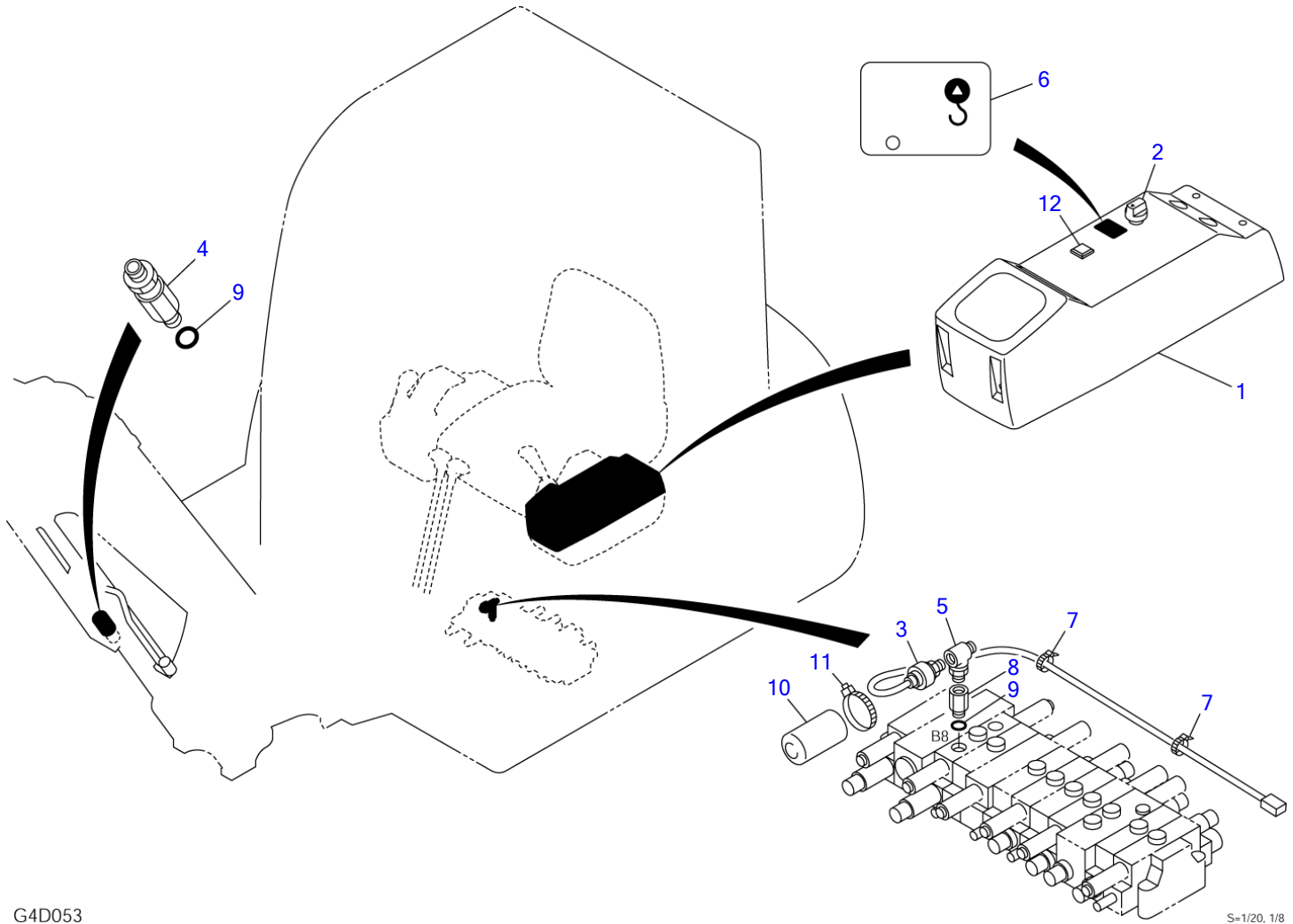
G4D090

S=1/6, 1/25

**ACCUMULATOR**

| Item | Part number   | Description                | Q'ty | Chan. | Serial No.        | Serv. | Remarks        |
|------|---------------|----------------------------|------|-------|-------------------|-------|----------------|
|      |               | ACCUMULATOR ASSY           | 1    |       |                   |       | X03750-16000-1 |
| 1    | 1552200020    | ACCUMULATOR                | 1    |       |                   |       |                |
| 2    | 0375016010    | BRACKET                    | 1    |       |                   |       |                |
| 3    | 0565033140    | ADAPTOR                    | 1    | A     | 13512533~13512676 |       |                |
|      | 0007200222    | ADAPTOR                    | 1    | a(H)  | 13512677~         |       |                |
| 4    | 1541400721    | WASHER                     | 1    | A     | 13512533~13512676 |       |                |
|      | 1432160004    | WASHER                     | 1    | a(H)  | 13512677~         |       |                |
| 5    | 1141110016    | WASHER                     | 1    |       |                   |       |                |
| 6    | 1140020016    | WASHER, spring             | 1    | A     | 13512533~13512676 |       |                |
|      | 1140020020    | WASHER, spring             | 1    | a(H)  | 13512677~         |       |                |
| 7    | 0007200154    | NUT                        | 1    |       |                   |       |                |
| 8    | 1515010041    | ELBOW                      | 1    |       |                   |       |                |
|      | 1420010140    | · O-RING                   | 1    |       |                   |       |                |
| 9    | 1100041025    | BOLT                       | 2    |       |                   |       |                |
| 10   | 1140020010    | WASHER, spring             | 2    |       |                   |       |                |
| 11   | 1141110010    | WASHER                     | 2    |       |                   |       |                |
| 12   | 0375016100    | HOSE ASSY                  | 1    |       |                   |       | 18010-53052    |
|      |               | <<NOTE>>                   |      |       |                   |       |                |
|      |               | SET "A" is interchangeable |      |       |                   |       |                |
|      |               | with SET "a".              |      |       |                   |       |                |
|      | <b>G4d090</b> |                            |      |       |                   |       |                |

TB135 Book No. BG4Z010 S/N 13510004-  
EMERGENCY SHUT-OFF VALVE



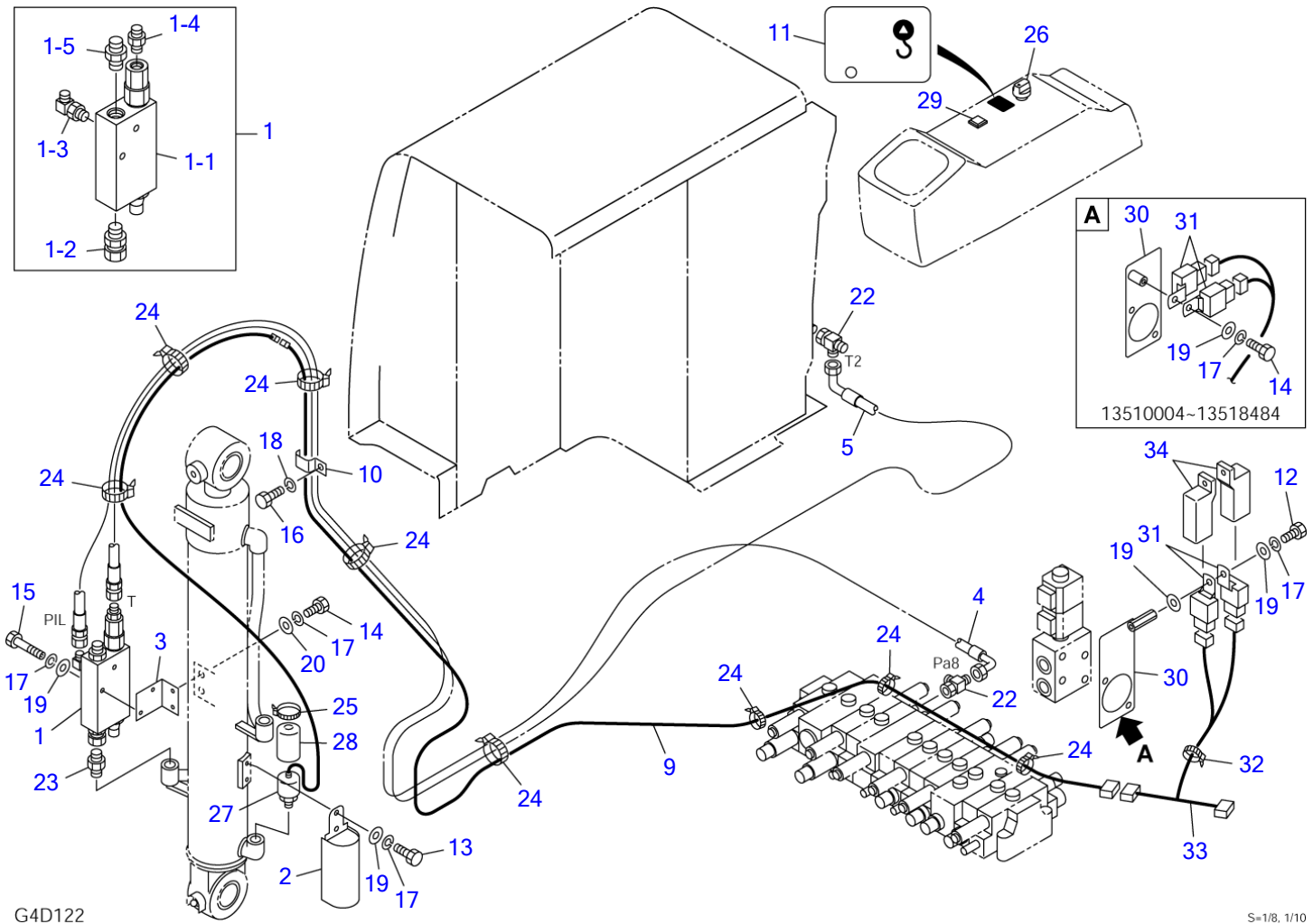
G4D053

S=1/20, 1/8

**EMERGENCY SHUT-OFF VALVE**

| Item | Part number       | Description                    | Q'ty | Chan. | Serial No. | Serv. | Remarks        |
|------|-------------------|--------------------------------|------|-------|------------|-------|----------------|
|      |                   | VALVE ASSY, emergency shut-off |      |       |            |       | X03750-10000-6 |
| 1    | <b>0397313270</b> | COVER (L.H.)                   | 1    |       |            |       |                |
| 2    | <b>1700000019</b> | SWITCH, rotary                 | 1    |       |            |       |                |
| 3    | <b>1700100055</b> | SWITCH , pressure              | 1    |       |            |       |                |
| 4    | <b>1901731300</b> | VALVE, shut-off                | 1    |       |            |       |                |
| 5    | <b>1513390030</b> | TEE                            | 1    |       |            |       |                |
|      | <b>1420010140</b> | · O-RING                       | 1    |       |            |       |                |
| 6    | <b>0565017400</b> | DECAL                          | 1    |       |            |       |                |
| 7    | <b>1652200005</b> | BAND                           | 2    |       |            |       |                |
| 8    | <b>0007213016</b> | BUSHING                        | 1    |       |            |       |                |
| 9    | <b>1420010140</b> | O-RING                         | 2    |       |            |       |                |
| 10   | <b>1700100061</b> | COVER                          | 1    |       |            |       |                |
| 11   | <b>1652231250</b> | BAND                           | 1    |       |            |       |                |
| 12   | <b>1700550024</b> | SWITCH                         | 1    |       |            |       |                |
|      | <b>G4d053</b>     |                                |      |       |            |       |                |

TB135 Book No. BG4Z010 S/N 13510004-  
BOOM EMERGENCY SHUT-OFF VALVE (with pilot)



G4D122

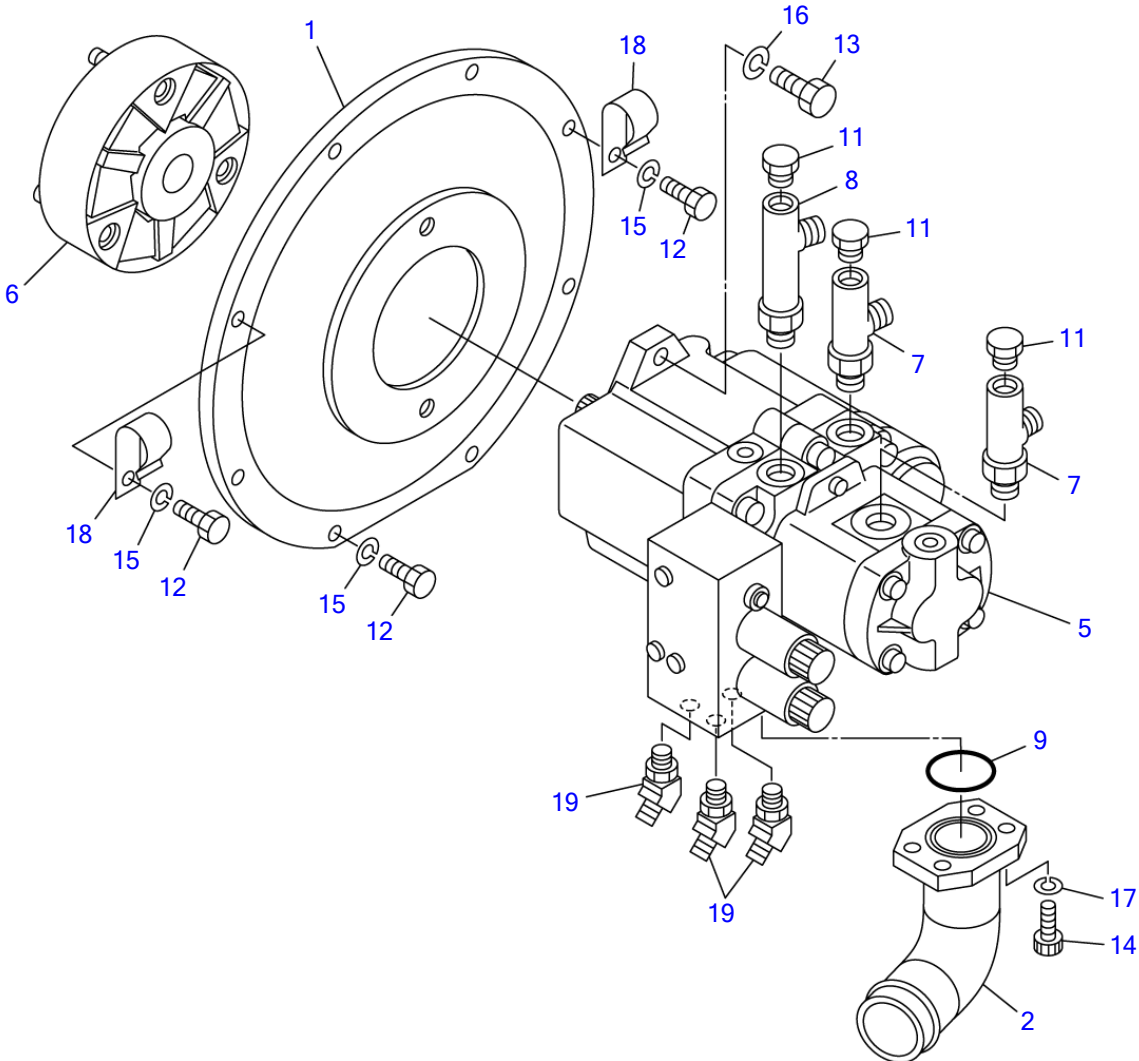
S=1/8, 1/10

**BOOM EMERGENCY SHUT-OFF VALVE (with pilot)**

| Item | Part number | Description                        | Q'ty | Chan. | Serial No.        | Serv. | Remarks        |
|------|-------------|------------------------------------|------|-------|-------------------|-------|----------------|
|      |             | BOOM EMERGENCY SHUT-OFF VALVE ASSY |      |       |                   |       | X03750-19100-2 |
| 1    | 0375019010  | VALVE ASSY, emergency shut-off     | 1    |       |                   |       |                |
| 1-1  | 1901745200  | · VALVE, emergency shut-off        | 1    |       |                   |       |                |
| 1-2  | 0007236041  | · ADAPTOR                          | 1    |       |                   |       |                |
|      | 1420010180  | · · O-RING                         | 1    |       |                   |       |                |
| 1-3  | 1515012040  | · ELBOW                            | 1    |       |                   |       |                |
|      | 1420010110  | · · O-RING                         | 1    |       |                   |       |                |
| 1-4  | 1515600200  | · ADAPTOR                          | 1    |       |                   |       |                |
|      | 1420010110  | · · O-RING                         | 1    |       |                   |       |                |
| 1-5  | 1515600577  | · ADAPTOR                          | 1    |       |                   |       |                |
|      | 1420010180  | · · O-RING                         | 1    |       |                   |       |                |
| 2    | 0375019020  | COVER                              | 1    |       |                   |       |                |
| 3    | 0375019030  | PLATE                              | 1    |       |                   |       |                |
| 4    | 0375019040  | HOSE ASSY                          | 1    |       |                   |       | 18010-52350    |
| 5    | 0375019050  | HOSE ASSY                          | 1    |       |                   |       | 18010-52400    |
| 9    | 0395012130  | HARNES, wiring                     | 1    |       |                   |       |                |
| 10   | 0395012150  | CLAMP                              | 1    |       |                   |       |                |
| 11   | 0565017400  | DECAL                              | 1    |       |                   |       |                |
| 12   | 1100040625  | BOLT                               | 1    |       | 13518485~         |       |                |
| 13   | 1100040612  | BOLT                               | 2    |       |                   |       |                |
| 14   | 1100040616  | BOLT                               | 2    |       |                   |       |                |
| 15   | 1100040645  | BOLT                               | 2    |       |                   |       |                |
| 16   | 1100040816  | BOLT                               | 1    |       |                   |       |                |
| 17   | 1140020006  | WASHER, spring                     | 7    |       |                   |       |                |
| 18   | 1140020008  | WASHER, spring                     | 1    |       |                   |       |                |
| 19   | 1141110006  | WASHER                             | 6    |       |                   |       |                |
| 20   | 0003606202  | WASHER                             | 2    |       |                   |       |                |
| 22   | 1513390015  | TEE                                | 2    |       |                   |       |                |
| 23   | 1515600572  | ADAPTOR                            | 1    |       |                   |       |                |
|      | 1420010140  | · O-RING                           | 1    |       |                   |       |                |
| 24   | 1652201005  | BAND                               | 16   |       |                   |       |                |
| 25   | 1652231250  | BAND                               | 1    |       |                   |       |                |
| 26   | 1700000019  | SWITCH, rotary                     | 1    |       |                   |       |                |
| 27   | 1700100081  | SWITCH, pressure                   | 1    |       | 13510004~13517974 |       |                |
|      | 1700100082  | SWITCH, pressure                   | 1    | (H)   | 13517975~         |       |                |
| 28   | 1700100061  | COVER                              | 1    |       |                   |       |                |
| 29   | 1700550024  | ORNAMENT                           | 1    |       |                   |       |                |
| 30   | 0395021330  | BRACKET                            | 1    |       | 13516745~         |       |                |
| 31   | 1711900042  | RELAY                              | 2    |       | 13516745~         |       |                |
| 32   | 1652231250  | BAND                               | 1    |       | 13516745~         |       |                |
| 33   | 0395021320  | HARNES, wiring                     | 1    |       | 13516745~         |       |                |
| 34   | 1700100038  | COVER                              | 2    |       | 13518485~         |       |                |

G4d122

TB135 Book No. BG4Z010 S/N 13510004-  
PUMP DRIVE (13510004-13512532)



G4D060

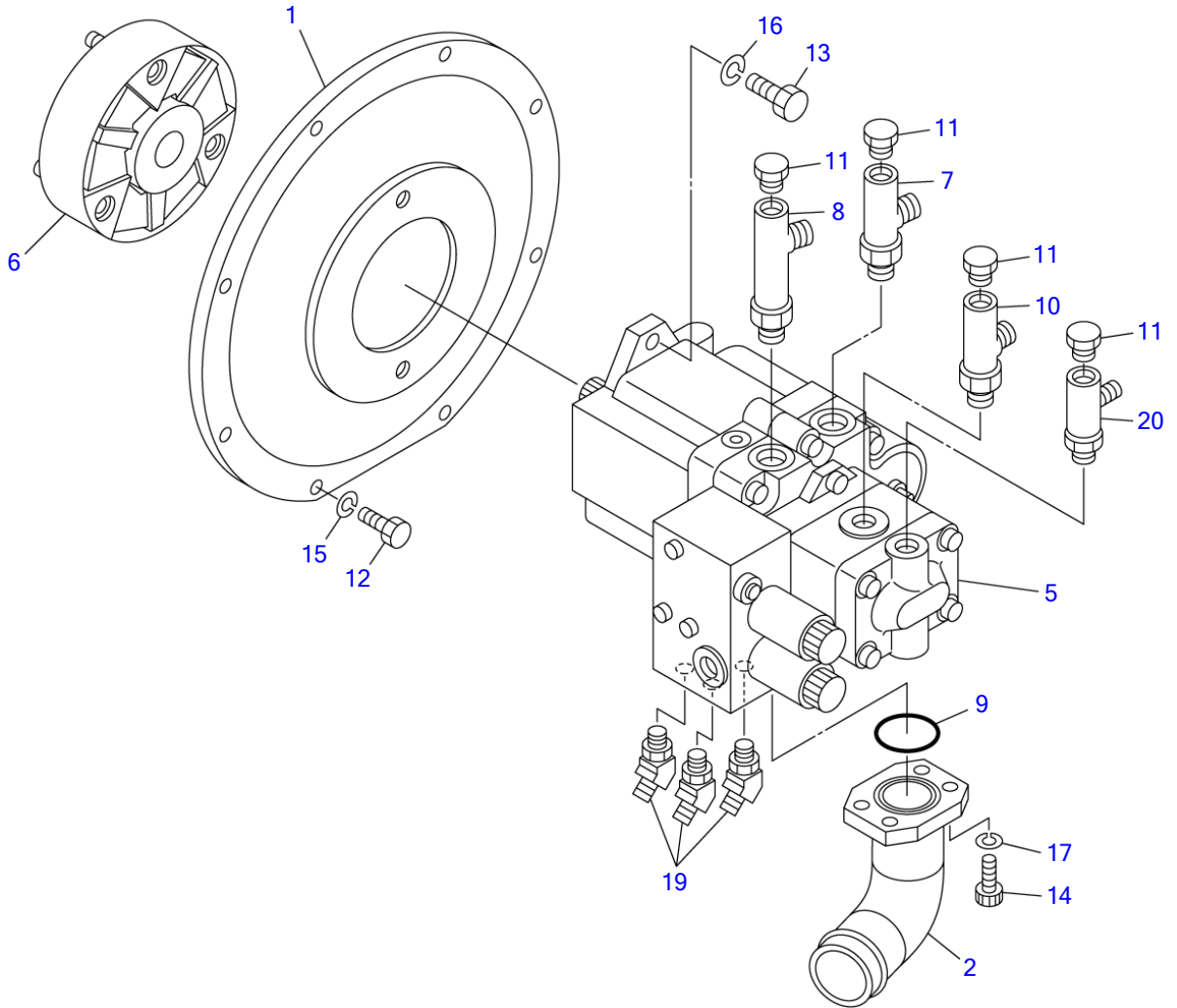
S=1/5



**PUMP DRIVE (13510004-13512532)**

| Item | Part number | Description      | Q'ty | Chan. | Serial No. | Serv. | Remarks        |
|------|-------------|------------------|------|-------|------------|-------|----------------|
|      |             | PUMP ASSY, drive |      |       |            |       | X03752-03000-3 |
| 1    | 0375202100  | HOUSING          | 1    |       |            |       |                |
| 2    | 0375203100  | FLANGE           | 1    |       |            |       |                |
| 5    | 1902016100  | PUMP, hydraulic  | 1    |       |            |       |                |
| 6    | 1603101600  | COUPLING         | 1    |       |            |       |                |
| 7    | 1512340004  | ELBOW            | 2    |       |            |       |                |
|      | 1420010180  | • O-RING         | 1    |       |            |       |                |
| 8    | 1512340005  | ELBOW            | 1    |       |            |       |                |
|      | 1420010180  | • O-RING         | 1    |       |            |       |                |
| 9    | 1420100400  | O-RING           | 1    |       |            |       |                |
| 11   | 1501750002  | PLUG             | 3    |       |            |       |                |
|      | 1420010110  | • O-RING         | 1    |       |            |       |                |
| 12   | 1100041025  | BOLT             | 8    |       |            |       |                |
| 13   | 1101041235  | BOLT             | 2    |       |            |       |                |
| 14   | 1110041025  | SCREW, cap       | 4    |       |            |       |                |
| 15   | 1140020010  | WASHER, spring   | 8    |       |            |       |                |
| 16   | 1140020012  | WASHER, spring   | 2    |       |            |       |                |
| 17   | 1140420010  | WASHER, spring   | 4    |       |            |       |                |
| 18   | 0007300041  | CLAMP            | 2    |       |            |       |                |
| 19   | 1515100110  | ELBOW            | 3    |       |            |       |                |
|      | 1420010110  | • O-RING         | 1    |       |            |       |                |
|      | G4d060      |                  |      |       |            |       |                |

TB135 Book No. BG4Z010 S/N 13510004-  
PUMP DRIVE (13512533-)



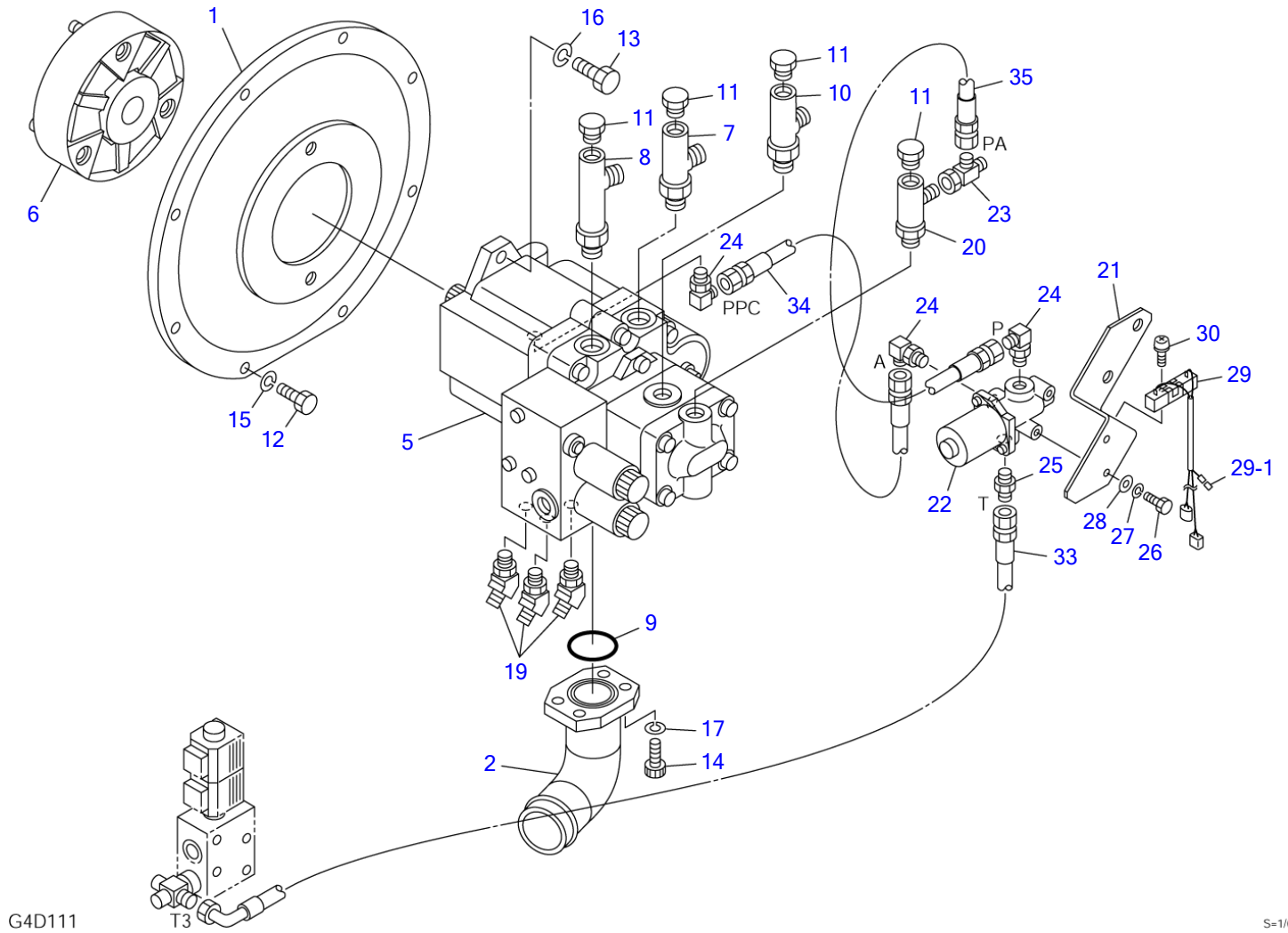
G4D062

S=1/5

**PUMP DRIVE (13512533-)**

| Item | Part number | Description      | Q'ty | Chan. | Serial No.        | Serv. | Remarks        |
|------|-------------|------------------|------|-------|-------------------|-------|----------------|
|      |             | PUMP ASSY, drive |      |       |                   |       | X03752-05500-0 |
| 1    | 0375202100  | HOUSING          | 1    |       |                   |       |                |
| 2    | 0375203100  | FLANGE           | 1    |       |                   |       |                |
| 5    | 1902019800  | PUMP, hydraulic  | 1    |       | 13512533~13516744 |       |                |
|      | 1902022300  | PUMP, hydraulic  | 1    | (H)   | 13516745~         |       |                |
| 6    | 1603101600  | COUPLING         | 1    |       |                   |       |                |
| 7    | 1512340004  | ELBOW            | 1    |       |                   |       |                |
|      | 1420010180  | • O-RING         | 1    |       |                   |       |                |
| 8    | 1512340005  | ELBOW            | 1    |       |                   |       |                |
|      | 1420010180  | • O-RING         | 1    |       |                   |       |                |
| 9    | 1420100400  | O-RING           | 1    |       |                   |       |                |
| 10   | 1512340007  | ELBOW            | 1    |       |                   |       |                |
|      | 1420010140  | • O-RING         | 1    |       |                   |       |                |
| 11   | 1501750002  | PLUG             | 4    |       |                   |       |                |
|      | 1420010110  | • O-RING         | 1    |       |                   |       |                |
| 12   | 1100041025  | BOLT             | 8    |       |                   |       |                |
| 13   | 1101041230  | BOLT             | 2    |       |                   |       |                |
| 14   | 1110041025  | SCREW, cap       | 4    |       |                   |       |                |
| 15   | 1140020010  | WASHER, spring   | 8    |       |                   |       |                |
| 16   | 1140020012  | WASHER, spring   | 2    |       |                   |       |                |
| 17   | 1140420010  | WASHER, spring   | 4    |       |                   |       |                |
| 19   | 1515100110  | ELBOW            | 3    |       |                   |       |                |
|      | 1420010110  | • O-RING         | 1    |       |                   |       |                |
| 20   | 1512340018  | ELBOW            | 1    |       |                   |       |                |
|      | 1420010140  | • O-RING         | 1    |       |                   |       |                |
|      | G4d064      |                  |      |       |                   |       |                |

TB135 Book No. BG4Z010 S/N 13510004-  
PUMP DRIVE (with air conditioner)



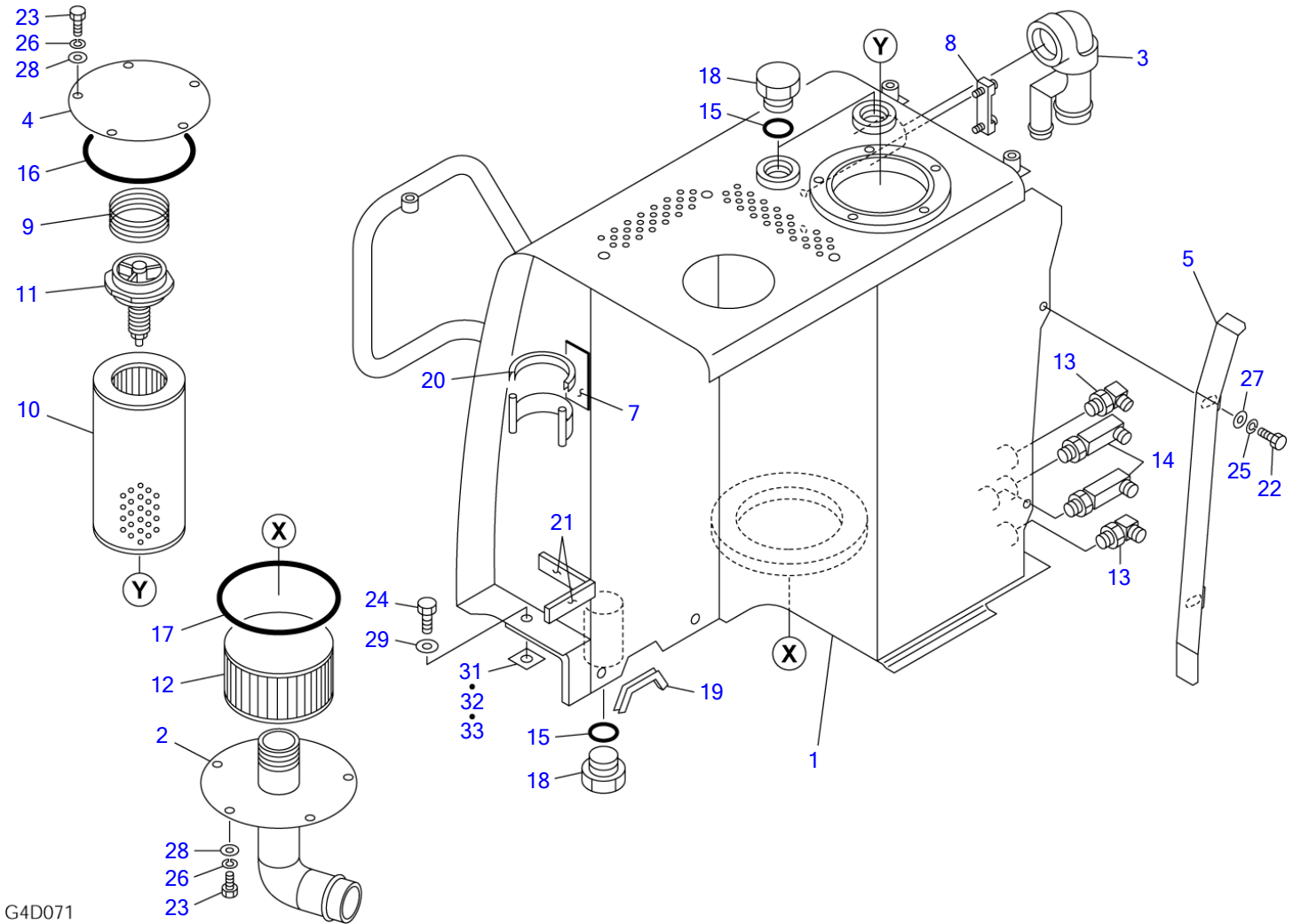
G4D111

S=1/6

**PUMP DRIVE (with air conditioner)**

| Item | Part number | Description          | Q'ty | Chan. | Serial No.        | Serv. | Remarks        |
|------|-------------|----------------------|------|-------|-------------------|-------|----------------|
|      |             | PUMP ASSY, drive     |      |       |                   |       | X03752-05600-1 |
| 1    | 0375202100  | HOUSING              | 1    |       |                   |       |                |
| 2    | 0375203100  | FLANGE               | 1    |       |                   |       |                |
| 5    | 1902020800  | PUMP, hydraulic      | 1    |       | 13510004~13516744 |       |                |
|      | 1902022400  | PUMP, hydraulic      | 1    | (H)   | 13516745~         |       |                |
| 6    | 1603101600  | COUPLING             | 1    |       |                   |       |                |
| 7    | 1512340004  | ELBOW                | 1    |       |                   |       |                |
|      | 1420010180  | • O-RING             | 1    |       |                   |       |                |
| 8    | 1512340005  | ELBOW                | 1    |       |                   |       |                |
|      | 1420010180  | • O-RING             | 1    |       |                   |       |                |
| 9    | 1420100400  | O-RING               | 1    |       |                   |       |                |
| 10   | 1512340007  | ELBOW                | 1    |       |                   |       |                |
|      | 1420010140  | • O-RING             | 1    |       |                   |       |                |
| 11   | 1501750002  | PLUG                 | 4    |       |                   |       |                |
|      | 1420010110  | • O-RING             | 1    |       |                   |       |                |
| 12   | 1100041025  | BOLT                 | 8    |       |                   |       |                |
| 13   | 1101041230  | BOLT                 | 2    |       |                   |       |                |
| 14   | 1110041025  | SCREW, cap           | 4    |       |                   |       |                |
| 15   | 1140020010  | WASHER, spring       | 8    |       |                   |       |                |
| 16   | 1140020012  | WASHER, spring       | 2    |       |                   |       |                |
| 17   | 1140420010  | WASHER, spring       | 4    |       |                   |       |                |
| 19   | 1515100110  | ELBOW                | 3    |       |                   |       |                |
|      | 1420010110  | • O-RING             | 1    |       |                   |       |                |
| 20   | 1512340018  | ELBOW                | 1    |       |                   |       |                |
|      | 1420010140  | • O-RING             | 1    |       |                   |       |                |
| 21   | 0375205110  | BRACKET              | 1    |       |                   |       |                |
| 22   | 1901746600  | VALVE, solenoid      | 1    |       |                   |       |                |
| 23   | 1513390015  | TEE                  | 1    |       |                   |       |                |
| 24   | 1515012040  | ELBOW                | 3    |       |                   |       |                |
|      | 1420010110  | • O-RING             | 1    |       |                   |       |                |
| 25   | 1515600200  | ADAPTOR              | 1    |       |                   |       |                |
|      | 1420010110  | • O-RING             | 1    |       |                   |       |                |
| 26   | 1100040614  | BOLT                 | 2    |       |                   |       |                |
| 27   | 1140020006  | WASHER, spring       | 2    |       |                   |       |                |
| 28   | 1141110006  | WASHER               | 2    |       |                   |       |                |
| 29   | 0375205120  | RESISTOR             | 1    |       |                   |       |                |
| 29-1 | 1730500008  | • DIODE (3A, yellow) | 1    |       |                   |       |                |
| 30   | 1150110306  | SCREW                | 1    |       |                   |       |                |
| 33   | 0375205130  | HOSE ASSY            | 1    |       |                   |       | 18010-52085    |
| 34   | 0375205140  | HOSE ASSY            | 1    |       |                   |       | 18010-22057    |
| 35   | 0375205150  | HOSE ASSY            | 1    |       |                   |       | 18010-22040    |
|      | G4d114      |                      |      |       |                   |       |                |

TB135 Book No. BG4Z010 S/N 13510004-  
 HYDRAULIC TANK (13510004-13514050)



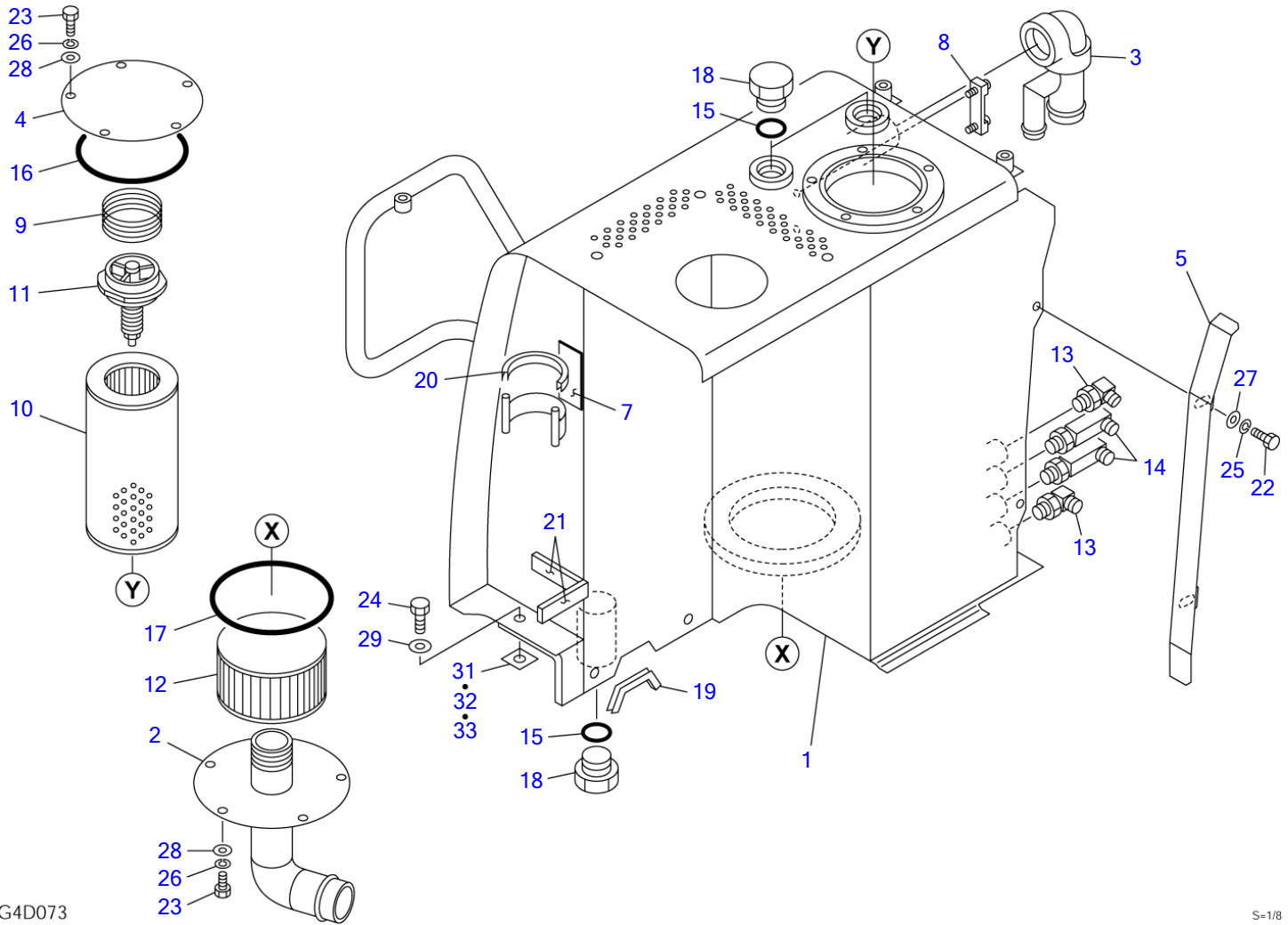
G4D071

S=1/8

**HYDRAULIC TANK (13510004-13514050)**

| Item | Part number | Description          | Q'ty | Chan. | Serial No. | Serv. | Remarks           |
|------|-------------|----------------------|------|-------|------------|-------|-------------------|
|      |             | TANK ASSY, hydraulic |      |       |            |       | X03780-04000-5    |
| 1    | 0378004100  | TANK, hydraulic      | 1    |       |            |       |                   |
| 2    | 0378004300  | PIPE                 | 1    |       |            |       |                   |
| 3    | 0378004310  | NIPPLE               | 1    |       |            |       |                   |
| 4    | 0378004320  | COVER                | 1    |       |            |       |                   |
| 5    | 0378004340  | PLATE                | 1    |       |            |       |                   |
| 7    | 0373504320  | RUBBER               | 1    |       |            |       |                   |
| 8    | 1553020655  | GAUGE                | 1    |       |            |       |                   |
| 9    | 0007000031  | SPRING               | 1    |       |            |       |                   |
| 10   | 1551100700  | ELEMENT              | 1    |       |            |       |                   |
| 11   | 1551100300  | VALVE                | 1    |       |            |       |                   |
| 12   | 1550014150  | STRAINER             | 1    |       |            |       |                   |
| 13   | 1515012040  | ELBOW                | 2    |       |            |       |                   |
|      | 1420010110  | • O-RING             | 1    |       |            |       |                   |
| 14   | 1515012510  | ELBOW                | 2    |       |            |       |                   |
|      | 1420010110  | • O-RING             | 1    |       |            |       |                   |
| 15   | 1420010290  | O-RING               | 3    |       |            |       |                   |
| 16   | 1420101250  | O-RING               | 1    |       |            |       |                   |
| 17   | 1420101450  | O-RING               | 1    |       |            |       |                   |
| 18   | 0007256006  | PLUG                 | 3    |       |            |       |                   |
| 19   | 1654601010  | TRIM                 | 1    |       |            |       | sold by the meter |
| 20   | 1654601004  | TRIM                 | 1    |       |            |       | sold by the meter |
| 21   | 1654302008  | SPONGE               | 2    |       |            |       | sold by the meter |
| 22   | 1100040820  | BOLT                 | 2    |       |            |       |                   |
| 23   | 1100041016  | BOLT                 | 10   |       |            |       |                   |
| 24   | 1100041035  | BOLT                 | 3    |       |            |       |                   |
| 25   | 1140020008  | WASHER, spring       | 2    |       |            |       |                   |
| 26   | 1140020010  | WASHER, spring       | 10   |       |            |       |                   |
| 27   | 1141110008  | WASHER               | 2    |       |            |       |                   |
| 28   | 1141110010  | WASHER               | 10   |       |            |       |                   |
| 29   | 1141550010  | WASHER               | 3    |       |            |       |                   |
| 31   | 0003900025  | SHIM                 | AR   |       |            |       | t=1.2mm           |
| 32   | 0438211063  | SHIM                 | AR   |       |            |       | t=2.0mm           |
| 33   | 0438211062  | SHIM                 | AR   |       |            |       | t=3.2mm           |
|      | G4d072      |                      |      |       |            |       |                   |

TB135 Book No. BG4Z010 S/N 13510004-  
HYDRAULIC TANK (13514051-)



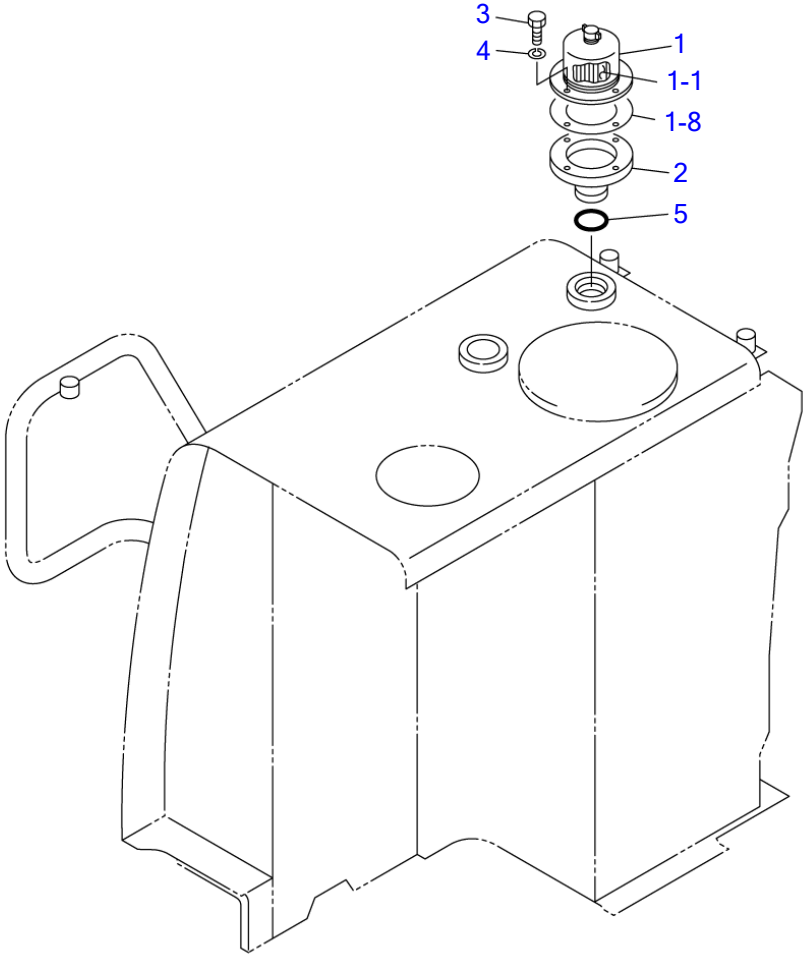
G4D073

S=1/8



**HYDRAULIC TANK (13514051-)**

| Item | Part number | Description          | Q'ty | Chan. | Serial No.        | Serv. | Remarks           |
|------|-------------|----------------------|------|-------|-------------------|-------|-------------------|
|      |             | TANK ASSY, hydraulic |      |       |                   |       | X03780-07000-3    |
| 1    | 0378007100  | TANK, hydraulic      | 1    |       |                   |       |                   |
| 2    | 0378004300  | PIPE                 | 1    |       | 13514051~13515256 |       |                   |
|      | 0378007200  | PIPE                 | 1    |       | 13515257~         |       |                   |
| 3    | 0378004310  | NIPPLE               | 1    |       |                   |       |                   |
| 4    | 0378004320  | COVER                | 1    |       |                   |       |                   |
| 5    | 0378004340  | PLATE                | 1    |       |                   |       |                   |
| 7    | 0373504320  | RUBBER               | 1    |       |                   |       |                   |
| 8    | 1553020655  | GAUGE                | 1    |       |                   |       |                   |
| 9    | 0007000031  | SPRING               | 1    |       |                   |       |                   |
| 10   | 1551103300  | ELEMENT              | 1    |       |                   |       |                   |
| 11   | 1551100300  | VALVE                | 1    |       |                   |       |                   |
| 12   | 1550014150  | STRAINER             | 1    |       |                   |       |                   |
| 13   | 1515012040  | ELBOW                | 2    |       |                   |       |                   |
|      | 1420010110  | · O-RING             | 1    |       |                   |       |                   |
| 14   | 1515012510  | ELBOW                | 2    |       |                   |       |                   |
|      | 1420010110  | · O-RING             | 1    |       |                   |       |                   |
| 15   | 1420010290  | O-RING               | 3    |       |                   |       |                   |
| 16   | 1420101250  | O-RING               | 1    |       |                   |       |                   |
| 17   | 1420101450  | O-RING               | 1    |       |                   |       |                   |
| 18   | 0007256006  | PLUG                 | 3    |       |                   |       |                   |
| 19   | 1654601010  | TRIM                 | 1    |       |                   |       | sold by the meter |
| 20   | 1654601004  | TRIM                 | 1    |       |                   |       | sold by the meter |
| 21   | 1654302008  | SPONGE               | 2    |       |                   |       | sold by the meter |
| 22   | 1100040820  | BOLT                 | 2    |       |                   |       |                   |
| 23   | 1100041016  | BOLT                 | 10   |       |                   |       |                   |
| 24   | 1100041035  | BOLT                 | 3    |       |                   |       |                   |
| 25   | 1140020008  | WASHER, spring       | 2    |       |                   |       |                   |
| 26   | 1140020010  | WASHER, spring       | 10   |       |                   |       |                   |
| 27   | 1141110008  | WASHER               | 2    |       |                   |       |                   |
| 28   | 1141110010  | WASHER               | 10   |       |                   |       |                   |
| 29   | 1141550010  | WASHER               | 3    |       |                   |       |                   |
| 31   | 0003900061  | SHIM                 | AR   |       |                   | M     | t=1.2mm           |
| 32   | 0003900062  | SHIM                 | AR   |       |                   | M     | t=2.0mm           |
| 33   | 0003900063  | SHIM                 | AR   |       |                   | M     | t=3.2mm           |
|      | G4d075      |                      |      |       |                   |       |                   |



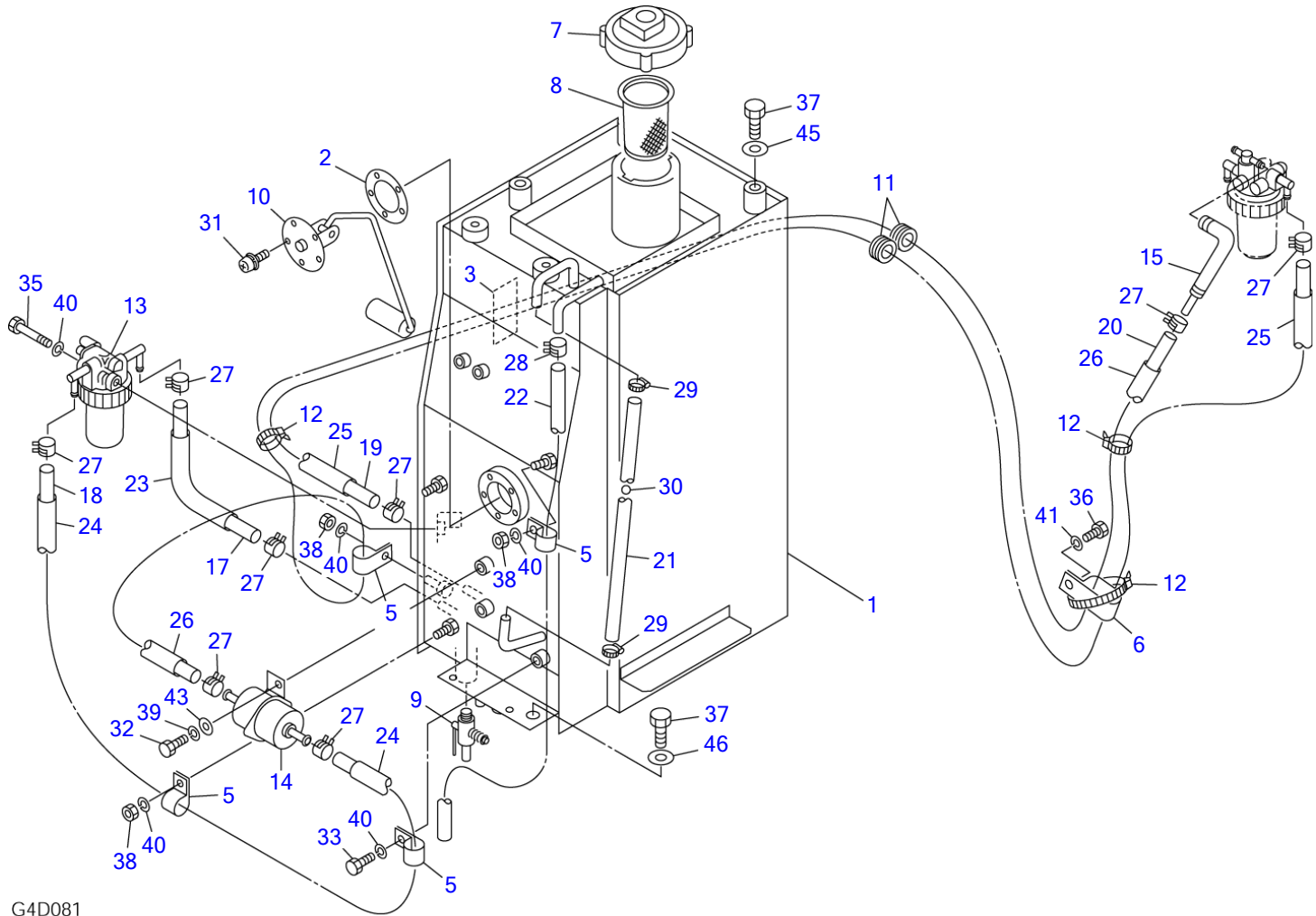
G4D100

S=1/8

**AIR BREATHER**

| Item | Part number       | Description    | Q'ty | Chan. | Serial No. | Serv. | Remarks        |
|------|-------------------|----------------|------|-------|------------|-------|----------------|
|      |                   | BREATHER ASSY  |      |       |            |       | X03780-04400-0 |
| 1    | <b>1552000900</b> | BREATHER, air  | 1    |       |            |       |                |
| 1-1  | <b>1552000902</b> | · ELEMENT      | 1    |       |            |       |                |
| 1-8  | <b>1552000908</b> | · PACKING      | 1    |       |            |       |                |
| 2    | <b>0568026170</b> | FLANGE         | 1    |       |            |       |                |
| 3    | <b>1100040614</b> | BOLT           | 4    |       |            |       |                |
| 4    | <b>1140020006</b> | WASHER, spring | 4    |       |            |       |                |
| 5    | <b>1420010290</b> | O-RING         | 1    |       |            |       |                |
|      | <b>G4d100</b>     |                |      |       |            |       |                |

TB135 Book No. BG4Z010 S/N 13510004-  
FUEL TANK & FUEL PIPING (13510004-13514050)



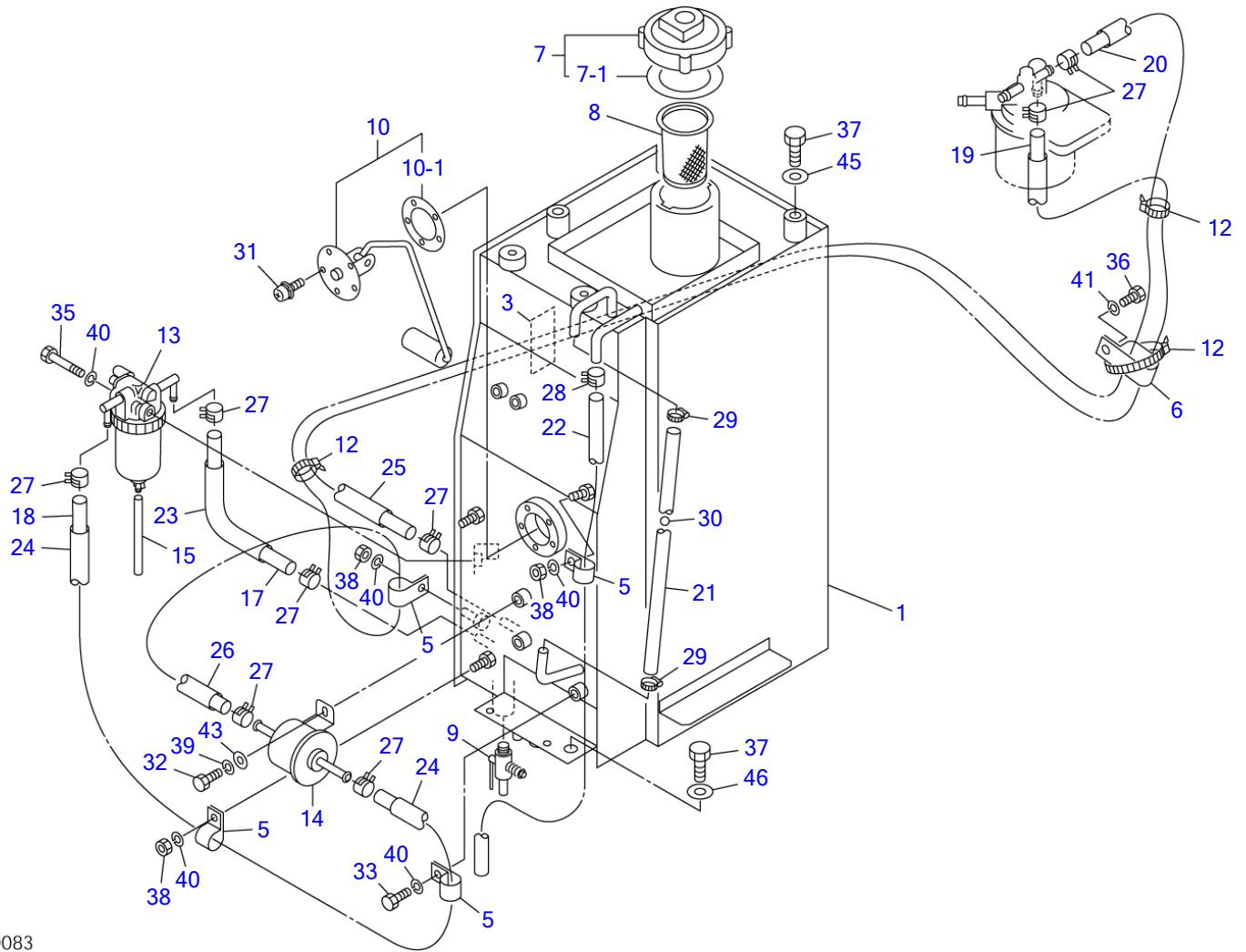
G4D081

S=1/8

**FUEL TANK & FUEL PIPING (13510004-13514050)**

| Item | Part number | Description      | Q'ty | Chan. | Serial No.        | Serv. | Remarks           |
|------|-------------|------------------|------|-------|-------------------|-------|-------------------|
|      |             | TANK ASSY, fuel  |      |       |                   |       | X03781-03000-6    |
| 1    | 0378103100  | TANK             | 1    |       |                   |       |                   |
| 2    | 0438101500  | PACKING          | 1    |       |                   |       |                   |
| 3    | 0373504320  | RUBBER           | 1    |       |                   |       |                   |
| 5    | 0007300050  | CLAMP            | 4    |       |                   |       |                   |
| 6    | 0007300055  | CLAMP            | 1    |       |                   |       |                   |
| 7    | 1552100500  | CAP              | 1    |       |                   |       |                   |
| 8    | 1552100320  | STRAINER         | 1    |       |                   |       |                   |
| 9    | 1522100014  | COCK             | 1    |       |                   |       |                   |
| 10   | 1553201900  | SENDER, fuel     | 1    |       |                   |       |                   |
| 11   | 1652041315  | GROMMET          | 2    |       | 13510004~13510060 |       |                   |
| 12   | 1652231140  | BAND             | 3    |       |                   |       |                   |
| 13   | 1910030033  | SEPARATOR, water | 1    |       |                   |       | Y129335-55700     |
| 14   | 1910047033  | PUMP, feed       | 1    |       |                   |       | Y129322-77401     |
| 15   | 1910065047  | HOSE, bend       | 1    |       |                   |       | Y119840-59601     |
| 17   | 1531207015  | HOSE             | 1    |       |                   |       | sold by the meter |
| 18   | 1531207047  | HOSE             | 1    |       |                   |       | sold by the meter |
| 19   | 1531207230  | HOSE             | 1    |       |                   |       | sold by the meter |
| 20   | 1531207265  | HOSE             | 1    |       |                   |       | sold by the meter |
| 21   | 1531010046  | HOSE             | 1    |       |                   |       | sold by the meter |
| 22   | 1531010094  | HOSE             | 1    |       |                   |       | sold by the meter |
| 23   | 1531115010  | PROTECTOR        | 1    |       |                   |       | sold by the meter |
| 24   | 1531115019  | PROTECTOR        | 2    |       |                   |       | sold by the meter |
| 25   | 1531115073  | PROTECTOR        | 3    |       |                   |       | sold by the meter |
| 26   | 1531115084  | PROTECTOR        | 3    |       |                   |       | sold by the meter |
| 27   | 1533120012  | BAND             | 8    |       |                   |       |                   |
| 28   | 1533120015  | BAND             | 1    |       |                   |       |                   |
| 29   | 1533700017  | CLIP             | 2    |       |                   |       |                   |
| 30   | 1553000001  | FLOAT            | 1    |       |                   |       |                   |
| 31   | 1150110510  | SCREW            | 5    |       |                   |       |                   |
| 32   | 1100040616  | BOLT             | 2    |       |                   |       |                   |
| 33   | 1100040816  | BOLT             | 1    |       |                   |       |                   |
| 35   | 1100040865  | BOLT             | 1    |       |                   |       |                   |
| 36   | 1100041020  | BOLT             | 1    |       |                   |       |                   |
| 37   | 1100041025  | BOLT             | 6    |       |                   |       |                   |
| 38   | 1130040008  | NUT              | 3    |       |                   |       |                   |
| 39   | 1140020006  | WASHER, spring   | 2    |       |                   |       |                   |
| 40   | 1140020008  | WASHER, spring   | 5    |       |                   |       |                   |
| 41   | 1140020010  | WASHER, spring   | 1    |       |                   |       |                   |
| 43   | 1141110006  | WASHER           | 2    |       |                   |       |                   |
| 45   | 1141550010  | WASHER           | 5    |       |                   |       |                   |
| 46   | 0003600025  | WASHER           | 1    |       |                   |       |                   |
|      | G4d081      |                  |      |       |                   |       |                   |

TB135 Book No. BG4Z010 S/N 13510004-  
FUEL TANK & FUEL PIPING (13514051-)

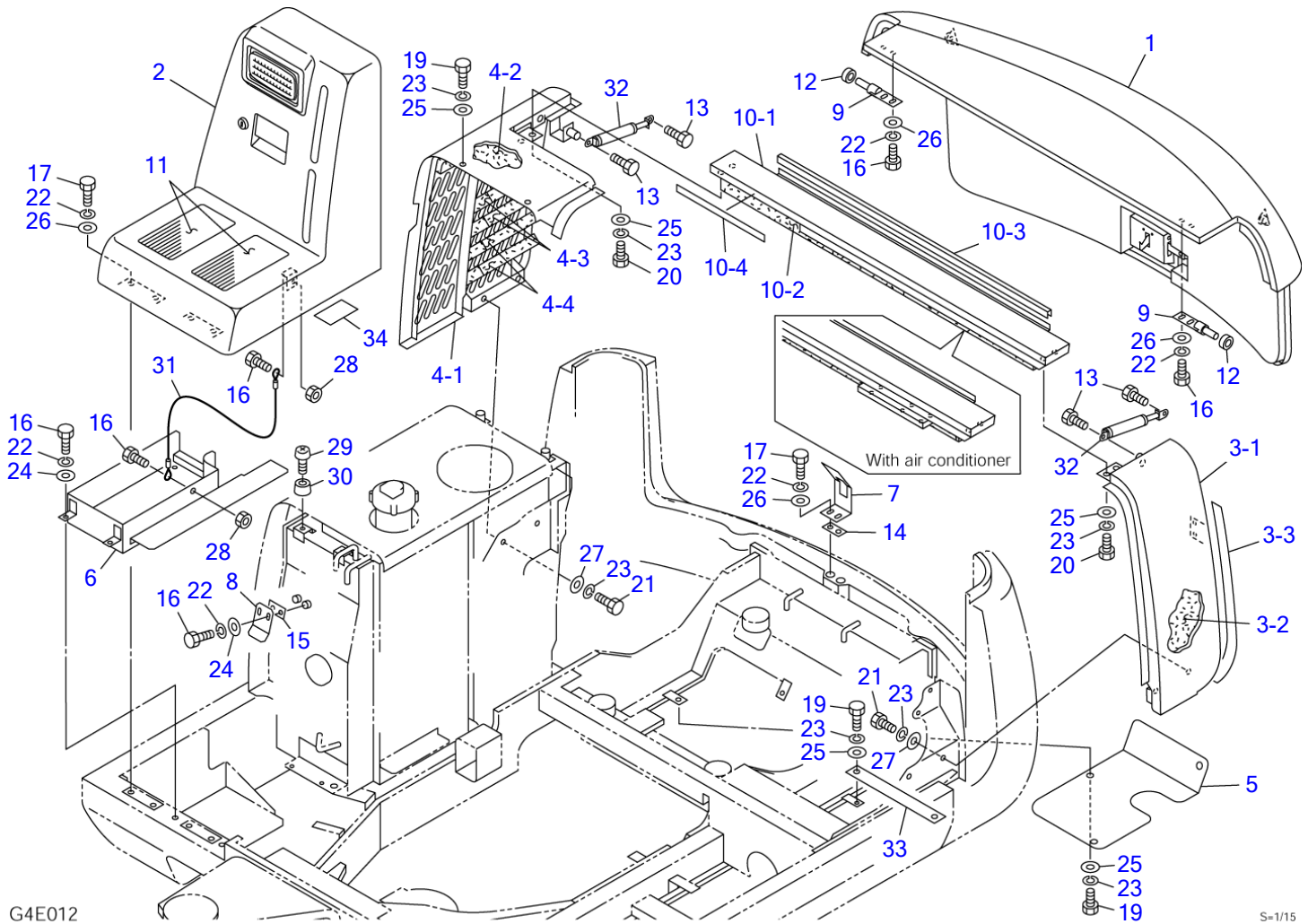


G4D083

S=1/8

**FUEL TANK & FUEL PIPING (13514051-)**

| Item | Part number | Description      | Q'ty | Chan. | Serial No. | Serv. | Remarks           |
|------|-------------|------------------|------|-------|------------|-------|-------------------|
|      |             | TANK ASSY, fuel  |      |       |            |       | X03781-06000-4    |
| 1    | 0378103100  | TANK             | 1    |       |            |       |                   |
| 3    | 0373504320  | RUBBER           | 1    |       |            |       |                   |
| 5    | 0007300050  | CLAMP            | 4    |       |            |       |                   |
| 6    | 0007300055  | CLAMP            | 1    |       |            |       |                   |
| 7    | 1552100500  | CAP              | 1    |       |            |       |                   |
| 7-1  | 1552100507  | • PACKING        | 1    |       |            |       |                   |
| 8    | 1552100320  | STRAINER         | 1    |       |            |       |                   |
| 9    | 1522100014  | COCK             | 1    |       |            |       |                   |
| 10   | 1553201900  | SENDER, fuel     | 1    |       |            |       |                   |
| 10-1 | 1553201918  | • PACKING        | 1    |       |            |       |                   |
| 12   | 1652231140  | BAND             | 3    |       |            |       |                   |
| 13   | 1910186033  | SEPARATOR, water | 1    |       |            |       | Y129906-55700     |
| 14   | 1910199034  | PUMP, feed       | 1    |       |            |       | Y129612-52100     |
| 15   | 1531007011  | HOSE             | 1    |       |            |       | sold by the meter |
| 17   | 1531207022  | HOSE             | 1    |       |            |       | sold by the meter |
| 18   | 1531207049  | HOSE             | 1    |       |            |       | sold by the meter |
| 19   | 1531207255  | HOSE             | 1    |       |            |       | sold by the meter |
| 20   | 1531207285  | HOSE             | 1    |       |            |       | sold by the meter |
| 21   | 1531010046  | HOSE             | 1    |       |            |       | sold by the meter |
| 22   | 1531010094  | HOSE             | 1    |       |            |       | sold by the meter |
| 23   | 1531115015  | PROTECTOR        | 1    |       |            |       | sold by the meter |
| 24   | 1531115019  | PROTECTOR        | 2    |       |            |       | sold by the meter |
| 25   | 1531115077  | PROTECTOR        | 3    |       |            |       | sold by the meter |
| 26   | 1531115088  | PROTECTOR        | 3    |       |            |       | sold by the meter |
| 27   | 1533120012  | BAND             | 8    |       |            |       |                   |
| 28   | 1533120015  | BAND             | 1    |       |            |       |                   |
| 29   | 1533700015  | CLIP             | 2    |       |            |       |                   |
| 30   | 1553000001  | FLOAT            | 1    |       |            |       |                   |
| 31   | 1150110510  | SCREW            | 5    |       |            |       |                   |
| 32   | 1100040616  | BOLT             | 2    |       |            |       |                   |
| 33   | 1100040816  | BOLT             | 1    |       |            |       |                   |
| 35   | 1100040870  | BOLT             | 1    |       |            |       |                   |
| 36   | 1100041020  | BOLT             | 1    |       |            |       |                   |
| 37   | 1100041025  | BOLT             | 7    |       |            |       |                   |
| 38   | 1130040008  | NUT              | 3    |       |            |       |                   |
| 39   | 1140020006  | WASHER, spring   | 2    |       |            |       |                   |
| 40   | 1140020008  | WASHER, spring   | 6    |       |            |       |                   |
| 41   | 1140020010  | WASHER, spring   | 1    |       |            |       |                   |
| 43   | 1141110006  | WASHER           | 2    |       |            |       |                   |
| 45   | 1141550010  | WASHER           | 5    |       |            |       |                   |
| 46   | 0003600025  | WASHER           | 1    |       |            |       |                   |
|      | G4d083      |                  |      |       |            |       |                   |



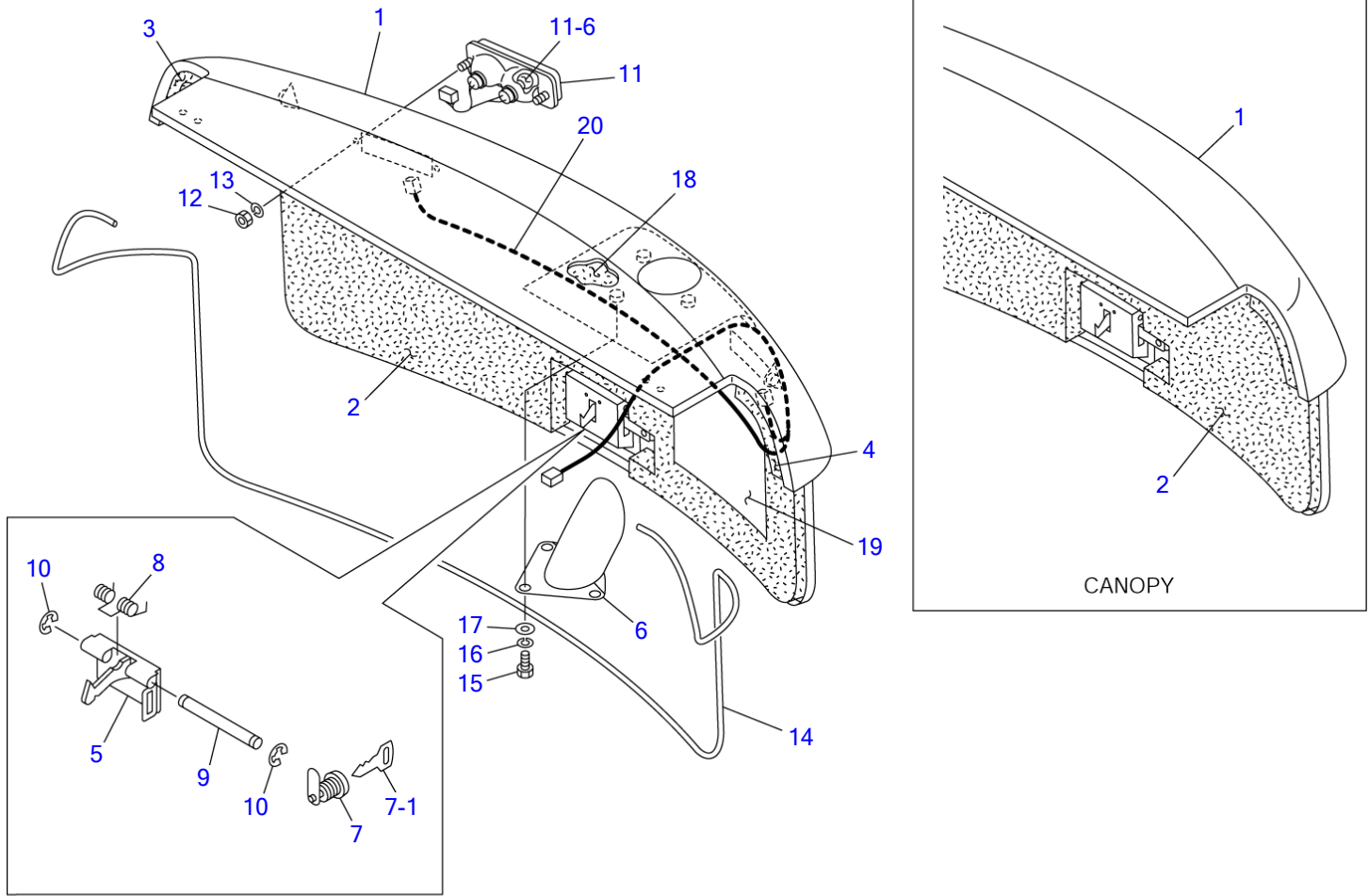


**COVER (1/3) (13510004-13514050)**

| Item | Part number | Description                       | Q'ty | Chan. | Serial No.        | Serv. | Remarks           |
|------|-------------|-----------------------------------|------|-------|-------------------|-------|-------------------|
|      |             | COVER ASSY (cab)                  |      |       |                   |       | X03782-06000-5    |
|      |             | COVER ASSY (canopy)               |      |       |                   |       | X03782-08000-5    |
|      |             | COVER ASSY (with air conditioner) |      |       |                   |       | X03782-07700-5    |
| 1    | 0378206100  | HOOD, engine (cab)                | 1    |       |                   |       | see page (2/3)    |
|      | 0378208100  | HOOD, engine (canopy)             | 1    |       |                   |       | see page (2/3)    |
| 2    | 0378206300  | COVER, front                      | 1    |       |                   |       | see page (3/3)    |
| 3    | 0378206500  | COVER ASSY, side (L.H.)           | 1    |       |                   |       |                   |
| 3-1  | 0378206600  | • COVER (L.H.)                    | 1    |       | 13510004~13510171 |       |                   |
|      | 0378207300  | • COVER (L.H.)                    | 1    | (H)   | 13510172~         |       |                   |
| 3-2  | 0378206510  | • ABSORBENT, noise                | 1    |       |                   |       |                   |
| 3-3  | 1654307049  | • SPONGE                          | 1    |       |                   |       | sold by the meter |
| 4    | 0378206700  | COVER ASSY, side (R.H.)           | 1    |       |                   |       |                   |
| 4-1  | 0378206800  | • COVER (R.H.)                    | 1    |       | 13510004~13510171 |       |                   |
|      | 0378207400  | • COVER (R.H.)                    | 1    | (H)   | 13510172~         |       |                   |
| 4-2  | 0378206710  | • ABSORBENT, noise                | 1    |       |                   |       |                   |
| 4-3  | 0378206720  | • ABSORBENT, noise                | 4    |       |                   |       |                   |
| 4-4  | 0378206730  | • ABSORBENT, noise                | 2    |       |                   |       |                   |
| 5    | 0378206910  | COVER                             | 1    |       |                   |       |                   |
| 6    | 0378206920  | BOX, tool                         | 1    |       |                   |       |                   |
| 7    | 0378206930  | BRACKET                           | 1    |       | 13510004~13510258 |       |                   |
|      | 0378207600  | BRACKET                           | 1    |       | 13510259~         |       |                   |
| 8    | 0378206940  | BRACKET                           | 1    |       |                   |       |                   |
| 9    | 0378206950  | PIN                               | 2    |       |                   |       |                   |
| 10   | 0378207100  | COVER ASSY, center                | 1    |       |                   |       |                   |
|      | 0378207710  | COVER ASSY, center                | 1    |       |                   |       | with air con.     |
| 10-1 | 0378207200  | • COVER                           | 1    |       |                   |       |                   |
|      | 0378207720  | • COVER                           | 1    |       |                   |       | with air con.     |
| 10-2 | 0378207110  | • ABSORBENT, noise                | 1    |       |                   |       |                   |
|      | 0378207730  | • ABSORBENT, noise                | 1    |       |                   |       | with air con.     |
| 10-3 | 1654606088  | • SEAL                            | 1    |       |                   |       | sold by the meter |
| 10-4 | 1654307027  | • SPONGE                          | 1    |       |                   |       | sold by the meter |
| 11   | 0358202400  | SHEET                             | 2    |       |                   |       |                   |
| 12   | 0398200800  | COLLAR                            | 2    |       |                   |       |                   |
| 13   | 0138255300  | BOLT                              | 4    |       |                   |       |                   |
| 14   | 0003900028  | SPACER                            | 1    |       |                   |       |                   |
| 15   | 0003900027  | SPACER                            | 1    |       |                   |       |                   |
| 16   | 1100040820  | BOLT                              | 12   |       |                   |       |                   |
| 17   | 1100040830  | BOLT                              | 6    |       |                   |       |                   |
| 19   | 1100041020  | BOLT                              | 9    |       |                   |       |                   |
| 20   | 1100041025  | BOLT                              | 4    |       |                   |       |                   |
| 21   | 1100041030  | BOLT                              | 4    |       |                   |       |                   |
| 22   | 1140020008  | WASHER, spring                    | 16   |       |                   |       |                   |
| 23   | 1140020010  | WASHER, spring                    | 17   |       |                   |       |                   |
| 24   | 1141110008  | WASHER                            | 6    |       |                   |       |                   |
| 25   | 1141110010  | WASHER                            | 13   |       |                   |       |                   |
| 26   | 0003608252  | WASHER                            | 10   |       |                   |       |                   |
| 27   | 0003600003  | WASHER                            | 4    |       |                   |       |                   |
| 28   | 1130040008  | NUT                               | 2    |       |                   |       |                   |
| 29   | 1120590412  | SCREW                             | 2    |       |                   |       |                   |
| 30   | 1652102410  | RUBBER                            | 2    |       |                   |       |                   |
| 31   | 1929900237  | ROPE                              | 1    |       |                   |       |                   |
| 32   | 1653900041  | DAMPER                            | 2    |       |                   |       |                   |
| 33   | 0378206961  | PLATE                             | 2    |       |                   |       |                   |
| 34   | 0358212034  | RUBBER                            | AR   |       |                   |       |                   |

G4e012

TB135 Book No. BG4Z010 S/N 13510004-  
COVER (2/3) (engine hood; 13510004-13514050)

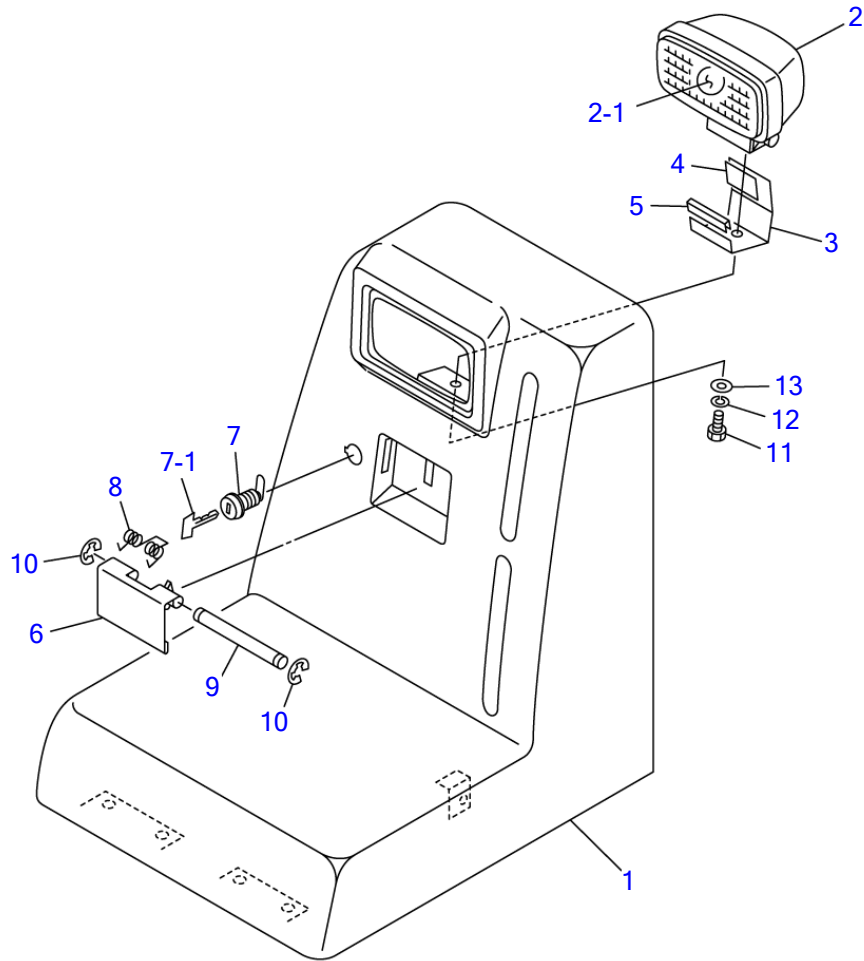


G4E021

S=1/10, 1/8

**COVER (2/3) (engine hood; 13510004-13514050)**

| Item | Part number       | Description                | Q'ty | Chan. | Serial No.        | Serv. | Remarks           |
|------|-------------------|----------------------------|------|-------|-------------------|-------|-------------------|
| 0-1  | <b>0378206100</b> | HOOD ASSY, engine (cab)    | 1    |       |                   |       |                   |
|      | <b>0378208100</b> | HOOD ASSY, engine (canopy) | 1    |       |                   |       |                   |
| 1    | <b>0378207000</b> | · HOOD, engine             | 1    |       |                   |       | cab               |
|      | <b>0378208200</b> | · HOOD, engine             | 1    |       |                   |       | canopy            |
| 2    | <b>0378206130</b> | · ABSORBENT, noise         | 1    |       |                   |       | cab               |
|      | <b>0378208110</b> | · ABSORBENT, noise         | 1    |       |                   |       | canopy            |
| 3    | <b>0378206140</b> | · ABSORBENT, noise         | 1    |       |                   |       |                   |
| 4    | <b>0378206150</b> | · ABSORBENT, noise         | 1    |       |                   |       |                   |
| 5    | <b>0378206320</b> | · HANDLE                   | 1    |       | 13510004~13510258 |       |                   |
|      | <b>0378207500</b> | · HANDLE                   | 1    |       | 13510259~         |       |                   |
| 6    | <b>0378206170</b> | · NOZZLE                   | 1    |       |                   |       | cab               |
| 7    | <b>1653601395</b> | · LOCK                     | 1    |       |                   |       |                   |
| 7-1  | <b>1700100019</b> | · KEY                      | 1    |       |                   |       |                   |
| 8    | <b>0007000095</b> | · SPRING                   | 1    |       |                   |       |                   |
| 9    | <b>0004206111</b> | · SHAFT                    | 1    |       |                   |       |                   |
| 10   | <b>1224010004</b> | · E-RING                   | 2    |       |                   |       |                   |
| 11   | <b>1703002000</b> | · LAMP, tail               | 2    |       |                   |       |                   |
| 11-6 | <b>1703002003</b> | · · BULB                   | 2    |       |                   |       |                   |
| 12   | <b>1130030004</b> | · NUT                      | 4    |       |                   |       |                   |
| 13   | <b>1140020004</b> | · WASHER, spring           | 4    |       |                   |       |                   |
| 14   | <b>1654606255</b> | · SEAL                     | 1    |       |                   |       | sold by the meter |
| 15   | <b>1100040816</b> | · BOLT                     | 3    |       |                   |       | cab               |
| 16   | <b>1140020008</b> | · WASHER, spring           | 3    |       |                   |       | cab               |
| 17   | <b>0003608252</b> | · WASHER                   | 3    |       |                   |       | cab               |
| 18   | <b>0398205160</b> | · INSULATOR                | 1    |       |                   |       | cab               |
| 19   | <b>0378206180</b> | · INSULATOR                | 1    |       |                   |       | cab               |
| 20   | <b>0374203250</b> | · HARNESS, wiring          | 1    |       |                   |       |                   |
|      | <b>G4e021</b>     |                            |      |       |                   |       |                   |

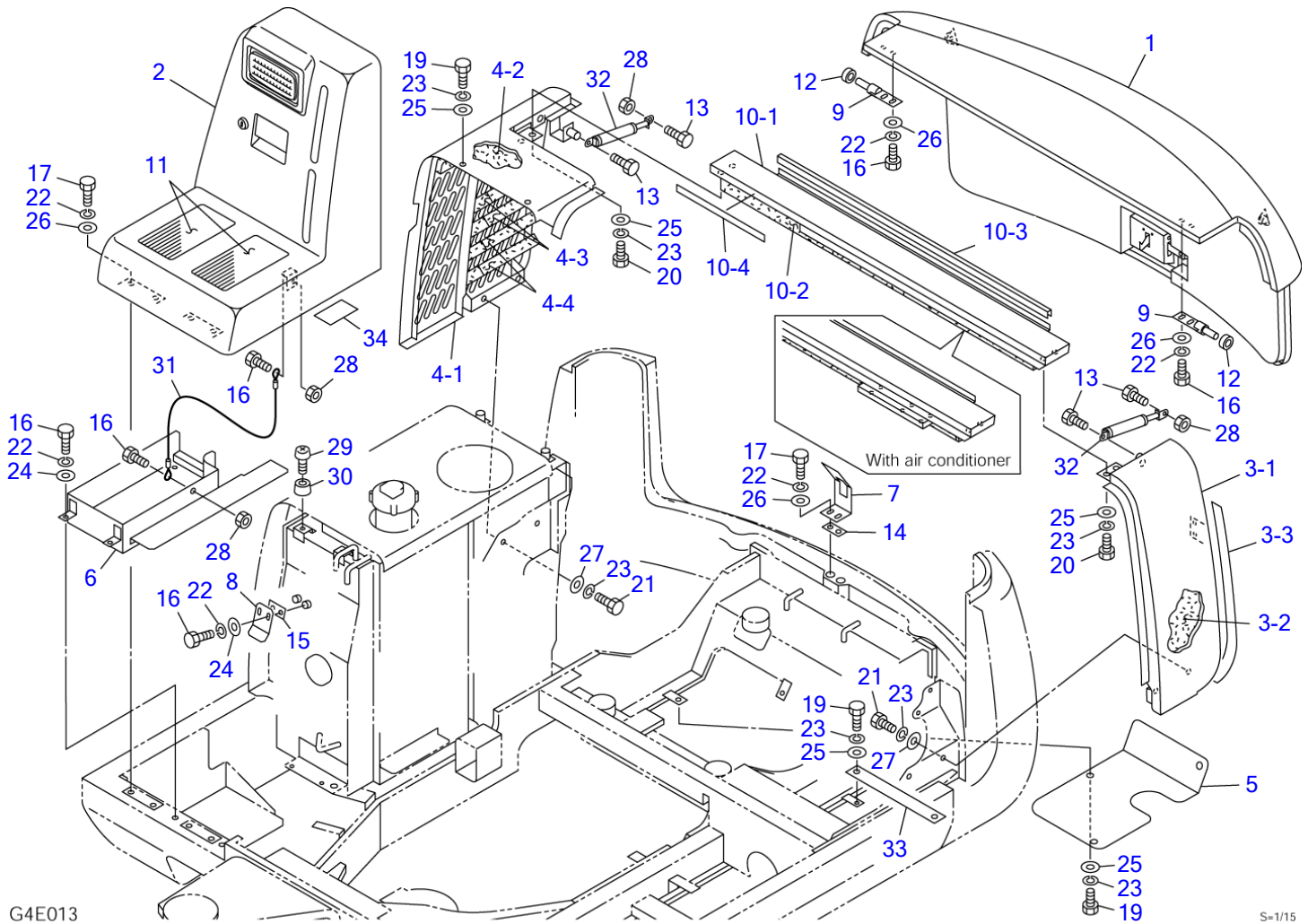


G4E030

S=1/8

**COVER (3/3) (front cover; 13510004-13514050)**

| Item | Part number       | Description       | Q'ty | Chan. | Serial No. | Serv. | Remarks           |
|------|-------------------|-------------------|------|-------|------------|-------|-------------------|
| 0-2  | <b>0378206300</b> | COVER ASSY, front | 1    |       |            |       |                   |
| 1    | <b>0378206400</b> | · COVER           | 1    |       |            |       |                   |
| 2    | <b>1703006200</b> | · LAMP ASSY       | 1    |       |            |       |                   |
| 2-1  | <b>1703006205</b> | · · BULB          | 1    |       |            |       |                   |
| 3    | <b>0378206310</b> | · PLATE           | 1    |       |            |       |                   |
| 4    | <b>0880841210</b> | · RUBBER          | 1    |       |            |       |                   |
| 5    | <b>1654613006</b> | · PACKING         | 1    |       |            |       | sold by the meter |
| 6    | <b>0378206320</b> | · HANDLE          | 1    |       |            |       |                   |
| 7    | <b>1653601395</b> | · LOCK            | 1    |       |            |       |                   |
| 7-1  | <b>1700100019</b> | · KEY             | 1    |       |            |       |                   |
| 8    | <b>0007000095</b> | · SPRING          | 1    |       |            |       |                   |
| 9    | <b>0004206111</b> | · SHAFT           | 1    |       |            |       |                   |
| 10   | <b>1224010004</b> | · E-RING          | 2    |       |            |       |                   |
| 11   | <b>1100040820</b> | · BOLT            | 1    |       |            |       |                   |
| 12   | <b>1140020008</b> | · WASHER, spring  | 1    |       |            |       |                   |
| 13   | <b>1141110008</b> | · WASHER          | 1    |       |            |       |                   |
|      | <b>G4e030</b>     |                   |      |       |            |       |                   |



G4E013

S=1/15

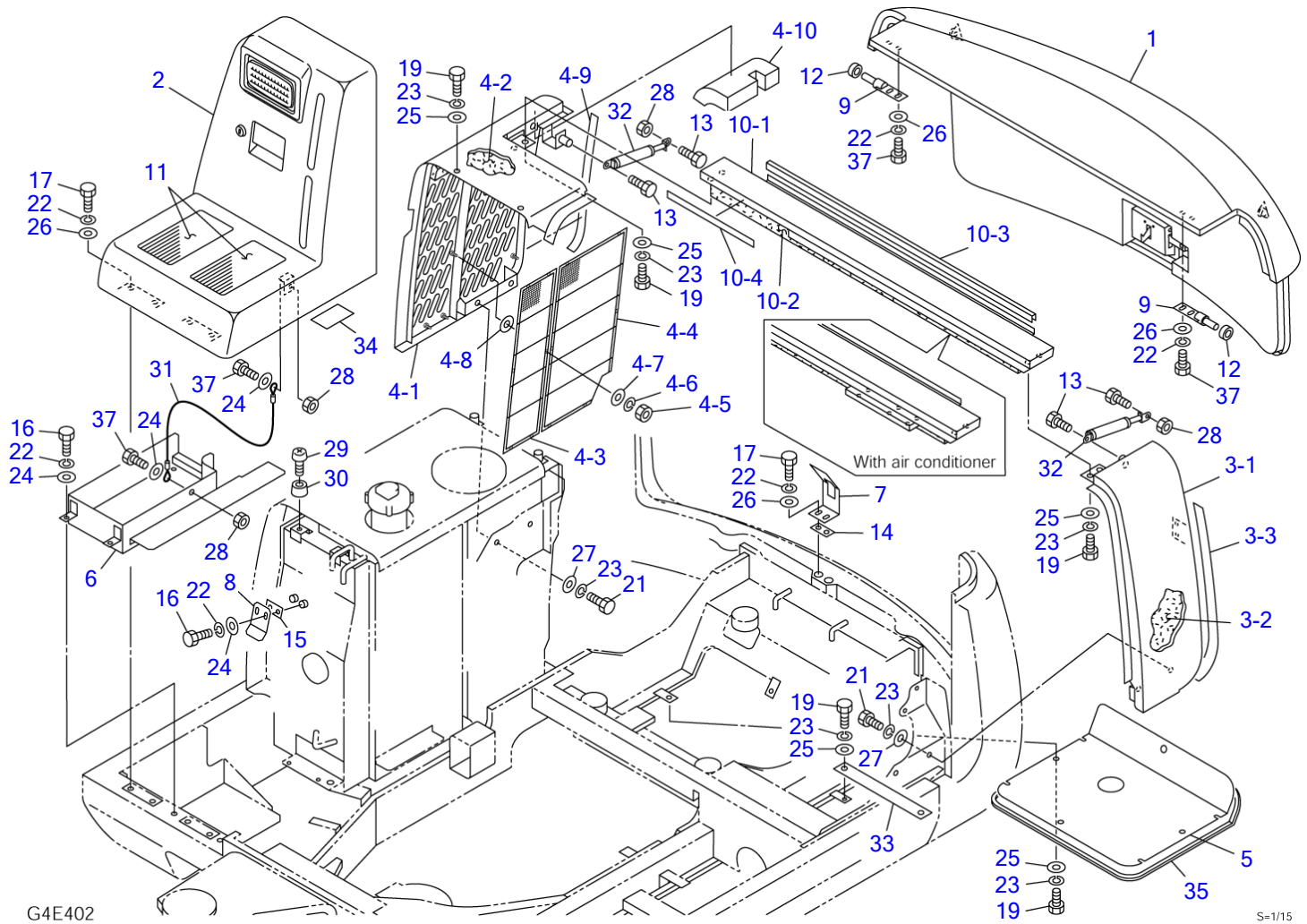
**COVER (1/3) (13514051-13516744)**

| Item | Part number | Description                       | Q'ty | Chan.   | Serial No.        | Serv. | Remarks           |
|------|-------------|-----------------------------------|------|---------|-------------------|-------|-------------------|
|      |             | COVER ASSY (cab)                  |      |         |                   |       | X03782-11000-4    |
|      |             | COVER ASSY (canopy)               |      |         |                   |       | X03782-12000-4    |
|      |             | COVER ASSY (with air conditioner) |      |         |                   |       | X03782-12100-4    |
| 1    | 0378211100  | HOOD, engine (cab)                | 1    | A       | 13514051~13514356 |       | see page (2/3)    |
|      | 0378211500  | HOOD, engine (cab)                | 1    | a(H)    | 13514357~         |       | see page (2/3)    |
|      | 0378208100  | HOOD, engine (canopy)             | 1    | B       | 13514051~13514356 |       | see page (2/3)    |
|      | 0378208500  | HOOD, engine (canopy)             | 1    | b(H)    | 13514357~         |       | see page (2/3)    |
| 2    | 0378211200  | COVER, front                      | 1    |         |                   |       | see page (3/3)    |
| 3    | 0378206500  | COVER ASSY, side (L.H.)           | 1    |         |                   |       |                   |
| 3-1  | 0378207300  | • COVER (L.H.)                    | 1    |         |                   |       |                   |
| 3-2  | 0378206510  | • ABSORBENT, noise                | 1    |         |                   |       |                   |
| 3-3  | 1654307049  | • SPONGE                          | 1    |         |                   |       | sold by the meter |
| 4    | 0378206700  | COVER ASSY, side (R.H.)           | 1    |         |                   |       |                   |
| 4-1  | 0378207400  | • COVER (R.H.)                    | 1    |         |                   |       |                   |
| 4-2  | 0378206710  | • ABSORBENT, noise                | 1    |         |                   |       |                   |
| 4-3  | 0378206720  | • ABSORBENT, noise                | 4    |         |                   |       |                   |
| 4-4  | 0378206730  | • ABSORBENT, noise                | 2    |         |                   |       |                   |
| 5    | 0378206910  | COVER                             | 1    |         |                   |       |                   |
| 6    | 0378211400  | BOX, tool                         | 1    |         |                   |       |                   |
| 7    | 0378207600  | BRACKET                           | 1    | A, B    | 13514051~13514356 |       |                   |
|      | 0378207560  | BRACKET                           | 1    | a, b(H) | 13514357~         |       |                   |
| 8    | 0378206940  | BRACKET                           | 1    |         |                   |       |                   |
| 9    | 0378206950  | PIN                               | 2    |         |                   |       |                   |
| 10   | 0378207100  | COVER ASSY, center                | 1    |         |                   |       |                   |
|      | 0378212200  | COVER ASSY, center                | 1    |         |                   |       | with air con.     |
| 10-1 | 0378207200  | • COVER                           | 1    |         |                   |       |                   |
|      | 0378212210  | • COVER                           | 1    |         |                   |       | with air con.     |
| 10-2 | 0378207110  | • ABSORBENT, noise                | 1    |         |                   |       |                   |
|      | 0378212230  | • ABSORBENT, noise                | 1    |         |                   |       | with air con.     |
| 10-3 | 1654606088  | • SEAL                            | 1    |         |                   |       | sold by the meter |
| 10-4 | 1654307027  | • SPONGE                          | 1    |         |                   |       | sold by the meter |
| 11   | 0358202400  | SHEET                             | 2    |         |                   |       |                   |
| 12   | 0398200800  | COLLAR                            | 2    |         |                   |       |                   |
| 13   | 0138255300  | BOLT                              | 4    |         |                   |       |                   |
| 14   | 0003900028  | SPACER                            | 1    |         |                   |       |                   |
| 15   | 0003900027  | SPACER                            | 1    |         |                   |       |                   |
| 16   | 1100040820  | BOLT                              | 12   |         |                   |       |                   |
| 17   | 1100040830  | BOLT                              | 6    |         |                   |       |                   |
| 19   | 1100041020  | BOLT                              | 9    |         |                   |       |                   |
| 20   | 1100041025  | BOLT                              | 4    |         |                   |       |                   |
| 21   | 1100041030  | BOLT                              | 4    |         |                   |       |                   |
| 22   | 1140020008  | WASHER, spring                    | 16   |         |                   |       |                   |
| 23   | 1140020010  | WASHER, spring                    | 17   |         |                   |       |                   |
| 24   | 1141110008  | WASHER                            | 6    |         |                   |       |                   |
| 25   | 1141110010  | WASHER                            | 13   |         |                   |       |                   |
| 26   | 0003608252  | WASHER                            | 10   |         |                   |       |                   |
| 27   | 0003600003  | WASHER                            | 4    |         |                   |       |                   |
| 28   | 1130040008  | NUT                               | 4    |         |                   |       |                   |
| 29   | 1120590412  | SCREW                             | 2    |         |                   |       |                   |
| 30   | 1652102410  | RUBBER                            | 2    |         |                   |       |                   |
| 31   | 1929900237  | ROPE                              | 1    |         |                   |       |                   |
| 32   | 1653900041  | DAMPER                            | 2    |         |                   |       |                   |
| 33   | 0378206961  | PLATE                             | 2    |         |                   |       |                   |
| 34   | 0358212034  | RUBBER                            | AR   |         |                   |       |                   |

<<NOTE>>  
 SET "A" is interchangeable with SET "a".  
 SET "B" is interchangeable with SET "b".

G4e014

TB135 Book No. BG4Z010 S/N 13510004-  
COVER (1/3) (13516745-)



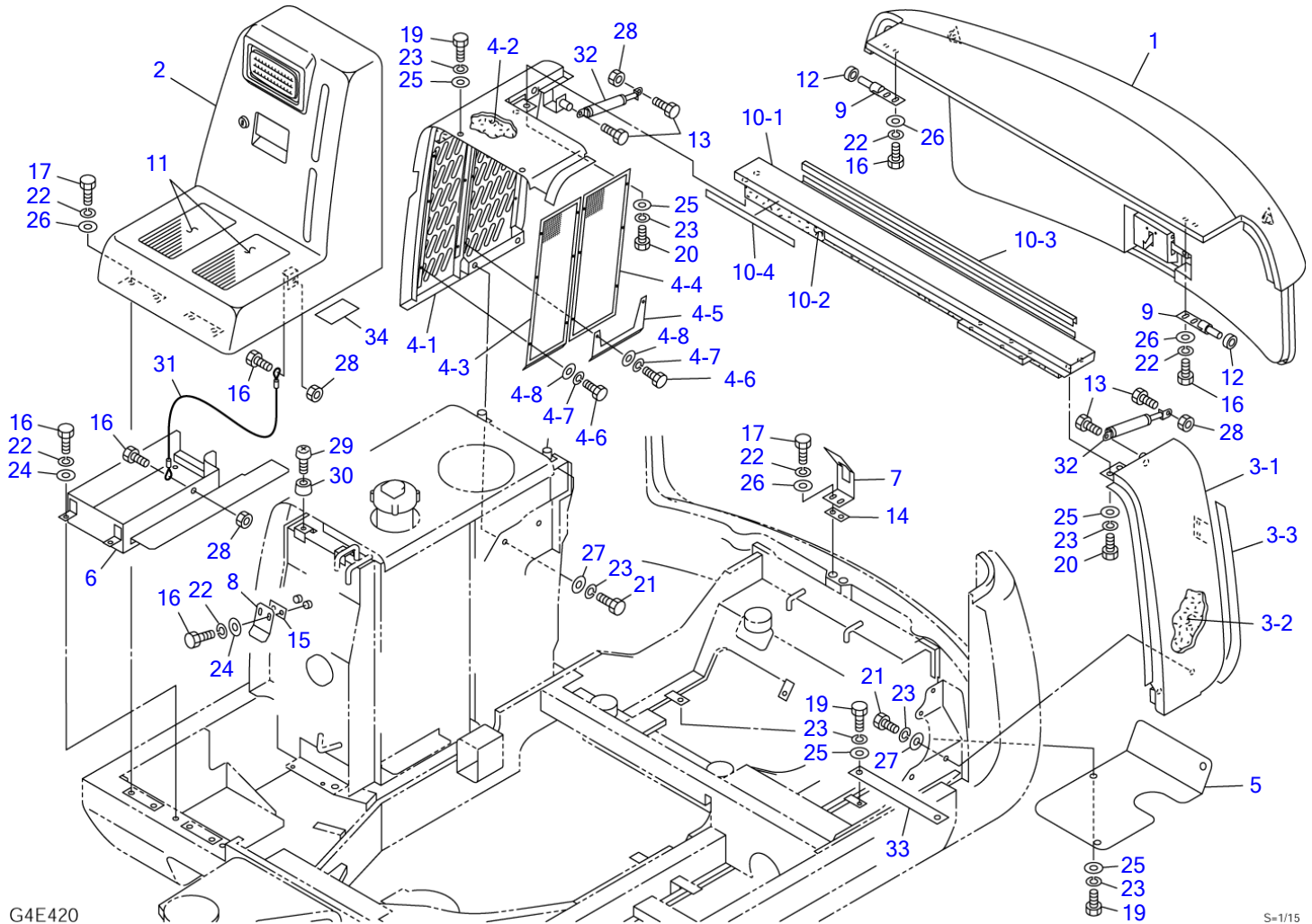


## COVER (1/3) (13516745-)

| Item | Part number | Description                       | Q'ty | Chan. | Serial No. | Serv. | Remarks           |
|------|-------------|-----------------------------------|------|-------|------------|-------|-------------------|
|      |             | COVER ASSY (cab)                  |      |       |            |       | X03782-14000-3    |
|      |             | COVER ASSY (canopy)               |      |       |            |       | X03782-15000-3    |
|      |             | COVER ASSY (with air conditioner) |      |       |            |       | X03782-16000-3    |
| 1    | 0378211500  | HOOD, engine (cab)                | 1    |       |            |       | see page (2/3)    |
|      | 0378208500  | HOOD, engine (canopy)             | 1    |       |            |       | see page (2/3)    |
| 2    | 0378211200  | COVER, front                      | 1    |       |            |       | see page (3/3)    |
| 3    | 0378206500  | COVER ASSY, side (L.H.)           | 1    |       |            |       |                   |
| 3-1  | 0378207300  | • COVER (L.H.)                    | 1    |       |            |       |                   |
| 3-2  | 0378206510  | • ABSORBENT, noise                | 1    |       |            |       |                   |
| 3-3  | 1654302049  | • SPONGE                          | 1    |       |            | M     | sold by the meter |
| 4    | 0378214100  | COVER ASSY, side (R.H.)           | 1    |       |            |       |                   |
| 4-1  | 0378214110  | • COVER (R.H.)                    | 1    |       |            |       |                   |
| 4-2  | 0378206710  | • ABSORBENT, noise                | 1    |       |            |       |                   |
| 4-3  | 0398213250  | • NET                             | 1    |       |            |       |                   |
| 4-4  | 0378214120  | • NET                             | 1    |       |            |       |                   |
| 4-5  | 1130040006  | • NUT                             | 13   |       |            |       |                   |
| 4-6  | 1140020006  | • WASHER, spring                  | 13   |       |            |       |                   |
| 4-7  | 1141110006  | • WASHER                          | 13   |       |            |       |                   |
| 4-8  | 0003600090  | • WASHER                          | 13   |       |            |       |                   |
| 4-9  | 1654302049  | • SPONGE                          | 1    |       |            | M     | sold by the meter |
| 4-10 | 0378214140  | • ABSORBENT, noise                | 1    |       |            | M     |                   |
| 5    | 0378214130  | COVER                             | 1    |       |            |       |                   |
| 6    | 0378211400  | BOX, tool                         | 1    |       |            |       |                   |
| 7    | 0378207560  | BRACKET                           | 1    |       |            |       |                   |
| 8    | 0378206940  | BRACKET                           | 1    |       |            |       |                   |
| 9    | 0378206950  | PIN                               | 2    |       |            |       |                   |
| 10   | 0378207100  | COVER ASSY, center                | 1    |       |            |       |                   |
|      | 0378212200  | COVER ASSY, center                | 1    |       |            |       | with air con.     |
| 10-1 | 0378207200  | • COVER                           | 1    |       |            |       |                   |
|      | 0378212210  | • COVER                           | 1    |       |            |       | with air con.     |
| 10-2 | 0378207110  | • ABSORBENT, noise                | 1    |       |            |       |                   |
|      | 0378212230  | • ABSORBENT, noise                | 1    |       |            |       | with air con.     |
| 10-3 | 1654606088  | • SEAL                            | 1    |       |            |       | sold by the meter |
| 10-4 | 1654307027  | • SPONGE                          | 1    |       |            |       | sold by the meter |
| 11   | 0358202400  | SHEET                             | 2    |       |            |       |                   |
| 12   | 0398200800  | COLLAR                            | 2    |       |            |       |                   |
| 13   | 0138255300  | BOLT                              | 4    |       |            |       |                   |
| 14   | 0003900028  | SPACER                            | 1    |       |            |       |                   |
| 15   | 0003900027  | SPACER                            | 1    |       |            |       |                   |
| 16   | 1100040820  | BOLT                              | 6    |       |            |       |                   |
| 17   | 1100040830  | BOLT                              | 6    |       |            |       |                   |
| 19   | 1100041020  | BOLT                              | 14   |       |            |       |                   |
| 21   | 1100041030  | BOLT                              | 4    |       |            |       |                   |
| 22   | 1140020008  | WASHER, spring                    | 16   |       |            |       |                   |
| 23   | 1140020010  | WASHER, spring                    | 18   |       |            |       |                   |
| 24   | 1141110008  | WASHER                            | 8    |       |            |       |                   |
| 25   | 1141110010  | WASHER                            | 14   |       |            |       |                   |
| 26   | 0003608252  | WASHER                            | 10   |       |            |       |                   |
| 27   | 0003600025  | WASHER                            | 4    |       |            |       |                   |
| 28   | 1130040008  | NUT                               | 4    |       |            |       |                   |
| 29   | 1120590412  | SCREW                             | 2    |       |            |       |                   |
| 30   | 1652102410  | RUBBER                            | 2    |       |            |       |                   |
| 31   | 1929900237  | ROPE                              | 1    |       |            |       |                   |
| 32   | 1653900041  | DAMPER                            | 2    |       |            |       |                   |
| 33   | 0378206961  | PLATE                             | 2    |       |            |       |                   |
| 34   | 0358212034  | RUBBER                            | AR   |       |            |       |                   |
| 35   | 1654619158  | TRIM                              | 1    |       |            |       | sold by the meter |
| 37   | 1100040825  | BOLT                              | 6    |       |            |       |                   |

G4e403

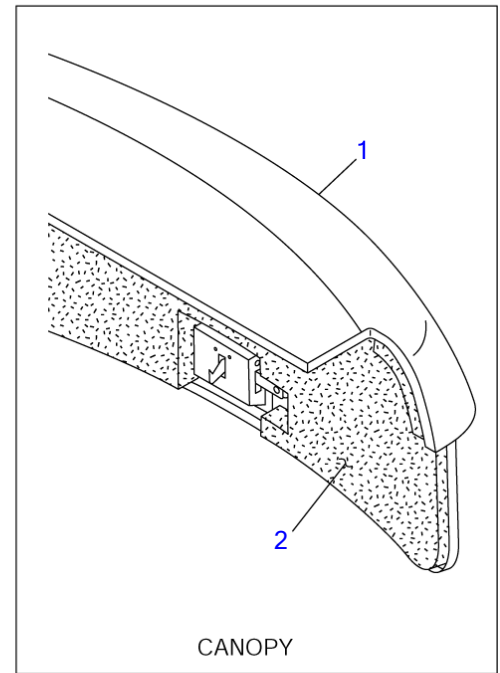
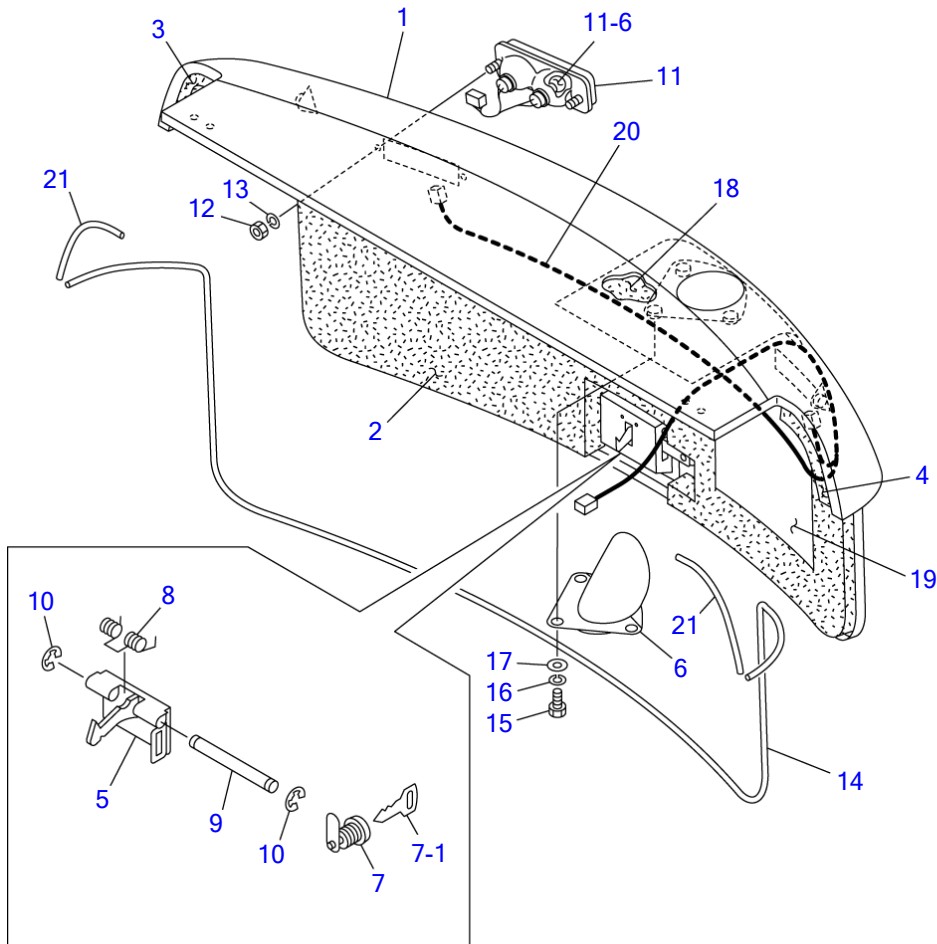
TB135 Book No. BG4Z010 S/N 13510004-  
COVER (1/3) (for China, with air conditioner)



**COVER (1/3) (for China, with air conditioner)**

| Item | Part number   | Description             | Q'ty | Chan. | Serial No. | Serv. | Remarks           |
|------|---------------|-------------------------|------|-------|------------|-------|-------------------|
|      |               | COVER ASSY (cab)        |      |       |            |       | X03782-12400-0    |
| 1    | 0378211500    | HOOD, engine (cab)      | 1    |       |            |       | see page (2/3)    |
| 2    | 0378211200    | COVER, front            | 1    |       |            |       | see page (3/3)    |
| 3    | 0378206500    | COVER ASSY, side (L.H.) | 1    |       |            |       |                   |
| 3-1  | 0378207300    | · COVER (L.H.)          | 1    |       |            |       |                   |
| 3-2  | 0378206510    | · ABSORBENT, noise      | 1    |       |            |       |                   |
| 3-3  | 1654307049    | · SPONGE                | 1    |       |            |       | sold by the meter |
| 4    | 0378212300    | COVER ASSY, side (R.H.) | 1    |       |            |       |                   |
| 4-1  | 0378212310    | · COVER (R.H.)          | 1    |       |            |       |                   |
| 4-2  | 0378206710    | · ABSORBENT, noise      | 1    |       |            |       |                   |
| 4-3  | 0398212680    | · NET                   | 1    |       |            |       |                   |
| 4-4  | 0378212350    | · NET                   | 1    |       |            |       |                   |
| 4-5  | 0378212360    | · PLATE                 | 1    |       |            |       |                   |
| 4-6  | 1100040816    | · BOLT                  | 12   |       |            |       |                   |
| 4-7  | 1140020008    | · WASHER, spring        | 12   |       |            |       |                   |
| 4-8  | 1141110008    | · WASHER                | 12   |       |            |       |                   |
| 5    | 0378206910    | COVER                   | 1    |       |            |       |                   |
| 6    | 0378211400    | BOX, tool               | 1    |       |            |       |                   |
| 7    | 0378207560    | BRACKET                 | 1    |       |            |       |                   |
| 8    | 0378206940    | BRACKET                 | 1    |       |            |       |                   |
| 9    | 0378206950    | PIN                     | 2    |       |            |       |                   |
| 10   | 0378212200    | COVER ASSY, center      | 1    |       |            |       |                   |
| 10-1 | 0378212210    | · COVER                 | 1    |       |            |       |                   |
| 10-2 | 0378212230    | · ABSORBENT, noise      | 1    |       |            |       |                   |
| 10-3 | 1654606088    | · SEAL                  | 1    |       |            |       | sold by the meter |
| 10-4 | 1654307027    | · SPONGE                | 1    |       |            |       | sold by the meter |
| 11   | 0358202400    | SHEET                   | 2    |       |            |       |                   |
| 12   | 0398200800    | COLLAR                  | 2    |       |            |       |                   |
| 13   | 0138255300    | BOLT                    | 4    |       |            |       |                   |
| 14   | 0003900028    | SPACER                  | 1    |       |            |       |                   |
| 15   | 0003900027    | SPACER                  | 1    |       |            |       |                   |
| 16   | 1100040820    | BOLT                    | 12   |       |            |       |                   |
| 17   | 1100040830    | BOLT                    | 6    |       |            |       |                   |
| 19   | 1100041020    | BOLT                    | 9    |       |            |       |                   |
| 20   | 1100041025    | BOLT                    | 4    |       |            |       |                   |
| 21   | 1100041030    | BOLT                    | 4    |       |            |       |                   |
| 22   | 1140020008    | WASHER, spring          | 16   |       |            |       |                   |
| 23   | 1140020010    | WASHER, spring          | 17   |       |            |       |                   |
| 24   | 1141110008    | WASHER                  | 6    |       |            |       |                   |
| 25   | 1141110010    | WASHER                  | 13   |       |            |       |                   |
| 26   | 0003608252    | WASHER                  | 10   |       |            |       |                   |
| 27   | 0003600003    | WASHER                  | 4    |       |            |       |                   |
| 28   | 1130040008    | NUT                     | 4    |       |            |       |                   |
| 29   | 1120590412    | SCREW                   | 2    |       |            |       |                   |
| 30   | 1652102410    | RUBBER                  | 2    |       |            |       |                   |
| 31   | 1929900237    | ROPE                    | 1    |       |            |       |                   |
| 32   | 1653900041    | DAMPER                  | 2    |       |            |       |                   |
| 33   | 0378206961    | PLATE                   | 2    |       |            |       |                   |
| 34   | 0358212034    | RUBBER                  | AR   |       |            |       |                   |
|      |               | <<NOTE>><br>13515089    |      |       |            |       |                   |
|      | <b>G4e420</b> |                         |      |       |            |       |                   |

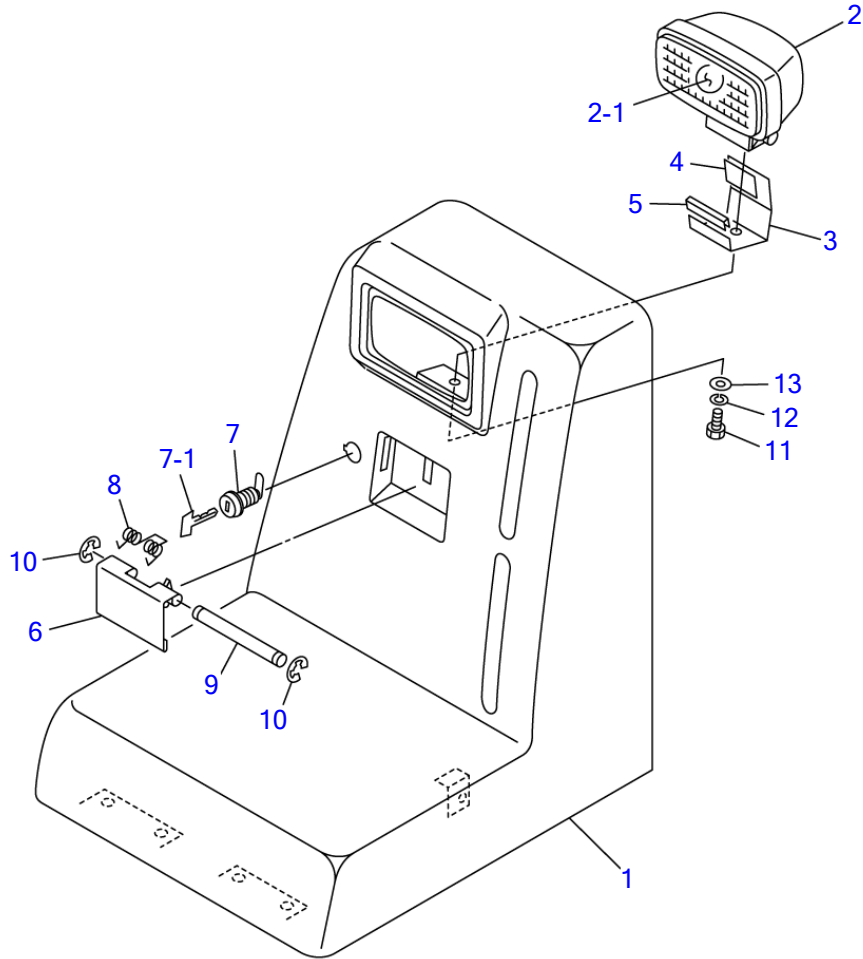
TB135 Book No. BG4Z010 S/N 13510004-  
COVER (2/3) (engine hood; 13514051-)



G4E023

S-1/10, 1/8

| COVER (2/3) (engine hood; 13514051-) |             |                       |      |       |                   |       |                   |
|--------------------------------------|-------------|-----------------------|------|-------|-------------------|-------|-------------------|
| Item                                 | Part number | Description           | Q'ty | Chan. | Serial No.        | Serv. | Remarks           |
| 0-1                                  | 0378211100  | HOOD, engine (cab)    | 1    |       | 13514051~13514356 |       |                   |
|                                      | 0378211500  | HOOD, engine (cab)    | 1    |       | 13514357~         |       | X03782-11500-2    |
|                                      | 0378208100  | HOOD, engine (canopy) | 1    |       | 13514051~13514356 |       |                   |
|                                      | 0378208500  | HOOD, engine (canopy) | 1    |       | 13514357~         |       | X03782-08500-2    |
| 1                                    | 0378211150  | • HOOD, engine        | 1    |       | 13514051~13514356 |       | cab               |
|                                      | 0378211550  | • HOOD, engine        | 1    |       | 13514357~         |       | cab               |
|                                      | 0378208200  | • HOOD, engine        | 1    |       | 13514051~13514356 |       | canopy            |
|                                      | 0378208550  | • HOOD, engine        | 1    |       | 13514357~         |       | canopy            |
| 2                                    | 0378206130  | • ABSORBENT, noise    | 1    |       |                   |       | cab               |
|                                      | 0378208110  | • ABSORBENT, noise    | 1    |       |                   |       | canopy            |
| 3                                    | 0378206140  | • ABSORBENT, noise    | 1    |       |                   |       |                   |
| 4                                    | 0378206150  | • ABSORBENT, noise    | 1    |       |                   |       |                   |
| 5                                    | 0378207500  | • HANDLE              | 1    |       | 13514051~13514356 |       |                   |
|                                      | 0378211570  | • HANDLE              | 1    |       | 13514357~         |       |                   |
| 6                                    | 0398212130  | • NOZZLE              | 1    |       |                   |       | cab               |
| 7                                    | 1653601395  | • LOCK                | 1    |       |                   |       |                   |
| 7-1                                  | 1700100019  | • KEY                 | 1    |       |                   |       |                   |
| 8                                    | 0007000095  | • SPRING              | 1    |       |                   |       |                   |
| 9                                    | 0004206111  | • SHAFT               | 1    |       |                   |       |                   |
| 10                                   | 1224010004  | • E-RING              | 2    |       |                   |       |                   |
| 11                                   | 1703002000  | • LAMP, tail          | 2    |       |                   |       |                   |
| 11-6                                 | 1703002003  | • • BULB              | 2    |       |                   |       |                   |
| 12                                   | 1130030004  | • NUT                 | 4    |       |                   |       |                   |
| 13                                   | 1140020004  | • WASHER, spring      | 4    |       |                   |       |                   |
| 14                                   | 1654606215  | • SEAL                | 1    |       |                   |       | sold by the meter |
| 15                                   | 1100040816  | • BOLT                | 3    |       |                   |       | cab               |
| 16                                   | 1140020008  | • WASHER, spring      | 3    |       |                   |       | cab               |
| 17                                   | 0003608252  | • WASHER              | 3    |       |                   |       | cab               |
| 18                                   | 0398212140  | • INSULATOR           | 1    |       |                   |       | cab               |
| 19                                   | 0378206180  | • INSULATOR           | 1    |       |                   |       | cab               |
| 20                                   | 0374203250  | • HARNESS, wiring     | 1    |       |                   |       |                   |
| 21                                   | 1654606018  | • SEAL                | 2    |       |                   |       | sold by the meter |
|                                      | G4e023      |                       |      |       |                   |       |                   |



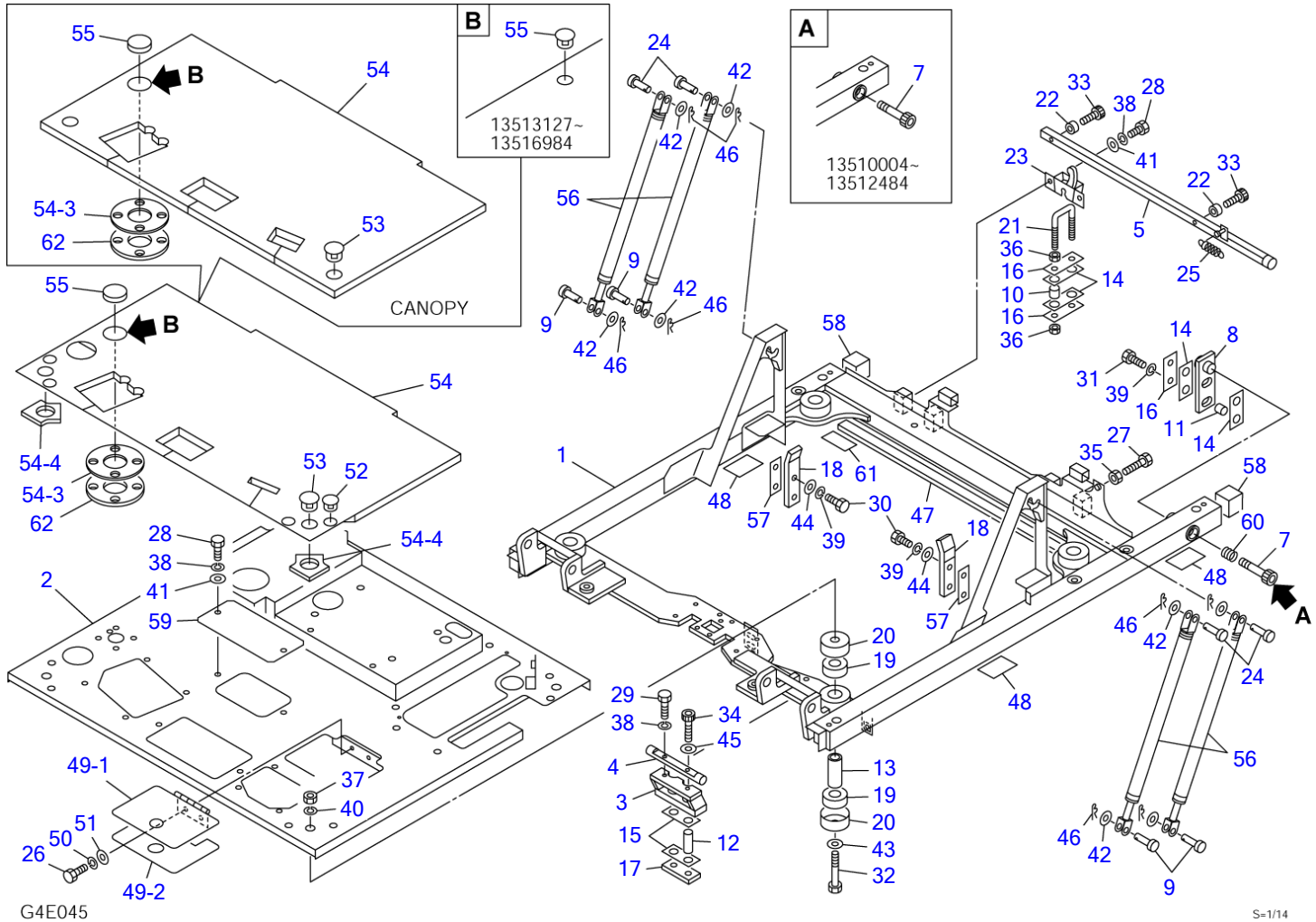
G4E030

S=1/8

**COVER (3/3) (front cover; 13514051-)**

| Item | Part number       | Description       | Q'ty | Chan. | Serial No. | Serv. | Remarks           |
|------|-------------------|-------------------|------|-------|------------|-------|-------------------|
| 0-2  | <b>0378211200</b> | COVER ASSY, front | 1    |       |            |       |                   |
| 1    | <b>0378211300</b> | · COVER           | 1    |       |            |       |                   |
| 2    | <b>1703006200</b> | · LAMP ASSY       | 1    |       |            |       |                   |
| 2-1  | <b>1703006205</b> | · · BULB          | 1    |       |            |       |                   |
| 3    | <b>0378206310</b> | · PLATE           | 1    |       |            |       |                   |
| 4    | <b>0880841210</b> | · RUBBER          | 1    |       |            |       |                   |
| 5    | <b>1654613006</b> | · PACKING         | 1    |       |            |       | sold by the meter |
| 6    | <b>0378206320</b> | · HANDLE          | 1    |       |            |       |                   |
| 7    | <b>1653601395</b> | · LOCK            | 1    |       |            |       |                   |
| 7-1  | <b>1700100019</b> | · KEY             | 1    |       |            |       |                   |
| 8    | <b>0007000095</b> | · SPRING          | 1    |       |            |       |                   |
| 9    | <b>0004206111</b> | · SHAFT           | 1    |       |            |       |                   |
| 10   | <b>1224010004</b> | · E-RING          | 2    |       |            |       |                   |
| 11   | <b>1100040820</b> | · BOLT            | 1    |       |            |       |                   |
| 12   | <b>1140020008</b> | · WASHER, spring  | 1    |       |            |       |                   |
| 13   | <b>1141110008</b> | · WASHER          | 1    |       |            |       |                   |
|      | <b>G4e031</b>     |                   |      |       |            |       |                   |

TB135 Book No. BG4Z010 S/N 13510004-  
**FLOOR FRAME**



G4E045

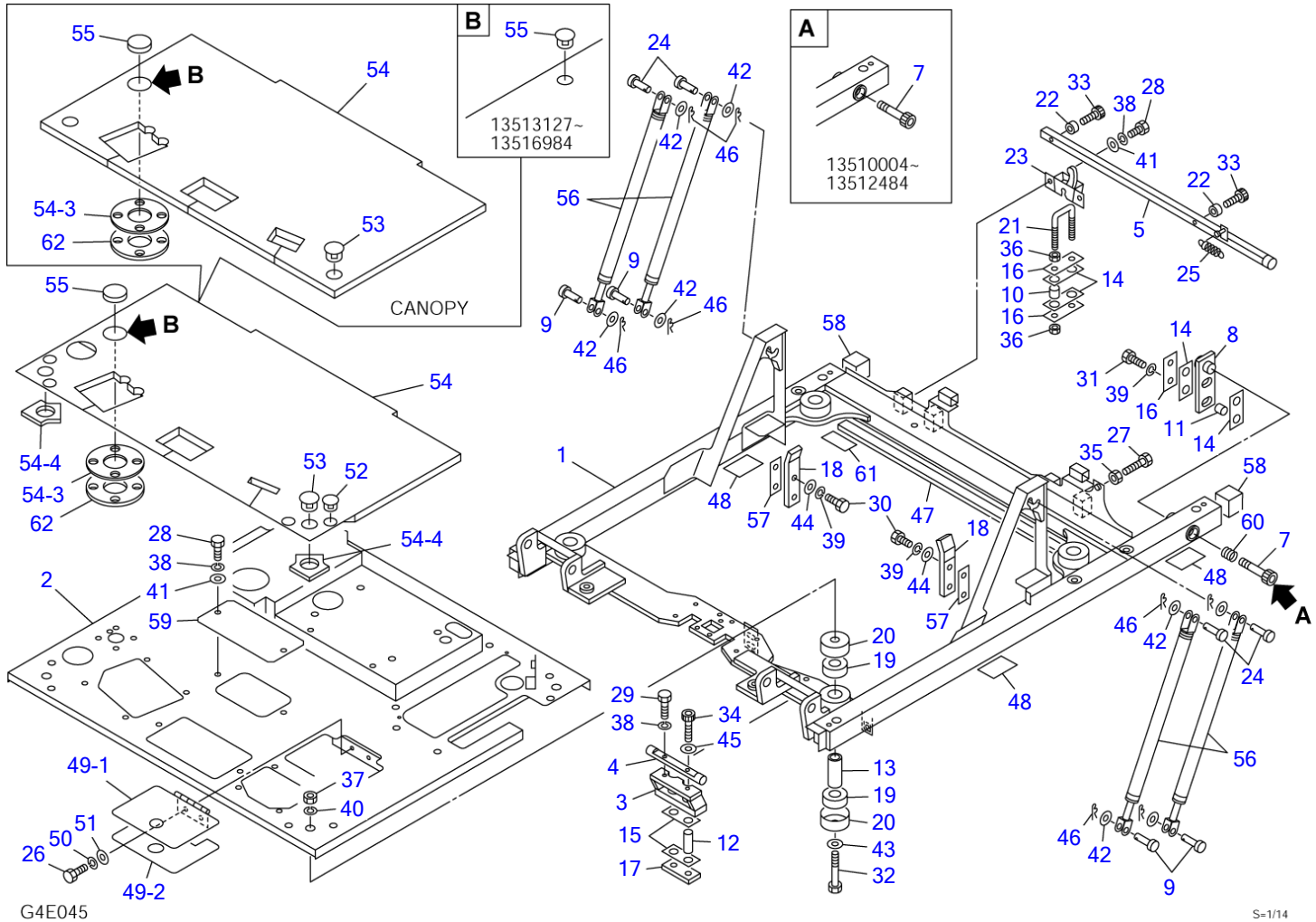
S=1/14



**FLOOR FRAME**

| Item | Part number | Description                       | Q'ty | Chan.  | Serial No.        | Serv. | Remarks           |
|------|-------------|-----------------------------------|------|--------|-------------------|-------|-------------------|
|      |             | FLOOR ASSY (cab)                  |      |        |                   |       | X03735-07000-12   |
|      |             | FLOOR ASSY (canopy)               |      |        |                   |       | X03735-08000-12   |
|      |             | FLOOR ASSY (with air conditioner) |      |        |                   |       | X03735-07600-12   |
| 1    | 0373504100  | FRAME (canopy)                    | 1    |        | 13510004~13510549 |       |                   |
|      | 0373504600  | FRAME (canopy)                    | 1    |        | 13510550~13511578 |       |                   |
|      | 0373507100  | FRAME (canopy)                    | 1    | A      | 13511579~13512484 |       |                   |
|      | 0373508100  | FRAME (canopy)                    | 1    | a(H)   | 13512485~         |       |                   |
|      | 0373504500  | FRAME (cab)                       | 1    |        | 13510004~13510549 |       |                   |
|      | 0373504700  | FRAME (cab)                       | 1    |        | 13510550~13511578 |       |                   |
|      | 0373507200  | FRAME (cab)                       | 1    | B      | 13511579~13512484 |       |                   |
|      | 0373507500  | FRAME (cab)                       | 1    | b(H)   | 13512485~         |       |                   |
| 2    | 0373504200  | PLATE                             | 1    |        | 13510004~13510765 |       |                   |
|      | 0373504800  | PLATE                             | 1    |        | 13510766~13511578 |       |                   |
|      | 0373507300  | PLATE                             | 1    |        | 13511579~         |       |                   |
|      | 0394612400  | PLATE                             | 1    |        |                   |       | with air con.     |
| 3    | 0373504300  | HINGE                             | 2    |        |                   |       |                   |
| 4    | 0373504370  | SHAFT                             | 2    |        |                   |       |                   |
| 5    | 0373504350  | ROD                               | 1    |        |                   |       |                   |
| 7    | 0343500800  | BOLT                              | 1    | A,B    | 13510004~13512484 |       |                   |
|      | 0373507007  | BOLT                              | 1    | a,b(H) | 13512485~         |       |                   |
| 8    | 0343500900  | PLATE                             | 1    |        |                   |       |                   |
| 9    | 0343503200  | PIN                               | 4    |        |                   |       | cab               |
|      | 0343503200  | PIN                               | 3    |        |                   |       | canopy            |
| 10   | 0373502600  | SPACER                            | 4    |        |                   |       |                   |
| 11   | 0343501200  | SPACER                            | 2    |        |                   |       |                   |
| 12   | 0373504360  | SPACER                            | 4    |        |                   |       |                   |
| 13   | 0373502900  | SPACER                            | 4    |        |                   |       |                   |
| 14   | 0343501400  | CUSHION                           | 6    |        |                   |       |                   |
| 15   | 0373502990  | CUSHION                           | 4    |        | 13510004~13513912 |       |                   |
|      | 0373502995  | CUSHION                           | 4    |        | 13513913~         |       |                   |
| 16   | 0343501600  | PLATE                             | 5    |        |                   |       |                   |
| 17   | 0343501700  | PLATE                             | 2    |        | 13510004~13513912 |       |                   |
|      | 0373504510  | PLATE                             | 2    |        | 13513913~         |       |                   |
| 18   | 0373504380  | STOPPER                           | 2    |        |                   |       |                   |
| 19   | 0433503100  | RUBBER                            | 8    |        |                   |       |                   |
| 20   | 0433503200  | COVER                             | 8    |        |                   |       |                   |
| 21   | 0373502800  | HOOK                              | 2    |        |                   |       |                   |
| 22   | 0393501000  | COLLAR                            | 2    |        |                   |       |                   |
| 23   | 0373504450  | LOCK                              | 2    |        |                   |       |                   |
| 24   | 0004010025  | PIN                               | 4    |        |                   |       | cab               |
|      | 0004010025  | PIN                               | 3    |        |                   |       | canopy            |
| 25   | 0007000029  | SPRING                            | 1    |        |                   |       |                   |
| 26   | 1100040612  | BOLT                              | 2    |        |                   |       |                   |
| 27   | 1100040640  | BOLT                              | 1    |        |                   |       |                   |
| 28   | 1100040816  | BOLT                              | 6    |        |                   |       |                   |
| 29   | 1100040830  | BOLT                              | 4    |        |                   |       |                   |
| 30   | 1100041030  | BOLT                              | 4    |        |                   |       |                   |
| 31   | 1100041040  | BOLT                              | 2    |        |                   |       |                   |
| 32   | 1100141605  | BOLT                              | 4    |        |                   |       |                   |
| 33   | 1110040820  | BOLT                              | 2    |        |                   |       |                   |
| 34   | 1111041265  | SCREW, cap                        | 4    |        |                   |       |                   |
| 35   | 1130040006  | NUT                               | 2    |        |                   |       |                   |
| 36   | 1130040010  | NUT                               | 8    |        |                   |       |                   |
| 37   | 1130040016  | NUT                               | 4    |        |                   |       |                   |
| 38   | 1140020008  | WASHER, spring                    | 10   |        |                   |       |                   |
| 39   | 1140020010  | WASHER, spring                    | 6    |        |                   |       |                   |
| 40   | 1140020016  | WASHER, spring                    | 4    |        |                   |       |                   |
| 41   | 1141110008  | WASHER                            | 6    |        |                   |       |                   |
| 42   | 1141110010  | WASHER                            | 8    |        |                   |       | cab               |
|      | 1141110010  | WASHER                            | 6    |        |                   |       | canopy            |
| 43   | 1141110016  | WASHER                            | 4    |        |                   |       |                   |
| 44   | 1141550010  | WASHER                            | 4    |        |                   |       |                   |
| 45   | 1141550012  | WASHER                            | 4    |        |                   |       |                   |
| 46   | 1214000008  | PIN, snap                         | 8    |        |                   |       | cab               |
|      | 1214000008  | PIN, snap                         | 6    |        |                   |       | canopy            |
| 47   | 1654312088  | SPONGE                            | 1    |        |                   |       | sold by the meter |
| 48   | 0373504320  | RUBBER                            | 4    |        | 13510004~13512484 |       |                   |

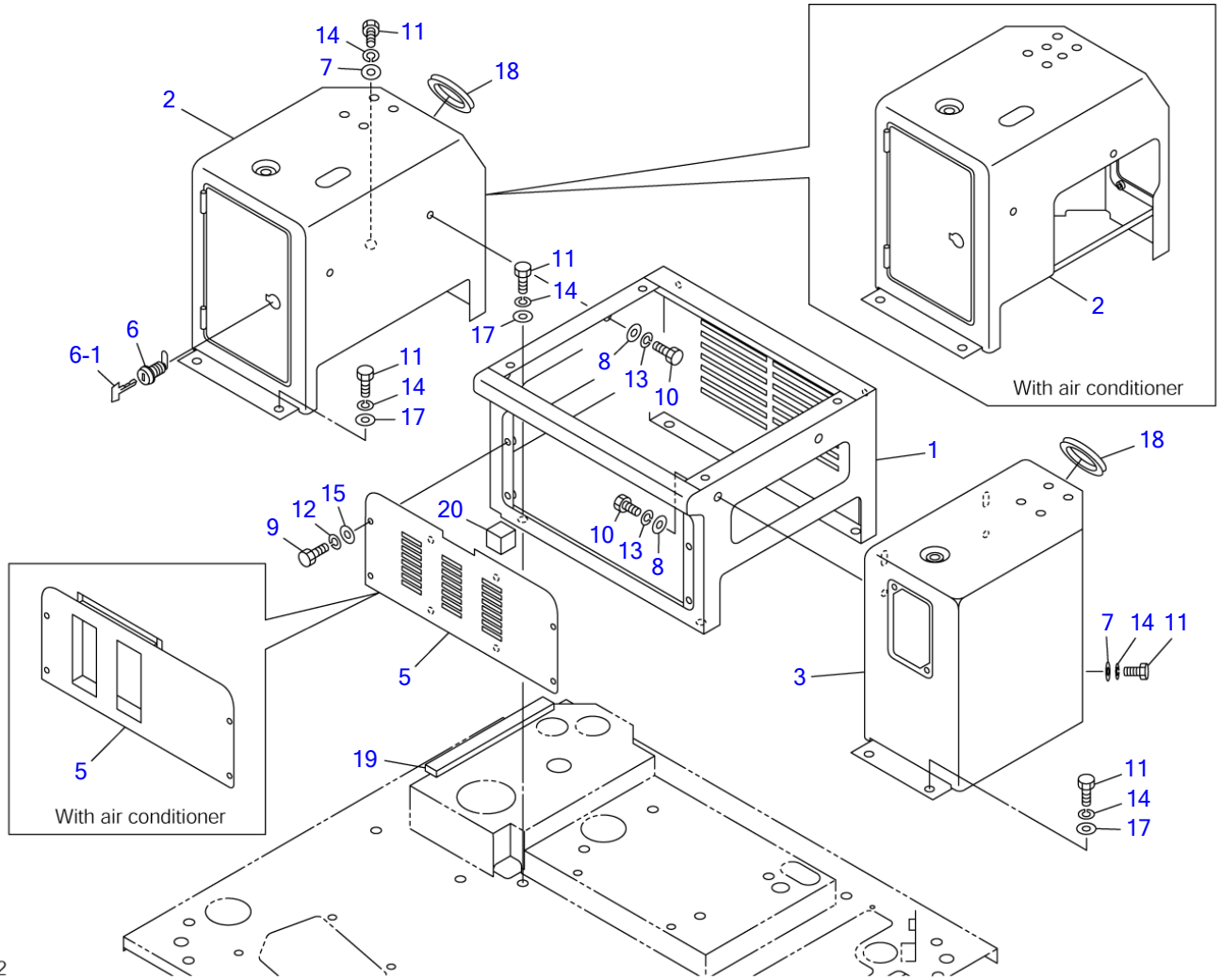
TB135 Book No. BG4Z010 S/N 13510004-  
**FLOOR FRAME**



FLOOR FRAME

| Item | Part number | Description                                 | Q'ty | Chan. | Serial No.        | Serv. | Remarks          |
|------|-------------|---|------|-------|-------------------|-------|------------------|
| 48   | 0373507048  | RUBBER                                      | 3    |       | 13512485~         |       |                  |
| 49   | 0373504400  | COVER ASSY                                  | 1    |       |                   |       |                  |
| 49-1 | 0373504410  | · COVER                                     | 1    |       |                   |       |                  |
| 49-2 | 0373504420  | · RUBBER                                    | 1    |       |                   |       |                  |
| 50   | 1140020006  | WASHER, spring                              | 2    |       |                   |       |                  |
| 51   | 1141110006  | WASHER                                      | 2    |       |                   |       |                  |
| 52   | 0373508010  | CAP   | 4    |       |                   |       | cab              |
| 53   | 1652533010  | CAP   | 2    |       |                   |       |                  |
| 54   | 0373504340  | MAT, floor                                  | 1    |       | 13510004~13511578 |       | cab              |
| 54   | 0373507410  | MAT, floor                                  | 1    |       | 13511579~13516984 |       | cab              |
| 54   | 0373507430  | MAT, floor                                  | 1    |       | 13516985~         |       | cab              |
| 54   | 0373504330  | MAT, floor                                  | 1    |       | 13510004~13511578 |       | canopy           |
| 54   | 0373507400  | MAT, floor                                  | 1    |       | 13511579~13516984 |       | canopy           |
| 54   | 0373507420  | MAT, floor                                  | 1    |       | 13516985~         |       | canopy           |
| 54-3 | 0373507423  | · SPONGE                                    | 1    |       | 13516985~         |       |                  |
| 54-4 | X *****     | · SPONGE                                    | 2    |       | 13510418~         |       | cab X03735-04345 |
| 55   | 1652533010  | CAP   | 1    |       | 13513127~13516984 |       |                  |
| 55   | 1652533013  | CAP   | 1    |       | 13516985~         |       |                  |
| 56   | 1653900043  | SPRING, gas                                 | 4    |       |                   |       | cab              |
| 56   | 1653900043  | SPRING, gas                                 | 3    |       |                   |       | canopy           |
| 57   | 0373504390  | SHIM t=1.2                                  | AR   |       |                   |       |                  |
| 58   | 0363511500  | URETHANE                                    | 2    |       |                   |       |                  |
| 59   | 0373504470  | PLATE                                       | 1    |       | 13510454~         |       |                  |
| 60   | 0007000111  | SPRING                                      | 1    |       | 13512485~         |       |                  |
| 61   | 0353514055  | RUBBER                                      | 1    |       |                   |       |                  |
| 62   | 0573500225  | SPONGE                                      | 1    |       | 13516985~         |       |                  |
| 62   |             | <<NOTE>>                                    |      |       |                   |       |                  |
| 62   |             | SET "A" is interchangeable<br>with SET "a". |      |       |                   |       |                  |
| 62   |             | SET "B" is interchangeable<br>with SET "b". |      |       |                   |       |                  |
|      | G4e046      |   |      |       |                   |       |                  |

TB135 Book No. BG4Z010 S/N 13510004-  
SEAT BOX (13510004-13514050)



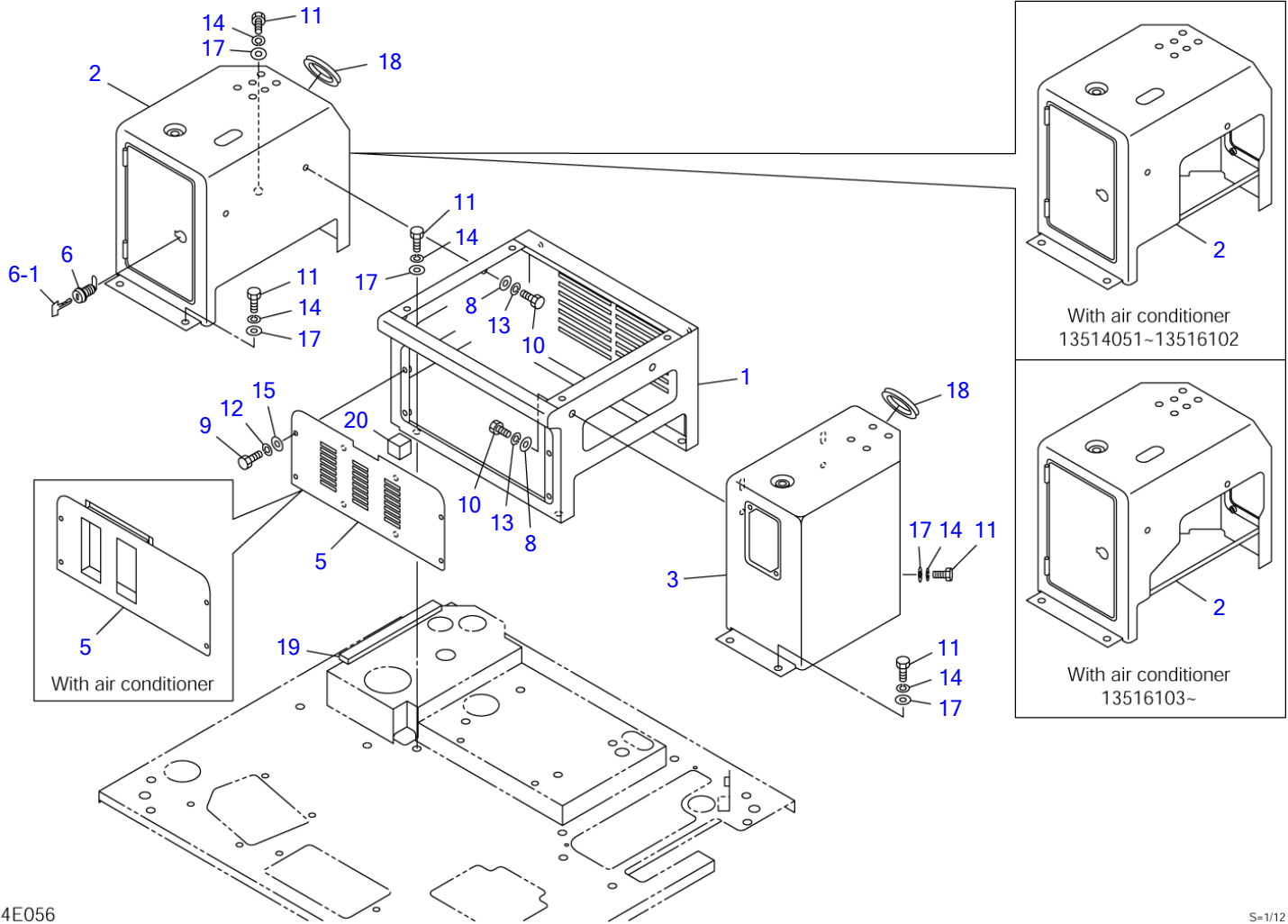
G4E052

S-1/10

**SEAT BOX (13510004-13514050)**

| Item | Part number       | Description                           | Q'ty | Chan. | Serial No. | Serv. | Remarks           |
|------|-------------------|---------------------------------------|------|-------|------------|-------|-------------------|
|      |                   | BOX ASSY, seat                        |      |       |            |       | X03734-11000-5    |
|      |                   | BOX ASSY, seat (with air conditioner) |      |       |            |       | X03734-11700-5    |
| 1    | <b>0373411100</b> | BOX                                   | 1    |       |            |       |                   |
|      | <b>0394612600</b> | BOX                                   | 1    |       |            |       | with air con.     |
| 2    | <b>0373411200</b> | SIDE BOX (R.H.)                       | 1    |       |            |       |                   |
|      | <b>0394612500</b> | SIDE BOX (R.H.)                       | 1    |       |            |       | with air con.     |
| 3    | <b>0373411300</b> | SIDE BOX (L.H.)                       | 1    |       |            |       |                   |
| 5    | <b>0373411600</b> | COVER                                 | 1    |       |            |       |                   |
|      | <b>0394612310</b> | COVER                                 | 1    |       |            |       | with air con.     |
| 6    | <b>0373401640</b> | LOCK                                  | 1    |       |            |       |                   |
| 6-1  | <b>1700100019</b> | KEY                                   | 1    |       |            |       |                   |
| 7    | <b>0003600020</b> | WASHER                                | 2    |       |            |       |                   |
| 8    | <b>0003608252</b> | WASHER                                | 4    |       |            |       |                   |
| 9    | <b>1100040616</b> | BOLT                                  | 4    |       |            |       |                   |
| 10   | <b>1100040820</b> | BOLT                                  | 4    |       |            |       |                   |
| 11   | <b>1100041020</b> | BOLT                                  | 10   |       |            |       |                   |
| 12   | <b>1140020006</b> | WASHER, spring                        | 4    |       |            |       |                   |
| 13   | <b>1140020008</b> | WASHER, spring                        | 4    |       |            |       |                   |
| 14   | <b>1140020010</b> | WASHER, spring                        | 10   |       |            |       |                   |
| 15   | <b>1141110006</b> | WASHER                                | 4    |       |            |       |                   |
| 17   | <b>1141110010</b> | WASHER                                | 8    |       |            |       |                   |
| 18   | <b>1653916020</b> | TRIM                                  | 2    |       |            |       | sold by the meter |
| 19   | <b>1654302024</b> | SPONGE                                | 1    |       |            |       | sold by the meter |
| 20   | <b>1654309003</b> | SPONGE                                | 1    |       |            |       | sold by the meter |
|      | <b>G4e053</b>     |                                       |      |       |            |       |                   |

TB135 Book No. BG4Z010 S/N 13510004-  
SEAT BOX (13514051-)

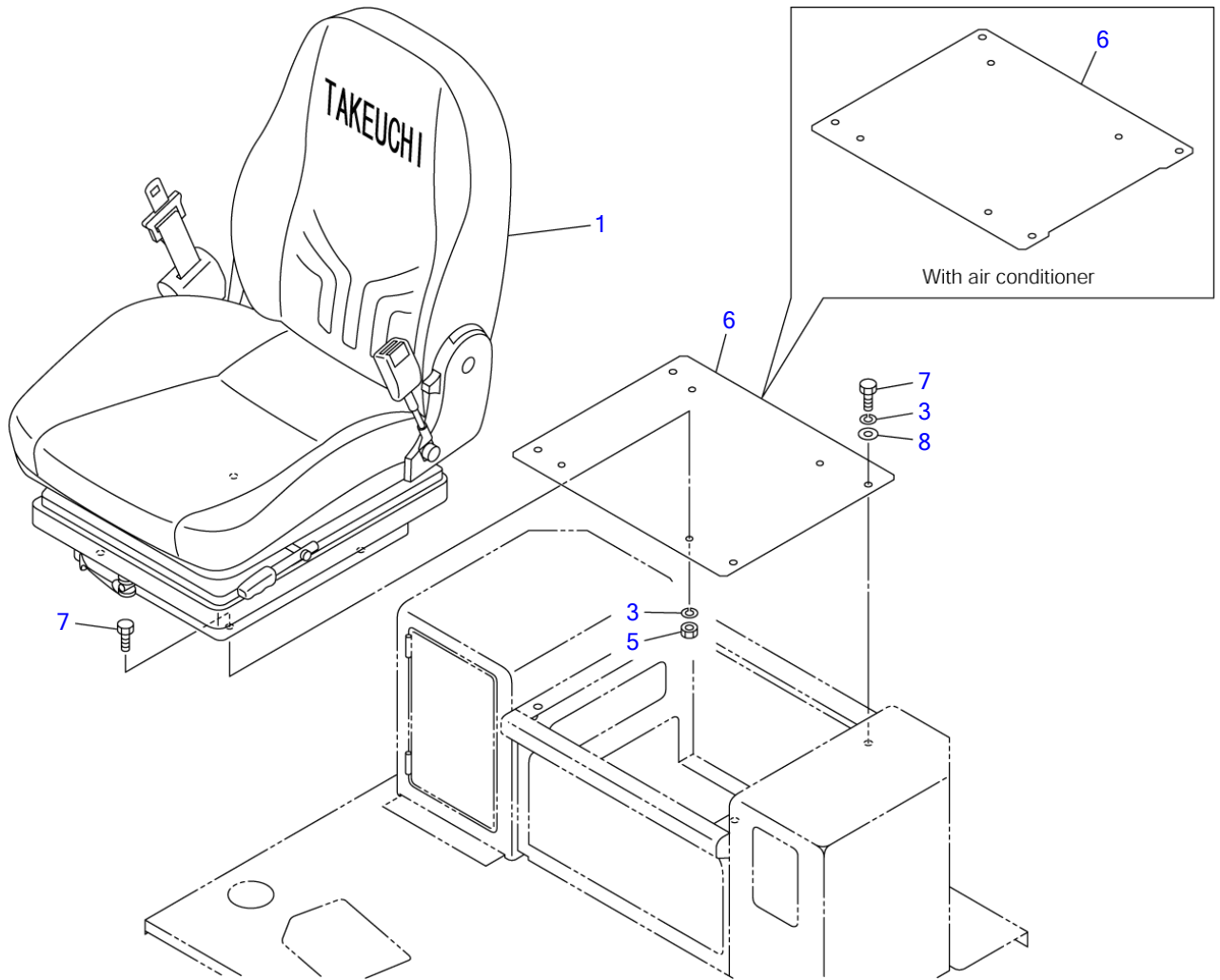


G4E056

S-1/12

**SEAT BOX (13514051-)**

| Item | Part number       | Description                           | Q'ty | Chan. | Serial No.        | Serv. | Remarks           |
|------|-------------------|---------------------------------------|------|-------|-------------------|-------|-------------------|
|      |                   | BOX ASSY, seat                        |      |       |                   |       | X03734-12000-2    |
|      |                   | BOX ASSY, seat (with air conditioner) |      |       |                   |       | X03734-12200-2    |
| 1    | <b>0373411100</b> | BOX                                   | 1    |       |                   |       |                   |
|      | <b>0394612600</b> | BOX                                   | 1    |       | 13514051~13516102 |       | with air con.     |
|      | <b>0373412600</b> | BOX                                   | 1    |       | 13516103~         |       | with air con.     |
| 2    | <b>0373412300</b> | SIDE BOX (R.H.)                       | 1    |       |                   |       |                   |
|      | <b>0394612400</b> | SIDE BOX (R.H.)                       | 1    |       | 13514051~13516102 |       | with air con.     |
|      | <b>0373412500</b> | SIDE BOX (R.H.)                       | 1    |       | 13516103~         |       | with air con.     |
| 3    | <b>0373411300</b> | SIDE BOX (L.H.)                       | 1    |       |                   |       |                   |
| 5    | <b>0373411600</b> | COVER                                 | 1    |       |                   |       |                   |
|      | <b>0394612310</b> | COVER                                 | 1    |       |                   |       | with air con.     |
| 6    | <b>0373401640</b> | LOCK                                  | 1    |       |                   |       |                   |
| 6-1  | <b>1700100019</b> | KEY                                   | 1    |       |                   |       |                   |
| 8    | <b>1141110008</b> | WASHER                                | 4    |       |                   |       |                   |
| 9    | <b>1100040616</b> | BOLT                                  | 4    |       |                   |       |                   |
| 10   | <b>1100040820</b> | BOLT                                  | 4    |       |                   |       |                   |
| 11   | <b>1100041020</b> | BOLT                                  | 10   |       |                   |       |                   |
| 12   | <b>1140020006</b> | WASHER, spring                        | 4    |       |                   |       |                   |
| 13   | <b>1140020008</b> | WASHER, spring                        | 4    |       |                   |       |                   |
| 14   | <b>1140020010</b> | WASHER, spring                        | 10   |       |                   |       |                   |
| 15   | <b>1141110006</b> | WASHER                                | 4    |       |                   |       |                   |
| 17   | <b>1141110010</b> | WASHER                                | 10   |       |                   |       |                   |
| 18   | <b>1653917022</b> | TRIM                                  | 2    |       |                   | M     | sold by the meter |
| 19   | <b>1654302024</b> | SPONGE                                | 1    |       |                   |       | sold by the meter |
| 20   | <b>1654309003</b> | SPONGE                                | 1    |       |                   |       | sold by the meter |
|      | <b>G4e056</b>     |                                       |      |       |                   |       |                   |



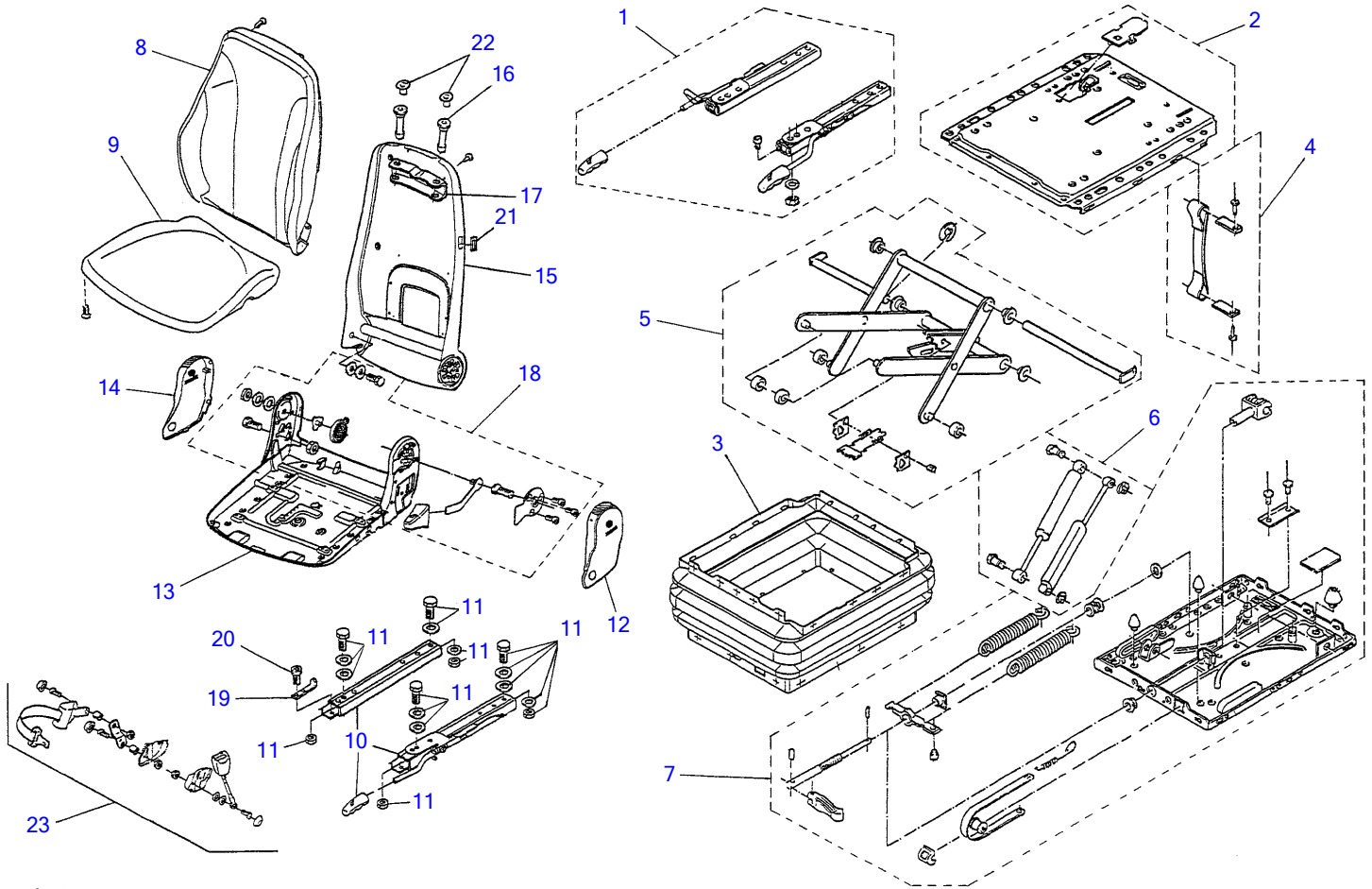
G4E064

S=1/10



**SEAT (1/2)**

| Item | Part number       | Description                               | Q'ty | Chan. | Serial No. | Serv. | Remarks        |
|------|-------------------|---|------|-------|------------|-------|----------------|
|      |                   | SEAT ASSY (fabric)                        |      |       |            |       | X03734-05000-5 |
|      |                   | SEAT ASSY (fabric) (with air conditioner) |      |       |            |       | X03734-06100-5 |
|      |                   | SEAT ASSY (PVC)                           |      |       |            |       | X03734-06000-5 |
|      |                   | SEAT ASSY (PVC) (with air conditioner)    |      |       |            |       | X03734-06200-5 |
| 1    | <b>1914100071</b> | SEAT (fabric)                             | 1    |       |            |       | see page (2/2) |
|      | <b>1914100072</b> | SEAT (PVC)                                | 1    |       |            |       | see page (2/2) |
| 3    | <b>1140020008</b> | WASHER, spring                            | 8    |       |            |       |                |
| 5    | <b>1130040008</b> | NUT                                       | 4    |       |            |       |                |
| 6    | <b>0373411400</b> | COVER                                     | 1    |       |            |       |                |
|      | <b>0394612330</b> | COVER                                     | 1    |       |            |       | with air con.  |
| 7    | <b>1100040820</b> | BOLT                                      | 8    |       |            |       |                |
| 8    | <b>0003608252</b> | WASHER                                    | 4    |       |            |       |                |
|      | <b>G4e065</b>     |   |      |       |            |       |                |



G4E180

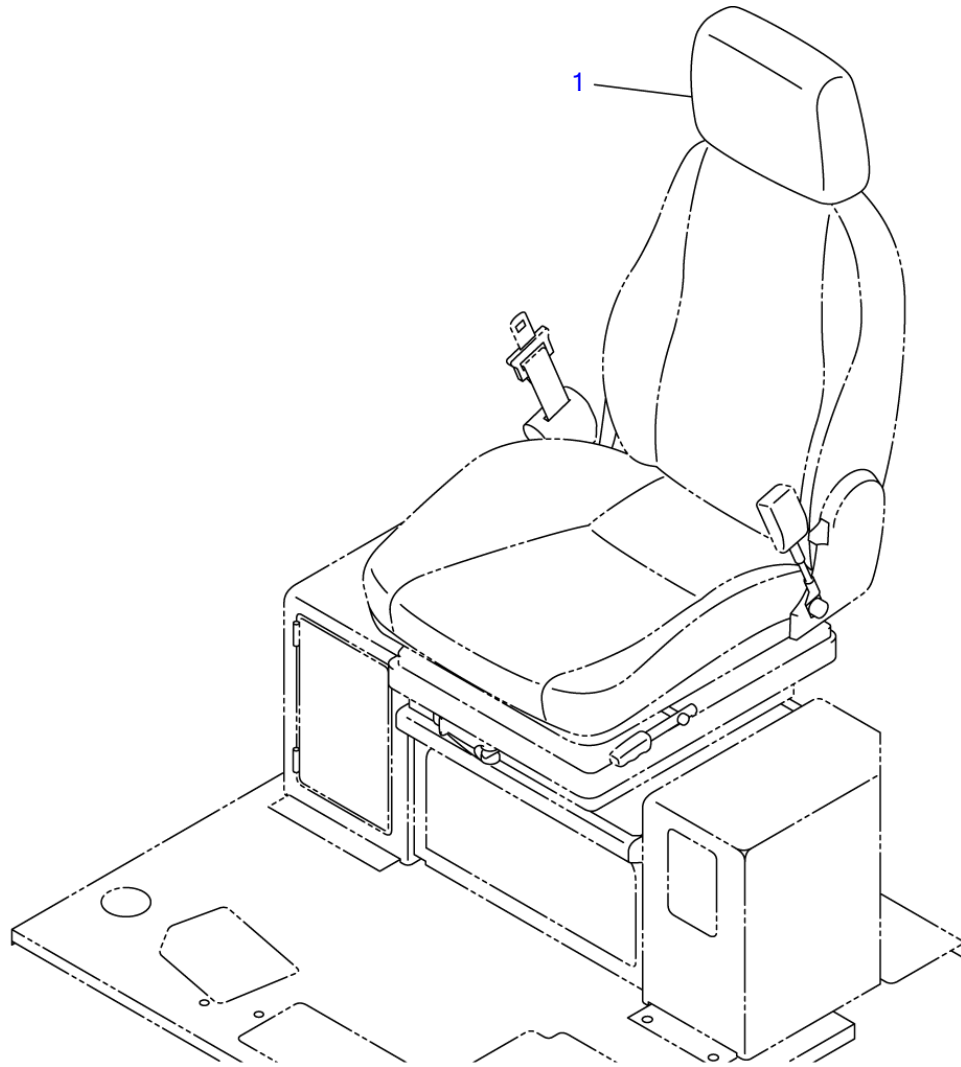
S=Free

| SEAT (2/2) |             |                   |      |       |            |       |                   |
|------------|-------------|-------------------|------|-------|------------|-------|-------------------|
| Item       | Part number | Description       | Q'ty | Chan. | Serial No. | Serv. | Remarks           |
| 0          | 1914100071  | SEAT (fabric)     | 1    |       |            |       |                   |
|            | 1914100072  | SEAT (PVC)        | 1    |       |            |       |                   |
| 1          | 1914101072  | · RAIL ASSY       | 1    |       |            |       |                   |
| 2          | 1914102072  | · PLATE ASSY      | 1    |       |            |       |                   |
| 3          | 1914103071  | · BOOT            | 1    |       |            |       | fabric            |
|            | 1914103072  | · BOOT            | 1    |       |            |       | PVC               |
| 4          | 1914104072  | · ANGLE ASSY      | 1    |       |            |       |                   |
| 5          | 1914105072  | · LINK ASSY       | 1    |       |            |       |                   |
| 6          | 1914106072  | · DAMPER ASSY     | 1    |       |            |       |                   |
| 7          | 1914107072  | · SPRING ASSY     | 1    |       |            |       |                   |
| 8          | 1914108072  | · TRIM            | 1    |       |            |       | PVC               |
|            | 1914101071  | · TRIM            | 1    |       |            |       | fabric            |
| 9          | 1914109072  | · TRIM            | 1    |       |            |       | PVC               |
|            | 1914102071  | · TRIM            | 1    |       |            |       | fabric            |
| 10         | 1914110072  | · RAIL ASSY       | 1    |       |            |       |                   |
| 11         | 1914111072  | · BOLT ASSY       | 1    |       |            |       |                   |
| 12         | 1914112072  | · COVER (L.H.)    | 1    |       |            |       |                   |
| 13         | 1914113072  | · FRAME           | 1    |       |            |       |                   |
| 14         | 1914114072  | · COVER (R.H.)    | 1    |       |            |       |                   |
| 15         | 1914115072  | · FRAME           | 1    |       |            |       |                   |
| 16         | 1914116072  | · GUIDE           | 2    |       |            |       | for USA,Canada,EC |
| 17         | 1914117072  | · BRACKET         | 1    |       |            |       | for USA,Canada,EC |
| 18         | 1914118072  | · JOINT ASSY      | 1    |       |            |       |                   |
| 19         | 1914119072  | · PLATE           | 1    |       |            |       |                   |
| 20         | 1914120072  | · SCREW, cap      | 1    |       |            |       |                   |
| 21         | 1914121072  | · PLATE           | 1    |       |            |       |                   |
| 22         | 1914122072  | · PLUG            | 2    |       |            |       | for USA,Canada,EC |
| 23         | 1914123072  | · BELT ASSY, seat | 1    |       |            |       |                   |

G4e181

TB135 Book No. BG4Z010 S/N 13510004-  
HEAD REST

---



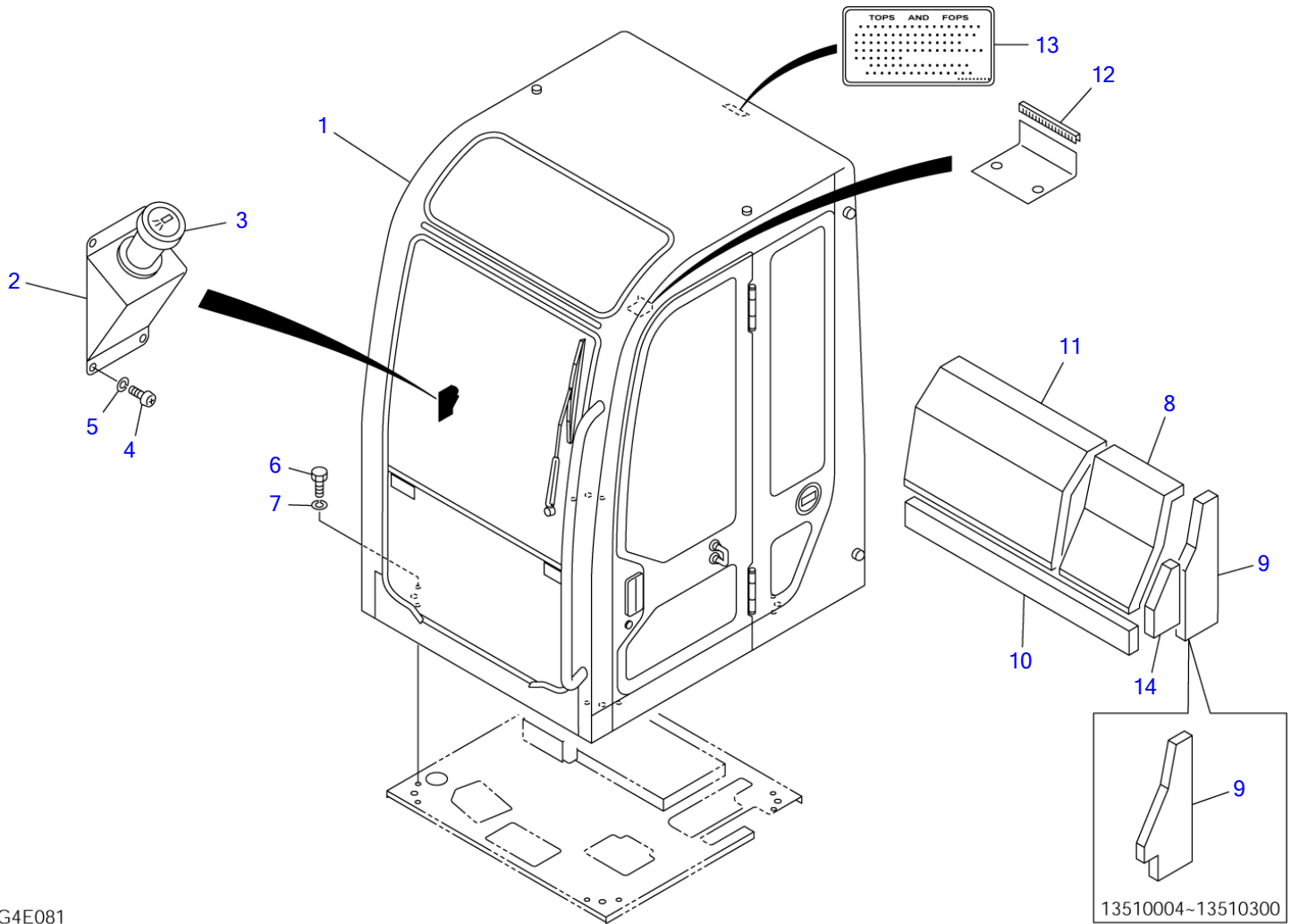
G4E070

S=1/10

HEAD REST

| Item | Part number       | Description              | Q'ty | Chan. | Serial No. | Serv. | Remarks        |
|------|-------------------|--------------------------|------|-------|------------|-------|----------------|
|      |                   | REST ASSY, head (fabric) |      |       |            |       | X03734-09000-0 |
|      |                   | REST ASSY, head (PVC)    |      |       |            |       | X03734-10000-0 |
| 1    | <b>1914100075</b> | REST, head (fabric)      | 1    |       |            |       |                |
|      | <b>1914100076</b> | REST, head (PVC)         | 1    |       |            |       |                |
|      | <b>G4e070</b>     |                          |      |       |            |       |                |

TB135 Book No. BG4Z010 S/N 13510004-  
CAB MOUNT (13510004-13514050)

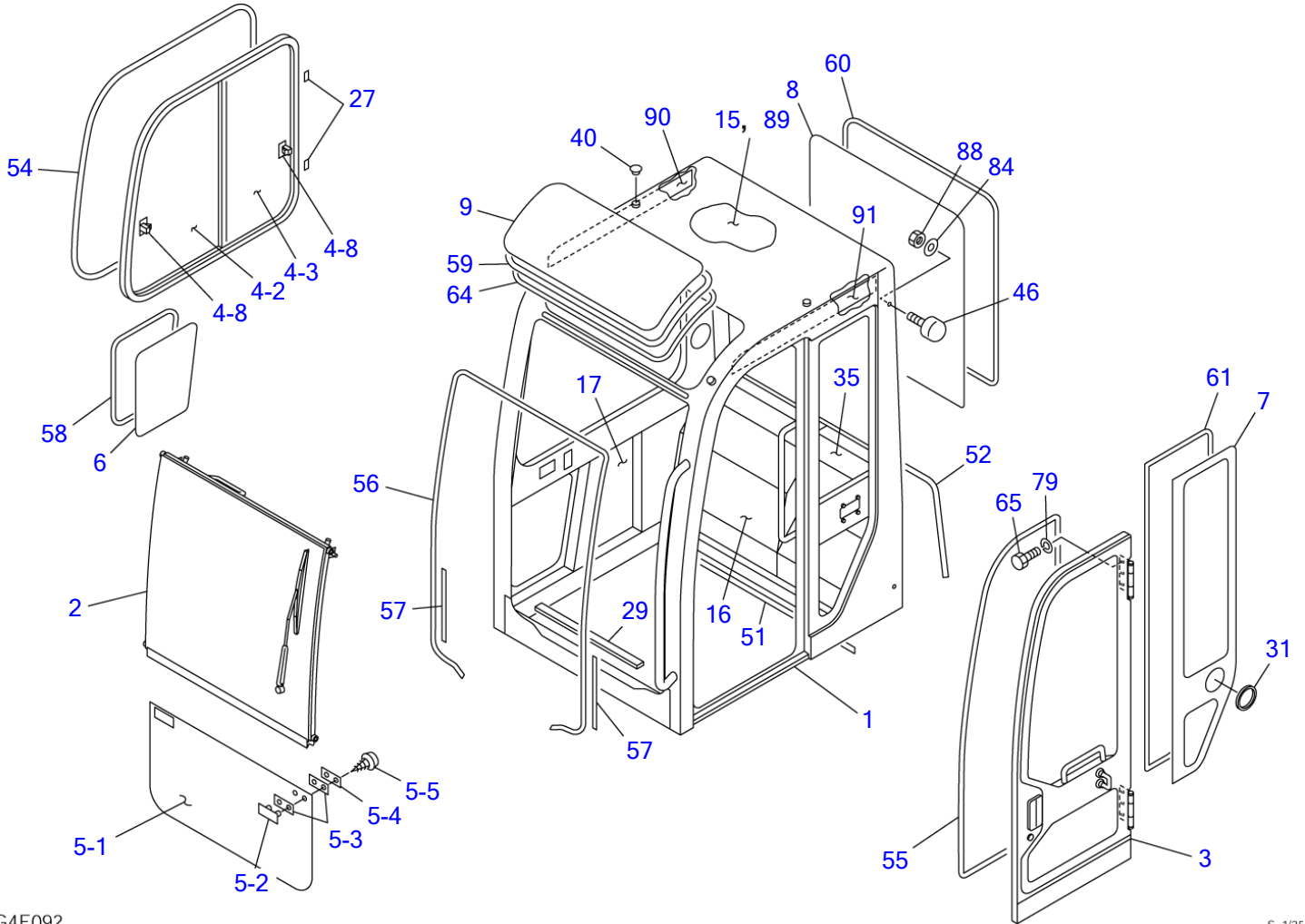


G4E081

S=1/20

**CAB MOUNT (13510004-13514050)**

| Item | Part number       | Description                             | Q'ty | Chan. | Serial No.        | Serv. | Remarks                     |
|------|-------------------|---|------|-------|-------------------|-------|-----------------------------|
| 0    | X *****           | CAB MOUNT                               | 1    |       |                   |       | X03786-01000-7              |
|      | X *****           | CAB MOUNT<br>(with air<br>conditioner)  | 1    |       |                   |       | X03786-02100-7              |
| 1    | X *****           | • CAB ASSY                              | 1    |       | 13510004~13510238 |       | X03786-01100 see page (1/4) |
|      | X *****           | • CAB ASSY                              | 1    |       | 13510239~13513982 |       | X03786-01700 see page (1/4) |
|      | X *****           | • CAB ASSY                              | 1    | (H)   | 13513983~         |       | X03786-02500 see page (1/4) |
|      | X *****           | • CAB ASSY                              | 1    | (H)   |                   |       | X03786-04000 see page (1/4) |
|      | X *****           | • CAB ASSY<br>(with air<br>conditioner) | 1    |       | 13510239~13513982 |       | X03786-02200 see page (1/4) |
|      | X *****           | • CAB ASSY<br>(with air<br>conditioner) | 1    | (H)   | 13513983~         |       | X03786-02800 see page (1/4) |
|      | <b>0378604300</b> | • CAB ASSY                              | 1    | (H)   |                   |       | X03786-04300 see page (1/4) |
| 2    | <b>0338627020</b> | • BRACKET                               | 1    |       |                   |       |                             |
| 3    | <b>1711900059</b> | • LIGHTER                               | 1    |       |                   |       |                             |
| 4    | <b>1120590410</b> | • SCREW                                 | 4    |       |                   |       |                             |
| 5    | <b>1140090004</b> | • WASHER,<br>spring                     | 4    |       |                   |       |                             |
| 6    | <b>1100041230</b> | • BOLT                                  | 8    |       |                   |       |                             |
| 7    | <b>1140020012</b> | • WASHER,<br>spring                     | 8    |       |                   |       |                             |
| 8    | <b>0378601010</b> | • ABSORBENT,<br>noise                   | 1    |       |                   |       |                             |
| 9    | <b>0378600800</b> | • ABSORBENT,<br>noise                   | 1    |       | 13510004~13510300 |       |                             |
|      | <b>0378600810</b> | • ABSORBENT,<br>noise                   | 1    |       | 13510301~         |       |                             |
| 10   | <b>0378601020</b> | • ABSORBENT,<br>noise                   | 1    |       |                   |       |                             |
| 11   | <b>0378601031</b> | • ABSORBENT,<br>noise                   | 1    |       |                   |       |                             |
| 12   | <b>1653917007</b> | • TRIM                                  | 1    |       |                   |       | sold by the meter           |
| 13   | X *****           | • DECAL                                 | 1    |       | 13510239~         |       |                             |
| 14   | <b>0378600820</b> | • ABSORBENT,<br>noise                   | 1    |       | 13510301~         |       |                             |
|      | <b>G4e083</b>     |   |      |       |                   |       |                             |



G4E092

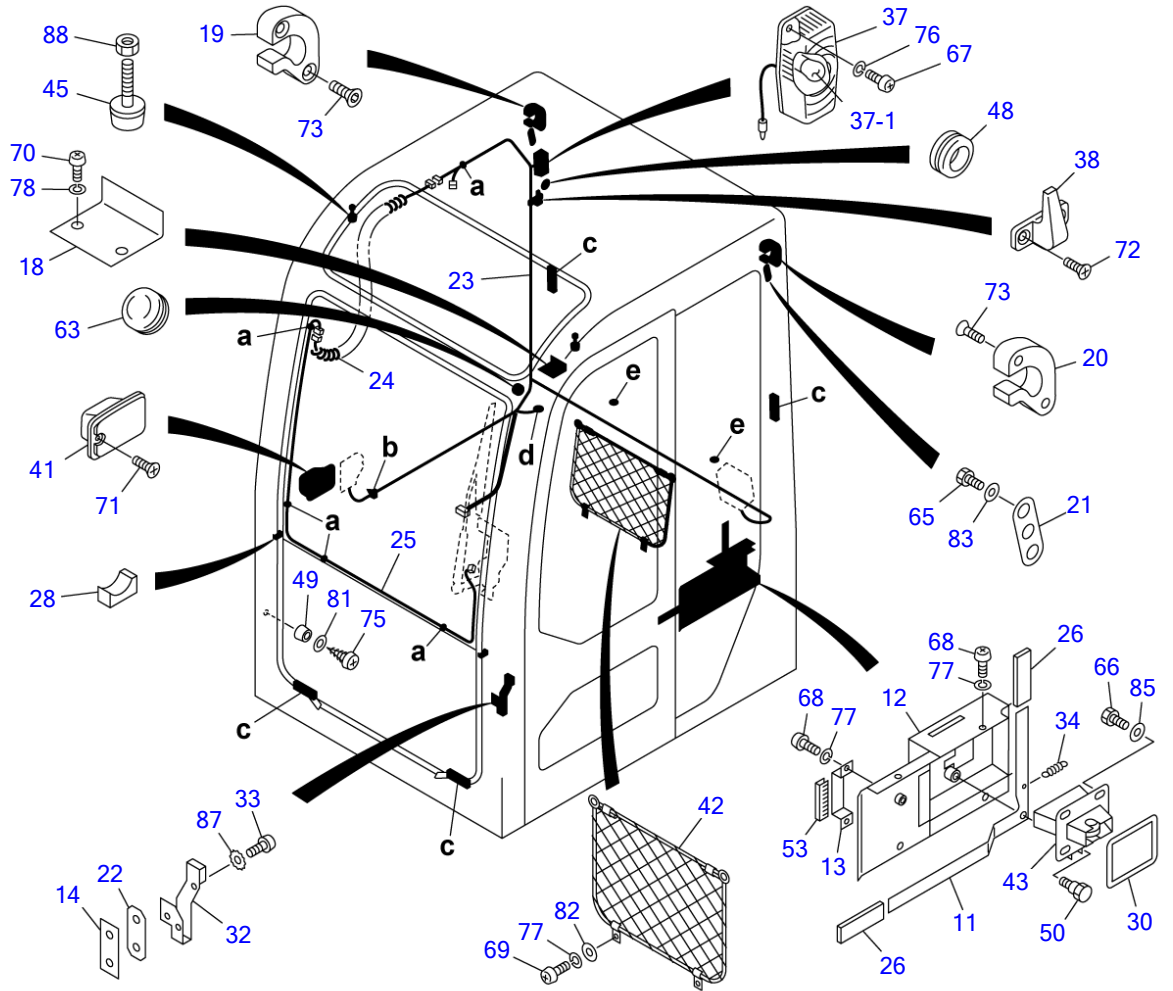
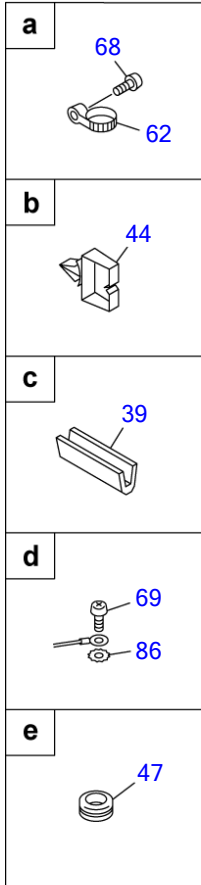
S=1/25



**CAB (1/4) (13510004-13514050)**

| Item | Part number       | Description                     | Q'ty | Chan. | Serial No.        | Serv. | Remarks           |
|------|-------------------|---------------------------------|------|-------|-------------------|-------|-------------------|
| 0    | X *****           | CAB ASSY                        | 1    |       | 13510004~13510238 |       | X03786-01100      |
|      | X *****           | CAB ASSY                        | 1    |       | 13510239~13513982 |       | X03786-01700      |
|      | X *****           | CAB ASSY                        | 1    | (H)   | 13513983~         |       | X03786-02500      |
|      | X *****           | CAB ASSY                        | 1    | (H)   |                   |       | X03786-04000      |
|      | X *****           | CAB ASSY (with air conditioner) | 1    |       | 13510239~13513982 |       | X03786-02200      |
|      | X *****           | CAB ASSY (with air conditioner) | 1    | (H)   | 13513983~         |       | X03786-02800      |
|      | <b>0378604300</b> | CAB ASSY                        | 1    | (H)   |                   |       | X03786-04300      |
| 1    | X *****           | • CAB                           | 1    |       |                   |       |                   |
| 2    | <b>0338630400</b> | • SASH, front                   | 1    |       |                   |       | see page (3/4)    |
| 3    | <b>0568629200</b> | • DOOR                          | 1    |       |                   |       | see page (4/4)    |
| 4    | <b>0378601300</b> | • SASH ASSY                     | 1    |       |                   |       |                   |
| 4-2  | <b>0378601320</b> | • • GLASS                       | 1    |       |                   |       |                   |
| 4-3  | <b>0378601330</b> | • • GLASS                       | 1    |       |                   |       |                   |
| 4-8  | <b>0338630650</b> | • • LOCK ASSY                   | 2    |       |                   |       |                   |
| 5    | <b>0378601600</b> | • GLASS, front                  | 1    |       |                   |       |                   |
| 5-1  | <b>0378601610</b> | • • GLASS                       | 1    |       |                   |       |                   |
| 5-2  | <b>1654010900</b> | • • RETAINER                    | 2    |       |                   |       |                   |
| 5-3  | <b>1654011100</b> | • • PACKING                     | 4    |       |                   |       |                   |
| 5-4  | <b>1654011000</b> | • • PLATE                       | 2    |       |                   |       |                   |
| 5-5  | <b>1122410412</b> | • • SCREW                       | 4    |       |                   |       |                   |
| 6    | <b>0568639530</b> | • GLASS                         | 1    |       |                   |       |                   |
| 7    | <b>0378601400</b> | • GLASS                         | 1    |       |                   |       |                   |
| 8    | <b>0338630820</b> | • GLASS                         | 1    |       | 13510004~13510238 |       |                   |
|      | <b>0378601900</b> | • GLASS                         | 1    |       | 13510239~         |       |                   |
| 9    | <b>0568633200</b> | • GLASS                         | 1    |       | 13510004~13513982 |       |                   |
|      | <b>0358605300</b> | • GLASS                         | 1    |       | 13513983~         |       |                   |
| 15   | <b>0378601450</b> | • ABSORBENT, noise              | 1    |       |                   |       |                   |
| 16   | <b>0378601460</b> | • ABSORBENT, noise              | 1    |       |                   |       |                   |
| 17   | <b>0378601470</b> | • ABSORBENT, noise              | 1    |       |                   |       |                   |
| 27   | <b>0438601770</b> | • SPACER                        | 7    |       |                   |       |                   |
| 29   | <b>0568634100</b> | • SEAL                          | 1    |       |                   |       |                   |
| 31   | <b>0568626600</b> | • GROMMET                       | 1    |       |                   |       |                   |
| 35   | <b>0378601500</b> | • ABSORBENT, noise              | 1    |       |                   |       |                   |
| 40   | <b>1653303010</b> | • CAP                           | 3    |       |                   |       |                   |
| 46   | <b>1651101042</b> | • RUBBER                        | 2    |       |                   |       |                   |
| 51   | <b>1654606090</b> | • SEAL                          | 1    |       |                   |       | sold by the meter |
| 52   | <b>1654619203</b> | • SEAL                          | 1    |       |                   |       | sold by the meter |
| 54   | <b>1653930355</b> | • RUBBER                        | 1    |       |                   |       | sold by the meter |
| 55   | <b>1654605341</b> | • RUBBER                        | 1    |       |                   |       | sold by the meter |
| 56   | <b>1654605374</b> | • RUBBER                        | 1    |       |                   |       | sold by the meter |
| 57   | <b>1654605033</b> | • RUBBER                        | 2    |       |                   |       | sold by the meter |
| 58   | <b>1654262150</b> | • H-RUBBER                      | 1    |       |                   |       | sold by the meter |
| 59   | <b>1654231255</b> | • H-RUBBER                      | 1    |       | 13510004~13513982 |       | sold by the meter |
|      | <b>1654615216</b> | • H-RUBBER                      | 1    |       | 13513983~         |       | sold by the meter |
| 60   | <b>1654231336</b> | • H-RUBBER                      | 1    |       |                   |       | sold by the meter |
| 61   | <b>1654615296</b> | • DAM                           | 1    |       |                   |       | sold by the meter |
| 64   | <b>1653916222</b> | • TRIM                          | 1    |       | 13513983~         |       | sold by the meter |
| 65   | <b>1100090820</b> | • BOLT                          | 6    |       |                   |       |                   |
| 79   | <b>1140090008</b> | • WASHER, spring                | 6    |       |                   |       |                   |
| 84   | <b>1141190010</b> | • WASHER                        | 2    |       |                   |       |                   |
| 88   | <b>1130090010</b> | • NUT                           | 2    |       |                   |       |                   |
| 89   | <b>0394608010</b> | • ABSORBENT, noise              | 1    |       |                   |       | with air con.     |
| 90   | <b>0394608011</b> | • ABSORBENT, noise              | 1    |       |                   |       | with air con.     |
| 91   | <b>0394608012</b> | • ABSORBENT, noise              | 1    |       |                   |       | with air con.     |

**G4e093**

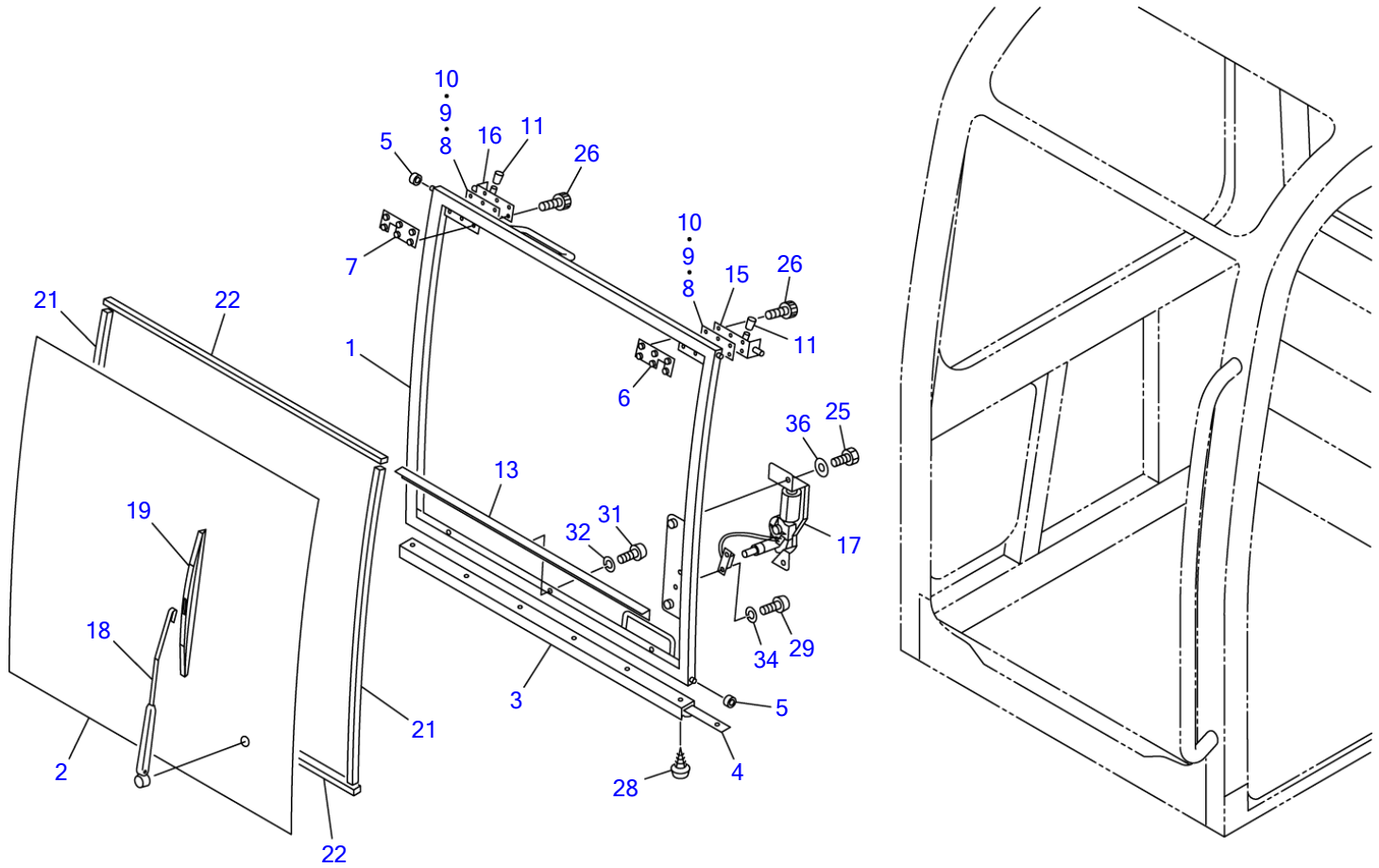


G4E101

S=1/20, 1/10, 1/5

**CAB (2/4) (13510004-13514050)**

| Item | Part number       | Description                     | Q'ty | Chan. | Serial No.        | Serv. | Remarks           |
|------|-------------------|---------------------------------|------|-------|-------------------|-------|-------------------|
| 0    | X *****           | CAB ASSY                        | 1    |       | 13510004~13510238 |       | X03786-01100      |
|      | X *****           | CAB ASSY                        | 1    |       | 13510239~13513982 |       | X03786-01700      |
|      | X *****           | CAB ASSY                        | 1    | (H)   | 13513983~         |       | X03786-02500      |
|      | X *****           | CAB ASSY                        | 1    | (H)   |                   |       | X03786-04000      |
|      | X *****           | CAB ASSY (with air conditioner) | 1    |       | 13510239~13513982 |       | X03786-02200      |
|      | X *****           | CAB ASSY (with air conditioner) | 1    | (H)   | 13513983~         |       | X03786-02800      |
|      | <b>0378604300</b> | CAB ASSY                        | 1    | (H)   |                   |       | X03786-04300      |
| 11   | <b>0378601420</b> | · PLATE                         | 1    |       |                   |       |                   |
| 12   | <b>0378601430</b> | · COVER                         | 1    |       | 13510004~13510238 |       |                   |
|      | <b>0378602000</b> | · COVER                         | 1    | (H)   | 13510239~         |       |                   |
| 13   | <b>0338630870</b> | · PLATE                         | 1    |       |                   |       |                   |
| 14   | <b>0338630880</b> | · PLATE                         | 1    |       |                   |       |                   |
| 18   | <b>0378601480</b> | · PLATE                         | 1    |       |                   |       |                   |
| 19   | <b>0338630910</b> | · STOPPER (R.H.)                | 1    |       |                   |       |                   |
| 20   | <b>0338630960</b> | · STOPPER (L.H.)                | 1    |       |                   |       |                   |
| 21   | <b>0338630920</b> | · PLATE                         | 2    |       |                   |       |                   |
| 22   | <b>0338630930</b> | · PACKING                       | 1    |       |                   |       |                   |
| 23   | <b>0378601490</b> | · HARNESS, wiring               | 1    |       | 13510004~13510238 |       |                   |
|      | <b>0378601710</b> | · HARNESS, wiring               | 1    | (H)   | 13510239~         |       |                   |
| 24   | <b>0398802200</b> | · HARNESS, wiring               | 1    |       |                   |       |                   |
| 25   | <b>0338631010</b> | · HARNESS, wiring               | 1    |       |                   |       |                   |
| 26   | <b>0438601760</b> | · COVER                         | 2    |       |                   |       |                   |
| 28   | <b>0568633300</b> | · STOPPER                       | 2    |       |                   |       |                   |
| 30   | <b>0568634400</b> | · SEAL                          | 1    |       |                   |       |                   |
| 32   | <b>0068620500</b> | · STRIKER                       | 1    |       |                   |       |                   |
| 33   | <b>0068621300</b> | · SCREW                         | 2    |       |                   |       |                   |
| 34   | <b>0007000096</b> | · SPRING                        | 1    |       |                   |       |                   |
| 37   | <b>1703001700</b> | · LAMP, room                    | 1    |       |                   |       |                   |
| 37-1 | <b>1703001701</b> | · · BULB                        | 1    |       |                   |       |                   |
| 38   | <b>1654004800</b> | · HANGER                        | 1    |       |                   |       |                   |
| 39   | <b>1654004900</b> | · STOPPER                       | 4    |       |                   |       |                   |
| 41   | <b>1654010500</b> | · ASHTRAY                       | 1    |       |                   |       |                   |
| 42   | <b>1653691350</b> | · POCKET                        | 1    |       |                   |       |                   |
| 43   | <b>1654005100</b> | · LOCK                          | 1    |       |                   |       |                   |
| 44   | <b>1652341547</b> | · CLAMP                         | 4    |       |                   |       |                   |
| 45   | <b>1651101028</b> | · STOPPER                       | 2    |       |                   |       |                   |
| 47   | <b>1652060016</b> | · GROMMET                       | 2    |       |                   |       |                   |
| 48   | <b>1652060031</b> | · BUSHING                       | 1    |       |                   |       |                   |
| 49   | <b>1652102320</b> | · RUBBER                        | 2    |       |                   |       |                   |
| 50   | <b>0378601510</b> | · PIN                           | 1    |       |                   |       |                   |
| 53   | <b>1653916007</b> | · RUBBER                        | 1    |       |                   |       | sold by the meter |
| 62   | <b>1652221050</b> | · BAND                          | 4    |       |                   |       |                   |
| 63   | <b>1652050900</b> | · GROMMET                       | 1    |       |                   |       |                   |
| 65   | <b>1100090820</b> | · BOLT                          | 4    |       |                   |       |                   |
| 66   | <b>1100040825</b> | · BOLT                          | 4    |       |                   |       |                   |
| 67   | <b>1120540408</b> | · SCREW                         | 2    |       |                   |       |                   |
| 68   | <b>1120590512</b> | · SCREW                         | 9    |       |                   |       |                   |
| 69   | <b>1120590516</b> | · SCREW                         | 5    |       |                   |       |                   |
| 70   | <b>1120590616</b> | · SCREW                         | 2    |       |                   |       |                   |
| 71   | <b>1120630412</b> | · SCREW                         | 2    |       |                   |       |                   |
| 72   | <b>1120790412</b> | · SCREW                         | 2    |       |                   |       |                   |
| 73   | <b>1120800830</b> | · SCREW                         | 4    |       |                   |       |                   |
| 75   | <b>1122410416</b> | · SCREW                         | 2    |       |                   |       |                   |
| 76   | <b>1140090004</b> | · WASHER, spring                | 2    |       |                   |       |                   |
| 77   | <b>1140090005</b> | · WASHER, spring                | 9    |       |                   |       |                   |
| 78   | <b>1140090006</b> | · WASHER, spring                | 2    |       |                   |       |                   |
| 81   | <b>1141190004</b> | · WASHER                        | 2    |       |                   |       |                   |
| 82   | <b>1141190005</b> | · WASHER                        | 4    |       |                   |       |                   |
| 83   | <b>1141190008</b> | · WASHER                        | 4    |       |                   |       |                   |
| 85   | <b>1141550008</b> | · WASHER                        | 4    |       |                   |       |                   |
| 86   | <b>1140330005</b> | · WASHER                        | 1    |       |                   |       |                   |
| 87   | <b>1140330010</b> | · WASHER                        | 2    |       |                   |       |                   |
| 88   | <b>1130090010</b> | · NUT                           | 2    |       |                   |       |                   |
|      | <b>G4e103</b>     |                                 |      |       |                   |       |                   |

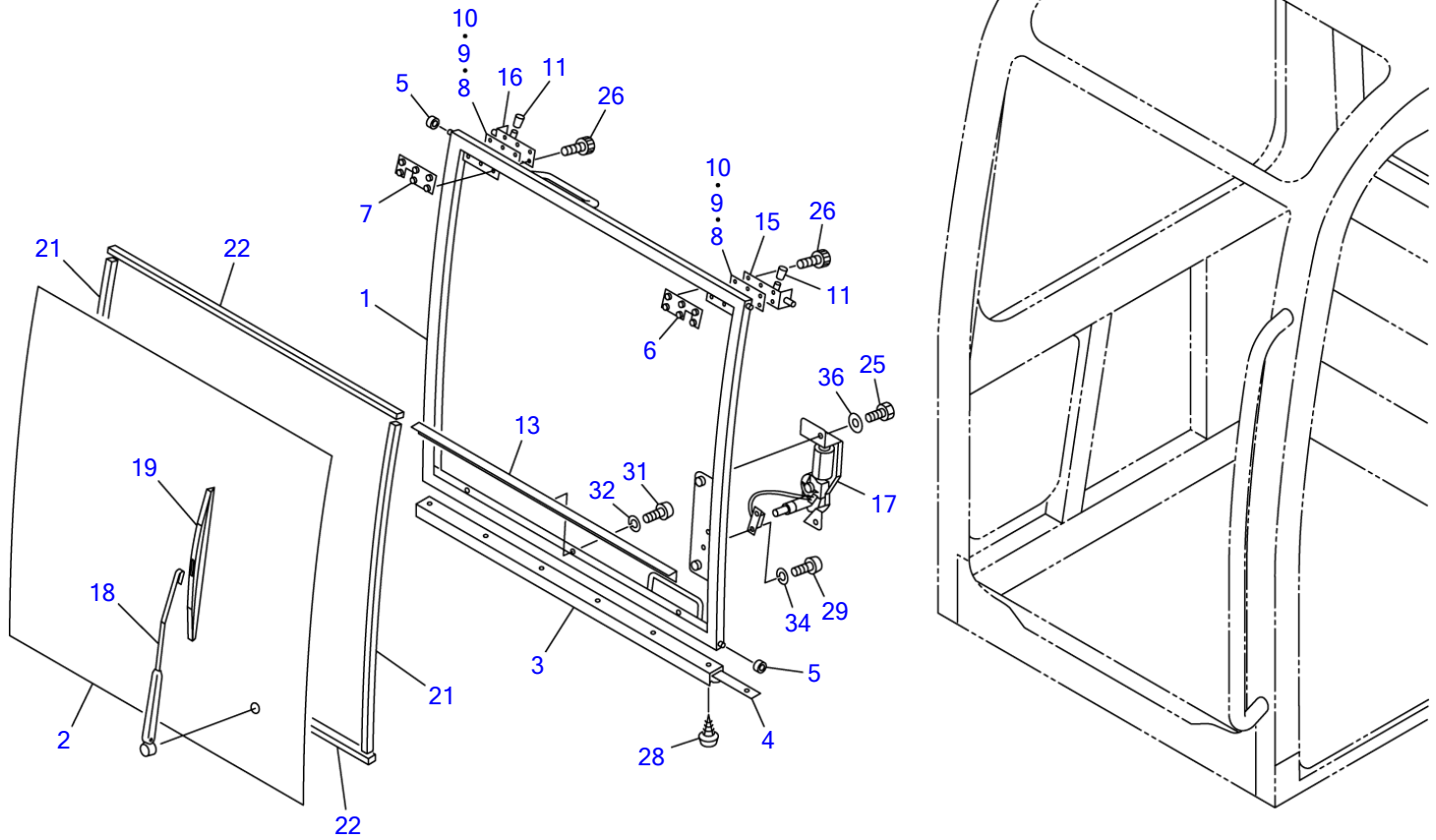


G4E110

S=1/15

**CAB (3/4) (front sash; 13514051-)**

| Item | Part number       | Description      | Q'ty | Chan. | Serial No. | Serv. | Remarks |
|------|-------------------|------------------|------|-------|------------|-------|---------|
| 0-1  | <b>0338630400</b> | SASH ASSY, front | 1    |       |            |       |         |
| 1    | <b>0338630430</b> | ▪ SASH, front    | 1    |       |            |       |         |
| 2    | <b>0568639330</b> | ▪ GLASS          | 1    |       |            |       |         |
| 3    | <b>0568621800</b> | ▪ SEAL           | 1    |       |            |       |         |
| 4    | <b>0568621900</b> | ▪ PLATE          | 1    |       |            |       |         |
| 5    | <b>0568622200</b> | ▪ ROLLER         | 4    |       |            |       |         |
| 6    | <b>0568622400</b> | ▪ PLATE (L.H.)   | 1    |       |            |       |         |
| 7    | <b>0568622300</b> | ▪ PLATE          | 1    |       |            |       |         |
| 8    | <b>0468605031</b> | ▪ SHIM t=0.7     | AR   |       |            |       |         |
| 9    | <b>0468605032</b> | ▪ SHIM t=1.2     | AR   |       |            |       |         |
| 10   | <b>0468605033</b> | ▪ SHIM t=1.6     | AR   |       |            |       |         |
| 11   | <b>0398612500</b> | ▪ COVER          | 2    |       |            |       |         |
| 13   | <b>0338630440</b> | ▪ PLATE          | 1    |       |            |       |         |
| 15   | <b>1654005350</b> | ▪ LATCH (L.H.)   | 1    |       |            |       |         |
| 16   | <b>1654005300</b> | ▪ LATCH (R.H.)   | 1    |       |            |       |         |
| 17   | <b>1704078912</b> | ▪ MOTOR, wiper   | 1    |       |            |       |         |
| 18   | <b>1704100530</b> | ▪ ARM, wiper     | 1    |       |            |       |         |
| 19   | <b>1704200530</b> | ▪ BLADE          | 1    |       |            |       |         |
| 21   | <b>1654616080</b> | ▪ DAM            | 2    |       |            |       |         |
| 22   | <b>1654615085</b> | ▪ DAM            | 2    |       |            |       |         |
| 25   | <b>1100290820</b> | ▪ BOLT           | 2    |       |            |       |         |
| 26   | <b>1110090516</b> | ▪ SCREW, cap     | 12   |       |            |       |         |
| 28   | <b>1122510412</b> | ▪ SCREW          | 6    |       |            |       |         |
| 29   | <b>1120590408</b> | ▪ SCREW          | 2    |       |            |       |         |
| 31   | <b>1120590516</b> | ▪ SCREW          | 3    |       |            |       |         |
| 32   | <b>1140090005</b> | ▪ WASHER, spring | 3    |       |            |       |         |
| 34   | <b>1140090004</b> | ▪ WASHER, spring | 2    |       |            |       |         |
| 36   | <b>1141190008</b> | ▪ WASHER         | 2    |       |            |       |         |
|      | <b>G4e112</b>     |                  |      |       |            |       |         |

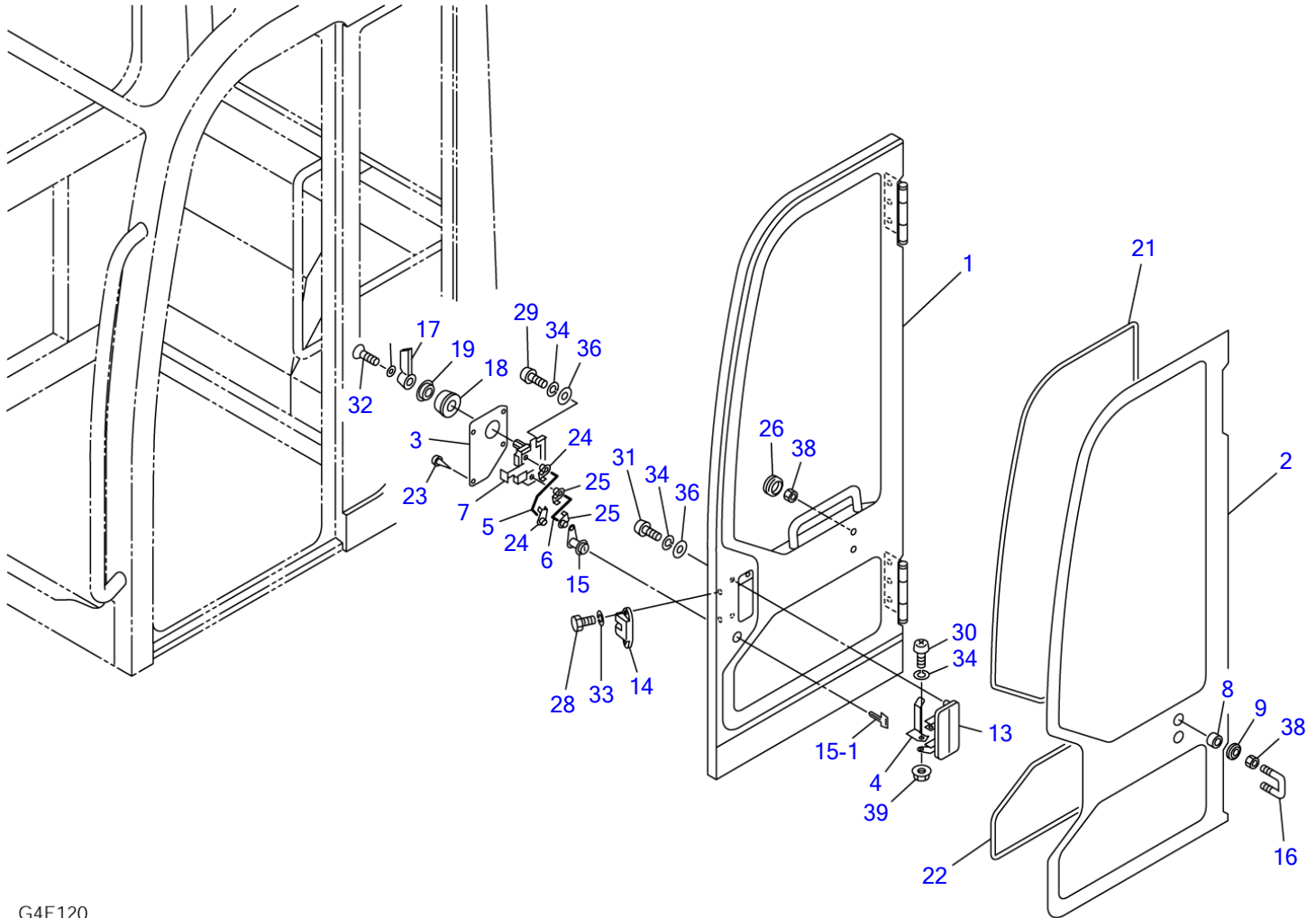


G4E110

S=1/15

**CAB (3/4) (front sash; 13510004-13514050)**

| Item | Part number       | Description      | Q'ty | Chan. | Serial No. | Serv. | Remarks |
|------|-------------------|------------------|------|-------|------------|-------|---------|
| 0-1  | <b>0338630400</b> | SASH ASSY, front | 1    |       |            |       |         |
| 1    | <b>0338630430</b> | ▪ SASH, front    | 1    |       |            |       |         |
| 2    | <b>0568639330</b> | ▪ GLASS          | 1    |       |            |       |         |
| 3    | <b>0568621800</b> | ▪ SEAL           | 1    |       |            |       |         |
| 4    | <b>0568621900</b> | ▪ PLATE          | 1    |       |            |       |         |
| 5    | <b>0568622200</b> | ▪ ROLLER         | 4    |       |            |       |         |
| 6    | <b>0568622400</b> | ▪ PLATE (L.H.)   | 1    |       |            |       |         |
| 7    | <b>0568622300</b> | ▪ PLATE          | 1    |       |            |       |         |
| 8    | <b>0468605031</b> | ▪ SHIM t=0.7     | AR   |       |            |       |         |
| 9    | <b>0468605032</b> | ▪ SHIM t=1.2     | AR   |       |            |       |         |
| 10   | <b>0468605033</b> | ▪ SHIM t=1.6     | AR   |       |            |       |         |
| 11   | <b>0398612500</b> | ▪ COVER          | 2    |       |            |       |         |
| 13   | <b>0338630440</b> | ▪ PLATE          | 1    |       |            |       |         |
| 15   | <b>1654005350</b> | ▪ LATCH (L.H.)   | 1    |       |            |       |         |
| 16   | <b>1654005300</b> | ▪ LATCH (R.H.)   | 1    |       |            |       |         |
| 17   | <b>1704078912</b> | ▪ MOTOR, wiper   | 1    |       |            |       |         |
| 18   | <b>1704100530</b> | ▪ ARM, wiper     | 1    |       |            |       |         |
| 19   | <b>1704200530</b> | ▪ BLADE          | 1    |       |            |       |         |
| 21   | <b>1654616080</b> | ▪ DAM            | 2    |       |            |       |         |
| 22   | <b>1654615085</b> | ▪ DAM            | 2    |       |            |       |         |
| 25   | <b>1100290820</b> | ▪ BOLT           | 2    |       |            |       |         |
| 26   | <b>1110090516</b> | ▪ SCREW, cap     | 12   |       |            |       |         |
| 28   | <b>1122510412</b> | ▪ SCREW          | 6    |       |            |       |         |
| 29   | <b>1120590408</b> | ▪ SCREW          | 2    |       |            |       |         |
| 31   | <b>1120590516</b> | ▪ SCREW          | 3    |       |            |       |         |
| 32   | <b>1140090005</b> | ▪ WASHER, spring | 3    |       |            |       |         |
| 34   | <b>1140090004</b> | ▪ WASHER, spring | 2    |       |            |       |         |
| 36   | <b>1141190008</b> | ▪ WASHER         | 2    |       |            |       |         |
|      | <b>G4e112</b>     |                  |      |       |            |       |         |



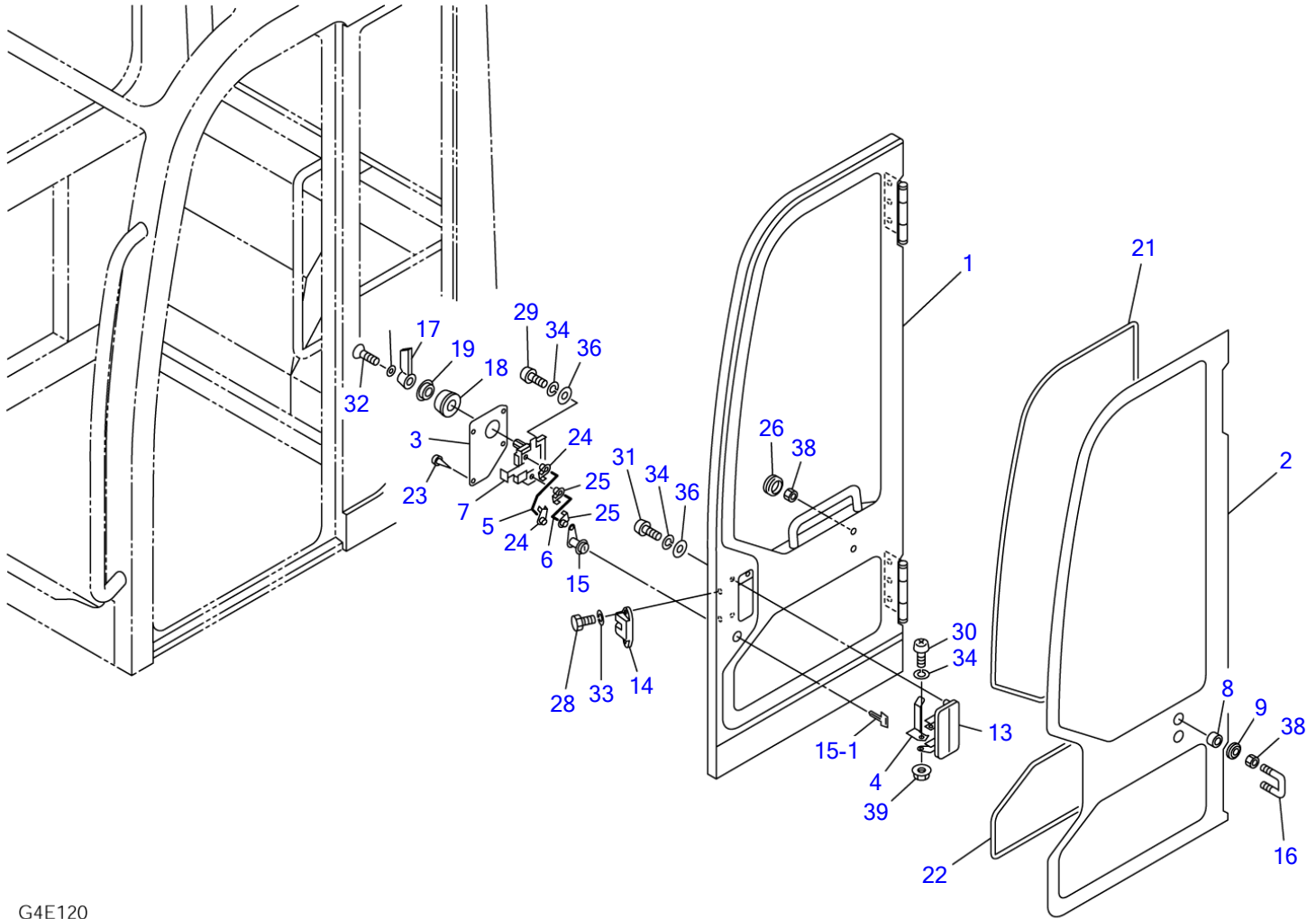
G4E120

S-1/15



**CAB (4/4) (door; 13510004-13514050)**

| Item | Part number       | Description      | Q'ty | Chan. | Serial No. | Serv. | Remarks           |
|------|-------------------|------------------|------|-------|------------|-------|-------------------|
| 0-2  | <b>0568629200</b> | DOOR ASSY        | 1    |       |            |       |                   |
| 1    | <b>0568623100</b> | ▪ DOOR           | 1    |       |            |       |                   |
| 2    | <b>0568639430</b> | ▪ GLASS          | 1    |       |            |       |                   |
| 3    | <b>0568623300</b> | ▪ COVER          | 1    |       |            |       |                   |
| 4    | <b>0568630900</b> | ▪ PLATE          | 1    |       |            |       |                   |
| 5    | <b>0568630800</b> | ▪ ROD            | 1    |       |            |       |                   |
| 6    | <b>0568630600</b> | ▪ ROD            | 1    |       |            |       |                   |
| 7    | <b>0568623400</b> | ▪ CONTROL ASSY   | 1    |       |            |       |                   |
| 8    | <b>0568623500</b> | ▪ COLLAR         | 2    |       |            |       |                   |
| 9    | <b>0568623600</b> | ▪ SEAL           | 2    |       |            |       |                   |
| 13   | <b>1654005600</b> | ▪ HANDLE         | 1    |       |            |       |                   |
| 14   | <b>0068620400</b> | ▪ LOCK ASSY      | 1    |       |            |       |                   |
| 15   | <b>1653611527</b> | ▪ LOCK           | 1    |       |            |       |                   |
| 15-1 | <b>1700100019</b> | ▪ KEY            | 1    |       |            |       |                   |
| 16   | <b>1654005900</b> | ▪ STRIKER        | 1    |       |            |       |                   |
| 17   | <b>1654005500</b> | ▪ HANDLE         | 1    |       |            |       |                   |
| 18   | <b>1654005800</b> | ▪ BASE           | 1    |       |            |       |                   |
| 19   | <b>1654005700</b> | ▪ ESCUTCHEON     | 1    |       |            |       |                   |
| 21   | <b>1654615280</b> | ▪ DAM            | 1    |       |            |       | sold by the meter |
| 22   | <b>1654615160</b> | ▪ DAM            | 1    |       |            |       | sold by the meter |
| 23   | <b>1652711432</b> | ▪ CLIP           | 4    |       |            |       |                   |
| 24   | <b>0068621500</b> | ▪ SNAP           | 2    |       |            |       |                   |
| 25   | <b>0398610900</b> | ▪ SNAP           | 2    |       |            |       |                   |
| 26   | <b>1652053200</b> | ▪ GROMMET        | 2    |       |            |       |                   |
| 28   | <b>1100290616</b> | ▪ BOLT           | 2    |       |            |       |                   |
| 29   | <b>1120530612</b> | ▪ SCREW          | 2    |       |            |       |                   |
| 30   | <b>1120530616</b> | ▪ SCREW          | 1    |       |            |       |                   |
| 31   | <b>1120530608</b> | ▪ SCREW          | 2    |       |            |       |                   |
| 32   | <b>1120790516</b> | ▪ SCREW          | 1    |       |            |       |                   |
| 33   | <b>1140090006</b> | ▪ WASHER, spring | 2    |       |            |       |                   |
| 34   | <b>1140020006</b> | ▪ WASHER, spring | 5    |       |            |       |                   |
| 36   | <b>1141110006</b> | ▪ WASHER         | 4    |       |            |       |                   |
| 38   | <b>1130040010</b> | ▪ NUT            | 2    |       |            |       |                   |
| 39   | <b>1131242006</b> | ▪ NUT            | 1    |       |            |       |                   |
|      | <b>G4e122</b>     |                  |      |       |            |       |                   |



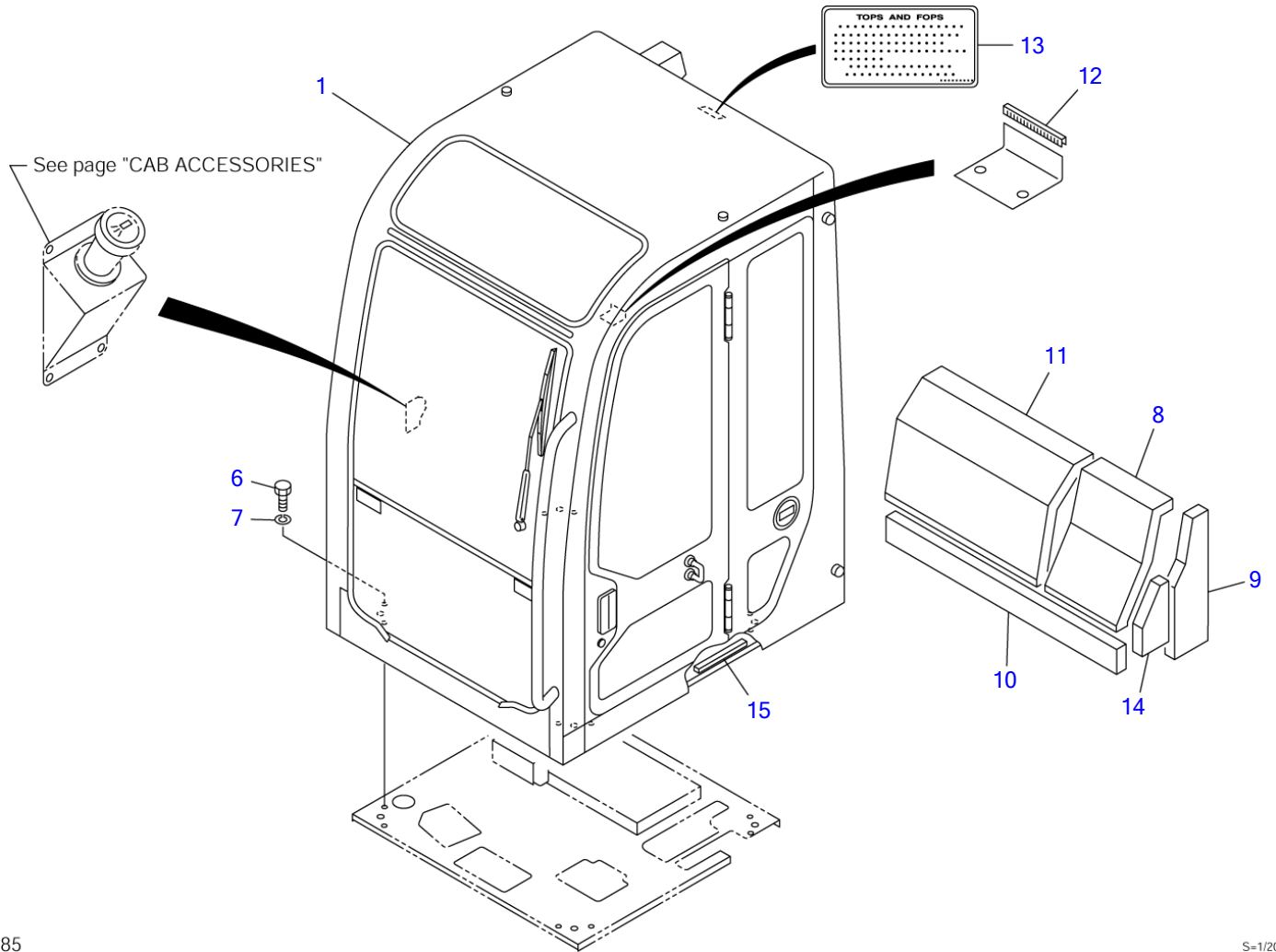
G4E120

S=1/15

**CAB (4/4) (door; 13514051-)**

| Item | Part number       | Description      | Q'ty | Chan. | Serial No. | Serv. | Remarks           |
|------|-------------------|------------------|------|-------|------------|-------|-------------------|
| 0-2  | <b>0568629200</b> | DOOR ASSY        | 1    |       |            |       |                   |
| 1    | <b>0568623100</b> | ▪ DOOR           | 1    |       |            |       |                   |
| 2    | <b>0568639430</b> | ▪ GLASS          | 1    |       |            |       |                   |
| 3    | <b>0568623300</b> | ▪ COVER          | 1    |       |            |       |                   |
| 4    | <b>0568630900</b> | ▪ PLATE          | 1    |       |            |       |                   |
| 5    | <b>0568630800</b> | ▪ ROD            | 1    |       |            |       |                   |
| 6    | <b>0568630600</b> | ▪ ROD            | 1    |       |            |       |                   |
| 7    | <b>0568623400</b> | ▪ CONTROL ASSY   | 1    |       |            |       |                   |
| 8    | <b>0568623500</b> | ▪ COLLAR         | 2    |       |            |       |                   |
| 9    | <b>0568623600</b> | ▪ SEAL           | 2    |       |            |       |                   |
| 13   | <b>1654005600</b> | ▪ HANDLE         | 1    |       |            |       |                   |
| 14   | <b>0068620400</b> | ▪ LOCK ASSY      | 1    |       |            |       |                   |
| 15   | <b>1653611527</b> | ▪ LOCK           | 1    |       |            |       |                   |
| 15-1 | <b>1700100019</b> | ▪ KEY            | 1    |       |            |       |                   |
| 16   | <b>1654005900</b> | ▪ STRIKER        | 1    |       |            |       |                   |
| 17   | <b>1654005500</b> | ▪ HANDLE         | 1    |       |            |       |                   |
| 18   | <b>1654005800</b> | ▪ BASE           | 1    |       |            |       |                   |
| 19   | <b>1654005700</b> | ▪ ESCUTCHEON     | 1    |       |            |       |                   |
| 21   | <b>1654615280</b> | ▪ DAM            | 1    |       |            |       | sold by the meter |
| 22   | <b>1654615160</b> | ▪ DAM            | 1    |       |            |       | sold by the meter |
| 23   | <b>1652711432</b> | ▪ CLIP           | 4    |       |            |       |                   |
| 24   | <b>0068621500</b> | ▪ SNAP           | 2    |       |            |       |                   |
| 25   | <b>0398610900</b> | ▪ SNAP           | 2    |       |            |       |                   |
| 26   | <b>1652053200</b> | ▪ GROMMET        | 2    |       |            |       |                   |
| 28   | <b>1100290616</b> | ▪ BOLT           | 2    |       |            |       |                   |
| 29   | <b>1120530612</b> | ▪ SCREW          | 2    |       |            |       |                   |
| 30   | <b>1120530616</b> | ▪ SCREW          | 1    |       |            |       |                   |
| 31   | <b>1120530608</b> | ▪ SCREW          | 2    |       |            |       |                   |
| 32   | <b>1120790516</b> | ▪ SCREW          | 1    |       |            |       |                   |
| 33   | <b>1140090006</b> | ▪ WASHER, spring | 2    |       |            |       |                   |
| 34   | <b>1140020006</b> | ▪ WASHER, spring | 5    |       |            |       |                   |
| 36   | <b>1141110006</b> | ▪ WASHER         | 4    |       |            |       |                   |
| 38   | <b>1130040010</b> | ▪ NUT            | 2    |       |            |       |                   |
| 39   | <b>1131242006</b> | ▪ NUT            | 1    |       |            |       |                   |
|      | <b>G4e122</b>     |                  |      |       |            |       |                   |

TB135 Book No. BG4Z010 S/N 13510004-  
CAB MOUNT (13514051-)

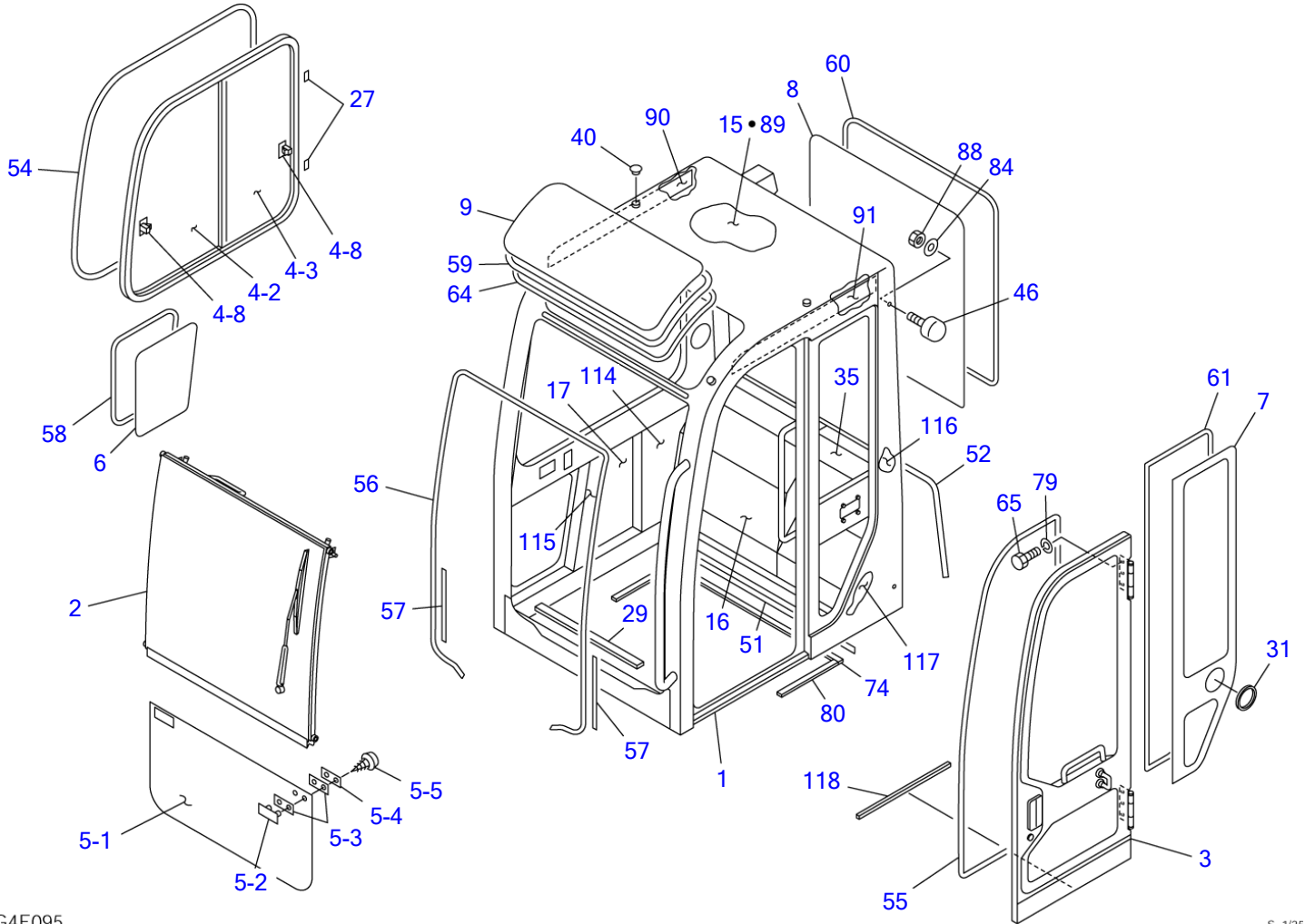


G4E085

S-1/20

**CAB MOUNT (13514051-)**

| Item | Part number       | Description                      | Q'ty | Chan. | Serial No. | Serv. | Remarks                     |
|------|-------------------|----------------------------------|------|-------|------------|-------|-----------------------------|
| 0    | X *****           | CAB MOUNT                        | 1    |       |            |       | X03786-01000-11             |
|      | X *****           | CAB MOUNT (with air conditioner) | 1    |       |            |       | X03786-02100-11             |
| 1    | X *****           | · CAB ASSY                       | 1    |       |            |       | X03786-04000 see page (1/4) |
|      | <b>0378604300</b> | · CAB ASSY                       | 1    |       |            |       | X03786-04300 see page (1/4) |
| 6    | <b>1100041230</b> | · BOLT                           | 8    |       |            |       |                             |
| 7    | <b>1140020012</b> | · WASHER, spring                 | 8    |       |            |       |                             |
| 8    | <b>0378601010</b> | · ABSORBENT, noise               | 1    |       |            |       |                             |
| 9    | <b>0378600810</b> | · ABSORBENT, noise               | 1    |       |            |       |                             |
| 10   | <b>0378601020</b> | · ABSORBENT, noise               | 1    |       |            |       |                             |
| 11   | <b>0378601031</b> | · ABSORBENT, noise               | 1    |       |            |       |                             |
| 12   | <b>1653917006</b> | · TRIM                           | 1    |       |            | M     | sold by the meter           |
| 13   | X *****           | · DECAL                          | 1    |       |            |       |                             |
| 14   | <b>0378600820</b> | · ABSORBENT, noise               | 1    |       |            |       |                             |
| 15   | <b>0394601000</b> | · INSULATOR                      | 1    |       |            |       | with air con.               |
|      | <b>G4e087</b>     |                                  |      |       |            |       |                             |

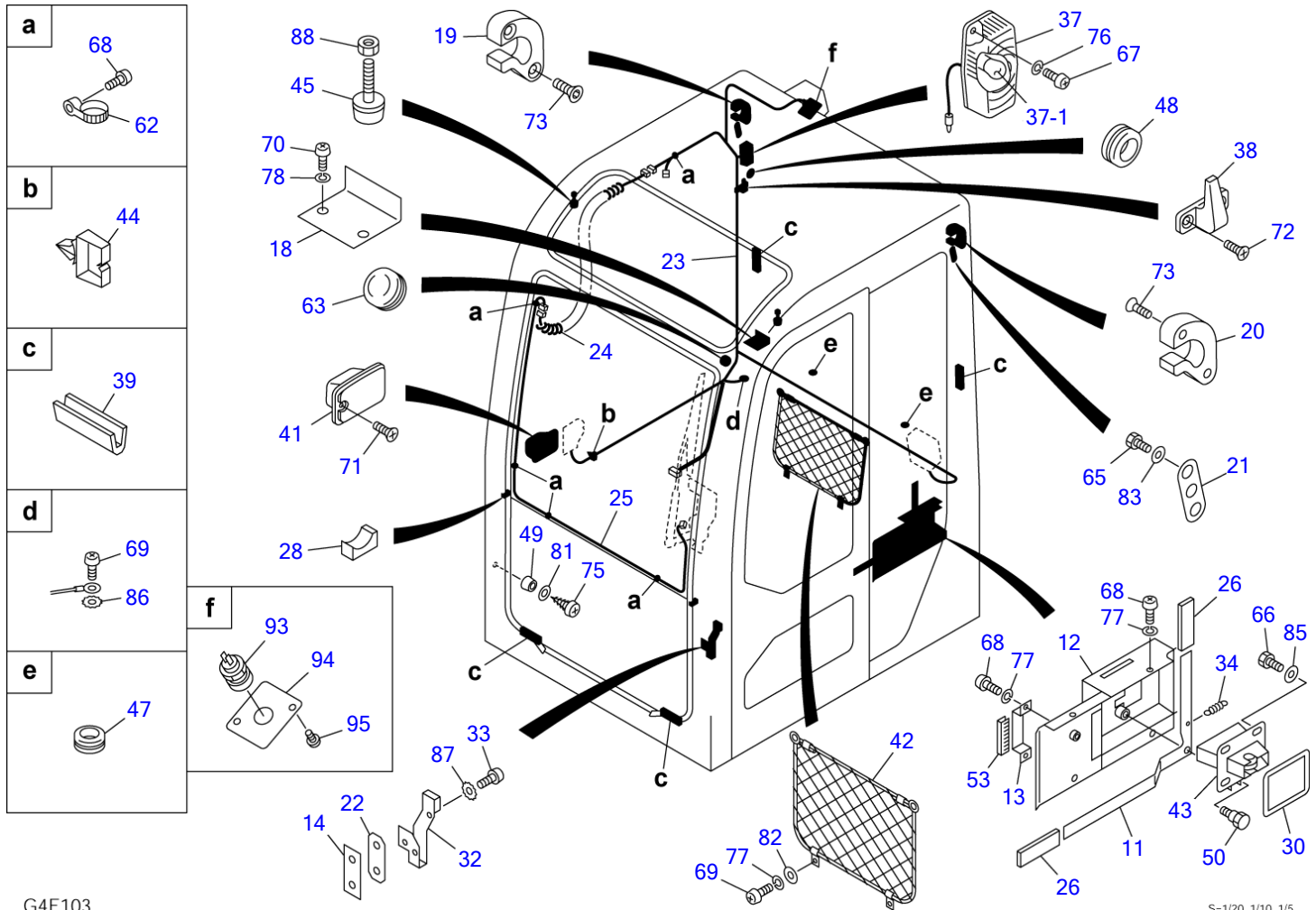


G4E095

S=1/25

CAB (1/4) (13514051-)

| Item | Part number | Description        | Q'ty | Chan. | Serial No. | Serv. | Remarks           |
|------|-------------|--------------------|------|-------|------------|-------|-------------------|
| 0    | X *****     | CAB ASSY           | 1    |       |            |       | X03786-04000-6    |
|      | 0378604300  | CAB ASSY           | 1    |       |            |       | X03786-04300-6    |
| 1    | X *****     | • CAB              | 1    |       |            |       |                   |
| 2    | 0338630400  | • SASH, front      | 1    |       |            |       | see page (3/4)    |
| 3    | 0568629200  | • DOOR             | 1    |       |            |       | see page (4/4)    |
| 4    | 0378601300  | • SASH ASSY        | 1    |       |            |       |                   |
| 4-2  | 0378601320  | • • GLASS          | 1    |       |            |       |                   |
| 4-3  | 0378601330  | • • GLASS          | 1    |       |            |       |                   |
| 4-8  | 0338630650  | • • LOCK ASSY      | 2    |       |            |       |                   |
| 5    | 0378601600  | • GLASS, front     | 1    |       |            |       |                   |
| 5-1  | 0378601610  | • • GLASS          | 1    |       |            |       |                   |
| 5-2  | 1654010900  | • • RETAINER       | 2    |       |            |       |                   |
| 5-3  | 1654011100  | • • PACKING        | 4    |       |            |       |                   |
| 5-4  | 1654011000  | • • PLATE          | 2    |       |            |       |                   |
| 5-5  | 1122410412  | • • SCREW          | 4    |       |            |       |                   |
| 6    | 0568639530  | • GLASS            | 1    |       |            |       |                   |
| 7    | 0378601400  | • GLASS            | 1    |       |            |       |                   |
| 8    | 0378601900  | • GLASS            | 1    |       |            |       |                   |
| 9    | 0358605300  | • GLASS            | 1    |       |            |       |                   |
| 15   | 0378601450  | • ABSORBENT, noise | 1    |       |            |       |                   |
| 16   | 0378601460  | • ABSORBENT, noise | 1    |       |            |       |                   |
| 17   | 0378601470  | • ABSORBENT, noise | 1    |       |            |       |                   |
| 27   | 0438601770  | • SPACER           | 7    |       |            |       |                   |
| 29   | 0568634100  | • SEAL             | 1    |       |            |       |                   |
| 31   | 0568626600  | • GROMMET          | 1    |       |            |       |                   |
| 35   | 0378601500  | • ABSORBENT, noise | 1    |       |            |       |                   |
| 40   | 1653303010  | • CAP              | 3    |       |            |       |                   |
| 46   | 1651101042  | • RUBBER           | 2    |       |            |       |                   |
| 51   | 1654606090  | • SEAL             | 1    |       |            |       | sold by the meter |
| 52   | 1654619203  | • SEAL             | 1    |       |            |       | sold by the meter |
| 54   | 1653930355  | • RUBBER           | 1    |       |            |       | sold by the meter |
| 55   | 1654605341  | • RUBBER           | 1    |       |            |       | sold by the meter |
| 56   | 1654605374  | • RUBBER           | 1    |       |            |       | sold by the meter |
| 57   | 1654605033  | • RUBBER           | 2    |       |            |       | sold by the meter |
| 58   | 1654262150  | • H-RUBBER         | 1    |       |            |       | sold by the meter |
| 59   | 1654615216  | • H-RUBBER         | 1    |       |            |       | sold by the meter |
| 60   | 1654231336  | • H-RUBBER         | 1    |       |            |       | sold by the meter |
| 61   | 1654615296  | • DAM              | 1    |       |            |       | sold by the meter |
| 64   | 1653916222  | • TRIM             | 1    |       |            |       | sold by the meter |
| 65   | 1100090820  | • BOLT             | 6    |       |            |       |                   |
| 74   | 1654312090  | • SPONGE           | 1    |       |            |       | sold by the meter |
| 79   | 1140090008  | • WASHER, spring   | 6    |       |            |       |                   |
| 80   | 1654312030  | • SPONGE           | 2    |       |            |       | sold by the meter |
| 84   | 1141190010  | • WASHER           | 2    |       |            |       |                   |
| 88   | 1130090010  | • NUT              | 2    |       |            |       |                   |
| 89   | 0394608010  | • ABSORBENT, noise | 1    |       |            |       | with air con.     |
| 90   | 0394608011  | • ABSORBENT, noise | 1    |       |            |       | with air con.     |
| 91   | 0394608012  | • ABSORBENT, noise | 1    |       |            |       | with air con.     |
| 114  | 0378603310  | • URETHANE         | 1    |       |            |       |                   |
| 115  | 0378603311  | • URETHANE         | 1    |       |            |       |                   |
| 116  | 0378603312  | • URETHANE         | 1    |       |            |       |                   |
| 117  | 0378603313  | • URETHANE         | 1    |       |            |       |                   |
| 118  | 1654318050  | • SPONGE           | 1    |       |            |       | sold by the meter |
|      | G4e098      |                    |      |       |            |       |                   |



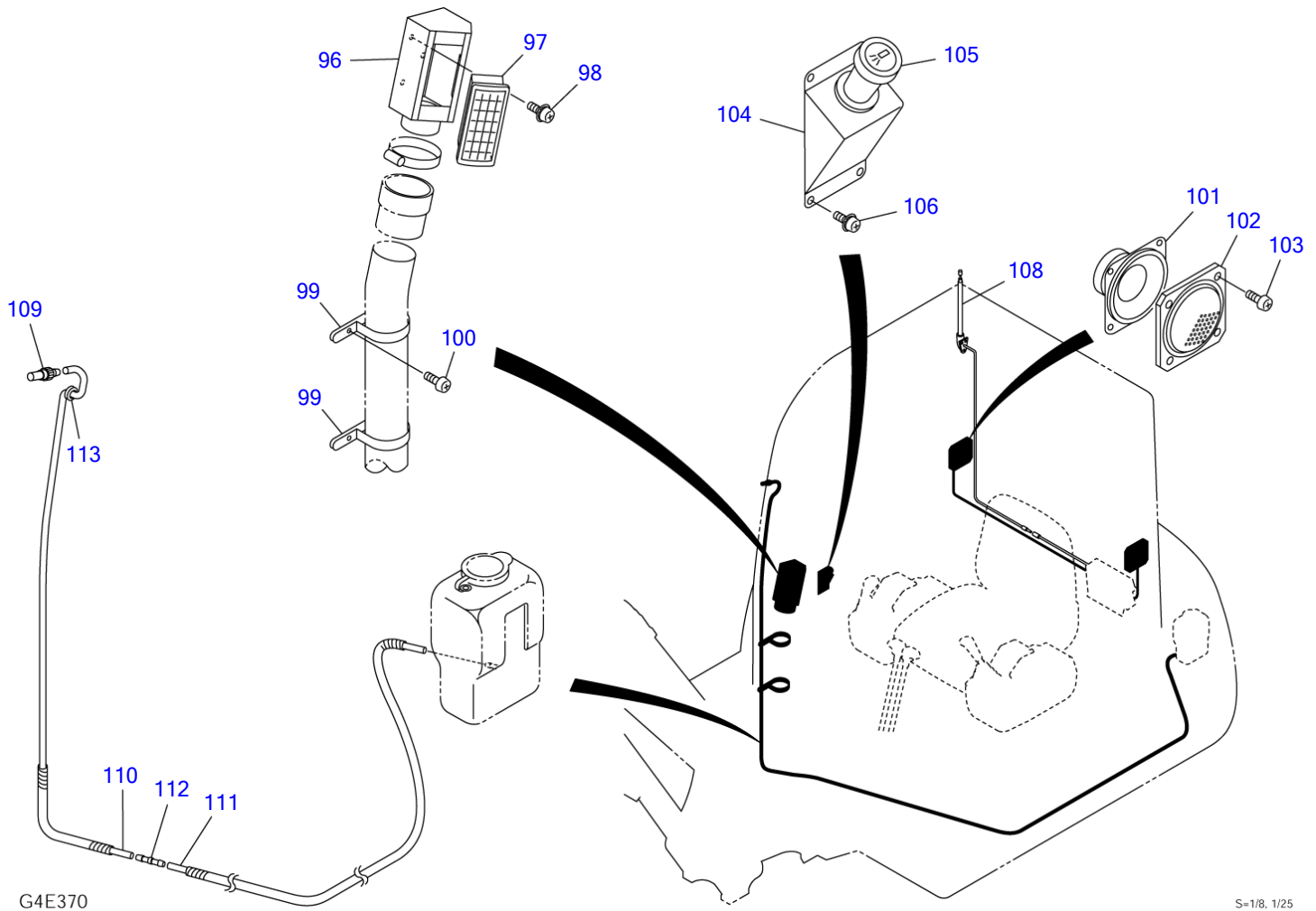
G4E103

S=1/20, 1/10, 1/5



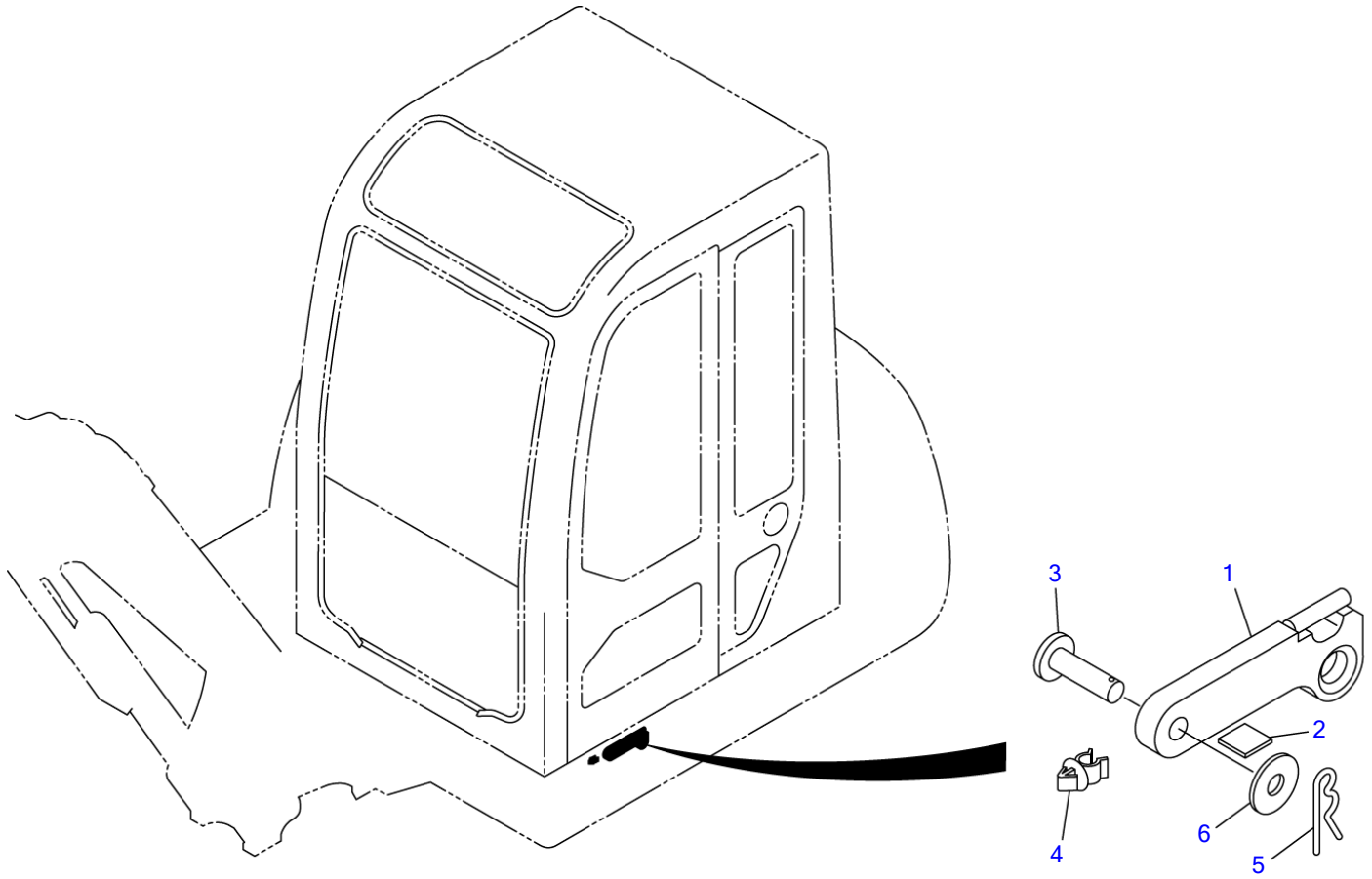
CAB (2/4) (13514051-)

| Item | Part number | Description       | Q'ty | Chan. | Serial No. | Serv. | Remarks           |
|------|-------------|-------------------|------|-------|------------|-------|-------------------|
| 0    | X *****     | CAB ASSY          | 1    |       |            |       | X03786-04000-6    |
|      | 0378604300  | CAB ASSY          | 1    |       |            |       | X03786-04300-6    |
| 11   | 0378601420  | · PLATE           | 1    |       |            |       |                   |
| 12   | 0378602000  | · COVER           | 1    |       |            |       |                   |
| 13   | 0338630870  | · PLATE           | 1    |       |            |       |                   |
| 14   | 0338630880  | · PLATE           | 1    |       |            |       |                   |
| 18   | 0378601480  | · PLATE           | 1    |       |            |       |                   |
| 19   | 0338630910  | · STOPPER (R.H.)  | 1    |       |            |       |                   |
| 20   | 0338630960  | · STOPPER (L.H.)  | 1    |       |            |       |                   |
| 21   | 0338630920  | · PLATE           | 2    |       |            |       |                   |
| 22   | 0338630930  | · PACKING         | 1    |       |            |       |                   |
| 23   | 0378602400  | · HARNESS, wiring | 1    |       |            |       |                   |
| 24   | 0398802200  | · HARNESS, wiring | 1    |       |            |       |                   |
| 25   | 0338631010  | · HARNESS, wiring | 1    |       |            |       |                   |
| 26   | 0438601760  | · COVER           | 2    |       |            |       |                   |
| 28   | 0568633300  | · STOPPER         | 2    |       |            |       |                   |
| 30   | 0568634400  | · SEAL            | 1    |       |            |       |                   |
| 32   | 0068620500  | · STRIKER         | 1    |       |            |       |                   |
| 33   | 0068621300  | · SCREW           | 2    |       |            |       |                   |
| 34   | 0007000096  | · SPRING          | 1    |       |            |       |                   |
| 37   | 1703001700  | · LAMP, room      | 1    |       |            |       |                   |
| 37-1 | 1703001701  | · · BULB          | 1    |       |            |       |                   |
| 38   | 1654004800  | · HANGER          | 1    |       |            |       |                   |
| 39   | 1654004900  | · STOPPER         | 4    |       |            |       |                   |
| 41   | 1654010500  | · ASHTRAY         | 1    |       |            |       |                   |
| 42   | 1653691350  | · POCKET          | 1    |       |            |       |                   |
| 43   | 1654005100  | · LOCK            | 1    |       |            |       |                   |
| 44   | 1652341547  | · CLAMP           | 4    |       |            |       |                   |
| 45   | 1651101028  | · STOPPER         | 2    |       |            |       |                   |
| 47   | 1652060016  | · GROMMET         | 2    |       |            |       |                   |
| 48   | 1652060031  | · BUSHING         | 1    |       |            |       |                   |
| 49   | 1652102320  | · RUBBER          | 2    |       |            |       |                   |
| 50   | 0378601510  | · PIN             | 1    |       |            |       |                   |
| 53   | 1653916007  | · RUBBER          | 1    |       |            |       | sold by the meter |
| 62   | 1652221050  | · BAND            | 4    |       |            |       |                   |
| 63   | 1652050900  | · GROMMET         | 1    |       |            |       |                   |
| 65   | 1100090820  | · BOLT            | 4    |       |            |       |                   |
| 66   | 1100040825  | · BOLT            | 4    |       |            |       |                   |
| 67   | 1120540408  | · SCREW           | 2    |       |            |       |                   |
| 68   | 1120590512  | · SCREW           | 9    |       |            |       |                   |
| 69   | 1120590516  | · SCREW           | 5    |       |            |       |                   |
| 70   | 1120590616  | · SCREW           | 2    |       |            |       |                   |
| 71   | 1120630412  | · SCREW           | 2    |       |            |       |                   |
| 72   | 1120790412  | · SCREW           | 2    |       |            |       |                   |
| 73   | 1120800830  | · SCREW           | 4    |       |            |       |                   |
| 75   | 1122410416  | · SCREW           | 2    |       |            |       |                   |
| 76   | 1140090004  | · WASHER, spring  | 2    |       |            |       |                   |
| 77   | 1140090005  | · WASHER, spring  | 9    |       |            |       |                   |
| 78   | 1140090006  | · WASHER, spring  | 2    |       |            |       |                   |
| 81   | 1141190004  | · WASHER          | 2    |       |            |       |                   |
| 82   | 1141190005  | · WASHER          | 4    |       |            |       |                   |
| 83   | 1141190008  | · WASHER          | 4    |       |            |       |                   |
| 85   | 1141550008  | · WASHER          | 4    |       |            |       |                   |
| 86   | 1140330005  | · WASHER          | 1    |       |            |       |                   |
| 87   | 1140330010  | · WASHER          | 2    |       |            |       |                   |
| 88   | 1130090010  | · NUT             | 2    |       |            |       |                   |
| 93   | 1711900066  | · SOCKET          | 1    |       |            |       |                   |
| 94   | 0578600143  | · COVER           | 1    |       |            |       |                   |
| 95   | 1150420512  | · SCREW           | 2    |       |            |       |                   |
|      | G4e108      |                   |      |       |            |       |                   |



**CAB ACCESSORIES (13514051-)**

| Item | Part number       | Description | Q'ty | Chan. | Serial No.        | Serv. | Remarks           |
|------|-------------------|-------------|------|-------|-------------------|-------|-------------------|
| 96   | <b>0872453510</b> | DEFROSTER   | 1    |       |                   |       |                   |
| 97   | <b>1911504000</b> | LOUVER      | 1    |       |                   |       |                   |
| 98   | <b>1150120512</b> | SCREW       | 3    |       |                   |       |                   |
| 99   | <b>1652261410</b> | BAND        | 2    |       |                   |       |                   |
| 100  | <b>1120590514</b> | SCREW       | 2    |       |                   |       |                   |
| 101  | <b>1705003500</b> | SPEAKER     | 2    |       |                   |       |                   |
| 102  | <b>1705003550</b> | GRILLE      | 2    |       |                   |       |                   |
| 103  | <b>1120590410</b> | SCREW       | 8    |       |                   |       |                   |
| 104  | <b>0338627020</b> | BRACKET     | 1    |       |                   |       |                   |
| 105  | <b>1711900059</b> | LIGHTER     | 1    |       |                   |       |                   |
| 106  | <b>1150120410</b> | SCREW       | 4    |       |                   |       |                   |
| 108  | <b>1705003400</b> | ANTENNA     | 1    |       | 13514051~13516570 |       |                   |
|      | <b>1705003460</b> | ANTENNA     | 1    | (H)   | 13516571~         | M     |                   |
| 109  | <b>1711910040</b> | NOZZLE      | 1    |       |                   |       |                   |
| 110  | <b>1711919150</b> | HOSE        | 1    |       |                   |       | sold by the meter |
| 111  | <b>1711919230</b> | HOSE        | 1    |       |                   |       | sold by the meter |
| 112  | <b>1711910014</b> | JOINT       | 1    |       |                   |       |                   |
| 113  | <b>1652001002</b> | GROMMET     | 1    |       |                   |       |                   |
|      | <b>G4e372</b>     |             |      |       |                   |       |                   |



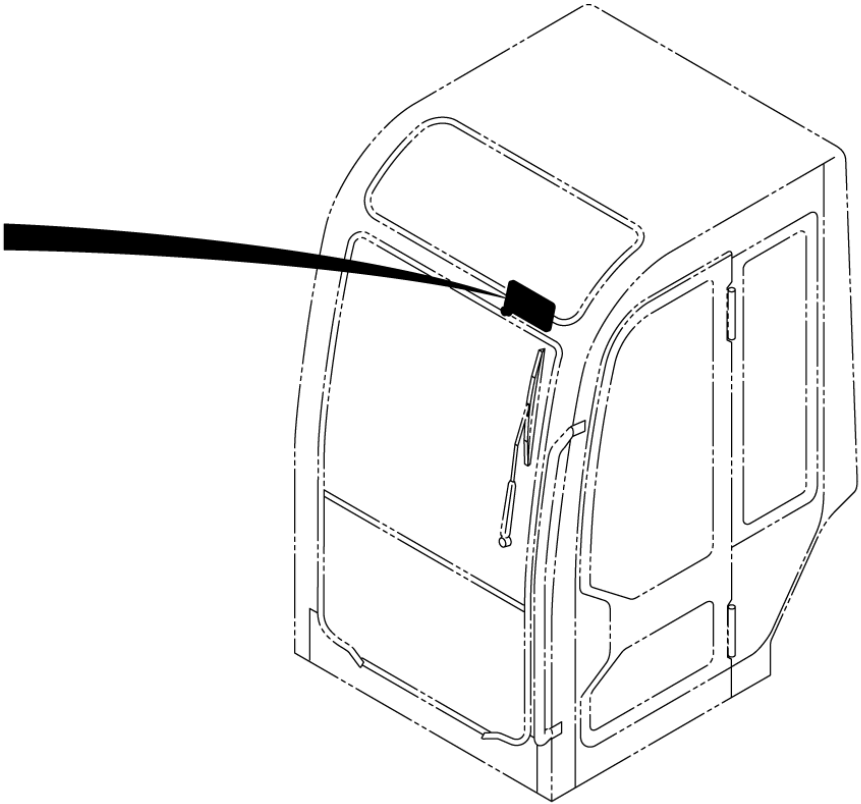
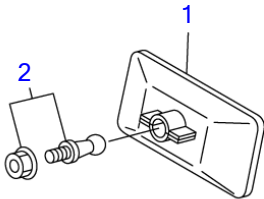
G4E130

S=1/4, 1/20

**STOPPER**

| Item | Part number       | Description  | Q'ty | Chan. | Serial No. | Serv. | Remarks        |
|------|-------------------|--------------|------|-------|------------|-------|----------------|
|      |                   | STOPPER ASSY |      |       |            |       | X03735-06000-0 |
| 1    | <b>0373506010</b> | STOPPER      | 1    |       |            |       |                |
| 2    | <b>0373506020</b> | RUBBER       | 1    |       |            |       |                |
| 3    | <b>0004012035</b> | PIN          | 1    |       |            |       |                |
| 4    | <b>1652702023</b> | HOLDER       | 1    |       |            |       |                |
| 5    | <b>1214000010</b> | PIN, snap    | 1    |       |            |       |                |
| 6    | <b>1141110012</b> | WASHER       | 1    |       |            |       |                |
|      | <b>G4e130</b>     |              |      |       |            |       |                |

TB135 Book No. BG4Z010 S/N 13510004-  
REARVIEW MIRROR

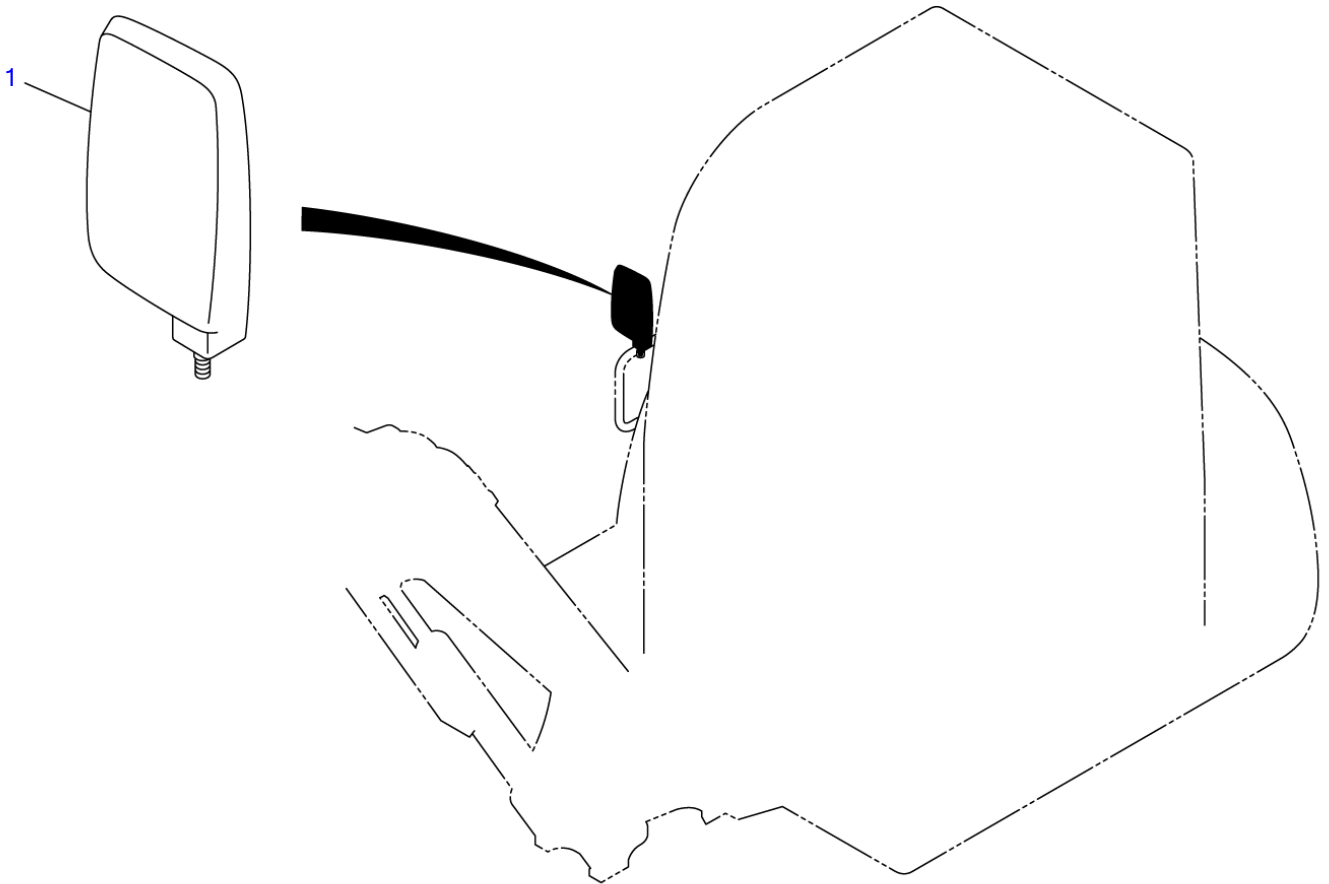


K3E470

S=1/20, 1/5

**REARVIEW MIRROR**

| Item | Part number       | Description           | Q'ty | Chan. | Serial No. | Serv. | Remarks        |
|------|-------------------|-----------------------|------|-------|------------|-------|----------------|
|      |                   | MIRROR ASSY, rearview |      |       |            |       | X03387-00000-1 |
| 1    | <b>1654005400</b> | MIRROR                | 1    |       |            |       |                |
| 2    | <b>1654006000</b> | PIVOT                 | 1    |       |            |       |                |
|      | <b>K3e470</b>     |                       |      |       |            |       |                |



G4E140

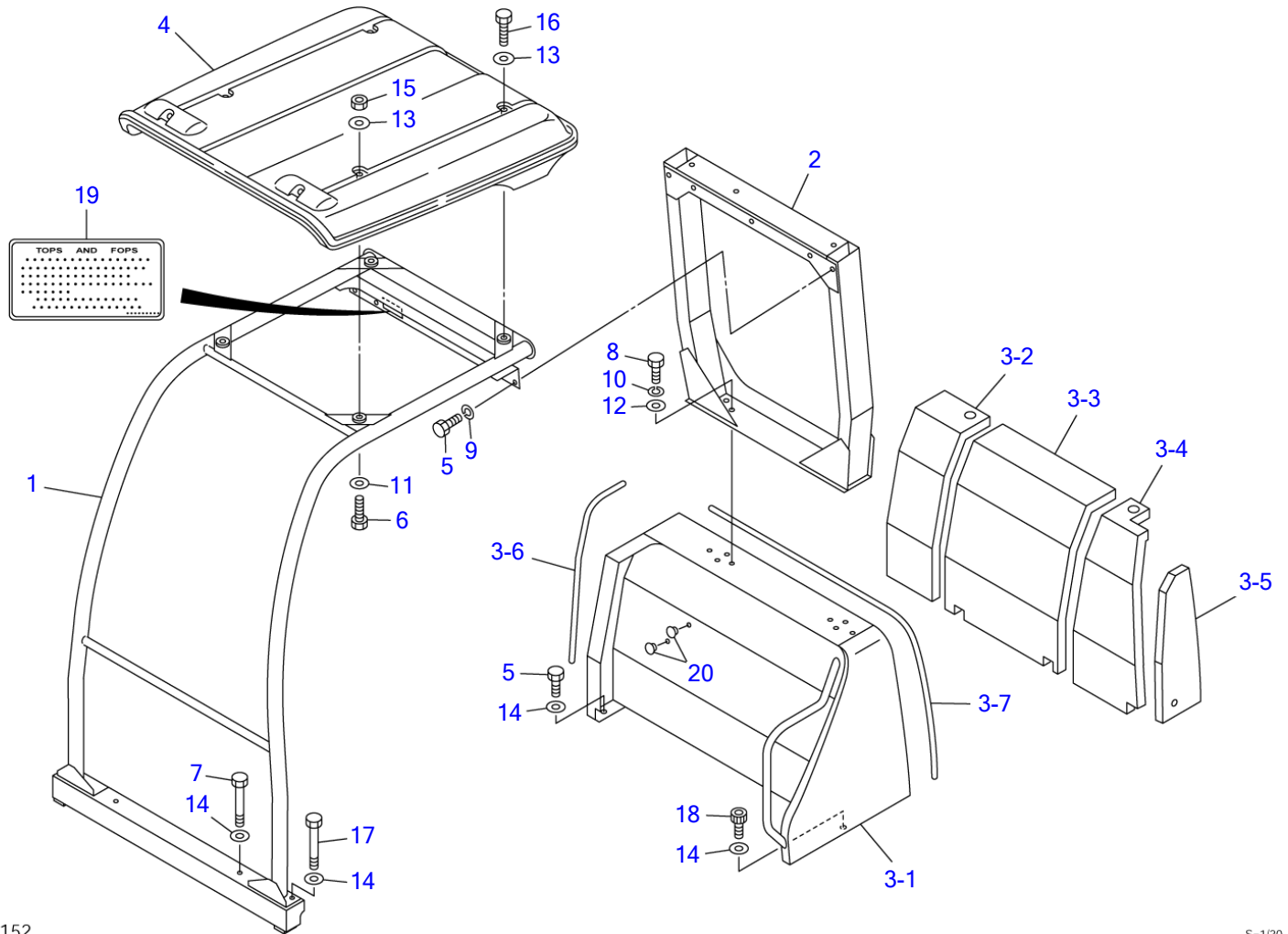
S=1/5, 1/20



OUTSIDE REARVIEW MIRROR

| Item | Part number                        | Description           | Q'ty | Chan. | Serial No. | Serv. | Remarks        |
|------|------------------------------------|-----------------------|------|-------|------------|-------|----------------|
| 1    | <b>1656500610</b><br><b>G4e141</b> | MIRROR ASSY<br>MIRROR | 1    |       |            |       | X03787-00000-0 |

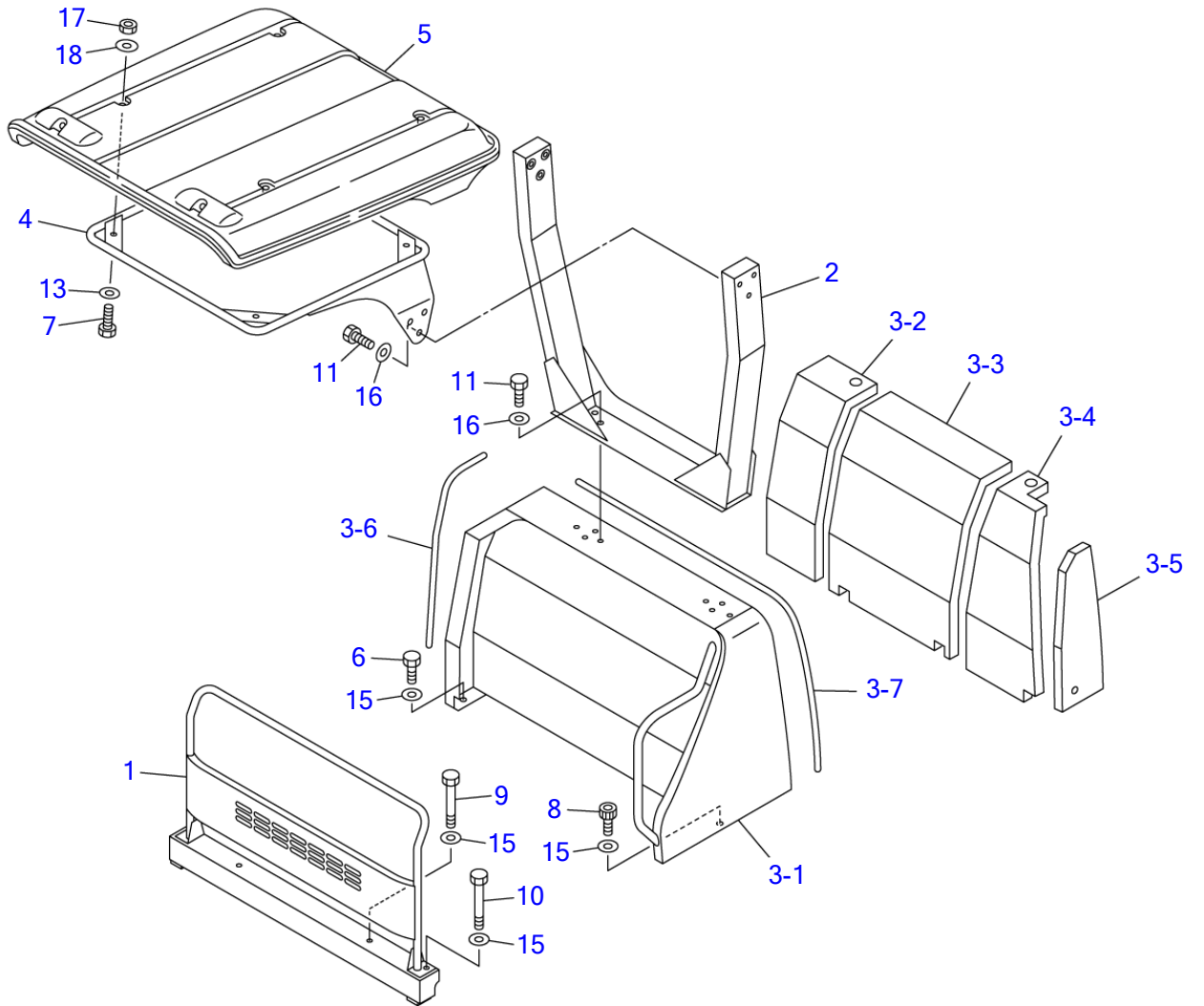
TB135 Book No. BG4Z010 S/N 13510004-  
CANOPY (4 poles)



G4E152

S=1/20

| CANOPY (4 poles) |             |                    |      |       |            |       |                   |
|------------------|-------------|--------------------|------|-------|------------|-------|-------------------|
| Item             | Part number | Description        | Q'ty | Chan. | Serial No. | Serv. | Remarks           |
|                  |             | CANOPY ASSY        |      |       |            |       | X03784-02000-3    |
| 1                | 0378402500  | POLE               | 1    |       |            |       |                   |
| 2                | 0378402600  | POLE               | 1    |       |            |       |                   |
| 3                | 0378402300  | COVER ASSY, engine | 1    |       |            |       |                   |
| 3-1              | 0378402400  | · COVER, engine    | 1    |       |            |       |                   |
| 3-2              | 0378401310  | · ABSORBENT, noise | 1    |       |            |       |                   |
| 3-3              | 0378401320  | · ABSORBENT, noise | 1    |       |            |       |                   |
| 3-4              | 0378401330  | · ABSORBENT, noise | 1    |       |            |       |                   |
| 3-5              | 0378402310  | · ABSORBENT, noise | 1    |       |            |       |                   |
| 3-6              | 1654606064  | · SEAL             | 1    |       |            |       | sold by the meter |
| 3-7              | 1654606138  | · SEAL             | 1    |       |            |       | sold by the meter |
| 4                | 0368416300  | ROOF               | 1    |       |            |       |                   |
| 5                | 1100041025  | BOLT               | 10   |       |            |       |                   |
| 6                | 1100041040  | BOLT               | 2    |       |            |       |                   |
| 7                | 1100141000  | BOLT               | 2    |       |            |       |                   |
| 8                | 1101041230  | BOLT               | 6    |       |            |       |                   |
| 9                | 1140020010  | WASHER, spring     | 4    |       |            |       |                   |
| 10               | 1140020012  | WASHER, spring     | 6    |       |            |       |                   |
| 11               | 1141110010  | WASHER             | 2    |       |            |       |                   |
| 12               | 1141110012  | WASHER             | 6    |       |            |       |                   |
| 13               | 0003600020  | WASHER             | 4    |       |            |       |                   |
| 14               | 1141550010  | WASHER             | 11   |       |            |       |                   |
| 15               | 1130040010  | NUT                | 2    |       |            |       |                   |
| 16               | 1100041030  | BOLT               | 2    |       |            |       |                   |
| 17               | 1100141010  | BOLT               | 2    |       |            |       |                   |
| 18               | 1110041025  | SCREW, cap         | 1    |       |            |       |                   |
| 19               | X *****     | DECAL              | 1    |       |            |       |                   |
| 20               | 1652533016  | CAP                | 2    |       | 13514051~  |       |                   |
|                  | G4e152      |                    |      |       |            |       |                   |



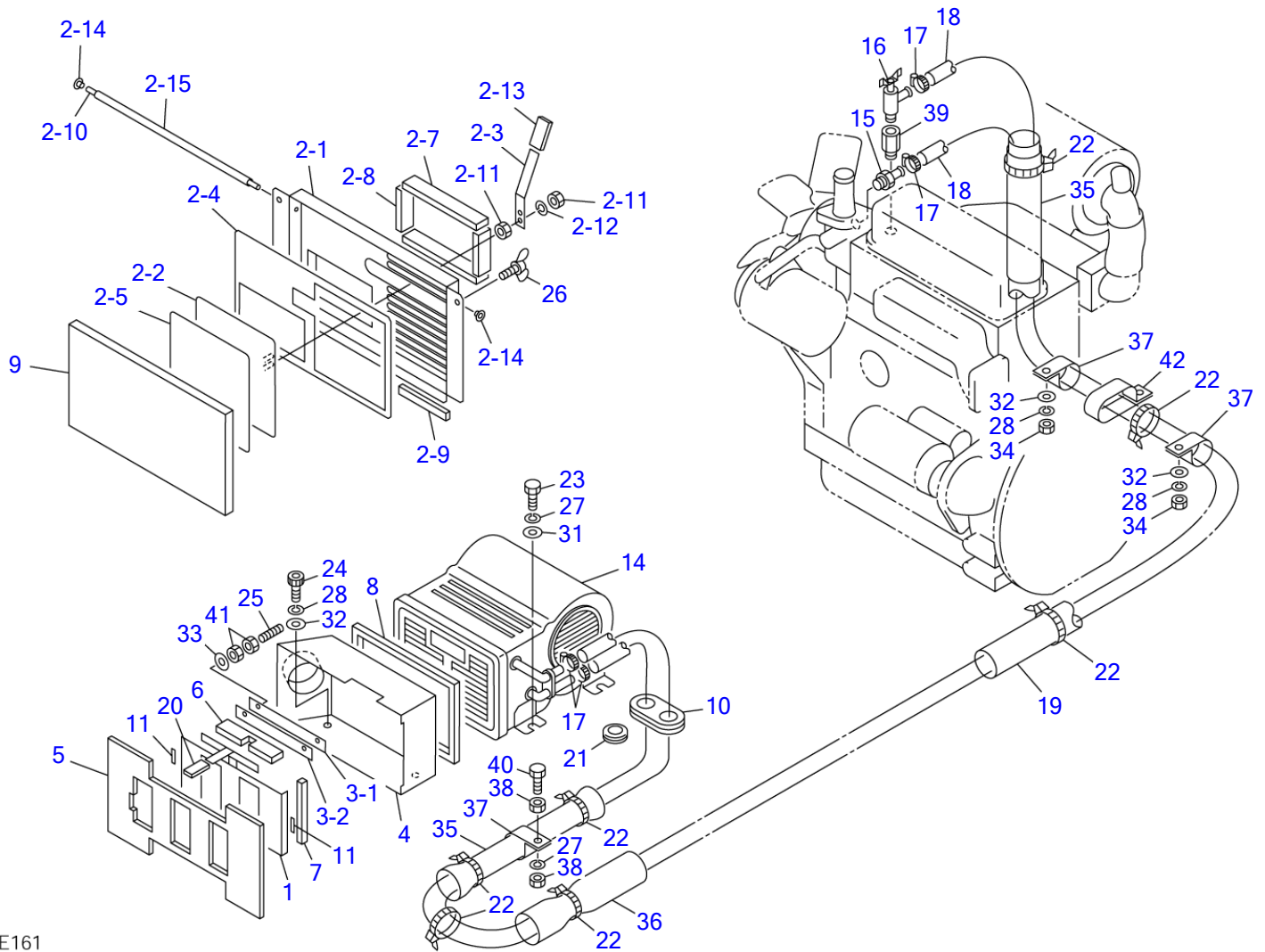
G4E190

S=1/20

## CANOPY (2 poles)

| Item | Part number | Description        | Q'ty | Chan. | Serial No. | Serv. | Remarks           |
|------|-------------|--------------------|------|-------|------------|-------|-------------------|
|      |             | CANOPY ASSY        |      |       |            |       | X03784-03000-0    |
| 1    | 0378403100  | GUARD              | 1    |       |            |       |                   |
| 2    | 0378403200  | POLE               | 1    |       |            |       |                   |
| 3    | 0378403300  | COVER ASSY, engine | 1    |       |            |       |                   |
| 3-1  | 0378403400  | · COVER, engine    | 1    |       |            |       |                   |
| 3-2  | 0378401310  | · ABSORBENT, noise | 1    |       |            |       |                   |
| 3-3  | 0378401320  | · ABSORBENT, noise | 1    |       |            |       |                   |
| 3-4  | 0378401330  | · ABSORBENT, noise | 1    |       |            |       |                   |
| 3-5  | 0378402310  | · ABSORBENT, noise | 1    |       |            |       |                   |
| 3-6  | 1654606064  | · SEAL             | 1    |       |            |       | sold by the meter |
| 3-7  | 1654606138  | · SEAL             | 1    |       |            |       | sold by the meter |
| 4    | 0358403300  | FRAME              | 1    |       |            |       |                   |
| 5    | 0368416300  | ROOF               | 1    |       |            |       |                   |
| 6    | 1100041025  | BOLT               | 6    |       |            |       |                   |
| 7    | 1100041030  | BOLT               | 4    |       |            |       |                   |
| 8    | 1110041025  | SCREW, cap         | 1    |       |            |       |                   |
| 9    | 1100141000  | BOLT               | 2    |       |            |       |                   |
| 10   | 1100141010  | BOLT               | 2    |       |            |       |                   |
| 11   | 1101041230  | BOLT               | 12   |       |            |       |                   |
| 13   | 1141110010  | WASHER             | 4    |       |            |       |                   |
| 15   | 1141550010  | WASHER             | 11   |       |            |       |                   |
| 16   | 1141550012  | WASHER             | 12   |       |            |       |                   |
| 17   | 1130040010  | NUT                | 4    |       |            |       |                   |
| 18   | 0003600020  | WASHER             | 4    |       |            |       |                   |
|      | G4e190      |                    |      |       |            |       |                   |

TB135 Book No. BG4Z010 S/N 13510004-  
HEATER (cab; 13510004-13514050)



G4E161

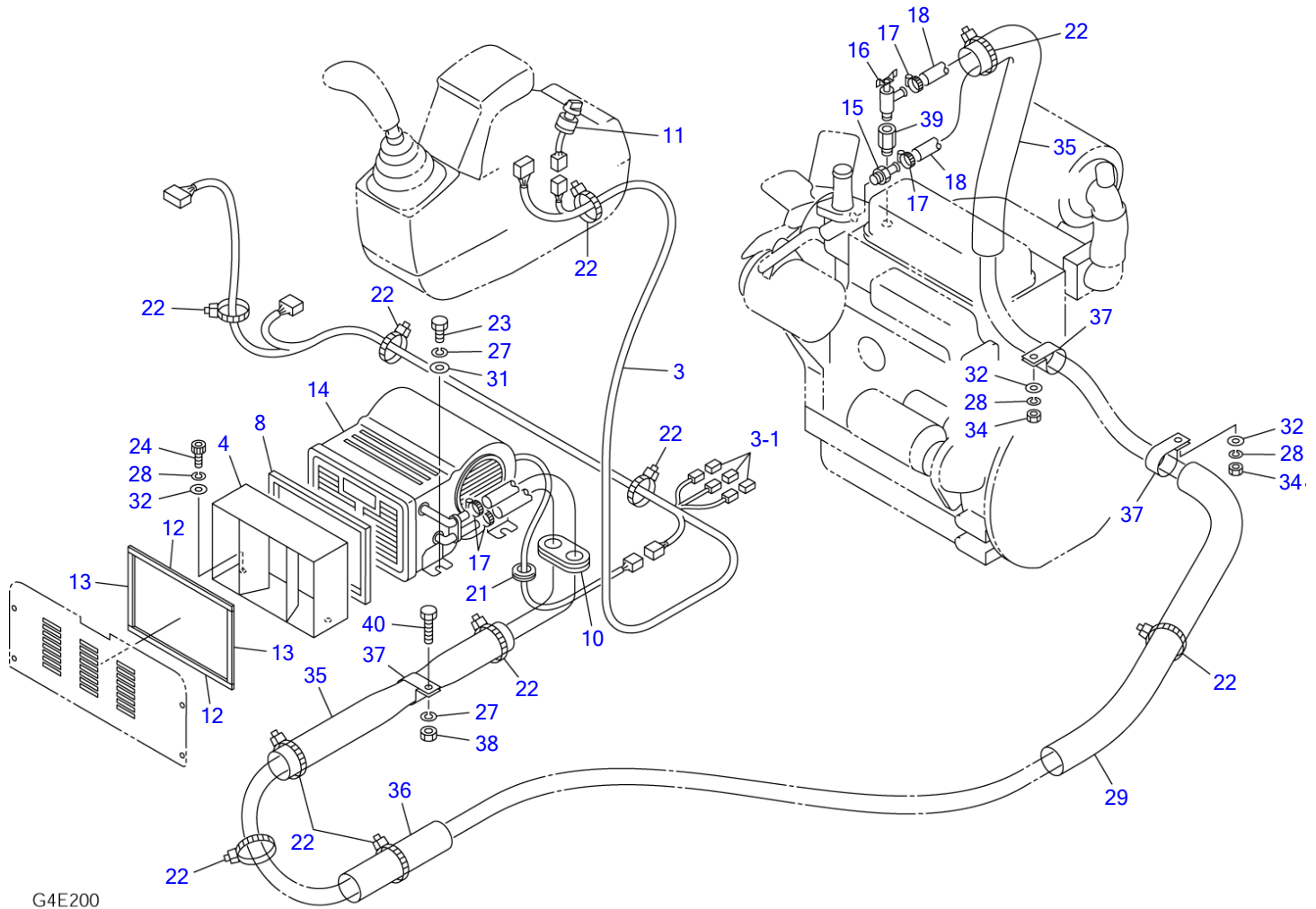
S=1/10

**HEATER (cab; 13510004-13514050)**

| Item | Part number  | Description         | Q'ty | Chan. | Serial No.        | Serv. | Remarks                                |
|------|--------------|---------------------|------|-------|-------------------|-------|--|
|      |              | HEATER ASSY         |      |       |                   |       | X03745-04000-6                         |
| 1    | 0374504100   | LEVER               | 1    |       |                   |       |  |
| 2    | X 0374504200 | COVER ASSY, suction | 1    |       |                   |       |  |
| 2-1  | 0374504270   | · COVER             | 1    |       |                   |       |  |
| 2-2  | 0374504220   | · PLATE             | 1    |       |                   |       |  |
| 2-3  | 0374504230   | · LEVER             | 1    |       |                   |       |  |
| 2-4  | 0374504240   | · RUBBER            | 1    |       |                   |       |  |
| 2-5  | 0374504241   | · RUBBER            | 1    |       |                   |       |  |
| 2-7  | 0374504246   | · URETHANE          | 2    |       |                   |       |  |
| 2-8  | 0374504247   | · URETHANE          | 2    |       |                   |       |  |
| 2-9  | 0374504245   | · SPONGE            | 2    |       |                   |       |  |
| 2-10 | 0374504250   | · BOSS              | 2    |       |                   |       |  |
| 2-11 | 1130040005   | · NUT               | 4    |       |                   |       |  |
| 2-12 | 1140020005   | · WASHER, spring    | 2    |       |                   |       |  |
| 2-13 | 1650100415   | · GRIP              | 1    |       |                   |       |  |
| 2-14 | 1224100007   | · NUT               | 4    |       |                   |       |  |
| 2-15 | 0374504260   | · TUBE              | 2    |       |                   |       |  |
| 3    | X 0374504300 | GUIDE ASSY          | 2    |       |                   |       |  |
| 3-1  | 0374504310   | · GUIDE             | 1    |       |                   |       |  |
| 3-2  | 0374504320   | · RUBBER            | 1    |       |                   |       |  |
| 4    | 0374504400   | COVER               | 1    |       |                   |       |  |
| 5    | 0374504500   | URETHANE            | 1    |       |                   |       |  |
| 6    | 0374504550   | URETHANE            | 1    |       |                   |       |  |
| 7    | 0374504520   | SPONGE              | 1    |       |                   |       |  |
| 8    | 0374504530   | SPONGE              | 1    |       |                   |       |  |
| 9    | 0374504540   | FILTER              | 1    |       |                   |       |  |
| 10   | 0097210300   | GUARD               | 1    |       |                   |       |  |
| 11   | 0374504570   | RUBBER              | 1    |       |                   |       |  |
| 14   | 1911508100   | HEATER              | 1    |       |                   |       |  |
| 15   | 1911502200   | NIPPLE              | 1    |       |                   |       |  |
| 16   | 1911502100   | VALVE               | 1    |       |                   |       |  |
| 17   | 1911500500   | CLAMP               | 4    |       |                   |       |  |
| 18   | 1911531890   | HOSE                | 2    |       |                   |       |  |
| 19   | 1531345100   | PROTECTOR           | 1    |       | 13510004~13510306 |       | sold by the meter<br>sold by the meter |
| 20   | 1650100415   | GRIP                | 1    |       |                   |       |  |
| 21   | 1652052600   | GROMMET             | 1    |       |                   |       |  |
| 22   | 1652231250   | BAND                | 6    |       |                   |       |  |
| 23   | 1100041020   | BOLT                | 4    |       |                   |       |  |
| 24   | 1110040820   | SCREW, cap          | 2    |       |                   |       |  |
| 25   | 1121040625   | SET-SCREW           | 4    |       |                   |       |  |
| 26   | 1121530616   | BOLT, wing          | 2    |       |                   |       |  |
| 27   | 1140020010   | WASHER, spring      | 5    |       |                   |       |  |
| 28   | 1140020008   | WASHER, spring      | 4    |       |                   |       |  |
| 31   | 1141110010   | WASHER              | 4    |       |                   |       |  |
| 32   | 1141110008   | WASHER              | 4    |       |                   |       |  |
| 33   | 1141110006   | WASHER              | 4    |       |                   |       |  |
| 34   | 1130040008   | NUT                 | 2    |       | 13510307~         |       |  |
| 35   | 1531345050   | PROTECTOR           | 2    |       |                   |       | sold by the meter                      |
| 36   | 1531345020   | PROTECTOR           | 1    |       |                   |       | sold by the meter                      |
| 37   | 0007300030   | CLAMP               | 1    |       | 13510004~13510306 |       |  |
|      | 0007300030   | CLAMP               | 3    |       | 13510307~         |       |  |
| 38   | 1130040010   | NUT                 | 2    |       |                   |       |  |
| 39   | 0007210029   | BUSHING             | 1    |       |                   |       |  |
| 40   | 1100241040   | BOLT                | 1    |       |                   |       |  |
| 41   | 1130040006   | NUT                 | 8    |       |                   |       |  |
| 42   | 0007300018   | CLAMP               | 1    |       | 13510149~13510306 |       |  |

G4e162

TB135 Book No. BG4Z010 S/N 13510004-  
HEATER (canopy; 13510004-13514050)



G4E200

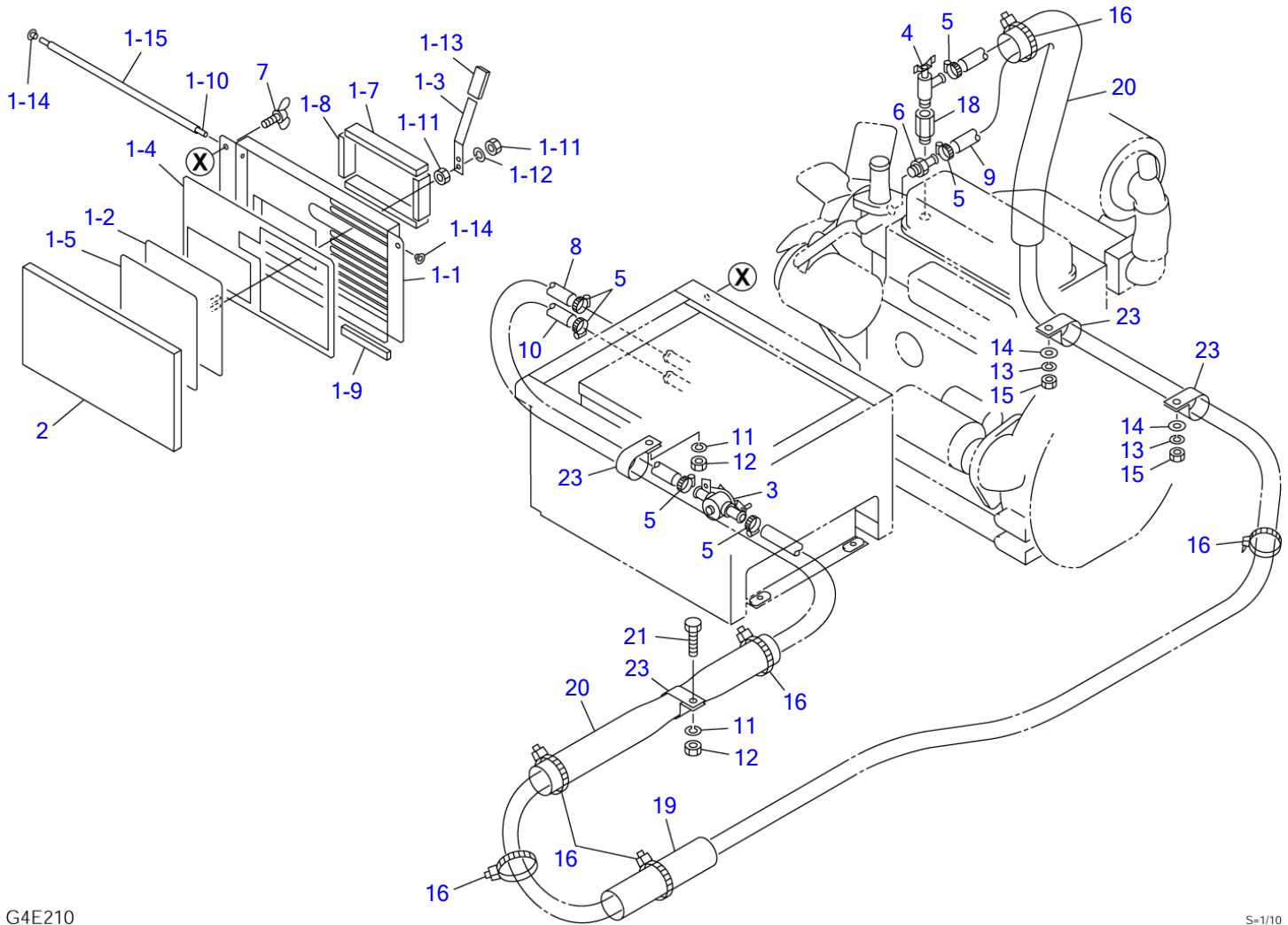
S=1/10



**HEATER (canopy; 13510004-13514050)**

| Item | Part number       | Description          | Q'ty | Chan. | Serial No. | Serv. | Remarks           |
|------|-------------------|----------------------|------|-------|------------|-------|-------------------|
|      |                   | HEATER ASSY          |      |       |            |       | X03745-05000-1    |
| 3    | <b>0354217300</b> | HARNES, wiring       | 1    |       |            |       |                   |
| 3-1  | <b>1730500008</b> | • DIODE (3A, yellow) | 3    |       |            |       |                   |
| 4    | <b>0374505400</b> | COVER                | 1    |       |            |       |                   |
| 8    | <b>0374504530</b> | SPONGE               | 1    |       |            |       |                   |
| 10   | <b>0097210300</b> | GUARD                | 1    |       |            |       |                   |
| 11   | <b>1700000011</b> | SWITCH, heater       | 1    |       |            |       |                   |
| 12   | <b>1654307023</b> | SPONGE               | 2    |       |            |       |                   |
| 13   | <b>1654307014</b> | SPONGE               | 2    |       |            |       |                   |
| 14   | <b>1911508100</b> | HEATER               | 1    |       |            |       |                   |
| 15   | <b>1911502200</b> | NIPPLE               | 1    |       |            |       |                   |
| 16   | <b>1911502100</b> | VALVE                | 1    |       |            |       |                   |
| 17   | <b>1911500500</b> | CLAMP                | 4    |       |            |       |                   |
| 18   | <b>1911531880</b> | HOSE                 | 2    |       |            |       | sold by the meter |
| 21   | <b>1652052600</b> | GROMMET              | 1    |       |            |       |                   |
| 22   | <b>1652231250</b> | BAND                 | 10   |       |            |       |                   |
| 23   | <b>1100041020</b> | BOLT                 | 4    |       |            |       |                   |
| 24   | <b>1110040820</b> | SCREW, cap           | 2    |       |            |       |                   |
| 27   | <b>1140020010</b> | WASHER, spring       | 5    |       |            |       |                   |
| 28   | <b>1140020008</b> | WASHER, spring       | 4    |       |            |       |                   |
| 29   | <b>1531345070</b> | PROTECTOR            | 1    |       |            |       | sold by the meter |
| 31   | <b>1141110010</b> | WASHER               | 4    |       |            |       |                   |
| 32   | <b>1141110008</b> | WASHER               | 4    |       |            |       |                   |
| 34   | <b>1130040008</b> | NUT                  | 2    |       |            |       |                   |
| 35   | <b>1531345050</b> | PROTECTOR            | 2    |       |            |       | sold by the meter |
| 36   | <b>1531345020</b> | PROTECTOR            | 1    |       |            |       | sold by the meter |
| 37   | <b>0007300030</b> | CLAMP                | 3    |       |            |       |                   |
| 38   | <b>1130040010</b> | NUT                  | 1    |       |            |       |                   |
| 39   | <b>0007210029</b> | BUSHING              | 1    |       |            |       |                   |
| 40   | <b>1100241040</b> | BOLT                 | 1    |       |            |       |                   |
|      | <b>G4e201</b>     |                      |      |       |            |       |                   |

TB135 Book No. BG4Z010 S/N 13510004-  
HEATER (with air conditioner; 13510004-13514050)



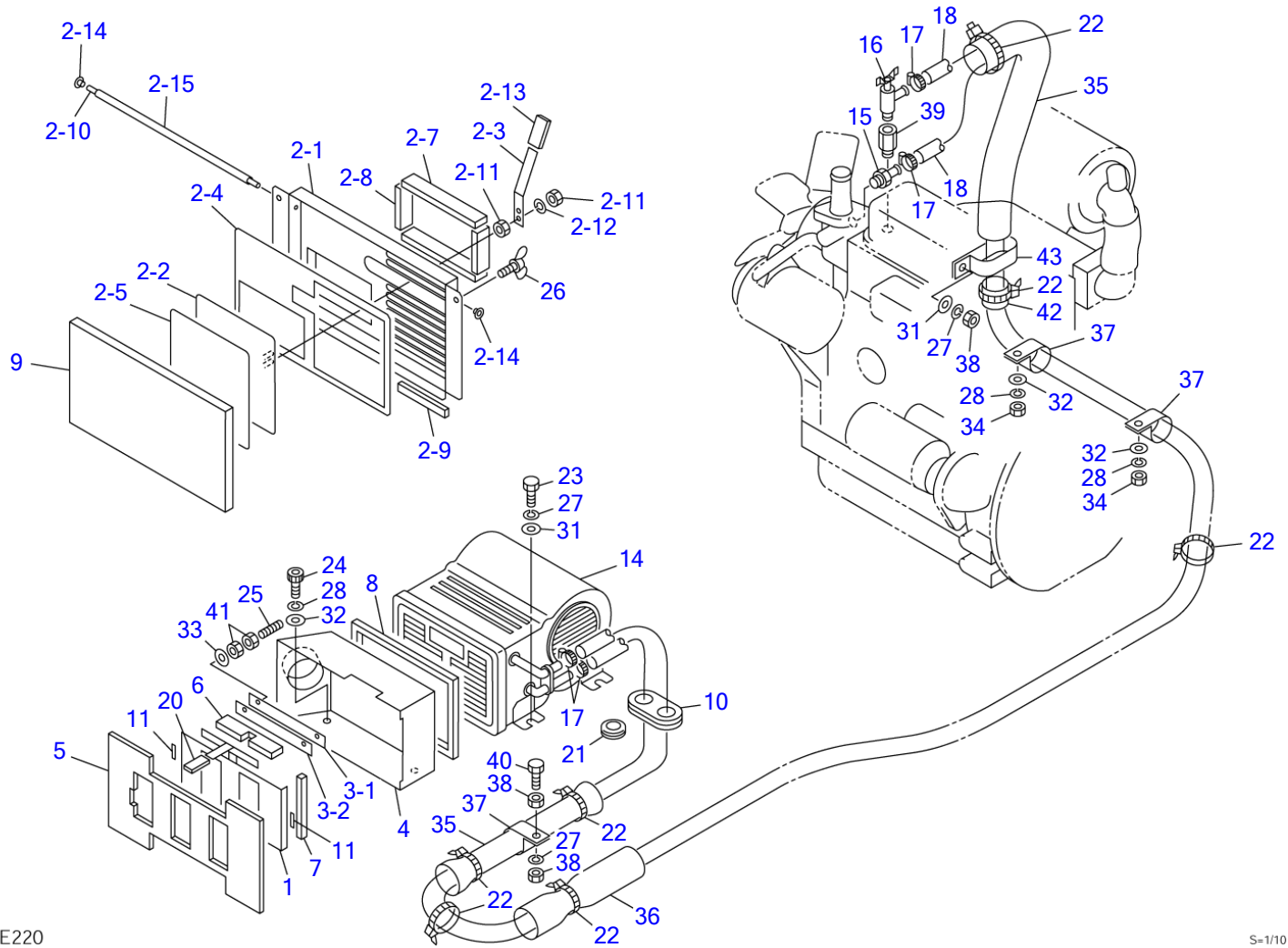
G4E210

S=1/10

**HEATER (with air conditioner; 13510004-13514050)**

| Item | Part number   | Description         | Q'ty | Chan. | Serial No. | Serv. | Remarks           |
|------|---------------|---------------------|------|-------|------------|-------|-------------------|
|      |               | HEATER ASSY         |      |       |            |       | X03745-06100-1    |
| 1    | X 0374504200  | COVER ASSY, suction | 1    |       |            |       |                   |
| 1-1  | 0374504270    | · COVER             | 1    |       |            |       |                   |
| 1-2  | 0374504220    | · PLATE             | 1    |       |            |       |                   |
| 1-3  | 0374504230    | · LEVER             | 1    |       |            |       |                   |
| 1-4  | 0374504240    | · RUBBER            | 1    |       |            |       |                   |
| 1-5  | 0374504241    | · RUBBER            | 1    |       |            |       |                   |
| 1-6  | 0374504246    | · URETHANE          | 2    |       |            |       |                   |
| 1-7  | 0374504247    | · URETHANE          | 2    |       |            |       |                   |
| 1-8  | 0374504245    | · SPONGE            | 2    |       |            |       |                   |
| 1-9  | 0374504250    | · SHAFT             | 2    |       |            |       |                   |
| 1-10 | 1130040005    | · NUT               | 4    |       |            |       |                   |
| 1-11 | 1140020005    | · WASHER, spring    | 2    |       |            |       |                   |
| 1-12 | 1650100415    | · CAP               | 1    |       |            |       |                   |
| 1-13 | 1224100007    | · NUT               | 4    |       |            |       |                   |
| 1-14 | 0374504260    | · TUBE              | 2    |       |            |       |                   |
| 2    | 0374504540    | FILTER              | 1    |       |            |       |                   |
| 3    | 1911506008    | VALVE               | 1    |       |            |       |                   |
| 4    | 1911502100    | VALVE               | 1    |       |            |       |                   |
| 5    | 1911500500    | CLAMP               | 6    |       |            |       |                   |
| 6    | 1911502200    | ADAPTOR             | 1    |       |            |       |                   |
| 7    | 1121530616    | BOLT, wing          | 2    |       |            |       |                   |
| 8    | 1911551800    | HOSE                | 1    |       |            |       | sold by the meter |
| 9    | 1911541800    | HOSE                | 1    |       |            |       | sold by the meter |
| 10   | 1911511800    | HOSE                | 1    |       |            |       | sold by the meter |
| 11   | 1140020010    | WASHER, spring      | 2    |       |            |       |                   |
| 12   | 1130040010    | NUT                 | 2    |       |            |       |                   |
| 13   | 1140020008    | WASHER, spring      | 2    |       |            |       |                   |
| 14   | 1141110008    | WASHER              | 2    |       |            |       |                   |
| 15   | 1130040008    | NUT                 | 2    |       |            |       |                   |
| 16   | 1652231250    | BAND                | 4    |       |            |       |                   |
| 18   | 0007210029    | BUSHING             | 1    |       |            |       |                   |
| 19   | 1531345020    | PROTECTOR           | 1    |       |            |       | sold by the meter |
| 20   | 1531345050    | PROTECTOR           | 2    |       |            |       | sold by the meter |
| 21   | 1100241040    | BOLT                | 1    |       |            |       |                   |
| 23   | 0007300030    | CLAMP               | 4    |       |            |       |                   |
|      | <b>G4e210</b> |                     |      |       |            |       |                   |

TB135 Book No. BG4Z010 S/N 13510004-  
HEATER (cab; 13514051-)



G4E220

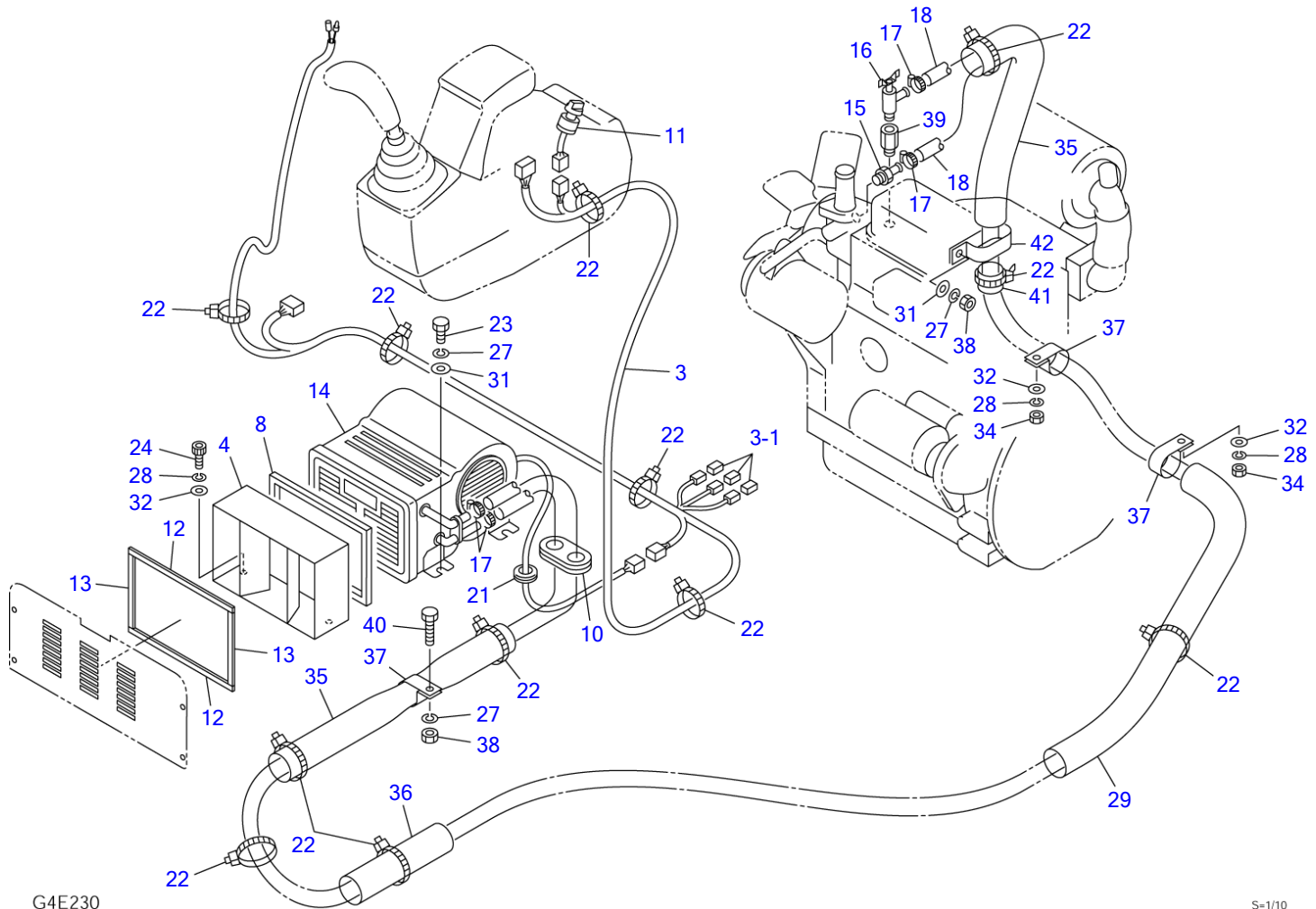
S=1/10

**HEATER (cab; 13514051-)**

| Item | Part number  | Description         | Q'ty | Chan. | Serial No. | Serv. | Remarks           |
|------|--------------|---------------------|------|-------|------------|-------|-------------------|
|      |              | HEATER ASSY         |      |       |            |       | X03745-06500-0    |
| 1    | 0374504100   | LEVER               | 1    |       |            |       |                   |
| 2    | X 0374504200 | COVER ASSY, suction | 1    |       |            |       |                   |
| 2-1  | 0374504270   | · COVER             | 1    |       |            |       |                   |
| 2-2  | 0374504220   | · PLATE             | 1    |       |            |       |                   |
| 2-3  | 0374504230   | · LEVER             | 1    |       |            |       |                   |
| 2-4  | 0374504240   | · RUBBER            | 1    |       |            |       |                   |
| 2-5  | 0374504241   | · RUBBER            | 1    |       |            |       |                   |
| 2-7  | 0374504246   | · URETHANE          | 2    |       |            |       |                   |
| 2-8  | 0374504247   | · URETHANE          | 2    |       |            |       |                   |
| 2-9  | 0374504245   | · SPONGE            | 2    |       |            |       |                   |
| 2-10 | 0374504250   | · BOSS              | 2    |       |            |       |                   |
| 2-11 | 1130040005   | · NUT               | 4    |       |            |       |                   |
| 2-12 | 1140020005   | · WASHER, spring    | 2    |       |            |       |                   |
| 2-13 | 1650100415   | · GRIP              | 1    |       |            |       |                   |
| 2-14 | 1224100007   | · NUT               | 4    |       |            |       |                   |
| 2-15 | 0374504260   | · TUBE              | 2    |       |            |       |                   |
| 3    | X 0374504300 | GUIDE ASSY          | 2    |       |            |       |                   |
| 3-1  | 0374504310   | · GUIDE             | 1    |       |            |       |                   |
| 3-2  | 0374504320   | · RUBBER            | 1    |       |            |       |                   |
| 4    | 0374504400   | COVER               | 1    |       |            |       |                   |
| 5    | 0374504500   | URETHANE            | 1    |       |            |       |                   |
| 6    | 0374504550   | URETHANE            | 1    |       |            |       |                   |
| 7    | 0374504520   | SPONGE              | 1    |       |            |       |                   |
| 8    | 0374504530   | SPONGE              | 1    |       |            |       |                   |
| 9    | 0374504540   | FILTER              | 1    |       |            |       |                   |
| 10   | 0097210300   | GUARD               | 1    |       |            |       |                   |
| 11   | 0374504570   | RUBBER              | 1    |       |            |       |                   |
| 14   | 1911508100   | HEATER              | 1    |       |            |       |                   |
| 15   | 1911502200   | NIPPLE              | 1    |       |            |       |                   |
| 16   | 1911502100   | VALVE               | 1    |       |            |       |                   |
| 17   | 1911500500   | CLAMP               | 4    |       |            |       |                   |
| 18   | 1911531890   | HOSE                | 2    |       |            |       | sold by the meter |
| 20   | 1650100415   | GRIP                | 1    |       |            |       |                   |
| 21   | 1652052600   | GROMMET             | 1    |       |            |       |                   |
| 22   | 1652231250   | BAND                | 7    |       |            |       |                   |
| 23   | 1100041020   | BOLT                | 4    |       |            |       |                   |
| 24   | 1110040820   | SCREW, cap          | 2    |       |            |       |                   |
| 25   | 1121040625   | SET-SCREW           | 4    |       |            |       |                   |
| 26   | 1121530616   | BOLT, wing          | 2    |       |            |       |                   |
| 27   | 1140020010   | WASHER, spring      | 6    |       |            |       |                   |
| 28   | 1140020008   | WASHER, spring      | 4    |       |            |       |                   |
| 31   | 1141110010   | WASHER              | 5    |       |            |       |                   |
| 32   | 1141110008   | WASHER              | 4    |       |            |       |                   |
| 33   | 1141110006   | WASHER              | 4    |       |            |       |                   |
| 34   | 1130040008   | NUT                 | 2    |       |            |       |                   |
| 35   | 1531345050   | PROTECTOR           | 2    |       |            |       | sold by the meter |
| 36   | 1531345020   | PROTECTOR           | 1    |       |            |       | sold by the meter |
| 37   | 0007300030   | CLAMP               | 3    |       |            |       |                   |
| 38   | 1130040010   | NUT                 | 2    |       |            |       |                   |
| 39   | 0007210029   | BUSHING             | 1    |       |            |       |                   |
| 40   | 1100241040   | BOLT                | 1    |       |            |       |                   |
| 41   | 1130040006   | NUT                 | 8    |       |            |       |                   |
| 42   | 1531419003   | PROTECTOR           | 1    |       |            |       | sold by the meter |
| 43   | 0007300055   | CLAMP               | 1    |       |            |       |                   |

G4e220

TB135 Book No. BG4Z010 S/N 13510004-  
HEATER (canopy; 13514051-)



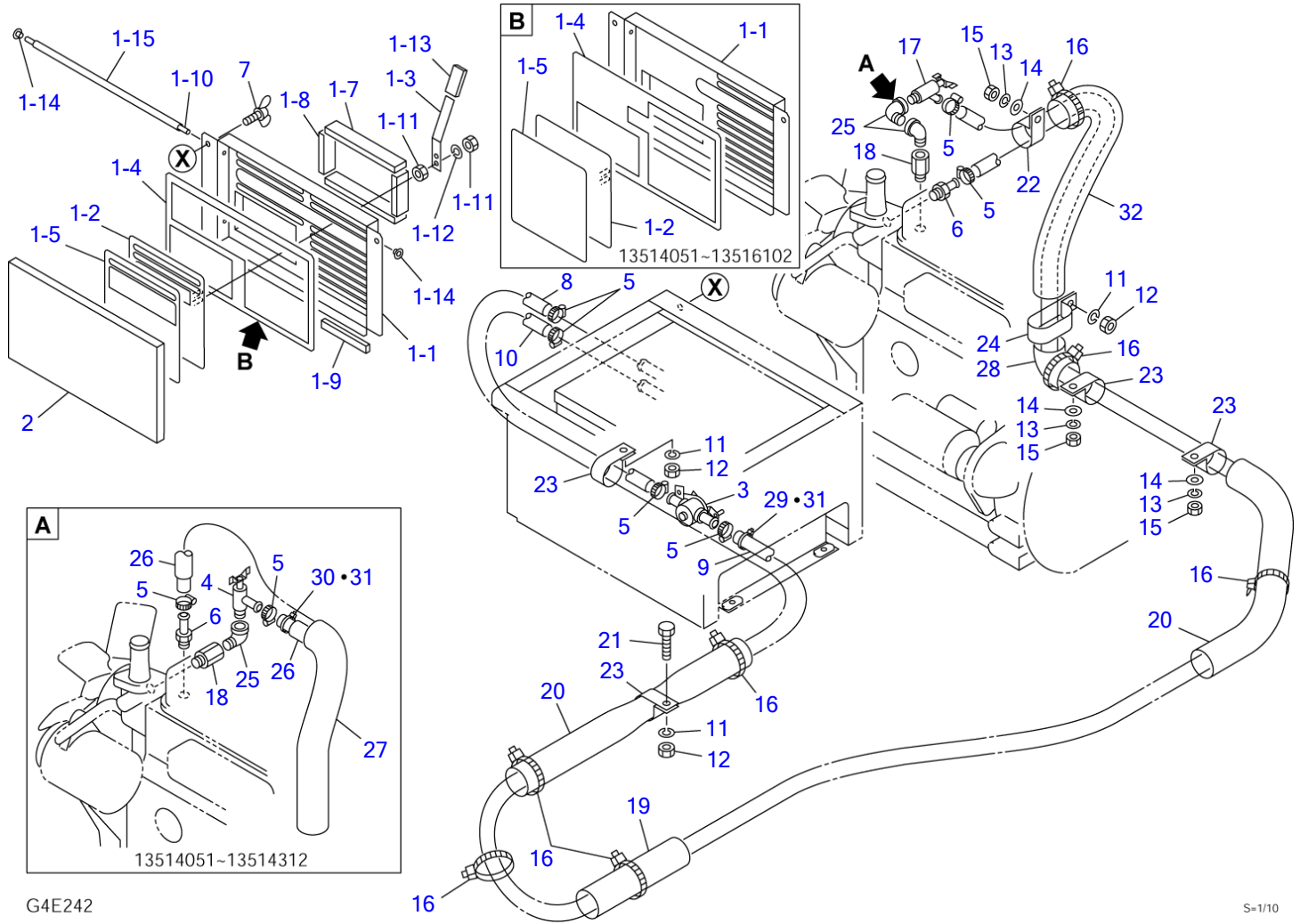
G4E230

S=1/10

**HEATER (canopy; 13514051-)**

| Item | Part number       | Description          | Qty | Chan. | Serial No. | Serv. | Remarks           |
|------|-------------------|----------------------|-----|-------|------------|-------|-------------------|
|      |                   | HEATER ASSY          |     |       |            |       | X03745-07000-0    |
| 3    | <b>0374507010</b> | HARNASS, wiring      | 1   |       |            |       |                   |
| 3-1  | <b>1730500008</b> | • DIODE (3A, yellow) | 3   |       |            |       |                   |
| 4    | <b>0374505400</b> | COVER                | 1   |       |            |       |                   |
| 8    | <b>0374504530</b> | SPONGE               | 1   |       |            |       |                   |
| 10   | <b>0097210300</b> | GUARD                | 1   |       |            |       |                   |
| 11   | <b>1700000011</b> | SWITCH, heater       | 1   |       |            |       |                   |
| 12   | <b>1654307023</b> | SPONGE               | 2   |       |            |       |                   |
| 13   | <b>1654307014</b> | SPONGE               | 2   |       |            |       |                   |
| 14   | <b>1911508100</b> | HEATER               | 1   |       |            |       |                   |
| 15   | <b>1911502200</b> | NIPPLE               | 1   |       |            |       |                   |
| 16   | <b>1911502100</b> | VALVE                | 1   |       |            |       |                   |
| 17   | <b>1911500500</b> | CLAMP                | 4   |       |            |       |                   |
| 18   | <b>1911531880</b> | HOSE                 | 2   |       |            |       | sold by the meter |
| 21   | <b>1652052600</b> | GROMMET              | 1   |       |            |       |                   |
| 22   | <b>1652231250</b> | BAND                 | 13  |       |            |       |                   |
| 23   | <b>1100041020</b> | BOLT                 | 4   |       |            |       |                   |
| 24   | <b>1110040820</b> | SCREW, cap           | 2   |       |            |       |                   |
| 27   | <b>1140020010</b> | WASHER, spring       | 6   |       |            |       |                   |
| 28   | <b>1140020008</b> | WASHER, spring       | 4   |       |            |       |                   |
| 29   | <b>1531345070</b> | PROTECTOR            | 1   |       |            |       | sold by the meter |
| 31   | <b>1141110010</b> | WASHER               | 5   |       |            |       |                   |
| 32   | <b>1141110008</b> | WASHER               | 4   |       |            |       |                   |
| 34   | <b>1130040008</b> | NUT                  | 2   |       |            |       |                   |
| 35   | <b>1531345050</b> | PROTECTOR            | 2   |       |            |       | sold by the meter |
| 36   | <b>1531345020</b> | PROTECTOR            | 1   |       |            |       | sold by the meter |
| 37   | <b>0007300030</b> | CLAMP                | 3   |       |            |       |                   |
| 38   | <b>1130040010</b> | NUT                  | 2   |       |            |       |                   |
| 39   | <b>0007210029</b> | BUSHING              | 1   |       |            |       |                   |
| 40   | <b>1100241040</b> | BOLT                 | 1   |       |            |       |                   |
| 41   | <b>1531419003</b> | PROTECTOR            | 1   |       |            |       | sold by the meter |
| 42   | <b>0007300055</b> | CLAMP                | 1   |       |            |       |                   |
|      | <b>G4e230</b>     |                      |     |       |            |       |                   |

TB135 Book No. BG4Z010 S/N 13510004-  
HEATER (with air conditioner; 13514051-)



G4E242

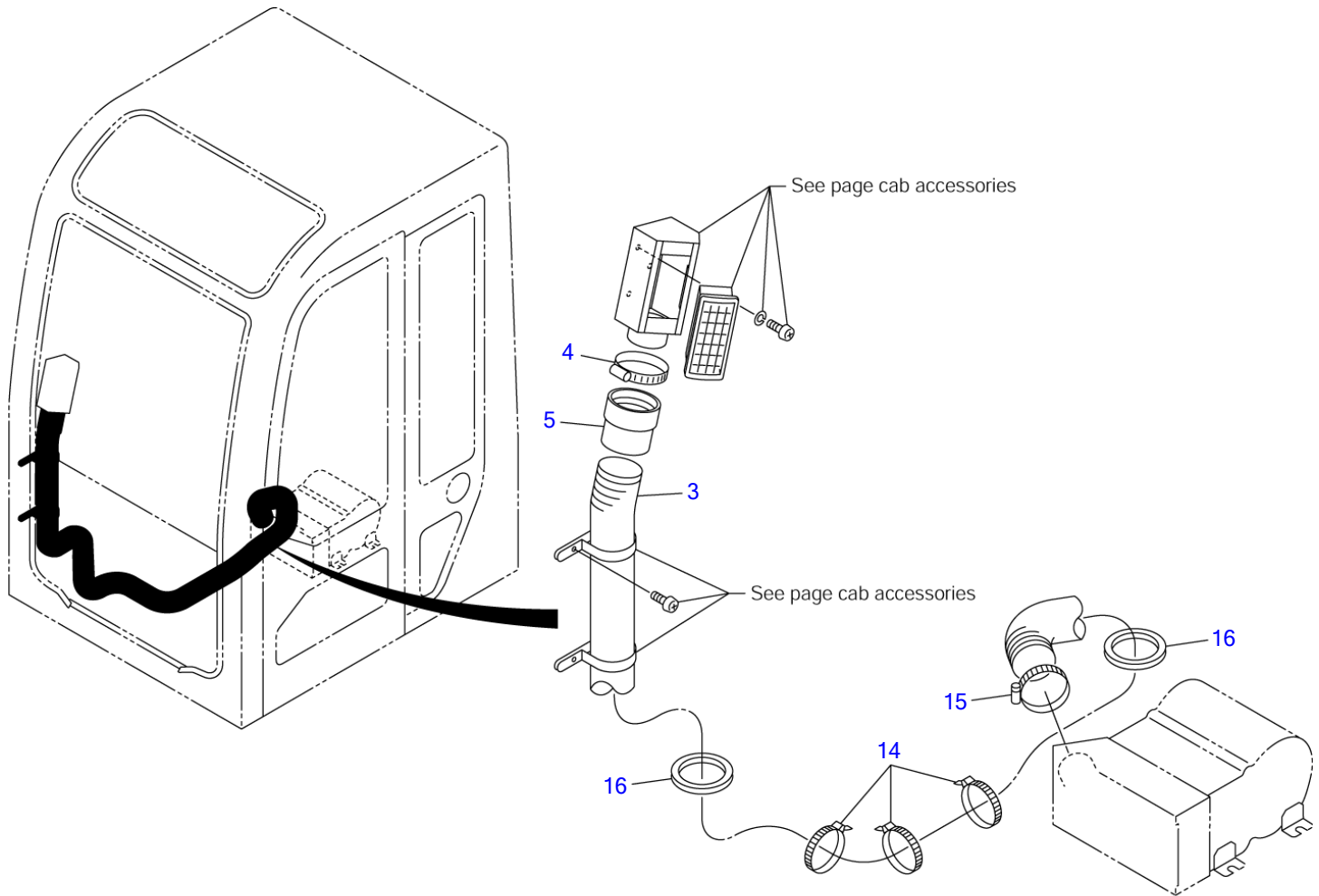
S=1/10



**HEATER (with air conditioner; 13514051-)**

| Item | Part number  | Description         | Q'ty | Chan. | Serial No.        | Serv. | Remarks           |
|------|--------------|---------------------|------|-------|-------------------|-------|-------------------|
|      |              | HEATER ASSY         |      |       |                   |       | X03745-06600-3    |
| 1    | X 0374504200 | COVER ASSY, suction | 1    |       | 13514051~13516102 |       |                   |
|      | X 0374506610 | COVER ASSY, suction | 1    | (H)   | 13516103~         |       |                   |
| 1-1  | 0374504270   | · COVER             | 1    |       | 13514051~13516102 |       |                   |
|      | 0374506620   | · COVER             | 1    |       | 13516103~         |       |                   |
| 1-2  | 0374504220   | · PLATE             | 1    |       | 13514051~13516102 |       |                   |
|      | 0374506630   | · PLATE             | 1    |       | 13516103~         |       |                   |
| 1-3  | 0374504230   | · LEVER             | 1    |       |                   |       |                   |
| 1-4  | 0374504240   | · RUBBER            | 1    |       | 13514051~13516102 |       |                   |
|      | 0374506614   | · RUBBER            | 1    |       | 13516103~         |       |                   |
| 1-5  | 0374504241   | · RUBBER            | 1    |       | 13514051~13516102 |       |                   |
|      | 0374506615   | · RUBBER            | 1    |       | 13516103~         |       |                   |
| 1-7  | 0374504246   | · URETHANE          | 2    |       |                   |       |                   |
| 1-8  | 0374504247   | · URETHANE          | 2    |       |                   |       |                   |
| 1-9  | 0374504245   | · SPONGE            | 2    |       |                   |       |                   |
| 1-10 | 0374504250   | · SHAFT             | 2    |       |                   |       |                   |
| 1-11 | 1130040005   | · NUT               | 4    |       |                   |       |                   |
| 1-12 | 1140020005   | · WASHER, spring    | 2    |       |                   |       |                   |
| 1-13 | 1650100415   | · CAP               | 1    |       |                   |       |                   |
| 1-14 | 1224100007   | · NUT               | 4    |       |                   |       |                   |
| 1-15 | 0374504260   | · TUBE              | 2    |       |                   |       |                   |
| 2    | 0374504540   | FILTER              | 1    |       |                   |       |                   |
| 3    | 1911506008   | VALVE               | 1    |       |                   |       |                   |
| 4    | 1911502100   | VALVE               | 1    |       | 13514051~13514312 |       |                   |
| 5    | 1911500500   | CLAMP               | 6    |       |                   |       |                   |
| 6    | 1911502200   | ADAPTOR             | 1    |       |                   |       |                   |
| 7    | 1121530616   | BOLT, wing          | 2    |       |                   |       |                   |
| 8    | 1911551800   | HOSE                | 1    |       |                   |       | sold by the meter |
| 9    | 1911541800   | HOSE                | 1    | (L)   | 13514051~13514848 |       | sold by the meter |
|      | 1911545100   | HOSE                | 1    | (H)   | 13514849~         |       |                   |
| 10   | 1911511800   | HOSE                | 1    |       |                   |       | sold by the meter |
| 11   | 1140020010   | WASHER, spring      | 3    |       |                   |       |                   |
| 12   | 1130040010   | NUT                 | 3    |       |                   |       |                   |
| 13   | 1140020008   | WASHER, spring      | 3    |       |                   |       |                   |
| 14   | 1141110008   | WASHER              | 3    |       |                   |       |                   |
| 15   | 1130040008   | NUT                 | 3    |       |                   |       |                   |
| 16   | 1652231250   | BAND                | 5    |       |                   |       |                   |
| 17   | 1911502300   | VALVE               | 1    |       | 13514313~         |       |                   |
| 18   | 0007210029   | BUSHING             | 1    |       |                   |       |                   |
| 19   | 1531345020   | PROTECTOR           | 1    |       |                   |       | sold by the meter |
| 20   | 1531345050   | PROTECTOR           | 2    |       |                   |       | sold by the meter |
| 21   | 1100241040   | BOLT                | 1    |       |                   |       |                   |
| 22   | 1711900097   | CLAMP               | 1    |       | 13514313~         |       |                   |
| 23   | 0007300030   | CLAMP               | 4    |       |                   |       |                   |
| 24   | 0007300055   | CLAMP               | 1    |       |                   |       |                   |
| 25   | 1508310003   | ELBOW               | 2    |       |                   |       |                   |
| 26   | 1531325020   | PROTECTOR           | 2    |       | 13514051~13514312 |       | sold by the meter |
| 27   | 1531345070   | PROTECTOR           | 1    |       | 13514051~13514312 |       | sold by the meter |
| 28   | 1531335012   | PROTECTOR           | 1    |       |                   |       | sold by the meter |
| 29   | 1720200209   | TUBE, mark "1"      | 1    |       | 13514051~13514848 |       |                   |
| 30   | 1720200215   | TUBE, mark "0"      | 1    |       | 13514051~13514848 |       |                   |
| 31   | 1652201004   | BAND                | 2    |       | 13514051~13514848 |       |                   |
| 32   | 1531345040   | PROTECTOR           | 1    |       | 13514313~         |       | sold by the meter |

G4e242

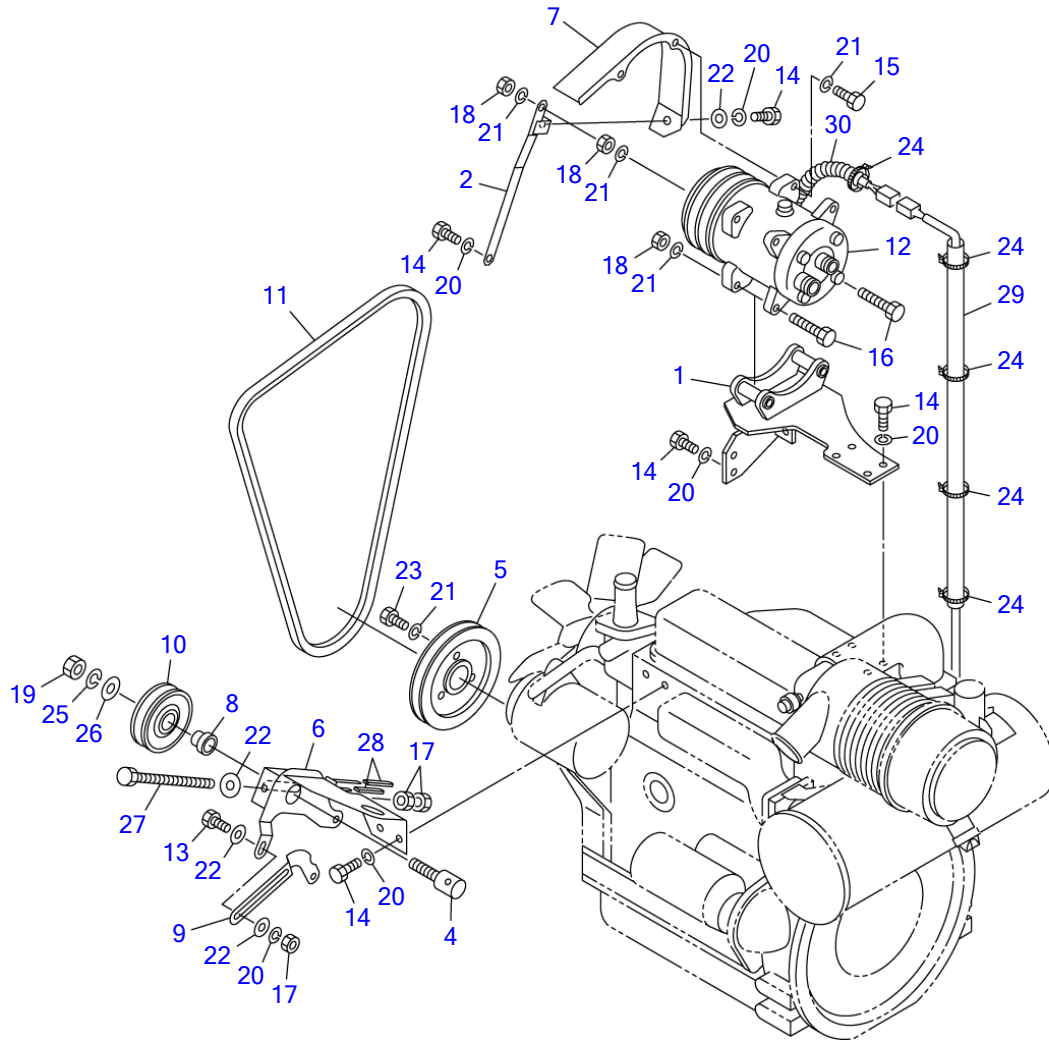


G4E174

S=1/10, 1/20

| DEFROSTER |                   |                |      |       |            |                   |
|-----------|-------------------|----------------|------|-------|------------|-------------------|
| Item      | Part number       | Description    | Q'ty | Chan. | Serial No. | Serv. Remarks     |
|           |                   | DEFROSTER ASSY |      |       |            | X03745-03000-5    |
| 3         | <b>1567415072</b> | HOSE           | 1    |       |            | sold by the meter |
| 4         | <b>1533700070</b> | BAND           | 1    |       |            |                   |
| 5         | <b>1567325000</b> | CUFF           | 1    |       |            |                   |
| 14        | <b>1652231250</b> | BAND           | 3    |       |            |                   |
| 15        | <b>1533700061</b> | BAND           | 1    |       |            |                   |
| 16        | <b>1653916021</b> | TRIM           | 2    |       |            | sold by the meter |
|           | <b>G4e174</b>     |                |      |       |            |                   |

TB135 Book No. BG4Z010 S/N 13510004-  
AIR CONDITIONER (1/6) (13510004-13514050)



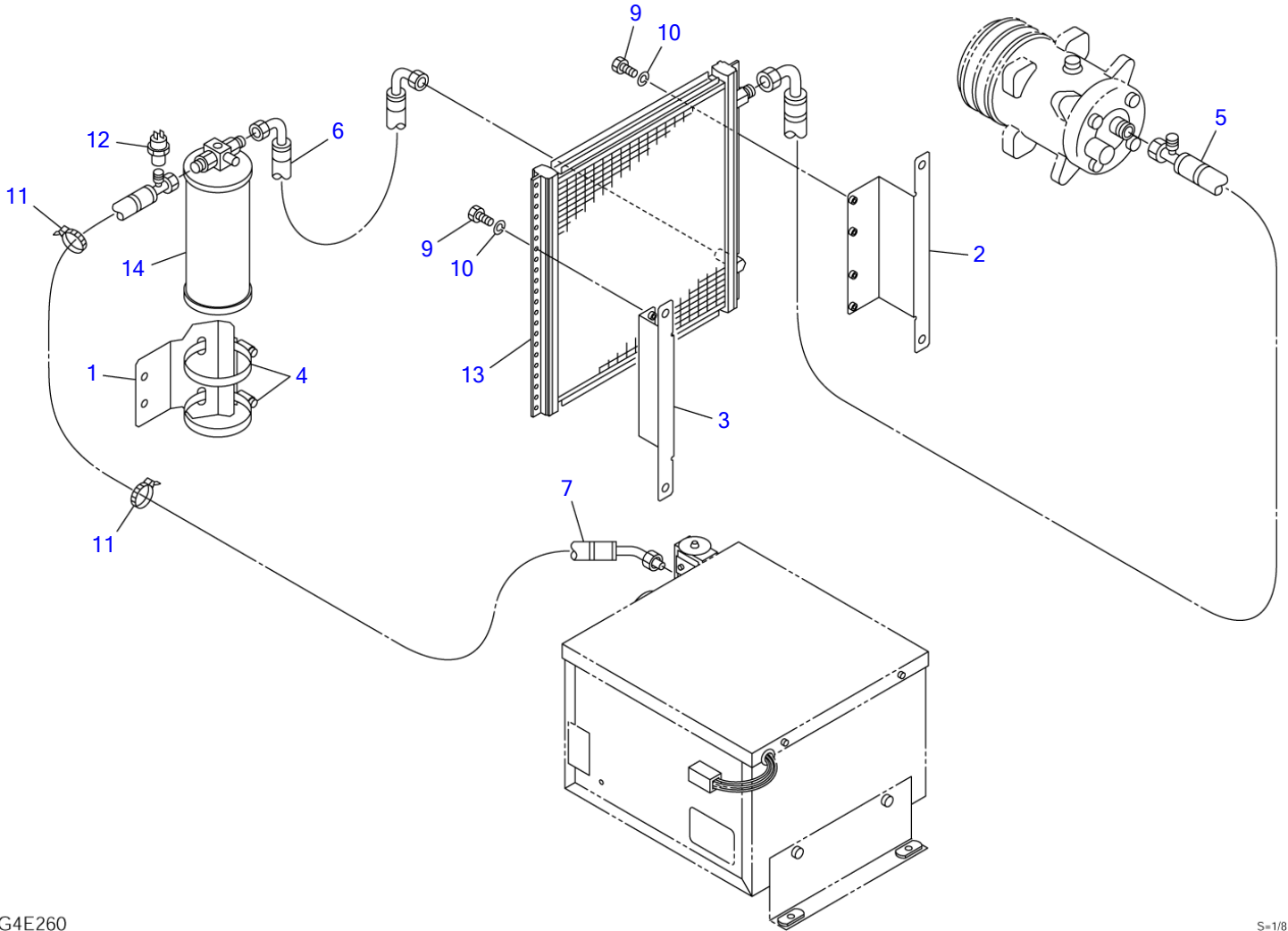
G4E250

S=1/10

**AIR CONDITIONER (1/6) (13510004-13514050)**

| Item | Part number   | Description           | Q'ty | Chan. | Serial No. | Serv. | Remarks           |
|------|---------------|-----------------------|------|-------|------------|-------|-------------------|
|      |               | CONDITIONER ASSY, air |      |       |            |       | X03746-01000-0    |
| 0    | X 0374601100  | COMPRESSOR ASSY       | 1    |       |            |       | X03746-01100-2    |
| 1    | 0374600100    | ▪ BRACKET             | 1    |       |            |       |                   |
| 2    | 0374600020    | ▪ SUPPORT             | 1    |       |            |       |                   |
| 4    | 0374600250    | ▪ SHAFT               | 1    |       |            |       |                   |
| 5    | 0374601101    | ▪ PULLEY              | 1    |       |            |       |                   |
| 6    | 0374601120    | ▪ BRACKET             | 1    |       |            |       |                   |
| 7    | 0374601240    | ▪ GUARD               | 1    |       |            |       |                   |
| 8    | 0564619240    | ▪ COLLAR              | 1    |       |            |       |                   |
| 9    | 0374601130    | ▪ ADJUSTER            | 1    |       |            |       |                   |
| 10   | 1911505700    | ▪ PULLEY              | 1    |       |            |       |                   |
| 11   | 1911506120    | ▪ V-BELT              | 1    |       |            |       |                   |
| 12   | 1911506010    | ▪ COMPRESSOR          | 1    |       |            |       |                   |
| 13   | 1100040825    | ▪ BOLT                | 1    |       |            |       |                   |
| 14   | 1100040816    | ▪ BOLT                | 12   |       |            |       |                   |
| 15   | 1100041030    | ▪ BOLT                | 2    |       |            |       |                   |
| 16   | 1100141015    | ▪ BOLT                | 2    |       |            |       |                   |
| 17   | 1130040008    | ▪ NUT                 | 3    |       |            |       |                   |
| 18   | 1130040010    | ▪ NUT                 | 3    |       |            |       |                   |
| 19   | 1130040012    | ▪ NUT                 | 1    |       |            |       |                   |
| 20   | 1140020008    | ▪ WASHER, spring      | 13   |       |            |       |                   |
| 21   | 1140020010    | ▪ WASHER, spring      | 8    |       |            |       |                   |
| 22   | 1141110008    | ▪ WASHER              | 3    |       |            |       |                   |
| 23   | 1100041020    | ▪ BOLT                | 3    |       |            |       |                   |
| 24   | 1652231250    | ▪ BAND                | 6    |       |            |       |                   |
| 25   | 1140020010    | ▪ WASHER, spring      | 1    |       |            |       |                   |
| 26   | 1141110010    | ▪ WASHER              | 1    |       |            |       |                   |
| 27   | 0394602010    | ▪ BOLT                | 1    |       |            |       |                   |
| 28   | 0872433150    | ▪ TUBE                | 2    |       |            |       |                   |
| 29   | 1531360060    | ▪ PROTECTOR           | 1    |       |            |       | sold by the meter |
| 30   | 1703210723    | ▪ TUBE                | 1    |       |            |       | sold by the meter |
|      | <b>G4e251</b> |                       |      |       |            |       |                   |

TB135 Book No. BG4Z010 S/N 13510004-  
AIR CONDITIONER (2/6) (13510004-13514050)



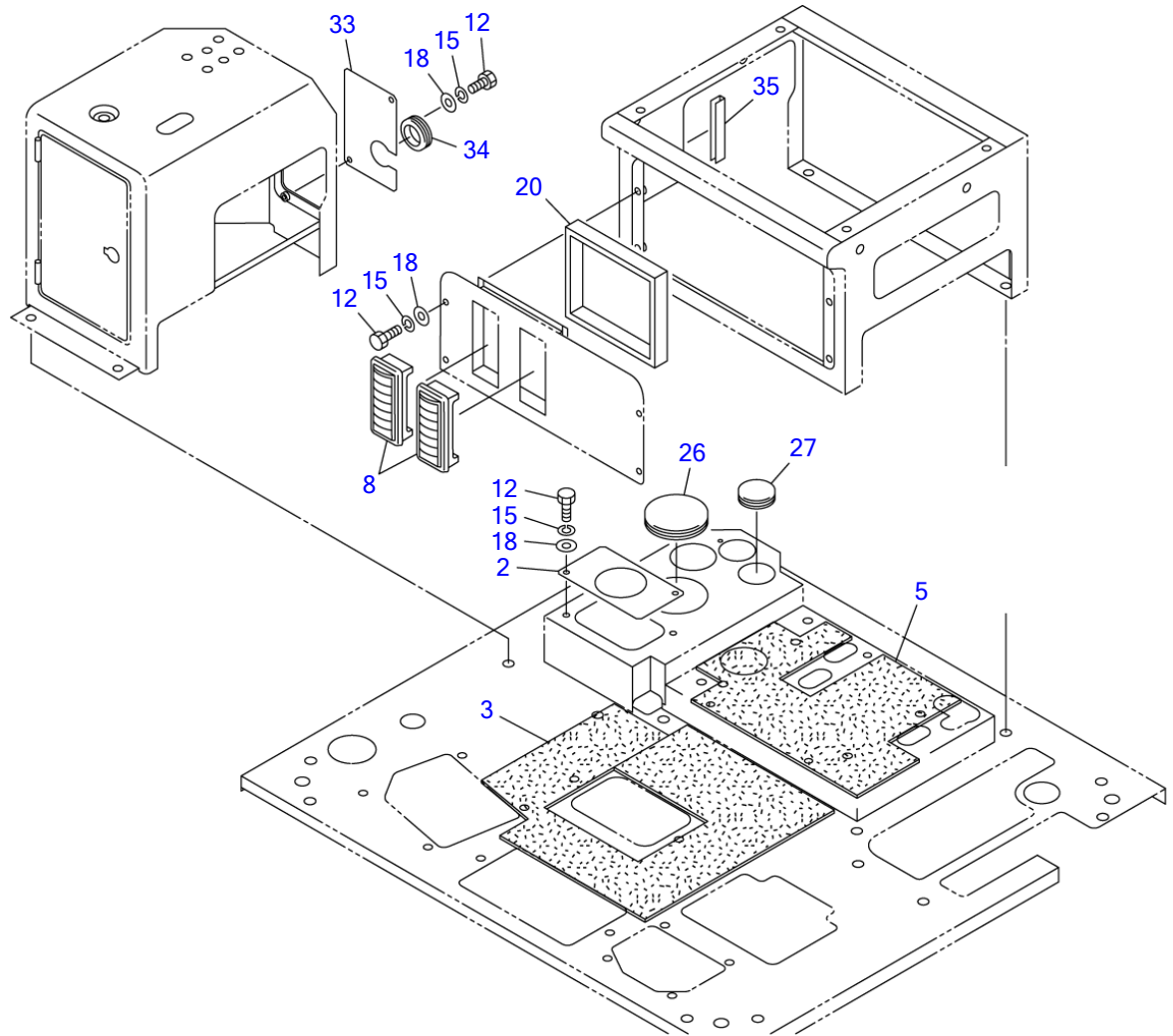
G4E260

S=1/8

**AIR CONDITIONER (2/6) (13510004-13514050)**

| Item | Part number   | Description           | Q'ty | Chan. | Serial No. | Serv. | Remarks        |
|------|---------------|-----------------------|------|-------|------------|-------|----------------|
|      |               | CONDITIONER ASSY, air |      |       |            |       | X03746-01000-0 |
| 0    | X 0374601200  | CONDENSER ASSY        | 1    |       |            |       | X03746-01200-0 |
| 1    | 0374601210    | · BRACKET             | 1    |       |            |       |                |
| 2    | 0374601220    | · BRACKET             | 1    |       |            |       |                |
| 3    | 0374601230    | · BRACKET             | 1    |       |            |       |                |
| 4    | 1911506301    | · BRACKET             | 1    |       |            |       |                |
| 5    | 1911506101    | · HOSE                | 1    |       |            |       |                |
|      | 1911505602    | · · O-RING            | 1    |       |            |       | RD-5-4017-013  |
| 6    | 1911506103    | · HOSE                | 1    |       |            |       |                |
|      | 1911505601    | · · O-RING            | 1    |       |            |       | RD-5-4017-011  |
| 7    | 1911506102    | · HOSE                | 1    |       |            |       |                |
|      | 1911505601    | · · O-RING            | 1    |       |            |       | RD-5-4017-011  |
| 9    | 1100040512    | · BOLT                | 8    |       |            |       |                |
| 10   | 1140020005    | · WASHER, spring      | 8    |       |            |       |                |
| 11   | 1652231100    | · BAND                | 2    |       |            |       |                |
| 12   | 1911505514    | · SWITCH, presser     | 1    |       |            |       |                |
| 13   | 1911505503    | · CONDENSER           | 1    |       |            |       |                |
| 14   | 1911505511    | · DRYER               | 1    |       |            |       |                |
|      | <b>G4e261</b> |                       |      |       |            |       |                |

TB135 Book No. BG4Z010 S/N 13510004-  
AIR CONDITIONER (3/6) (13510004-13514050)



G4E270

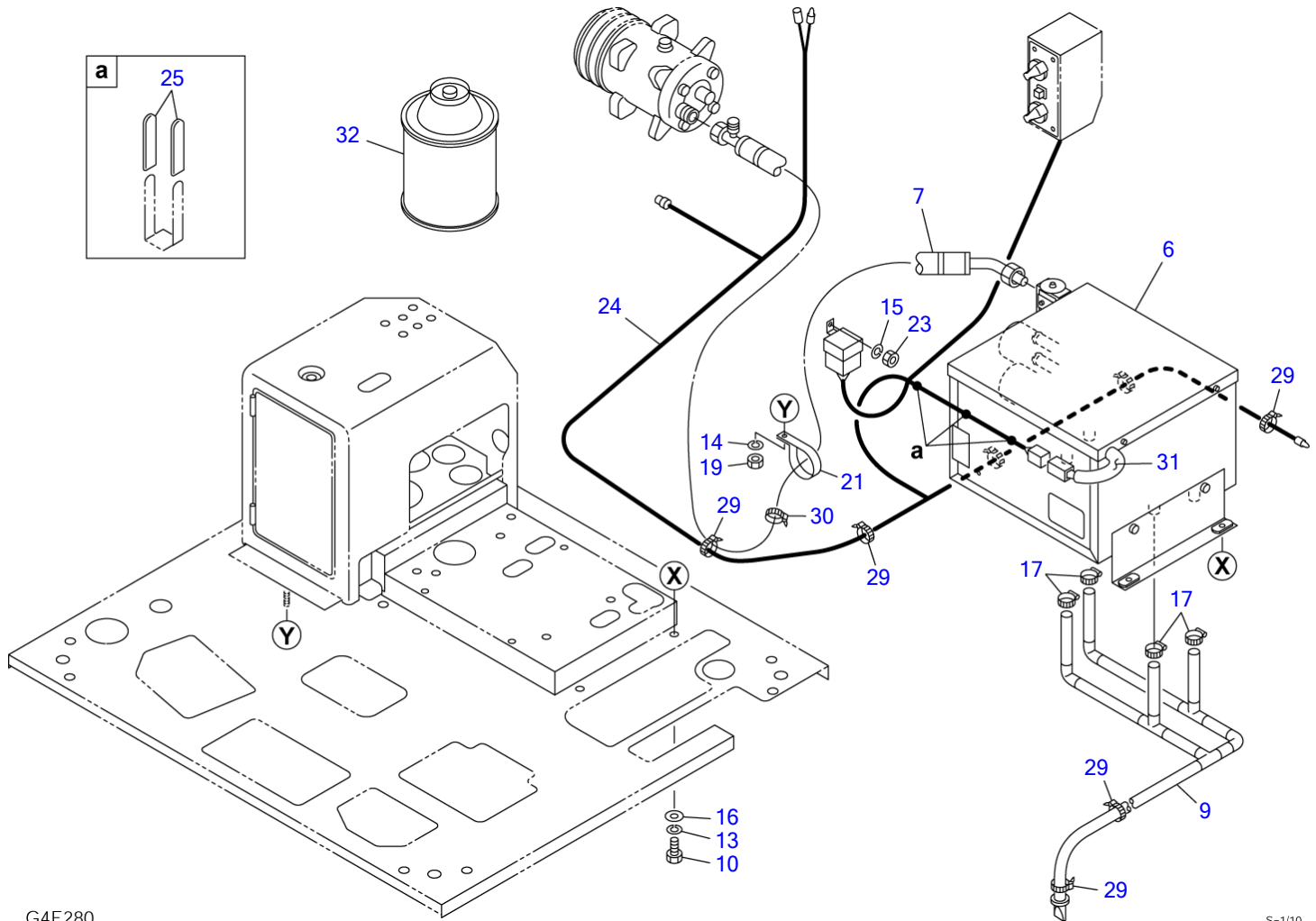
S=1/10



**AIR CONDITIONER (3/6) (13510004-13514050)**

| Item | Part number   | Description                | Q'ty | Chan. | Serial No. | Serv. | Remarks           |
|------|---------------|----------------------------|------|-------|------------|-------|-------------------|
|      |               | CONDITIONER ASSY, air      |      |       |            |       | X03746-01000-0    |
| 0    | X 0374601300  | UNIT ASSY, air conditioner | 1    |       |            |       | X03746-01300-2    |
| 2    | 0374601310    | ▪ COVER                    | 1    |       |            |       |                   |
| 3    | 0394608013    | ▪ URETHANE                 | 1    |       |            |       |                   |
| 5    | 0394612422    | ▪ URETHANE                 | 1    |       |            |       |                   |
| 8    | 1911505723    | ▪ LOUVER                   | 2    |       |            |       |                   |
| 12   | 1100040616    | ▪ BOLT                     | 8    |       |            |       |                   |
| 15   | 1140020006    | ▪ WASHER, spring           | 8    |       |            |       |                   |
| 18   | 1141110006    | ▪ WASHER                   | 8    |       |            |       |                   |
| 20   | 1654319015    | ▪ SPONGE                   | 1    |       |            |       | sold by the meter |
| 26   | 1652060085    | ▪ BUSHING                  | 1    |       |            |       |                   |
| 27   | 1652060051    | ▪ BUSHING                  | 1    |       |            |       |                   |
| 33   | 0394612370    | ▪ COVER                    | 1    |       |            |       |                   |
| 34   | 1652060038    | ▪ BUSHING                  | 1    |       |            |       |                   |
| 35   | 1654601010    | ▪ TRIM                     | 1    |       |            |       | sold by the meter |
|      | <b>G4e270</b> |                            |      |       |            |       |                   |

TB135 Book No. BG4Z010 S/N 13510004-  
AIR CONDITIONER (4/6) (13510004-13514050)

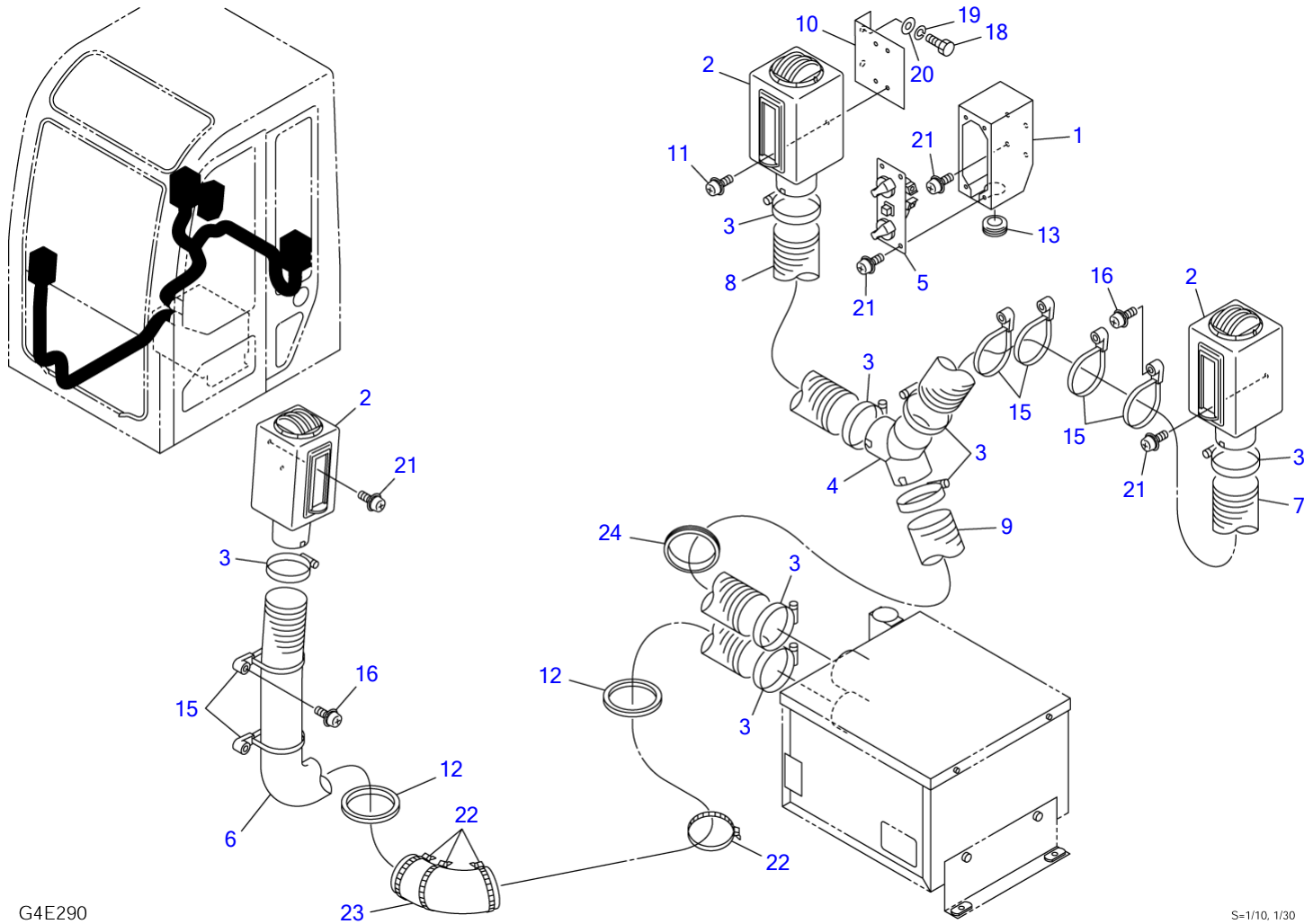


G4E280

S=1/10

**AIR CONDITIONER (4/6) (13510004-13514050)**

| Item | Part number   | Description                | Q'ty | Chan. | Serial No. | Serv. | Remarks           |
|------|---------------|----------------------------|------|-------|------------|-------|-------------------|
|      |               | CONDITIONER ASSY, air      |      |       |            |       | X03746-01000-0    |
| 0    | X 0374601300  | UNIT ASSY, air conditioner | 1    |       |            |       | X03746-01300-2    |
| 6    | 1911506340    | ▪ UNIT, air conditioner    | 1    |       |            |       | see page (6/6)    |
| 7    | 1911505630    | ▪ HOSE                     | 1    |       |            |       |                   |
|      | 1911505603    | ▪ ▪ O-RING                 | 1    |       |            |       | RD-5-4017-015     |
| 9    | 1911506320    | ▪ HOSE                     | 1    |       |            |       |                   |
| 10   | 1100041020    | ▪ BOLT                     | 4    |       |            |       |                   |
| 13   | 1140020010    | ▪ WASHER, spring           | 4    |       |            |       |                   |
| 14   | 1140020008    | ▪ WASHER, spring           | 1    |       |            |       |                   |
| 15   | 1140020006    | ▪ WASHER, spring           | 1    |       |            |       |                   |
| 16   | 1141110010    | ▪ WASHER                   | 4    |       |            |       |                   |
| 17   | 1533700019    | ▪ CLAMP                    | 4    |       |            |       |                   |
| 19   | 1130040008    | ▪ NUT                      | 1    |       |            |       |                   |
| 21   | 0007300044    | ▪ CLAMP                    | 1    |       |            |       |                   |
| 23   | 1130040006    | ▪ NUT                      | 1    |       |            |       |                   |
| 24   | 1911506110    | ▪ HARNESS, wiring          | 1    |       |            |       |                   |
| 25   | 0872433150    | ▪ TUBE                     | 6    |       |            |       |                   |
| 29   | 1652231100    | ▪ BAND                     | 7    |       |            |       |                   |
| 30   | 1652201005    | ▪ BAND                     | 1    |       |            |       |                   |
| 31   | 1703211010    | ▪ PROTECTOR                | 1    |       |            |       | sold by the meter |
| 32   | 0872463100    | ▪ GAS                      | 4    |       |            |       |                   |
|      | <b>G4e281</b> |                            |      |       |            |       |                   |

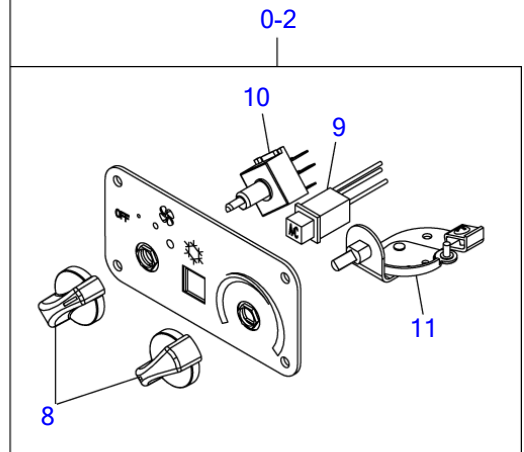
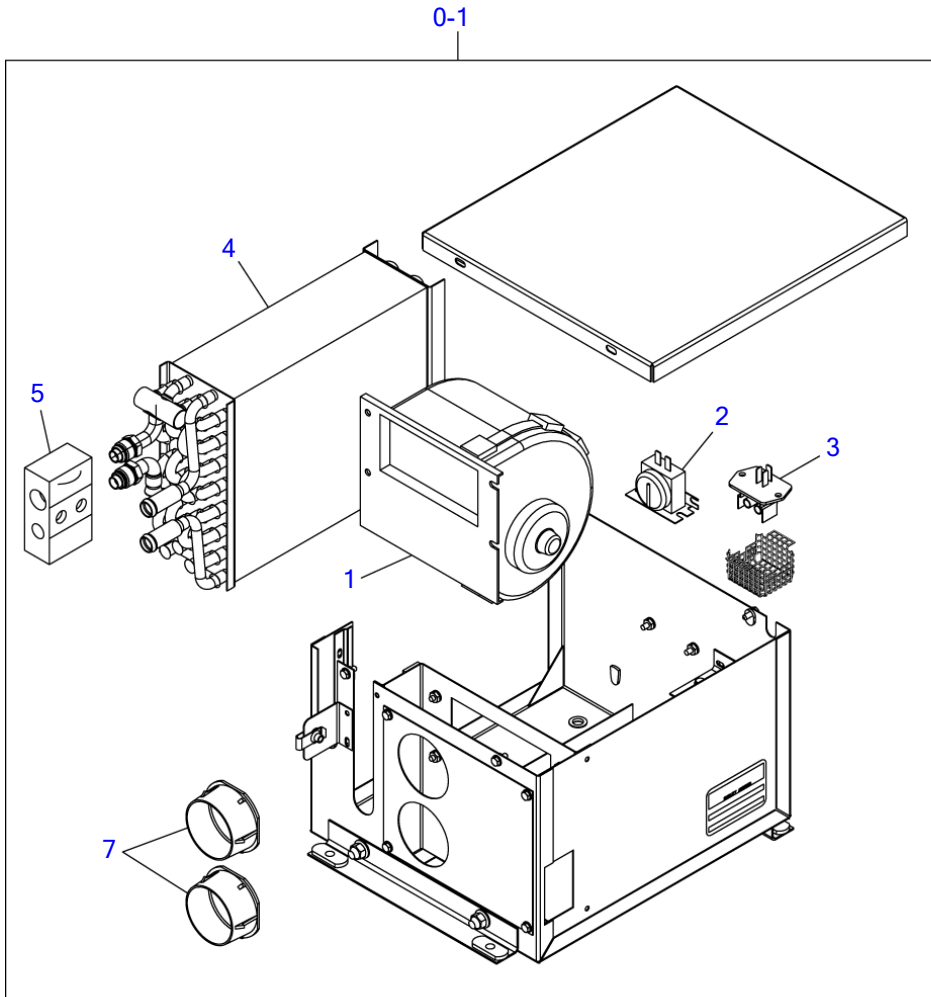


G4E290

S=1/10, 1/30

**AIR CONDITIONER (5/6) (13510004-13514050)**

| Item | Part number   | Description           | Q'ty | Chan. | Serial No. | Serv. | Remarks           |
|------|---------------|-----------------------|------|-------|------------|-------|-------------------|
|      |               | CONDITIONER ASSY, air |      |       |            |       | X03746-01000-0    |
| 0    | X 0374601400  | DEFROSTER ASSY        | 1    |       |            |       | X03746-01400-1    |
| 1    | 0394612340    | • COVER               | 1    |       |            |       |                   |
| 2    | 1911505720    | • DUCT ASSY           | 3    |       |            |       |                   |
| 3    | 1911505670    | • CLAMP               | 8    |       |            |       |                   |
| 4    | 1911505680    | • Y-CONNECTOR         | 1    |       |            |       |                   |
| 5    | 1911506020    | • PANEL ASSY, control | 1    |       |            |       | see page (6/6)    |
| 6    | 1911506306    | • HOSE                | 1    |       |            |       | sold by the meter |
| 7    | 1911506307    | • HOSE                | 1    |       |            |       | sold by the meter |
| 8    | 1911506308    | • HOSE                | 1    |       |            |       | sold by the meter |
| 9    | 1911506309    | • HOSE                | 1    |       |            |       | sold by the meter |
| 10   | 1911505730    | • BRACKET             | 1    |       |            |       |                   |
| 11   | 1911505810    | • SCREW               | 2    |       |            |       |                   |
| 12   | 1653916023    | • TRIM                | 1    |       |            |       | sold by the meter |
| 13   | 1652002201    | • GROMMET             | 1    |       |            |       |                   |
| 15   | 1652261410    | • BAND                | 6    |       |            |       |                   |
| 16   | 1120590514    | • SCREW               | 6    |       |            |       |                   |
| 18   | 1100040612    | • BOLT                | 2    |       |            |       |                   |
| 19   | 1140020006    | • WASHER, spring      | 2    |       |            |       |                   |
| 20   | 1141110006    | • WASHER              | 2    |       |            |       |                   |
| 21   | 1150420510    | • BOLT, sems          | 12   |       |            |       |                   |
| 22   | 1652201007    | • BAND                | 5    |       |            |       |                   |
| 23   | 1531360010    | • PROTECTOR           | 1    |       |            |       |                   |
| 24   | 1654606027    | • SEAL                | 1    |       |            |       |                   |
|      | <b>G4e290</b> |                       |      |       |            |       |                   |



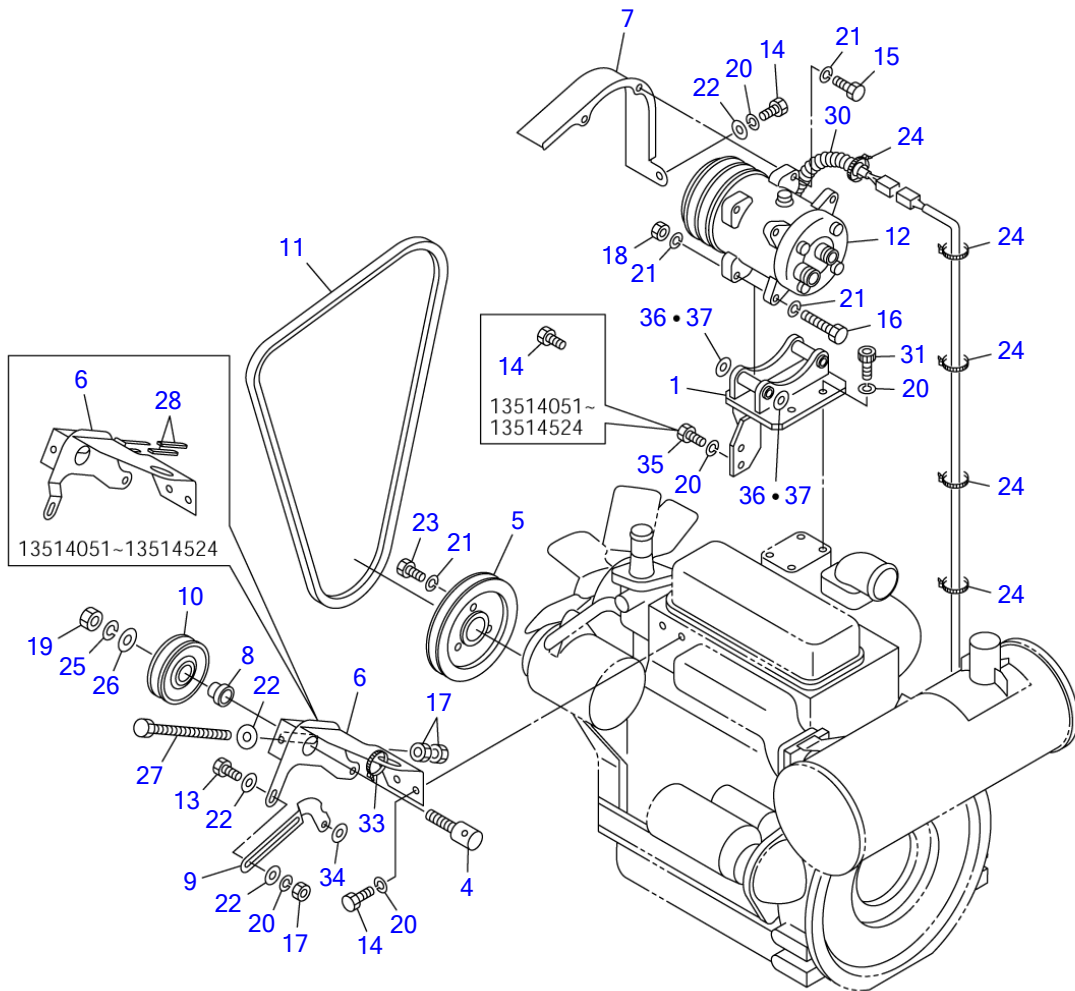
G4E362

S-free

**AIR CONDITIONER (6/6) (13510004-13514050)**

| Item | Part number       | Description           | Q'ty | Chan. | Serial No. | Serv. | Remarks        |
|------|-------------------|-----------------------|------|-------|------------|-------|----------------|
|      |                   | CONDITIONER ASSY, air |      |       |            |       | X03746-01000-0 |
| 0-1  | <b>1911506340</b> | UNIT, air conditioner | 1    |       |            |       |                |
| 1    | <b>1911506341</b> | ▪ MOTOR, blower       | 1    |       |            |       |                |
| 2    | <b>1911505421</b> | ▪ THERMOSTAT          | 1    |       |            |       |                |
| 3    | <b>1911506343</b> | ▪ RESISTOR            | 1    |       |            |       |                |
| 4    | <b>1911506344</b> | ▪ CORE                | 1    |       |            |       |                |
| 5    | <b>1911505422</b> | ▪ VALVE               | 1    |       |            |       |                |
| 6    | <b>1911506346</b> | ▪ HARNESS, wiring     | 1    |       |            |       | not shown      |
| 7    | <b>1911506711</b> | ▪ ADAPTER, hose       | 2    |       |            |       |                |
| 0-2  | <b>1911506020</b> | PANEL ASSY, control   | 1    |       |            |       |                |
| 8    | <b>1911505763</b> | ▪ KNOB                | 2    |       |            |       |                |
| 9    | <b>1911505767</b> | ▪ SWITCH, A/C         | 1    |       |            |       |                |
| 10   | <b>1911506027</b> | ▪ SWITCH, rotary      | 1    |       |            |       |                |
| 11   | <b>1911505762</b> | ▪ CABLE, control      | 1    |       |            |       |                |
|      | <b>G4e303</b>     |                       |      |       |            |       |                |

TB135 Book No. BG4Z010 S/N 13510004-  
AIR CONDITIONER (1/6) (13514051-)



G4E311

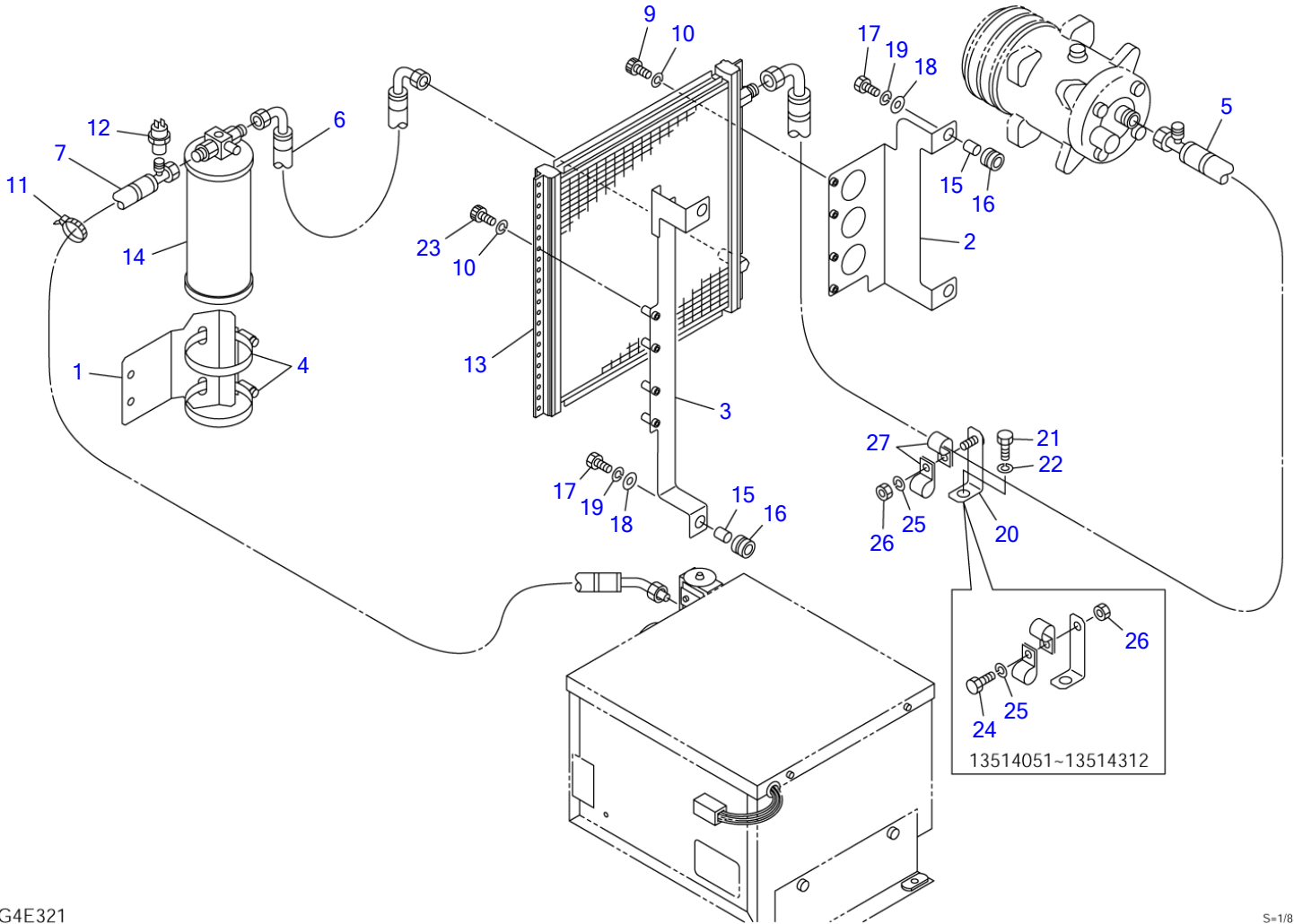
S=1/10



**AIR CONDITIONER (1/6) (13514051-)**

| Item | Part number  | Description                               | Q'ty | Chan. | Serial No.        | Serv. | Remarks           |
|------|--------------|---|------|-------|-------------------|-------|-------------------|
|      |              | CONDITIONER ASSY, air                     |      |       |                   |       | X03746-02500-1    |
|      |              | CONDITIONER ASSY, air<br>(with boost fan) |      |       |                   |       | X03746-03500-0    |
| 0    | X 0374602600 | COMPRESSOR ASSY                           | 1    |       |                   |       | X03746-35000-0    |
| 1    | 0374602610   | ▪ BRACKET                                 | 1    |       |                   |       |                   |
| 4    | 0374600250   | ▪ SHAFT                                   | 1    |       |                   |       |                   |
| 5    | 0374601101   | ▪ PULLEY                                  | 1    |       | 13514051~13519036 |       |                   |
|      | 0374601101   | ▪ PULLEY                                  | 1    |       | 13519307~         | M     |                   |
| 6    | 0374601120   | ▪ BRACKET                                 | 1    |       | 13514051~13514524 |       |                   |
|      | 0374602630   | ▪ BRACKET                                 | 1    |       | 13514525~         |       |                   |
| 7    | 0374602620   | ▪ GUARD                                   | 1    |       |                   |       |                   |
| 8    | 0564619240   | ▪ COLLAR                                  | 1    |       |                   |       |                   |
| 9    | 0374601130   | ▪ ADJUSTER                                | 1    |       | 13514051~13514524 |       |                   |
| 10   | 1911505700   | ▪ PULLEY                                  | 1    |       |                   |       |                   |
| 11   | 1911506120   | ▪ V-BELT                                  | 1    |       |                   |       |                   |
| 12   | 1911506010   | ▪ COMPRESSOR                              | 1    |       |                   |       |                   |
| 13   | 1100040835   | ▪ BOLT                                    | 1    |       |                   |       |                   |
| 14   | 1100040816   | ▪ BOLT                                    | 3    |       |                   |       |                   |
| 15   | 1100041030   | ▪ BOLT                                    | 2    |       |                   |       |                   |
| 16   | 1100141005   | ▪ BOLT                                    | 2    |       |                   |       |                   |
| 17   | 1130040008   | ▪ NUT                                     | 3    |       |                   |       |                   |
| 18   | 1130040010   | ▪ NUT                                     | 2    |       |                   |       |                   |
| 19   | 1130040012   | ▪ NUT                                     | 1    |       |                   |       |                   |
| 20   | 1140020008   | ▪ WASHER, spring                          | 10   |       |                   |       |                   |
| 21   | 1140020010   | ▪ WASHER, spring                          | 9    |       |                   |       |                   |
| 22   | 1141110008   | ▪ WASHER                                  | 3    |       |                   |       |                   |
| 23   | 1100041020   | ▪ BOLT                                    | 3    |       |                   |       |                   |
| 24   | 1652231250   | ▪ BAND                                    | 5    |       |                   |       |                   |
| 25   | 1140020010   | ▪ WASHER, spring                          | 1    |       |                   |       |                   |
| 26   | 1141110010   | ▪ WASHER                                  | 1    |       |                   |       |                   |
| 27   | 0394602010   | ▪ BOLT                                    | 1    |       |                   |       |                   |
| 28   | 0872433150   | ▪ TUBE                                    | 2    |       | 13514051~13514524 |       |                   |
| 30   | 1703210723   | ▪ TUBE                                    | 1    |       |                   |       |                   |
| 31   | 1110040820   | ▪ SCREW, cap                              | 4    |       |                   |       | sold by the meter |
| 33   | 1652201005   | ▪ BAND                                    | 1    |       |                   |       |                   |
| 34   | 1141550008   | ▪ WASHER                                  | 1    |       | 13514051~13514524 |       |                   |
| 35   | 1100040820   | ▪ BOLT                                    | 2    |       | 13514525~         |       |                   |
| 36   | 0003600222   | ▪ SHIM                                    | AR   |       |                   |       | t=0.2mm           |
| 37   | 0003600223   | ▪ SHIM                                    | AR   |       |                   |       | t=0.3mm           |
|      | G4e316       |   |      |       |                   |       |                   |

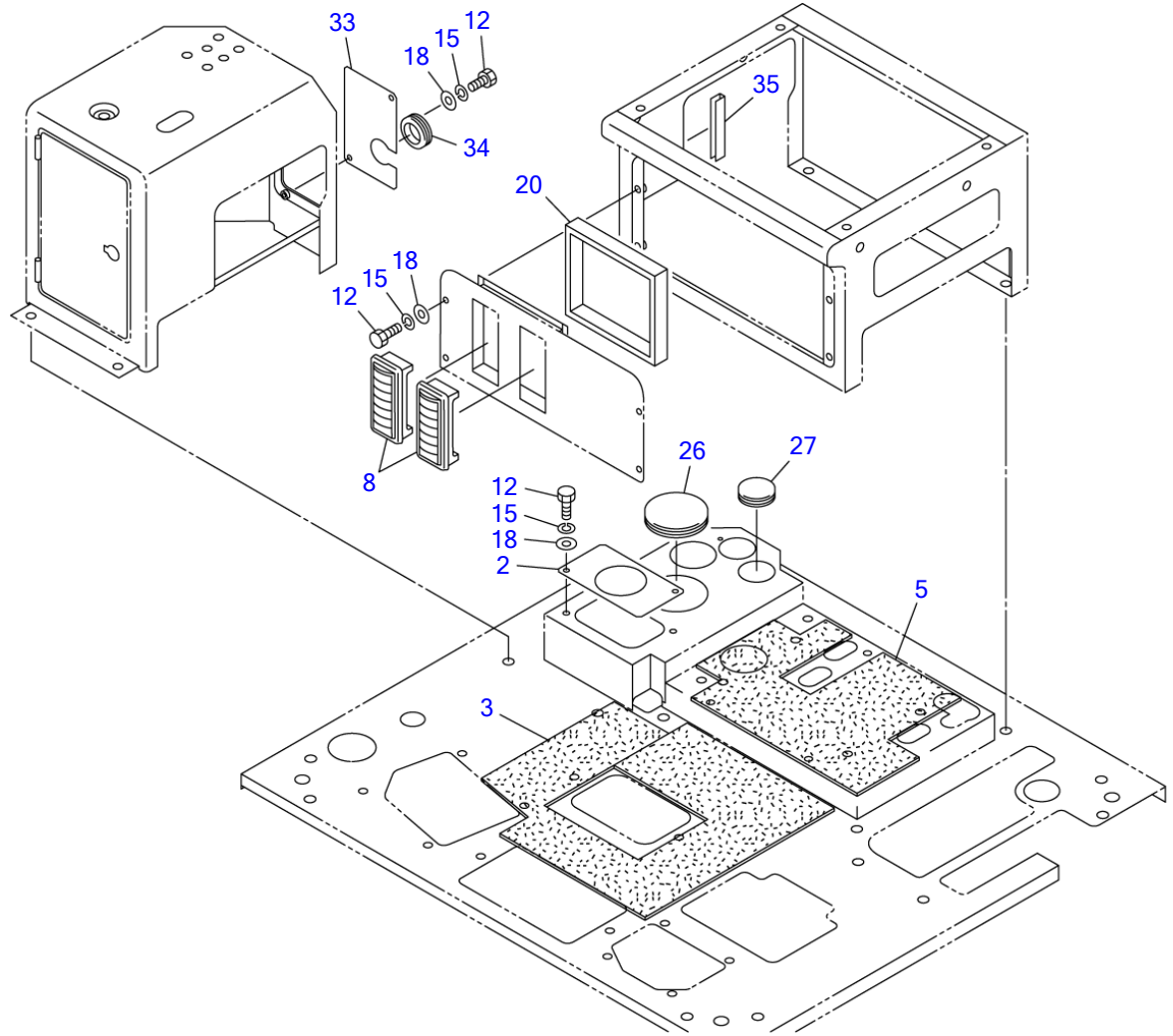
TB135 Book No. BG4Z010 S/N 13510004-  
AIR CONDITIONER (2/6) (13514051-)



G4E321

S=1/8

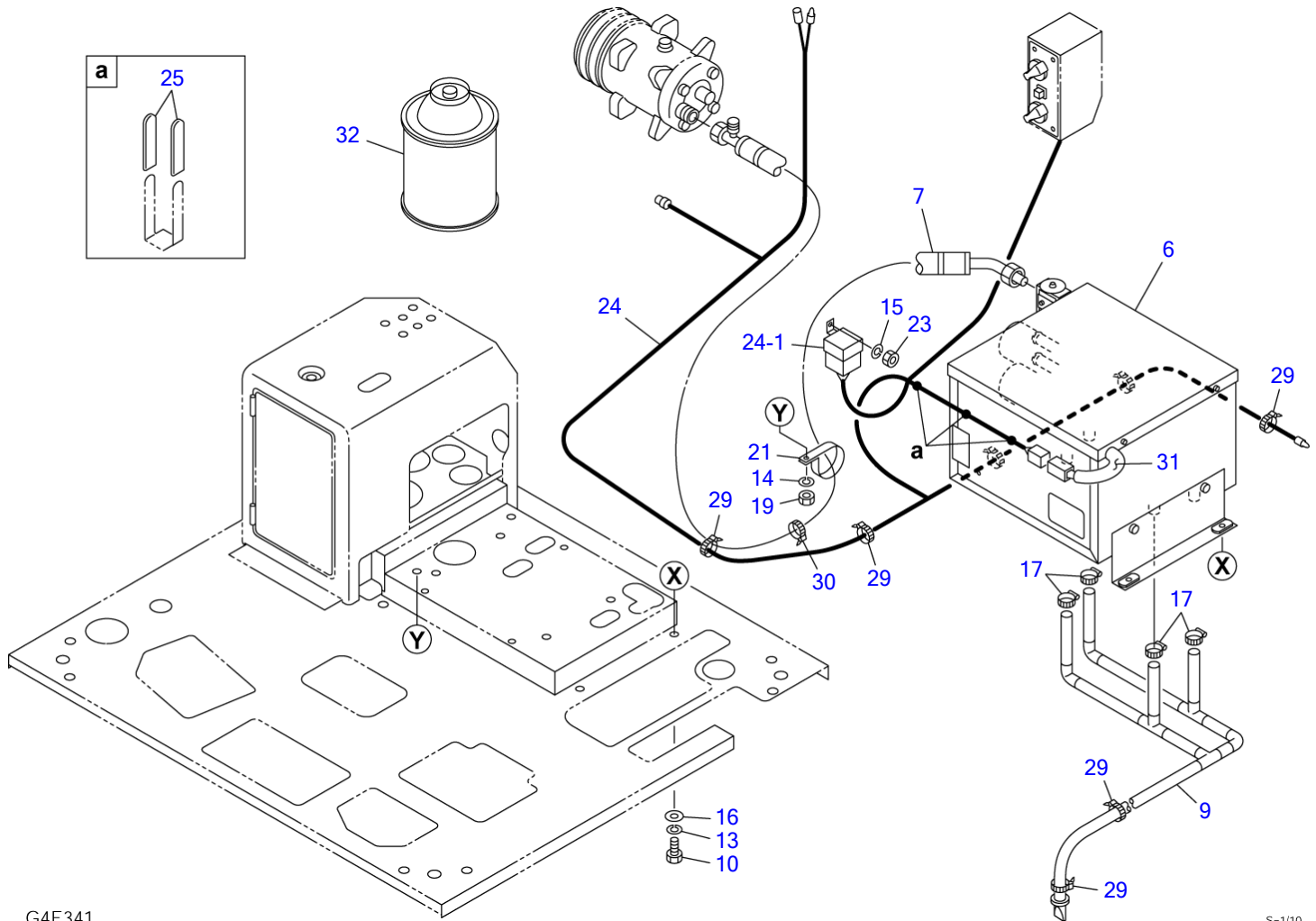
| AIR CONDITIONER (2/6) (13514051-) |               |                       |      |       |                   |       |                |
|-----------------------------------|---------------|-----------------------|------|-------|-------------------|-------|----------------|
| Item                              | Part number   | Description           | Q'ty | Chan. | Serial No.        | Serv. | Remarks        |
|                                   |               | CONDITIONER ASSY, air |      |       |                   |       | X03746-02500-1 |
|                                   |               | CONDITIONER ASSY, air |      |       |                   |       | X03746-03500-0 |
|                                   |               | (with boost fan)      |      |       |                   |       |                |
| 0                                 | X 0374602700  | CONDENSER ASSY        | 1    |       |                   |       | X03746-02700-3 |
| 1                                 | 0374602710    | ▪ BRACKET             | 1    |       |                   |       |                |
| 2                                 | 0374602720    | ▪ BRACKET             | 1    |       |                   |       |                |
| 3                                 | 0374602730    | ▪ BRACKET             | 1    |       |                   |       |                |
| 4                                 | 1911506679    | ▪ BRACKET             | 1    |       |                   |       |                |
| 5                                 | 1911506101    | ▪ HOSE                | 1    |       |                   |       |                |
|                                   | 1911505602    | ▪ ▪ O-RING            | 1    |       |                   |       | RD-5-4017-013  |
| 6                                 | 1911506103    | ▪ HOSE                | 1    |       |                   |       |                |
|                                   | 1911505601    | ▪ ▪ O-RING            | 1    |       |                   |       | RD-5-4017-011  |
| 7                                 | 1911506102    | ▪ HOSE                | 1    |       |                   |       |                |
|                                   | 1911505601    | ▪ ▪ O-RING            | 1    |       |                   |       | RD-5-4017-011  |
| 9                                 | 1110040512    | ▪ SCREW, cap          | 4    |       |                   |       |                |
| 10                                | 1140020005    | ▪ WASHER, spring      | 8    |       |                   |       |                |
| 11                                | 1652231100    | ▪ BAND                | 1    |       |                   |       |                |
| 12                                | 1911505514    | ▪ SWITCH, presser     | 1    |       |                   |       |                |
| 13                                | 1911505503    | ▪ CONDENSER           | 1    |       |                   |       |                |
| 14                                | 1911505511    | ▪ DRYER               | 1    |       |                   |       |                |
| 15                                | 0394015104    | ▪ PIPE                | 4    |       |                   |       |                |
| 16                                | 1651057014    | ▪ GROMMET             | 4    |       |                   |       |                |
| 17                                | 1100040835    | ▪ BOLT                | 4    |       |                   |       |                |
| 18                                | 1141110008    | ▪ WASHER              | 4    |       |                   |       |                |
| 19                                | 1140020008    | ▪ WASHER, spring      | 4    |       |                   |       |                |
| 20                                | 0374602740    | ▪ BRACKET             | 1    |       |                   |       |                |
| 21                                | 1100041425    | ▪ BOLT                | 1    |       |                   |       |                |
| 22                                | 1140020014    | ▪ WASHER, spring      | 1    |       |                   |       |                |
| 23                                | 1110040535    | ▪ SCREW, cap          | 4    |       |                   |       |                |
| 24                                | 1100041016    | ▪ BOLT                | 1    |       | 13514051~13514312 |       |                |
| 25                                | 1140020010    | ▪ WASHER, spring      | 1    |       |                   |       |                |
| 26                                | 1130040010    | ▪ NUT                 | 1    |       |                   |       |                |
| 27                                | 1711900072    | ▪ CLAMP               | 2    |       |                   |       |                |
|                                   | <b>G4e324</b> |                       |      |       |                   |       |                |



G4E270

S=1/10

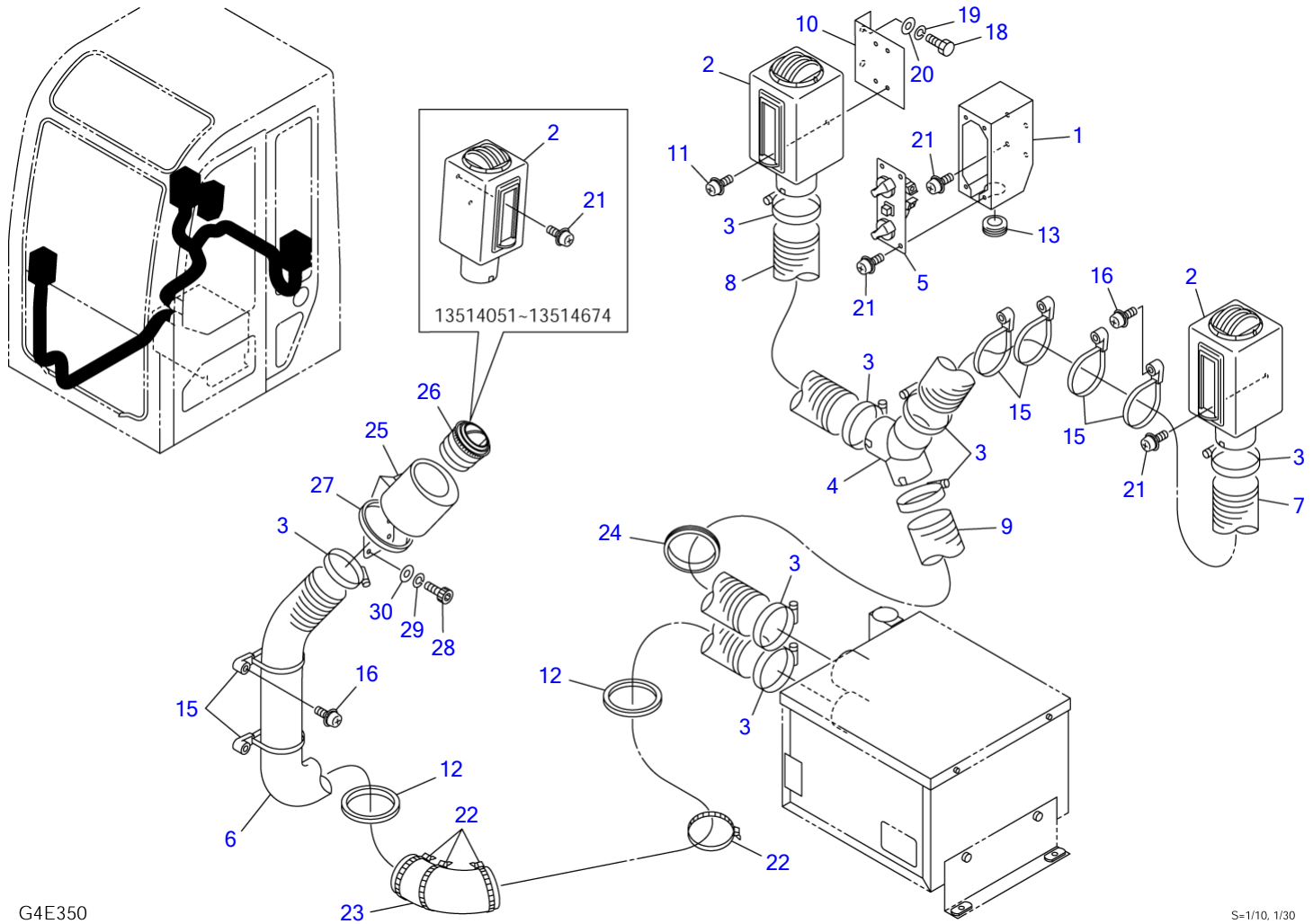
| AIR CONDITIONER (3/6) (13514051-) |              |                            |      |       |                   |       |                   |
|-----------------------------------|--------------|----------------------------|------|-------|-------------------|-------|-------------------|
| Item                              | Part number  | Description                | Q'ty | Chan. | Serial No.        | Serv. | Remarks           |
|                                   |              | CONDITIONER ASSY, air      |      |       |                   |       | X03746-02500-1    |
|                                   |              | CONDITIONER ASSY, air      |      |       |                   |       | X03746-03500-0    |
|                                   |              | (with boost fan)           |      |       |                   |       |                   |
| 0                                 | X 0374601300 | UNIT ASSY, air conditioner | 1    |       | 13514051~13516102 |       | X03746-01300-4    |
|                                   | X 0374602800 | UNIT ASSY, air conditioner | 1    |       | 13516103~         |       | X03746-02800-0    |
| 2                                 | 0374601310   | · COVER                    | 1    |       |                   |       |                   |
| 3                                 | 0394608013   | · URETHANE                 | 1    |       |                   |       |                   |
| 5                                 | 0394612422   | · URETHANE                 | 1    |       |                   |       |                   |
| 8                                 | 1911505723   | · LOUVER                   | 2    |       |                   |       |                   |
| 12                                | 1100040616   | · BOLT                     | 8    |       |                   |       |                   |
| 15                                | 1140020006   | · WASHER, spring           | 8    |       |                   |       |                   |
| 18                                | 1141110006   | · WASHER                   | 8    |       |                   |       |                   |
| 20                                | 1654319015   | · SPONGE                   | 1    |       |                   |       | sold by the meter |
| 26                                | 1652060085   | · BUSHING                  | 1    |       |                   |       |                   |
| 27                                | 1652060051   | · BUSHING                  | 1    |       |                   |       |                   |
| 33                                | 0394612370   | · COVER                    | 1    |       |                   |       |                   |
| 34                                | 1652060038   | · BUSHING                  | 1    |       |                   |       |                   |
| 35                                | 1654601010   | · TRIM                     | 1    |       |                   |       | sold by the meter |
|                                   | G4e334       |                            |      |       |                   |       |                   |



G4E341

S=1/10

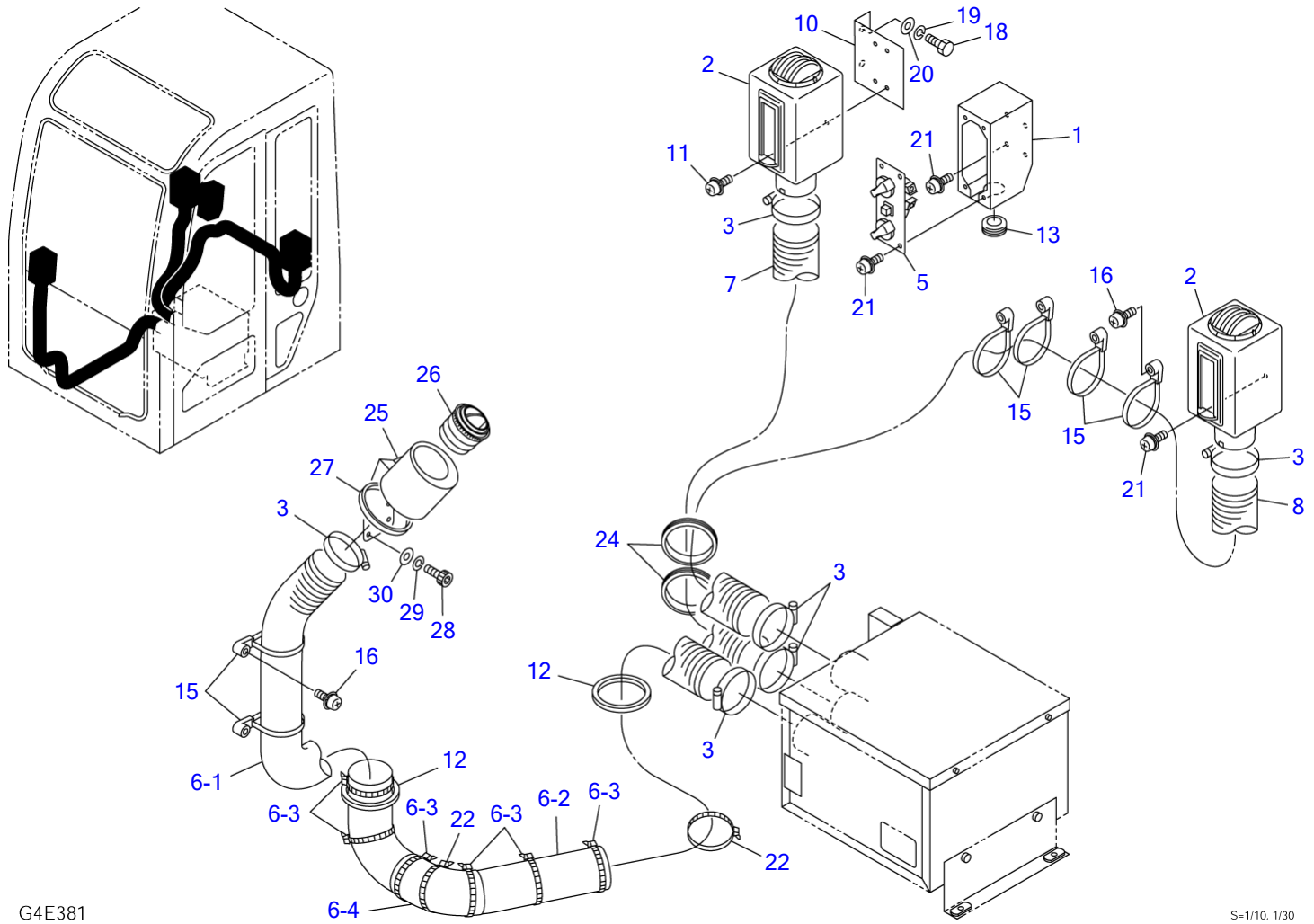
| AIR CONDITIONER (4/6) (13514051-) |              |   |      |       |                   |       |                   |
|-----------------------------------|--------------|---|------|-------|-------------------|-------|-------------------|
| Item                              | Part number  | Description                               | Q'ty | Chan. | Serial No.        | Serv. | Remarks           |
|                                   |              | CONDITIONER ASSY, air                     |      |       |                   |       | X03746-02500-1    |
|                                   |              | CONDITIONER ASSY, air<br>(with boost fan) |      |       |                   |       | X03746-03500-0    |
| 0                                 | X 0374601300 | UNIT ASSY, air conditioner                | 1    |       | 13514051~13516102 |       | X03746-01300-4    |
|                                   | X 0374602800 | UNIT ASSY, air conditioner                | 1    |       | 13516103~         |       | X03746-02800-0    |
| 6                                 | 1911506340   | ▪ UNIT, air conditioner                   | 1    |       | 13514051~13516102 |       | see page (6/6)    |
|                                   | 1911508740   | ▪ UNIT, air conditioner                   | 1    |       | 13516103~         |       | see page (6/6)    |
| 7                                 | 1911506104   | ▪ HOSE                                    | 1    |       |                   |       |                   |
|                                   | 1911505603   | ▪ ▪ O-RING                                | 1    |       |                   |       | RD-5-4017-015     |
| 9                                 | 1911506420   | ▪ HOSE                                    | 1    |       |                   |       |                   |
| 10                                | 1100041020   | ▪ BOLT                                    | 4    |       |                   |       |                   |
| 13                                | 1140020010   | ▪ WASHER, spring                          | 4    |       |                   |       |                   |
| 14                                | 1140020008   | ▪ WASHER, spring                          | 1    |       | 13514051~13516102 |       |                   |
| 15                                | 1140020006   | ▪ WASHER, spring                          | 1    |       |                   |       |                   |
| 16                                | 1141110010   | ▪ WASHER                                  | 4    |       |                   |       |                   |
| 17                                | 1533700019   | ▪ CLAMP                                   | 4    |       |                   |       |                   |
| 19                                | 1130040008   | ▪ NUT                                     | 1    |       | 13514051~13516102 |       |                   |
| 21                                | 0007300061   | ▪ CLAMP                                   | 1    |       |                   |       |                   |
| 23                                | 1130040006   | ▪ NUT                                     | 1    |       |                   |       |                   |
| 24                                | 1911506210   | ▪ HARNESS, wiring                         | 1    |       |                   |       |                   |
| 24-1                              | 1911506041   | ▪ ▪ RELAY                                 | 1    |       |                   |       | 12V               |
| 25                                | 0872433150   | ▪ TUBE                                    | 6    |       |                   |       |                   |
| 29                                | 1652231100   | ▪ BAND                                    | 7    |       |                   |       |                   |
| 30                                | 1652201005   | ▪ BAND                                    | 1    |       |                   |       |                   |
| 31                                | 1703211010   | ▪ PROTECTOR                               | 1    |       |                   |       |                   |
| 32                                | 0872463100   | ▪ GAS                                     | 4    |       |                   |       | sold by the meter |
|                                   | G4e344       |   |      |       |                   |       |                   |





**AIR CONDITIONER (5/6) (13514051-13516102)**

| Item | Part number   | Description           | Q'ty | Chan. | Serial No.        | Serv. | Remarks           |
|------|---------------|-----------------------|------|-------|-------------------|-------|-------------------|
|      |               | CONDITIONER ASSY, air |      |       |                   |       | X03746-02500-0    |
| 0    | X 0374601400  | DEFROSTER ASSY        | 1    |       |                   |       | X03746-01400-4    |
| 1    | 0394612340    | · COVER               | 1    |       |                   |       |                   |
| 2    | 1911505720    | · DUCT ASSY           | 3    |       | 13514051~13514674 |       |                   |
|      | 1911505720    | · DUCT ASSY           | 2    |       | 13514675~         |       |                   |
| 3    | 1911505670    | · CLAMP               | 8    |       |                   |       |                   |
| 4    | 1911505680    | · Y-CONNECTOR         | 1    |       |                   |       |                   |
| 5    | 1911506020    | · PANEL ASSY, control | 1    |       |                   |       | see page (6/6)    |
| 6    | 1911508591    | · HOSE                | 1    |       |                   |       |                   |
| 7    | 1911508539    | · HOSE                | 1    |       |                   |       |                   |
| 8    | 1911508510    | · HOSE                | 1    |       |                   |       |                   |
| 9    | 1911508528    | · HOSE                | 1    |       |                   |       |                   |
| 10   | 1911505730    | · BRACKET             | 1    |       |                   |       |                   |
| 11   | 1911505810    | · SCREW               | 2    |       |                   |       |                   |
| 12   | 1653916023    | · TRIM                | 1    |       |                   |       | sold by the meter |
| 13   | 1652002201    | · GROMMET             | 1    |       |                   |       |                   |
| 15   | 1652261410    | · BAND                | 6    |       |                   |       |                   |
| 16   | 1120590514    | · SCREW               | 6    |       |                   |       |                   |
| 18   | 1100040612    | · BOLT                | 2    |       |                   |       |                   |
| 19   | 1140020006    | · WASHER, spring      | 2    |       |                   |       |                   |
| 20   | 1141110006    | · WASHER              | 2    |       |                   |       |                   |
| 21   | 1150420510    | · BOLT, sems          | 10   |       |                   |       |                   |
| 22   | 1652201007    | · BAND                | 5    |       |                   |       |                   |
| 23   | 1531360010    | · PROTECTOR           | 1    |       |                   |       |                   |
| 24   | 1654606027    | · SEAL                | 1    |       |                   |       |                   |
| 25   | 0394612710    | · BRACKET             | 1    |       | 13514675~         |       |                   |
| 26   | 1911506060    | · LOUVER              | 1    |       | 13514675~         |       |                   |
| 27   | 1653916026    | · TRIM                | 1    |       | 13514675~         |       | sold by the meter |
| 28   | 1110090512    | · SCREW, cap          | 4    |       | 13514675~         |       |                   |
| 29   | 1140090005    | · WASHER, spring      | 4    |       | 13514675~         |       |                   |
| 30   | 1141190005    | · WASHER              | 4    |       | 13514675~         |       |                   |
|      | <b>G4e352</b> |                       |      |       |                   |       |                   |

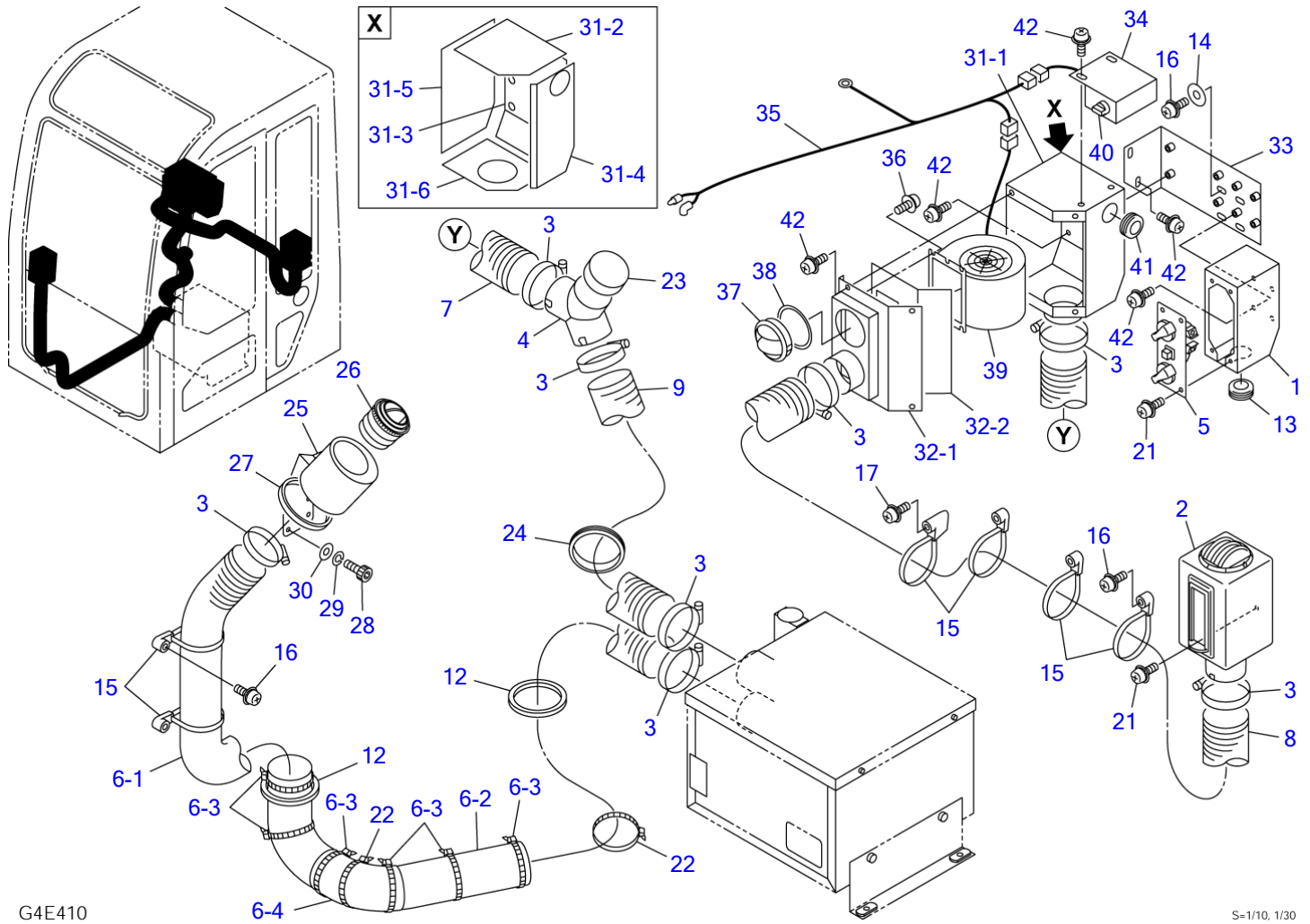


S=1/10, 1/30

**AIR CONDITIONER (5/6) (13516103-)**

| Item | Part number   | Description           | Q'ty | Chan. | Serial No. | Serv. | Remarks           |
|------|---------------|-----------------------|------|-------|------------|-------|-------------------|
|      |               | CONDITIONER ASSY, air |      |       |            |       | X03746-02500-1    |
| 0    | X 0374603200  | DEFROSTER ASSY        | 1    |       |            |       | X03746-03200-2    |
| 1    | 0394612340    | • COVER               | 1    |       |            |       |                   |
| 2    | 1911505720    | • DUCT ASSY           | 2    |       |            |       |                   |
| 3    | 1911505670    | • CLAMP               | 6    |       |            |       |                   |
| 5    | 1911506020    | • PANEL ASSY, control | 1    |       |            |       | see page (6/6)    |
| 6    | 0374603310    | • HOSE ASSY, duct     | 1    |       |            |       |                   |
| 6-1  | 1911508591    | • • HOSE              | 1    |       |            |       |                   |
| 6-2  | 0394615141    | • • INSULATOR         | 1    |       |            |       |                   |
| 6-3  | 1652201007    | • • BAND              | 6    |       |            |       |                   |
| 6-4  | 1531360010    | • • PROTECTOR         | 1    |       |            |       | sold by the meter |
| 7    | 1911508539    | • HOSE                | 1    |       |            |       |                   |
| 8    | 1911508567    | • HOSE                | 1    |       |            |       |                   |
| 10   | 1911505730    | • BRACKET             | 1    |       |            |       |                   |
| 11   | 1911505810    | • SCREW               | 2    |       |            |       |                   |
| 12   | 1653916023    | • TRIM                | 2    |       |            |       | sold by the meter |
| 13   | 1652002201    | • GROMMET             | 1    |       |            |       |                   |
| 15   | 1652261410    | • BAND                | 6    |       |            |       |                   |
| 16   | 1150420514    | • SCREW               | 6    |       |            |       |                   |
| 18   | 1100040612    | • BOLT                | 2    |       |            |       |                   |
| 19   | 1140020006    | • WASHER, spring      | 2    |       |            |       |                   |
| 20   | 1141110006    | • WASHER              | 2    |       |            |       |                   |
| 21   | 1150420510    | • BOLT, sems          | 10   |       |            |       |                   |
| 22   | 1652201007    | • BAND                | 2    |       |            |       |                   |
| 24   | 1654606050    | • SEAL                | 1    |       |            |       | sold by the meter |
| 25   | 0394612710    | • BRACKET             | 1    |       |            |       |                   |
| 26   | 1911506060    | • LOUVER              | 1    |       |            |       |                   |
| 27   | 1653916026    | • TRIM                | 1    |       |            |       | sold by the meter |
| 28   | 1110090512    | • SCREW, cap          | 4    |       |            |       |                   |
| 29   | 1140090005    | • WASHER, spring      | 4    |       |            |       |                   |
| 30   | 1141190005    | • WASHER              | 4    |       |            |       |                   |
|      | <b>G4e382</b> |                       |      |       |            |       |                   |

TB135 Book No. BG4Z010 S/N 13510004-  
 AIR CONDITIONER (5/6) (for China, with boost fan, 2holes; 13514051-13515089)



G4E410

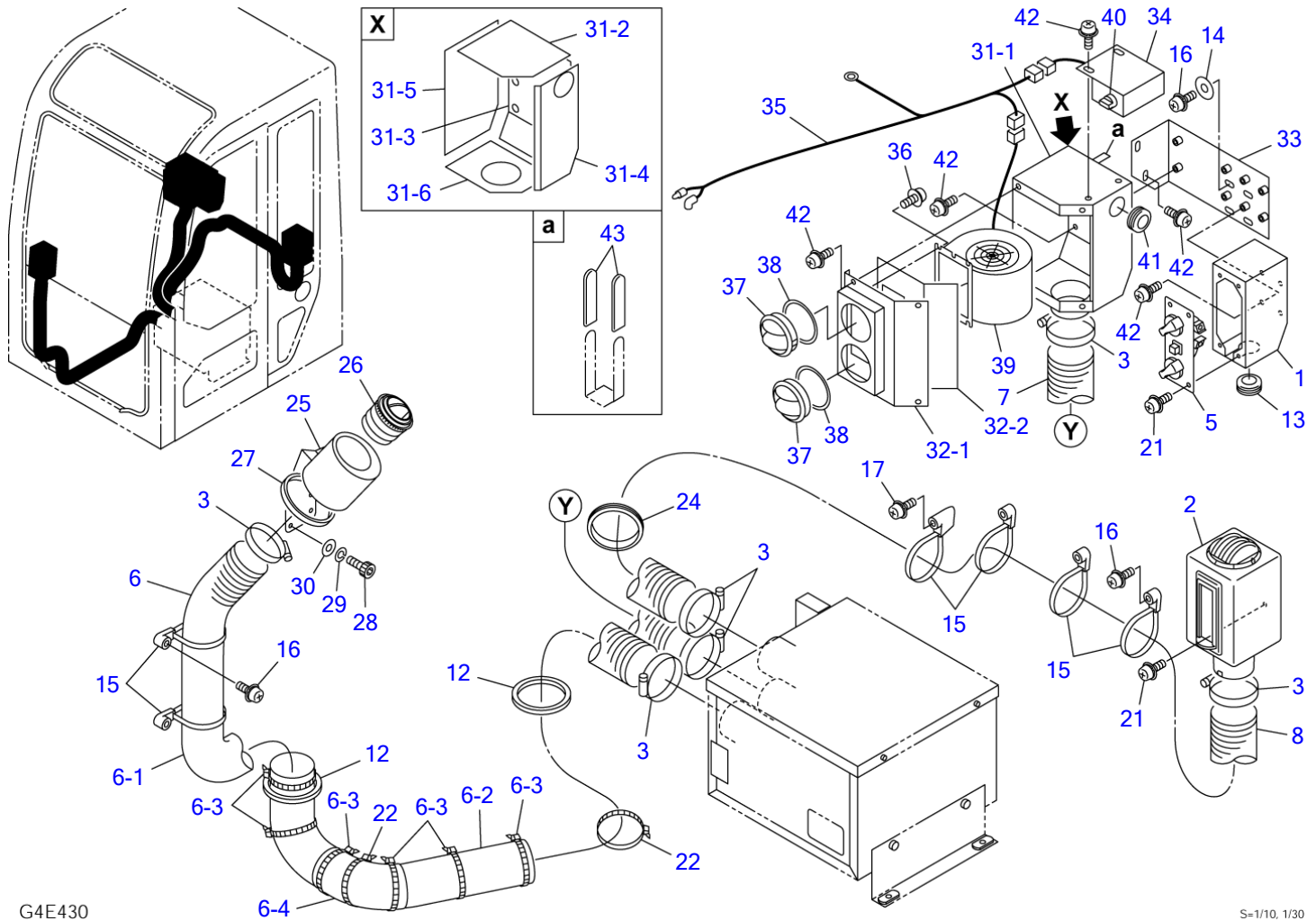
S=1/10, 1/30

**AIR CONDITIONER (5/6) (for China, with boost fan, 2holes; 13514051-13515089)**

| Item | Part number  | Description            | Q'ty | Chan. | Serial No. | Serv. | Remarks           |
|------|--------------|------------------------|------|-------|------------|-------|-------------------|
|      |              | CONDITIONER ASSY, air  |      |       |            |       | X03746-02500-1    |
| 0    | X 0374603300 | DEFROSTER ASSY         | 1    |       |            |       | X03746-03300-0    |
| 1    | 0394612340   | • COVER                | 1    |       |            |       |                   |
| 2    | 1911505720   | • DUCT ASSY            | 1    |       |            |       |                   |
| 3    | 1911505670   | • CLAMP                | 8    |       |            |       |                   |
| 4    | 1911505680   | • CONNECTOR            | 1    |       |            |       |                   |
| 5    | 1911506020   | • PANEL ASSY, control  | 1    |       |            |       | see page (6/6)    |
| 6    | 0374603310   | • HOSE ASSY, duct      | 1    |       |            |       |                   |
| 6-1  | 1911508591   | • • HOSE               | 1    |       |            |       |                   |
| 6-2  | 0394615141   | • • INSULATOR          | 1    |       |            |       |                   |
| 6-3  | 1652201007   | • • BAND               | 6    |       |            |       |                   |
| 6-4  | 1531360010   | • • PROTECTOR          | 1    |       |            |       | sold by the meter |
| 7    | 1911508510   | • HOSE                 | 1    |       |            |       |                   |
| 8    | 1911508567   | • HOSE                 | 1    |       |            |       |                   |
| 9    | 1911508528   | • HOSE                 | 1    |       |            |       |                   |
| 12   | 1653916023   | • TRIM                 | 2    |       |            |       | sold by the meter |
| 13   | 1652002201   | • GROMMET              | 1    |       |            |       |                   |
| 14   | 0003606202   | • WASHER               | 4    |       |            |       |                   |
| 15   | 1652261410   | • BAND                 | 6    |       |            |       |                   |
| 16   | 1150420514   | • SCREW                | 9    |       |            |       |                   |
| 17   | 1150420516   | • SCREW                | 1    |       |            |       |                   |
| 21   | 1150420510   | • BOLT, sems           | 5    |       |            |       |                   |
| 22   | 1652201007   | • BAND                 | 2    |       |            |       |                   |
| 23   | 1911503000   | • COVER                | 1    |       |            |       |                   |
| 24   | 1654606050   | • SEAL                 | 1    |       |            |       | sold by the meter |
| 25   | 0394612710   | • BRACKET              | 1    |       |            |       |                   |
| 26   | 1911506060   | • LOUVER               | 1    |       |            |       |                   |
| 27   | 1653916026   | • TRIM                 | 1    |       |            |       | sold by the meter |
| 28   | 1110090512   | • SCREW, cap           | 4    |       |            |       |                   |
| 29   | 1140090005   | • WASHER, spring       | 4    |       |            |       |                   |
| 30   | 1141190005   | • WASHER               | 4    |       |            |       |                   |
| 31   | 0394615110   | • BOX ASSY             | 1    |       |            |       |                   |
| 31-1 | 0394614950   | • • BOX                | 1    |       |            |       |                   |
| 31-2 | 0394614992   | • • INSULATOR          | 1    |       |            |       |                   |
| 31-3 | 0394614993   | • • INSULATOR          | 1    |       |            |       |                   |
| 31-4 | 0394614995   | • • INSULATOR          | 1    |       |            |       |                   |
| 31-5 | 0394614996   | • • INSULATOR          | 1    |       |            |       |                   |
| 31-6 | 0394614991   | • • INSULATOR          | 1    |       |            |       |                   |
| 32   | 0394615120   | • COVER ASSY           | 1    |       |            |       |                   |
| 32-1 | 0394614960   | • • COVER              | 1    |       |            |       |                   |
| 32-2 | 0394614994   | • • INSULATOR          | 1    |       |            |       |                   |
| 33   | 0394614970   | • BRACKET              | 1    |       |            |       |                   |
| 34   | 0394614980   | • BOX                  | 1    |       |            |       |                   |
| 35   | 0394614990   | • HARNESS ASSY, wiring | 1    |       |            |       |                   |
| 36   | 1150420410   | • SCREW                | 4    |       |            |       |                   |
| 37   | 1911506012   | • LOUVER               | 1    |       |            |       |                   |
| 38   | 1911506063   | • ADAPTER              | 1    |       |            |       |                   |
| 39   | 0394615150   | • FAN ASSY             | 1    |       |            |       | 19115-08200       |
| 40   | 1700000031   | • SWITCH               | 1    |       |            |       |                   |
| 41   | 1652053200   | • GROMMET              | 1    |       |            |       |                   |
| 42   | 1150420614   | • SCREW                | 16   |       |            |       |                   |

**G4e410**

TB135 Book No. BG4Z010 S/N 13510004-  
AIR CONDITIONER (5/6) (for China, with boost fan, 3holes; 13515090-)



G4E430

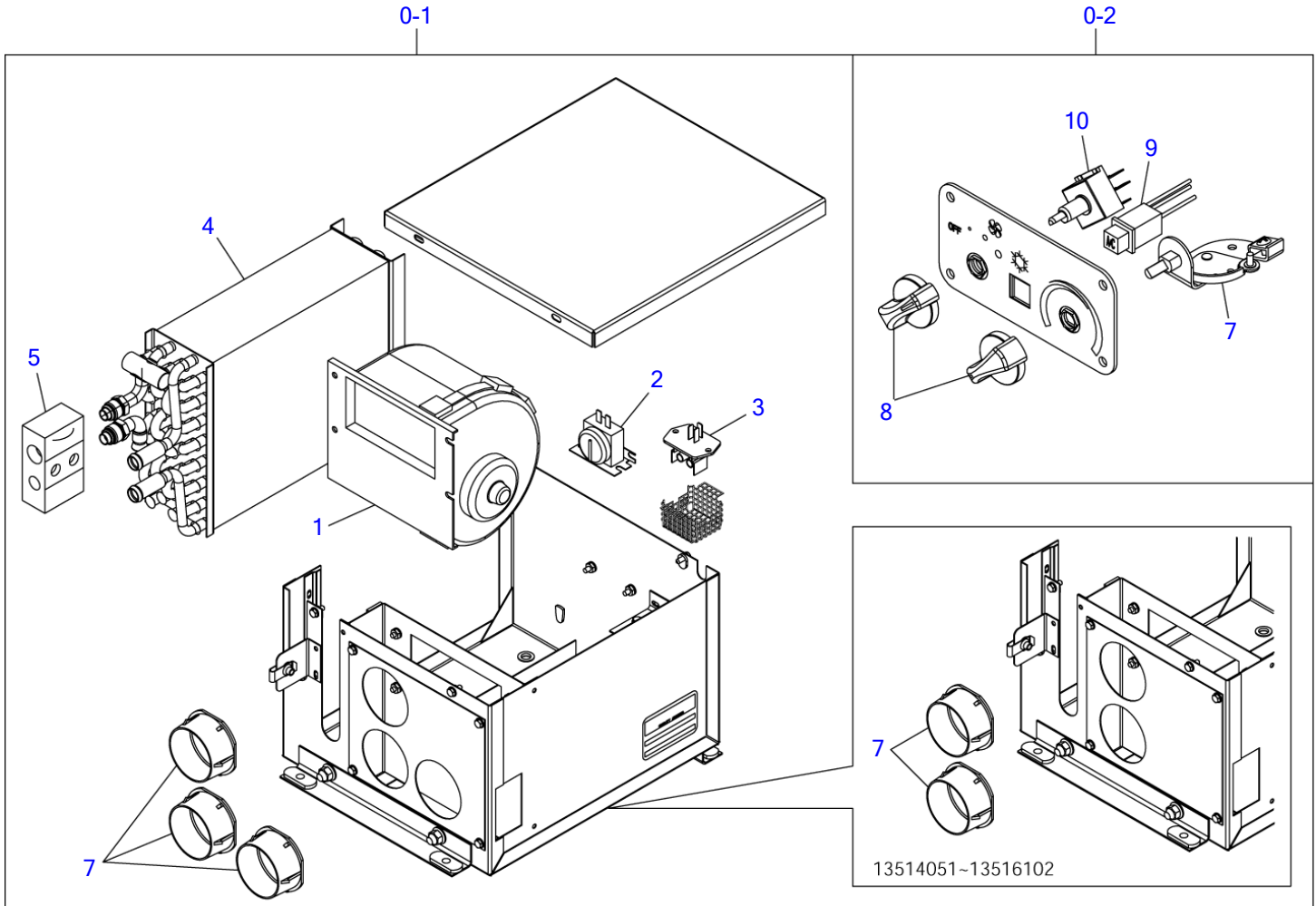
S=1/10, 1/30

**AIR CONDITIONER (5/6) (for China, with boost fan, 3holes; 13515090-)**

| Item | Part number  | Description                            | Q'ty | Chan. | Serial No. | Serv. | Remarks           |
|------|--------------|--|------|-------|------------|-------|-------------------|
|      |              | CONDITIONER ASSY, air (with boost fan) |      |       |            |       | X03746-03500-0    |
| 0    | X 0374603600 | DEFROSTER ASSY                         | 1    |       |            |       | X03746-03600-2    |
| 1    | 0394612340   | • COVER                                | 1    |       |            |       |                   |
| 2    | 1911505720   | • DUCT ASSY                            | 1    |       |            |       |                   |
| 3    | 1911505670   | • CLAMP                                | 8    |       |            |       |                   |
| 5    | 1911506020   | • PANEL ASSY, control                  | 1    |       |            |       | see page (6/6)    |
| 6    | 0374603310   | • HOSE ASSY, duct                      | 1    |       |            |       |                   |
| 6-1  | 1911508591   | • • HOSE                               | 1    |       |            |       |                   |
| 6-2  | 0394615141   | • • INSULATOR                          | 1    |       |            |       |                   |
| 6-3  | 1652201007   | • • BAND                               | 6    |       |            |       |                   |
| 6-4  | 1531360010   | • • PROTECTOR                          | 1    |       |            |       | sold by the meter |
| 7    | 1911508539   | • HOSE                                 | 1    |       |            |       |                   |
| 8    | 1911508567   | • HOSE                                 | 1    |       |            |       |                   |
| 12   | 1653916023   | • TRIM                                 | 2    |       |            |       | sold by the meter |
| 13   | 1652002201   | • GROMMET                              | 1    |       |            |       |                   |
| 14   | 0003606202   | • WASHER                               | 4    |       |            |       |                   |
| 15   | 1652261410   | • BAND                                 | 6    |       |            |       |                   |
| 16   | 1150420514   | • SCREW                                | 9    |       |            |       |                   |
| 17   | 1150420516   | • SCREW                                | 1    |       |            |       |                   |
| 21   | 1150420510   | • BOLT, sems                           | 5    |       |            |       |                   |
| 22   | 1652201007   | • BAND                                 | 2    |       |            |       |                   |
| 24   | 1654606050   | • SEAL                                 | 1    |       |            |       | sold by the meter |
| 25   | 0394612710   | • BRACKET                              | 1    |       |            |       |                   |
| 26   | 1911506060   | • LOUVER                               | 1    |       |            |       |                   |
| 27   | 1653916026   | • TRIM                                 | 1    |       |            |       | sold by the meter |
| 28   | 1110090512   | • SCREW, cap                           | 4    |       |            |       |                   |
| 29   | 1140090005   | • WASHER, spring                       | 4    |       |            |       |                   |
| 30   | 1141190005   | • WASHER                               | 4    |       |            |       |                   |
| 31   | 0394615110   | • BOX ASSY                             | 1    |       |            |       |                   |
| 31-1 | 0394614950   | • • BOX                                | 1    |       |            |       |                   |
| 31-2 | 0394614992   | • • INSULATOR                          | 1    |       |            |       |                   |
| 31-3 | 0394614993   | • • INSULATOR                          | 1    |       |            |       |                   |
| 31-4 | 0394614995   | • • INSULATOR                          | 1    |       |            |       |                   |
| 31-5 | 0394614996   | • • INSULATOR                          | 1    |       |            |       |                   |
| 31-6 | 0394614991   | • • INSULATOR                          | 1    |       |            |       |                   |
| 32   | 0394615160   | • COVER ASSY                           | 1    |       |            |       |                   |
| 32-1 | 0394615130   | • • COVER                              | 1    |       |            |       |                   |
| 32-2 | 0394614994   | • • INSULATOR                          | 1    |       |            |       |                   |
| 33   | 0394614970   | • BRACKET                              | 1    |       |            |       |                   |
| 34   | 0394614980   | • BOX                                  | 1    |       |            |       |                   |
| 35   | 0394614990   | • HARNESS ASSY, wiring                 | 1    |       |            |       |                   |
| 36   | 1150420410   | • SCREW                                | 4    |       |            |       |                   |
| 37   | 1911506012   | • LOUVER                               | 2    |       |            |       |                   |
| 38   | 1911506063   | • ADAPTER                              | 2    |       |            |       |                   |
| 39   | 0394615150   | • FAN ASSY                             | 1    |       |            |       |                   |
| 40   | 1700000031   | • SWITCH                               | 1    |       |            |       |                   |
| 41   | 1652053200   | • GROMMET                              | 1    |       |            |       |                   |
| 42   | 1150420614   | • SCREW                                | 16   |       |            |       |                   |
| 43   | 0872433150   | • TUBE                                 | 2    |       |            |       |                   |

**G4e430**

TB135 Book No. BG4Z010 S/N 13510004-  
AIR CONDITIONER (6/6) (13514051-)



G4E390

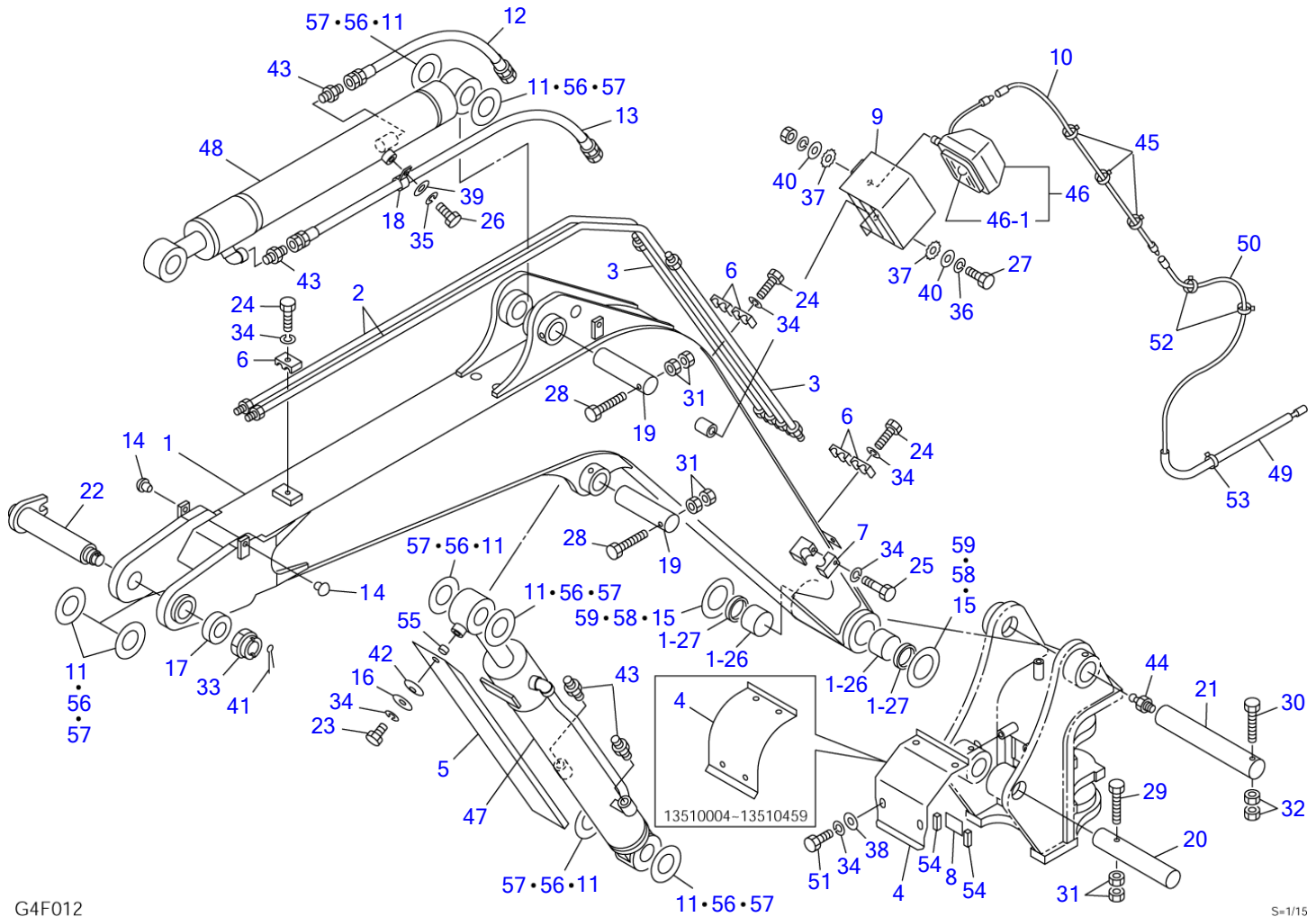
S-free



**AIR CONDITIONER (6/6) (13514051-)**

| Item | Part number       | Description                               | Q'ty | Chan. | Serial No.        | Serv. | Remarks        |
|------|-------------------|---|------|-------|-------------------|-------|----------------|
|      |                   | CONDITIONER ASSY, air                     |      |       |                   |       | X03746-02500-1 |
|      |                   | CONDITIONER ASSY, air<br>(with boost fan) |      |       |                   |       | X03746-03500-0 |
| 0-1  | <b>1911506340</b> | UNIT, air conditioner                     | 1    |       | 13514051~13516102 |       |                |
|      | <b>1911508740</b> | UNIT, air conditioner                     | 1    |       | 13516103~         |       |                |
| 1    | <b>1911506341</b> | ▪ MOTOR, blower                           | 1    |       |                   |       |                |
| 2    | <b>1911505421</b> | ▪ THERMOSTAT                              | 1    |       |                   |       |                |
| 3    | <b>1911506343</b> | ▪ RESISTOR                                | 1    |       |                   |       |                |
| 4    | <b>1911506344</b> | ▪ CORE                                    | 1    |       |                   |       |                |
| 5    | <b>1911505422</b> | ▪ VALVE                                   | 1    |       |                   |       |                |
| 6    | <b>1911506346</b> | ▪ HARNESS, wiring                         | 1    |       |                   |       | not shown      |
| 7    | <b>1911506711</b> | ▪ ADAPTER, hose                           | 2    |       | 13514051~13516102 |       |                |
|      | <b>1911506711</b> | ▪ ADAPTER, hose                           | 3    |       | 13516103~         |       |                |
| 0-2  | <b>1911506020</b> | PANEL ASSY, control                       | 1    |       |                   |       |                |
| 7    | <b>1911505762</b> | ▪ CABLE, control                          | 1    |       |                   |       |                |
| 8    | <b>1911505763</b> | ▪ KNOB                                    | 2    |       |                   |       |                |
| 9    | <b>1911505767</b> | ▪ SWITCH, A/C                             | 1    |       |                   |       |                |
| 10   | <b>1911506027</b> | ▪ SWITCH, rotary                          | 1    |       |                   |       |                |
|      | <b>G4e391</b>     |   |      |       |                   |       |                |

TB135 Book No. BG4Z010 S/N 13510004-  
BOOM (13510004-13514050)



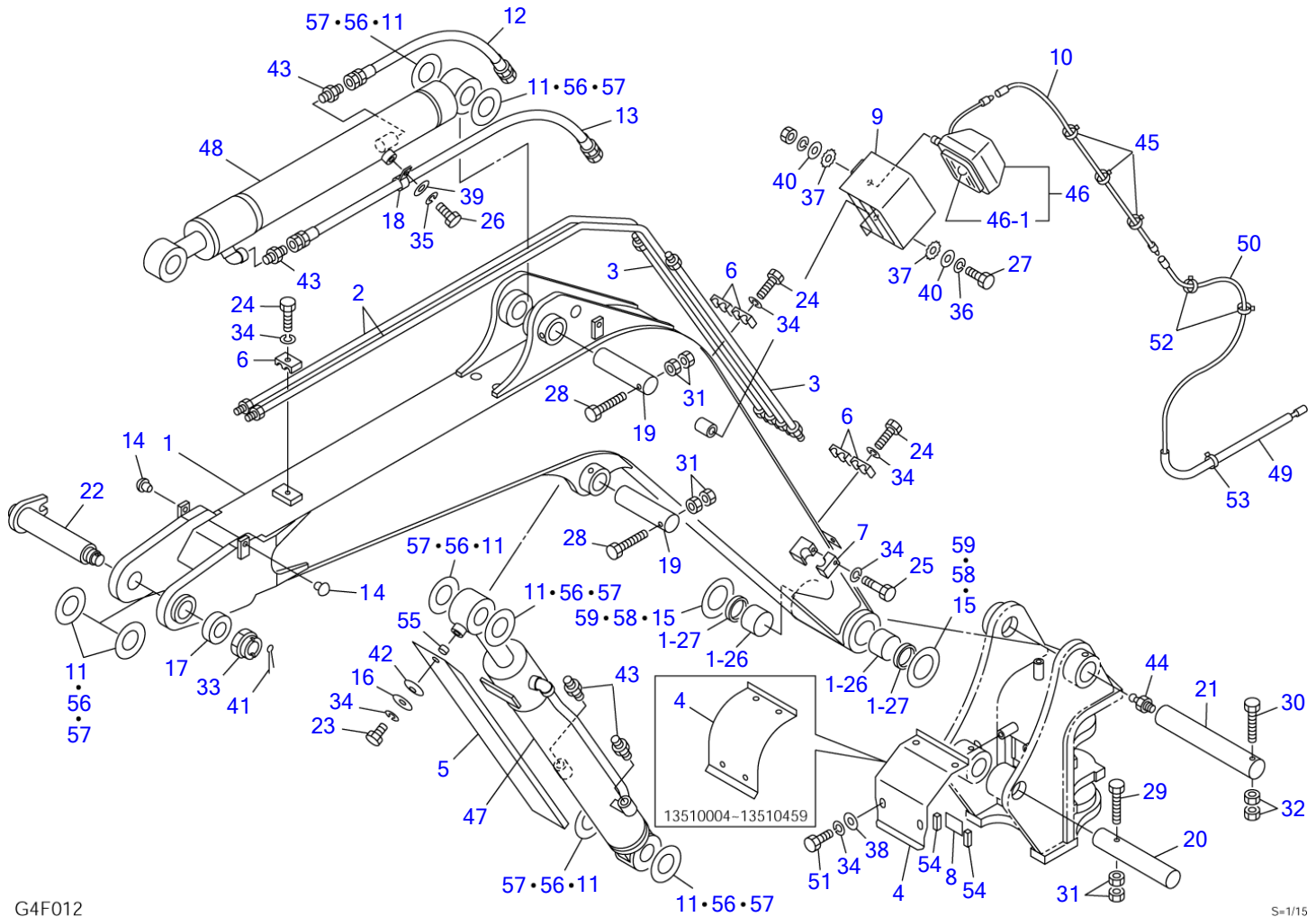
G4F012

S=1/15

**BOOM (13510004-13514050)**

| Item | Part number | Description     | Q'ty | Chan. | Serial No.        | Serv. | Remarks           |
|------|-------------|-----------------|------|-------|-------------------|-------|-------------------|
|      |             | BOOM ASSY       |      |       |                   |       | X03760-08000-5    |
| 1    | 0376007100  | BOOM SUB ASSY   | 1    |       | 13510004~13513552 |       |                   |
|      | 0376008200  | BOOM SUB ASSY   | 1    |       | 13513553~         |       |                   |
| 1-26 | 0002400025  | · BUSHING       | 2    |       |                   |       |                   |
| 1-27 | 1432200050  | · SEAL, dust    | 2    |       |                   |       |                   |
| 2    | 0376006020  | PIPE            | 2    |       |                   |       |                   |
| 3    | 0446008500  | PIPE            | 2    |       |                   |       |                   |
| 4    | 0376007300  | COVER           | 1    |       | 13510004~13510459 |       |                   |
|      | 0376008100  | COVER           | 1    |       | 13510460~         |       |                   |
| 5    | 0456000300  | COVER, rod      | 1    |       | 13510004~13510459 |       |                   |
|      | 0376008500  | COVER, rod      | 1    | (H)   | 13510460~         |       |                   |
| 6    | 0376006060  | CLAMP           | 5    |       |                   |       |                   |
| 7    | 0376006282  | CLAMP           | 2    |       |                   |       |                   |
| 8    | 0426009600  | RUBBER          | 1    |       | 13510004~13510459 |       |                   |
|      | 0376007850  | RUBBER          | 1    |       | 13510460~         |       |                   |
| 9    | 0376007500  | GUARD           | 1    |       |                   |       |                   |
| 10   | 0436011100  | HARNESS, wiring | 1    |       |                   |       |                   |
| 11   | 0456008600  | SHIM t=1.0      | AR   |       |                   |       |                   |
| 12   | 0376007600  | HOSE ASSY       | 1    |       |                   |       | 18015-10082       |
| 13   | 0376007700  | HOSE ASSY       | 1    |       |                   |       | 18015-10138       |
| 14   | 1652533016  | CAP             | 6    |       |                   |       |                   |
| 15   | 0003600097  | SHIM t=1.0      | AR   |       |                   |       |                   |
| 16   | 0003608003  | WASHER          | 1    |       |                   |       |                   |
| 17   | 0003900020  | WASHER          | 1    |       |                   |       |                   |
| 18   | 0007300058  | CLAMP           | 1    |       |                   |       |                   |
| 19   | 0001604160  | PIN             | 2    |       |                   |       |                   |
| 20   | 0011514011  | PIN             | 1    |       | 13510004~13510459 |       |                   |
|      | 0011514012  | PIN             | 1    |       | 13510460~         |       |                   |
| 21   | 0011575006  | PIN             | 1    |       |                   |       |                   |
| 22   | 0011904007  | PIN             | 1    |       |                   |       |                   |
| 23   | 1100040816  | BOLT            | 1    |       |                   |       |                   |
| 24   | 1100040835  | BOLT            | 5    |       |                   |       |                   |
| 25   | 1100040840  | BOLT            | 2    |       |                   |       |                   |
| 26   | 1100041016  | BOLT            | 1    |       |                   |       |                   |
| 27   | 1100041230  | BOLT            | 1    |       |                   |       |                   |
| 28   | 1103041085  | BOLT            | 2    |       |                   |       |                   |
| 29   | 1103141000  | BOLT            | 1    |       | 13510004~13510459 |       |                   |
|      | 1103141010  | BOLT            | 1    |       | 13510460~         |       |                   |
| 30   | 1103141205  | BOLT            | 1    |       |                   |       |                   |
| 31   | 1130240010  | NUT             | 6    |       |                   |       |                   |
| 32   | 1130240012  | NUT             | 2    |       |                   |       |                   |
| 33   | 1132630030  | NUT             | 1    |       |                   |       |                   |
| 34   | 1140020008  | WASHER, spring  | 12   |       |                   |       |                   |
| 35   | 1140020010  | WASHER, spring  | 1    |       |                   |       |                   |
| 36   | 1140020012  | WASHER, spring  | 1    |       |                   |       |                   |
| 37   | 1140330012  | WASHER          | 2    |       |                   |       |                   |
| 38   | 1141110008  | WASHER          | 4    |       |                   |       |                   |
| 39   | 1141110010  | WASHER          | 1    |       |                   |       |                   |
| 40   | 1141110012  | WASHER          | 2    |       |                   |       |                   |
| 41   | 1210010655  | PIN, split      | 1    |       |                   |       |                   |
| 42   | 1225121016  | WASHER, conical | 1    |       |                   |       |                   |
| 43   | 1515600201  | ADAPTOR         | 4    |       |                   |       |                   |
|      | 1420010140  | · O-RING        | 1    |       |                   |       |                   |
| 44   | 1560001000  | FITTING, grease | 1    |       |                   |       |                   |
| 45   | 1652200005  | BAND            | 3    |       |                   |       |                   |
| 46   | 1703002700  | LAMP ASSY       | 1    |       |                   |       |                   |
| 46-1 | 1703002706  | · BULB          | 1    |       |                   |       |                   |
| 47   | 1900077200  | CYLINDER, boom  | 1    | A, B  | 13510004~13510675 |       |                   |
|      | 1900080400  | CYLINDER, boom  | 1    | a(H)  | 13510676~13511212 |       |                   |
|      | 1900082700  | CYLINDER, boom  | 1    | b(H)  | 13511213~         |       |                   |
| 48   | 1900077300  | CYLINDER, arm   | 1    |       | 13510004~13510153 |       |                   |
|      | 1900078500  | CYLINDER, arm   | 1    | (H)   | 13510154~         |       |                   |
| 49   | 1531312050  | HOSE            | 1    |       |                   |       | sold by the meter |
| 50   | 0434200500  | WIRE            | 1    |       |                   |       |                   |
| 51   | 1100040820  | BOLT            | 4    |       |                   |       |                   |
| 52   | 1652201004  | BAND            | 2    |       |                   |       |                   |
| 53   | 1652201005  | BAND            | 1    |       |                   |       |                   |
| 54   | 0376007800  | RUBBER          | 2    |       | 13510460~         |       |                   |

TB135 Book No. BG4Z010 S/N 13510004-  
BOOM (13510004-13514050)



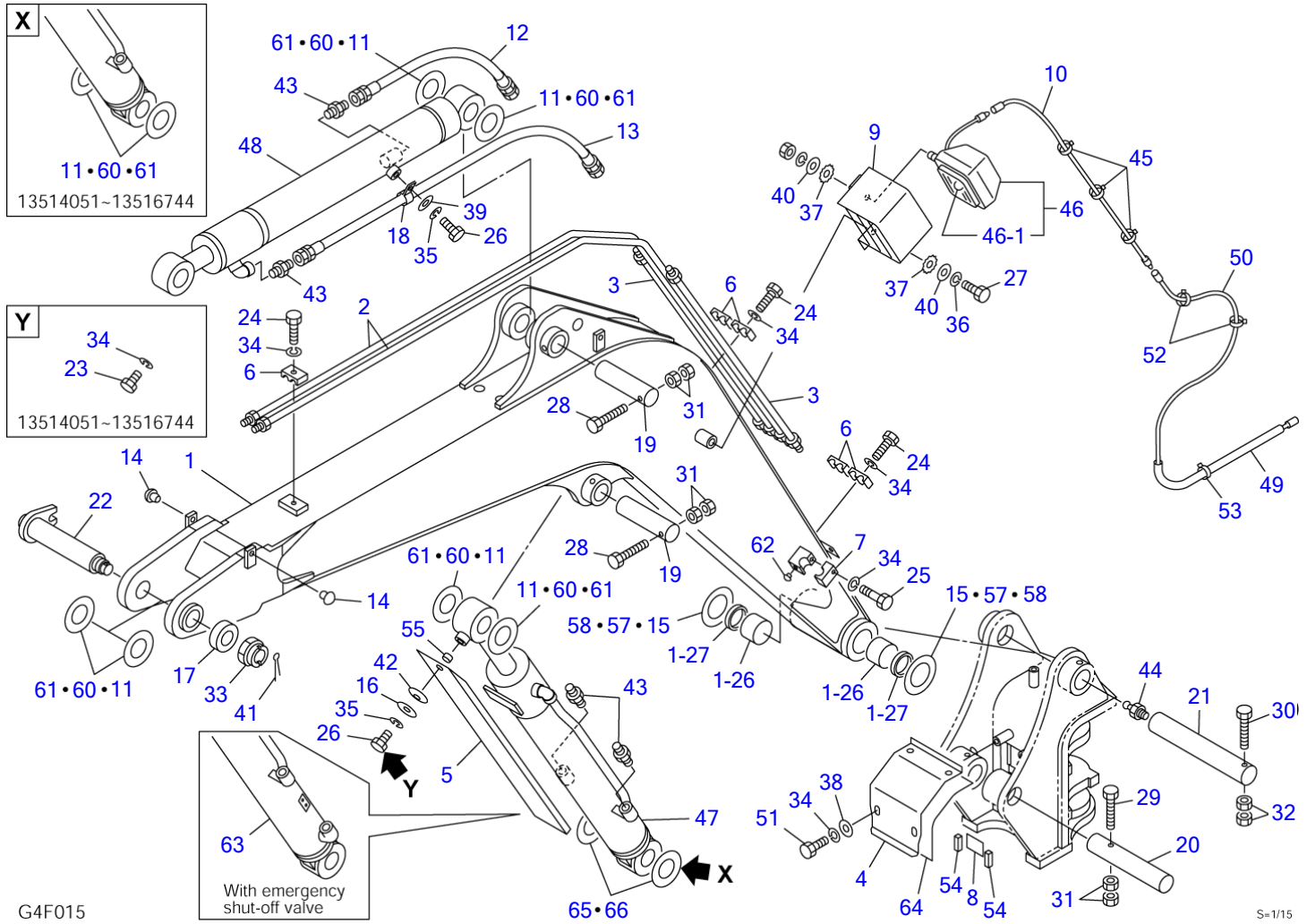
G4F012

S=1/15

**BOOM (13510004-13514050)**

| Item | Part number       | Description                          | Q'ty | Chan.   | Serial No. | Serv. | Remarks |
|------|-------------------|--------------------------------------|------|---------|------------|-------|---------|
| 55   | <b>0003600160</b> | COLLAR                               | 1    | a, b(H) | 13510676~  |       |         |
| 56   | <b>0003600055</b> | SHIM t=0.2                           | AR   |         |            |       |         |
| 57   | <b>0003600056</b> | SHIM t=0.5                           | AR   |         |            |       |         |
| 58   | <b>0003600060</b> | SHIM t=0.2                           | AR   |         |            |       |         |
| 59   | <b>0003600061</b> | SHIM t=0.5                           | AR   |         |            |       |         |
| 59   |                   | <<NOTE>>                             |      |         |            |       |         |
| 59   |                   | "A" is interchangeable with SET "a". |      |         |            |       |         |
| 59   |                   | "B" is interchangeable with SET "b". |      |         |            |       |         |
|      | <b>G4f012</b>     |                                      |      |         |            |       |         |

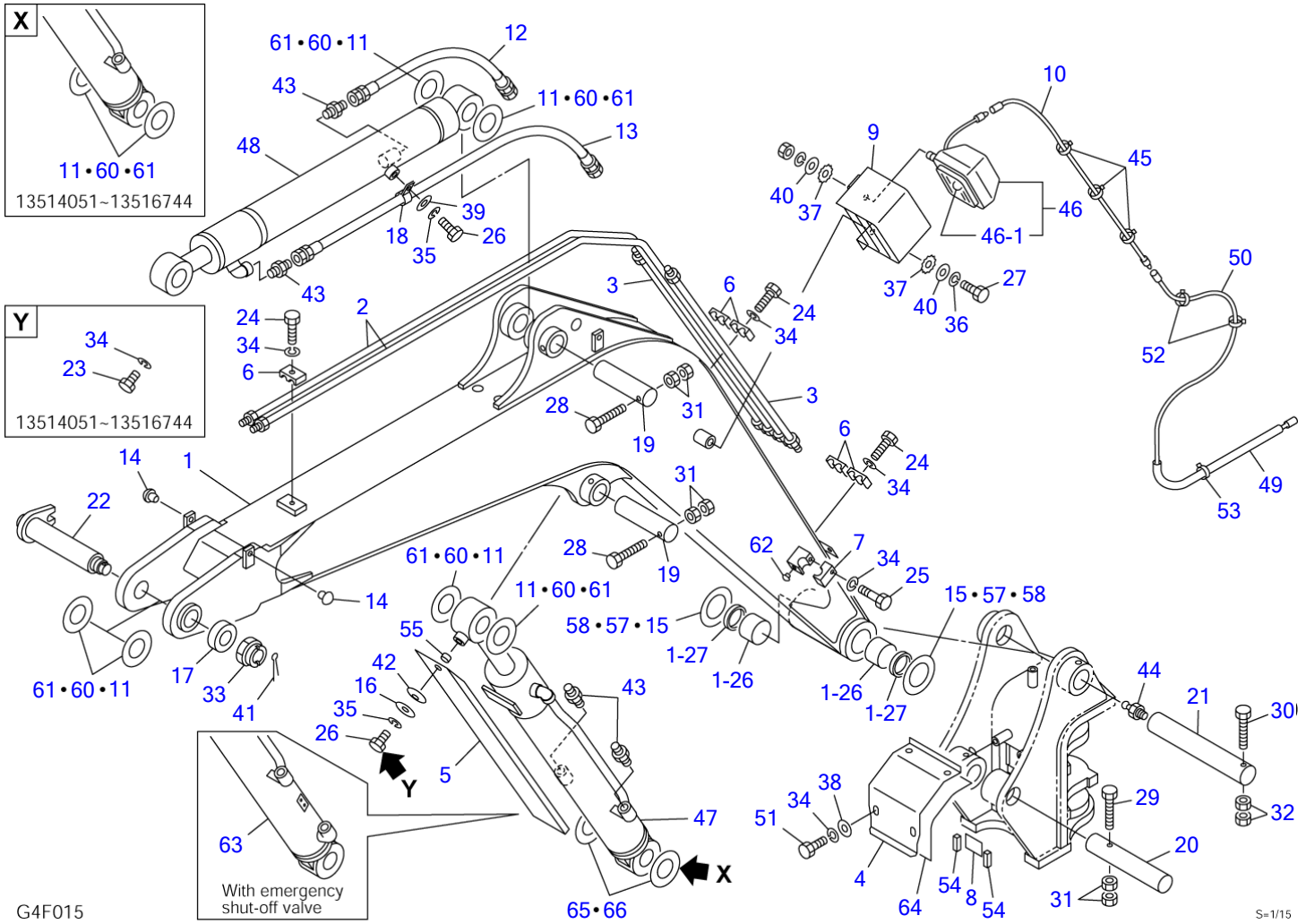
TB135 Book No. BG4Z010 S/N 13510004-  
BOOM (13514051-)



**BOOM (13514051-)**

| Item | Part number | Description                     | Q'ty | Chan. | Serial No.        | Serv. | Remarks                |
|------|-------------|---------------------------------|------|-------|-------------------|-------|------------------------|
|      |             | BOOM ASSY                       |      |       |                   |       | X03760-13000-3         |
|      |             | BOOM ASSY (with shut-off valve) |      |       |                   |       | X03760-13300-3         |
| 1    | 0376008200  | BOOM SUB ASSY                   | 1    |       | 13514051~13516744 |       |                        |
|      | 0376013500  | BOOM SUB ASSY                   | 1    |       | 13516745~         |       |                        |
| 1-26 | 0002400025  | • BUSHING                       | 2    |       | 13514051~13516744 |       |                        |
|      | 0002400075  | • BUSHING                       | 2    |       | 13516745~         |       |                        |
| 1-27 | 1432200050  | • SEAL, dust                    | 2    |       | 13514051~13516744 |       |                        |
|      | 1432200055  | • SEAL, dust                    | 2    |       | 13516745~         |       |                        |
| 2    | 0376006020  | PIPE                            | 2    |       |                   |       |                        |
| 3    | 0446008500  | PIPE                            | 2    |       |                   |       |                        |
| 4    | 0376008100  | COVER                           | 1    |       |                   |       |                        |
| 5    | 0376008500  | COVER, rod                      | 1    |       |                   |       |                        |
| 6    | 1534000015  | CLAMP                           | 5    |       |                   |       |                        |
| 7    | 0376006282  | CLAMP                           | 2    |       |                   |       |                        |
| 8    | 0376007850  | RUBBER                          | 1    |       |                   |       |                        |
| 9    | 0376007500  | GUARD                           | 1    |       |                   |       |                        |
| 10   | 0436011100  | HARNESS, wiring                 | 1    |       |                   |       |                        |
| 11   | 0456008600  | SHIM t=1.0                      | AR   |       |                   |       |                        |
| 12   | 0376007600  | HOSE ASSY                       | 1    |       |                   |       | 18015-10082            |
| 13   | 0376007700  | HOSE ASSY                       | 1    |       |                   |       | 18015-10138            |
| 14   | 1652533017  | CAP                             | 4    |       |                   |       |                        |
| 15   | 0003600097  | SHIM t=1.0                      | AR   |       | 13514051~13516744 |       |                        |
|      | 0003600156  | SHIM t=1.0                      | AR   |       | 13516745~         |       |                        |
| 16   | 0003608003  | WASHER                          | 1    |       | 13514051~13516744 |       |                        |
|      | 0003610002  | WASHER                          | 1    |       | 13516745~         |       |                        |
| 17   | 0003900020  | WASHER                          | 1    |       |                   |       |                        |
| 18   | 0007300058  | CLAMP                           | 1    |       |                   |       |                        |
| 19   | 0001604160  | PIN                             | 2    |       |                   |       |                        |
| 20   | 0011514012  | PIN                             | 1    |       | 13514051~13516744 |       |                        |
|      | 0011515007  | PIN                             | 1    | (L)   | 13516745~13517074 |       |                        |
|      | 0011515009  | PIN                             | 1    |       | 13517075~         |       |                        |
| 21   | 0011575006  | PIN                             | 1    |       | 13514051~13516744 |       |                        |
|      | 0011576004  | PIN                             | 1    | (L)   | 13516745~13517074 |       |                        |
|      | 0011576005  | PIN                             | 1    |       | 13517075~         |       |                        |
| 22   | 0011904007  | PIN                             | 1    |       |                   |       |                        |
| 23   | 1100040816  | BOLT                            | 1    |       |                   |       |                        |
| 24   | 1100040835  | BOLT                            | 5    |       |                   |       |                        |
| 25   | 1100040840  | BOLT                            | 2    |       |                   |       |                        |
| 26   | 1100041016  | BOLT                            | 2    |       |                   |       |                        |
| 27   | 1100041230  | BOLT                            | 1    |       |                   |       |                        |
| 28   | 1103041085  | BOLT                            | 2    |       |                   |       |                        |
| 29   | 1103141010  | BOLT                            | 1    |       |                   |       |                        |
| 30   | 1103141205  | BOLT                            | 1    |       | 13514051~13516744 |       |                        |
|      | 1103141210  | BOLT                            | 1    |       | 13516745~         |       |                        |
| 31   | 1130240010  | NUT                             | 6    |       |                   |       |                        |
| 32   | 1130240012  | NUT                             | 2    |       |                   |       |                        |
| 33   | 1132630030  | NUT                             | 1    |       |                   |       |                        |
| 34   | 1140020008  | WASHER, spring                  | 11   |       |                   |       |                        |
| 35   | 1140020010  | WASHER, spring                  | 2    |       |                   |       |                        |
| 36   | 1140020012  | WASHER, spring                  | 1    |       |                   |       |                        |
| 37   | 1140330012  | WASHER                          | 2    |       |                   |       |                        |
| 38   | 1141110008  | WASHER                          | 4    |       |                   |       |                        |
| 39   | 1141110010  | WASHER                          | 1    |       |                   |       |                        |
| 40   | 1141110012  | WASHER                          | 2    |       |                   |       |                        |
| 41   | 1210010655  | PIN, split                      | 1    |       |                   |       |                        |
| 42   | 1225121016  | WASHER, conical                 | 1    |       | 13514051~13516744 |       |                        |
|      | 1225120018  | WASHER, conical                 | 1    |       | 13516745~         |       |                        |
| 43   | 1515600201  | ADAPTOR                         | 4    |       |                   |       |                        |
|      | 1420010140  | • O-RING                        | 1    |       |                   |       |                        |
| 44   | 1560001000  | FITTING, grease                 | 1    |       |                   |       |                        |
| 45   | 1652200004  | BAND                            | 3    |       |                   |       |                        |
| 46   | 1703002700  | LAMP ASSY                       | 1    |       |                   |       |                        |
| 46-1 | 1703002706  | • BULB                          | 1    |       |                   |       |                        |
| 47   | 1900091300  | CYLINDER, boom                  | 1    |       | 13514051~13516744 |       | without shut-off valve |
|      | 1900096900  | CYLINDER, boom                  | 1    |       | 13516745~         |       | without shut-off valve |
| 48   | 1900091400  | CYLINDER, arm                   | 1    |       |                   |       |                        |
| 49   | 1531312050  | HOSE                            | 1    |       |                   |       | sold by the meter      |

TB135 Book No. BG4Z010 S/N 13510004-  
BOOM (13514051-)



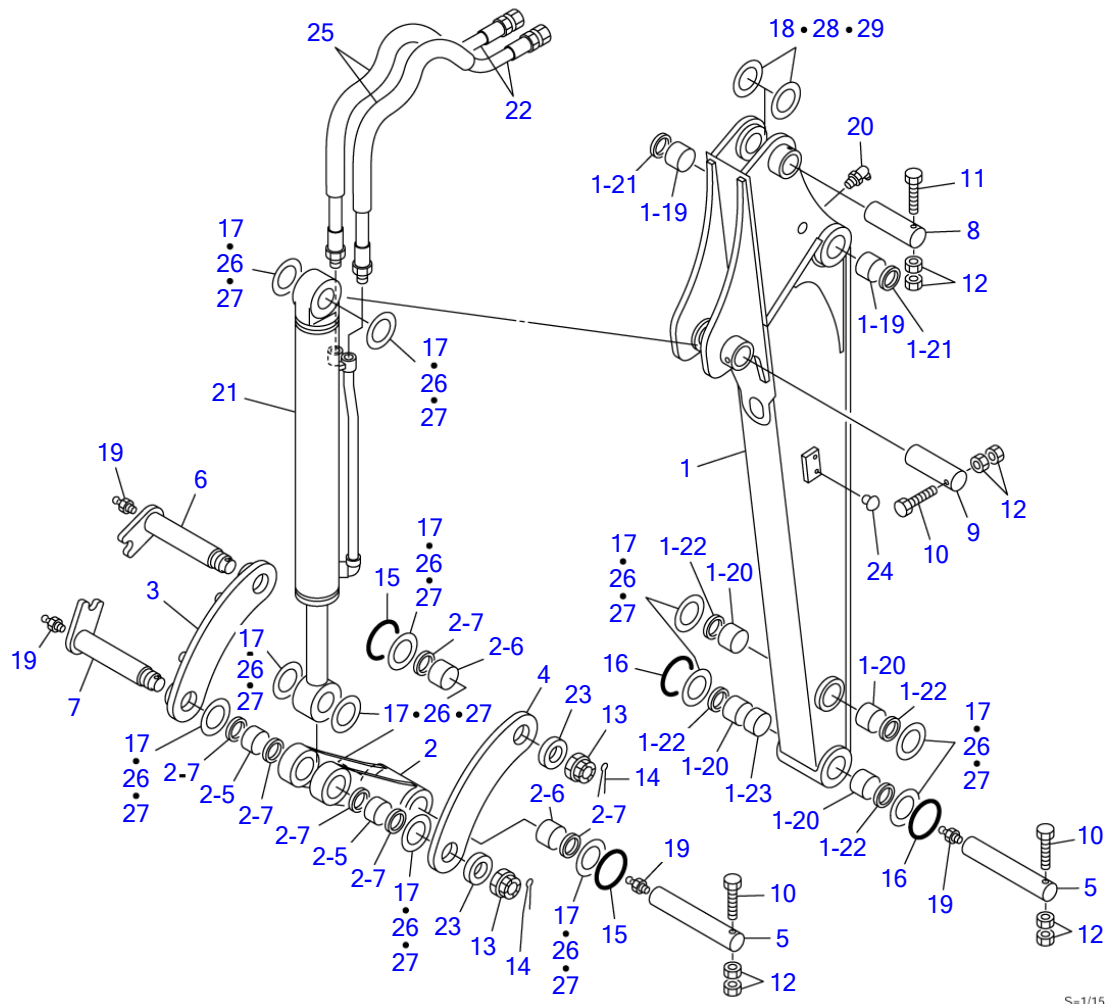
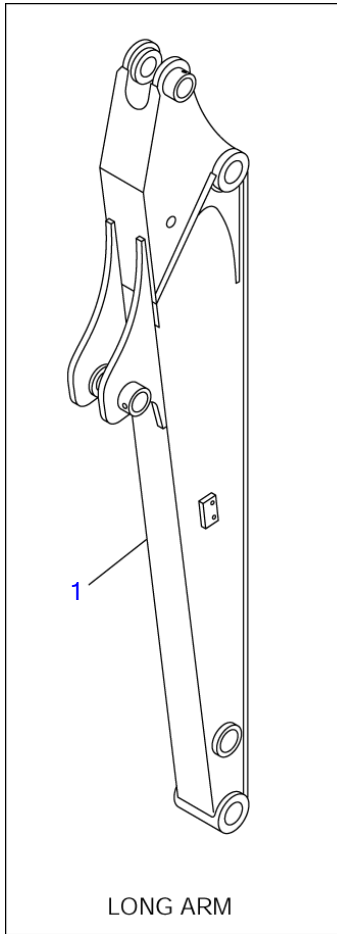
G4F015

S=1/15



**BOOM (13514051-)**

| Item | Part number   | Description    | Q'ty | Chan. | Serial No.        | Serv. | Remarks                |
|------|---------------|----------------|------|-------|-------------------|-------|------------------------|
| 50   | 0434200500    | WIRE           | 1    |       |                   |       |                        |
| 51   | 1100040820    | BOLT           | 4    |       |                   |       |                        |
| 52   | 1652201004    | BAND           | 2    |       |                   |       |                        |
| 53   | 1652201005    | BAND           | 1    |       |                   |       |                        |
| 54   | 0376007800    | RUBBER         | 2    |       |                   |       | without shut-off valve |
| 54   | 0376007800    | RUBBER         | 1    |       |                   |       | with shut-off valve    |
| 55   | 0003600160    | COLLAR         | 1    |       | 13514051~13516744 |       |                        |
| 55   | 0003600228    | COLLAR         | 1    |       | 13516745~         |       |                        |
| 57   | 0003600061    | SHIM t=0.5     | AR   |       | 13514051~13516744 |       |                        |
| 57   | 0003600108    | SHIM t=0.2     | AR   |       | 13516745~         |       |                        |
| 58   | 0003600060    | SHIM t=0.2     | AR   |       | 13514051~13516744 |       |                        |
| 58   | 0003600109    | SHIM t=0.5     | AR   |       | 13516745~         |       |                        |
| 60   | 0003600056    | SHIM t=0.5     | AR   |       |                   |       |                        |
| 61   | 0003600055    | SHIM t=0.2     | AR   |       |                   |       |                        |
| 62   | 1652533016    | CAP            | 2    |       |                   |       | without shut-off valve |
| 62   | 1652533016    | CAP            | 1    |       |                   |       | with shut-off valve    |
| 63   | 1900089400    | CYLINDER, boom | 1    |       | 13514051~13516744 |       | with shut-off valve    |
| 63   | 1900097800    | CYLINDER, boom | 1    |       | 13516745~         |       | with shut-off valve    |
| 64   | 0376011064    | RUBBER         | 1    |       |                   |       |                        |
| 65   | 0003600060    | SHIM t=0.2     | AR   |       | 13516745~         |       |                        |
| 66   | 0003600061    | SHIM t=0.5     | AR   |       | 13516745~         |       |                        |
|      | <b>G4f017</b> |                |      |       |                   |       |                        |



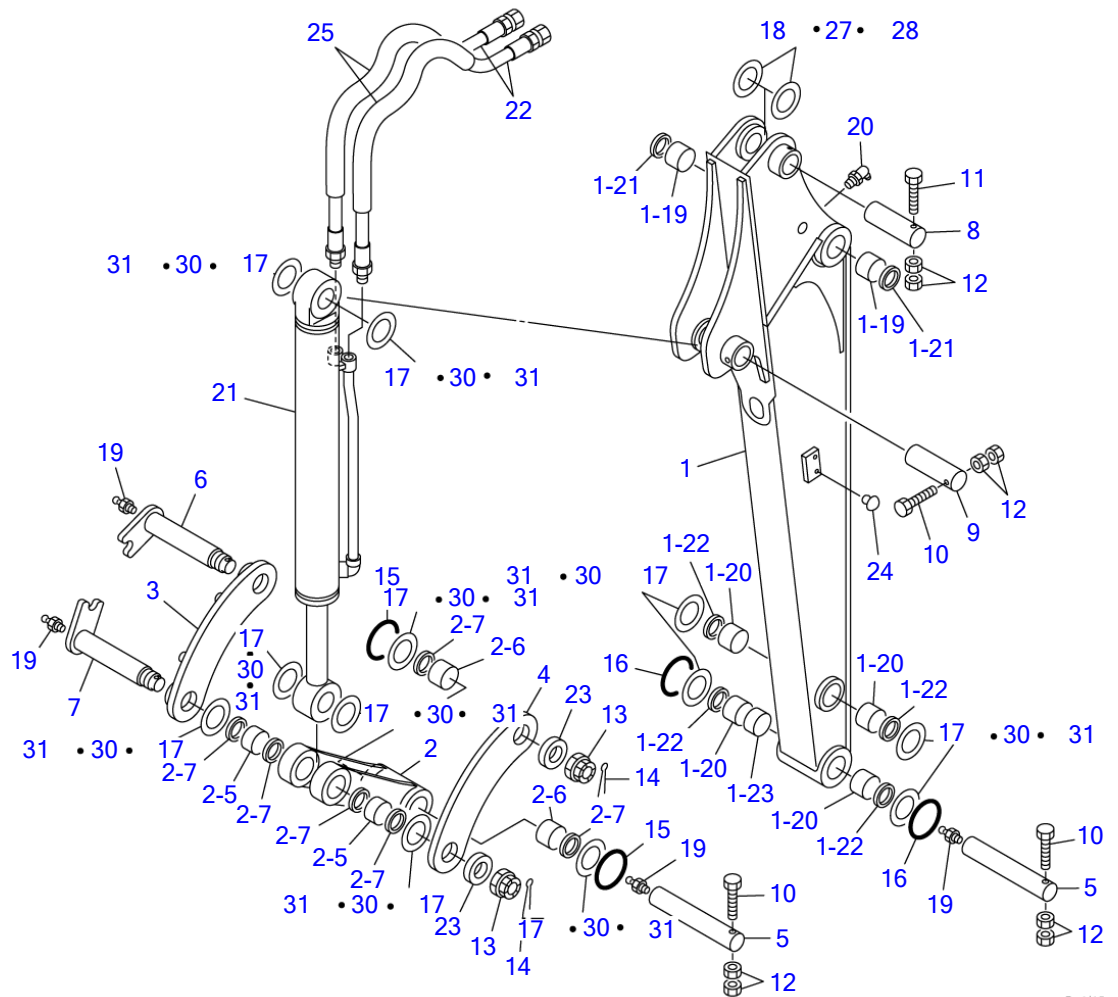
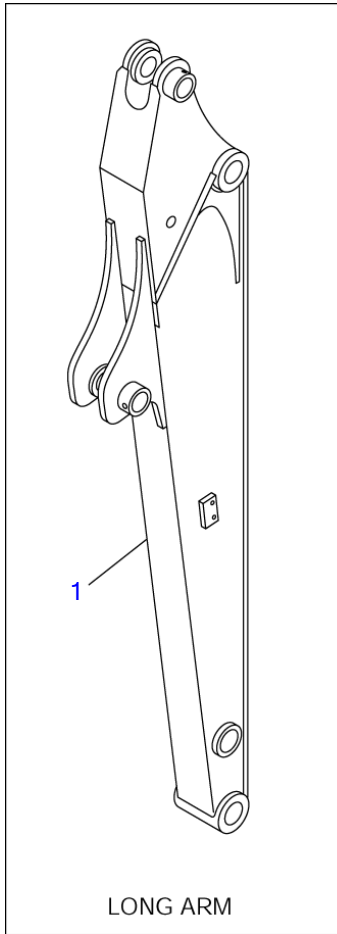
G4F021

S-1/15

**ARM (13510004-13514050)**

| Item | Part number       | Description              | Q'ty | Chan. | Serial No.        | Serv. | Remarks           |
|------|-------------------|--------------------------|------|-------|-------------------|-------|-------------------|
|      |                   | ARM ASSY                 |      |       |                   |       | X03761-12000-1    |
|      |                   | ARM ASSY, long           |      |       |                   |       | X03761-11000-2    |
| 1    | <b>0376110500</b> | ARM SUB ASSY             | 1    |       | 13510004~13510135 |       |                   |
|      | <b>0376112100</b> | ARM SUB ASSY             | 1    |       | 13510136~         |       |                   |
|      | <b>0376111100</b> | ARM SUB ASSY, long       | 1    |       |                   |       | for long arm      |
| 1-19 | <b>0002400022</b> | · BUSHING                | 2    |       |                   |       |                   |
| 1-20 | <b>0002400019</b> | · BUSHING                | 4    |       |                   |       |                   |
| 1-21 | <b>1432200045</b> | · SEAL, dust             | 2    |       |                   |       |                   |
| 1-22 | <b>1432200040</b> | · SEAL, dust             | 4    |       |                   |       |                   |
| 1-23 | <b>0003043000</b> | · COLLAR                 | 1    |       |                   |       |                   |
| 2    | <b>0376110300</b> | LINK ASSY, bucket        | 1    |       |                   |       |                   |
| 2-5  | <b>0002100031</b> | · BUSHING                | 2    |       |                   |       |                   |
| 2-6  | <b>0002400019</b> | · BUSHING                | 2    |       |                   |       |                   |
| 2-7  | <b>1432200040</b> | · SEAL, dust             | 6    |       |                   |       |                   |
| 3    | <b>0376100300</b> | LINK, guide (R.H.)       | 1    |       |                   |       |                   |
| 4    | <b>0456100500</b> | LINK, guide (L.H.)       | 1    |       |                   |       |                   |
| 5    | <b>0001524004</b> | PIN                      | 2    |       |                   |       |                   |
| 6    | <b>0001793001</b> | PIN                      | 1    |       |                   |       |                   |
| 7    | <b>0001793002</b> | PIN                      | 1    |       |                   |       |                   |
| 8    | <b>0001604130</b> | PIN                      | 1    |       |                   |       |                   |
| 9    | <b>0001603130</b> | PIN                      | 1    |       |                   |       |                   |
| 10   | <b>1103041080</b> | BOLT                     | 3    |       |                   |       |                   |
| 11   | <b>1103041085</b> | BOLT                     | 1    |       |                   |       |                   |
| 12   | <b>1130240010</b> | NUT                      | 8    |       |                   |       |                   |
| 13   | <b>1132630030</b> | NUT                      | 2    |       |                   |       |                   |
| 14   | <b>1210010655</b> | PIN, split               | 2    |       |                   |       |                   |
| 15   | <b>1432900003</b> | O-RING                   | 2    |       |                   |       |                   |
| 16   | <b>1432900046</b> | O-RING                   | 2    |       |                   |       |                   |
| 17   | <b>0436011300</b> | SHIM t=1.0               | AR   |       |                   |       |                   |
| 18   | <b>0456008600</b> | SHIM t=1.0               | AR   |       |                   |       |                   |
| 19   | <b>1560001000</b> | FITTING, grease          | 4    |       |                   |       |                   |
| 20   | <b>1560001675</b> | FITTING, grease          | 1    |       |                   |       |                   |
| 21   | <b>1900077400</b> | CYLINDER, bucket         | 1    |       |                   |       |                   |
| 22   | <b>0376110400</b> | HOSE ASSY                | 2    |       |                   |       | 18015-22090       |
|      | <b>1801522118</b> | HOSE ASSY                | 2    |       |                   |       | for long arm      |
| 23   | <b>0003900013</b> | WASHER                   | 2    |       |                   |       |                   |
| 24   | <b>1652533016</b> | CAP                      | 4    |       |                   |       |                   |
| 25   | <b>1531335079</b> | PROTECTOR                | 1    |       | 13510004~13510135 |       | sold by the meter |
|      | <b>1531335100</b> | PROTECTOR (for long arm) | 1    |       |                   |       | sold by the meter |
| 26   | <b>0003600035</b> | SHIM t=0.2               | AR   |       |                   |       |                   |
| 27   | <b>0003600036</b> | SHIM t=0.5               | AR   |       |                   |       |                   |
| 28   | <b>0003600055</b> | SHIM t=0.2               | AR   |       |                   |       |                   |
| 29   | <b>0003600056</b> | SHIM t=0.5               | AR   |       |                   |       |                   |

G4f022



G4F023

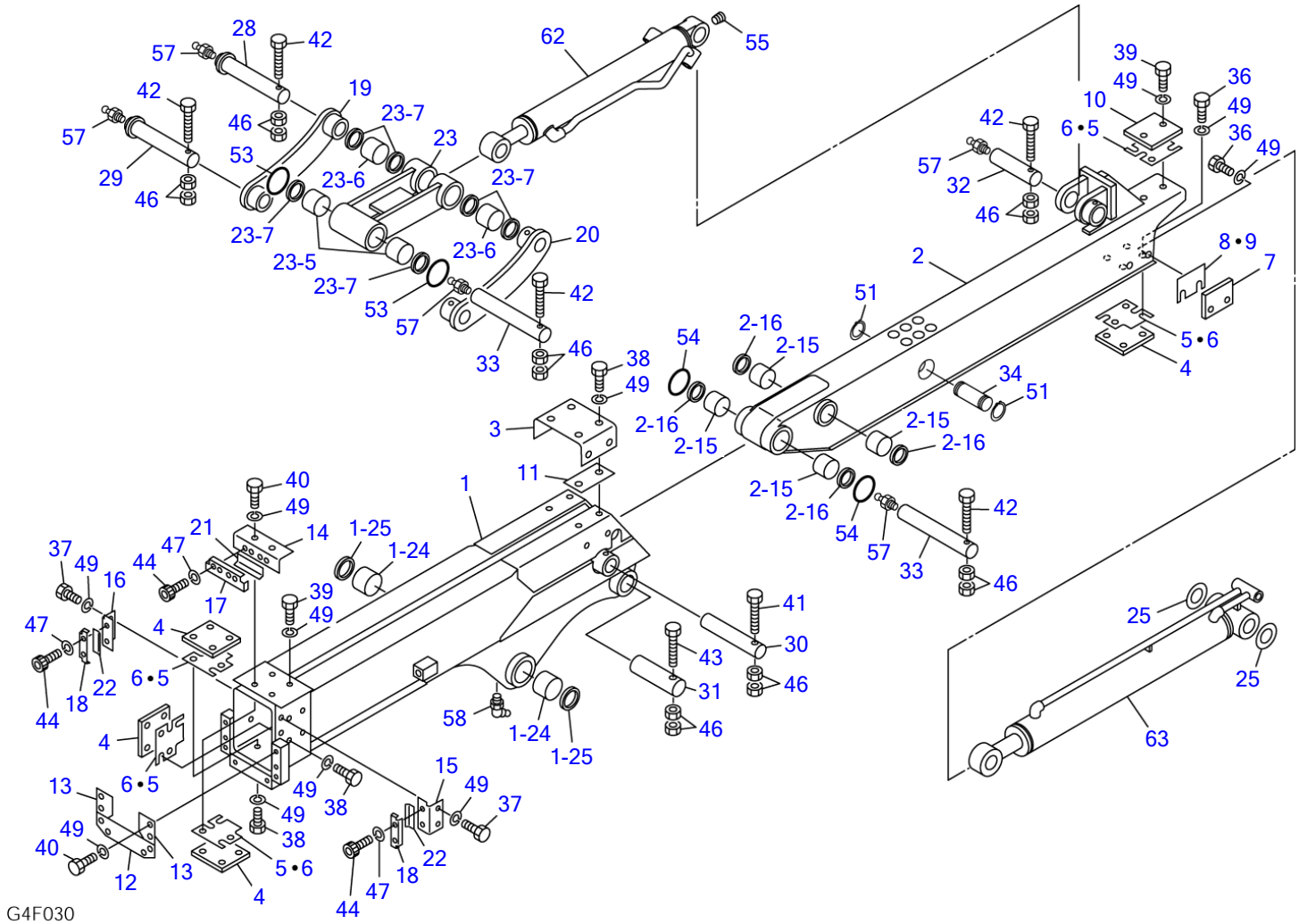
S-1/15

ARM (13514051-)

| Item | Part number | Description              | Q'ty | Chan. | Serial No.        | Serv. | Remarks           |
|------|-------------|--------------------------|------|-------|-------------------|-------|-------------------|
|      |             | ARM ASSY                 |      |       |                   |       | X03761-16500-1    |
|      |             | ARM ASSY, long           |      |       |                   |       | X03761-16600-1    |
| 1    | 0376112100  | ARM SUB ASSY             | 1    |       |                   |       |                   |
|      | 0376111100  | ARM SUB ASSY, long       | 1    |       |                   |       | for long arm      |
| 1-19 | 0002400022  | • BUSHING                | 2    |       |                   |       |                   |
| 1-20 | 0002400019  | • BUSHING                | 4    |       |                   |       |                   |
| 1-21 | 1432200045  | • SEAL, dust             | 2    |       |                   |       |                   |
| 1-22 | 1432200040  | • SEAL, dust             | 4    |       |                   |       |                   |
| 1-23 | 0003043000  | • COLLAR                 | 1    |       |                   |       |                   |
| 2    | 0376110300  | LINK ASSY, bucket        | 1    |       |                   |       |                   |
| 2-5  | 0002100031  | • BUSHING                | 2    |       |                   |       |                   |
| 2-6  | 0002400019  | • BUSHING                | 2    |       |                   |       |                   |
| 2-7  | 1432200040  | • SEAL, dust             | 6    |       |                   |       |                   |
| 3    | 0376100300  | LINK, guide (R.H.)       | 1    |       |                   |       |                   |
| 4    | 0456100500  | LINK, guide (L.H.)       | 1    |       |                   |       |                   |
| 5    | 0001524004  | PIN                      | 2    |       |                   |       |                   |
| 6    | 0001793001  | PIN                      | 1    |       |                   |       |                   |
| 7    | 0001793002  | PIN                      | 1    |       |                   |       |                   |
| 8    | 0001604130  | PIN                      | 1    |       |                   |       |                   |
| 9    | 0001603130  | PIN                      | 1    |       |                   |       |                   |
| 10   | 1103041080  | BOLT                     | 3    |       |                   |       |                   |
| 11   | 1103041085  | BOLT                     | 1    |       |                   |       |                   |
| 12   | 1130240010  | NUT                      | 8    |       |                   |       |                   |
| 13   | 1132630030  | NUT                      | 2    |       |                   |       |                   |
| 14   | 1210010655  | PIN, split               | 2    |       |                   |       |                   |
| 15   | 1432900003  | O-RING                   | 2    |       |                   |       |                   |
| 16   | 1432900046  | O-RING                   | 2    |       |                   |       |                   |
| 17   | 0436011300  | SHIM t=1.0               | AR   |       |                   |       |                   |
| 18   | 0456008600  | SHIM t=1.0               | AR   |       |                   |       |                   |
| 19   | 1560001000  | FITTING, grease          | 4    |       |                   |       |                   |
| 20   | 1560001675  | FITTING, grease          | 1    |       |                   |       |                   |
| 21   | 1900091500  | CYLINDER, bucket         | 1    | (L)   | 13514051~13516744 |       |                   |
|      | 1900097100  | CYLINDER, bucket         | 1    | (H)   | 13516745~         |       |                   |
| 22   | 0376110400  | HOSE ASSY                | 2    |       |                   |       | 18015-22090       |
|      | 1801522118  | HOSE ASSY                | 2    |       |                   |       | for long arm      |
| 23   | 0003900013  | WASHER                   | 2    |       |                   |       |                   |
| 24   | 1652533016  | CAP                      | 4    |       |                   |       |                   |
| 25   | 1531335100  | PROTECTOR (for long arm) | 1    |       |                   |       | sold by the meter |
| 27   | 0003600056  | SHIM t=0.5               | AR   |       |                   |       |                   |
| 28   | 0003600055  | SHIM t=0.2               | AR   |       |                   |       |                   |
| 30   | 0003600036  | SHIM t=0.5               | AR   |       |                   |       |                   |
| 31   | 0003600035  | SHIM t=0.2               | AR   |       |                   |       |                   |

G4f025

TB135 Book No. BG4Z010 S/N 13510004-  
TELESCOPIC ARM (1/2)



G4F030

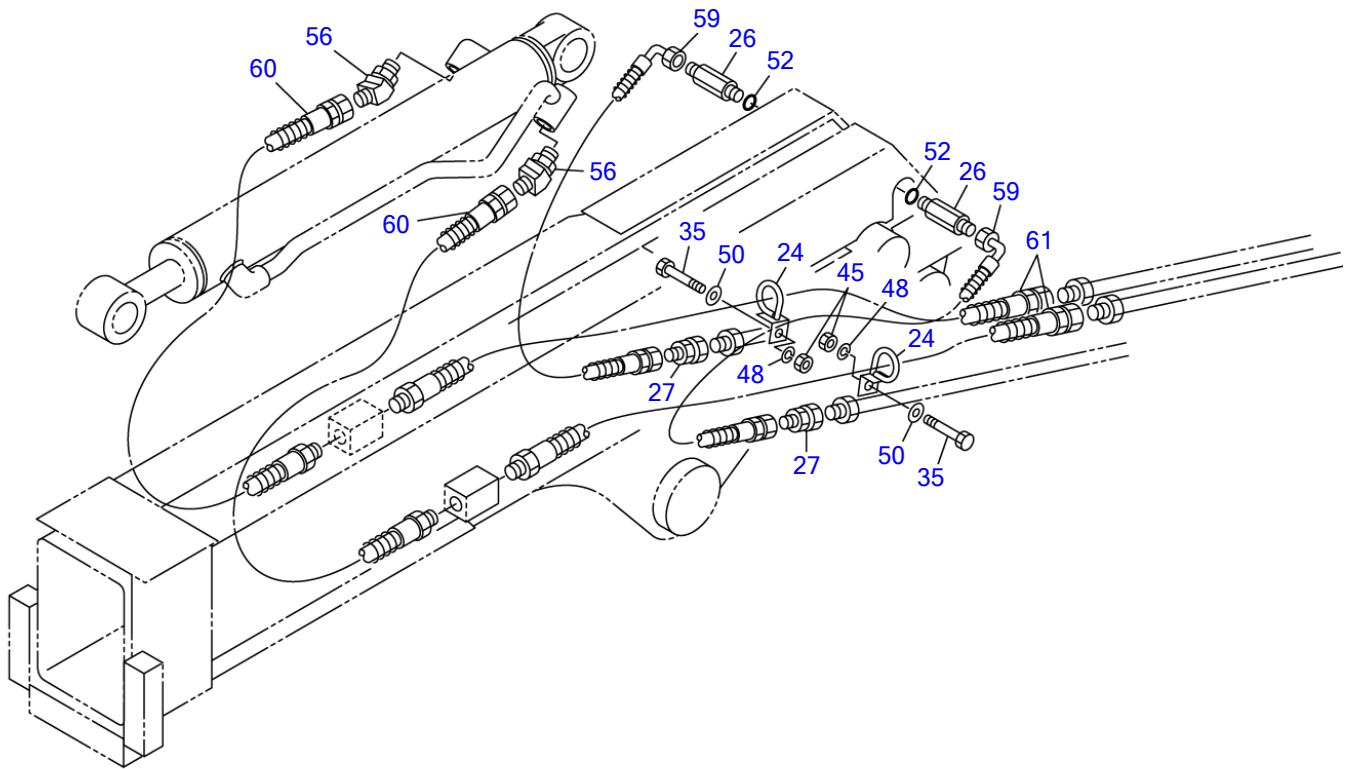
S=1/16

**TELESCOPIC ARM (1/2)**

| Item | Part number | Description          | Q'ty | Chan. | Serial No. | Serv. | Remarks        |
|------|-------------|----------------------|------|-------|------------|-------|----------------|
|      |             | ARM ASSY, telescopic |      |       |            |       | X03761-09000-0 |
| 1    | 0376109100  | ARM ASSY, outside    | 1    |       |            |       |                |
| 1-24 | 0002400022  | • BUSHING            | 2    |       |            |       |                |
| 1-25 | 1432200045  | • SEAL, dust         | 2    |       |            |       |                |
| 2    | 0376106300  | ARM ASSY, inside     | 1    |       |            |       |                |
| 2-15 | 0002400019  | • BUSHING            | 4    |       |            |       |                |
| 2-16 | 1432200040  | • SEAL, dust         | 4    |       |            |       |                |
| 3    | 0446104500  | PLATE                | 1    |       |            |       |                |
| 4    | 0356104500  | LINER                | 5    |       |            |       |                |
| 5    | 0436103701  | SHIM t=0.5           | AR   |       |            |       |                |
| 6    | 0436103702  | SHIM t=1.0           | AR   |       |            |       |                |
| 7    | 0356104600  | LINER                | 2    |       |            |       |                |
| 8    | 0436104001  | SHIM t=0.5           | AR   |       |            |       |                |
| 9    | 0436104002  | SHIM t=1.0           | AR   |       |            |       |                |
| 10   | 0356104700  | LINER                | 1    |       |            |       |                |
| 11   | 0436104101  | SHIM                 | AR   |       |            |       |                |
| 12   | 0436104500  | CUTTER               | 1    |       |            |       |                |
| 13   | 0456104500  | CUTTER               | 2    |       |            |       |                |
| 14   | 0446104800  | PLATE                | 1    |       |            |       |                |
| 15   | 0436104800  | PLATE                | 1    |       |            |       |                |
| 16   | 0436104900  | PLATE                | 1    |       |            |       |                |
| 17   | 0446105600  | PLATE                | 1    |       |            |       |                |
| 18   | 0436105100  | PLATE                | 2    |       |            |       |                |
| 19   | 0456104600  | LINK, guide (R.H.)   | 1    |       |            |       |                |
| 20   | 0456104700  | LINK, guide (L.H.)   | 1    |       |            |       |                |
| 21   | 0446104900  | WIPER                | 1    |       |            |       |                |
| 22   | 0436105700  | WIPER                | 2    |       |            |       |                |
| 23   | 0456100300  | LINK ASSY, bucket    | 1    |       |            |       |                |
| 23-5 | 0002400019  | • BUSHING            | 2    |       |            |       |                |
| 23-6 | 0002100008  | • BUSHING            | 2    |       |            |       |                |
| 23-7 | 1432200040  | • SEAL, dust         | 6    |       |            |       |                |
| 25   | 0003103612  | SHIM t=1.2           | AR   |       |            |       |                |
| 28   | 0011023003  | PIN                  | 1    |       |            |       |                |
| 29   | 0011043001  | PIN                  | 1    |       |            |       |                |
| 30   | 0011502195  | PIN                  | 1    |       |            |       |                |
| 31   | 0001604130  | PIN                  | 1    |       |            |       |                |
| 32   | 0011573005  | PIN                  | 1    |       |            |       |                |
| 33   | 0001524004  | PIN                  | 2    |       |            |       |                |
| 34   | 0014235068  | PIN                  | 1    |       |            |       |                |
| 36   | 1100041016  | BOLT                 | 8    |       |            |       |                |
| 37   | 1100041020  | BOLT                 | 4    |       |            |       |                |
| 38   | 1100041025  | BOLT                 | 20   |       |            |       |                |
| 39   | 1100041030  | BOLT                 | 4    |       |            |       |                |
| 40   | 1100041035  | BOLT                 | 10   |       |            |       |                |
| 41   | 1103041075  | BOLT                 | 1    |       |            |       |                |
| 42   | 1103041080  | BOLT                 | 5    |       |            |       |                |
| 43   | 1103041085  | BOLT                 | 1    |       |            |       |                |
| 44   | 1110040514  | SCREW, cap           | 8    |       |            |       |                |
| 46   | 1130240010  | NUT                  | 14   |       |            |       |                |
| 47   | 1140020005  | WASHER, spring       | 8    |       |            |       |                |
| 49   | 1140020010  | WASHER, spring       | 46   |       |            |       |                |
| 51   | 1220000035  | RING, snap           | 2    |       |            |       |                |
| 53   | 1432900003  | O-RING               | 2    |       |            |       |                |
| 54   | 1432900046  | O-RING               | 2    |       |            |       |                |
| 55   | 1501810001  | PLUG                 | 1    |       |            |       |                |
| 57   | 1560001000  | FITTING, grease      | 5    |       |            |       |                |
| 58   | 1560001675  | FITTING, grease      | 1    |       |            |       |                |
| 62   | 1900056300  | CYLINDER, bucket     | 1    |       |            |       |                |
| 63   | 1900062000  | CYLINDER, telescopic | 1    |       |            |       |                |

**G4f030**

TB135 Book No. BG4Z010 S/N 13510004-  
TELESCOPIC ARM (2/2)



G4F040

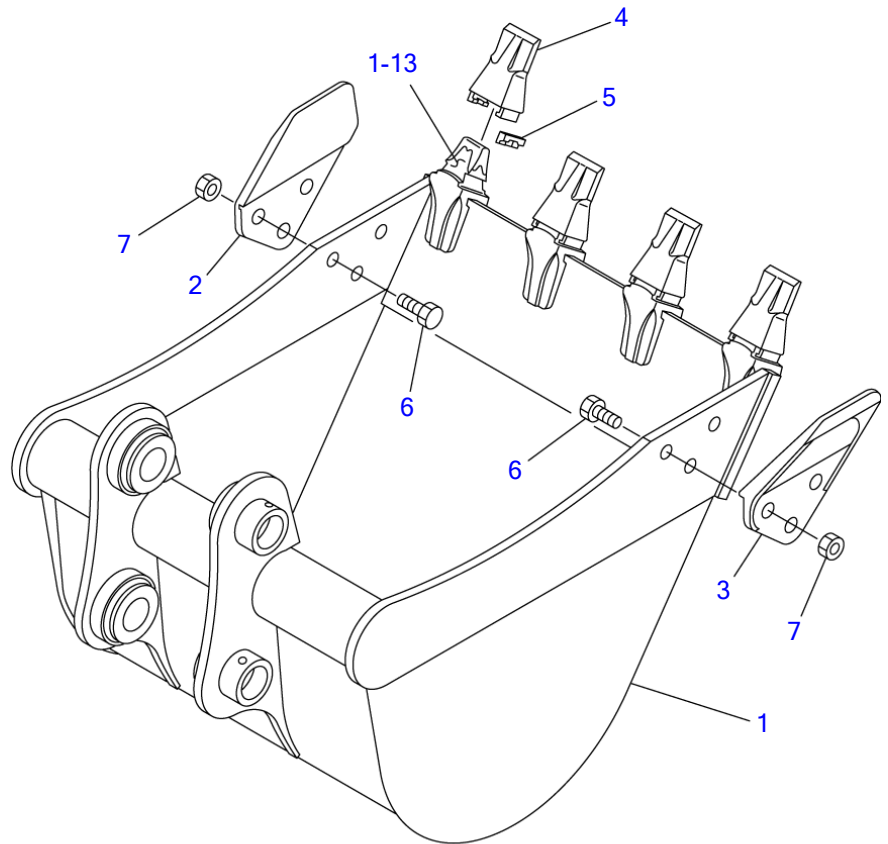
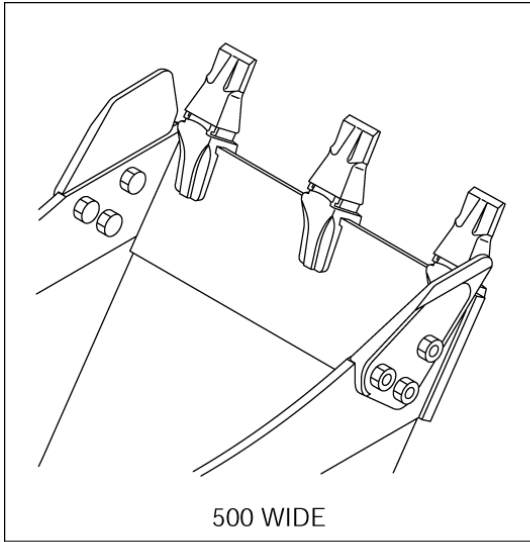
S=1/8



**TELESCOPIC ARM (2/2)**

| Item | Part number       | Description          | Q'ty | Chan. | Serial No. | Serv. | Remarks        |
|------|-------------------|----------------------|------|-------|------------|-------|----------------|
|      |                   | ARM ASSY, telescopic |      |       |            |       | X03761-09000-0 |
| 24   | <b>0376109500</b> | GUIDE                | 2    |       |            |       |                |
| 26   | <b>0007203025</b> | ADAPTOR              | 2    |       |            |       |                |
| 27   | <b>0007236040</b> | ADAPTOR              | 2    |       |            |       |                |
| 35   | <b>1100240860</b> | BOLT                 | 2    |       |            |       |                |
| 45   | <b>1130040008</b> | NUT                  | 2    |       |            |       |                |
| 48   | <b>1140020008</b> | WASHER, spring       | 2    |       |            |       |                |
| 50   | <b>1141110008</b> | WASHER               | 2    |       |            |       |                |
| 52   | <b>1420010110</b> | O-RING               | 2    |       |            |       |                |
| 56   | <b>1515100111</b> | ELBOW                | 2    |       |            |       |                |
|      | <b>1420010140</b> | · O-RING             | 1    |       |            |       |                |
| 59   | <b>1801601050</b> | HOSE ASSY            | 2    |       |            |       |                |
| 60   | <b>1801622086</b> | HOSE ASSY            | 2    |       |            |       |                |
| 61   | <b>1801622096</b> | HOSE ASSY            | 2    |       |            |       |                |
|      | <b>G4f040</b>     |                      |      |       |            |       |                |

TB135 Book No. BG4Z010 S/N 13510004-  
BUCKET 1

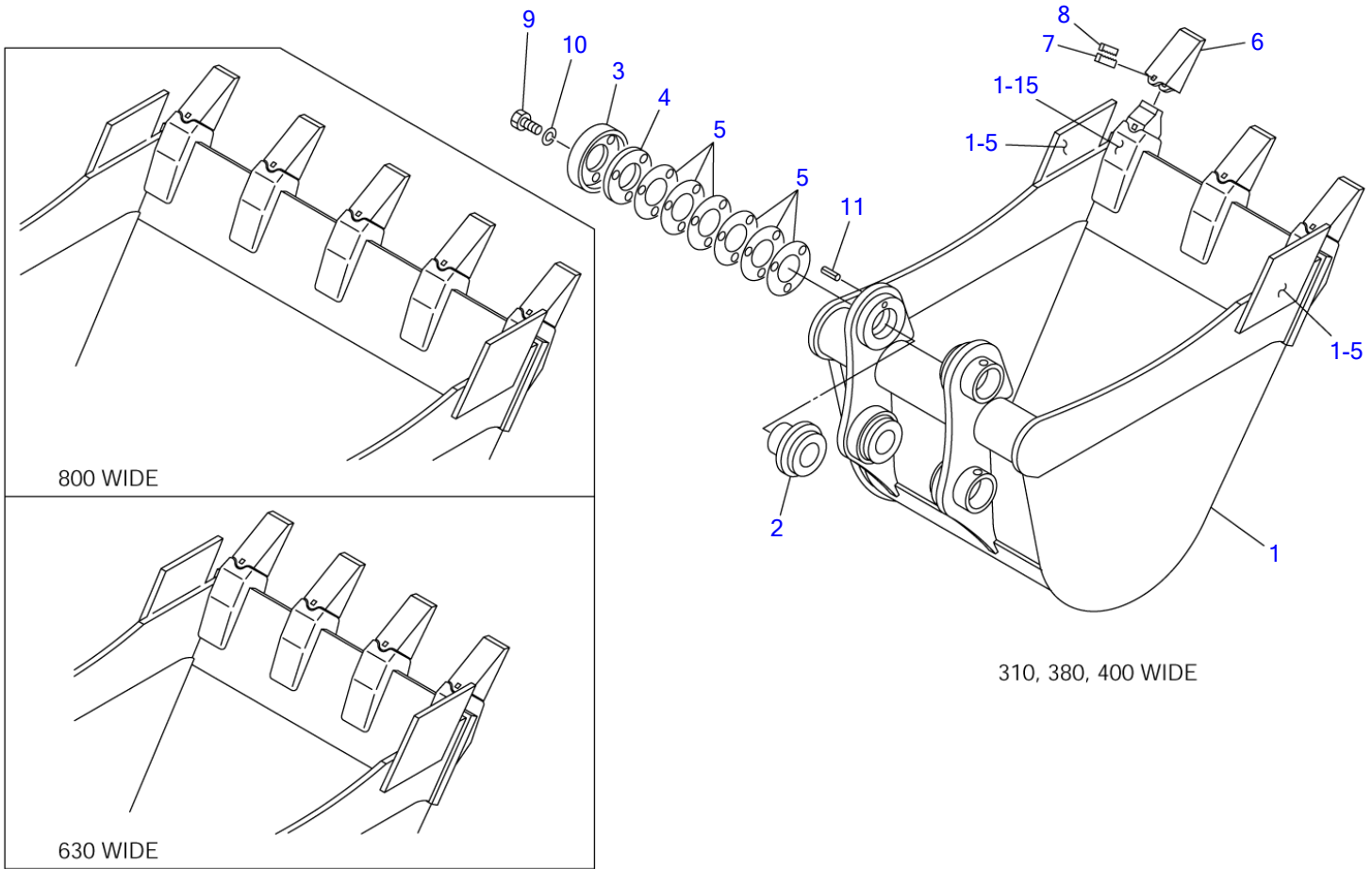


G4F050

S=1/8

| BUCKET 1 |                   |                    |      |       |            |               |
|----------|-------------------|--------------------|------|-------|------------|---------------|
| Item     | Part number       | Description        | Q'ty | Chan. | Serial No. | Serv. Remarks |
| 0        | <b>0376218000</b> | BUCKET ASSY        | 1    |       |            | 570wide       |
|          | <b>0376219000</b> | BUCKET ASSY        | 1    |       |            | 500wide       |
| 1        | X *****           | · BUCKET           | 1    |       |            |               |
| 1-13     | <b>1914201201</b> | · · ADAPTOR, tooth | 4    |       |            | 570w          |
|          | <b>1914201201</b> | · · ADAPTOR, tooth | 3    |       |            | 500w          |
| 2        | <b>0436201200</b> | · CUTTER (R.H.)    | 1    |       |            |               |
| 3        | <b>0436201300</b> | · CUTTER (L.H.)    | 1    |       |            |               |
| 4        | <b>1914201202</b> | · POINT, tooth     | 4    |       |            | 570w          |
|          | <b>1914201202</b> | · POINT, tooth     | 3    |       |            | 500w          |
| 5        | <b>1914201203</b> | · PIN, lock        | 4    |       |            | 570w          |
|          | <b>1914201203</b> | · PIN, lock        | 3    |       |            | 500w          |
| 6        | <b>1100041635</b> | · BOLT             | 6    |       |            |               |
| 7        | <b>1130050016</b> | · NUT              | 6    |       |            |               |
|          | <b>G4f050</b>     |                    |      |       |            |               |

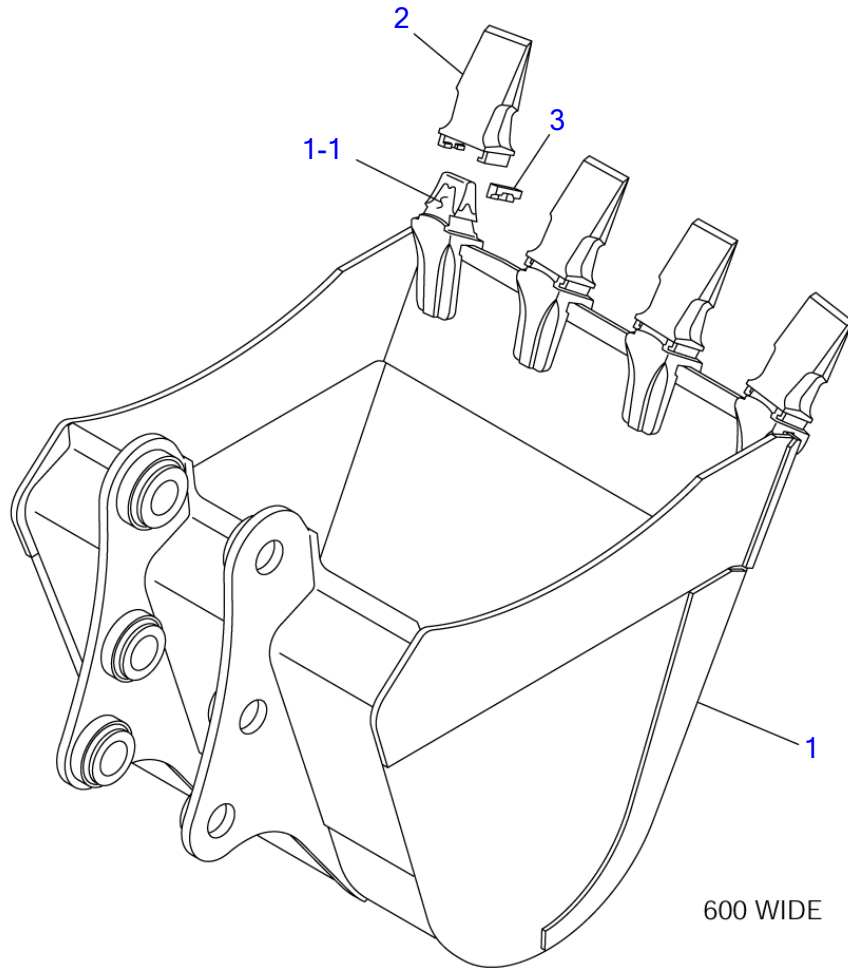
TB135 Book No. BG4Z010 S/N 13510004-  
BUCKET 2



G4F090

S=1/10

| BUCKET 2 |             |                    |      |       |            |                  |
|----------|-------------|--------------------|------|-------|------------|------------------|
| Item     | Part number | Description        | Q'ty | Chan. | Serial No. | Serv. Remarks    |
| 0        | 0376208000  | BUCKET ASSY        | 1    |       |            | 310wide          |
|          | 0376209000  | BUCKET ASSY        | 1    |       |            | 380wide          |
|          | 0376213000  | BUCKET ASSY        | 1    |       |            | 400wide          |
|          | 0376211000  | BUCKET ASSY        | 1    |       |            | 630wide          |
|          | 0376214000  | BUCKET ASSY        | 1    |       |            | 800wide          |
| 1        | X *****     | • BUCKET           | 1    |       |            |                  |
| 1-5      | 0356200105  | • • CUTTER side    | 2    |       |            |                  |
| 1-15     | 1914200381  | • • ADAPTOR, tooth | 3    |       |            | 310w, 380w, 400w |
|          | 1914200381  | • • ADAPTOR, tooth | 4    |       |            | 630w             |
|          | 1914200381  | • • ADAPTOR, tooth | 5    |       |            | 800w             |
| 2        | 0376201200  | • BUSHING          | 1    |       |            |                  |
| 3        | 0356201300  | • PLATE, end       | 1    |       |            |                  |
| 4        | 0376201300  | • FRANGE           | 1    |       |            |                  |
| 5        | 0356201500  | • SHIM             | 6    |       |            |                  |
| 6        | 1914200182  | • POINT, tooth     | 3    |       |            | 310w, 380w, 400w |
|          | 1914200182  | • POINT, tooth     | 4    |       |            | 630w             |
|          | 1914200182  | • POINT, tooth     | 5    |       |            | 800w             |
| 7        | 1914200183  | • PIN, lock        | 3    |       |            | 310w, 380w, 400w |
|          | 1914200183  | • PIN, lock        | 4    |       |            | 630w             |
|          | 1914200183  | • PIN, lock        | 5    |       |            | 800w             |
| 8        | 1914200184  | • PIN              | 3    |       |            | 310w, 380w, 400w |
|          | 1914200184  | • PIN              | 4    |       |            | 630w             |
|          | 1914200184  | • PIN              | 5    |       |            | 800w             |
| 9        | 1100051025  | • BOLT             | 3    |       |            |                  |
| 10       | 1140010010  | • WASHER, spring   | 3    |       |            |                  |
| 11       | 1213000830  | • PIN, sping       | 1    |       |            |                  |
|          | G4f090      |                    |      |       |            |                  |



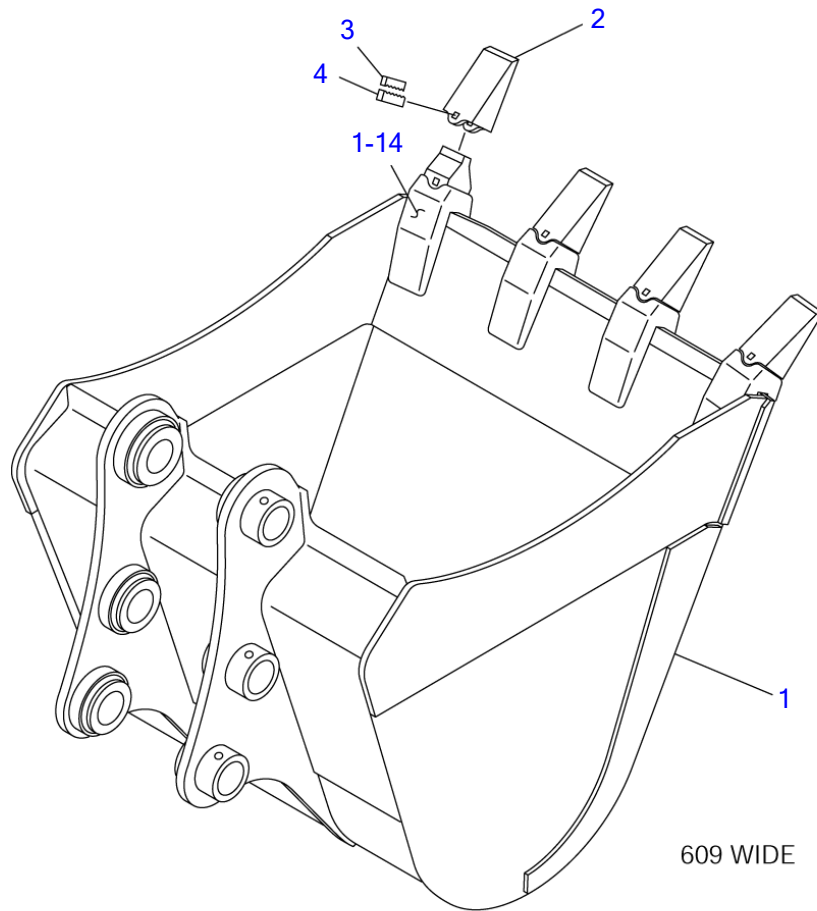
G4F061

S=1/8

**BUCKET (for U.S.A.; 13510004-1351#)**

| Item | Part number       | Description        | Q'ty | Chan. | Serial No. | Serv. | Remarks |
|------|-------------------|--------------------|------|-------|------------|-------|---------|
| 0    | <b>0376216000</b> | BUCKET ASSY        | 1    |       |            |       | 600wide |
| 1    | X *****           | ▪ BUCKET           | 1    |       |            |       |         |
| 1-1  | <b>1914201302</b> | ▪ ▪ ADAPTOR, tooth | 4    |       |            |       |         |
| 2    | <b>1914201301</b> | ▪ POINT, tooth     | 4    |       |            |       |         |
| 3    | <b>1914201203</b> | ▪ PIN, lock        | 4    |       |            |       |         |
|      | <b>G4f060</b>     |                    |      |       |            |       |         |

TB135 Book No. BG4Z010 S/N 13510004-  
BUCKET 3 (1351#-)



G4F100

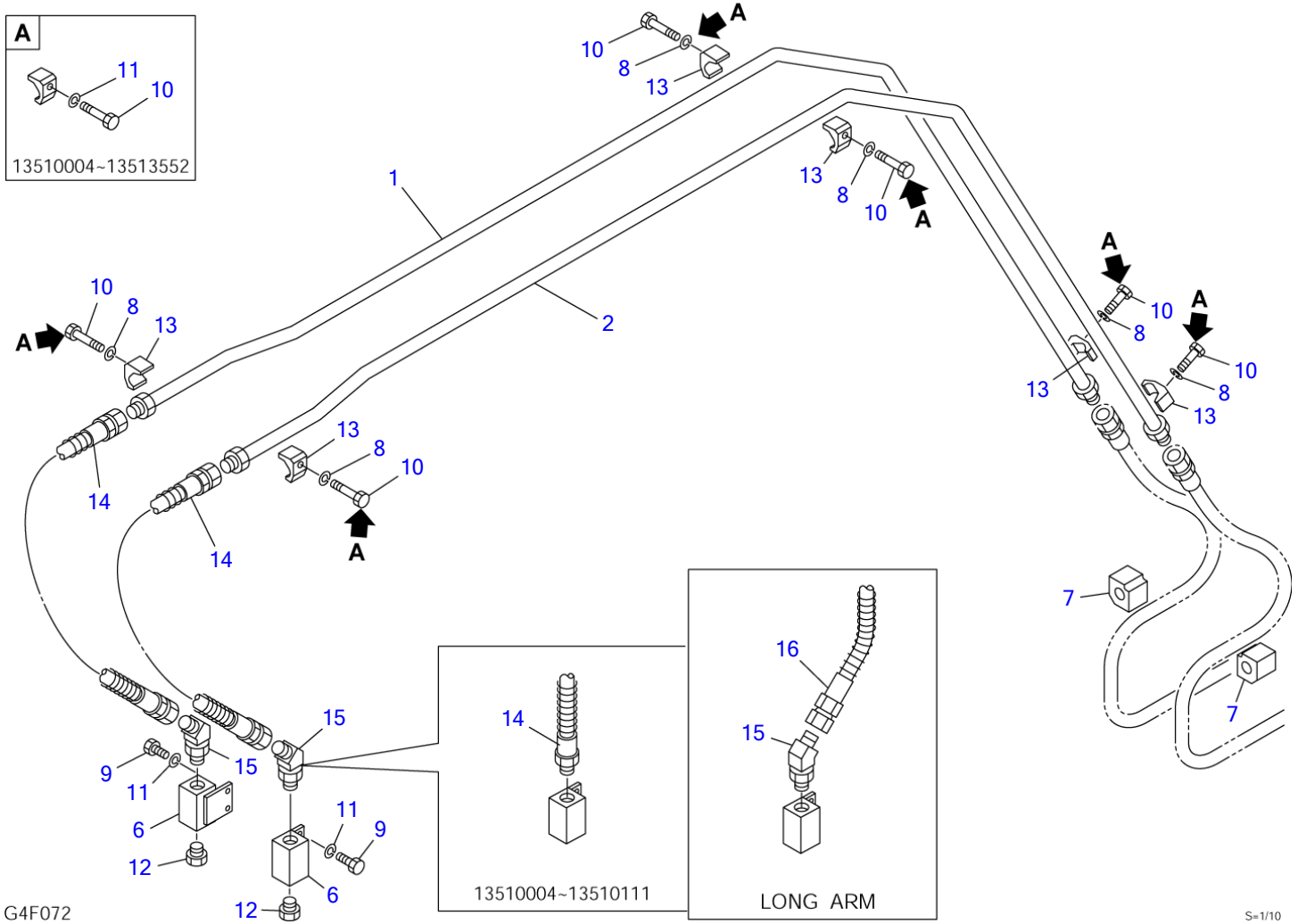
S=1/8



**BUCKET 3 (1351#-)**

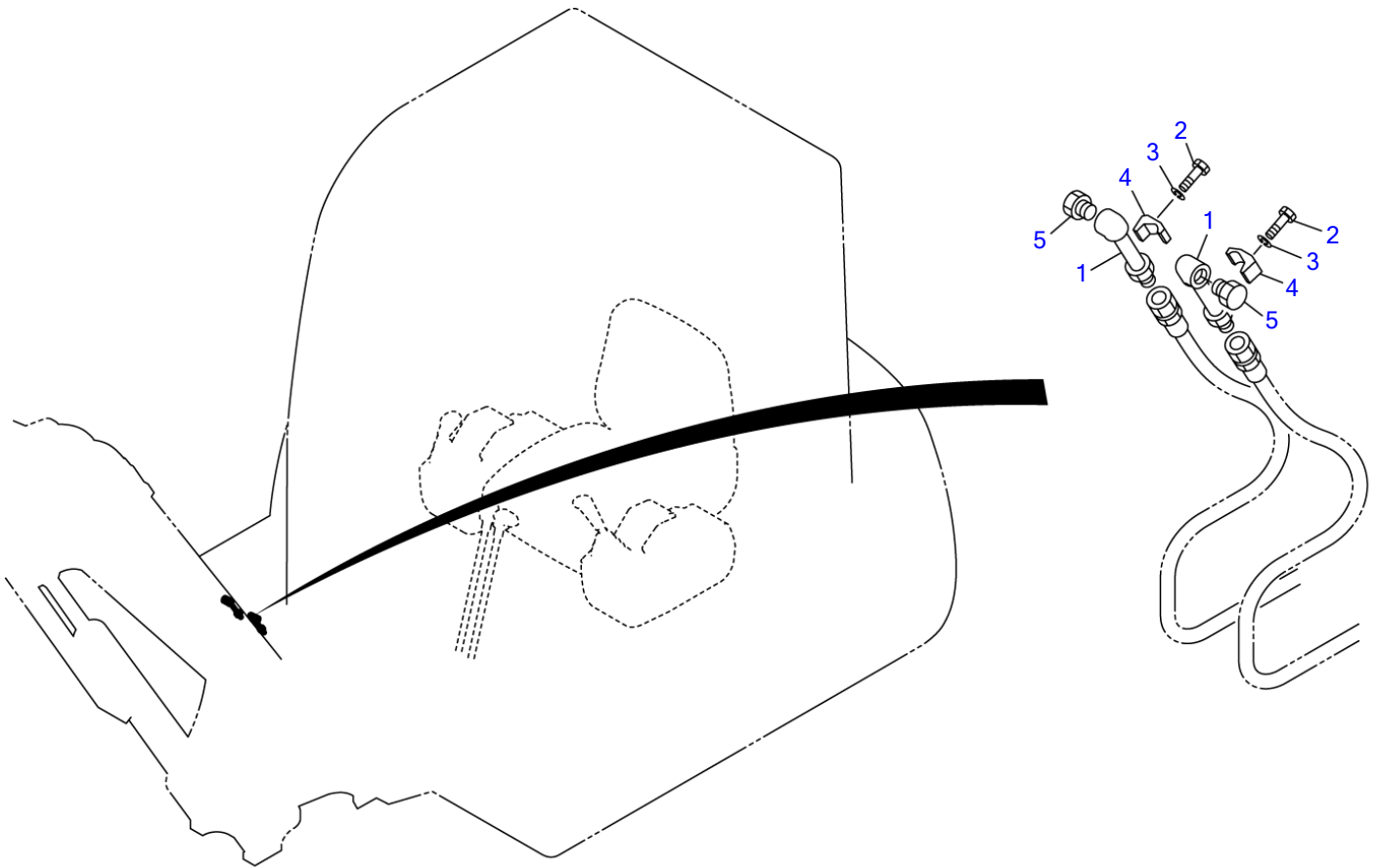
| Item | Part number       | Description        | Q'ty | Chan. | Serial No. | Serv. | Remarks          |
|------|-------------------|--------------------|------|-------|------------|-------|------------------|
| 0    | <b>0376221500</b> | BUCKET ASSY        | 1    |       |            |       | 609wide No.23613 |
| 1    | X *****           | ▪ BUCKET           | 1    |       |            |       |                  |
| 1-14 | <b>1914200381</b> | ▪ ▪ ADAPTOR, tooth | 4    |       |            |       |                  |
| 2    | <b>1914200182</b> | ▪ POINT, tooth     | 4    |       |            |       |                  |
| 3    | <b>1914200184</b> | ▪ PIN, lock        | 4    |       |            |       |                  |
| 4    | <b>1914200183</b> | ▪ PIN              | 4    |       |            |       |                  |
|      | <b>G4f100</b>     |                    |      |       |            |       |                  |

TB135 Book No. BG4Z010 S/N 13510004-  
AUXILIARY LINE



**AUXILIARY LINE**

| Item | Part number       | Description                        | Q'ty | Chan. | Serial No.        | Serv. | Remarks        |
|------|-------------------|------------------------------------|------|-------|-------------------|-------|----------------|
| 0    | <b>0377306000</b> | AUXILIARY LINE ASSY                |      |       | 13510004~13510306 |       | X03773-06000-4 |
|      | <b>0377308000</b> | AUXILIARY LINE ASSY                |      |       | 13510307~         |       | X03773-08000-3 |
|      | <b>0377307000</b> | AUXILIARY LINE ASSY (for long arm) |      |       | 13510004~13510306 |       | X03773-07000-4 |
|      | <b>0377309000</b> | AUXILIARY LINE ASSY (for long arm) |      |       | 13510307~         |       | X03773-09000-3 |
| 1    | <b>0377306100</b> | • PIPE (R.H.)                      | 1    |       |                   |       |                |
| 2    | <b>0377306200</b> | • PIPE (L.H.)                      | 1    |       |                   |       |                |
| 6    | <b>1901719800</b> | • VALVE , stop                     | 2    |       |                   |       |                |
| 7    | <b>0377306800</b> | • RUBBER                           | 2    |       | 13510004~13510306 |       |                |
| 8    | <b>1140020010</b> | • WASHER, spring                   | 6    |       | 13513553~         |       |                |
| 9    | <b>1100040816</b> | • BOLT                             | 4    |       |                   |       |                |
| 10   | <b>1100040840</b> | • BOLT                             | 6    |       | 13510004~13513552 |       |                |
|      | <b>1100041045</b> | • BOLT                             | 6    |       | 13513553~         |       |                |
| 11   | <b>1140020008</b> | • WASHER, spring                   | 10   |       | 13510004~13513552 |       |                |
|      | <b>1140020008</b> | • WASHER, spring                   | 4    |       | 13513553~         |       |                |
| 12   | <b>1501750004</b> | • PLUG                             | 2    |       |                   |       |                |
|      | <b>1420010180</b> | • • O-RING                         | 1    |       |                   |       |                |
| 13   | <b>1534100217</b> | • CLAMP                            | 6    |       | 13510004~13513552 |       |                |
|      | <b>1534100218</b> | • CLAMP                            | 6    |       | 13513553~         |       |                |
| 14   | <b>1801642072</b> | • HOSE ASSY                        | 2    |       | 13510004~13510111 |       |                |
|      | <b>1801640074</b> | • HOSE ASSY                        | 2    |       | 13510112~         |       |                |
| 15   | <b>1515100112</b> | • ELBOW                            | 2    |       | 13510112~         |       |                |
|      | <b>1420010180</b> | • • O-RING                         | 1    |       |                   |       |                |
| 16   | <b>1801640098</b> | • HOSE ASSY                        | 2    |       |                   |       | for long arm   |
|      | <b>G4f073</b>     |                                    |      |       |                   |       |                |

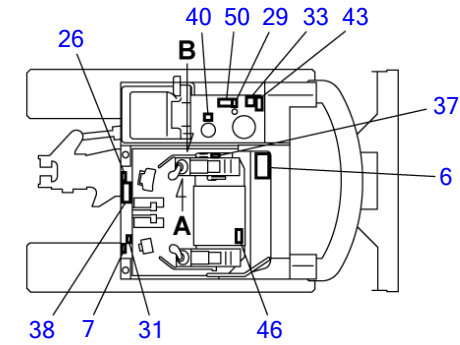
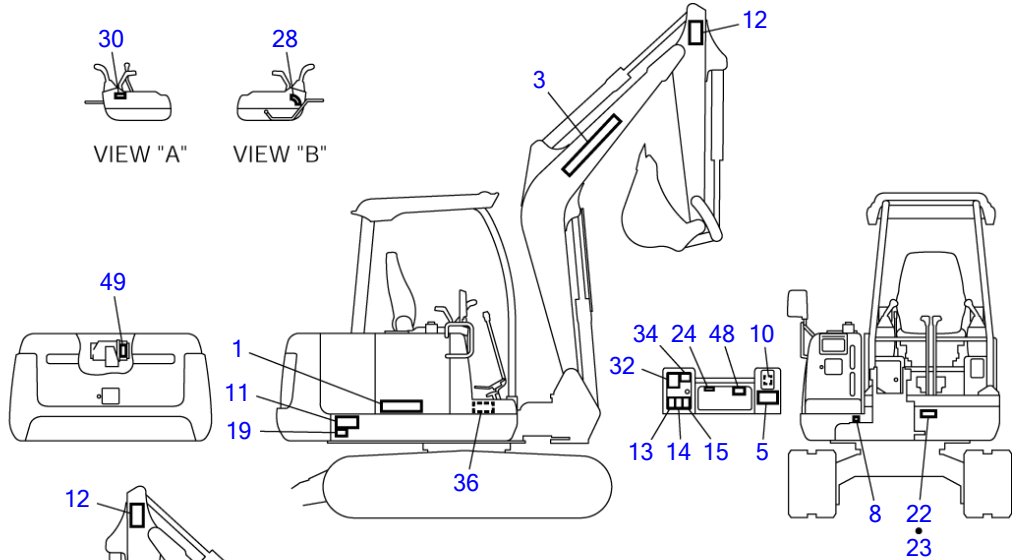
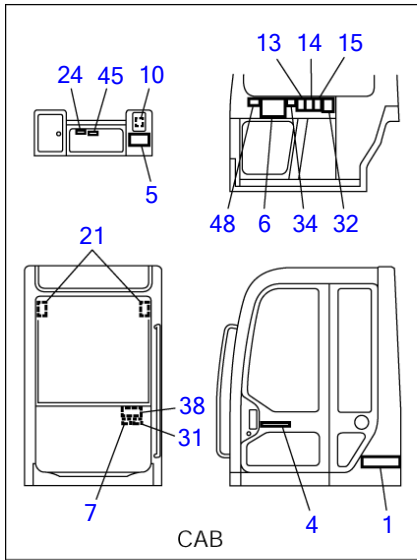


G4F080

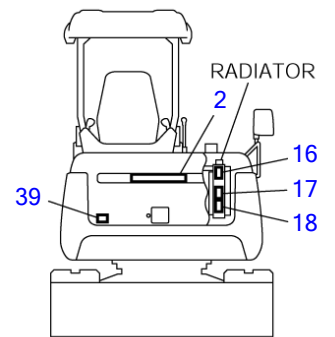
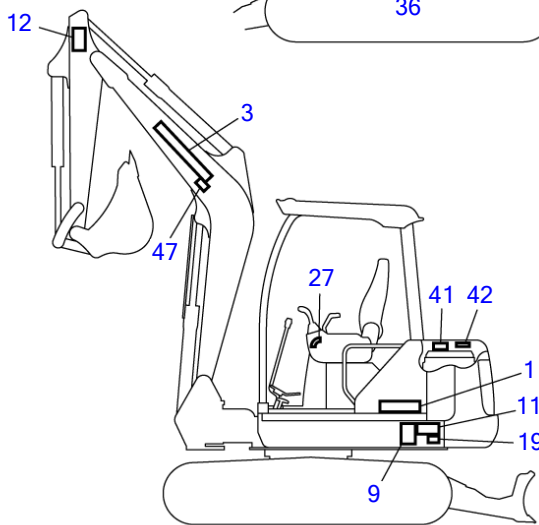
S=FREE

| Item | Part number       | Description    | PLUG ASSY |       | Serial No.        | Serv. | Remarks        |
|------|-------------------|----------------|-----------|-------|-------------------|-------|----------------|
|      |                   |                | Q'ty      | Chan. |                   |       |                |
|      |                   | PLUG ASSY      |           |       |                   |       | X03778-00000-2 |
| 1    | <b>0377800010</b> | ADAPTOR        | 2         |       |                   |       |                |
| 2    | <b>1100040840</b> | BOLT           | 2         |       | 13510004~13513552 |       |                |
|      | <b>1100041045</b> | BOLT           | 2         |       | 13513553~         |       |                |
| 3    | <b>1140020008</b> | WASHER, spring | 2         |       | 13510004~13513552 |       |                |
|      | <b>1140020010</b> | WASHER, spring | 2         |       | 13513553~         |       |                |
| 4    | <b>1534100217</b> | CLAMP          | 2         |       | 13510004~13513552 |       |                |
|      | <b>1534100218</b> | CLAMP          | 2         |       | 13513553~         |       |                |
| 5    | <b>1501750004</b> | PLUG           | 2         |       |                   |       |                |
|      | <b>1420010180</b> | · O-RING       | 1         |       |                   |       |                |
|      | <b>G4f082</b>     |                |           |       |                   |       |                |

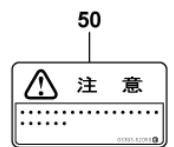
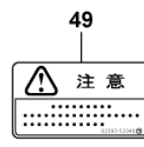
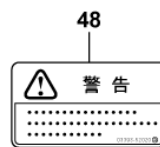
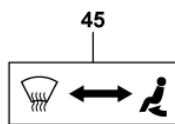
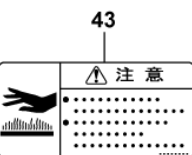
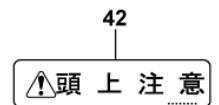
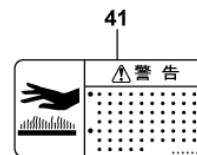
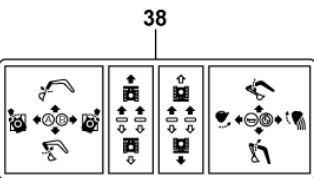
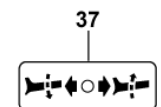
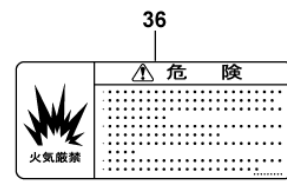
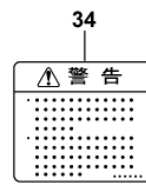
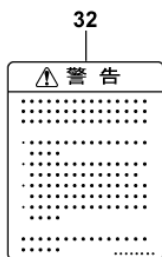
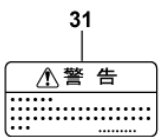
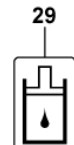
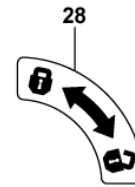
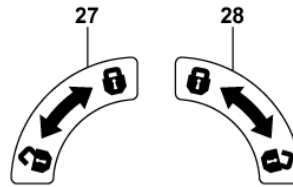
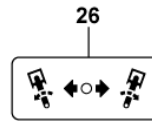
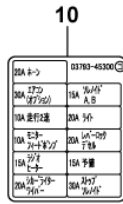
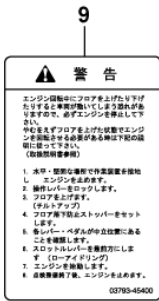
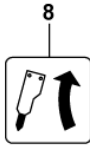
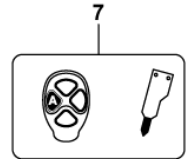
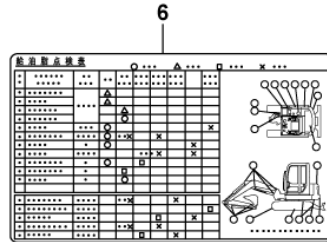
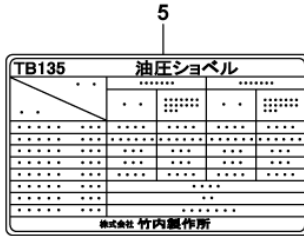
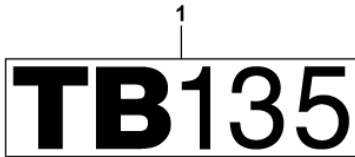
TB135 Book No. BG4Z010 S/N 13510004-  
 DECAL (for Japan; 13510004-13514050)



G4G012

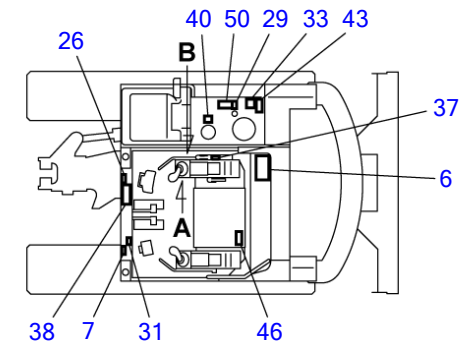
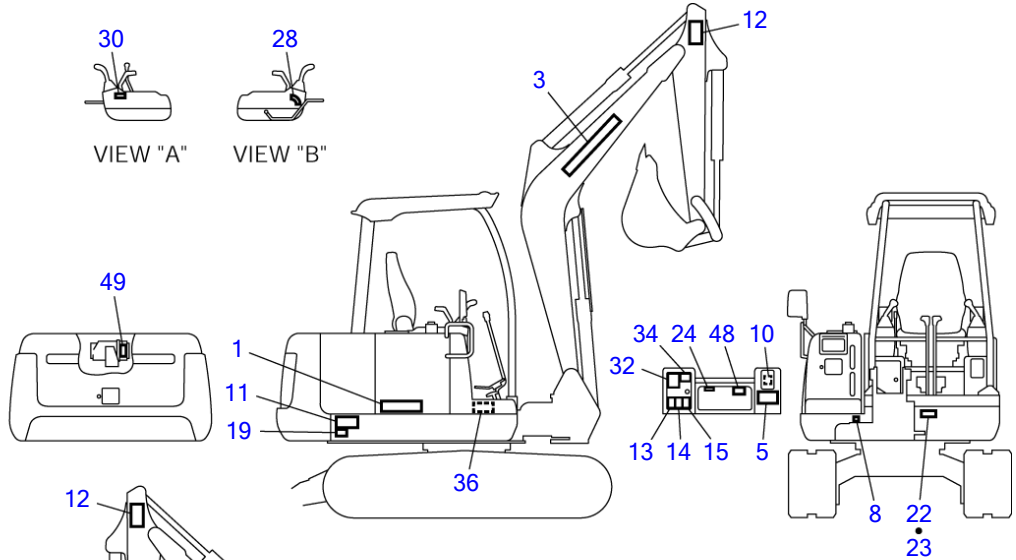
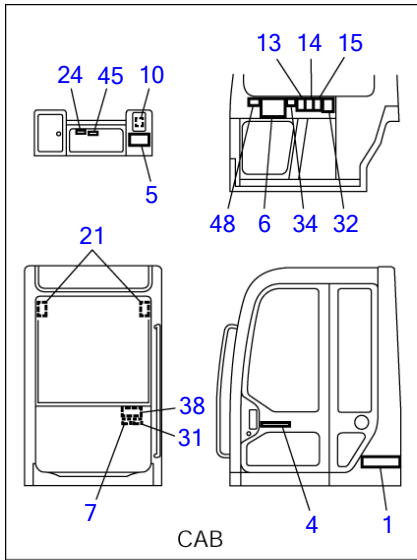


S=FREE

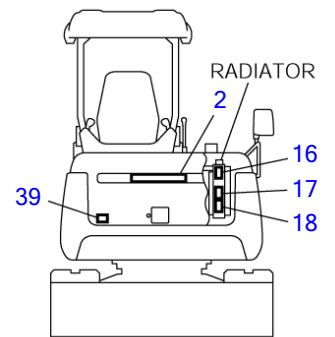
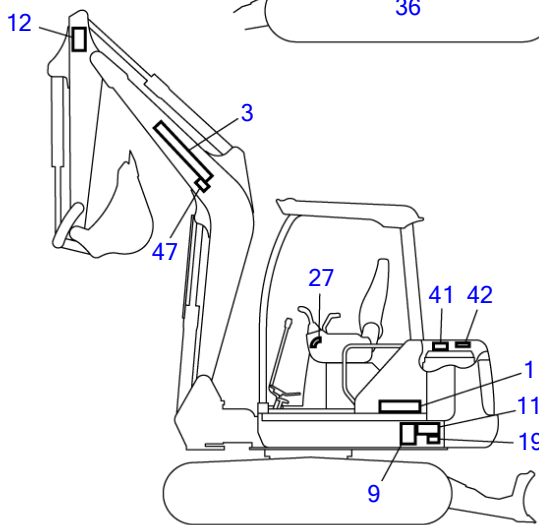


G4G022

TB135 Book No. BG4Z010 S/N 13510004-  
 DECAL (for Japan; 13510004-13514050)



G4G012



S=FREE

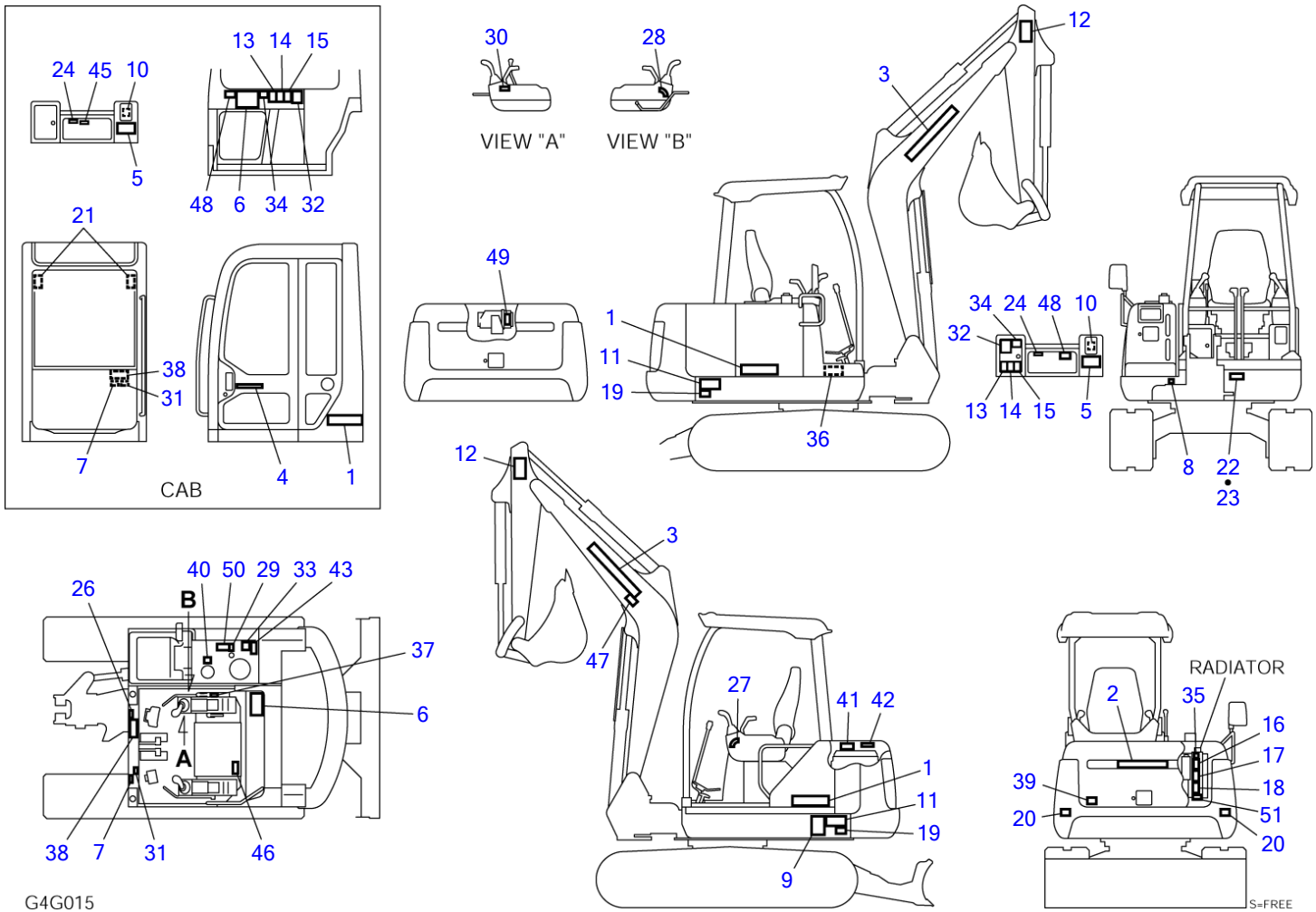


**DECAL (for Japan; 13510004-13514050)**

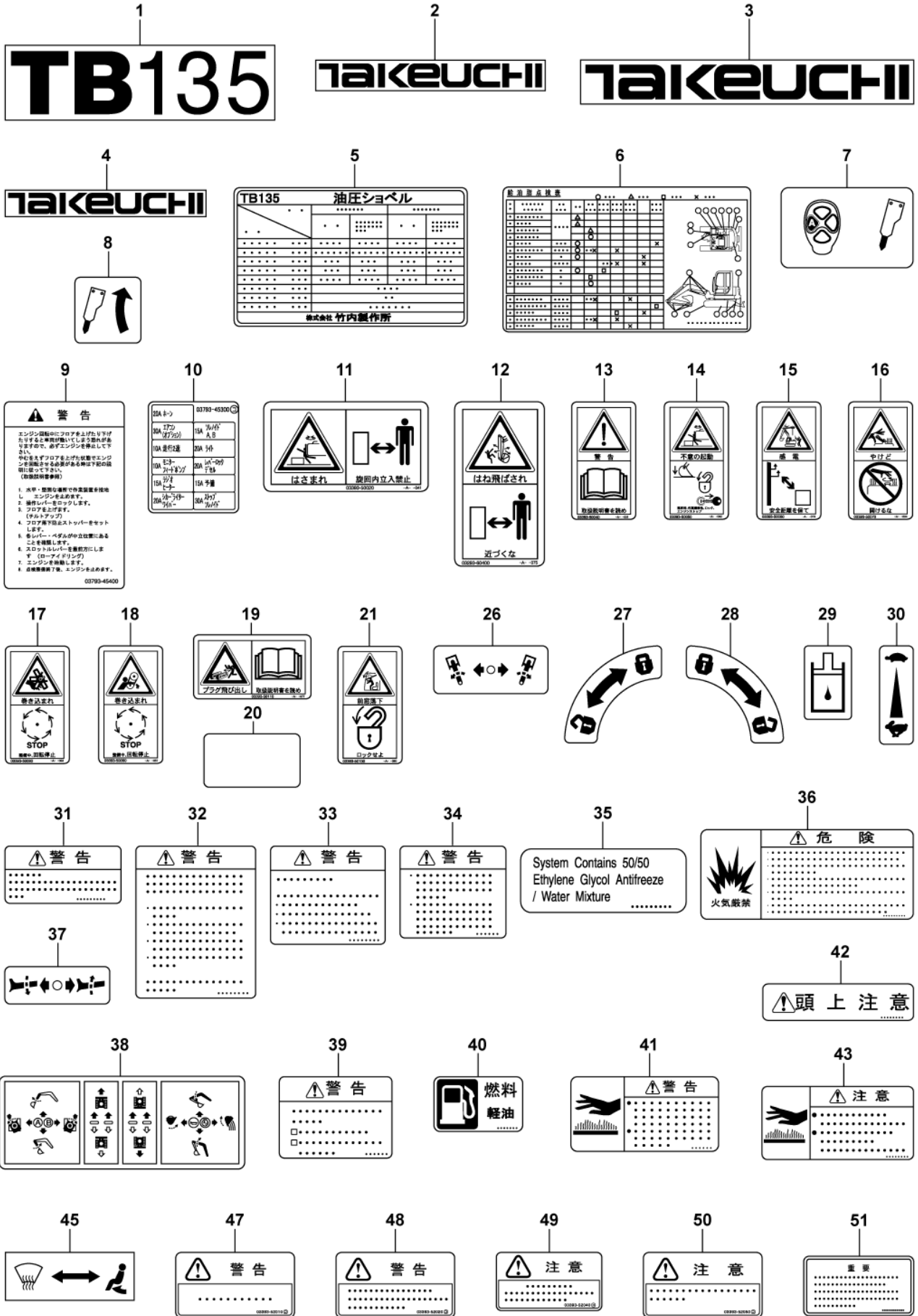
| Item | Part number | Description        | Q'ty | Chan. | Serial No. | Serv. | Remarks        |
|------|-------------|--------------------|------|-------|------------|-------|----------------|
| 0    | 0379345000  | DECAL SET (canopy) | 1    |       |            |       | X03793-45000-8 |
|      | 0379346000  | DECAL SET (cab)    | 1    |       |            |       | X03793-46000-8 |
| 1    | 0379345200  | • DECAL            | 2    |       |            |       |                |
| 2    | 0329350200  | • DECAL            | 1    |       |            |       |                |
| 3    | 0359306300  | • DECAL            | 2    |       |            |       |                |
| 4    | 0569321400  | • DECAL            | 1    |       |            |       | cab            |
| 5    | 0379345600  | • DECAL            | 1    |       |            |       |                |
| 6    | 0379336100  | • DECAL            | 1    |       |            |       |                |
| 7    | 0379336800  | • DECAL            | 1    |       |            |       |                |
| 8    | 0359325220  | • DECAL            | 1    |       |            |       |                |
| 9    | 0379345400  | • DECAL            | 1    |       |            |       |                |
| 10   | 0379345300  | • DECAL            | 1    |       |            |       |                |
| 11   | 0339350020  | • DECAL            | 2    |       |            |       |                |
| 12   | 0329360400  | • DECAL            | 2    |       |            |       |                |
| 13   | 0339350040  | • DECAL            | 1    |       |            |       |                |
| 14   | 0339350050  | • DECAL            | 1    |       |            |       |                |
| 15   | 0339350060  | • DECAL            | 1    |       |            |       |                |
| 16   | 0339350070  | • DECAL            | 1    |       |            |       |                |
| 17   | 0339350080  | • DECAL            | 1    |       |            |       |                |
| 18   | 0339350090  | • DECAL            | 1    |       |            |       |                |
| 19   | 0339350110  | • DECAL            | 2    |       |            |       |                |
| 21   | 0339350130  | • DECAL            | 2    |       |            |       | cab            |
| 22   | X *****     | • DECAL            | 1    |       |            |       |                |
| 23   | X *****     | • SCREW            | 4    |       |            |       |                |
| 24   | X *****     | • DECAL            | 1    |       |            |       |                |
| 26   | 0329360060  | • DECAL            | 1    |       |            |       |                |
| 27   | 0329360100  | • DECAL            | 1    |       |            |       |                |
| 28   | 0349325020  | • DECAL            | 1    |       |            |       | canopy         |
| 29   | 0359306700  | • DECAL            | 1    |       |            |       |                |
| 30   | 0359317200  | • DECAL            | 1    |       |            |       |                |
| 31   | 0359325020  | • DECAL            | 1    |       |            |       |                |
| 32   | 0359325030  | • DECAL            | 1    |       |            |       |                |
| 33   | 0359325080  | • DECAL            | 1    |       |            |       |                |
| 34   | 0359325090  | • DECAL            | 1    |       |            |       |                |
| 36   | 0359325140  | • DECAL            | 1    |       |            |       |                |
| 37   | 0359325190  | • DECAL            | 1    |       |            |       |                |
| 38   | 0379336600  | • DECAL            | 1    |       |            |       |                |
| 39   | 0871082120  | • DECAL            | 1    |       |            |       |                |
| 40   | 0871082240  | • DECAL            | 1    |       |            |       |                |
| 41   | 0871082280  | • DECAL            | 1    |       |            |       |                |
| 42   | 0871082300  | • DECAL            | 1    |       |            |       |                |
| 43   | 0871082220  | • DECAL            | 1    |       |            |       |                |
| 45   | 0394504900  | • DECAL            | 1    |       |            |       | cab            |
| 46   | 0189311800  | • DECAL            | 1    |       |            |       | cab            |
| 47   | 0339352010  | • DECAL            | 1    |       | 13512677~  |       |                |
| 48   | 0339352020  | • DECAL            | 1    |       | 13512677~  |       |                |
| 49   | 0339352040  | • DECAL            | 1    |       | 13512677~  |       |                |
| 50   | 0339352050  | • DECAL            | 1    |       | 13512677~  |       |                |

G4g012

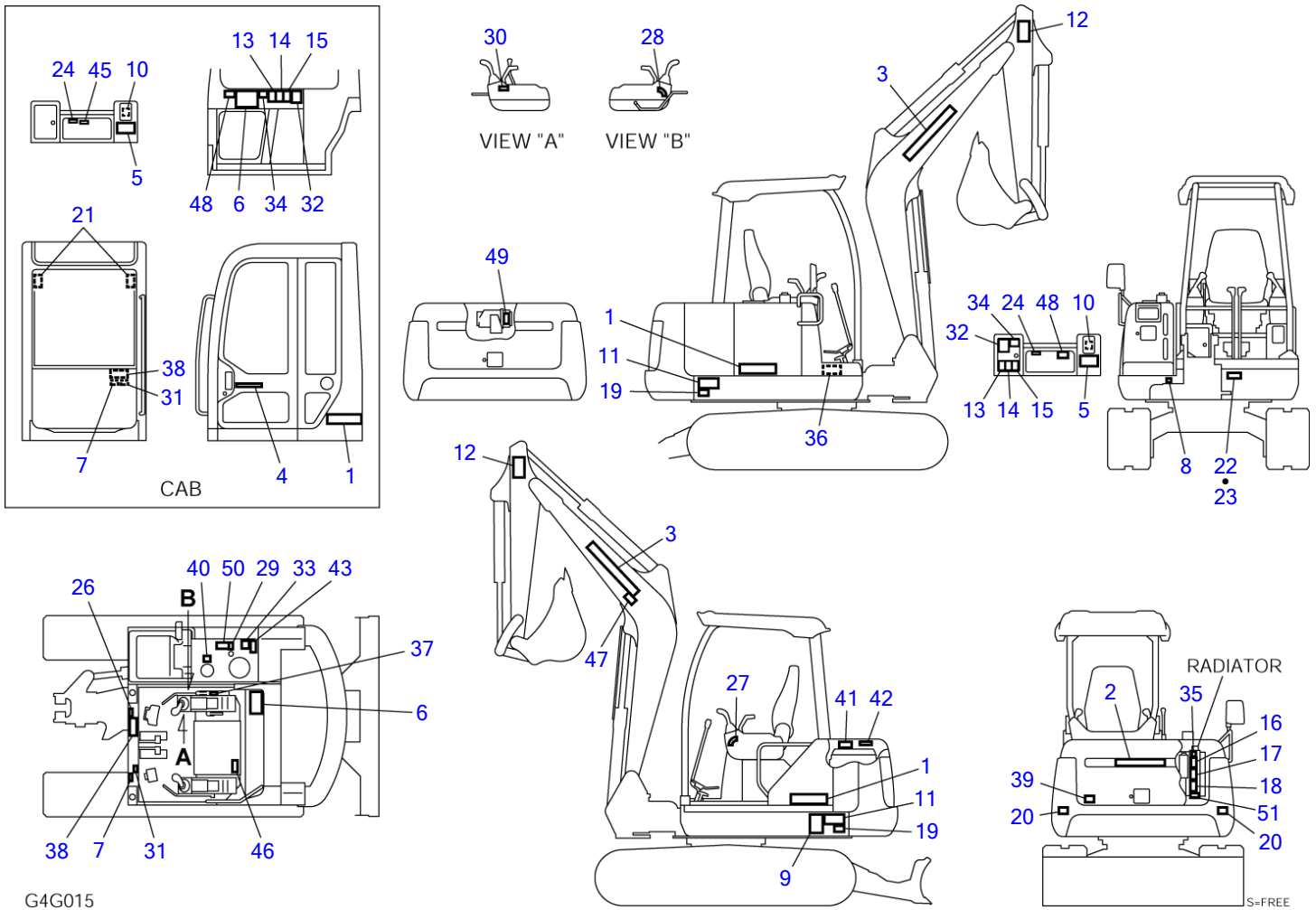
TB135 Book No. BG4Z010 S/N 13510004-  
 DECAL (for Japan; 13514051-)



G4G015



TB135 Book No. BG4Z010 S/N 13510004-  
 DECAL (for Japan; 13514051-)



G4G015

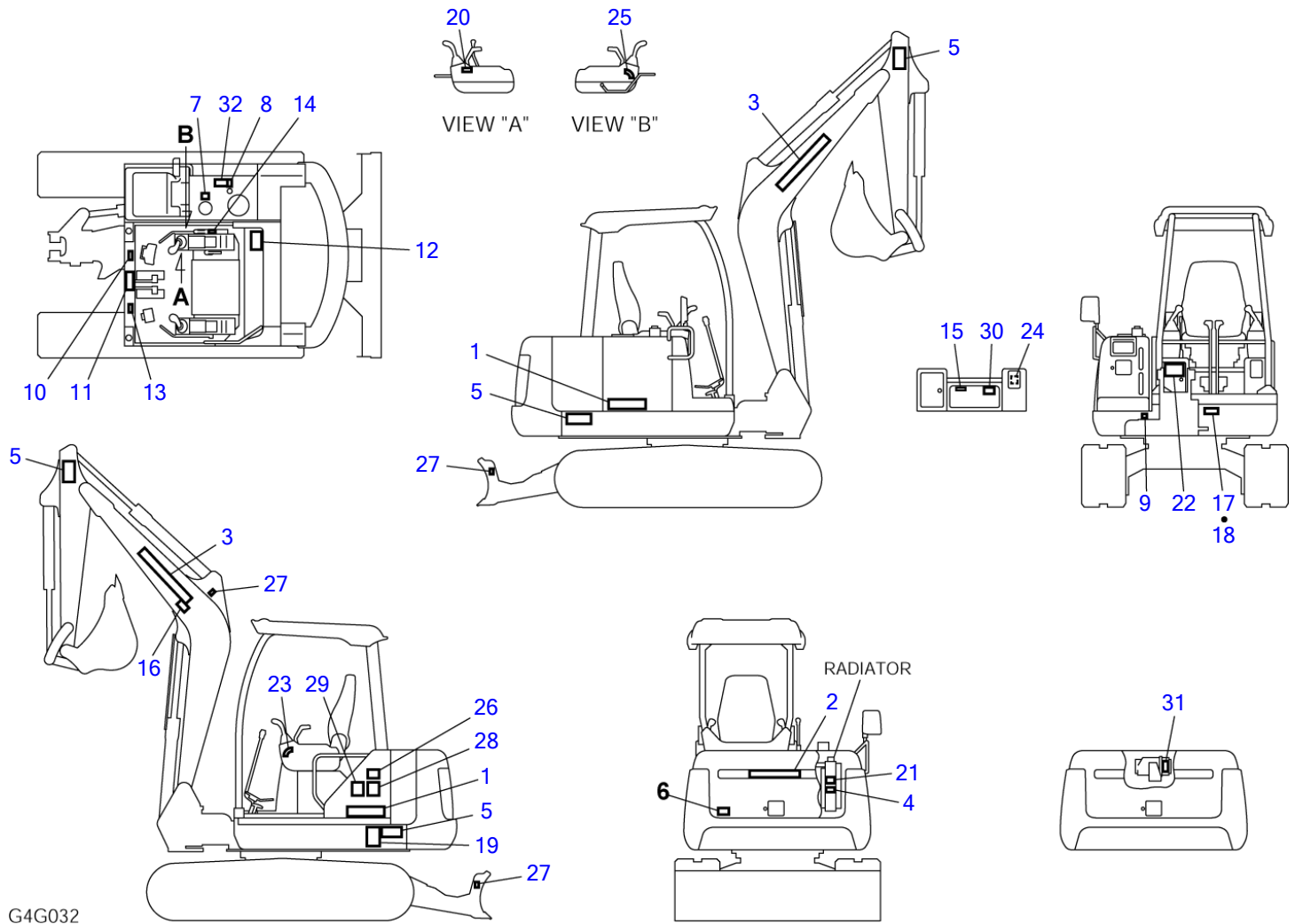
S=FREE

**DECAL (for Japan; 13514051-)**

| Item | Part number | Description        | Q'ty | Chan. | Serial No. | Serv. | Remarks        |
|------|-------------|--------------------|------|-------|------------|-------|----------------|
| 0    | 0379359800  | DECAL SET (canopy) | 1    |       |            |       | X03793-59800-4 |
|      | 0379359700  | DECAL SET (cab)    | 1    |       |            |       | X03793-59700-4 |
| 1    | 0379345200  | • DECAL            | 2    |       |            |       |                |
| 2    | 0329350200  | • DECAL            | 1    |       |            |       |                |
| 3    | 0359306300  | • DECAL            | 2    |       |            |       |                |
| 4    | 0569321400  | • DECAL            | 1    |       |            |       | cab            |
| 5    | 0379359705  | • DECAL            | 1    |       |            |       |                |
| 6    | 0379336100  | • DECAL            | 1    |       |            |       |                |
| 7    | 0379336800  | • DECAL            | 1    |       |            |       |                |
| 8    | 0359325220  | • DECAL            | 1    |       |            |       |                |
| 9    | 0379345400  | • DECAL            | 1    |       |            |       |                |
| 10   | 0379345300  | • DECAL            | 1    |       |            |       |                |
| 11   | 0339350020  | • DECAL            | 2    |       |            |       |                |
| 12   | 0329360400  | • DECAL            | 2    |       |            |       |                |
| 13   | 0339350040  | • DECAL            | 1    |       |            |       |                |
| 14   | 0339350050  | • DECAL            | 1    |       |            |       |                |
| 15   | 0339350060  | • DECAL            | 1    |       |            |       |                |
| 16   | 0339350070  | • DECAL            | 1    |       |            |       |                |
| 17   | 0339350080  | • DECAL            | 1    |       |            |       |                |
| 18   | 0339350090  | • DECAL            | 1    |       |            |       |                |
| 19   | 0339350110  | • DECAL            | 2    |       |            |       |                |
| 20   | 0379358560  | • DECAL            | 2    |       |            |       |                |
| 21   | 0339350130  | • DECAL            | 2    |       |            |       | cab            |
| 22   | X *****     | • DECAL            | 1    |       |            |       |                |
| 23   | X *****     | • SCREW            | 4    |       |            |       |                |
| 24   | X *****     | • DECAL            | 1    |       |            |       |                |
| 26   | 0329360060  | • DECAL            | 1    |       |            |       |                |
| 27   | 0329360100  | • DECAL            | 1    |       |            |       |                |
| 28   | 0349325020  | • DECAL            | 1    |       |            |       | canopy         |
| 29   | 0359306700  | • DECAL            | 1    |       |            |       |                |
| 30   | 0359317200  | • DECAL            | 1    |       |            |       |                |
| 31   | 0359325020  | • DECAL            | 1    |       |            |       |                |
| 32   | 0359325030  | • DECAL            | 1    |       |            |       |                |
| 33   | 0359325080  | • DECAL            | 1    |       |            |       |                |
| 34   | 0359325090  | • DECAL            | 1    |       |            |       |                |
| 35   | 0359313900  | • DECAL            | 1    |       |            |       |                |
| 36   | 0359325140  | • DECAL            | 1    |       |            |       |                |
| 37   | 0359325190  | • DECAL            | 1    |       |            |       |                |
| 38   | 0379336600  | • DECAL            | 1    |       |            |       |                |
| 39   | 0871082120  | • DECAL            | 1    |       |            |       |                |
| 40   | 0871082240  | • DECAL            | 1    |       |            |       |                |
| 41   | 0871082280  | • DECAL            | 1    |       |            |       |                |
| 42   | 0871082300  | • DECAL            | 1    |       |            |       |                |
| 43   | 0871082220  | • DECAL            | 1    |       |            |       |                |
| 45   | 0394504900  | • DECAL            | 1    |       |            |       | cab            |
| 46   | 0189311800  | • DECAL            | 1    |       |            |       | cab            |
| 47   | 0339352010  | • DECAL            | 1    |       | 13512677~  |       |                |
| 48   | 0339352020  | • DECAL            | 1    |       | 13512677~  |       |                |
| 49   | 0339352040  | • DECAL            | 1    |       | 13512677~  |       |                |
| 50   | 0339352050  | • DECAL            | 1    |       | 13512677~  |       |                |
| 51   | 0339377640  | • DECAL            | 1    |       | 13516745~  |       |                |

G4g016

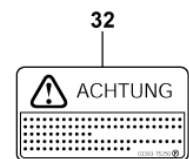
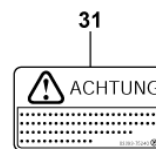
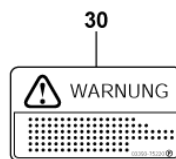
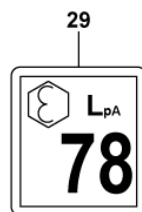
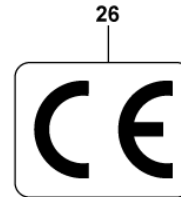
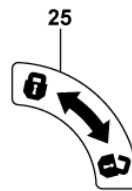
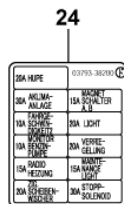
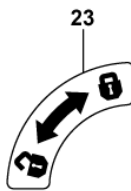
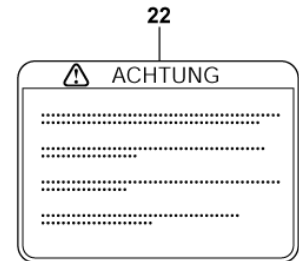
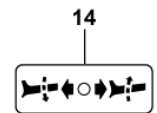
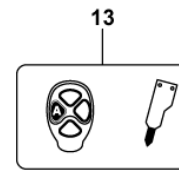
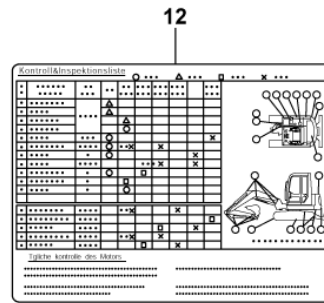
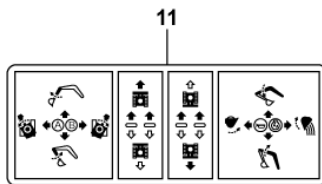
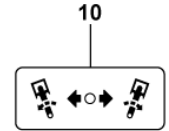
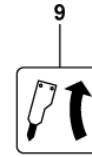
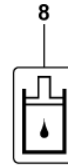
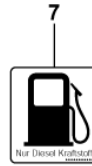
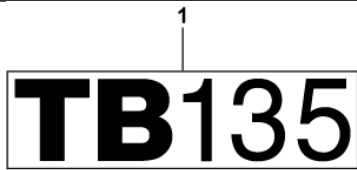
TB135 Book No. BG4Z010 S/N 13510004-  
 DECAL (canopy) (13510004-13514050)



G4G032

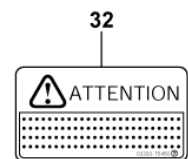
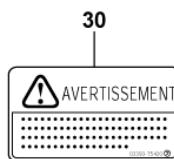
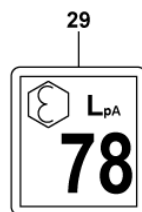
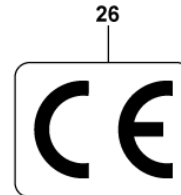
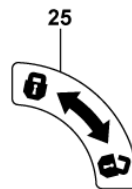
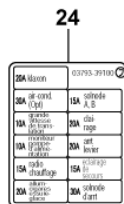
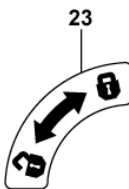
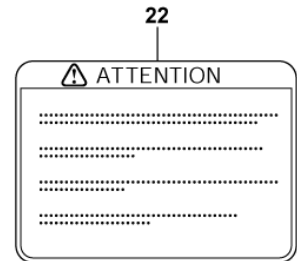
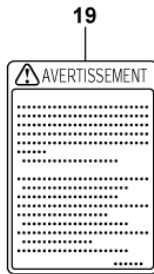
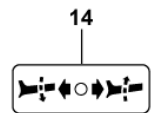
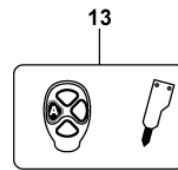
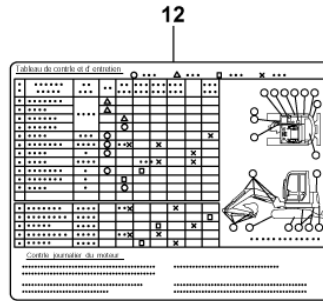
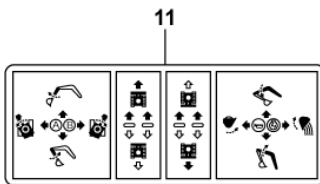
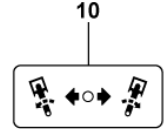
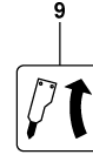
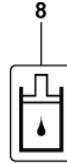
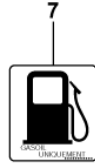
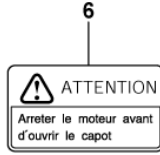
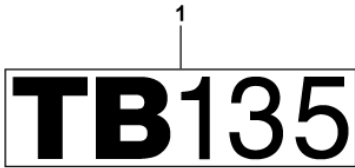
S=FREE





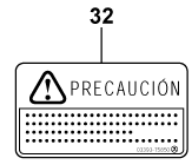
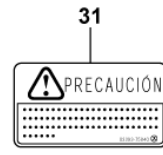
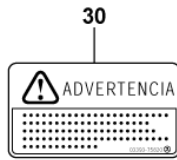
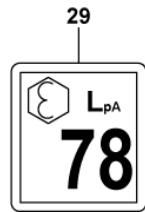
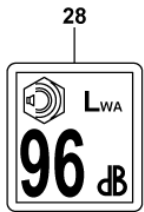
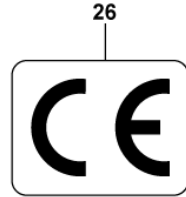
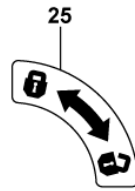
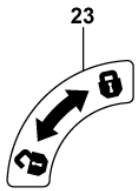
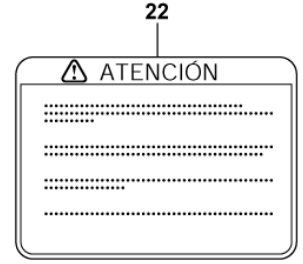
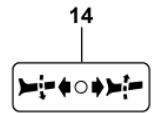
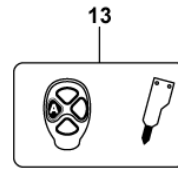
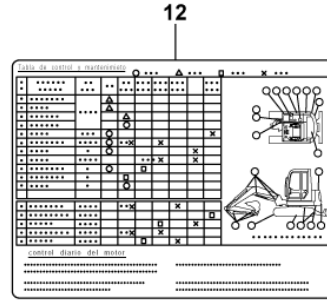
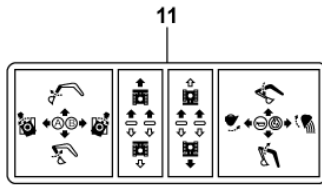
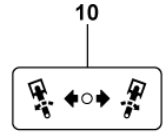
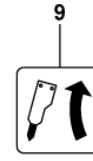
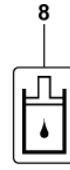
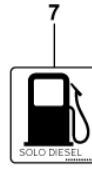
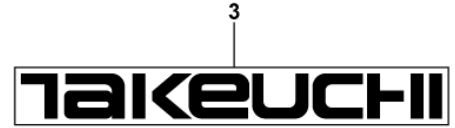
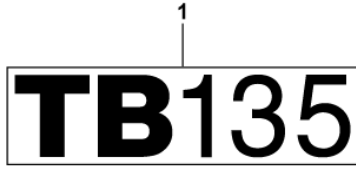
G4G052





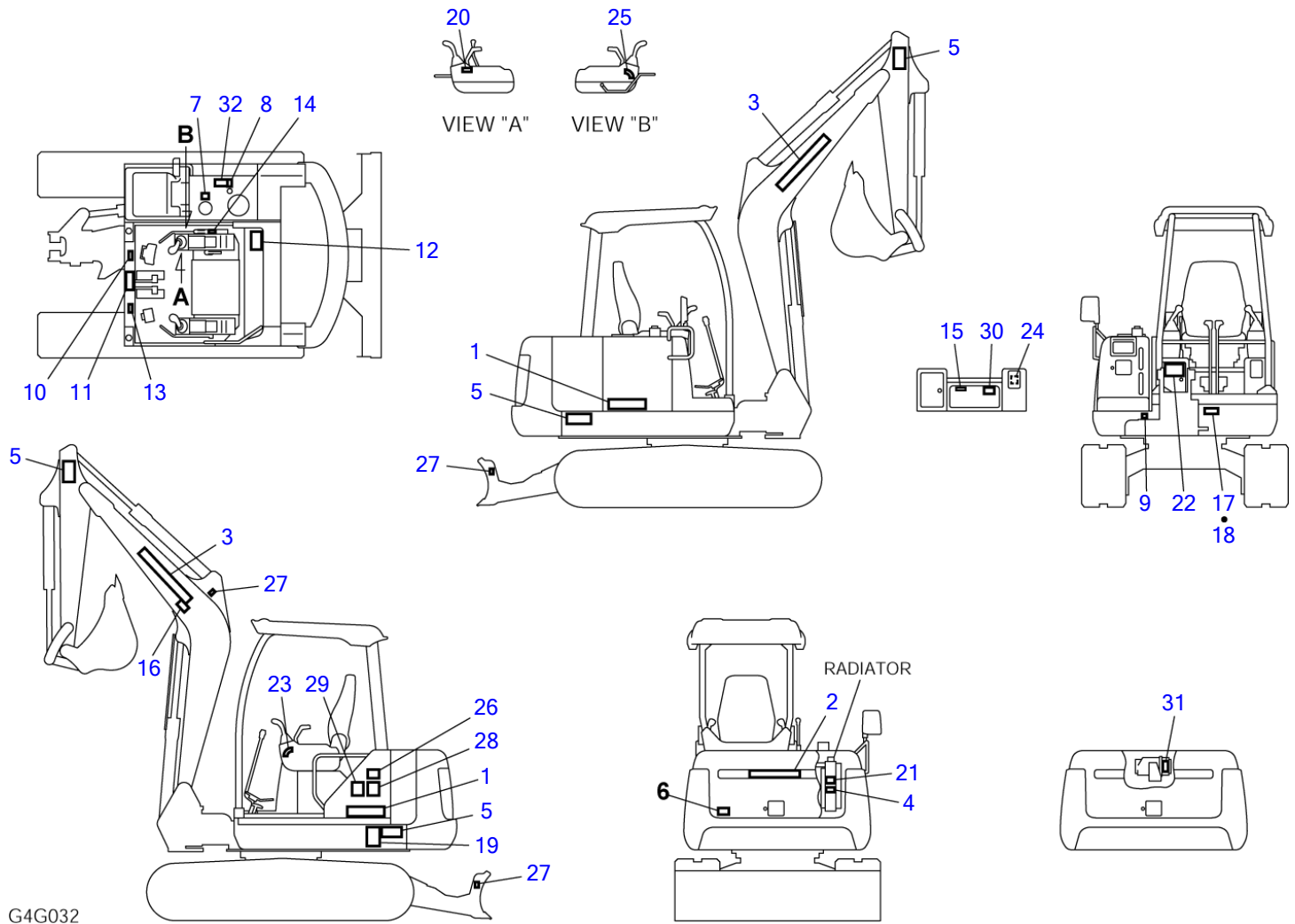
G4G062





G4G171

TB135 Book No. BG4Z010 S/N 13510004-  
 DECAL (canopy) (13510004-13514050)



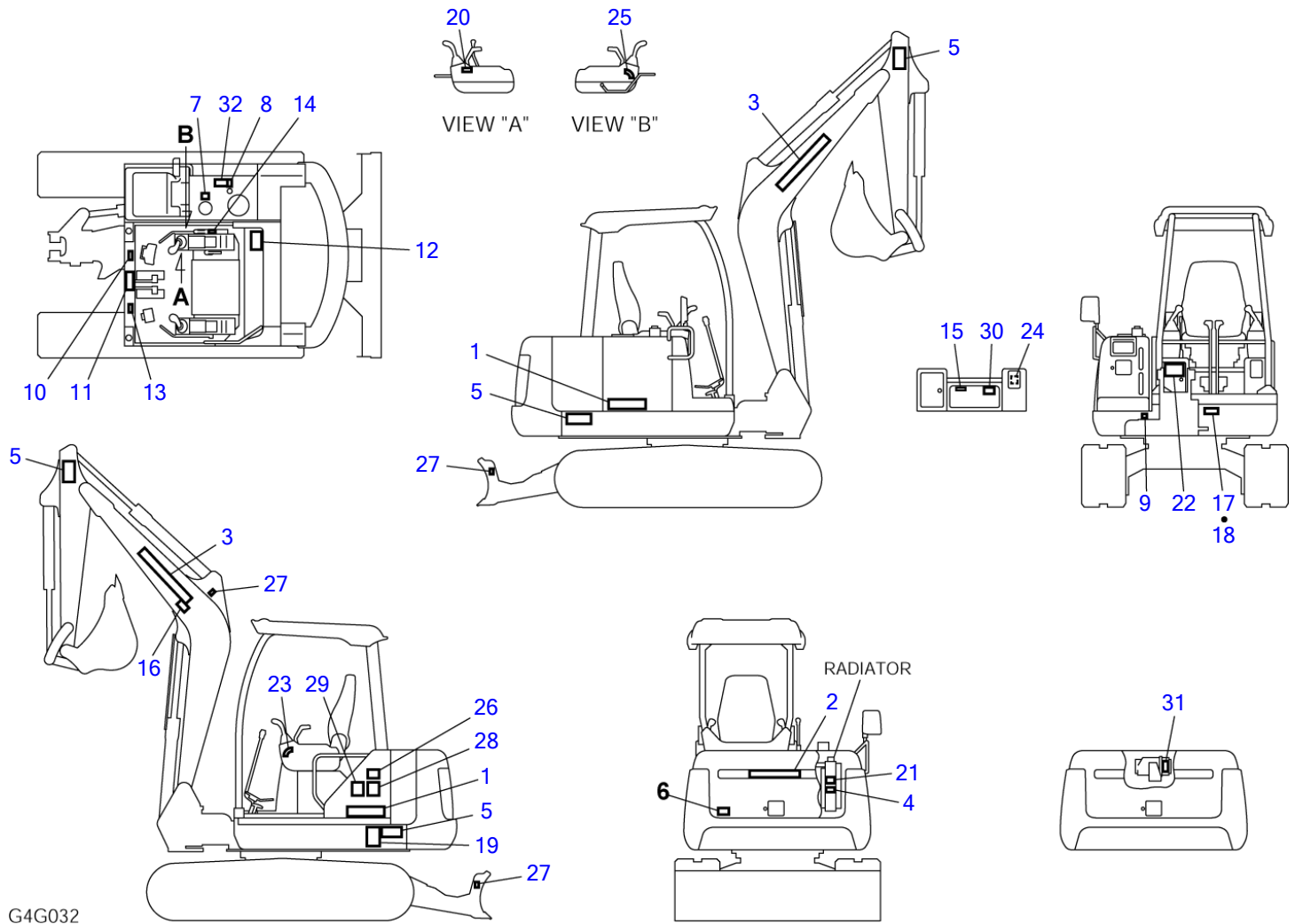
G4G032

S=FREE

**DECAL (canopy) (1351004-13514050)**

| Item | Part number       | Description                | Q'ty | Chan. | Serial No. | Serv. | Remarks         |
|------|-------------------|----------------------------|------|-------|------------|-------|-----------------|
| 0    | <b>0379341000</b> | DECAL SET (English)        | 1    |       |            |       | X03793-41000-11 |
|      | <b>0379342000</b> | DECAL SET (German)         | 1    |       |            |       | X03793-42000-11 |
|      | <b>0379343000</b> | DECAL SET (French)         | 1    |       |            |       | X03793-43000-11 |
|      | <b>0379344000</b> | DECAL SET (Italian)        | 1    |       |            |       | X03793-44000-11 |
|      | <b>0379355000</b> | DECAL SET (Spanish)        | 1    |       |            |       | X03793-55000-11 |
| 1    | <b>0379345200</b> | • DECAL                    | 2    |       |            |       |                 |
| 2    | <b>0329350200</b> | • DECAL                    | 1    |       |            |       |                 |
| 3    | <b>0359306300</b> | • DECAL                    | 2    |       |            |       |                 |
| 4    | <b>0379341100</b> | • DECAL                    | 1    |       | 13510184~  |       | 3TNE88-ETB1     |
| 5    | <b>0359306500</b> | • DECAL (English)          | 4    |       |            |       |                 |
|      | <b>0359308100</b> | • DECAL (German)           | 4    |       |            |       |                 |
|      | <b>0359309100</b> | • DECAL (French)           | 4    |       |            |       |                 |
|      | <b>0359310100</b> | • DECAL (Italian)          | 4    |       |            |       |                 |
|      | <b>0339364100</b> | • DECAL (Spanish)          | 4    |       |            |       |                 |
| 6    | <b>0359307400</b> | • DECAL (English)          | 1    |       |            |       |                 |
|      | <b>0359314400</b> | • DECAL (German)           | 1    |       |            |       |                 |
|      | <b>0359315400</b> | • DECAL (French)           | 1    |       |            |       |                 |
|      | <b>0359316400</b> | • DECAL (Italian)          | 1    |       |            |       |                 |
|      | <b>0339364200</b> | • DECAL (Spanish)          | 1    |       |            |       |                 |
| 7    | <b>0359306600</b> | • DECAL (English)          | 1    |       |            |       |                 |
|      | <b>0339375260</b> | • DECAL (German)           | 1    |       | 13512677~  |       |                 |
|      | <b>0339375460</b> | • DECAL (French)           | 1    |       | 13512677~  |       |                 |
|      | <b>0339375660</b> | • DECAL (Italian, Spanish) | 1    |       | 13512677~  |       |                 |
| 8    | <b>0359306700</b> | • DECAL                    | 1    |       |            |       |                 |
| 9    | <b>0359325220</b> | • DECAL                    | 1    |       |            |       |                 |
| 10   | <b>0329360060</b> | • DECAL                    | 1    |       |            |       |                 |
| 11   | <b>0379336600</b> | • DECAL                    | 1    |       |            |       |                 |
| 12   | <b>0379336200</b> | • DECAL (English)          | 1    |       |            |       |                 |
|      | <b>0379336300</b> | • DECAL (German)           | 1    |       |            |       |                 |
|      | <b>0379336400</b> | • DECAL (French)           | 1    |       |            |       |                 |
|      | <b>0379336500</b> | • DECAL (Italian)          | 1    |       |            |       |                 |
|      | <b>0379354100</b> | • DECAL (Spanish)          | 1    |       |            |       |                 |
| 13   | <b>0379336800</b> | • DECAL                    | 1    |       |            |       |                 |
| 14   | <b>0359325190</b> | • DECAL                    | 1    |       |            |       |                 |
| 15   | X *****           | • DECAL                    | 1    |       |            |       |                 |
| 16   | <b>0359347010</b> | • DECAL (English)          | 1    |       | 13512677~  |       |                 |
|      | <b>0339375210</b> | • DECAL (German)           | 1    |       | 13512677~  |       |                 |
|      | <b>0339375410</b> | • DECAL (French)           | 1    |       | 13512677~  |       |                 |
|      | <b>0339375610</b> | • DECAL (Italian)          | 1    |       | 13512677~  |       |                 |
|      | <b>0339375810</b> | • DECAL (Spanish)          | 1    |       | 13512677~  |       |                 |
| 17   | X *****           | • DECAL                    | 1    |       |            |       |                 |
| 18   | X *****           | • SCREW                    | 4    |       |            |       |                 |
| 19   | <b>0379337300</b> | • DECAL (English)          | 1    |       |            |       |                 |
|      | <b>0379338300</b> | • DECAL (German)           | 1    |       |            |       |                 |
|      | <b>0379339300</b> | • DECAL (French)           | 1    |       |            |       |                 |
|      | <b>0379340300</b> | • DECAL (Italian)          | 1    |       |            |       |                 |
|      | <b>0379354200</b> | • DECAL (Spanish)          | 1    |       |            |       |                 |
| 20   | <b>0359317200</b> | • DECAL                    | 1    |       |            |       |                 |
| 21   | <b>0569321980</b> | • DECAL (English)          | 1    |       |            |       |                 |
| 22   | <b>0359313700</b> | • DECAL (English)          | 1    |       |            |       |                 |
|      | <b>0359314700</b> | • DECAL (German)           | 1    |       |            |       |                 |
|      | <b>0359315700</b> | • DECAL (French)           | 1    |       |            |       |                 |
|      | <b>0359316700</b> | • DECAL (Italian)          | 1    |       |            |       |                 |
|      | <b>0339364500</b> | • DECAL (Spanish)          | 1    |       |            |       |                 |
| 23   | <b>0329360100</b> | • DECAL                    | 1    |       |            |       |                 |
| 24   | <b>0379337100</b> | • DECAL (English)          | 1    |       |            |       |                 |
|      | <b>0379338200</b> | • DECAL (German)           | 1    |       |            |       |                 |
|      | <b>0379339100</b> | • DECAL (French)           | 1    |       |            |       |                 |
|      | <b>0379340100</b> | • DECAL (Italian)          | 1    |       |            |       |                 |
|      | <b>0379354300</b> | • DECAL (Spanish)          | 1    |       |            |       |                 |
| 25   | <b>0349325020</b> | • DECAL                    | 1    |       |            |       |                 |
| 26   | X *****           | • DECAL                    | 1    |       |            |       |                 |
| 27   | <b>0399300500</b> | • DECAL                    | 3    |       |            |       |                 |
| 28   | X *****           | • DECAL                    | 1    |       |            |       |                 |
| 29   | X *****           | • DECAL                    | 1    |       |            |       |                 |
| 30   | <b>0359347020</b> | • DECAL (English)          | 1    |       | 13512677~  |       |                 |
|      | <b>0339375220</b> | • DECAL (German)           | 1    |       | 13512677~  |       |                 |
|      | <b>0339375420</b> | • DECAL (French)           | 1    |       | 13512677~  |       |                 |

TB135 Book No. BG4Z010 S/N 13510004-  
 DECAL (canopy) (13510004-13514050)

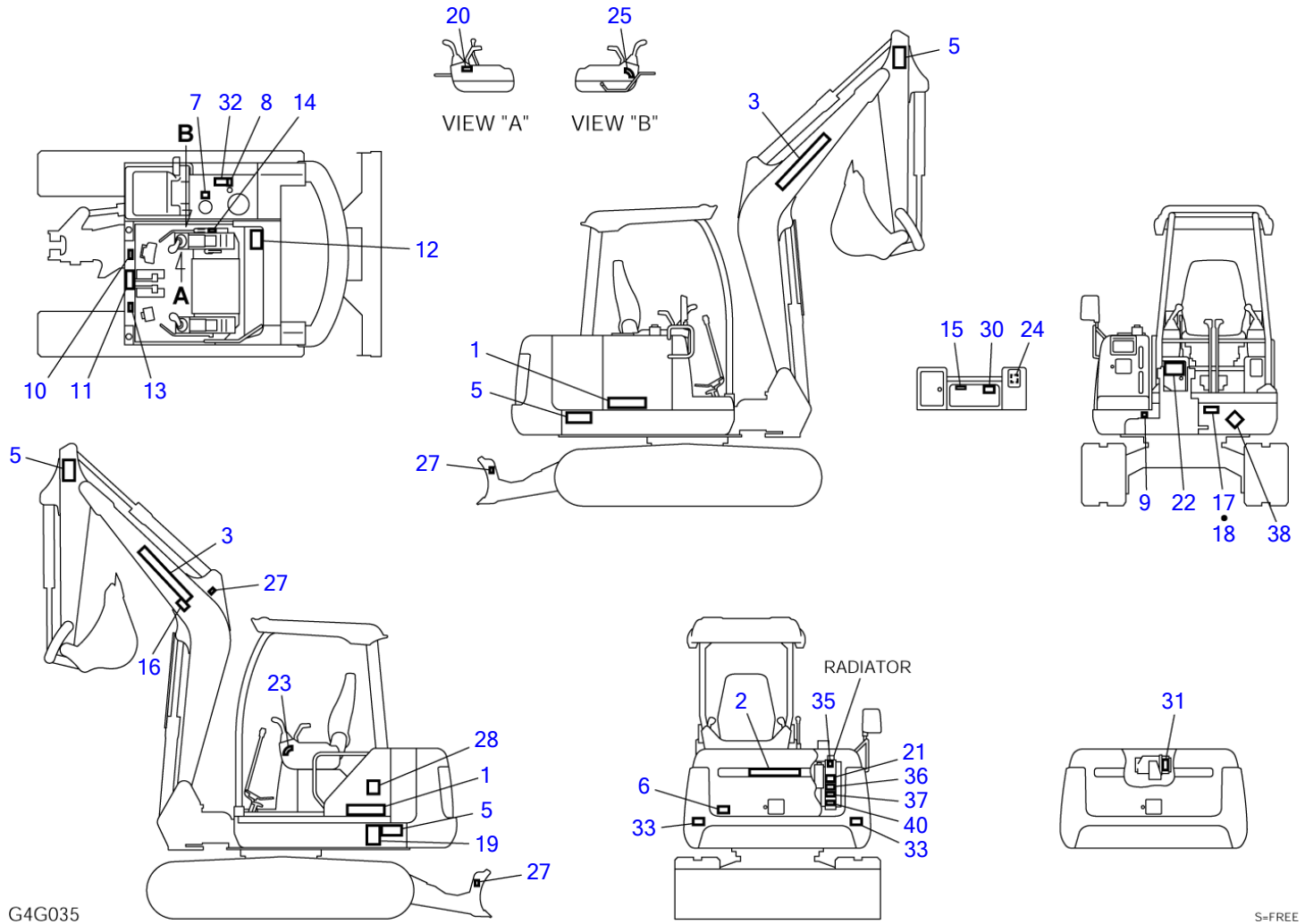


G4G032

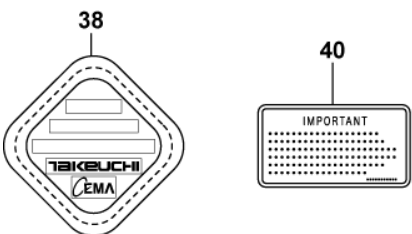
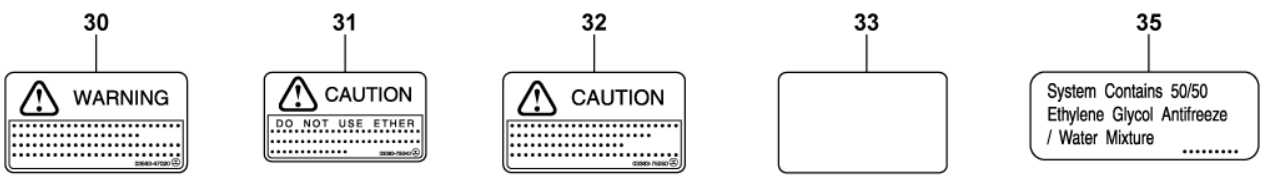
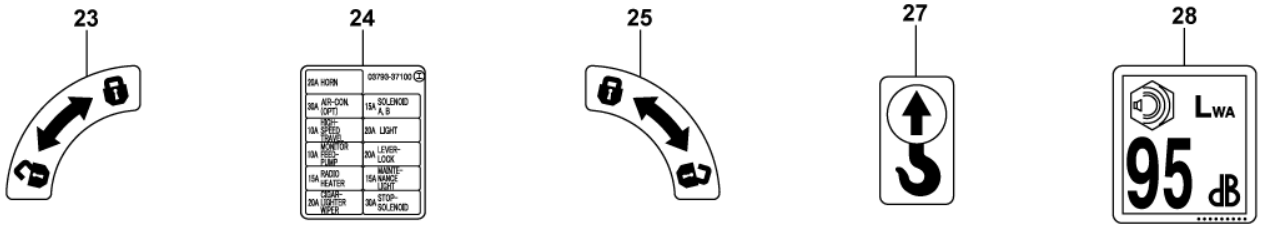
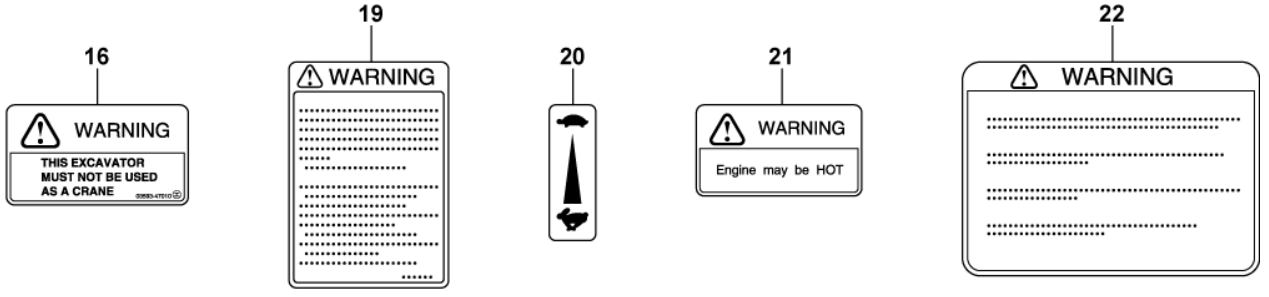
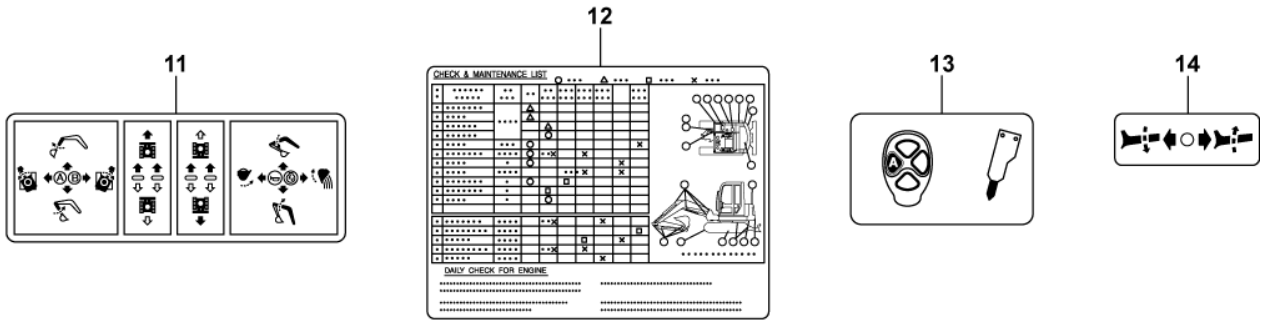
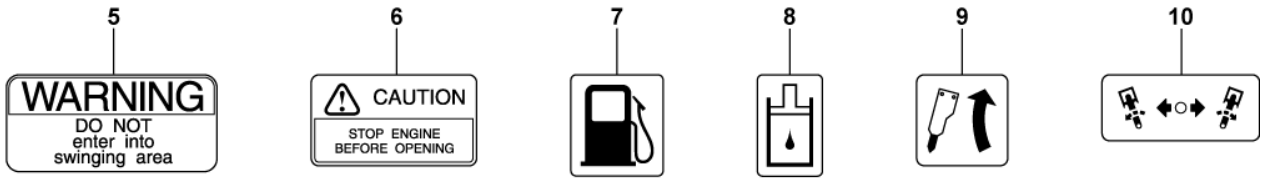
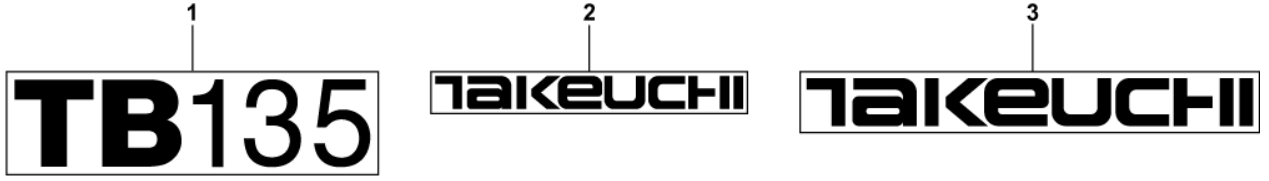
S=FREE

**DECAL (canopy) (13510004-13514050)**

| Item | Part number       | Description       | Q'ty | Chan. | Serial No. | Serv. | Remarks |
|------|-------------------|-------------------|------|-------|------------|-------|---------|
| 30   | <b>0339375620</b> | • DECAL (Italian) | 1    |       | 13512677~  |       |         |
| 30   | <b>0339375820</b> | • DECAL (Spanish) | 1    |       | 13512677~  |       |         |
| 31   | <b>0339375040</b> | • DECAL (English) | 1    |       | 13512677~  |       |         |
| 31   | <b>0339375240</b> | • DECAL (German)  | 1    |       | 13512677~  |       |         |
| 31   | <b>0339375440</b> | • DECAL (French)  | 1    |       | 13512677~  |       |         |
| 31   | <b>0339375640</b> | • DECAL (Italian) | 1    |       | 13512677~  |       |         |
| 31   | <b>0339375840</b> | • DECAL (Spanish) | 1    |       | 13512677~  |       |         |
| 32   | <b>0339375050</b> | • DECAL (English) | 1    |       | 13512677~  |       |         |
| 32   | <b>0339375250</b> | • DECAL (German)  | 1    |       | 13512677~  |       |         |
| 32   | <b>0339375450</b> | • DECAL (French)  | 1    |       | 13512677~  |       |         |
| 32   | <b>0339375650</b> | • DECAL (Italian) | 1    |       | 13512677~  |       |         |
| 32   | <b>0339375850</b> | • DECAL (Spanish) | 1    |       | 13512677~  |       |         |
|      | <b>G4g032</b>     |                   |      |       |            |       |         |













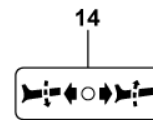
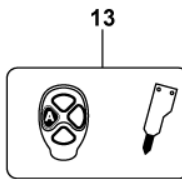
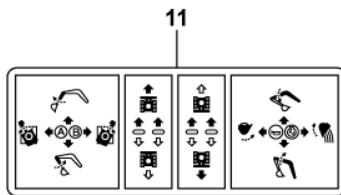
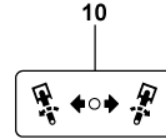
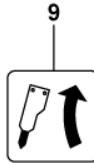
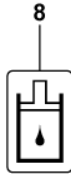




1  
**TB135**

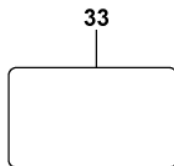
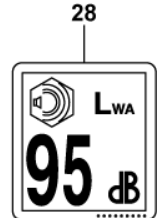
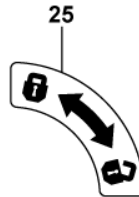
2  
**TAKEUCHI**

3  
**TAKEUCHI**



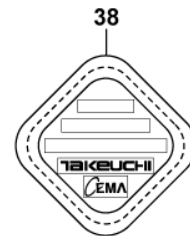
24

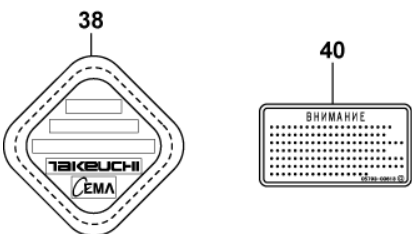
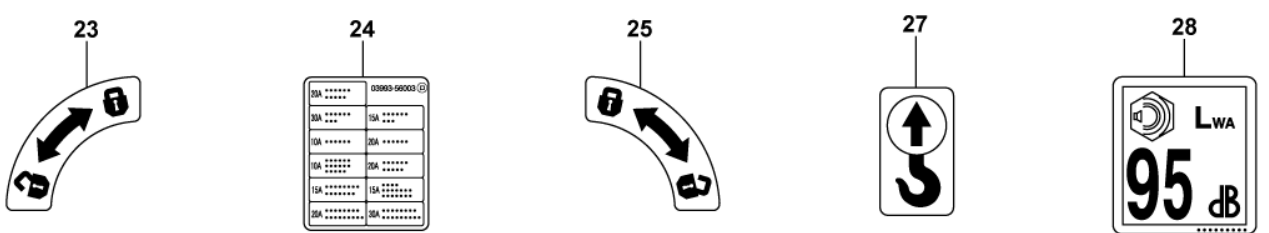
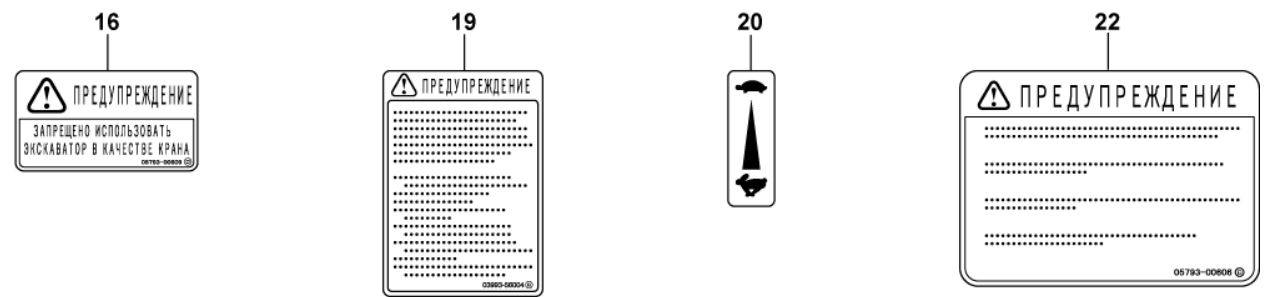
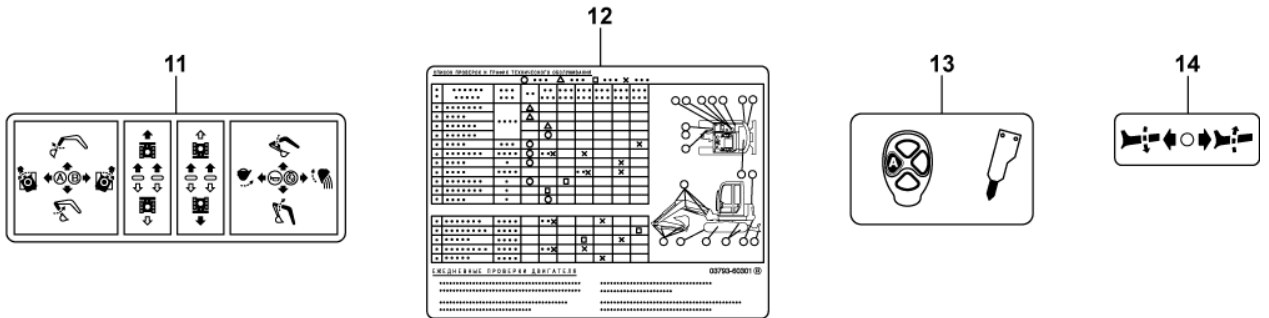
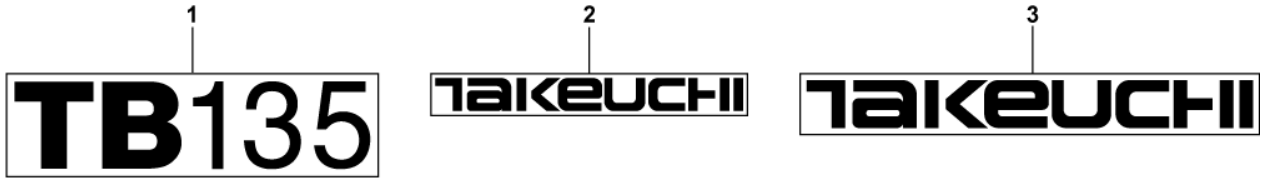
|                   |                   |
|-------------------|-------------------|
| 20A HORN          | 00750-87100 (L)   |
| 20A AIR-CON (OPT) | 15A SOLENOID A, B |
| 20A SPEED         | 20A LIGHT         |
| 20A MONITOR       | 20A LEVER-LOCK    |
| 20A FUSE          | 20A MOUNT-LIGHT   |
| 20A RADIO         | 20A STOP-SOLENOID |
| 20A HEATER        |                   |
| 20A LAMP          |                   |
| 20A REAR          |                   |



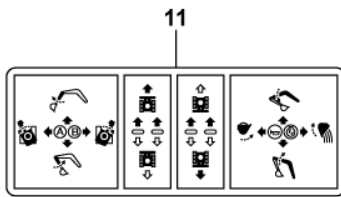
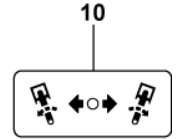
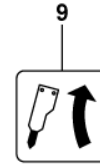
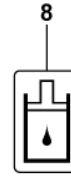
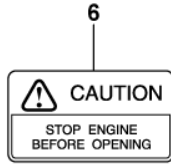
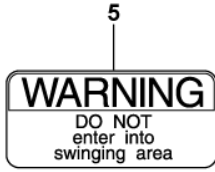
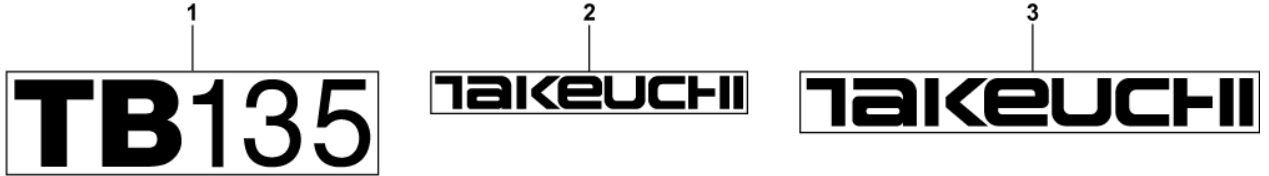
35

System Contains 50/50  
Ethylene Glycol Antifreeze  
/ Water Mixture .....





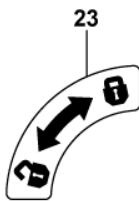
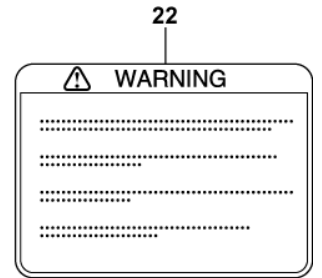
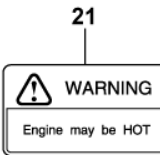
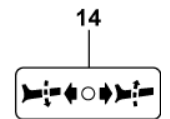
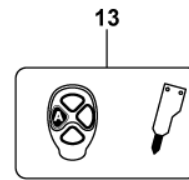




12. CHECK & MAINTENANCE LIST

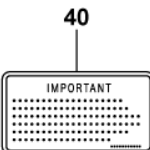
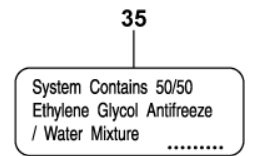
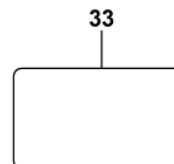
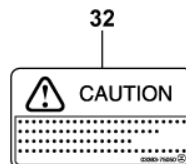
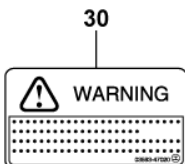
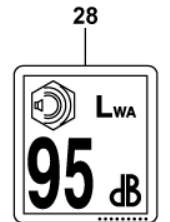
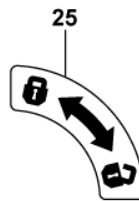
| ITEM | UNIT  | PERIOD | DESCRIPTION |
|------|-------|--------|-------------|
| 1    | ..... | .....  | .....       |
| 2    | ..... | .....  | .....       |
| 3    | ..... | .....  | .....       |
| 4    | ..... | .....  | .....       |
| 5    | ..... | .....  | .....       |
| 6    | ..... | .....  | .....       |
| 7    | ..... | .....  | .....       |
| 8    | ..... | .....  | .....       |
| 9    | ..... | .....  | .....       |
| 10   | ..... | .....  | .....       |
| 11   | ..... | .....  | .....       |
| 12   | ..... | .....  | .....       |
| 13   | ..... | .....  | .....       |
| 14   | ..... | .....  | .....       |
| 15   | ..... | .....  | .....       |
| 16   | ..... | .....  | .....       |
| 17   | ..... | .....  | .....       |
| 18   | ..... | .....  | .....       |
| 19   | ..... | .....  | .....       |
| 20   | ..... | .....  | .....       |
| 21   | ..... | .....  | .....       |
| 22   | ..... | .....  | .....       |
| 23   | ..... | .....  | .....       |
| 24   | ..... | .....  | .....       |
| 25   | ..... | .....  | .....       |
| 26   | ..... | .....  | .....       |
| 27   | ..... | .....  | .....       |
| 28   | ..... | .....  | .....       |
| 29   | ..... | .....  | .....       |
| 30   | ..... | .....  | .....       |
| 31   | ..... | .....  | .....       |
| 32   | ..... | .....  | .....       |
| 33   | ..... | .....  | .....       |
| 34   | ..... | .....  | .....       |
| 35   | ..... | .....  | .....       |
| 36   | ..... | .....  | .....       |
| 37   | ..... | .....  | .....       |
| 38   | ..... | .....  | .....       |
| 39   | ..... | .....  | .....       |
| 40   | ..... | .....  | .....       |

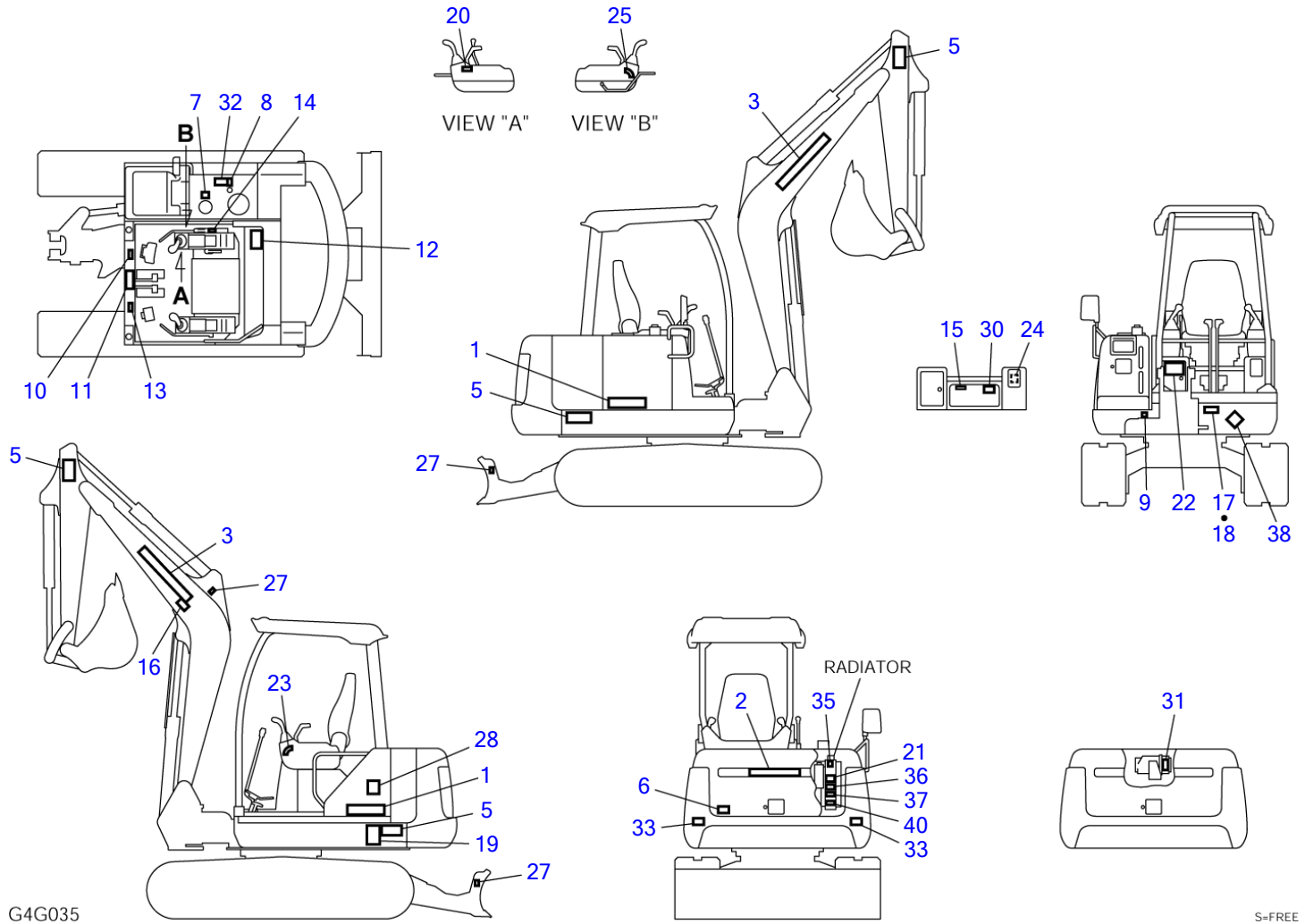
DAILY CHECK FOR ENGINE  
.....  
.....  
.....



24. EQUIPMENT CHECK LIST

| ITEM              | DESCRIPTION       | STATUS |
|-------------------|-------------------|--------|
| 12A HORN          | 00790-971100 (C)  |        |
| 12A AIR-CON (OPT) | 12A SOLENOID A, B |        |
| 12A SPEED         | 12A LIGHT         |        |
| 12A BRAKE         | 12A LOCK          |        |
| 12A WIPER         | 12A LEVER-LOCK    |        |
| 12A FUEL PUMP     | 12A BATTERY       |        |
| 12A HEATER        | 12A WASH-LIGHT    |        |
| 12A WIPER MOTOR   | 12A STOP-SOLENOID |        |

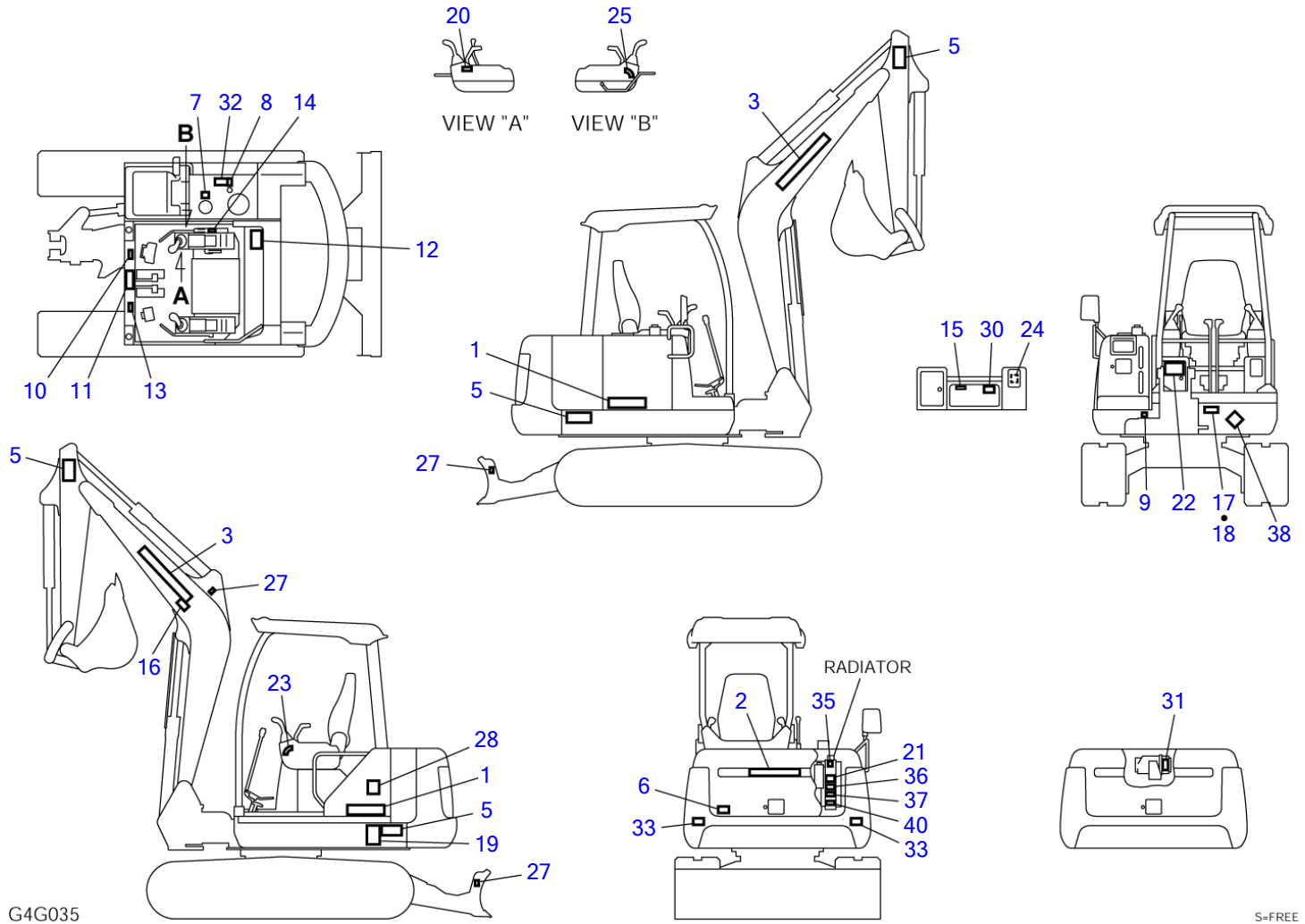




**DECAL (canopy) (13514051-)**

| Item | Part number       | Description                | Q'ty | Chan. | Serial No. | Serv. | Remarks                  |
|------|-------------------|----------------------------|------|-------|------------|-------|--------------------------|
| 0    | <b>0379359100</b> | DECAL SET (English)        | 1    |       |            |       | X03793-59100-8           |
|      | <b>0379359200</b> | DECAL SET (German)         | 1    |       |            |       | X03793-59200-8           |
|      | <b>0379359300</b> | DECAL SET (French)         | 1    |       |            |       | X03793-59300-8           |
|      | <b>0379359400</b> | DECAL SET (Italian)        | 1    |       |            |       | X03793-59400-8           |
|      | <b>0379359500</b> | DECAL SET (Spanish)        | 1    |       |            |       | X03793-59500-8           |
|      | <b>0379359600</b> | DECAL SET (U.S. TAKEUCHI)  | 1    |       |            |       | X03793-59600-8           |
|      | <b>0379360100</b> | DECAL SET (Dutch)          | 1    |       |            |       | X03793-60100-8           |
|      | <b>0379360300</b> | DECAL SET (Russian)        | 1    |       |            |       | X03793-60300-8           |
|      | <b>0379360500</b> | DECAL SET (U.K. TAKEUCHI)  | 1    |       |            |       | X03793-60500-8           |
| 1    | <b>0379345200</b> | • DECAL                    | 2    |       |            |       |                          |
| 2    | <b>0329350200</b> | • DECAL                    | 1    |       |            |       |                          |
| 3    | <b>0359306300</b> | • DECAL                    | 2    |       |            |       |                          |
| 5    | <b>0359306500</b> | • DECAL (English)          | 4    |       |            |       |                          |
|      | <b>0359308100</b> | • DECAL (German)           | 4    |       |            |       |                          |
|      | <b>0359309100</b> | • DECAL (French)           | 4    |       |            |       |                          |
|      | <b>0359310100</b> | • DECAL (Italian)          | 4    |       |            |       |                          |
|      | <b>0339364100</b> | • DECAL (Spanish)          | 4    |       |            |       |                          |
|      | <b>0399356001</b> | • DECAL (Russian)          | 4    |       |            |       |                          |
| 6    | <b>0359307400</b> | • DECAL (English)          | 1    |       |            |       |                          |
|      | <b>0359314400</b> | • DECAL (German)           | 1    |       |            |       |                          |
|      | <b>0359315400</b> | • DECAL (French)           | 1    |       |            |       |                          |
|      | <b>0359316400</b> | • DECAL (Italian)          | 1    |       |            |       |                          |
|      | <b>0339364200</b> | • DECAL (Spanish)          | 1    |       |            |       |                          |
|      | <b>0579300602</b> | • DECAL (Russian)          | 1    |       |            |       |                          |
| 7    | <b>0359306600</b> | • DECAL (English)          | 1    |       |            |       |                          |
|      | <b>0339375260</b> | • DECAL (German)           | 1    |       |            |       |                          |
|      | <b>0339375460</b> | • DECAL (French)           | 1    |       |            |       |                          |
|      | <b>0339375660</b> | • DECAL (Italian, Spanish) | 1    |       |            |       |                          |
|      | <b>0579300603</b> | • DECAL (Russian)          | 1    |       |            |       |                          |
| 8    | <b>0359306700</b> | • DECAL                    | 1    |       |            |       |                          |
| 9    | <b>0359325220</b> | • DECAL                    | 1    |       |            |       |                          |
| 10   | <b>0329360060</b> | • DECAL                    | 1    |       |            |       |                          |
| 11   | <b>0379336600</b> | • DECAL                    | 1    |       |            |       |                          |
| 12   | <b>0379336200</b> | • DECAL (English)          | 1    |       |            |       |                          |
|      | <b>0379336300</b> | • DECAL (German)           | 1    |       |            |       |                          |
|      | <b>0379336400</b> | • DECAL (French)           | 1    |       |            |       |                          |
|      | <b>0379336500</b> | • DECAL (Italian)          | 1    |       |            |       |                          |
|      | <b>0379354100</b> | • DECAL (Spanish)          | 1    |       |            |       |                          |
|      | <b>0379360301</b> | • DECAL (Russian)          | 1    |       |            |       |                          |
| 13   | <b>0379336800</b> | • DECAL                    | 1    |       |            |       |                          |
| 14   | <b>0359325190</b> | • DECAL                    | 1    |       |            |       |                          |
| 15   | X *****           | • DECAL                    | 1    |       |            |       |                          |
| 16   | <b>0359347010</b> | • DECAL (English)          | 1    |       |            |       | except for U.K. TAKEUCHI |
|      | <b>0339375210</b> | • DECAL (German)           | 1    |       |            |       |                          |
|      | <b>0339375410</b> | • DECAL (French)           | 1    |       |            |       |                          |
|      | <b>0339375610</b> | • DECAL (Italian)          | 1    |       |            |       |                          |
|      | <b>0339375810</b> | • DECAL (Spanish)          | 1    |       |            |       |                          |
|      | <b>0579300609</b> | • DECAL (Russian)          | 1    |       |            |       |                          |
| 17   | X *****           | • DECAL                    | 1    |       |            |       |                          |
| 18   | X *****           | • SCREW                    | 4    |       |            |       |                          |
| 19   | <b>0379337300</b> | • DECAL (English)          | 1    |       |            |       |                          |
|      | <b>0379338300</b> | • DECAL (German)           | 1    |       |            |       |                          |
|      | <b>0379339300</b> | • DECAL (French)           | 1    |       |            |       |                          |
|      | <b>0379340300</b> | • DECAL (Italian)          | 1    |       |            |       |                          |
|      | <b>0379354200</b> | • DECAL (Spanish)          | 1    |       |            |       |                          |
|      | <b>0399356004</b> | • DECAL (Russian)          | 1    |       |            |       |                          |
| 20   | <b>0359317200</b> | • DECAL                    | 1    |       |            |       |                          |
| 21   | <b>0569321980</b> | • DECAL (English)          | 1    |       |            |       |                          |
| 22   | <b>0359313700</b> | • DECAL (English)          | 1    |       |            |       |                          |
|      | <b>0359314700</b> | • DECAL (German)           | 1    |       |            |       |                          |
|      | <b>0359315700</b> | • DECAL (French)           | 1    |       |            |       |                          |
|      | <b>0359316700</b> | • DECAL (Italian)          | 1    |       |            |       |                          |
|      | <b>0339364500</b> | • DECAL (Spanish)          | 1    |       |            |       |                          |
|      | <b>0579300606</b> | • DECAL (Russian)          | 1    |       |            |       |                          |
| 23   | <b>0329360100</b> | • DECAL                    | 1    |       |            |       |                          |
| 24   | <b>0379337100</b> | • DECAL (English, Dutch)   | 1    |       |            |       |                          |
|      | <b>0379338200</b> | • DECAL (German)           | 1    |       |            |       |                          |
|      | <b>0379339100</b> | • DECAL (French)           | 1    |       |            |       |                          |

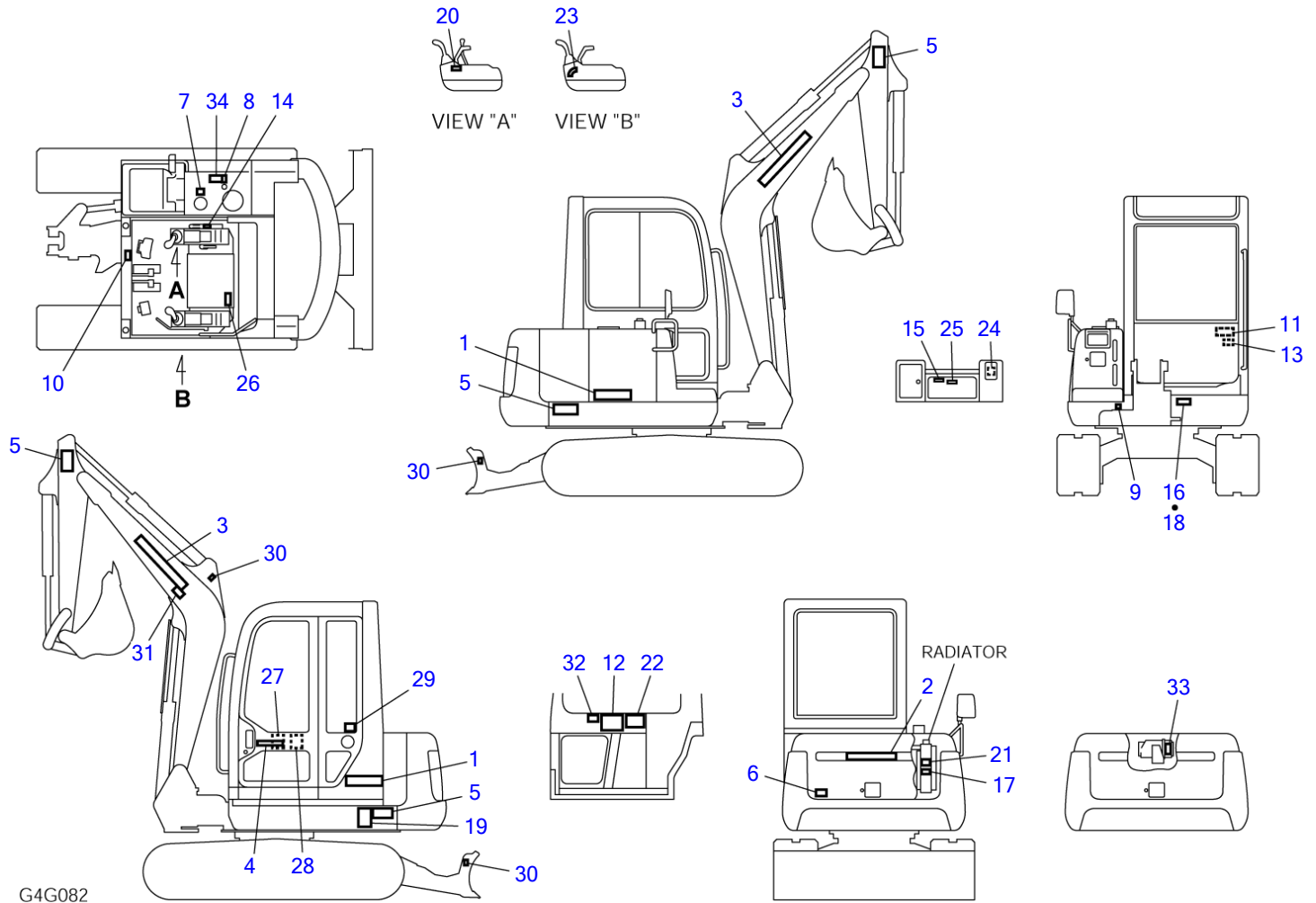
TB135 Book No. BG4Z010 S/N 13510004-  
 DECAL (canopy) (13514051-)



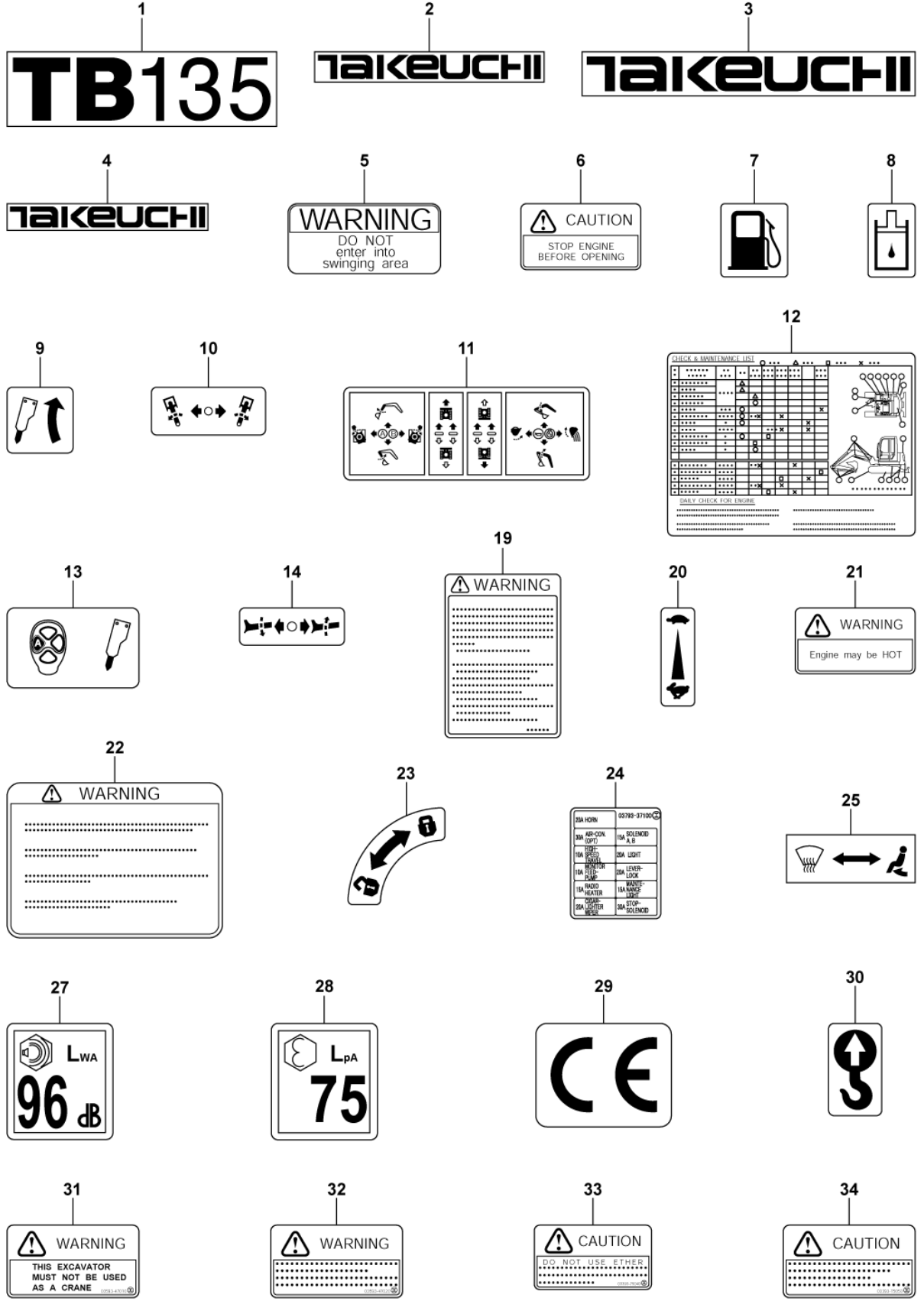
DECAL (canopy) (13514051-)

| Item | Part number | Description       | Q'ty | Chan. | Serial No. | Serv. | Remarks                  |
|------|-------------|-------------------|------|-------|------------|-------|--------------------------|
| 24   | 0379340100  | • DECAL (Italian) | 1    |       |            |       |                          |
| 24   | 0379354300  | • DECAL (Spanish) | 1    |       |            |       |                          |
| 24   | 0399356003  | • DECAL (Russian) | 1    |       |            |       |                          |
| 25   | 0349325020  | • DECAL           | 1    |       |            |       |                          |
| 27   | 0399300500  | • DECAL           | 3    |       |            |       |                          |
| 28   | X *****     | • DECAL           | 1    |       |            |       | except for U.S. TAKEUCHI |
| 30   | 0359347020  | • DECAL (English) | 1    |       |            |       |                          |
| 30   | 0339375220  | • DECAL (German)  | 1    |       |            |       |                          |
| 30   | 0339375420  | • DECAL (French)  | 1    |       |            |       |                          |
| 30   | 0339375620  | • DECAL (Italian) | 1    |       |            |       |                          |
| 30   | 0339375820  | • DECAL (Spanish) | 1    |       |            |       |                          |
| 30   | 0579300610  | • DECAL (Russian) | 1    |       |            |       |                          |
| 31   | 0339375040  | • DECAL (English) | 1    |       |            |       |                          |
| 31   | 0339375240  | • DECAL (German)  | 1    |       |            |       |                          |
| 31   | 0339375440  | • DECAL (French)  | 1    |       |            |       |                          |
| 31   | 0339375640  | • DECAL (Italian) | 1    |       |            |       |                          |
| 31   | 0339375840  | • DECAL (Spanish) | 1    |       |            |       |                          |
| 31   | 0579300611  | • DECAL (Russian) | 1    |       |            |       |                          |
| 32   | 0339375050  | • DECAL (English) | 1    |       |            |       |                          |
| 32   | 0339375250  | • DECAL (German)  | 1    |       |            |       |                          |
| 32   | 0339375450  | • DECAL (French)  | 1    |       |            |       |                          |
| 32   | 0339375650  | • DECAL (Italian) | 1    |       |            |       |                          |
| 32   | 0339375850  | • DECAL (Spanish) | 1    |       |            |       |                          |
| 32   | 0399356005  | • DECAL (Russian) | 1    |       |            |       |                          |
| 33   | 0379358560  | • SEAL            | 2    |       |            |       |                          |
| 35   | 0359313900  | • DECAL           | 1    |       |            |       |                          |
| 36   | X *****     | • DECAL           | 1    |       |            |       | 3TNV88-QTB(1)            |
| 37   | X *****     | • DECAL           | 1    |       |            |       | 3TNV88-QTB(1)            |
| 38   | X *****     | • DECAL           | 1    |       |            |       |                          |
| 40   | 0339376240  | • DECAL (English) | 1    |       | 13516745~  |       |                          |
| 40   | 0339376340  | • DECAL (German)  | 1    |       | 13516745~  |       |                          |
| 40   | 0339379440  | • DECAL (French)  | 1    |       | 13516745~  |       |                          |
| 40   | 0339379540  | • DECAL (Italian) | 1    |       | 13516745~  |       |                          |
| 40   | 0339379640  | • DECAL (Spanish) | 1    |       | 13516745~  |       |                          |
| 40   | 0579300613  | • DECAL (Russian) | 1    |       |            |       |                          |

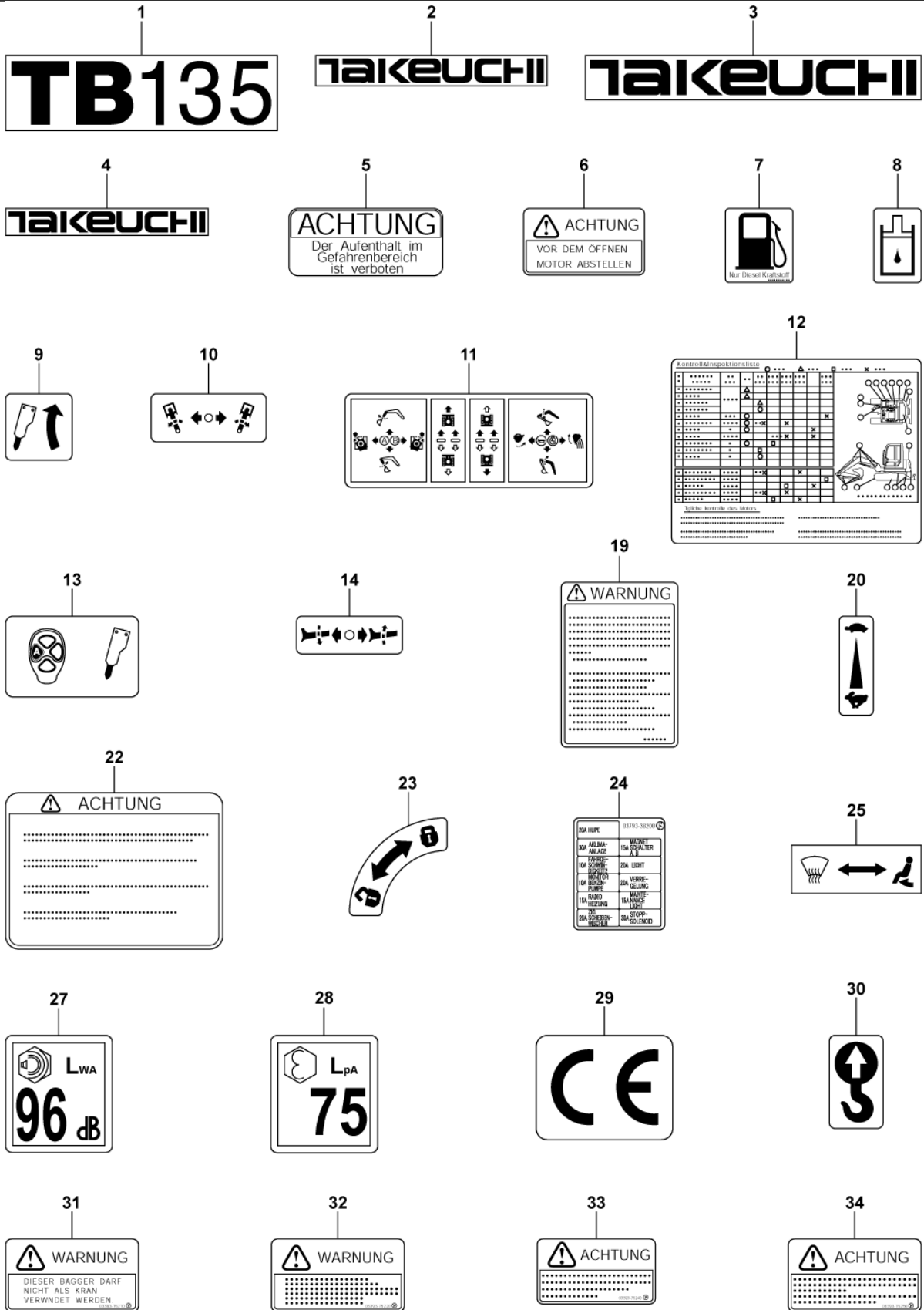
G4g037



S=FREE



G4G092

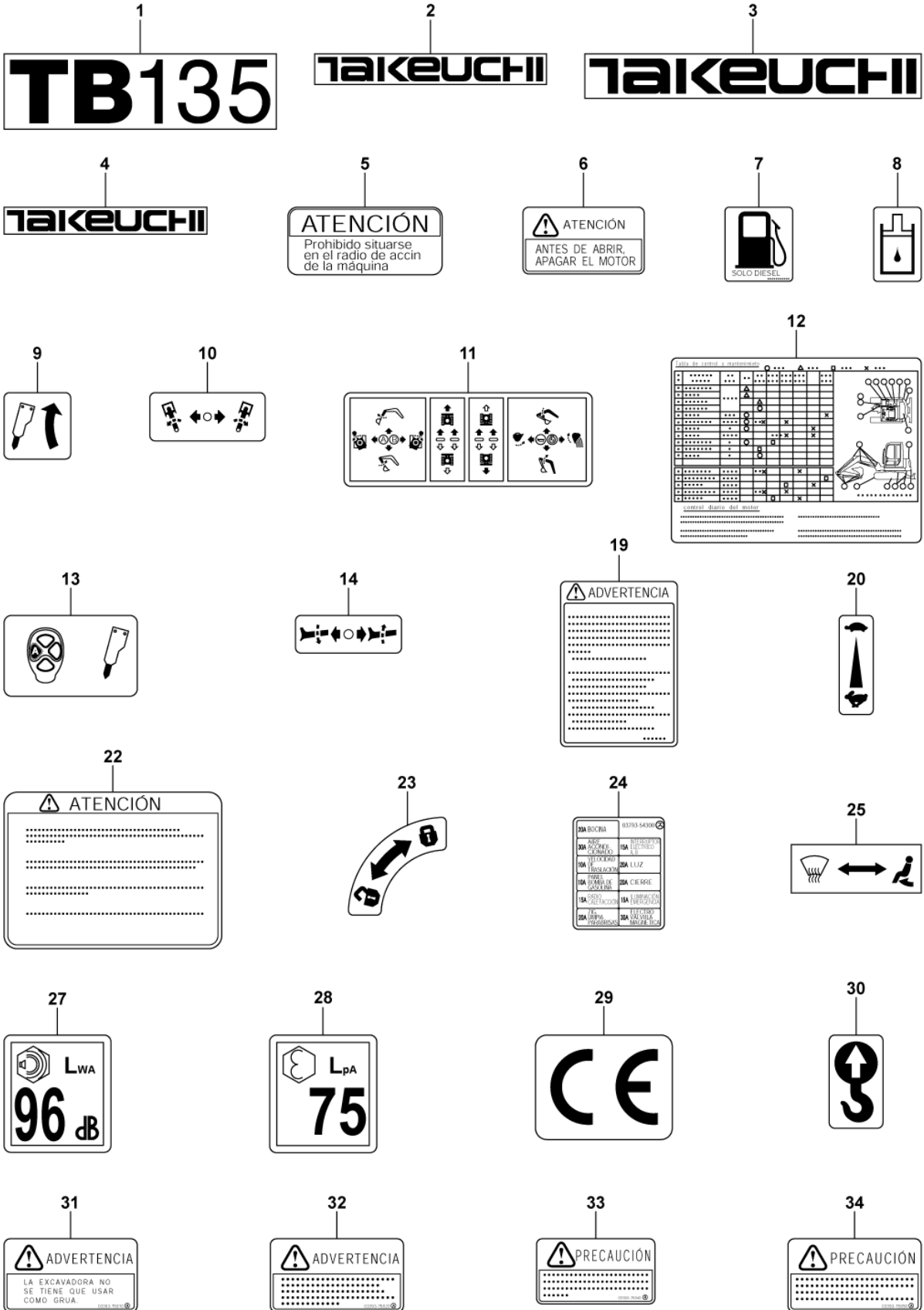


G4G102

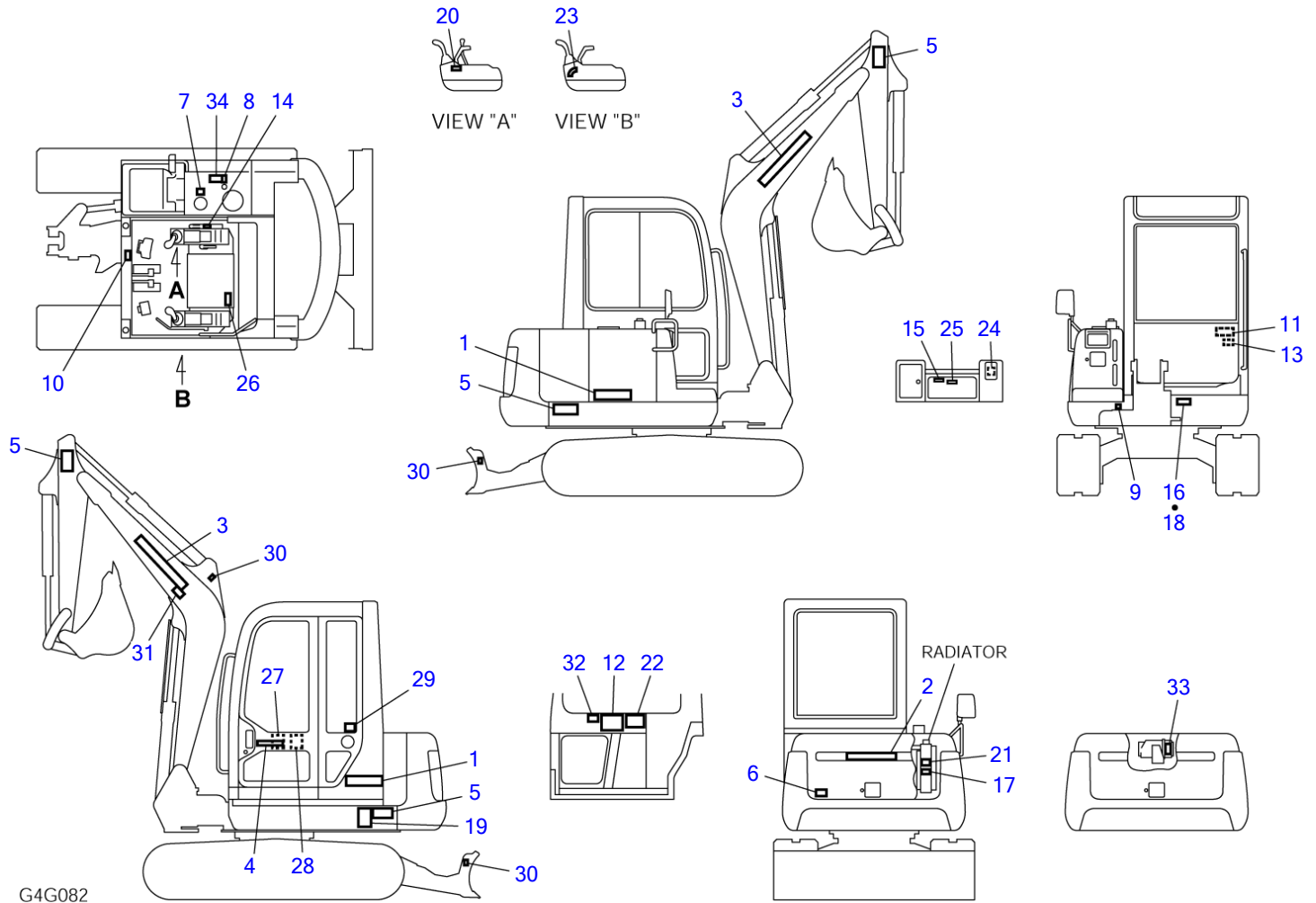








G4G181

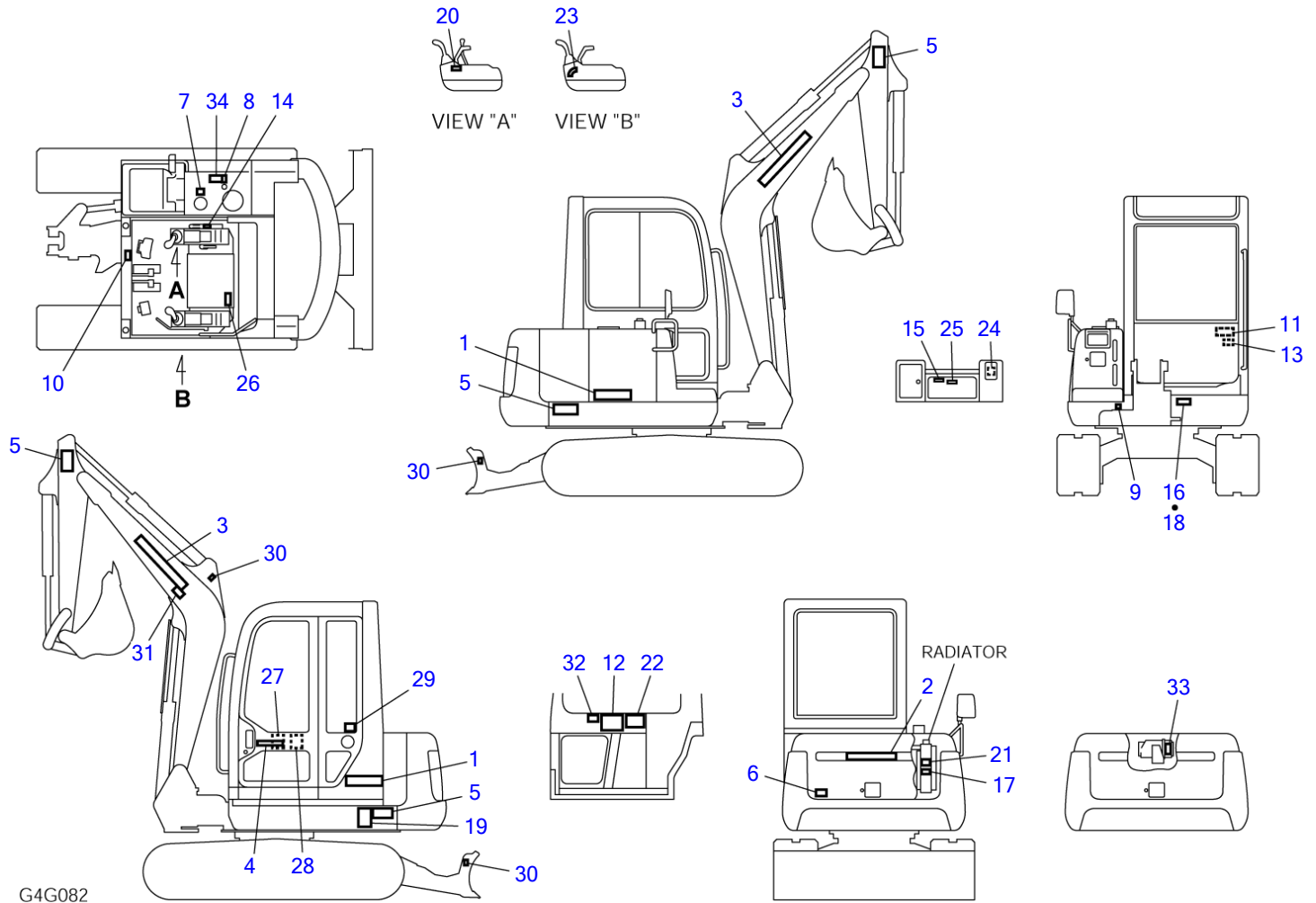


G4G082

S=FREE

**DECAL (cab) (13510004-13514050)**

| Item | Part number | Description                | Q'ty | Chan. | Serial No. | Serv. | Remarks         |
|------|-------------|----------------------------|------|-------|------------|-------|-----------------|
| 0    | 0379337000  | DECAL SET (English)        | 1    |       |            |       | X03793-37000-12 |
|      | 0379338000  | DECAL SET (German)         | 1    |       |            |       | X03793-38000-12 |
|      | 0379339000  | DECAL SET (French)         | 1    |       |            |       | X03793-39000-12 |
|      | 0379340000  | DECAL SET (Italian)        | 1    |       |            |       | X03793-40000-12 |
|      | 0379354000  | DECAL SET (Spanish)        | 1    |       |            |       | X03793-54000-12 |
| 1    | 0379345200  | • DECAL                    | 2    |       |            |       |                 |
| 2    | 0329350200  | • DECAL                    | 1    |       |            |       |                 |
| 3    | 0359306300  | • DECAL                    | 2    |       |            |       |                 |
| 4    | 0569321400  | • DECAL                    | 1    |       |            |       |                 |
| 5    | 0359306500  | • DECAL (English)          | 4    |       |            |       |                 |
|      | 0359308100  | • DECAL (German)           | 4    |       |            |       |                 |
|      | 0359309100  | • DECAL (French)           | 4    |       |            |       |                 |
|      | 0359310100  | • DECAL (Italian)          | 4    |       |            |       |                 |
|      | 0339364100  | • DECAL (Spanish)          | 4    |       |            |       |                 |
| 6    | 0359307400  | • DECAL (English)          | 1    |       |            |       |                 |
|      | 0359314400  | • DECAL (German)           | 1    |       |            |       |                 |
|      | 0359315400  | • DECAL (French)           | 1    |       |            |       |                 |
|      | 0359316400  | • DECAL (Italian)          | 1    |       |            |       |                 |
|      | 0339364200  | • DECAL (Spanish)          | 1    |       |            |       |                 |
| 7    | 0359306600  | • DECAL (English)          | 1    |       |            |       |                 |
|      | 0339375260  | • DECAL (German)           | 1    |       | 13512677~  |       |                 |
|      | 0339375460  | • DECAL (French)           | 1    |       | 13512677~  |       |                 |
|      | 0339375660  | • DECAL (Italian, Spanish) | 1    |       | 13512677~  |       |                 |
| 8    | 0359306700  | • DECAL                    | 1    |       |            |       |                 |
| 9    | 0359325220  | • DECAL                    | 1    |       |            |       |                 |
| 10   | 0329360060  | • DECAL                    | 1    |       |            |       |                 |
| 11   | 0379336600  | • DECAL                    | 1    |       |            |       |                 |
| 12   | 0379336200  | • DECAL (English)          | 1    |       |            |       |                 |
|      | 0379336300  | • DECAL (German)           | 1    |       |            |       |                 |
|      | 0379336400  | • DECAL (French)           | 1    |       |            |       |                 |
|      | 0379336500  | • DECAL (Italian)          | 1    |       |            |       |                 |
|      | 0379354100  | • DECAL (Spanish)          | 1    |       |            |       |                 |
| 13   | 0379336800  | • DECAL                    | 1    |       |            |       |                 |
| 14   | 0359325190  | • DECAL                    | 1    |       |            |       |                 |
| 15   | X *****     | • DECAL                    | 1    |       |            |       |                 |
| 16   | X *****     | • DECAL                    | 1    |       |            |       |                 |
| 17   | 0379337400  | • DECAL                    | 1    |       | 13510184~  |       | 3TNE88-ETB      |
| 18   | X *****     | • SCREW                    | 4    |       |            |       |                 |
| 19   | 0379337300  | • DECAL (English)          | 1    |       |            |       |                 |
|      | 0379338300  | • DECAL (German)           | 1    |       |            |       |                 |
|      | 0379339300  | • DECAL (French)           | 1    |       |            |       |                 |
|      | 0379340300  | • DECAL (Italian)          | 1    |       |            |       |                 |
|      | 0379354200  | • DECAL (Spanish)          | 1    |       |            |       |                 |
| 20   | 0359317200  | • DECAL                    | 1    |       |            |       |                 |
| 21   | 0569321980  | • DECAL (English)          | 1    |       |            |       |                 |
| 22   | 0359313700  | • DECAL (English)          | 1    |       |            |       |                 |
|      | 0359314700  | • DECAL (German)           | 1    |       |            |       |                 |
|      | 0359315700  | • DECAL (French)           | 1    |       |            |       |                 |
|      | 0359316700  | • DECAL (Italian)          | 1    |       |            |       |                 |
|      | 0339364500  | • DECAL (Spanish)          | 1    |       |            |       |                 |
| 23   | 0329360100  | • DECAL                    | 1    |       |            |       |                 |
| 24   | 0379337100  | • DECAL (English)          | 1    |       |            |       |                 |
|      | 0379338200  | • DECAL (German)           | 1    |       |            |       |                 |
|      | 0379339100  | • DECAL (French)           | 1    |       |            |       |                 |
|      | 0379340100  | • DECAL (Italian)          | 1    |       |            |       |                 |
|      | 0379354300  | • DECAL (Spanish)          | 1    |       |            |       |                 |
| 25   | 0394504900  | • DECAL                    | 1    |       |            |       |                 |
| 26   | 0189311800  | • DECAL                    | 1    |       |            |       |                 |
| 27   | X *****     | • DECAL                    | 1    |       |            |       |                 |
| 28   | X *****     | • DECAL                    | 1    |       |            |       |                 |
| 29   | X *****     | • DECAL                    | 1    |       |            |       |                 |
| 30   | 0399300500  | • DECAL                    | 3    |       |            |       |                 |
| 31   | 0359347010  | • DECAL (English)          | 1    |       | 13512677~  |       |                 |
|      | 0339375210  | • DECAL (German)           | 1    |       | 13512677~  |       |                 |
|      | 0339375410  | • DECAL (French)           | 1    |       | 13512677~  |       |                 |
|      | 0339375610  | • DECAL (Italian)          | 1    |       | 13512677~  |       |                 |
|      | 0339375810  | • DECAL (Spanish)          | 1    |       | 13512677~  |       |                 |
| 32   | 0359347020  | • DECAL (English)          | 1    |       | 13512677~  |       |                 |

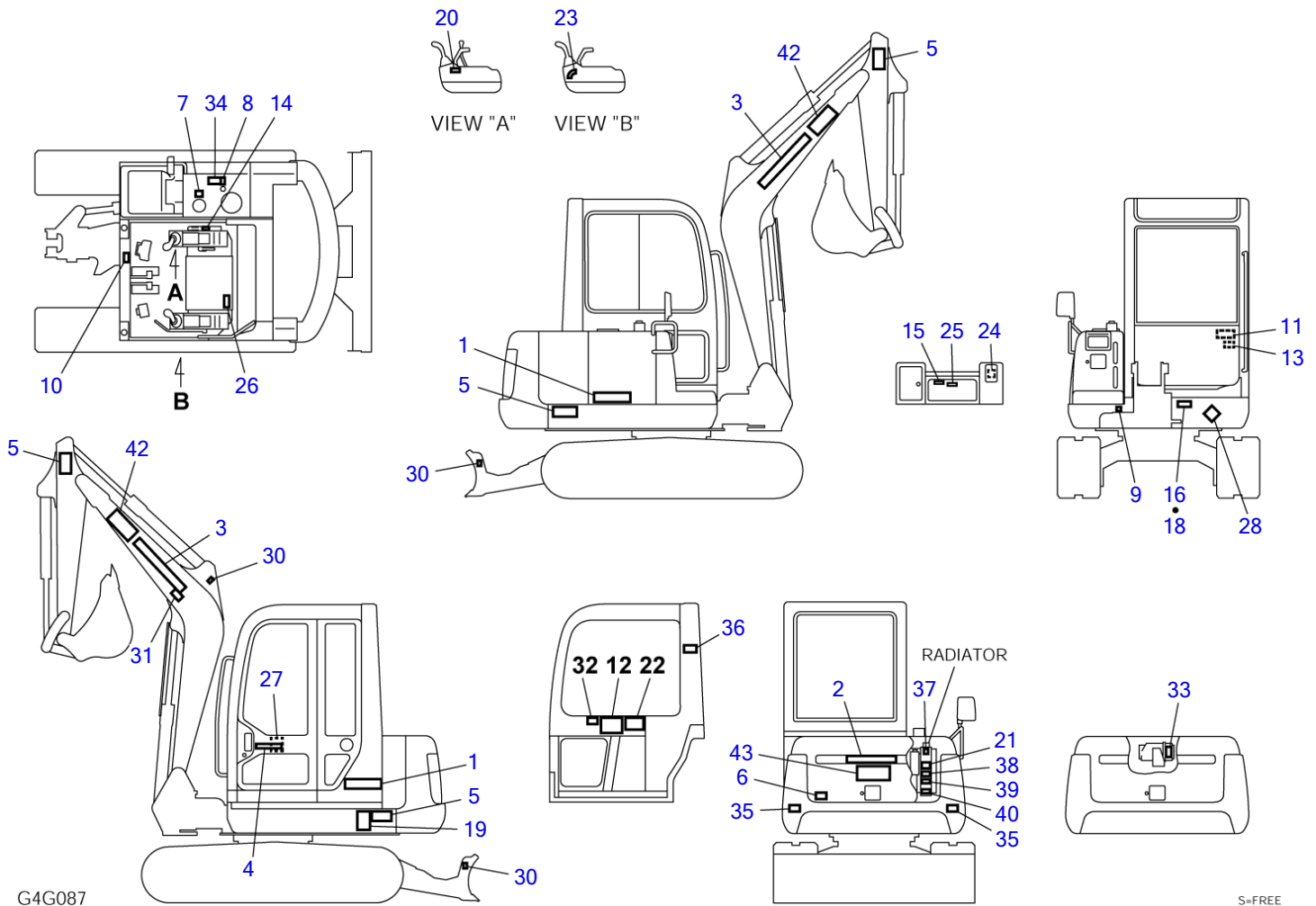


S=FREE

**DECAL (cab) (13510004-13514050)**

| Item | Part number       | Description       | Q'ty | Chan. | Serial No. | Serv. | Remarks |
|------|-------------------|-------------------|------|-------|------------|-------|---------|
| 32   | <b>0339375220</b> | • DECAL (German)  | 1    |       | 13512677~  |       |         |
| 32   | <b>0339375420</b> | • DECAL (French)  | 1    |       | 13512677~  |       |         |
| 32   | <b>0339375620</b> | • DECAL (Italian) | 1    |       | 13512677~  |       |         |
| 32   | <b>0339375820</b> | • DECAL (Spanish) | 1    |       | 13512677~  |       |         |
| 33   | <b>0339375040</b> | • DECAL (English) | 1    |       | 13512677~  |       |         |
| 33   | <b>0339375240</b> | • DECAL (German)  | 1    |       | 13512677~  |       |         |
| 33   | <b>0339375440</b> | • DECAL (French)  | 1    |       | 13512677~  |       |         |
| 33   | <b>0339375640</b> | • DECAL (Italian) | 1    |       | 13512677~  |       |         |
| 33   | <b>0339375840</b> | • DECAL (Spanish) | 1    |       | 13512677~  |       |         |
| 34   | <b>0339375050</b> | • DECAL (English) | 1    |       | 13512677~  |       |         |
| 34   | <b>0339375250</b> | • DECAL (German)  | 1    |       | 13512677~  |       |         |
| 34   | <b>0339375450</b> | • DECAL (French)  | 1    |       | 13512677~  |       |         |
| 34   | <b>0339375650</b> | • DECAL (Italian) | 1    |       | 13512677~  |       |         |
| 34   | <b>0339375850</b> | • DECAL (Spanish) | 1    |       | 13512677~  |       |         |
|      | <b>G4g082</b>     |                   |      |       |            |       |         |

TB135 Book No. BG4Z010 S/N 13510004-  
 DECAL (cab) (13514051-)







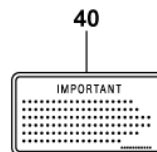
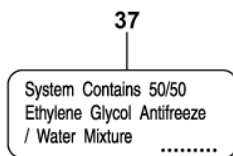
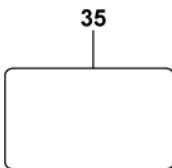
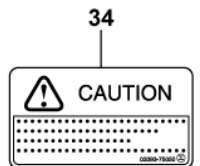
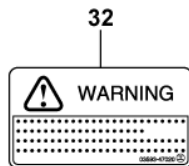
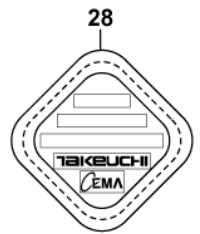
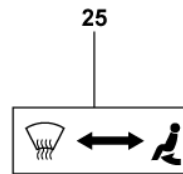
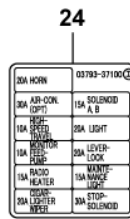
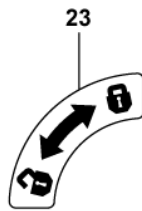
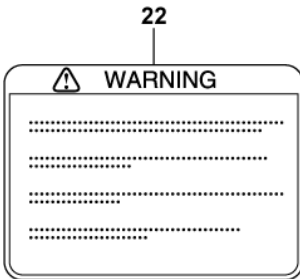
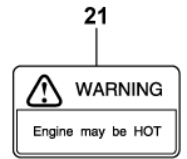
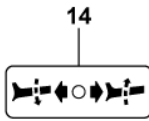
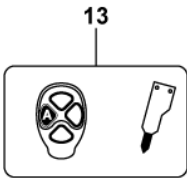
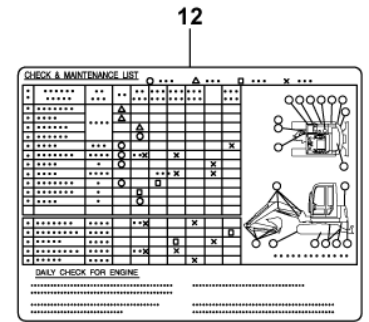
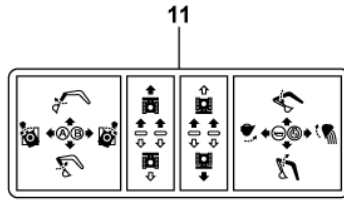
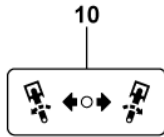
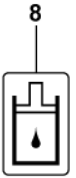
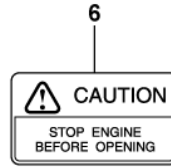
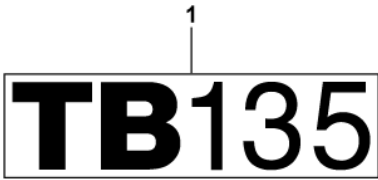








TB135 Book No. BG4Z010 S/N 13510004-  
US TAKEUCHI

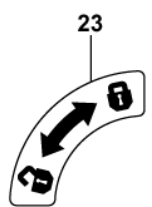
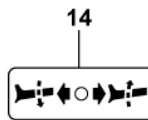
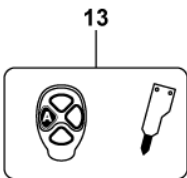
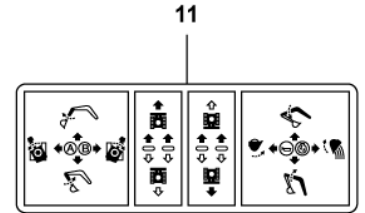
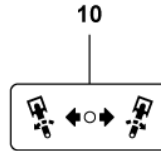
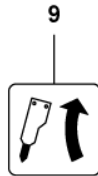
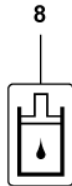


1  
**TB135**

2  
**TAKEUCHI**

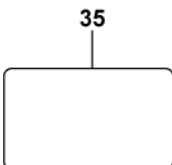
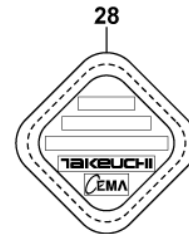
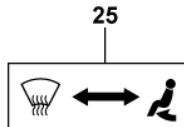
3  
**TAKEUCHI**

4  
**TAKEUCHI**



24

|                  |                   |
|------------------|-------------------|
| USA HOEN         | 00789-27100       |
| USA AIR-DRILL    | USA SOL ENDO      |
| USA SPILLER      | USA S.A.E         |
| USA SPREADER     | USA LIGHT         |
| USA FEEDER       | USA LEVER-LOCK    |
| USA RADIO HEATER | USA HANDLE LIGHT  |
| USA LIGHTER      | USA STOP-SOLENOID |
| USA WHEEL        |                   |



37

System Contains 50/50  
Ethylene Glycol Antifreeze  
/ Water Mixture .....

1

2

3

4

5

6

7

8

9

10

11

12

13

14

19

20

22

23

24

25

28

30

31

32

33

34

35

36

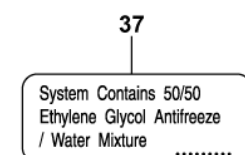
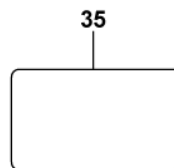
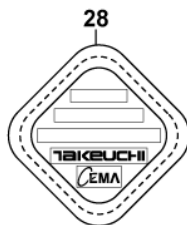
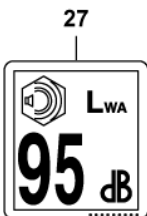
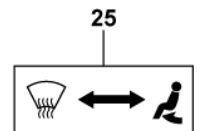
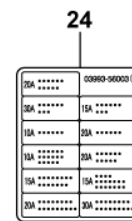
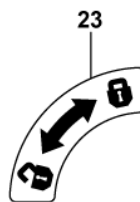
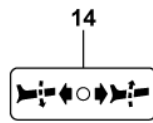
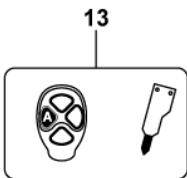
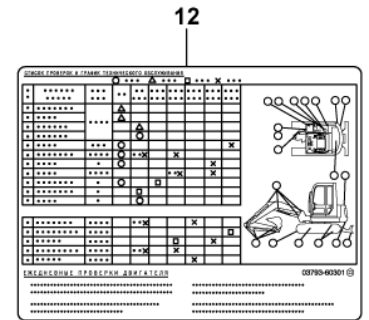
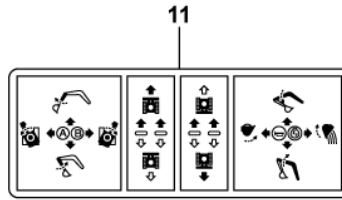
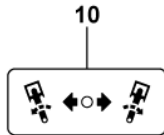
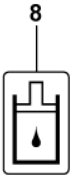
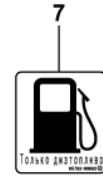
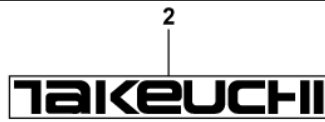
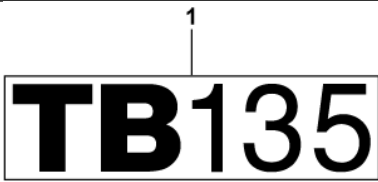
37

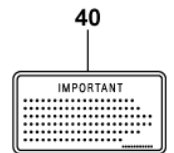
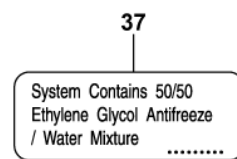
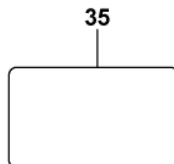
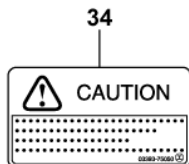
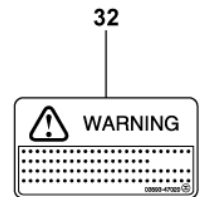
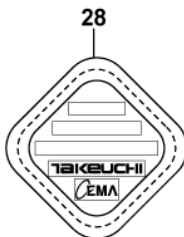
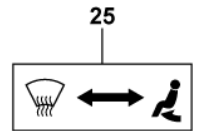
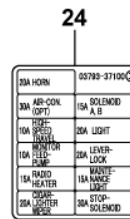
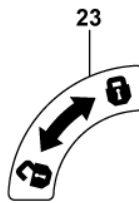
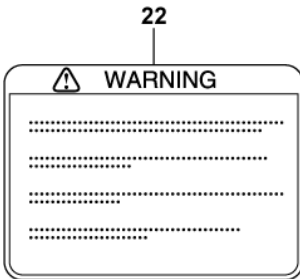
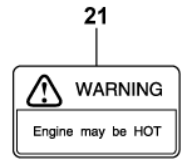
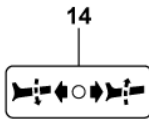
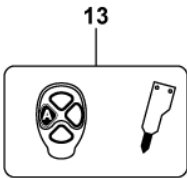
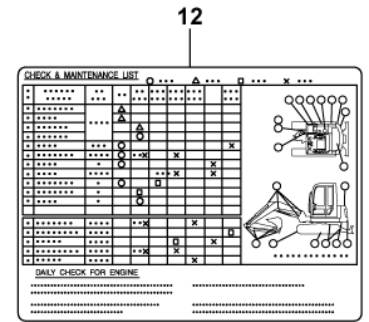
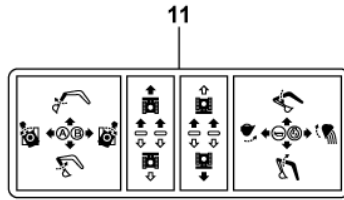
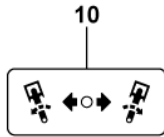
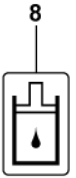
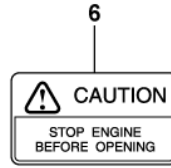
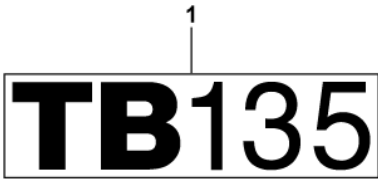
40

42

43

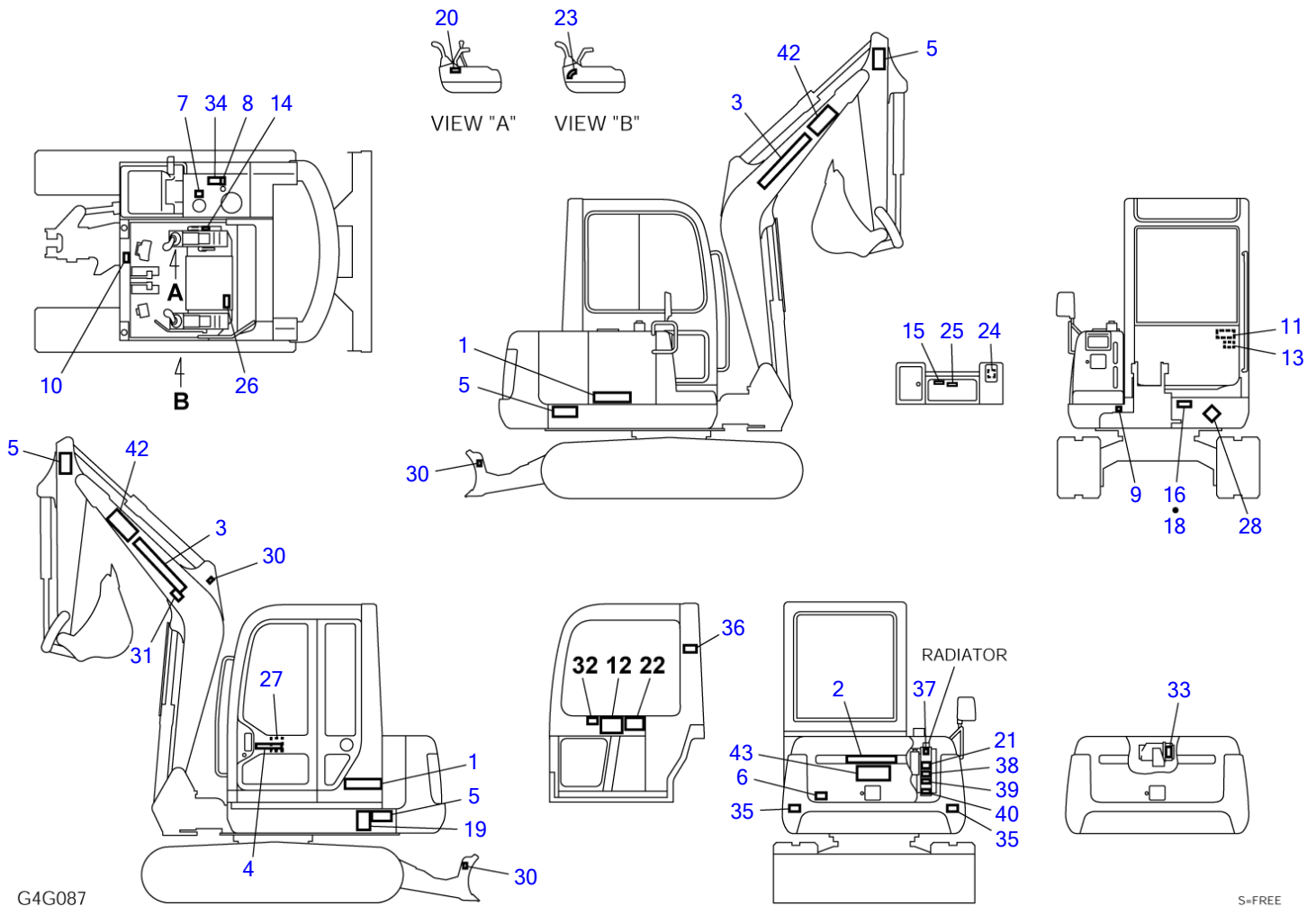








TB135 Book No. BG4Z010 S/N 13510004-  
 DECAL (cab) (13514051-)

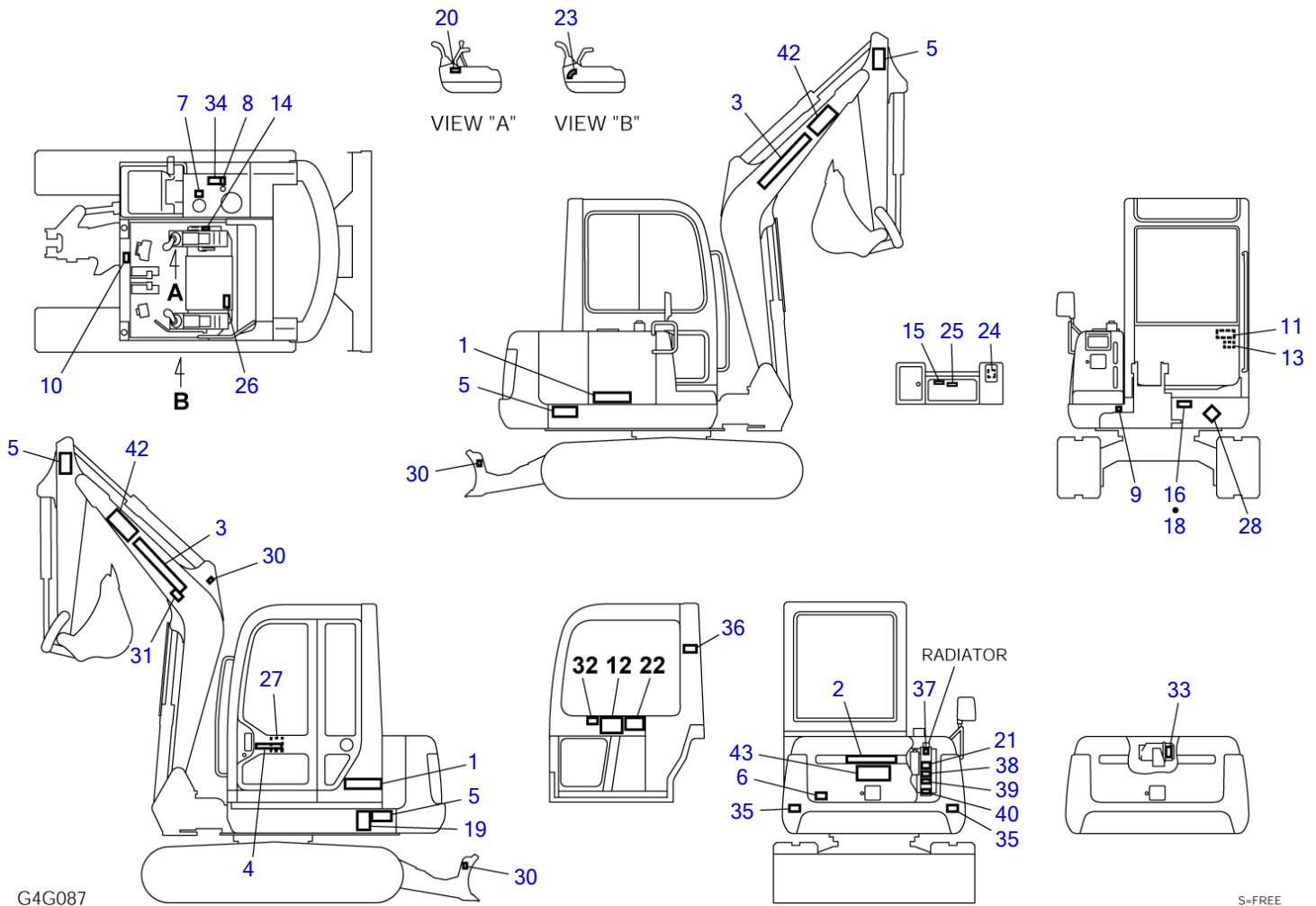


S=FREE

**DECAL (cab) (13514051-)**

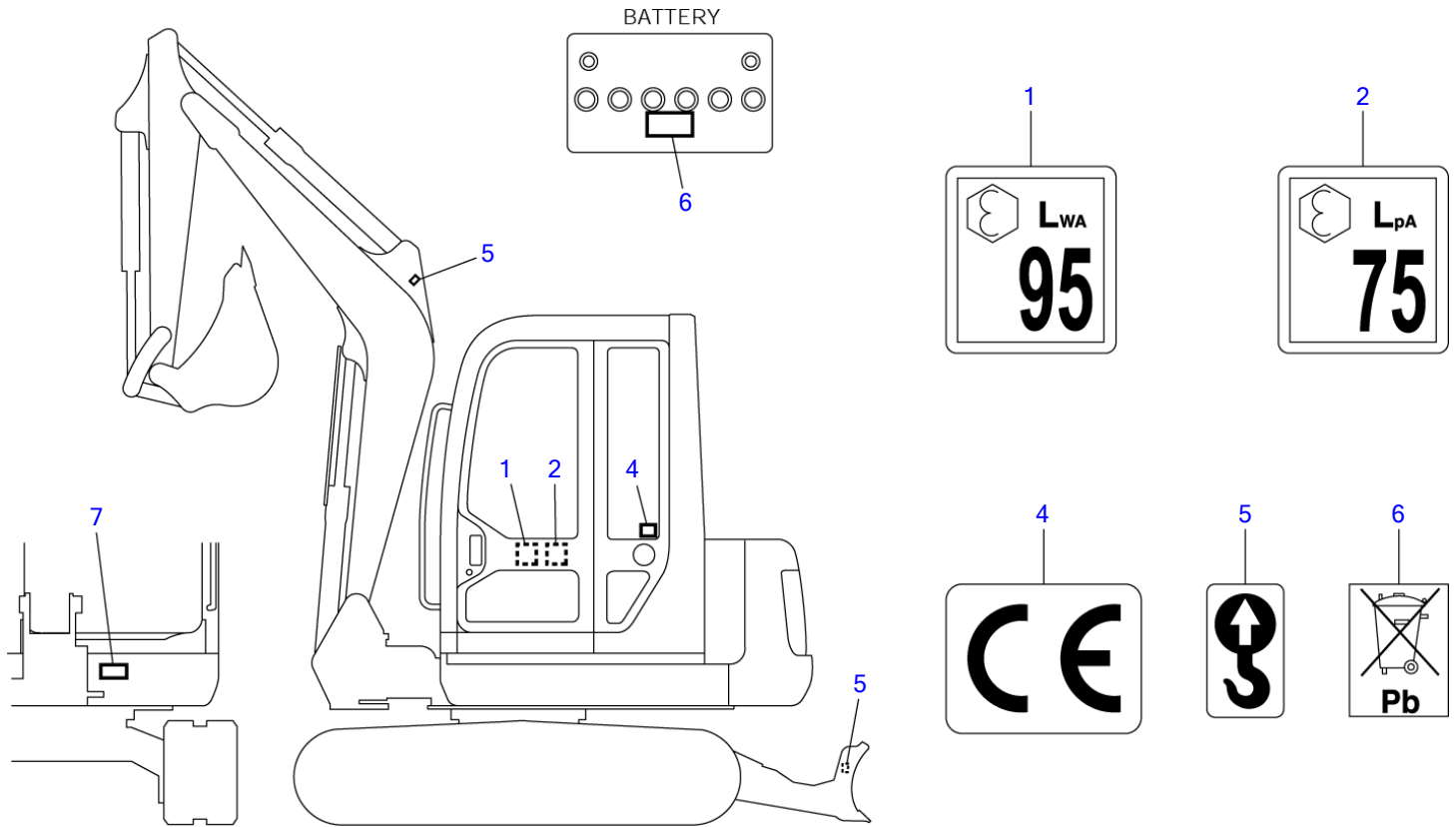
| Item | Part number       | Description                | Q'ty | Chan. | Serial No. | Serv. | Remarks         |
|------|-------------------|----------------------------|------|-------|------------|-------|-----------------|
| 0    | <b>0379358500</b> | DECAL SET (English)        | 1    |       |            | M     | X03793-58500-10 |
|      | <b>0379358600</b> | DECAL SET (German)         | 1    |       |            | M     | X03793-58600-10 |
|      | <b>0379358700</b> | DECAL SET (French)         | 1    |       |            | M     | X03793-58700-10 |
|      | <b>0379358800</b> | DECAL SET (Italian)        | 1    |       |            | M     | X03793-58800-10 |
|      | <b>0379358900</b> | DECAL SET (Spanish)        | 1    |       |            | M     | X03793-58900-10 |
|      | <b>0379359000</b> | DECAL SET (U.S. TAKEUCHI)  | 1    |       |            | M     | X03793-59000-10 |
|      | <b>0379360000</b> | DECAL SET (Dutch)          | 1    |       |            | M     | X03793-60000-10 |
|      | <b>0379360200</b> | DECAL SET (Chinese)        | 1    |       |            | M     | X03793-60200-10 |
|      | <b>0379360400</b> | DECAL SET (Russian)        | 1    |       |            | M     | X03793-60400-10 |
|      | <b>0379360600</b> | DECAL SET (U.K. TAKEUCHI)  | 1    |       |            | M     | X03793-60600-10 |
| 1    | <b>0379345200</b> | • DECAL                    | 2    |       |            |       |                 |
|      | <b>0379360201</b> | • DECAL (Chinese)          | 2    |       |            |       |                 |
| 2    | <b>0329350200</b> | • DECAL                    | 1    |       |            |       |                 |
| 3    | <b>0359306300</b> | • DECAL                    | 2    |       |            |       |                 |
| 4    | <b>0569321400</b> | • DECAL                    | 1    |       |            |       |                 |
| 5    | <b>0359306500</b> | • DECAL (English)          | 4    |       |            |       |                 |
|      | <b>0359308100</b> | • DECAL (German)           | 4    |       |            |       |                 |
|      | <b>0359309100</b> | • DECAL (French)           | 4    |       |            |       |                 |
|      | <b>0359310100</b> | • DECAL (Italian)          | 4    |       |            |       |                 |
|      | <b>0339364100</b> | • DECAL (Spanish)          | 4    |       |            |       |                 |
|      | <b>0399353005</b> | • DECAL (Chinese)          | 4    |       |            |       |                 |
|      | <b>0399356001</b> | • DECAL (Russian)          | 4    |       |            |       |                 |
| 6    | <b>0359307400</b> | • DECAL (English)          | 1    |       |            |       |                 |
|      | <b>0359314400</b> | • DECAL (German)           | 1    |       |            |       |                 |
|      | <b>0359315400</b> | • DECAL (French)           | 1    |       |            |       |                 |
|      | <b>0359316400</b> | • DECAL (Italian)          | 1    |       |            |       |                 |
|      | <b>0339364200</b> | • DECAL (Spanish)          | 1    |       |            |       |                 |
|      | <b>0399353006</b> | • DECAL (Chinese)          | 1    |       |            |       |                 |
|      | <b>0579300602</b> | • DECAL (Russian)          | 1    |       |            |       |                 |
| 7    | <b>0359306600</b> | • DECAL (English)          | 1    |       |            |       |                 |
|      | <b>0339375260</b> | • DECAL (German)           | 1    |       |            |       |                 |
|      | <b>0339375460</b> | • DECAL (French)           | 1    |       |            |       |                 |
|      | <b>0339375660</b> | • DECAL (Italian, Spanish) | 1    |       |            |       |                 |
|      | <b>0399353007</b> | • DECAL (Chinese)          | 1    |       |            |       |                 |
|      | <b>0579300603</b> | • DECAL (Russian)          | 1    |       |            |       |                 |
| 8    | <b>0359306700</b> | • DECAL                    | 1    |       |            |       |                 |
| 9    | <b>0359325220</b> | • DECAL                    | 1    |       |            |       |                 |
| 10   | <b>0329360060</b> | • DECAL                    | 1    |       |            |       |                 |
| 11   | <b>0379336600</b> | • DECAL                    | 1    |       |            |       |                 |
| 12   | <b>0379336200</b> | • DECAL (English)          | 1    |       |            |       |                 |
|      | <b>0379336300</b> | • DECAL (German)           | 1    |       |            |       |                 |
|      | <b>0379336400</b> | • DECAL (French)           | 1    |       |            |       |                 |
|      | <b>0379336500</b> | • DECAL (Italian)          | 1    |       |            |       |                 |
|      | <b>0379354100</b> | • DECAL (Spanish)          | 1    |       |            |       |                 |
|      | <b>0379360203</b> | • DECAL (Chinese)          | 1    |       |            |       |                 |
|      | <b>0379360301</b> | • DECAL (Russian)          | 1    |       |            |       |                 |
| 13   | <b>0379336800</b> | • DECAL                    | 1    |       |            |       |                 |
| 14   | <b>0359325190</b> | • DECAL                    | 1    |       |            |       |                 |
| 15   | X *****           | • DECAL                    | 1    |       |            |       |                 |
| 16   | X *****           | • DECAL                    | 1    |       |            |       |                 |
| 18   | X *****           | • SCREW                    | 4    |       |            |       |                 |
| 19   | <b>0379337300</b> | • DECAL (English)          | 1    |       |            |       |                 |
|      | <b>0379338300</b> | • DECAL (German)           | 1    |       |            |       |                 |
|      | <b>0379339300</b> | • DECAL (French)           | 1    |       |            |       |                 |
|      | <b>0379340300</b> | • DECAL (Italian)          | 1    |       |            |       |                 |
|      | <b>0379354200</b> | • DECAL (Spanish)          | 1    |       |            |       |                 |
|      | <b>0399353019</b> | • DECAL (Chinese)          | 1    |       |            |       |                 |
|      | <b>0399356004</b> | • DECAL (Russian)          | 1    |       |            |       |                 |
| 20   | <b>0359317200</b> | • DECAL                    | 1    |       |            |       |                 |
| 21   | <b>0569321980</b> | • DECAL (English)          | 1    |       |            |       |                 |
|      | <b>0399353021</b> | • DECAL (Chinese)          | 1    |       |            |       |                 |
| 22   | <b>0359313700</b> | • DECAL (English)          | 1    |       |            |       |                 |
|      | <b>0359314700</b> | • DECAL (German)           | 1    |       |            |       |                 |
|      | <b>0359315700</b> | • DECAL (French)           | 1    |       |            |       |                 |
|      | <b>0359316700</b> | • DECAL (Italian)          | 1    |       |            |       |                 |
|      | <b>0339364500</b> | • DECAL (Spanish)          | 1    |       |            |       |                 |
|      | <b>0399353022</b> | • DECAL (Chinese)          | 1    |       |            |       |                 |
|      | <b>0579300606</b> | • DECAL (Russian)          | 1    |       |            |       |                 |

TB135 Book No. BG4Z010 S/N 13510004-  
 DECAL (cab) (13514051-)



DECAL (cab) (13514051-)

| Item | Part number | Description              | Q'ty | Chan. | Serial No. | Serv. | Remarks                  |
|------|-------------|--------------------------|------|-------|------------|-------|--------------------------|
| 23   | 0329360100  | • DECAL                  | 1    |       |            |       |                          |
| 24   | 0379337100  | • DECAL (English, Dutch) | 1    |       |            |       |                          |
| 24   | 0379338200  | • DECAL (German)         | 1    |       |            |       |                          |
| 24   | 0379339100  | • DECAL (French)         | 1    |       |            |       |                          |
| 24   | 0379340100  | • DECAL (Italian)        | 1    |       |            |       |                          |
| 24   | 0379354300  | • DECAL (Spanish)        | 1    |       |            |       |                          |
| 24   | 0399353024  | • DECAL (Chinese)        | 1    |       |            |       |                          |
| 24   | 0399356003  | • DECAL (Russian)        | 1    |       |            |       |                          |
| 25   | 0394504900  | • DECAL                  | 1    |       |            |       |                          |
| 26   | 0189311800  | • DECAL                  | 1    |       |            |       |                          |
| 27   | X *****     | • DECAL                  | 1    |       |            |       | except for U.S. TAKEUCHI |
| 28   | X *****     | • DECAL                  | 1    |       |            |       |                          |
| 30   | 0399300500  | • DECAL                  | 3    |       |            |       |                          |
| 31   | 0359347010  | • DECAL (English)        | 1    |       |            |       | except for U.K. TAKEUCHI |
| 31   | 0339375210  | • DECAL (German)         | 1    |       |            |       |                          |
| 31   | 0339375410  | • DECAL (French)         | 1    |       |            |       |                          |
| 31   | 0339375610  | • DECAL (Italian)        | 1    |       |            |       |                          |
| 31   | 0339375810  | • DECAL (Spanish)        | 1    |       |            |       |                          |
| 31   | 0399353031  | • DECAL (Chinese)        | 1    |       |            |       |                          |
| 31   | 0579300609  | • DECAL (Russian)        | 1    |       |            |       |                          |
| 32   | 0359347020  | • DECAL (English)        | 1    |       |            |       |                          |
| 32   | 0339375220  | • DECAL (German)         | 1    |       |            |       |                          |
| 32   | 0339375420  | • DECAL (French)         | 1    |       |            |       |                          |
| 32   | 0339375620  | • DECAL (Italian)        | 1    |       |            |       |                          |
| 32   | 0339375820  | • DECAL (Spanish)        | 1    |       |            |       |                          |
| 32   | 0399353032  | • DECAL (Chinese)        | 1    |       |            |       |                          |
| 32   | 0579300610  | • DECAL (Russian)        | 1    |       |            |       |                          |
| 33   | 0339375040  | • DECAL (English)        | 1    |       |            |       |                          |
| 33   | 0339375240  | • DECAL (German)         | 1    |       |            |       |                          |
| 33   | 0339375440  | • DECAL (French)         | 1    |       |            |       |                          |
| 33   | 0339375640  | • DECAL (Italian)        | 1    |       |            |       |                          |
| 33   | 0339375840  | • DECAL (Spanish)        | 1    |       |            |       |                          |
| 33   | 0399353033  | • DECAL (Chinese)        | 1    |       |            |       |                          |
| 33   | 0579300611  | • DECAL (Russian)        | 1    |       |            |       |                          |
| 34   | 0339375050  | • DECAL (English)        | 1    |       |            |       |                          |
| 34   | 0339375250  | • DECAL (German)         | 1    |       |            |       |                          |
| 34   | 0339375450  | • DECAL (French)         | 1    |       |            |       |                          |
| 34   | 0339375650  | • DECAL (Italian)        | 1    |       |            |       |                          |
| 34   | 0339375850  | • DECAL (Spanish)        | 1    |       |            |       |                          |
| 34   | 0399353034  | • DECAL (Chinese)        | 1    |       |            |       |                          |
| 34   | 0399356005  | • DECAL (Russian)        | 1    |       |            |       |                          |
| 35   | 0379358560  | • SEAL                   | 2    |       |            |       |                          |
| 36   | 0399353035  | • DECAL (Chinese)        | 1    |       |            |       |                          |
| 37   | 0359313900  | • DECAL                  | 1    |       |            |       |                          |
| 38   | X *****     | • DECAL                  | 1    |       |            |       | 3TNV88-QTB(1)            |
| 39   | X *****     | • DECAL                  | 1    |       |            |       | 3TNV88-QTB(1)            |
| 40   | 0339376240  | • DECAL (English)        | 1    |       | 13516745~  |       |                          |
| 40   | 0339376340  | • DECAL (German)         | 1    |       | 13516745~  |       |                          |
| 40   | 0339379440  | • DECAL (French)         | 1    |       | 13516745~  |       |                          |
| 40   | 0339379540  | • DECAL (Italian)        | 1    |       | 13516745~  |       |                          |
| 40   | 0339379640  | • DECAL (Spanish)        | 1    |       | 13516745~  |       |                          |
| 40   | 0399353740  | • DECAL (Chinese)        | 1    |       |            |       |                          |
| 40   | 0579300613  | • DECAL (Russian)        | 1    |       |            |       |                          |
| 42   | 0399357510  | • DECAL (Chinese)        | 2    |       |            | M     |                          |
| 43   | 0399357520  | • DECAL (Chinese)        | 1    |       |            | M     |                          |
|      | G4g088      |                          |      |       |            |       |                          |



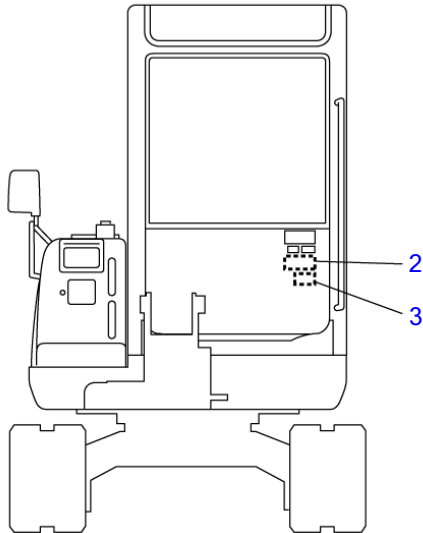
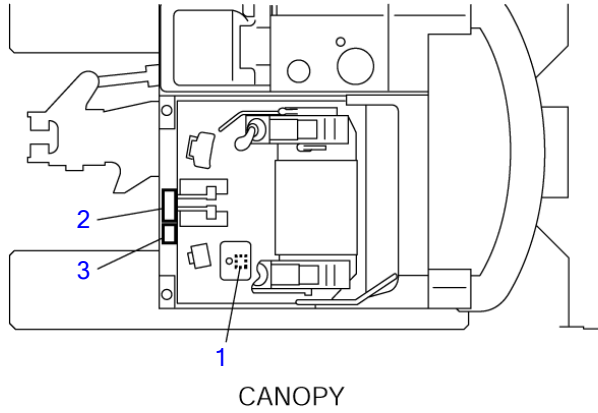
G4G131

S=FREE

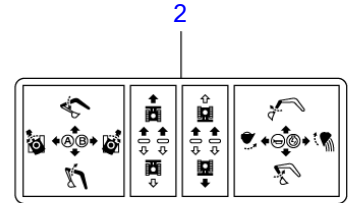
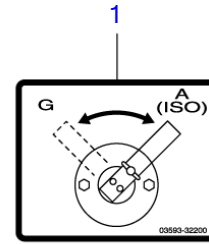


| Item | Part number       | Description | Q'ty | DECAL (for EU) |            |       | Remarks        |
|------|-------------------|-------------|------|----------------|------------|-------|----------------|
|      |                   |             |      | Chan.          | Serial No. | Serv. |                |
| 0    | X *****           | DECAL SET   | 1    |                |            |       | X03793-47000-2 |
| 1    | X *****           | ▪ DECAL     | 1    |                |            |       |                |
| 2    | X *****           | ▪ DECAL     | 1    |                |            |       |                |
| 4    | X *****           | ▪ DECAL     | 1    |                |            |       |                |
| 5    | <b>0399300500</b> | ▪ DECAL     | 3    |                |            |       |                |
| 6    | <b>0379347200</b> | ▪ DECAL     | 1    |                |            |       |                |
| 7    | <b>0339355200</b> | ▪ DECAL     | 1    |                |            |       |                |
|      | <b>G4g131</b>     |             |      |                |            |       |                |

TB135 Book No. BG4Z010 S/N 13510004-  
DECAL (selector valve)



G4G143



(English)



(German)



(Spanish)



(French)

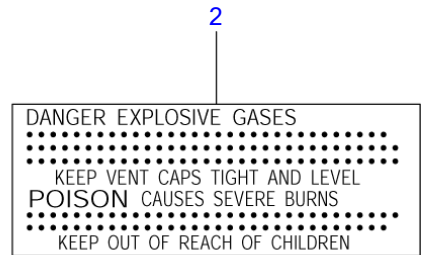
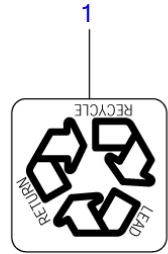
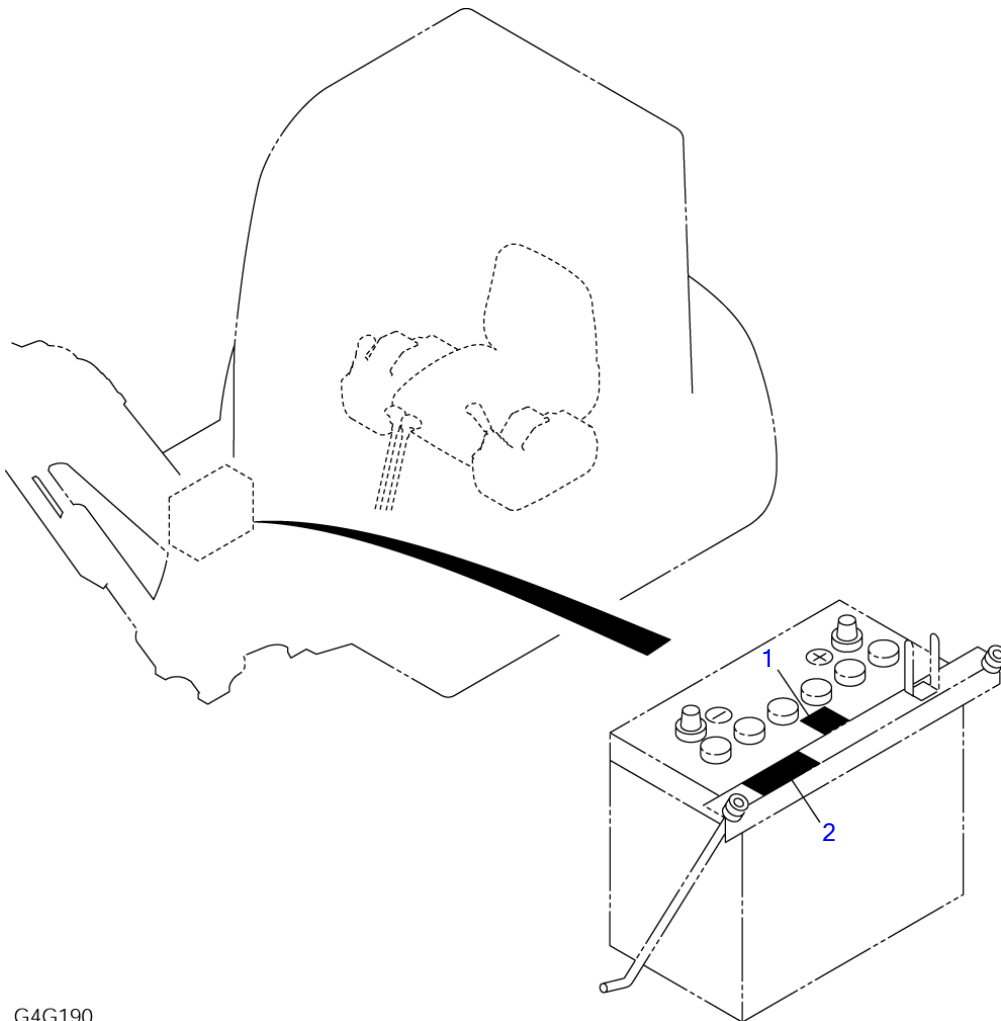


(Italian)

S=FREE

**DECAL (selector valve)**

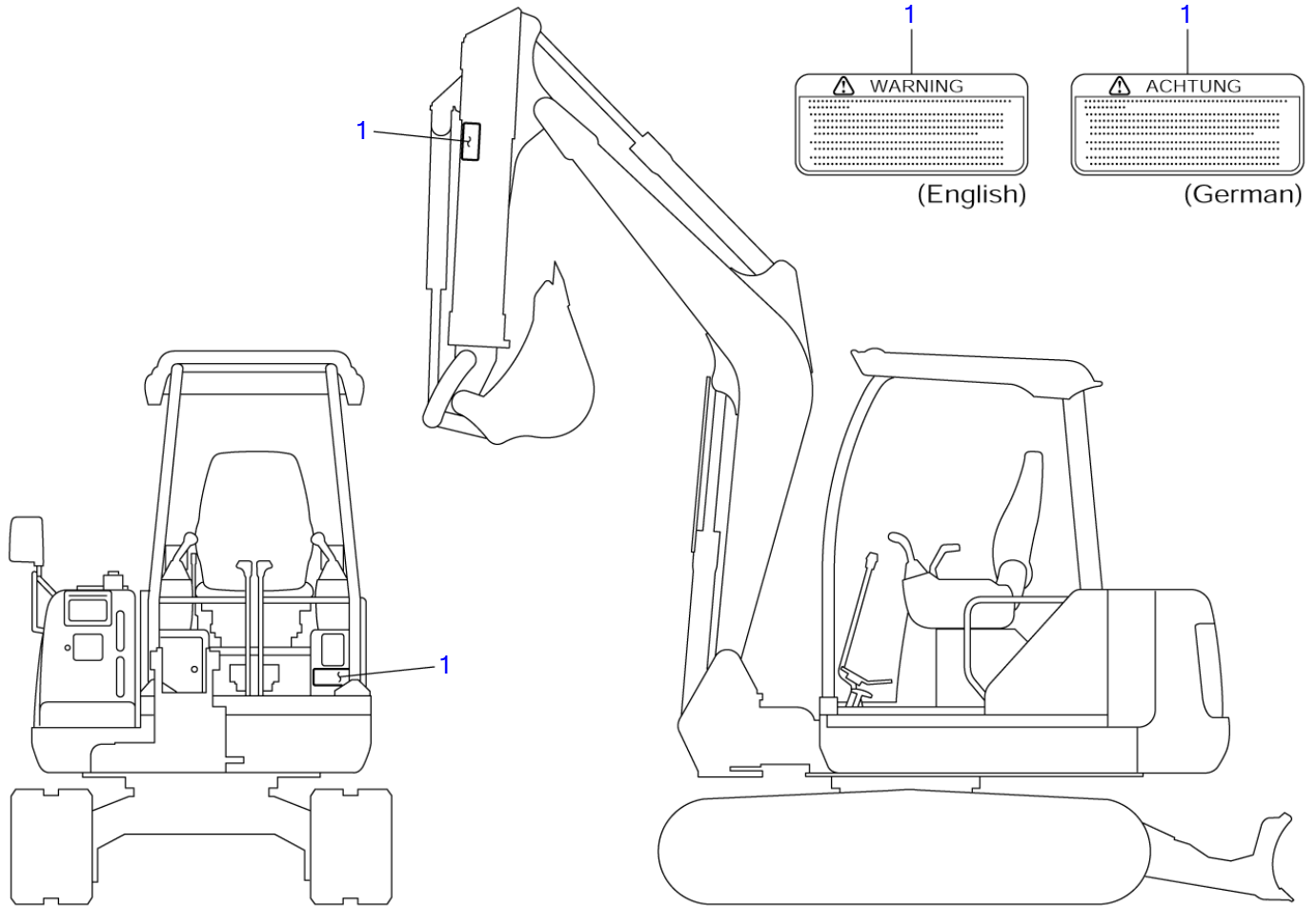
| Item | Part number       | Description         | Q'ty | Chan. | Serial No. | Serv. | Remarks        |
|------|-------------------|---------------------|------|-------|------------|-------|----------------|
| 0    | <b>0379348000</b> | DECAL SET (English) | 1    |       |            |       | X03793-48000-3 |
|      | <b>0379349000</b> | DECAL SET (German)  | 1    |       |            |       | X03793-49000-3 |
|      | <b>0379349100</b> | DECAL SET (Spanish) | 1    |       |            |       | X03793-49100-3 |
|      | <b>0379363400</b> | DECAL SET (French)  | 1    |       |            |       | X03793-63400-3 |
|      | <b>0379363500</b> | DECAL SET (Italian) | 1    |       |            |       | X03793-63500-3 |
| 1    | <b>0359332200</b> | • DECAL             | 1    |       |            |       | ISO-JCB        |
| 2    | <b>0379348100</b> | • DECAL             | 1    |       |            |       | JCB            |
| 3    | <b>0359332300</b> | • DECAL (English)   | 1    |       |            |       |                |
|      | <b>0359332400</b> | • DECAL (German)    | 1    |       |            |       |                |
|      | <b>0329364020</b> | • DECAL (Spanish)   | 1    |       |            |       |                |
|      | <b>0399361101</b> | • DECAL (French)    | 1    |       |            |       |                |
|      | <b>0399361201</b> | • DECAL (Italian)   | 1    |       |            |       |                |
|      | <b>G4g143</b>     |                     |      |       |            |       |                |



G4G190

S=FREE

| Item | Part number       | Description | DECAL (for U.S.A.) |       |            | Remarks        |
|------|-------------------|-------------|--------------------|-------|------------|----------------|
|      |                   |             | Q'ty               | Chan. | Serial No. |                |
| 0    | <b>0379350000</b> | DECAL SET   | 1                  |       |            | X03793-50000-0 |
| 1    | <b>0379350010</b> | • DECAL     | 1                  |       |            |                |
| 2    | <b>0379350020</b> | • DECAL     | 1                  |       |            |                |
|      | <b>G4g190</b>     |             |                    |       |            |                |

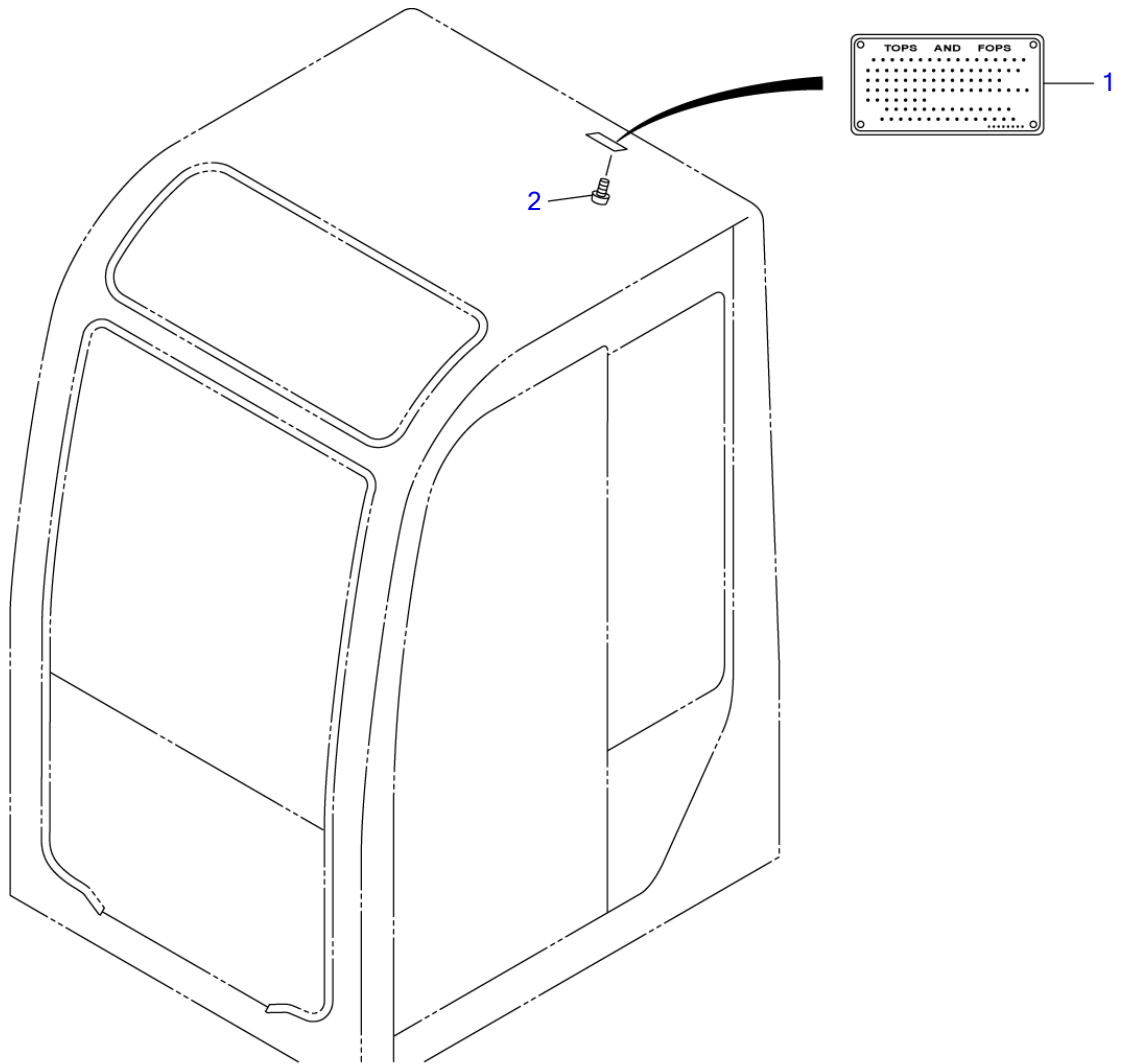


G4G200

S=FREE

**DECAL (telescopic arm)**

| Item | Part number       | Description         | Q'ty | Chan. | Serial No. | Serv. | Remarks        |
|------|-------------------|---------------------|------|-------|------------|-------|----------------|
| 0    | <b>0379353000</b> | DECAL SET (English) | 1    |       |            |       | X03793-53000-0 |
|      | <b>0379353500</b> | DECAL SET (German)  | 1    |       |            |       | X03793-53500-0 |
| 1    | <b>0379327100</b> | • DECAL (English)   | 2    |       |            |       |                |
|      | <b>0379328100</b> | • DECAL (German)    | 2    |       |            |       |                |
|      | <b>G4g200</b>     |                     |      |       |            |       |                |



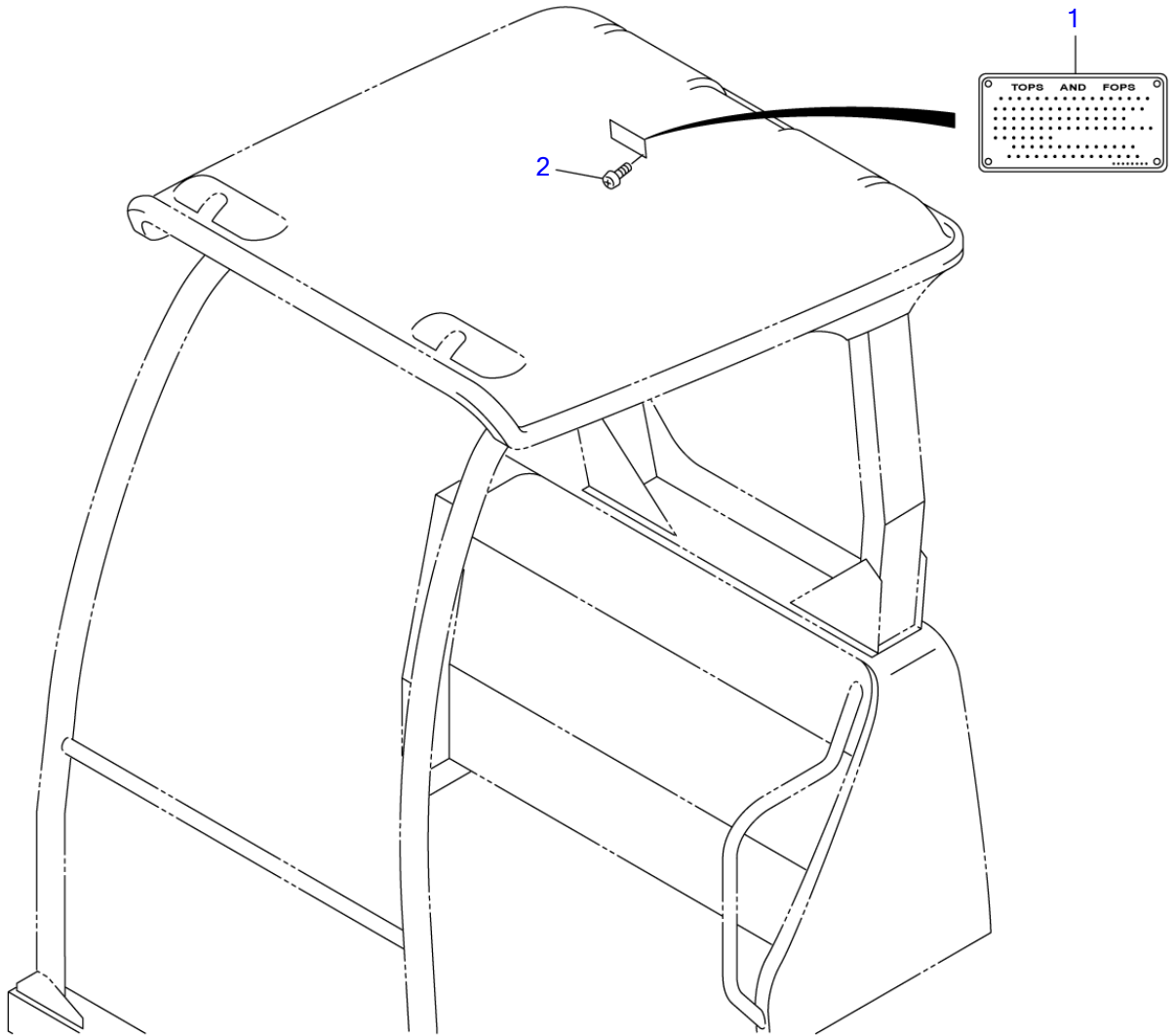
G4G210

S=1/15



DECAL (TOPS, cab)

| Item | Part number          | Description | Q'ty | Chan. | Serial No. | Serv. | Remarks        |
|------|----------------------|-------------|------|-------|------------|-------|----------------|
| 0    | X *****              | DECAL SET   | 1    |       |            |       | X03793-56000-0 |
| 1    | X *****              | · DECAL     | 1    |       |            |       |                |
| 2    | 1122800006<br>G4g210 | · SCREW     | 4    |       |            |       |                |

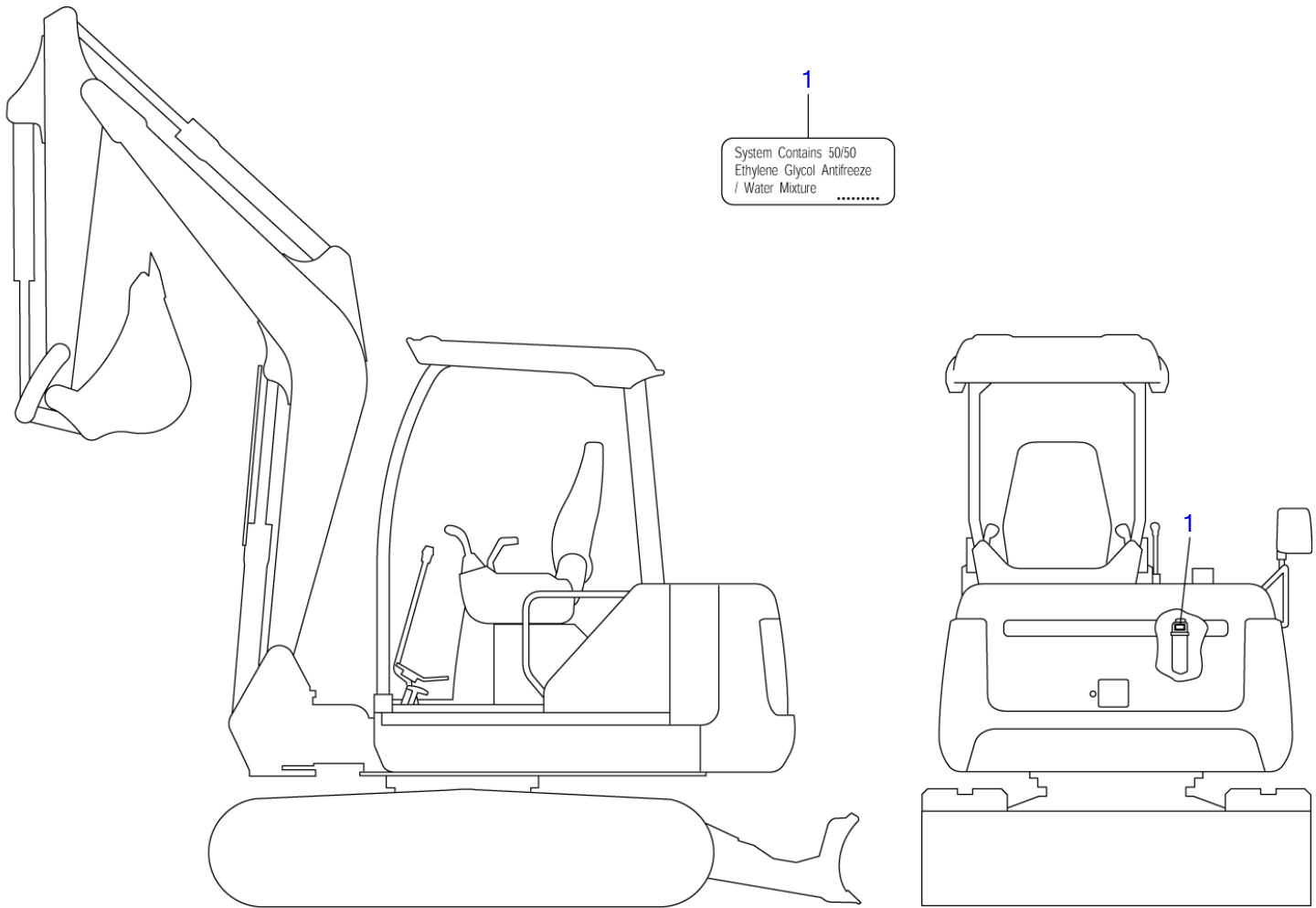


G4G220

S=1/12

| Item | Part number          | Description | DECAL (TOPS, canopy) |       |                  | Remarks        |
|------|----------------------|-------------|----------------------|-------|------------------|----------------|
|      |                      |             | Q'ty                 | Chan. | Serial No. Serv. |                |
| 0    | X *****              | DECAL SET   | 1                    |       |                  | X03793-57000-0 |
| 1    | X *****              | · DECAL     | 1                    |       |                  |                |
| 2    | 1122800006<br>G4g220 | · SCREW     | 4                    |       |                  |                |

TB135 Book No. BG4Z010 S/N 13510004-  
DECAL (for US TAKEUCHI; 13510004-13514050)



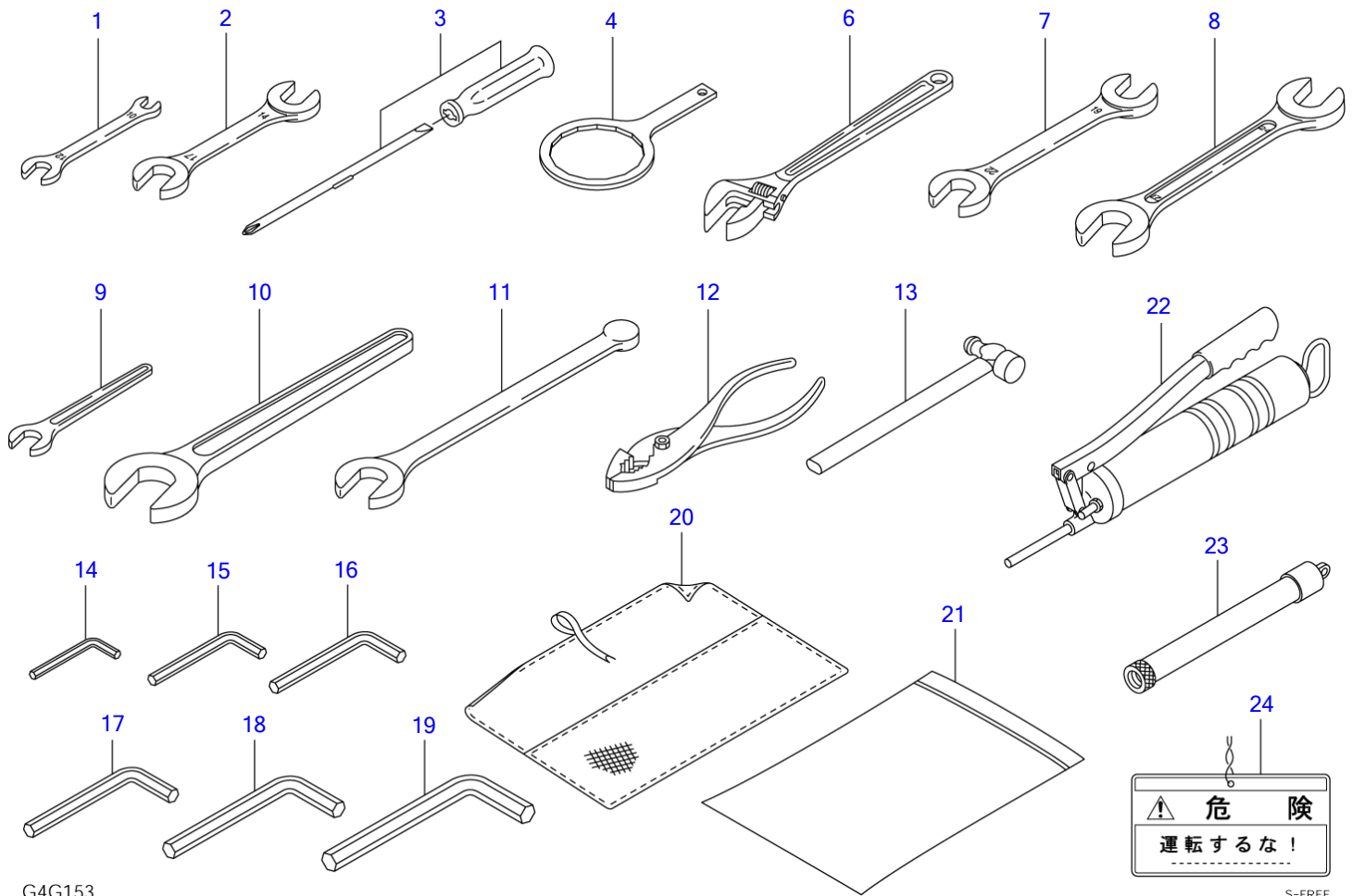
G4G230

S=FREE

**DECAL (for US TAKEUCHI; 13510004-13514050)**

| Item | Part number       | Description | Q'ty | Chan. | Serial No. | Serv. | Remarks        |
|------|-------------------|-------------|------|-------|------------|-------|----------------|
| 0    | <b>0399350000</b> | DECAL SET   | 1    |       |            |       | X03993-50000-0 |
| 1    | <b>0359313900</b> | · DECAL     | 1    |       |            |       |                |
|      | <b>G4g230</b>     |             |      |       |            |       |                |

TB135 Book No. BG4Z010 S/N 13510004-  
TOOL & ACCESSORIES



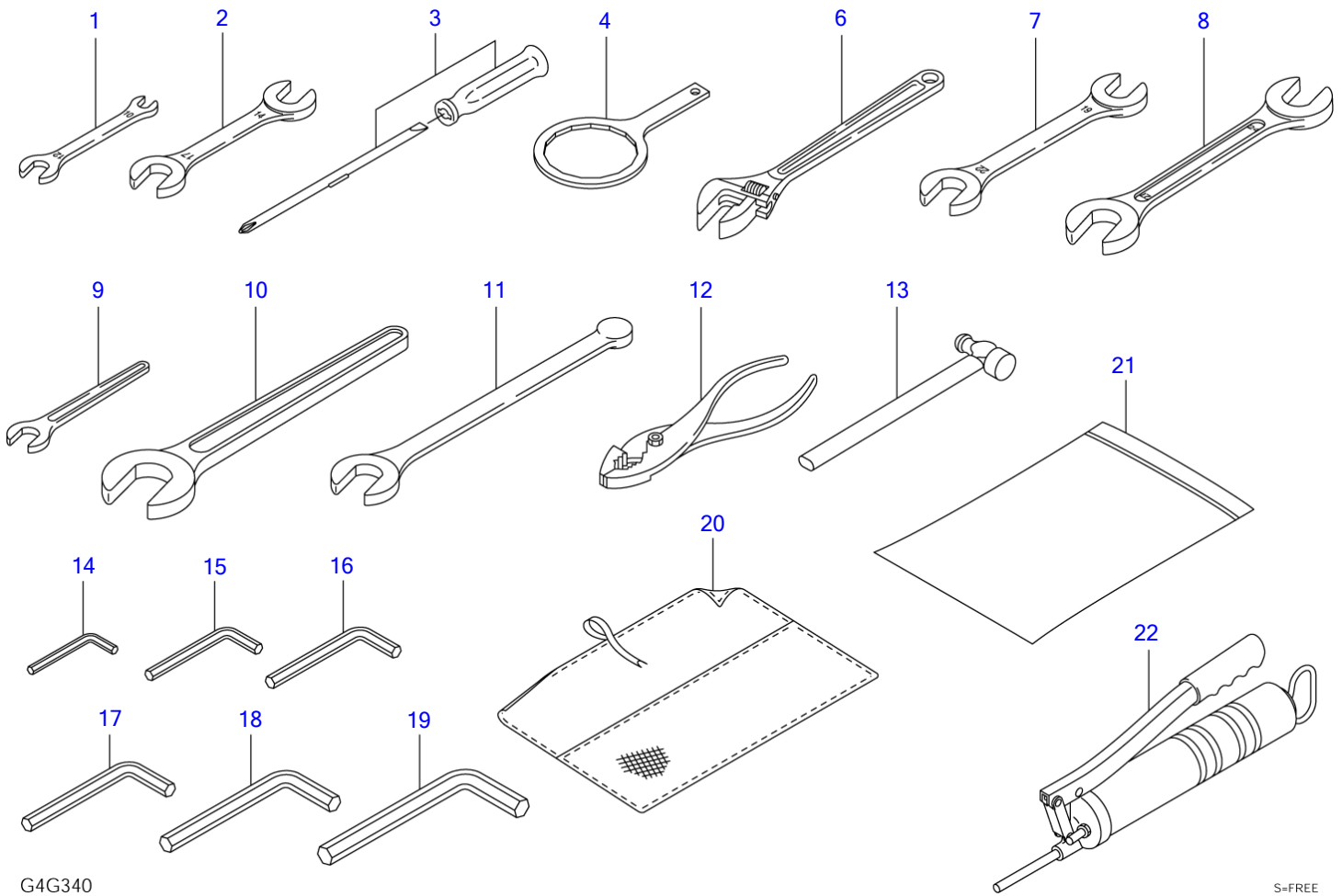
G4G153

S=FREE

**TOOL & ACCESSORIES**

| Item | Part number       | Description      | Q'ty | Chan. | Serial No. | Serv. | Remarks       |
|------|-------------------|------------------|------|-------|------------|-------|---------------|
| 0    | <b>0379207010</b> | TOOL ASSY        | 1    |       |            |       |               |
| 1    | <b>1910047081</b> | ▪ SPANNER        | 1    |       |            |       | Y28110-100120 |
| 2    | <b>1910047082</b> | ▪ SPANNER        | 1    |       |            |       | Y28110-140170 |
| 3    | <b>1910006112</b> | ▪ DRIVER, screw  | 1    |       |            |       | Y104200-92350 |
| 4    | <b>1910065081</b> | ▪ WRENCH, filter | 1    |       |            |       | Y119640-92750 |
| 6    | <b>1690400250</b> | ▪ WRENCH, monkey | 1    |       |            |       |               |
| 7    | <b>1690001922</b> | ▪ SPANNER        | 1    |       |            |       |               |
| 8    | <b>1690002427</b> | ▪ SPANNER        | 1    |       |            |       |               |
| 9    | <b>1690100013</b> | ▪ SPANNER        | 1    |       |            |       |               |
| 10   | <b>1690100041</b> | ▪ SPANNER        | 1    |       |            |       |               |
| 11   | <b>1690900026</b> | ▪ SPANNER        | 1    |       |            |       |               |
| 12   | <b>1690500200</b> | ▪ PLIER          | 1    |       |            |       |               |
| 13   | <b>1690300330</b> | ▪ HAMMER         | 1    |       |            |       |               |
| 14   | <b>1690600400</b> | ▪ WRENCH, hex    | 1    |       |            |       |               |
| 15   | <b>1690600500</b> | ▪ WRENCH, hex    | 1    |       |            |       |               |
| 16   | <b>1690600600</b> | ▪ WRENCH, hex    | 1    |       |            |       |               |
| 17   | <b>1690600800</b> | ▪ WRENCH, hex    | 1    |       |            |       |               |
| 18   | <b>1690601000</b> | ▪ WRENCH, hex    | 1    |       |            |       |               |
| 19   | <b>1690601400</b> | ▪ WRENCH, hex    | 1    |       |            |       |               |
| 20   | <b>1691400001</b> | ▪ CASE, tool     | 1    |       |            |       |               |
| 21   | <b>1691900001</b> | ▪ CASE           | 1    |       |            |       |               |
| 22   | <b>1691010800</b> | GUN ASSY, grease | 1    |       |            |       | for Japan     |
|      | <b>1691060600</b> | GUN ASSY, grease | 1    |       |            |       |               |
| 23   | <b>1554512600</b> | TUBE             | 1    |       |            |       | for EU        |
| 24   | <b>0359325160</b> | PLATE            | 1    |       |            |       | for Japan     |
|      | <b>G4g152</b>     |                  |      |       |            |       |               |

TB135 Book No. BG4Z010 S/N 13510004-  
TOOL & ACCESSORIES (1/2) (for China)



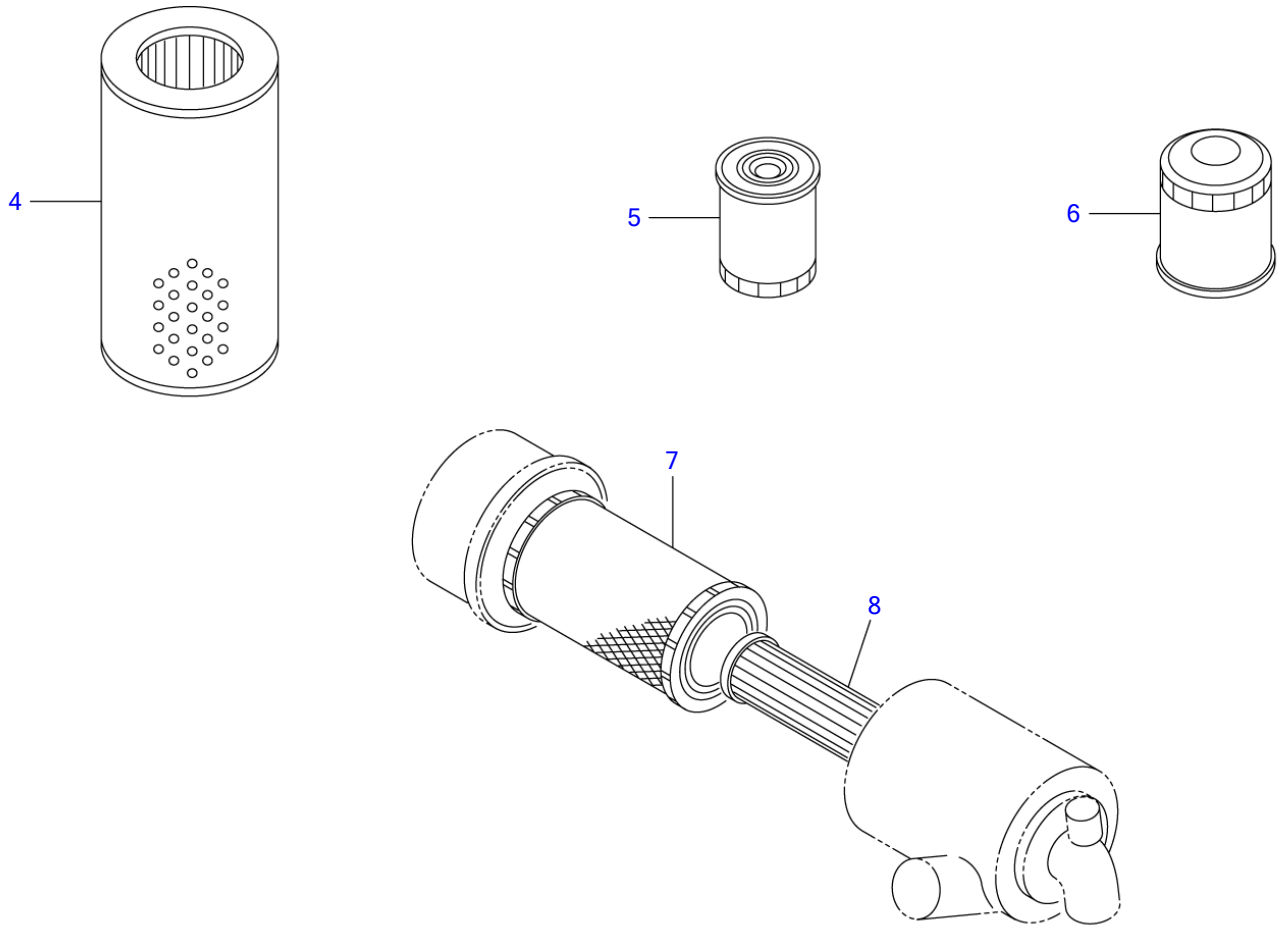
G4G340

S=FREE



**TOOL & ACCESSORIES (1/2) (for China)**

| Item | Part number       | Description      | Q'ty | Chan. | Serial No. | Serv. | Remarks        |
|------|-------------------|------------------|------|-------|------------|-------|----------------|
|      |                   | TOOL SET         |      |       |            |       | X03792-07450-0 |
| 0    | <b>0379207010</b> | TOOL ASSY        | 1    |       |            |       |                |
| 1    | <b>1910047081</b> | ▪ SPANNER        | 1    |       |            |       | Y28110-100120  |
| 2    | <b>1910047082</b> | ▪ SPANNER        | 1    |       |            |       | Y28110-140170  |
| 3    | <b>1910006112</b> | ▪ DRIVER, screw  | 1    |       |            |       | Y104200-92350  |
| 4    | <b>1910065081</b> | ▪ WRENCH, filter | 1    |       |            |       | Y119640-92750  |
| 6    | <b>1690400250</b> | ▪ WRENCH, monkey | 1    |       |            |       |                |
| 7    | <b>1690001922</b> | ▪ SPANNER        | 1    |       |            |       |                |
| 8    | <b>1690002427</b> | ▪ SPANNER        | 1    |       |            |       |                |
| 9    | <b>1690100013</b> | ▪ SPANNER        | 1    |       |            |       |                |
| 10   | <b>1690100041</b> | ▪ SPANNER        | 1    |       |            |       |                |
| 11   | <b>1690900026</b> | ▪ SPANNER        | 1    |       |            |       |                |
| 12   | <b>1690500200</b> | ▪ PLIER          | 1    |       |            |       |                |
| 13   | <b>1690300330</b> | ▪ HAMMER         | 1    |       |            |       |                |
| 14   | <b>1690600400</b> | ▪ WRENCH, hex    | 1    |       |            |       |                |
| 15   | <b>1690600500</b> | ▪ WRENCH, hex    | 1    |       |            |       |                |
| 16   | <b>1690600600</b> | ▪ WRENCH, hex    | 1    |       |            |       |                |
| 17   | <b>1690600800</b> | ▪ WRENCH, hex    | 1    |       |            |       |                |
| 18   | <b>1690601000</b> | ▪ WRENCH, hex    | 1    |       |            |       |                |
| 19   | <b>1690601400</b> | ▪ WRENCH, hex    | 1    |       |            |       |                |
| 20   | <b>1691400001</b> | ▪ CASE, tool     | 1    |       |            |       |                |
| 21   | <b>1691900001</b> | ▪ CASE           | 1    |       |            |       |                |
| 22   | <b>1691060600</b> | GUN ASSY, grease | 1    |       |            |       |                |
|      | <b>G4g340</b>     |                  |      |       |            |       |                |

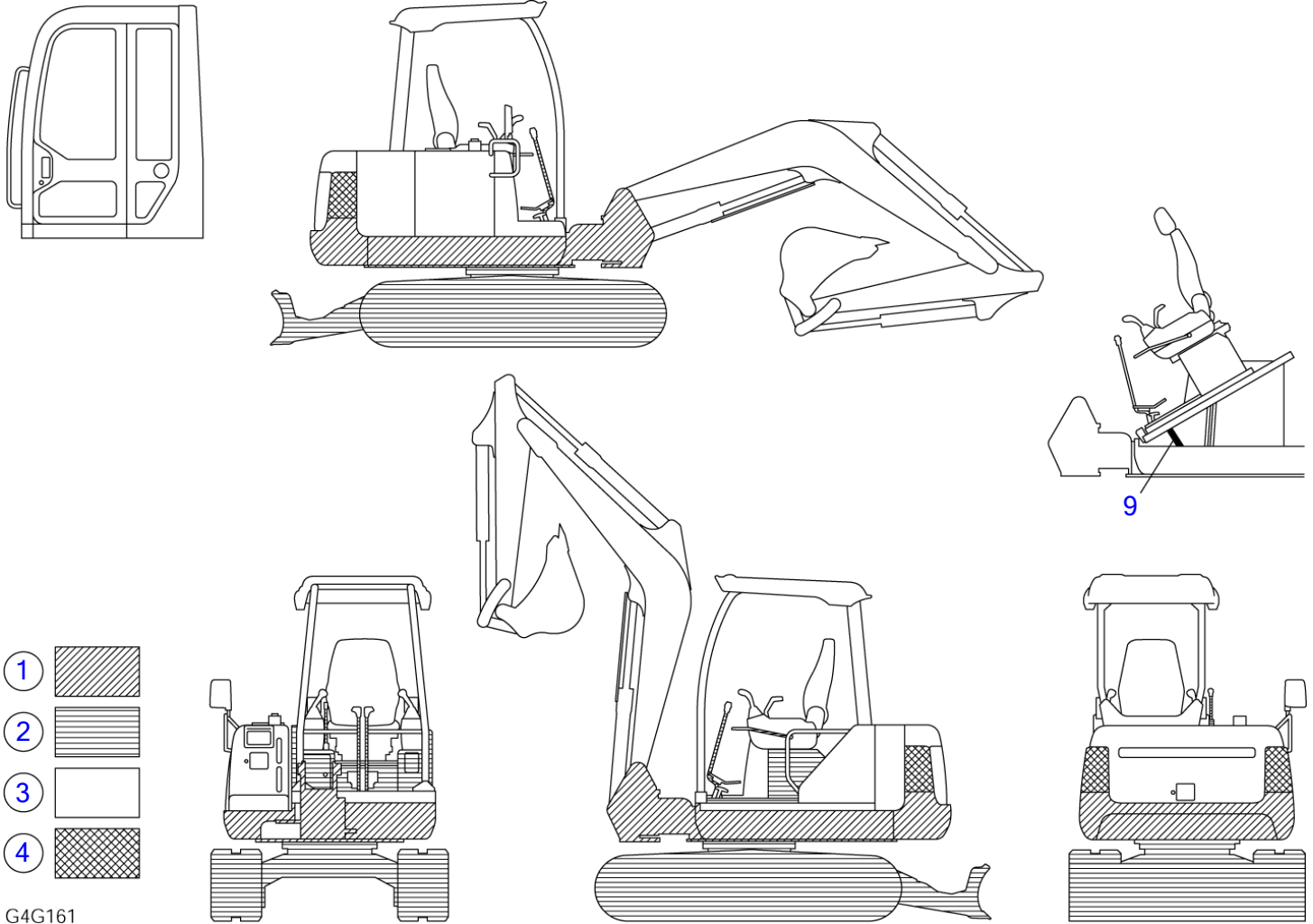


K3G300

S=free

**TOOL & ACCESSORIES (2/2) (for China)**

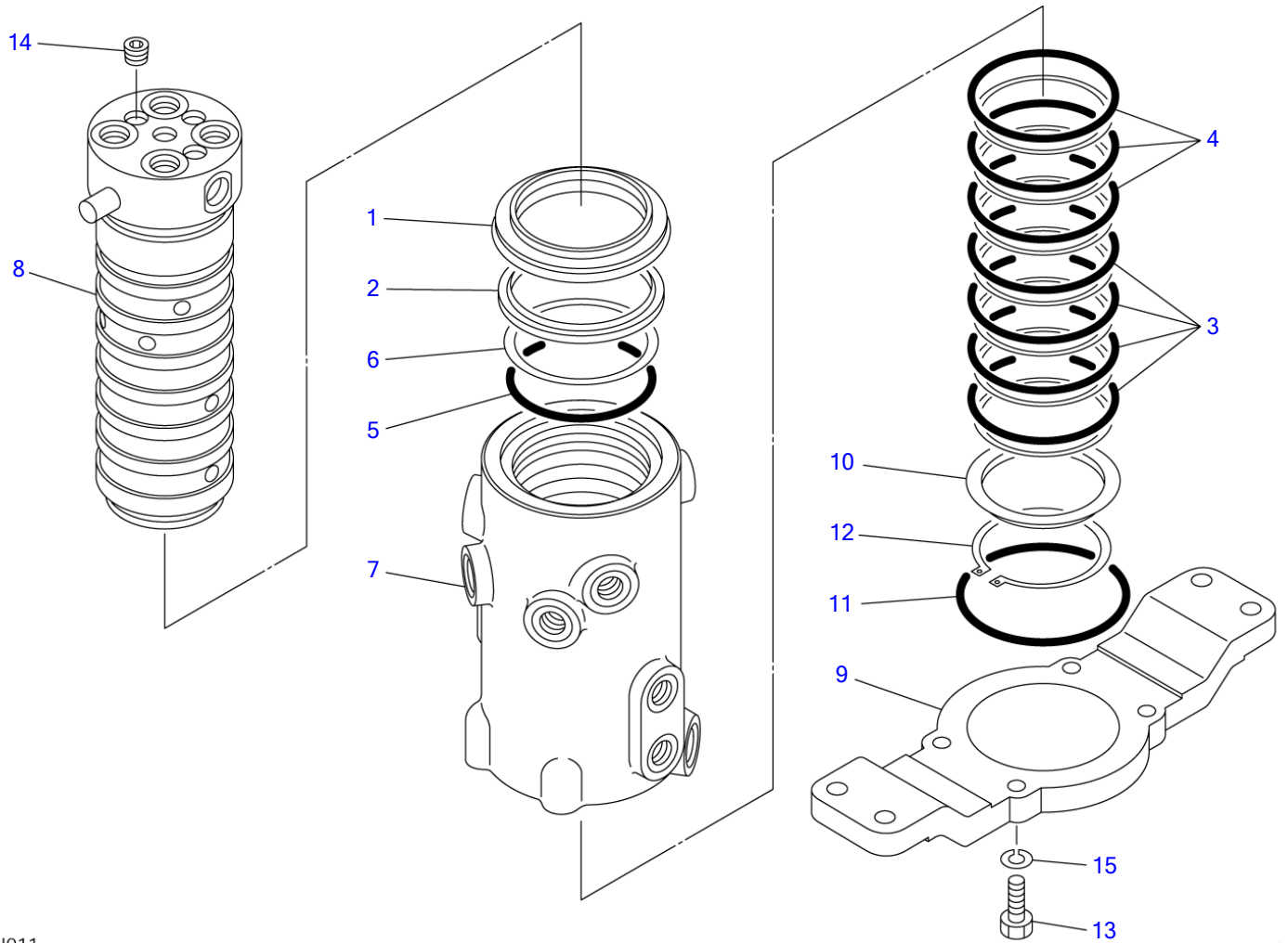
| Item | Part number       | Description        | Q'ty | Chan. | Serial No. | Serv. | Remarks                 |
|------|-------------------|--------------------|------|-------|------------|-------|-------------------------|
|      |                   | TOOL SET           |      |       |            |       | X03792-07450-0          |
| 4    | <b>1551103300</b> | FILTER, return     | 5    |       |            |       |                         |
| 5    | <b>1990197054</b> | FILTER, fuel       | 8    |       |            | M     | Y129907-55800           |
| 6    | <b>1990197055</b> | FILTER, engine oil | 9    |       |            | M     | Y119005-35150           |
| 7    | <b>1911102771</b> | AIR FILTER, outer  | 4    |       |            | M     | fhfjf\fhf\fhf" P82-1575 |
| 8    | <b>1911102772</b> | AIR FILTER, inner  | 4    |       |            |       | fhfjf\fhf\fhf" P82-2858 |
|      | <b>G4g330</b>     |                    |      |       |            |       |                         |



G4G161

| Item | Part number       | Description   | PAINTED COLOR |       |            | Remarks        |
|------|-------------------|---------------|---------------|-------|------------|----------------|
|      |                   |               | Q'ty          | Chan. | Serial No. |                |
|      |                   | PAINTED COLOR |               |       |            | X03791-25000-6 |
|      |                   | PAINTED COLOR |               |       |            | X03791-26000-6 |
|      |                   | PAINTED COLOR |               |       |            | X03791-27000-6 |
|      |                   | PAINTED COLOR |               |       |            | X03791-28000-6 |
| 1    | <b>1919060105</b> | RED           |               |       |            |                |
|      | <b>1919069105</b> | RED           |               |       |            | spray          |
| 2    | <b>1919060144</b> | GRAY          |               |       |            |                |
|      | <b>1919069144</b> | GRAY          |               |       |            | spray          |
| 3    | <b>1919060142</b> | LIGHT GRAY    |               |       |            |                |
|      | <b>1919069142</b> | LIGHT GRAY    |               |       |            | spray          |
| 4    | <b>1919060005</b> | BLACK         |               |       |            |                |
|      | <b>1919069159</b> | BLACK         |               |       |            | spray          |
| 9    | <b>1919060175</b> | YELLOW        |               |       |            |                |
|      | <b>1919069175</b> | YELLOW        |               |       |            | spray          |
|      | <b>G4g163</b>     |               |               |       |            |                |

TB135 Book No. BG4Z010 S/N 13510004-  
SWIVEL JOINT



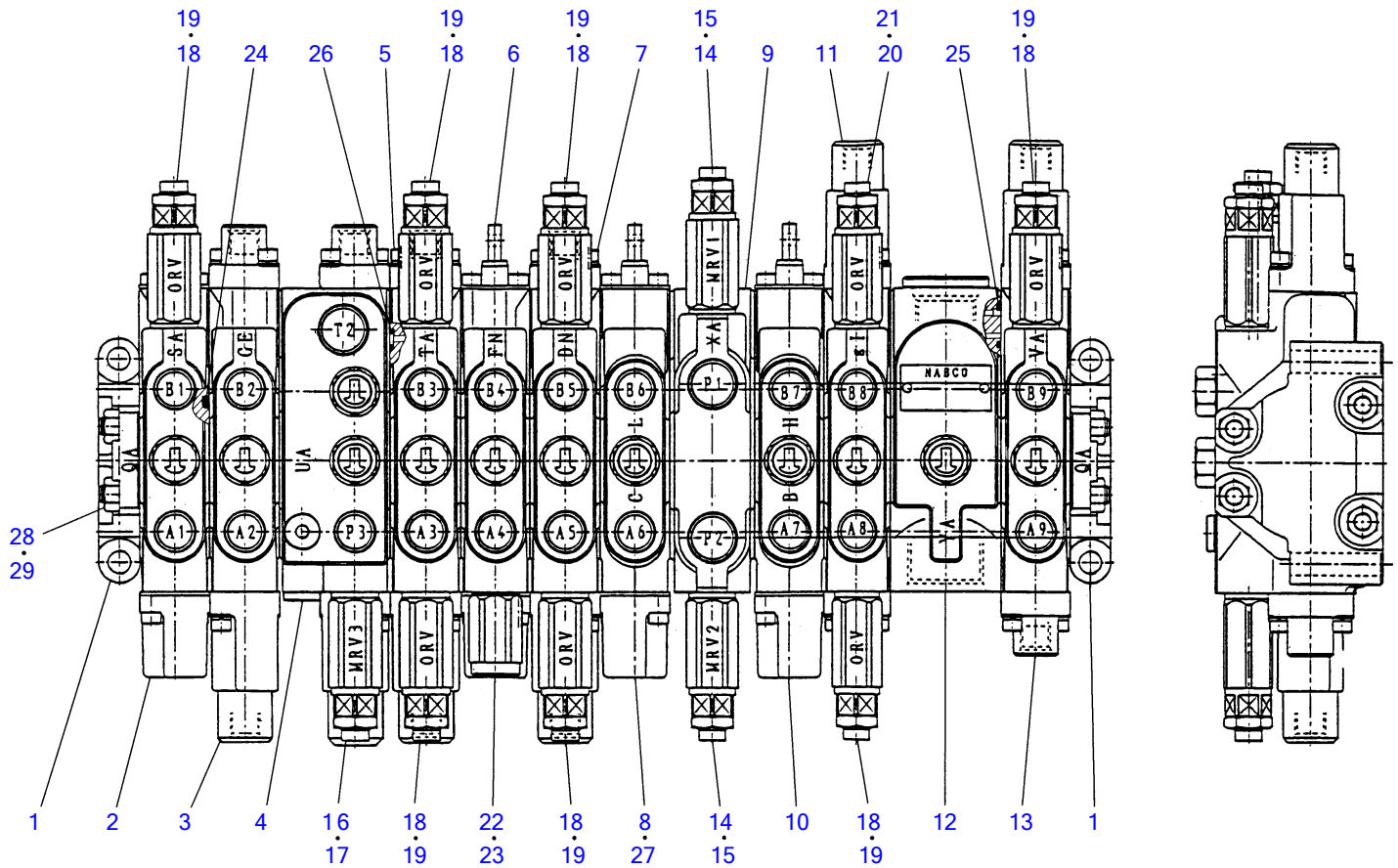
G4H011

S=1/4

**SWIVEL JOINT**

| Item | Part number         | Description       | Q'ty | Chan. | Serial No. | Serv. | Remarks |
|------|---------------------|-------------------|------|-------|------------|-------|---------|
| 0    | <b>1904005900</b>   | JOINT, swivel     | 1    |       |            |       |         |
| 0-1  | <b>1904006399</b>   | ▪ KIT, seal       | 1    |       |            |       |         |
| 1    | X <b>1904002391</b> | ▪ ▪ SEAL, dust    | 1    |       |            |       |         |
| 2    | X <b>1904000494</b> | ▪ ▪ SEAL, dust    | 1    |       |            |       |         |
| 3    | X <b>1904006316</b> | ▪ ▪ SEAL, slipper | 4    |       |            |       |         |
| 4    | X <b>1904006317</b> | ▪ ▪ SEAL, slipper | 3    |       |            |       |         |
| 5    | X <b>1420010800</b> | ▪ ▪ O-RING        | 1    |       |            |       |         |
| 6    | X <b>1421030800</b> | ▪ ▪ RING, back-up | 1    |       |            |       |         |
| 7    | <b>1904005901</b>   | ▪ HUB             | 1    |       |            |       |         |
| 8    | <b>1904005911</b>   | ▪ SHAFT           | 1    |       |            |       |         |
| 9    | <b>1904003621</b>   | ▪ FLANGE          | 1    |       |            |       |         |
| 10   | <b>1904003691</b>   | ▪ SPACER          | 1    |       |            |       |         |
| 11   | <b>1420110950</b>   | ▪ O-RING          | 1    |       |            |       |         |
| 12   | <b>1221000072</b>   | ▪ RING, snap      | 1    |       |            |       |         |
| 13   | <b>1100041030</b>   | ▪ BOLT            | 4    |       |            |       |         |
| 14   | <b>1501810002</b>   | ▪ PLUG            | 3    |       |            |       |         |
| 15   | <b>1140010010</b>   | ▪ WASHER, spring  | 4    |       |            |       |         |
|      | <b>G4h012</b>       |                   |      |       |            |       |         |

TB135 Book No. BG4Z010 S/N 13510004-  
CONTROL VALVE



G4H020

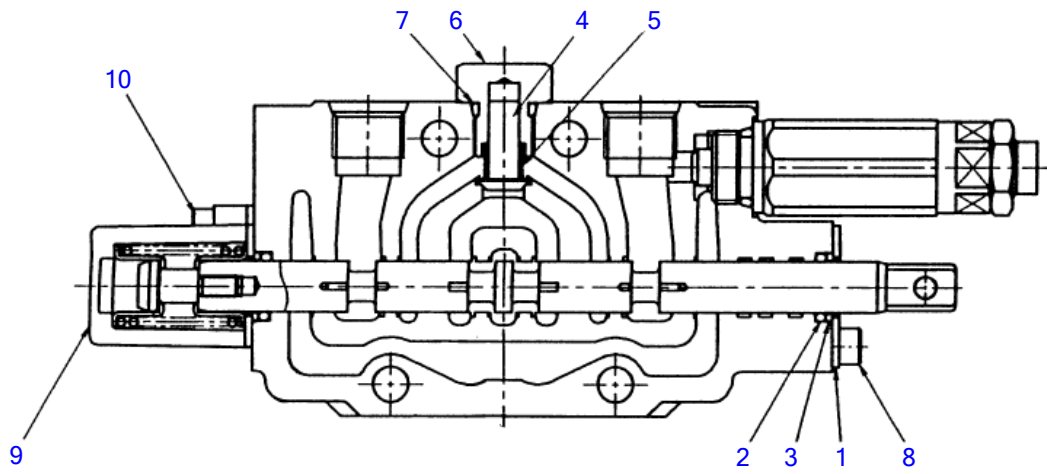


**CONTROL VALVE**

| Item | Part number | Description         | Q'ty | Chan. | Serial No.        | Serv. | Remarks       |
|------|-------------|---------------------|------|-------|-------------------|-------|---------------|
| 0    | 1901036400  | VALVE ASSY, control | 1    |       | 13510004~13511440 |       |               |
|      | 1901039400  | VALVE ASSY, control | 1    |       | 13511441~         |       |               |
| 1    | 1901036405  | • COVER, end        | 2    |       |                   |       |               |
| 2    | 1901036417  | • BLOCK ASSY, No1   | 1    |       |                   |       | blade         |
| 3    | 1901036414  | • BLOCK ASSY, No2   | 1    |       |                   |       | slew          |
| 4    | 1901036403  | • HOUSING ASSY      | 1    |       |                   |       | T2,P3         |
| 5    | 1901036419  | • BLOCK ASSY, No3   | 1    |       |                   |       | auxiliary     |
| 6    | 1901036418  | • BLOCK ASSY, No4   | 1    |       |                   |       | swing         |
| 7    | 1901036412  | • BLOCK ASSY, No5   | 1    |       |                   |       | arm           |
| 8    | 1901036416  | • BLOCK ASSY, No6   | 1    |       |                   |       | traction L.H. |
| 9    | 1901036401  | • HOUSING ASSY      | 1    |       |                   |       | P1,P2         |
| 10   | 1901036415  | • BLOCK ASSY, No7   | 1    |       |                   |       | traction R.H. |
| 11   | 1901036411  | • BLOCK ASSY, No8   | 1    |       |                   |       | boom          |
| 12   | 1901036402  | • HOUSING ASSY      | 1    |       |                   |       | T1            |
| 13   | 1901036413  | • BLOCK ASSY, No9   | 1    |       |                   |       | bucket        |
| 14   | 1901036424  | • VALVE ASSY        | 2    |       |                   |       | relief        |
| 15   | 1420010140  | • • O-RING          | 1    |       |                   |       |               |
| 16   | 1901036423  | • VALVE ASSY        | 1    |       |                   |       | relief        |
| 17   | 1420010140  | • • O-RING          | 1    |       |                   |       |               |
| 18   | 1901036422  | • VALVE ASSY        | 7    |       |                   |       | over load     |
| 19   | 1420010140  | • • O-RING          | 1    |       |                   |       |               |
| 20   | 1901036421  | • VALVE ASSY        | 1    |       |                   |       | over load     |
| 21   | 1420010140  | • • O-RING          | 1    |       |                   |       |               |
| 22   | 1901036425  | • VALVE ASSY        | 1    |       |                   |       | antivoid      |
| 23   | 1420010140  | • • O-RING          | 1    |       |                   |       |               |
| 24   | 1420310226  | • O-RING            | 11   |       |                   |       |               |
| 25   | 1420000180  | • O-RING            | 8    |       |                   |       |               |
| 26   | 1420000060  | • O-RING            | 1    |       |                   |       |               |
| 27   | 1420000100  | • O-RING            | 1    |       |                   |       |               |
| 28   | 1901036490  | • ROD, tie          | 4    |       |                   |       |               |
| 29   | 1130050008  | • NUT               | 8    |       |                   |       |               |
|      | G4h021      |                     |      |       |                   |       |               |

TB135 Book No. BG4Z010 S/N 13510004-  
BLOCK ASSY; No. 1

---

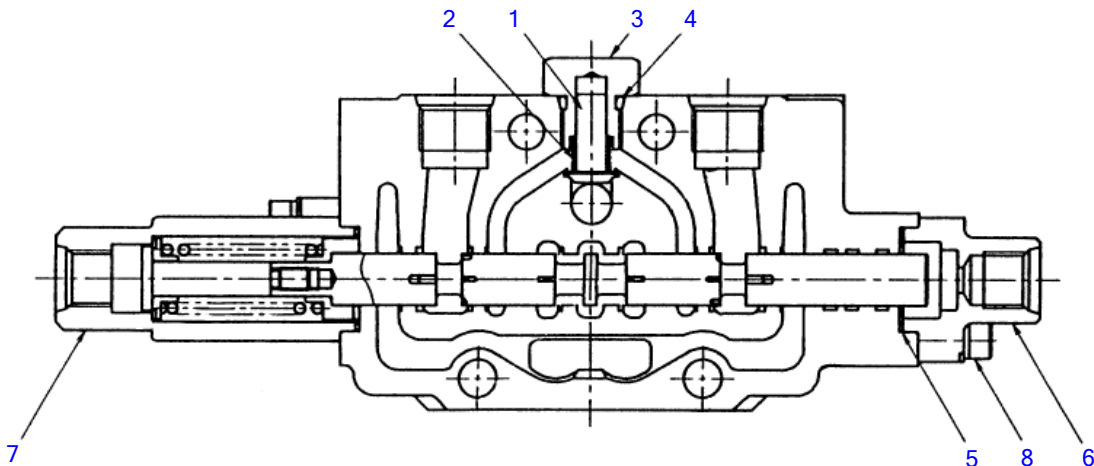


G4H030

S=FREE

**BLOCK ASSY; No. 1**

| Item | Part number       | Description     | Q'ty | Chan. | Serial No. | Serv. | Remarks |
|------|-------------------|-----------------|------|-------|------------|-------|---------|
| 0    | <b>1901036417</b> | BLOCK ASSY, No1 | 1    |       |            |       | blade   |
| 1    | <b>1901036441</b> | ▪ PLATE, seal   | 1    |       |            |       |         |
| 2    | <b>1420000120</b> | ▪ O-RING        | 1    |       |            |       |         |
| 3    | <b>1901036446</b> | ▪ SEAL, dust    | 1    |       |            |       |         |
| 4    | <b>1901036426</b> | ▪ PLUNGER       | 1    |       |            |       |         |
| 5    | <b>1901036456</b> | ▪ SPRING        | 1    |       |            |       |         |
| 6    | <b>1901036466</b> | ▪ PLUG          | 1    |       |            |       |         |
| 7    | <b>1420010110</b> | ▪ O-RING        | 1    |       |            |       |         |
| 8    | <b>1110020510</b> | ▪ SCREW, cap    | 1    |       |            |       |         |
| 9    | <b>1901036451</b> | ▪ CAP           | 1    |       |            |       |         |
| 10   | <b>1110020518</b> | ▪ SCREW, cap    | 2    |       |            |       |         |
|      | <b>G4h030</b>     |                 |      |       |            |       |         |



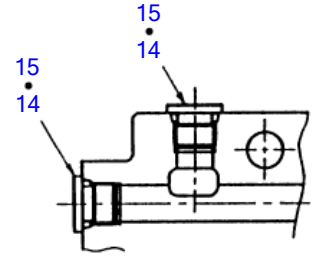
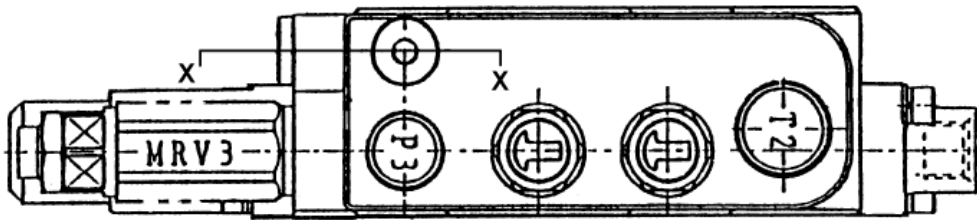
G4H040

S=FREE

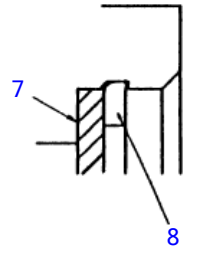
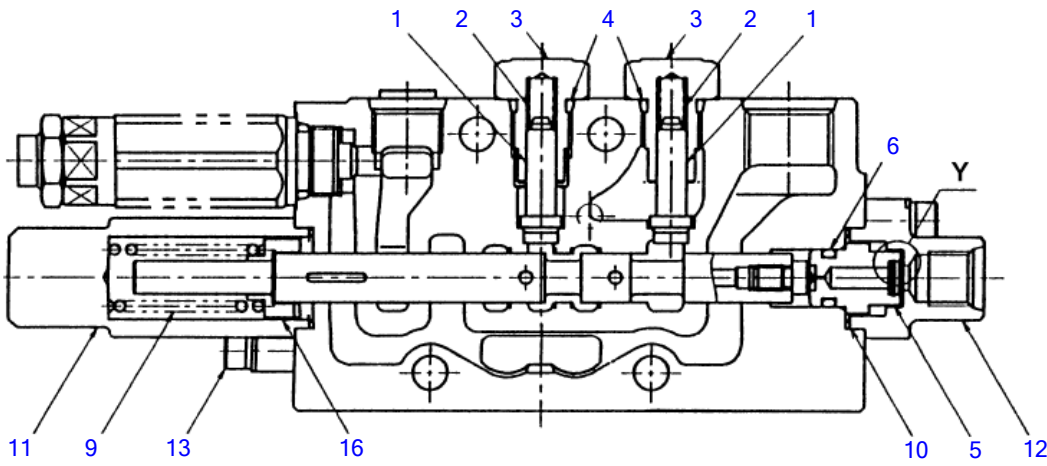
**BLOCK ASSY; No. 2**

| Item | Part number       | Description     | Q'ty | Chan. | Serial No. | Serv. | Remarks |
|------|-------------------|-----------------|------|-------|------------|-------|---------|
| 0    | <b>1901036414</b> | BLOCK ASSY, No2 | 1    |       |            |       | slew    |
| 1    | <b>1901036426</b> | ▪ PLUNGER       | 1    |       |            |       |         |
| 2    | <b>1901036456</b> | ▪ SPRING        | 1    |       |            |       |         |
| 3    | <b>1901036466</b> | ▪ PLUG          | 1    |       |            |       |         |
| 4    | <b>1420010110</b> | ▪ O-RING        | 1    |       |            |       |         |
| 5    | <b>1420510220</b> | ▪ O-RING        | 2    |       |            |       |         |
| 6    | <b>1901036468</b> | ▪ CAP           | 1    |       |            |       |         |
| 7    | <b>1901036467</b> | ▪ CAP           | 1    |       |            |       |         |
| 8    | <b>1901036491</b> | ▪ BOLT, sems    | 4    |       |            |       |         |
|      | <b>G4h040</b>     |                 |      |       |            |       |         |

TB135 Book No. BG4Z010 S/N 13510004-  
HOUSING ASSY



fè "X-X"  
SECTION "X-X"



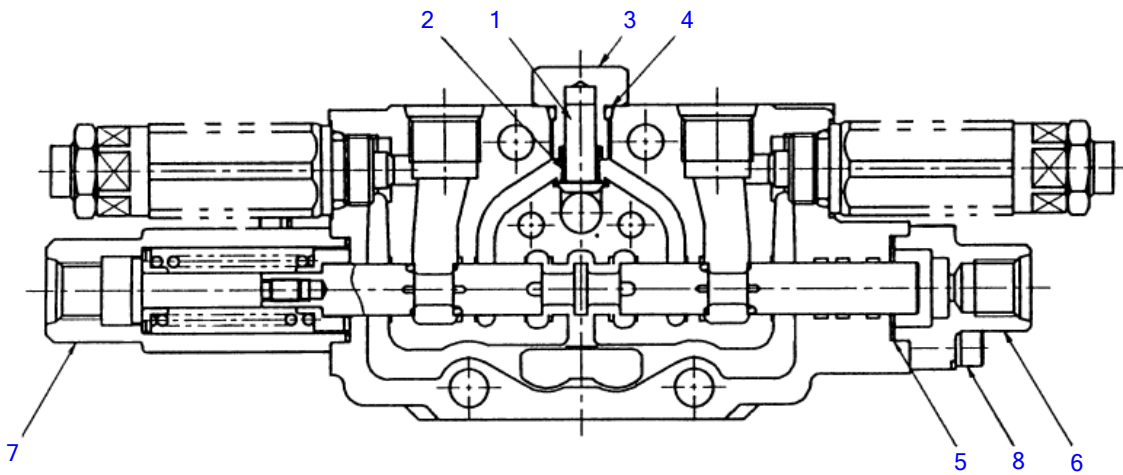
Ù" Y"  
DETAIL "Y"

G4H050

S=FREE

**HOUSING ASSY**

| Item | Part number       | Description      | Q'ty | Chan. | Serial No. | Serv. | Remarks |
|------|-------------------|------------------|------|-------|------------|-------|---------|
| 0    | <b>1901036403</b> | HOUSING ASSY     | 1    |       |            |       | T2,P3   |
| 1    | <b>1901036427</b> | ▪ PLUNGER        | 2    |       |            |       |         |
| 2    | <b>1901036458</b> | ▪ SPRING         | 2    |       |            |       |         |
| 3    | <b>1901036470</b> | ▪ PLUG           | 2    |       |            |       |         |
| 4    | <b>1420010110</b> | ▪ O-RING         | 2    |       |            |       |         |
| 5    | <b>1901036471</b> | ▪ CASE           | 1    |       |            |       |         |
| 6    | <b>1420010101</b> | ▪ O-RING         | 1    |       |            |       |         |
| 7    | <b>1901028793</b> | ▪ FILTER         | 1    |       |            |       |         |
| 8    | <b>1221000008</b> | ▪ RING, snap     | 1    |       |            |       |         |
| 9    | <b>1901036457</b> | ▪ SPRING         | 1    |       |            |       |         |
| 10   | <b>1420510220</b> | ▪ O-RING         | 2    |       |            |       |         |
| 11   | <b>1901036469</b> | ▪ CAP            | 1    |       |            |       |         |
| 12   | <b>1901036468</b> | ▪ CAP            | 1    |       |            |       |         |
| 13   | <b>1901036491</b> | ▪ BOLT, sems     | 4    |       |            |       |         |
| 14   | <b>1420010080</b> | ▪ O-RING         | 2    |       |            |       |         |
| 15   | <b>1501810001</b> | ▪ PLUG           | 2    |       |            |       |         |
| 16   | <b>1901036452</b> | ▪ HOLDER, spring | 1    |       |            |       |         |
|      | <b>G4h050</b>     |                  |      |       |            |       |         |



G4H060

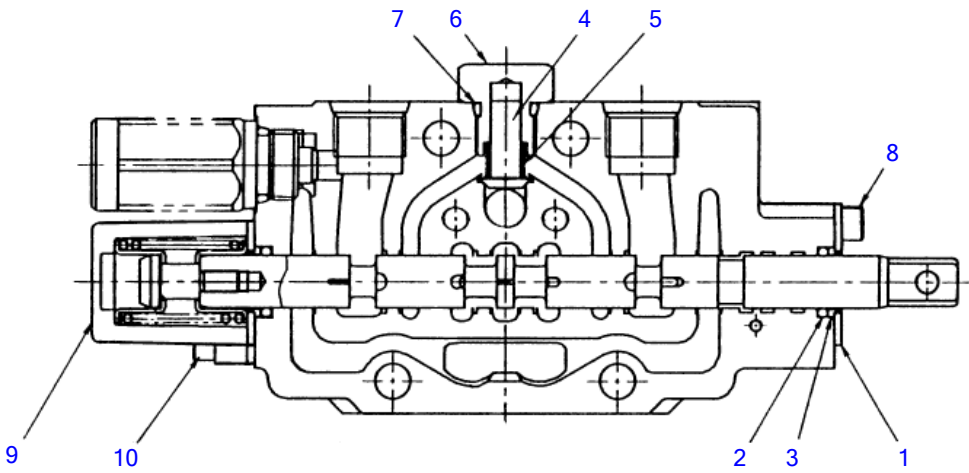
S=FREE



**BLOCK ASSY; No. 3**

| Item | Part number       | Description                              | Q'ty | Chan. | Serial No.        | Serv. | Remarks   |
|------|-------------------|--|------|-------|-------------------|-------|-----------|
| 0    | <b>1901036419</b> | BLOCK ASSY, No3                          | 1    |       |                   |       | auxiliary |
| 1    | <b>1901036426</b> | ▪ PLUNGER                                | 1    | A(L)  | 13510004~13511440 |       |           |
|      | <b>1901039426</b> | ▪ PLUNGER                                | 1    | a(H)  | 13511441~         |       |           |
| 2    | <b>1901036456</b> | ▪ SPRING                                 | 1    | A(L)  | 13510004~13511440 |       |           |
|      | <b>1901039456</b> | ▪ SPRING                                 | 1    | a(H)  | 13511441~         |       |           |
| 3    | <b>1901036466</b> | ▪ PLUG                                   | 1    | A(L)  | 13510004~13511440 |       |           |
|      | <b>1901039471</b> | ▪ PLUG                                   | 1    | a(H)  | 13511441~         |       |           |
| 4    | <b>1420010110</b> | ▪ O-RING                                 | 1    |       |                   |       |           |
| 5    | <b>1420510220</b> | ▪ O-RING                                 | 2    |       |                   |       |           |
| 6    | <b>1901036468</b> | ▪ CAP                                    | 1    |       |                   |       |           |
| 7    | <b>1901036467</b> | ▪ CAP                                    | 1    |       |                   |       |           |
| 8    | <b>1901036491</b> | ▪ BOLT, sems                             | 4    |       |                   |       |           |
|      |                   | <<NOTE>>                                 |      |       |                   |       |           |
|      |                   | SET "A" is interchangeable with SET "a". |      |       |                   |       |           |
|      | <b>G4h061</b>     |  |      |       |                   |       |           |

TB135 Book No. BG4Z010 S/N 13510004-  
BLOCK ASSY; No. 4



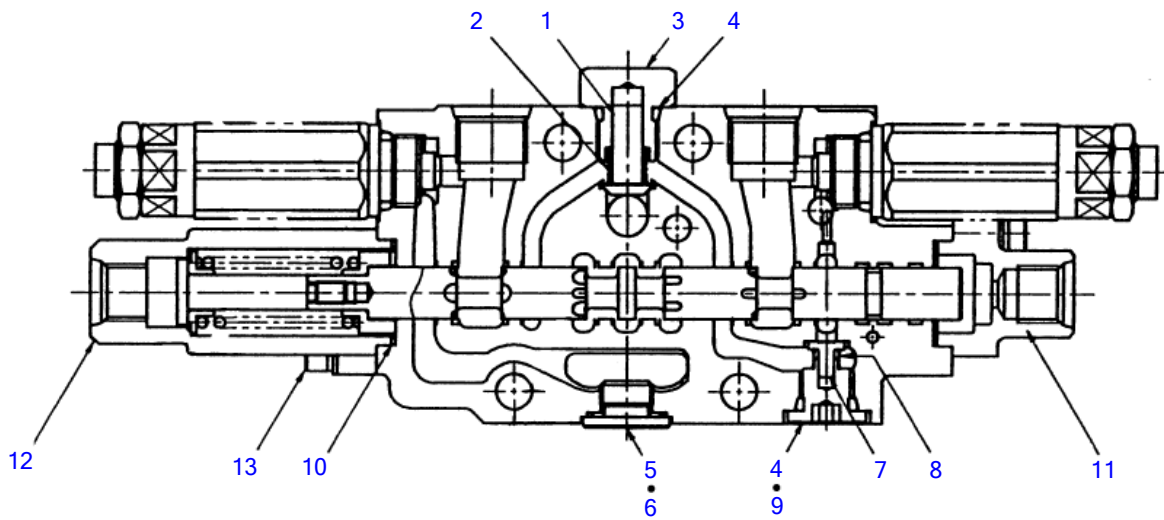
G4H070

S=FREE

**BLOCK ASSY; No. 4**

| Item | Part number       | Description     | Q'ty | Chan. | Serial No. | Serv. | Remarks |
|------|-------------------|-----------------|------|-------|------------|-------|---------|
| 0    | <b>1901036418</b> | BLOCK ASSY, No4 | 1    |       |            |       | swing   |
| 1    | <b>1901036441</b> | ▪ PLATE, seal   | 1    |       |            |       |         |
| 2    | <b>1420000120</b> | ▪ O-RING        | 1    |       |            |       |         |
| 3    | <b>1901036446</b> | ▪ SEAL, dust    | 1    |       |            |       |         |
| 4    | <b>1901036426</b> | ▪ PLUNGER       | 1    |       |            |       |         |
| 5    | <b>1901036456</b> | ▪ SPRING        | 1    |       |            |       |         |
| 6    | <b>1901036466</b> | ▪ PLUG          | 1    |       |            |       |         |
| 7    | <b>1420010110</b> | ▪ O-RING        | 1    |       |            |       |         |
| 8    | <b>1110020510</b> | ▪ SCREW, cap    | 2    |       |            |       |         |
| 9    | <b>1901036451</b> | ▪ CAP           | 1    |       |            |       |         |
| 10   | <b>1110020518</b> | ▪ SCREW, cap    | 2    |       |            |       |         |
|      | <b>G4h070</b>     |                 |      |       |            |       |         |

TB135 Book No. BG4Z010 S/N 13510004-  
BLOCK ASSY; No. 5

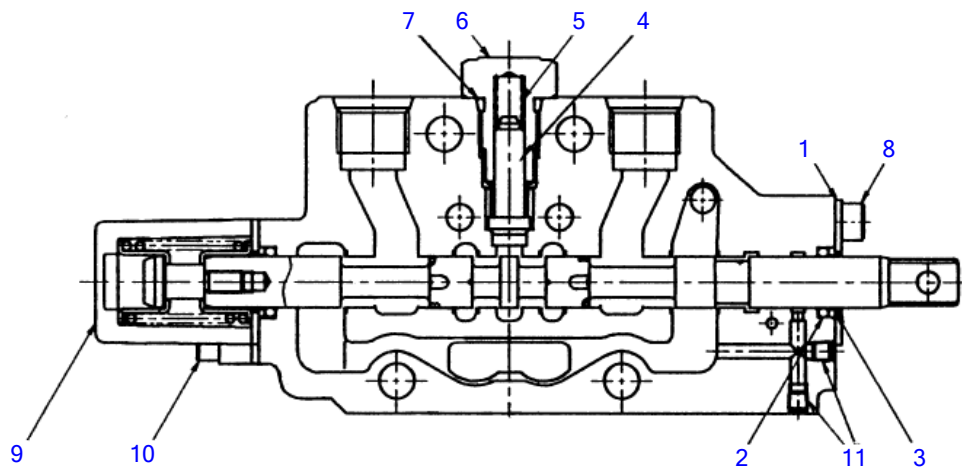


G4H080

S=FREE

**BLOCK ASSY; No. 5**

| Item | Part number       | Description     | Q'ty | Chan. | Serial No. | Serv. | Remarks |
|------|-------------------|-----------------|------|-------|------------|-------|---------|
| 0    | <b>1901036412</b> | BLOCK ASSY, No5 | 1    |       |            |       | arm     |
| 1    | <b>1901036426</b> | ▪ PLUNGER       | 1    |       |            |       |         |
| 2    | <b>1901036456</b> | ▪ SPRING        | 1    |       |            |       |         |
| 3    | <b>1901036466</b> | ▪ PLUG          | 1    |       |            |       |         |
| 4    | <b>1420010110</b> | ▪ O-RING        | 2    |       |            |       |         |
| 5    | <b>1901036474</b> | ▪ PLUG          | 1    |       |            |       |         |
| 6    | <b>1420510160</b> | ▪ O-RING        | 1    |       |            |       |         |
| 7    | <b>1901036428</b> | ▪ PLUNGER       | 1    |       |            |       |         |
| 8    | <b>1901036473</b> | ▪ SPRING        | 1    |       |            |       |         |
| 9    | <b>1901036472</b> | ▪ PLUG          | 1    |       |            |       |         |
| 10   | <b>1420510220</b> | ▪ O-RING        | 2    |       |            |       |         |
| 11   | <b>1901036468</b> | ▪ CAP           | 1    |       |            |       |         |
| 12   | <b>1901036467</b> | ▪ CAP           | 1    |       |            |       |         |
| 13   | <b>1901036491</b> | ▪ BOLT, sems    | 4    |       |            |       |         |
|      | <b>G4h080</b>     |                 |      |       |            |       |         |

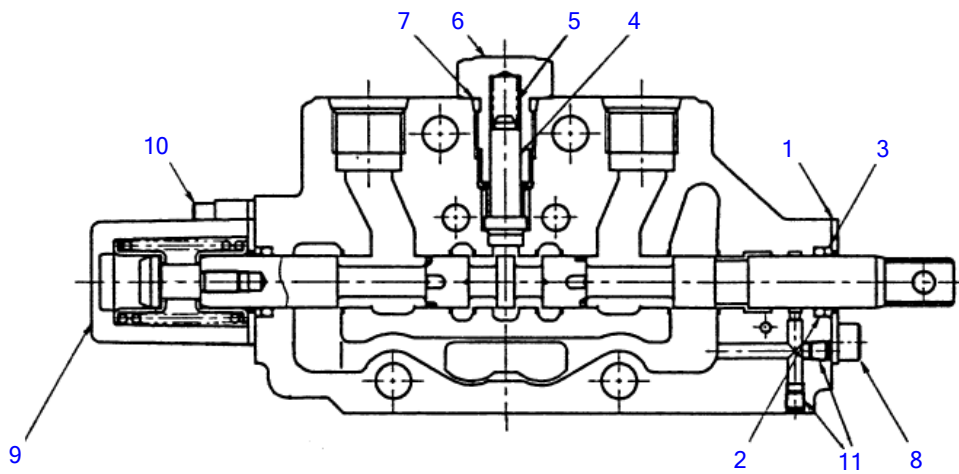


G4H090

S=FREE

**BLOCK ASSY; No. 6**

| Item | Part number       | Description     | Q'ty | Chan. | Serial No. | Serv. | Remarks       |
|------|-------------------|-----------------|------|-------|------------|-------|---------------|
| 0    | <b>1901036416</b> | BLOCK ASSY, No6 | 1    |       |            |       | traction L.H. |
| 1    | <b>1901036441</b> | ▪ PLATE, seal   | 1    |       |            |       |               |
| 2    | <b>1420000120</b> | ▪ O-RING        | 1    |       |            |       |               |
| 3    | <b>1901036446</b> | ▪ SEAL, dust    | 1    |       |            |       |               |
| 4    | <b>1901036427</b> | ▪ PLUNGER       | 1    |       |            |       |               |
| 5    | <b>1901036458</b> | ▪ SPRING        | 1    |       |            |       |               |
| 6    | <b>1901036470</b> | ▪ PLUG          | 1    |       |            |       |               |
| 7    | <b>1420010110</b> | ▪ O-RING        | 1    |       |            |       |               |
| 8    | <b>1110020510</b> | ▪ SCREW, cap    | 2    |       |            |       |               |
| 9    | <b>1901036451</b> | ▪ CAP           | 1    |       |            |       |               |
| 10   | <b>1110020518</b> | ▪ SCREW, cap    | 2    |       |            |       |               |
| 11   | <b>1901036494</b> | ▪ PLUG          | 2    |       |            |       |               |
|      | <b>G4h090</b>     |                 |      |       |            |       |               |



G4H100

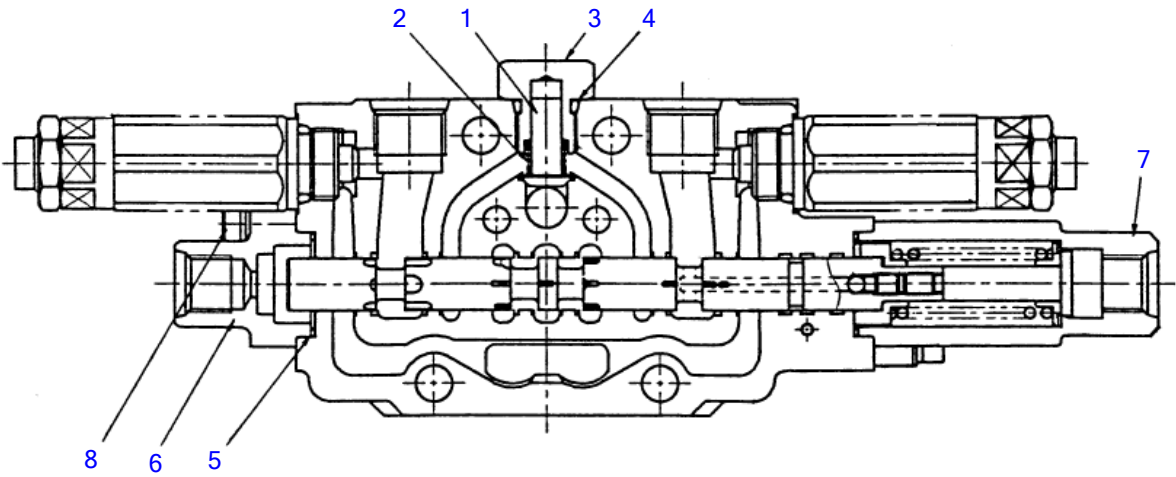
S=FREE



**BLOCK ASSY; No. 7**

| Item | Part number       | Description     | Q'ty | Chan. | Serial No. | Serv. | Remarks       |
|------|-------------------|-----------------|------|-------|------------|-------|---------------|
| 0    | <b>1901036415</b> | BLOCK ASSY, No7 | 1    |       |            |       | traction R.H. |
| 1    | <b>1901036441</b> | ▪ PLATE, seal   | 1    |       |            |       |               |
| 2    | <b>1420000120</b> | ▪ O-RING        | 1    |       |            |       |               |
| 3    | <b>1901036446</b> | ▪ SEAL, dust    | 1    |       |            |       |               |
| 4    | <b>1901036427</b> | ▪ PLUNGER       | 1    |       |            |       |               |
| 5    | <b>1901036458</b> | ▪ SPRING        | 1    |       |            |       |               |
| 6    | <b>1901036470</b> | ▪ PLUG          | 1    |       |            |       |               |
| 7    | <b>1420010110</b> | ▪ O-RING        | 1    |       |            |       |               |
| 8    | <b>1110020510</b> | ▪ SCREW, cap    | 2    |       |            |       |               |
| 9    | <b>1901036451</b> | ▪ CAP           | 1    |       |            |       |               |
| 10   | <b>1110020518</b> | ▪ SCREW, cap    | 2    |       |            |       |               |
| 11   | <b>1901036494</b> | ▪ PLUG          | 2    |       |            |       |               |
|      | <b>G4h100</b>     |                 |      |       |            |       |               |

TB135 Book No. BG4Z010 S/N 13510004-  
BLOCK ASSY; No. 8

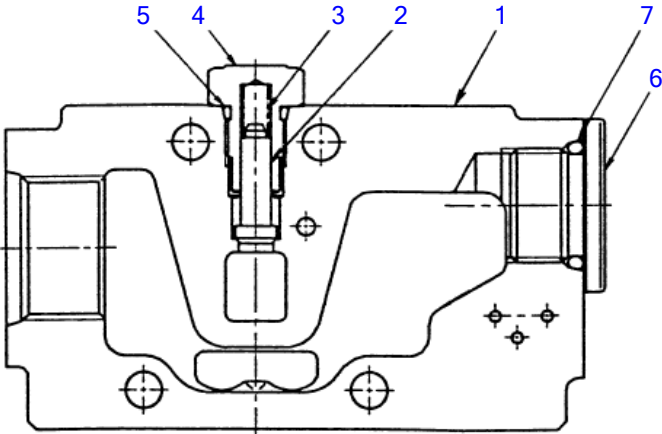


G4H110

S=FREE

**BLOCK ASSY; No. 8**

| Item | Part number       | Description     | Q'ty | Chan. | Serial No. | Serv. | Remarks |
|------|-------------------|-----------------|------|-------|------------|-------|---------|
| 0    | <b>1901036411</b> | BLOCK ASSY, No8 | 1    |       |            |       | boom    |
| 1    | <b>1901036426</b> | ▪ PLUNGER       | 1    |       |            |       |         |
| 2    | <b>1901036456</b> | ▪ SPRING        | 1    |       |            |       |         |
| 3    | <b>1901036466</b> | ▪ PLUG          | 1    |       |            |       |         |
| 4    | <b>1420010110</b> | ▪ O-RING        | 1    |       |            |       |         |
| 5    | <b>1420510220</b> | ▪ O-RING        | 2    |       |            |       |         |
| 6    | <b>1901036468</b> | ▪ CAP           | 1    |       |            |       |         |
| 7    | <b>1901036467</b> | ▪ CAP           | 1    |       |            |       |         |
| 8    | <b>1901036491</b> | ▪ BOLT, sems    | 4    |       |            |       |         |
|      | <b>G4h110</b>     |                 |      |       |            |       |         |

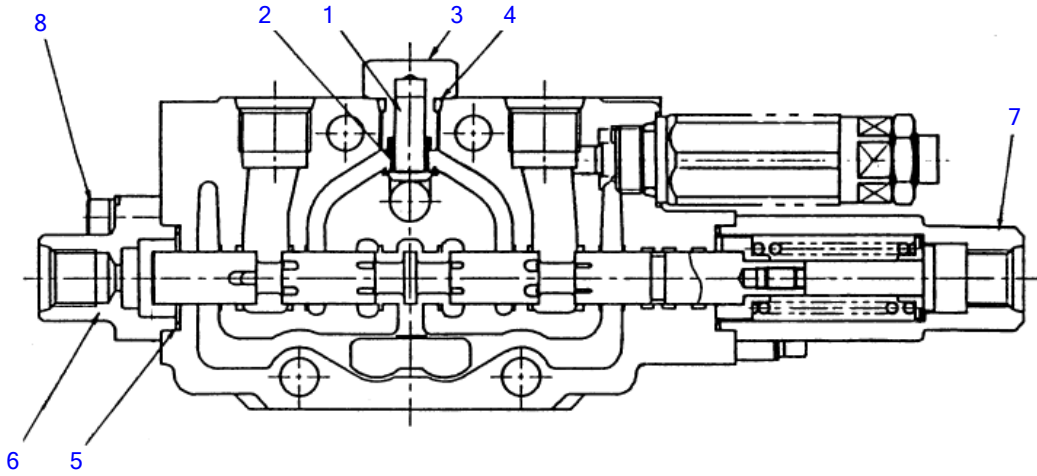


G4H120

S=FREE

**HOUSING ASSY**

| Item | Part number       | Description  | Q'ty | Chan. | Serial No. | Serv. | Remarks |
|------|-------------------|--------------|------|-------|------------|-------|---------|
| 0    | <b>1901036402</b> | HOUSING ASSY | 1    |       |            |       | T1      |
| 1    | <b>1901036460</b> | ▪ BODY       | 1    |       |            |       |         |
| 2    | <b>1901036427</b> | ▪ PLUNGER    | 1    |       |            |       |         |
| 3    | <b>1901036458</b> | ▪ SPRING     | 1    |       |            |       |         |
| 4    | <b>1901036470</b> | ▪ PLUG       | 1    |       |            |       |         |
| 5    | <b>1420010110</b> | ▪ O-RING     | 1    |       |            |       |         |
| 6    | <b>1501750006</b> | ▪ PLUG       | 1    |       |            |       |         |
|      | <b>1420010240</b> | ▪ ▪ O-RING   | 1    |       |            |       |         |
| 7    | <b>1420010240</b> | ▪ O-RING     | 1    |       |            |       |         |
|      | <b>G4h120</b>     |              |      |       |            |       |         |



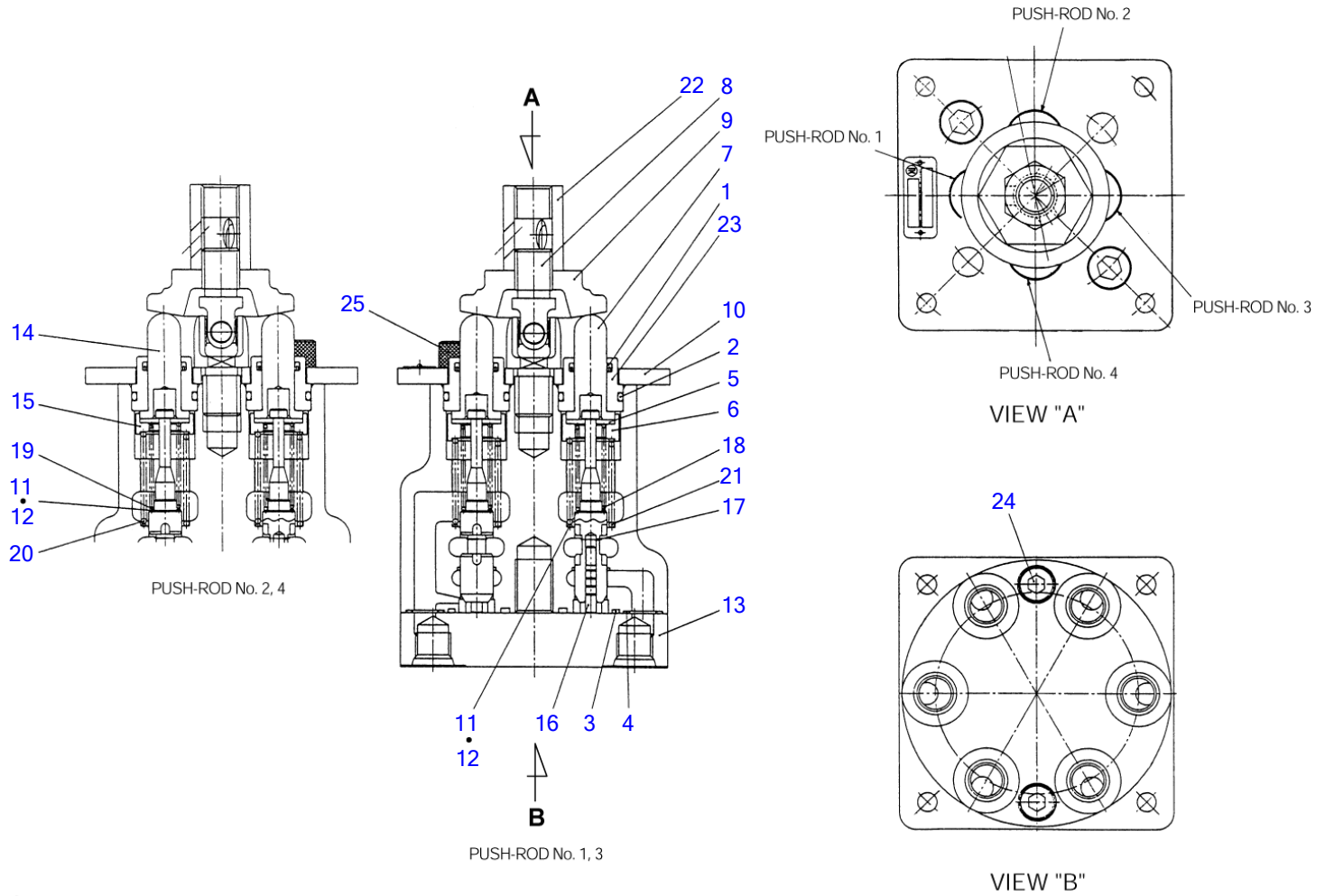
G4H130

S=FREE

**BLOCK ASSY; No. 9**

| Item | Part number       | Description     | Q'ty | Chan. | Serial No. | Serv. | Remarks |
|------|-------------------|-----------------|------|-------|------------|-------|---------|
| 0    | <b>1901036413</b> | BLOCK ASSY, No9 | 1    |       |            |       | bucket  |
| 1    | <b>1901036426</b> | ▪ PLUNGER       | 1    |       |            |       |         |
| 2    | <b>1901036456</b> | ▪ SPRING        | 1    |       |            |       |         |
| 3    | <b>1901036466</b> | ▪ PLUG          | 1    |       |            |       |         |
| 4    | <b>1420010110</b> | ▪ O-RING        | 1    |       |            |       |         |
| 5    | <b>1420510220</b> | ▪ O-RING        | 2    |       |            |       |         |
| 6    | <b>1901036468</b> | ▪ CAP           | 1    |       |            |       |         |
| 7    | <b>1901036467</b> | ▪ CAP           | 1    |       |            |       |         |
| 8    | <b>1901036491</b> | ▪ BOLT, sems    | 4    |       |            |       |         |
|      | <b>G4h130</b>     |                 |      |       |            |       |         |

TB135 Book No. BG4Z010 S/N 13510004-  
PILOT VALVE (13510004-13514050)



C4H160

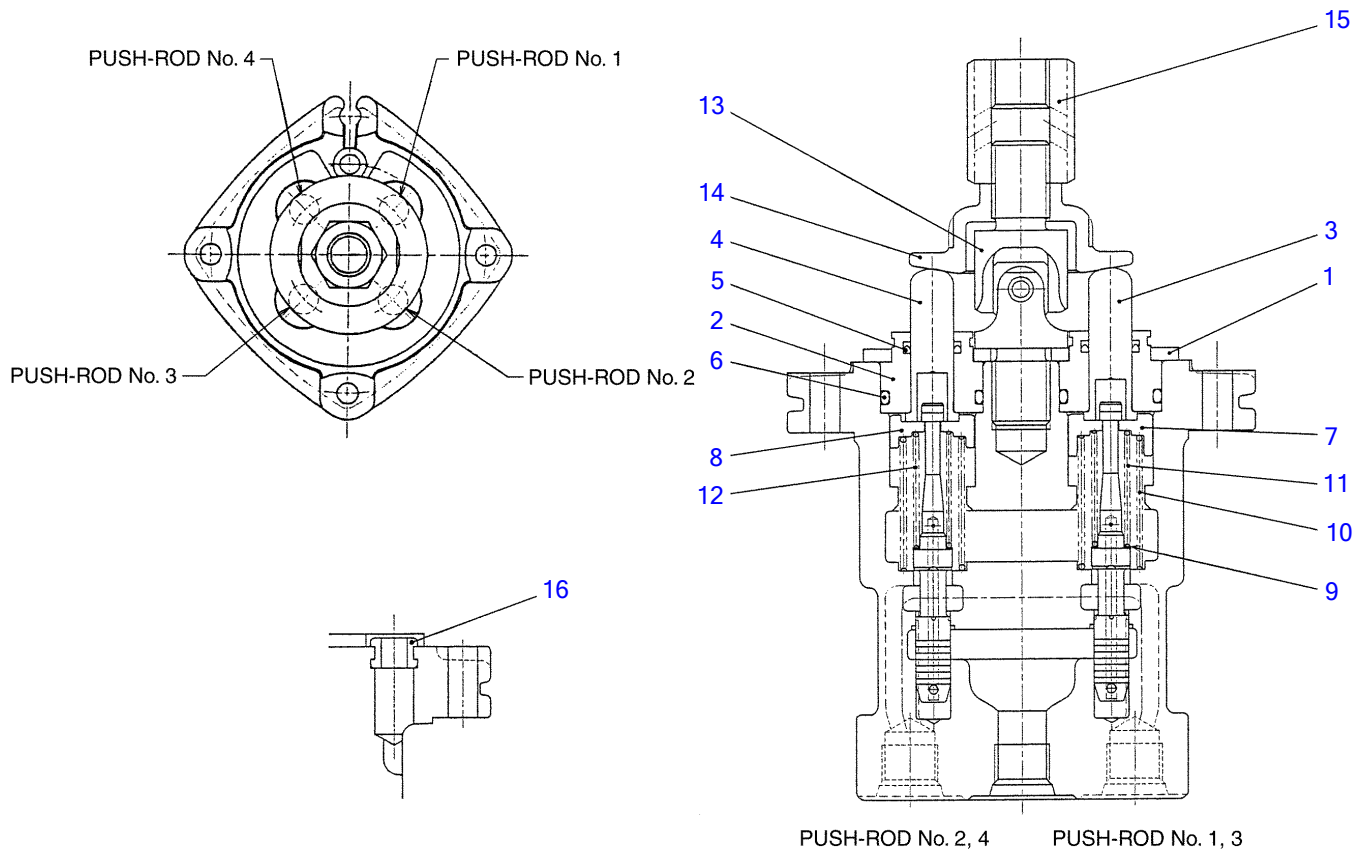
S=FREE



**PILOT VALVE (13510004-13514050)**

| Item | Part number         | Description       | Q'ty | Chan. | Serial No. | Serv. | Remarks |
|------|---------------------|-------------------|------|-------|------------|-------|---------|
| 0    | <b>1901730400</b>   | VALVE ASSY, pilot | 1    |       |            |       |         |
| 0-1  | <b>1901730499</b>   | · KIT, seal       | 1    |       |            |       |         |
| 1    | X <b>1901728523</b> | · · PACKING       | 4    |       |            |       |         |
| 2    | X <b>1420000200</b> | · · O-RING        | 4    |       |            |       |         |
| 3    | X <b>1420500600</b> | · · O-RING        | 1    |       |            |       |         |
| 4    | X <b>1420500120</b> | · · O-RING        | 6    |       |            |       |         |
| 5    | <b>1901730401</b>   | · RETAINER        | 4    |       |            |       |         |
| 6    | <b>1901730402</b>   | · HOLDER          | 2    |       |            |       |         |
| 7    | <b>1901730403</b>   | · ROD             | 2    |       |            |       |         |
| 8    | <b>1901728501</b>   | · JOINT           | 1    |       |            |       |         |
| 9    | <b>1901728502</b>   | · CAM             | 1    |       |            |       |         |
| 10   | <b>1901730406</b>   | · PLATE           | 1    |       |            |       |         |
| 11   | <b>1901730407</b>   | · SHIM t=0.2      | 4    |       |            |       |         |
| 12   | <b>1901730408</b>   | · SHIM t=0.1      | 4    |       |            |       |         |
| 13   | <b>1901730409</b>   | · PLATE           | 1    |       |            |       |         |
| 14   | <b>1901730410</b>   | · ROD             | 2    |       |            |       |         |
| 15   | <b>1901730411</b>   | · HOLDER          | 2    |       |            |       |         |
| 16   | <b>1901730412</b>   | · PISTON          | 4    |       |            |       |         |
| 17   | <b>1901730415</b>   | · RING            | 4    |       |            |       |         |
| 18   | <b>1901730416</b>   | · SPRING          | 2    |       |            |       |         |
| 19   | <b>1901730417</b>   | · SPRING          | 2    |       |            |       |         |
| 20   | <b>1901730418</b>   | · SPRING          | 2    |       |            |       |         |
| 21   | <b>1901730419</b>   | · SPRING          | 2    |       |            |       |         |
| 22   | <b>1901728513</b>   | · NUT             | 1    |       |            |       |         |
| 23   | <b>1901730422</b>   | · SLEEVE          | 4    |       |            |       |         |
| 24   | <b>1110050825</b>   | · SCREW, cap      | 2    |       |            |       |         |
| 25   | <b>1110051020</b>   | · SCREW, cap      | 2    |       |            |       |         |
|      | <b>C4h161</b>       |                   |      |       |            |       |         |

TB135 Book No. BG4Z010 S/N 13510004-  
PILOT VALVE (13514051-)



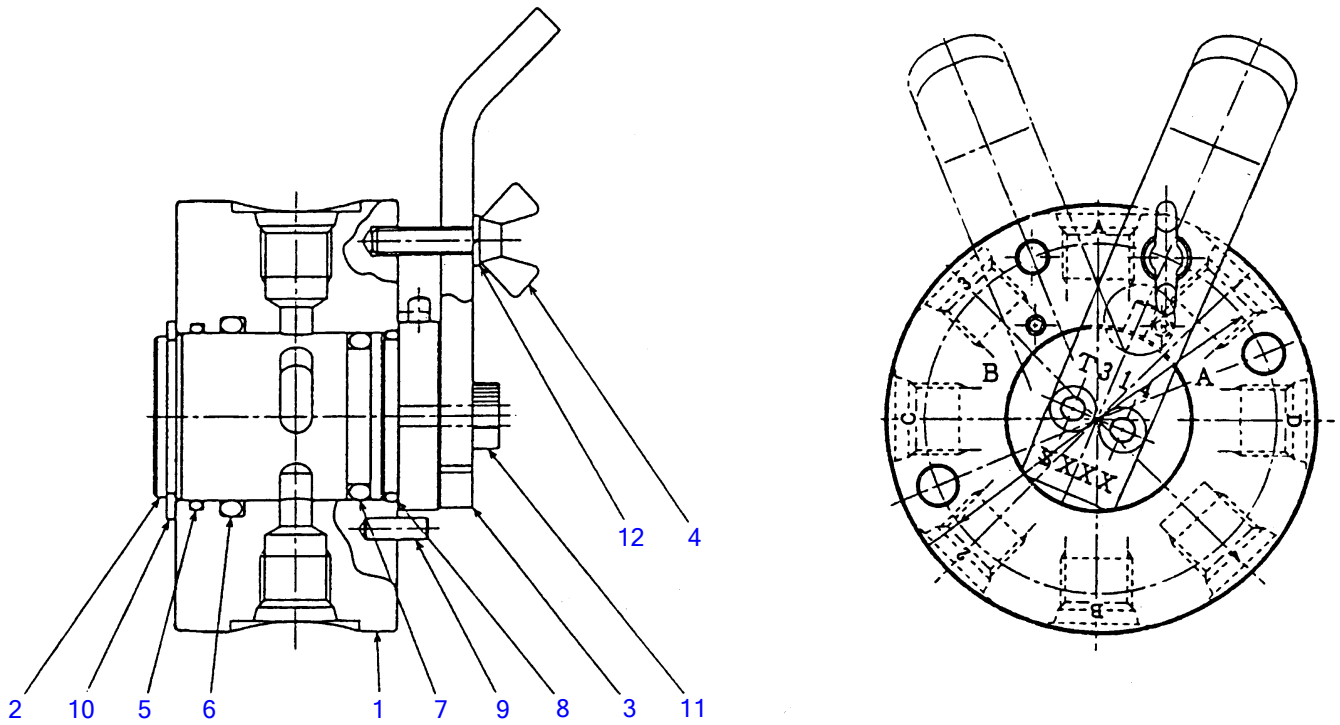
G4H300

S=free

**PILOT VALVE (13514051-)**

| Item | Part number       | Description       | Q'ty | Chan. | Serial No. | Serv. | Remarks |
|------|-------------------|-------------------|------|-------|------------|-------|---------|
| 0    | <b>1901745600</b> | VALVE ASSY, pilot | 1    |       |            |       |         |
| 1    | <b>1901745702</b> | ▪ PLATE           | 1    |       |            |       |         |
| 2    | <b>1901710912</b> | ▪ PLUG            | 4    |       |            |       |         |
| 3    | <b>1901710911</b> | ▪ ROD             | 2    |       |            |       |         |
| 4    | <b>1901719012</b> | ▪ ROD             | 2    |       |            |       |         |
| 5    | <b>1901710914</b> | ▪ SEAL            | 4    |       |            |       |         |
| 6    | <b>1420010200</b> | ▪ O-RING          | 4    |       |            |       |         |
| 7    | <b>1901745709</b> | ▪ HOLDER          | 2    |       |            |       |         |
| 8    | <b>1901745710</b> | ▪ HOLDER          | 2    |       |            |       |         |
| 9    | <b>1901710917</b> | ▪ ROD             | 4    |       |            |       |         |
| 10   | <b>1901745612</b> | ▪ SPRING          | 4    |       |            |       |         |
| 11   | <b>1901742614</b> | ▪ SPRING          | 2    |       |            |       |         |
| 12   | <b>1901742615</b> | ▪ SPRING          | 2    |       |            |       |         |
| 13   | <b>1901720232</b> | ▪ JOINT           | 1    |       |            |       |         |
| 14   | <b>1901743620</b> | ▪ PLATE           | 1    |       |            |       |         |
| 15   | <b>1901703222</b> | ▪ NUT             | 1    |       |            |       |         |
| 16   | <b>1901735630</b> | ▪ BUSHING         | 1    |       |            |       |         |
|      | <b>G4h300</b>     |                   |      |       |            |       |         |

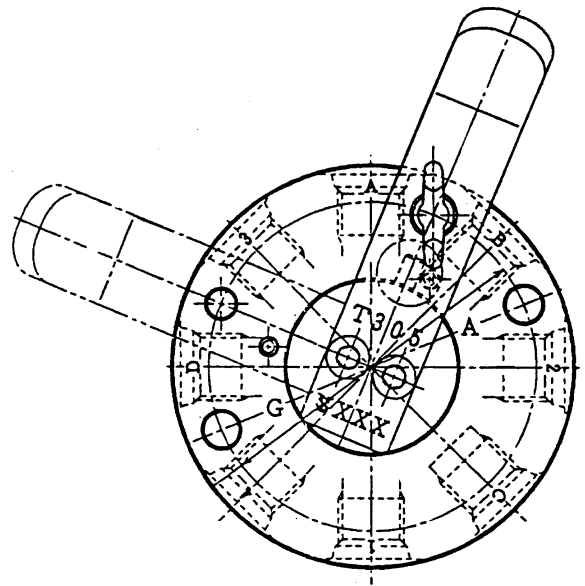
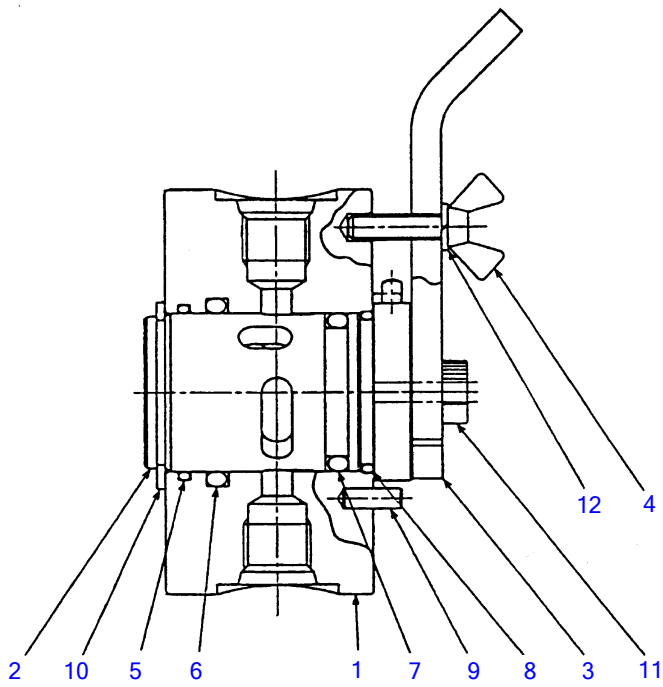
TB135 Book No. BG4Z010 S/N 13510004-  
SELECTOR VALVE (A-B pattern)



C4H170

**SELECTOR VALVE (A-B pattern)**

| Item | Part number       | Description          | Q'ty | Chan. | Serial No. | Serv. | Remarks |
|------|-------------------|----------------------|------|-------|------------|-------|---------|
| 0    | <b>1901731400</b> | VALVE ASSY, selector | 1    |       |            |       |         |
| 1    | <b>1901731401</b> | ▪ BODY               | 1    |       |            |       |         |
| 2    | <b>1901731402</b> | ▪ ROTOR              | 1    |       |            |       |         |
| 3    | <b>1901730503</b> | ▪ LEVER              | 1    |       |            |       |         |
| 4    | <b>1901730504</b> | ▪ BOLT               | 1    |       |            |       |         |
| 5    | <b>1901730505</b> | ▪ O-RING             | 1    |       |            |       |         |
| 6    | <b>1901730506</b> | ▪ O-RING             | 1    |       |            |       |         |
| 7    | <b>1901730507</b> | ▪ O-RING             | 1    |       |            |       |         |
| 8    | <b>1901730508</b> | ▪ O-RING             | 1    |       |            |       |         |
| 9    | <b>1213000412</b> | ▪ PIN, spring        | 3    |       |            |       |         |
| 10   | <b>1220000030</b> | ▪ RING, snap         | 1    |       |            |       |         |
| 11   | <b>1110050514</b> | ▪ SCREW, cap         | 2    |       |            |       |         |
| 12   | <b>1140010005</b> | ▪ WASHER, spring     | 1    |       |            |       |         |
|      | <b>C4h170</b>     |                      |      |       |            |       |         |

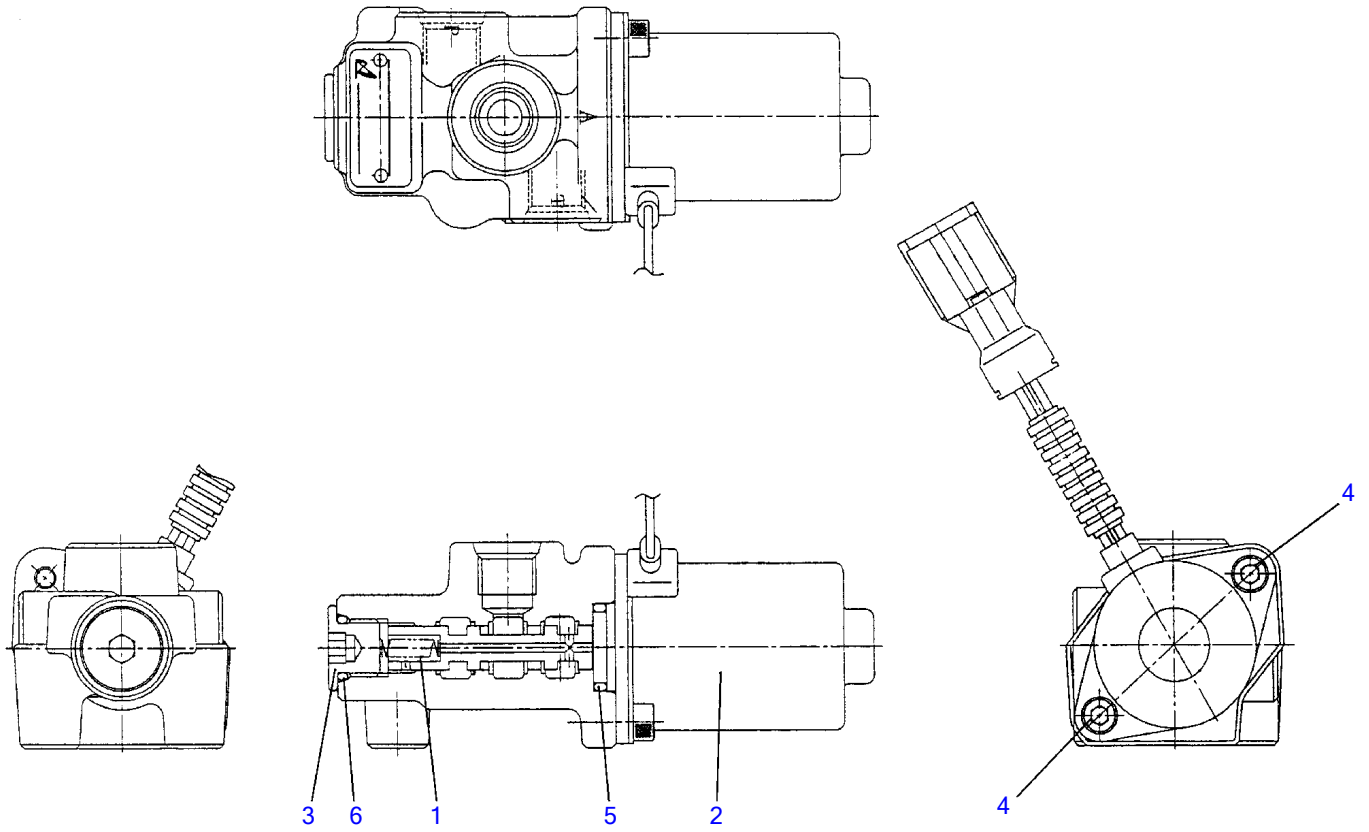


C4H180

**SELECTOR VALVE (ISO-JCB pattern)**

| Item | Part number       | Description          | Q'ty | Chan. | Serial No. | Serv. | Remarks |
|------|-------------------|----------------------|------|-------|------------|-------|---------|
| 0    | <b>1901730500</b> | VALVE ASSY, selector | 1    |       |            |       |         |
| 1    | <b>1901730501</b> | ▪ BODY               | 1    |       |            |       |         |
| 2    | <b>1901730502</b> | ▪ ROTOR              | 1    |       |            |       |         |
| 3    | <b>1901730503</b> | ▪ LEVER              | 1    |       |            |       |         |
| 4    | <b>1901730504</b> | ▪ BOLT               | 1    |       |            |       |         |
| 5    | <b>1901730505</b> | ▪ O-RING             | 1    |       |            |       |         |
| 6    | <b>1901730506</b> | ▪ O-RING             | 1    |       |            |       |         |
| 7    | <b>1901730507</b> | ▪ O-RING             | 1    |       |            |       |         |
| 8    | <b>1901730508</b> | ▪ O-RING             | 1    |       |            |       |         |
| 9    | <b>1213000412</b> | ▪ PIN, spring        | 3    |       |            |       |         |
| 10   | <b>1220000030</b> | ▪ RING, snap         | 1    |       |            |       |         |
| 11   | <b>1110050514</b> | ▪ SCREW, cap         | 2    |       |            |       |         |
| 12   | <b>1140010005</b> | ▪ WASHER, spring     | 1    |       |            |       |         |
|      | <b>C4h180</b>     |                      |      |       |            |       |         |

TB135 Book No. BG4Z010 S/N 13510004-  
SOLENOID VALVE (1BLOCK)



G4H310

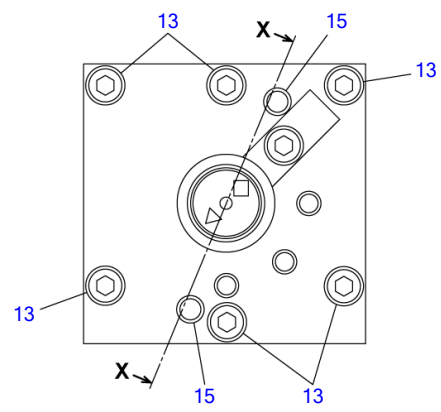
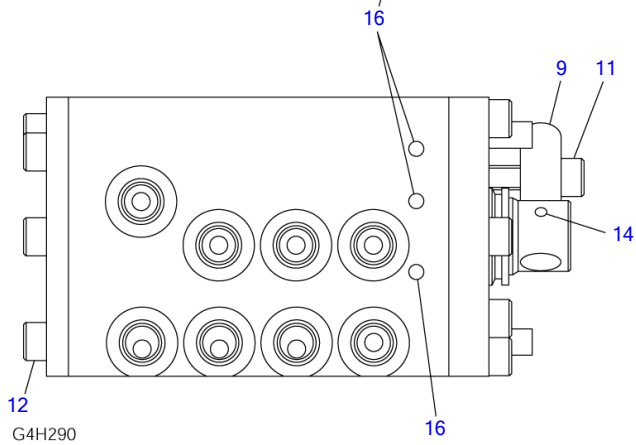
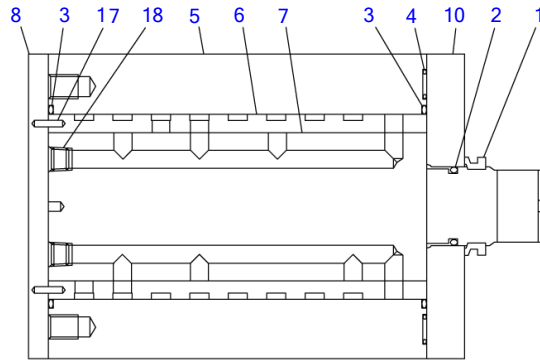
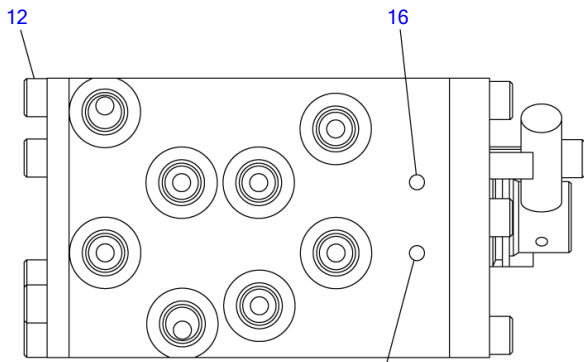
S=FREE



**SOLENOID VALVE (1BLOCK)**

| Item | Part number       | Description          | Q'ty | Chan. | Serial No. | Serv. | Remarks |
|------|-------------------|----------------------|------|-------|------------|-------|---------|
| 0    | <b>1901746600</b> | VALVE ASSY, solenoid | 1    |       |            |       |         |
| 1    | <b>1901734404</b> | ▪ SPRING             | 1    |       |            |       |         |
| 2    | <b>1901746604</b> | ▪ SOLENOID           | 1    |       |            |       |         |
| 3    | <b>1901738312</b> | ▪ PLUG               | 1    |       |            |       |         |
| 4    | <b>1110050512</b> | ▪ SCREW, cap         | 2    |       |            |       |         |
| 5    | <b>1420000160</b> | ▪ O-RING             | 1    |       |            |       |         |
| 6    | <b>1420010110</b> | ▪ O-RING             | 1    |       |            |       |         |
|      | <b>G4h310</b>     |                      |      |       |            |       |         |

TB135 Book No. BG4Z010 S/N 13510004-  
**ROTARY VALVE**



G4H290

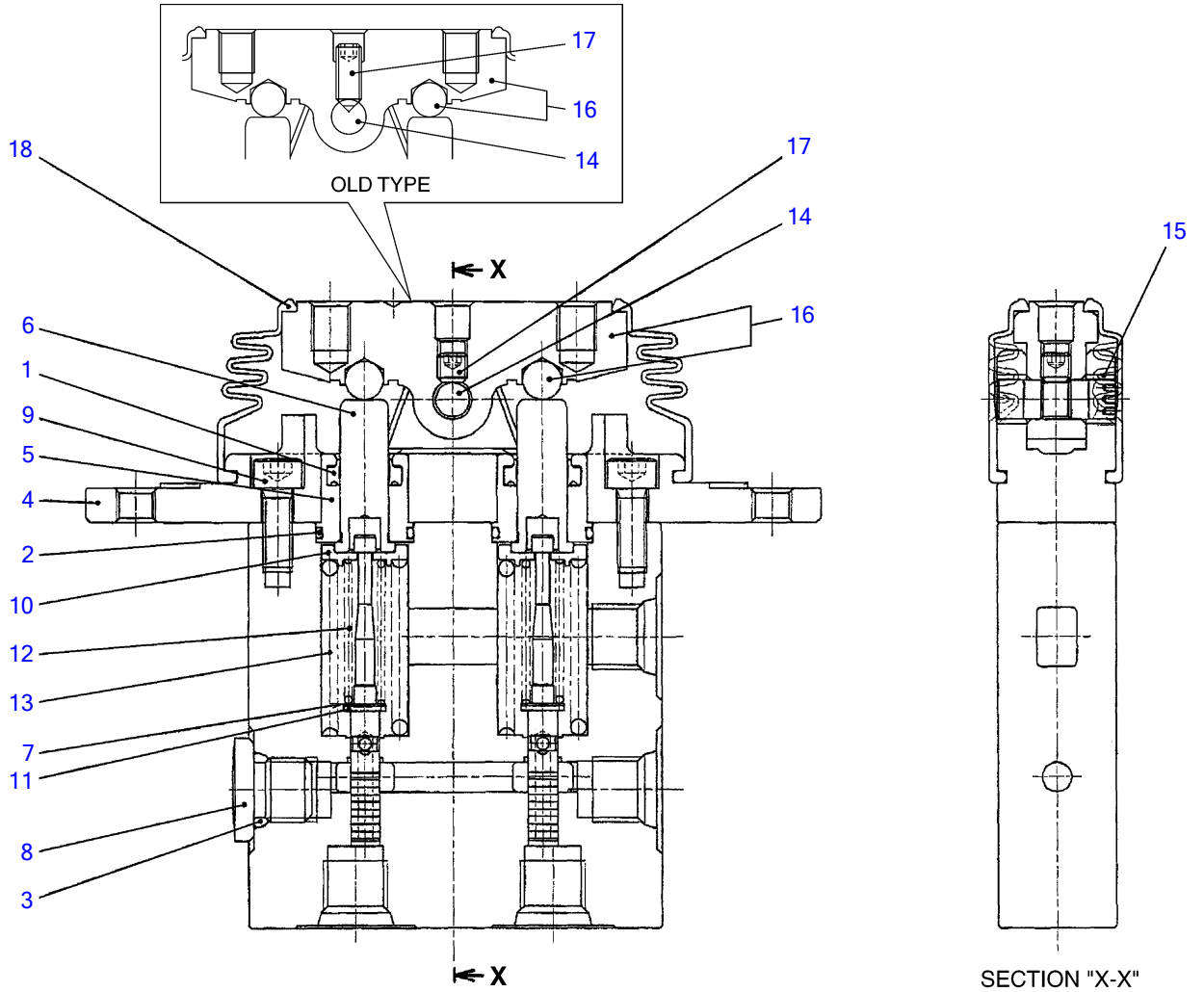
S=FREE

Ø "A"  
 DETAIL "A"

**ROTARY VALVE**

| Item | Part number         | Description   | Q'ty | Chan. | Serial No. | Serv. | Remarks |
|------|---------------------|---------------|------|-------|------------|-------|---------|
| 0    | <b>1901733700</b>   | VALVE, rotary | 1    |       |            |       |         |
| 0-1  | <b>1901733799</b>   | • KIT, seal   | 1    |       |            |       |         |
| 1    | X <b>1901733717</b> | • • SEAL, oil | 1    |       |            |       |         |
| 2    | X <b>1420010220</b> | • • O-RING    | 1    |       |            |       |         |
| 3    | X <b>1420500650</b> | • • O-RING    | 2    |       |            |       |         |
| 4    | X <b>1420500080</b> | • • O-RING    | 8    |       |            |       |         |
| 5    | <b>1901733701</b>   | • CASE        | 1    |       |            |       |         |
| 6    | <b>1901733702</b>   | • SLEEVE      | 1    |       |            |       |         |
| 7    | <b>1901733703</b>   | • SHAFT       | 1    |       |            |       |         |
| 8    | <b>1901733704</b>   | • COVER       | 1    |       |            |       |         |
| 9    | <b>1901733705</b>   | • LEVER       | 1    |       |            |       |         |
| 10   | <b>1901733706</b>   | • COVER       | 1    |       |            |       |         |
| 11   | <b>1110040830</b>   | • SCREW, cap  | 1    |       |            |       |         |
| 12   | <b>1110040816</b>   | • SCREW, cap  | 6    |       |            |       |         |
| 13   | <b>1110040825</b>   | • SCREW, cap  | 6    |       |            |       |         |
| 14   | <b>1213000426</b>   | • PIN, spring | 1    |       |            |       |         |
| 15   | <b>1213000824</b>   | • PIN, spring | 2    |       |            |       |         |
| 16   | <b>1390010400</b>   | • BALL, steel | 1    |       |            |       |         |
| 17   | <b>1901733716</b>   | • BEARING     | 4    |       |            |       |         |
| 18   | <b>1501810000</b>   | • PLUG        | 8    |       |            |       |         |
|      | <b>G4h290</b>       |               |      |       |            |       |         |

TB135 Book No. BG4Z010 S/N 13510004-  
REMOTE CONTROL VALVE



L3H151

S=FREE

**REMOTE CONTROL VALVE**

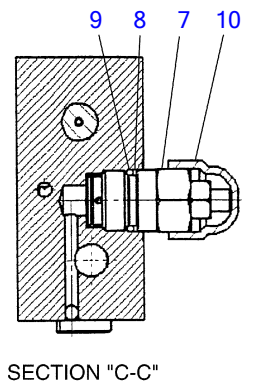
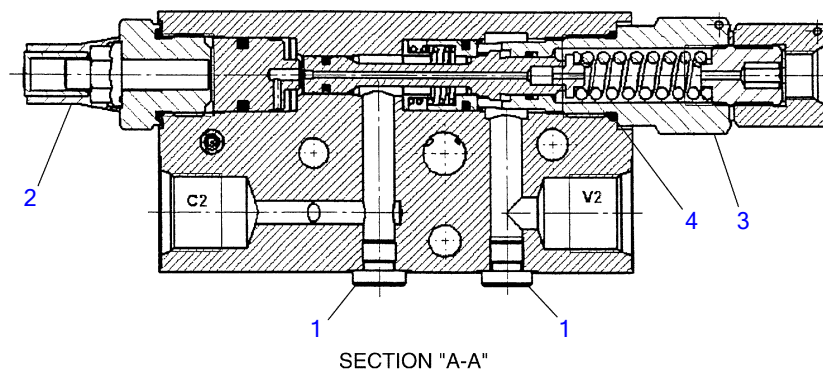
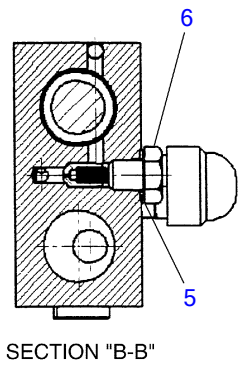
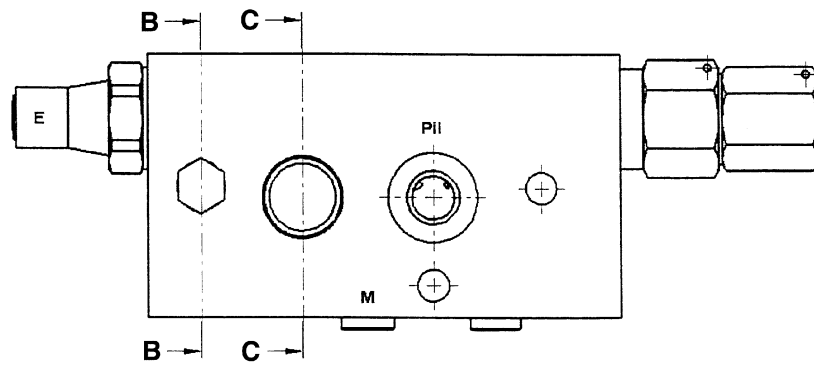
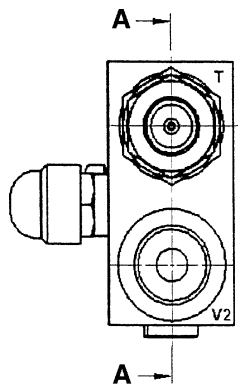
| Item | Part number         | Description                | Q'ty | Chan. | Serial No. | Serv. | Remarks   |
|------|---------------------|----------------------------|------|-------|------------|-------|-----------|
| 0    | <b>1901735000</b>   | VALVE ASSY, remote-control | 1    |       |            |       | swing     |
| 0-1  | <b>1901745499</b>   | · KIT, seal                | 1    |       |            |       |           |
| 1    | X <b>1901745404</b> | · · PACKING                | 2    |       |            |       |           |
| 2    | X <b>1420300017</b> | · · O-RING                 | 2    |       |            |       |           |
| 3    | X <b>1420010110</b> | · · O-RING                 | 1    |       |            |       |           |
| 4    | <b>1901745402</b>   | · COVER                    | 1    |       |            |       |           |
| 5    | <b>1901745403</b>   | · PLUG                     | 2    |       |            |       |           |
| 6    | <b>1901745406</b>   | · ROD                      | 2    |       |            |       |           |
| 7    | <b>1901745407</b>   | · SHIM                     | 2    |       |            |       |           |
| 8    | <b>1501750002</b>   | · PLUG                     | 1    |       |            |       |           |
|      | <b>1420010110</b>   | · · O-RING                 | 1    |       |            |       |           |
| 9    | <b>1110020616</b>   | · SCREW, cap               | 2    |       |            |       |           |
| 10   | <b>1901745412</b>   | · HOLDER                   | 2    |       |            |       |           |
| 11   | <b>1901745413</b>   | · WASHER                   | 2    |       |            |       |           |
| 12   | <b>1901745414</b>   | · SPRING                   | 2    |       |            |       |           |
| 13   | <b>1901735015</b>   | · SPRING                   | 2    |       |            |       |           |
| 14   | <b>1901745416</b>   | · SHAFT                    | 1    | A     | old type   |       |           |
|      | <b>1901735016</b>   | · SHAFT                    | 1    | a(H)  | new type   |       | No. 23759 |
| 15   | <b>1901745417</b>   | · BUSHING                  | 2    |       |            |       |           |
| 16   | <b>1901745418</b>   | · CAM ASSY                 | 1    | A     | old type   |       |           |
|      | <b>1901735018</b>   | · CAM ASSY                 | 1    | a(H)  | new type   |       | No. 23759 |
| 17   | <b>1901745420</b>   | · SET-SCREW                | 1    | A     | old type   |       |           |
|      | <b>1121040606</b>   | · SET-SCREW                | 1    | a(H)  | new type   |       | No. 23759 |
| 18   | <b>1901735001</b>   | · BOOT                     | 1    |       |            |       |           |

<<NOTE>>

SET "A" is interchangeable with SET "a".

**L3h151**

TB135 Book No. BG4Z010 S/N 13510004-  
SHUT-OFF VALVE



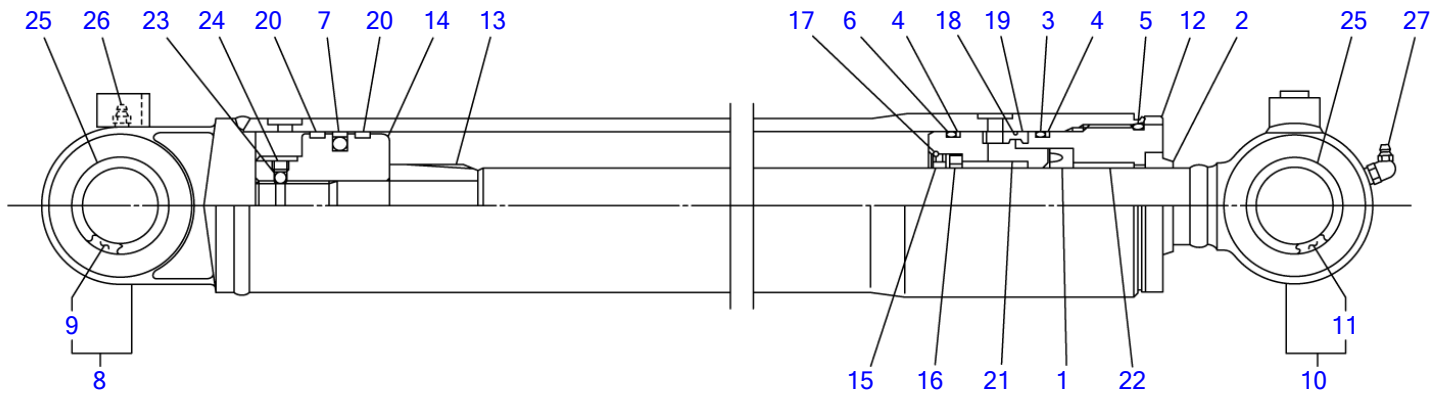
E5H390

S=free

**SHUT-OFF VALVE**

| Item | Part number       | Description              | Q'ty | Chan. | Serial No. | Serv. | Remarks |
|------|-------------------|--------------------------|------|-------|------------|-------|---------|
| 0    | <b>1901745200</b> | VALVE ASSY, load holding | 1    |       |            |       |         |
| 1    | <b>1901742903</b> | • PLUG                   | 2    |       |            |       |         |
| 2    | <b>1901742901</b> | • CAP                    | 1    |       |            |       |         |
| 3    | <b>1901745203</b> | • VALVE ASSY             | 1    |       |            |       |         |
| 4    | <b>1901742904</b> | • • O-RING               | 1    |       |            |       |         |
| 5    | <b>1901742906</b> | • SEAL                   | 1    |       |            |       |         |
| 6    | <b>1901742907</b> | • PLUG                   | 1    |       |            |       |         |
| 7    | <b>1901742909</b> | • PLUG ASSY              | 1    |       |            |       |         |
| 8    | <b>1901742911</b> | • • RING, back-up        | 1    |       |            |       |         |
| 9    | <b>1901742708</b> | • • O-RING               | 1    |       |            |       |         |
| 10   | <b>1901742910</b> | • CAP                    | 1    |       |            |       |         |
|      | <b>E5h390</b>     |                          |      |       |            |       |         |

TB135 Book No. BG4Z010 S/N 13510004-  
BOOM CYLINDER (13510004-13514050)



G4H150

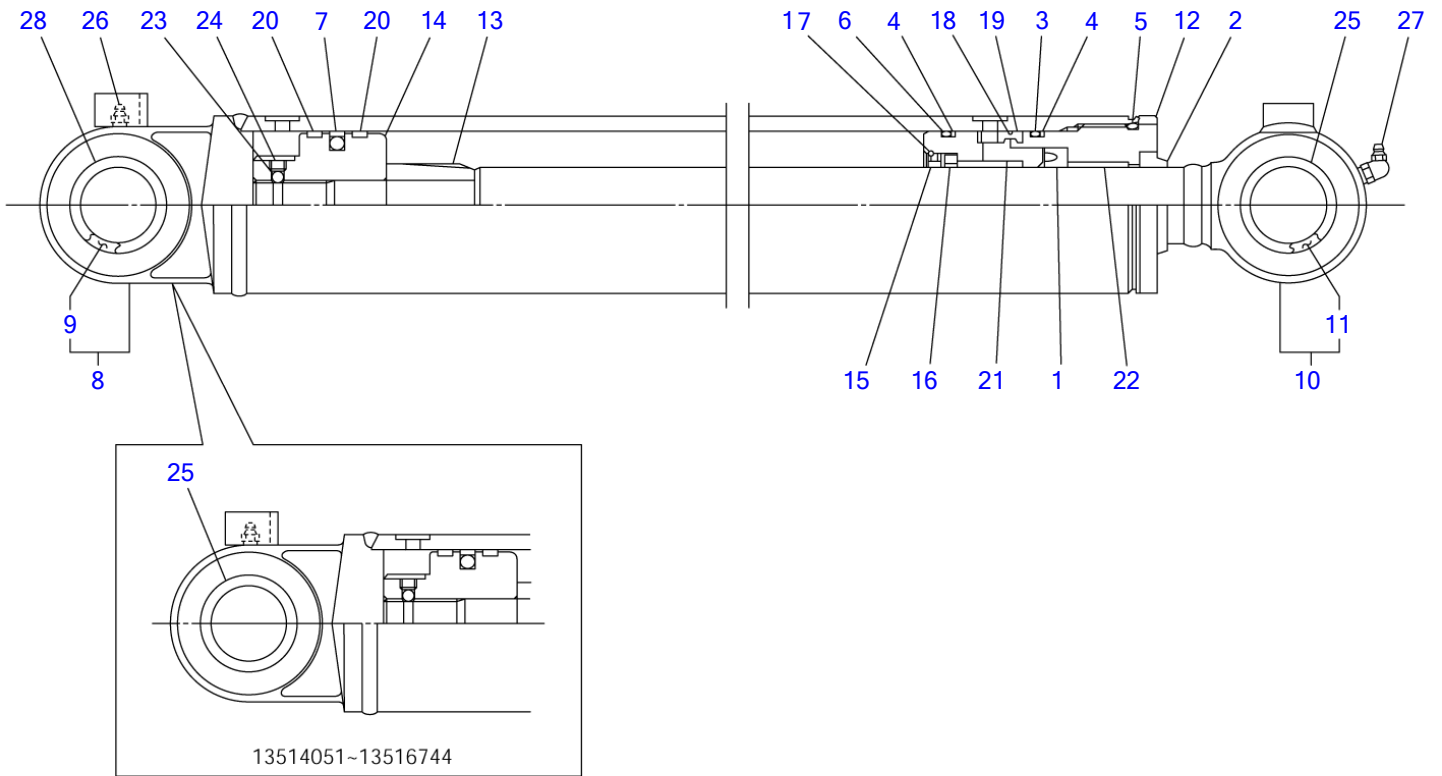
S=FREE



**BOOM CYLINDER (13510004-13514050)**

| Item | Part number         | Description         | Q'ty | Chan. | Serial No.        | Serv. | Remarks |
|------|---------------------|---------------------|------|-------|-------------------|-------|---------|
| 0    | <b>1900077200</b>   | CYLINDER ASSY       | 1    |       | 13510004~13510675 |       | boom    |
|      | <b>1900080400</b>   | CYLINDER ASSY       | 1    |       | 13510676~13511212 |       | boom    |
|      | <b>1900082700</b>   | CYLINDER ASSY       | 1    | (H)   | 13511213~         |       | boom    |
| 0-1  | <b>1900077299</b>   | • KIT, seal         | 1    |       |                   |       |         |
| 1    | X <b>1900005912</b> | • • PACKING, rod    | 1    |       |                   |       |         |
| 2    | X <b>1900075133</b> | • • SEAL, dust      | 1    |       |                   |       |         |
| 3    | X <b>1420110800</b> | • • O-RING          | 1    |       |                   |       |         |
| 4    | X <b>1421130800</b> | • • RING, back-up   | 2    |       |                   |       |         |
| 5    | X <b>1420110850</b> | • • O-RING          | 1    |       |                   |       |         |
| 6    | X <b>1420110750</b> | • • O-RING          | 1    |       |                   |       |         |
| 7    | X <b>1900050932</b> | • • PACKING, piston | 1    |       |                   |       |         |
| 8    | <b>1900077298</b>   | • TUBE ASSY         | 1    |       | 13510004~13510675 |       |         |
|      | <b>1900080498</b>   | • TUBE ASSY         | 1    |       | 13510676~         |       |         |
| 9    | <b>1900018502</b>   | • • BUSHING         | 1    |       |                   |       |         |
| 10   | <b>1900077297</b>   | • ROD ASSY, piston  | 1    |       | 13510004~13510675 |       |         |
|      | <b>1900080497</b>   | • ROD ASSY, piston  | 1    |       | 13510676~13511212 |       |         |
|      | <b>1900082797</b>   | • ROD ASSY, piston  | 1    |       | 13511213~         |       |         |
| 11   | <b>1900018502</b>   | • • BUSHING         | 1    |       |                   |       |         |
| 12   | <b>1900054703</b>   | • COVER, rod        | 1    |       |                   |       |         |
| 13   | <b>1900060205</b>   | • CUSHION, rod      | 1    |       |                   |       |         |
| 14   | <b>1900054706</b>   | • PISTON            | 1    |       |                   |       |         |
| 15   | <b>1900049415</b>   | • SPACER            | 1    |       |                   |       |         |
| 16   | <b>1900050216</b>   | • RING, cushion     | 1    |       |                   |       |         |
| 17   | <b>1900049426</b>   | • STOPPER           | 1    |       |                   |       |         |
| 18   | <b>1900054726</b>   | • STOPPER           | 1    |       |                   |       |         |
| 19   | <b>1900054727</b>   | • CONNECTOR         | 1    |       |                   |       |         |
| 20   | <b>1900050931</b>   | • RING, slide       | 2    |       |                   |       |         |
| 21   | <b>1900054774</b>   | • RETAINER          | 1    |       |                   |       |         |
| 22   | <b>1333004530</b>   | • BUSHING           | 1    |       |                   |       |         |
| 23   | <b>1390020250</b>   | • BALL, steel       | 1    |       |                   |       |         |
| 24   | <b>1121050608</b>   | • SET-SCREW         | 1    |       |                   |       |         |
| 25   | <b>1432200045</b>   | • SEAL, dust        | 4    |       |                   |       |         |
| 26   | <b>1560001000</b>   | • FITTING, grease   | 1    |       |                   |       |         |
| 27   | <b>1560001675</b>   | • FITTING, grease   | 1    |       |                   |       |         |
|      | <b>G4h151</b>       |                     |      |       |                   |       |         |

TB135 Book No. BG4Z010 S/N 13510004-  
BOOM CYLINDER (13514051-)



G4H153

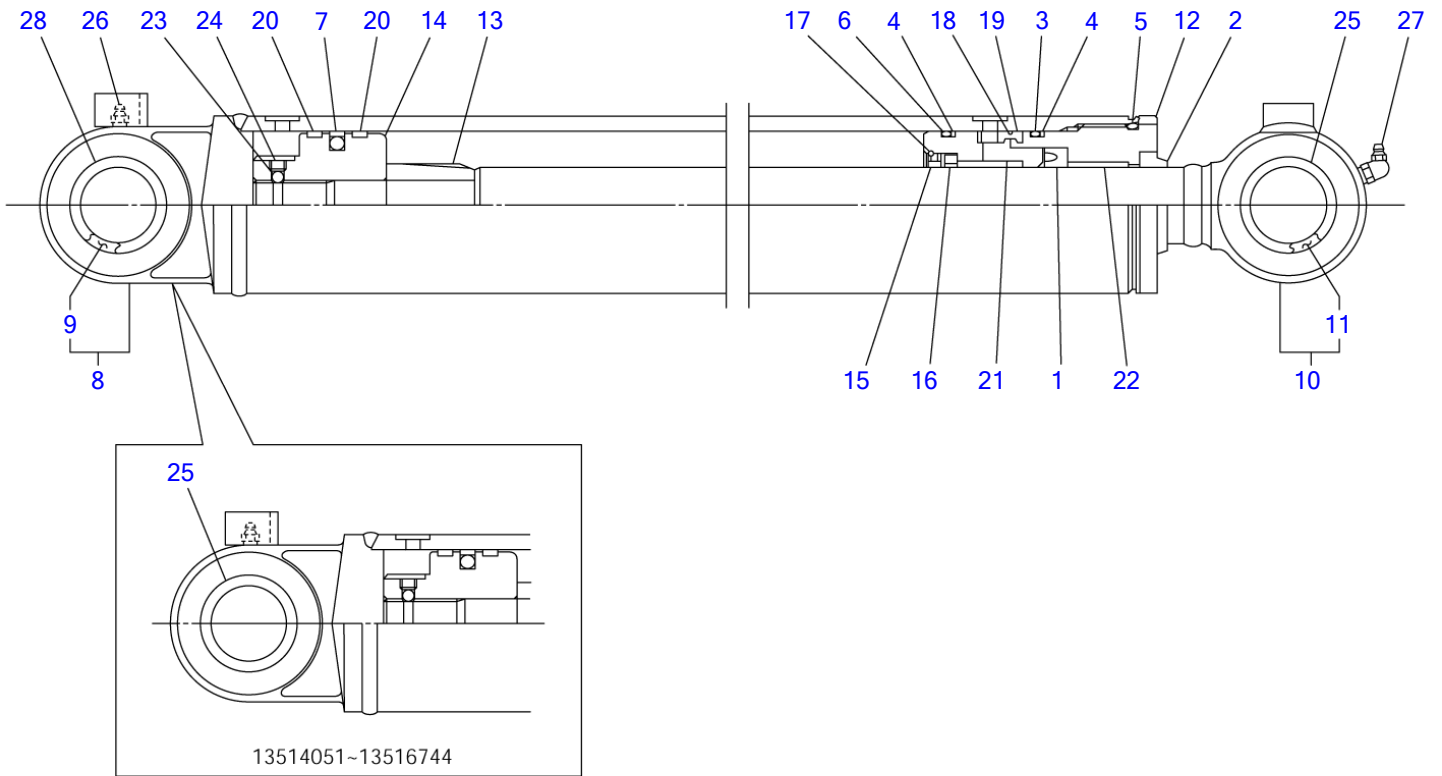
S=FREE

**BOOM CYLINDER (13514051-)**

| Item | Part number         | Description         | Q'ty | Chan. | Serial No.        | Serv. | Remarks |
|------|---------------------|---------------------|------|-------|-------------------|-------|---------|
| 0    | <b>1900091300</b>   | CYLINDER ASSY       | 1    |       | 13514051~13516744 |       | boom    |
|      | <b>1900096900</b>   | CYLINDER ASSY       | 1    |       | 13516745~         |       | boom    |
| 0-1  | <b>1900077299</b>   | • KIT, seal         | 1    |       |                   |       |         |
| 1    | X <b>1900005912</b> | • • PACKING, rod    | 1    |       |                   |       |         |
| 2    | X <b>1900075133</b> | • • SEAL, dust      | 1    |       |                   |       |         |
| 3    | X <b>1420110800</b> | • • O-RING          | 1    |       |                   |       |         |
| 4    | X <b>1421130800</b> | • • RING, back-up   | 2    |       |                   |       |         |
| 5    | X <b>1420110850</b> | • • O-RING          | 1    |       |                   |       |         |
| 6    | X <b>1420110750</b> | • • O-RING          | 1    |       |                   |       |         |
| 7    | X <b>1900050932</b> | • • PACKING, piston | 1    |       |                   |       |         |
| 8    | <b>1900091398</b>   | • TUBE ASSY         | 1    |       | 13514051~13516744 |       |         |
|      | <b>1900096998</b>   | • TUBE ASSY         | 1    |       | 13516745~         |       |         |
| 9    | <b>1900018502</b>   | • • BUSHING         | 1    |       | 13514051~13514470 |       |         |
|      | <b>1900091320</b>   | • • BUSHING         | 1    | (H)   | 13514471~13516744 |       |         |
|      | <b>1900097820</b>   | • • BUSHING         | 1    |       | 13516745~         |       |         |
| 10   | <b>1900091397</b>   | • ROD ASSY, piston  | 1    |       | 13514051~13516744 |       |         |
|      | <b>1900096997</b>   | • ROD ASSY, piston  | 1    |       | 13516745~         |       |         |
| 11   | <b>1900018502</b>   | • • BUSHING         | 1    |       |                   |       |         |
| 12   | <b>1900054703</b>   | • COVER, rod        | 1    |       |                   |       |         |
| 13   | <b>1900060205</b>   | • CUSHION, rod      | 1    |       |                   |       |         |
| 14   | <b>1900054706</b>   | • PISTON            | 1    |       |                   |       |         |
| 15   | <b>1900049415</b>   | • SPACER            | 1    |       |                   |       |         |
| 16   | <b>1900050216</b>   | • RING, cushion     | 1    |       |                   |       |         |
| 17   | <b>1900049426</b>   | • STOPPER           | 1    |       |                   |       |         |
| 18   | <b>1900054726</b>   | • STOPPER           | 1    |       |                   |       |         |
| 19   | <b>1900054727</b>   | • CONNECTOR         | 1    |       |                   |       |         |
| 20   | <b>1900050931</b>   | • RING, slide       | 2    |       |                   |       |         |
| 21   | <b>1900054774</b>   | • RETAINER          | 1    |       |                   |       |         |
| 22   | <b>1333004530</b>   | • BUSHING           | 1    |       |                   |       |         |
| 23   | <b>1390020250</b>   | • BALL, steel       | 1    |       |                   |       |         |
| 24   | <b>1121050608</b>   | • SET-SCREW         | 1    |       |                   |       |         |
| 25   | <b>1432200045</b>   | • SEAL, dust        | 4    |       | 13514051~13516744 |       |         |
|      | <b>1432200045</b>   | • SEAL, dust        | 2    |       | 13516745~         |       |         |
| 26   | <b>1560001000</b>   | • FITTING, grease   | 1    |       |                   |       |         |
| 27   | <b>1560001675</b>   | • FITTING, grease   | 1    |       |                   |       |         |
| 28   | <b>1432200050</b>   | • SEAL, dust        | 2    |       | 13516745~         |       |         |

**G4h155**

TB135 Book No. BG4Z010 S/N 13510004-  
BOOM CYLINDER (for with emergency shut-off valve )



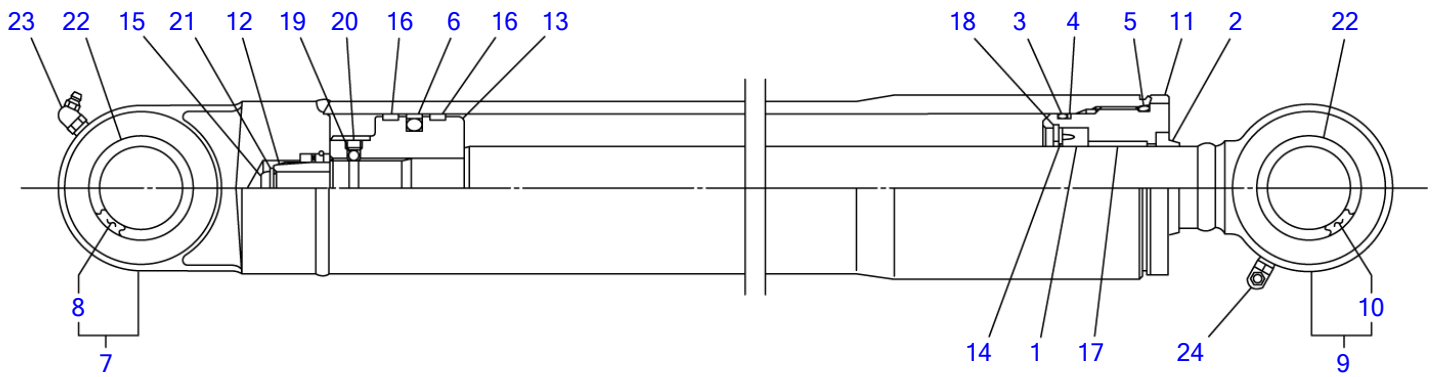
G4H153

S=FREE

**BOOM CYLINDER (for with emergency shut-off valve )**

| Item | Part number         | Description         | Q'ty | Chan. | Serial No.        | Serv. | Remarks |
|------|---------------------|---------------------|------|-------|-------------------|-------|---------|
| 0    | <b>1900089400</b>   | CYLINDER ASSY       | 1    |       | 13510004~13516744 |       | boom    |
|      | <b>1900097800</b>   | CYLINDER ASSY       | 1    |       | 13516745~         |       | boom    |
| 0-1  | <b>1900077299</b>   | • KIT, seal         | 1    |       |                   |       |         |
| 1    | X <b>1900005912</b> | • • PACKING, rod    | 1    |       |                   |       |         |
| 2    | X <b>1900075133</b> | • • SEAL, dust      | 1    |       |                   |       |         |
| 3    | X <b>1420110800</b> | • • O-RING          | 1    |       |                   |       |         |
| 4    | X <b>1421130800</b> | • • RING, back-up   | 2    |       |                   |       |         |
| 5    | X <b>1420110850</b> | • • O-RING          | 1    |       |                   |       |         |
| 6    | X <b>1420110750</b> | • • O-RING          | 1    |       |                   |       |         |
| 7    | X <b>1900050932</b> | • • PACKING, piston | 1    |       |                   |       |         |
| 8    | <b>1900089498</b>   | • TUBE ASSY         | 1    |       | 13510004~13516744 |       |         |
|      | <b>1900097898</b>   | • TUBE ASSY         | 1    |       | 13516745~         |       |         |
| 9    | <b>1900091320</b>   | • • BUSHING         | 1    |       | 13510004~13516744 |       |         |
|      | <b>1900097820</b>   | • • BUSHING         | 1    |       | 13516745~         |       |         |
| 10   | <b>1900091397</b>   | • ROD ASSY, piston  | 1    |       | 13510004~13516744 |       |         |
|      | <b>1900097897</b>   | • ROD ASSY, piston  | 1    |       | 13516745~         |       |         |
| 11   | <b>1900018502</b>   | • • BUSHING         | 1    |       |                   |       |         |
| 12   | <b>1900054703</b>   | • COVER, rod        | 1    |       |                   |       |         |
| 13   | <b>1900060205</b>   | • CUSHION, rod      | 1    |       |                   |       |         |
| 14   | <b>1900054706</b>   | • PISTON            | 1    |       |                   |       |         |
| 15   | <b>1900049415</b>   | • SPACER            | 1    |       |                   |       |         |
| 16   | <b>1900050216</b>   | • RING, cushion     | 1    |       |                   |       |         |
| 17   | <b>1900049426</b>   | • STOPPER           | 1    |       |                   |       |         |
| 18   | <b>1900054726</b>   | • STOPPER           | 1    |       |                   |       |         |
| 19   | <b>1900054727</b>   | • CONNECTOR         | 1    |       |                   |       |         |
| 20   | <b>1900050931</b>   | • RING, slide       | 2    |       |                   |       |         |
| 21   | <b>1900054774</b>   | • RETAINER          | 1    |       |                   |       |         |
| 22   | <b>1333004530</b>   | • BUSHING           | 1    |       |                   |       |         |
| 23   | <b>1390020250</b>   | • BALL, steel       | 1    |       |                   |       |         |
| 24   | <b>1121050608</b>   | • SET-SCREW         | 1    |       |                   |       |         |
| 25   | <b>1432200045</b>   | • SEAL, dust        | 4    |       | 13510004~13516744 |       |         |
|      | <b>1432200045</b>   | • SEAL, dust        | 2    |       | 13516745~         |       |         |
| 26   | <b>1560001000</b>   | • FITTING, grease   | 1    |       |                   |       |         |
| 27   | <b>1560001675</b>   | • FITTING, grease   | 1    |       |                   |       |         |
| 28   | <b>1432200050</b>   | • SEAL, dust        | 2    |       | 13516745~         |       |         |
|      | <b>G4h321</b>       |                     |      |       |                   |       |         |

TB135 Book No. BG4Z010 S/N 13510004-  
ARM CYLINDER (13510004-13514050)



G4H160

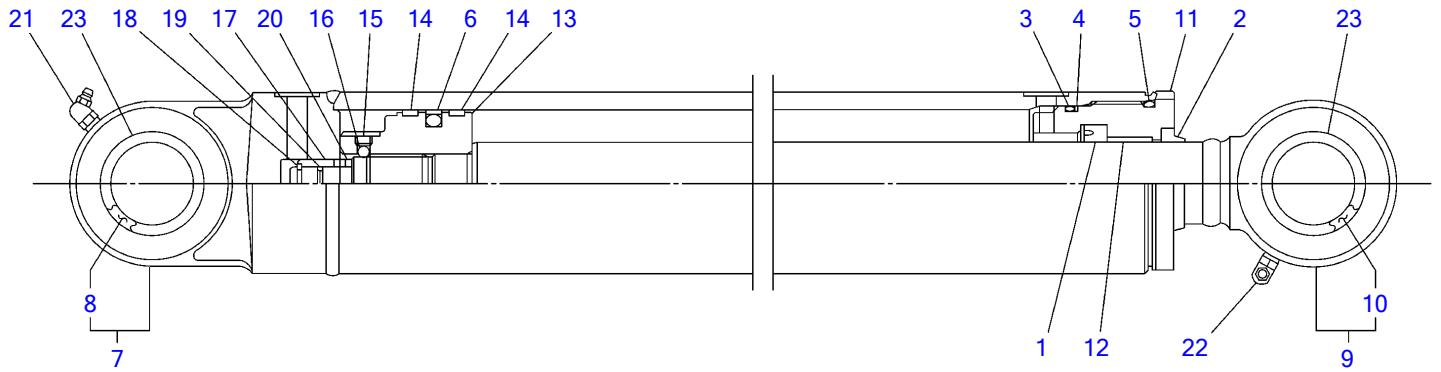
S=FREE

**ARM CYLINDER (13510004-13514050)**

| Item | Part number         | Description           | Q'ty | Chan. | Serial No.        | Serv. | Remarks |
|------|---------------------|-----------------------|------|-------|-------------------|-------|---------|
| 0    | <b>1900077300</b>   | CYLINDER ASSY         | 1    |       | 13510004~13510153 |       | arm     |
|      | <b>1900078500</b>   | CYLINDER ASSY         | 1    | (H)   | 13510154~         |       | arm     |
| 0-1  | <b>1900077399</b>   | • KIT, seal           | 1    |       |                   |       |         |
| 1    | X <b>1410545609</b> | • • PACKING, rod      | 1    |       |                   |       |         |
| 2    | X <b>1900075133</b> | • • SEAL, dust        | 1    |       |                   |       |         |
| 3    | X <b>1420110750</b> | • • O-RING            | 1    |       |                   |       |         |
| 4    | X <b>1421130750</b> | • • RING, back-up     | 1    |       |                   |       |         |
| 5    | X <b>1420110800</b> | • • O-RING            | 1    |       |                   |       |         |
| 6    | X <b>1900047231</b> | • • PACKING, piston   | 1    |       |                   |       |         |
| 7    | <b>1900077398</b>   | • TUBE ASSY           | 1    |       | 13510004~13510153 |       |         |
|      | <b>1900078598</b>   | • TUBE ASSY           | 1    |       | 13510154~         |       |         |
| 8    | <b>1900045602</b>   | • • BUSHING           | 1    |       |                   |       |         |
| 9    | <b>1900077397</b>   | • ROD ASSY, piston    | 1    |       | 13510004~13510153 |       |         |
|      | <b>1900078597</b>   | • ROD ASSY, piston    | 1    |       | 13510154~         |       |         |
| 10   | <b>1900045602</b>   | • • BUSHING           | 1    |       |                   |       |         |
| 11   | <b>1900054903</b>   | • COVER, rod          | 1    |       |                   |       |         |
| 12   | <b>1900077305</b>   | • CUSHION, rod        | 1    |       |                   |       |         |
| 13   | <b>1900054106</b>   | • PISTON              | 1    |       | 13510004~13510153 |       |         |
|      | <b>1900078506</b>   | • PISTON              | 1    |       | 13510154~         |       |         |
| 14   | <b>1900013508</b>   | • HOLDER, rod packing | 1    |       |                   |       |         |
| 15   | <b>1900064429</b>   | • BOLT                | 1    |       |                   |       |         |
| 16   | <b>1900047232</b>   | • RING, slide         | 2    |       |                   |       |         |
| 17   | <b>1333004530</b>   | • BUSHING             | 1    |       |                   |       |         |
| 18   | <b>1221000060</b>   | • RING, snap          | 1    |       |                   |       |         |
| 19   | <b>1390020250</b>   | • BALL, steel         | 1    |       |                   |       |         |
| 20   | <b>1121050608</b>   | • SET-SCREW           | 1    |       |                   |       |         |
| 21   | <b>1141190012</b>   | • WASHER              | 1    |       |                   |       |         |
| 22   | <b>1432200045</b>   | • SEAL, dust          | 4    |       |                   |       |         |
| 23   | <b>1560001675</b>   | • FITTING, grease     | 1    |       |                   |       |         |
| 24   | <b>1560001900</b>   | • FITTING, grease     | 1    |       |                   |       |         |

**G4h161**

TB135 Book No. BG4Z010 S/N 13510004-  
ARM CYLINDER (13514051-)



G4H162

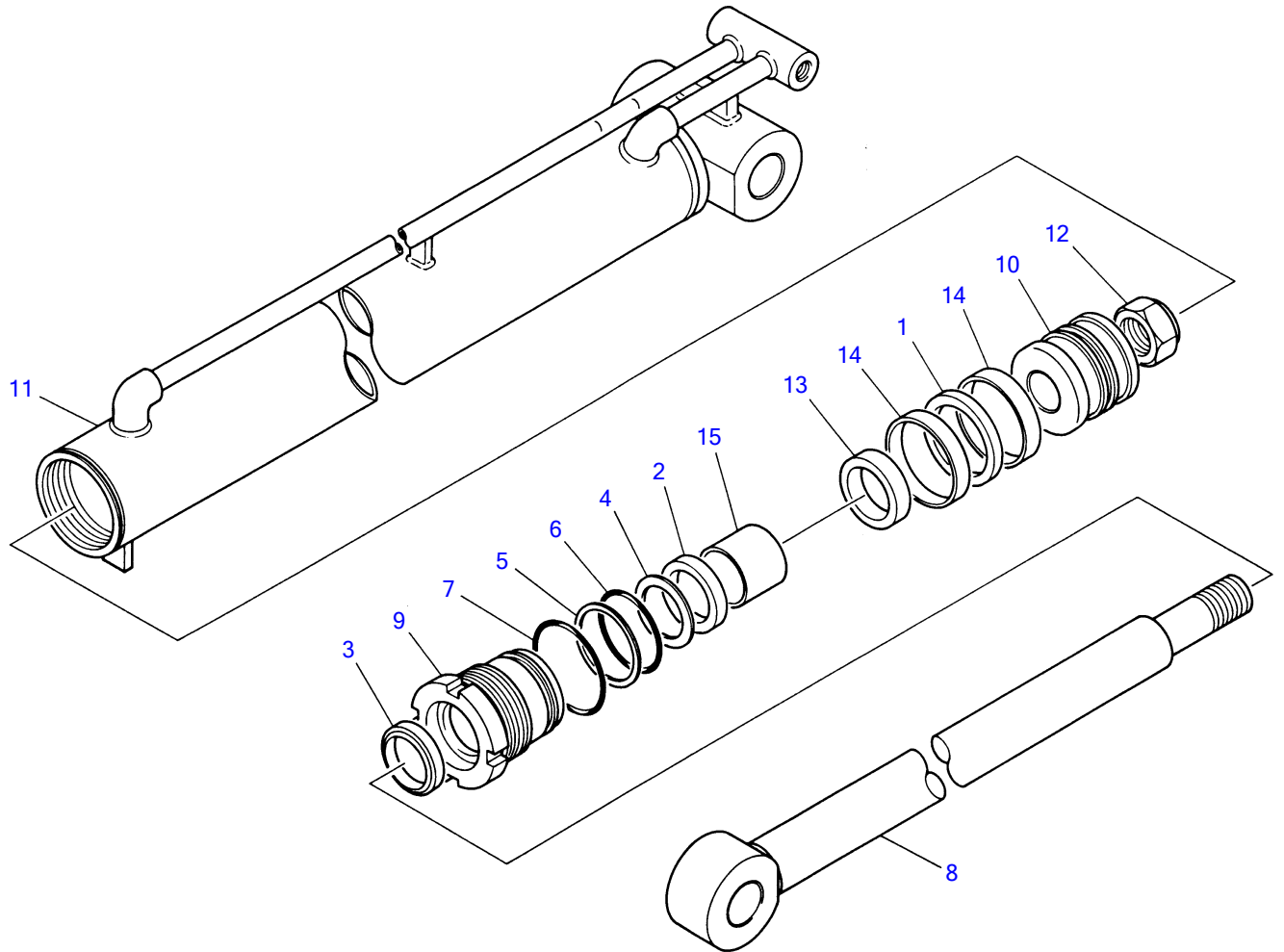
S=FREE



**ARM CYLINDER (13514051-)**

| Item | Part number         | Description         | Q'ty | Chan. | Serial No. | Serv. | Remarks |
|------|---------------------|---------------------|------|-------|------------|-------|---------|
| 0    | <b>1900091400</b>   | CYLINDER ASSY       | 1    |       |            |       | arm     |
| 0-1  | <b>1900091499</b>   | • KIT, seal         | 1    |       |            |       |         |
| 1    | X <b>1900005912</b> | • • PACKING, rod    | 1    |       |            |       |         |
| 2    | X <b>1900075133</b> | • • SEAL, dust      | 1    |       |            |       |         |
| 3    | X <b>1420110750</b> | • • O-RING          | 1    |       |            |       |         |
| 4    | X <b>1900088727</b> | • • RING, back-up   | 1    |       |            |       |         |
| 5    | X <b>1420110800</b> | • • O-RING          | 1    |       |            |       |         |
| 6    | X <b>1900047231</b> | • • PACKING, piston | 1    |       |            |       |         |
| 7    | <b>1900091498</b>   | • TUBE ASSY         | 1    |       |            |       |         |
| 8    | <b>1900045602</b>   | • • BUSHING         | 1    |       |            |       |         |
| 9    | <b>1900091497</b>   | • ROD ASSY, piston  | 1    |       |            |       |         |
| 10   | <b>1900045602</b>   | • • BUSHING         | 1    |       |            |       |         |
| 11   | <b>1900091403</b>   | • COVER, rod        | 1    |       |            |       |         |
| 12   | <b>1333004525</b>   | • BUSHING           | 1    |       |            |       |         |
| 13   | <b>1900091406</b>   | • PISTON            | 1    |       |            |       |         |
| 14   | <b>1900090626</b>   | • RING, slide       | 2    |       |            |       |         |
| 15   | <b>1121050508</b>   | • SET-SCREW         | 1    |       |            |       |         |
| 16   | <b>1390020350</b>   | • BALL, steel       | 1    |       |            |       |         |
| 17   | <b>1900091405</b>   | • CUSHION, rod      | 1    |       |            |       |         |
| 18   | <b>1900047122</b>   | • STOPPER           | 2    |       |            |       |         |
| 19   | <b>1900076335</b>   | • SEAL, cushion     | 1    |       |            |       |         |
| 20   | <b>1900047114</b>   | • RING, snap        | 1    |       |            |       |         |
| 21   | <b>1560001675</b>   | • FITTING, grease   | 1    |       |            |       |         |
| 22   | <b>1560001900</b>   | • FITTING, grease   | 1    |       |            |       |         |
| 23   | <b>1900091433</b>   | • SEAL, dust        | 4    |       |            |       |         |
|      | <b>G4h163</b>       |                     |      |       |            |       |         |

TB135 Book No. BG4Z010 S/N 13510004-  
TELESCOPIC CYLINDER

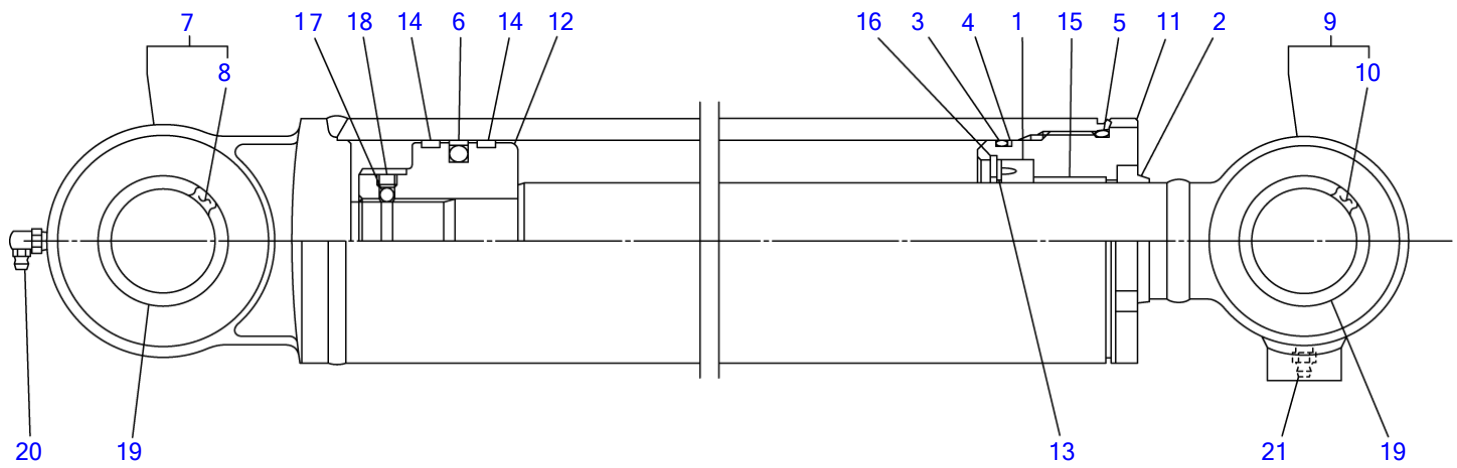


G4H170

**TELESCOPIC CYLINDER**

| Item | Part number         | Description         | Q'ty | Chan. | Serial No. | Serv. | Remarks    |
|------|---------------------|---------------------|------|-------|------------|-------|------------|
| 0    | <b>1900062000</b>   | CYLINDER ASSY       | 1    |       |            |       | telescopic |
| 0-1  | <b>1900062099</b>   | · KIT, seal         | 1    |       |            |       |            |
| 1    | X <b>1900048232</b> | · · PACKING, piston | 1    |       |            |       |            |
| 2    | X <b>1410540508</b> | · · PACKING, rod    | 1    |       |            |       |            |
| 3    | X <b>1900048431</b> | · · SEAL, dust      | 1    |       |            |       |            |
| 4    | X <b>1900062031</b> | · · RING, back-up   | 1    |       |            |       |            |
| 5    | X <b>1421130600</b> | · · RING, back-up   | 1    |       |            |       |            |
| 6    | X <b>1420110600</b> | · · O-RING          | 1    |       |            |       |            |
| 7    | X <b>1420110650</b> | · · O-RING          | 1    |       |            |       |            |
| 8    | <b>1900062001</b>   | · ROD, piston       | 1    |       |            |       |            |
| 9    | <b>1900062003</b>   | · COVER, rod        | 1    |       |            |       |            |
| 10   | <b>1900048206</b>   | · PISTON            | 1    |       |            |       |            |
| 11   | <b>1900062007</b>   | · TUBE              | 1    |       |            |       |            |
| 12   | <b>1900005609</b>   | · NUT               | 1    |       |            |       |            |
| 13   | <b>1900062015</b>   | · SPACER            | 1    |       |            |       |            |
| 14   | <b>1900048231</b>   | · RING, wear        | 2    |       |            |       |            |
| 15   | <b>1333004030</b>   | · BUSHING           | 1    |       |            |       |            |
|      | <b>G4h171</b>       |                     |      |       |            |       |            |

TB135 Book No. BG4Z010 S/N 13510004-  
BUCKET CYLINDER (13510004-13514050)



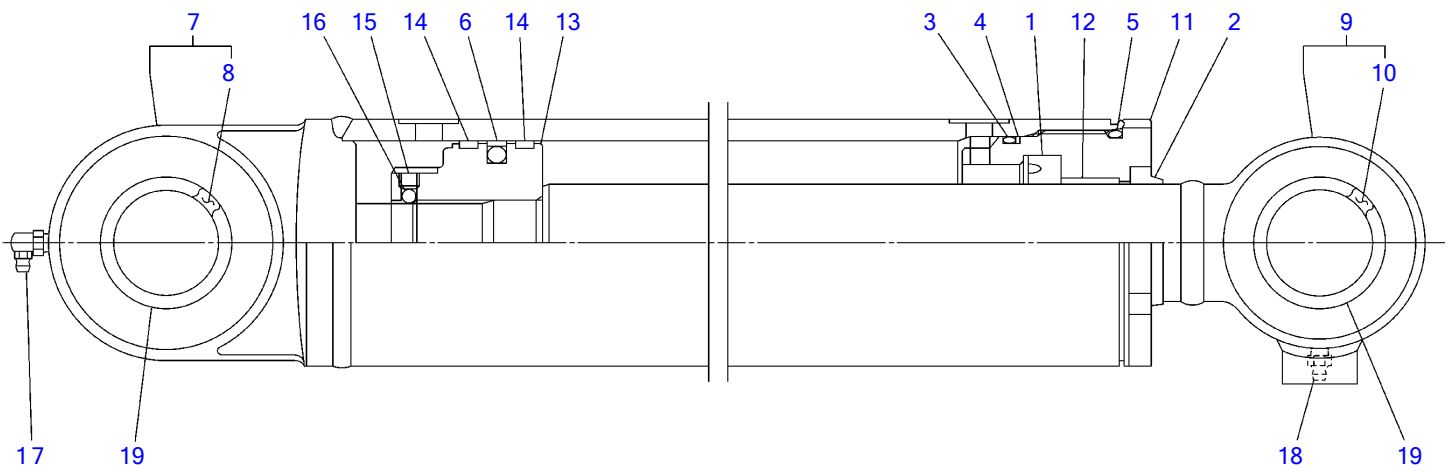
G4H180

S=free

**BUCKET CYLINDER (13510004-13514050)**

| Item | Part number         | Description           | Q'ty | Chan. | Serial No. | Serv. | Remarks |
|------|---------------------|-----------------------|------|-------|------------|-------|---------|
| 0    | <b>1900077400</b>   | CYLINDER ASSY         | 1    |       |            |       | bucket  |
| 0-1  | <b>1900077499</b>   | ▪ KIT, seal           | 1    |       |            |       |         |
| 1    | X <b>1410540559</b> | ▪ ▪ PACKING, rod      | 1    |       |            |       |         |
| 2    | X <b>1900073033</b> | ▪ ▪ SEAL, dust        | 1    |       |            |       |         |
| 3    | X <b>1420110650</b> | ▪ ▪ O-RING            | 1    |       |            |       |         |
| 4    | X <b>1421130650</b> | ▪ ▪ RING, back-up     | 1    |       |            |       |         |
| 5    | X <b>1420110700</b> | ▪ ▪ O-RING            | 1    |       |            |       |         |
| 6    | X <b>1900051132</b> | ▪ ▪ PACKING, piston   | 1    |       |            |       |         |
| 7    | <b>1900077498</b>   | ▪ TUBE ASSY           | 1    |       |            |       |         |
| 8    | <b>1900015720</b>   | ▪ ▪ BUSHING           | 1    |       |            |       |         |
| 9    | <b>1900077497</b>   | ▪ ROD ASSY, piston    | 1    |       |            |       |         |
| 10   | <b>1900015720</b>   | ▪ ▪ BUSHING           | 1    |       |            |       |         |
| 11   | <b>1900055003</b>   | ▪ COVER, rod          | 1    |       |            |       |         |
| 12   | <b>1900055006</b>   | ▪ PISTON              | 1    |       |            |       |         |
| 13   | <b>1900056308</b>   | ▪ HOLDER, rod packing | 1    |       |            |       |         |
| 14   | <b>1900051131</b>   | ▪ RING, slide         | 2    |       |            |       |         |
| 15   | <b>1333004030</b>   | ▪ BUSHING             | 1    |       |            |       |         |
| 16   | <b>1221000055</b>   | ▪ RING, snap          | 1    |       |            |       |         |
| 17   | <b>1390020250</b>   | ▪ BALL, steel         | 1    |       |            |       |         |
| 18   | <b>1121050608</b>   | ▪ SET-SCREW           | 1    |       |            |       |         |
| 19   | <b>1432200040</b>   | ▪ SEAL, dust          | 4    |       |            |       |         |
| 20   | <b>1560001900</b>   | ▪ FITTING, grease     | 1    |       |            |       |         |
| 21   | <b>1560001000</b>   | ▪ FITTING, grease     | 1    |       |            |       |         |
|      | <b>G4h181</b>       |                       |      |       |            |       |         |

TB135 Book No. BG4Z010 S/N 13510004-  
BUCKET CYLINDER (13514051-13516744)



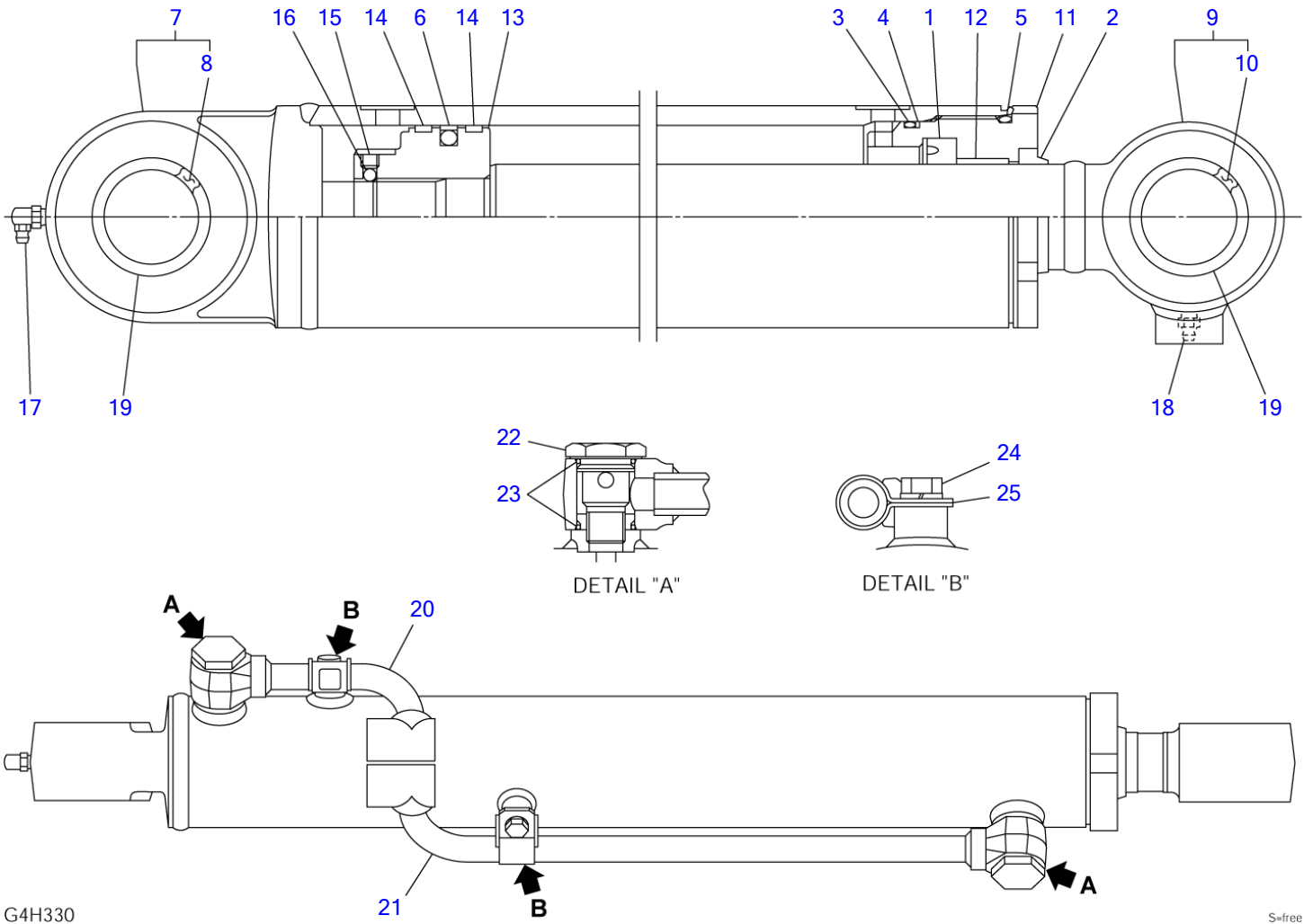
G4H182

S=free

**BUCKET CYLINDER (13514051-13516744)**

| Item | Part number         | Description         | Q'ty | Chan. | Serial No. | Serv. | Remarks |
|------|---------------------|---------------------|------|-------|------------|-------|---------|
| 0    | <b>1900091500</b>   | CYLINDER ASSY       | 1    |       |            |       | bucket  |
| 0-1  | <b>1900091599</b>   | • KIT, seal         | 1    |       |            |       |         |
| 1    | X <b>1900005612</b> | • • PACKING, rod    | 1    |       |            |       |         |
| 2    | X <b>1900073033</b> | • • SEAL, dust      | 1    |       |            |       |         |
| 3    | X <b>1420110650</b> | • • O-RING          | 1    |       |            |       |         |
| 4    | X <b>1900088627</b> | • • RING, back-up   | 1    |       |            |       |         |
| 5    | X <b>1420110700</b> | • • O-RING          | 1    |       |            |       |         |
| 6    | X <b>1900051132</b> | • • PACKING, piston | 1    |       |            |       |         |
| 7    | <b>1900091598</b>   | • TUBE ASSY         | 1    |       |            |       |         |
| 8    | <b>1900015720</b>   | • • BUSHING         | 1    |       |            |       |         |
| 9    | <b>1900091597</b>   | • ROD ASSY, piston  | 1    |       |            |       |         |
| 10   | <b>1900015720</b>   | • • BUSHING         | 1    |       |            |       |         |
| 11   | <b>1900088603</b>   | • COVER, rod        | 1    |       |            |       |         |
| 12   | <b>1900088620</b>   | • BUSHING           | 1    |       |            |       |         |
| 13   | <b>1900088606</b>   | • PISTON            | 1    |       |            |       |         |
| 14   | <b>1900088626</b>   | • RING, slide       | 2    |       |            |       |         |
| 15   | <b>1121050808</b>   | • SET-SCREW         | 1    |       |            |       |         |
| 16   | <b>1390020350</b>   | • BALL, steel       | 1    |       |            |       |         |
| 17   | <b>1560001900</b>   | • FITTING, grease   | 1    |       |            |       |         |
| 18   | <b>1560001000</b>   | • FITTING, grease   | 1    |       |            |       |         |
| 19   | <b>1900088633</b>   | • SEAL, dust        | 4    |       |            |       |         |
|      | <b>G4h182</b>       |                     |      |       |            |       |         |

TB135 Book No. BG4Z010 S/N 13510004-  
 BUCKET CYLINDER (13516745-)

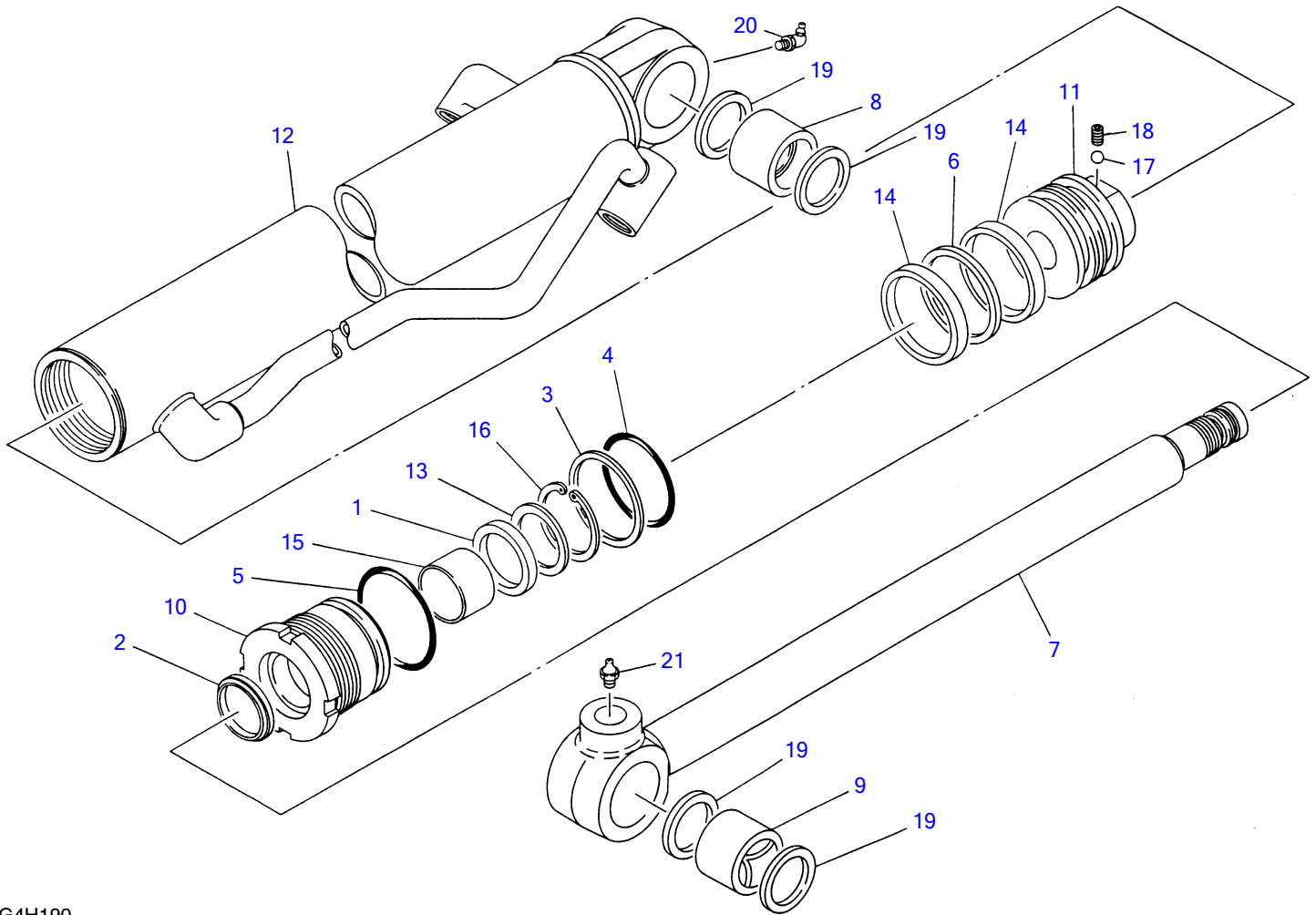




**BUCKET CYLINDER (13516745-)**

| Item | Part number         | Description         | Q'ty | Chan. | Serial No. | Serv. | Remarks |
|------|---------------------|---------------------|------|-------|------------|-------|---------|
| 0    | <b>1900097100</b>   | CYLINDER ASSY       | 1    |       |            |       | bucket  |
| 0-1  | <b>1900091599</b>   | • KIT, seal         | 1    |       |            |       |         |
| 1    | X <b>1900005612</b> | • • PACKING, rod    | 1    |       |            |       |         |
| 2    | X <b>1900073033</b> | • • SEAL, dust      | 1    |       |            |       |         |
| 3    | X <b>1420110650</b> | • • O-RING          | 1    |       |            |       |         |
| 4    | X <b>1900088627</b> | • • RING, back-up   | 1    |       |            |       |         |
| 5    | X <b>1420110700</b> | • • O-RING          | 1    |       |            |       |         |
| 6    | X <b>1900051132</b> | • • PACKING, piston | 1    |       |            |       |         |
| 7    | <b>1900097198</b>   | • TUBE ASSY         | 1    |       |            |       |         |
| 8    | <b>1900015720</b>   | • • BUSHING         | 1    |       |            |       |         |
| 9    | <b>1900091597</b>   | • ROD ASSY, piston  | 1    |       |            |       |         |
| 10   | <b>1900015720</b>   | • • BUSHING         | 1    |       |            |       |         |
| 11   | <b>1900088603</b>   | • COVER, rod        | 1    |       |            |       |         |
| 12   | <b>1900088620</b>   | • BUSHING           | 1    |       |            |       |         |
| 13   | <b>1900088606</b>   | • PISTON            | 1    |       |            |       |         |
| 14   | <b>1900097131</b>   | • RING, slide       | 2    |       |            |       |         |
| 15   | <b>1121050808</b>   | • SET-SCREW         | 1    |       |            |       |         |
| 16   | <b>1390020350</b>   | • BALL, steel       | 1    |       |            |       |         |
| 17   | <b>1560001900</b>   | • FITTING, grease   | 1    |       |            |       |         |
| 18   | <b>1560001000</b>   | • FITTING, grease   | 1    |       |            |       |         |
| 19   | <b>1900088633</b>   | • SEAL, dust        | 4    |       |            |       |         |
| 20   | <b>1900097110</b>   | • PIPE ASSY         | 1    |       |            |       |         |
| 21   | <b>1900097128</b>   | • PIPE ASSY         | 1    |       |            |       |         |
| 22   | <b>1900093327</b>   | • PLUG              | 2    |       |            |       |         |
| 23   | <b>1900093328</b>   | • O-RING            | 4    |       |            |       |         |
| 24   | <b>1900008162</b>   | • BOLT              | 2    |       |            |       |         |
| 25   | <b>1900090017</b>   | • HOLDER            | 2    |       |            |       |         |
|      | <b>G4h330</b>       |                     |      |       |            |       |         |

TB135 Book No. BG4Z010 S/N 13510004-  
BUCKET CYLINDER (telescopic)

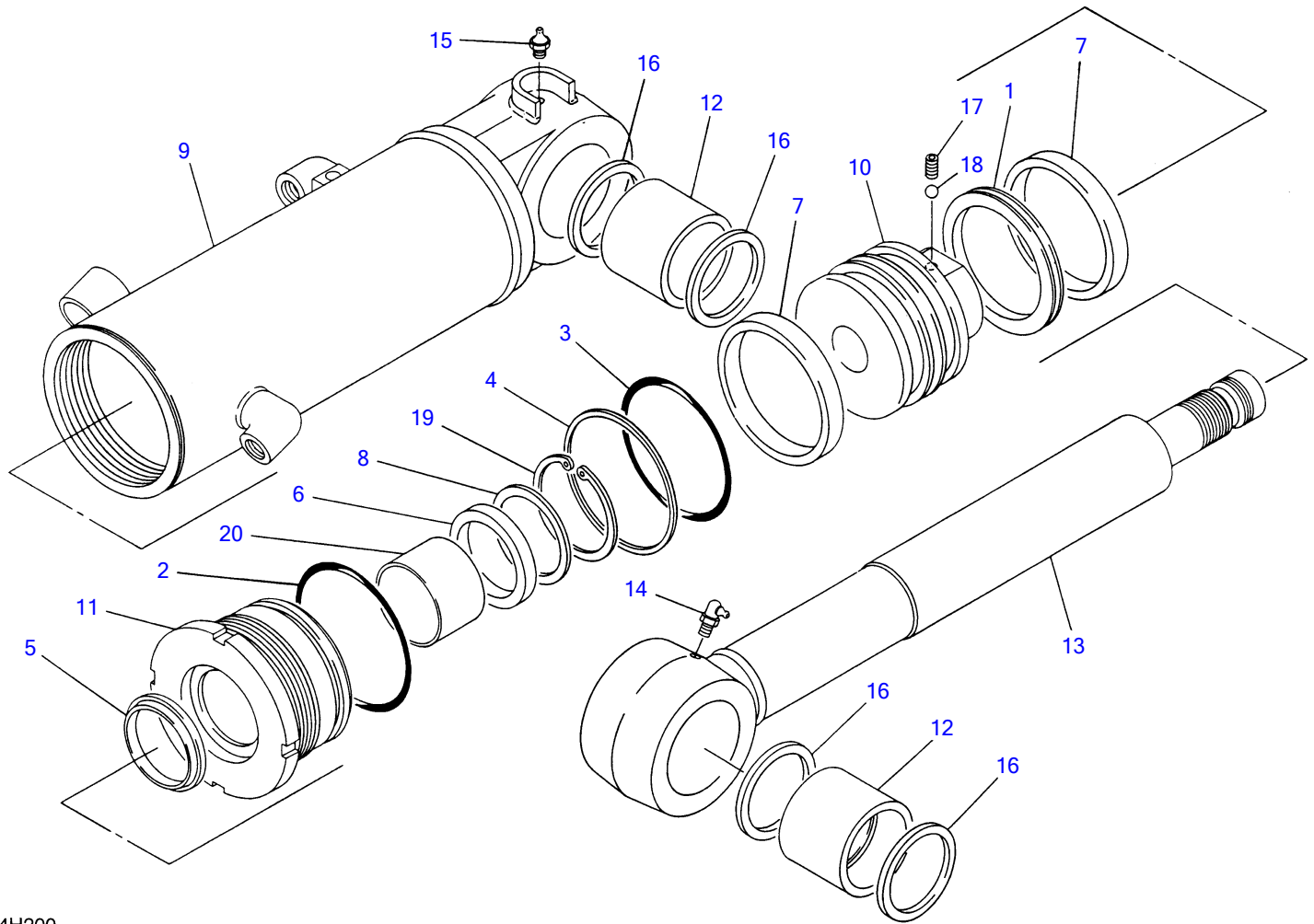


G4H190

**BUCKET CYLINDER (telescopic)**

| Item | Part number         | Description           | Q'ty | Chan. | Serial No. | Serv. | Remarks |
|------|---------------------|-----------------------|------|-------|------------|-------|---------|
| 0    | <b>1900056300</b>   | CYLINDER ASSY         | 1    |       |            |       | bucket  |
| 0-1  | <b>1900055099</b>   | ▪ KIT, seal           | 1    |       |            |       |         |
| 1    | X <b>1410540559</b> | ▪ ▪ PACKING, rod      | 1    |       |            |       |         |
| 2    | X <b>1900048431</b> | ▪ ▪ SEAL, dust        | 1    |       |            |       |         |
| 3    | X <b>1421130650</b> | ▪ ▪ RING, back-up     | 1    |       |            |       |         |
| 4    | X <b>1420110650</b> | ▪ ▪ O-RING            | 1    |       |            |       |         |
| 5    | X <b>1420110700</b> | ▪ ▪ O-RING            | 1    |       |            |       |         |
| 6    | X <b>1900051132</b> | ▪ PACKING, piston     | 1    |       |            |       |         |
| 7    | <b>1900055001</b>   | ▪ ROD, piston         | 1    |       |            |       |         |
| 8    | <b>1900045802</b>   | ▪ BUSHING             | 1    |       |            |       |         |
| 9    | <b>1900045820</b>   | ▪ BUSHING             | 1    |       |            |       |         |
| 10   | <b>1900055003</b>   | ▪ COVER, rod          | 1    |       |            |       |         |
| 11   | <b>1900055006</b>   | ▪ PISTON              | 1    |       |            |       |         |
| 12   | <b>1900056307</b>   | ▪ TUBE                | 1    |       |            |       |         |
| 13   | <b>1900056308</b>   | ▪ HOLDER, rod packing | 1    |       |            |       |         |
| 14   | <b>1900051131</b>   | ▪ RING, wear          | 2    |       |            |       |         |
| 15   | <b>1333004030</b>   | ▪ BUSHING             | 1    |       |            |       |         |
| 16   | <b>1221000055</b>   | ▪ RING, snap          | 1    |       |            |       |         |
| 17   | <b>1390010250</b>   | ▪ BALL, steel         | 1    |       |            |       |         |
| 18   | <b>1121040608</b>   | ▪ SET-SCREW           | 1    |       |            |       |         |
| 19   | <b>1432200040</b>   | ▪ SEAL, dust          | 4    |       |            |       |         |
| 20   | <b>1560001900</b>   | ▪ FITTING, grease     | 1    |       |            |       |         |
| 21   | <b>1560001000</b>   | ▪ FITTING, grease     | 1    |       |            |       |         |
|      | <b>G4h191</b>       |                       |      |       |            |       |         |

TB135 Book No. BG4Z010 S/N 13510004-  
DOZER BLADE CYLINDER (13510004-13514050)

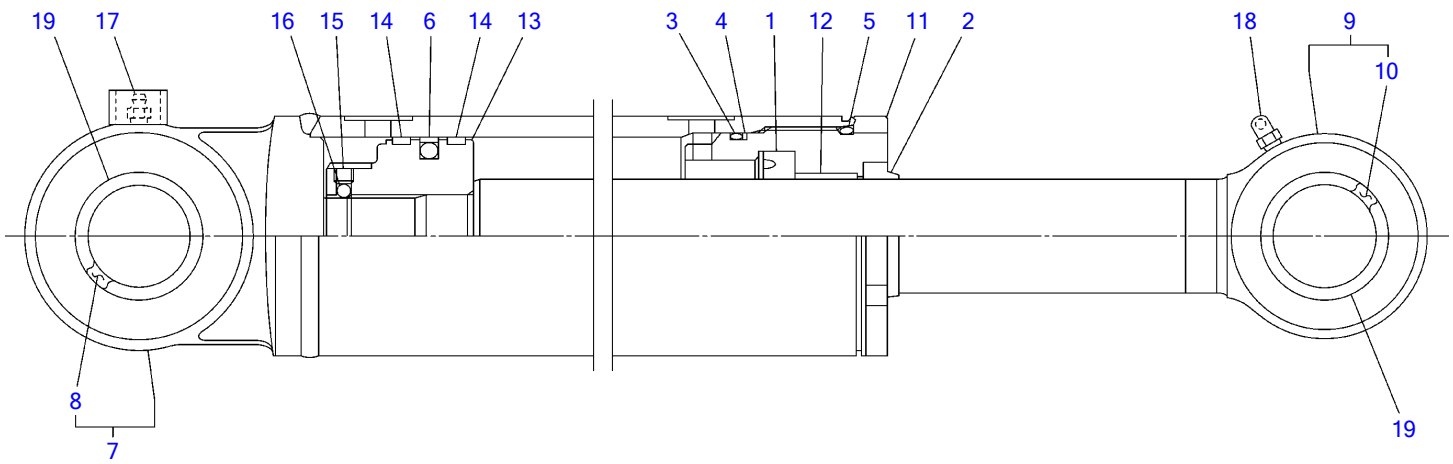


G4H200

**DOZER BLADE CYLINDER (13510004-13514050)**

| Item | Part number         | Description           | Q'ty | Chan. | Serial No. | Serv. | Remarks |
|------|---------------------|-----------------------|------|-------|------------|-------|---------|
| 0    | <b>1900055100</b>   | CYLINDER ASSY         | 1    |       |            |       | blade   |
| 0-1  | <b>1900055199</b>   | • KIT, seal           | 1    |       |            |       |         |
| 1    | X <b>1900047031</b> | • • PACKING, piston   | 1    |       |            |       |         |
| 2    | X <b>1420111000</b> | • • O-RING            | 1    |       |            |       |         |
| 3    | X <b>1420110950</b> | • • O-RING            | 1    |       |            |       |         |
| 4    | X <b>1421130950</b> | • • RING, back-up     | 1    |       |            |       |         |
| 5    | X <b>1900047034</b> | • • SEAL, dust        | 1    |       |            |       |         |
| 6    | X <b>1900047033</b> | • • PACKING, rod      | 1    |       |            |       |         |
| 7    | <b>1900047032</b>   | • RING, wear          | 2    |       |            |       |         |
| 8    | <b>1900016408</b>   | • HOLDER, rod packing | 1    |       |            |       |         |
| 9    | <b>1900055107</b>   | • TUBE                | 1    |       |            |       |         |
| 10   | <b>1900055106</b>   | • PISTON              | 1    |       |            |       |         |
| 11   | <b>1900055103</b>   | • COVER, rod          | 1    |       |            |       |         |
| 12   | <b>1900046002</b>   | • BUSHING             | 2    |       |            |       |         |
| 13   | <b>1900055101</b>   | • ROD, piston         | 1    |       |            |       |         |
| 14   | <b>1560001900</b>   | • FITTING, grease     | 1    |       |            |       |         |
| 15   | <b>1560001000</b>   | • FITTING, grease     | 1    |       |            |       |         |
| 16   | <b>1432200055</b>   | • SEAL, dust          | 4    |       |            |       |         |
| 17   | <b>1121000810</b>   | • SET-SCREW           | 1    |       |            |       |         |
| 18   | <b>1390010350</b>   | • BALL, steel         | 1    |       |            |       |         |
| 19   | <b>1221000075</b>   | • RING, snap          | 1    |       |            |       |         |
| 20   | <b>1333005530</b>   | • BUSHING             | 1    |       |            |       |         |
|      | <b>G4h201</b>       |                       |      |       |            |       |         |

TB135 Book No. BG4Z010 S/N 13510004-  
DOZER BLADE CYLINDER (13514051-)



G4H202

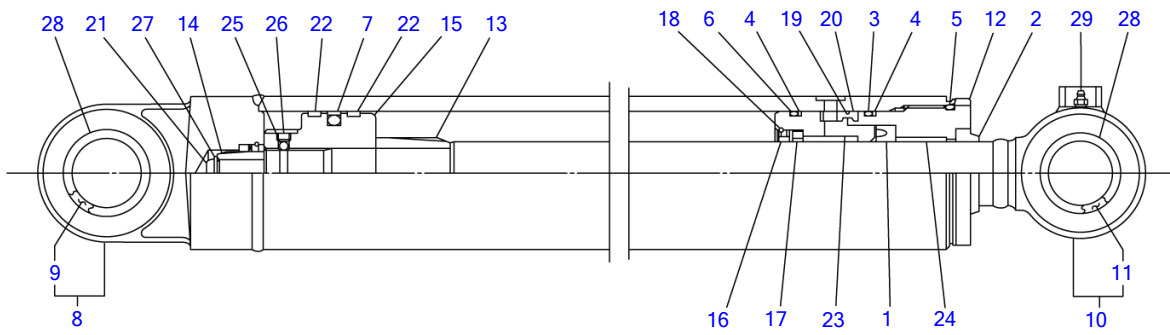
S=free

**DOZER BLADE CYLINDER (13514051-)**

| Item | Part number         | Description         | Q'ty | Chan. | Serial No. | Serv. | Remarks |
|------|---------------------|---------------------|------|-------|------------|-------|---------|
| 0    | <b>1900091700</b>   | CYLINDER ASSY       | 1    |       |            |       | blade   |
| 0-1  | <b>1900091799</b>   | • KIT, seal         | 1    |       |            |       |         |
| 1    | X <b>1900047033</b> | • • PACKING, rod    | 1    |       |            |       |         |
| 2    | X <b>1900070831</b> | • • SEAL, dust      | 1    |       |            |       |         |
| 3    | X <b>1420110950</b> | • • O-RING          | 1    |       |            |       |         |
| 4    | X <b>1900086928</b> | • • RING, back-up   | 1    |       |            |       |         |
| 5    | X <b>1420111000</b> | • • O-RING          | 1    |       |            |       |         |
| 6    | X <b>1900047031</b> | • • PACKING, piston | 1    |       |            |       |         |
| 7    | <b>1900091798</b>   | • TUBE ASSY         | 1    |       |            |       |         |
| 8    | <b>1900046002</b>   | • • BUSHING         | 1    |       |            |       |         |
| 9    | <b>1900091797</b>   | • ROD ASSY, piston  | 1    |       |            |       |         |
| 10   | <b>1900046002</b>   | • • BUSHING         | 1    |       |            |       |         |
| 11   | <b>1900091703</b>   | • COVER, rod        | 1    |       |            |       |         |
| 12   | <b>1900047019</b>   | • BUSHING           | 1    |       |            |       |         |
| 13   | <b>1900087806</b>   | • PISTON            | 1    |       |            |       |         |
| 14   | <b>1900086926</b>   | • RING, slide       | 2    |       |            |       |         |
| 15   | <b>1121051010</b>   | • SET-SCREW         | 1    |       |            |       |         |
| 16   | <b>1390020400</b>   | • BALL, steel       | 1    |       |            |       |         |
| 17   | <b>1560001000</b>   | • FITTING, grease   | 1    |       |            |       |         |
| 18   | <b>1560001900</b>   | • FITTING, grease   | 1    |       |            |       |         |
| 19   | <b>1900091733</b>   | • SEAL, dust        | 4    |       |            |       |         |
|      | <b>G4h202</b>       |                     |      |       |            |       |         |

TB135 Book No. BG4Z010 S/N 13510004-  
SWING CYLINDER (13510004-13514050)

---



G4H210

S=FREE

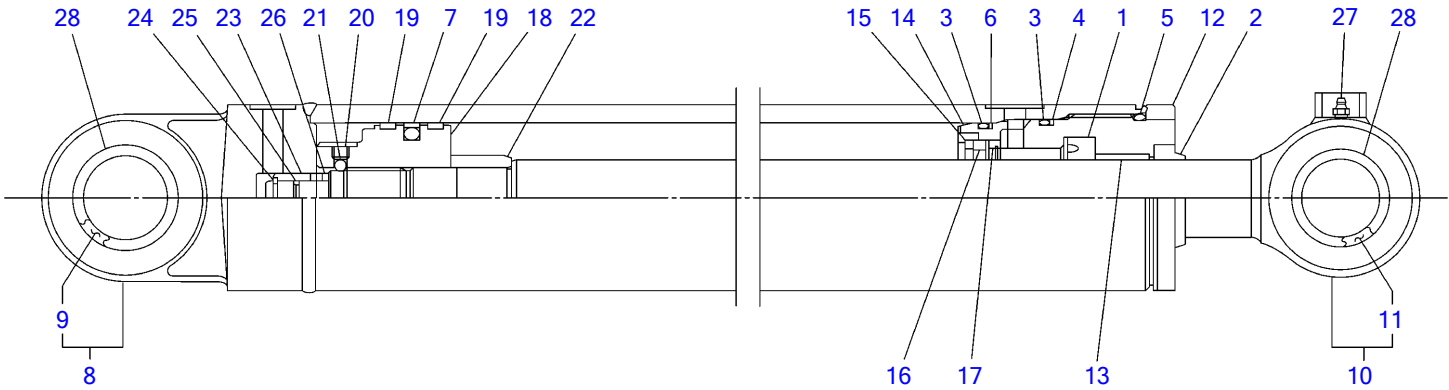
13



**SWING CYLINDER (13510004-13514050)**

| Item | Part number         | Description         | Q'ty | Chan. | Serial No. | Serv. | Remarks |
|------|---------------------|---------------------|------|-------|------------|-------|---------|
| 0    | <b>1900075500</b>   | CYLINDER ASSY       | 1    |       |            |       | swing   |
| 0-1  | <b>1900075599</b>   | • KIT, seal         | 1    |       |            |       |         |
| 1    | X <b>1900005912</b> | • • PACKING, rod    | 1    |       |            |       |         |
| 2    | X <b>1900075133</b> | • • SEAL, dust      | 1    |       |            |       |         |
| 3    | X <b>1420110750</b> | • • O-RING          | 1    |       |            |       |         |
| 4    | X <b>1421130750</b> | • • RING, back-up   | 2    |       |            |       |         |
| 5    | X <b>1420110800</b> | • • O-RING          | 1    |       |            |       |         |
| 6    | X <b>1420110700</b> | • • O-RING          | 1    |       |            |       |         |
| 7    | X <b>1900047231</b> | • • PACKING, piston | 1    |       |            |       |         |
| 8    | <b>1900075598</b>   | • TUBE ASSY         | 1    |       |            |       |         |
| 9    | <b>1900045602</b>   | • • BUSHING         | 1    |       |            |       |         |
| 10   | <b>1900075597</b>   | • ROD ASSY, piston  | 1    |       |            |       |         |
| 11   | <b>1900045602</b>   | • • BUSHING         | 1    |       |            |       |         |
| 12   | <b>1900054103</b>   | • COVER, rod        | 1    |       |            |       |         |
| 13   | <b>1900059805</b>   | • CUSHION, rod      | 1    |       |            |       |         |
| 14   | <b>1900075505</b>   | • BEARING, cushion  | 1    |       |            |       |         |
| 15   | <b>1900054106</b>   | • PISTON            | 1    |       |            |       |         |
| 16   | <b>1900049415</b>   | • SPACER            | 1    |       |            |       |         |
| 17   | <b>1900050216</b>   | • RING, cushion     | 1    |       |            |       |         |
| 18   | <b>1900049426</b>   | • STOPPER           | 1    |       |            |       |         |
| 19   | <b>1900054126</b>   | • STOPPER           | 1    |       |            |       |         |
| 20   | <b>1900054127</b>   | • CONNECTOR         | 1    |       |            |       |         |
| 21   | <b>1900064429</b>   | • BOLT              | 1    |       |            |       |         |
| 22   | <b>1900047232</b>   | • RING, slide       | 2    |       |            |       |         |
| 23   | <b>1900054174</b>   | • RETAINER          | 1    |       |            |       |         |
| 24   | <b>1333004530</b>   | • BUSHING           | 1    |       |            |       |         |
| 25   | <b>1390020250</b>   | • BALL, steel       | 1    |       |            |       |         |
| 26   | <b>1121050608</b>   | • SET-SCREW         | 1    |       |            |       |         |
| 27   | <b>1141190012</b>   | • WASHER            | 1    |       |            |       |         |
| 28   | <b>1432200045</b>   | • SEAL, dust        | 4    |       |            |       |         |
| 29   | <b>1560001000</b>   | • FITTING, grease   | 1    |       |            |       |         |
|      | <b>G4h211</b>       |                     |      |       |            |       |         |

TB135 Book No. BG4Z010 S/N 13510004-  
SWING CYLINDER (13514051-)



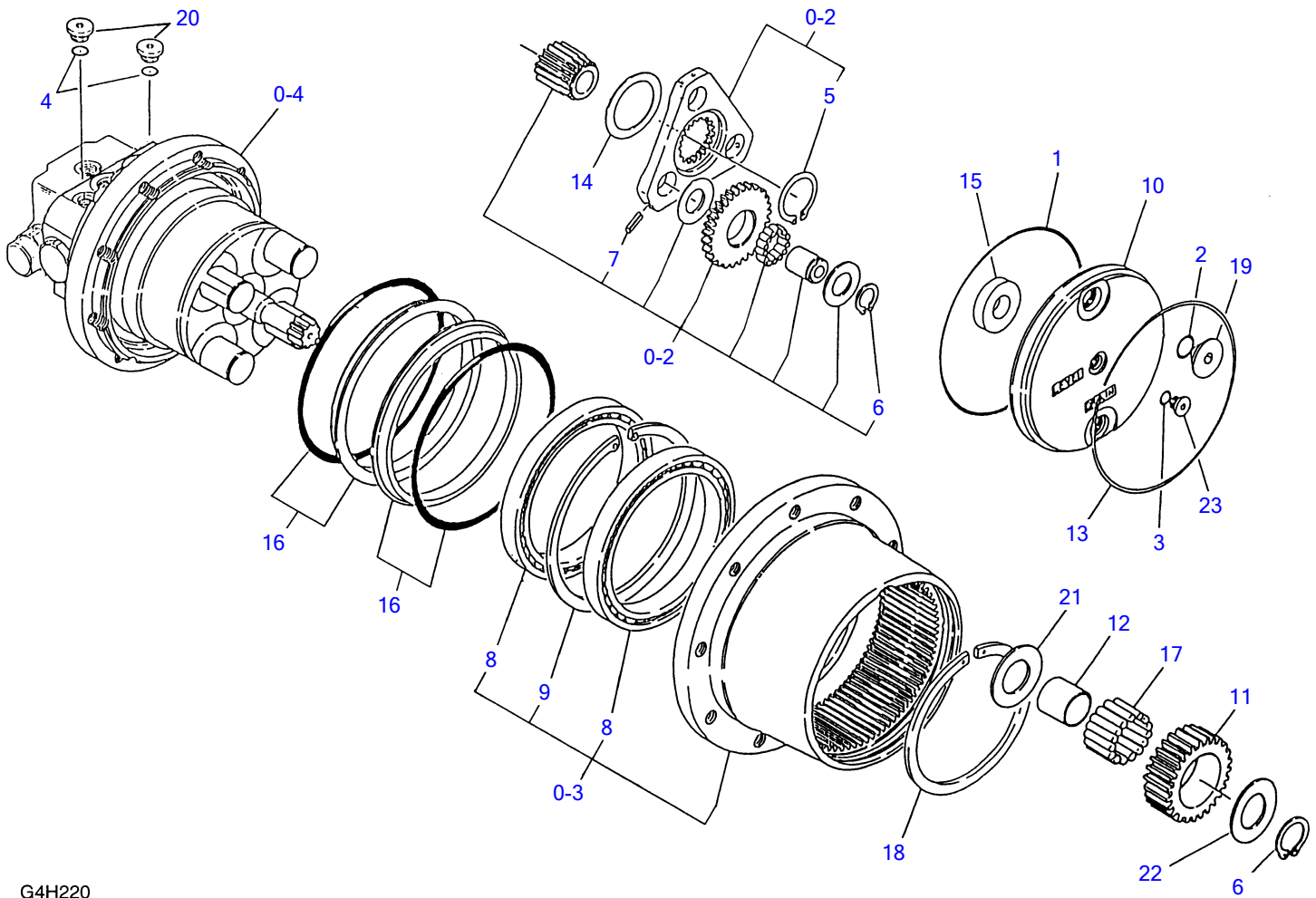
G4H212

S=FREE

**SWING CYLINDER (13514051-)**

| Item | Part number         | Description         | Q'ty | Chan. | Serial No. | Serv. | Remarks |
|------|---------------------|---------------------|------|-------|------------|-------|---------|
| 0    | <b>1900091600</b>   | CYLINDER ASSY       | 1    |       |            |       | swing   |
| 0-1  | <b>1900091699</b>   | • KIT, seal         | 1    |       |            |       |         |
| 1    | X <b>1900005912</b> | • • PACKING, rod    | 1    |       |            |       |         |
| 2    | X <b>1900075133</b> | • • SEAL, dust      | 1    |       |            |       |         |
| 3    | X <b>1420110750</b> | • • O-RING          | 2    |       |            |       |         |
| 4    | X <b>1900088727</b> | • • RING, back-up   | 1    |       |            |       |         |
| 5    | X <b>1420110800</b> | • • O-RING          | 1    |       |            |       |         |
| 6    | X <b>1900078927</b> | • • RING, back-up   | 1    |       |            |       |         |
| 7    | X <b>1900047231</b> | • • PACKING, piston | 1    |       |            |       |         |
| 8    | <b>1900091698</b>   | • TUBE ASSY         | 1    |       |            |       |         |
| 9    | <b>1900045602</b>   | • • BUSHING         | 1    |       |            |       |         |
| 10   | <b>1900091697</b>   | • ROD ASSY, piston  | 1    |       |            |       |         |
| 11   | <b>1900045602</b>   | • • BUSHING         | 1    |       |            |       |         |
| 12   | <b>1900091403</b>   | • COVER, rod        | 1    |       |            |       |         |
| 13   | <b>1333004525</b>   | • BUSHING           | 1    |       |            |       |         |
| 14   | <b>1900091608</b>   | • HOLDER            | 1    |       |            |       |         |
| 15   | <b>1900091615</b>   | • SPACER            | 1    |       |            |       |         |
| 16   | <b>1900091635</b>   | • SEAL, cushion     | 1    |       |            |       |         |
| 17   | <b>1900091636</b>   | • COLLAR            | 1    |       |            |       |         |
| 18   | <b>1900091406</b>   | • PISTON            | 1    |       |            |       |         |
| 19   | <b>1900090626</b>   | • RING, slide       | 2    |       |            |       |         |
| 20   | <b>1121050808</b>   | • SET-SCREW         | 1    |       |            |       |         |
| 21   | <b>1390020350</b>   | • BALL, steel       | 1    |       |            |       |         |
| 22   | <b>1900091605</b>   | • BEARING, cushion  | 1    |       |            |       |         |
| 23   | <b>1900091625</b>   | • BEARING, cushion  | 1    |       |            |       |         |
| 24   | <b>1900047122</b>   | • STOPPER           | 2    |       |            |       |         |
| 25   | <b>1900076335</b>   | • SEAL, cushion     | 1    |       |            |       |         |
| 26   | <b>1900047114</b>   | • RING, snap        | 1    |       |            |       |         |
| 27   | <b>1560001000</b>   | • FITTING, grease   | 1    |       |            |       |         |
| 28   | <b>1900091433</b>   | • SEAL, dust        | 4    |       |            |       |         |
|      | <b>G4h213</b>       |                     |      |       |            |       |         |

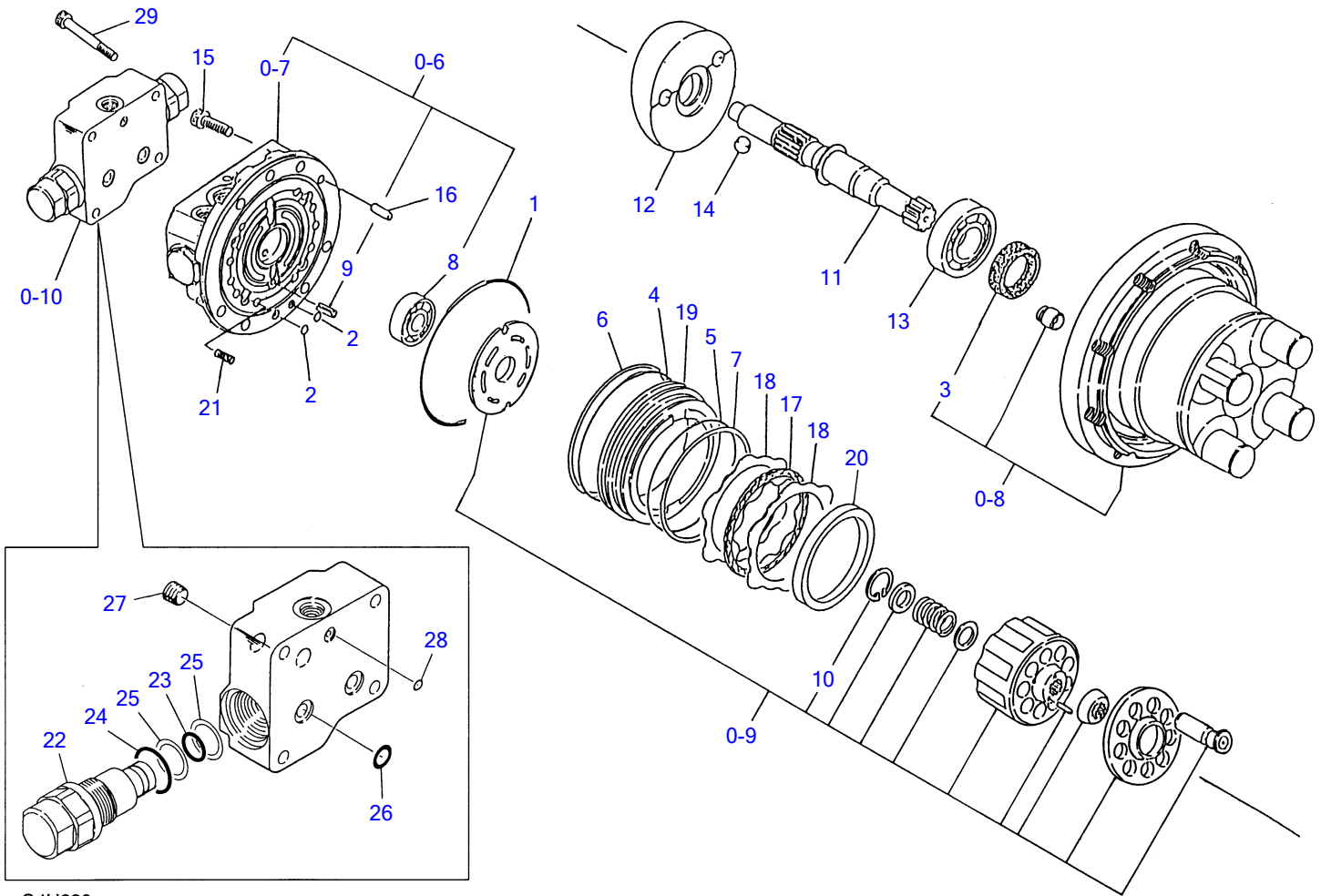
TB135 Book No. BG4Z010 S/N 13510004-  
TRAVEL MOTOR (1/3) (reduction sec.; 13510004-13516744)



G4H220

**TRAVEL MOTOR (1/3) (reduction sec.; 13510004-13516744)**

| Item | Part number         | Description        | Q'ty | Chan. | Serial No.        | Serv. | Remarks |
|------|---------------------|--------------------|------|-------|-------------------|-------|---------|
| 0    | <b>1903119400</b>   | MOTOR ASSY, travel | 1    |       | 13510004~13510348 |       |         |
|      | <b>1903120700</b>   | MOTOR ASSY, travel | 1    | (H)   | 13510349~         |       |         |
| 0-1  | <b>1903119499</b>   | • KIT, seal        | 1    |       |                   |       |         |
| 1    | X <b>1420300263</b> | • • O-RING         | 1    |       |                   |       |         |
| 2    | X <b>1420010140</b> | • • O-RING         | 2    |       |                   |       |         |
| 3    | X <b>1420010080</b> | • • O-RING         | 1    |       |                   |       |         |
| 4    | X <b>1420010110</b> | • • O-RING         | 2    |       |                   |       |         |
| 0-2  | <b>1903119498</b>   | • KIT, carrier     | 1    |       |                   |       |         |
| 5    | <b>1220000035</b>   | • • RING, snap     | 1    |       |                   |       |         |
| 6    | <b>1220000030</b>   | • • RING, snap     | 7    |       |                   |       |         |
| 7    | <b>1213000420</b>   | • • PIN, spring    | 3    |       |                   |       |         |
| 0-3  | <b>1903119497</b>   | • KIT, body        | 1    |       |                   |       |         |
| 8    | <b>1903119419</b>   | • • BEARING        | 2    |       |                   |       |         |
| 9    | <b>1903119424</b>   | • • RING, snap     | 1    |       |                   |       |         |
| 10   | <b>1903119402</b>   | • COVER            | 1    |       |                   |       |         |
| 11   | <b>1903119406</b>   | • GEAR             | 4    |       |                   |       |         |
| 12   | <b>1903119410</b>   | • RING             | 4    |       |                   |       |         |
| 13   | <b>1903113627</b>   | • RING, snap       | 1    |       |                   |       |         |
| 14   | <b>1903119415</b>   | • COLLAR, thrust   | 1    |       |                   |       |         |
| 15   | <b>1903116216</b>   | • RING, slide      | 1    |       |                   |       |         |
| 16   | <b>1903113617</b>   | • SEAL, floating   | 2    |       |                   |       |         |
| 17   | <b>1903119420</b>   | • NEEDLE           | 96   |       |                   |       |         |
| 18   | <b>1903119423</b>   | • RING, snap       | 1    |       |                   |       |         |
| 19   | <b>1903118932</b>   | • PLUG             | 2    |       |                   |       |         |
| 20   | <b>1903901930</b>   | • PLUG             | 2    |       |                   |       |         |
| 21   | <b>1903919440</b>   | • WASHER           | 4    |       |                   |       |         |
| 22   | <b>1903919441</b>   | • WASHER           | 4    |       |                   |       |         |
| 0-4  | <b>1903904400</b>   | • MOTOR, hydraulic | 1    |       |                   |       |         |
| 23   | <b>1903118933</b>   | • PLUG             | 1    |       |                   |       |         |
|      | <b>G4h221</b>       |                    |      |       |                   |       |         |

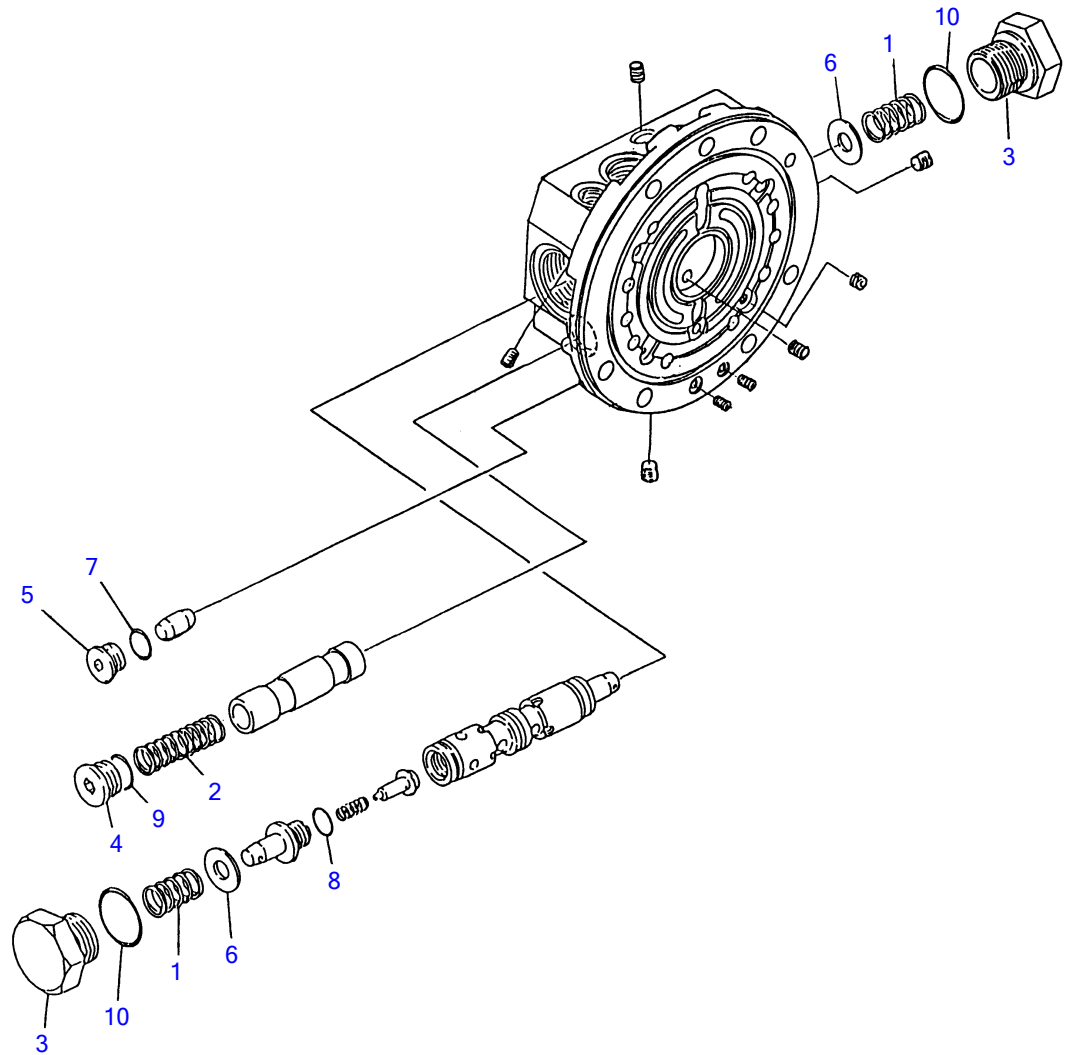


G4H230

TRAVEL MOTOR (2/3) (motor sec.; 13510004-13516744)

| Item | Part number  | Description              | Q'ty | Chan. | Serial No.        | Serv. | Remarks       |
|------|--------------|--------------------------|------|-------|-------------------|-------|---------------|
| 0    | 1903119400   | MOTOR ASSY, travel       | 1    |       | 13510004~13510348 |       |               |
|      | 1903120700   | MOTOR ASSY, travel       | 1    | (H)   | 13510349~         |       |               |
| 0-4  | 1903904400   | · MOTOR, hydraulic       | 1    |       |                   |       |               |
| 0-5  | 1903904499   | · · KIT, seal            | 1    |       |                   |       |               |
| 1    | X 1420111250 | · · · O-RING             | 1    |       |                   |       |               |
| 2    | X 1420010070 | · · · O-RING             | 2    |       |                   |       |               |
| 3    | X 1903101819 | · · · SEAL, oil          | 1    |       |                   |       |               |
| 4    | X 1420111100 | · · · O-RING             | 1    |       |                   |       |               |
| 5    | X 1420111000 | · · · O-RING             | 1    |       |                   |       |               |
| 6    | X 1421131100 | · · · RING, back-up      | 1    |       |                   |       |               |
| 7    | X 1421131000 | · · · RING, back-up      | 1    |       |                   |       |               |
| 0-6  | 1903904495   | · · KIT, body 1          | 1    |       |                   |       |               |
| 0-7  | X *****      | · · · BODY ASSY          | 1    |       |                   |       |               |
| 8    | 1300006201   | · · · BEARING            | 1    |       |                   |       |               |
| 9    | 1213000512   | · · · PIN, spring        | 1    |       |                   |       |               |
| 0-8  | 1903904497   | · · KIT, body 2          | 1    |       |                   |       |               |
| 0-9  | 1903904498   | · · BARREL KIT, cylinder | 1    |       |                   |       |               |
| 10   | 1221000028   | · · · RING, snap         | 1    |       |                   |       |               |
| 11   | 1903904403   | · · SHAFT                | 1    |       |                   |       |               |
| 12   | 1903904410   | · · PLATE                | 1    |       | 13510004~13510348 |       |               |
|      | 1903904430   | · · PLATE                | 1    | (H)   | 13510349~         |       | FZD-4336-5-10 |
| 13   | 1300006205   | · · BEARING              | 1    |       |                   |       |               |
| 14   | 1390021000   | · · BALL, steel          | 2    |       |                   |       |               |
| 15   | 1110021025   | · · SCREW, cap           | 7    |       |                   |       |               |
| 16   | 1212010815   | · · PIN                  | 1    |       |                   |       |               |
| 17   | 1903904425   | · · PLATE                | 1    |       |                   |       |               |
| 18   | 1903904426   | · · PLATE                | 2    |       |                   |       |               |
| 19   | 1903904427   | · · PISTON, brake        | 1    |       |                   |       |               |
| 20   | 1903904428   | · · SPACER               | 1    |       |                   |       |               |
| 21   | 1903904429   | · · SPRING               | 6    |       | 13510004~13512466 |       |               |
|      | 1903904429   | · · SPRING               | 10   |       | 13512467~         |       |               |
| 0-10 | 1901808800   | · · VALVE ASSY, relief   | 1    |       |                   |       |               |
| 22   | 1901808802   | · · · VALVE, relief      | 2    |       |                   |       |               |
| 23   | 1420010150   | · · · · O-RING           | 1    |       |                   |       |               |
| 24   | 1420010280   | · · · · O-RING           | 1    |       |                   |       |               |
| 25   | 1421020150   | · · · · RING, back-up    | 2    |       |                   |       |               |
| 26   | 1420010120   | · · · O-RING             | 2    |       |                   |       |               |
| 27   | 1901808804   | · · · PLUG               | 2    |       |                   |       |               |
| 28   | 1420010090   | · · · O-RING             | 1    |       |                   |       |               |
| 29   | 1110020845   | · · BOLT                 | 4    |       |                   |       |               |

G4h232



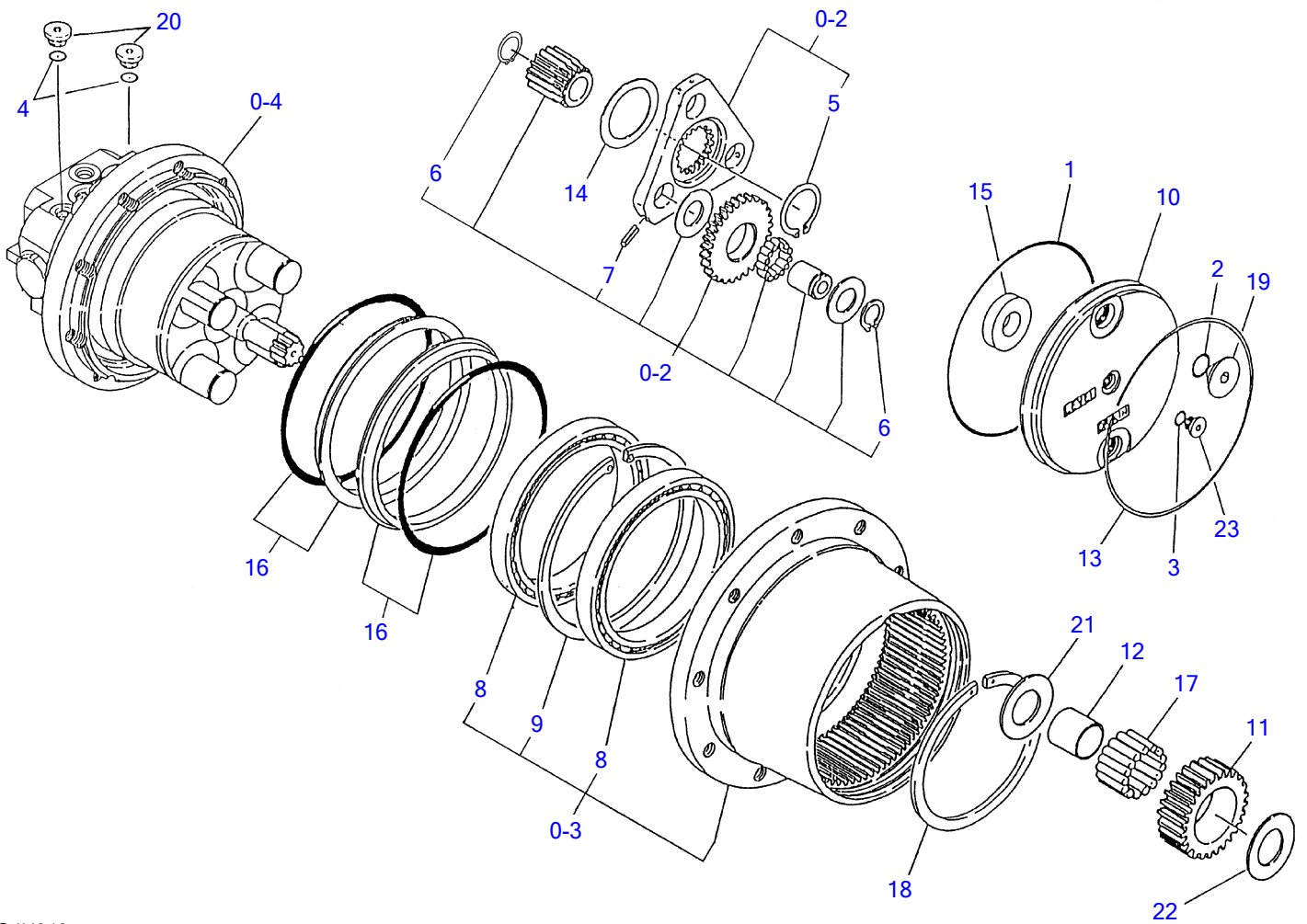
G4H240



**TRAVEL MOTOR (3/3) (valve sec.; 13510004-13516744)**

| Item | Part number       | Description        | Q'ty | Chan. | Serial No.        | Serv. | Remarks |
|------|-------------------|--------------------|------|-------|-------------------|-------|---------|
| 0    | <b>1903119400</b> | MOTOR ASSY, travel | 1    |       | 13510004~13510348 |       |         |
|      | <b>1903120700</b> | MOTOR ASSY, travel | 1    | (H)   | 13510349~         |       |         |
| 0-7  | X *****           | · BODY ASSY        | 1    |       |                   |       |         |
| 1    | <b>1903904138</b> | · · SPRING         | 2    |       |                   |       |         |
| 2    | <b>1903904139</b> | · · SPRING         | 1    |       |                   |       |         |
| 3    | <b>1903904140</b> | · · PLUG           | 2    |       |                   |       |         |
| 4    | <b>1901807011</b> | · · PLUG           | 2    |       |                   |       |         |
| 5    | <b>1903904142</b> | · · PLUG           | 2    |       |                   |       |         |
| 6    | <b>1903904144</b> | · · WASHER         | 2    |       |                   |       |         |
| 7    | <b>1420010080</b> | · · O-RING         | 2    |       |                   |       |         |
| 8    | <b>1420000125</b> | · · O-RING         | 2    |       |                   |       |         |
| 9    | <b>1420010140</b> | · · O-RING         | 2    |       |                   |       |         |
| 10   | <b>1420010250</b> | · · O-RING         | 2    |       |                   |       |         |
|      | <b>G4h241</b>     |                    |      |       |                   |       |         |

TB135 Book No. BG4Z010 S/N 13510004-  
TRAVEL MOTOR (1/3) (reduction sec.; 13516745-)



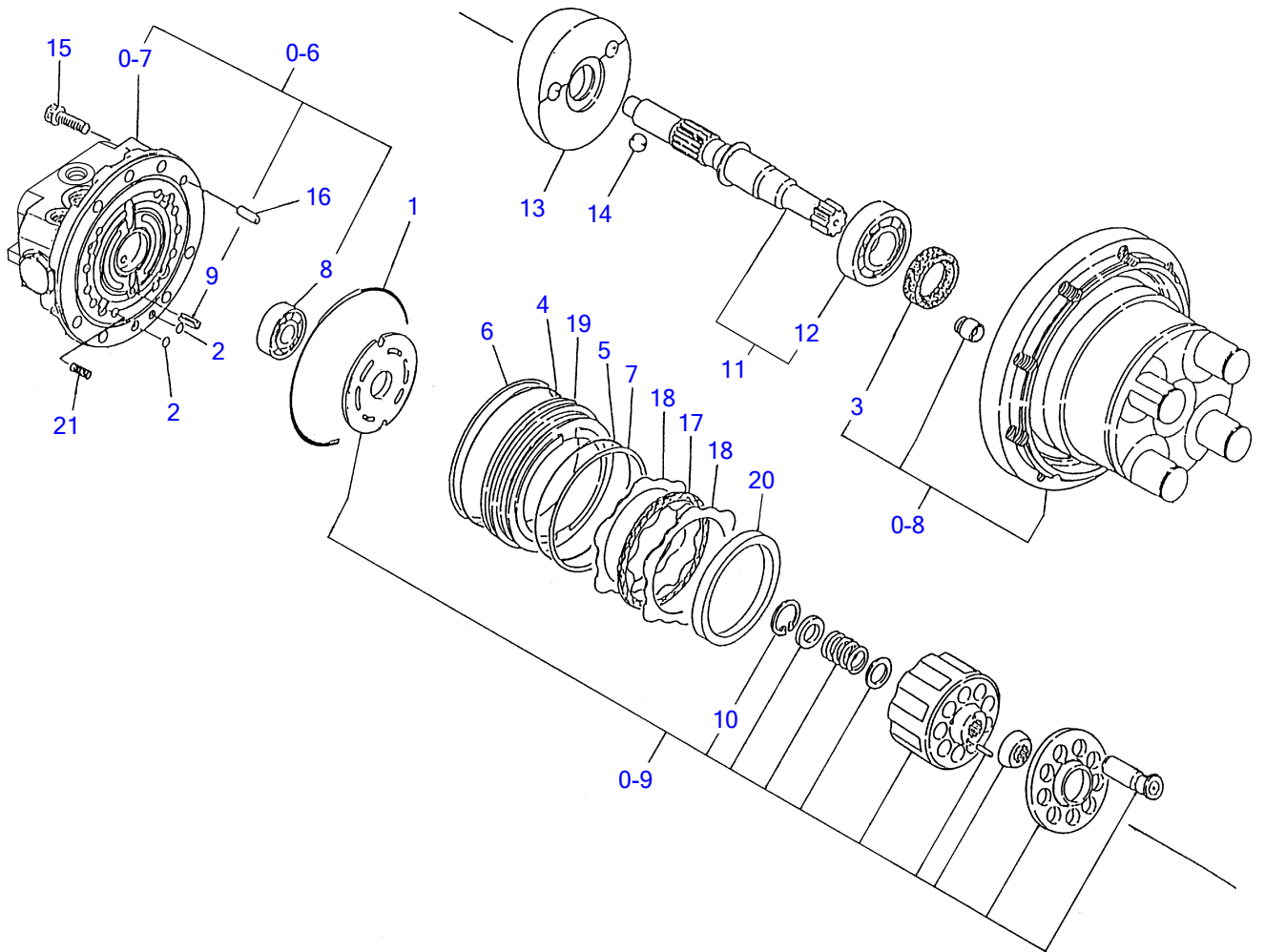
G4H340

S=FREE

**TRAVEL MOTOR (1/3) (reduction sec.; 13516745-)**

| Item | Part number         | Description        | Q'ty | Chan. | Serial No.        | Serv. | Remarks |
|------|---------------------|--------------------|------|-------|-------------------|-------|---------|
| 0    | <b>1903125700</b>   | MOTOR ASSY, travel | 1    |       | 13516745~13519426 |       |         |
|      | <b>1903127300</b>   | MOTOR ASSY, travel | 1    |       | 13519427~         |       |         |
| 0-1  | <b>1903119499</b>   | • KIT, seal        | 1    |       |                   |       |         |
| 1    | X <b>1420300263</b> | • • O-RING         | 1    |       |                   |       |         |
| 2    | X <b>1420010140</b> | • • O-RING         | 2    |       |                   |       |         |
| 3    | X <b>1420010080</b> | • • O-RING         | 1    |       |                   |       |         |
| 4    | X <b>1420010110</b> | • • O-RING         | 2    |       |                   |       |         |
| 0-2  | <b>1903119498</b>   | • KIT, carrier     | 1    |       |                   |       |         |
| 5    | <b>1220000035</b>   | • • RING, snap     | 1    |       |                   |       |         |
| 6    | <b>1220000030</b>   | • • RING, snap     | 7    |       |                   |       |         |
| 7    | <b>1213000420</b>   | • • PIN, spring    | 3    |       |                   |       |         |
| 0-3  | <b>1903119497</b>   | • KIT, body        | 1    |       |                   |       |         |
| 8    | <b>1903119419</b>   | • • BEARING        | 2    |       |                   |       |         |
| 9    | <b>1903119424</b>   | • • RING, snap     | 1    |       |                   |       |         |
| 10   | <b>1903119402</b>   | • COVER            | 1    |       |                   |       |         |
| 11   | <b>1903119406</b>   | • GEAR             | 4    |       |                   |       |         |
| 12   | <b>1903119410</b>   | • RING             | 4    |       |                   |       |         |
| 13   | <b>1903113627</b>   | • RING, snap       | 1    |       |                   |       |         |
| 14   | <b>1903119415</b>   | • COLLAR, thrust   | 1    |       |                   |       |         |
| 15   | <b>1903118916</b>   | • RING, slide      | 1    |       |                   |       | M       |
| 16   | <b>1903125711</b>   | • SEAL, floating   | 2    |       |                   |       |         |
| 17   | <b>1903119420</b>   | • NEEDLE           | 96   |       |                   |       |         |
| 18   | <b>1903119423</b>   | • RING, snap       | 1    |       |                   |       |         |
| 19   | <b>1903118932</b>   | • PLUG             | 2    |       |                   |       |         |
| 20   | <b>1501750002</b>   | • PLUG             | 2    |       |                   |       |         |
|      | <b>1420010110</b>   | • • O-RING         | 1    |       |                   |       |         |
| 21   | <b>1903919440</b>   | • WASHER           | 4    |       |                   |       |         |
| 22   | <b>1903919441</b>   | • WASHER           | 4    |       |                   |       |         |
| 0-4  | <b>1903907200</b>   | • MOTOR, hydraulic | 1    |       |                   |       |         |
| 23   | <b>1903118933</b>   | • PLUG             | 1    |       |                   |       |         |
|      | <b>G4h341</b>       |                    |      |       |                   |       |         |

TB135 Book No. BG4Z010 S/N 13510004-  
TRAVEL MOTOR (2/3) (motor sec.; 13516745-)



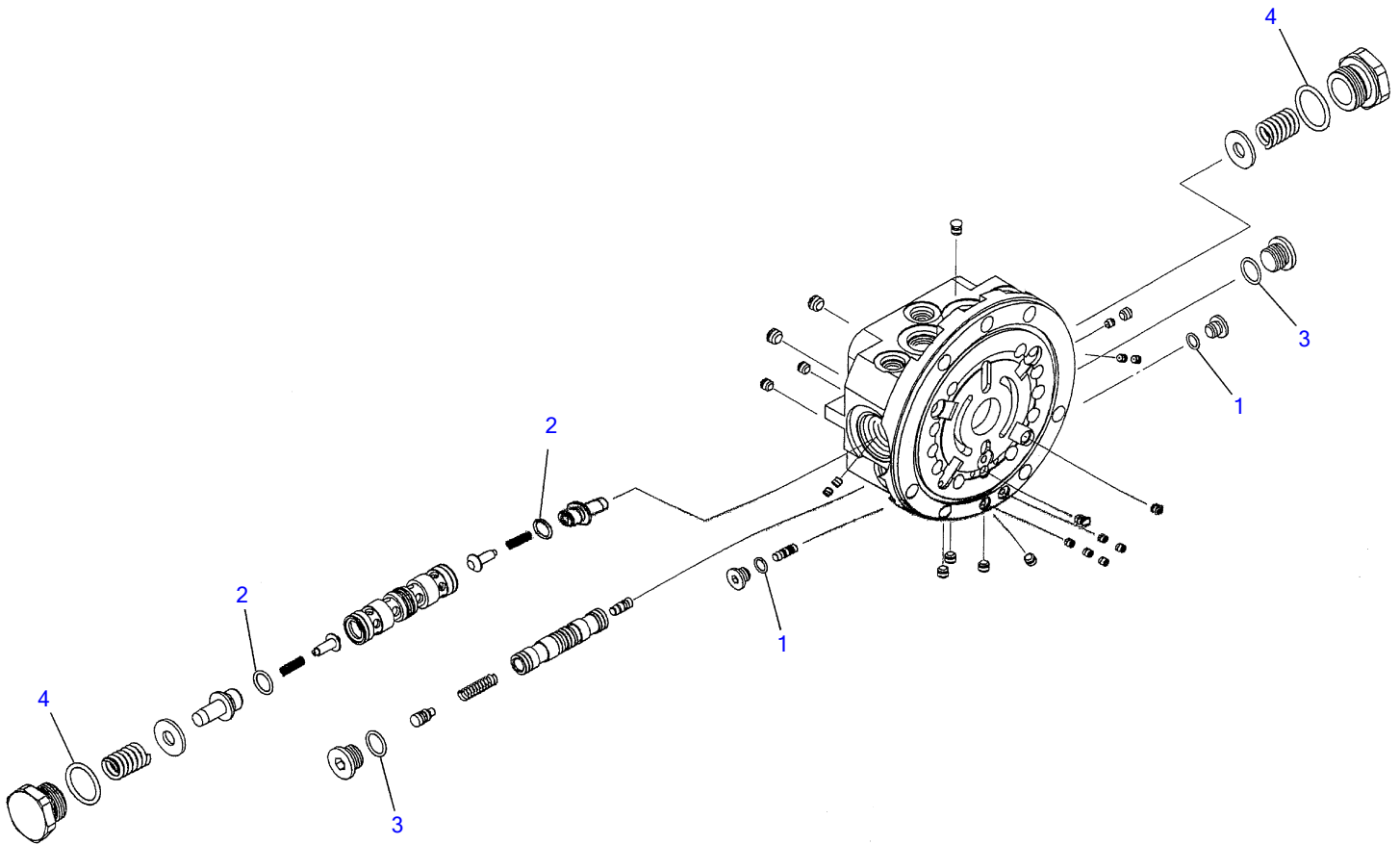
G4H350

S=FREE

**TRAVEL MOTOR (2/3) (motor sec.; 13516745-)**

| Item | Part number         | Description              | Q'ty | Chan. | Serial No.        | Serv. | Remarks             |
|------|---------------------|--------------------------|------|-------|-------------------|-------|---------------------|
| 0    | <b>1903125700</b>   | MOTOR ASSY, travel       | 1    |       | 13516745~13519426 |       |                     |
|      | <b>1903127300</b>   | MOTOR ASSY, travel       | 1    |       | 13519427~         |       |                     |
| 0-4  | <b>1903907200</b>   | · MOTOR, hydraulic       | 1    |       |                   |       |                     |
| 0-5  | <b>1903907299</b>   | · · KIT, seal            | 1    |       |                   |       |                     |
| 1    | X <b>1420111250</b> | · · · O-RING             | 1    |       |                   |       |                     |
| 2    | X <b>1420010070</b> | · · · O-RING             | 2    |       |                   |       |                     |
| 3    | X <b>1903101819</b> | · · · SEAL, oil          | 1    |       |                   |       |                     |
| 4    | X <b>1420111100</b> | · · · O-RING             | 1    |       |                   |       |                     |
| 5    | X <b>1420111000</b> | · · · O-RING             | 1    |       |                   |       |                     |
| 6    | X <b>1421131100</b> | · · · RING, back-up      | 1    |       |                   |       |                     |
| 7    | X <b>1421131000</b> | · · · RING, back-up      | 1    |       |                   |       |                     |
| 0-6  | <b>1903907298</b>   | · · KIT, body 1          | 1    |       |                   |       |                     |
| 0-7  | X <b>*****</b>      | · · · BODY ASSY          | 1    |       |                   |       |                     |
| 8    | <b>1300006201</b>   | · · · BEARING            | 1    |       |                   |       |                     |
| 9    | <b>1213000512</b>   | · · · PIN, spring        | 1    |       |                   |       |                     |
| 0-8  | <b>1903907297</b>   | · · KIT, body 2          | 1    |       |                   |       |                     |
| 0-9  | <b>1903904498</b>   | · · BARREL KIT, cylinder | 1    |       |                   |       |                     |
| 10   | <b>1221000028</b>   | · · · RING, snap         | 1    |       |                   |       |                     |
| 11   | <b>1903907296</b>   | · · SHAFT ASSY           | 1    |       |                   |       |                     |
| 12   | <b>1300006205</b>   | · · · BEARING            | 1    |       |                   |       |                     |
| 13   | <b>1903907210</b>   | · · PLATE                | 1    |       |                   |       | FZD-4500-11-10-2211 |
| 14   | <b>1390021000</b>   | · · BALL, steel          | 2    |       |                   |       |                     |
| 15   | <b>1110021025</b>   | · · SCREW, cap           | 7    |       |                   |       |                     |
| 16   | <b>1212010815</b>   | · · PIN                  | 1    |       |                   |       |                     |
| 17   | <b>1903904425</b>   | · · PLATE                | 1    |       |                   |       |                     |
| 18   | <b>1903904426</b>   | · · PLATE                | 2    |       |                   |       |                     |
| 19   | <b>1903904427</b>   | · · PISTON, brake        | 1    |       |                   |       |                     |
| 20   | <b>1903904428</b>   | · · SPACER               | 1    |       |                   |       |                     |
| 21   | <b>1903904429</b>   | · · SPRING               | 10   |       |                   |       |                     |
|      | <b>G4h351</b>       |                          |      |       |                   |       |                     |

TB135 Book No. BG4Z010 S/N 13510004-  
TRAVEL MOTOR (3/3) (valve sec.; 13516745-)



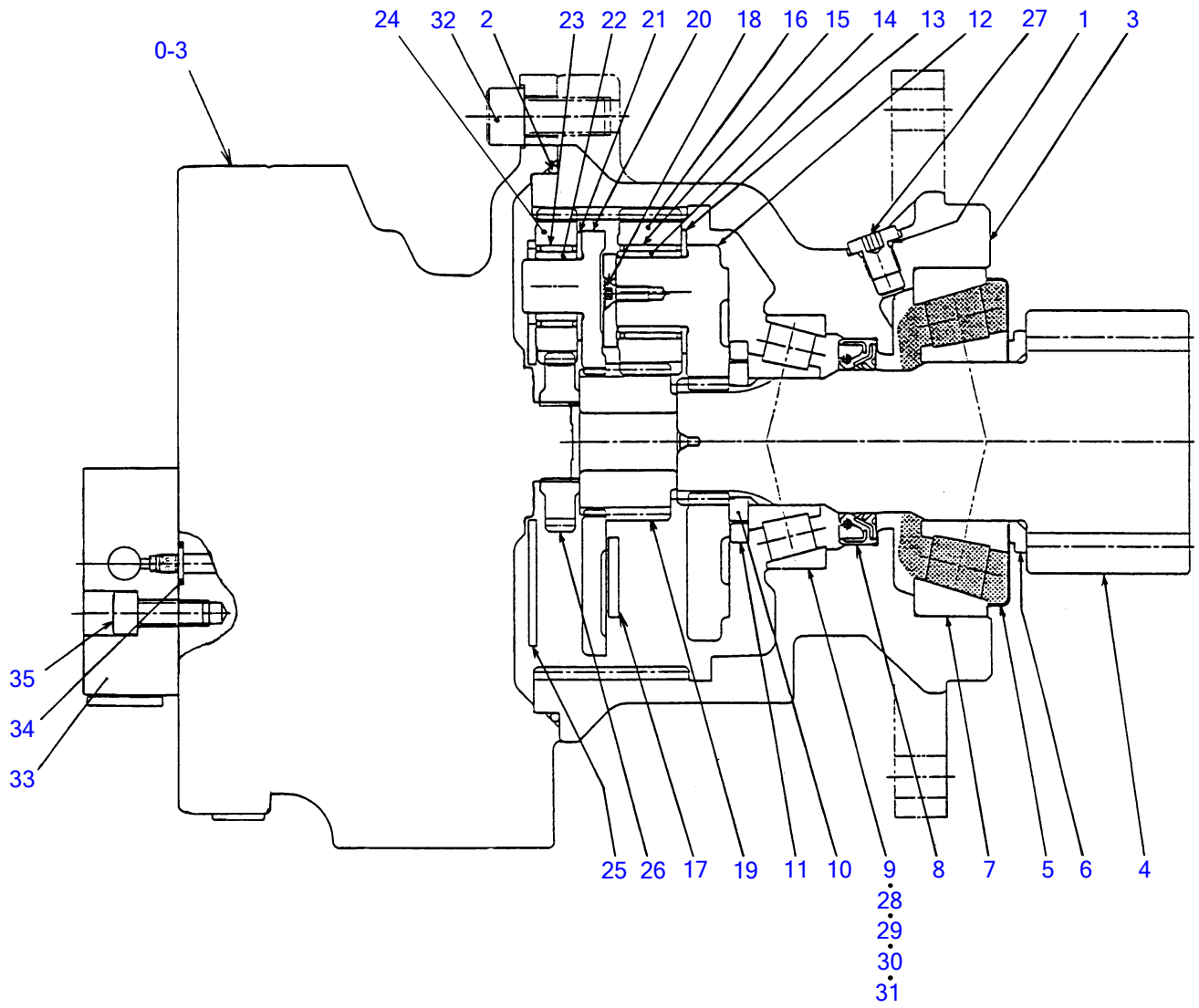
G4H360

S-free

**TRAVEL MOTOR (3/3) (valve sec.; 13516745-)**

| Item | Part number       | Description        | Q'ty | Chan. | Serial No.        | Serv. | Remarks |
|------|-------------------|--------------------|------|-------|-------------------|-------|---------|
| 0    | <b>1903125700</b> | MOTOR ASSY, travel | 1    |       | 13516745~13519426 |       |         |
|      | <b>1903127300</b> | MOTOR ASSY, travel | 1    |       | 13519427~         |       |         |
| 0-7  | X *****           | · BODY ASSY        | 1    |       |                   |       |         |
| 0-10 | <b>1903907294</b> | · · KIT, seal      | 1    |       |                   |       |         |
| 1    | <b>1420010080</b> | · · · O-RING       | 2    |       |                   |       |         |
| 2    | <b>1420000125</b> | · · · O-RING       | 2    |       |                   |       |         |
| 3    | <b>1420010140</b> | · · · O-RING       | 2    |       |                   |       |         |
| 4    | <b>1420010250</b> | · · · O-RING       | 2    |       |                   |       |         |
|      | <b>G4h361</b>     |                    |      |       |                   |       |         |

TB135 Book No. BG4Z010 S/N 13510004-  
SLEW MOTOR (1/2)



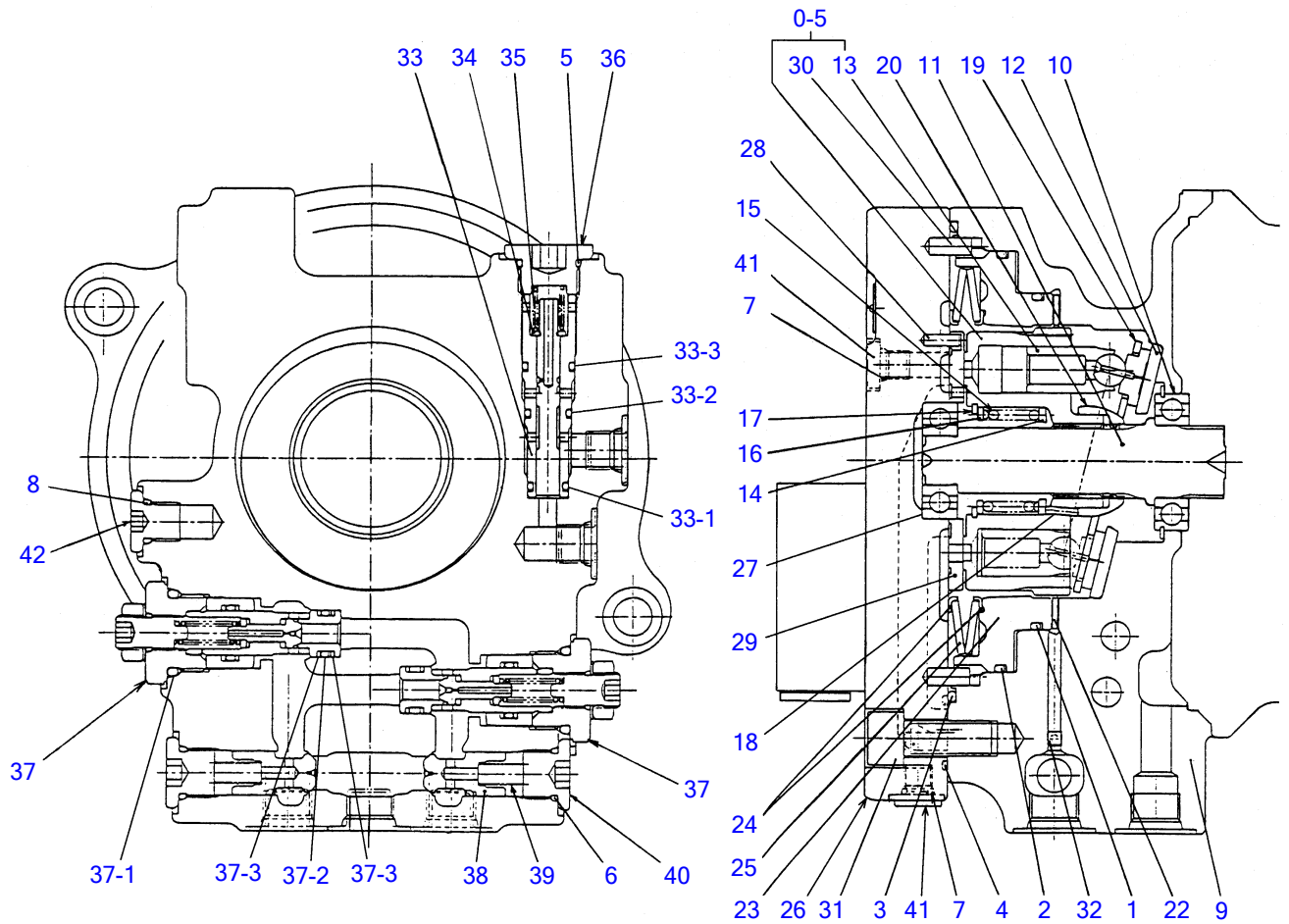
G4H250



**SLEW MOTOR (1/2)**

| Item | Part number         | Description           | Q'ty | Chan. | Serial No. | Serv. | Remarks |
|------|---------------------|-----------------------|------|-------|------------|-------|---------|
| 0    | <b>1903119900</b>   | MOTOR ASSY, slew      | 1    |       |            |       |         |
| 0-1  | X *****             | • GEAR, reduction     | 1    |       |            |       |         |
| 0-2  | <b>1912905399</b>   | • • KIT, seal         | 1    |       |            |       |         |
| 1    | X <b>1420010080</b> | • • • O-RING          | 1    |       |            |       |         |
| 2    | X <b>1420300260</b> | • • • O-RING          | 1    |       |            |       |         |
| 3    | <b>1912905301</b>   | • • HOUSING           | 1    |       |            |       |         |
| 4    | <b>1912905302</b>   | • • SHAFT             | 1    |       |            |       |         |
| 5    | <b>1912905303</b>   | • • PLATE             | 1    |       |            |       |         |
| 6    | <b>1912905304</b>   | • • COLLAR            | 1    |       |            |       |         |
| 7    | <b>1912905305</b>   | • • BEARING           | 1    |       |            |       |         |
| 8    | <b>1912905306</b>   | • • SEAL, oil         | 1    |       |            |       |         |
| 9    | <b>1912905307</b>   | • • BEARING           | 1    |       |            |       |         |
| 10   | <b>1912905308</b>   | • • PLATE             | 2    |       |            |       |         |
| 11   | <b>1912905309</b>   | • • PLATE             | 2    |       |            |       |         |
| 12   | <b>1912905310</b>   | • • HOLDER            | 1    |       |            |       |         |
| 13   | <b>1912905311</b>   | • • WASHER, thrust    | 4    |       |            |       |         |
| 14   | <b>1912905312</b>   | • • LACE, inner       | 4    |       |            |       |         |
| 15   | <b>1912905313</b>   | • • BEARING, needle   | 4    |       |            |       |         |
| 16   | <b>1912905314</b>   | • • GEAR, planetary   | 4    |       |            |       |         |
| 17   | <b>1912905315</b>   | • • PLATE, thrust     | 1    |       |            |       |         |
| 18   | <b>1912905316</b>   | • • SCREW             | 4    |       |            |       |         |
| 19   | <b>1912905317</b>   | • • GEAR, sun         | 1    |       |            |       |         |
| 20   | <b>1912905318</b>   | • • HOLDER            | 1    |       |            |       |         |
| 21   | <b>1912905319</b>   | • • WASHER, thrust    | 4    |       |            |       |         |
| 22   | <b>1912905320</b>   | • • LACE, inner       | 4    |       |            |       |         |
| 23   | <b>1912905321</b>   | • • BEARING, needle   | 4    |       |            |       |         |
| 24   | <b>1912905322</b>   | • • GEAR, planetary   | 4    |       |            |       |         |
| 25   | <b>1912905323</b>   | • • PLATE SET, thrust | 1    |       |            |       |         |
| 26   | <b>1912905324</b>   | • • GEAR, drive       | 1    |       |            |       |         |
| 27   | <b>1912905325</b>   | • • PLUG              | 1    |       |            |       |         |
| 28   | <b>1912905337</b>   | • • PLATE             | 2    |       |            |       |         |
| 29   | <b>1912905338</b>   | • • PLATE             | 2    |       |            |       |         |
| 30   | <b>1912905339</b>   | • • PLATE             | 2    |       |            |       |         |
| 31   | <b>1912905340</b>   | • • COLLAR            | 1    |       |            |       |         |
| 0-3  | <b>1903904500</b>   | • MOTOR, piston       | 1    |       |            |       |         |
| 32   | <b>1110051230</b>   | • SCREW, cap          | 2    |       |            |       |         |
| 33   | <b>1903119920</b>   | • VALVE ASSY          | 1    |       |            |       |         |
| 34   | <b>1420010100</b>   | • O-RING              | 3    |       |            |       |         |
| 35   | <b>1110050820</b>   | • SCREW, cap          | 3    |       |            |       |         |
|      | <b>G4h251</b>       |                       |      |       |            |       |         |

TB135 Book No. BG4Z010 S/N 13510004-  
SLEW MOTOR (2/2)



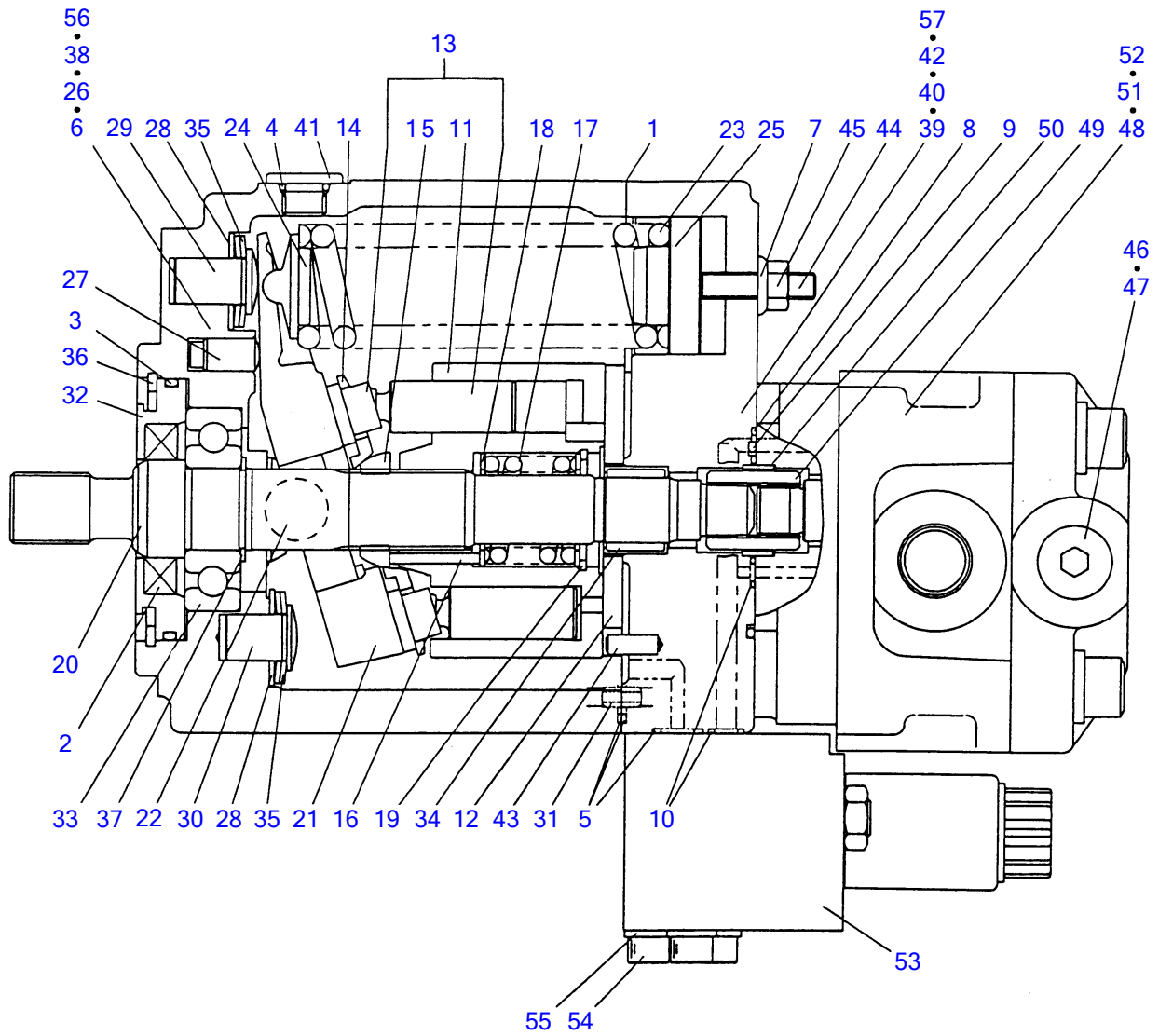
G4H261

**SLEW MOTOR (2/2)**

| Item | Part number         | Description            | Q'ty | Chan. | Serial No. | Serv. | Remarks |
|------|---------------------|------------------------|------|-------|------------|-------|---------|
| 0    | <b>1903119900</b>   | MOTOR ASSY, slew       | 1    |       |            |       |         |
| 0-3  | X *****             | • MOTOR, piston        | 1    |       |            |       |         |
| 0-4  | <b>1903904599</b>   | • • KIT, seal          | 1    |       |            |       |         |
| 1    | X <b>1420111100</b> | • • • O-RING           | 1    |       |            |       |         |
| 2    | X <b>1420111350</b> | • • • O-RING           | 1    |       |            |       |         |
| 3    | X <b>1903007227</b> | • • • O-RING           | 1    |       |            |       |         |
| 4    | X <b>1420010210</b> | • • • O-RING           | 2    |       |            |       |         |
| 5    | X <b>1420010180</b> | • • • O-RING           | 1    |       |            |       |         |
| 6    | X <b>1420010140</b> | • • • O-RING           | 2    |       |            |       |         |
| 7    | X <b>1420010080</b> | • • • O-RING           | 2    |       |            |       |         |
| 8    | X <b>1420010110</b> | • • • O-RING           | 1    |       |            |       |         |
| 9    | <b>1903904501</b>   | • • CASE               | 1    |       |            |       |         |
| 10   | <b>1903904502</b>   | • • BEARING, ball      | 1    |       |            |       |         |
| 11   | <b>1903904503</b>   | • • SHAFT              | 1    |       |            |       |         |
| 12   | <b>1903904504</b>   | • • PLATE, thrust      | 1    |       |            |       |         |
| 0-5  | <b>1903120698</b>   | • • BLOCK, cylinder    | 1    |       |            |       |         |
| 13   | X *****             | • • • PISTON ASSY      | 9    |       |            |       |         |
| 14   | <b>1903106808</b>   | • • COLLAR             | 1    |       |            |       |         |
| 15   | <b>1903904507</b>   | • • SPRING             | 1    |       |            |       |         |
| 16   | <b>1903904508</b>   | • • WASHER             | 1    |       |            |       |         |
| 17   | <b>1221000037</b>   | • • RING, snap         | 1    |       |            |       |         |
| 18   | <b>1903904510</b>   | • • PIN                | 3    |       |            |       |         |
| 19   | <b>1903904511</b>   | • • PLATE              | 1    |       |            |       |         |
| 20   | <b>1903106813</b>   | • • HOLDER             | 1    |       |            |       |         |
| 22   | <b>1903904514</b>   | • • DISK               | 1    |       |            |       |         |
| 23   | <b>1903904515</b>   | • • PISTON             | 1    |       |            |       |         |
| 24   | <b>1903904518</b>   | • • SHEET, spring      | 2    |       |            |       |         |
| 25   | <b>1903904519</b>   | • • SPRING             | 1    |       |            |       |         |
| 26   | <b>1903904521</b>   | • • COVER              | 1    |       |            |       |         |
| 27   | <b>1903107927</b>   | • • BEARING            | 1    |       |            |       |         |
| 28   | <b>1212000412</b>   | • • PIN                | 1    |       |            |       |         |
| 29   | <b>1903904524</b>   | • • PLATE, valve       | 1    |       |            |       |         |
| 30   | <b>1903904525</b>   | • • PIN                | 2    |       |            |       |         |
| 31   | <b>1110021230</b>   | • • SCREW, cap         | 5    |       |            |       |         |
| 32   | <b>1901802713</b>   | • • ORIFICE            | 1    |       |            |       |         |
| 33   | <b>1901809200</b>   | • • VALVE ASSY         | 1    |       |            |       |         |
| 33-1 | <b>1420000100</b>   | • • • O-RING           | 1    |       |            |       |         |
| 33-2 | <b>1420010120</b>   | • • • O-RING           | 1    |       |            |       |         |
| 33-3 | <b>1420010140</b>   | • • • O-RING           | 1    |       |            |       |         |
| 34   | <b>1141100006</b>   | • • WASHER             | 1    |       |            |       |         |
| 35   | <b>1903904535</b>   | • • SPRING             | 1    |       |            |       |         |
| 36   | <b>1903904537</b>   | • • PLUG               | 1    |       |            |       |         |
| 37   | <b>1901800049</b>   | • • VALVE ASSY, relief | 2    |       |            |       |         |
| 37-1 | <b>1420010240</b>   | • • • O-RING           | 1    |       |            |       |         |
| 37-2 | <b>1420010120</b>   | • • • O-RING           | 1    |       |            |       |         |
| 37-3 | <b>1421020120</b>   | • • • RING, back-up    | 2    |       |            |       |         |
| 38   | <b>1903904539</b>   | • • VALVE, check       | 2    |       |            |       |         |
| 39   | <b>1903904540</b>   | • • SPRING             | 2    |       |            |       |         |
| 40   | <b>1903106843</b>   | • • PLUG               | 2    |       |            |       |         |
| 41   | <b>1912905325</b>   | • • PLUG               | 2    |       |            |       |         |
| 42   | <b>1903108655</b>   | • • PLUG               | 1    |       |            |       |         |

**G4h261**

TB135 Book No. BG4Z010 S/N 13510004-  
HYDRAULIC PUMP (1/2) (13510004-13512532)



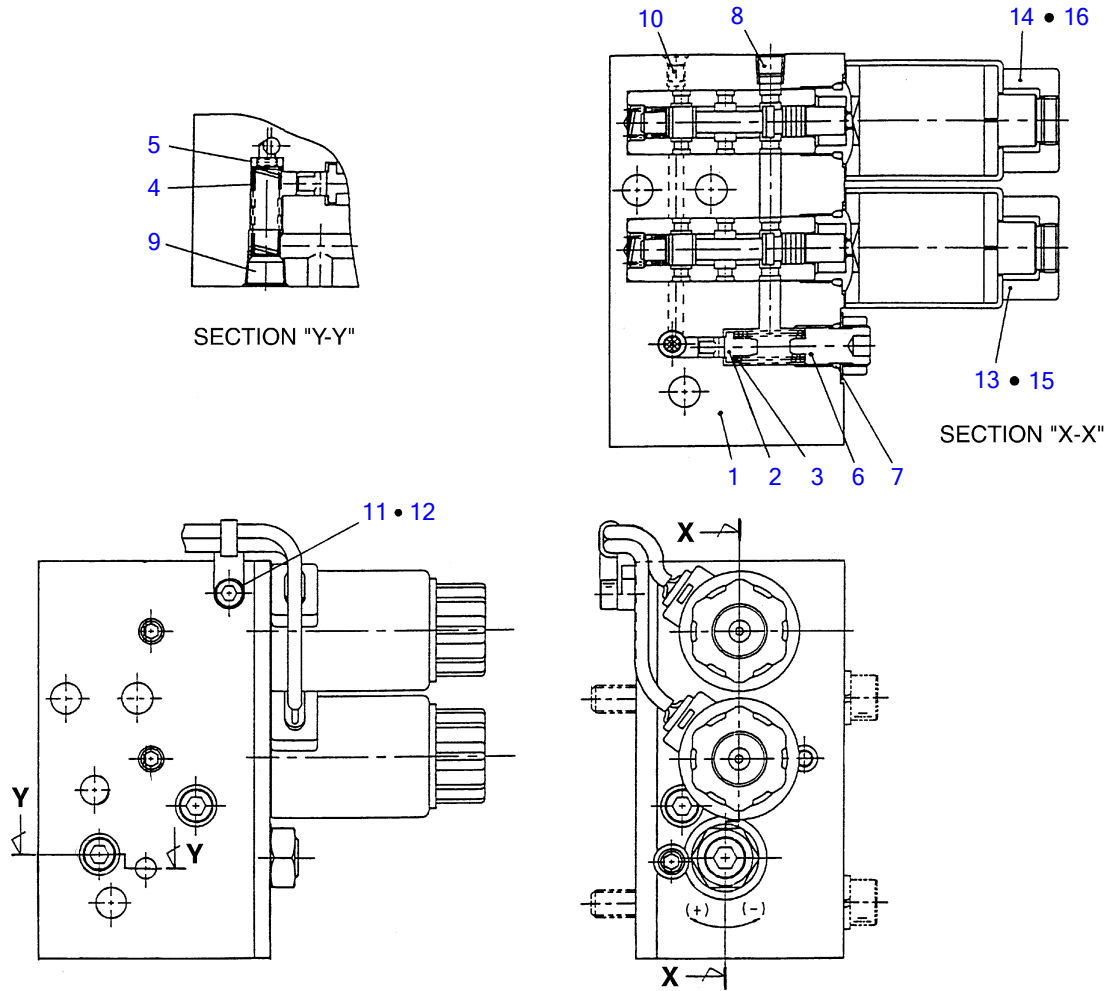
G4H270

**HYDRAULIC PUMP (1/2) (13510004-13512532)**

| Item | Part number  | Description            | Q'ty | Chan. | Serial No. | Serv. | Remarks |
|------|--------------|------------------------|------|-------|------------|-------|---------|
| 0    | 1902016100   | PUMP, hydraulic        | 1    |       |            |       |         |
| 0-1  | 1902016199   | • KIT, seal            | 1    |       |            |       |         |
| 1    | X 1902012013 | • • PACKING            | 1    |       |            |       |         |
| 2    | X 1902016032 | • • SEAL, oil          | 1    |       |            |       |         |
| 3    | X 1420110750 | • • O-RING             | 1    |       |            |       |         |
| 4    | X 1420010110 | • • O-RING             | 1    |       |            |       |         |
| 5    | X 1420010120 | • • O-RING             | 3    |       |            |       |         |
| 6    | X 1420010110 | • • O-RING             | 1    |       |            |       |         |
| 7    | X 1902016062 | • • WASHER, seal       | 1    |       |            |       |         |
| 8    | X 1420010070 | • • O-RING             | 1    |       |            |       |         |
| 9    | X 1420110550 | • • O-RING             | 1    |       |            |       |         |
| 10   | X 1420010080 | • • O-RING             | 2    |       |            |       |         |
| 0-2  | 1902906000   | • BARREL KIT, cylinder | 1    |       |            |       |         |
| 11   | X *****      | • • BARREL, cylinder   | 1    |       |            |       |         |
| 12   | X *****      | • • PLATE              | 1    |       |            |       |         |
| 13   | 1902906100   | • • PISTON ASSY        | 1    |       |            |       |         |
| 14   | 1902016008   | • • HOLDER             | 1    |       |            |       |         |
| 15   | 1902016009   | • • HOLDER             | 1    |       |            |       |         |
| 16   | 1902011511   | • • NEEDLE             | 3    |       |            |       |         |
| 17   | 1902016014   | • • SPRING             | 1    |       |            |       |         |
| 18   | 1903902313   | • • RETAINER           | 2    |       |            |       |         |
| 19   | 1221000035   | • • RING, snap         | 1    |       |            |       |         |
| 20   | 1902016103   | • SHAFT                | 1    |       |            |       |         |
| 21   | 1902016010   | • PLATE, swash         | 1    |       |            |       |         |
| 22   | 1902016012   | • PIN                  | 1    |       |            |       |         |
| 23   | 1902016115   | • SPRING               | 1    |       |            |       |         |
| 24   | 1902016118   | • HOLDER               | 1    |       |            |       |         |
| 25   | 1902016019   | • GUIDE                | 1    |       |            |       |         |
| 26   | 1902011526   | • PIN                  | 1    |       |            |       |         |
| 27   | 1902016121   | • ROD                  | 1    |       |            |       |         |
| 28   | 1902016023   | • WASHER               | 2    |       |            |       |         |
| 29   | 1902014725   | • PIN                  | 1    |       |            |       |         |
| 30   | 1902016126   | • PIN                  | 1    |       |            |       |         |
| 31   | 1902016027   | • PIN                  | 1    |       |            |       |         |
| 32   | 1902016128   | • HOLDER               | 1    |       |            |       |         |
| 33   | 1300006305   | • BEARING              | 1    |       |            |       |         |
| 34   | X *****      | • BEARING              | 1    |       |            |       |         |
| 35   | X 1902016033 | • WASHER               | 4    |       |            |       |         |
| 36   | 1221000080   | • RING, snap           | 1    |       |            |       |         |
| 37   | 1220000025   | • RING, snap           | 1    |       |            |       |         |
| 38   | 1902014742   | • PLUG                 | 1    |       |            |       |         |
| 39   | 1110021045   | • SCREW, cap           | 5    |       |            |       |         |
| 40   | 1902016049   | • PLUG                 | 5    |       |            |       |         |
| 41   | 1902014742   | • PLUG                 | 1    |       |            |       |         |
| 42   | 1140010010   | • WASHER, spring       | 5    |       |            |       |         |
| 43   | 1213000616   | • PIN, spring          | 1    |       |            |       |         |
| 44   | 1121050835   | • SET-SCREW            | 1    |       |            |       |         |
| 45   | 1130050008   | • NUT                  | 1    |       |            |       |         |
| 46   | 1902016163   | • PLUG                 | 1    |       |            |       |         |
| 47   | 1420010140   | • O-RING               | 1    |       |            |       |         |
| 48   | 1902906500   | • PUMP, gear           | 1    |       |            |       |         |
| 49   | 1902016166   | • COUPLING             | 1    |       |            |       |         |
| 50   | 1902916067   | • COLLAR               | 1    |       |            |       |         |
| 51   | 1100050820   | • BOLT                 | 2    |       |            |       |         |
| 52   | 1141190008   | • WASHER               | 2    |       |            |       |         |
| 53   | 1902906600   | • BLOCK ASSY, valve    | 1    |       |            |       |         |
| 54   | 1100050875   | • BOLT                 | 3    |       |            |       |         |
| 55   | 1140010008   | • WASHER, spring       | 3    |       |            |       |         |
| 56   | X *****      | • BODY(S)              | 1    |       |            |       |         |
| 57   | X *****      | • BODY(H)              | 1    |       |            |       |         |

G4h271

TB135 Book No. BG4Z010 S/N 13510004-  
HYDRAULIC PUMP (2/2) (13510004-13512532)



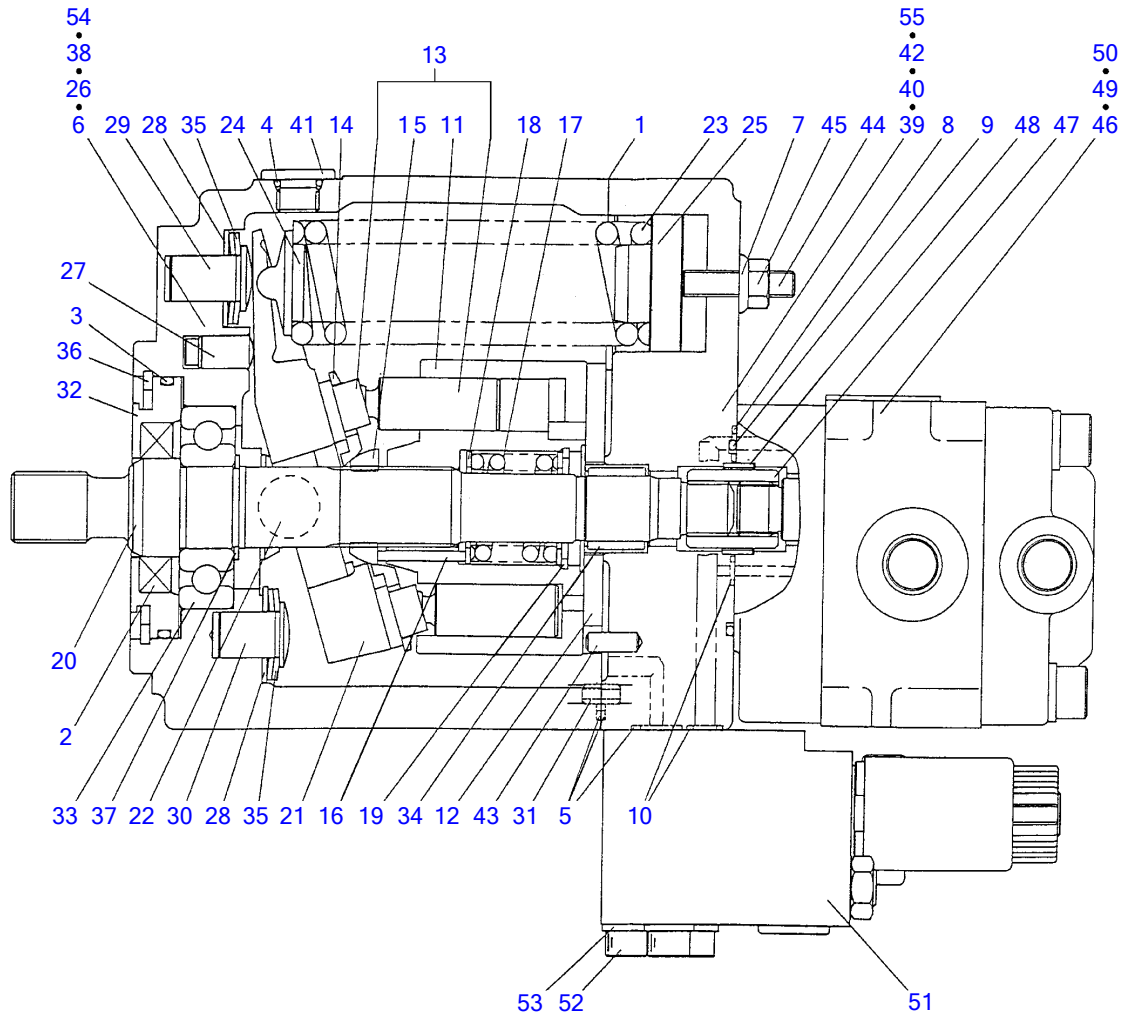
G4H280

S=FREE

**HYDRAULIC PUMP (2/2) (13510004-13512532)**

| Item | Part number       | Description                         | Q'ty | Chan. | Serial No. | Serv. | Remarks |
|------|-------------------|-------------------------------------|------|-------|------------|-------|---------|
| 0    | <b>1902016100</b> | PUMP, hydraulic                     | 1    |       |            |       |         |
| 0-3  | <b>1902906600</b> | ▪ BLOCK ASSY, valve                 | 1    |       |            |       |         |
| 1    | X *****           | ▪ ▪ BLOCK                           | 1    |       |            |       |         |
| 2    | X *****           | ▪ ▪ VALVE, relief                   | 1    |       |            |       |         |
| 3    | X *****           | ▪ ▪ SPRING                          | 1    |       |            |       |         |
| 4    | <b>1902906604</b> | ▪ ▪ SPRING                          | 1    |       |            |       |         |
| 5    | <b>1902906605</b> | ▪ ▪ FILTER                          | 1    |       |            |       |         |
| 6    | <b>1902906606</b> | ▪ ▪ KIT, adjuster                   | 1    |       |            |       |         |
| 7    | <b>1420010900</b> | ▪ ▪ O-RING                          | 1    |       |            |       |         |
| 8    | <b>1501810000</b> | ▪ ▪ PLUG                            | 4    |       |            |       |         |
| 9    | <b>1501810001</b> | ▪ ▪ PLUG                            | 3    |       |            |       |         |
| 10   | X *****           | ▪ ▪ PLUG                            | 2    |       |            |       |         |
| 11   | <b>1110020510</b> | ▪ ▪ SCREW, cap                      | 1    |       |            |       |         |
| 12   | X *****           | ▪ ▪ BAND                            | 1    |       |            |       |         |
| 13   | <b>1902906615</b> | ▪ ▪ VALVE, solenoid (without spool) | 1    |       |            |       |         |
| 14   | <b>1902906616</b> | ▪ ▪ VALVE, solenoid (without spool) | 1    |       |            |       |         |
| 15   | <b>1902906625</b> | ▪ ▪ VALVE, solenoid (with spool)    | 1    |       |            |       |         |
| 16   | <b>1902906626</b> | ▪ ▪ VALVE, solenoid (with spool)    | 1    |       |            |       |         |
|      | <b>G4h281</b>     |                                     |      |       |            |       |         |

TB135 Book No. BG4Z010 S/N 13510004-  
HYDRAULIC PUMP (1/2) (13512533-)



G4H271

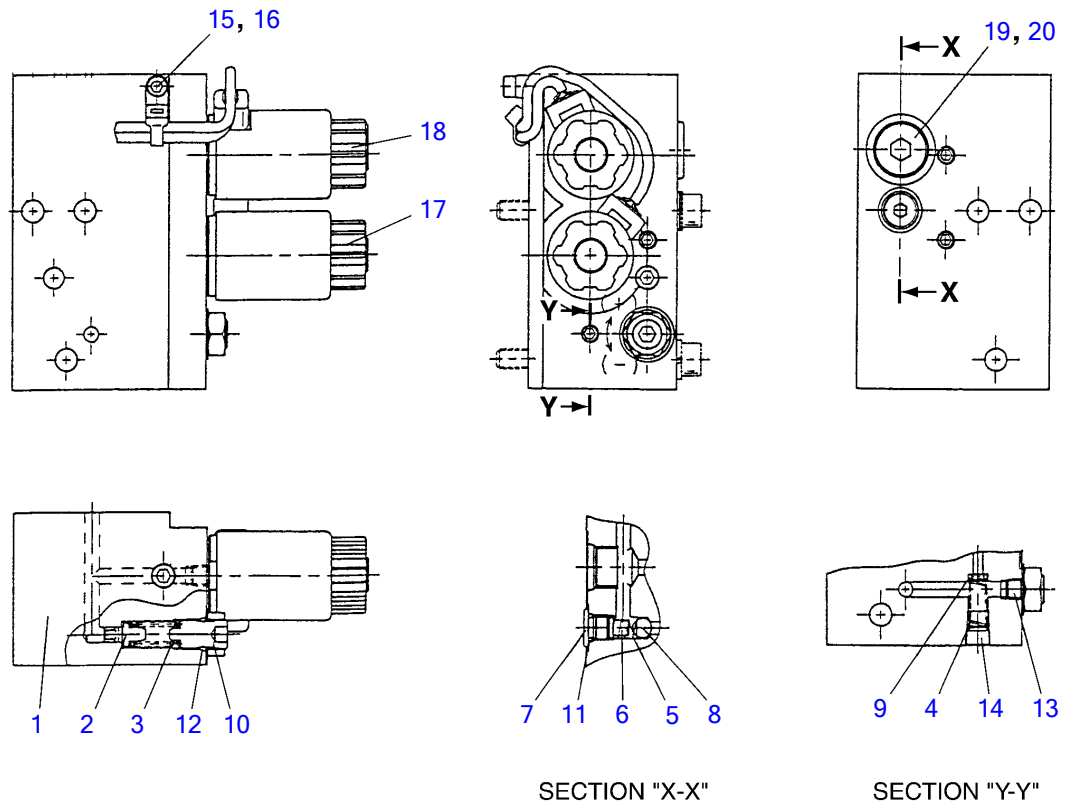
S-free



**HYDRAULIC PUMP (1/2) (13512533-)**

| Item | Part number  | Description            | Q'ty | Chan. | Serial No.        | Serv. | Remarks       |
|------|--------------|------------------------|------|-------|-------------------|-------|---------------|
| 0    | 1902019800   | PUMP, hydraulic        | 1    |       | 13512533~13516744 |       |               |
|      | 1902022300   | PUMP, hydraulic        | 1    | (H)   | 13516745~         |       |               |
|      | 1902020800   | PUMP, hydraulic        | 1    |       | 13512533~13516744 |       | with air con. |
|      | 1902022400   | PUMP, hydraulic        | 1    | (H)   | 13516745~         |       | with air con. |
| 0-1  | 1902016199   | • KIT, seal            | 1    |       |                   |       |               |
| 1    | X 1902012013 | • • PACKING            | 1    |       |                   |       |               |
| 2    | X 1902016032 | • • SEAL, oil          | 1    |       |                   |       |               |
| 3    | X 1420110750 | • • O-RING             | 1    |       |                   |       |               |
| 4    | X 1420010110 | • • O-RING             | 1    |       |                   |       |               |
| 5    | X 1420010120 | • • O-RING             | 3    |       |                   |       |               |
| 6    | X 1420010110 | • • O-RING             | 1    |       |                   |       |               |
| 7    | X 1902016062 | • • WASHER, seal       | 1    |       |                   |       |               |
| 8    | X 1420010070 | • • O-RING             | 1    |       |                   |       |               |
| 9    | X 1420110550 | • • O-RING             | 1    |       |                   |       |               |
| 10   | X 1420010080 | • • O-RING             | 2    |       |                   |       |               |
| 0-2  | 1902906000   | • BARREL KIT, cylinder | 1    |       |                   |       |               |
| 11   | X *****      | • • BARREL, cylinder   | 1    |       |                   |       |               |
| 12   | X *****      | • • PLATE              | 1    |       |                   |       |               |
| 13   | 1902906100   | • • PISTON ASSY        | 1    |       |                   |       |               |
| 14   | 1902016008   | • • HOLDER             | 1    |       |                   |       |               |
| 15   | 1902016009   | • • HOLDER             | 1    |       |                   |       |               |
| 16   | 1902011511   | • • NEEDLE             | 3    |       |                   |       |               |
| 17   | 1902016014   | • • SPRING             | 1    |       |                   |       |               |
| 18   | 1903902313   | • • RETAINER           | 2    |       |                   |       |               |
| 19   | 1221000035   | • • RING, snap         | 1    |       |                   |       |               |
| 20   | 1902016103   | • SHAFT                | 1    |       |                   |       |               |
| 21   | 1902016010   | • PLATE, swash         | 1    |       |                   |       |               |
| 22   | 1902016012   | • PIN                  | 1    |       |                   |       |               |
| 23   | 1902016115   | • SPRING               | 1    |       |                   |       |               |
| 24   | 1902016118   | • HOLDER               | 1    |       |                   |       |               |
| 25   | 1902016019   | • GUIDE                | 1    |       |                   |       |               |
| 26   | 1902011526   | • PIN                  | 1    |       |                   |       |               |
| 27   | 1902016121   | • ROD                  | 1    |       |                   |       |               |
|      | 1902020822   | • ROD                  | 1    |       |                   |       | with air con. |
| 28   | 1902016023   | • WASHER               | 2    |       |                   |       |               |
| 29   | 1902014725   | • PIN                  | 1    |       |                   |       |               |
| 30   | 1902016126   | • PIN                  | 1    |       |                   |       |               |
|      | 1902020826   | • PIN                  | 1    |       |                   |       | with air con. |
| 31   | 1902016027   | • PIN                  | 1    |       |                   |       |               |
| 32   | 1902016128   | • HOLDER               | 1    |       |                   |       |               |
| 33   | 1300006305   | • BEARING              | 1    |       |                   |       |               |
| 34   | X *****      | • BEARING              | 1    |       |                   |       |               |
| 35   | 1902016033   | • WASHER               | 4    |       |                   |       |               |
| 36   | 1221000080   | • RING, snap           | 1    |       |                   |       |               |
| 37   | 1220000025   | • RING, snap           | 1    |       |                   |       |               |
| 38   | 1902014742   | • PLUG                 | 1    |       |                   |       |               |
| 39   | 1110021045   | • SCREW, cap           | 5    |       |                   |       |               |
| 40   | 1902016049   | • PLUG                 | 5    |       |                   |       |               |
| 41   | 1902014742   | • PLUG                 | 1    |       |                   |       |               |
| 42   | 1140010010   | • WASHER, spring       | 5    |       |                   |       |               |
| 43   | 1213000616   | • PIN, spring          | 1    |       |                   |       |               |
| 44   | 1121050835   | • SET-SCREW            | 1    |       |                   |       |               |
| 45   | 1130050008   | • NUT                  | 1    |       |                   |       |               |
| 46   | 1902910200   | • PUMP, gear           | 1    |       | 13512533~13516744 |       |               |
|      | 1902910800   | • PUMP, gear           | 1    | (H)   | 13516745~         |       |               |
| 47   | 1902916066   | • COUPLING             | 1    |       |                   |       |               |
| 48   | 1902916067   | • COLLAR               | 1    |       |                   |       |               |
| 49   | 1100030825   | • BOLT                 | 2    |       |                   |       |               |
| 50   | 1902019870   | • WASHER               | 2    |       |                   |       |               |
| 51   | 1902909000   | • BLOCK ASSY, valve    | 1    |       |                   |       |               |
| 52   | 1100030875   | • BOLT                 | 3    |       |                   |       |               |
| 53   | 1140010008   | • WASHER, spring       | 3    |       |                   |       |               |
| 54   | X *****      | • BODY(S)              | 1    |       |                   |       |               |
| 55   | X *****      | • BODY(H)              | 1    |       |                   |       |               |

G4h275



G4H281

S=free

**HYDRAULIC PUMP (2/2) (13512533-)**

| Item | Part number       | Description         | Q'ty | Chan. | Serial No.        | Serv. | Remarks       |
|------|-------------------|---------------------|------|-------|-------------------|-------|---------------|
| 0    | <b>1902019800</b> | PUMP, hydraulic     | 1    |       | 13512533~13516744 |       |               |
|      | <b>1902022300</b> | PUMP, hydraulic     | 1    | (H)   | 13516745~         |       |               |
|      | <b>1902020800</b> | PUMP, hydraulic     | 1    |       | 13512533~13516744 |       | with air con. |
|      | <b>1902022400</b> | PUMP, hydraulic     | 1    | (H)   | 13516745~         |       | with air con. |
| 0-3  | <b>1902909000</b> | • BLOCK ASSY, valve | 1    |       |                   |       |               |
| 1    | X *****           | • • BLOCK           | 1    |       |                   |       |               |
| 2    | X *****           | • • VALVE, relief   | 1    |       |                   |       |               |
| 3    | X *****           | • • SPRING          | 1    |       |                   |       |               |
| 4    | X *****           | • • SPRING          | 1    |       |                   |       |               |
| 5    | X *****           | • • SPRING          | 1    |       |                   |       |               |
| 6    | X *****           | • • STOPPER         | 1    |       |                   |       |               |
| 7    | <b>1902909007</b> | • • PLUG            | 1    |       |                   |       |               |
| 8    | X *****           | • • BALL, steel     | 1    |       |                   |       |               |
| 9    | <b>1902906605</b> | • • FILTER          | 1    |       |                   |       |               |
| 10   | <b>1902906606</b> | • • KIT, adjuster   | 1    |       |                   |       |               |
| 11   | <b>1420010080</b> | • • O-RING          | 1    |       |                   |       |               |
| 12   | <b>1420010100</b> | • • O-RING          | 1    |       |                   |       |               |
| 13   | X *****           | • • PLUG            | 7    |       |                   |       |               |
| 14   | X *****           | • • PLUG            | 2    |       |                   |       |               |
| 15   | <b>1110020510</b> | • • SCREW, cap      | 1    |       |                   |       |               |
| 16   | X *****           | • • BAND            | 1    |       |                   |       |               |
| 17   | <b>1902909017</b> | • • VALVE, solenoid | 1    |       |                   |       |               |
| 18   | <b>1902909018</b> | • • VALVE, solenoid | 1    |       |                   |       |               |
| 19   | <b>1902016163</b> | • • PLUG            | 1    |       |                   |       |               |
| 20   | <b>1420010140</b> | • • O-RING          | 1    |       |                   |       |               |
|      | <b>G4h284</b>     |                     |      |       |                   |       |               |

# How to read this Parts Catalog.

1. Parts mentioned in this Parts Catalog may not necessarily be standard equipping parts.
2. Parts change may be made without prior notice.
3. Form of this Parts Catalog.

Y00F2161 (1997.09.01)

**Fig. 29 燃料噴射ポンプ(ブーコン用)**  
**FUEL INJECTION PUMP (W/BOOST)**

| 見出<br>REF.No. | レベル<br>LEV. | 部品番号<br>PARTS No. | 部品名              | DESCRIPTION         | 個数 (Q'ty) |   |   |   |   |   | 備考 |
|---------------|-------------|-------------------|------------------|---------------------|-----------|---|---|---|---|---|----|
|               |             |                   |                  |                     | A         | B | C | D | E | F |    |
| 1             | .           | 729595-51390      | F0ポンプ ASY(7-コック) | FULE INJECTION PUMP | 1         | 1 | 1 | 1 | 1 | 1 |    |
| 1-1           | .           | 729595-51391      | F0ポンプ ASY(7-コック) | FULE INJECTION PUMP | 1         | 1 | 1 | 1 | 1 | 1 |    |
| 3             | ..          | 26022-060162      | ナメネジ M 6X 16     | SCREW M 6X 16       | 9         | 9 | 9 | 9 | 9 | 9 |    |
| I 3-1         | ..          | 26022-060162      | ナメネジ M 6X 16     | SCREW M 6X 16       | 4         | 4 | 4 | 4 | 4 | 4 | K  |
| 4             | ..          | 129470-51040      | カムシャフト           | CAMSHAFT            | 1         | 1 | 1 | 1 | 1 | 1 |    |
| 5             | ..          | 122710-51050      | ベアリングローラ         | BEARING, ROLLER     | 2         | 2 | 2 | 2 | 2 | 2 |    |
| 6             | ..          | 129470-51060      | ベアリングホルダ         | RETAINER            | 1         | 1 | 1 | 1 | 1 | 1 |    |

**備考**

(1) ブーストコンペンセータ付き。4JH-DT, 4JH-DTZとも  
E/# 00155 までは、特別注文仕様とします

**Remarks**

(1) BOOST COMPENSATOR TYPE.  
OPTIONAL PART, TO E/# 00155.  
(4JH - DT, 4JH - DTZ)

**① Ref. No.**

The Ref. No. in the list may not be accord with the Ref. No. on illustration.  
(Ex.) Illustration No.                      List head No.

1    1                      (Befor change)                      →                      1 -1                      (After change)

When interchangeable symbol N, R, and K, illustrations for new parts are sometimes omitted.

**② Lev.(Level)**

Indication and Meaning of Level

Level : Hereunder is given the relation among the number of dots(•), the level and the nominal parent- child relationship.

- .....Parent parts(Assembly parts)
- .....Child parts included in "••" (Semi- Assembly parts, component parts of Assembly parts.)
- .....Child parts included in "•••", Grand- child parts in terms of "••".  
(Compornent parts of Semi- Assembly parts.)

Note) A parts of non- sale parts are illustlated but not listed.

**③ Change Mark**

Change Mark "I" is given to the part for which a desigh change was made at this time.  
The design change was not shown in the last published Parts Catalog.

**④ Interchangeability Mark**

In the case where a part change took place, one of the following interchangeability marks is indicated for that part.

| Symbol | interchangeability            | Contents note  |
|--------|-------------------------------|--|
| N      | Old $\longleftrightarrow$ New | New Part is interchangeable for Old Part but not interchangeable conversely.     |
| Q      | Old $\longleftrightarrow$ New | New Part is not interchangeable for Old Part but interchangeable conversely.     |
| R      | Old $\longleftrightarrow$ New | New Part is interchangeable for Old Part and vice versa.                         |
| S      | Old $\longleftrightarrow$ New | New Part is not interchangeable for Old Part and vice versa.                     |
| W      |                               | Part newly added.  |
| Z      |                               | Part discontinued.   |
| F      |                               | Not interchangeable single part but interchangeable by set of the related parts. |
| K      |                               | Changed only in quantity used.   |

**⑤ Effective Machine No.**

When a part is changed, Effective Machine No. of a Model for which the part is applicable is indication in each column of (A)- (F).

| Product Symbol | Product No.               | Product Symbol | Product No. |
|----------------|---------------------------|----------------|-------------|
| C              | Clutch No. Compressor No. | M              | Machine No. |
| D              | Drive No.                 | T              | Tractor No. |
| E              | Engine No.                | Note1) ※       | Date        |

Note1) Date may follow the symbol in some cases. (Ex.) ※ 1996.01

Note2) As far as engine models shown by "XXX" are concerned, the modification of the parts could not be predicted or the engine models themselves could not be identified.

Note3) (A=E/#00185) means that the design change on the part has been effective for the model at the column (A)(in this case, for 4JH- DT) on and from E/(Engine Serial Number) 00185.

**⑥ Remarks Mark**

Figures or alphabets (Symbols) are entered in the remark column.

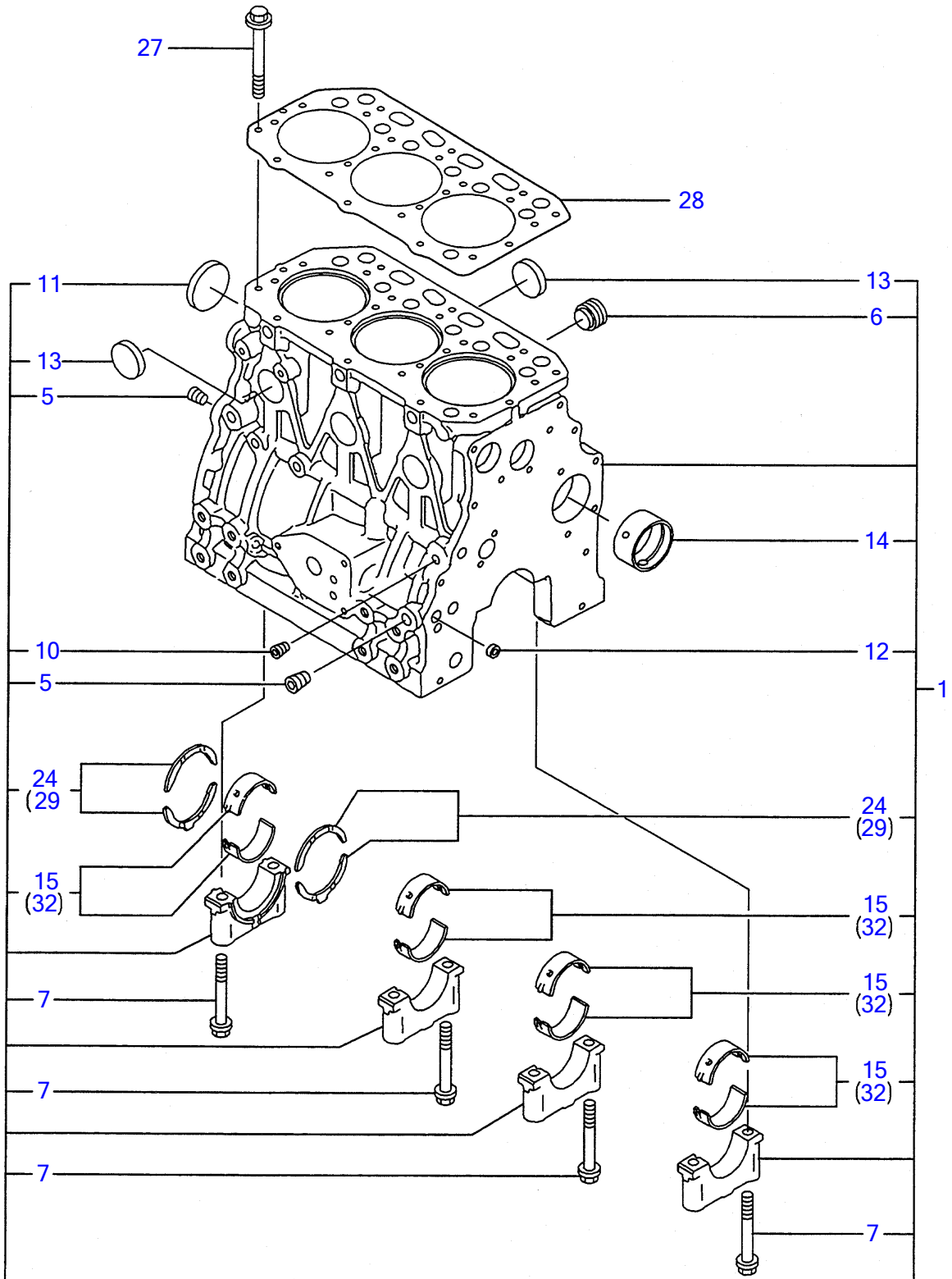
The comments(remarks)on the pertinent parts are indicated in the lower part of the list by the same symbols as those stated above.



Engine for TB135 3TNE88-TB,TB1,ETB,ETB1 S/N 13510004-13514050  
CYLINDER BLOCK

Y00D6840  
3TNE88- (E) TB (1)

1 シリンダブロック  
1 CYLINDER BLOCK



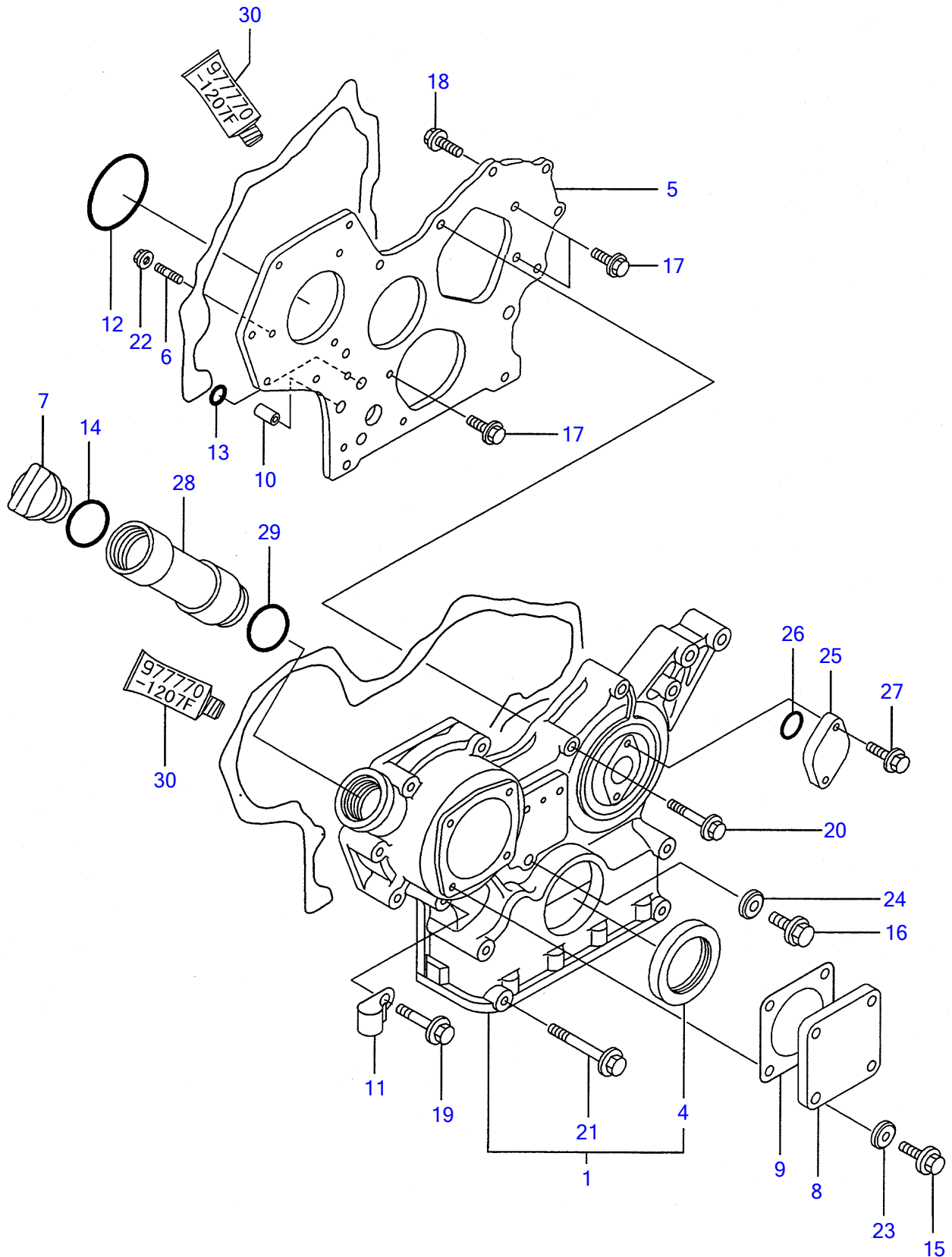
¼ØÝÄÞÏÙ, CYLINDER BLOCK

| REF NO. | PARTS NO.     | Description         | Q'ty | I | R | "öll                          |
|---------|---------------|---------------------|------|---|---|-------------------------------|
| 1       | Y729001-01560 | ¼ØÝÄÞÏÙ, ASSY       | 1    |   |   |                               |
| 5       | Y124160-01910 | • Ìß×, Þ PT1/4      | 3    |   |   |                               |
| 6       | Y171051-01921 | • Ìß×ÏÞ NPTF1       | 1    |   |   |                               |
| 7       | Y129150-02020 | • ÏÞÙÄ(ÒÀÙ·¬ Ïß     | 8    |   |   |                               |
| 10      | Y23871-010000 | • È¼ÞÏß×, Þ PT1/8   | 1    |   |   |                               |
| 11      | Y27231-500000 | • »×ÏÞÄÏß×, Þ 50    | 1    |   |   |                               |
| 12      | Y27241-120000 | • ÙÝÏÞÄÏß×, Þ 12    | 2    |   |   |                               |
| 13      | Y27241-300000 | • ÙÝÏÞÄÏß×, Þ 30    | 6    |   |   |                               |
| 14      | Y129795-02411 | • ÏÞ¼-(A            | 1    |   |   |                               |
| 15      | Y129001-02800 | • Ò²ÝÒÀÙ CMP        | 4    |   |   |                               |
| 24      | Y129150-02930 | • ½×½ÄÒÀÙ           | 2    |   |   |                               |
| 27      | Y129150-01200 | ÏÄÞÏÞÙÄ             | 14   |   |   |                               |
| 28      | Y129001-01340 | ÏÄÞÏÞ¼¹Ä(ÉÝ±½)      | 1    |   |   |                               |
| 29      | Y129150-02940 | ½×½ÄÒÀÙ<br>O.S=0.25 | 2    |   |   | (1) µ°ÈÞ°»²½Þ(O.S=0.25)ÏÈÝÄÞ½ |
| 32      | Y129150-02870 | Ò²ÝÒÀÙ U.S=0.25     | 4    |   |   | (2) ±ÝÄÞ°»²½Þ(U.S=0.25)ÏÈÝÄÞ½ |

Engine for TB135 3TNE88-TB,TB1,ETB,ETB1 S/N 13510004-13514050  
GEAR HOUSING

Y00D6840  
3TNE88-(E) TB (1)

2 ギヤケース  
GEAR HOUSING





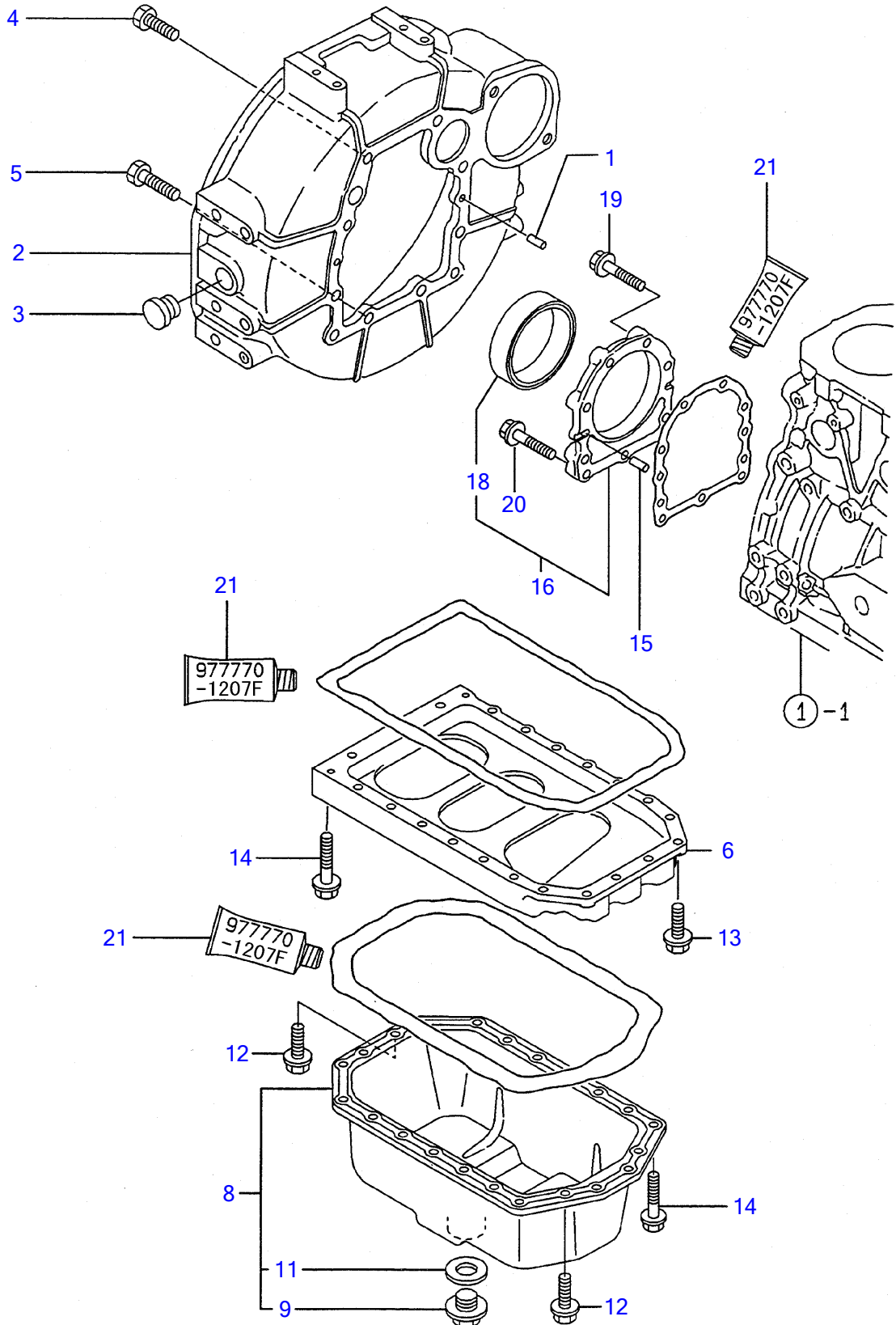
| REF NO. | PARTS NO.     | Description         | Q'ty | I | R | "δ |
|---------|---------------|---------------------|------|---|---|----|
| 1       | Y719810-01500 | HOUSING ASSY, GEAR  | 1    |   |   |    |
| 4       | Y129795-01800 | SEAL, OIL           | 1    |   |   |    |
| 5       | Y129400-01520 | FLANGE, GEARS       | 1    |   |   |    |
| 6       | Y121450-01560 | STUD M 8~22         | 3    |   |   |    |
| 7       | Y124160-01751 | CAP, LUB.OIL SUPPLY | 1    |   |   |    |
| 8       | Y124240-01871 | COVER, HO-P         | 1    |   |   |    |
| 9       | Y124240-01883 | GASKET, (NON-ASB.)  | 1    |   |   |    |
| 10      | Y129795-01950 | PIPE, KNOCK L=18    | 2    |   |   |    |
| 11      | Y129150-03100 | RETAINER            | 1    |   |   |    |
| 12      | Y121850-51960 | O-RING, F.I.PUMP    | 1    |   |   |    |
| 13      | Y24311-000160 | O-RING, 1A P-16.0   | 2    |   |   |    |
| 14      | Y24311-000320 | O-RING, 1A P-32.0   | 1    |   |   |    |
| 15      | Y26106-080122 | BOLT M 8~12 PLATED  | 4    |   |   |    |
| 16      | Y26106-080162 | BOLT M 8~16 PLATED  | 1    |   |   |    |
| 17      | Y26106-080162 | BOLT M 8~16 PLATED  | 3    |   |   |    |
| 18      | Y26106-080202 | BOLT M 8~20 PLATED  | 2    |   |   |    |
| 19      | Y26106-080452 | BOLT M 8~45 PLATED  | 6    |   |   |    |
| 20      | Y26106-080552 | BOLT M 8~55 PLATED  | 3    |   |   |    |
| 21      | Y129001-91840 | BOLT M 8~85 PLATED  | 4    |   |   |    |
| 22      | Y26366-080002 | NUT M 8             | 3    |   |   |    |
| 23      | Y22190-080002 | SEAL WASHER 8S      | 4    |   |   |    |
| 24      | Y22190-080002 | SEAL WASHER 8S      | 1    |   |   |    |
| 25      | Y121023-01550 | COVER, BLIND        | 1    |   |   |    |
| 26      | Y24341-000240 | O-RING, 1A S-24.0   | 1    |   |   |    |
| 27      | Y26106-060162 | BOLT M 6~16 PLATED  | 2    |   |   |    |
| 28      | Y171031-11741 | PIPE                | 1    |   |   |    |
| 29      | Y24311-000320 | O-RING, 1A P-32.0   | 1    |   |   |    |
| 30      | Y977770-1207F | GASKET, LIQUID      | 1    |   |   |    |

(1) μlB¼@Ý  
İPËÝÄb½

Engine for TB135 3TNE88-TB,TB1,ETB,ETB1 S/N 13510004-13514050  
FLYWHEEL HOUSING & OIL SUMP

Y00D6B40  
3TNE88-(E) TB (1)

3 フライホイールハウジング & オイルパン  
FLYWHEEL HOUSING & OIL SUMP



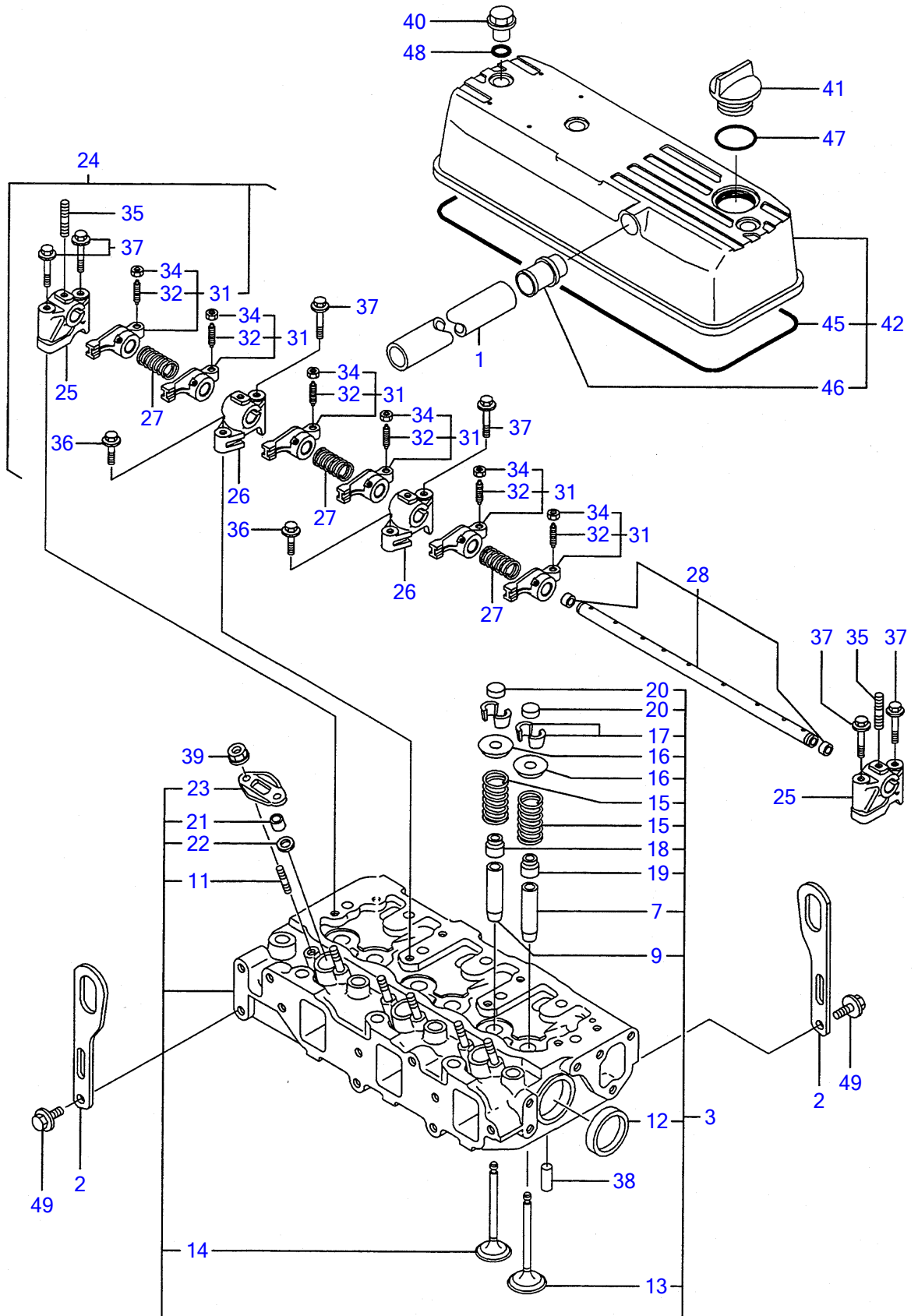
FLYWHEEL HOUSING & OIL SUMP

| REF NO. | PARTS NO.     | Description            | Q'ty | I | R | "               |
|---------|---------------|------------------------|------|---|---|-----------------|
| 1       | Y129100-01580 | PARALLEL PIN 8~16      | 2    |   |   |                 |
| 2       | Y129612-01600 | HOUSING, FLYWHEEL      | 1    |   |   |                 |
| 3       | Y119620-01750 | CAP, FLYWHEEL COVER    | 1    |   |   |                 |
| 4       | Y26206-100252 | BOLT M10~25            | 6    |   |   |                 |
| 5       | Y26206-100302 | BOLT M10~30            | 4    |   |   |                 |
| 6       | Y129100-01730 | SPACER, OIL SUMP       | 1    |   |   |                 |
| 8       | Y729102-01540 | SUMP ASSY, LUB. OIL    | 1    |   |   |                 |
| 9       | Y119640-01640 | • DRAIN PLUG M22       | 1    |   |   |                 |
| 11      | Y22190-220002 | • SEAL WASHER 22S      | 1    |   |   |                 |
| 12      | Y26106-080162 | BOLT M 8~16 PLATED     | 4    |   |   |                 |
| 13      | Y26106-080252 | BOLT M 8~25 PLATED     | 2    |   |   |                 |
| 14      | Y26106-080452 | BOLT M 8~45 PLATED     | 20   |   |   |                 |
| 15      | Y129100-01580 | PARALLEL PIN 8~16      | 2    |   |   |                 |
| 16      | Y129100-01640 | CASE ASSY, OIL SEAL    | 1    |   |   |                 |
| 18      | Y129795-01780 | • SEAL OIL             | 1    |   |   |                 |
| 19      | Y129486-01670 | BOLT M 8~30, COLLAR HD | 6    |   |   |                 |
| 20      | Y26106-080352 | BOLT M 8~35 PLATED     | 3    |   |   |                 |
| 21      | Y977770-1207F | GASKET, LIQUID         | 1    |   |   | (1) 1/4" x 1/2" |

Engine for TB135 3TNE88-TB,TB1,ETB,ETB1 S/N 13510004-13514050  
**CYLINDER HEAD & BONNET**

Y00D6840  
 3TNE88-(E) TB (1)

4 シリンダヘッド & ボンネット  
 4 CYLINDER HEAD & BONNET



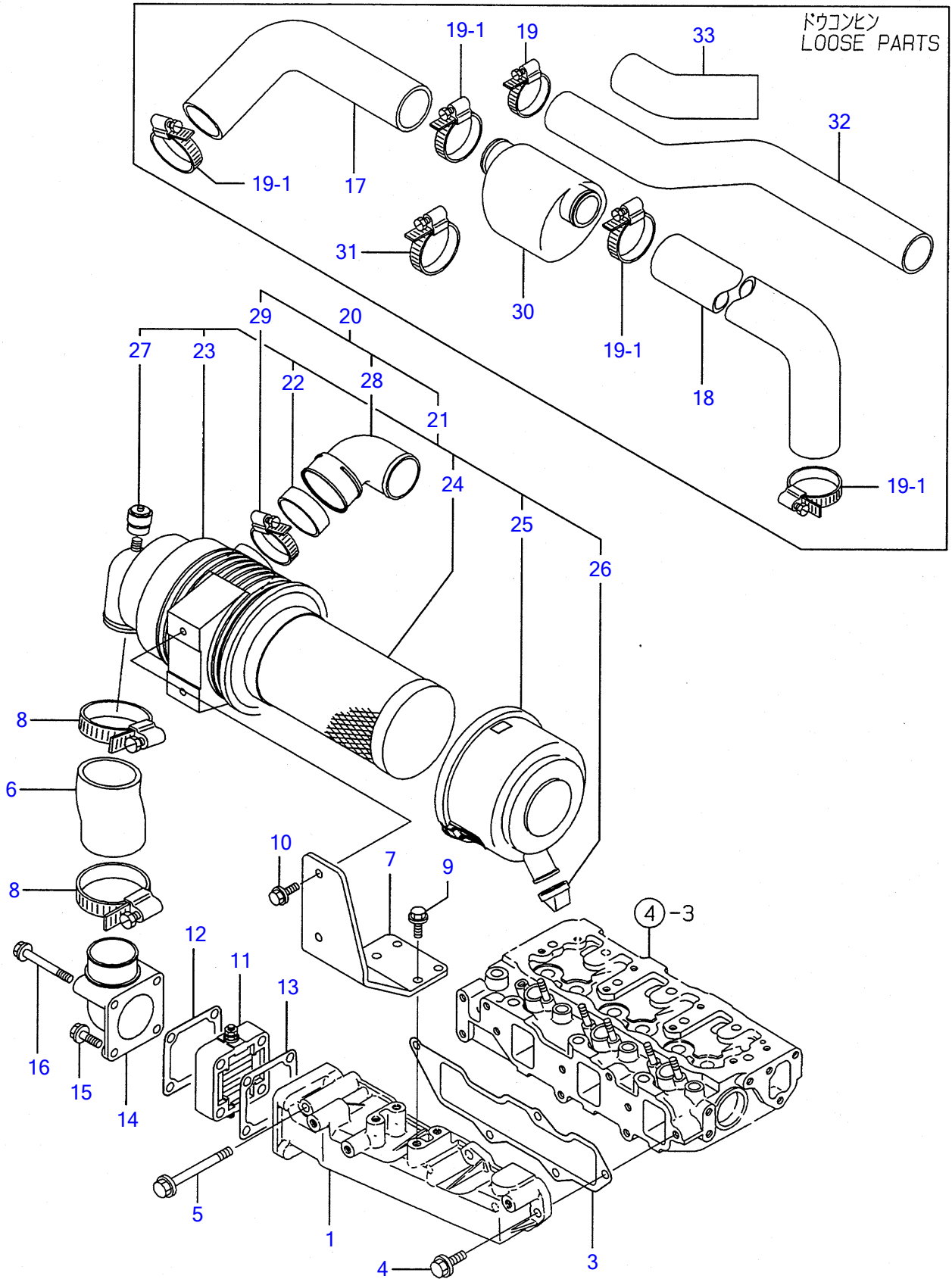
¼ØÝÁÞÍÄÂÞ & ÍÞÝËÄÄ CYLINDER HEAD & BONNET

| REF NO. | PARTS NO.     | Description           | Q'ty | I | R | "ð             |
|---------|---------------|-----------------------|------|---|---|----------------|
| 1       | Y171350-03090 | PIPE, BREATHER        | 1    |   |   |                |
| 2       | Y124736-07900 | LIFTER, ENGINE        | 2    |   |   |                |
| 3       | Y129001-11700 | HEAD ASSY, CYLINDER   | 1    |   |   |                |
| 7       | Y120130-11860 | • GUIDE, VALVE        | 3    |   |   | (1) ÍÖ³ÍÞËÝÄÞ½ |
| 9       | Y129150-11810 | • GUIDE, VALVE        | 3    |   |   | (1) ÍÖ³ÍÞËÝÄÞ½ |
| 11      | Y26216-060202 | • STUD M 6~20 PLATED  | 6    |   |   |                |
| 12      | Y27241-400000 | • PLUG 40             | 2    |   |   |                |
| 13      | Y129100-11100 | • VALVE, INTAKE       | 3    |   |   |                |
| 14      | Y129100-11110 | • VALVE, EXHAUST      | 3    |   |   |                |
| 15      | Y129795-11120 | • SPRING, VALVE       | 6    |   |   |                |
| 16      | Y129795-11180 | • RETAINER, SPRING    | 6    |   |   |                |
| 17      | Y27310-080000 | • COTTER 8            | 6    |   |   |                |
| 18      | Y121400-11340 | • SEAL, VALVE STEM    | 3    |   |   |                |
| 19      | Y124460-11340 | • SEAL, VALVE STEM    | 3    |   |   |                |
| 20      | Y129150-11370 | • CAP, VALVE          | 6    |   |   |                |
| 21      | Y119625-11870 | • PROTECTOR, NOZZLE   | 3    |   |   |                |
| 22      | Y119625-11880 | • SEAT, NOZZLE        | 3    |   |   |                |
| 23      | Y119625-11900 | • RETAINER            | 3    |   |   |                |
| 24      | Y129100-11240 | SHAFT ASSY, ROCKER    | 1    |   |   |                |
| 25      | Y129155-11260 | • SUPPORT, ROCKER ARM | 2    |   |   |                |
| 26      | Y129155-11270 | • SUPPORT, ROCKER ARM | 2    |   |   |                |
| 27      | Y129150-11280 | • SPRING              | 3    |   |   |                |
| 28      | Y129150-11290 | • SHAFT, ROCKER ARM   | 1    |   |   |                |
| 31      | Y129100-11650 | • ARM ASSY, ROCKER    | 6    |   |   |                |
| 32      | Y129150-11230 | • SCREW, VALVE        | 6    |   |   |                |
| 34      | Y129150-11750 | • NUT M 8~P1.0        | 6    |   |   |                |
| 35      | Y26226-080182 | • STUD M 8~18 PLATED  | 3    |   |   |                |
| 36      | Y26106-080252 | BOLT M 8~25 PLATED    | 2    |   |   |                |
| 37      | Y26106-080502 | BOLT M 8~50 PLATED    | 6    |   |   |                |
| 38      | Y22351-060012 | SPRING PIN 6~12       | 2    |   |   |                |
| 39      | Y26366-060002 | NUT M 6               | 6    |   |   |                |
| 40      | Y124160-11360 | KNOB                  | 3    |   |   |                |
| 41      | Y124160-01751 | CAP, LUB.OIL SUPPLY   | 1    |   |   |                |
| 42      | Y129001-11350 | HOOD                  | 1    |   |   |                |
| 45      | Y129001-11310 | • GASKET, BONNET      | 1    |   |   |                |
| 46      | Y129001-11340 | • HOSE                | 1    |   |   |                |
| 47      | Y24311-000320 | O-RING, 1A P-32.0     | 1    |   |   |                |
| 48      | Y24311-000120 | O-RING, 1A P-12.0     | 3    |   |   |                |
| 49      | Y26106-080142 | BOLT M 8~14 PLATED    | 4    |   |   |                |

Engine for TB135 3TNE88-TB, TB1, ETB, ETB1 S/N 13510004-13514050  
**SUCTION MANIFOLD & AIR CLEANER**

Y00D6840  
 3TNE88- (E) TB (1)

5 キュウキマニホールド & エアクリーナ  
 SUCTION MANIFOLD & AIR CLEANER

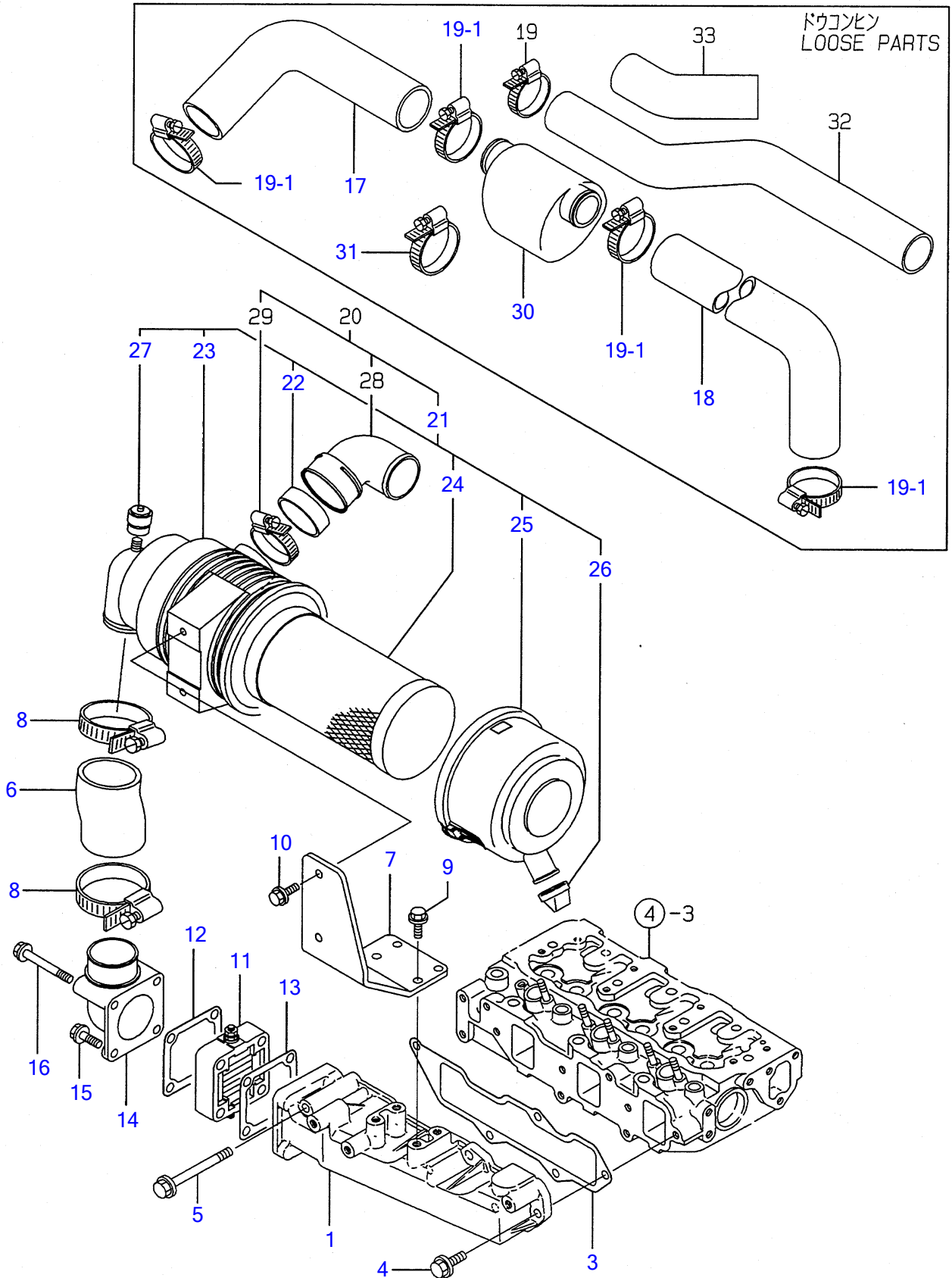


| REF NO. | PARTS NO.                     | Description           | Q'ty | I | R | »ó |
|---------|-------------------------------|-----------------------|------|---|---|----|
| 1       | Y129001-12100                 | MANIFOLD              | 1    |   |   |    |
| 3       | Y129001-12110                 | GASKET, INT. MANIFOLD | 1    |   |   |    |
| 4       | Y26106-080202                 | BOLT M 8~20 PLATED    | 4    |   |   |    |
| 5       | Y26106-080802                 | BOLT M 8~80 PLATED    | 1    |   |   |    |
| 6       | Y119910-12210                 | PIPE, INTAKE          | 1    |   |   |    |
| 7       | Y119910-12560                 | BRACKET, AIR CLEANER  | 1    |   |   |    |
| 8       | Y23000-060000                 | CLAMP 60              | 2    |   |   |    |
| 9       | Y26013-080222                 | BOLT M 8~22           | 4    |   |   |    |
| 10      | Y26013-080222                 | BOLT M 8~22           | 2    |   |   |    |
| 11      | Y129100-77500                 | HEATER, AIR           | 1    |   |   |    |
| 12      | Y129100-77510                 | GASKET, AIR HEATER    | 1    |   |   |    |
| 13      | Y129150-77511                 | GASKET, (NON-ASB.)    | 1    |   |   |    |
| 14      | Y171340-77520                 | BEND                  | 1    |   |   |    |
| 15      | Y26106-080402                 | BOLT M 8~40 PLATED    | 2    |   |   |    |
| 16      | Y26106-080802                 | BOLT M 8~80 PLATED    | 2    |   |   |    |
| 17      | Y129030-12201<br>(A=E19592)   | PIPE, EXTENSION       | 1    | W |   |    |
| 18      | Y119869-12210<br>(A=E19592)   | PIPE, EXTENSION       | 1    | W |   |    |
| 19      | Y23000-060000                 | CLAMP 60              | 2    |   |   |    |
| 19-1    | Y23000-060000<br>(A=E19592)   | CLAMP 60              | 4    | K |   |    |
| 20      | Y129612-12680<br>(A=E20225)   | AIR CLEANER           | 1    | Z |   |    |
| 21      | Y129612-12690                 | • CLEANER ASSY, AIR   | 1    |   |   |    |
| 22      | Y129259-12570                 | • RING                | 1    |   |   |    |
| 23      | Y119910-12510                 | • BODY, AIR CLEANER   | 1    |   |   |    |
| 24      | Y119808-12520                 | • ELEMENT, OUTER      | 1    |   |   |    |
| 25      | Y119866-12541                 | • COVER ASSY          | 1    |   |   |    |
| 26      | Y119808-12540                 | • VALVE, UNLOADER     | 1    |   |   |    |
| 27      | Y119140-12680                 | • INDICATOR           | 1    |   |   |    |
| 28      | Y129612-12560<br>(A=E20225)   | • RING                | 1    | Z |   |    |
| 29      | Y23000-060000<br>(A=E20225)   | • CLAMP 60            | 1    | Z |   |    |
| 30      | Y121855-12060<br>(A=E19592)   | SILENCER, INLET       | 1    | W |   |    |
| 31      | Y23000-048000<br>(A=EXXX)     | CLAMP 48              | 1    | W |   |    |
| 32      | Y129132-12210                 | PIPE, AIR INTAKE      | 1    |   |   |    |
| 32-1    | Y129030-12200<br>(A=EXXX)     | PIPE, AIR INTAKE      | 1    | N |   |    |
| 32-2    | Y129030-12200<br>(A=E19592)   | PIPE, AIR INTAKE      | 1    | Z |   |    |
| 33      | Y119869-12220<br>(A=*1999.04) | PIPE, EXTENSION       | 1    | Z |   |    |

Engine for TB135 3TNE88-TB, TB1, ETB, ETB1 S/N 13510004-13514050  
**SUCTION MANIFOLD & AIR CLEANER**

Y00D6840  
 3TNE88- (E) TB (1)

5 キュウキマニホールド & エアクリーナ  
 SUCTION MANIFOLD & AIR CLEANER





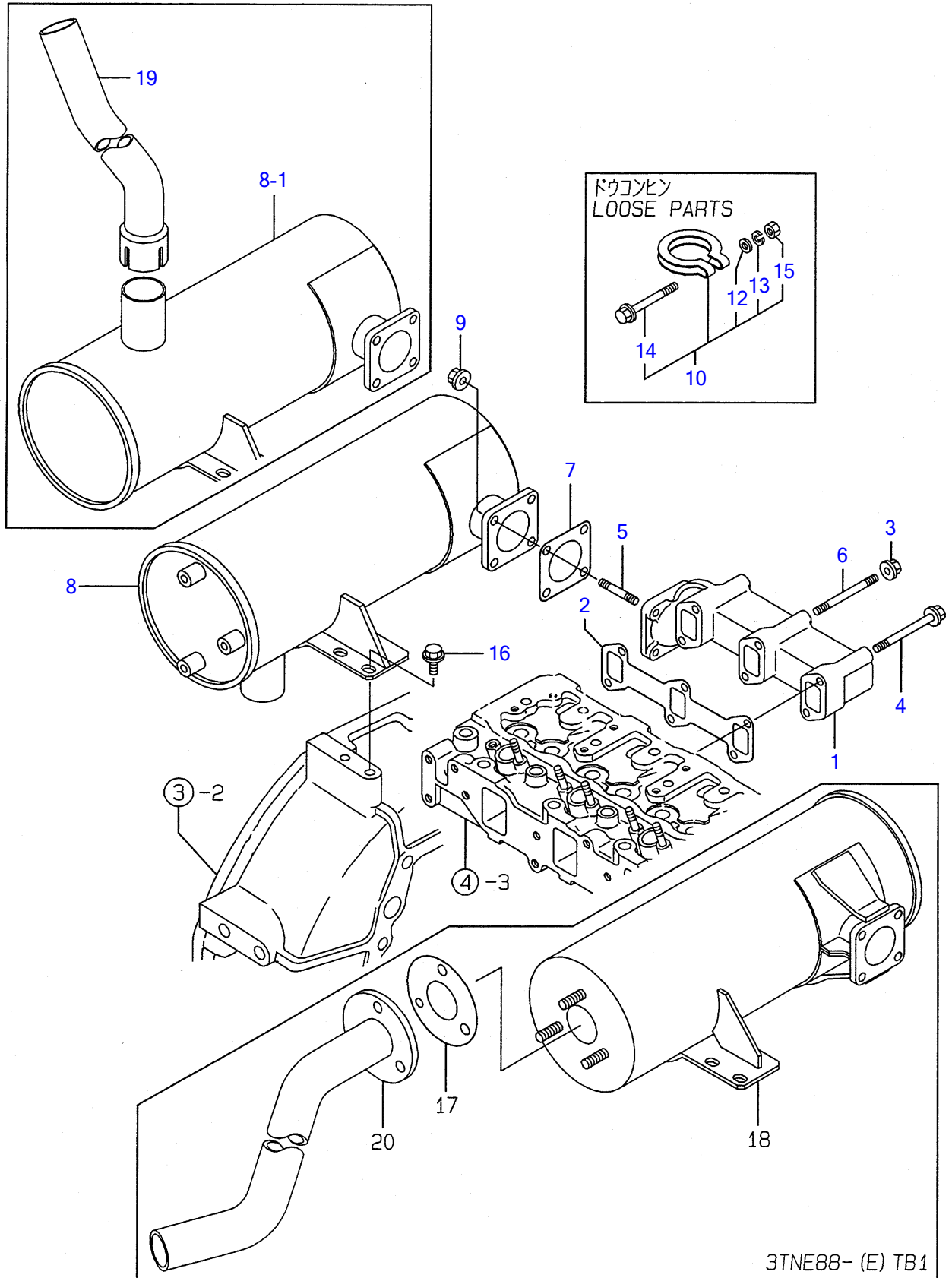
•Ö³.İÆİ-ÙÄÞ & ±,Ø-Å SUCTION MANIFOLD & AIR CLEANER ( TB1,ETB(1) )

| REF NO. | PARTS NO.     | Description      | Q'ty | I | R | »ö |
|---------|---------------|------------------|------|---|---|----|
| 1       | Y129001-12100 | İÆİ°ÙÄÞ(INT      | 1    |   |   |    |
| 3       | Y129001-12110 | PK(İÆİ°ÙÄÞ       | 1    |   |   |    |
| 4       | Y26106-080202 | ÂÊÞİÞÙÄ 8~20     | 4    |   |   |    |
| 5       | Y26106-080802 | ÂÊÞİÞÙÄ 8~80     | 1    |   |   |    |
| 6       | Y119910-12210 | İ°½              | 1    |   |   |    |
| 7       | Y119910-12560 | İÞ×¹-Ä±,Ø°Å      | 1    |   |   |    |
| 8       | Y23000-060000 | İ°½,Ø-İß 60      | 2    |   |   |    |
| 9       | Y26013-080222 | İÞÙÄ(ÊÞÈ 8~22    | 4    |   |   |    |
| 10      | Y26013-080222 | İÞÙÄ(ÊÞÈ 8~22    | 2    |   |   |    |
| 11      | Y129100-77500 | È°Ä°(±°          | 1    |   |   |    |
| 12      | Y129100-77510 | Êß-Ý(±°È°Ä°      | 1    |   |   |    |
| 13      | Y129150-77511 | PK(±È°Ä°)(ÈÝ±½)  | 1    |   |   |    |
| 14      | Y171340-77520 | İÞÝÄÞ            | 1    |   |   |    |
| 15      | Y26106-080402 | ÂÊÞİÞÙÄ 8~40     | 2    |   |   |    |
| 16      | Y26106-080802 | ÂÊÞİÞÙÄ 8~80     | 2    |   |   |    |
| 17      | Y129030-12201 | İ°-İ°Ä°@³İÝ      | 1    |   |   |    |
| 18      | Y119869-12210 | İ°-İ°Ä°@³İÝ A    | 1    |   |   |    |
| 19-1    | Y23000-060000 | İ°½,Ø-İß 60      | 4    |   |   |    |
| 21      | Y129612-12690 | ±,Ø°Å CMP        | 1    |   |   |    |
| 22      | Y129259-12570 | • ØÝ,Þ           | 1    |   |   |    |
| 23      | Y119910-12510 | • İÞÄÞ°          | 1    |   |   |    |
| 24      | Y119808-12520 | • 'ÚÖÝÄ(±³Ä      | 1    |   |   |    |
| 25      | Y119866-12541 | • İÊÞ°ASSY       | 1    |   |   |    |
| 26      | Y119808-12540 | • ±ÝÙ°ÄÞÈÞÙİÞ    | 1    |   |   |    |
| 27      | Y119140-12680 | • ²Ý¼Þ¹°Ä(ÄÞÝ·¼· | 1    |   |   |    |
| 30      | Y121855-12060 | İ°-İ°»²ÚÝ»°      | 1    |   |   |    |
| 31      | Y23000-048000 | İ°½,Ø-İß 48      | 1    |   |   |    |

Engine for TB135 3TNE88-TB,TB1,ETB,ETB1 S/N 13510004-13514050  
EXHAUST MANIFOLD & SILENCER

Y00D6B40  
3TNE88-(E) TB (1)

6 ハイキマニホールド & サイレンサ  
EXHAUST MANIFOLD & SILENCER



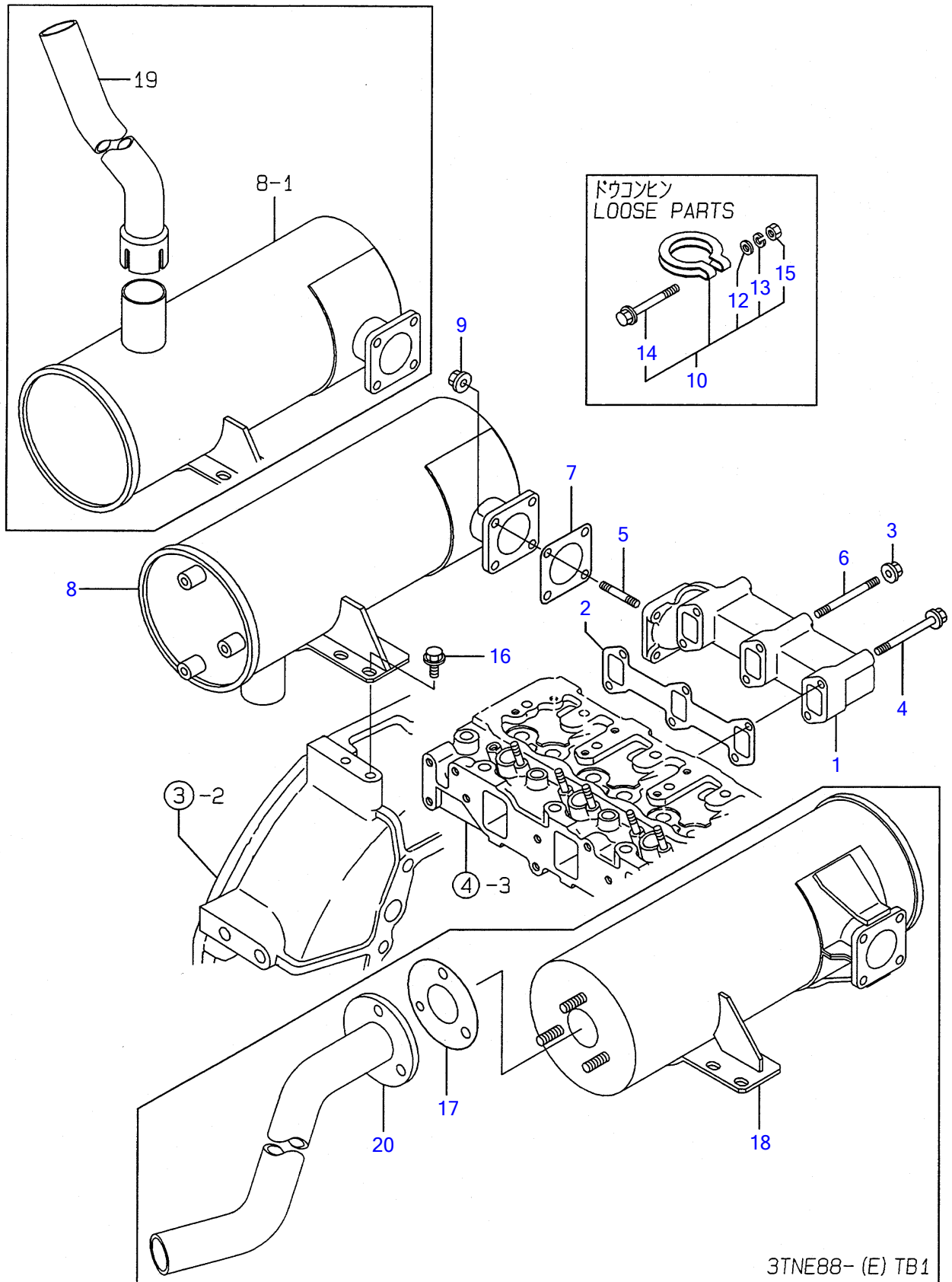
Ê²:ĪÆĪ-ÛÄÞ & »²ÚÝ» EXHAUST MANIFOLD & SILENCER ( TB,ETB )

| REF NO. | PARTS NO.                   | Description           | Q'ty | I | R | »õ |
|---------|-----------------------------|-----------------------|------|---|---|----|
| 1       | Y129211-13100               | MANIFOLD, EXHAUST     | 1    |   |   |    |
| 2       | Y129150-13110               | GASKET, EXH. MANIFOLD | 1    |   |   |    |
| 3       | Y26366-080002               | NUT M 8               | 2    |   |   |    |
| 4       | Y26106-080802               | BOLT M 8~80 PLATED    | 4    |   |   |    |
| 5       | Y119131-18320               | BOLT M 8~22           | 4    |   |   |    |
| 6       | Y26216-080802               | STUD M 8~80 PLATED    | 2    |   |   |    |
| 7       | Y124701-11911               | GASKET, (NON-ASB.)    | 1    |   |   |    |
| 8       | Y129002-13501               | SILENCER              | 1    |   |   |    |
| 8-1     | Y129030-13561<br>(A=E19592) | SILENCER              | 1    | S |   |    |
| 9       | Y26366-080002               | NUT M 8               | 4    |   |   |    |
| 10      | Y121120-13590               | CLAMP                 | 1    |   |   |    |
| 12      | Y22137-100000               | • WASHER 10, POLISHED | 1    |   |   |    |
| 13      | Y22217-100000               | • SPRING WASHER 10    | 1    |   |   |    |
| 14      | Y26106-100652               | • BOLT M 10~65 PLATED | 1    |   |   |    |
| 15      | Y26706-100002               | • NUT M 10            | 1    |   |   |    |
| 16      | Y26106-100202               | BOLT M 10~20 PLATED   | 2    |   |   |    |
| 19      | Y129030-13580<br>(A=E19592) | EXTENSION             | 1    | W |   |    |

Engine for TB135 3TNE88-TB,TB1,ETB,ETB1 S/N 13510004-13514050  
EXHAUST MANIFOLD & SILENCER

Y00D6B40  
3TNE88-(E) TB (1)

6 ハイキマニホールド & サイレンサ  
EXHAUST MANIFOLD & SILENCER



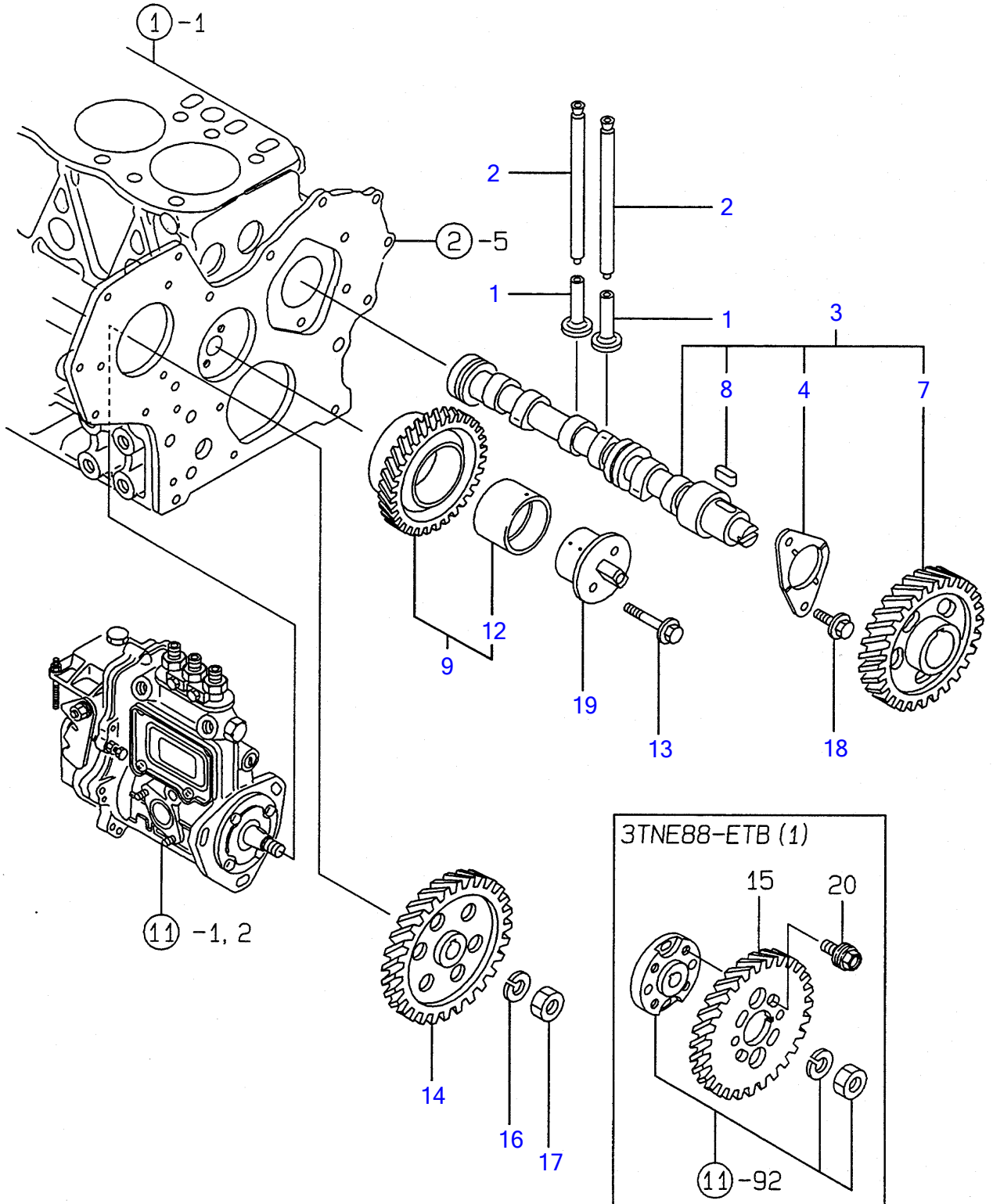
EXHAUST MANIFOLD & SILENCER ( TB1,ETB1 )

| REF NO. | PARTS NO.     | Description           | Q'ty |
|---------|---------------|-----------------------|------|
| 1       | Y129211-13100 | MANIFOLD, EXHAUST     | 1    |
| 2       | Y129150-13110 | GASKET, EXH. MANIFOLD | 1    |
| 3       | Y26366-080002 | NUT M 8               | 2    |
| 4       | Y26106-080802 | BOLT M 8 PLATED       | 4    |
| 5       | Y119131-18320 | BOLT M 8              | 4    |
| 6       | Y26216-080802 | STUD M 8 PLATED       | 2    |
| 7       | Y124701-11911 | GASKET, (NON-ASB.)    | 1    |
| 8-1     | Y129030-13561 | SILENCER              | 1    |
| 9       | Y26366-080002 | NUT M 8               | 4    |
| 10      | Y121120-13590 | CLAMP                 | 1    |
| 12      | Y22137-100000 | WASHER 10, POLISHED   | 1    |
| 13      | Y22217-100000 | SPRING WASHER 10      | 1    |
| 14      | Y26106-100652 | BOLT M 10 PLATED      | 1    |
| 15      | Y26706-100002 | NUT M 10              | 1    |
| 16      | Y26106-100202 | BOLT M 10 PLATED      | 2    |
| 17      | Y103954-13201 | GASKET, SILENCER      | 1    |
| 18      | Y129030-13570 | SILENCER              | 1    |
| 20      | Y129030-13600 | TAIL PIPE             | 1    |

Engine for TB135 3TNE88-TB,TB1,ETB,ETB1 S/N 13510004-13514050  
**CAMSHAFT & DRIVING GEAR**

Y00D6840  
 3TNE88-(E) TB (1)

7 カムシャフト & クドウギヤ  
 CAMSHAFT & DRIVING GEAR



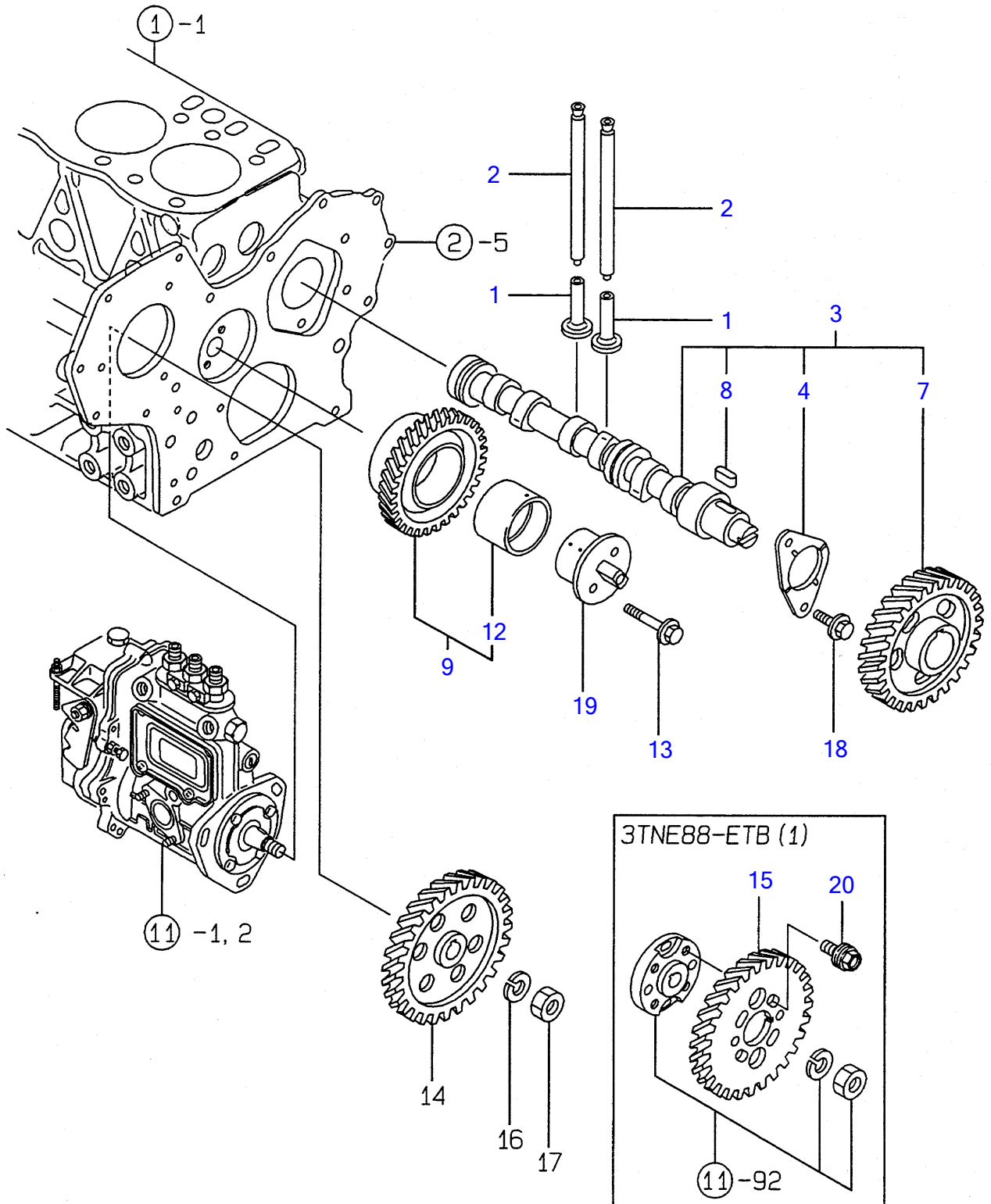
11N1/401A & 1A3-P0 CAMSHAFT & DRIVING GEAR ( TB,TB1 )

| REF NO. | PARTS NO.     | Description          | Q'ty | I | R | "óll             |
|---------|---------------|----------------------|------|---|---|------------------|
| 1       | Y129150-14200 | TAPPET               | 6    |   |   |                  |
| 2       | Y129150-14400 | ROD, PUSH            | 6    |   |   |                  |
| 3       | Y129129-14580 | CAMSHAFT ASSY        | 1    |   |   |                  |
| 4       | Y129150-02450 | METAL, THRUST        | 1    |   |   |                  |
| 7       | Y129150-14101 | GEAR, CAMSHAFT       | 1    |   |   |                  |
| 8       | Y22512-070140 | KEY 7~14             | 1    |   |   |                  |
| 9       | Y129150-25101 | GEAR W/BUSH          | 1    |   |   |                  |
| 12      | Y129150-25920 | BUSH, IDLE GEAR      | 1    |   |   | (1) 1031pEY1p1/2 |
| 13      | Y26106-080452 | BOLT M 8~45 PLATED   | 2    |   |   |                  |
| 14      | Y129150-25900 | GEAR, FULE INJ. PUMP | 1    |   |   |                  |
| 16      | Y22217-120000 | SPRING WASHER 12     | 1    |   |   |                  |
| 17      | Y26716-120002 | NUT M 12             | 1    |   |   |                  |
| 18      | Y26106-080142 | BOLT M 8~14 PLATED   | 2    |   |   |                  |
| 19      | Y129100-25061 | SHAFT, IDLE GEAR     | 1    |   |   |                  |

Engine for TB135 3TNE88-TB,TB1,ETB,ETB1 S/N 13510004-13514050  
**CAMSHAFT & DRIVING GEAR**

Y00D6840  
 3TNE88-(E) TB (1)

7 カムシャフト & クドウギヤ  
 CAMSHAFT & DRIVING GEAR





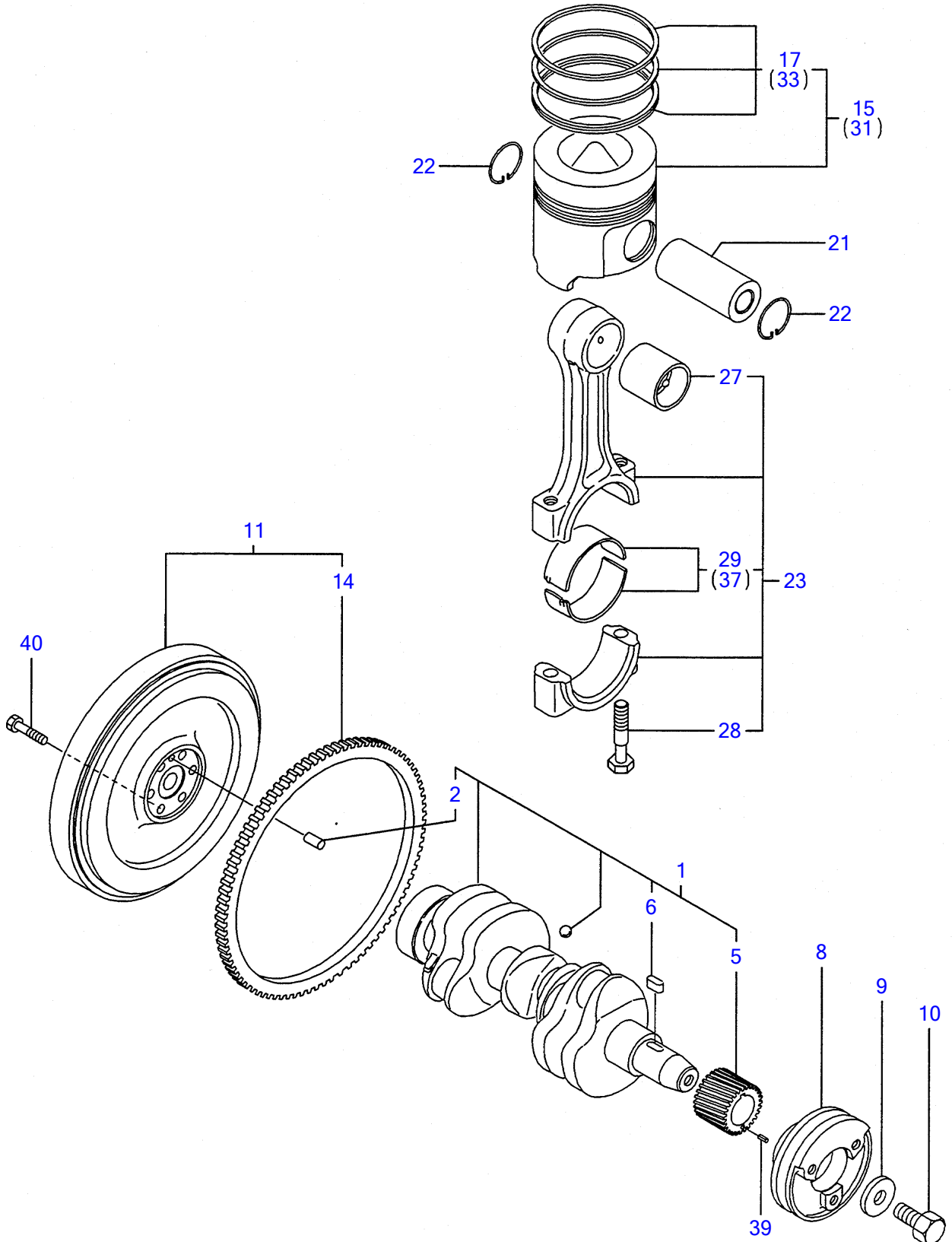
ᠠᠨᠠᠨᠠᠨᠠᠨ ᠠᠨᠠᠨᠠᠨᠠᠨ CAMSHAFT & DRIVING GEAR ( ETB,ETB1 )

| REF NO. | PARTS NO.     | Description          | Q'ty | I | R | ”᠔᠋᠋᠋          |
|---------|---------------|----------------------|------|---|---|----------------|
| 1       | Y129150-14200 | TAPPET               | 6    |   |   |                |
| 2       | Y129150-14400 | ROD, PUSH            | 6    |   |   |                |
| 3       | Y129129-14580 | CAMSHAFT ASSY        | 1    |   |   |                |
| 4       | Y129150-02450 | METAL, THRUST        | 1    |   |   |                |
| 7       | Y129150-14101 | GEAR, CAMSHAFT       | 1    |   |   |                |
| 8       | Y22512-070140 | KEY 7~14             | 1    |   |   |                |
| 9       | Y129150-25101 | GEAR W/BUSH          | 1    |   |   |                |
| 12      | Y129150-25920 | BUSH, IDLE GEAR      | 1    |   |   | (1) ᠠᠨᠠᠨᠠᠨᠠᠨᠠᠨ |
| 13      | Y26106-080452 | BOLT M 8~45 PLATED   | 2    |   |   |                |
| 15      | Y129150-25930 | GEAR, FULE INJ. PUMP | 1    |   |   |                |
| 18      | Y26106-080142 | BOLT M 8~14 PLATED   | 2    |   |   |                |
| 19      | Y129100-25061 | SHAFT, IDLE GEAR     | 1    |   |   |                |
| 20      | Y126150-25301 | BOLT, FI-P           | 4    |   |   |                |

Engine for TB135 3TNE88-TB,TB1,ETB,ETB1 S/N 13510004-13514050  
CRANKSHAFT & PISTON

Y00D6840  
3TNE88- (E) TB (1)

クランクシャフト & ピストン  
CRANKSHAFT & PISTON



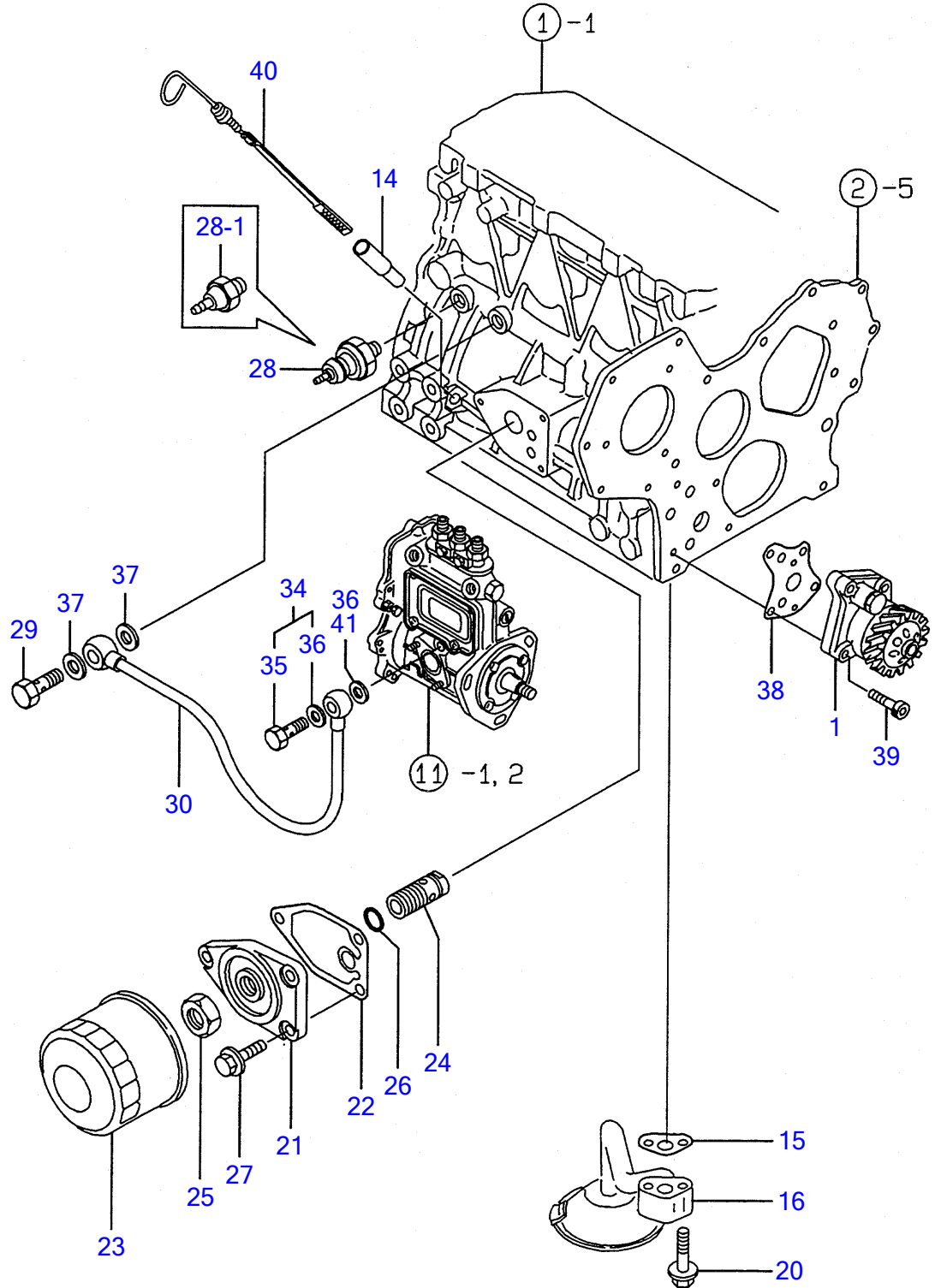
**CRANKSHAFT & PISTON**

| REF NO. | PARTS NO.     | Description            | Q'ty |     | R |  |
|---------|---------------|------------------------|------|-----|---|--|
| 1       | Y129001-21000 | CRANKSHAFT ASSY        | 1    |     |   |  |
| 2       | Y129100-01580 | PARALLEL PIN 8~16      | 1    |     |   |  |
| 5       | Y129150-21200 | GEAR, CRANKSHAFT       | 1    |     |   |  |
| 6       | Y22512-070140 | KEY 7~14               | 1    |     |   |  |
| 8       | Y171340-21650 | V-PULLEY, CRANKSHAFT   | 1    |     |   |  |
| 9       | Y129795-21661 | WASHER                 | 1    |     |   |  |
| 10      | Y121850-21680 | BOLT, V-PULLEY         | 1    |     |   |  |
| 11      | Y129128-21590 | FLYWHEEL W/RING GEAR   | 1    |     |   |  |
| 14      | Y119865-21600 | GEAR, RING             | 1    |     |   |  |
| 15      | Y129001-22081 | PISTON W/RINGS         | 3    |     |   |  |
| 17      | Y129001-22500 | RING SET, PISTON       | 3    |     |   |  |
| 21      | Y129202-22300 | PIN, PISTON            | 3    |     |   |  |
| 22      | Y22252-000260 | CIRCLIP 26             | 6    |     |   |  |
| 23      | Y729402-23100 | ROD ASSY, CONNECTING   | 3    |     |   |  |
| 27      | Y129100-23910 | BUSH, PISTON PIN       | 3    | (1) |   |  |
| 28      | Y121550-23200 | BOLT, CONNECTING ROD   | 6    |     |   |  |
| 29      | Y129150-23600 | BEARING, CRANKPIN      | 3    |     |   |  |
| 31      | Y129001-22901 | PISTON W/RING O.S=0.25 | 3    | (2) |   |  |
| 33      | Y129001-22950 | RING SET O.S=0.25      | 3    | (2) |   |  |
| 37      | Y129150-23610 | METAL.PIN U.S=0.25     | 3    | (3) |   |  |
| 39      | Y22351-040010 | SPRING PIN 4~10        | 1    |     |   |  |
| 40      | Y121111-21501 | BOLT, FLYWHEEL         | 6    |     |   |  |

Engine for TB135 3TNE88-TB,TB1,ETB,ETB1 S/N 13510004-13514050  
LUB.OIL SYSTEM

Y00D6840  
3TNE88-(E) TB (1)

9 ロシテム  
LUB.OIL SYSTEM



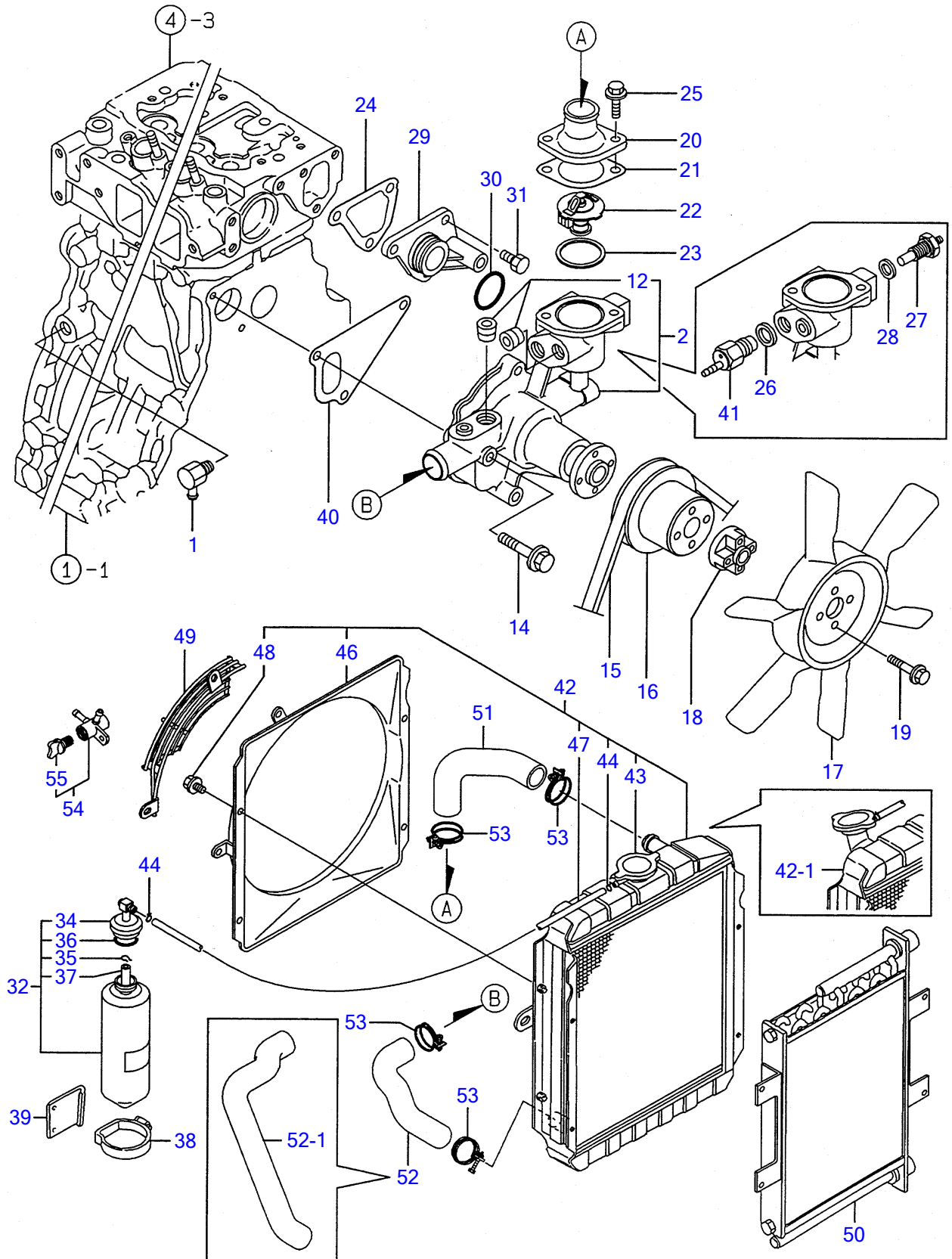
LO $\frac{1}{2}$ ÅÑ LUB.OIL SYSTEM

| REF NO. | PARTS NO.                   | Description                  | Q'ty | I | R | ø |
|---------|-----------------------------|------------------------------|------|---|---|---|
| 1       | Y129001-32001               | LO-P CMP PUMP ASSY, LUB. OIL | 1    |   |   |   |
| 14      | Y121520-34810               | GUIDE, DIPSTICK              | 1    |   |   |   |
| 15      | Y129150-35041               | GASKET, (NON-ASB.)           | 1    |   |   |   |
| 16      | Y129150-35091               | PIPE ASSY, OIL INLET         | 1    |   |   |   |
| 20      | Y26106-080352               | BOLT M 8 $\times$ 35 PLATED  | 2    |   |   |   |
| 21      | Y129150-35101               | BRACKET, STRAINER            | 1    |   |   |   |
| 22      | Y129150-35111               | GASKET, (NON-ASB.)           | 1    |   |   |   |
| 23      | Y129150-35152               | FILTER 80 $\times$ 80L       | 1    |   |   |   |
| 24      | Y129001-35300               | BOLT, LUB.O. STRAINER        | 1    |   |   |   |
| 25      | Y129150-35350               | NUT                          | 1    |   |   |   |
| 26      | Y24311-000160               | O-RING, 1A P-16.0            | 1    |   |   |   |
| 27      | Y26106-080202               | BOLT M 8 $\times$ 20 PLATED  | 3    |   |   |   |
| 28      | Y124160-39451               | SWITCH, OIL PRESSURE         | 1    |   |   |   |
| 28-1    | Y124160-39450<br>(A=E18794) | SWITCH, OIL PRESSURE         | 1    | N |   |   |
| 29      | Y124160-39140               | BOLT 10, PIPE JOINT          | 1    |   |   |   |
| 30      | Y129150-39450               | PIPE ASSY, LUB. OIL          | 1    |   |   |   |
| 34      | Y124550-59830<br>(A=E19837) | BOLT W/ SEAL WASHER          | 1    | W |   |   |
| 35      | Y124550-59820               | BOLT 8, PIPE JOINT           | 1    |   |   |   |
| 36      | Y22190-080002               | SEAL WASHER 8S               | 2    |   |   |   |
| 36-1    | Y22190-080002<br>(A=E19837) | SEAL WASHER 8S               | 1    | K |   |   |
| 37      | Y23414-100000               | GASKET 10, ROUND             | 2    |   |   |   |
| 38      | Y129150-32020               | GASKET, L.O. PUMP            | 1    |   |   |   |
| 39      | Y26450-060252               | BOLT M 6 $\times$ 25         | 4    |   |   |   |
| 40      | Y129403-34800               | DIPSTICK, LUB. OIL           | 1    |   |   |   |
| 41      | Y22190-080002<br>(A=E19837) | SEAL WASHER 8S               | 1    | W |   |   |

Engine for TB135 3TNE88-TB,TB1,ETB,ETB1 S/N 13510004-13514050  
**COOLING WATER SYSTEM**

Y00D6840  
 3TNE88-(E) TB (1)

10 CWシステム  
 COOLING WATER SYSTEM



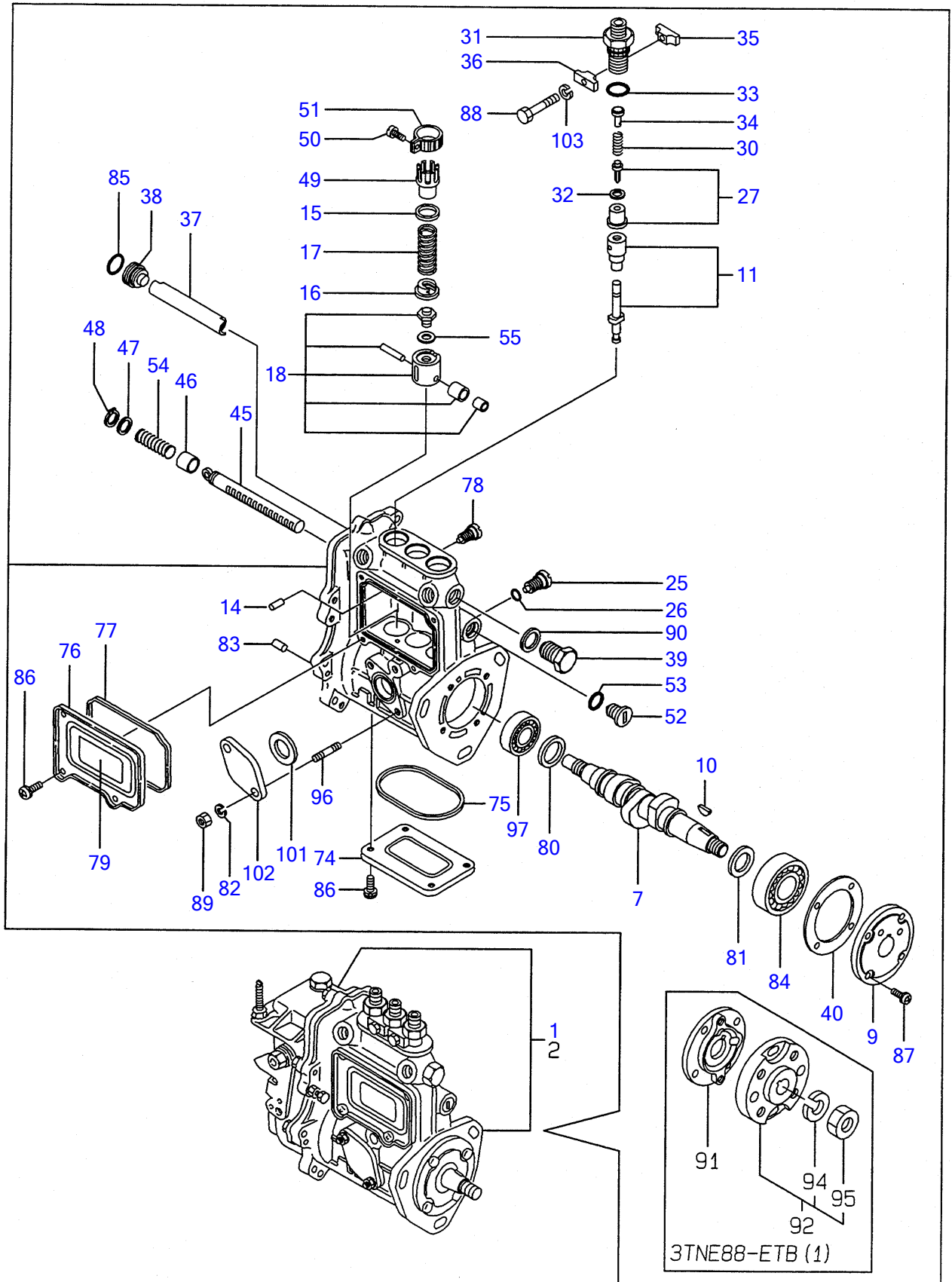
CW¼½ÄÑ COOLING WATER SYSTEM

| REF NO. | PARTS NO.                   | Description          | Q'ty |   |
|---------|-----------------------------|----------------------|------|---|
| 1       | Y121750-49110               | JOINT                | 1    |   |
| 2       | Y129001-42002               | PUMP ASSY, C.WATER   | 1    |   |
| 12      | Y23871-030000               | • PLUG PT3/8, SCREW  | 2    |   |
| 14      | Y26106-080602               | BOLT M 8~60 PLATED   | 3    |   |
| 15      | Y25132-003800               | V-BELT (A-38)        | 1    |   |
| 15-1    | Y119831-42290<br>(A=E19592) | V-BELT A37.5         | 1    | N |
| 16      | Y129556-42350               | V-PULLEY             | 1    |   |
| 16-1    | Y129155-42350<br>(A=E19592) | V-PULLEY, C.W. PUMP  | 1    | N |
| 17      | Y121520-44740               | FAN, COOLING         | 1    |   |
| 18      | Y171353-44760               | SPACER               | 1    |   |
| 19      | Y26106-060452               | BOLT M 6~45 PLATED   | 4    |   |
| 20      | Y129350-49560               | COVER, THERMOSTAT    | 1    |   |
| 21      | Y129795-49551               | GASKET, (NON-ASB.)   | 1    |   |
| 22      | Y129155-49800               | THERMOSTAT           | 1    |   |
| 23      | Y129150-49811               | GASKET, (NON-ASB.)   | 1    |   |
| 24      | Y129100-49840               | GASKET, THERMO. CASE | 1    |   |
| 25      | Y26106-080202               | BOLT M 8~20 PLATED   | 2    |   |
| 26      | Y124465-44950               | GASKET 16            | 1    |   |
| 27      | Y119266-49350               | SENSOR, THERMO       | 1    |   |
| 28      | Y129150-49360               | GASKET 10            | 1    |   |
| 29      | Y129001-42040               | JOINT                | 1    |   |
| 30      | Y24321-000300               | O-RING G30           | 1    |   |
| 31      | Y26106-080162               | BOLT M 8~16 PLATED   | 3    |   |
| 32      | Y171064-44510               | SUB-TANK ASSY        | 1    |   |
| 34      | Y121450-44531               | • CAP                | 1    |   |
| 35      | Y124450-44560               | • CLAMP              | 1    |   |
| 36      | Y121470-44581               | • GASKET             | 1    |   |
| 37      | Y23065-070225               | • HOSE 7~225         | 1    |   |
| 38      | Y124450-44550               | CLAMP, SUB-TANK      | 1    |   |
| 39      | Y121256-44600               | BRACKET, SUB-TANK    | 1    |   |
| 40      | Y129100-42020               | GASKET, C.W. PUMP    | 1    |   |
| 41      | Y121250-44901               | SWITCH, THERMO(110~) | 1    |   |
| 42      | Y129132-44500               | RADIATOR             | 1    |   |
| 42-1    | Y129030-44510<br>(A=E19592) | RADIATOR ASSY        | 1    | S |
| 43      | Y123682-44210               | • CAP                | 1    |   |
| 44      | Y121250-44590               | • CLAMP              | 2    |   |
| 46      | Y129132-44520               | • SHROUD             | 1    |   |
| 47      | Y129132-44530               | • HOSE, C.WATER      | 1    |   |
| 48      | Y26014-080162               | • BOLT M 8~16        | 4    |   |
| 49      | Y129132-44590               | NET, WIRE            | 1    |   |
| 50      | Y129132-44901               | COOLER ASSY, LUB OIL | 1    |   |
| 51      | Y119860-49010               | PIPE (A), C.WATER    | 1    |   |
| 52      | Y119860-49020               | PIPE (B), C.WATER    | 1    |   |
| 52      | Y119859-49020<br>(A=E20508) | PIPE (B), C.WATER    | 1    | N |
| 53      | Y23010-038000               | CLAMP 38             | 4    |   |
| 54      | Y129150-49100               | COCK ASSY, 3-WAY     | 1    |   |
| 55      | Y129150-49080               | COCK, DRAIN          | 1    |   |

Engine for TB135 3TNE88-TB,TB1,ETB,ETB1 S/N 13510004-13514050  
**FUEL INJECTION PUMP**

Y00D6840  
 3TNE88-(E) TB (1)

11 FOファンシャポンプ  
 FUEL INJECTION PUMP





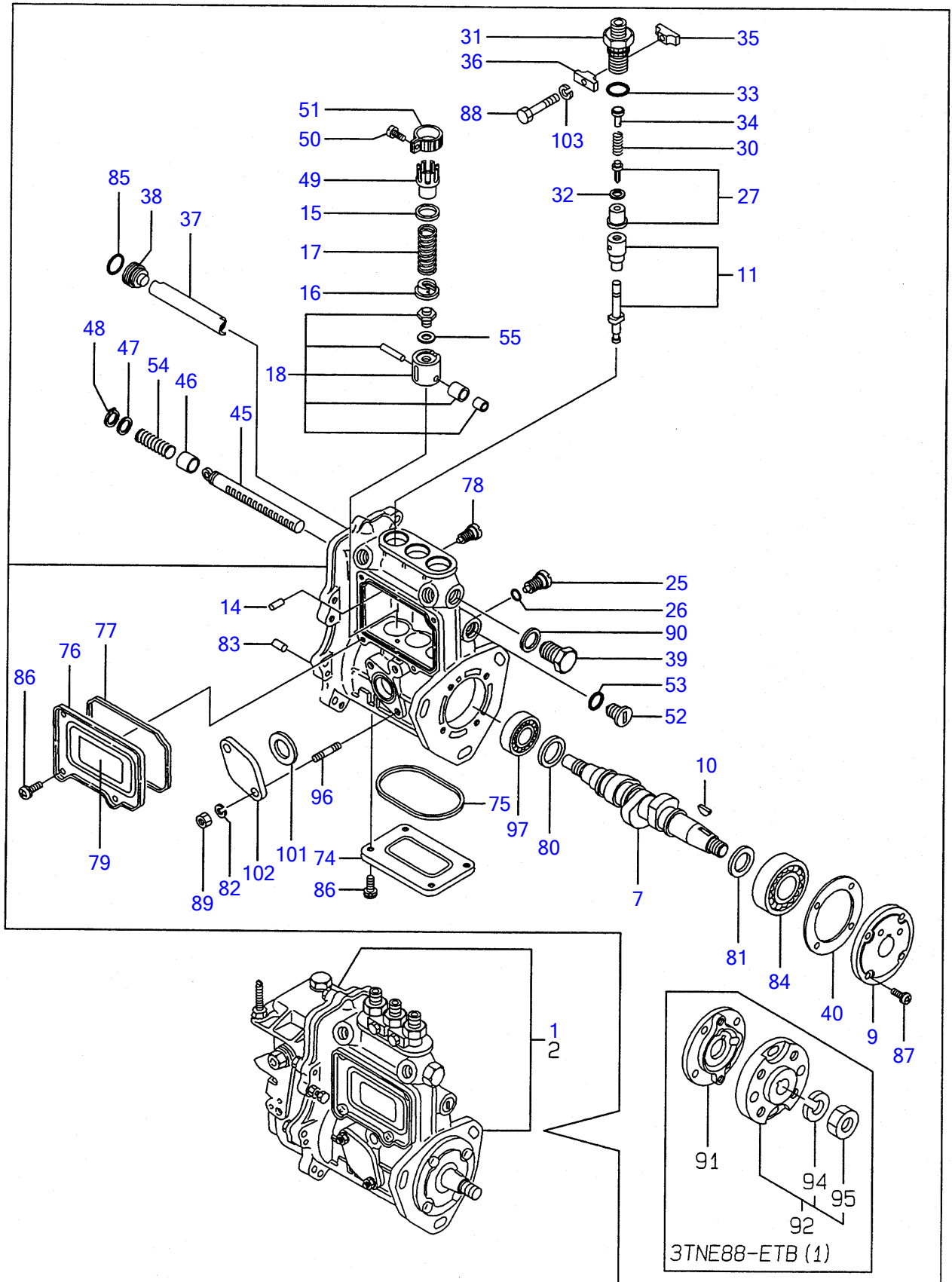
FOIY¼-ÍBÝÍB FUEL INJECTION PUMP ( TB,TB1 )

| REF NO. | PARTS NO.     | Description               | Q'ty | R   | "ó   |
|---------|---------------|---------------------------|------|-----|--|
| 1       | Y729030-51400 | FOIY¼-ÍBÝÍB ASSY          | 1    | (1) | ÐÁP¼NO. 1A2<br>FOIY¼-ÍBÝÍB ASSY<br>ÆÉÓ,NO. 12 ¶PÉPÁ ;<br>Í,ÐÍ½ |
| 7       | Y119810-51040 | • ¶Í¼P,                   | 1    |     |  |
| 9       | Y129155-51060 | • ¶Í¼P,»ÍB°Ä              | 1    |     |  |
| 10      | Y122710-51090 | • ÊÝ'PÄ                   | 1    |     |  |
| 11      | Y129506-51100 | • ÍB×Ý¼P- CMP             | 3    |     |  |
| 14      | Y129155-51140 | • ÊBÝ(ÊPÚÜÜØÄPÒ           | 3    |     |  |
| 15      | Y174307-51170 | • ÊPÉ³¹ A (ÍB×Ý¼P-        | 3    |     |  |
| 16      | Y129155-51180 | • ÍB×Ý¼P-ÊPÉ³¹¶PÈ         | 3    |     |  |
| 17      | Y124950-51190 | • ÍB×Ý¼P-½ÍBØÝ,P          | 3    |     |  |
| 18      | Y129155-51200 | • ÁÍB-Ä ¼,Ð               | 3    |     |  |
| 25      | Y129155-51270 | • ÁÍB-ÄÍÜØÄPÒ             | 3    |     |  |
| 26      | Y129155-51280 | • OØÝ P(S6                | 3    |     |  |
| 27      | Y129100-51300 | • ÄPØÍPØÊPÙÍP CMP         | 3    |     |  |
| 30      | Y129155-51320 | • ÊPÈ(ÄPØÍPØÊPÙÍP         | 3    |     |  |
| 31      | Y129155-51340 | • Ä¼-ÄÍPÝµ»'              | 3    |     |  |
| 32      | Y124550-51350 | • ÊB-Ý(ÄPØÍPØ             | 3    |     |  |
| 33      | Y124550-51370 | • OØÝ P(ÄPØÍPØ            | 3    |     |  |
| 34      | Y129155-51370 | • Ä¼-ÄÍPÝ½Ä-ÊB            | 3    |     |  |
| 35      | Y129155-51380 | • ÜÜØÄPÒ(A)               | 2    |     |  |
| 36      | Y129155-51390 | • ÜÜØÄPÒ(B)               | 2    |     |  |
| 37      | Y129155-51400 | • ÄPÍÜ,Ä                  | 1    |     |  |
| 38      | Y129155-51410 | • ÄØÍPÜÄ(ÄPÍÜ,Ä           | 1    |     |  |
| 39      | Y129155-51420 | • ÍB×,P (M16)             | 1    |     |  |
| 40      | Y129155-51450 | • Á®³¾²ÊB-Ý CMP           | 1    |     |  |
| 45      | Y129155-51500 | • °ÝÄÜ°Ü×-                | 1    |     |  |
| 46      | Y129155-51521 | • ÍP-¼-(×-                | 1    |     |  |
| 47      | Y129155-51530 | • ¶Ý»P(×-,¼P®SP           | 1    |     |  |
| 48      | Y129155-51540 | • ÄÜ(C¶PÄ                 | 1    |     |  |
| 49      | Y129155-51550 | • °ÝÄÜ°ÜÊBÆµÝ(B           | 3    |     |  |
| 50      | Y122117-51560 | • ÄØÈ¼P(FO¶PÝÉØÝ          | 3    |     |  |
| 51      | Y174307-51560 | • ÊBÆµÝ<br>774307-51490 Í | 3    |     |  |
| 52      | Y129155-51570 | • ÍB×,P (M12)             | 1    |     |  |
| 53      | Y129155-51580 | • OØÝ P                   | 1    |     |  |
| 54      | Y129155-51591 | • ×-Í¼P®ÊPÈ               | 1    |     |  |
| 55      | Y129155-51600 | • Á®³¾²¼Ñ CMP             | 3    |     |  |
| 74      | Y129155-51700 | • ¿PÄ(ÍÝÄ²                | 1    |     |  |
| 75      | Y129155-51710 | • PK(ÍÝÄ²¿PÄ              | 1    |     |  |
| 76      | Y129155-51750 | • ¿,ÌÄ(ÍÝÄ²               | 1    |     |  |
| 77      | Y129155-51760 | • PK(ÍÝÄ²¿,ÌÄ             | 1    |     |  |
| 78      | Y129155-51790 | • ×-ÜÜØÄPÒ                | 1    |     |  |
| 79      | Y129156-51910 | • Ø²ÊBÝ(Ä-³²              | 1    |     |  |
| 80      | Y129155-51930 | • ¶Ý»P T=3.25             | 1    |     |  |

Engine for TB135 3TNE88-TB,TB1,ETB,ETB1 S/N 13510004-13514050  
**FUEL INJECTION PUMP**

Y00D6840  
 3TNE88- (E) TB (1)

11 FOファンシャポンプ  
 FUEL INJECTION PUMP



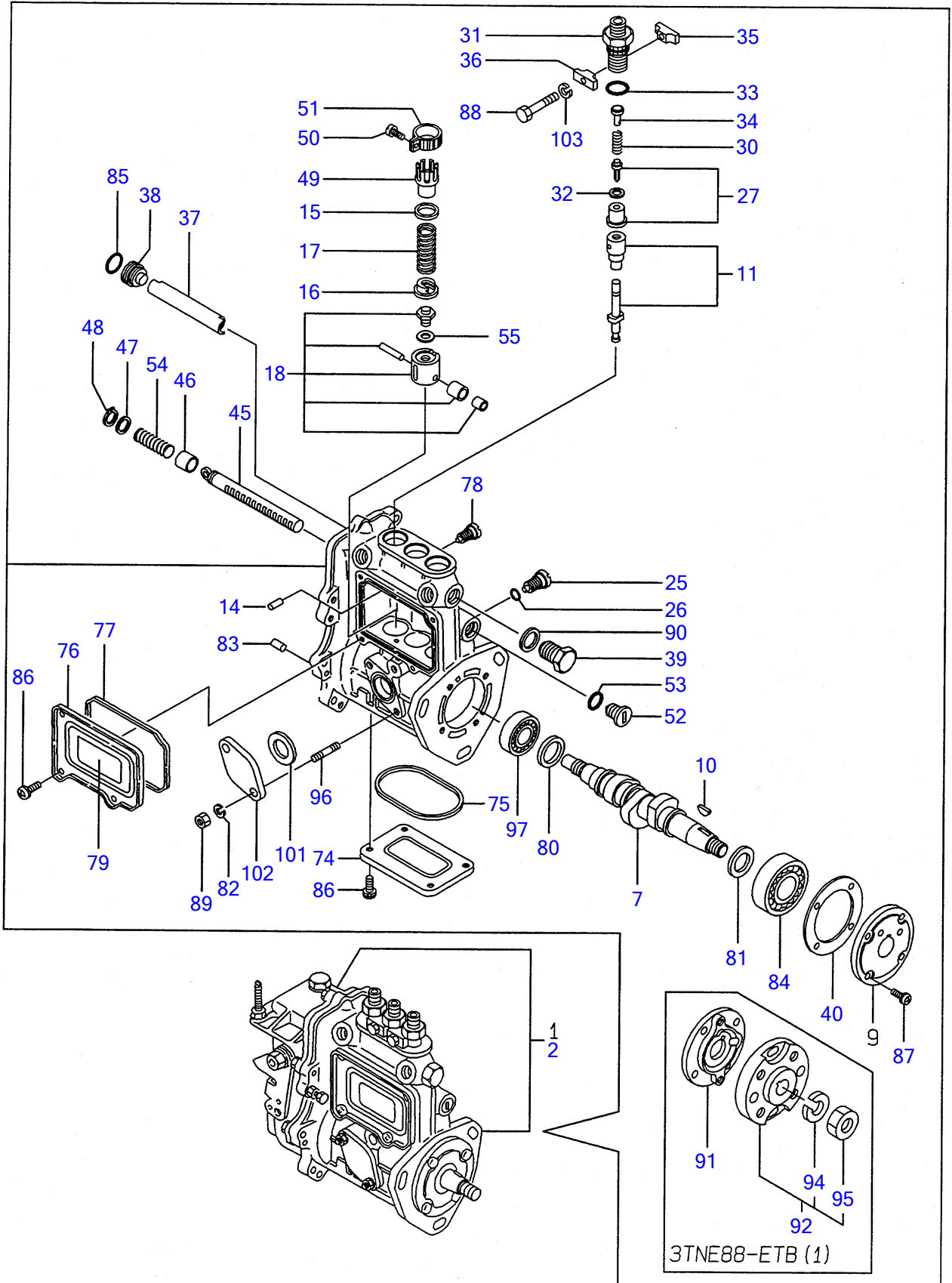
FUEL INJECTION PUMP ( TB,TB1 )

| REF NO. | PARTS NO.     | Description          | Q'ty | R |
|---------|---------------|----------------------|------|---|
| 81      | Y129155-51940 | SPACER T=1.5         | 1    |   |
| 82      | Y22217-060000 | SPRING WASHER 6      | 2    |   |
| 83      | Y22351-050010 | SPRING PIN 5~10      | 2    |   |
| 84      | Y24101-063034 | BALL BEARING         | 1    |   |
| 85      | Y24341-000160 | O-RING, 1A S-16.0    | 1    |   |
| 86      | Y26022-050102 | SCREW M 5~10         | 8    |   |
| 87      | Y26022-060162 | SCREW M 6~16         | 4    |   |
| 88      | Y26116-050302 | BOLT M 5~30 PLATED   | 2    |   |
| 89      | Y26716-060002 | NUT 6                | 2    |   |
| 90      | Y22190-160002 | SEAL WASHER 16S      | 1    |   |
| 96      | Y129155-51020 | STUD, FEED PUMP      | 2    |   |
| 97      | Y129155-51050 | BALL BEARING, THRUST | 1    |   |
| 101     | Y129155-52050 | GASKET               | 1    |   |
| 102     | Y129100-52200 | COVER, BLIND         | 1    |   |
| 103     | Y22217-050000 | SPRING WASHER 5      | 2    |   |

Engine for TB135 3TNE88-TB,TB1,ETB,ETB1 S/N 13510004-13514050  
**FUEL INJECTION PUMP**

Y00D6840  
 3TNE88-(E) TB (1)

11 FOファンシャポンプ  
 FUEL INJECTION PUMP

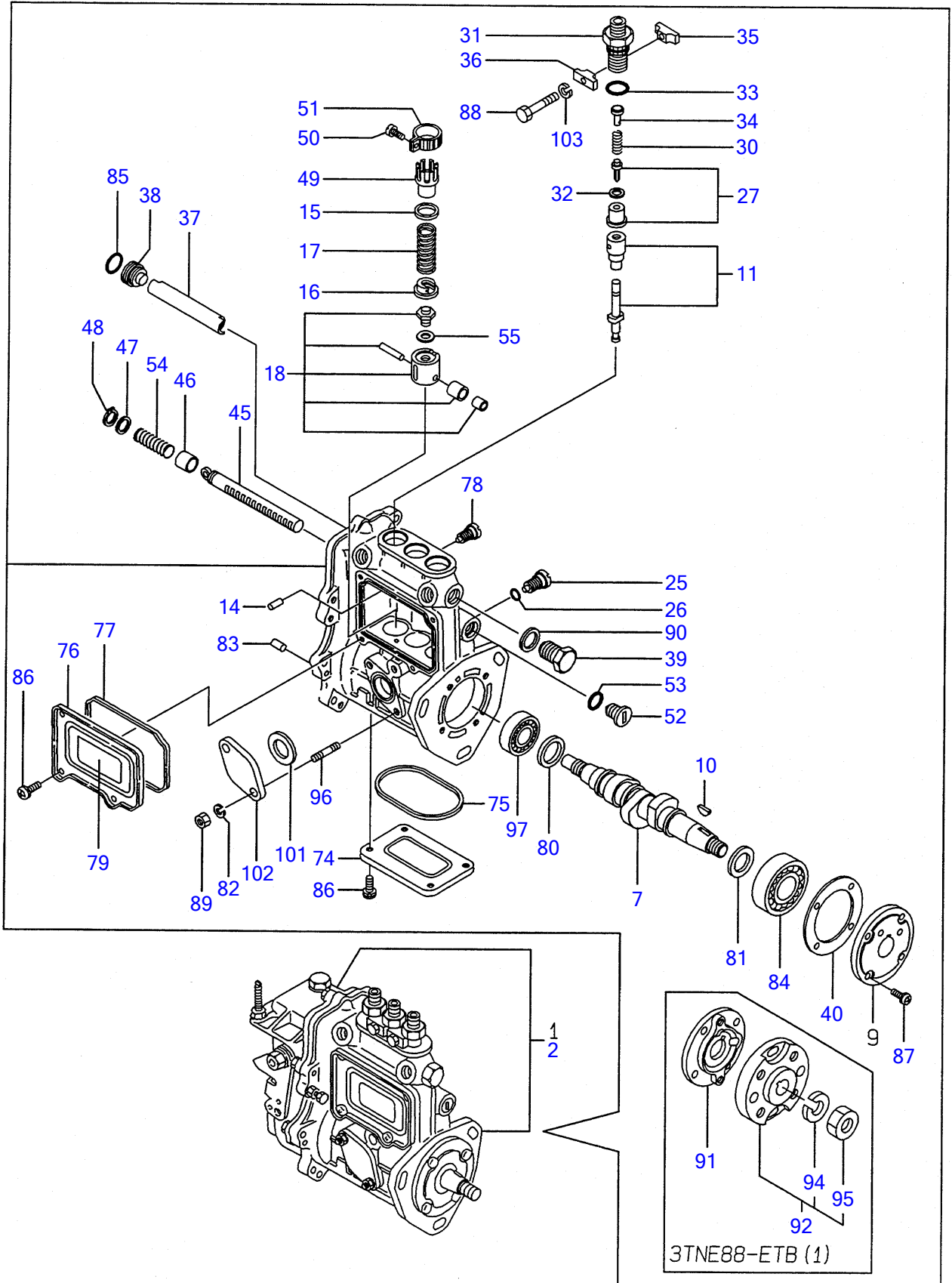


| REF NO. | PARTS NO.     | Description               | Q'ty | CEYS | R   | Notes  |
|---------|---------------|---------------------------|------|------|-----|--|
| 2       | Y729030-51460 | FOIY¼-ÍBÝÍB ASSY          | 1    |      | (1) | ÐÀP¼NO. 11A2<br>FOIY¼-ÍBÝÍB ASSY<br>ÆÉÉÓ, NO. 12 ¶PÉPÁ ;<br>Ì, ÐÍ½ |
| 7       | Y119810-51040 | • ¶Ñ¼P                    | 1    |      |     |  |
| 10      | Y122710-51090 | • ÉÝ¹PÁ                   | 1    |      |     |  |
| 11      | Y129506-51100 | • ÍB×Ý¼P- CMP             | 3    |      |     |  |
| 14      | Y129155-51140 | • ÈBÝ(ÈPÚÜÜØÄPÒ           | 3    |      |     |  |
| 15      | Y174307-51170 | • ÈPÈ³¹ A (ÍB×Ý¼P-)       | 3    |      |     |  |
| 16      | Y129155-51180 | • ÍB×Ý¼P-ÈPÈ³¹¶PÈ         | 3    |      |     |  |
| 17      | Y124950-51190 | • ÍB×Ý¼P-½ÍBØÝ, P         | 3    |      |     |  |
| 18      | Y129155-51200 | • ÁÍB-Ä ¼, Ð              | 3    |      |     |  |
| 25      | Y129155-51270 | • ÁÍB-ÄÍÜØÄPÒ             | 3    |      |     |  |
| 26      | Y129155-51280 | • OØÝ, P(S6               | 3    |      |     |  |
| 27      | Y129100-51300 | • ÄPØÍPØÈPÜÌP CMP         | 3    |      |     |  |
| 30      | Y129155-51320 | • ÈPÈ(ÄPØÍPØÈPÜÌP         | 3    |      |     |  |
| 31      | Y129155-51340 | • Ä¼-ÄÍPÝµ»´              | 3    |      |     |  |
| 32      | Y124550-51350 | • ÈB-Ý(ÄPØÍPØ             | 3    |      |     |  |
| 33      | Y124550-51370 | • OØÝ, P(ÄPØÍPØ           | 3    |      |     |  |
| 34      | Y129155-51370 | • Ä¼-ÄÍPÝ½Ä-ÈB            | 3    |      |     |  |
| 35      | Y129155-51380 | • ÜÜØÄPÒ(A)               | 2    |      |     |  |
| 36      | Y129155-51390 | • ÜÜØÄPÒ(B)               | 2    |      |     |  |
| 37      | Y129155-51400 | • ÄPÌÜ, Ä                 | 1    |      |     |  |
| 38      | Y129155-51410 | • ÄØÍPÜÄ(ÄPÌÜ, Ä          | 1    |      |     |  |
| 39      | Y129155-51420 | • ÍB×, P (M16)            | 1    |      |     |  |
| 40      | Y129155-51450 | • Á@³¾²ÈB-Ý CMP           | 1    |      |     |  |
| 45      | Y129155-51500 | • °ÝÄÜ°Ü×-                | 1    |      |     |  |
| 46      | Y129155-51521 | • ÌP¼-(×-                 | 1    |      |     |  |
| 47      | Y129155-51530 | • ¶Ý»P(×-, Í¼P@SP         | 1    |      |     |  |
| 48      | Y129155-51540 | • ÄÜÜ(C¶PÄ                | 1    |      |     |  |
| 49      | Y129155-51550 | • °ÝÄÜ°ÜÈBÆµÝ(B           | 3    |      |     |  |
| 50      | Y122117-51560 | • ÄØÈ¼P(FO¶PÝÉØÝ          | 3    |      |     |  |
| 51      | Y174307-51560 | • ÈBÆµÝ<br>774307-51490 Í | 3    |      |     |  |
| 52      | Y129155-51570 | • ÍB×, P (M12)            | 1    |      |     |  |
| 53      | Y129155-51580 | • OØÝ, P                  | 1    |      |     |  |
| 54      | Y129155-51591 | • ×-, Í¼P@ÈPÈ             | 1    |      |     |  |
| 55      | Y129155-51600 | • Á@³¾²¼¼Ñ CMP            | 3    |      |     |  |
| 74      | Y129155-51700 | • ¿¼Ä(ÍÝÄ²                | 1    |      |     |  |
| 75      | Y129155-51710 | • PK(ÍÝÄ²¿¼Ä              | 1    |      |     |  |
| 76      | Y129155-51750 | • ¿, Ä(ÍÝÄ²               | 1    |      |     |  |
| 77      | Y129155-51760 | • PK(ÍÝÄ²¿, Ä             | 1    |      |     |  |
| 78      | Y129155-51790 | • ×-, ÜÜØÄPÒ              | 1    |      |     |  |
| 79      | Y129156-51910 | • Ø²ÈPÝ(Ä-³²              | 1    |      |     |  |
| 80      | Y129155-51930 | • ¶Ý»P T=3.25             | 1    |      |     |  |
| 81      | Y129155-51940 | • ¶Ý»P T=1.5              | 1    |      |     |  |

Engine for TB135 3TNE88-TB,TB1,ETB,ETB1 S/N 13510004-13514050  
**FUEL INJECTION PUMP**

Y00D6840  
 3TNE88-(E) TB (1)

11 FOファンシャポンプ  
 FUEL INJECTION PUMP

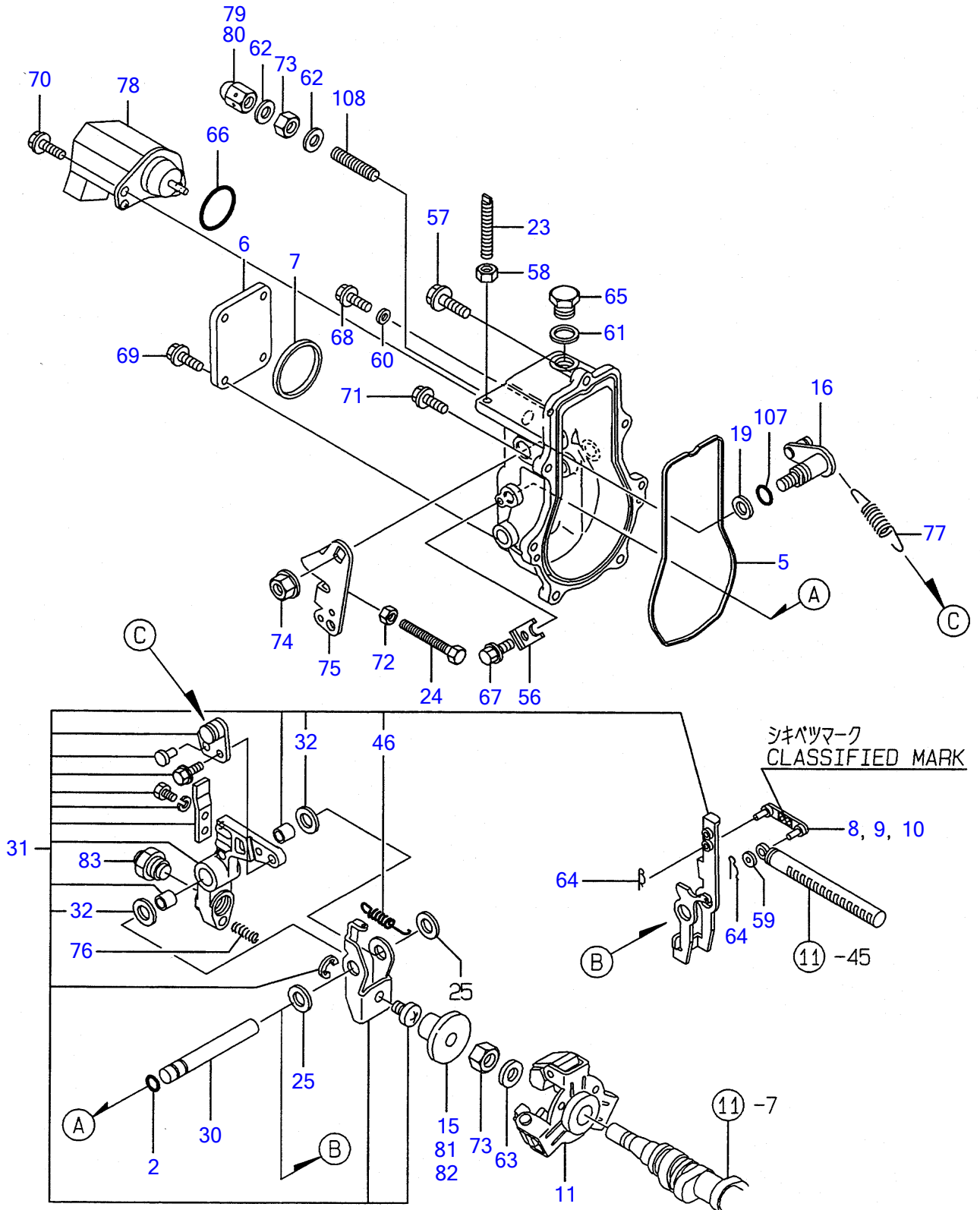


| REF NO. | PARTS NO.     | Description          | Q'ty | R |
|---------|---------------|----------------------|------|---|
| 82      | Y22217-060000 | • SPRING WASHER 6    | 2    |   |
| 83      | Y22351-050010 | SPRING PIN 5~10      | 2    |   |
| 84      | Y24101-063034 | BALL BEARING         | 1    |   |
| 85      | Y24341-000160 | O-RING, 1A S-16.0    | 1    |   |
| 86      | Y26022-050102 | SCREW M 5~10         | 8    |   |
| 87      | Y26022-060162 | SCREW M 6~16         | 4    |   |
| 88      | Y26116-050302 | BOLT M 5~30 PLATED   | 2    |   |
| 89      | Y26716-060002 | NUT 6                | 2    |   |
| 90      | Y22190-160002 | SEAL WASHER 16S      | 1    |   |
| 91      | Y129208-51060 | SUPPORT              | 1    |   |
| 92      | Y129208-54500 | FLANGER ASSY         | 1    |   |
| 94      | Y22217-120000 | SPRING WASHER        | 1    |   |
| 95      | Y26716-120002 | NUT 12               | 1    |   |
| 96      | Y129155-51020 | STUD, FEED PUMP      | 2    |   |
| 97      | Y129155-51050 | BALL BEARING, THRUST | 1    |   |
| 101     | Y129155-52050 | GASKET               | 1    |   |
| 102     | Y129100-52200 | COVER, BLIND         | 1    |   |
| 103     | Y22217-050000 | SPRING WASHER 5      | 2    |   |

Engine for TB135 3TNE88-TB, TB1, ETB, ETB1 S/N 13510004-13514050  
**GOVERNOR**

Y00D6840  
 3TNE88- (E) TB (1)

12 ガバナ  
 GOVERNOR



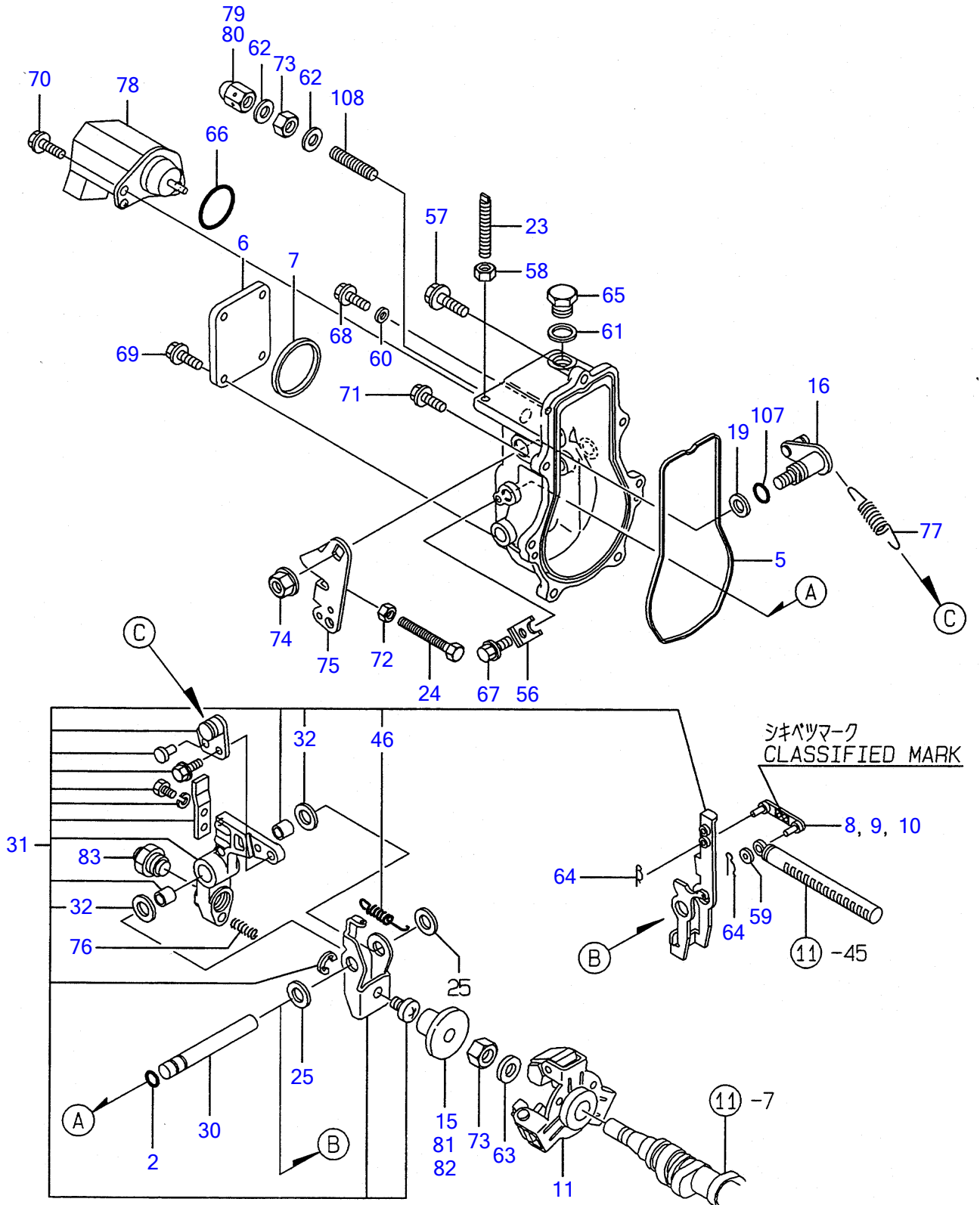


| REF NO. | PARTS NO.                | Description             | Q'ty | I | R | ØIII   |
|---------|--------------------------|-------------------------|------|---|---|--|
| 2       | Y129155-51280            | • O-RING S6             | 1    |   |   |  |
| 5       | Y129052-61050            | • PACKING               | 1    |   |   |  |
| 6       | Y129052-61060            | • COVER                 | 1    |   |   |  |
| 7       | Y129052-61070            | • PACKING               | 1    |   |   |  |
| 8       | Y129155-61120            | • LINK L=30 (MARK 0)    | 1    |   |   | (1) ¾YÄ, ¼Ö³ PËÝ:<br>¼·ÍPÄ·ºP³ μ ¶,ÆÝÉ³·<br>ÁÖ³ÓÝÈ¶P²Í½. (²×½Ä<br>»Ý¼Ö³) |
| 9       | Y129155-61130            | • LINK L=31 (MARK 1)    | 1    |   |   | (1) ¾YÄ, ¼Ö³ PËÝ:<br>¼·ÍPÄ·ºP³ μ ¶,ÆÝÉ³·<br>ÁÖ³ÓÝÈ¶P²Í½. (²×½Ä<br>»Ý¼Ö³) |
| 10      | Y129155-61140            | • LINK L=30.5 (MARK 05) | 1    |   |   | (1) ¾YÄ, ¼Ö³ PËÝ:<br>¼·ÍPÄ·ºP³ μ ¶,ÆÝÉ³·<br>ÁÖ³ÓÝÈ¶P²Í½. (²×½Ä<br>»Ý¼Ö³) |
| 11      | Y129155-61201            | • WEIGHT ASSY, GOVERNOR | 1    |   |   |  |
| 15      | Y129155-61341            | • SLEEVE                | 1    |   |   | (2) ¾YÄ, ¼Ö³ PËÝ.  |
| 16      | Y129100-61400            | • SHAFT ASSY, CONTROL   | 1    |   |   |  |
| 19      | Y129155-61430            | • SPACER, SHAFT         | 1    |   |   |  |
| 23      | Y129155-61450            | • BOLT, REVOL. LIMIT    | 1    |   |   |  |
| 24      | Y129155-61460            | • BOLT, IDLE. LIMIT     | 1    |   |   |  |
| 25      | Y129155-61480            | • SPACER ASSY           | 2    |   |   |  |
| 30      | Y129052-61390            | • SHAFT, GOV. LEVER     | 1    |   |   |  |
| 31      | Y129052-61500            | • LEVER ASSY, GOVERNOR  | 1    |   |   |  |
| 32      | Y174307-51700            | • SHIM SET              | 2    |   |   |  |
| 46      | Y129052-61540            | • SPRING                | 1    |   |   |  |
| 56      | Y119660-61901            | • RETAINER, SHAFT       | 1    |   |   |  |
| 57      | Y129155-61950            | • BOLT, WASHER BASED    | 1    |   |   |  |
| 58      | Y124550-66370            | • LOCK NUT M 6          | 1    |   |   |  |
| 59      | Y22117-040000            | • WASHER 4              | 1    |   |   |  |
| 60      | Y22190-060002            | • SEAL WASHER 6S(TB)    | 1    |   |   |  |
| 60-1    | Y22190-060003 (A=E18794) | • WASHER, SEAL 6        | 1    |   | N |  |
| 61      | Y22190-100002            | • SEAL WASHER 10S       | 1    |   |   |  |
| 62      | Y22190-120002            | • SEAL WASHER 12        | 2    |   |   |  |
| 63      | Y22287-120000            | • WASHER 12             | 1    |   |   |  |
| 64      | Y22372-040000            | • SNAP PIN 4            | 2    |   |   |  |
| 65      | Y23887-100002            | • PLUG 10               | 1    |   |   |  |
| 66      | Y24341-000280            | • O-RING, 1A S 28.0     | 1    |   |   |  |
| 67      | Y26106-060102            | • BOLT M 6~10 PLATED    | 1    |   |   |  |
| 68      | Y26106-060102            | • BOLT M 6~10 PLATED    | 1    |   |   |  |
| 69      | Y26106-060102            | • BOLT M 6~10 PLATED    | 4    |   |   |  |
| 70      | Y26106-060142            | • BOLT M 6~14 PLATED    | 2    |   |   |  |
| 71      | Y26106-060202            | • BOLT M 6~20 PLATED    | 6    |   |   |  |
| 72      | 26756-060002             | • LOCK NUT 6            | 1    |   |   |  |
| 73      | Y26776-120002            | • LOCK NUT M12 PLATED   | 2    |   |   |  |
| 74      | Y26366-080002            | • NUT M 8               | 1    |   |   |  |

Engine for TB135 3TNE88-TB, TB1, ETB, ETB1 S/N 13510004-13514050  
**GOVERNOR**

Y00D6840  
 3TNE88- (E) TB (1)

12 ガバナ  
 GOVERNOR

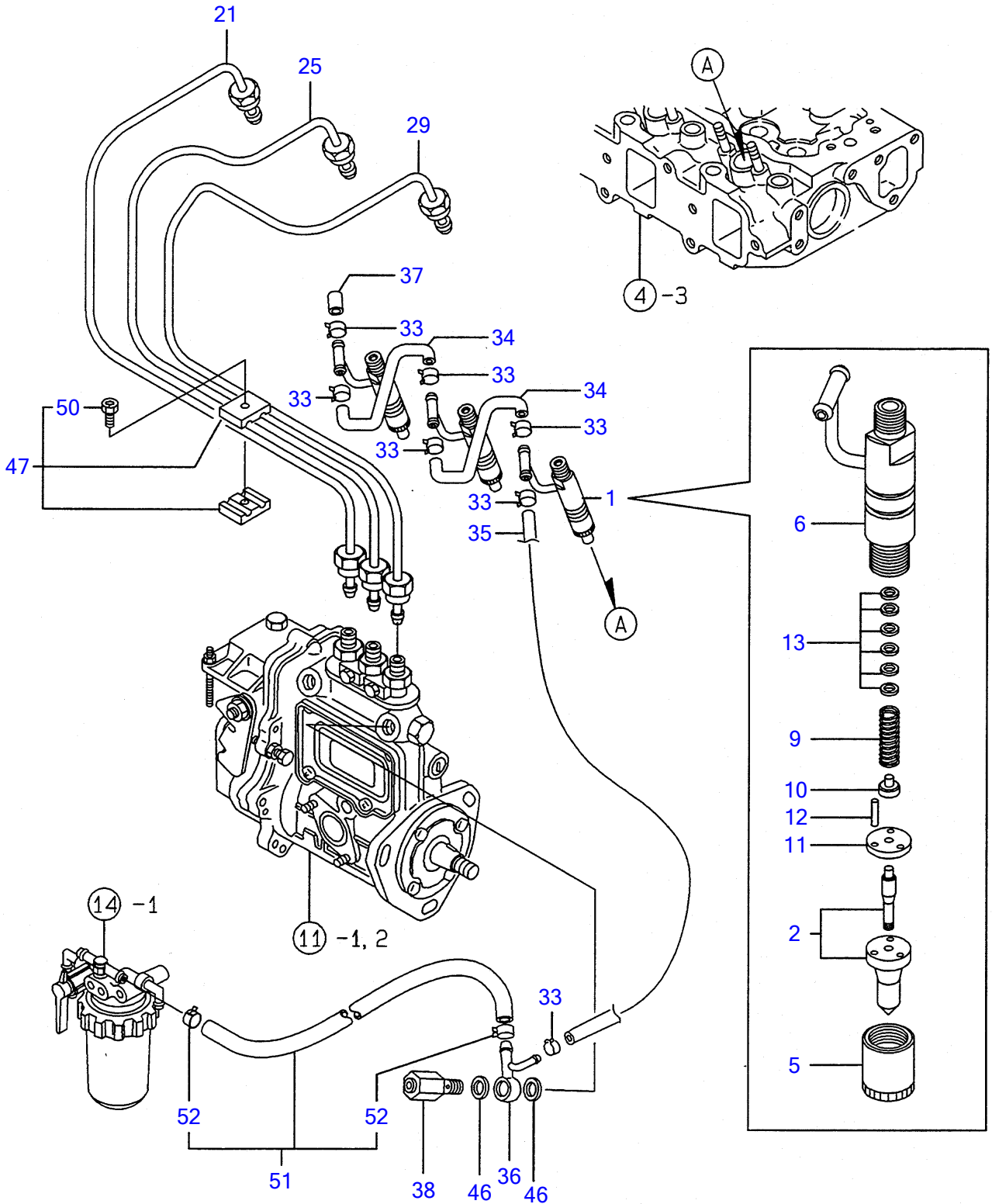


| REF NO. | PARTS NO.     | Description            | Q'ty | I | R | "öll                    |
|---------|---------------|------------------------|------|---|---|-------------------------|
| 75      | Y129100-61440 | • LEVER, CONTROL       | 1    |   |   |                         |
| 76      | Y129100-61650 | • SPRING, FUEL CONTROL | 1    |   |   |                         |
| 77      | Y129489-61700 | • SPRING, GOVERNOR     | 1    |   |   |                         |
| 78      | Y119285-77951 | • SOLENOID             | 1    |   |   |                         |
| 79      | Y26687-120002 | • CAP NUT M12(TB,TB1)  | 1    |   |   |                         |
| 80      | Y129100-61930 | • NUT, CAP(ETB,ETB1)   | 1    |   |   |                         |
| 81      | Y129155-61350 | • SLEEVE               | 1    |   |   | (2) 3/4"YA, 1/4"Ö3"pEY. |
| 82      | Y129155-61360 | • SLEEVE               | 1    |   |   | (2) 3/4"YA, 1/4"Ö3"pEY. |
| 83      | Y129132-61550 | • ANGLEICH ASSY        | 1    |   |   |                         |
| 107     | Y129155-61830 | • O-RING S10           | 1    |   |   |                         |
| 108     | Y129155-61470 | • BOLT, FUEL CONTROL   | 1    |   |   |                         |

Engine for TB135 3TNE88-TB,TB1,ETB,ETB1 S/N 13510004-13514050  
**FUEL INJECTION VALVE**

Y00D6840  
 3TNE88- (E) TB (1)

13 FOフンシャベン  
 FUEL INJECTION VALVE



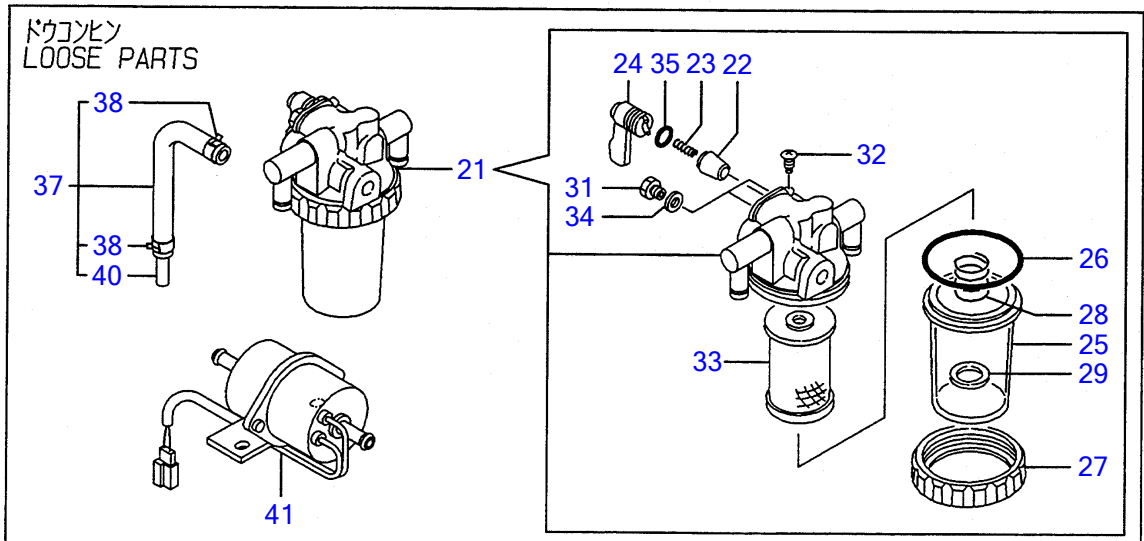
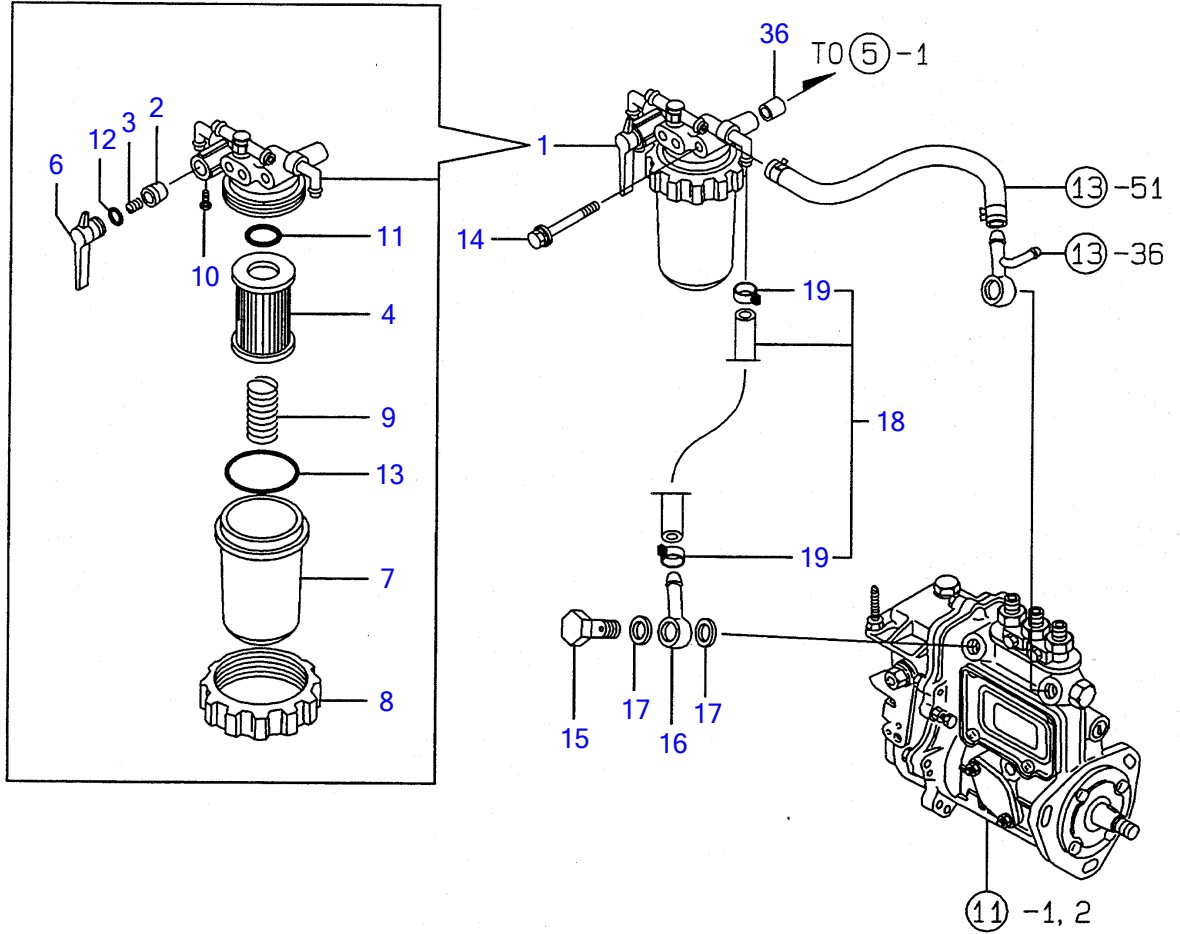
**FOIY¼-ÍPÝ FUEL INJECTION VALVE**

| REF NO. | PARTS NO.     | Description       | Q'ty |
|---------|---------------|-------------------|------|
| 1       | Y729102-53100 | FOIY¼-ÍPÝ ASSY    | 3    |
| 2       | Y129102-53000 | • É½PÙ CMP        | 3    |
| 5       | Y114250-53080 | • Å-Å(É½PÙÄØÅ¹    | 3    |
| 6       | Y129100-53100 | • É½PÙÍÙÄP°       | 3    |
| 9       | Y114250-53120 | • ½ÍØÝ, P(É½PÙ    | 3    |
| 10      | Y114250-53130 | • ¼°Å(É½PÙ½ÍØÝ, P | 3    |
| 11      | Y114250-53140 | • ½Å-ÍØÍÙ°Å       | 3    |
| 12      | Y114250-53210 | • ÉÛÝ(É½PÙ²Á·PØ   | 6    |
| 13      | Y114250-53400 | • ¼Ñ CMP          | 3    |
| 21      | Y129001-59910 | FO-T(ÍY¼-Í CMP    | 1    |
| 25      | Y129001-59920 | FO-T(ÍY¼-Í CMP    | 1    |
| 29      | Y129001-59930 | FO-T(ÍY¼-Í CMP    | 1    |
| 33      | Y124066-59100 | Í°½, Ø-ÍØ(ÍÙ 8    | 7    |
| 34      | Y121250-59550 | FO-T(D8Í-L120     | 2    |
| 35      | Y119840-59560 | FO-T ÓÁP¼         | 1    |
| 36      | Y119840-59570 | Å·PÅ              | 1    |
| 37      | Y129150-59580 | ·-ÍØ(FO-TÓÁP¼     | 1    |
| 38      | Y129100-59951 | Å³- ÉPÙÍP CMP     | 1    |
| 46      | Y23414-120000 | ÉÛ-Ý(ÍÙ 12        | 2    |
| 47      | Y119305-59120 | ÍÙÁPØ(ÍY¼-ÍY CMP  | 2    |
| 50      | Y129150-59131 | • Í(±Å HB4Í-14    | 2    |
| 51      | Y129210-59130 | FO-T CMP          | 1    |
| 52      | Y124766-59050 | • Í°½, Ø-ÍØ(ÍÙ 12 | 2    |

Engine for TB135 3TNE88-TB,TB1,ETB,ETB1 S/N 13510004-13514050  
**FUEL LINE**

Y00D6840  
 3TNE88- (E) TB (1)

14 FO/17  
 FUEL LINE

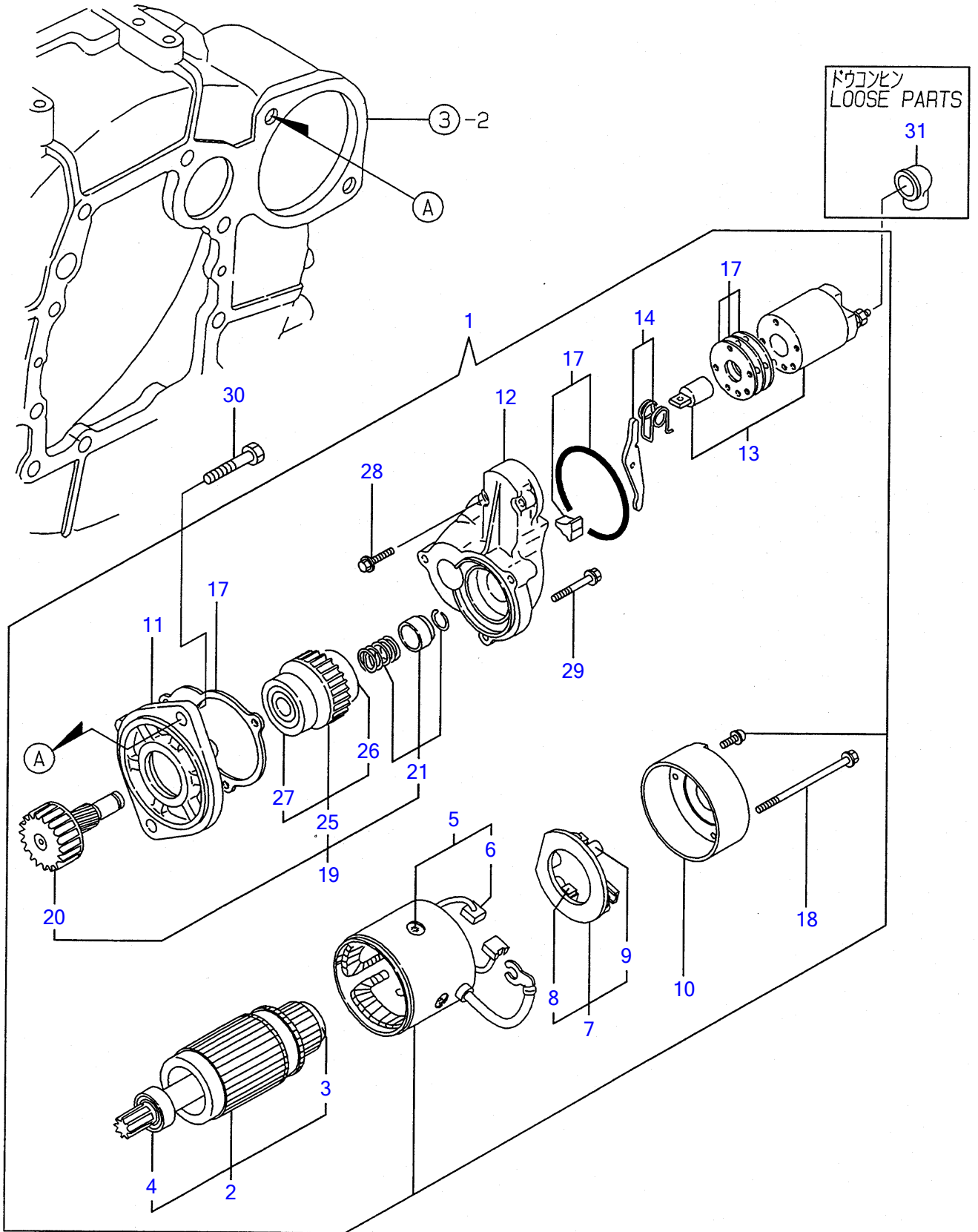


| REF NO. | PARTS NO.     | Description         | Q'ty |
|---------|---------------|---------------------|------|
| 1       | Y129052-55620 | STRAINER ASSY, FUEL | 1    |
| 2       | Y104200-55321 | VALVE, TAPER        | 1    |
| 3       | Y104200-55330 | SPRING, TAPER VALVE | 1    |
| 4       | Y129100-55650 | ELEMENT, FULE       | 1    |
| 6       | Y129100-55670 | LEVER               | 1    |
| 7       | Y129100-55680 | CUP, STRAINER       | 1    |
| 8       | Y129100-55690 | RING, RETAINING     | 1    |
| 9       | Y129100-55700 | SPRING              | 1    |
| 10      | Y104200-55750 | SCREW M 4           | 1    |
| 11      | Y24311-000160 | O-RING, 1A P-16.0   | 1    |
| 12      | Y24311-240100 | O-RING, 1A P-10A    | 1    |
| 13      | Y24321-000650 | O-RING, 1A G-65.0   | 1    |
| 14      | Y26014-080852 | BOLT M 8 85         | 1    |
| 15      | Y103854-39140 | BOLT, PIPE JOINT    | 1    |
| 16      | Y101304-59020 | JOINT 12, PIPE      | 1    |
| 17      | Y22190-120002 | SEAL WASHER 12      | 2    |
| 18      | Y129210-59020 | PIPE ASSY, FUEL OIL | 1    |
| 19      | Y124766-59050 | CLAMP 12            | 2    |
| 21      | Y129335-55700 | SEPARATOR, WATER    | 1    |
| 22      | Y104200-55321 | VALVE, TAPER        | 1    |
| 23      | Y104200-55330 | SPRING, TAPER VALVE | 1    |
| 24      | Y104200-55341 | HANDLE, COCK        | 1    |
| 25      | Y124064-55510 | BOWL, FUEL STRAINER | 1    |
| 26      | Y102103-55520 | O-RING              | 1    |
| 27      | Y110250-55610 | RING, RETAINING     | 1    |
| 28      | Y121257-55720 | SPRING, SCREEN      | 1    |
| 29      | Y121257-55731 | FLOAT               | 1    |
| 31      | Y101720-55750 | PLUG 6              | 2    |
| 32      | Y104200-55750 | SCREW M 4           | 1    |
| 33      | Y171081-55910 | SCREEN              | 1    |
| 34      | Y23418-060000 | GASKET 6, NYLON     | 2    |
| 35      | Y24311-240100 | O-RING, 1A P-10A    | 1    |
| 36      | Y129411-55690 | SPACER              | 1    |
| 37      | Y119840-59601 | BEND ASSY           | 1    |
| 38      | Y124766-59050 | CLAMP 12            | 2    |
| 40      | Y119840-59621 | JOINT               | 1    |
| 41      | Y129322-77401 | FEED PUMP           | 1    |

Engine for TB135 3TNE88-TB,TB1,ETB,ETB1 S/N 13510004-13514050  
STARTING MOTOR

Y00D6840  
3TNE88-(E) TB (1)

15 スタートリングモータ  
STARTING MOTOR





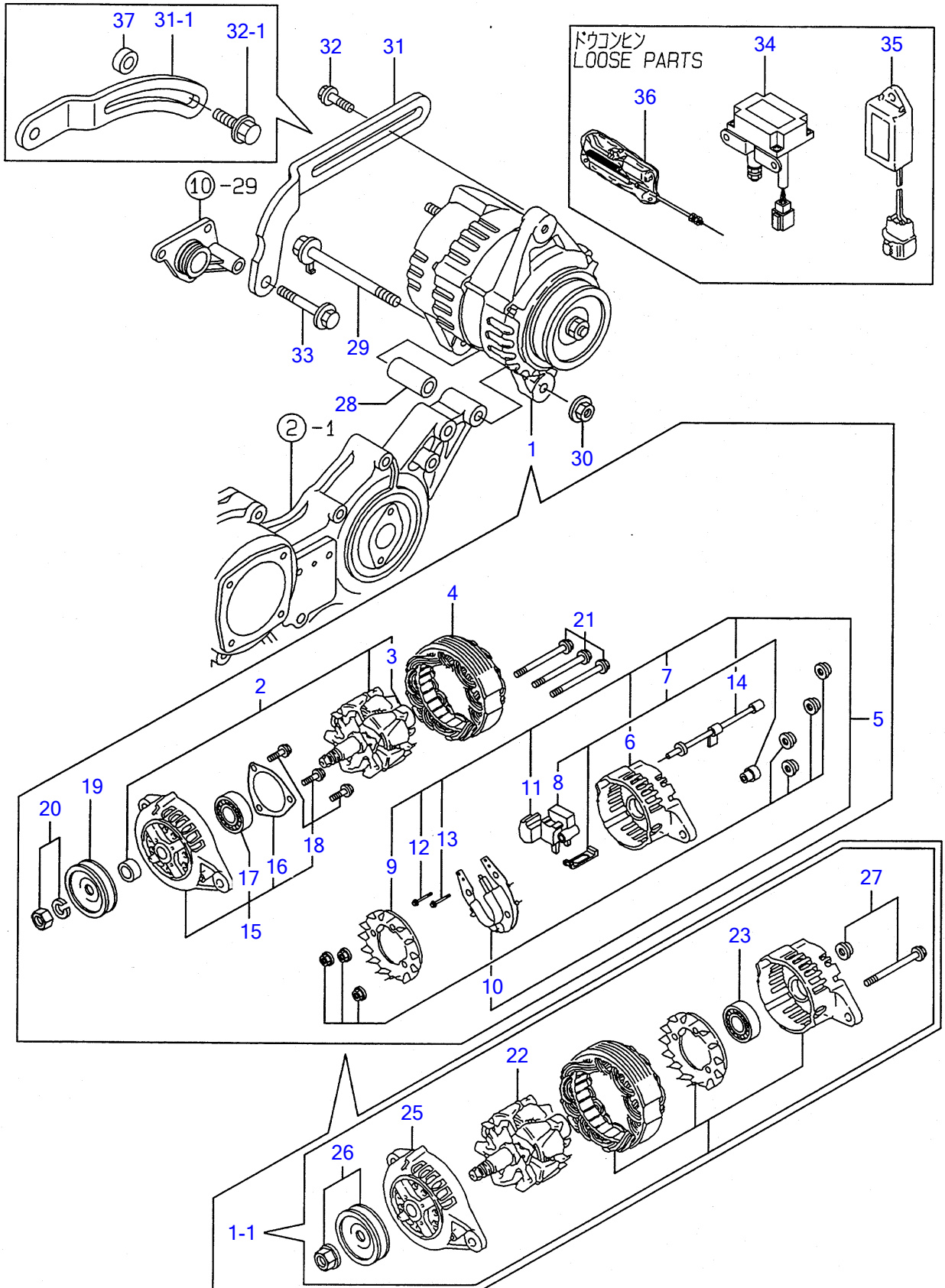
½Ä-Ä²Ý, PÓ-Ä STARTING MOTOR

| REF NO. | PARTS NO.     | Description              | Q'ty | I | R | ”ó |
|---------|---------------|--------------------------|------|---|---|----|
| 1       | Y129400-77012 | STARTING MOTOR           | 1    |   |   |    |
| 2       | Y129486-77400 | • ARMATUER               | 1    |   |   |    |
| 3       | Y171008-77410 | • • BEARING(1)           | 1    |   |   |    |
| 4       | Y171008-77420 | • • BEARING(2)           | 1    |   |   |    |
| 5       | Y129400-77441 | • FIELD COIL ASSY        | 1    |   |   |    |
| 6       | Y129486-77460 | • • BRUSH                | 2    |   |   |    |
| 7       | Y129486-77470 | • HOLDER ASSY, BRUSH     | 1    |   |   |    |
| 8       | Y129486-77460 | • • BRUSH                | 2    |   |   |    |
| 9       | Y129486-77490 | • • SPRING, START BRUSH  | 4    |   |   |    |
| 10      | Y129900-77460 | • COVER, REAR            | 1    |   |   |    |
| 11      | Y171008-77510 | • HOUSING ASSY, GEAR     | 1    |   |   |    |
| 12      | Y129400-77520 | • HOUSING CENTER         | 1    |   |   |    |
| 13      | Y129400-77531 | • SWITCH ASSY, MAGNETIC  | 1    |   |   |    |
| 14      | Y171008-77540 | • LEVER SET, SHIFT       | 1    |   |   |    |
| 17      | Y129400-77571 | • DUST COVER, (NON-ASB.) | 1    |   |   |    |
| 18      | Y129900-77640 | • BOLT, THROUGH          | 2    |   |   |    |
| 19      | Y171008-77650 | • PINION ASSY            | 1    |   |   |    |
| 20      | Y171008-77660 | • • SHAFT, PINION        | 1    |   |   |    |
| 21      | Y171008-77670 | • • STOPPER SET, PINION  | 1    |   |   |    |
| 25      | YX2114555500  | • • CLUTCH ASSY          | 1    |   |   |    |
| 26      | YX2114955020  | • • • BALL BEARING       | 1    |   |   |    |
| 27      | YX2240410100  | • • • BALL BEARING       | 1    |   |   |    |
| 28      | Y26106-060322 | • BOLT M 6~32 PLATED     | 2    |   |   |    |
| 29      | Y26106-060402 | • BOLT M 6~40 PLATED     | 3    |   |   |    |
| 30      | Y26116-120252 | BOLT M12~25 PLATED       | 2    |   |   |    |
| 31      | Y124550-77030 | COVER, TERMINAL          | 1    |   |   |    |

Engine for TB135 3TNE88-TB,TB1,ETB,ETB1 S/N 13510004-13514050  
GENERATOR

Y00D6840  
3TNE88-(E) TB (1)

16 ジェネレータ  
GENERATOR



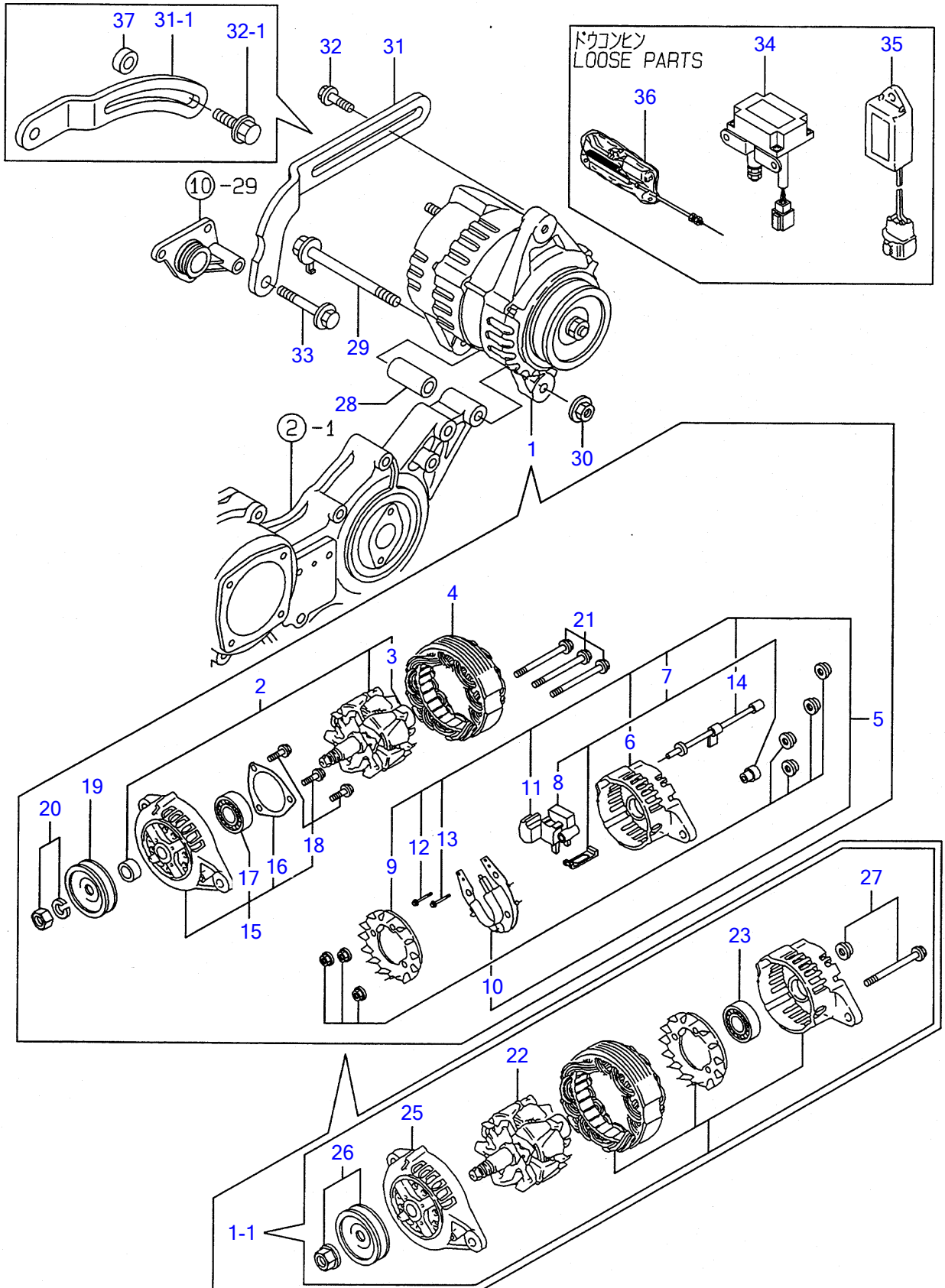
¼P°ÈÚ-À GENERATOR ( TB )

| REF NO. | PARTS NO.                     | Description            | Q'ty | I | R | δ |
|---------|-------------------------------|------------------------|------|---|---|---|
| 1       | Y119836-77200                 | ¼P°ÈÚ-À°(LR140-714     | 1    |   |   |   |
| 1-1     | Y119836-77201<br>(A=*1999.04) | AC¼P°ÈÚ-À              | 1    | R |   |   |
| 2       | Y119836-77700<br>(A=*1999.04) | · Û°À ASSY             | 1    | Z |   |   |
| 3       | Y119836-77850<br>(A=*1999.04) | · · ÎP°ÛÏP±ØÝ, P 6000S | 1    | Z |   |   |
| 4       | Y119836-77710<br>(A=*1999.04) | · ½À°À ASSY            | 1    | Z |   |   |
| 5       | Y119836-77721<br>(A=*1999.04) | · ØØ¶ÊP° ASSY          | 1    | Z |   |   |
| 6       | Y119836-77730<br>(A=*1999.04) | · · ØØ¶ÊP°             | 1    | Z |   |   |
| 7       | Y119836-77741<br>(A=*1999.04) | · · Û·P-Û°ÀÏP×¼ ASSY   | 1    | Z |   |   |
| 8       | Y119836-77750<br>(A=*1999.04) | · · · ÏP×¼(L170-1325   | 1    | Z |   |   |
| 9       | Y119836-77760<br>(A=*1999.04) | · · ÌSY¶P²ÄP           | 1    | Z |   |   |
| 10      | Y119836-77770<br>(A=*1999.04) | · · ÄP²µ°ÄP ASSY       | 1    | Z |   |   |
| 11      | Y119836-77780<br>(A=*1999.04) | · · °ÝÄPÝ»             | 1    | Z |   |   |
| 12      | Y119836-77871<br>(A=*1999.04) | · · ÎPÛÄ(1)            | 1    | Z |   |   |
| 13      | Y119836-77880<br>(A=*1999.04) | · · ÎPÛÄ(2)            | 1    | Z |   |   |
| 14      | Y119836-77890<br>(A=*1999.04) | · · Ø°ÄPÛ²Ø ASSY       | 1    | Z |   |   |
| 15      | Y119836-77790<br>(A=*1999.04) | · F¶ÊP°ASSY L140-44002 | 1    | Z |   |   |
| 16      | Y119836-77800<br>(A=*1999.04) | · · ÏP±ØÝ, PØÄ°Ä       | 1    | Z |   |   |
| 17      | Y119836-77840<br>(A=*1999.04) | · · ÎP°ÛÏP±ØÝ, P       | 1    | Z |   |   |
| 18      | Y119836-77860<br>(A=*1999.04) | · · ½, Ø-³ ·-ÄP        | 1    | Z |   |   |
| 19      | Y119836-77810<br>(A=*1999.04) | · ÌB°Ø                 | 1    | Z |   |   |
| 20      | Y119836-77820<br>(A=*1999.04) | · ÌB°ØÄ-Ä ASSY         | 1    | Z |   |   |
| 21      | Y119836-77830<br>(A=*1999.04) | · ½Û°ÏPÛÄ              | 1    | Z |   |   |
| 22      | Y129612-77700<br>(A=*1999.04) | · Û°À ASSY             | 1    | W |   |   |
| 23      | Y129612-77710<br>(A=*1999.04) | · ÎP°ÛÏP±ØÝ, P         | 1    | W |   |   |
| 25      | Y129612-77730<br>(A=*1999.04) | · ÌÛÝÄÏP×¹-Ä ASSY      | 1    | W |   |   |
| 26      | Y129612-77740<br>(A=*1999.04) | · ÌB°Ø                 | 1    | W |   |   |
| 27      | Y129612-77750<br>(A=*1999.04) | · ½, Ø-³ ·-Ä           | 1    | W |   |   |
| 28      | Y119820-77340                 | ÄP-½ÄÝ½ËB°½            | 1    |   |   |   |
| 29      | Y129136-77251                 | ÏPÛÄ 8Ï~110 (GEN       | 1    |   |   |   |
| 30      | 26366-080002                  | ÄÊPÄ·Ä-Ä 8             | 1    |   |   |   |
| 30-1    | Y129612-77260<br>(A=E20225)   | Ä-Ä(µÛÄÈ°Ä             | 1    | R |   |   |
| 31      | Y129100-77330                 | ±¼P-½Ä                 | 1    |   |   |   |
| 31-1    | Y129136-77350<br>(A=E20481)   | ±¼P-½Ä                 | 1    | R |   |   |
| 32      | Y119810-77340                 | ÏPÛÄ                   | 1    |   |   |   |
| 32-1    | Y26014-080352<br>(A=E20481)   | ÏPÛÄ(Ë×ÏÊPÈ 8Ï~35      | 1    | N |   |   |
| 34      | Y26106-080502<br>(A=E20481)   | ÄÊPÏPÛÄ 8Ï~50          | 1    | Z |   |   |
|         | Y129136-77100                 | ¾ÄÄ²ØÛ°(AST1-11)       | 1    |   |   |   |

Engine for TB135 3TNE88-TB,TB1,ETB,ETB1 S/N 13510004-13514050  
GENERATOR

Y00D6840  
3TNE88-(E) TB (1)

16 ジェネレータ  
GENERATOR



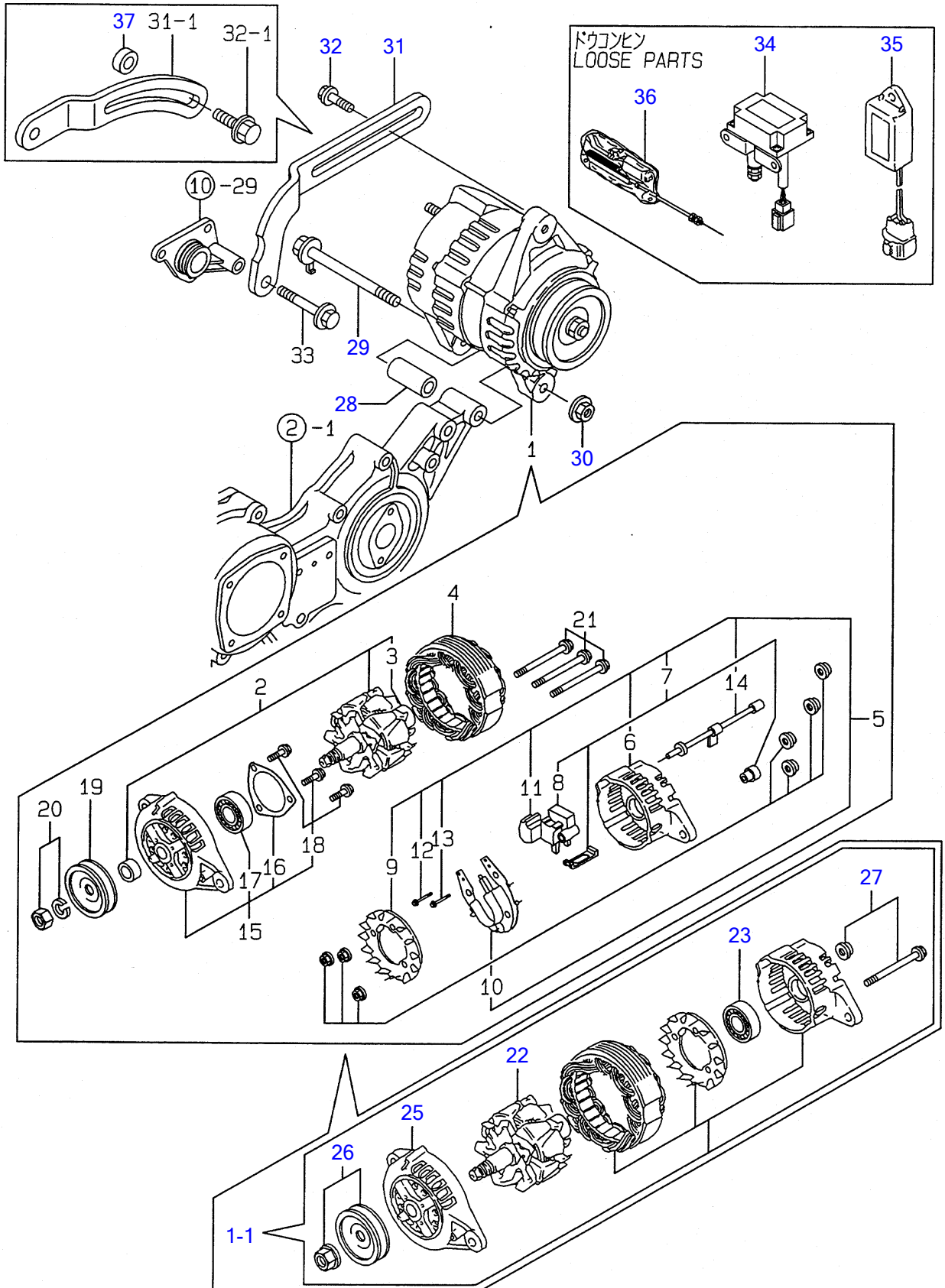
GENERATOR ( TB )

| REF NO. | PARTS NO.                   | Description           | Q'ty | I | R | Notes |
|---------|-----------------------------|-----------------------|------|---|---|-------|
| 35      | Y119632-77920               | TIMER                 | 1    |   |   |       |
| 36      | Y114654-77900               | STOP, ENGINE          | 1    |   |   |       |
| 36-1    | Y119032-77910<br>(A=E19592) | MOTOR ASSY, ENG. STOP | 1    | N |   |       |
| 37      | Y106500-44810<br>(A=E20481) | SPACER                | 1    | W |   |       |

Engine for TB135 3TNE88-TB,TB1,ETB,ETB1 S/N 13510004-13514050  
GENERATOR

Y00D6840  
3TNE88-(E) TB (1)

16 ジェネレータ  
GENERATOR



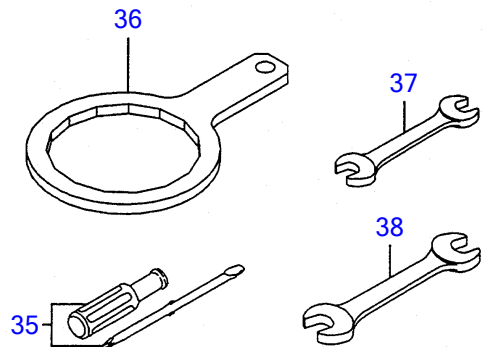
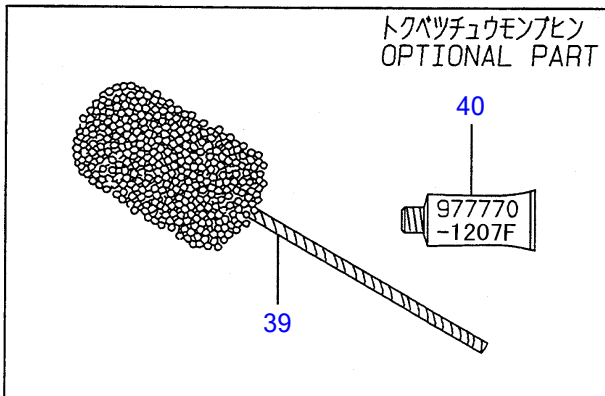
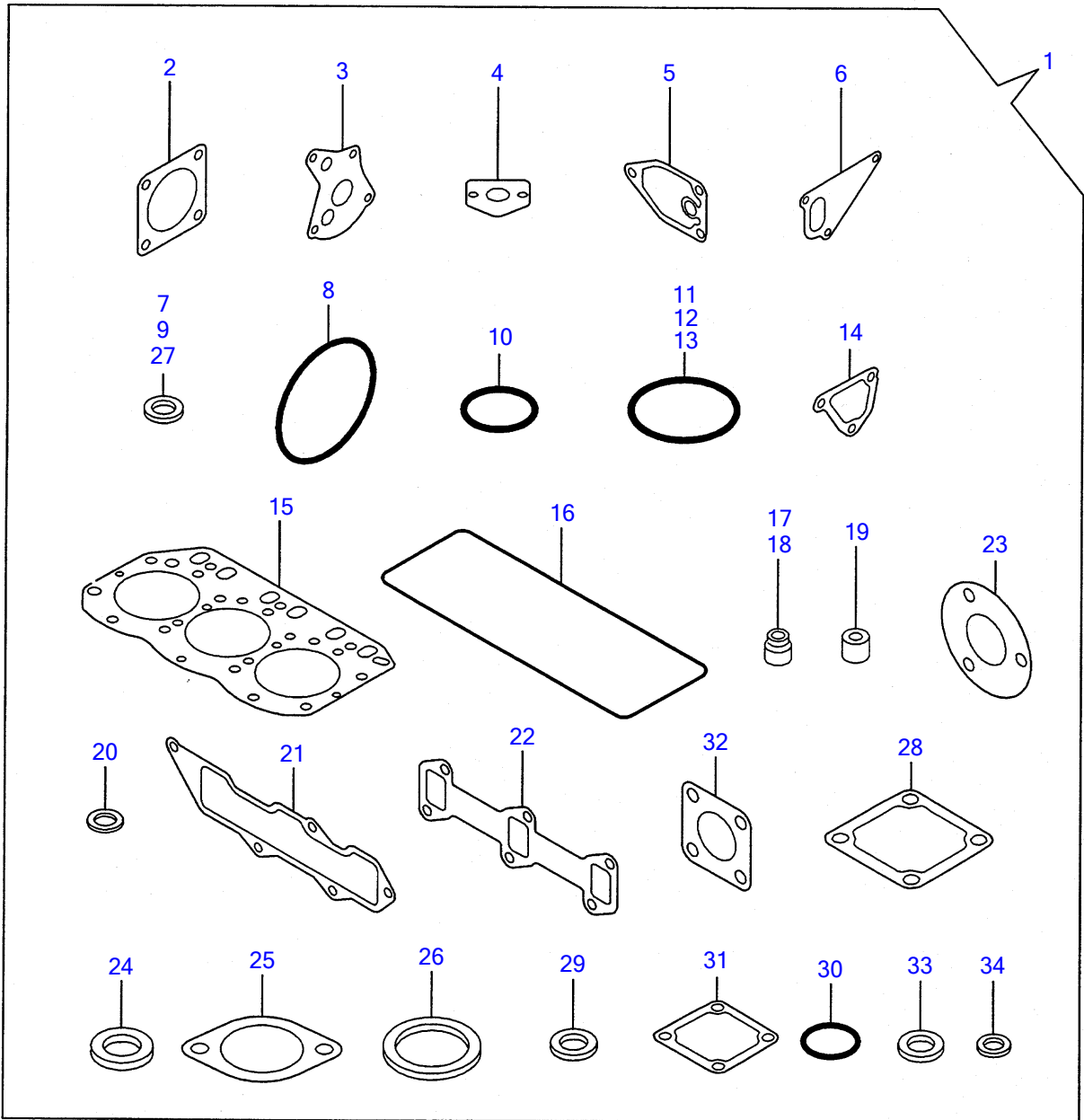
¼P°ÈÚ-À GENERATOR ( TB1,ETB(1) )

| REF NO. | PARTS NO.     | Description           | Q'ty |
|---------|---------------|-----------------------|------|
| 1-1     | Y119836-77201 | GENERATOR (AC)        | 1    |
| 22      | Y129612-77700 | • ROTOR ASSY          | 1    |
| 23      | Y129612-77710 | • BALL BEARING        | 1    |
| 25      | Y129612-77730 | • FRONT BRACKET ASSY  | 1    |
| 26      | Y129612-77740 | • PULLEY              | 1    |
| 27      | Y129612-77750 | • SCREW KIT           | 1    |
| 28      | Y119820-77340 | SPACER                | 1    |
| 29      | Y129136-77251 | BOLT M 8~110 (GEN     | 1    |
| 30-1    | Y129612-77260 | NUT, GENERATOR        | 1    |
| 31      | Y129136-77350 | ADJUSTER              | 1    |
| 32      | Y26014-080352 | BOLT M 8~35           | 1    |
| 34      | Y129136-77100 | RELAY, SAFETY         | 1    |
| 35      | Y119632-77920 | TIMER                 | 1    |
| 36-1    | Y119032-77910 | MOTOR ASSY, ENG. STOP | 1    |
| 37      | Y106500-44810 | SPACER                | 1    |

Engine for TB135 3TNE88-TB,TB1,ETB,ETB1 S/N 13510004-13514050  
**GASKET SET**

Y00D6840  
 3TNE88-(E) TB (1)

17 パッキンセット  
 GASKET SET





| REF NO. | PARTS NO.     | Description           | Q'ty | I | R | Other    |
|---------|---------------|-----------------------|------|---|---|----------|
| 1       | Y729001-92600 | GASKET SET(NON-ASB.)  | 1    |   |   |          |
| 1-1     | Y729001-92620 | GASKET SET(NON-ASB.)  | 1    | N |   |          |
|         | (A=EXXX)      |                       |      |   |   |          |
| 2       | Y124240-01883 | GASKET, (NON-ASB.)    | 1    |   |   |          |
| 3       | Y129150-32020 | GASKET, L. O. PUMP    | 1    |   |   |          |
| 4       | Y129150-35041 | GASKET, (NON-ASB.)    | 1    |   |   |          |
| 5       | Y129150-35111 | GASKET, (NON-ASB.)    | 1    |   |   |          |
| 6       | Y129100-42020 | GASKET, C. W. PUMP    | 1    |   |   |          |
| 7       | Y22190-080002 | SEAL WASHER 8S        | 1    |   |   |          |
| 8       | Y121850-51960 | O-RING, F. I. PUMP    | 1    |   |   |          |
| 9       | Y129150-49360 | GASKET 10             | 1    |   |   |          |
| 10      | Y24311-000160 | O-RING, 1A P-16.0     | 3    |   |   |          |
| 11      | Y24341-000240 | O-RING, 1A S-24.0     | 1    |   |   |          |
| 12      | Y24311-000320 | O-RING, 1A P-32.0     | 3    |   |   |          |
| 13      | Y24321-000300 | O-RING, G30           | 1    |   |   |          |
| 14      | Y129100-49840 | GASKET, THERMO. CASE  | 1    |   |   |          |
| 15      | Y129001-01340 | GASKET, (NON-ASB.)    | 1    |   |   |          |
| 16      | Y129001-11310 | GASKET, BONNET        | 1    |   |   |          |
| 17      | Y121400-11340 | SEAL, VALVE STEM      | 3    |   |   |          |
| 18      | Y124460-11340 | SEAL, VALVE STEM      | 3    |   |   |          |
| 19      | Y119625-11870 | PROTECTOR, NOZZLE     | 3    |   |   |          |
| 20      | Y119625-11880 | SEAT, NOZZLE          | 3    |   |   |          |
| 21      | Y129001-12110 | GASKET, INT. MANIFOLD | 1    |   |   |          |
| 22      | Y129150-13110 | GASKET, EXH. MANIFOLD | 1    |   |   |          |
| 23      | Y103954-13201 | GASKET, SILENCER      | 1    |   |   |          |
| 24      | Y124465-44950 | GASKET 16             | 1    |   |   |          |
| 25      | Y129795-49551 | GASKET, (NON-ASB.)    | 1    |   |   |          |
| 26      | Y129150-49881 | GASKET, (NON-ASB.)    | 1    |   |   |          |
| 27      | Y22190-120002 | SEAL WASHER 12        | 2    |   |   |          |
| 28      | Y129150-77511 | GASKET, (NON-ASB.)    | 1    |   |   |          |
| 29      | Y23414-120000 | GASKET 12, ROUND      | 2    |   |   |          |
| 30      | Y24311-000120 | O-RING, 1A P-12.0     | 3    |   |   |          |
| 31      | Y129100-77510 | GASKET, AIR HEATER    | 1    |   |   |          |
| 32      | Y124701-11911 | GASKET, (NON-ASB.)    | 1    |   |   |          |
| 33      | Y22190-220002 | SEAL WASHER 22S       | 1    | W |   |          |
|         | (A=EXXX)      |                       |      |   |   |          |
| 34      | Y23414-100000 | GASKET 10, ROUND      | 2    | W |   |          |
|         | (A=EXXX)      |                       |      |   |   |          |
| 35      | Y104200-92350 | DRIVER, SCREW         | 1    |   |   |          |
| 36      | Y119640-92750 | WRENCH, FILTER        | 1    |   |   |          |
| 37      | Y28110-100120 | WRENCH 10 1/2         | 1    |   |   |          |
| 38      | Y28110-140170 | WRENCH 14 1/2         | 1    |   |   |          |
| 39      | Y129400-92420 | FLEX HORN             | 1    |   |   | (1) 1/2" |
| 40      | Y977770-1207F | GASKET, LIQUID        | 1    |   |   | (1) 1/2" |

# How to read this Parts Catalog.

1. Parts mentioned in this Parts Catalog may not necessarily be standard equipping parts.
2. Parts change may be made without prior notice.
3. Form of this Parts Catalog.

Y00F2161 (1997.09.01)

**Fig. 29 燃料噴射ポンプ(ブーコン用)**  
**FUEL INJECTION PUMP (W/BOOST)**

| 見出<br>REF.No. | レベル<br>LEV. | 部品番号<br>PARTS No. | 部品名              | DESCRIPTION         | 個数 (Qty) |   |   |   |   |   | 備考 |
|---------------|-------------|-------------------|------------------|---------------------|----------|---|---|---|---|---|----|
|               |             |                   |                  |                     | A        | B | C | D | E | F |    |
| 1             | .           | 729595-51390      | F0ポンプ ASY(7-コック) | FULE INJECTION PUMP | 1        | 1 | 1 | 1 | 1 | 1 |    |
| 1-1           | .           | 729595-51391      | F0ポンプ ASY(7-コック) | FULE INJECTION PUMP | 1        | 1 | 1 | 1 | 1 | 1 |    |
| 3             | ..          | 26022-060162      | ナメネジ M 6X 16     | SCREW M 6X 16       | 9        | 9 | 9 | 9 | 9 | 9 |    |
| I 3-1         | ..          | 26022-060162      | ナメネジ M 6X 16     | SCREW M 6X 16       | 4        | 4 | 4 | 4 | 4 | 4 | K  |
| 4             | ..          | 129470-51040      | カムシャフト           | CAMSHAFT            | 1        | 1 | 1 | 1 | 1 | 1 |    |
| 5             | ..          | 122710-51050      | ベアリングローラ         | BEARING, ROLLER     | 2        | 2 | 2 | 2 | 2 | 2 |    |
| 6             | ..          | 129470-51060      | ベアリングオサヒ         | RETAINER            | 1        | 1 | 1 | 1 | 1 | 1 |    |

**備考**  
(1) ブーストコンペンセータ付き. 4JH-DT, 4JH-DTZとも  
E/# 00155 までは、特別注文仕様とします

**Remarks**  
(1) BOOST COMPENSATOR TYPE.  
OPTIONAL PART, TO E/# 00155.  
(4JH - DT, 4JH - DTZ)

**① Ref. No.**

The Ref. No. in the list may not be accord with the Ref. No. on illustration.  
(Ex.) Illustration No.                      List head No.

1                      1 (Befor change)                      →                      1 -1 (After change)

When interchangeable symbol N, R, and K, illustrations for new parts are sometimes omitted.

**② Lev.(Level)**

Indication and Meaning of Level

Level : Hereunder is given the relation among the number of dots(•), the level and the nominal parent- child relationship.

- .....Parent parts(Assembly parts)
- .....Child parts included in "••" (Semi- Assembly parts, component parts of Assembly parts.)
- .....Child parts included in "•••", Grand- child parts in terms of "••".  
(Compornent parts of Semi- Assembly parts.)

Note) A parts of non- sale parts are illustlated but not listed.

**③ Change Mark**

Change Mark "I" is given to the part for which a desigh change was made at this time.  
The design change was not shown in the last published Parts Catalog.

**④ Interchangeability Mark**

In the case where a part change took place, one of the following interchangeability marks is indicated for that part.

| Symbol | interchangeability            | Contents note  |
|--------|-------------------------------|--|
| N      | Old $\longleftrightarrow$ New | New Part is interchangeable for Old Part but not interchangeable conversely.     |
| Q      | Old $\longleftrightarrow$ New | New Part is not interchangeable for Old Part but interchangeable conversely.     |
| R      | Old $\longleftrightarrow$ New | New Part is interchangeable for Old Part and vice versa.                         |
| S      | Old $\longleftrightarrow$ New | New Part is not interchangeable for Old Part and vice versa.                     |
| W      |                               | Part newly added.  |
| Z      |                               | Part discontinued.   |
| F      |                               | Not interchangeable single part but interchangeable by set of the related parts. |
| K      |                               | Changed only in quantity used.   |

**⑤ Effective Machine No.**

When a part is changed, Effective Machine No. of a Model for which the part is applicable is indication in each column of (A)- (F).

| Product Symbol | Product No.               | Product Symbol | Product No. |
|----------------|---------------------------|----------------|-------------|
| C              | Clutch No. Compressor No. | M              | Machine No. |
| D              | Drive No.                 | T              | Tractor No. |
| E              | Engine No.                | Note1) ※       | Date        |

Note1) Date may follow the symbol in some cases. (Ex.) ※ 1996.01

Note2) As far as engine models shown by "XXX" are concerned, the modification of the parts could not be predicted or the engine models themselves could not be identified.

Note3) (A=E/#00185) means that the design change on the part has been effective for the model at the column (A)(in this case, for 4JH- DT) on and from E/(Engine Serial Number) 00185.

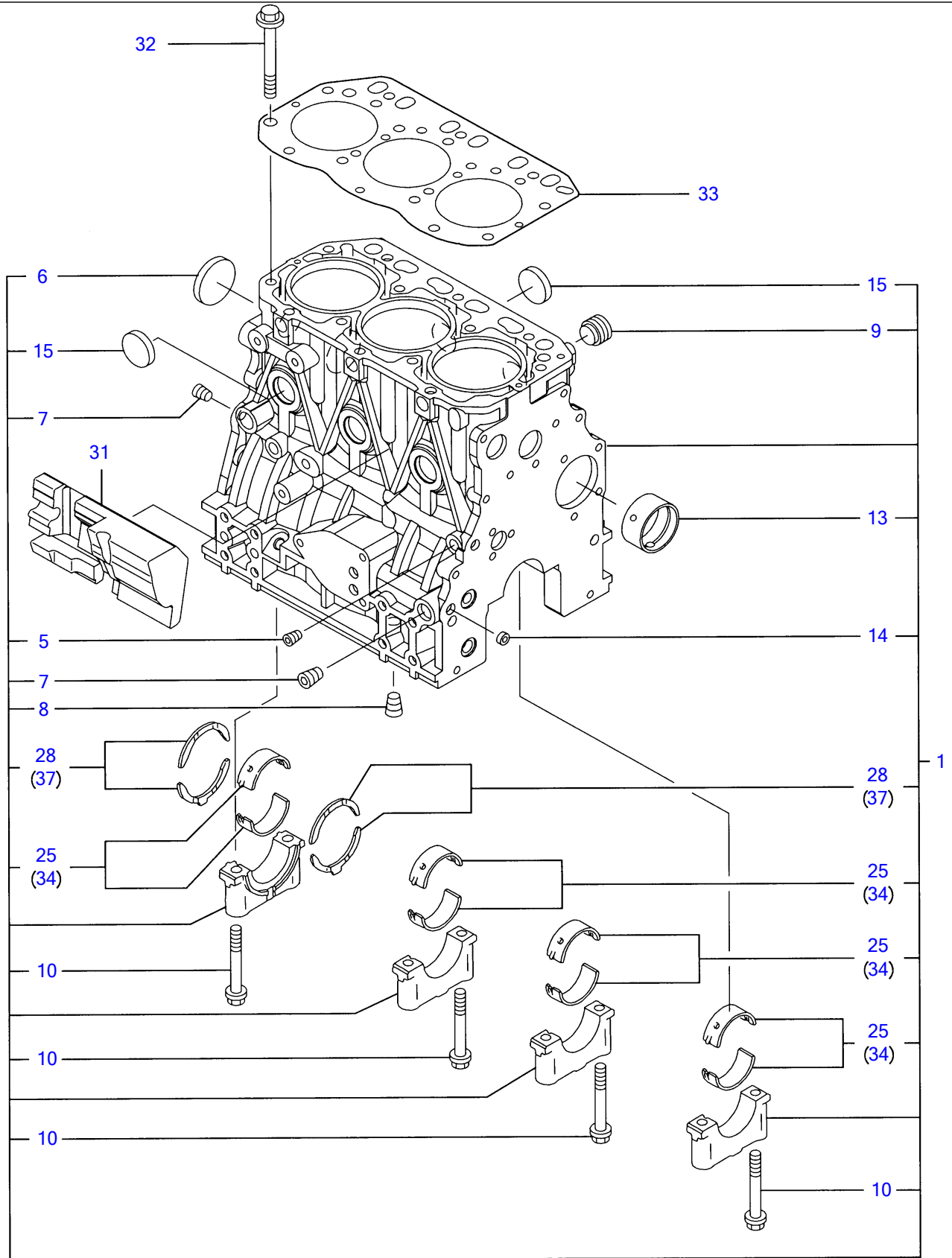
**⑥ Remarks Mark**

Figures or alphabets (Symbols) are entered in the remark column.

The comments(remarks)on the pertinent parts are indicated in the lower part of the list by the same symbols as those stated above.



Engine for TB135 3TNV88-QTB(cab), QTB1(canopy) S/N 13514051-  
CYLINDER BLOCK

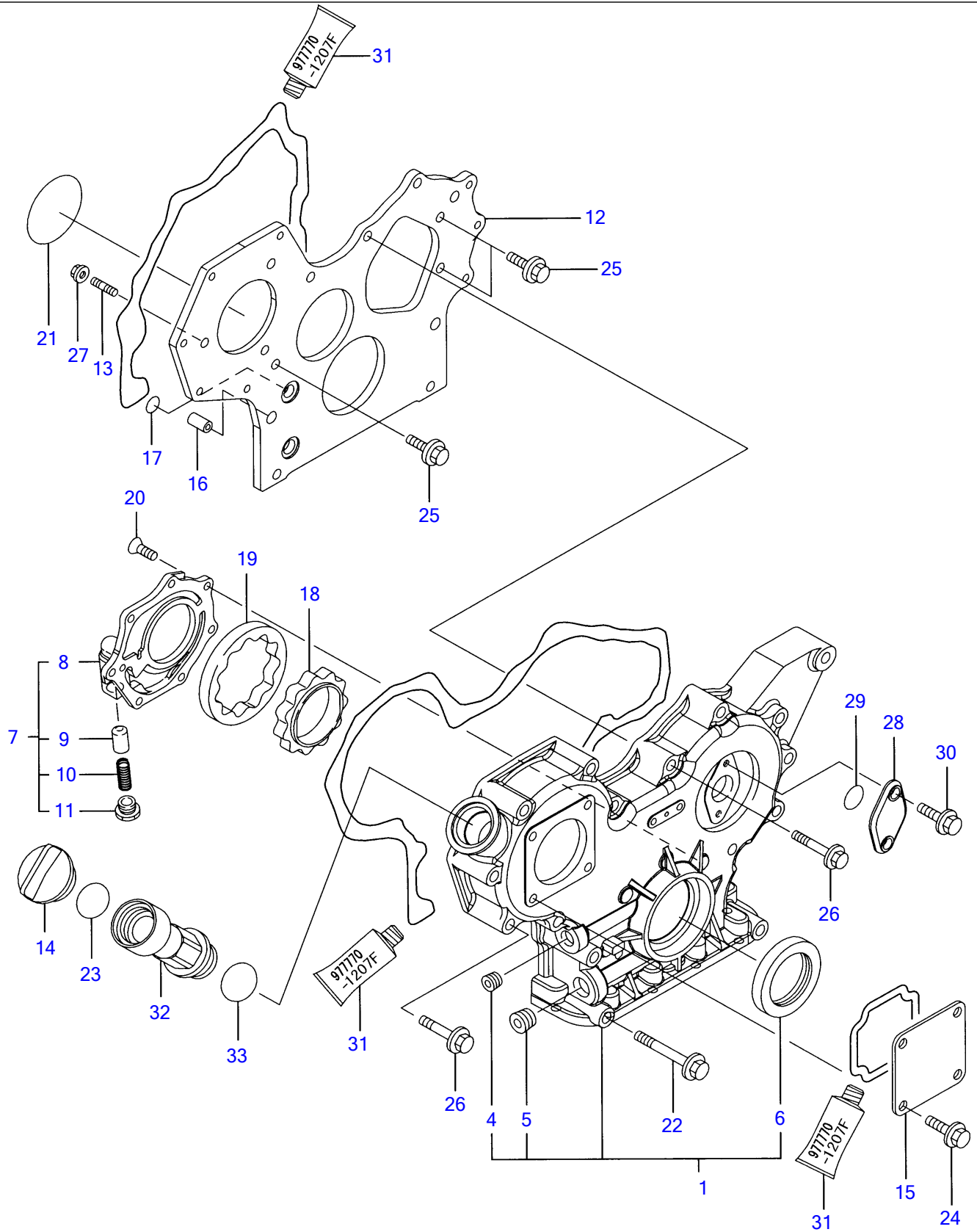


|                  |             |          |  |        |
|------------------|-------------|----------|--|--------|
| Y008080          | 1. シリンダブロック |          |  |        |
| 3TNV88-QTB, QTB1 |             | 1:2004 1 |  | PI IIS |

¼ØÝÀÞÌÞÛ, CYLINDER BLOCK

| REF NO. | PARTS NO.     | Description           | Q'ty | I | R | Notes                   |
|---------|---------------|-----------------------|------|---|---|-------------------------|
| 1       | Y729005-01560 | ¼ØÝÀÞÌÞÛ, ASY         | 1    |   |   |                         |
| 5       | Y124060-01050 | • Ìß×, Þ              | 1    |   |   |                         |
| 6       | Y129001-01250 | • »×¶ÌÞÀÌß×, Þ 50     | 1    |   |   |                         |
| 7       | Y124160-01910 | • Ìß×, Þ PT1/4        | 2    |   |   |                         |
| 8       | Y124160-01910 | • Ìß×, Þ PT1/4        | 1    |   |   |                         |
| 9       | Y171051-01921 | • Ìß×, Þ NPTF1        | 1    |   |   |                         |
| 10      | Y129150-02020 | • ÌÞÛÀ(ÒÀÛ·ÒÀÌß       | 8    |   |   |                         |
| 13      | Y129795-02411 | • ÌÞÀ¼Ö (A            | 1    |   |   |                         |
| 14      | Y27241-120000 | • ÛÝ¶ÌÞÀÌß×, Þ 12     | 2    |   |   |                         |
| 15      | Y27241-300000 | • ÛÝ¶ÌÞÀÌß×, Þ 30     | 6    |   |   |                         |
| 25      | Y129001-02930 | • Ò²ÝÒÀÛCMP(STDÌÖ³ËÝ) | 4    |   |   | (3) ÌÖ³ÌÞËÝÀÞ½          |
| 28      | Y129150-02930 | • ½×½ÀÒÀÛ             | 2    |   |   |                         |
| 31      | Y129004-01190 | À²»Þ²Ë½Ìß-»           | 1    |   |   |                         |
| 32      | Y129150-01200 | ÌÀÀÞÌÞÛÀ              | 14   |   |   |                         |
| 33      | Y129001-01340 | ÌÀÀÞ¶ÌÞ½'ÀÄ(ËÝ±½)     | 1    |   |   |                         |
| 34      | Y129150-02870 | Ò²ÝÒÀÛ U.S=0.25       | 4    |   |   | (1) ±ÝÀÞ°»²½Þ(U.S=0.25  |
| 37      | Y129150-02940 | ½×½ÀÒÀÛ 0.25(2¹=1¼ÀÄ  | 1    |   |   | (2) μ°ËÞ°»²½Þ(O.S=0.25) |

Engine for TB135 3TNV88-QTB(cab), QTB1(canopy) S/N 13514051-  
GEAR HOUSING

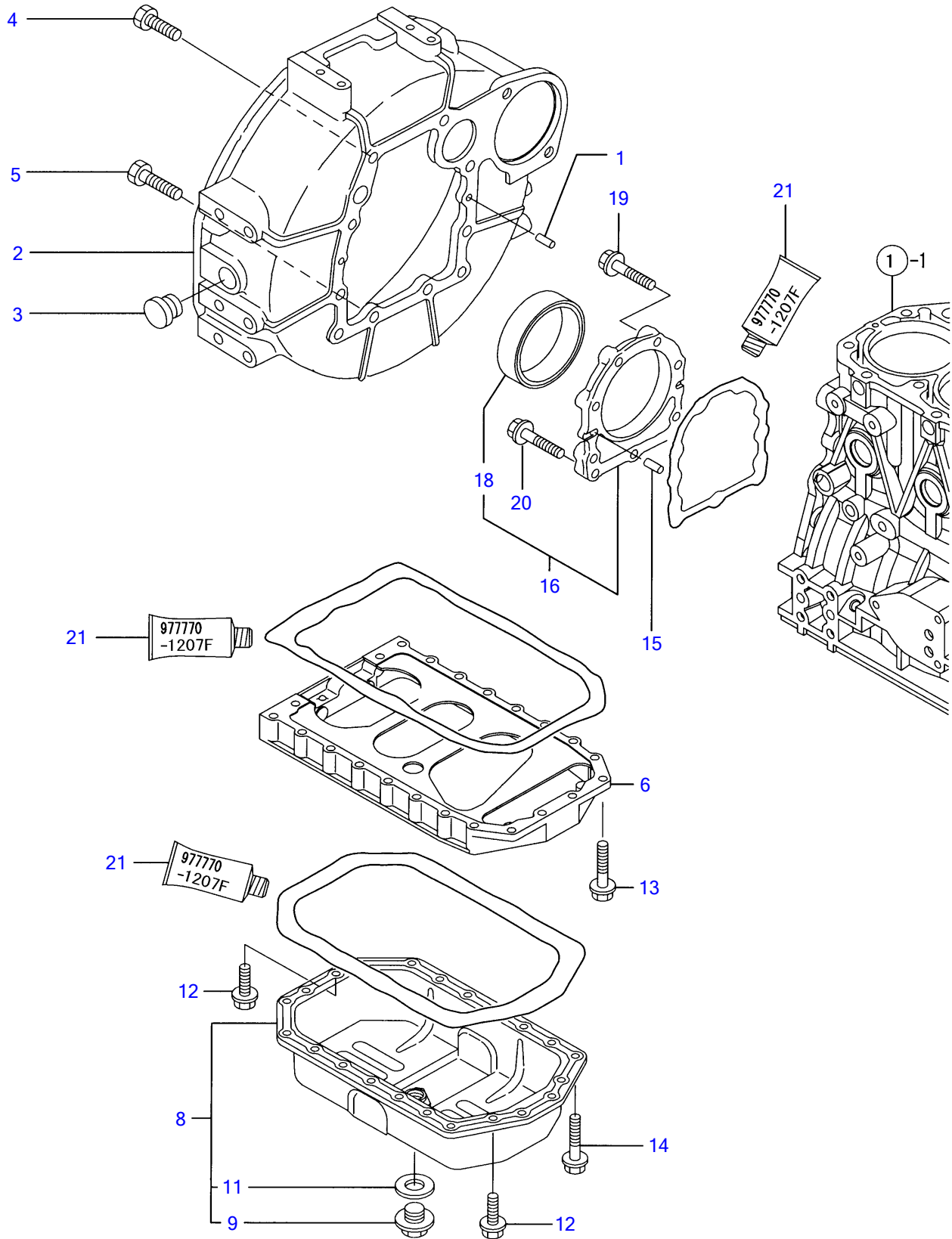


|                  |          |          |  |        |
|------------------|----------|----------|--|--------|
| Y00D8080         | 2. ギヤケース |          |  |        |
| 3TNV88-QTB, QTB1 |          | 1:2004 1 |  | PI IIS |

·pÔ¹-½ GEAR HOUSING

| REF NO. | PARTS NO.     | Description           | Q'ty | I | R | ”õll                  |
|---------|---------------|-----------------------|------|---|---|-----------------------|
| 1       | Y729240-01500 | ·pÔ¹-½CMP             | 1    |   |   |                       |
| 4       | Y23876-030000 | · È¼bìßx, bPT 3/8     | 1    |   |   |                       |
| 5       | Y23876-040000 | · È¼bìßx, bPT 1/2     | 1    |   |   |                       |
| 6       | Y119934-01800 | · µ²Ù¼-Ù              | 1    |   |   |                       |
| 7       | Y119802-32100 | ¶Êp-CMP(LOP           | 1    |   |   |                       |
| 8       | Y119802-32070 | · ¶Êp-(LOP            | 1    |   |   |                       |
| 9       | Y129900-32130 | · ØØ-ìÊpÙlp           | 1    |   |   |                       |
| 10      | Y129418-32320 | · ½ìßØÝ, b            | 1    |   |   |                       |
| 11      | Y129001-32330 | · Ìßx, b              | 1    |   |   |                       |
| 12      | Y119802-01520 | ìxÝ¼b (·pÔ¹-½         | 1    |   |   |                       |
| 13      | Y119802-01560 | ½ÄÄbîpÜÄ 8X25         | 3    |   |   |                       |
| 14      | Y124160-01751 | ìÄ(îÖ³)               | 1    |   |   |                       |
| 15      | Y124240-01871 | ìÄ(HO-P               | 1    |   |   |                       |
| 16      | Y129795-01950 | Êß²ìßÉÄ,              | 2    |   |   |                       |
| 17      | Y119609-32040 | OØÝ, b P16            | 4    |   |   |                       |
| 18      | Y119802-32111 | ²ÝÄ-Ù-Ä(LOP           | 1    |   |   |                       |
| 19      | Y119802-32120 | ±³Ä-Ù-Ä(LOP           | 1    |   |   |                       |
| 20      | Y119802-32130 | »xºÈ¼b(+±Ä 6X16       | 7    |   |   |                       |
| 21      | Y121850-51960 | OØÝ, b(FOPÄØÄ¹)       | 1    |   |   |                       |
| 22      | Y129001-91841 | ÄÊpîpÜÄM8X85(¼pÄb³, ð | 3    |   |   |                       |
| 23      | Y24311-000320 | OØÝ, b 1A P 32.0      | 1    |   |   |                       |
| 24      | Y26106-080162 | ÄÊpîpÜÄ 8X 16         | 4    |   |   |                       |
| 25      | Y26106-080162 | ÄÊpîpÜÄ 8X 16         | 3    |   |   |                       |
| 26      | Y26106-080552 | ÄÊpîpÜÄ 8X 55         | 12   |   |   |                       |
| 27      | Y26306-080002 | ÄÊpÄ-ÄÄ(UBS 8         | 3    |   |   |                       |
| 28      | Y121023-01550 | ìÄ(ÄºÖ-Ä              | 1    |   |   |                       |
| 29      | Y24341-000240 | OØÝ, b 1A S 24.0      | 1    |   |   |                       |
| 30      | Y26106-060162 | ÄÊpîpÜÄ 6X 16         | 2    |   |   |                       |
| 31      | Y977770-1207F | ¼Øº-Ý¹² ·¼pÖ³¶p½¹ÄÄ   | 1    |   |   | (1) µìß¼ÄÝ<br>ìpÈÝÄp½ |
| 32      | Y171031-11741 | îÖ³Êß²ìß              | 1    |   |   |                       |
| 33      | Y24311-000320 | OØÝ, b 1A P 32.0      | 1    |   |   |                       |

Engine for TB135 3TNV88-QTB(cab), QTB1(canopy) S/N 13514051-  
**FLYWHEEL HOUSING & OIL SUMP**

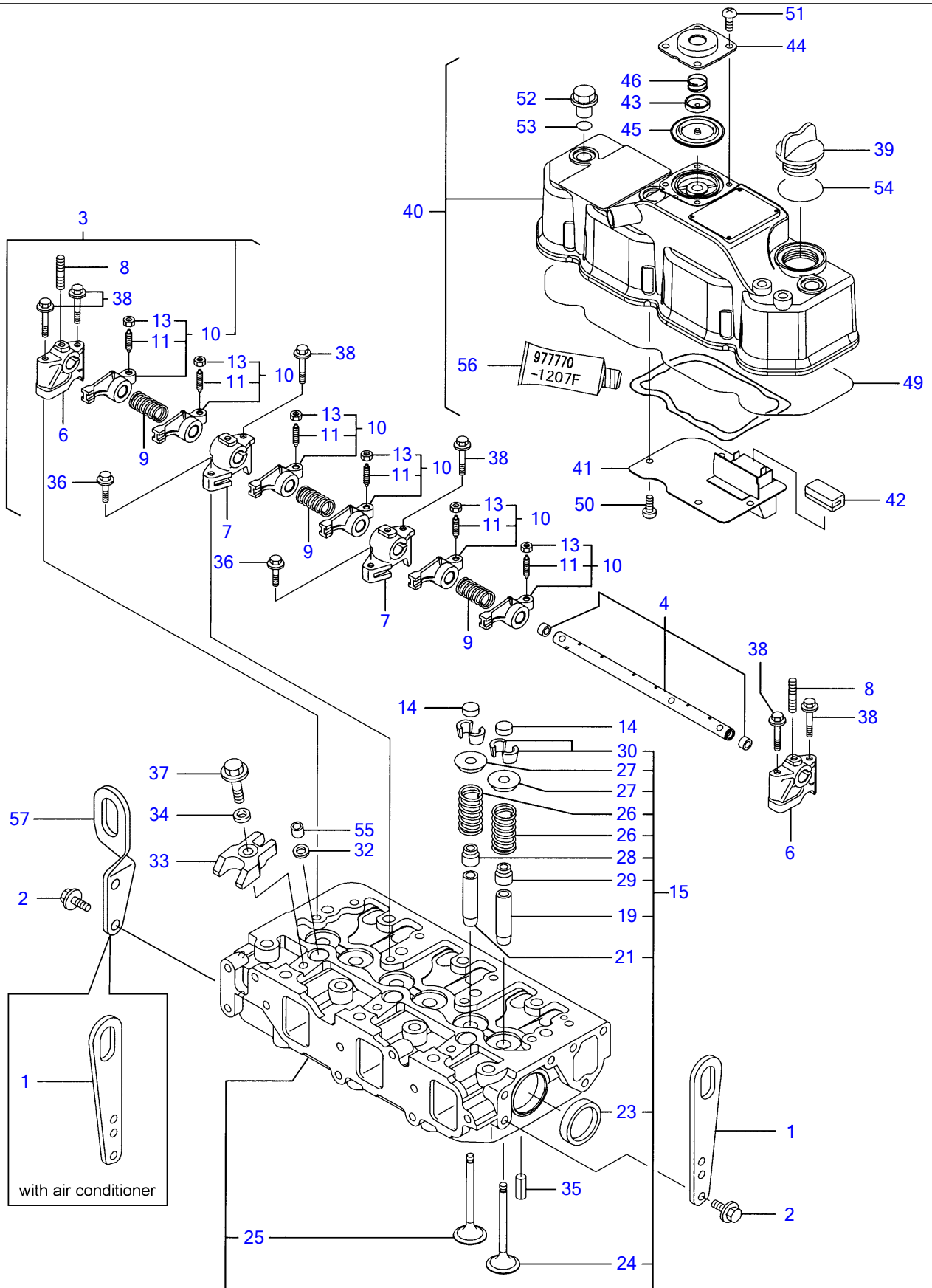


|                  |                       |  |        |
|------------------|-----------------------|--|--------|
| Y00D8080         | 3. フライホイールハウジング&オイルパン |  |        |
| 3TNV88-QTB, QTB1 | 1:2004 1              |  | PI IIS |



| REF NO. | PARTS NO.     | Description           | Q'ty | I | R | "o       |
|---------|---------------|-----------------------|------|---|---|----------|
| 1       | Y129100-01580 | PARALLEL PIN 8X16     | 2    |   |   |          |
| 2       | Y129612-01600 | HOUSING, FLYWHEEL     | 1    |   |   |          |
| 3       | Y119620-01750 | CAP, FLYWHEEL COVER   | 1    |   |   |          |
| 4       | Y26206-100252 | BOLT M10X25           | 6    |   |   |          |
| 5       | Y26206-100302 | BOLT M10X30           | 4    |   |   |          |
| 6       | Y129100-01730 | SPACER, OIL SUMP      | 1    |   |   |          |
| 8       | Y729102-01540 | SUMP ASSY, LUB. OIL   | 1    |   |   |          |
| 9       | Y119640-01640 | DRAIN PLUG M22        | 1    |   |   |          |
| 11      | Y22190-220002 | SEAL WASHER 22S       | 1    |   |   |          |
| 12      | Y26106-080162 | BOLT M 8X 16 PLATED   | 4    |   |   |          |
| 13      | Y26106-080252 | BOLT M 8X 25 PLATED   | 2    |   |   |          |
| 14      | Y26106-080452 | BOLT M 8X 45 PLATED   | 20   |   |   |          |
| 15      | Y129100-01580 | PARALLEL PIN 8X16     | 2    |   |   |          |
| 16      | Y129100-01640 | CASE ASSY, OIL SEAL   | 1    |   |   |          |
| 18      | Y129795-01780 | SEAL, OIL             | 1    |   |   |          |
| 19      | Y129486-01670 | BOLT M8X30, COLLAR HD | 6    |   |   |          |
| 20      | Y26106-080352 | BOLT M 8X 35 PLATED   | 3    |   |   |          |
| 21      | Y977770-1207F | GASKET, LIQUID        | 1    |   |   | (1) 1/4" |

Engine for TB135 3TNV88-QTB(cab), QTB1(canopy) S/N 13514051-  
CYLINDER HEAD & BONNET

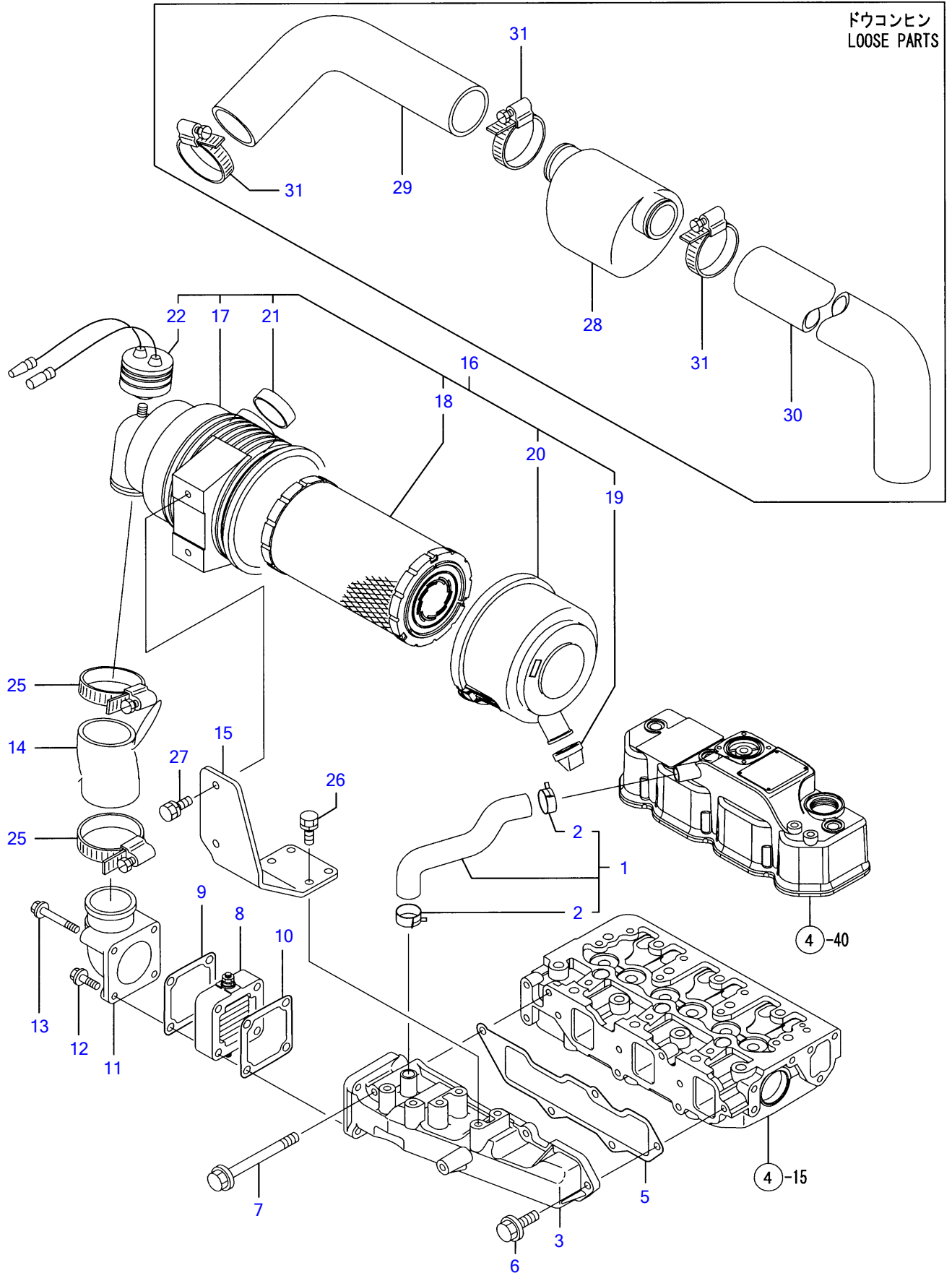


|                  |                  |          |        |
|------------------|------------------|----------|--------|
| Y00D8080         | 4. シリンダヘッド&ボンネット |          |        |
| 3TNV88-QTB, QTB1 |                  | 1:2004 1 | PI IIS |

| REF NO. | PARTS NO.     | Description         | Q'ty | I | R | "öll                  |
|---------|---------------|---------------------|------|---|---|-----------------------|
| 1       | Y129900-07900 | LIFTER, ENGINE      | 1    |   |   |                       |
| 2       | Y26106-080142 | BOLT M 8X 14 PLATED | 4    |   |   |                       |
| 3       | Y129004-11241 | SHAFT ASSY, ROCKER  | 1    |   |   |                       |
| 4       | Y129004-11251 | SHAFT, ROCKER ARM   | 1    |   |   |                       |
| 6       | Y119802-11260 | SUPPORT, ROCKER ARM | 2    |   |   |                       |
| 7       | Y119802-11270 | SUPPORT, ROCKER ARM | 2    |   |   |                       |
| 8       | Y119802-11280 | STUD                | 3    |   |   |                       |
| 9       | Y129150-11280 | SPRING              | 3    |   |   |                       |
| 10      | Y129004-11650 | ARM ASSY, ROCKER    | 6    |   |   |                       |
| 11      | Y129150-11230 | SCREW, VALVE        | 6    |   |   |                       |
| 13      | Y129150-11750 | NUT M8XP1.0         | 6    |   |   |                       |
| 14      | Y129150-11370 | CAP, VALVE          | 6    |   |   |                       |
| 15      | Y129004-11700 | HEAD ASSY, CYLINDER | 1    |   |   |                       |
| 19      | Y120130-11860 | GUIDE, VALVE        | 3    |   |   | (1) ÎÖ³ PËÝÄP½        |
| 21      | Y129150-11810 | GUIDE, VALVE        | 3    |   |   | (1) ÎÖ³ PËÝÄP½        |
| 23      | Y27241-400000 | PLUG 40             | 2    |   |   |                       |
| 24      | Y129004-11100 | VALVE, INTAKE       | 3    |   |   |                       |
| 25      | Y129100-11110 | VALVE, EXHAUST      | 3    |   |   |                       |
| 26      | Y129795-11120 | SPRING, VALVE       | 6    |   |   |                       |
| 27      | Y129795-11180 | RETAINER, SPRING    | 6    |   |   |                       |
| 28      | Y121400-11340 | SEAL, VALVE STEM    | 3    |   |   |                       |
| 29      | Y124460-11340 | SEAL, VALVE STEM    | 3    |   |   |                       |
| 30      | Y27310-080001 | COTTER 8            | 6    |   |   |                       |
| 32      | Y119625-11880 | SEAT, NOZZLE        | 3    |   |   |                       |
| 33      | Y129004-11900 | RETAINER, NOZZLE    | 3    |   |   |                       |
| 34      | Y120270-54410 | WASHER              | 3    |   |   |                       |
| 35      | Y22351-060012 | SPRING PIN 6X12     | 2    |   |   |                       |
| 36      | Y26106-080252 | BOLT M 8X 25 PLATED | 2    |   |   |                       |
| 37      | Y26106-080352 | BOLT M 8X 35 PLATED | 3    |   |   |                       |
| 38      | Y26106-080502 | BOLT M 8X 50 PLATED | 6    |   |   |                       |
| 39      | Y124160-01751 | COVER, FILLER       | 1    |   |   |                       |
| 40      | Y129004-11350 | BONNET ASSY, HEAD   | 1    |   |   |                       |
| 41      | Y129004-03010 | PLATE, BAFFLE       | 1    |   |   |                       |
| 42      | Y129150-03070 | BAFFLE, BREATHER    | 1    |   |   |                       |
| 43      | Y119802-03110 | PLATE, DIAPHRAGM    | 1    |   |   |                       |
| 44      | Y119802-03120 | COVER, DIAPHRAGM    | 1    |   |   |                       |
| 45      | Y119802-03130 | DIAPHRAGM           | 1    |   |   |                       |
| 46      | Y119802-03140 | SPRING, DIAPHRAGM   | 1    |   |   |                       |
| 49      | Y129004-11310 | GASKET, BONNET      | 1    |   |   |                       |
| 50      | Y22857-500100 | SCREW 5X10, TAPPING | 4    |   |   |                       |
| 51      | Y22857-500100 | SCREW 5X10, TAPPING | 4    |   |   |                       |
| 52      | Y124160-11360 | KNOB                | 3    |   |   |                       |
| 53      | Y24311-000120 | O-RING 1A P 12.0    | 3    |   |   |                       |
| 54      | Y24311-000320 | O-RING 1A P-32.0    | 1    |   |   |                       |
| 55      | Y119802-11870 | PROTECTOR, NOZZLE   | 3    |   |   |                       |
| 56      | Y977770-1207F | GASKET, LIQUID      | 1    |   |   | (2) μ ß¼@Ý<br> PËÝÄP½ |
| 57      | Y129910-07900 | LIFTER, ENGINE      | 1    |   |   |                       |

Engine for TB135 3TNV88-QTB(cab), QTB1(canopy) S/N 13514051-  
**SUCTION MANIFOLD & AIR CLEANER**

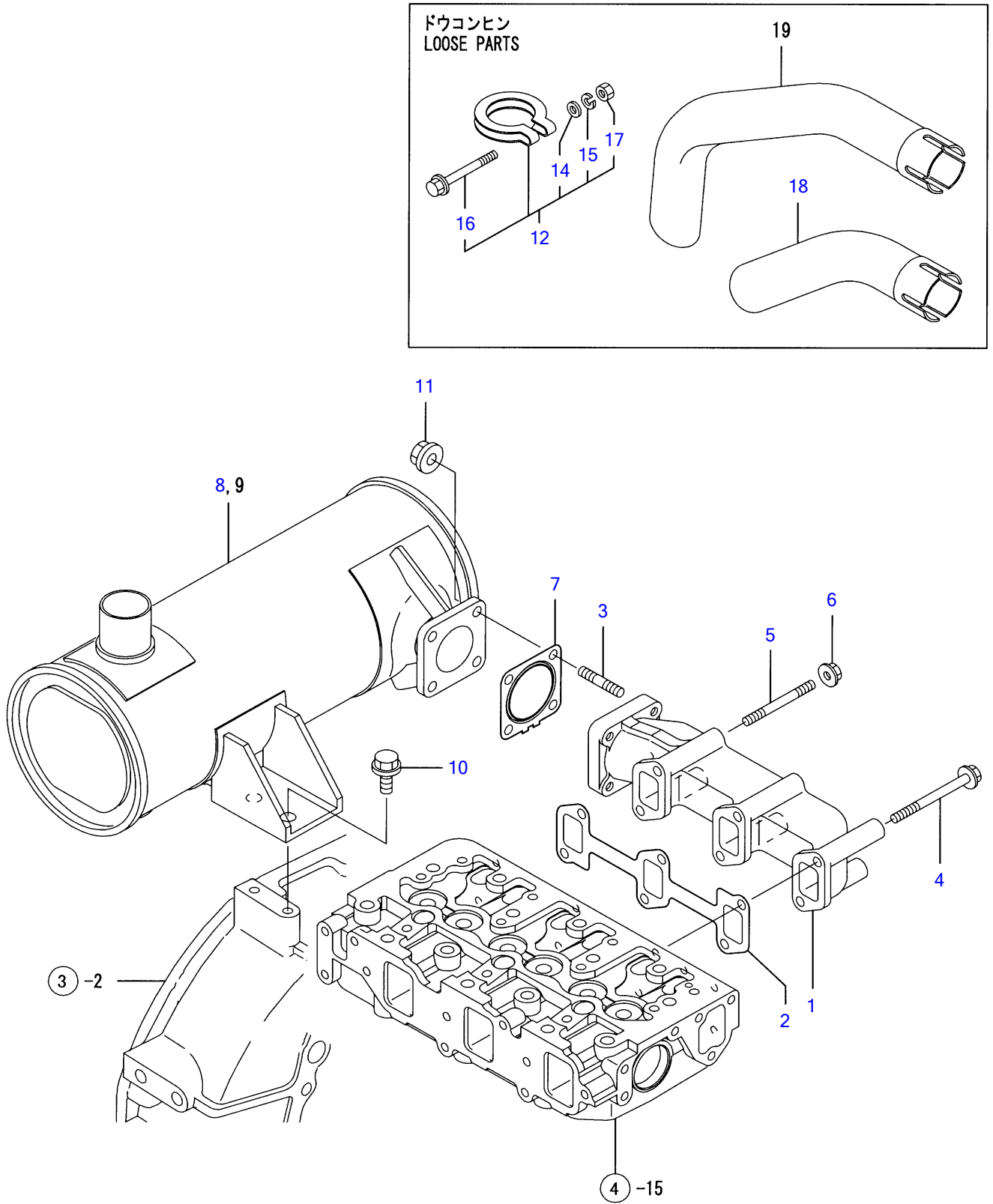
ドウコンピン  
 LOOSE PARTS



|                  |                        |  |        |
|------------------|------------------------|--|--------|
| Y00D8080         | 5. キュウキマニホールド & エアクリーナ |  |        |
| 3TNV88-QTB, QTB1 | 1:2004 1               |  | PI IIS |

| REF NO. | PARTS NO.     | Description          | Q'ty | I | R | ”óll |
|---------|---------------|----------------------|------|---|---|------|
| 1       | Y129004-03080 | PIPE, BREATHER       | 1    |   |   |      |
| 2       | Y129410-03990 | CLAMP 24             | 2    |   |   |      |
| 3       | Y129004-12100 | MANIFOLD, INTAKE     | 1    |   |   |      |
| 5       | Y129001-12110 | GASKET,INT. MANIFOLD | 1    |   |   |      |
| 6       | Y26106-080202 | BOLT M 8X 20 PLATED  | 4    |   |   |      |
| 7       | Y26106-080802 | BOLT M 8X 80 PLATED  | 1    |   |   |      |
| 8       | Y129100-77500 | HEATER, AIR          | 1    |   |   |      |
| 9       | Y129100-77510 | GASKET, AIR HEATER   | 1    |   |   |      |
| 10      | Y129150-77511 | GASKET, (NON-ASB.)   | 1    |   |   |      |
| 11      | Y171340-77520 | BEND                 | 1    |   |   |      |
| 12      | Y26106-080402 | BOLT M 8X 40 PLATED  | 2    |   |   |      |
| 13      | Y26106-080802 | BOLT M 8X 80 PLATED  | 2    |   |   |      |
| 14      | Y119910-12210 | PIPE,INTAKE          | 1    |   |   |      |
| 15      | Y119802-12560 | BRACKET,AIRCLEANER   | 1    |   |   |      |
| 16      | Y129612-12691 | CLEANER ASSY, AIR    | 1    |   |   |      |
| 17      | Y119910-12510 | BODY, AIR CLEANER    | 1    |   |   |      |
| 18      | Y119808-12520 | ELEMENT, OUTER       | 1    |   |   |      |
| 19      | Y119808-12540 | VALVE, UNLOADER      | 1    |   |   |      |
| 20      | Y119866-12541 | COVER ASSY           | 1    |   |   |      |
| 21      | Y129259-12570 | RING                 | 1    |   |   |      |
| 22      | Y129953-12620 | INDICATOR ASSY       | 1    |   |   |      |
| 25      | Y23000-060000 | CLAMP 60             | 2    |   |   |      |
| 26      | Y26013-080222 | BOLT M 8X 22         | 4    |   |   |      |
| 27      | Y26013-080222 | BOLT M 8X 22         | 2    |   |   |      |
| 28      | Y121855-12060 | SILENCER,INLET       | 1    |   |   |      |
| 29      | Y129030-12201 | PIPE, EXTENSION      | 1    |   |   |      |
| 30      | Y119823-12210 | PIPE, INTAKE         | 1    |   |   |      |
| 31      | Y23000-060000 | CLAMP 60             | 3    |   |   |      |

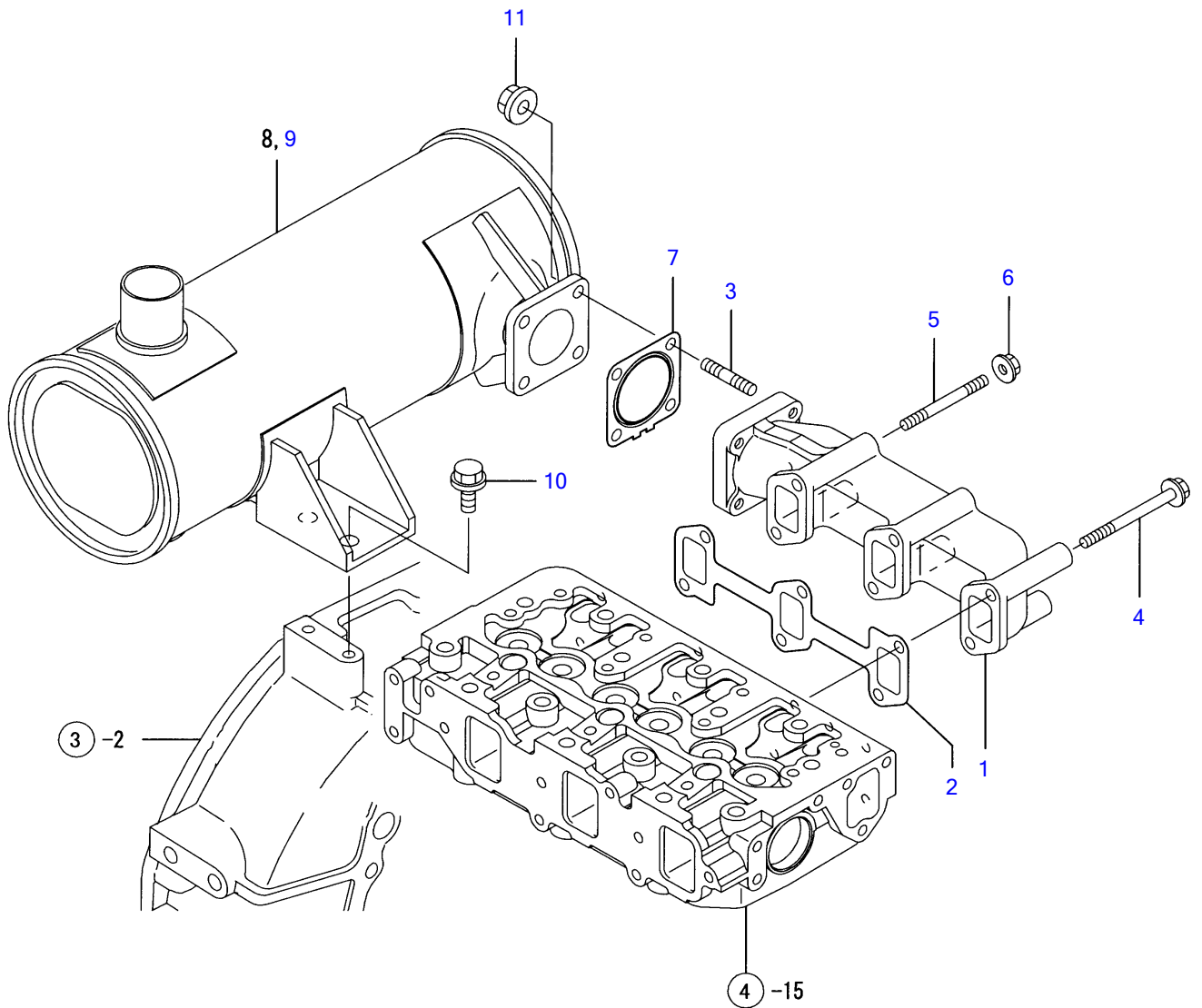
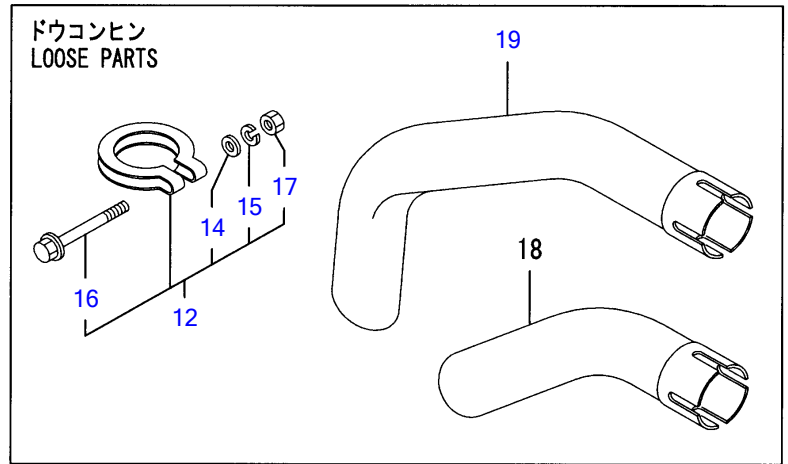
Engine for TB135 3TNV88-QTB(cab), QTB1(canopy) S/N 13514051-  
**EXHAUST MANIFOLD & SILENCER**



|                  |                      |  |        |
|------------------|----------------------|--|--------|
| Y00D8080         | 6. ハイキマニホールド & サイレンサ |  |        |
| 3TNV88-QTB, QTB1 | 1:2004 1             |  | PI IIS |

| REF NO. | PARTS NO.     | Description           | Q'ty | I | R | »ó |
|---------|---------------|-----------------------|------|---|---|----|
| 1       | Y129004-13129 | MANIFOLD, EXHAUST     | 1    |   |   |    |
| 2       | Y129150-13110 | GASKET, EXH.MANIFOLD  | 1    |   |   |    |
| 3       | Y119131-18320 | BOLT M 8X 22          | 4    |   |   |    |
| 4       | Y123900-13630 | BOLT 8X80             | 4    |   |   |    |
| 5       | Y123900-13610 | STUD BOLT M 8X 80     | 2    |   |   |    |
| 6       | Y26306-080002 | NUT                   | 2    |   |   |    |
| 7       | Y129004-13200 | GASKET, SILENCER      | 1    |   |   |    |
| 8       | Y129242-13510 | SILENCER              | 1    |   |   |    |
| 10      | Y26106-100202 | BOLT M10X 20 PLATED   | 2    |   |   |    |
| 11      | Y26306-080002 | NUT                   | 4    |   |   |    |
| 12      | Y121120-13590 | CLAMP                 | 1    |   |   |    |
| 14      | Y22117-100000 | • WASHER 10           | 1    |   |   |    |
| 15      | Y22217-100000 | • SPRING WASHER 10    | 1    |   |   |    |
| 16      | Y26106-100652 | • BOLT M10X 65 PLATED | 1    |   |   |    |
| 17      | Y26706-100002 | • NUT M10             | 1    |   |   |    |
| 18      | Y129242-13650 | PIPE, SILENCER        | 1    |   |   |    |

Engine for TB135 3TNV88-QTB(cab), QTB1(canopy) S/N 13514051-  
**EXHAUST MANIFOLD & SILENCER**

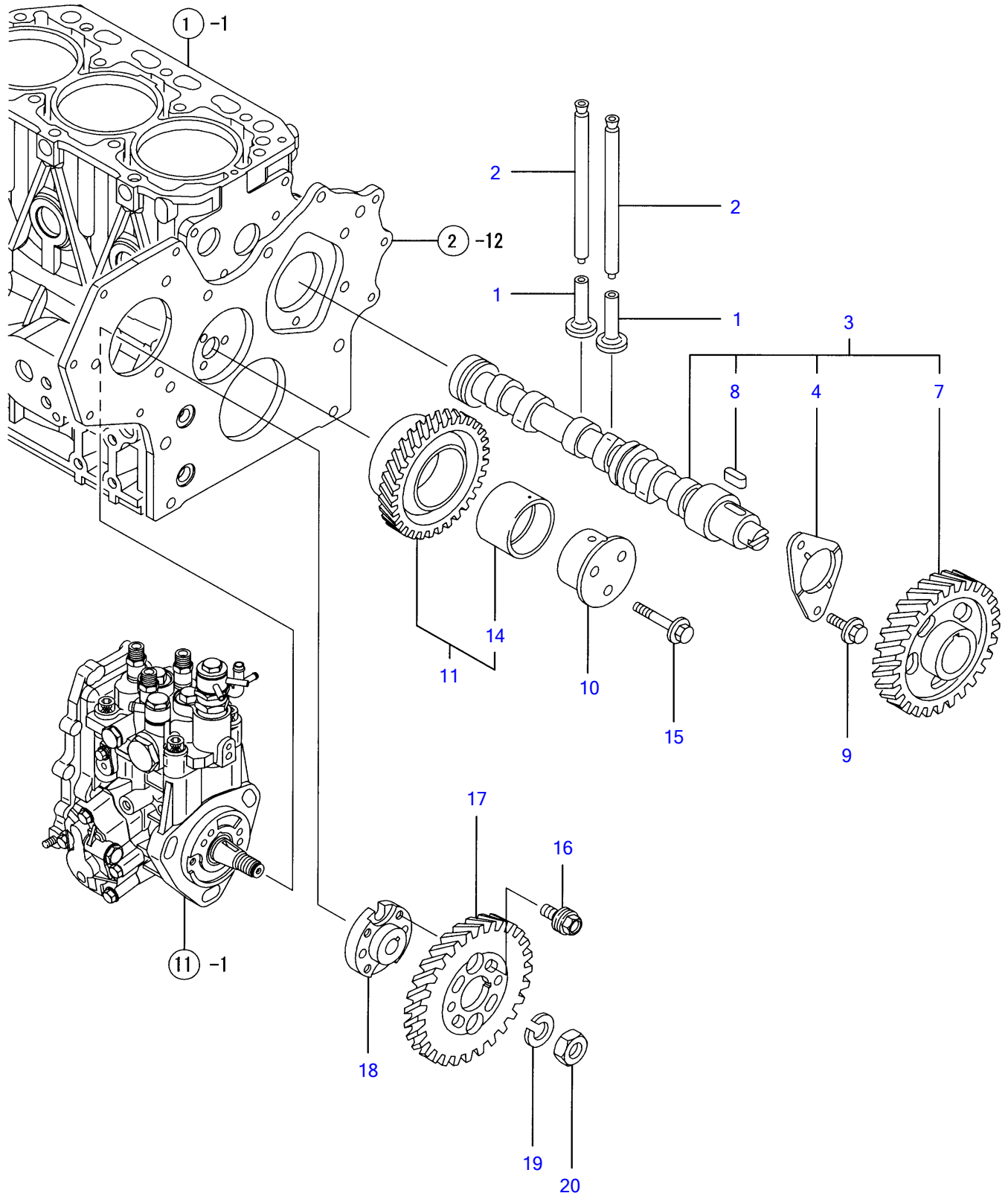


|                  |                      |  |        |
|------------------|----------------------|--|--------|
| Y00D8080         | 6. ハイキマニホールド & サイレンサ |  |        |
| 3TNV88-QTB, QTB1 | 1:2004 1             |  | PI IIS |



| REF NO. | PARTS NO.     | Description           | Q'ty | I | R | »ó |
|---------|---------------|-----------------------|------|---|---|----|
| 1       | Y129004-13129 | MANIFOLD, EXHAUST     | 1    |   |   |    |
| 2       | Y129150-13110 | GASKET, EXH.MANIFOLD  | 1    |   |   |    |
| 3       | Y119131-18320 | BOLT M 8X 22          | 4    |   |   |    |
| 4       | Y123900-13630 | BOLT 8X80             | 4    |   |   |    |
| 5       | Y123900-13610 | STUD BOLT M 8X 80     | 2    |   |   |    |
| 6       | Y26306-080002 | NUT                   | 2    |   |   |    |
| 7       | Y129004-13200 | GASKET, SILENCER      | 1    |   |   |    |
| 9       | Y129242-13520 | SILENCER              | 1    |   |   |    |
| 10      | Y26106-100202 | BOLT M10X 20 PLATED   | 2    |   |   |    |
| 11      | Y26306-080002 | NUT                   | 4    |   |   |    |
| 12      | Y121120-13590 | CLAMP                 | 1    |   |   |    |
| 14      | Y22117-100000 | • WASHER 10           | 1    |   |   |    |
| 15      | Y22217-100000 | • SPRING WASHER 10    | 1    |   |   |    |
| 16      | Y26106-100652 | • BOLT M10X 65 PLATED | 1    |   |   |    |
| 17      | Y26706-100002 | • NUT M10             | 1    |   |   |    |
| 19      | Y129242-13660 | PIPE, SILENCER        | 1    |   |   |    |

Engine for TB135 3TNV88-QTB(cab), QTB1(canopy) S/N 13514051-  
CAMSHAFT & DRIVING GEAR

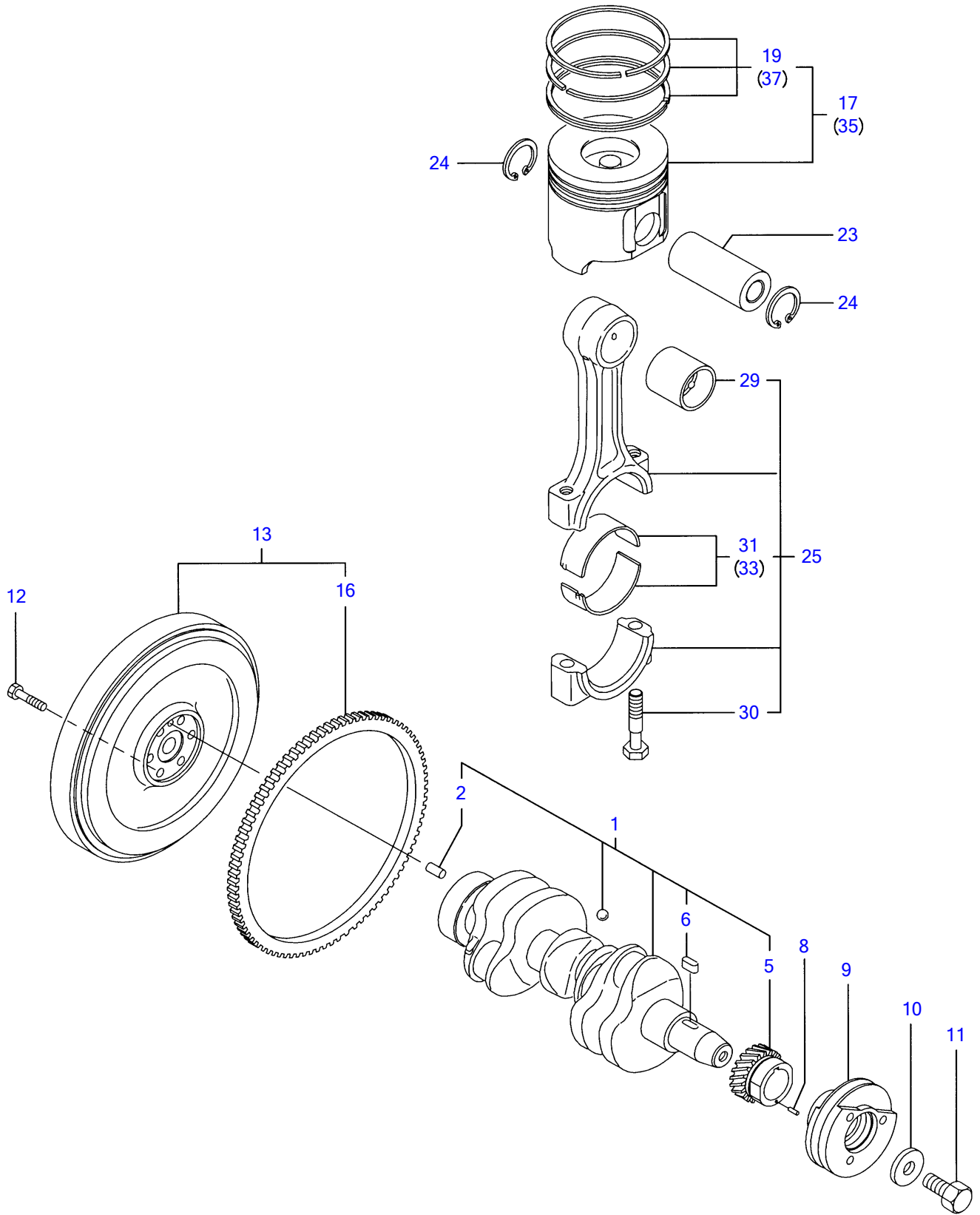


|                  |                   |  |        |
|------------------|-------------------|--|--------|
| Y00D8080         | 7. カムシャフト & クドウギヤ |  |        |
| 3TNV88-QTB, QTB1 | 1:2004 1          |  | PI IIS |

CAMSHAFT & DRIVING GEAR

| REF NO. | PARTS NO.     | Description          | Q'ty | I | R | "ö             |
|---------|---------------|----------------------|------|---|---|----------------|
| 1       | Y129150-14200 | TAPPET               | 6    |   |   |                |
| 2       | Y129150-14400 | ROD, PUSH            | 6    |   |   |                |
| 3       | Y129129-14580 | CAMSHAFT ASSY        | 1    |   |   |                |
| 4       | Y129150-02450 | • METAL, THRUST (CAM | 1    |   |   |                |
| 7       | Y129150-14101 | • GEAR, CAMSHAFT     | 1    |   |   |                |
| 8       | Y22512-070140 | • KEY 7X 14          | 1    |   |   |                |
| 9       | Y26106-080142 | BOLT M 8X 14 PLATED  | 2    |   |   |                |
| 10      | Y119802-25051 | SHAFT, IDLE GEAR     | 1    |   |   |                |
| 11      | Y119802-25100 | GEAR ASSY, IDLE      | 1    |   |   |                |
| 14      | Y119802-25070 | • BUSH, IDLE GEAR    | 1    |   |   | (1) ÎÖ³ pËÝÃb½ |
| 15      | Y26106-080402 | BOLT M 8X 40 PLATED  | 3    |   |   |                |
| 16      | Y129150-25301 | BOLT, FI-P           | 4    |   |   |                |
| 17      | Y119802-25901 | GEAR, PUMP           | 1    |   |   |                |
| 18      | Y158552-51151 | FLANGE               | 1    |   |   |                |
| 19      | Y22217-140000 | SPRING WASHER 14     | 1    |   |   |                |
| 20      | Y26776-140002 | LOCK NUT M14 PLATED  | 1    |   |   |                |

Engine for TB135 3TNV88-QTB(cab), QTB1(canopy) S/N 13514051-  
**CRANKSHAFT & PISTON**

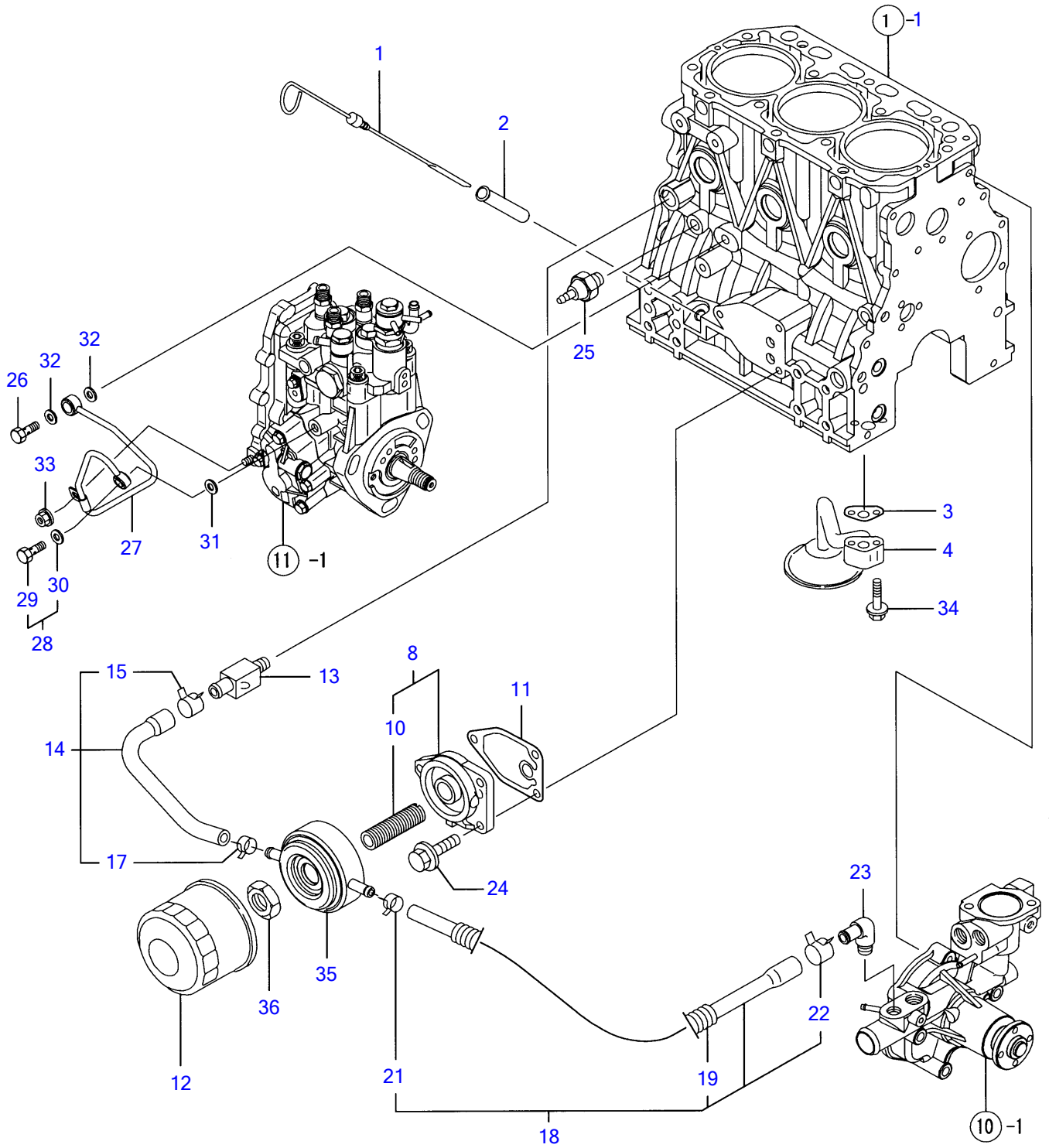


|                  |                    |          |        |
|------------------|--------------------|----------|--------|
| Y00D8080         | 8. クランクシャフト & ピストン |          |        |
| 3TNV88-QTB, QTB1 |                    | 1:2004 1 | PI IIS |

**CRANKSHAFT & PISTON**

| REF NO.                           | PARTS NO.     | Description          | Q'ty | I | R | "600   |
|-----------------------------------|---------------|----------------------|------|---|---|--|
| 1                                 | Y129004-21001 | CRANKSHAFT ASSY      | 1    |   |   |  |
| 2                                 | Y129100-01580 | PARALLEL PIN 8X16    | 1    |   |   |  |
| 5                                 | Y119802-21201 | GEAR, CRANKSHAFT     | 1    |   |   |  |
| 6                                 | Y22512-070140 | KEY 7X 14            | 1    |   |   |  |
| 8                                 | Y22351-030010 | SPRING PIN 3X10      | 1    |   |   |  |
| 9                                 | Y129004-21650 | V-PULLEY, CRANKSHAFT | 1    |   |   |  |
| 9-1                               | Y129005-21650 | V-PULLEY, CRANKSHAFT | 1    | S |   |  |
| (A, B=machine serial No. 1351930) |               |                      |      |   |   |  |
| 10                                | Y129795-21661 | WASHER               | 1    |   |   |  |
| 11                                | Y121850-21680 | BOLT, V-PULLEY       | 1    |   |   |  |
| 12                                | Y121111-21501 | BOLT, FLYWHEEL       | 6    |   |   |  |
| 13                                | Y129002-21590 | FLYWHEEL ASSY        | 1    |   |   |  |
| 16                                | Y119865-21600 | GEAR, RING           | 1    |   |   |  |
| 17                                | Y129005-22080 | PISTON ASSY          | 3    |   |   |  |
| 19                                | Y129005-22500 | RING SET, PISTON     | 3    |   |   |  |
| 23                                | Y129202-22300 | PIN, PISTON(D26,L70) | 3    |   |   |  |
| 24                                | Y22252-000260 | CIRCLIP 26           | 6    |   |   |  |
| 25                                | Y729402-23100 | ROD ASSY, CONNECTING | 3    |   |   |  |
| 29                                | Y129100-23910 | BUSH, PISTON PIN     | 3    |   |   | (1) 1031P EY A P 1/2                               |
| 30                                | Y121550-23200 | BOLT, CONNECTING ROD | 6    |   |   |  |
| 31                                | Y129150-23600 | BEARING, CRANKPIN    | 3    |   |   |  |
| 33                                | Y129150-23610 | METAL.PIN US=0.25    | 3    |   |   | (2) μ° E P ° » 2 1/2 P (O.S=0.25) 1 P E Y A P 1/2  |
| 35                                | Y129005-22900 | PISTON W/RING OS=.25 | 3    |   |   | (3) ± Y A P ° » 2 1/2 P (U.S=0.25) 1 P E Y A P 1/2 |
| 37                                | Y129005-22950 | RING SET O.S=0.25    | 3    |   |   | (3) ± Y A P ° » 2 1/2 P (U.S=0.25) 1 P E Y A P 1/2 |

Engine for TB135 3TNV88-QTB(cab), QTB1(canopy) S/N 13514051-  
LUB.OIL SYSTEM

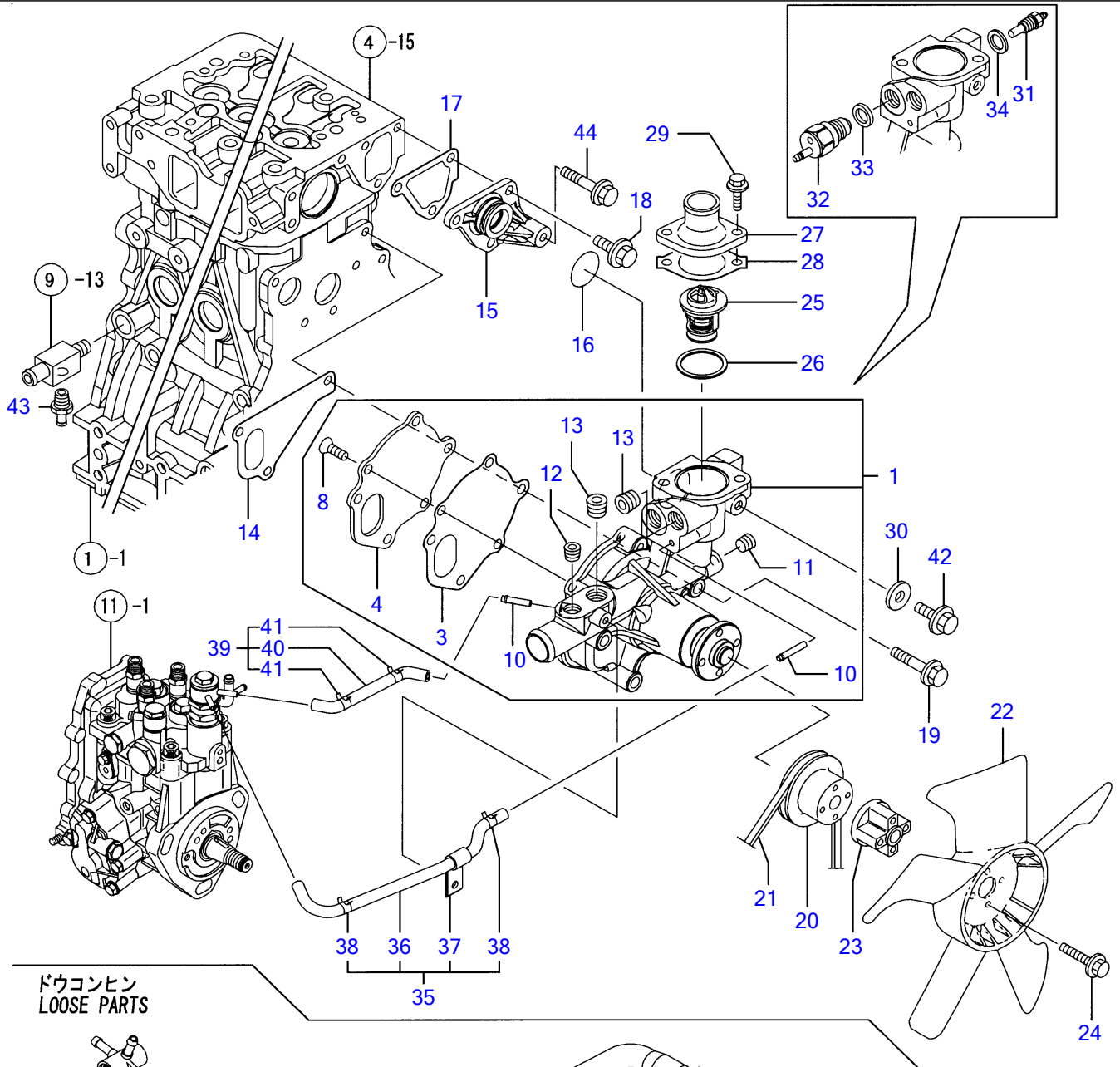


|                  |             |          |  |       |
|------------------|-------------|----------|--|-------|
| Y00D8080         | 9. L O システム |          |  |       |
| 3TNV88-QTB, QTB1 |             | 1:2004 1 |  | PI US |

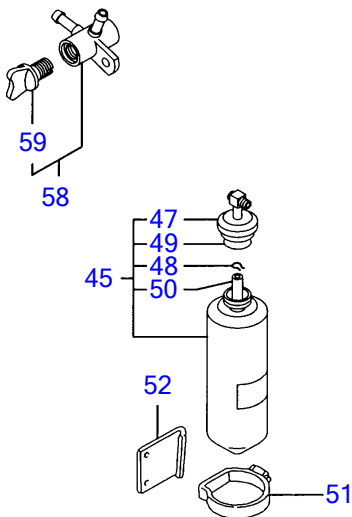
LO $\frac{1}{2}$ ÅÑ LUB.OIL SYSTEM

| REF NO. | PARTS NO.     | Description          | Q'ty | I | R | δ |
|---------|---------------|----------------------|------|---|---|---|
| 1       | Y129005-34802 | DIPSTICK, LUB.OIL    | 1    |   |   |   |
| 2       | Y121520-34810 | GUIDE, DIPSTICK      | 1    |   |   |   |
| 3       | Y129150-35041 | GASKET, (NON-ASB.)   | 1    |   |   |   |
| 4       | Y129150-35091 | PIPE ASSY, OIL INLET | 1    |   |   |   |
| 8       | Y129006-35100 | BRACKET ASSY, FILTER | 1    |   |   |   |
| 10      | Y129417-35150 | • STUD               | 1    |   |   |   |
| 11      | Y129150-35111 | GASKET, (NON-ASB.)   | 1    |   |   |   |
| 12      | Y129150-35152 | FILTER 80X80L        | 1    |   |   |   |
| 13      | Y129006-44480 | JOINT                | 1    |   |   |   |
| 14      | Y129508-49030 | PIPE,COOLER IN       | 1    |   |   |   |
| 15      | Y171008-03990 | • CLAMP 18.5         | 1    |   |   |   |
| 17      | Y23080-015000 | • CLAMP              | 1    |   |   |   |
| 18      | Y129006-49040 | PIPE,COOLER OUT      | 1    |   |   |   |
| 19      | Y123951-03330 | • PROTECTOR, PIPE 19 | 1    |   |   |   |
| 21      | Y23080-015000 | • CLAMP              | 1    |   |   |   |
| 22      | Y23080-018000 | • CLAMP 18           | 1    |   |   |   |
| 23      | Y129103-49301 | ELBOW PT 1/4         | 1    |   |   |   |
| 24      | Y26106-080202 | BOLT M 8X 20 PLATED  | 3    |   |   |   |
| 25      | Y114250-39450 | SWITCH,(0.5KG)L.O.   | 1    |   |   |   |
| 26      | Y124160-39140 | BOLT 10, PIPE JOINT  | 1    |   |   |   |
| 27      | Y119802-39450 | PIPE ASSY, LUB. OIL  | 1    |   |   |   |
| 28      | Y129005-59830 | BOLT ASSY, JOINT     | 1    |   |   |   |
| 29      | Y23857-030000 | • JOINT BOLT 3       | 1    |   |   |   |
| 30      | Y22190-080002 | • SEAL WASHER 8S     | 1    |   |   |   |
| 31      | Y22190-080002 | SEAL WASHER 8S       | 1    |   |   |   |
| 32      | Y22190-100002 | SEAL WASHER 10S      | 2    |   |   |   |
| 33      | Y26366-060002 | NUT M 6              | 1    |   |   |   |
| 34      | Y26106-080352 | BOLT M 8X 35 PLATED  | 2    |   |   |   |
| 35      | Y129508-33010 | COOLER ASSY, OIL     | 1    |   |   |   |
| 36      | Y129417-33110 | NUT OIL COOLER       | 1    |   |   |   |

Engine for TB135 3TNV88-QTB(cab), QTB1(canopy) S/N 13514051-  
**COOLING WATER SYSTEM**



ドウコンヒン  
 LOOSE PARTS



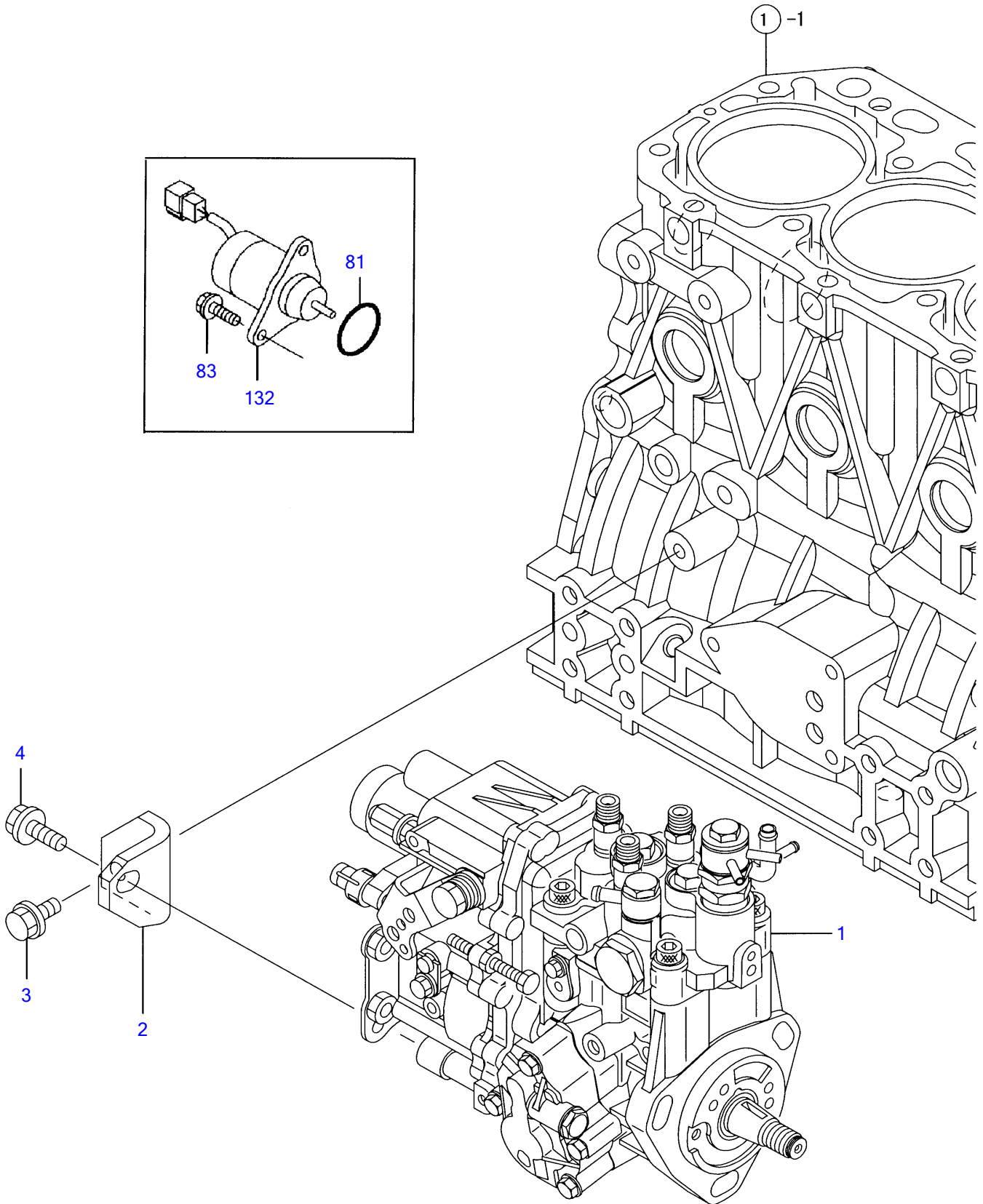
|                  |            |  |        |
|------------------|------------|--|--------|
| Y00D8080         | 10. CWシステム |  |        |
| 3TNV88-QTB, QTB1 | 1:2004 1   |  | PI IIS |



**CW¼½ÄÑ COOLING WATER SYSTEM**

| REF NO.                                | PARTS NO.     | Description           | Q'ty | Notes |
|--|---------------|-----------------------|------|-------|
| 1                                      | Y129004-42001 | CWÍßÝÍß CMP           | 1    |       |
| 3                                      | Y129100-42051 | • PK(CW-P)(ÉÝ±½)      | 1    |       |
| 4                                      | Y129100-42121 | • ÍßÚ-Ä               | 1    |       |
| 8                                      | Y121850-42410 | • ½, ØÖ³              | 3    |       |
| 10                                     | Y119802-49113 | • CW-T Ä-ÞÄ           | 2    |       |
| 11                                     | Y23876-010000 | • É¼ÞÍß×, ÞPT1/8      | 1    |       |
| 12                                     | Y23876-020000 | • É¼ÞÍß×, Þ 1/4       | 1    |       |
| 13                                     | Y129916-49740 | • É¼ÞÍß×, Þ R03       | 2    |       |
| 14                                     | Y129486-42021 | PK(CW-P)              | 1    |       |
| 15                                     | Y129004-42040 | ¼ÞÖ²ÝÄ(CW-P)          | 1    |       |
| 16                                     | Y129486-42140 | OØÝ, Þ G 30           | 1    |       |
| 17                                     | Y124395-49840 | PK(»-Ó½ÄÄÄ¹-½)        | 1    |       |
| 18                                     | Y26106-080162 | ÄÉÞÍÞÜÄ 8X 16         | 3    |       |
| 19                                     | Y26106-080602 | ÄÉÞÍÞÜÄ 8X 60         | 3    |       |
| 20                                     | Y129155-42350 | VÍß-Ø (90             | 1    |       |
| 21                                     | Y25152-003700 | VÍÞÜÄ(Ü° Ä¼ÞA37       | 1    |       |
| 21-2                                   | Y129612-42290 | VÍÞÜÄ(Ü° Ä¼ÞA37.5     | 1    | S     |
| (C=E/#05851)                           |               |                       |      |       |
| 22                                     | Y129335-44740 | Ì±Ý(D335)             | 1    |       |
| 22-1                                   | Y121267-44741 | Ì±Ý(D360)             | 1    | S     |
| (A, B, C=machine serial No. 13519307-) |               |                       |      |       |
| 23                                     | Y129030-44760 | ¶Ý»Þ(Ì±Ý L37.5        | 1    |       |
| 23-1                                   | Y129457-44760 | ¶Ý»Þ(Ì±Ý L30          | 1    | S     |
| (A, B, C=machine serial No. 13519307-) |               |                       |      |       |
| 24                                     | Y26106-060502 | ÄÉÞÍÞÜÄ 6X 50         | 4    |       |
| 25                                     | Y129457-49801 | »-Ó½ÄÄÄ(82            | 1    |       |
| 26                                     | Y129150-49811 | PK(»-Ó½ÄÄÄ ¼Ä)(ÉÝ±½)  | 1    |       |
| 27                                     | Y129350-49530 | »-Ó½ÄÄÄ¶ÉÞ-(ÍÞ×Ä, :12 | 1    |       |
| 28                                     | Y129795-49551 | PK(»-Ó½ÄÄÄ¶ÉÞ-)(ÉÝ±½) | 1    |       |
| 29                                     | Y26106-080222 | ÄÉÞÍÞÜÄ 8X 22         | 2    |       |
| 30                                     | Y23414-080000 | ÉßÄ·Ý(ÌÜ 8            | 1    |       |
| 31                                     | Y119266-49350 | »-Ó¼Ý»-               | 1    |       |
| 32                                     | Y121250-44901 | »-Ó½²ÄÄ(110ßC 1¼Ý¼·   | 1    |       |
| 33                                     | Y124465-44950 | ÉßÄ·Ý16               | 1    |       |
| 34                                     | Y129150-49360 | PK 10                 | 1    |       |
| 35                                     | Y129004-49610 | CW-T A CMP(MP2        | 1    |       |
| 36                                     | Y129004-49711 | • CW-T A(MP2          | 1    |       |
| 37                                     | Y119802-49730 | • ÌÜÄÞÖ(CW-T          | 1    |       |
| 38                                     | Y124722-59050 | • Í-½, ØÄÍß(ÌÜ 9      | 2    |       |
| 39                                     | Y129004-49620 | CW-T B CMP(MP2        | 1    |       |
| 40                                     | Y129004-49721 | • CW-T B(MP2          | 1    |       |
| 41                                     | Y124722-59050 | • Í-½, ØÄÍß(ÌÜ 9      | 2    |       |
| 42                                     | Y26106-080122 | ÄÉÞÍÞÜÄ 8X 12         | 1    |       |
| 43                                     | Y121550-49111 | ¼ÞÖ²ÝÄ PT1/4          | 1    |       |
| 44                                     | Y26106-080452 | ÄÉÞÍÞÜÄ 8X 45         | 1    |       |
| 45                                     | Y171064-44510 | »ÍÞÄÝ CMP             | 1    |       |
| 47                                     | Y121450-44531 | • ÖÄÍß                | 1    |       |
| 48                                     | Y124450-44560 | • µ»'(µ-ÉÞ-ÌÜ-Éß³Íß   | 1    |       |
| 49                                     | Y121470-44581 | • ÉßÄ·Ý               | 1    |       |
| 50                                     | Y23065-070225 | • 23061-070300(Ä³Ö²í  | 1    |       |
| 51                                     | Y124450-44550 | ÉÞÝÄÞ(»ÍÞÄÝ,          | 1    |       |
| 52                                     | Y121256-44600 | ÌÞ×¹ÄÄ (ÌÞ×Ä, :12)    | 1    |       |
| 53                                     | Y129242-49010 | CW-T (A               | 1    |       |
| 54                                     | Y129612-49040 | CW-T (B               | 1    |       |
| 55                                     | Y23010-038000 | Í-½ÉÞÝÄÞ 38           | 2    |       |
| 56                                     | Y23010-044000 | Í-½ÉÞÝÄÞ 44           | 2    |       |
| 57                                     | Y119255-44660 | ÍÞ³¼Ý³ÞÑ(×¼Þ·Ä        | 2    |       |
| 58                                     | Y129150-49100 | »ÝÍß³Ä, CMP           | 1    |       |
| 59                                     | Y129150-49080 | • ÄÞÜÝ³Ä,             | 1    |       |
| 63                                     | Y129242-44500 | ×¼Þ·Ä ASSY            | 1    |       |
| 64                                     | Y129107-44590 | • ÖÄÍß(0.9KG/CM2) D46 | 1    |       |
| 65                                     | Y129467-44580 | • Í³ÝÄ×ÉÞ-            | 2    |       |
| 66                                     | Y129467-44590 | • ¶×-                 | 2    |       |

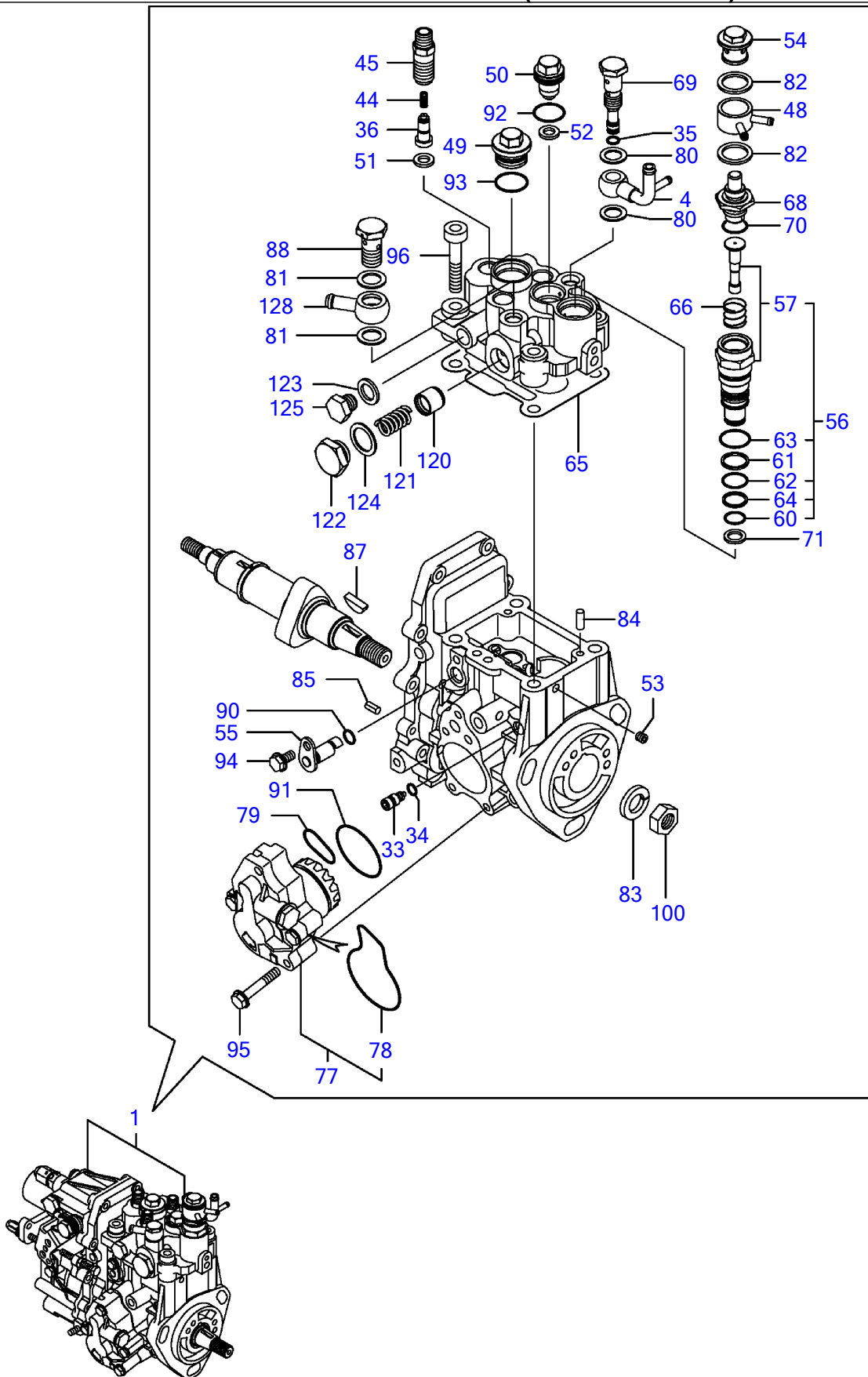
Engine for TB135 3TNV88-QTB(cab), QTB1(canopy) S/N 13514051-  
**FUEL INJECTION PUMP**



|                  |               |  |        |
|------------------|---------------|--|--------|
| Y00D8080         | 11. F0フンシャポンプ |  |        |
| 3TNV88-QTB. QTB1 | 1:2004 1      |  | PI IIS |

| REF NO. | PARTS NO.     | Description                        | Q'ty |
|---------|---------------|------------------------------------|------|
| 1       | Y729242-51400 | FUEL INJECTION PUMP ASSY, F.INJECT | 1    |
| 2       | Y119802-51250 | BRACKET, PUMP                      | 1    |
| 3       | Y26106-080162 | BOLT M 8X 16 PLATED                | 1    |
| 4       | Y26106-080202 | BOLT M 8X 20 PLATED                | 1    |
| 81      | Y24341-000280 | O-RING 1A S-28.01                  | 1    |
| 83      | Y26106-060142 | BOLT                               | 2    |
| 132     | Y119233-77932 | SOLENOID, STOP                     | 1    |

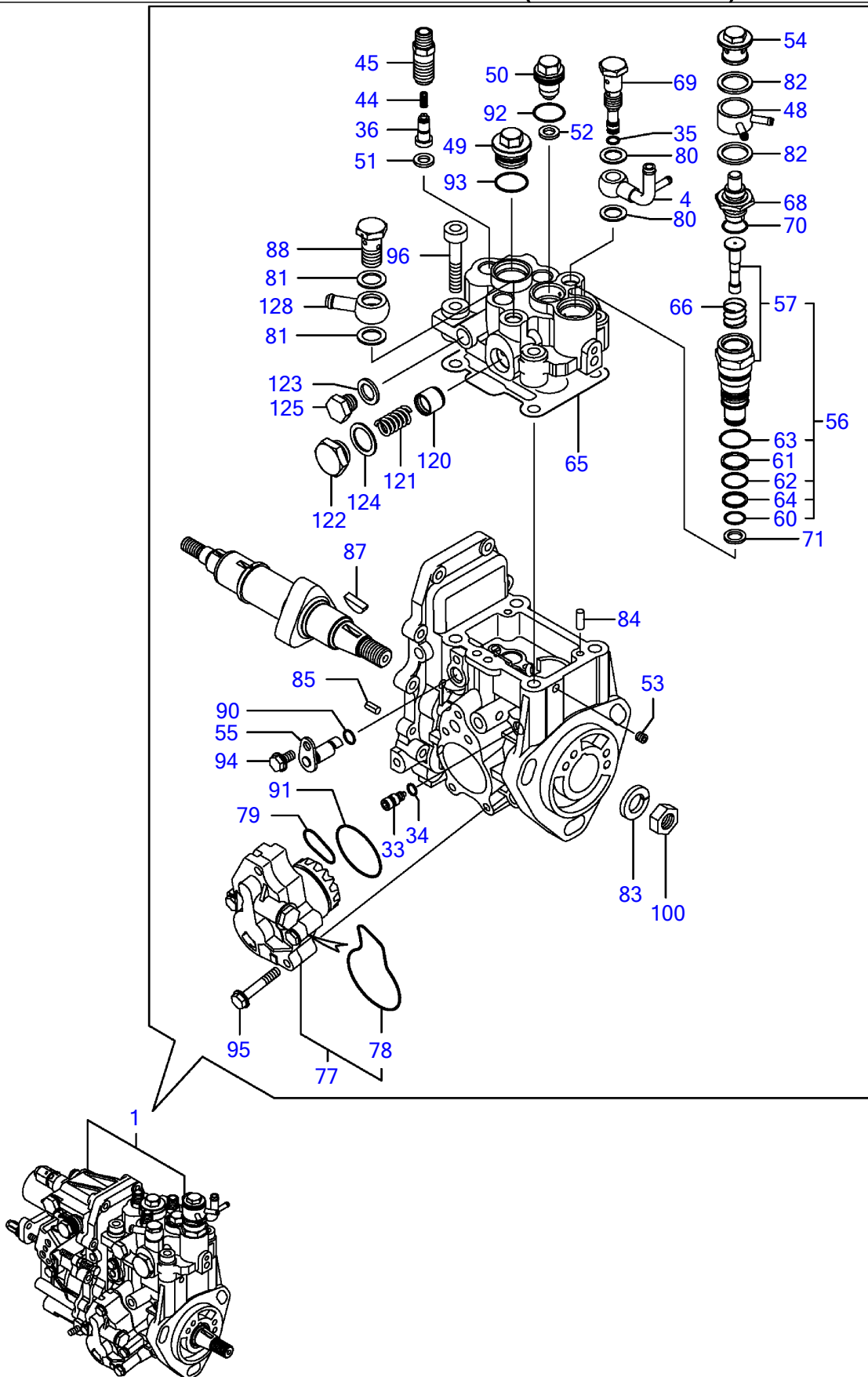
Engine for TB135 3TNV88-QTB(cab), QTB1(canopy) S/N 13514051-  
**FUEL INJECTION PUMP (INNER PARTS)**



|                  |                           |  |        |
|------------------|---------------------------|--|--------|
| Y00D8080         | 11-1. FOファンシャポンプ (インナパーツ) |  |        |
| 3TNV88-QTB. QTB1 | 1:2004 1                  |  | PI IIS |

| REF NO. | PARTS NO.     | Description             | Q'ty | R   | Notes  |
|---------|---------------|-------------------------|------|-----|--|
| 1       | Y729242-51400 | PUMP ASSY, F.INJECT     | 1    | (1) | ĐÁP¼NO. 1<br>FOIY¼-İBÝİB ASSY<br>ÆÈ³Ó, NO. 11-2<br>¶PÈPÁ, İ,Đİ½i |
| 4       | Y158552-51670 | • ¼PÖ²YÄ(µ-ÊP-İÜ-       | 1    |     |  |
| 33      | Y158600-51270 | • • İÜØÄPÖ(ÁİBÄÄ        | 1    |     |  |
| 34      | Y158563-51281 | • • OØY, P4D S6         | 1    |     |  |
| 35      | Y158563-51281 | • • OØY, P4D S6         | 1    |     |  |
| 36      | Y158560-51300 | • • ÄPØİPØÊPÜİPOMP      | 3    |     |  |
| 44      | Y158563-51330 | • • SP(ÄPØİPØÊPÜİP      | 3    |     |  |
| 45      | Y158601-51340 | • • İÜÄP(ÄPØİPØ         | 3    |     |  |
| 48      | Y158553-51551 | • • ¼PÖ²YÄ(Ü²-Ö, ½²     | 1    |     |  |
| 49      | Y158601-51550 | • • İBx, P(İPÝÊB²¼P,    | 1    |     |  |
| 50      | Y119802-51560 | • • ÊPÜÜİBx, P          | 1    |     |  |
| 51      | Y158552-51570 | • • PK(ÊPÜÜİBx, P       | 3    |     |  |
| 52      | Y158552-51570 | • • PK(ÊPÜÜİBx, P       | 1    |     |  |
| 53      | Y158557-51570 | • • İBx, P(xÄ,          | 1    |     |  |
| 54      | Y158601-51570 | • • İBx, P(Ü²-Ö, ½²     | 1    |     |  |
| 55      | Y158552-51580 | • • ØY, ØİÄ-            | 1    |     |  |
| 56      | Y119802-51590 | • • Ä²İ-¾ÄÄ             | 1    |     |  |
| 57      | Y119802-51600 | • • Ä²İ-CMP(»-Ó'ÜÖYÄ    | 1    |     |  |
| 60      | Y158553-51670 | • • OØY, P1011          | 1    |     |  |
| 61      | Y119802-51680 | • • ÊPÄ, ±ÄİBØY, P      | 1    |     |  |
| 62      | Y119802-51690 | • • OØY, P              | 1    |     |  |
| 63      | Y24356-010200 | • • OØY, P4D 1020       | 1    |     |  |
| 64      | Y24372-000150 | • • ÊPÄ, ±ÄİBØY, P      | 1    |     |  |
| 65      | Y158552-51600 | • • PK(HİÄÄP            | 1    |     |  |
| 66      | Y158553-51630 | • • SP(Ä²İ-             | 1    |     |  |
| 68      | Y158553-51640 | • • »-Ó'ÜÖYÄ            | 1    |     |  |
| 69      | Y158601-51650 | • • µ-ÊPİÜ-Ä, PÄ        | 1    |     |  |
| 70      | Y158553-51660 | • • OØY, P14            | 1    |     |  |
| 71      | Y158553-51680 | • • PK(Ä²İ-             | 1    |     |  |
| 77      | Y158552-52100 | • • İ²-ÄPİBÝİBOMP       | 1    |     |  |
| 78      | Y158552-52500 | • • O ØY, P(İ²°ÄP²YÄ°   | 1    |     |  |
| 79      | Y158552-52310 | • • OØY, P(İ²-ÄPİBÝİB   | 1    |     |  |
| 80      | Y22190-120002 | • • ¼-ÜÜÄ¼Ö(ØİÜ12       | 2    |     |  |
| 81      | Y22190-120002 | • • ¼-ÜÜÄ¼Ö(ØİÜ12       | 2    |     |  |
| 82      | Y22190-180002 | • • ¼-ÜÜÄ¼Ö(ØİÜ18       | 2    |     |  |
| 83      | Y22217-140000 | • • ÊPÈ»P¶PÈ14          | 1    |     |  |
| 84      | Y22312-050140 | • • İ²³ÈBÝ5X14          | 2    |     |  |
| 85      | Y22351-050010 | • • ½İBØY, PÈBÝ5.0AX 10 | 2    |     |  |
| 87      | Y119802-51090 | • • KW 4X16             | 1    |     |  |
| 88      | Y23857-060000 | • • ¶YÄ, PÄİPÜÄ6        | 1    |     |  |
| 90      | Y24311-000070 | • • OØY, P1A P 7.0      | 1    |     |  |
| 91      | Y158552-52400 | • • O ØY, P4E S42       | 1    |     |  |
| 92      | Y24356-010180 | • • OØY, P4D 1018       | 1    |     |  |
| 93      | Y24356-010200 | • • OØY, P4D 1020       | 1    |     |  |
| 94      | Y26106-060102 | • • ÄÊPİPÜÄM 6X 10      | 1    |     |  |
| 95      | Y158553-51770 | • • İPÜÄ                | 4    |     |  |
| 96      | Y26450-080452 | • • 6¶, ±ÄİPÜÄ8X 45     | 4    |     |  |
| 100     | Y26776-140002 | • • ÄÖÄÄÄ(İĸ 14         | 1    |     |  |
| 120     | Y158601-51770 | • • ±-ÖÑÜ-ÄÈB½ÄY        | 1    |     |  |
| 121     | Y158552-51780 | • • ±-ÖÑÜ-ÄSP           | 1    |     |  |

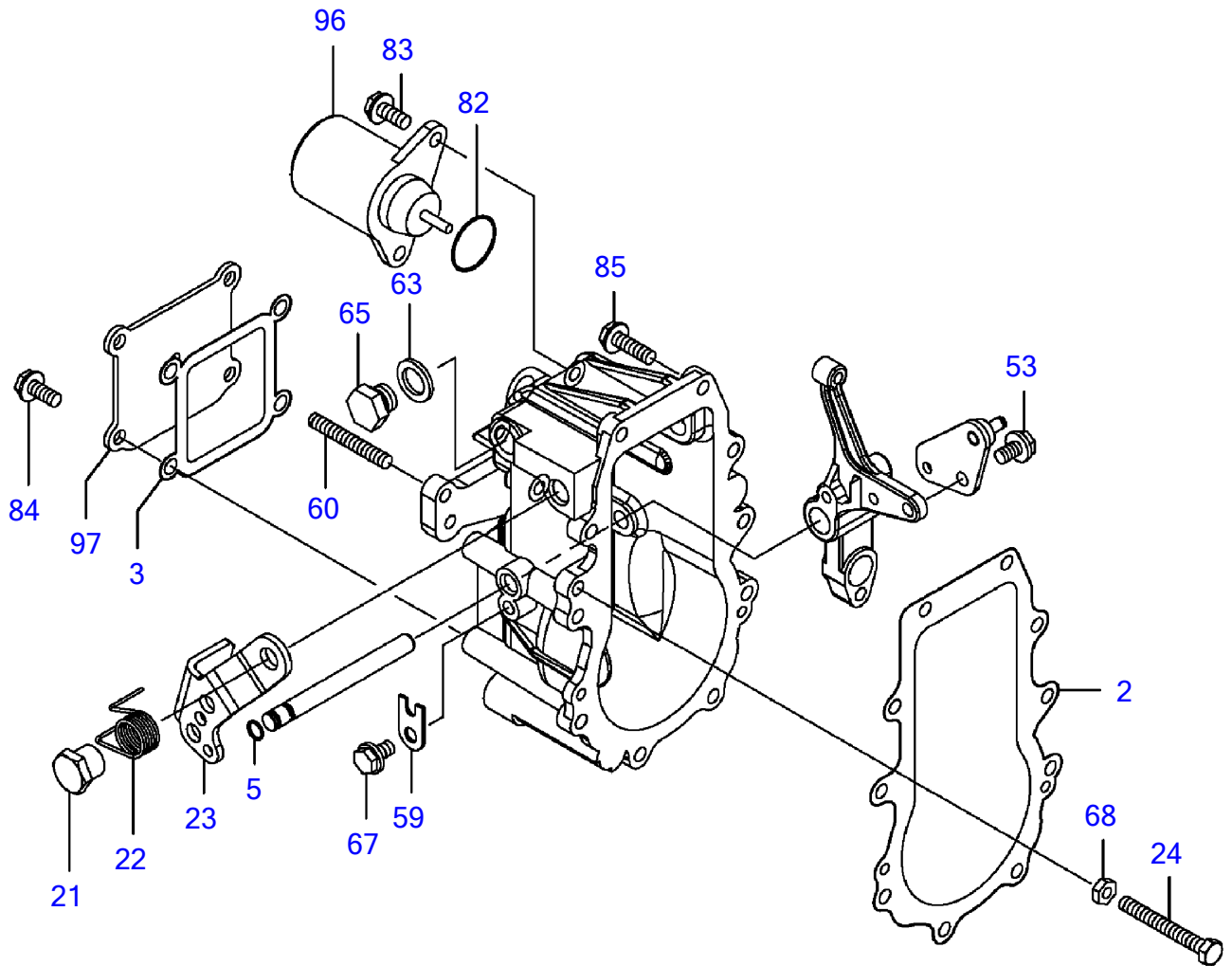
Engine for TB135 3TNV88-QTB(cab), QTB1(canopy) S/N 13514051-  
**FUEL INJECTION PUMP (INNER PARTS)**



|                  |                          |  |        |
|------------------|--------------------------|--|--------|
| Y00D8080         | 11-1. FOフンシャポンプ (インナパーツ) |  |        |
| 3TNV88-QTB, QTB1 | 1:2004 1                 |  | PI IIS |

| REF NO. | PARTS NO.     | Description    | Q'ty | I | R | "o |
|---------|---------------|----------------|------|---|---|----|
| 122     | Y158601-51790 | PLUG           | 1    |   |   |    |
| 123     | Y22190-120002 | SEAL WASHER 12 | 1    |   |   |    |
| 124     | Y22190-180002 | SEAL WASHER 18 | 1    |   |   |    |
| 125     | Y23887-120002 | PLUG M12, HEX. | 1    |   |   |    |
| 128     | Y129916-59020 | JOINT 12, PIPE | 1    |   |   |    |

Engine for TB135 3TNV88-QTB(cab), QTB1(canopy) S/N 13514051-  
GOVERNOR (INNER PARTS)

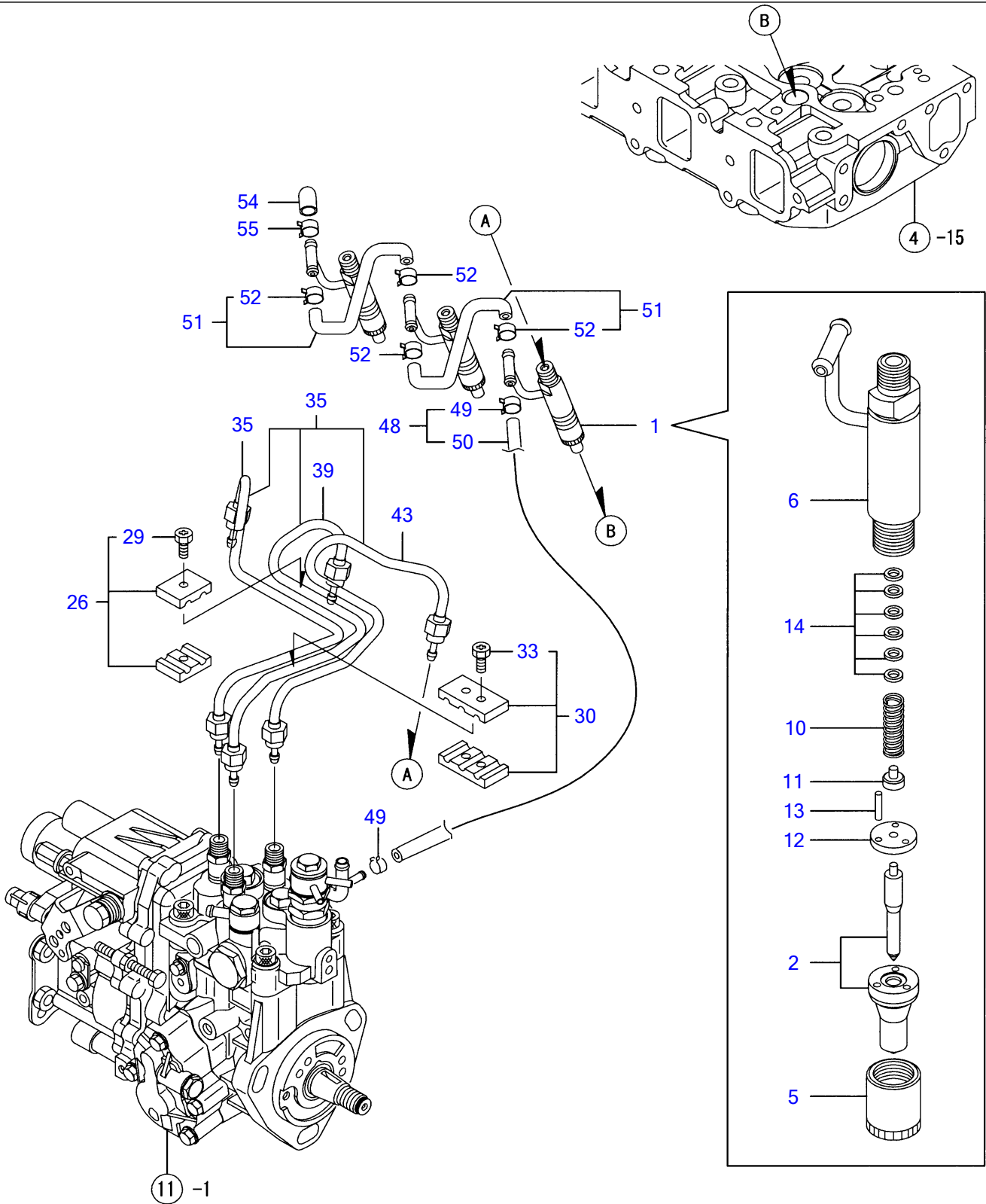


|                  |                    |          |  |        |
|------------------|--------------------|----------|--|--------|
| Y00D8080         | 11-2. ガバナ (インナパーツ) |          |  |        |
| 3TNV88-QTB, QTB1 |                    | 1:2004 1 |  | PI IIS |





Engine for TB135 3TNV88-QTB(cab), QTB1(canopy) S/N 13514051-  
**FUEL INJECTION VALVE**

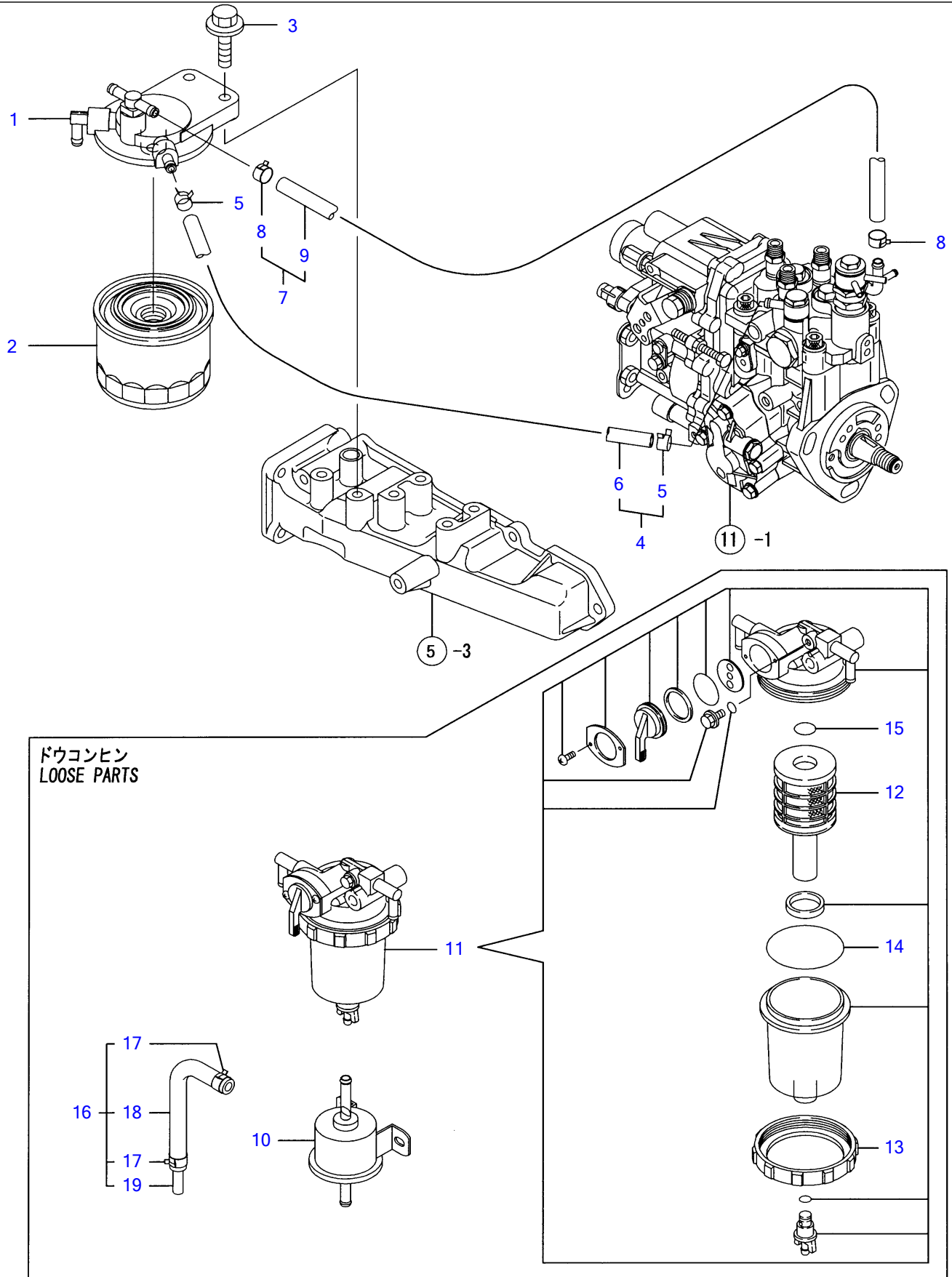


|                  |              |  |  |        |
|------------------|--------------|--|--|--------|
| Y00D8080         | 12. F07ンシャベン |  |  |        |
| 3TNV88-QTB. QTB1 | 1:2004 1     |  |  | PI IIS |

**FOI¼-ÍPÝ FUEL INJECTION VALVE**

| REF NO. | PARTS NO.     | Description      | Q'ty                   |   |
|---------|---------------|------------------|------------------------|---|
| 1       | Y729245-53100 | FOÍPÝ ASSY(WBC   | FUEL INJECTOR(WBC      | 3 |
| 2       | Y129004-53001 | • É½PÙ CMP       | • NOZZLE CMP           | 3 |
| 5       | Y114250-53080 | • ÅÅ(É½PÙÄÅ¹     | • NUT, NOZZLE CASE     | 3 |
| 6       | Y119802-53100 | • É½PÙÍÙÄP CMP   | • HOLDER ASSY, NOZZLE  | 3 |
| 10      | Y114250-53120 | • ½ÍØÝ,P(É½PÙ    | • SPRING, NOZZLE       | 3 |
| 11      | Y114250-53130 | • ¼-Ä(É½PÙ½ÍØÝ,P | • SEAT, NOZZLE SPRING  | 3 |
| 12      | Y114250-53140 | • ½ÄÍÍÍÍ-Ä       | • PLATE, STOP          | 3 |
| 13      | Y114250-53210 | • ÉÝ(É½PÙ²Á·PÒ   | • PIN                  | 6 |
| 14      | Y114250-53400 | • ¼Ñ CMP         | • SHIM PACK            | 3 |
| 26      | Y119305-59120 | ÍÙÄPÒ(ÍÝ¼ÔÞÝCMP  | RETAINER               | 1 |
| 29      | Y129150-59131 | • ÍPÜÄ           | • BOLT M4X14,HEX.SCKT. | 1 |
| 30      | Y129150-59120 | ÍÙÄPÒ(ÍÝ¼ÔÞÝ CMP | RETAINER, INJ. PIPE    | 1 |
| 33      | Y129150-59131 | • ÍPÜÄ           | • BOLT M4X14,HEX.SCKT. | 2 |
| 35      | Y129004-59811 | FO-T(ÍÝ¼Ô CMP    | PIPE ASSY, INJECTION   | 1 |
| 39      | Y129004-59821 | FO-T(ÍÝ¼Ô CMP    | PIPE ASSY, INJECTION   | 1 |
| 43      | Y129004-59831 | FO-T(ÍÝ¼Ô CMP    | PIPE ASSY, INJECTION   | 1 |
| 48      | Y119802-59550 | FO-T(ÓÄP¼ CMP    | PIPE ASSY, RETURN      | 1 |
| 49      | Y124722-59050 | • Í-½,ØÄÍÍ(ÍÙ 9  | • CLAMP 9              | 2 |
| 50      | Y119802-59560 | • FO-T(ÓÄP¼      | • PIPE, FUEL RETURN    | 1 |
| 51      | Y129486-59551 | FOÓÄP¼ÞÝ CMP     | PIPE, FUEL RETURN      | 2 |
| 52      | Y124722-59050 | • Í-½,ØÄÍÍ(ÍÙ 9  | • CLAMP 9              | 4 |
| 54      | Y119593-59580 | • ÓÄÍÍ(FO-TÓÄP¼  | CAP                    | 1 |
| 55      | Y124060-77680 | Í-½,ØÄÍÍ(ÍÙ 10   | CLAMP 10               | 1 |

Engine for TB135 3TNV88-QTB(cab), QTB1(canopy) S/N 13514051-  
**FUEL LINE**

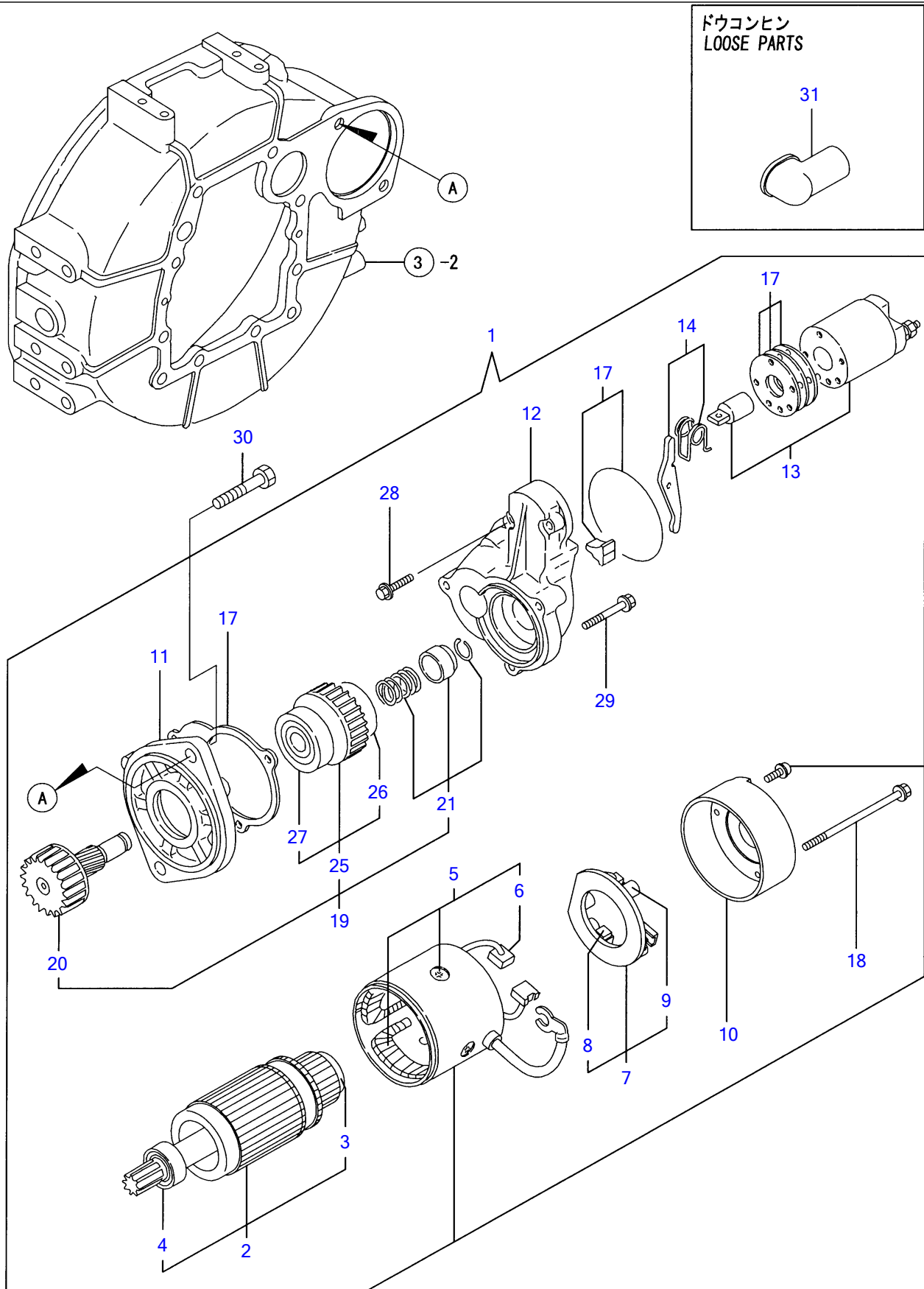


|                  |           |          |       |
|------------------|-----------|----------|-------|
| Y00D8080         | 13. FOパイプ |          |       |
| 3TNV88-QTB, QTB1 |           | 1:2004 1 | PI US |

**FOËÛÛ FUEL LINE**

| REF NO. | PARTS NO.     | Description         | Q'ty | QTY | I | R | "ó |
|---------|---------------|---------------------|------|-----|---|---|----|
| 1       | Y129004-55611 | BRACKET, FILTER     | 1    |     |   |   |    |
| 2       | Y119802-55800 | FILTER, FUEL        | 1    |     |   |   |    |
| 3       | Y26106-080302 | BOLT M 8X 30 PLATED | 2    |     |   |   |    |
| 4       | Y129210-59230 | PIPE ASSY, FUEL OIL | 1    |     |   |   |    |
| 5       | Y124766-59050 | • CLAMP 12          | 2    |     |   |   |    |
| 6       | Y129555-59511 | • PIPE, FUEL        | 1    |     |   |   |    |
| 7       | Y129210-59100 | PIPE ASSY, FUEL     | 1    |     |   |   |    |
| 8       | Y124766-59050 | • CLAMP 12          | 2    |     |   |   |    |
| 9       | Y105025-59580 | • PIPE, FUEL OIL    | 1    |     |   |   |    |
| 10      | Y129612-52100 | FUEL PUMP           | 1    |     |   |   |    |
| 11      | Y129906-55700 | SEPARATOR ASSY      | 1    |     |   |   |    |
| 12      | Y119802-55710 | • ELEMENT           | 1    |     |   |   |    |
| 13      | Y129100-55690 | • RING, RETAINING   | 1    |     |   |   |    |
| 14      | Y24321-000650 | • O-RING 1A G-65.0  | 1    |     |   |   |    |
| 15      | Y24311-000160 | • O-RING 1A P-16.0  | 1    |     |   |   |    |
| 16      | Y119840-59601 | BEND ASSY           | 1    |     |   |   |    |
| 17      | Y124766-59050 | • CLAMP 12          | 2    |     |   |   |    |
| 18      | Y119840-59611 | • BEND, RETURN      | 1    |     |   |   |    |
| 19      | Y119840-59621 | • JOINT             | 1    |     |   |   |    |

Engine for TB135 3TNV88-QTB(cab), QTB1(canopy) S/N 13514051-  
STARTING MOTOR

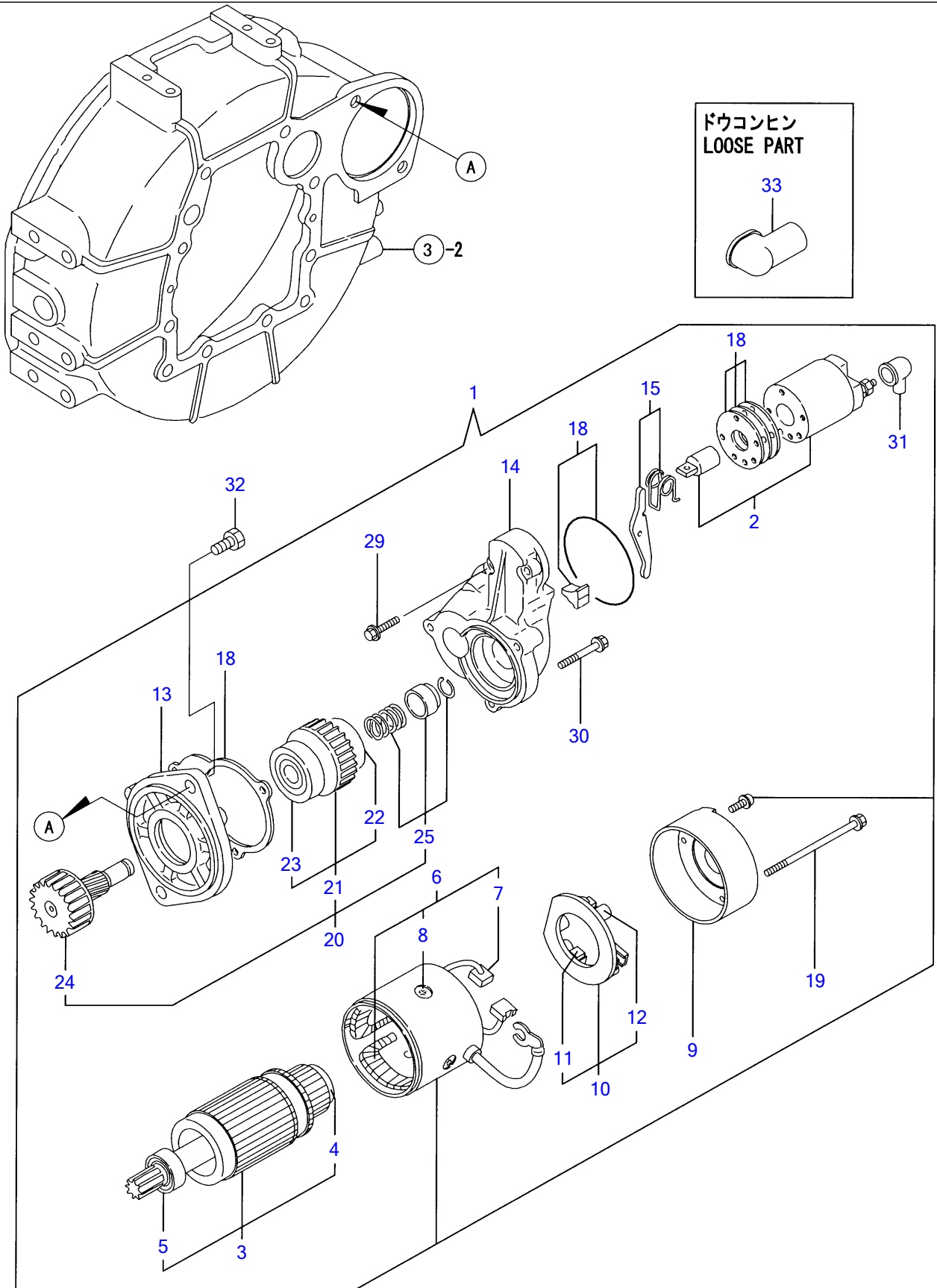


|                  |                |  |        |
|------------------|----------------|--|--------|
| Y00D8080         | 14. スターティングモータ |  |        |
| 3TNV88-QTB, QTB1 | 1:2004.1       |  | PI IIS |

½À-Ã²Ý, PÓ-À STARTING MOTOR

| REF NO. | PARTS NO.     | Description             | Q'ty |
|---------|---------------|-------------------------|------|
| 1       | Y129400-77012 | STARTING MOTOR          | 1    |
| 2       | Y129486-77400 | • ARMATUER              | 1    |
| 3       | Y171008-77410 | • • BEARING(1)          | 1    |
| 4       | Y171008-77420 | • • BEARING(2)          | 1    |
| 5       | Y129400-77441 | • FIELD COIL ASSY       | 1    |
| 6       | Y129486-77460 | • • BRUSH               | 2    |
| 7       | Y129486-77470 | • HOLDER ASSY, BRUSH    | 1    |
| 8       | Y129486-77460 | • • BRUSH               | 2    |
| 9       | Y129486-77490 | • • SPRING, START BRUSH | 4    |
| 10      | Y129900-77460 | • COVER, REAR           | 1    |
| 11      | Y171008-77510 | • HOUSING ASSY, GEAR    | 1    |
| 12      | Y129400-77520 | • HOUSING, CENTER       | 1    |
| 13      | Y129400-77531 | • SWITCH ASSY, MAGNETIC | 1    |
| 14      | Y171008-77540 | • LEVER SET, SHIFT      | 1    |
| 17      | Y129400-77571 | • DUST COVER, (NON-ASB. | 1    |
| 18      | Y129900-77640 | • BOLT, THROUGH         | 2    |
| 19      | Y171008-77650 | • PINION ASSY           | 1    |
| 20      | Y171008-77660 | • • SHAFT, PINION       | 1    |
| 21      | Y171008-77670 | • • STOPPER SET, PINION | 1    |
| 25      | YX2114555500  | • • CLUTCH ASSY         | 1    |
| 26      | YX2114955020  | • • • BALL BEARING      | 1    |
| 27      | YX2240410100  | • • • BALL BEARING      | 1    |
| 28      | Y26106-060322 | • BOLT M 6X 32 PLATED   | 2    |
| 29      | Y26106-060402 | • BOLT M 6X 40 PLATED   | 3    |
| 30      | Y26116-120252 | BOLT M12X 25 PLATED     | 2    |
| 31      | Y124550-77030 | COVER, TERMINAL         | 1    |

Engine for TB135 3TNV88-QTB(cab), QTB1(canopy) S/N 13514051-  
STARTING MOTOR



|                  |                |  |      |
|------------------|----------------|--|------|
| Y00D8080         | 14-1. スタートモーター |  |      |
| 3TNV88-QTB, QTB1 | 1:2004.01      |  | PLUS |



½À-Ã²Ý, ÞÓ-À STARTING MOTOR

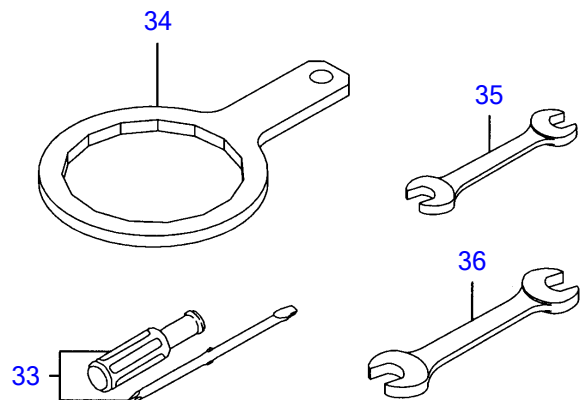
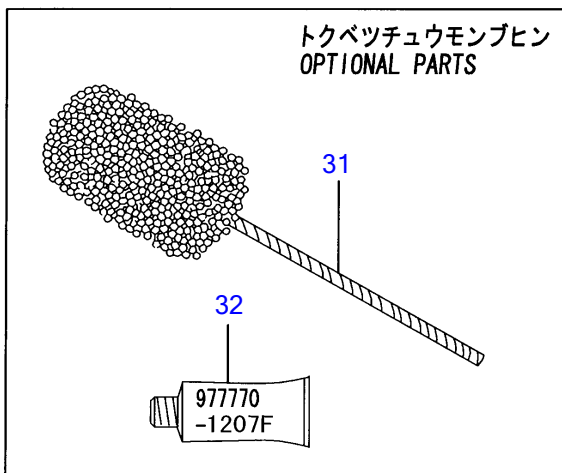
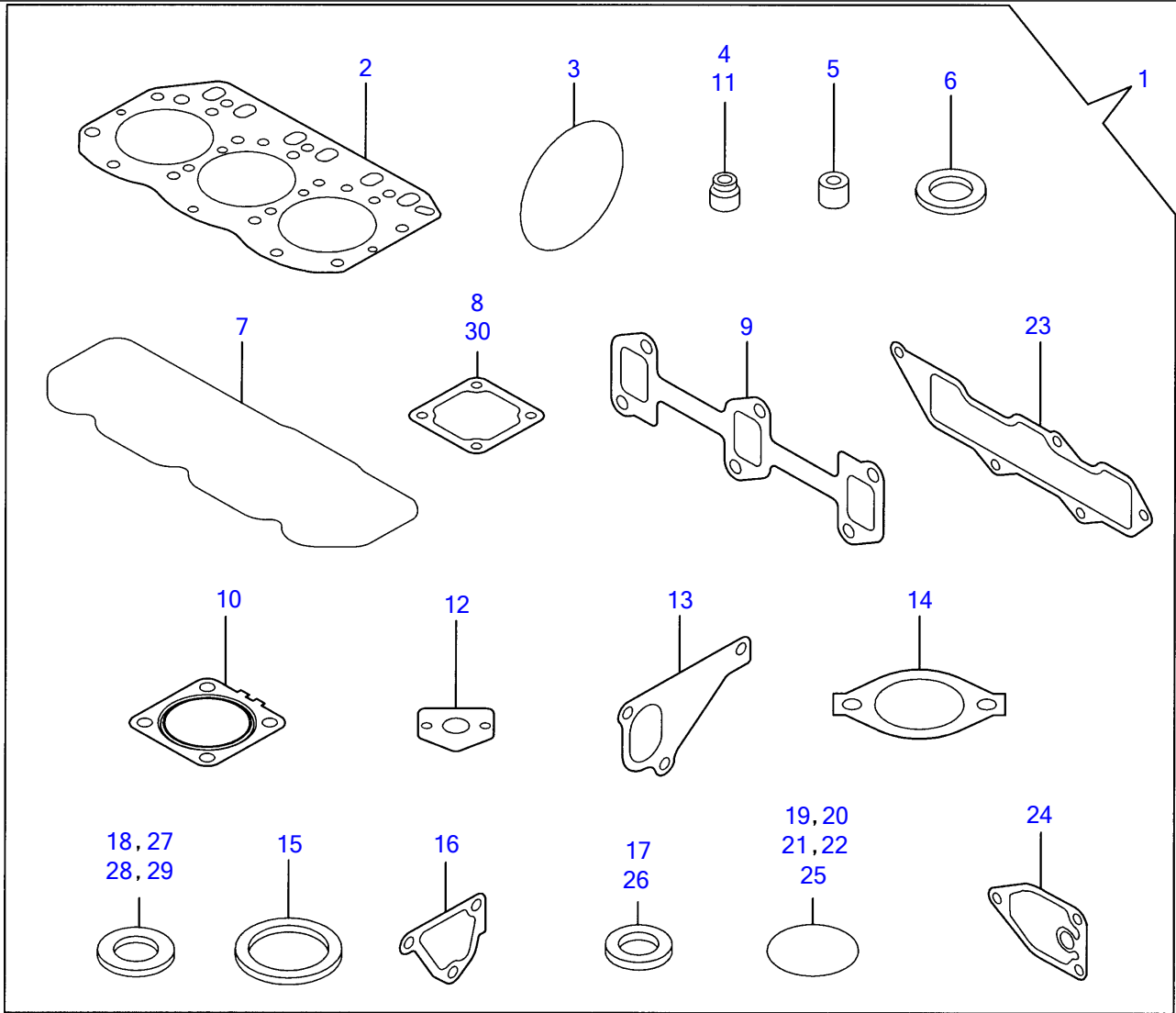
| REF NO. | PARTS NO.     | Description              | Q'ty |
|---------|---------------|--------------------------|------|
| 1       | Y129136-77011 | STARTER                  | 1    |
| 2       | Y129136-77310 | • SHAFT, PINION          | 1    |
| 3       | Y129900-77400 | • ARMATURE ASSY          | 1    |
| 4       | YX2130350900  | • • BALL BEARING         | 1    |
| 5       | YX2114255110  | • • BALL BEARING         | 1    |
| 6       | Y129900-77440 | • COIL ASSY, FIELD       | 1    |
| 7       | Y129900-77450 | • • BRUSH (+)            | 2    |
| 8       | Y171008-77450 | • • SCREW, POLE CORE SET | 4    |
| 9       | Y129900-77460 | • COVER, REAR            | 1    |
| 10      | Y129900-77480 | • HOLDER ASSY, BRASH     | 1    |
| 11      | Y129900-77450 | • • BRUSH (+)            | 2    |
| 12      | Y129400-77490 | • • SPRING, BRUSH        | 4    |
| 13      | Y171008-77510 | • HOUSING ASSY, GEAR     | 1    |
| 14      | Y129136-77520 | • CENTER HOUSING         | 1    |
| 15      | Y171008-77540 | • LEVER SET, SHIFT       | 1    |
| 18      | Y129400-77571 | • DUST COVER,(NON-ASB.)  | 1    |
| 19      | Y129900-77640 | • BOLT, THROUGH          | 2    |
| 20      | Y171008-77650 | • PINION ASSY            | 1    |
| 21      | YX2114555500  | • • CLUTCH ASSY          | 1    |
| 22      | YX2114955020  | • • • BEARING            | 1    |
| 23      | YX2240410100  | • • • BEARING            | 1    |
| 24      | Y171008-77660 | • • SHAFT, PINION        | 1    |
| 25      | Y171008-77670 | • • STOPPER SET, PINION  | 1    |
| 29      | Y26106-060322 | • BOLT M 6X 32 PLATED    | 2    |
| 30      | Y26106-060402 | • BOLT M 6X 40 PLATED    | 3    |
| 31      | Y171008-77750 | • COVER, M TERMINAL      | 1    |
| 32      | Y26116-120252 | BOLT M12X 25 PLATED      | 2    |
| 33      | Y124550-77030 | COVER, TERMINAL          | 1    |



1/4P'EÜ-Ä GENERATOR

| REF NO. | PARTS NO.     | Description          | Q'ty |
|---------|---------------|----------------------|------|
| 1       | Y119740-77250 | STUD                 | 1    |
| 2       | Y129240-77200 | ALTERNATOR           | 1    |
| 3       | Y129240-79310 | • NUT                | 1    |
| 4       | Y119620-77380 | • ROTOR ASSY         | 1    |
| 5       | Y126501-79240 | • • BALL BEARING     | 1    |
| 6       | Y119620-79250 | • • COVER, BEARING   | 1    |
| 7       | Y119620-77421 | • FLAME ASSY, DRIVE  | 1    |
| 8       | Y119620-79200 | • • BALL BEARING     | 1    |
| 9       | Y119620-79210 | • • PLATE            | 1    |
| 10      | Y119620-79220 | • • SCREW            | 4    |
| 11      | Y119620-79230 | • • BOLT, STUD       | 2    |
| 12      | Y119620-77440 | • FLAME ASSY, REAR   | 1    |
| 13      | Y119620-77461 | • PULLEY             | 1    |
| 14      | Y119620-77471 | • NUT                | 1    |
| 15      | Y119620-79260 | • HOLDER             | 1    |
| 16      | Y129052-79270 | • HOLDER, BRUSH      | 1    |
| 17      | Y119620-79290 | • SCREW              | 6    |
| 18      | Y119620-79300 | • SCREW              | 1    |
| 19      | Y119620-79310 | • BOLT               | 3    |
| 20      | Y119620-79320 | • SCREW WWASHER      | 2    |
| 21      | Y119620-79330 | • BOLT               | 2    |
| 22      | Y119620-79340 | • INSULATION BUSH    | 1    |
| 23      | Y119620-79350 | • NUT                | 2    |
| 24      | Y119620-77490 | • COLLAR             | 1    |
| 25      | Y119620-79360 | • THRUST WASHER      | 1    |
| 26      | Y129240-77710 | • REGULATOR ASSY     | 1    |
| 27      | Y129240-79300 | • COVER              | 1    |
| 28      | Y26306-100002 | NUT                  | 1    |
| 29      | Y119940-77330 | ADJUSTER, BELT       | 1    |
| 30      | Y119940-77270 | ADJUSTER, BELT       | 1    |
| 31      | Y119802-77200 | RELAY, SAFETY        | 1    |
| 32      | Y129211-77920 | TIMER                | 1    |
| 33      | Y119802-77340 | BOLT, ADJUSTER       | 1    |
| 34      | Y26106-080452 | BOLT M 8X 45 PLATED  | 1    |
| 35      | Y119646-77900 | RELAY, POWER         | 2    |
| 36      | Y119032-77910 | MOTOR ASSY, ENG.STOP | 1    |

Engine for TB135 3TNV88-QTB(cab), QTB1(canopy) S/N 13514051-  
GASKET SET



|                  |                 |          |  |        |
|------------------|-----------------|----------|--|--------|
| Y00D8080         | 16. コウグ&パッキンセット |          |  |        |
| 3TNV88-QTB, QTB1 |                 | 1:2004 1 |  | PI LIS |

93, p & ÊÛÄ·Ý¾ÄÄ GASKET SET

| REF NO. | PARTS NO.     | Description           | Q'ty |
|---------|---------------|-----------------------|------|
| 1       | Y729001-92690 | GASKET SET (NON-ASB.) | 1    |
| 2       | Y129001-01340 | GASKET, (NON-ASB.)    | 1    |
| 3       | Y121850-51960 | O-RING, F.I.PUMP      | 1    |
| 4       | Y124460-11340 | SEAL, VALVE STEM      | 3    |
| 5       | Y119802-11870 | PROTECTOR, NOZZLE     | 3    |
| 6       | Y119625-11880 | SEAT, NOZZLE          | 3    |
| 7       | Y129004-11310 | GASKET, BONNET        | 1    |
| 8       | Y129150-77511 | GASKET, (NON-ASB.)    | 1    |
| 9       | Y129150-13110 | GASKET, EXH.MANIFOLD  | 1    |
| 10      | Y129004-13200 | GASKET, SILENCER      | 1    |
| 11      | Y121400-11340 | SEAL, VALVE STEM      | 3    |
| 12      | Y129150-35041 | GASKET, (NON-ASB.)    | 1    |
| 13      | Y129486-42021 | GASKET                | 1    |
| 14      | Y129795-49551 | GASKET, (NON-ASB.)    | 1    |
| 15      | Y129150-49811 | GASKET, (NON-ASB.)    | 1    |
| 16      | Y124395-49840 | GASKET, THERMO. CASE  | 1    |
| 17      | Y22190-080002 | SEAL WASHER 8S        | 2    |
| 18      | Y124465-44950 | GASKET 16             | 1    |
| 19      | Y24311-000120 | O-RING 1A P 12.0      | 3    |
| 20      | Y24311-000320 | O-RING 1A P-32.0      | 3    |
| 21      | Y24341-000240 | O-RING 1A S-24.0      | 1    |
| 22      | Y129486-42140 | O-RING, CW-P          | 1    |
| 23      | Y129001-12110 | GASKET, INT. MANIFOLD | 1    |
| 24      | Y129150-35111 | GASKET, (NON-ASB.)    | 1    |
| 25      | Y119609-32040 | O-RING P16            | 4    |
| 26      | Y22190-100002 | SEAL WASHER 10S       | 2    |
| 27      | Y23414-080000 | GASKET 8, ROUND       | 1    |
| 28      | Y129150-49360 | GASKET 10             | 1    |
| 29      | Y22190-220002 | SEAL WASHER 22S       | 1    |
| 30      | Y129100-77510 | GASKET, AIR HEATER    | 1    |
| 31      | Y129400-92430 | HORN, FLEX            | 1    |
| 32      | Y977770-1207F | GASKET, LIQUID        | 1    |
| 33      | Y104200-92350 | DRIVER, SCREW         | 1    |
| 34      | Y119640-92750 | WRENCH, FILTER        | 1    |
| 35      | Y28110-100120 | WRENCH 10X12          | 1    |
| 36      | Y28110-140170 | WRENCH 14X17          | 1    |

# How to read this Parts Catalog.

1. Parts mentioned in this Parts Catalog may not necessarily be standard equipping parts.
2. Parts change may be made without prior notice.
3. Form of this Parts Catalog.

Y00F2161 (1997.09.01)

**Fig. 29 燃料噴射ポンプ(ブーコン用)**  
**FUEL INJECTION PUMP (W/BOOST)**

|                |     |             |  |                  |                     |          |   |   |   |   |   |    |
|----------------|-----|-------------|--|------------------|---------------------|----------|---|---|---|---|---|----|
| ●見出<br>REF.No. |     | レベル<br>LEV. | 部品番号<br>PARTS No.  | 部品名              | DESCRIPTION         | 個数 (Qty) |   |   |   |   |   | 備考 |
|                |     | 0           |  |                  |                     | A        | B | C | D | E | F |    |
| 1              | 1-1 | ●           | 729595-51390   | F0ポンプ ASY(7-コック) | FULE INJECTION PUMP | 1        | 1 | 1 | 1 | 1 | 1 | 1  |
|                |     | ●           | 729595-51391   | F0ポンプ ASY(7-コック) | FULE INJECTION PUMP | 1        | 1 | 1 | 1 | 1 | 1 | 1  |
|                |     | ●           | (A=E/#00185)(B=E/#00200)                                     |                  |                     |          |   |   |   |   |   |    |
| 3              |     | ●●          | 26022-060162   | ナメネジ M 6X 16     | SCREW M 6X 16       | 9        | 9 | 9 | 9 | 9 |   |    |
| I 3-1          |     | ●●          | 26022-060162   | ナメネジ M 6X 16     | SCREW M 6X 16       | 4        | 4 | 4 | 4 | 4 |   | K  |
|                |     |             | (A=E/#00185)(B=E/#00200)(C=E/#00156)(D=E/#00156)(E=E/#00156) |                  |                     |          |   |   |   |   |   |    |
| 4              |     | ●●          | 129470-51040   | カムシャフト           | CAMSHAFT            | 1        | 1 | 1 | 1 | 1 |   |    |
| 5              |     | ●●          | 122710-51050   | ベアリングローラ         | BEARING, ROLLER     | 2        | 2 | 2 | 2 | 2 |   |    |
| 6              |     | ●●          | 129470-51060   | ベアリングホルダ         | RETAINER            | 1        | 1 | 1 | 1 | 1 |   |    |

|   |  |
|---|--|
| <b>備考</b>   | <b>Remarks</b>   |
| (1) ブーストコンペンセータ付き。4JH-DT, 4JH-DTZとも<br>E/# 00155 までは、特別注文仕様とします | (1) BOOST COMPENSATOR TYPE.<br>OPTIONAL PART, TO E/# 00155.<br>(4JH - DT, 4JH - DTZ) |

**① Ref. No.**

The Ref. No. in the list may not be accord with the Ref. No. on illustration.  
(Ex.) Illustration No.                      List head No.

1                      1 (Befor change)                      →                      1 -1 (After change)

When interchangeable symbol N, R, and K, illustrations for new parts are sometimes omitted.

**② Lev.(Level)**

Indication and Meaning of Level

Level : Hereunder is given the relation among the number of dots(●), the level and the nominal parent- child relationship.

- .....Parent parts(Assembly parts)
- .....Child parts included in "●" (Semi- Assembly parts, component parts of Assembly parts.)
- .....Child parts included in "●●", Grand- child parts in terms of "●".  
(Component parts of Semi- Assembly parts.)

Note) A parts of non- sale parts are illustrated but not listed.

**③ Change Mark**

Change Mark "I" is given to the part for which a design change was made at this time.  
The design change was not shown in the last published Parts Catalog.

**④ Interchangeability Mark**

In the case where a part change took place, one of the following interchangeability marks is indicated for that part.

| Symbol | interchangeability            | Contents note  |
|--------|-------------------------------|--|
| N      | Old $\longleftrightarrow$ New | New Part is interchangeable for Old Part but not interchangeable conversely.     |
| Q      | Old $\longleftrightarrow$ New | New Part is not interchangeable for Old Part but interchangeable conversely.     |
| R      | Old $\longleftrightarrow$ New | New Part is interchangeable for Old Part and vice versa.                         |
| S      | Old $\longleftrightarrow$ New | New Part is not interchangeable for Old Part and vice versa.                     |
| W      |                               | Part newly added.  |
| Z      |                               | Part discontinued.   |
| F      |                               | Not interchangeable single part but interchangeable by set of the related parts. |
| K      |                               | Changed only in quantity used.   |

**⑤ Effective Machine No.**

When a part is changed, Effective Machine No. of a Model for which the part is applicable is indication in each column of (A)- (F).

| Product Symbol | Product No.               | Product Symbol | Product No. |
|----------------|---------------------------|----------------|-------------|
| C              | Clutch No. Compressor No. | M              | Machine No. |
| D              | Drive No.                 | T              | Tractor No. |
| E              | Engine No.                | Note1) ※       | Date        |

Note1) Date may follow the symbol in some cases. (Ex.) ※ 1996.01

Note2) As far as engine models shown by "XXX" are concerned, the modification of the parts could not be predicted or the engine models themselves could not be identified.

Note3) (A=E/#00185) means that the design change on the part has been effective for the model at the column (A) (in this case, for 4JH- DT) on and from E/#(Engine Serial Number) 00185.

**⑥ Remarks Mark**

Figures or alphabets (Symbols) are entered in the remark column.

The comments(remarks) on the pertinent parts are indicated in the lower part of the list by the same symbols as those stated above.



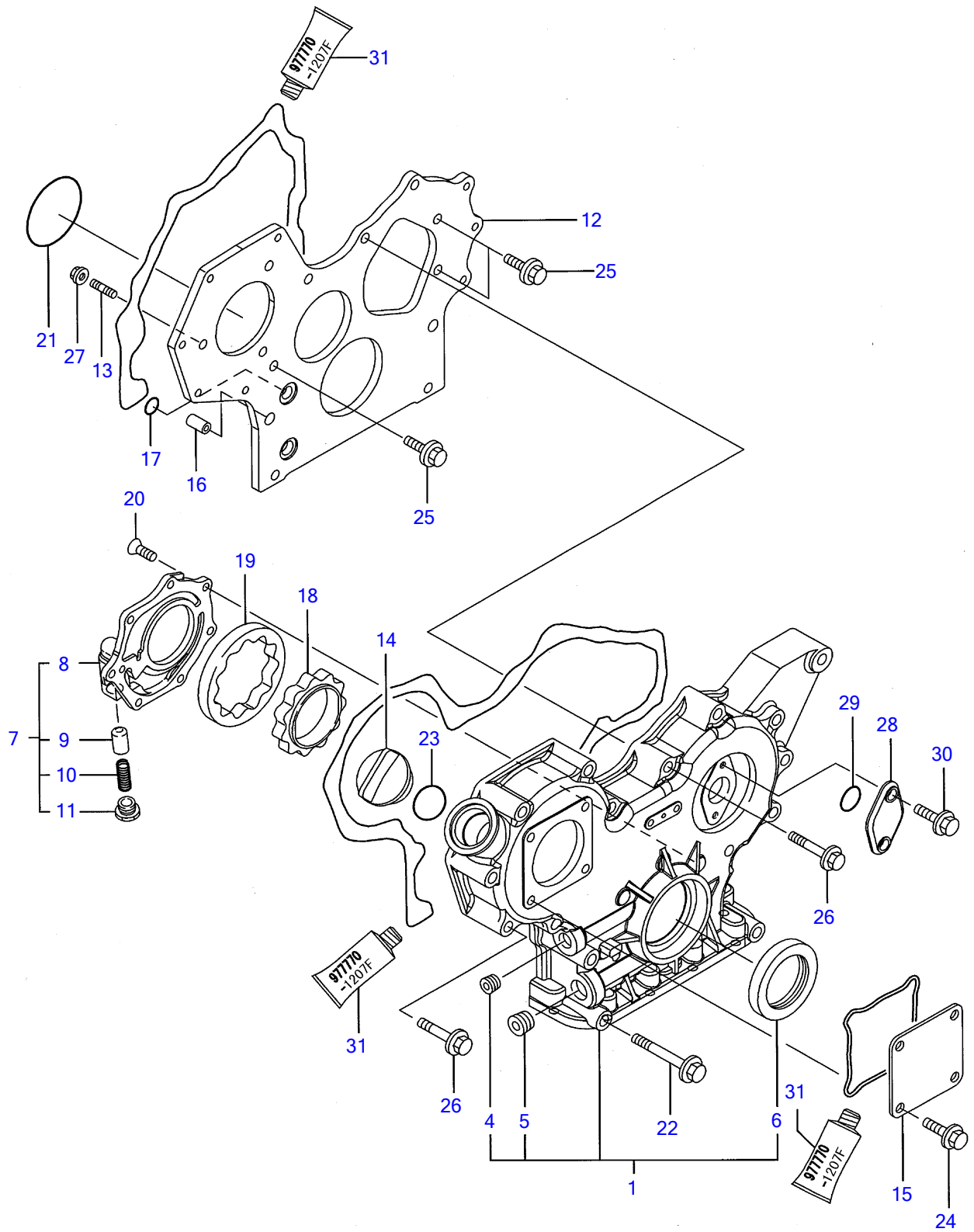




¼ØÝÀÞÍÞÛ, CYLINDER BLOCK

| REF NO. | PARTS NO.     | Description           | Q'ty |
|---------|---------------|-----------------------|------|
| 1       | Y729005-01560 | ¼ØÝÀÞÍÞÛ, ASY         | 1    |
| 5       | Y124060-01050 | • Ìß×, Þ              | 1    |
| 6       | Y129001-01250 | • »×¶ÍÞÀÌß×, Þ 50     | 1    |
| 7       | Y124160-01910 | • Ìß×, Þ PT1/4        | 2    |
| 8       | Y124160-01910 | • Ìß×, Þ PT1/4        | 1    |
| 9       | Y171051-01921 | • Ìß×, Þ NPTF1        | 1    |
| 10      | Y129150-02020 | • ÍÞÛÄ(ÒÀÛ-ÒÄÌß       | 8    |
| 13      | Y129795-02411 | • ÍÞÄ¼Ö (A            | 1    |
| 14      | Y27241-120000 | • ÛÝ¶ÍÞÀÌß×, Þ 12     | 2    |
| 15      | Y27241-300000 | • ÛÝ¶ÍÞÀÌß×, Þ 30     | 6    |
| 25      | Y129001-02930 | • Ò²ÝÒÄÛCMP(STDÌÖ³ËÝ) | 4    |
| 28      | Y129150-02930 | • ½×½ÄÒÄÛ             | 2    |
| 31      | Y129004-01190 | Ä²»Þ²Ë½Íß-»           | 1    |
| 32      | Y129150-01200 | ÍÄÄÞÍÞÛÄ              | 14   |
| 33      | Y129001-01340 | ÍÄÄÞ¶ÍÞ½¹ÄÄ(ËÝ±½)     | 1    |
| 34      | Y129150-02870 | Ò²ÝÒÄÛ U.S=0.25       | 4    |
| 37      | Y129150-02940 | ½×½ÄÒÄÛ 0.25(2¹=1¾ÄÄ  | 1    |

Engine for TB135 3TNV88-QTB2 (air con.) S/N 13514051-  
GEAR HOUSING



|             |          |           |      |
|-------------|----------|-----------|------|
| Y0008260    | 2. ギヤケース |           |      |
| 3TNV88-QTB2 |          | 1:2004.05 | PLUS |

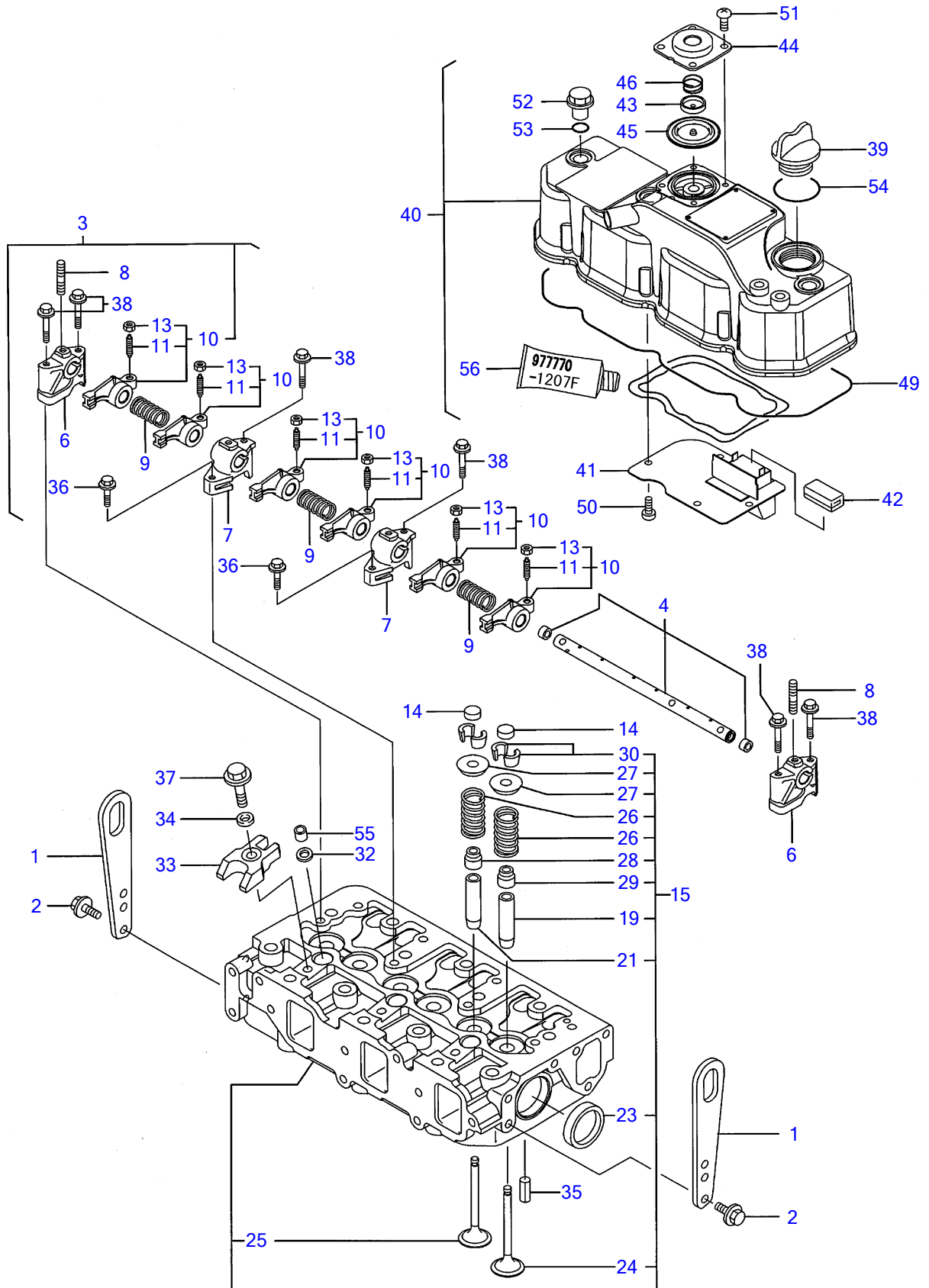
| REF NO. | PARTS NO.     | Description           | Q'ty |
|---------|---------------|-----------------------|------|
| 1       | Y729240-01500 | HOUSING ASSY, GEAR    | 1    |
| 4       | Y23876-030000 | • PLUG PT3/8,SCREW    | 1    |
| 5       | Y23876-040000 | • PLUG PT 1/2         | 1    |
| 6       | Y119934-01800 | • SEAL, OIL           | 1    |
| 7       | Y119802-32100 | COVER ASSY, PUMP      | 1    |
| 8       | Y119802-32070 | • COVER, LUB.OIL PUMP | 1    |
| 9       | Y129900-32130 | • VALVE, RELIEF       | 1    |
| 10      | Y129418-32320 | • SPRING              | 1    |
| 11      | Y129001-32330 | • PLUG                | 1    |
| 12      | Y119802-01520 | FRANGE, GEAR CASE     | 1    |
| 13      | Y119802-01560 | STUD, M8X25           | 3    |
| 14      | Y124160-01751 | COVER,FILLER          | 1    |
| 15      | Y124240-01871 | COVER, HO-P           | 1    |
| 16      | Y129795-01950 | PIPE, KNOCK L=18      | 2    |
| 17      | Y119609-32040 | O-RING P16            | 4    |
| 18      | Y119802-32111 | ROTOR, INNER          | 1    |
| 19      | Y119802-32120 | ROTOR, OUTER          | 1    |
| 20      | Y119802-32130 | SCREW, M6X16          | 7    |
| 21      | Y121850-51960 | O-RING, F.I.PUMP      | 1    |
| 22      | Y129001-91841 | BOLT, M8X85           | 3    |
| 23      | Y24311-000320 | O-RING 1A P-32.0      | 1    |
| 24      | Y26106-080162 | BOLT M 8X 16 PLATED   | 4    |
| 25      | Y26106-080162 | BOLT M 8X 16 PLATED   | 3    |
| 26      | Y26106-080552 | BOLT M 8X 55 PLATED   | 12   |
| 27      | Y26306-080002 | NUT                   | 3    |
| 28      | Y121023-01550 | COVER, BLIND          | 1    |
| 29      | Y24341-000240 | O-RING 1A S-24.0      | 1    |
| 30      | Y26106-060162 | BOLT M 6X 16 PLATED   | 2    |
| 31      | Y977770-1207F | GASKET, LIQUID        | 1    |



FLYWHEEL HOUSING & OIL SUMP

| REF NO. | PARTS NO.     | Description           | Q'ty |
|---------|---------------|-----------------------|------|
| 1       | Y129100-01580 | PARALLEL PIN 8X16     | 2    |
| 2       | Y129612-01600 | HOUSING, FLYWHEEL     | 1    |
| 3       | Y119620-01750 | CAP, FLYWHEEL COVER   | 1    |
| 4       | Y26206-100252 | BOLT M10X25           | 6    |
| 5       | Y26206-100302 | BOLT M10X30           | 4    |
| 6       | Y129100-01730 | SPACER, OIL SUMP      | 1    |
| 8       | Y729102-01540 | SUMP ASSY, LUB. OIL   | 1    |
| 9       | Y119640-01640 | DRAIN PLUG M22        | 1    |
| 11      | Y22190-220002 | SEAL WASHER 22S       | 1    |
| 12      | Y26106-080162 | BOLT M 8X 16 PLATED   | 4    |
| 13      | Y26106-080252 | BOLT M 8X 25 PLATED   | 2    |
| 14      | Y26106-080452 | BOLT M 8X 45 PLATED   | 20   |
| 15      | Y129100-01580 | PARALLEL PIN 8X16     | 2    |
| 16      | Y129100-01640 | CASE ASSY, OIL SEAL   | 1    |
| 18      | Y129795-01780 | SEAL, OIL             | 1    |
| 19      | Y129486-01670 | BOLT M8X30, COLLAR HD | 6    |
| 20      | Y26106-080352 | BOLT M 8X 35 PLATED   | 3    |
| 21      | Y977770-1207F | GASKET, LIQUID        | 1    |

Engine for TB135 3TNV88-QTB2 (air con.) S/N 13514051-  
CYLINDER HEAD & BONNET

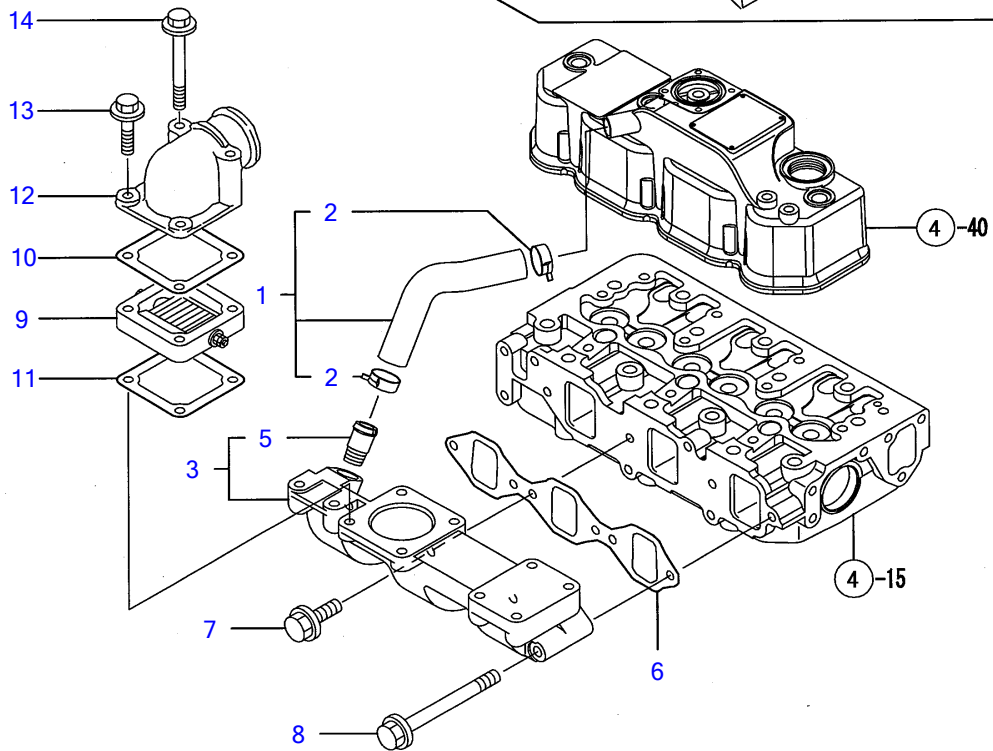
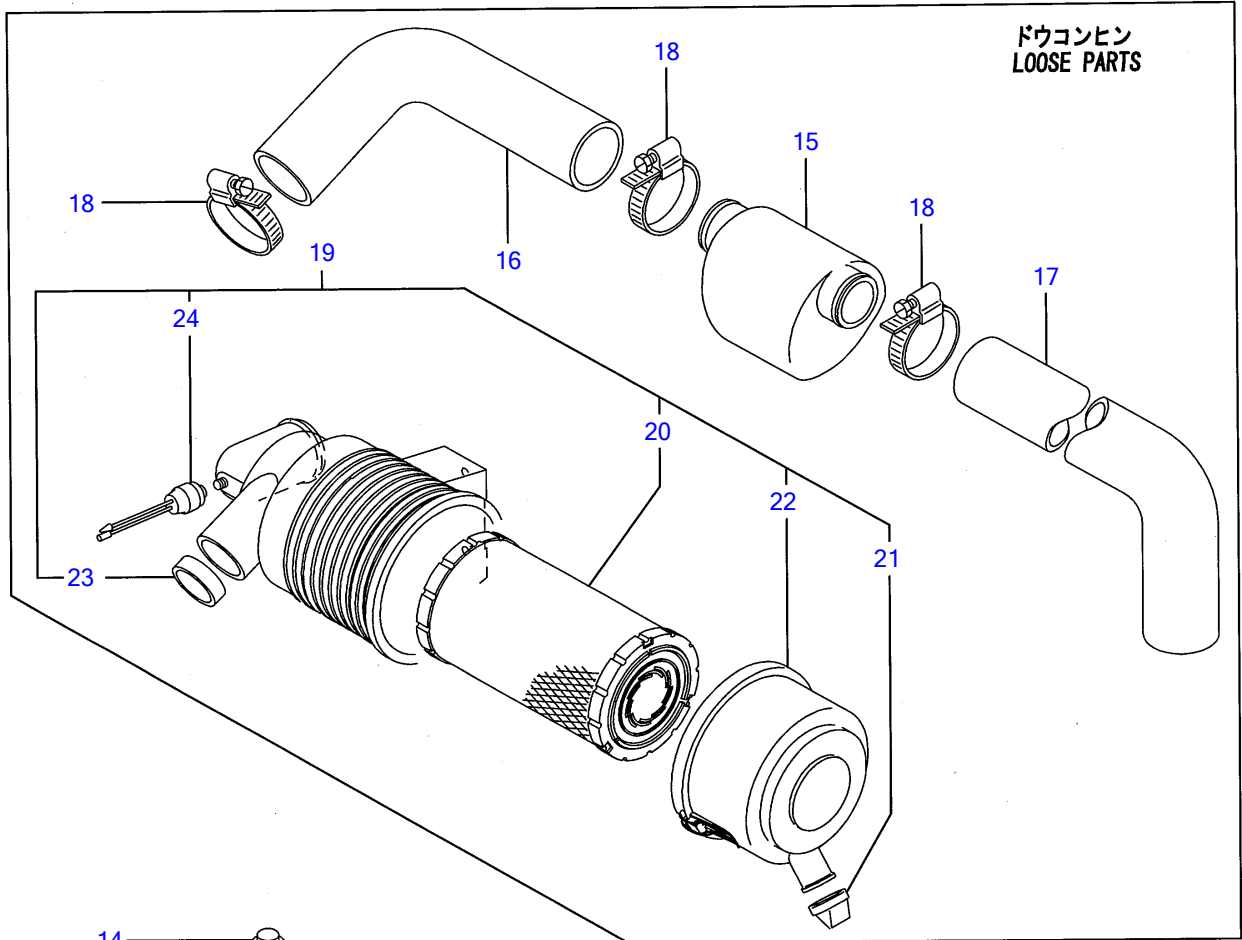


|             |                    |  |      |
|-------------|--------------------|--|------|
| Y00D8260    | 4. シリンダヘッド & ボンネット |  |      |
| 3TNV88-QTB2 | 1:2004.05          |  | PLUS |

¼ØÝÀÞÍÃÄ & ÎÞÝËÄÄ CYLINDER HEAD & BONNET

| REF NO. | PARTS NO.     | Description            | Q'ty | I | R | øIII |
|---------|---------------|------------------------|------|---|---|------|
| 1       | Y129900-07900 | ÂØ±¹Þ¶Ä, Þ             | 2    |   |   |      |
| 2       | Y26106-080142 | ÂËÞ¹ÞÙÄ M 8X 14        | 4    |   |   |      |
| 3       | Y129004-11241 | ÎÞÝÜÝ¼Þ, CMP           | 1    |   |   |      |
| 4       | Y129004-11251 | · ÎÞÝÜÝ¼Þ,             | 1    |   |   |      |
| 6       | Y119802-11260 | · ÎÞÝÜÝ»Îß-Ä (A        | 2    |   |   |      |
| 7       | Y119802-11270 | · ÎÞÝÜÝ»Îß-Ä (B        | 2    |   |   |      |
| 8       | Y119802-11280 | · ³ºÐ¹ÞÙÄ              | 3    |   |   |      |
| 9       | Y129150-11280 | · ÎÞÝÜÝ¼Þ, ÊÞË         | 3    |   |   |      |
| 10      | Y129004-11650 | · ÎÞÝÜÝKIT             | 6    |   |   |      |
| 11      | Y129150-11230 | · · ±¼ÞÓ½Ä (ÎÞÝ½-Ï     | 6    |   |   |      |
| 13      | Y129150-11750 | · · ÄÄÄ M8XP1.0        | 6    |   |   |      |
| 14      | Y129150-11370 | · ÕÄÎß(ÎÞÝ             | 6    |   |   |      |
| 15      | Y129004-11700 | ¼ØÝÀÞÍÃÄ CMP           | 1    |   |   |      |
| 19      | Y120130-11860 | · ÊÞÙ¹Þ¶²ÄÞ(SUC        | 3    |   |   |      |
| 21      | Y129150-11810 | · Ê²-ÎÞÝ¶²ÄÞ           | 3    |   |   |      |
| 23      | Y27241-400000 | · ÜÝ¶²ÄÎß×, Þ 40       | 2    |   |   |      |
| 24      | Y129004-11100 | · ÊÞÙ¹Þ(INT            | 3    |   |   |      |
| 25      | Y129100-11110 | · ÊÞÙ¹Þ(EXH            | 3    |   |   |      |
| 26      | Y129795-11120 | · ÎÞÝÊÞË               | 6    |   |   |      |
| 27      | Y129795-11180 | · µ»´(ÎÞÝÊÞË)          | 6    |   |   |      |
| 28      | Y121400-11340 | · ÊÞÙ¹Þ½ÄÑ¼-Ü          | 3    |   |   |      |
| 29      | Y124460-11340 | · ÊÞÙ¹Þ½ÄÑ¼-Ü          | 3    |   |   |      |
| 30      | Y27310-080001 | · ºÄÄ-(½ÄÑ)8 2¹=1SET   | 6    |   |   |      |
| 32      | Y119625-11880 | · Ê½ÞÙ¼-Ä              | 3    |   |   |      |
| 33      | Y129004-11900 | · Ê½ÞÙµ»´              | 3    |   |   |      |
| 34      | Y120270-54410 | · »Þ¶Ê(²Ý¼Þ´, Ä        | 3    |   |   |      |
| 35      | Y22351-060012 | · ½ÎßØÝ, ÞËßÝ 6.0AX 12 | 2    |   |   |      |
| 36      | Y26106-080252 | · ÂËÞ¹ÞÙÄ 8X 25        | 2    |   |   |      |
| 37      | Y26106-080352 | · ÂËÞ¹ÞÙÄ 8X 35        | 3    |   |   |      |
| 38      | Y26106-080502 | · ÂËÞ¹ÞÙÄ 8X 50        | 6    |   |   |      |
| 39      | Y124160-01751 | · ÌÄ(Ïº³)              | 1    |   |   |      |
| 40      | Y129004-11350 | · ÎÞÝËÄÄ CMP           | 1    |   |   |      |
| 41      | Y129004-03010 | · ÊÞÄÎÙÎßÜ-Ä           | 1    |   |   |      |
| 42      | Y129150-03070 | · ÊÞÄÎÙ(ÎÞØ-»Þ         | 1    |   |   |      |
| 43      | Y119802-03110 | · ¾ÝÄÎßÜ-Ä             | 1    |   |   |      |
| 44      | Y119802-03120 | · ÌÄ, ÄÞ²Ï¹×Ñ          | 1    |   |   |      |
| 45      | Y119802-03130 | · ÄÞ²Ï¹×Ñ              | 1    |   |   |      |
| 46      | Y119802-03140 | · ÊÞË, ÄÞ²Ï¹×Ñ         | 1    |   |   |      |
| 49      | Y129004-11310 | · ÊßÄ-Ý(ÎÞÝÜÝ¼Ä        | 1    |   |   |      |
| 50      | Y22857-500100 | · ÄÄËßÝË¼Þ 5.0X10      | 4    |   |   |      |
| 51      | Y22857-500100 | · ÄÄËßÝË¼Þ 5.0X10      | 4    |   |   |      |
| 52      | Y124160-11360 | · ÄÄÄ                  | 3    |   |   |      |
| 53      | Y24311-000120 | · ÕØÝ, Þ 1A P 12.0     | 3    |   |   |      |
| 54      | Y24311-000320 | · ÕØÝ, Þ 1A P 32.0     | 1    |   |   |      |
| 55      | Y119802-11870 | · ÌßÜÄ, Ä(Ê½ÞÙ         | 3    |   |   |      |
| 56      | Y977770-1207F | · ¼Øº-Ý¹² · ¼ÞÓ³¶½ÄÄ   | 1    |   |   |      |

Engine for TB135 3TNV88-QTB2 (air con.) S/N 13514051-  
**SUCTION MANIFOLD & AIR CLEANER**



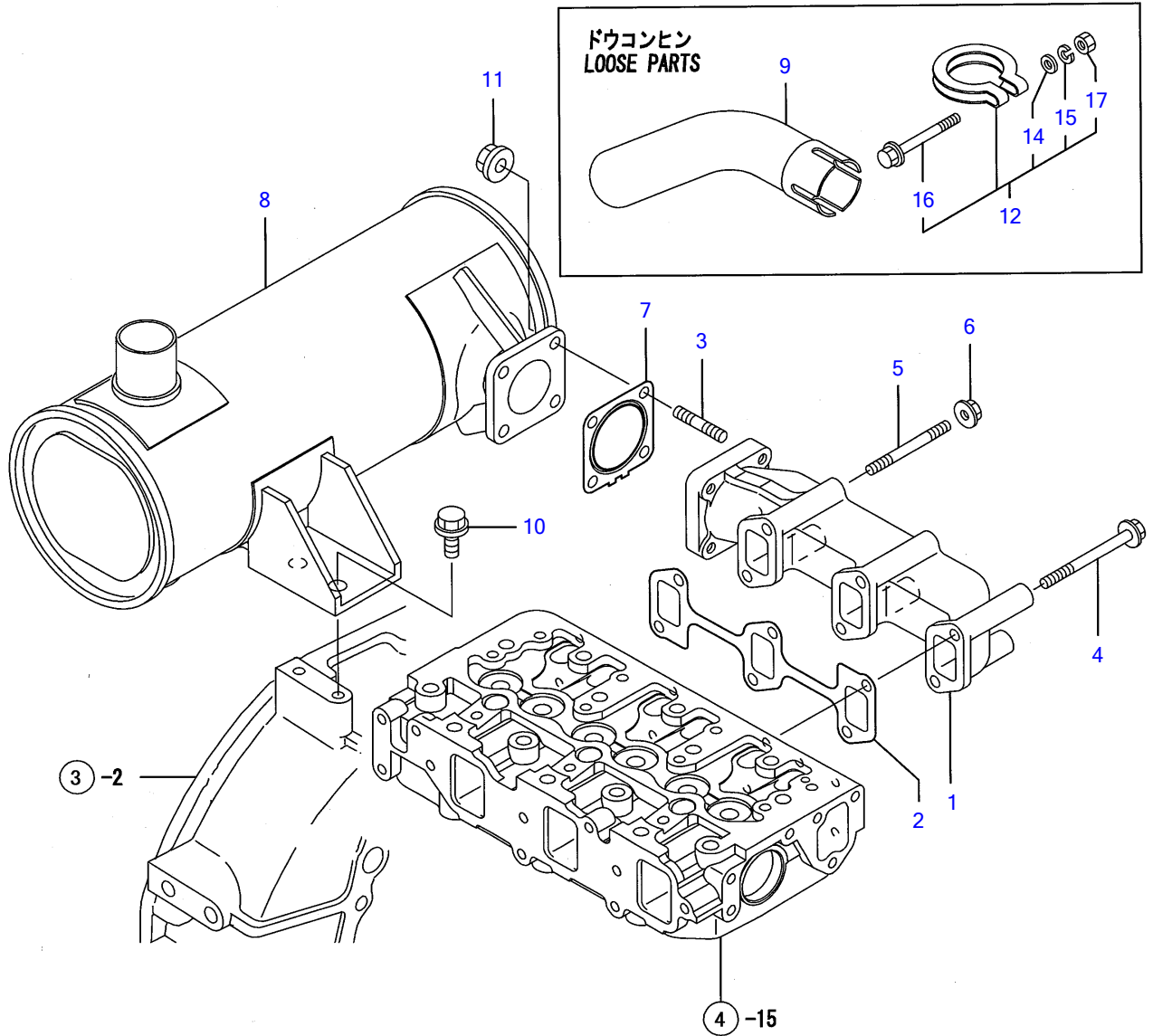
|             |                        |           |      |
|-------------|------------------------|-----------|------|
| Y00D8260    | 5. キュウキマニホールド & エアクリーナ |           |      |
| 3TNV88-QTB2 |                        | 1:2004.05 | PLUS |



·Ö³·ĪÆĪ-ÛÄÞ & '±,Ø-Ä SUCTION MANIFOLD & AIR CLEANER

| REF NO. | PARTS NO.     | Description         | Q'ty | I | R | ö |
|---------|---------------|---------------------|------|---|---|---|
| 1       | Y129263-03080 | PIPE, BREATHER      | 1    |   |   |   |
| 2       | Y129410-03990 | • CLAMP 24          | 2    |   |   |   |
| 3       | Y129263-12100 | MANIFOLD ASSY, INT. | 1    |   |   |   |
| 5       | Y129263-12210 | • JOINT,BREATHER    | 1    |   |   |   |
| 6       | Y129150-12111 | GASKET, (NON-ASB.)  | 1    |   |   |   |
| 7       | Y26106-080252 | BOLT M 8X 25 PLATED | 3    |   |   |   |
| 8       | Y26106-080702 | BOLT M 8X 70 PLATED | 1    |   |   |   |
| 9       | Y129100-77500 | HEATER, AIR         | 1    |   |   |   |
| 10      | Y129100-77510 | GASKET, AIR HEATER  | 1    |   |   |   |
| 11      | Y129150-77511 | GASKET, (NON-ASB.)  | 1    |   |   |   |
| 12      | Y171340-77520 | BEND                | 1    |   |   |   |
| 13      | Y26106-080402 | BOLT M 8X 40 PLATED | 2    |   |   |   |
| 14      | Y26106-080802 | BOLT M 8X 80 PLATED | 2    |   |   |   |
| 15      | Y121855-12060 | SILENCER,INLET      | 1    |   |   |   |
| 16      | Y129030-12201 | PIPE, EXTENSION     | 1    |   |   |   |
| 17      | Y119823-12210 | PIPE, INTAKE        | 2    |   |   |   |
| 18      | Y23000-060000 | CLAMP 60            | 5    |   |   |   |
| 19      | Y129242-12500 | CLEANER ASSY, AIR   | 1    |   |   |   |
| 20      | Y129904-12520 | • ELEMENT, OUTER    | 1    |   |   |   |
| 21      | Y119808-12540 | • VALVE, UNLOADER   | 1    |   |   |   |
| 22      | Y119866-12541 | • COVER ASSY        | 1    |   |   |   |
| 23      | Y129259-12570 | • RING              | 1    |   |   |   |
| 24      | Y119140-12680 | • INDICATOR         | 1    |   |   |   |

Engine for TB135 3TNV88-QTB2 (air con.) S/N 13514051-  
**EXHAUST MANIFOLD & SILENCER**

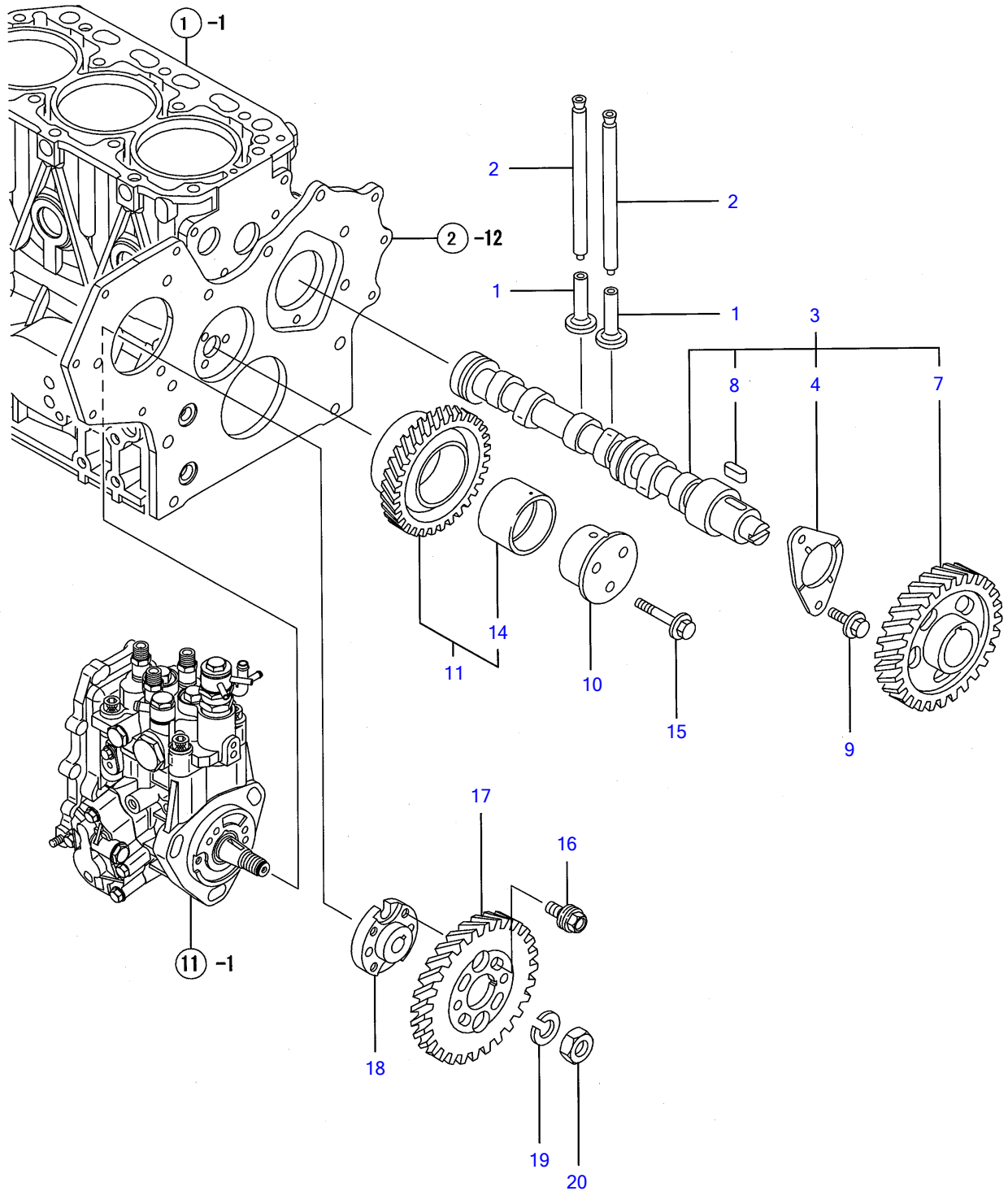


|             |                      |  |      |
|-------------|----------------------|--|------|
| Y00D8260    | 6. ハイキマニホールド & サイレンサ |  |      |
| 3TNV88-QTB2 | 1:2004 05            |  | PLUS |

Ê²·ĪÆĪ-ÛÄĖ & »²ÚÝ» EXHAUST MANIFOLD & SILENCER

| REF NO. | PARTS NO.     | Description        | Q'ty                  | I | R | »ó |
|---------|---------------|--------------------|-----------------------|---|---|----|
| 1       | Y129004-13129 | ĪÆĪ-ÛÄĖ(EXH »²ÚÝ»² | MANIFOLD, EXHAUST     | 1 |   |    |
| 2       | Y129150-13110 | PK(ĪÆĪ-ÛÄĖ         | GASKET, EXH.MANIFOLD  | 1 |   |    |
| 3       | Y119131-18320 | ³ºĐĪĖÛÄ M8*22      | BOLT M 8X 22          | 4 |   |    |
| 4       | Y123900-13630 | ÂÊĖĪĖÛÄ 80         | BOLT 8X80             | 4 |   |    |
| 5       | Y123900-13610 | ³ºĐĪĖÛÄ 8X80       | STUD BOLT M 8X 80     | 2 |   |    |
| 6       | Y26306-080002 | ÂÊĖÂ·ÂÄÄ(UBS 8     | NUT                   | 2 |   |    |
| 7       | Y129004-13200 | ¶ĪĖ½¹ÂÄPK(»²ÚÝ»    | GASKET, SILENCER      | 1 |   |    |
| 8       | Y129242-13510 | »²ÚÝ»              | SILENCER              | 1 |   |    |
| 9       | Y129242-13650 | ĪÝ¼ÖÂ³(»²ÚÝ»       | PIPE, SILENCER        | 1 |   |    |
| 10      | Y26106-100202 | ÂÊĖĪĖÛÄ 10X 20     | BOLT M10X 20 PLATED   | 2 |   |    |
| 11      | Y26306-080002 | ÂÊĖÂ·ÂÄÄ(UBS 8     | NUT                   | 4 |   |    |
| 12      | Y121120-13590 | ×ÝĪ (ĪÝ¼ÖÂ³        | CLAMP                 | 1 |   |    |
| 14      | Y22117-100000 | · »²¶ĪĖ(ºĪÛ 10     | · WASHER 10           | 1 |   |    |
| 15      | Y22217-100000 | · ÊĖÊ»²¶ĪĖ 10      | · SPRING WASHER 10    | 1 |   |    |
| 16      | Y26106-100652 | · ÂÊĖĪĖÛÄ 10X 65   | · BOLT M10X 65 PLATED | 1 |   |    |
| 17      | Y26706-100002 | · ÂÄÄ 10           | · NUT M10             | 1 |   |    |

Engine for TB135 3TNV88-QTB2 (air con.) S/N 13514051-  
CAMSHAFT & DRIVING GEAR

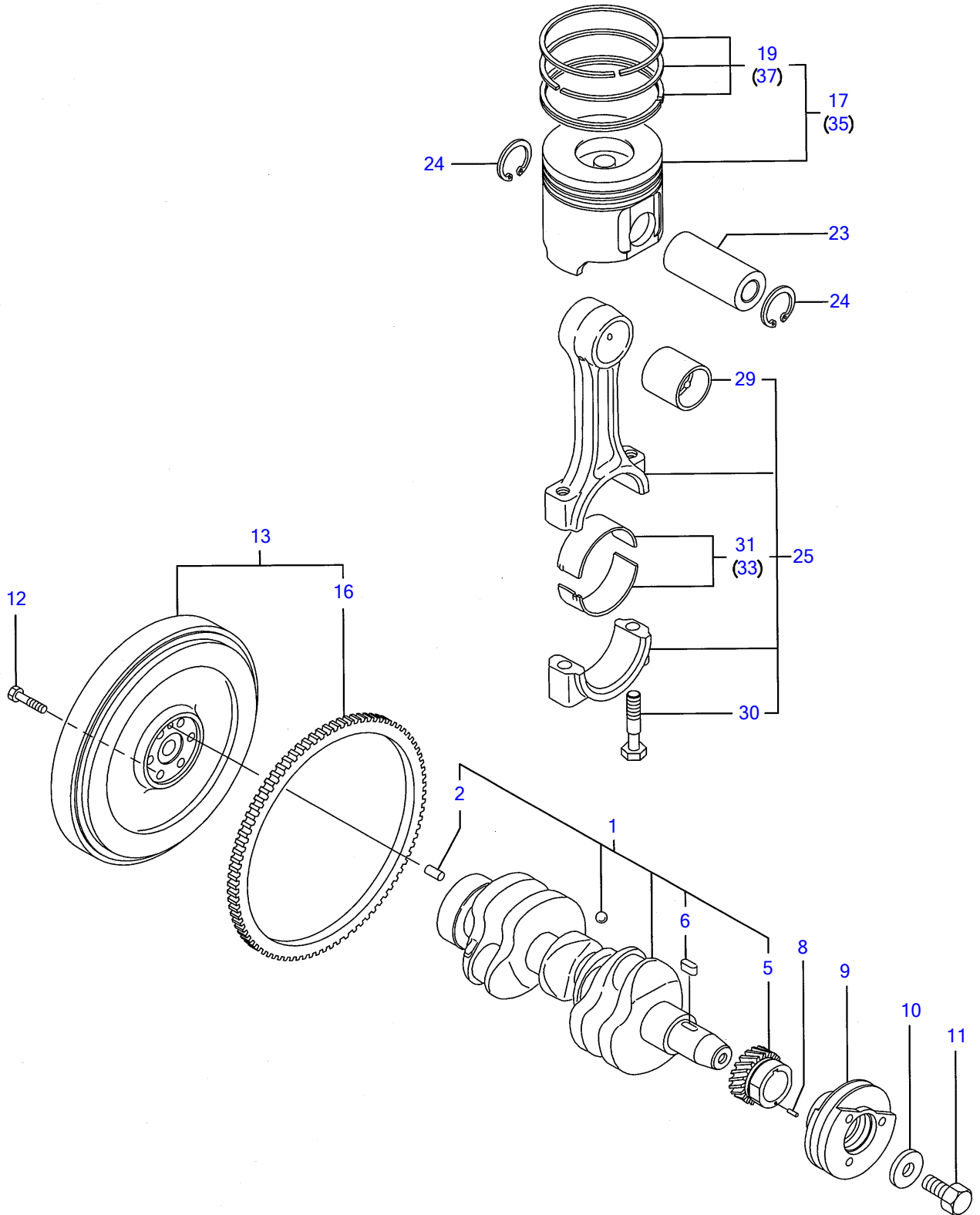


|             |                   |           |      |
|-------------|-------------------|-----------|------|
| Y00D8260    | 7. カムシャフト & クドウギヤ |           |      |
| 3TNV88-QTB2 |                   | 1:2004.05 | PLUS |

CAMSHAFT & DRIVING GEAR

| REF NO. | PARTS NO.     | Description           | Q'ty | I | R | Q'ty |
|---------|---------------|-----------------------|------|---|---|------|
| 1       | Y129150-14200 | TAPPET                | 6    |   |   |      |
| 2       | Y129150-14400 | ROD, PUSH             | 6    |   |   |      |
| 3       | Y129129-14580 | CAMSHAFT ASSY         | 1    |   |   |      |
| 4       | Y129150-02450 | • METAL, THRUST (CAM) | 1    |   |   |      |
| 7       | Y129150-14101 | • GEAR, CAMSHAFT      | 1    |   |   |      |
| 8       | Y22512-070140 | • KEY 7X 14           | 1    |   |   |      |
| 9       | Y26106-080142 | BOLT M 8X 14 PLATED   | 2    |   |   |      |
| 10      | Y119802-25051 | SHAFT, IDLE GEAR      | 1    |   |   |      |
| 11      | Y119802-25100 | GEAR ASSY, IDLE       | 1    |   |   |      |
| 14      | Y119802-25070 | • BUSH, IDLE GEAR     | 1    |   |   |      |
| 15      | Y26106-080402 | BOLT M 8X 40 PLATED   | 3    |   |   |      |
| 16      | Y129150-25301 | BOLT, FI-P            | 4    |   |   |      |
| 17      | Y119802-25901 | GEAR, PUMP            | 1    |   |   |      |
| 18      | Y158552-51151 | FLANGE                | 1    |   |   |      |
| 19      | Y22217-140000 | SPRING WASHER 14      | 1    |   |   |      |
| 20      | Y26776-140002 | LOCK NUT M14 PLATED   | 1    |   |   |      |

Engine for TB135 3TNV88-QTB2 (air con.) S/N 13514051-  
**CRANKSHAFT & PISTON**

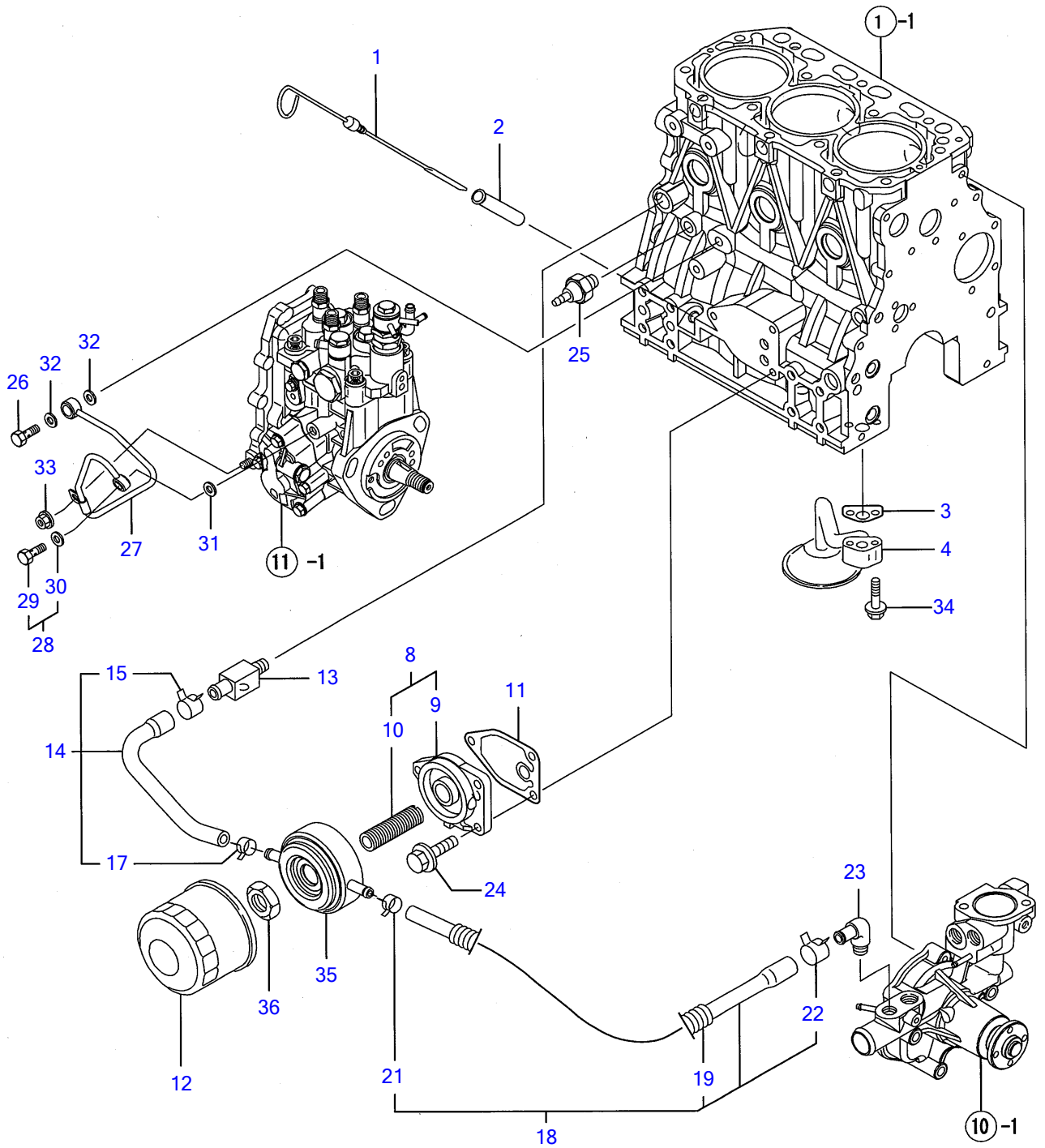


|             |                    |  |      |
|-------------|--------------------|--|------|
| Y00D8260    | 8. クランクシャフト & ピストン |  |      |
| 3TNV88-QTB2 | 1:2004.05          |  | PLUS |

CRANKSHAFT & PISTON

| REF NO.                          | PARTS NO.     | Description          | Q'ty | I | R | "600   |
|----------------------------------|---------------|----------------------|------|---|---|--|
| 1                                | Y129004-21002 | CRANKSHAFT ASSY      | 1    |   |   |  |
| 2                                | Y129100-01580 | PARALLEL PIN 8X16    | 1    |   |   |  |
| 5                                | Y119802-21202 | GEAR, CRANKSHAFT     | 1    |   |   |  |
| 6                                | Y22512-070140 | KEY 7X 14            | 1    |   |   |  |
| 8                                | Y22351-030010 | SPRING PIN 3X10      | 1    |   |   |  |
| 9                                | Y129004-21650 | V-PULLEY, CRANKSHAFT | 1    |   |   |  |
| 9-1                              | Y129005-21650 | V-PULLEY, CRANKSHAFT | 1    | S |   |  |
| (A=machine serial No. 13519312-) |               |                      |      |   |   |  |
| 10                               | Y129795-21661 | WASHER               | 1    |   |   |  |
| 11                               | Y121850-21680 | BOLT, V-PULLEY       | 1    |   |   |  |
| 12                               | Y121111-21501 | BOLT, FLYWHEEL       | 6    |   |   |  |
| 13                               | Y129002-21590 | FLYWHEEL ASSY        | 1    |   |   |  |
| 16                               | Y119865-21600 | GEAR, RING           | 1    |   |   |  |
| 17                               | Y129005-22080 | PISTON ASSY          | 3    |   |   |  |
| 19                               | Y129005-22500 | RING SET, PISTON     | 3    |   |   |  |
| 23                               | Y129202-22300 | PIN, PISTON(D26,L70) | 3    |   |   |  |
| 24                               | Y22252-000260 | CIRCLIP 26           | 6    |   |   |  |
| 25                               | Y729402-23100 | ROD ASSY, CONNECTING | 3    |   |   |  |
| 29                               | Y129100-23910 | BUSH, PISTON PIN     | 3    |   |   | (1) 1031P EY A P 1/2                               |
| 30                               | Y121550-23200 | BOLT, CONNECTING ROD | 6    |   |   |  |
| 31                               | Y129150-23600 | BEARING, CRANKPIN    | 3    |   |   |  |
| 33                               | Y129150-23610 | METAL.PIN US=0.25    | 3    |   |   | (2) μ° E P ° » 2 1/2 P (O.S=0.25) 1 P E Y A P 1/2  |
| 35                               | Y129005-22900 | PISTON W/RING OS=.25 | 3    |   |   | (3) ± Y A P ° » 2 1/2 P (U.S=0.25) 1 P E Y A P 1/2 |
| 37                               | Y129005-22950 | RING SET O.S=0.25    | 3    |   |   | (3) ± Y A P ° » 2 1/2 P (U.S=0.25) 1 P E Y A P 1/2 |

Engine for TB135 3TNV88-QTB2 (air con.) S/N 13514051-  
LUB.OIL SYSTEM



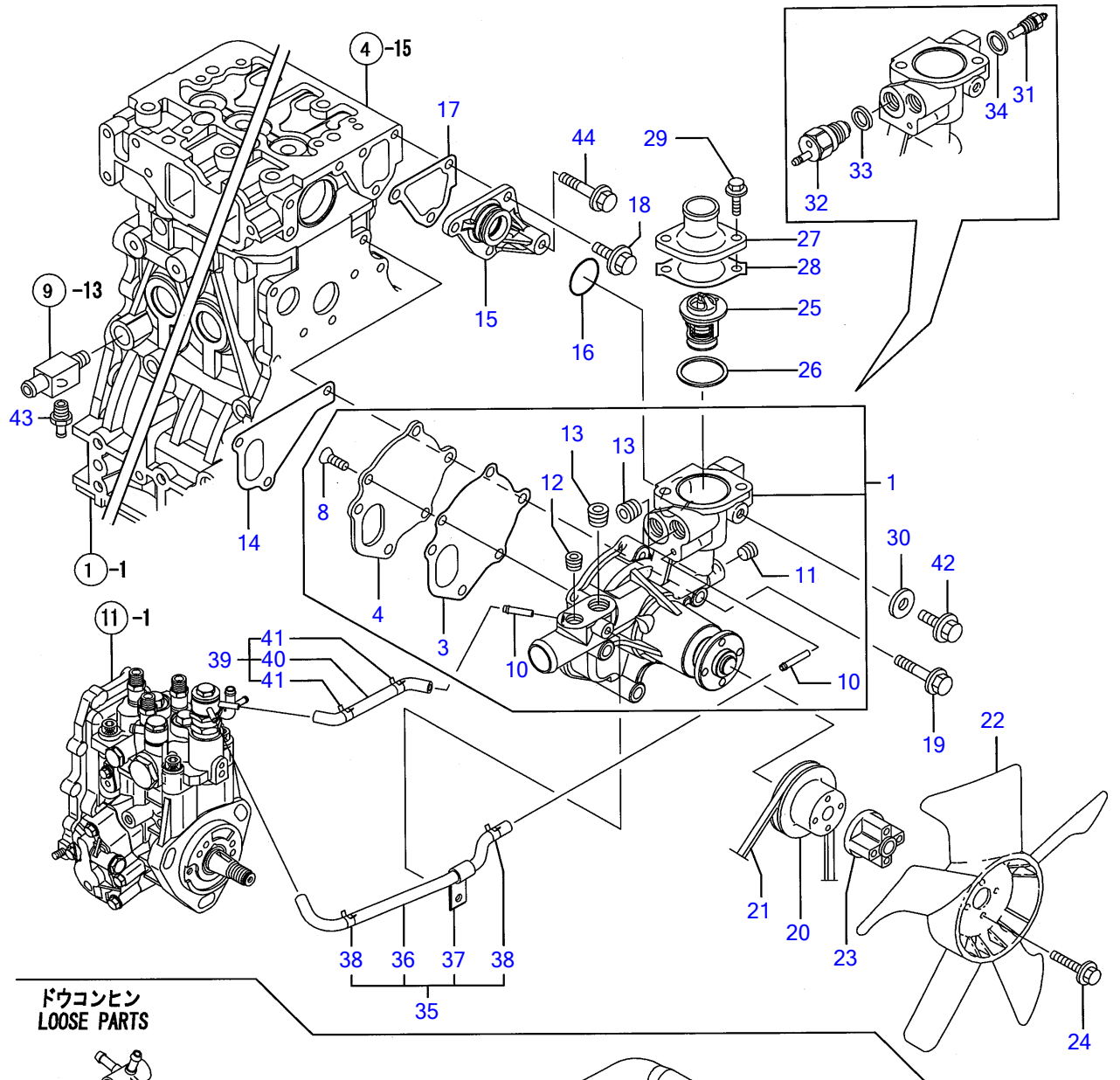
|             |           |           |      |
|-------------|-----------|-----------|------|
| Y0008260    | 9. LOシステム |           |      |
| 3TNV88-QTB2 |           | 1:2004.05 | PLUS |



LO $\frac{1}{2}$ ÅÑ LUB.OIL SYSTEM

| REF NO. | PARTS NO.     | Description          | Q'ty | I | R | ”ó |
|---------|---------------|----------------------|------|---|---|----|
| 1       | Y129005-34801 | DIPSTICK, LUB.OIL    | 1    |   |   |    |
| 2       | Y121520-34810 | GUIDE, DIPSTICK      | 1    |   |   |    |
| 3       | Y129150-35041 | GASKET, (NON-ASB.)   | 1    |   |   |    |
| 4       | Y129150-35091 | PIPE ASSY, OIL INLET | 1    |   |   |    |
| 8       | Y129006-35100 | BRACKET ASSY, FILTER | 1    |   |   |    |
| 9       | Y119802-35110 | • BRACKET, FILTER    | 1    |   |   |    |
| 10      | Y129417-35150 | • STUD               | 1    |   |   |    |
| 11      | Y129150-35111 | GASKET, (NON-ASB.)   | 1    |   |   |    |
| 12      | Y129150-35152 | FILTER 80X80L        | 1    |   |   |    |
| 13      | Y129006-44480 | JOINT                | 1    |   |   |    |
| 14      | Y129508-49030 | PIPE,COOLER IN       | 1    |   |   |    |
| 15      | Y171008-03990 | • CLAMP 18.5         | 1    |   |   |    |
| 17      | Y23080-015000 | • CLAMP              | 1    |   |   |    |
| 18      | Y129006-49040 | PIPE,COOLER OUT      | 1    |   |   |    |
| 19      | Y123951-03330 | • PROTECTOR, PIPE 19 | 1    |   |   |    |
| 21      | Y23080-015000 | • CLAMP              | 1    |   |   |    |
| 22      | Y23080-018000 | • CLAMP 18           | 1    |   |   |    |
| 23      | Y129103-49301 | ELBOW PT 1/4         | 1    |   |   |    |
| 24      | Y26106-080202 | BOLT M 8X 20 PLATED  | 3    |   |   |    |
| 25      | Y114250-39450 | SWITCH,(0.5KG)L.O.   | 1    |   |   |    |
| 26      | Y124160-39140 | BOLT 10, PIPE JOINT  | 1    |   |   |    |
| 27      | Y119802-39450 | PIPE ASSY, LUB. OIL  | 1    |   |   |    |
| 28      | Y129005-59830 | BOLT ASSY, JOINT     | 1    |   |   |    |
| 29      | Y23857-030000 | • JOINT BOLT 3       | 1    |   |   |    |
| 30      | Y22190-080002 | • SEAL WASHER 8S     | 1    |   |   |    |
| 31      | Y22190-080002 | SEAL WASHER 8S       | 1    |   |   |    |
| 32      | Y22190-100002 | SEAL WASHER 10S      | 2    |   |   |    |
| 33      | Y26366-060002 | NUT M 6              | 1    |   |   |    |
| 34      | Y26106-080352 | BOLT M 8X 35 PLATED  | 2    |   |   |    |
| 35      | Y129508-33010 | COOLER ASSY, OIL     | 1    |   |   |    |
| 36      | Y129417-33110 | NUT OIL COOLER       | 1    |   |   |    |

Engine for TB135 3TNV88-QTB2 (air con.) S/N 13514051-  
**COOLING WATER SYSTEM**



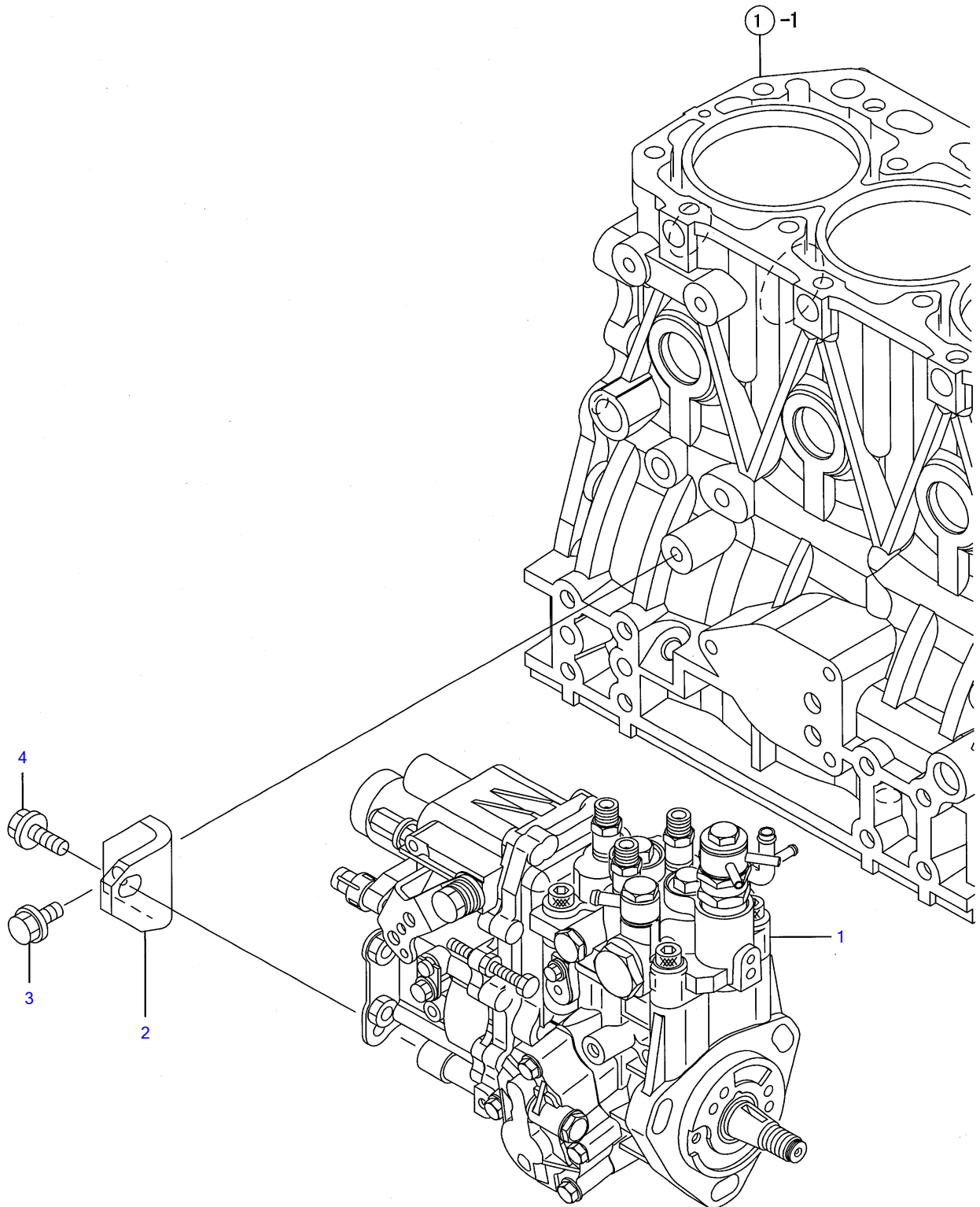
ドウコンヒン  
 LOOSE PARTS

|             |            |           |  |      |
|-------------|------------|-----------|--|------|
| Y00D8260    | 10. CWシステム |           |  |      |
| 3TNV88-QTB2 |            | 1:2004.05 |  | PLUS |

**CW¼½ÄÑ COOLING WATER SYSTEM**

| REF NO.                          | PARTS NO.     | Description           | Q'ty | Ø | Ø | Ø |
|----------------------------------|---------------|-----------------------|------|---|---|---|
| 1                                | Y129004-42001 | CWÍßÝÍß CMP           | 1    |   |   |   |
| 3                                | Y129100-42051 | • PK(CW-P)(ÉÝ±½)      | 1    |   |   |   |
| 4                                | Y129100-42121 | • ÌßÚ-Ä               | 1    |   |   |   |
| 8                                | Y121850-42410 | • ½, ØÖ³              | 3    |   |   |   |
| 10                               | Y119802-49113 | • CW-T Ä-ÞÄ           | 2    |   |   |   |
| 11                               | Y23876-010000 | • É¼ÞÍß×, ÞPT1/8      | 1    |   |   |   |
| 12                               | Y23876-020000 | • É¼ÞÍß×, ÞPT1/4      | 1    |   |   |   |
| 13                               | Y129916-49740 | • É¼ÞÍß×, Þ R03       | 2    |   |   |   |
| 14                               | Y129486-42021 | PK(CW-P)              | 1    |   |   |   |
| 15                               | Y129004-42040 | ¼ÞÖ²ÝÄ(CW-P)          | 1    |   |   |   |
| 16                               | Y129486-42140 | OØÝ, Þ G 30           | 1    |   |   |   |
| 17                               | Y124395-49840 | PK(»-Ó½ÄÄÄ¹-½         | 1    |   |   |   |
| 18                               | Y26106-080162 | ÄÉÞÍÞÜÄ 8X 16         | 3    |   |   |   |
| 19                               | Y26106-080602 | ÄÉÞÍÞÜÄ 8X 60         | 3    |   |   |   |
| 20                               | Y129155-42350 | VÍß-Ø (90             | 1    |   |   |   |
| 21                               | Y25152-003700 | VÍÞÜÄ(Ü° Ä¼ÞA37       | 1    |   |   |   |
| 21-1                             | Y129612-42290 | VÍÞÜÄ(Ü° Ä¼ÞA37.5     | 1    |   | S |   |
| (A=machine serial No. 13519312-) |               |                       |      |   |   |   |
| 22                               | Y129335-44740 | Ì±Ý(D335)             | 1    |   |   |   |
| 22-1                             | Y121267-44741 | Ì±Ý(D360)             | 1    |   | S |   |
| (A=machine serial No. 13519312-) |               |                       |      |   |   |   |
| 23                               | Y129030-44760 | ¶Ý»Þ(Ì±Ý L37.5        | 1    |   |   |   |
| 23-1                             | Y129457-44760 | ¶Ý»Þ(Ì±Ý L30          | 1    |   | S |   |
| (A=machine serial No. 13519312-) |               |                       |      |   |   |   |
| 24                               | Y26106-060502 | ÄÉÞÍÞÜÄ 6X 50         | 4    |   |   |   |
| 25                               | Y129457-49801 | »-Ó½ÄÄÄ(82            | 1    |   |   |   |
| 26                               | Y129150-49811 | PK(»-Ó½ÄÄÄ ¼Ä)(ÉÝ±½)  | 1    |   |   |   |
| 27                               | Y129350-49530 | »-Ó½ÄÄÄ¶ÉÞ-(ÌÞ×Ä, :12 | 1    |   |   |   |
| 28                               | Y129795-49551 | PK(»-Ó½ÄÄÄ¶ÉÞ-)(ÉÝ±½  | 1    |   |   |   |
| 29                               | Y26106-080222 | ÄÉÞÍÞÜÄ 8X 22         | 2    |   |   |   |
| 30                               | Y23414-080000 | ÉßÄ·Ý(ÌÜ 8            | 1    |   |   |   |
| 31                               | Y119266-49350 | »-Ó¼Ý»-               | 1    |   |   |   |
| 32                               | Y121250-44901 | »-Ó½²ÄÄ(110ßC 1¼Ý¼·   | 1    |   |   |   |
| 33                               | Y124465-44950 | ÉßÄ·Ý16               | 1    |   |   |   |
| 34                               | Y129150-49360 | PK 10                 | 1    |   |   |   |
| 35                               | Y129004-49610 | CW-T A CMP(MP2        | 1    |   |   |   |
| 36                               | Y129004-49711 | • CW-T A(MP2          | 1    |   |   |   |
| 37                               | Y119802-49730 | • ÌÜÄÞÖ(CW-T          | 1    |   |   |   |
| 38                               | Y124722-59050 | • Í-½, ØÄÍß(ÌÜ 9      | 2    |   |   |   |
| 39                               | Y129004-49620 | CW-T B CMP(MP2        | 1    |   |   |   |
| 40                               | Y129004-49721 | • CW-T B(MP2          | 1    |   |   |   |
| 41                               | Y124722-59050 | • Í-½, ØÄÍß(ÌÜ 9      | 2    |   |   |   |
| 42                               | Y26106-080122 | ÄÉÞÍÞÜÄ 8X 12         | 1    |   |   |   |
| 43                               | Y121550-49111 | ¼ÞÖ²ÝÄ PT1/4          | 1    |   |   |   |
| 44                               | Y26106-080452 | ÄÉÞÍÞÜÄ 8X 45         | 1    |   |   |   |
| 45                               | Y171064-44510 | »ÌÞÄÝ CMP             | 1    |   |   |   |
| 47                               | Y121450-44531 | • ÖÄÍß                | 1    |   |   |   |
| 48                               | Y124450-44560 | • µ»'(µ-ÉÞ-ÌÜ-Éß³Íß   | 1    |   |   |   |
| 49                               | Y121470-44581 | • ÉßÄ·Ý               | 1    |   |   |   |
| 50                               | Y23065-070225 | • 23061-070300(Ä³Ö²í  | 1    |   |   |   |
| 51                               | Y124450-44550 | ÉÞÝÄÞ(»ÌÞÄÝ,          | 1    |   |   |   |
| 52                               | Y121256-44600 | ÌÞ×¹ÄÄ (ÌÞ×Ä, :12)    | 1    |   |   |   |
| 53                               | Y129242-49010 | CW-T (A               | 1    |   |   |   |
| 54                               | Y129612-49040 | CW-T (B               | 1    |   |   |   |
| 55                               | Y23010-038000 | Í-½ÉÞÝÄÞ 38           | 2    |   |   |   |
| 56                               | Y23010-044000 | Í-½ÉÞÝÄÞ 44           | 2    |   |   |   |
| 57                               | Y119255-44660 | ÎÞ³¼ÝºÞÑ(×¼Þ·Ä        | 2    |   |   |   |
| 58                               | Y129150-49100 | »ÝÍß³Ä, CMP           | 1    |   |   |   |
| 59                               | Y129150-49080 | • ÄÞÜÝºÄ,             | 1    |   |   |   |
| 63                               | Y129242-44500 | ×¼Þ·Ä ASSY            | 1    |   |   |   |
| 64                               | Y129107-44590 | • ÖÄÍß(0.9KG/CM2) D46 | 1    |   |   |   |
| 65                               | Y129467-44580 | • Í³ÝÄ×ÉÞ-            | 2    |   |   |   |
| 66                               | Y129467-44590 | • ¶×-                 | 2    |   |   |   |

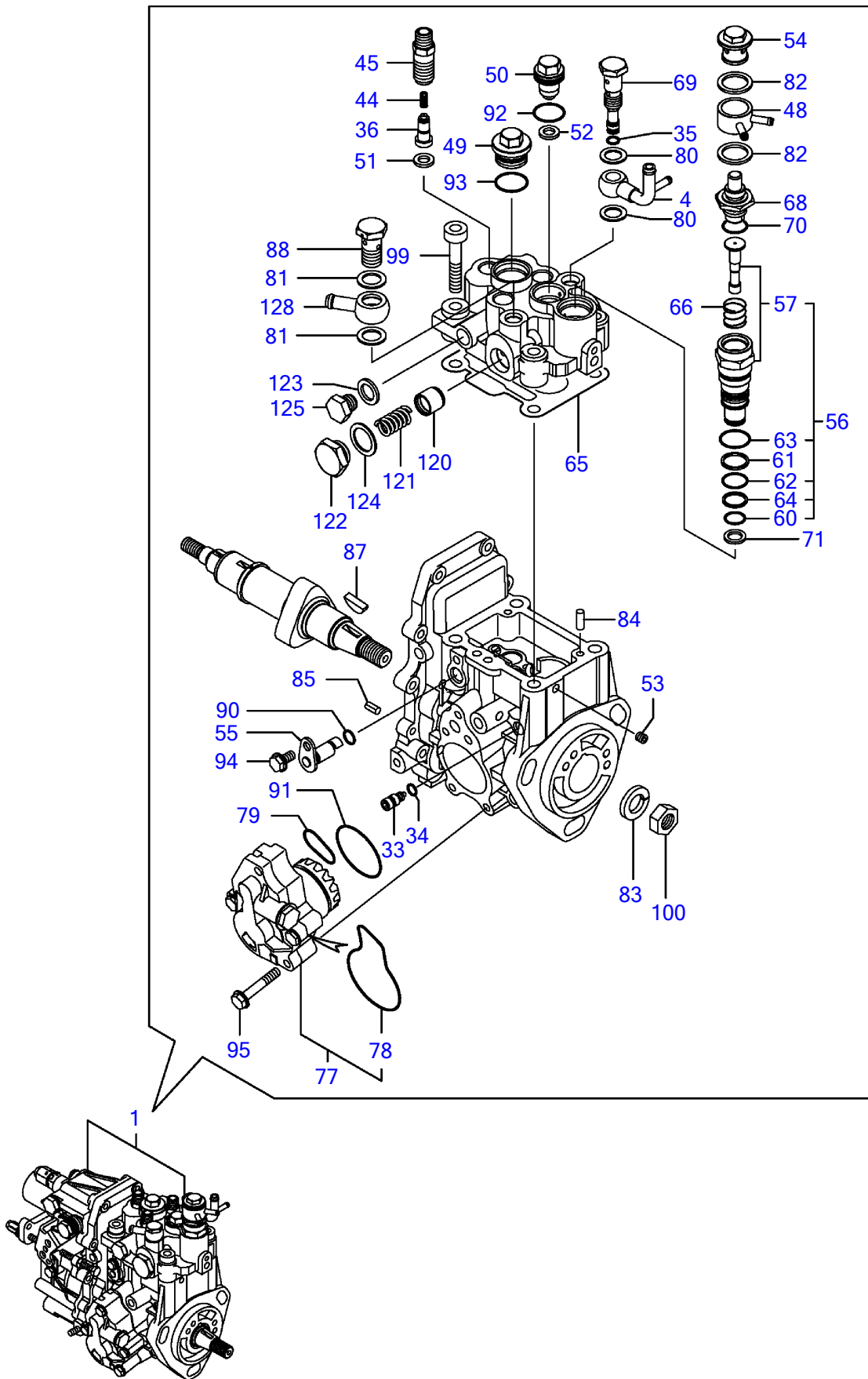
Engine for TB135 3TNV88-QTB2 (air con.) S/N 13514051-  
FUEL INJECTION PUMP



|             |              |           |      |
|-------------|--------------|-----------|------|
| Y00D8260    | 11. F07ンシャポン |           |      |
| 3TNV88-QTB2 |              | 1:2004.05 | PLUS |

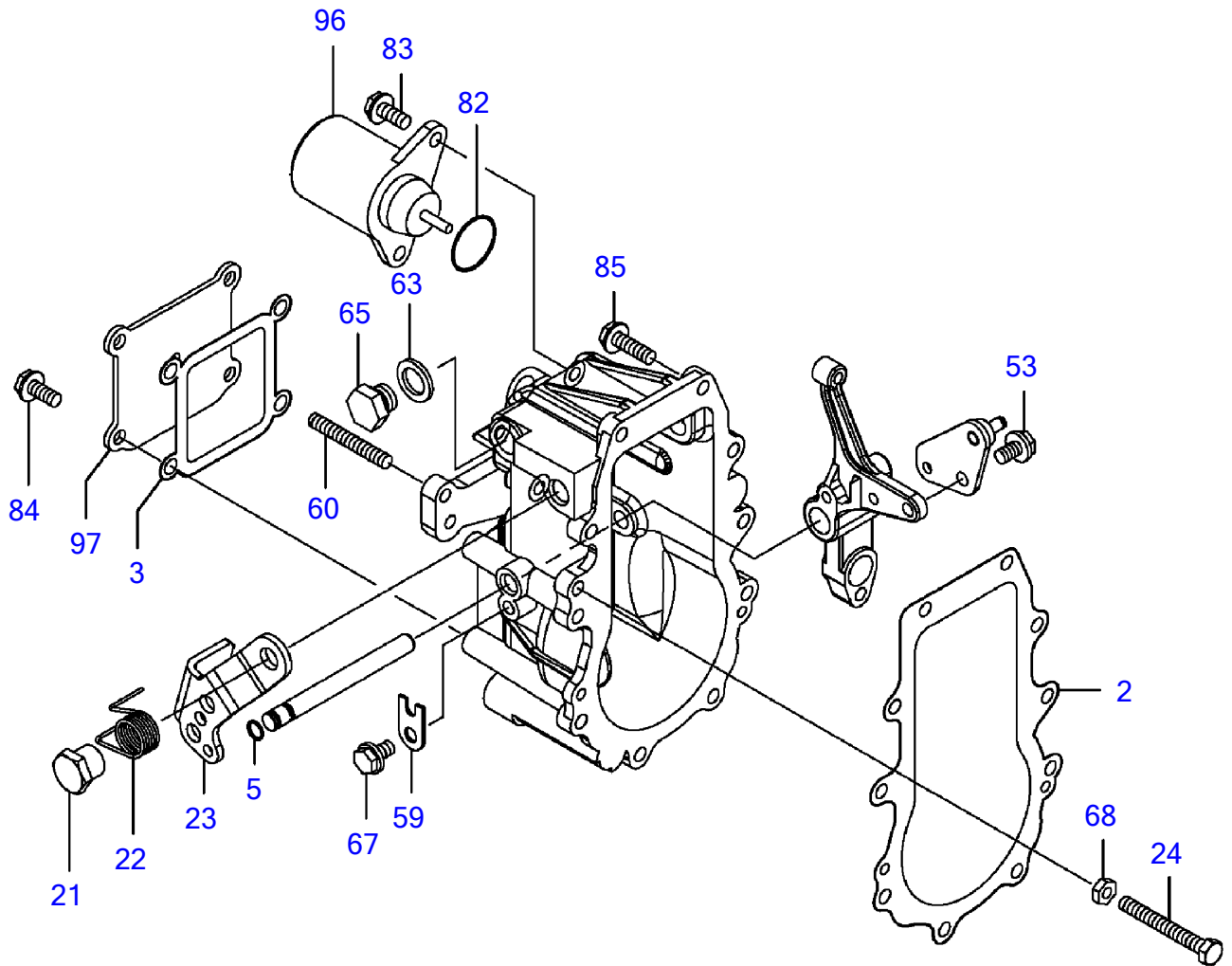
FOIY%ÔIßYIß FUEL INJECTION PUMP

| REF NO. | PARTS NO.     | Description         | Q'ty |
|---------|---------------|---------------------|------|
| 1       | Y729242-51400 | INJECTION PUMP ASSY | 1    |
| 2       | Y119802-51250 | BRACKET, PUMP       | 1    |
| 3       | Y26106-080162 | BOLT M 8X 16 PLATED | 1    |
| 4       | Y26106-080202 | BOLT M 8X 20 PLATED | 1    |



|             |                           |  |        |
|-------------|---------------------------|--|--------|
| Y00D8260    | 11-1. FOファンシャポンプ (インナパーツ) |  |        |
| 3TNV88-QTB2 | 1:2004 1                  |  | PI IIS |

| REF NO. | PARTS NO.     | Description          | Q'ty | QTY | I | R | QTY |
|---------|---------------|----------------------|------|-----|---|---|-----|
| 1       | Y729242-51400 | PUMP ASSY, F.INJECT  | 1    |     |   |   |     |
| 4       | Y158552-51670 | JOINT                | 1    |     |   |   |     |
| 33      | Y158600-51270 | STOPPER              | 1    |     |   |   |     |
| 34      | Y158563-51281 | O-RING               | 1    |     |   |   |     |
| 35      | Y158563-51281 | O-RING               | 1    |     |   |   |     |
| 36      | Y158560-51300 | VALVE ASSY, DILEVERY | 3    |     |   |   |     |
| 44      | Y158563-51330 | SPRING               | 3    |     |   |   |     |
| 45      | Y158601-51340 | HOLDER, DELIVERY     | 3    |     |   |   |     |
| 48      | Y158553-51551 | JOINT, COOLING WATER | 1    |     |   |   |     |
| 49      | Y158601-51550 | PLUG                 | 1    |     |   |   |     |
| 50      | Y119802-51560 | BARREL PLUG          | 1    |     |   |   |     |
| 51      | Y158552-51570 | PK(BARREL PLUG       | 3    |     |   |   |     |
| 52      | Y158552-51570 | PK(BARREL PLUG       | 1    |     |   |   |     |
| 53      | Y158557-51570 | PLUG                 | 1    |     |   |   |     |
| 54      | Y158601-51570 | PLUG,WATER PUMP      | 1    |     |   |   |     |
| 55      | Y158552-51580 | LIFTER               | 1    |     |   |   |     |
| 56      | Y119802-51590 | TIMER SET            | 1    |     |   |   |     |
| 57      | Y119802-51600 | TIMER CMP            | 1    |     |   |   |     |
| 60      | Y158553-51670 | O-RING, 1011         | 1    |     |   |   |     |
| 61      | Y119802-51680 | BACKUP RING          | 1    |     |   |   |     |
| 62      | Y119802-51690 | O RING               | 1    |     |   |   |     |
| 63      | Y24356-010200 | PACKING, 1020        | 1    |     |   |   |     |
| 64      | Y24372-000150 | RING, BACKUP T2 P 15 | 1    |     |   |   |     |
| 65      | Y158552-51600 | PACKING, HEAD        | 1    |     |   |   |     |
| 66      | Y158553-51630 | SPRING, TIMER        | 1    |     |   |   |     |
| 68      | Y158553-51640 | ELEMENT, THERMO      | 1    |     |   |   |     |
| 69      | Y158601-51650 | JOINT                | 1    |     |   |   |     |
| 70      | Y158553-51660 | O-RING,P14           | 1    |     |   |   |     |
| 71      | Y158553-51680 | PACKING, TIMER       | 1    |     |   |   |     |
| 77      | Y158552-52100 | PUMP ASSY, FEED      | 1    |     |   |   |     |
| 78      | Y158552-52500 | O-RING(FEED P INNER  | 1    |     |   |   |     |
| 79      | Y158552-52310 | O-RING               | 1    |     |   |   |     |
| 80      | Y22190-120002 | SEAL WASHER 12       | 2    |     |   |   |     |
| 81      | Y22190-120002 | SEAL WASHER 12       | 2    |     |   |   |     |
| 82      | Y22190-180002 | SEAL WASHER 18       | 2    |     |   |   |     |
| 83      | Y22217-140000 | SPRING WASHER 14     | 1    |     |   |   |     |
| 84      | Y22312-050140 | PARALLEL PIN 5X14    | 2    |     |   |   |     |
| 85      | Y22351-050010 | SPRING PIN 5X10      | 2    |     |   |   |     |
| 87      | Y119802-51090 | KEY, WOODRUFF 4X16   | 1    |     |   |   |     |
| 88      | Y23857-060000 | JOINT BOLT 6, PIPE   | 1    |     |   |   |     |
| 90      | Y24311-000070 | O-RING 1A P-7.0      | 1    |     |   |   |     |
| 91      | Y158552-52400 | O-RING 4E S42        | 1    |     |   |   |     |
| 92      | Y24356-010180 | O-RING               | 1    |     |   |   |     |
| 93      | Y24356-010200 | PACKING, 1020        | 1    |     |   |   |     |
| 94      | Y26106-060102 | BOLT M 6X 10 PLATED  | 1    |     |   |   |     |
| 95      | Y158553-51770 | BOLT                 | 4    |     |   |   |     |
| 96      | Y26450-080452 | BOLT M 8X 45         | 4    |     |   |   |     |
| 100     | Y26776-140002 | LOCK NUT M14 PLATED  | 1    |     |   |   |     |
| 120     | Y158601-51770 | PISTON               | 1    |     |   |   |     |
| 121     | Y158552-51780 | DAMPER ASSY          | 1    |     |   |   |     |
| 122     | Y158601-51790 | PLUG                 | 1    |     |   |   |     |
| 123     | Y22190-120002 | SEAL WASHER 12       | 1    |     |   |   |     |
| 124     | Y22190-180002 | SEAL WASHER 18       | 1    |     |   |   |     |
| 125     | Y23887-120002 | PLUG M12, HEX.       | 1    |     |   |   |     |
| 128     | Y129916-59020 | JOINT 12, PIPE       | 1    |     |   |   |     |

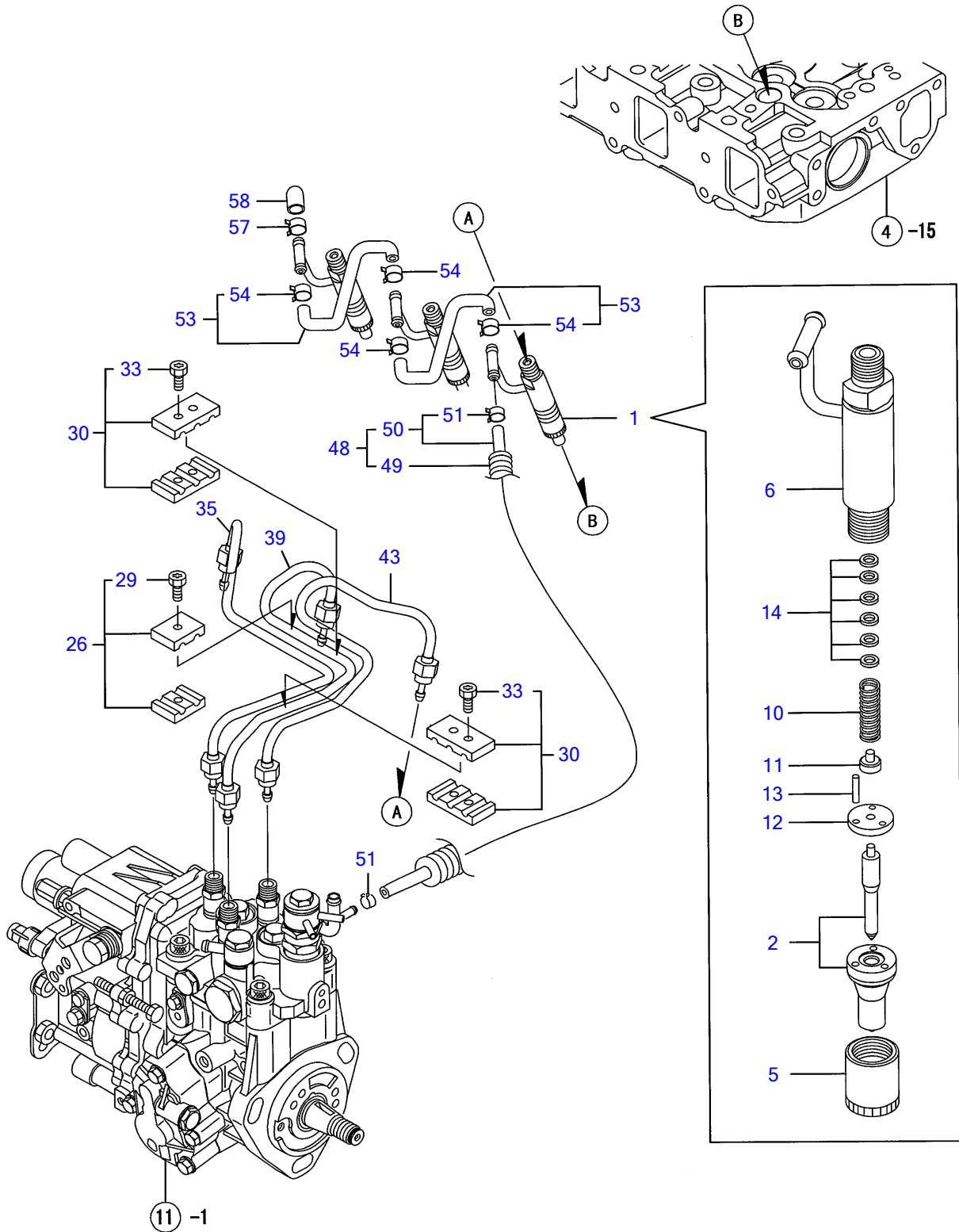


|             |                    |  |  |        |
|-------------|--------------------|--|--|--------|
| Y00D8260    | 11-2. ガバナ (インナパーツ) |  |  |        |
| 3TNV88-QTB2 | 1:2004 1           |  |  | PI IIS |



| REF NO. | PARTS NO.     | Description            | Q'ty | I | R | Q'ty |
|---------|---------------|------------------------|------|---|---|------|
| 2       | Y158553-61050 | PACKING, CASE          | 1    |   |   |      |
| 3       | Y158553-61070 | PACKING                | 1    |   |   |      |
| 5       | Y129155-51280 | • O-RING S6            | 1    |   |   |      |
| 21      | Y129255-61410 | • NUT                  | 1    |   |   |      |
| 22      | Y119807-61420 | • SPRING               | 1    |   |   |      |
| 23      | Y158552-61441 | • LEVER, REGULATOR     | 1    |   |   |      |
| 24      | Y129155-61460 | • BOLT, IDLE LIMIT     | 1    |   |   |      |
| 53      | Y26106-060102 | • BOLT M 6X 10 PLATED  | 1    |   |   |      |
| 59      | Y119660-61901 | • RETAINER, SHAFT      | 1    |   |   |      |
| 60      | Y171002-66830 | • SCREW, ADJUST        | 1    |   |   |      |
| 63      | Y22190-120000 | • SEAL WASHER 12(BOLT) | 1    |   |   |      |
| 65      | Y23887-120002 | • PLUG M12,HEX.        | 1    |   |   |      |
| 67      | Y26106-060102 | • BOLT M 6X 10 PLATED  | 1    |   |   |      |
| 68      | Y26756-060002 | • LOCK NUT 6           | 1    |   |   |      |
| 82      | Y24341-000280 | O-RING 1A S-28.0       | 1    |   |   |      |
| 83      | Y26106-060142 | BOLT M 6X 14 PLATED    | 2    |   |   |      |
| 84      | Y26106-060142 | BOLT M 6X 14 PLATED    | 4    |   |   |      |
| 85      | Y26106-060202 | BOLT M 6X 20 PLATED    | 10   |   |   |      |
| 96      | Y119233-77932 | • SOLENOID, STOP       | 1    |   |   |      |
| 97      | Y129642-61060 | • COVER, CASE          | 1    |   |   |      |

Engine for TB135 3TNV88-QTB2 (air con.) S/N 13514051-  
**FUEL INJECTION VALVE**

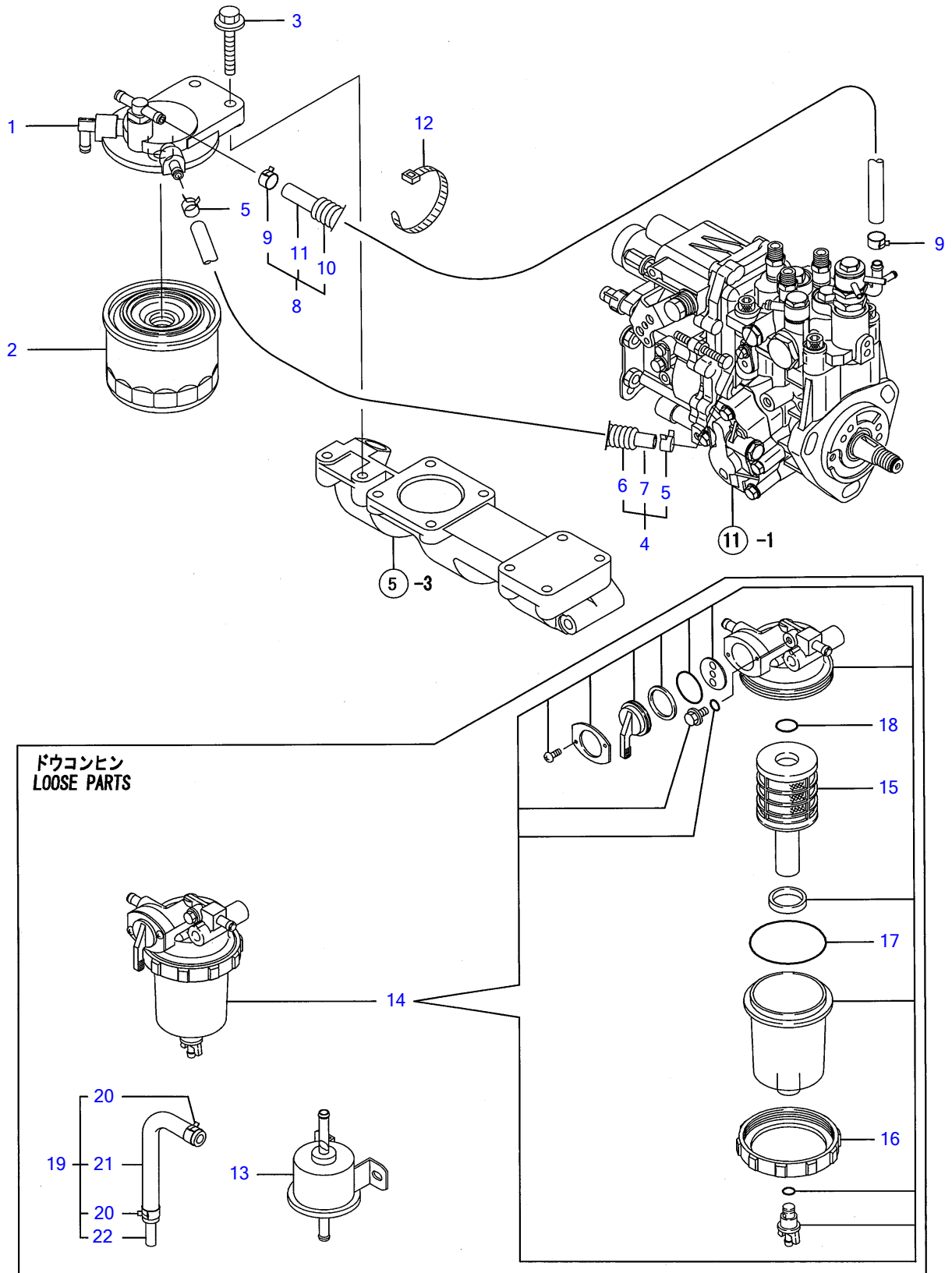


|             |              |           |  |      |
|-------------|--------------|-----------|--|------|
| Y00D8260    | 12. F07ンシャベン |           |  |      |
| 3TNV88-QTB2 |              | 1:2004.05 |  | PLUS |

FOIY¼-ÍPÝ FUEL INJECTION VALVE

| REF NO. | PARTS NO.     | Description        | Q'ty                   |   |
|---------|---------------|--------------------|------------------------|---|
| 1       | Y729245-53100 | FOÍPÝ ASSY(WBC     | FUEL INJECTOR(WBC      | 3 |
| 2       | Y129004-53001 | • É½PÙ CMP         | • NOZZLE CMP           | 3 |
| 5       | Y114250-53080 | • 1-½ÁÁÁ(D16.95)   | • NUT, NOZZLE CASE     | 3 |
| 6       | Y119802-53100 | • É½PÙÍÙÁP CMP     | • HOLDER ASSY, NOZZLE  | 3 |
| 10      | Y114250-53120 | • ½ÍØÝ, P(É½PÙ     | • SPRING, NOZZLE       | 3 |
| 11      | Y114250-53130 | • ¼-Á(É½PÙ½ÍØÝ, P  | • SEAT, NOZZLE SPRING  | 3 |
| 12      | Y114250-53140 | • ½ÁÁÍÍÍÍ-Á        | • PLATE, STOP          | 3 |
| 13      | Y114250-53210 | • ÉÍÝ(É½PÙ²Á·PÒ    | • PIN                  | 6 |
| 14      | Y114250-53400 | • ¼Ñ CMP           | • SHIM PACK            | 3 |
| 26      | Y119305-59120 | ÍÙÁPÒ(ÍÝ¼ÔÞÝCMP    | RETAINER               | 1 |
| 29      | Y129150-59131 | • HB4X14           | • BOLT M4X14,HEX.SCKT. | 1 |
| 30      | Y129150-59120 | ÍÙÁPÒ(ÍÝ¼ÔÞÝ CMP   | RETAINER, INJ. PIPE    | 2 |
| 33      | Y129150-59131 | • HB4X14           | • BOLT M4X14,HEX.SCKT. | 2 |
| 35      | Y129263-59811 | FO-T(ÍÝ¼Ô CMP      | PIPE ASSY, INJECTION   | 1 |
| 39      | Y129263-59821 | FO-T(ÍÝ¼Ô CMP      | PIPE ASSY, INJECTION   | 1 |
| 43      | Y129263-59831 | FO-T(ÍÝ¼Ô CMP      | PIPE ASSY, INJECTION   | 1 |
| 48      | Y129263-59550 | FO-T(ÓÁP¼ CMP      | PIPE ASSY, RETURN      | 1 |
| 49      | Y129486-59320 | • ²Ù¹P-ÁÁÖ-ÍP(10.7 | • CORRUGATED TUBE      | 1 |
| 50      | Y119802-59550 | • FO-T(ÓÁP¼ CMP    | • PIPE ASSY, RETURN    | 1 |
| 51      | Y124722-59050 | • • Í-½, ØÁÍÍ(ÍÙ 9 | • • CLAMP 9            | 2 |
| 53      | Y129486-59551 | FOÓÁP¼ÞÝ CMP       | PIPE, FUEL RETURN      | 2 |
| 54      | Y124722-59050 | • Í-½, ØÁÍÍ(ÍÙ 9   | • CLAMP 9              | 4 |
| 57      | Y124060-77680 | Í-½, ØÁÍÍ(ÍÙ 10    | CLAMP 10               | 1 |
| 58      | Y129150-59580 | • ÓÁÍÍ(FO-TÓÁP¼    | CAP                    | 1 |

Engine for TB135 3TNV88-QTB2 (air con.) S/N 13514051-  
**FUEL LINE**

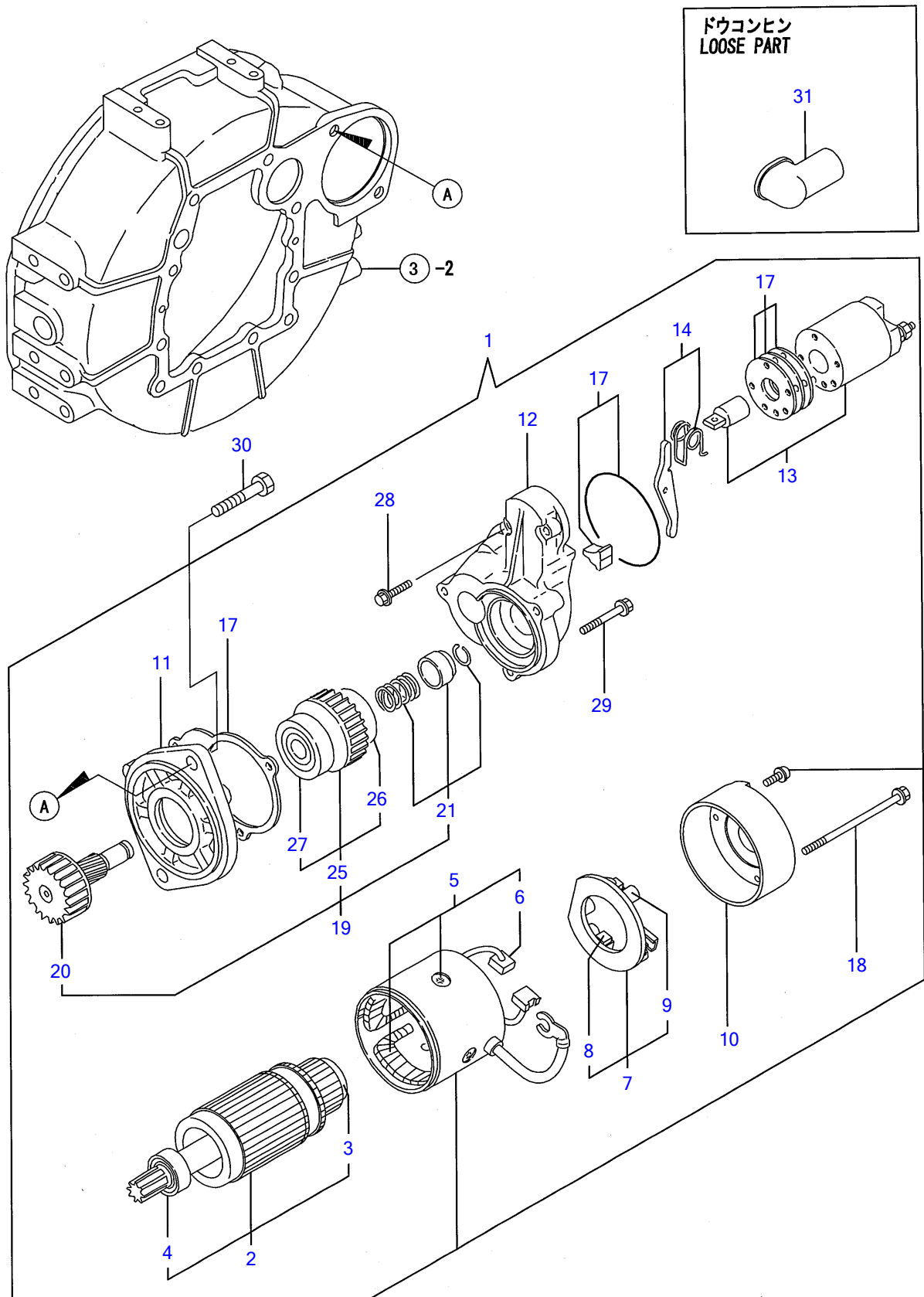


|             |           |           |      |
|-------------|-----------|-----------|------|
| Y00D8260    | 13. FOパイプ |           |      |
| 3TNV88-QTB2 |           | 1:2004.05 | PLUS |

FOËß³Ïß FUEL LINE

| REF NO. | PARTS NO.     | Description          | Q'ty |
|---------|---------------|----------------------|------|
| 1       | Y129004-55610 | BRACKET, FILTER      | 1    |
| 2       | Y119802-55800 | FILTER, FUEL         | 1    |
| 3       | Y26106-080302 | BOLT M 8X 30 PLATED  | 2    |
| 4       | Y129044-59010 | PIPE, FUEL           | 1    |
| 5       | Y124766-59050 | • CLAMP 12           | 2    |
| 6       | Y129044-59100 | • PROTECTOR, PIPE 15 | 1    |
| 7       | Y129044-59510 | • PIPE, FUEL OIL     | 1    |
| 8       | Y129950-59311 | PIPE, FUEL           | 1    |
| 9       | Y124766-59050 | • CLAMP 12           | 2    |
| 10      | Y129961-59110 | • TUBE               | 1    |
| 11      | Y105025-59580 | • PIPE, FUEL OIL     | 1    |
| 12      | Y121750-59890 | CLAMP 140            | 1    |
| 13      | Y129612-52100 | FUEL PUMP            | 1    |
| 14      | Y129906-55700 | SEPARATOR ASSY       | 1    |
| 15      | Y119802-55710 | • ELEMENT            | 1    |
| 16      | Y129100-55690 | • RING, RETAINING    | 1    |
| 17      | Y24321-000650 | • O-RING 1A G-65.0   | 1    |
| 18      | Y24311-000160 | • O-RING 1A P-16.0   | 1    |
| 19      | Y119840-59601 | BEND ASSY            | 1    |
| 20      | Y124766-59050 | • CLAMP 12           | 2    |
| 21      | Y119840-59611 | • BEND, RETURN       | 1    |
| 22      | Y119840-59621 | • JOINT              | 1    |

Engine for TB135 3TNV88-QTB2 (air con.) S/N 13514051-  
STARTING MOTOR

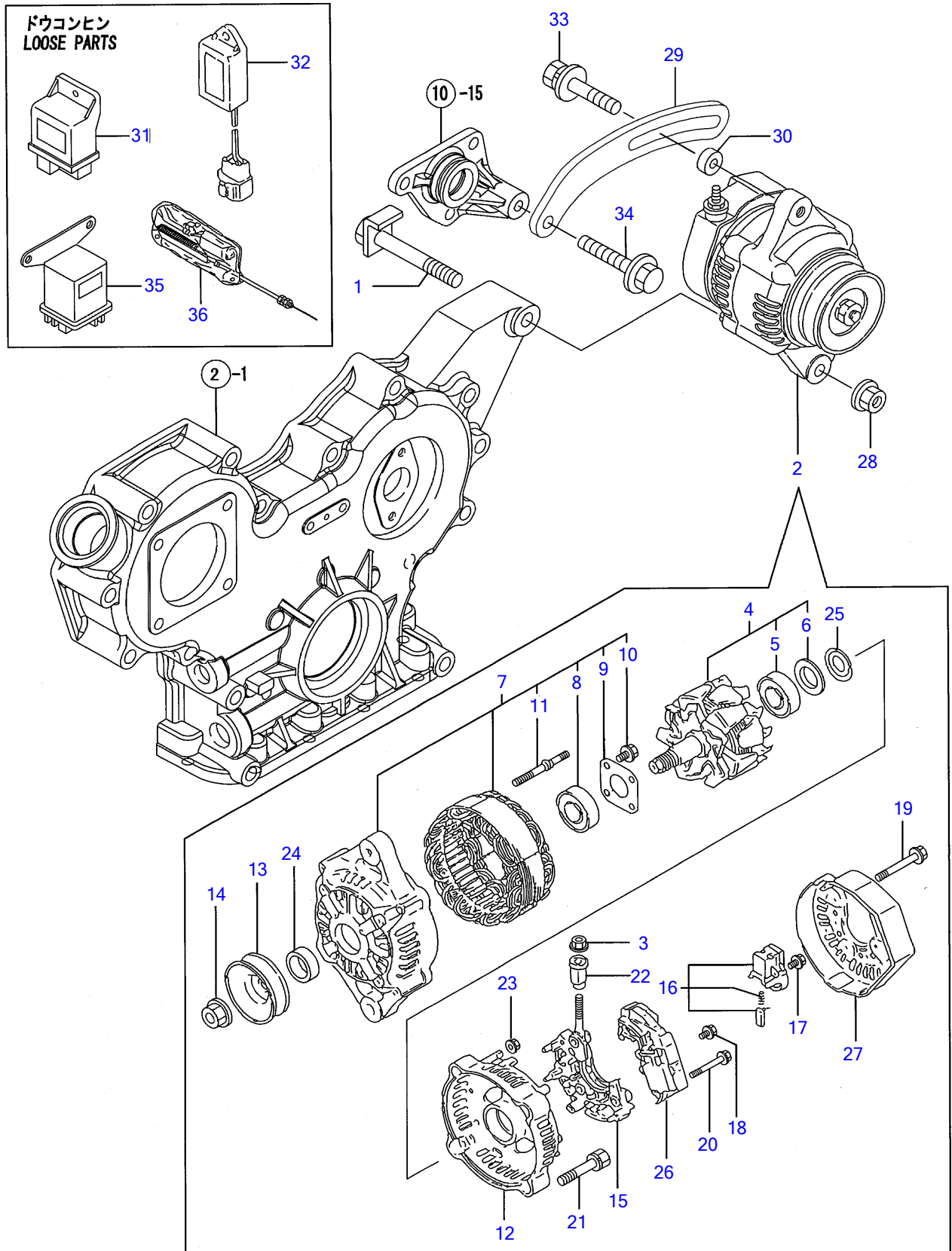


|             |                |           |      |
|-------------|----------------|-----------|------|
| Y00D8260    | 14. スターティングモータ |           |      |
| 3TNV88-QTB2 |                | 1:2004.05 | PLUS |

½Ä-Ä²Ý, PÓ-Ä STARTING MOTOR

| REF NO. | PARTS NO.     | Description           | Q'ty |
|---------|---------------|-----------------------|------|
| 1       | Y129400-77012 | ½Ä-Ä (S13-294)        | 1    |
| 2       | Y129486-77400 | • ±-İÄÖ±              | 1    |
| 3       | Y171008-77410 | • • İp±ØÝ, p(1)       | 1    |
| 4       | Y171008-77420 | • • İp±ØÝ, p(2)       | 1    |
| 5       | Y129400-77441 | • İ²-ÜÄp²Ü CMP        | 1    |
| 6       | Y129486-77460 | • • İp×¼ (+)          | 2    |
| 7       | Y129486-77470 | • İp×¼İÜÄp- ¼, Đ      | 1    |
| 8       | Y129486-77460 | • • İp×¼ (+)          | 2    |
| 9       | Y129486-77490 | • • ½İBØÝ, p, İp×¼    | 4    |
| 10      | Y129900-77460 | • ØÖİÉp-              | 1    |
| 11      | Y171008-77510 | • p±¹-½               | 1    |
| 12      | Y129400-77520 | • ¾ÝÄ-É³¼pÝ, p        | 1    |
| 13      | Y129400-77531 | • İ, pÉÄÄ, ½²ÄÄ CMP   | 1    |
| 14      | Y171008-77540 | • ÜÉp- ¾ÄÄ            | 1    |
| 17      | Y129400-77571 | • Äp½ÄİÉp-ÄÄ(ÉÝ±½)    | 1    |
| 18      | Y129900-77640 | • ½Ü-ÄİpÜÄ            | 2    |
| 19      | Y171008-77650 | • ÉBÆμÝ ¼, Đ          | 1    |
| 20      | Y171008-77660 | • • ÉBÆμÝ¼ÖİÄ         | 1    |
| 21      | Y171008-77670 | • • ½ÄÄÉB-¾ÄÄ         | 1    |
| 25      | YX2114555500  | • • xÄÄ ASY           | 1    |
| 26      | YX2114955020  | • • • İp-Üİp±ØÝ, p(3) | 1    |
| 27      | YX2240410100  | • • • İp-Üİp±ØÝ, p(4) | 1    |
| 28      | Y26106-060322 | • ÄÉpİpÜÄ 6X 32       | 2    |
| 29      | Y26106-060402 | • ÄÉpİpÜÄ 6X 40       | 3    |
| 30      | Y26116-120252 | İpÜÄ 12X 25           | 2    |
| 31      | Y124550-77030 | İÉp-(ST:BA-ĐÄÜ        | 1    |

Engine for TB135 3TNV88-QTB2 (air con.) S/N 13514051-  
GENERATOR



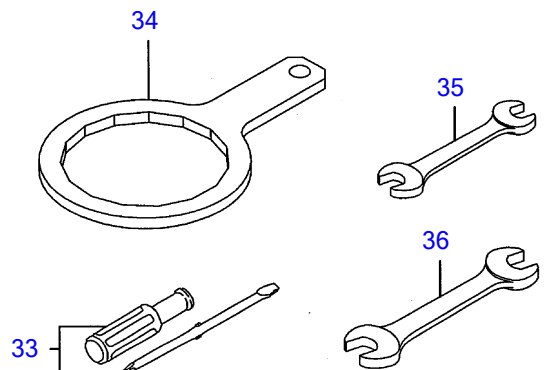
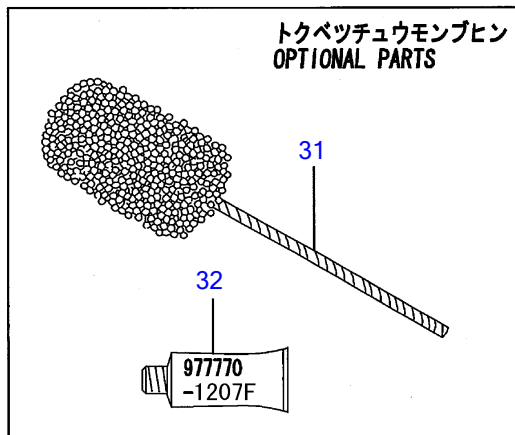
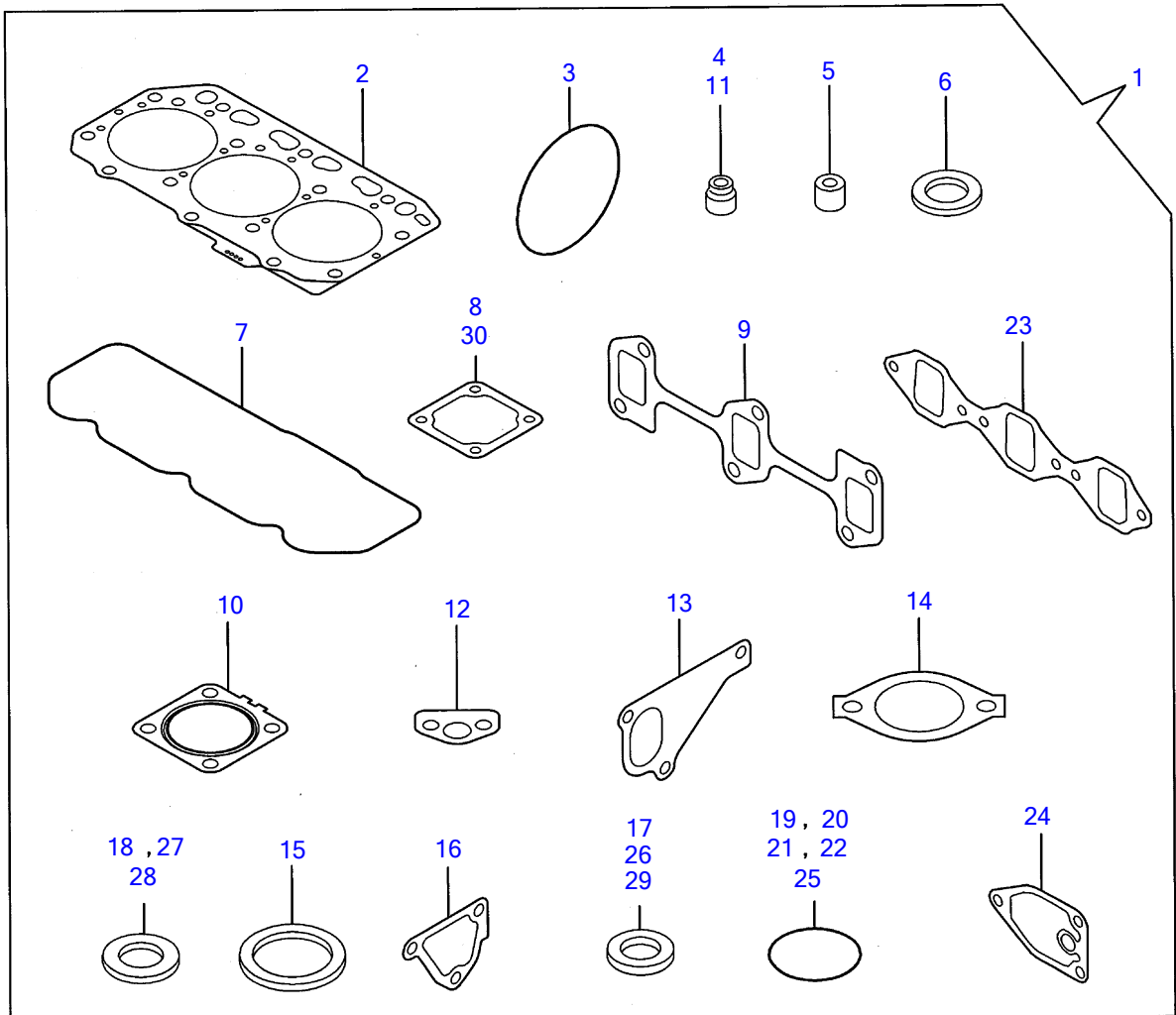
|             |            |           |  |      |
|-------------|------------|-----------|--|------|
| Y00D8260    | 15. ジェネレータ |           |  |      |
| 3TNV88-QTB2 |            | 1:2004.05 |  | PLUS |



1/4"Ø-Å GENERATOR

| REF NO. | PARTS NO.     | Description             | Q'ty |
|---------|---------------|-------------------------|------|
| 1       | Y119740-77250 | 10X76 (GEN BOLT, M10X76 | 1    |
| 2       | Y129240-77200 | μÜÄÈ°Å°(40A ALTERNATOR  | 1    |
| 3       | Y129240-79310 | • ÅÄÄ                   | 1    |
| 4       | Y119620-77380 | • Ü-Å ASSY              | 1    |
| 5       | Y126501-79240 | • • Ìp-ÜÌp±ØÝ p         | 1    |
| 6       | Y119620-79250 | • • Ìp±ØÝ p             | 1    |
| 7       | Y119620-77421 | • ÌÜ-ÑASSY,DRIVE        | 1    |
| 8       | Y119620-79200 | • • Ìp-ÜÌp±ØÝ p         | 1    |
| 9       | Y119620-79210 | • • ÌBÜ-Ä,ØÄ-Ä          | 1    |
| 10      | Y119620-79220 | • • ½,ØÖ-               | 4    |
| 11      | Y119620-79230 | • • ÌpÜÄ,½ÄÄÄp          | 2    |
| 12      | Y119620-77440 | • ÌÜ-Ñ ASSY,REAR        | 1    |
| 13      | Y119620-77461 | • ÌB-Ø                  | 1    |
| 14      | Y119620-77471 | • ÅÄÄ                   | 1    |
| 15      | Y119620-79260 | • ÌÜÄp-                 | 1    |
| 16      | Y129052-79270 | • Ìp×¼ÌÜÄp-             | 1    |
| 17      | Y119620-79290 | • ½,ØÖ³                 | 6    |
| 18      | Y119620-79300 | • ½,ØÖ³                 | 1    |
| 19      | Y119620-79310 | • ÌpÜÄ                  | 3    |
| 20      | Y119620-79320 | • ½,ØÖ³,W/ÜÄ¼Ö          | 2    |
| 21      | Y119620-79330 | • ÌpÜÄ                  | 2    |
| 22      | Y119620-79340 | • ²Ý¼ÖÜ-¼ÖÝÌpÄ¼Ö        | 1    |
| 23      | Y119620-79350 | • ÅÄÄ                   | 2    |
| 24      | Y119620-77490 | • ¶x-                   | 1    |
| 25      | Y119620-79360 | • ½×½ÄÜÄ¼Ö-             | 1    |
| 26      | Y129240-77710 | • Ü-pÖÜ-Ä ASSY          | 1    |
| 27      | Y129240-79300 | • ¶Ép-,ØÖÝÄp            | 1    |
| 28      | Y26306-100002 | ÄÉpÄ-ÄÄÄ(UBS 10         | 1    |
| 29      | Y119802-77330 | ±¼pÖ½Ä(VÌpÜÄ            | 1    |
| 30      | Y119940-77270 | ¶Ý»p(GEN                | 1    |
| 31      | Y119802-77200 | ¾-lÄ²ØÜ-                | 1    |
| 32      | Y129211-77920 | Ä²í-(1 SEC.             | 1    |
| 33      | Y119802-77340 | ÌpÜÄ(±¼pÖ½Ä             | 1    |
| 34      | Y26106-080452 | ÄÉpÌpÜÄ 8X 45           | 1    |
| 35      | Y119646-77900 | ÉBÜ-ØÜ-                 | 2    |
| 36      | Y119032-77910 | ±,¾ÜÖ-Ä CMP             | 1    |

Engine for TB135 3TNV88-QTB2 (air con.) S/N 13514051-  
GASKET SET



|             |                   |  |  |      |
|-------------|-------------------|--|--|------|
| Y00D8260    | 16. コウゲ & パッキンセット |  |  |      |
| 3TNV88-QTB2 | 1:2004.05         |  |  | PLUS |

93, p & ÊÛÁ·Ý¾ÄÄ GASKET SET

| REF NO. | PARTS NO.     | Description           | Q'ty |
|---------|---------------|-----------------------|------|
| 1       | Y729001-92800 | GASKET SET (NON-ASB.) | 1    |
| 2       | Y129001-01340 | GASKET, (NON-ASB.)    | 1    |
| 3       | Y121850-51960 | O-RING, F.I.PUMP      | 1    |
| 4       | Y124460-11340 | SEAL, VALVE STEM      | 3    |
| 5       | Y119802-11870 | PROTECTOR, NOZZLE     | 3    |
| 6       | Y119625-11880 | SEAT, NOZZLE          | 3    |
| 7       | Y129004-11310 | GASKET, BONNET        | 1    |
| 8       | Y129150-77511 | GASKET, (NON-ASB.)    | 1    |
| 9       | Y129150-13110 | GASKET, EXH.MANIFOLD  | 1    |
| 10      | Y129004-13200 | GASKET, SILENCER      | 1    |
| 11      | Y121400-11340 | SEAL, VALVE STEM      | 3    |
| 12      | Y129150-35041 | GASKET, (NON-ASB.)    | 1    |
| 13      | Y129486-42021 | GASKET                | 1    |
| 14      | Y129795-49551 | GASKET, (NON-ASB.)    | 1    |
| 15      | Y129150-49811 | GASKET, (NON-ASB.)    | 1    |
| 16      | Y124395-49840 | GASKET, THERMO. CASE  | 1    |
| 17      | Y22190-080002 | SEAL WASHER 8S        | 2    |
| 18      | Y124465-44950 | GASKET 16             | 1    |
| 19      | Y24311-000120 | O-RING 1A P 12.0      | 3    |
| 20      | Y24311-000320 | O-RING 1A P-32.0      | 2    |
| 21      | Y24341-000240 | O-RING 1A S-24.0      | 1    |
| 22      | Y129486-42140 | O-RING, CW-P          | 1    |
| 23      | Y129150-12111 | GASKET, (NON-ASB.)    | 1    |
| 24      | Y129150-35111 | GASKET, (NON-ASB.)    | 1    |
| 25      | Y119609-32040 | O-RING P16            | 4    |
| 26      | Y22190-100002 | SEAL WASHER 10S       | 2    |
| 27      | Y23414-080000 | GASKET 8, ROUND       | 1    |
| 28      | Y129150-49360 | GASKET 10             | 1    |
| 29      | Y22190-220002 | SEAL WASHER 22S       | 1    |
| 30      | Y129100-77510 | GASKET, AIR HEATER    | 1    |
| 31      | Y129400-92430 | HORN, FLEX            | 1    |
| 32      | Y977770-1207F | GASKET, LIQUID        | 1    |
| 33      | Y104200-92350 | DRIVER, SCREW         | 1    |
| 34      | Y119640-92750 | WRENCH, FILTER        | 1    |
| 35      | Y28110-100120 | WRENCH 10X12          | 1    |
| 36      | Y28110-140170 | WRENCH 14X17          | 1    |