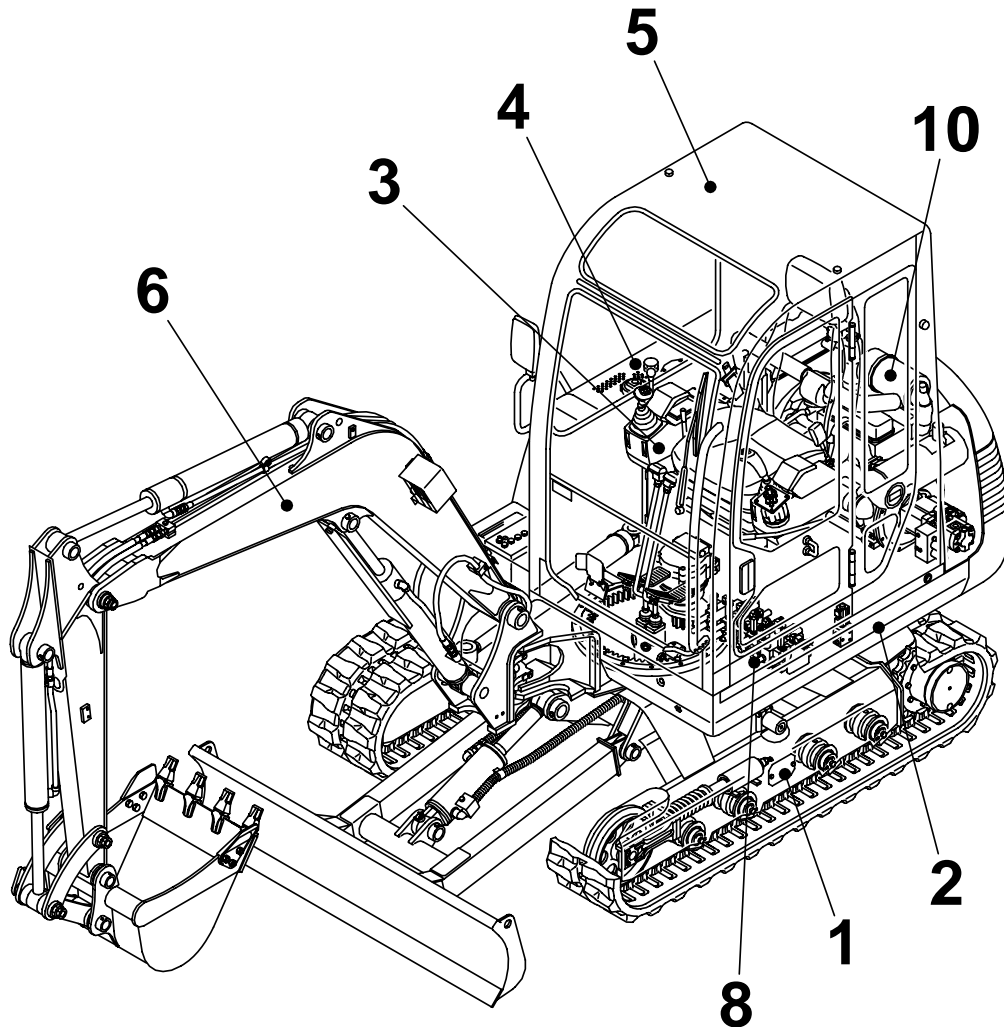


TB125

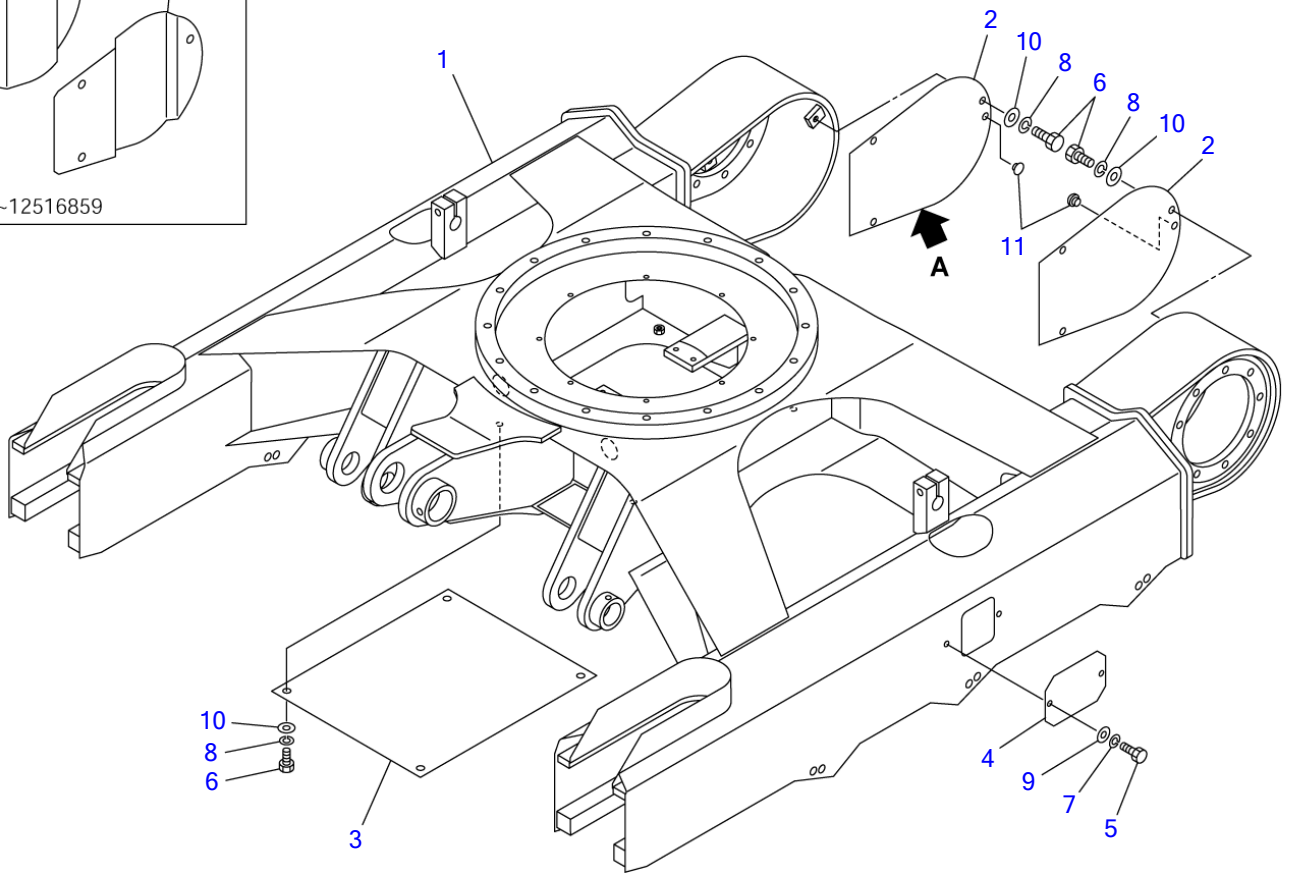
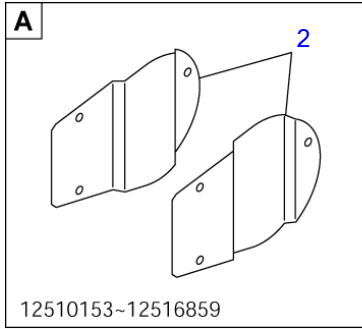
Book No. BE5Z010
Serial No. 12510010-



TAKEUCHI

Item	Part number	Description	INDEX				Remarks
			Q'ty	Chan.	Serial No.	Serv.	
1		UNDERCARRIAGE					
2		TURNTABLE & CONTROL LEVER					
3		ENGINE & ELECTRICAL SYSTEM					
4		HYDRAULIC PIPNG & TANK					
5		COVER & CAB					
6		HOE ATTACHMENT					
7		DECAL & TOOL					
8		HYDRAULIC DEVICE					
10		ENGINE(3TNE82A-TB)					
		ENGINE(3TNE82A-ETB)					
		ENGINE(3TNV82A-QTB,QTB1)					
		2008.4.18					

TB125 Book No. BE5Z010 S/N 12510009-
LOWER FRAME

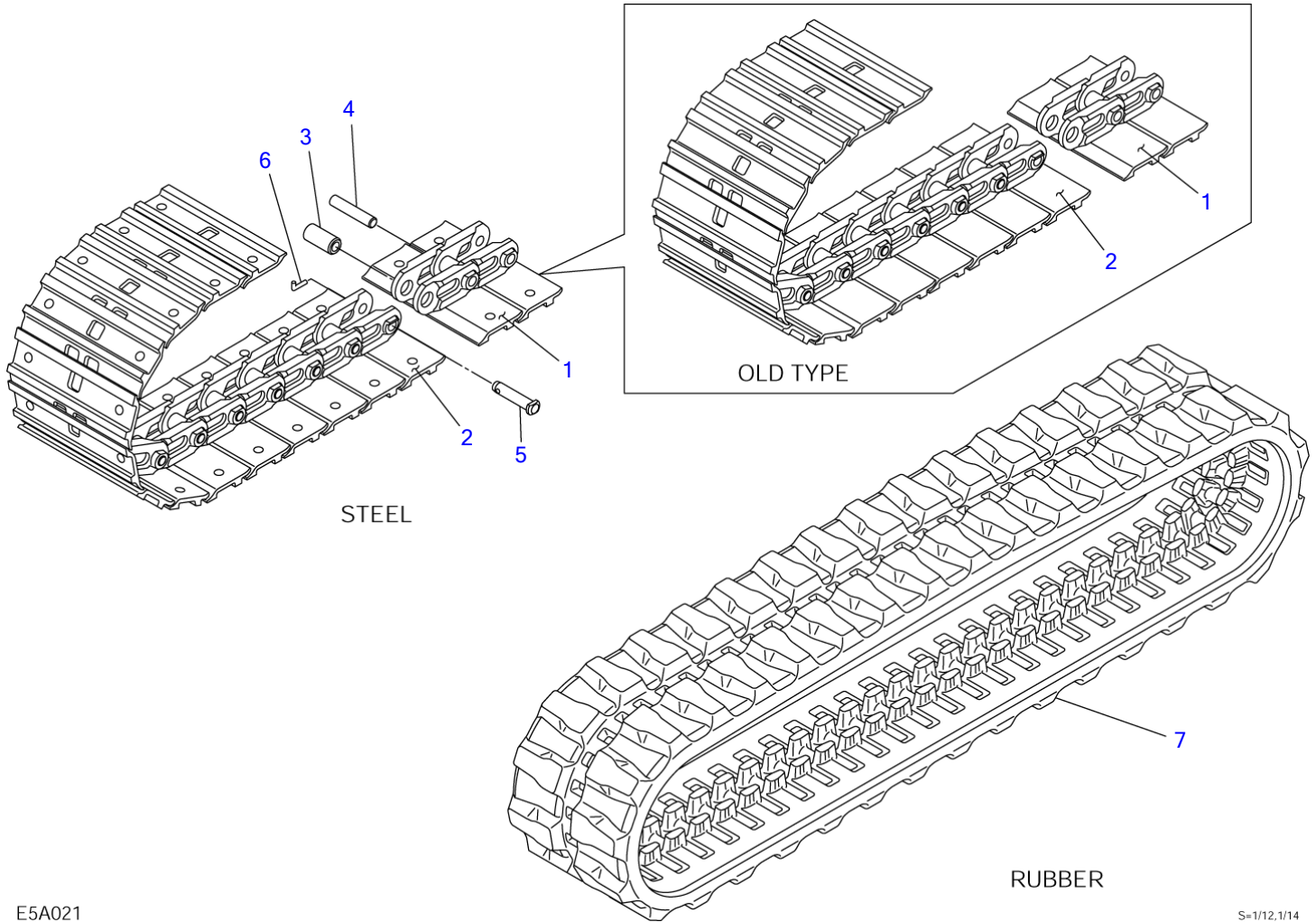


E5A012

S-1/12

LOWER FRAME							
Item	Part number	Description	Q'ty	Chan.	Serial No.	Serv.	Remarks
		FRAME ASSY, lower					X03510-06000-2
1	X *****	FRAME	1				
2	0351006010	COVER	2		12510009~12510152		
	0351006020	COVER	2	(H)(L)	12510153~12516859		
	0351006010	COVER	2		12516860~		
3	0431003600	COVER	1				
4	0331018600	COVER	2				
5	1100040816	BOLT	4				
6	1100041016	BOLT	10				
7	1140020008	WASHER, spring	4				
8	1140020010	WASHER, spring	10				
9	1141110008	WASHER	4				
10	1141110010	WASHER	10				
11	1652533019	CAP	2		12516860~		
	E5a012						

TB125 Book No. BE5Z010 S/N 12510009-
CRAWLER BELT



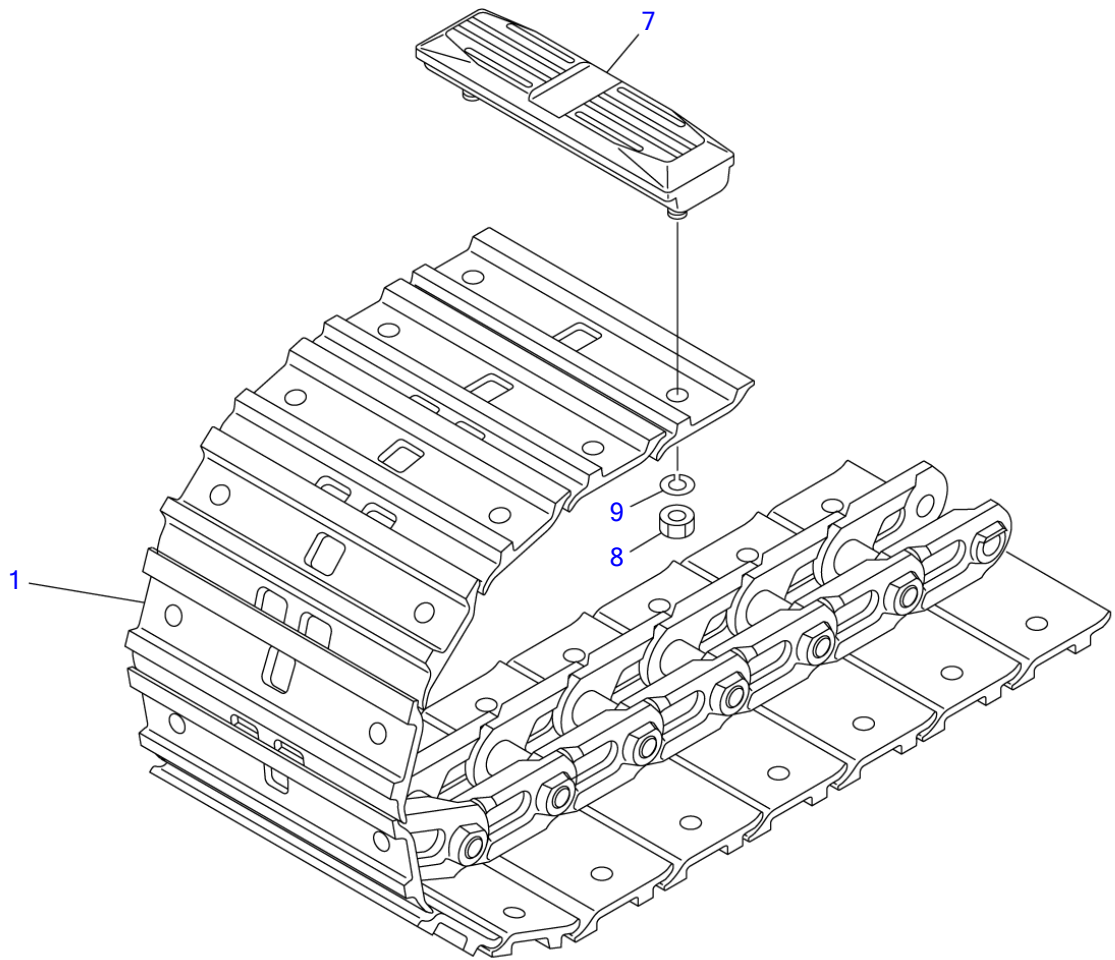
E5A021

S=1/12,1/14

CRAWLER BELT

Item	Part number	Description	Q'ty	Chan.	Serial No.	Serv.	Remarks
0	1914053400	BELT, steel crawler	2		old type		X19140-53400-0
	1914053600	BELT, steel crawler	2	(H)	new type		X19140-53600-0
1	1914053413	▪ PLATE ASSY	38		old type		
	1914053613	▪ PLATE ASSY	38		new type		
2	1914053414	▪ PLATE ASSY, master	1		old type		
	1914053614	▪ PLATE ASSY, master	1		new type		
3	1914053505	▪ BUSHING	39				
4	1914053506	▪ PIN, track	38				
5	1914053507	▪ PIN, master	1				
6	1914053608	▪ PIN, cotter	1				
7	1914067600	BELT, rubber crawler	2		12510009~12513553		X19140-67600-0
	1914067900	BELT, rubber crawler	2	(H)	12513554~		X19140-67900-1
	E5a025						

TB125 Book No. BE5Z010 S/N 12510009-
CRAWLER BELT (with rubber pads)



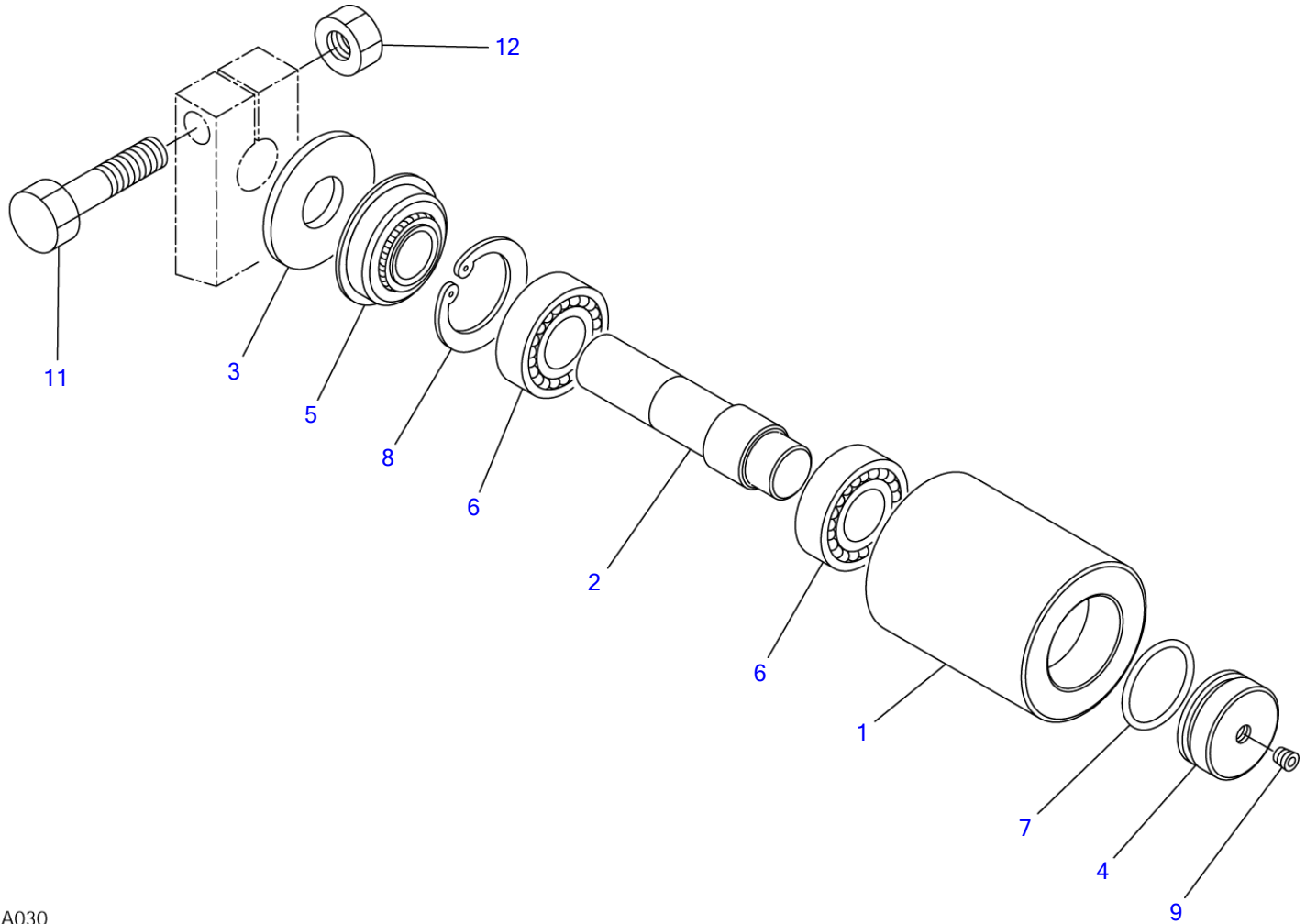
E5A131

S=1/6

CRAWLER BELT (with rubber pads)

Item	Part number	Description	Q'ty	Chan.	Serial No.	Serv.	Remarks
0	1914053700	BELT ASSY, steel crawler (with rubber pads)	2				X19140-53700-0
1	1914053600	▪ BELT, steel crawler	1				
7	1914400300	▪ PAD, rubber	39				
8	1130020012	▪ ▪ NUT	2				
9	1140020012	▪ ▪ WASHER, spring	2				
	E5a133						

TB125 Book No. BE5Z010 S/N 12510009-
CARRIER ROLLER (12510009-12513451)



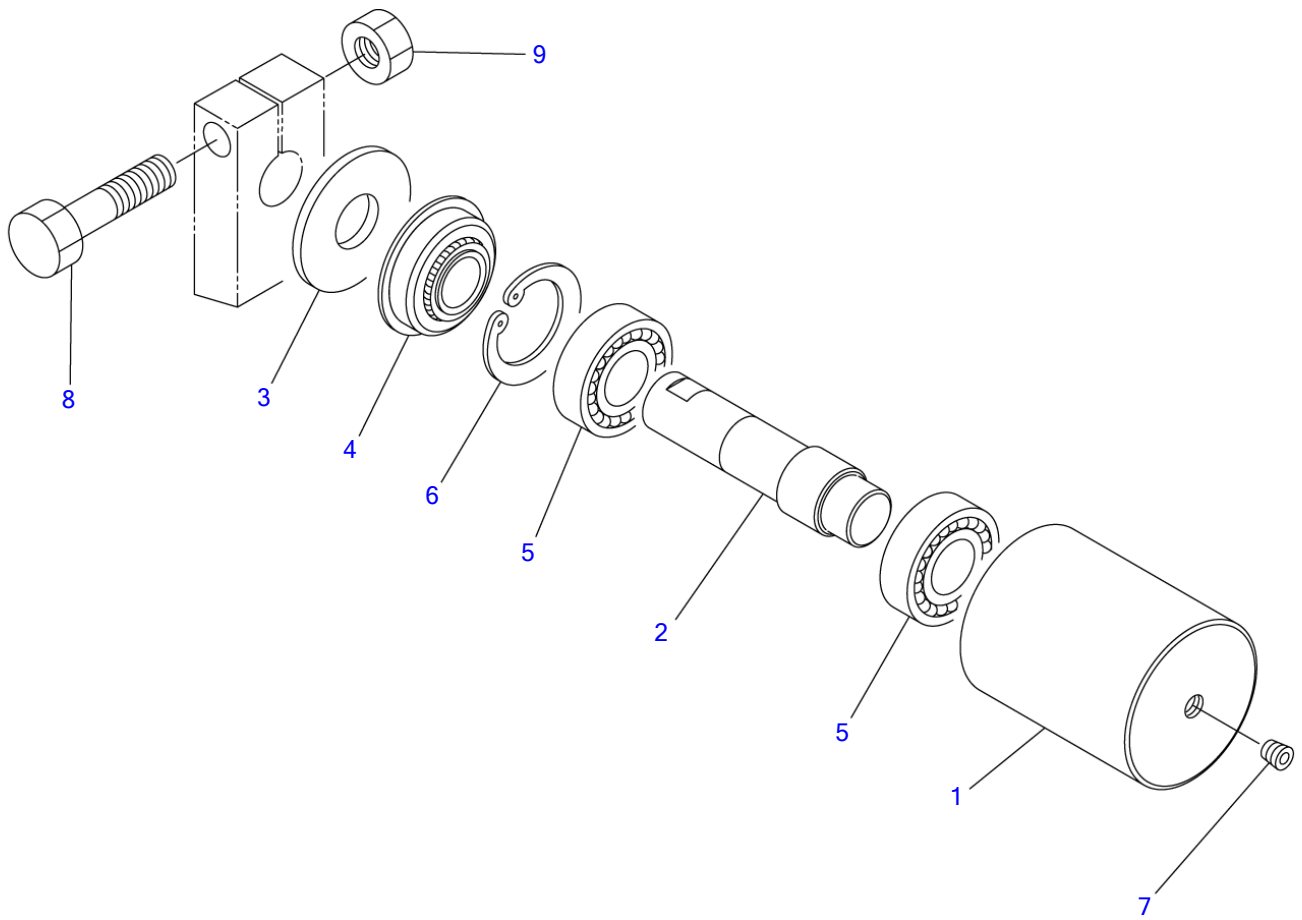
U1A030

S=1/3

CARRIER ROLLER (12510009-12513451)

Item	Part number	Description	Q'ty	Chan.	Serial No.	Serv.	Remarks
		ROLLER ASSY, carrier					X04312-02000-0
0-1	0431200500	ROLLER SUB ASSY	2				
1	0431200100	· ROLLER	1				
2	0431200200	· SHAFT	1				
3	0431200300	· COVER	1				
4	0431200400	· COVER	1				
5	1431202552	· SEAL	1				
6	1300006205	· BEARING	2				
7	1420100400	· O-RING	1				
8	1221000052	· RING, snap	1				
9	1501810001	· PLUG	1				
11	1100051060	BOLT	2				
12	1130050010	NUT	2				
	U1a030						

TB125 Book No. BE5Z010 S/N 12510009-
CARRIER ROLLER (12513452-)

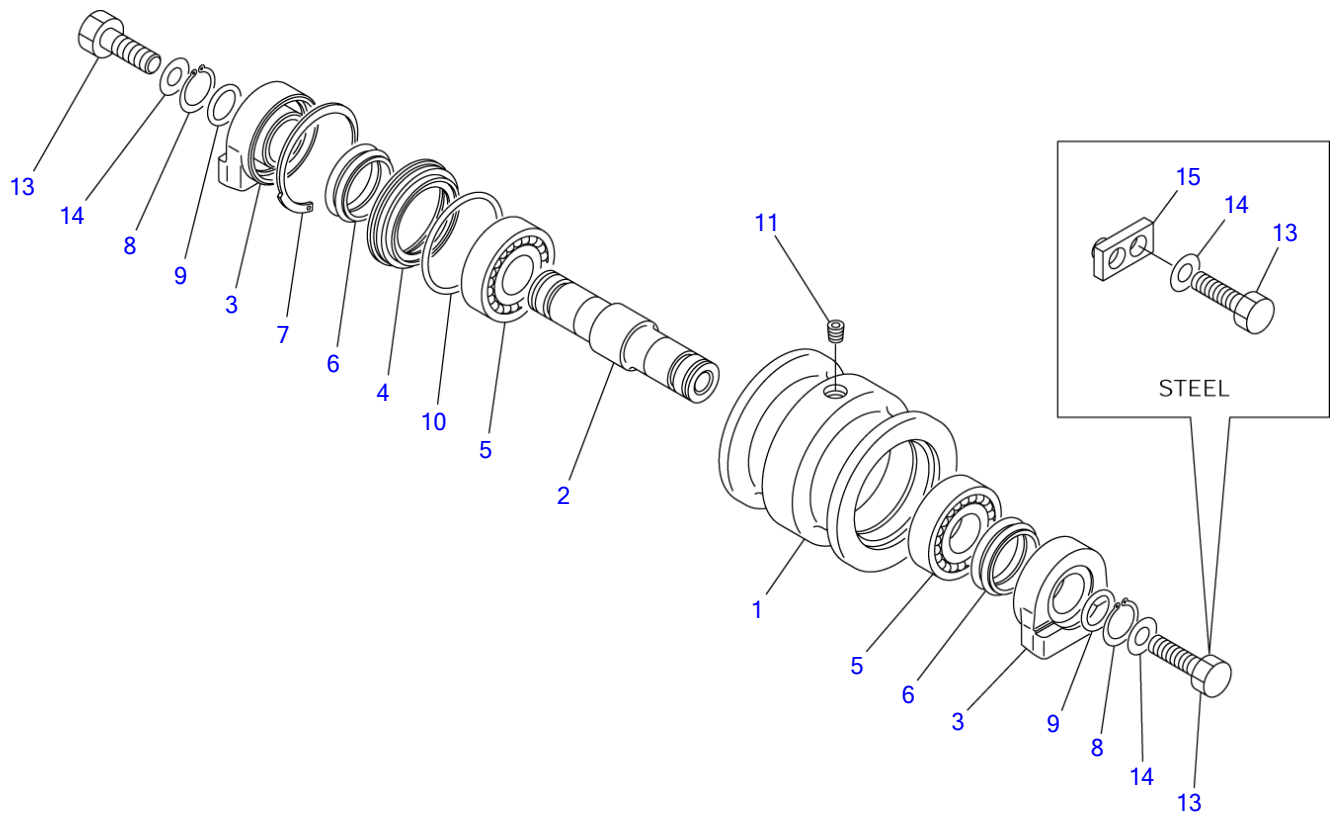


G4A100

S=1/3

CARRIER ROLLER (12513452-)

Item	Part number	Description	Q'ty	Chan.	Serial No.	Serv.	Remarks
		ROLLER ASSY, carrier					X03712-00000-1
0-1	0371200100	ROLLER SUB ASSY	2				
1	0371200110	▪ ROLLER	1				
2	0431200200	▪ SHAFT	1				
3	0431200300	▪ COVER	1				
4	1431202552	▪ SEAL	1				
5	1300006205	▪ BEARING	2				
6	1221000052	▪ RING, snap	1				
7	1501820001	▪ PLUG	1				
8	1100041060	BOLT	2				
9	1130040010	NUT	2				
	G4a100						



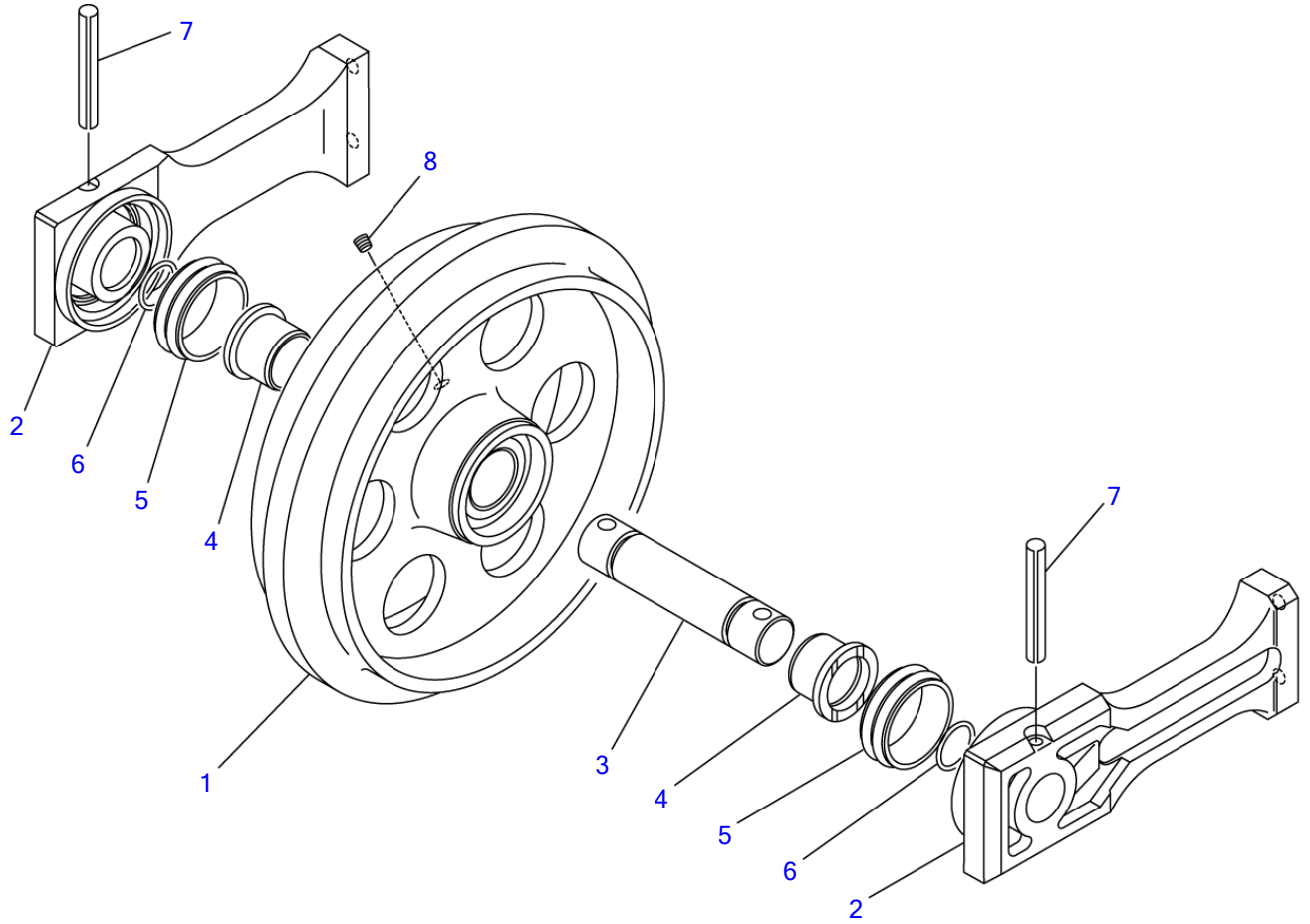
G4A030

S=1/5

TRACK ROLLER

Item	Part number	Description	Q'ty	Chan.	Serial No.	Serv.	Remarks
		ROLLER ASSY, track (steel)					X03713-00000-2
		ROLLER ASSY, track (rubber)					X04313-11000-2
0-1	0431311100	ROLLER SUB ASSY, track	6				
1	0431311300	• ROLLER	1				
2	0431310200	• SHAFT	1				
3	0431310300	• COVER	2				
4	0431300400	• RETAINER	1				
5	1300006306	• BEARING	2				
6	1432500450	• SEAL, floating	2				
7	1222015080	• RING, seeger	1				
8	1220000030	• RING, snap	2				
9	1420100250	• O-RING	2				
10	1420100700	• O-RING	1				
11	1501810001	• PLUG	1				
13	1101051440	BOLT	12				
	1101051450	BOLT	12				steel
14	1141540014	WASHER	12				
15	0371300100	STOPPER	12				steel
	E5a032						

TB125 Book No. BE5Z010 S/N 12510009-
FRONT IDLER

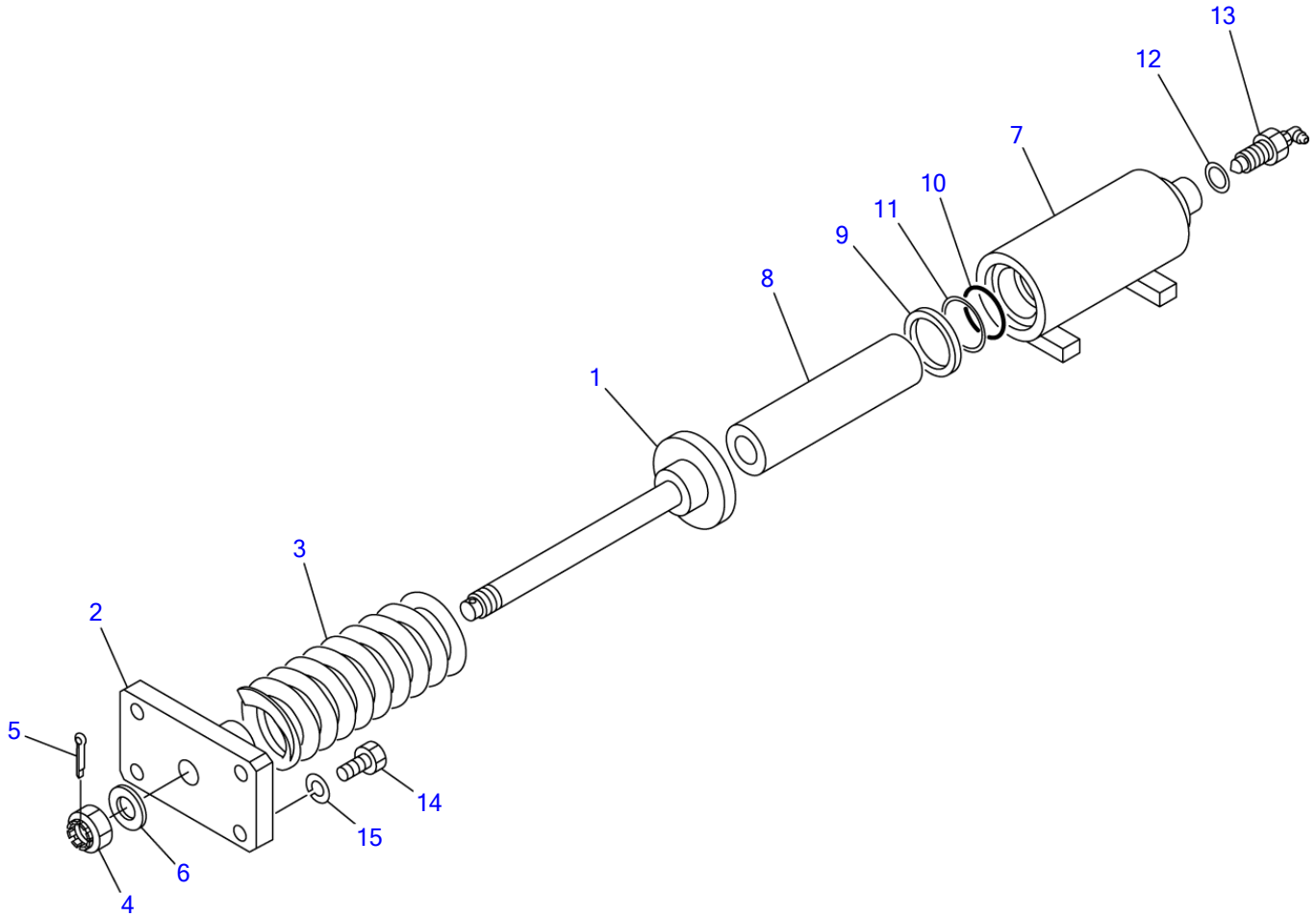


U1A050

S=1/5

FRONT IDLER						
Item	Part number	Description	Q'ty	Chan.	Serial No.	Serv. Remarks
0-1	0431410000	IDLER ASSY, front	2			X04314-10000-3
1	0431401100	▪ IDLER	1			
2	0431410100	▪ BLOCK	2			
3	0431410200	▪ SHAFT	1			
4	0431400600	▪ BUSHING	2			
5	1432500560	▪ SEAL, floating	2			
6	1420100300	▪ O-RING	2			
7	1213000885	▪ PIN, spring	2			
8	1501810001	▪ PLUG	1			
	U1a052					

TB125 Book No. BE5Z010 S/N 12510009-
TRACK ADJUSTER

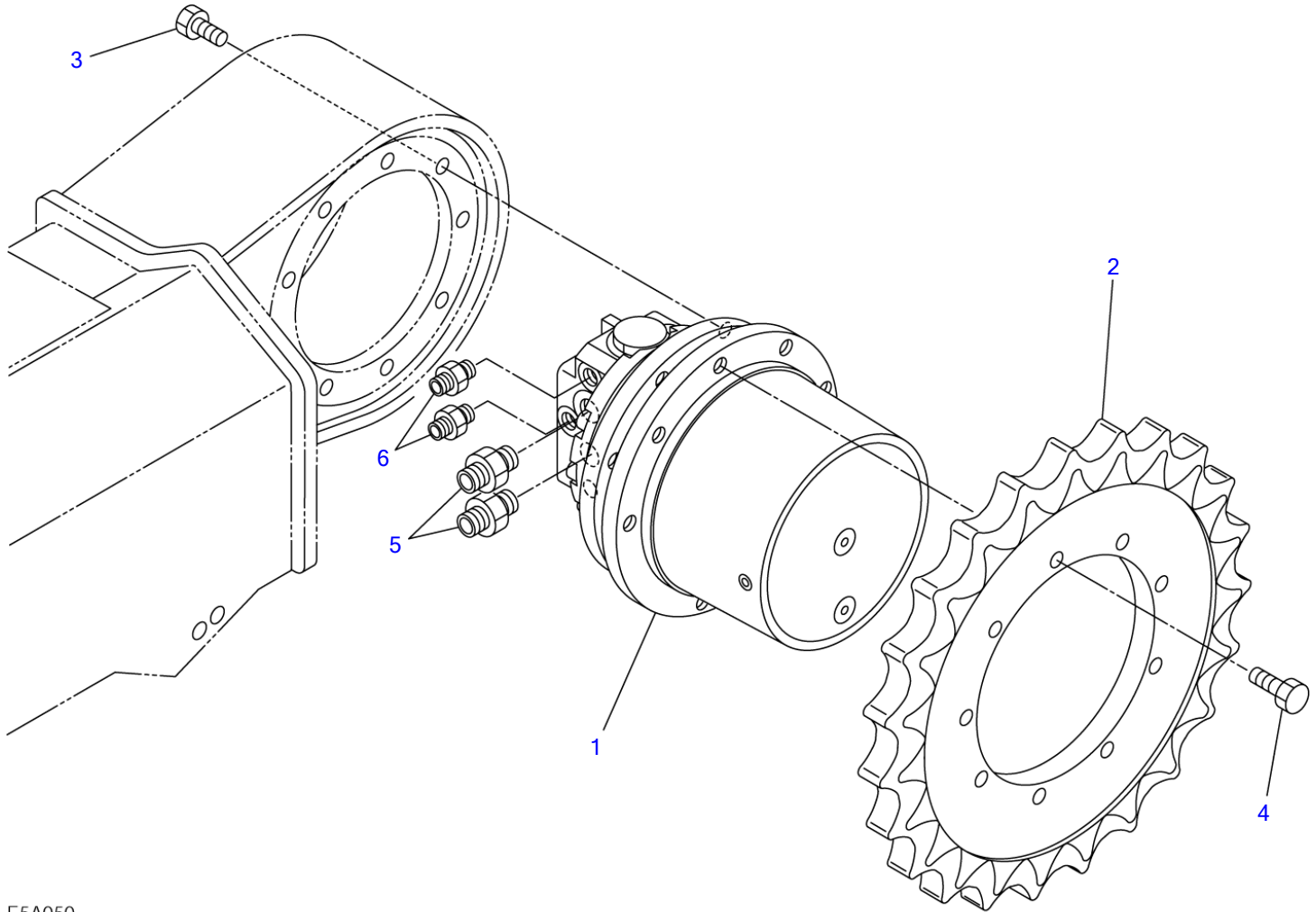


E5A040

S=1/6

TRACK ADJUSTER

Item	Part number	Description	Q'ty	Chan.	Serial No.	Serv.	Remarks
		SPRING ASSY					X03515-04000-1
0-1	0351504100	SPRING SUB ASSY	2				
1	0351503110	• ROD	1				
2	0431510300	• PLATE	1				
3	0161506100	• SPRING	1				
4	1132030020	• NUT	1				
5	1210000440	• PIN, split	1				
6	1141540020	• WASHER	1				
0-2	0351504200	CYLINDER ASSY, grease	2				
7	0351503210	• CYLINDER, grease	1				
8	0351503220	• PISTON	1				
9	1400402340	• SEAL, oil	1				
10	1422010400	• O-RING	1				
11	1421020400	• RING, back-up	1				
12	1541201616	• WASHER	1				
13	1541301602	• VALVE, check	1				
14	1101051240	BOLT	8				
15	1140010012	WASHER, spring	8				
	E5a041						

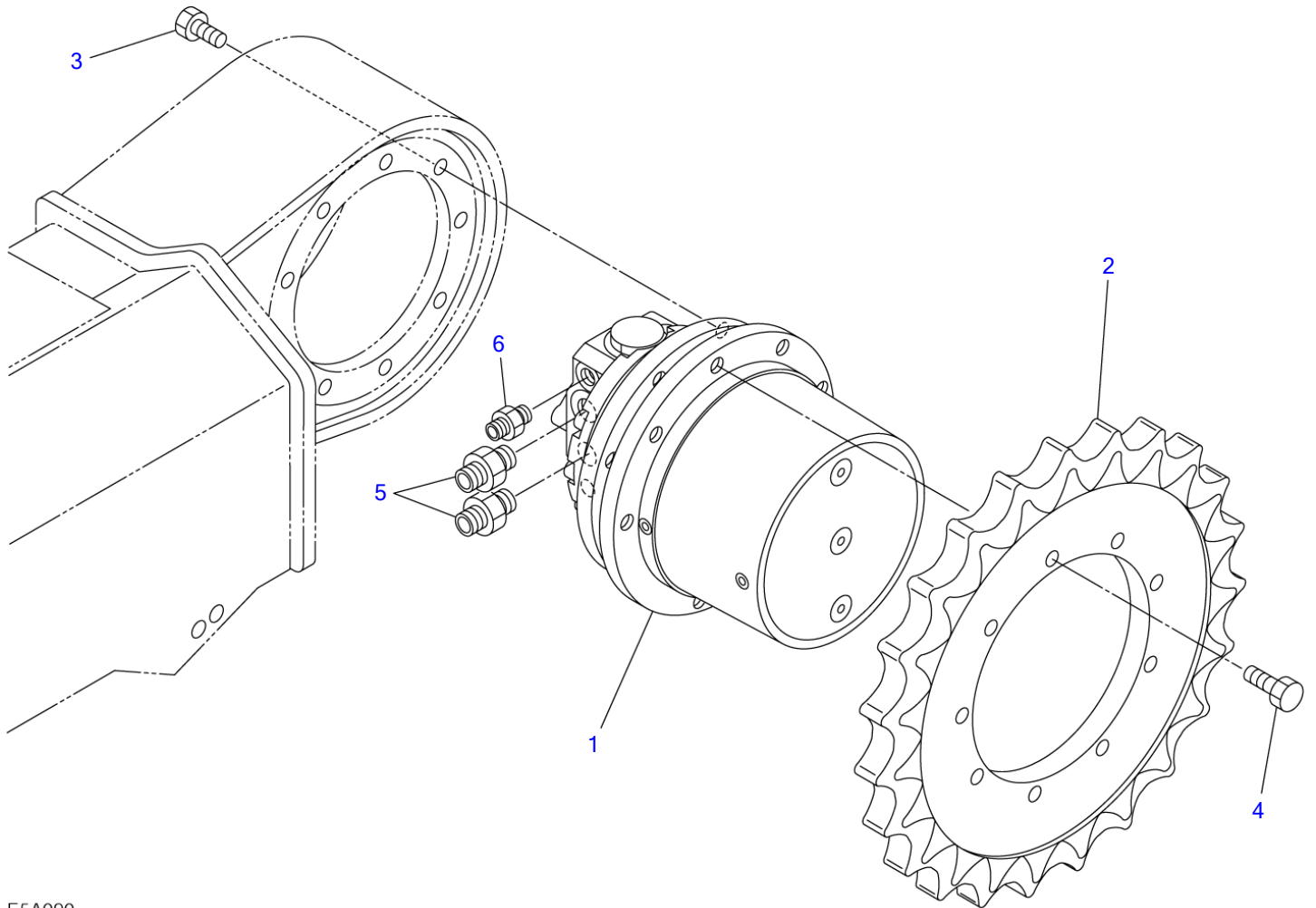


E5A050

S=1/5

TRAVEL DEVICE (12510009-12514525)

Item	Part number	Description	Q'ty	Chan.	Serial No.	Serv.	Remarks
		MOTOR ASSY, travel					X03516-06000-1
1	1903120500	MOTOR, travel	2		12510009~12510152		
	1903120400	MOTOR, travel	2		12510153~		
2	0431610100	SPROCKET	2				
3	1100051225	BOLT	18				
4	1100051235	BOLT	18				
5	1515600577	ADAPTOR	4				
	1420010180	· O-RING	1				
6	1515600200	ADAPTOR	4				
	1420010110	· O-RING	1				
	E5a051						



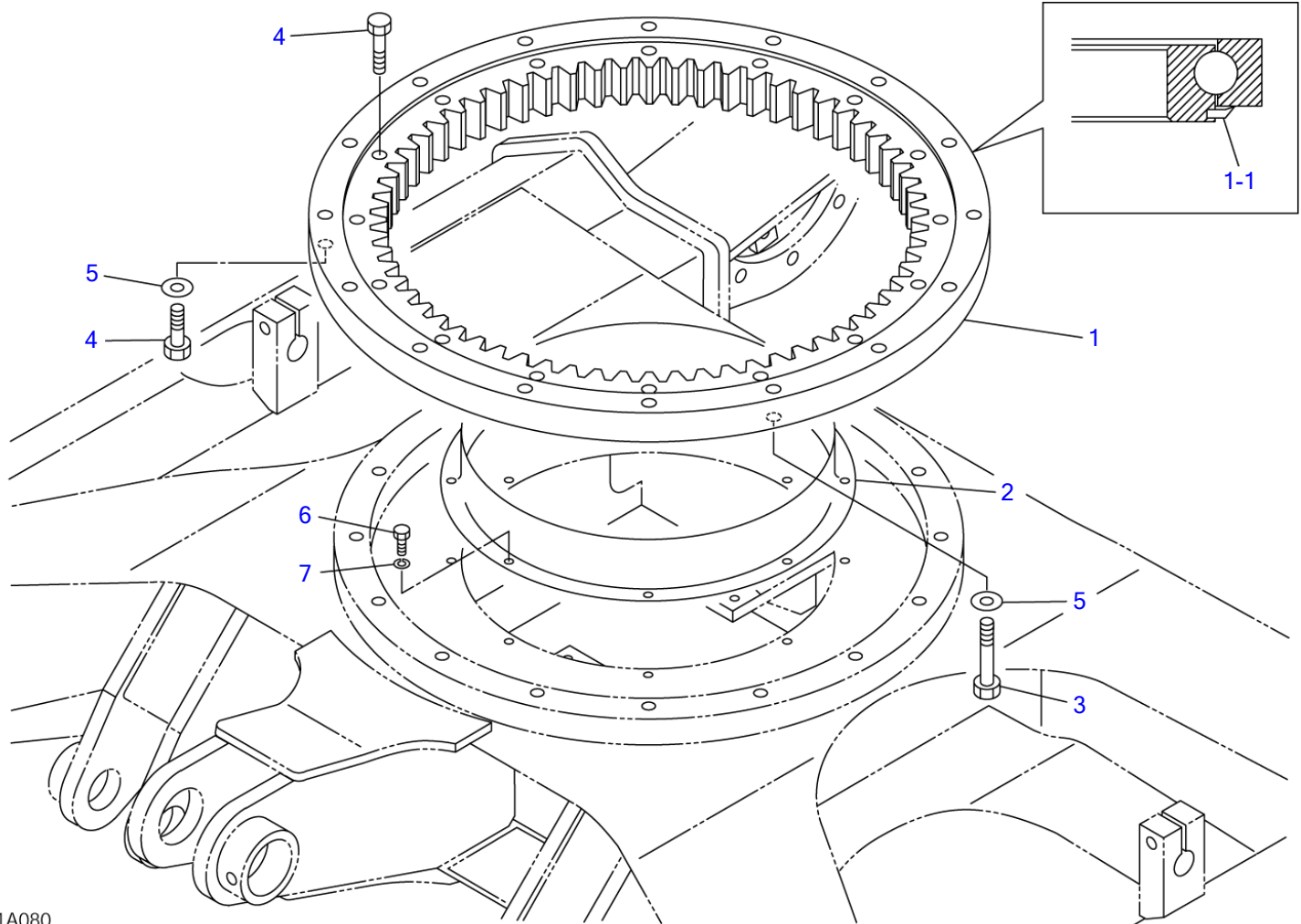
E5A090

S=1/5

TRAVEL DEVICE (12514526-)

Item	Part number	Description	Q'ty	Chan.	Serial No.	Serv.	Remarks
		MOTOR ASSY, travel					X03516-08000-0
1	1903124900	MOTOR, travel	2				
2	0431610100	SPROCKET	2				
3	1100051225	BOLT	18				
4	1100051235	BOLT	18				
5	1515600577	ADAPTOR	4				
	1420010180	• O-RING	1				
6	1515600200	ADAPTOR	2				
	1420010110	• O-RING	1				
	E5a090						

TB125 Book No. BE5Z010 S/N 12510009-
SLEW BEARING



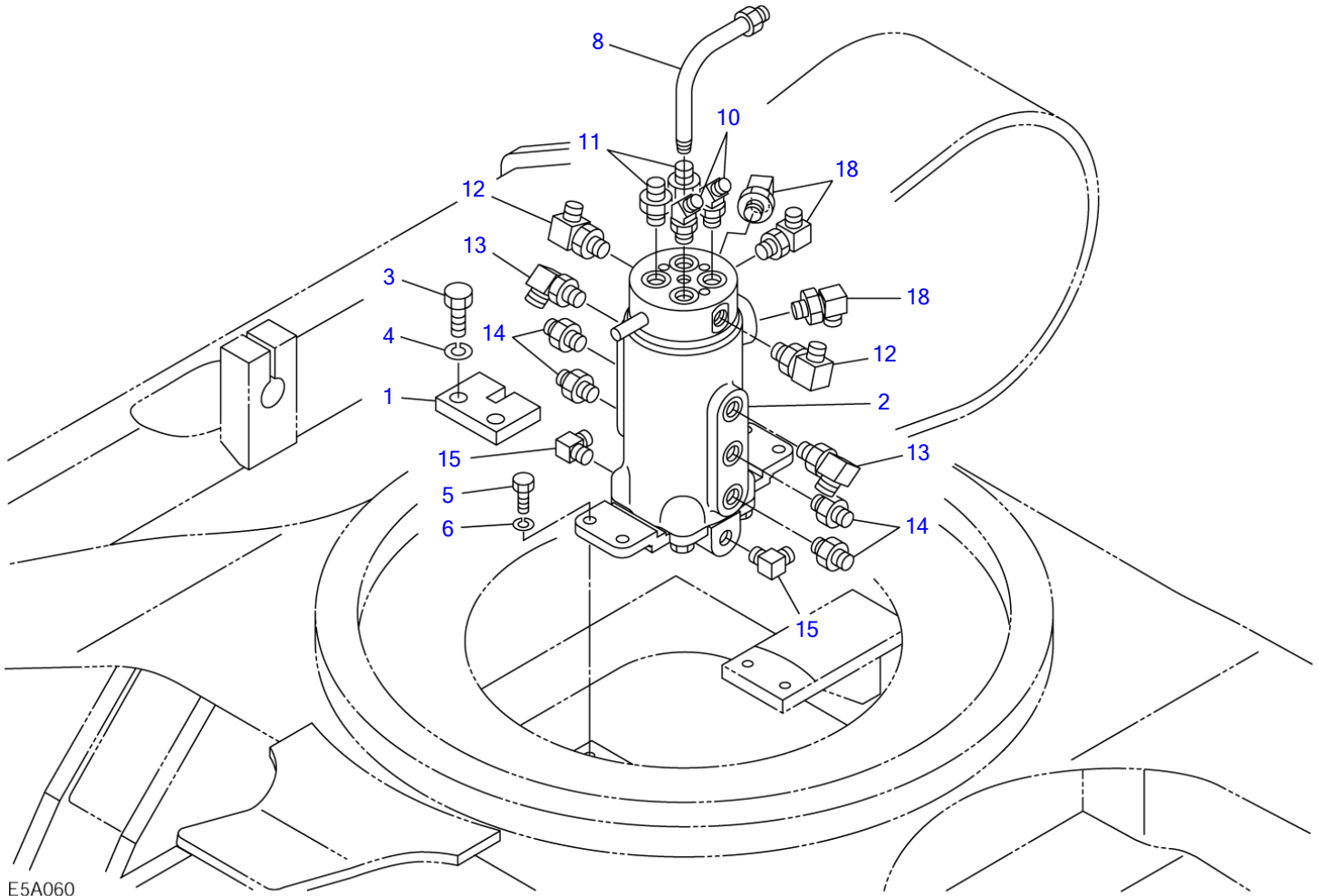
U1A080

S=1/6

SLEW BEARING

Item	Part number	Description	Q'ty	Chan.	Serial No.	Serv.	Remarks
		BEARING ASSY, slew					X03520-00000-1
1	1913003600	BEARING	1				
1-1	1913003609	• SEAL	1				
2	0432300100	BATH, grease	1				
3	0352000100	BOLT	1				
4	1101051265	BOLT	31				
5	1141540012	WASHER	16				
6	1100040816	BOLT	8				
7	1140020008	WASHER, spring	8				
	U1a081						

TB125 Book No. BE5Z010 S/N 12510009-
SWIVEL JOINT & ACCESSORIES (12510009-12514525)



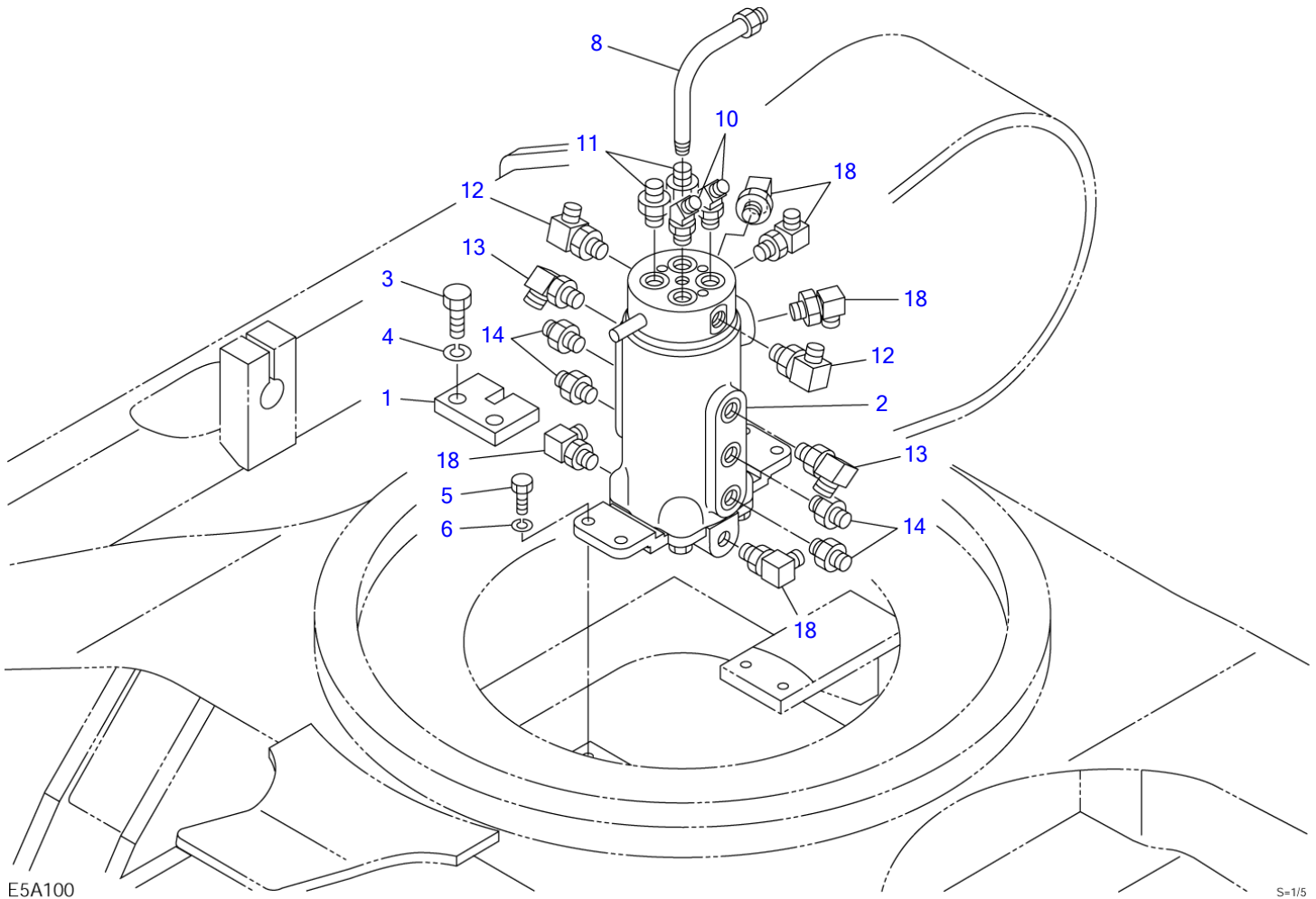
E5A060

S=1/5

SWIVEL JOINT & ACCESSORIES (12510009-12514525)

Item	Part number	Description	Q'ty	Chan.	Serial No.	Serv.	Remarks
		JOINT ASSY, swivel					X03521-05000-1
1	0072100100	STOPPER	1				
2	1904006400	JOINT, swivel	1				
3	1101041230	BOLT	2				
4	1140020012	WASHER, spring	2				
5	1100040825	BOLT	4				
6	1140020008	WASHER	4				
8	0352105100	BUSHING	1				
10	1515100136	ELBOW	2				
	1420010110	• O-RING	1				
11	1515600571	ADAPTOR	2				
	1420010110	• O-RING	1				
12	1515010130	ELBOW	2				
	1420010110	• O-RING	1				
13	1515010041	ELBOW	2				
	1420010140	• O-RING	1				
14	1515600201	ADAPTOR	4				
	1420010140	• O-RING	1				
15	1511150002	ADAPTOR	2				
18	1515012040	ELBOW	3				
	1420010110	• O-RING	1				
	E5a061						

TB125 Book No. BE5Z010 S/N 12510009-
SWIVEL JOINT & ACCESSORIES (12514526-)

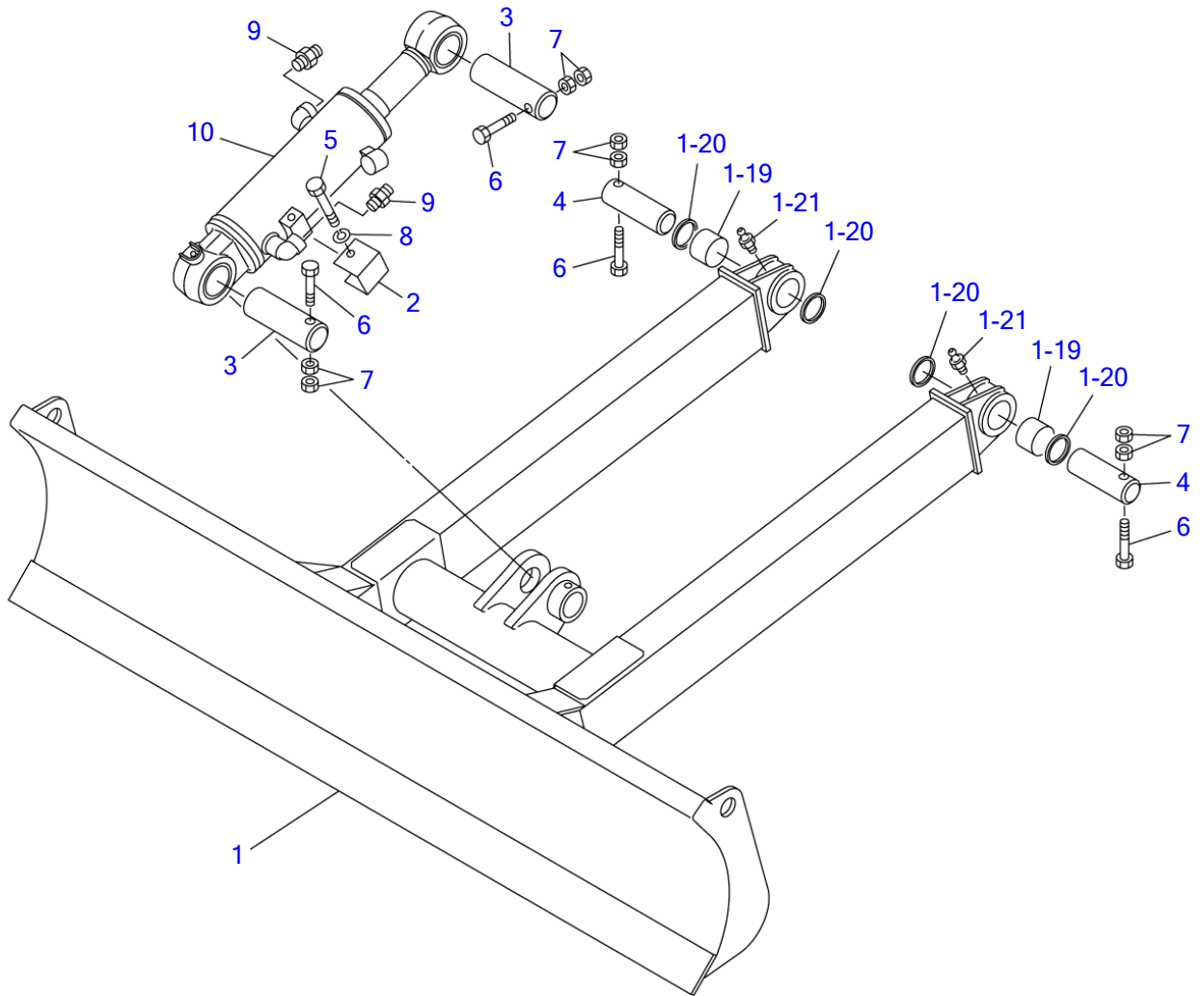


E5A100

S=1/5

SWIVEL JOINT & ACCESSORIES (12514526-)

Item	Part number	Description	Q'ty	Chan.	Serial No.	Serv.	Remarks
		JOINT ASSY, swivel					X03521-05200-0
1	0072100100	STOPPER	1				
2	1904008300	JOINT, swivel	1				
3	1101041230	BOLT	2				
4	1140020012	WASHER, spring	2				
5	1100040825	BOLT	4				
6	1140020008	WASHER	4				
8	0352105100	BUSHING	1				
10	1515100136	ELBOW	2				
	1420010110	• O-RING	1				
11	1515600571	ADAPTOR	2				
	1420010110	• O-RING	1				
12	1515010130	ELBOW	2				
	1420010110	• O-RING	1				
13	1515010041	ELBOW	2				
	1420010140	• O-RING	1				
14	1515600201	ADAPTOR	4				
	1420010140	• O-RING	1				
18	1515012040	ELBOW	5				
	1420010110	• O-RING	1				
	E5a100						

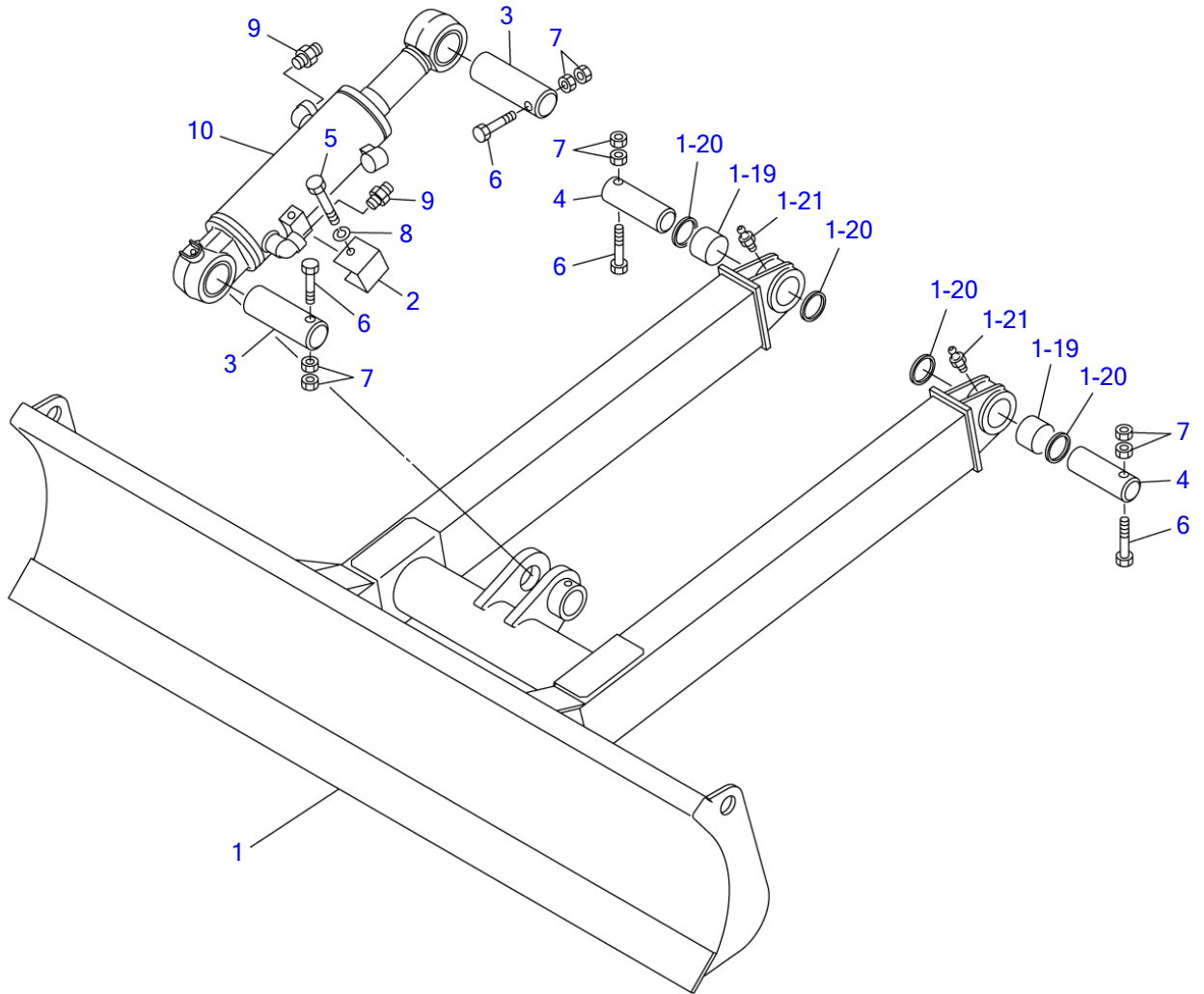


E5A071

S=FREE

DOZER BLADE (12510009-12514525)

Item	Part number	Description	Q'ty	Chan.	Serial No.	Serv.	Remarks
		BLADE ASSY, dozer					X03563-06000-2
1	0356306100	BLADE SUB ASSY, dozer	1				
1-19	0436312300	• BUSHING	2				
1-20	1432200040	• SEAL, dust	4				
1-21	1560001000	• FITTING, grease	2				
2	0426300400	COVER	1				
3	0001604120	PIN	2				
4	0001603125	PIN	2				
5	1100040860	BOLT	1				
6	1103041085	BOLT	4				
7	1130240010	NUT	8				
8	1140020008	WASHER, spring	1				
9	1515600201	ADAPTOR	2				
	1420010140	• O-RING	1				
10	1900078200	CYLINDER, dozer blade	1				
	E5a072						

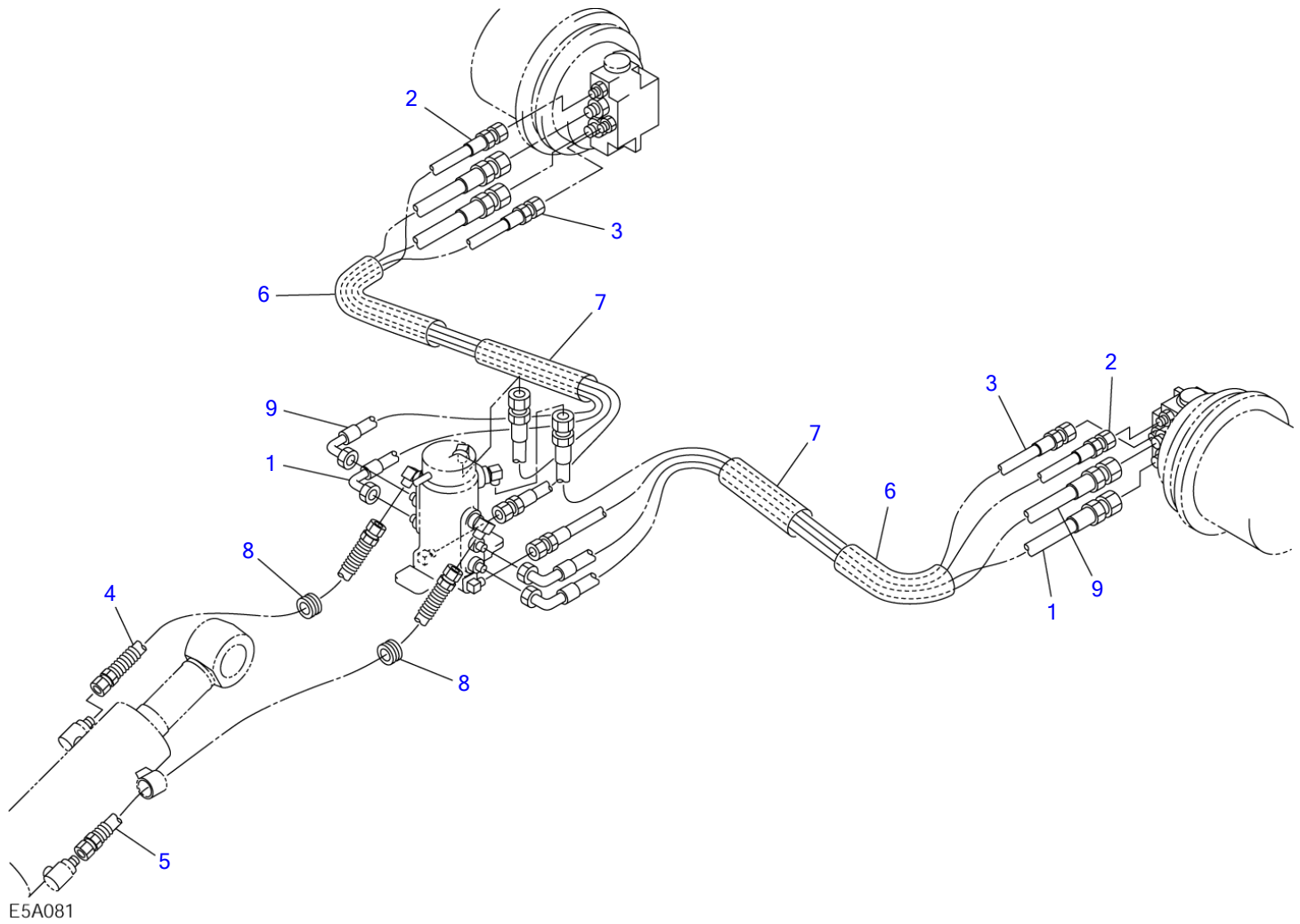


E5A071

S=FREE

DOZER BLADE (12514526-)

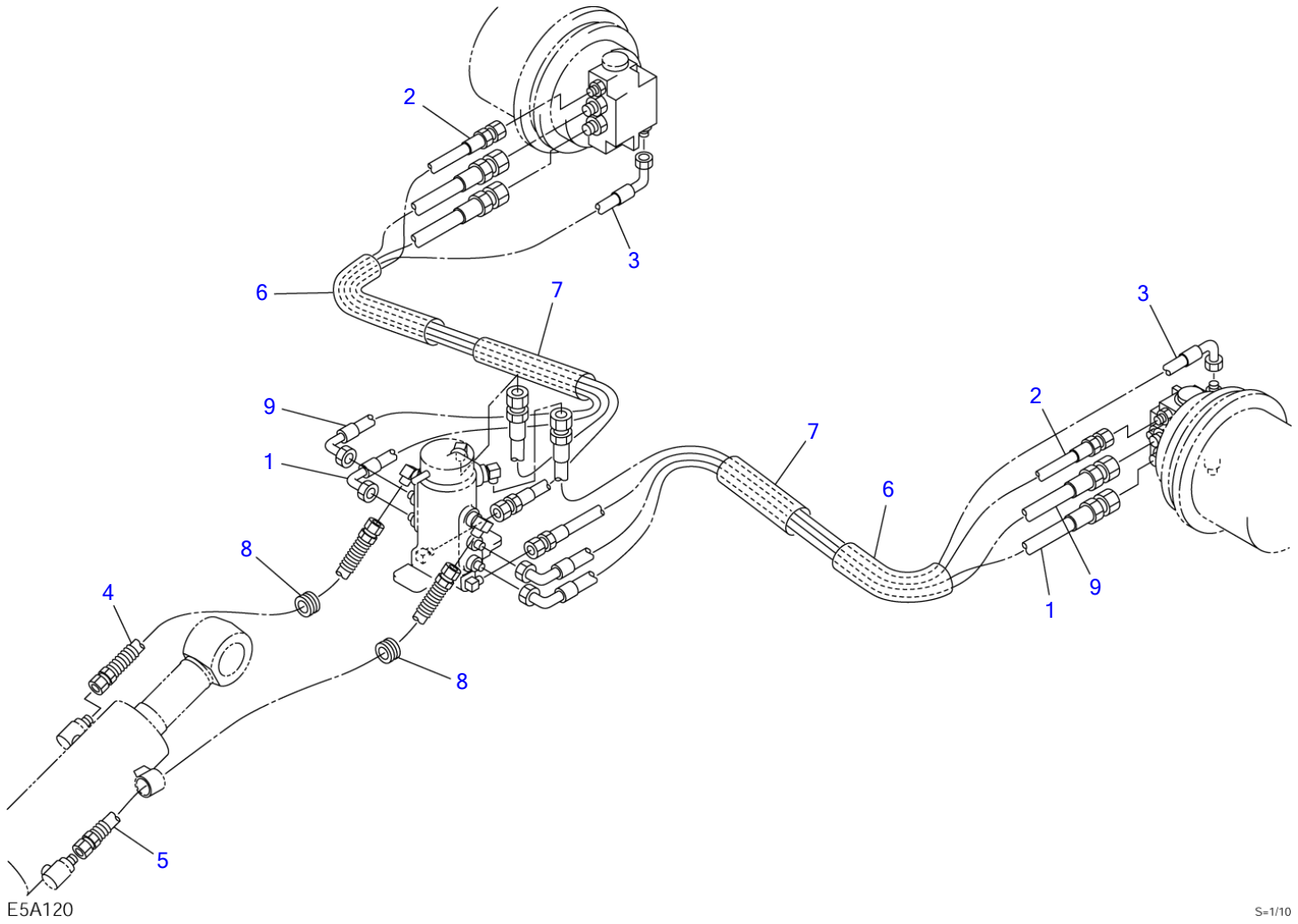
Item	Part number	Description	Q'ty	Chan.	Serial No.	Serv.	Remarks
		BLADE ASSY, dozer					X03563-06500-0
1	0356306100	BLADE SUB ASSY, dozer	1				
1-19	0436312300	• BUSHING	2				
1-20	1432200040	• SEAL, dust	4				
1-21	1560001000	• FITTING, grease	2				
2	0426300400	COVER	1				
3	0001604120	PIN	2				
4	0001603125	PIN	2				
5	1100040860	BOLT	1				
6	1103041085	BOLT	4				
7	1130240010	NUT	8				
8	1140020008	WASHER, spring	1				
9	1515600201	ADAPTOR	2				
	1420010140	• O-RING	1				
10	1900093500	CYLINDER, dozer blade	1				
	E5a110						



PIPING; LOWER (12510009-12514525)

Item	Part number	Description	Q'ty	Chan.	Serial No.	Serv.	Remarks
		PIPING ASSY, lower					X03572-05000-2
1	1801521094	HOSE ASSY	2				
2	1801022096	HOSE ASSY	2				
3	0357205200	HOSE ASSY	2				18010-22100
4	1801620078	HOSE ASSY	1				
5	1801620100	HOSE ASSY	1				
6	1531350030	PROTECTOR	2				sold by the meter
7	1531350015	PROTECTOR	2				sold by the meter
8	0437200100	GUARD	2				
9	0357205100	HOSE ASSY	2				18015-21094
	E5a081						

TB125 Book No. BE5Z010 S/N 12510009-
PIPING; LOWER (12514526-)



E5A120

S-1/10

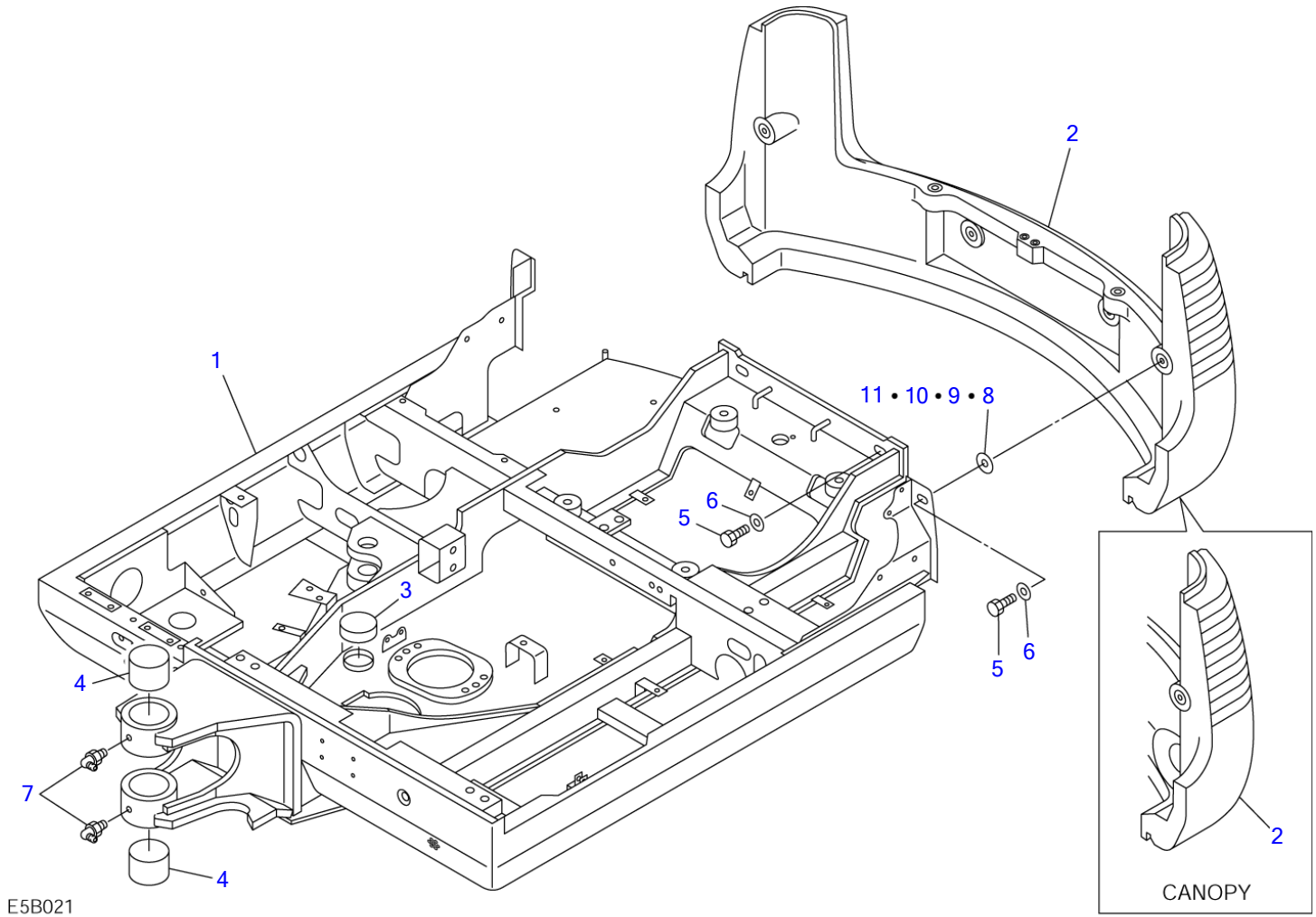
PIPING; LOWER (12514526-)

Item	Part number	Description	Q'ty	Chan.	Serial No.	Serv.	Remarks
		PIPING ASSY, lower					X03572-07000-0
1	1801521094	HOSE ASSY	2				
2	1801022096	HOSE ASSY	2				
3	0357207200	HOSE ASSY	2				18010-22100
4	1801620078	HOSE ASSY	1				
5	1801620100	HOSE ASSY	1				
6	1531350030	PROTECTOR	2				sold by the meter
7	1531350015	PROTECTOR	2				sold by the meter
8	0437200100	GUARD	2				
9	0357205100	HOSE ASSY	2				18015-21094
	E5a120						

SLEWING DEVICE

Item	Part number	Description	Q'ty	Chan.	Serial No.	Serv.	Remarks
		DEVICE ASSY, slewing					X03523-12000-5
1	0352312010	PIPE	1				
2	0352312020	PIPE	1				
4	0007203063	ADAPTOR	1				
5	1101041435	BOLT	6				
6	1141550014	WASHER	6				
7	1420010140	O-RING	1				
8	1515012040	ELBOW	2				
	1420010110	· O-RING	1				
9	1515600201	ADAPTOR	2				
	1420010140	· O-RING	1				
10	1515600576	ADAPTOR	1				
	1420010140	· O-RING	1				
11	1652201005	BAND	3				
12	1801052110	HOSE ASSY	1				
13	0352312030	HOSE ASSY	1				18010-22080
14	1801054068	HOSE ASSY	1				
15	1801022124	HOSE ASSY	1				
16	1903120600	MOTOR, slew	1				
	E5b013						

TB125 Book No. BE5Z010 S/N 12510009-
TURNTABLE (12510009-12514525)



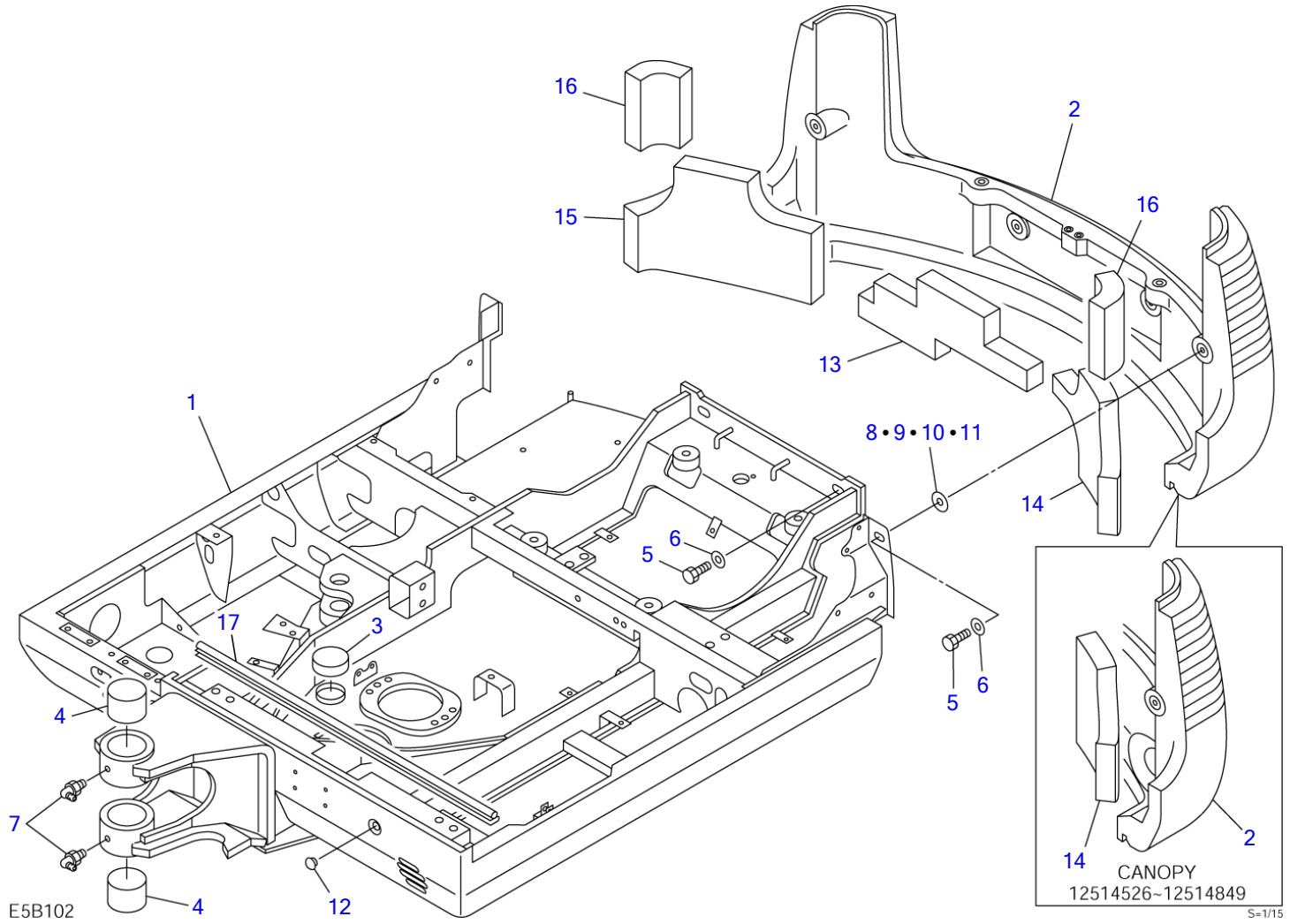
E5B021

S=1/15

TURNTABLE (12510009-12514525)

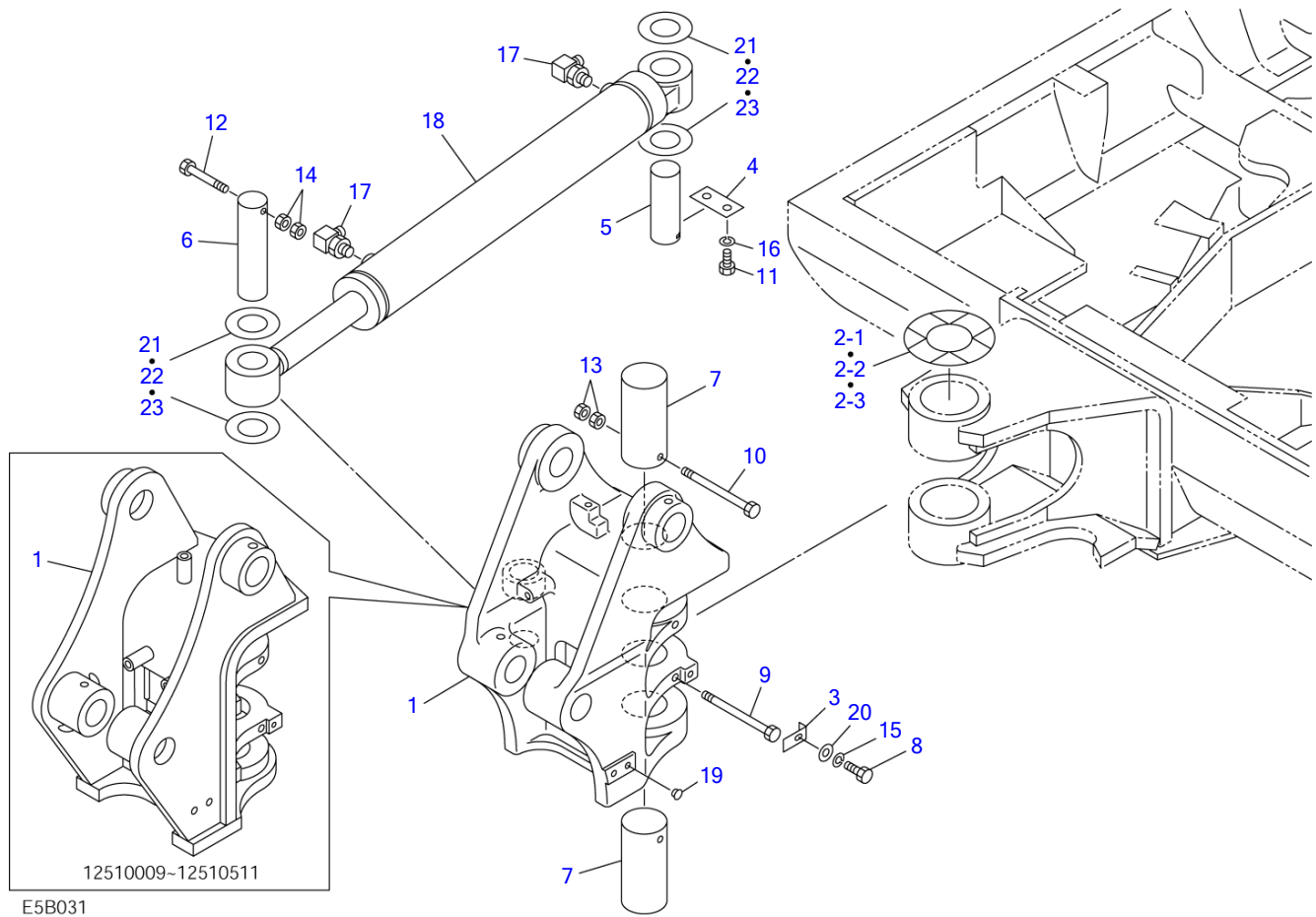
Item	Part number	Description	Q'ty	Chan.	Serial No.	Serv.	Remarks
		TURNTABLE ASSY (cab)					X03530-12000-1
		TURNTABLE ASSY (canopy)					X03530-13000-1
1	X *****	TURNTABLE	1				
2	0353012500	COUNTERWEIGHT	1				cab
	0353013500	COUNTERWEIGHT	1				canopy
3	0173216600	COVER	1				
4	0002400059	BUSHING	2				
5	1101041435	BOLT	4				
6	1141550014	WASHER	4				
7	1560001900	FITTING, grease	2				
8	0433010610	SHIM	AR				t=1.0
9	0433010620	SHIM	AR				t=1.6
10	0433010630	SHIM	AR				t=2.3
11	0433010640	SHIM	AR				t=3.2
	E5b020						

TB125 Book No. BE5Z010 S/N 12510009-
TURNTABLE (12514526-)



TURNTABLE (12514526-)

Item	Part number	Description	Q'ty	Chan.	Serial No.	Serv.	Remarks
		TURNTABLE ASSY (cab)					X03530-19000-4
		TURNTABLE ASSY (canopy)					X03530-20000-4
1	X *****	TURNTABLE	1				
2	0353012500	COUNTERWEIGHT	1				cab
	0353013500	COUNTERWEIGHT	1				canopy
3	0173216600	COVER	1				
4	0353019060	BUSHING	2				
5	1101041435	BOLT	4				
6	1141550014	WASHER	4				
7	1560001900	FITTING, grease	2				
8	0433010610	SHIM	AR				t=1.0
9	0433010620	SHIM	AR				t=1.6
10	0433010630	SHIM	AR				t=2.3
11	0433010640	SHIM	AR				t=3.2
12	1652533023	CAP	1				
13	0353019010	ABSORBENT, noise	1				
14	0353019020	ABSORBENT, noise	1		12514526~12514849		cab
	0353019040	ABSORBENT, noise	1		12514526~12514849		canopy
	0353019080	ABSORBENT, noise	1		12514850~		
15	0353019030	ABSORBENT, noise	1				
16	0353019050	ABSORBENT, noise	1				
17	1654605094	RUBBER	1				sold by the meter
	E5b102						



E5B031

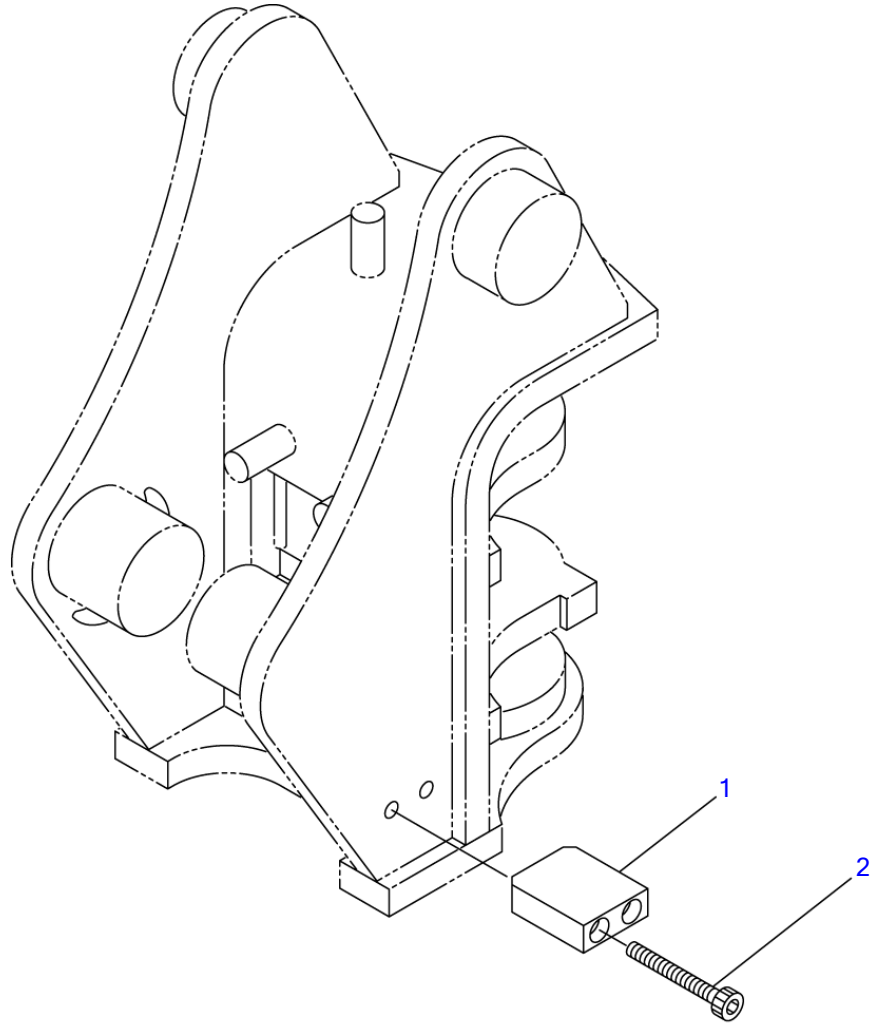
S=FREE

BOOM SWING (12510009-12514525)

Item	Part number	Description	Q'ty	Chan.	Serial No.	Serv.	Remarks
		SWING ASSY, boom					X03531-12000-2
1	0353110100	BACKET	1		12510009~12510511		
	0353110500	BACKET	1		12510512~		
2	0353109200	WASHER	1				
2-1	0353109201	· WASHER	1				t=4.5
2-2	0353109202	· WASHER	1				t=5.0
2-3	0353109203	· WASHER	1				t=5.5
3	0333112200	PLATE	1				
4	0433105700	PLATE	1				
5	0001693012	PIN	1				
6	0001603160	PIN	1		12510009~12514039		
	0001613002	PIN	1	(H)	12514040~		
7	0011518001	PIN	2				
8	1100040820	BOLT	1				
9	1100141020	BOLT	1				
10	1100141040	BOLT	1				
11	1101041225	BOLT	2				
12	1103041080	BOLT	1				
13	1130040010	NUT	2				
14	1130240010	NUT	2				
15	1140020008	WASHER, spring	1				
16	1140020012	WASHER, spring	2				
17	1515010041	ELBOW	2				
	1420010140	· O-RING	1				
18	1900077900	CYLINDER, swing	1		12510009~12511081		
	1900084100	CYLINDER, swing	1	(H)	12511082~		
19	1652062006	CAP	2				
20	1141110008	WASHER	1				
21	0003600053	SHIM	AR				t=0.2
22	0003600054	SHIM	AR				t=0.5
23	0436011300	SHIM	AR				t=1.0
	E5b033						

BOOM SWING (12514526-)

Item	Part number	Description	Q'ty	Chan.	Serial No.	Serv.	Remarks
		SWING ASSY, boom					X03531-15000-4
1	0353115100	BACKET	1				
2	0353115200	WASHER	1				
3	0333112200	PLATE	1				
4	0433105700	PLATE	1				
5	0001693012	PIN	1				
6	0001613002	PIN	1				
7	0353115070	PIN	2	(L)	12514526~12515851		
	0353115071	PIN	2		12515852~		
8	1100040820	BOLT	1				
9	1100141030	BOLT	1				
10	1100141055	BOLT	1				
11	1101041225	BOLT	2				
12	1103041080	BOLT	1				
13	1130040010	NUT	2				
14	1130240010	NUT	2				
15	1140020008	WASHER, spring	1				
16	1140020012	WASHER, spring	2				
17	1515010041	ELBOW	2				
	1420010140	• O-RING	1				
18	1900084100	CYLINDER, swing	1				
19	1652533018	CAP	2			M	
20	1141110008	WASHER	1				
21	0436011300	SHIM	AR				t=1.0
22	0003600054	SHIM	AR				t=0.5
23	0003600053	SHIM	AR				t=0.2
	E5b114						



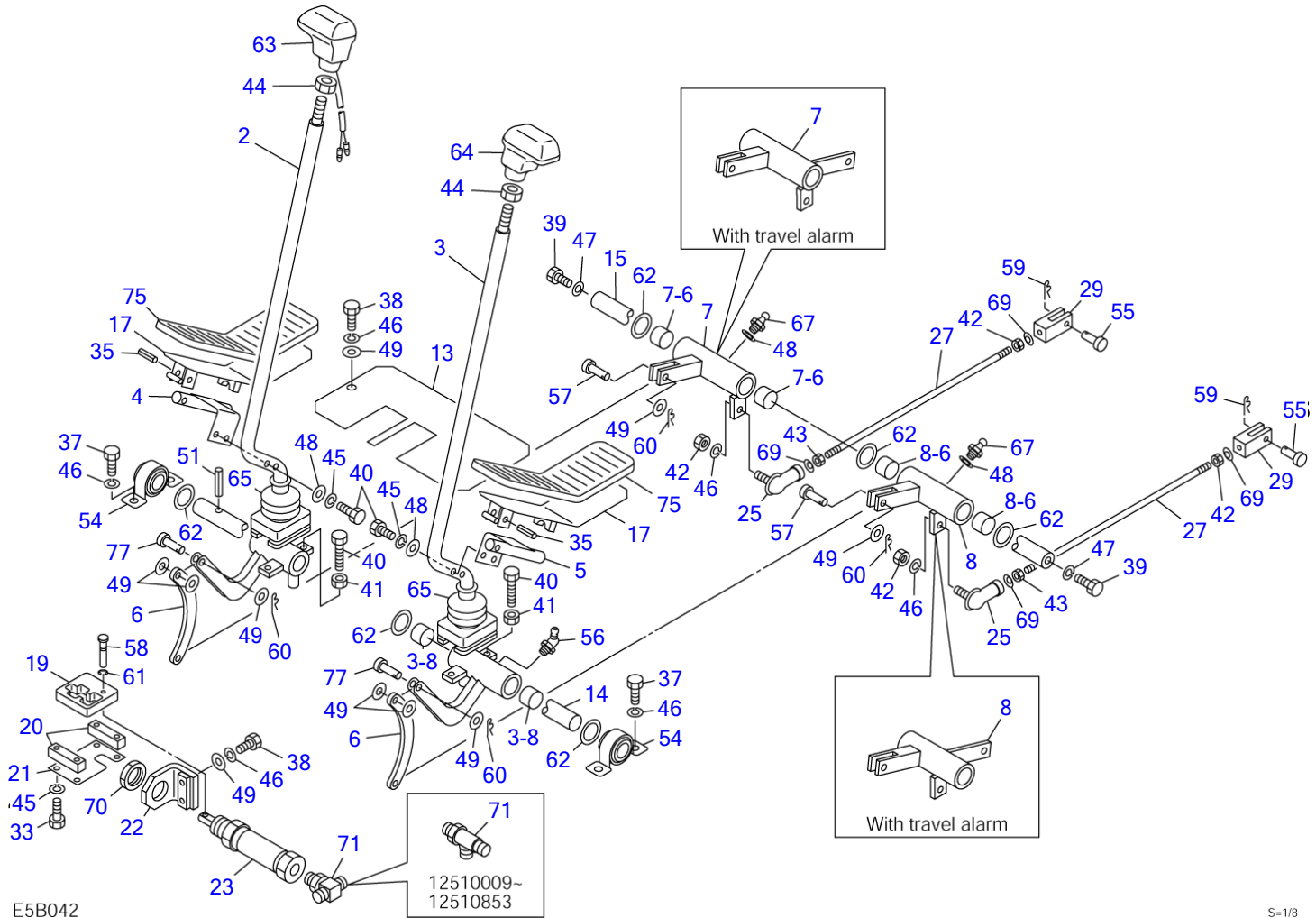
G4B040

S=1/5

SWING STOPPER

Item	Part number	Description	Q'ty	Chan.	Serial No.	Serv.	Remarks
1	0433101300	STOPPER ASSY, swing	1				X03739-00000-1
2	1111041280	PLATE	1				
	G4b041	SCREW, cap	2				

TB125 Book No. BE5Z010 S/N 12510009-
TRAVEL LEVER



E5B042

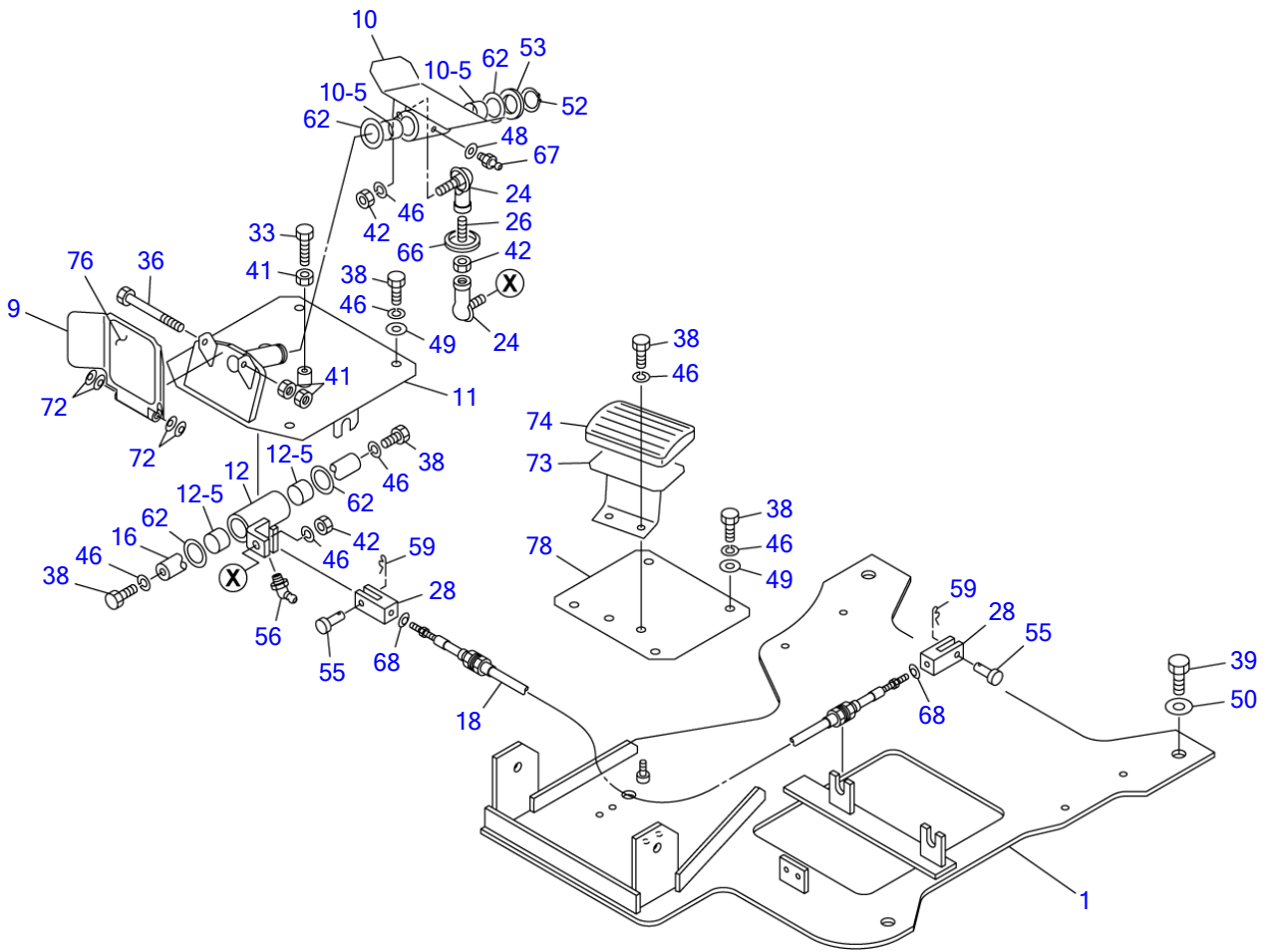
S=1/8

TRAVEL LEVER

Item	Part number	Description	Q'ty	Chan.	Serial No.	Serv.	Remarks
		LEVER ASSY, control					X03732-03000-9
		LEVER ASSY, control (with travel alarm)					X03732-03600-9
2	0373201750	LEVER (R.H.)	1				
3	0373201800	LEVER (L.H.)	1				
3-8	1333002015	• BUSHING	2				
4	0373201250	BRACKET (R.H.)	1				
5	0373201300	BRACKET (L.H.)	1				
6	0373201350	PLATE	2				
7	0373201400	LEVER ASSY (R.H.)	1				
	0374207400	LEVER ASSY (R.H.)	1				with travel alarm
7-6	1333002015	• BUSHING	2				
8	0373201450	LEVER ASSY (L.H.)	1				
	0374207500	LEVER ASSY (L.H.)	1				with travel alarm
8-6	1333002015	• BUSHING	2				
13	0373200700	COVER	1				
14	0373200710	SHAFT	1				
15	0373200720	SHAFT	1				
17	0373201740	PEDAL	2				
19	0333236320	PLATE	1				
20	0333236330	BAR	2				
21	0333231480	PLATE	1				
22	0333236340	BRACKET	1				
23	1900074800	CYLINDER, lock	1				
25	1340010085	END, rod (L.H.)	2				
27	0005008340	ROD	2				
29	0005505032	YOKE	2				
33	1100040625	BOLT	4				
35	1213010630	PIN, spring	2				
37	1100040816	BOLT	4				
38	1100040820	BOLT	4				
39	1100041025	BOLT	2				
40	1100040630	BOLT	8				
41	1130040006	NUT	4				
42	1130040008	NUT	4				
43	1131540008	NUT	2				
44	1131040012	NUT	2				
45	1140020006	WASHER, spring	8				
46	1140020008	WASHER, spring	10				
47	1140020010	WASHER, spring	2				
48	1141110006	WASHER	9				
49	1141110008	WASHER	12				
51	1213000830	PIN, spring	1				
54	1332002022	MINI-PILLOW	2				
55	0004005117	PIN	2				
56	1560012006	FITTING, grease	1				
57	0004008018	PIN	2				
58	0333236350	PIN	1				
59	1214010005	PIN, snap	2				M
60	1214010006	PIN, snap	4				
61	1224010004	E-RING	1				
62	0093208300	WASHER	AR				
63	1650203210	GRIP (R.H.)	1				with switch
64	1650202610	GRIP (L.H.)	1				
65	0563217700	BOOT	2				
67	1560011006	FITTING, grease	2				
69	1225000008	WASHER	4				
70	1130640024	NUT	1				
71	1512370011	TEE	1		12510009~12510853		
	1420010110	• O-RING	1				
	1512370010	TEE	1		12510854~		
	1420010110	• O-RING	1				
75	0363214600	COVER	2				
77	0004008021	PIN	2				

E5b044

TB125 Book No. BE5Z010 S/N 12510009-
SWING PEDAL



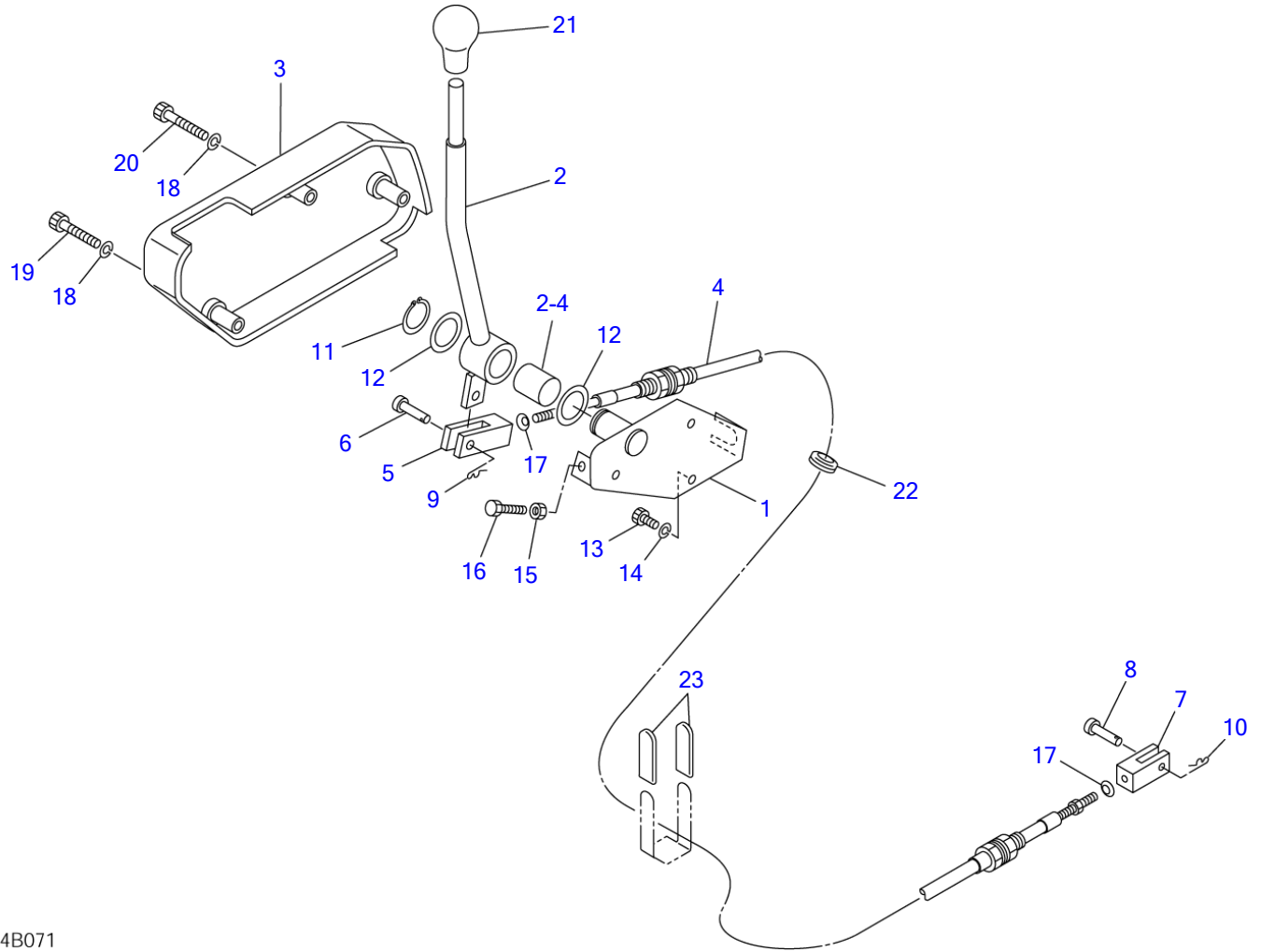
G4B062

S=1/8

SWING PEDAL

Item	Part number	Description	Q'ty	Chan.	Serial No.	Serv.	Remarks
		LEVER ASSY, control					X03732-03000-9
		LEVER ASSY, control (with travel alarm)					X03732-03600-9
1	0373201100	BRACKET	1		12510009~12510631		
	0374207150	BRACKET	1	(H)	12510632~		
9	0333234260	COVER	1				
10	0373200550	PEDAL	1				
10-5	1333002020	• BUSHING	2				
11	0373201600	BRACKET	1				
12	0373201650	LEVER	1				
12-5	1333002015	• BUSHING	2				
16	0373201730	SHAFT	1				
18	1630771080	CABLE, control	1				
24	1340010080	END, rod (R.H.)	2				
26	1121040832	SET-SCREW	1				
28	0005500007	YOKE	2				
33	1100040625	BOLT	2				
36	1100040680	BOLT	1				
38	1100040820	BOLT	12				
39	1100041025	BOLT	4				
41	1130040006	NUT	4				
42	1130040008	NUT	3				
46	1140020008	WASHER, spring	14				
48	1141110006	WASHER	2				
49	1141110008	WASHER	8				
50	1141550010	WASHER	4				
52	1220000020	RING, snap	1				
53	0003600034	WASHER	1				
55	0004005117	PIN	2				
56	1560012006	FITTING, grease	1				
59	1214010005	PIN, snap	2				
62	0093208300	WASHER	AR				
66	1652060031	BUSHING	1		12510009~1251#		
67	1560011006	FITTING, grease	1				
68	1225000005	WASHER	2				
72	1225110006	WASHER, conical	4				
73	0563219700	REST, foot	1				
74	0563218500	COVER	1				
76	0333241250	SHEET	1				
78	0373203200	PLATE	1		12510854~		
	E5b053						

TB125 Book No. BE5Z010 S/N 12510009-
DOZER BLADE LEVER



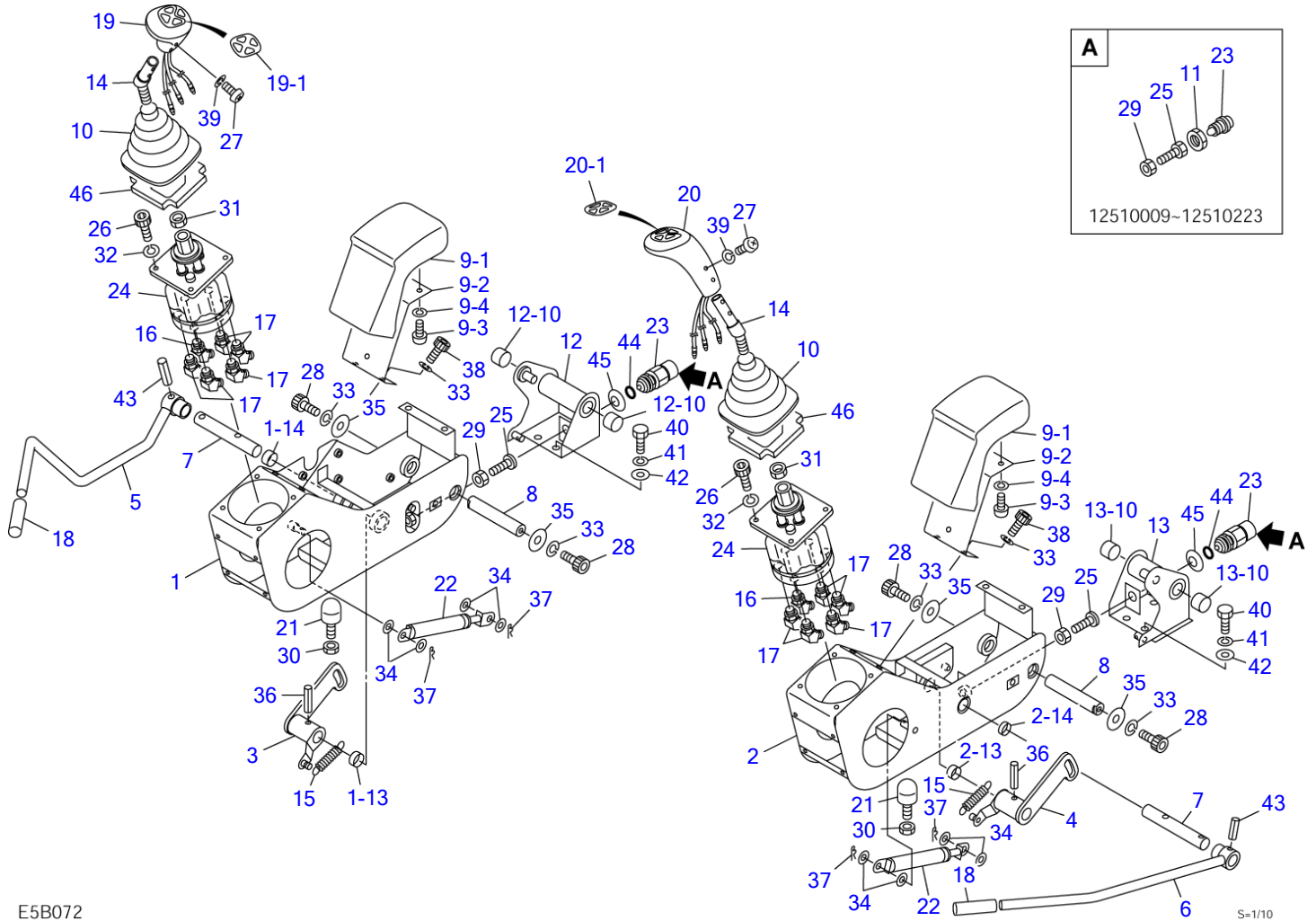
G4B071

S=1/5

DOZER BLADE LEVER

Item	Part number	Description	Q'ty	Chan.	Serial No.	Serv.	Remarks
		LEVER ASSY, blade					X03733-01000-5
1	0333304100	BRACKET	1				
2	0333302200	LEVER	1				
2-4	1333002025	• BUSHING	1				
3	0333302350	COVER	1				
4	1630771230	CABLE, control	1				
5	0005506024	YOKE	1				
6	0004006017	PIN	1				
7	0005500007	YOKE	1				
8	0004005117	PIN	1				
9	1214010006	PIN, snap	1			M	
10	1214010005	PIN, snap	1				
11	1220000020	RING, snap	1				
12	0093208300	WASHER	2				
13	1110040616	SCREW, cap	3				
14	1140020006	WASHER, spring	3				
15	1130040006	NUT	2				
16	1100040625	BOLT	2				
17	1225000005	WASHER	2				
18	1140020005	WASHER, spring	3				
19	1110040535	SCREW, cap	2				
20	1110040540	SCREW, cap	1				
21	1650153655	GRIP	1				
22	1652060031	BUSHING	1		12510009~1251#		
	1652060038	BUSHING	1		1251#~		
23	0872433150	CLAMP	2				
	E5b063						

TB125 Book No. BE5Z010 S/N 12510009-
OPERATION LEVER & STAND (canopy; 12510009-12514525)



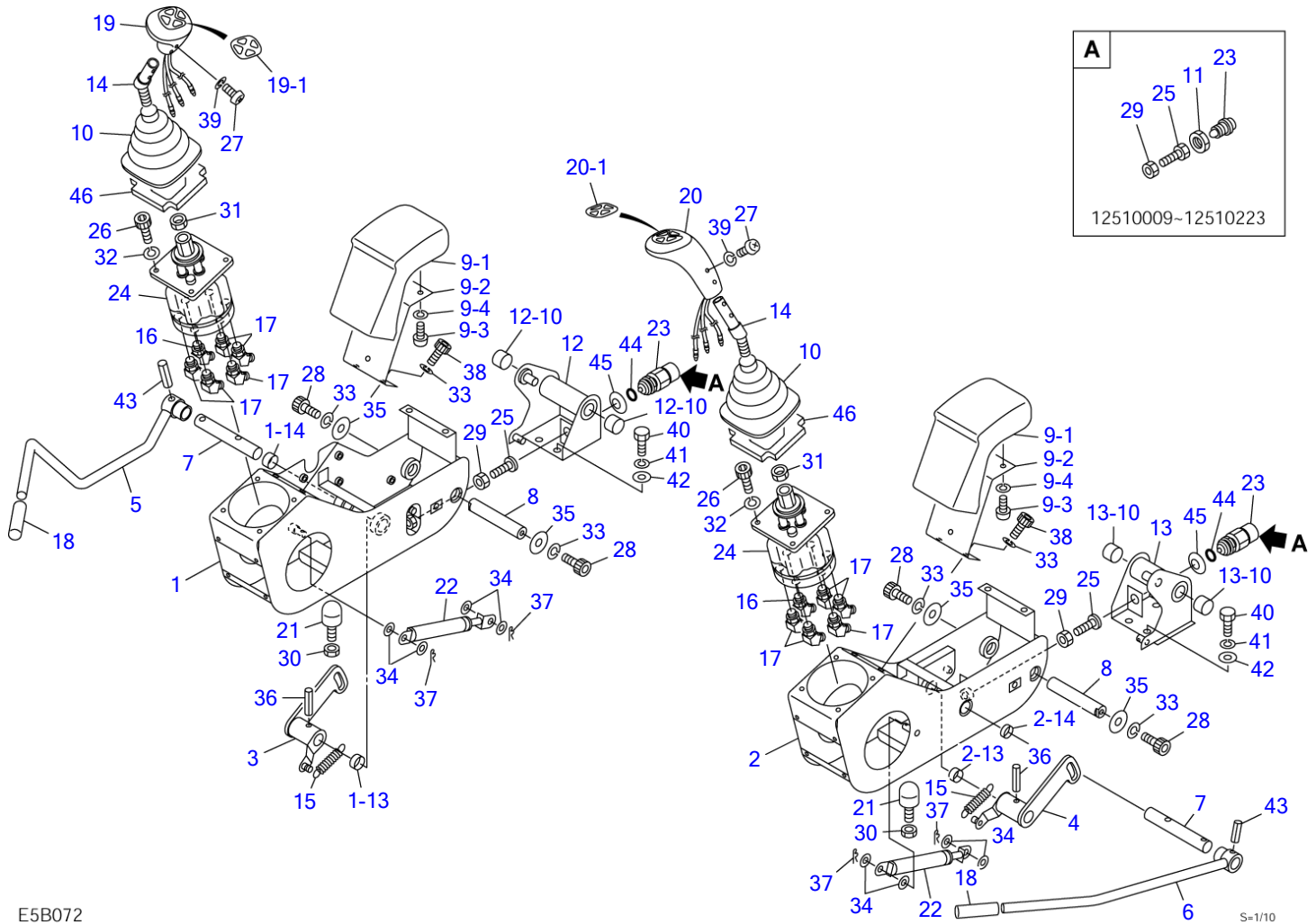
E5B072

S=1/10

OPERATION LEVER & STAND (canopy; 12510009-12514525)

Item	Part number	Description	Q'ty	Chan.	Serial No.	Serv.	Remarks
		VALVE ASSY					X03751-05000-9
1	0335130100	BOX, control (R.H.)	1	A	12510009~12510493		
	0335130700	BOX, control (R.H.)	1	a(H)	12510494~		
1-13	1333002010	• BUSHING	1				
1-14	1333002015	• BUSHING	1				
2	0335130200	BOX, control (L.H.)	1	B	12510009~12510493		
	0335130800	BOX, control (L.H.)	1	b(H)	12510494~		
2-13	1333002010	• BUSHING	1				
2-14	1333002015	• BUSHING	1				
3	0335130300	PLATE (R.H.)	1				
4	0335130400	PLATE (L.H.)	1				
5	0375105300	LEVER (R.H.)	1				
6	0375105400	LEVER (L.H.)	1				
7	0335124700	SHAFT	2				
8	0335124750	SHAFT	2				
9	X 0375105500	REST, arm	2				
9-1	0375105510	• URETHANE	1				
9-2	0375105520	• PLATE	1				
9-3	1120530812	• SCREW	3				
9-4	1140020008	• WASHER, spring	3				
10	0335124900	BOOT	2				
11	0335120960	NUT	2		12510009~12510223		
12	0375104100	BRACKET (R.H.)	1	A	12510009~12510493		
	0375104300	BRACKET (R.H.)	1	a(H)	12510494~		
12-10	1333002015	• BUSHING	2				
13	0375104200	BRACKET (L.H.)	1	B	12510009~12510493		
	0375104400	BRACKET (L.H.)	1	b(H)	12510494~		
13-10	1333002015	• BUSHING	2				
14	0375105100	LEVER	2				
15	0425105100	SPRING	2				
16	1512370012	ADAPTOR	2				
	1420010110	• O-RING	1				
17	1515100110	ELBOW	10				
	1420010110	• O-RING	1				
18	1650202300	CAP	2				
19	1650204600	GRIP (R.H.)	1				horn, decel.
19-1	1650204601	• COVER	1				
20	1650204700	GRIP (L.H.)	1				A-B
20-1	1650204701	• COVER	1				
21	1651101224	STOPPER	2				
22	1653900036	SPRING, gas	2	(L)	12510009~12511153		
	1653900057	SPRING, gas	2	(H)	12511154~		
23	1700000026	SWITCH, safety	2	(L)	12510009~12510223		
	1700000033	SWITCH, safety	2	(H)	12510224~		
24	1901730400	VALVE, pilot	2				
25	1100041030	BOLT	2	(L)	12510009~12510223		
	0335120970	BOLT	2	(H)	12510224~		
26	1110040616	SCREW, cap	8				
27	1120590610	SCREW	4				
28	1110040816	SCREW, cap	4				
29	1130040010	NUT	2				
30	1130040012	NUT	2				
31	1130040014	NUT	2				
32	1140020006	WASHER, spring	8				
33	1140020008	WASHER, spring	8				
34	1141110008	WASHER	4		12510009~12511153		
	1141110008	WASHER	8		12511154~		
35	0003600011	WASHER	4				
36	1213000832	PIN, spring	2				
37	1214000008	PIN, snap	4				
38	1110040820	SCREW, cap	4				
39	1140090006	WASHER, spring	4				
40	1100041020	BOLT	8				
41	1140020010	WASHER, spring	8				
42	1141110010	WASHER	8				
43	1213000836	PIN, spring	2				
44	1420010140	O-RING	2		12510224~12510493		
45	1225121016	WASHER	2		12510224~12510493		

TB125 Book No. BE5Z010 S/N 12510009-
 OPERATION LEVER & STAND (canopy; 12510009-12514525)



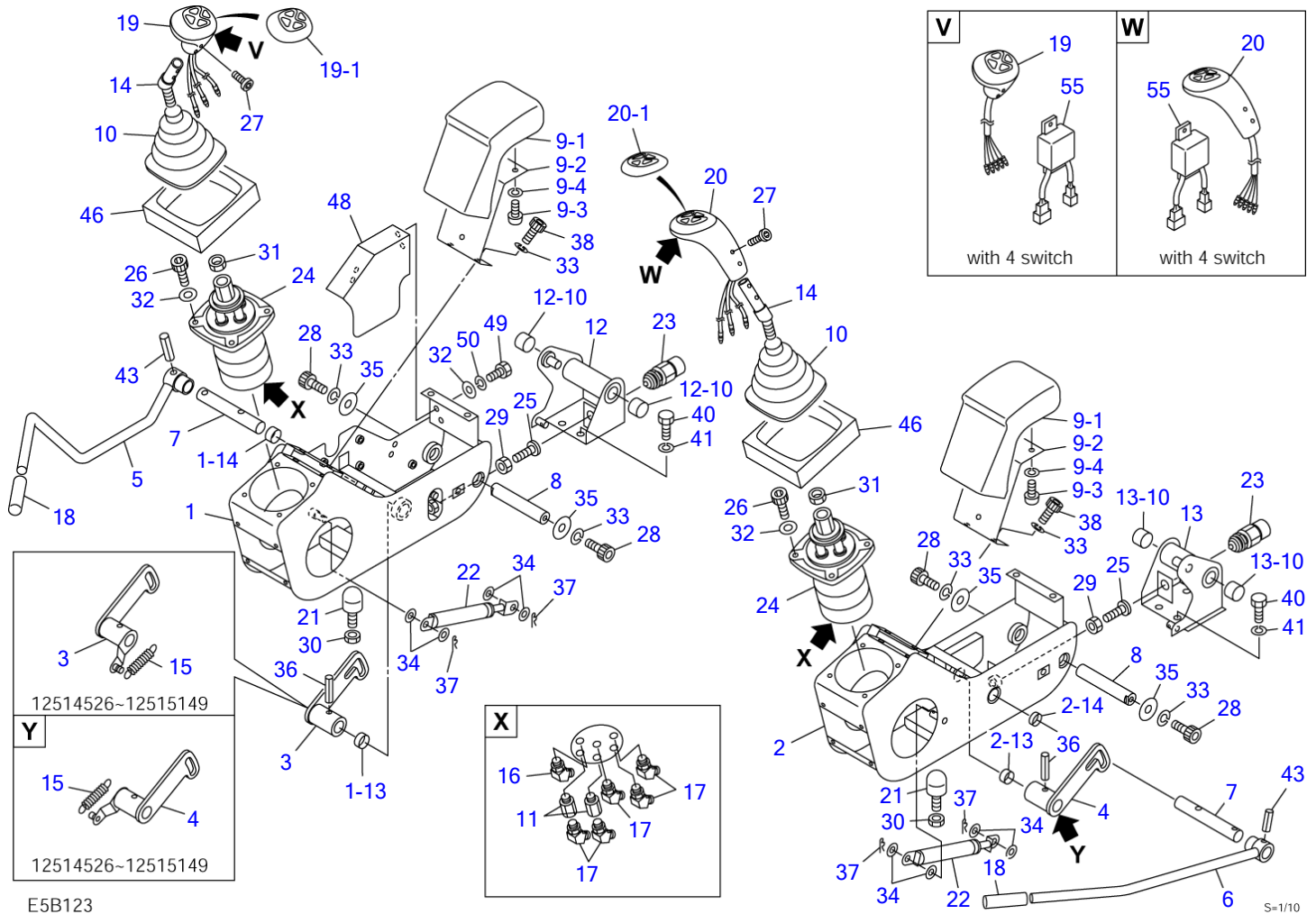
E5B072

S=1/10

OPERATION LEVER & STAND (canopy; 12510009-12514525)

Item	Part number	Description	Q'ty	Chan.	Serial No.	Serv.	Remarks
46	0375105610	SPONGE	2		12511838~		
46		<<NOTE>>					
46		SET "A" is interchangeable with SET "a".					
46		SET "B" is interchangeable with SET "b".					
	E5b072						

TB125 Book No. BE5Z010 S/N 12510009-
OPERATION LEVER & STAND (canopy; 12514526-)



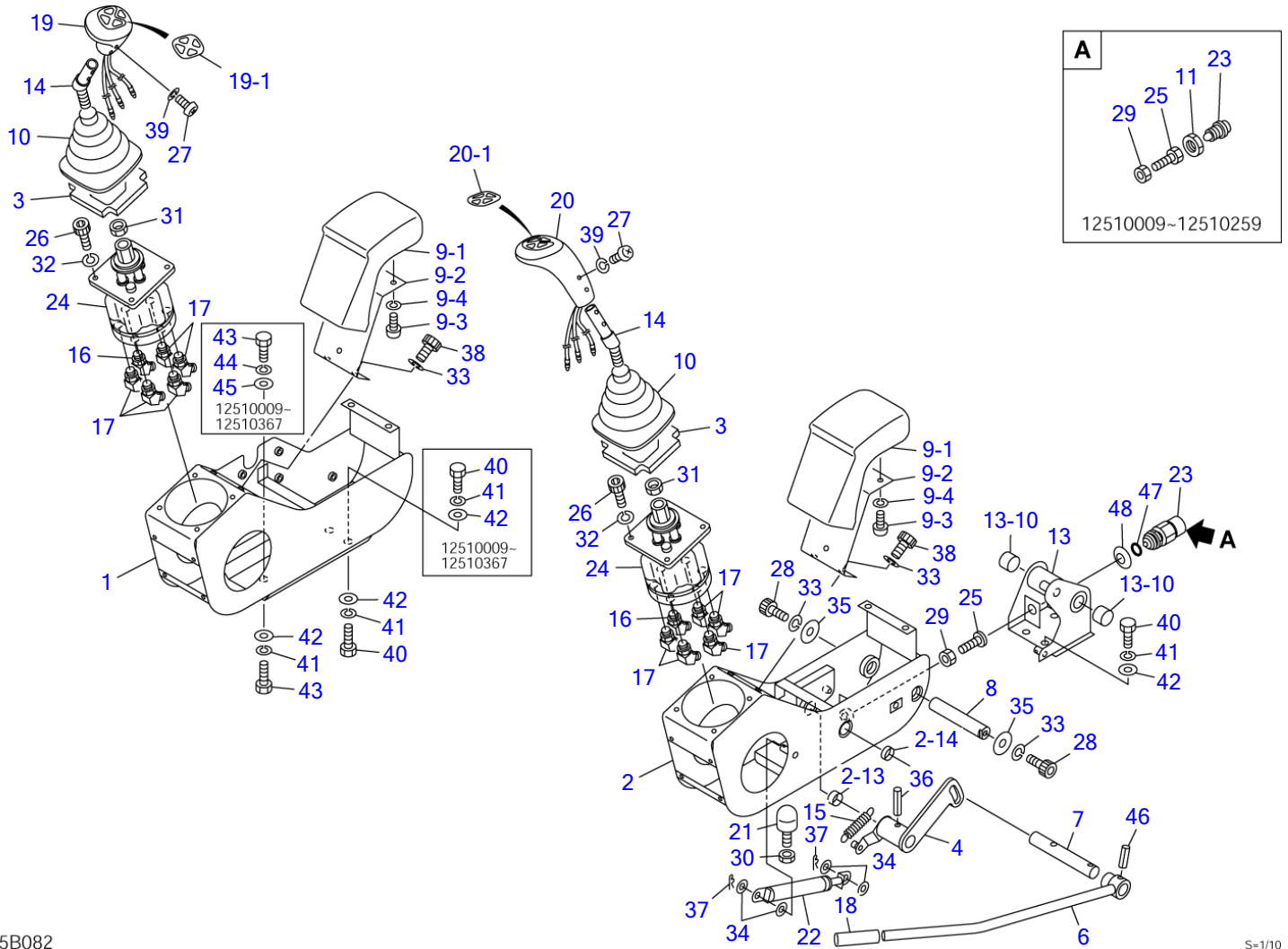
OPERATION LEVER & STAND (canopy; 12514526-)

Item	Part number	Description	Q'ty	Chan.	Serial No.	Serv.	Remarks
		VALVE ASSY					X03951-13000-7
1	0395113200	BOX, control (R.H.)	1		12514526~12515149		
	0395113600	BOX, control (R.H.)	1		12515150~		
1-13	1333002010	• BUSHING	1				
1-14	1333002015	• BUSHING	1				
2	0395113300	BOX, control (L.H.)	1		12514526~12515149		
	0395113700	BOX, control (L.H.)	1		12515150~		
2-13	1333002010	• BUSHING	1				
2-14	1333002015	• BUSHING	1				
3	0335130300	PLATE (R.H.)	1		12514526~12515149		
	0395113400	PLATE (R.H.)	1		12515150~		
4	0335130400	PLATE (L.H.)	1		12514526~12515149		
	0395113450	PLATE (L.H.)	1		12515150~		
5	0375105300	LEVER (R.H.)	1				
6	0375105400	LEVER (L.H.)	1				
7	0335124700	SHAFT	2				
8	0335124750	SHAFT	2				
9	X 0375105500	REST, arm	2				
9-1	0375105510	• URETHANE	1				
9-2	0375105520	• PLATE	1				
9-3	1120530812	• SCREW	3				
9-4	1140020008	• WASHER, spring	3				
10	0335124900	BOOT	2				
11	1513250202	BUSHING	4				
	1420010110	• O-RING	1				
12	0375104300	BRACKET (R.H.)	1				
12-10	1333002015	• BUSHING	2				
13	0375104400	BRACKET (L.H.)	1				
13-10	1333002015	• BUSHING	2				
14	0375105100	LEVER	2				
15	0425105100	SPRING	2		12514526~12515149		
16	1512370012	ADAPTOR	2				
	1420010110	• O-RING	1				
17	1515100110	ELBOW	10				
	1420010110	• O-RING	1				
18	1650202300	CAP	2				
19	1650204600	GRIP (R.H.)	1				horn, decel.
	1650204650	GRIP (R.H.) (with 4 switch)	1			M	horn, decel.
19-1	1650204601	• COVER	1				
20	1650204700	GRIP (L.H.)	1				A-B
	1650204750	GRIP (L.H.) (with 4 switch)	1			M	A-B
20-1	1650204701	• COVER	1				
21	1651101224	STOPPER	2				
22	1653900057	SPRING, gas	2				
23	1700000033	SWITCH, safety	2				
24	1901745600	VALVE, pilot	2				
25	0335120970	BOLT	2				
26	1110040625	SCREW, cap	8				
27	1111810610	SCREW	4				
28	1110040816	SCREW, cap	4				
29	1130040010	NUT	2				
30	1130040012	NUT	2				
31	1130140014	NUT	2				
32	1141110006	WASHER	12				
33	1140020008	WASHER, spring	8				
34	1141110008	WASHER	8				
35	0003609003	WASHER	4				
36	1213000832	PIN, spring	2				
37	1214000008	PIN, snap	4				
38	1110040825	SCREW, cap	4				
40	1100041020	BOLT	8				
41	1140020010	WASHER, spring	8				
43	1213000836	PIN, spring	2				
46	0395113046	SPONGE	2				
48	0395113680	COVER	1		12515948~		
49	1100040612	BOLT	4		12515948~		
50	1140020006	WASHER, spring	4		12515948~		
55	1711900062	RELAY	2			M	with 4 switch

OPERATION LEVER & STAND (cab; 12510009-12514525)

Item	Part number	Description	Q'ty	Chan.	Serial No.	Serv.	Remarks
		VALVE ASSY					X03751-06000-9
1	0335131100	BOX, control (R.H.)	1		12510009~12510367		
	0335131200	BOX, control (R.H.)	1		12510368~		
2	0335130200	BOX, control (L.H.)	1	A	12510009~12510493		
	0335130800	BOX, control (L.H.)	1	a(H)	12510494~		
2-13	1333002010	• BUSHING	1				
2-14	1333002015	• BUSHING	1				
3	0375105610	SPONGE	2		12511838~		
4	0335130400	PLATE (L.H.)	1				
6	0375105400	LEVER (L.H.)	1				
7	0335124700	SHAFT	1				
8	0335124750	SHAFT	1				
9	X 0375105500	REST, arm	2				
9-1	0375105510	• URETHANE	1				
9-2	0375105520	• PLATE	1				
9-3	1120530812	• SCREW	3				
9-4	1140020008	• WASHER, spring	3				
10	0335124900	BOOT	2				
11	0335120960	NUT	1		12510009~12510259		
13	0375104200	BRACKET (L.H.)	1	A	12510009~12510493		
	0375104400	BRACKET (L.H.)	1	a(H)	12510494~		
13-10	1333002015	• BUSHING	2				
14	0375105100	LEVER	2				
15	0425105100	SPRING	1				
16	1512370012	ADAPTOR	2				
	1420010110	• O-RING	1				
17	1515100110	ELBOW	10				
	1420010110	• O-RING	1				
18	1650202300	CAP	1				
19	1650204600	GRIP (R.H.)	1				horn, decel.
19-1	1650204601	• COVER	1				
20	1650204700	GRIP (L.H.)	1				A-B
20-1	1650204701	• COVER	1				
21	1651101224	STOPPER	1				
22	1653900036	SPRING, gas	1	(L)	12510009~12511153		
	1653900057	SPRING, gas	1	(H)	12511154~		
23	1700000026	SWITCH, safety	1	(L)	12510009~12510259		
	1700000033	SWITCH, safety	1	(H)	12510260~		
24	1901730400	VALVE, pilot	2				
25	1100041030	BOLT	1	(L)	12510009~12510259		
	0335120970	BOLT	1	(H)	12510260~		
26	1110040616	SCREW, cap	8				
27	1120590610	SCREW	4				
28	1110040816	SCREW, cap	2				
29	1130040010	NUT	1				
30	1130040012	NUT	1				
31	1130040014	NUT	2				
32	1140020006	WASHER, spring	8				
33	1140020008	WASHER, spring	6				
34	1141110008	WASHER	2		12510009~12511153		
	1141110008	WASHER	4		12511154~		
35	0003600011	WASHER	2				
36	1213000832	PIN, spring	1				
37	1214000008	PIN, snap	2				
38	1110040820	SCREW, cap	4				
39	1140090006	WASHER, spring	4				
40	1100041020	BOLT	6				
41	1140020010	WASHER, spring	6		12510009~12510367		
	1140020010	WASHER, spring	7		12510368~		
42	1141110010	WASHER	6		12510009~12510367		
	1141110010	WASHER	7		12510368~		
43	1100041235	BOLT	1		12510009~12510367		
	1100041040	BOLT	1		12510368~		
44	1140020012	WASHER, spring	1		12510009~12510367		
45	1141110012	WASHER	1		12510009~12510367		
46	1213000836	PIN, spring	1				
47	1420010140	O-RING	1		12510259~12510493		
48	1225121016	WASHER	1		12510259~12510493		

TB125 Book No. BE5Z010 S/N 12510009-
OPERATION LEVER & STAND (cab; 12510009-12514525)



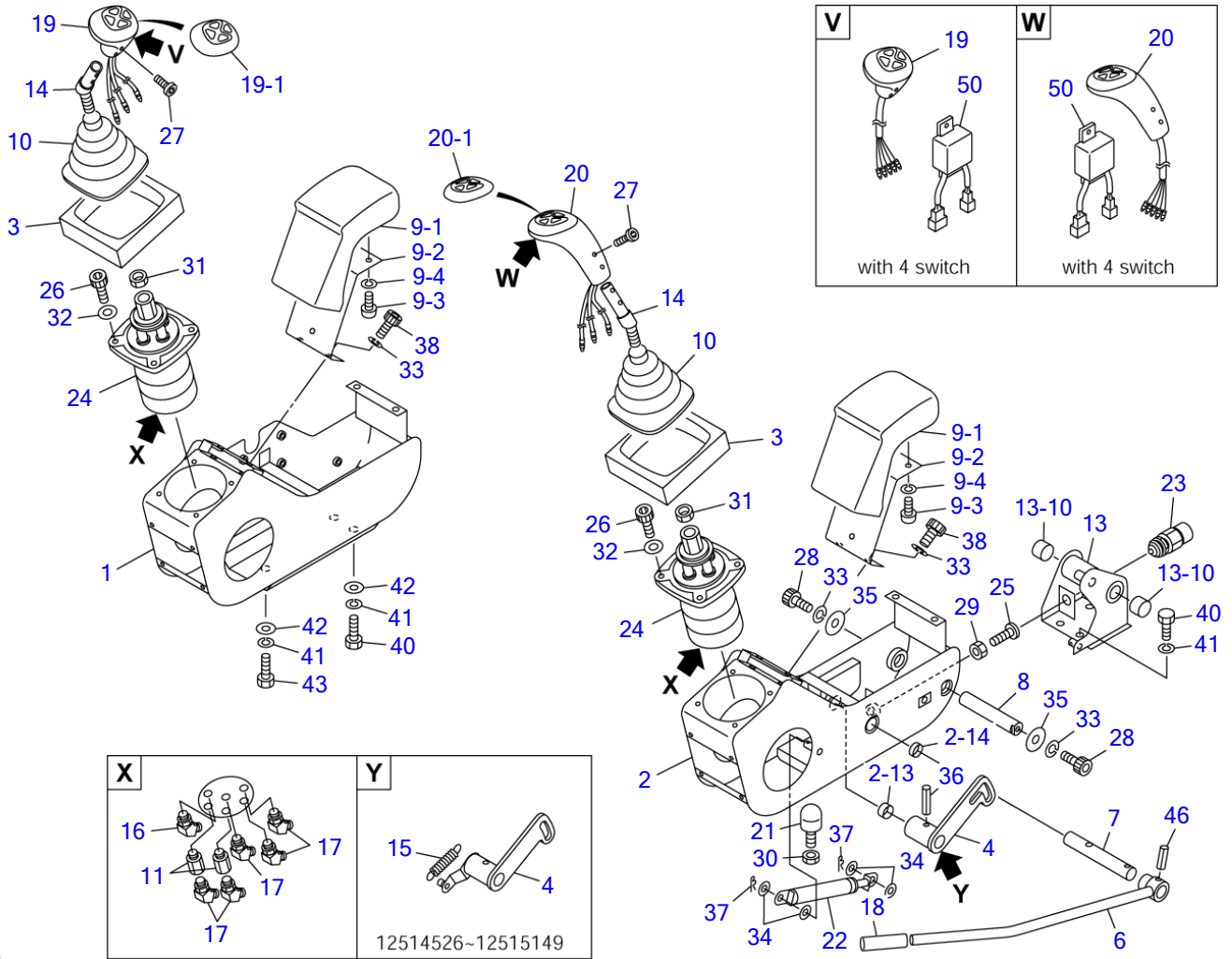
E5B082

S=1/10

OPERATION LEVER & STAND (cab; 12510009-12514525)

Item	Part number	Description	Q'ty	Chan.	Serial No.	Serv.	Remarks
48		<<NOTE>>					
48		SET "A" is interchangeable with SET "a".					
	E5b082						

TB125 Book No. BE5Z010 S/N 12510009-
OPERATION LEVER & STAND (cab; 12514526-)



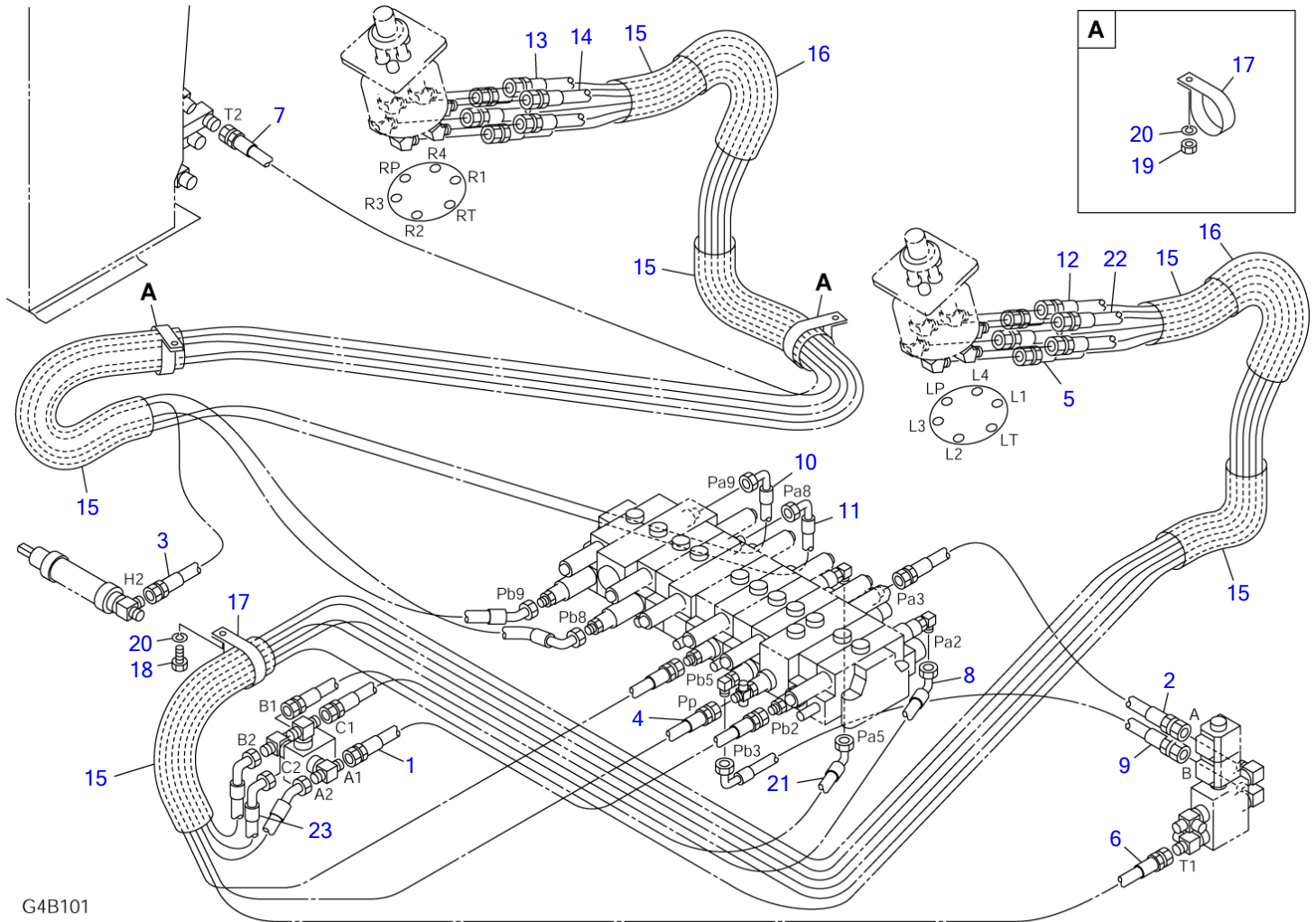
E5B133

S-1/10

OPERATION LEVER & STAND (cab; 12514526-)

Item	Part number	Description	Q'ty	Chan.	Serial No.	Serv.	Remarks
		VALVE ASSY					X03951-14000-7
1	0395114100	BOX, control (R.H.)	1				
2	0395113300	BOX, control (L.H.)	1		12514526~12515149		
	0395113700	BOX, control (L.H.)	1		12515150~		
2-13	1333002010	• BUSHING	1				
2-14	1333002015	• BUSHING	1				
3	0395113046	SPONGE	2				
4	0335130400	PLATE (L.H.)	1		12514526~12515149		
	0395113450	PLATE (L.H.)	1		12515150~		
6	0375105400	LEVER (L.H.)	1				
7	0335124700	SHAFT	1				
8	0335124750	SHAFT	1				
9	X 0375105500	REST, arm	2				
9-1	0375105510	• URETHANE	1				
9-2	0375105520	• PLATE	1				
9-3	1120530812	• SCREW	3				
9-4	1140020008	• WASHER, spring	3				
10	0335124900	BOOT	2				
11	1513250202	BUSHING	4				
	1420010110	• O-RING	1				
13	0375104400	BRACKET (L.H.)	1				
13-10	1333002015	• BUSHING	2				
14	0375105100	LEVER	2				
15	0425105100	SPRING	1		12514526~12515149		
16	1512370012	ADAPTOR	2				
	1420010110	• O-RING	1				
17	1515100110	ELBOW	10				
	1420010110	• O-RING	1				
18	1650202300	CAP	1				
19	1650204600	GRIP (R.H.)	1				horn, decel.
	1650204650	GRIP (R.H.) (with 4 switch)	1				horn, decel.
19-1	1650204601	• COVER	1				
20	1650204700	GRIP (L.H.)	1				A-B
	1650204750	GRIP (L.H.) (with 4 switch)	1				A-B
20-1	1650204701	• COVER	1				
21	1651101224	STOPPER	1				
22	1653900057	SPRING, gas	1				
23	1700000033	SWITCH, safety	1				
24	1901745600	VALVE, pilot	2				
25	0335120970	BOLT	1				
26	1110040625	SCREW, cap	8				
27	1111810610	SCREW	4				
28	1110040816	SCREW, cap	2				
29	1130040010	NUT	1				
30	1130040012	NUT	1				
31	1130140014	NUT	2				
32	1141110006	WASHER	8				
33	1140020008	WASHER, spring	6				
34	1141110008	WASHER	4				
35	0003609003	WASHER	2				
36	1213000832	PIN, spring	1				
37	1214000008	PIN, snap	2				
38	1110040825	SCREW, cap	4				
40	1100041020	BOLT	6				
41	1140020010	WASHER, spring	7				
42	1141110010	WASHER	3				
43	1100041040	BOLT	1				
46	1213000836	PIN, spring	1				
50	1711900062	RELAY	2				with 4 switch
	E5b133						

TB125 Book No. BE5Z010 S/N 12510009-
PIPING; OPERATION LEVER



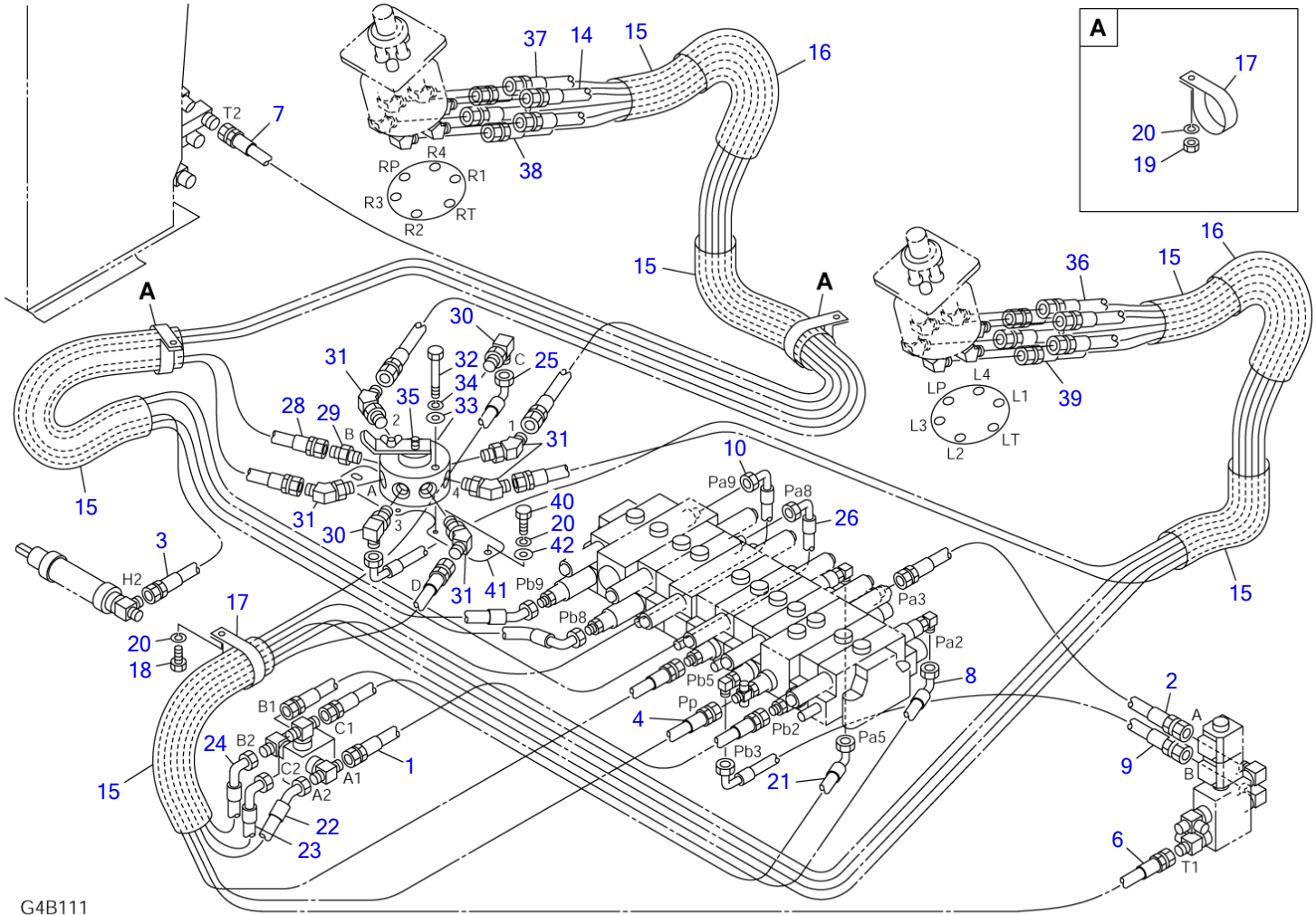
G4B101

S=1/8

PIPING; OPERATION LEVER

Item	Part number	Description	Q'ty	Chan.	Serial No.	Serv.	Remarks
		PIPING ASSY					X03771-04000-2
1	0377104010	HOSE ASSY	1				19348-22027
2	0377104020	HOSE ASSY	1				19348-22030
3	0377104030	HOSE ASSY	1				19348-22180
4	0377104040	HOSE ASSY	1				19348-22230
5	0377104050	HOSE ASSY	1				19348-22230
6	0377104060	HOSE ASSY	1				19348-22245
7	0377104070	HOSE ASSY	1				19348-22335
8	0377104080	HOSE ASSY	1				19348-52056
9	0377104090	HOSE ASSY	1				19348-52056
10	0377104100	HOSE ASSY	1				19348-52260
11	0377104110	HOSE ASSY	1				19348-52260
12	0377104120	HOSE ASSY	1				19348-52200
13	0377104130	HOSE ASSY	1				19348-52220
14	0377104140	HOSE ASSY	1				19348-72215
15	1531645030	PROTECTOR	6				sold by the meter
16	1567315030	PROTECTOR	2				sold by the meter
17	0007300030	CLAMP	3				
18	1100040816	BOLT	1				
19	1130030008	NUT	2				
20	1140020008	WASHER, spring	3				
21	0377104150	HOSE ASSY	1				19348-52050
22	0377104160	HOSE ASSY	1				19348-72195
23	0377104170	HOSE ASSY	1				19348-52205
	G4b180						

TB125 Book No. BE5Z010 S/N 12510009-
 PIPING; OPERATION LEVER (ISO-JCB pattern)



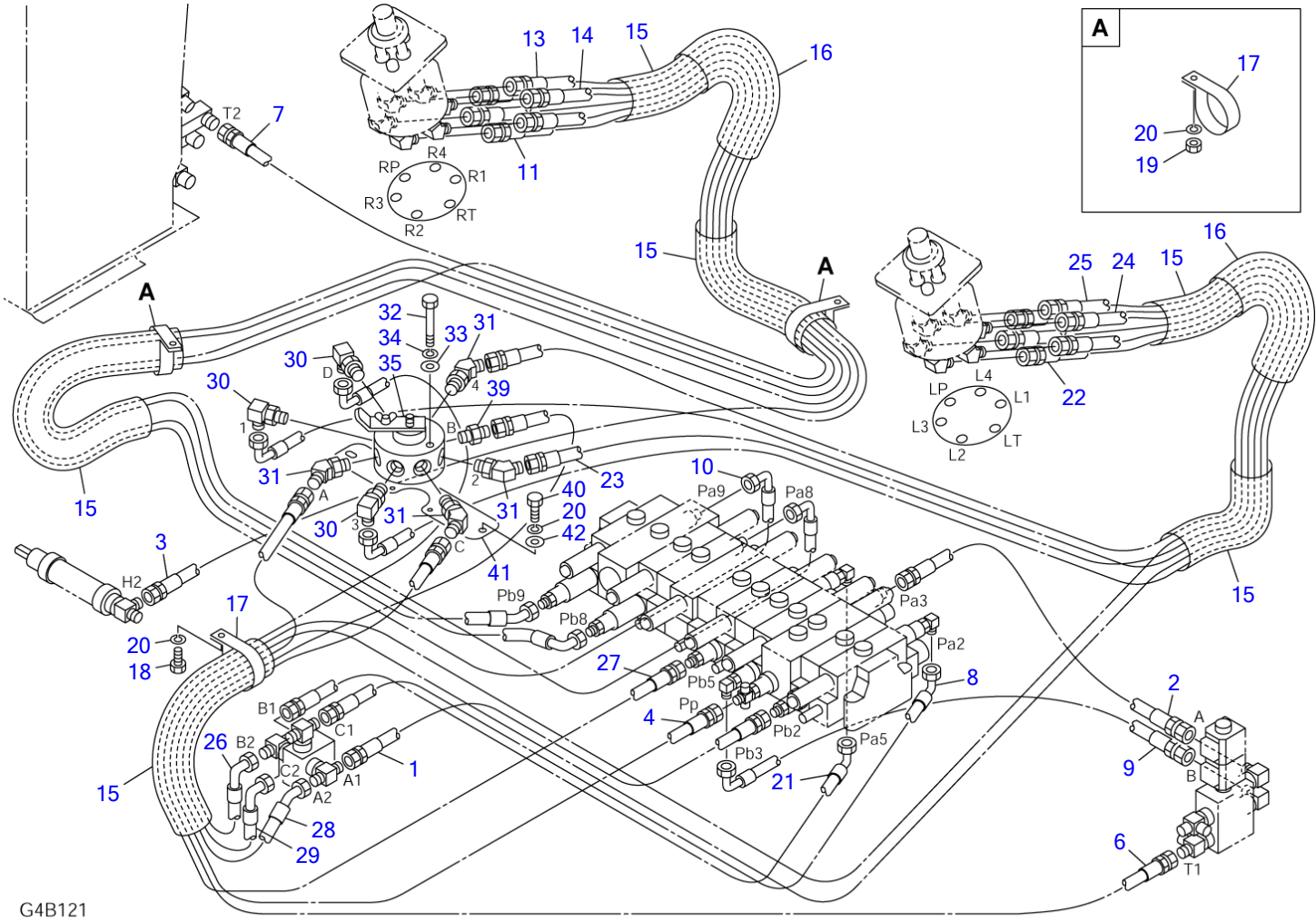
G4B111

S=1/8

PIPING; OPERATION LEVER (ISO-JCB pattern)

Item	Part number	Description	Q'ty	Chan.	Serial No.	Serv.	Remarks
		PIPING ASSY					X03771-03000-7
1	0377104010	HOSE ASSY	1				19348-22027
2	0377104020	HOSE ASSY	1				19348-22030
3	0377104030	HOSE ASSY	1				19348-22180
4	0377104040	HOSE ASSY	1				19348-22230
6	0377104060	HOSE ASSY	1				19348-22245
7	0377104070	HOSE ASSY	1				19348-22335
8	0377104080	HOSE ASSY	1				19348-52056
9	0377104090	HOSE ASSY	1				19348-52056
10	0377104100	HOSE ASSY	1				19348-52260
14	0377104140	HOSE ASSY	1				19348-72215
15	1531645030	PROTECTOR	6				sold by the meter
16	1567315030	PROTECTOR	2				sold by the meter
17	0007300030	CLAMP	3				
18	1100040816	BOLT	1				
19	1130030008	NUT	2				
20	1140020008	WASHER, spring	5				
21	0377104150	HOSE ASSY	1				19348-52054
22	0377104160	HOSE ASSY	1				19348-72195
23	0377104170	HOSE ASSY	1				19348-52205
24	0377103010	HOSE ASSY	1				19348-52068
25	0377103020	HOSE ASSY	1				19348-52015
26	0377103030	HOSE ASSY	1				19348-52135
28	0377103040	HOSE ASSY	1				19348-52100
29	1515600200	ADAPTOR	1				
	1420010110	• O-RING	1				
30	1515012040	ELBOW	2				
	1420010110	• O-RING	1				
31	1515100110	ELBOW	5				
	1420010110	• O-RING	1				
32	1100040650	BOLT	2				
33	1141110006	WASHER	2				
34	1140020006	WASHER, spring	2				
35	1901730500	VALVE, selector	1				
36	0377103050	HOSE ASSY	1				19348-22126
37	0377103060	HOSE ASSY	1				19348-22160
38	0377103070	HOSE ASSY	1				19348-22170
39	0377103080	HOSE ASSY	1				19348-52140
40	1100040820	BOLT	2				
41	0377103300	PLATE	1				
42	1141110008	WASHER	2				
	G4b190						

TB125 Book No. BE5Z010 S/N 12510009-
 PIPING; OPERATION LEVER (1/2) (A-B pattern)



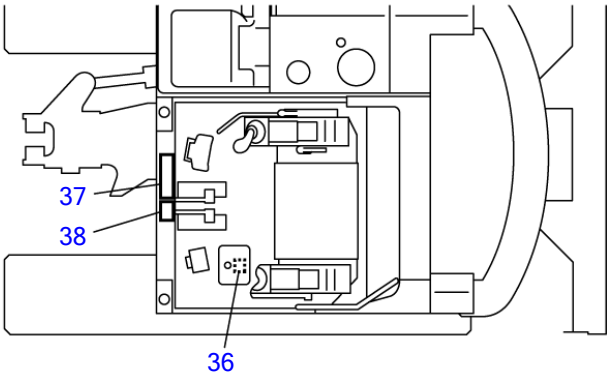
G4B121

S=1/8

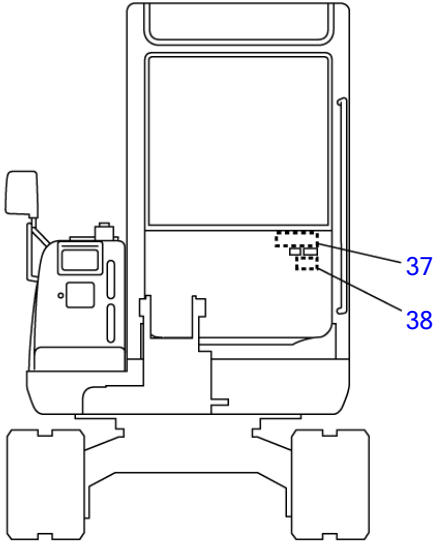
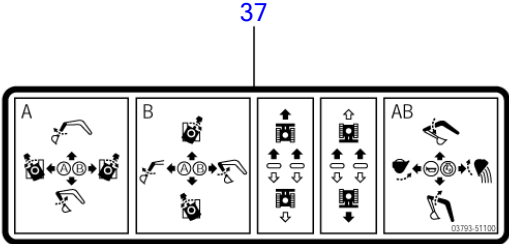
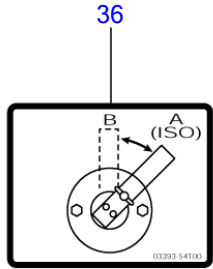
PIPING; OPERATION LEVER (1/2) (A-B pattern)

Item	Part number	Description	Q'ty	Chan.	Serial No.	Serv.	Remarks
		PIPING ASSY					X03771-05000-8
1	0377104010	HOSE ASSY	1				19348-22027
2	0377104020	HOSE ASSY	1				19348-22030
3	0377104030	HOSE ASSY	1				19348-22180
4	0377104040	HOSE ASSY	1				19348-22230
6	0377104060	HOSE ASSY	1				19348-22245
7	0377104070	HOSE ASSY	1				19348-22335
8	0377104080	HOSE ASSY	1				19348-52056
9	0377104090	HOSE ASSY	1				19348-52056
10	0377104100	HOSE ASSY	1				19348-52260
11	0377104110	HOSE ASSY	1				19348-52260
13	0377104130	HOSE ASSY	1				19348-52220
14	0377104140	HOSE ASSY	1				19348-72215
15	1531645030	PROTECTOR	6				sold by the meter
16	1567315030	PROTECTOR	2				sold by the meter
17	0007300030	CLAMP	3				
18	1100040816	BOLT	1				
19	1130030008	NUT	2				
20	1140020008	WASHER, spring	5				
21	0377104150	HOSE ASSY	1				19348-52054
22	0377105010	HOSE ASSY	1				19348-22126
23	0377105020	HOSE ASSY	1				19348-22132
24	0377105030	HOSE ASSY	1				19348-52140
25	0377105040	HOSE ASSY	1				19348-52134
26	0377105050	HOSE ASSY	1				19348-52070
27	0377105060	HOSE ASSY	1				19348-52105
28	0377105070	HOSE ASSY	1				19348-72068
29	0377105080	HOSE ASSY	1				19348-52110
30	1515012040	ELBOW	3				
	1420010110	• O-RING	1				
31	1515001110	ELBOW	4				
	1420010110	• O-RING	1				
32	1100040650	BOLT	2				
33	1141110006	WASHER	2				
34	1140020006	WASHER, spring	2				
35	1901731400	VALVE, selector	1				
39	1515600200	ADAPTOR	1				
	1420010110	• O-RING	1				
40	1100040820	BOLT	2				
41	0377103300	PLATE	1				
42	1141110008	WASHER	2				
	G4b200						

TB125 Book No. BE5Z010 S/N 12510009-
 PIPING; OPERATION LEVER (2/2) (A-B pattern)



CANOPY



G4B130

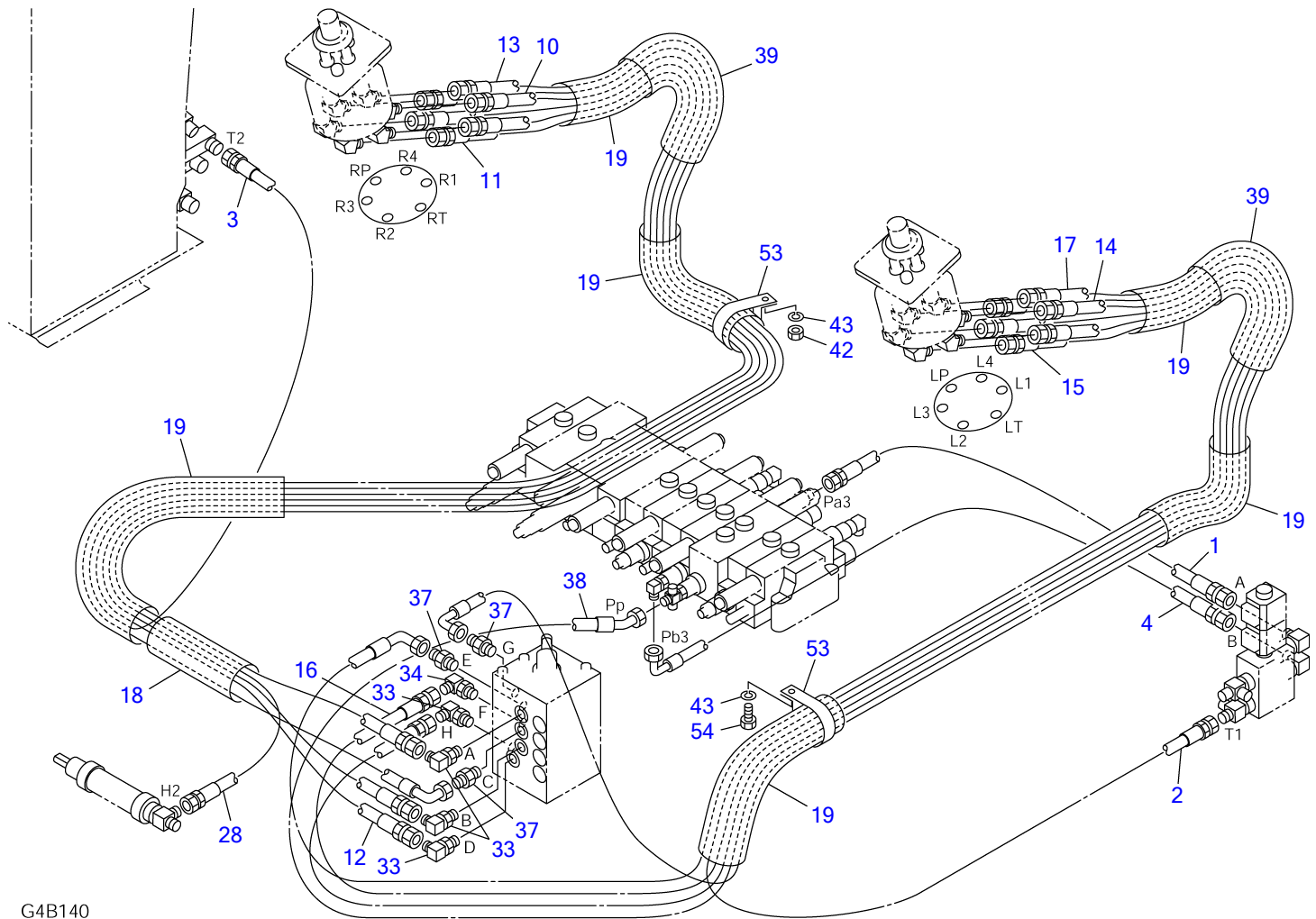


S=FREE

PIPING; OPERATION LEVER (2/2) (A-B pattern)

Item	Part number	Description	Q'ty	Chan.	Serial No.	Serv.	Remarks
		PIPING ASSY					X03771-05000-8
36	0339354100	DECAL	1				
37	0379351100	DECAL	1				
38	0339354200	DECAL	1				
	G4b210						

TB125 Book No. BE5Z010 S/N 12510009-
 PIPING; OPERATION LEVER (1/3) (multi pattern)



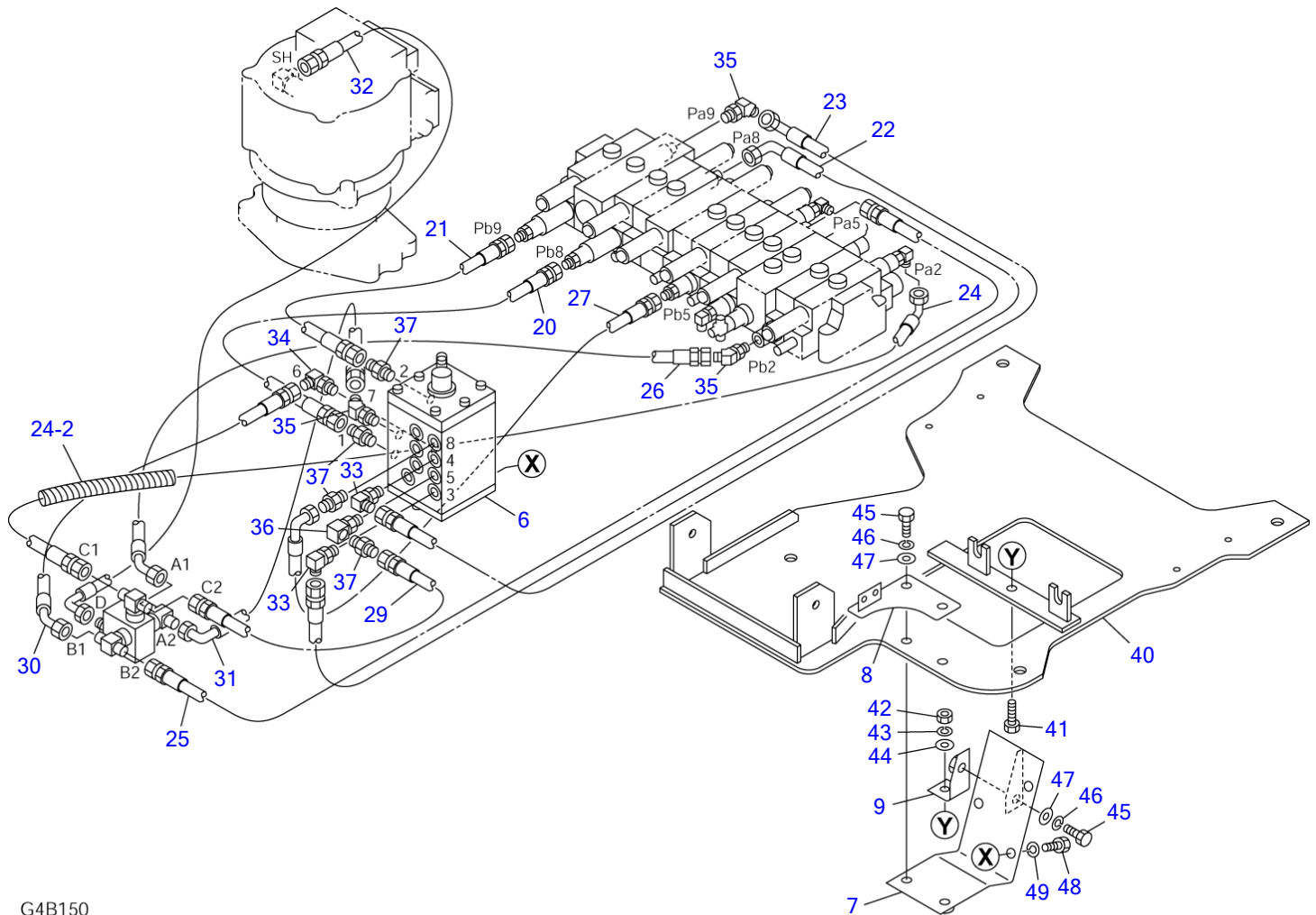
G4B140

S=1/8

PIPING; OPERATION LEVER (1/3) (multi pattern)

Item	Part number	Description	Q'ty	Chan.	Serial No.	Serv.	Remarks
		PIPING ASSY					X03771-07000-1
1	0377104020	HOSE ASSY	1				19348-22030
2	0377104060	HOSE ASSY	1				19348-22245
3	0377104070	HOSE ASSY	1				19348-22335
4	0377104090	HOSE ASSY	1				19348-52056
10	0377107100	HOSE ASSY	1				19348-22210
11	0377107110	HOSE ASSY	1				19348-52225
12	0377107120	HOSE ASSY	1				19348-22215
13	0377107130	HOSE ASSY	1				19348-22215
14	0377107140	HOSE ASSY	1				19348-22205
15	0377107150	HOSE ASSY	1				19348-52235
16	0377107160	HOSE ASSY	1				19348-22235
17	0377107170	HOSE ASSY	1				19348-52230
18	1531345033	PROTECTOR	6				sold by the meter
19	1531645030	PROTECTOR	1				sold by the meter
28	0377107280	HOSE ASSY	1				19348-52195
33	1515012040	ELBOW	4				
	1420010110	• O-RING	1				
34	1515012510	ELBOW	1				
	1420010110	• O-RING	1				
37	1515600200	ADAPTOR	3				
	1420010110	• O-RING	1				
38	0377107330	HOSE ASSY	1				19348-72235
39	1567315030	PROTECTOR	2				sold by the meter
42	1130030008	NUT	1				
43	1140020008	WASHER, spring	2				
53	0007300030	CLAMP	2				
54	1100040816	BOLT	1				
	G4b141						

TB125 Book No. BE5Z010 S/N 12510009-
PIPING; OPERATION LEVER (2/3) (multi pattern)



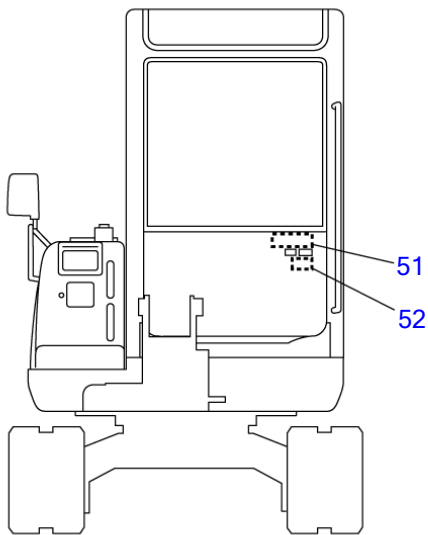
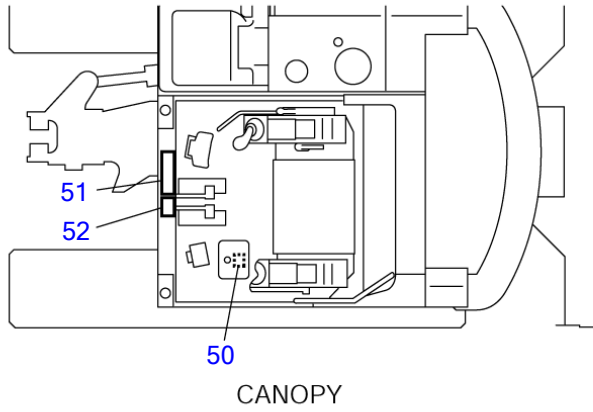
G4B150

S=1/8

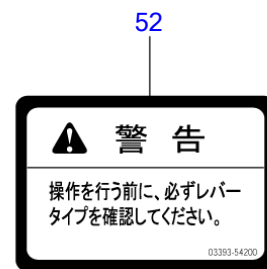
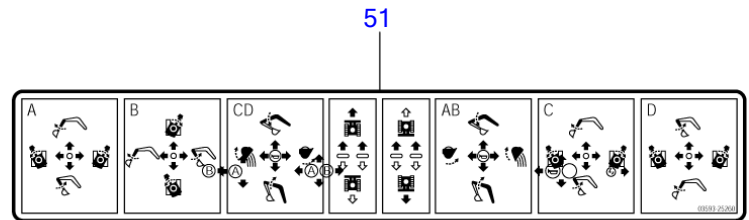
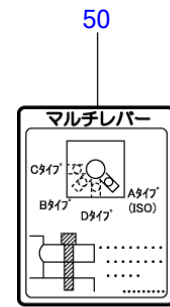
PIPING; OPERATION LEVER (2/3) (multi pattern)

Item	Part number	Description	Q'ty	Chan.	Serial No.	Serv.	Remarks
		PIPING ASSY					X03771-07000-1
6	1901733700	VALVE, rotary	1				
7	0377107010	BRACKET	1				
8	0377107020	BRACKET	1				
9	0377107030	BRACKET	1				
20	0377107200	HOSE ASSY	1				19348-22032
21	0377107210	HOSE ASSY	1				19348-22035
22	0377107220	HOSE ASSY	1				19348-52106
23	0377107230	HOSE ASSY	1				19348-52116
24	0377107240	HOSE ASSY	1				19348-52070
24-2	1532208015	• PROTECTOR	1				sold by the meter
25	0377107250	HOSE ASSY	1				19348-22102
26	0377107260	HOSE ASSY	1				19348-72038
27	0377107270	HOSE ASSY	1				19348-52046
29	0377107290	HOSE ASSY	1				18010-22028
30	0377107300	HOSE ASSY	1				18010-79022
31	0377107310	HOSE ASSY	1				18010-52076
32	0377107320	HOSE ASSY	1				18010-52140
33	1515012040	ELBOW	2				
	1420010110	• O-RING	1				
34	1515012510	ELBOW	1				
	1420010110	• O-RING	1				
35	1515100110	ELBOW	3				
	1420010110	• O-RING	1				
36	1513300014	ELBOW	1				
	1420010110	• O-RING	1				
37	1515600200	ADAPTOR	4				
	1420010110	• O-RING	1				
40	0377107400	BRACKET	1				
41	1100040825	BOLT	1				
42	1130030008	NUT	1				
43	1140020008	WASHER, spring	1				
44	1141110008	WASHER	1				
45	1100041035	BOLT	3				
46	1140020010	WASHER, spring	3				
47	1141110010	WASHER	3				
48	1100041225	BOLT	3				
49	1140020012	WASHER, spring	3				

G4b151



G4B160

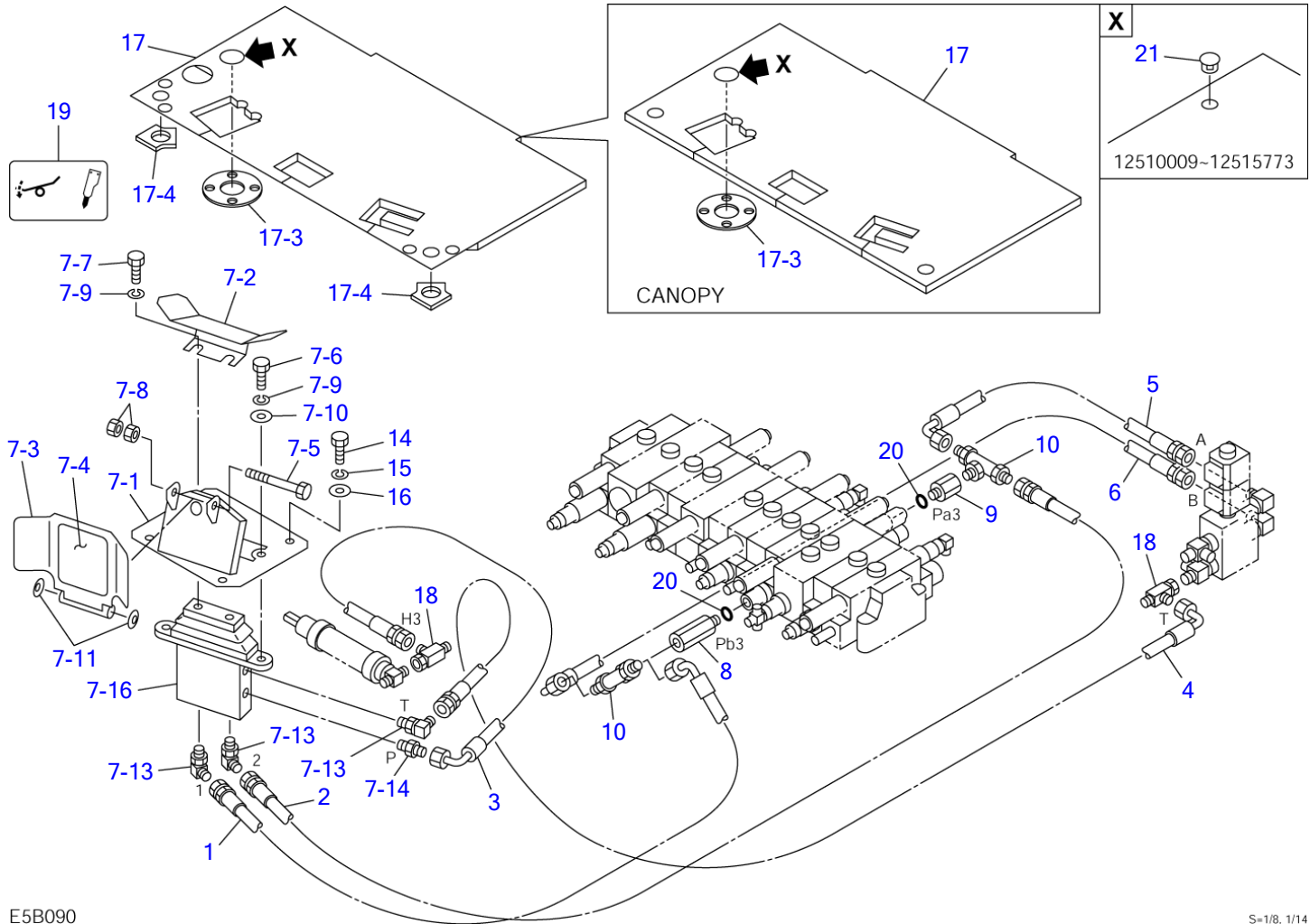


S=FREE

PIPING; OPERATION LEVER (3/3) (multi pattern)

Item	Part number	Description	Q'ty	Chan.	Serial No.	Serv.	Remarks
		PIPING ASSY					X03771-07000-1
50	0399349600	DECAL	1				
51	0359325260	DECAL	1				
52	0339354200	DECAL	1				
	G4b160						

TB125 Book No. BE5Z010 S/N 12510009-
AUXILIARY PEDAL



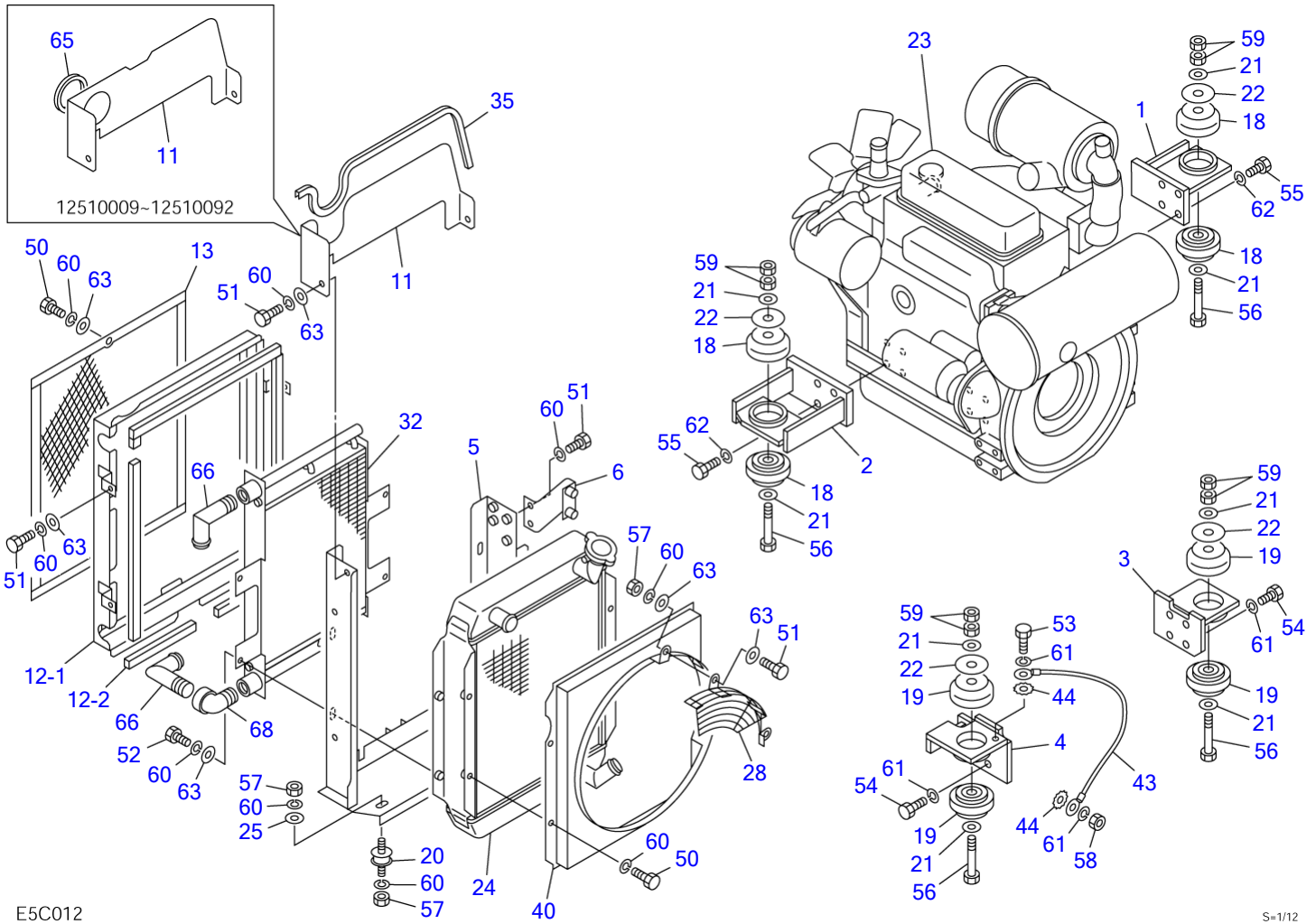
E5B090

S=1/8, 1/14

AUXILIARY PEDAL

Item	Part number	Description	Q'ty	Chan.	Serial No.	Serv.	Remarks
		PEDAL ASSY (cab)					X03771-08000-5
		PEDAL ASSY (canopy)					X03771-08500-5
1	0377108010	HOSE ASSY	1				19348-52050
2	0377108020	HOSE ASSY	1				19348-22090
3	0377108030	HOSE ASSY	1				19348-52065
4	0377108040	HOSE ASSY	1				19348-52110
5	0377108050	HOSE ASSY	1				19348-52034
6	0377108060	HOSE ASSY	1				19348-52062
7	X 0377108200	PEDAL SUB ASSY, service	1				
7-1	0377108210	• BRACKET	1				
7-2	0563228060	• PEDAL	1				
7-3	0333234260	• COVER	1				
7-4	0333241250	• SHEET	1				
7-5	1100040680	• BOLT	1				
7-6	1100040814	• BOLT	2				
7-7	1100040816	• BOLT	2				
7-8	1130040006	• NUT	2				
7-9	1140020008	• WASHER, spring	4				
7-10	1141110008	• WASHER	2				
7-11	1225110006	• WASHER	2				
7-13	1515010040	• ELBOW	3				
	1420010110	• • O-RING	1				
7-14	1512370008	• NIPPLE	1				
	1420010110	• • O-RING	1				
7-16	1901735000	• VALVE, remote control	1				
8	1513250202	BUSHING	1				
	1420010110	• O-RING	1				
9	0007213032	BUSHING	1				
10	1901735200	VALVE, shuttle	2				
14	1100040820	BOLT	4				
15	1140020008	WASHER, spring	4				
16	1141110008	WASHER	4				
17	0377108300	MAT, floor	1		12510009~12515773		cab
	0377108320	MAT, floor	1		12515774~		cab
	0377108510	MAT, floor	1		12510009~12515773		canopy
	0377108520	MAT, floor	1		12515774~		canopy
17-3	0373507423	• SPONGE	1		12515774~		
17-4	0373504345	• SPONGE	2		12515774~		cab
18	1513390015	TEE	2				
19	0339330800	DECAL	1				
20	1420010110	O-RING	2		1251#~		
21	1652533010	CAP	1		1251#~12515773		No. 20017
	E5b091						

TB125 Book No. BE5Z010 S/N 12510009-
ENGINE & ACCESSORIES (1/2) (12510009-12514525)



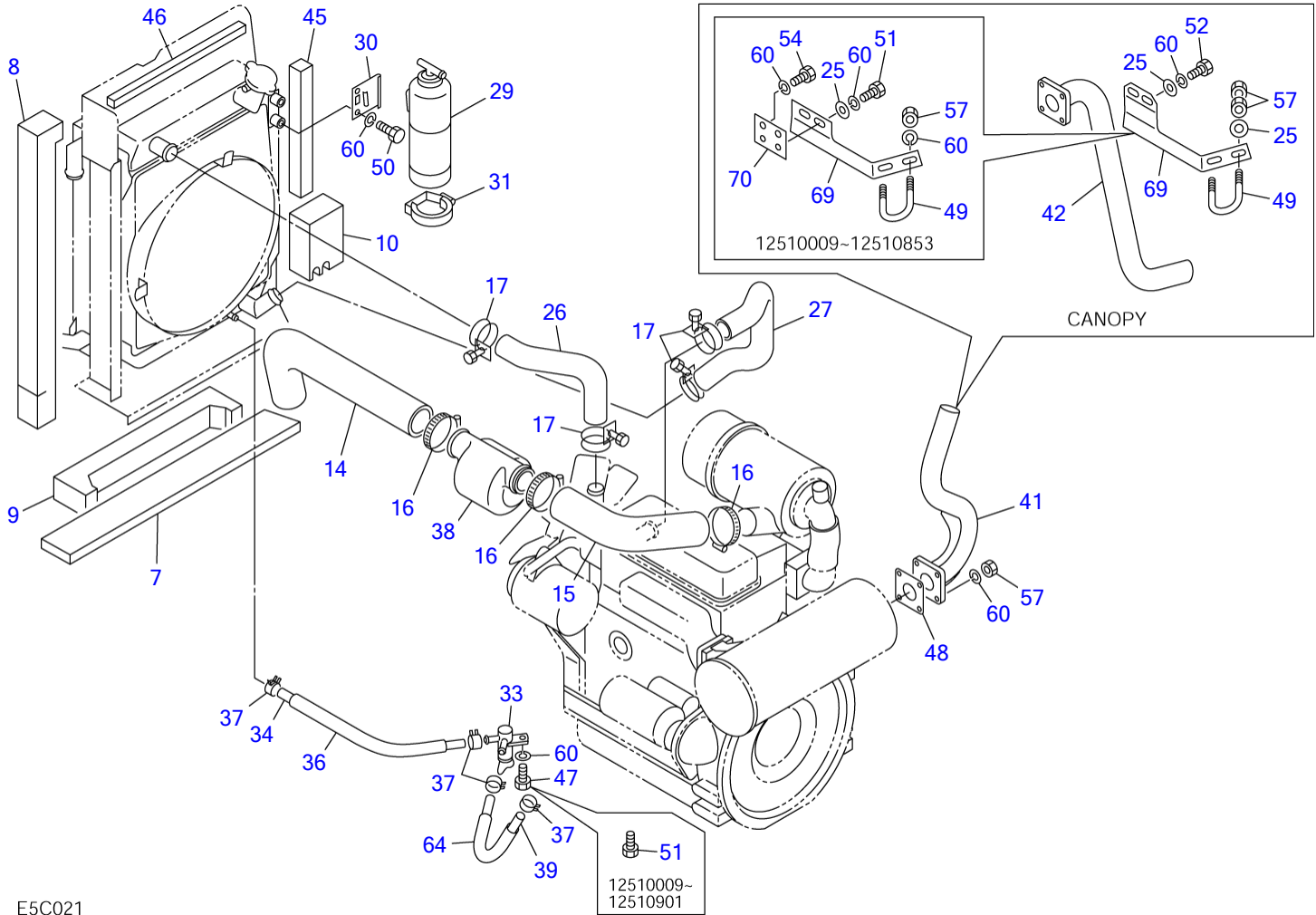
E5C012

S=1/12

ENGINE & ACCESSORIES (1/2) (12510009-12514525)

Item	Part number	Description	Q'ty	Chan.	Serial No.	Serv.	Remarks
		ENGINE ASSY (cab)					X03540-09000-9
		ENGINE ASSY (canopy)					X03540-10000-9
1	0354007100	FOOT, engine (F.R.)	1				
2	0354007200	FOOT, engine (F.L.)	1				
3	0374006100	FOOT, engine (R.R.)	1				
4	0354007300	FOOT, engine (R.L.)	1				
5	0354009100	BRACKET	1		12510009~12510146		
	0354009700	BRACKET	1		12510147~		
6	0354009200	BRACKET	1				
11	0354009011	PLATE	1				
12	0354009300	COVER ASSY	1				
12-1	0354009350	· COVER	1				
12-2	0364011600	· URETHANE	3				
13	0354009400	NET	1				
18	1651030001	RUBBER, cushion	4				
19	1651030003	RUBBER, cushion	4				
20	1651014003	RUBBER, cushion	3				
21	1141540012	WASHER	8				
22	0003600085	WASHER	4				
23	1910142001	ENGINE	1		12510009~12510451		3TNE82A-TB
	1910157001	ENGINE	1		12510452~		3TNE82A-ETB
24	1910138002	RADIATOR	1				Y129030-44520
25	0003608252	WASHER	3				
28	1910067051	GUARD, fun	1				Y129132-44590
32	1910081003	COOLER, oil	1				Y129132-44901
35	1654601058	TRIM	1				sold by the meter
40	0354009500	SHROUD	1				
43	1702430280	CABLE, earth	1				
44	1140330010	WASHER	2				
50	1100040816	BOLT	5				
51	1100040820	BOLT	10				
52	1100040825	BOLT	4				
53	1100041016	BOLT	1				
54	1100041025	BOLT	8				
55	1100041230	BOLT	8				
56	1101141210	BOLT	4				
57	1130040008	NUT	8				
58	1130040010	NUT	1				
59	1130540012	NUT	8				
60	1140020008	WASHER, spring	25				
61	1140020010	WASHER, spring	9				
62	1140020012	WASHER, spring	8				
63	1141110008	WASHER	17				
65	1653916022	TRIM	1		12510009~12510092		sold by the meter
66	0444005100	NIPPLE	2				
68	1501300006	ELBOW	1				
	E5c013						

TB125 Book No. BE5Z010 S/N 12510009-
ENGINE & ACCESSORIES (2/2) (12510009-12514525)



E5C021

S=1/12

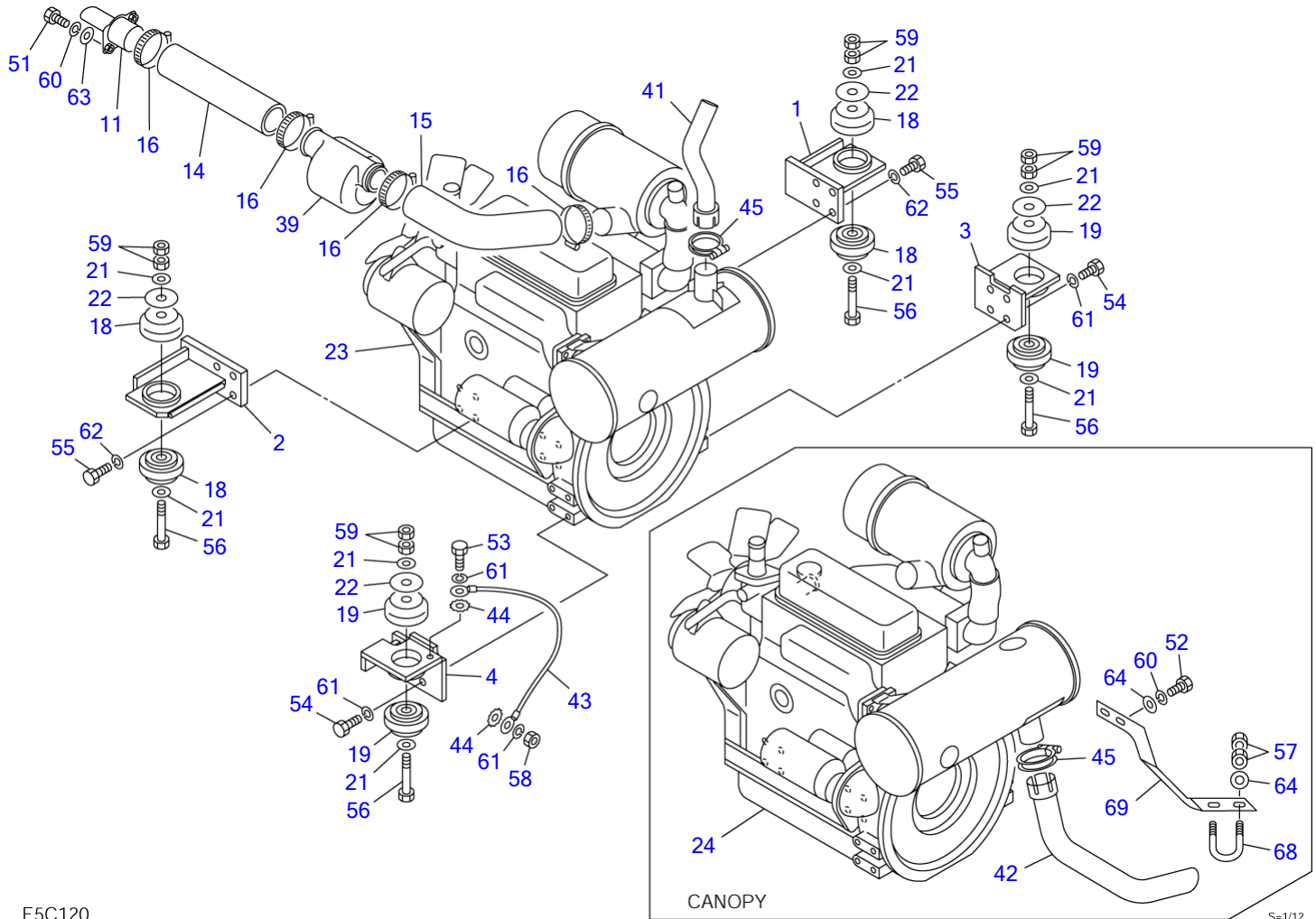
ENGINE & ACCESSORIES (2/2) (12510009-12514525)

Item	Part number	Description	Q'ty	Chan.	Serial No.	Serv.	Remarks
		ENGINE ASSY (cab)					X03540-09000-9
		ENGINE ASSY (canopy)					X03540-10000-9
7	0354007007	URETHANE	1				
8	0354007008	URETHANE	1				
9	0374006009	URETHANE	1				
10	0374006010	URETHANE	1				
14	1910142024	PIPE, air intake	1				Y119869-12210
15	1910135024	PIPE	1				Y129030-12201
16	1910032047	BAND	3				Y23000-060000
17	1910006013	BAND	4				Y23010-038000
25	0003608252	WASHER	4				
26	1910098011	HOSE	1				Y119859-49010
27	1910098012	HOSE	1				Y119869-49020
29	1910047040	TANK	1				Y171064-44510
30	1910047052	BRACKET	1				Y121256-44600
31	1910047047	BAND	1				Y124450-44550
33	1910078037	VALVE	1				Y129150-49100
34	1531211040	TUBE	1	A	12510009~12514213		sold by the meter
	1530808040	TUBE	1	a(H)	12514214~		sold by the meter
36	1531115035	PROTECTOR	1				sold by the meter
37	1533120010	BAND	4	A	12510009~12514213		
	1533120512	BAND	4	a(H)	12514214~		
38	1910135030	RESONATOR	1				Y121855-12060
39	1531211032	TUBE	1	A	12510009~12514213		sold by the meter
	1530808032	TUBE	1	a(H)	12514214~		sold by the meter
41	0354009800	PIPE, exhaust (cab)	1				
42	0354010100	PIPE, exhaust (canopy)	1				
45	1654309024	SPONGE	1				sold by the meter
46	1654306034	SPONGE	1				sold by the meter
47	1100040835	BOLT	1		12510902~		
48	1910051022	GASKET	1				Y124701-11911
49	1533400038	U-BOLT	1				
50	1100040816	BOLT	2				
51	1100040820	BOLT	2				
52	1100040825	BOLT	2				
54	1100041025	BOLT	2				
57	1130040008	NUT	8				
60	1140020008	WASHER, spring	9				
64	1531115024	PROTECTOR	1				sold by the meter
69	0354010220	SUPPORT	1		12510009~12510853		
	0354010230	SUPPORT	1		12510854~		
70	0374007120	BRACKET	1		12510009~12510853		

<<NOTE>>
 SET "A" is interchangeable
 with SET "a".

E5c023

TB125 Book No. BE5Z010 S/N 12510009-
ENGINE & ACCESSORIES (1/2) (12514526-)



E5C120

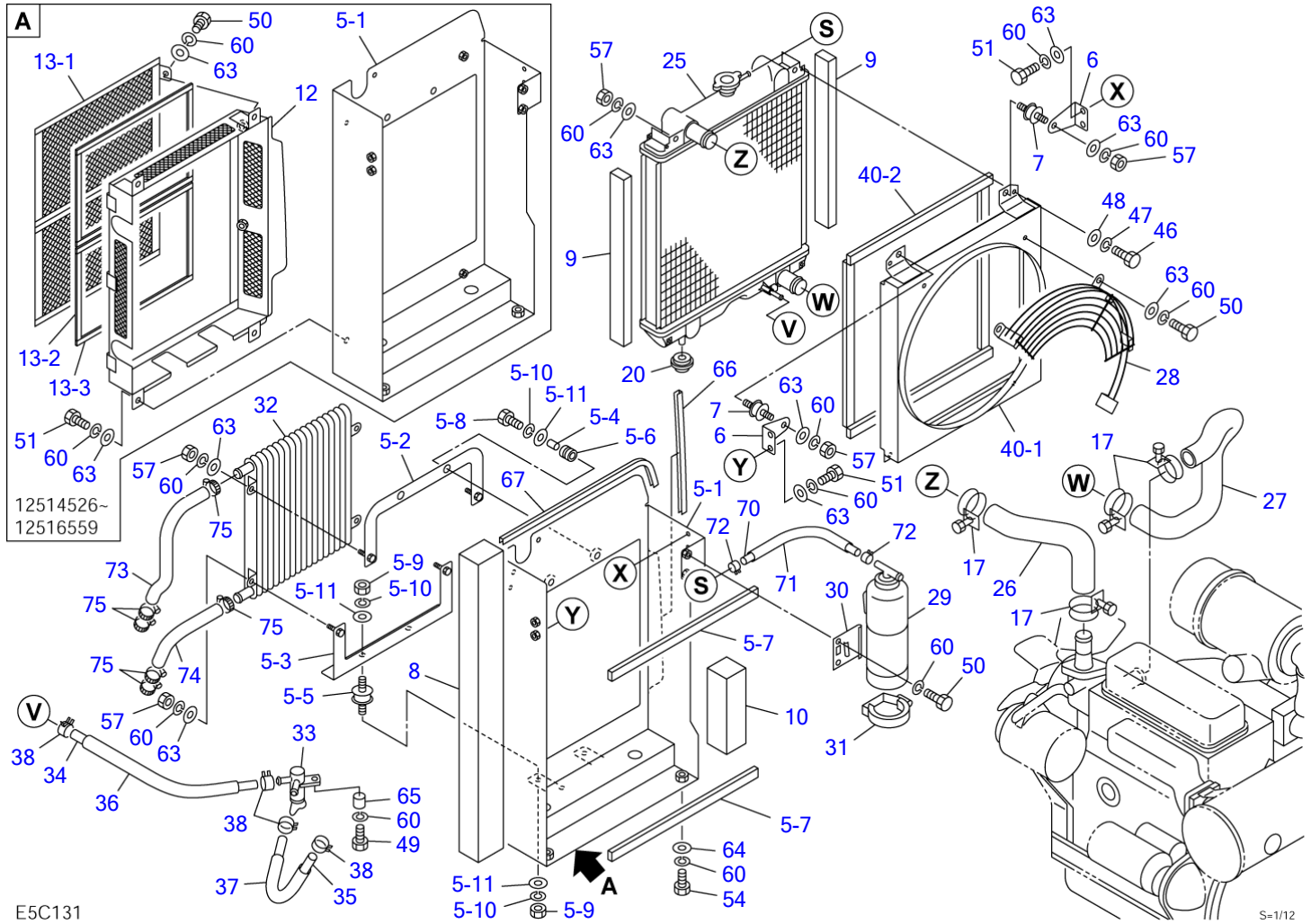
S=1/12

ENGINE & ACCESSORIES (1/2) (12514526-)

Item	Part number	Description	Q'ty	Chan.	Serial No.	Serv.	Remarks
		ENGINE ASSY (cab)					X03540-18000-0
		ENGINE ASSY (canopy)					X03540-19000-0
1	0354007100	FOOT, engine (F.R.)	1				
2	0354015150	FOOT, engine (F.L.)	1				
3	0374006100	FOOT, engine (R.R.)	1				
4	0354007300	FOOT, engine (R.L.)	1				
11	0354015290	PIPE	1				
14	0354015040	PIPE, air intake	1				
15	1910135024	PIPE	1				
16	1910032047	BAND	4				Y23000-060000
18	1651030001	RUBBER, cushion	4				
19	1651030003	RUBBER, cushion	4				
21	1141540012	WASHER	8				
22	0003600085	WASHER	4				
23	1910206001	ENGINE (cab)	1				3TNV82A-QTB
24	1910207001	ENGINE (canopy)	1				3TNV82A-QTB1
39	1910135030	RESONATOR	1				Y121855-12060
41	0354015050	PIPE	1				cab
42	0354016030	PIPE	1				canopy
43	1702430280	CABLE, earth	1				
44	1140330010	WASHER	2				
45	1910120023	CLAMP	1				Y121120-13590
51	1100040820	BOLT	2				
52	1100040825	BOLT	2				canopy
53	1100041016	BOLT	1				
54	1100041025	BOLT	8				
55	1100041230	BOLT	8				
56	1101141210	BOLT	4				
57	1130040008	NUT	4				canopy
58	1130040010	NUT	1				
59	1130540012	NUT	8				
60	1140020008	WASHER, spring	2				cab
	1140020008	WASHER, spring	4				canopy
61	1140020010	WASHER, spring	10				
62	1140020012	WASHER, spring	8				
63	1141110008	WASHER	2				
64	0003608252	WASHER	4				canopy
68	1533400032	U-BOLT	1				canopy
69	0354016060	SUPPORT	1				canopy

E5c123

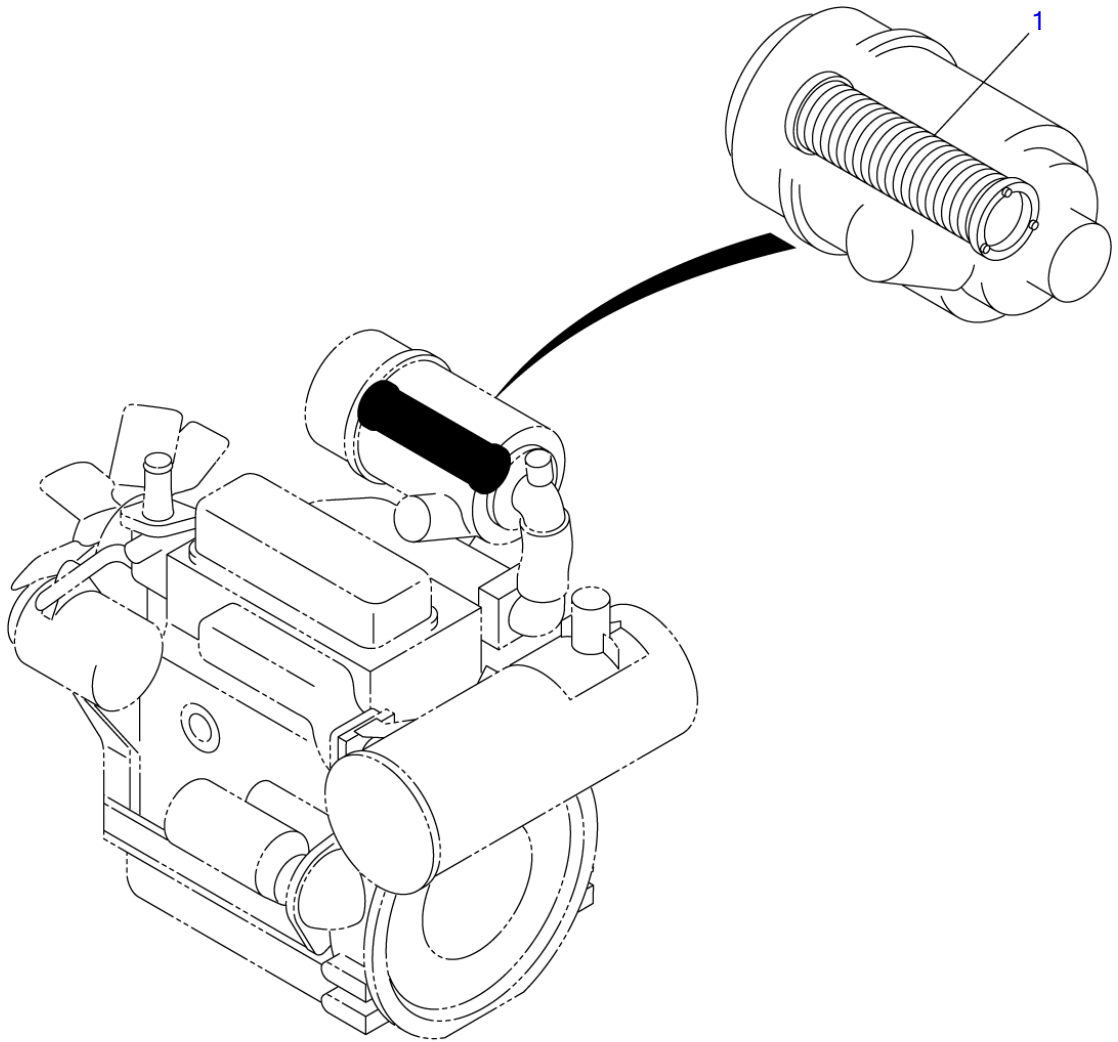
TB125 Book No. BE5Z010 S/N 12510009-
 ENGINE & ACCESSORIES (2/2) (12514526-)



ENGINE & ACCESSORIES (2/2) (12514526-)

Item	Part number	Description	Q'ty	Chan.	Serial No.	Serv.	Remarks
		ENGINE ASSY (cab)					X03540-18000-0
		ENGINE ASSY (canopy)					X03540-19000-0
5	0354015200	BRACKET ASSY	1		12514526~12516559		
	0354018100	BRACKET ASSY	1		12516560~		
5-1	0354015250	• BRACKET	1		12514526~12516559		
	0354018110	• BRACKET	1		12516560~		
5-2	0354015230	• BRACKET	1				
5-3	0354015240	• BRACKET	1				
5-4	0394015104	• PIPE	2				
5-5	1651014003	• RUBBER, cushion	2				
5-6	1651057014	• GROMMET	2				
5-7	1654302038	• SPONGE	2				sold by the meter
5-8	1100040830	• BOLT	2				
5-9	1130040008	• NUT	4				
5-10	1140020008	• WASHER, spring	6				
5-11	1141110008	• WASHER	6				
6	0354015007	SUPPORT	2				
7	1651014003	RUBBER, cushion	2				
8	0354015008	URETHANE	1				
9	0354015009	URETHANE	2				
10	0354015010	URETHANE	1				
12	0354015430	COVER	1		12514526~12516559		
13	0354015500	NET ASSY	2		12514526~12516559		
13-1	0354015570	• NET	1		12514526~12516559		
13-2	0354015501	• SPONGE	2		12514526~12516559		
13-3	0354015502	• SPONGE	2		12514526~12516559		
17	1910006013	BAND	4				Y23010-038000
20	1910170052	RUBBER, cushion	2				Y119255-44660
25	1910206002	RADIATOR	1				Y119940-44510
26	1910206011	HOSE	1				Y119859-49010
27	1910206012	HOSE	1				Y119869-49020
28	0354015700	GUARD	1				
29	1910047040	TANK	1				Y171064-44510
30	1910047052	BRACKET	1				Y121256-44600
31	1910047047	BAND	1				Y124450-44550
32	1911300110	COOLER, oil	1				TOYO RADIATOR
33	1910078037	VALVE	1				Y129150-49100
34	1530808037	TUBE	1				sold by the meter
35	1530808032	TUBE	1				sold by the meter
36	1531115032	PROTECTOR	1				sold by the meter
37	1531115024	PROTECTOR	1				sold by the meter
38	1533120012	BAND	4				
40	0354015600	SHROUD ASSY	1				
40-1	0354015650	• SHROUD	1				
40-2	1654318037	• SPONGE	4				sold by the meter
46	1100040616	BOLT	4				
47	1140020006	WASHER, spring	4				
48	1141110006	WASHER	4				
49	1100040835	BOLT	1				
50	1100040816	BOLT	5				
51	1100040820	BOLT	4				
54	1100041025	BOLT	3				
57	1130040008	NUT	8				
60	1140020008	WASHER, spring	21				
63	1141110008	WASHER	15				
64	0003608252	WASHER	3				
65	0354009071	BOSS	1				
66	1654601030	TRIM	1				
67	1654601046	TRIM	1				
70	1531407030	HOSE	1				
71	1531115025	HOSE	1				
72	1533120012	CLAMP	2				
73	0354015800	HOSE	1				
74	0354015850	HOSE	1				
75	1533700041	CLAMP	6				

E5c133

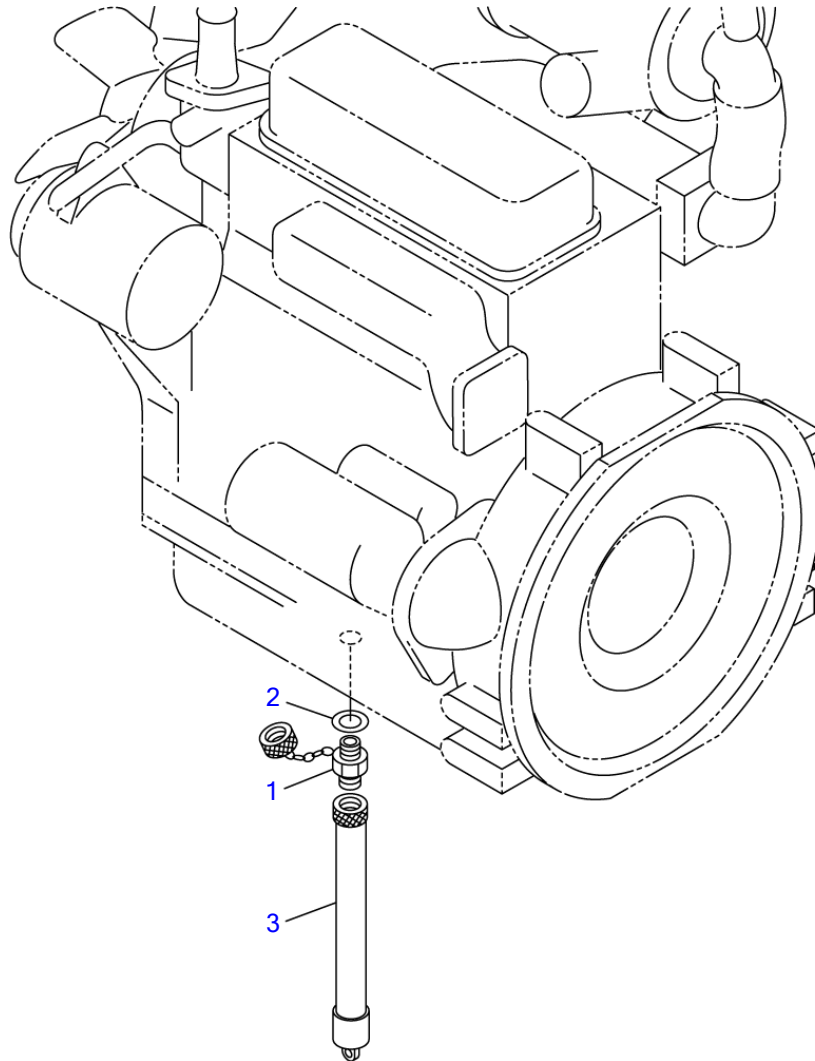


G4C150

S=1/4, 1/8

AIR CLEANER (for double element)

Item	Part number	Description	Q'ty	Chan.	Serial No.	Serv.	Remarks
1	1911102772 G4c150	CLEANER ASSY, air ELEMENT	1				X03740-07500-0 fhfif<fhf\j" P82-2858

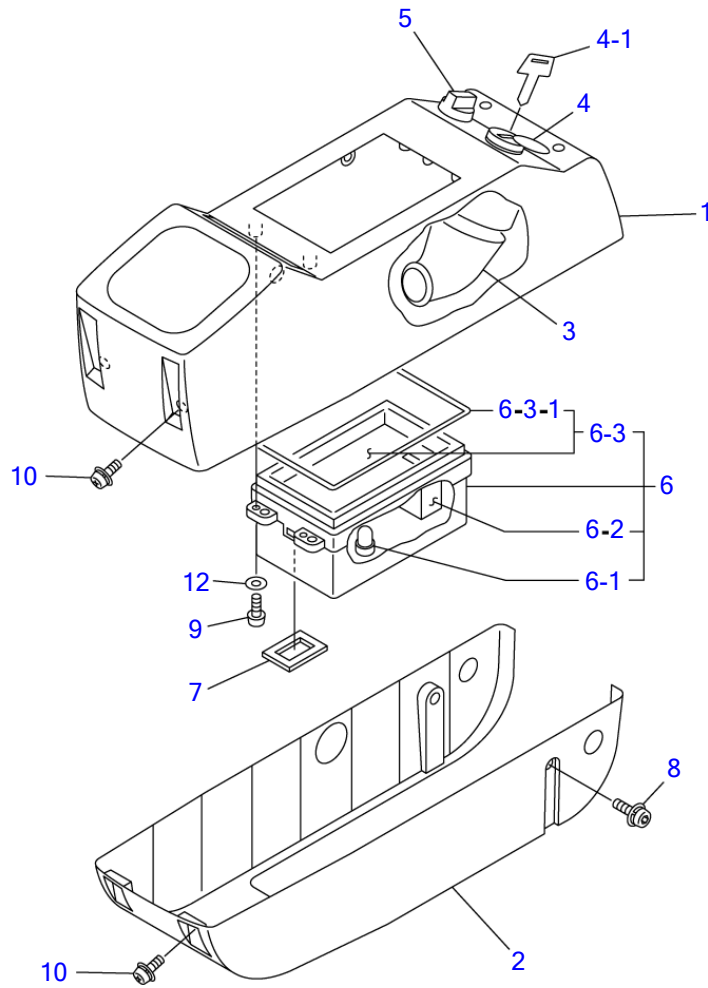


G4C030

S=1/6

DRAIN PLUG

Item	Part number	Description	Q'ty	Chan.	Serial No.	Serv.	Remarks
		PLUG ASSY, drain					X03540-02000-2
1	1554502250	PLUG	1				
2	1432122302	WASHER	1				
3	1554512600	TUBE	1				
	G4c031						



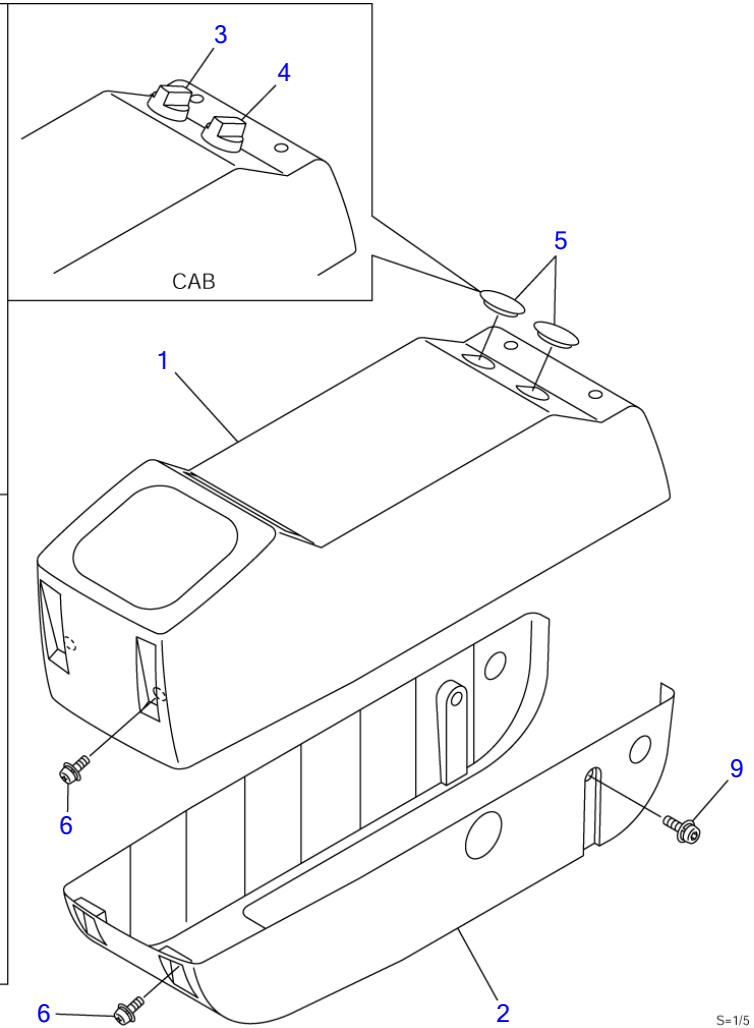
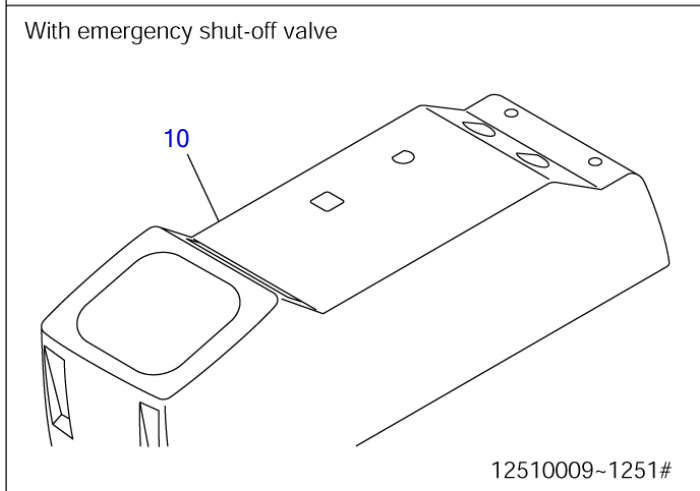
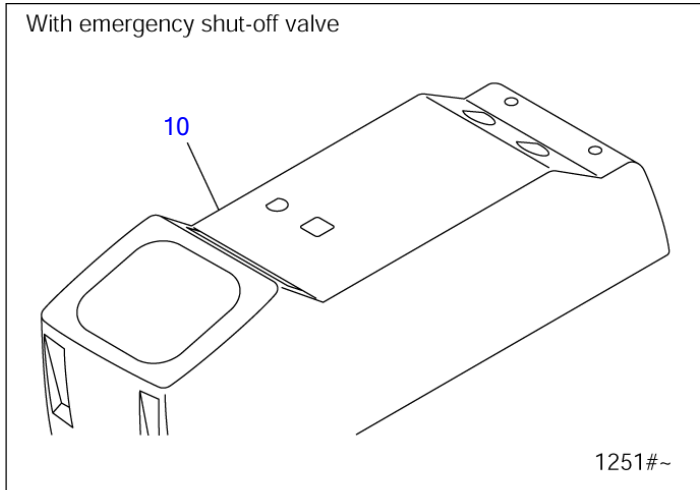
G4C042

S=1/6

CONTROL BOX; R.H.

Item	Part number	Description	Q'ty	Chan.	Serial No.	Serv.	Remarks
		BOX ASSY, (R.H.) (cab)					X03743-03000-6
		BOX ASSY, (R.H.) (canopy)					X03743-03500-6
1	0334326150	COVER (R.H.)	1				
2	0334326250	COVER (R.H.)	1				
3	0870431821	COVER	1				
4	1700100023	SWITCH, starter	1				cab
	1700100072	SWITCH, starter	1		12516560~		canopy
4-1	1700100019	KEY	1				
5	1700000010	SWITCH, lamp	1				
6	1730140650	GAUGE, cluster	1				
6-1	1730140634	· BULB (14V, 1.4W)	10				
6-2	1730140652	· METER, hour	1				
6-3	1730140653	· GLASS ASSY	1				
6-3-1	1730140654	· · PACKING	1				
7	0334326010	SPONGE	1		12511112~		
8	1110540614	SCREW	2				
9	1120530416	SCREW	4				
10	1150410614	BOLT, sems	6				
12	1141190004	WASHER	4				
	E5c101						

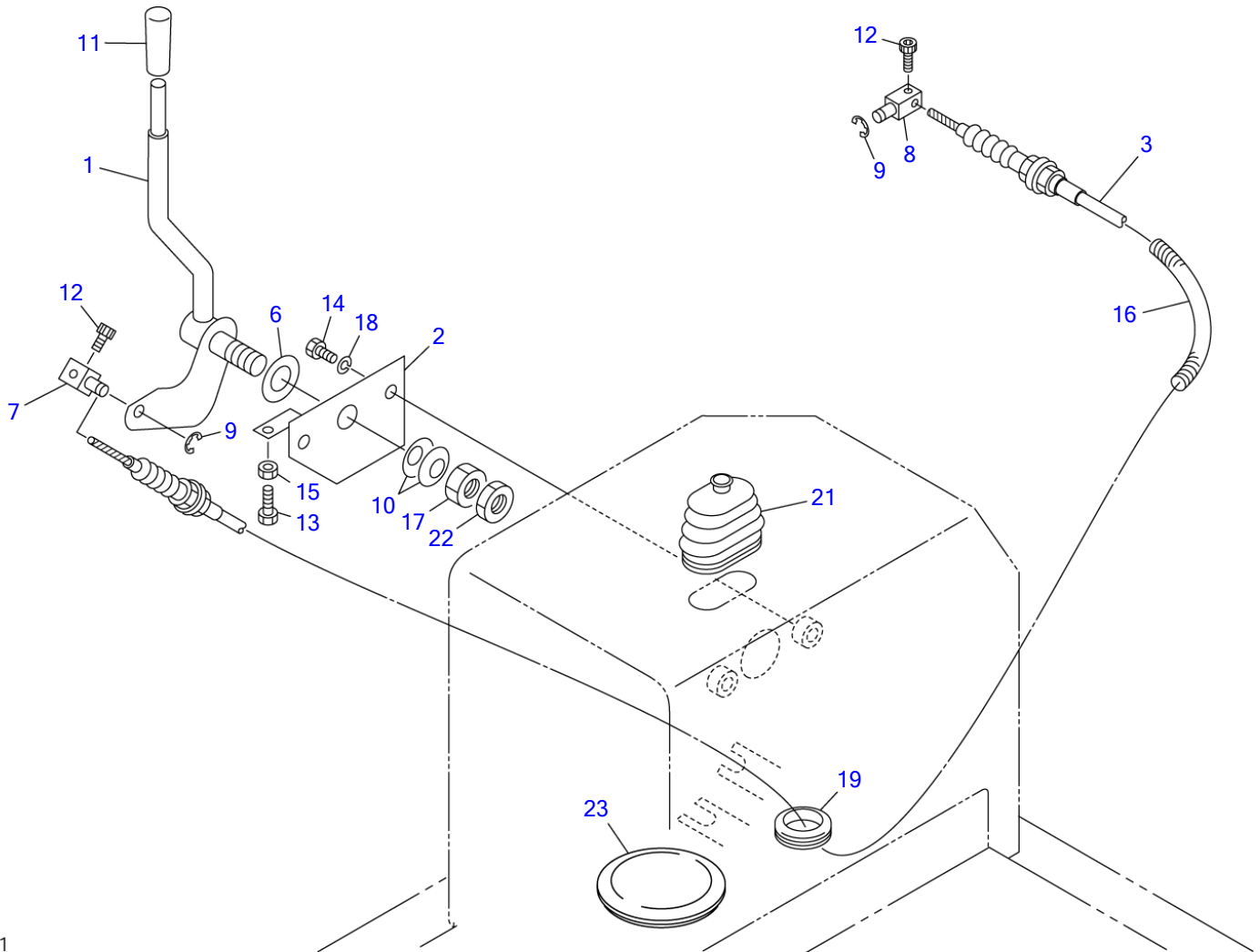
TB125 Book No. BE5Z010 S/N 12510009-
CONTROL BOX; L.H.



E5C191

CONTROL BOX; L.H.

Item	Part number	Description	Q'ty	Chan.	Serial No.	Serv.	Remarks
		BOX ASSY (L.H.) (cab)					X03743-04000-6
		BOX ASSY (L.H.) (canopy)					X03743-05000-6
		BOX ASSY (L.H.) (with shut-off valve) (cab)					X03743-04300-6
		BOX ASSY (L.H.) (with shut-off valve) (canopy)					X03743-05300-6
1	0334327150	COVER (L.H.)	1				
2	0334327250	COVER (L.H.)	1				
3	1704300007	SWITCH, wiper	1				cab
4	1700000011	SWITCH, heater	1				cab
5	1652533019	CAP	2				canopy
6	1150410614	BOLT, sems	6				
9	1110540614	SCREW	2				
10	0397313270	COVER (L.H.)	1		12510009~1251#		with shut-off valve No.23692
	0374304100	COVER (L.H.)	1	(H)	1251#~	M	with shut-off valve No.23692
	E5c191						



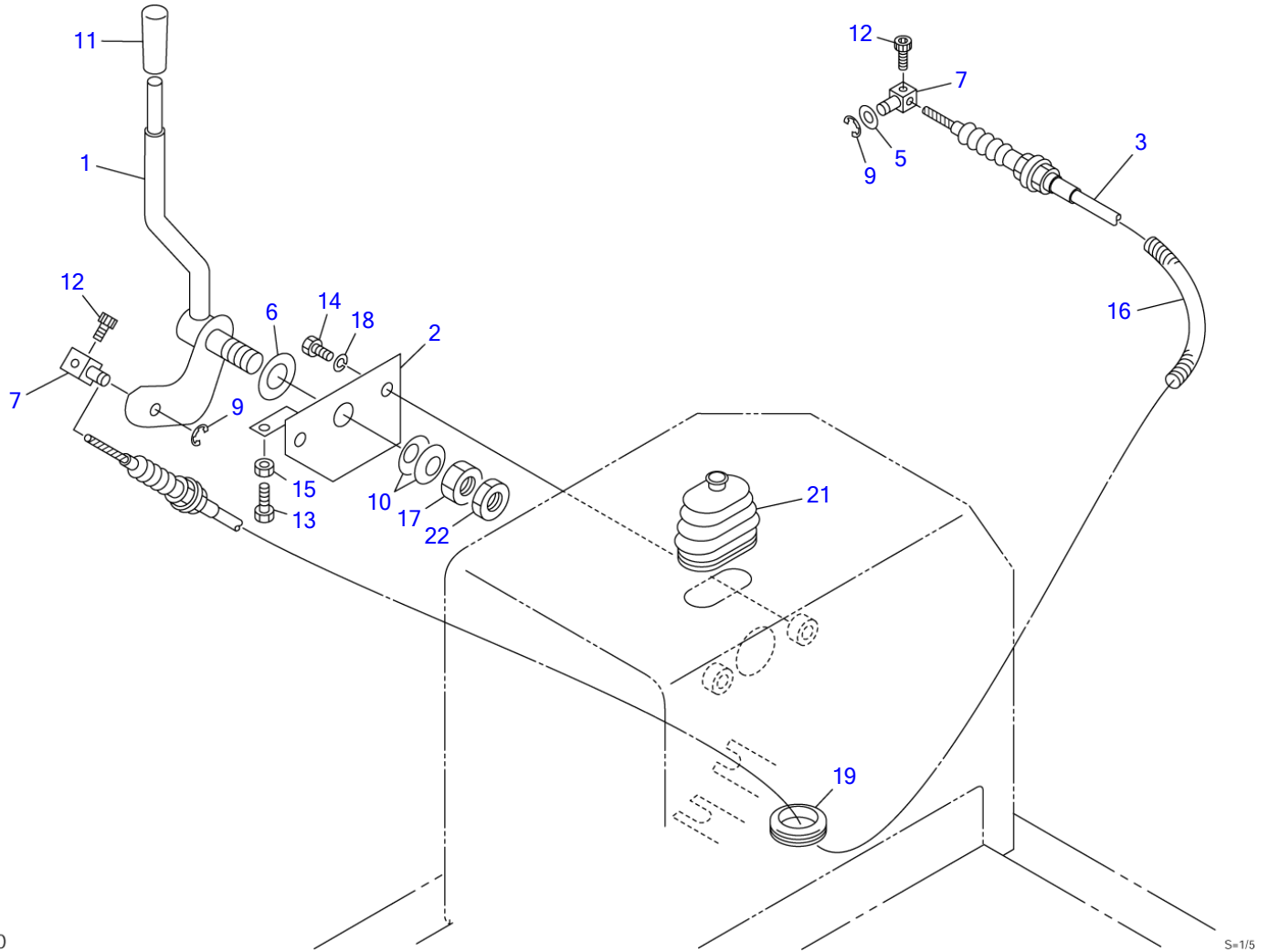
E5C031

S=1/5

ENGINE CONTROL (12510009-12514525)

Item	Part number	Description	Q'ty	Chan.	Serial No.	Serv.	Remarks
		CONTROL ASSY, engine					X03541-07000-1
1	0374104100	LEVER	1				
2	0374104200	PLATE	1				
3	0374102040	WIRE	1				
6	1141550018	WASHER	1				
7	0007900020	PIN	1				
8	0007900050	PIN	1				
9	1224010006	E-RING	2				
10	1225120018	WASHER, conical	2				
11	1650132050	GRIP	1				
12	1110040510	SCREW, cap	2				
13	1100040825	BOLT	1				
14	1100041020	BOLT	2				
15	1130040008	NUT	1				
16	1532208015	PROTECTOR	1				
17	1130640018	NUT	1				
18	1140020010	WASHER, spring	2				
19	1652060035	BUSHING	1				
21	0334120100	BOOT	1				
22	0064111700	NUT	1				
23	1652060085	BUSHING	1				
	E5c031						

TB125 Book No. BE5Z010 S/N 12510009-
ENGINE CONTROL (12514526-)

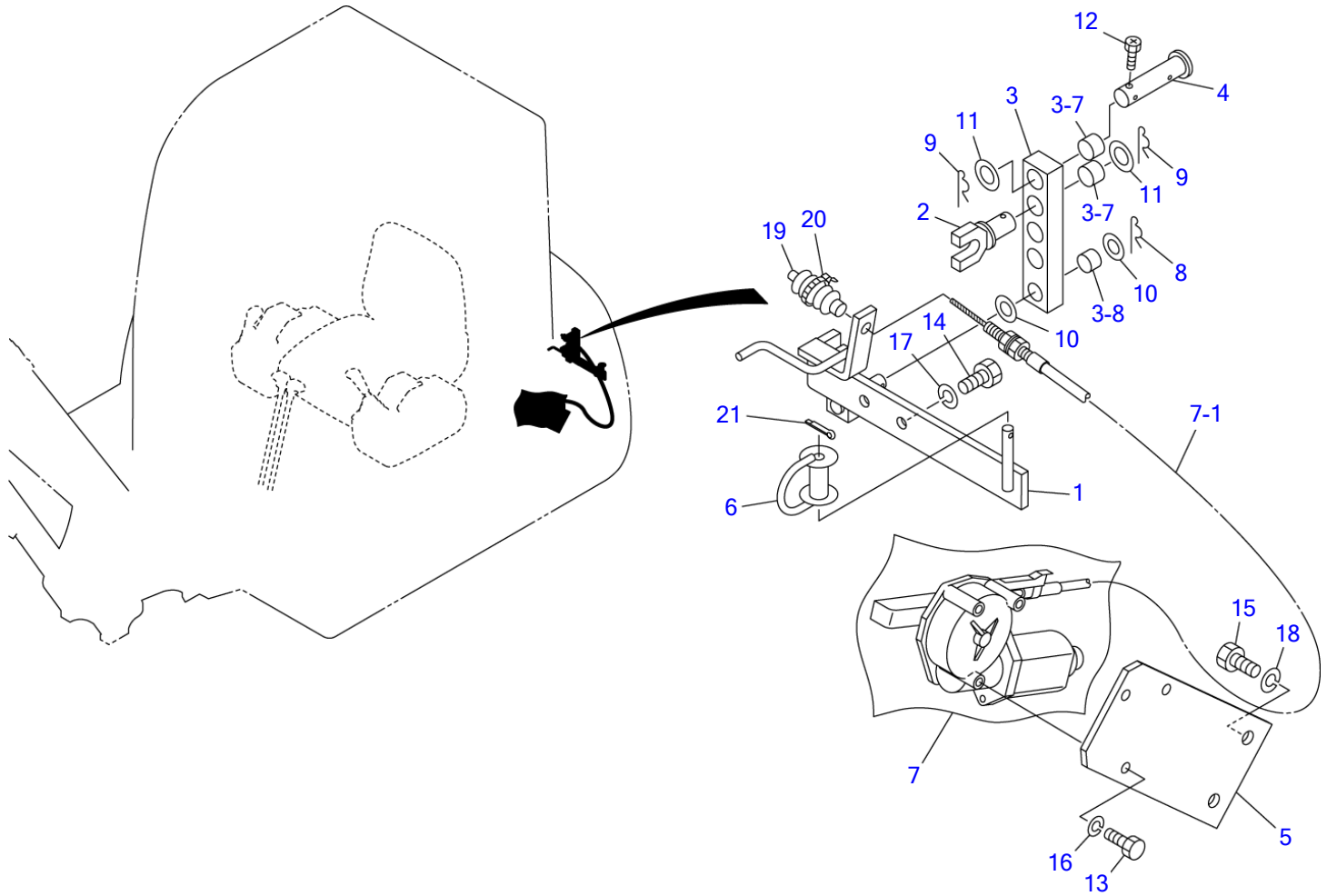


E5C140

S=1/5

ENGINE CONTROL (12514526-)

Item	Part number	Description	Q'ty	Chan.	Serial No.	Serv.	Remarks
		CONTROL ASSY, engine					X03541-10000-0
1	0374104510	LEVER	1				
2	0374104200	PLATE	1				
3	0374102040	WIRE	1				
5	1141110008	WASHER	1				
6	1141550018	WASHER	1				
7	0007900020	PIN	2				
9	1224010006	E-RING	2				
10	1225120018	WASHER, conical	2				
11	1650132050	GRIP	1				
12	1110040510	SCREW, cap	2				
13	1100040825	BOLT	1				
14	1100041020	BOLT	2				
15	1130040008	NUT	1				
16	1532208015	PROTECTOR	1				
17	1130640018	NUT	1				
18	1140020010	WASHER, spring	2				
19	1652060035	BUSHING	1				
21	0334120100	BOOT	1				
22	0064111700	NUT	1				
	E5c140						

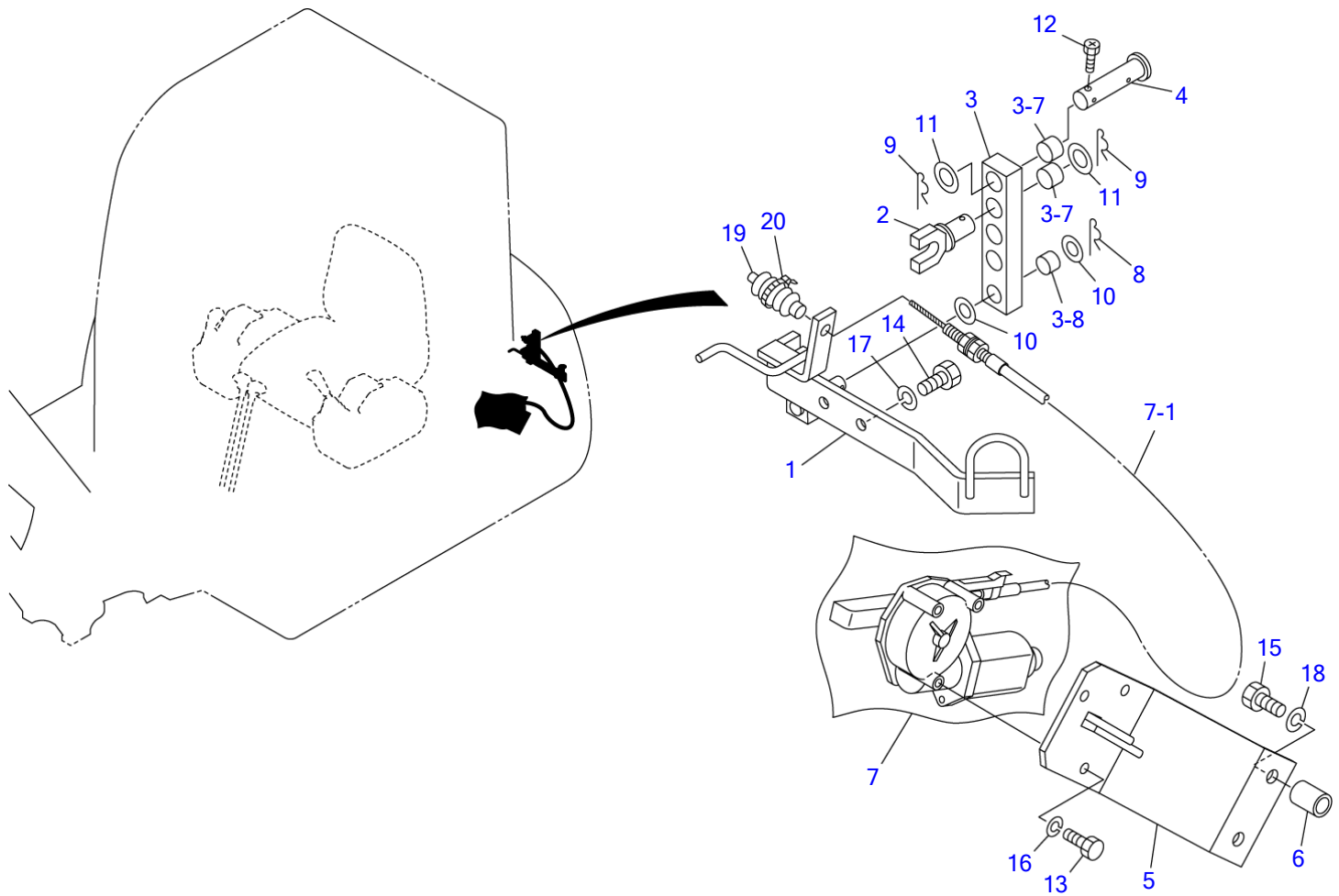


G4C072

S=1/5, 1/25

DECEL. UNIT (12510009-12514525)

Item	Part number	Description	Q'ty	Chan.	Serial No.	Serv.	Remarks
		UNIT ASSY, decel.					X03741-03000-1
1	0374103040	BRACKET	1				
2	0434107200	BRACKET	1				
3	0434107300	LEVER	1				
3-7	1333001415	• BUSHING	2				
3-8	1333001215	• BUSHING	1				
4	0374103020	PIN	1				
5	0374103030	BRACKET	1				
6	0374103050	GUIDE	1				
7	1910087166	MOTOR, decel.	1				Y119032-77910
7-1	1910087167	• WIRE	1				
8	1214000012	PIN, snap	1				
9	1214000014	PIN, snap	2				
10	1141210012	WASHER	2				
11	1141210014	WASHER	2				
12	1105090510	BOLT	1				
13	1100040616	BOLT	3				
14	1100040820	BOLT	2				
15	1100041025	BOLT	2				
16	1140020006	WASHER, spring	3				
17	1140020008	WASHER, spring	2				
18	1140020010	WASHER, spring	2				
19	0007900014	BOOT	1				
20	1652201004	BAND	1				
21	1210010220	PIN, split	1				
	G4c072						



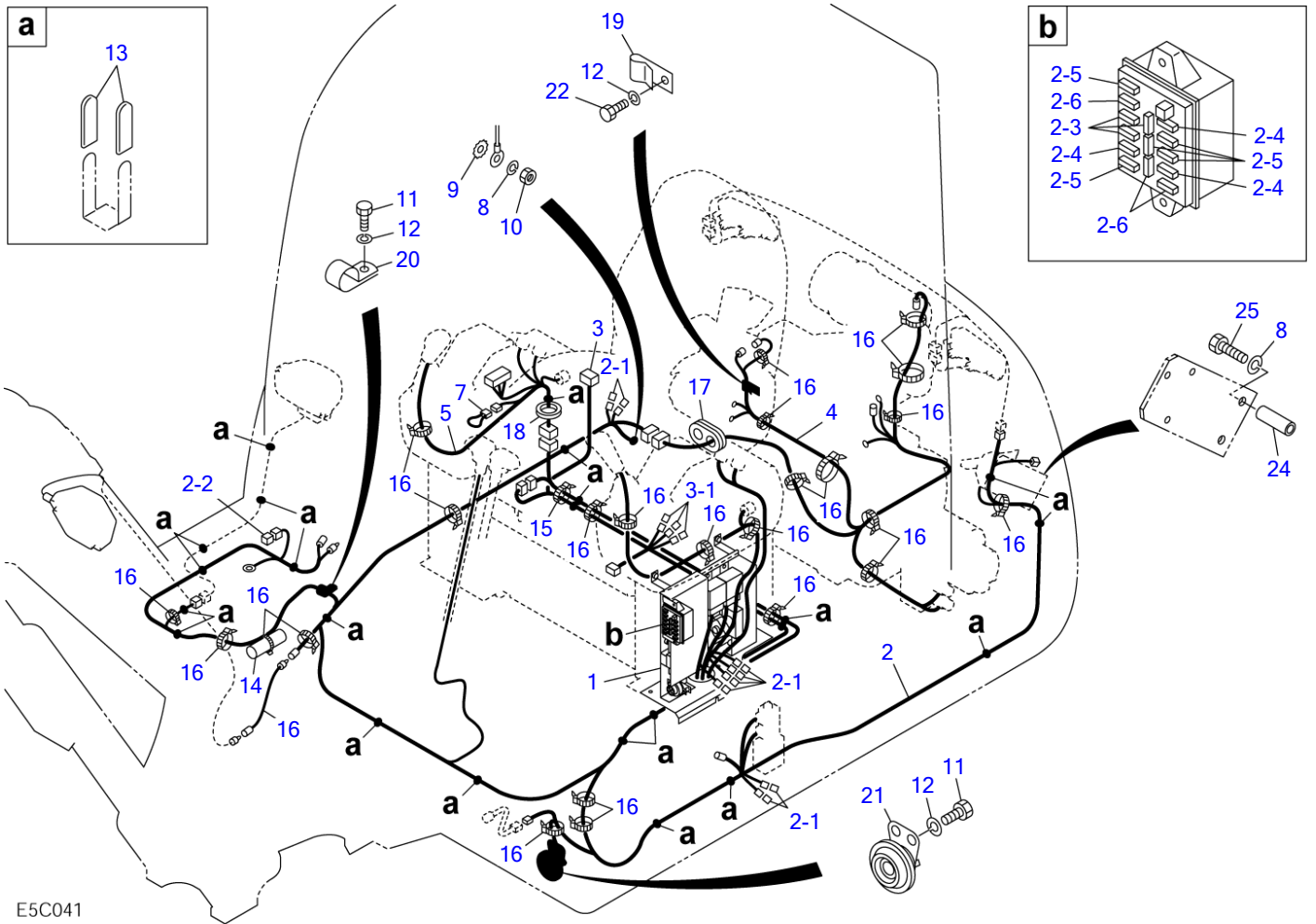
E5C150

S=1/5, 1/25

DECEL. UNIT (12514526-)

Item	Part number	Description	Q'ty	Chan.	Serial No.	Serv.	Remarks
		UNIT ASSY, decel.					X03541-11000-0
1	0354111010	BRACKET	1				
2	0434107200	BRACKET	1				
3	0434107300	LEVER	1				
3-7	1333001415	· BUSHING	2				
3-8	1333001215	· BUSHING	1				
4	0374103020	PIN	1				
5	0394108620	BRACKET	1				
6	0394211020	COLLAR	2				
7	1910087166	MOTOR, decel.	1				Y119032-77910
7-1	1910087167	· WIRE	1				
8	1214000012	PIN, snap	1				
9	1214000014	PIN, snap	2				
10	1141210012	WASHER	2				
11	1141210014	WASHER	2				
12	1105090510	BOLT	1				
13	1100040616	BOLT	3				
14	1100040820	BOLT	2				
15	1100041045	BOLT	2				
16	1140020006	WASHER, spring	3				
17	1140020008	WASHER, spring	2				
18	1140020010	WASHER, spring	2				
19	0007900014	BOOT	1				
20	1652201004	BAND	1				
	E5c150						

TB125 Book No. BE5Z010 S/N 12510009-
ELECTRICAL (1/2) (12510009-12510038)



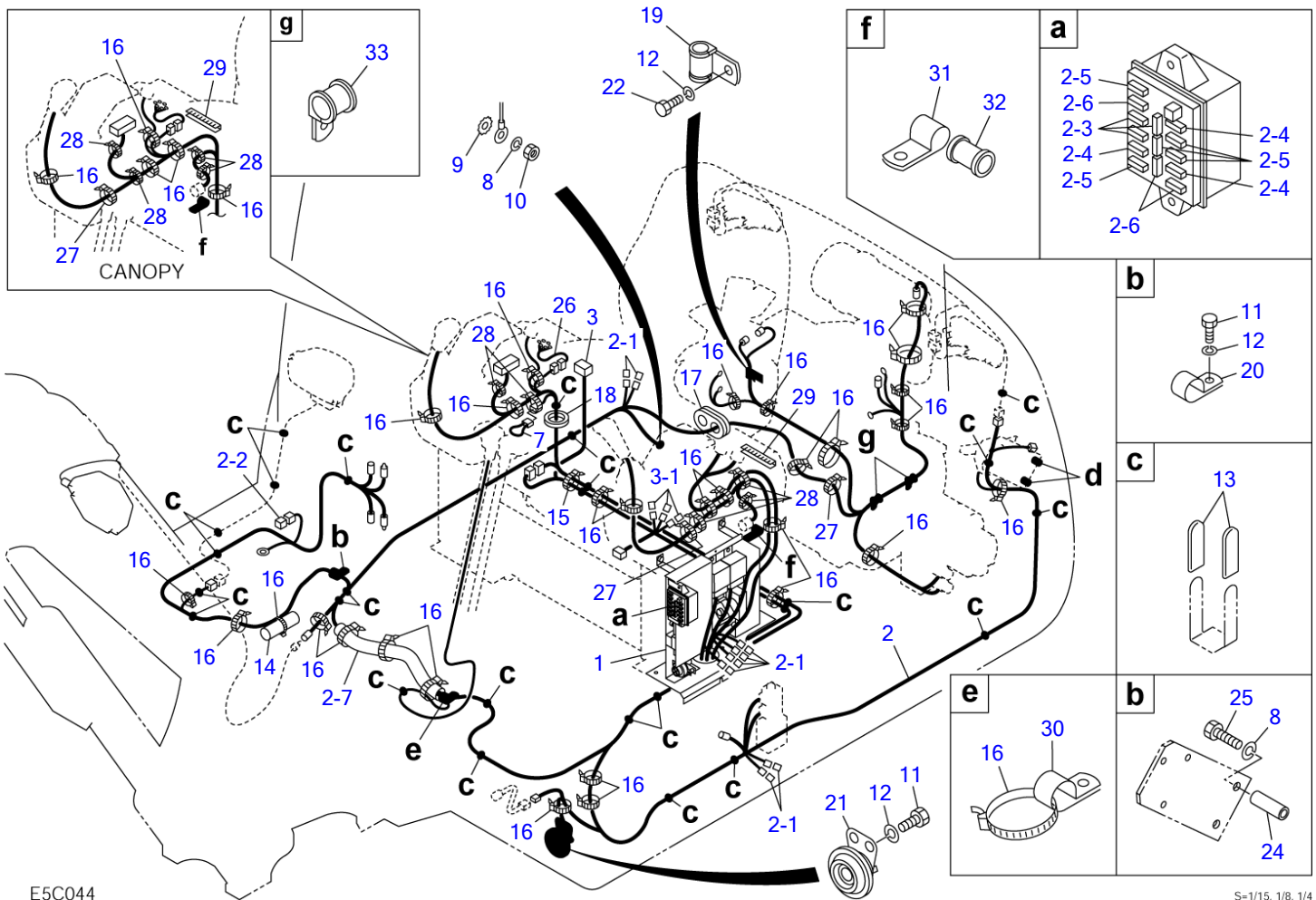
E5C041

S=1/15, 1/8, 1/4

ELECTRICAL (1/2) (12510009-12510038)

Item	Part number	Description	Q'ty	Chan.	Serial No.	Serv.	Remarks
		ELECTRICAL ASSY (cab)					X03542-18000-0
		ELECTRICAL ASSY (canopy)					X03542-17000-0
1	0354217100	UNIT, control	1				see page (2/2)
2	0354217200	HARNESS, wiring	1				
2-1	1730500008	• DIODE (3A, yellow)	8				
2-2	1701330065	• FUSE	1				65A
2-3	1701310010	• FUSE	3				10A
2-4	1701310015	• FUSE	3				15A
2-5	1701310020	• FUSE	5				20A
2-6	1701310030	• FUSE	3				30A
3	0354217300	HARNESS, wiring	1				cab
3-1	1730500008	• DIODE (3A, yellow)	3				
4	0354217400	HARNESS, wiring	1				
5	0354217500	HARNESS, wiring	1				
7	0334230400	CONNECTOR	1				cab
8	1140020010	WASHER, spring	3				
9	1140330010	WASHER	1				
10	1130040010	NUT	1				
11	1100040816	BOLT	3				
12	1140020008	WASHER, spring	4				
13	0872433150	CLAMP	50				
14	0374205010	GUARD	1				
15	1652201007	BAND	1				
16	1652231250	BAND	26				cab
	1652231250	BAND	23				canopy
17	0337017300	GUARD	1				
18	1652060063	GROMMET	1				
19	0007300023	CLAMP	1				
20	0007300050	CLAMP	1				
21	1703500612	HORN	1				
22	1100040812	BOLT	1				
24	0354216010	COLLAR	2				
25	1100041070	BOLT	2				
	E5c041						

TB125 Book No. BE5Z010 S/N 12510009-
ELECTRICAL (1/2) (12510039-12514525)



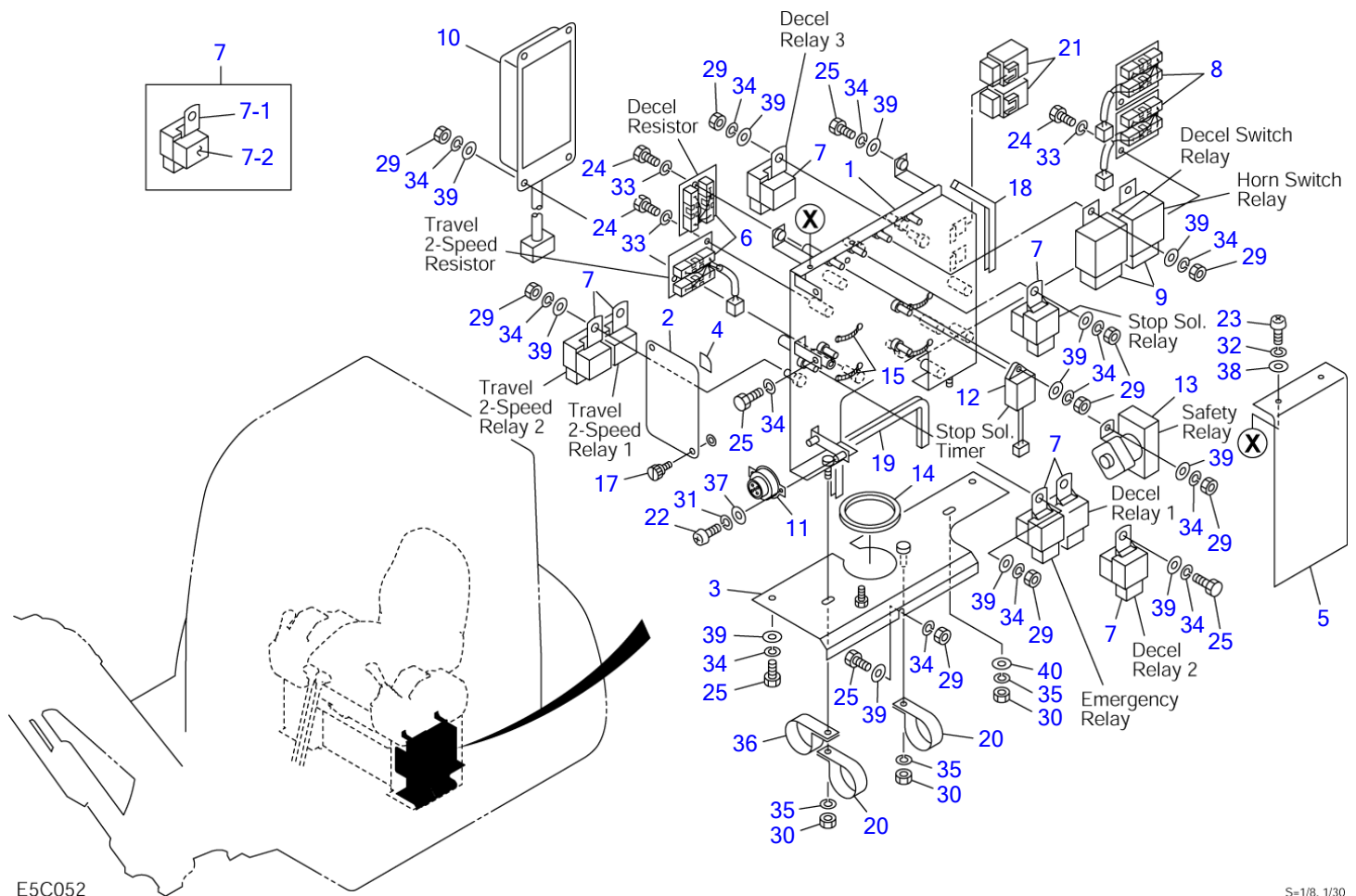
E5C044

S-1/15, 1/8, 1/4

ELECTRICAL (1/2) (12510039-12514525)

Item	Part number	Description	Q'ty	Chan.	Serial No.	Serv.	Remarks
		ELECTRICAL ASSY (cab)					X03542-18000-9
		ELECTRICAL ASSY (canopy)					X03542-17000-9
1	X *****	UNIT, control (X03542-17100)	1				see page (2/2)
2	0374205500	HARNES, wiring	1				
2-1	1730500008	• DIODE (3A, yellow)	8				
2-2	1701330065	• FUSE	1				65A
2-3	1701310010	• FUSE	3				10A
2-4	1701310015	• FUSE	3				15A
2-5	1701310020	• FUSE	5				20A
2-6	1701310030	• FUSE	3				30A
2-7	1531335020	• PROTECTOR	1				sold by the meter
3	0354217300	HARNES, wiring	1				cab
3-1	1730500008	• DIODE (3A, yellow)	3				
7	0334230400	CONNECTOR	1				cab
8	1140020010	WASHER, spring	3				
9	1140330010	WASHER	1				
10	1130040010	NUT	1				
11	1100040816	BOLT	3				
12	1140020008	WASHER, spring	4				
13	0872433150	CLAMP	54				
14	0374205010	GUARD	1				
15	1652201007	BAND	1				
16	1652231250	BAND	32				cab
	1652231250	BAND	31				canopy
17	0337017300	GUARD	1				
18	1652060063	GROMMET	1				
19	1652900007	CLAMP	1				
20	0007300050	CLAMP	1				
21	1703500612	HORN	1				
22	1100040812	BOLT	1				
24	0354216010	COLLAR	2		12510039~12512185		
	0354217010	COLLAR	2	(H)	12512186~		
25	1100041070	BOLT	2		12510039~12512185		
	1100041095	BOLT	2		12512186~		
26	0374205600	HARNES, wiring	1				
27	1652241400	BAND	3				canopy
	1652241400	BAND	2				cab
28	1652201005	BAND	4				cab
29	1653917009	TRIM (cab)	1				cab
	1653917009	TRIM (canopy)	2				canopy
30	0007300003	CLAMP	1				
31	0007300001	CLAMP	2		12512186~		
32	0868423862	GROMMET	2		12512186~		
33	1711900076	CLAMP	2		12513878~		
	E5c045						

TB125 Book No. BE5Z010 S/N 12510009-
ELECTRICAL (2/2) (12510009-12514525)



E5C052

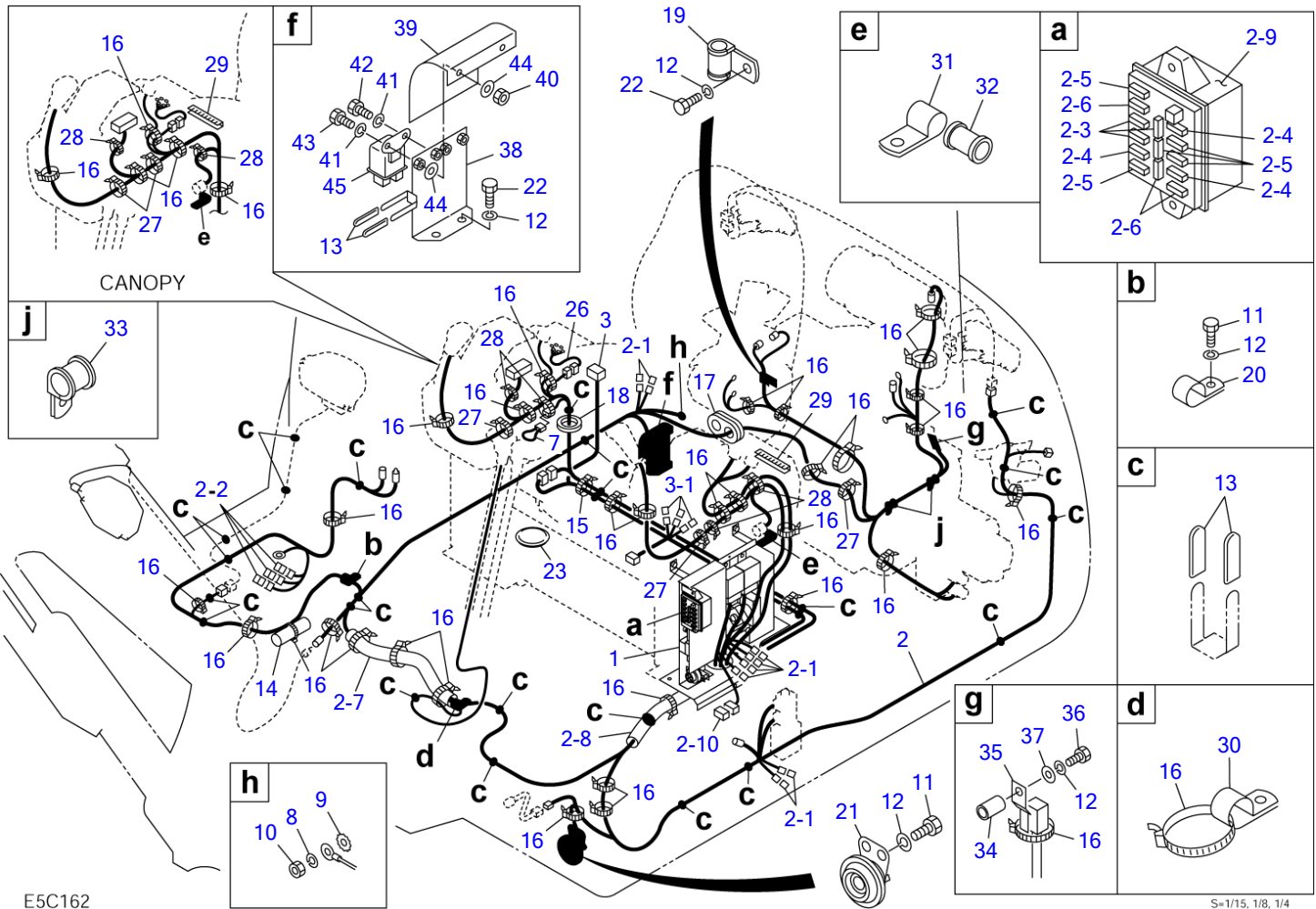
S=1/8, 1/30

ELECTRICAL (2/2) (12510009-12514525)

Item	Part number	Description	Q'ty	Chan.	Serial No.	Serv.	Remarks
0-1	X 0354217100	UNIT, control	1				X03542-17100-4
1	0354217150	• PLATE	1				
2	0374205140	• COVER	1				
3	0394213130	• COVER	1				
4	0374205150	• RUBBER	2				
5	0394213150	• RUBBER	1				
6	0334230120	• RESISTOR	2				
7	0334230130	• RELAY ASSY	7				
7-1	1711900042	• • RELAY	1				
7-2	1654302003	• • SPONGE	1				sold by the meter
8	0374203120	• RESISTOR	2				
9	1711900062	• RELAY	2				
10	1730140660	• CONTROLER	1				
11	1730140680	• BUZZER	1				
12	1910095116	• UNIT, timer	1	(L)	old type		,x119632-77920
	1910150118	• UNIT, timer	1	(H)	new type		,x129211-77920
13	1910080106	• RELAY	1				Y129136-77100
14	1653916023	• TRIM	1				sold by the meter
15	1652231250	• BAND	4				
17	1652711698	• SCREW	2				
18	1653916020	• SEAL	1				sold by the meter
19	1653916029	• SEAL	1				sold by the meter
20	0007300030	• CLAMP	2				
21	1730500010	• UNIT, diode	2				
22	1120530310	• SCREW	2				
23	1120530410	• SCREW	2				
24	1100040510	• BOLT	8				
25	1100040616	• BOLT	8				
29	1130040006	• NUT	16				
30	1130040008	• NUT	3				
31	1140020003	• WASHER, spring	2				
32	1140020004	• WASHER, spring	2				
33	1140020005	• WASHER, spring	8				
34	1140020006	• WASHER, spring	23				
35	1140020008	• WASHER, spring	3				
36	0007300003	• CLAMP	1				
37	1141110003	• WASHER	2				
38	1141110004	• WASHER	2				
39	1141110006	• WASHER	21				
40	1141110008	• WASHER	1				

E5c053

TB125 Book No. BE5Z010 S/N 12510009-
ELECTRICAL (1/2) (12514526-)



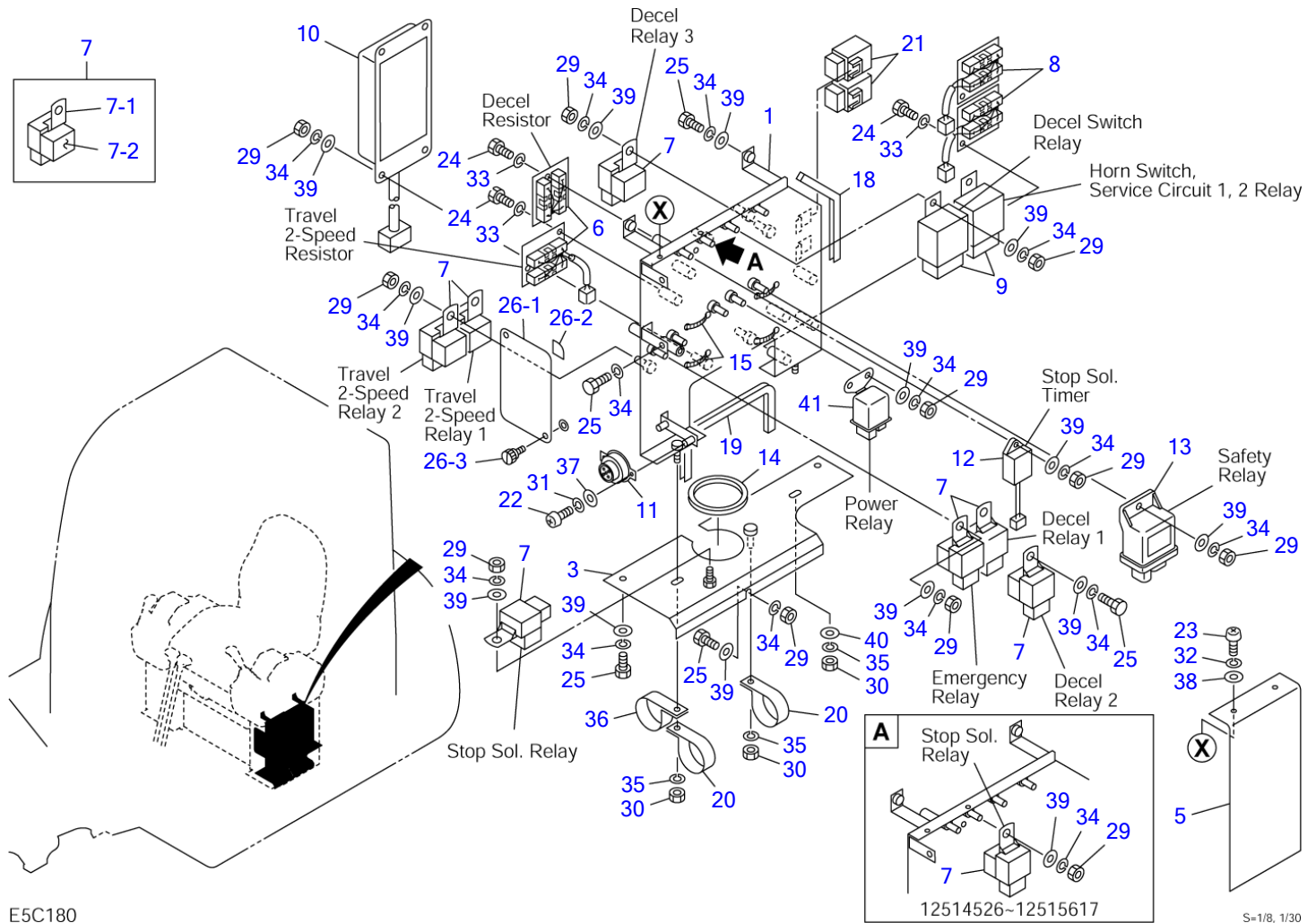
E5C162

S=1/16, 1/8, 1/4

ELECTRICAL (1/2) (12514526-)

Item	Part number	Description	Q'ty	Chan.	Serial No.	Serv.	Remarks
		ELECTRICAL ASSY (cab)					X03542-22500-0
		ELECTRICAL ASSY (canopy)					X03542-22600-0
1	X *****	UNIT, control (X03742-09300-1)	1		12514526~12515617		see page (2/2)
	X *****	UNIT, control (X03742-14200-0)	1		12515618~		see page (2/2)
2	0374209200	HARNES, wiring	1		12514526~12515617		
	0374214300	HARNES, wiring	1		12515618~		
2-1	1730500008	• DIODE (3A, yellow)	9				
2-2	1701330045	• LINK, fusible	3				45A
2-3	1701310010	• FUSE	3				10A
2-4	1701310015	• FUSE	3				15A
2-5	1701310020	• FUSE	5				20A
2-6	1701310030	• FUSE	3				30A
2-7	1531335050	• PROTECTOR	1				sold by the meter
2-8	1531335035	• PROTECTOR	1				sold by the meter
2-9	1701200002	• BOX, fuse	1				
2-10	0394221010	• CONNECTOR	1		12515618~		
3	0394214600	HARNES, wiring	1				cab
3-1	1730500008	• DIODE (3A, yellow)	3				
7	0334230400	CONNECTOR	1				cab
8	1140020010	WASHER, spring	1				
9	1140330010	WASHER	1				
10	1130040010	NUT	1				
11	1100040816	BOLT	3				
12	1140020008	WASHER, spring	6				
13	0872433150	CLAMP	54				
14	0374205010	GUARD	1				
15	1652201007	BAND	1				
16	1652231250	BAND	30				
17	0337017300	GUARD	1				
18	1652060063	BUSHING	1				
19	1652900007	CLAMP	1				
20	0007300050	CLAMP	1				
21	1703500712	HORN	1				
22	1100040812	BOLT	3				
23	1652060085	BUSHING	1				
26	0374205600	HARNES, wiring	1				
27	1652241400	BAND	2				cab
	1652241400	BAND	3				canopy
28	1652201005	BAND	4				
29	1653917009	TRIM (cab)	1				sold by the meter
	1653917009	TRIM (canopy)	2				sold by the meter
30	0007300003	CLAMP	1				
31	0007300001	CLAMP	2				canopy
	0007300001	CLAMP	1				cab
32	0868423862	GROMMET	2				canopy
	0868423862	GROMMET	1				cab
33	1711900076	CLAMP	2				
34	0354222010	COLLAR	1				
35	1711900064	CLIP	1				
36	1100040840	BOLT	1				
37	1141110008	WASHER	1				
38	0374209010	BRACKET	1				
39	0374209020	COVER, relay	1				
40	1130040006	NUT	2				
41	1140020006	WASHER, spring	4				
42	1100040612	BOLT	2				
43	1100040620	BOLT	2				
44	1141110006	WASHER	4				
45	1910161119	RELAY	2				Y119646-77900
	E5c162						

TB125 Book No. BE5Z010 S/N 12510009-
ELECTRICAL (2/2) (12514526-)



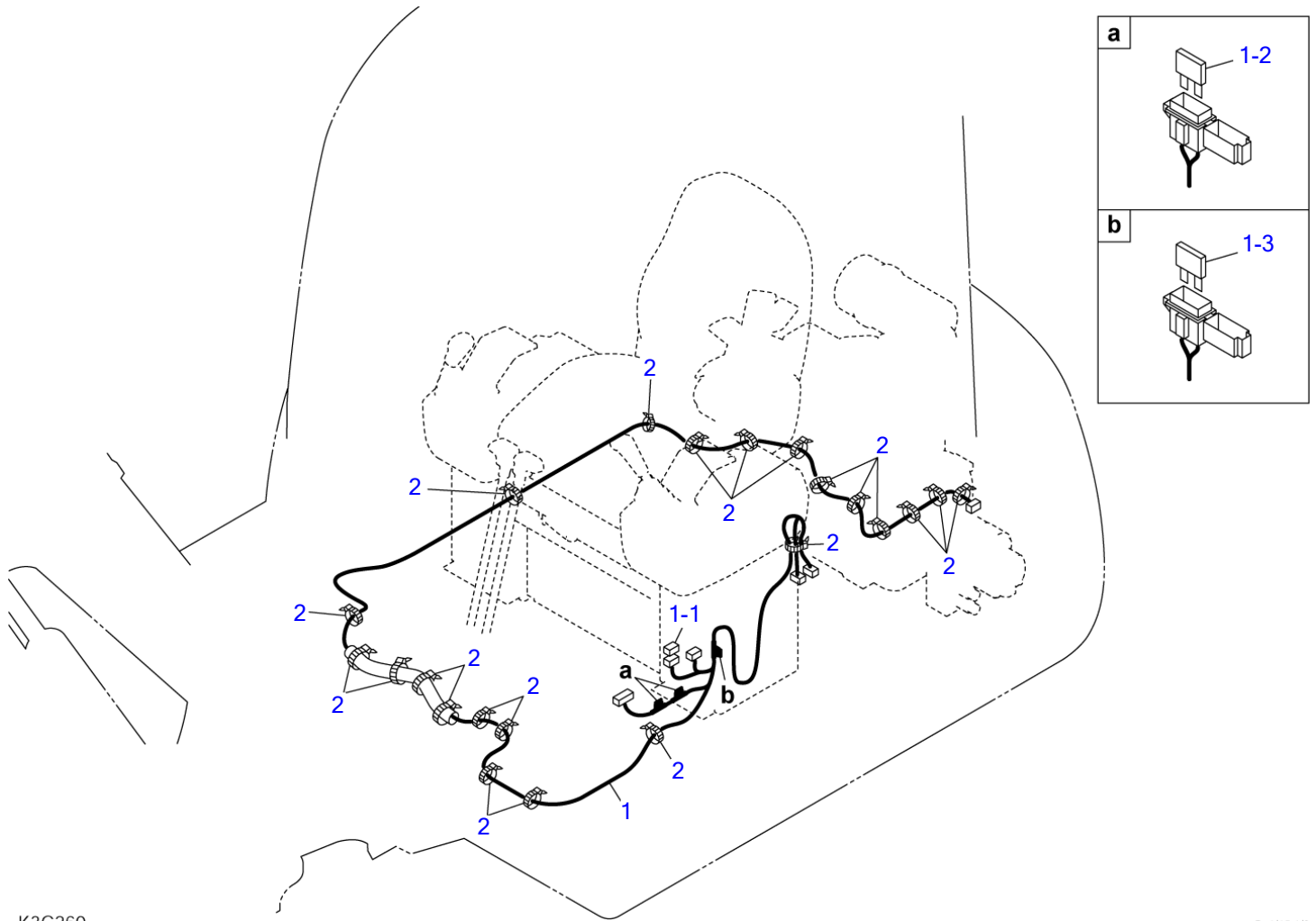
E5C180

S=1/8, 1/30

ELECTRICAL (2/2) (12514526-)

Item	Part number	Description	Q'ty	Chan.	Serial No.	Serv.	Remarks
0-1	X *****	UNIT, control	1		12514526~12515617		X03742-09300-1
	X *****	UNIT, control	1		12515618~		X03742-14200-1
1	0394214500	• PLATE	1		12514526~12515617		
	0394220800	• PLATE	1		12515618~		
3	0394213130	• COVER	1				
5	0394213150	• RUBBER	1				
6	0334230120	• RESISTOR	2				
7	0334230130	• RELAY ASSY	7		12514526~12515617		
	0394221200	• RELAY ASSY	7		12515618~		
7-1	1711900042	• • RELAY	1		12514526~12515617		
	1711900124	• • RELAY	1		12515618~		
7-2	1654302003	• • SPONGE	1				sold by the meter
8	0374203120	• RESISTOR	2				
9	1711900062	• RELAY	2				
10	1730140910	• CONTROLER	1				
11	1730140680	• BUZZER	1				
12	1910150118	• UNIT, timer	1				,x129211-77920
13	1910181106	• RELAY	1				Y119802-77200
14	1653916023	• TRIM	1				sold by the meter
15	1652231250	• BAND	4				
18	1653916020	• SEAL	1				sold by the meter
19	1653916029	• SEAL	1				sold by the meter
20	0007300030	• CLAMP	2				
21	1730500010	• UNIT, diode	2				
22	1120530310	• SCREW	2				
23	1120530410	• SCREW	2				
24	1100040510	• BOLT	8				
25	1100040616	• BOLT	9				
26	0374205610	• COVER ASSY	1				
26-1	0374205140	• • COVER	1				
26-2	0374205150	• • RUBBER	2				
26-3	1652711698	• • SCREW	2				
29	1130040006	• NUT	16				
30	1130040008	• NUT	3				
31	1140020003	• WASHER, spring	2				
32	1140020004	• WASHER, spring	2				
33	1140020005	• WASHER, spring	8				
34	1140020006	• WASHER, spring	25				
35	1140020008	• WASHER, spring	3				
36	0007300003	• CLAMP	1				
37	1141110003	• WASHER	2				
38	1141110004	• WASHER	2				
39	1141110006	• WASHER	22				
40	1141110008	• WASHER	1				
41	1910161119	• RELAY	1		12515618~		Y119646-77900

E5c181



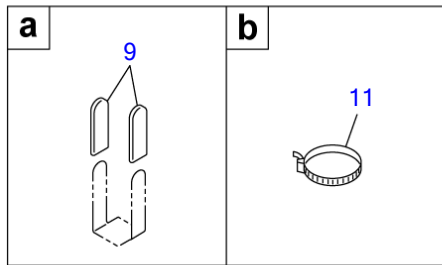
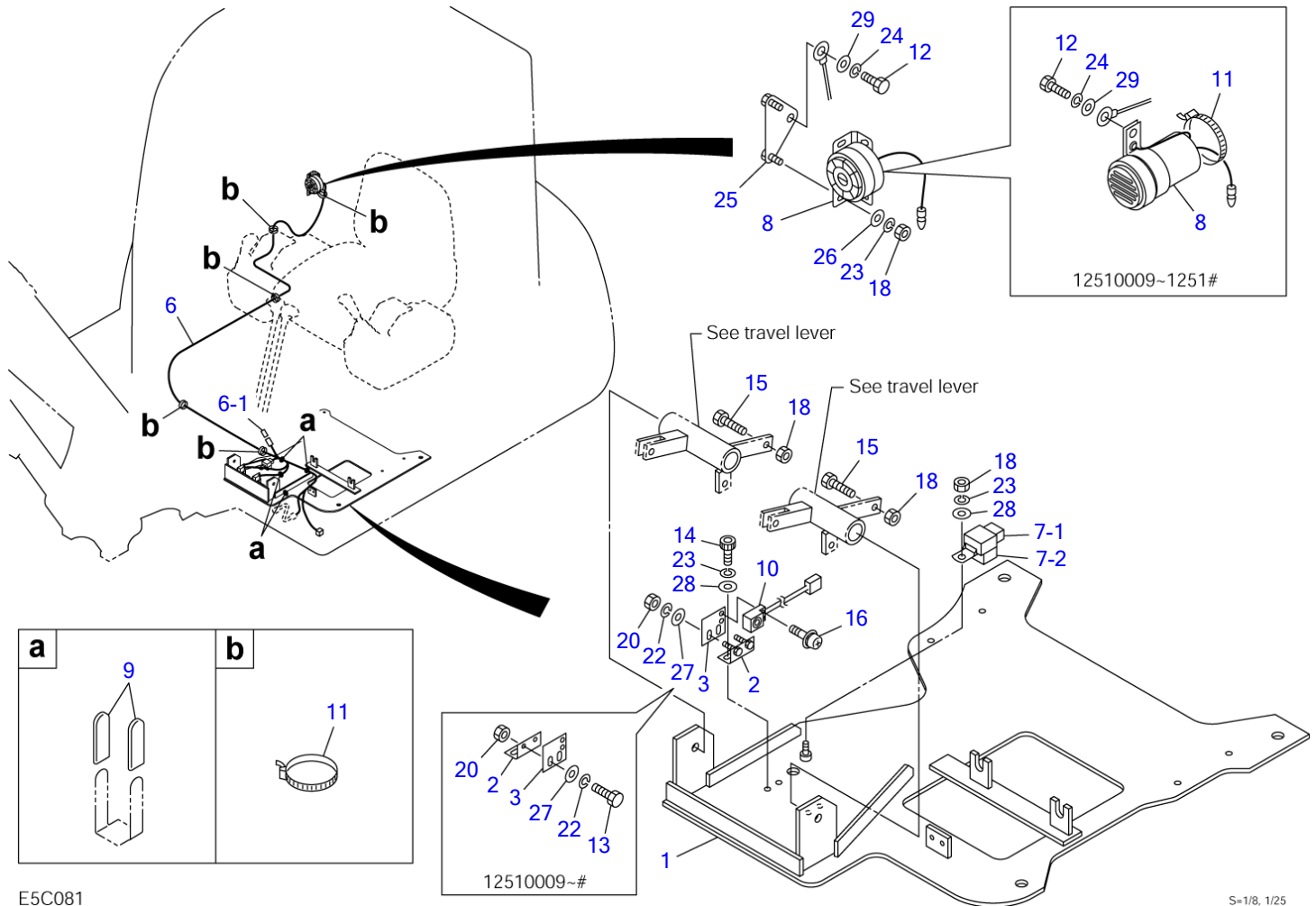
K3C260

S=1/15, 1/8

ELECTRICAL (for KOSRAN)

Item	Part number	Description	Q'ty	Chan.	Serial No.	Serv.	Remarks
0	0374214600	ELECTRICAL ASSY (for KOSRAN)	1			M	X03742-14600-0
1	0374214610	▪ HARNESS ASSY, wiring	1			M	
1-1	0394224120	▪ ▪ CONNECTOR, short	1			M	
1-2	1701310005	▪ ▪ FUSE (5A)	2			M	
1-3	1701310002	▪ ▪ FUSE (2A)	1			M	
2	1652231250	▪ BAND	25			M	
	G4c280						

TB125 Book No. BE5Z010 S/N 12510009-
TRAVEL ALARM



E5C081

S=1/8, 1/25

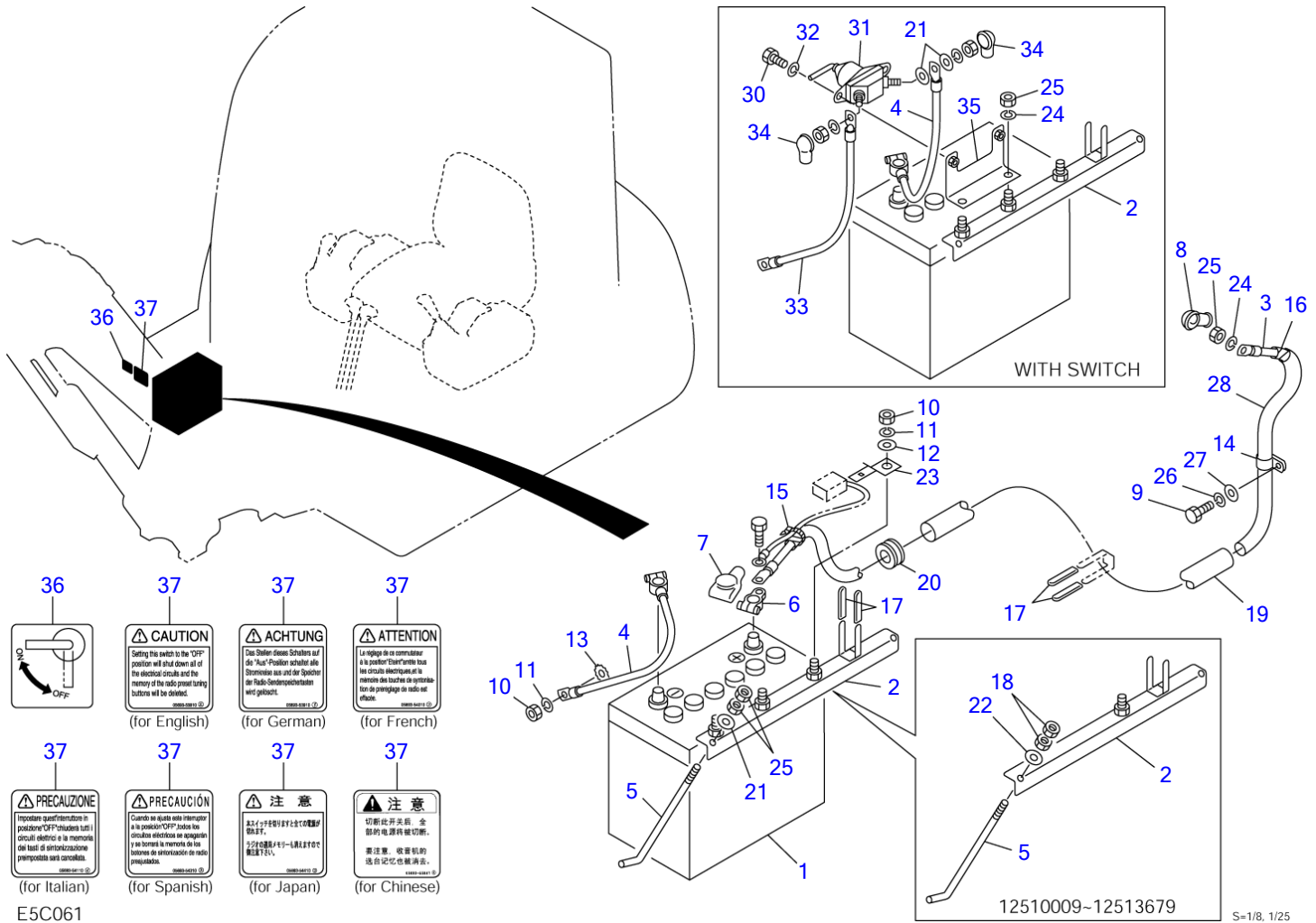
TRAVEL ALARM

Item	Part number	Description	Q'ty	Chan.	Serial No.	Serv.	Remarks
		TRAVEL ALARM ASSY					X03742-07000-9
1	0374207100	BACKET	1		12510009~12510631		
	0374207150	BACKET	1	(H)	12510632~1251#		
2	0374207200	BACKET	2		12510009~12512995		
	0374207250	BACKET	2	(H)	12512996~		
3	0374207300	PLATE	2				
6	0374207600	HARNESS, wiring	1				
6-1	1730500008	· DIODE (3A, yellow)	1				
7	0334230130	RELAY ASSY	1				
7-1	1711900042	· RELAY	1				
7-2	1654302003	· SPONGE	1				
8	0354211050	BUZZER	1	A	12510009~1251#		
	1703700013	BUZZER	1	a(H)	1251#~		No23665
9	0872433150	TUBE	8				
10	1700009010	SWITCH	2				
11	1652231250	BAND	5				
12	1100040820	BOLT	1				
13	1100040514	BOLT	4		12510009~1251#		
14	1110040610	SCREW, cap	4				
15	1100040616	BOLT	2				
16	1150410312	SCREW	4				
18	1130030006	NUT	5				
20	1130030005	NUT	4				
22	1140020005	WASHER, spring	4				
23	1140020006	WASHER, spring	7				
24	1140020008	WASHER, spring	1				
25	0564228010	BACKET	1	a	1251#~		
26	0003600110	WASHER	2				
27	1141110005	WASHER	4				
28	1141110006	WASHER	5				
29	1141110008	WASHER	1				

<<NOTE>>
 "A" is interchangeable with
 SET "a".

E5c083

TB125 Book No. BE5Z010 S/N 12510009-
BATTERY (12510009-12514525)

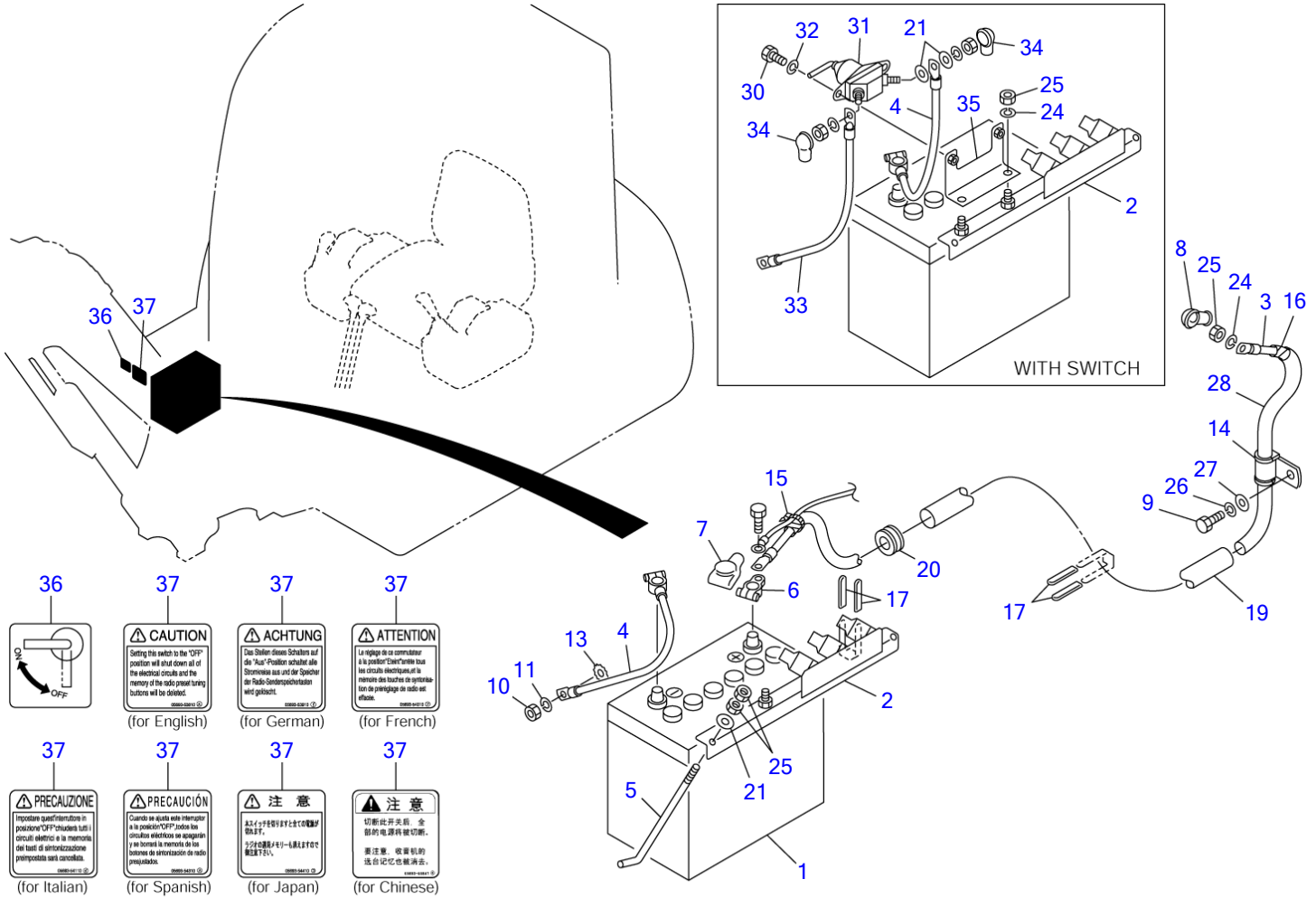


S=1/8, 1/25

BATTERY (12510009-12514525)

Item	Part number	Description	Q'ty	Chan.	Serial No.	Serv.	Remarks
		BATTERY ASSY					X03544-06000-6
		BATTERY ASSY (with switch)					X03544-06100-6
		(for English)					
		BATTERY ASSY (with switch)					X03544-06200-6
		(for German)					
		BATTERY ASSY (with switch)					X03544-06300-6
		(for French)					
		BATTERY ASSY (with switch)					X03544-06400-6
		(for Italian)					
		BATTERY ASSY (with switch)					X03544-06500-6
		(for Spanish)					
		BATTERY ASSY (with switch)					X03544-06600-6
		(for Japan)					
		BATTERY ASSY (with switch)					X03544-06700-6
		(for Chinese)					
1	1702059531	BATTERY	1		12510009~12514153		
	1702069531	BATTERY	1	(H)	12514154~		
2	0374400010	CLAMP	1		12510009~12513679		
	0354406010	CLAMP	1	(H)	12513680~		
3	1702607190	CABLE	1				
4	1702230030	CABLE	1				
5	1702106240	BOLT	2		12510009~12513679		
	1702108245	BOLT	2		12513680~		
6	1702330000	TERMINAL	1				
7	1702920060	COVER	1				
8	1910007119	COVER	1				,x08038-04030
9	1100041220	BOLT	1				
10	1130040010	NUT	2				
11	1140020010	WASHER, spring	2				
12	1141110010	WASHER	1				
13	1140330010	WASHER	1				
14	0007300002	CLAMP	1				
15	1652231140	BAND	1				
16	1703221390	TUBE	1				
17	0872433150	CLAMP	4				
18	1130040006	NUT	4		12510009~12513679		
19	1531325100	PROTECTOR	1				sold by the meter
20	0437200100	GUARD	1				
21	1141110008	WASHER	2		12513680~		
	1141110008	WASHER	4		12513680~		with switch
22	1141110006	WASHER	2		12510009~12513679		
23	1711900064	CLIP	1				
24	1140020008	WASHER, spring	1				
	1140020008	WASHER, spring	3				with switch
25	1130040008	NUT	1		12510009~12513679		
	1130040008	NUT	5		12513680~		
	1130040008	NUT	7		12513680~		with switch
26	1140020012	WASHER, spring	1				
27	1141110012	WASHER	1				
28	1531325025	PROTECTOR	1				sold by the meter
30	1100040620	BOLT	2				with switch
31	1700100051	SWITCH	1				with switch
32	1140020006	WASHER, spring	2				with switch
33	1702531040	CABLE, earth	1				with switch
34	1702901281	CAP	2				with switch
35	0394404120	PLATE	1				with switch
36	0399351210	DECAL	1				with switch
37	0569353810	DECAL (English)	1				with switch
	0569353910	DECAL (German)	1				with switch
	0569354010	DECAL (French)	1				with switch
	0569354110	DECAL (Italian)	1				with switch
	0569354310	DECAL (Spanish)	1				with switch
	0569354410	DECAL (Japan)	1				with switch
	0569355847	DECAL (Chinese)	1				with switch

E5c064

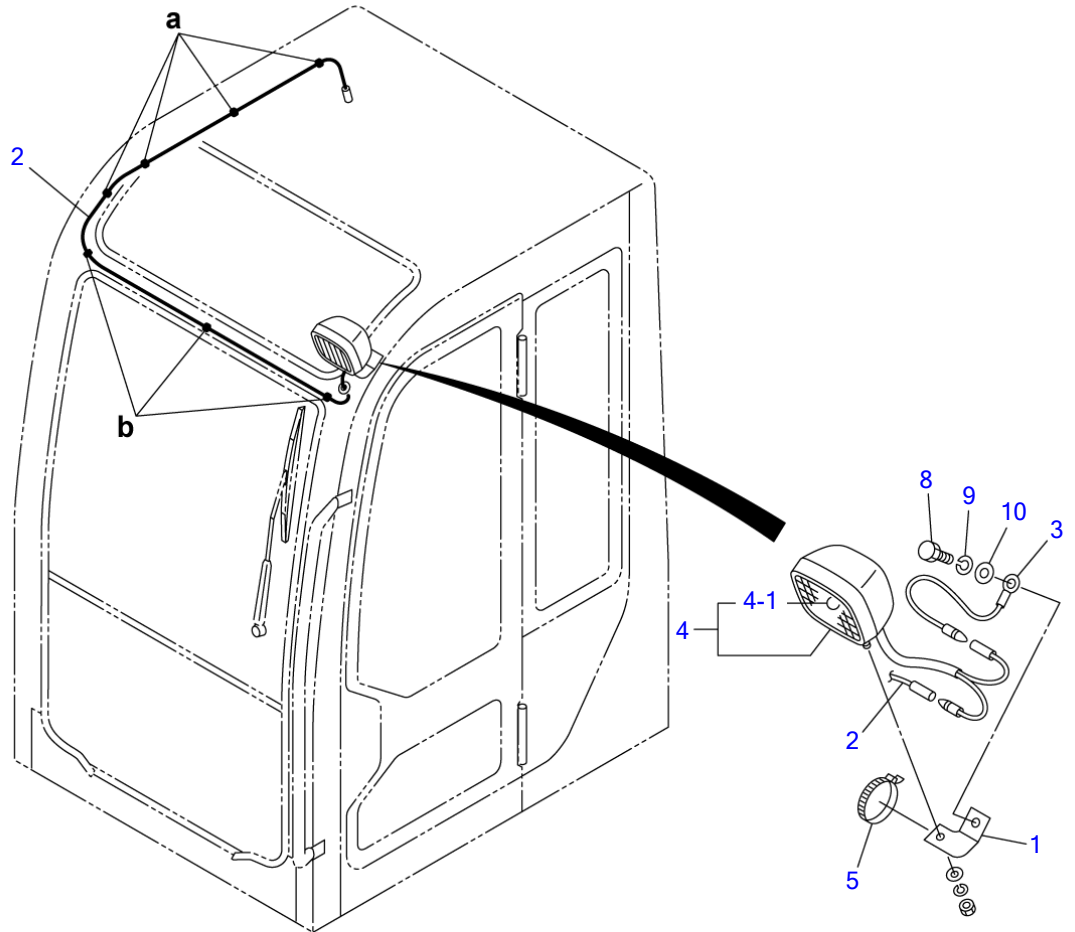
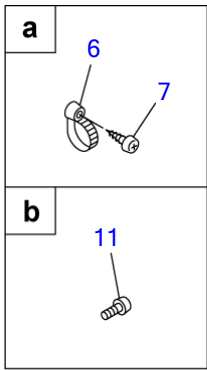


E5C170

S=1/8, 1/25

BATTERY (12514526-)								
Item	Part number	Description	Q'ty	Chan.	Serial No.	Serv.	Remarks	
		BATTERY ASSY					X03544-10000-1	
		BATTERY ASSY (with switch) (for English)					X03544-10100-1	
		BATTERY ASSY (with switch) (for German)					X03544-10200-1	
		BATTERY ASSY (with switch) (for French)					X03544-10300-1	
		BATTERY ASSY (with switch) (for Italian)					X03544-10400-1	
		BATTERY ASSY (with switch) (for Spanish)					X03544-10500-1	
		BATTERY ASSY (with switch) (for Japan)					X03544-10600-1	
		BATTERY ASSY (with switch) (for Chinese)					X03544-10700-1	
1	1702069531	BATTERY	1					
2	0374401110	CLAMP	1					
3	1702607190	CABLE	1					
4	1702230030	CABLE	1					
5	1702108245	BOLT	2					
6	1702330000	TERMINAL	1					
7	1702920060	COVER	1					
8	1910007119	COVER	1					,x08038-04030
9	1100041220	BOLT	1					
10	1130040010	NUT	1					
11	1140020010	WASHER, spring	1					
13	1140330010	WASHER	1					
14	1711900122	CLAMP	1					
15	1652231140	BAND	1					
16	1703221390	TUBE	1					
17	0872433150	CLAMP	4					
19	1531325100	PROTECTOR	1					sold by the meter
20	0437200100	GUARD	1					
21	1141110008	WASHER	2					
	1141110008	WASHER	4					with switch
24	1140020008	WASHER, spring	1					
	1140020008	WASHER, spring	3					with switch
25	1130040008	NUT	5					
	1130040008	NUT	7					with switch
26	1140020012	WASHER, spring	1					
27	1141110012	WASHER	1					
28	1531325025	PROTECTOR	1					sold by the meter
30	1100040620	BOLT	2					with switch
31	1700100051	SWITCH	1					with switch
32	1140020006	WASHER, spring	2					with switch
33	1702531040	CABLE, earth	1					with switch
34	1702901281	CAP	2					with switch
35	0394404120	PLATE	1					with switch
36	0399351210	DECAL	1					with switch
37	0569353810	DECAL (English)	1					with switch
	0569353910	DECAL (German)	1					with switch
	0569354010	DECAL (French)	1					with switch
	0569354110	DECAL (Italian)	1					with switch
	0569354310	DECAL (Spanish)	1					with switch
	0569354410	DECAL (Japan)	1					with switch
	0569355847	DECAL (Chinese)	1					with switch
	E5c171							

TB125 Book No. BE5Z010 S/N 12510009-
CAB WORKING LIGHT

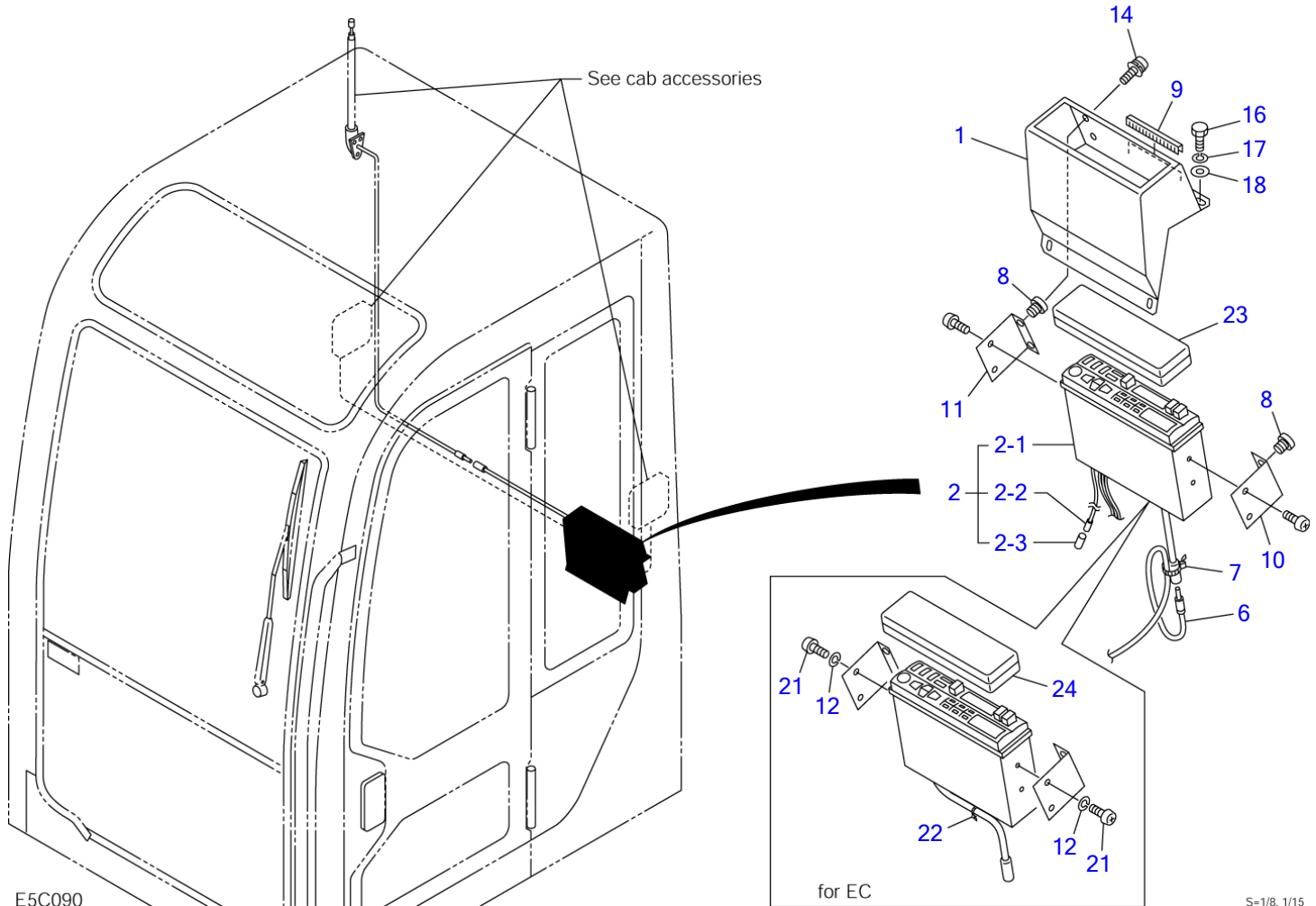


G4C160

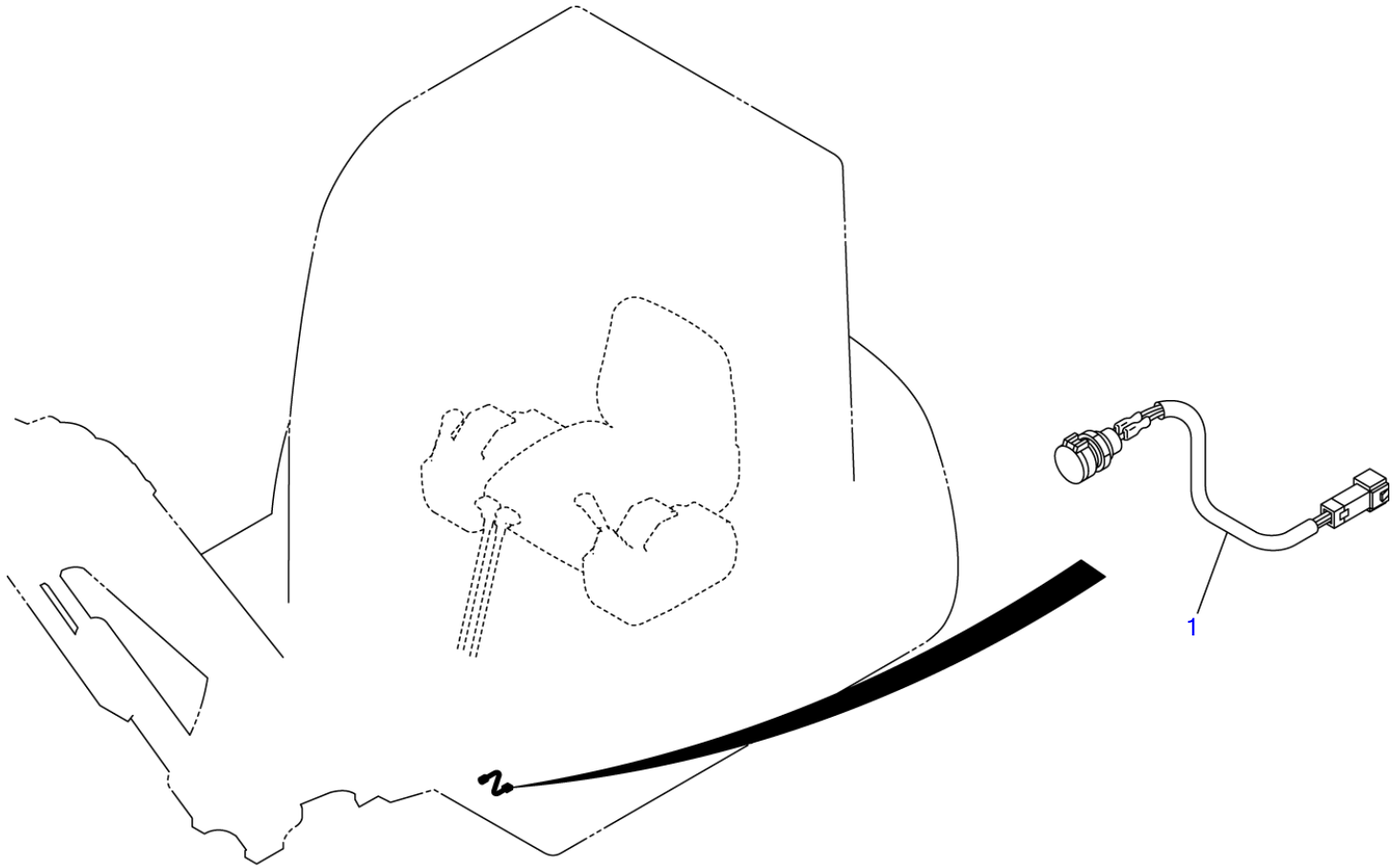
S=1/10, 1/17

CAB WORKING LIGHT

Item	Part number	Description	Q'ty	Chan.	Serial No.	Serv.	Remarks
		LIGHT ASSY, cab working					X03742-08000-0
1	0334241510	BRACKET	1				
2	0374208010	HARNESS, wiring	1				
3	0336021400	HARNESS, wiring	1				
4	1703006000	LAMP ASSY	1				
4-1	1703005506	• BULB	1				
5	1652231250	BAND	1				
6	1652221050	BAND	4				
7	1122400512	SCREW	4				
8	1100031025	BOLT	1				
9	1140020010	WASHER, spring	1				
10	1140330010	WASHER	1				
11	1120590410	SCREW	3				
	G4c160						



RADIO							
Item	Part number	Description	Q'ty	Chan.	Serial No.	Serv.	Remarks
		RADIO ASSY (for EC)					X03747-03000-10
		RADIO ASSY (for U.S.A.)					X03747-04000-10
		RADIO ASSY (for JAPAN)					X03747-05000-10
1	0374703200	COVER ASSY	1				
2	X 0334704800	CASSETTE STEREO ASSY	1				for EC
	X 0334704300	CASSETTE STEREO ASSY	1				for U.S.A.
	X 0334704400	CASSETTE STEREO ASSY	1				for JAPAN
2-1	1705004500	• CASSETTE STEREO	1				for EC
	1705003700	• CASSETTE STEREO	1				for U.S.A.
	1705003800	• CASSETTE STEREO	1				for JAPAN
2-2	1702700002	• SOCKET	1				
2-3	1702700004	• SLEEV	1				
6	1705001610	JUMPER	1		12510009~12515383		
7	1652231100	BAND	1				for Japan, USA
8	1652520005	RUBBER, cushion	4				
9	1653917009	TRIM	1				sold by the meter
10	0334704600	BRACKET (L.H.)	1				
11	0334704700	BRACKET (R.H.)	1				
12	1140090005	WASHER, spring	4				for EC
14	1150410520	SCREW	4				
16	1100090616	BOLT	4				
17	1140090006	WASHER, spring	4				
18	1141190006	WASHER	4				
21	1120590510	SCREW	4				for EC
22	1652201003	BAND	1				for EC
23	1705003650	COVER	1				for Japan, USA
24	1705004550	COVER	1				for EC
	E5c093						

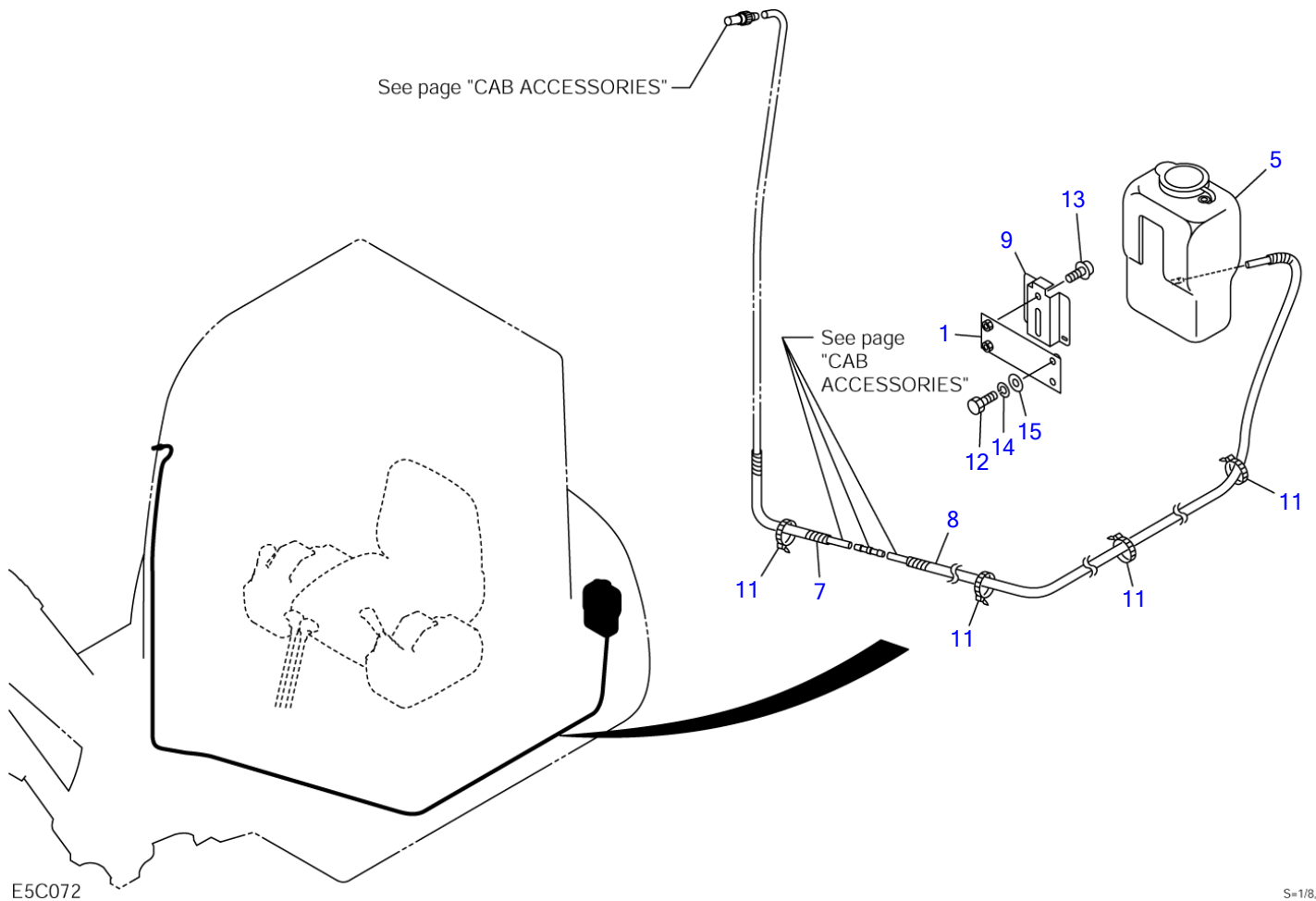


G4C120

S=1/20

MAINTENANCE LIGHT SOCKET

Item	Part number	Description	Q'ty	Chan.	Serial No.	Serv.	Remarks
1	0394203100 G4c120	SOCKET ASSY, maintenance light SOCKET ASSY	1				X03942-03000-0

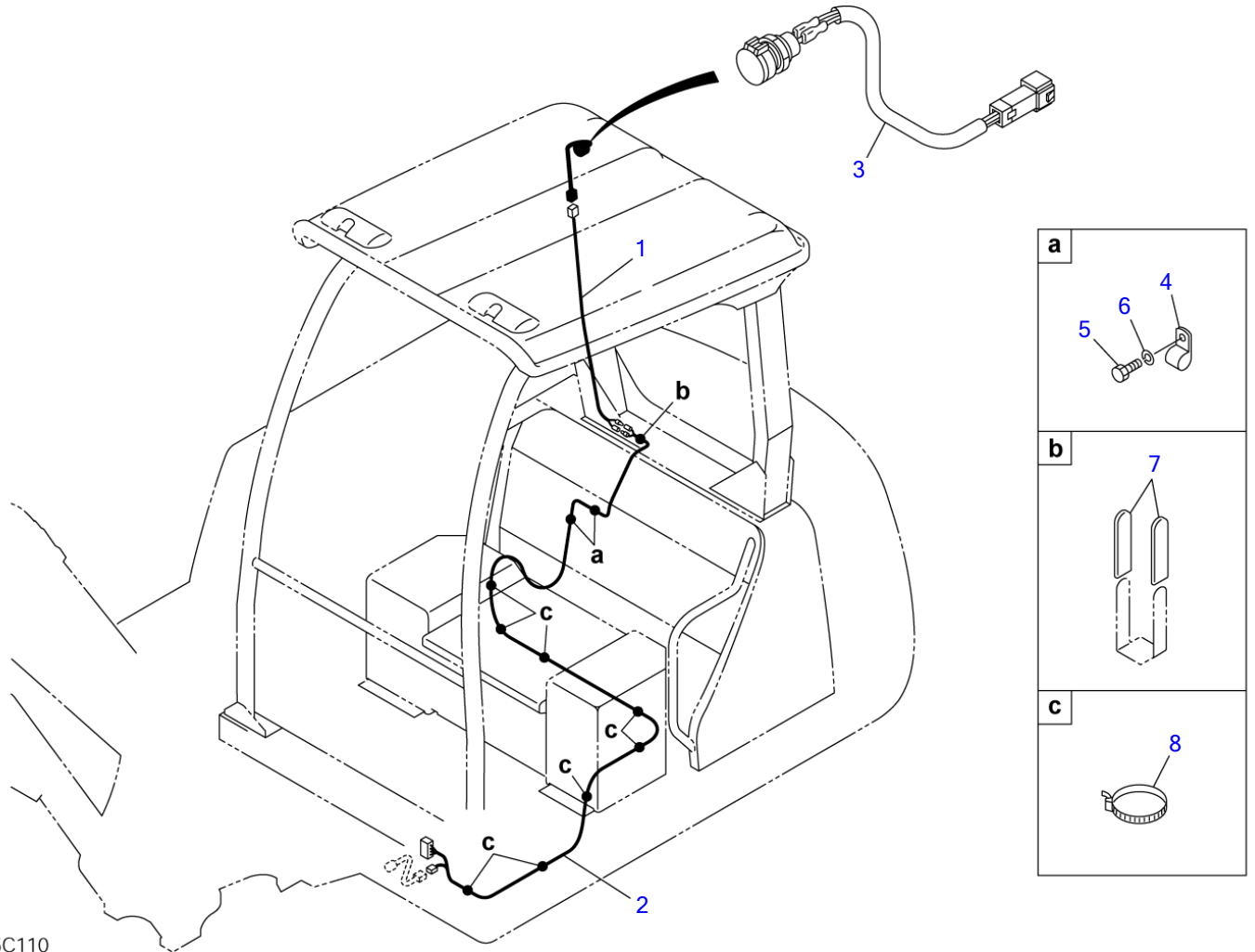


E5C072

S=1/8, 1/25

WINDOW WASHER

Item	Part number	Description	Q'ty	Chan.	Serial No.	Serv.	Remarks
		WASHER ASSY, window					X03589-01000-2
1	0358901100	BRACKET	1				
5	1711910101	TANK	1				
7	1703210740	TUBE	1				
8	1703220780	TUBE	1				
9	1711910062	BRACKET	1				
11	1652231140	BAND	4				
12	1100040616	BOLT	2				
13	1150410612	SCREW	2				
14	1140020006	WASHER, spring	2				
15	1141110006	WASHER	2				
	E5c072						



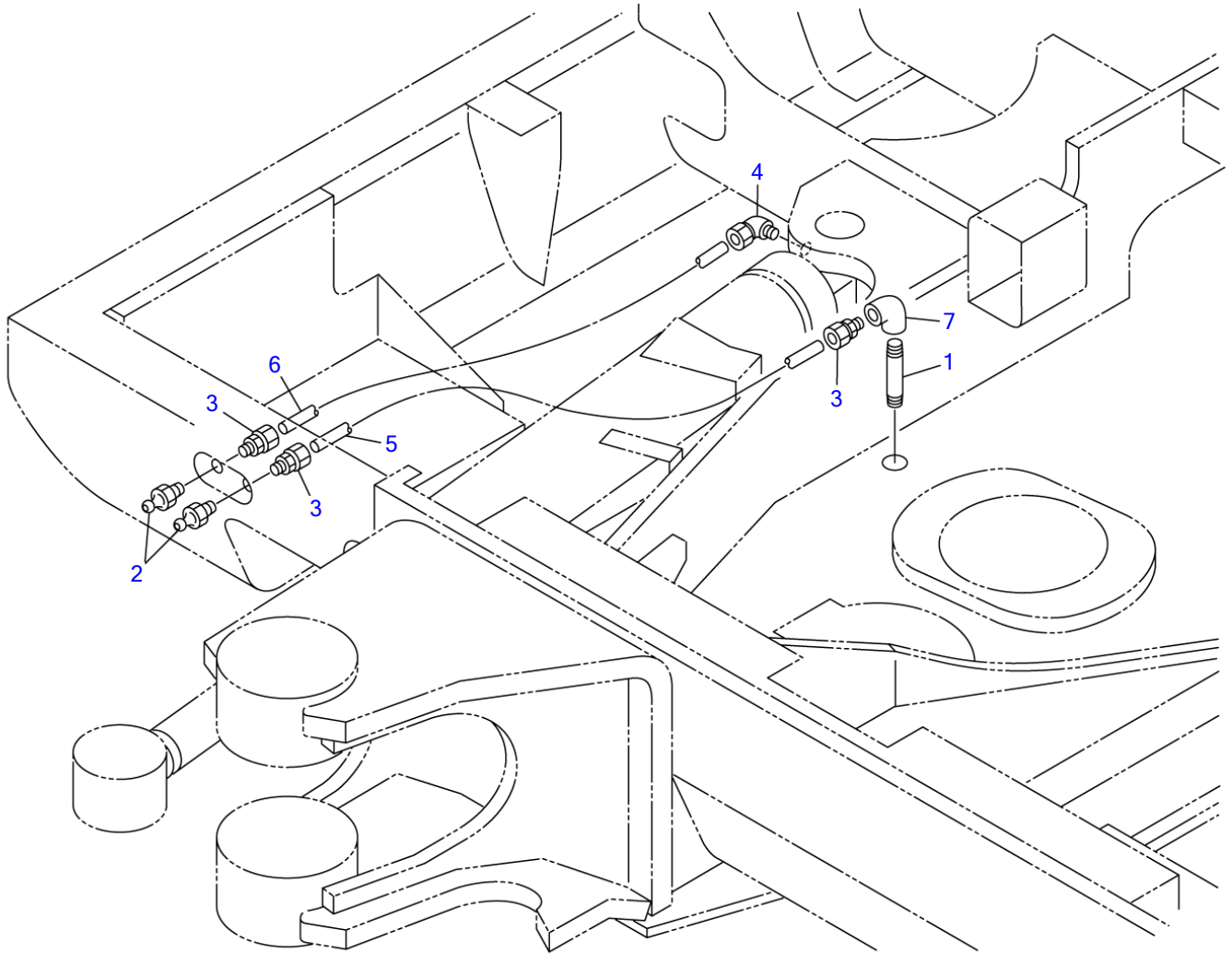
E5C110

S=1/6, 1/18

BEACON SOCKET

Item	Part number	Description	Q'ty	Chan.	Serial No.	Serv.	Remarks
		SOCKET ASSY, beacon					X03584-04000-0
1	0378404010	HARNESS, wiring	1				
2	0358404010	HARNESS, wiring	1				
3	0394203100	SOCKET ASSY	1				
4	1652900006	CLAMP	2				
5	1100040814	BOLT	2				
6	1140020008	WASHER, spring	2				
7	0872433150	TUBE	2				
8	1652231250	BAND	8				
	E5c110						

TB125 Book No. BE5Z010 S/N 12510009-
GREASE PIPING



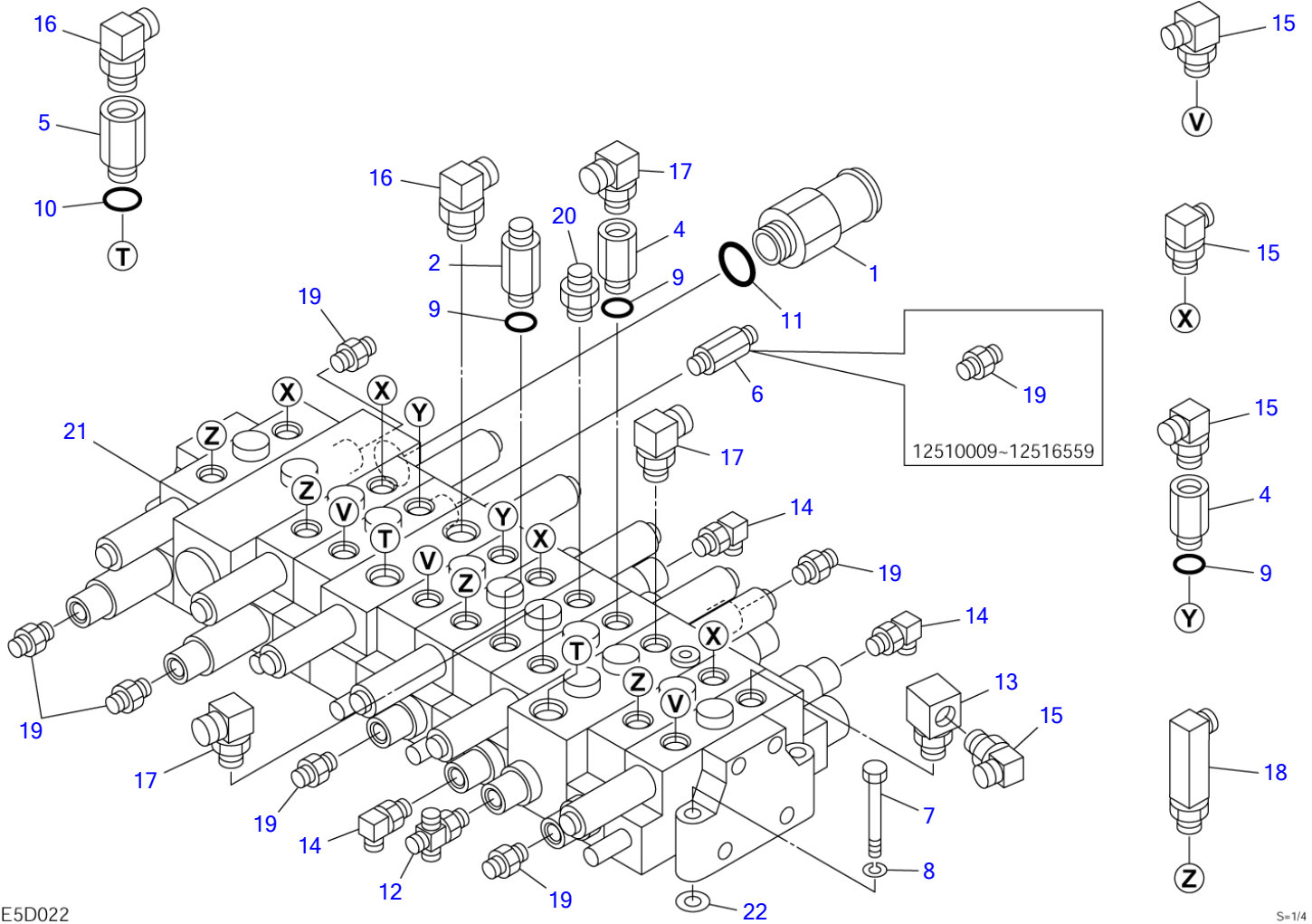
E5D010

S=1/6

GREASE PIPING

Item	Part number	Description	Q'ty	Chan.	Serial No.	Serv.	Remarks
		PIPIG ASSY, grease					X03524-01000-1
1	0009101040	NIPPLE	1				
2	1560001000	FITTING, grease	2				
3	1532520601	CONNECTOR	3				
4	1532620601	ELBOW	1				
5	1532020665	TUBE	1				sold by the meter
6	1532020670	TUBE	1				sold by the meter
7	1508010001	ELBOW	1				
	E5d011						

TB125 Book No. BE5Z010 S/N 12510009-
VALVE & ACCESSORIES



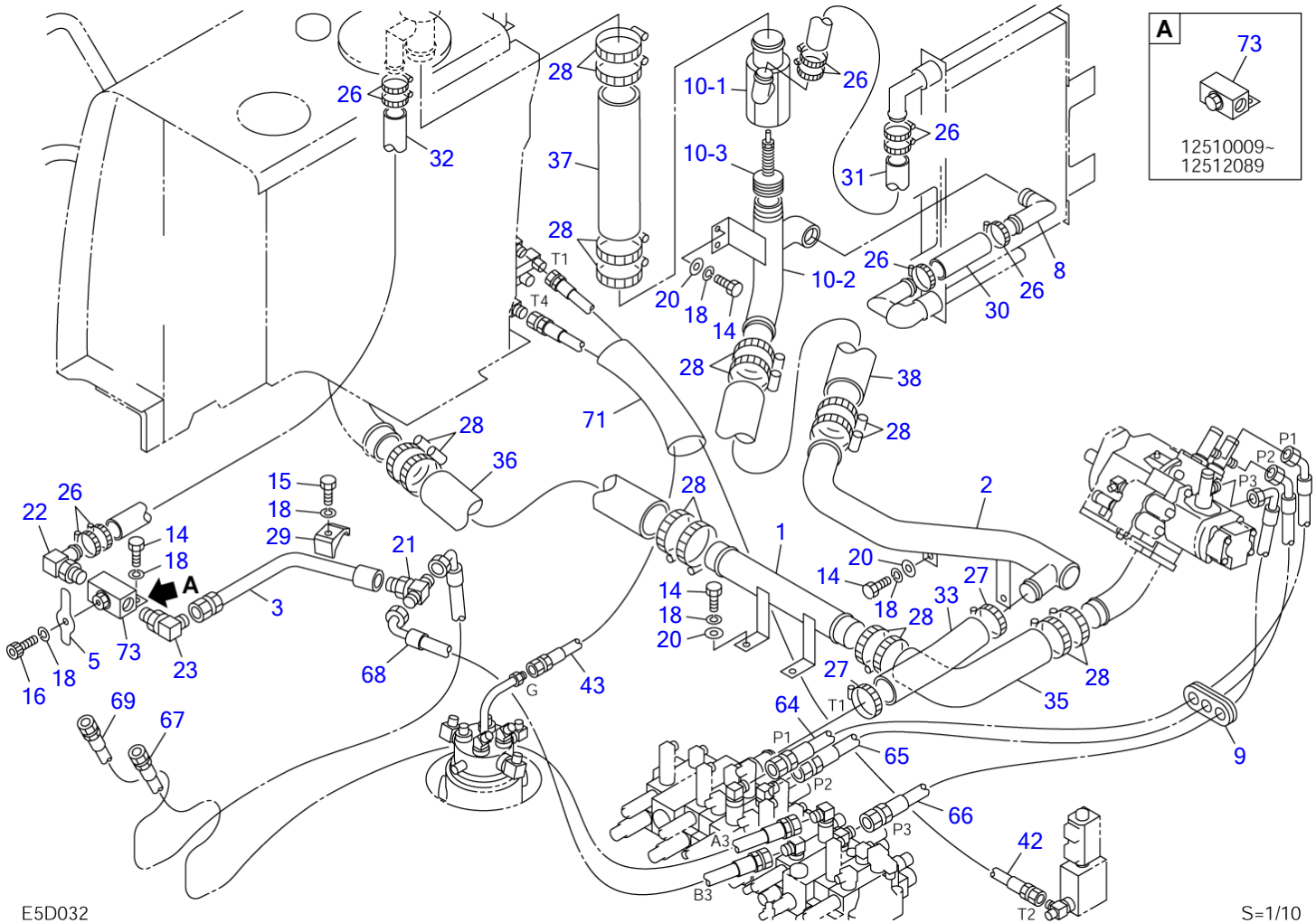
E5D022

S=1/4

VALVE & ACCESSORIES

Item	Part number	Description	Q'ty	Chan.	Serial No.	Serv.	Remarks
		VALVE ASSY, control					X03550-06100-7
1	0375012001	NIPPLE	1				
2	0007203021	BUSHING	1				
4	0007213016	BUSHING	3				
5	0007213011	BUSHING	2				
6	0007203034	ADAPTOR	1		12516560~		
7	1100040850	BOLT	3				
8	1140020008	WASHER, spring	3				
9	1420010140	O-RING	4				
10	1420010180	O-RING	2				
11	1420010290	O-RING	1				
12	1513390027	CROSS	1				
	1420010110	• O-RING	1				
13	1513300017	ELBOW	1				
	1420010140	• O-RING	1				
14	1515012040	ELBOW	3				
	1420010110	• O-RING	1				
15	1515010041	ELBOW	10				
	1420010140	• O-RING	1				
16	1515010042	ELBOW	3				
	1420010180	• O-RING	1				
17	1515010131	ELBOW	3				
	1420010140	• O-RING	1				
18	1515010511	ELBOW	4				
	1420010140	• O-RING	1				
19	1515600200	ADAPTOR	6				
	1420010110	• O-RING	1				
20	1515600201	ADAPTOR	1				
	1420010140	• O-RING	1				
21	1901037000	VALVE, control	1		12510009~12510715		
	1901039700	VALVE, control	1	(H)	12510716~		
22	1141110008	WASHER	3				
	E5d024						

TB125 Book No. BE5Z010 S/N 12510009-
 PIPING; UPPER (1/2) (12510009-12512125)



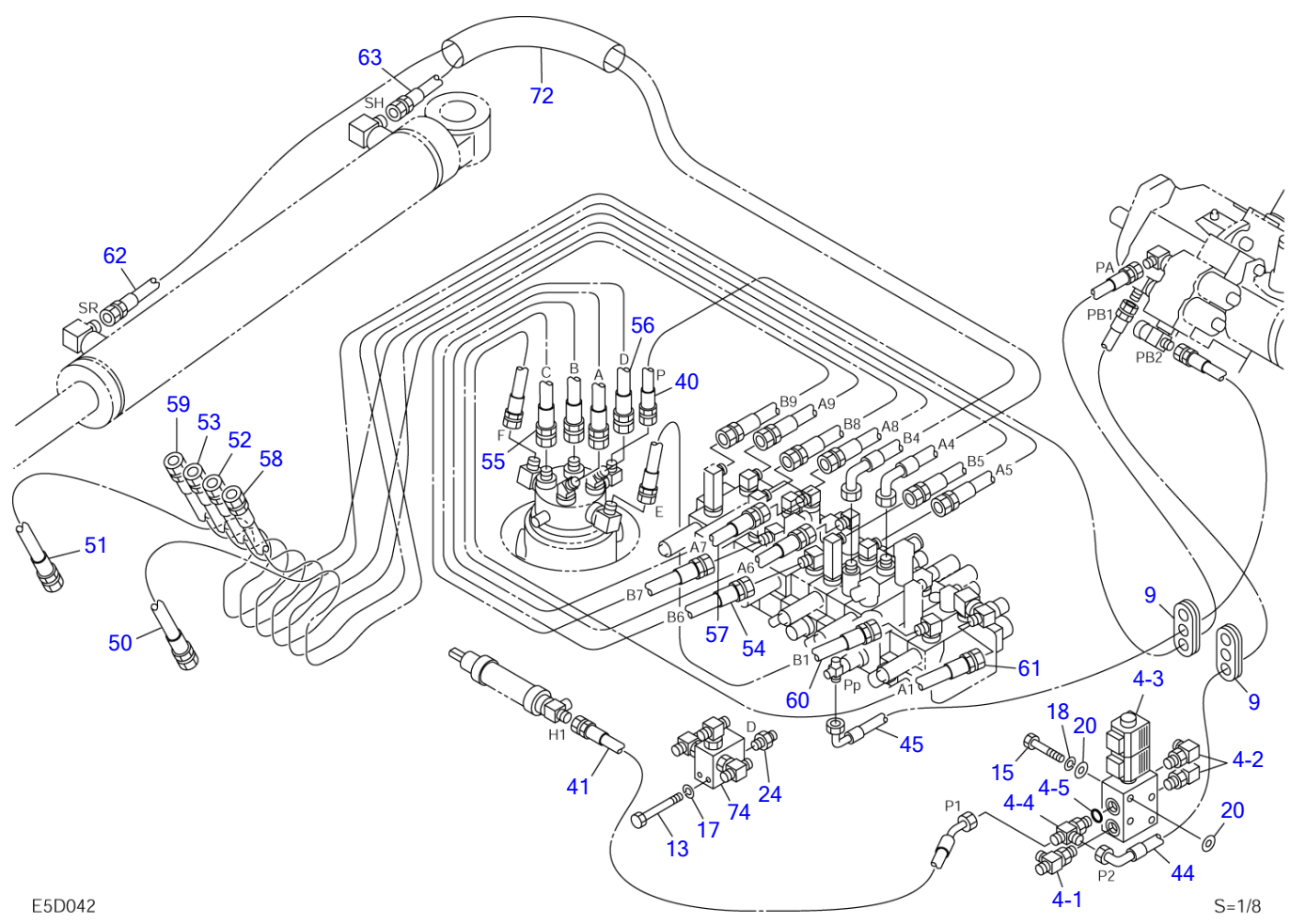
E5D032

S=1/10

PIPING; UPPER (1/2) (12510009-12512125)

Item	Part number	Description	Q'ty	Chan.	Serial No.	Serv.	Remarks
		PIPING ASSY, upper					X03570-07000-8
1	0357007010	PIPE	1				
2	0357007020	PIPE	1				
3	0357007030	PIPE	1				
5	0357007050	LEVER	1		12512090~		
8	0434006900	NIPPLE	1				
9	0097022400	GUARD	1				
10	0357007100	MANIFOLD ASSY	1				
10-1	0357007110	• PIPE	1				
10-2	0357007120	• PIPE	1				
10-3	1540141025	• VALVE, check	1				
14	1100040820	BOLT	8				
15	1100040850	BOLT	1				
16	1110040820	SCREW, cap	1		12512090~		
18	1140020008	WASHER, spring	9		12510009~12512089		
	1140020008	WASHER, spring	10		12512090~		
20	1141110008	WASHER	6				
21	1512374002	NIPPLE	1				
	1420010180	• O-RING	1				
22	1513350006	NIPPLE	1				
	1420010180	• O-RING	1				
23	1515010042	ELBOW	1				
	1420010180	• O-RING	1				
26	1533700041	CLIP	10				
27	1533700048	CLIP	2				
28	1533700060	BAND	16				
29	1534100217	CLAMP	1				
30	1530525018	HOSE	1				sold by the meter
31	1530525037	HOSE	1				sold by the meter
32	1530525160	HOSE	1				sold by the meter
33	1530532022	HOSE	1				sold by the meter
35	0357007350	HOSE	1				
36	1530741060	HOSE	1				sold by the meter
37	1530541025	HOSE	1				sold by the meter
38	1530541026	HOSE	1				sold by the meter
42	0357007420	HOSE ASSY	1				18010-22136
43	0357007430	HOSE ASSY	1				18010-22122
64	0357007640	HOSE ASSY	1				18015-47106
65	0357007650	HOSE ASSY	1				18015-47098
66	0357007660	HOSE ASSY	1				18015-41088
67	0357007670	HOSE ASSY	1				
68	0357007680	HOSE ASSY	1				
69	0357007690	HOSE ASSY	1				
71	1531645052	PROTECTOR	1				sold by the meter
73	1901719800	VALVE, stop	1		12510009~12512089		
	1901742000	VALVE, stop	1	(H)	12512090~		
	E5d032						

TB125 Book No. BE5Z010 S/N 12510009-
PIPING; UPPER (2/2) (12510009-12512125)



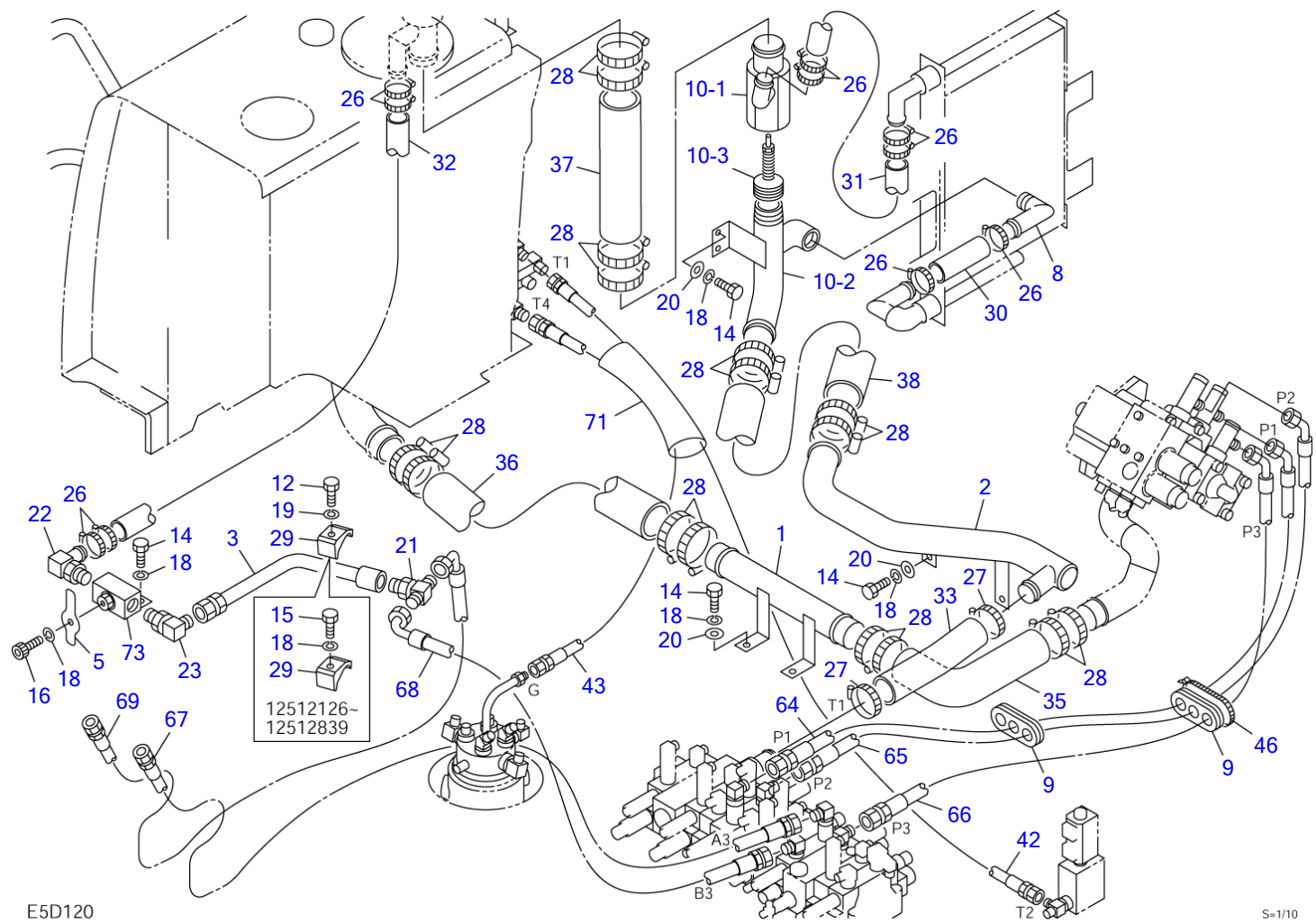
E5D042

S=1/8

PIPING; UPPER (2/2) (12510009-12512125)

Item	Part number	Description	Q'ty	Chan.	Serial No.	Serv.	Remarks
		PIPING ASSY, upper					X03570-07000-8
4	X 0377008040	VALVE, solenoid	1				
4-1	1512370011	• TEE	1				
	1420010110	• • O-RING	1				
4-2	1515010040	• ELBOW	2				
	1420010110	• • O-RING	1				
4-3	1901731500	• VALVE, solenoid	1				
4-4	0377008041	• TEE	1				
4-5	1420010110	• O-RING	1				
9	0097022400	GUARD	2				
13	1100040660	BOLT	2				
15	1100040850	BOLT	2				
17	1140020006	WASHER, spring	2				
18	1140020008	WASHER, spring	2				
20	1141110008	WASHER	4				
24	1515600200	NIPPLE	1				
	1420010110	• O-RING	1				
40	0357007400	HOSE ASSY	1				18010-22124
41	0357007410	HOSE ASSY	1				18010-79105
44	0357007440	HOSE ASSY	1				18010-52054
45	0357007450	HOSE ASSY	1				18010-52082
50	0357007500	HOSE ASSY	1				18018-20335
51	0357007510	HOSE ASSY	1				18018-20345
52	0357007520	HOSE ASSY	1				18018-20270
53	0357007530	HOSE ASSY	1				18018-20265
54	0357007540	HOSE ASSY	1				18015-20046
55	0357007550	HOSE ASSY	1				18015-20065
56	0357007560	HOSE ASSY	1				18015-20037
57	0357007570	HOSE ASSY	1				18015-20055
58	0357007580	HOSE ASSY	1				18018-20290
59	0357007590	HOSE ASSY	1				18018-20285
60	0357007600	HOSE ASSY	1				18015-20072
61	0357007610	HOSE ASSY	1				18015-20092
62	0357007620	HOSE ASSY	1				18018-21200
63	0357007630	HOSE ASSY	1				18018-21140
72	1531335020	PROTECTOR	1				sold by the meter
74	1901721800	VALVE, shuttle	1				
	E5d042						

TB125 Book No. BE5Z010 S/N 12510009-
PIPING; UPPER (1/2) (12512126-12514525)



E5D120

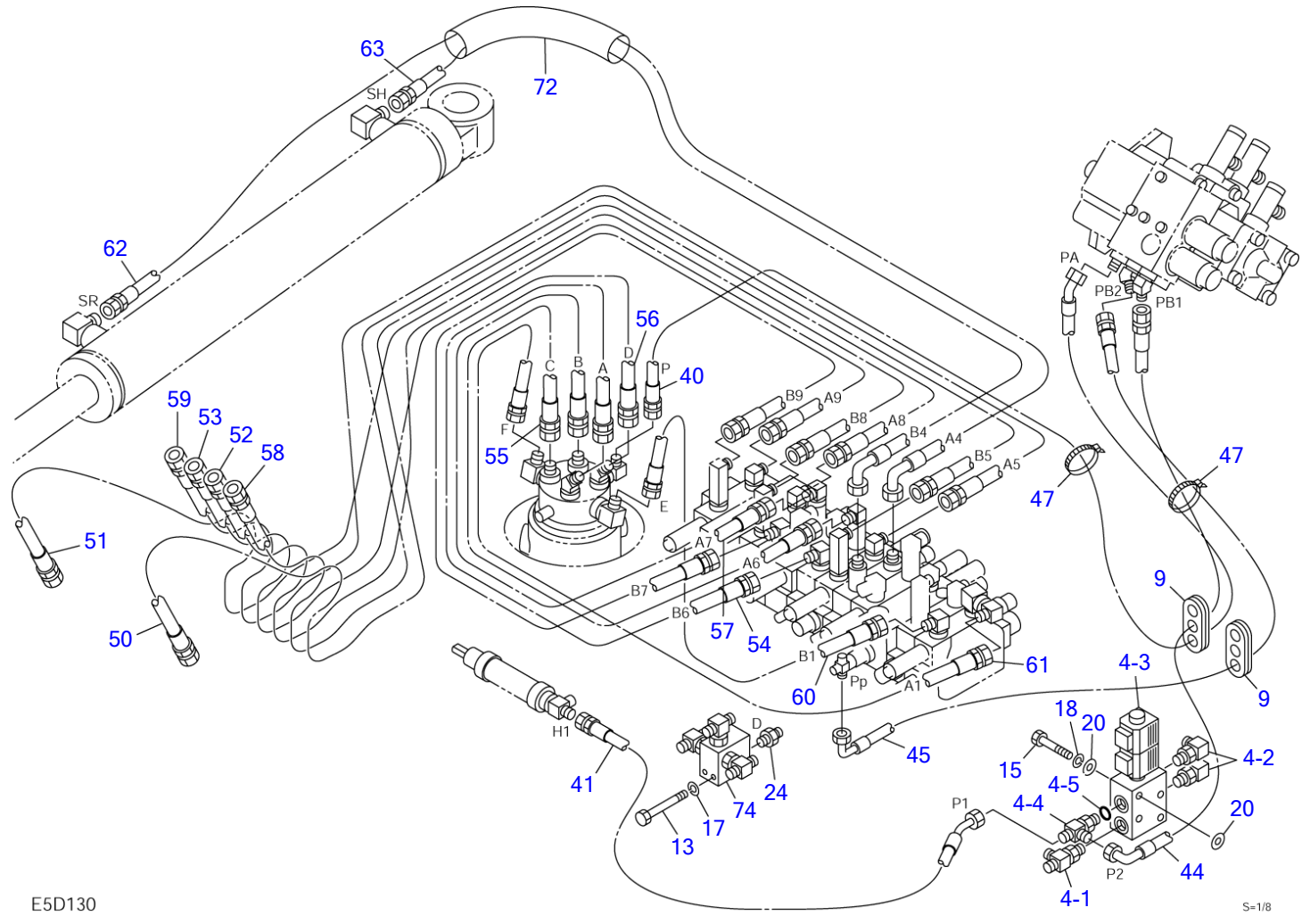
S=1/10

PIPING; UPPER (1/2) (12512126-12514525)

Item	Part number	Description	Q'ty	Chan.	Serial No.	Serv.	Remarks
		PIPING ASSY, upper					X03570-10000-3
1	0357010130	PIPE	1				
2	0357007020	PIPE	1				
3	0357007030	PIPE	1				
5	0357007050	LEVER	1				
8	0434006900	NIPPLE	1				
9	0097022400	GUARD	2				
10	0357007100	MANIFOLD ASSY	1				
10-1	0357007110	• PIPE	1				
10-2	0357007120	• PIPE	1				
10-3	1540141025	• VALVE, check	1				
12	1100041045	BOLT	1		12512840~		
14	1100040820	BOLT	8				
15	1100040850	BOLT	1		12512126~12512839		
16	1110040820	SCREW, cap	1				
18	1140020008	WASHER, spring	9				
19	1140020010	WASHER, spring	1		12512840~		
20	1141110008	WASHER	6				
21	1512374002	NIPPLE	1				
	1420010180	• O-RING	1				
22	1513350006	NIPPLE	1				
	1420010180	• O-RING	1				
23	1515010042	ELBOW	1				
	1420010180	• O-RING	1				
26	1533700041	CLIP	10				
27	1533700048	CLIP	2				
28	1533700060	BAND	16				
29	1534100217	CLAMP	1		12512126~12512839		
	1534100218	CLAMP	1		12512840~		
30	1530525018	HOSE	1				sold by the meter
31	1530525037	HOSE	1				sold by the meter
32	1530525160	HOSE	1				sold by the meter
33	1530532022	HOSE	1				sold by the meter
35	0357007350	HOSE	1				
36	1530741060	HOSE	1				sold by the meter
37	1530541025	HOSE	1				sold by the meter
38	1530541026	HOSE	1				sold by the meter
42	0357007420	HOSE ASSY	1				18010-22136
43	0357007430	HOSE ASSY	1				18010-22122
46	1652200005	BAND	1				
64	0357007640	HOSE ASSY	1				18015-47106
65	0357007650	HOSE ASSY	1				18015-47098
66	0357010120	HOSE ASSY	1				18015-47094
67	0357007670	HOSE ASSY	1				
68	0357007680	HOSE ASSY	1				
69	0357007690	HOSE ASSY	1				
71	1531645052	PROTECTOR	1				sold by the meter
73	1901742000	VALVE, stop	1				

E5d121

TB125 Book No. BE5Z010 S/N 12510009-
 PIPING; UPPER (2/2) (12512126-12514525)



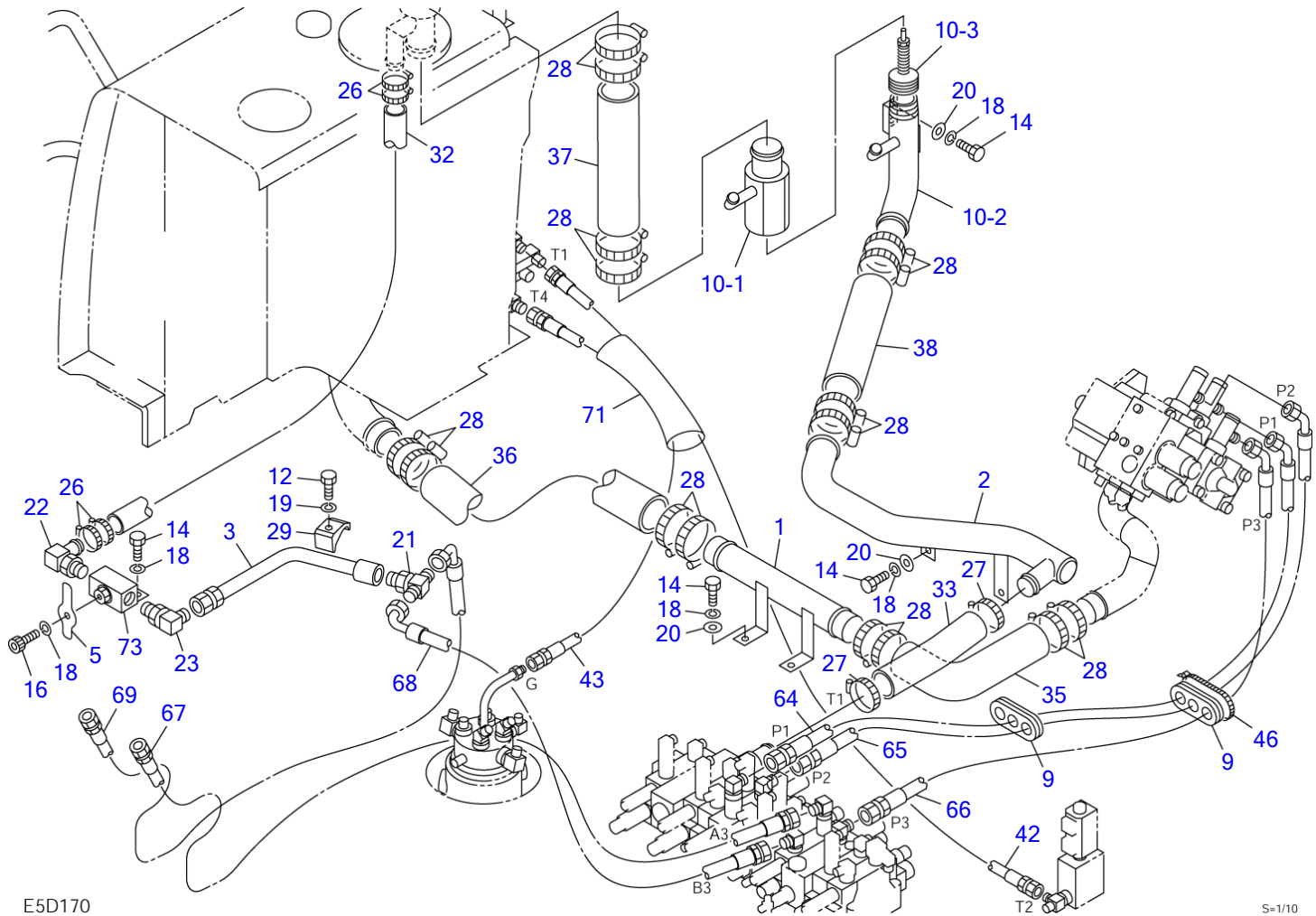
E5D130

S=1/8

PIPING; UPPER (2/2) (12512126-12514525)

Item	Part number	Description	Q'ty	Chan.	Serial No.	Serv.	Remarks
		PIPING ASSY, upper					X03570-10000-3
4	X 0377008040	VALVE, solenoid	1				
4-1	1512370011	• TEE	1				
	1420010110	• • O-RING	1				
4-2	1515010040	• ELBOW	2				
	1420010110	• • O-RING	1				
4-3	1901731500	• VALVE, solenoid	1				
4-4	0377008041	• TEE	1				
4-5	1420010110	• O-RING	1				
9	0097022400	GUARD	2				
13	1100040660	BOLT	2				
15	1100040850	BOLT	2				
17	1140020006	WASHER, spring	2				
18	1140020008	WASHER, spring	2				
20	1141110008	WASHER	4				
24	1515600200	NIPPLE	1				
	1420010110	• O-RING	1				
40	0357010110	HOSE ASSY	1				18010-79118
41	0357007410	HOSE ASSY	1				18010-79105
44	0357007440	HOSE ASSY	1				18010-52054
45	0357007450	HOSE ASSY	1				18010-52082
47	1652231250	BAND	2				
50	0357007500	HOSE ASSY	1				18018-20345
51	0357007510	HOSE ASSY	1				18018-20355
52	0357007520	HOSE ASSY	1				18018-20270
53	0357007530	HOSE ASSY	1				18018-20265
54	0357007540	HOSE ASSY	1				18015-20046
55	0357007550	HOSE ASSY	1				18015-20065
56	0357007560	HOSE ASSY	1				18015-20037
57	0357007570	HOSE ASSY	1				18015-20055
58	0357007580	HOSE ASSY	1				18018-20290
59	0357007590	HOSE ASSY	1				18018-20285
60	0357007600	HOSE ASSY	1				18015-20072
61	0357007610	HOSE ASSY	1				18015-20092
62	0357007620	HOSE ASSY	1				18018-21200
63	0357007630	HOSE ASSY	1				18018-21140
72	1531335020	PROTECTOR	1				sold by the meter
74	1901721800	VALVE, shuttle	1				
	E5d131						

TB125 Book No. BE5Z010 S/N 12510009-
PIPING; UPPER (1/2) (12514526-)



E5D170

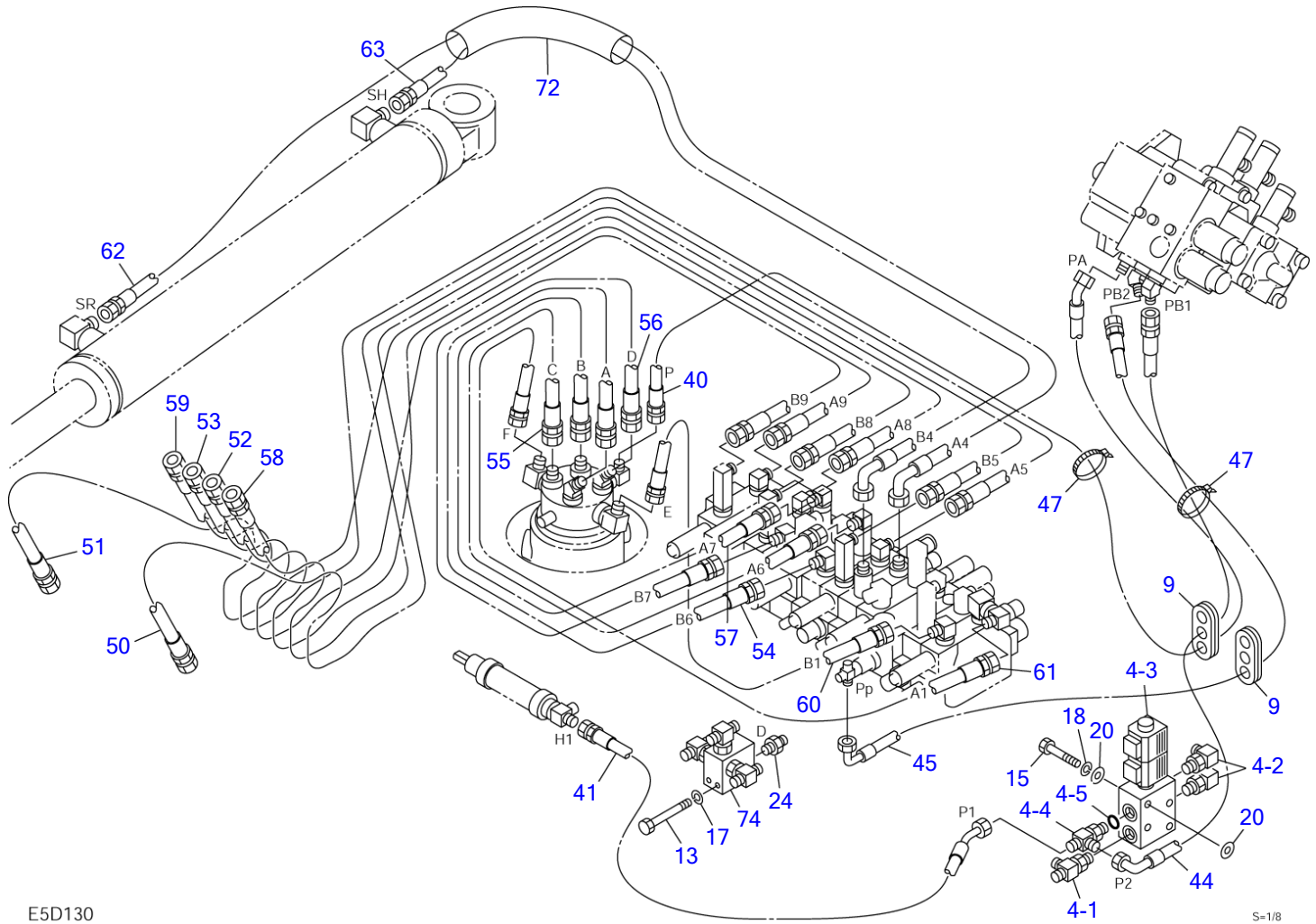
S=1/10

PIPING; UPPER (1/2) (12514526-)

Item	Part number	Description	Q'ty	Chan.	Serial No.	Serv.	Remarks
		PIPING ASSY, upper					X03570-11000-1
1	0357010130	PIPE	1				
2	0357007020	PIPE	1				
3	0357007030	PIPE	1				
5	0357007050	LEVER	1				
9	0097022400	GUARD	2				
10	0357011100	MANIFOLD ASSY	1				
10-1	0357011130	• PIPE	1				
10-2	0357011140	• PIPE	1				
10-3	1540141025	• VALVE, check	1				
12	1100041045	BOLT	1				
14	1100040820	BOLT	8				
16	1110040820	SCREW, cap	1				
18	1140020008	WASHER, spring	9				
19	1140020010	WASHER, spring	1				
20	1141110008	WASHER	6				
21	1512374002	NIPPLE	1				
	1420010180	• O-RING	1				
22	1513350006	NIPPLE	1				
	1420010180	• O-RING	1				
23	1515010042	ELBOW	1				
	1420010180	• O-RING	1				
26	1533700041	CLIP	4				
27	1533700048	CLIP	2				
28	1533700060	BAND	16				
29	1534100218	CLAMP	1				
32	1530525160	HOSE	1				sold by the meter
33	1530532022	HOSE	1				sold by the meter
35	0357007350	HOSE	1				
36	1530741060	HOSE	1				sold by the meter
37	1530541025	HOSE	1				sold by the meter
38	1530541026	HOSE	1				sold by the meter
42	0357007420	HOSE ASSY	1				18010-22136
43	0357010430	HOSE ASSY	1				18010-22118
46	1652200005	BAND	1				
64	0357007640	HOSE ASSY	1				18015-47106
65	0357007650	HOSE ASSY	1				18015-47098
66	0357010120	HOSE ASSY	1				18015-47094
67	0357007670	HOSE ASSY	1				
68	0357007680	HOSE ASSY	1				
69	0357007690	HOSE ASSY	1				
71	1531645052	PROTECTOR	1				sold by the meter
73	1901742000	VALVE, stop	1				

E5d171

TB125 Book No. BE5Z010 S/N 12510009-
PIPING; UPPER (2/2) (12514526-)



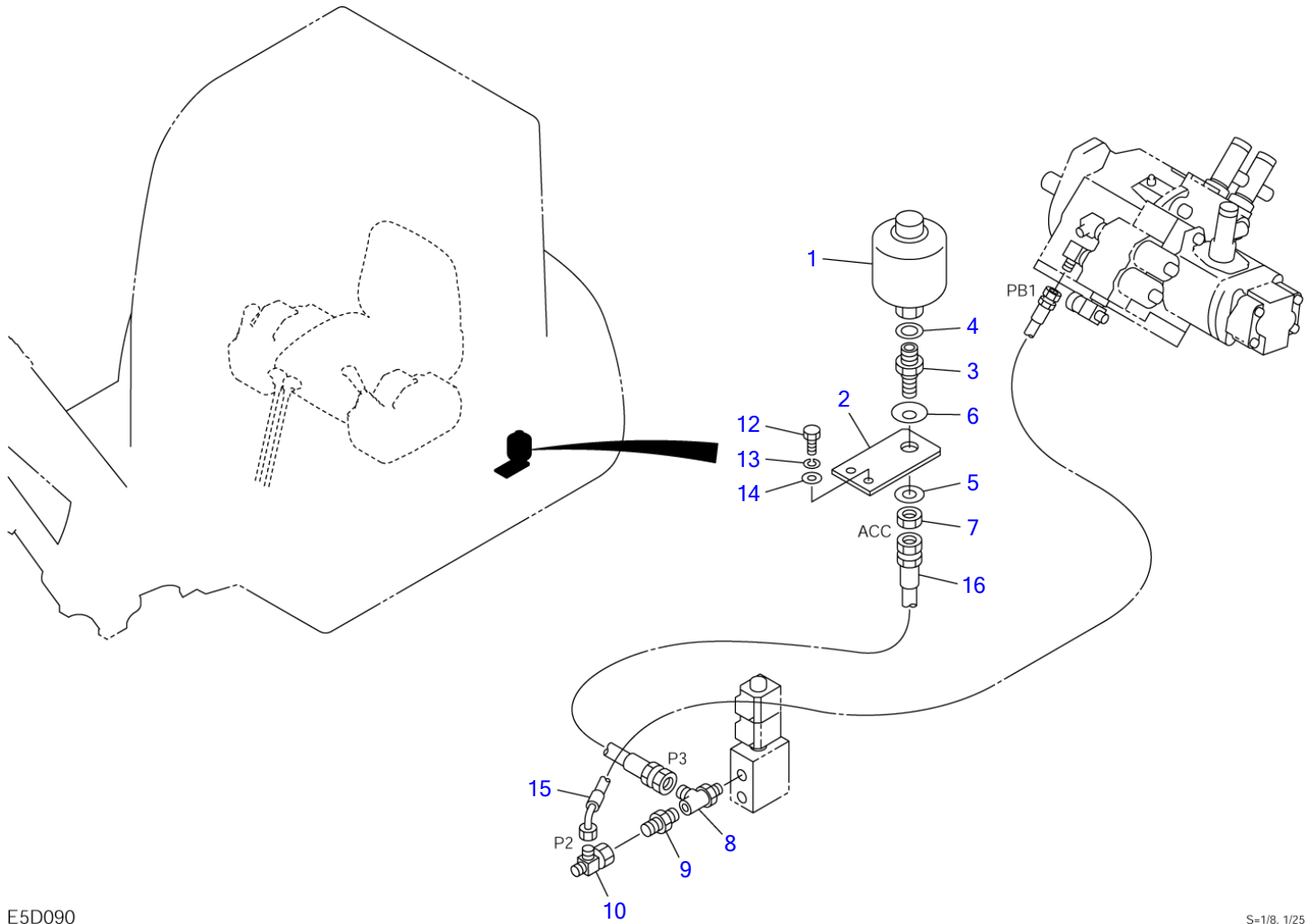
E5D130

S=1/8

PIPING; UPPER (2/2) (12514526-)

Item	Part number	Description	Q'ty	Chan.	Serial No.	Serv.	Remarks
		PIPING ASSY, upper					X03570-11000-1
4	X 0377008040	VALVE, solenoid	1				
4-1	1512370011	• TEE	1				
	1420010110	• • O-RING	1				
4-2	1515010040	• ELBOW	2				
	1420010110	• • O-RING	1				
4-3	1901731500	• VALVE, solenoid	1				
4-4	0377008041	• TEE	1				
4-5	1420010110	• O-RING	1				
9	0097022400	GUARD	2				
13	1100040660	BOLT	2				
15	1100040850	BOLT	2				
17	1140020006	WASHER, spring	2				
18	1140020008	WASHER, spring	2				
20	1141110008	WASHER	4				
24	1515600200	NIPPLE	1				
	1420010110	• O-RING	1				
40	0357010110	HOSE ASSY	1				18010-79118
41	0357007410	HOSE ASSY	1				18010-79105
44	0357007440	HOSE ASSY	1				18010-52054
45	0357007450	HOSE ASSY	1				18010-52082
47	1652231250	BAND	2				
50	0357007500	HOSE ASSY	1				18018-20345
51	0357007510	HOSE ASSY	1				18018-20355
52	0357007520	HOSE ASSY	1				18018-20270
53	0357007530	HOSE ASSY	1				18018-20265
54	0357007540	HOSE ASSY	1				18015-20046
55	0357007550	HOSE ASSY	1				18015-20065
56	0357007560	HOSE ASSY	1				18015-20037
57	0357007570	HOSE ASSY	1				18015-20055
58	0357007580	HOSE ASSY	1				18018-20290
59	0357007590	HOSE ASSY	1				18018-20285
60	0357007600	HOSE ASSY	1				18015-20072
61	0357007610	HOSE ASSY	1				18015-20092
62	0357007620	HOSE ASSY	1				18018-21200
63	0357007630	HOSE ASSY	1				18018-21140
72	1531335020	PROTECTOR	1				sold by the meter
74	1901721800	VALVE, shuttle	1				
	E5d181						

TB125 Book No. BE5Z010 S/N 12510009-
ACCUMULATOR (12510009-12512125)

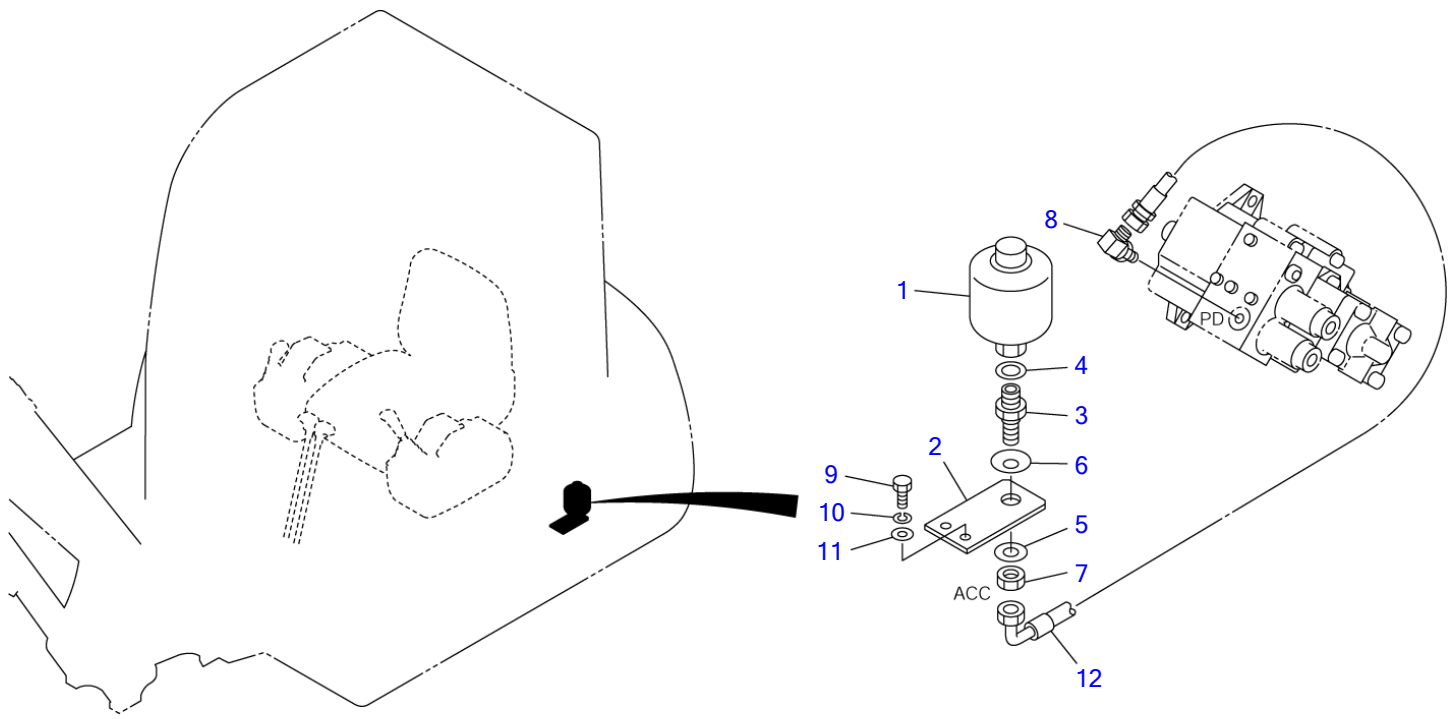


E5D090

S=1/8, 1/25

ACCUMULATOR (12510009-12512125)

Item	Part number	Description	Q'ty	Chan.	Serial No.	Serv.	Remarks
		ACCUMULATOR ASSY					X03550-10000-1
1	1552200020	ACCUMULATOR	1				
2	0375016010	BRACKET	1				
3	0565033140	ADAPTOR	1	A	12511736~12511873		
	0007200222	ADAPTOR	1	a(H)	12511874~		
4	1541400721	WASHER	1	A	12511736~12511873		
	1432160004	WASHER	1	a(H)	12511874~		
5	1141110016	WASHER	1				
6	1140020016	WASHER, spring	1	A	12511736~12511873		
	1140020020	WASHER, spring	1	a(H)	12511874~		
7	0007200154	NUT	1				
8	1512340001	ELBOW	1				
	1420010110	· O-RING	1				
9	1901740700	VALVE, check	1				
10	1513390015	TEE	1				
12	1100041025	BOLT	2				
13	1140020010	WASHER, spring	2				
14	1141110010	WASHER	2				
15	0355010100	HOSE ASSY	1				18010-52062
16	0355010110	HOSE ASSY	1				
		<<NOTE>>					
		SET "A" is interchangeable					
		with SET "a".					
	E5d090						



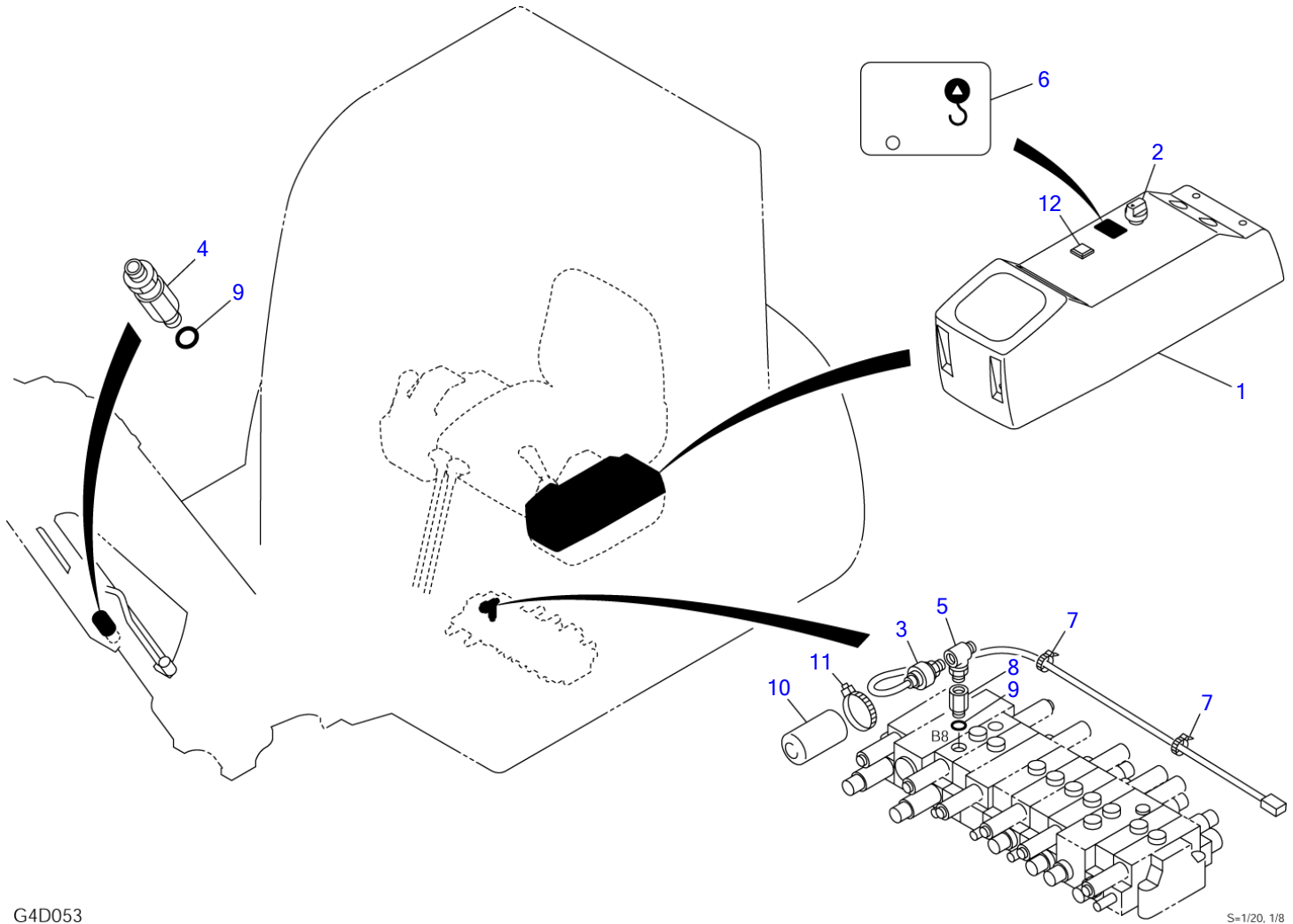
E5D140

S=1/8, 1/25

ACCUMULATOR (12512126-)

Item	Part number	Description	Q'ty	Chan.	Serial No.	Serv.	Remarks
		ACCUMULATOR ASSY					X03550-10200-1
1	1552200020	ACCUMULATOR	1				
2	0375016010	BRACKET	1				
3	0007200222	ADAPTOR	1				
4	1432160004	WASHER	1				
5	1141110016	WASHER	1				
6	1140020020	WASHER, spring	1				
7	0007200154	NUT	1				
8	1515012041	ELBOW	1				
	1420010140	· O-RING	1				
9	1100041025	BOLT	2				
10	1140020010	WASHER, spring	2				
11	1141110010	WASHER	2				
12	0355010230	HOSE ASSY	1				18010-53052
	E5d140						

TB125 Book No. BE5Z010 S/N 12510009-
EMERGENCY SHUT-OFF VALVE



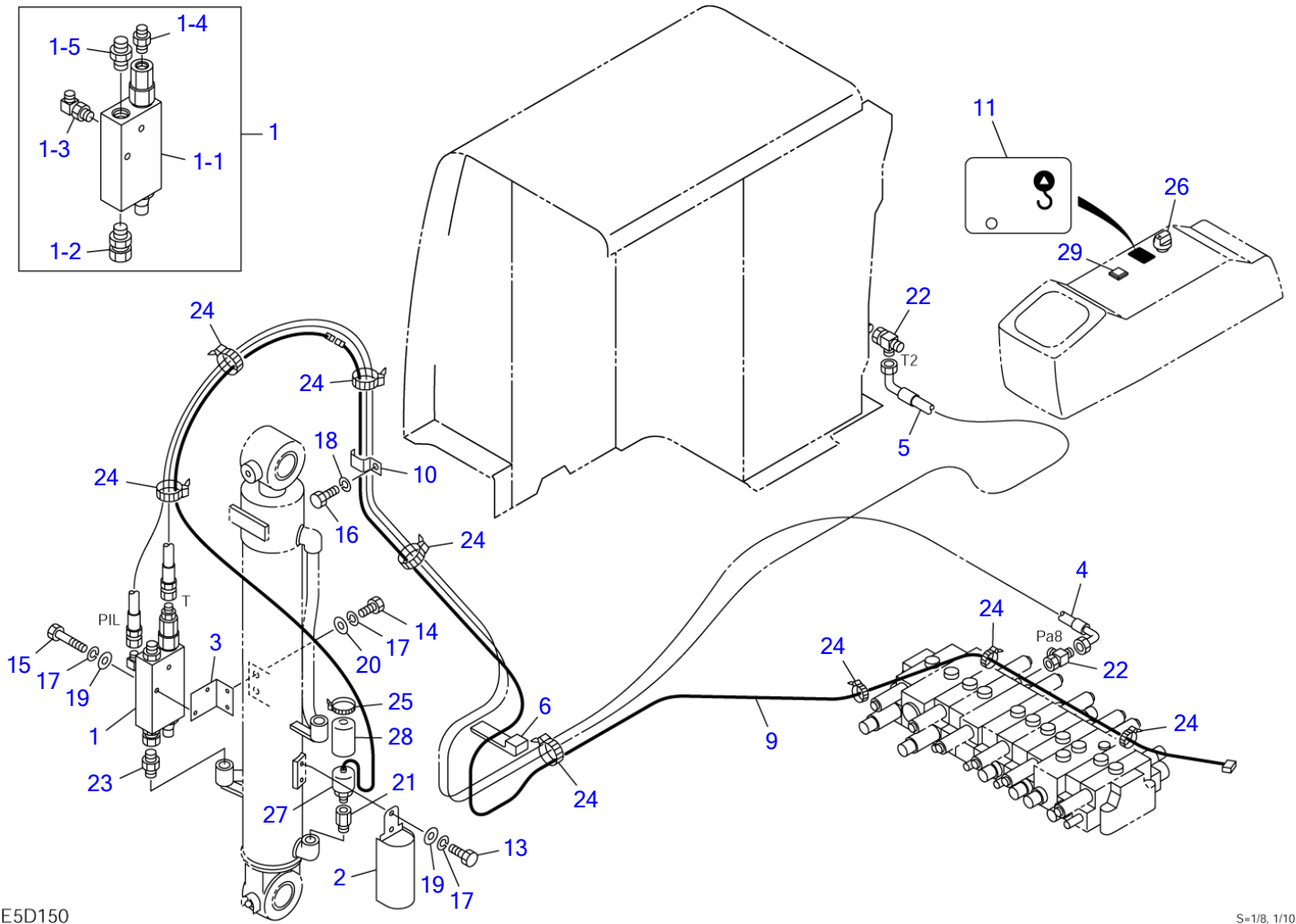
G4D053

S=1/20, 1/8

EMERGENCY SHUT-OFF VALVE

Item	Part number	Description	Q'ty	Chan.	Serial No.	Serv.	Remarks
		VALVE ASSY, shut-off					X03550-07000-4
1	0397313270	COVER (L.H.)	1				
2	1700000019	SWITCH, rotary	1				
3	1700100056	SWITCH , pressure	1				
	1420010110	• O-RING	1				
4	1901733200	VALVE, shut-off	1				
5	1513390030	TEE	1				
	1420010140	• O-RING	1				
6	0565017400	DECAL	1				
7	1652200005	BAND	2				
8	0007213016	BUSHING	1				
9	1420010140	O-RING	2				
10	1700100061	COVER	1				
11	1652231250	BAND	1				
12	1700550024	ORNAMENT	1				
	E5d072						

TB125 Book No. BE5Z010 S/N 12510009-
BOOM EMERGENCY SHUT-OFF VALVE (with pilot; 12510009-12514525)



E5D150

S=1/8, 1/10

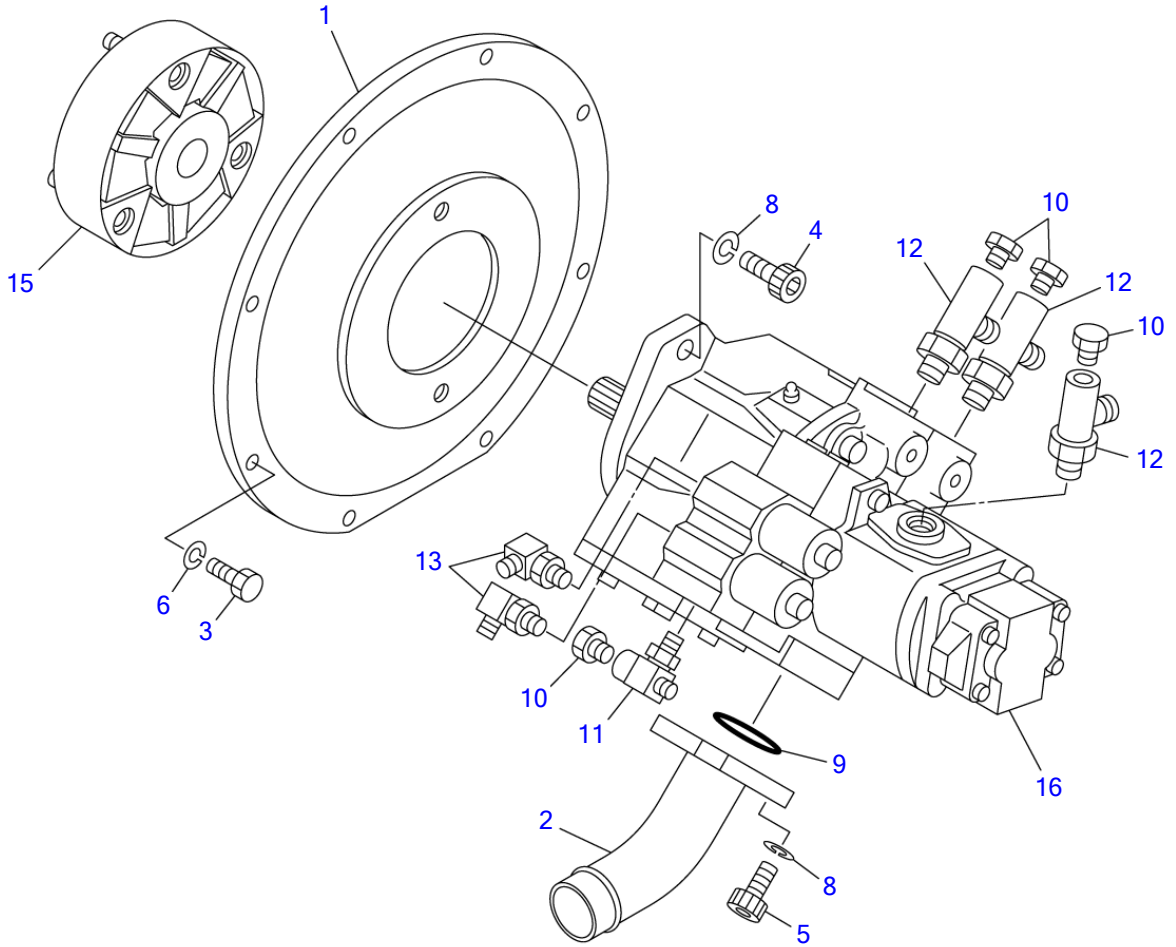
BOOM EMERGENCY SHUT-OFF VALVE (with pilot; 12510009-12514525)

Item	Part number	Description	Q'ty	Chan.	Serial No.	Serv.	Remarks
		BOOM SHUT-OFF VALVE ASSY					X03550-11000-0
1	0375019010	VALVE ASSY, shut-off	1				
1-1	1901745200	• VALVE, shut-off	1				
1-2	0007236041	• ADAPTOR	1				
	1420010180	• • O-RING	1				
1-3	1515012040	• ELBOW	1				
	1420010110	• • O-RING	1				
1-4	1515600200	• ADAPTOR	1				
	1420010110	• • O-RING	1				
1-5	1515600577	• ADAPTOR	1				
	1420010180	• • O-RING	1				
2	0375019020	COVER	1				
3	0375019030	PLATE	1				
4	0355011040	HOSE ASSY	1				18010-52330
5	0355011050	HOSE ASSY	1				18010-52380
6	0355011060	RUBBER	1				
9	0395012130	HARNNESS, wiring	1				
10	0395012150	CLAMP	1				
11	0565017400	DECAL	1				
13	1100040612	BOLT	2				
14	1100040616	BOLT	2				
15	1100040645	BOLT	2				
16	1100040816	BOLT	1				
17	1140020006	WASHER, spring	6				
18	1140020008	WASHER, spring	1				
19	1141110006	WASHER	4				
20	0003606202	WASHER	2				
21	1513250202	BUSHING	1				
	1420010110	• O-RING	1				
22	1513390015	TEE	2				
23	1515600572	ADAPTOR	1				
	1420010140	• O-RING	1				
24	1652201005	BAND	16				
25	1652231250	BAND	1				
26	1700000019	SWITCH, rotary	1				
27	1700100056	SWITCH, pressure	1				
	1420010110	• O-RING	1				
28	1700100061	COVER	1				
29	1700550024	ORNAMENT	1				
	E5d150						

BOOM EMERGENCY SHUT-OFF VALVE (with pilot; 12514526-)

Item	Part number	Description	Q'ty	Chan.	Serial No.	Serv.	Remarks
		BOOM SHUT-OFF VALVE					X03550-11600-1
		ASSY					
1	0375019010	VALVE ASSY, shut-off	1				
1-1	1901745200	· VALVE, shut-off	1				
1-2	0007236041	· ADAPTOR	1				
	1420010180	· · O-RING	1				
1-3	1515012040	· ELBOW	1				
	1420010110	· · O-RING	1				
1-4	1515600200	· ADAPTOR	1				
	1420010110	· · O-RING	1				
1-5	1515600577	· ADAPTOR	1				
	1420010180	· · O-RING	1				
2	0375019020	COVER	1				
3	0375019030	PLATE	1				
4	0355011040	HOSE ASSY	1				18010-52330
5	0355011050	HOSE ASSY	1				18010-52355
6	0355011060	RUBBER	1				
9	0395012130	HARNESS, wiring	1				
10	0395012150	CLAMP	1				
11	0565017400	DECAL	1				
12	1100040625	BOLT	1				
13	1100040612	BOLT	2				
14	1100040616	BOLT	2				
15	1100040645	BOLT	2				
16	1100040816	BOLT	1				
17	1140020006	WASHER, spring	7				
18	1140020008	WASHER, spring	1				
19	1141110006	WASHER	6				
20	0003606202	WASHER	2				
21	1513250202	BUSHING	1				
	1420010110	· O-RING	1				
22	1513390015	TEE	2				
23	1515600572	ADAPTOR	1				
	1420010140	· O-RING	1				
24	1652201005	BAND	16				
25	1652231250	BAND	1				
26	1700000019	SWITCH, rotary	1				
27	1700100056	SWITCH, pressure	1		12514526~12515617		(N.O.)
	1420010110	· O-RING	1				
	1700100082	SWITCH, pressure	1		12515618~		(N.C.)
28	1700100061	COVER	1				
29	1700550024	ORNAMENT	1				
30	0395021330	BRACKET	1		12515618~		
31	1711900042	RELAY	2		12515618~		
32	1652231250	BAND	1		12515618~		
33	0395021320	HARNESS, wiring	1		12515618~		
34	1700100038	COVER	2		12517100~		
	E5d163						

TB125 Book No. BE5Z010 S/N 12510009-
PUMP DRIVE (12510009-12512125)



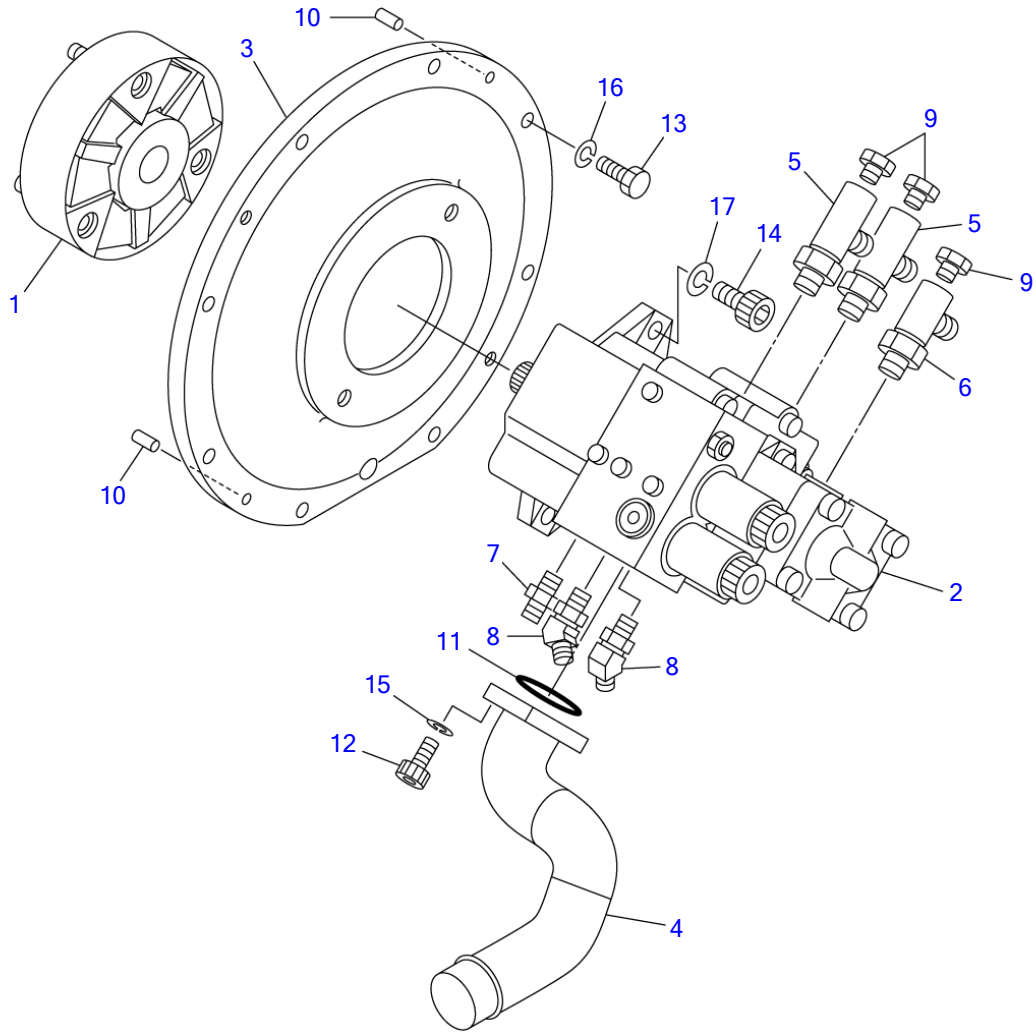
E5D051

S=1/5

PUMP DRIVE (12510009-12512125)

Item	Part number	Description	Q'ty	Chan.	Serial No.	Serv.	Remarks
		PUMP ASSY, drive					X03552-05000-3
1	0375202100	HOUSING	1				
2	0355205010	FLANGE	1				
3	1100041025	BOLT	8				
4	1111041230	SCREW, cap	2				
5	1110041230	SCREW, cap	4				
6	1140020010	WASHER, spring	8				
8	1140420012	WASHER, spring	6				
9	1420100450	O-RING	1				
10	1501750002	PLUG	4				
	1420010110	• O-RING	1				
11	1513390029	NIPPLE	1				
	1420010110	• O-RING	1				
12	1512340004	ELBOW	3				
	1420010180	• O-RING	1				
13	1515012040	ELBOW	2				
	1420010110	• O-RING	1				
15	1603101600	COUPLING	1				
16	1902017200	PUMP, hydraulic	1				
	E5d052						

TB125 Book No. BE5Z010 S/N 12510009-
PUMP DRIVE (12512126-)



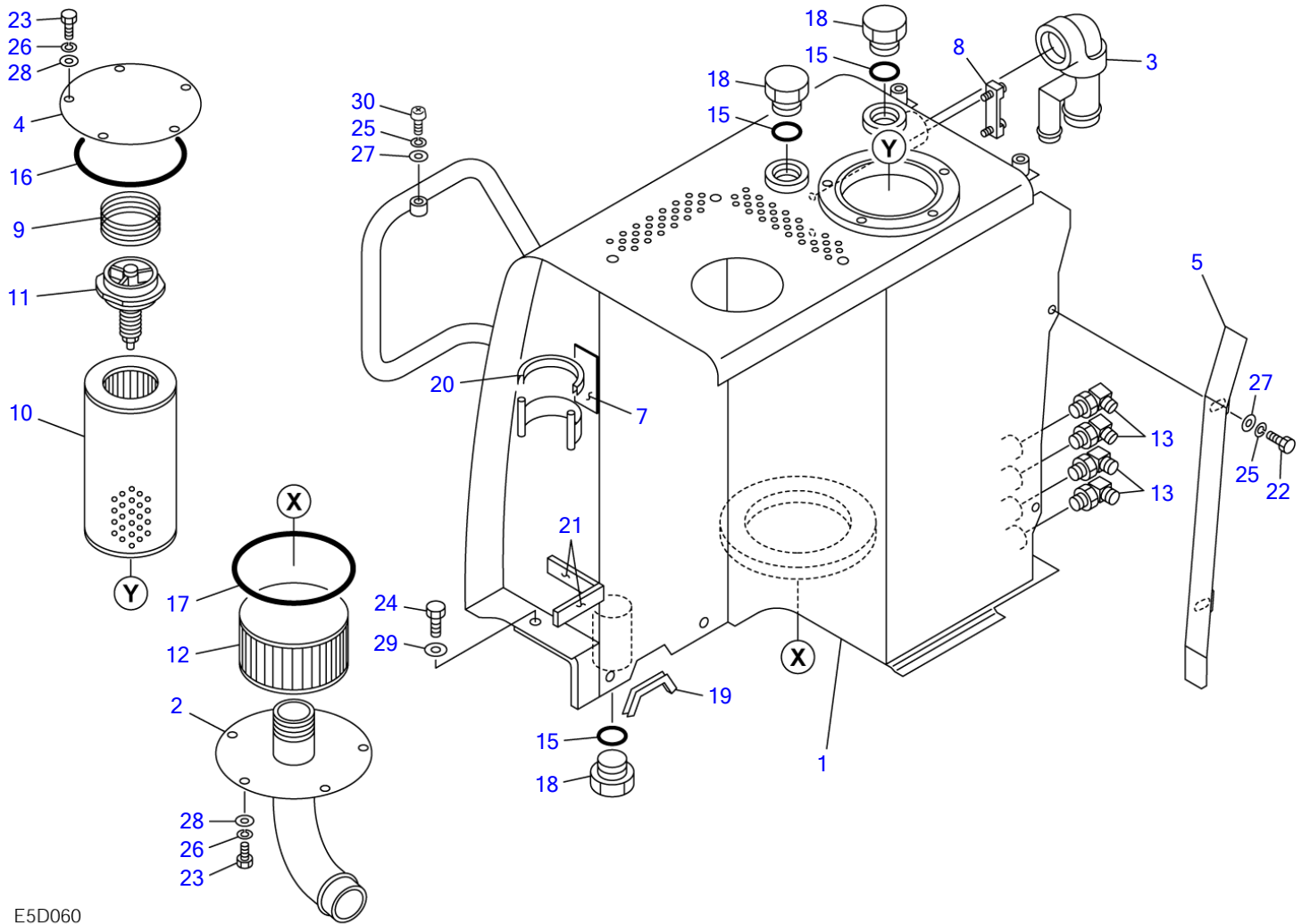
E5D110

S=1/5

PUMP DRIVE (12512126-)

Item	Part number	Description	Q'ty	Chan.	Serial No.	Serv.	Remarks
		PUMP ASSY, drive					X03552-09000-3
1	1603101600	COUPLING	1				
2	1902020000	PUMP, hydraulic	1		12512126~12514525		
	1902021700	PUMP, hydraulic	1	(H)	12514526~		
3	0355209100	HOUSING	1				
4	0355209110	PIPE	1				
5	1512340004	ELBOW	2				
	1420010180	• O-RING	1				
6	1512340007	ELBOW	1				
	1420010140	• O-RING	1				
7	1515600200	ADAPTOR	1				
	1420010110	• O-RING	1				
8	1515100110	ELBOW	2				
	1420010110	• O-RING	1				
9	1501750002	PLUG	3				
	1420010110	• O-RING	1				
10	1212000816	PIN, parallel	2				
11	1420100400	O-RING	1				
12	1110041025	SCREW, cap	4				
13	1100041030	BOLT	8				
14	1111041230	SCREW, cap	2				
15	1140420010	WASHER, spring	4				
16	1140020010	WASHER, spring	8				
17	1140420012	WASHER, spring	2				
	E5d111						

TB125 Book No. BE5Z010 S/N 12510009-
HYDRAULIC TANK (12510009-12514525)



E5D060

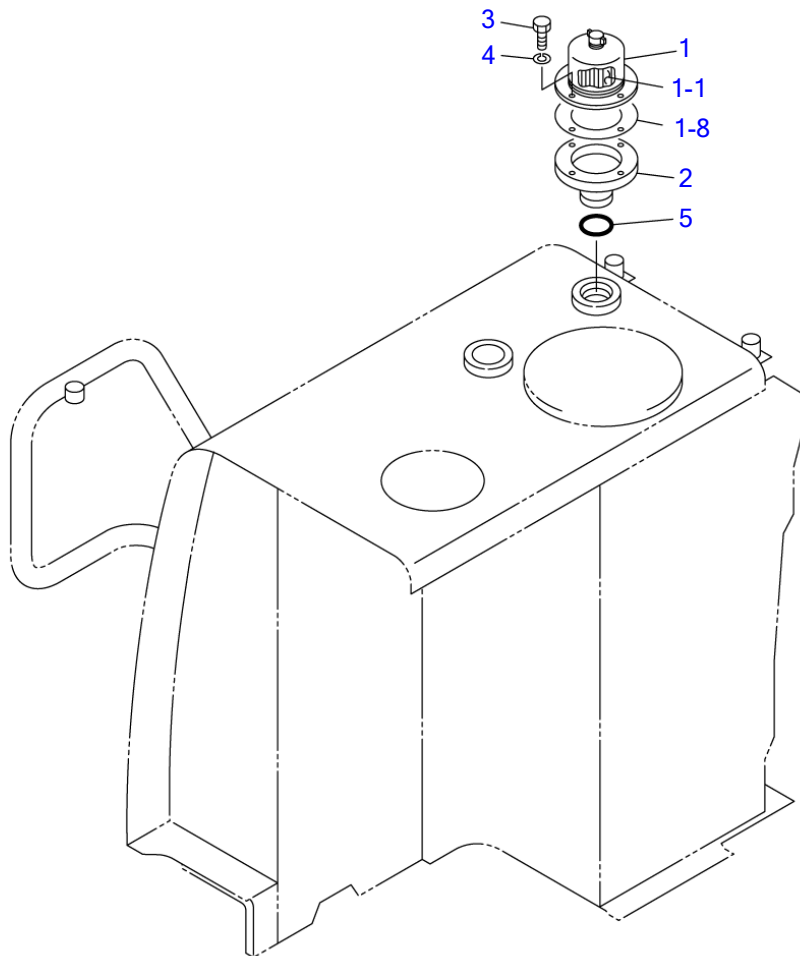
S=1/8

HYDRAULIC TANK (12510009-12514525)

Item	Part number	Description	Q'ty	Chan.	Serial No.	Serv.	Remarks
		TANK ASSY, hydraulic					X03580-07000-2
1	0358007100	TANK, hydraulic	1				
2	0358006300	PIPE	1				
3	0378004310	NIPPLE	1				
4	0378004320	COVER	1				
5	0358006310	PLATE	1				
7	0373504320	RUBBER	1				
8	1553020655	GAUGE	1				
9	0007000031	SPRING	1				
10	1551100700	ELEMENT	1				
11	1551100300	VALVE	1				
12	1550014150	STRAINER	1				
13	1515012040	ELBOW	4				
	1420010110	• O-RING	1				
15	1420010290	O-RING	3				
16	1420101250	O-RING	1				
17	1420101450	O-RING	1				
18	0007256006	PLUG	3				
19	1654601010	TRIM	1				sold by the meter
20	1654601004	TRIM	1				sold by the meter
21	1654302008	SPONGE	2				sold by the meter
22	1100040820	BOLT	2				
23	1100041016	BOLT	10				
24	1100041035	BOLT	3				
25	1140020008	WASHER, spring	3				
26	1140020010	WASHER, spring	10				
27	1141110008	WASHER	3				
28	1141110010	WASHER	10				
29	1141550010	WASHER	3				
30	1120530820	SCREW	1				
	E5d062						

HYDRAULIC TANK (12514526-)

Item	Part number	Description	Q'ty	Chan.	Serial No.	Serv.	Remarks
		TANK ASSY, hydraulic					X03580-12000-1
1	0358007100	TANK, hydraulic	1				
2	0358006300	PIPE	1				
3	0378004310	NIPPLE	1				
4	0378004320	COVER	1				
5	0358006310	PLATE	1				
7	0373504320	RUBBER	1				
8	1553020655	GAUGE	1				
9	0007000031	SPRING	1				
10	1551103300	ELEMENT	1				
11	1551100300	VALVE	1				
12	1550014150	STRAINER	1				
13	1515012040	ELBOW	4				
	1420010110	• O-RING	1				
15	1420010290	O-RING	3				
16	1420101250	O-RING	1				
17	1420101450	O-RING	1				
18	0007256006	PLUG	3				
19	1654601010	TRIM	1				sold by the meter
20	1654601004	TRIM	1				sold by the meter
21	1654302008	SPONGE	2				sold by the meter
22	1100040820	BOLT	2				
23	1100041016	BOLT	10				
24	1100041035	BOLT	3				
25	1140020008	WASHER, spring	3				
26	1140020010	WASHER, spring	10				
27	1141110008	WASHER	3				
28	1141110010	WASHER	10				
29	1141550010	WASHER	3				
30	1120530820	SCREW	1				
31	0003900061	SPACER	AR			M	t=1.2mm
32	0003900062	SPACER	AR			M	t=2.0mm
33	0003900063	SPACER	AR			M	t=3.2mm
	E5d191						



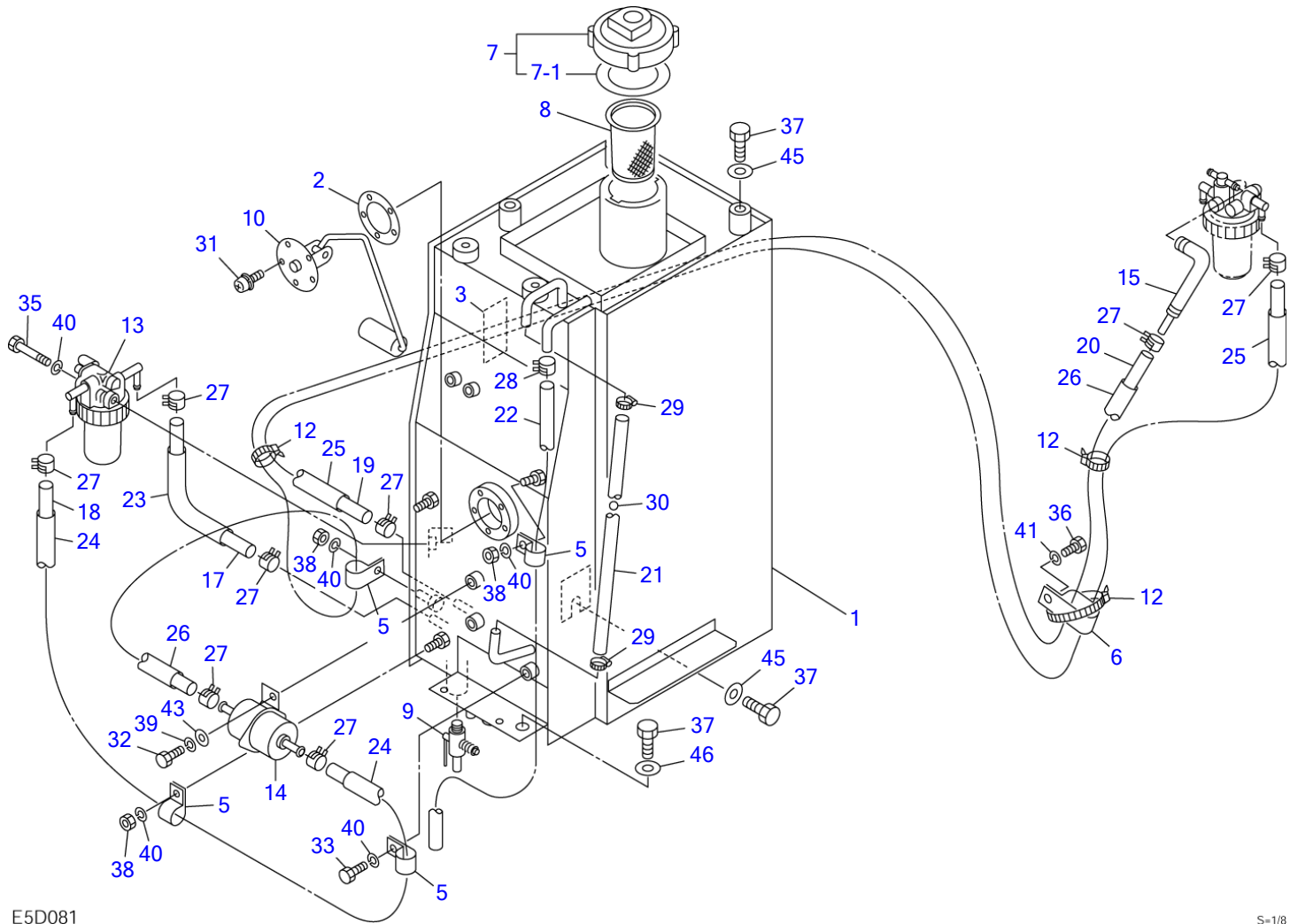
G4D100

S=1/8

AIR BREATHER

Item	Part number	Description	Q'ty	Chan.	Serial No.	Serv.	Remarks
		BREATHER ASSY					X03780-04400-0
1	1552000900	BREATHER, air	1				
1-1	1552000902	· ELEMENT	1				
1-8	1552000908	· PACKING	1				
2	0568026170	FLANGE	1				
3	1100040614	BOLT	4				
4	1140020006	WASHER, spring	4				
5	1420010290	O-RING	1				
	G4d100						

TB125 Book No. BE5Z010 S/N 12510009-
FUEL TANK & FUEL PIPING (12510009-12512125)



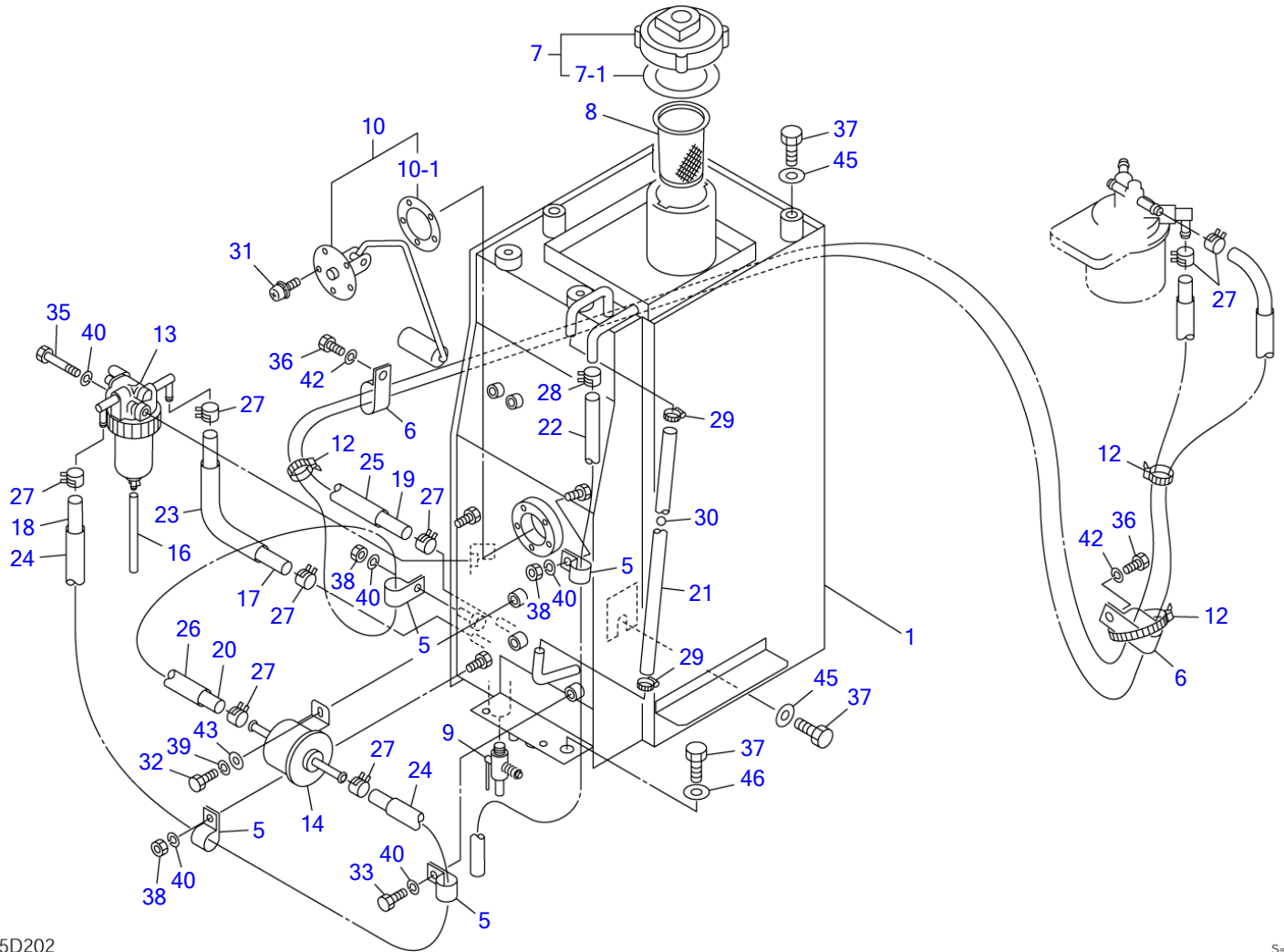
E5D081

S=1/8

FUEL TANK & FUEL PIPING (12510009-12512125)

Item	Part number	Description	Q'ty	Chan.	Serial No.	Serv.	Remarks
		TANK ASSY, fuel					X03581-09000-2
1	0378103100	TANK	1				
2	0438101500	PACKING	1				
3	0373504320	RUBBER	1				
5	0007300050	CLAMP	4				
6	0007300055	CLAMP	1				
7	1552100500	CAP	1				
7-1	1552100507	• PACKING	1				
8	1552100320	STRAINER	1				
9	1522100014	COCK	1				
10	1553201900	SENDER, fuel	1				
12	1652231140	BAND	3				
13	1910030033	SEPARATOR, water	1				Y129335-55700
14	1910047033	PUMP, feed	1				Y129322-77401
15	1910065047	HOSE, bend	1				Y119840-59601
17	1531207017	HOSE	1				sold by the meter
18	1531207049	HOSE	1				sold by the meter
19	1531207216	HOSE	1				sold by the meter
20	1531207255	HOSE	1				sold by the meter
21	1531010046	HOSE	1				sold by the meter
22	1531010094	HOSE	1				sold by the meter
23	1531115010	PROTECTOR	1				sold by the meter
24	1531115019	PROTECTOR	2				sold by the meter
25	1531115068	PROTECTOR	3				sold by the meter
26	1531115080	PROTECTOR	3				sold by the meter
27	1533120012	BAND	8				
28	1533120015	BAND	1				
29	1533700015	CLIP	2				
30	1553000001	FLOAT	1				
31	1150110510	SCREW	5				
32	1100040616	BOLT	2				
33	1100040816	BOLT	1				
35	1100040870	BOLT	1				
36	1100041020	BOLT	1				
37	1100041025	BOLT	7				
38	1130040008	NUT	3				
39	1140020006	WASHER, spring	2				
40	1140020008	WASHER, spring	6				
41	1140020010	WASHER, spring	1				
43	1141110006	WASHER	2				
45	1141550010	WASHER	5				
46	0003600025	WASHER	1				
	E5d081						

TB125 Book No. BE5Z010 S/N 12510009-
FUEL TANK & FUEL PIPING (12514526-)



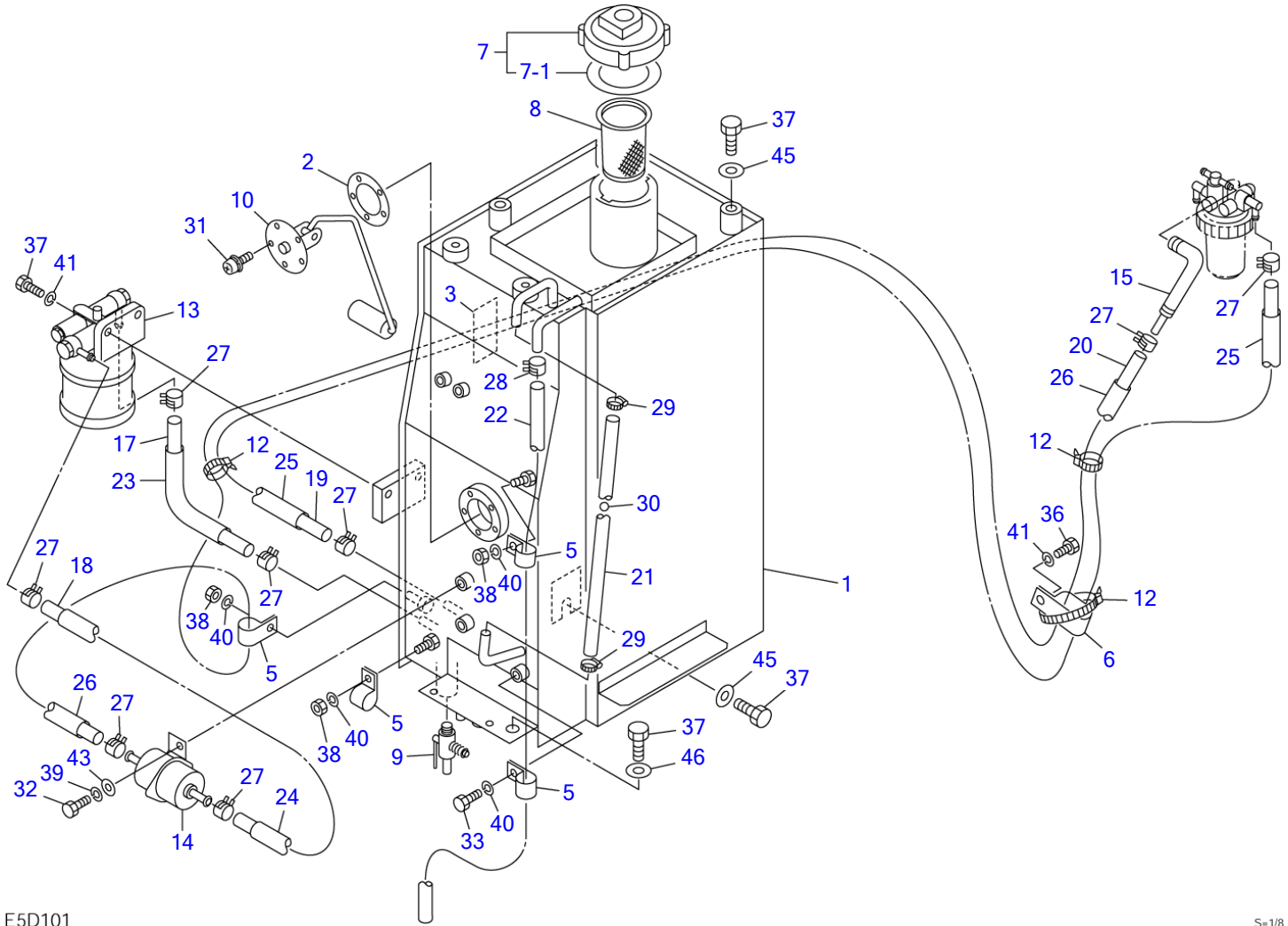
E5D202

S=1/8

FUEL TANK & FUEL PIPING (12514526-)

Item	Part number	Description	Q'ty	Chan.	Serial No.	Serv.	Remarks
		TANK ASSY, fuel					X03581-13000-4
1	0378103100	TANK	1				
5	0007300050	CLAMP	4				
6	0007300055	CLAMP	2				
7	1552100500	CAP	1				
7-1	1552100507	• PACKING	1				
8	1552100320	STRAINER	1				
9	1522100014	COCK	1				
10	1553201900	SENDER, fuel	1				
10-1	1553201918	• PACKING	1				
12	1652231140	BAND	3				
13	1910186033	SEPARATOR, water	1				Y129906-55700
14	1910199034	PUMP, feed	1				Y129612-52100
16	1531007011	HOSE	1				sold by the meter
17	1531207022	HOSE	1				sold by the meter
18	1531207049	HOSE	1				sold by the meter
19	1531207238	HOSE	1				sold by the meter
20	1531207260	HOSE	1				sold by the meter
21	1531010046	HOSE	1				sold by the meter
22	1531010094	HOSE	1				sold by the meter
23	1531115010	PROTECTOR	1				sold by the meter
24	1531115019	PROTECTOR	2				sold by the meter
25	1531115075	PROTECTOR	3				sold by the meter
26	1531115080	PROTECTOR	3				sold by the meter
27	1533120012	BAND	8				
28	1533120015	BAND	1				
29	1533700015	CLIP	2				
30	1553000001	FLOAT	1				
31	1150110510	SCREW	5				
32	1100040616	BOLT	2				
33	1100040816	BOLT	1				
35	1100040870	BOLT	1				
36	1100041220	BOLT	2				
37	1100041025	BOLT	7				
38	1130040008	NUT	3				
39	1140020006	WASHER, spring	2				
40	1140020008	WASHER, spring	6				
42	1140020012	WASHER, spring	2				
43	1141110006	WASHER	2				
45	1141550010	WASHER	5				
46	0003600025	WASHER	1				
	E5d202						

TB125 Book No. BE5Z010 S/N 12510009-
FUEL TANK & FUEL PIPING (for HE-service; 12510009-12512125)



E5D101

S=1/8

FUEL TANK & FUEL PIPING (for HE-service; 12510009-12512125)

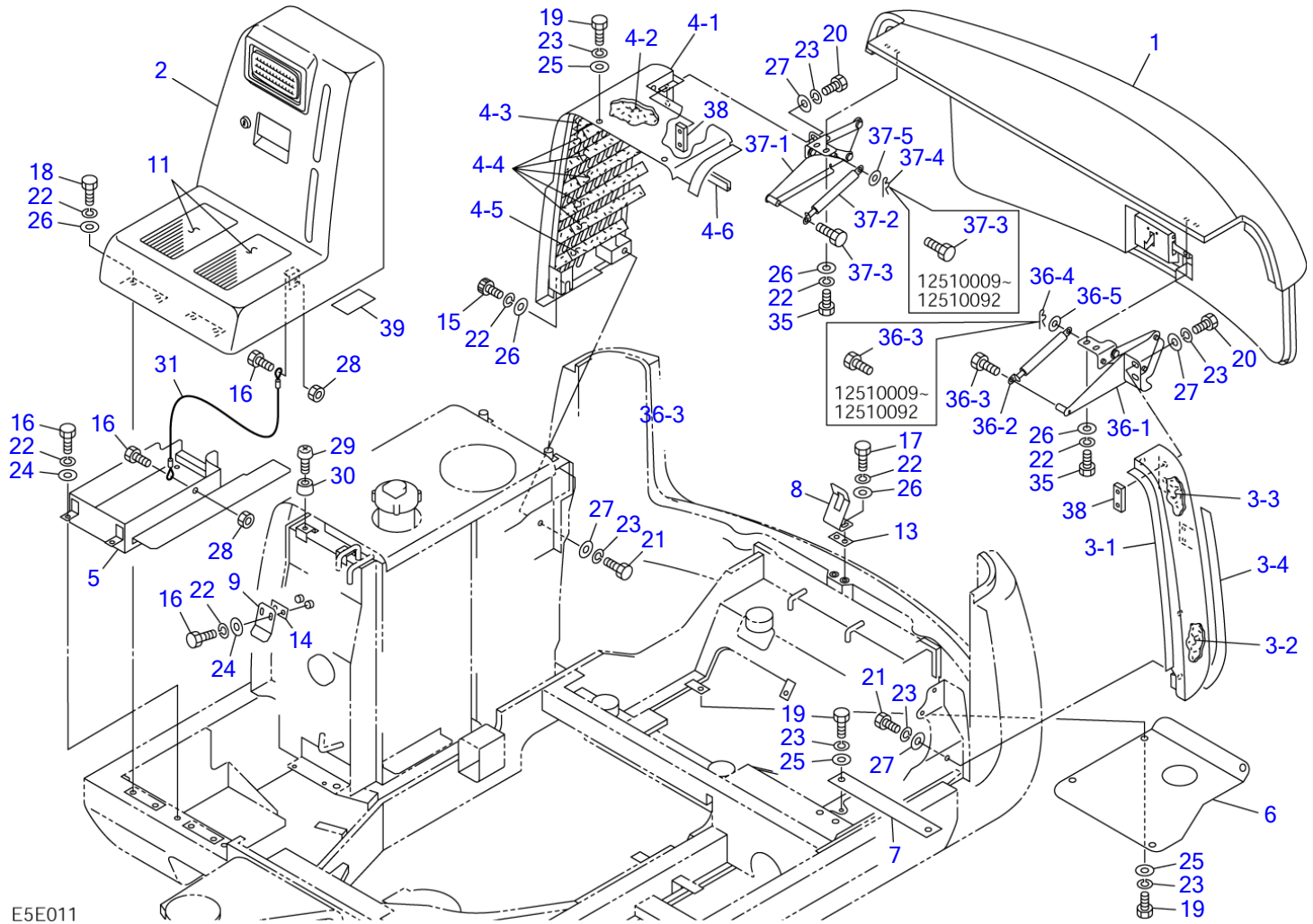
Item	Part number	Description	Q'ty	Chan.	Serial No.	Serv.	Remarks
		TANK ASSY, fuel					X03581-11000-1
1	0358111100	TANK	1				
2	0438101500	PACKING	1				
3	0373504320	RUBBER	1				
5	0007300050	CLAMP	4				
6	0007300055	CLAMP	1				
7	1552100500	CAP	1				
7-1	1552100507	· PACKING	1				
8	1552100320	STRAINER	1				
9	1522100014	COCK	1				
10	1553201900	SENDER, fuel	1				
12	1652231140	BAND	3				
13	1552001200	SEPARATOR, water	1				LUCAS SS 5838B040
14	1910047033	PUMP, feed	1				Y129322-77401
15	1910065047	HOSE, bend	1				Y119840-59601
17	1531207027	HOSE	1				sold by the meter
18	1531207047	HOSE	1				sold by the meter
19	1531207216	HOSE	1				sold by the meter
20	1531207255	HOSE	1				sold by the meter
21	1531010046	HOSE	1				sold by the meter
22	1531010094	HOSE	1				sold by the meter
23	1531115022	PROTECTOR	1				sold by the meter
24	1531115015	PROTECTOR	2				sold by the meter
25	1531115068	PROTECTOR	3				sold by the meter
26	1531115080	PROTECTOR	3				sold by the meter
27	1533120012	BAND	8				
28	1533120015	BAND	1				
29	1533700015	CLIP	2				
30	1553000001	FLOAT	1				
31	1150110510	SCREW	5				
32	1100040616	BOLT	2				
33	1100040816	BOLT	1				
36	1100041020	BOLT	1				
37	1100041025	BOLT	8				
38	1130040008	NUT	3				
39	1140020006	WASHER, spring	2				
40	1140020008	WASHER, spring	5				
41	1140020010	WASHER, spring	3				
43	1141110006	WASHER	2				
45	1141550010	WASHER	5				
46	0003600025	WASHER	1				
	E5d101						

FUEL TANK & FUEL PIPING (for HE-service; 12514526-)

Item	Part number	Description	Q'ty	Chan.	Serial No.	Serv.	Remarks
		TANK ASSY, fuel					X03581-13500-4
1	0358111100	TANK	1				
5	0007300050	CLAMP	4				
6	0007300055	CLAMP	2				
7	1552100500	CAP	1				
7-1	1552100507	• PACKING	1				
8	1552100320	STRAINER	1				
9	1522100014	COCK	1				
10	1553201900	SENDER, fuel	1				
10-1	1553201918	• PACKING	1				
12	1652231140	BAND	3				
13	1552001200	SEPARATOR, water	1				LUCAS SS 5838B040
14	1910199034	PUMP, feed	1				Y129612-52100
17	1531207027	HOSE	1				sold by the meter
18	1531207047	HOSE	1				sold by the meter
19	1531207238	HOSE	1				sold by the meter
20	1531207260	HOSE	1				sold by the meter
21	1531010046	HOSE	1				sold by the meter
22	1531010094	HOSE	1				sold by the meter
23	1531115022	PROTECTOR	1				sold by the meter
24	1531115015	PROTECTOR	2				sold by the meter
25	1531115075	PROTECTOR	3				sold by the meter
26	1531115080	PROTECTOR	3				sold by the meter
27	1533120012	BAND	8				
28	1533120015	BAND	1				
29	1533700015	CLIP	2				
30	1553000001	FLOAT	1				
31	1150110510	SCREW	5				
32	1100040616	BOLT	2				
33	1100040816	BOLT	1				
36	1100041220	BOLT	2				
37	1100041025	BOLT	8				
38	1130040008	NUT	3				
39	1140020006	WASHER, spring	2				
40	1140020008	WASHER, spring	5				
41	1140020010	WASHER, spring	2				
42	1140020012	WASHER, spring	2				
43	1141110006	WASHER	2				
45	1141550010	WASHER	5				
46	0003600025	WASHER	1				

E5d212

TB125 Book No. BE5Z010 S/N 12510009-
COVER (1/3) (12510009-12514525)



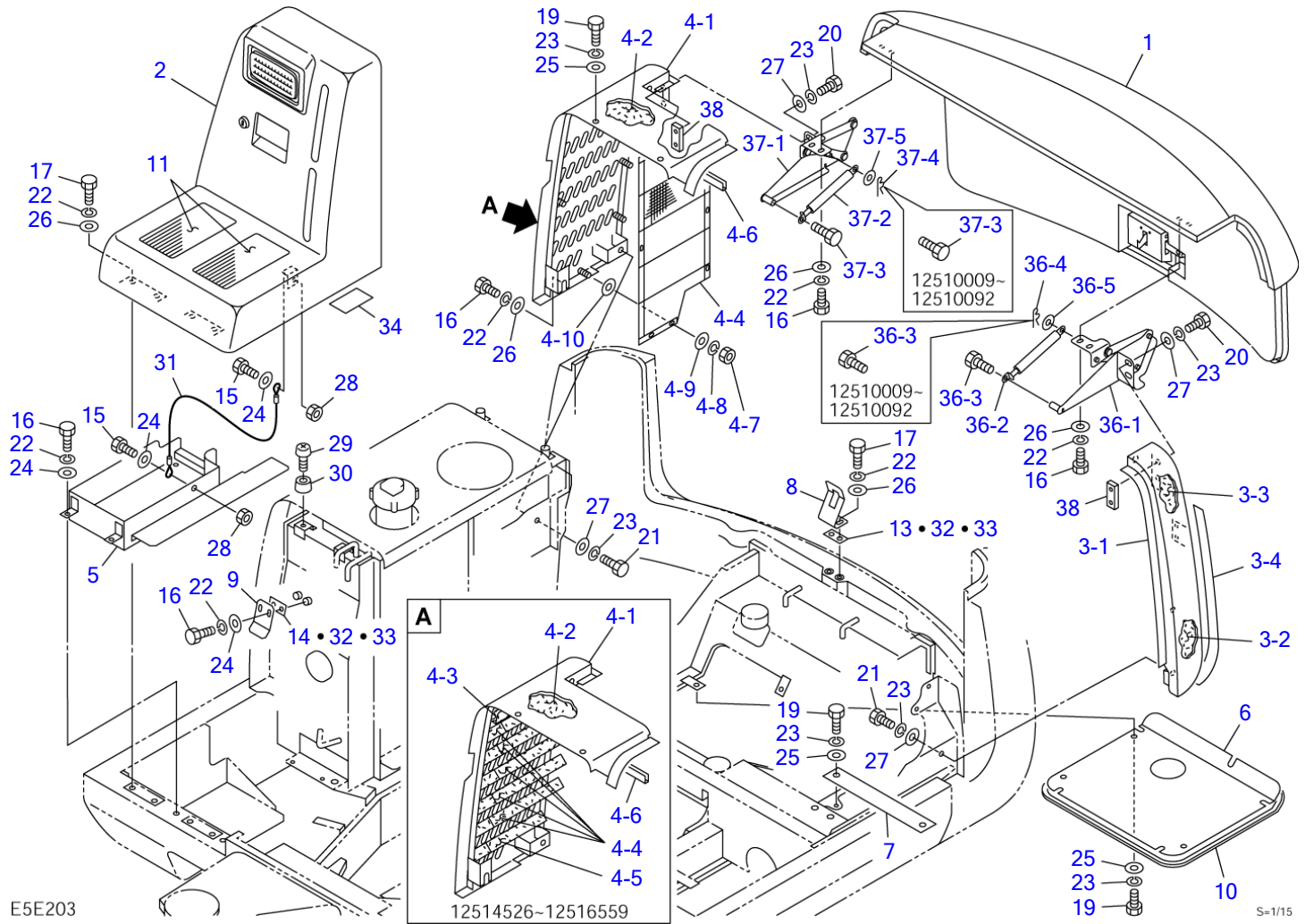
E5E011

S=1/15

COVER (1/3) (12510009-12514525)

Item	Part number	Description	Q'ty	Chan.	Serial No.	Serv.	Remarks
		COVER ASSY (cab)					X03582-12000-7
		COVER ASSY (canopy)					X03582-13000-7
1	0358212100	HOOD, engine (cab)	1				see page (2/3)
	0358213100	HOOD, engine (canopy)	1				see page (2/3)
2	0378206300	COVER, front	1		12510009~12513421		see page (3/3)
	0378211200	COVER, front	1	(H)	12513422~		see page (3/3)
3	0358214000	COVER ASSY, side (L.H.)	1		12510009~12510014		
	0358215400	COVER ASSY, side (L.H.)	1		12510015~		
3-1	0358214100	· COVER (L.H.)	1		12510009~12510014		
	0358215450	· COVER (L.H.)	1		12510015~		
3-2	0358210310	· ABSORBENT, noise	1				
3-3	0358212310	· ABSORBENT, noise	1				
3-4	1654307049	· SPONGE	1				sold by the meter
4	0358214200	COVER ASSY, side (R.H.)	1		12510009~12510014		
	0358215500	COVER ASSY, side (R.H.)	1		12510015~		
4-1	0358214300	· COVER (R.H.)	1		12510009~12510014		
	0358215550	· COVER (R.H.)	1		12510015~		
4-2	0358210510	· ABSORBENT, noise	1				
4-3	0358210520	· ABSORBENT, noise	1				
4-4	0358210530	· ABSORBENT, noise	5				
4-5	0378206730	· ABSORBENT, noise	1				
4-6	1654606027	· SEAL	1				sold by the meter
5	0358212700	BOX, tool	1				
6	0358211400	COVER	1				
7	0358210820	PLATE	1				
8	0358210840	BRACKET	1				
9	0378206940	BRACKET	1				
11	0358202400	SHEET	2				
13	0003900028	SPACER	AR				t=4.5
14	0003900027	SPACER	AR				t=2.3
15	1110040820	SCREW, cap	1				
16	1100040820	BOLT	8				
17	1100040830	BOLT	2				
18	1100040835	BOLT	4				
19	1100041020	BOLT	8				
20	1100041025	BOLT	4				
21	1100041030	BOLT	3				
22	1140020008	WASHER, spring	17				
23	1140020010	WASHER, spring	15				
24	1141110008	WASHER	4				
25	1141110010	WASHER	8				
26	0003608252	WASHER	11				
27	0003600003	WASHER	7				
28	1130040008	NUT	2				
29	1120590412	SCREW	2				
30	1652102410	RUBBER	2				
31	1929900237	ROPE	1				
35	1100040816	BOLT	4				
36	0358214400	LINK ASSY (L.H.)	1		12510009~12510092		
	0358215000	LINK ASSY (L.H.)	1		12510093~		
36-1	0358214600	· LINK ASSY	1		12510009~12510092		
	0358215600	· LINK ASSY	1		12510093~		
36-2	1653900041	· DAMPER	1				
36-3	0138255300	· BOLT	2		12510009~12510092		
	0138255300	· BOLT	1		12510093~		
36-4	1214000008	· PIN, snap	1		12510093~		
36-5	1141110010	· WASHER	1		12510093~		
37	0358214500	LINK ASSY (R.H.)	1		12510009~12510092		
	0358215200	LINK ASSY (R.H.)	1		12510093~		
37-1	0358214700	· LINK ASSY	1		12510009~12510092		
	0358215700	· LINK ASSY	1		12510093~		
37-2	1653900044	· DAMPER	1				
37-3	0138255300	· BOLT	2		12510009~12510092		
	0138255300	· BOLT	1		12510093~		
37-4	1214000008	· PIN, snap	1		12510093~		
37-5	1141110010	· WASHER	1		12510093~		
38	0358211410	PLATE	2				
39	0358212034	RUBBER	AR				

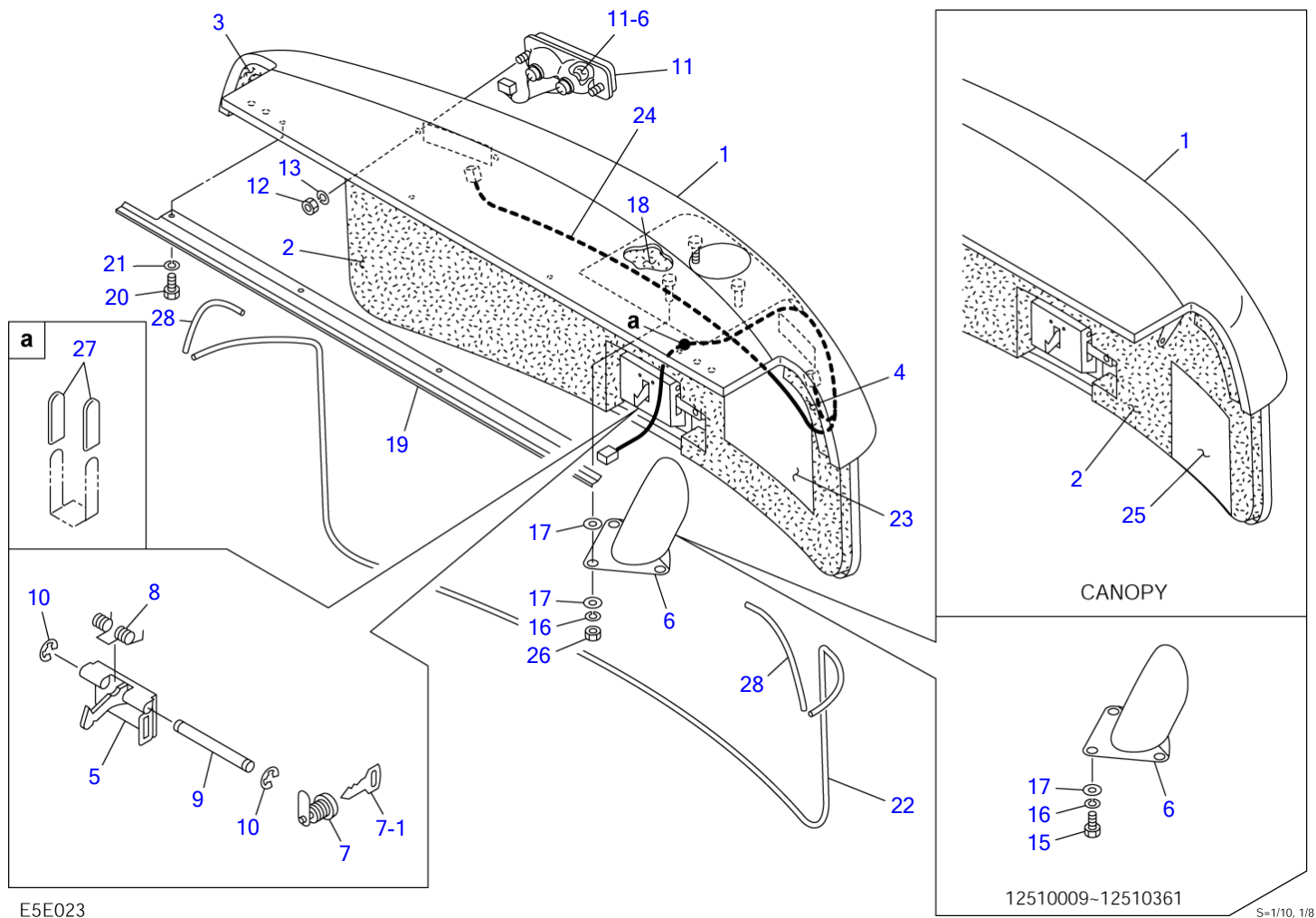
TB125 Book No. BE5Z010 S/N 12510009-
COVER (1/3) (12514526-)



COVER (1/3) (12514526-)

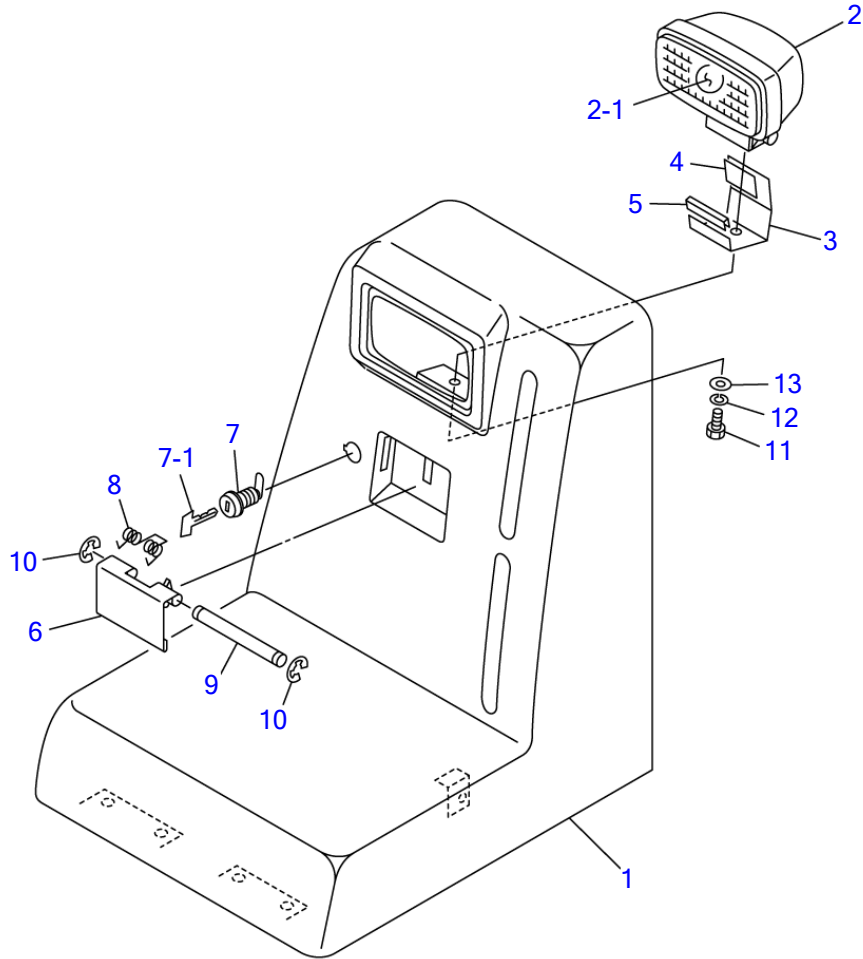
Item	Part number	Description	Q'ty	Chan.	Serial No.	Serv.	Remarks
		COVER ASSY (cab)					X03582-22000-2
		COVER ASSY (canopy)					X03582-22500-2
1	0358212100	HOOD, engine (cab)	1				see page (2/3)
	0358213100	HOOD, engine (canopy)	1				see page (2/3)
2	0378211200	COVER, front	1				see page (3/3)
3	0358215400	COVER ASSY, side (L.H.)	1				
3-1	0358215450	· COVER (L.H.)	1				
3-2	0358210310	· ABSORBENT, noise	1				
3-3	0358212310	· ABSORBENT, noise	1				
3-4	1654307049	· SPONGE	1				sold by the meter
4	0358215500	COVER ASSY, side (R.H.)	1		12514526~12516559		
	0358222100	COVER ASSY, side (R.H.)	1		12516560~		
4-1	0358215550	· COVER (R.H.)	1		12514526~12516559		
	0358222110	· COVER (R.H.)	1		12516560~12517051		
	0358222150	· COVER (R.H.)	1		12517052~		
4-2	0358210510	· ABSORBENT, noise	1				
4-3	0358210520	· ABSORBENT, noise	1		12514526~12516559		
4-4	0358210530	· ABSORBENT, noise	5		12514526~12516559		
	0358222120	· NET	1		12516560~12517051		
	0358222160	· NET	1		12517052~		
4-5	0378206730	· ABSORBENT, noise	1		12514526~12516559		
4-6	1654606027	· SEAL	1				sold by the meter
4-7	1130040006	· NUT	7				
4-8	1140020006	· WASHER, spring	7				
4-9	1141110006	· WASHER	7				
4-10	0003600090	· WASHER	7				
5	0358212700	BOX, tool	1				
6	0358220005	COVER	1		12514526~12514849		
	0358220007	COVER	1		12514850~		
7	0358210820	PLATE	1				
8	0358210840	BRACKET	1				
9	0378206940	BRACKET	1				
10	1654606154	TRIM	1				sold by the meter
11	0358202400	SHEET	2				
13	0003900028	SPACER	AR				t=4.5
14	0003900027	SPACER	AR				t=2.3
15	1100040825	BOLT	2				
16	1100040820	BOLT	11				
17	1100040830	BOLT	6				
19	1100041020	BOLT	8				
20	1100041025	BOLT	4				
21	1100041030	BOLT	3				
22	1140020008	WASHER, spring	17				
23	1140020010	WASHER, spring	15				
24	1141110008	WASHER	8				
25	1141110010	WASHER	8				
26	0003608252	WASHER	11				
27	0003600025	WASHER	7				
28	1130040008	NUT	2				
29	1120590412	SCREW	2				
30	1652102410	RUBBER	2				
31	1929900237	ROPE	1				
32	0003900027	SPACER	AR				t=2.3mm
33	0003900028	SPACER	AR				t=4.5mm
34	0358212034	RUBBER	2				
36	0358215000	LINK ASSY (L.H.)	1				
36-1	0358215600	· LINK ASSY	1				
36-2	1653900041	· DAMPER	1				
36-3	0138255300	· BOLT	1				
36-4	1214000008	· PIN, snap	1				
36-5	1141110010	· WASHER	1				
37	0358215200	LINK ASSY (R.H.)	1				
37-1	0358215700	· LINK ASSY	1				
37-2	1653900044	· DAMPER	1				
37-3	0138255300	· BOLT	1				
37-4	1214000008	· PIN, snap	1				
37-5	1141110010	· WASHER	1				
38	0358211410	PLATE	2				

TB125 Book No. BE5Z010 S/N 12510009-
COVER (2/3) (engine hood)



COVER (2/3) (engine hood)

Item	Part number	Description	Q'ty	Chan.	Serial No.	Serv.	Remarks
0-1	0358212100	HOOD ASSY, engine (cab)	1				X03582-12100-6
	0358213100	HOOD ASSY, engine (canopy)	1				X03582-13100-6
1	0358212200	• HOOD, engine	1		12510009~12510235		cab
	0358212250	• HOOD, engine	1	(H)	12510236~12510361		cab
	0358212800	• HOOD, engine	1		12510362~		cab
	0358213200	• HOOD, engine	1		12510009~12510235		canopy
	0358213250	• HOOD, engine	1	(H)	12510236~		canopy
2	0358210110	• ABSORBENT, noise	1				cab
	0358211110	• ABSORBENT, noise	1				canopy
3	0378206140	• ABSORBENT, noise	1				
4	0378206150	• ABSORBENT, noise	1				
5	0378206320	• HANDLE	1				
6	0378206170	• NOZZLE	1		12510009~12510361		cab
	0358212130	• NOZZLE	1		12510362~		cab
7	1653601395	• LOCK	1				
7-1	1700100019	• KEY	1				
8	0007000095	• SPRING	1				
9	0004206111	• SHAFT	1				
10	1224010004	• E-RING	2				
11	1703002000	• LAMP, tail	2				
11-6	1703002003	• • BULB	2				
12	1130030004	• NUT	4				
13	1140020004	• WASHER, spring	4				
15	1100040816	• BOLT	3		12510009~12510361		cab
16	1140020008	• WASHER, spring	3				cab
17	0003608252	• WASHER	3		12510009~12510361		cab
	0003608252	• WASHER	6		12510362~		cab
18	0358210120	• INSULATOR	1				cab
19	0358210130	• PLATE	1		12510009~12510235		
	0358212120	• PLATE	1		12510236~		
20	1100040614	• BOLT	4				
21	1140020006	• WASHER	4				
22	1654606215	• SEAL	1				sold by the meter
23	0358210140	• INSULATOR	1				cab
24	0374203250	• HARNESS, wiring	1				
25	0358213110	• INSULATOR	1				canopy
26	1130040008	• NUT	3				cab
27	0872433150	• TUBE	2		12514538~		
28	1654606018	• SEAL	2				sold by the meter
	E5e024						



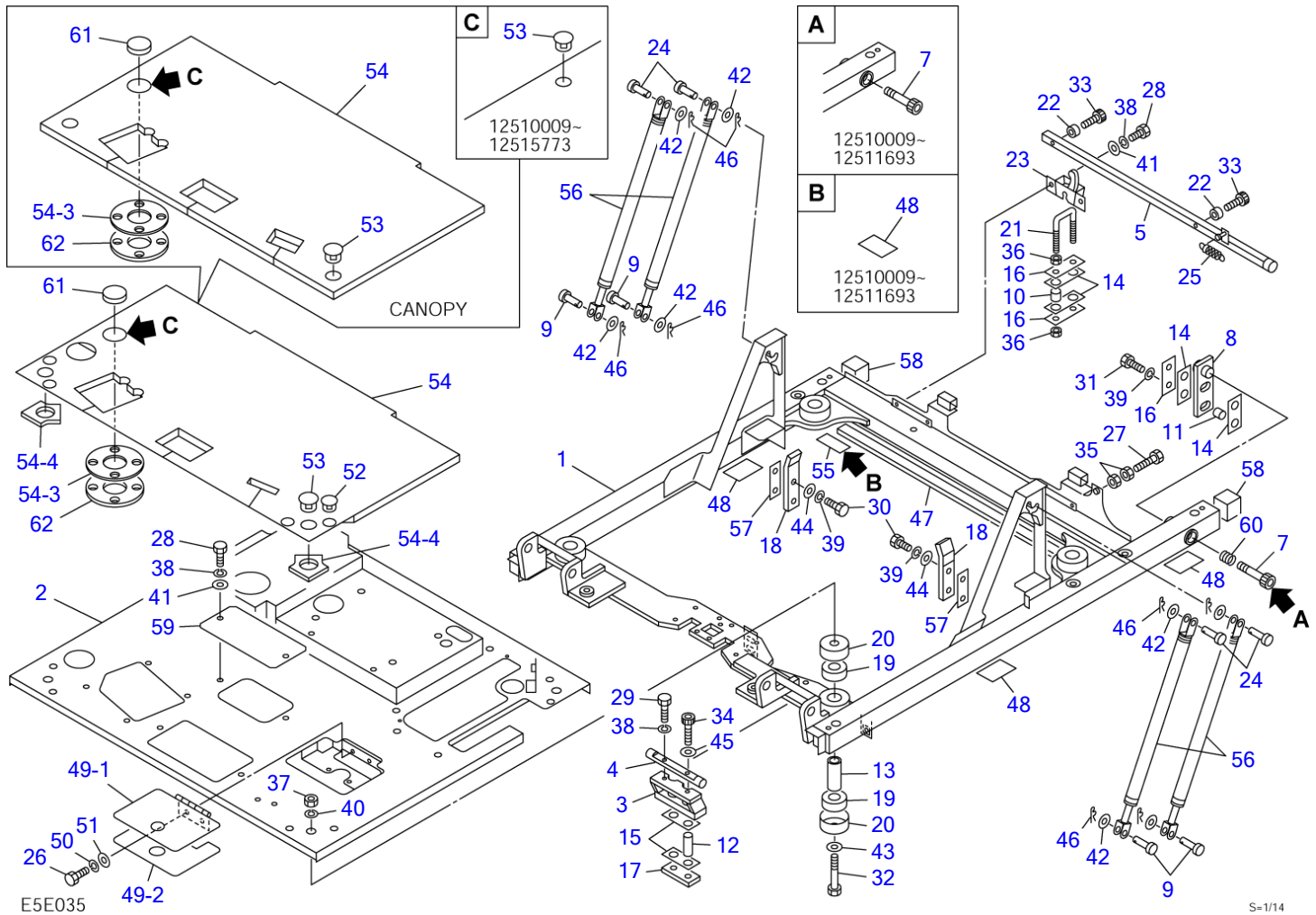
G4E030

S=1/8

COVER (3/3) (front cover)

Item	Part number	Description	Q'ty	Chan.	Serial No.	Serv.	Remarks
0-2	0378206300	COVER ASSY, front	1		12510009~12513421		X03782-06300
	0378211200	COVER ASSY, front	1	(H)	12513422~		X03782-11200
1	0378206400	· COVER	1		12510009~12513421		
	0378211300	· COVER	1		12513422~		
2	1703006200	· LAMP ASSY	1				
2-1	1703006205	· · BULB	1				
3	0378206310	· PLATE	1				
4	0880841210	· RUBBER	1				
5	1654613006	· PACKING	1				sold by the meter
6	0378206320	· HANDLE	1				
7	1653601395	· LOCK	1				
7-1	1700100019	· KEY	1				
8	0007000095	· SPRING	1				
9	0004206111	· SHAFT	1				
10	1224010004	· E-RING	2				
11	1100040820	· BOLT	1				
12	1140020008	· WASHER, spring	1				
13	1141110008	· WASHER	1				
	E5e110						

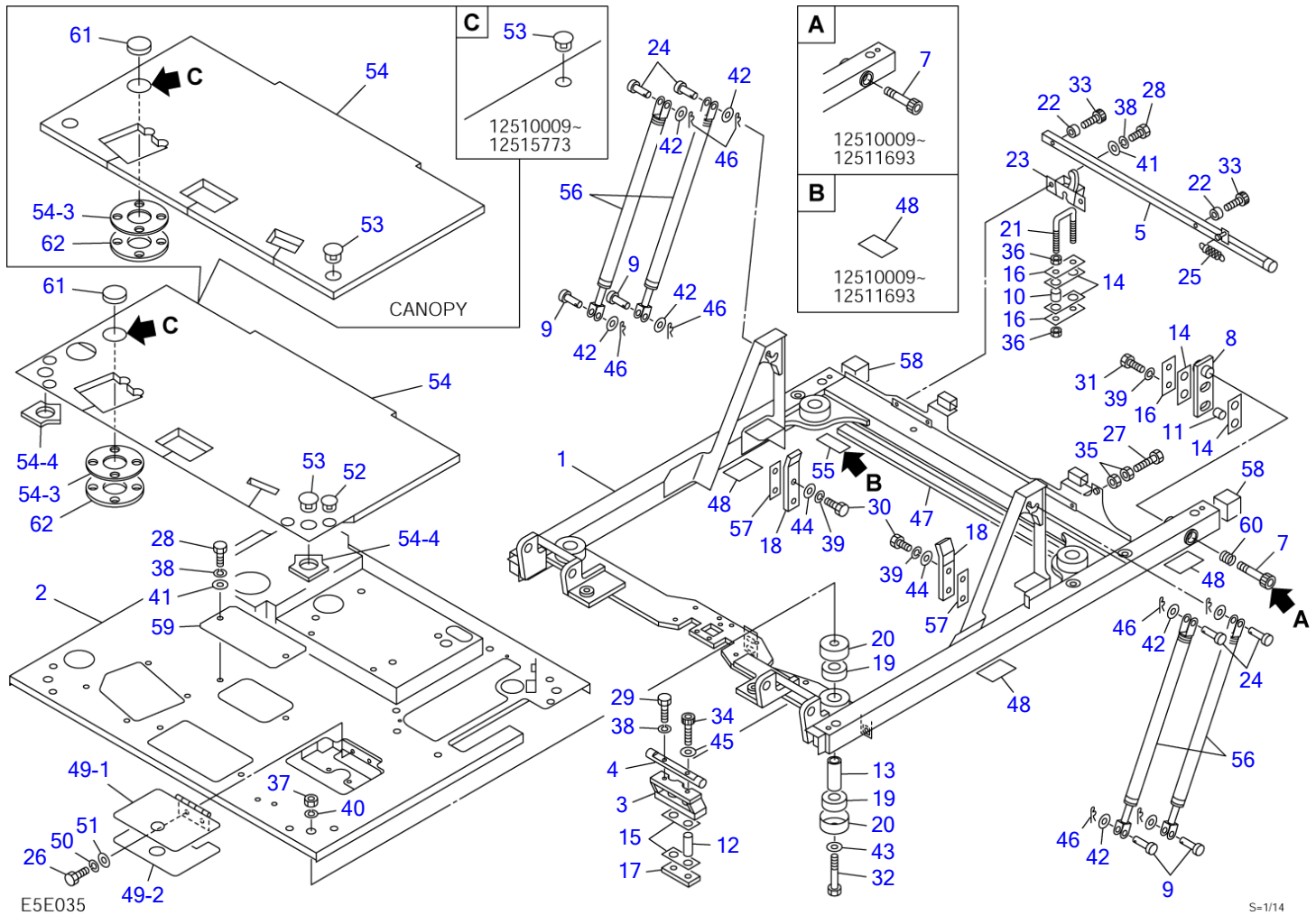
TB125 Book No. BE5Z010 S/N 12510009-
FLOOR FRAME



FLOOR FRAME

Item	Part number	Description	Q'ty	Chan.	Serial No.	Serv.	Remarks
		FLOOR ASSY (cab)					X03535-14000-9
		FLOOR ASSY (canopy)					X03535-15000-9
1	0353509500	FRAME	1		12510009~12510853		canopy
	0353515100	FRAME	1	A	12510854~12511693		canopy
	0353515200	FRAME	1	a(H)	12511694~		canopy
	0353510100	FRAME	1		12510009~12510853		cab
	0353514100	FRAME	1	B	12510854~12511693		cab
	0353514200	FRAME	1	b(H)	12511694~		cab
2	0373504200	PLATE	1		12510009~12510325		
	0373504800	PLATE	1		12510326~12510853		
	0373507300	PLATE	1		12510854~		
3	0373504300	HINGE	2				
4	0373504370	SHAFT	2				
5	0373504350	ROD	1				
7	0343500800	BOLT	1	A, B	12510009~12511693		
	0373507007	BOLT	1	a, b(H)	12511694~		
8	0343500900	PLATE	1				
9	0343503200	PIN	4				cab
	0343503200	PIN	3				canopy
10	0373502600	SPACER	4				
11	0343501200	SPACER	2				
12	0373504360	SPACER	4				
13	0373502900	SPACER	4				
14	0343501400	CUSHION	6				
15	0373502990	CUSHION	4		12510009~12513259		
	0373502995	CUSHION	4		12513260~		
16	0343501600	PLATE	5				
17	0343501700	PLATE	2		12510009~12513259		
	0373504510	PLATE	2		12513260~		
18	0373504380	STOPPER	2				
19	0433503100	RUBBER	8				
20	0433503200	COVER	8				
21	0373502800	HOOK	2				
22	0393501000	COLLAR	2				
23	0373504450	LOCK	2				
24	0004010025	PIN	4				cab
	0004010025	PIN	3				canopy
25	0007000029	SPRING	1				
26	1100040612	BOLT	2				
27	1100040640	BOLT	1				
28	1100040820	BOLT	6				
29	1100040830	BOLT	4				
30	1100041030	BOLT	4				
31	1100041040	BOLT	2				
32	1100141605	BOLT	4				
33	1110040820	BOLT	2				
34	1111041265	SCREW, cap	4				
35	1130040006	NUT	2				
36	1130040010	NUT	8				
37	1130040016	NUT	4				
38	1140020008	WASHER, spring	10				
39	1140020010	WASHER, spring	6				
40	1140020016	WASHER, spring	4				
41	1141110008	WASHER	6				
42	1141110010	WASHER	8				cab
	1141110010	WASHER	6				canopy
43	1141110016	WASHER	4				
44	1141550010	WASHER	4				
45	1141550012	WASHER	4				
46	1214000008	PIN, snap	8				cab
	1214000008	PIN, snap	6				canopy
47	1654312088	SPONGE	1				sold by the meter
48	0373504320	RUBBER	4		12510009~12511693		
	0373507048	RUBBER	3		12511694~		
49	0373504400	COVER ASSY	1				
49-1	0373504410	• COVER	1				
49-2	0373504420	• RUBBER	1				
50	1140020006	WASHER, spring	2				

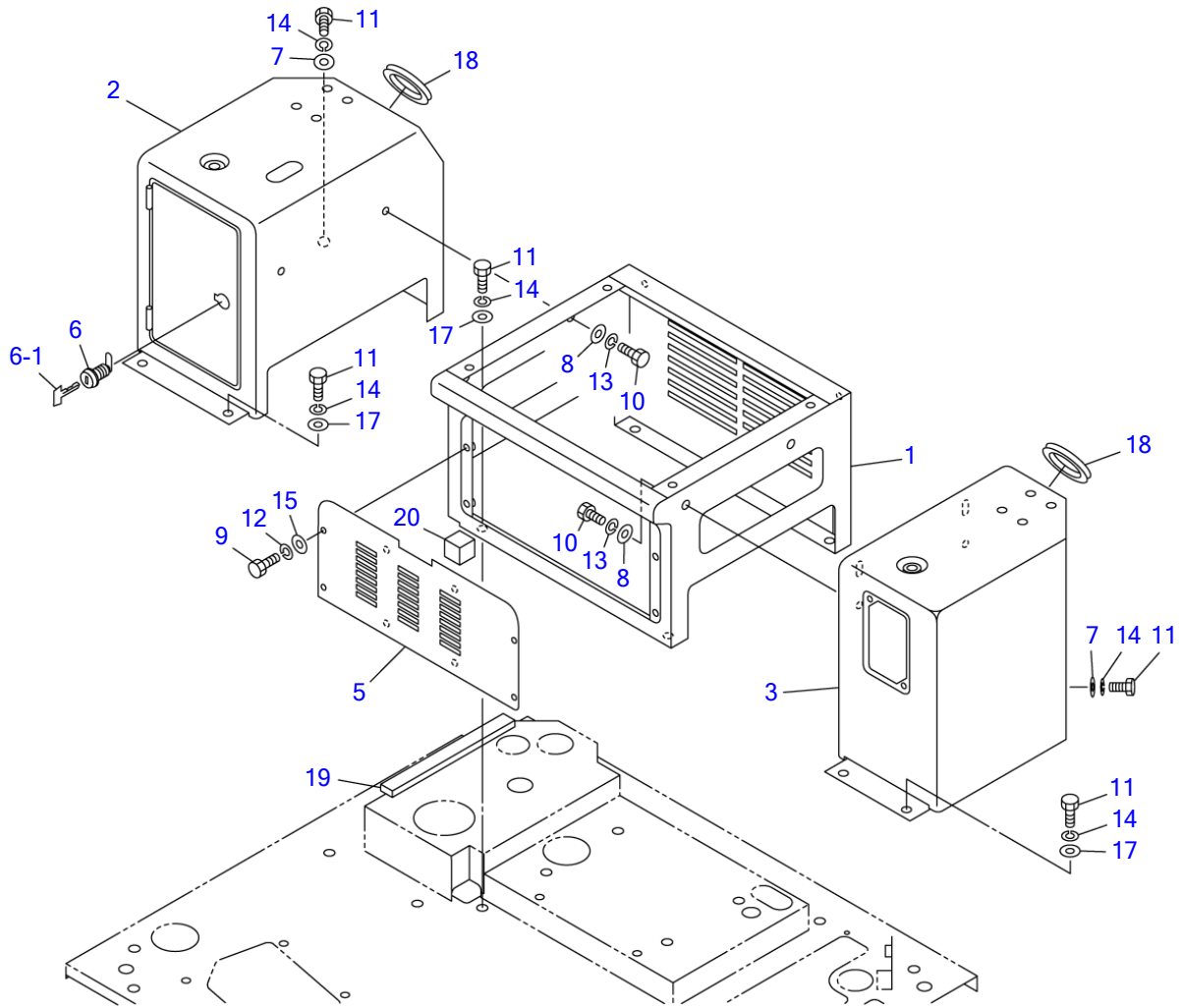
TB125 Book No. BE5Z010 S/N 12510009-
FLOOR FRAME



FLOOR FRAME

Item	Part number	Description	Q'ty	Chan.	Serial No.	Serv.	Remarks
51	1141110006	WASHER	2				
52	0373508010	CAP	4				cab
53	1652533010	CAP	3		12510009~12515773		
53	1652533010	CAP	2		12515774~		
54	0373504340	MAT, floor	1		12510009~12510853		cab
54	0373507410	MAT, floor	1		12510854~12515773		cab
54	0373507430	MAT, floor	1		12515774~		cab
54	0373504330	MAT, floor	1		12510009~12510853		canopy
54	0373507400	MAT, floor	1		12510854~12515773		canopy
54	0373507420	MAT, floor	1		12515774~		canopy
54-3	0373507423	• SPONGE	1		12515774~		
54-4	X *****	• SPONGE	2				cab X03735-04345
55	0353514055	RUBBER	1		12511694~		
56	1653900043	SPRING, gas	3				canopy
56	1653900040	SPRING, gas	4				cab
57	0373504390	SHIM t=1.2	AR				
58	0363511500	URETHANE	2				
59	0373504470	PLATE	1				
60	0007000111	SPRING	1		12511694~		
61	1652533013	CAP	1		12515774~		
62	0573500225	SPONGE	1		12515774~		
62		<<NOTE>>					
62		SET "A" is interchangeable with SET "a".					
62		SET "B" is interchangeable with SET "b".					
	E5e035						

TB125 Book No. BE5Z010 S/N 12510009-
SEAT BOX (12510009-12514525)



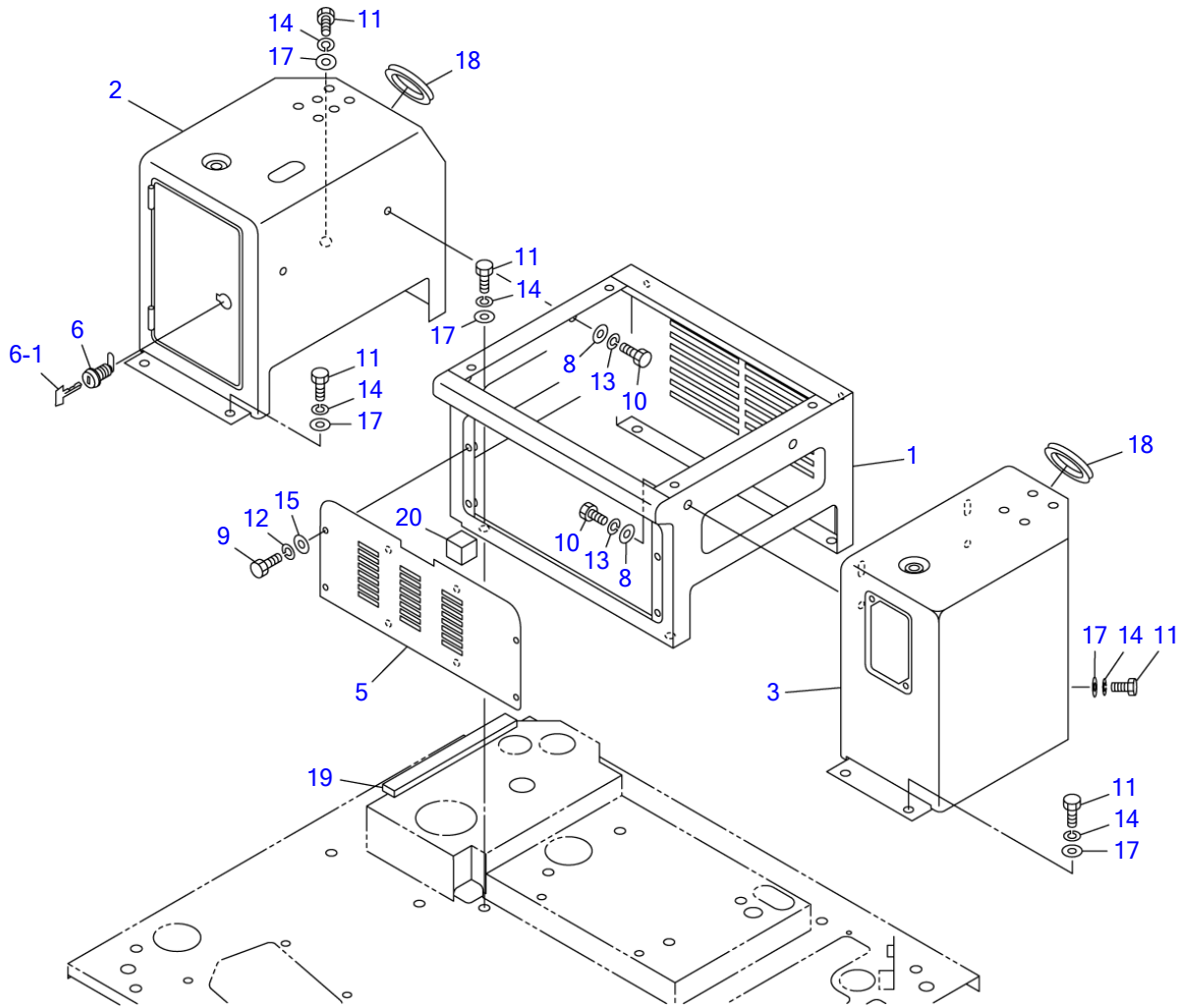
E5E120

S=1/10

SEAT BOX (12510009-12514525)

Item	Part number	Description	Q'ty	Chan.	Serial No.	Serv.	Remarks
		BOX ASSY, seat					X03734-11000-5
1	0373411100	BOX	1				
2	0373411200	SIDE BOX (R.H.)	1				
3	0373411300	SIDE BOX (L.H.)	1				
5	0373411600	COVER	1				
6	0373401640	LOCK	1				
6-1	1700100019	KEY	1				
7	0003600020	WASHER	2				
8	0003608252	WASHER	4				
9	1100040616	BOLT	4				
10	1100040820	BOLT	4				
11	1100041020	BOLT	10				
12	1140020006	WASHER, spring	4				
13	1140020008	WASHER, spring	4				
14	1140020010	WASHER, spring	10				
15	1141110006	WASHER	4				
17	1141110010	WASHER	8				
18	1653916020	TRIM	2				sold by the meter
19	1654302024	SPONGE	1				sold by the meter
20	1654309003	SPONGE	1				sold by the meter
	E5e120						

TB125 Book No. BE5Z010 S/N 12510009-
SEAT BOX (12514526-)

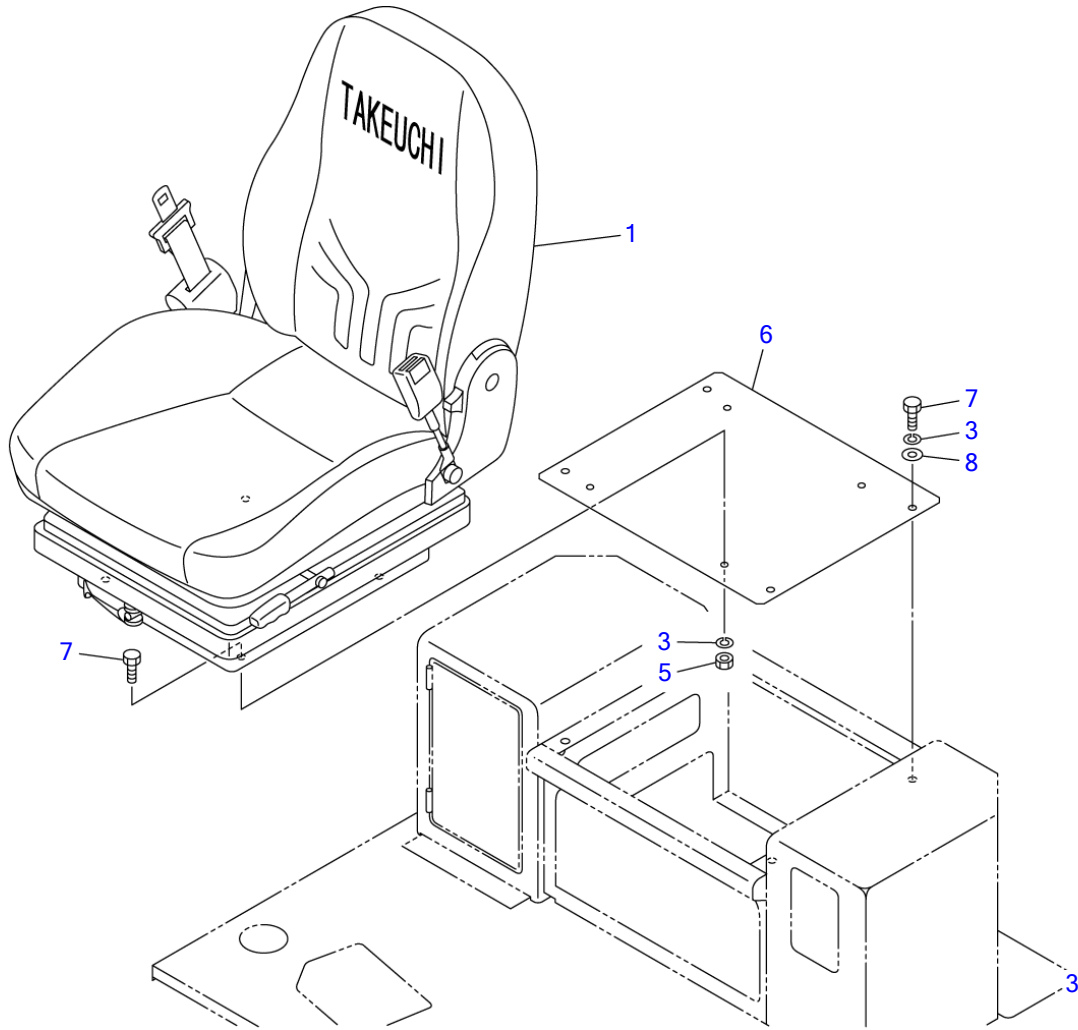


E5E211

S=1/10

SEAT BOX (12514526-)

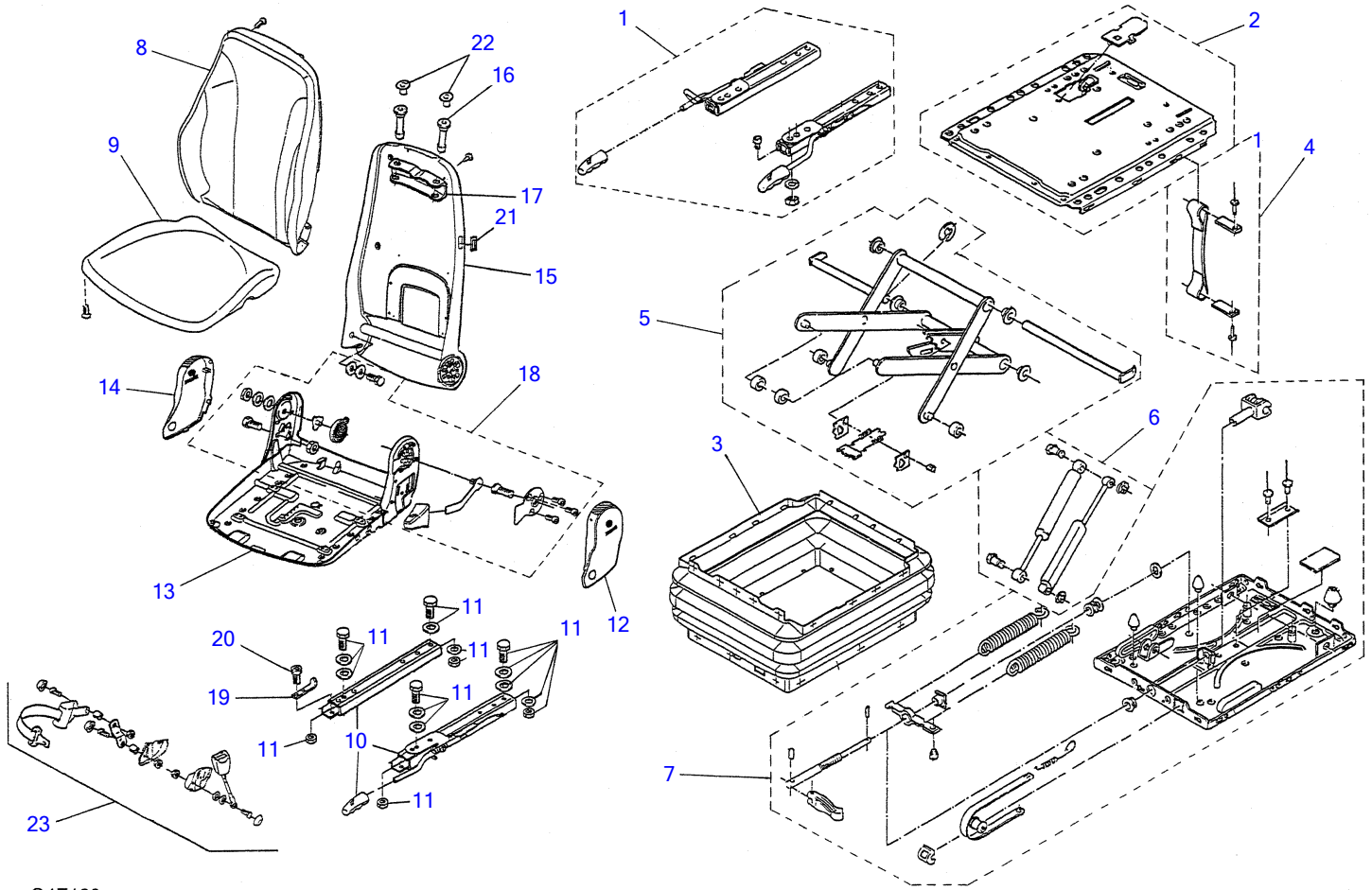
Item	Part number	Description	Q'ty	Chan.	Serial No.	Serv.	Remarks
		BOX ASSY, seat					X03734-12000-2
1	0373411100	BOX	1				
2	0373412300	SIDE BOX (R.H.)	1				
3	0373411300	SIDE BOX (L.H.)	1				
5	0373411600	COVER	1				
6	0373401640	LOCK	1				
6-1	1700100019	KEY	1				
8	1141110008	WASHER	4				
9	1100040616	BOLT	4				
10	1100040820	BOLT	4				
11	1100041020	BOLT	10				
12	1140020006	WASHER, spring	4				
13	1140020008	WASHER, spring	4				
14	1140020010	WASHER, spring	10				
15	1141110006	WASHER	4				
17	1141110010	WASHER	10				
18	1653917022	TRIM	2			M	sold by the meter
19	1654302024	SPONGE	1				sold by the meter
20	1654309003	SPONGE	1				sold by the meter
	E5e212						



E5E132

S=1/10

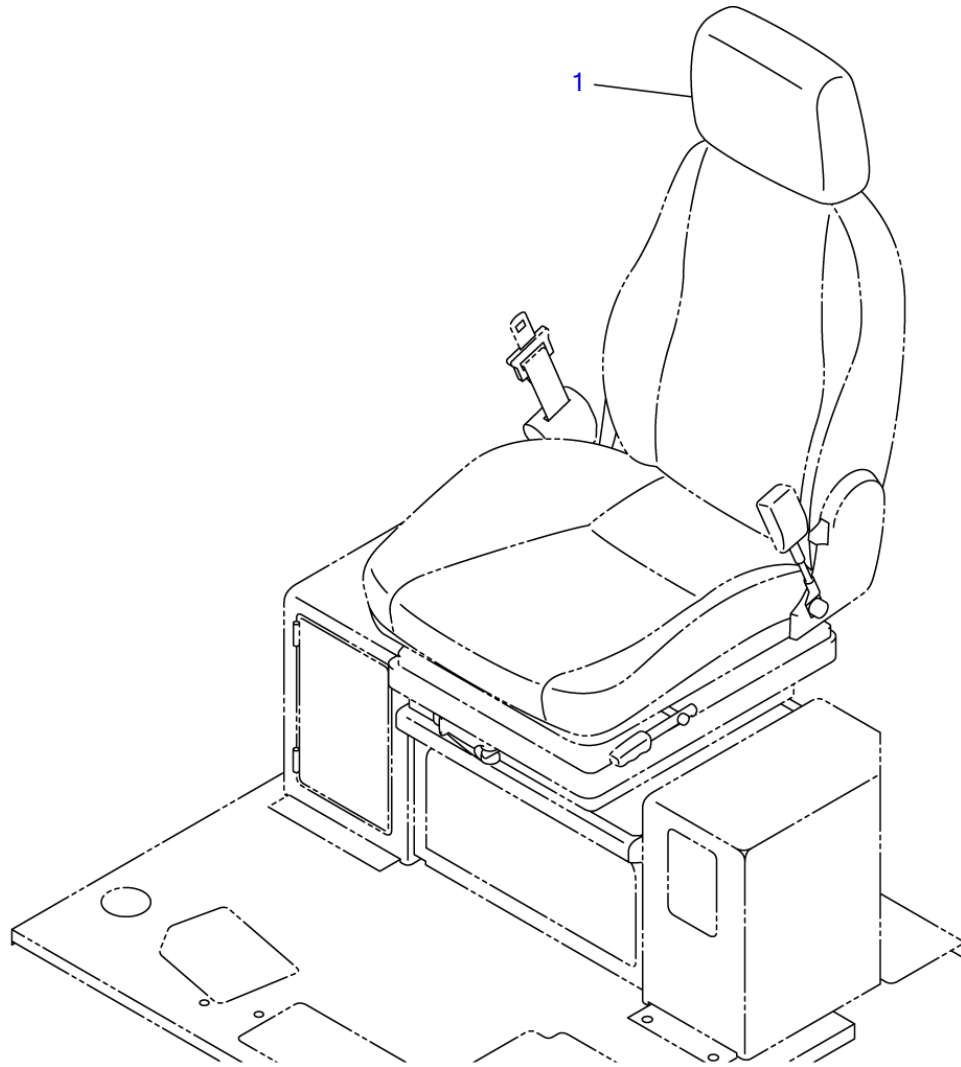
SEAT (1/2)						
Item	Part number	Description	Q'ty	Chan.	Serial No.	Serv. Remarks
		SEAT ASSY (fabric)				X03734-05000-5
		SEAT ASSY (PVC)				X03734-06000-5
1	1914100071	SEAT (fabric)	1			see page (2/2)
	1914100072	SEAT (PVC)	1			see page (2/2)
3	1140020008	WASHER, spring	8			
5	1130040008	NUT	4			
6	0373411400	COVER	1			
7	1100040820	BOLT	8			
8	0003608252	WASHER	4			
	E5e132					



G4E180

S=Free

SEAT (2/2)						
Item	Part number	Description	Q'ty	Chan.	Serial No.	Serv. Remarks
0	1914100071	SEAT (fabric)	1			
	1914100072	SEAT (PVC)	1			
1	1914101072	· RAIL ASSY	1			
2	1914102072	· PLATE ASSY	1			
3	1914103071	· BOOT	1			fabric
	1914103072	· BOOT	1			PVC
4	1914104072	· ANGLE ASSY	1			
5	1914105072	· LINK ASSY	1			
6	1914106072	· DAMPER ASSY	1			
7	1914107072	· SPRING ASSY	1			
8	1914108072	· TRIM	1			PVC
	1914101071	· TRIM	1			fabric
9	1914109072	· TRIM	1			PVC
	1914102071	· TRIM	1			fabric
10	1914110072	· RAIL ASSY	1			
11	1914111072	· BOLT ASSY	1			
12	1914112072	· COVER (L.H.)	1			
13	1914113072	· FRAME	1			
14	1914114072	· COVER (R.H.)	1			
15	1914115072	· FRAME	1			
16	1914116072	· GUIDE	2			for USA,Canada,EC
17	1914117072	· BRACKET	1			for USA,Canada,EC
18	1914118072	· JOINT ASSY	1			
19	1914119072	· PLATE	1			
20	1914120072	· SCREW, cap	1			
21	1914121072	· PLATE	1			
22	1914122072	· PLUG	2			for USA,Canada,EC
23	1914123072	· BELT ASSY, seat	1			
	G4e181					



G4E070

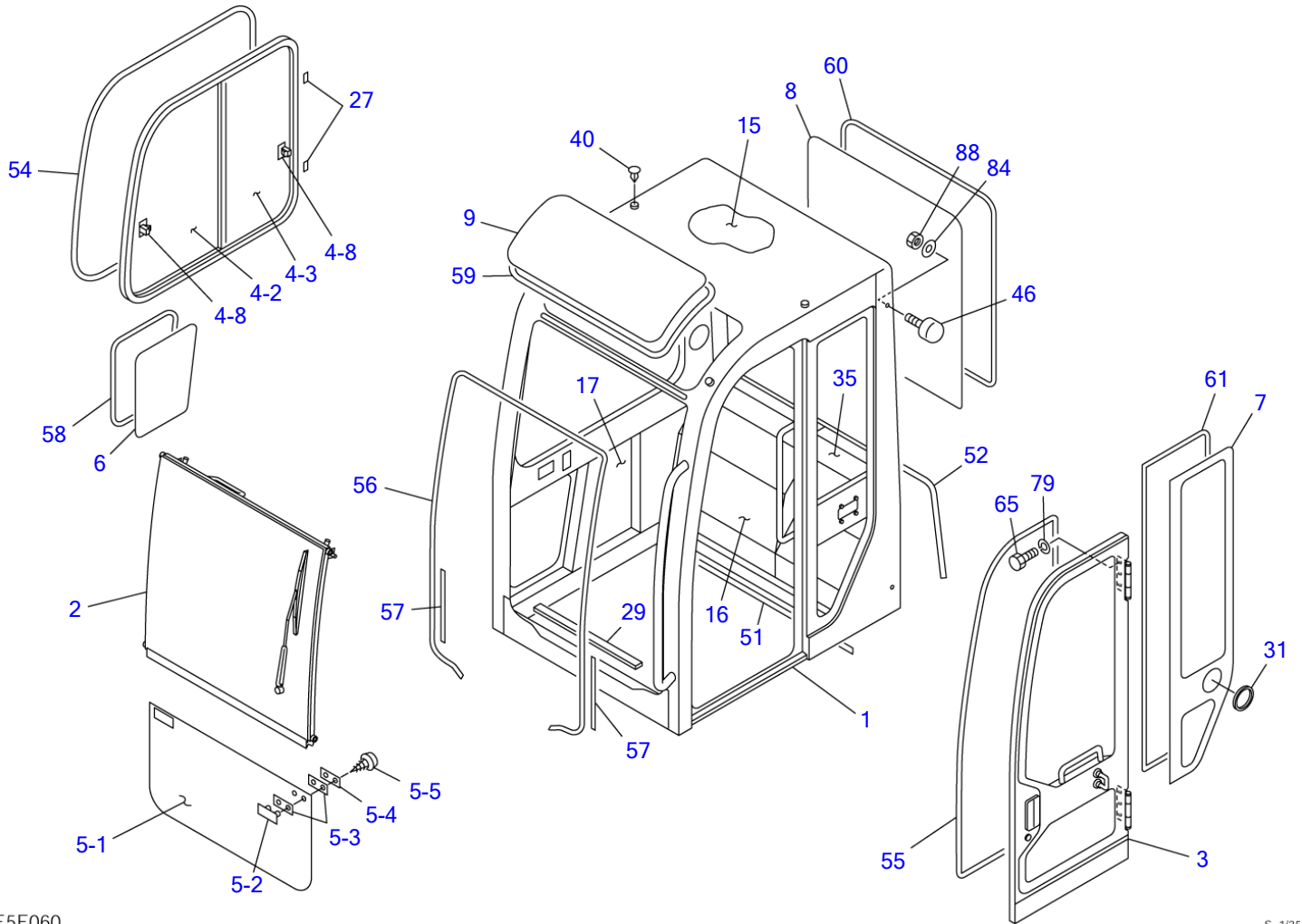
S=1/10

HEAD REST

Item	Part number	Description	Q'ty	Chan.	Serial No.	Serv.	Remarks
		REST ASSY, head (fabric)					X03734-09000-0
		REST ASSY, head (PVC)					X03734-10000-0
1	1914100075	REST, head (fabric)	1				
	1914100076	REST, head (PVC)	1				
	G4e070						

CAB MOUNT (12510009-12513336)

Item	Part number	Description	Q'ty	Chan.	Serial No.	Serv.	Remarks
0	0378601000	CAB MOUNT	1		12510009~12510044		X03786-01000-4
	0358600000	CAB MOUNT	1		12510045~		X03586-00000-0
1	0378601100	· CAB	1		12510009~12510044		see page (1/4)
	0358600100	· CAB	1		12510045~		see page (1/4)
2	0338627020	· BRACKET	1				
3	1711900059	· LIGHTER	1				
4	1120590410	· SCREW	4				
5	1140090004	· WASHER, spring	4				
6	1100041230	· BOLT	8				
7	1140020012	· WASHER, spring	8				
8	0378601010	· ABSORBENT, noise	1				
9	0378600800	· ABSORBENT, noise	1		12510009~12510044		
	0378600810	· ABSORBENT, noise	1		12510045~		
10	0378601020	· ABSORBENT, noise	1				
11	0378601031	· ABSORBENT, noise	1				
12	1653917007	· TRIM	1				sold by the meter
13	X *****	· DECAL	1		12510045~		
	E5e052						



E5E060

S=1/25

CAB (1/4) (12510009-12513336)

Item	Part number	Description	Q'ty	Chan.	Serial No.	Serv.	Remarks
0	0378601100	CAB ASSY	1		12510009~12510044		
	0358600100	CAB ASSY	1		12510045~		
1	X *****	• CAB	1				
2	0338630400	• SASH, front	1				see page (3/4)
3	0568629200	• DOOR	1				see page (4/4)
4	0378601300	• SASH ASSY	1				
4-2	0378601320	• • GLASS	1				
4-3	0378601330	• • GLASS	1				
4-8	0338630650	• • LOCK ASSY	2				
5	0378601600	• GLASS, front	1				
5-1	0378601610	• • GLASS	1				
5-2	1654010900	• • RETAINER	2				
5-3	1654011100	• • PACKING	4				
5-4	1654011000	• • PLATE	2				
5-5	1122410412	• • SCREW	4				
6	0568639530	• GLASS	1				
7	0378601400	• GLASS	1				
8	0338630820	• GLASS	1		12510009~12510044		
	0378601900	• GLASS	1		12510045~		
9	0568633200	• GLASS	1				
15	0378601450	• ABSORBENT, noise	1				
16	0378601460	• ABSORBENT, noise	1				
17	0378601470	• ABSORBENT, noise	1				
27	0438601770	• SPACER	7				
29	0568634100	• SEAL	1				
31	0568626600	• GROMMET	1				
35	0378601500	• ABSORBENT, noise	1				
40	1654005000	• CLIP	3				
46	1651101042	• RUBBER	2				
51	1654606090	• SEAL	1				sold by the meter
52	1654619203	• SEAL	1				sold by the meter
54	1653930355	• RUBBER	1				sold by the meter
55	1654605341	• RUBBER	1				sold by the meter
56	1654605374	• RUBBER	1				sold by the meter
57	1654605033	• RUBBER	2				sold by the meter
58	1654262150	• H-RUBBER	1				sold by the meter
59	1654231255	• H-RUBBER	1				sold by the meter
60	1654231336	• H-RUBBER	1				sold by the meter
61	1654615296	• DAM	1				sold by the meter
65	1100090820	• BOLT	6				
79	1140090008	• WASHER, spring	6				
84	1141190010	• WASHER	2				
88	1130090010	• NUT	2				

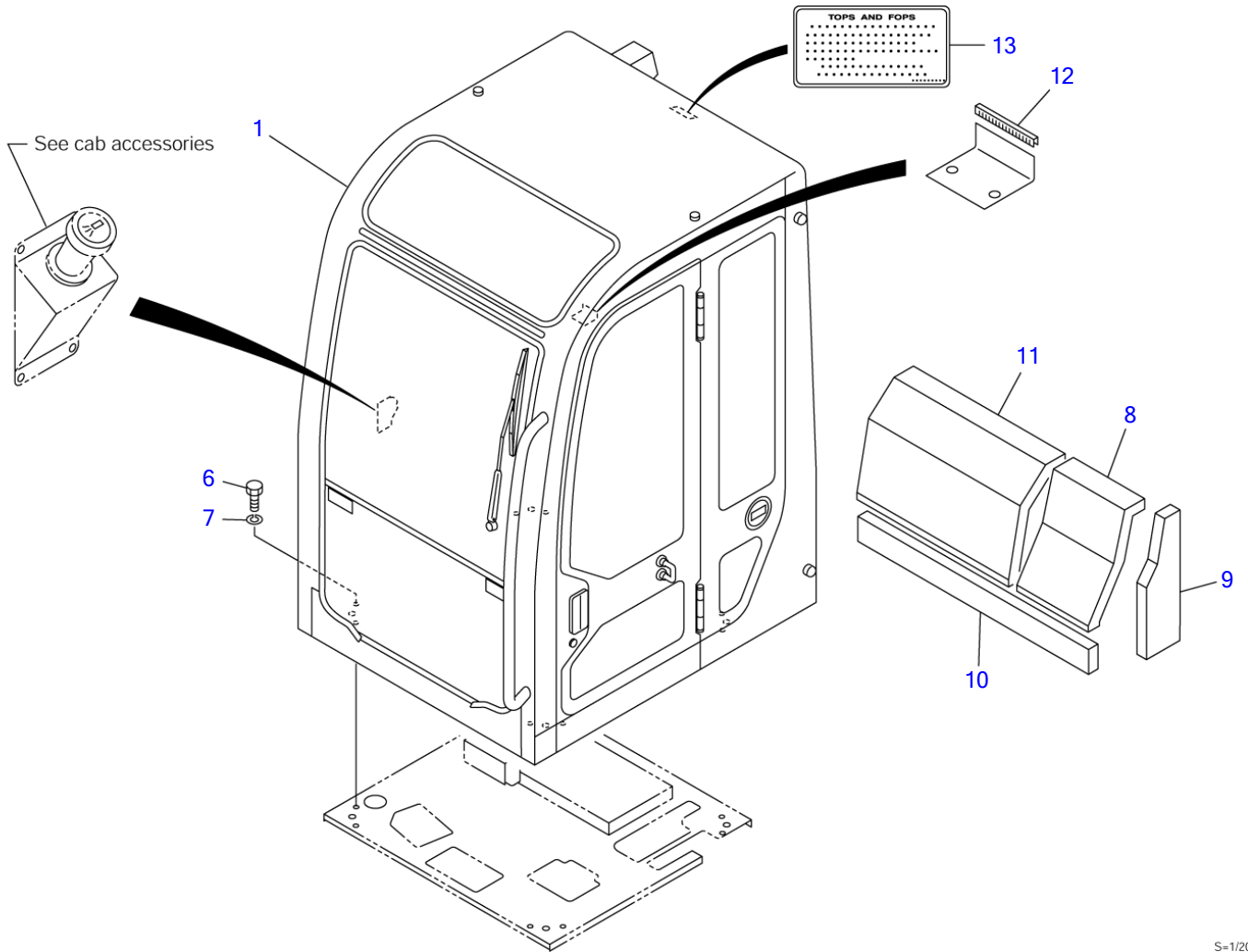
E5e061

CAB (2/4) (12510009-12513336)

Item	Part number	Description	Q'ty	Chan.	Serial No.	Serv.	Remarks
0	0378601100	CAB ASSY	1		12510009~12510044		
	0358600100	CAB ASSY	1		12510045~		
11	0378601420	• PLATE	1				
12	0378601430	• COVER	1		12510009~12510044		
	0378602000	• COVER	1	(H)	12510045~		
13	0338630870	• PLATE	1				
14	0338630880	• PLATE	1				
18	0378601480	• PLATE	1				
19	0338630910	• STOPPER (R.H.)	1				
20	0338630960	• STOPPER (L.H.)	1				
21	0338630920	• PLATE	2				
22	0338630930	• PACKING	1				
23	0378601490	• HARNESS, wiring	1		12510009~12510044		
	0378601710	• HARNESS, wiring	1	(H)	12510045~		
24	0398802200	• HARNESS, wiring	1				
25	0338631010	• HARNESS, wiring	1				
26	0438601760	• COVER	2				
28	0568633300	• STOPPER	2				
30	0568634400	• SEAL	1				
32	0068620500	• STRIKER	1				
33	0068621300	• SCREW	2				
34	0007000096	• SPRING	1				
37	1703001700	• LAMP, room	1				
37-1	1703001701	• • BULB	1				
38	1654004800	• HANGER	1				
39	1654004900	• STOPPER	4				
41	1654010500	• ASHTRAY	1				
42	1653691350	• POCKET	1				
43	1654005100	• LOCK	1				
44	1652341547	• CLAMP	4				
45	1651101028	• STOPPER	2				
47	1652060016	• GROMMET	2				
48	1652060031	• BUSHING	1				
49	1652102320	• RUBBER	2				
50	0378601510	• PIN	1				
53	1653916007	• RUBBER	1				sold by the meter
62	1652221050	• BAND	4				
63	1652050900	• GROMMET	1				
65	1100090820	• BOLT	4				
66	1100040825	• BOLT	4				
67	1120540408	• SCREW	2				
68	1120590512	• SCREW	9				
69	1120590516	• SCREW	5				
70	1120590616	• SCREW	2				
71	1120630412	• SCREW	2				
72	1120790412	• SCREW	2				
73	1120800830	• SCREW	4				
75	1122410416	• SCREW	2				
76	1140090004	• WASHER, spring	2				
77	1140090005	• WASHER, spring	9				
78	1140090006	• WASHER, spring	2				
81	1141190004	• WASHER	2				
82	1141190005	• WASHER	4				
83	1141190008	• WASHER	4				
85	1141550008	• WASHER	4				
86	1140330005	• WASHER	1				
87	1140330010	• WASHER	2				
88	1130090010	• NUT	2				

E5e070

TB125 Book No. BE5Z010 S/N 12510009-
CAB MOUNT (12513337-)



E5E140

S-1/20

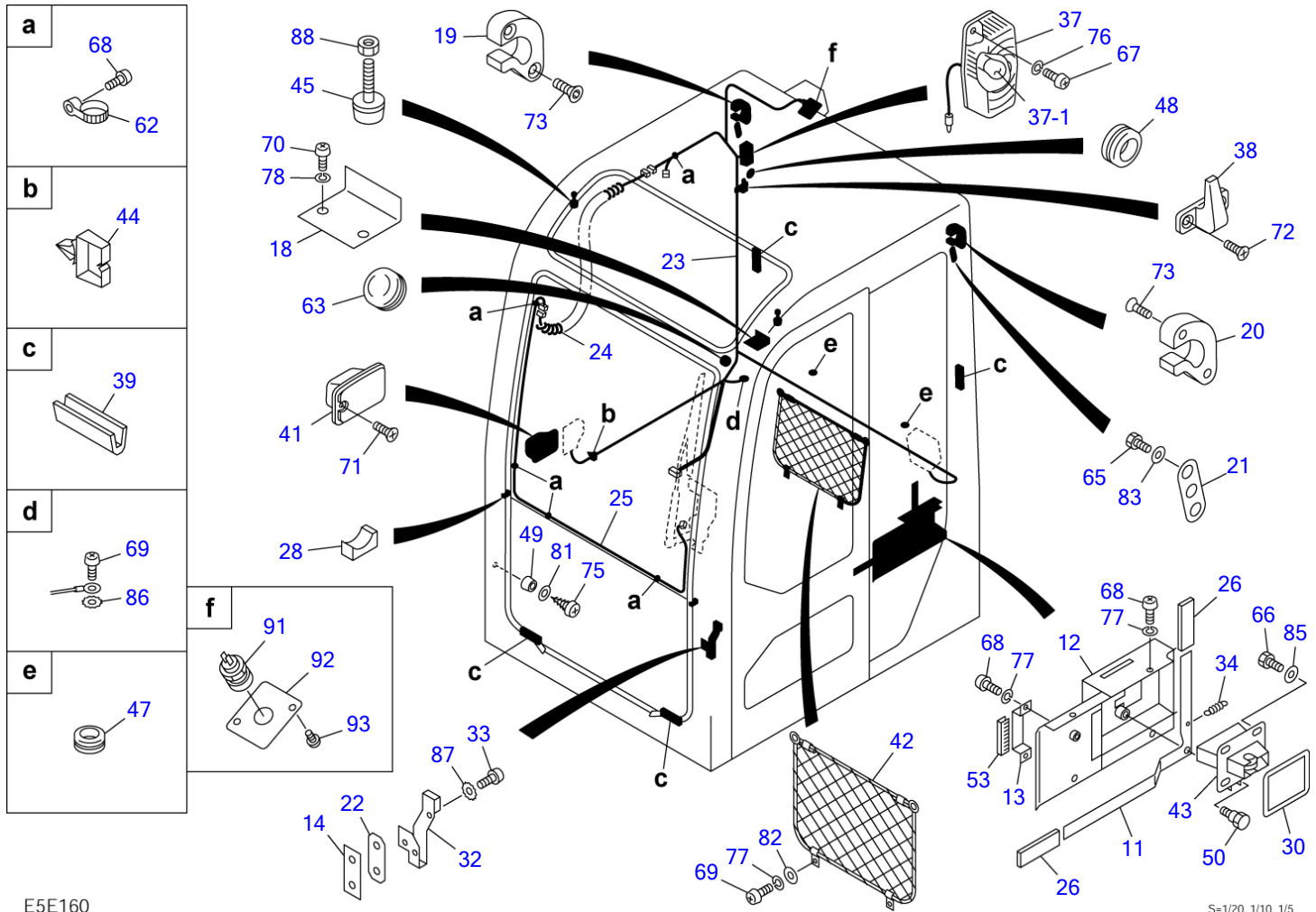
CAB MOUNT (12513337-)

Item	Part number	Description	Q'ty	Chan.	Serial No.	Serv.	Remarks
0	0358600000	CAB MOUNT	1				X03586-00000-4
1	0358605500	• CAB	1		12513337~12513667		see page (1/4)
	0358606800	• CAB	1	(H)	12513668~		see page (1/4)
6	1100041230	• BOLT	8				
7	1140020012	• WASHER, spring	8				
8	0378601010	• ABSORBENT, noise	1				
9	0378600810	• ABSORBENT, noise	1				
10	0378601020	• ABSORBENT, noise	1				
11	0378601031	• ABSORBENT, noise	1				
12	1653917006	• TRIM	1			M	sold by the meter
13	X *****	• DECAL	1				
	E5e142						

CAB (1/4) (12513337-)

Item	Part number	Description	Q'ty	Chan.	Serial No.	Serv.	Remarks
0	0358605500	CAB ASSY	1		12513337~12513667		X03586-05500-0
	0358606800	CAB ASSY	1	(H)	12513668~		X03586-06800-4
1	X *****	• CAB	1				
2	0338630400	• SASH, front	1				see page (3/4)
3	0568629200	• DOOR	1				see page (4/4)
4	0378601300	• SASH ASSY	1				
4-2	0378601320	• • GLASS	1				
4-3	0378601330	• • GLASS	1				
4-8	0338630650	• • LOCK ASSY	2				
5	0378601600	• GLASS, front	1				
5-1	0378601610	• • GLASS	1				
5-2	1654010900	• • RETAINER	2				
5-3	1654011100	• • PACKING	4				
5-4	1654011000	• • PLATE	2				
5-5	1122410412	• • SCREW	4				
6	0568639530	• GLASS	1				
7	0378601400	• GLASS	1				
8	0378601900	• GLASS	1				
9	0358605300	• GLASS	1				
15	0378601450	• ABSORBENT, noise	1				
16	0378601460	• ABSORBENT, noise	1				
17	0378601470	• ABSORBENT, noise	1				
27	0438601770	• SPACER	7				
29	0568634100	• SEAL	1				
31	0568626600	• GROMMET	1				
35	0378601500	• ABSORBENT, noise	1				
40	1653303010	• CLIP	3				
46	1651101042	• RUBBER	2				
51	1654606090	• SEAL	1				sold by the meter
52	1654619203	• SEAL	1				sold by the meter
54	1653930355	• RUBBER	1				sold by the meter
55	1654605341	• RUBBER	1				sold by the meter
56	1654605374	• RUBBER	1				sold by the meter
57	1654605033	• RUBBER	2				sold by the meter
58	1654262150	• H-RUBBER	1				sold by the meter
59	1654615216	• DAM	1				sold by the meter
60	1654231336	• H-RUBBER	1				sold by the meter
61	1654615296	• DAM	1				sold by the meter
64	1653916222	• TRIM	1				sold by the meter
65	1100090820	• BOLT	6				
79	1140090008	• WASHER, spring	6				
84	1141190010	• WASHER	2				
88	1130090010	• NUT	2				

E5e153



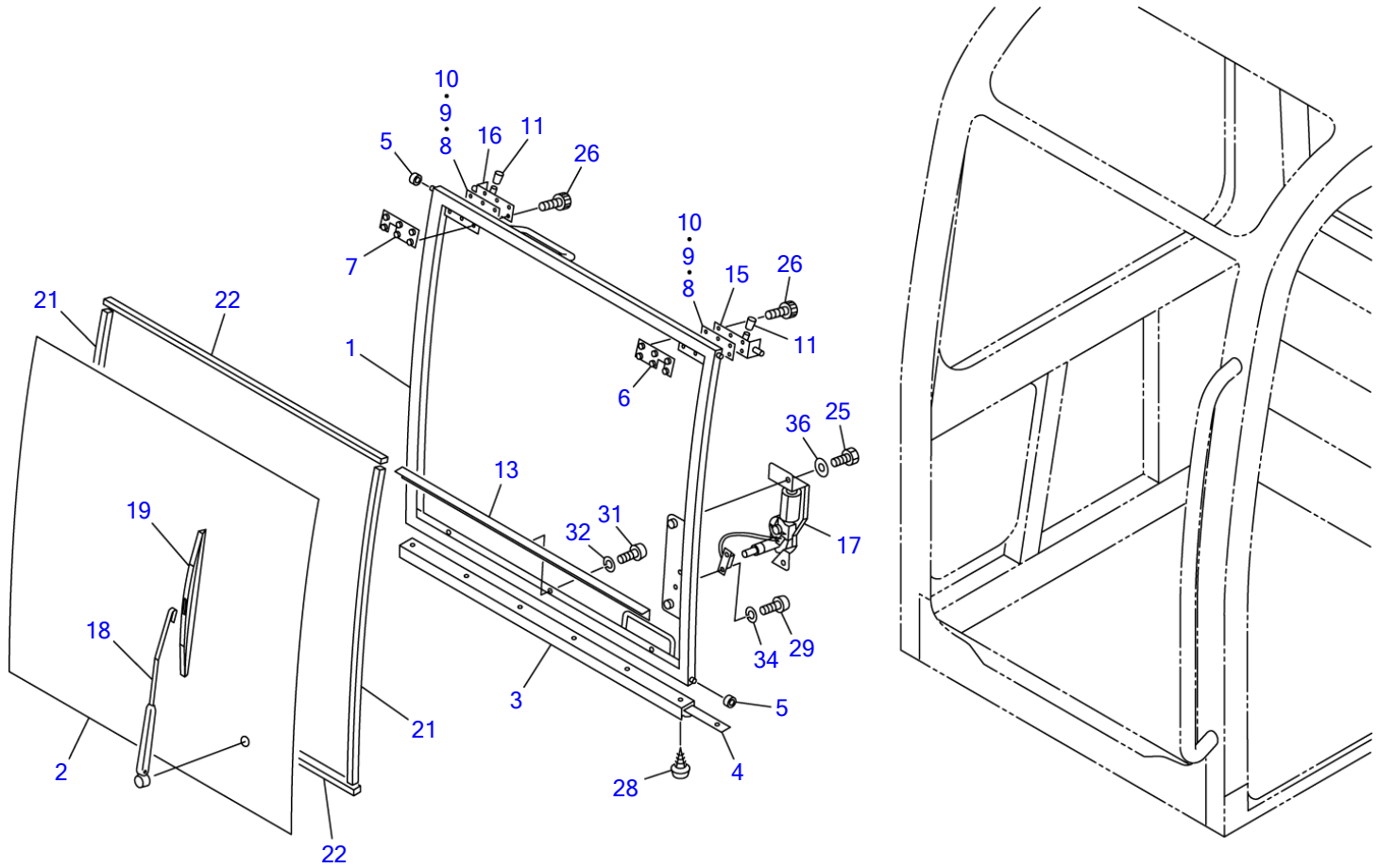
E5E160

S=1/20, 1/10, 1/5

CAB (2/4) (12513337-)

Item	Part number	Description	Q'ty	Chan.	Serial No.	Serv.	Remarks
0	0358605500	CAB ASSY	1		12513337~12513667		X03586-05500-0
	0358606800	CAB ASSY	1	(H)	12513668~		X03586-06800-4
11	0378601420	• PLATE	1				
12	0378602000	• COVER	1				
13	0338630870	• PLATE	1				
14	0338630880	• PLATE	1				
18	0378601480	• PLATE	1				
19	0338630910	• STOPPER (R.H.)	1				
20	0338630960	• STOPPER (L.H.)	1				
21	0338630920	• PLATE	2				
22	0338630930	• PACKING	1				
23	0378601710	• HARNESS, wiring	1		12513337~12513667		
	0378602400	• HARNESS, wiring	1		12513668~		
24	0398802200	• HARNESS, wiring	1				
25	0338631010	• HARNESS, wiring	1				
26	0438601760	• COVER	2				
28	0568633300	• STOPPER	2				
30	0568634400	• SEAL	1				
32	0068620500	• STRIKER	1				
33	0068621300	• SCREW	2				
34	0007000096	• SPRING	1				
37	1703001700	• LAMP, room	1				
37-1	1703001701	• • BULB	1				
38	1654004800	• HANGER	1				
39	1654004900	• STOPPER	4				
41	1654010500	• ASHTRAY	1				
42	1653691350	• POCKET	1				
43	1654005100	• LOCK	1				
44	1652341547	• CLAMP	4				
45	1651101028	• STOPPER	2				
47	1652060016	• GROMMET	2				
48	1652060031	• BUSHING	1				
49	1652102320	• RUBBER	2				
50	0378601510	• PIN	1				
53	1653916007	• RUBBER	1				sold by the meter
62	1652221050	• BAND	4				
63	1652050900	• GROMMET	1				
65	1100090820	• BOLT	4				
66	1100040825	• BOLT	4				
67	1120540408	• SCREW	2				
68	1120590512	• SCREW	9				
69	1120590516	• SCREW	5				
70	1120590616	• SCREW	2				
71	1120630412	• SCREW	2				
72	1120790412	• SCREW	2				
73	1120800830	• SCREW	4				
75	1122410416	• SCREW	2				
76	1140090004	• WASHER, spring	2				
77	1140090005	• WASHER, spring	9				
78	1140090006	• WASHER, spring	2				
81	1141190004	• WASHER	2				
82	1141190005	• WASHER	4				
83	1141190008	• WASHER	4				
85	1141550008	• WASHER	4				
86	1140330005	• WASHER	1				
87	1140330010	• WASHER	2				
88	1130090010	• NUT	2				
91	1711900066	• SOCKET	1				
92	0578600143	• COVER	1				
93	1150420512	• SCREW	2				

E5e163

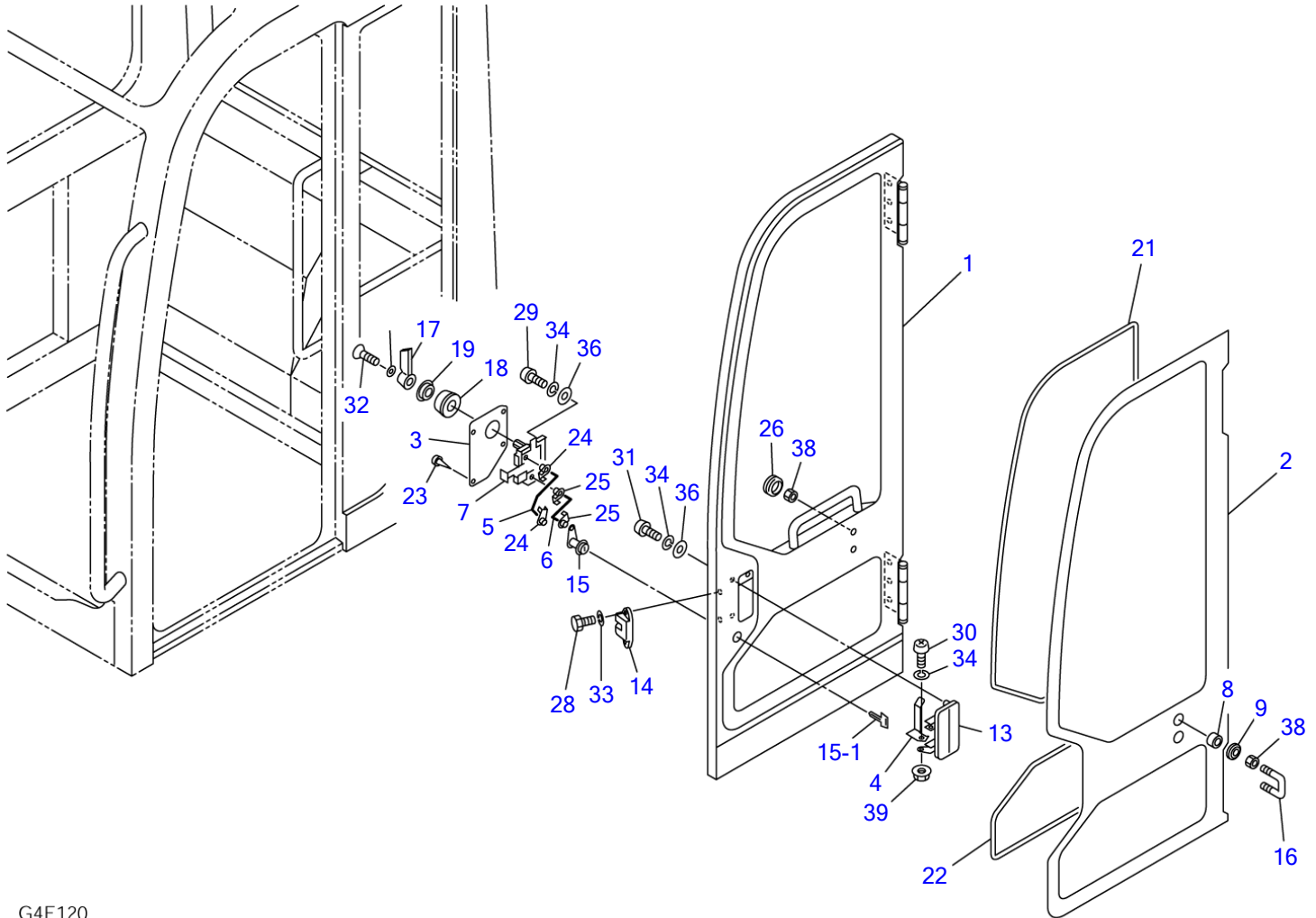


G4E110

S=1/15

CAB (3/4) (front sash)

Item	Part number	Description	Q'ty	Chan.	Serial No.	Serv.	Remarks
0-1	0338630400	SASH ASSY, front	1				
1	0338630430	▪ SASH, front	1				
2	0568639330	▪ GLASS	1				
3	0568621800	▪ SEAL	1				
4	0568621900	▪ PLATE	1				
5	0568622200	▪ ROLLER	4				
6	0568622400	▪ PLATE (L.H.)	1				
7	0568622300	▪ PLATE	1				
8	0468605031	▪ SHIM t=0.7	AR				
9	0468605032	▪ SHIM t=1.2	AR				
10	0468605033	▪ SHIM t=1.6	AR				
11	0398612500	▪ COVER	2				
13	0338630440	▪ PLATE	1				
15	1654005350	▪ LATCH (L.H.)	1				
16	1654005300	▪ LATCH (R.H.)	1				
17	1704078912	▪ MOTOR, wiper	1				
18	1704100530	▪ ARM, wiper	1				
19	1704200530	▪ BLADE	1				
21	1654616080	▪ DAM	2				
22	1654615085	▪ DAM	2				
25	1100290820	▪ BOLT	2				
26	1110090516	▪ SCREW, cap	12				
28	1122510412	▪ SCREW	6				
29	1120590408	▪ SCREW	2				
31	1120590516	▪ SCREW	3				
32	1140090005	▪ WASHER, spring	3				
34	1140090004	▪ WASHER, spring	2				
36	1141190008	▪ WASHER	2				
	E5e081						

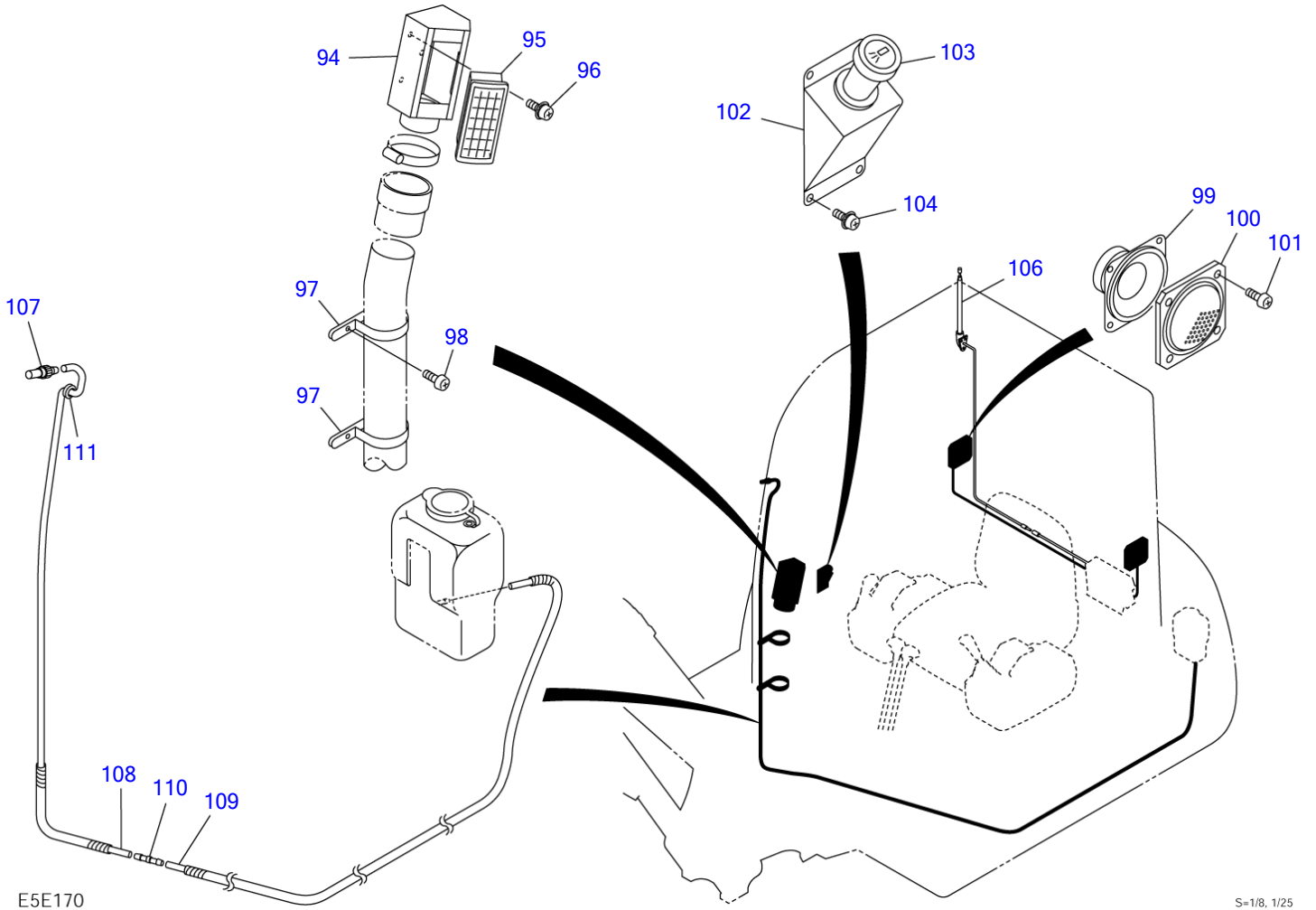


G4E120

S=1/15

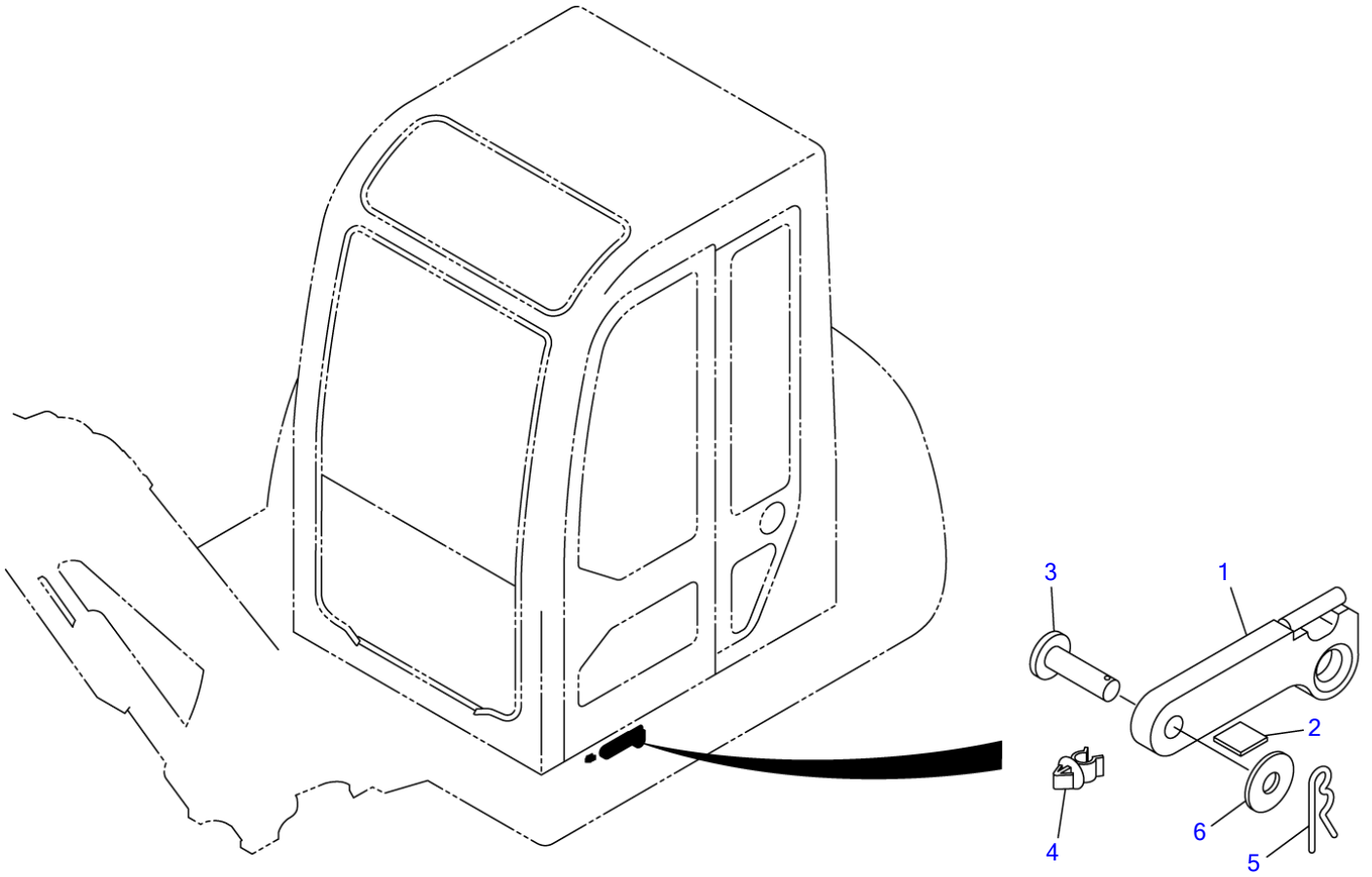
Item	Part number	Description	CAB (4/4) (door)			Remarks
			Q'ty	Chan.	Serial No.	
0-2	0568629200	DOOR ASSY	1			
1	0568623100	▪ DOOR	1			
2	0568639430	▪ GLASS	1			
3	0568623300	▪ COVER	1			
4	0568630900	▪ PLATE	1			
5	0568630800	▪ ROD	1			
6	0568630600	▪ ROD	1			
7	0568623400	▪ CONTROL ASSY	1			
8	0568623500	▪ COLLAR	2			
9	0568623600	▪ SEAL	2			
13	1654005600	▪ HANDLE	1			
14	0068620400	▪ LOCK ASSY	1			
15	1653611527	▪ LOCK	1			
15-1	1700100019	▪ KEY	1			
16	1654005900	▪ STRIKER	1			
17	1654005500	▪ HANDLE	1			
18	1654005800	▪ BASE	1			
19	1654005700	▪ ESCUTCHEON	1			
21	1654615280	▪ DAM	1			sold by the meter
22	1654615160	▪ DAM	1			sold by the meter
23	1652711432	▪ CLIP	4			
24	0068621500	▪ SNAP	2			
25	0398610900	▪ SNAP	2			
26	1652053200	▪ GROMMET	2			
28	1100290616	▪ BOLT	2			
29	1120530612	▪ SCREW	2			
30	1120530616	▪ SCREW	1			
31	1120530608	▪ SCREW	2			
32	1120790516	▪ SCREW	1			
33	1140090006	▪ WASHER, spring	2			
34	1140020006	▪ WASHER, spring	5			
36	1141110006	▪ WASHER	4			
38	1130040010	▪ NUT	2			
39	1131242006	▪ NUT	1			
	E5e091					

TB125 Book No. BE5Z010 S/N 12510009-
CAB ACCESSORIES



CAB ACCESSORIES

Item	Part number	Description	Q'ty	Chan.	Serial No.	Serv.	Remarks
94	0872453510	DEFROSTER	1				
95	1911504000	LOUVER	1				
96	1150120512	SCREW	3				
97	1652261410	BAND	2				
98	1120590514	SCREW	2				
99	1705003500	SPEAKER	2				
100	1705003550	GRILLE	2				
101	1120590410	SCREW	8				
102	0338627020	BRACKET	1				
103	1711900059	LIGHTER	1				
104	1150120410	SCREW	4				
106	1705003400	ANTENNA	1		12510009~12515383		
	1705003460	ANTENNA	1	(H)	12515384~	M	
107	1711910040	NOZZLE	1				
108	1711919150	HOSE	1				sold by the meter
109	1711919200	HOSE	1				sold by the meter
110	1711910014	JOINT	1				
111	1652001002	GROMMET	1				
	E5e172						



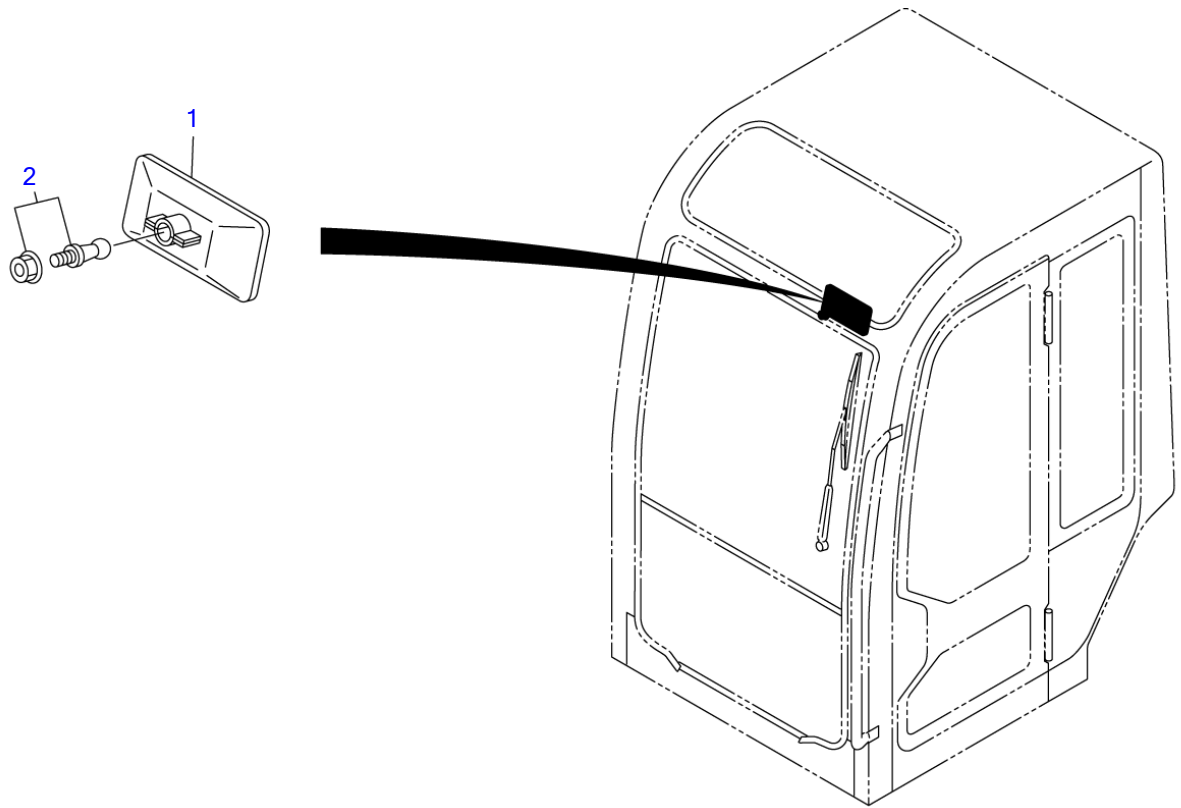
G4E130

S=1/4, 1/20

STOPPER

Item	Part number	Description	Q'ty	Chan.	Serial No.	Serv.	Remarks
		STOPPER ASSY					X03735-06000-0
1	0373506010	STOPPER	1				
2	0373506020	RUBBER	1				
3	0004012035	PIN	1				
4	1652702023	HOLDER	1				
5	1214000010	PIN, snap	1				
6	1141110012	WASHER	1				
	G4e130						

TB125 Book No. BE5Z010 S/N 12510009-
REARVIEW MIRROR

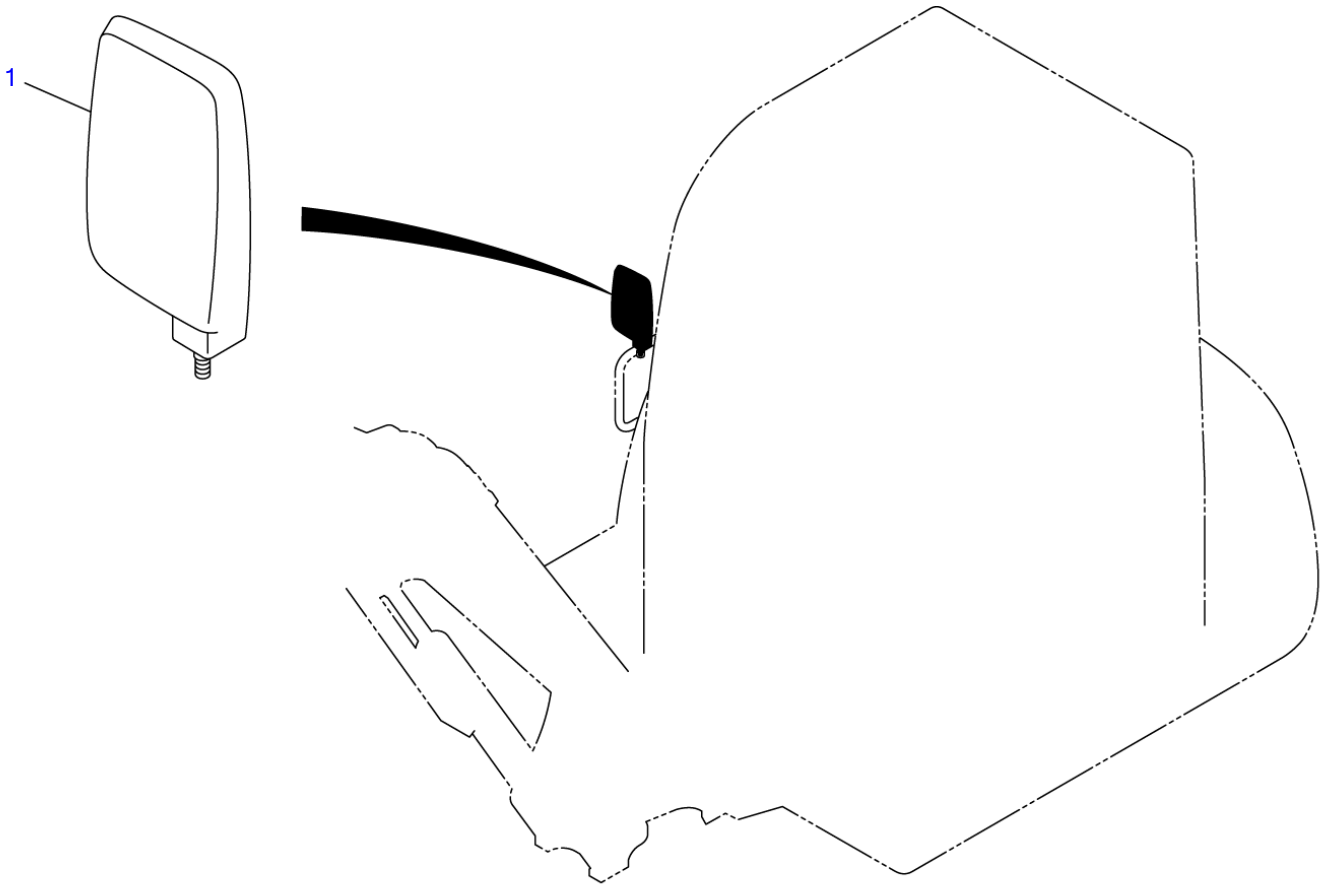


K3E470

S=1/20, 1/5

REARVIEW MIRROR

Item	Part number	Description	Q'ty	Chan.	Serial No.	Serv.	Remarks
		MIRROR ASSY, rearview					X03387-00000-1
1	1654005400	MIRROR	1				
2	1654006000	PIVOT	1				
	K3e470						



G4E140

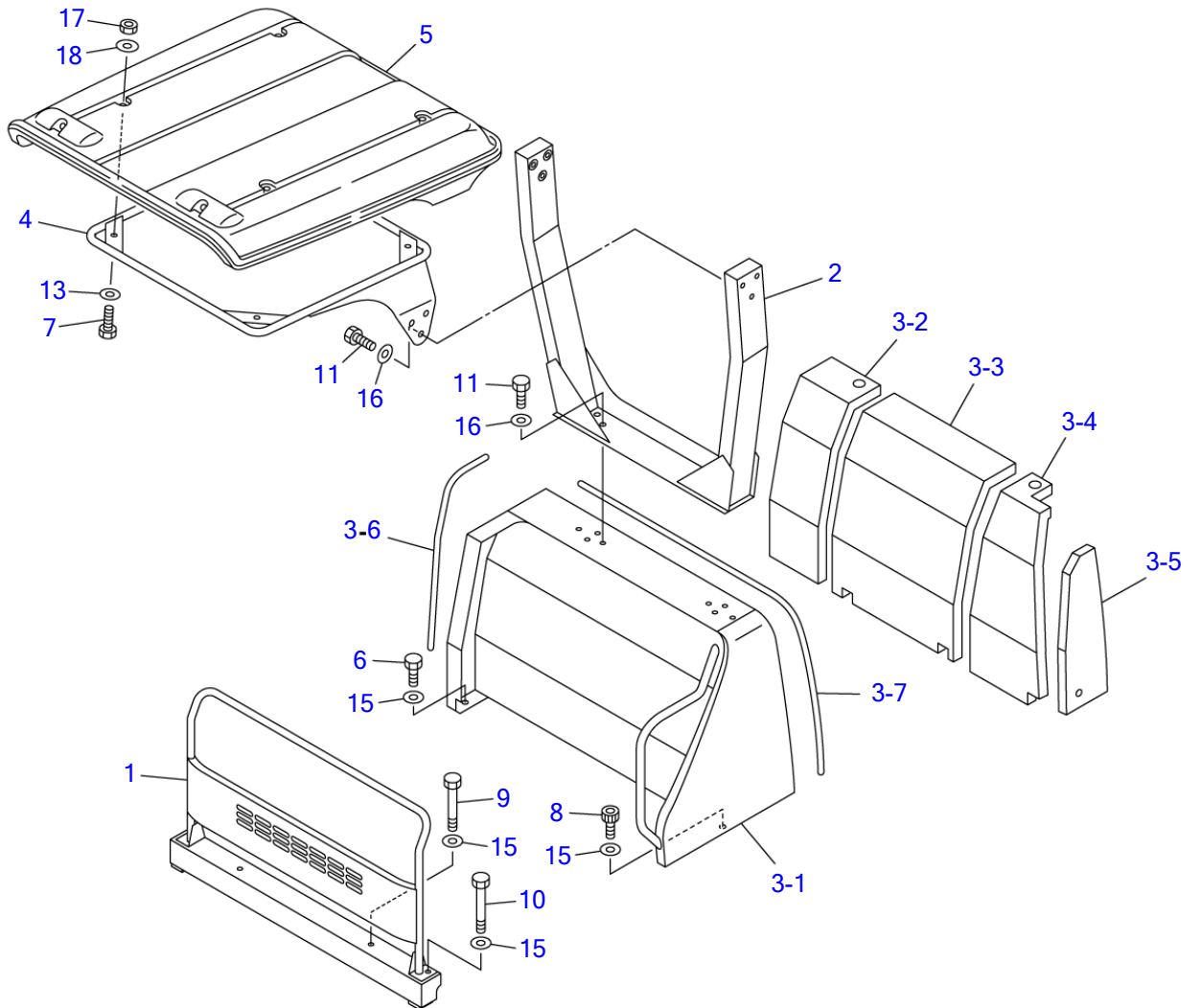
S=1/5, 1/20

OUTSIDE REARVIEW MIRROR

Item	Part number	Description	Q'ty	Chan.	Serial No.	Serv.	Remarks
1	1656500610 G4e141	MIRROR ASSY MIRROR	1				X03787-00000-0

CANOPY (4 poles)

Item	Part number	Description	Q'ty	Chan.	Serial No.	Serv.	Remarks
		CANOPY ASSY					X03784-02000-3
1	0378402500	POLE	1				
2	0378402600	POLE	1				
3	0378402300	COVER ASSY, engine	1				
3-1	0378402400	· COVER, engine	1				
3-2	0378401310	· ABSORBENT, noise	1				
3-3	0378401320	· ABSORBENT, noise	1				
3-4	0378401330	· ABSORBENT, noise	1				
3-5	0378402310	· ABSORBENT, noise	1				
3-6	1654606064	· SEAL	1				sold by the meter sold by the meter
3-7	1654606138	· SEAL	1				
4	0368416300	ROOF	1				
5	1100041025	BOLT	10				
6	1100041040	BOLT	2				
7	1100141000	BOLT	2				
8	1101041230	BOLT	6				
9	1140020010	WASHER, spring	4				
10	1140020012	WASHER, spring	6				
11	1141110010	WASHER	2				
12	1141110012	WASHER	6				
13	0003600020	WASHER	4				
14	1141550010	WASHER	11				
15	1130040010	NUT	2				
16	1100041030	BOLT	2				
17	1100141010	BOLT	2				
18	1110041025	SCREW, cap	1				
19	X *****	DECAL	1				
20	1652533016	CAP	2		12513452~		
	E5e181						



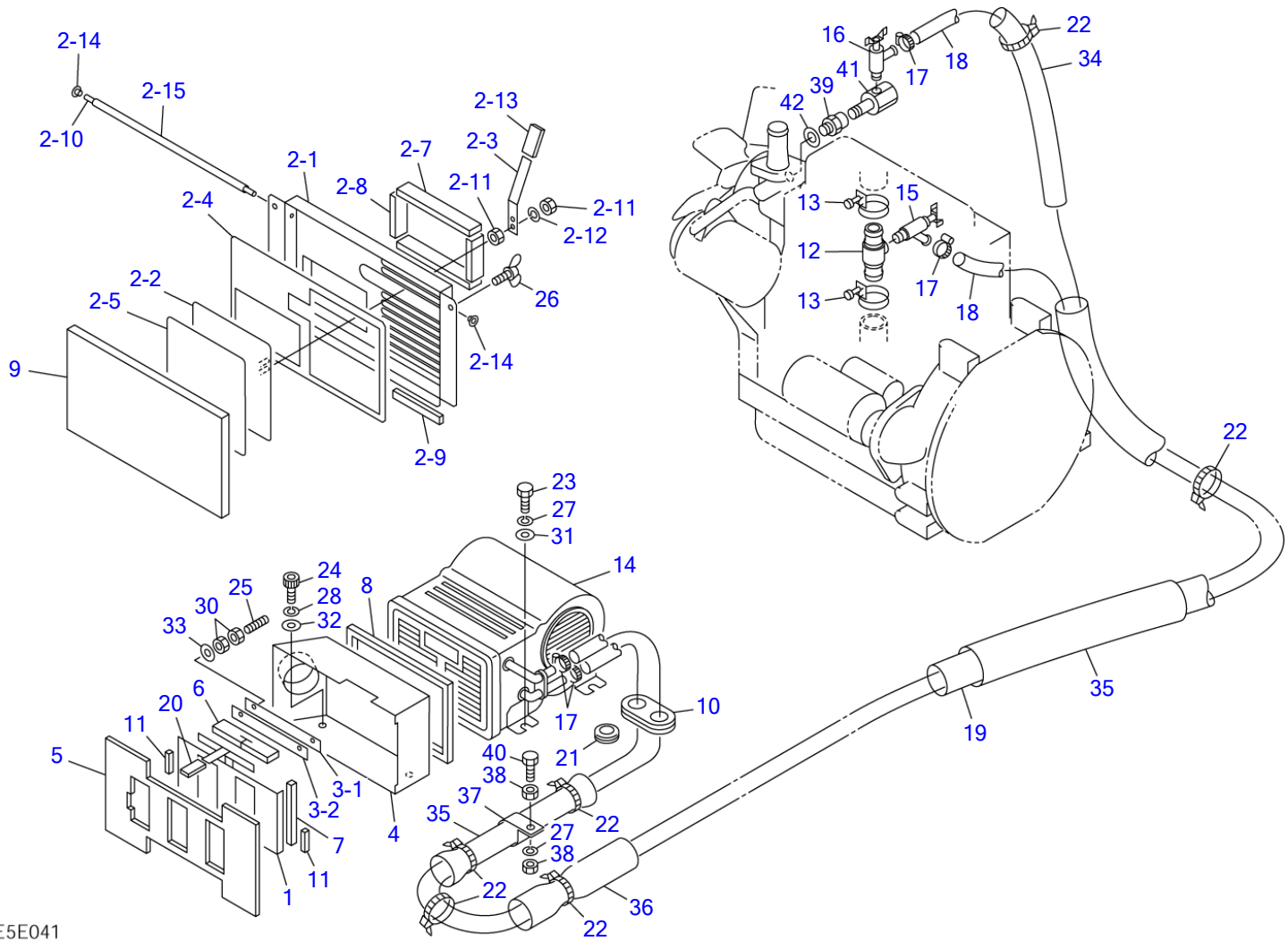
G4E190

S=1/20

CANOPY (2 poles)

Item	Part number	Description	Q'ty	Chan.	Serial No.	Serv.	Remarks
		CANOPY ASSY					X03784-03000-0
1	0378403100	GUARD	1				
2	0378403200	POLE	1				
3	0378403300	COVER ASSY, engine	1				
3-1	0378403400	• COVER, engine	1				
3-2	0378401310	• ABSORBENT, noise	1				
3-3	0378401320	• ABSORBENT, noise	1				
3-4	0378401330	• ABSORBENT, noise	1				
3-5	0378402310	• ABSORBENT, noise	1				
3-6	1654606064	• SEAL	1				sold by the meter
3-7	1654606138	• SEAL	1				sold by the meter
4	0358403300	FRAME	1				
5	0368416300	ROOF	1				
6	1100041025	BOLT	6				
7	1100041030	BOLT	4				
8	1110041025	SCREW, cap	1				
9	1100141000	BOLT	2				
10	1100141010	BOLT	2				
11	1101041230	BOLT	12				
13	1141110010	WASHER	4				
15	1141550010	WASHER	11				
16	1141550012	WASHER	12				
17	1130040010	NUT	4				
18	0003600020	WASHER	4				
	G4e190						

TB125 Book No. BE5Z010 S/N 12510009-
HEATER (cab; 12510009-12510421)



E5E041

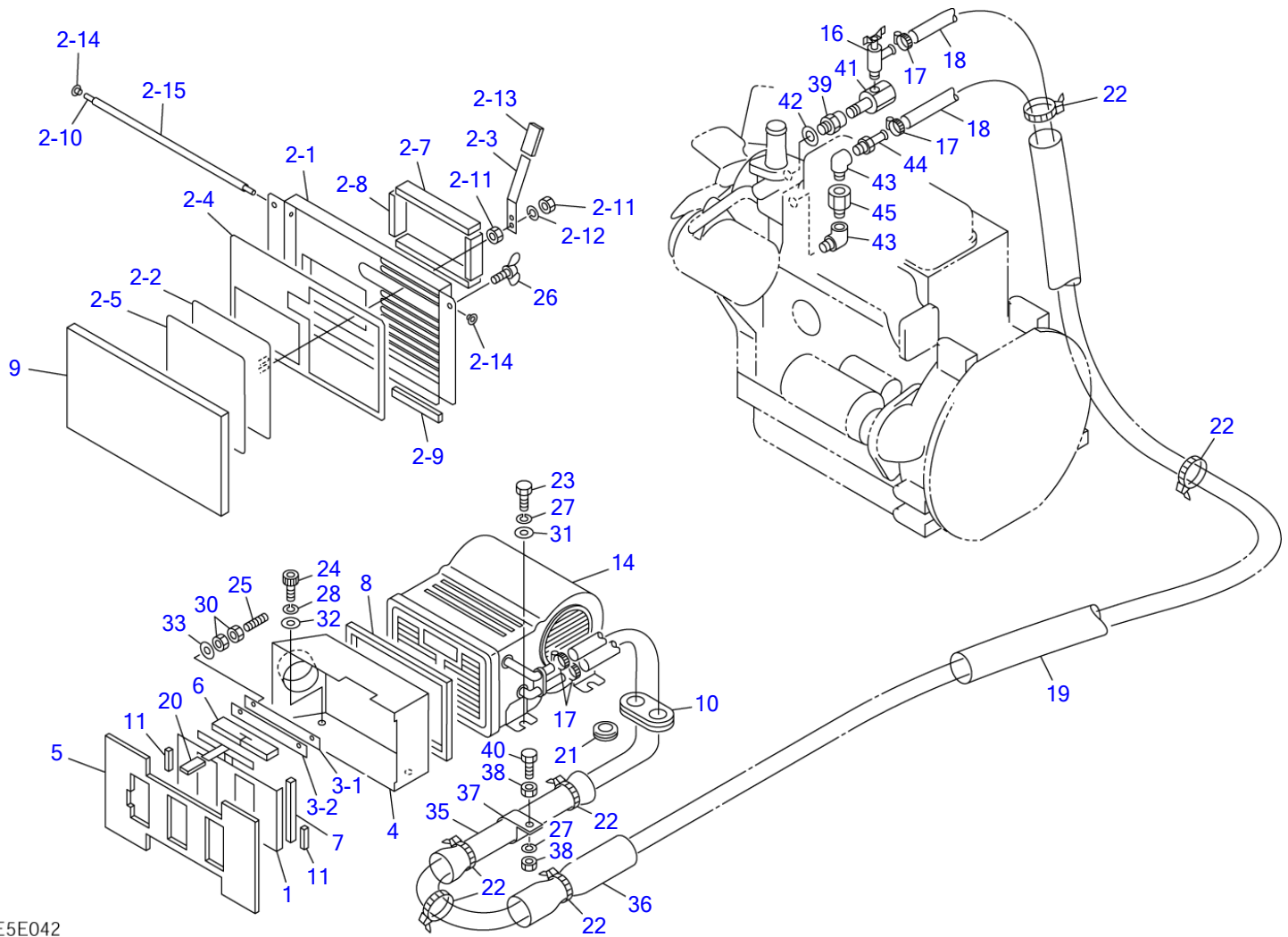
S=1/10

HEATER (cab; 12510009-12510421)

Item	Part number	Description	Q'ty	Chan.	Serial No.	Serv.	Remarks
		HEATER ASSY					X03545-04500
1	0374504100	LEVER	1				
2	X 0374504200	COVER ASSY, suction	1				
2-1	0374504270	· COVER	1				
2-2	0374504220	· PLATE	1				
2-3	0374504230	· LEVER	1				
2-4	0374504240	· RUBBER	1				
2-5	0374504241	· RUBBER	1				
2-7	0374504246	· URETHANE	2				
2-8	0374504247	· URETHANE	2				
2-9	0374504245	· SPONGE	2				
2-10	0374504250	· BOSS	2				
2-11	1130040005	· NUT	4				
2-12	1140020005	· WASHER, spring	2				
2-13	1650100415	· GRIP	1				
2-14	1224100007	· NUT	4				
2-15	0374504260	· TUBE	2				
3	X 0374504300	GUIDE ASSY	2				
3-1	0374504310	· GUIDE	1				
3-2	0374504320	· RUBBER	1				
4	0374504400	COVER	1				
5	0374504500	URETHANE	1				
6	0374504550	URETHANE	1				
7	0374504520	SPONGE	1				
8	0374504530	SPONGE	1				
9	0374504540	FILTER	1				
10	0097210300	GUARD	1				
11	0374504570	RUBBER	2				
12	0354504030	JOINT	1				
13	1910006013	BAND	2				
14	1911508100	HEATER	1				
15	1911502300	VALVE	1				
16	1911502100	VALVE	1				
17	1911500500	CLAMP	4				
18	1911531870	HOSE	2				sold by the meter
19	1531345100	PROTECTOR	1				sold by the meter
20	1650100415	GRIP	1				
21	1652052600	GROMMET	1				
22	1652231250	BAND	6				
23	1100041020	BOLT	4				
24	1110040820	SCREW, cap	2				
25	1121040625	BOLT	4				
26	1121530616	BOLT, wing	2				
27	1140020010	WASHER, spring	5				
28	1140020008	WASHER, spring	2				
30	1130040006	NUT	8				
31	1141110010	WASHER	4				
32	1141110008	WASHER	2				
33	1141110006	WASHER	4				
34	1531325035	PROTECTOR	1				sold by the meter
35	1531345050	HOSE	2				sold by the meter
36	1531345020	HOSE	1				sold by the meter
37	0007300030	CLAMP	1				
38	1130040010	NUT	2				
39	0007211017	BUSHING	1				
40	1100241040	BOLT	1				
41	0007261004	JOINT	1				
42	1541400516	WASHER	1				

E5e041

TB125 Book No. BE5Z010 S/N 12510009-
HEATER (cab; 12510422-12514525)



E5E042

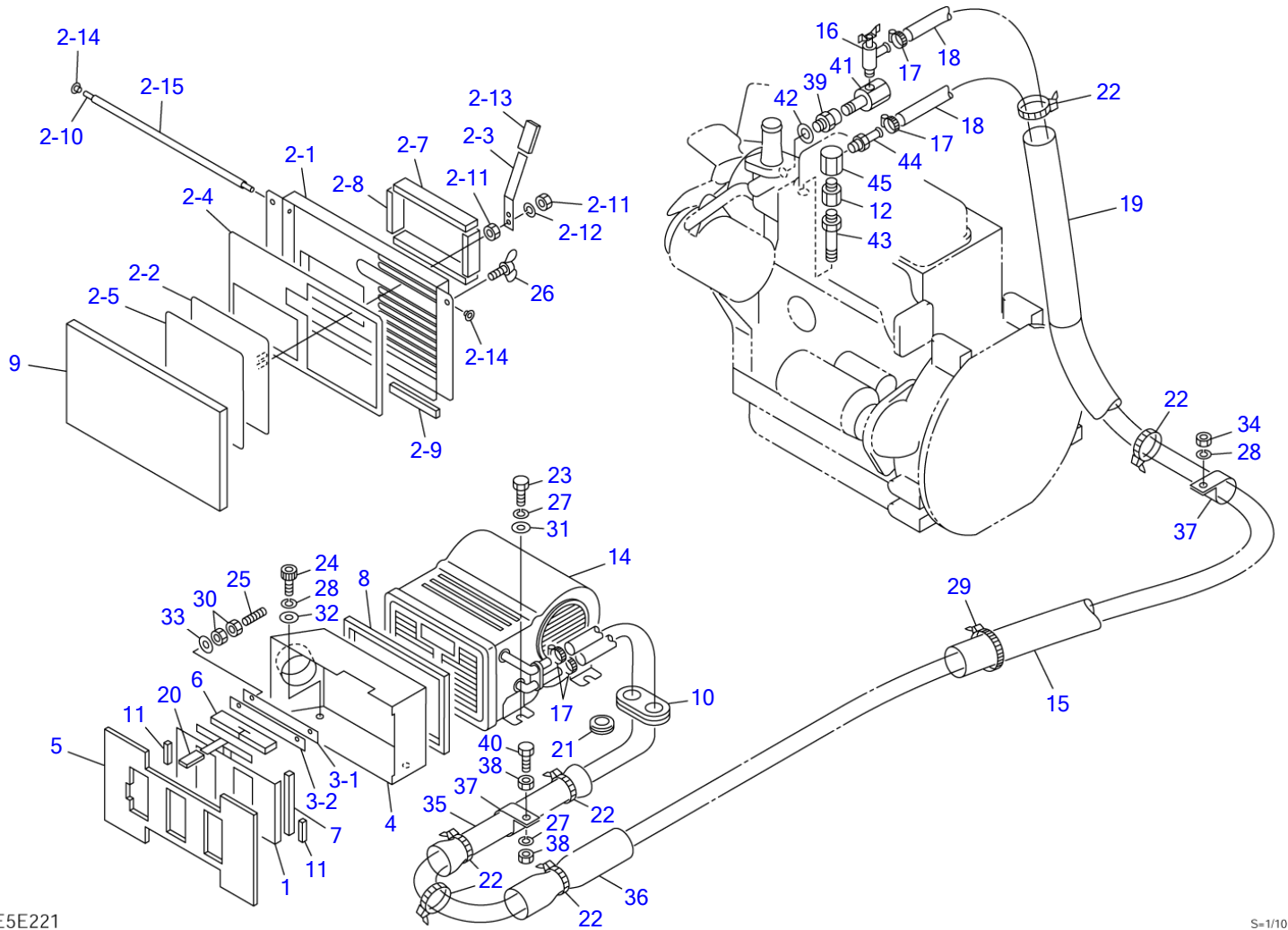
S=1/10

HEATER (cab; 12510422-12514525)

Item	Part number	Description	Q'ty	Chan.	Serial No.	Serv.	Remarks
		HEATER ASSY					X03545-04500-2
1	0374504100	LEVER	1				
2	X 0374504200	COVER ASSY, suction	1				
2-1	0374504270	· COVER	1				
2-2	0374504220	· PLATE	1				
2-3	0374504230	· LEVER	1				
2-4	0374504240	· RUBBER	1				
2-5	0374504241	· RUBBER	1				
2-7	0374504246	· URETHANE	2				
2-8	0374504247	· URETHANE	2				
2-9	0374504245	· SPONGE	2				
2-10	0374504250	· BOSS	2				
2-11	1130040005	· NUT	4				
2-12	1140020005	· WASHER, spring	2				
2-13	1650100415	· GRIP	1				
2-14	1224100007	· NUT	4				
2-15	0374504260	· TUBE	2				
3	X 0374504300	GUIDE ASSY	2				
3-1	0374504310	· GUIDE	1				
3-2	0374504320	· RUBBER	1				
4	0374504400	COVER	1				
5	0374504500	URETHANE	1				
6	0374504550	URETHANE	1				
7	0374504520	SPONGE	1				
8	0374504530	SPONGE	1				
9	0374504540	FILTER	1				
10	0097210300	GUARD	1				
11	0374504570	RUBBER	2				
14	1911508100	HEATER	1				
16	1911502100	VALVE	1				
17	1911500500	CLAMP	4				
18	1911531870	HOSE	2				sold by the meter
19	1531345100	PROTECTOR	2				sold by the meter
20	1650100415	GRIP	1				
21	1652052600	GROMMET	1				
22	1652231250	BAND	6				
23	1100041020	BOLT	4				
24	1110040820	SCREW, cap	2				
25	1121040625	BOLT	4				
26	1121530616	BOLT, wing	2				
27	1140020010	WASHER, spring	5				
28	1140020008	WASHER, spring	2				
30	1130040006	NUT	8				
31	1141110010	WASHER	4				
32	1141110008	WASHER	2				
33	1141110006	WASHER	4				
35	1531345050	HOSE	1				sold by the meter
36	1531345020	HOSE	1				sold by the meter
37	0007300030	CLAMP	1				
38	1130040010	NUT	2				
39	0007211017	BUSHING	1				
40	1100241040	BOLT	1				
41	0007261004	JOINT	1				
42	1541400516	WASHER	1				
43	1508310003	ELBOW	2				
44	1911502200	NIPPLE	1				
45	1501910303	BUSHING	1				

E5e043

TB125 Book No. BE5Z010 S/N 12510009-
HEATER (cab; 12514526-)



E5E221

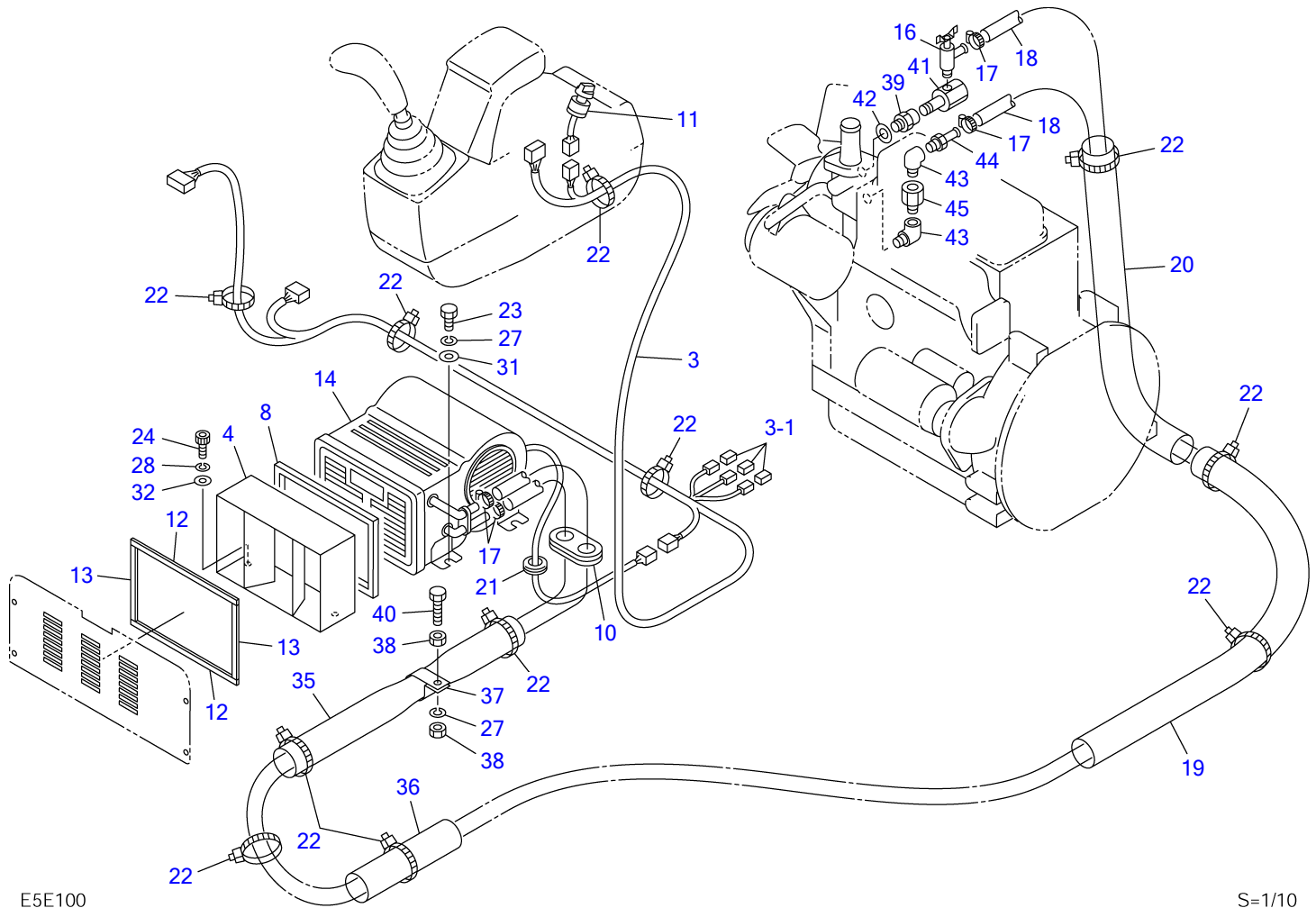
S-1/10

HEATER (cab; 12514526-)

Item	Part number	Description	Q'ty	Chan.	Serial No.	Serv.	Remarks
		HEATER ASSY					X03545-09500-1
1	0374504100	LEVER	1				
2	X 0374504200	COVER ASSY, suction	1				
2-1	0374504270	· COVER	1				
2-2	0374504220	· PLATE	1				
2-3	0374504230	· LEVER	1				
2-4	0374504240	· RUBBER	1				
2-5	0374504241	· RUBBER	1				
2-7	0374504246	· URETHANE	2				
2-8	0374504247	· URETHANE	2				
2-9	0374504245	· SPONGE	2				
2-10	0374504250	· BOSS	2				
2-11	1130040005	· NUT	4				
2-12	1140020005	· WASHER, spring	2				
2-13	1650100415	· GRIP	1				
2-14	1224100007	· NUT	4				
2-15	0374504260	· TUBE	2				
3	X 0374504300	GUIDE ASSY	2				
3-1	0374504310	· GUIDE	1				
3-2	0374504320	· RUBBER	1				
4	0374504400	COVER	1				
5	0374504500	URETHANE	1				
6	0374504550	URETHANE	1				
7	0374504520	SPONGE	1				
8	0374504530	SPONGE	1				
9	0374504540	FILTER	1				
10	0097210300	GUARD	1				
11	0374504570	RUBBER	2				
12	0007210028	BUSHING	1		12514964~		
14	1911508100	HEATER	1				
15	0354509510	PROTECTOR	1				
16	1911502100	VALVE	1				
17	1911500500	CLAMP	4				
18	1911531870	HOSE	2				sold by the meter
19	1531345035	PROTECTOR	1				sold by the meter
20	1650100415	GRIP	1				
21	1652052600	GROMMET	1				
22	1652231250	BAND	6				
23	1100041020	BOLT	4				
24	1110040820	SCREW, cap	2				
25	1121040625	BOLT	4				
26	1121530616	BOLT, wing	2				
27	1140020010	WASHER, spring	5				
28	1140020008	WASHER, spring	3				
29	1652241400	BAND	1				
30	1130040006	NUT	8				
31	1141110010	WASHER	4				
32	1141110008	WASHER	2				
33	1141110006	WASHER	4				
34	1130040008	NUT	1				
35	1531345050	HOSE	1				sold by the meter
36	1531345020	HOSE	1				sold by the meter
37	0007300030	CLAMP	2				
38	1130040010	NUT	2				
39	0007211017	BUSHING	1				
40	1100241040	BOLT	1				
41	0007261004	JOINT	1				
42	1541400516	WASHER	1				
43	0007205005	NIPPLE	1				
44	1911502200	NIPPLE	1				
45	0007262009	ELBOW	1				

E5e221

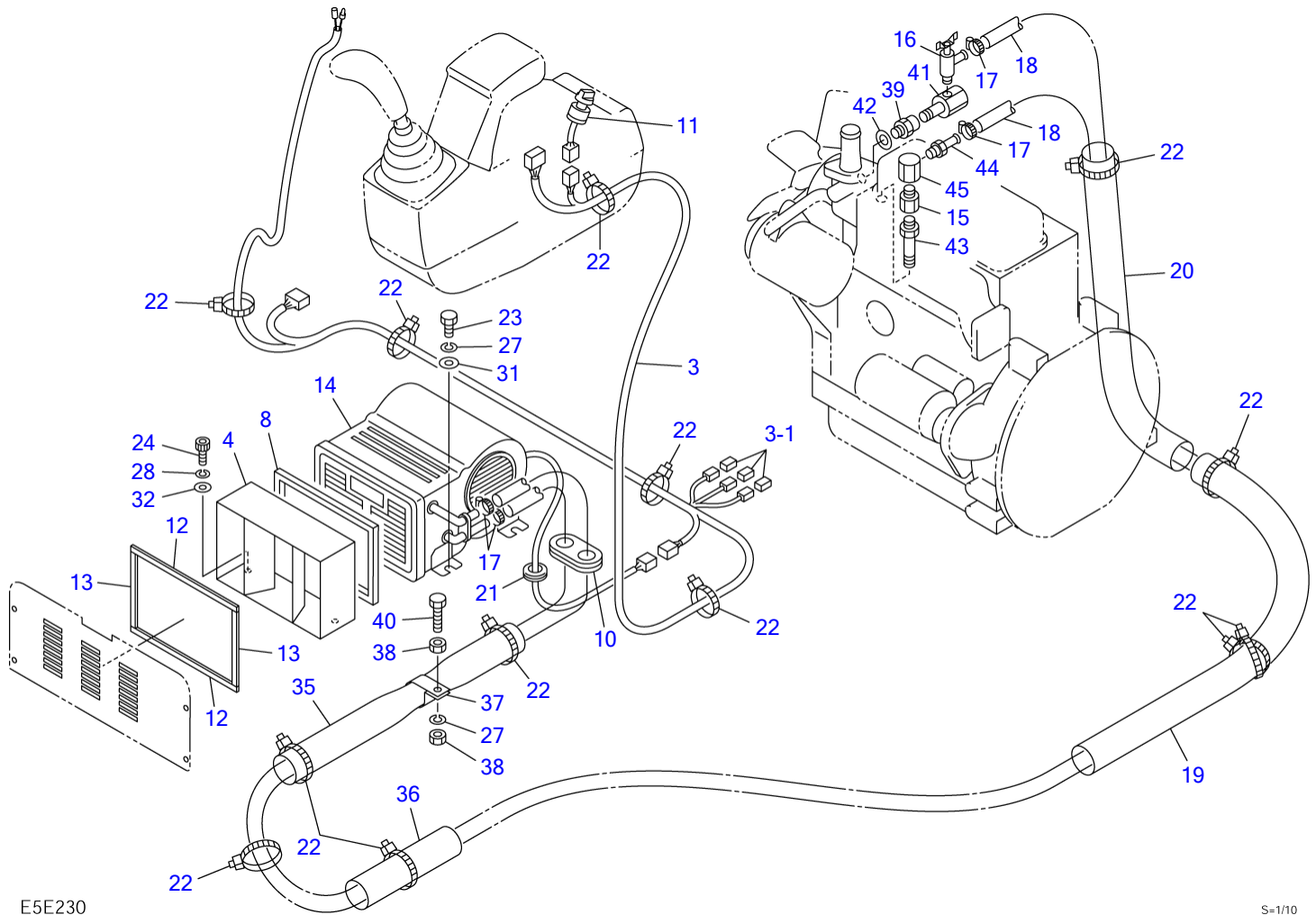
TB125 Book No. BE5Z010 S/N 12510009-
HEATER (canopy; 12510009-12514525)



HEATER (canopy; 12510009-12514525)

Item	Part number	Description	Q'ty	Chan.	Serial No.	Serv.	Remarks
		HEATER ASSY					X03545-09000-0
3	0354217300	HARNES, wiring	1				
3-1	1730500008	• DIODE (3A, yellow)	3				
4	0374505400	COVER	1				
8	0374504530	SPONGE	1				
10	0097210300	GUARD	1				
11	1700000011	SWITCH, heater	1				
12	1654307023	SPONGE	2				
13	1654307014	SPONGE	2				
14	1911508100	HEATER	1				
16	1911502100	VALVE	1				
17	1911500500	CLAMP	4				
18	1911531855	HOSE	2				sold by the meter
19	1531345100	PROTECTOR	1				sold by the meter
20	1531345085	PROTECTOR	1				sold by the meter
21	1652052600	GROMMET	1				
22	1652231250	BAND	11				
23	1100041020	BOLT	4				
24	1110040820	SCREW, cap	2				
27	1140020010	WASHER, spring	5				
28	1140020008	WASHER, spring	2				
31	1141110010	WASHER	4				
32	1141110008	WASHER	2				
35	1531345050	PROTECTOR	1				sold by the meter
36	1531345020	PROTECTOR	1				sold by the meter
37	0007300030	CLAMP	1				
38	1130040010	NUT	2				
39	0007211017	BUSHING	1				
40	1100241040	BOLT	1				
41	0007261004	JOINT	1				
42	1541400516	WASHER	1				
43	1508310003	ELBOW	2				
44	1911502200	NIPPLE	1				
45	1501910303	BUSHING	1				
	E5e100						

TB125 Book No. BE5Z010 S/N 12510009-
HEATER (canopy; 12514526-)

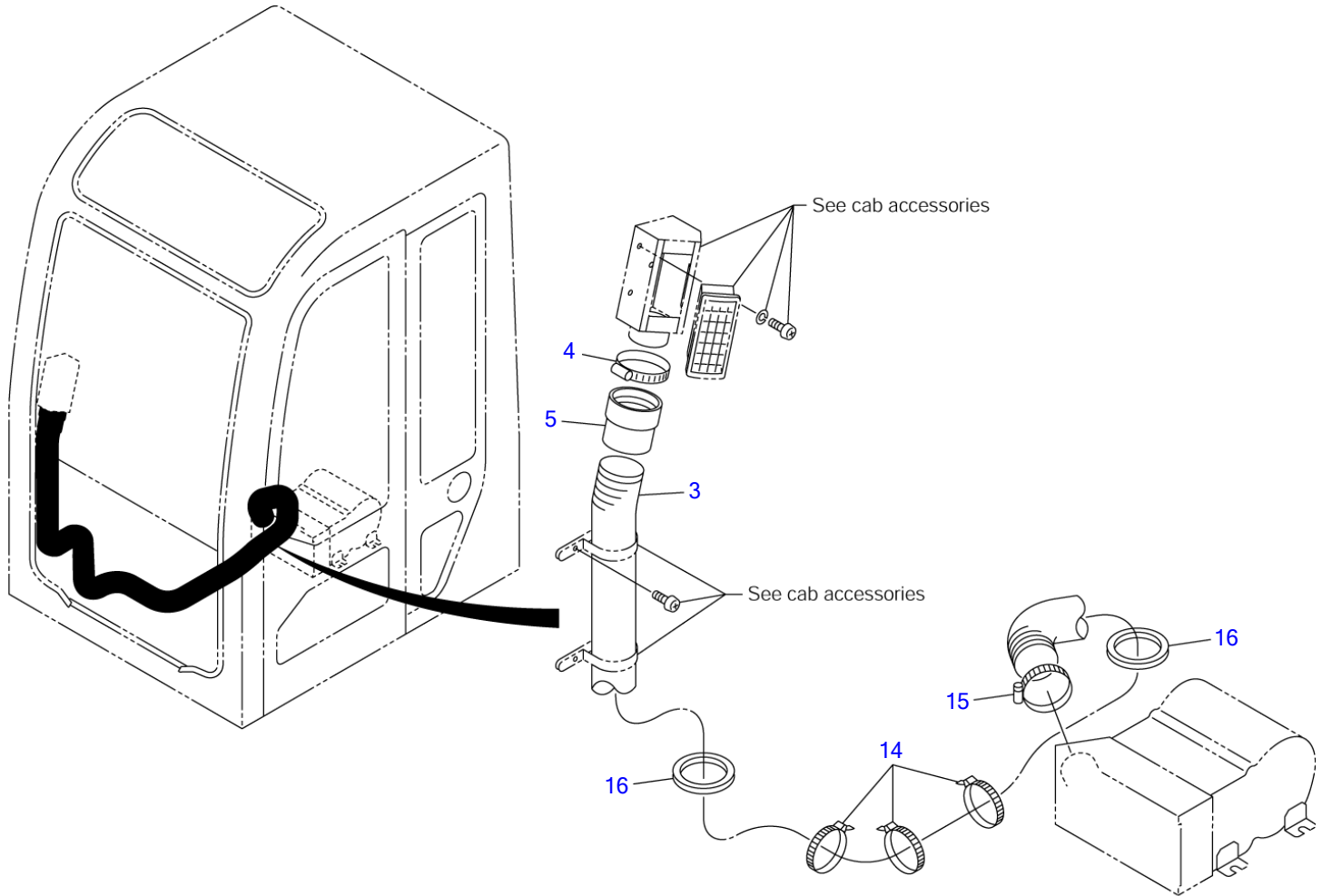


E5E230

S=1/10

HEATER (canopy; 12514526-)

Item	Part number	Description	Q'ty	Chan.	Serial No.	Serv.	Remarks
		HEATER ASSY					X03545-10000-1
3	0374507010	HARNASS, wiring	1				
3-1	1730500008	• DIODE (3A, yellow)	3				
4	0374505400	COVER	1				
8	0374504530	SPONGE	1				
10	0097210300	GUARD	1				
11	1700000011	SWITCH, heater	1				
12	1654307023	SPONGE	2				
13	1654307014	SPONGE	2				
14	1911508100	HEATER	1				
15	0007210028	BUSHING	1				
16	1911502100	VALVE	1				
17	1911500500	CLAMP	4				
18	1911531855	HOSE	2				sold by the meter
19	1531345100	PROTECTOR	1				sold by the meter
20	1531345085	PROTECTOR	1				sold by the meter
21	1652052600	GROMMET	1				
22	1652231250	BAND	13				
23	1100041020	BOLT	4				
24	1110040820	SCREW, cap	2				
27	1140020010	WASHER, spring	5				
28	1140020008	WASHER, spring	2				
31	1141110010	WASHER	4				
32	1141110008	WASHER	2				
35	1531345050	PROTECTOR	1				sold by the meter
36	1531345020	PROTECTOR	1				sold by the meter
37	0007300030	CLAMP	1				
38	1130040010	NUT	2				
39	0007211017	BUSHING	1				
40	1100241040	BOLT	1				
41	0007261004	JOINT	1				
42	1541400516	WASHER	1				
43	0007205005	NIPPLE	1				
44	1911502200	NIPPLE	1				
45	0007262009	ELBOW	1				
	E5e230						

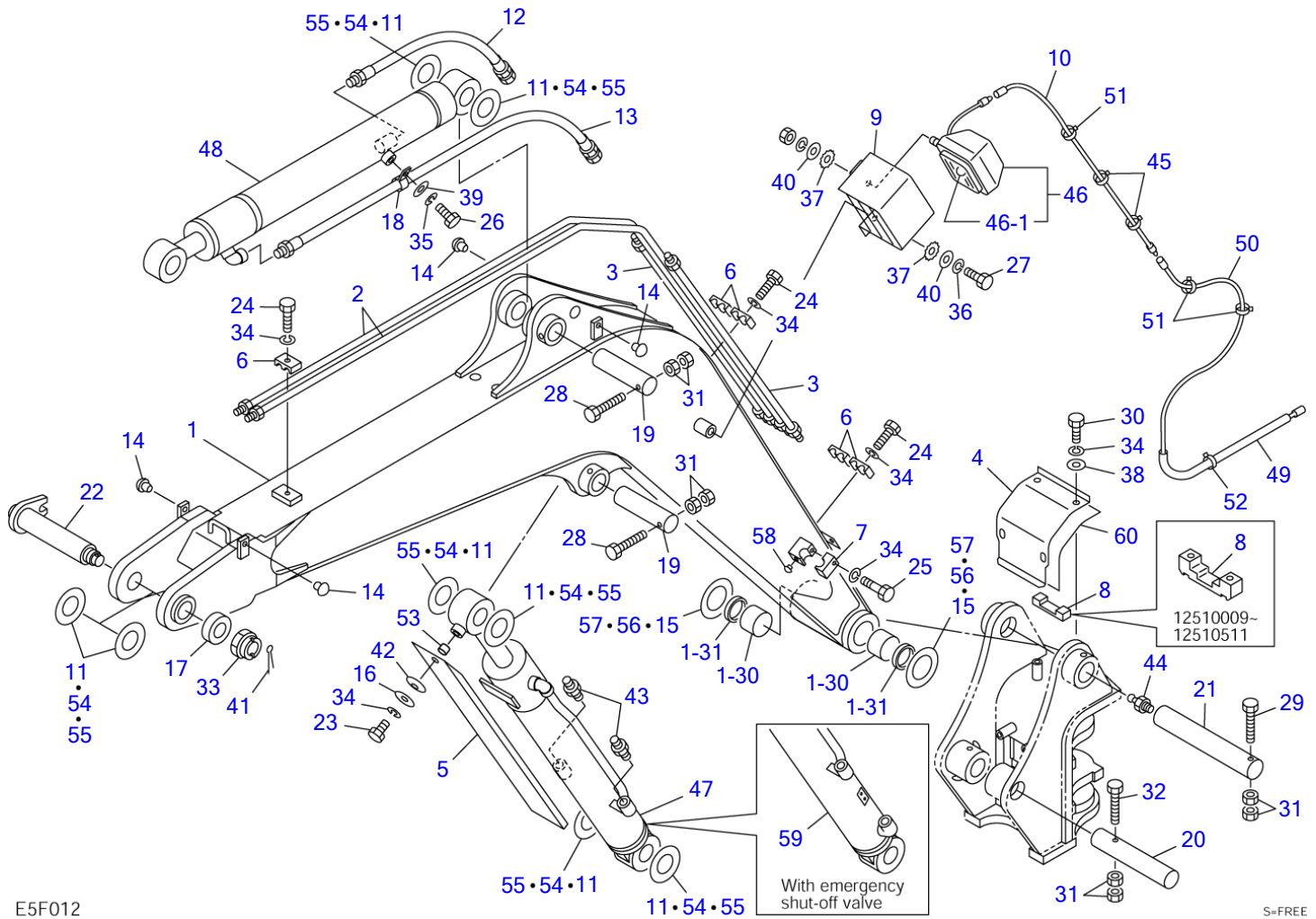


E5E190

S=1/10, 1/20

DEFROSTER						
Item	Part number	Description	Q'ty	Chan.	Serial No.	Serv. Remarks
		DEFROSTER ASSY				X03545-05500-3
3	1567415072	HOSE	1			sold by the meter
4	1533700070	BAND	1			
5	1567325000	CUFF	1			
14	1652231250	BAND	2			
15	1533700061	BAND	1			
16	1653916021	TRIM	2			sold by the meter
	E5e190					

TB125 Book No. BE5Z010 S/N 12510009-
BOOM (12510009-12514525)



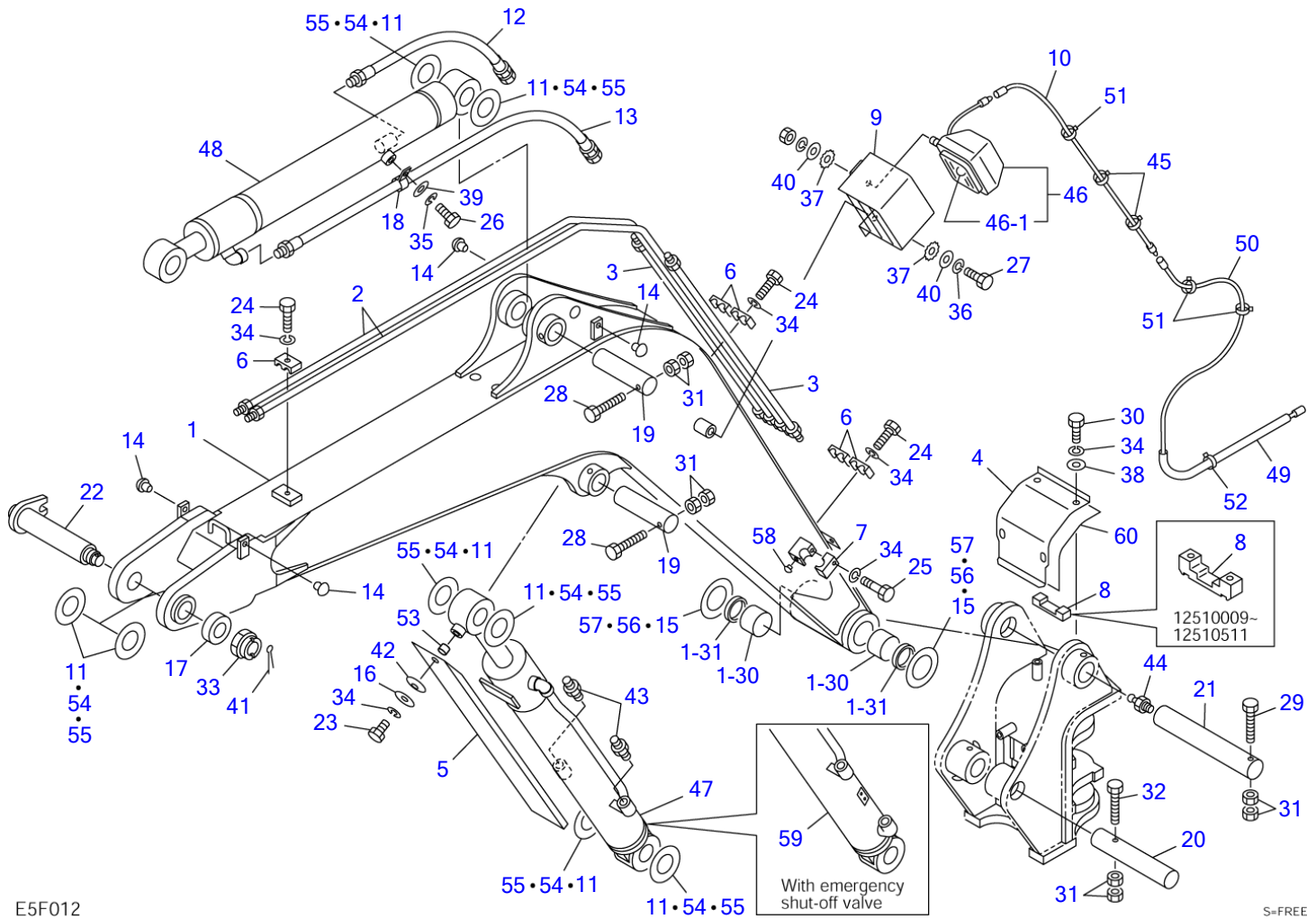
E5F012

S=FREE

BOOM (12510009-12514525)

Item	Part number	Description	Q'ty	Chan.	Serial No.	Serv.	Remarks
		BOOM ASSY					X03560-16000-8
		BOOM ASSY (with shut-off valve)					X03560-16500-8
1	0356014100	BOOM SUB ASSY	1		12510009~12512839		CLAMP M8
	0356016100	BOOM SUB ASSY	1		12512840~		CLAMP M10
1-30	0002400022	• BUSHING	2				
1-31	1432200045	• SEAL, dust	2				
2	0356013010	PIPE	2				
3	0356002500	PIPE	2				
4	0356014010	COVER	1		12510009~12510511		
	0356014900	COVER	1		12510512~		
5	0456000300	COVER, rod	1		12510009~12510259		
	0356014300	COVER, rod	1	(H)	12510260~		
6	1534000015	CLAMP	5				
7	0356014281	CLAMP	2				
8	0356014020	RUBBER	1		12510009~12510511		without shut-off valve
	0356014910	RUBBER	1		12510512~		without shut-off valve
9	0376007500	GUARD	1				
10	0434200600	HARNES, wiring	1				
11	0436011300	SHIM t=1.0	AR				
12	0356013050	HOSE ASSY	1				18015-22084
13	0356013060	HOSE ASSY	1				18015-22132
14	1652533016	CAP	4		12510009~12512839		CLAMP M8
	1652533017	CAP	4		12512840~		CLAMP M10
15	0456008600	SHIM t=1.0	AR				
16	0003608003	WASHER	1				
17	0003900013	WASHER	1				
18	0007300057	CLAMP	1				
19	0001603160	PIN	2				
20	0011513007	PIN	1				
21	0011574009	PIN	1		12510009~12510511		
	0011574010	PIN	1		12510512~		
22	0011903007	PIN	1				
23	1100040816	BOLT	1				
24	1100040835	BOLT	5				
25	1100040840	BOLT	2				
26	1100041016	BOLT	1				
27	1100041230	BOLT	1				
28	1103041080	BOLT	2				
29	1103041095	BOLT	1				
30	1100040820	BOLT	4				
31	1130240010	NUT	8				
32	1103141010	BOLT	1				
33	1132630030	NUT	1				
34	1140020008	WASHER, spring	12				
35	1140020010	WASHER, spring	1				
36	1140020012	WASHER, spring	1				
37	1140330012	WASHER	2				
38	1141110008	WASHER	4				
39	1141110010	WASHER	1				
40	1141110012	WASHER	2				
41	1210010655	PIN, split	1				
42	1225121016	WASHER, conical	1				
43	1515600201	ADAPTOR	2				without shut-off valve
	1420010140	• O-RING	1				
	1515600201	ADAPTOR	1				with shut-off valve
	1420010140	• O-RING	1				
44	1560001000	FITTING, grease	1				
45	1652200004	BAND	2				
46	1703002700	LAMP ASSY	1				
46-1	1703002706	• BULB	1				
47	1900077600	CYLINDER, boom	1	A(L)	12510009~12510259		without shut-off valve
	1900080300	CYLINDER, boom	1	a(H)	12510260~12510559		without shut-off valve
	1900082600	CYLINDER, boom	1	(H)	12510560~		without shut-off valve
48	1900077700	CYLINDER, arm	1				
49	1531312050	HOSE	1				sold by the meter
50	0434200500	WIRE	1				
51	1652201004	BAND	3				

TB125 Book No. BE5Z010 S/N 12510009-
BOOM (12510009-12514525)

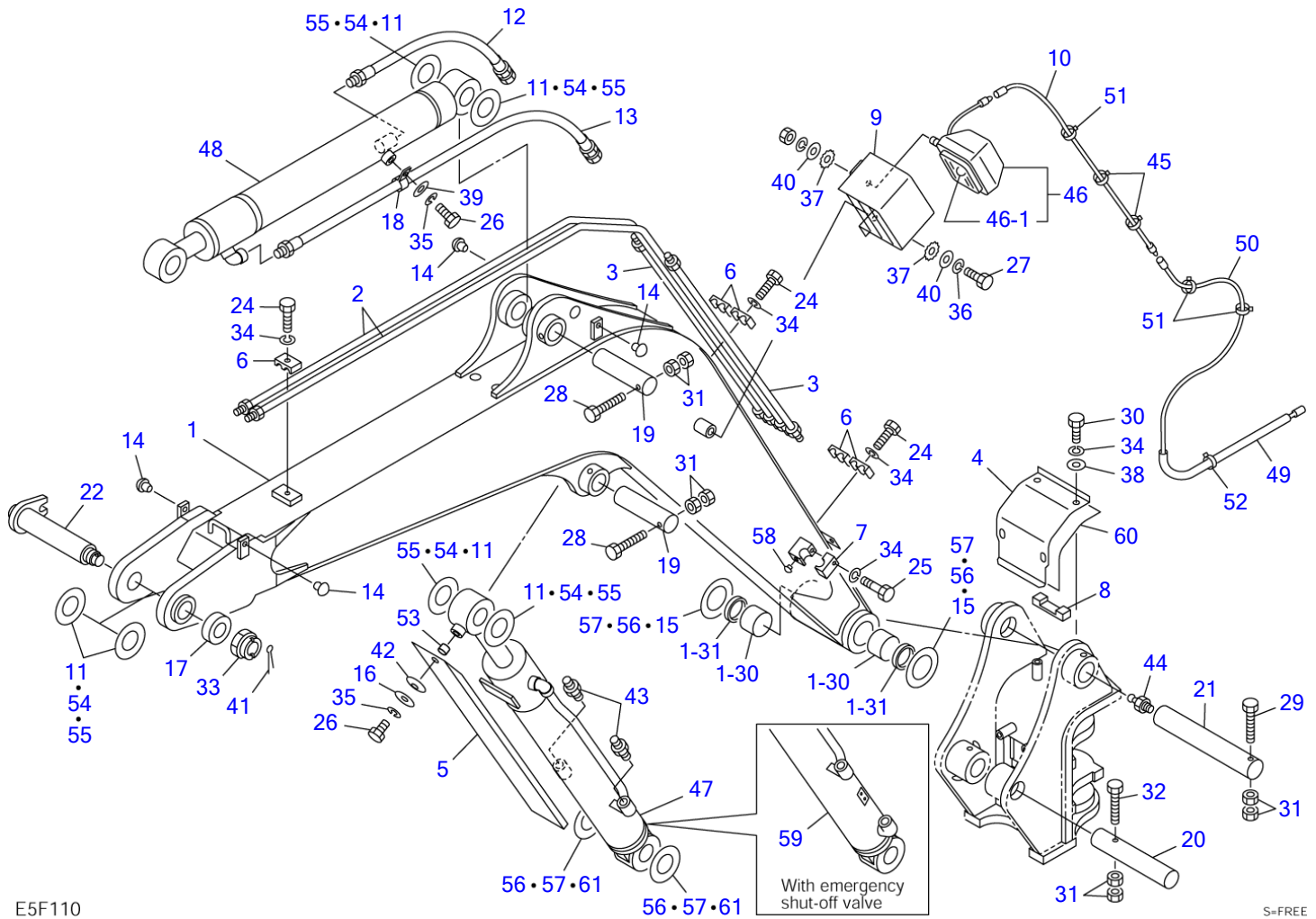


E5F012

S=FREE

BOOM (12510009-12514525)

Item	Part number	Description	Q'ty	Chan.	Serial No.	Serv.	Remarks
52	1652201005	BAND	1				
53	0003600160	COLLAR	1	a(H)	12510260~		
54	0003600035	SHIM	AR				t=0.2mm
55	0003600036	SHIM	AR				t=0.5mm
56	0003600055	SHIM	AR				t=0.2mm
57	0003600056	SHIM	AR				t=0.5mm
58	1652533016	CAP	2				without shut-off valve
58	1652533016	CAP	1				with shut-off valve
59	1900089300	CYLINDER, boom	1				with shut-off valve
60	0356016060	RUBBER	1				
60		<<NOTE>>					
60		"A" is interchangeable with SET "a".					
	E5f013						

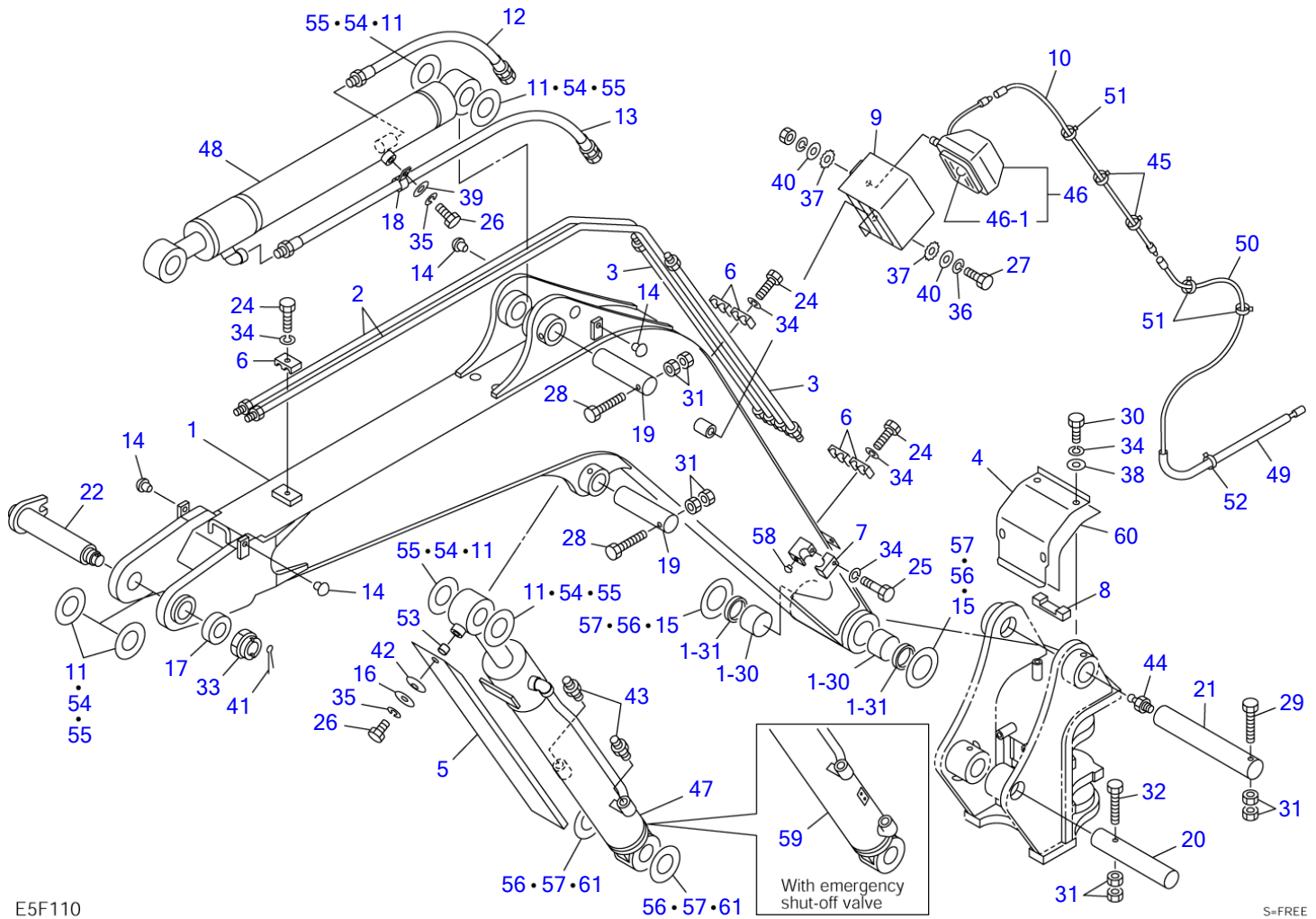


E5F110

S=FREE

BOOM (12514526-)

Item	Part number	Description	Q'ty	Chan.	Serial No.	Serv.	Remarks
		BOOM ASSY					X03560-20000-6
		BOOM ASSY (with shut-off valve)					X03560-20500-6
1	0356020100	BOOM SUB ASSY	1				
1-30	0002400025	• BUSHING	2		12514526~12515851		
	0002400077	• BUSHING	2		12515852~		
1-31	1432200050	• SEAL, dust	2				
2	0356013010	PIPE	2				
3	0356002500	PIPE	2				
4	0356014900	COVER	1				
5	0356020300	COVER, rod	1				
6	1534000015	CLAMP	5				
7	0356014281	CLAMP	2				
8	0356014910	RUBBER	1				without shut-off valve
9	0376007500	GUARD	1				
10	0434200600	HARNES, wiring	1				
11	0436011300	SHIM t=1.0	AR				
12	0356013050	HOSE ASSY	1				18015-22084
13	0356013060	HOSE ASSY	1				18015-22132
14	1652533017	CAP	4				
15	0003600155	SHIM t=1.0	AR				
16	0003610002	WASHER	1				
17	0003900013	WASHER	1				
18	0007300057	CLAMP	1				
19	0001603160	PIN	2				
20	0011515008	PIN	1	(L)	12514526~12515851		
	0011515010	PIN	1		12515852~		
21	0011575007	PIN	1	(L)	12514526~12515851		
	0011575008	PIN	1		12515852~		
22	0011903007	PIN	1				
24	1100040835	BOLT	5				
25	1100040840	BOLT	2				
26	1100041016	BOLT	2				
27	1100041230	BOLT	1				
28	1103041080	BOLT	2				
29	1103141005	BOLT	1				
30	1100040820	BOLT	4				
31	1130240010	NUT	8				
32	1103141010	BOLT	1				
33	1132630030	NUT	1				
34	1140020008	WASHER, spring	11				
35	1140020010	WASHER, spring	2				
36	1140020012	WASHER, spring	1				
37	1140330012	WASHER	2				
38	1141110008	WASHER	4				
39	1141110010	WASHER	1				
40	1141110012	WASHER	2				
41	1210010655	PIN, split	1				
42	1225120018	WASHER, conical	1				
43	1515600201	ADAPTOR	2				without shut-off valve
	1420010140	• O-RING	1				
	1515600201	ADAPTOR	1				with shut-off valve
	1420010140	• O-RING	1				
44	1560001000	FITTING, grease	1				
45	1652200004	BAND	2				
46	1703002700	LAMP ASSY	1				
46-1	1703002706	• BULB	1				
47	1900093300	CYLINDER, boom	1		12514526~12514639		without shut-off valve
	1900097200	CYLINDER, boom	1	(H)	12514640~		without shut-off valve
48	1900093400	CYLINDER, arm	1				
49	1531312050	HOSE	1				sold by the meter
50	0434200500	WIRE	1				
51	1652201004	BAND	3				
52	1652201005	BAND	1				
53	0003600228	COLLAR	1				
54	0003600035	SHIM	AR				t=0.2mm
55	0003600036	SHIM	AR				t=0.5mm
56	0003600060	SHIM	AR				t=0.2mm



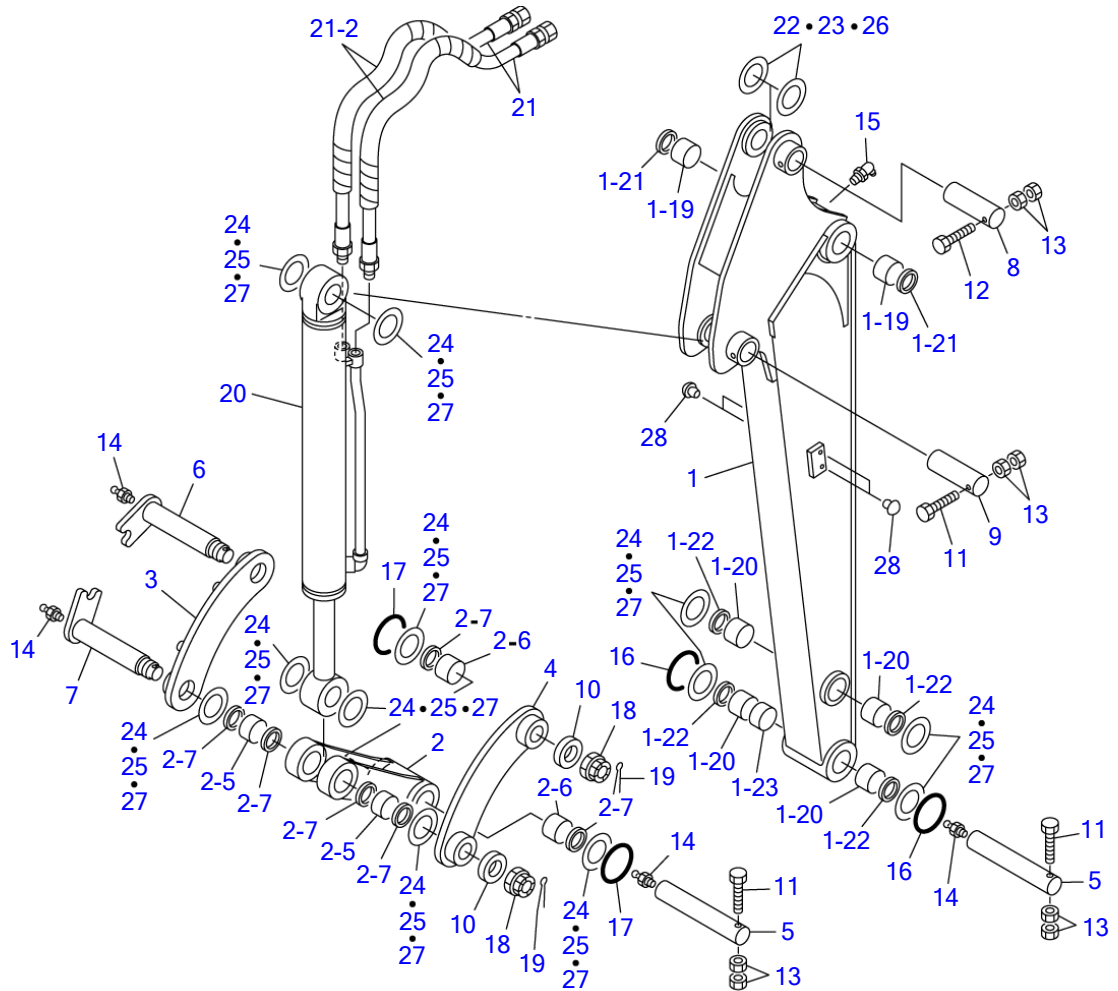
E5F110

S=FREE

BOOM (12514526-)

Item	Part number	Description	Q'ty	Chan.	Serial No.	Serv.	Remarks
57	0003600061	SHIM	AR				t=0.5mm
58	1652533016	CAP	2				without shut-off valve
58	1652533016	CAP	1				with shut-off valve
59	1900094900	CYLINDER, boom	1				with shut-off valve
60	0356016060	RUBBER	1				
61	0003600154	SHIM	AR				t=1.0mm
	E5f113						

TB125 Book No. BE5Z010 S/N 12510009-
ARM

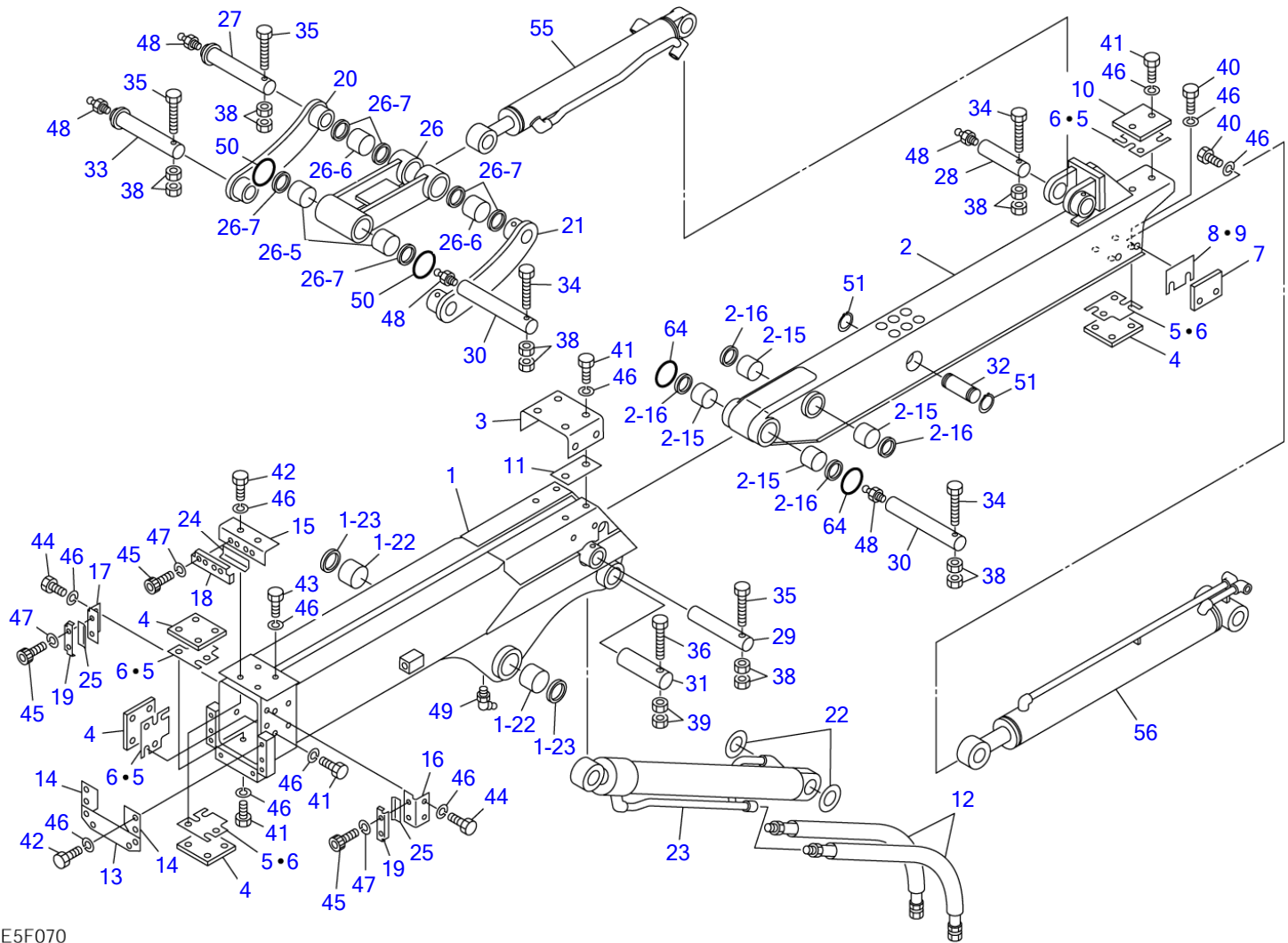


E5F022

S=FREE

Item	Part number	Description	ARM	Q'ty	Chan.	Serial No.	Serv.	Remarks
		ARM ASSY						X03561-12000-2
		ARM ASSY (LONG ARM)						X03561-10000-2
1	0356112100	ARM SUB ASSY		1				
	0356110100	ARM SUB ASSY (LONG ARM)		1				
1-19	0002400019	• BUSHING		2				
1-20	0002400028	• BUSHING		4				
1-21	1432200040	• SEAL, dust		2				
1-22	1432200035	• SEAL, dust		4				
1-23	0003038002	• COLLAR		1				
2	0356109300	LINK ASSY, bucket		1				
2-5	0002100025	• BUSHING		2				
2-6	0002400028	• BUSHING		2				
2-7	1432200035	• SEAL, dust		6				
3	0356109400	LINK, guide (R.H.)		1	A	12510009~12514153		
	0356109450	LINK, guide (R.H.)		1	a(H)	12514154~		
4	0356109500	LINK, guide (L.H.)		1	A	12510009~12514153		
	0356109550	LINK, guide (L.H.)		1	a(H)	12514154~		
5	0001523503	PIN		2				
6	0001792001	PIN		1				
7	0001792002	PIN		1				
8	0001603125	PIN		1				
9	0001602125	PIN		1				
10	0003900021	WASHER		2				
11	1103041075	BOLT		3				
12	1103041080	BOLT		1				
13	1130240010	NUT		8				
14	1560001000	FITTING, grease		4				
15	1560001675	FITTING, grease		1				
16	1432900047	O-RING		2				
17	1432900004	O-RING		2				
18	1132630024	NUT		2				
19	1210010545	PIN, split		2				
20	1900077800	CYLINDER, bucket		1				
21	0356109600	HOSE ASSY		2				18015-22084
	0356102700	HOSE ASSY (LONG ARM)		2				18015-22110
21-2	1532218072	• PROTECTOR		1				sold by the meter
	1532218098	• PROTECTOR (LONG ARM)		1				sold by the meter
22	0003600035	SHIM		AR				t=0.2mm
23	0003600036	SHIM		AR				t=0.5mm
24	0003600051	SHIM		AR				t=0.2mm
25	0003600052	SHIM		AR				t=0.5mm
26	0436011300	SHIM t=1.0		AR				
27	0436111700	SHIM t=1.1		AR				
28	1652533016	CAP		4				
		<<NOTE>>						
		SET "A" is interchangeable						
		with SET "a".						
	E5f023							

TB125 Book No. BE5Z010 S/N 12510009-
TELESCOPIC ARM (1/2)



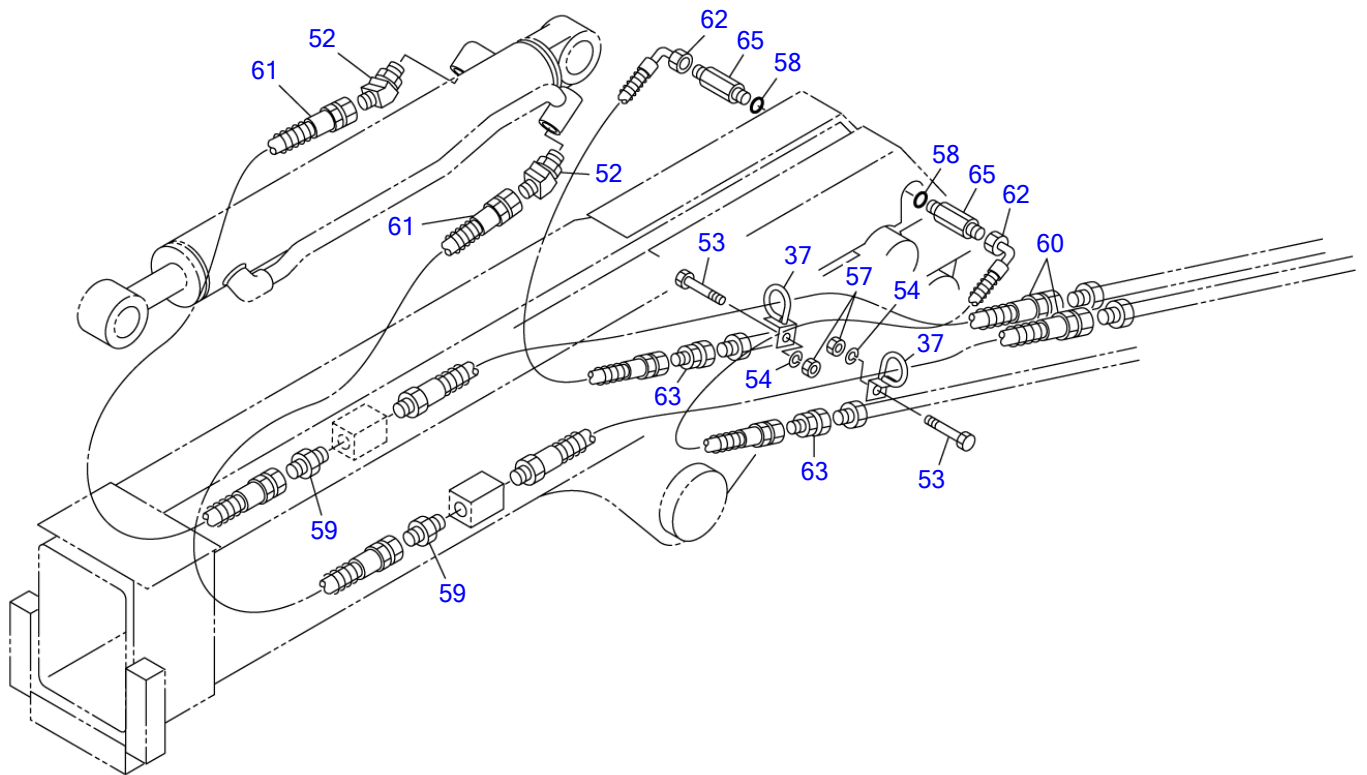
E5F070

S=FREE

TELESCOPIC ARM (1/2)

Item	Part number	Description	Q'ty	Chan.	Serial No.	Serv.	Remarks
		ARM ASSY, telescopic					X03561-11000-0
1	0356104100	ARM ASSY, outside	1				
1-22	0002400019	• BUSHING	2				
1-23	1432200040	• SEAL, dust	2				
2	0356104300	ARM ASSY, inside	1				
2-15	0002400021	• BUSHING	4				
2-16	1432200035	• SEAL, dust	4				
3	0446104500	PLATE	1				
4	0356104500	LINER	5				
5	0436103701	SHIM t=0.5	AR				
6	0436103702	SHIM t=1.0	AR				
7	0356104600	LINER	2				
8	0436104001	SHIM t=0.5	AR				
9	0436104002	SHIM t=1.0	AR				
10	0356104700	LINER	1				
11	0436104101	SHIM	AR				
12	0356111100	HOSE ASSY	2				18015-22082
13	0436104500	CUTTER	1				
14	0436104600	CUTTER	2				
15	0446104800	PLATE	1				
16	0436104800	PLATE	1				
17	0436104900	PLATE	1				
18	0446105600	PLATE	1				
19	0436105100	PLATE	2				
20	0436107500	LINK, guide (R.H.)	1				
21	0436107600	LINK, guide (L.H.)	1				
22	0003600074	SHIM	AR				
23	1900052500	CYLINDER, arm	1				
24	0446104900	WIPER	1				
25	0436105700	WIPER	2				
26	0436101300	LINK ASSY, bucket	1				
26-5	0002400021	• BUSHING	2				
26-6	0002100020	• BUSHING	2				
26-7	1432200035	• SEAL, dust	6				
27	0011022006	PIN	1				
28	0011572002	PIN	1				
29	0011503130	PIN	1				
30	0001572004	PIN	2				
31	0011501195	PIN	1				
32	0004230068	PIN	1				
33	0011042002	PIN	1				
34	1103041075	BOLT	3				
35	1103041080	BOLT	3				
36	1103040865	BOLT	1				
38	1130240010	NUT	12				
39	1130240008	NUT	2				
40	1100041016	BOLT	8				
41	1100041025	BOLT	14				
42	1100041035	BOLT	10				
43	1100041030	BOLT	2				
44	1100041020	BOLT	4				
45	1110040512	SCREW, cap	8				
46	1140020010	WASHER, spring	36				
47	1140020005	WASHER, spring	8				
48	1560001000	FITTING, grease	5				
49	1560001675	FITTING, grease	1				
50	1432900004	O-RING	2				
51	1220000030	RING, snap	2				
55	1900052600	CYLINDER, bucket	1				
56	1900049700	CYLINDER, telescopic	1				
64	1432900047	O-RING	2				
	E5f070						

TB125 Book No. BE5Z010 S/N 12510009-
TELESCOPIC ARM (2/2)

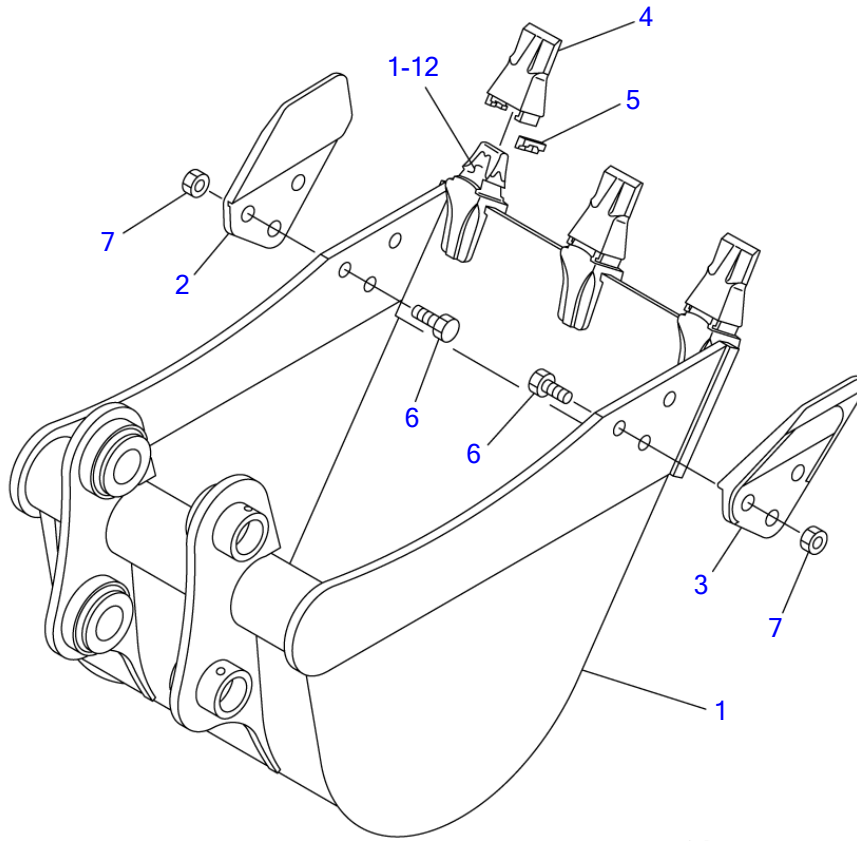


E5F080

S=FREE

TELESCOPIC ARM (2/2)

Item	Part number	Description	Q'ty	Chan.	Serial No.	Serv.	Remarks
		ARM ASSY, telescopic					X03561-11000-0
37	0376109500	GUIDE	2				
52	1515100111	ELBOW	2				
	1420010140	• O-RING	1				
53	1100240860	BOLT	2				
54	1140020008	WASHER, spring	2				
57	1130040008	NUT	2				
58	1420010110	O-RING	2				
59	1515600201	ADAPTOR	2				
	1420010140	• O-RING	1				
60	1801622090	HOSE ASSY	2				
61	1801620076	HOSE ASSY	2				
62	1801601046	HOSE ASSY	2				
63	0007236040	ADAPTOR	2				
65	0007203022	ADAPTOR	2				
	E5f081						



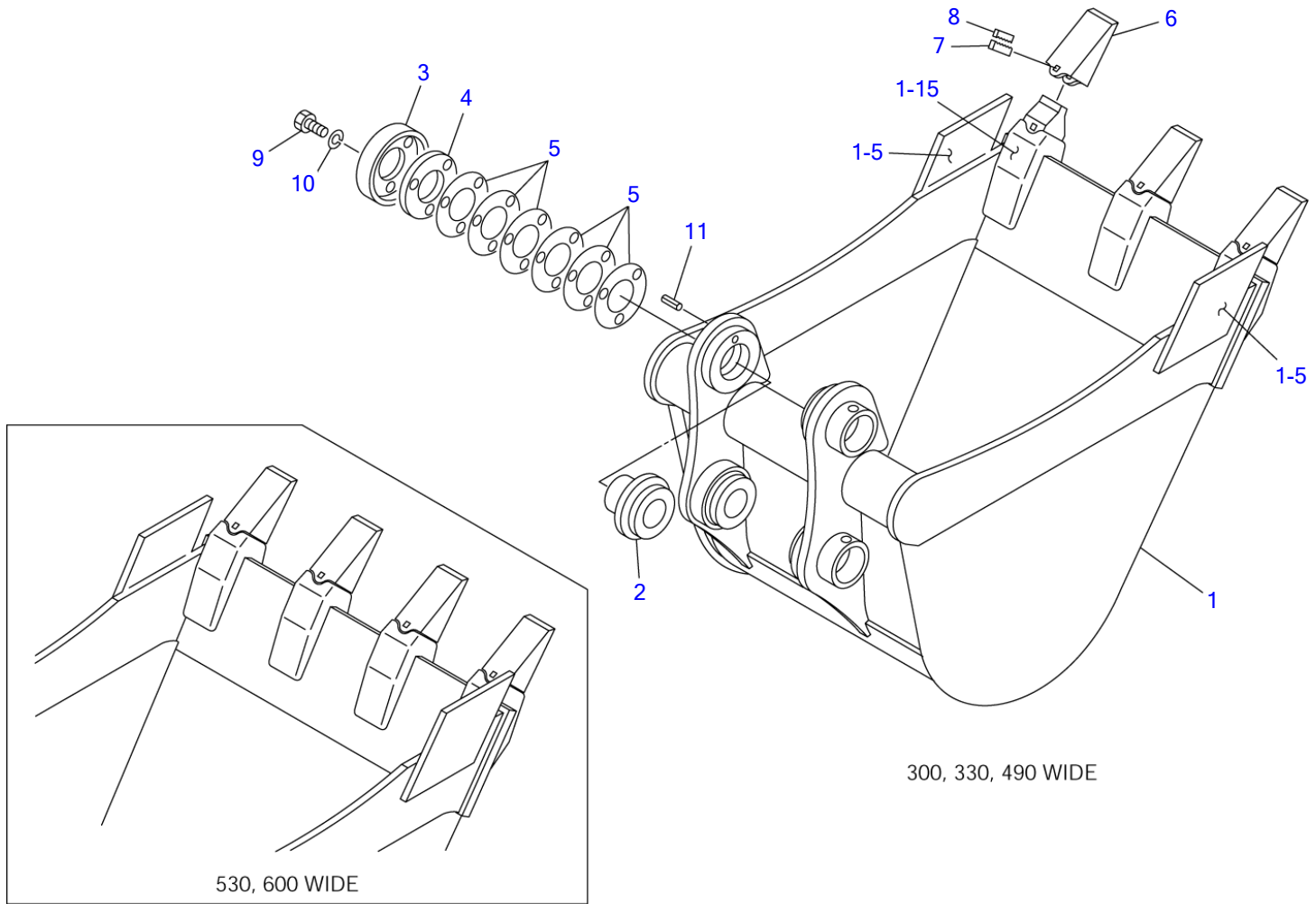
460 WIDE / STANDARD

E5F030

S=1/8

BUCKET 1						
Item	Part number	Description	Q'ty	Chan.	Serial No.	Serv. Remarks
0	0356214000	BUCKET ASSY	1			460wide
1	X *****	▪ BUCKET	1			
1-12	1914201201	▪ ▪ ADAPTOR, tooth	3			
2	0436201200	▪ CUTTER (R.H.)	1			
3	0436201300	▪ CUTTER (L.H.)	1			
4	1914201202	▪ POINT, tooth	3			
5	1914201203	▪ PIN, lock	3			
6	1100051635	▪ BOLT	6			
7	1130050016	▪ NUT	6			
	E5f030					

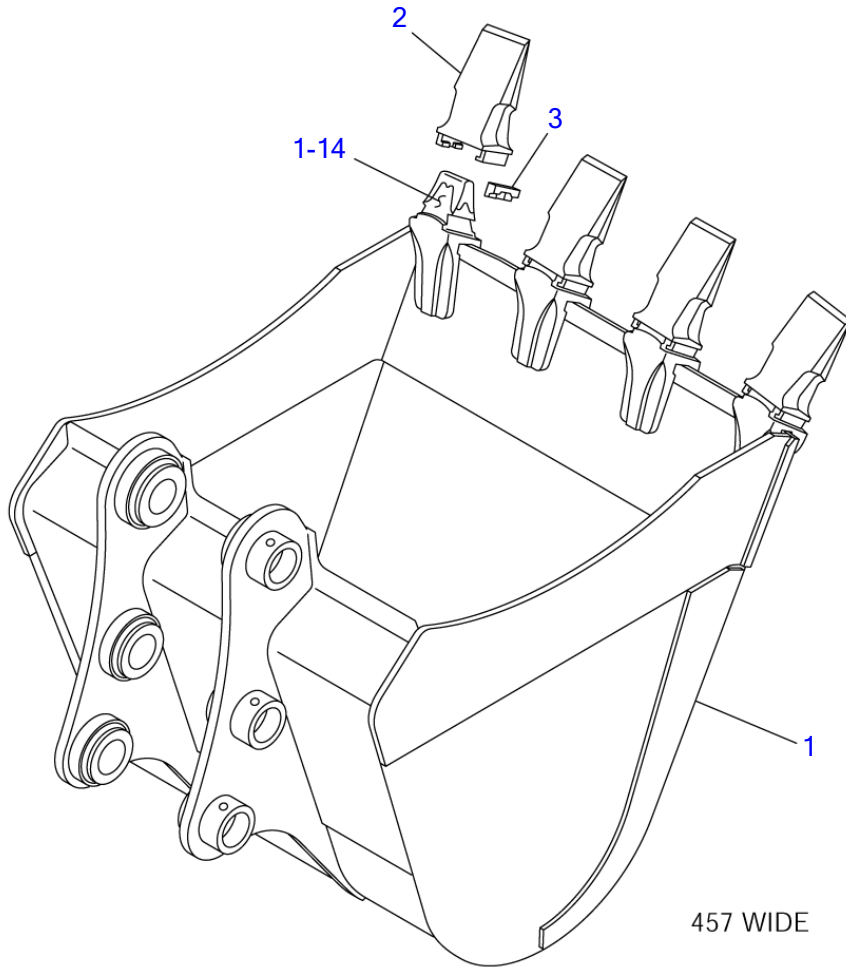
TB125 Book No. BE5Z010 S/N 12510009-
BUCKET 2



E5F040

S=1/8

BUCKET 2						
Item	Part number	Description	Q'ty	Chan.	Serial No.	Serv. Remarks
0	0356207000	BUCKET ASSY	1			330wide
	0356208000	BUCKET ASSY	1			490wide
	0356209000	BUCKET ASSY	1			530wide
	0356210000	BUCKET ASSY	1			300wide
	0356211000	BUCKET ASSY	1			600wide
1	X *****	· BUCKET	1			
1-5	0356200105	· · CUTTER, side	2			
1-15	1914200381	· · ADAPTOR, tooth	3			330w,490w.300w
	1914200381	· · ADAPTOR, tooth	4			530w,600w
2	0356201200	· BUSHING	1			
3	0356201300	· PLATE, end	1			
4	0356201400	· FRANGE	1			
5	0356201500	· SHIM	6			
6	1914200182	· POINT, tooth	3			330w,490w.300w
	1914200182	· POINT, tooth	4			530w,600w
7	1914200183	· PIN, lock	3			330w,490w.300w
	1914200183	· PIN, lock	4			530w,600w
8	1914200184	· PIN	3			330w,490w.300w
	1914200184	· PIN	4			530w,600w
9	1100051025	· BOLT	3			
10	1140010010	· WASHER, spring	3			
11	1213000830	· PIN, sping	1			
	E5f040					



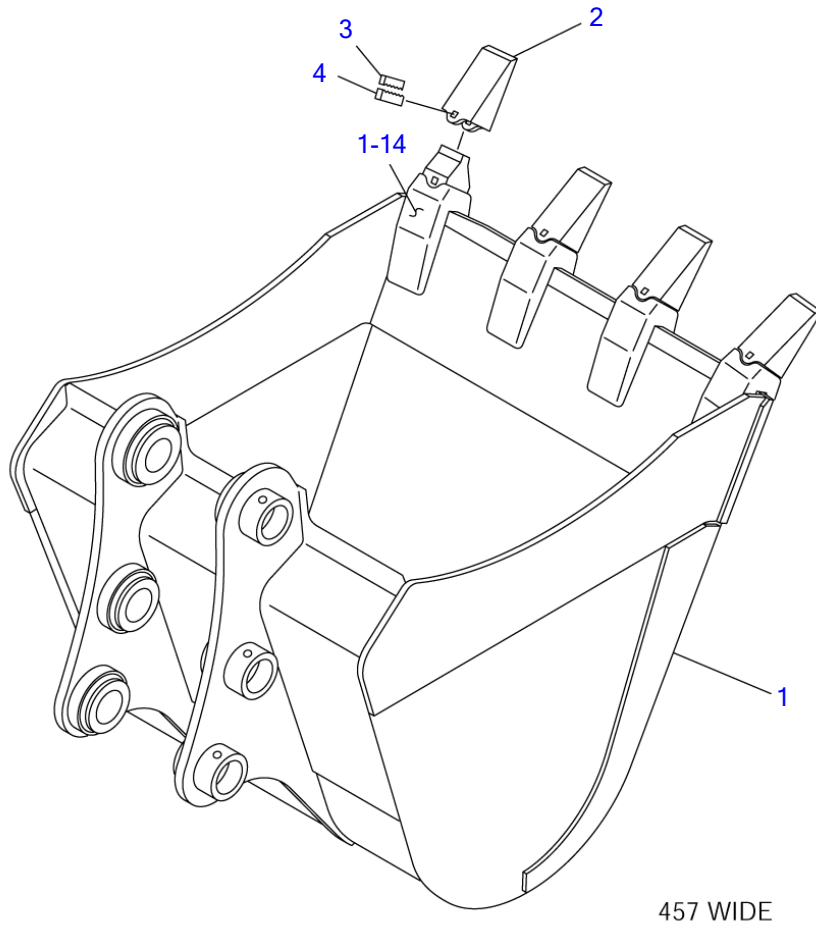
E5F050

S=1/8

BUCKET (for U.S.A.; 12510009-1251#)

Item	Part number	Description	Q'ty	Chan.	Serial No.	Serv.	Remarks
0	0356213000	BUCKET ASSY	1				
1	X *****	▪ BUCKET	1				
1-14	1914201302	▪ ▪ ADAPTOR, tooth	4				
2	1914201301	▪ POINT, tooth	4				
3	1914201203	▪ PIN, lock	4				
	E5f050						

TB125 Book No. BE5Z010 S/N 12510009-
BUCKET 3 (1251#-)



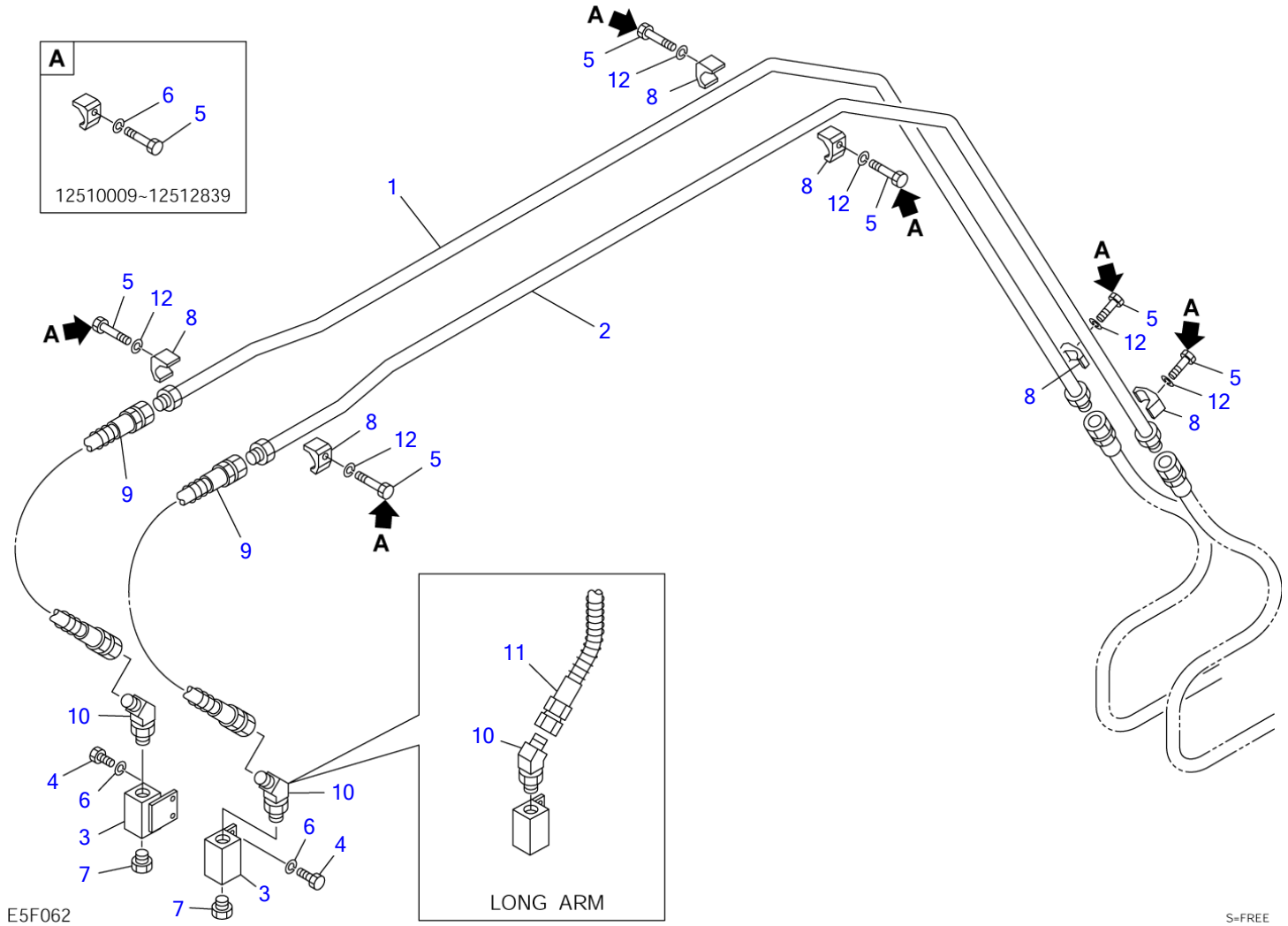
E5F120

S-1/8

BUCKET 3 (1251#-)

Item	Part number	Description	Q'ty	Chan.	Serial No.	Serv.	Remarks
0	0356214200	BUCKET ASSY	1				457wide
1	X *****	▪ BUCKET	1				
1-14	1914200381	▪ ▪ ADAPTOR, tooth	4				
2	1914200182	▪ POINT, tooth	4				
3	1914200184	▪ PIN	4				
4	1914200183	▪ PIN, lock	4				
	E5f120						

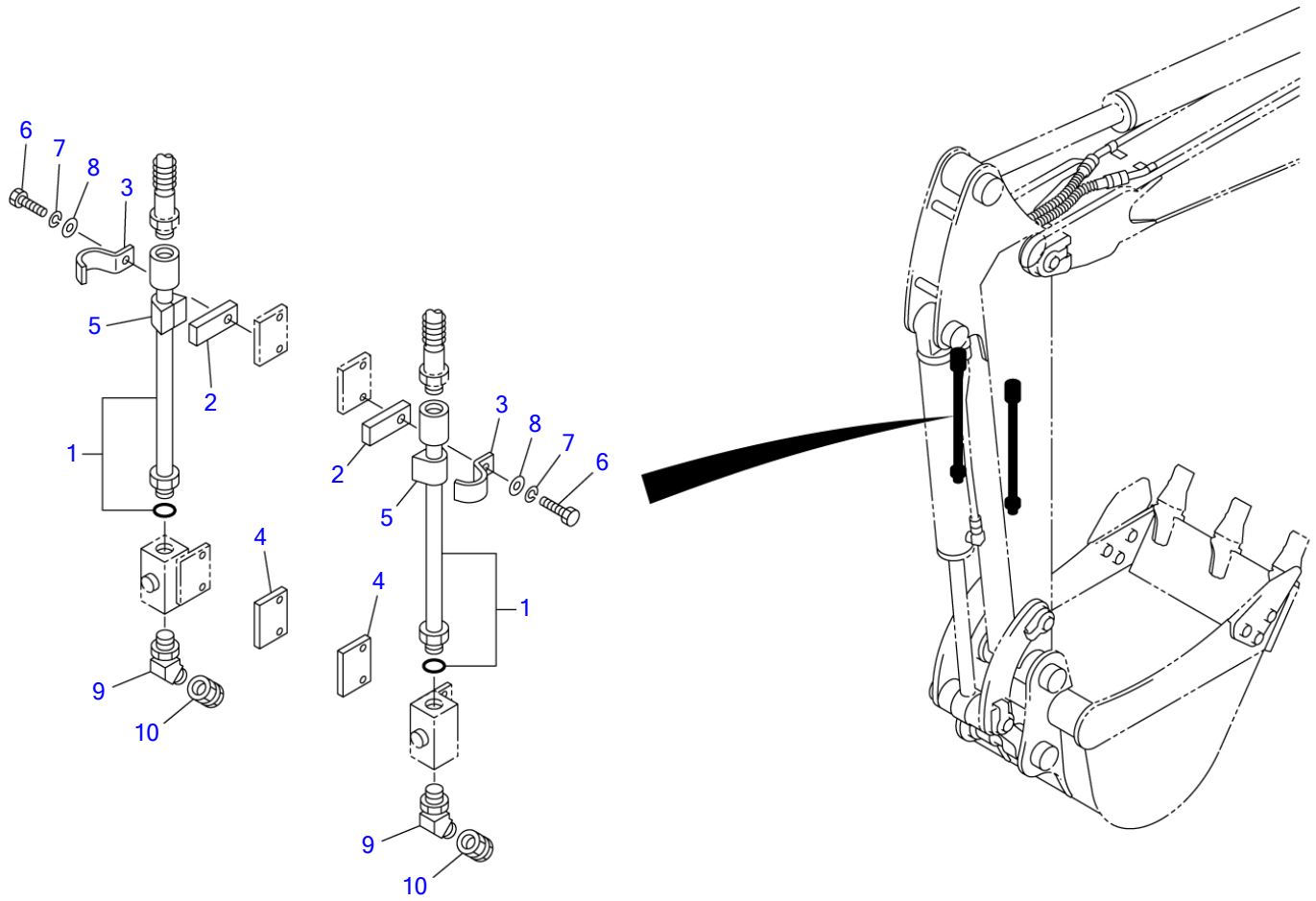
TB125 Book No. BE5Z010 S/N 12510009-
AUXILIARY LINE



AUXILIARY LINE

Item	Part number	Description	Q'ty	Chan.	Serial No.	Serv.	Remarks
	0357317000	AUXILIARY LINE ASSY	1				X03573-17000-3
	0357318000	AUXILIARY LINE ASSY (long arm)	1				X03573-18000-3
1	0357316100	• PIPE (R.H.)	1				
2	0357316200	• PIPE (L.H.)	1				
3	1901719800	• VALVE , stop	2				
4	1100040816	• BOLT	4				
5	1100040840	• BOLT	6		12510009~12512839		
	1100041045	• BOLT	6		12512840~		
6	1140020008	• WASHER, spring	10		12510009~12512839		
	1140020008	• WASHER, spring	4		12512840~		
7	1501750004	• PLUG	2				
	1420010180	• • O-RING	1				
8	1534100217	• CLAMP	6		12510009~12512839		
	1534100218	• CLAMP	6		12512840~		
9	1801640062	• HOSE ASSY	2				
10	1515100112	• ELBOW	2				
	1420010180	• • O-RING	1				
11	1801640090	• HOSE ASSY	2				long arm
12	1140020010	• WASHER, spring	6		12512840~		
	E5f063						

TB125 Book No. BE5Z010 S/N 12510009-
EXTENSION AUXILIARY LINE

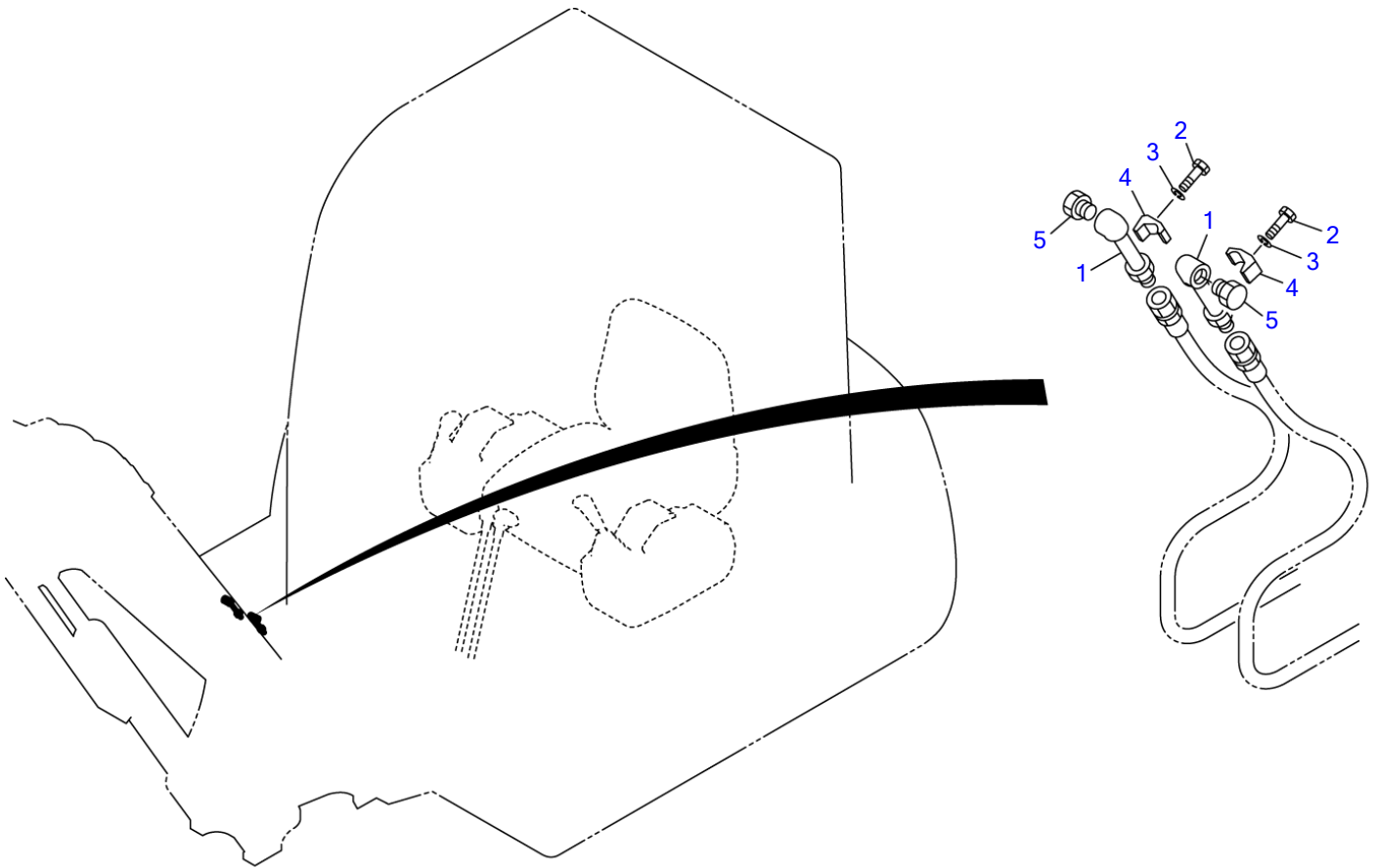


E5F090

S=1/8, 1/15

EXTENSION AUXILIARY LINE

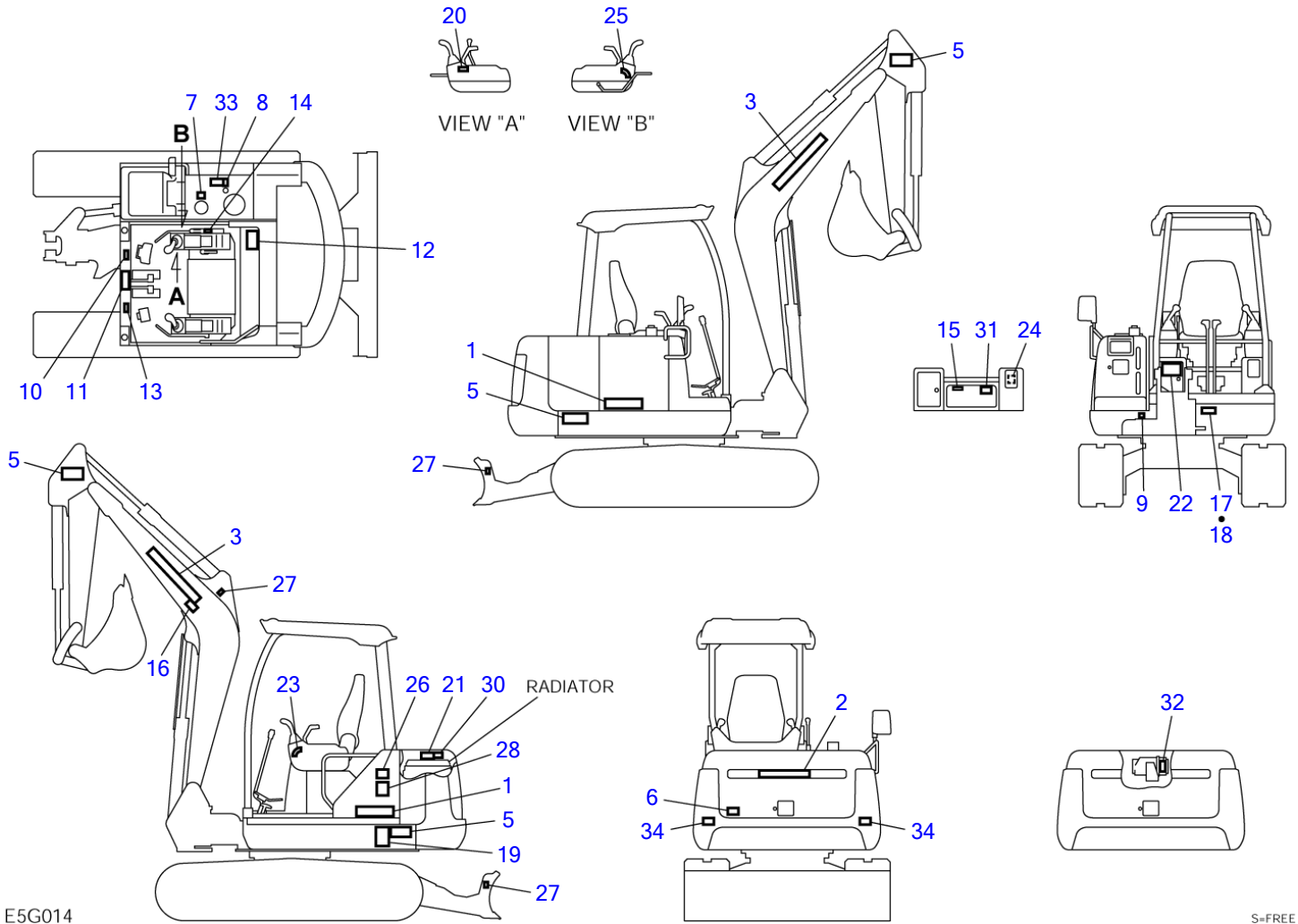
Item	Part number	Description	Q'ty	Chan.	Serial No.	Serv.	Remarks
0	0357317500	LINE ASSY, auxiliary	1				X03573-17500-0
1	0357320610	▪ PIPE	2				
2	0397308620	▪ PLATE	2				
3	0427332600	▪ CLAMP	2				
4	0447311300	▪ PLATE	2				
5	1531419003	▪ RUBBER	2				
6	1100040830	▪ BOLT	2				
7	1140020008	▪ WASHER, spring	2				
8	1141110008	▪ WASHER	2				
9	1515100112	▪ ELBOW	2				
	1420010180	▪ ▪ O-RING	1				
10	1513900004	▪ SOCKET	2				
	E5f090						

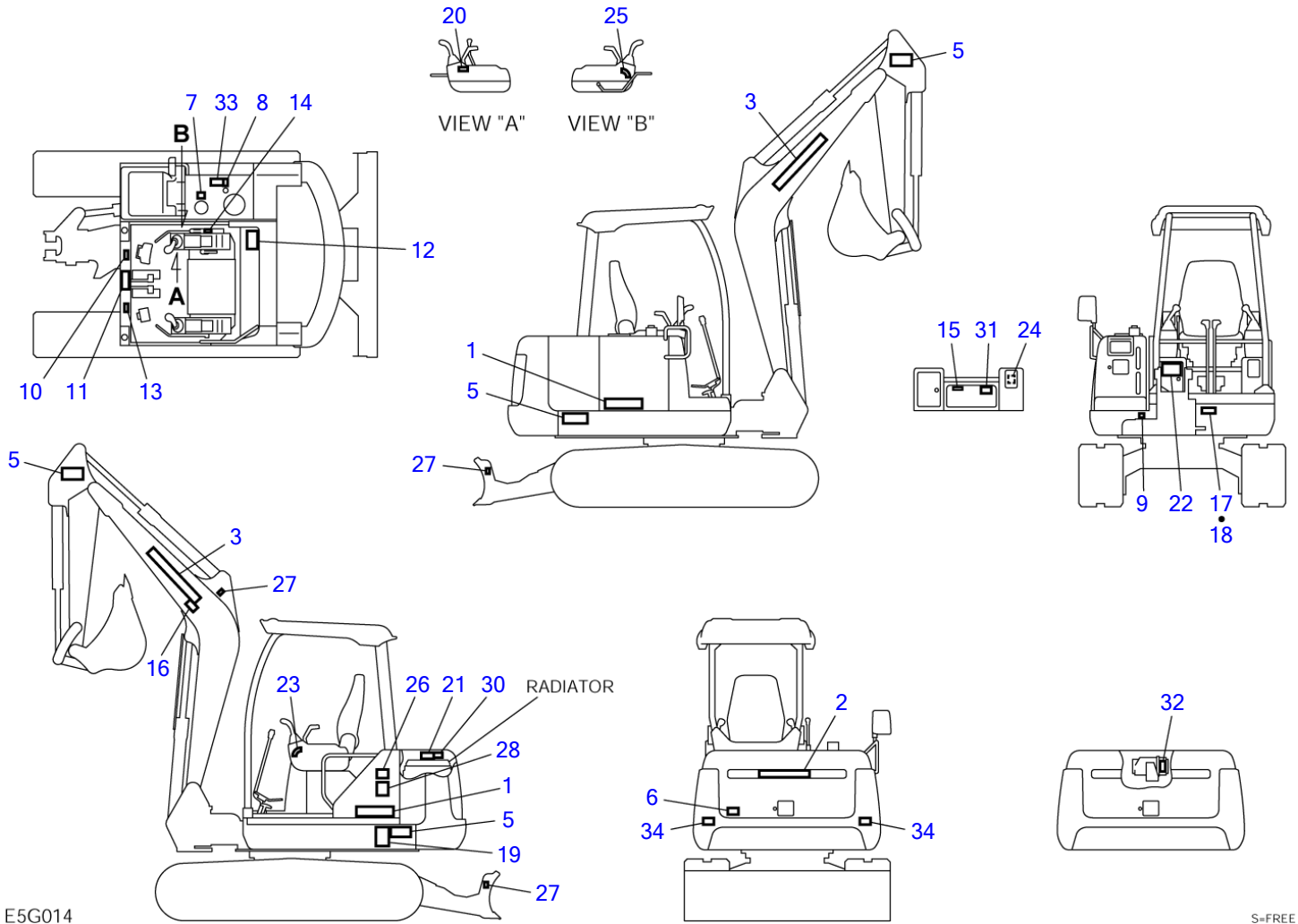


G4F080

S=FREE

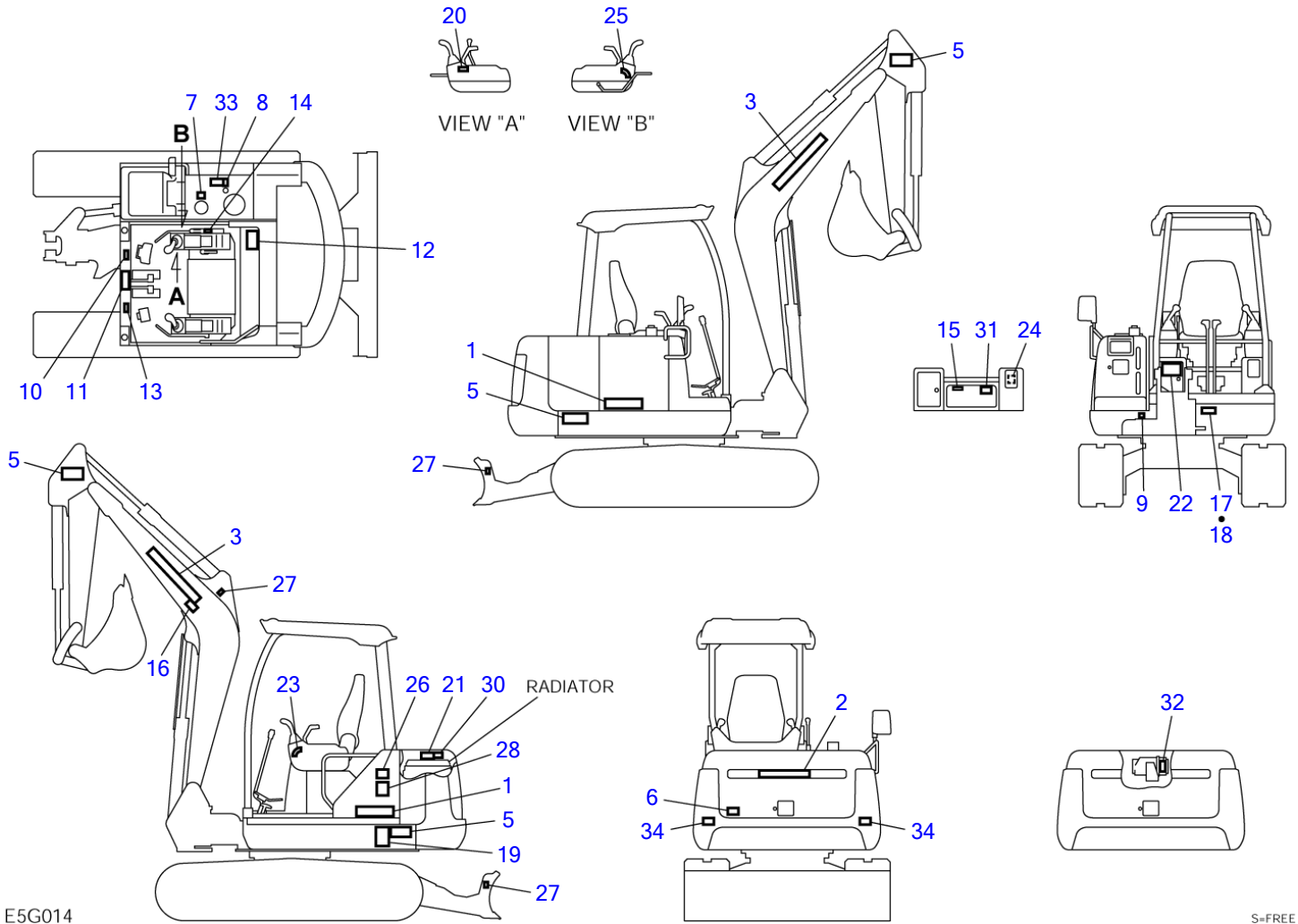
Item	Part number	Description	PLUG ASSY		Serial No.	Serv.	Remarks
			Q'ty	Chan.			
		PLUG ASSY					X03778-00000-2
1	0377800010	ADAPTOR	2				
2	1100040840	BOLT	2		12510009~12512839		
	1100041045	BOLT	2		12512840~		
3	1140020008	WASHER, spring	2		12510009~12512839		
	1140020010	WASHER, spring	2		12512840~		
4	1534100217	CLAMP	2		12510009~12512839		
	1534100218	CLAMP	2		12512840~		
5	1501750004	PLUG	2				
	1420010180	· O-RING	1				
	E5f100						





DECAL (canopy) (12510009-12514525)

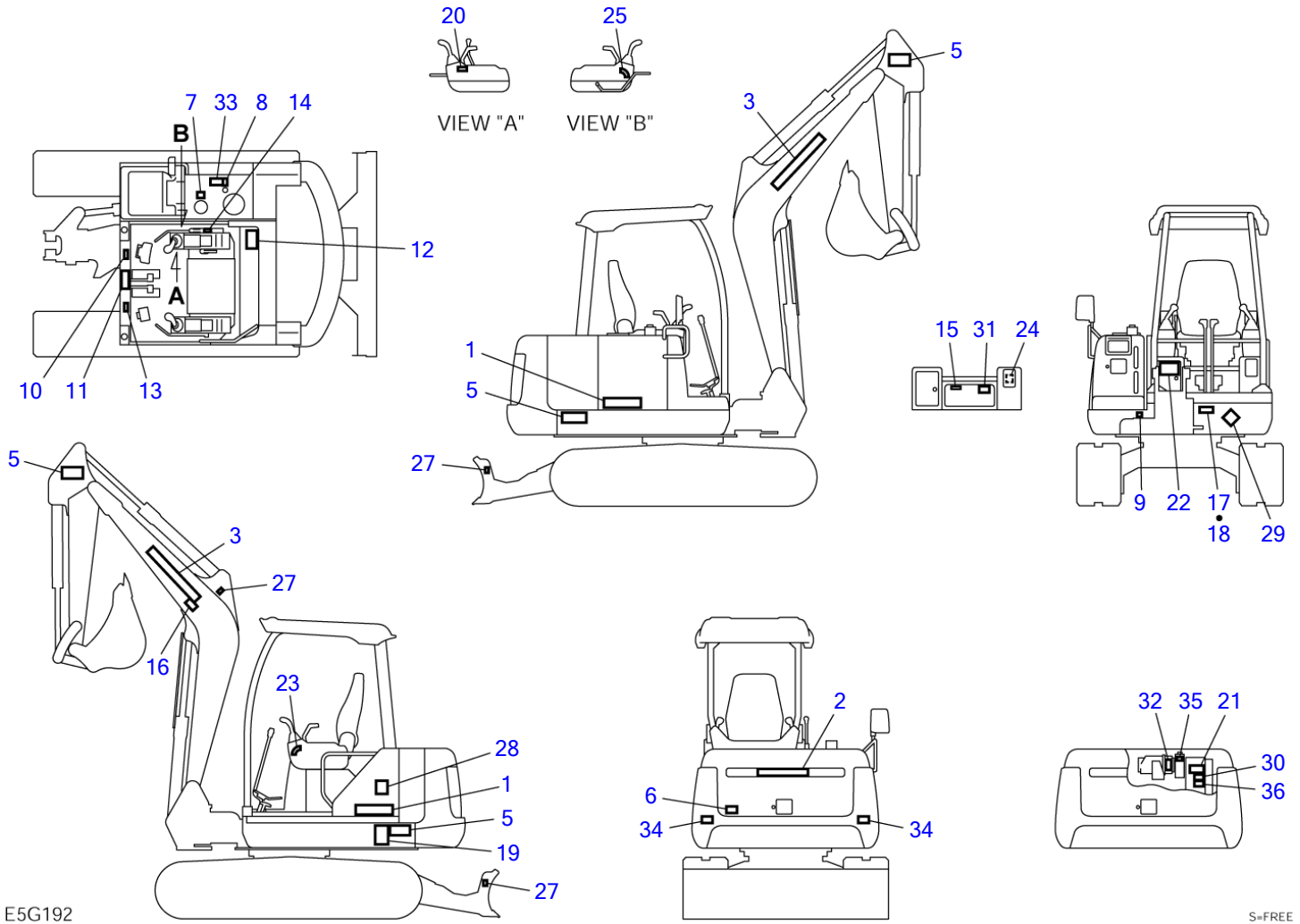
Item	Part number	Description	Q'ty	Chan.	Serial No.	Serv.	Remarks
0	0359354000	DECAL SET (English)	1				X03593-54000-15
	0359355000	DECAL SET (German)	1				X03593-55000-15
	0359356000	DECAL SET (French)	1				X03593-56000-15
	0359357000	DECAL SET (Italian)	1				X03593-57000-15
	0359363000	DECAL SET (Spanish)	1				X03593-63000-15
1	0359350100	• DECAL	2				
2	0329350200	• DECAL	1				
3	0359306300	• DECAL	2				
5	0359306500	• DECAL (English)	4				
	0359308100	• DECAL (German)	4				
	0359309100	• DECAL (French)	4				
	0359310100	• DECAL (Italian)	4				
	0339364100	• DECAL (Spanish)	4				
6	0359307400	• DECAL (English)	1				
	0359314400	• DECAL (German)	1				
	0359315400	• DECAL (French)	1				
	0359316400	• DECAL (Italian)	1				
	0339364200	• DECAL (Spanish)	1				
7	0359306600	• DECAL (English)	1				
	0339375260	• DECAL (German)	1		12511874~		
	0339375460	• DECAL (French)	1		12511874~		
	0339375660	• DECAL (Italian, Spanish)	1		12511874~		
8	0359306700	• DECAL	1				
9	0359325220	• DECAL	1				
10	0329360060	• DECAL	1				
11	0379336600	• DECAL	1				
12	0379336200	• DECAL (English)	1				
	0379336300	• DECAL (German)	1				
	0379336400	• DECAL (French)	1				
	0379336500	• DECAL (Italian)	1				
	0379354100	• DECAL (Spanish)	1				
13	0379336800	• DECAL	1				
14	0359325190	• DECAL	1				
15	X *****	• DECAL	1				
16	0359347010	• DECAL (English)	1		12511874~		
	0339375210	• DECAL (German)	1		12511874~		
	0339375410	• DECAL (French)	1		12511874~		
	0339375610	• DECAL (Italian)	1		12511874~		
	0339375810	• DECAL (Spanish)	1		12511874~		
17	X *****	• DECAL	1				
18	X *****	• SCREW	4				
19	0379337300	• DECAL (English)	1				
	0379338300	• DECAL (German)	1				
	0379339300	• DECAL (French)	1				
	0379340300	• DECAL (Italian)	1				
	0379354200	• DECAL (Spanish)	1				
20	0359317200	• DECAL	1				
21	0569321980	• DECAL (English)	1				
22	0359313700	• DECAL (English)	1				
	0359314700	• DECAL (German)	1				
	0359315700	• DECAL (French)	1				
	0359316700	• DECAL (Italian)	1				
	0339364500	• DECAL (Spanish)	1				
23	0329360100	• DECAL	1				
24	0379337100	• DECAL (English)	1				
	0379338200	• DECAL (German)	1				
	0379339100	• DECAL (French)	1				
	0379340100	• DECAL (Italian)	1				
	0379354300	• DECAL (Spanish)	1				
25	0349325020	• DECAL	1				
26	X *****	• DECAL	1				
27	0399300500	• DECAL	3				
28	X *****	• DECAL	1				
30	X *****	• DECAL	1		12510452~		3TNE82A-ETB
31	0359347020	• DECAL (English)	1		12511874~		
	0339375220	• DECAL (German)	1		12511874~		
	0339375420	• DECAL (French)	1		12511874~		
	0339375620	• DECAL (Italian)	1		12511874~		



DECAL (canopy) (12510009-12514525)

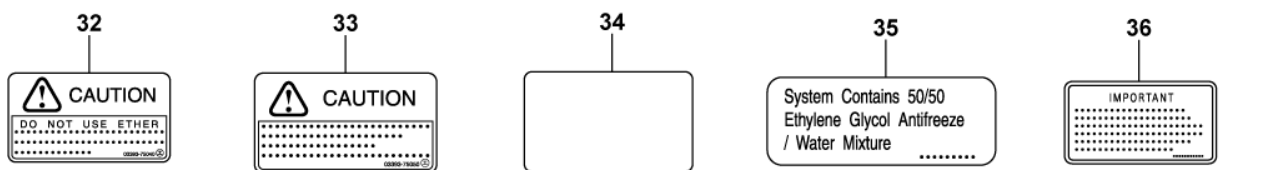
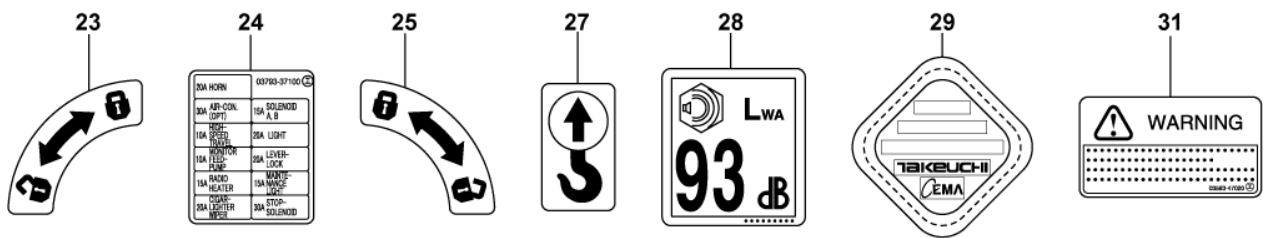
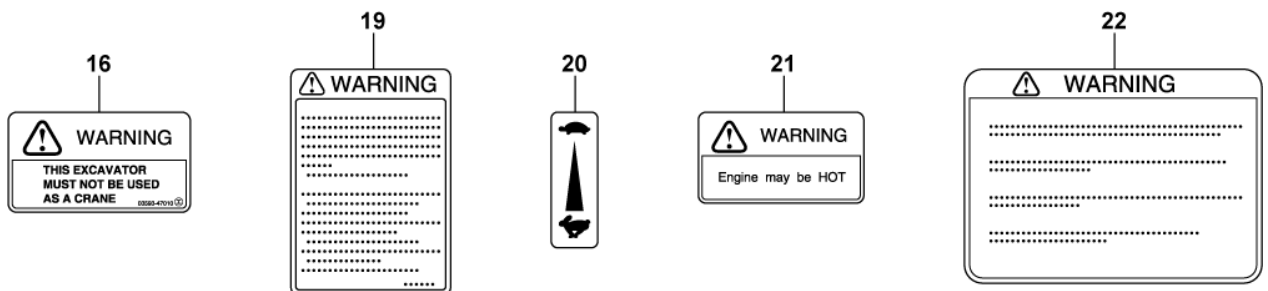
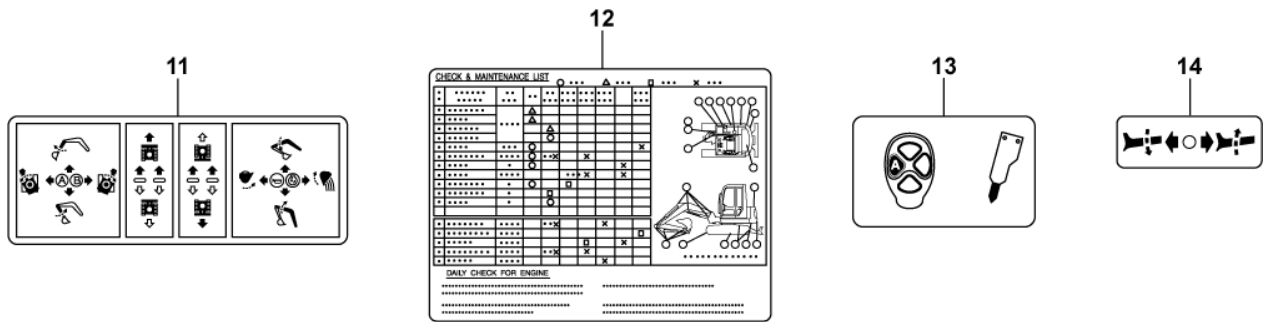
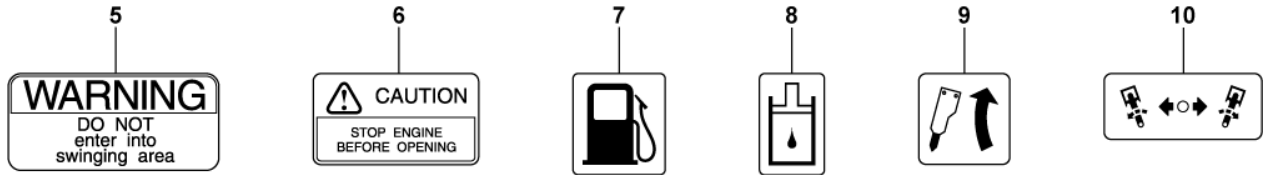
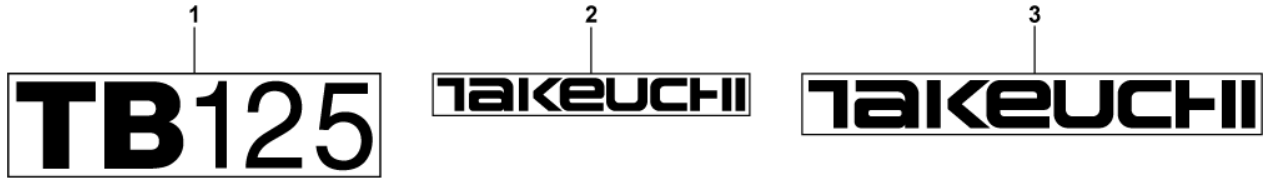
Item	Part number	Description	Q'ty	Chan.	Serial No.	Serv.	Remarks
31	0339375820	• DECAL (Spanish)	1		12511874~		
32	0339375040	• DECAL (English)	1		12511874~		
32	0339375240	• DECAL (German)	1		12511874~		
32	0339375440	• DECAL (French)	1		12511874~		
32	0339375640	• DECAL (Italian)	1		12511874~		
32	0339375840	• DECAL (Spanish)	1		12511874~		
33	0339375050	• DECAL (English)	1		12511874~		
33	0339375250	• DECAL (German)	1		12511874~		
33	0339375450	• DECAL (French)	1		12511874~		
33	0339375650	• DECAL (Italian)	1		12511874~		
33	0339375850	• DECAL (Spanish)	1		12511874~		
34	0379358550	• SEAL	2				
	E5g014						

TB125 Book No. BE5Z010 S/N 12510009-
 DECAL (canopy) (12514526-)



E5G192

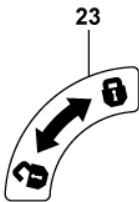
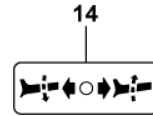
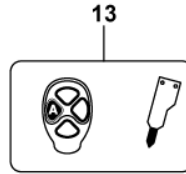
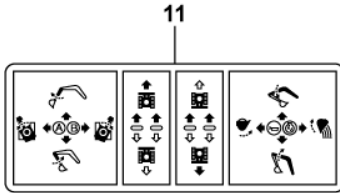
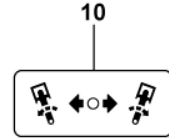
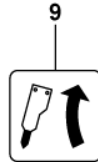
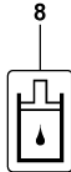
S=FREE



1
TB125

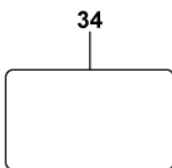
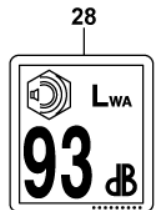
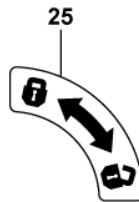
2
TAKEUCHI

3
TAKEUCHI



24

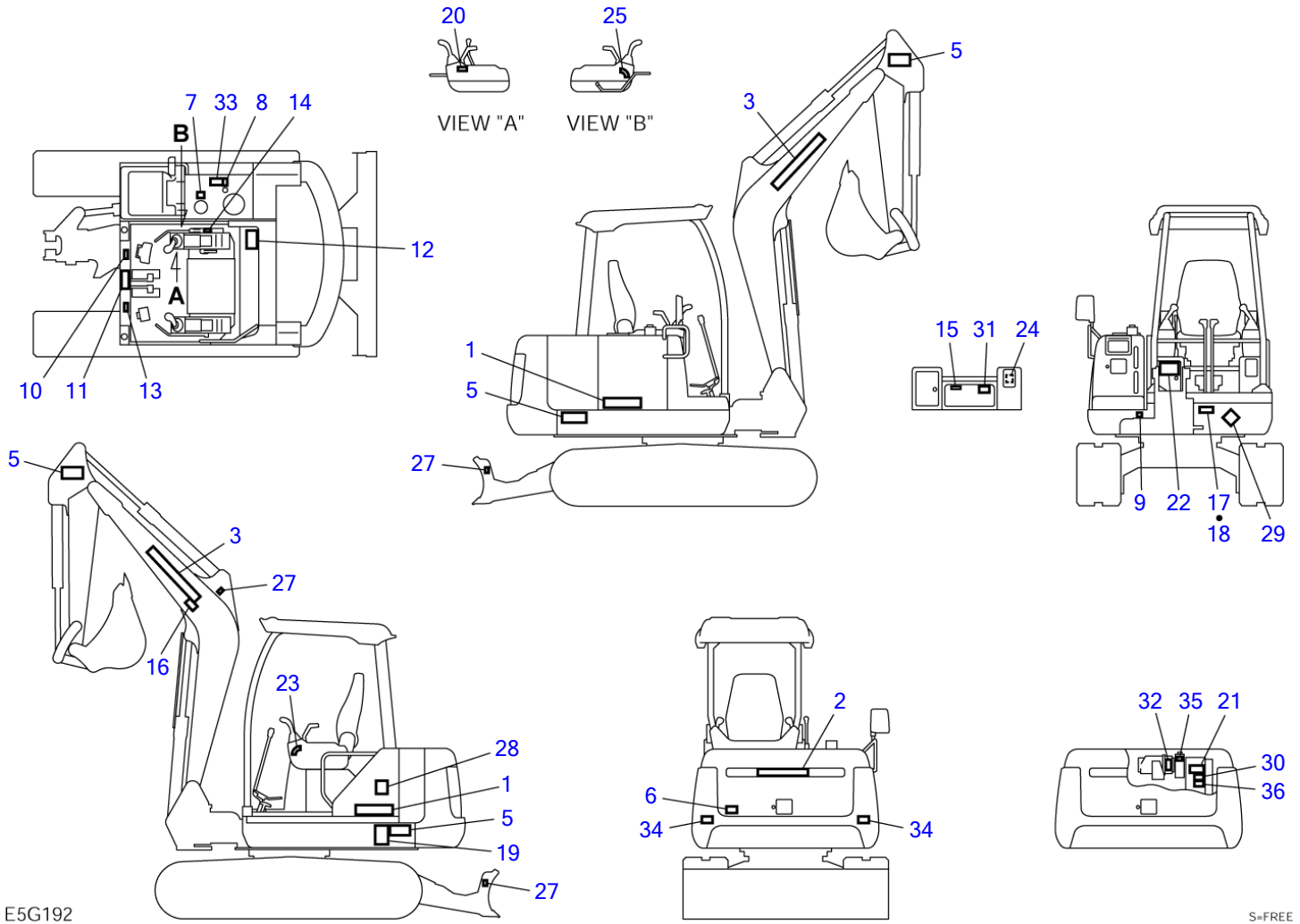
20A HORN	03793-37100	20A STOP-SOLENOID
20A AIR-COIL (OPT)	15A SOLENOID A, B	20A LIGHT
20A SPEED-TRIGGER	20A LIGHT	20A LEVER-LOCK
20A WAGON-TRIGGER	20A LEVER-LOCK	20A WASTE-LIGHT
20A PUMP-HEATER	20A WASTE-LIGHT	20A STOP-SOLENOID
20A WASTE-LIGHT	20A STOP-SOLENOID	



35

System Contains 50/50
Ethylene Glycol Antifreeze
/ Water Mixture

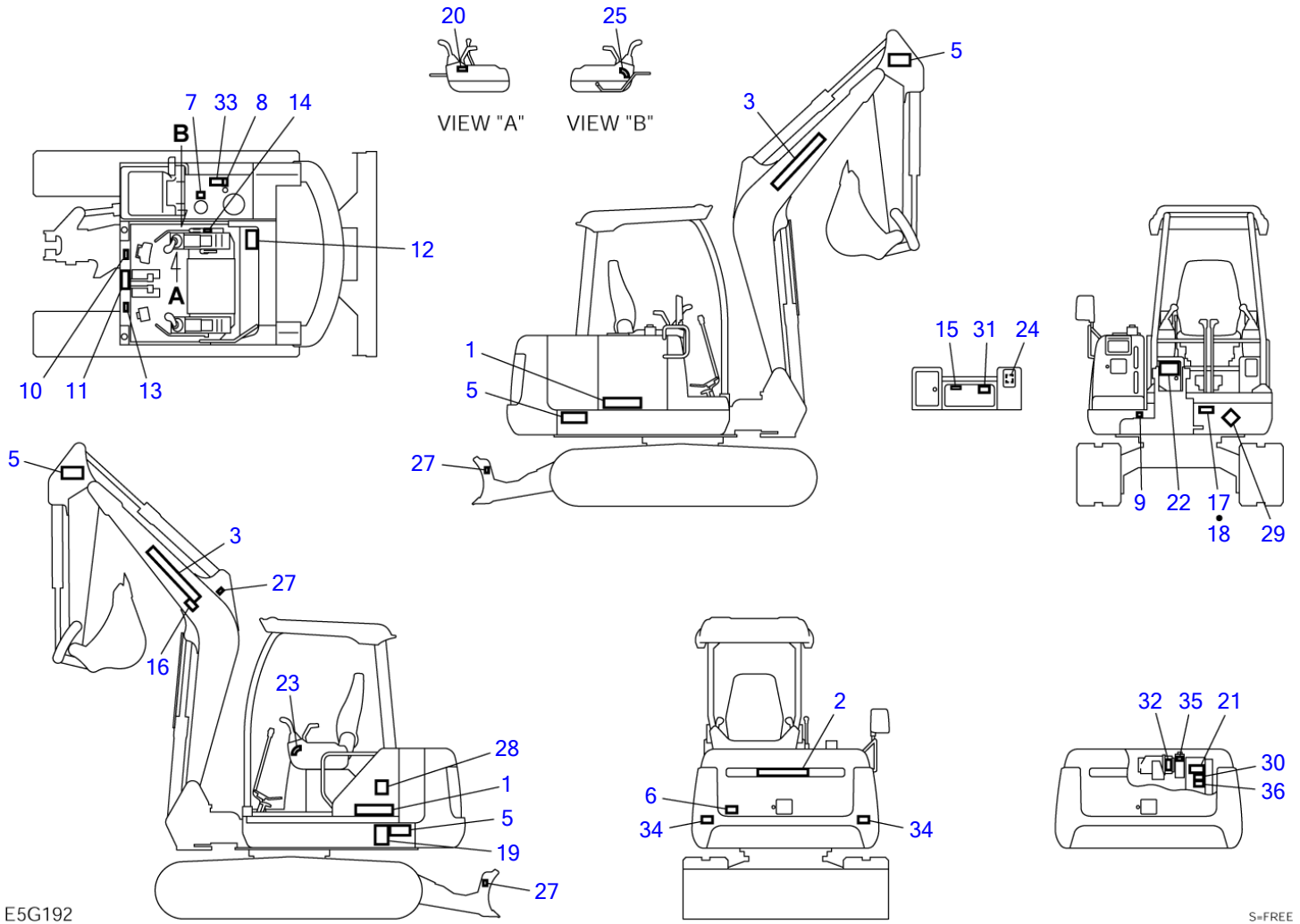
TB125 Book No. BE5Z010 S/N 12510009-
 DECAL (canopy) (12514526-)



DECAL (canopy) (12514526-)

Item	Part number	Description	Q'ty	Chan.	Serial No.	Serv.	Remarks
0	0359366500	DECAL SET (English)	1				X03593-66500-6
	0359367500	DECAL SET (German)	1				X03593-67500-6
	0359368500	DECAL SET (French)	1				X03593-68500-6
	0359369500	DECAL SET (Italian)	1				X03593-69500-6
	0359370500	DECAL SET (Spanish)	1				X03593-70500-6
	0359371500	DECAL SET (U.S. TAKEUCHI)	1				X03593-71500-6
	0359372200	DECAL SET (Dutch)	1				X03593-72200-6
	0359372700	DECAL SET (Russian)	1				X03593-72700-6
	0359372800	DECAL SET (U.K. TAKEUCHI)	1				X03593-72800-6
1	0359350100	• DECAL	2				
2	0329350200	• DECAL	1				
3	0359306300	• DECAL	2				
5	0359306500	• DECAL (English)	4				
	0359308100	• DECAL (German)	4				
	0359309100	• DECAL (French)	4				
	0359310100	• DECAL (Italian)	4				
	0339364100	• DECAL (Spanish)	4				
	0399356001	• DECAL (Russian)	4				
6	0359307400	• DECAL (English)	1				
	0359314400	• DECAL (German)	1				
	0359315400	• DECAL (French)	1				
	0359316400	• DECAL (Italian)	1				
	0339364200	• DECAL (Spanish)	1				
	0579300602	• DECAL (Russian)	1				
7	0359306600	• DECAL (English)	1				
	0339375260	• DECAL (German)	1				
	0339375460	• DECAL (French)	1				
	0339375660	• DECAL (Italian, Spanish)	1				
	0579300603	• DECAL (Russian)	1				
8	0359306700	• DECAL	1				
9	0359325220	• DECAL	1				
10	0329360060	• DECAL	1				
11	0379336600	• DECAL	1				
12	0379336200	• DECAL (English)	1				
	0379336300	• DECAL (German)	1				
	0379336400	• DECAL (French)	1				
	0379336500	• DECAL (Italian)	1				
	0379354100	• DECAL (Spanish)	1				
	0379360301	• DECAL (Russian)	1				
13	0379336800	• DECAL	1				
14	0359325190	• DECAL	1				
15	X *****	• DECAL	1				
16	0359347010	• DECAL (English)	1				except for U.K. TAKEUCHI
	0339375210	• DECAL (German)	1				
	0339375410	• DECAL (French)	1				
	0339375610	• DECAL (Italian)	1				
	0339375810	• DECAL (Spanish)	1				
	0579300609	• DECAL (Russian)	1				
17	X *****	• DECAL	1				
18	X *****	• SCREW	4				
19	0379337300	• DECAL (English)	1				
	0379338300	• DECAL (German)	1				
	0379339300	• DECAL (French)	1				
	0379340300	• DECAL (Italian)	1				
	0379354200	• DECAL (Spanish)	1				
	0399356004	• DECAL (Russian)	1				
20	0359317200	• DECAL	1				
21	0569321980	• DECAL (English)	1				
22	0359313700	• DECAL (English)	1				
	0359314700	• DECAL (German)	1				
	0359315700	• DECAL (French)	1				
	0359316700	• DECAL (Italian)	1				
	0339364500	• DECAL (Spanish)	1				
	0579300606	• DECAL (Russian)	1				
23	0329300100	• DECAL	1				
24	0379337100	• DECAL (English, Dutch)	1				
	0379338200	• DECAL (German)	1				
	0379339100	• DECAL (French)	1				

TB125 Book No. BE5Z010 S/N 12510009-
 DECAL (canopy) (12514526-)



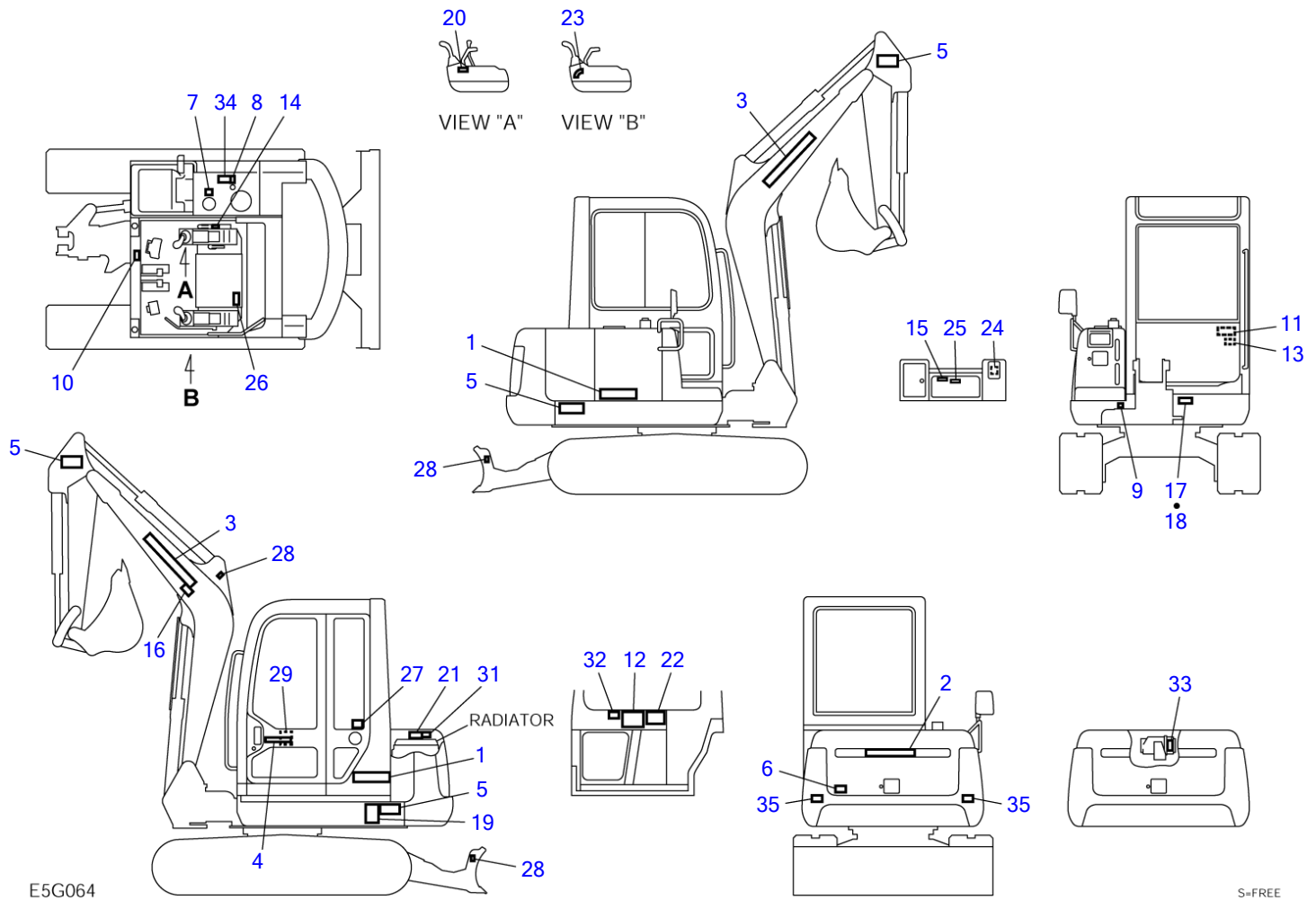
E5G192

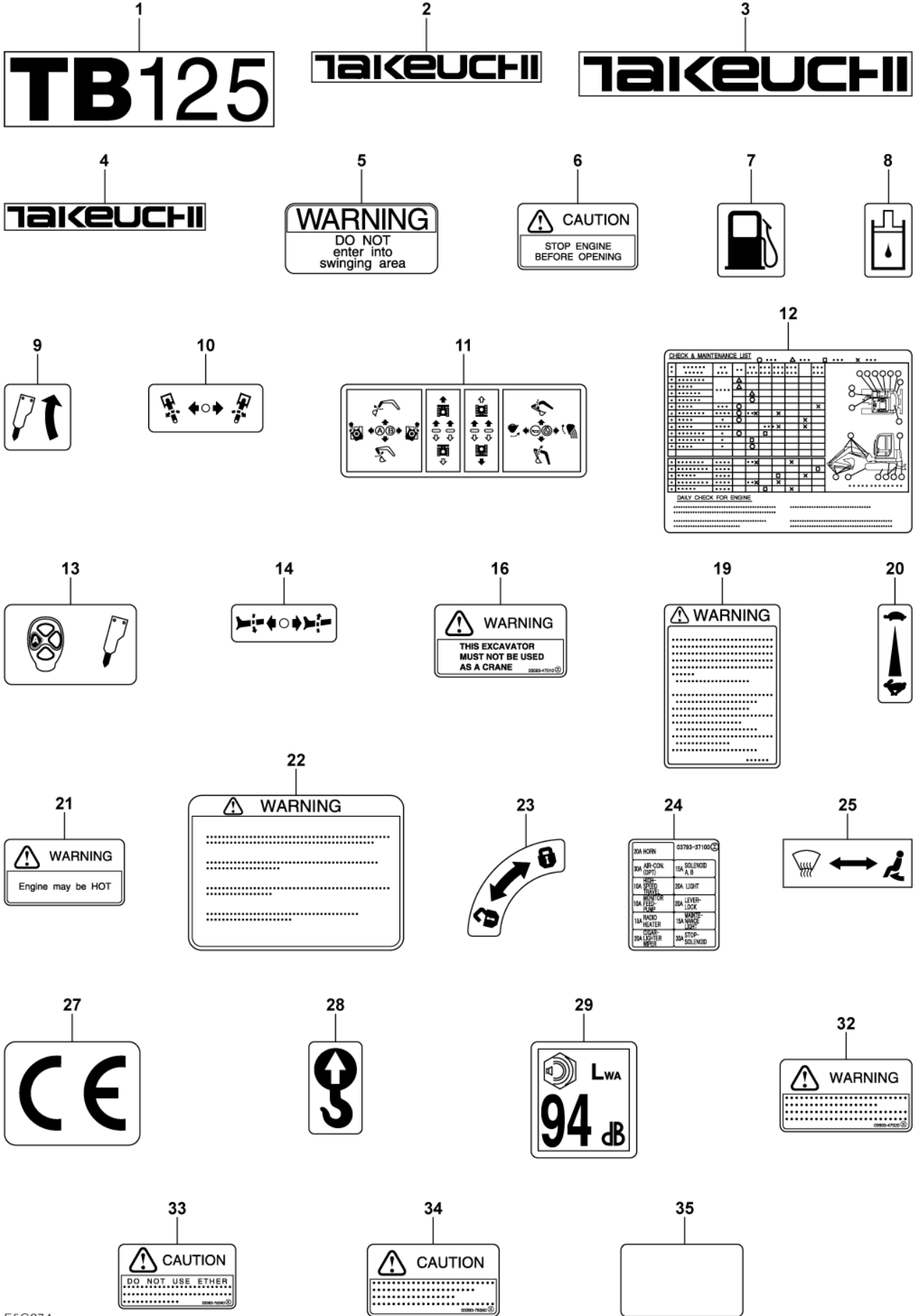
S=FREE

DECAL (canopy) (12514526-)

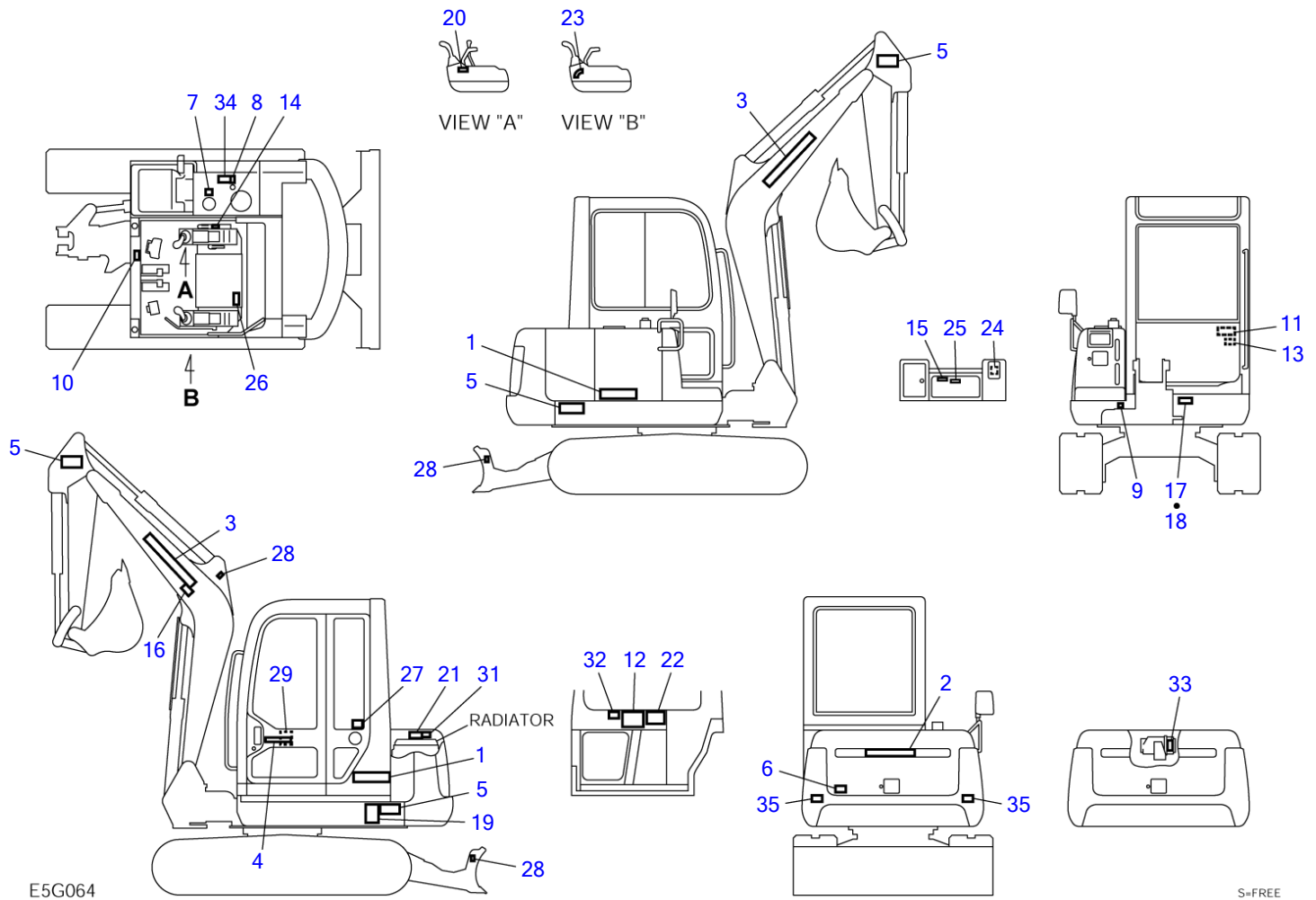
Item	Part number	Description	Q'ty	Chan.	Serial No.	Serv.	Remarks
24	0379340100	• DECAL (Italian)	1				
24	0379354300	• DECAL (Spanish)	1				
24	0399356003	• DECAL (Russian)	1				
25	0349325020	• DECAL	1				
27	0399300500	• DECAL	3				
28	X *****	• DECAL	1				except for U.S. TAKEUCHI
29	0349336950	• DECAL	1				
30	X *****	• DECAL	1				3TNV82A-QTB1
31	0359347020	• DECAL (English)	1				
31	0339375220	• DECAL (German)	1				
31	0339375420	• DECAL (French)	1				
31	0339375620	• DECAL (Italian)	1				
31	0339375820	• DECAL (Spanish)	1				
31	0579300610	• DECAL (Russian)	1				
32	0339375040	• DECAL (English)	1				
32	0339375240	• DECAL (German)	1				
32	0339375440	• DECAL (French)	1				
32	0339375640	• DECAL (Italian)	1				
32	0339375840	• DECAL (Spanish)	1				
32	0339376537	• DECAL (Dutch)	1				
32	0579300611	• DECAL (Russian)	1				
33	0339375050	• DECAL (English)	1				
33	0339375250	• DECAL (German)	1				
33	0339375450	• DECAL (French)	1				
33	0339375650	• DECAL (Italian)	1				
33	0339375850	• DECAL (Spanish)	1				
33	0399356005	• DECAL (Russian)	1				
34	0379358560	• SEAL	2				
35	0359313900	• DECAL	1				
36	0339376240	• DECAL (English)	1				
36	0339376340	• DECAL (German)	1				
36	0339379440	• DECAL (French)	1				
36	0339379540	• DECAL (Italian)	1				
36	0339379640	• DECAL (Spanish)	1				
36	0579300613	• DECAL (Russian)	1				
	E5g194						

TB125 Book No. BE5Z010 S/N 12510009-
 DECAL (cab) (12510009-12514525)





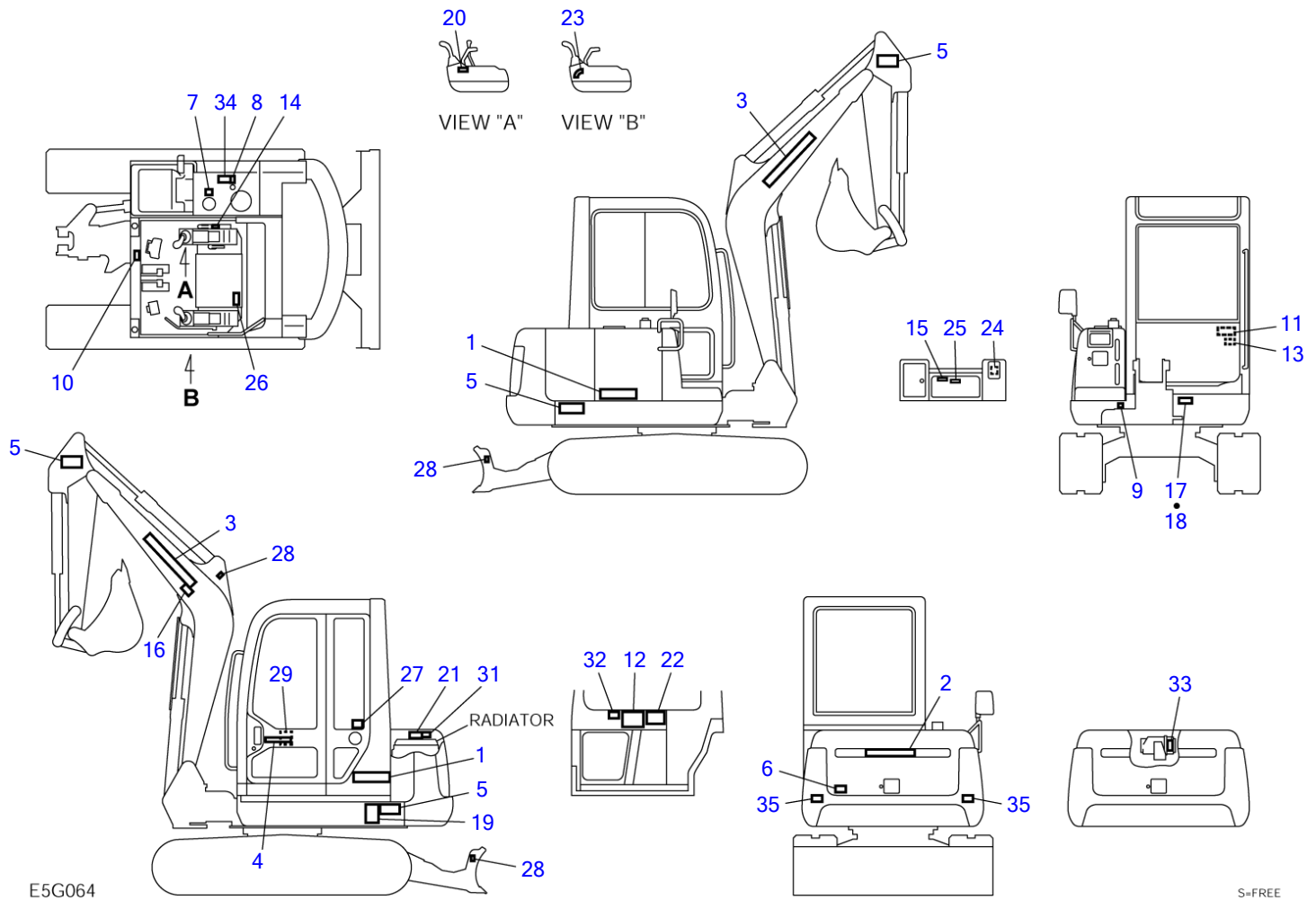
TB125 Book No. BE5Z010 S/N 12510009-
 DECAL (cab) (12510009-12514525)



DECAL (cab) (12510009-12514525)

Item	Part number	Description	Q'ty	Chan.	Serial No.	Serv.	Remarks
0	0359350000	DECAL SET (English)	1				X03593-50000-14
	0359351000	DECAL SET (German)	1				X03593-51000-14
	0359352000	DECAL SET (French)	1				X03593-52000-14
	0359353000	DECAL SET (Italian)	1				X03593-53000-14
	0359362000	DECAL SET (Spanish)	1				X03593-62000-14
1	0359350100	• DECAL	2				
2	0329350200	• DECAL	1				
3	0359306300	• DECAL	2				
4	0569321400	• DECAL	1				
5	0359306500	• DECAL (English)	4				
	0359308100	• DECAL (German)	4				
	0359309100	• DECAL (French)	4				
	0359310100	• DECAL (Italian)	4				
	0339364100	• DECAL (Spanish)	4				
6	0359307400	• DECAL (English)	1				
	0359314400	• DECAL (German)	1				
	0359315400	• DECAL (French)	1				
	0359316400	• DECAL (Italian)	1				
	0339364200	• DECAL (Spanish)	1				
7	0359306600	• DECAL (English)	1				
	0339375260	• DECAL (German)	1		12511874~		
	0339375460	• DECAL (French)	1		12511874~		
	0339375660	• DECAL (Italian, Spanish)	1		12511874~		
8	0359306700	• DECAL	1				
9	0359325220	• DECAL	1				
10	0329360060	• DECAL	1				
11	0379336600	• DECAL	1				
12	0379336200	• DECAL (English)	1				
	0379336300	• DECAL (German)	1				
	0379336400	• DECAL (French)	1				
	0379336500	• DECAL (Italian)	1				
	0379354100	• DECAL (Spanish)	1				
13	0379336800	• DECAL	1				
14	0359325190	• DECAL	1				
15	X *****	• DECAL	1				
16	0359347010	• DECAL (English)	1		12511874~		
	0339375210	• DECAL (German)	1		12511874~		
	0339375410	• DECAL (French)	1		12511874~		
	0339375610	• DECAL (Italian)	1		12511874~		
	0339375810	• DECAL (Spanish)	1		12511874~		
17	X *****	• DECAL	1				
18	X *****	• SCREW	4				
19	0379337300	• DECAL (English)	1				
	0379338300	• DECAL (German)	1				
	0379339300	• DECAL (French)	1				
	0379340300	• DECAL (Italian)	1				
	0379354200	• DECAL (Spanish)	1				
20	0359317200	• DECAL	1				
21	0569321980	• DECAL (English)	1				
22	0359313700	• DECAL (English)	1				
	0359314700	• DECAL (German)	1				
	0359315700	• DECAL (French)	1				
	0359316700	• DECAL (Italian)	1				
	0339364500	• DECAL (Spanish)	1				
23	0329360100	• DECAL	1				
24	0379337100	• DECAL (English)	1				
	0379338200	• DECAL (German)	1				
	0379339100	• DECAL (French)	1				
	0379340100	• DECAL (Italian)	1				
	0379354300	• DECAL (Spanish)	1				
25	0394504900	• DECAL	1				
26	0189311800	• DECAL	1				
27	X *****	• DECAL	1				
28	0399300500	• DECAL	3				
29	X *****	• DECAL	1				
31	X *****	• DECAL	1		12510452~		3TNE82A-ETB
32	0359347020	• DECAL (English)	1		12511874~		
	0339375220	• DECAL (German)	1		12511874~		

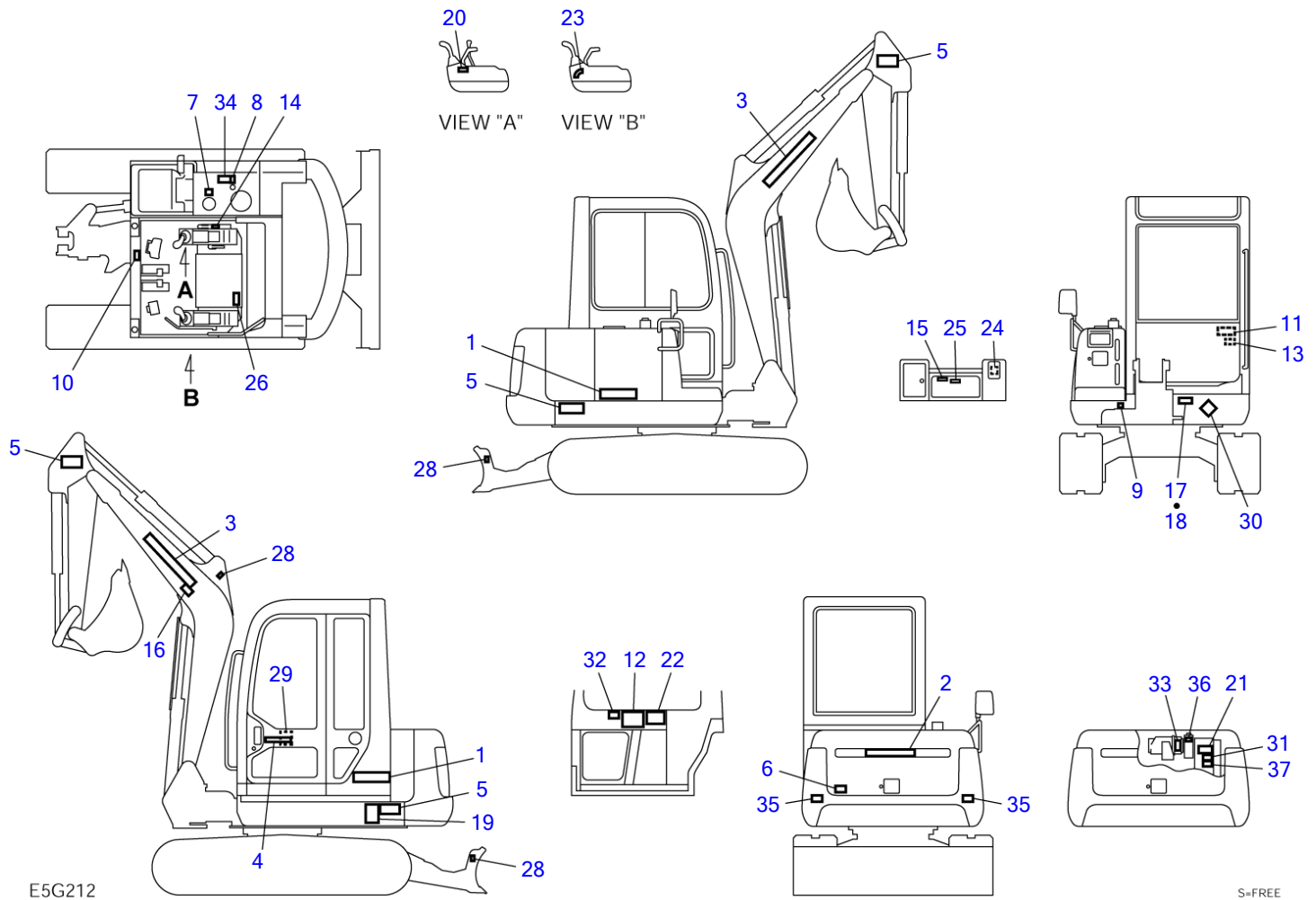
TB125 Book No. BE5Z010 S/N 12510009-
 DECAL (cab) (12510009-12514525)

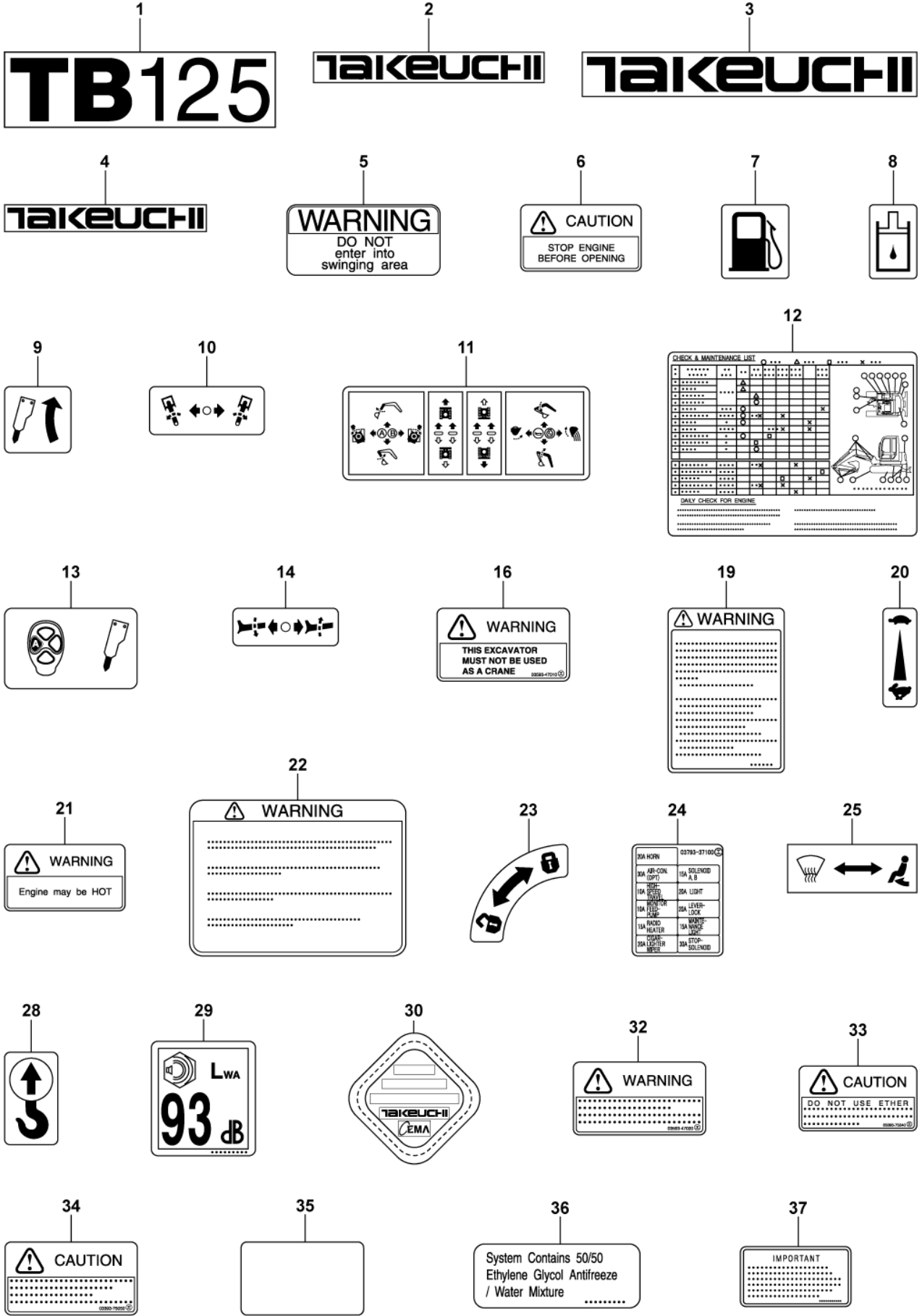


DECAL (cab) (12510009-12514525)

Item	Part number	Description	Q'ty	Chan.	Serial No.	Serv.	Remarks
32	0339375420	• DECAL (French)	1		12511874~		
32	0339375620	• DECAL (Italian)	1		12511874~		
32	0339375820	• DECAL (Spanish)	1		12511874~		
33	0339375040	• DECAL (English)	1		12511874~		
33	0339375240	• DECAL (German)	1		12511874~		
33	0339375440	• DECAL (French)	1		12511874~		
33	0339375640	• DECAL (Italian)	1		12511874~		
33	0339375840	• DECAL (Spanish)	1		12511874~		
34	0339375050	• DECAL (English)	1		12511874~		
34	0339375250	• DECAL (German)	1		12511874~		
34	0339375450	• DECAL (French)	1		12511874~		
34	0339375650	• DECAL (Italian)	1		12511874~		
34	0339375850	• DECAL (Spanish)	1		12511874~		
35	0379358550	• SEAL	2				
	E5g064						

TB125 Book No. BE5Z010 S/N 12510009-
 DECAL (cab) (12514526-)



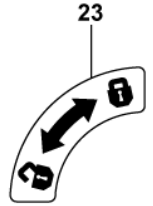
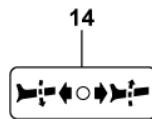
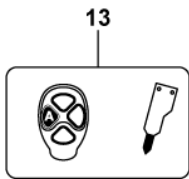
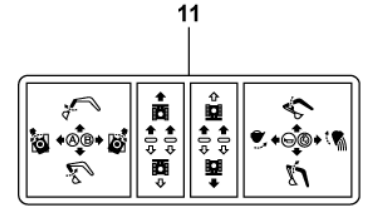
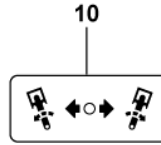
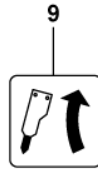
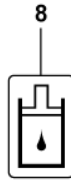


1
TB125

2
TAKEUCHI

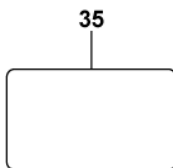
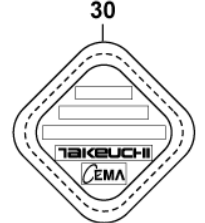
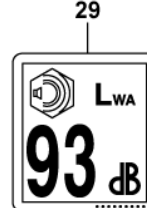
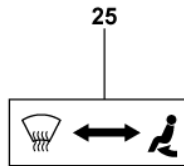
3
TAKEUCHI

4
TAKEUCHI



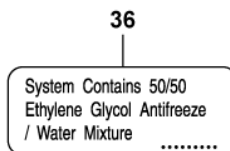
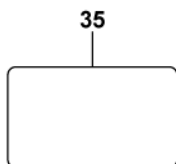
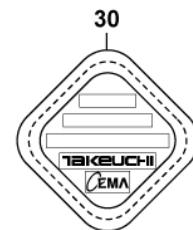
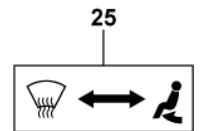
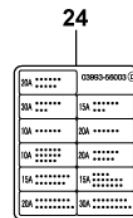
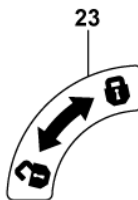
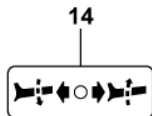
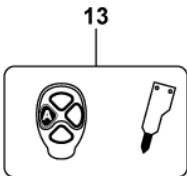
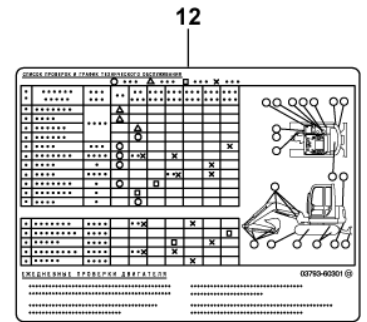
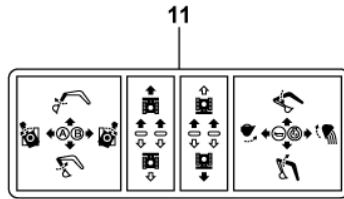
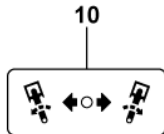
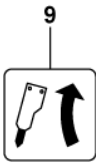
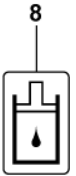
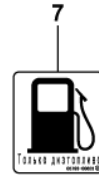
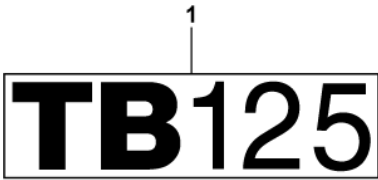
24

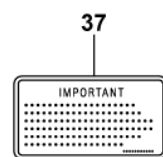
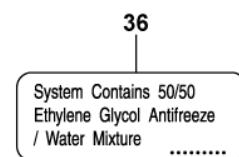
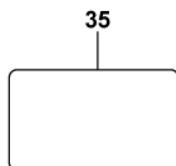
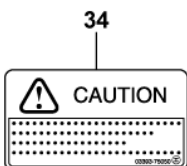
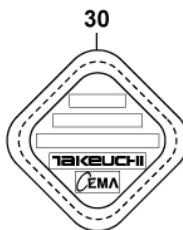
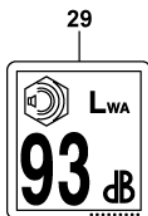
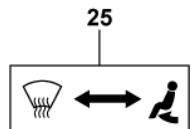
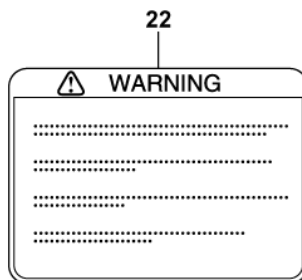
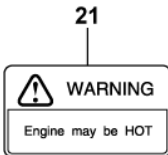
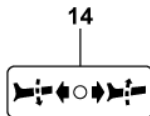
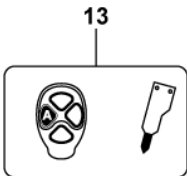
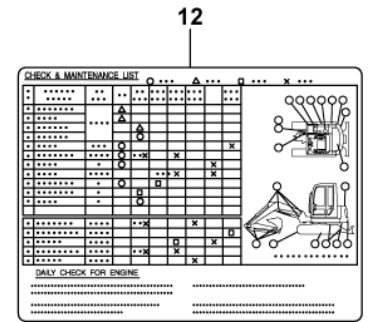
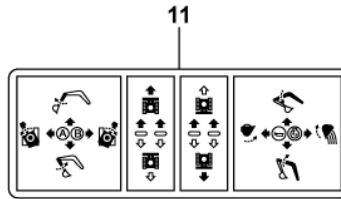
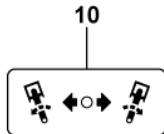
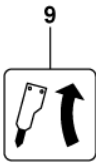
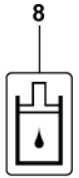
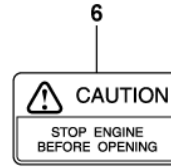
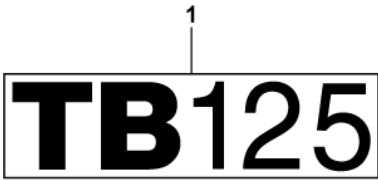
30A HOORN	02793-27100
30A 42V-COIL (OPT)	35A SOLENOID A, B
100A SPEED-TRIGGER	35A LIGHT
100A FEED-SWITCH	35A LEVER-LOCK
15A RADIO HEATER	35A WIPER-FLUID
35A LIGHTER	35A STOP-SOLENOID



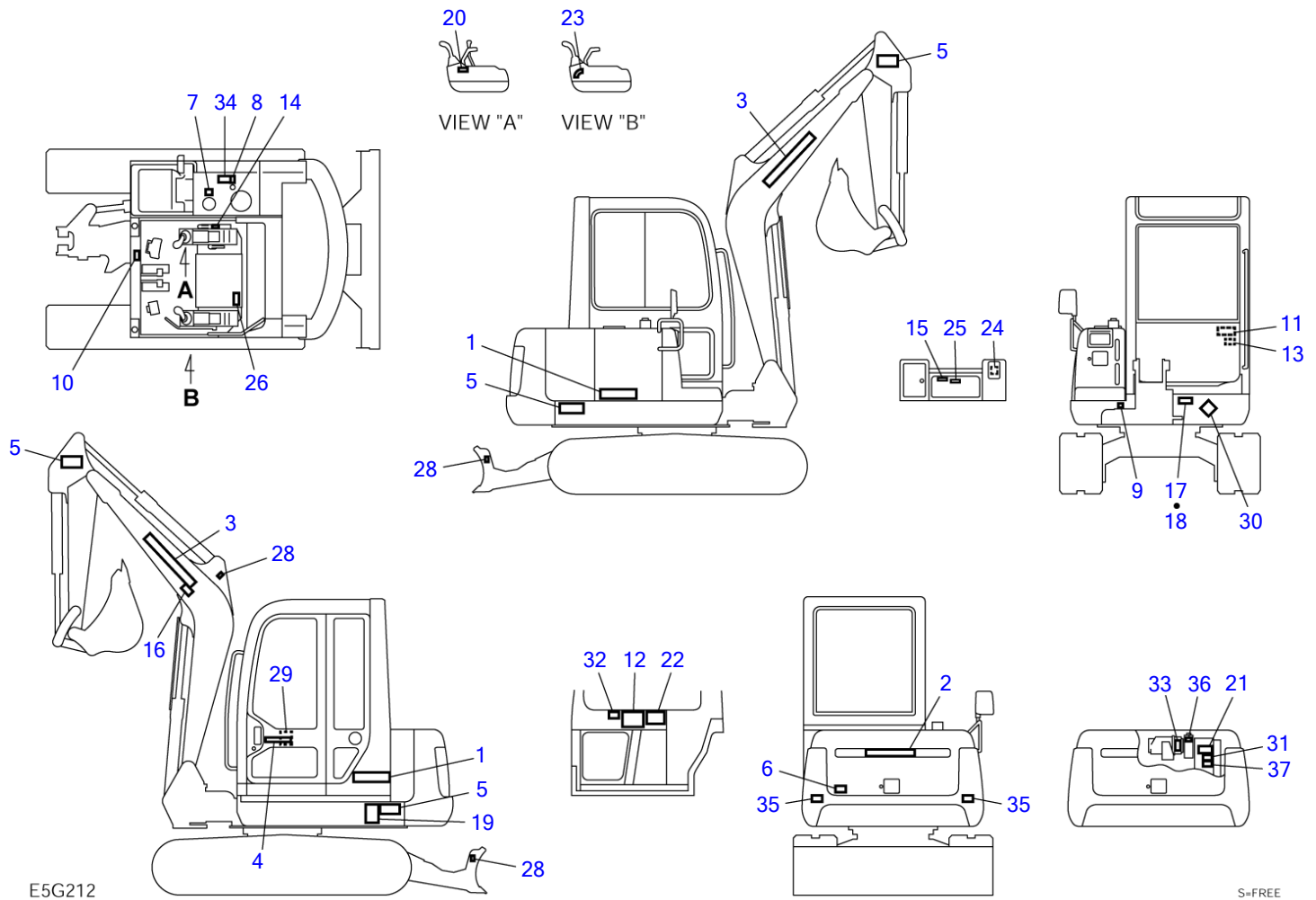
36

System Contains 50/50
Ethylene Glycol Antifreeze
/ Water Mixture





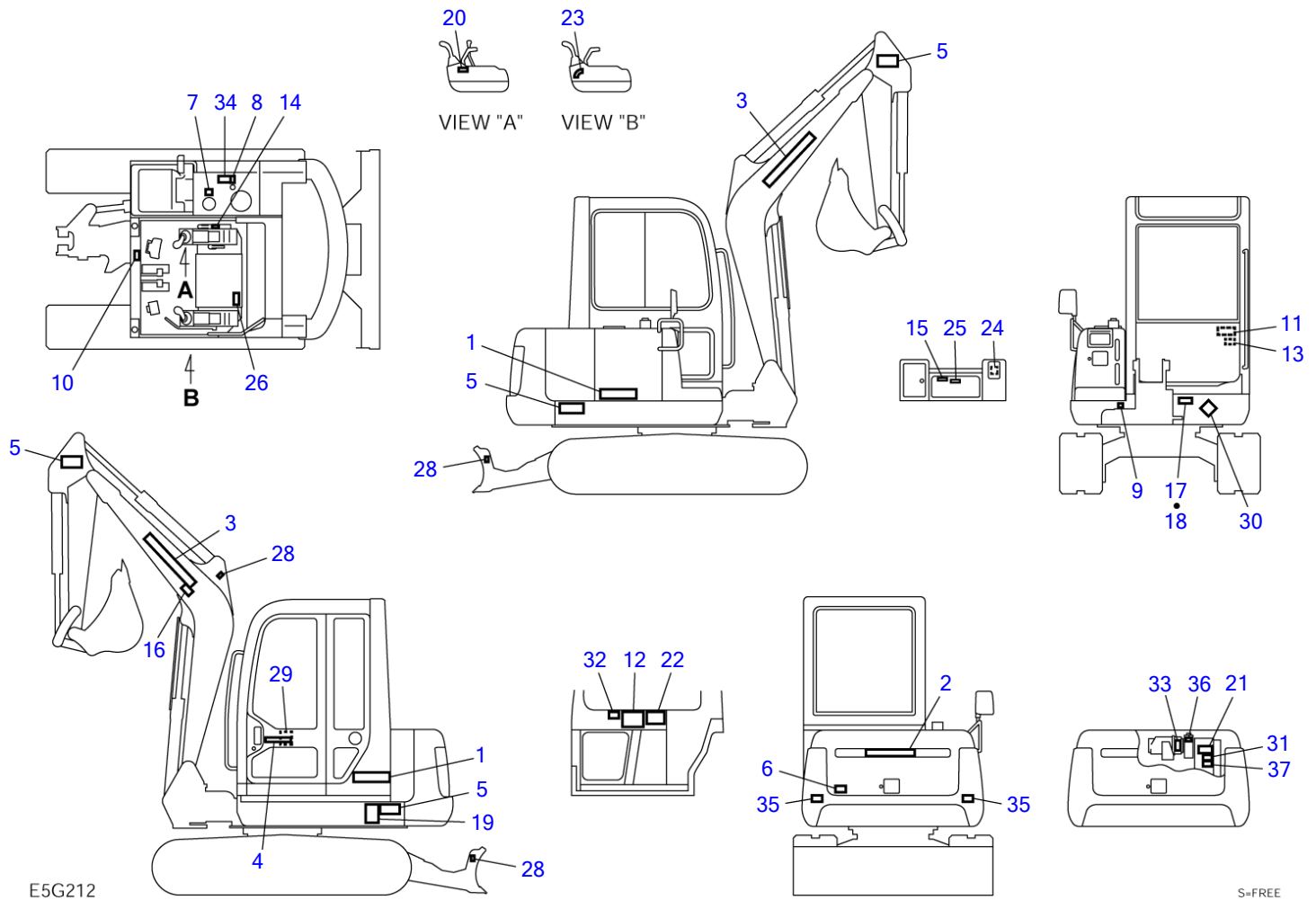
TB125 Book No. BE5Z010 S/N 12510009-
 DECAL (cab) (12514526-)



DECAL (cab) (12514526-)

Item	Part number	Description	Q'ty	Chan.	Serial No.	Serv.	Remarks
0	0359366000	DECAL SET (English)	1				X03593-66000-6
	0359367000	DECAL SET (German)	1				X03593-67000-6
	0359368000	DECAL SET (French)	1				X03593-68000-6
	0359369000	DECAL SET (Italian)	1				X03593-69000-6
	0359370000	DECAL SET (Spanish)	1				X03593-70000-6
	0359371000	DECAL SET (U.S. TAKEUCHI)	1				X03593-71000-6
	0359372300	DECAL SET (Dutch)	1				X03593-72300-6
	0359372400	DECAL SET (Russian)	1				X03593-72400-6
	0359372600	DECAL SET (U.K. TAKEUCHI)	1				X03593-72600-6
1	0359350100	• DECAL	2				
2	0329350200	• DECAL	1				
3	0359306300	• DECAL	2				
4	0569321400	• DECAL	1				
5	0359306500	• DECAL (English)	4				
	0359308100	• DECAL (German)	4				
	0359309100	• DECAL (French)	4				
	0359310100	• DECAL (Italian)	4				
	0339364100	• DECAL (Spanish)	4				
	0399356001	• DECAL (Russian)	4				
6	0359307400	• DECAL (English)	1				
	0359314400	• DECAL (German)	1				
	0359315400	• DECAL (French)	1				
	0359316400	• DECAL (Italian)	1				
	0339364200	• DECAL (Spanish)	1				
	0579300602	• DECAL (Russian)	1				
7	0359306600	• DECAL (English)	1				
	0339375260	• DECAL (German)	1				
	0339375460	• DECAL (French)	1				
	0339375660	• DECAL (Italian, Spanish)	1				
	0579300603	• DECAL (Russian)	1				
8	0359306700	• DECAL	1				
9	0359325220	• DECAL	1				
10	0329360060	• DECAL	1				
11	0379336600	• DECAL	1				
12	0379336200	• DECAL (English)	1				
	0379336300	• DECAL (German)	1				
	0379336400	• DECAL (French)	1				
	0379336500	• DECAL (Italian)	1				
	0379354100	• DECAL (Spanish)	1				
	0379360301	• DECAL (Russian)	1				
13	0379336800	• DECAL	1				
14	0359325190	• DECAL	1				
15	X *****	• DECAL	1				
16	0359347010	• DECAL (English)	1				except for U.K. TAKEUCHI
	0339375210	• DECAL (German)	1				
	0339375410	• DECAL (French)	1				
	0339375610	• DECAL (Italian)	1				
	0339375810	• DECAL (Spanish)	1				
	0579300609	• DECAL (Russian)	1				
17	X *****	• DECAL	1				
18	X *****	• SCREW	4				
19	0379337300	• DECAL (English)	1				
	0379338300	• DECAL (German)	1				
	0379339300	• DECAL (French)	1				
	0379340300	• DECAL (Italian)	1				
	0379354200	• DECAL (Spanish)	1				
	0399356004	• DECAL (Russian)	1				
20	0359317200	• DECAL	1				
21	0569321980	• DECAL (English)	1				
22	0359313700	• DECAL (English)	1				
	0359314700	• DECAL (German)	1				
	0359315700	• DECAL (French)	1				
	0359316700	• DECAL (Italian)	1				
	0339364500	• DECAL (Spanish)	1				
	0579300606	• DECAL (Russian)	1				
23	0329360100	• DECAL	1				
24	0379337100	• DECAL (English, Dutch)	1				
	0379338200	• DECAL (German)	1				

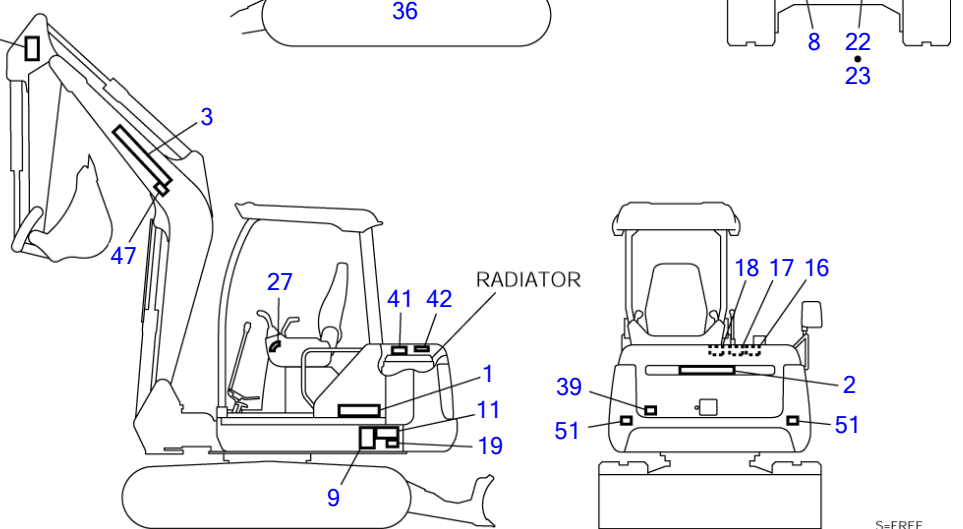
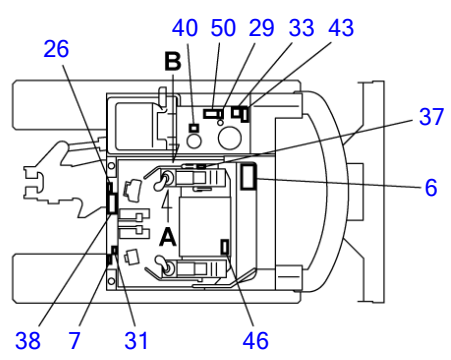
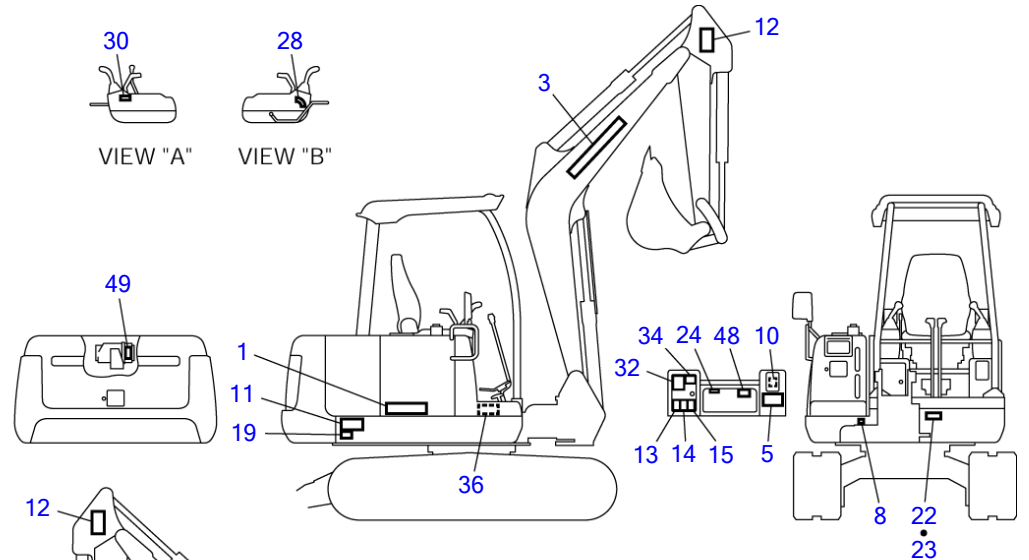
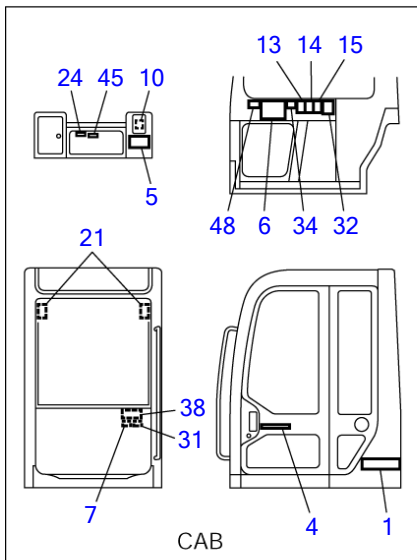
TB125 Book No. BE5Z010 S/N 12510009-
 DECAL (cab) (12514526-)



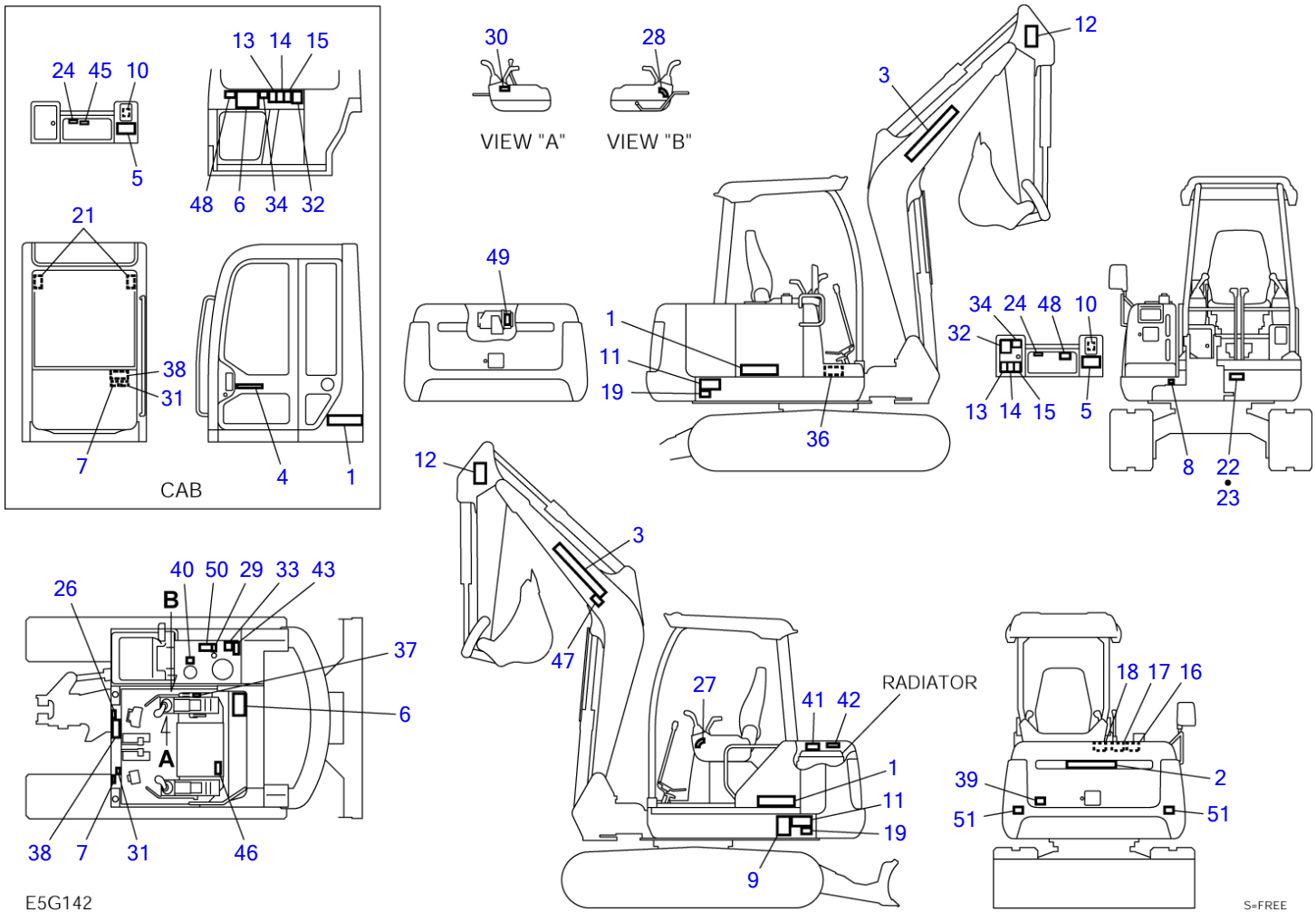
DECAL (cab) (12514526-)

Item	Part number	Description	Q'ty	Chan.	Serial No.	Serv.	Remarks
24	0379339100	• DECAL (French)	1				
24	0379340100	• DECAL (Italian)	1				
24	0379354300	• DECAL (Spanish)	1				
24	0399356003	• DECAL (Russian)	1				
25	0394504900	• DECAL	1				
26	0189311800	• DECAL	1				
28	0399300500	• DECAL	3				
29	X *****	• DECAL	1				except for U.S. TAKEUCHI
30	0349336950	• DECAL	1				
31	X *****	• DECAL	1				3TNV82A-QTB
32	0359347020	• DECAL (English)	1				
32	0339375220	• DECAL (German)	1				
32	0339375420	• DECAL (French)	1				
32	0339375620	• DECAL (Italian)	1				
32	0339375820	• DECAL (Spanish)	1				
32	0579300610	• DECAL (Russian)	1				
33	0339375040	• DECAL (English)	1				
33	0339375240	• DECAL (German)	1				
33	0339375440	• DECAL (French)	1				
33	0339375640	• DECAL (Italian)	1				
33	0339375840	• DECAL (Spanish)	1				
33	0579300611	• DECAL (Russian)	1				
34	0339375050	• DECAL (English)	1				
34	0339375250	• DECAL (German)	1				
34	0339375450	• DECAL (French)	1				
34	0339375650	• DECAL (Italian)	1				
34	0339375850	• DECAL (Spanish)	1				
34	0399356005	• DECAL (Russian)	1				
35	0379358560	• SEAL	2				
36	0359313900	• DECAL	1				
37	0339376240	• DECAL (English)	1				
37	0339376340	• DECAL (German)	1				
37	0339379440	• DECAL (French)	1				
37	0339379540	• DECAL (Italian)	1				
37	0339379640	• DECAL (Spanish)	1				
37	0579300613	• DECAL (Russian)	1				

E5g214



S=FREE

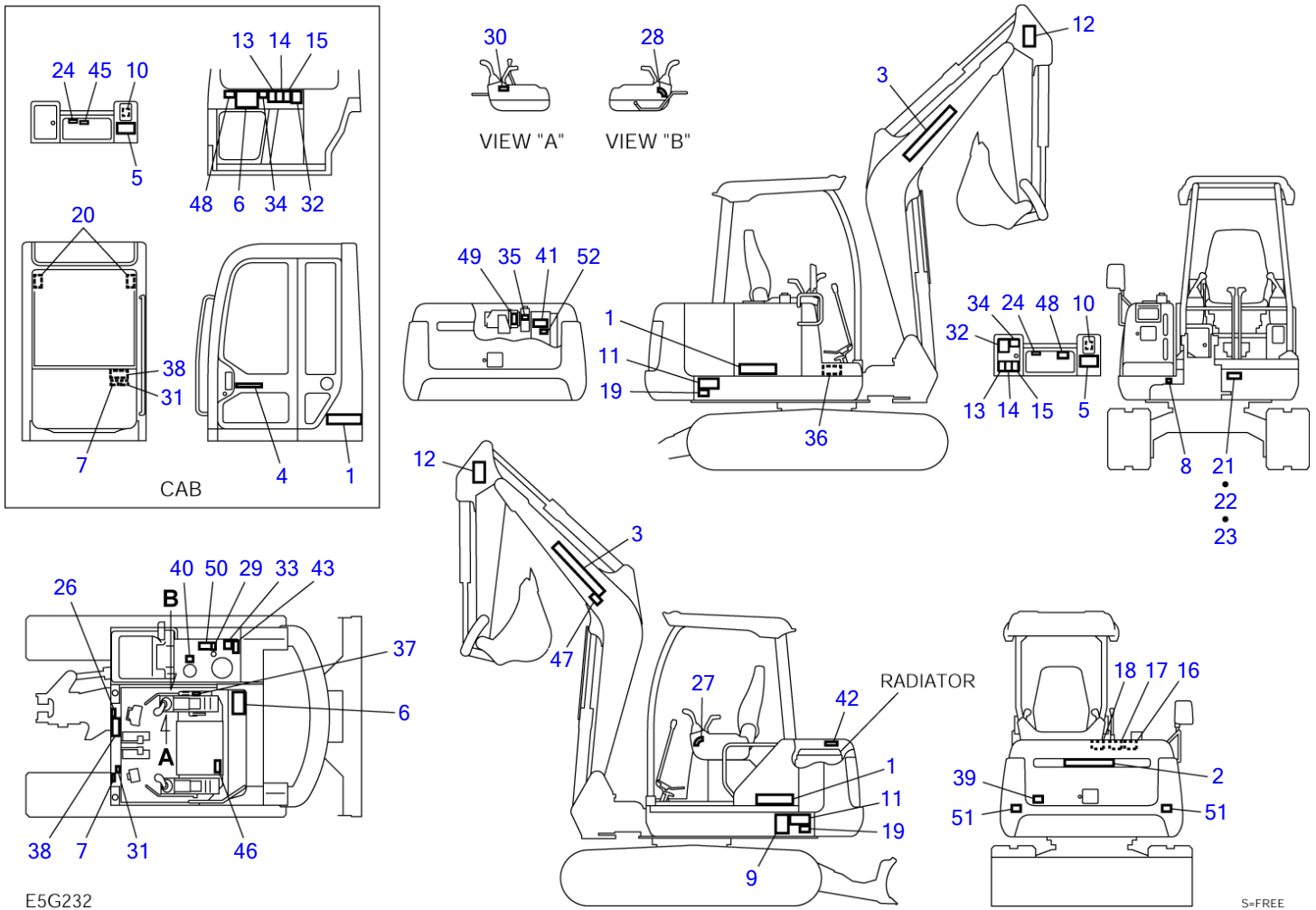


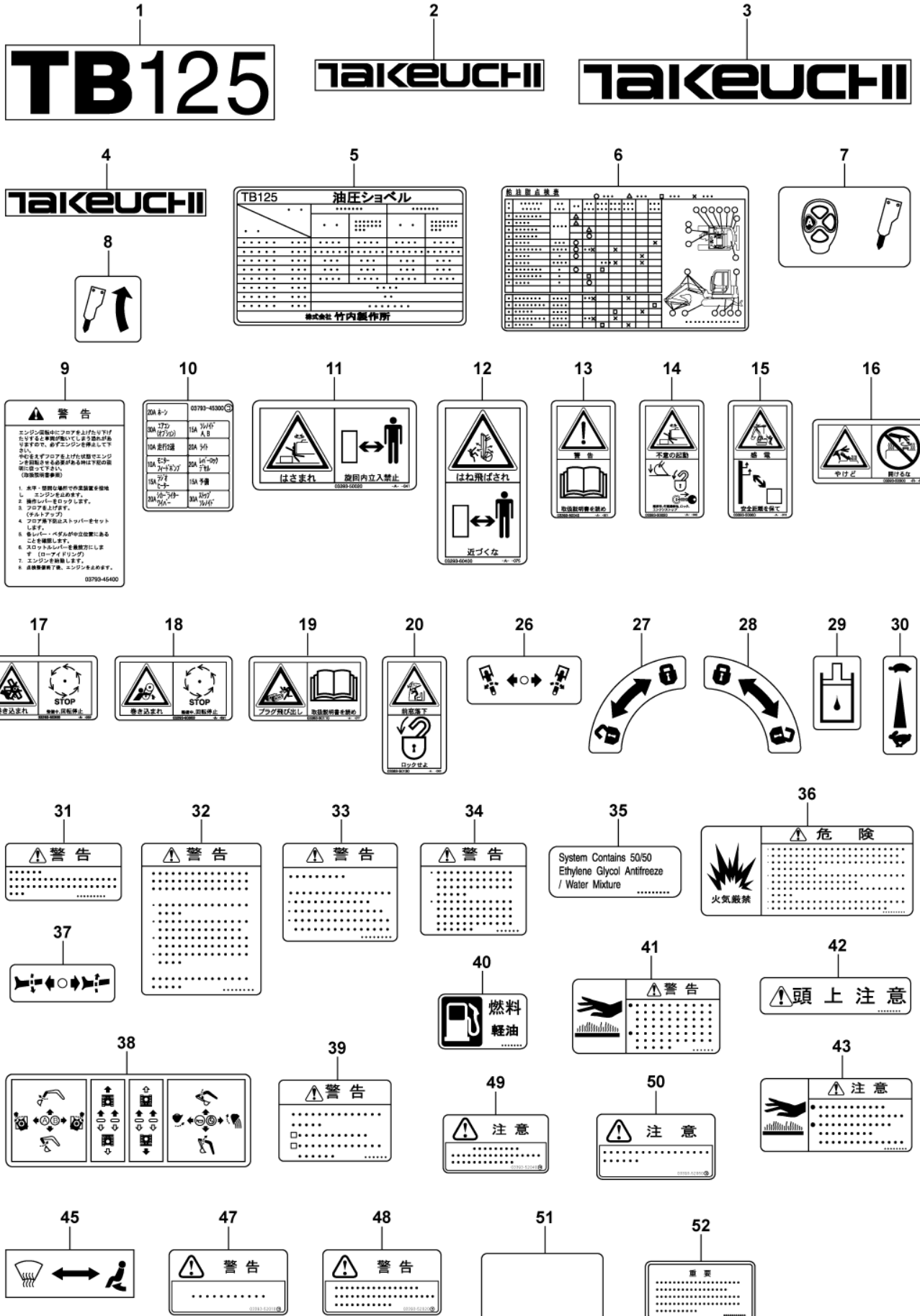
DECAL (for Japan) (12510009-12514525)

Item	Part number	Description	Q'ty	Chan.	Serial No.	Serv.	Remarks
0	0359359000	DECAL SET (cab)	1				X03593-59000-6
	0359360000	DECAL SET (canopy)	1				X03593-60000-6
1	0359350100	• DECAL	2				
2	0329350200	• DECAL	1				
3	0359306300	• DECAL	2				
4	0569321400	• DECAL	1				cab
5	0359359200	• DECAL	1				
6	0379336100	• DECAL	1				
7	0379336800	• DECAL	1				
8	0359325220	• DECAL	1				
9	0379345400	• DECAL	1				
10	0379345300	• DECAL	1				
11	0339350020	• DECAL	2				
12	0329360400	• DECAL	2				
13	0339350040	• DECAL	1				
14	0339350050	• DECAL	1				
15	0339350060	• DECAL	1				
16	0359350300	• DECAL	1				
17	0329360300	• DECAL	1				
18	0329360500	• DECAL	1				
19	0339350110	• DECAL	2				
21	0339350130	• DECAL	2				cab
22	X *****	• DECAL	1				
23	X *****	• SCREW	4				
24	X *****	• DECAL	1				
26	0329360060	• DECAL	1				
27	0329360100	• DECAL	1				
28	0349325020	• DECAL	1				canopy
29	0359306700	• DECAL	1				
30	0359317200	• DECAL	1				
31	0359325020	• DECAL	1				
32	0359325030	• DECAL	1				
33	0359325080	• DECAL	1				
34	0359325090	• DECAL	1				
36	0359325140	• DECAL	1				
37	0359325190	• DECAL	1				
38	0379336600	• DECAL	1				
39	0871082120	• DECAL	1				
40	0871082240	• DECAL	1				
41	0871082280	• DECAL	1				
42	0871082300	• DECAL	1				
43	0871082220	• DECAL	1				
45	0394504900	• DECAL	1				cab
46	0189311800	• DECAL	1				cab
47	0339352010	• DECAL	1		12511874~		
48	0339352020	• DECAL	1		12511874~		
49	0339352040	• DECAL	1		12511874~		
50	0339352050	• DECAL	1		12511874~		
51	0379358550	• SEAL	2				

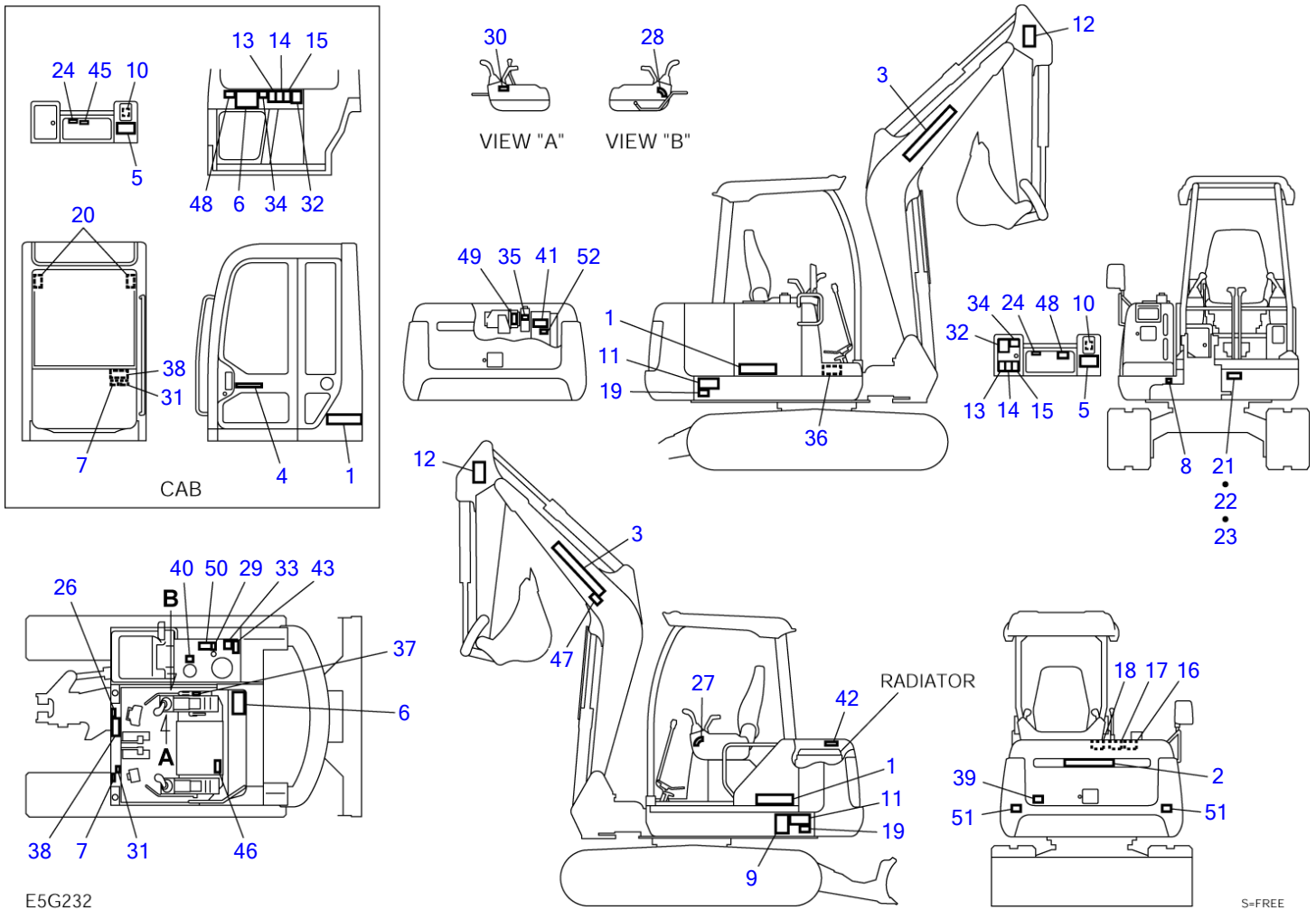
E5g143

TB125 Book No. BE5Z010 S/N 12510009-
 DECAL (for Japan) (12514526-)





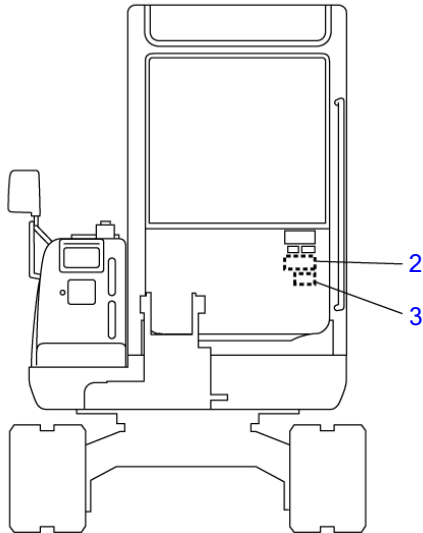
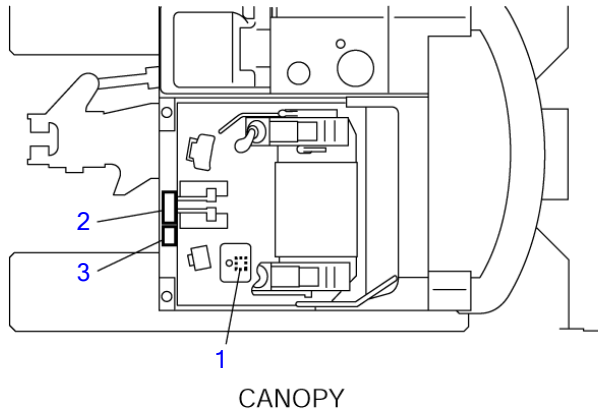
TB125 Book No. BE5Z010 S/N 12510009-
 DECAL (for Japan) (12514526-)



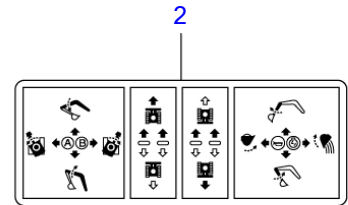
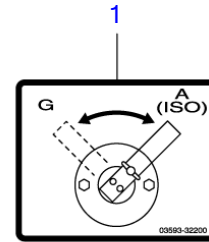
DECAL (for Japan) (12514526-)

Item	Part number	Description	Q'ty	Chan.	Serial No.	Serv.	Remarks
0	0359372000	DECAL SET (cab)	1				X03593-72000-3
	0359372500	DECAL SET (canopy)	1				X03593-72500-3
1	0359350100	• DECAL	2				
2	0329350200	• DECAL	1				
3	0359306300	• DECAL	2				
4	0569321400	• DECAL	1				cab
5	0359359200	• DECAL	1				
6	0379336100	• DECAL	1				
7	0379336800	• DECAL	1				
8	0359325220	• DECAL	1				
9	0379345400	• DECAL	1				
10	0379345300	• DECAL	1				
11	0339350020	• DECAL	2				
12	0329360400	• DECAL	2				
13	0339350040	• DECAL	1				
14	0339350050	• DECAL	1				
15	0339350060	• DECAL	1				
16	0359350300	• DECAL	1				
17	0329360300	• DECAL	1				
18	0329360500	• DECAL	1				
19	0339350110	• DECAL	2				
20	0339350130	• DECAL	2				cab
21	X *****	• DECAL	1				cab
22	X *****	• DECAL	1				
23	X *****	• SCREW	4				
24	X *****	• DECAL	1				
26	0329360060	• DECAL	1				
27	0329360100	• DECAL	1				
28	0349325020	• DECAL	1				canopy
29	0359306700	• DECAL	1				
30	0359317200	• DECAL	1				
31	0359325020	• DECAL	1				
32	0359325030	• DECAL	1				
33	0359325080	• DECAL	1				
34	0359325090	• DECAL	1				
35	0359313900	• DECAL	1				
36	0359325140	• DECAL	1				
37	0359325190	• DECAL	1				
38	0379336600	• DECAL	1				
39	0871082120	• DECAL	1				
40	0871082240	• DECAL	1				
41	0871082280	• DECAL	1				
42	0871082300	• DECAL	1				
43	0871082220	• DECAL	1				
45	0394504900	• DECAL	1				cab
46	0189311800	• DECAL	1				cab
47	0339352010	• DECAL	1				
48	0339352020	• DECAL	1				
49	0339352040	• DECAL	1				
50	0339352050	• DECAL	1				
51	0379358560	• SEAL	2				
52	0339377640	• DECAL	1				
	E5g233						

TB125 Book No. BE5Z010 S/N 12510009-
DECAL (selector valve)



G4G143



(English)



(German)



(Spanish)



(French)

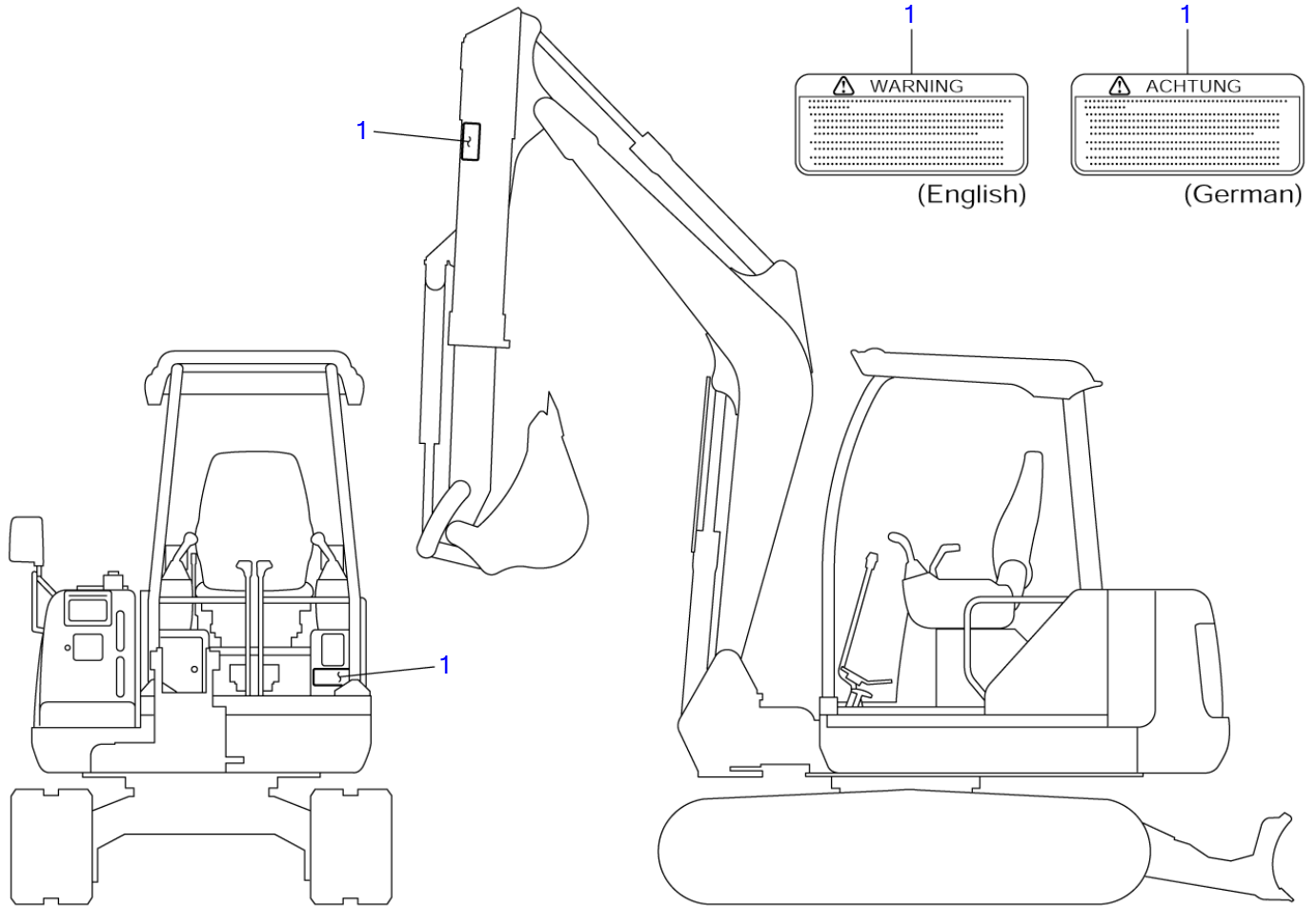


(Italian)

S=FREE

DECAL (selector valve)

Item	Part number	Description	Q'ty	Chan.	Serial No.	Serv.	Remarks
0	0379348000	DECAL SET (English)	1				X03793-48000-3
	0379349000	DECAL SET (German)	1				X03793-49000-3
	0379349100	DECAL SET (Spanish)	1				X03793-49100-3
	0379363400	DECAL SET (French)	1				X03793-63400-3
	0379363500	DECAL SET (Italian)	1				X03793-63500-3
1	0359332200	• DECAL	1				ISO-JCB
2	0379348100	• DECAL	1				JCB
3	0359332300	• DECAL (English)	1				
	0359332400	• DECAL (German)	1				
	0329364020	• DECAL (Spanish)	1				
	0399361101	• DECAL (French)	1				
	0399361201	• DECAL (Italian)	1				
	G4g143						

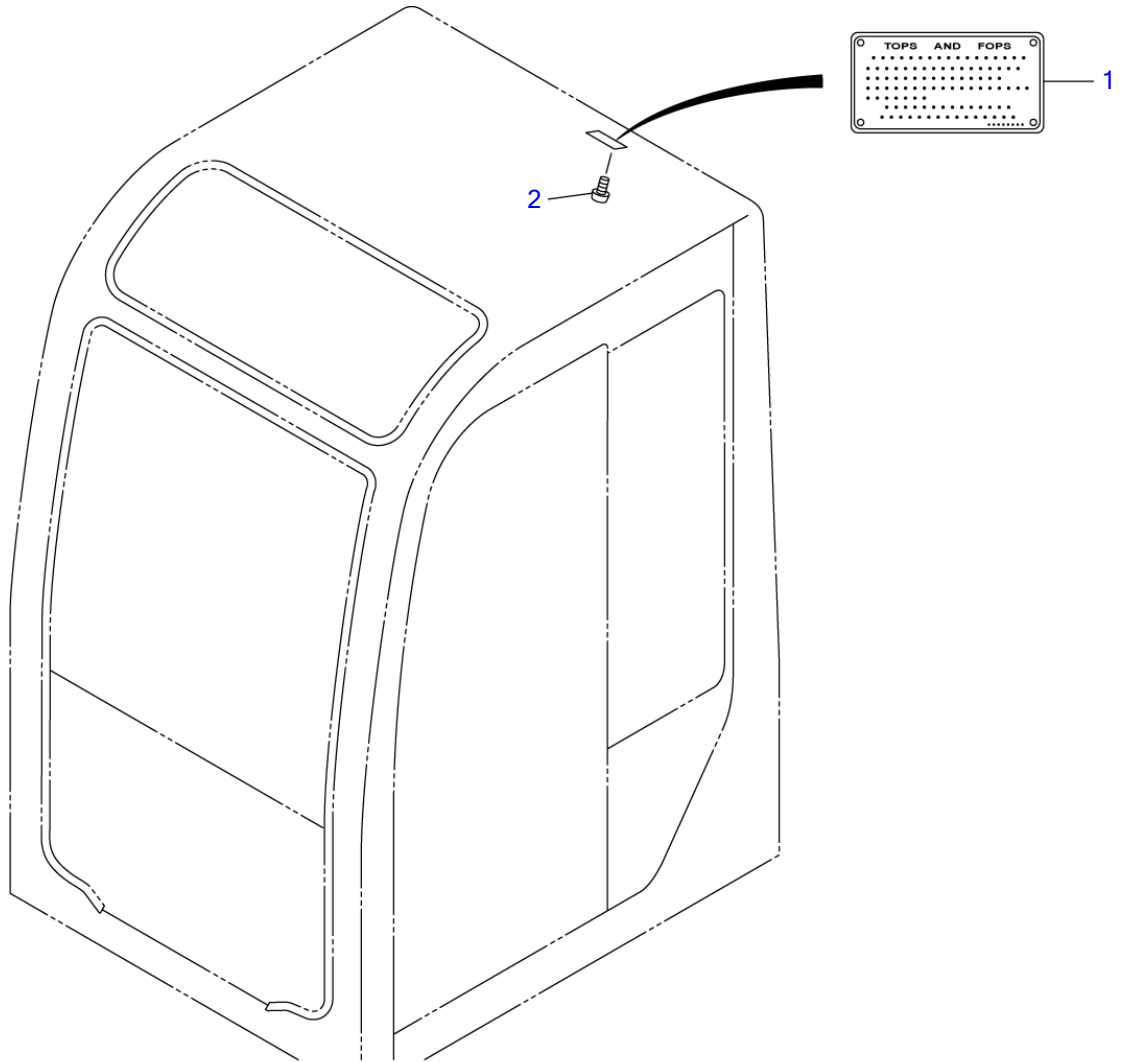


E5G160

S=FREE

DECAL (telescopic arm)

Item	Part number	Description	Q'ty	Chan.	Serial No.	Serv.	Remarks
0	0359361000	DECAL SET (English)	1				X03593-61000-0
	0359361500	DECAL SET (German)	1				X03593-61500-0
1	0359330100	• DECAL	2				English
	0359331100	• DECAL	2				German
	E5g160						

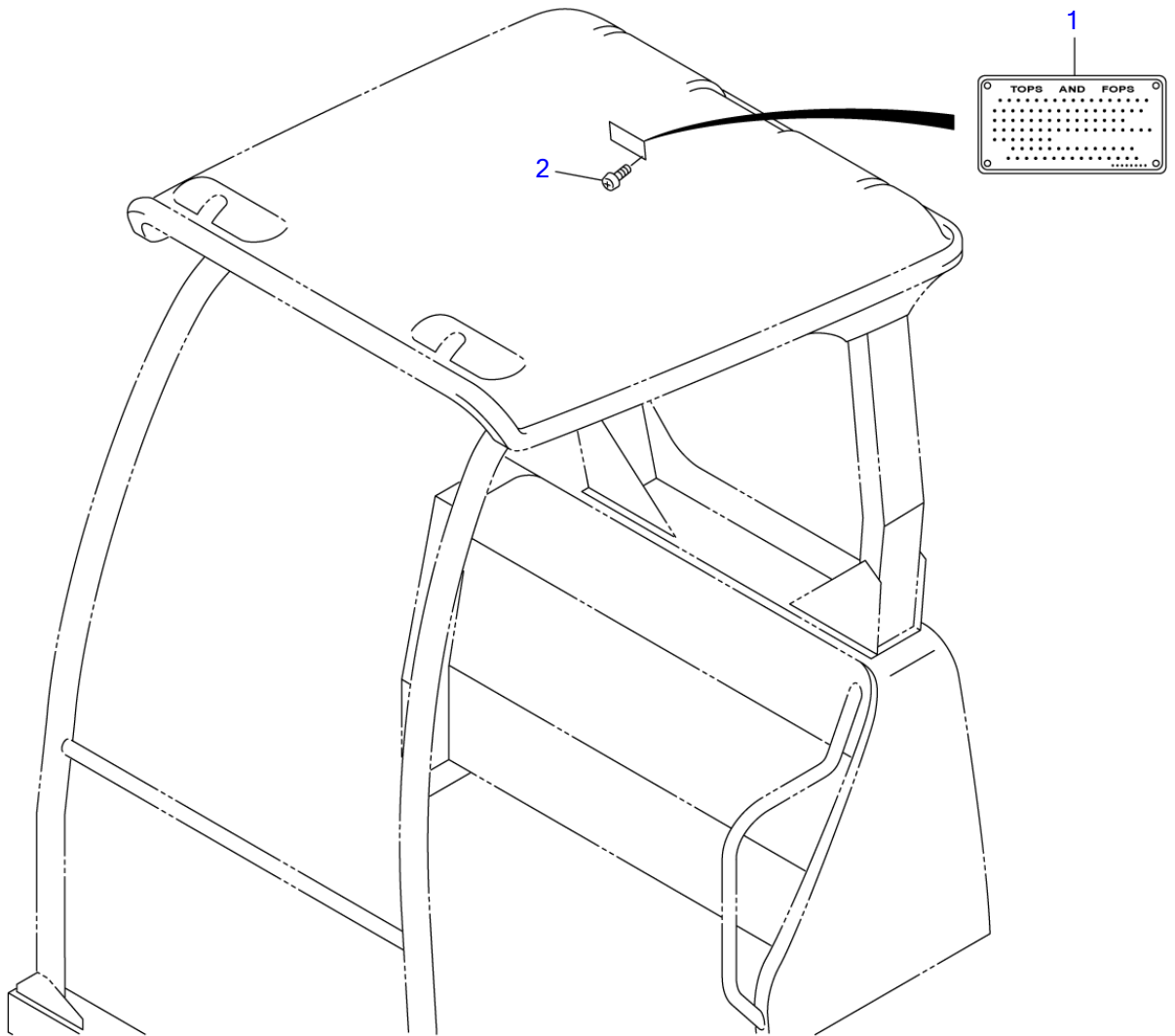


G4G210

S=1/15

DECAL (TOPS, cab)

Item	Part number	Description	Q'ty	Chan.	Serial No.	Serv.	Remarks
0	0359364000	DECAL SET	1				X03593-64000-0
1	X *****	• DECAL	1				
2	1122800006 E5g170	• SCREW	4				

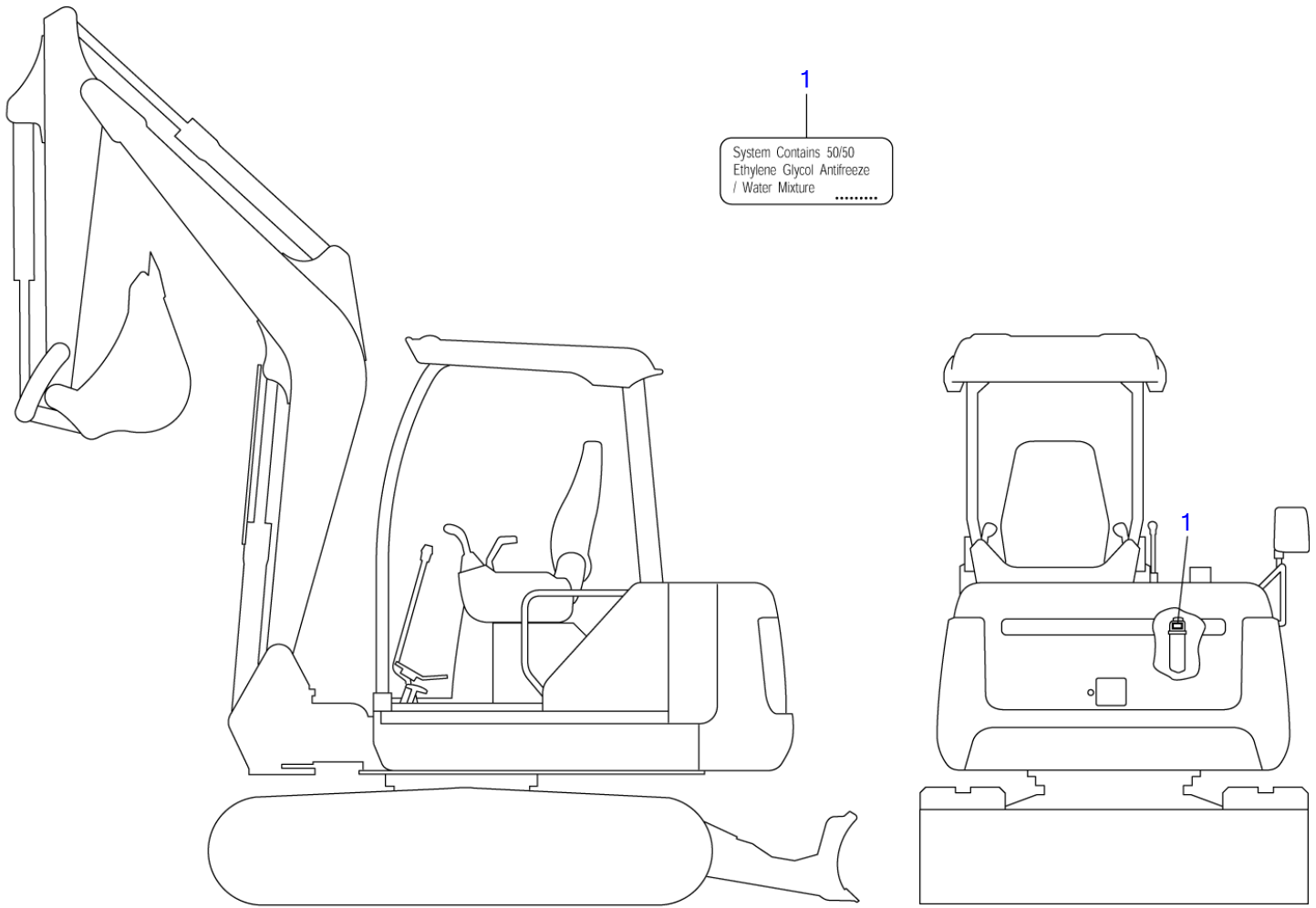


G4G220

S=1/12

Item	Part number	Description	DECAL (TOPS, canopy)			Remarks
			Q'ty	Chan.	Serial No. Serv.	
0	0379357000	DECAL SET	1			X03793-57000-0
1	X *****	• DECAL	1			
2	1122800006 G4g220	• SCREW	4			

TB125 Book No. BE5Z010 S/N 12510009-
DECAL (for U.S. TAKEUCHI)



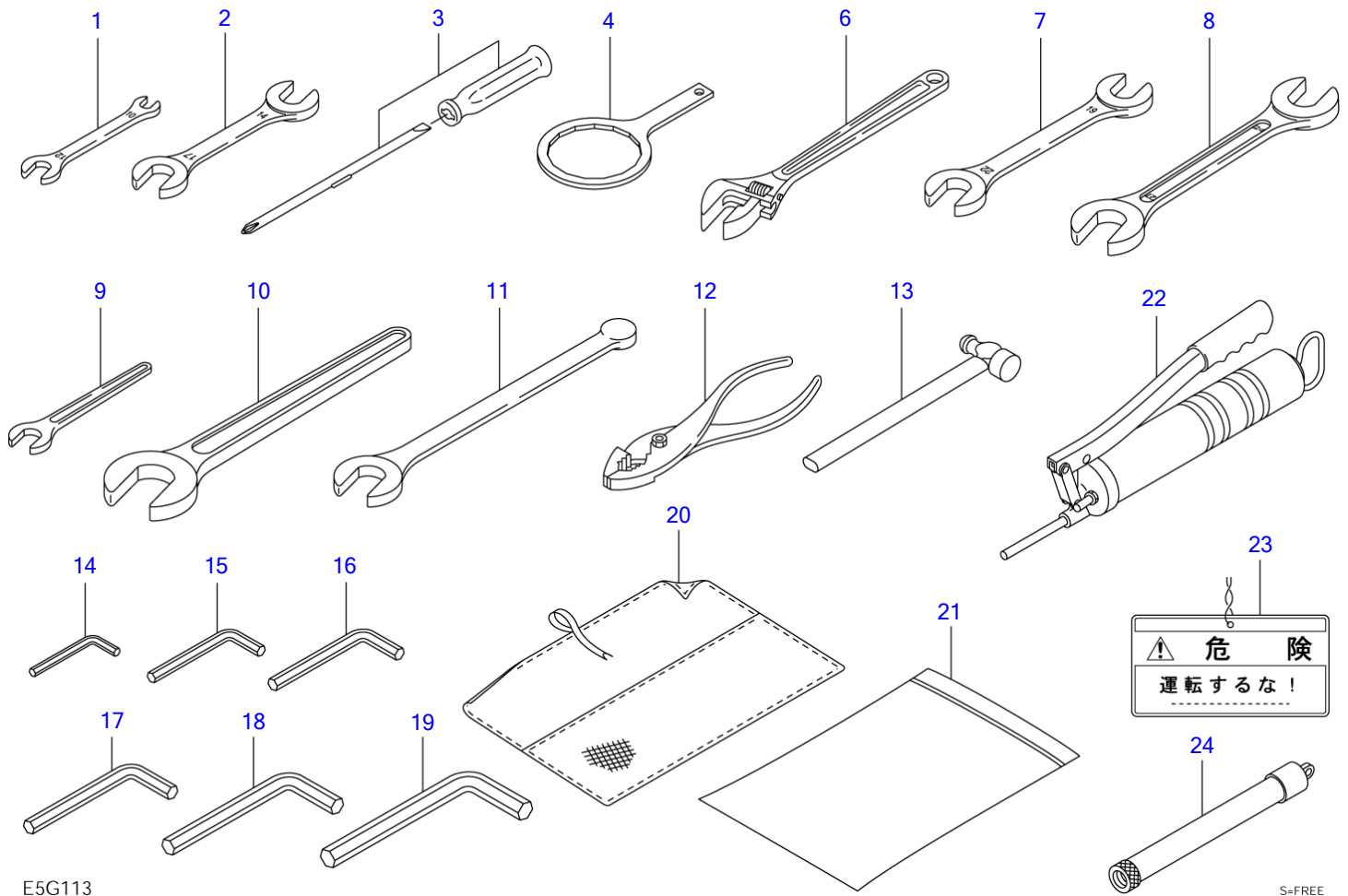
G4G230

S=FREE

DECAL (for U.S. TAKEUCHI)

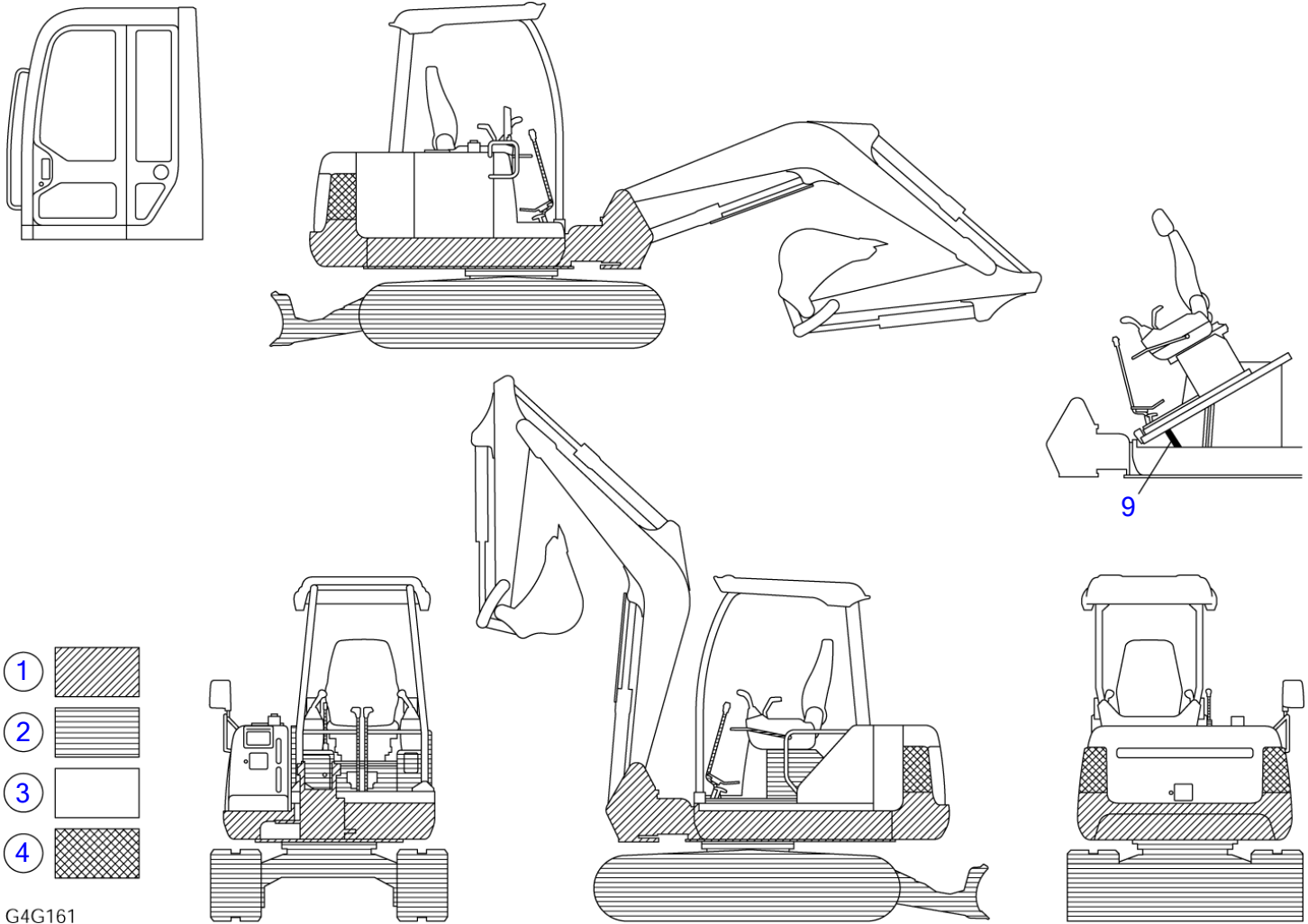
Item	Part number	Description	Q'ty	Chan.	Serial No.	Serv.	Remarks
0	0399350000	DECAL SET	1				X03993-50000-0
1	0359313900	· DECAL	1				
	G4g230						

TB125 Book No. BE5Z010 S/N 12510009-
TOOL & ACCESSORIES



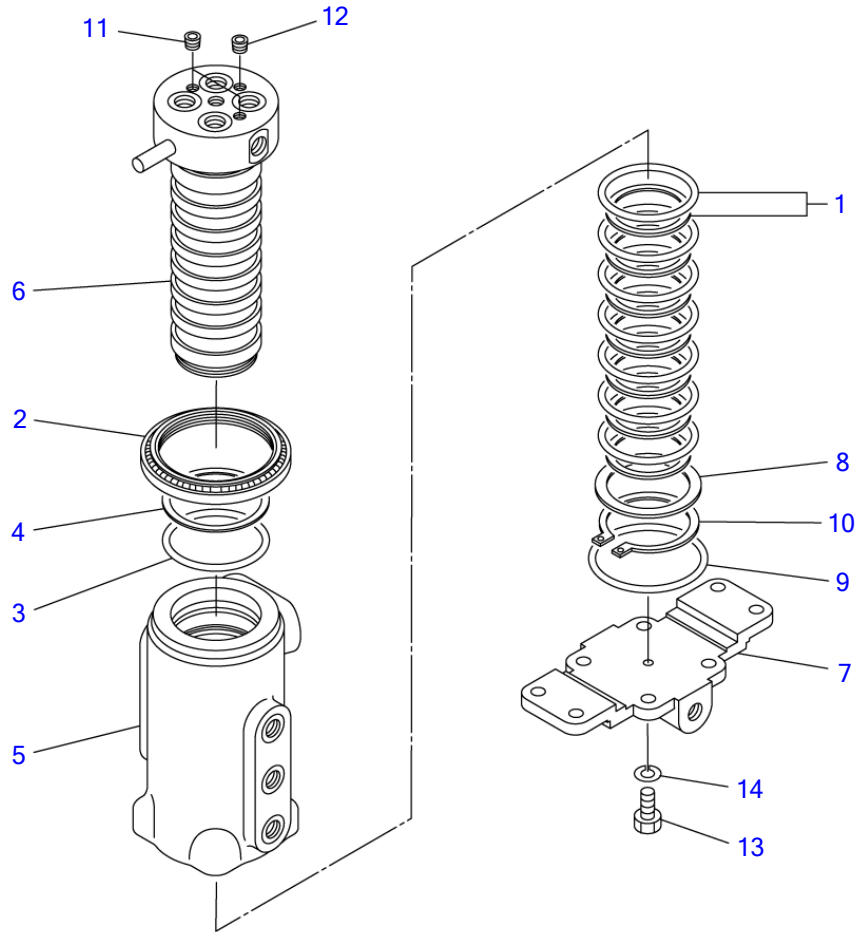
TOOL & ACCESSORIES

Item	Part number	Description	Q'ty	Chan.	Serial No.	Serv.	Remarks
0	0379207010	TOOL ASSY					
1	1910047081	▪ SPANNER	1				Y28110-100120
2	1910047082	▪ SPANNER	1				Y28110-140170
3	1910006112	▪ DRIVER, screw	1				Y104200-92350
4	1910065081	▪ WRENCH, filter	1				Y119640-92750
6	1690400250	▪ WRENCH, monkey	1				
7	1690001922	▪ SPANNER	1				
8	1690002427	▪ SPANNER	1				
9	1690100013	▪ SPANNER	1				
10	1690100041	▪ SPANNER	1				
11	1690900026	▪ SPANNER	1				
12	1690500200	▪ PLIER	1				
13	1690300330	▪ HAMMER	1				
14	1690600400	▪ WRENCH, hex	1				
15	1690600500	▪ WRENCH, hex	1				
16	1690600600	▪ WRENCH, hex	1				
17	1690600800	▪ WRENCH, hex	1				
18	1690601000	▪ WRENCH, hex	1				
19	1690601400	▪ WRENCH, hex	1				
20	1691400001	▪ CASE, tool	1				
21	1691900001	▪ CASE	1				
22	1691010800	GUN ASSY, grease	1				for Japan
	1691060600	GUN ASSY, grease	1				
23	0359325160	PLATE	1				for Japan
24	1554512600	TUBE	1				for EU
	E5g112						



G4G161

Item	Part number	Description	PAINTED COLOR			Remarks
			Q'ty	Chan.	Serial No.	
		PAINTED COLOR				X03591-03000-3
		PAINTED COLOR				X03591-04000-3
		PAINTED COLOR				X03591-05000-3
		PAINTED COLOR				X03591-06000-3
1	1919060105	RED				
	1919069105	RED				spray
2	1919060144	GRAY				
	1919069144	GRAY				spray
3	1919060142	LIGHT GRAY				
	1919069142	LIGHT GRAY				spray
4	1919060005	BLACK				
	1919069159	BLACK				spray
9	1919060175	YELLOW				
	1919069175	YELLOW				spray
	E5g183					

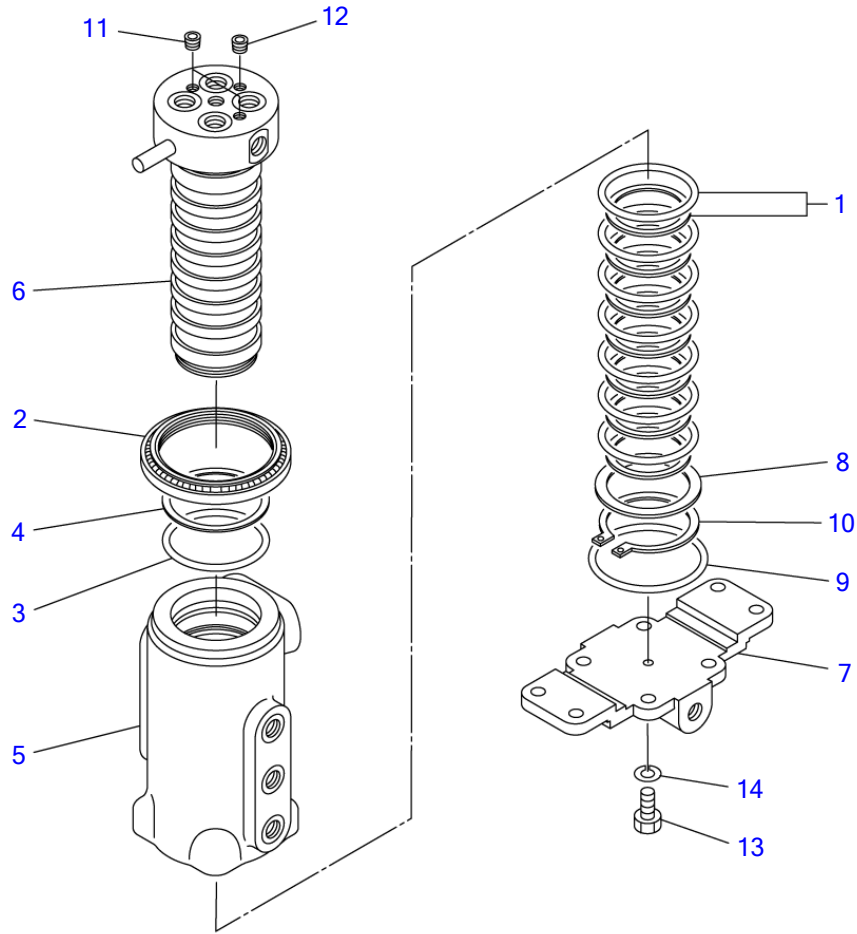


U1H010

S=1/5

SWIVEL JOINT (12510009-12514525)

Item	Part number	Description	Q'ty	Chan.	Serial No.	Serv.	Remarks
0	1904006400	JOINT, swivel	1				
0-1	1904006499	▪ KIT, seal	1				
1	X 1904006416	▪ ▪ SEAL, slipper	7				
2	X 1904001695	▪ ▪ SEAL, dust	1				
3	X 1420010600	▪ ▪ O-RING	1				
4	X 1421030600	▪ ▪ RING, back-up	1				
5	1904006401	▪ HUB	1				
6	1904005811	▪ SHAFT	1				
7	1904004603	▪ FRANGE	1				
8	1904004604	▪ RING, thrust	1				
9	1420310040	▪ O-RING	1				
10	1220000055	▪ RING, snap	1				
11	1501810001	▪ PLUG	2				
12	1501810000	▪ PLUG	1				
13	1100050820	▪ BOLT	4				
14	1140010008	▪ WASHER, spring	4				
	U1h012						



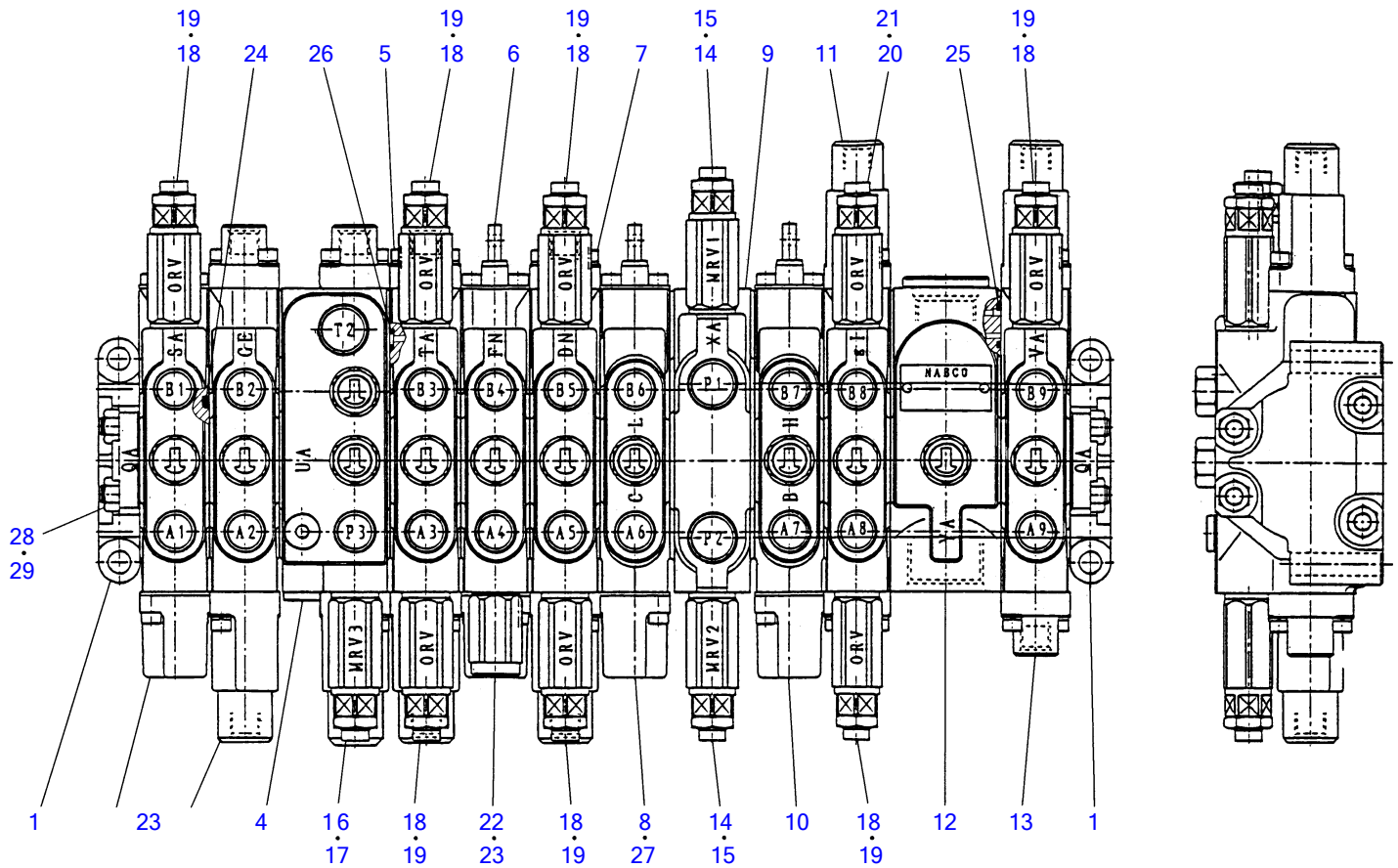
U1H010

S=1/5

SWIVEL JOINT (12514526-)

Item	Part number	Description	Q'ty	Chan.	Serial No.	Serv.	Remarks
0	1904008300	JOINT, swivel	1				
0-1	1904008399	▪ KIT, seal	1				
1	X 1904006416	▪ ▪ SEAL, slipper	7				
2	X 1904001695	▪ ▪ SEAL, dust	1				
3	X 1420010600	▪ ▪ O-RING	1				
4	X 1421030600	▪ ▪ RING, back-up	1				
5	1904008302	▪ HUB	1				
6	1904005811	▪ SHAFT	1				
7	1904008303	▪ FRANGE	1				
8	1904004604	▪ RING, thrust	1				
9	1420310040	▪ O-RING	1				
10	1220000055	▪ RING, snap	1				
11	1501810001	▪ PLUG	2				
12	1501810000	▪ PLUG	1				
13	1100040820	▪ BOLT	4				
14	1140020008	▪ WASHER, spring	4				
	D5h010						

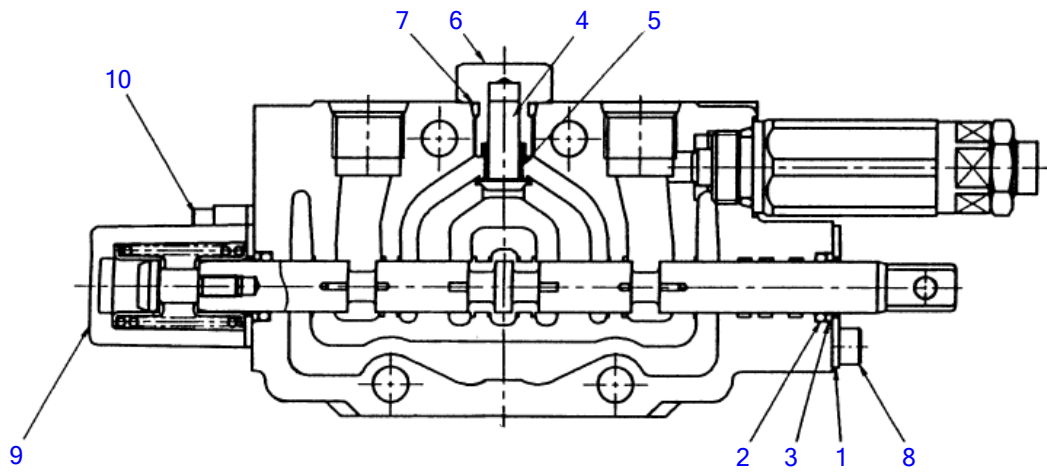
TB125 Book No. BE5Z010 S/N 12510009-
CONTROL VALVE



G4H020

CONTROL VALVE

Item	Part number	Description	Q'ty	Chan.	Serial No.	Serv.	Remarks
0	1901037000	VALVE ASSY, control	1		12510009~12510715		
	1901039700	VALVE ASSY, control	1	(H)	12510716~		
1	1901036405	• COVER, end	2				
2	1901036417	• BLOCK ASSY, No1	1				blade
3	1901037014	• BLOCK ASSY, No2	1				slew
4	1901036403	• HOUSING ASSY	1				T2, P3
5	1901036419	• BLOCK ASSY, No3	1				auxiliary
6	1901037018	• BLOCK ASSY, No4	1				swing
7	1901037012	• BLOCK ASSY, No5	1				arm
8	1901037016	• BLOCK ASSY, No6	1				traction L.H.
9	1901036401	• HOUSING ASSY	1				P1, P2
10	1901037015	• BLOCK ASSY, No7	1				traction R.H.
11	1901037011	• BLOCK ASSY, No8	1				boom
12	1901036402	• HOUSING ASSY	1				T1
13	1901037013	• BLOCK ASSY, No9	1				bucket
14	1901037024	• VALVE ASSY	2				relief
15	1420010140	• • O-RING	1				
16	1901037023	• VALVE ASSY	1				relief
17	1420010140	• • O-RING	1				
18	1901036422	• VALVE ASSY	7				over load
19	1420010140	• • O-RING	1				
20	1901036421	• VALVE ASSY	1				over load
21	1420010140	• • O-RING	1				
22	1901036425	• VALVE ASSY	1				antivoid
23	1420010140	• • O-RING	1				
24	1420310226	• O-RING	11				
25	1420000180	• O-RING	8				
26	1420000060	• O-RING	1				
27	1420000100	• O-RING	1				
28	1901036490	• ROD, tie	4				
29	1130050008	• NUT	8				
	E5h011						

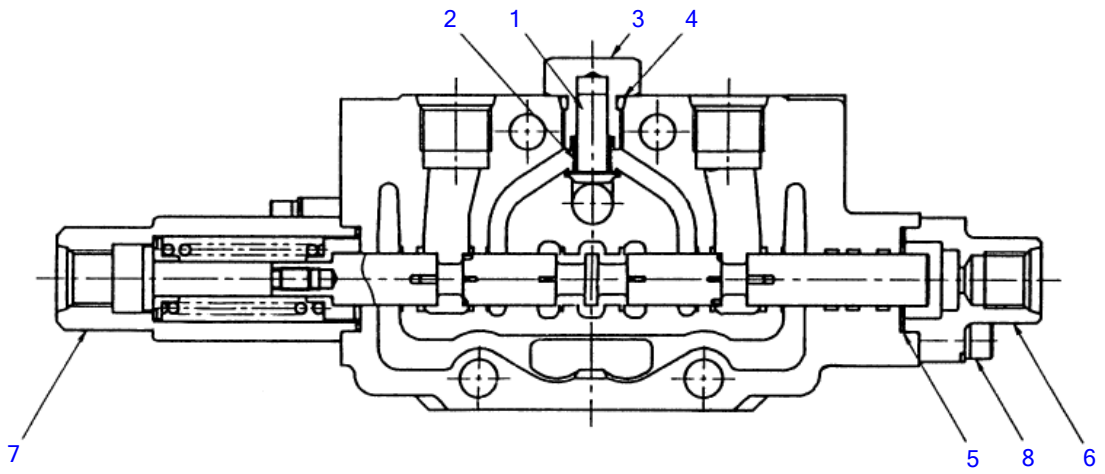


G4H030

S=FREE

BLOCK ASSY; No. 1

Item	Part number	Description	Q'ty	Chan.	Serial No.	Serv.	Remarks
0	1901036417	BLOCK ASSY, No1	1				blade
1	1901036441	▪ PLATE, seal	1				
2	1420000120	▪ O-RING	1				
3	1901036446	▪ SEAL, dust	1				
4	1901036426	▪ PLUNGER	1				
5	1901036456	▪ SPRING	1				
6	1901036466	▪ PLUG	1				
7	1420010110	▪ O-RING	1				
8	1110020510	▪ SCREW, cap	1				
9	1901036451	▪ CAP	1				
10	1110020518	▪ SCREW, cap	2				
	G4h030						



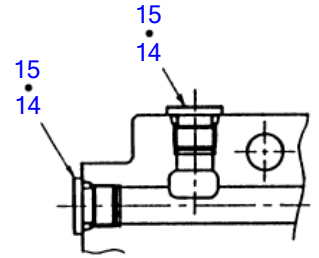
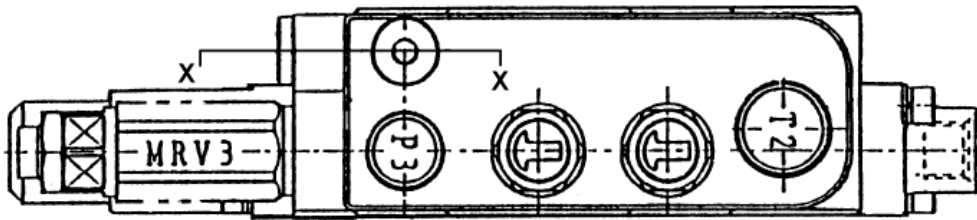
G4H040

S=FREE

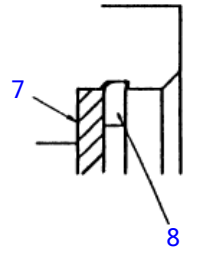
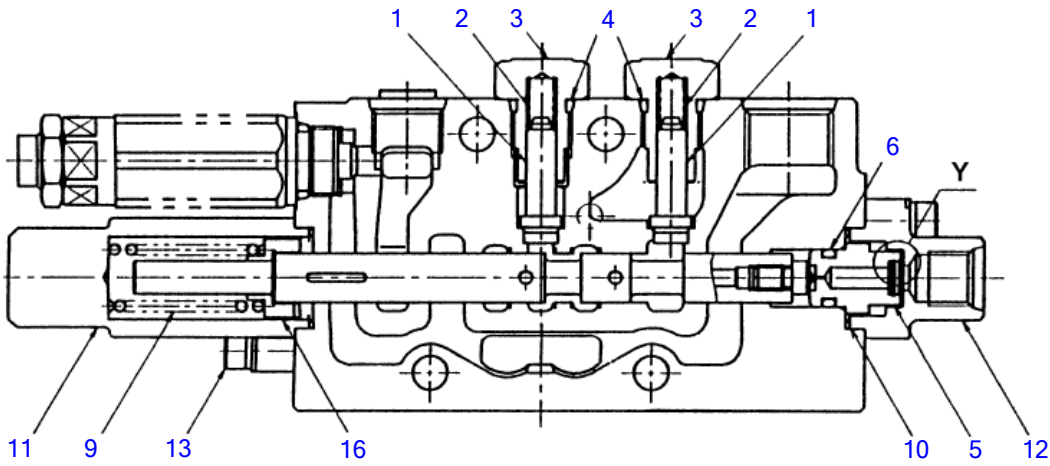
BLOCK ASSY; No. 2

Item	Part number	Description	Q'ty	Chan.	Serial No.	Serv.	Remarks
0	1901037014	BLOCK ASSY, No2	1				slew
1	1901036426	▪ PLUNGER	1				
2	1901036456	▪ SPRING	1				
3	1901036466	▪ PLUG	1				
4	1420010110	▪ O-RING	1				
5	1420510220	▪ O-RING	2				
6	1901036468	▪ CAP	1				
7	1901036467	▪ CAP	1				
8	1901036491	▪ BOLT, sems	4				
	E5h020						

TB125 Book No. BE5Z010 S/N 12510009-
HOUSING ASSY



SECTION "X-X"

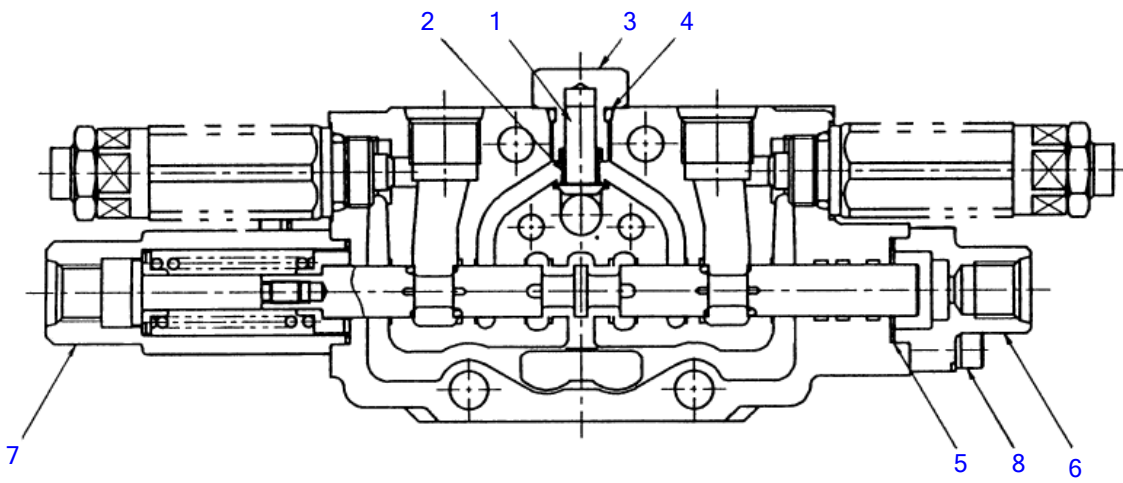


DETAIL "Y"

G4H050

S=FREE

HOUSING ASSY						
Item	Part number	Description	Q'ty	Chan.	Serial No.	Serv. Remarks
0	1901036403	HOUSING ASSY	1			T2,P3
1	1901036427	▪ PLUNGER	2			
2	1901036458	▪ SPRING	2			
3	1901036470	▪ PLUG	2			
4	1420010110	▪ O-RING	2			
5	1901036471	▪ CASE	1			
6	1420010101	▪ O-RING	1			
7	1901028793	▪ FILTER	1			
8	1221000008	▪ RING, snap	1			
9	1901036457	▪ SPRING	1			
10	1420510220	▪ O-RING	2			
11	1901036469	▪ CAP	1			
12	1901036468	▪ CAP	1			
13	1901036491	▪ BOLT, sems	4			
14	1420010080	▪ O-RING	2			
15	1501810001	▪ PLUG	2			
16	1901036452	▪ HOLDER, spring	1			
	G4h050					

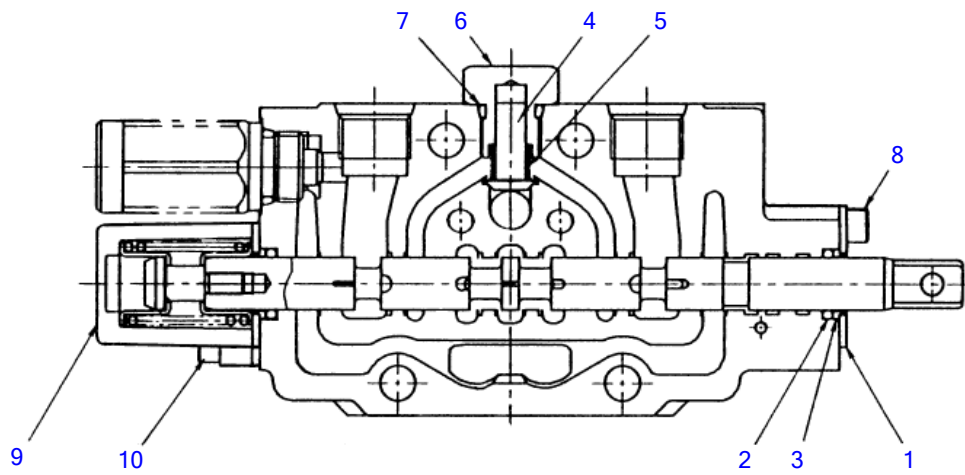


G4H060

S=FREE

BLOCK ASSY; No. 3

Item	Part number	Description	Q'ty	Chan.	Serial No.	Serv.	Remarks
0	1901036419	BLOCK ASSY, No3	1				auxiliary
1	1901036426	▪ PLUNGER	1	A(L)	12510009~12510715		
	1901039426	▪ PLUNGER	1	a(H)	12510716~		
2	1901036456	▪ SPRING	1	A(L)	12510009~12510715		
	1901039456	▪ SPRING	1	a(H)	12510716~		
3	1901036466	▪ PLUG	1	A(L)	12510009~12510715		
	1901039471	▪ PLUG	1	a(H)	12510716~		
4	1420110110	▪ O-RING	1				
5	1420510220	▪ O-RING	2				
6	1901036468	▪ CAP	1				
7	1901036467	▪ CAP	1				
8	1901036491	▪ BOLT, sems	4				
		<<NOTE>>					
		SET "A" is interchangeable with SET					
		"a".					
	E5h280						



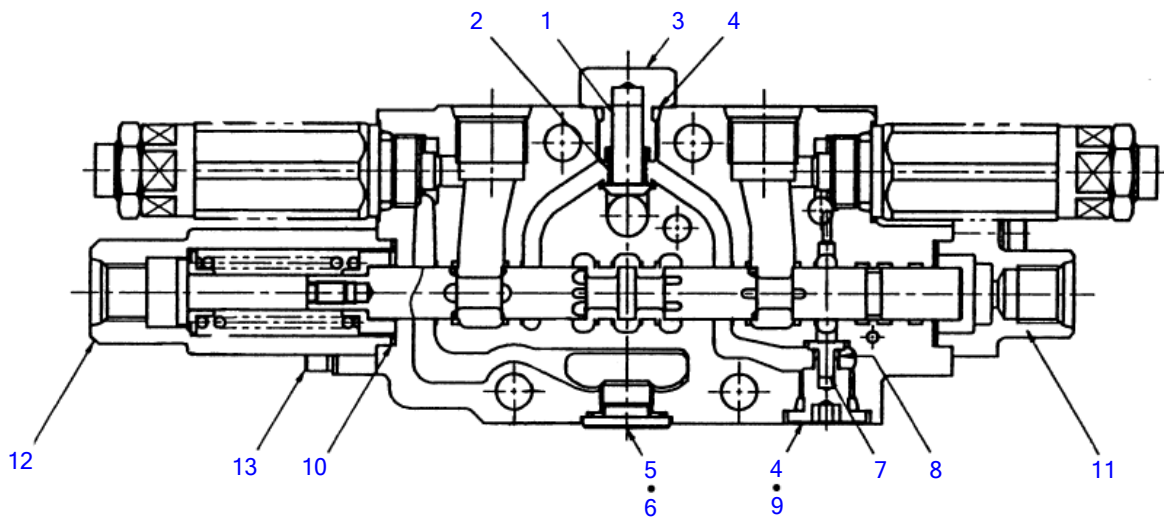
G4H070

S=FREE

BLOCK ASSY; No. 4

Item	Part number	Description	Q'ty	Chan.	Serial No.	Serv.	Remarks
0	1901037018	BLOCK ASSY, No4	1				swing
1	1901036441	▪ PLATE, seal	1				
2	1420000120	▪ O-RING	1				
3	1901036446	▪ SEAL, dust	1				
4	1901036426	▪ PLUNGER	1				
5	1901036456	▪ SPRING	1				
6	1901036466	▪ PLUG	1				
7	1420010110	▪ O-RING	1				
8	1110020510	▪ SCREW, cap	2				
9	1901036451	▪ CAP	1				
10	1110020518	▪ SCREW, cap	2				
	E5h030						

TB125 Book No. BE5Z010 S/N 12510009-
BLOCK ASSY; No. 5

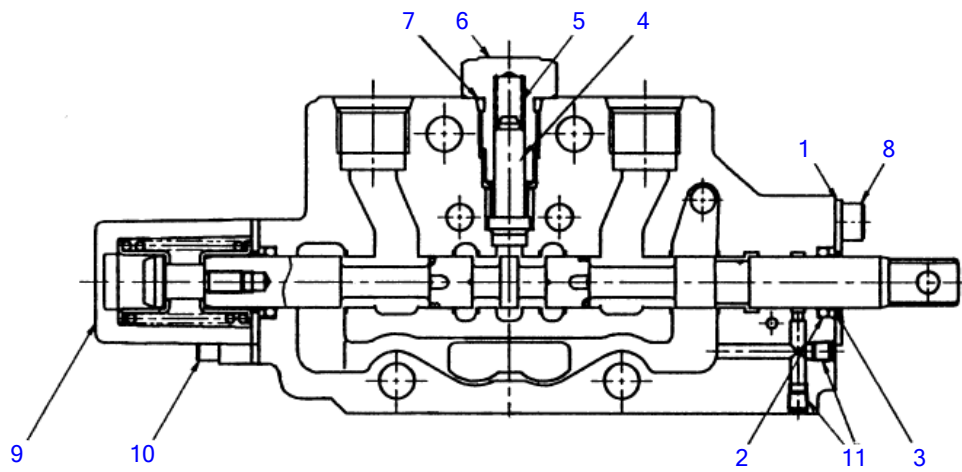


G4H080

S=FREE

BLOCK ASSY; No. 5

Item	Part number	Description	Q'ty	Chan.	Serial No.	Serv.	Remarks
0	1901037012	BLOCK ASSY, No5	1				arm
1	1901036426	▪ PLUNGER	1				
2	1901036456	▪ SPRING	1				
3	1901036466	▪ PLUG	1				
4	1420010110	▪ O-RING	2				
5	1901036474	▪ PLUG	1				
6	1420510160	▪ O-RING	1				
7	1901036428	▪ PLUNGER	1				
8	1901036473	▪ SPRING	1				
9	1901036472	▪ PLUG	1				
10	1420510220	▪ O-RING	2				
11	1901036468	▪ CAP	1				
12	1901036467	▪ CAP	1				
13	1901036491	▪ BOLT, sems	4				
	E5h040						

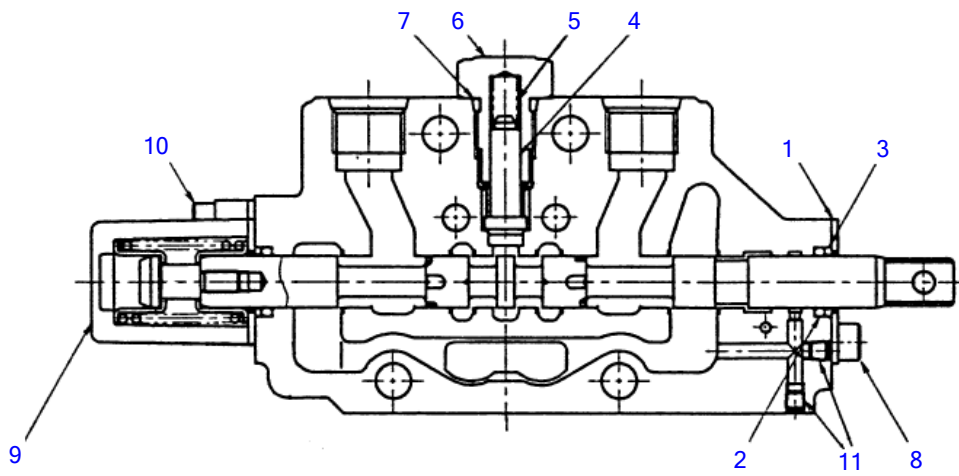


G4H090

S=FREE

BLOCK ASSY; No. 6

Item	Part number	Description	Q'ty	Chan.	Serial No.	Serv.	Remarks
0	1901037016	BLOCK ASSY, No6	1				traction L.H.
1	1901036441	▪ PLATE, seal	1				
2	1420000120	▪ O-RING	1				
3	1901036446	▪ SEAL, dust	1				
4	1901036427	▪ PLUNGER	1				
5	1901036458	▪ SPRING	1				
6	1901036470	▪ PLUG	1				
7	1420010110	▪ O-RING	1				
8	1110020510	▪ SCREW, cap	2				
9	1901036451	▪ CAP	1				
10	1110020518	▪ SCREW, cap	2				
11	1901036494	▪ PLUG	2				
	E5h050						



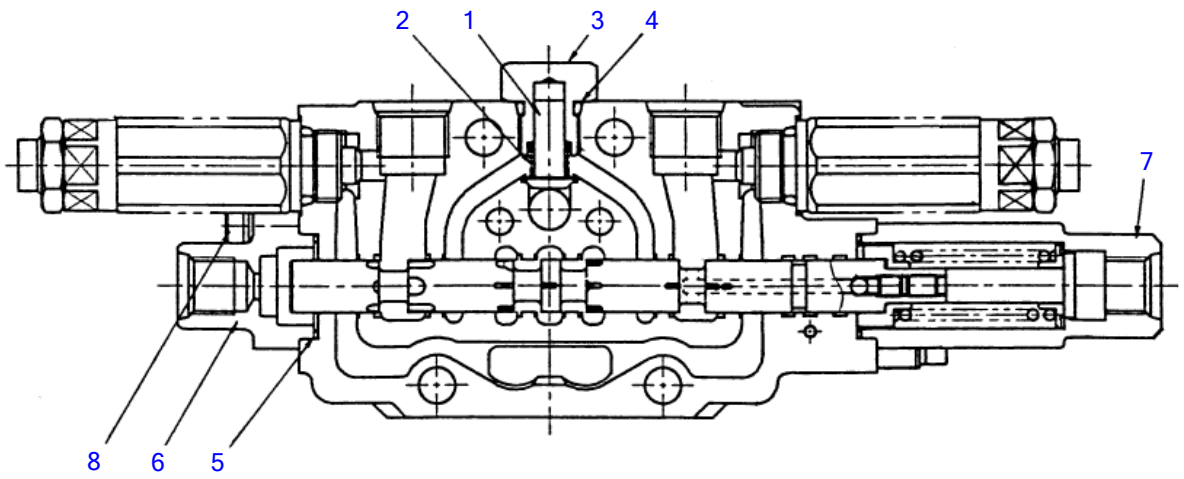
G4H100

S=FREE

BLOCK ASSY; No. 7

Item	Part number	Description	Q'ty	Chan.	Serial No.	Serv.	Remarks
0	1901037015	BLOCK ASSY, No7	1				traction R.H.
1	1901036441	▪ PLATE, seal	1				
2	1420000120	▪ O-RING	1				
3	1901036446	▪ SEAL, dust	1				
4	1901036427	▪ PLUNGER	1				
5	1901036458	▪ SPRING	1				
6	1901036470	▪ PLUG	1				
7	1420010110	▪ O-RING	1				
8	1110020510	▪ SCREW, cap	2				
9	1901036451	▪ CAP	1				
10	1110020518	▪ SCREW, cap	2				
11	1901036494	▪ PLUG	2				
	E5h060						

TB125 Book No. BE5Z010 S/N 12510009-
BLOCK ASSY; No. 8

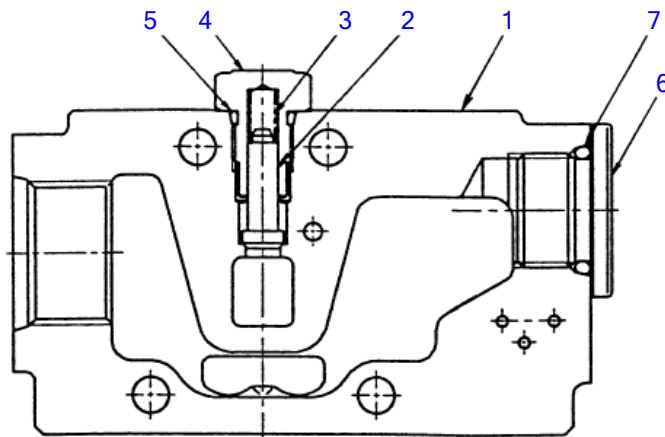


G4H110

S=FREE

BLOCK ASSY; No. 8

Item	Part number	Description	Q'ty	Chan.	Serial No.	Serv.	Remarks
0	1901037011	BLOCK ASSY, No8	1				boom
1	1901036426	▪ PLUNGER	1				
2	1901036456	▪ SPRING	1				
3	1901036466	▪ PLUG	1				
4	1420010110	▪ O-RING	1				
5	1420510220	▪ O-RING	2				
6	1901036468	▪ CAP	1				
7	1901036467	▪ CAP	1				
8	1901036491	▪ BOLT, sems	4				
	E5h070						

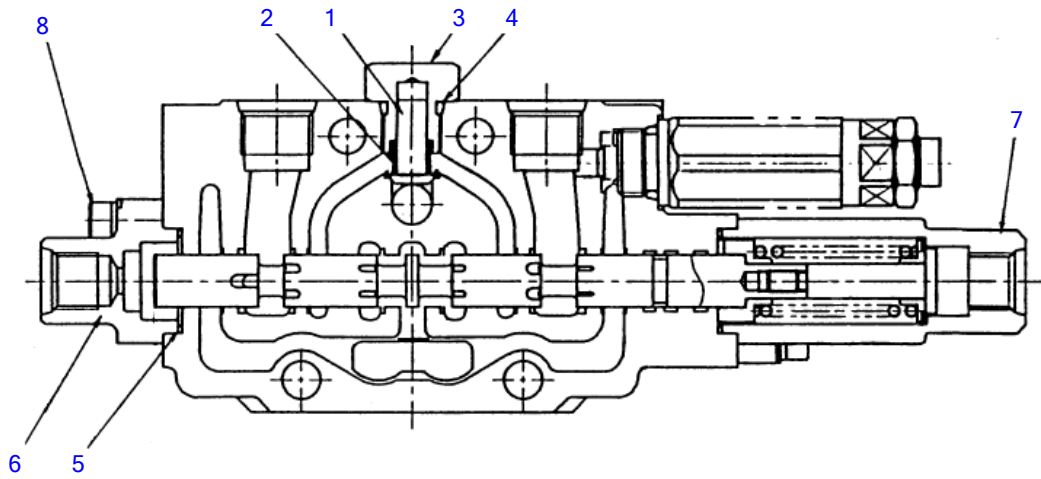


G4H120

S=FREE

HOUSING ASSY

Item	Part number	Description	Q'ty	Chan.	Serial No.	Serv.	Remarks
0	1901036402	HOUSING ASSY	1				T1
1	1901036460	▪ BODY	1				
2	1901036427	▪ PLUNGER	1				
3	1901036458	▪ SPRING	1				
4	1901036470	▪ PLUG	1				
5	1420010110	▪ O-RING	1				
6	1501750006	▪ PLUG	1				
	1420010240	▪ • O-RING	1				
7	1420010240	▪ O-RING	1				
	G4h120						



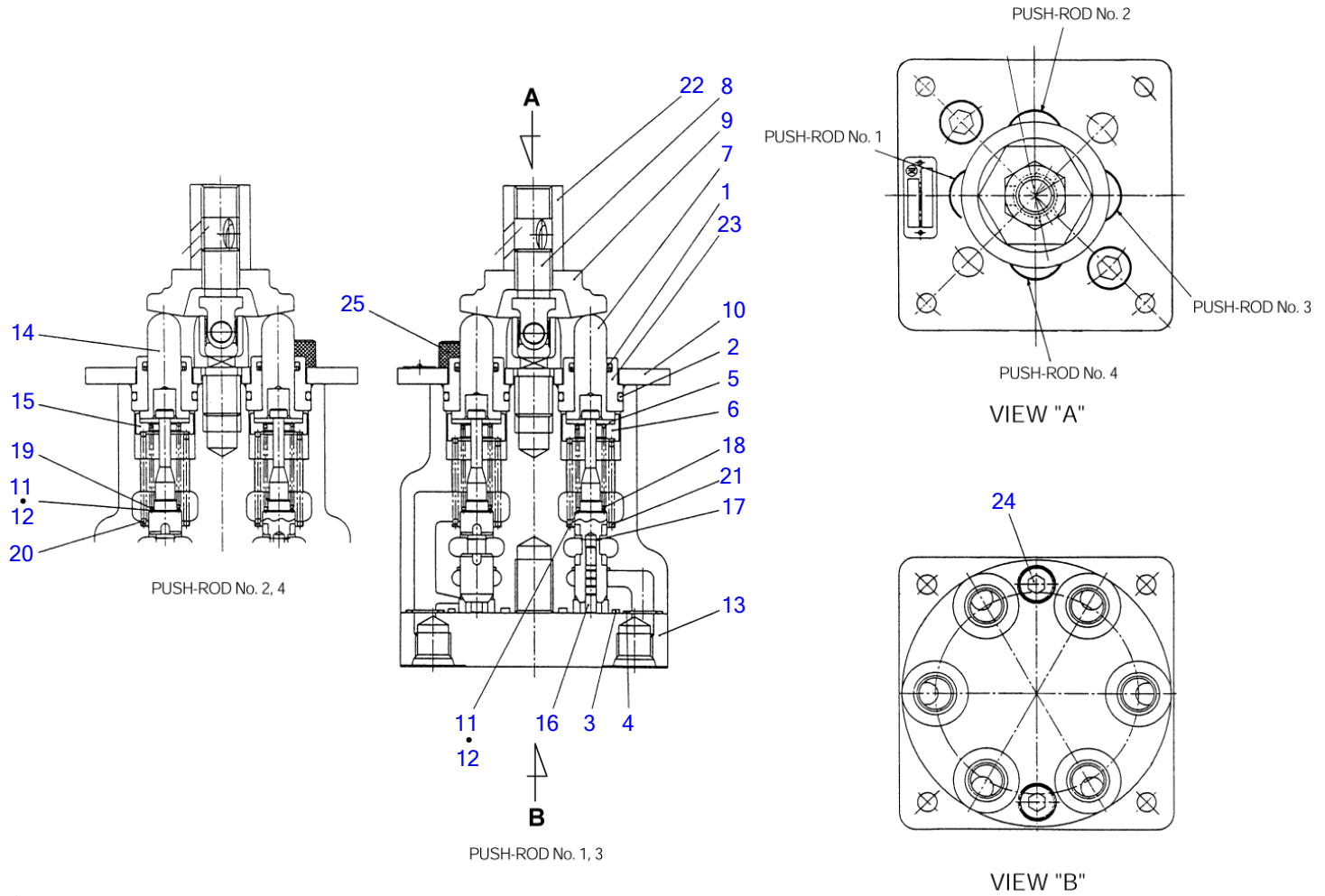
G4H130

S=FREE

BLOCK ASSY; No. 9

Item	Part number	Description	Q'ty	Chan.	Serial No.	Serv.	Remarks
0	1901037013	BLOCK ASSY, No9	1				bucket
1	1901036426	▪ PLUNGER	1				
2	1901036456	▪ SPRING	1				
3	1901036466	▪ PLUG	1				
4	1420010110	▪ O-RING	1				
5	1420510220	▪ O-RING	2				
6	1901036468	▪ CAP	1				
7	1901036467	▪ CAP	1				
8	1901036491	▪ BOLT, sems	4				
	E5h080						

TB125 Book No. BE5Z010 S/N 12510009-
PILOT VALVE



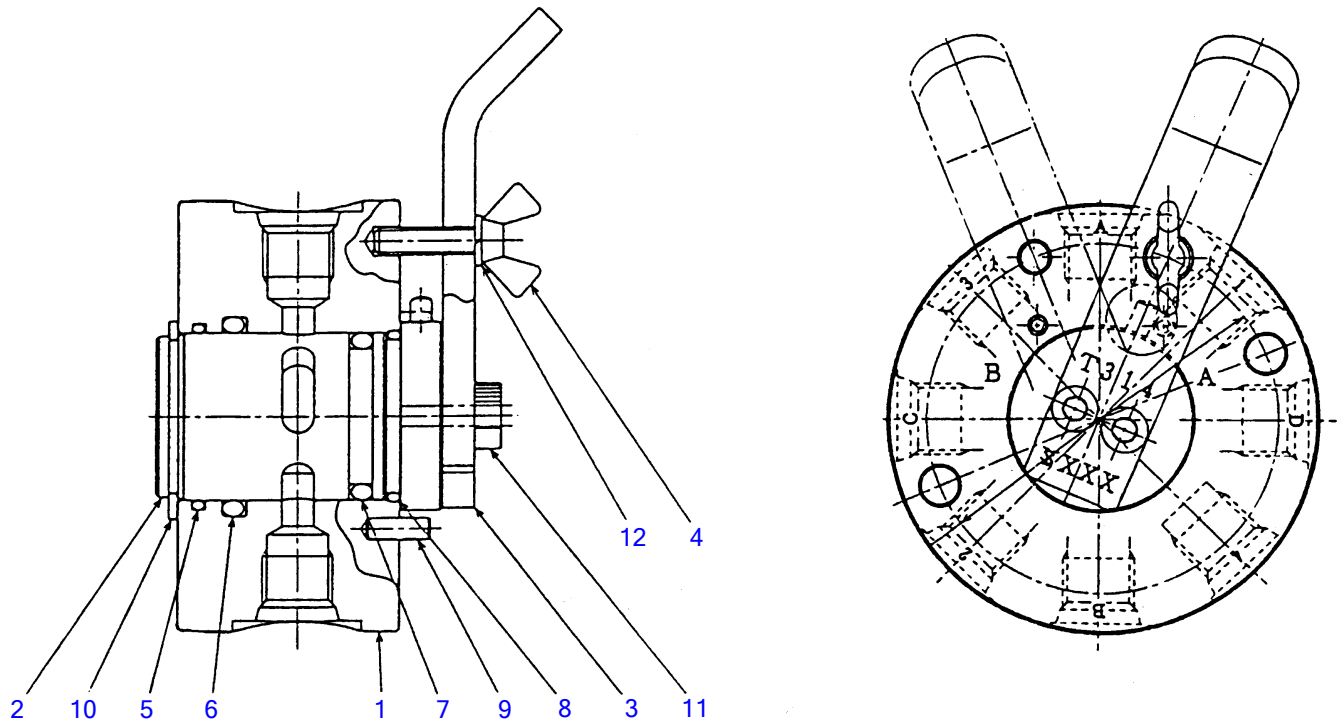
C4H160

S=FREE

PILOT VALVE

Item	Part number	Description	Q'ty	Chan.	Serial No.	Serv.	Remarks
0	1901730400	VALVE ASSY, pilot	2				
0-1	1901730499	• KIT, seal	1				
1	X 1901728523	• • PACKING	4				
2	X 1420000200	• • O-RING	4				
3	X 1420500600	• • O-RING	1				
4	X 1420500120	• • O-RING	6				
5	1901730401	• RETAINER	4				
6	1901730402	• HOLDER	2				
7	1901730403	• ROD	2				
8	1901728501	• JOINT	1				
9	1901728502	• CAM	1				
10	1901730406	• PLATE	1				
11	1901730407	• SHIM	4				t=0.2mm
12	1901730408	• SHIM	4				t=0.1mm
13	1901730409	• PLATE	1				
14	1901730410	• ROD	2				
15	1901730411	• HOLDER	2				
16	1901730412	• PISTON	4				
17	1901730415	• RING	4				
18	1901730416	• SPRING	2				
19	1901730417	• SPRING	2				
20	1901730418	• SPRING	2				
21	1901730419	• SPRING	2				
22	1901728513	• NUT	1				
23	1901730422	• SLEEVE	4				
24	1110050825	• SCREW, cap	2				
25	1110051020	• SCREW, cap	2				
	C4h161						

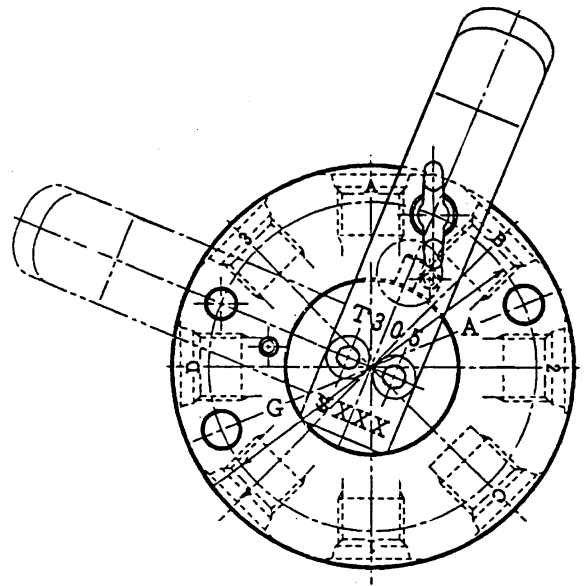
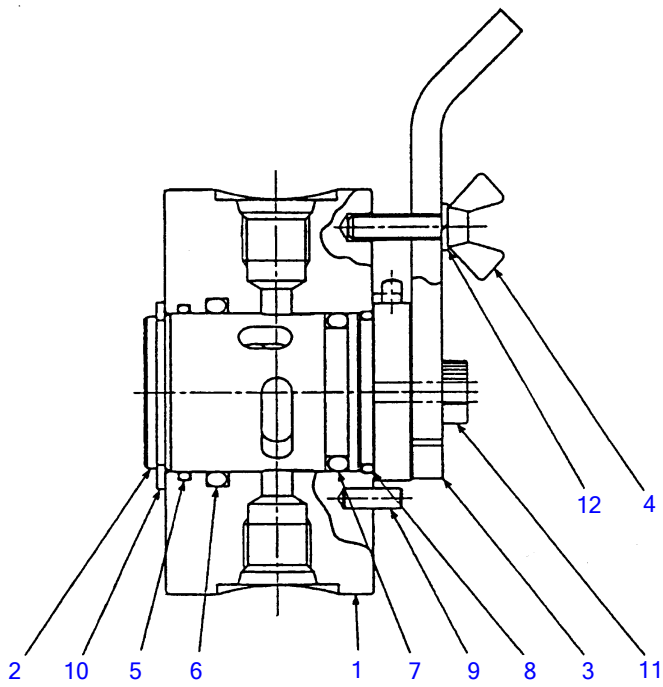
TB125 Book No. BE5Z010 S/N 12510009-
SELECTOR VALVE (A-B pattern)



C4H170

SELECTOR VALVE (A-B pattern)

Item	Part number	Description	Q'ty	Chan.	Serial No.	Serv.	Remarks
0	1901731400	VALVE ASSY, selector	1				
1	1901731401	▪ BODY	1				
2	1901731402	▪ ROTOR	1				
3	1901730503	▪ LEVER	1				
4	1901730504	▪ BOLT	1				
5	1901730505	▪ O-RING	1				
6	1901730506	▪ O-RING	1				
7	1901730507	▪ O-RING	1				
8	1901730508	▪ O-RING	1				
9	1213000412	▪ PIN, spring	3				
10	1220000030	▪ RING, snap	1				
11	1110050514	▪ SCREW, cap	2				
12	1140010005	▪ WASHER, spring	1				
	C4h170						

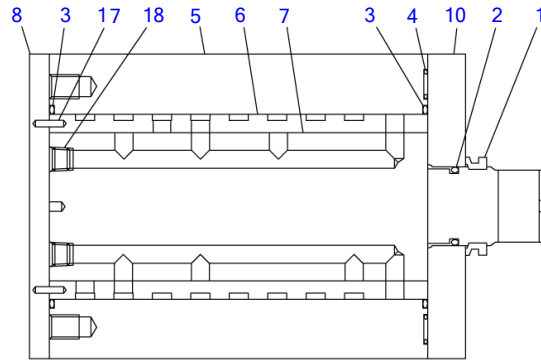
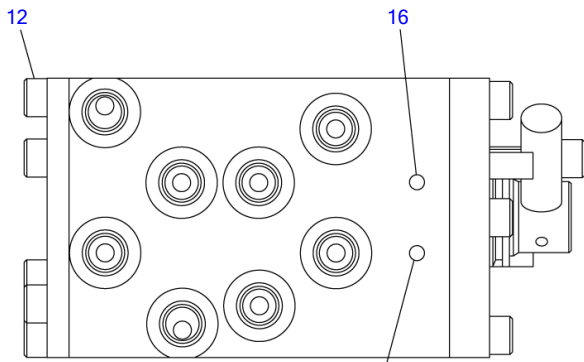


C4H180

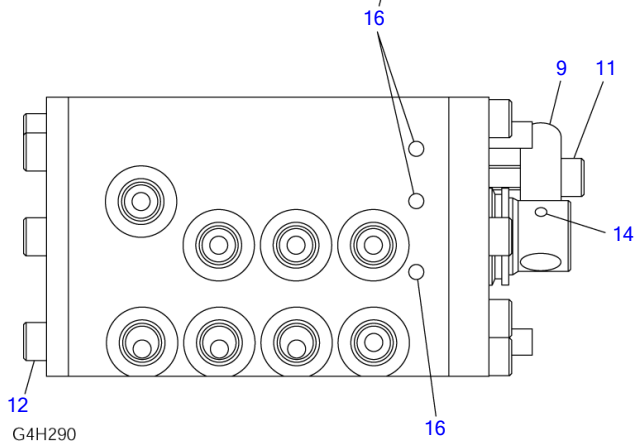
SELECTOR VALVE (ISO-JCB pattern)

Item	Part number	Description	Q'ty	Chan.	Serial No.	Serv.	Remarks
0	1901730500	VALVE ASSY, selector	1				
1	1901730501	▪ BODY	1				
2	1901730502	▪ ROTOR	1				
3	1901730503	▪ LEVER	1				
4	1901730504	▪ BOLT	1				
5	1901730505	▪ O-RING	1				
6	1901730506	▪ O-RING	1				
7	1901730507	▪ O-RING	1				
8	1901730508	▪ O-RING	1				
9	1213000412	▪ PIN, spring	3				
10	1220000030	▪ RING, snap	1				
11	1110050514	▪ SCREW, cap	2				
12	1140010005	▪ WASHER, spring	1				
	C4h180						

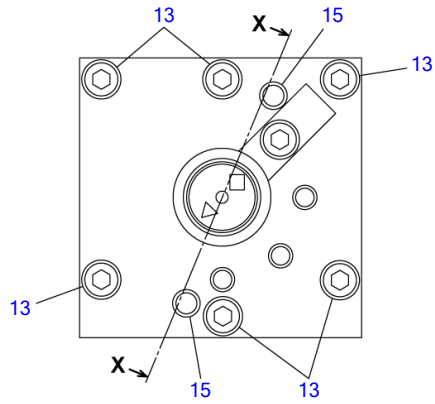
TB125 Book No. BE5Z010 S/N 12510009-
ROTARY VALVE



SECTION "X-X"



G4H290



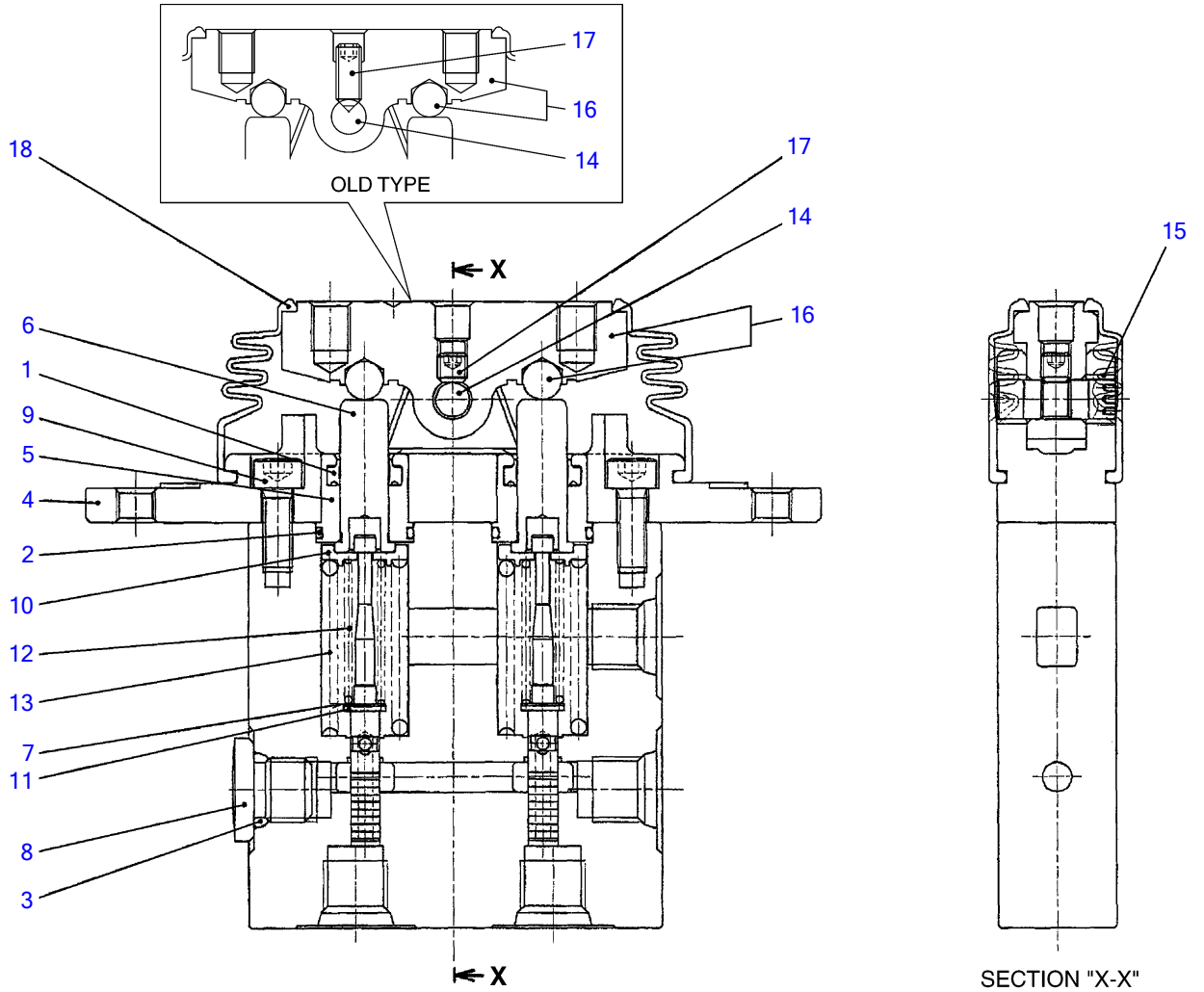
S=FREE

Ⓚ "A"
 DETAIL "A"

ROTARY VALVE

Item	Part number	Description	Q'ty	Chan.	Serial No.	Serv.	Remarks
0	1901733700	VALVE, rotary	1				
0-1	1901733799	• KIT, seal	1				
1	X 1901733717	• • SEAL, oil	1				
2	X 1420010220	• • O-RING	1				
3	X 1420500650	• • O-RING	2				
4	X 1420500080	• • O-RING	8				
5	1901733701	• CASE	1				
6	1901733702	• SLEEVE	1				
7	1901733703	• SHAFT	1				
8	1901733704	• COVER	1				
9	1901733705	• LEVER	1				
10	1901733706	• COVER	1				
11	1110040830	• SCREW, cap	1				
12	1110040816	• SCREW, cap	6				
13	1110040825	• SCREW, cap	6				
14	1213000426	• PIN, spring	1				
15	1213000824	• PIN, spring	2				
16	1390010400	• BALL, steel	1				
17	1901733716	• BEARING	4				
18	1501810000	• PLUG	8				
	G4h290						

TB125 Book No. BE5Z010 S/N 12510009-
REMOTE CONTROL VALVE



L3H151

REMOTE CONTROL VALVE

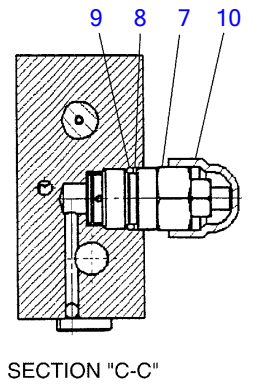
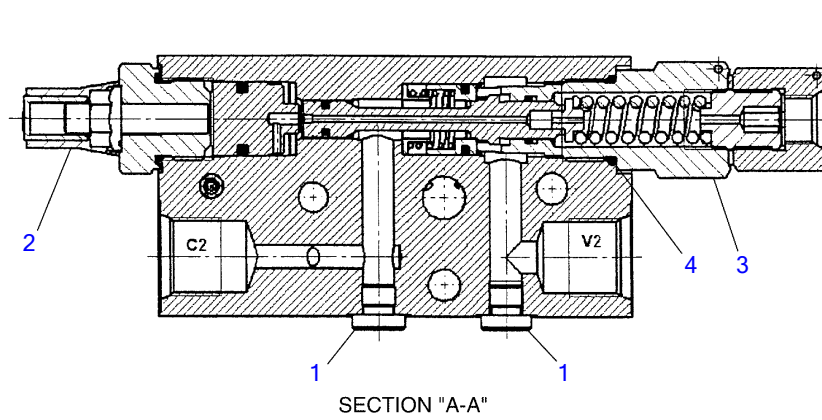
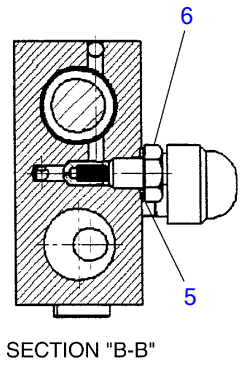
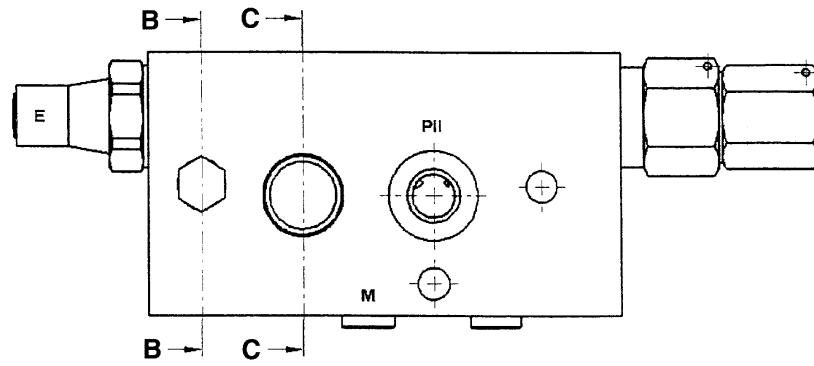
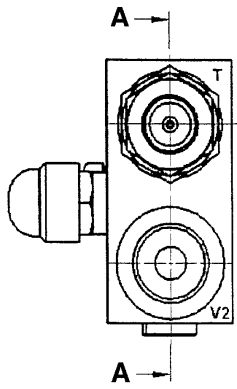
Item	Part number	Description	Q'ty	Chan.	Serial No.	Serv.	Remarks
0	1901735000	VALVE ASSY, remote-control	1				swing
0-1	1901745499	· KIT, seal	1				
1	X 1901745404	· · PACKING	2				
2	X 1420300017	· · O-RING	2				
3	X 1420010110	· · O-RING	1				
4	1901745402	· COVER	1				
5	1901745403	· PLUG	2				
6	1901745406	· ROD	2				
7	1901745407	· SHIM	2				
8	1501750002	· PLUG	1				
	1420010110	· · O-RING	1				
9	1110020616	· SCREW, cap	2				
10	1901745412	· HOLDER	2				
11	1901745413	· WASHER	2				
12	1901745414	· SPRING	2				
13	1901735015	· SPRING	2				
14	1901745416	· SHAFT	1	A	old type		
	1901735016	· SHAFT	1	a(H)	new type		No. 23759
15	1901745417	· BUSHING	2				
16	1901745418	· CAM ASSY	1	A	old type		
	1901735018	· CAM ASSY	1	a(H)	new type		No. 23759
17	1901745420	· SET-SCREW	1	A	old type		
	1121040606	· SET-SCREW	1	a(H)	new type		No. 23759
18	1901735001	· BOOT	1				

<<NOTE>>

SET "A" is interchangeable with SET "a".

L3h151

TB125 Book No. BE5Z010 S/N 12510009-
SHUT-OFF VALVE



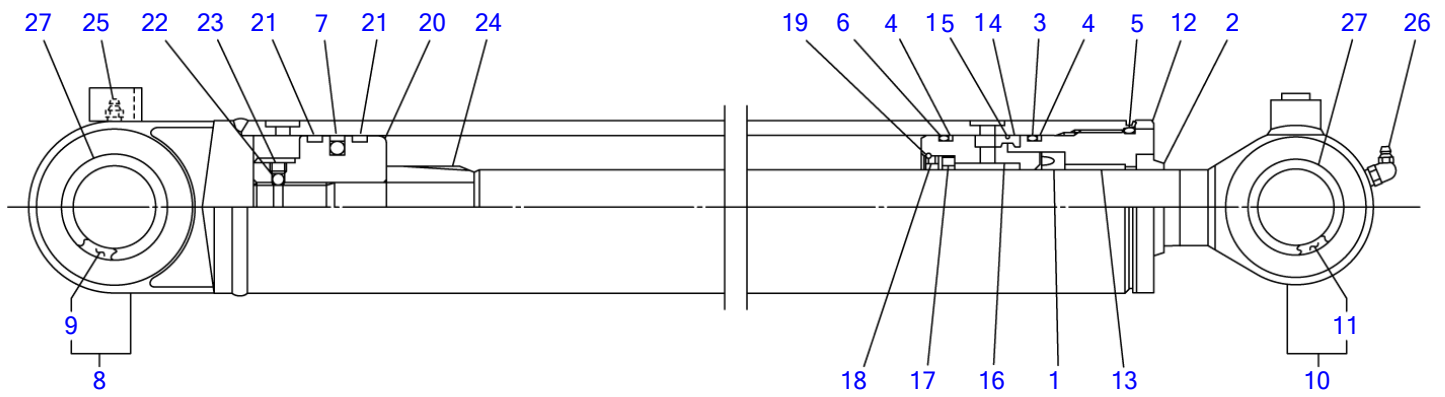
E5H390

S=free

SHUT-OFF VALVE

Item	Part number	Description	Q'ty	Chan.	Serial No.	Serv.	Remarks
0	1901745200	VALVE ASSY, shut-off	1				
1	1901742903	• PLUG	2				
2	1901742901	• CAP	1				
3	1901745203	• VALVE ASSY	1				
4	1901742904	• • O-RING	1				
5	1901742906	• SEAL	1				
6	1901742907	• PLUG	1				
7	1901742909	• PLUG ASSY	1				
8	1901742911	• • RING, back-up	1				
9	1901742708	• • O-RING	1				
10	1901742910	• CAP	1				
	E5h390						

TB125 Book No. BE5Z010 S/N 12510009-
BOOM CYLINDER (12510009-12514525)



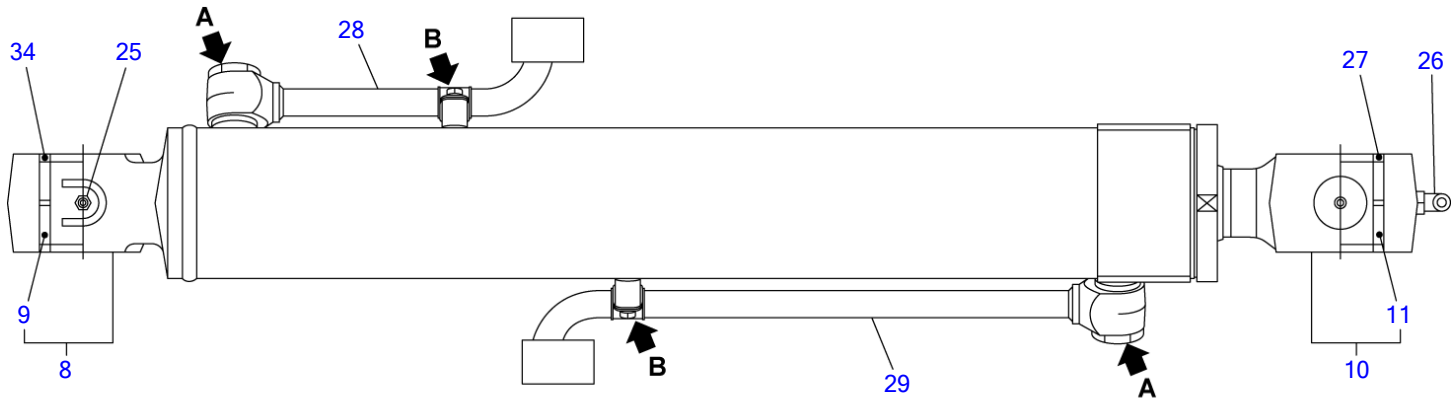
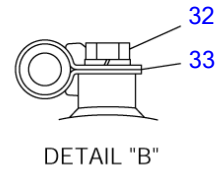
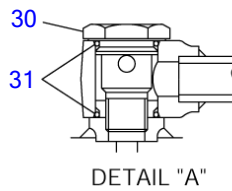
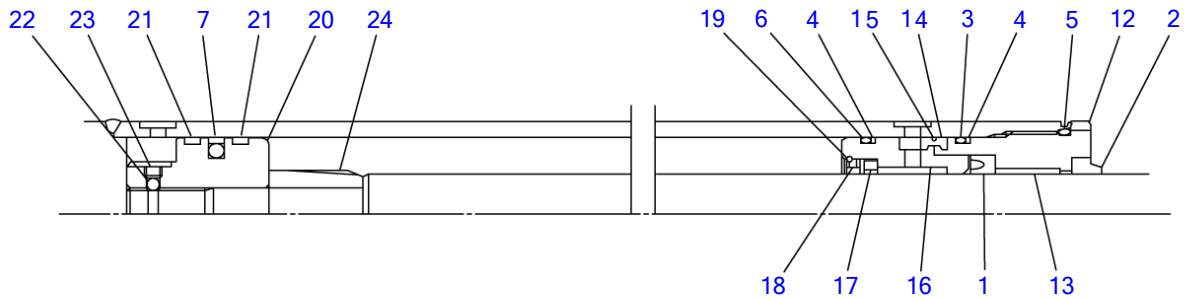
E5H130

S=FREE

BOOM CYLINDER (12510009-12514525)

Item	Part number	Description	Q'ty	Chan.	Serial No.	Serv.	Remarks
0	1900077600	CYLINDER ASSY	1		12510009~12510259		boom
	1900080300	CYLINDER ASSY	1		12510260~12510559		
	1900082600	CYLINDER ASSY	1	(H)	12510560~		
0-1	1900077699	• KIT, seal	1				
1	X 1900005612	• • PACKING, rod	1				
2	X 1900073033	• • SEAL, dust	1				
3	X 1420110700	• • O-RING	1				
4	X 1421130700	• • RING, back-up	2				
5	X 1420110750	• • O-RING	1				
6	X 1420110650	• • O-RING	1				
7	X 1900050333	• • PACKING, piston	1				
8	1900077698	• TUBE ASSY	1		12510009~12510259		
	1900080398	• TUBE ASSY	1		12510260~		
9	1900089320	• • BUSHING	1				
10	1900077697	• ROD ASSY, piston	1		12510009~12510259		
	1900080397	• ROD ASSY, piston	1		12510260~12510559		
	1900082697	• ROD ASSY, piston	1	(H)	12510560~		
11	1900015902	• • BUSHING	1				
12	1900073003	• COVER, rod	1				
13	1333004030	• BUSHING	1				
14	1900059826	• CONNECTOR	1				
15	1900059827	• STOPPER	1				
16	1900077604	• RETAINER	1				
17	1900052016	• RING, cushion	1				
18	1900052015	• SPACER	1				
19	1900052026	• STOPPER	1				
20	1900054306	• PISTON	1				
21	1900050332	• RING, slide	2				
22	1390020250	• BALL, steel	1				
23	1121050608	• SET-SCREW	1				
24	1900077605	• CUSHION, rod	1				
25	1560001000	• FITTING, grease	1				
26	1560001675	• FITTING, grease	1				
27	1432200040	• SEAL, dust	4				
	E5h132						

TB125 Book No. BE5Z010 S/N 12510009-
BOOM CYLINDER (12514526-12514639)



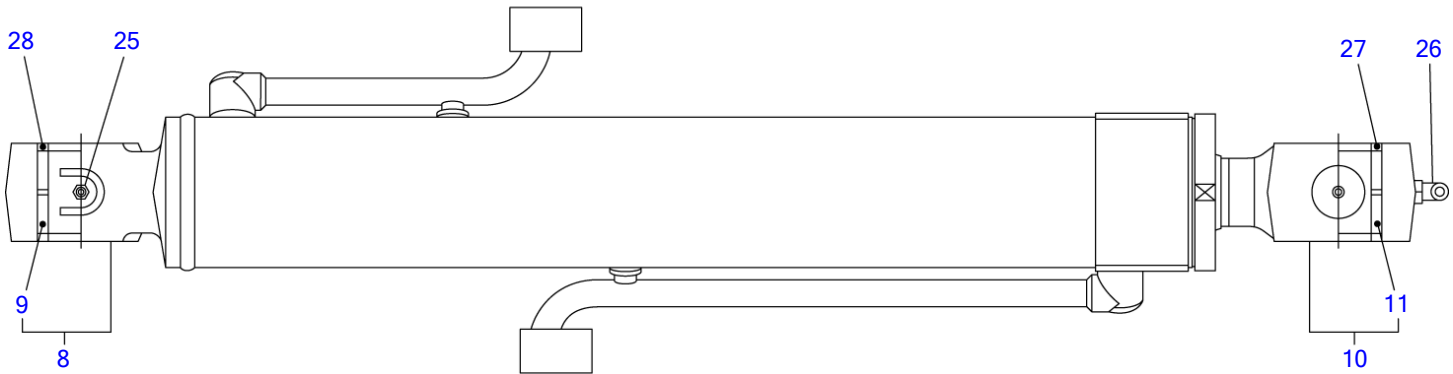
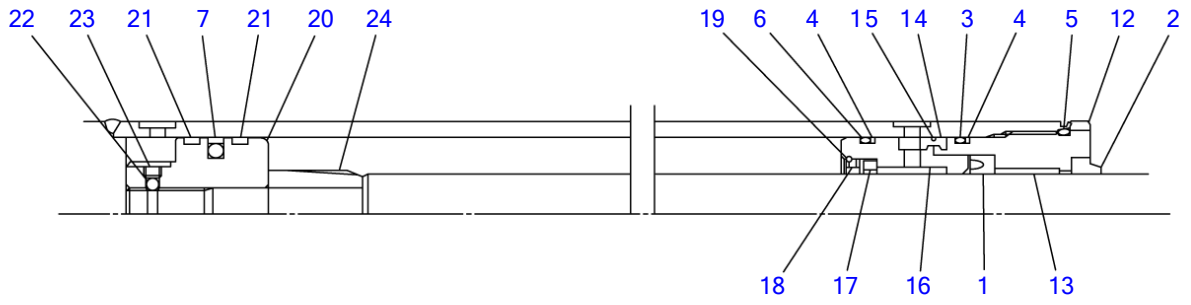
E5H320

S-free

BOOM CYLINDER (12514526-12514639)

Item	Part number	Description	Q'ty	Chan.	Serial No.	Serv.	Remarks
0	1900093300	CYLINDER ASSY	1				boom
0-1	1900077699	• KIT, seal	1				
1	X 1900005612	• • PACKING, rod	1				
2	X 1900073033	• • SEAL, dust	1				
3	X 1420110700	• • O-RING	1				
4	X 1421130700	• • RING, back-up	2				
5	X 1420110750	• • O-RING	1				
6	X 1420110650	• • O-RING	1				
7	X 1900050333	• • PACKING, piston	1				
8	1900093398	• TUBE ASSY	1				
9	1900093320	• • BUSHING	1				
10	1900093397	• ROD ASSY, piston	1				
11	1900015902	• • BUSHING	1				
12	1900073003	• COVER, rod	1				
13	1333004030	• BUSHING	1				
14	1900059826	• CONNECTOR	1				
15	1900059827	• STOPPER	1				
16	1900077604	• RETAINER	1				
17	1900052016	• RING, cushion	1				
18	1900052015	• SPACER	1				
19	1900052026	• STOPPER	1				
20	1900054306	• PISTON	1				
21	1900050332	• RING, slide	2				
22	1390020250	• BALL, steel	1				
23	1121050608	• SET-SCREW	1				
24	1900077605	• CUSHION, rod	1				
25	1560001000	• FITTING, grease	1				
26	1560001675	• FITTING, grease	1				
27	1432200040	• SEAL, dust	2				
28	1900093310	• PIPE ASSY	1				
29	1900093311	• PIPE ASSY	1				
30	1900093327	• PLUG	2				
31	1900093328	• O-RING	4				
32	1100040816	• BOLT	2				
33	1900090017	• HOLDER	2				
34	1432200050	• SEAL, dust	2				
	E5h320						

TB125 Book No. BE5Z010 S/N 12510009-
BOOM CYLINDER (12514640-)



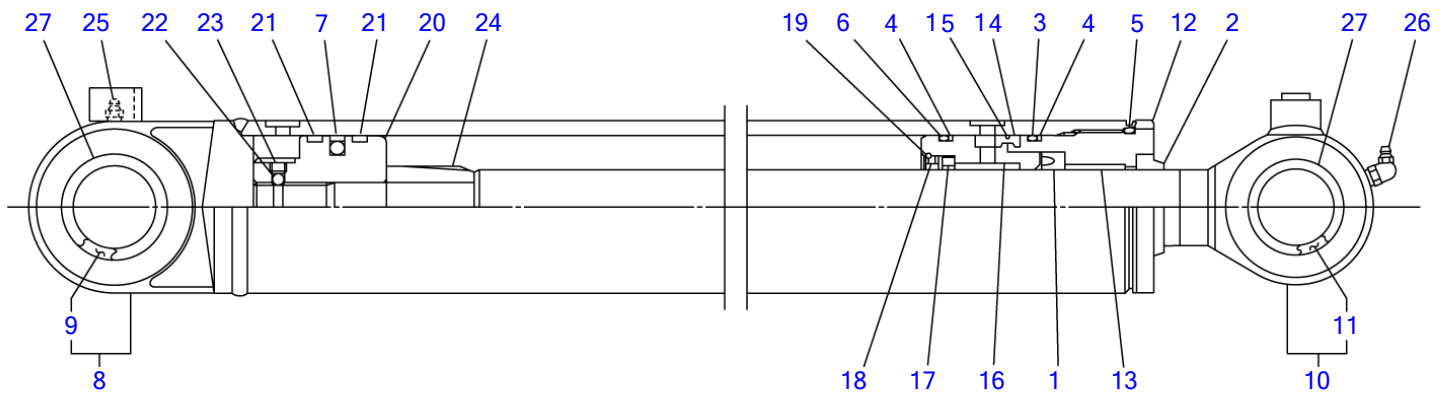
E5H380

S=free

BOOM CYLINDER (12514640-)

Item	Part number	Description	Q'ty	Chan.	Serial No.	Serv.	Remarks
0	1900097200	CYLINDER ASSY	1				boom
0-1	1900077699	• KIT, seal	1				
1	X 1900005612	• • PACKING, rod	1				
2	X 1900073033	• • SEAL, dust	1				
3	X 1420110700	• • O-RING	1				
4	X 1421130700	• • RING, back-up	2				
5	X 1420110750	• • O-RING	1				
6	X 1420110650	• • O-RING	1				
7	X 1900050333	• • PACKING, piston	1				
8	1900097298	• TUBE ASSY	1				
9	1900093320	• • BUSHING	1				
10	1900093397	• ROD ASSY, piston	1				
11	1900015902	• • BUSHING	1				
12	1900073003	• COVER, rod	1				
13	1333004030	• BUSHING	1				
14	1900059826	• CONNECTOR	1				
15	1900059827	• STOPPER	1				
16	1900077604	• RETAINER	1				
17	1900052016	• RING, cushion	1				
18	1900052015	• SPACER	1				
19	1900052026	• STOPPER	1				
20	1900054306	• PISTON	1				
21	1900050332	• RING, slide	2				
22	1390020250	• BALL, steel	1				
23	1121050608	• SET-SCREW	1				
24	1900077605	• CUSHION, rod	1				
25	1560001000	• FITTING, grease	1				
26	1560001675	• FITTING, grease	1				
27	1432200040	• SEAL, dust	2				
28	1432200050	• SEAL, dust	2				
	E5h380						

TB125 Book No. BE5Z010 S/N 12510009-
BOOM CYLINDER (with emergency shut-off valve; 12510009-12514525)



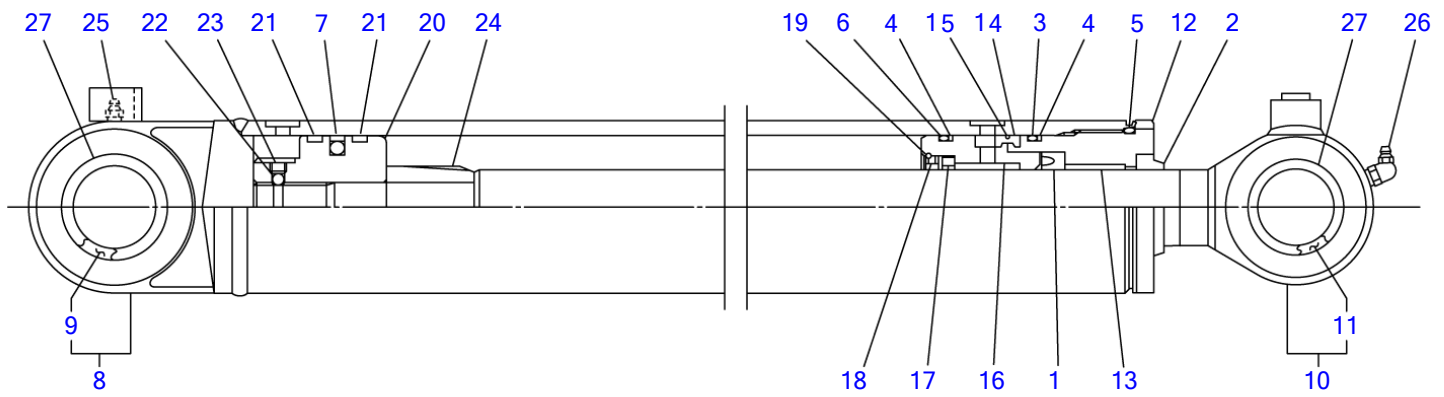
E5H130

S=FREE

BOOM CYLINDER (with emergency shut-off valve; 12510009-12514525)

Item	Part number	Description	Q'ty	Chan.	Serial No.	Serv.	Remarks
0	1900089300	CYLINDER ASSY	1				boom
0-1	1900077699	• KIT, seal	1				
1	X 1900005612	• • PACKING, rod	1				
2	X 1900073033	• • SEAL, dust	1				
3	X 1420110700	• • O-RING	1				
4	X 1421130700	• • RING, back-up	2				
5	X 1420110750	• • O-RING	1				
6	X 1420110650	• • O-RING	1				
7	X 1900050333	• • PACKING, piston	1				
8	1900089398	• TUBE ASSY	1				
9	1900089320	• • BUSHING	1				
10	1900082697	• ROD ASSY, piston	1				
11	1900015902	• • BUSHING	1				
12	1900073003	• COVER, rod	1				
13	1333004030	• BUSHING	1				
14	1900059826	• CONNECTOR	1				
15	1900059827	• STOPPER	1				
16	1900077604	• RETAINER	1				
17	1900052016	• RING, cushion	1				
18	1900052015	• SPACER	1				
19	1900052026	• STOPPER	1				
20	1900054306	• PISTON	1				
21	1900050332	• RING, slide	2				
22	1390020250	• BALL, steel	1				
23	1121050608	• SET-SCREW	1				
24	1900077605	• CUSHION, rod	1				
25	1560001000	• FITTING, grease	1				
26	1560001675	• FITTING, grease	1				
27	1432200040	• SEAL, dust	4				
	E5h310						

TB125 Book No. BE5Z010 S/N 12510009-
BOOM CYLINDER (with emergency shut-off valve; 12514526-)



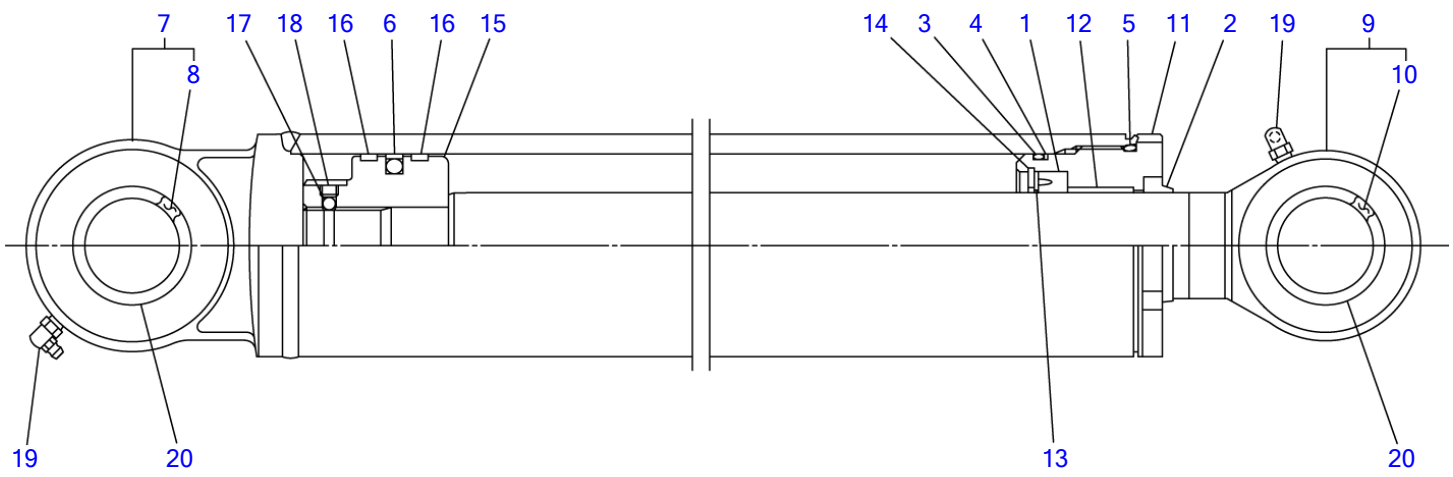
E5H130

S=FREE

BOOM CYLINDER (with emergency shut-off valve; 12514526-)

Item	Part number	Description	Q'ty	Chan.	Serial No.	Serv.	Remarks
0	1900094900	CYLINDER ASSY	1				boom
0-1	1900077699	• KIT, seal	1				
1	X 1900005612	• • PACKING, rod	1				
2	X 1900073033	• • SEAL, dust	1				
3	X 1420110700	• • O-RING	1				
4	X 1421130700	• • RING, back-up	2				
5	X 1420110750	• • O-RING	1				
6	X 1420110650	• • O-RING	1				
7	X 1900050333	• • PACKING, piston	1				
8	1900094998	• TUBE ASSY	1				
9	1900093320	• • BUSHING	1				
10	1900093397	• ROD ASSY, piston	1				
11	1900015902	• • BUSHING	1				
12	1900073003	• COVER, rod	1				
13	1333004030	• BUSHING	1				
14	1900059826	• CONNECTOR	1				
15	1900059827	• STOPPER	1				
16	1900077604	• RETAINER	1				
17	1900052016	• RING, cushion	1				
18	1900052015	• SPACER	1				
19	1900052026	• STOPPER	1				
20	1900054306	• PISTON	1				
21	1900050332	• RING, slide	2				
22	1390020250	• BALL, steel	1				
23	1121050608	• SET-SCREW	1				
24	1900077605	• CUSHION, rod	1				
25	1560001000	• FITTING, grease	1				
26	1560001675	• FITTING, grease	1				
27	1432200040	• SEAL, dust	4				
	E5h330						

TB125 Book No. BE5Z010 S/N 12510009-
ARM CYLINDER (12510009-12514525)



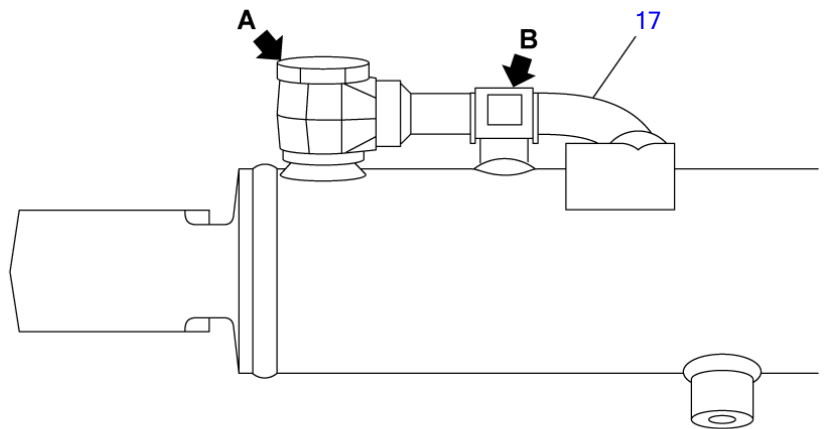
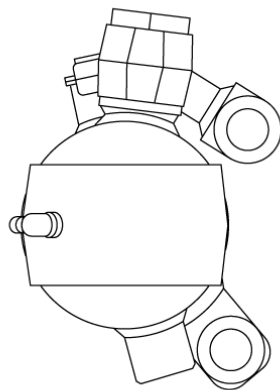
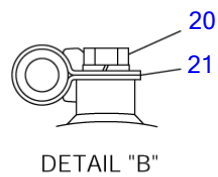
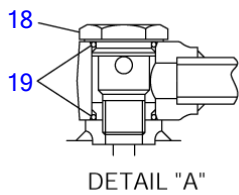
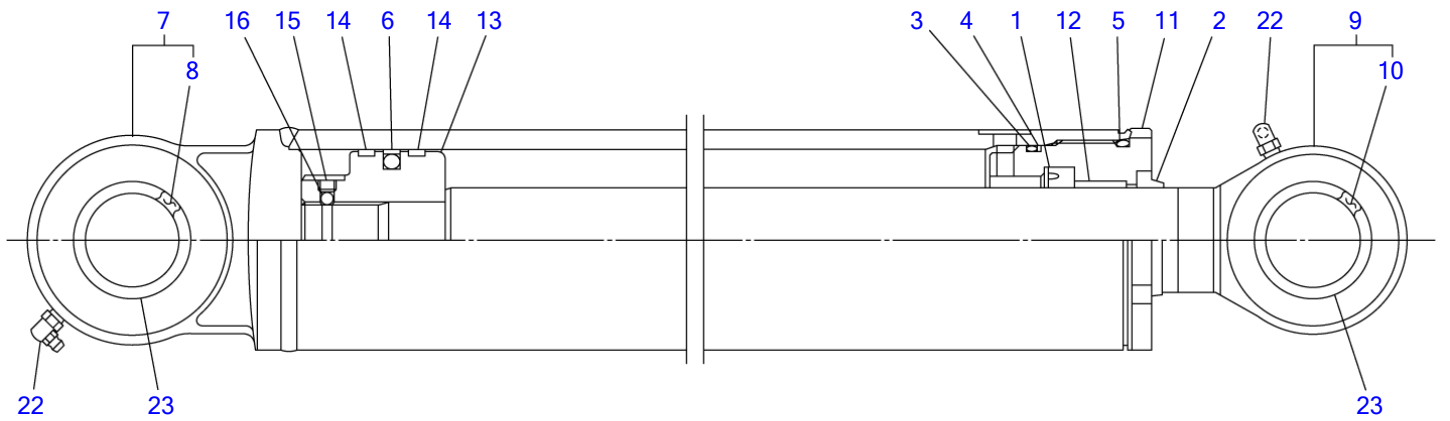
E5H140

S=free

ARM CYLINDER (12510009-12514525)

Item	Part number	Description	Q'ty	Chan.	Serial No.	Serv.	Remarks
0	1900077700	CYLINDER ASSY	1				
0-1	1900077499	▪ KIT, seal	1				arm
1	X 1410540559	▪ ▪ PACKING, rod	1				
2	X 1900073033	▪ ▪ SEAL, dust	1				
3	X 1420110650	▪ ▪ O-RING	1				
4	X 1421130650	▪ ▪ RING, back-up	1				
5	X 1420110700	▪ ▪ O-RING	1				
6	X 1900051132	▪ ▪ PACKING, piston	1				
7	1900077798	▪ TUBE ASSY	1				
8	1900022702	▪ ▪ BUSHING	1				
9	1900077797	▪ ROD ASSY, piston	1				
10	1900015720	▪ ▪ BUSHING	1				
11	1900055003	▪ COVER, rod	1				
12	1333004030	▪ BUSHING	1				
13	1900056308	▪ HOLDER, rod packing	1				
14	1221000055	▪ RING, snap	1				
15	1900055006	▪ PISTON	1				
16	1900051131	▪ RING, slide	2				
17	1390020250	▪ BALL, steel	1				
18	1121050608	▪ SET-SCREW	1				
19	1560001900	▪ FITTING, grease	2				
20	1432200040	▪ SEAL, dust	4				
	E5h141						

TB125 Book No. BE5Z010 S/N 12510009-
ARM CYLINDER (12514526-)



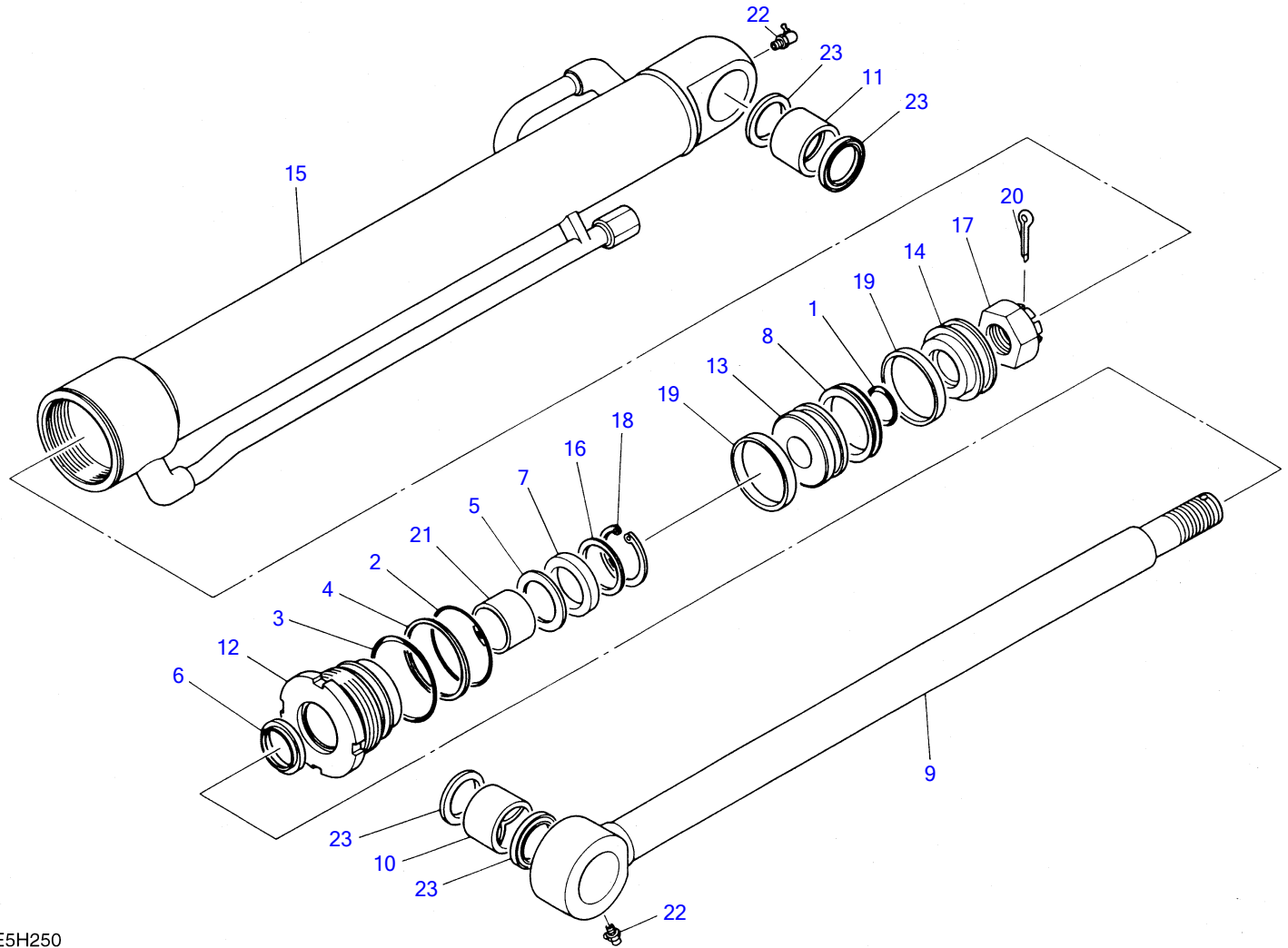
E5H340

S=free

ARM CYLINDER (12514526-)

Item	Part number	Description	Q'ty	Chan.	Serial No.	Serv.	Remarks
0	1900093400	CYLINDER ASSY	1				arm
0-1	1900093499	• KIT, seal	1				
1	X 1900005612	• • PACKING, rod	1				
2	X 1900073033	• • SEAL, dust	1				
3	X 1420110650	• • O-RING	1				
4	X 1900088627	• • RING, back-up	1				
5	X 1420110700	• • O-RING	1				
6	X 1900051132	• • PACKING, piston	1				
7	1900093498	• TUBE ASSY	1				
8	1900022702	• • BUSHING	1				
9	1900093497	• ROD ASSY, piston	1				
10	1900015720	• • BUSHING	1				
11	1900088603	• COVER, rod	1				
12	1900088620	• BUSHING	1				
13	1900088606	• PISTON	1				
14	1900088626	• RING, slide	2				
15	1121050808	• SET-SCREW	1				
16	1390020350	• BALL, steel	1				
17	1900093410	• PIPE ASSY	1				
18	1900093327	• PLUG	1				
19	1900093328	• O-RING	2				
20	1100040816	• BOLT	1				
21	1900090017	• HOLDER	1				
22	1560001900	• FITTING, grease	2				
23	1900088633	• SEAL, dust	4				
	E5h340						

TB125 Book No. BE5Z010 S/N 12510009-
ARM CYLINDER (for telescopic)



E5H250

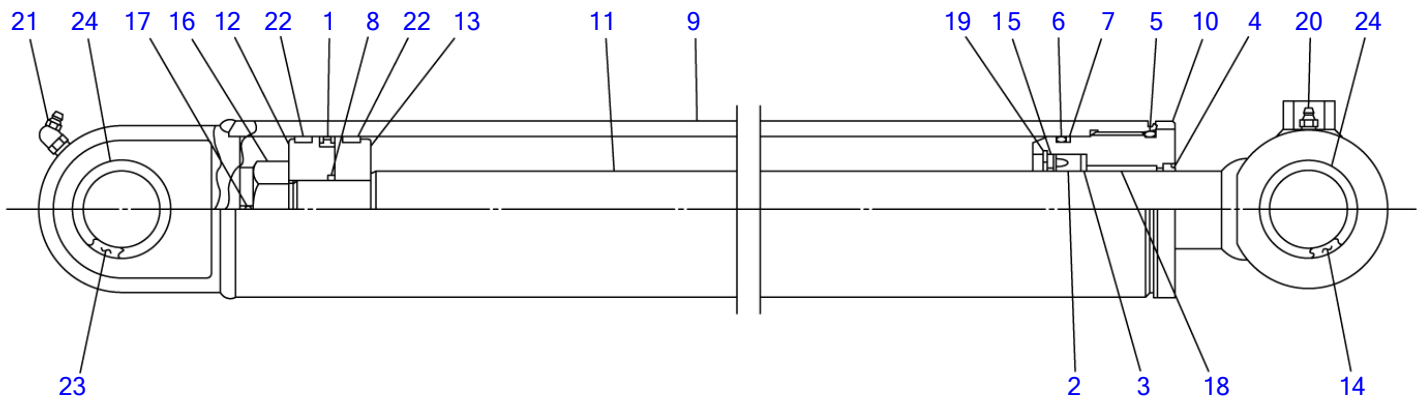
ARM CYLINDER (for telescopic)

Item	Part number	Description	Q'ty	Chan.	Serial No.	Serv.	Remarks
0	1900052500	CYLINDER ASSY	1				arm
0-1	1900043999	• KIT, seal	1				
1	X 1420010280	• • O-RING	1				
2	X 1420110700	• • O-RING	1				
3	X 1420110750	• • O-RING	1				
4	X 1421130700	• • RING, back-up	1				
5	X 1411255403	• • RING, back-up	1				
6	X 1411500400	• • SEAL, dust	1				
7	X 1410540559	• • PACKING, rod	1				
8	X 1410220700	• • PACKING, piston	1				
9	1900043901	• ROD, piston	1				
10	1900043902	• BUSHING	1				19000-43902
11	1900043920	• BUSHING	1				19000-43920
12	1900043903	• COVER, rod	1				
13	1900043955	• HOLDER, packing	1				
14	1900043906	• PISTON	1				
15	1900052507	• TUBE	1				
16	1900000508	• HOLDER, rod packing	1				
17	1900000509	• NUT	1				
18	1900023714	• RING, snap	1				
19	1410707010	• RING, wear	2				
20	1210000550	• PIN, split	1				
21	1333004030	• BUSHING	1				
22	1560001900	• FITTING, grease	2				
23	1432200035	• SEAL, dust	4				
	E5h250						

TELESCOPIC CYLINDER

Item	Part number	Description	Q'ty	Chan.	Serial No.	Serv.	Remarks
0	1900049700	CYLINDER ASSY	1				telescopic
0-1	1900048199	· KIT, seal	1				
1	X 1410220600	· · PACKING, piston	1				
2	X 1410540508	· · PACKING, rod	1				
3	X 1411500400	· · SEAL, dust	1				
4	X 1411250403	· · RING, back-up	1				
5	X 1421130600	· · RING, back-up	1				
6	X 1420110660	· · O-RING	1				
7	X 1420110600	· · O-RING	1				
8	X 1420010240	· · O-RING	1				
9	1410706008	· RING, wear	2				
10	1900049701	· ROD, piston	1				
11	1900049703	· COVER, rod	1				
12	1900044055	· HOLDER, packing	1				
13	1900044006	· PISTON	1				
14	1900049707	· TUBE	1				
15	1900049708	· HOLDER, rod packing	1				
16	1900000309	· NUT	1				
17	1210000545	· PIN, split	1				
18	1333004030	· BUSHING	1				
19	1221010050	· RING, snap	1				
	E5h260						

TB125 Book No. BE5Z010 S/N 12510009-
BUCKET CYLINDER



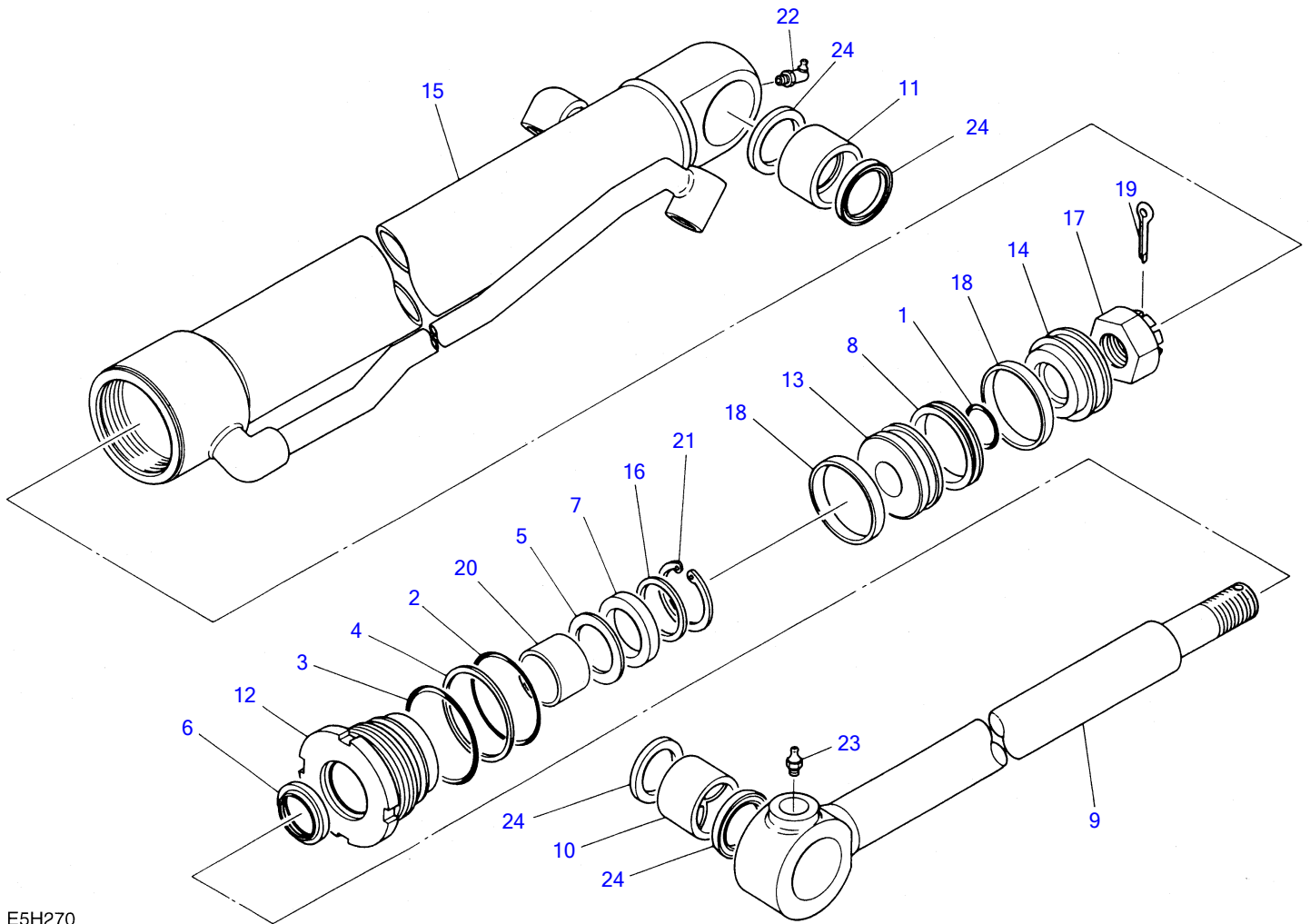
E5H150

S=FREE

BUCKET CYLINDER

Item	Part number	Description	Q'ty	Chan.	Serial No.	Serv.	Remarks
0	1900077800	CYLINDER ASSY	1				bucket
0-1	1900060699	• KIT, seal	1				
1	X 1410220600	• • PACKING, piston	1				
2	X 1410535458	• • PACKING, rod	1				
3	X 1411245353	• • RING, back-up	1				
4	X 1900088433	• • SEAL, dust	1				
5	X 1420110600	• • O-RING	1				
6	X 1420110550	• • O-RING	1				
7	X 1421130550	• • RING, back-up	1				
8	X 1420010240	• • O-RING	1				
9	1900077807	• TUBE	1				
10	1900060603	• COVER, rod	1				
11	1900077801	• ROD, piston	1				
12	1900044006	• PISTON	1				
13	1900044055	• HOLDER, packing	1				
14	1900077802	• BUSHING	1				
15	1900077808	• HOLDER, rod packing	1				
16	1900077809	• NUT	1				
17	1213000545	• PIN, split	1				
18	1333003525	• BUSHING	1				
19	1221000045	• RING, snap	1				
20	1560001000	• FITTING, grease	1				
21	1560001900	• FITTING, grease	1				
22	1410706008	• RING, wear	2				
23	1900077820	• BUSHING	1				
24	1432200035	• SEAL, dust	4				
	E5h152						

TB125 Book No. BE5Z010 S/N 12510009-
BUCKET CYLINDER (for telescopic)

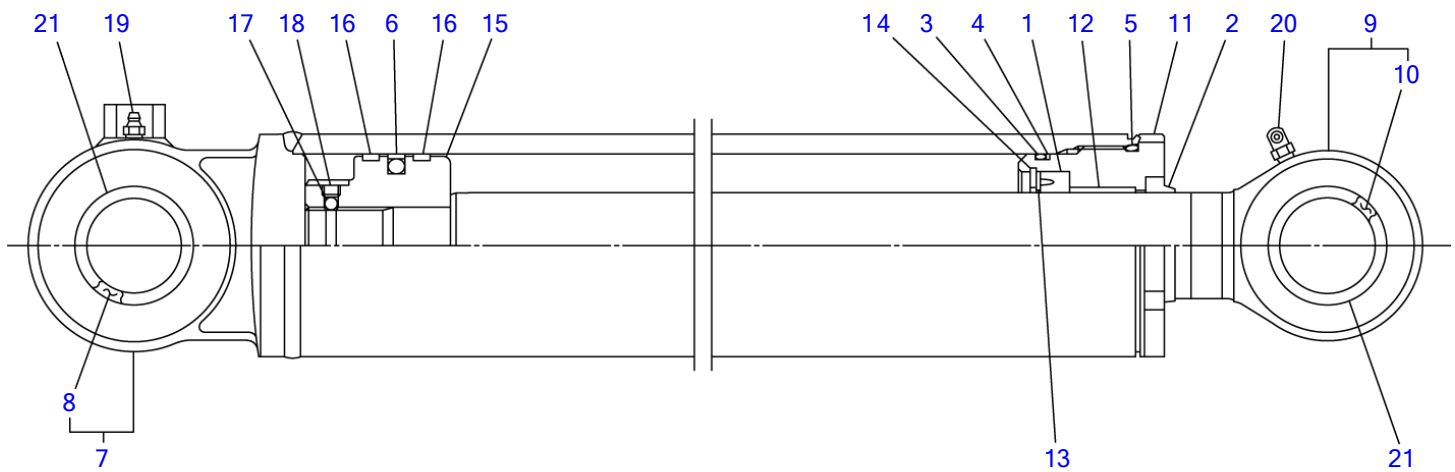


E5H270

BUCKET CYLINDER (for telescopic)

Item	Part number	Description	Q'ty	Chan.	Serial No.	Serv.	Remarks
0	1900052600	CYLINDER ASSY	1				bucket
0-1	1900044099	• KIT, seal	1				
1	X 1420010240	• • O-RING	1				
2	X 1420110600	• • O-RING	1				
3	X 1420110650	• • O-RING	1				
4	X 1421130600	• • RING, back-up	1				
5	X 1411245353	• • RING, back-up	1				
6	X 1411500350	• • SEAL, dust	1				
7	X 1410535458	• • PACKING, rod	1				
8	X 1410220600	• • PACKING, piston	1				
9	1900044001	• ROD, piston	1				
10	1900044002	• BUSHING	1				
11	1900044020	• BUSHING	1				
12	1900044003	• COVER, rod	1				
13	1900044055	• HOLDER, packing	1				
14	1900044006	• PISTON	1				
15	1900052607	• TUBE	1				
16	1900023008	• HOLDER, rod packing	1				
17	1900000309	• NUT	1				
18	1410706008	• RING, wear	2				
19	1210000545	• PIN, split	1				
20	1333003525	• BUSHING	1				
21	1220000045	• RING, snap	1				
22	1560001900	• FITTING, grease	1				
23	1560001000	• FITTING, grease	1				
24	1432200035	• SEAL, dust	4				
	E5h270						

TB125 Book No. BE5Z010 S/N 12510009-
DOZER BLADE CYLINDER (12510009-12514525)



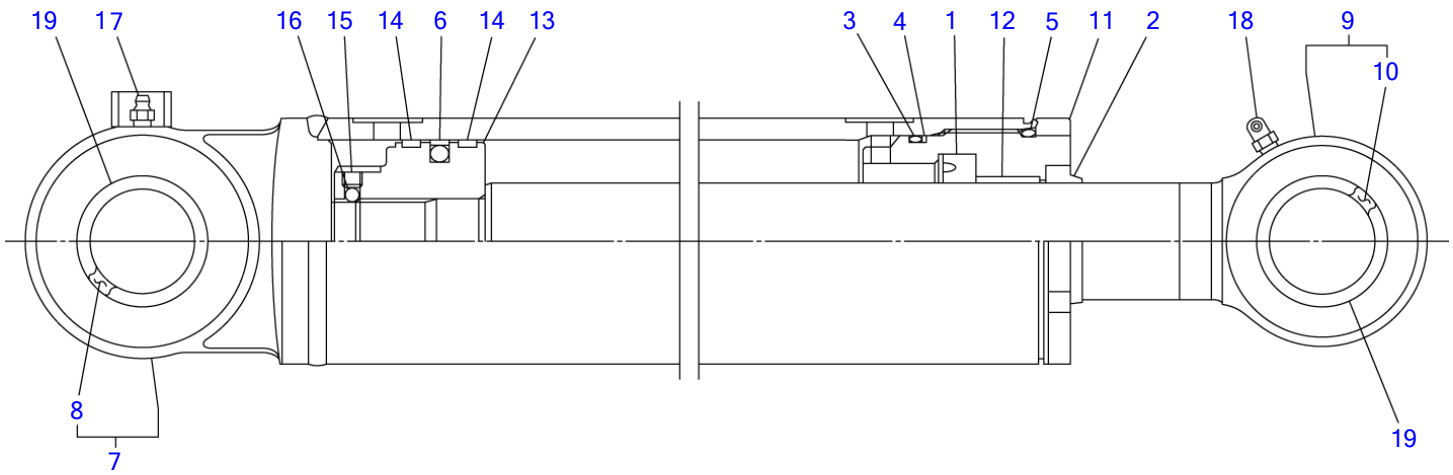
E5H160

S=free

DOZER BLADE CYLINDER (12510009-12514525)

Item	Part number	Description	Q'ty	Chan.	Serial No.	Serv.	Remarks
0	1900078200	CYLINDER ASSY	1				blade
0-1	1900078299	• KIT, seal	1				
1	X 1900005912	• • PACKING, rod	1				
2	X 1900075133	• • SEAL, dust	1				
3	X 1420110800	• • O-RING	1				
4	X 1421130800	• • RING, back-up	1				
5	X 1420110850	• • O-RING	1				
6	X 1900050932	• • PACKING, piston	1				
7	1900078207	• TUBE	1				
8	1900015502	• • BUSHING	1				
9	1900078201	• ROD, piston	1				
10	1900015502	• • BUSHING	1				
11	1900078203	• COVER, rod	1				
12	1900060826	• BUSHING	1				
13	1900005908	• HOLDER, rod packing	1				
14	1221000065	• RING, snap	1				
15	1900054706	• PISTON	1				
16	1900050931	• RING, slide	2				
17	1390020250	• BALL, steel	1				
18	1121050608	• SET-SCREW	1				
19	1560001000	• FITTING, grease	1				
20	1560001900	• FITTING, grease	1				
21	1432200045	• SEAL, dust	4				
	E5h161						

TB125 Book No. BE5Z010 S/N 12510009-
DOZER BLADE CYLINDER (12514526-)



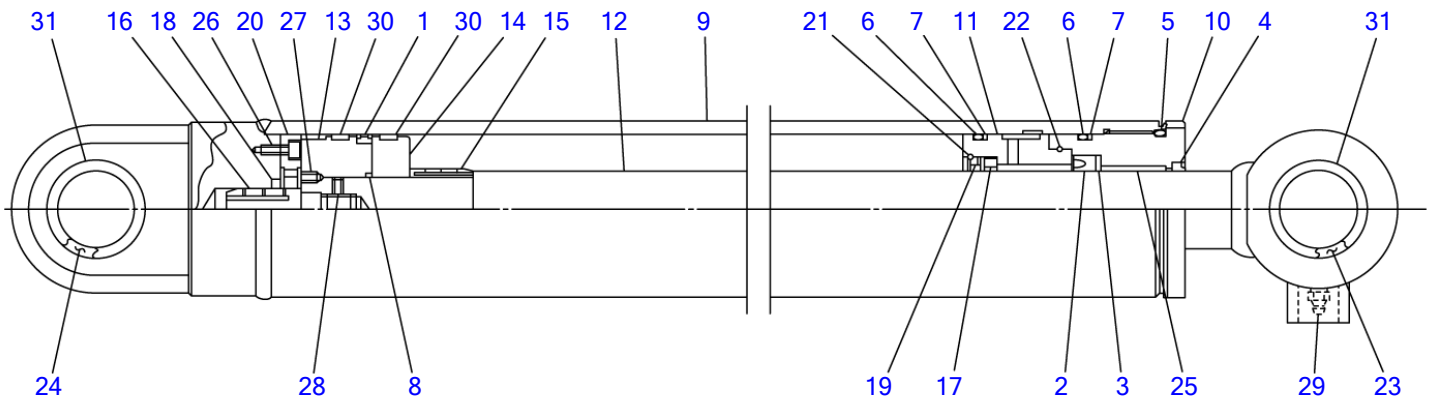
E5H350

S=free

DOZER BLADE CYLINDER (12514526-)

Item	Part number	Description	Q'ty	Chan.	Serial No.	Serv.	Remarks
0	1900093500	CYLINDER ASSY	1				blade
0-1	1900093599	• KIT, seal	1				
1	X 1900005912	• • PACKING, rod	1				
2	X 1900075133	• • SEAL, dust	1				
3	X 1420110800	• • O-RING	1				
4	X 1900091027	• • RING, back-up	1				
5	X 1420110850	• • O-RING	1				
6	X 1900050932	• • PACKING, piston	1				
7	1900093598	• TUBE ASSY	1				
8	1900015502	• • BUSHING	1				
9	1900093597	• ROD ASSY, piston	1				
10	1900015502	• • BUSHING	1				
11	1900093503	• COVER, rod	1				
12	1333004525	• BUSHING	1				
13	1900093506	• PISTON	1				
14	1900091026	• RING, slide	2				
15	1121050808	• SET-SCREW	1				
16	1390020350	• BALL, steel	1				
17	1560001000	• FITTING, grease	1				
18	1560001900	• FITTING, grease	1				
19	1432200045	• SEAL, dust	4				
	E5h351						

TB125 Book No. BE5Z010 S/N 12510009-
SWING CYLINDER (12510009-12511081)



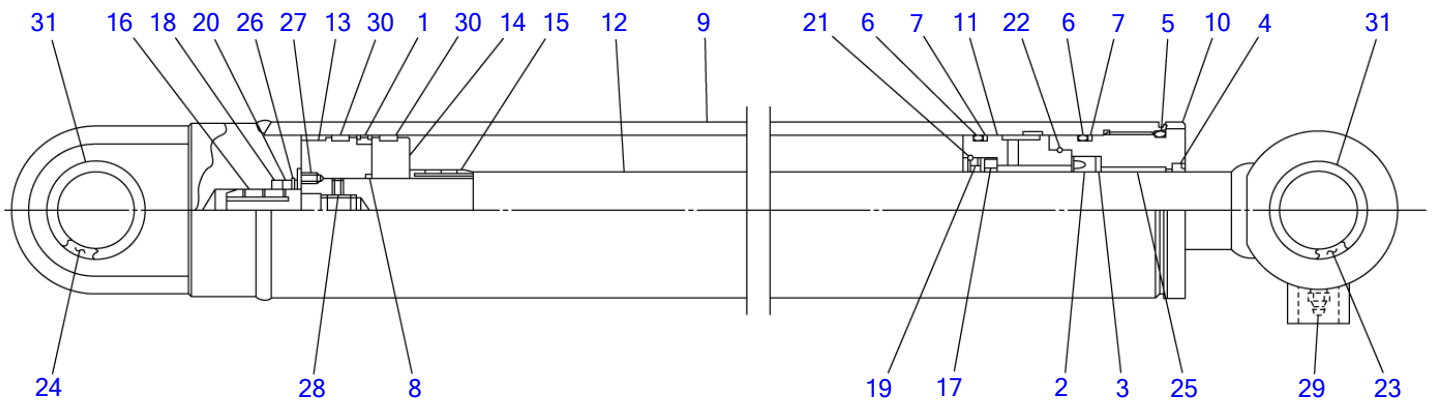
E5H170

S=FREE

SWING CYLINDER (12510009-12511081)

Item	Part number	Description	Q'ty	Chan.	Serial No.	Serv.	Remarks
0	19000-77900	CYLINDER ASSY	1				swing
0-1	19000-77999	• KIT, seal	1				
1	X 14102-20750	• • PACKING, piston	1				
2	X 14105-40562	• • PACKING, rod	1				
3	X 14112-40563	• • RING, back-up	1				
4	X 19000-84133	• • SEAL, dust	1				
5	X 14201-10750	• • O-RING	1				
6	X 14201-10700	• • O-RING	2				
7	X 14211-30700	• • RING, back-up	2				
8	X 14201-10300	• • O-RING	1				
9	19000-77907	• TUBE	1				
10	19000-77903	• COVER, rod	1				
11	19000-77930	• COVER, rod	1				
12	19000-77901	• ROD, piston	1				
13	19000-44106	• PISTON	1				
14	19000-43855	• HOLDER, packing	1				
15	19000-44105	• CUSHION, rod	1				
16	19000-77916	• BEARING, cushion	1				
17	19000-35819	• RING, seal	1				
18	19000-77931	• RING, seal	1				
19	19000-59426	• STOPPER	1				
20	19000-77904	• RETAINER	1				
21	19000-59414	• RING, stop	1				
22	19000-77935	• RING	1				
23	19000-77902	• BUSHING	1				
24	19000-77920	• BUSHING	1				
25	13330-04030	• BUSHING	1				
26	11100-20516	• BOLT	4				
27	11210-50610	• SET-SCREW	1				
28	11210-50508	• SET-SCREW	1				
29	15600-01000	• FITTING, grease	1				
30	14107-07510	• RING, wear	2				
31	14322-00040	• SEAL, dust	4				
	E5h171-1						

TB125 Book No. BE5Z010 S/N 12510009-
SWING CYLINDER (12511082-)



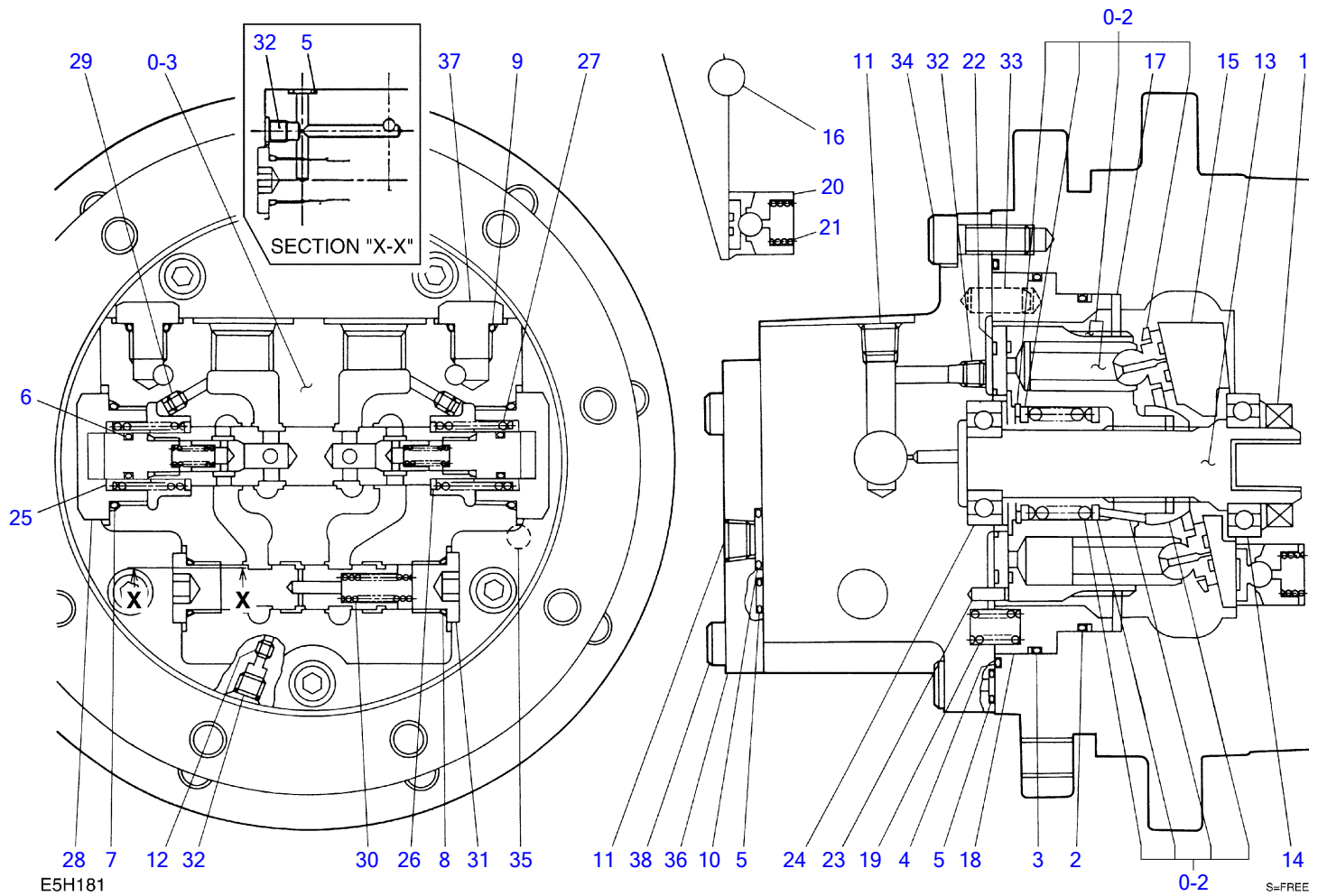
E5H171

S=FREE

SWING CYLINDER (12511082-)

Item	Part number	Description	Q'ty	Chan.	Serial No.	Serv.	Remarks
0	1900084100	CYLINDER ASSY	1				swing
0-1	1900084199	• KIT, seal	1				
1	X 1410220750	• • PACKING, piston	1				
2	X 1410540562	• • PACKING, rod	1				
3	X 1411240563	• • RING, back-up	1				
4	X 1900084133	• • SEAL, dust	1				
5	X 1420110750	• • O-RING	1				
6	X 1420110700	• • O-RING	2				
7	X 1421130700	• • RING, back-up	2				
8	X 1420110300	• • O-RING	1				
9	1900077907	• TUBE	1				
10	1900077903	• COVER, rod	1				
11	1900077930	• COVER, rod	1				
12	1900077901	• ROD, piston	1				
13	1900044106	• PISTON	1				
14	1900043855	• HOLDER, packing	1				
15	1900044105	• CUSHION, rod	1				
16	1900084105	• BEARING, cushion	1				
17	1900035819	• RING, seal	1				
18	1900077931	• RING, seal	1				
19	1900084127	• STOPPER	1				
20	1900059629	• STOPPER	1				
21	1900084114	• RING, stop	1				
22	1900077935	• RING	1				
23	1900077902	• BUSHING	1				
24	1900077920	• BUSHING	1				
25	1333004030	• BUSHING	1				
26	1900059615	• RING, stop	1				
27	1121050610	• SET-SCREW	1				
28	1121050508	• SET-SCREW	1				
29	1560001000	• FITTING, grease	1				
30	1410707510	• RING, wear	2				
31	1432200040	• SEAL, dust	4				
	E5h172						

TB125 Book No. BE5Z010 S/N 12510009-
TRAVEL MOTOR (1/3) (motor sec.; 12510009-12510152)

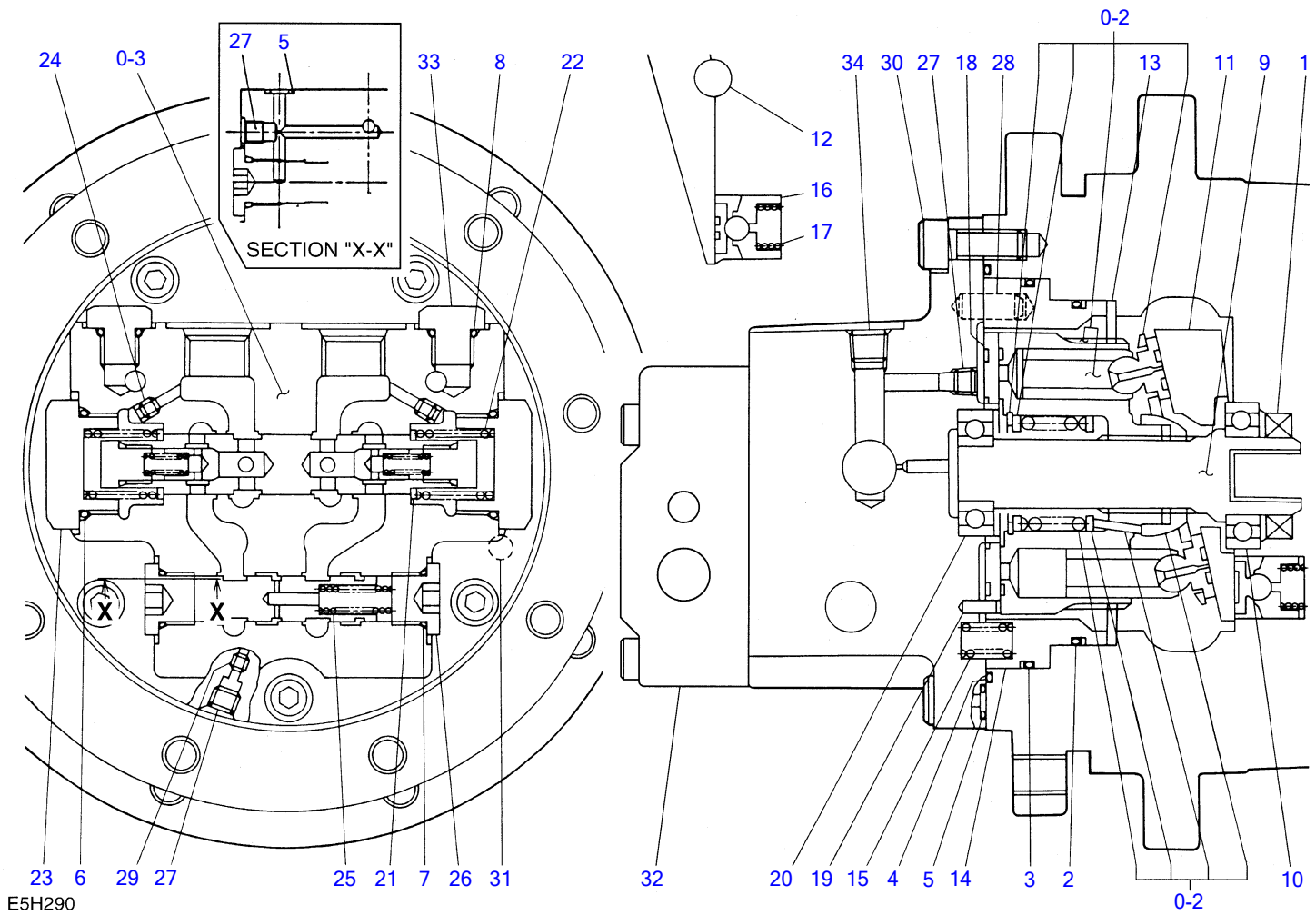


E5H181

S=FREE

TRAVEL MOTOR (1/3) (motor sec.; 12510009-12510152)

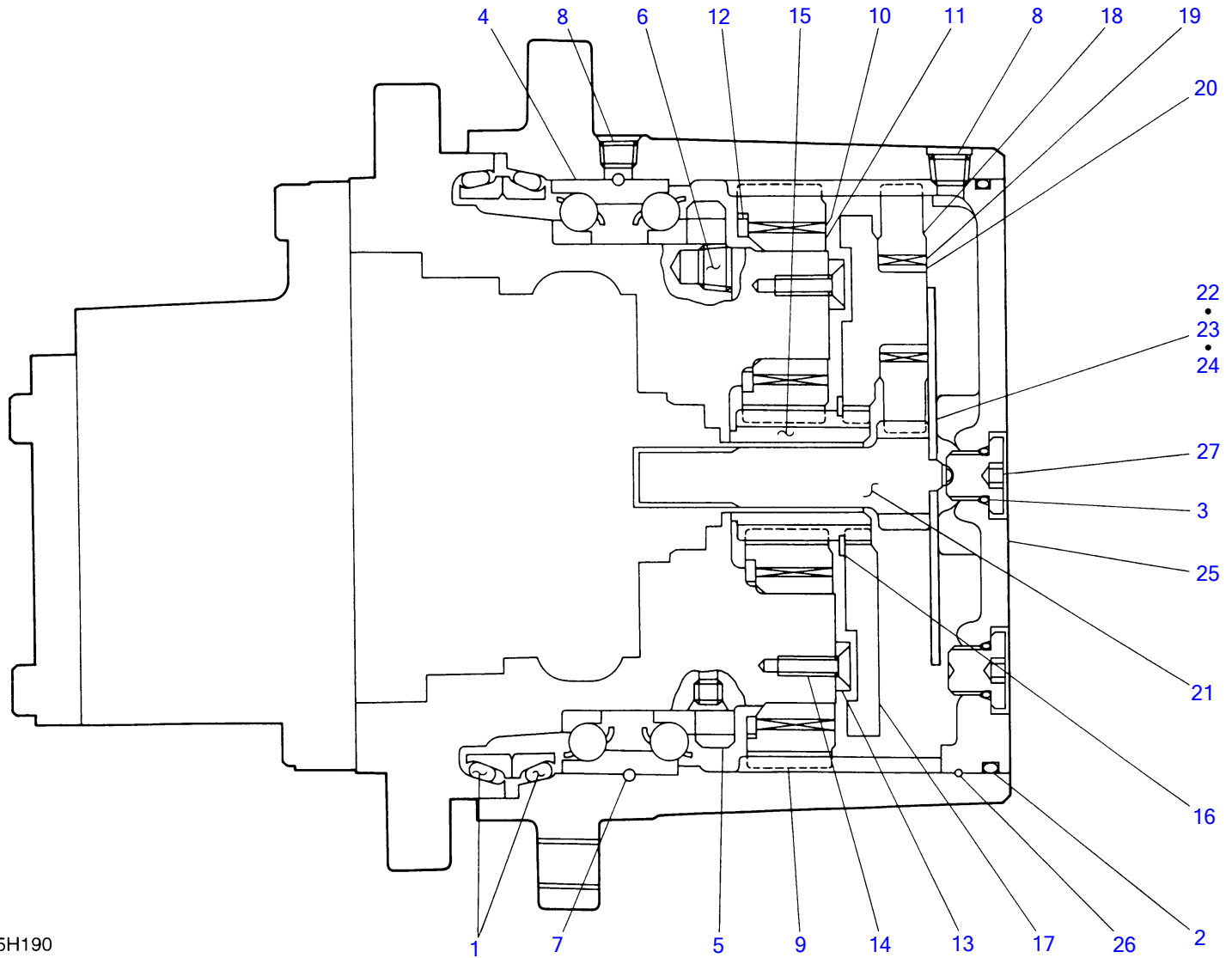
Item	Part number	Description	Q'ty	Chan.	Serial No.	Serv.	Remarks
0	1903120500	MOTOR ASSY, travel	1				
0-1	1903120599	• KIT, seal	1				
1	X 1903120504	• • SEAL, oil	1				
2	X 1903120521	• • O-RING	1				
3	X 1903120523	• • O-RING	1				
4	X 1420101200	• • O-RING	1				
5	X 1420010070	• • O-RING	7				
6	X 1420000120	• • O-RING	2				
7	X 1420010290	• • O-RING	2				
8	X 1420010140	• • O-RING	2				
9	X 1420010110	• • O-RING	2				
10	X 1420010160	• • O-RING	2				
11	1501810002	• PLUG	3				
12	1903107047	• ORIFICE	5				
13	1903110202	• SHAFT	1				
14	1903104403	• BEARING	1				
15	1903120505	• PLATE	1				
16	1903120506	• BALL, steel	2				
0-2	1903120598	• BLOCK KIT, cylinder	1				
17	1903110316	• DISK	1				
18	1903120517	• PISTON, brake	1				
19	1903120518	• SPRING	8				
20	1903120519	• PISTON ASSY	2				
21	1903110220	• SPRING	2				
22	1903110225	• PLATE	1				
23	1903005224	• PIN	1				
24	1903104422	• BEARING	1				
0-3	1903120597	• PLATE KIT, base	1				
25	1903120535	• SHEET, spring	2				
26	1903120536	• SHEET, spring	2				
27	1903120537	• SPRING	2				
28	1903120538	• CAP	2				
29	1903107047	• ORIFICE	2				
30	1903106842	• SPRING	1				
31	1903106843	• PLUG	2				
32	1901804213	• PLUG	5				
33	1903104520	• PIN	2				
34	1110011025	• SCREW, cap	6				
35	1903102019	• PIN	2				
36	1903110250	• COVER	1				
37	1903108655	• PLUG	2				
38	1110010820	• SCREW, cap	4				
	E5h182						



TRAVEL MOTOR (1/3) (motor sec.; 12510153-12514525)

Item	Part number	Description	Q'ty	Chan.	Serial No.	Serv.	Remarks
0	1903120400	MOTOR ASSY, travel	1				
0-1	1903120499	· KIT, seal	1				
1	X 1903120504	· · SEAL, oil	1				
2	X 1903120521	· · O-RING	1				
3	X 1903120523	· · O-RING	1				
4	X 1420101200	· · O-RING	1				
5	X 1420010070	· · O-RING	5				
6	X 1420010290	· · O-RING	2				
7	X 1420010140	· · O-RING	2				
8	X 1420010110	· · O-RING	2				
9	1903110202	· SHAFT	1				
10	1903104403	· BEARING	1				
11	1903120505	· PLATE	1				
12	1903120506	· BALL, steel	2				
0-2	1903120598	· BLOCK KIT, cylinder	1				
13	1903110316	· DISK	1				
14	1903120517	· PISTON, brake	1				
15	1903120518	· SPRING	8				
16	1903120519	· PISTON ASSY	2				
17	1903110220	· SPRING	2				
18	1903110225	· PLATE	1				
19	1903005224	· PIN	1				
20	1903104422	· BEARING	1				
0-3	1903120497	· PLATE KIT, base	1				
21	1903120436	· SHEET, spring	2				
22	1901802408	· SPRING	2				
23	1903106838	· CAP	2				
24	1903102038	· ORIFICE	2				
25	1903106842	· SPRING	1				
26	1903106843	· PLUG	2				
27	1901804213	· PLUG	5				
28	1903104520	· PIN	2				
29	1903107047	· ORIFICE	5				
30	1110021025	· SCREW, cap	6				
31	1903102019	· PIN	2				
32	1901809800	· VALVE ASSY	1				see page (3/3)
33	1903108655	· PLUG	2				
34	1501810002	· PLUG	1				
	E5h291						

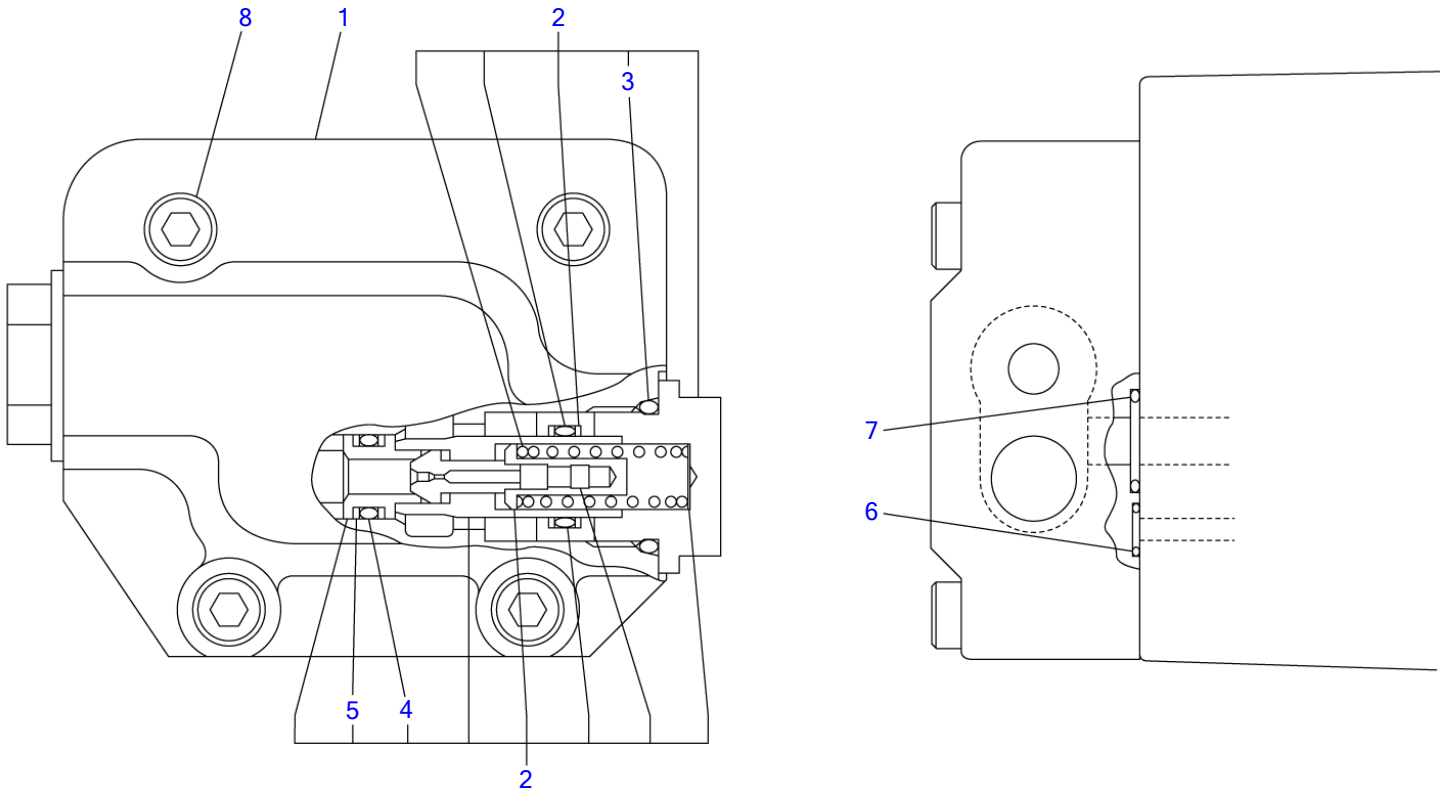
TB125 Book No. BE5Z010 S/N 12510009-
TRAVEL MOTOR (2/3) (reduction sec.; 12510153-12514525)



E5H190

TRAVEL MOTOR (2/3) (reduction sec.; 12510153-12514525)

Item	Part number	Description	Q'ty	Chan.	Serial No.	Serv.	Remarks
0	1903120500	MOTOR ASSY, travel	1		12510009~12510152		
	1903120400	MOTOR ASSY, travel	1		12510153~		
0-1	1912905600	· REDUCTION	1				
0-2	1912905699	· · KIT, seal	1				
1	X 1912001005	· · · SEAL, floating	2				
2	X 1420111550	· · · O-RING	1				
3	X 1420010110	· · · O-RING	2				
4	1912902403	· · BEARING	1				
5	1912900704	· · NUT	1				
6	1912905605	· · PLUG	2				
7	1390020250	· · BALL, steel	132				
8	1903008232	· · PLUG	2				
9	1912905609	· · GEAR	4				
10	1912905610	· · BEARING	4				
11	1912905611	· · LACE, inner	4				
12	1912905612	· · WASHER	4				
13	1912900713	· · PLATE	1				
14	1912900714	· · SCREW	4				
15	1912905615	· · GEAR	1				
16	1220000035	· · RING, snap	1				
17	1912905617	· · HOLDER	1				
18	1912905618	· · GEAR	3				
19	1912905619	· · BEARING	3				
20	1912905620	· · LACE, inner	3				
21	1912905622	· · GEAR	1				
22	1912905623	· · PLATE	1				
23	1912905624	· · PLATE	1				
24	1912905625	· · PLATE	1				
25	1912905626	· · COVER	1				
26	1912900726	· · WIRE	1				
27	1903108655	· · PLUG	2				
	E5h191						



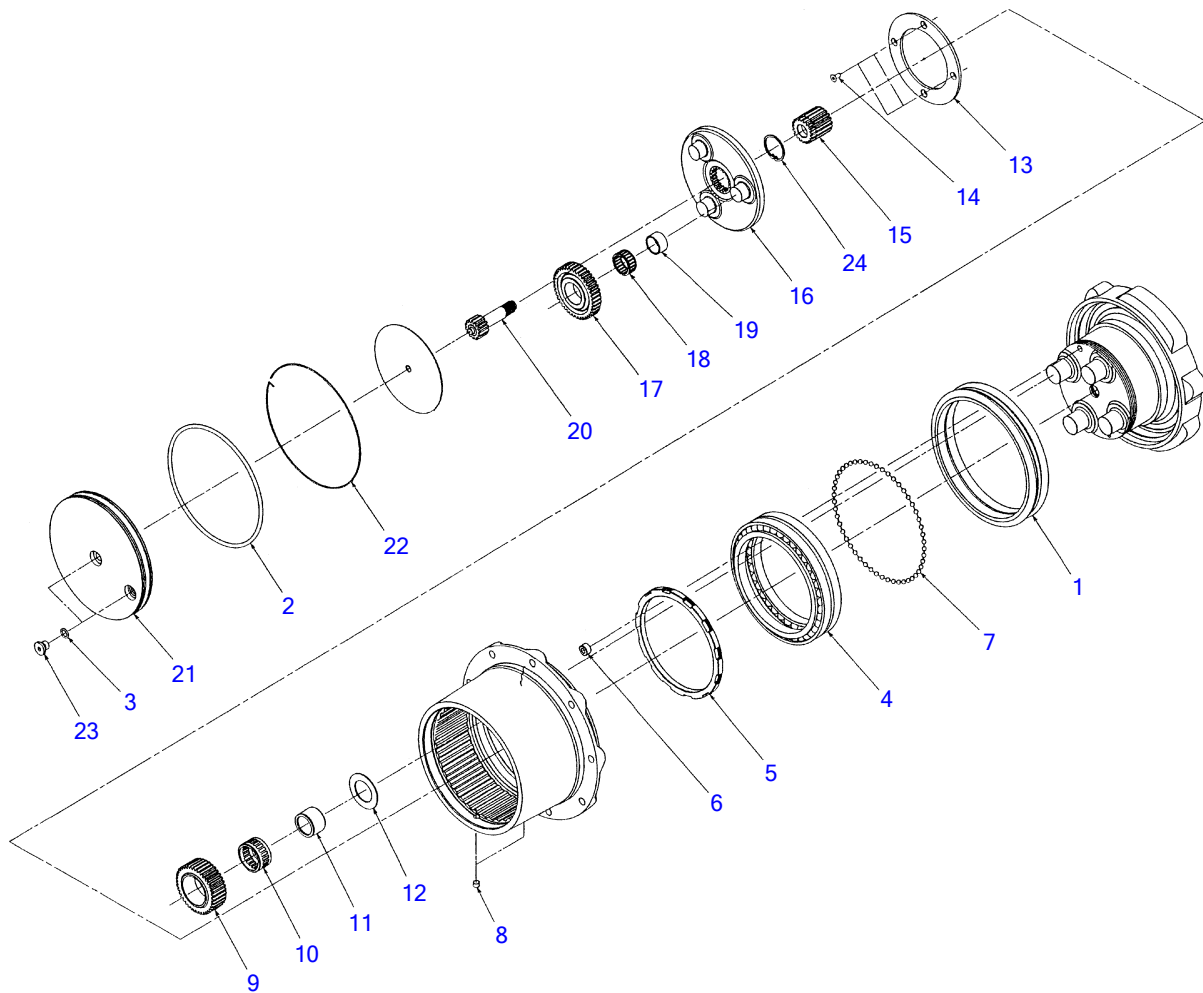
E5H300

S=free

TRAVEL MOTOR (3/3) (valve sec.; 12510153-12514525)

Item	Part number	Description	Q'ty	Chan.	Serial No.	Serv.	Remarks
0	1903120400	MOTOR ASSY, travel	1				
0-1	1901809800	▪ VALVE ASSY	1				
1	1901806301	▪ BODY	1				
2	1901800052	▪ VALVE, relief	1				
3	1420010240	▪ ▪ O-RING	1				
4	1420010120	▪ ▪ O-RING	1				
5	1421020120	▪ ▪ RING, back-up	2				
6	1420010070	▪ O-RING	3				
7	1420010160	▪ O-RING	2				
8	1110050840	▪ SCREW, cap	4				
	E5h300						

TB125 Book No. BE5Z010 S/N 12510009-
TRAVEL MOTOR (1/2) (reduction sec.; 12514526-)



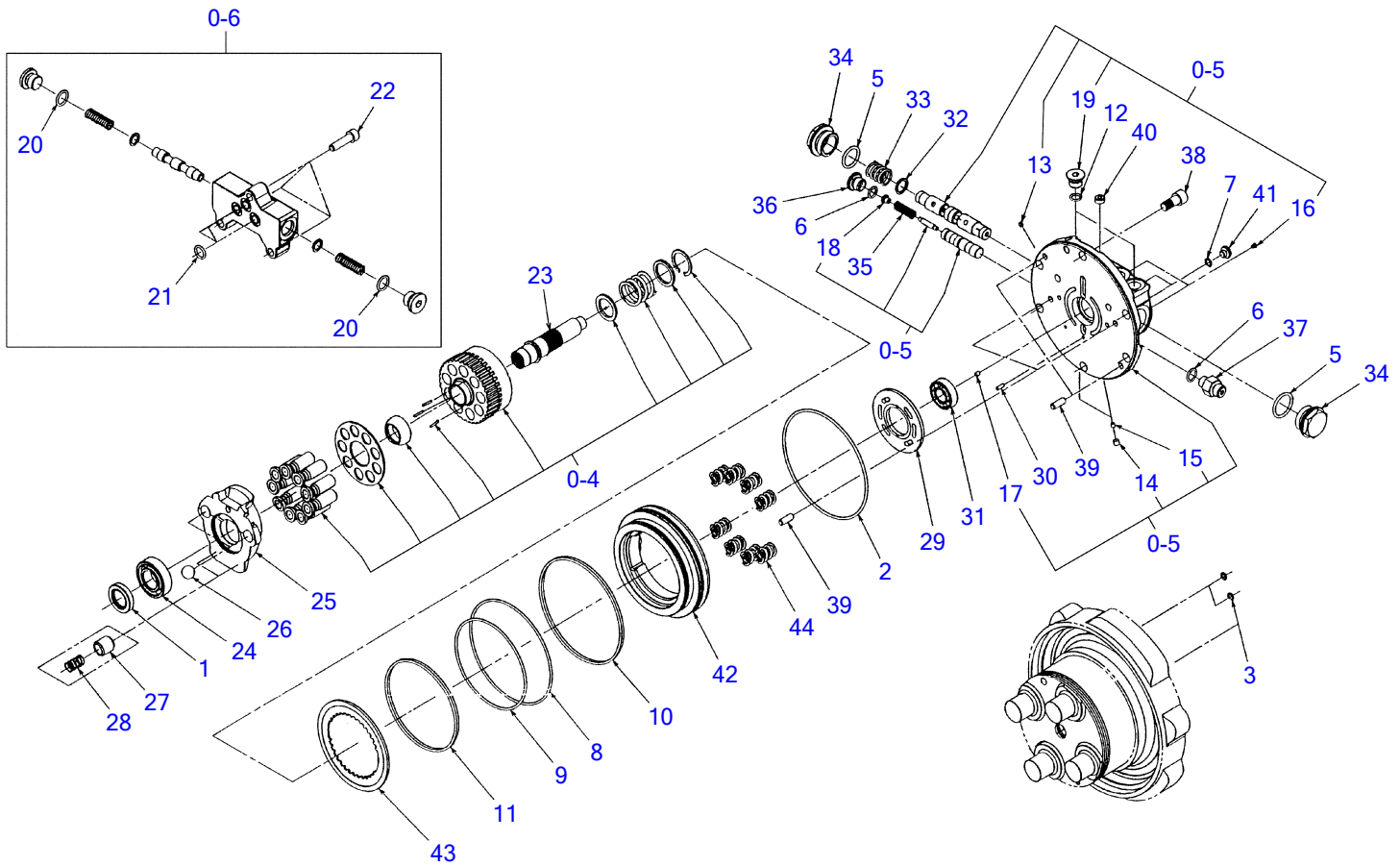
E5H360

S-free

TRAVEL MOTOR (1/2) (reduction sec.; 12514526-)

Item	Part number	Description	Q'ty	Chan.	Serial No.	Serv.	Remarks
0	1903124900	MOTOR ASSY, travel	1				
0-1	1912907900	· REDUCTION ASSY	1				
0-2	1912907999	· · KIT, seal	1				
1	X 1912001005	· · · SEAL, floating	2				
2	X 1420111550	· · · O-RING	1				
3	X 1420010140	· · · O-RING	2				
4	1912902403	· · BEARING	1				
5	1912907904	· · NUT	1				
6	1912905605	· · PLUG	2				
7	1390010250	· · BALL, steel	132				
8	1501810001	· · PLUG	2				
9	1912905609	· · GEAR	4				
10	1912905610	· · BEARING	4				
11	1912905611	· · LACE, inner	4				
12	1912905612	· · WASHER	4				
13	1912900713	· · PLATE	1				
14	1912900714	· · SCREW	4				
15	1912905615	· · GEAR	1				
16	1912905617	· · HOLDER	1				
17	1912905618	· · GEAR	3				
18	1912905619	· · BEARING	3				
19	1912905620	· · LACE, inner	3				
20	1912905622	· · GEAR	1				
21	1912907924	· · COVER	1				
22	1912900726	· · WIRE	1				
23	1903106843	· · PLUG	2				
24	1220000035	· · RING, snap	1				
	E5h360						

TB125 Book No. BE5Z010 S/N 12510009-
TRAVEL MOTOR (2/2) (motor sec.; 12514526-)

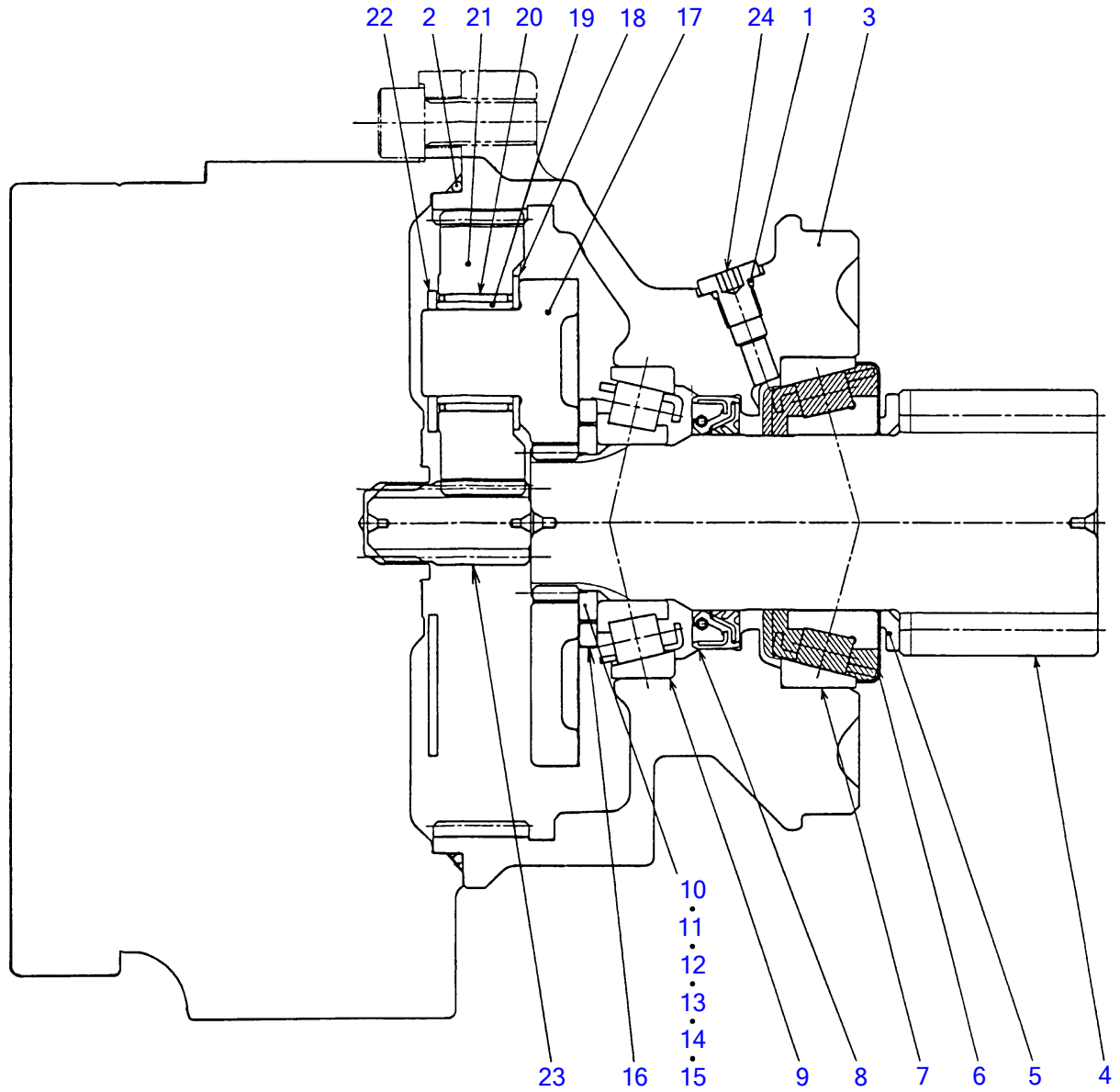


E5H370

S-free

TRAVEL MOTOR (2/2) (motor sec.; 12514526-)

Item	Part number	Description	Q'ty	Chan.	Serial No.	Serv.	Remarks
0	1903124900	MOTOR ASSY, travel	1				
0-3	1903124999	• KIT, seal	1				
1	X 1903120504	• • SEAL, oil	1				
2	X 1420101200	• • O-RING	1				
3	X 1420010070	• • O-RING	4				
4	X 1420010100	• • O-RING	2				
5	X 1420010200	• • O-RING	2				
6	X 1420010140	• • O-RING	2				
7	X 1420010080	• • O-RING	2				
8	X 1420101100	• • O-RING	1				
9	X 1420100950	• • O-RING	1				
10	X 1421131100	• • RING, back-up	1				
11	X 1421130950	• • RING, back-up	1				
12	X 1420010110	• • O-RING	2				
0-4	1903124998	• BLOCK KIT, cylinder	1				
0-5	1903124997	• PLATE KIT, base	1				
13	1903107047	• • ORIFICE	4				
14	1901804213	• • PLUG	3				
15	1903107047	• • ORIFICE	4				
16	1903124959	• • PLUG	2				
17	1903107047	• • ORIFICE	1				
18	1903124972	• • SHEET, spring	1				
19	1903108655	• • PLUG	2				
0-6	1901810500	• VALVE ASSY	1				
20	1420010140	• • O-RING	2				
21	1420010120	• • O-RING	3				
22	1110020830	• • SCREW, cap	3				
23	1903110202	• SHAFT	1				
24	1903104403	• BEARING	1				
25	1903124905	• PLATE	1				
26	1903120506	• BALL, steel	2				
27	1903124919	• PISTON	2				
28	1903124920	• SPRING	2				
29	1903904524	• PLATE	1				
30	1212000412	• PIN	1				
31	1903104422	• BEARING	1				
32	1901803003	• SHEET, spring	2				
33	1903113437	• SPRING	2				
34	1903124938	• CAP	2				
35	1903124942	• SPRING	1				
36	1903124943	• PLUG	2				
37	1903124946	• PLUG	1				
38	1110021225	• SCREW, cap	6				
39	1903124949	• PIN	4				
40	1501810002	• PLUG	1				
41	1912905325	• PLUG	2				
42	1903124960	• PISTON, brake	1				
43	1903124961	• DISK	1				
44	1903120518	• SPRING	8				
	E5h370						

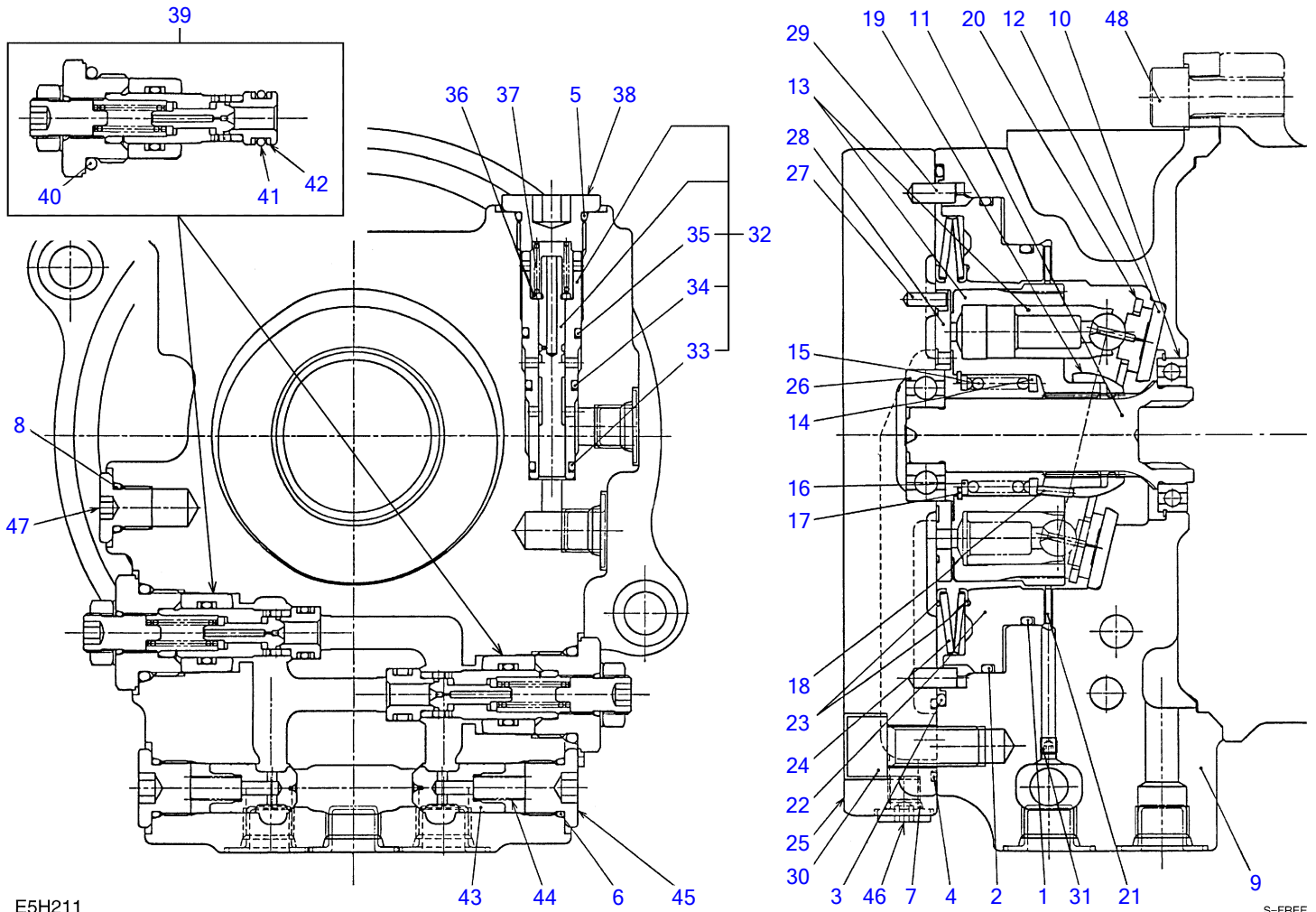


E5H200

SLEW MOTOR (1/2) (reduction sec.)

Item	Part number	Description	Q'ty	Chan.	Serial No.	Serv.	Remarks
0	1903120600	MOTOR ASSY, slew	1				
0-1	X *****	• GEAR, reduction	1				
0-2	1912905799	• • KIT, seal	1				
1	X 1420010080	• • • O-RING	1				
2	X 1420300260	• • • O-RING	1				
3	1912905701	• • HOUSING	1				
4	1912905702	• • SHAFT	1				
5	1912905703	• • COLLAR	1				
6	1912905704	• • PLATE	1				
7	1912905705	• • BEARING	1				
8	1912905306	• • SEAL, oil	1				
9	1912905707	• • BEARING	1				
10	1912905308	• • PLATE	2				
11	1912905309	• • PLATE	2				
12	1912905337	• • PLATE	2				
13	1912905338	• • PLATE	2				
14	1912905708	• • PLATE	2				
15	1912905788	• • PLATE	2				
16	1912905340	• • COLLAR	1				
17	1912905710	• • HOLDER	1				
18	1912905311	• • WASHER, thrust	3				
19	1912905312	• • LACE, inner	3				
20	1912905313	• • BEARING, needle	3				
21	1912905714	• • GEAR, planetary	3				
22	1912905715	• • PLATE, thrust	1				
23	1912905716	• • GEAR, drive	1				
24	1912905325	• • PLUG	1				
	E5h201						

TB125 Book No. BE5Z010 S/N 12510009-
SLEW MOTOR (2/2) (motor sec.)



E5H211

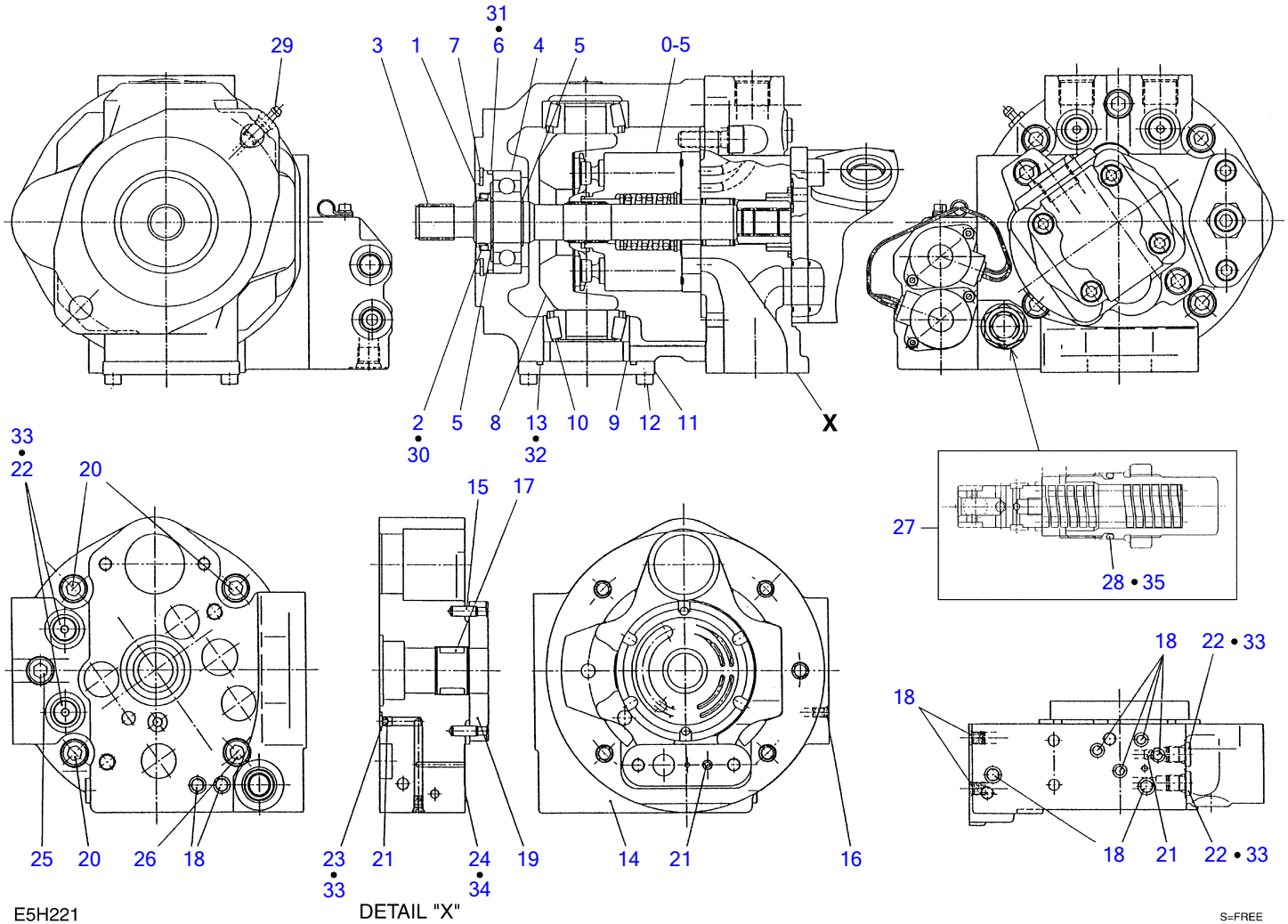
S=FREE

SLEW MOTOR (2/2) (motor sec.)

Item	Part number	Description	Q'ty	Chan.	Serial No.	Serv.	Remarks
0	1903120600	MOTOR ASSY, slew	1				
0-3	X *****	• MOTOR, piston	1				
0-4	1903904999	• • KIT, seal	1				
1	X 1420111100	• • • O-RING	1				
2	X 1420111350	• • • O-RING	1				
3	X 1903007227	• • • O-RING	1				
4	X 1420010210	• • • O-RING	2				
5	X 1420010180	• • • O-RING	1				
6	X 1420010140	• • • O-RING	2				
7	X 1420010080	• • • O-RING	2				
8	X 1420010110	• • • O-RING	1				
9	1903904901	• • CASE	1				
10	1903904902	• • BEARING, ball	1				
11	1903904903	• • SHAFT	1				
12	1903904504	• • PLATE, thrust	1				
13	1903904998	• • BLOCK, cylinder	1				
14	1903106808	• • COLLAR	1				
15	1903904507	• • SPRING	1				
16	1903904508	• • WASHER	1				
17	1221000037	• • RING, snap	1				
18	1903904510	• • PIN	3				
19	1903106813	• • HOLDER	1				
20	1903904511	• • PLATE	1				
21	1903904514	• • DISK	1				
22	1903904515	• • PISTON	1				
23	1903904518	• • SHEET, spring	2				
24	1903904519	• • SPRING	1				
25	1903904921	• • COVER	1				
26	1903107927	• • BEARING	1				
27	1212000412	• • PIN	1				
28	1903904524	• • PLATE, valve	1				
29	1903904525	• • PIN	2				
30	1110051230	• • SCREW, cap	5				
31	1901802713	• • ORIFICE	1				
32	1901809200	• • VALVE ASSY	1				
33	1420000100	• • • O-RING	1				
34	1420010120	• • • O-RING	1				
35	1420010140	• • • O-RING	1				
36	1141110006	• • WASHER	1				
37	1903904535	• • SPRING	1				
38	1903904537	• • PLUG	1				
39	1901800048	• • VALVE ASSY, relief	2				
40	1420010240	• • • O-RING	1				
41	1420010120	• • • O-RING	1				
42	1421020120	• • • O-RING	2				
43	1903904539	• • VALVE, check	2				
44	1903904540	• • SPRING	2				
45	1903106843	• • PLUG	2				
46	1912905325	• • PLUG	2				
47	1903108655	• • PLUG	1				
48	1110021225	• SCREW, cap	2				

E5h211

TB125 Book No. BE5Z010 S/N 12510009-
 HYDRAULIC PUMP (1/3) (12510009-12512125)

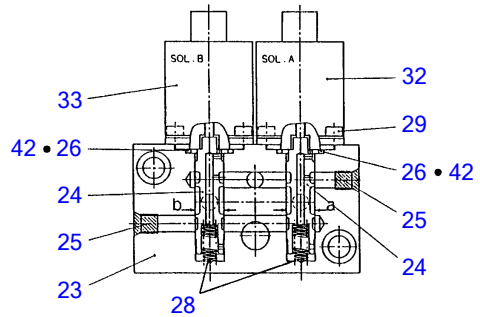
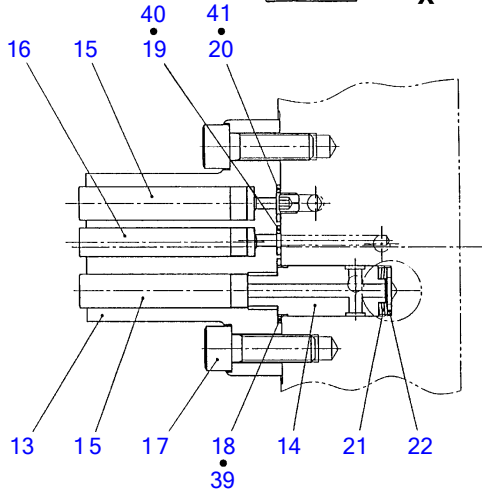
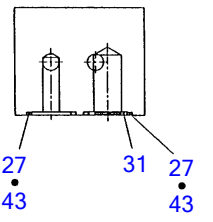
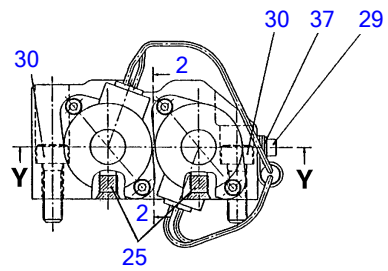
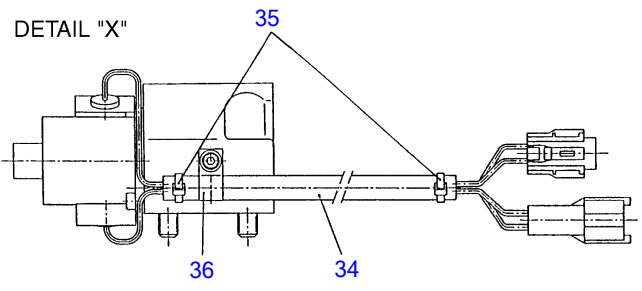
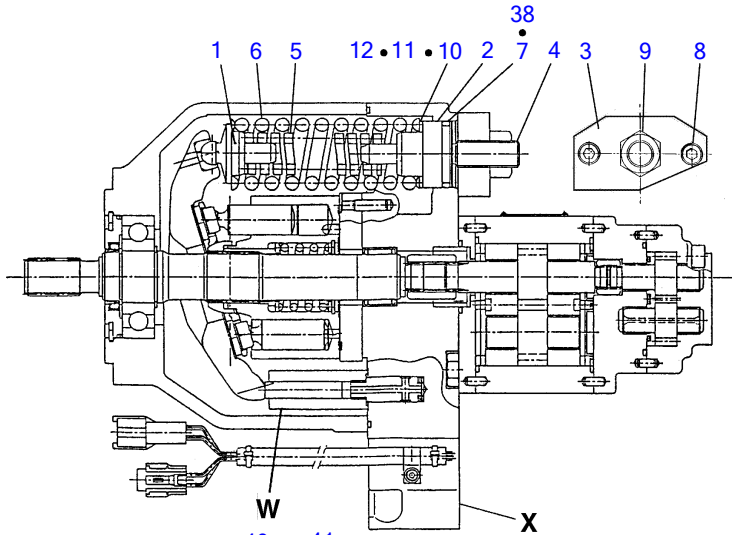


HYDRAULIC PUMP (1/3) (12510009-12512125)

Item	Part number	Description	Q'ty	Chan.	Serial No.	Serv.	Remarks
0	1902017200	PUMP, hydraulic	1				
0-1	1902907700	· SHAFT ASSY	1				
0-2	1902907798	· · CASE ASSY, seal	1				
1	X *****	· · · CASE, seal	1				
2	X *****	· · · SEAL, dust	1				
3	1902907701	· · SHAFT	1				
4	1902907703	· · BEARING	1				
5	1220000025	· · RING, snap	2				
6	1420300140	· · O-RING	1				
7	1221000062	· · RING, snap	1				
0-3	1902907800	· HANGER ASSY	1				
0-4	1902907898	· · HANGER ASSY	1				
8	X *****	· · · HANGER	1				
9	X *****	· · · PIECE, distance	1				
10	X *****	· · · BEARING	2				
11	1902907802	· · COVER	1				
12	1110020616	· · SCREW, cap	4				
13	1420100550	· · O-RING	1				
0-5	1902907900	· ROTARY ASSY	1				
0-6	1902908000	· COVER ASSY	1				
0-7	1902908098	· · COVER SUB ASSY	1				
14	X *****	· · · COVER	1				
15	X *****	· · · PIN	2				
16	X *****	· · · PLUG	3				
17	X *****	· · · BEARING	1				
18	X *****	· · · PLUG	3				
19	1902908002	· · PLATE	1				
20	1110021030	· · SCREW, cap	3				
21	1902903603	· · ORIFICE	3				
22	1902905703	· · PLUG	4				
23	1420010080	· · O-RING	5				
24	1902908010	· · PACKING	1				
25	1110021050	· · SCREW, cap	1				
26	1110021055	· · SCREW, cap	1				
27	1902017010	· VALVE, relief	1		12510009~12511921		
	1901800050	· VALVE, relief	1		12511922~		
28	1902903602	· · O-RING	1				
29	1902017011	· VALVE	1				
0-8	1902017299	· KIT, seal	1				
30	X 1902900107	· · SEAL, dust	1				
31	X 1420300140	· · O-RING	1				
32	X 1420100550	· · O-RING	1				
33	X 1420010080	· · O-RING	5				
34	X 1902908010	· · PACKING	1				
35	X 1902903602	· · O-RING	1				

E5h223

TB125 Book No. BE5Z010 S/N 12510009-
 HYDRAULIC PUMP (2/3) (12510009-12512125)



E5H232

DETAIL "W"

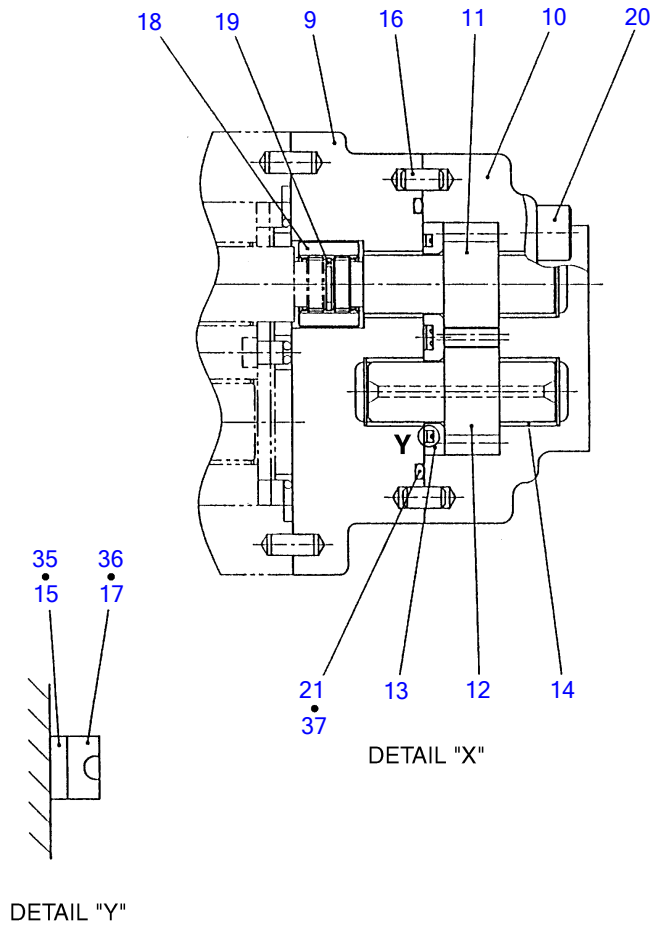
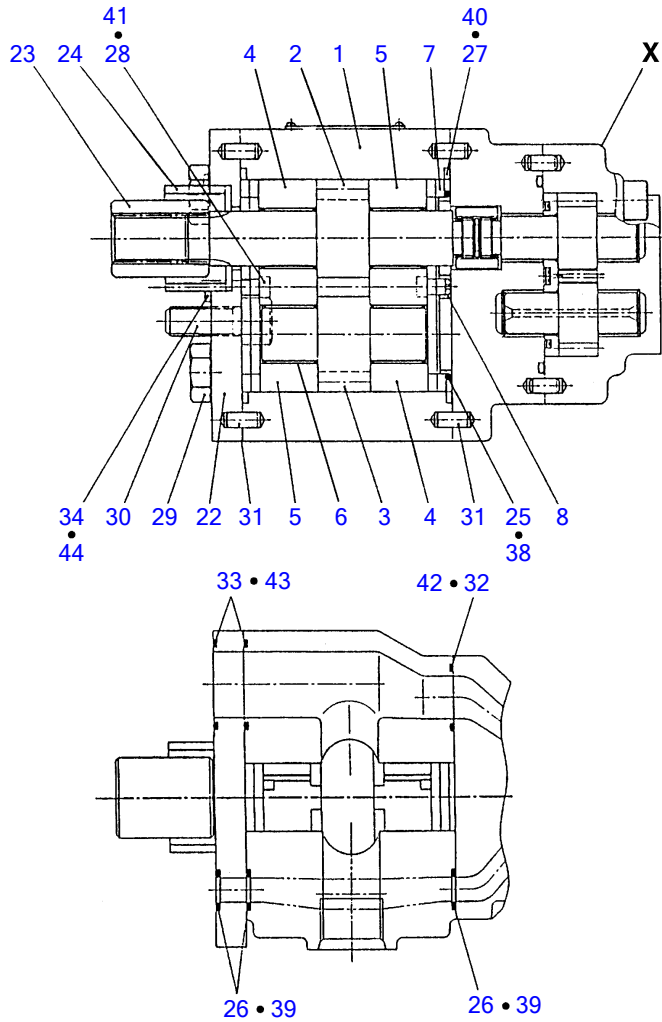
SECTION "Y-Y"

S=FREE

HYDRAULIC PUMP (2/3) (12510009-12512125)

Item	Part number	Description	Q'ty	Chan.	Serial No.	Serv.	Remarks
0	1902017200	PUMP, hydraulic	1				
0-9	1902908100	• SPRING ASSY	1		12510009~12511921		
	1902909500	• SPRING ASSY	1		12511922~		
1	1902908101	• • HOLDER, spring	1				
2	1902908102	• • HOLDER, spring	1				
3	1902908103	• • COVER	1		12510009~12511921		
	1902909503	• • COVER	1		12511922~		
4	1902903505	• • SCREW	1				
5	1902908105	• • SPRING	1				
6	1902908106	• • SPRING	1				
7	1420000300	• • O-RING	1				
8	1110020830	• • SCREW, cap	2				
9	1130050016	• • NUT	1				
10	1902908134	• • SHIM t=0.3	1				
11	1902908144	• • SHIM t=0.5	1				
12	1902908154	• • SHIM t=1.0	1				
0-10	1902908200	• PISTON ASSY	1				
0-11	1902908298	• • CYLINDER ASSY	1				
13	X *****	• • • CYLINDER	1				
14	X *****	• • • PISTON	1				
15	1902908203	• • PIN	2				
16	1902908204	• • PIN	1				
17	1110020825	• • SCREW, cap	2				
18	1420310015	• • O-RING	1				
19	1420310008	• • O-RING	1				
20	1420310013	• • O-RING	1				
21	1902908209	• • WASHER, conical	3				
22	1902908210	• • HOLDER, spring	1				
0-12	1902907300	• VALVE ASSY	1				
0-13	1902907398	• • BODY SUB ASSY	1				
23	X *****	• • • BODY	1				
24	X *****	• • • SPOOL	2				
25	X *****	• • • PLUG	2				
26	1420000160	• • O-RING	2				
27	1420300017	• • O-RING	2				
28	1902012663	• • SPRING	2				
29	1110020410	• • SCREW, cap	5				
30	1110020825	• • SCREW, cap	2				
31	1902907309	• • ELEMENT, filter	1				
32	1902907310	• • SOLENOID	1				
33	1902907311	• • SOLENOID	1				
34	1902907313	• • COVER	1				
35	1902907314	• • BAND	2				
36	1902907315	• • CLAMP	1				
37	1141100004	• • WASHER	1				
0-14	1902017297	• KIT, seal	1				
38	X 1420000300	• • O-RING	1				
39	X 1420310015	• • O-RING	1				
40	X 1420310008	• • O-RING	1				
41	X 1420310013	• • O-RING	1				
42	X 1420000160	• • O-RING	2				
43	X 1420300017	• • O-RING	2				
	E5h233						

TB125 Book No. BE5Z010 S/N 12510009-
 HYDRAULIC PUMP (3/3) (12510009-12511921)



E5H242

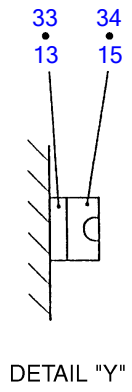
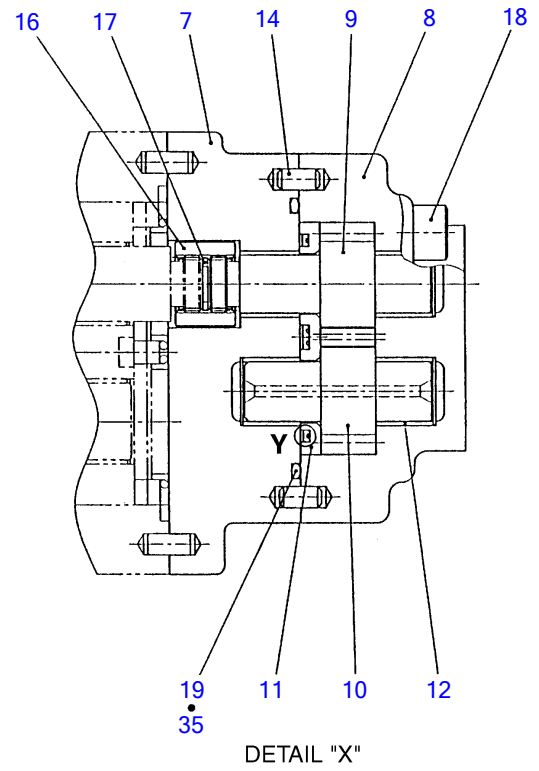
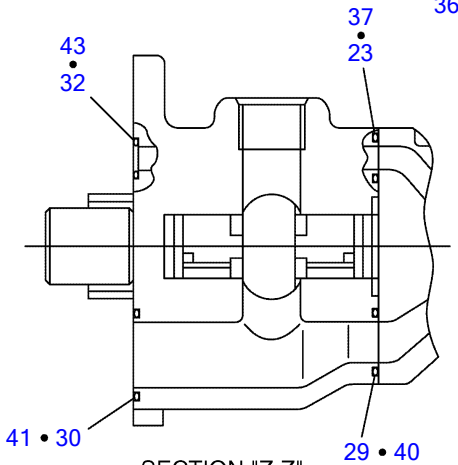
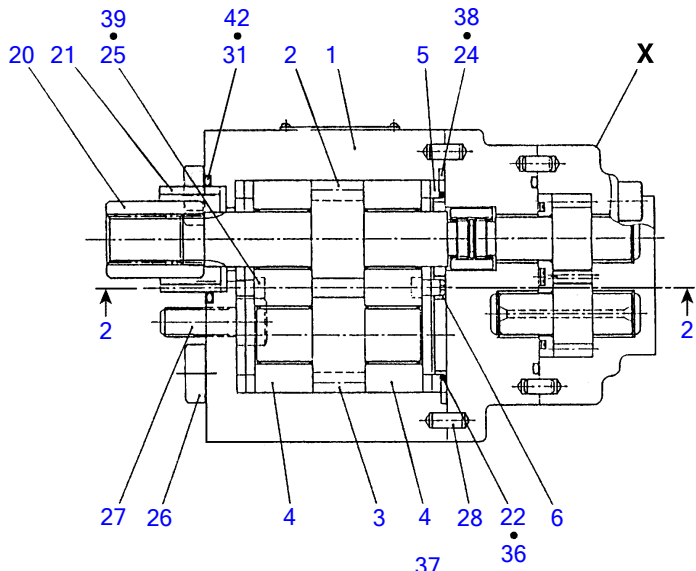
S=FREE

HYDRAULIC PUMP (3/3) (12510009-12511921)

Item	Part number	Description	Q'ty	Chan.	Serial No.	Serv.	Remarks
0	1902017200	PUMP, hydraulic	1				
0-15	1902908300	· PUMP ASSY, gear	1				
0-16	1902908398	· · KIT, body	1				
1	X *****	· · · CASE	1				
2	X *****	· · · GEAR	1				
3	X *****	· · · GEAR	1				
4	X *****	· · · PLATE, side	2				
5	X *****	· · · PLATE, side	2				
6	X *****	· · · BUSHING	4				
7	X *****	· · · PLATE	2				
8	X *****	· · · GUIDE	2				
0-17	1902907400	· · PUMP ASSY, sub gear	1				
0-18	1902907498	· · · KIT, body	1				
9	X *****	· · · · FRAME	1				
10	X *****	· · · · HOUSING	1				
11	X *****	· · · · GEAR	1				
12	X *****	· · · · GEAR	1				
13	X *****	· · · · PLATE, side	1				
14	X *****	· · · · METAL	4				
15	1902905907	· · · RING, back-up	1				
16	1902900716	· · · PIN	2				
17	1902905908	· · · RING	1				
18	1902905909	· · · RING	1				
19	1221000012	· · · RING, snap	1				
20	1110020840	· · · SCREW, cap	4				
21	1420300138	· · · O-RING	1				
22	1902907202	· · FRAME	1				
23	1902908312	· · COUPLING	1				
24	1902907213	· · BUSHING	1				
25	1902901612	· · O-RING	2				
26	1420010100	· · O-RING	3				
27	1902901611	· · RING	2				
28	1902903714	· · RING	2				
29	1100051085	· · BOLT	4				
30	1110021025	· · SCREW, cap	2				
31	1902900716	· · PIN	4				
32	1420300018	· · O-RING	1				
33	1420300023	· · O-RING	2				
34	1420300128	· · O-RING	1				
0-19	1902907299	· · KIT, seal	1				
35	X 1902905907	· · · RING, back-up	1				
36	X 1902905908	· · · RING	1				
37	X 1420300138	· · · O-RING	1				
38	X 1902901612	· · · O-RING	2				
39	X 1420010100	· · · O-RING	3				
40	X 1902901611	· · · RING	2				
41	X 1902903714	· · · RING	2				
42	X 1420300018	· · · O-RING	1				
43	X 1420300023	· · · O-RING	2				
44	X 1420300128	· · · O-RING	1				

E5h242

TB125 Book No. BE5Z010 S/N 12510009-
 HYDRAULIC PUMP (3/3) (12511916-12512125)



E5H243

SECTION "Z-Z"

DETAIL "X"

DETAIL "Y"

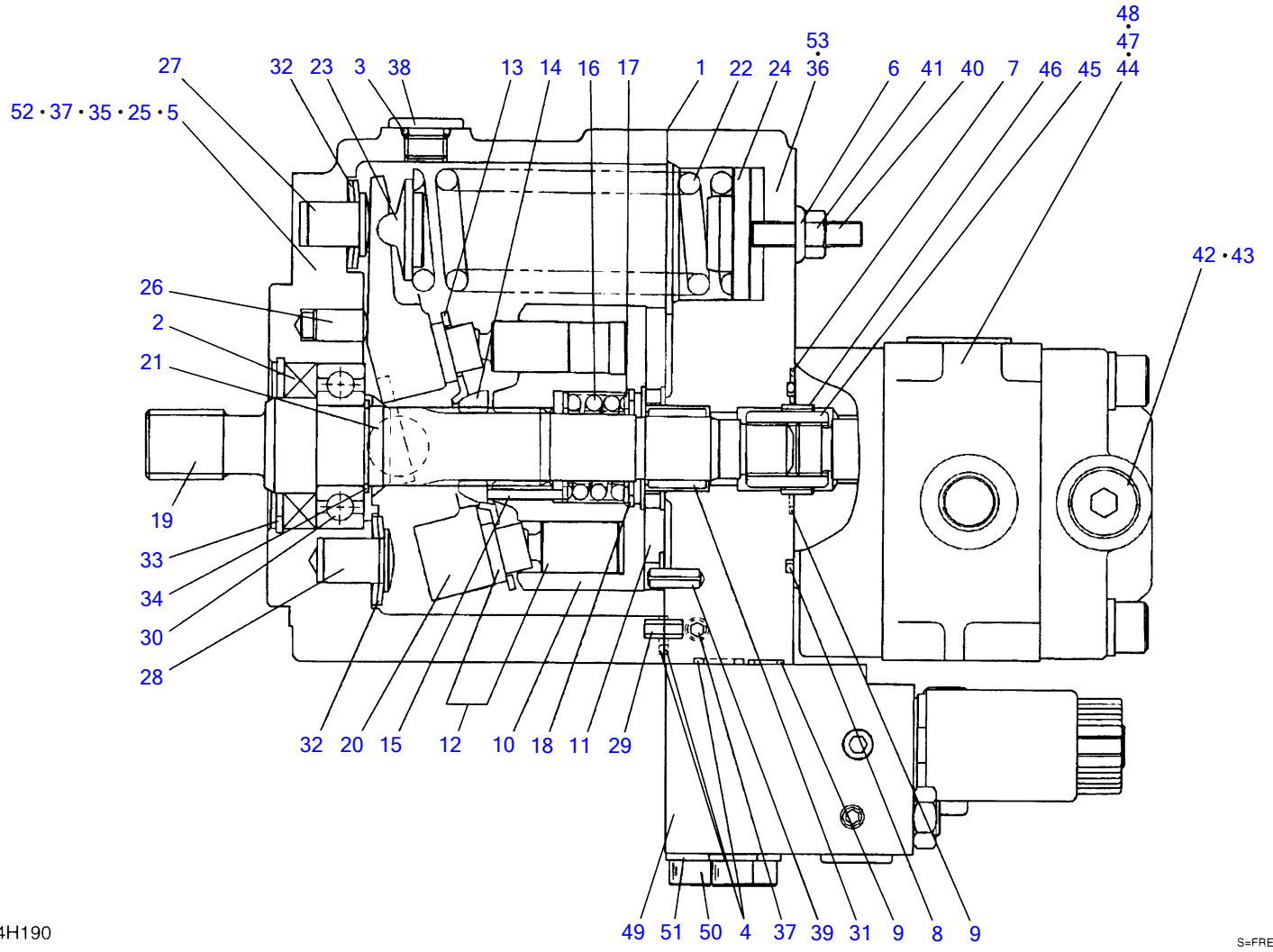
S=FREE

HYDRAULIC PUMP (3/3) (12511916-12512125)

Item	Part number	Description	Q'ty	Chan.	Serial No.	Serv.	Remarks
0	1902017200	PUMP, hydraulic	1				
0-20	1902909600	· PUMP ASSY, gear	1				
0-21	1902909698	· · KIT, body	1				
1	X *****	· · · CASE	1				
2	X *****	· · · GEAR	1				
3	X *****	· · · GEAR	1				
4	X *****	· · · PLATE, side	2				
5	X *****	· · · PLATE	2				
6	X *****	· · · GUIDE	2				
0-22	1902907400	· · PUMP ASSY, sub gear	1				
0-23	1902907498	· · · KIT, body	1				
7	X *****	· · · · FRAME	1				
8	X *****	· · · · HOUSING	1				
9	X *****	· · · · GEAR	1				
10	X *****	· · · · GEAR	1				
11	X *****	· · · · PLATE, side	1				
12	X *****	· · · · METAL	4				
13	1902905907	· · · RING, back-up	1				
14	1902900716	· · · PIN	2				
15	1902905908	· · · RING	1				
16	1902905909	· · · RING	1				
17	1221000012	· · · RING, snap	1				
18	1110020840	· · · SCREW, cap	4				
19	1420300138	· · · O-RING	1				
20	1902908312	· · COUPLING	1				
21	1902907213	· · BUSHING	1				
22	1902901612	· · O-RING	2				
23	1420300014	· · O-RING	1				
24	1902901611	· · RING	1				
25	1902903714	· · RING	2				
26	1110051080	· · SCREW, cap	4				
27	1110051025	· · SCREW, cap	2				
28	1902900716	· · PIN	2				
29	1420300018	· · O-RING	1				
30	1420300023	· · O-RING	1				
31	1420300128	· · O-RING	1				
32	1420010100	· · O-RING	1				
0-24	1902909699	· · KIT, seal	1				
33	X 1902905907	· · · RING, back-up	1				
34	X 1902905908	· · · RING	1				
35	X 1420300138	· · · O-RING	1				
36	X 1902901612	· · · O-RING	2				
37	X 1420300014	· · · O-RING	1				
38	X 1902901611	· · · RING	1				
39	X 1902903714	· · · RING	2				
40	X 1420300018	· · · O-RING	1				
41	X 1420300023	· · · O-RING	1				
42	X 1420300128	· · · O-RING	1				
43	X 1420010100	· · · O-RING	1				

E5h243

TB125 Book No. BE5Z010 S/N 12510009-
HYDRAULIC PUMP (1/2) (12512126-)



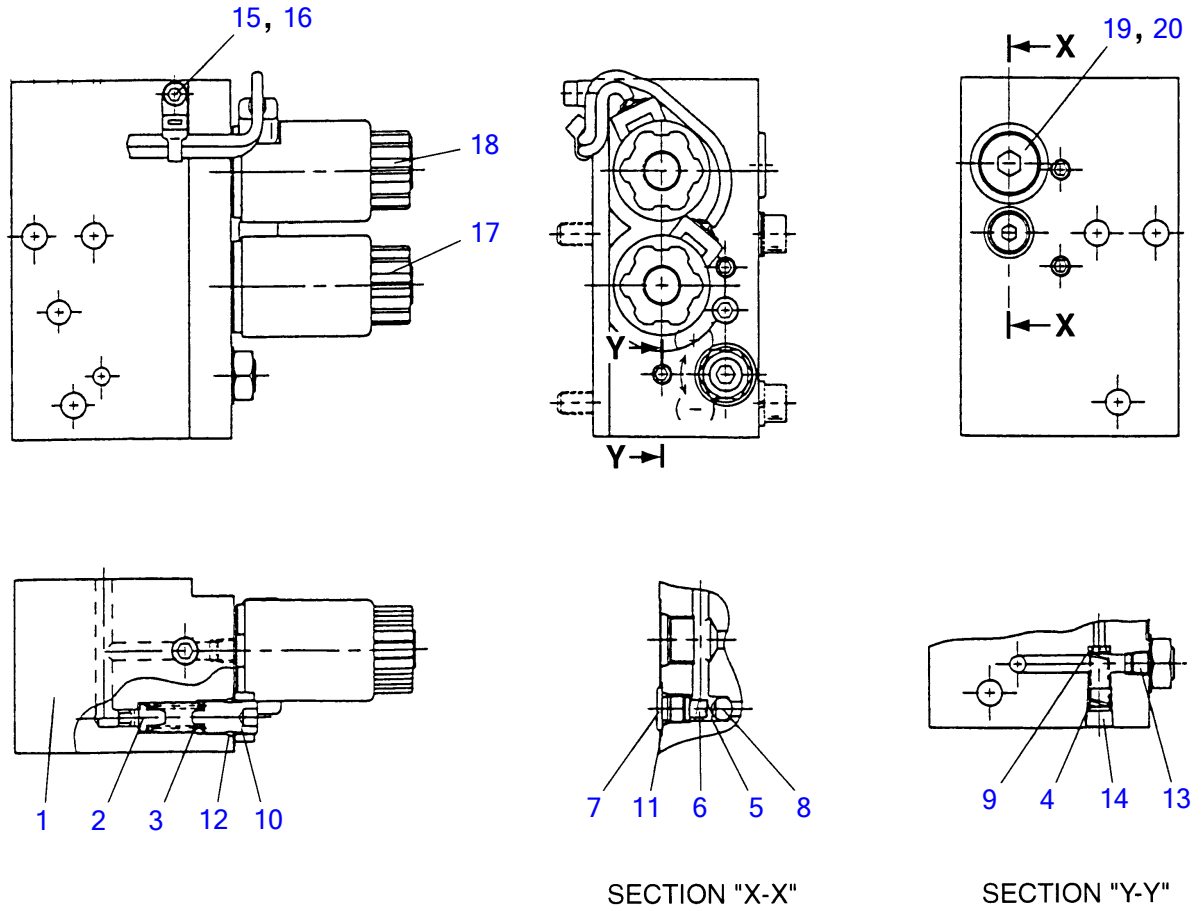
F4H190

S=FREE

HYDRAULIC PUMP (1/2) (12512126-)

Item	Part number	Description	Q'ty	Chan.	Serial No.	Serv.	Remarks
0	1902020000	PUMP, hydraulic	1		12512126~12514525		
	1902021700	PUMP, hydraulic	1	(H)	12514526~		
0-1	1902020099	• KIT, seal	1				
1	X 1902012013	• • PACKING	1				
2	X 1902016032	• • SEAL, oil	1				
3	X 1420010110	• • O-RING	1				
4	X 1420010120	• • O-RING	3				
5	X 1420010110	• • O-RING	1				
6	X 1902016062	• • WASHER, seal	1				
7	X 1420010070	• • O-RING	1				
8	X 1420110650	• • O-RING	1				
9	X 1420010080	• • O-RING	2				
0-2	1902909800	• BARREL KIT, cylinder	1				
10	X *****	• • BARREL, cylinder	1				
11	X *****	• • PLATE	1				
12	1902909900	• • PISTON ASSY	10				
13	1902909808	• • HOLDER	1				
14	1902016009	• • HOLDER	1				
15	1903901813	• • NEEDLE	3				
16	1902909814	• • SPRING	1				
17	1903902313	• • RETAINER	2				
18	1221000035	• • RING, snap	1				
19	1902020001	• SHAFT	1				
20	1902016010	• PLATE, swash	1				
21	1902016012	• PIN	2				
22	1902020015	• SPRING	1				
23	1902016118	• HOLDER	1				
24	1902020019	• GUIDE	1				
25	1902011526	• PIN	1				
26	1902016021	• ROD	1				
27	1902020025	• PIN	1				
28	1902020026	• PIN	1				
29	1902016027	• PIN	1				
30	1300006205	• BEARING	1				
31	X *****	• BEARING	1				
32	1902016033	• WASHER	4				
33	1221000052	• RING, snap	1				
34	1220000025	• RING, snap	1				
35	1902014742	• PLUG	1				
36	1110021045	• SCREW, cap	5				
37	1902016049	• PLUG	5				
38	1902014742	• PLUG	1				
39	1213000616	• PIN, spring	1				
40	1121050835	• SET-SCREW	1				
41	1130050008	• NUT	1				
42	1902016163	• PLUG	1				
43	1420010140	• O-RING	1				
44	1902910000	• PUMP, gear	1		12512126~12514525		
	1902910700	• PUMP, gear	1	(H)	12514526~		
45	1902919866	• COUPLING	1				
46	1902916067	• COLLAR	1				
47	1100050825	• BOLT	2				
48	1902019870	• WASHER	2				
49	1902909000	• BLOCK ASSY, valve	1				
50	1110050875	• SCREW, cap	3				
51	1140010008	• WASHER, spring	3				
52	X *****	• BODY(S)	1				
53	X *****	• BODY(H)	1				

E5h410



G4H281

HYDRAULIC PUMP (2/2) (12512126-)

Item	Part number	Description	Q'ty	Chan.	Serial No.	Serv.	Remarks
0	1902020000	PUMP, hydraulic	1		12512126~12514525		
	1902021700	PUMP, hydraulic	1	(H)	12514526~		
0-3	1902909000	▪ BLOCK ASSY, valve	1				
1	X *****	▪ ▪ BLOCK	1				
2	X *****	▪ ▪ VALVE, relief	1				
3	X *****	▪ ▪ SPRING	1				
4	X *****	▪ ▪ SPRING	1				
5	X *****	▪ ▪ SPRING	1				
6	X *****	▪ ▪ STOPPER	1				
7	1902909007	▪ ▪ PLUG	1				
8	X *****	▪ ▪ BALL, steel	1				
9	1902906605	▪ ▪ FILTER	1				
10	1902906606	▪ ▪ KIT, adjuster	1				
11	1420010080	▪ ▪ O-RING	1				
12	1420010100	▪ ▪ O-RING	1				
13	X *****	▪ ▪ PLUG	7				
14	X *****	▪ ▪ PLUG	2				
15	1110020510	▪ ▪ SCREW, cap	1				
16	X *****	▪ ▪ BAND	1				
17	1902909017	▪ ▪ VALVE, solenoid	1				connector (female)
18	1902909018	▪ ▪ VALVE, solenoid	1				connector (male)
19	1902016163	▪ ▪ PLUG	1				
20	1420010140	▪ ▪ O-RING	1				
	E5h401						

How to read this Parts Catalog.

1. Parts mentioned in this Parts Catalog may not necessarily be standard equipping parts.
2. Parts change may be made without prior notice.
3. Form of this Parts Catalog.

Y00F2161 (1997.09.01)

Fig. 29 燃料噴射ポンプ(ブーコン用)
FUEL INJECTION PUMP (W/BOOST)

見出し REF.No.	レベル LEV.	部品番号 PARTS No.	部品名 DESCRIPTION	個数 (Qty)						備考 REMARKS
				A	B	C	D	E	F	
1	•	729595-51390	F0ポンプ ASY(ブーコン用)	1	1	1	1	1	1	
1-1	•	729595-51391	F0ポンプ ASY(ブーコン用)	1	1	1	1	1	1	
		(A=E/#00185) (B=E/#00200)								
3	••	26022-060162	ナコネジ M 6X 16	9	9	9	9	9	9	
I 3-1	••	26022-060162	ナコネジ M 6X 16	4	4	4	4	4	4	K
		(A=E/#00185) (B=E/#00200) (C=E/#00156) (D=E/#00156) (E=E/#00156)								
4	••	129470-51040	カムシャフト	1	1	1	1	1	1	
5	••	122710-51050	ベアリング*ローラ	2	2	2	2	2	2	
6	••	129470-51060	ベアリング*オキ	1	1	1	1	1	1	

備考
(1) ブーストコンペンセータ付き、4JH-DT、4JH-DTZとも E/# 00155 までは、特別注文仕様とします

Remarks
(1) BOOST COMPENSATOR TYPE. OPTIONAL PART, TO E/# 00155, (4JH-DT, 4JH-DTZ)

① Ref. No.

The Ref. No. in the list may not be accord with the Ref. No. on illustration.

(Ex.) Illustration No. 1 List head No. 1 (Befor change) → 1 - 1 (After change)

When interchangeable symbol N, R, and K, illustrations for new parts are sometimes omitted.

② Lev.(Level)

Indication and Meaning of Level

Level : Hereunder is given the relation among the number of dots(•), the level and the nominal parent-child relationship.

-Parent parts(Assembly parts)
-Child parts included in "••" (Semi- Assembly parts, component parts of Assembly parts.)
-Child parts included in "•••", Grand-child parts in terms of "••". (Component parts of Semi- Assembly parts.)

Note) A parts of non-sale parts are illustrated but not listed.

③ Change Mark

Change Mark "I" is given to the part for which a design change was made at this time.

The design change was not shown in the last published Parts Catalog.

④ Interchangeability Mark

In the case where a part change took place, one of the following interchangeability marks is indicated for that part.

Symbol	interchangeability	Contents note
N	Old ↔ New	New Part is interchangeable for Old Part but not interchangeable conversely.
Q	Old ↔ New	New Part is not interchangeable for Old Part but interchangeable conversely.
R	Old ↔ New	New Part is interchangeable for Old Part and vice versa.
S	Old ↔ New	New Part is not interchangeable for Old Part and vice versa.
W		Part newly added.
Z		Part discontinued.
F		Not interchangeable single part but interchangeable by set of the related parts.
K		Changed only in quantity used.

⑤ Effective Machine No.

When a part is changed, Effective Machine No. of a Model for which the part is applicable is indication in each column of (A)- (F).

Product Symbol	Product No.	Product Symbol	Product No.
C	Clutch No. Compressor No.	M	Machine No.
D	Drive No.	T	Tractor No.
E	Engine No.	Note1) ※	Date

Note1) Date may follow the symbol in some cases. (Ex.) ※ 1996.01

Note2) As far as engine models shown by "XXX" are concerned, the modification of the parts could not be predicted or the engine models themselves could not be identified.

Note3) (A=E/#00185) means that the design change on the part has been effective for the model at the column (A) (in this case, for 4JH-DT) on and from E/(Engine Serial Number) 00185.

⑥ Remarks Mark

Figures or alphabets (Symbols) are entered in the remark column.

The comments (remarks) on the pertinent parts are indicated in the lower part of the list by the same symbols as those stated above.

 *
 * 目次 CONTENTS *
 *

コウモクNO. GROUP	コウモク メイ	GROUP NAME
1	シリンダ`フ`ロツク	CYLINDER BLOCK
2	キ`ヤケー`ス	GEAR HOUSING
3	フライホイ`ルハウシ`ンク` & オイルパ`ン	FLYWHEEL HOUSING & OIL SUMP
4	シリンダ`ハツト` & ホ`ンネット	CYLINDER HEAD & BONNET
5	キユウキマニホ`ルト` & エアク`リーナ	SUCTION MANIFOLD & AIR CLEANER
6	ハイキマニホ`ルト` & サイレ`ンサ	EXHAUST MANIFOLD & SILENCER
7	カムシヤフト & クト`ウキ`ヤ	CAMSHAFT & DRIVING GEAR
8	クランクシヤフト & ピ`ストン	CRANKSHAFT & PISTON
9	L`Oシ`ステム	LUB.OIL SYSTEM
10	CWシ`ステム	COOLING WATER SYSTEM
11	F`Oフ`ンシヤホ`ンフ`	FUEL INJECTION PUMP
12	ガ`バ`ナ	GOVERNOR
13	F`Oフ`ンシヤハ`ン	FUEL INJECTION VALVE
14	F`Oハ`イフ`	FUEL LINE
15	スタ`ーテ`ィンク`モ`ータ	STARTING MOTOR
16	ジ`ェネ`レータ	GENERATOR
17	ハ`ツキ`ンセツト	GASKET SET

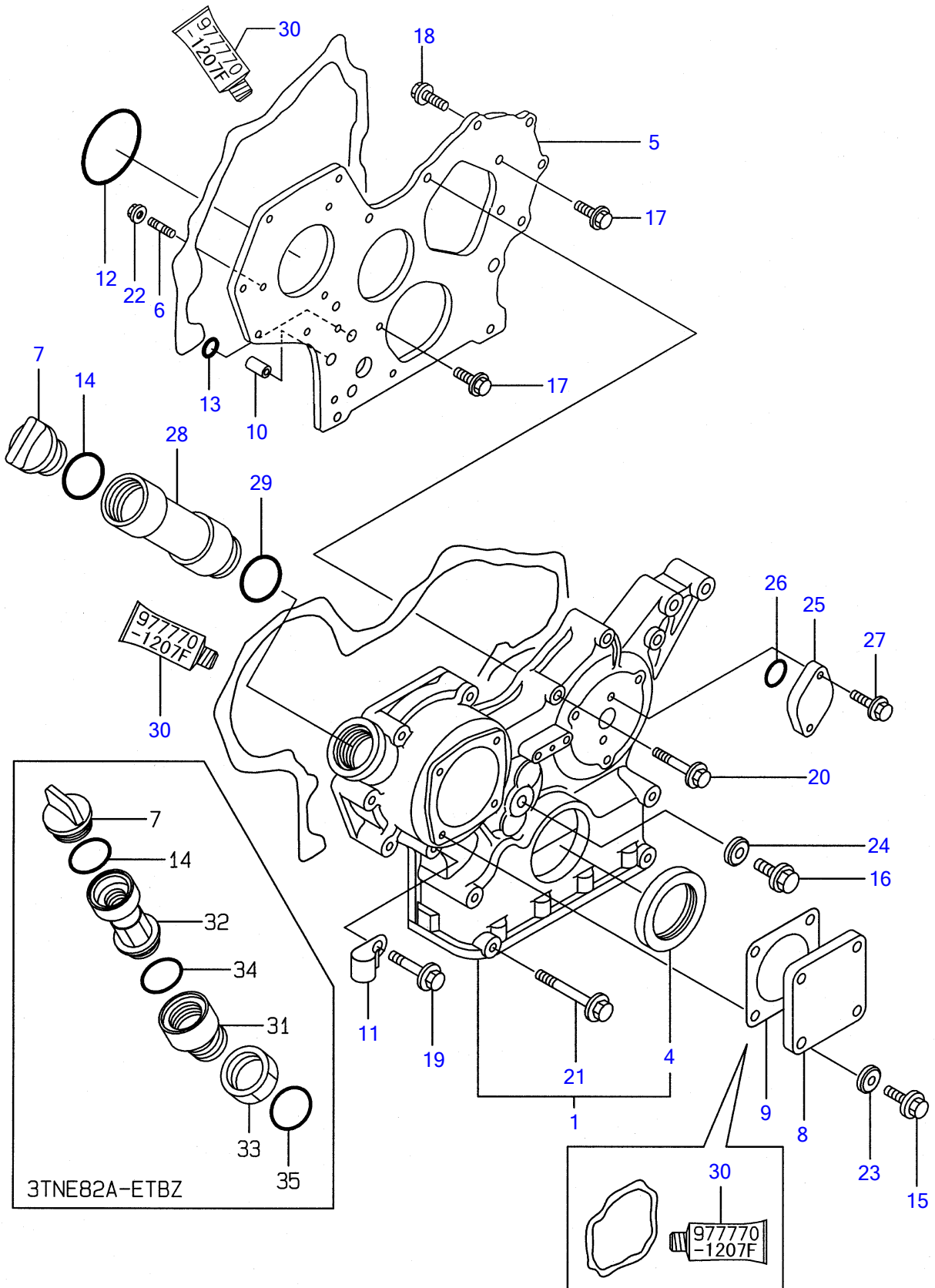
¼ØÝÀÞÍÞÛ, CYLINDER BLOCK

REF NO.	PARTS NO.	Description	Q'ty	I	R	Notes
1	Y719813-01560	BLOCK ASSY, CYLINDER	1			
5	Y124160-01910	• PLUG PT1/4	2			
6	Y171051-01921	• PLUG	1			
7	Y119620-02020	• BOLT	8			
10	Y23876-010000	• PLUG PT1/8, SCREW	1			
11	Y124160-01910	• PLUG PT1/4	1			
12	Y129001-01250	• PLUG 50	1			
13	Y27241-120000	• PLUG 12	2			
14	Y27241-300000	• PLUG 30	6			
15	Y119810-02800	• MAIN BEARING	4			
18	Y119810-02930	• BEARING, THRUST	2			
21	Y129795-02411	• BUSH, CAMSHAFT	1			
22	Y119810-01200	BOLT, CYL. HEAD	14			
23	Y119812-01330	GASKET, HEAD	1			
24	Y119810-02870	MAIN BEARING US=0.25	4			(1) ±ÝÀÞ°»²½Þ(U.S=0.25)ÞËËÝÀÞ½
27	Y119810-02940	BEARING, THRUST .25OS	2			(2) μ°ËÞ°»²½Þ(O.S=0.25)ÞËËÝÀÞ½

Engine for TB125 3TNE82A-ETB S/N 12510452-12514525
GEAR HOUSING

Y00D6942
3TNE82A- (E) TB (Z)

ギヤケース
GEAR HOUSING



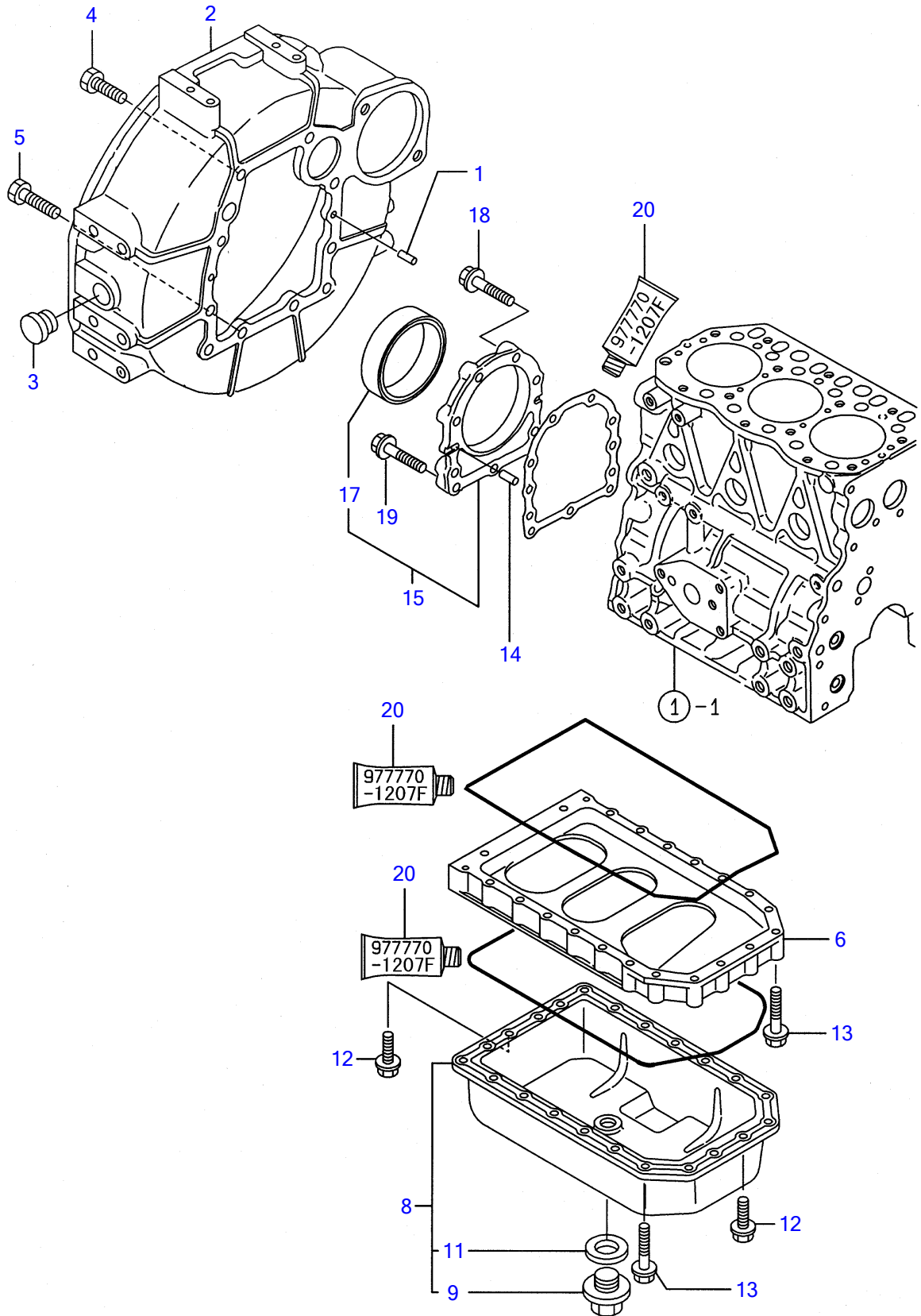
·PÔ¹-½ GEAR HOUSING

REF NO.	PARTS NO.	Description	Q'ty	I	R	"ðll
1	Y719810-01500	HOUSING ASSY, GEAR	1			
4	Y129795-01800	· SEAL, OIL	1			
5	Y129400-01520	FLANGE, GEARS HOUSING	1			
6	Y121450-01560	STUD M 8X 22	3			
7	Y124160-01751	CAP, LUB.OIL SUPPLY	1			
8	Y124240-01871	COVER, HO-P	1			
I 9	Y124240-01883	GASKET, (NON-ASB.)	1	Z		
10	Y129795-01950	PIPE, KNOCK L=18	2			
11	Y129150-03100	RETAINER	1			
12	Y121850-51960	O-RING, F.I.PUMP	1			
13	Y24311-000160	O-RING 1A P-16.0	2			
14	Y24311-000320	O-RING 1A P-32.0	1			
15	Y26106-080122	BOLT M 8X 12 PLATED	4			
16	Y26106-080162	BOLT M 8X 16 PLATED	1			
17	Y26106-080162	BOLT M 8X 16 PLATED	3			
18	Y26106-080202	BOLT M 8X 20 PLATED	2			
19	Y26106-080452	BOLT M 8X 45 PLATED	6			
20	Y26106-080552	BOLT M 8X 55 PLATED	3			
21	Y129001-91841	BOLT M 8X 85 PLATED	4			
22	Y26366-080002	NUT M 8	3			
23	Y22190-080002	SEAL WASHER 8S	4			
24	Y22190-080002	SEAL WASHER 8S	1			
25	Y121023-01550	COVER, BLIND	1			
26	Y24341-000240	O-RING 1A S-24.0	1			
27	Y26106-060162	BOLT M 6X 16 PLATED	2			
I 28	Y171031-11741	PIPE	1	Z		
I 29	Y24311-000320	O-RING 1A P-32.0	1	Z		
30	Y977770-1207F	GASKET, LIQUID	1			(1) μlB¼@Ý lBÉYÄB½

Engine for TB125 3TNE82A-ETB S/N 12510452-12514525
FLYWHEEL HOUSING & OIL SUMP

Y00D6942
3TNE82A- (E) TB (Z)

3 フライホイールハウジング & オイルパン
FLYWHEEL HOUSING & OIL SUMP

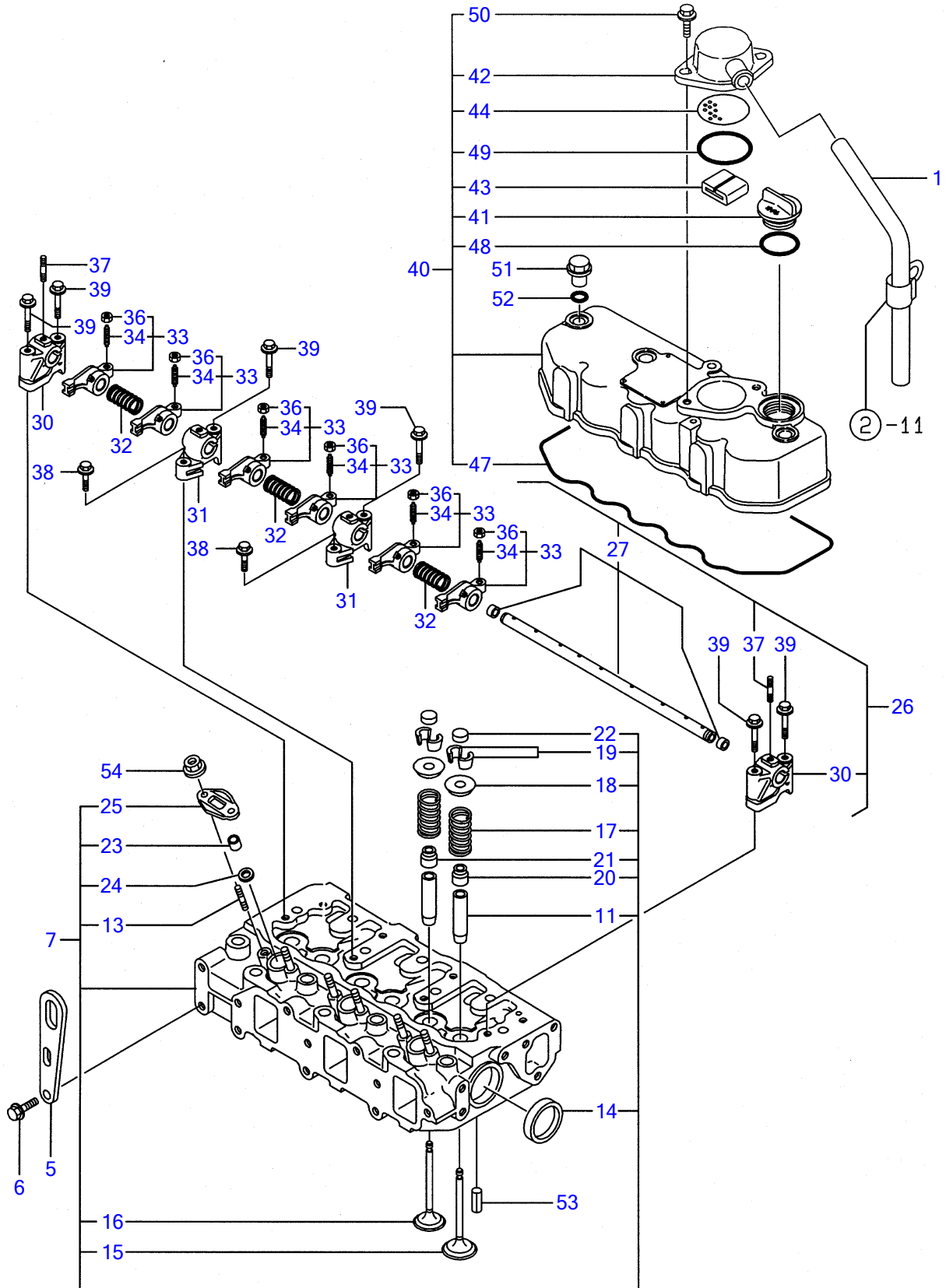


REF NO.	PARTS NO.	Description	Q'ty	I	R	"ó
1	Y129100-01580	PARALLEL PIN 8X16	2			
2	Y129612-01600	HOUSING, FLYWHEEL	1			
3	Y119620-01750	CAP, FLYWHEEL COVER	1			
4	Y26206-100252	BOLT M10X25	6			
5	Y26206-100302	BOLT M10X30	4			
6	Y119810-01730	SPACER, L.O. SUMP	1			
8	Y119810-01790	SUMP ASSY, OIL	1			
9	Y119640-01640	• DRAIN PLUG M22	1			
11	Y22190-220002	• SEAL WASHER 22S	1			
12	Y26106-080162	BOLT M 8X 16 PLATED	6			
13	Y26106-080452	BOLT M 8X 45 PLATED	22			
14	Y129100-01580	PARALLEL PIN 8X16	2			
15	Y719810-01650	CASE ASSY, OIL SEAL	1			
17	Y119810-01780	• SEAL, OIL	1			
18	Y129486-01670	BOLT M8X30, COLLAR HD	6			
19	Y26106-080352	BOLT M 8X 35 PLATED	3			
20	Y977770-1207F	GASKET, LIQUID	1			(1) μlB¼@Ý lBËÝÄb½

Engine for TB125 3TNE82A-ETB S/N 12510452-12514525
CYLINDER HEAD & BONNET

Y00D6942
 3TNE82A- (E) TB (Z)

4 シリンダヘッド & ボンネット
 CYLINDER HEAD & BONNET



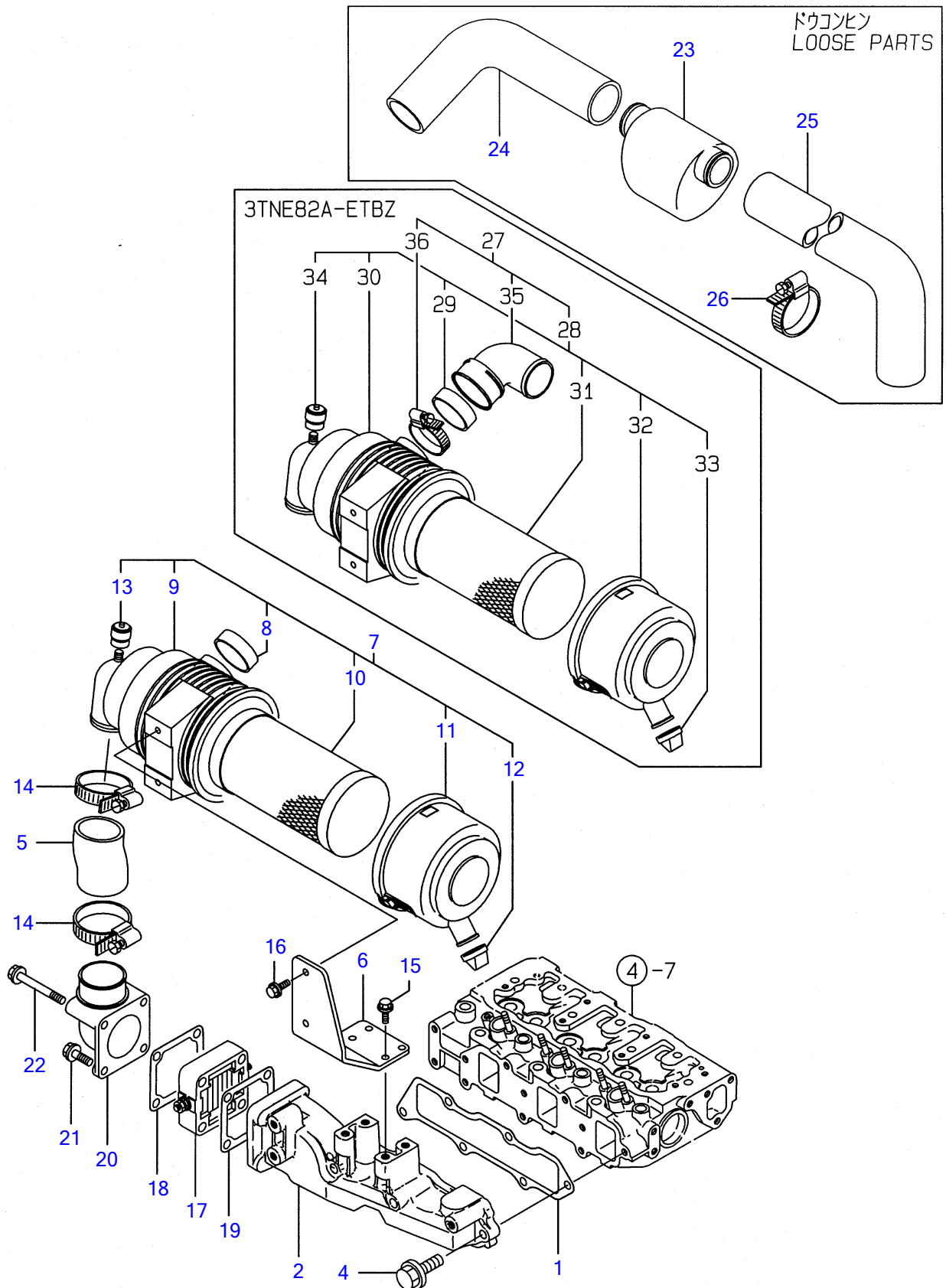
¼ØÝÀÍÁÄÞ & ÍÞÝËÄÄ CYLINDER HEAD & BONNET

REF NO.	PARTS NO.	Description	Q'ty	I	R	Q'ty
1	Y23065-160800	PIPE	1			
5	Y124736-07900	LIFTER, ENGINE	1			
6	Y26106-080142	BOLT M 8X 14 PLATED	2			
7	Y119812-11700	HEAD ASSY, CYLINDER	1			
11	Y124060-11800	• GUIDE, VALVE	6			(1) ÍÖ³ÍÞËËÝÄÞ½
13	Y26216-060302	• STUD M 6X 30 PLATED	6			
14	Y27241-400000	• PLUG 40	2			
15	Y119810-11100	• VALVE, SUCTION	3			
16	Y119810-11110	• VALVE, EXHAUST	3			
17	Y119810-11120	• SPRING, VALVE	6			
18	Y104211-11180	• RETAINER, SPRING	6			
19	Y27310-070000	• COTTER	6			
20	Y124160-11340	• SEAL, VALVE STEM	3			
21	Y124950-11340	• SEAL, VALVE STEM	3			
22	Y104211-11370	• CAP, VALVE	6			
23	Y119625-11870	• PROTECTOR, NOZZLE	3			
24	Y119625-11880	• SEAT, NOZZLE	3			
25	Y119625-11900	• RETAINER	3			
26	Y119865-11210	SUPPORT ASSY, ROCKER	1			
27	Y119810-11240	• SHAFT, ROCKER ARM	1			
30	Y129155-11260	• SUPPORT, ROCKER ARM	2			
31	Y129155-11270	• SUPPORT, ROCKER ARM	2			
32	Y129150-11280	• SPRING	3			
33	Y119810-11660	• ARM ASSY, ROCKER	6			
34	Y129150-11230	• • SCREW, VALVE	6			
36	Y129150-11750	• • NUT M8XP1.0	6			
37	Y26226-080182	• STUD M 8X 18 PLATED	3			
38	Y26106-080252	BOLT M 8X 25 PLATED	2			
39	Y26106-080502	BOLT M 8X 50 PLATED	6			
40	Y719810-11521	BONNET ASSY	1			
41	Y124160-01751	• CAP, LUB.OIL SUPPLY	1			
42	Y129150-03020	• COVER, BREATHER	1			
43	Y129150-03070	• BAFFLE, BREATHER	1			
44	Y129150-03080	• PLATE, SHELTER	1			
47	Y119865-11310	• GASKET, BONNET	1			
48	Y24311-000320	• O-RING 1A P-32.0	1			
49	Y24341-000500	• O-RING 1A S-50.0	1			
50	Y26106-080162	• BOLT M 8X 16 PLATED	2			
51	Y124160-11360	KNOB	3			
52	Y24311-000120	O-RING 1A P 12.0	3			
53	Y22351-060012	SPRING PIN 6X12	2			
54	Y26366-060002	NUT M 6	6			

Engine for TB125 3TNE82A-ETB S/N 12510452-12514525
SUCTION MANIFOLD & AIR CLEANER

Y00D6942
 3TNE82A- (E) TB (Z)

5 キュウキマニホールド & エアクリーナ
 SUCTION MANIFOLD & AIR CLEANER

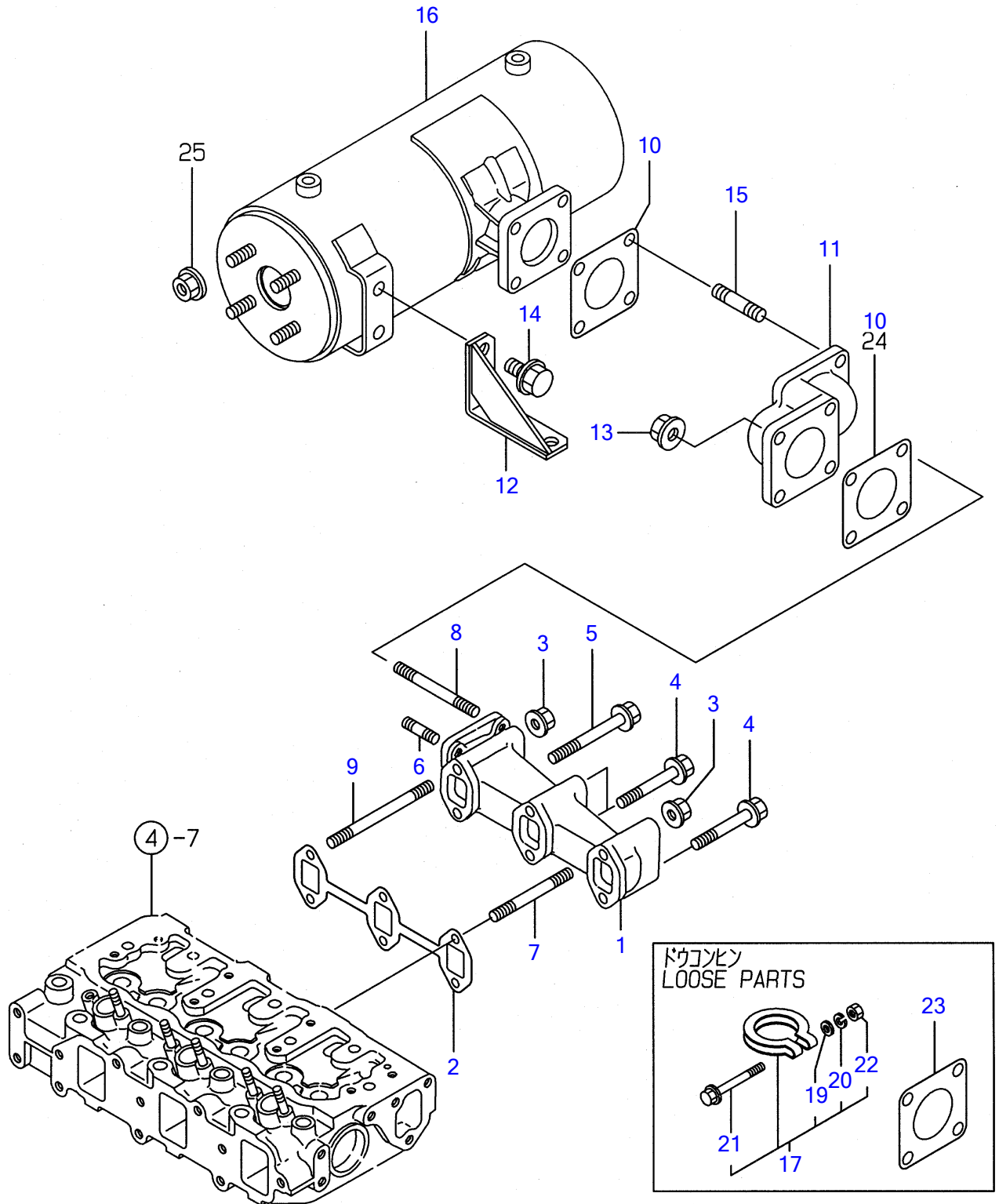


REF NO.	PARTS NO.	Description	Q'ty	I	R	"ó
1	Y119813-12110	GASKET,INT. MANIFOLD	1			
2	Y119813-12100	MANIFOLD, INTAKE	1			
4	Y26106-080252	BOLT M 8X 25 PLATED	6			
5	Y119910-12210	PIPE,INTAKE	1			
6	Y119910-12560	BRACKET,AIRCLEANER	1			
7	Y129612-12690	CLEANER ASSY, AIR	1			
8	Y129259-12570	RING	1			
9	Y119910-12510	BODY, AIR CLEANER	1			
10	Y119808-12520	ELEMENT, OUTER	1			
11	Y119866-12541	COVER ASSY	1			
12	Y119808-12540	VALVE, UNLOADER	1			
13	Y119140-12680	INDICATOR	1			
14	Y23000-060000	CLAMP 60	2			
15	Y26013-080222	BOLT M 8X 22	4			
16	Y26013-080222	BOLT M 8X 22	2			
17	Y129100-77500	HEATER, AIR	1			
18	Y129100-77510	GASKET, AIR HEATER	1			
19	Y129150-77511	GASKET, (NON-ASB.)	1			
20	Y171340-77520	BEND	1			
21	Y26106-080402	BOLT M 8X 40 PLATED	2			
22	Y26106-080802	BOLT M 8X 80 PLATED	2			
23	Y121855-12060	SILENCER,INLET	1			
24	Y129030-12201	PIPE, EXTENSION	1			
25	Y119823-12210	PIPE, INTAKE	1			
26	Y23000-060000	CLAMP 60	3			

Engine for TB125 3TNE82A-ETB S/N 12510452-12514525
EXHAUST MANIFOLD & SILENCER

Y00D6942
3TNE82A- (E) TB (Z)

6 ハイキマニホールド & サイレンサ
EXHAUST MANIFOLD & SILENCER



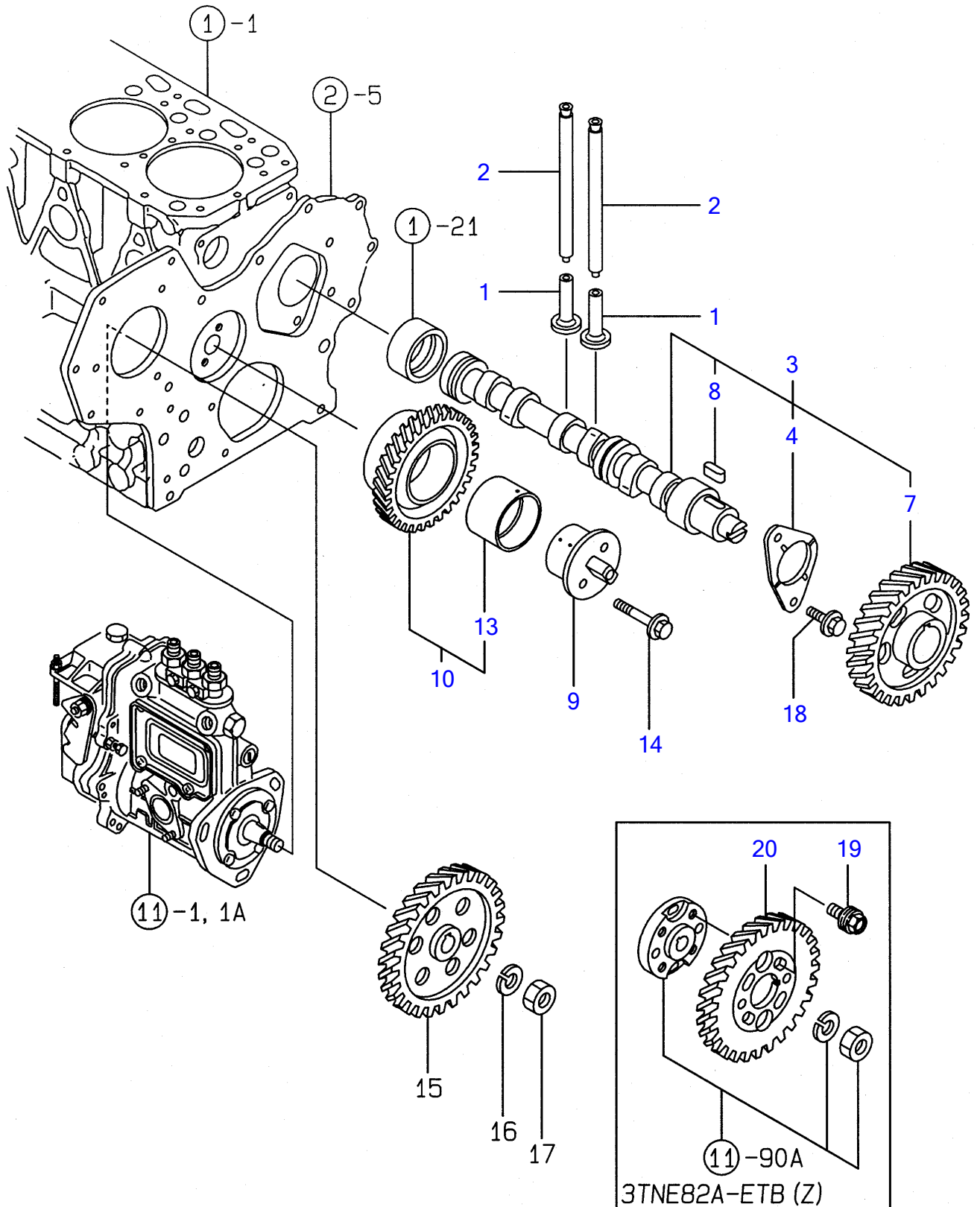
Ê²·ĪÆĪ-ŪÄĖ & »²ÚÝ» EXHAUST MANIFOLD & SILENCER

REF NO.	PARTS NO.	Description	Q'ty	Ų-Ê	ŲÝŠ-Ī«	I	R	»öĪĪ
1	Y119840-13100	ĪÆĪŪÄĖ(EXH	MANIFOLD,EXHAUST	1				
2	Y119810-13110	ŲĪĪ½¹ÄÄ (EXH	GASKET, EXH.MANIFOLD	1				
3	Y26366-080002	ÄÊĖÄ·ÄÄÄ 8	NUT M 8	2				
4	Y26106-080602	ÄÊĖĪĪŪÄ 8X 60	BOLT M 8X 60 PLATED	3				
5	Y26106-080802	ÄÊĖĪĪŪÄ 8X 80	BOLT M 8X 80 PLATED	1				
6	Y119131-18320	³ºĎĪĪŪÄ M8*22	BOLT M 8X 22	2				
7	Y26216-080602	³ºĎĪĪŪÄ 8X 60	STUD M 8X 60 PLATED	1				
8	Y119823-13600	³ºĎĪĪŪÄ M8*70	BOLT M8X70	2				
9	Y26216-080802	³ºĎĪĪŪÄ 8X 80	STUD M 8X 80 PLATED	1				
10	Y124701-11911	ŲĪĪ½¹ÄÄ(»²ÚÝ»)(ÉÝ±½)	GASKET, (NON-ASB.)	2				
11	Y119840-13150	ŪÝ×,ŲÝ(EXH	PIPE,EXHAUST	1				
12	Y119840-13650	½Ä-(»²ÚÝ»	STAY,SILENCER	1				
13	Y26366-080002	ÄÊĖÄ·ÄÄÄ 8	NUT M 8	2				
14	Y26106-100162	ÄÊĖĪĪŪÄ 10X 16	BOLT M10X 16 PLATED	2				
15	Y119131-18320	³ºĎĪĪŪÄ M8*22	BOLT M 8X 22	2				
16	Y119640-13510	»²ÚÝ»	SILENCER	1				
17	Y121120-13590	,×ÝĪß (ĪÝ¼ÖÄº³	CLAMP	1				
19	Y22137-100000	»ĪĪĪĪÉ(ĎĪĪĪ 10	WASHER 10,POLISHED	1				
20	Y22217-100000	ÊĪĪ»ĪĪĪĪÉ 10	SPRING WASHER 10	1				
21	Y26106-100652	ÄÊĖĪĪŪÄ 10X 65	BOLT M10X 65 PLATED	1				
22	Y26706-100002	ÄÄÄ 10	NUT M10	1				
23	Y124701-11911	ŲĪĪ½¹ÄÄ(»²ÚÝ»)(ÉÝ±½)	GASKET, (NON-ASB.)	1				

Engine for TB125 3TNE82A-ETB S/N 12510452-12514525
CAMSHAFT & DRIVING GEAR

Y00D6942
3TNE82A-(E) TB (Z)

カムシャフト & クドウギヤ
CAMSHAFT & DRIVING GEAR



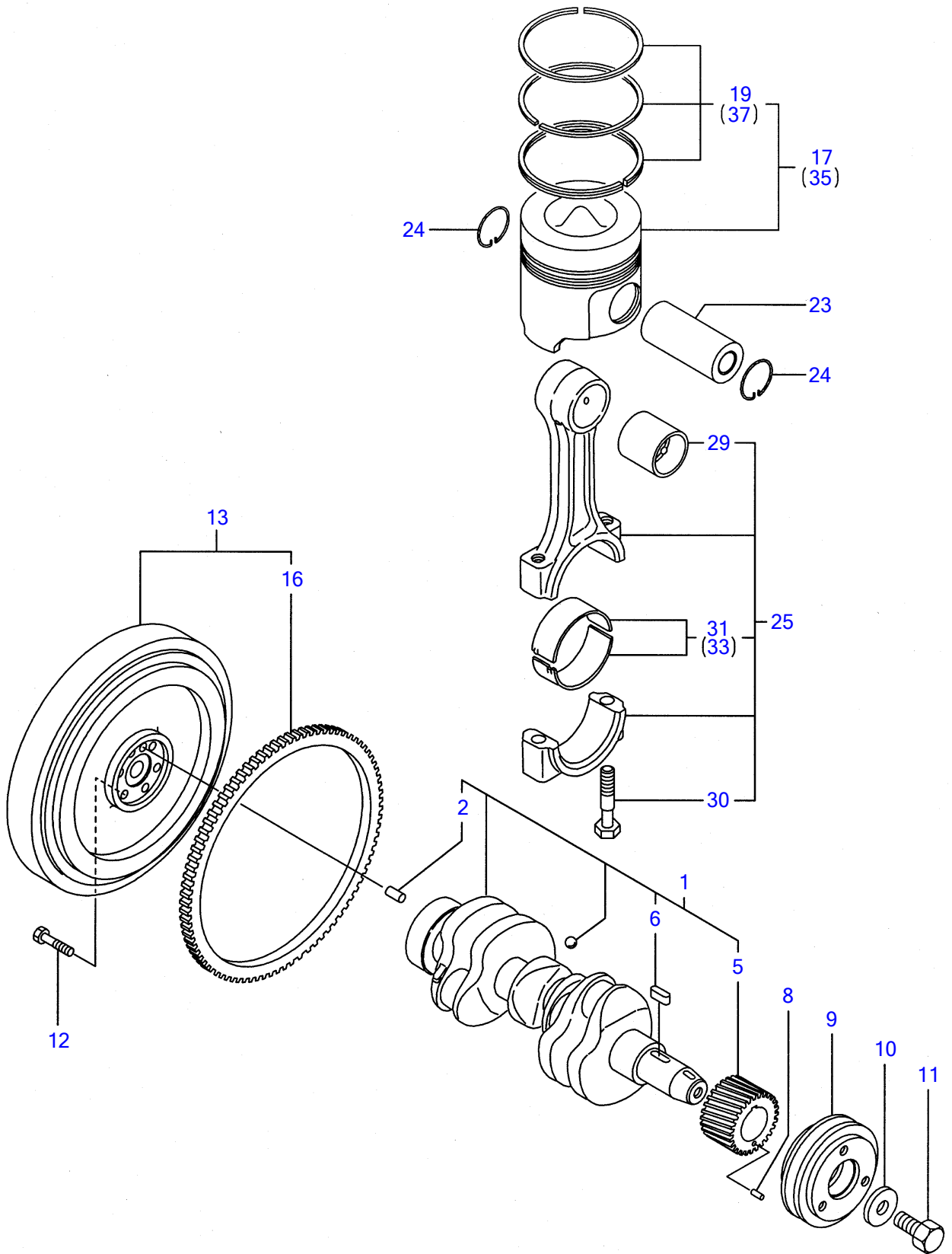
CAMSHAFT & DRIVING GEAR

REF NO.	PARTS NO.	Description	Q'ty	I	R	Notes
1	Y129150-14200	TAPPET	6			
2	Y119810-14400	ROD, PUSH	6			
3	Y119810-14580	CAMSHAFT ASSY	1			
4	Y129150-02450	METAL, THRUST	1			
7	Y129150-14101	GEAR, CAMSHAFT	1			
8	Y22512-070140	KEY 7X14	1			
9	Y129100-25061	SHAFT, IDLE GEAR	1			
10	Y129150-25101	GEAR W/BUSH	1			
13	Y129150-25920	BUSH, IDLE GEAR	1			(1) 1/2
14	Y26106-080452	BOLT M 8X 45 PLATED	2			
18	Y26106-080142	BOLT M 8X 14 PLATED	2			
19	Y129150-25301	BOLT, FI-P	4			
20	Y129150-25931	GEAR	1			

Engine for TB125 3TNE82A-ETB S/N 12510452-12514525
CRANKSHAFT & PISTON

Y00D6942
3TNE82A- (E) TB (Z)

クランクシャフト & ピストン
CRANKSHAFT & PISTON



CRANKSHAFT & PISTON

REF NO.	PARTS NO.	Description	Q'ty			
1	Y119813-21000	CRANKSHAFT ASSY	1			
2	Y129100-01580	PARALLEL PIN 8X16	1			
5	Y129150-21200	GEAR, CRANKSHAFT	1			
6	Y22512-070140	KEY 7X 14	1			
8	Y22351-040010	SPRING PIN 4X10	1			
9	Y171301-21650	V-PULLEY, CRANKSHAFT	1			
10	Y129795-21661	WASHER	1			
11	Y121850-21680	BOLT, V-PULLEY	1			
12	Y121111-21501	BOLT, FLYWHEEL	6			
13	Y171325-21590	FLYWHEEL W/GEAR	1			
16	Y119865-21600	GEAR, RING	1			
17	Y119813-22080	PISTON ASSY	3			
19	Y119813-22500	RING SET, PISTON	3			
23	Y119813-22300	PIN, PISTON	3			
24	Y129792-22400	CIRCLIP 23	6			
25	Y719810-23100	ROD ASSY, CONNECTING	3			
29	Y119810-23910	BUSH, PISTON PIN	3	(1)		
30	Y119810-23200	BOLT, CONNECTING ROD	6			
31	Y119810-23600	BEARING, CRANKPIN	3			
33	Y119810-23610	BEARING, PIN U.S=0.25	3	(2)		
35	Y119813-22900	PISTON W/RING O.S=0.25	3	(3)		
37	Y129003-22950	RING SET O.S=0.25	3	(3)		

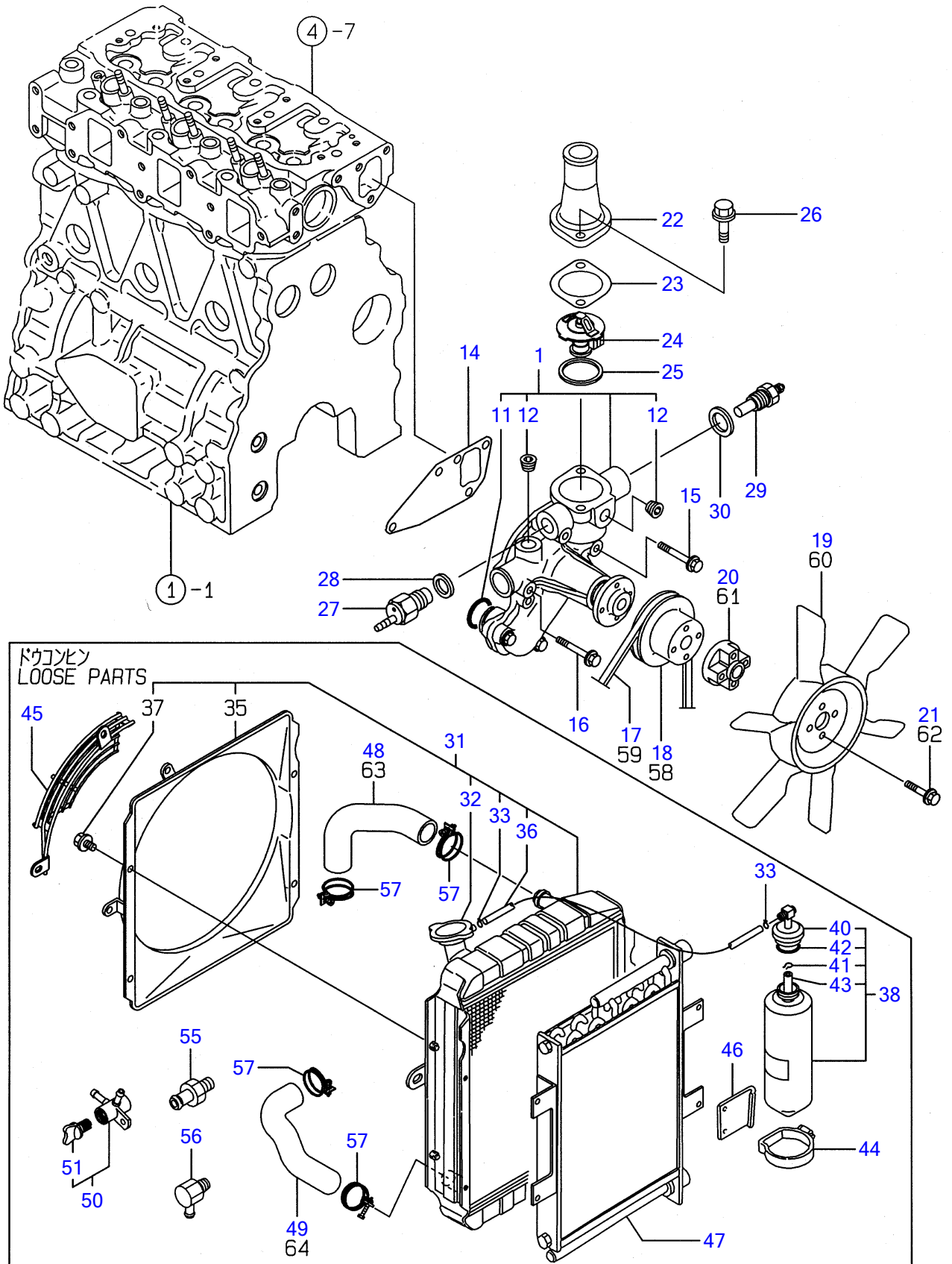
LO 1/2" LUB.OIL SYSTEM

REF NO.	PARTS NO.	Description	Q'ty
1	Y129001-32001	LO-P CMP PUMP ASSY, LUB. OIL	1
14	Y129150-32020	PK(LO-P GASKET, L.O. PUMP	1
15	Y26450-060252	6 BOLT M 6X 25	4
16	Y119640-34800	DIPSTIC	1
17	Y121520-34810	GUIDE, DIPSTICK	1
18	Y129150-35041	GASKET, (NON-ASB.)	1
19	Y119810-35401	PIPE ASSY, OIL INLET	1
23	Y26106-080352	BOLT M 8X 35 PLATED	2
24	Y129150-35101	BRACKET, STRAINER	1
25	Y129150-35111	GASKET, (NON-ASB.)	1
26	Y129150-35152	FILTER 80X80L	1
27	Y129001-35300	BOLT, LUB.O. STRAINER	1
28	Y129150-35350	NUT	1
29	Y24311-000160	O-RING 1A P-16.0	1
30	Y26106-080202	BOLT M 8X 20 PLATED	3
31	Y124160-39140	BOLT 10, PIPE JOINT	1
32	Y119810-39200	PIPE ASSY, LUB. OIL	1
36	Y114250-39450	SWITCH,(0.5KG)L.O.	1
37	Y124550-59830	BOLT W/ SEAL WASHER	1
38	Y124550-59820	BOLT 8, PIPE JOINT	1
39	Y22190-080002	SEAL WASHER 8S	1
40	Y22190-080002	SEAL WASHER 8S	1
41	Y22190-100002	SEAL WASHER 10S	2

Engine for TB125 3TNE82A-ETB S/N 12510452-12514525
COOLING WATER SYSTEM

Y00D6942
 3TNE82A- (E) TB (Z)

10 CWシステム
 COOLING WATER SYSTEM



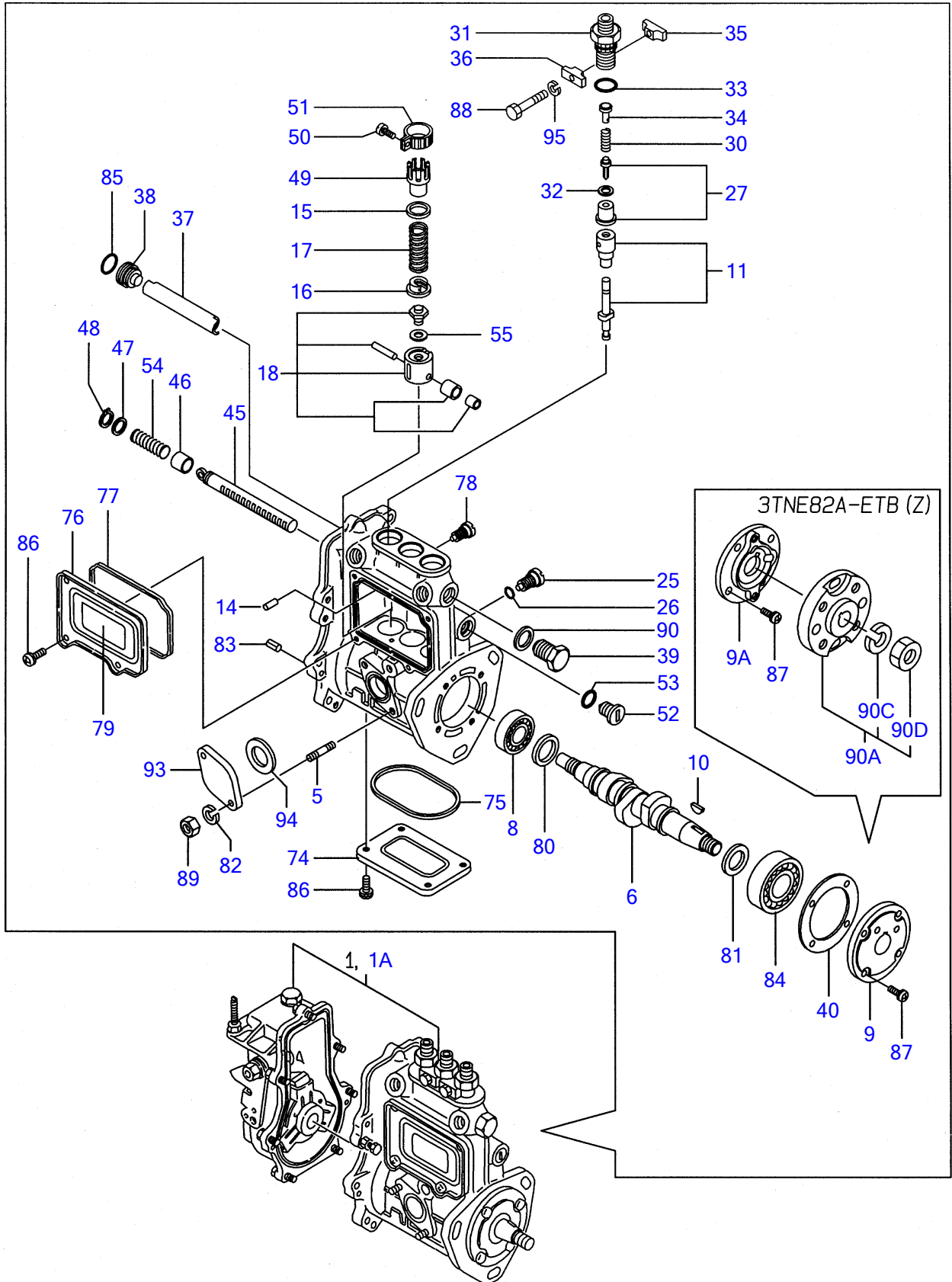
CW½½Ñ COOLING WATER SYSTEM

REF NO.	PARTS NO.	Description	Q'ty	I	R
1	Y119823-42000	PUMP ASSY, C.W.	1		
11	Y129150-42320	O-RING	1		
12	Y23876-030000	PLUG PT3/8,SCREW	2		
14	Y129486-42050	GASKET	1		
15	Y26106-080352	BOLT M 8X 35 PLATED	1		
16	Y26106-080552	BOLT M 8X 55 PLATED	3		
17	Y25132-003800	V-BELT (A-38)	1		
18	Y129403-42380	V-PULLEY(D=110)	1		
19	Y121520-44740	FAN, COOLING	1		
20	Y129030-44760	SPACER	1		
21	Y126106-060552	BOLT M 6X 55 PLATED	4		
22	Y129350-49560	COVER, THERMOSTAT	1		
23	Y129795-49551	GASKET, (NON-ASB.)	1		
24	Y129155-49800	THERMOSTAT	1		
I 24-1	Y129574-49800	THERMOSTAT	1	N	
25	Y129150-49811	GASKET, (NON-ASB.)	1		
26	Y26106-080202	BOLT M 8X 20 PLATED	2		
27	Y121250-44901	SWITCH, THERMO(110BC	1		
28	Y124465-44950	GASKET 16	1		
29	Y119266-49350	SENSOR, THERMO.	1		
30	Y129150-49360	GASKET 10	1		
31	Y129030-44520	RADIATOR	1		
32	Y119259-44570	CAP, RADIATOR	1		
33	Y121250-44590	CLAMP	2		
36	Y119813-44580	HOSE, RUBBER	1		
38	Y171064-44510	SUB-TANK ASSY	1		
40	Y121450-44531	CAP	1		
41	Y124450-44560	CLAMP	1		
42	Y121470-44581	GASKET	1		
43	Y23065-070225	HOSE 7X 225	1		
44	Y124450-44550	CLAMP, SUB-TANK	1		
45	Y129132-44590	NET, WIRE	1		
46	Y121256-44600	BRACKET, SUB-TANK	1		
47	Y129132-44901	COOLER ASSY, LUB OIL	1		
48	Y119859-49010	PIPE (A), C. WATER	1		
49	Y119869-49020	PIPE	1		
50	Y129150-49100	COCK ASSY, 3-WAY	1		
51	Y129150-49080	COCK, DRAIN	1		
55	Y121550-49111	JOINT PT1/4	1		
56	Y121750-49110	JOINT	1		
57	Y23010-038000	CLAMP 38	4		

Engine for TB125 3TNE82A-ETB S/N 12510452-12514525
FUEL INJECTION PUMP

Y00D6942
 3TNE82A- (E) TB (Z)

11 FO7ンシャポンプ
 11 FUEL INJECTION PUMP



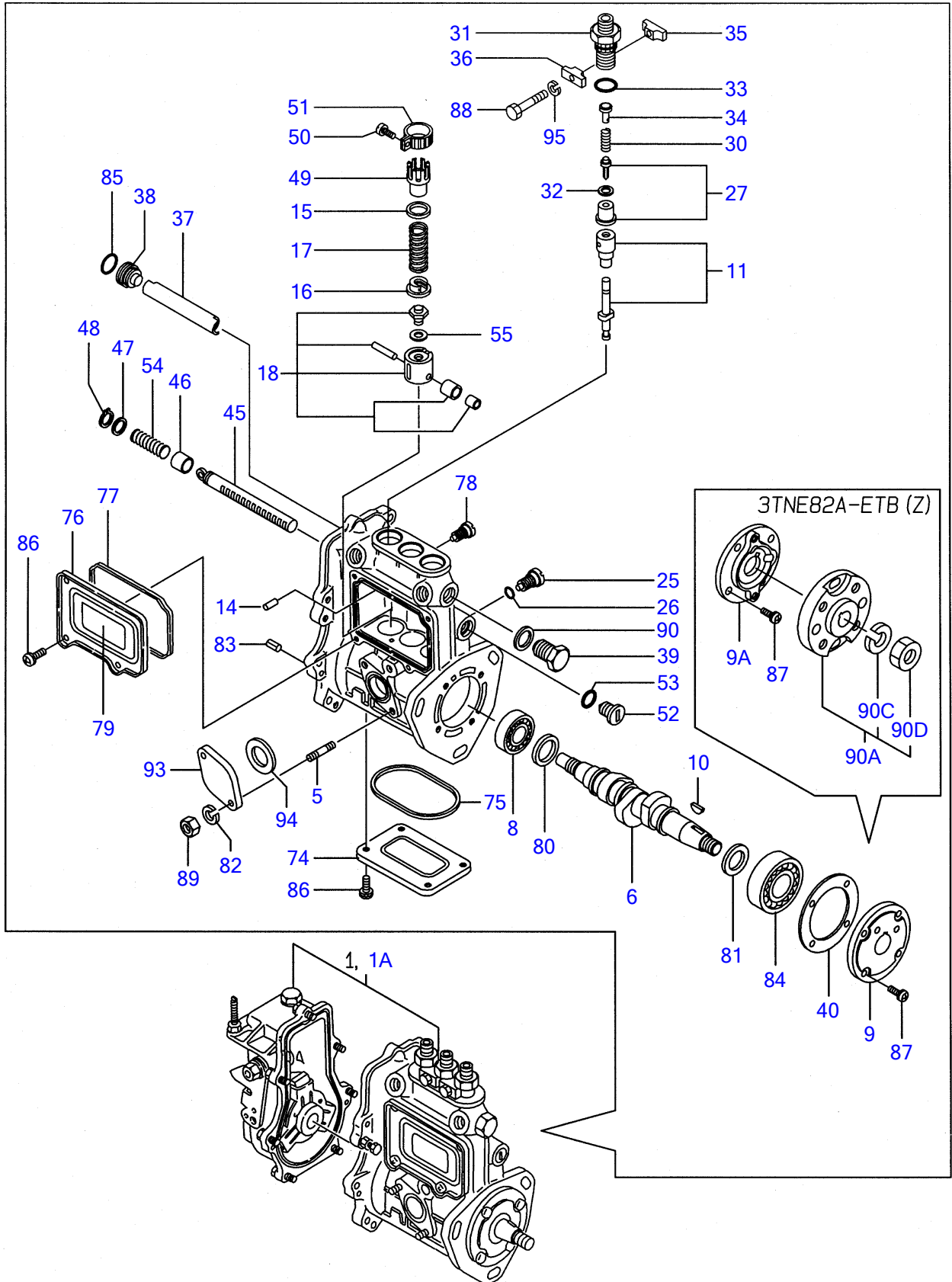
FOIY¼ŌIBÝIB FUEL INJECTION PUMP

REF NO.	PARTS NO.	Description	Q'ty		
1A	Y719824-51470	FOIY¼ŌIBÝIB ASSY	1		(1) ĐÀP¼ NO.1A FOIY¼ŌIBÝIB ASSY ÆÉ³³Ō, NO.12 ¶PÈPÀ μ İ,Đİ½.
5	Y129155-51020	• ³ºĐİPÙÀ(İ²-ÄbP)	2		
6	Y119810-51040	• ¶İ¼P,	1		
8	Y129155-51050	• Äİ¼P,³¹(½x½Ä)	1		
9A	Y129208-51060	• »İB-Ä(İP±ØÝ, P	1		
10	Y122710-51090	• ÈY'PÄ.	1		
11	Y129108-51100	• İBxY¼PŌCMP	3		
14	Y129155-51140	• ÈBÝ(ÈPÚÜİÜŌÄPŌ	3		
15	Y174307-51170	• ÈPÈ³¹ A(İBxY¼PŌ	3		
16	Y129155-51180	• İBxY¼PŌÈPÈ³¹¶PÈ	3		
17	Y124950-51190	• İBxY¼PŌ½İBØÝ, P	3		
18	Y129155-51200	• ÄİBÄÄ ¼,Đ	3		
25	Y129155-51270	• ÄİBÄÄİÜŌÄPŌ	3		
26	Y129155-51280	• OØÝ, P(S6	3		
27	Y129505-51300	• ÄPØİPØÈPÙİP CMP	3		
30	Y129155-51320	• ÈPÈ(ÄPØİPØÈPÙİP	3		
31	Y129155-51340	• Ä¼ŌÄİPÝμ»	3		
32	Y124550-51350	• ÈBÄ-Y(ÄPØİPØ	3		
33	Y124550-51370	• OØÝ, P(ÄPØİPØ	3		
34	Y129155-51370	• Ä¼ŌÄİPÝ½ÄÄÈB	3		
35	Y129155-51380	• İÜŌÄPŌ(A)	2		
36	Y129155-51390	• İÜŌÄPŌ(B)	2		
37	Y129155-51400	• ÄPİÜ, Ä	1		
38	Y129155-51410	• ÄŌİPÙÄ(ÄPİÜ, Ä	1		
39	Y129155-51420	• İBx, P (M16)	1		
40	Y129155-51450	• ÄŌ³³¼²ÈBÄ-Y CMP	1		
45	Y129155-51500	• ²YÄÜ-ÜxÄ	1		
46	Y129155-51521	• İPÄ¼Ō (xÄ,	1		
47	Y129155-51530	• ¶Y»P(xÄ, İ¼PŌSP	1		
48	Y129155-51540	• ÄŌÜ(C¶PÄ	1		
49	Y129155-51550	• ²YÄÜ-ÜÈBÆμÝ (B	3		
50	Y122117-51560	• ÄŌÈ¼P(FO¶PÝÈØÝ	3		
51	Y174307-51560	• ÈBÆμÝ	3		
52	Y129155-51570	• İBx, P (M12)	1		
53	Y129155-51580	• OØÝ, P	1		
54	Y129155-51591	• xÄ, İ¼PŌÈPÈ	1		
55	Y129155-51600	• ÄŌ³³¼²¼Ń CMP	3		
74	Y129155-51701	• İBÝİBİYÄ², ²İÄ	1		
75	Y129155-51710	• PK(İYÄ², ²İÄ	1		
I 75-1	Y129155-51711	• PK(İYÄ², ²İÄ	1	N	
76	Y129155-51751	• ¼, İÄ(3CYL	1		
77	Y129155-51760	• PK (İYÄ², İÄ	1		
78	Y129155-51790	• xÄ, İÜŌÄPŌ	1		
79	Y129156-51910	• ŌÈPÝ (ÄŌ³²	1		
80	Y129155-51930	• ¶Y»P T=3.25	1		
81	Y129155-51940	• ¶Y»P T=1.5	1		
82	Y22217-060000	• ÈPÈ»P¶PÈ 6	2		
83	Y22351-050010	• ½İBØÝ, PÈBÝ 5.0AX 10	2		
84	Y24101-063034	• İP±ØÝ, P 6303	1		
85	Y24341-000160	• OØÝ, P 1A S 16.0	1		
86	Y26022-050122	• ÄİPÈ¼P(ÈPÈ5X12	8		
87	Y26022-060162	• ÄİPÈ¼P(ÈPÈ6X16	4		

Engine for TB125 3TNE82A-ETB S/N 12510452-12514525
FUEL INJECTION PUMP

Y00D6942
 3TNE82A- (E) TB (Z)

11 FOフンシャポンプ
 11 FUEL INJECTION PUMP



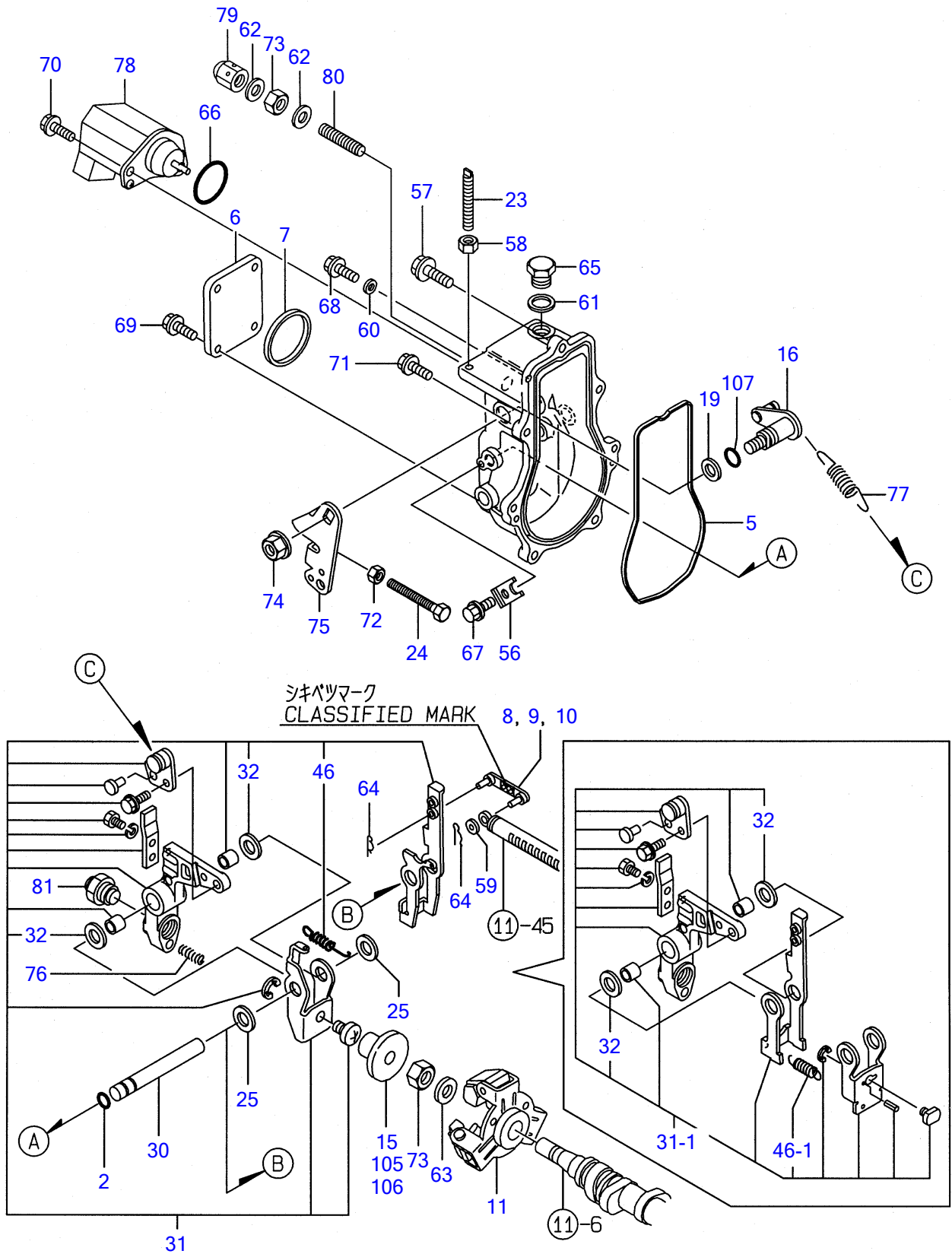
FOIY¼ÔIBÝIB FUEL INJECTION PUMP

REF NO.	PARTS NO.	Description	Q'ty	I	R	"õll
88	Y26116-050302	• ÎbÜÄ 5X 30	2			
89	Y26716-060002	• ÅÄÄ 6	2			
90	Y22190-160002	• ¼-ÜÜÄ¼Ô(ëiÜ.ÆÄØÜ)16	1			
90A	Y129208-54500	• İx¼PCMP	1			
90C	Y22217-120000	• • ÊbÈ»b¶pÈ 12	1			
90D	Y26716-120002	• • ÅÄÄ 12	1			
93	Y129100-52200	• ¶Èb-(İ¼Ô¼b-İÄb)	1			
94	Y129155-52050	• ÊBÄ-Ý (ÄØÄ¹	1			
95	Y22217-050000	• ÊbÈ»b¶pÈ 5	2			

Engine for TB125 3TNE82A-ETB S/N 12510452-12514525
GOVERNOR

Y00D6942
 3TNE82A- (E) TB (Z)

12 12 **ガバナ**
 GOVERNOR



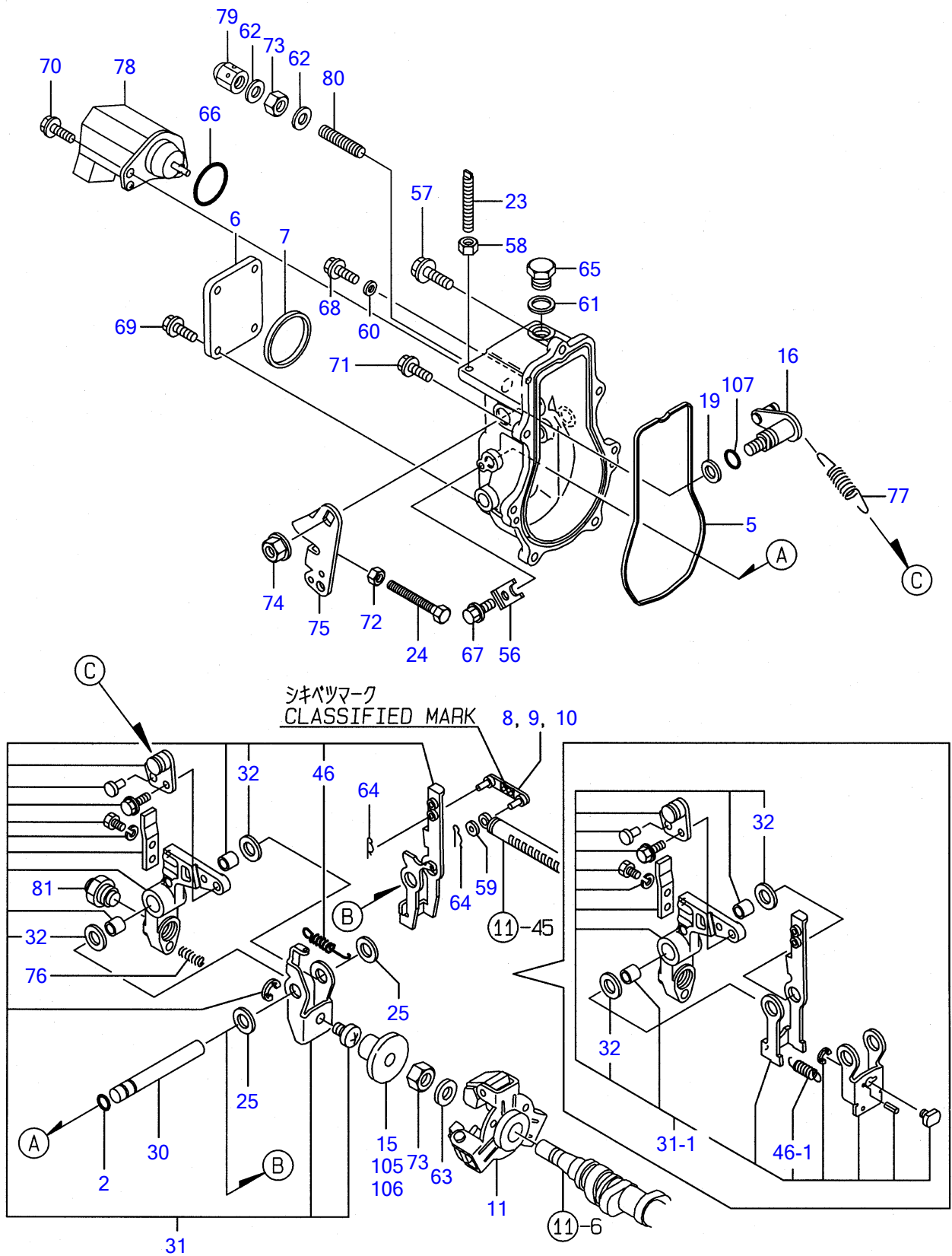
ГПЕБА GOVERNOR

REF NO.	PARTS NO.	Description	Q'ty	I	R	Notes
2	Y129155-51280	O-RING S6	1			
5	Y129052-61050	PACKING	1			
6	Y129052-61060	COVER	1			
7	Y129052-61070	PACKING	1			
8	Y129155-61120	LINK L=30(MARK 0	1			(1) 3/4YA, 1/4O3 PEY: 1/4 bA-0p3 μ Π, AEYÉ³ ÁÖ³ÓYÉΠP²¹½. (²x½Ä »Y¼Ö³)
9	Y129155-61130	LINK L=31(MARK 1	1			(1) 3/4YA, 1/4O3 PEY: 1/4 bA-0p3 μ Π, AEYÉ³ ÁÖ³ÓYÉΠP²¹½. (²x½Ä »Y¼Ö³)
10	Y129155-61140	LINK L=30.5(MARK 05)	1			(1) 3/4YA, 1/4O3 PEY: 1/4 bA-0p3 μ Π, AEYÉ³ ÁÖ³ÓYÉΠP²¹½. (²x½Ä »Y¼Ö³)
11-1	Y129155-61202	WEIGHT ASSY, GOVERNOR	1			
I 11-2	Y129486-61201	WEIGHT ASSY, GOVERNOR	1	S		(3) ÐÀB¼NO.11#80 É ÁΠP²É 31 μ »Y¼@³ÉΠP²¹½.* °É³³O, (ΠPÉBÄ ASSY)ÉFIG.11 FOIY¼ÖIBYIB Æ Ì, ÐÍ½.
15	Y129155-61341	SLEEVE	1			(2) 3/4YA, 1/4O3 PEY.
16	Y129100-61400	SHAFT ASSY, CONTROL	1			
19	Y129155-61430	SPACER, SHAFT	1			
23	Y129155-61450	BOLT, REVOL. LIMIT	1			
24	Y129155-61460	BOLT, IDLE LIMIT	1			
25	Y129155-61480	SPACER ASSY	2			
30	Y129052-61390	SHAFT, GOV. LEVER	1			
31	Y129052-61500	LEVER ASSY, GOVERNOR	1			
I 31-1	Y119908-61501	LEVER ASSY, GOVERNOR	1	S		
32	Y174307-51700	SHIM SET	2			
46	Y129052-61540	SPRING	1			
I 46-1	Y129486-61540	SPRING, SET	1	S		
56	Y119660-61901	RETAINER, SHAFT	1			
57	Y129155-61950	BOLT, WASHER BASED	1			
58	Y124550-66370	LOCK NUT M 6	1			
59	Y22117-040000	WASHER 4	1			
60	Y22190-060003	SEAL WASHER 6S	1			
61	Y22190-100002	SEAL WASHER 10S	1			
62	Y22190-120002	SEAL WASHER 12	2			
63	Y22287-120000	WASHER 12	1			
64	Y22372-040000	SNAP PIN 4	2			
65	Y23887-100002	PLUG 10	1			
66	Y24341-000280	O-RING 1A S-28.0	1			
67	Y26106-060102	BOLT M 6X 10 PLATED	1			
68	Y26106-060102	BOLT M 6X 10 PLATED	1			
69	Y26106-060102	BOLT M 6X 10 PLATED	4			
70	Y26106-060142	BOLT M 6X 14 PLATED	2			
71	Y26106-060202	BOLT M 6X 20 PLATED	6			
72	Y26756-060002	LOCK NUT 6	1			
73	Y26776-120002	LOCK NUT M12 PLATED	2			
74	Y26366-080002	NUT M 8	1			
75	Y129100-61440	LEVER, CONTROL	1			
76	Y129100-61650	SPRING, FUEL CONTROL	1			
77	Y171353-61710	SPRING, GOVERNOR	1			
78	Y119285-77951	SOLENOID	1			

Engine for TB125 3TNE82A-ETB S/N 12510452-12514525
GOVERNOR

Y00D6942
 3TNE82A- (E) TB (Z)

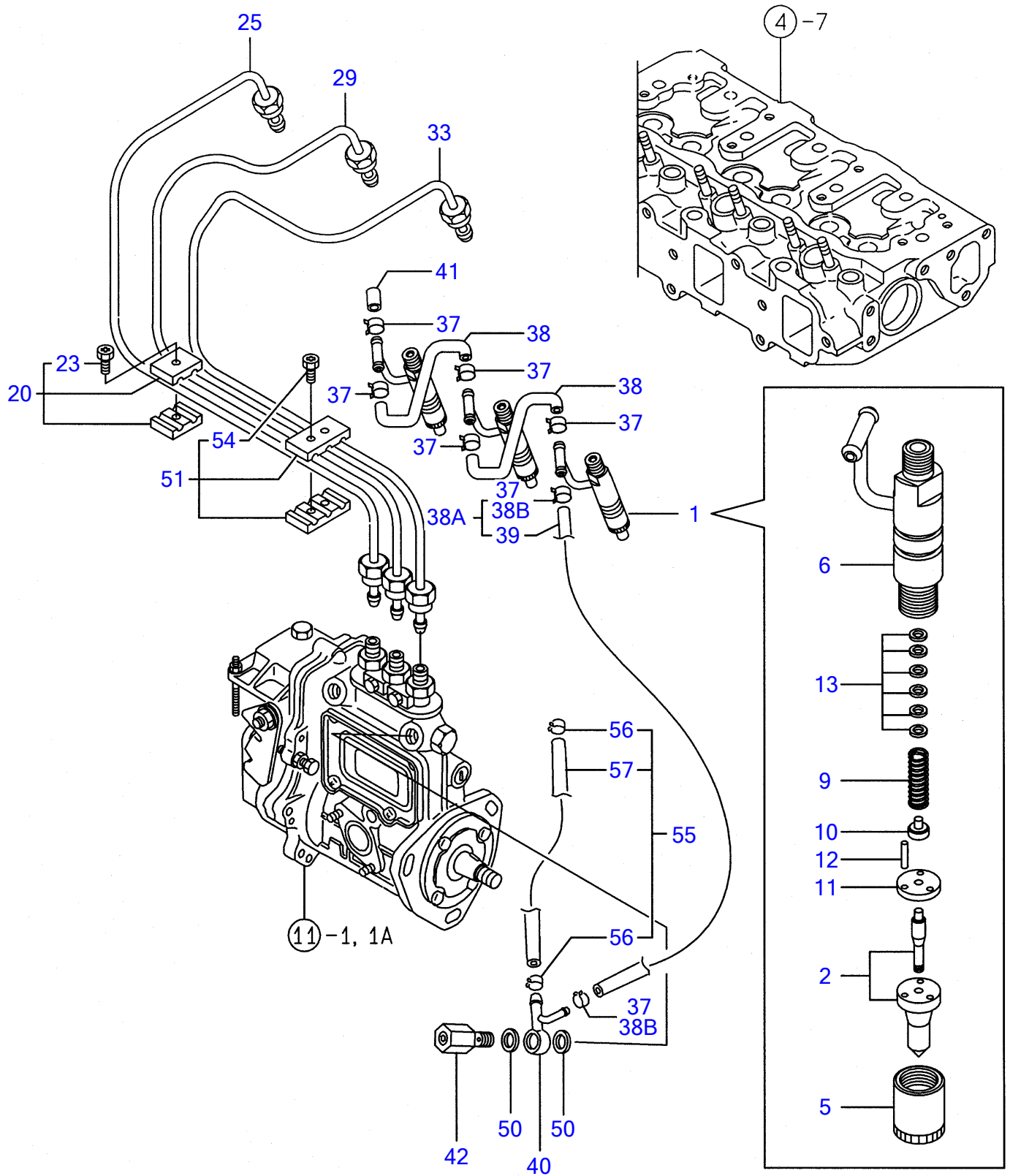
12 12 **ガバナ**
 GOVERNOR



Engine for TB125 3TNE82A-ETB S/N 12510452-12514525
FUEL INJECTION VALVE

Y00D6942
 3TNE82A- (E) TB (Z)

13 FO7ンシャベン
 FUEL INJECTION VALVE



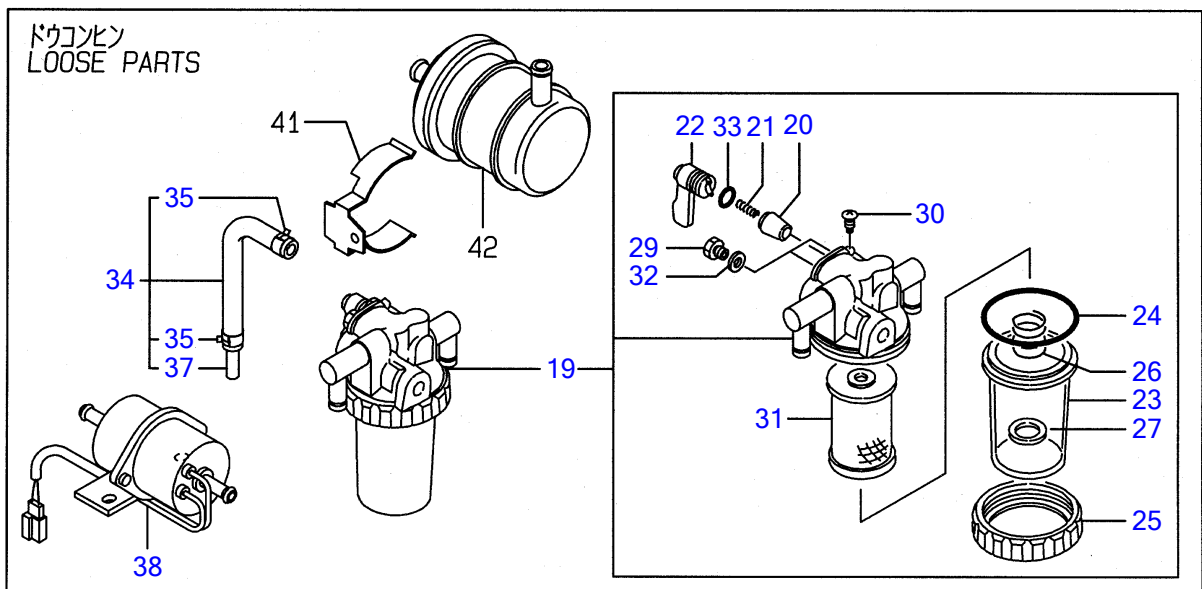
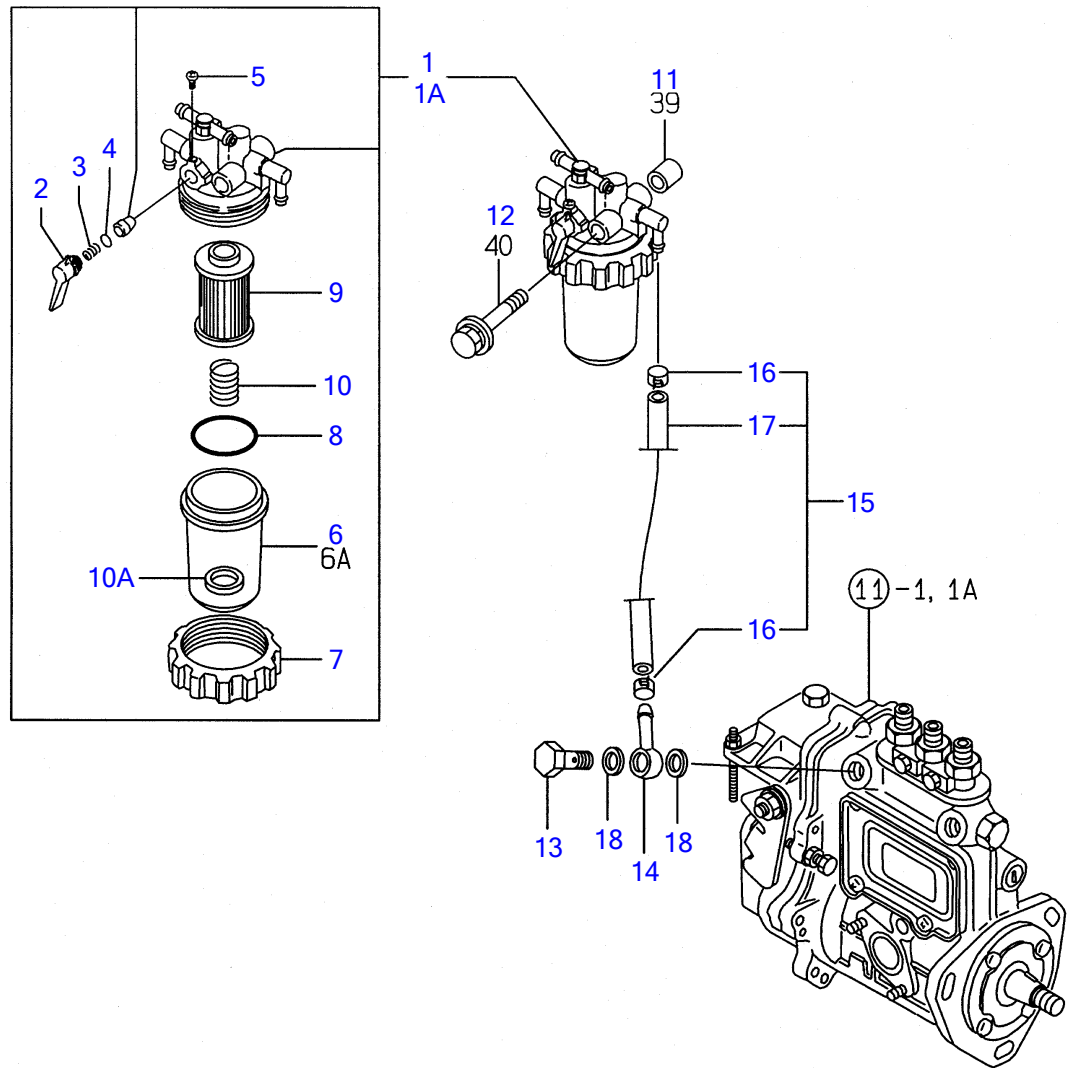
FOIY¼-ÍPÝ FUEL INJECTION VALVE

REF NO.	PARTS NO.	Description	Q'ty
1	Y729500-53200	FOIY¼ÓÍPÝ ASSY	3
2	Y129500-53050	• É½PÙ COMP.	3
5	Y114250-53080	• ÁÁÁ(É½PÙÄØÁ¹	3
6	Y129100-53100	• É½PÙÍÜÄP- CMP	3
9	Y114250-53120	• ½ÍØÝ, P(É½PÙ	3
10	Y114250-53130	• ¼-Ä(É½PÙ½ÍØÝ, P	3
11	Y114250-53140	• ½ÄÄÍßÍßÜ-Ä	3
12	Y114250-53210	• ÉßÝ(É½PÙ²Á·PÒ	6
13	Y114250-53400	• ¼Ñ CMP	3
20	Y119305-59120	ÍÜÄPÒ(ÍY¼ÓÍPÝCMP	1
23	Y129150-59131	• +±Ä HB4X14	1
25	Y119813-59812	FOIY¼ÓÉß²Íß(NO1 CYL.	1
29	Y119813-59821	FO-T(ÍY¼Ó CMP	1
33	Y119813-59831	FO-T(ÍY¼Ó CMP	1
37	Y124066-59100	Î-½, ØÄÍß(ÍÜ 8	5
38	Y121250-59550	FO-T(D8XL120	2
38A	Y119840-59500	FO-T(ÓÄP¼ CMP	1
38B	Y124066-59100	• Î-½, ØÄÍß(ÍÜ 8	2
39	Y119840-59560	• FO-T ÓÄP¼	1
40	Y119840-59570	Ä·PÄ	1
41	Y129150-59580	·ÓÄÍß(FO-TÓÄP¼	1
42	Y129100-59951	Á·Ä, ÉPÙÍP CMP	1
50	Y22190-120002	¼-ÜÜÄ¼Ó(ÍÜ 12	2
51	Y129150-59120	ÍÜÄPÒ(ÍY¼ÓÍPÝ CMP	1
54	Y129150-59131	• +±Ä HB4X14	2
55	Y129210-59130	FO-T CMP	1
56	Y124766-59050	• Î-½, ØÄÍß(ÍÜ 12	2
57	Y105025-59750	• Éß²Íß(FO²¼-FOÍßÝÍß	1

Engine for TB125 3TNE82A-ETB S/N 12510452-12514525
FUEL LINE

Y00D6942
 3TNE82A- (E) TB (Z)

14 FUEL LINE
 FUEL LINE

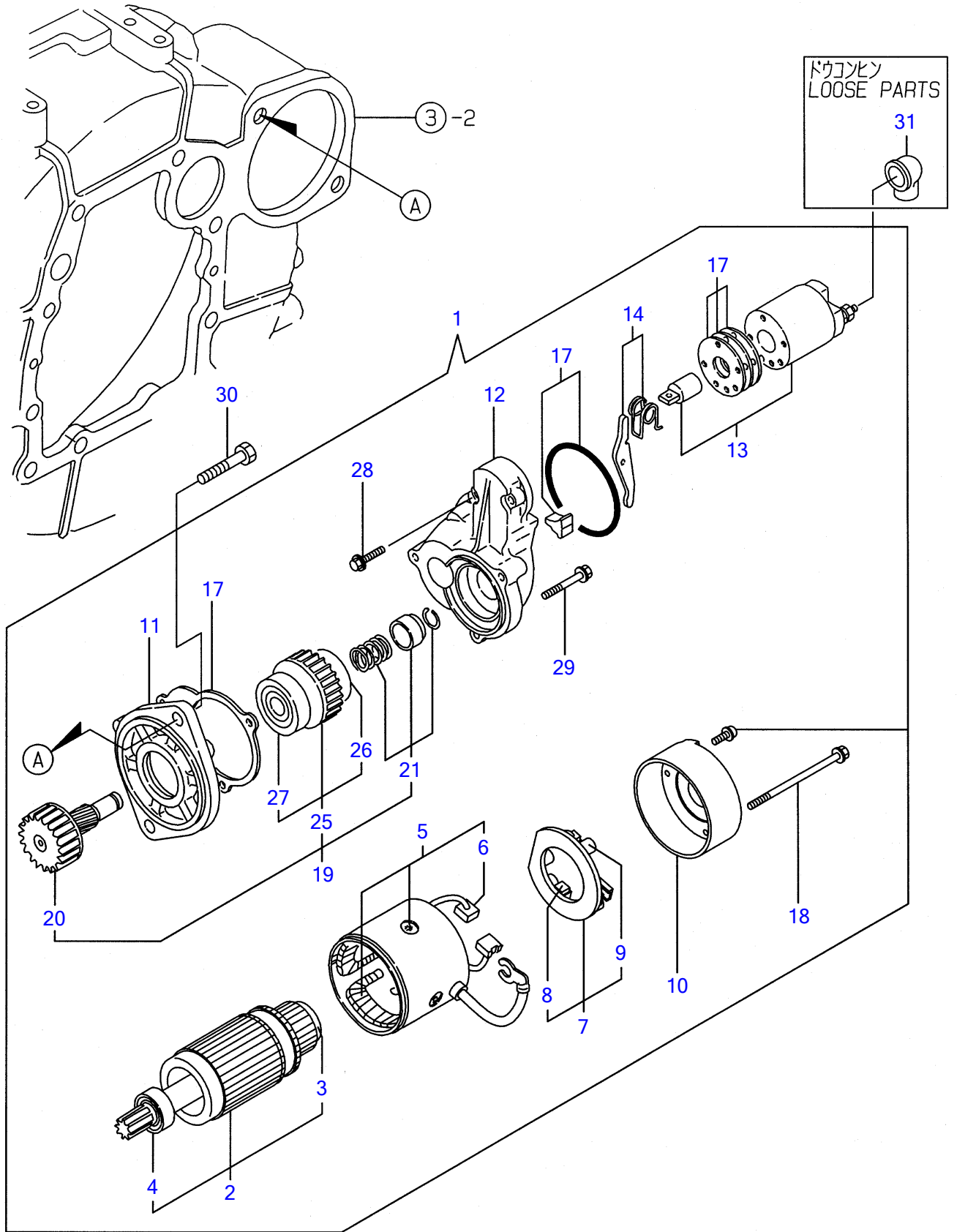


REF NO.	PARTS NO.	Description	Q'ty
1	Y119833-55620	STRAINER ASSY, FUEL	1
2	Y119810-55340	LEVER	1
3	Y104200-55330	SPRING, TAPER VALVE	1
4	Y24311-240100	O-RING 1A P-10A	1
5	Y104200-55750	SCREW M 4	1
6	Y121254-55510	CUP, STRAINER	1
7	Y110250-55610	RING, RETAINING	1
8	Y102103-55520	O-RING	1
9	Y119810-55650	ELEMENT	1
10	Y121250-55620	SPRING	1
11	Y129411-55690	SPACER	1
12	Y26014-080852	BOLT M 8X 85	1
13	Y103854-39140	BOLT, PIPE JOINT	1
14	Y101304-59020	JOINT 12, PIPE	1
15	Y129210-59040	PIPE ASSY, FUEL OIL	1
16	Y124766-59050	CLAMP 12	2
17	Y129555-59510	PIPE, FUEL	1
18	Y22190-120002	SEAL WASHER 12	2
19	Y129335-55700	SEPARATOR, WATER	1
20	Y104200-55321	VALVE, TAPER	1
21	Y104200-55330	SPRING, TAPER VALVE	1
22	Y104200-55341	HANDLE, COCK	1
23	Y124064-55510	BOWL, FUEL STRAINER	1
24	Y102103-55520	O-RING	1
25	Y110250-55610	RING, RETAINING	1
26	Y121257-55720	SPRING, SCREEN	1
27	Y121257-55731	FLOAT	1
29	Y101720-55750	PLUG 6	2
30	Y104200-55750	SCREW M 4	1
31	Y171081-55910	SCREEN	1
32	Y23418-060000	GASKET 6, NYLON	2
33	Y24311-240100	O-RING 1A P-10A	1
34	Y119840-59601	BEND ASSY	1
35	Y124766-59050	CLAMP 12	2
37	Y119840-59621	JOINT	1
38	Y129322-77401	FEED PUMP	1

Engine for TB125 3TNE82A-ETB S/N 12510452-12514525
STARTING MOTOR

Y00D6942
3TNE82A- (E) TB (Z)

15 スタートイングモータ
STARTING MOTOR



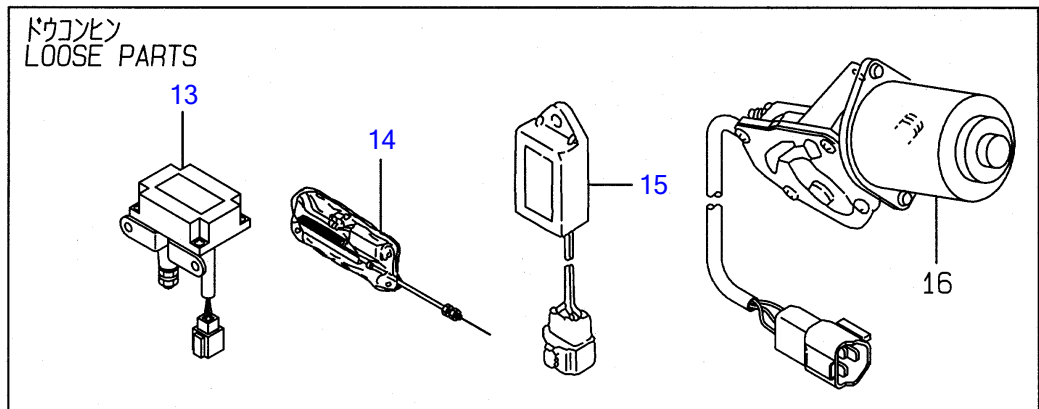
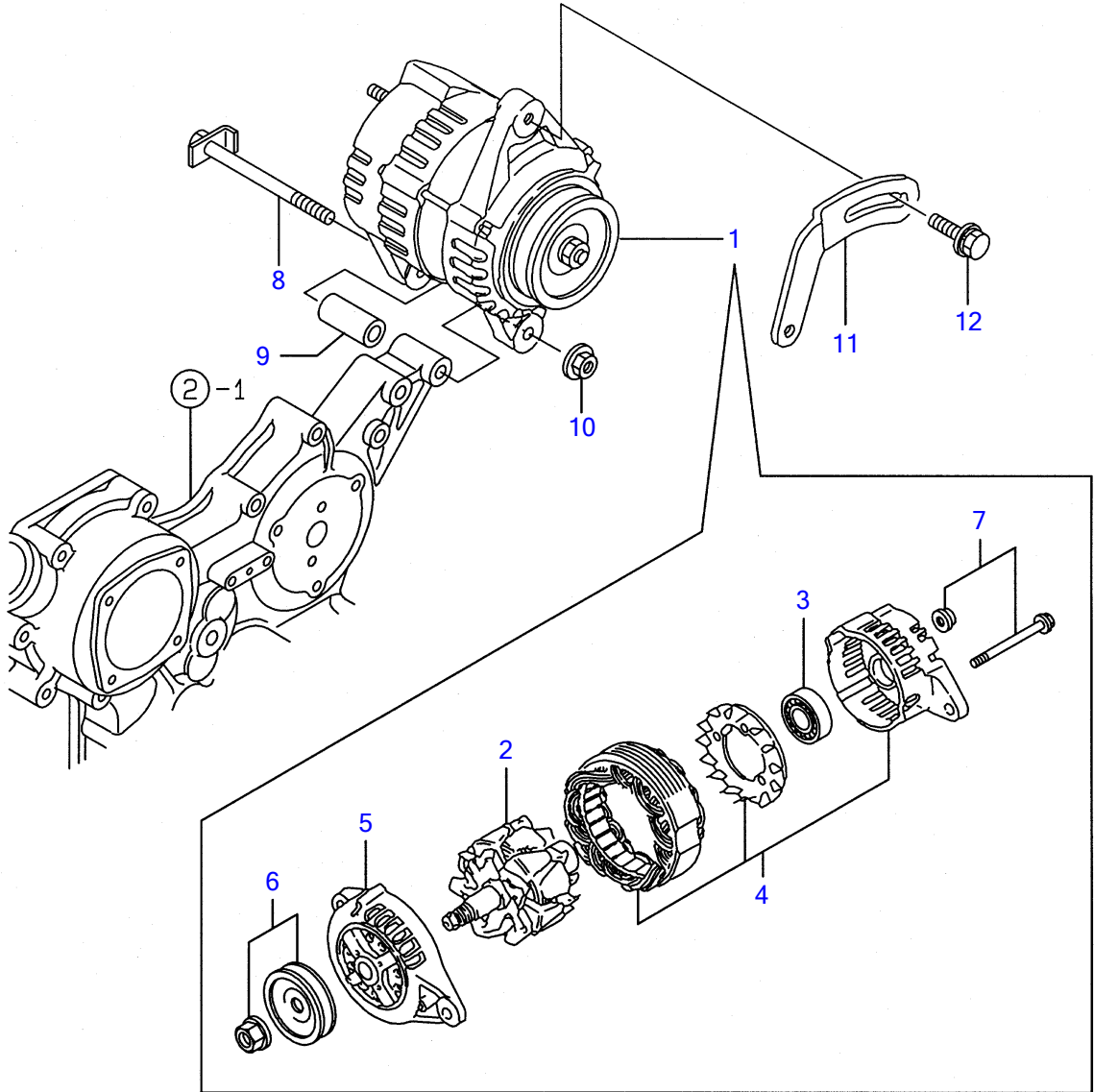
½Ä-Ä²Ý, PÓ-Ä STARTING MOTOR

REF NO.	PARTS NO.	Description	Q'ty
1	Y129400-77012	STARTING MOTOR	1
2	Y129486-77400	• ARMATUER	1
3	Y171008-77410	• • BEARING(1)	1
4	Y171008-77420	• • BEARING(2)	1
5	Y129400-77441	• FIELD COIL ASSY	1
6	Y129486-77460	• • BRUSH	2
7	Y129486-77470	• HOLDER ASSY, BRUSH	1
8	Y129486-77460	• • BRUSH	2
9	Y129486-77490	• • SPRING, START BRUSH	4
10	Y129900-77460	• COVER, REAR	1
11	Y171008-77510	• HOUSING ASSY, GEAR	1
12	Y129400-77520	• HOUSING, CENTER	1
13	Y129400-77531	• SWITCH ASSY, MAGNETIC	1
14	Y171008-77540	• LEVER SET, SHIFT	1
17	Y129400-77571	• DUST COVER, (NON-ASB.)	1
18	Y129900-77640	• BOLT, THROUGH	2
19	Y171008-77650	• PINION ASSY	1
20	Y171008-77660	• • SHAFT, PINION	1
21	Y171008-77670	• • STOPPER SET, PINION	1
25	YX2114555500	• • CLUTCH ASSY	1
26	YX2114955020	• • • BALL BEARING	1
27	YX2240410100	• • • BALL BEARING	1
28	Y26106-060322	• BOLT M 6X 32 PLATED	2
29	Y26106-060402	• BOLT M 6X 40 PLATED	3
30	Y26116-120252	BOLT M12X 25 PLATED	2
31	Y124550-77030	COVER, TERMINAL	1

Engine for TB125 3TNE82A-ETB S/N 12510452-12514525
GENERATOR

Y00D6942
3TNE82A- (E) TB (Z)

16 ジェネレータ
GENERATOR



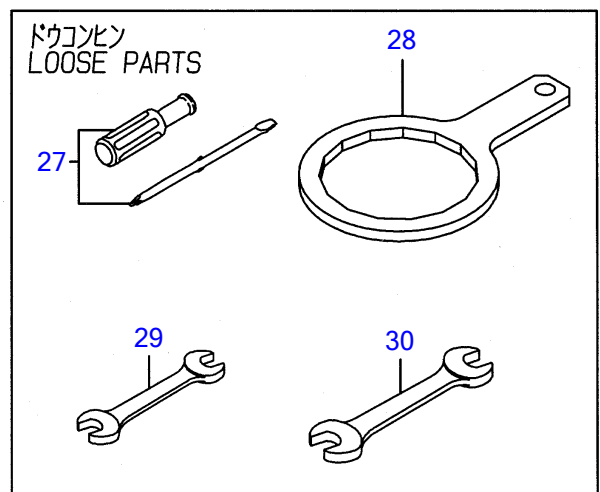
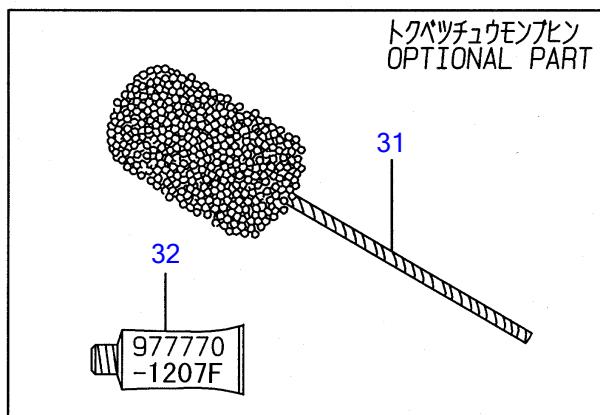
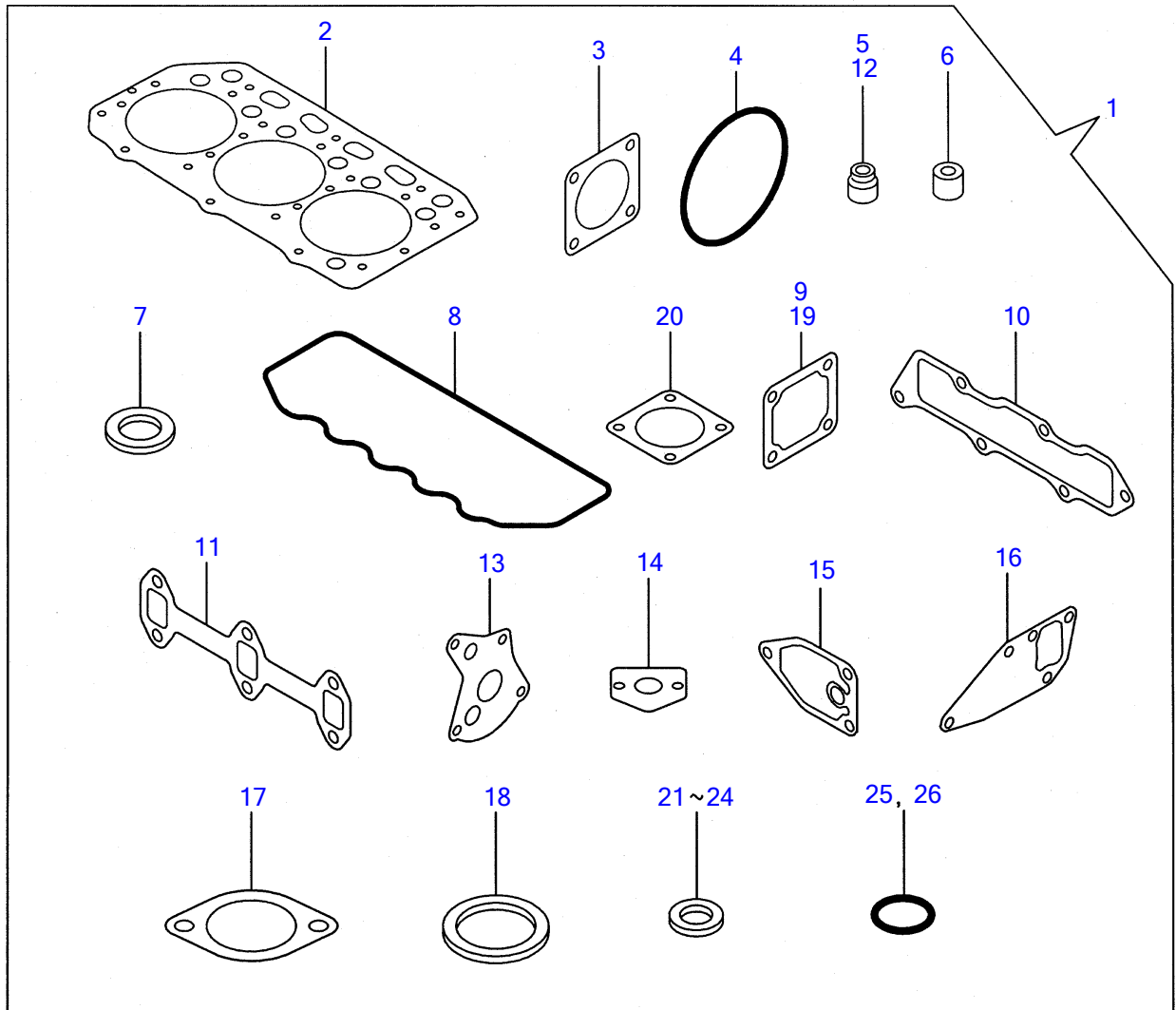
1/4P'ÈÚ-À GENERATOR

REF NO.	PARTS NO.	Description	Q'ty	I	R	"õ
1	Y119836-77201	AC 1/4P'ÈÚ-À GENERATOR (AC)	1			
2	Y129612-77700	• Û-À ASSY • ROTOR ASSY	1			
3	Y129612-77710	• Îþ-ÛÍþ±ØÝ,þ • BALL BEARING	1			
4	Y119836-77920	• ØÖÏþ×1ÄÄ ASSY • BRACKET ASSY, REAR	1			
5	Y129612-77730	• ÌÛÝÄÏþ×1ÄÄ ASSY • FRONT BRACKET ASSY	1			
6	Y129612-77740	• Ìß-Ø- • PULLEY	1			
7	Y129612-77750	• 1/2,ØÖ³ ·ÄÄ • SCREW KIT	1			
8	Y129136-77251	ÏþÛÄ 8X110 (GEN BOLT M 8X110	1			
9	Y119820-77340	Äþ²¹/²ÄÝ¹/²Ëß-¹/² SPACER	1			
10	Y129612-77260	ÄÄÄ(µÛÄË-Ä NUT ,GENERATOR	1			
11	Y119867-77331	±¹/4þÖ¹/²Ä(VÍþÛÄ ADJUSTER	1			
12	Y119810-77340	ÏþÛÄ(±¹/4þÖ¹/²Ä BOLT	1			
13	Y129136-77100	¾ÄÄ²ØÛ-(AST1-11) RELAY, SAFETY	1			
14	Y119032-77910	±,¾ÛÖ°Ä CMP MOTOR ASSY, ENG. STOP	1			
15	Y119632-77920	Ä²Ï-(1 SEC. TIMER	1			
I 15-1	Y129211-77920	Ä²Ï-(1 SEC. TIMER	1	N		

Engine for TB125 3TNE82A-ETB S/N 12510452-12514525
GASKET SET

Y00D6942
 3TNE82A-(E) TB (Z)

17 パッキンセット
 GASKET SET



ÊËÄ·Ý¼ÄÄ GASKET SET

REF NO.	PARTS NO.	Description	Q'ty	I	R	Ø
1	Y719812-92651	ÊËÄ·Ý¼ÄÄ(ÉÝ±½)	1		(1)	µÛ¼@Ý ìÈÝÄ±½
2	Y119812-01330	· ÍÄÄ±½¹ÄÄ	1			
3	Y124240-01883	· ÊËÄ·Ý(HO-P)(ÉÝ±½)	1	Z		
4	Y121850-51960	· OØÝ, P(FOPÄØÄ¹)	1			
5	Y124160-11340	· ÊPÜì±½ÄÑ¼-Ü	3			
6	Y119625-11870	· ÌÛÜÄ, Ä(É½PÜ)	3			
7	Y119625-11880	· É½PÜ¼-Ä	3			
8	Y119865-11310	· PK (ìPÝÈÄÄ	1			
9	Y129150-77511	· PK(±È-Ä)(ÉÝ±½)	1			
10	Y119813-12110	· PK (ìÆÌ-ÜÄP	1			
11	Y119810-13110	· ¶±½¹ÄÄ (EXH	1			
12	Y124950-11340	· ÊPÜì±½ÄÑ¼-Ü	3			
13	Y129150-32020	· PK(LO-P	1			
14	Y129150-35041	· PK(·Ö³ÆÖ³¶Ý)(ÉÝ±½)	1			
15	Y129150-35111	· PK(ì²ÜÄì±¹ÄÄ)(ÉÝ±½)	1			
16	Y129486-42050	· PK(CW-P	1			
17	Y129795-49551	· PK(»-Ö½ÄÄÄ¶ÈP-)(ÉÝ±½)	1			
18	Y129150-49811	· PK(»-Ö½ÄÄÄ¼Ä)(ÉÝ±½)	1			
19	Y129100-77510	· ÊËÄ·Ý(±È-Ä-	1			
20	Y124701-11911	· ¶±½¹ÄÄ(»²ÜÝ»)(ÉÝ±½)	3			
21	Y124465-44950	· ÊËÄ·Ý16	1			
22	Y129150-49360	· PK 10	1			
23	Y22190-120002	· ¼-ÜÜÄ¼Ö(ØÌÜ 12	2			
24	Y22190-120002	· ¼-ÜÜÄ¼Ö(ØÌÜ 12	2			
25	Y24311-000120	· OØÝ, P 1A P 12.0	3			
26	Y24311-000160	· OØÝ, P 1A P 16.0	2			
27	Y104200-92350	· Ä±²ÈP-(»¼¶¹¼	1			
28	Y119640-92750	· Ì²ÜÄÜÝÄ 80	1			
29	Y28110-100120	· ½ÈËÄ 10X12	1			
30	Y28110-140170	· ½ÈËÄ 14X17	1			
31	Y129400-92420	· ÌÜÄ, ½Î-Ý	1			(1) µÛ¼@Ý ìÈÝÄ±½
32	Y977770-1207F	· ¼Ø²-Ý¹² ·¼PÖ³¶±½¹ÄÄ	1			(1) µÛ¼@Ý ìÈÝÄ±½

How to read this Parts Catalog.

- Parts mentioned in this Parts Catalog may not necessarily be standard equipping parts.
- Parts change may be made without prior notice.
- Form of this Parts Catalog.

Y00F2161 (1997.09.01)

Fig. 29 燃料噴射ポンプ(ブーコン用)
FUEL INJECTION PUMP (W/BOOST)

①	②	③	④	⑤	⑥
見出し REF.No.	レベル LEV.	部品番号 PARTS No.	部品名 DESCRIPTION	個数 (Qty) A B C D E F	備考 Remarks
1	•	729595-51390	F0ポンプ ASY(ブーコン用)	1 1 1 1 1 1	(1) BOOST COMPENSATOR TYPE. OPTIONAL PART, TO E/# 00155, (4JH-DT,4JH-DTZ)
1-1	•	729595-51391	F0ポンプ ASY(ブーコン用)	1 1 1 1 1 1	
3	••	26022-060162	ナコネジ M 6X 16	9 9 9 9 9 9	
I 3-1	••	26022-060162	ナコネジ M 6X 16	4 4 4 4 4 4	
4	••	129470-51040	カムシャフト	1 1 1 1 1 1	
5	••	122710-51050	ベアリング*ローラ	2 2 2 2 2 2	
6	••	129470-51060	ベアリング*オキ	1 1 1 1 1 1	
備考		Remarks			
(1) ブーストコンペンサータ付き、4JH-DT、4JH-DTZとも E/# 00155 までは、特別注文仕様とします					

① Ref. No.

The Ref. No. in the list may not be accord with the Ref. No. on illustration.

(Ex.) Illustration No. List head No.

1 1 (Befor change) → 1 - 1 (After change)

When interchangeable symbol N, R, and K, illustrations for new parts are sometimes omitted.

② Lev.(Level)

Indication and Meaning of Level

Level : Hereunder is given the relation among the number of dots(•),the level and the nominal parent- child relationship.

-Parent parts(Assembly parts)
-Child parts included in "••" (Semi- Assembly parts,component parts of Assembly parts.)
-Child parts included in "•••", Grand- child parts in terms of "••".
(Component parts of Semi- Assembly parts.)

Note) A parts of non- sale parts are illustrated but not listed.

③ Change Mark

Change Mark "I" is given to the part for which a design change was made at this time.

The design change was not shown in the last published Parts Catalog.

④ Interchangeability Mark

In the case where a part change took place,one of the following interchangeability marks is indicated for that part.

Symbol	interchangeability	Contents note
N	Old ↔ New	New Part is interchangeable for Old Part but not interchangeable conversely.
Q	Old ↔ New	New Part is not interchangeable for Old Part but interchangeable conversely.
R	Old ↔ New	New Part is interchangeable for Old Part and vice versa.
S	Old ↔ New	New Part is not interchangeable for Old Part and vice versa.
W		Part newly added.
Z		Part discontinued.
F		Not interchangeable single part but interchangeable by set of the related parts.
K		Changed only in quantity used.

⑤ Effective Machine No.

When a part is changed,Effective Machine No. of a Model for which the part is applicable is indication in each column of (A)- (F).

Product Symbol	Product No.	Product Symbol	Product No.
C	Clutch No. Compressor No.	M	Machine No.
D	Drive No.	T	Tractor No.
E	Engine No.	Note1) ※	Date

Note1) Date may follow the symbol in some cases. (Ex.) ※ 1996.01

Note2) As far as engine models shown by "XXX" are concerned, the modification of the parts could not be predicted or the engine models themselves could not be identified.

Note3) (A=E/#00185) means that the design change on the part has been effective for the model at the column (A)(in this case, for 4JH- DT) on and from E/(Engine Serial Number) 00185.

⑥ Remarks Mark

Figures or alphabets (Symbols) are entered in the remark column.

The comments(remarks)on the pertinent parts are indicated in the lower part of the list by the same symbols as those stated above.

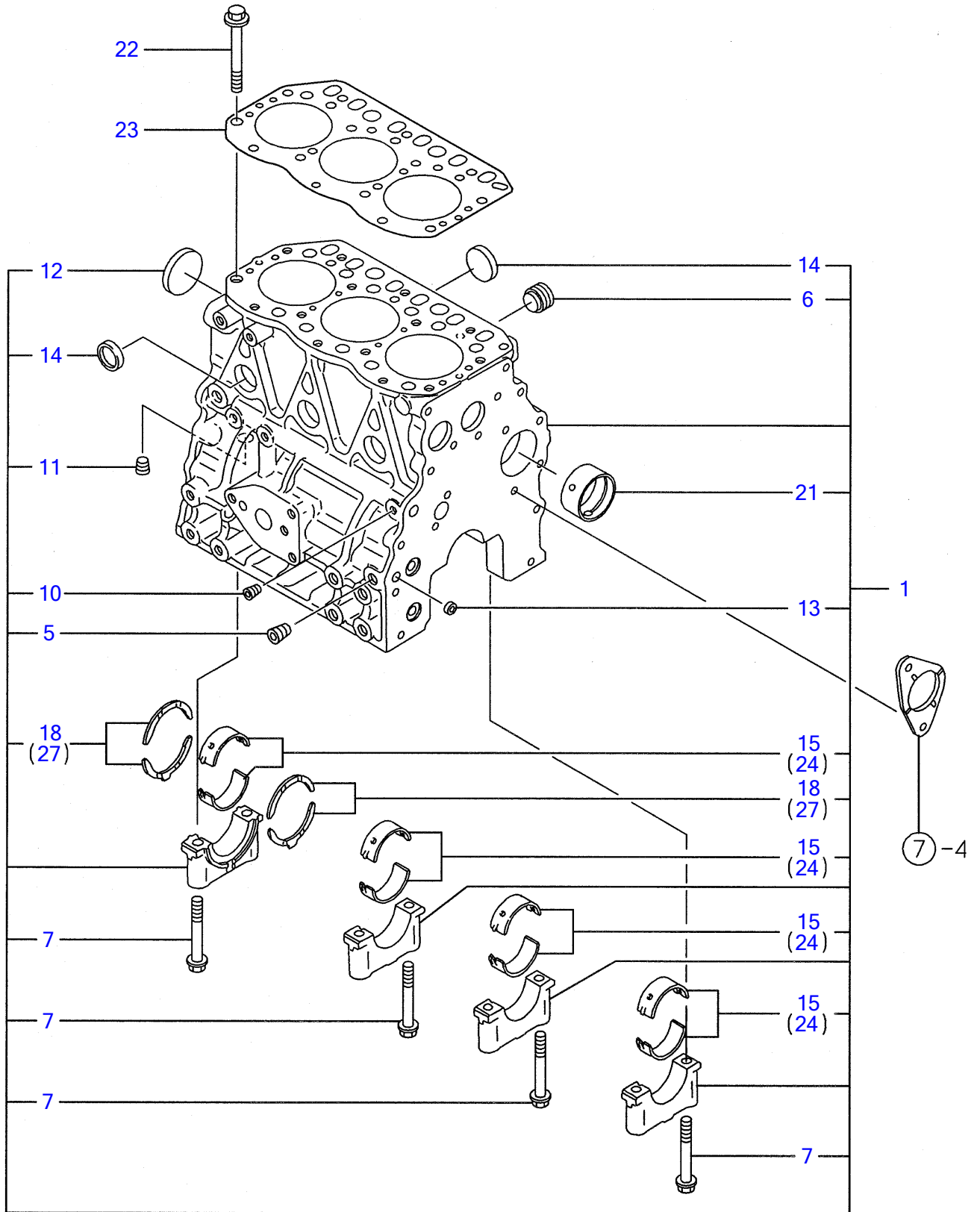
 *
 * 目次 CONTENTS *
 *

コウモクNO. GROUP	コウモク メイ	GROUP NAME
1	シリンダ`フ`ロツク	CYLINDER BLOCK
2	キ`ヤケー`ス	GEAR HOUSING
3	フライホイ`ルハウシ`ンク` & オイルパ`ン	FLYWHEEL HOUSING & OIL SUMP
4	シリンダ`ハツト` & ホ`ンネット	CYLINDER HEAD & BONNET
5	キユウキマニホ`ルト` & エアクリーナ	SUCTION MANIFOLD & AIR CLEANER
6	ハイキマニホ`ルト` & サイレンサ	EXHAUST MANIFOLD & SILENCER
7	カムシヤフト & クト`ウキ`ヤ	CAMSHAFT & DRIVING GEAR
8	クランクシヤフト & ピ`ストン	CRANKSHAFT & PISTON
9	L`Oシステム	LUB.OIL SYSTEM
10	CWシステム	COOLING WATER SYSTEM
11	F`Oフンシヤホ`ンフ`	FUEL INJECTION PUMP
12	ガ`バ`ナ	GOVERNOR
13	F`Oフンシヤハ`ン	FUEL INJECTION VALVE
14	F`Oハ`イフ`	FUEL LINE
15	スタ`ーテイング`モ`ータ	STARTING MOTOR
16	ジ`ェネレー`タ	GENERATOR
17	ハ`ツキンセツト	GASKET SET

Engine for TB125 3TNE82A-TB S/N 12510009-12510451
CYLINDER BLOCK

Y00D6941
 3TNE82A-(E) TB

1 シリンダブロック
 1 CYLINDER BLOCK



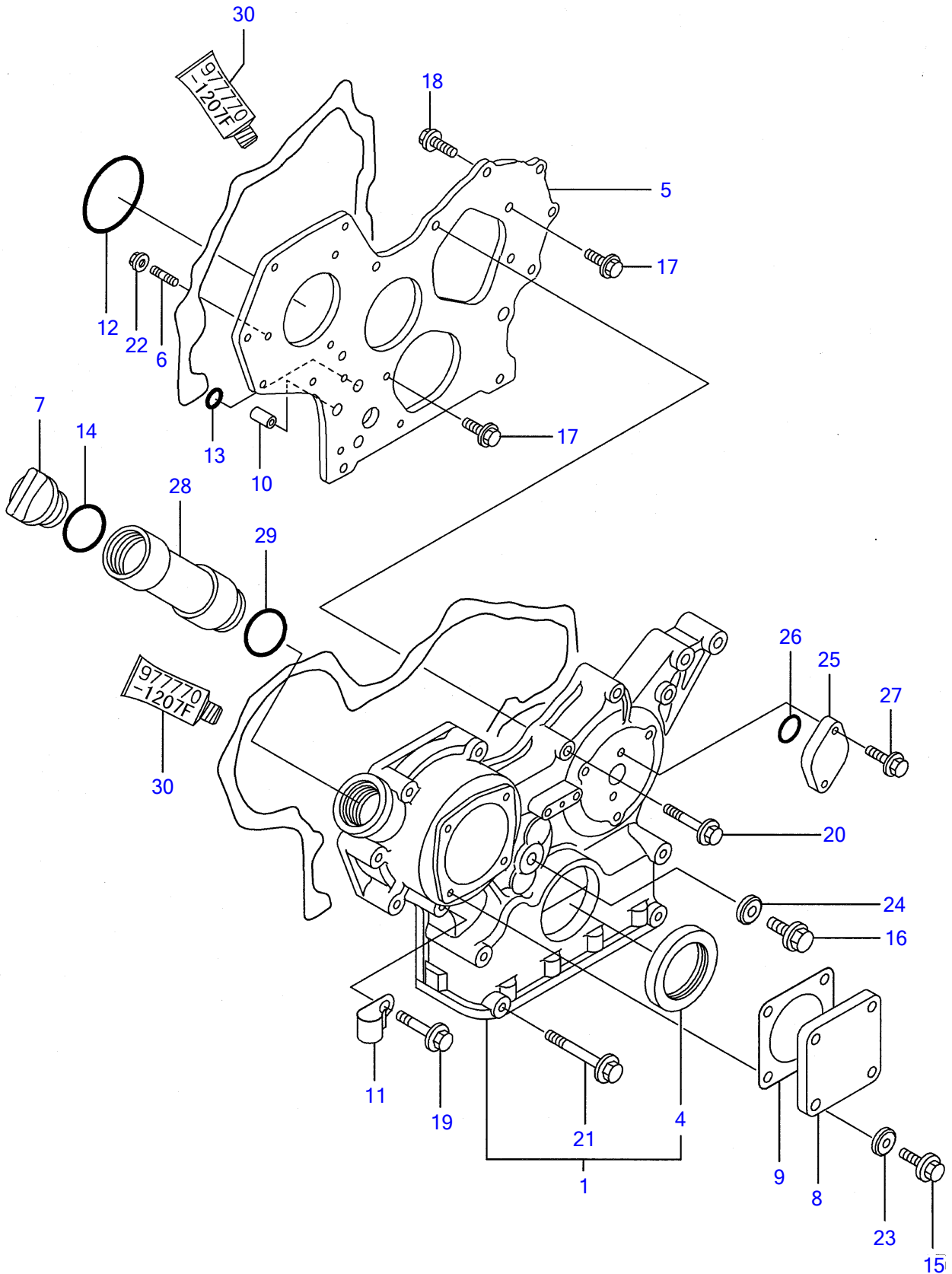
¼ØÝÀÞÌÞÙÄ, CYLINDER BLOCK

REF NO.	PARTS NO.	Description	Q'ty	I	R	Notes
1	Y719813-01560	BLOCK ASSY, CYLINDER	1			
5	Y124160-01910	• PLUG PT1/4	2			
6	Y171051-01921	• PLUG	1			
7	Y119620-02020	• BOLT	8			
10	Y23871-010000	• PLUG PT1/8,SCREW	1			
I 10- 1	Y23876-010000	• PLUG PT1/8,SCREW	1	N		
	(A=EXXX)					
11	Y124160-01910	• PLUG PT1/4	1			
12	Y27231-500000	• PLUG 50	1			
I 12- 1	Y129001-01250	• PLUG 50	1	N		
	(A=EXXX)					
13	Y27241-120000	• PLUG 12	2			
14	Y27241-300000	• PLUG 30	6			
15	Y119810-02800	• MAIN BEARING	4			
18	Y119810-02930	• BEARING, THRUST	2			
21	Y129795-02411	• BUSH, CAMSHAFT	1			
22	Y119810-01200	BOLT, CYL. HEAD	14			
23	Y119812-01330	GASKET, HEAD	1			
24	Y119810-02870	MAIN BEARING	4			(1) ±ÝÀÞ»²½Þ(U.S=0.25)ÌÞËÝÃÞ½D
		U.S=0.25				
27	Y119810-02940	BEARING, THRUST	2			(2) μ°ÊÞ»²½Þ(O.S=0.25)ÌÞËÝÃÞ½D
		.25OS				

Engine for TB125 3TNE82A-TB S/N 12510009-12510451
GEAR HOUSING

Y00D6941
3TNE82A- (E) TB

2 ギヤケース
GEAR HOUSING



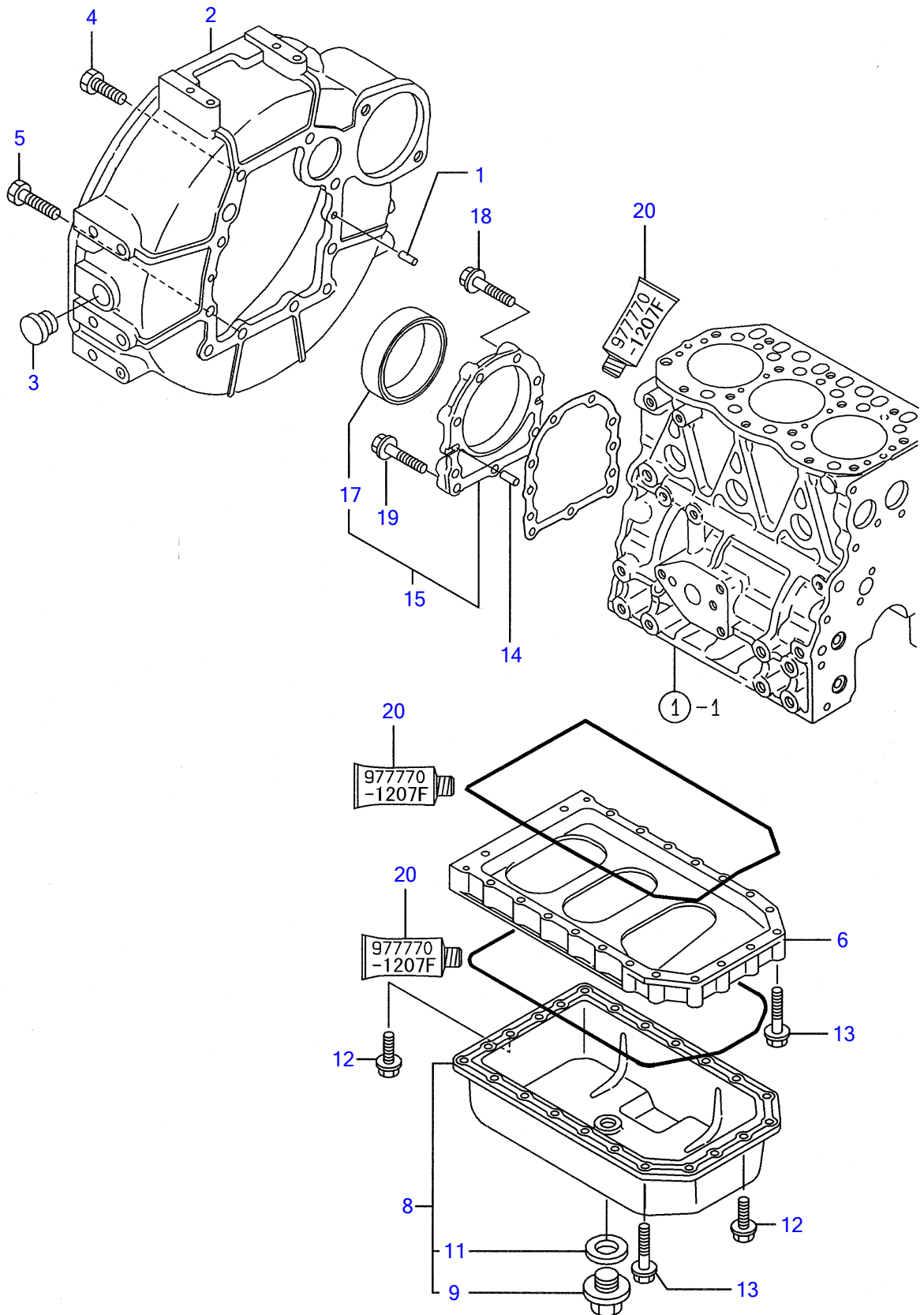
·PÔ¹-½ GEAR HOUSING

REF NO.	PARTS NO.	Description	Q'ty	I	R	"δ
1	Y719810-01500	HOUSING ASSY, GEAR	1			
4	Y129795-01800	· SEAL, OIL	1			
5	Y129400-01520	FLANGE, GEARS HOUSING	1			
6	Y121450-01560	STUD M 8X 22	3			
7	Y124160-01751	CAP, LUB.OIL SUPPLY	1			
8	Y124240-01871	COVER, HO-P	1			
9	Y124240-01883	GASKET, (NON-ASB.)	1			
10	Y129795-01950	PIPE, KNOCK L=18	2			
11	Y129150-03100	RETAINER	1			
12	Y121850-51960	O-RING, F.I.PUMP	1			
13	Y24311-000160	O-RING 1A P-16.0	2			
14	Y24311-000320	O-RING 1A P-32.0	1			
15	Y26106-080122	BOLT M 8X 12 PLATED	4			
16	Y26106-080162	BOLT M 8X 16 PLATED	1			
17	Y26106-080162	BOLT M 8X 16 PLATED	3			
18	Y26106-080202	BOLT M 8X 20 PLATED	2			
19	Y26106-080452	BOLT M 8X 45 PLATED	6			
20	Y26106-080552	BOLT M 8X 55 PLATED	3			
21	Y129001-91840	BOLT M8X85(AUTO	4			
I 21-1	Y129001-91841 (A=E55620)	BOLT M 8X 85 PLATED	4		R	
22	Y26366-080002	NUT M 8	3			
23	Y22190-080002	SEAL WASHER 8S	4			
24	Y22190-080002	SEAL WASHER 8S	1			
25	Y121023-01550	COVER, BLIND	1			
26	Y24341-000240	O-RING 1A S-24.0	1			
27	Y26106-060162	BOLT M 6X 16 PLATED	2			
28	Y171031-11741	PIPE	1			
29	Y24311-000320	O-RING 1A P-32.0	1			
30	Y977770-1207F	GASKET, LIQUID	1			(1) μ β¼@Ý βĒÝĀβ½ D

Engine for TB125 3TNE82A-TB S/N 12510009-12510451
FLYWHEEL HOUSING & OIL SUMP

Y00D6941
3TNE82A- (E) TB

3 フライホイールハウジング & オイルパン
FLYWHEEL HOUSING & OIL SUMP



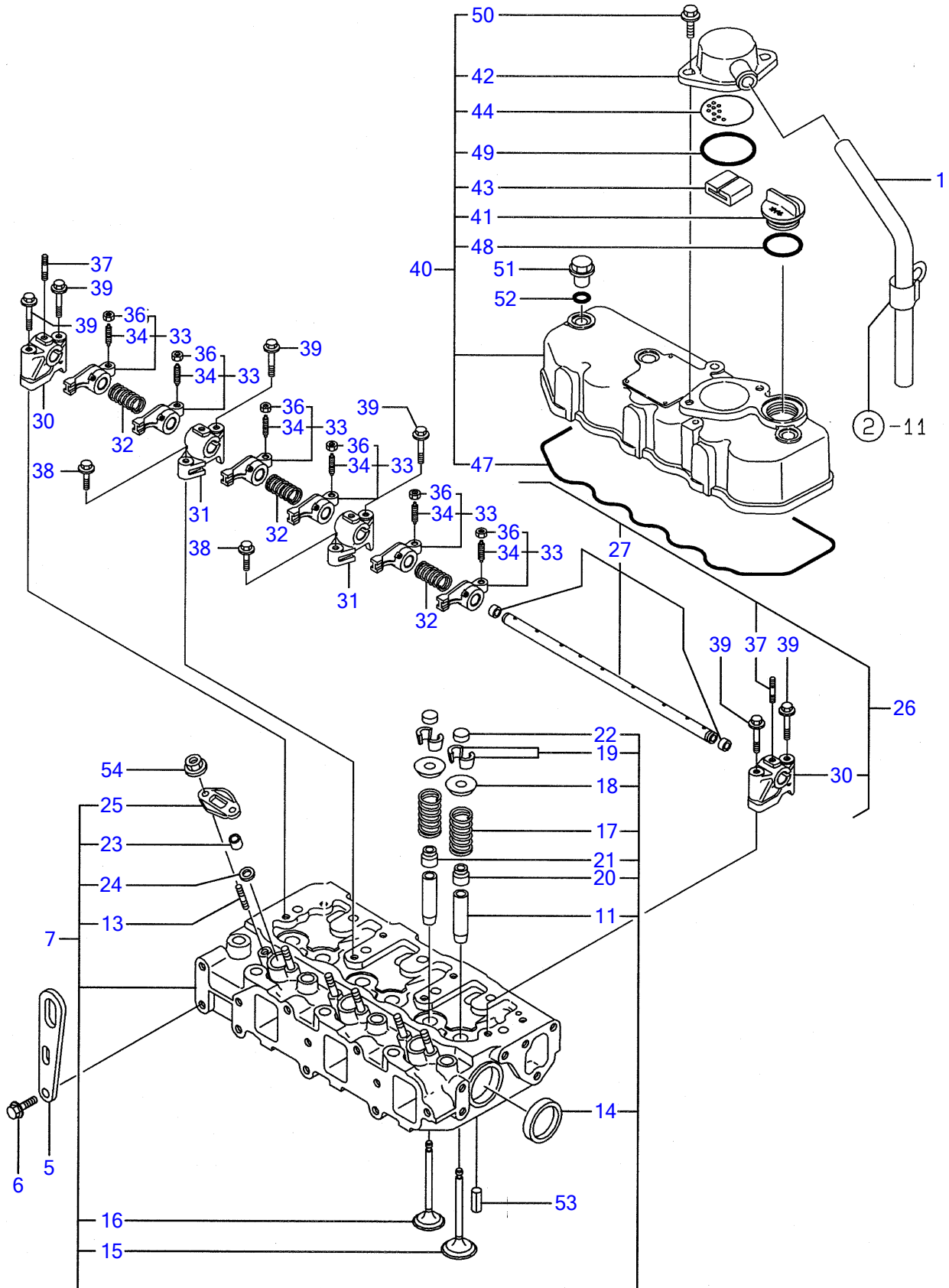
FLYWHEEL HOUSING & OIL SUMP

REF NO.	PARTS NO.	Description	Q'ty	I	R	"Ø
1	Y129100-01580	PARALLEL PIN 8X16	2			
2	Y129612-01600	HOUSING, FLYWHEEL	1			
3	Y119620-01750	CAP, FLYWHEEL COVER	1			
4	Y26206-100252	BOLT M10X25	6			
5	Y26206-100302	BOLT M10X30	4			
6	Y119810-01730	SPACER, L.O. SUMP	1			
8	Y119810-01790	SUMP ASSY, OIL	1			
9	Y119640-01640	DRAIN PLUG M22	1			
11	Y22190-220002	SEAL WASHER 22S	1			
12	Y26106-080162	BOLT M 8X 16 PLATED	6			
13	Y26106-080452	BOLT M 8X 45 PLATED	22			
14	Y129100-01580	PARALLEL PIN 8X16	2			
15	Y719810-01650	CASE ASSY, OIL SEAL	1			
17	Y119810-01780	SEAL, OIL	1			
18	Y129486-01670	BOLT M8X30, COLLAR HD	6			
19	Y26106-080352	BOLT M 8X 35 PLATED	3			
20	Y977770-1207F	GASKET, LIQUID	1			(1) µl ¼@Y lPÉYÁP½ID

Engine for TB125 3TNE82A-TB S/N 12510009-12510451
CYLINDER HEAD & BONNET

Y00D6941
3TNE82A- (E) TB

4 シリンダヘッド & ボンネット
CYLINDER HEAD & BONNET



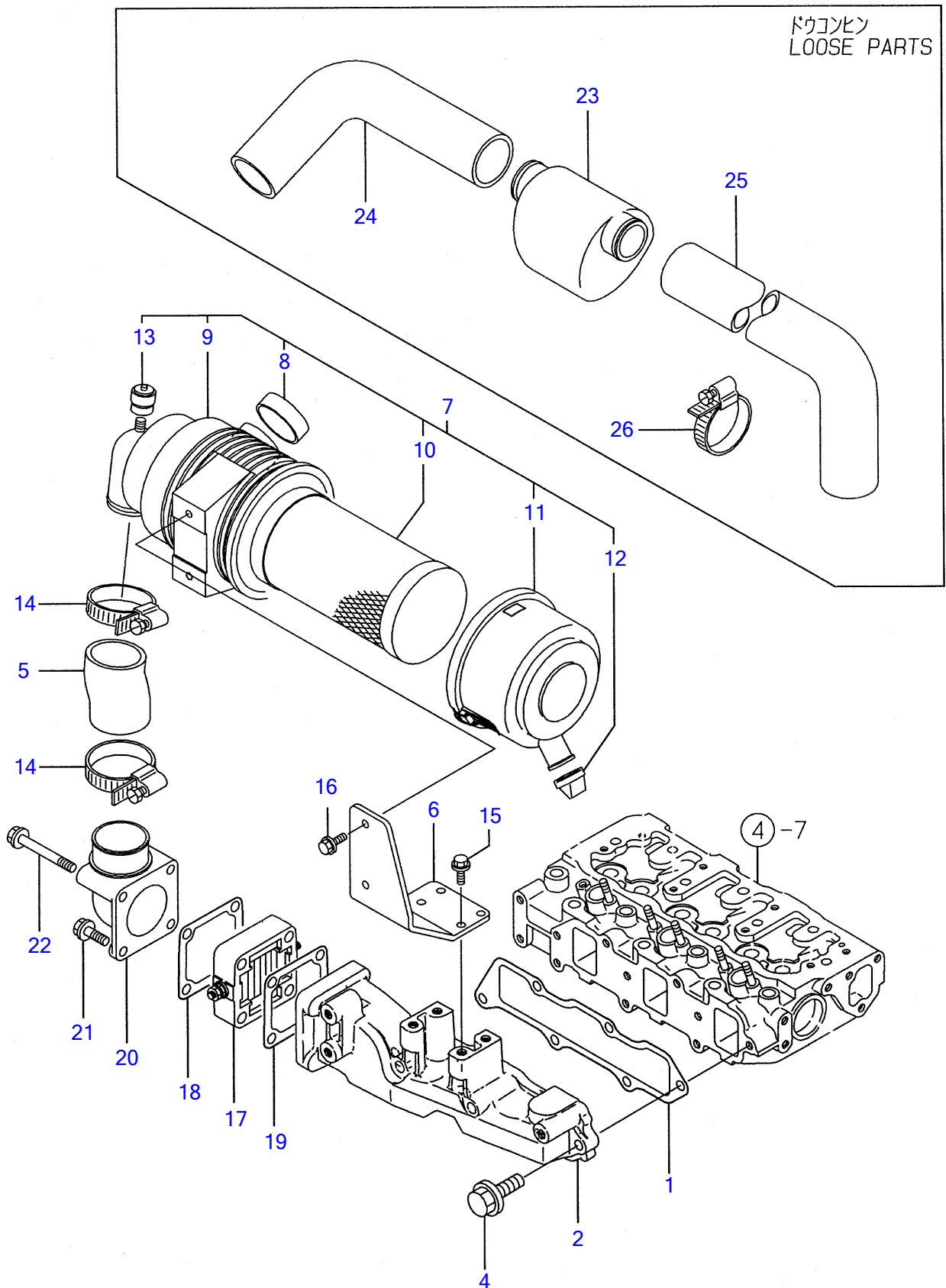
ԿՕՂԱԲԱԴԱԲ & ԻԲՅԷԱԱ CYLINDER HEAD & BONNET

REF NO.	PARTS NO.	Description	Q'ty	I	R	՝ՕՐ
1	Y23065-160800	PIPE	1			
5	Y124736-07900	LIFTER, ENGINE	1			
6	Y26106-080142	BOLT M 8X 14 PLATED	2			
7	Y119812-11700	HEAD ASSY, CYLINDER	1			
11	Y124060-11800	• GUIDE, VALVE	6			(1) ԻՕ՝ԻԲԷՂԱԲՅԷԱԱ
13	Y26216-060302	• STUD M 6X 30 PLATED	6			
14	Y27241-400000	• PLUG 40	2			
15	Y119810-11100	• VALVE, SUCTION	3			
16	Y119810-11110	• VALVE, EXHAUST	3			
17	Y119810-11120	• SPRING, VALVE	6			
18	Y104211-11180	• RETAINER, SPRING	6			
19	Y27310-070000	• COTTER	6			
20	Y124160-11340	• SEAL, VALVE STEM	3			
21	Y124950-11340	• SEAL, VALVE STEM	3			
22	Y104211-11370	• CAP, VALVE	6			
23	Y119625-11870	• PROTECTOR, NOZZLE	3			
24	Y119625-11880	• SEAT, NOZZLE	3			
25	Y119625-11900	• RETAINER	3			
26	Y119865-11210	SUPPORT ASSY, ROCKER	1			
27	Y119810-11240	• SHAFT, ROCKER ARM	1			
30	Y129155-11260	• SUPPORT, ROCKER ARM	2			
31	Y129155-11270	• SUPPORT, ROCKER ARM	2			
32	Y129150-11280	• SPRING	3			
33	Y719810-11660	• ARM ASSY, ROCKER	6			
34	Y129150-11230	• SCREW, VALVE	6			
36	Y129150-11750	• NUT M8XP1.0	6			
37	Y26226-080182	• STUD M 8X 18 PLATED	3			
38	Y26106-080252	BOLT M 8X 25 PLATED	2			
39	Y26106-080502	BOLT M 8X 50 PLATED	6			
40	Y719810-11520	BONNET ASSY, HEAD	1			
I 40-1	Y719810-11521 (A=E54542)	BONNET ASSY	1	N		
41	Y124160-01751	• CAP, LUB.OIL SUPPLY	1			
42	Y129150-03020	• COVER, BREATHER	1			
43	Y129150-03070	• BAFFLE, BREATHER	1			
44	Y129150-03080	• PLATE, SHELTER	1			
47	Y119865-11310	• GASKET, BONNET	1			
48	Y24311-000320	• O-RING 1A P-32.0	1			
49	Y24341-000500	• O-RING 1A S-50.0	1			
50	Y26106-080162	• BOLT M 8X 16 PLATED	2			
51	Y124160-11360	KNOB	3			
52	Y24311-000120	O-RING 1A P 12.0	3			
53	Y22351-060012	SPRING PIN 6X12	2			
54	Y26366-060002	NUT M 6	6			

Engine for TB125 3TNE82A-TB S/N 12510009-12510451
SUCTION MANIFOLD & AIR CLEANER

Y00D6941
3TNE82A- (E) TB

5 キュウキマニホールド & エアクリーナ
SUCTION MANIFOLD & AIR CLEANER



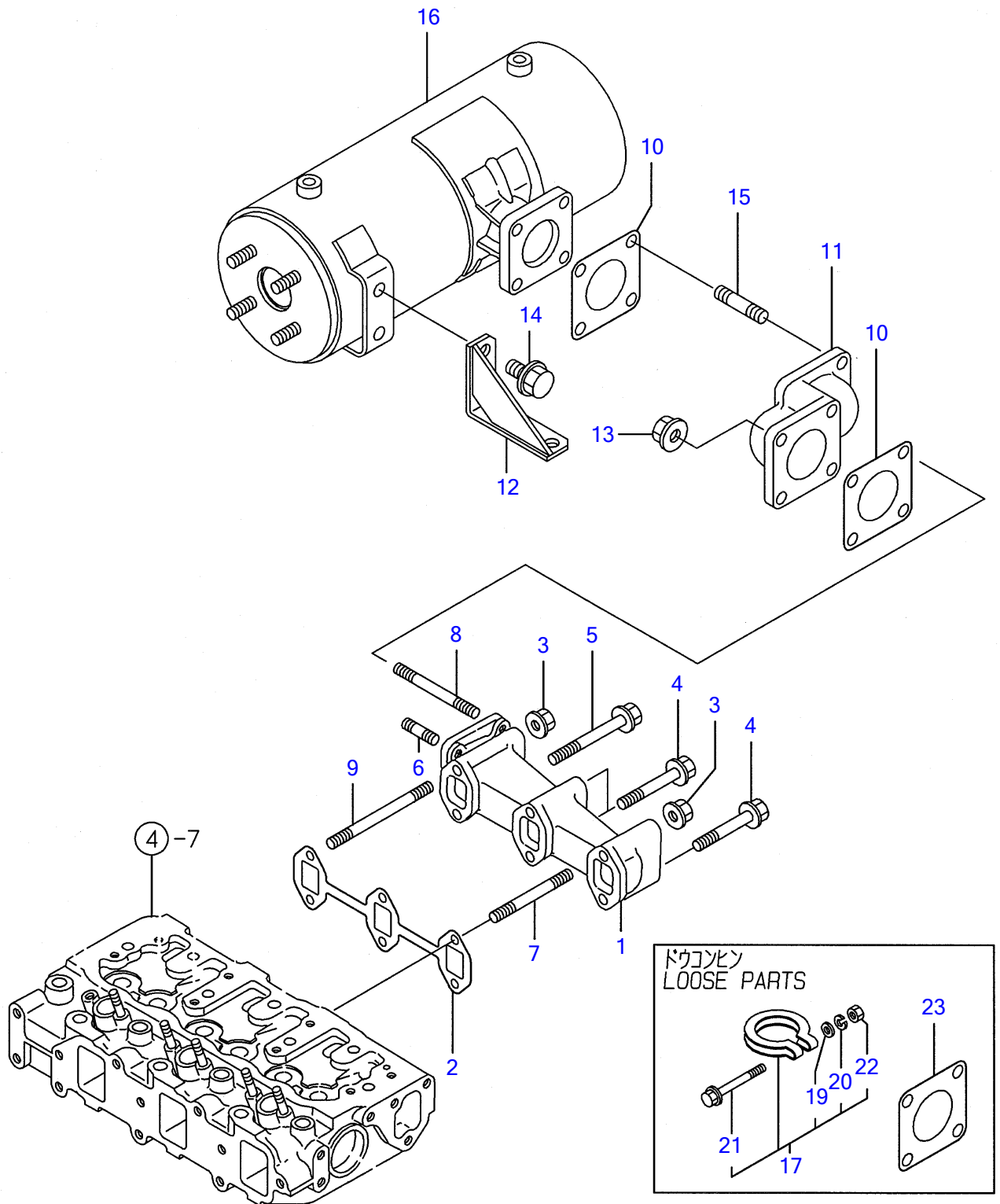
·Ö³·ĪÆĪ-ÛÄÞ & '±,Ø-Ä SUCTION MANIFOLD & AIR CLEANER

REF NO.	PARTS NO.	Description	Q'ty	I	R	"ö
1	Y119813-12110	GASKET,INT. MANIFOLD	1			
2	Y119813-12100	MANIFOLD, INTAKE	1			
4	Y26106-080252	BOLT M 8X 25 PLATED	6			
5	Y119910-12210	PIPE,INTAKE	1			
6	Y119910-12560	BRACKET,AIRCLEANER	1			
7	Y129612-12690	CLEANER ASSY, AIR	1			
8	Y129259-12570	· RING	1			
9	Y119910-12510	· BODY, AIR CLEANER	1			
10	Y119808-12520	· ELEMENT, OUTER	1			
11	Y119866-12541	· COVER ASSY	1			
12	Y119808-12540	· VALVE, UNLOADER	1			
13	Y119140-12680	· INDICATOR	1			
14	Y23000-060000	CLAMP 60	2			
15	Y26013-080222	BOLT M 8X 22	4			
16	Y26013-080222	BOLT M 8X 22	2			
17	Y129100-77500	HEATER, AIR	1			
18	Y129100-77510	GASKET, AIR HEATER	1			
19	Y129150-77511	GASKET, (NON-ASB.)	1			
20	Y171340-77520	BEND	1			
21	Y26106-080402	BOLT M 8X 40 PLATED	2			
22	Y26106-080802	BOLT M 8X 80 PLATED	2			
23	Y121855-12060	SILENCER,INLET	1			
24	Y129030-12201	PIPE, EXTENSION	1			
25	Y119869-12210	PIPE, EXTENSION	1			
I 25-1	Y119823-12210 (A=E53828)	PIPE, INTAKE	1		R	
26	Y23000-048000	CLAMP 48	4			
I 26-1	Y23000-060000 (A=FROM1ST)	CLAMP 60	3		N	

Engine for TB125 3TNE82A-TB S/N 12510009-12510451
EXHAUST MANIFOLD & SILENCER

Y00D6941
3TNE82A- (E) TB

6 ハイキマニホールド & サイレンサ
EXHAUST MANIFOLD & SILENCER



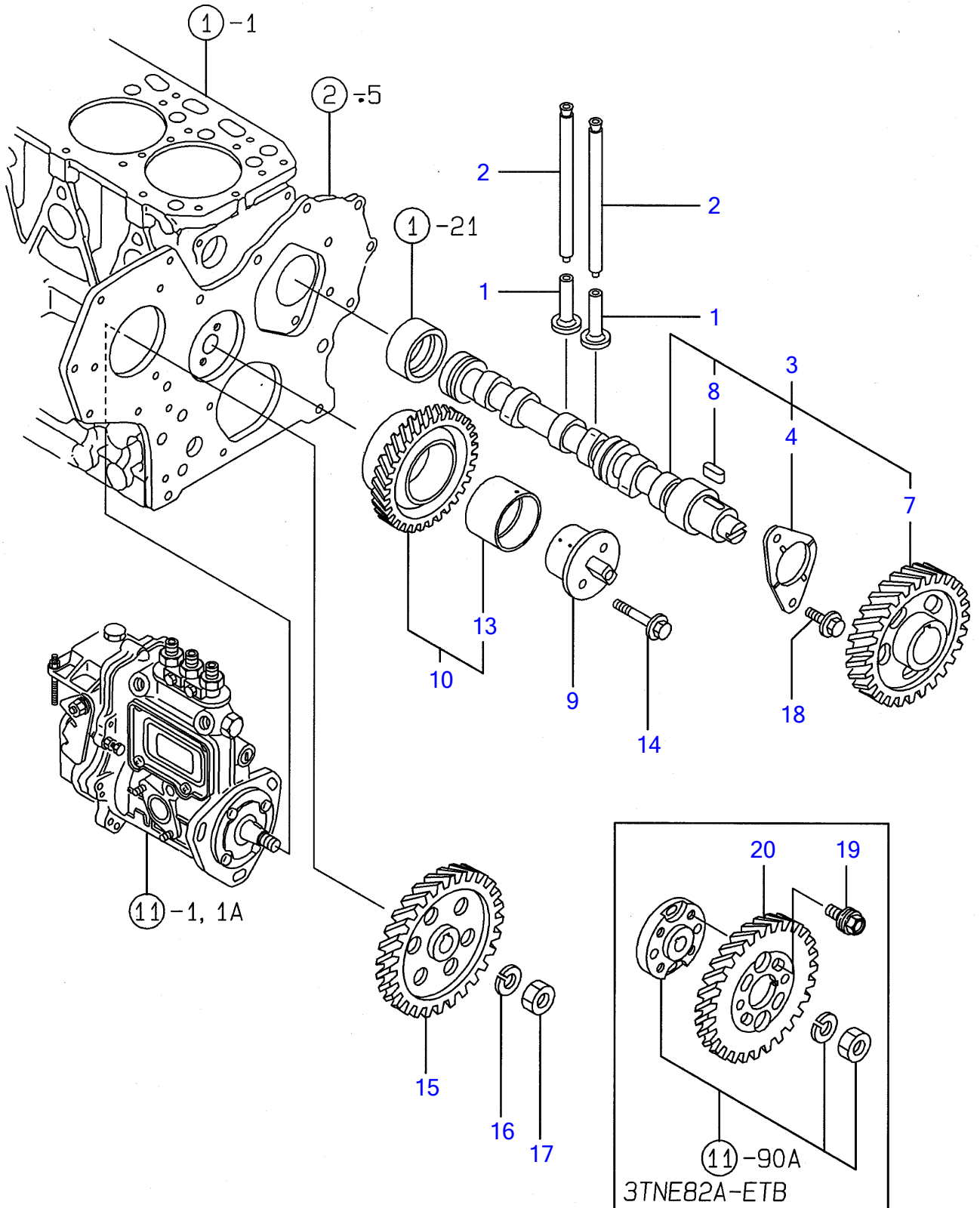
Ê²·ÏÆÏ-ÛÄÞ & »²ÚÝ» EXHAUST MANIFOLD & SILENCER

REF NO.	PARTS NO.	Description	Q'ty	I	R	»õ
1	Y119840-13100	ÏÆÏ-ÛÄÞ(EXH	1			
2	Y119810-13110	¶Þ½¹ÄÄ (EXH	1			
3	Y26366-080002	ÄÊÞÄ·ÄÄÄ 8	2			
4	Y26106-080602	ÄÊÞÞÞÜÄ 8X 60	3			
5	Y26106-080802	ÄÊÞÞÞÜÄ 8X 80	1			
6	Y119131-18320	³ºÐÞÞÜÄ M8*22	2			
7	Y26216-080602	³ºÐÞÞÜÄ 8X 60	1			
8	Y119823-13600	³ºÐÞÞÜÄ M8*70	2			
9	Y26216-080802	³ºÐÞÞÜÄ 8X 80	1			
10	Y124701-11911	¶Þ½¹ÄÄ(»²ÚÝ») (ÉÝ±½)	2			
11	Y119840-13150	ÚÝ×, ¶Ý(EXH	1			
12	Y119840-13650	½Ä-(»²ÚÝ»	1			
13	Y26366-080002	ÄÊÞÄ·ÄÄÄ 8	2			
14	Y26106-100162	ÄÊÞÞÞÜÄ 10X 16	2			
15	Y119131-18320	³ºÐÞÞÜÄ M8*22	2			
16	Y119640-13510	»²ÚÝ»	1			
17	Y121120-13590	×ÝÏ (ÏÝ¼ÖÄº	1			
19	Y22137-100000	· »Þ¶ÞÉ(Ð¶Þ· 10	1			
20	Y22217-100000	· ÊÞÉ»Þ¶ÞÉ 10	1			
21	Y26106-100652	· ÄÊÞÞÞÜÄ 10X 65	1			
22	Y26706-100002	· ÄÄÄ 10	1			
I 23	Y124701-11911 (A=E50256)	¶Þ½¹ÄÄ(»²ÚÝ») (ÉÝ±½)	1		W	

Engine for TB125 3TNE82A-TB S/N 12510009-12510451
CAMSHAFT & DRIVING GEAR

Y00D6941
3TNE82A- (E) TB

カムシャフト & クドウギヤ
CAMSHAFT & DRIVING GEAR



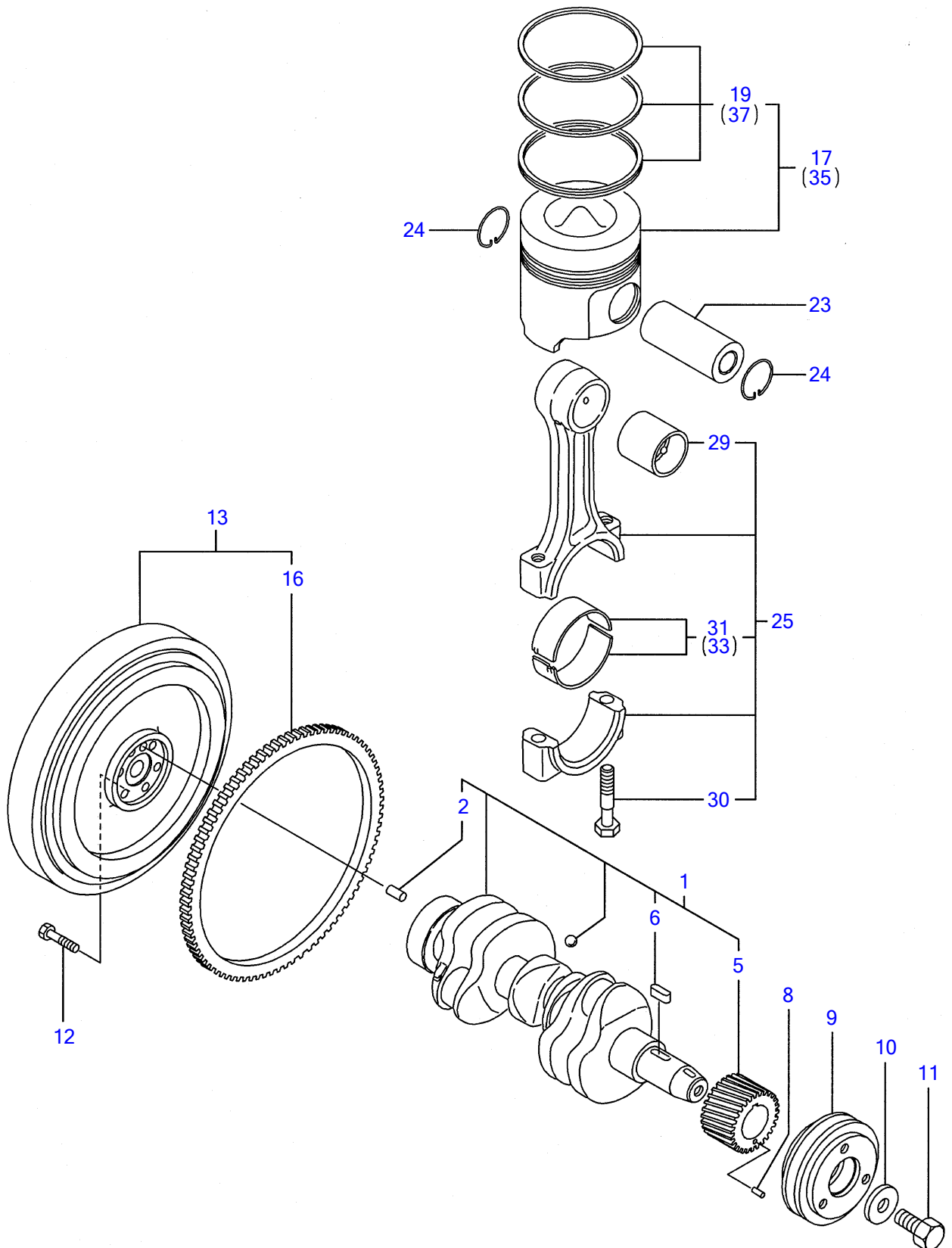
CAMSHAFT & DRIVING GEAR

REF NO.	PARTS NO.	Description	Q'ty	I	R	"ö
1	Y129150-14200	TAPPET	6			
2	Y119810-14400	ROD, PUSH	6			
3	Y119810-14580	CAMSHAFT ASSY	1			
4	Y129150-02450	• METAL, THRUST	1			
7	Y129150-14101	• GEAR, CAMSHAFT	1			
8	Y22512-070140	• KEY 7X 14	1			
9	Y129100-25061	SHAFT, IDLE GEAR	1			
10	Y129150-25101	GEAR W/BUSH	1			
13	Y129150-25920	• BUSH, IDLE GEAR	1			(1) îÖ³ ÞËÝÄÞ½ D
14	Y26106-080452	BOLT M 8X 45 PLATED	2			
15	Y129150-25900	GEAR, FUEL INJ. PUMP	1			
16	Y22217-120000	SPRING WASHER	1			
17	Y26716-120002	NUT 12	1			
18	Y26106-080142	BOLT M 8X 14 PLATED	2			

Engine for TB125 3TNE82A-TB S/N 12510009-12510451
CRANKSHAFT & PISTON

Y00D6941
3TNE82A- (E) TB

クランクシャフト & ピストン
CRANKSHAFT & PISTON



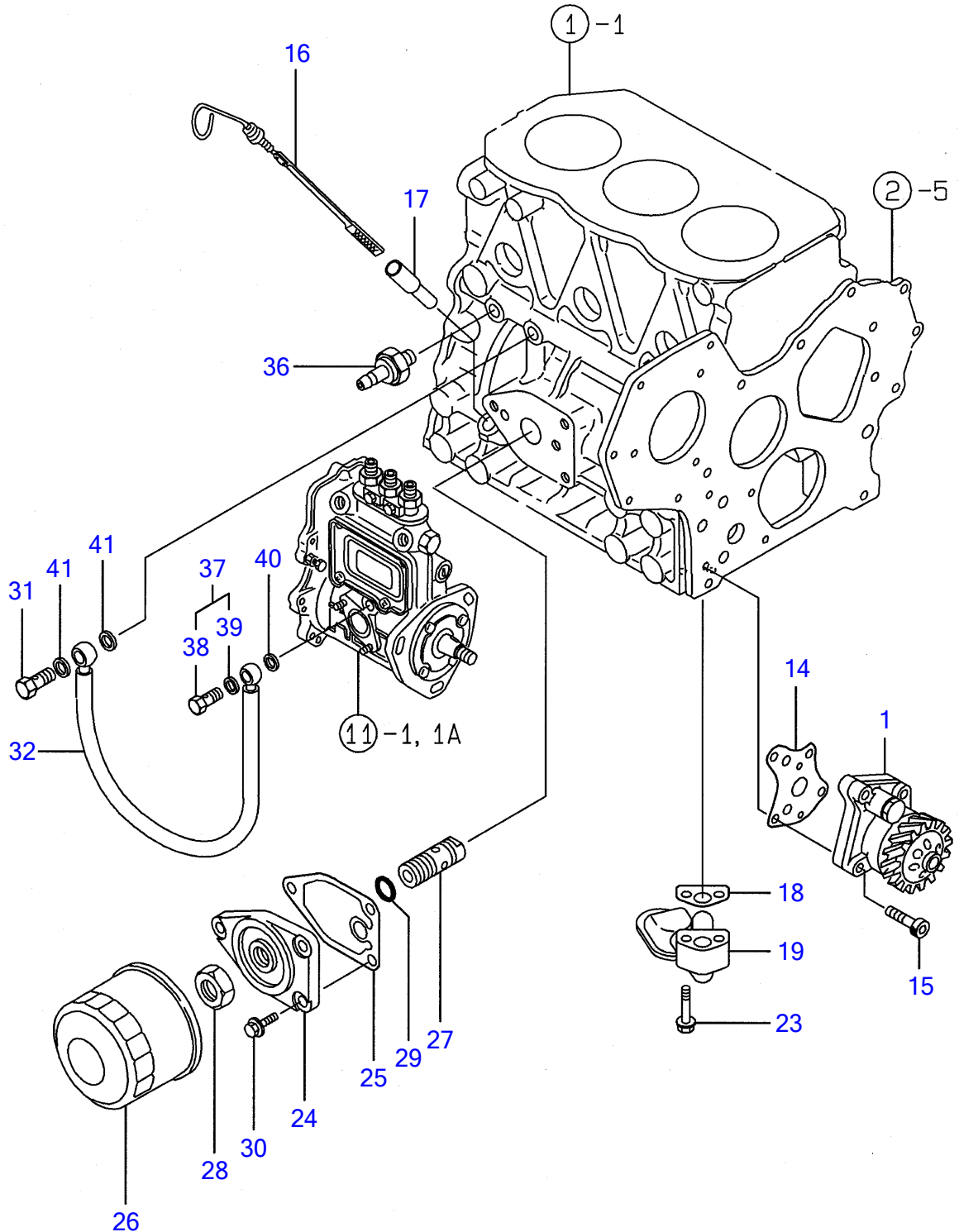
CRANKSHAFT & PISTON

REF NO.	PARTS NO.	Description	Q'ty	I	R	"ö"
1	Y119813-21000	CRANKSHAFT ASSY	1			
2	Y129100-01580	PARALLEL PIN 8X16	1			
5	Y129150-21200	GEAR, CRANKSHAFT	1			
6	Y22512-070140	KEY 7X 14	1			
8	Y22351-040010	SPRING PIN 4X10	1			
9	Y171301-21650	V-PULLEY, CRANKSHAFT	1			
10	Y129795-21661	WASHER	1			
11	Y121850-21680	BOLT, V-PULLEY	1			
12	Y121111-21501	BOLT, FLYWHEEL	6			
13	Y171325-21590	FLYWHEEL W/GEAR	1			
16	Y119865-21600	GEAR, RING	1			
17	Y119813-22080	PISTON ASSY	3			
19	Y119813-22500	RING SET, PISTON	3			
23	Y119813-22300	PIN, PISTON	3			
24	Y129792-22400	CIRCLIP 23	6			
25	Y719810-23100	ROD ASSY, CONNECTING	3			
29	Y119810-23910	BUSH, PISTON PIN	3			(1) 1031PÉYÄP1/2D
30	Y119810-23200	BOLT, CONNECTING ROD	6			
31	Y119810-23600	BEARING, CRANKPIN	3			
33	Y119810-23610	BEARING, PIN U.S=0.25	3			(2) ±YÄP°»21/2P(U.S=0.25)1PÉYÄP1/2D
35	Y119813-22900	PISTON W/RING OS=.25	3			(3) µ°ÉP°»21/2P(O.S=0.25)1PÉYÄP1/2D
37	Y129003-22950	RING SET O.S=0.25	3			(3) µ°ÉP°»21/2P(O.S=0.25)1PÉYÄP1/2D

Engine for TB125 3TNE82A-TB S/N 12510009-12510451
LUB.OIL SYSTEM

Y00D6941
3TNE82A- (E) TB

9 LOシステム
LUB.OIL SYSTEM



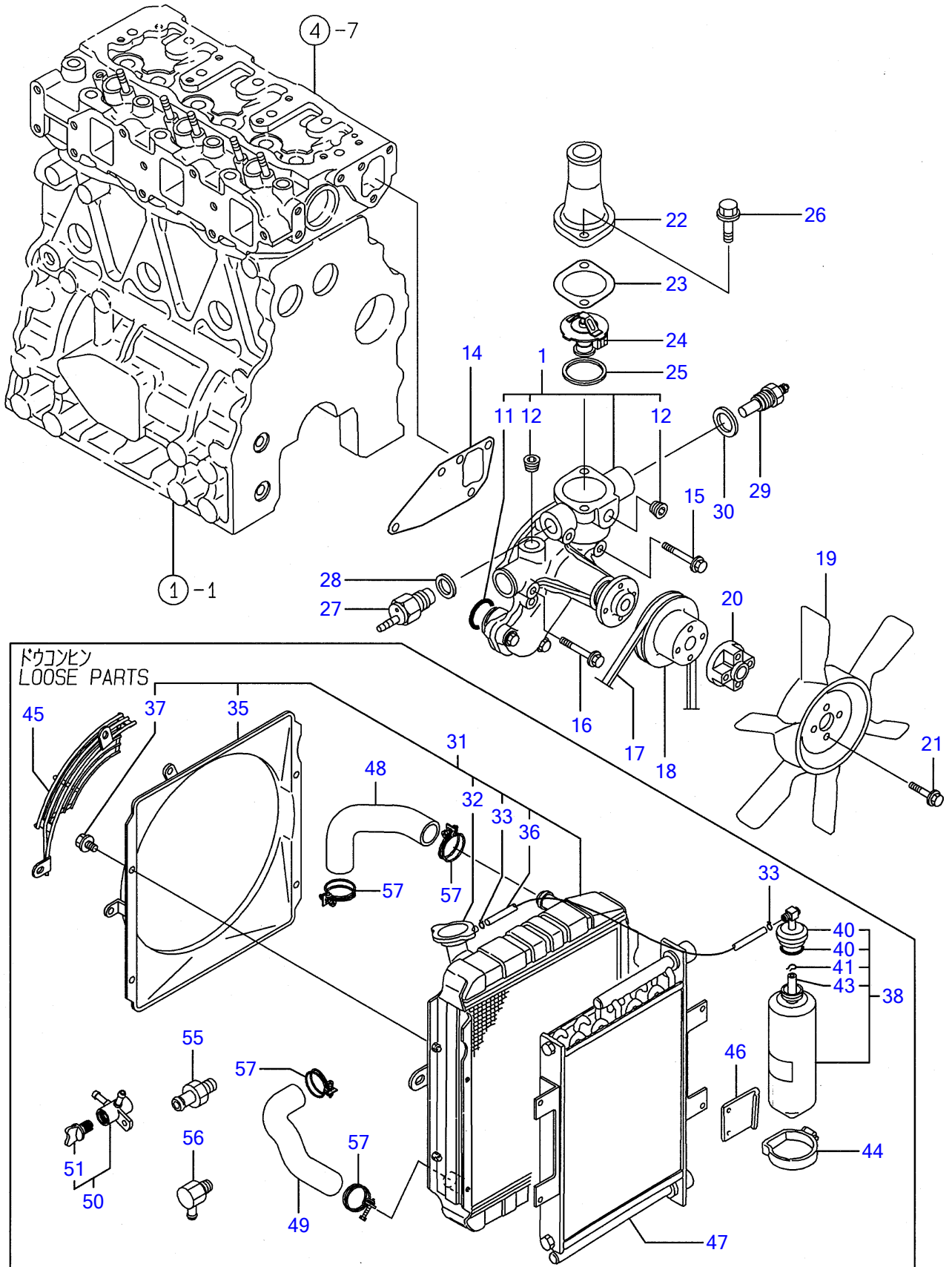
LO 1/2" LUB.OIL SYSTEM

REF NO.	PARTS NO.	Description	Q'ty	I	R	Oil
1	Y129001-32001	LO-P CMP PUMP ASSY, LUB. OIL	1			
14	Y129150-32020	PK(LO-P GASKET, L.O. PUMP	1			
15	Y26450-060252	6 6X 25 BOLT M 6X 25	4			
16	Y119640-34800	1 Y DIPSTIC	1			
17	Y121520-34810	1 Y GUIDE, DIPSTICK	1			
18	Y129150-35041	PK((NON-ASB.) GASKET, (NON-ASB.)	1			
19	Y119810-35401	LO- O CMP PIPE ASSY, OIL INLET	1			
23	Y26106-080352	8X 35 BOLT M 8X 35 PLATED	2			
24	Y129150-35101	BRACKET, STRAINER	1			
25	Y129150-35111	PK((NON-ASB.) GASKET, (NON-ASB.)	1			
26	Y129150-35152	80X80L FILTER 80X80L	1			
27	Y129001-35300	LO STRAINER BOLT, LUB.O. STRAINER	1			
28	Y129150-35350	NUT	1			
29	Y24311-000160	O-RING 1A P-16.0	1			
30	Y26106-080202	8X 20 BOLT M 8X 20 PLATED	3			
31	Y124160-39140	10 BOLT 10, PIPE JOINT	1			
32	Y119810-39200	LO PIPE ASSY, LUB. OIL	1			
36	Y124160-39450	SWITCH,(0.5KG)L.O.	1			
I 36-1	Y114250-39450 (A=E55167)	SWITCH,(0.5KG)L.O.	1	N		
37	Y124550-59830	8 BOLT W/ SEAL WASHER	1			
38	Y124550-59820	8 BOLT 8, PIPE JOINT	1			
39	Y22190-080002	8 SEAL WASHER 8S	1			
40	Y22190-080002	8 SEAL WASHER 8S	1			
41	Y23414-100000	10 GASKET 10,ROUND	2			
I 41-1	Y22190-100002 (A=E53828)	10 SEAL WASHER 10S	2	N		

Engine for TB125 3TNE82A-TB S/N 12510009-12510451
COOLING WATER SYSTEM

Y00D6941
 3TNE82A-(E) TB

10 CWシステム
 COOLING WATER SYSTEM



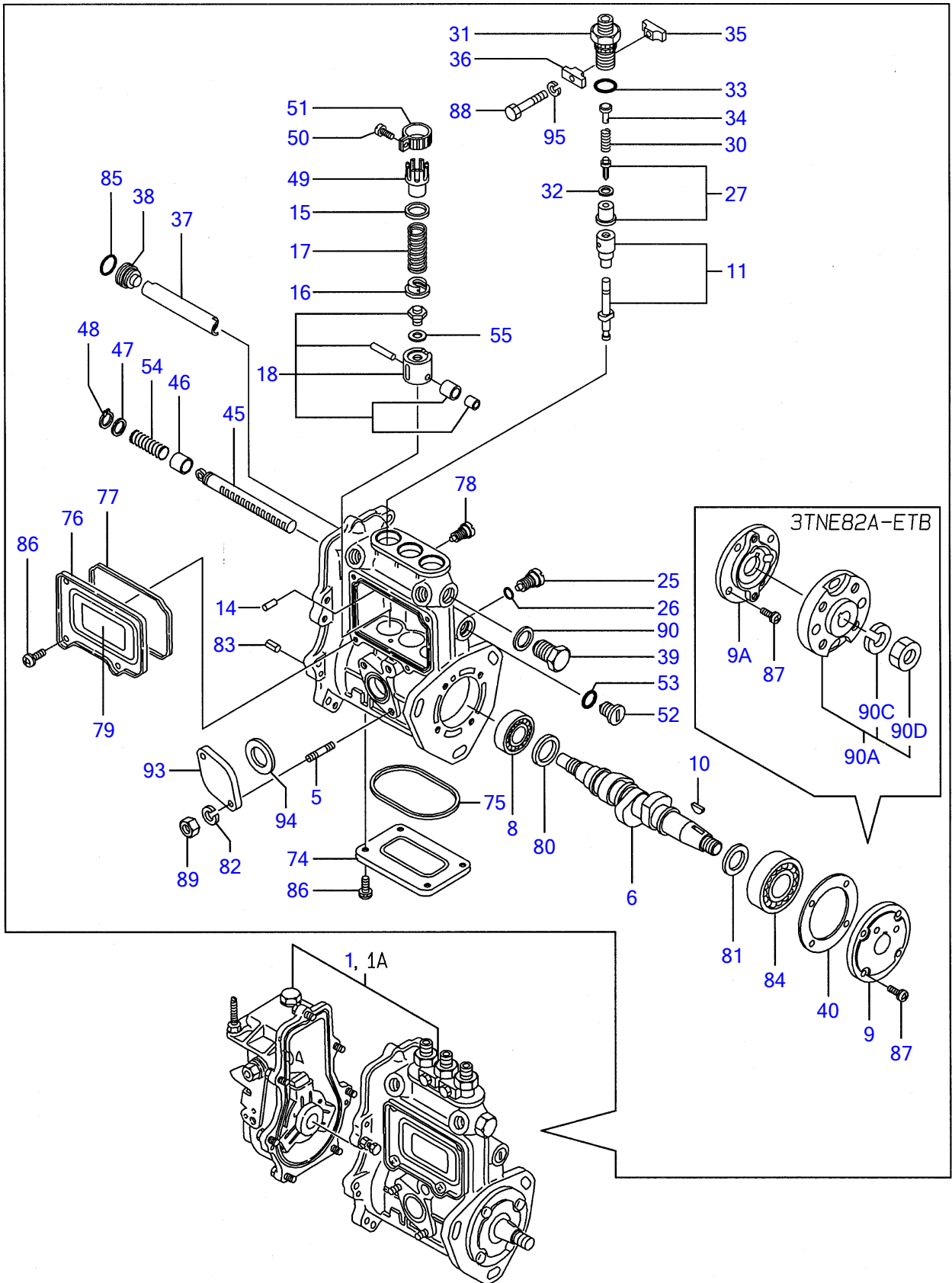
CW¼½ÄÑ COOLING WATER SYSTEM

REF NO.	PARTS NO.	Description	Q'ty	I	R
1	Y119810-42001	CW½Y½CMP (ÉY±½)	1		
1- 1	Y119823-42000 (A=E54588)	CW½Y½CMP	1	S	
11	Y129150-42320	• OØÝ, Þ	1		
12	Y23871-030000	• É¼Þ½x, ÞPT 3/8	2		
I 12- 1	Y23876-030000 (A=EXXX)	• É¼Þ½x, ÞPT 3/8	2	N	
14	Y129150-42020	PK(CW-P	1		
I 14- 1	Y129486-42050 (A=E55620)	PK(CW-P	1	N	
15	Y26106-080352	ÄÊÞ½ÜÄ 8X 35	1		
16	Y26106-080552	ÄÊÞ½ÜÄ 8X 55	3		
17	Y25132-003800	V½ÜÄ(Ü-Ä¼ÞA38	1		
18	Y129403-42380	V½-Ø(D=110)	1		
19	Y121520-44740	½Ý, ÄÞ²Ö 325MM	1		
20	Y129030-44760	¶Ý»Þ(½Ý L37.5	1		
21	Y26106-060552	ÄÊÞ½ÜÄ 6X 55	4		
22	Y129350-49560	»-Ö½ÄÄ¶ÊÞ-	1		
23	Y129795-49551	PK(»-Ö½ÄÄ¶ÊÞ-)(ÉY±½	1		
24	Y129155-49800	»-Ö½ÄÄ(71ÞC)	1		
25	Y129150-49811	PK(»-Ö½ÄÄ¼Ä)(ÉY±½)	1		
26	Y26106-080202	ÄÊÞ½ÜÄ 8X 20	2		
27	Y121250-44901	»-Ö½ÄÄ(110ÞC	1		
28	Y124465-44950	ÊÄ-Ý16	1		
29	Y119266-49350	»-Ö¼Ý»-	1		
30	Y129150-49360	PK 10	1		
31	Y129030-44510	x¼Þ'-ÄASSY	1		
I 31- 1	Y129030-44520 (A=E50967)	x¼Þ'-Ä	1	R	
I 32	Y119259-44570	• x¼Þ'-Ä-ÖÄ½	1		
33	Y121250-44590	• xÝ½	2		
I 35	Y129132-44520 (A=E50967)	• ¼Öx³ÄÞ	1	Z	
I 36	Y119813-44580	• Þ½Ñ½	1		
I 37	Y26014-080162 (A=E50967)	• ½ÜÄ(Éx+ÉÞÉ 8X 16	4	Z	
38	Y171064-44510	»½ÞÄÝ, CMP	1		
40	Y121450-44531	• ÖÄ½	1		
41	Y124450-44560	• µ»(µ-ÊÞ-½Ü-ÊÞ½	1		
42	Y121470-44581	• ÊÄ-Ý	1		
43	Y23065-070225	• ÊÞÆÜÊÞ½(ÞÑ 7X 225	1		
44	Y124450-44550	ÊÞÝÄÞ(»½ÞÄÝ,	1		
45	Y129132-44590	Ü²ÖÊÄÄ	1		
46	Y121256-44600	½x¹ÄÄ(»½ÞÄÝ,) (12)	1		
47	Y129132-44901	µ²Ü, -x CMP	1		
48	Y119859-49010	CW-T(A	1		
49	Y119869-49020	CW-T(B	1		
50	Y129150-49100	»Ý½³Ä, CMP	1		
51	Y129150-49080	• ÄÞÜÝ²Ä,	1		
55	Y121550-49111	¼ÞÖ²ÝÄ PT1/4	1		
56	Y121750-49110	Ä-ÞÄ(Ð½ÞC-ÊÞ½)	1		
57	Y23010-038000	½ÊÞÝÄÞ 38	4		

Engine for TB125 3TNE82A-TB S/N 12510009-12510451
FUEL INJECTION PUMP

Y00D6941
 3TNE82A-(E) TB

1 1 FOファンシャポンプ
 FUEL INJECTION PUMP



FOIY¼OÍBÝÍB FUEL INJECTION PUMP

REF NO.	PARTS NO.	Description	Q'ty	CEYŠ:ll«	R	»õll
1	Y719823-51410	FOIY¼OÍBÝÍB ASSY	1		(1)	ÐÀP¼NO.1.1A FOIY¼OÍBÝÍB ASSY@ÆÈ³Ó,FIG.12¶ÈÈÞÀ ¡,ÐÍ½ID
5	Y129155-51020	• ³ºÐÍÞÙÄ(Í²-ÄÞP)	2			
6	Y119810-51040	• ¶Ñ¼Þ	1			
8	Y129155-51050	• ÁÍ¼Þ,³¹(½×½Ä)	1			
9	Y129155-51060	• ¶Ñ¼Þ,»ÍB-Ä	1			
10	Y122710-51090	• ÊÝÞÄ	1			
11	Y129108-51100	• ÍB×Ý¼ÞÔCMP	3			
14	Y129155-51140	• ÈBÝ(ÈÞÙÜÜØÄÞÒ	3			
15	Y174307-51170	• ÊÞÈ³¹ A(ÍB×Ý¼ÞÔ	3			
16	Y129155-51180	• ÍB×Ý¼ÞÔÊÞÈ³¹¶È	3			
17	Y124950-51190	• ÍB×Ý¼ÞÔ½ÍBØÝ,Þ	3			
18	Y129155-51200	• ÁÍBÄÄ ¼,Ð	3			
25	Y129155-51270	• ÁÍBÄÄÍÜØÄÞÒ	3			
26	Y129155-51280	• OØÝ,Þ(S6)	3			
27	Y129505-51300	• ÄÞØÍÞØÈÞÙÍÞ CMP	3			
30	Y129155-51320	• ÊÞÈ(ÄÞØÍÞØÈÞÙÍÞ	3			
31	Y129155-51340	• Ä¼ÖÄÍÞÝµ»´	3			
32	Y124550-51350	• ÊBÄ-Ý(ÄÞØÍÞØ)	3			
33	Y124550-51370	• OØÝ,Þ(ÄÞØÍÞØ)	3			
34	Y129155-51370	• Ä¼ÖÄÍÞÝ½ÄÄÈB	3			
35	Y129155-51380	• ÍÜØÄÞÒ(A)	2			
36	Y129155-51390	• ÍÜØÄÞÒ(B)	2			
37	Y129155-51400	• ÄÞÍÜ,Ä	1			
38	Y129155-51410	• ÄÖÍÞÜÄ(ÄÞÍÜ,Ä)	1			
39	Y129155-51420	• ÍB×,Þ (M16)	1			
40	Y129155-51450	• ÄÖ³³¼²ÈBÄ-Ý CMP	1			
45	Y129155-51500	• ²ÝÄÜ-Ü×Ä,»	1			
46	Y129155-51521	• ÍÞÄ¼Ö (×Ä,»)	1			
47	Y129155-51530	• ¶Ý»Þ(×Ä,Í¼ÞÖSP)	1			
48	Y129155-51540	• ÄÖÜ(C¶ÞÄ)	1			
49	Y129155-51550	• ²ÝÄÜ-ÜÈBÆµÝ (B)	3			
50	Y122117-51560	• ÄÖÈ¼Þ(FO¶ÍÞÝÈØÝ)	3			
51	Y174307-51560	• ÈBÆµÝ	3			
52	Y129155-51570	• ÍB×,Þ (M12)	1			
53	Y129155-51580	• OØÝ,Þ	1			
54	Y129155-51591	• ×Ä,Í¼ÞÖÈÞÈ	1			
55	Y129155-51600	• ÄÖ³³¼²¼Ñ CMP	3			
74	Y129155-51700	• ¿²Ä (ÍÝÄ²)	1			
I 74-1	Y129155-51701 (A=E55620)	• ÍBÝÍBÍÝÄ²¿²Ä	1		N	
75	Y129155-51710	• PK(ÍÝÄ²¿²Ä)	1			
76	Y129155-51750	• ¿,ÌÄ (ÍÝÄ²)	1			
I 76-1	Y129155-51751 (A=E55620)	• ¿,ÌÄ(3CYL)	1		N	
77	Y129155-51760	• PK(ÍÝÄ²¿,ÌÄ)	1			
78	Y129155-51790	• ×Ä,ÍÜØÄÞÒ	1			
79	Y129156-51910	• Ö²ÈÞÝ(ÄÖ³²)	1			
80	Y129155-51930	• ¶Ý»ÞT=3.25	1			
81	Y129155-51940	• ¶Ý»ÞT=1.5	1			
82	Y22217-060000	• ÈÞÈ»Þ¶È 6	2			

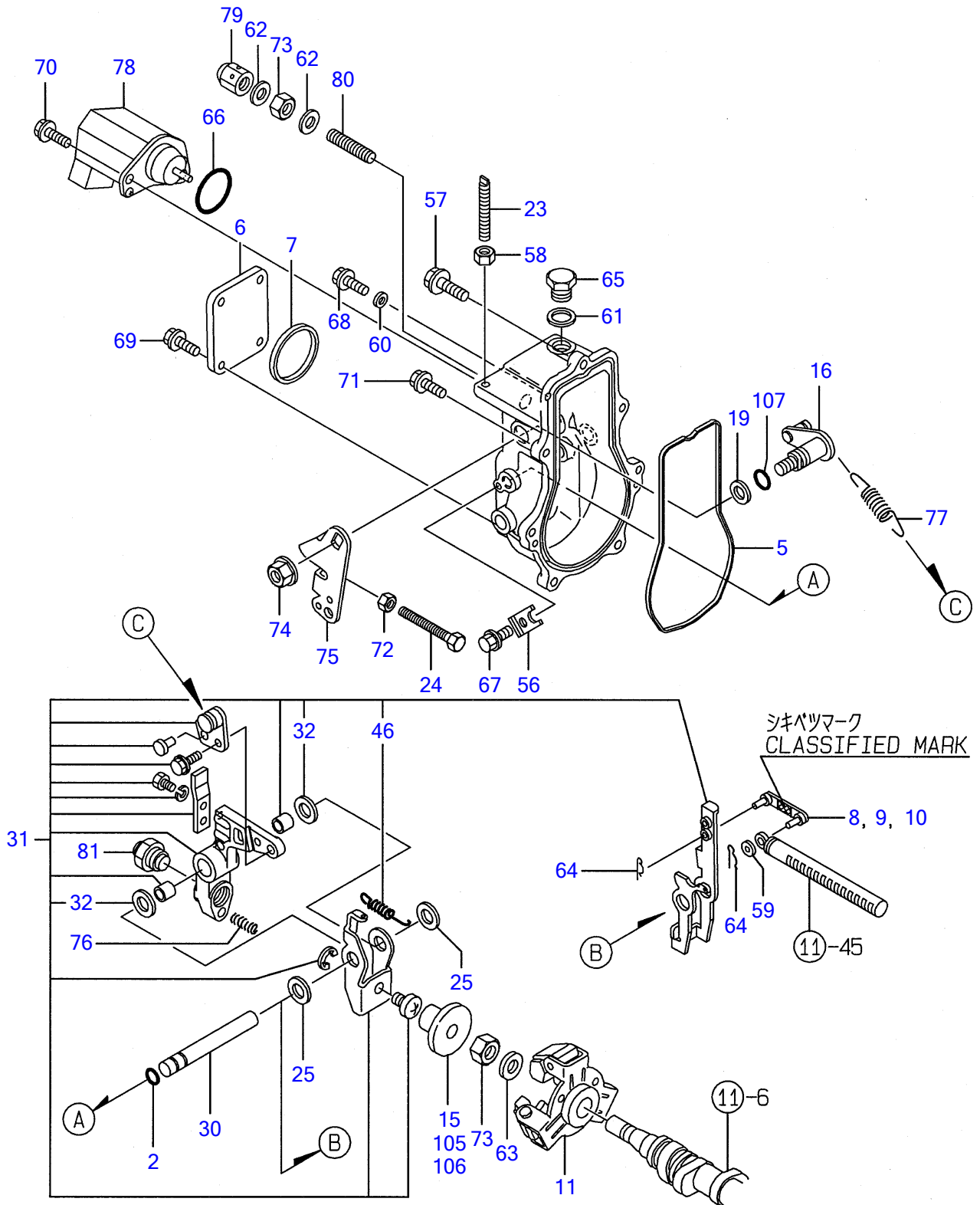
FOIY¼ØÍßÝÍß FUEL INJECTION PUMP

REF NO.	PARTS NO.	Description	Q'ty	I	R	"õ
83	Y22351-050010	• ½ÍßØÝ, ÞËßÝ5.0AX10	• SPRING PIN 5X10	2		
84	Y24101-063034	• Íß±ØÝ, Þ6303	• BALL BEARING	1		
85	Y24341-000160	• O-ØÝ, Þ1A S 16.0	• O-RING 1A S-16.0	1		
86	Y26022-050102	• ÁÍßºË¼Þ(ËÞË5x10	• SCREW M5X10	8		
I 86-1	Y26022-050122 (A=E55620)	• ÁÍßºË¼Þ(ËÞË5x12)	• SCREW M5X12	8	N	
87	Y26022-060162	• ÁÍßºË¼Þ(ËÞË6x16)	• SCREW M6X16	4		
88	Y26116-050302	• ÍßÙÄ 5x30	• BOLT M5X30PLATED	2		
89	Y26716-060002	• ÄÄÄ 6	• NUT 6	2		
90	Y22190-160002	• ¼°ÙÙÄ¼Ô(ºÍÙ»ÆÄÙ)16	• SEAL WASHER 16S	1		
93	Y129100-52200	• ¶ËÞº(ÍÝ¼Ô¼Þ·ÏÄÞ)	• COVER	1		
94	Y129155-52050	• ËßÄ·Ý(ÄØÄ¹)	• GASKET	1		
95	Y22217-050000	• ËÞË»Þ¶ËËË 5	• SPRING WASHER	2		

Engine for TB125 3TNE82A-TB S/N 12510009-12510451
GOVERNOR

Y00D6941
 3TNE82A- (E) TB

12 ガバナ
 GOVERNOR



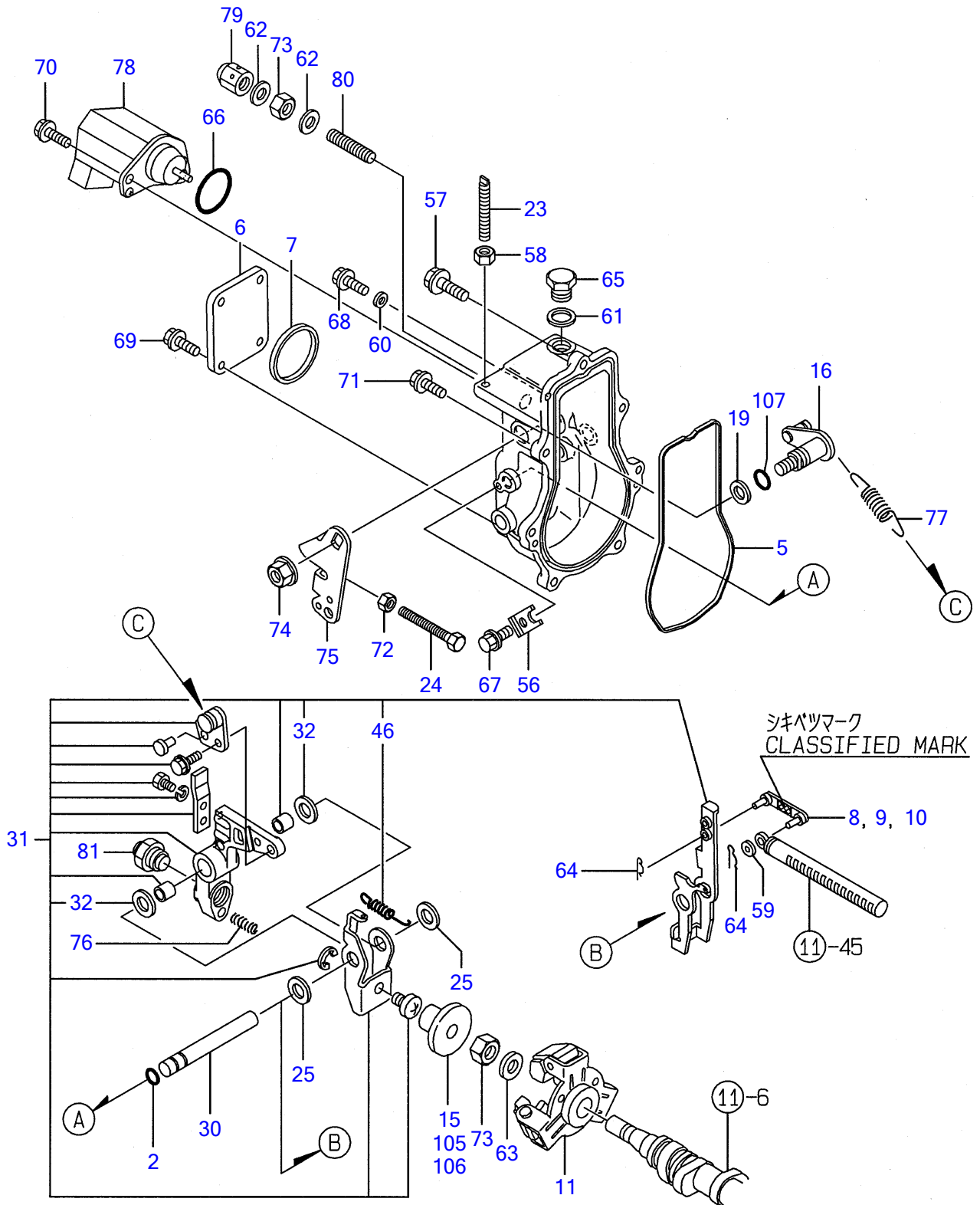
ГОВОРНА ГОВОРНА

REF NO.	PARTS NO.	Description	Q'ty	I	R	"öll
2	Y129155-51280	O-RING S6	1			
5	Y129052-61050	PACKING	1			
6	Y129052-61060	COVER	1			
7	Y129052-61070	PACKING	1			
8	Y129155-61120	LINK L=30(MARK 0	1			(1) ¼YÄ, ¼®³ PËÝ: ¼·ÍPÄÏ°, ¶,ÆÝÉ ³·Ä-³ÖÝÉ¶P²í½D(²×½Ä »Ý¼®³)
9	Y129155-61130	LINK L=31(MARK 1	1			(1) ¼YÄ, ¼®³ PËÝ: ¼·ÍPÄÏ°, ¶,ÆÝÉ ³·Ä-³ÖÝÉ¶P²í½D(²×½Ä »Ý¼®³)
10	Y129155-61140	LINK L=30.5(MARK 05)	1			(1) ¼YÄ, ¼®³ PËÝ: ¼·ÍPÄÏ°, ¶,ÆÝÉ ³·Ä-³ÖÝÉ¶P²í½D(²×½Ä »Ý¼®³)
11	Y129155-61201	WEIGHT ASSY,GOVERNOR	1			
I 11- 1	Y129155-61202	WEIGHT ASSY,GOVERNOR	1	R		
	(A=E55620)					
15	Y129155-61341	SLEEVE	1			(2) ¼YÄ, ¼®³ PËÝDÍ-ºÉ ººÓ, (¶PËPÄ ASSY)É FIG.11 FOÍY¼ÖÍßÝÍß Æ Í,ÍÍ½D
16	Y129100-61400	SHAFT ASSY, CONTROL	1			
19	Y129155-61430	SPACER, SHAFT	1			
23	Y129155-61450	BOLT, REVOL. LIMIT	1			
24	Y129155-61460	BOLT, IDLE LIMIT	1			
25	Y129155-61480	SPACER ASSY	2			
30	Y129052-61390	SHAFT, GOV. LEVER	1			
31	Y129052-61500	LEVER ASSY,GOVERNOR	1			
32	Y174307-51700	SHIM SET	2			
46	Y129052-61540	SPRING	1			
56	Y119660-61901	RETAINER, SHAFT	1			
57	Y129155-61950	BOLT, WASHER BASED	1			
58	Y124550-66370	LOCK NUT M 6	1			
59	Y22117-040000	WASHER 4	1			
60	Y22190-060003	SEAL WASHER 6S	1			
61	Y22190-100002	SEAL WASHER 10S	1			
62	Y22190-120002	SEAL WASHER 12	2			
63	Y22287-120000	WASHER 12	1			
64	Y22372-040000	SNAP PIN 4	2			
65	Y23887-100002	PLUG 10	1			
66	Y24341-000280	O-RING 1A S-28.0	1			
67	Y26106-060102	BOLT M 6X 10 PLATED	1			
68	Y26106-060102	BOLT M 6X 10 PLATED	1			
69	Y26106-060102	BOLT M 6X 10 PLATED	4			
70	Y26106-060142	BOLT M 6X 14 PLATED	2			
71	Y26106-060202	BOLT M 6X 20 PLATED	6			
72	Y26756-060002	LOCK NUT 6	1			
73	Y26776-120002	LOCK NUT M12 PLATED	2			
74	Y26366-080002	NUT M 8	1			
75	Y129100-61440	LEVER, CONTROL	1			
76	Y129100-61650	SPRING, FUEL CONTROL	1			
77	Y171353-61710	SPRING, GOVERNOR	1			
78	Y119285-77951	SOLENOID	1			
79	Y129100-61930	NUT, CAP	1			

Engine for TB125 3TNE82A-TB S/N 12510009-12510451
GOVERNOR

Y00D6941
 3TNE82A- (E) TB

12 ガバナ
 GOVERNOR

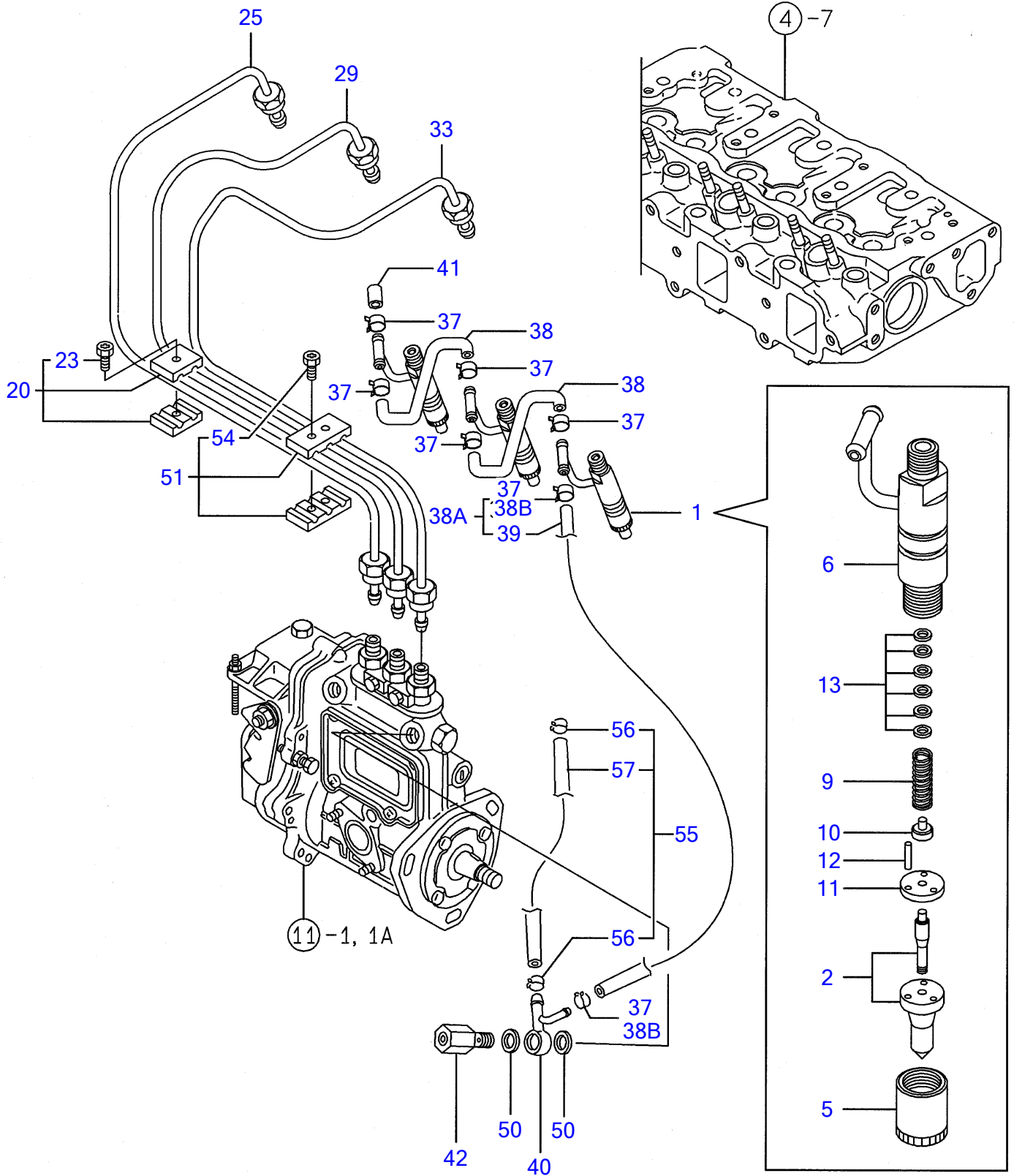


REF NO.	PARTS NO.	Description	Q'ty	Notes
80	Y129155-61470	BOLT, FUEL CONTROL	1	
81	Y171353-61550	ANGLEICH ASSY	1	
105	Y129155-61350	SLEEVE	1	(2) 3/4" Y.A., 1/4" O.D. SLEEVE FOR 1/4" O.D. SLEEVE ASSY FIG. 11
106	Y129155-61360	SLEEVE	1	(2) 3/4" Y.A., 1/4" O.D. SLEEVE FOR 1/4" O.D. SLEEVE ASSY FIG. 11
107	Y129155-61830	O-RING S10	1	

Engine for TB125 3TNE82A-TB S/N 12510009-12510451
FUEL INJECTION VALVE

Y00D6941
3TNE82A- (E) TB

13 FOフンシャベン
FUEL INJECTION VALVE



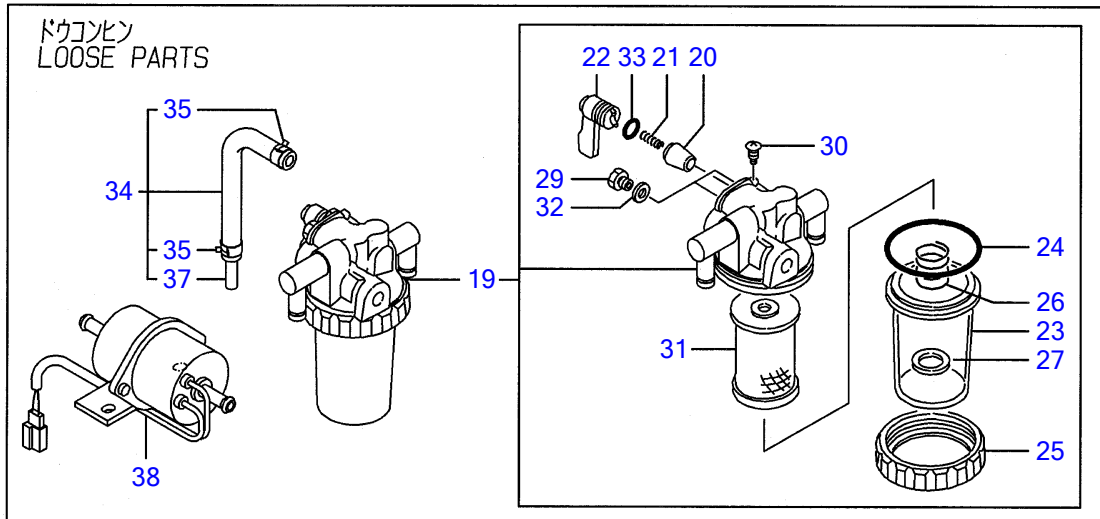
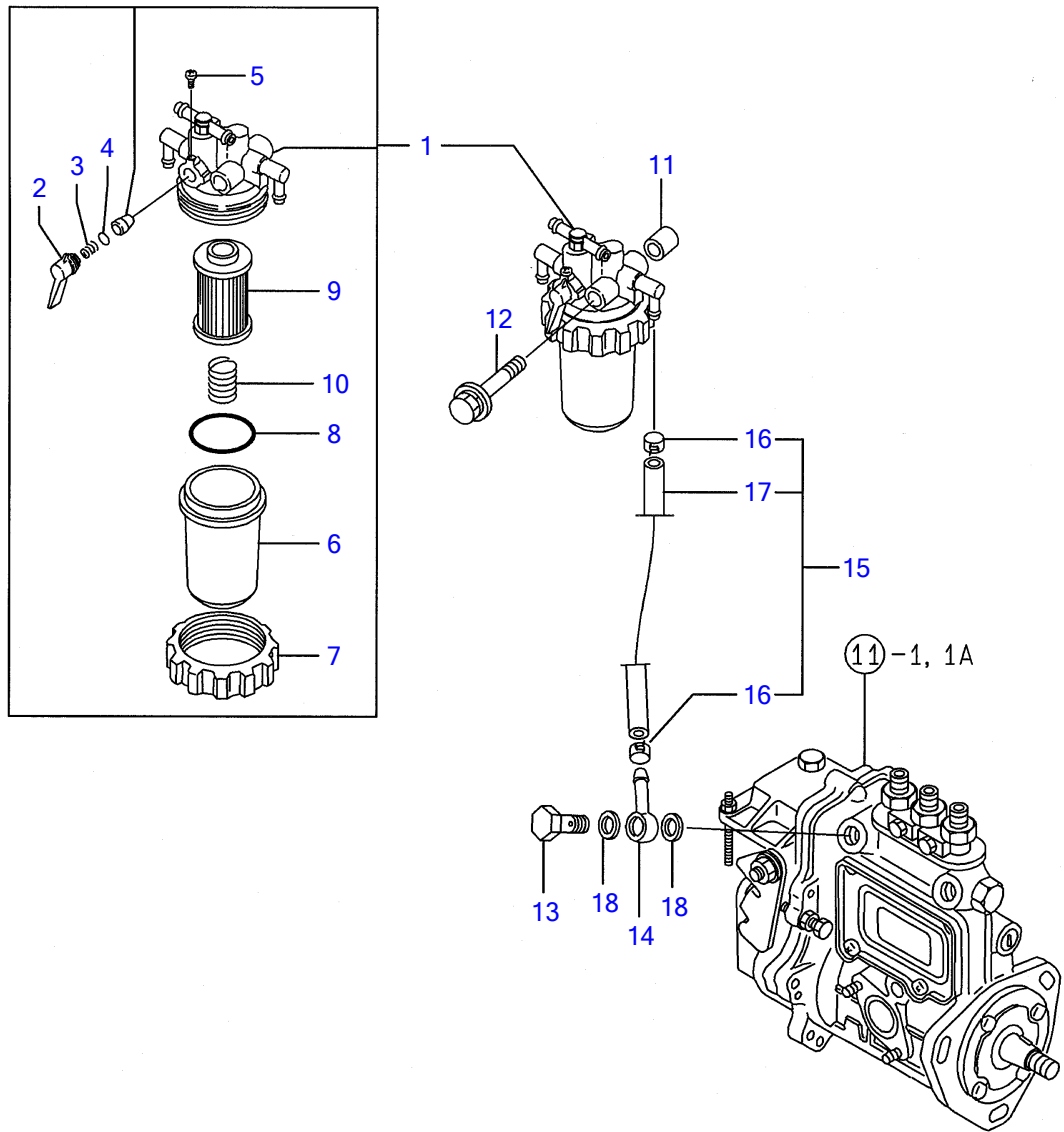
FOIY¼ÓÍÞÝ FUEL INJECTION VALVE

REF NO.	PARTS NO.	Description	Q'ty	I	R	ø
1	Y729500-53200	FOIY¼ÓÍÞÝ ASSY	VALVE ASSY, F.INJECT	3		
2	Y129500-53050	• É½ÞÙ COMP.	• NOZZLE ASSY,F.INJECT	3		
5	Y114250-53080	• ÅÅÅ(É½ÞÙÅØÅ¹	• NUT, NOZZLE CASE	3		
6	Y129100-53100	• É½ÞÙÍÙÅÞ- CMP	• HOLDER ASSY, NOZZLE	3		
9	Y114250-53120	• ½ÏØÝ Þ(É½ÞÙ	• SPRING, NOZZLE	3		
10	Y114250-53130	• ¼-Å(É½ÞÙ½ÏØÝ,Þ	• SEAT, NOZZLE SPRING	3		
11	Y114250-53140	• ½ÅÏÏÏÙ-Å	• PLATE, STOP	3		
12	Y114250-53210	• ÉßÝ(É½ÞÙ²Á-ÞØ	• PIN	6		
13	Y114250-53400	• ¼Ñ CMP	• SHIM PACK	3		
20	Y119305-59120	ÏÙÅÞØ(ÍY¼ÓÞÝCMP	RETAINER	1		
23	Y129150-59131	• ±±Å HB4X14	• BOLT M4X14,HEX.SCKT.	1		
25	Y119813-59812	FOIY¼ÓÉß³Ï(NO1 CYL.	PIPE, F.INJECT (NO.1	1		
29	Y119813-59821	FO-T(ÍY¼Ó CMP	PIPE, FUEL INJECTION	1		
33	Y119813-59831	FO-T(ÍY¼Ó CMP	PIPE, FUEL INJECTION	1		
37	Y124066-59100	Î-½,ØÏÏ(ÏÙ 8	CLAMP 8	7		
I 37- 1	Y124066-59100 (A=E55167)	Î-½,ØÏÏ(ÏÙ 8	CLAMP 8	5	K	
38	Y121250-59550	FO-T(D8XL120	PIPE, FUEL	2		
I 38A	Y119840-59500 (A=E55167)	FO-T(ÓÅÞ¼ CMP	PIPE ASSY, RETURN	1	W	
I 38B	Y124066-59100 (A=E55167)	• Î-½,ØÏÏ(ÏÙ 8	• CLAMP 8	2	W	
I 39	Y119840-59560	• FO-T ÓÅÞ¼	• PIPE, FUEL RETURN	1		
40	Y119840-59570	Å-ÞÅ	JOINT	1		
41	Y129150-59580	• ØÏÏ(FO-TÓÅÞ¼	CAP	1		
42	Y129100-59951	Å-Å, ÉÞÙÞ CMP	VALVE ASSY, CHECK	1		
50	Y23414-120000	ÉßÅ-Ý(ÏÙ 12	GASKET 12, ROUND	2		
I 50- 1	Y22190-120002 (A=E51613)	¼-ÙÙÅ¼Ø(ÏÙ 12	SEAL WASHER 12	2	N	
51	Y129150-59120	ÏÙÅÞØ(ÍY¼ÓÞÝ CMP	RETAINER, INJ. PIPE	1		
54	Y129150-59131	• ±±Å HB4X14	• BOLT M4X14,HEX.SCKT.	2		
55	Y129210-59130	FO-T CMP	PIPE ASSY, FUEL OIL	1		
56	Y124766-59050	• Î-½,ØÏÏ(ÏÙ 12	• CLAMP 12	2		
57	Y105025-59750	• Éß³Ï(FO²¼-FOÏßÝÏ	• PIPE, FUEL OIL	1		

Engine for TB125 3TNE82A-TB S/N 12510009-12510451
FUEL LINE

Y00D6941
 3TNE82A- (E) TB

14 FO/P17
 FUEL LINE

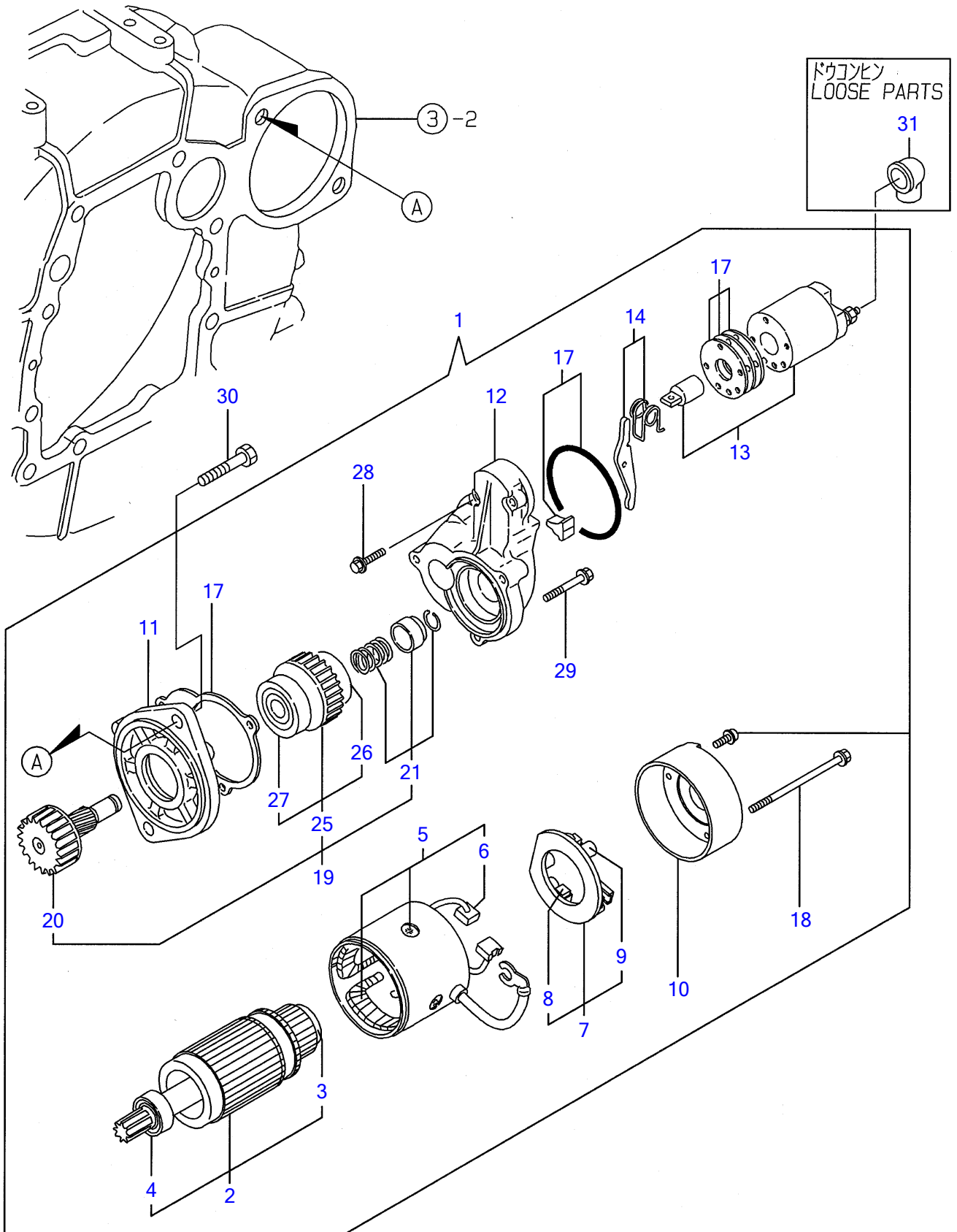


REF NO.	PARTS NO.	Description	Q'ty
1	Y119833-55620	STRAINER ASSY, FUEL	1
2	Y119810-55340	• LEVER	1
3	Y104200-55330	• SPRING, TAPER VALVE	1
4	Y24311-240100	• O-RING 1A P-10A	1
5	Y104200-55750	• SCREW M 4	1
6	Y121254-55510	• CUP, STRAINER	1
7	Y110250-55610	• RING, RETAINING	1
8	Y102103-55520	• O-RING	1
9	Y119810-55650	• ELEMENT	1
10	Y121250-55620	• SPRING	1
11	Y129411-55690	SPACER	1
12	Y26014-080852	BOLT M 8X 85	1
13	Y103854-39140	BOLT, PIPE JOINT	1
14	Y101304-59020	JOINT 12, PIPE	1
15	Y129210-59040	PIPE ASSY, FUEL OIL	1
16	Y124766-59050	• CLAMP 12	2
17	Y129555-59510	• PIPE, FUEL	1
18	Y22190-120002	SEAL WASHER 12	2
19	Y129335-55700	SEPARATOR, WATER	1
20	Y104200-55321	• VALVE, TAPER	1
21	Y104200-55330	• SPRING, TAPER VALVE	1
22	Y104200-55341	• HANDLE, COCK	1
23	Y124064-55510	• BOWL, FUEL STRAINER	1
24	Y102103-55520	• O-RING	1
25	Y110250-55610	• RING, RETAINING	1
26	Y121257-55720	• SPRING, SCREEN	1
27	Y121257-55731	• FLOAT	1
29	Y101720-55750	• PLUG 6	2
30	Y104200-55750	• SCREW M 4	1
31	Y171081-55910	• SCREEN	1
32	Y23418-060000	• GASKET 6, NYLON	2
33	Y24311-240100	• O-RING 1A P-10A	1
34	Y119840-59601	BEND ASSY	1
35	Y124766-59050	• CLAMP 12	2
37	Y119840-59621	• JOINT	1
38	Y129322-77401	FEED PUMP	1

Engine for TB125 3TNE82A-TB S/N 12510009-12510451
STARTING MOTOR

Y00D6941
3TNE82A-(E) TB

15 スターティングモータ
STARTING MOTOR



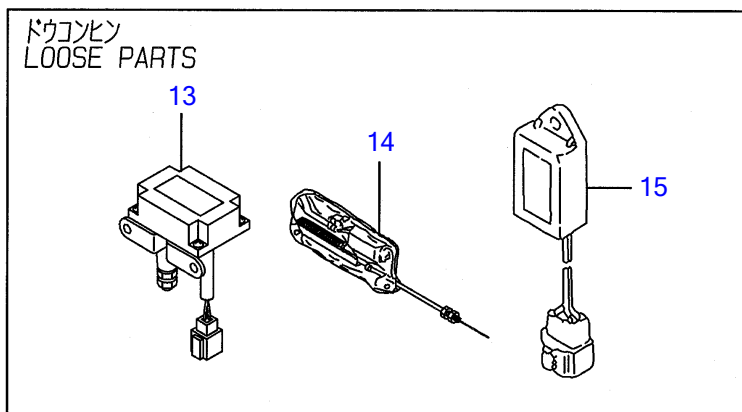
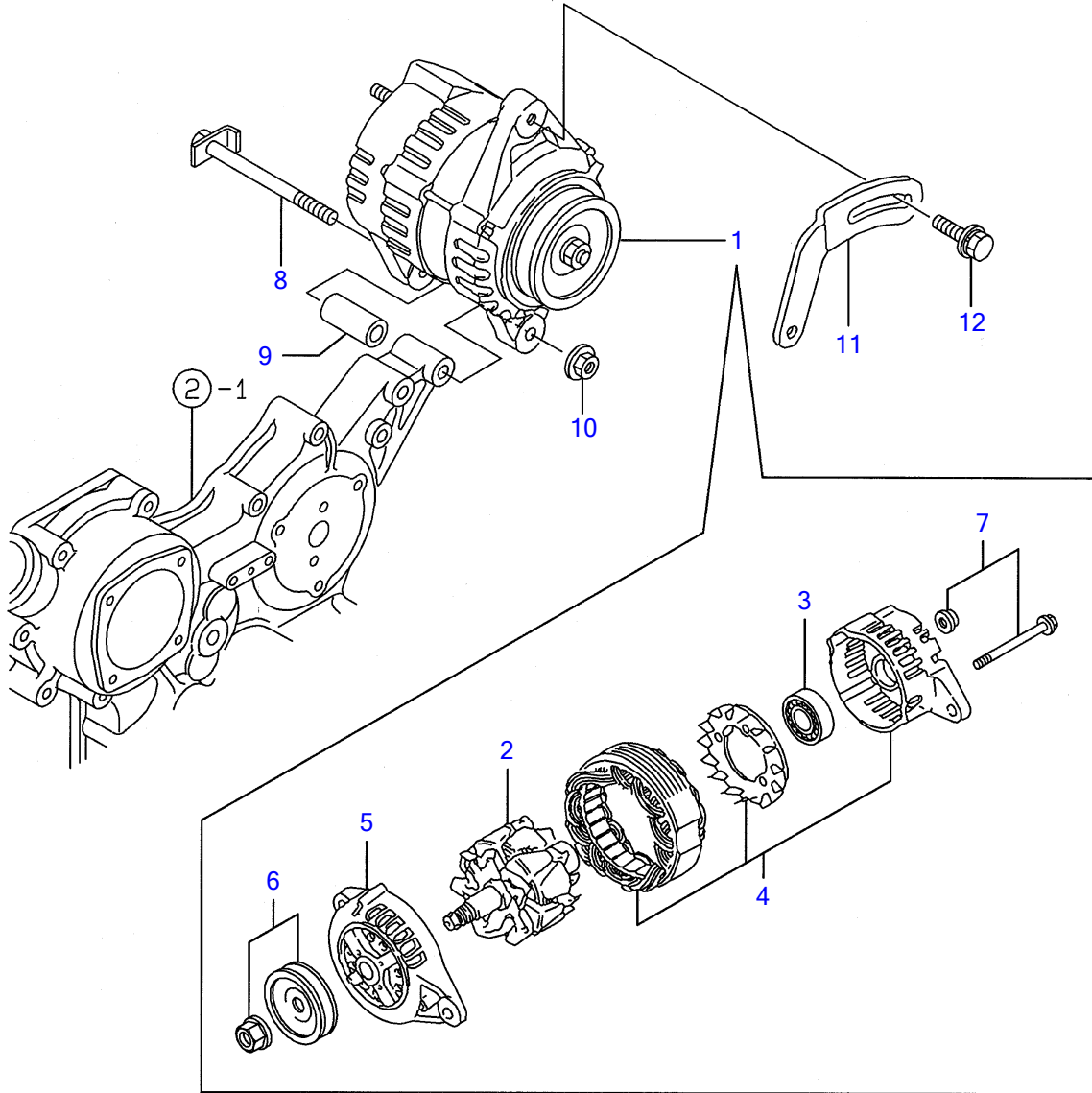
½Ä-Ä²Ý, PÓ-Ä STARTING MOTOR

REF NO.	PARTS NO.	Description	Q'ty
1	Y129400-77012	½Ä-Ä (S13-294)	1
2	Y129486-77400	• ±-İÄÖ±	1
3	Y171008-77410	• • İp±ØÝ, p(1)	1
4	Y171008-77420	• • İp±ØÝ, p(2)	1
5	Y129400-77441	• İ²-ÜÄp²Ü CMP	1
6	Y129486-77460	• • İp×¼ (+)	2
7	Y129486-77470	• İp×¼İÜÄp- ¼, Đ	1
8	Y129486-77460	• • İp×¼ (+)	2
9	Y129486-77490	• • ½İBØÝ, p, İp×¼	4
10	Y129900-77460	• ØÖİÉp-	1
11	Y171008-77510	• • p±¹-½	1
12	Y129400-77520	• ¾ÝÄ-É³¼pÝ, p	1
13	Y129400-77531	• İ, pÉÄÄ, ½²ÄÄ CMP	1
14	Y171008-77540	• ÜÉp- ¾ÄÄ	1
17	Y129400-77571	• Äp½ÄİÉp- -ÄÄ(ÉÝ±½)	1
18	Y129900-77640	• ½Ü-ÄİpÜÄ	2
19	Y171008-77650	• ÉBÆμÝ ¼, Đ	1
20	Y171008-77660	• • ÉBÆμÝ¼ÖİÄ	1
21	Y171008-77670	• • ½ÄÄÉB-¾ÄÄ	1
25	YX2114555500	• • xÄÄ ASY	1
26	YX2114955020	• • • İp-Üİp±ØÝ, p(3)	1
27	YX2240410100	• • • İp-Üİp±ØÝ, p(4)	1
28	Y26106-060322	• ÄÉpİpÜÄ 6X 32	2
29	Y26106-060402	• ÄÉpİpÜÄ 6X 40	3
30	Y26116-120252	İpÜÄ 12X 25	2
31	Y124550-77030	İÉp-(ST:BA-ĐÄÜ	1

Engine for TB125 3TNE82A-TB S/N 12510009-12510451
GENERATOR

Y00D6941
3TNE82A- (E) TB

16 ジェネレータ
GENERATOR



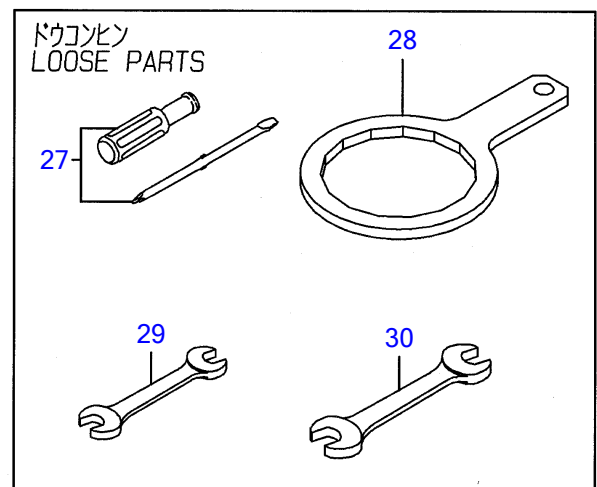
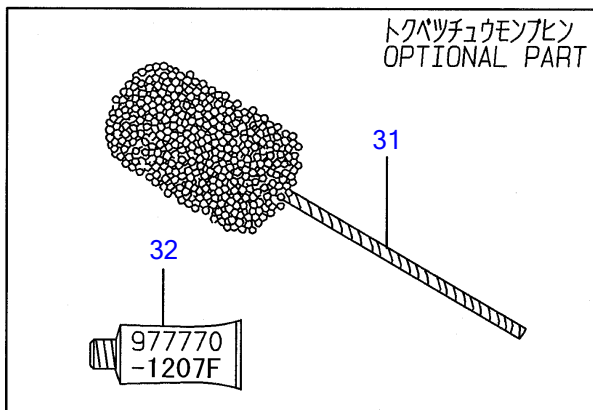
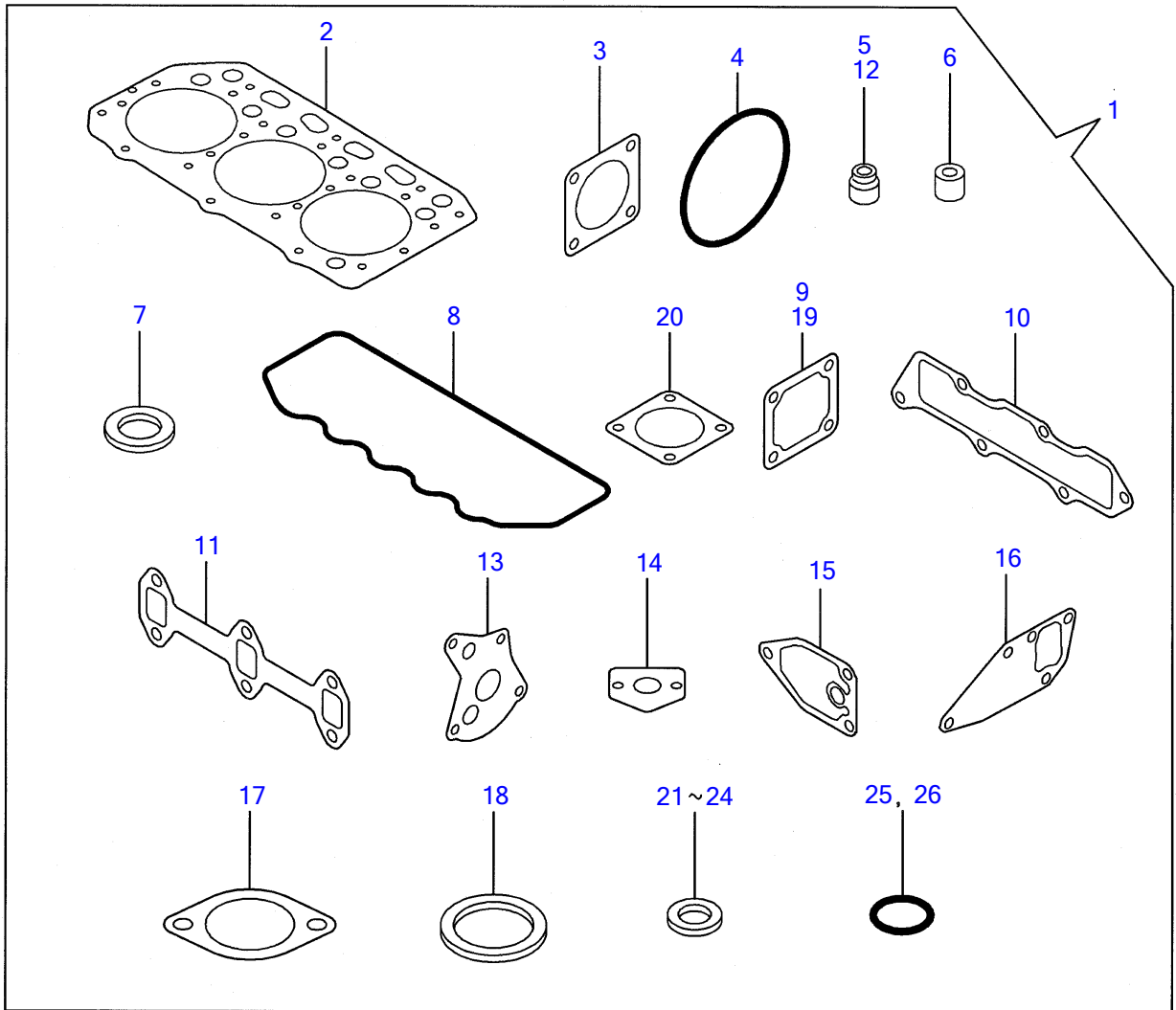
¼P'ÈÚ-À GENERATOR

REF NO.	PARTS NO.	Description	Q'ty	I	R	ó
1	Y119836-77201	AC ¼P'ÈÚ-À GENERATOR (AC)	1			
2	Y129612-77700	• Ú-À ASSY • ROTOR ASSY	1			
3	Y129612-77710	• ÍP-ÚÍP±ØÝ, P • BALL BEARING	1			
4	Y119836-77920	• ØÖÌP×1ÄÄ ASSY • BRACKET ASSY, REAR	1			
5	Y129612-77730	• ÌÚÝÄÌP×1ÄÄ ASSY • FRONT BRACKET ASSY	1			
6	Y129612-77740	• Ìß-Ø- • PULLEY	1			
7	Y129612-77750	• ½, ØÖ³ • ÄÄ • SCREW KIT	1			
8	Y129136-77251	ÌPÚÄ 8X110 (GEN BOLT M 8X110	1			
9	Y119820-77340	ÄP²½ÄÝ½Ëß-½ SPACER	1			
10	Y129612-77260	ÄÄÄ(μÚÄË-Ä NUT ,GENERATOR	1			
11	Y119867-77331	±¼PÖ½Ä(VÍPÚÄ ADJUSTER	1			
12	Y119810-77340	ÌPÚÄ(±¼PÖ½Ä BOLT	1			
13	Y129136-77100	¾ÄÄ²ØÚ-(AST1-11) RELAY, SAFETY	1			
14	Y119032-77910	±,¾ÚÓ-Ä CMP MOTOR ASSY, ENG.STOP	1			
15	Y119632-77920	Ä²Í-(1 SEC. TIMER	1			

Engine for TB125 3TNE82A-TB S/N 12510009-12510451
GASKET SET

Y00D6941
 3TNE82A- (E) TB

17 パッキンセット
 GASKET SET



ÊËÄ·Ý¾ÄÄ GASKET SET

REF NO.	PARTS NO.	Description	Q'ty	I	R	Notes
1	Y719812-92650	PACKING SET, NON-ASB.	1		(1)	µË¼@Ý ÏËÝÄÏ½D
I 1-1	Y719812-92651	PACKING SET, NON-ASB.	1	N	(1)	µË¼@Ý ÏËÝÄÏ½D
	(A=E55620)					
2	Y119812-01330	• ÍÄÄÏÏ½¹ÄÄ	1			
3	Y124240-01883	• ÊËÄ·Ý(HO-P)(ÉÝ±½)	1			
4	Y121850-51960	• OØÝ, Ï(FOPÄØÄ¹)	1			
5	Y124160-11340	• ÊÏÛÏ½ÄÑ¼-Û	3			
6	Y119625-11870	• ÌËÜÄ, Ä(É½ÏÛ)	3			
7	Y119625-11880	• É½ÏÛ¼-Ä	3			
8	Y119865-11310	• PK(ÏÝÉÄÄ	1			
9	Y129150-77511	• PK(±Ë-Ä)(ÉÝ±½)	1			
10	Y119813-12110	• PK(ÏÄÏ-ÜÄÏ	1			
11	Y119810-13110	• ÏÏ½¹ÄÄ (EXH	1			
		EXH.MANIFOLD				
12	Y124950-11340	• ÊÏÛÏ½ÄÑ¼-Û	3			
13	Y129150-32020	• PK(LO-P	1			
14	Y129150-35041	• PK(Ö³ÆÖ³ÏÝ)(ÉÝ±½)	1			
15	Y129150-35111	• PK(ÏÜÄÏ×¹ÄÄ)(ÉÝ±½)	1			
16	Y129150-42020	• PK(CW-P	1			
I 16-1	Y129486-42050	• PK(CW-P	1	N		
	(A=E55620)					
17	Y129795-49551	• PK(»-Ö½ÄÄÄÏÏÏ)(ÉÝ±½)	1			
18	Y129150-49811	• PK(»-Ö½ÄÄÄ ¼Ä)(ÉÝ±½)	1			
19	Y129100-77510	• ÊËÄ·Ý(±Ë-Ä-	1			
20	Y124701-11911	• ÏÏ½¹ÄÄ(»²ÜÝ»)(ÉÝ±½)	2			
I 20-1	Y124701-11911	• ÏÏ½¹ÄÄ(»²ÜÝ»)(ÉÝ±½)	3	K		
	(A=E50250)					
21	Y124465-44950	• ÊËÄ·Ý16	1			
22	Y129150-49360	• PK 10	1			
23	Y22190-120002	• ¼-ÛÜÄ¼Ö(ÏÛ 12	2			
24	Y23414-120000	• ÊËÄ·Ý(ÏÛ 12	2			
I 24-1	Y22190-120002	• ¼-ÛÜÄ¼Ö(ÏÛ 12	2	N		
	(A=E51613)					
25	Y24311-000120	• OØÝ, Ï 1A P 12.0	3			
26	Y24311-000160	• OØÝ, Ï 1A P 16.0	2			
27	Y104200-92350	• ÄÏ×²ËÏ-(»¼Ï¹¼-	1			
28	Y119640-92750	• ÏÜÄÜÝÄ 80	1			
29	Y28110-100120	• ½ÊËÄ 10X12	1			
30	Y28110-140170	• ½ÊËÄ 14X17	1			
31	Y129400-92420	• ÏÜÄ, ½Ï-Ý	1			(1) µË¼@Ý ÏËÝÄÏ½D
32	Y977770-1207F	• ¼Øº-Ý¹² ·¼ÏÖ³ÏÏ½¹ÄÄ	1			(1) µË¼@Ý ÏËÝÄÏ½D

How to read this Parts Catalog.

- Parts mentioned in this Parts Catalog may not necessarily be standard equipping parts.
- Parts change may be made without prior notice.
- Form of this Parts Catalog.

Y00F2161 (1997.09.01)

Fig. 29 燃料噴射ポンプ(ブーコン用)
FUEL INJECTION PUMP (W/BOOST)

見出し REF.No.	レベル LEV.	部品番号 PARTS No.	部品名 DESCRIPTION	個数 (Qty)						備考 REMARKS
				A	B	C	D	E	F	
1	•	729595-51390	F0ポンプ ASY(ブーコン用)	1	1	1	1	1	1	
1-1	•	729595-51391	F0ポンプ ASY(ブーコン用)	1	1	1	1	1	1	
		(A=E/#00185) (B=E/#00200)								
3	••	26022-060162	ナコネジ M 6X 16	9	9	9	9	9	9	
I 3-1	••	26022-060162	ナコネジ M 6X 16	4	4	4	4	4	4	K
		(A=E/#00185) (B=E/#00200) (C=E/#00156) (D=E/#00156) (E=E/#00156)								
4	••	129470-51040	カムシャフト	1	1	1	1	1	1	
5	••	122710-51050	ベアリング*ローラ	2	2	2	2	2	2	
6	••	129470-51060	ベアリング*オキ	1	1	1	1	1	1	

備考
(1) ブーストコンペンサータ付き、4JH-DT、4JH-DTZとも E/# 00155 までは、特別注文仕様とします

Remarks
(1) BOOST COMPENSATOR TYPE. OPTIONAL PART, TO E/# 00155, (4JH-DT, 4JH-DTZ)

① Ref. No.

The Ref. No. in the list may not be accord with the Ref. No. on illustration.

(Ex.) Illustration No. List head No.

1 1 (Befor change) → 1 - 1 (After change)

When interchangeable symbol N, R, and K, illustrations for new parts are sometimes omitted.

② Lev.(Level)

Indication and Meaning of Level

Level : Hereunder is given the relation among the number of dots(•), the level and the nominal parent-child relationship.

-Parent parts(Assembly parts)
-Child parts included in "••" (Semi- Assembly parts, component parts of Assembly parts.)
-Child parts included in "•••", Grand-child parts in terms of "••".
(Component parts of Semi- Assembly parts.)

Note) A parts of non-sale parts are illustrated but not listed.

③ Change Mark

Change Mark "I" is given to the part for which a design change was made at this time.

The design change was not shown in the last published Parts Catalog.

④ Interchangeability Mark

In the case where a part change took place, one of the following interchangeability marks is indicated for that part.

Symbol	interchangeability	Contents note
N	Old ↔ New	New Part is interchangeable for Old Part but not interchangeable conversely.
Q	Old ↔ New	New Part is not interchangeable for Old Part but interchangeable conversely.
R	Old ↔ New	New Part is interchangeable for Old Part and vice versa.
S	Old ↔ New	New Part is not interchangeable for Old Part and vice versa.
W		Part newly added.
Z		Part discontinued.
F		Not interchangeable single part but interchangeable by set of the related parts.
K		Changed only in quantity used.

⑤ Effective Machine No.

When a part is changed, Effective Machine No. of a Model for which the part is applicable is indication in each column of (A)- (F).

Product Symbol	Product No.	Product Symbol	Product No.
C	Clutch No. Compressor No.	M	Machine No.
D	Drive No.	T	Tractor No.
E	Engine No.	Note1) ※	Date

Note1) Date may follow the symbol in some cases. (Ex.) ※ 1996.01

Note2) As far as engine models shown by "XXX" are concerned, the modification of the parts could not be predicted or the engine models themselves could not be identified.

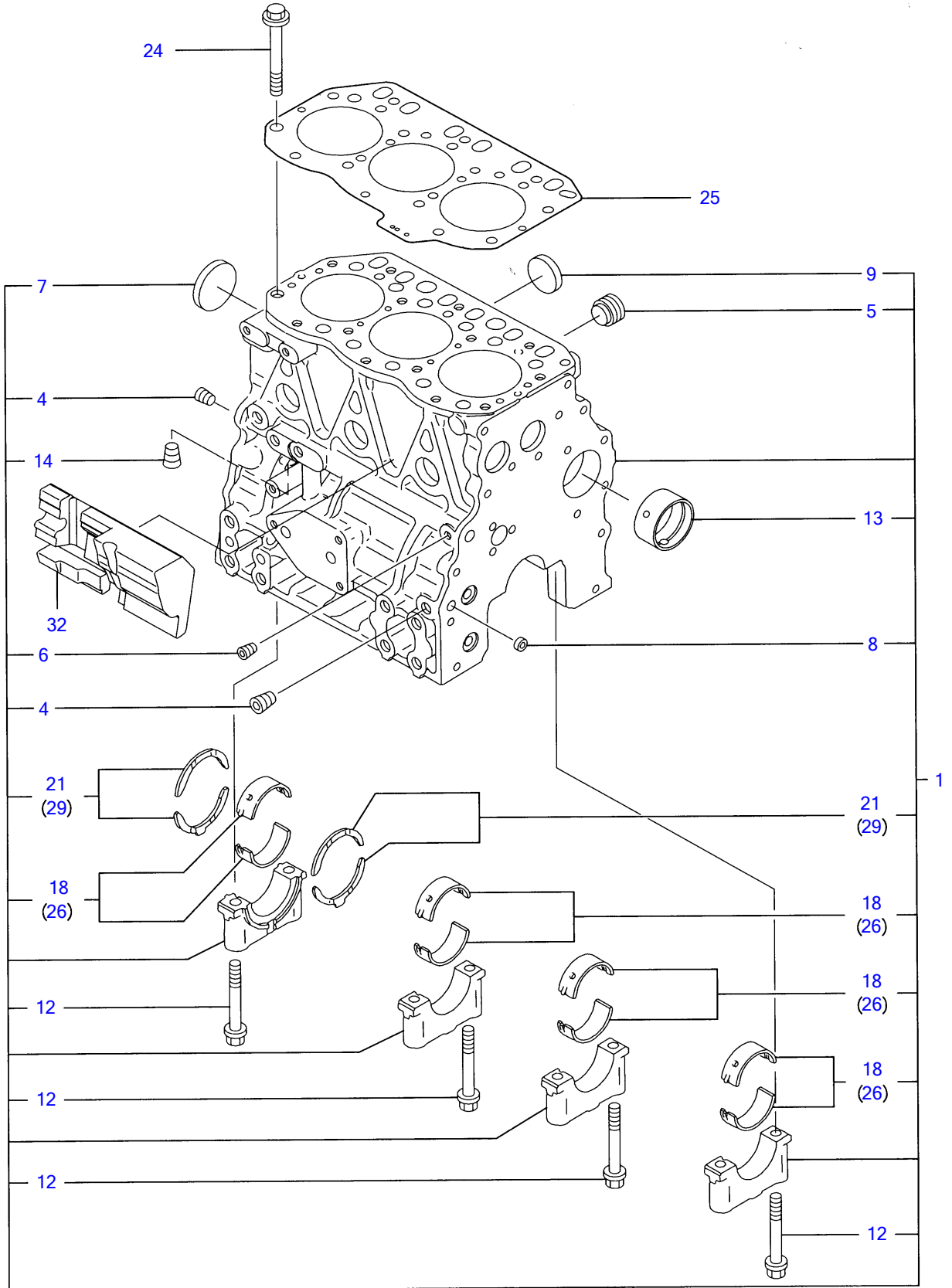
Note3) (A=E/#00185) means that the design change on the part has been effective for the model at the column (A) (in this case, for 4JH-DT) on and from E/(Engine Serial Number) 00185.

⑥ Remarks Mark

Figures or alphabets (Symbols) are entered in the remark column.

The comments (remarks) on the pertinent parts are indicated in the lower part of the list by the same symbols as those stated above.

Engine for TB125 3TNV82A-QTB(cab),QTB1(canopy) S/N 12514526-
CYLINDER BLOCK

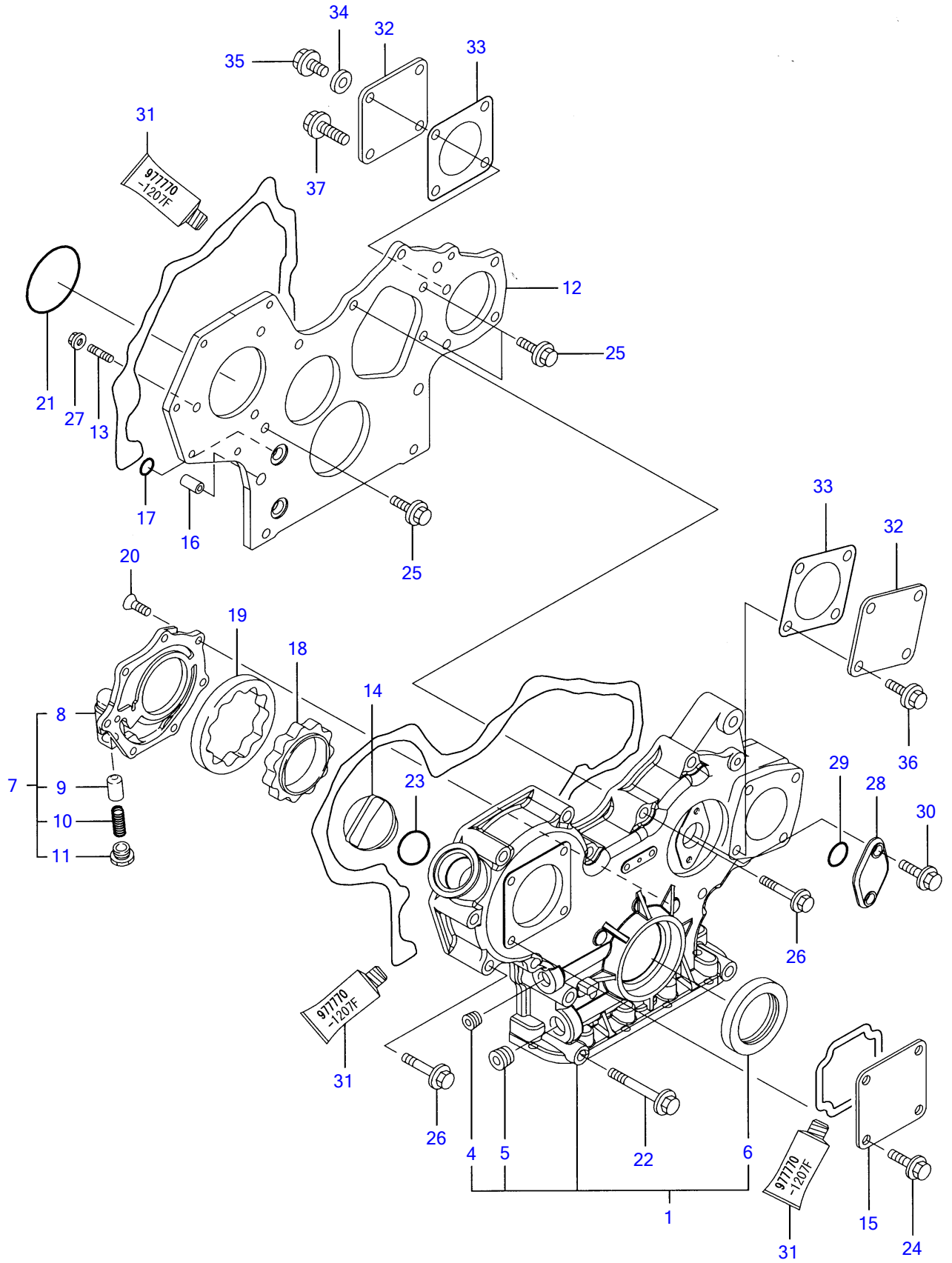


Y00D8370	1. シリンダブロック			
3TNV82A-QTB(1)		1, 04, 10		PLUS

¼ØÝÀÞÍÞÙ, CYLINDER BLOCK

REF NO.	PARTS NO.	Description	Q'ty	I	R
1	Y719802-01560	¼ØÝÀÞÍÞÙ ASSY	1		
4	Y124160-01910	• Íß×, Þ PT1/4	2		
5	Y171051-01921	• Íß×, Þ NPTF1	1		
6	Y124060-01050	• Íß×, Þ	1		
7	Y129001-01250	• »×¶ÍÞÀÍß×, Þ 50	1		
8	Y27241-120000	• ÜÝ¶ÍÞÀÍß×, Þ 12	2		
9	Y27241-300000	• ÜÝ¶ÍÞÀÍß×, Þ 30	6		
12	Y119620-02020	• ÍÞÙÄ (ÓÄÜ·ÓÄÍß	8		
13	Y129795-02411	• ÍÞÄ¼Ö (A	1		
14	Y124160-01910	• Íß×, Þ PT1/4	1		
18	Y719810-02980	• Ö²ÝÖÄÜCMP(STDÍÖ³ËÝ	4		(3) ÍÖ³ÍÞËÝÄÞ½
21	Y119810-02930	• ½×½ÄÖÄÜ(¼ÞÖ³¹Þ²Í½ÞÄ	1		
24	Y119810-01200	ÍÄÄÞÍÞÙÄ	14		
25	Y119812-01330	ÍÄÄÞ¶ÍÞ½¹ÄÄ	1		
26	Y119810-02870	Ö²ÝÍÞ±ØÝ, Þ U.S=0.25	4		(1) ±ÝÄÞ°»²½Þ(U.S=
29	Y119810-02940	½×½ÄÖÄÜCMP O.S=0.25	2		(2) μ°ËÞ°»²½Þ(O.S=
32	Y119802-01190	Ä²»Þ²Ë½Íß-»	1		

Engine for TB125 3TNV82A-QTB(cab),QTB1(canopy) S/N 12514526-
GEAR HOUSING

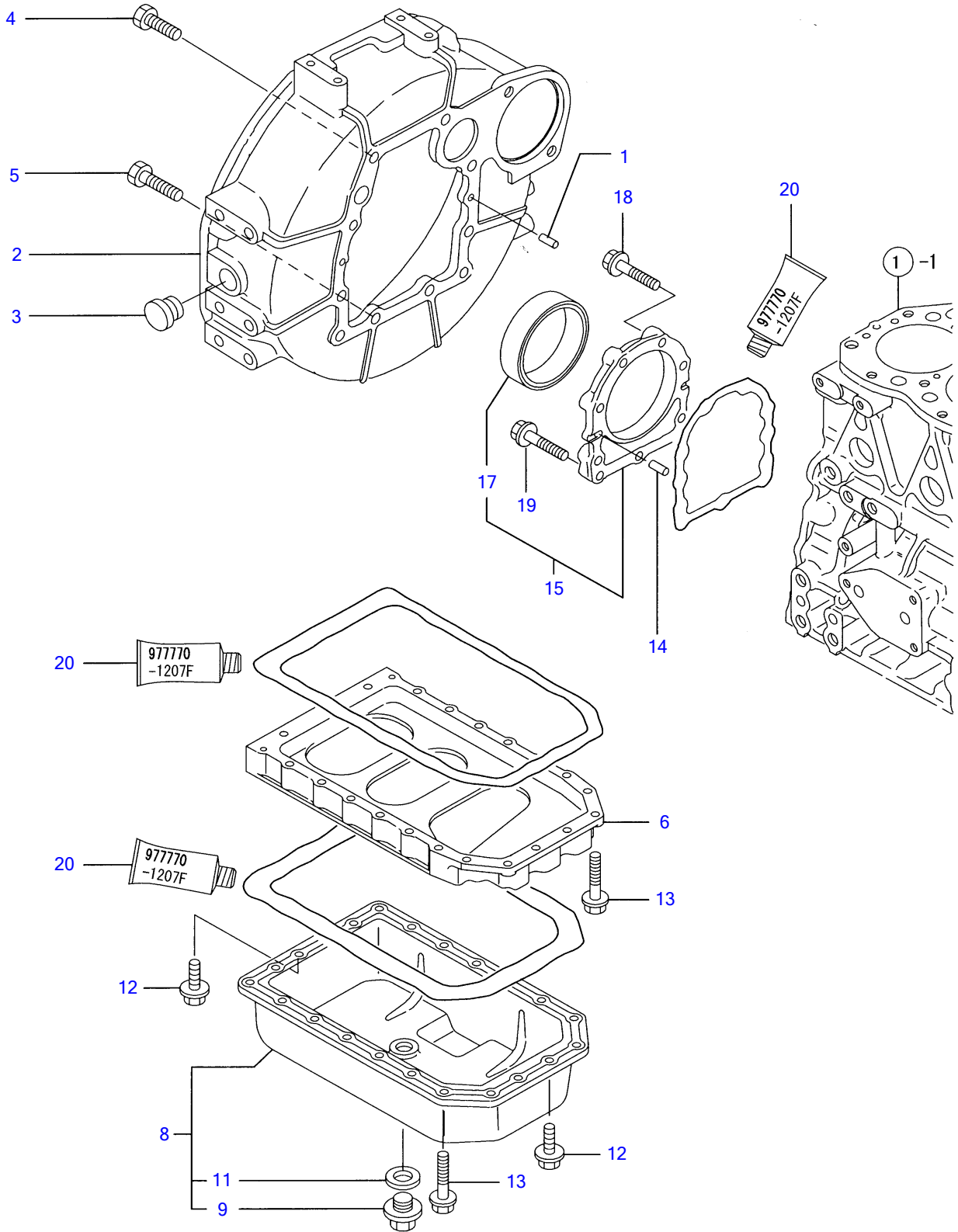


Y00D8370	2. ギヤケース			
3TNV82A-QTB (1)		1.04.10		PLUS

GEAR HOUSING

REF NO.	PARTS NO.	Description	Q'ty	I	R	Notes
1	Y729235-01500	GEAR CASE ASSY	1			
4	Y23876-030000	PLUG PT3/8, SCREW	1			
5	Y23876-040000	PLUG PT 1/2	1			
6	Y119934-01800	SEAL, OIL	1			
7	Y119802-32100	COVER ASSY, PUMP	1			
8	Y119802-32070	COVER, LUB.OIL PUMP	1			
9	Y129900-32130	VALVE, RELIEF	1			
10	Y129418-32320	SPRING	1			
11	Y129001-32330	PLUG	1			
12	Y129004-01520	FRANGE, GEAR CASE	1			
13	Y119802-01560	STUD, M8X25	3			
14	Y124160-01751	COVER, FILLER	1			
15	Y124240-01871	COVER, HO-P	1			
16	Y129795-01950	PIPE, KNOCK L=18	2			
17	Y119609-32040	O-RING P16	4			
18	Y119802-32111	ROTOR, INNER	1			
19	Y119802-32120	ROTOR, OUTER	1			
20	Y119802-32130	SCREW, M6X16	7			
21	Y121850-51960	O-RING, F.I.PUMP	1			
22	Y129001-91841	BOLT, M8X85	3			
23	Y24311-000320	O-RING 1A P-32.0	1			
24	Y26106-080162	BOLT M 8X 16 PLATED	4			
25	Y26106-080162	BOLT M 8X 16 PLATED	3			
26	Y26106-080552	BOLT M 8X 55 PLATED	11			
27	Y26306-080002	NUT	3			
28	Y121023-01550	COVER, BLIND	1			
29	Y24341-000240	O-RING 1A S-24.0	1			
30	Y26106-060162	BOLT M 6X 16 PLATED	2			
31	Y977770-1207F	GASKET, LIQUID	1			(1) μ18¼®Ý 1pÉÝÁp½
32	Y124240-01871	COVER, HO-P	2			
33	Y124240-01883	GASKET, (NON-ASB.)	2			
34	Y22190-080002	SEAL WASHER 8S	1			
35	Y26106-080122	BOLT M 8X 12 PLATED	1			
36	Y26106-080162	BOLT M 8X 16 PLATED	4			
37	Y26106-080202	BOLT M 8X 20 PLATED	3			

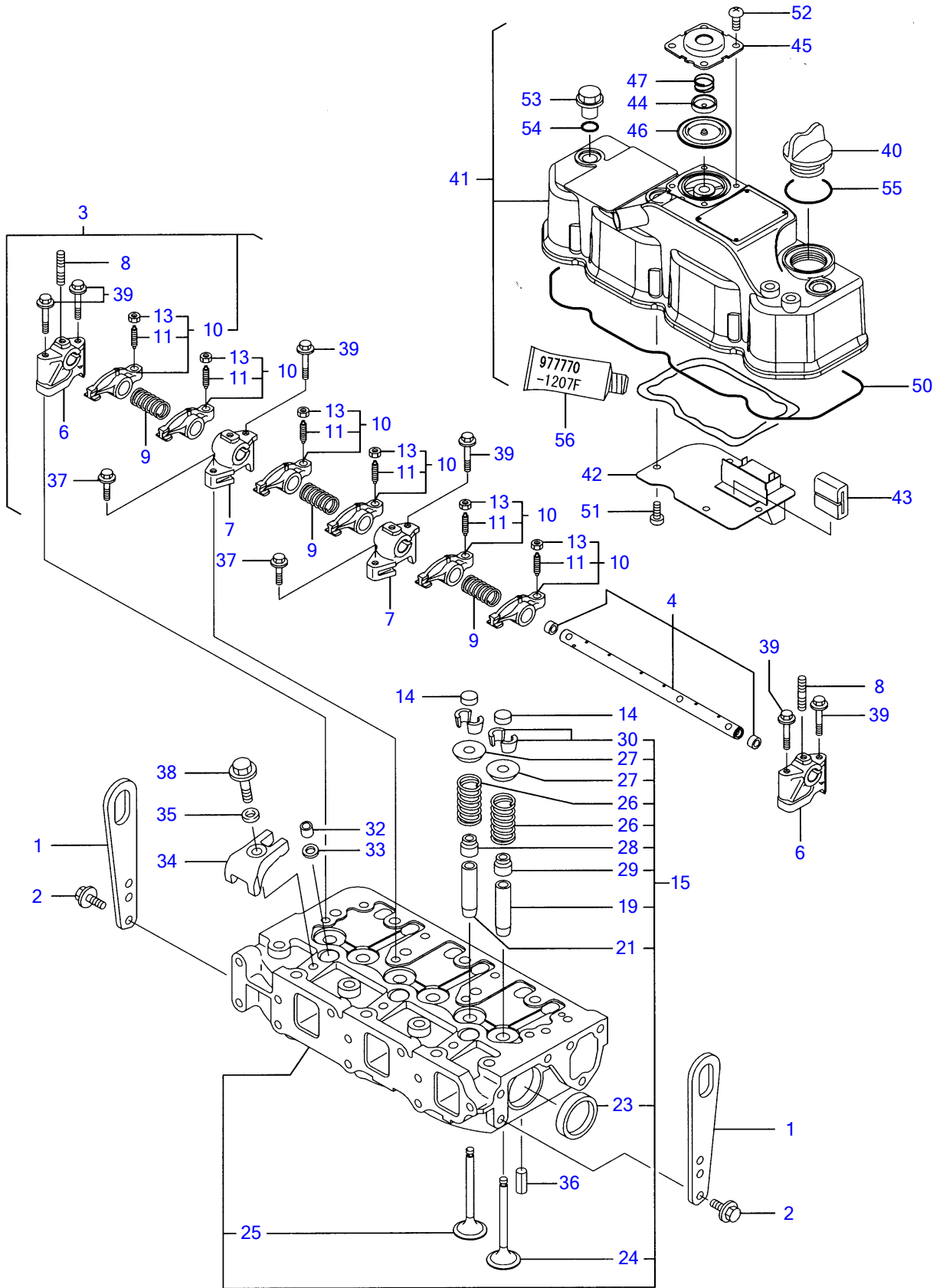
Engine for TB125 3TNV82A-QTB(cab),QTB1(canopy) S/N 12514526-
FLYWHEEL HOUSING & OIL SUMP



Y00D8370	3. フライホイールハウジング & オイルパン			
3TNV82A-QTB (1)		1. 04. 10		PLUS

REF NO.	PARTS NO.	Description	Q'ty	I	R	"ó
1	Y129100-01580	PARALLEL PIN 8X16	2			
2	Y129612-01600	HOUSING, FLYWHEEL	1			
3	Y119620-01750	CAP, FLYWHEEL COVER	1			
4	Y26206-100252	BOLT M10X25	6			
5	Y26206-100302	BOLT M10X30	4			
6	Y119810-01730	SPACER, L.O. SUMP	1			
8	Y119810-01790	SUMP ASSY, OIL	1			
9	Y119640-01640	• DRAIN PLUG M22	1			
11	Y22190-220002	• SEAL WASHER 22S	1			
12	Y26106-080162	BOLT M 8X 16 PLATED	6			
13	Y26106-080452	BOLT M 8X 45 PLATED	22			
14	Y129100-01580	PARALLEL PIN 8X16	2			
15	Y129100-01640	CASE ASSY, OIL SEAL	1			
17	Y129795-01780	• SEAL, OIL	1			
18	Y129486-01670	BOLT M8X30, COLLAR HD	6			
19	Y26106-080352	BOLT M 8X 35 PLATED	3			
20	Y977770-1207F	GASKET, LIQUID	1			(1) μlB¼@Ý lBËÝÄb½

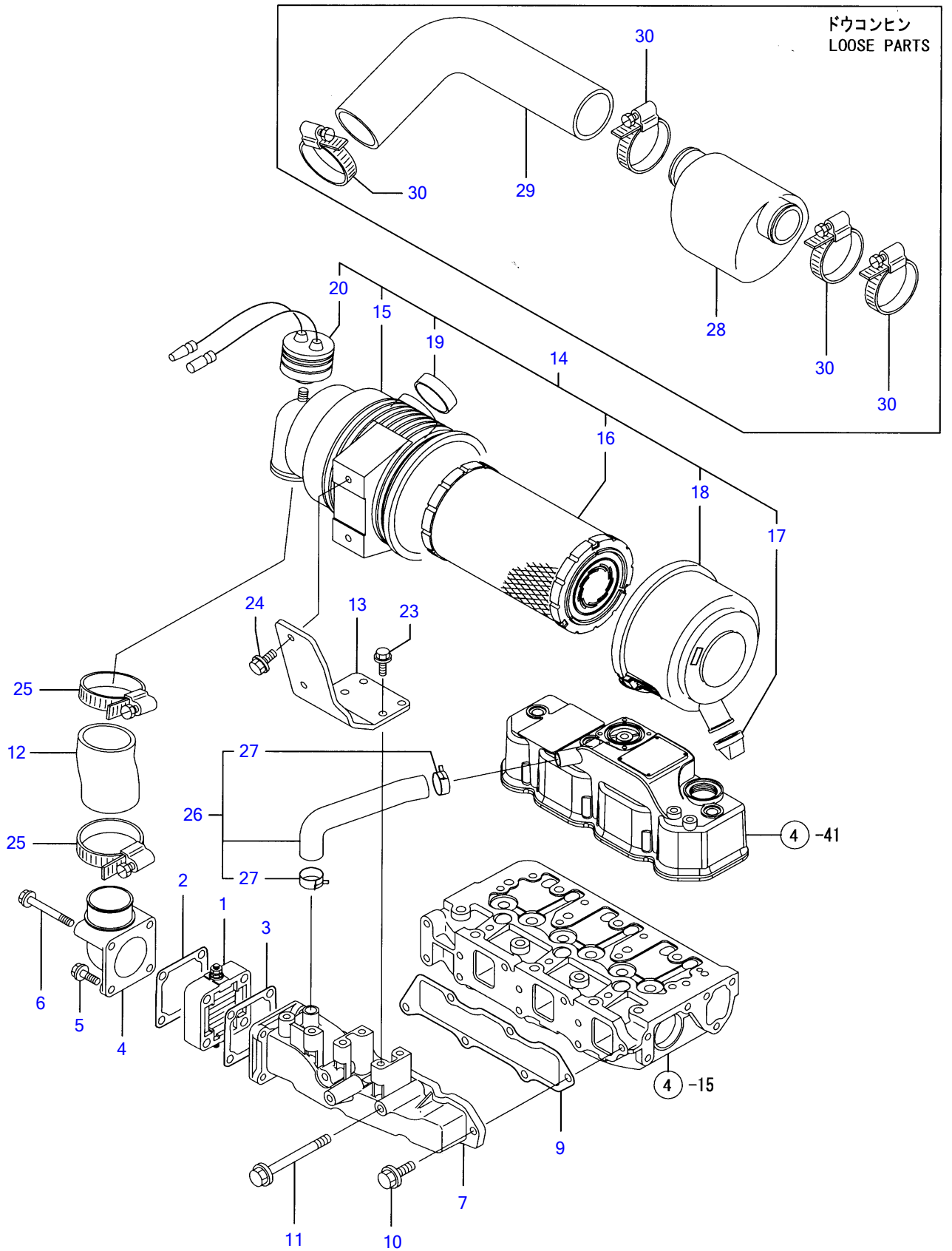
Engine for TB125 3TNV82A-QTB(cab),QTB1(canopy) S/N 12514526-
CYLINDER HEAD & BONNET



Y00D8370	4. シリンダヘッド & ボンネット		
3TNV82A-QTB (1)	1. 04. 10		PLUS

REF NO.	PARTS NO.	Description	Q'ty	I	R	"öll
1	Y129900-07900	LIFTER, ENGINE	2			
2	Y26106-080142	BOLT M 8X 14 PLATED	4			
3	Y119802-11241	SHAFT ASSY, ROCKER	1			
4	Y119802-11251	SHAFT, ROCKER ARM	1			
6	Y119802-11260	SUPPORT, ROCKER ARM	2			
7	Y119802-11270	SUPPORT, ROCKER ARM	2			
8	Y119802-11280	STUD	3			
9	Y129150-11280	SPRING	3			
10	Y119802-11650	ARM ASSY, ROCKER	6			
11	Y129150-11230	SCREW, VALVE	6			
13	Y129150-11750	NUT M8XP1.0	6			
14	Y104211-11370	CAP, VALVE	6			
15	Y119802-11700	HEAD ASSY, CYLINDER	1			
19	Y124060-11800	GUIDE, VALVE	3			(1) ÎÖ³ PËÝÄP½
21	Y119802-11810	GUIDE, VALVE	3			(1) ÎÖ³ PËÝÄP½
23	Y27241-400000	PLUG 40	2			
24	Y119802-11100	VALVE, INTAKE	3			
25	Y119802-11110	VALVE, EXHAUST	3			
26	Y119810-11120	SPRING, VALVE	6			
27	Y104211-11180	RETAINER, SPRING	6			
28	Y124160-11340	SEAL, VALVE STEM	3			
29	Y124950-11340	SEAL, VALVE STEM	3			
30	Y27310-070001	COTTER ASSY	6			
32	Y119802-11870	PROTECTOR, NOZZLE	3			
33	Y119625-11880	SEAT, NOZZLE	3			
34	Y119802-11900	RETAINER, NOZZLE	3			
35	Y120270-54410	WASHER	3			
36	Y22351-060012	SPRING PIN 6X12	2			
37	Y26106-080252	BOLT M 8X 25 PLATED	2			
38	Y26106-080452	BOLT M 8X 45 PLATED	3			
39	Y26106-080502	BOLT M 8X 50 PLATED	6			
40	Y124160-01751	COVER, FILLER	1			
41	Y119802-11350	BONNET ASSY, HEAD	1			
42	Y119802-03010	PLATE, BAFFLE	1			
43	Y129150-03070	BAFFLE, BREATHER	1			
44	Y119802-03110	PLATE, DIAPHRAGM	1			
45	Y119802-03121	COVER, DIAPHRAGM	1			
46	Y119802-03130	DIAPHRAGM	1			
47	Y119802-03141	SPRING, DIAPHRAGM	1			
50	Y119802-11310	GASKET, BONNET	1			
51	Y22857-500100	SCREW 5X10, TAPPING	4			
52	Y22857-500100	SCREW 5X10, TAPPING	4			
53	Y124160-11360	KNOB	3			
54	Y24311-000120	O-RING 1A P 12.0	3			
55	Y24311-000320	O-RING 1A P-32.0	1			
56	Y977770-1207F	GASKET, LIQUID	1			(2) μ B¼@Ý PËÝÄP½

Engine for TB125 3TNV82A-QTB(cab),QTB1(canopy) S/N 12514526-
SUCTION MANIFOLD & AIR CLEANER

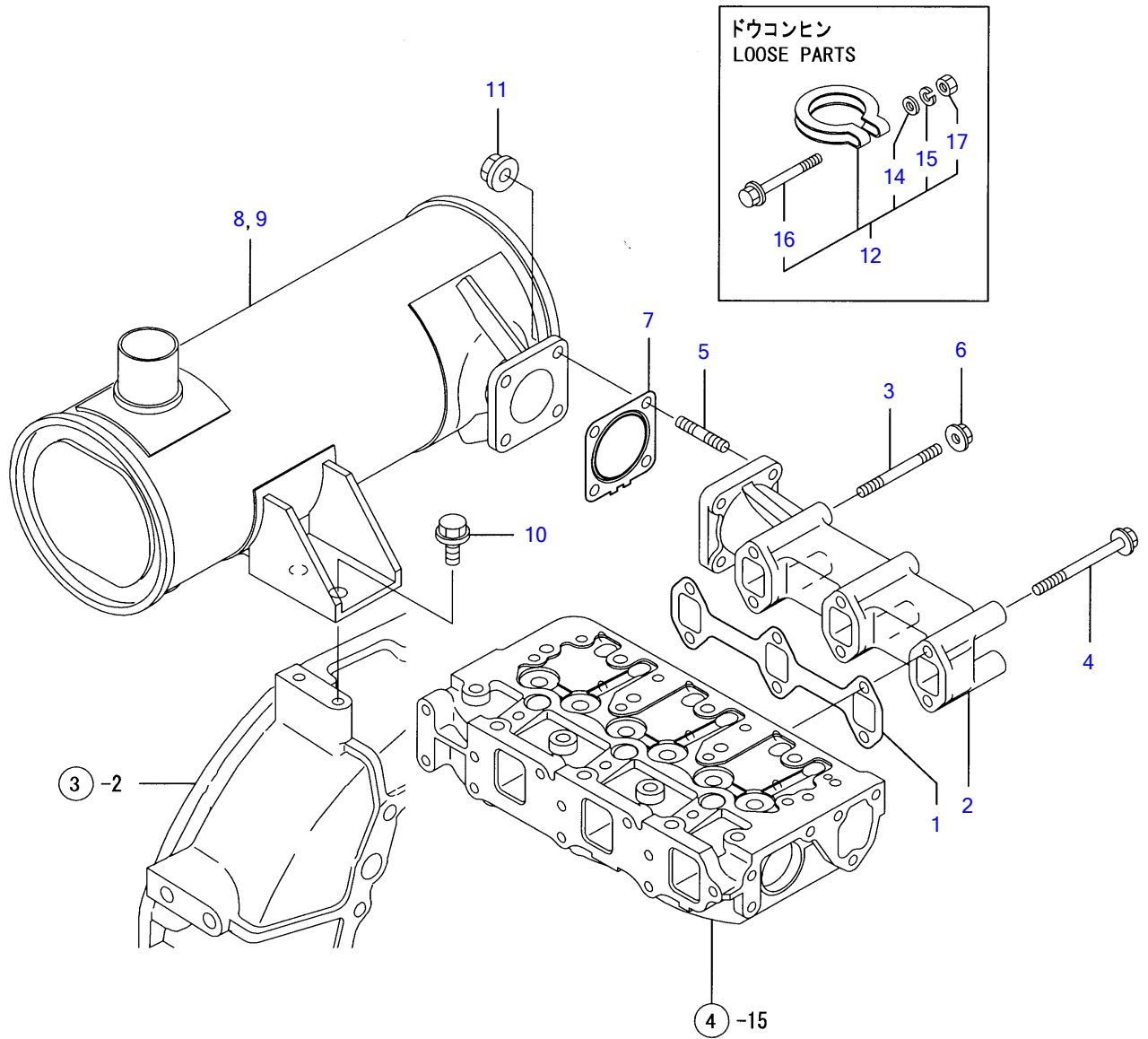


Y00D8370	5. キュウキマニホールド & エアクリーナ		
3TNV82A-QTB(1)	1.04.10		PLUS

·Ö³·ÏÆÏ-ÛÄÞ & ±,Ø-Ä SUCTION MANIFOLD & AIR CLEANER

REF NO.	PARTS NO.	Description	Q'ty	I	R	”ö
1	Y129100-77500	HEATER, AIR	1			
2	Y129100-77510	GASKET, AIR HEATER	1			
3	Y129150-77511	GASKET, (NON-ASB.)	1			
4	Y171340-77520	BEND	1			
5	Y26106-080402	BOLT M 8X 40 PLATED	2			
6	Y26106-080802	BOLT M 8X 80 PLATED	2			
7	Y119802-12100	MANIFOLD, INTAKE	1			
9	Y119813-12110	GASKET, INT. MANIFOLD	1			
10	Y26106-080202	BOLT M 8X 20 PLATED	4			
11	Y26106-080802	BOLT M 8X 80 PLATED	2			
12	Y119910-12210	PIPE, INTAKE	1			
13	Y119802-12560	BRACKET, AIR CLEANER	1			
14	Y129612-12691	CLEANER ASSY, AIR	1			
15	Y119910-12510	• BODY, AIR CLEANER	1			
16	Y119808-12520	• ELEMENT, OUTER	1			
17	Y119808-12540	• VALVE, UNLOADER	1			
18	Y119866-12541	• COVER ASSY	1			
19	Y129259-12570	• RING	1			
20	Y129953-12620	• INDICATOR ASSY	1			
23	Y26013-080222	BOLT M 8X 22	4			
24	Y26013-080222	BOLT M 8X 22	2			
25	Y23000-060000	CLAMP 60	2			
26	Y119802-03080	PIPE, BREATHER	1			
27	Y129410-03990	• CLAMP 24	2			
28	Y121855-12060	SILENCER, INLET	1			
29	Y129030-12201	PIPE, EXTENSION	1			
30	Y23000-060000	CLAMP 60	4			

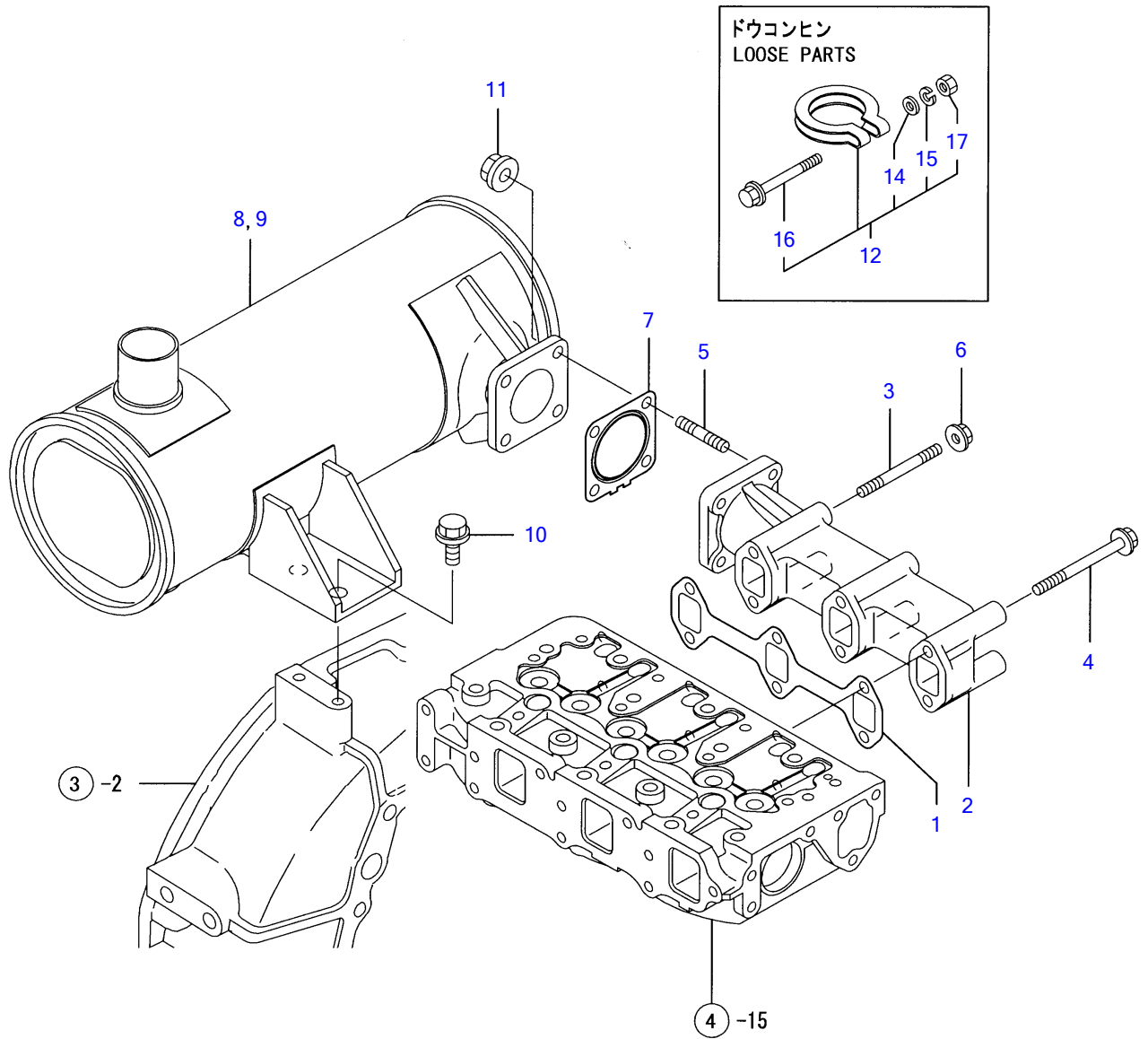
Engine for TB125 3TNV82A-QTB(cab),QTB1(canopy) S/N 12514526-
EXHAUST MANIFOLD & SILENCER (QTB)



Y00D8370	6. ハイキマニホールド & サイレンサ			
3TNV82A-QTB(1)		1.04.10		PLUS

REF NO.	PARTS NO.	Description	Q'ty	I	R	»óll
1	Y119810-13110	GASKET, EXH.MANIFOLD	1			
2	Y119802-13129	MANIFOLD, EXHAUST	1			
3	Y123900-13610	STUD BOLT M 8X 80	2			
4	Y123900-13630	BOLT 8X80	4			
5	Y119131-18320	BOLT M 8X 22	4			
6	Y26306-080002	NUT	2			
7	Y129004-13200	GASKET, SILENCER	1			
8	Y129242-13510	SILENCER	1			
10	Y26106-100202	BOLT M10X 20 PLATED	2			
11	Y26306-080002	NUT	4			
12	Y121120-13590	CLAMP	1			
14	Y22117-100000	• WASHER 10	1			
15	Y22217-100000	• SPRING WASHER 10	1			
16	Y26106-100652	• BOLT M10X 65 PLATED	1			
17	Y26706-100002	• NUT M10	1			

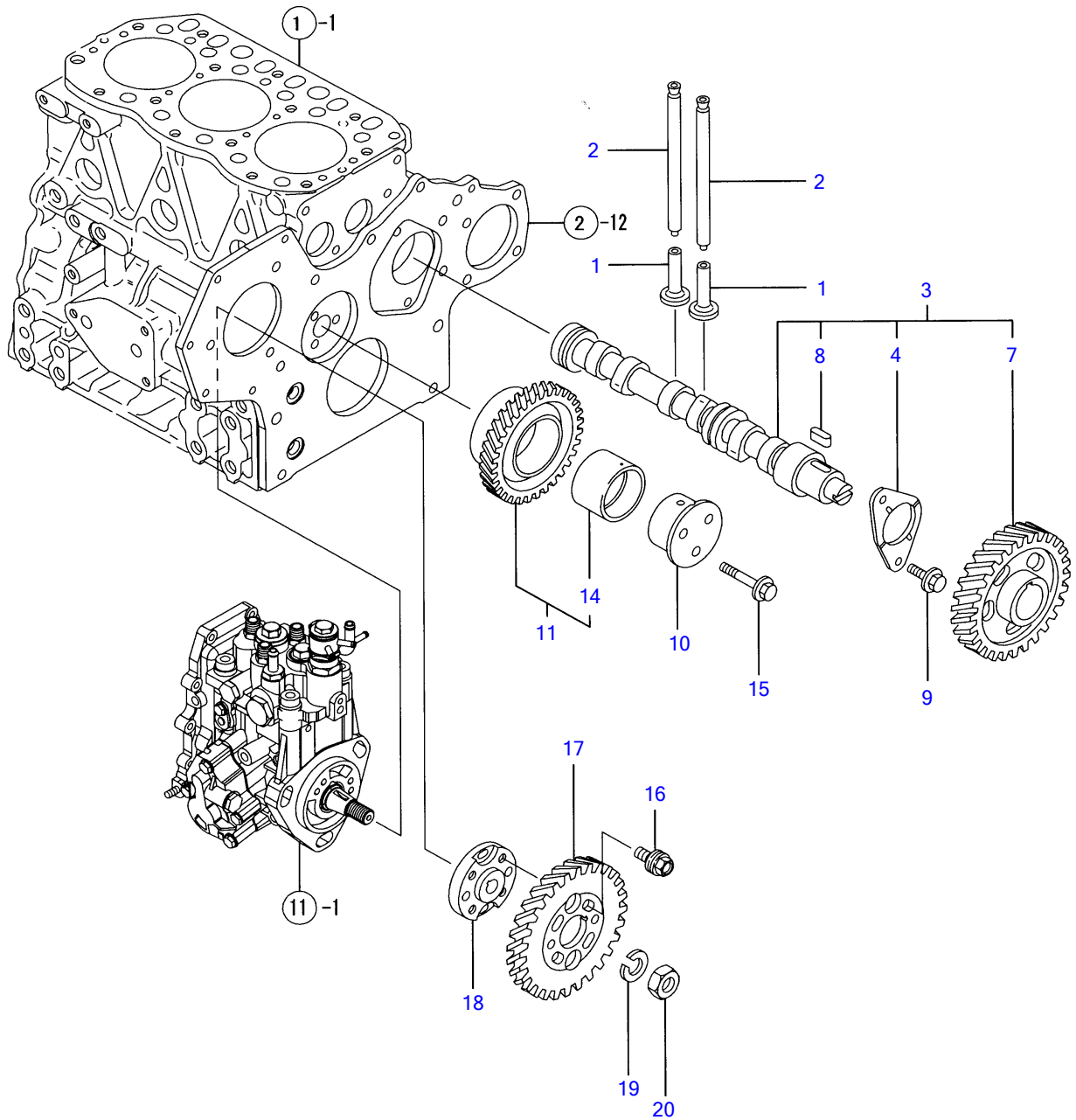
Engine for TB125 3TNV82A-QTB(cab),QTB1(canopy) S/N 12514526-
EXHAUST MANIFOLD & SILENCER (QTB1)



Y00D8370	6. ハイキマニホールド & サイレンサ			
3TNV82A-QTB(1)		1.04.10		PLUS

REF NO.	PARTS NO.	Description	Q'ty	I	R	Q'ty
1	Y119810-13110	GASKET, EXH.MANIFOLD	1			
2	Y119802-13129	MANIFOLD, EXHAUST	1			
3	Y123900-13610	STUD BOLT M 8X 80	2			
4	Y123900-13630	BOLT 8X80	4			
5	Y119131-18320	BOLT M 8X 22	4			
6	Y26306-080002	NUT	2			
7	Y129004-13200	GASKET, SILENCER	1			
9	Y129242-13520	SILENCER	1			
10	Y26106-100202	BOLT M10X 20 PLATED	2			
11	Y26306-080002	NUT	4			
12	Y121120-13590	CLAMP	1			
14	Y22117-100000	• WASHER 10	1			
15	Y22217-100000	• SPRING WASHER 10	1			
16	Y26106-100652	• BOLT M10X 65 PLATED	1			
17	Y26706-100002	• NUT M10	1			

Engine for TB125 3TNV82A-QTB(cab),QTB1(canopy) S/N 12514526-
CAMSHAFT & DRIVING GEAR

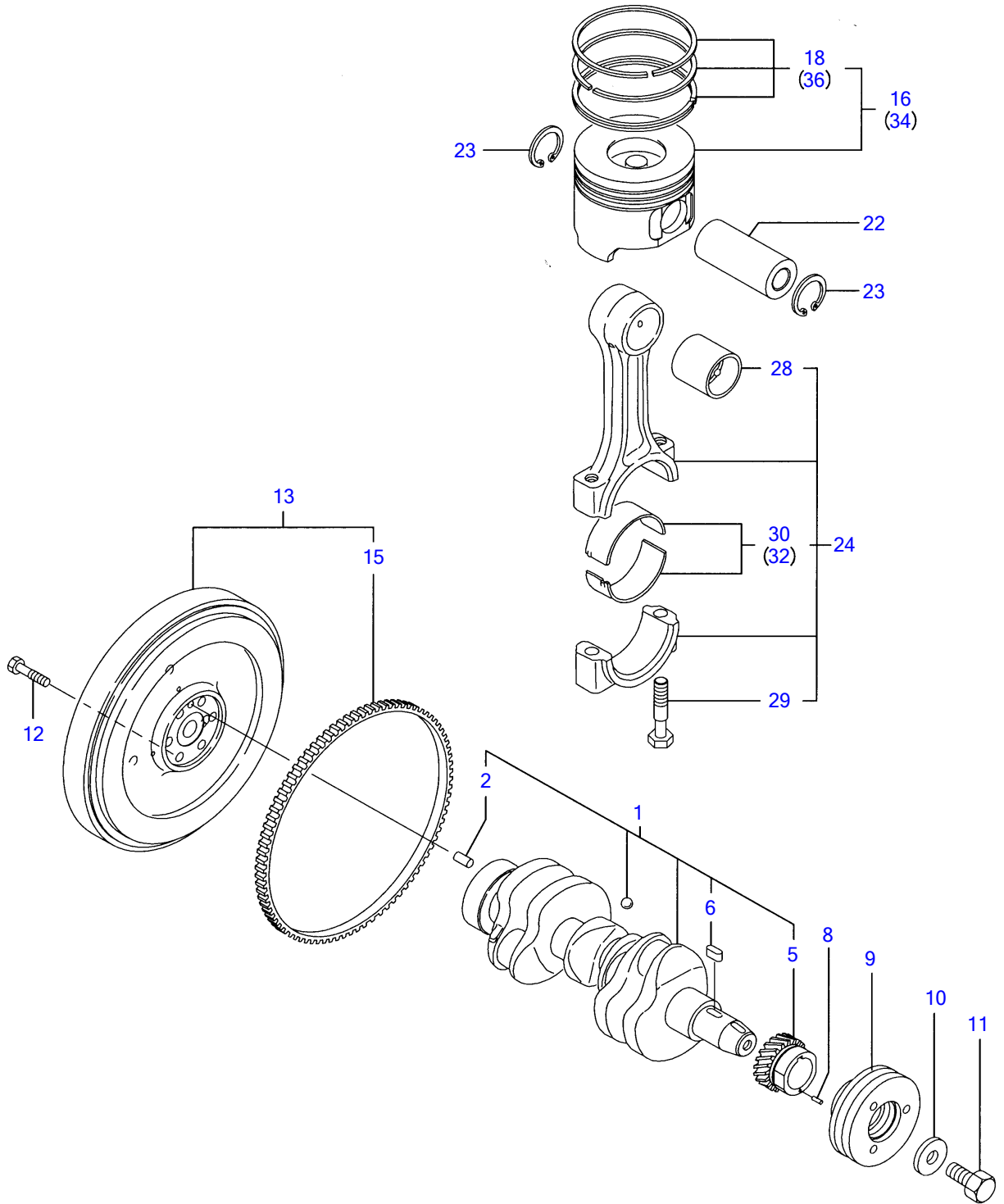


Y00D8370	7. カムシャフト & クドウギヤ			
3TNV82A-QTB(1)		1.04.10		PLUS

CAMSHAFT & DRIVING GEAR

REF NO.	PARTS NO.	Description	Q'ty	I	R	"öll
1	Y129150-14200	TAPPET	6			
2	Y119810-14400	ROD, PUSH	6			
3	Y119802-14580	CAMSHFT ASSY	1			
4	Y129150-02450	· METAL, THRUST (CAM	1			
7	Y129150-14101	· GEAR, CAMSHAFT	1			
8	Y22512-070140	· KEY 7X 14	1			
9	Y26106-080142	BOLT M 8X 14 PLATED	2			
10	Y119802-25051	SHAFT, IDLE GEAR	1			
11	Y119802-25100	GEAR ASSY, IDLE	1			
14	Y119802-25070	· BUSH, IDLE GEAR	1			(1) ÎÖ³İPËÝÃB½
15	Y26106-080402	BOLT M 8X 40 PLATED	3			
16	Y129150-25301	BOLT, FI-P	4			
17	Y119802-25901	GEAR, PUMP	1			
18	Y158552-51151	FLANGE	1			
19	Y22217-140000	SPRING WASHER 14	1			
20	Y26776-140002	LOCK NUT M14 PLATED	1			

Engine for TB125 3TNV82A-QTB(cab),QTB1(canopy) S/N 12514526-
CRANKSHAFT & PISTON

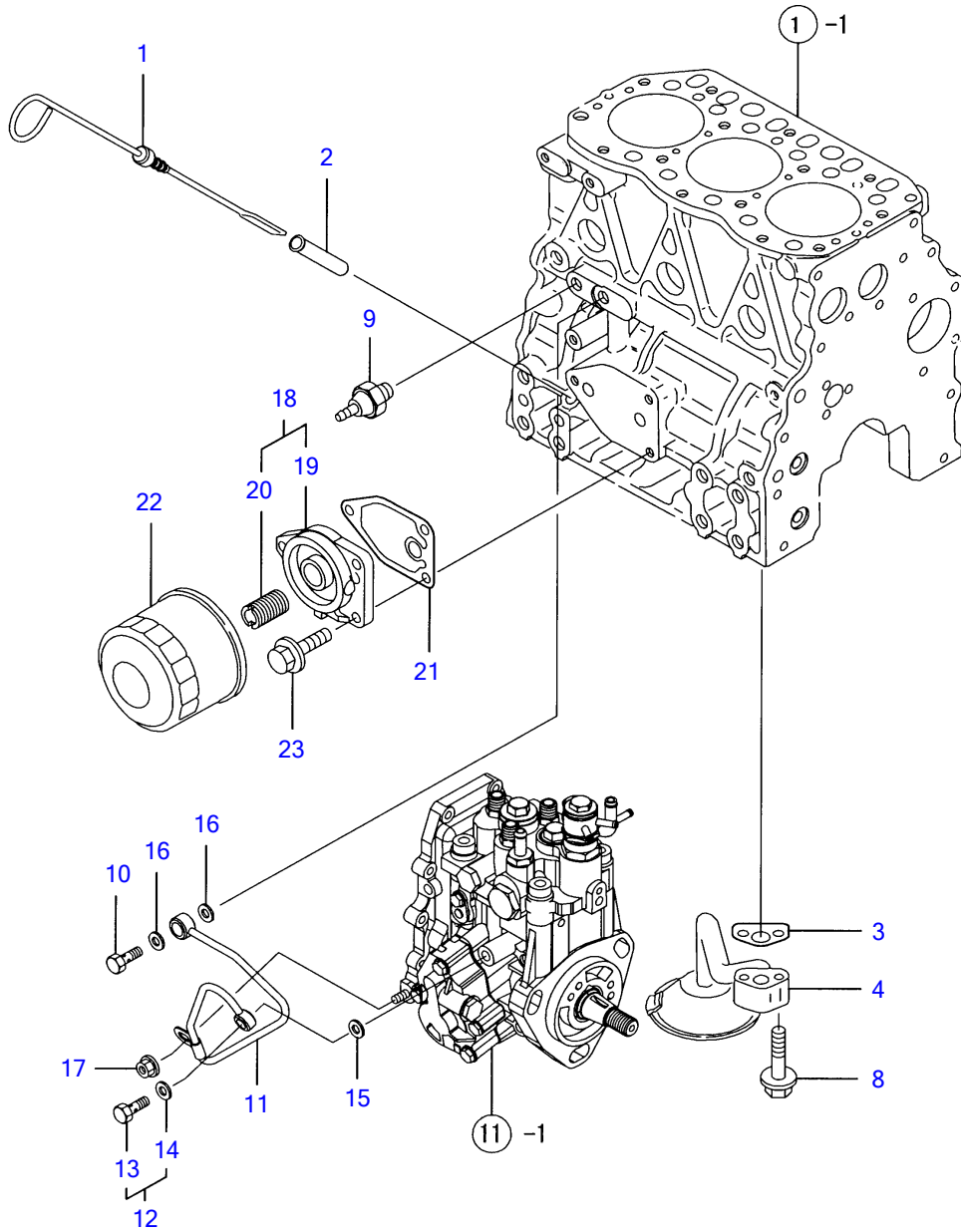


Y00D8370	8. クランクシャフト & ピストン		
3TNV82A-QTB (1)	1. 04. 10		PLUS

CRANKSHAFT & PISTON

REF NO.	PARTS NO.	Description	Q'ty		
1	Y119802-21002	CRANKSHAFT ASSY	1		
2	Y129100-01580	PARALLEL PIN 8X16	1		
5	Y119802-21202	GEAR, CRANKSHAFT	1		
6	Y22512-070140	KEY 7X 14	1		
8	Y22351-030010	SPRING PIN 3X10	1		
9	Y119802-21650	V-PULLEY, CRANKSHAFT	1		
10	Y129795-21661	WASHER	1		
11	Y121850-21680	BOLT, V-PULLEY	1		
12	Y121111-21501	BOLT, FLYWHEEL	6		
13	Y119940-21590	FLYWHEEL ASSY	1		
15	Y119865-21600	GEAR, RING	1		
16	Y119802-22080	PISTON W/RING	3		
18	Y119802-22500	RING SET, PISTON	3		
22	Y119813-22300	PIN, PISTON	3		
23	Y129792-22400	CIRCLIP 23	6		
24	Y719810-23100	ROD ASSY, CONNECTING	3		
28	Y119810-23910	BUSH, PISTON PIN	3	(1)	1/2
29	Y119810-23200	BOLT, CONNECTING ROD	6		
30	Y119810-23600	BEARING, CRANKPIN	3		
32	Y119810-23610	BEARING, PIN U.S=0.25	3	(2)	1/2 (U.S=0.25)
34	Y719802-22900	PISTON W/RING OS=.25	3	(3)	1/2 (O.S=0.25)
36	Y719802-22950	RING SET O.S=0.25	3	(3)	1/2 (O.S=0.25)

Engine for TB125 3TNV82A-QTB(cab),QTB1(canopy) S/N 12514526-
LUB.OIL SYSTEM

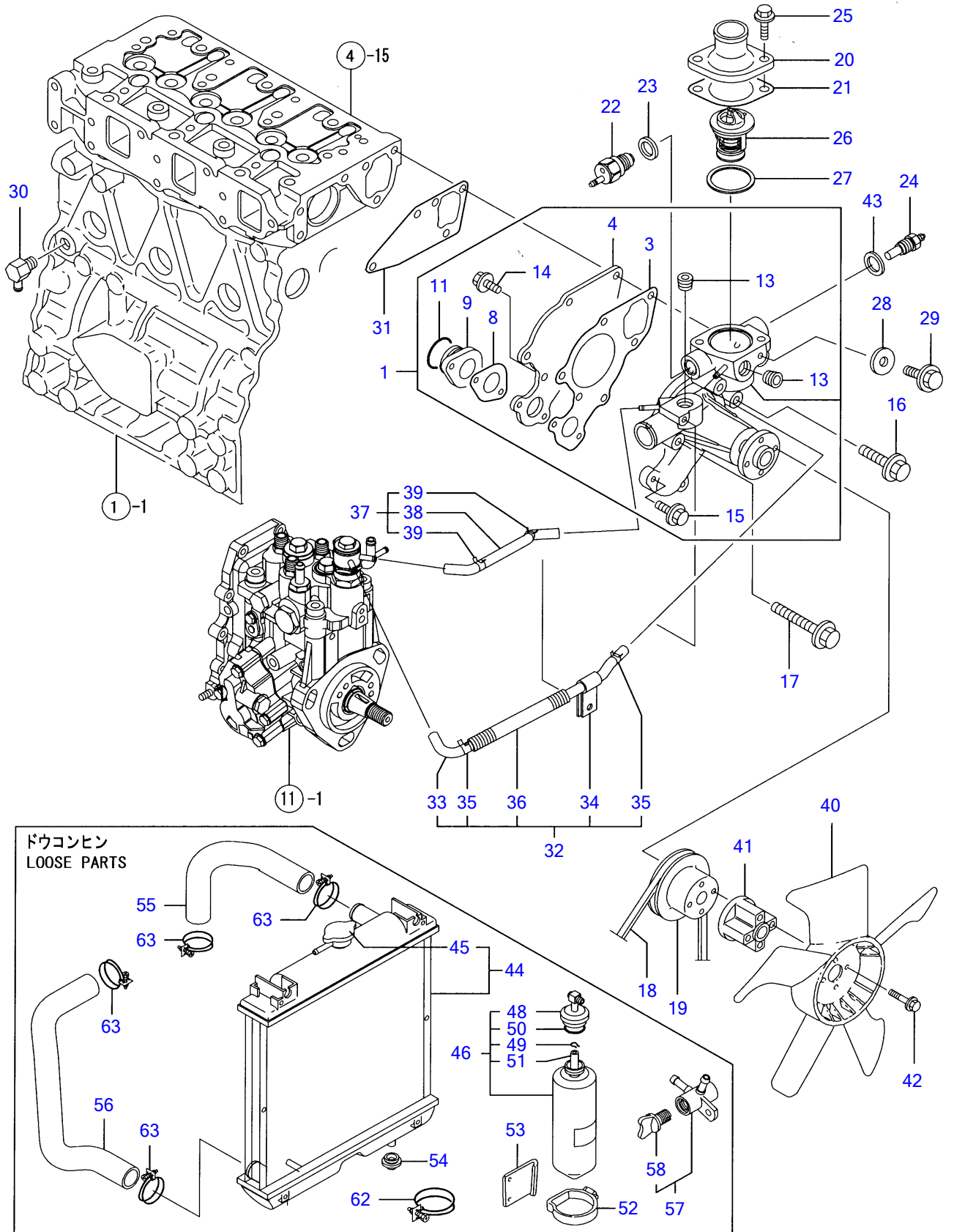


Y00D8370	9. L.Oシステム			
3TNV82A-QTB(1)		1.04.10		PLUS

LO $\frac{1}{2}$ ÅÑ LUB.OIL SYSTEM

REF NO.	PARTS NO.	Description	Q'ty	I	R	ø
1	Y119802-34812	DIPSTICK, LUB.OIL	1			
2	Y121520-34810	GUIDE, DIPSTICK	1			
3	Y129150-35042	GASKET, (NON-ASB.)	1			
4	Y119810-35401	PIPE ASSY, OIL INLET	1			
8	Y26106-080352	BOLT M 8X 35 PLATED	2			
9	Y114250-39450	SWITCH,(0.5KG)L.O.	1			
10	Y124160-39140	BOLT 10, PIPE JOINT	1			
11	Y119802-39450	PIPE ASSY, LUB. OIL	1			
12	Y129005-59830	BOLT ASSY, JOINT	1			
13	Y23857-030000	• JOINT BOLT 3	1			
14	Y22190-080002	• SEAL WASHER 8S	1			
15	Y22190-080002	SEAL WASHER 8S	1			
16	Y22190-100002	SEAL WASHER 10S	2			
17	Y26366-060002	NUT M 6	1			
18	Y119802-35100	BRACKET ASSY, FILTER	1			
19	Y119802-35110	• BRACKET, FILTER	1			
20	Y129100-35140	• STUD	1			
21	Y129150-35111	GASKET, (NON-ASB.)	1			
22	Y129150-35152	FILTER 80X80L	1			
23	Y26106-080202	BOLT M 8X 20 PLATED	3			

Engine for TB125 3TNV82A-QTB(cab),QTB1(canopy) S/N 12514526-
COOLING WATER SYSTEM

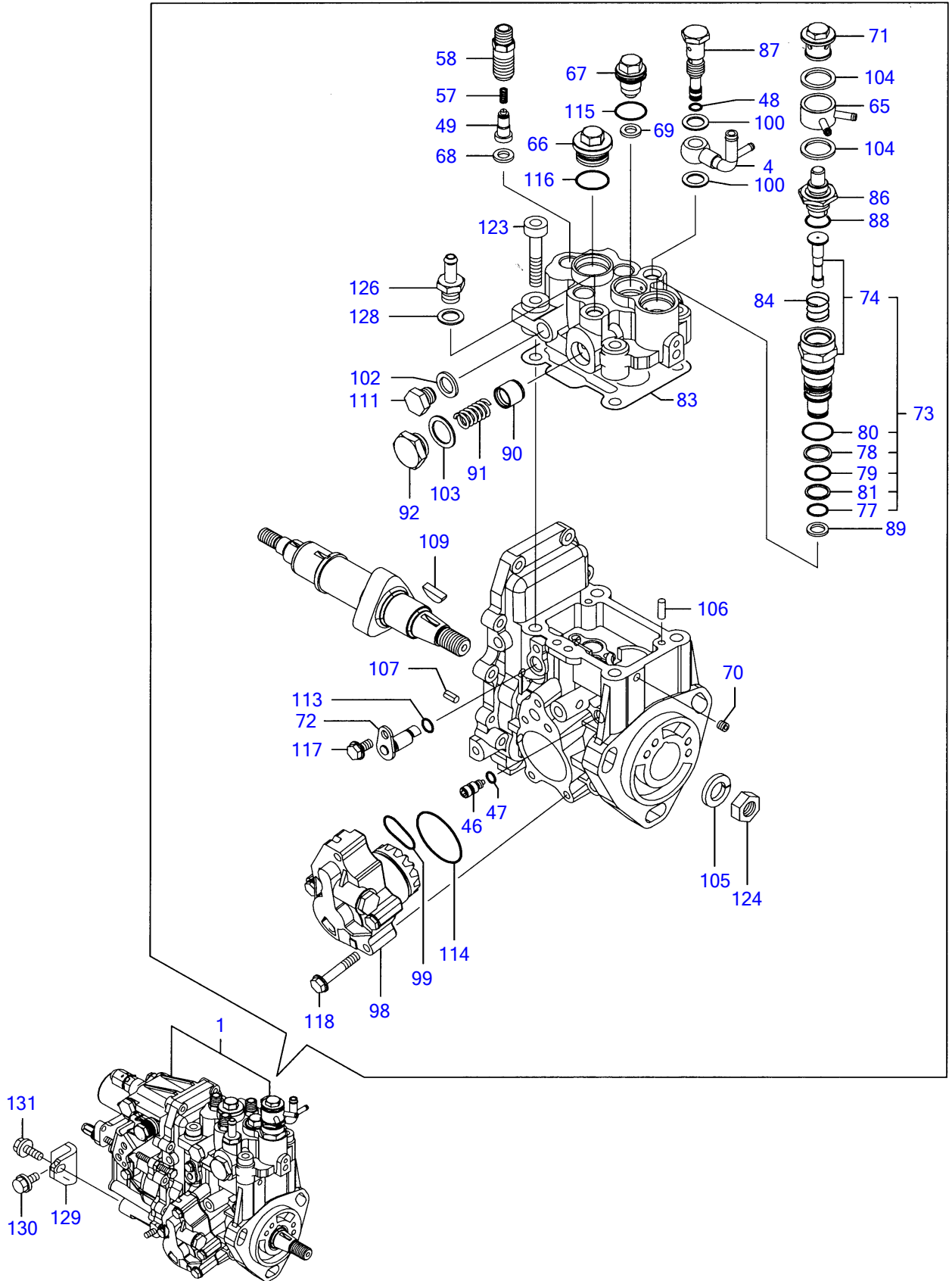


Y00D8370	10. CWシステム			
3TNV82A-QTB(1)		1.04.10		PLUS

CW¼½ÄÑ COOLING WATER SYSTEM

REF NO.	PARTS NO.	Description	Q'ty
1	Y119802-42000	CWÍßÝÍß CMP	PUMP ASSY, WATER 1
3	Y119810-42051	• PK(CW-P)(ÉÝ±½)	• GASKET, (NON-ASB.) 1
4	Y119810-42120	• ÍßÚ-Ä	• PLATE 1
8	Y119810-42281	• PK(CW-P)(ÉÝ±½)	• GASKET, (NON-ASB.) 1
9	Y119810-42290	• Éß²Íß (CW ÍßÝÍß	• PIPE, C.W. PUMP 1
11	Y129054-42320	• OØÝ, Þ	• O-RING 1
13	Y23876-030000	• É¼ÞÍß× ÞPT 3/8	• PLUG PT3/8,SCREW 2
14	Y26106-060142	• ÄÉÞÍÞÜÄ 6X 14	• BOLT M 6X 14 PLATED 2
15	Y26106-060202	• ÄÉÞÍÞÜÄ 6X 20	• BOLT M 6X 20 PLATED 2
16	Y26106-080352	ÄÉÞÍÞÜÄ 8X 35	BOLT M 8X 35 PLATED 1
17	Y26106-080552	ÄÉÞÍÞÜÄ 8X 55	BOLT M 8X 55 PLATED 3
18	Y129258-42290	VÍÞÜÄ(A36.5º, Þ	V-BELT A36.5 1
19	Y129556-42350	VÍß-Ø(96	V-PULLEY 1
20	Y129350-49530	»-Ó½ÄÄÄ¶Éß-(ÍÞ×Ä, :12	COVER, THERMOSTAT 1
21	Y129795-49551	PK(»-Ó½ÄÄÄ¶Éß-)(ÉÝ±½	GASKET, (NON-ASB.) 1
22	Y121250-44901	»-Ó½²ÄÄ(110ßC 1¼Ý¼	SWITCH, THERMO(110ßC 1
23	Y124465-44950	ÉßÄ·Ý16	GASKET 16 1
24	Y119266-49350	»-Ó¼Ý»-	SENSOR, THERMO. 1
25	Y26106-080222	ÄÉÞÍÞÜÄ 8X 22	BOLT M 8X 22 PLATED 2
26	Y129457-49801	»-Ó½ÄÄÄ(82	THERMOSTAT(82 1
27	Y129150-49811	PK(»-Ó½ÄÄÄ ¼Ä)(ÉÝ±½)	GASKET, (NON-ASB.) 1
28	Y23414-080000	ÉßÄ·Ý(ÍÜ 8	GASKET 8, ROUND 1
29	Y26106-080122	ÄÉÞÍÞÜÄ 8X 12	BOLT M 8X 12 PLATED 1
30	Y121750-49110	Ä·ÞÄ(Ð½ÞÇ·Éß²Íß)	JOINT 1
31	Y129486-42050	PK(CW-P	GASKET 1
32	Y119802-49610	CW-T A CMP(MP2	PIPE ASSY, A MP2 1
33	Y119802-49711	• CW-T A(MP2	• PIPE ASSY, A MP2 1
34	Y119802-49730	• ÍÜÄÞÖ(CW-T	• CLAMP, CW-T 1
35	Y124722-59050	• Í-½, ØÄÍß(ÍÜ 9	• CLAMP 9 2
36	Y119802-59320	• øÜ·Þ-ÄÄÖ-ÍÞ	• TUBE, CORRUGATED 1
37	Y119802-49620	CW-T B CMP(MP2	PIPE ASSY, B MP2 1
38	Y119802-49721	• CW-T B(MP2	• PIPE, WATER B MP2 1
39	Y124722-59050	• Í-½, ØÄÍß(ÍÜ 9	• CLAMP 9 2
40	Y129335-44740	Í±Ý(D335)	FAN 1
41	Y129030-44760	¶Ý»Þ(Í±Ý L37.5	SPACER 1
42	Y26106-060502	ÄÉÞÍÞÜÄ 6X 50	BOLT M 6X 50 PLATED 4
43	Y129150-49360	PK 10	GASKET 10 1
44	Y119940-44510	×¼Þ·-Ä ASSY	RADIATOR ASSY 1
45	Y129107-44590	• ·ÖÄÍß(0.9KG/CM2) D46	• CAP, RADIATOR 1
46	Y171064-44510	»ÍÞÄÝ, CMP	SUB-TANK ASSY 1
48	Y121450-44531	• ·ÖÄÍß	• CAP 1
49	Y124450-44560	• µ»'(µ-ÉÞ-ÍÜ-Éß²Íß	• CLAMP 1
50	Y121470-44581	• ÉßÄ·Ý	• GASKET 1
51	Y23065-070225	• ÉÞÆÜÉß²Íß(ºÞÑ 7X 225	• HOSE, 7 X 225 1
52	Y124450-44550	ÉÞÝÄÞ(»ÍÞÄÝ,	CLAMP, SUB-TANK 1
53	Y121256-44600	ÍÞ×¼ÄÄ (ÍÞ×Ä, :12)	BRACKET, SUB-TANK 1
54	Y119255-44660	ÍÞ³¼ÝºÞÑ(×¼Þ·-Ä	RUBBER 2
55	Y119940-49010	CW-T (A	PIPE WATER, A 1
56	Y119940-49020	CW-T (B	PIPE WATER, B 1
57	Y129150-49100	»ÝÍß³ºÄ, CMP	COCK ASSY, 3-WAY 1
58	Y129150-49080	• ÄÞÜÝºÄ,	• COCK, DRAIN 1
62	Y23000-041000	Í-½, ØÄÍß 41	CLAMP 41 1
63	Y23010-038000	Í-½ÉÞÝÄÞ 38	CLAMP 38 4

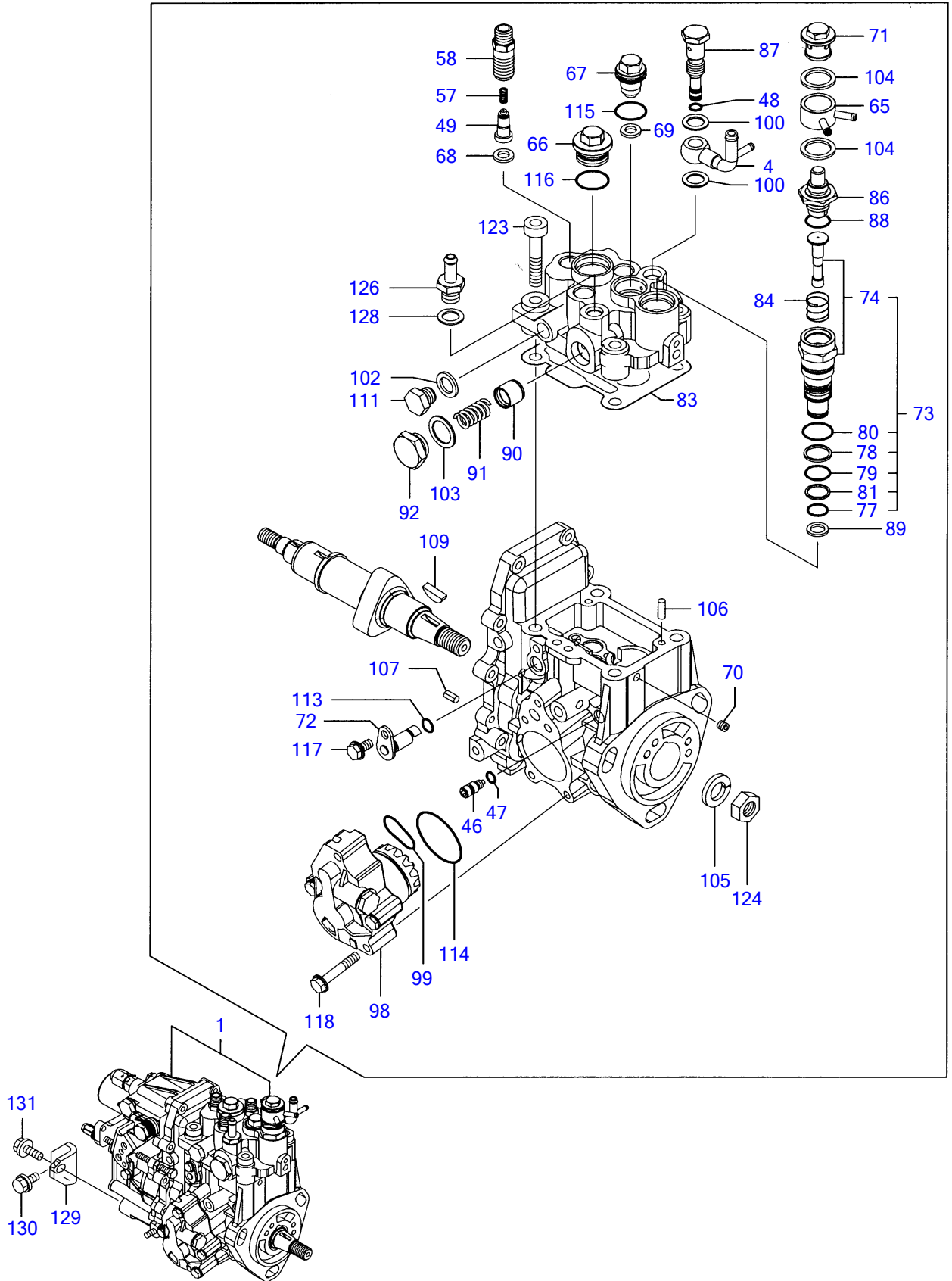
Engine for TB125 3TNV82A-QTB(cab),QTB1(canopy) S/N 12514526-
FUEL INJECTION PUMP



Y00D8370	11. F077344* 37			
3TNV82A-QTB (1)		1. 04. 10		PLUS

REF NO.	PARTS NO.	FOIÝ¼ÓÍßÝÍß	FUEL INJECTION PUMP	Q'ty	CEÝŠ-¼«	»ó¼
1	Y719944-51330	FOIÝ¼ÓÍßÝÍß ASSY	PUMP ASSY, F.INJECT	1		(1) ÐÁÞ¼ NO.1 FOIÝ¼ÓÍßÝÍß ASSY ÆÉ³Ó, NO.2 ¶ÞÉÞÁ µ ì,ÐÍ½.
4	Y158552-51670	¼ÞÖ²ÝÄ(µ-ÉÞ-ÌÙ-	JOINT	1		
46	Y158600-51270	• ÌÙØÄÞÓ(ÁÍßÄÄ	• STOPPER	1		
47	Y158563-51281	• OØÝ,Þ 4D S6	• O-RING	1		
48	Y158563-51281	• OØÝ,Þ 4D S6	• O-RING	1		
49	Y158560-51300	• ÄÞØÍÞØÉÞÙÍÞCMP	• VALVE ASSY, DILEVERY	3		
57	Y158563-51330	• SP(ÄÞØÍÞØÉÞÙÍÞ	• SPRING	3		
58	Y158601-51340	• ÌÙÄÞ(ÄÞØÍÞØ	• HOLDER, DELIVERY	3		
65	Y158553-51551	• ¼ÞÖ²ÝÄ(Ú².Ö,½²	• JOINT, COOLING WATER	1		
66	Y158601-51550	• Ìß×,Þ(ÌÞÝÉß²¼Þ,	• PLUG	1		
67	Y119802-51560	• ÉÞÙÙÍß×,Þ	• BARREL PLUG	1		
68	Y158552-51570	• PK(ÉÞÙÙÍß×,Þ	• PK(BARREL PLUG	3		
69	Y158552-51570	• PK(ÉÞÙÙÍß×,Þ	• PK(BARREL PLUG	1		
70	Y158557-51570	• Ìß×,Þ(×Ä,	• PLUG	1		
71	Y158601-51570	• Ìß×,Þ(Ú².Ö,½²	• PLUG,WATER PUMP	1		
72	Y158552-51580	• ØÝ,ØÌÄ-	• LIFTER	1		
73	Y119802-51590	• Ä²Ì-¾ÄÄ	• TIMER SET	1		
74	Y119802-51600	• • Ä²Ì-CMP(»-Ó'ÚÓÝÄ	• • TIMER CMP	1		
77	Y158553-51670	• • OØÝ,Þ 1011	• • O-RING, 1011	1		
78	Y119802-51680	• • ÉÞÄ,±ÄÍßØÝ,Þ	• • BACKUP RING	1		
79	Y119802-51690	• • OØÝ,Þ	• • O RING	1		
80	Y24356-010200	• • OØÝ,Þ 4D 1020	• • PACKING, 1020	1		
81	Y24372-000150	• • ÉÞÄ,±ÄÍßØÝ,Þ	• • RING,BACKUP T2 P 15	1		
83	Y158552-51600	• PK(ÍÍÄÄÞ	• PACKING, HEAD	1		
84	Y158553-51630	• SP(Ä²Ì-	• SPRING,TIMER	1		
86	Y158553-51640	• »-Ó'ÚÓÝÄ	• ELEMENT, THERMO	1		
87	Y158601-51650	• µ-ÉÞÌÙ-Ä.ÞÄ	• JOINT	1		
88	Y158553-51660	• OØÝ,Þ P14	• O-RING,P14	1		
89	Y158553-51680	• PK(Ä²Ì-	• PACKING,TIMER	1		
90	Y158601-51770	• ±.ÖÑÚ-ÄÉß½ÄÝ	• PISTON	1		
91	Y158552-51780	• ±.ÖÑÚ-ÄSP	• DAMPER ASSY	1		
92	Y158601-51790	• ±.ÖÑÚ-ÄÍß×,Þ	• PLUG	1		
98	Y158552-52100	• Ì²-ÄÞÍßÝÍßCMP	• PUMP ASSY,FEED	1		
99	Y158552-52310	• OØÝ,Þ(Ì²-ÄÞÍßÝÍß	• O-RING	1		
100	Y22190-120002	• ¼-ÙÙÄ¼Ö(éÌÙ 12	• SEAL WASHER 12	2		
102	Y22190-120002	• ¼-ÙÙÄ¼Ö(éÌÙ 12	• SEAL WASHER 12	1		
103	Y22190-180002	• ¼-ÙÙÄ¼Ö(éÌÙ 18	• SEAL WASHER 18	1		
104	Y22190-180002	• ¼-ÙÙÄ¼Ö(éÌÙ 18	• SEAL WASHER 18	2		
105	Y22217-140000	• ÉÞÉ»Þ¶ÞÉ 14	• SPRING WASHER 14	1		
106	Y22312-050140	• Í²³ÉßÝ 5X14	• PARALLEL PIN 5X14	2		
107	Y22351-050010	• ½ÍßØÝ,ÞÉßÝ 5.0AX 10	• SPRING PIN 5X10	2		
109	Y119802-51090	• KW 4X16	• KEY,WOODRUFF 4X16	1		
111	Y23887-120002	• 6¶,Ìß×,Þ M12	• PLUG M12,HEX.	1		
113	Y24311-000070	• OØÝ,Þ 1A P 7.0	• O-RING 1A P-7.0	1		
114	Y158552-52400	• O ØÝ,Þ 4E S42	• O-RING 4E S42	1		
115	Y24356-010180	• OØÝ,Þ 4D 1018	• O-RING	1		
116	Y24356-010200	• OØÝ,Þ 4D 1020	• PACKING, 1020	1		

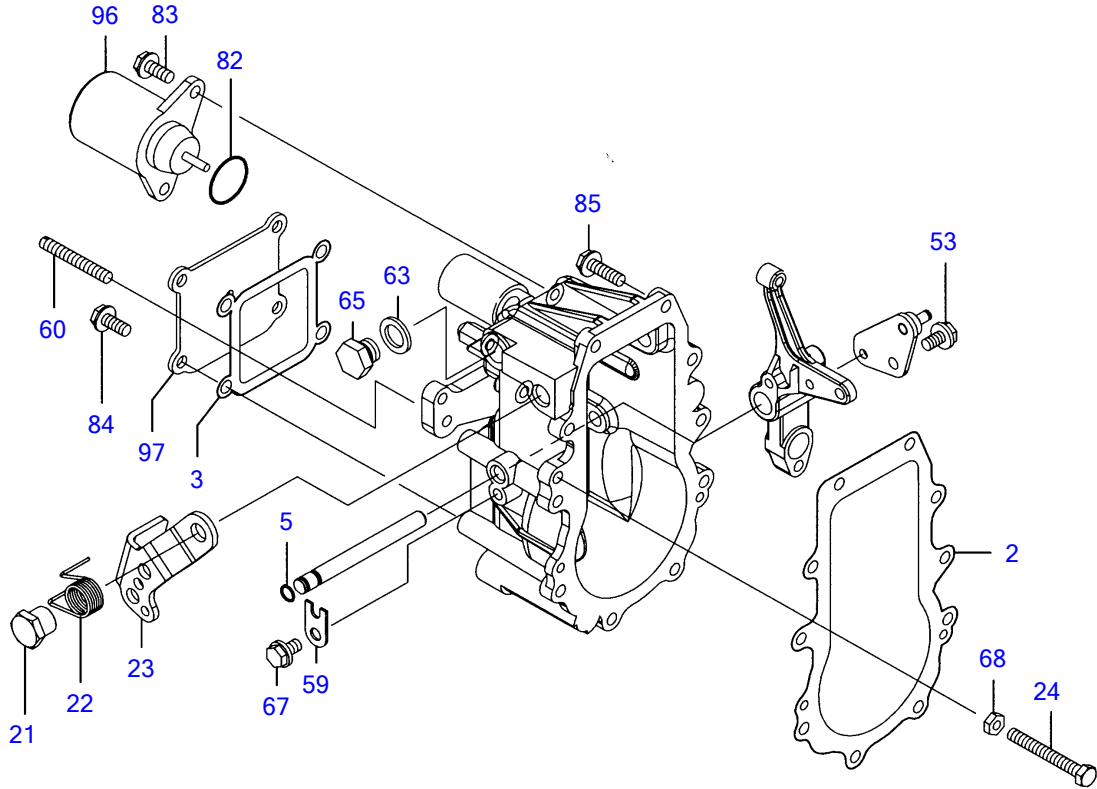
Engine for TB125 3TNV82A-QTB(cab),QTB1(canopy) S/N 12514526-
FUEL INJECTION PUMP



Y00D8370	11. F077374* 77			
3TNV82A-QTB (1)		1. 04. 10		PLUS

REF NO.	PARTS NO.	Description	Q'ty	I	R	"öll
117	Y26106-060102	• ÂÊÞÍÞÙÄ M 6X 10	1			
118	Y158553-51770	• ÎÞÙÄ	4			
123	Y26450-080452	• 6¶±ÁÍÞÙÄ 8X 45	4			
124	Y26776-140002	• ÅÖÄÄÄ(Î¿ 14	1			
126	Y119934-59910	• Êß³ßÄ·ÞÄ	1			
128	Y22190-120002	• ¼-ÙÙÄ¼Ö(ëÛ 12	1			
129	Y119802-51250	ÛÜÄÞÒ(FOP	1			
130	Y26106-080162	• ÂÊÞÍÞÙÄ 8X 16	1			
131	Y26106-080202	• ÂÊÞÍÞÙÄ 8X 20	1			

Engine for TB125 3TNV82A-QTB(cab),QTB1(canopy) S/N 12514526-
GOVERNOR

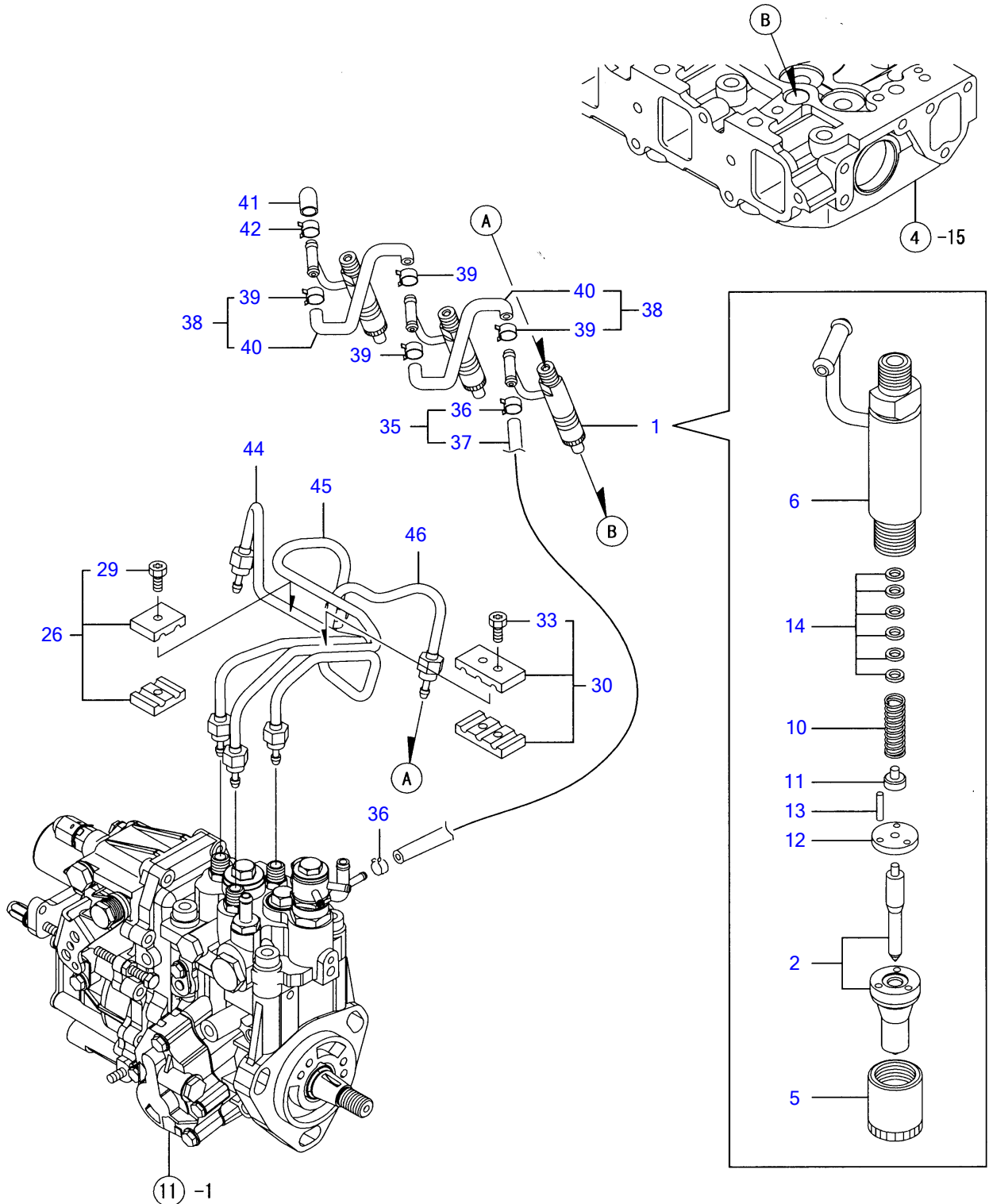


Y00D8370	12. 21. 10			
3TNV82A-QTB (1)		1. 04. 10		PLUS

ГОВОРНА ГОВОРНА

REF NO.	PARTS NO.	Description	Q'ty
2	Y158553-61050	• PK(ГОВОРНА ¹ -1/2	• PACKING, CASE 1
3	Y158553-61070	• PK(ГОВОРНА ¹ -1/2)Ä	• PACKING 1
5	Y129155-51280	• OØY P(S6	• O-RING S6 1
21	Y129255-61410	• ÄÖÄÄÄ(°YÄÜ-ÜÜÊP-	• NUT 1
22	Y119807-61420	• ÓÄP1/4SP(°YÄÜ-ÜÜÊP-	• SPRING 1
23	Y158552-61441	• Ú·PÖÜ-ÄÜÊP-	• LEVER, REGULATOR 1
24	Y129155-61460	• ±²ÄPÜ³/4²¹PÝÍPÜÄ	• BOLT, IDLE LIMIT 1
53	Y26106-060102	• ÄÊPÍPÜÄ M 6X 10	• BOLT M 6X 10 PLATED 1
59	Y119660-61901	• Ç¹ÄbÖ	• RETAINER, SHAFT 1
60	Y171002-66830	• 1/2,ØÖ(±1/4PÖ1/2Ä	• SCREW, ADJUST 1
63	Y22190-120000	• 1/4-ÜÜÄ1/4Ö(ÍPÜÄÖ³)12	• SEAL WASHER 12(BOLT) 1
65	Y23887-120002	• 6¶, ÌB×, P M12	• PLUG M12,HEX. 1
67	Y26106-060102	• ÄÊPÍPÜÄ M 6X 10	• BOLT M 6X 10 PLATED 1
68	Y26756-060002	• ÄÖÄÄÄ 6	• LOCK NUT 6 1
82	Y24341-000280	• OØY, P 1A S 28.0	• O-RING 1A S-28.0 1
83	Y26106-060142	• ÄÊPÍPÜÄ 6X 14	• BOLT M 6X 14 PLATED 2
84	Y26106-060142	• ÄÊPÍPÜÄ 6X 14	• BOLT M 6X 14 PLATED 4
85	Y26106-060202	• ÄÊPÍPÜÄ 6X 20	• BOLT M 6X 20 PLATED 10
96	Y119233-77932	• 1/2ÄÄÌB, ÜÉ²ÄP	• SOLENOID, STOP 1
97	Y129642-61060	• ГОВОРНА ¹ -1/2)Ä	• COVER, CASE 1

Engine for TB125 3TNV82A-QTB(cab),QTB1(canopy) S/N 12514526-
FUEL INJECTION VALVE

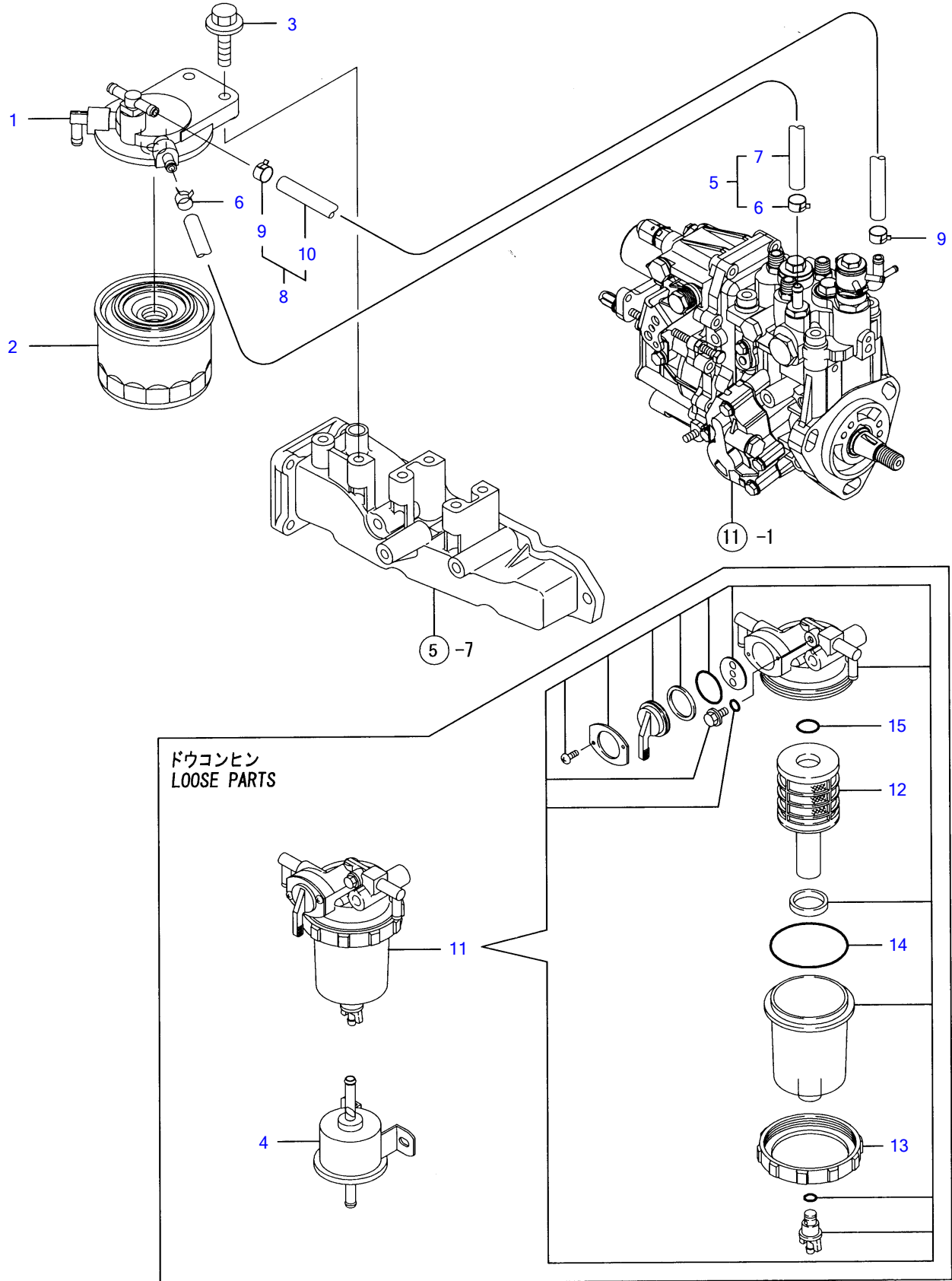


Y00D8370	13. FOファンシャベン			
3TNV82A-QTB(1)		1.04.10		PLUS

FOI¼-ÍPÝ FUEL INJECTION VALVE

REF NO.	PARTS NO.	Description	Q'ty	
1	Y729240-53200	FOÍPÝ ASSY(WBJ	FUEL INJECTOR(WBJ	3
2	Y129240-53001	• É½PÙ CMP	• NOZZLE ASSY	3
5	Y114250-53080	• 1-½ÄÄ(D16.95)	• NUT, NOZZLE CASE	3
6	Y119802-53100	• É½PÙÍÜÄP CMP	• HOLDER ASSY, NOZZLE	3
10	Y114250-53120	• ½ÍØÝ,P(É½PÙ	• SPRING, NOZZLE	3
11	Y114250-53130	• ¼-Ä(É½PÙ½ÍØÝ,P	• SEAT, NOZZLE SPRING	3
12	Y114250-53140	• ½ÄÄÍØÍÜ-Ä	• PLATE, STOP	3
13	Y114250-53210	• ÉßÝ(É½PÙ²Á·PÒ	• PIN	6
14	Y114250-53400	• ¼Ñ CMP	• SHIM PACK	3
26	Y119305-59120	ÌÜÄPÒ(ÍÝ¼ÔÞÝCMP	RETAINER	1
29	Y129150-59131	• HB4X14	• BOLT M4X14,HEX.SCKT.	1
30	Y129150-59120	ÌÜÄPÒ(ÍÝ¼ÔÞÝ CMP	RETAINER, INJ. PIPE	1
33	Y129150-59131	• HB4X14	• BOLT M4X14,HEX.SCKT.	2
35	Y119802-59550	FO-T(ÓÄP¼ CMP	PIPE ASSY, RETURN	1
36	Y124722-59050	• Í-½,ØÄÍØ(ÌÜ 9	• CLAMP 9	2
37	Y119802-59560	• FO-T(ÓÄP¼	• PIPE, FUEL RETURN	1
38	Y129486-59551	FOÓÄP¼ÞÝ CMP	PIPE, FUEL RETURN	2
39	Y124722-59050	• Í-½,ØÄÍØ(ÌÜ 9	• CLAMP 9	4
40	Y129486-59510	• FOÓÄP¼ÞÝ	• PIPE, FUEL RETURN	2
41	Y119593-59580	·ÓÄÍØ(FO-TÓÄP¼	CAP	1
42	Y124060-77680	Í-½,ØÄÍØ(ÌÜ 10	CLAMP 10	1
44	Y119802-59810	FO-T(ÍÝ¼Ô CMP	PIPE ASSY, INJECTION	1
45	Y119802-59820	FO-T(ÍÝ¼Ô CMP	PIPE ASSY, INJECTION	1
46	Y119802-59830	FO-T(ÍÝ¼Ô CMP	PIPE ASSY, INJECTION	1

Engine for TB125 3TNV82A-QTB(cab),QTB1(canopy) S/N 12514526-
FUEL LINE

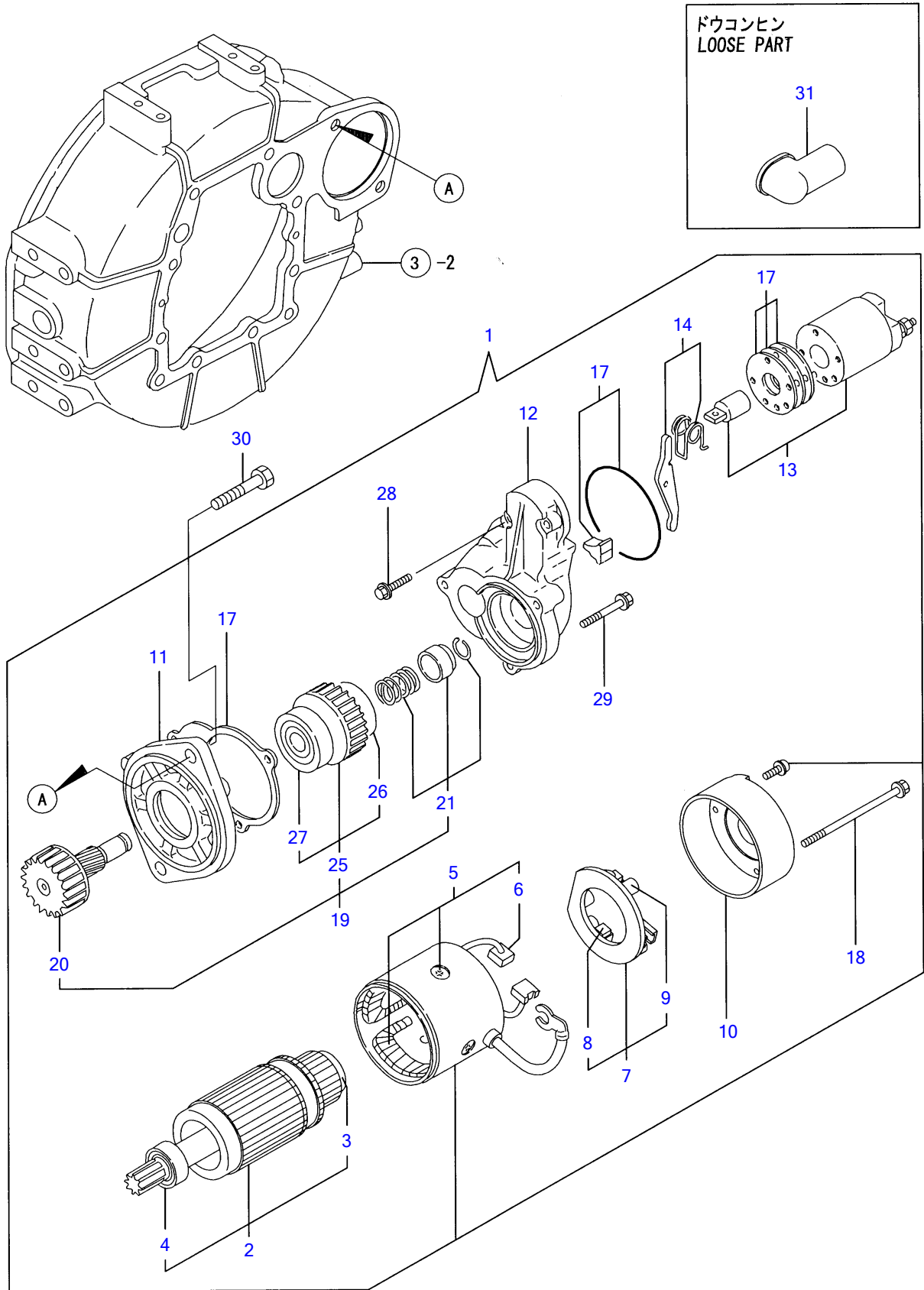


Y00D8370	14. FON' 17'			
3TNV82A-QTB(1)		1. 04. 10		PLUS

FOËß³Ïß FUEL LINE

REF NO.	PARTS NO.	Description	Q'ty
1	Y129004-55611	BRACKET, FILTER	1
2	Y119802-55800	FILTER, FUEL	1
3	Y26106-080302	BOLT M 8X 30 PLATED	2
4	Y129612-52100	FUEL PUMP	1
5	Y129210-59230	PIPE ASSY, FUEL OIL	1
6	Y124766-59050	• CLAMP 12	2
7	Y129555-59511	• PIPE, FUEL	1
8	Y129210-59100	PIPE ASSY, FUEL	1
9	Y124766-59050	• CLAMP 12	2
10	Y105025-59580	• PIPE, FUEL OIL	1
11	Y129906-55700	SEPARATOR ASSY	1
12	Y119802-55710	• ELEMENT	1
13	Y129100-55690	• RING, RETAINING	1
14	Y24321-000650	• O-RING 1A G-65.0	1
15	Y24311-000160	• O-RING 1A P-16.0	1

Engine for TB125 3TNV82A-QTB(cab),QTB1(canopy) S/N 12514526-
STARTING MOTOR

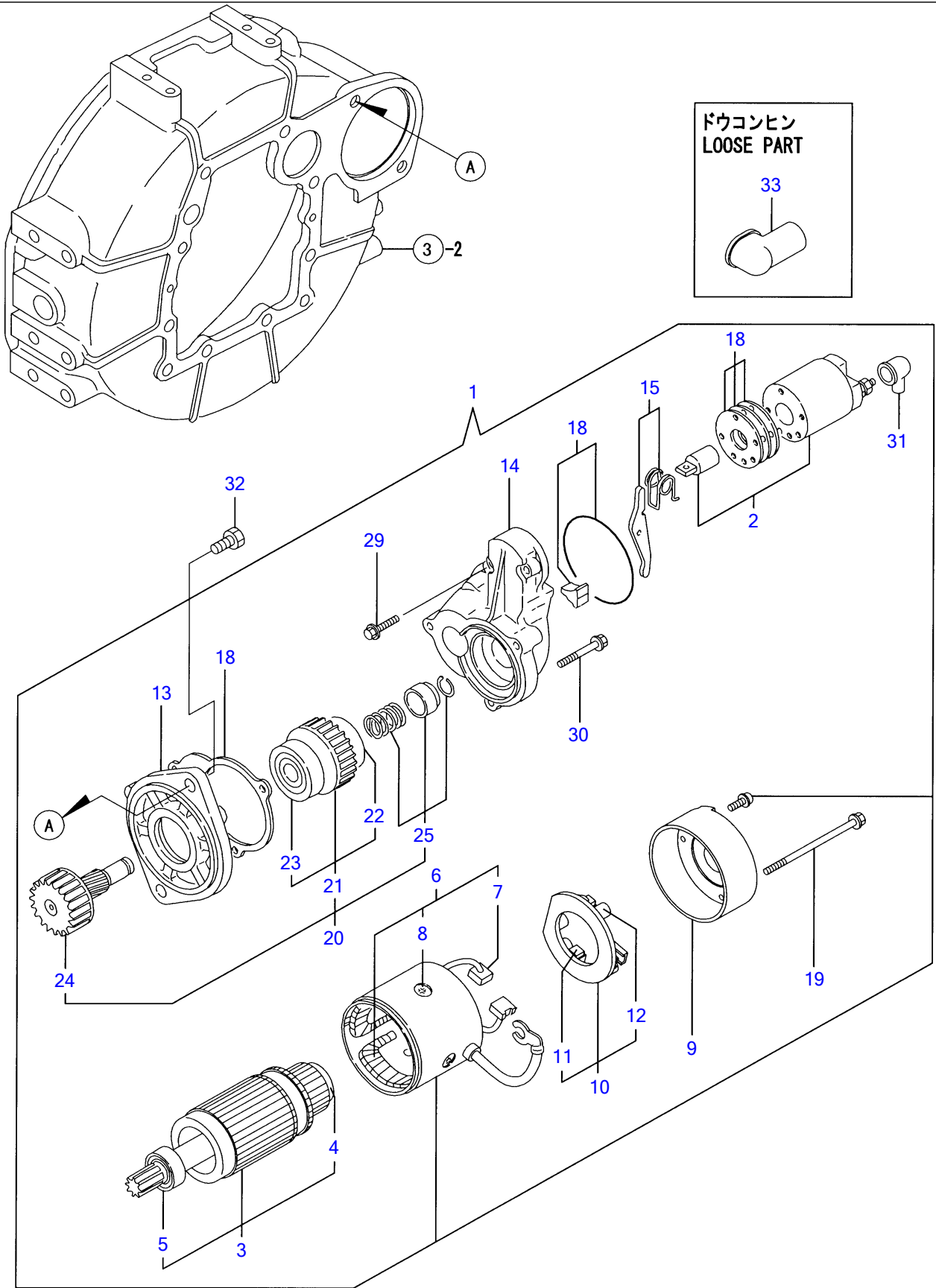


Y00D8370	15. スターティングモータ			
3TNV82A-QTB (1)		1. 04. 10		PLUS

½À-Ã²Ý, PÓ-À STARTING MOTOR

REF NO.	PARTS NO.	Description	Q'ty
1	Y129400-77012	STARTING MOTOR	1
2	Y129486-77400	• ARMATUER	1
3	Y171008-77410	• • BEARING(1)	1
4	Y171008-77420	• • BEARING(2)	1
5	Y129400-77441	• FIELD COIL ASSY	1
6	Y129486-77460	• • BRUSH	2
7	Y129486-77470	• HOLDER ASSY, BRUSH	1
8	Y129486-77460	• • BRUSH	2
9	Y129486-77490	• • SPRING, START BRUSH	4
10	Y129900-77460	• COVER, REAR	1
11	Y171008-77510	• HOUSING ASSY, GEAR	1
12	Y129400-77520	• HOUSING, CENTER	1
13	Y129400-77531	• SWITCH ASSY, MAGNETIC	1
14	Y171008-77540	• LEVER SET, SHIFT	1
17	Y129400-77571	• DUST COVER, (NON-ASB.	1
18	Y129900-77640	• BOLT, THROUGH	2
19	Y171008-77650	• PINION ASSY	1
20	Y171008-77660	• • SHAFT, PINION	1
21	Y171008-77670	• • STOPPER SET, PINION	1
25	YX2114555500	• • CLUTCH ASSY	1
26	YX2114955020	• • • BALL BEARING	1
27	YX2240410100	• • • BALL BEARING	1
28	Y26106-060322	• BOLT M 6X 32 PLATED	2
29	Y26106-060402	• BOLT M 6X 40 PLATED	3
30	Y26116-120252	BOLT M12X 25 PLATED	2
31	Y124550-77030	COVER, TERMINAL	1

Engine for TB125 3TNV82A-QTB(cab),QTB1(canopy) S/N 12514526-
STARTING MOTOR

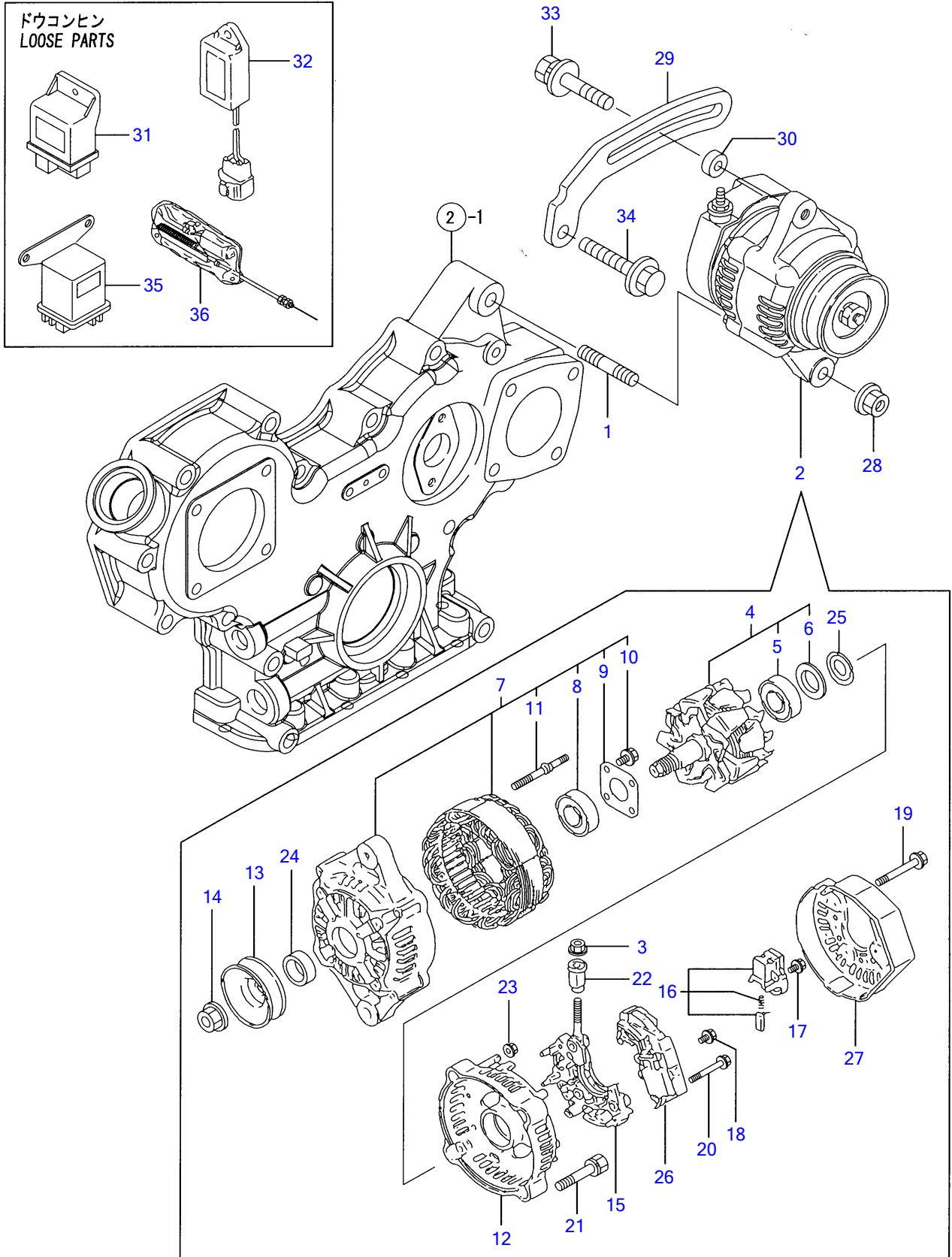


Y00D8370	15-1. スタートイングモータ			
3TNV82A-QTB (1)		1:2004.01		PLUS

½À-Ã²Ý, ÞÓ-À STARTING MOTOR

REF NO.	PARTS NO.	Description	Q'ty
1	Y129136-77011	STARTER	1
2	Y129136-77310	• SHAFT, PINION	1
3	Y129900-77400	• ARMATURE ASSY	1
4	YX2130350900	• • BALL BEARING	1
5	YX2114255110	• • BALL BEARING	1
6	Y129900-77440	• COIL ASSY, FIELD	1
7	Y129900-77450	• • BRUSH (+)	2
8	Y171008-77450	• • SCREW, POLE CORE SET	4
9	Y129900-77460	• COVER, REAR	1
10	Y129900-77480	• HOLDER ASSY, BRASH	1
11	Y129900-77450	• • BRUSH (+)	2
12	Y129400-77490	• • SPRING, BRUSH	4
13	Y171008-77510	• HOUSING ASSY, GEAR	1
14	Y129136-77520	• CENTER HOUSING	1
15	Y171008-77540	• LEVER SET, SHIFT	1
18	Y129400-77571	• DUST COVER,(NON-ASB.)	1
19	Y129900-77640	• BOLT, THROUGH	2
20	Y171008-77650	• PINION ASSY	1
21	YX2114555500	• • CLUTCH ASSY	1
22	YX2114955020	• • • BEARING	1
23	YX2240410100	• • • BEARING	1
24	Y171008-77660	• • SHAFT, PINION	1
25	Y171008-77670	• • STOPPER SET, PINION	1
29	Y26106-060322	• BOLT M 6X 32 PLATED	2
30	Y26106-060402	• BOLT M 6X 40 PLATED	3
31	Y171008-77750	• COVER, M TERMINAL	1
32	Y26116-120252	BOLT M12X 25 PLATED	2
33	Y124550-77030	COVER, TERMINAL	1

Engine for TB125 3TNV82A-QTB(cab),QTB1(canopy) S/N 12514526-
GENERATOR

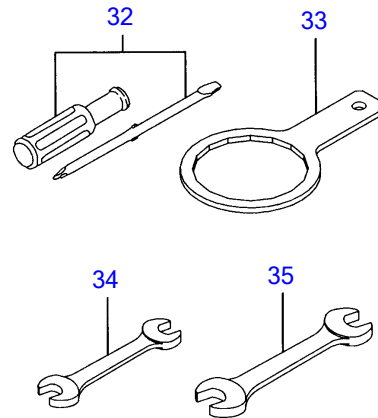
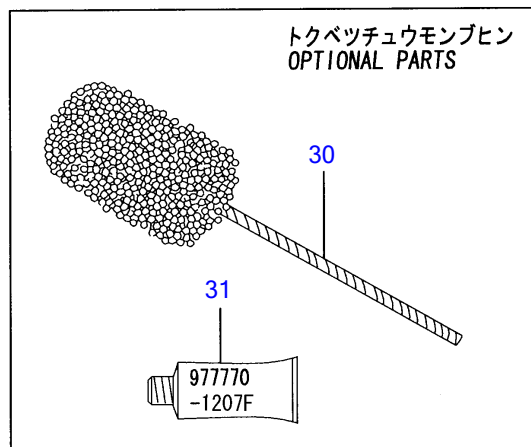
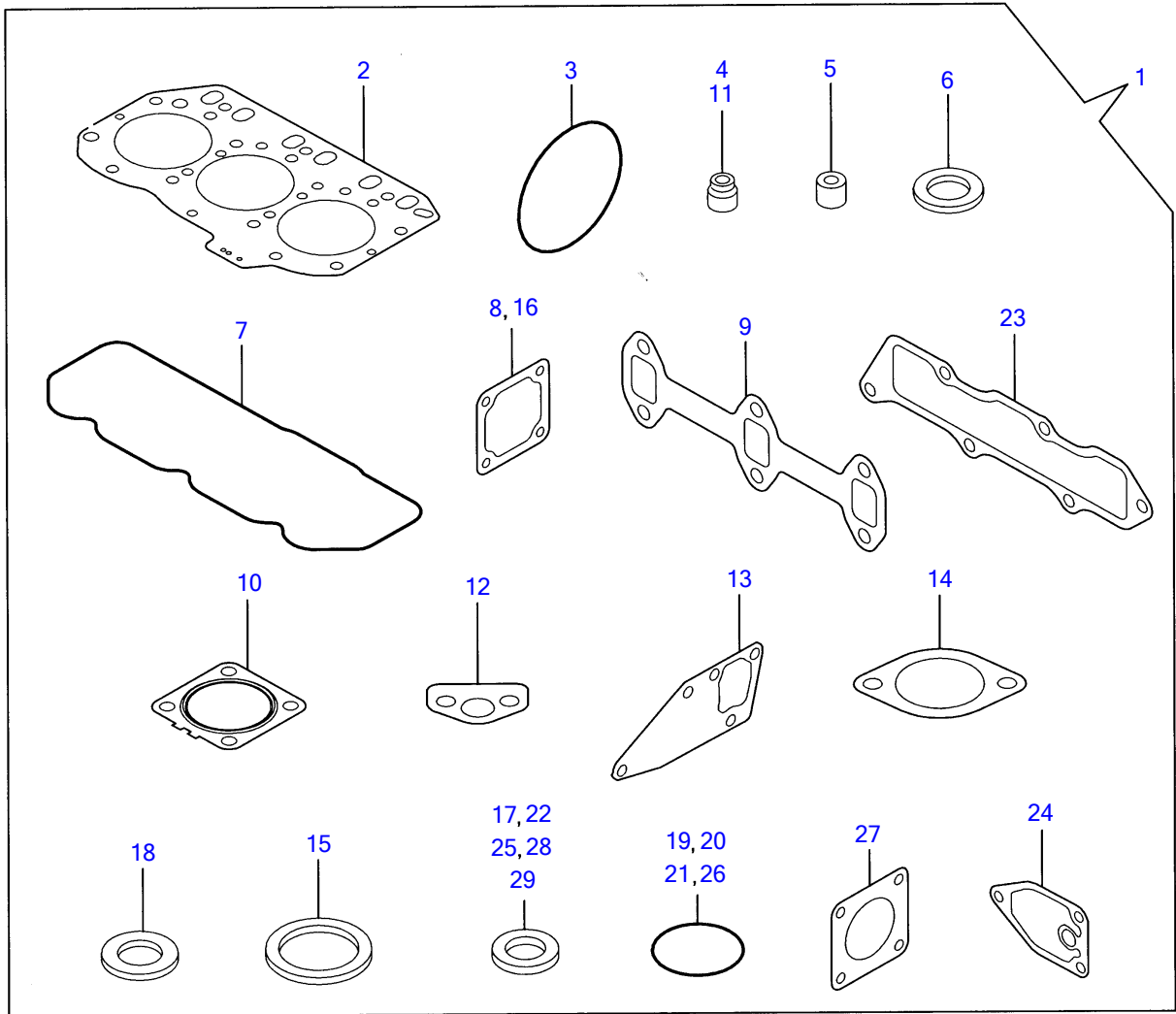


Y00D8370	16. ジェネレータ			
3TNV82A-QTB(1)		1.04.10		PLUS

1/4P'EÜ-Ä GENERATOR

REF NO.	PARTS NO.	Description	Q'ty
1	Y129795-01900	STUD	1
2	Y129240-77200	ALTERNATOR	1
3	YX9490561001	• NUT	1
4	Y119620-77380	• ROTOR ASSY	1
5	Y126501-79240	• • BALL BEARING	1
6	Y119620-79250	• • COVER, BEARING	1
7	Y119620-77421	• FLAME ASSY, DRIVE	1
8	Y119620-79200	• • BALL BEARING	1
9	Y119620-79210	• • PLATE	1
10	Y119620-79220	• • SCREW	4
11	Y119620-79230	• • BOLT, STUD	2
12	Y119620-77440	• FLAME ASSY, REAR	1
13	Y119620-77461	• PULLEY	1
14	Y119620-77471	• NUT	1
15	Y119620-79260	• HOLDER	1
16	Y129052-79270	• HOLDER, BRUSH	1
17	Y119620-79290	• SCREW	6
18	Y119620-79300	• SCREW	1
19	Y119620-79310	• BOLT	3
20	Y119620-79320	• SCREW WWASHER	2
21	Y119620-79330	• BOLT	2
22	Y119620-79340	• INSULATION BUSH	1
23	Y119620-79350	• NUT	2
24	Y119620-77490	• COLLAR	1
25	Y119620-79360	• THRUST WASHER	1
26	Y129240-77710	• REGULATOR ASSY	1
27	Y129240-79300	• COVER	1
28	Y26306-100002	NUT	1
29	Y119940-77330	ADJUSTER, BELT	1
30	Y119940-77270	ADJUSTER, BELT	1
31	Y119802-77200	RELAY, SAFETY	1
32	Y129211-77920	TIMER	1
33	Y119802-77340	BOLT, ADJUSTER	1
34	Y26106-080452	BOLT M 8X 45 PLATED	1
35	Y119646-77900	RELAY, POWER	2
36	Y119032-77910	MOTOR ASSY, ENG.STOP	1

Engine for TB125 3TNV82A-QTB(cab),QTB1(canopy) S/N 12514526-
TOOL & GASKET SET



Y00D8370	17. パッキンセット			
3TNV82A-QTB(1)		1.04.10		PLUS

TOOL & GASKET SET

REF NO.	PARTS NO.	Description	Q'ty	I	R	Notes
1	Y719823-92840	GASKET SET(NON-ASB.)	1			
2	Y119812-01330	GASKET, HEAD	1			
3	Y121850-51960	O-RING, F.I.PUMP	1			
4	Y124950-11340	SEAL, VALVE STEM	3			
5	Y119802-11870	PROTECTOR, NOZZLE	3			
6	Y119625-11880	SEAT, NOZZLE	3			
7	Y119802-11310	GASKET, BONNET	1			
8	Y129150-77511	GASKET, (NON-ASB.)	1			
9	Y119810-13110	GASKET, EXH.MANIFOLD	1			
10	Y129004-13200	GASKET, SILENCER	1			
11	Y124160-11340	SEAL, VALVE STEM	3			
12	Y129150-35042	GASKET, (NON-ASB.)	1			
13	Y129486-42050	GASKET	1			
14	Y129795-49551	GASKET, (NON-ASB.)	1			
15	Y129150-49811	GASKET, (NON-ASB.)	1			
16	Y129100-77510	GASKET, AIR HEATER	1			
17	Y22190-080002	SEAL WASHER 8S	3			
18	Y124465-44950	GASKET 16	1			
19	Y24311-000120	O-RING 1A P 12.0	3			
20	Y24311-000320	O-RING 1A P-32.0	2			
21	Y24341-000240	O-RING 1A S-24.0	1			
22	Y22190-100002	SEAL WASHER 10S	2			
23	Y119813-12110	GASKET,INT. MANIFOLD	1			
24	Y129150-35111	GASKET, (NON-ASB.)	1			
25	Y22190-220002	SEAL WASHER 22S	1			
26	Y119609-32040	O-RING P16	4			
27	Y124240-01883	GASKET, (NON-ASB.)	2			
28	Y23414-080000	GASKET 8, ROUND	1			
29	Y129150-49360	GASKET 10	1			
30	Y129400-92420	FLEX HORN	1			(1) μιβ¼@Ý ιβÉÝÄþ½
31	Y977770-1207F	GASKET, LIQUID	1			(1) μιβ¼@Ý ιβÉÝÄþ½
32	Y104200-92350	DRIVER, SCREW	1			
33	Y119640-92750	WRENCH, FILTER	1			
34	Y28110-100120	WRENCH 10X12	1			
35	Y28110-140170	WRENCH 14X17	1			