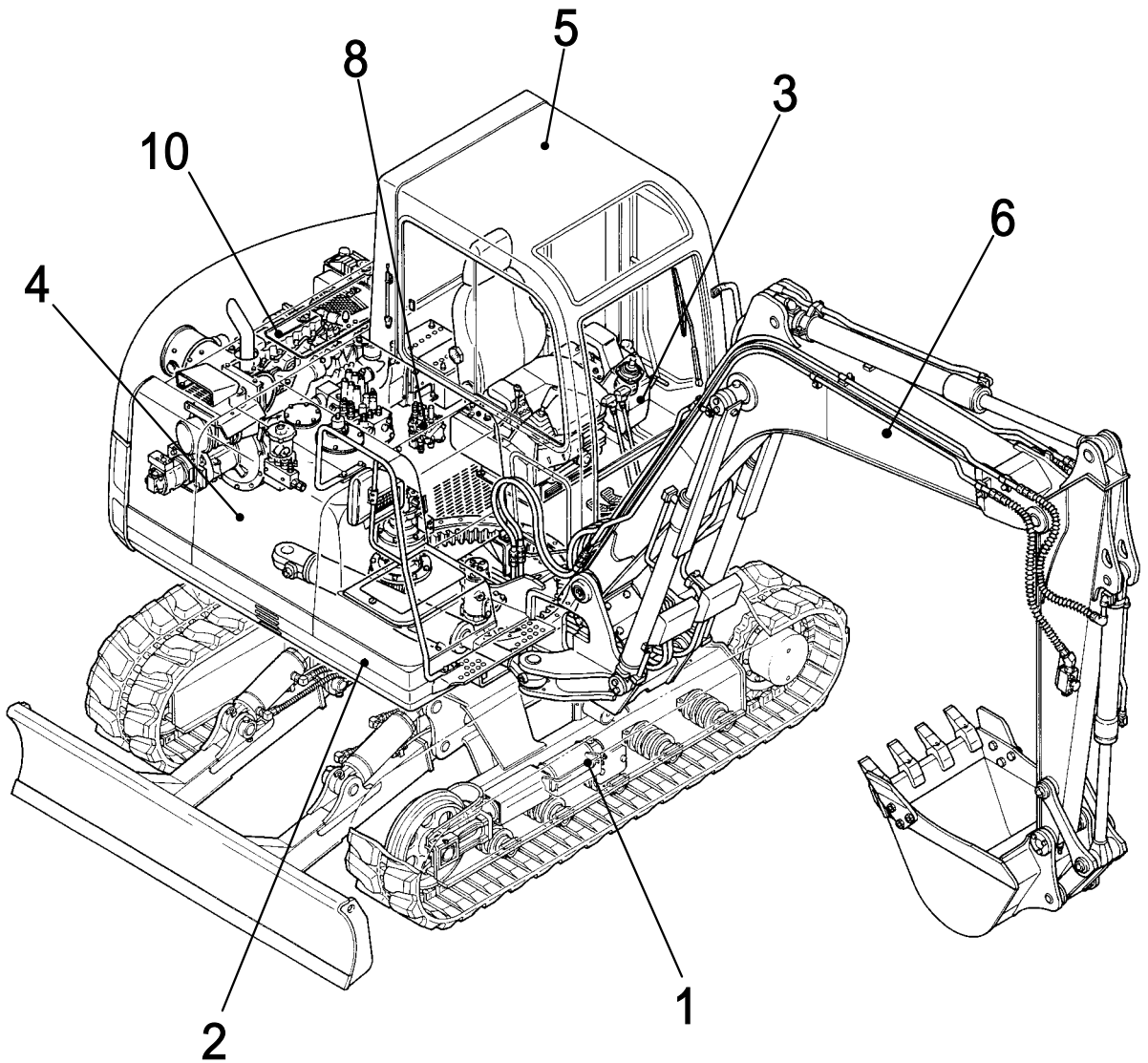


# TB070

Book No. PL1-101Z5

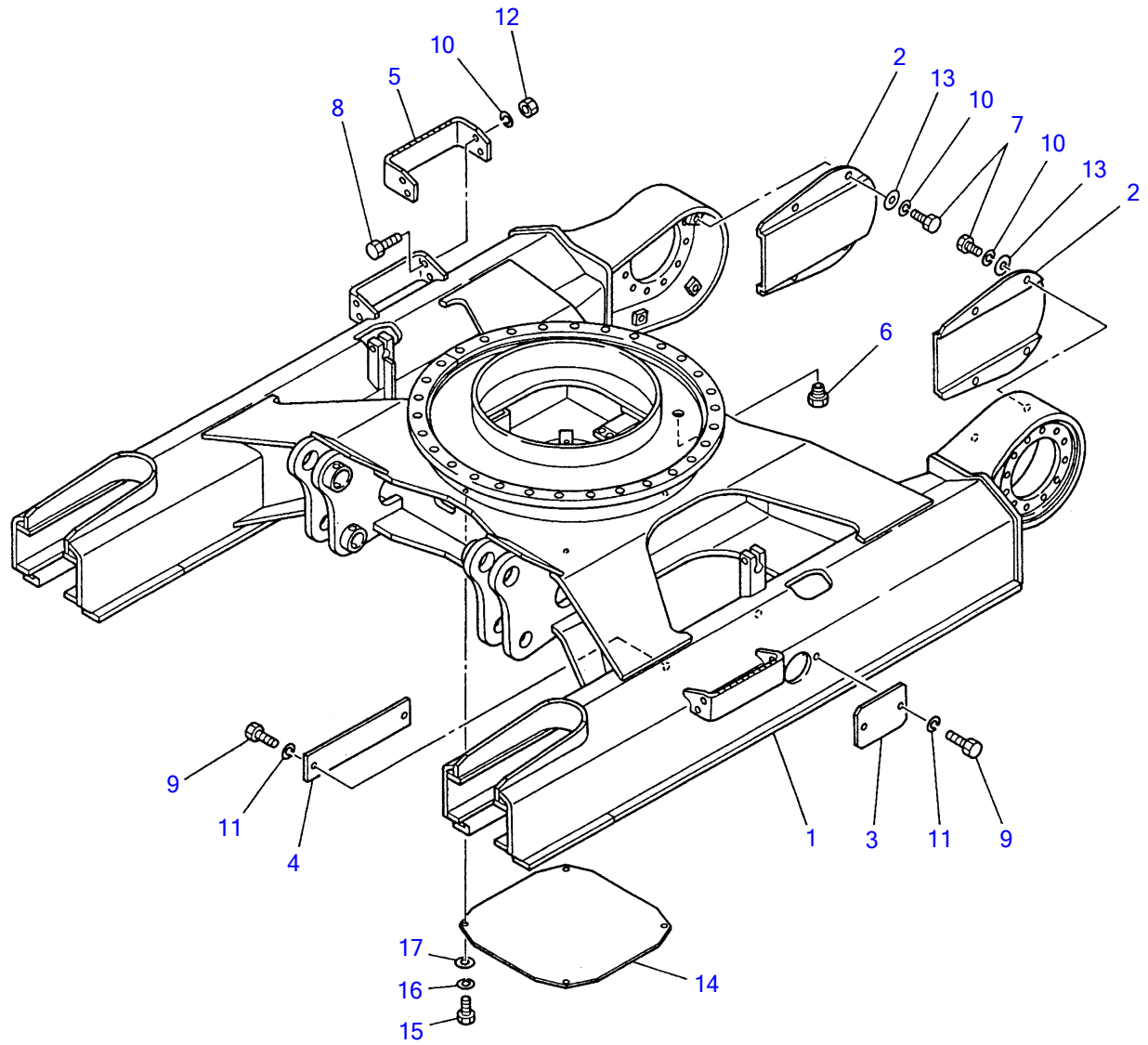
Serial No. 1703004-1705487



# TAKEUCHI



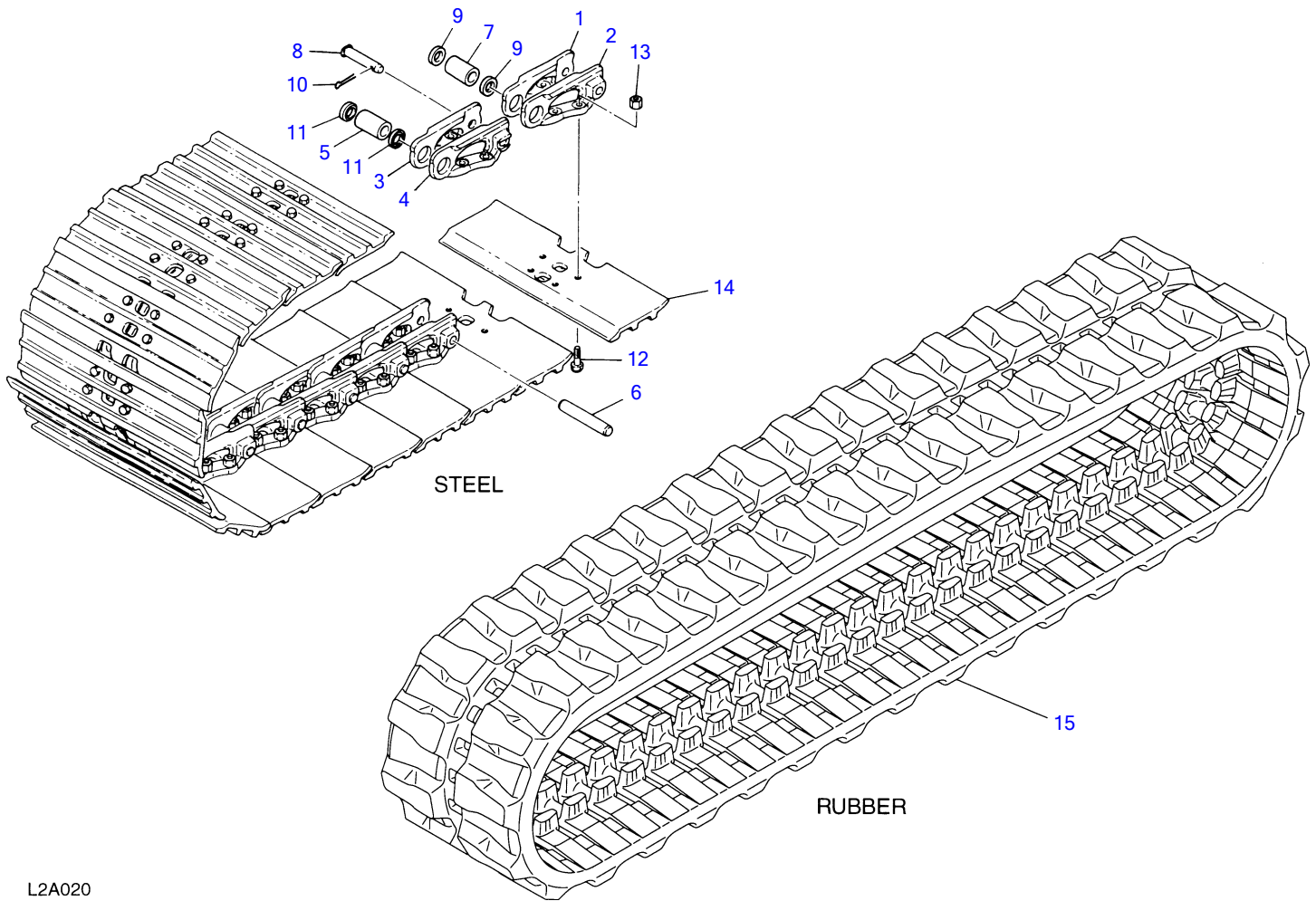
Item	Part number	Description	Index				Remarks
			Q'ty	Chan.	Serial No.	Serv.	
1		UNDERCARRIAGE					
2		TURNTABLE & CONTROL LEVER					
3		ENGINE & ELECTRICAL SYSTEM					
4		HYDRAULIC PIPNG & TANK					
5		COVER & CAB					
6		HOE ATTACHMENT					
7		DECAL & TOOL					
8		HYDRAULIC DEVICE					
10		ENGINE					



L1-01a-2-D

**LOWER FRAME**

Item	Part number	Description	Q'ty	Chan.	Serial No.	Serv.	Remarks
		FRAME ASSY, lower (450W)			1703932~		
		FRAME ASSY, lower (550W)			1703932~		
1	X *****	FRAME	1				
2	0561019300	COVER	2				
3	0561017400	COVER	2				
4	0561019400	COVER	2				
5	0561019500	STEP	2				550mm shoe
6	1501710010	PLUG	1				
7	1100041020	BOLT	8				450mm shoe
8	1100041025	BOLT	8				550mm shoe
9	1100040816	BOLT	8				
10	1140020010	WASHER, spring	8				450mm shoe
	1140020010	WASHER, spring	16				550mm shoe
11	1140020008	WASHER, spring	8				
12	1130040010	NUT	8				550mm shoe
13	1141110010	WASHER	8				
14	0561021010	COVER	1		1703932~		
15	1100041225	BOLT	4		1703932~		
16	1140020012	WASHER, spring	4		1703932~		
17	1141110012	WASHER	4		1703932~		
	L101a2L						



L2A020

**CRAWLER BELT**

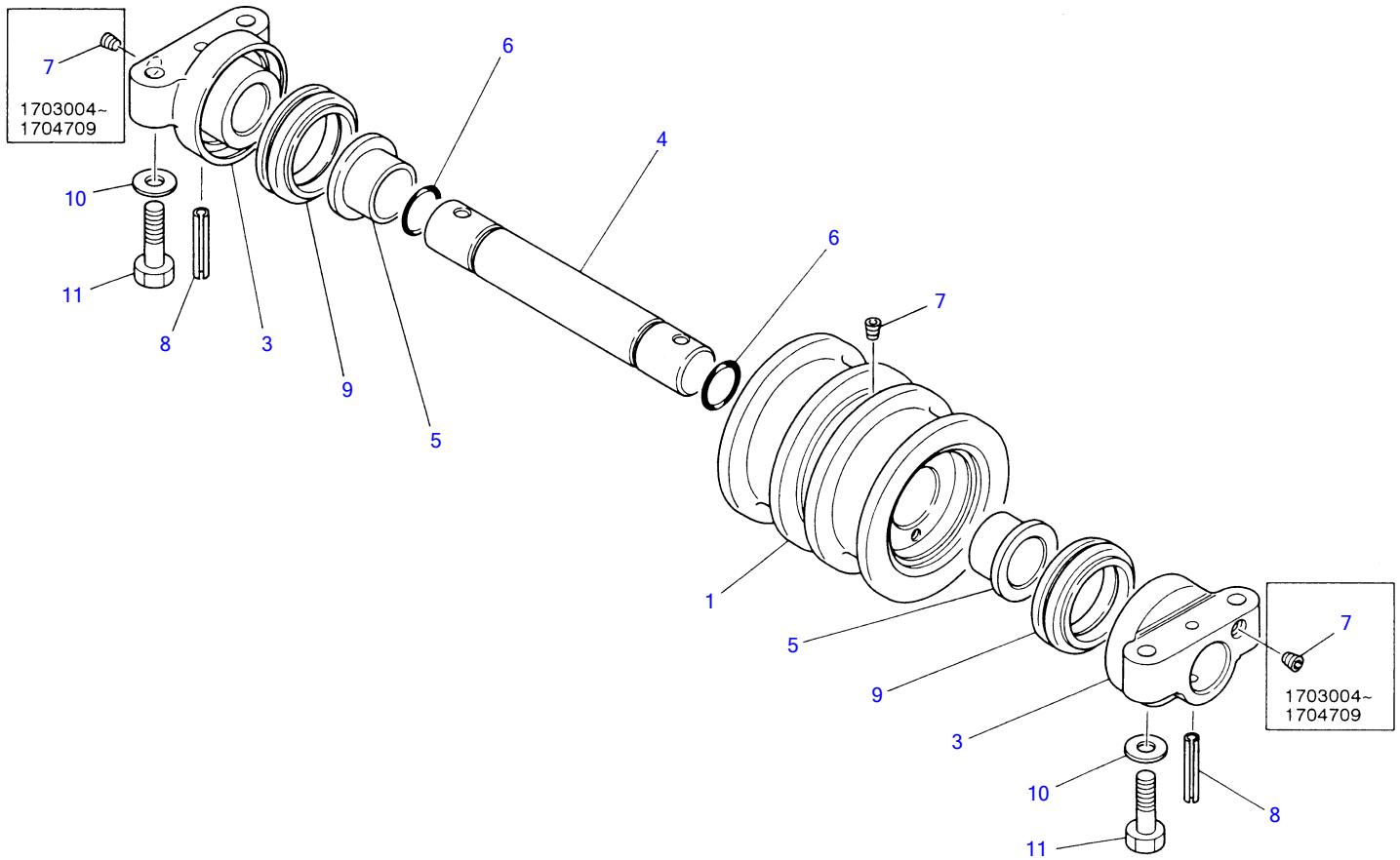
Item	Part number	Description	Q'ty	Chan.	Serial No.	Serv.	Remarks
0	<b>1914087100</b>	BELT, steel crawler	2				450wide
	<b>1914088100</b>	BELT, steel crawler	2				550wide
0-1	<b>1914087199</b>	• LINK ASSY	2				
1	<b>1914087001</b>	• • LINK (R.H.)	38				
2	<b>1914087002</b>	• • LINK (L.H.)	38				
3	<b>1914087003</b>	• • LINK, master (R.H.)	1				
4	<b>1914087004</b>	• • LINK, master (L.H.)	1				
5	<b>1914087005</b>	• • BUSHING	38				
6	<b>1914087006</b>	• • PIN, track	38				
7	<b>1914087012</b>	• • BUSHING	1				
8	<b>1914087007</b>	• • PIN, master	1				
9	<b>1914087013</b>	• • COLLAR	2				
10	<b>1914087014</b>	• • PIN, split	1				
11	<b>1914087015</b>	• • SEAL	76				
12	<b>1914087009</b>	• BOLT	156				
13	<b>1914087010</b>	• NUT	156				
14	<b>1914087011</b>	• PLATE, shoe	39				450wide
	<b>1914088011</b>	• PLATE, shoe	39				550wide
15	<b>1914086000</b>	BELT, rubber crawler	2		1703004~1704323		
	<b>1914086300</b>	BELT, rubber crawler	2	(H)	1704324~		
	<b>L102a2L</b>						





**CARRIER ROLLER**

Item	Part number	Description	Q'ty	Chan.	Serial No.	Serv.	Remarks
		ROLLER ASSY, carrier					
0-1	<b>0561201100</b>	ROLLER SUB ASSY, carrier	2				
1	<b>0561200200</b>	▪ ROLLER	1				
2	<b>0561201300</b>	▪ SHAFT	1				
3	<b>0171200300</b>	▪ COVER	1				
4	<b>0561200400</b>	▪ COVER	1				
5	<b>1431203562</b>	▪ SEAL	1				
6	<b>1300006207</b>	▪ BEARING	2				
7	<b>1420100750</b>	▪ O-RING	1				
8	<b>1221000072</b>	▪ RING, snap	1				
9	<b>1501810001</b>	▪ PLUG	1				
10	<b>1213010860</b>	▪ PIN, spring	1				
11	<b>1101041675</b>	BOLT	2				
12	<b>1130540016</b>	NUT	2				
	<b>L103a2L</b>						



L1-04a-1-D

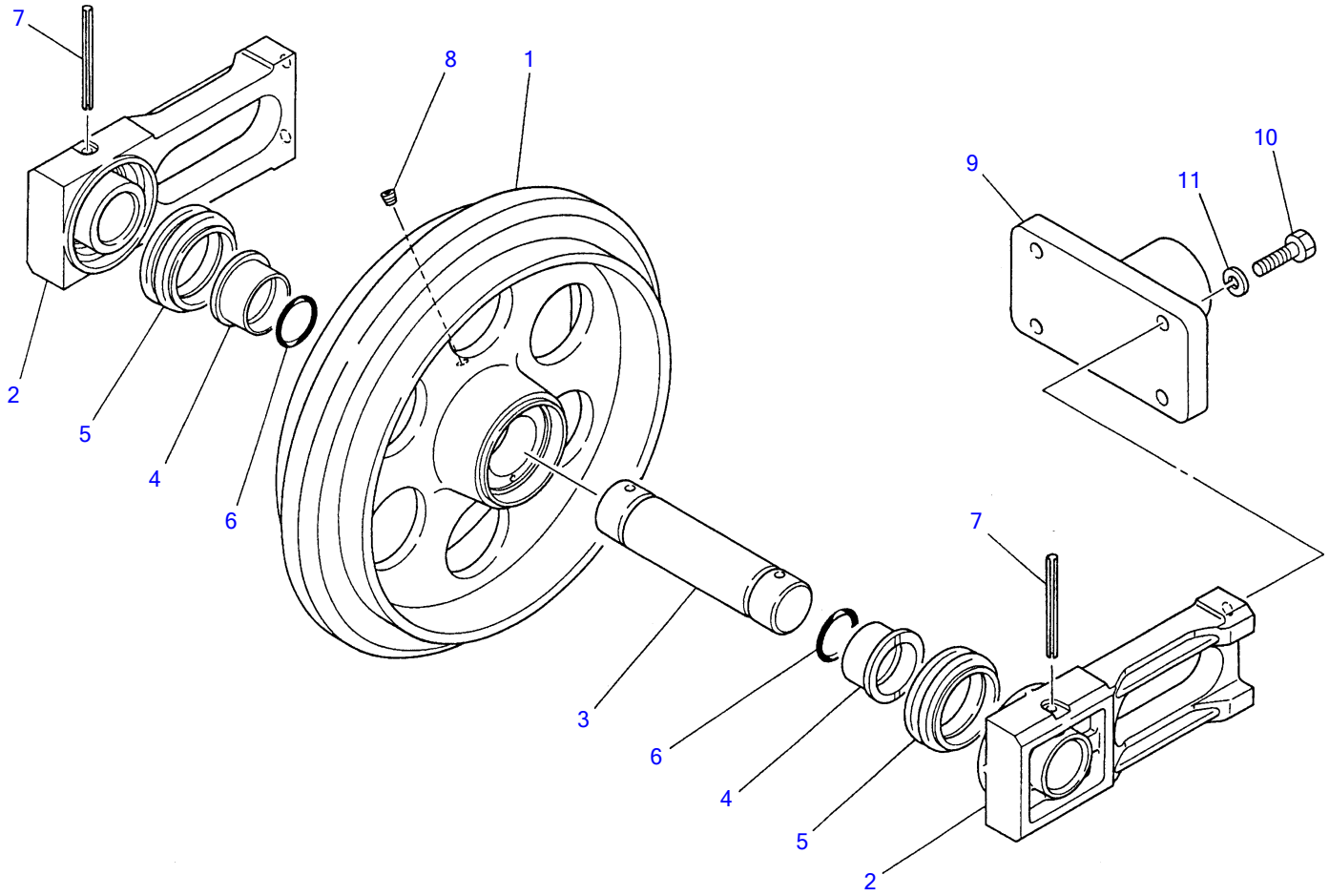
**TRACK ROLLER**

Item	Part number	Description	Q'ty	Chan.	Serial No.	Serv.	Remarks
		ROLLER ASSY, track			1703004~1704709		
		ROLLER ASSY, track			1704710~		
		ROLLER ASSY, track		(H)	1704710~		
0-1	<b>0561301100</b>	ROLLER SUB ASSY, track	10		1703004~1704709		
	<b>0561304100</b>	ROLLER SUB ASSY, track	10		1704710~		
1	<b>0561301200</b>	• ROLLER	1		1703004~1704709		
	<b>0561304200</b>	• ROLLER	1	A	1704710~		
	<b>0561307200</b>	• ROLLER	1	a (H)	1704710~		
3	<b>0561301300</b>	• COVER	2		1703004~1704709		
	<b>0561304300</b>	• COVER	2		1704710~		
4	<b>0561300400</b>	• SHAFT	1		1703004~1704709		
	<b>0561304400</b>	• SHAFT	1		1704710~		
5	<b>0541300300</b>	• BUSHING	2		1703004~1704709		
	<b>0561303500</b>	• BUSHING	2		1704710~		
6	<b>1420700350</b>	• O-RING	2				
7	<b>1501810001</b>	• PLUG	2		1703004~1704709		
	<b>1501810001</b>	• PLUG	1	A	1704710~		
	<b>1501810002</b>	• PLUG	1	a (H)	1704710~		
8	<b>1213001055</b>	• PIN, spring	2				
9	<b>1432500660</b>	• SEAL, floating	2				
10	<b>1141540012</b>	WASHER	40				
11	<b>1101041250</b>	BOLT	40				

NOTE

Set "A" is interchangeable with set "a".

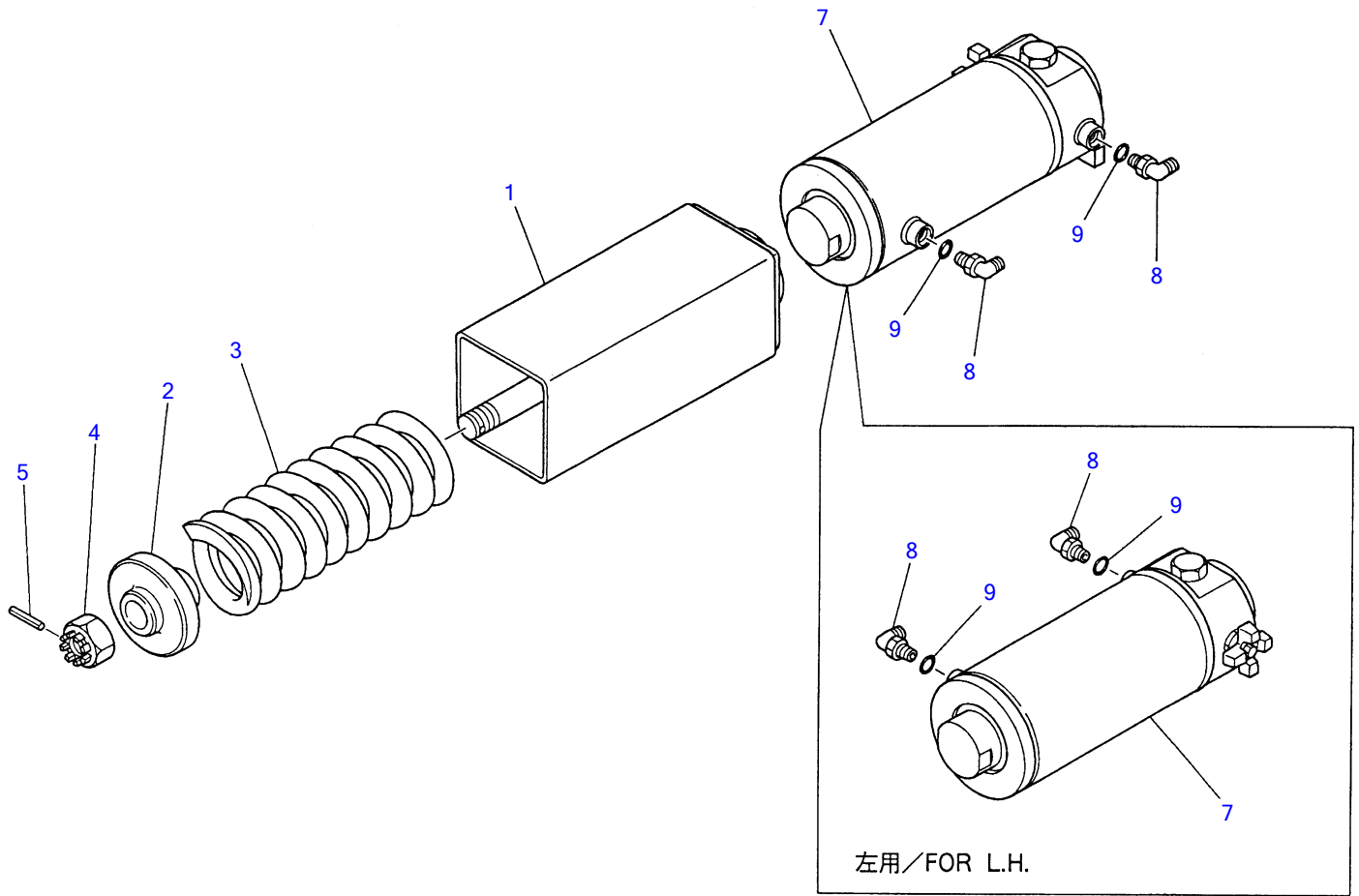
**L104a2L**



L1-05a-0-D

**FRONT IDLER**

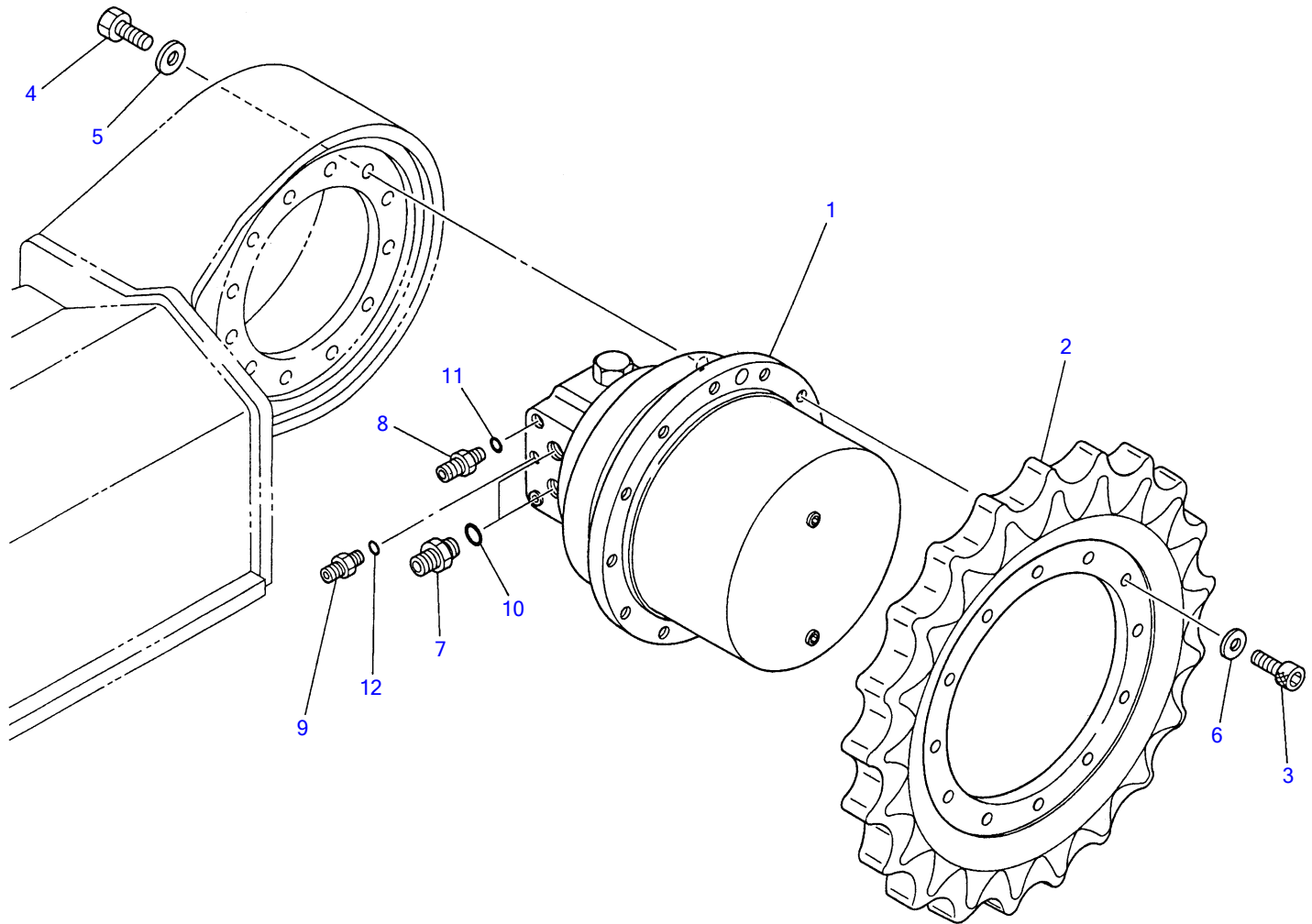
Item	Part number	Description	Q'ty	Chan.	Serial No.	Serv.	Remarks
		IDLER ASSY, front					
0-1	<b>0561400600</b>	IDLER SUB ASSY, front	2				
1	<b>0561400100</b>	· IDLER	1				
2	<b>0561400200</b>	· SLIDE	2				
3	<b>0561400300</b>	· SHAFT	1				
4	<b>0561400400</b>	· BUSHING	2				
5	<b>1432500800</b>	· SEAL, floating	2				
6	<b>1420700500</b>	· O-RING	2				
7	<b>1213101020</b>	· PIN, spring	2				
8	<b>1501810001</b>	· PLUG	1				
9	<b>0561401500</b>	PLATE	2				
10	<b>1101041450</b>	BOLT	8				
11	<b>1140020014</b>	WASHER, spring	8				
	<b>L105a0L</b>						



L1-06a-0-D

**TRACK ADJUSTER**

Item	Part number	Description	Q'ty	Chan.	Serial No.	Serv.	Remarks
		SPRING ASSY (R.H.)					
		SPRING ASSY (L.H.)					
0-1	<b>0561501100</b>	SPRING SUB ASSY	2				
1	<b>0561501400</b>	• ROD	1				
2	<b>0561500500</b>	• PLATE	1				
3	<b>0007000077</b>	• SPRING	1				
4	<b>1132530027</b>	• NUT	1				
5	<b>1213000540</b>	• PIN, spring	1				
0-2	<b>0561501200</b>	CYLINDER ASSY (R.H.)	1				
7	<b>1900063900</b>	• CYLINDER (R.H.)	1				
8	<b>1515010040</b>	• ELBOW	2				
9	<b>1420010110</b>	• O-RING	2				
0-3	<b>0561501300</b>	CYLINDER ASSY (L.H.)	1				
7	<b>1900064000</b>	• CYLINDER (L.H.)	1				
8	<b>1515010040</b>	• ELBOW	2				
9	<b>1420010110</b>	• O-RING	2				
	<b>L106a0L</b>						

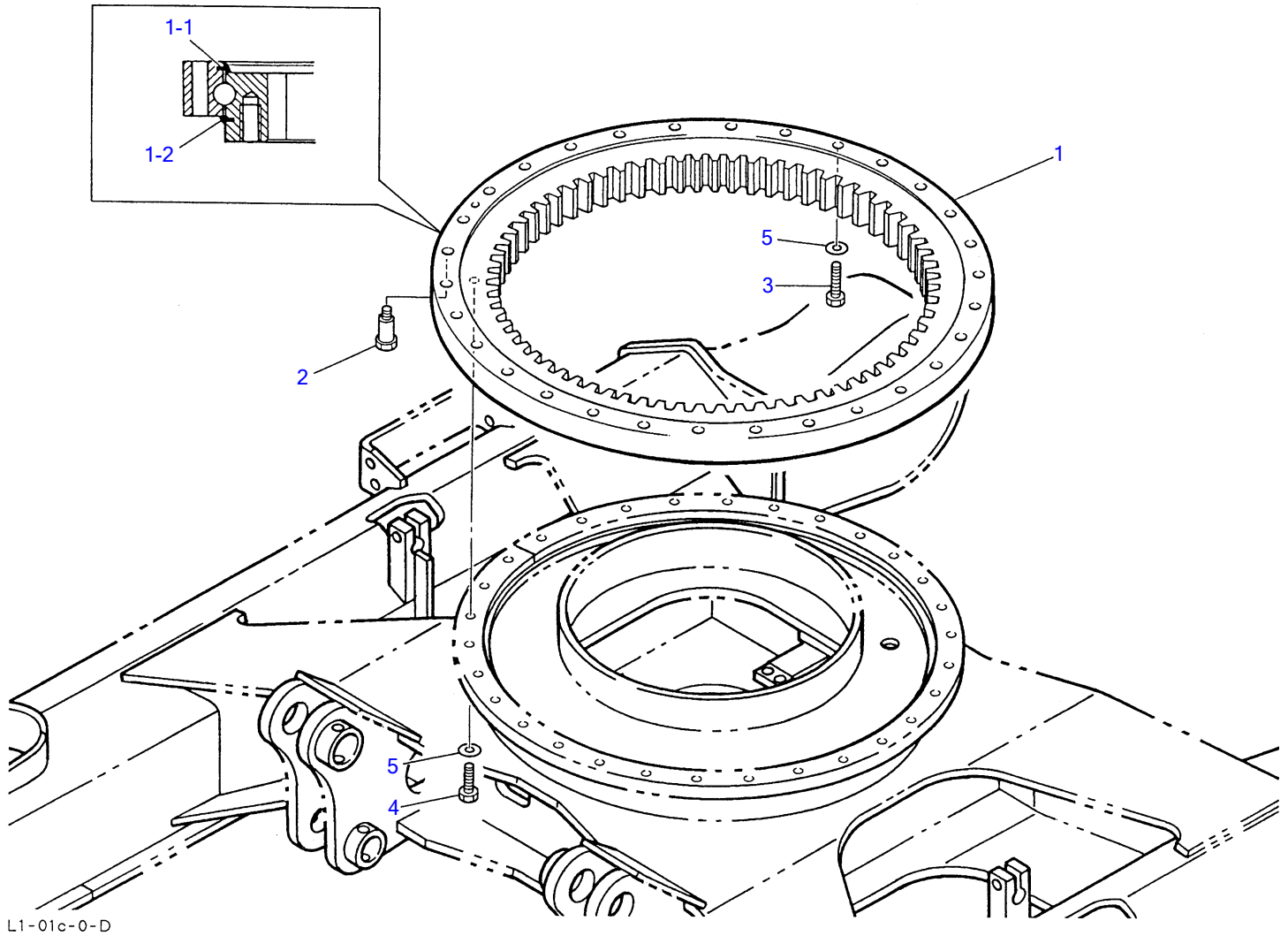


L1-07a-0-D



**TRAVEL DEVICE**

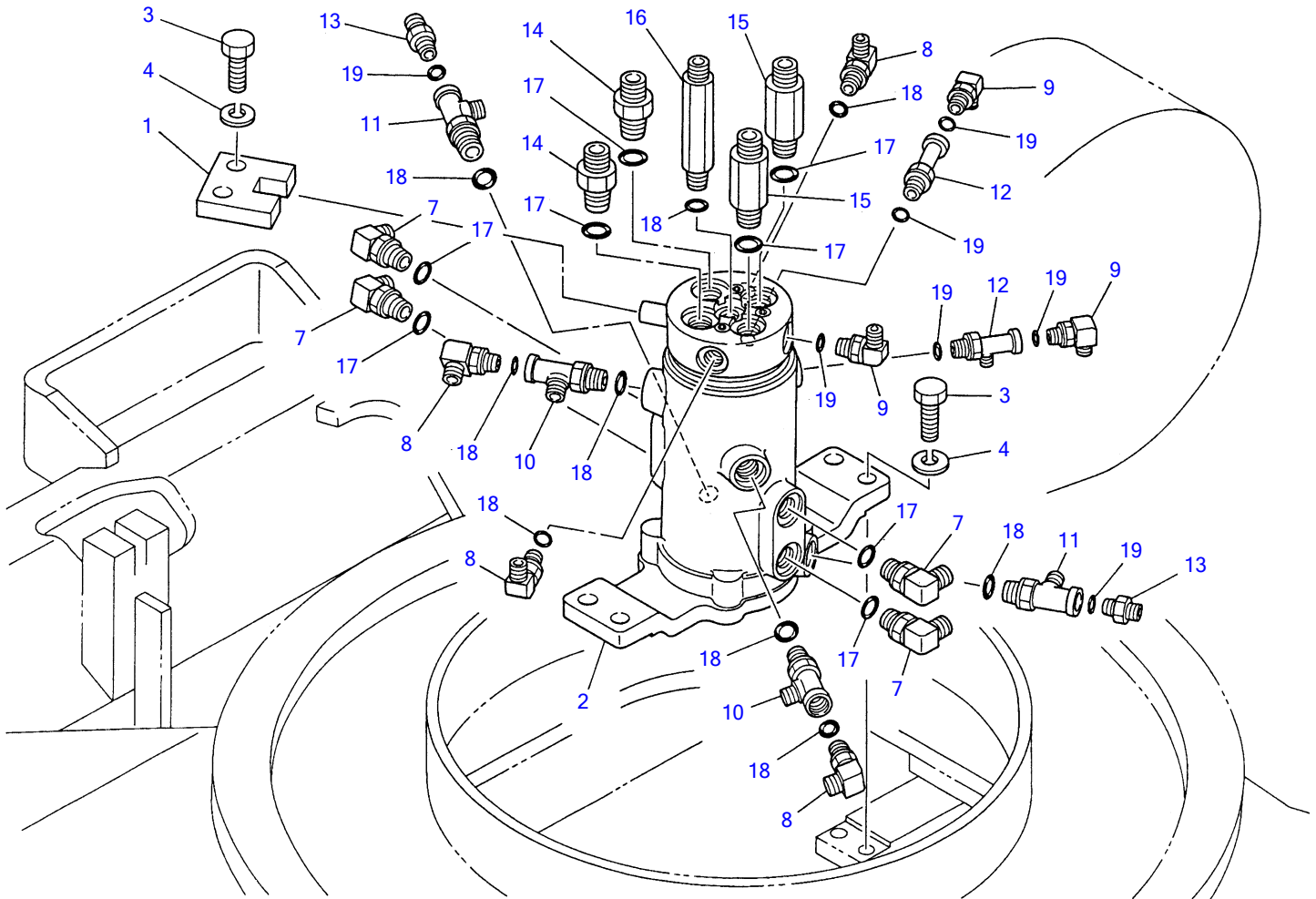
Item	Part number	Description	Q'ty	Chan.	Serial No.	Serv.	Remarks
		MOTOR ASSY, travel					
1	<b>1903114700</b>	MOTOR	2		1703004~1703367		with P.B.
	<b>1903116500</b>	MOTOR	2	(H)	1703368~1703853		with P.B.
	<b>1903117700</b>	MOTOR	2	(H)	1703854~		with P.B.
2	<b>0561614100</b>	SPROCKET	2				
3	<b>1110051440</b>	SCREW, cap	24				
4	<b>1100241640</b>	BOLT	24				
5	<b>1141540016</b>	WASHER	24				
6	<b>1141540014</b>	WASHER	24				
7	<b>1515600202</b>	ADAPTOR	4				
8	<b>1515600201</b>	ADAPTOR	2				
9	<b>1515600200</b>	ADAPTOR	2				
10	<b>1420010180</b>	O-RING	4				
11	<b>1420010140</b>	O-RING	2				
12	<b>1420010110</b>	O-RING	2				
	<b>L107a2L</b>						



L1-01c-0-D

**SLEW BEARING**

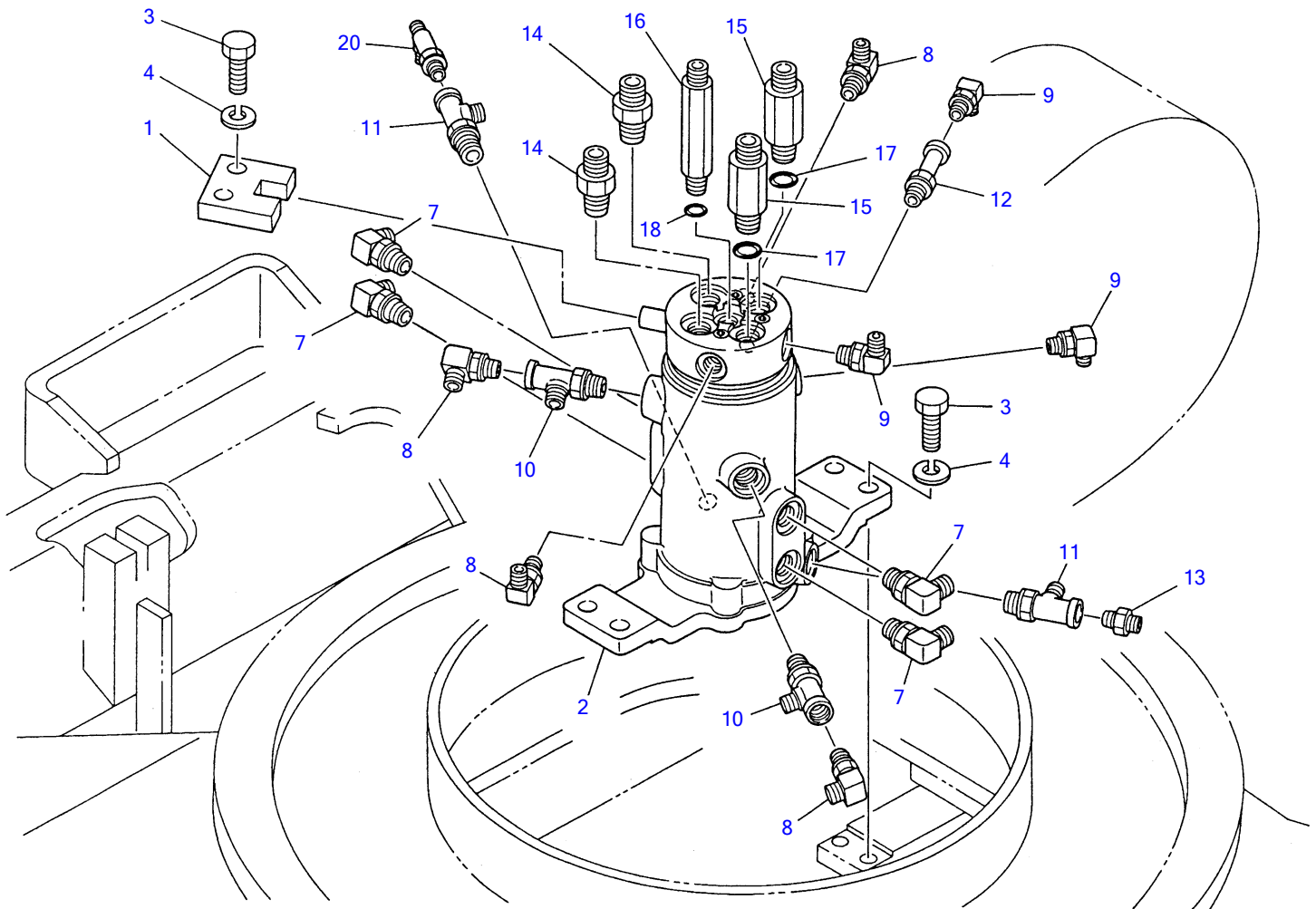
Item	Part number	Description	Q'ty	Chan.	Serial No.	Serv.	Remarks
		BEARING ASSY, slew					
1	<b>1913004350</b>	BEARING	1				
1-1	<b>1913004358</b>	• SEAL	1				
1-2	<b>1913004359</b>	• SEAL	1				
2	<b>0562012100</b>	BOLT	1				
3	<b>1101041675</b>	BOLT	29				
4	<b>1101041655</b>	BOLT	30				
5	<b>1141550016</b>	WASHER	59				
	<b>L101c0L</b>						



L1-01b-0-D

**SWIVEL JOINT & ACCESSORIES (1703004~1703949)**

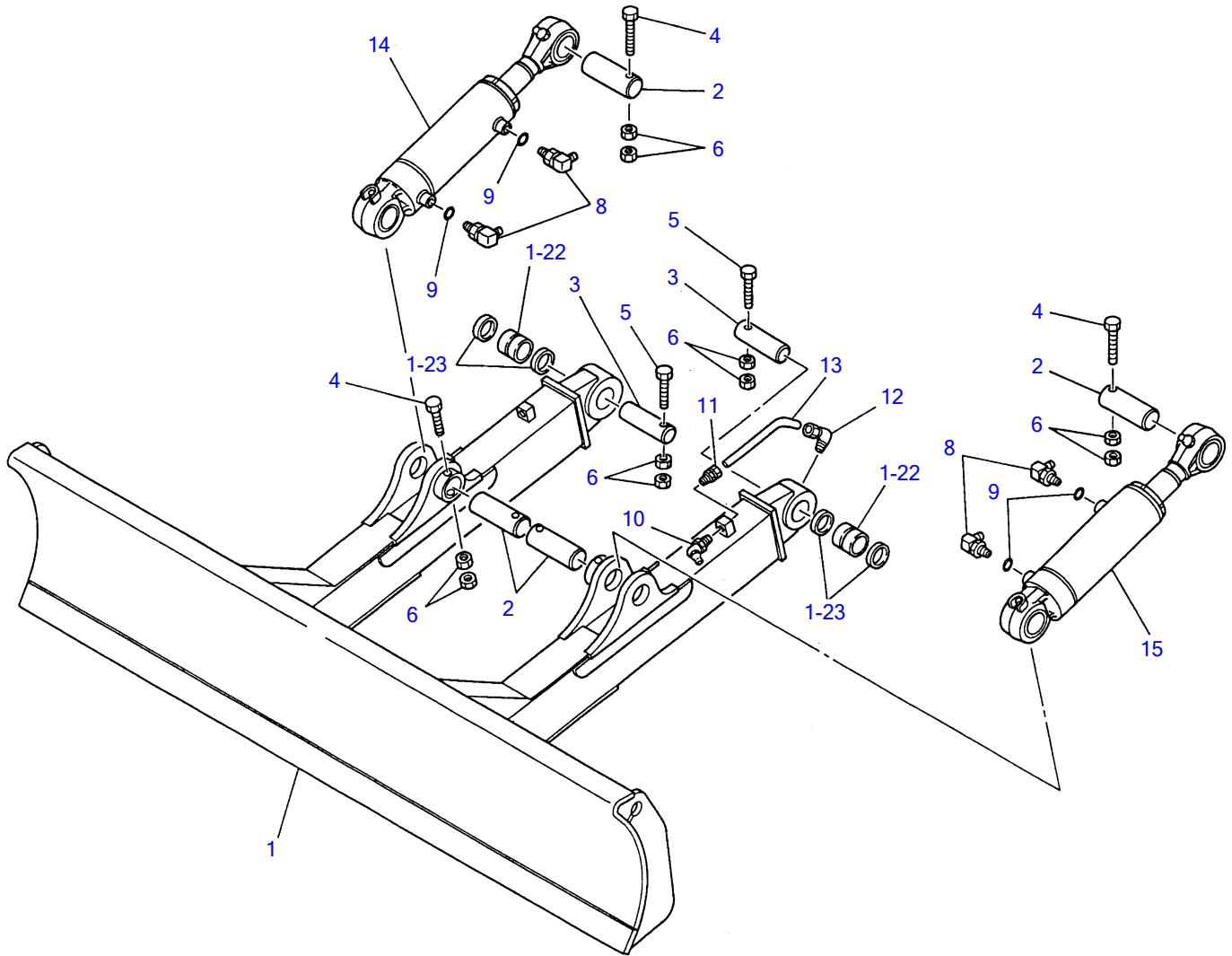
Item	Part number	Description	Q'ty	Chan.	Serial No.	Serv.	Remarks
		JOINT ASSY, swivel					
1	<b>0562100100</b>	STOPPER	1				
2	<b>1904007400</b>	JOINT, swivel	1				
3	<b>1101041440</b>	BOLT	6				
4	<b>1140020014</b>	WASHER, spring	6				
7	<b>1515010042</b>	ELBOW	4				
8	<b>1515010041</b>	ELBOW	4				
9	<b>1515010040</b>	ELBOW	3				
10	<b>1512340011</b>	ELBOW	2				
11	<b>1512340010</b>	ELBOW	2				
12	<b>1512340001</b>	ELBOW	2				
13	<b>1515600200</b>	ADAPTOR	2				
14	<b>1515600202</b>	ADAPTOR	2				
15	<b>0007203006</b>	ADAPTOR	2				
16	<b>0007203027</b>	ADAPTOR	1				
17	<b>1420010180</b>	O-RING	8				
18	<b>1420010140</b>	O-RING	9				
19	<b>1420010110</b>	O-RING	7				
	<b>L101b0L</b>						



L1-01b-1-D

**SWIVEL JOINT & ACCESSORIES (1703950~)**

Item	Part number	Description	Q'ty	Chan.	Serial No.	Serv.	Remarks
		JOINT ASSY, swivel					
1	<b>0562100100</b>	STOPPER	1				
2	<b>1904007400</b>	JOINT, swivel	1		1703004~1703949		
	<b>1904008000</b>	JOINT, swivel	1	(H)	1703950~		
3	<b>1101041440</b>	BOLT	6				
4	<b>1140020014</b>	WASHER, spring	6				
7	<b>1515010042</b>	ELBOW	4				
8	<b>1515010041</b>	ELBOW	4				
9	<b>1515010040</b>	ELBOW	3				
10	<b>1512340011</b>	ELBOW	2				
11	<b>1512340010</b>	ELBOW	2				
12	<b>1512340001</b>	ELBOW	1				
13	<b>1515600200</b>	ADAPTOR	1				
14	<b>1515600202</b>	ADAPTOR	2				
15	<b>0007203006</b>	ADAPTOR	2				
16	<b>0007203027</b>	ADAPTOR	1				
17	<b>1420010180</b>	O-RING	2				
18	<b>1420010140</b>	O-RING	1				
20	<b>1512370011</b>	NIPPLE	1				
	<b>L101b1L</b>						

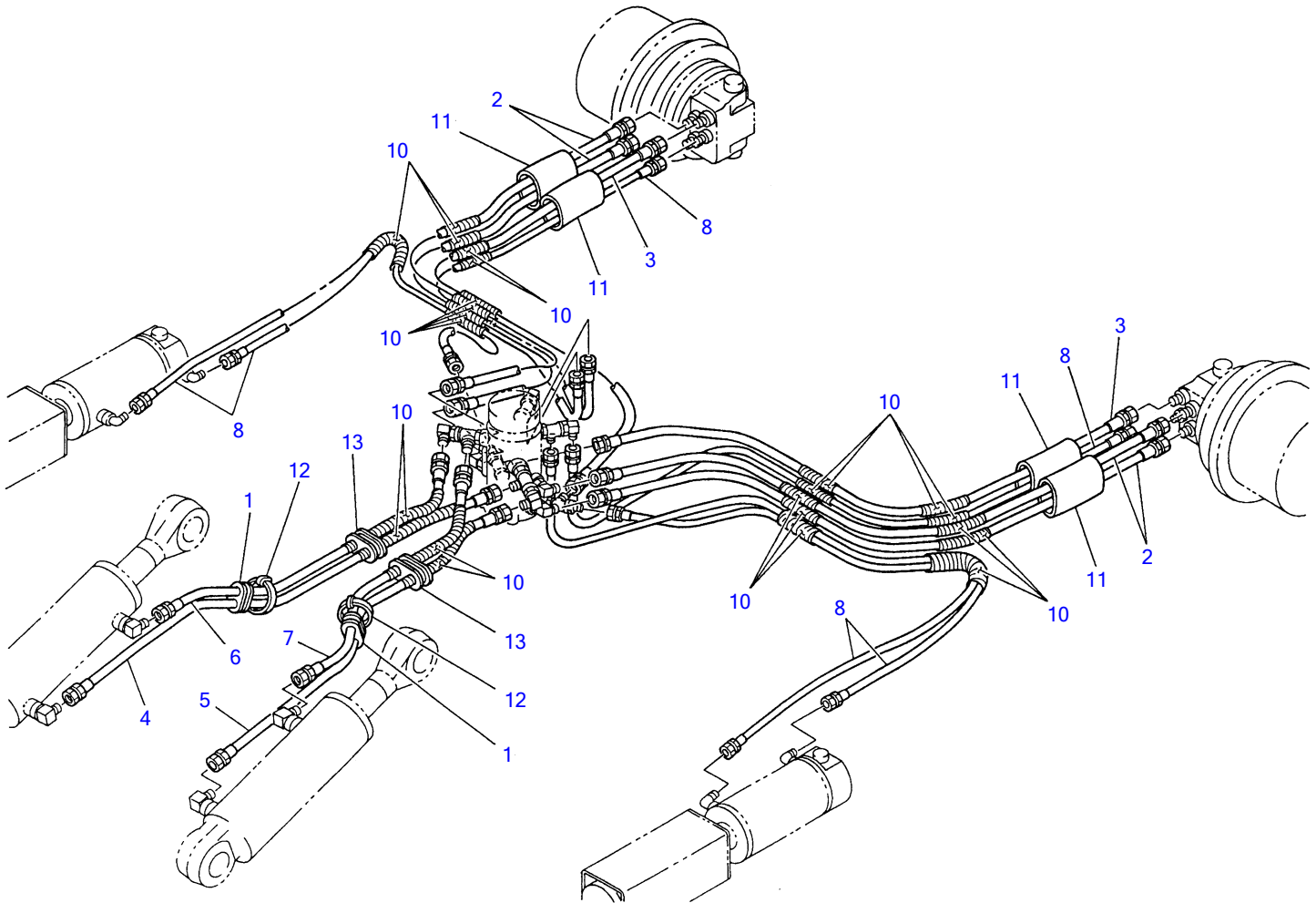


L1-08a-0-D



**DOZER BLADE**

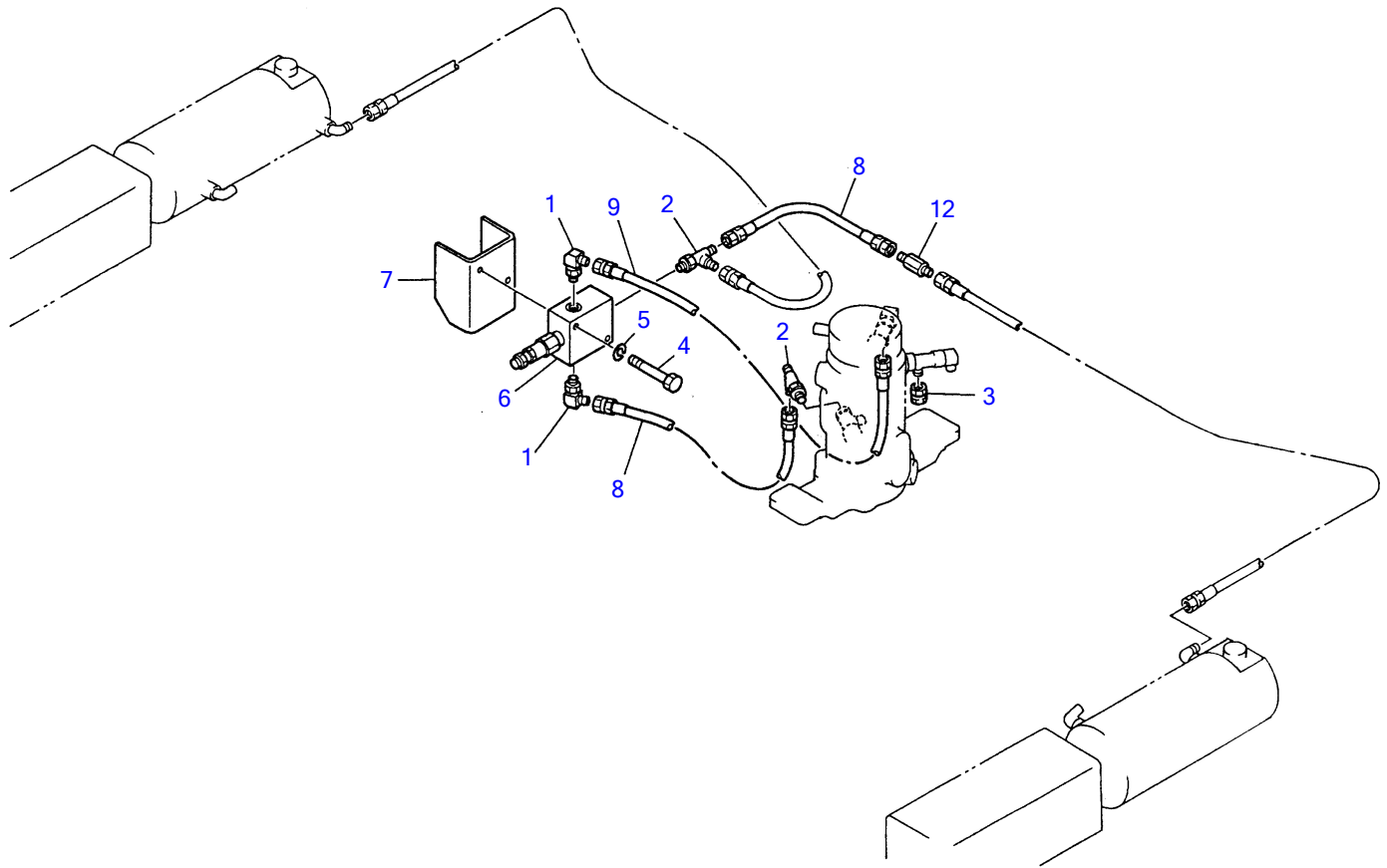
Item	Part number	Description	Q'ty	Chan.	Serial No.	Serv.	Remarks
		DOZER BLADE ASSY					
		WIDE DOZER BLADE ASSY					
1	<b>0566315100</b>	DOZER BLADE SUB ASSY	1				2150mm wide
	<b>0566316100</b>	WIDE DOZER BLADE SUB ASSY	1				2250mm wide
1-22	<b>0002200016</b>	• BUSHING	2				
1-23	<b>1432200050</b>	• SEAL, dust	4				
2	<b>0001607160</b>	PIN	4				
3	<b>0001605160</b>	PIN	2				
4	<b>1103141205</b>	BOLT	4				
5	<b>1103041295</b>	BOLT	2				
6	<b>1130240012</b>	NUT	12				
8	<b>1515010041</b>	ELBOW	4				
9	<b>1420010140</b>	O-RING	4				
10	<b>1560001675</b>	NIPPLE, grease	2				
11	<b>1532520601</b>	CONNECTOR	2				
12	<b>1532620601</b>	ELBOW	2				
13	<b>1532020622</b>	TUBE	2				
14	<b>1900063700</b>	CYLINDER, blade (R.H.)	1				
15	<b>1900063800</b>	CYLINDER, blade (L.H.)	1				
	<b>L108a2L</b>						sold by the meter



L1-09a-0-D

**PIPING; LOWER (1703004~1703949)**

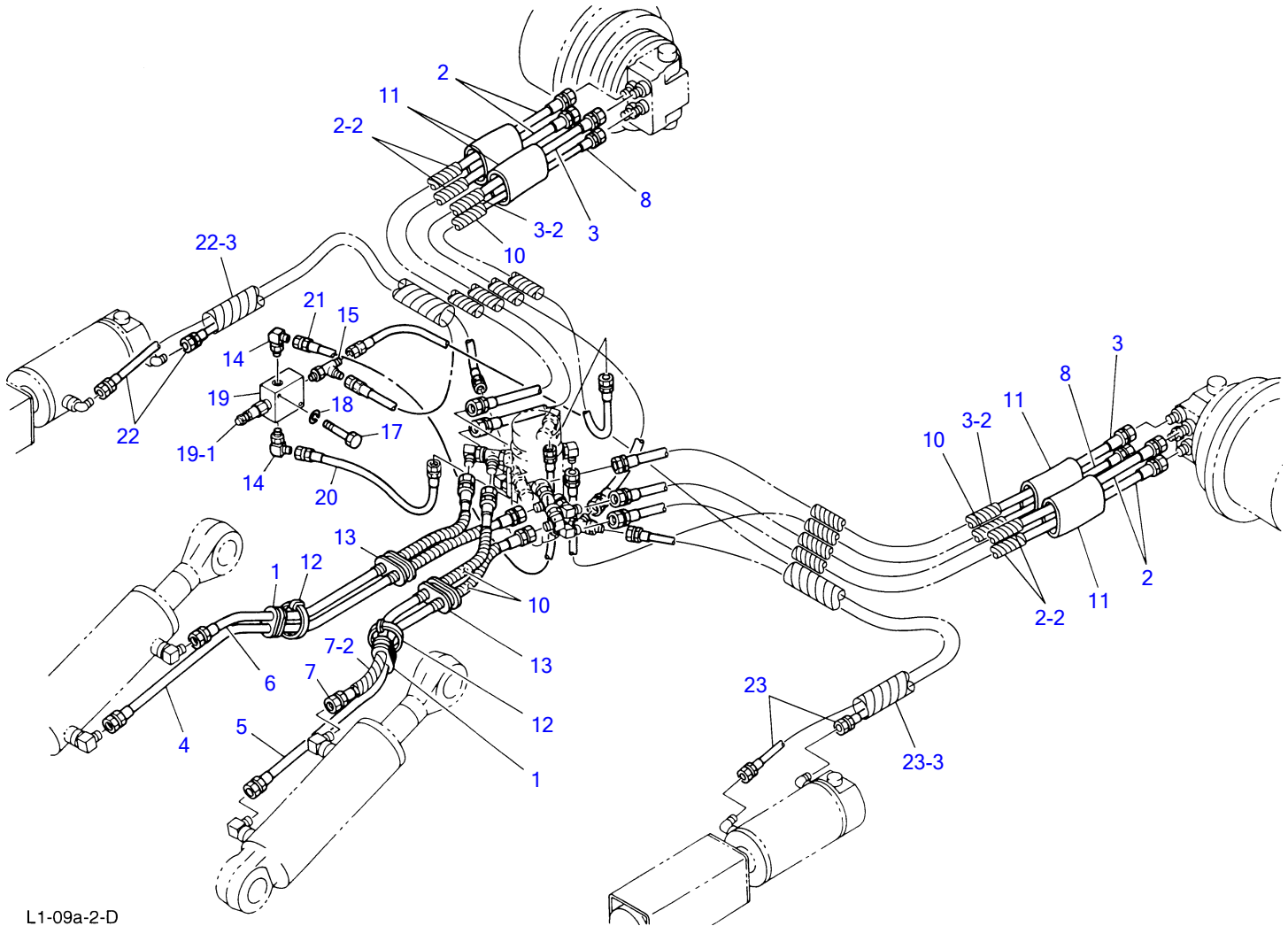
Item	Part number	Description	Q'ty	Chan.	Serial No.	Serv.	Remarks
		PIPING ASSY, lower					
1	0097210300	GUARD	2				
2	1802540145	HOSE ASSY	4				
3	1802520150	HOSE ASSY	2				
4	1802539001	HOSE ASSY	1				
5	1802539002	HOSE ASSY	1				
6	1802539003	HOSE ASSY	1				
7	1802539004	HOSE ASSY	1				
8	1801022150	HOSE ASSY	6				
10	1532208120	TUBE	24				
11	1531350020	PROTECTOR	4				sold by the meter
12	1652200007	BAND	2				sold by the meter
13	0567215100	GUARD	2				
	L109a1L						



L1-09b-0-D

**PIPING; LOWER (with valve) (1703004~1703949)**

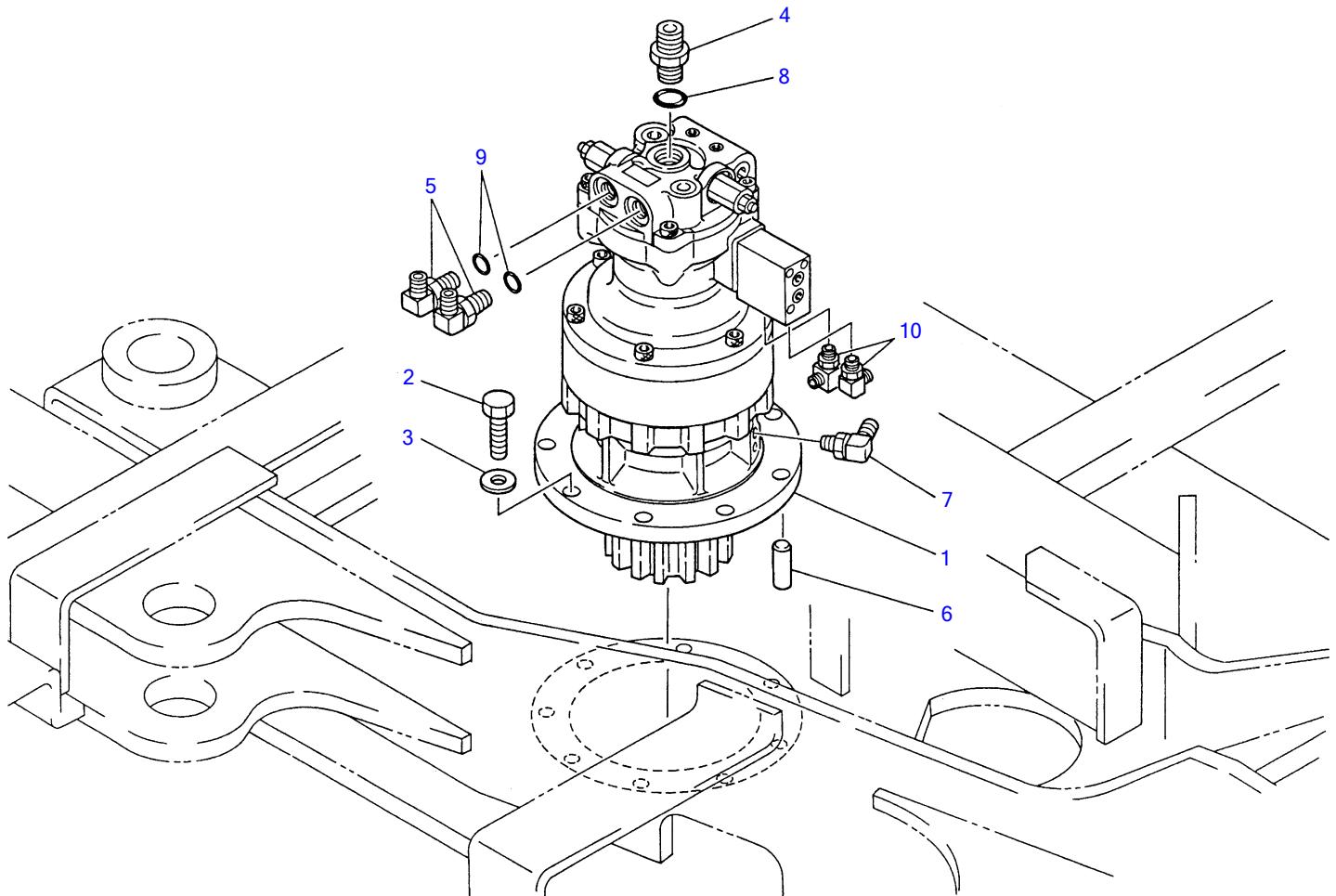
Item	Part number	Description	Q'ty	Chan.	Serial No.	Serv.	Remarks
		PIPING ASSY, lower					
1	1515010040	ELBOW	2				
2	1512370011	NIPPLE	2				
3	1513900002	SOCKET	1				
4	1100040645	BOLT	2				
5	1140020006	WASHER, spring	2				
6	1901729800	VALVE	1				
7	0561021219	PLATE	1				
8	1801022027	HOSE ASSY	2				
9	1801022042	HOSE ASSY	1				
12	0007206001	NIPPLE	1				
	L109b0L						



L1-09a-2-D

**PIPING; LOWER (1703950~)**

Item	Part number	Description	Q'ty	Chan.	Serial No.	Serv.	Remarks
		PIPING ASSY, lower					
1	0097210300	GUARD	2				
2	0567217010	HOSE ASSY	4				18025-40145
2-2	1532224050	• PROTECTOR	1				sold by the meter
3	0567217020	HOSE ASSY	2				18025-20150
3-2	1532224060	• PROTECTOR	1				sold by the meter
4	1802539001	HOSE ASSY	1				
5	1802539002	HOSE ASSY	1				
6	1802539003	HOSE ASSY	1				
7	0567217030	HOSE ASSY	1				18025-20108
7-2	1532224030	• PROTECTOR	1				sold by the meter
8	1801022150	HOSE ASSY	2				
10	1532208120	TUBE	13				sold by the meter
11	1531350020	PROTECTOR	4				sold by the meter
12	1652200007	BAND	2				
13	0567215100	GUARD	2				
14	1515010040	ELBOW	2				
15	1512370011	NIPPLE	1				
17	1100040645	BOLT	2				
18	1140020006	WASHER, spring	2				
19	1901729800	VALVE ASSY	1				
19-1	1909924906	• VALVE	1				
20	1801022027	HOSE ASSY	1				
21	1801022042	HOSE ASSY	1				
22	0567217040	HOSE ASSY	1				18010-22150, 22133
22-3	1532221096	• PROTECTOR	1				sold by the meter
23	0567217050	HOSE ASSY	1				18010-22150, 22177
23-3	1532221095	• PROTECTOR	1				sold by the meter
	L109a3L						

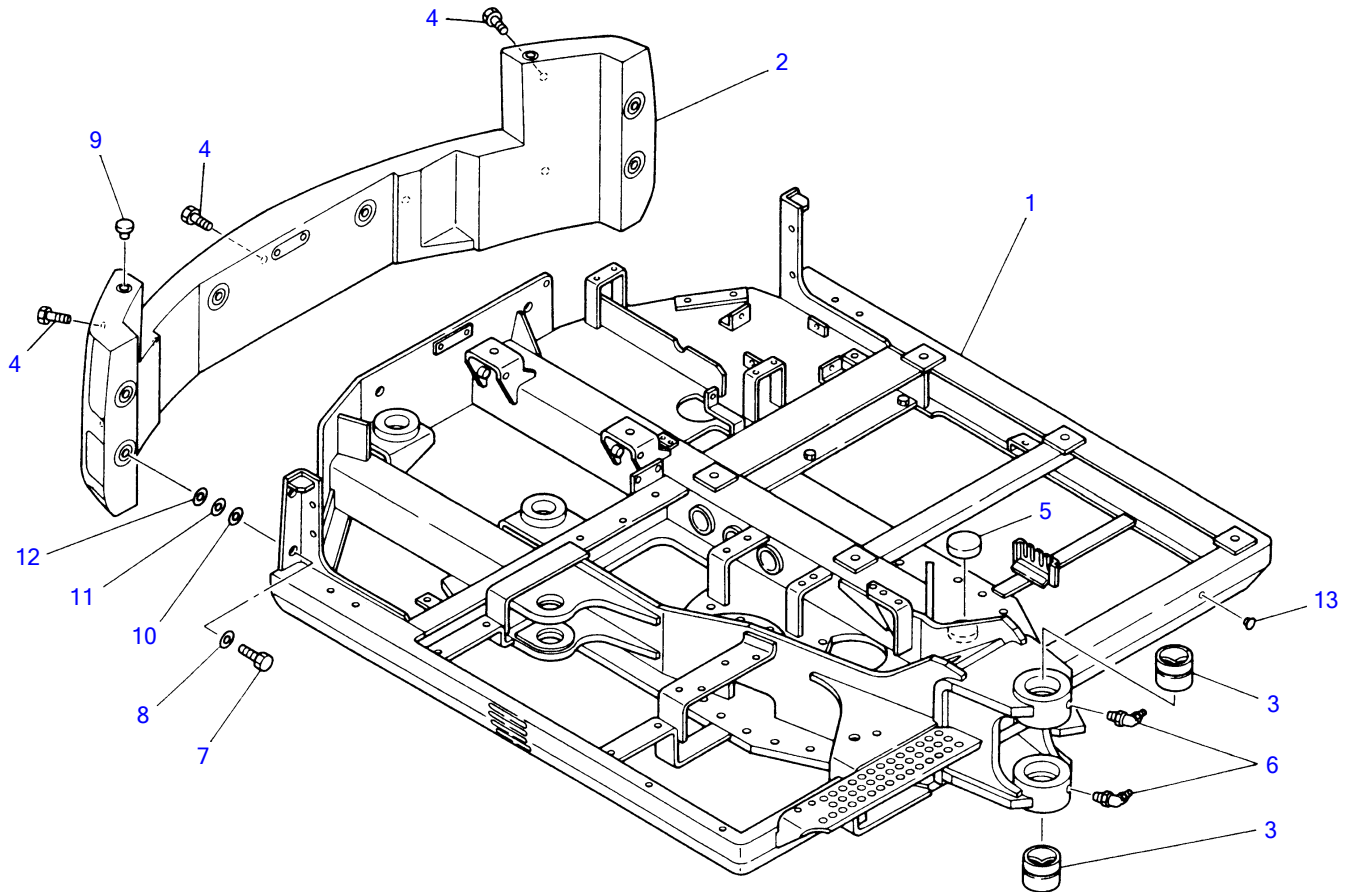


L1-10a-1-D



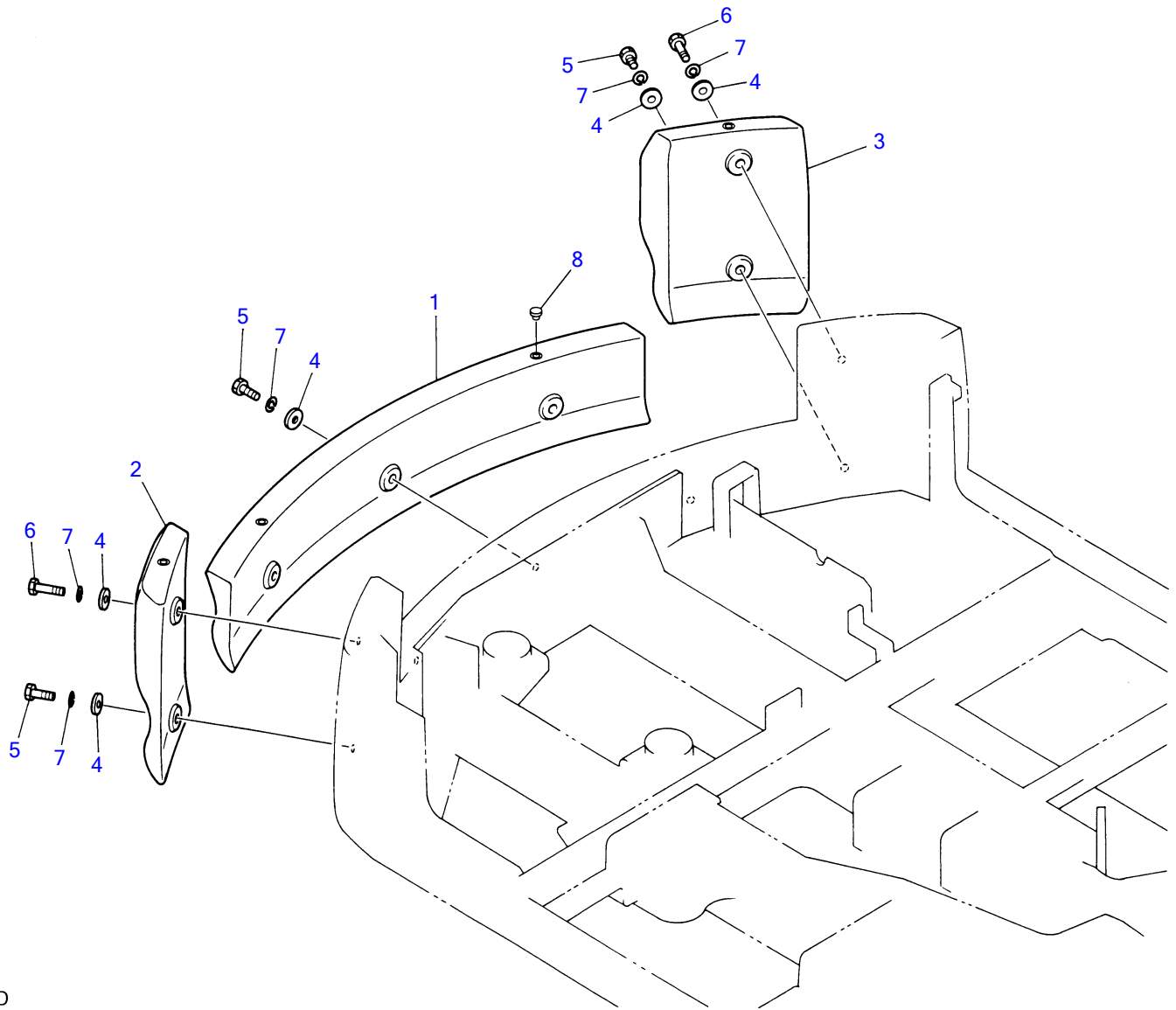
**SLEWING DEVICE**

Item	Part number	Description	Q'ty	Chan.	Serial No.	Serv.	Remarks
		SLEWING DEVICE ASSY					
1	1903114600	MOTOR ASSY	1				with P. B.
2	1106241655	BOLT	7				
3	1141540016	WASHER	7				
4	1515600203	ADAPTOR	1				
5	1515010042	ELBOW	2				
6	0562313100	PIN	1				
7	1511150003	ADAPTOR	1				
8	1420010240	O-RING	1				
9	1420010180	O-RING	2				
10	1515010040	ELBOW	2		1703619~		
	L110a1L						



L1-11a-3-D

Item	Part number	Description	TURNTABLE		Serial No.	Serv.	Remarks
			Q'ty	Chan.			
		TURNTABLE ASSY			1703004~1704278		
		TURNTABLE ASSY			1704279~		
1	X *****	TURNTABLE	1				
2	0563019200	COUNTERWEIGHT	1		1703004~1703886		
	0563023100	COUNTERWEIGHT	1	(H) ㊦	1703887~1704278		
	0563019200	COUNTERWEIGHT	1		1703004~1704278		for Japan
	0563025100	COUNTERWEIGHT	1		1704279~		
3	0563018800	BUSHING	2				
4	0563019500	BOLT	7				
5	0173216600	COVER	1				
6	1560001675	NIPPLE, grease	2				
7	1101042050	BOLT	6				
8	1141550020	WASHER	6				
9	1652533020	CAP	2				
10	0563019800	SHIM	AR				t=1.2mm
11	0563019810	SHIM	AR				t=2.3mm
12	0563019820	SHIM	AR				t=3.2mm
13	1652533023	CAP	1		1703301~		
	L111a3L						



L1-11d-1-D

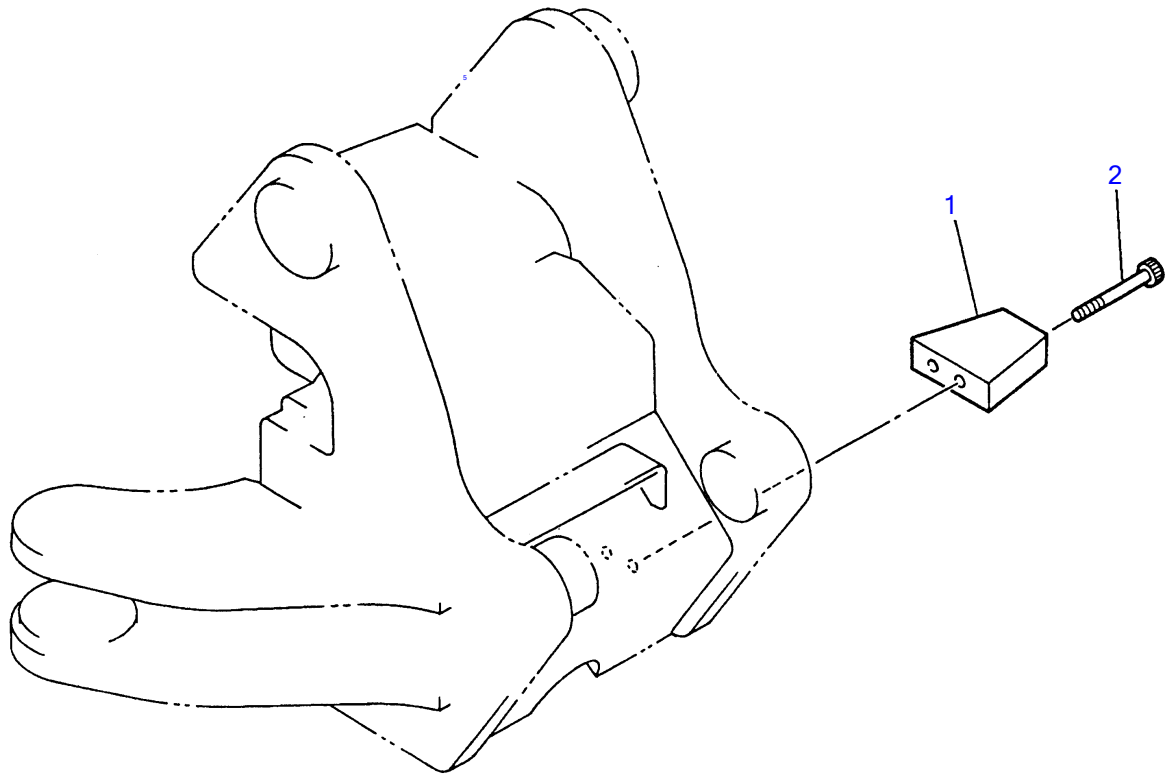
**COUNTERWEIGHT (for telescopic arm)**

Item	Part number	Description	Q'ty	Chan.	Serial No.	Serv.	Remarks
0	<b>0563023000</b>	COUNTERWEIGHT ASSY					
1	<b>0563023200</b>	▪ COUNTERWEIGHT; A	1				
2	<b>0563023300</b>	▪ COUNTERWEIGHT; R. H.	1				
3	<b>0563023400</b>	▪ COUNTERWEIGHT; L. H.	1				
4	<b>0563023600</b>	▪ WASHER	7				
5	<b>1101041870</b>	▪ BOLT	5				
6	<b>1101141800</b>	▪ BOLT	2				
7	<b>1140020018</b>	▪ WASHER, spring	7				
8	<b>1652533018</b>	▪ CAP	1				
	<b>L111d1L</b>						



**BOOM SWING**

Item	Part number	Description	Q'ty	Chan.	Serial No.	Serv.	Remarks
		BOOM SWING ASSY					
1	0563114100	BRACKET	1		1703004~1703998		
	0563114600	BRACKET	1	(H)	1703999~		
2	0563113200	PIN	1		1703004~1703206		
	0563113200	PIN	2		1703207~		
3	0563113300	PIN	1		1703004~1703206		
4	0563114200	PIN	2				
5	0563113500	WASHER ASSY	1				
5-1	0563113501	· WASHER	1				t=4.5mm
5-2	0563113502	· WASHER	1				t=5.0mm
5-3	0563113503	· WASHER	1				t=5.5mm
6	0563114300	PLATE	2				
7	1101041440	BOLT	4				
8	1100341400	BOLT	2				
9	1130040014	NUT	4				
10	1140020014	WASHER, spring	4				
11	1420010180	O-RING	2				
12	1515010042	ELBOW	2				
13	1900063600	CYLINDER, swing	1				
14	1652062006	CAP	2				
15	0003600101	SHIM	AR				t=0.2mm
	0003600102	SHIM	AR				t=0.5mm
	0003600103	SHIM	AR				t=1.0mm
	0003600104	SHIM	AR				t=1.6mm
	0003600148	SHIM	AR				t=2.9mm
	L111b3L						

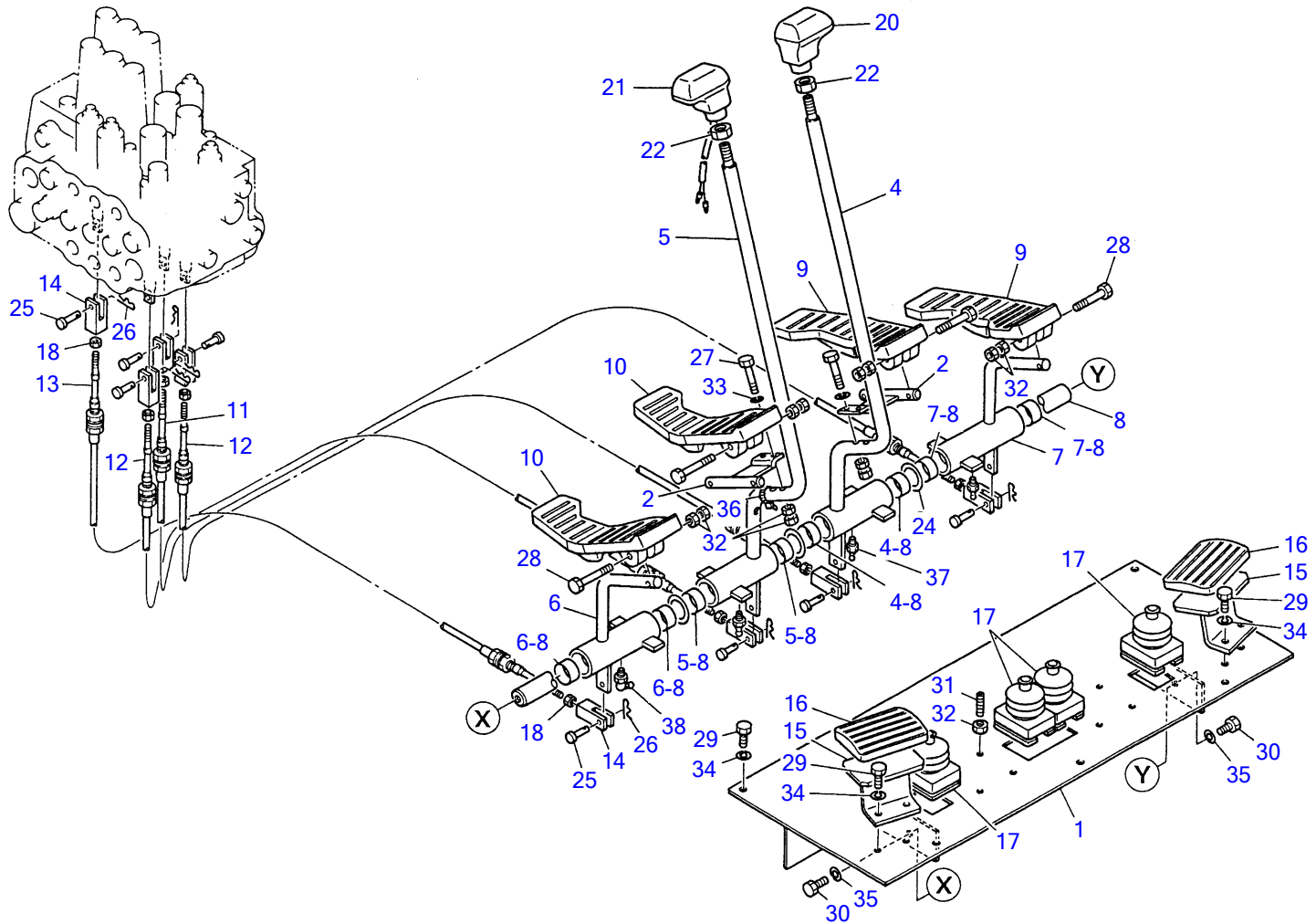


L1-11c-0-D



**SWING STOPPER**

Item	Part number	Description	Q'ty	Chan.	Serial No.	Serv.	Remarks
1	<b>0563900100</b>	STOPPER ASSY PLATE	1				
2	<b>1111141200</b> <b>L111c0L</b>	SCREW, cap	2				

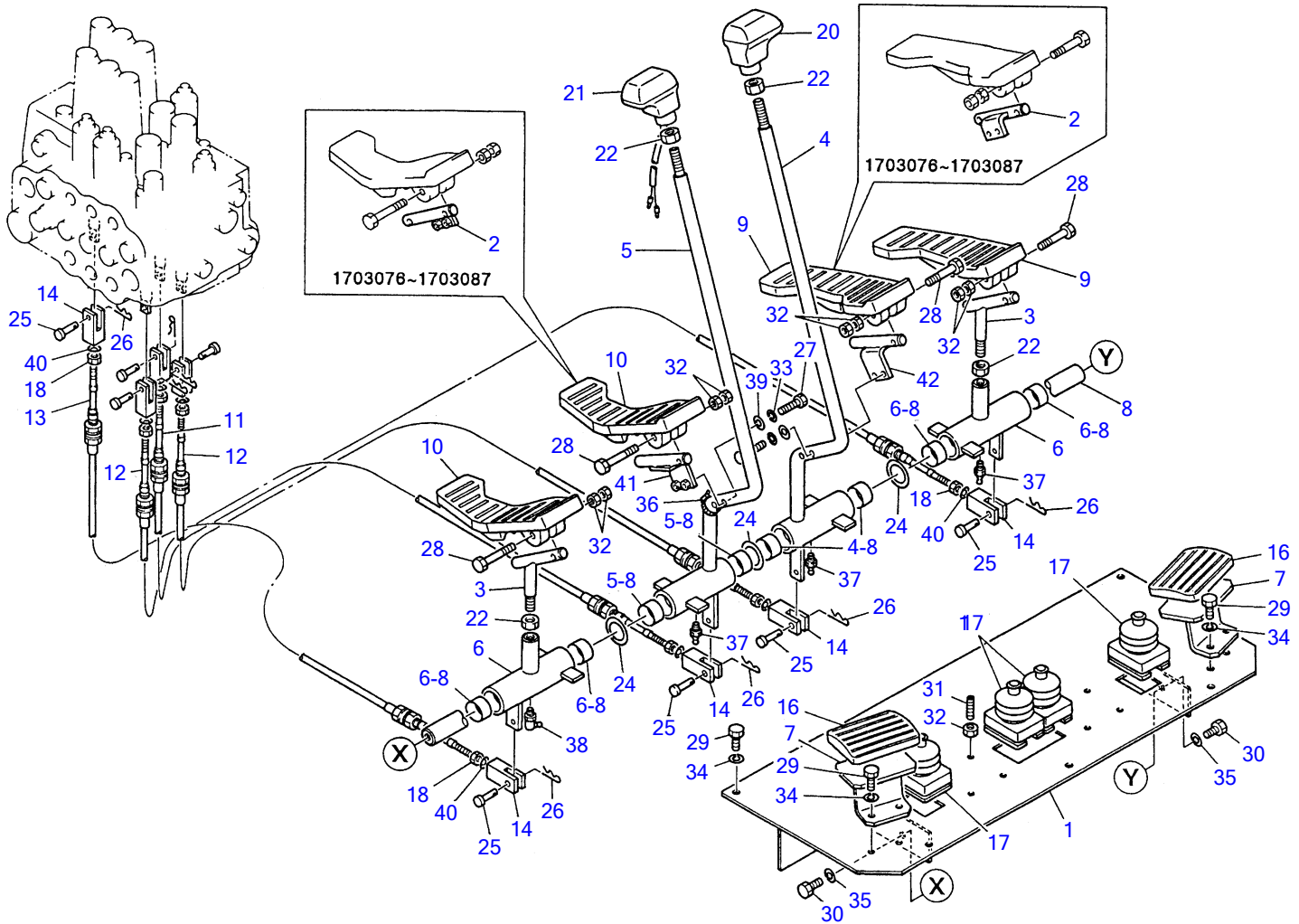


L1-12a-0-D

**TRAVEL LEVER & PEDAL (1703004~1703075)**

Item	Part number	Description	Q'ty	Chan.	Serial No.	Serv.	Remarks
		CONTROL LEVER ASSY					
1	0563218100	BRACKET	1				
2	0563216200	BRACKET	2				
4	0563218200	LEVERASSY (L. H.)	1				
4-8	1333002515	· BUSHING	2				
5	0563218300	LEVERASSY (R. H.)	1				
5-8	1333002515	· BUSHING	2				
6	0563216600	LEVER ASSY	1				
6-8	1333002515	· BUSHING	2				
7	0563216700	LEVER ASSY	1				
7-8	1333002515	· BUSHING	2				
8	0563216800	SHAFT	1				
9	0563216900	PEDAL (L. H.)	2				
10	0563217000	PEDAL (R. H.)	2				
11	0563217100	WIRE	1				
12	0563217200	WIRE	2				
13	0563217300	WIRE	1				
14	0563217400	YOKE	8				
15	0563218400	PEDAL	2				
16	0563218500	COVER	2				
17	0563217700	BOOT	4				
18	1130040005	NUT	8				
20	1650202610	GRIP	1				
21	1650203210	GRIP	1				
22	1131040012	NUT	2				
24	0303301000	WASHER	3				
25	0004006017	PIN	8				
26	1214000006	PIN, snap	8				
27	1100040635	BOLT	4				
28	1100040655	BOLT	4				
29	1100040825	BOLT	10				
30	1100041020	BOLT	2				
31	1121040635	SET-SCREW	8				
32	1130040006	NUT	24				
33	1140020006	WASHER, spring	4				
34	1140020008	WASHER, spring	10				
35	1140020010	WASHER, spring	2				
36	1652200004	BAND	1				
37	1560011006	NIPPLE, grease	3				
38	1560012006	NIPPLE, grease	1				
	L112a0L						

TB070 Book No.PL1-101Z5 S/N1703004-1705487  
TRAVEL LEVER & PEDAL (1703076~1705080)

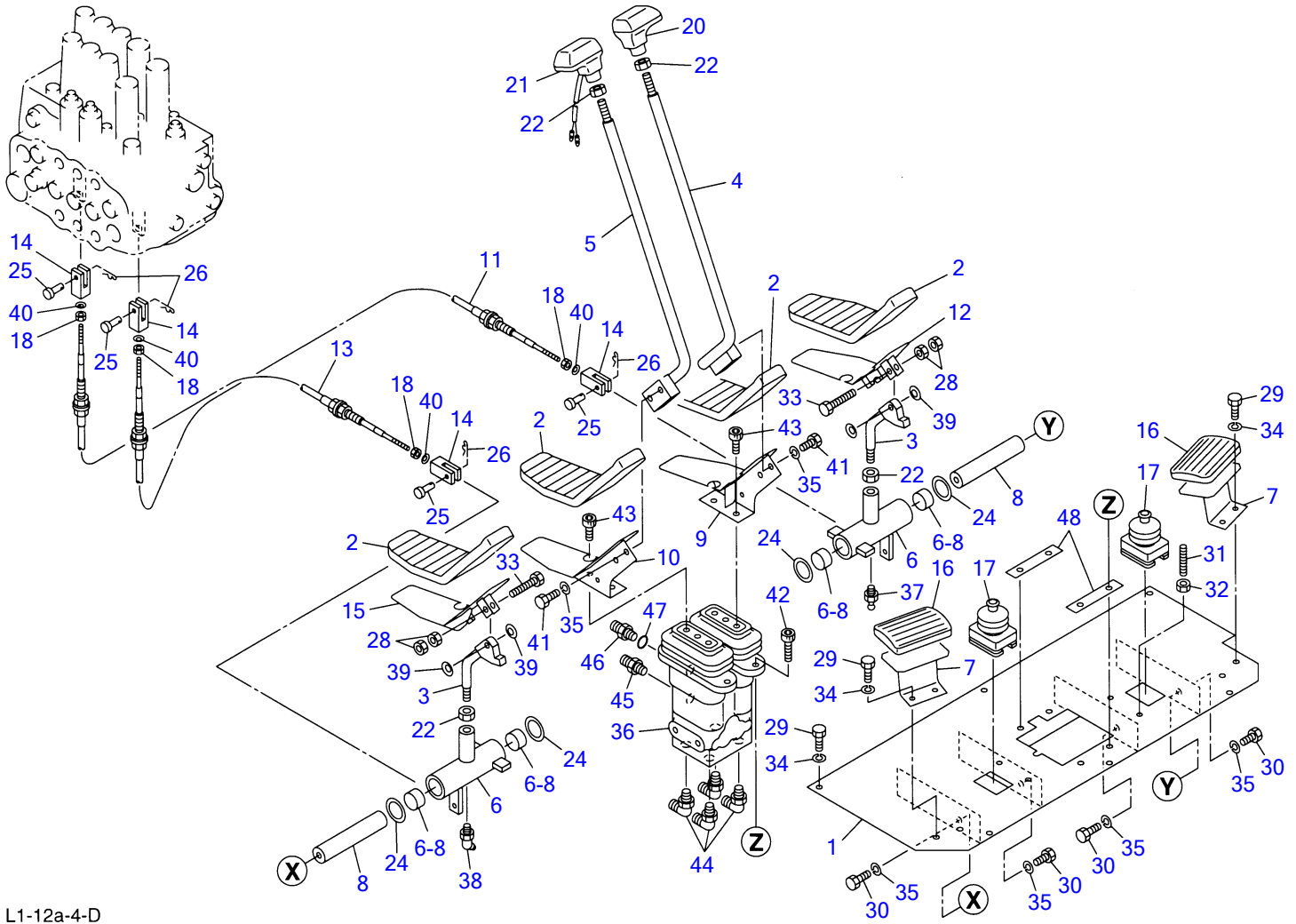


L1-12a-3-D

**TRAVEL LEVER & PEDAL (1703076~1705080)**

Item	Part number	Description	Q'ty	Chan.	Serial No.	Serv.	Remarks
		CONTROL LEVER ASSY					
1	0563219100	BRACKET	1				
2	0563219200	BRACKET	2		1703076~1703087		
3	0563219300	BRACKET	2		1703076~1703087		
	0563219850	BRACKET	2	(H)	1703088~		
4	0563219400	LEVER ASSY (L. H.)	1				
4-8	1333002515	• BUSHING	2				
5	0563219500	LEVER ASSY (R. H.)	1				
5-8	1333002515	• BUSHING	2				
6	0563219600	LEVER ASSY	2				
6-8	1333002515	• BUSHING	2				
7	0563219700	PEDAL	2				
8	0563216800	SHAFT	1				
9	0563216900	PEDAL (L. H.)	2				
10	0563217000	PEDAL (R. H.)	2				
11	0563217100	WIRE	1				
12	0563217200	WIRE	2				
13	0563217300	WIRE	1				
14	0563217400	YOKE	8				
16	0563218500	COVER	2				
17	0563217700	BOOT	4				
18	1130040005	NUT	8				
20	1650202610	GRIP	1				
21	1650203210	GRIP	1				
22	1131040012	NUT	4				
24	0303301000	WASHER	3				
25	0004006017	PIN	8				
26	1214000006	PIN, snap	8				
27	1100040635	BOLT	4				
28	1100040655	BOLT	4				
29	1100040825	BOLT	10				
30	1100041020	BOLT	2				
31	1121040635	SET-SCREW	8				
32	1130040006	NUT	16				
33	1140020006	WASHER, spring	4				
34	1140020008	WASHER, spring	10				
35	1140020010	WASHER, spring	2				
36	1652200004	BAND	1		1703076~1703938		
37	1560011006	NIPPLE, grease	3				
38	1560012006	NIPPLE, grease	1				
39	1141110006	WASHER	4				
40	1225000005	WASHER	8				
41	0563219750	BRACKET (R. H.)	1		1703088~		
42	0563219800	BRACKET (L. H.)	1		1703088~		
	L112a3L						

TB070 Book No.PL1-101Z5 S/N1703004-1705487  
TRAVEL LEVER & PEDAL (1705081~)

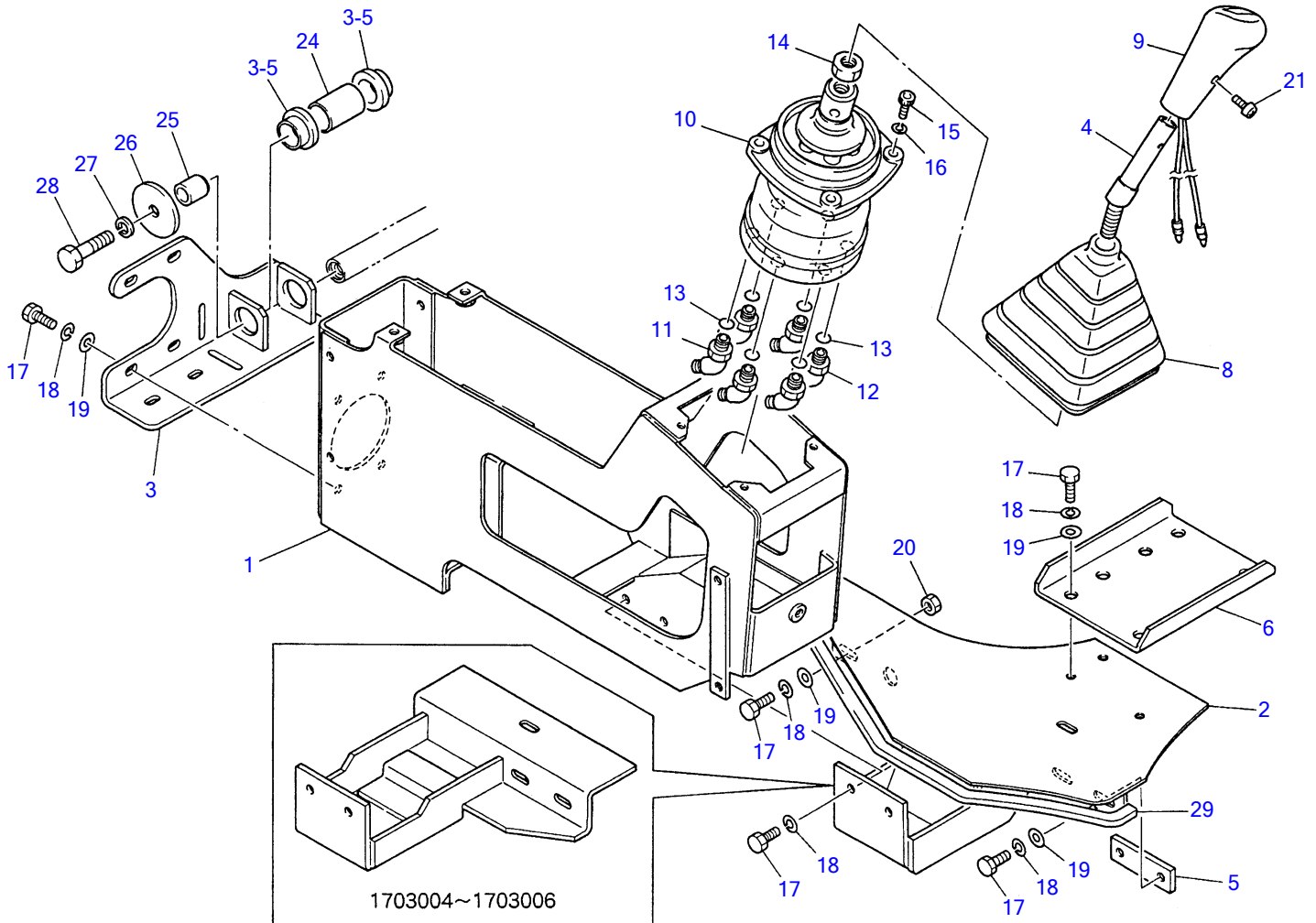


L1-12a-4-D

**TRAVEL LEVER & PEDAL (1705081~)**

Item	Part number	Description	Q'ty	Chan.	Serial No.	Serv.	Remarks
		CONTROLLEVER ASSY					
1	0563226100	BRACKET	1				
2	0563226200	COVER	4				
3	0563219310	BRACKET	2				
4	0563226300	LEVER (L.H.)	1				
5	0563226400	LEVER (R.H.)	1				
6	0563219600	LEVER ASSY	2				
6-8	1333002515	• BUSHING	2				
7	0563219700	PEDAL	2				
8	0563226500	SHAFT	1				
9	0563226600	PEDAL (L.H.)	1				
10	0563226700	PEDAL (R.H.)	2				
11	0563217100	WIRE	1				
12	0563226800	PEDAL (L.H.)	1				
13	0563217300	WIRE	1				
14	0563217400	YOKE	4				
15	0563226900	PEDAL (R.H.)	1				
16	0563218500	COVER	2				
17	0563217700	BOOT	2				
18	1130040005	NUT	4				
20	1650202610	GRIP	1				
21	1650203210	GRIP	1				
22	1131040012	NUT	4				
24	0303301000	WASHER	4				
25	0004006017	PIN	4				
26	1214000006	PIN, snap	4				
28	1100040840	BOLT	2				
29	1100040825	BOLT	10				
30	1100041020	BOLT	4				
31	1121040635	SET-SCREW	4				
32	1130040006	NUT	4				
33	1130040008	NUT	4				
34	1140020008	WASHER, spring	10				
35	1140020010	WASHER, spring	8				
36	1901733500	VALVE, remote-control	1				
37	1560011006	NIPPLE, grease	1				
38	1560012006	NIPPLE, grease	1				
39	1225110008	WASHER	4				
40	1225000005	WASHER	4				
41	1100041016	BOLT	4				
42	1110041025	SCREW, cap	4				
43	1110041016	SCREW, cap	4				
44	1515010040	ELBOW	4				
45	1515600200	ADAPTOR	1				
46	0007203066	ADAPTOR	1				
47	1420010110	O-RING	1				
48	0563226120	PLATE	2				
	L112a4L						

TB070 Book No.PL1-101Z5 S/N1703004-1705487  
OPERATION LEVER (R.H.) & STAND



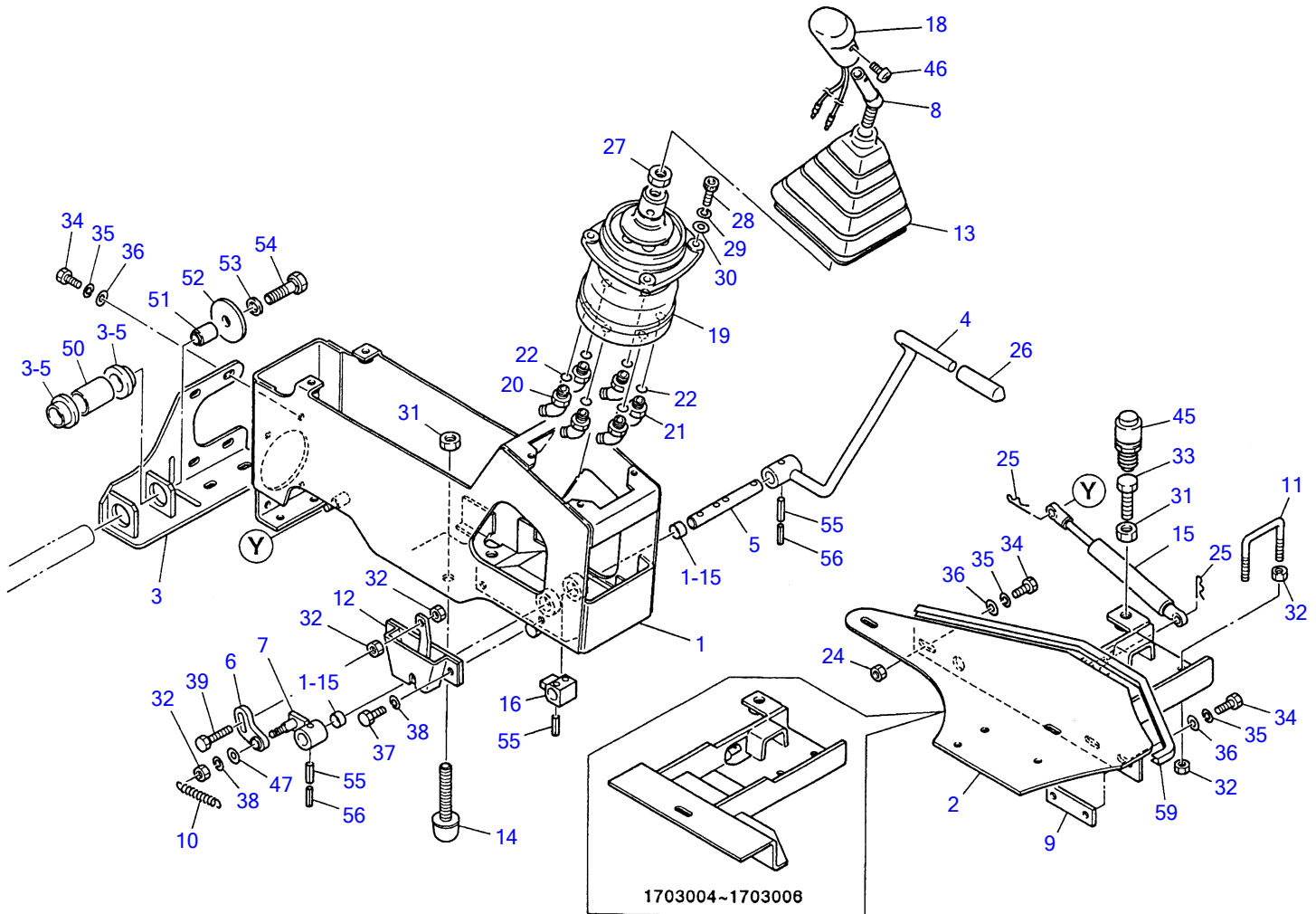
L1-13a-0-D



**OPERATION LEVER (R.H.) & STAND**

Item	Part number	Description	Q'ty	Chan.	Serial No.	Serv.	Remarks
		VALVE ASSY (R. H.)					
1	0565102200	BOX	1				
2	0565102300	BRACKET	1		1703004~1703006		
	0565104000	BRACKET	1	(H)	1703007~		
3	0565102400	BRACKET ASSY	1				
3-5	0565102405	• BUSHING	2				
4	0565102500	LEVER	1				
5	0565103800	PLATE	1				
6	0565104200	PLATE	1				
8	0395101600	BOOT	1				
9	1650203300	GRIP	1				
10	1901721200	VALVE ASSY	1				
11	1512370012	ADAPTOR	1				
12	1515100110	ELBOW	5				
13	1420010110	O-RING	6				
14	1130140014	NUT	1				
15	1110040630	SCREW, cap	4				
16	1140020006	WASHER, spring	4				
17	1100090820	BOLT	14				
18	1140090008	WASHER, spring	14				
19	1141190008	WASHER	12				
20	1130090008	NUT	1				
21	1120590416	SCREW	1				
24	0565103810	SPACER	1				
25	0565103820	SPACER	1				
	0565103830	WASHER	1				
27	0565103840	WASHER, spring	1				
28	0565103850	BOLT	1				
29	1653916038	TRIM	1		1703007~		sold by the meter
	L113a1L						

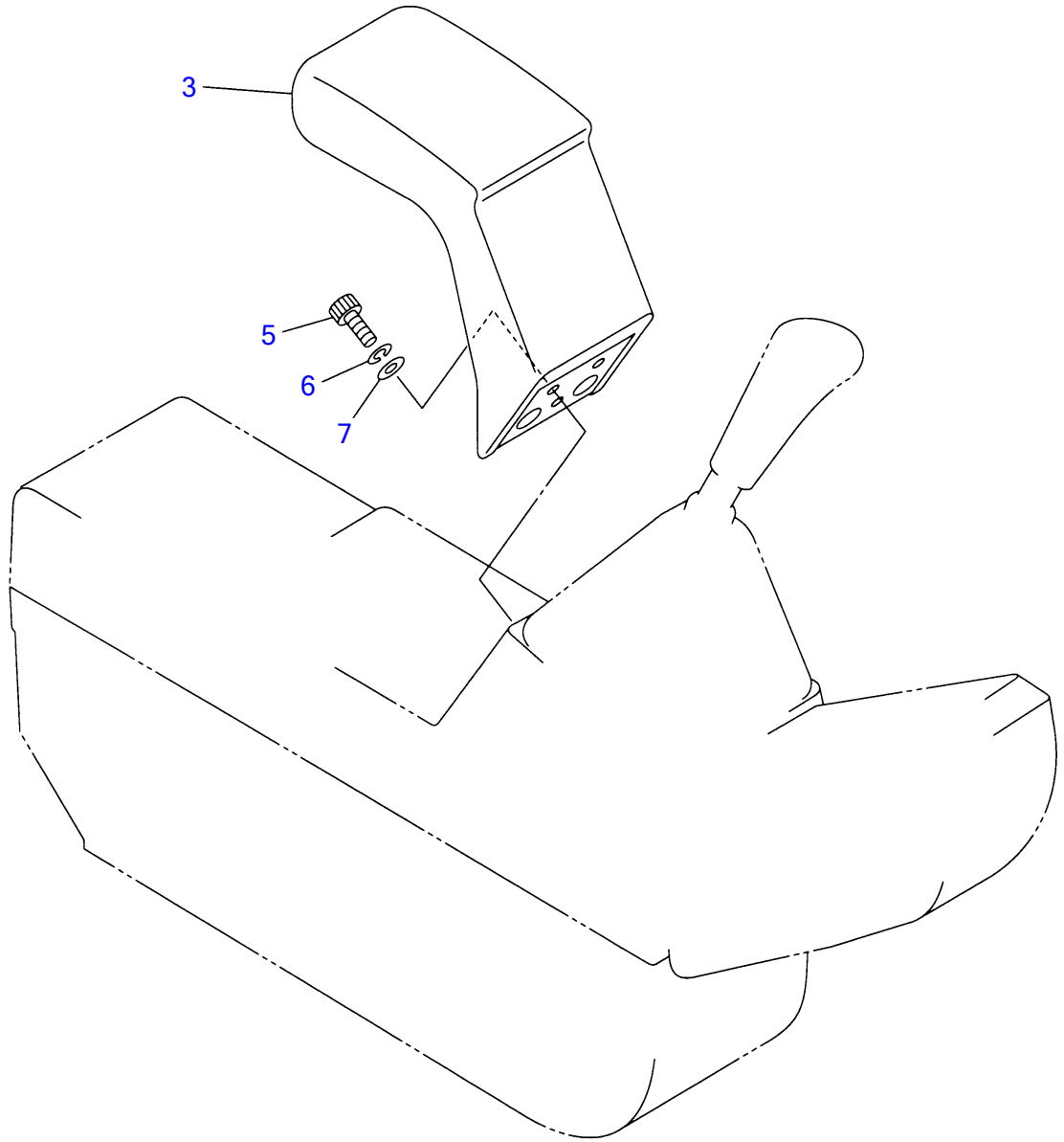
TB070 Book No.PL1-101Z5 S/N1703004-1705487  
OPERATION LEVER (L.H.) & STAND



L1-14a-1-D

**OPERATION LEVER (L.H.) & STAND**

Item	Part number	Description	Q'ty	Chan.	Serial No.	Serv.	Remarks
		VALVE ASSY (L. H.)					
1	0565103100	BOX ASSY	1				
1-15	1333001512	• BUSHING	1				
2	0565103200	BRACKET	1		1703004~1703006		
	0565104100	BRACKET	1	(H)	1703007~		
3	0565103300	BRACKET ASSY	1				
3-5	0565102405	• BUSHING	2				
4	0565103400	LEVER	1				
5	0565103500	SHAFT	1				
6	0565103600	ARM	1				
7	0565103700	LEVER	1				
8	0565102500	LEVER	1				
9	0565103800	PLATE	1				
10	0565101400	SPRING	1				
11	0565101600	HOOK	1				
12	1653612304	LOCK ASSY	1				
13	0395101600	BOOT	1				
14	1651101225	STOPPER	2				
15	1653900027	SPRING, gas	1				
16	0565103900	LEVER	1				
18	1650203350	GRIP	1				
19	1901721200	VALVE ASSY	1				
20	1512370012	ADAPTOR	1				
21	1515100110	ELBOW	5				
22	1420010110	O-RING	6				
24	1130090008	NUT	1				
25	1214000008	PIN, snap	2				
26	1650202300	CAP	1				
27	1130140014	NUT	1				
28	1110040630	SCREW, cap	4				
29	1140020006	WASHER, spring	5				
30	0003600090	WASHER	2				
31	1130040012	NUT	3				
32	1130040008	NUT	7				
33	1100041235	BOLT	1				
34	1100090820	BOLT	12				
35	1140090008	WASHER, spring	12				
36	1141190008	WASHER	12				
37	1100040816	BOLT	2				
38	1140020008	WASHER, spring	3				
39	1100040830	BOLT	1				
45	1700000014	SWITCH, safety	1				
46	1120590416	SCREW	1				
47	1141110008	WASHER	1				
50	0565103810	SPACER	1				
51	0565103820	SPACER	1				
52	0565103830	WASHER	1				
53	0565103840	WASHER, spring	1				
54	0565103850	BOLT	1				
55	1213000625	PIN, spring	4				
56	1213000425	PIN, spring	2				
59	1653916038	TRIM	1		1703007~		sold by the meter
	L114a1L						

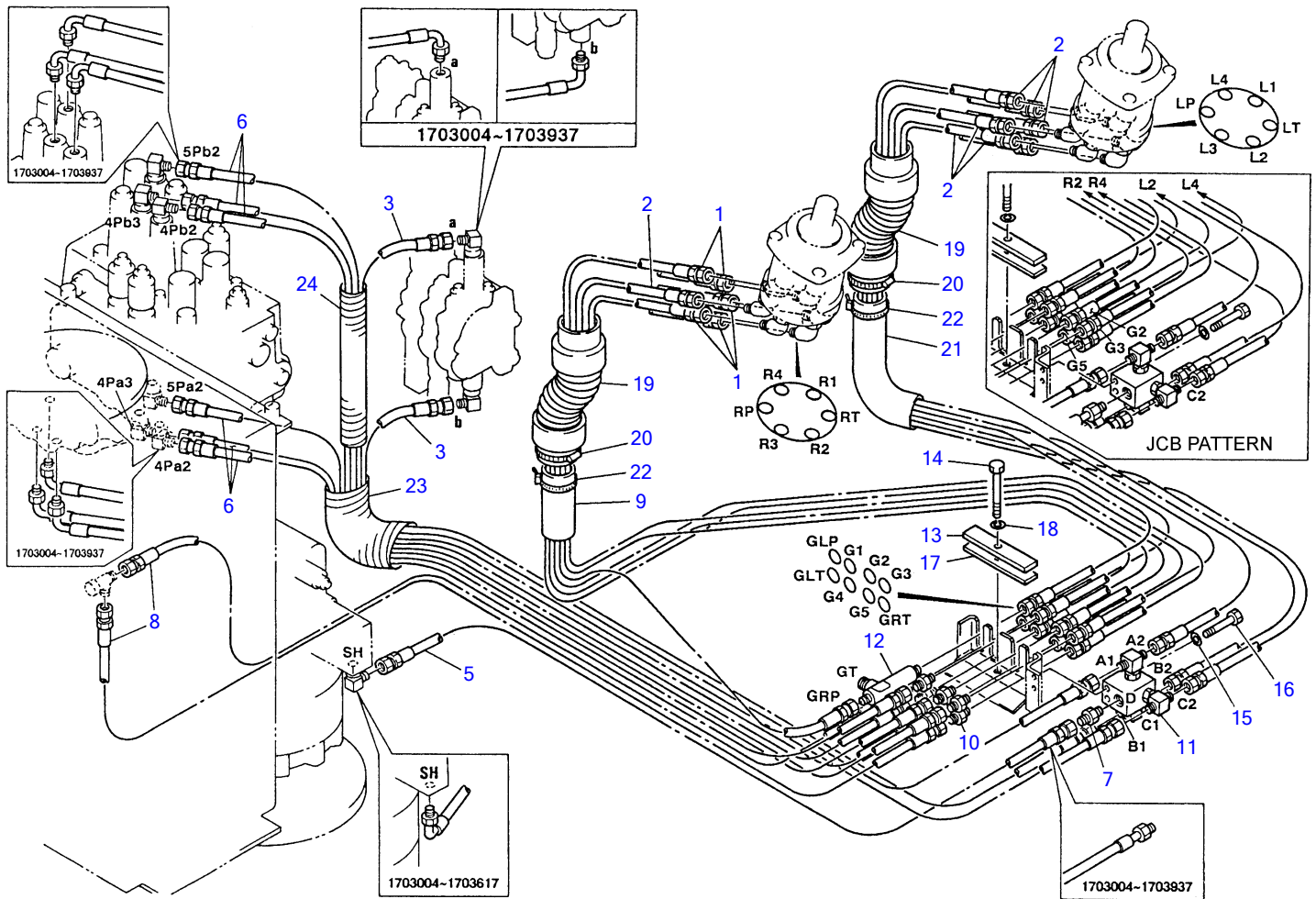


L1-14c-1-D

**ARM REST**

Item	Part number	Description	Q'ty	Chan.	Serial No.	Serv.	Remarks
		REST ASSY, arm					
3	<b>0563600300</b>	REST, arm	1				
5	<b>1110090820</b>	SCREW, cap	3				
6	<b>1140490008</b>	WASHER, spring	3				
7	<b>1141190008</b>	WASHER	3				
	<b>L114c1L</b>						

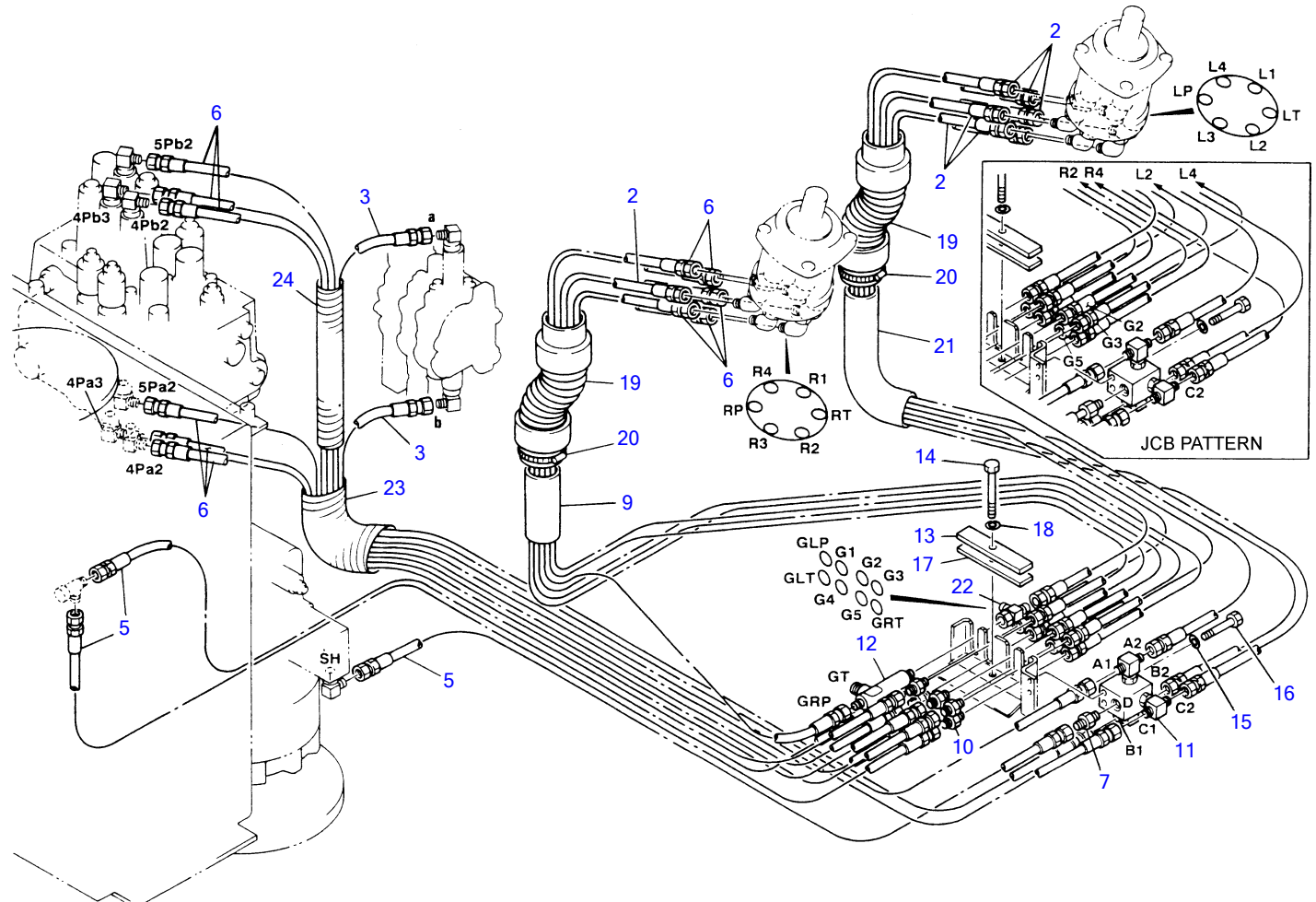
TB070 Book No.PL1-101Z5 S/N1703004-1705487  
 PIPING; OPERATION LEVER (1703004~1705080)



L1-14b-1-D

**PIPING; OPERATION LEVER (1703004~1705080)**

Item	Part number	Description	Q'ty	Chan.	Serial No.	Serv.	Remarks
		PIPING ASSY					
1	1934822190	HOSE ASSY	5				
2	1934822155	HOSE ASSY	7				
3	1934881195	HOSE ASSY	2		1703004~1703937		
	1934822195	HOSE ASSY	2		1703938~		
5	1934884150	HOSE ASSY	1		1703004~1703617		
	1934870150	HOSE ASSY	1		1703618~1703937		
	1934822150	HOSE ASSY	1		1703938~		
6	1934881205	HOSE ASSY	6		1703004~1703937		
	1934822205	HOSE ASSY	6		1703938~		
7	1515600200	ADAPTOR	1		1703938~		
8	1934822150	HOSE ASSY	2				
9	1531335020	PROTECTOR	1				sold by the meter
10	1511500102	ADAPTOR	7				
11	1901721800	VALVE, doubleshuttle	1				
12	1513390013	TEE	1				
13	0567119100	PLATE	1				
14	1100040865	BOLT	1				
15	1140020006	WASHER, spring	2				
16	1100040660	BOLT	2				
17	0567119200	PROTECTOR	1				
18	1140020008	WASHER, spring	1				
19	1567505034	DUCT	2				
20	1533700061	BAND	2		1703076~		
21	1531335035	PROTECTOR	1				sold by the meter
22	1652201005	BAND	2		1703076~1703504		
23	1532218045	PROTECTOR	1		1703675~		sold by the meter
24	1532218025	PROTECTOR	1		1703675~		sold by the meter
	L114b2L						

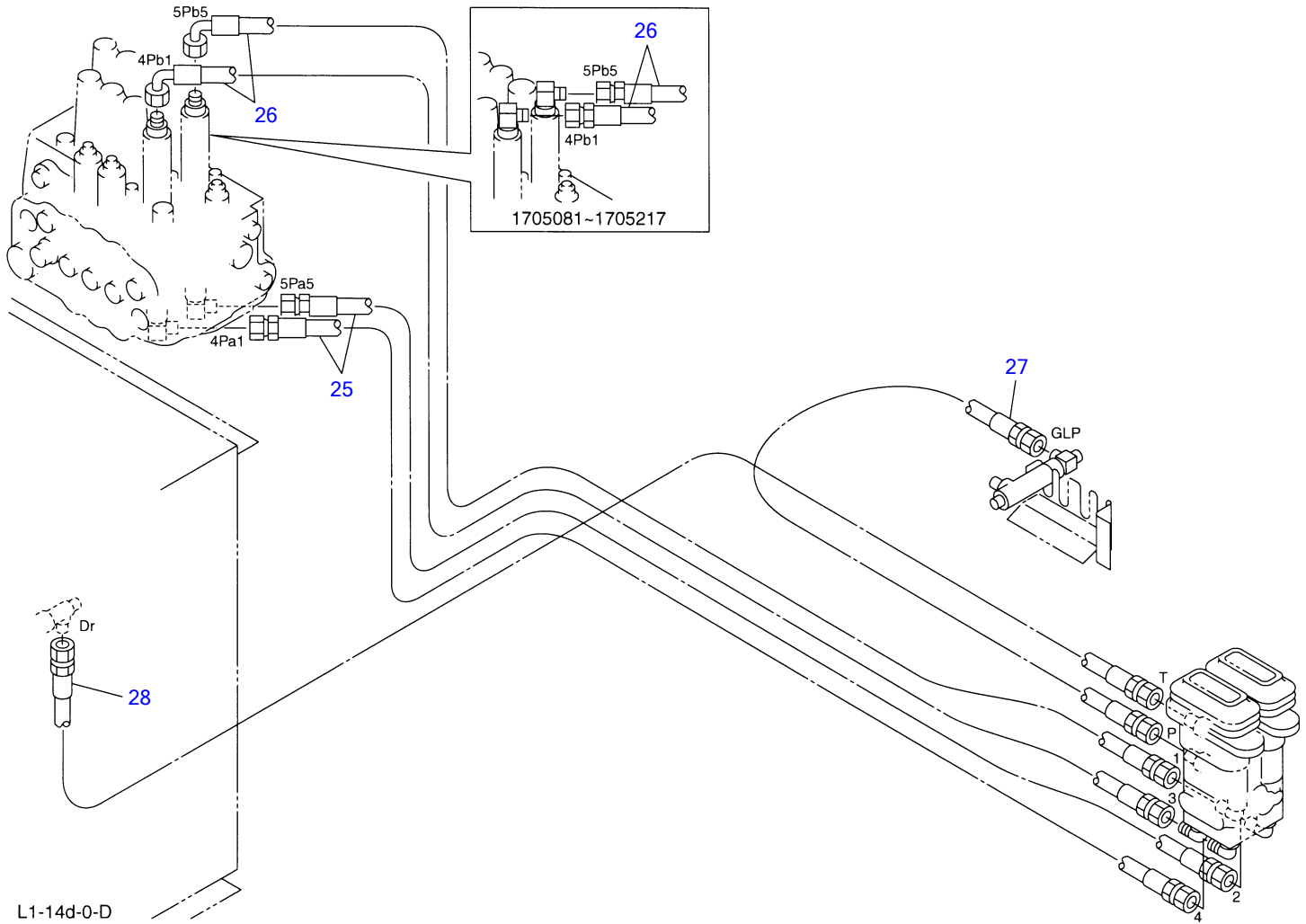


L1-14b-2-D



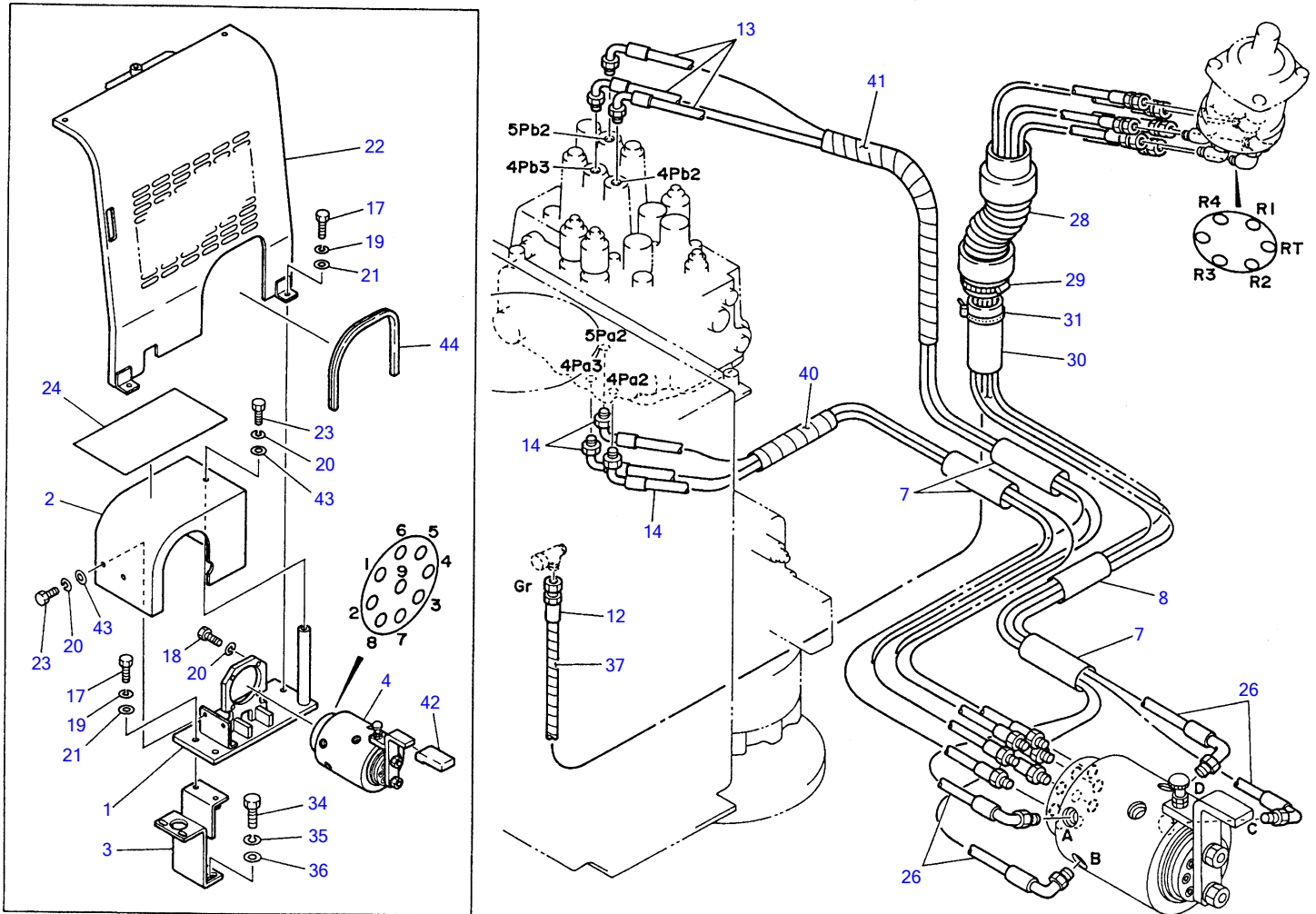
**PIPING; OPERATION LEVER (1/2) (1705081~)**

Item	Part number	Description	Q'ty	Chan.	Serial No.	Serv.	Remarks
		PIPING ASSY					
2	1934822170	HOSE ASSY	7				
3	1934822195	HOSE ASSY	2				
5	1934822150	HOSE ASSY	3				
6	1934822205	HOSE ASSY	11				
7	1515600200	ADAPTOR	1				
9	1531335020	PROTECTOR	1				sold by the meter
10	1511500102	ADAPTOR	7				
11	1901721800	VALVE, double shuttle	1				
12	1511390013	TEE	1				
13	0567119100	PLATE	1				
14	1100040865	BOLT	1				
15	1140020006	WASHER, spring	2				
16	1100040660	BOLT	2				
17	0567119200	PROTECTOR	1				
18	1140020008	WASHER, spring	1				
19	1567505034	DUCT	2				
20	1533700061	BAND	2				
21	1531335050	PROTECTOR	1				sold by the meter
22	1513390015	TEE	1				
23	1532218045	PROTECTOR	1				sold by the meter
24	1532218025	PROTECTOR	1				sold by the meter
	L114b3L						



**PIPING; OPERATION LEVER (2/2) (1705081~)**

Item	Part number	Description	Q'ty	Chan.	Serial No.	Serv.	Remarks
		PIPING ASSY					
25	<b>1934822225</b>	HOSE ASSY	2				
26	<b>1934822255</b>	HOSE ASSY	2		1705081~1705217		
	<b>1934852255</b>	HOSE ASSY	2		1705218~		
27	<b>1934822080</b>	HOSE ASSY	1				
28	<b>1934823180</b>	HOSE ASSY	1				
	<b>L114d0L</b>						



L1-15a-0-D

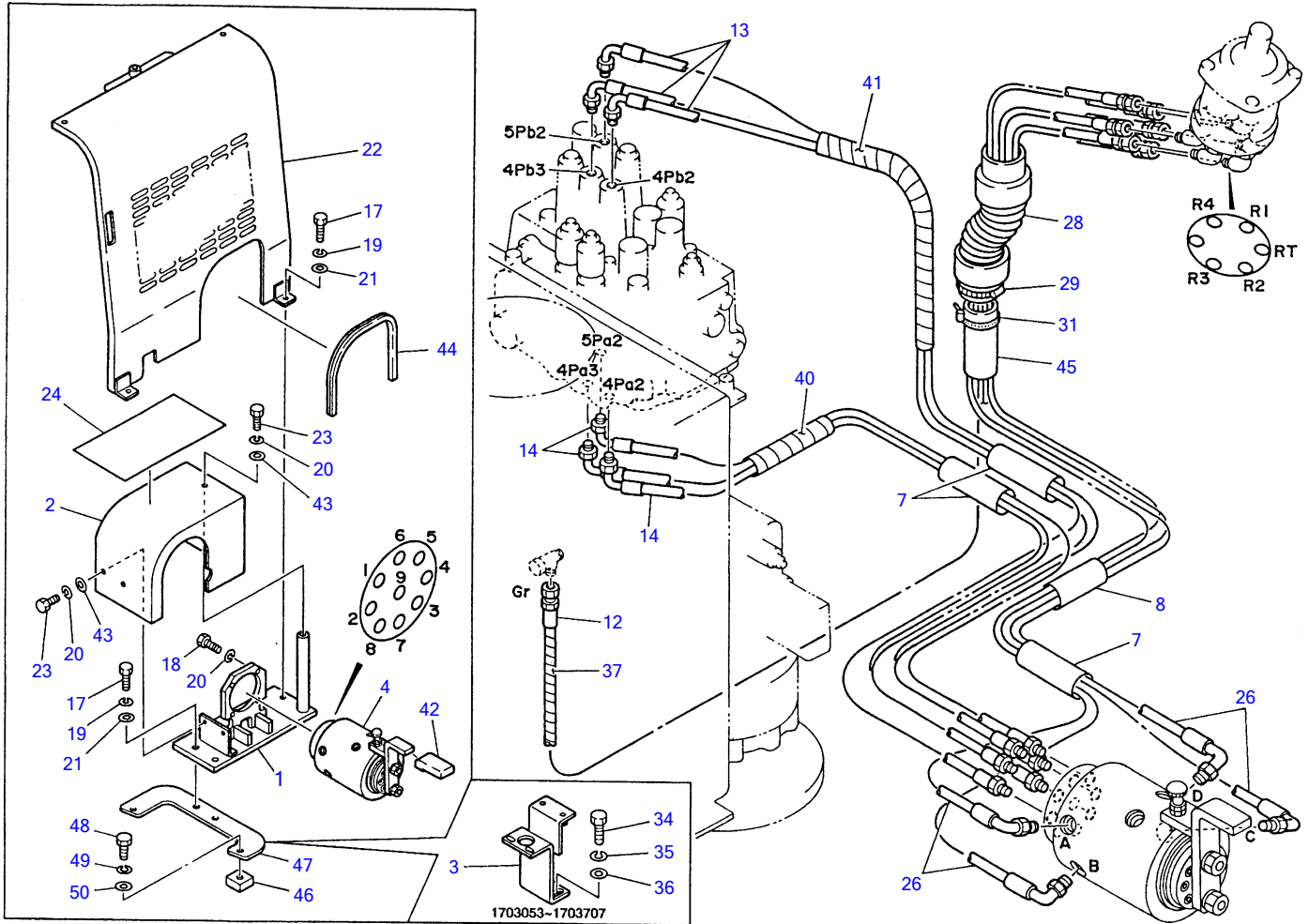
**PIPING; OPERATION LEVER (1/2) (multi pattern) (1703004~1703052)**

Item	Part number	Description	Q'ty	Chan.	Serial No.	Serv.	Remarks
		PIPING ASSY, multi					
1	0567120100	BRACKET	1				
2	0567120200	COVER	1				
3	0567120300	BRACKET	1				
4	1901722300	VALVE, rotary	1				
7	1531345040	PROTECTOR	3				sold by the meter
8	1531354025	PROTECTOR	1				sold by the meter
12	1934822190	HOSE ASSY	1				
13	1801075130	HOSE ASSY	3				
14	1801075110	HOSE ASSY	3				
17	1101041025	BOLT	3				
18	1100040825	BOLT	4				
19	1140020010	WASHER, spring	3				
20	1140020008	WASHER, spring	7				
21	1141110010	WASHER	3				
22	0567120400	COVER	1				
23	1100040815	BOLT	3				
24	0569335100	DECAL	1				
26	1934881205	HOSE ASSY	4				
28	1567505034	DUCT	1				
29	1533700061	BAND	1				
30	1531335010	PROTECTOR	1				sold by the meter
31	1652201005	BAND	1				
34	1101041430	BOLT	2				
35	1140020014	WASHER, spring	2				
36	1141550014	WASHER	2				
37	1532208020	PROTECTOR	1				sold by the meter
40	1532218040	PROTECTOR	1				sold by the meter
41	1532218050	PROTECTOR	1				sold by the meter
42	0438601760	COVER	1				
43	1141100008	WASHER	3				
44	1653917052	TRIM	1				sold by the meter
	L115a1L						



**PIPING; OPERATION LEVER (2/2) (multi pattern) (1703004~1703052)**

Item	Part number	Description	Q'ty	Chan.	Serial No.	Serv.	Remarks
		PIPING ASSY, multi			1703004~1703052		
7	1531345040	PROTECTOR	1				sold by the meter
8	1531354025	PROTECTOR	1				sold by the meter
10	1934822210	HOSE ASSY	1				
11	1934822155	HOSE ASSY	2				
14	1801075110	HOSE ASSY	1				
15	1801075060	HOSE ASSY	1				
16	1801075035	HOSE ASSY	1		1703004~1703052		
20	1140020008	WASHER, spring	1				
23	1100040815	BOLT	1				
25	1934881250	HOSE ASSY	4				
27	1513390013	TEE	1				
28	1567505034	DUCT	1				
29	1533700061	BAND	1				
30	1531335010	PROTECTOR	1				sold by the meter
31	1652201005	BAND	1				
32	0567120600	PLATE	1				
33	0567120700	URETHANE	1				
37	1532208020	PROTECTOR	2				sold by the meter
38	1532208040	PROTECTOR	1				sold by the meter
39	1532208060	PROTECTOR	1				sold by the meter
	L115b1L						

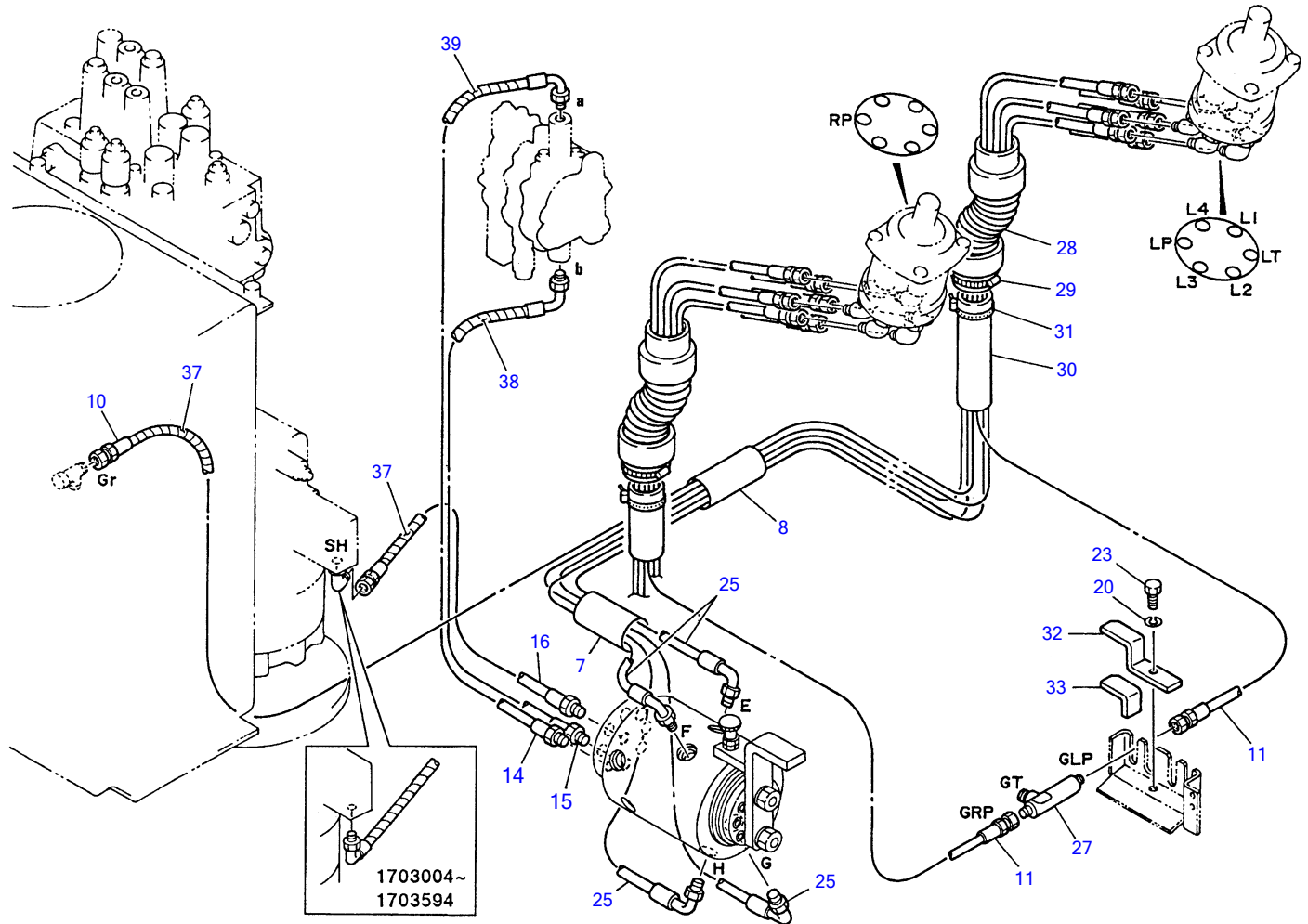


L1-15a-1-D



**PIPING; OPERATION LEVER (1/2) (multi pattern) (1703053~1705080)**

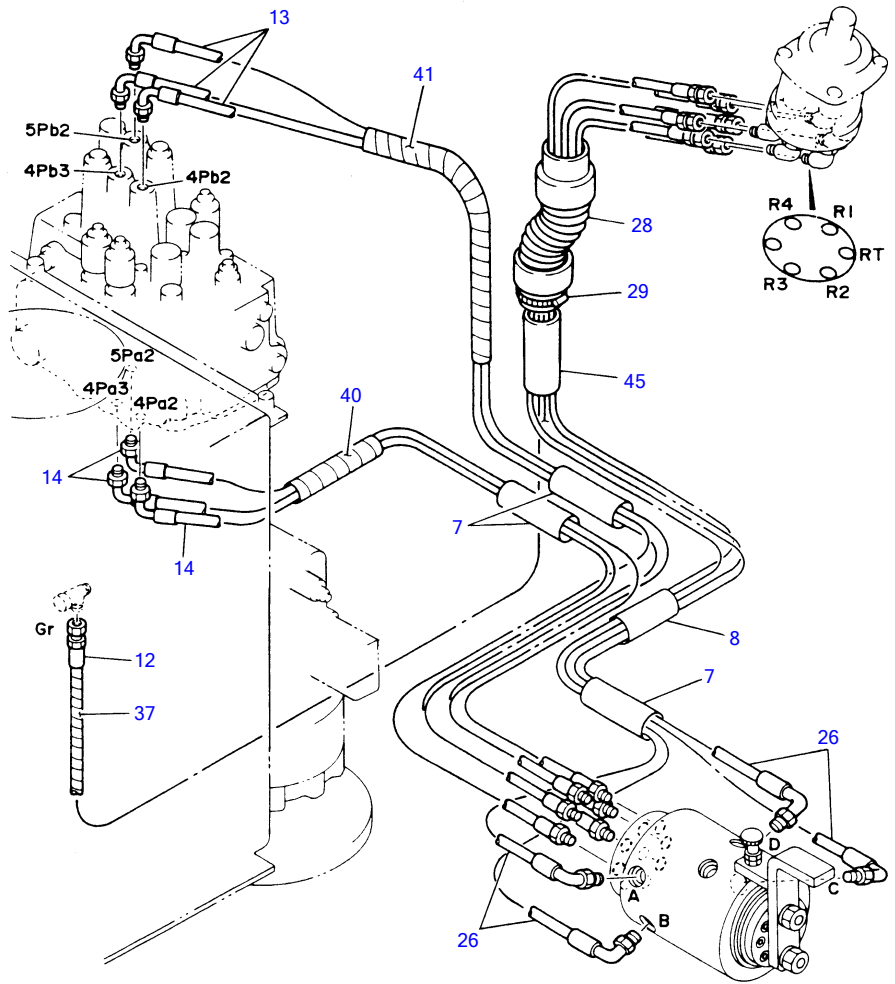
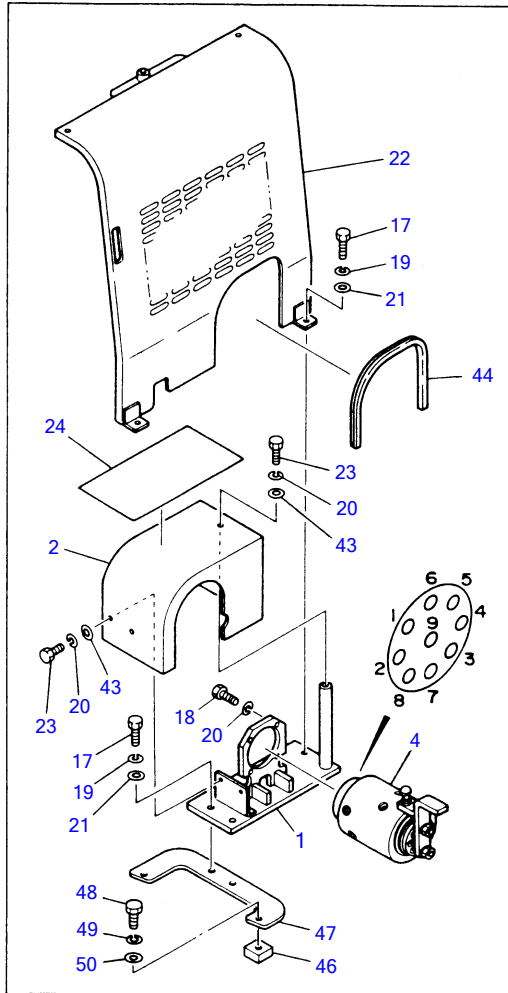
Item	Part number	Description	Q'ty	Chan.	Serial No.	Serv.	Remarks
		PIPING ASSY, multi					
1	0567120100	BRACKET	1				
2	0567120200	COVER	1		1703053~1703707		
	0567120800	COVER	1		1703708~		
3	0567120300	BRACKET	1		1703053~1703707		
4	1901722300	VALVE, rotary	1				
7	1531345040	PROTECTOR	3				sold by the meter
8	1531354025	PROTECTOR	1				sold by the meter
12	1934822190	HOSE ASSY	1				
13	1801075130	HOSE ASSY	3				
14	1801075110	HOSE ASSY	3				
17	1101041025	BOLT	3				
18	1100040825	BOLT	4				
19	1140020010	WASHER, spring	3				
20	1140020008	WASHER, spring	7				
21	1141110010	WASHER	3				
22	0567121100	COVER	1				
23	1100040815	BOLT	3				
24	0569335100	DECAL	1		1703053~1703707		
	0569335130	DECAL	1		1703708~		
26	1934881205	HOSE ASSY	4				
28	1567505034	DUCT	1				
29	1533700061	BAND	1				
31	1652201005	BAND	1		1703053~1703707		
34	1101041430	BOLT	1		1703053~1703707		
35	1140020014	WASHER, spring	2		1703053~1703710		
36	1141550014	WASHER	2		1703053~1703710		
37	1532208020	PROTECTOR	1				sold by the meter
40	1532218040	PROTECTOR	1				sold by the meter
41	1532218050	PROTECTOR	1				sold by the meter
42	0438601760	COVER	1		1703053~1703710		
43	1141100008	WASHER	3				
44	1653917052	TRIM	1				sold by the meter
45	1531335020	PROTECTOR	1				
46	0567119110	PLATE	2		1703711~		
47	0567119130	PLATE	1		1703711~		
48	1100041225	BOLT	2		1703711~		
49	1140020012	WASHER, spring	2		1703711~		
50	1141110012	WASHER	2		1703711~		
	L115a2L						



L1-15b-2-D

**PIPING; OPERATION LEVER (2/2) (multi pattern) (1703053~1705080)**

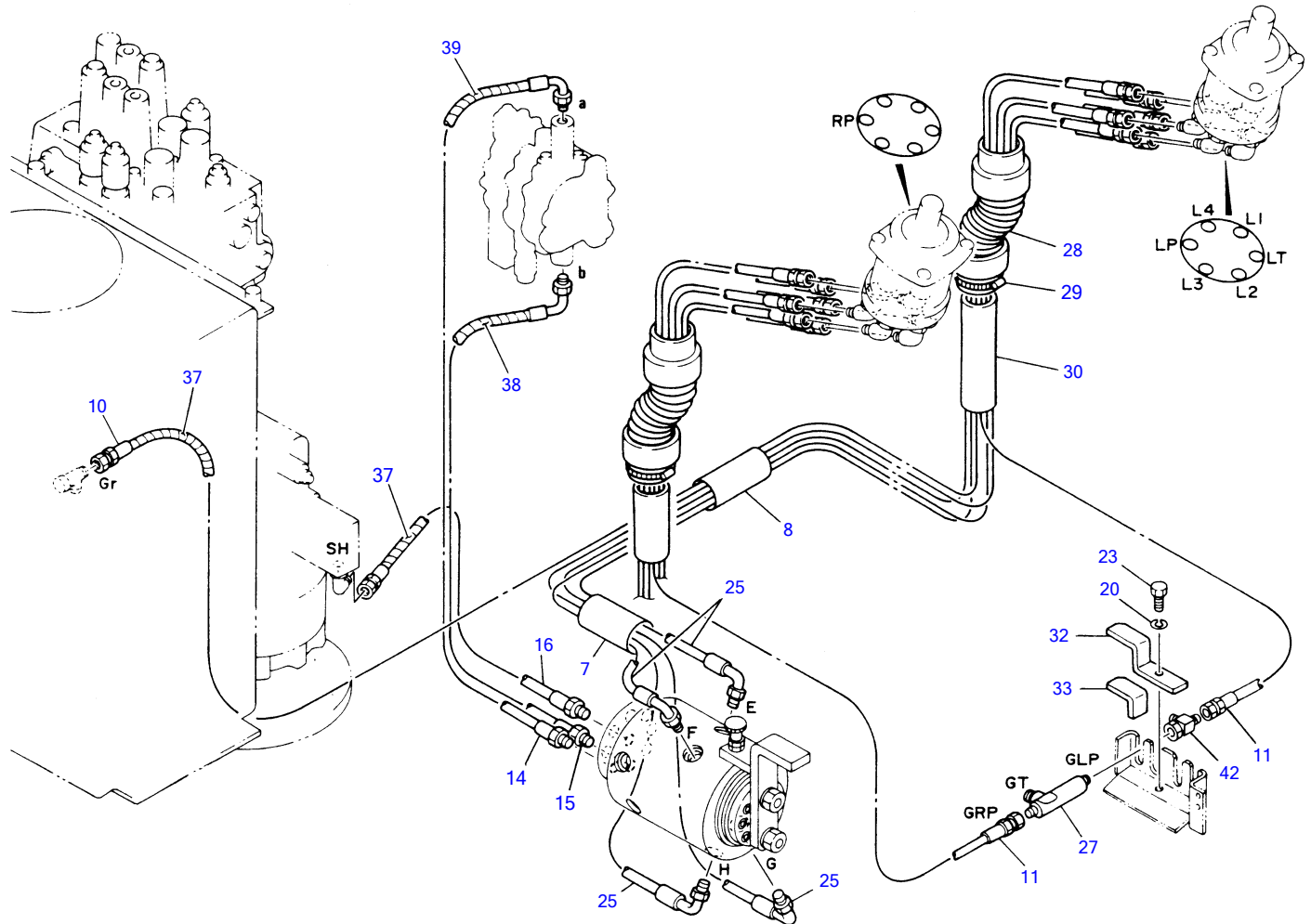
Item	Part number	Description	Q'ty	Chan.	Serial No.	Serv.	Remarks
		PIPINGASSY, multi					
7	1531345040	PROTECTOR	1				sold by the meter
8	1531354025	PROTECTOR	1				sold by the meter
10	1934822240	HOSE ASSY	1				
11	1934822155	HOSE ASSY	2				
14	1801075110	HOSE ASSY	1				
15	1801075060	HOSE ASSY	1				
16	1801075035	HOSE ASSY	1		1703053~1703594		
	1801070035	HOSE ASSY	1		1703595~		
20	1140020008	WASHER, spring	1		1703053~1703504		
23	1100040815	BOLT	1				
25	1934881250	HOSE ASSY	4				
27	1513390013	TEE	1				
28	1567505034	DUCT	1				
29	1533700061	BAND	1				
30	1531335035	PROTECTOR	1				sold by the meter
31	1652201005	BAND	1				
32	0567120600	PLATE	1				
33	0567120700	URETHANE	1				
37	1532208020	PROTECTOR	2				sold by the meter
38	1532208040	PROTECTOR	1				sold by the meter
39	1532208060	PROTECTOR	1				sold by the meter
	L115b2L						



L1-15a-2-D

**PIPING; OPERATION LEVER (1/3) (multi pattern) (1705081~)**

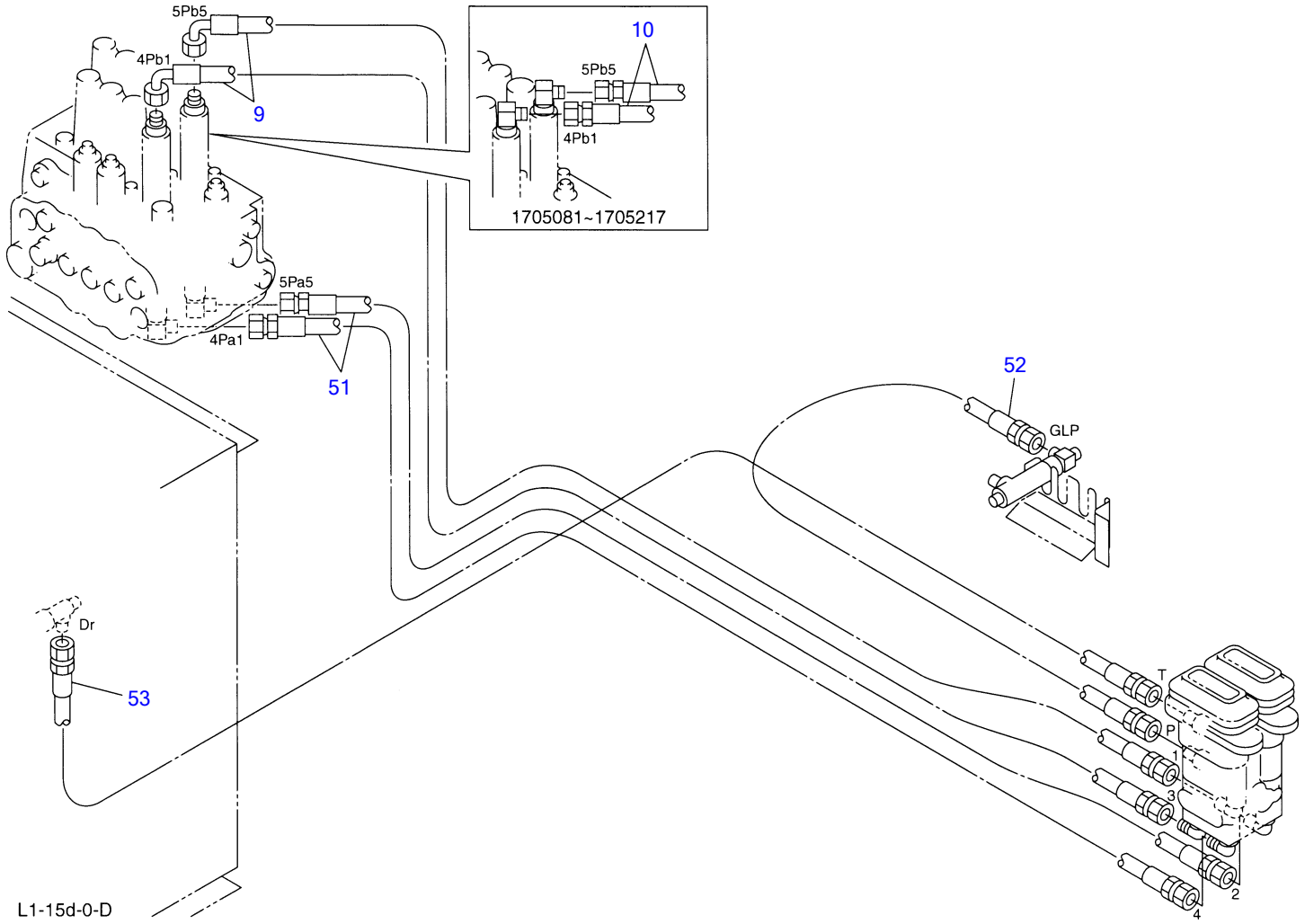
Item	Part number	Description	Q'ty	Chan.	Serial No.	Serv.	Remarks
		PIPING ASSY, multi					
1	0567120100	BRACKET	1				
2	0567120800	COVER	1				
4	1901722300	VALVE, rotary	1				
7	1531345040	PROTECTOR	3				sold by the meter
8	1531354025	PROTECTOR	1				sold by the meter
12	1934822205	HOSE ASSY	1				
13	1801075130	HOSE ASSY	3				
14	1801075110	HOSE ASSY	3				
17	1101041025	BOLT	3				
18	1100040825	BOLT	4				
19	1140020010	WASHER, spring	3				
20	1140020008	WASHER, spring	7				
21	1141110010	WASHER	3				
22	0567121100	COVER	1				
23	1100040815	BOLT	3				
24	0569335130	DECAL	1				
26	1934881220	HOSE ASSY	4				
28	1567505034	DUCT	1				
29	1533700060	BAND	1				
37	1532208020	PROTECTOR	1				sold by the meter
40	1532218040	PROTECTOR	1				sold by the meter
41	1532218050	PROTECTOR	1				sold by the meter
43	1141100008	WASHER	3				
44	1653917052	TRIM	1				sold by the meter
45	1531335020	PROTECTOR	1				sold by the meter
46	0567119110	PLATE	2				
47	0567119130	PLATE	1				
48	1100041225	BOLT	2				
49	1140020012	WASHER, spring	2				
50	1141110012	WASHER	2				
	L115a3L						



L1-15b-3-D

**PIPING; OPERATION LEVER (2/3) (multi pattern) (1705081~)**

Item	Part number	Description	Q'ty	Chan.	Serial No.	Serv.	Remarks
		PIPING ASSY, multi					
7	1531345040	PROTECTOR	1				sold by the meter
8	1531354025	PROTECTOR	1				sold by the meter
10	1934822255	HOSE ASSY	1				
11	1934822170	HOSE ASSY	2				
14	1801075110	HOSE ASSY	1				
15	1801075060	HOSE ASSY	1				
16	1801070035	HOSE ASSY	1				
20	1140020008	WASHER, spring	1				
23	1100040815	BOLT	1				
25	1934881265	HOSE ASSY	4				
27	1513390013	TEE	1				
28	1567505039	DUCT	1				
29	1533700061	BAND	1				
30	1531335035	PROTECTOR	1				sold by the meter
32	0567120600	PLATE	1				
33	0567120700	URETHANE	1				
37	1532208020	PROTECTOR	2				sold by the meter
38	1532208040	PROTECTOR	1				sold by the meter
39	1532208060	PROTECTOR	1				sold by the meter
42	1513390015	TEE	1				
	L115b3L						

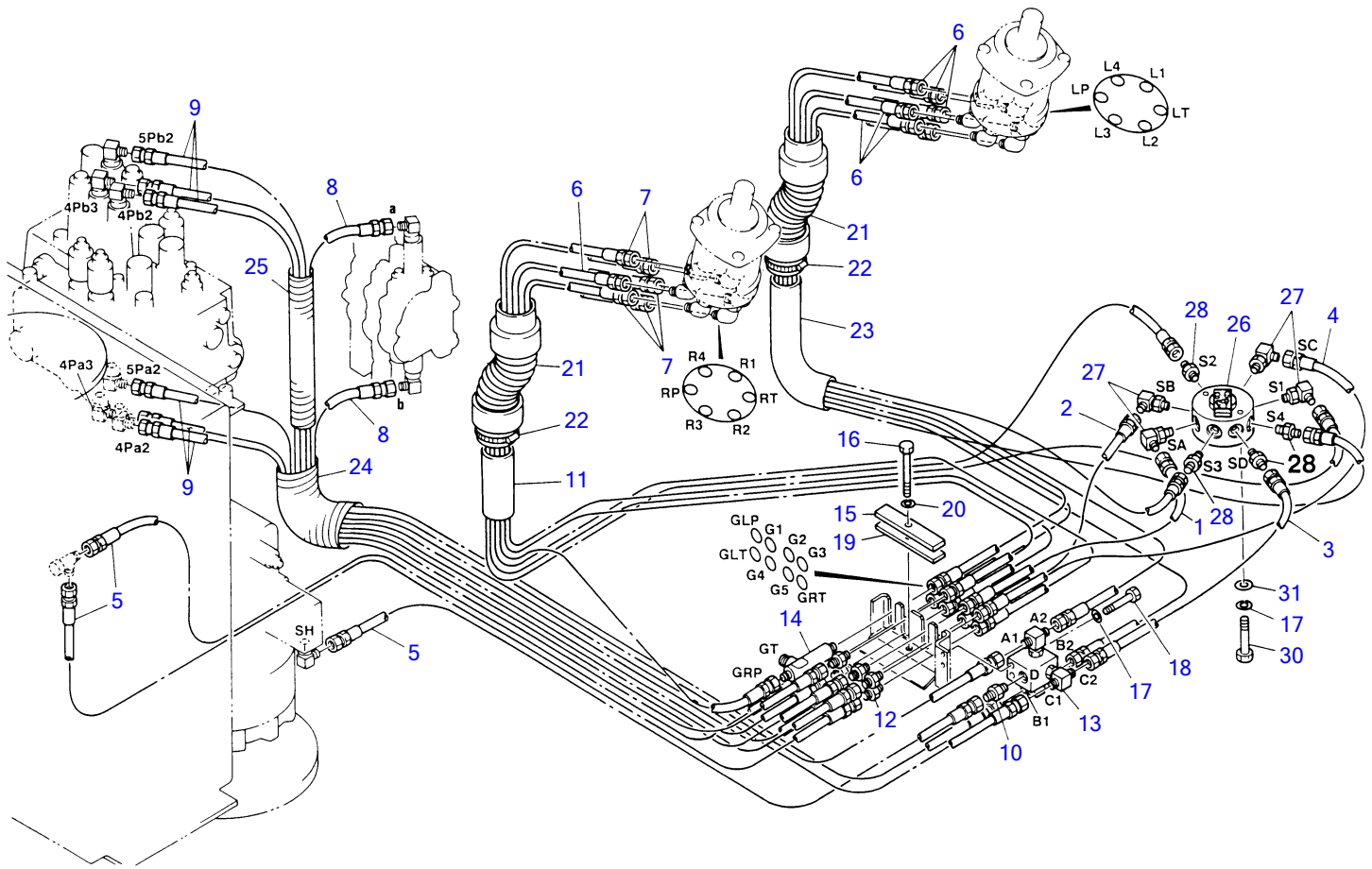




**PIPING; OPERATION LEVER (3/3) (multi pattern) (1705081~)**

Item	Part number	Description	Q'ty	Chan.	Serial No.	Serv.	Remarks
		PIPING ASSY, multi					
9	1934852255	HOSE ASSY	2		1705218~		
10	1934822255	HOSE ASSY	2		1705081~1705217		
51	1934822225	HOSE ASSY	2				
52	1934822080	HOSE ASSY	1				
53	1934823180	HOSE ASSY	1				
	L115d0L						

TB070 Book No.PL1-101Z5 S/N1703004-1705487  
 PIPING; OPERATION LEVER (ISO-JCB pattern) (1703004~1705080)

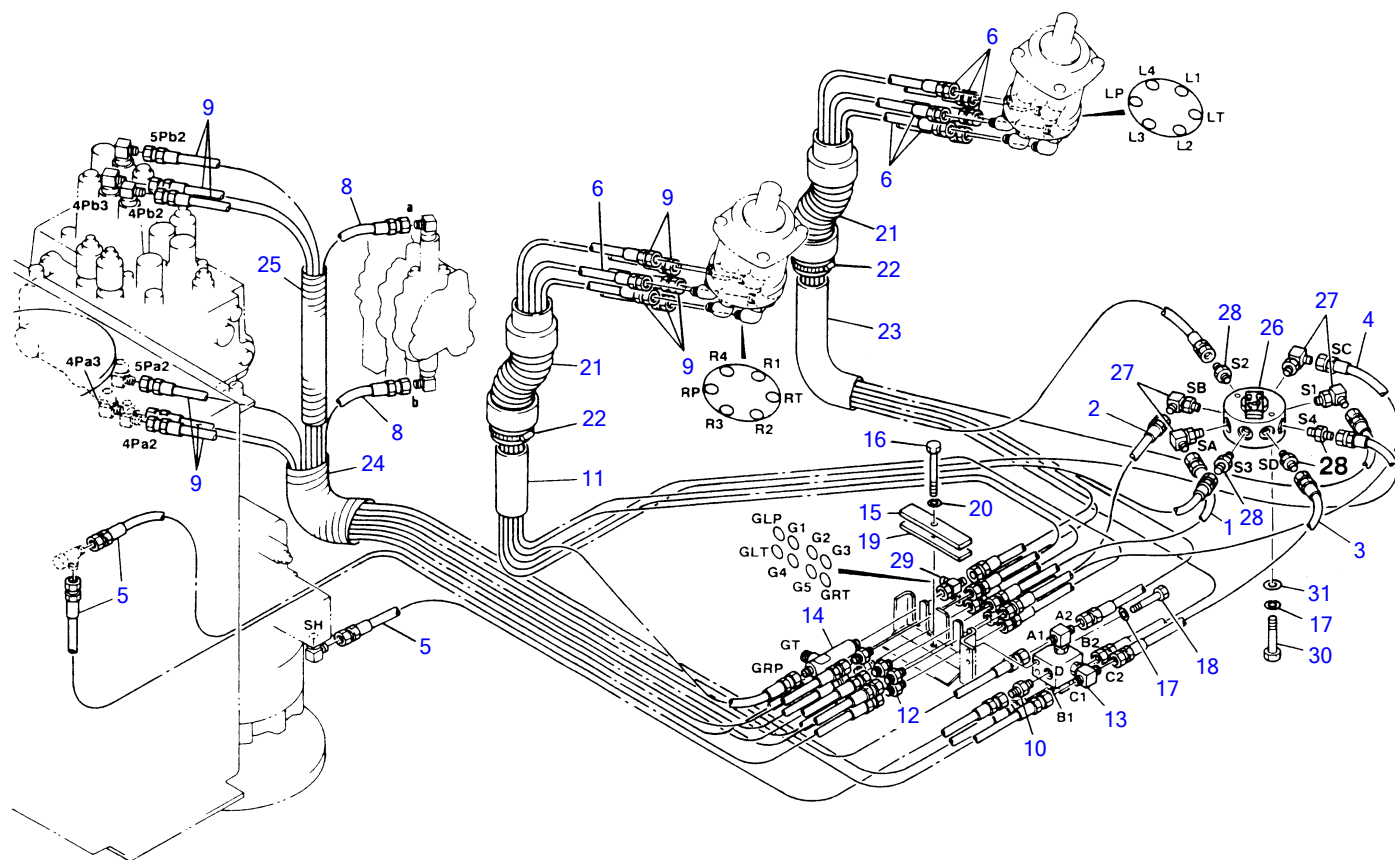


L1-15c-0-D

**PIPING; OPERATION LEVER (ISO-JCB pattern) (1703004~1705080)**

Item	Part number	Description	Q'ty	Chan.	Serial No.	Serv.	Remarks
		PIPING ASSY					
1	1934822025	HOSE ASSY	1				
2	1934822028	HOSE ASSY	1				
3	1934822034	HOSE ASSY	1				
4	1934822044	HOSE ASSY	1				
5	1934822150	HOSE ASSY	3				
6	1934822155	HOSE ASSY	7				
7	1934822190	HOSE ASSY	5				
8	1934822195	HOSE ASSY	2				
9	1934822205	HOSE ASSY	6				
10	1515600200	ADAPTOR	1				
11	1531335020	PROTECTOR	1				sold by the meter
12	1511500102	ADAPTOR	7				
13	1901721800	VALVE, doubleshuttle	1				
14	1513390013	TEE	1				
15	0567119100	PLATE	1				
16	1100040865	BOLT	1				
17	1140020006	WASHER, spring	4				
18	1100040660	BOLT	2				
19	0567119200	URETHANE	1				
20	1140020008	WASHER, spring	1				
21	1567505034	DUCT	2				
22	1533700061	BAND	2				
23	1531335050	PROTECTOR	1				sold by the meter
24	1532218045	PROTECTOR	1				sold by the meter
25	1532218025	PROTECTOR	1				sold by the meter
26	1901730500	VALVE, selector	1				
27	1515010040	ELBOW	4				
28	1515600200	ADAPTOR	4				
30	1100040650	BOLT	2				
31	1141110006	WASHER	2				
	L115c0L						

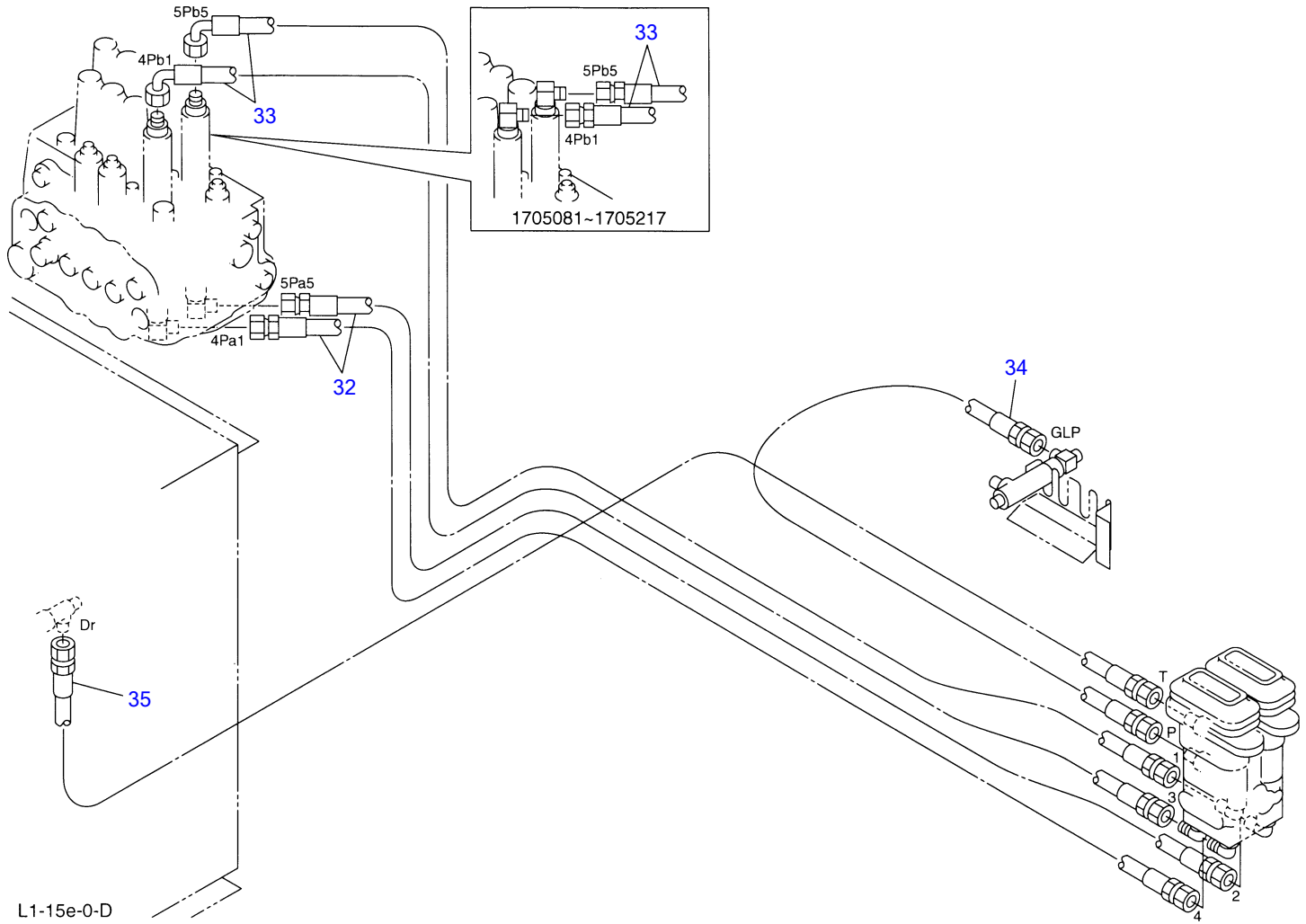
TB070 Book No.PL1-101Z5 S/N1703004-1705487  
 PIPING; OPERATION LEVER (1/2) (ISO-JCB pattern) (1705081~)



L1-15c-1-D

**PIPING; OPERATION LEVER (1/2) (ISO-JCB pattern) (1705081~)**

Item	Part number	Description	Q'ty	Chan.	Serial No.	Serv.	Remarks
		PIPING ASSY					
1	1934822025	HOSE ASSY	1				
2	1934822028	HOSE ASSY	1				
3	1934822034	HOSE ASSY	1				
4	1934822044	HOSE ASSY	1				
5	1934822150	HOSE ASSY	3				
6	1934822170	HOSE ASSY	7				
8	1934822195	HOSE ASSY	2				
9	1934822205	HOSE ASSY	11				
10	1515600200	ADAPTOR	1				
11	1531335020	PROTECTOR	1				sold by the meter
12	1511500102	ADAPTOR	7				
13	1901721800	VALVE, double shuttle	1				
14	1513390013	TEE	1				
15	0567119100	PLATE	1				
16	1100040865	BOLT	1				
17	1140020006	WASHER, spring	4				
18	1100040660	BOLT	2				
19	0567119200	URETHANE	1				
20	1140020008	WASHER, spring	1				
21	1567505039	DUCT	2				
22	1533700061	BAND	2				
23	1531335050	PROTECTOR	1				sold by the meter
24	1532218045	PROTECTOR	1				sold by the meter
25	1532218025	PROTECTOR	1				sold by the meter
26	1901730500	VALVE, selector	1				
27	1515010040	ELBOW	4				
28	1515600200	ADAPTOR	4				
29	1513390015	TEE	1				
30	1100040650	BOLT	2				
31	1141110006	WASHER	2				
	L115c1L						



**PIPING; OPERATION LEVER (2/2) (ISO-JCB pattern) (1705081~)**

Item	Part number	Description	Q'ty	Chan.	Serial No.	Serv.	Remarks
		PIPING ASSY					
32	<b>1934822225</b>	HOSE ASSY	2				
33	<b>1934822255</b>	HOSE ASSY	2		1705081~1705217		
	<b>1934852255</b>	HOSE ASSY	2		1705218~		
34	<b>1934822080</b>	HOSE ASSY	1				
35	<b>1934823180</b>	HOSE ASSY	1				
	<b>L115e0L</b>						





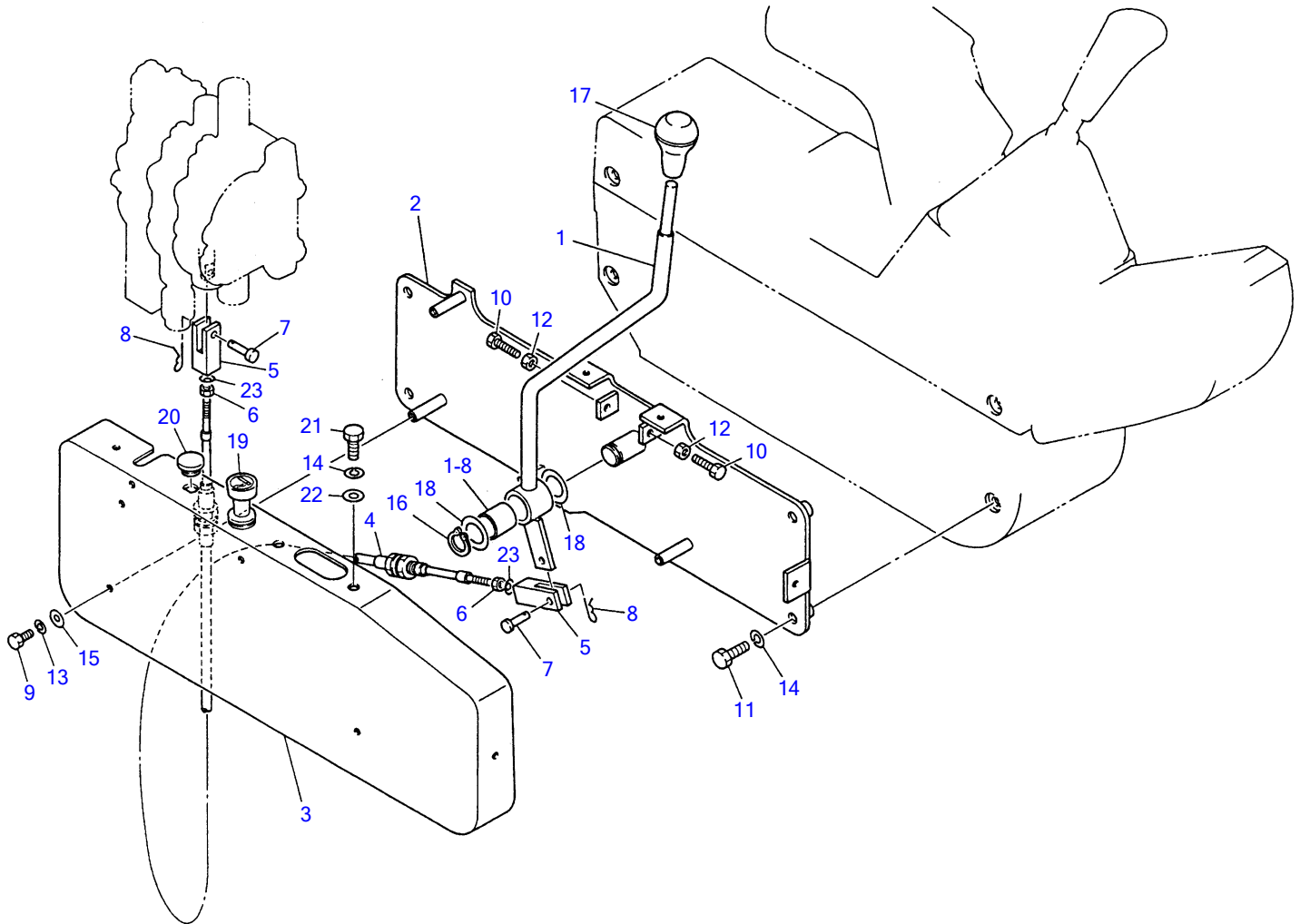
**DOZER BLADE LEVER (1703004~1703711)**

Item	Part number	Description	Q'ty	Chan.	Serial No.	Serv.	Remarks
		BLADE LEVER ASSY			1703004~1703075		
		BLADE LEVER ASSY			1703076~1703324		
		BLADE LEVER ASSY			1703325~1703711		
1	0563301100	LEVER ASSY	1	A	1703004~1703075		
	0563302100	LEVER ASSY	1	a (H)	1703076~		
1-8	1333002025	• BUSHING	1				
2	0563301200	BRACKET	1	A	1703004~1703075		
	0563302200	BRACKET	1	a (H)	1703076~		
3	0563301300	COVER	1		1703076~1703324		
	0563302310	COVER	1	(H)	1703325~		
4	0563300300	WIRE	1				
5	0563217400	YOKE	2				
6	1130040005	NUT	2				
7	0004006017	PIN	2				
8	1214000006	PIN, snap	2				
9	1100040512	BOLT	6				
10	1100040630	BOLT	2				
11	1100040835	BOLT	4				
12	1130040006	NUT	2				
13	1140020005	WASHER, spring	6				
14	1140020008	WASHER, spring	4				
15	1141110005	WASHER	6				
16	1222016020	RING, snap	1				
17	1650153655	GRIP	1				
18	0093208300	WASHER	2				
19	1711900039	LIGHTER	1		1703325~		
20	1652533019	CAP	1		1703325~		

NOTE  
Set "A" is interchangeable with set "a".

**L116a2L**

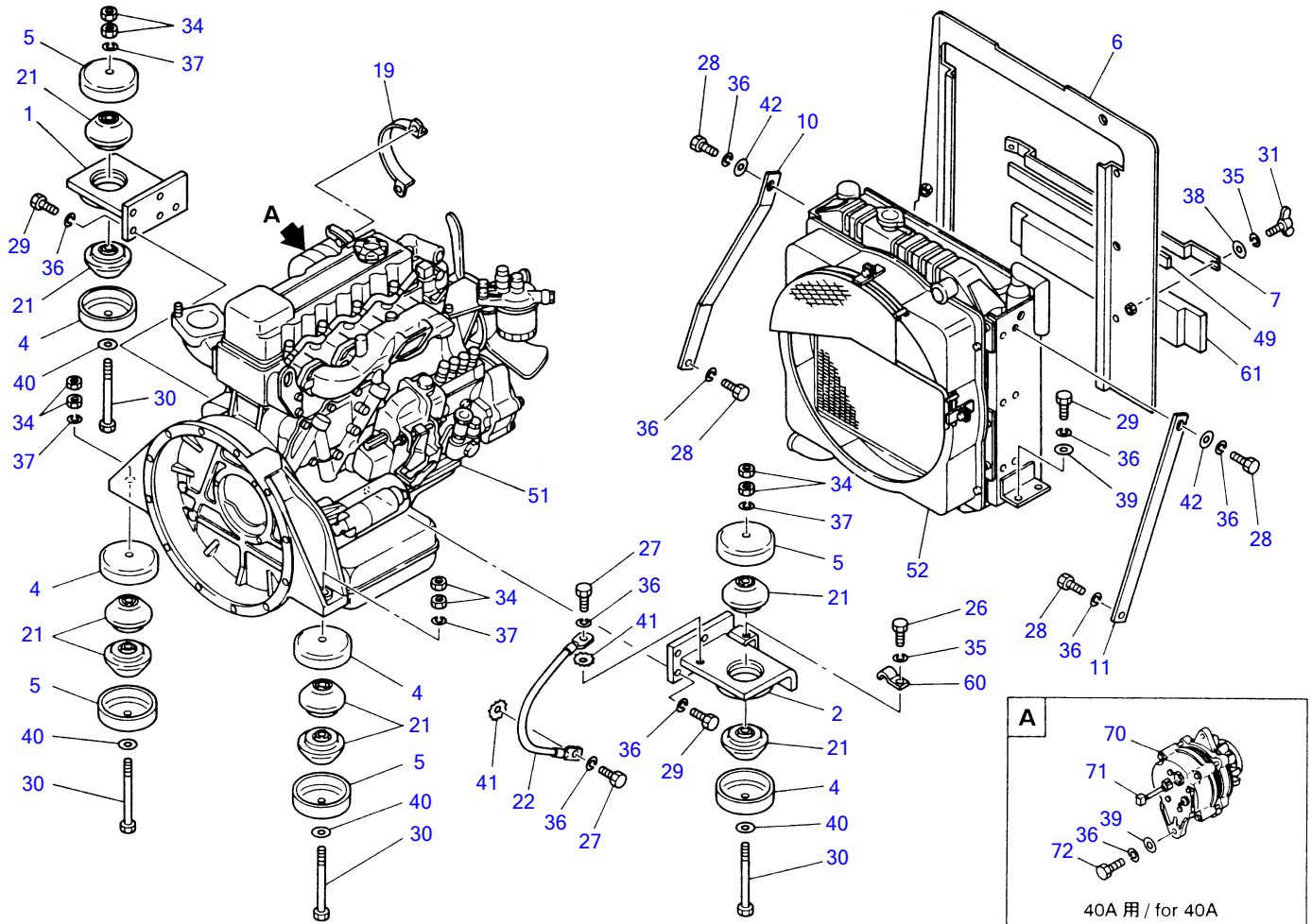
TB070 Book No.PL1-101Z5 S/N1703004-1705487  
DOZER BLADE LEVER (1703712~)



L1-16a-2-D

**DOZER BLADE LEVER (1703712~)**

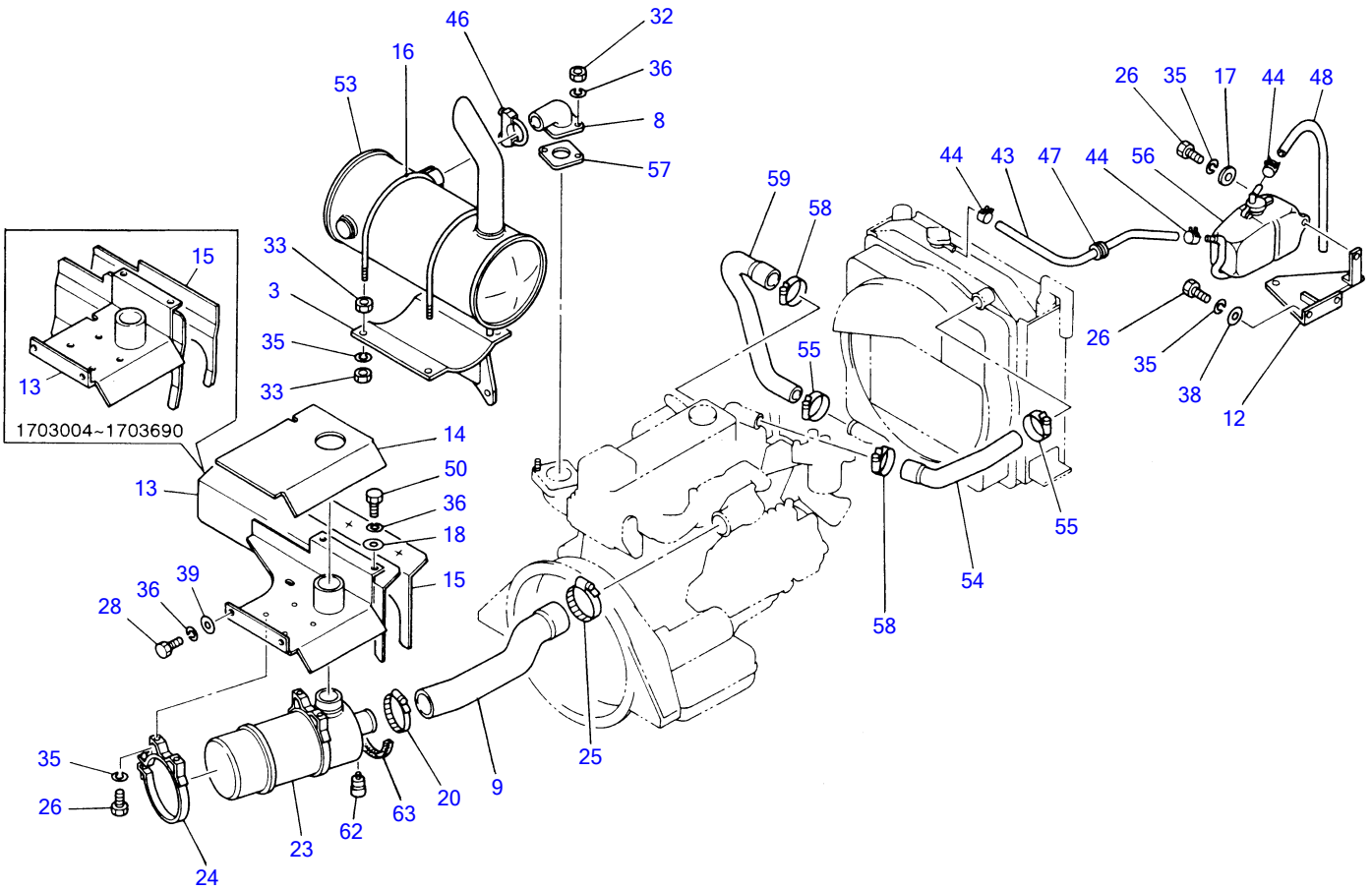
Item	Part number	Description	Q'ty	Chan.	Serial No.	Serv.	Remarks
		BLADE LEVER ASSY					
1	0563302100	LEVER ASSY	1				
1-8	1333002025	• BUSHING	1				
2	0563304400	BRACKET	1				
3	0563302510	COVER	1				
4	0563300300	WIRE	1				
5	0563217400	YOKE	2				
6	1130040005	NUT	2				
7	0004006017	PIN	2				
8	1214000006	PIN, snap	2				
9	1100040512	BOLT	4				
10	1100040630	BOLT	2				
11	1100040835	BOLT	4				
12	1130040006	NUT	2				
13	1140020005	WASHER, spring	4				
14	1140020008	WASHER, spring	6				
15	1141110005	WASHER	4				
16	1222016020	RING, snap	1				
17	1650153655	GRIP	1				
18	0093208300	WASHER	2				
19	1711900039	LIGHTER	1				
20	1652533019	CAP	1				
21	1100040812	BOLT	2				
22	1141110008	WASHER	2				
23	1255000005	WASHER	2				
	L116a3L						



L1-18a-1-D

**ENGINE & ACCESSORIES (1/2)**

Item	Part number	Description	Q'ty	Chan.	Serial No.	Serv.	Remarks
		ENGINE ASSY					
		ENGINE ASSY (for 40A)					
1	0564017100	FOOT, engine (L.H.)	1				
2	0564017200	FOOT, engine (R.H.)	1				
4	0564017460	STOPPER	4				
5	0564017470	STOPPER	4				
6	0564017400	BRACKET	1				
7	0564017410	STAY	1				
10	0564017440	STAY	1				
11	0564017450	STAY	1				
19	0564017630	COVER	1				
21	1651030004	RUBBER, cushion	8				
22	1702430280	CABLE, earth	1				
26	1100040816	BOLT	1				
27	1100041016	BOLT	2				
28	1100041020	BOLT	4				
29	1100041030	BOLT	14				
30	1100141660	BOLT	4				
31	1121530820	BOLT	2				
34	1130040016	NUT	8				
35	1140020008	WASHER, spring	3				
36	1140020010	WASHER, spring	20				
	1140020010	WASHER, spring	21				for 40A
37	1140020016	WASHER, spring	4				
38	1141110008	WASHER	2				
39	1141110010	WASHER	4				
	1141110010	WASHER	5				for 40A
40	1141110016	WASHER	4				
41	1140330010	WASHER	2				
42	0003600020	WASHER	2				
49	1654303048	SPONGE	1				
51	1910104001	ENGINE	1				Ǣ »Ý BD3004
52	1910104002	RADIATOR	1				"CE×¼p 47610000-0
60	0007300048	CLAMP	1		1703007~		
61	0564017650	URETHANE	1		1703007~		
70	1910104104	DYNAMO; 40A	1				for 40A
71	0564612330	HARNESS, wiring	1				for 40A
72	1103041035	BOLT	1				for 40A
	L118a2L						

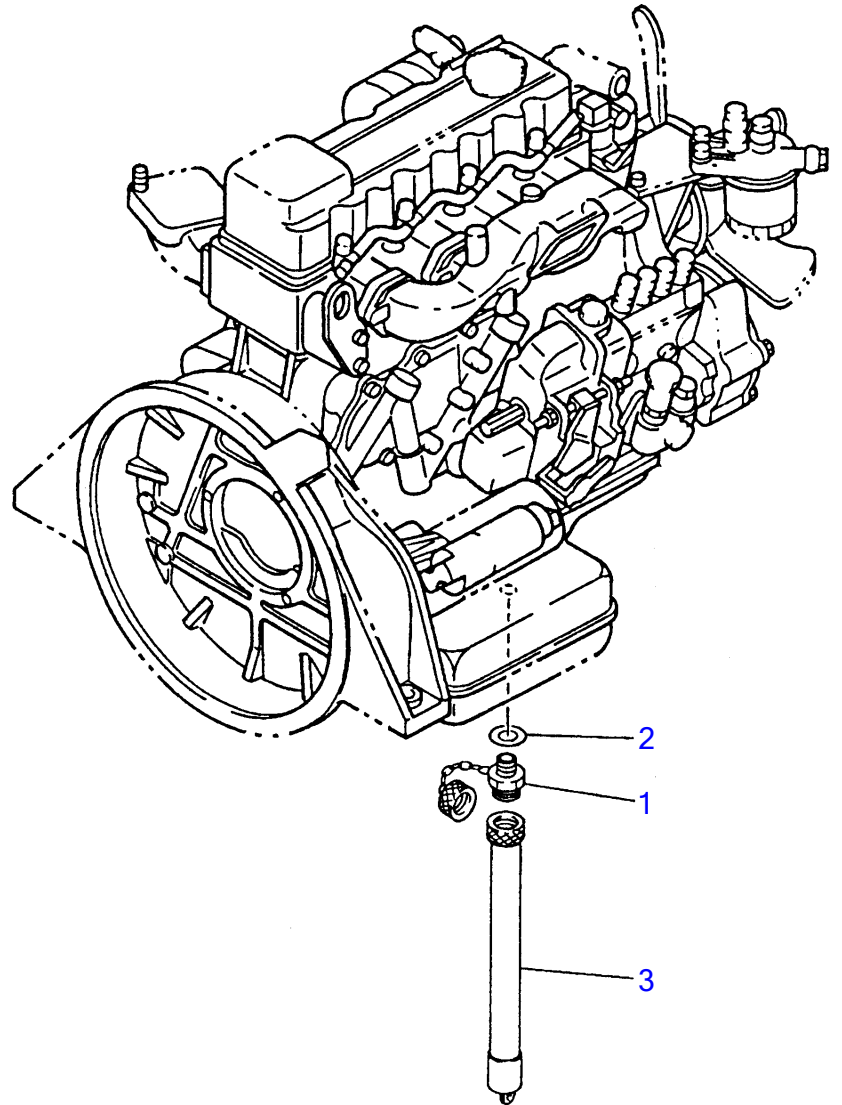


L1-19a-2-D

**ENGINE & ACCESSORIES (2/2)**

Item	Part number	Description	Q'ty	Chan.	Serial No.	Serv.	Remarks
		ENGINE ASSY					
		ENGINE ASSY (for 40A)					
3	0564017300	BRACKET	1				
8	0564017420	PIPE	1				
9	0564017430	PIPE	1				
12	0564017500	BRACKET	1				
	0564017600	BRACKET	1		1703004~1703690		
	0564021400	BRACKET	1	(H)	1703691~		
14	0564017610	URETHANE	1				
15	0564017620	INSULATION	1		1703004~1703690		
	0564021410	INSULATION	1	(H)	1703691~		
16	0564016500	U-BOLT	2				
17	0003608252	WASHER	2				
18	0003600020	WASHER	2				
20	1533700076	BAND	1				
23	1911100050	CLEANER, air	1		1703004~'99.8		Æ »Ý 16500-90067
	1911101070	CLEANER, air (double element)	1	(H)	'99.9~		Æ »Ý 16501-90060
24	1911207191	BAND	2				ÄÞÄÜÄÞ¿Ý P00-7191
25	1533700086	BAND	1				
26	1100040816	BOLT	8				
28	1100041020	BOLT	2				
32	1130040010	NUT	2				
33	1130040008	NUT	8				
35	1140020008	WASHER, spring	12				
36	1140020010	WASHER, spring	6				
38	1141110008	WASHER	2				
39	1141110010	WASHER	2				
43	1531407065	HOSE	1				sold by the meter
44	1533120012	BAND	3				
46	1533300051	CLAMP	1				
47	1652001602	GROMMET	1				
48	1531407080	HOSE	1				sold by the meter
50	1100041025	BOLT	2				
53	1910104005	SILENCER	1				Æ »Ý 2010190002
54	1910104011	HOSE	1				Æ »Ý 2150190366
55	1910104016	BAND	2				Æ »Ý 2138390012
56	1910104020	TANK	1				Æ »Ý 2140190110
57	1910104022	GASKET	1				Æ »Ý 2001790062
58	1910104015	BAND	2				Æ »Ý 2138390013
59	0564017640	HOSE	1				
62	1911218171	SWITCH, indecater	1				ÄÞÄÜÄÞ¿Ý REX01-8171
63	1653917013	TRIM	1				

L119a3L

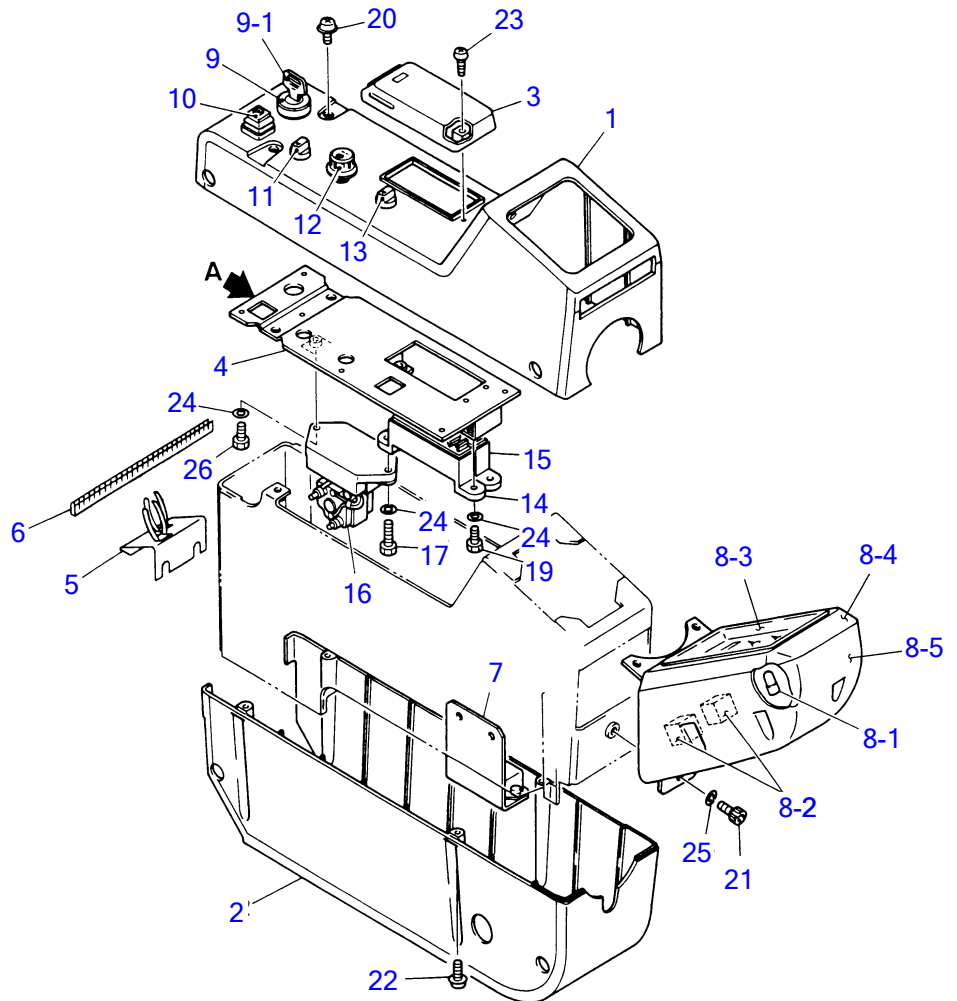
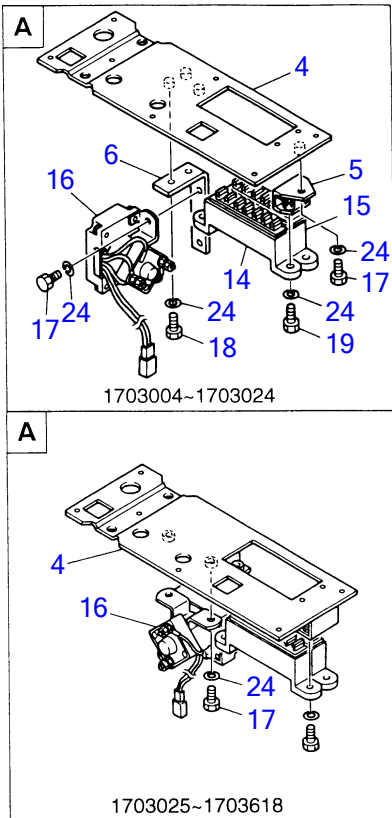


L1-19b-0-D



<b>DRAIN PLUG</b>						
Item	Part number	Description	Q'ty	Chan.	Serial No.	Serv. Remarks
		DRAIN PLUG ASSY				
1	1554503000	PLUG, drain	1			
2	1541400603	WASHER	1			
3	1554512200	TUBE	1			
	L119b0L					

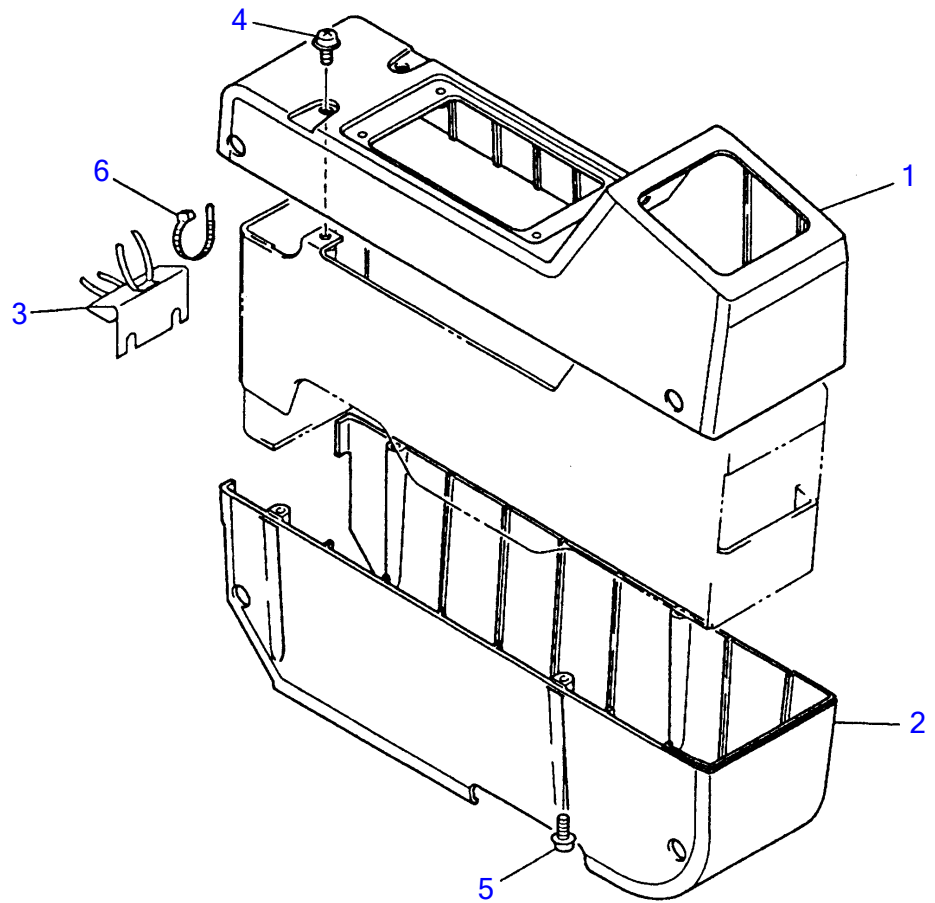
TB070 Book No.PL1-101Z5 S/N1703004-1705487  
CONTROL BOX (R.H.)



L1-20a-3-D

**CONTROL BOX (R.H.)**

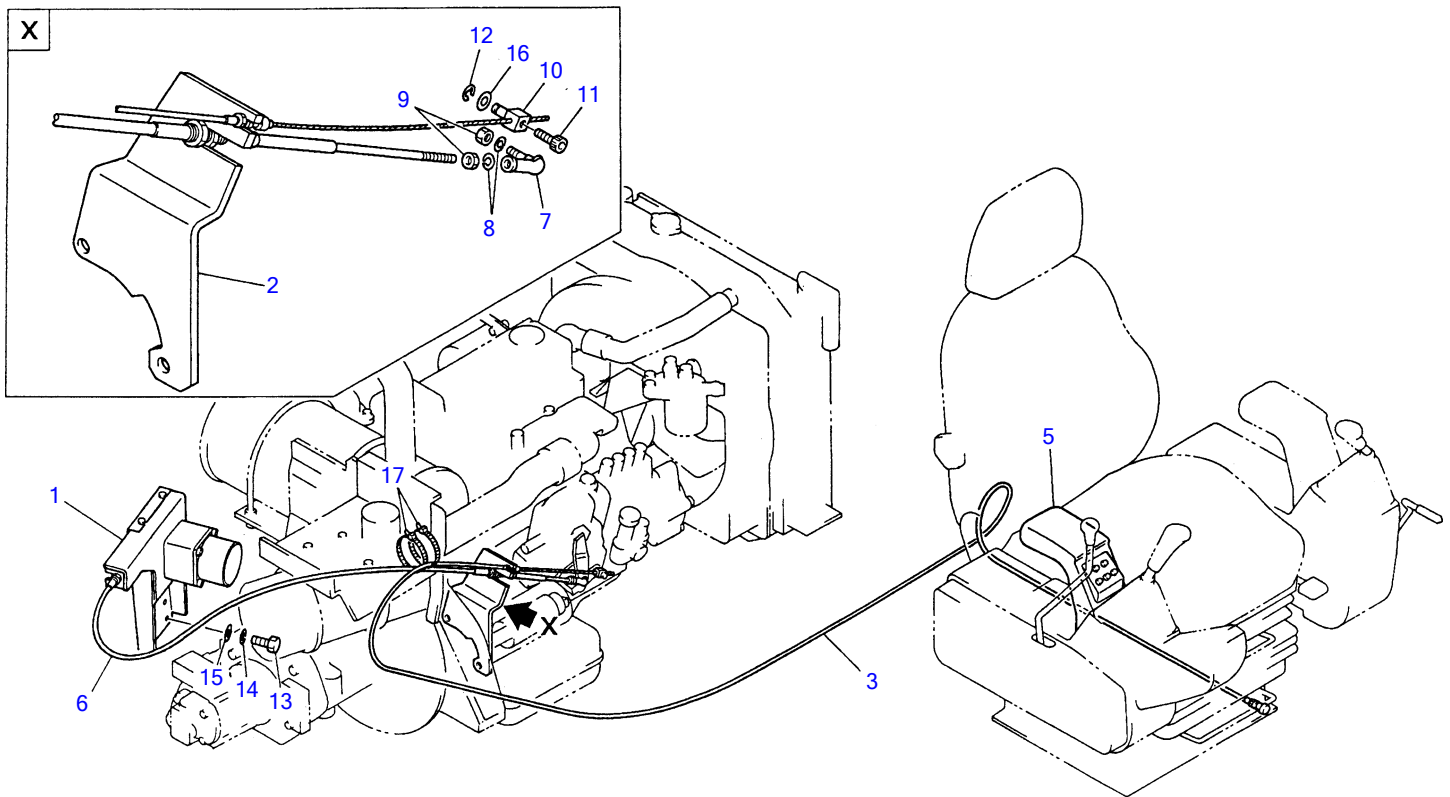
Item	Part number	Description	Q'ty	Chan.	Serial No.	Serv.	Remarks
		CONTROL BOX ASSY (R.H.)			1703004~1703024		
		CONTROL BOX ASSY (R.H.)			1703025~1703618		
		CONTROL BOX ASSY (R.H.)			1703619~1703620		
		CONTROL BOX ASSY (R.H.)			1703621~		
1	<b>0564318100</b>	COVER	1				
2	<b>0564318200</b>	COVER	1				
3	<b>0564318300</b>	COVER	1				
4	<b>0564318400</b>	COVER	1		1703004~1703024		
	<b>0564320100</b>	COVER	1	A (H)	1703025~1703618		
	<b>0564323100</b>	COVER	1	a	1703619~		
5	<b>0564318500</b>	BRACKET	2		1703004~1703024		
	<b>0564320200</b>	BRACKET	1		1703050~		
6	<b>0564318600</b>	BRACKET	1		1703004~1703024		
	<b>1653917020</b>	TRIM	1		1703050~		sold by the meter
7	<b>1730140540</b>	UNIT ASSY, regulator	1		1703619~1703620		
8	<b>1730140380</b>	GAUGE, cluster	1		1703004~1703618		
	<b>1730140550</b>	GAUGE, cluster	1	(H)	1703619~		
8-1	<b>1730140386</b>	• BULB	11				
8-2	<b>1711900048</b>	• RELAY	2				
8-3	<b>1730140382</b>	• GLASS	1				
8-4	<b>1730140388</b>	• VISOR	1				
8-5	<b>1730140385</b>	• COVER	1				
9	<b>1700100023</b>	SWITCH, starter	1				
9-1	<b>1700100019</b>	KEY	1				
10	<b>1700000008</b>	SWITCH	1				
11	<b>1700000010</b>	SWITCH, light	1				
12	<b>1700000009</b>	SWITCH, wiper	1				
13	<b>1700000007</b>	SWITCH, flasher	1				
14	<b>1701202300</b>	BOX, fuse	1				
15	<b>1701202400</b>	BOX, fuse	1				
16	<b>1910104106</b>	RELAY, safety	1	A			Æ »Ý 2322090062
	<b>1910115106</b>	RELAY, safety	1	a			
17	<b>1100040610</b>	BOLT	4		1703004~1703024		
	<b>1100040610</b>	BOLT	2		1703025~1703618		
18	<b>1100040612</b>	BOLT	2		1703004~1703024		
19	<b>1100040614</b>	BOLT	4		1703004~1703618		
	<b>1100040614</b>	BOLT	3		1703619~		
20	<b>1150420816</b>	SCREW	2		1703004~1703024		
	<b>1150420816</b>	SCREW	4		1703025~		
21	<b>1110090816</b>	SCREW, cap	1				
22	<b>1150120416</b>	SCREW	4				
23	<b>1122410314</b>	SCREW	2				
24	<b>1140020006</b>	WASHER, spring	10		1703004~1703024		
	<b>1140020006</b>	WASHER, spring	6		1703025~1703618		
	<b>1140020006</b>	WASHER, spring	5		1703619~		
25	<b>1140490008</b>	WASHER, spring	1				
26	<b>1100040620</b>	BOLT	1		1703619~		
27	<b>1100040625</b>	BOLT	1		1703619~		
		NOTE					
		Set "A" is interchangeable					
		with set "a".					
	<b>L120a3L</b>						



L1-20b-0-D

**CONTROL BOX (L.H.)**

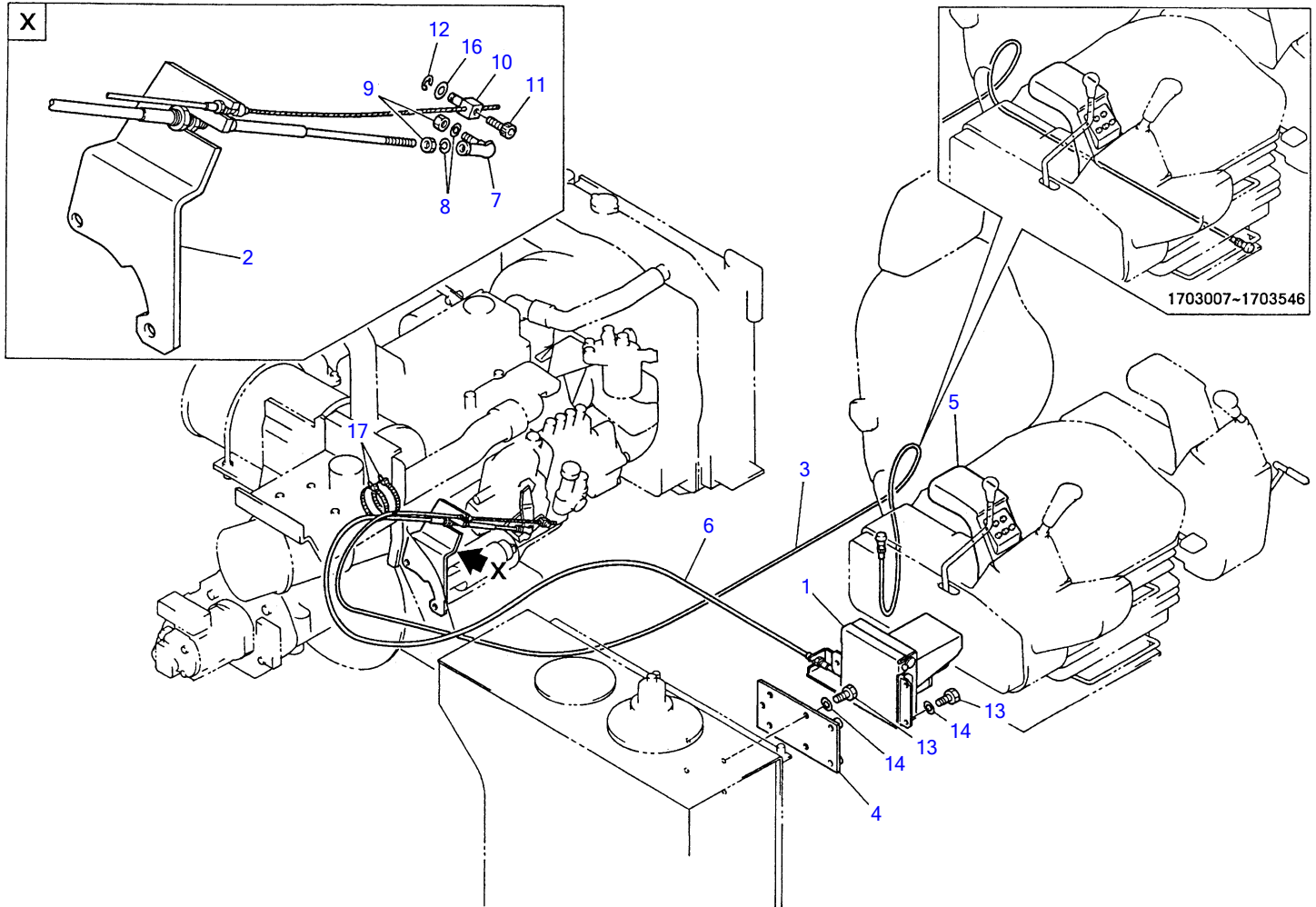
Item	Part number	Description	Q'ty	Chan.	Serial No.	Serv.	Remarks
		CONTROL BOX ASSY (L.H.)					
1	0564319100	COVER	1				
2	0564319200	COVER	1				
3	0564319300	BRACKET	1		1703050~		
4	1150420816	SCREW	4				
5	1150120416	SCREW	4				
6	1652231100	BAND	1		1703050~		
	L120b0L						



L1-21a-0-D

**ENGINE CONTROL (1/3) (1703004~1703006)**

Item	Part number	Description	Q'ty	Chan.	Serial No.	Serv.	Remarks
		CONTROL ASSY, engine					
1	0564115600	MOTOR ASSY	1				See page 3-13
2	0564115700	BRACKET	1				
3	0564115800	WIRE	1				
5	0564116000	REST ASSY, arm	1				See page 3-17
6	1630133165	WIRE	1				
7	1340010060	END, rod	1				
8	1140020006	WASHER, spring	2				
9	1130040006	NUT	2				
10	0007900036	PIN	1				
11	1110040510	SCREW, cap	1				
12	1224010004	E-RING	1				
13	1100041025	BOLT	4				
14	1140020010	WASHER, spring	4				
15	1141550010	WASHER	4				
16	1141110006	WASHER	1				
17	1652251002	BAND	2				
	L121a2L						



L1-21a-2-D



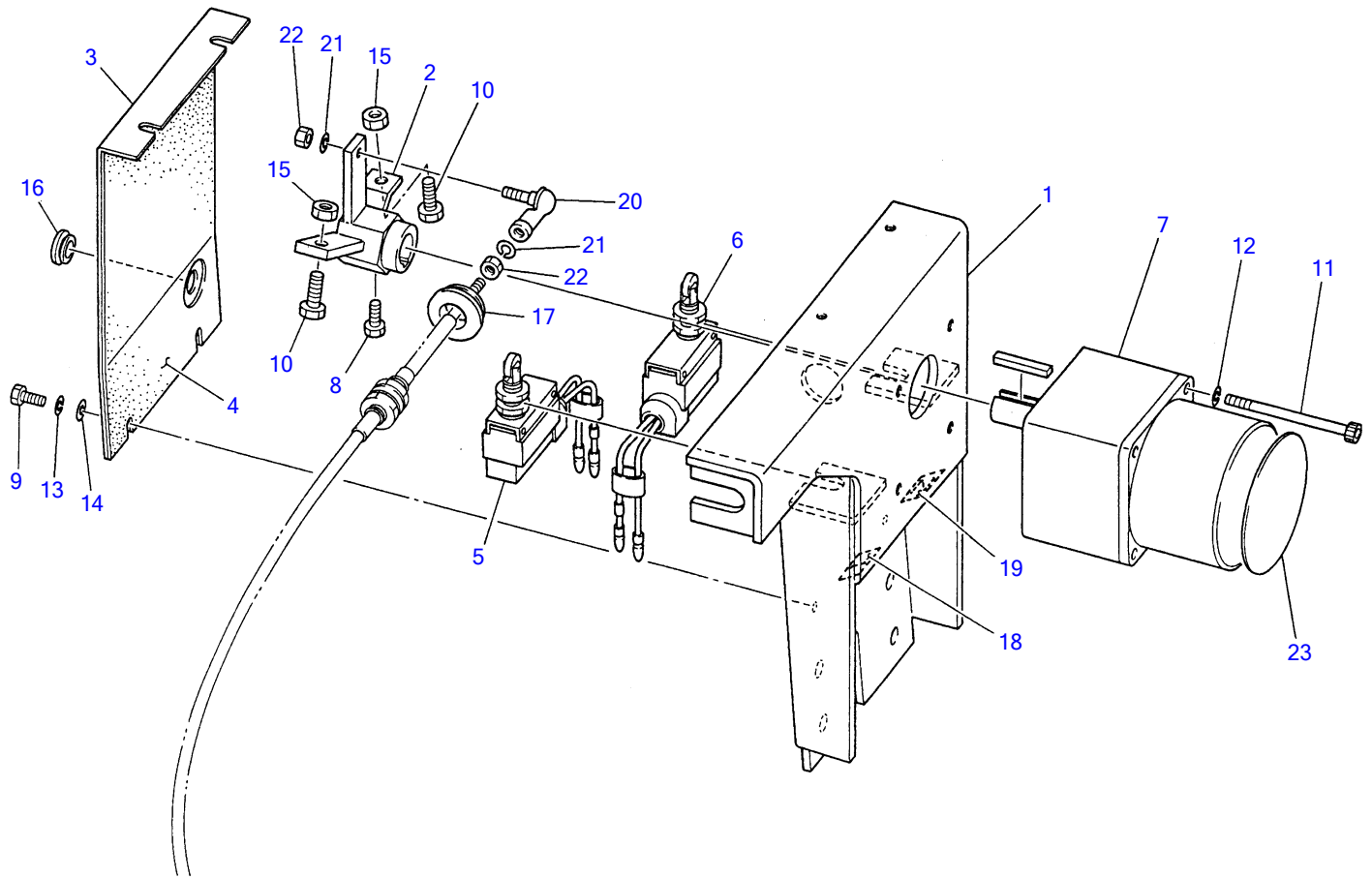
**ENGINE CONTROL (1/3) (1703007~)**

Item	Part number	Description	Q'ty	Chan.	Serial No.	Serv.	Remarks
		CONTROL ASSY, engine			1703007~1703546		
		CONTROL ASSY, engine			1703547~		
1	<b>0564115600</b>	MOTOR ASSY	1	A	1703007~1703051		See page 3-14
	<b>0564116600</b>	MOTOR ASSY	1	a (H)	1703052~1704705		See page 3-14
	<b>0564121200</b>	MOTOR ASSY	1		1704706~		See page 3-16
2	<b>0564115700</b>	BRACKET	1				
3	<b>0564115800</b>	WIRE	1		1703007~1703546		
	<b>0564121100</b>	WIRE	1		1703547~		
4	<b>0564115680</b>	PLATE	1	A	1703007~1703051		
	<b>0564116680</b>	PLATE	1	a (H)	1703052~		
5	<b>0564116000</b>	REST ASSY, arm	1				See page 3-17
6	<b>1630133165</b>	WIRE	1				
7	<b>1340010060</b>	END, rod	1				
8	<b>1140020006</b>	WASHER, spring	2				
9	<b>1130040006</b>	NUT	2				
10	<b>0007900036</b>	PIN	1				
11	<b>1110040510</b>	SCREW, cap	1				
12	<b>1224010004</b>	E-RING	1				
13	<b>1100041020</b>	BOLT	7				
14	<b>1140020010</b>	WASHER, spring	7				
16	<b>1141110006</b>	WASHER	1				
17	<b>1652251002</b>	BAND	2				

NOTE

Set "A" is interchangeable with set "a".

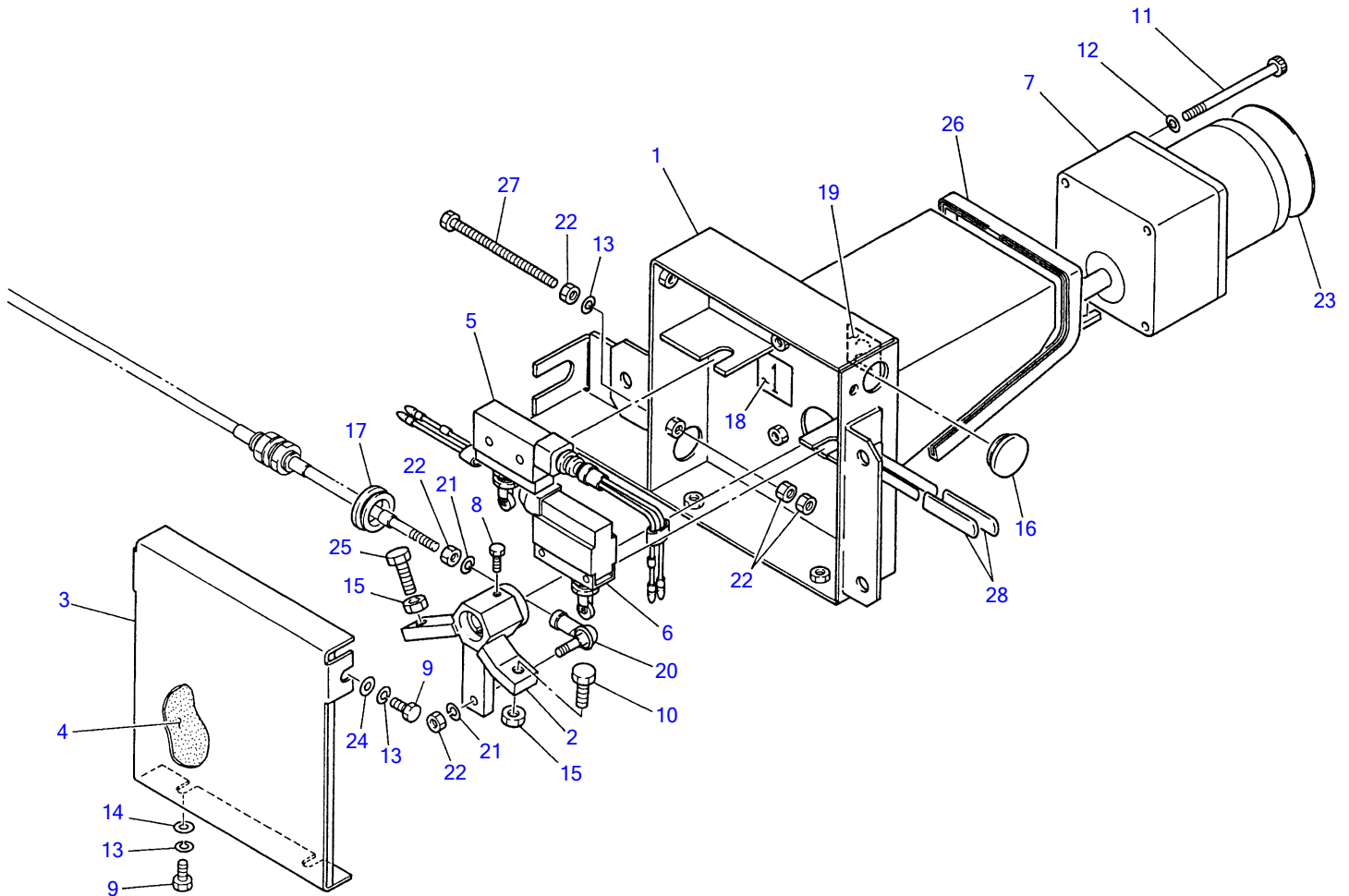
**L121a5L**



L1-21b-0-D

**ENGINE CONTROL (2/3) (1703004~1703006)**

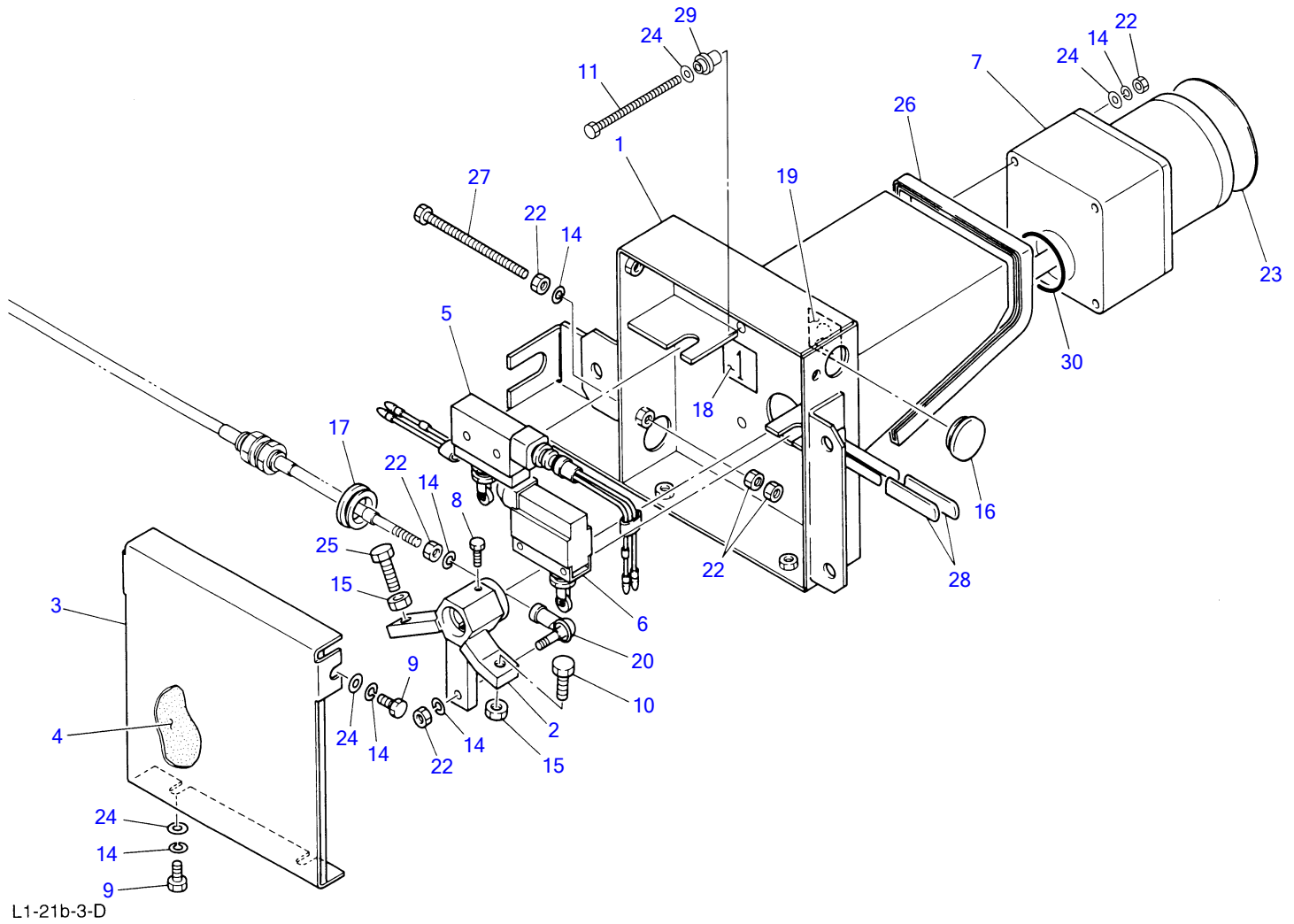
Item	Part number	Description	Q'ty	Chan.	Serial No.	Serv.	Remarks
		CONTROL ASSY, engine					
0-1	<b>0564115600</b>	MOTOR ASSY	1				
1	<b>0564115610</b>	▪ BRACKET	1				
2	<b>0564115620</b>	▪ LEVER	1				
3	<b>0564115630</b>	▪ COVER	1				
4	<b>0564115640</b>	▪ RUBBER	1				
5	<b>0564115650</b>	▪ SWITCH, limit	1				
6	<b>0564115660</b>	▪ SWITCH, limit	1				
7	<b>1711910050</b>	▪ MOTOR	1				
8	<b>1100040512</b>	▪ BOLT	1				
9	<b>1100090612</b>	▪ BOLT	4				
10	<b>1100040820</b>	▪ BOLT	2				
11	<b>1110040680</b>	▪ SCREW, cap	4				
12	<b>1140420006</b>	▪ WASHER, spring	4				
13	<b>1140090006</b>	▪ WASHER, spring	4				
14	<b>1141190006</b>	▪ WASHER	4				
15	<b>1130040008</b>	▪ NUT	2				
16	<b>1652052000</b>	▪ GROMMET	1				
17	<b>1652052600</b>	▪ GROMMET	1				
18	<b>0414205150</b>	▪ DECAL	1				
19	<b>0424207160</b>	▪ DECAL	1				
20	<b>1340010060</b>	▪ END, rod	1				
21	<b>1140020006</b>	▪ WASHER, spring	2				
22	<b>1130040006</b>	▪ NUT	2				
23	<b>0564115670</b>	▪ PLATE	1				
	<b>L121b2L</b>						



L1-21b-2-D

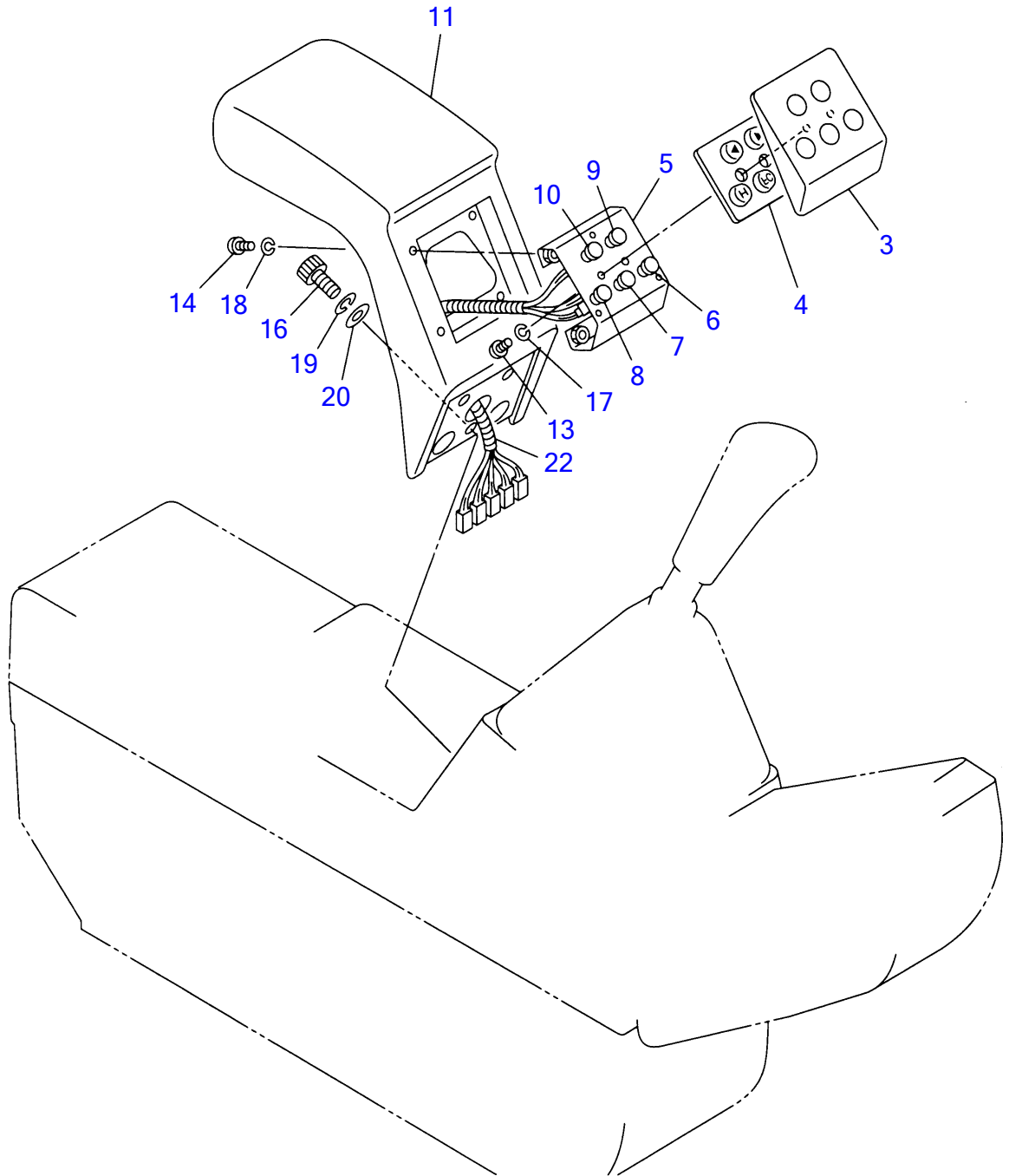
**ENGINE CONTROL (2/3) (1703007~1704705)**

Item	Part number	Description	Q'ty	Chan.	Serial No.	Serv.	Remarks
		CONTROL ASSY, engine			1703007~1703546		
		CONTROL ASSY, engine			1703547~		
0-1	<b>0564115600</b>	MOTOR ASSY	1		1703007~1703051		
	<b>0564116600</b>	MOTOR ASSY	1		1703052~		
1	<b>0564115610</b>	• BRACKET	1		1703007~1703051		
	<b>0564116610</b>	• BRACKET	1		1703052~1703937		
	<b>0564116620</b>	• BRACKET	1	(H)	1703938~		
2	<b>0564115620</b>	• LEVER	1				
3	<b>0564115630</b>	• COVER	1		1703007~1703051		
	<b>0564116630</b>	• COVER	1		1703052~		
4	<b>0564115640</b>	• RUBBER	1		1703007~1703051		
	<b>0564116640</b>	• RUBBER	1		1703052~		
5	<b>0564115690</b>	• SWITCH, limit	1				
6	<b>0564115660</b>	• SWITCH, limit	1				
7	<b>1711910050</b>	• MOTOR	1				
8	<b>1100040512</b>	• BOLT	1				
9	<b>1100040614</b>	• BOLT	4				
10	<b>1100040820</b>	• BOLT	1				
11	<b>1110040680</b>	• SCREW, cap	4				
12	<b>1140420006</b>	• WASHER, spring	4				
13	<b>1140020006</b>	• WASHER, spring	4		1703007~1703937		
	<b>1140020006</b>	• WASHER, spring	5		1703938~		
14	<b>1141110006</b>	• WASHER	2				
15	<b>1130040008</b>	• NUT	2				
16	<b>1652052200</b>	• GROMMET	1		1703007~1703051		
	<b>1652060022</b>	• GROMMET	1		1703052~		
17	<b>1652052600</b>	• GROMMET	1				
18	<b>0414205150</b>	• DECAL	1				
19	<b>0424207160</b>	• DECAL	1				
20	<b>1340010060</b>	• END, rod	1				
21	<b>1140020006</b>	• WASHER, spring	2				
22	<b>1130040006</b>	• NUT	2		1703007~1703937		
	<b>1130040006</b>	• NUT	5		1703938~		
23	<b>0564115670</b>	• PLATE	1		1703007~1703051		
	<b>0564116670</b>	• PLATE	1		1703052~		
24	<b>0003600110</b>	• WASHER	2				
25	<b>1100040825</b>	• BOLT	1				
26	<b>1653917046</b>	• TRIM	1				
27	<b>0564116650</b>	• BOLT	1		1703938~		sold by the meter
28	<b>0872433150</b>	• TUBE	2		1703938~		
	<b>L121b4L</b>						



**ENGINE CONTROL (2/3) (1704706~)**

Item	Part number	Description	Q'ty	Chan.	Serial No.	Serv.	Remarks
		CONTROL ASSY, engine					
0-1	<b>0564121200</b>	MOTOR ASSY	1				
1	<b>0564121280</b>	▪ BRACKET	1				
2	<b>0564121290</b>	▪ LEVER	1				
3	<b>0564116630</b>	▪ COVER	1				
4	<b>0564116640</b>	▪ RUBBER	1				
5	<b>0564115690</b>	▪ SWITCH, limit	1				
6	<b>0564115660</b>	▪ SWITCH, limit	1				
7	<b>1711910110</b>	▪ MOTOR	1				
8	<b>1100040512</b>	▪ BOLT	1				
9	<b>1100040614</b>	▪ BOLT	4				
10	<b>1100040820</b>	▪ BOLT	1				
11	<b>1100240600</b>	▪ BOLT	4				
14	<b>1140020006</b>	▪ WASHER, spring	11				
15	<b>1130040008</b>	▪ NUT	2				
16	<b>1652060022</b>	▪ GROMMET	1				
17	<b>1652052600</b>	▪ GROMMET	1				
18	<b>0414205150</b>	▪ DECAL	1				
19	<b>0424207160</b>	▪ DECAL	1				
20	<b>1340010060</b>	▪ END, rod	1				
22	<b>1130040006</b>	▪ NUT	9				
23	<b>0564116670</b>	▪ PLATE	1				
24	<b>0003600110</b>	▪ WASHER	12				
25	<b>1100040825</b>	▪ BOLT	1				
26	<b>1653917046</b>	▪ TRIM	1				sold by the meter
27	<b>0564116650</b>	▪ BOLT	1				
28	<b>0872433150</b>	▪ TUBE	2				
29	<b>1652520006</b>	▪ NUT	4				
30	<b>1420010480</b>	▪ O-RING	1				
	<b>L121b5L</b>						

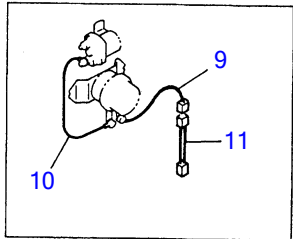


L1-21c-1-D



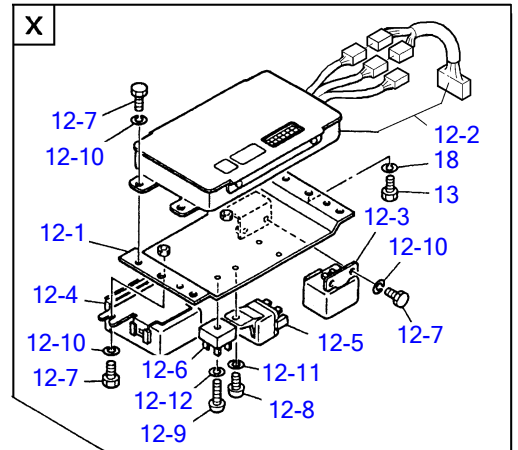
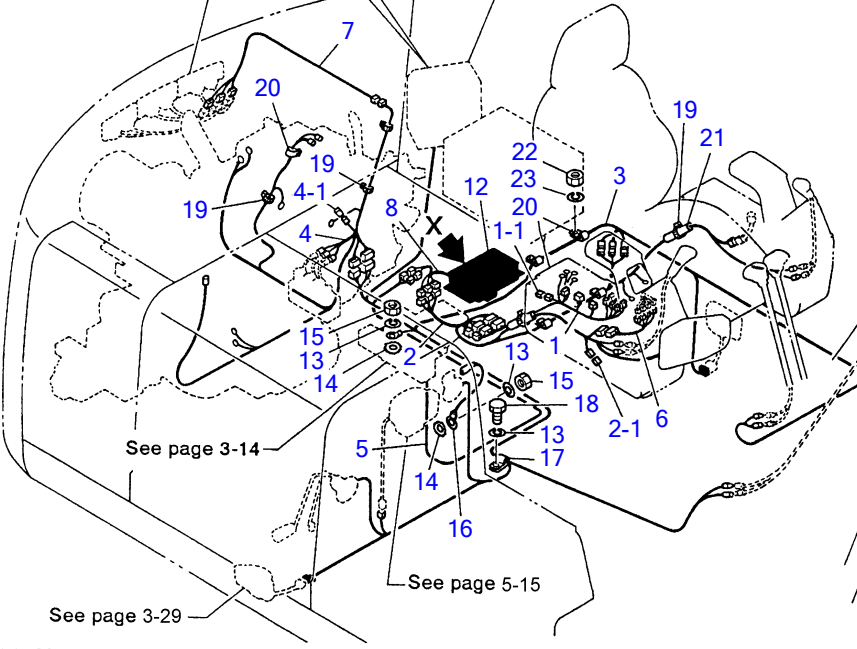
**ENGINE CONTROL (3/3)**

Item	Part number	Description	Q'ty	Chan.	Serial No.	Serv.	Remarks
		CONTROL ASSY, engine			1703007~1703546		
		CONTROL ASSY, engine			1703547~		
0-5	<b>0564116000</b>	REST ASSY, arm	1				
3	<b>0564115300</b>	• COVER	1				
4	<b>0564115400</b>	• CAP	1				
5	<b>0564115500</b>	• BRACKET	1				
6	<b>0564116010</b>	• SWITCH	1				
7	<b>0564116020</b>	• SWITCH	1				
8	<b>0564116030</b>	• SWITCH	1				
9	<b>0564116040</b>	• SWITCH	1				
10	<b>0564116050</b>	• SWITCH	1				
11	<b>0564116100</b>	• REST ASSY, arm	1				
13	<b>1120590406</b>	• SCREW	2				
14	<b>1120590512</b>	• SCREW	4				
15	<b>1110090814</b>	• SCREW, cap	3				
16	<b>1110090820</b>	• SCREW, cap	3				
17	<b>1140090004</b>	• WASHER, spring	2				
18	<b>1140090005</b>	• WASHER, spring	4				
19	<b>1140490008</b>	• WASHER, spring	3				
20	<b>1141190008</b>	• WASHER	3				
22	<b>1703211012</b>	• TUBE	1				
	<b>L121c3L</b>						



See page 5-11

See page 3-27



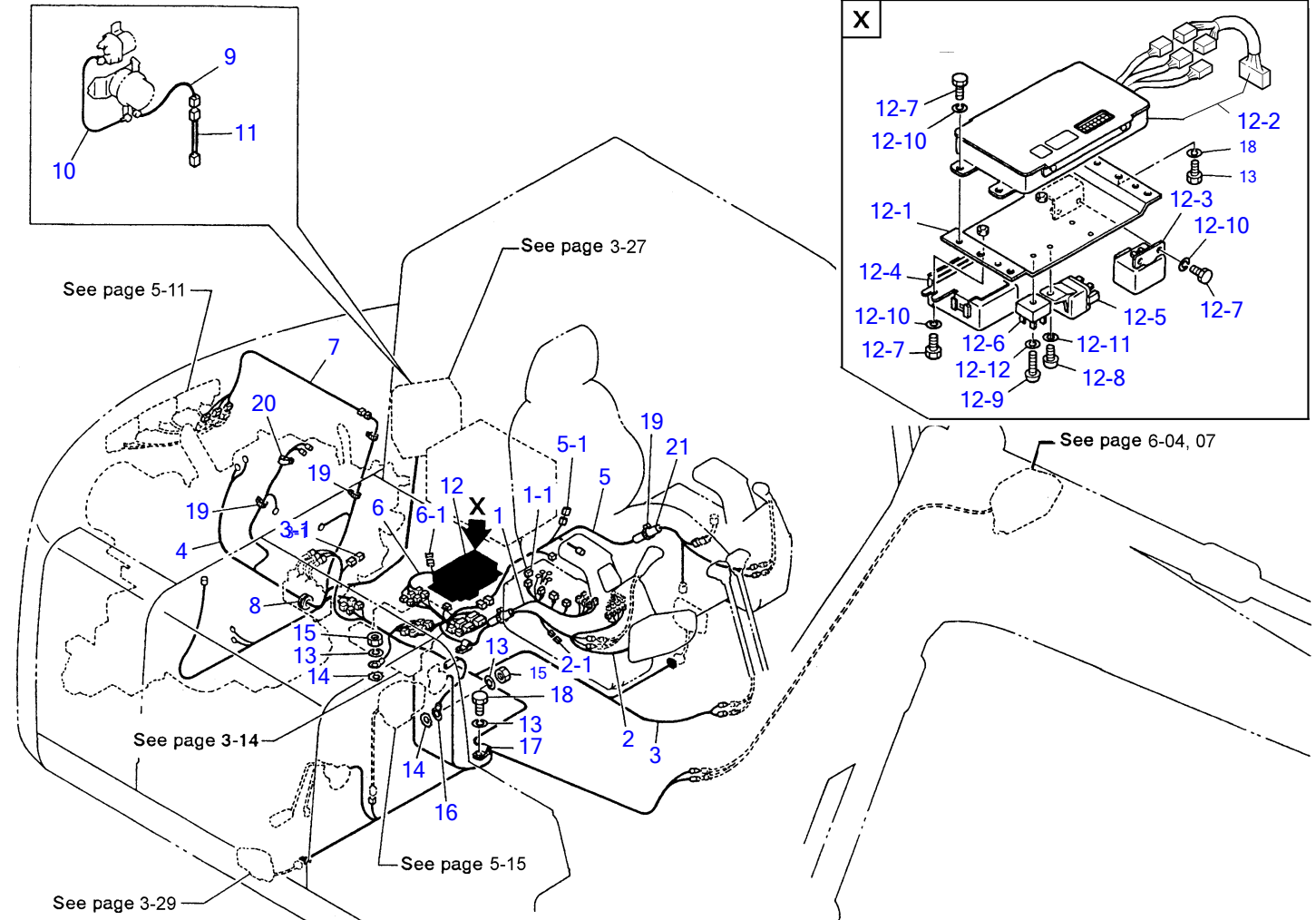
See page 6-04, 07

L1-22a-2-D

**ELECTRICAL (1703004~1703063)**

Item	Part number	Description	Q'ty	Chan.	Serial No.	Serv.	Remarks
		ELECTRICAL ASSY					
1	0564215100	HARNESS, wiring	1				
1-1	1730500007	• DIODE	1				
2	0564215200	HARNESS, wiring	1				
2-1	1730500007	• DIODE	4				
3	0564215300	HARNESS, wiring	1				
4	0564215400	HARNESS, wiring	1				
4-1	1730500007	• DIODE	3				
5	0564215500	HARNESS, wiring	1		1703007~1703063		
6	0564215600	HARNESS, wiring	1				
7	0564215700	HARNESS, wiring	1				
8	0564215800	HARNESS, wiring	1				
9	0564215850	WIRE	1				
10	0564215860	WIRE	1				
11	0564215900	LINK, fusible	1				
12	0564216000	CONTROLLER ASSY	1				
12-1	0564216100	• BRACKET	1				
12-2	1730140390	• CONTROLLER ASSY, throttle	1				
12-3	1910104114	• DETECTOR	1				Æ »Ý 16450T9005
12-4	1910104113	• QHS-CONTROLLER	1				Æ »Ý 1106790065
12-5	1711900040	• RELAY	1				
12-6	0568800400	• DIODE	1				
12-7	1100240610	• BOLT	8				
12-8	1120530510	• SCREW	1				
12-9	1120530420	• SCREW	1				
12-10	1140020006	• WASHER, spring	8				
12-11	1140020005	• WASHER, spring	1				
12-12	1140020004	• WASHER, spring	1				
13	1140020008	WASHER, spring	8		1703004~1703030		
	1140020008	WASHER, spring	9		1703031~1703063		
14	1140330008	WASHER	2				
15	1130040008	NUT	2				
16	0424200700	WIRE	1				
17	0007300041	CLAMP	2		1703004~1703030		
	0007300039	CLAMP	4		1703031~1703063		
18	1100040816	BOLT	6		1703004~1703030		
	1100040816	BOLT	7		1703031~1703063		
19	1652231250	BAND	7		1703031~1703063		
20	0007300001	CLAMP	3		1703031~1703063		
21	1531354020	PROTECTOR	2		1703031~1703063		sold by the meter
22	1130040010	NUT	2		1703031~1703063		
23	1140020010	WASHER, spring	2		1703031~1703063		

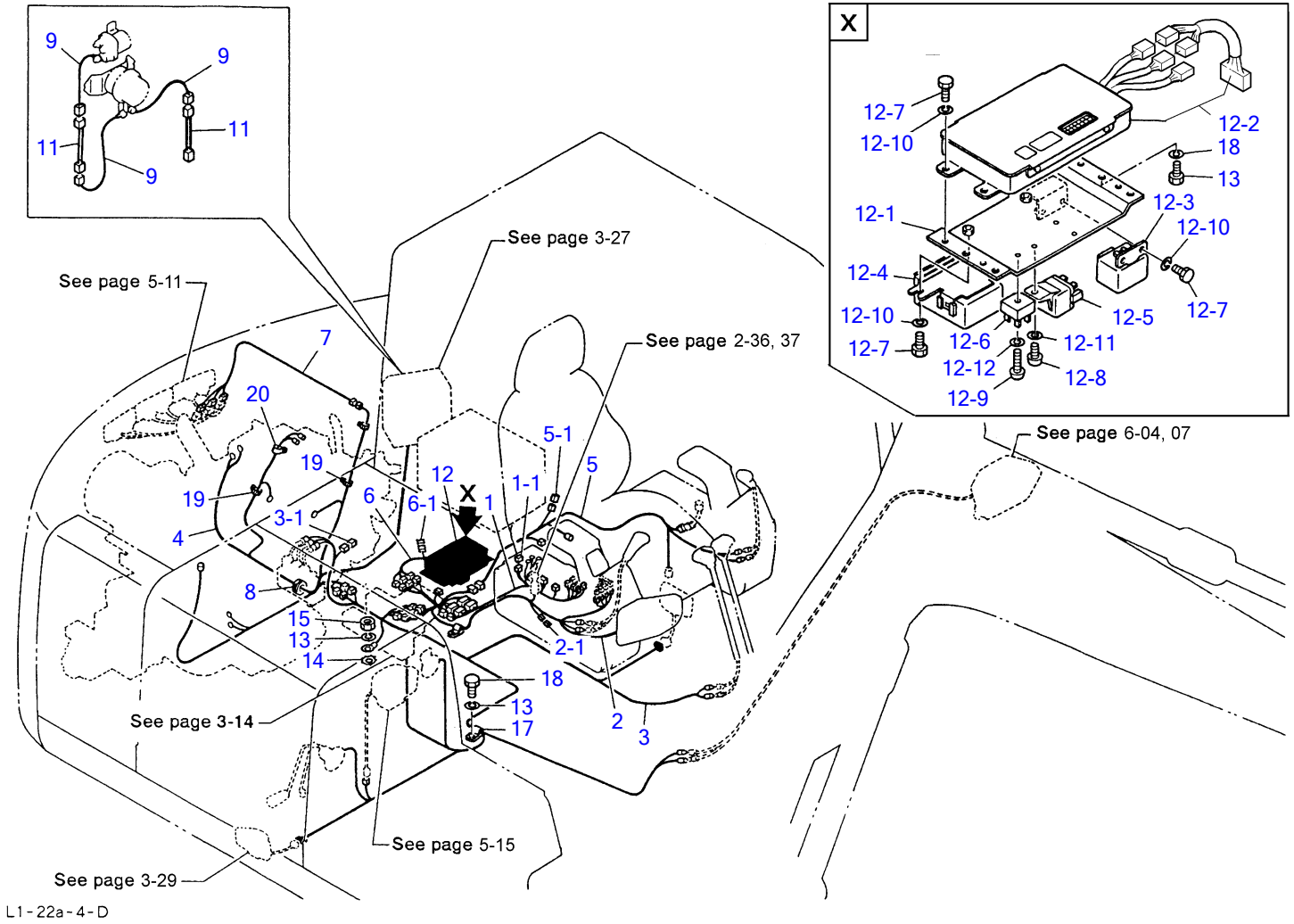
L122a2L



L1-22a-3-D

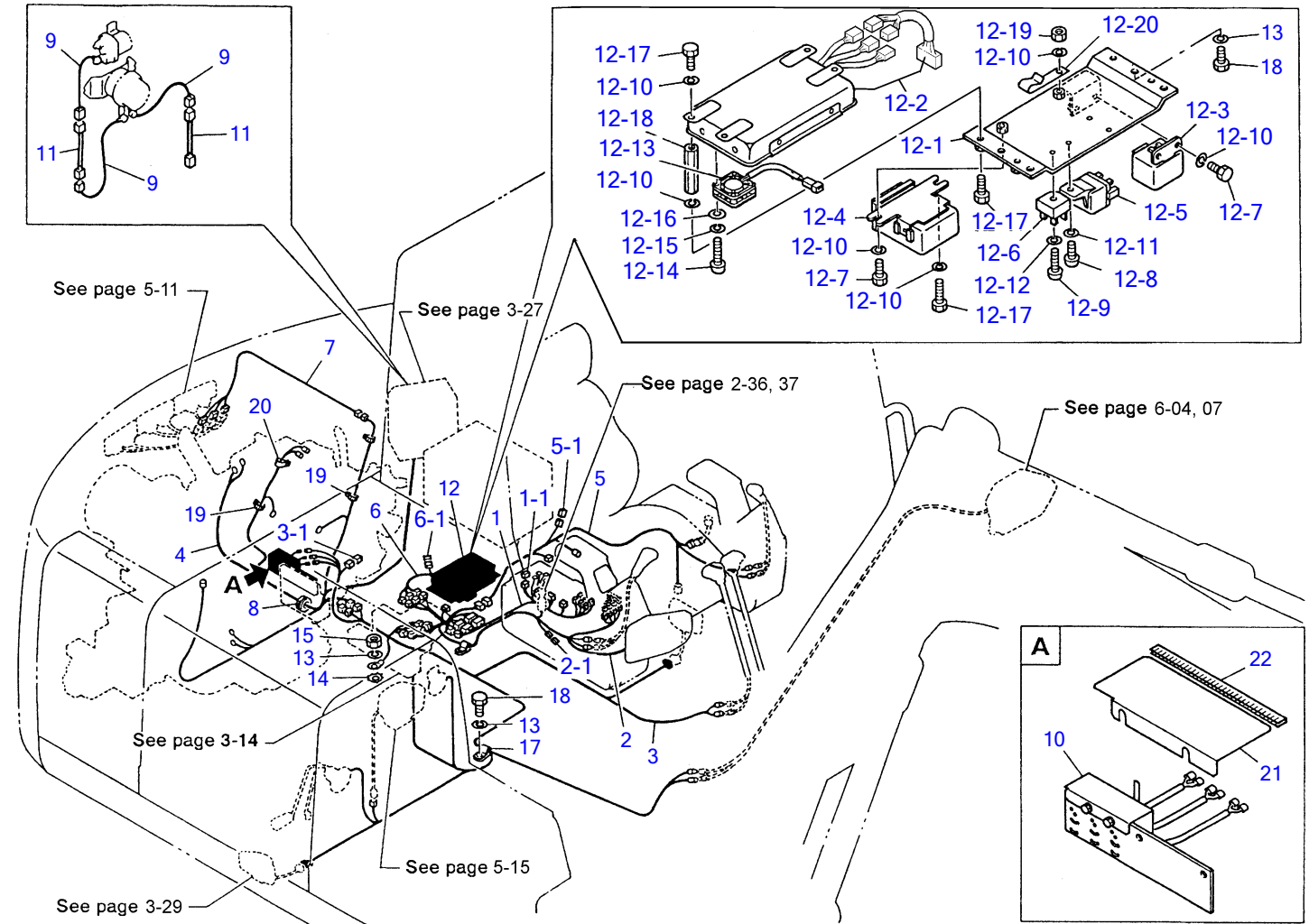
**ELECTRICAL (1703064~1703324)**

Item	Part number	Description	Q'ty	Chan.	Serial No.	Serv.	Remarks
		ELECTRICAL ASSY					
1	0564217100	HARNESS, wiring	1				
1-1	1730500007	• DIODE	1				
2	0564217200	HARNESS, wiring	1				
2-1	1730500007	• DIODE	1				
3	0564217300	HARNESS, wiring	1		1703064~1703096		
	0564217700	HARNESS, wiring	1		1703097~1703324		
3-1	1730500007	• DIODE	3		1703097~1703324		
4	0564217400	HARNESS, wiring	1		1703064~1703096		
	0564217800	HARNESS, wiring	1		1703097~1703324		
5	0564217500	HARNESS, wiring	1				
5-1	1730500007	• DIODE	3				
6	0564217600	HARNESS, wiring	1				
6-1	1730500007	• DIODE	1				
7	0564215700	HARNESS, wiring	1				
8	0097210300	GROMMET	1				
9	0564215850	WIRE	1				
10	0564215860	WIRE	1				
11	0564215900	LINK, fusible	1				
12	0564216000	CONTROLLER ASSY	1				
12-1	0564216100	• BRACKET	1				
12-2	1730140390	• CONTROLLER ASSY, throttle	1				
12-3	1910104114	• DETECTOR	1				Æ »Ý 16450T9005
12-4	1910104113	• QHS-CONTROLLER	1				Æ »Ý 1106790065
12-5	1711900040	• RELAY	1				
12-6	0568800400	• DIODE	1				
12-7	1100240610	• BOLT	8				
12-8	1120530510	• SCREW	1				
12-9	1120530420	• SCREW	1				
12-10	1140020006	• WASHER, spring	8				
12-11	1140020005	• WASHER, spring	1				
12-12	1140020004	• WASHER, spring	1				
13	1140020008	WASHER, spring	7				
14	1140330008	WASHER	2				
15	1130040008	NUT	2				
16	0424200700	WIRE	1				
17	0007300039	CLAMP	2				
18	1100040816	BOLT	6				
19	1652231250	BAND	5		1703064~1703096		
	1652231250	BAND	1		1703097~1703324		
20	0007300001	CLAMP	1				
21	1531354020	PROTECTOR	2		1703064~1703096		sold by the meter
	L122a3L						



**ELECTRICAL (1703325~1703594)**

Item	Part number	Description	Q'ty	Chan.	Serial No.	Serv.	Remarks
		ELECTRICAL ASSY					
1	0564219100	HARNESS, wiring	1				
1-1	1730500007	• DIODE	3				
2	0564219200	HARNESS, wiring	1				
2-1	1730500007	• DIODE	1				
3	0564219300	HARNESS, wiring	1				
3-1	1730500007	• DIODE	3				
4	0564219400	HARNESS, wiring	1				
5	0564218500	HARNESS, wiring	1				
5-1	1730500007	• DIODE	3				
6	0564218600	HARNESS, wiring	1				
6-1	1730500007	• DIODE	1				
7	0564215700	HARNESS, wiring	1				
8	0097210300	GROMMET	1				
9	0564215850	WIRE	3				
11	0564215900	LINK, fusible	2				
12	0564216000	CONTROLLER ASSY	1				
12-1	0564216100	• BRACKET	1				
12-2	1730140390	• CONTROLLER ASSY, throttle	1				
12-3	1910104114	• DETECTOR	1				Æ»Ý 16450T9005
12-4	1910104113	• QHS-CONTROLLER	1				Æ»Ý 1106790065
12-5	1711900040	• RELAY	1				
12-6	0568800400	• DIODE	1				
12-7	1100240610	• BOLT	8				
12-8	1120530510	• SCREW	1				
12-9	1120530420	• SCREW	1				
12-10	1140020006	• WASHER, spring	8				
12-11	1140020005	• WASHER, spring	1				
12-12	1140020004	• WASHER, spring	1				
13	1140020008	WASHER, spring	7				
14	1140330008	WASHER	1				
15	1130040008	NUT	1				
17	0007300039	CLAMP	2				
18	1100040816	BOLT	6				
19	1652231250	BAND	3				
20	0007300001	CLAMP	1				
	L122a4L						

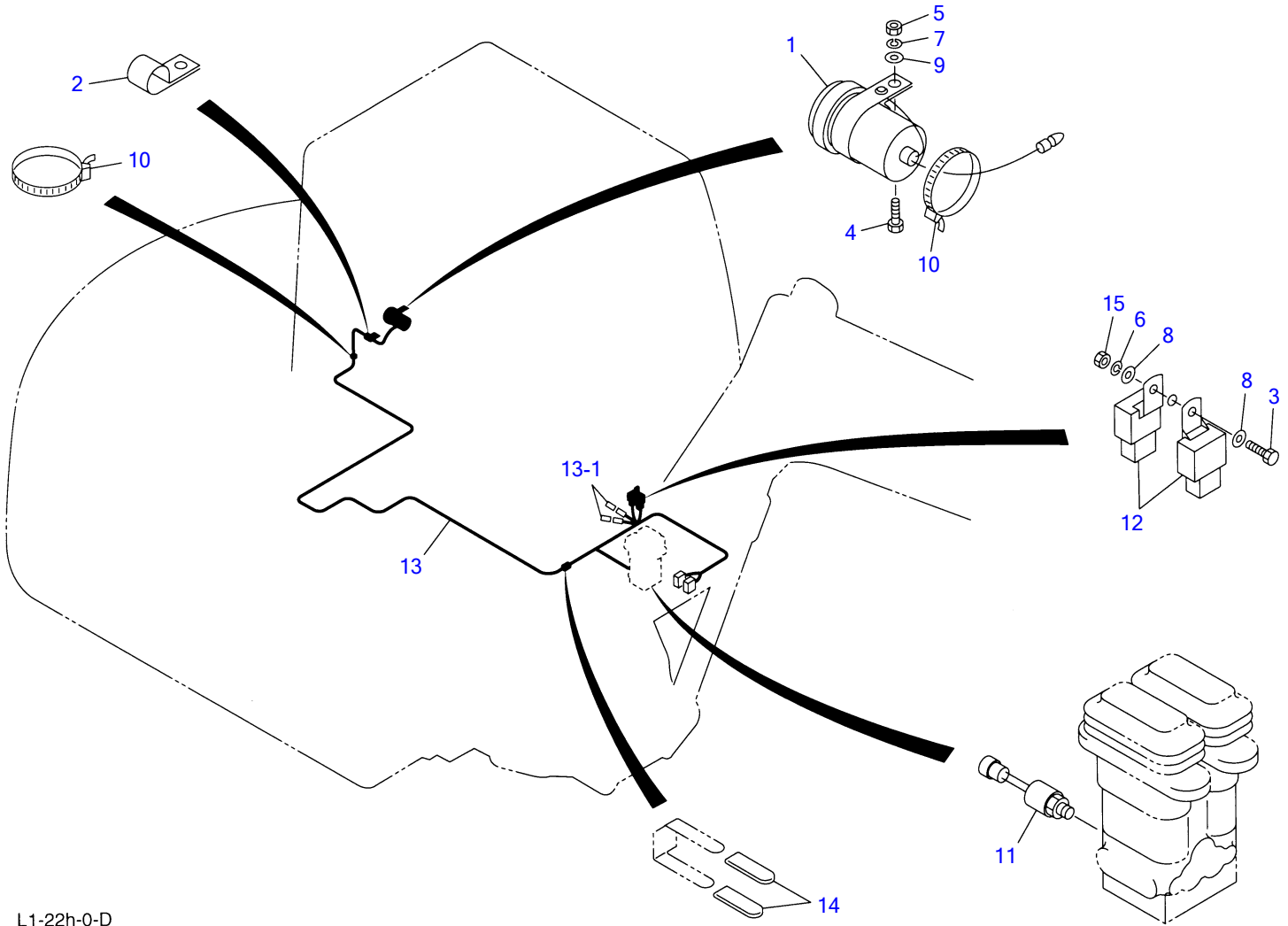


L1-22a-5-D



## ELECTRICAL (1703595~)

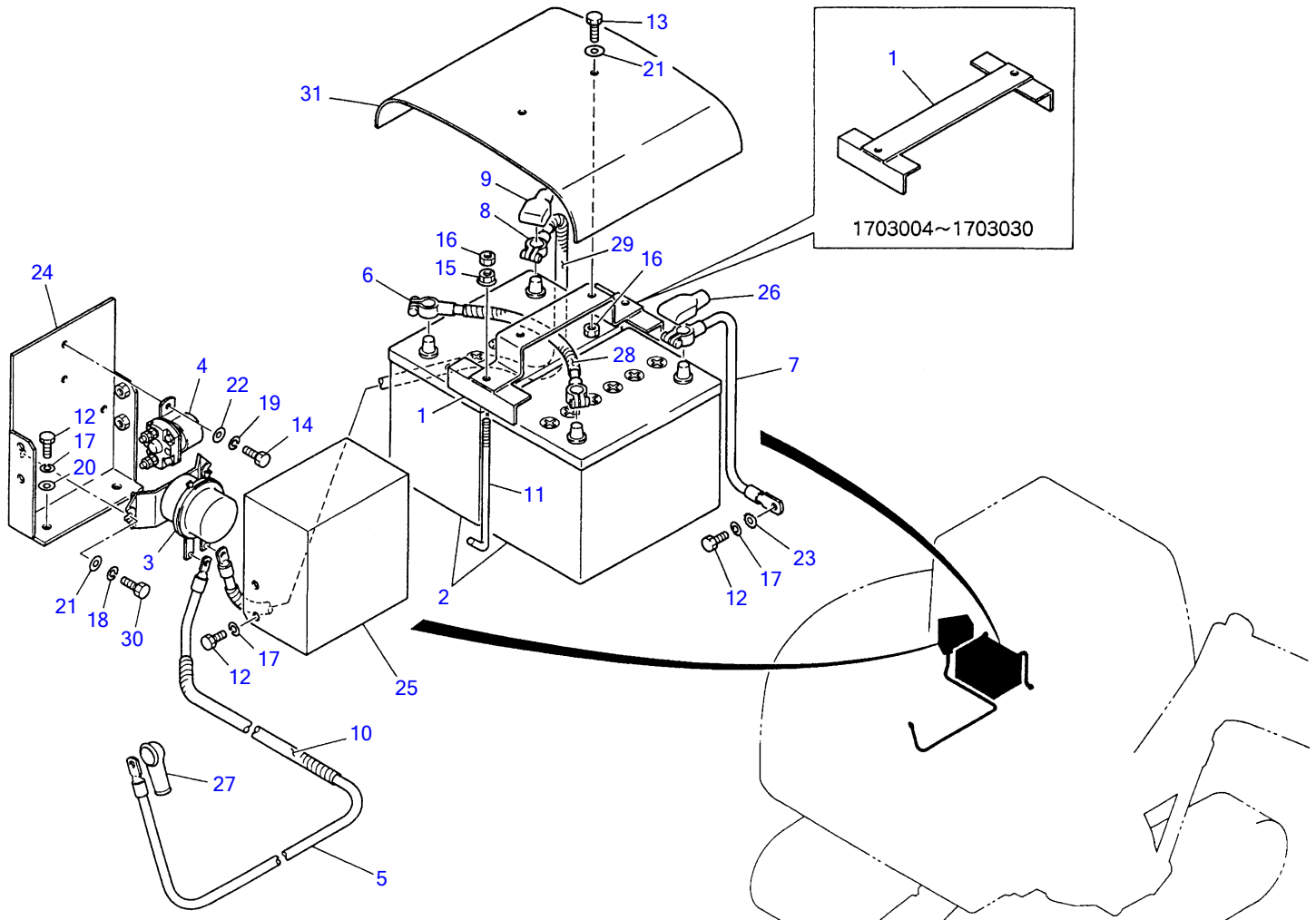
Item	Part number	Description	Q'ty	Chan.	Serial No.	Serv.	Remarks
		ELECTRICAL ASSY					
1	0564219100	HARNESS, wiring	1				
1-1	1730500007	• DIODE	3				
2	0564219200	HARNESS, wiring	1				
2-1	1730500007	• DIODE	1				
3	0564219300	HARNESS, wiring	1				
3-1	1730500007	• DIODE	3				
4	0564219400	HARNESS, wiring	1				
5	0564218500	HARNESS, wiring	1				
5-1	1730500007	• DIODE	3				
6	0564219600	HARNESS, wiring	1				
6-1	1730500007	• DIODE	1				
7	0564215700	HARNESS, wiring	1				
8	0097210300	GROMMET	1				
9	0564215850	WIRE	3				
10	0564219800	REGULATOR ASSY	1		1703631~		
11	0564215900	LINK, fusible	2				
12	0564216700	CONTROLLER ASSY	1				
12-1	0564216100	• BRACKET	1				
12-2	1730140390	• CONTROLLER ASSY, throttle	1				
12-3	1910104114	• DETECTOR	1				Æ»Ý 16450T9005
12-4	1910104113	• QHS-CONTROLLER	1				Æ»Ý 1106790065
12-5	1711900040	• RELAY	1				
12-6	0568800400	• DIODE	1				
12-7	1100240610	• BOLT	3				
12-8	1120530510	• SCREW	1				
12-9	1120530420	• SCREW	1				
12-10	1140020006	• WASHER, spring	13				
12-11	1140020005	• WASHER, spring	1				
12-12	1140020004	• WASHER, spring	1				
12-13	0564216550	• FAN	1				
12-14	1120530320	• SCREW	4				
12-15	1140020003	• WASHER, spring	4				
12-16	1141110003	• WASHER	4				
12-17	1100240616	• BOLT	9				
12-18	1134830650	• NUT	4				
12-19	1130040006	• NUT	1				
12-20	0007300010	• CLAMP	1				
13	1140020008	WASHER, spring	7				
14	1140330008	WASHER	1				
15	1130040008	NUT	1				
17	0007300039	CLAMP	2				
18	1100040816	BOLT	6				
19	1652231250	BAND	3				
20	0007300001	CLAMP	1				
21	0564219010	COVER	1				
22	1653917023	TRIM	1				sold by the meter
	L122a6L						



L1-22h-0-D

**TRAVEL ARAM**

Item	Part number	Description	Q'ty	Chan.	Serial No.	Serv.	Remarks
		TRAVEL ALARM ASSY					
1	0354211050	BUZZER	1				
2	0007300004	BAND	1				
3	1100030620	BOLT	1				
4	1100030835	BOLT	1				
5	1130040008	NUT	1				
6	1140020006	WASHER, spring	1				
7	1140020008	WASHER, spring	1				
8	1141110006	WASHER	2				
9	1141110008	WASHER	1				
10	1652231250	BAND	2				
11	1700100041	SWITCH	1				
12	1711900049	RELAY	2				
13	0564225010	HARNES, wiring	1				
13-1	1730500008	• DIODE (3A, yellow)	2				
14	0872433150	TUBE	2				
15	1130040006	NUT	1				
	L122h0L						



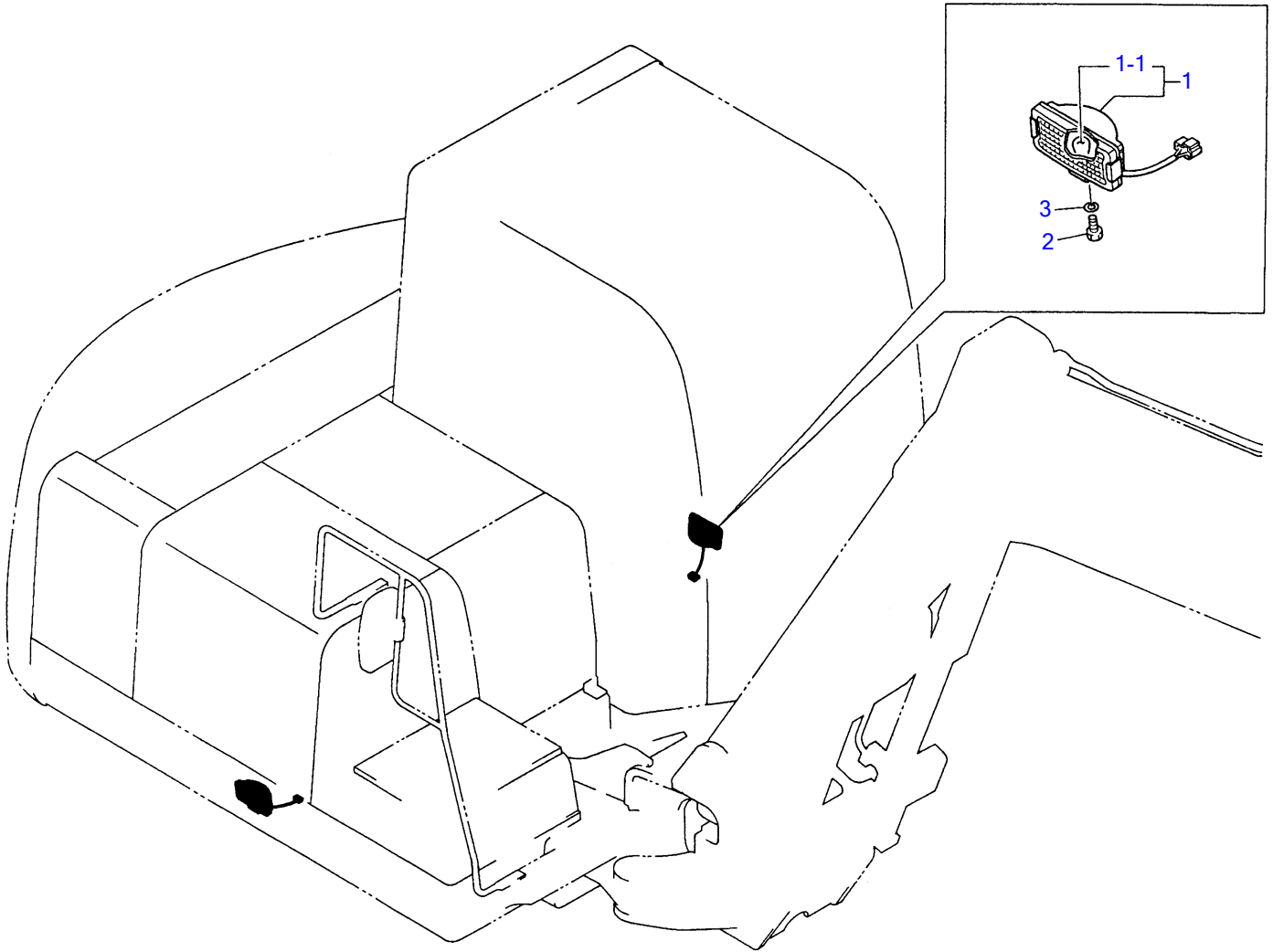
L1-22b-0-D

**BATTERY**

Item	Part number	Description	Q'ty	Chan.	Serial No.	Serv.	Remarks
		BATTERY ASSY					
1	0564411100	CLAMP	1	A	1703004~1703030		
	0564412400	CLAMP	1	a (H)	1703031~		
2	1702048026	BATTERY	2				
3	1910104111	RELAY	1				Æ »Ý 2561390016
4	1910104112	RELAY	1				Æ »Ý 2553090000
5	1702530150	CABLE, battery	1				
6	1702630030	CABLE, battery	1				
7	1702230034	CABLE, earth	1				
8	1702730050	CABLE, battery	1				
9	1702910006	COVER	1				
10	1703221345	TUBE	1				sold by the meter
11	1702108220	BOLT	2		1703004~1703036		
	1702108210	BOLT	2		1703037~		
12	1100041016	BOLT	7				
13	1100040825	BOLT	2	a			
14	1100040614	BOLT	2				
15	1131242008	NUT	2				
16	1130040008	NUT	2	A	1703004~1703030		
	1130040008	NUT	4	a (H)	1703031~		
17	1140020010	WASHER, spring	7				
18	1140020008	WASHER, spring	2				
19	1140020006	WASHER, spring	2				
20	1141110010	WASHER	2				
21	1141110008	WASHER	2	A	1703004~1703030		
	1141110008	WASHER	4	a (H)	1703031~		
22	1141110006	WASHER	2				
23	1140330010	WASHER	1				
24	0564412100	PLATE	1				
25	0564412200	PLATE	1				
26	1702910016	COVER	1				
27	1910007119	COVER	1				ÖÝİ° 124550-77030
28	1703211320	TUBE	1		1703031~		sold by the meter
29	1703211340	TUBE	1		1703031~		sold by the meter
30	1100040830	BOLT	2				
31	0564412300	SHEET	1	a	1703031~		

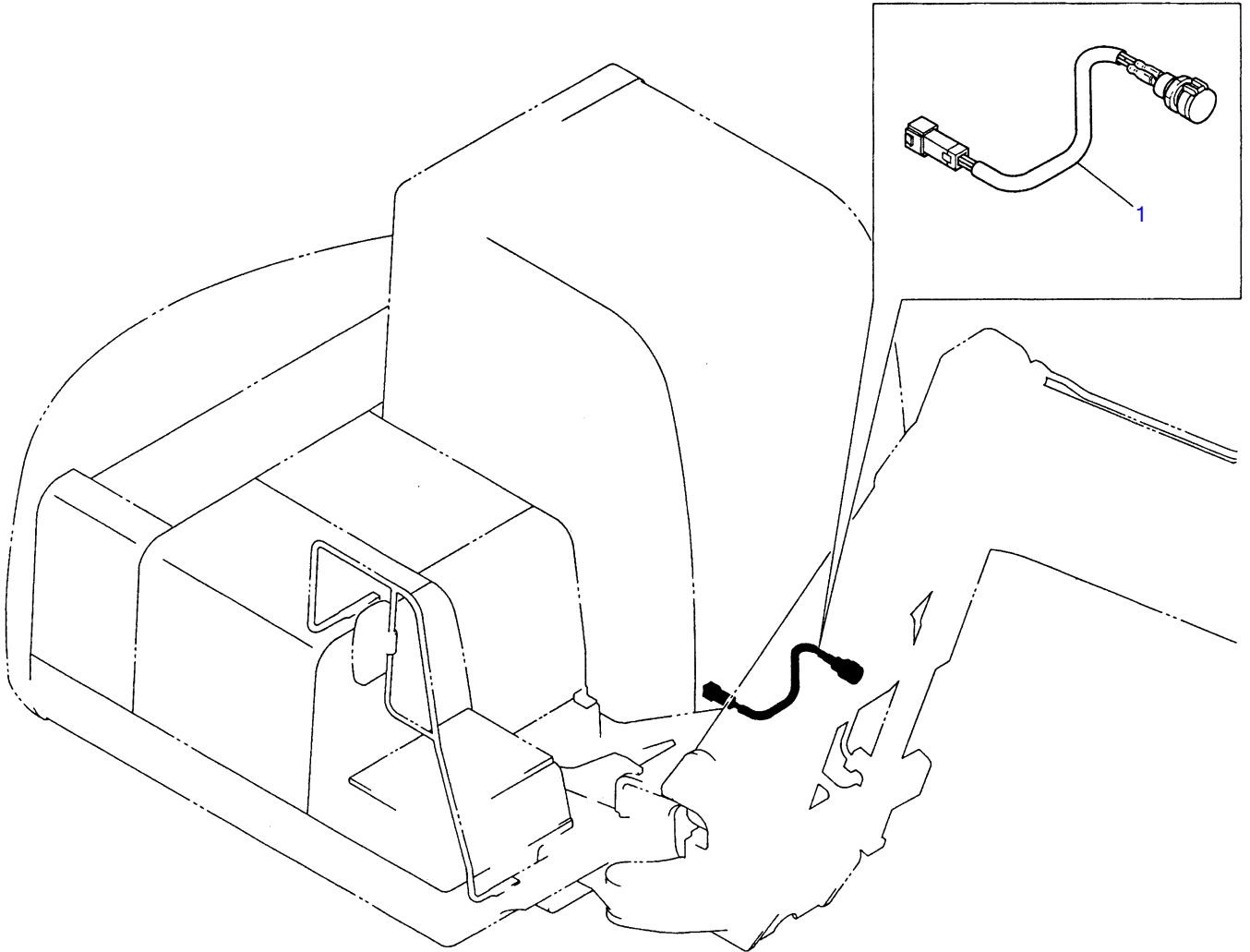
NOTE  
Set "A" is interchangeable with  
set "a".

**L122b2L**



L1-22d-0-D

Item	Part number	Description	SIDE LIGHT			
			Q'ty	Chan.	Serial No.	Serv. Remarks
		LIGHT ASSY, side				
1	1703004000	LAMP ASSY	2			
1-1	1703004001	• BULB	1			
2	1100040816	BOLT	2			
3	1140020008	WASHER, spring	2			
	L122d0L					

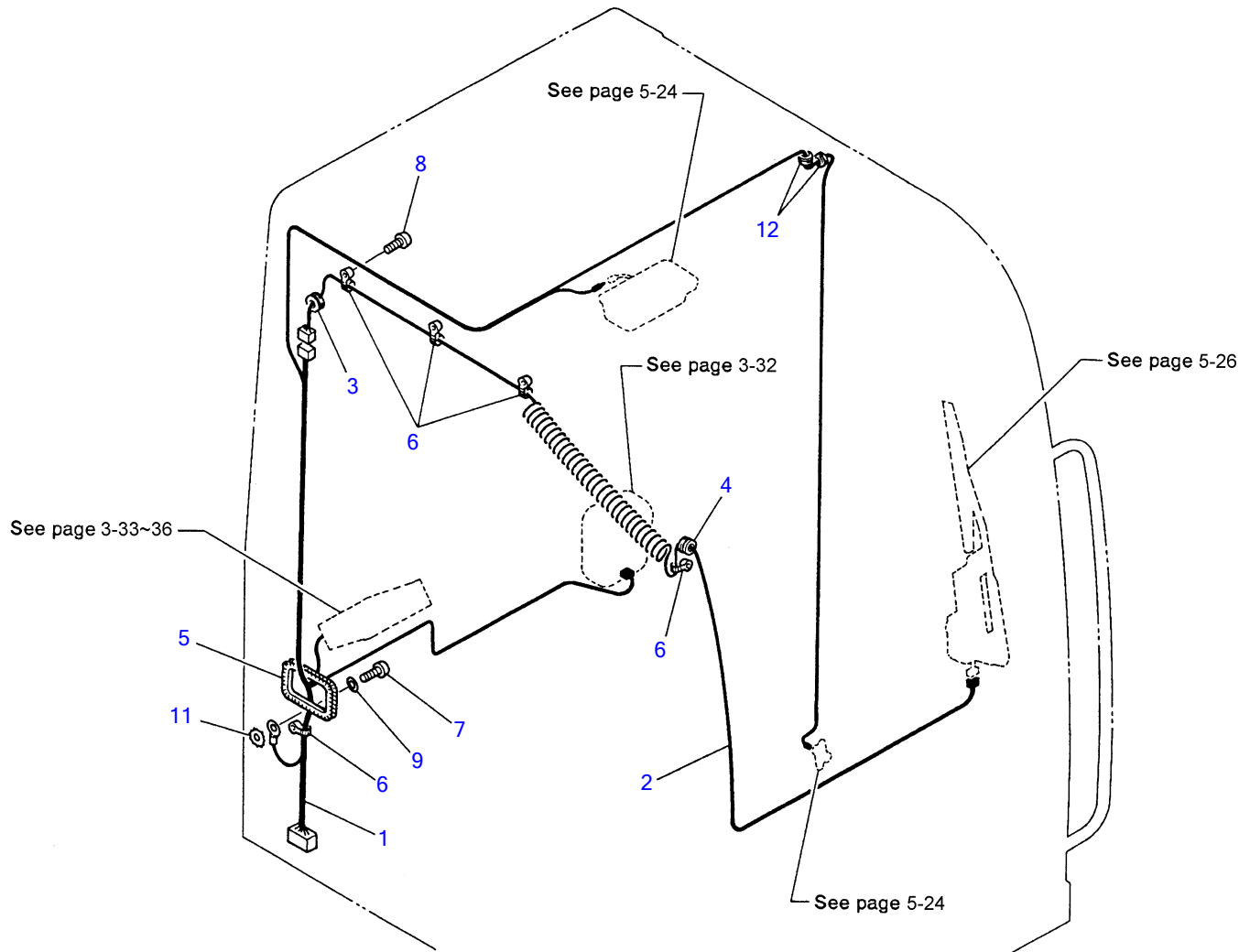


L1-22g-0-D



**MAINTENANCE LIGHT SOCKET**

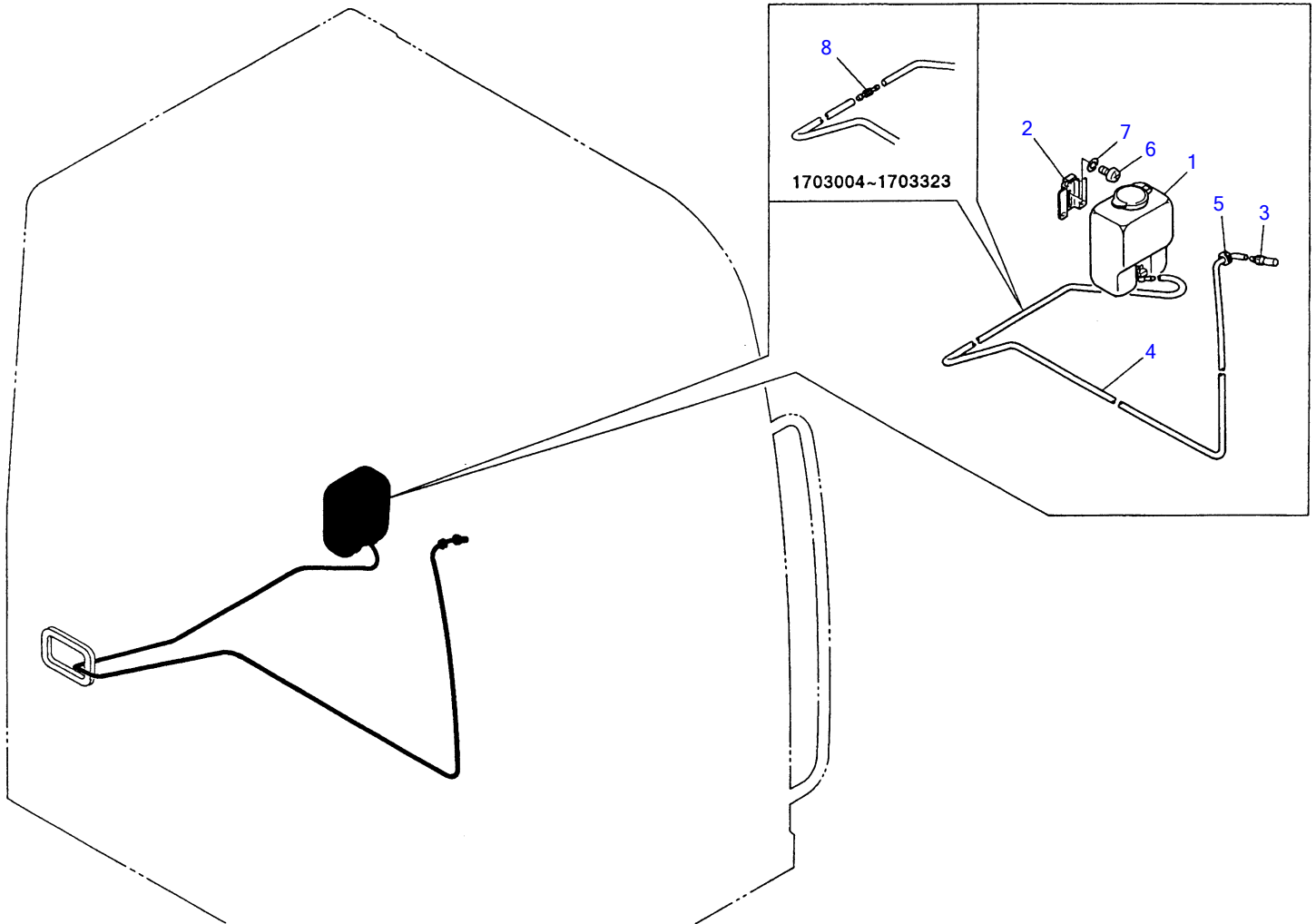
Item	Part number	Description	Q'ty	Chan.	Serial No.	Serv.	Remarks
1	<b>0394203100</b> <b>L122g0L</b>	SOCKET ASSY, maintenance light SOCKET ASSY	1				



L1-22c-1-D

**ELECTRICAL (cab)**

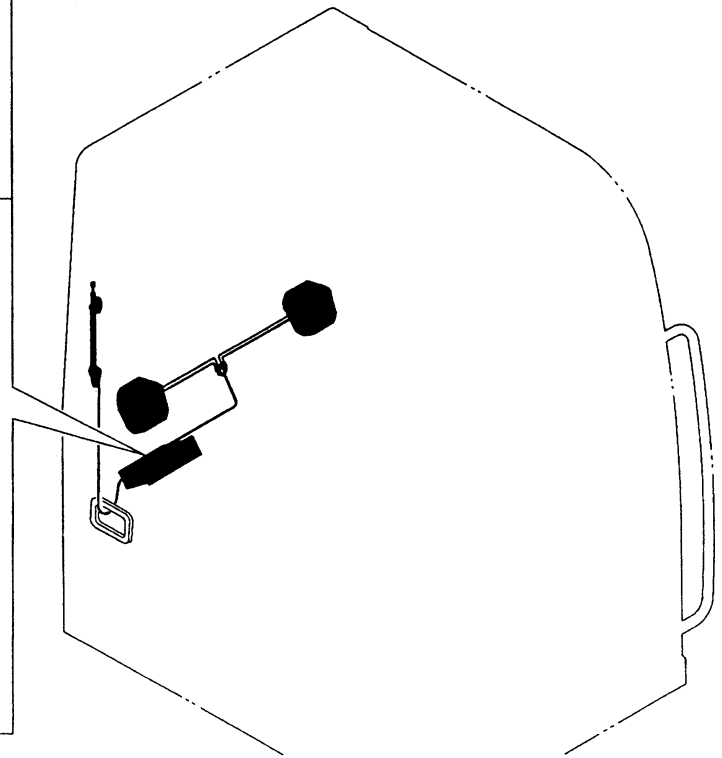
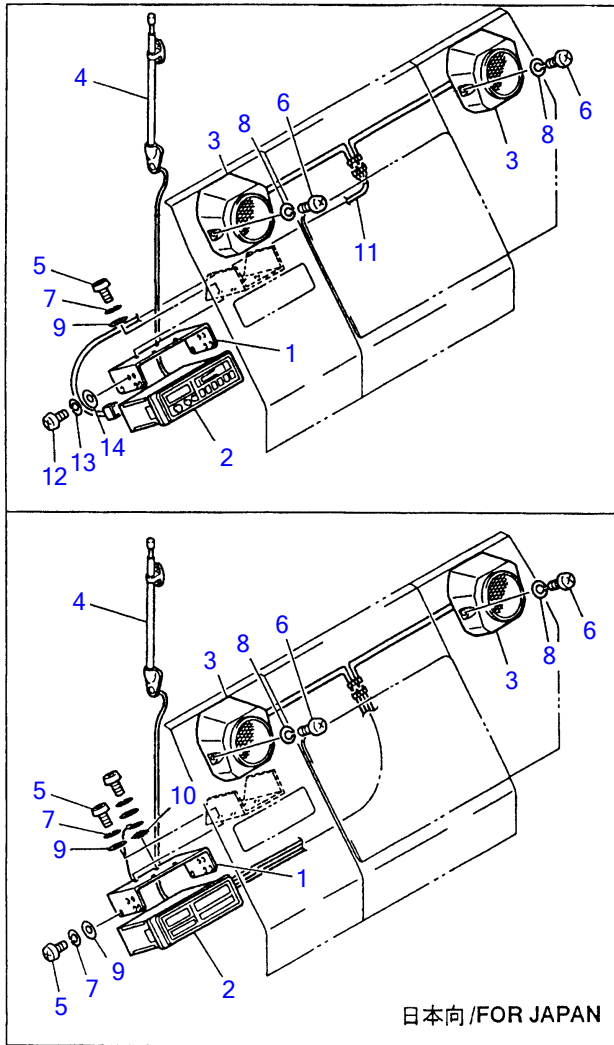
Item	Part number	Description	Q'ty	Chan.	Serial No.	Serv.	Remarks
		WIRING ASSY, cab					
1	0568801100	HARNES, wiring	1				
2	0568801200	HARNES, wiring	1				
3	1652001602	GROMMET	1				
4	1652000602	GROMMET	1				
5	1653917032	TRIM	1				
6	1652221050	BAND	5				
7	1120530616	SCREW	1				
8	1120590512	SCREW	5				
9	1140020006	WASHER, spring	1				
11	1140330006	WASHER	1				
12	1652001002	GROMMET	2				
	L122c1L						



L1-22e-0-D

**WINDOW WASHER**

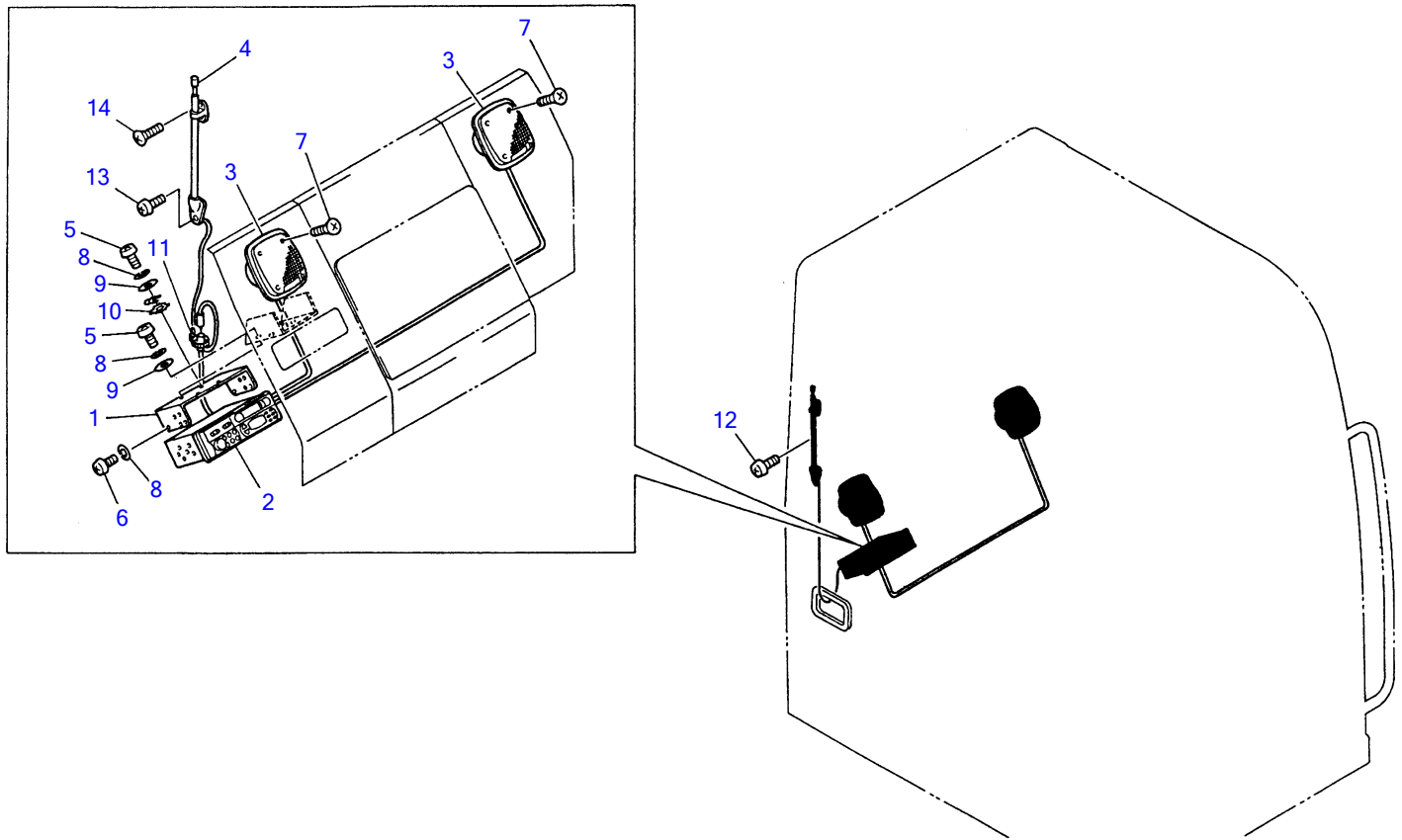
Item	Part number	Description	Q'ty	Chan.	Serial No.	Serv.	Remarks
		WASHER ASSY, window					
1	1711910061	TANK ASSY	1				
2	1711910062	BRACKET	1				
3	1711910070	NOZZLE	1				
4	1711910063	HOSE	1				sold by the meter
5	1652001002	GROMMET	2				
6	1120530614	SCREW	2				
7	1140020006	WASHER, spring	2				
8	1711910080	VALVE, check	1		1703004~1703323		
	L122e0L						



L1-22f-0-D

**RADIO (1703004~1703281)**

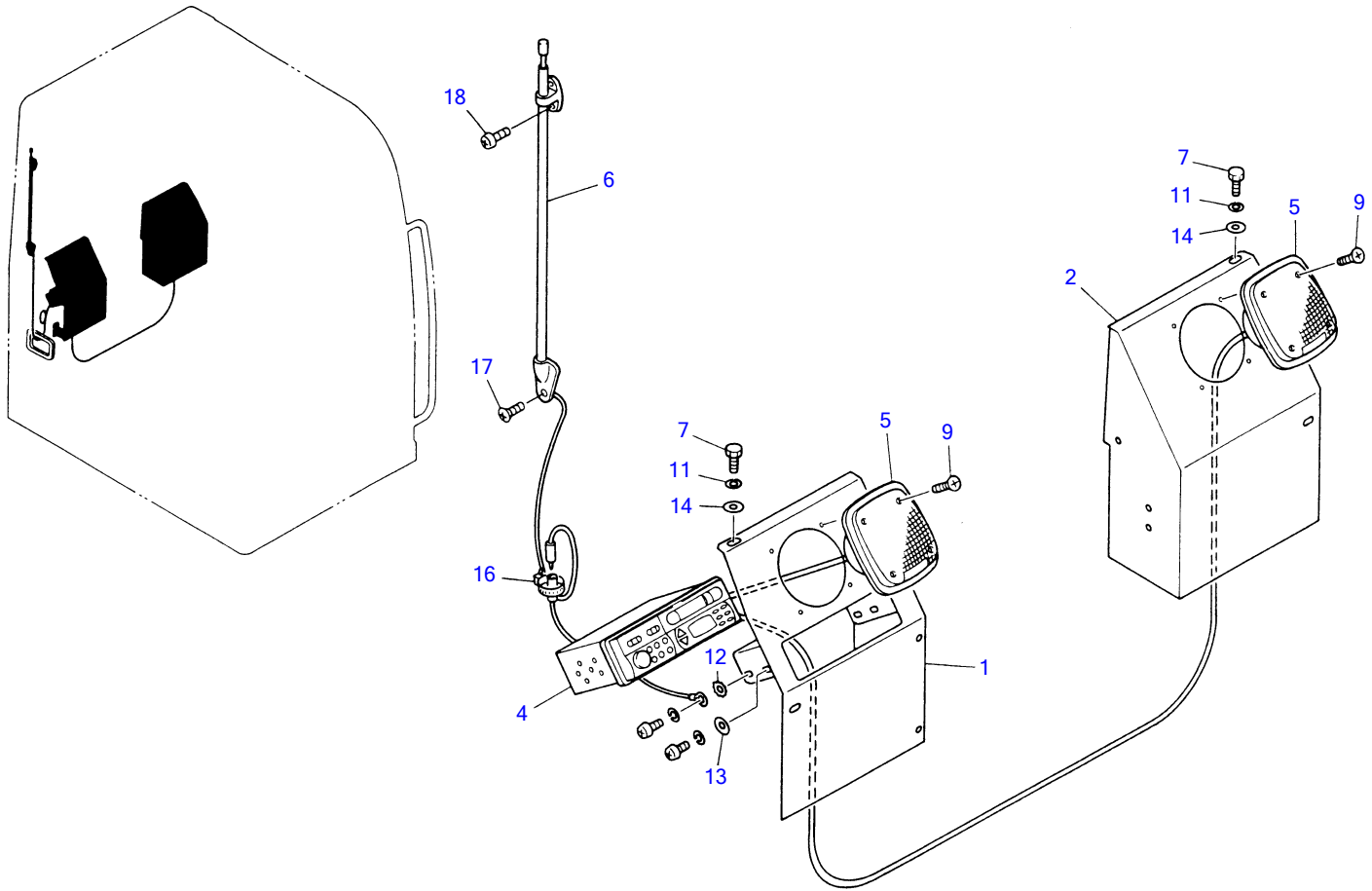
Item	Part number	Description	Q'ty	Chan.	Serial No.	Serv.	Remarks
		RADIO ASSY					
		RADIO ASSY; for Japan					
1	0564701100	BRACKET	1				
2	1705001800	RADIO	1				
	1705001700	RADIO	1				for Japan
3	1705015702	SPEAKER	2				
4	1705015602	ANTENNA	1				
5	1120530512	SCREW	4				
	1120530512	SCREW	8				for Japan
6	1120590416	SCREW	4				
7	1140020005	WASHER, spring	4				
	1140020005	WASHER, spring	8				for Japan
8	1140090004	WASHER, spring	4				
9	1141110005	WASHER	4				
	1141110005	WASHER	8				for Japan
10	1140330005	WASHER	1				for Japan
11	0564701200	HARNES, wiring	1				
12	1120530306	SCREW	6				
13	1140020003	WASHER, spring	6				
14	1141110003	WASHER	6				
	L122f0L						



L1-22f-2-D



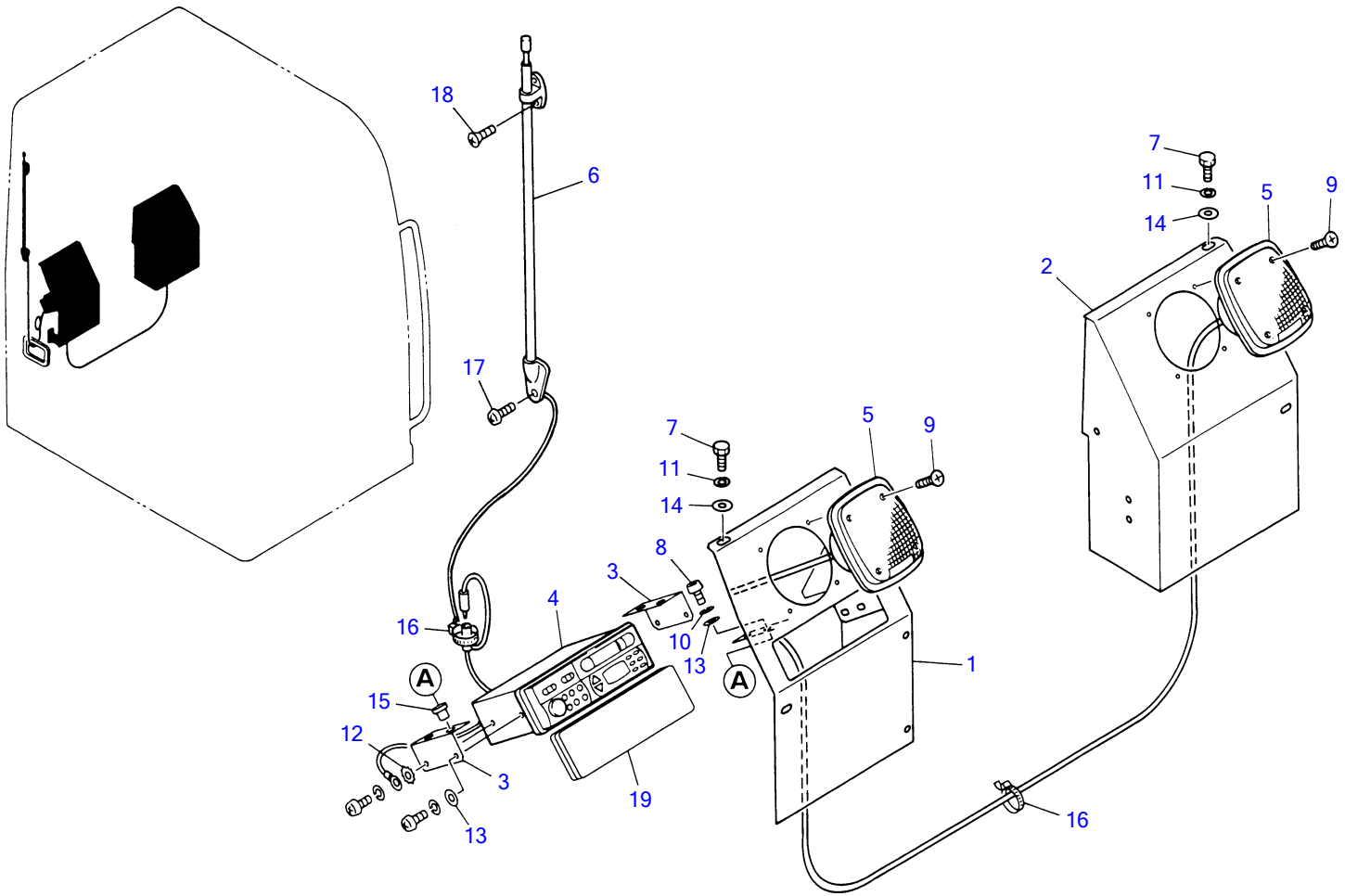
<b>RADIO (1703282~1704871)</b>						
Item	Part number	Description	Q'ty	Chan.	Serial No.	Serv. Remarks
		RADIO ASSY; for Japan				
		RADIO ASSY; for America				
		RADIO ASSY; for				
		Europe, Asia, Oceania				
1	<b>0564701100</b>	BRACKET	1			
2	<b>1705001900</b>	RADIO; for Japan	1		1703282~1703972	
	<b>1705003100</b>	RADIO; for Japan	1	(H) Ⓚ	1703973~1704751	
	<b>1705004100</b>	RADIO; for Japan	1	(H)	1704752~1704871	
	<b>1705002000</b>	RADIO; for America	1		1703282~1703972	
	<b>1705003000</b>	RADIO; for America	1	(H) Ⓚ	1703973~1704751	
	<b>1705004000</b>	RADIO; for America	1	(H)	1704752~1704871	
	<b>1705002100</b>	RADIO; for Europe, Asia, Oceania	1		1703282~1703963	
	<b>1705002900</b>	RADIO; for Europe, Asia, Oceania	1	(H) Ⓚ	1703973~1704751	
	<b>1705003900</b>	RADIO; for Europe, Asia, Oceania	1	(H)	1704752~1704871	
3	<b>1705002150</b>	SPEAKER	2			
4	<b>1705015602</b>	ANTENNA	1	(L)	1703282~1703891	
	<b>1705001980</b>	ANTENNA	1		1703892~1704871	
5	<b>1120530512</b>	SCREW	4			
6	<b>1120530510</b>	SCREW	4		1703282~1704751	
7	<b>1120730420</b>	SCREW	8			
8	<b>1140020005</b>	WASHER, spring	8		1703282~1704751	
	<b>1140020005</b>	WASHER, spring	4		1704752~1704871	
9	<b>1141110005</b>	WASHER	4			
10	<b>1140330005</b>	WASHER	1			
11	<b>1652231100</b>	BAND	1			
12	<b>1120530406</b>	SCREW	1			
13	<b>1120530416</b>	SCREW	1			
14	<b>1120730416</b>	SCREW	1			
	<b>L122f2L</b>					



L1-22f-3-D

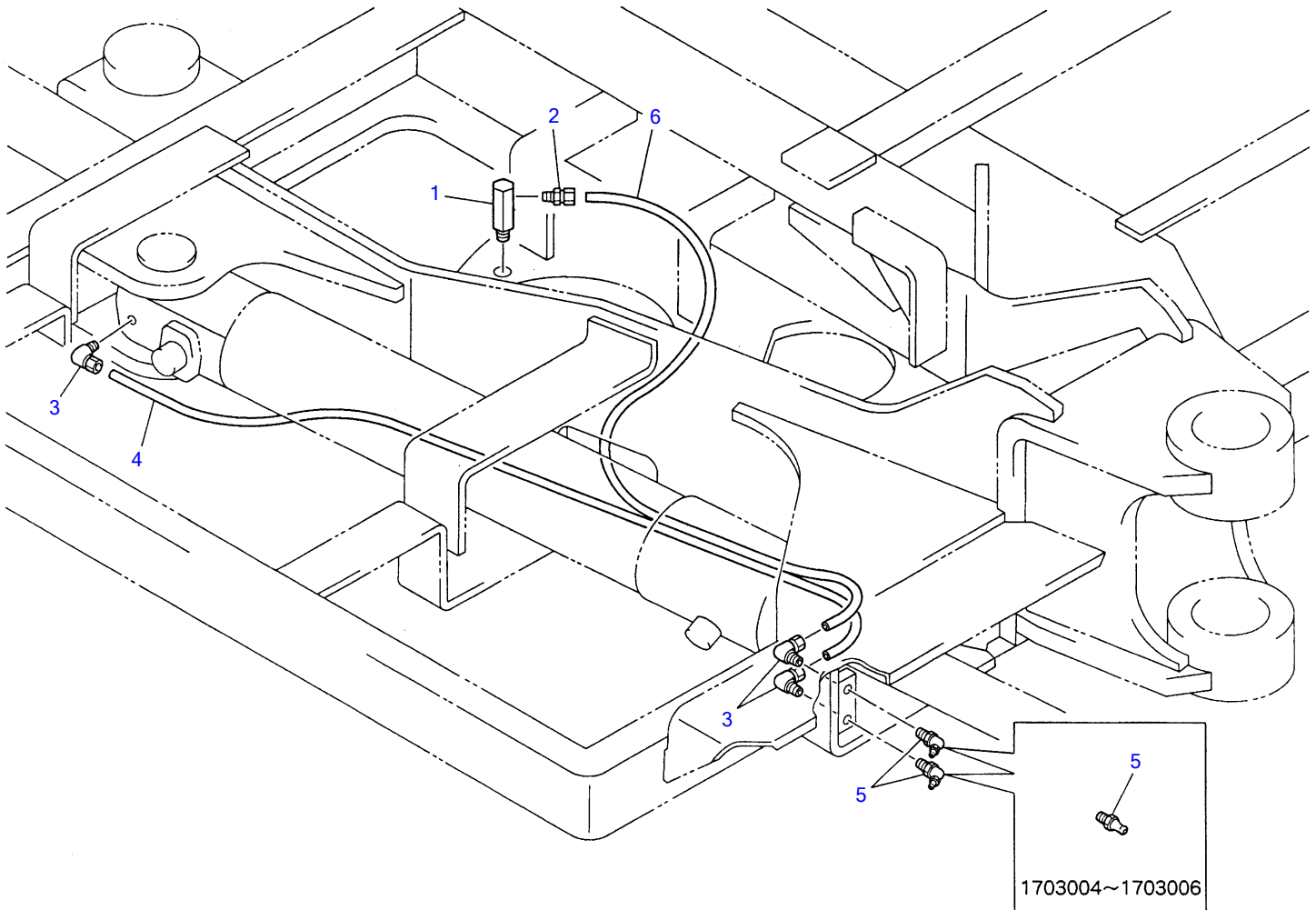
**RADIO (1704872~)**

Item	Part number	Description	Q'ty	Chan.	Serial No.	Serv.	Remarks
		RADIO ASSY; for Japan					
		RADIO ASSY; for America					
		RADIO ASSY;					
		Europe, Asia, Oceania					
1	0564707300	COVER (R.H.)	1				
2	0564707200	COVER (L.H.)	1				
4	1705004100	RADIO; for Japan	1				
	1705004000	RADIO; for America	1				
	1705003900	RADIO; for Europe, Asia, Oceania	1				
5	1705002150	SPEAKER	2				
6	1705001980	ANTENNA	1				
7	1100290820	BOLT	9				
9	1120730420	SCREW	8				
11	1140090008	WASHER, spring	9				
12	1140330005	WASHER	1				
13	1141110005	WASHER	3				
14	1141190008	WASHER	9				
16	1652231100	BAND	1				
17	1120530416	SCREW	1				
18	1120730416	SCREW	1				
	L122f3L						



L1-22f-5-D

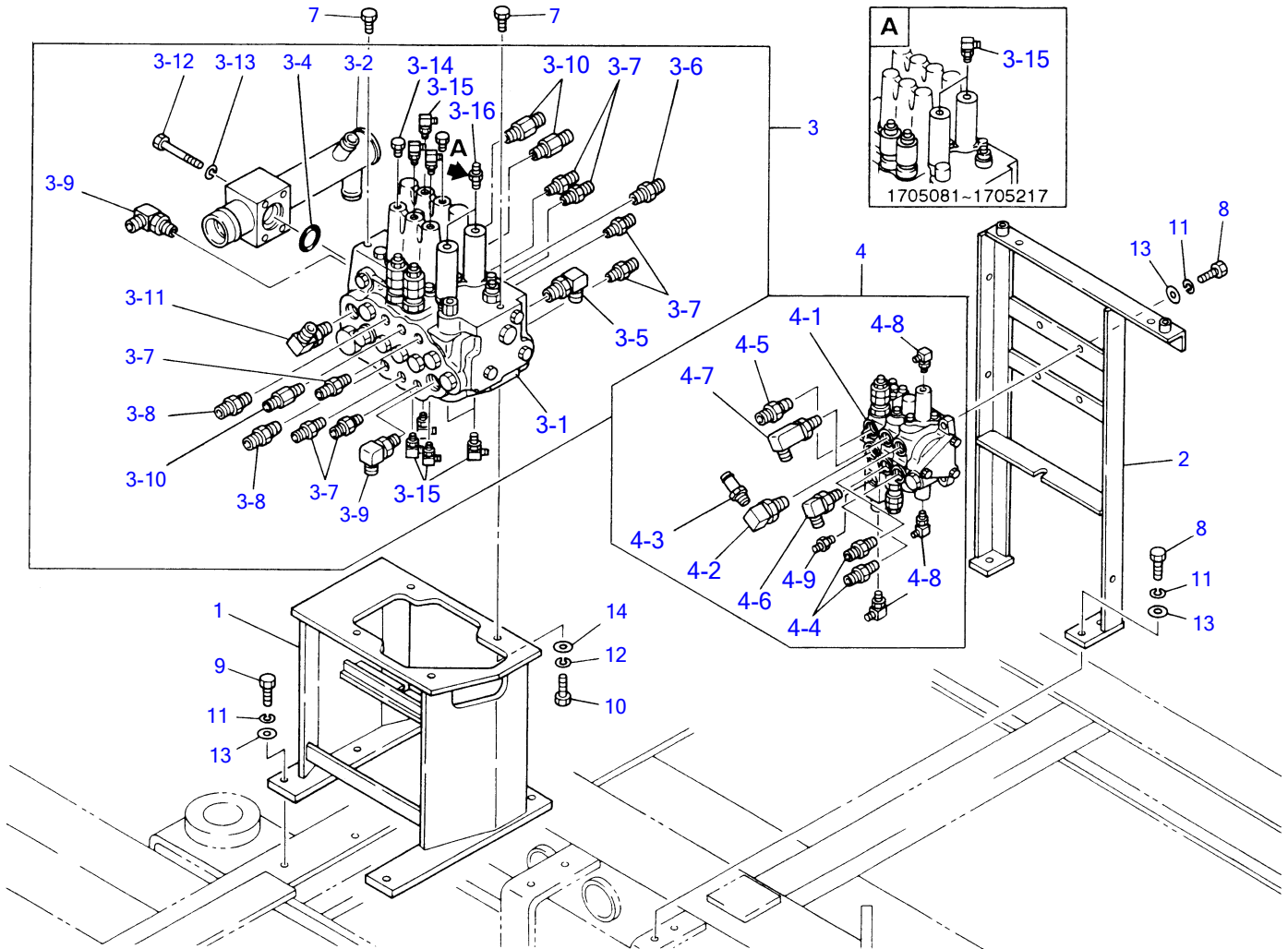
RADIO (for air con.)						
Item	Part number	Description	Q'ty	Chan.	Serial No.	Serv. Remarks
		RADIO ASSY; for Japan				
		RADIO ASSY; for America				
		RADIO ASSY;				
		Europe, Asia, Oceania				
1	0564708710	COVER (R.H.)	1			
2	0564707200	COVER (L.H.)	1			
3	0564708720	BRACKET	2			
4	1705004100	RADIO; for Japan	1			
	1705004000	RADIO; for America	1			
	1705003900	RADIO; for Europe, Asia, Oceania	1			
5	1705002150	SPEAKER	2			
6	1705001990	ANTENNA	1			
7	1100290820	BOLT	9			
8	1120730520	SCREW	4			
9	1120730420	SCREW	8			
10	1140020005	WASHER, spring	4			
11	1140090008	WASHER, spring	9			
12	1140330005	WASHER	1			
13	1141110005	WASHER	7			
14	1141190008	WASHER	9			
15	1652520005	NUT	4			
16	1652231100	BAND	2			
17	1120530416	SCREW	1			
18	1120730416	SCREW	1			
19	1705003650	COVER	1			
	L122f5L					



L1-23a-0-D

**GREASE PIPING**

Item	Part number	Description	Q'ty	Chan.	Serial No.	Serv.	Remarks
		PIPING ASSY, grease					
1	0007262005	ELBOW	1				
2	1532520601	ADAPTOR	1				
3	1532620601	ELBOW	3				
4	1532120640	TUBE	1				sold by the meter
5	1560001000	NIPPLE, grease	2		1703004~1703006		
	1560001675	NIPPLE, grease	2	(H)	1703007~		
6	1532120630	TUBE	1				sold by the meter
	L123a1L						

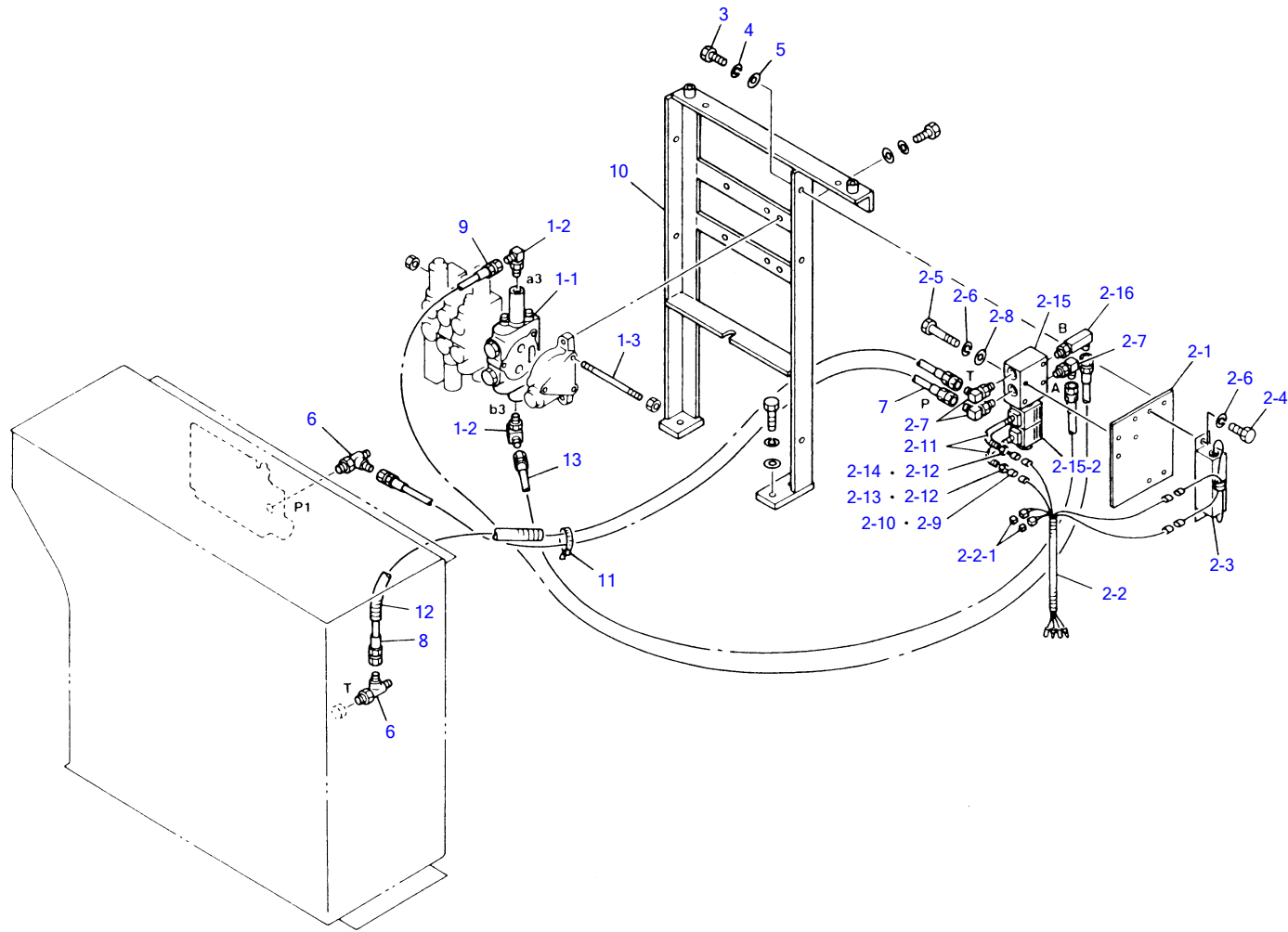


L1-24a-3-D



**VALVE & ACCESSORIES**

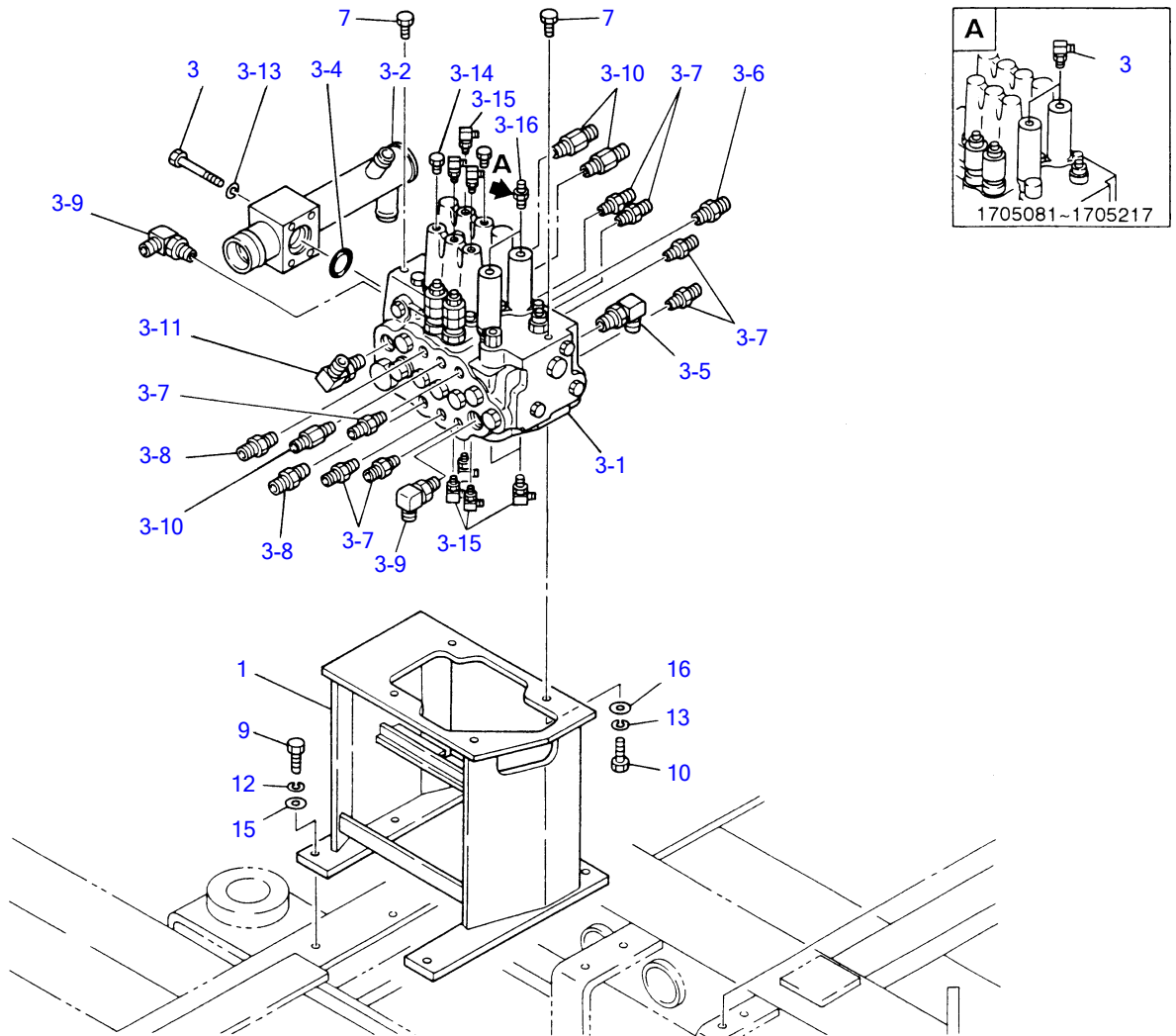
Item	Part number	Description	Q'ty	Chan.	Serial No.	Serv.	Remarks
		VALVE ASSY, control			1703004~1705080		
		VALVE ASSY, control			1705081~		
1	<b>0565015100</b>	BRACKET	1				
2	<b>0565015200</b>	BRACKET	1				
3	<b>0565015300</b>	VALVE SUB ASSY, control	1		1703004~1705080		
	<b>0565025100</b>	VALVE SUB ASSY, control	1		1705081~		
3-1	<b>1901031800</b>	• VALVE, control	1		1703004~1703504		
	<b>1901033900</b>	• VALVE, control	1	(H)	1703505~1705015		
	<b>1901037200</b>	• VALVE, control	1	(H)	1703516~1705080		
	<b>1901037300</b>	• VALVE, control	1		1705081~		
3-2	<b>0565014350</b>	• MANIFOLD	1				
3-4	<b>1420100450</b>	• O-RING	1				
3-5	<b>1502772104</b>	• ELBOW	1				
3-6	<b>1502882104</b>	• CONNECTOR	1				
3-7	<b>1515600202</b>	• ADAPTOR	7				
3-8	<b>1515600573</b>	• ADAPTOR	2				
3-9	<b>1515010043</b>	• ELBOW	2				
3-10	<b>0007203033</b>	• CONNECTOR	3				
3-11	<b>1515010053</b>	• ELBOW	1				
3-12	<b>1100041090</b>	• BOLT	4				
3-13	<b>1140020010</b>	• WASHER, spring	4				
3-14	<b>1501750002</b>	• PLUG	2				
3-15	<b>1515010040</b>	• ELBOW	6		1703938~1705080		
	<b>1515010040</b>	• ELBOW	10		1705081~1705217		
	<b>1515010040</b>	• ELBOW	8		1705218~		
3-16	<b>1515600200</b>	• ADAPTOR	2		1705218~		
4	<b>0565015400</b>	VALVE SUB ASSY, control	1		1703004~1704085		
	<b>0565019500</b>	VALVE SUB ASSY, control	1		1704086~		
4-1	<b>1901031900</b>	• VALVE, control	1				
4-2	<b>1513300016</b>	• ELBOW	1				
4-3	<b>0007224006</b>	• NIPPLE	1				
4-4	<b>1515600572</b>	• ADAPTOR	2				
4-5	<b>1515600202</b>	• ADAPTOR	1				
4-6	<b>1515010041</b>	• ELBOW	1				
4-7	<b>1515010511</b>	• ELBOW	1				
4-8	<b>1515010040</b>	• ELBOW	2		1703938~1704085		
	<b>1515010040</b>	• ELBOW	3		1704086~		
4-9	<b>1515600200</b>	• ADAPTOR	1		1704086~		
7	<b>1100041016</b>	BOLT	2				
8	<b>1100041025</b>	BOLT	7				
9	<b>1100041030</b>	BOLT	5				
10	<b>1100041230</b>	BOLT	4				
11	<b>1140020010</b>	WASHER, spring	12				
12	<b>1140020012</b>	WASHER, spring	4				
13	<b>1141110010</b>	WASHER	12				
14	<b>1141110012</b>	WASHER	4				
	<b>L124a3L</b>						



L1-24c-0-D

**VALVE & ACCESSORIES (with the second auxiliary lines) (1703004~1704085)**

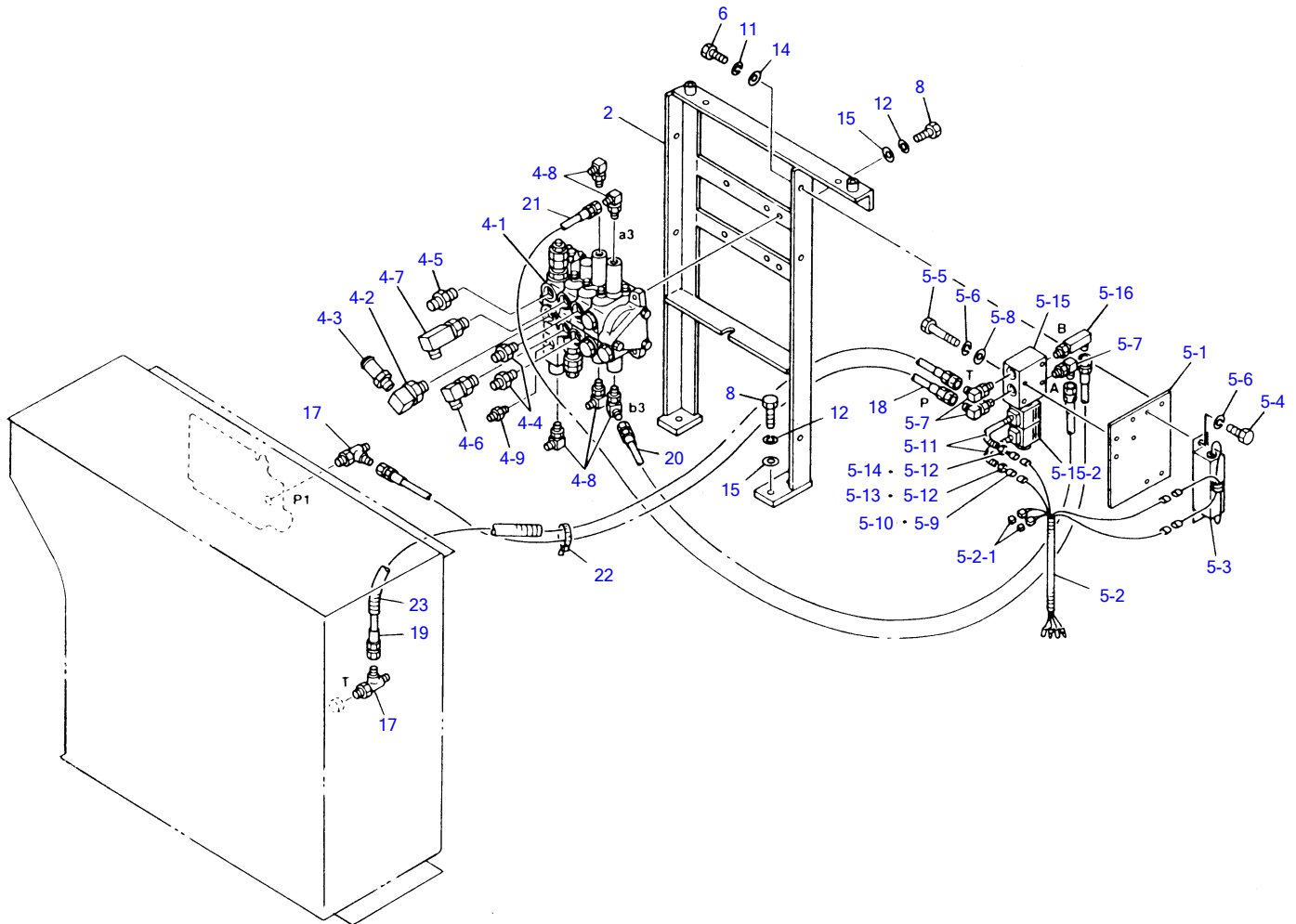
Item	Part number	Description	Q'ty	Chan.	Serial No.	Serv.	Remarks
		VALVE ASSY, control					
1	<b>0569605410</b>	VALVE SUB ASSY, control	1				
1-1	<b>1901035619</b>	• BLOCK	1				
1-2	<b>1515010040</b>	• ELBOW	2				
1-3	<b>1901030107</b>	• ROD	3				
2	<b>0565021200</b>	VALVE ASSY, solenoid	1				
2-1	<b>0565021210</b>	• PLATE	1				
2-2	<b>0565021220</b>	• HARNESS, wiring	1				
2-2-1	<b>1730500007</b>	• • DIODE	2				
2-3	<b>0872424500</b>	• RESISTOR	1				
2-4	<b>1100040812</b>	• BOLT	2				
2-5	<b>1100040850</b>	• BOLT	4				
2-6	<b>1140020008</b>	• WASHER, spring	6				
2-7	<b>1515010040</b>	• ELBOW	3				
2-8	<b>1141110008</b>	• WASHER	4				
2-9	<b>1702700060</b>	• CONNECTOR	2				
2-10	<b>1702700061</b>	• TERMINAL	4				
2-11	<b>1703210713</b>	• PROTECTOR	2				
2-12	<b>1652201004</b>	• BAND	2				
2-13	<b>1720200301</b>	• MARK-TUBE A	1				
2-14	<b>1720200302</b>	• MARK-TUBE B	1				
2-15	<b>1901730800</b>	• VALVE , solenoid	1				
2-15-2	<b>1901730802</b>	• • solenoid	1				
2-16	<b>1515010510</b>	• ELBOW	1				
3	<b>1100040816</b>	BOLT	2				
4	<b>1140020008</b>	WASHER, spring	2				
5	<b>1141110008</b>	WASHER	2				
6	<b>1512340001</b>	TEE	2				
7	<b>1801022045</b>	HOSE ASSY	1				
8	<b>1801022072</b>	HOSE ASSY	1				
9	<b>1934822040</b>	HOSE ASSY	1				
10	X *****	BRACKET	1				
11	<b>1652201004</b>	BAND	1				
12	<b>1531335040</b>	PROTECTOR	1				
13	<b>1934822030</b>	HOSE ASSY	1				
	<b>L124c0L</b>						



L1-24d-1-D

**VALVE & ACCESSORIES (1/2) (with the second auxiliary lines) (1704086~)**

Item	Part number	Description	Q'ty	Chan.	Serial No.	Serv.	Remarks
		VALVE ASSY, control			1704086~1705080		
		VALVE ASSY, control			1705081~		
1	<b>0565015100</b>	BRACKET	1				
3	<b>0565015300</b>	VALVE SUB ASSY, control	1		1704086~1705080		
	<b>0565025100</b>	VALVE SUB ASSY, control	1		1705081~		
3-1	<b>1901033900</b>	• VALVE, control	1		1704086~1705015		
	<b>1901037200</b>	• VALVE, control	1	(H)	1705016~1705080		
	<b>1901037300</b>	• VALVE, control	1		1705081~		
3-2	<b>0565014350</b>	• MANIFOLD	1				
3-4	<b>1420100450</b>	• O-RING	1				
3-5	<b>1502772104</b>	• ELBOW	1				
3-6	<b>1502882104</b>	• CONNECTOR	1				
3-7	<b>1515600202</b>	• ADAPTOR	7				
3-8	<b>1515600573</b>	• ADAPTOR	2				
3-9	<b>1515010043</b>	• ELBOW	2				
3-10	<b>0007203033</b>	• CONNECTOR	3				
3-11	<b>1515010053</b>	• ELBOW	1				
3-12	<b>1100041090</b>	• BOLT	4				
3-13	<b>1140020010</b>	• WASHER, spring	4				
3-14	<b>1501750002</b>	• PLUG	2				
3-15	<b>1515010040</b>	• ELBOW	6		1704086~1705080		
	<b>1515010040</b>	• ELBOW	10		1705081~1705217		
	<b>1515010040</b>	• ELBOW	8		1705218~		
3-16	<b>1515600200</b>	• ADAPTOR	2		1705218~		
7	<b>1100041016</b>	BOLT	2				
9	<b>1100041030</b>	BOLT	5				
10	<b>1100041230</b>	BOLT	4				
12	<b>1140020010</b>	WASHER, spring	5				
13	<b>1140020012</b>	WASHER, spring	4				
15	<b>1141110010</b>	WASHER	5				
16	<b>1141110012</b>	WASHER	4				
	<b>L124d1L</b>						

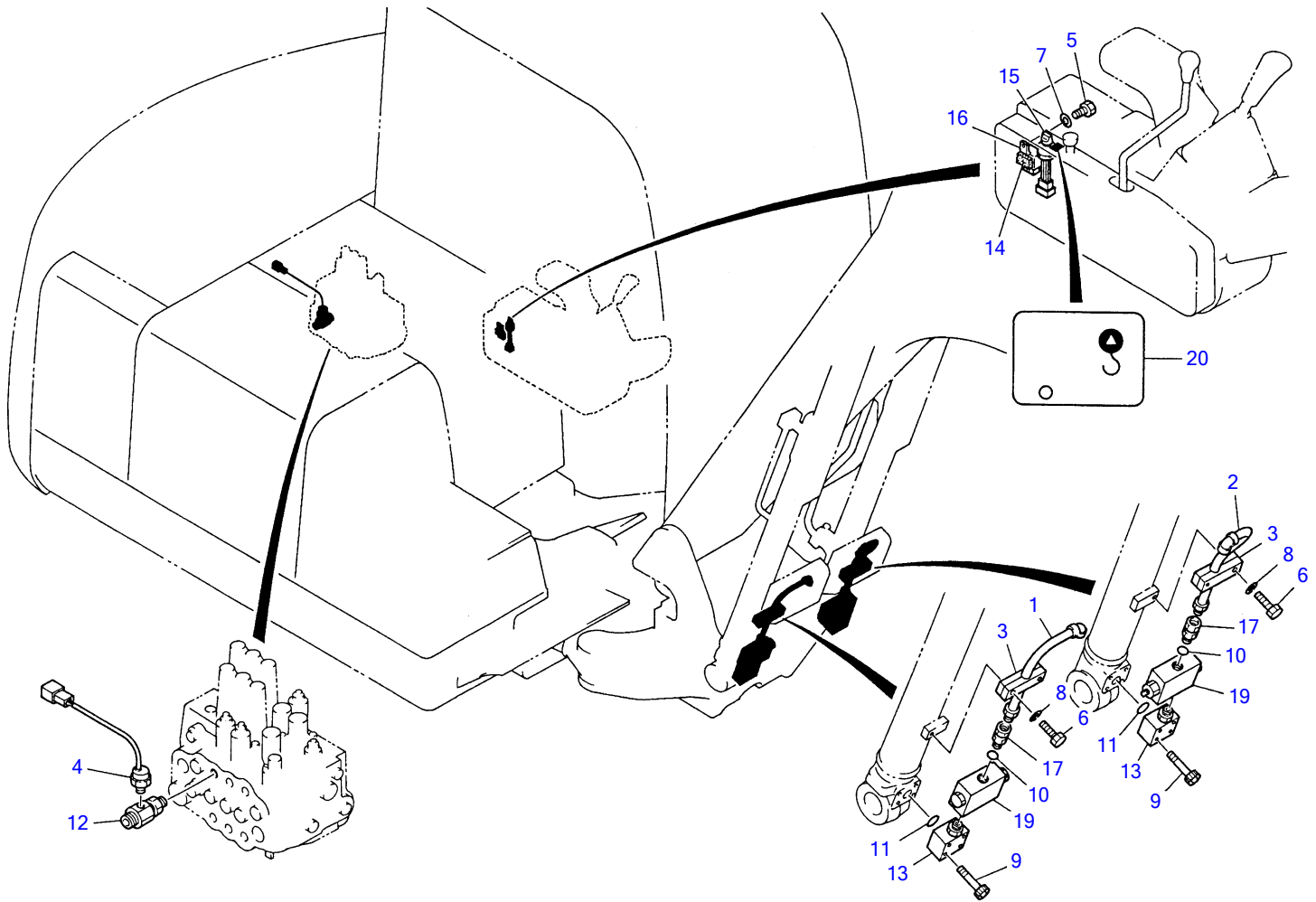


L1-24e-0-D

**VALVE & ACCESSORIES (2/2) (with the second auxiliary lines) (1704086~)**

Item	Part number	Description	Q'ty	Chan.	Serial No.	Serv.	Remarks
		VALVE ASSY, control			1704086~1705080		
		VALVE ASSY, control			1705081~		
2	<b>0565015200</b>	BRACKET	1				
4	<b>0565021100</b>	VALVE SUB ASSY, control	1				
4-1	<b>1901035600</b>	• VALVE , control	1				
4-2	<b>1513300016</b>	• ELBOW	1				
4-3	<b>0007224006</b>	• NIPPLE	1				
4-4	<b>1515600572</b>	• ADAPTOR	2				
4-5	<b>1515600202</b>	• ADAPTOR	1				
4-6	<b>1515010041</b>	• ELBOW	1				
4-7	<b>1515010511</b>	• ELBOW	1				
4-8	<b>1515010040</b>	• ELBOW	5				
4-9	<b>1515600200</b>	• ADAPTOR	1				
5	<b>0565021200</b>	VALVE ASSY, solenoid	1				
5-1	<b>0565021210</b>	• PLATE	1				
5-2	<b>0565021220</b>	• HARNESS, wiring	1				
5-2-1	<b>1730500007</b>	• • DIODE	2				
5-3	<b>0872424500</b>	• RESISTOR	1				
5-4	<b>1100040812</b>	• BOLT	2				
5-5	<b>1100040850</b>	• BOLT	4				
5-6	<b>1140020008</b>	• WASHER, spring	6				
5-7	<b>1515010040</b>	• ELBOW	3				
5-8	<b>1141110008</b>	• WASHER	4				
5-9	<b>1702700060</b>	• CONNECTOR	2				
5-10	<b>1702700061</b>	• TERMINAL	4				
5-11	<b>1703210713</b>	• PROTECTOR	2				
5-12	<b>1652201004</b>	• BAND	2				
5-13	<b>1720200301</b>	• MARK-TUBE A	1				
5-14	<b>1720200302</b>	• MARK-TUBE B	1				
5-15	<b>1901730800</b>	• VALVE , solenoid	1				
5-15-2	<b>1901730802</b>	• • solenoid	1				
5-16	<b>1515010510</b>	• ELBOW	1				
6	<b>1100040816</b>	BOLT	2				
8	<b>1100041025</b>	BOLT	7				
11	<b>1140020008</b>	WASHER, spring	2				
12	<b>1140020010</b>	WASHER, spring	7				
14	<b>1141110008</b>	WASHER	2				
15	<b>1141110010</b>	WASHER	7				
17	<b>1512370011</b>	NIPPLE	2				
18	<b>1801022045</b>	HOSE ASSY	1				
19	<b>1801022072</b>	HOSE ASSY	1				
20	<b>1934822030</b>	HOSE ASSY	1				
21	<b>1934822040</b>	HOSE ASSY	1				
22	<b>1652201004</b>	BAND	1				
23	<b>1531335040</b>	PROTECTOR	1				
	<b>L124e1L</b>						

TB070 Book No.PL1-101Z5 S/N1703004-1705487  
EMERGENCY SHUT-OFF VALVE



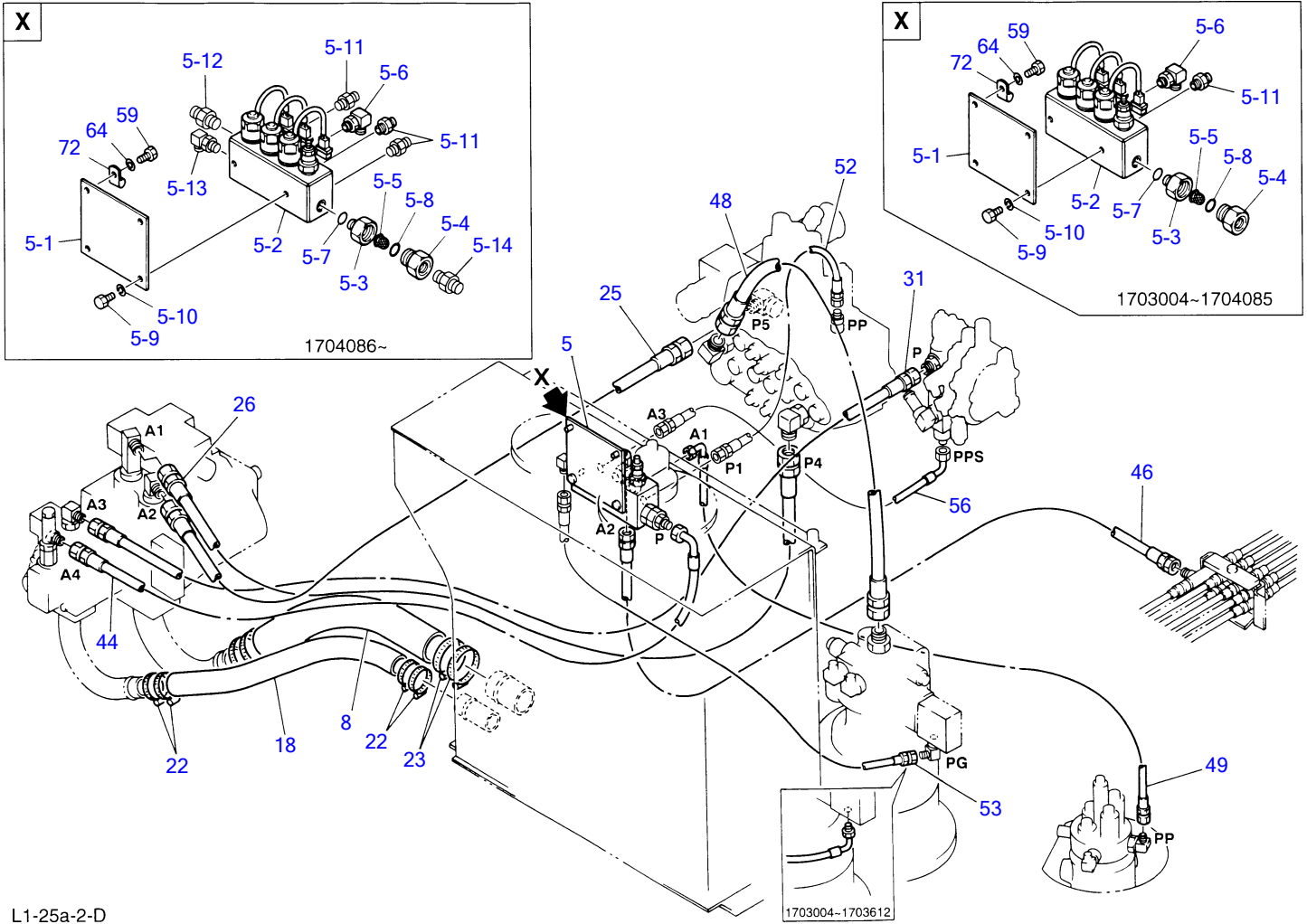
L1-24b-1-D



**EMERGENCY SHUT-OFF VALVE**

Item	Part number	Description	Q'ty	Chan.	Serial No.	Serv.	Remarks
		VALVE ASSY, emergency shut-off					
1	0565017100	TUBE (R.H.)	1				
2	0565017200	TUBE (L.H.)	1				
3	0565017300	CLAMP	2				
4	0565015600	SWITCH, pressure	1				
5	1100040612	BOLT	1				
6	1100041035	BOLT	2				
7	1140020006	WASHER, spring	1				
8	1140020010	WASHER, spring	2				
9	1110040855	SCREW, cap	8				
10	1420010180	O-RING	2				
11	1420010220	O-RING	2				
12	1512380002	CONNECTOR	1				
13	1512380003	ELBOW	2				
14	1654305002	SPONGE	1				
15	1700000019	SWITCH, rotary	1				
16	1711900049	RELAY	1				
17	0007236041	ADAPTOR	2				
19	1901729500	VALVE, shut-off	2				
20	0565017400	DECAL	1				
	L124b1L						

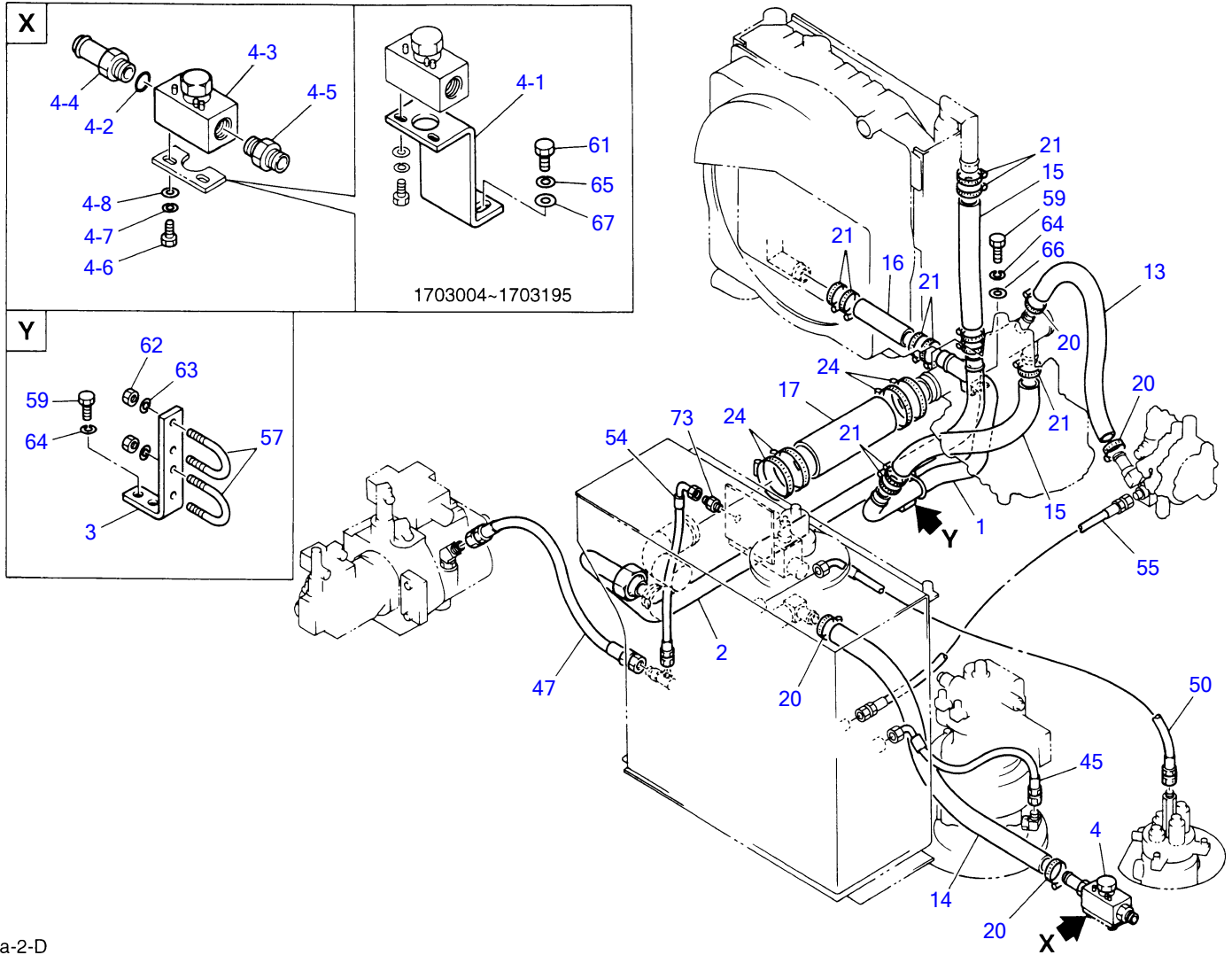
TB070 Book No.PL1-101Z5 S/N1703004-1705487  
 PIPING; UPPER (1/3)



L1-25a-2-D

PIPING; UPPER (1/3)

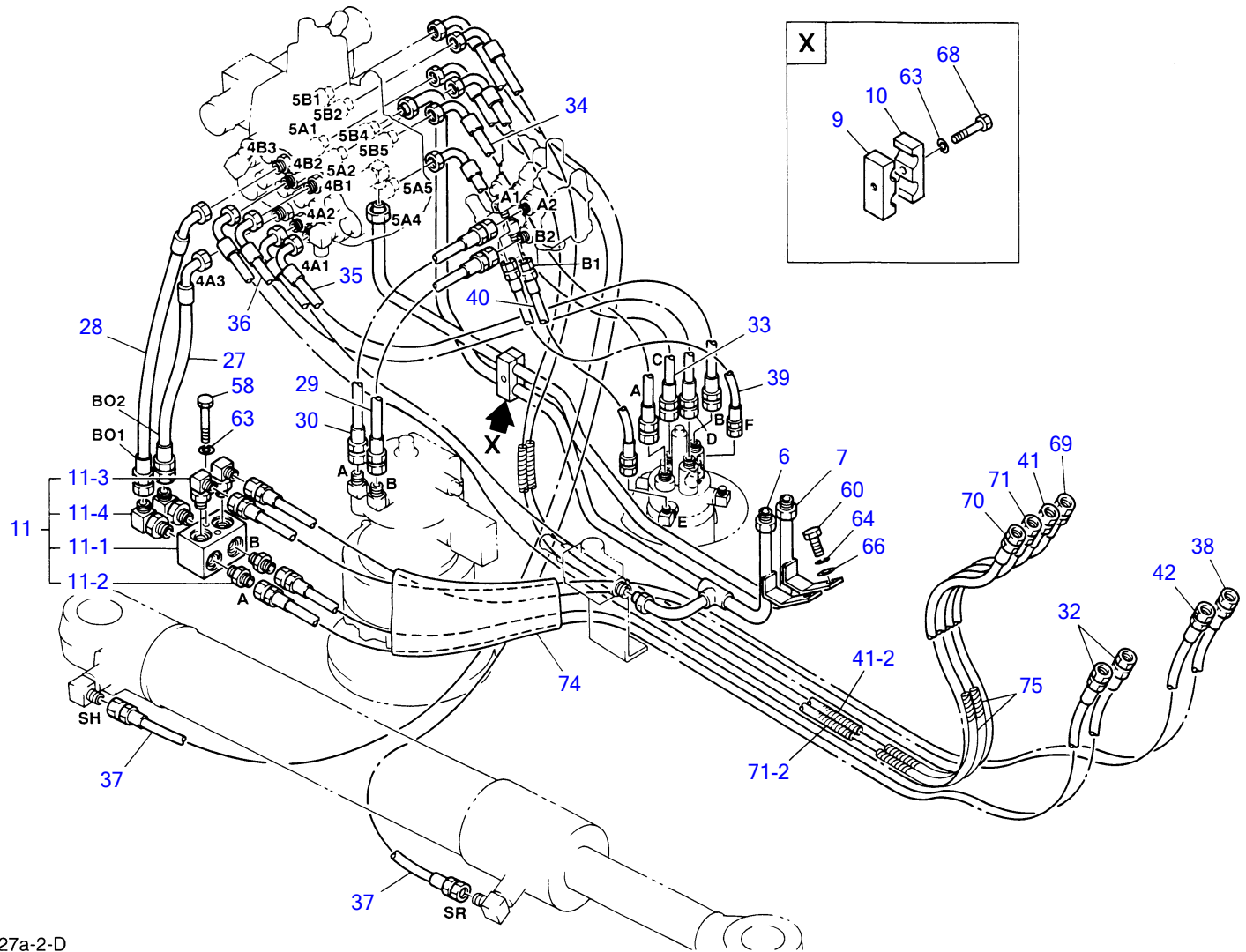
Item	Part number	Description	Q'ty	Chan.	Serial No.	Serv.	Remarks
		PIPING ASSY					
	<b>0567016500</b>	VALVE ASSY, solenoid	1				
5-1	<b>0567016550</b>	• BRACKET	1				
5-2	<b>1901723800</b>	• VALVE, solenoid	1				
5-3	<b>0425500100</b>	• ADAPTOR	1				
5-4	<b>0425500200</b>	• ADAPTOR	1				
5-5	<b>0425500300</b>	• FILTER	1				
5-6	<b>1515010130</b>	• ELBOW	1				
5-7	<b>1420010140</b>	• O-RING	1				
5-8	<b>1420010200</b>	• O-RING	1				
5-9	<b>1100040816</b>	• BOLT	2				
5-10	<b>1140020008</b>	• WASHER, spring	2				
5-11	<b>1515600200</b>	• ADAPTOR	1		1703004~1704085		
	<b>1515600200</b>	• ADAPTOR	3		1704086~		
5-12	<b>1515600571</b>	• ADAPTOR	1		1704086~		
5-13	<b>1515010040</b>	• ELBOW	1		1704086~		
5-14	<b>1515600201</b>	• ADAPTOR	1		1704086~		
8	<b>0567016800</b>	HOSE	1				sold by the meter
18	<b>1530738050</b>	HOSE	1				sold by the meter
22	<b>1533700060</b>	BAND	4				
23	<b>1533700070</b>	BAND	4				
25	<b>1802560083</b>	HOSE ASSY	1				
26	<b>1802560108</b>	HOSE ASSY	1				
31	<b>1802540133</b>	HOSE ASSY	1				
44	<b>1801082140</b>	HOSE ASSY	1		1703004~1704085		
	<b>1801053140</b>	HOSE ASSY	1		1704086~		
46	<b>1801023200</b>	HOSE ASSY	1				
48	<b>1801026075</b>	HOSE ASSY	1				
49	<b>1801052145</b>	HOSE ASSY	1				
52	<b>1801075050</b>	HOSE ASSY	1		1703004~1704085		
	<b>1801022050</b>	HOSE ASSY	1		1704086~		
53	<b>1801079002</b>	HOSE ASSY	1		1703004~1703612		
	<b>1801072110</b>	HOSE ASSY	1		1703613~1704085		
	<b>1801022110</b>	HOSE ASSY	1		1704086~		
56	<b>1801079003</b>	HOSE ASSY	1		1703004~1704085		
	<b>1801052075</b>	HOSE ASSY	1		1704086~		
59	<b>1100041020</b>	BOLT	2				
64	<b>1140020010</b>	WASHER, spring	2				
72	<b>0007300009</b>	CLAMP	1		1703058~1703630		
	<b>L125a3L</b>						



L1-26a-2-D

PIPING; UPPER (2/3)

Item	Part number	Description	Q'ty	Chan.	Serial No.	Serv.	Remarks
		PIPING ASSY					
1	0567016100	PIPE	1				
2	0567016200	PIPE	1				
3	0567016300	BRACKET	1		1703004~1703195		
4	0567016400	VALVE ASSY	1				
4-1	0567016450	• BRACKET	1				
4-2	1420010240	• O-RING	1				
4-3	1901723700	• VALVE, shut-off	1				
4-4	0007223005	• NIPPLE	1				
4-5	1502832106	• CONNECTOR	1				
4-6	1100040820	• BOLT	2				
4-7	1140020008	• WASHER, spring	2				
4-8	0003608252	• WASHER	2				
13	1530525038	HOSE	1				sold by the meter
14	1530525075	HOSE	1				sold by the meter
15	1530532031	HOSE	2				sold by the meter
16	1530532028	HOSE	1				sold by the meter
17	1530558023	HOSE	1				sold by the meter
20	1533700041	BAND	4				
21	1533700054	BAND	11				
24	1533700080	BAND	4				
45	1801082050	HOSE ASSY	1		1703004~1704085		
	1801053050	HOSE ASSY	1		1704086~		
47	1801024044	HOSE ASSY	1				
50	1801082105	HOSE ASSY	1		1703004~1704085		
	1801053105	HOSE ASSY	1		1704086~		
54	0567016850	HOSE ASSY	1				
55	1801071060	HOSE ASSY	1		1703004~1704085		
	1801022060	HOSE ASSY	1		1704086~		
57	1533201010	U-BOLT	2				
59	1100041020	BOLT	3				
61	1100041430	BOLT	2		1703004~1703195		
62	1130040008	NUT	4				
63	1140020008	WASHER, spring	4				
64	1140020010	WASHER, spring	3				
65	1140020014	WASHER, spring	2		1703004~1703195		
66	0003600020	WASHER	1				
67	1141550014	WASHER	2		1703004~1703195		
73	1515600571	ADAPTOR	1		1703004~1704085		
	L126a2L						

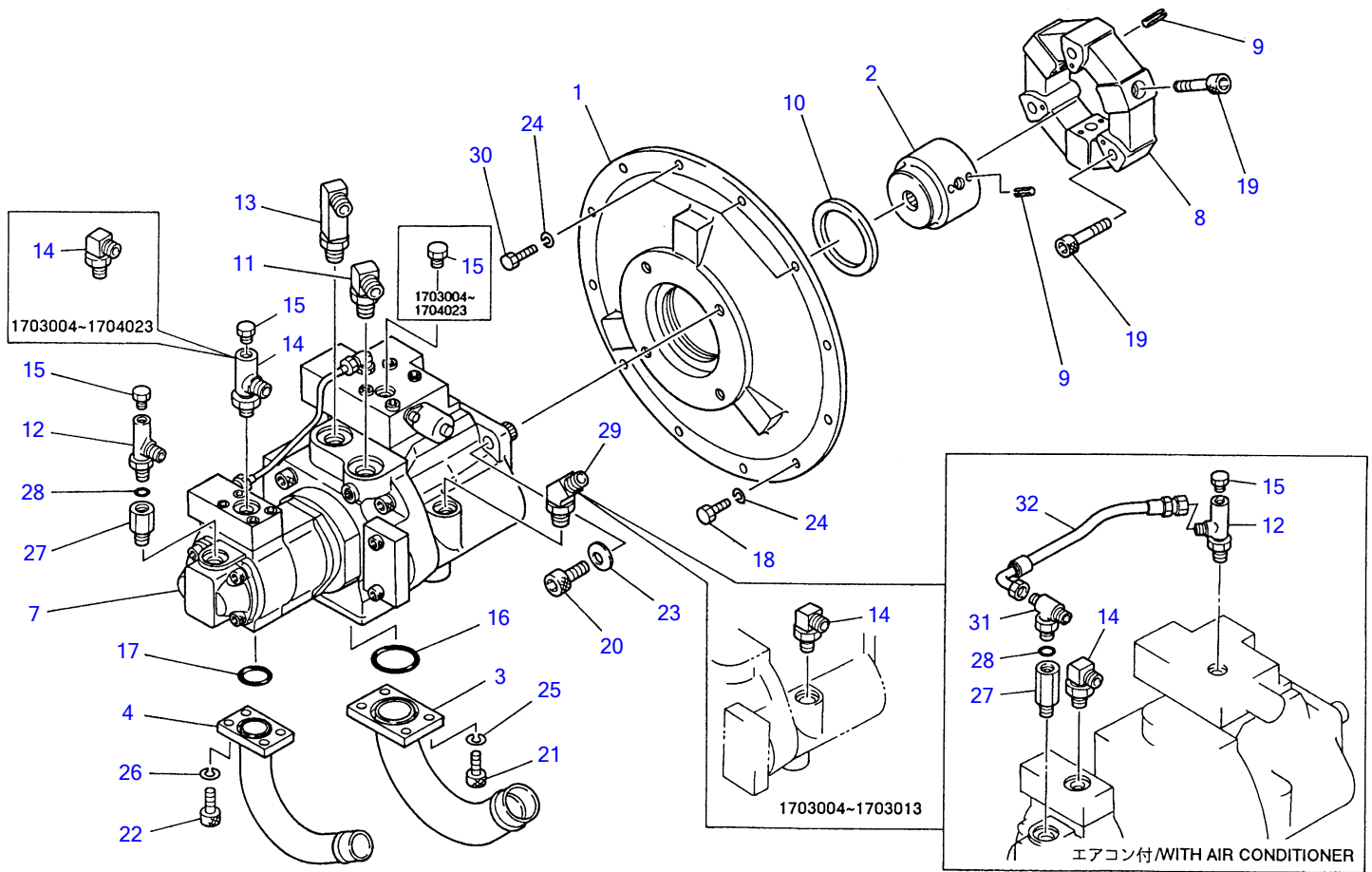


L1-27a-2-D

PIPING; UPPER (3/3)

Item	Part number	Description	Q'ty	Chan.	Serial No.	Serv.	Remarks
		PIPING ASSY					
6	0567016600	PIPE	1				
7	0567016700	PIPE	1				
9	0567016900	CLAMP	1				
10	0567016950	CLAMP	1				
11	0567015500	MANIFOLD ASSY	1				
11-1	0567015501	· MANIFOLD	1				
11-2	1515600202	· ADAPTOR	2				
11-3	1515010042	· ELBOE	2				
11-4	1515010043	· ELBOE	2				
27	1802561046	HOSE ASSY	1				
28	1802561057	HOSE ASSY	1				
29	1802540048	HOSE ASSY	1				
30	1802540053	HOSE ASSY	1				
32	1802559005	HOSE ASSY	2				
33	1802559008	HOSE ASSY	1				
34	1802559009	HOSE ASSY	1				
35	1802541093	HOSE ASSY	1				
36	1802541098	HOSE ASSY	1				
37	1802741185	HOSE ASSY	1				
38	1802559007	HOSE ASSY	1				
39	1802520075	HOSE ASSY	1				
40	1802520070	HOSE ASSY	1				
41	0567016810	HOSE ASSY	1				18025-59004
41-2	1532224100	· PROTECTOR	1				sold by the meter
42	1802559006	HOSE ASSY	1				
58	1100040870	BOLT	2				
60	1100041025	BOLT	2				
63	1140020008	WASHER, spring	3				
64	1140020010	WASHER, spring	2				
66	0003600020	WASHER	2				
68	1100040830	BOLT	1				
69	1802559001	HOSE ASSY	1				
70	1802559002	HOSE ASSY	1				
71	0567016820	HOSE ASSY	1				18025-59003
71-2	1532224100	· PROTECTOR	1				sold by the meter
74	1531345030	PROTECTOR	1		1703675~		
75	1532218040	PROTECTOR	2		1703675~		
	L127a2L						

TB070 Book No.PL1-101Z5 S/N1703004-1705487  
**PUMP DRIVE**



L1-28a-1-D



PUMP DRIVE						
Item	Part number	Description	Q'ty	Chan.	Serial No.	Serv. Remarks
		PUMP DRIVE ASSY			1703004~1704023	
		PUMP DRIVE ASSY			1704024~	
		PUMP DRIVE ASSY(A/C)				
1	0565211100	HOUSING	1			
2	0565211200	BOSS ASSY, coupling	1			
3	0565212100	FLANGE	1			
4	0565212200	FLANGE	1	A	1703004~1704023	
	0565217100	FLANGE	1	a (H)	1704024~	
7	1902012800	PUMP ASSY	1	A	1703004~1704023	
	1902014800	PUMP ASSY	1	a (H)	1704024~	
	1902012600	PUMP ASSY	1			with air conditioner
8	1602000300	COUPLING, flex	1			
9	1213000510	PIN, spring	9			
10	1400403739	SEAL, oil	1			
11	1515010043	ELBOW	1			
12	1512340003	ELBOW	1	A	1703004~1704023	
	1512340009	ELBOW	1	a (H)	1704024~	
	1512340001	ELBOW	1			with air conditioner
13	1515010513	ELBOW	1			
14	1515010042	ELBOW	2		1703004~1704023	
	1515010042	ELBOW	1	A	1703014~1704023	
	1512340006	ELBOW	1	a (H)	1704024~	
15	1501750002	PLUG	2			
	1501750002	PLUG	1			with air conditioner
16	1420100500	O-RING	1			
17	1420100350	O-RING	1	A	1703004~1704023	
	1420100300	O-RING	1	a (H)	1704024~	
18	1100041030	BOLT	9			
19	1110041650	SCREW, cap	6			
20	1111041640	SCREW, cap	4			
21	1110041230	SCREW, cap	4			
22	1110041030	SCREW, cap	4			
23	1141600016	SPRING, conical	4			
24	1140020010	WASHER, spring	12			
25	1140420012	WASHER, spring	4			
26	1140420010	WASHER, spring	4			
27	0007213010	CONNECTOR	1		1703004~1704023	
	0007213012	CONNECTOR	1			with air conditioner
28	1420010180	O-RING	1		1703004~1704023	
29	1515100112	ELBOW	1		1703014~	
30	1100041035	BOLT	3			
31	1512374003	TEE	1			with air conditioner
32	1801052033	HOSE ASSY	1			with air conditioner
		NOTE				
		Set "A" is interchangeable with set "a".				
	L128a3L					



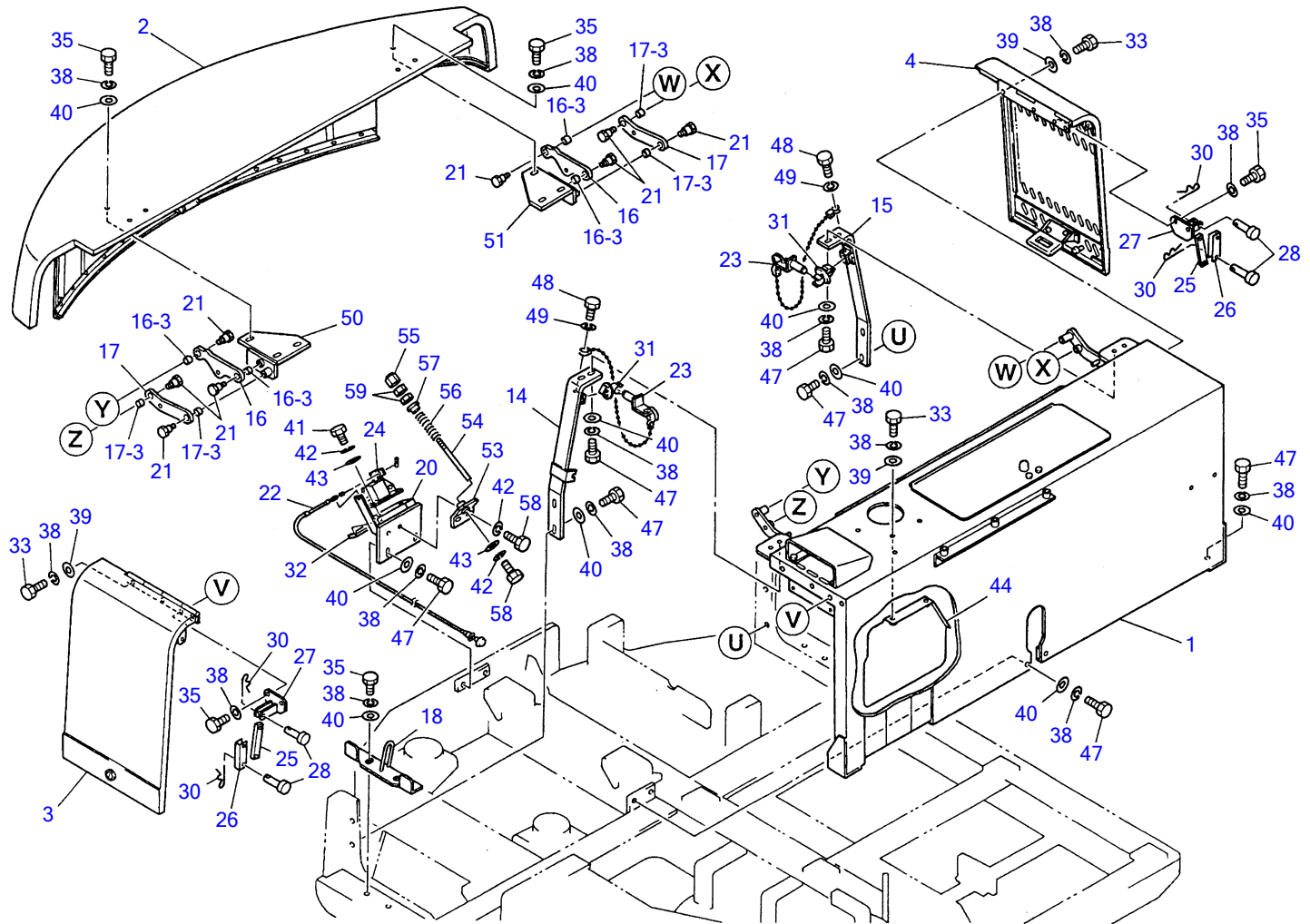
**HYDRAULIC TANK**

Item	Part number	Description	Q'ty	Chan.	Serial No.	Serv.	Remarks
		TANK ASSY, hydraulic			1703004~1703093		
		TANK ASSY, hydraulic			1703094~1703173		
		TANK ASSY, hydraulic			1703174~1703706		
		TANK ASSY, hydraulic		(H)	1703707~1705080		
		TANK ASSY, hydraulic			1705081~		
1	0568014100	TANK	1		1703004~1703093		
	0568015100	TANK	1	A (H)	1703094~1703173		
	0568016100	TANK	1	a (H)	1703174~1703706		
	0568020100	TANK	1	b (H)	1703707~		
3	1552000900	BREATHER, air	1				
3-1	1552000902	· ELEMENT	1				
3-8	1552000908	· PACKING	1				
4	0568014400	COVER	1				
5	0568014500	COVER	1				
6	0007000031	SPRING	1				
7	1551100200	ELEMENT, filter	1				
8	1551100300	VALVE ASSY	1				
9	1550216500	FILTER, suction	1	A	1703004~1703173		500mm long
	1550216510	FILTER, suction	1	a	1703174~1703706		510mm long
	1550216490	FILTER, suction	1	b	1703707~		490mm long
10	1420101250	O-RING	1				
11	1420101600	O-RING	1				
12	1100041014	BOLT	12				
13	1140020010	WASHER, spring	18				
14	1501750010	PLUG	1				
15	1553020685	GAUGE	1				
16	1100041025	BOLT	6				
17	1141550010	WASHER	6				
18	1703500624	HORN	1				
19	1100040816	BOLT	2				
20	1141110008	WASHER	2				
21	1140020008	WASHER, spring	2				
22	1100040614	BOLT	4				
23	1140020006	WASHER, spring	4				
24	1501750003	PLUG	1		1703707~		
25	1513350010	ELBOW	1				
26	1512370011	NIPPLE	1				
27	1502883412	CONNECTOR	1				
28	1515600202	ADAPTOR	1				
29	1540141220	VALVE, check	1				
30	1221010050	RING, snap	1				
31	1501750002	PLUG	1		1703004~1703093		
32	1513370011	TEE	1				
33	1515600200	ADAPTOR	1		1704086~		
34	1515600201	ADAPTOR	2		1704086~1705080		
	1515600201	ADAPTOR	1		1705081~		
35	1512370006	TEE	1		1705081~		
		NOTE					
		Set "A" is interchangeable with set					
		"a".					
		Set "a" is interchangeable with set					
		"b".					
	<b>L130a4L</b>						



**FUEL TANK & FUEL PIPING**

Item	Part number	Description	Q'ty	Chan.	Serial No.	Serv.	Remarks
		TANK ASSY, fuel					
1	0568113100	TANK	1				
2	1552100800	CAP	1				
3	1552100720	STRAINER	1				
4	1553201500	SENDER, fuel	1				
5	1553200800	PACKING	1				
6	1120530512	SCREW	5				
7	1140020005	WASHER, spring	5				
8	1910104025	CONNECTOR	1				Ǣ »Ý 16668Z7000
9	1910104024	CONNECTOR	2				Ǣ »Ý 1751690000
10	1100040816	BOLT	3				
11	1140020010	WASHER, spring	6				
12	1100041030	BOLT	6				
13	1513000003	NIPPLE	1				
14	1521500003	VALVE	1				
15	1141550010	WASHER	4				
16	1100040625	BOLT	2				
17	1141110006	WASHER	2				
18	1910104033	STRAINER	1				Ǣ »Ý 1640095006
19	1910104034	PUMP, fuel	1				Ǣ »Ý 1664096009
20	1533120012	BAND	4				
21	1533120015	BAND	4				
22	1910104053	PACKING	5				Ǣ »Ý 1679410G01
23	1531209030	HOSE	1				sold by the meter
24	1531209200	HOSE	1				sold by the meter
25	1531207068	HOSE	1				sold by the meter
26	1531207200	HOSE	1				sold by the meter
27	1531209170	HOSE	1				sold by the meter
28	1910104050	BOLT, connection	1				Ǣ »Ý 1643490000
29	1910104051	BOLT, eye	1				Ǣ »Ý 1643496000
30	0007300019	CLAMP	3				
31	1140020008	WASHER, spring	3				
32	1533120009	BAND	1				
33	1531007025	HOSE	1				sold by the meter
34	1140330006	WASHER	2				
35	0003600110	WASHER	2				
	L131a1L						



L1-32a-0-D

## COVER (1/7) (1703004~1703051)

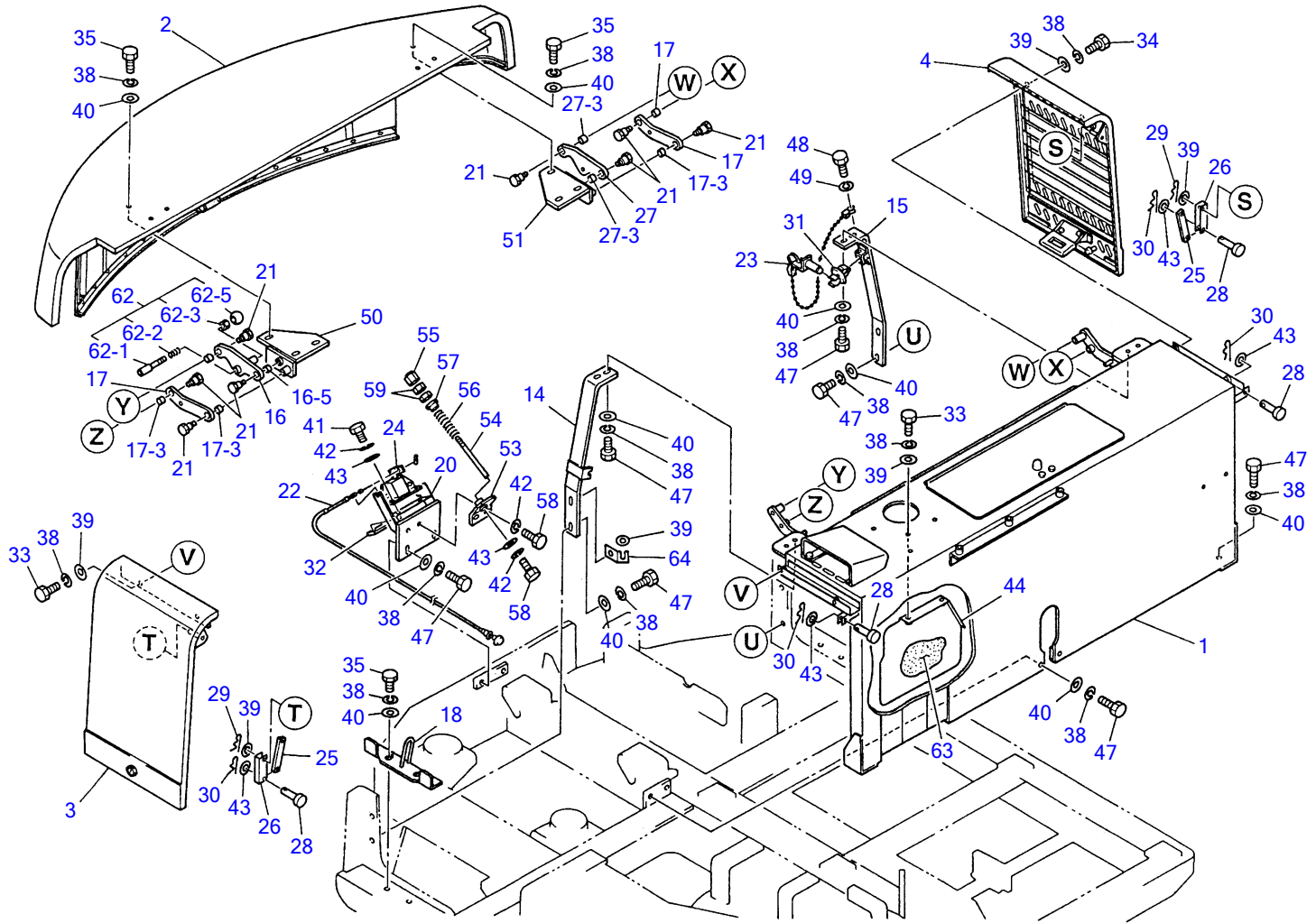
Item	Part number	Description	Q'ty	Chan.	Serial No.	Serv.	Remarks
		COVER ASSY					
1	0568219100	COVER ASSY, engine	1				See page 5-10
2	0568219300	HOOD ASSY, engine	1				See page 5-11
3	0568219500	COVER ASSY, side (R.H.)	1				See page 5-13
4	0568219700	COVER ASSY, side (L.H.)	1				See page 5-14
14	0568221100	STAY (R.H.)	1				
15	0568221200	STAY (L.H.)	1				
16	0568221300	LINK (A) ASSY	2	A	1703004~1703006		
	0568221350	LINK (A) ASSY	2	a (H)	1703007~		
16-3	1333001208	· BUSHING	2	A	1703004~1703006		
	1333001508	· BUSHING	2	a (H)	1703007~		
17	0568221400	LINK (B) ASSY	2	A	1703004~1703006		
	0568221450	LINK (B) ASSY	2	a (H)	1703007~		
17-3	1333001208	· BUSHING	2	A	1703004~1703006		
	1333001508	· BUSHING	2	a (H)	1703007~		
18	0568221500	HOOK	2				
20	0568221900	BRACKET	1				
21	0568222000	BOLT	8	A	1703004~1703006		
	0568222050	BOLT	8	a (H)	1703007~		
22	0568222100	WIRE	1				
23	0568222200	PIN ASSY	2				
24	0568222300	LOCK ASSY	1				
25	0568222400	LINK	2				
26	0568212200	YOKE	2		1703004~1703006		
	0568222900	YOKE	2		1703007~		
27	0568222600	BRACKET	2				
28	0004008021	PIN	4				
30	1214000006	PIN, snap	4				
31	1652701608	HOLDER	2				
32	0568221950	PLATE	1		1703007~		
33	1100041020	BOLT	18		1703007~		
35	1100041025	BOLT	14				
38	1140020010	WASHER, spring	38				
39	1141110010	WASHER	10				
40	0003600025	WASHER	25				
41	1100040825	BOLT	2				
42	1140020008	WASHER, spring	5				
43	1141110008	WASHER	3				
44	0568222500	ABSORBENT	1				
47	1100041030	BOLT	14				
48	1100040516	BOLT	2				
49	1140020005	WASHER, spring	2				
50	0568219440	BRACKET (R.H.)	1				
51	0568219450	BRACKET (L.H.)	1				
53	0568223000	BRACKET	1		1703007~		
54	0568223100	ROD	1		1703007~		
55	0568223200	ROD	1		1703007~		
56	0007000022	SPRING	1		1703007~		
57	0871320240	COLLAR	1		1703007~		
58	1100040820	BOLT	3		1703007~		
59	1130240012	NUT	2		1703007~		

## NOTE

Item 1, 3, 4, 25 (page 5-03) are interchangeable with item 1, 3, 4, 25 (page 5-06).

Item 16, 17, 27 (page 5-03, 04) are interchangeable with item 16, 17, 27, 62 (page 5-06, 07).

L132a2L



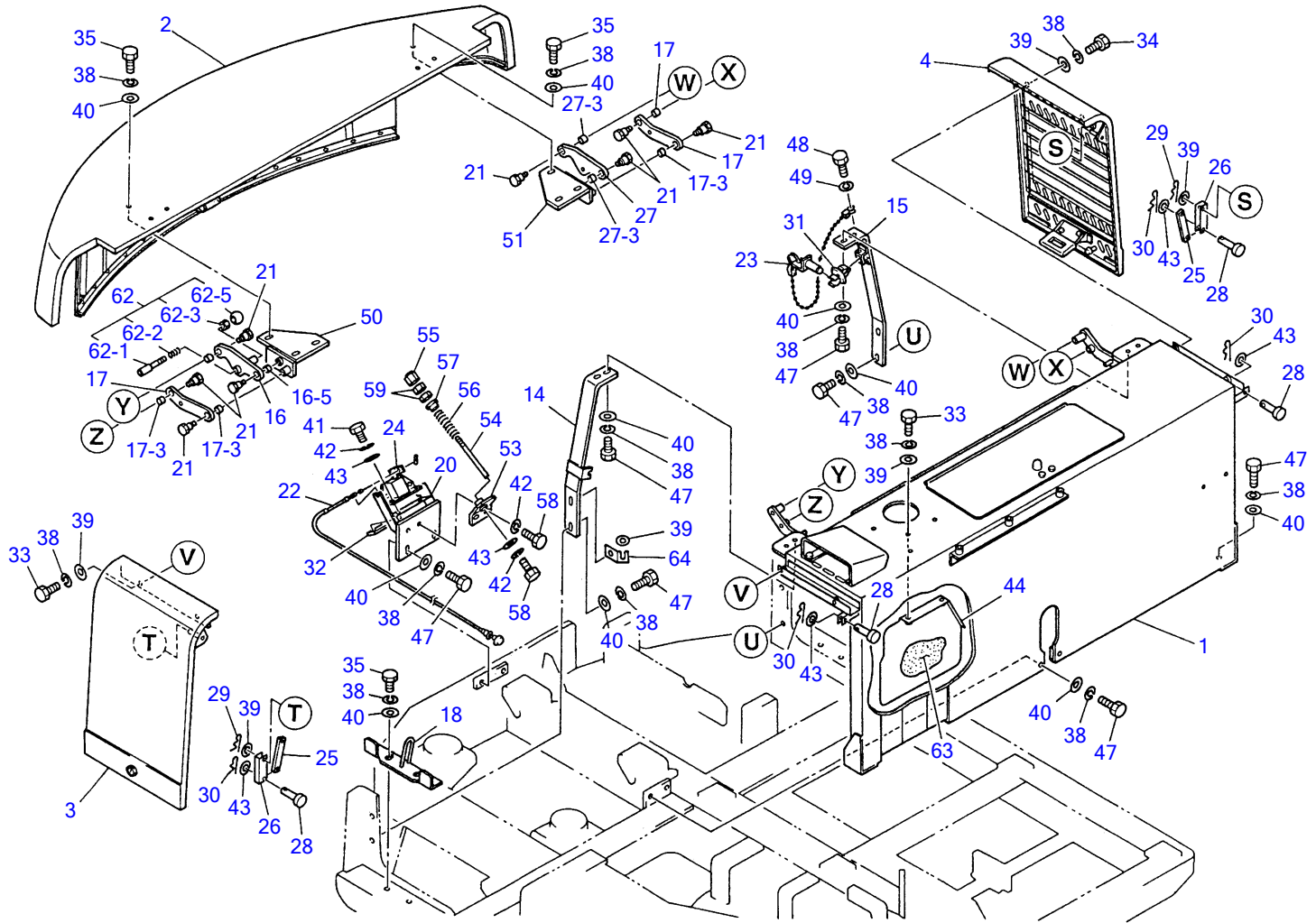
L1-32a-2-D



## COVER (1/7) (1703052~)

Item	Part number	Description	Q'ty	Chan.	Serial No.	Serv.	Remarks
		COVER ASSY			1703052~1704278		
		COVER ASSY			1704279~1705080		
		COVER ASSY			1705081~		
1	0568224100	COVER ASSY, engine	1	A,a,C,c			See page 5-10
2	0568219300	HOOD ASSY, engine	1		1703052~1704278		See page 5-11
	0568229100	HOOD ASSY, engine	1		1704279~		See page 5-11
3	0568224300	COVER ASSY, side (R.H.)	1				See page 5-13
4	0568223900	COVER ASSY, side (L.H.)	1				See page 5-14
14	0568221100	STAY (R.H.)	1	(L)	1703052~1703096		
	0568225100	STAY (R.H.)	1	(H)	1703097~		
15	0568221200	STAY (L.H.)	1				
16	0568223400	LINK (A) ASSY (R.H.)	1				
16-5	1333001508	• BUSHING	2				
17	0568221450	LINK (B) ASSY	2				
17-5	1333001508	• BUSHING	2				
18	0568221500	HOOK	2				
20	0568221900	BRACKET	1	A	1703052~1703975		
	0568225300	BRACKET	1	a (H)	1703976~		
21	0568222050	BOLT	8	C	1703052~1704061		
	0568225600	BOLT	8	c (H)	1704062~		
22	0568222100	WIRE	1	B	1703052~1703975		
	0568225380	WIRE	1	b (H)	1703976~		
23	0568222200	PIN ASSY	1		1703052~1703096		
24	0568222300	LOCK ASSY	1				
25	0568224000	LINK	2				
26	0568222900	YOKE	2				
27	0568223300	LINK (A) ASSY (L.H.)	1				
27-3	1333001508	• BUSHING	2				
28	0004008021	PIN	4				
29	1214000008	PIN, snap	2				
30	1214000006	PIN, snap	4				
31	1652701608	HOLDER	1		1703052~1703096		
32	0568221950	PLATE	1				
33	1100041020	BOLT	6				
34	1100041016	BOLT	2				
35	1100041025	BOLT	10				
38	1140020010	WASHER, spring	30				
39	1141110010	WASHER	8				
40	0003600025	WASHER	24				
41	1100040825	BOLT	2				
42	1140020008	WASHER, spring	5				
43	1141110008	WASHER	7				
44	0568222500	ABSORBENT	1		1703052~1703690		
	0568228680	ABSORBENT	1	(H)	1703691~		
47	1100041030	BOLT	14				
48	1100040516	BOLT	1		1703052~1703096		
49	1140020005	WASHER, spring	1		1703052~1703096		
50	0568219440	BRACKET (R.H.)	1	C	1703052~1704061		
	0568225400	BRACKET (R.H.)	1	c (H)	1704062~		
51	0568219450	BRACKET (L.H.)	1	C	1703052~1704061		
	0568225500	BRACKET (L.H.)	1	c (H)	1704062~		
53	0568223000	BRACKET	1				
54	0568223100	ROD	1				
55	0568223200	ROD	1				
56	0007000078	SPRING	1				
57	0871320240	COLLAR	1				
58	1100040820	BOLT	3				
59	1130240012	NUT	2				
62	0568223700	LOCK ASSY	1				
62-1	0568223710	• PIN	1				
62-2	0007000058	• SPRING	1				
62-3	1130040008	• NUT	1				
62-5	1650013508	• GRIP	1				
63	0568228840	ABSORBENT	1		1703691~		
64	0568225360	PLATE	1	b	1704001~		

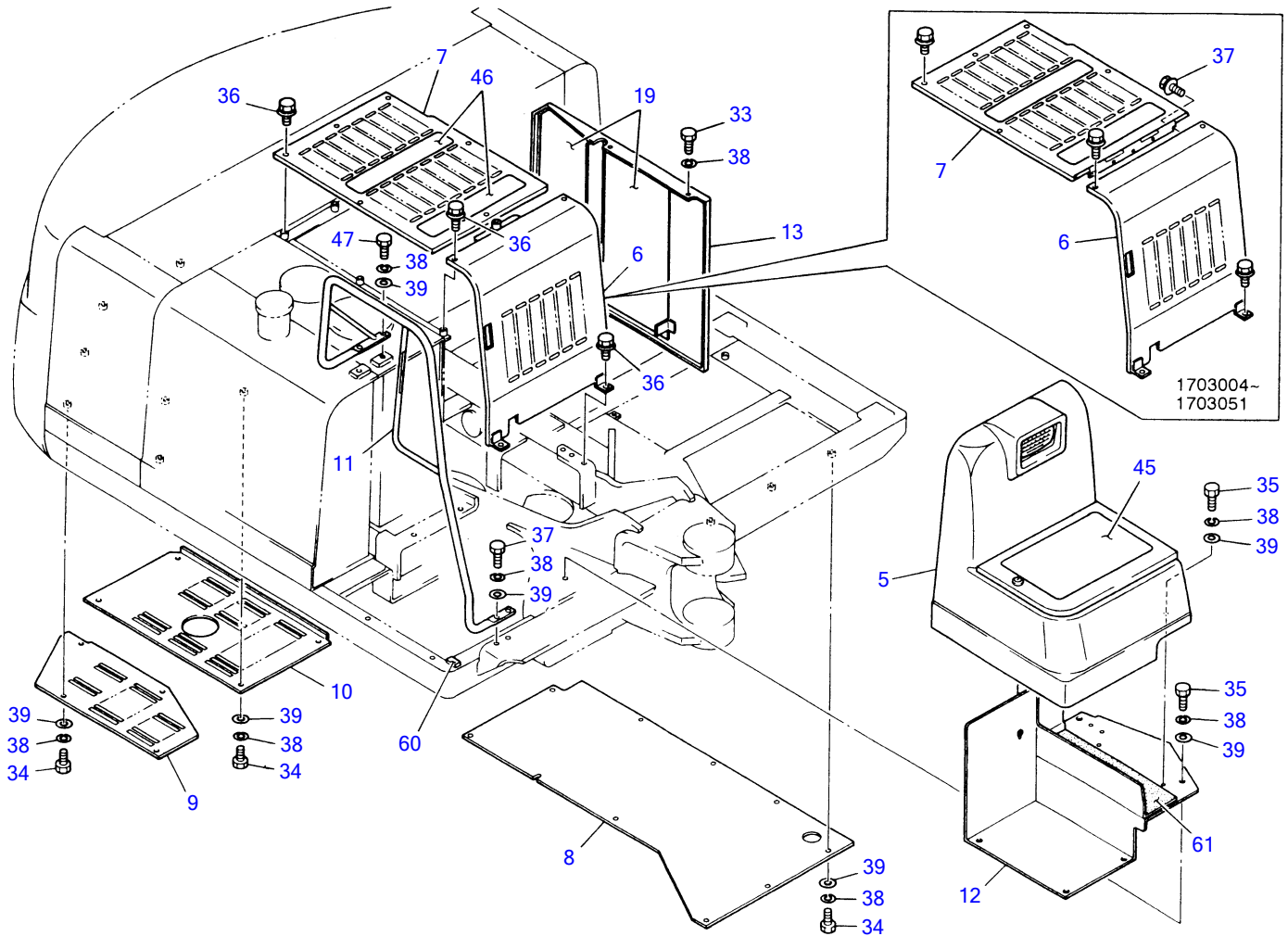
NOTE  
Set "A" is interchangeable with  
set "a".



L1-32a-2-D

COVER (1/7) (1703052~)

Item	Part number	Description	Q'ty	Chan.	Serial No.	Serv.	Remarks
64		"B" is interchangeable with set "b".					
64		Set "C" is interchangeable with set "c".					
	<b>L132a5L</b>						



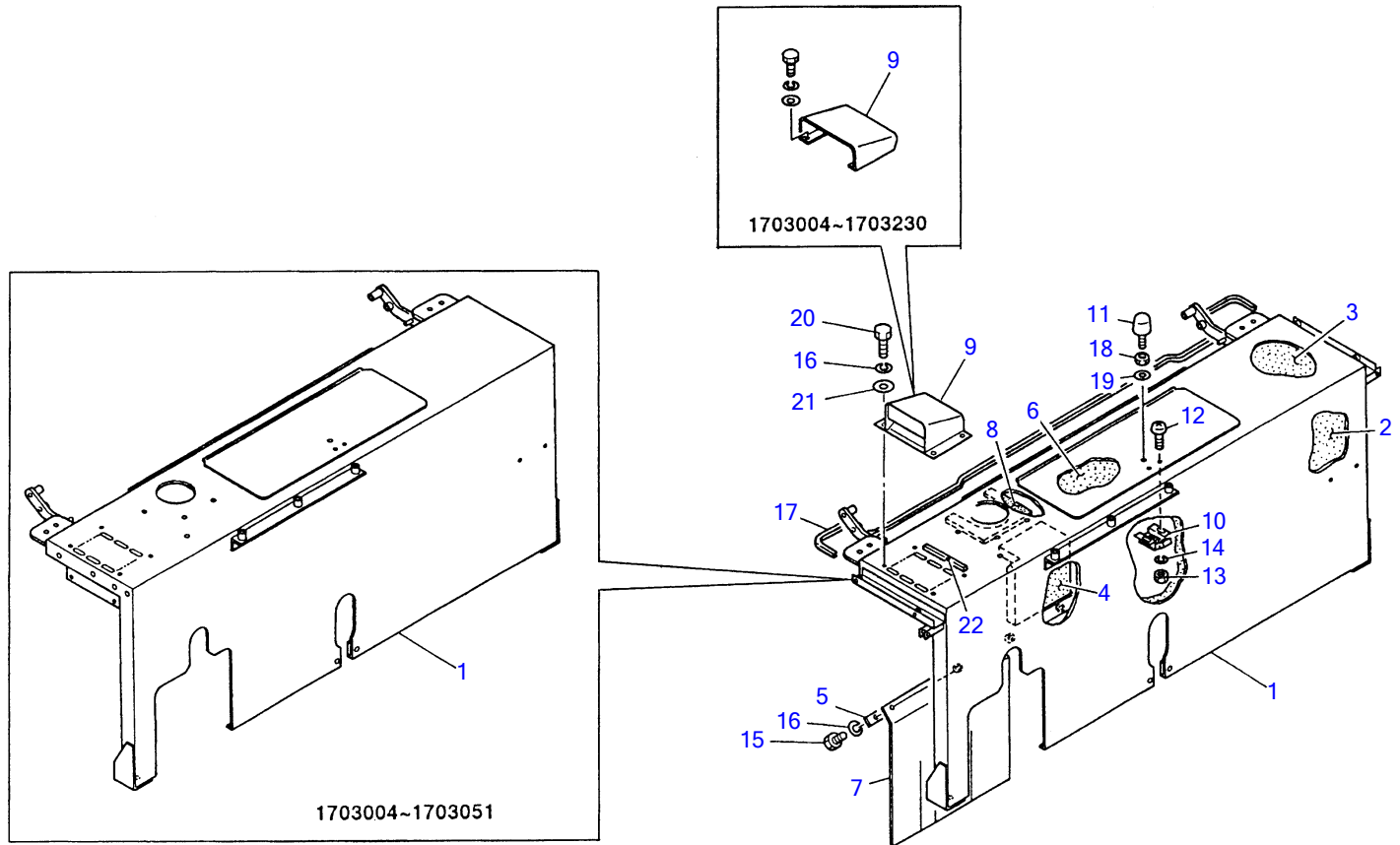
L1-32b-4-D

## COVER (2/7)

Item	Part number	Description	Q'ty	Chan.	Serial No.	Serv.	Remarks
		COVER ASSY			1703004~1703051		
		COVER ASSY			1703052~1704278		
		COVER ASSY			1704279~1705080		
		COVER ASSY			1705081~		
5	0568219900	COVER ASSY, front	1				See page 5-15
6	0568220100	COVER	1	A	1703004~1703051		
	0568220150	COVER	1	a (H)	1703052~		
7	0568220200	COVER	1	A	1703004~1703051		
	0568220250	COVER	1	a (H)	1703052~		
8	0568220300	COVER	1		1703004~1705080		
	0568241100	COVER	1		1705081~		
9	0568220400	COVER	1				
10	0568220500	COVER	1				
11	0568226900	HANDRAIL	1				
12	0568220900	BOX, tool	1				
13	0568221000	PLATE	1				
19	0568221800	SEET	2				
33	1100041020	BOLT	5		1703007~		
34	1100041016	BOLT	17				
35	1100041025	BOLT	9				
36	1100561020	BOLT	9		1703004~1703051		
	1100561020	BOLT	10		1703052~		
37	1100560516	BOLT	5		1703004~1703006		
	1100041035	BOLT	2				
38	1140020010	WASHER, spring	35				
39	1141110010	WASHER	30				
45	0568222700	SEET	1				
46	0568222800	SEET	2				sold by the meter
47	1100041030	BOLT	2				
60	1654304005	SPONGE	1		1703007~		sold by the meter
61	0568223800	SPONGE	1		1703007~		

NOTE  
Set "A" is interchangeable with  
set "a".

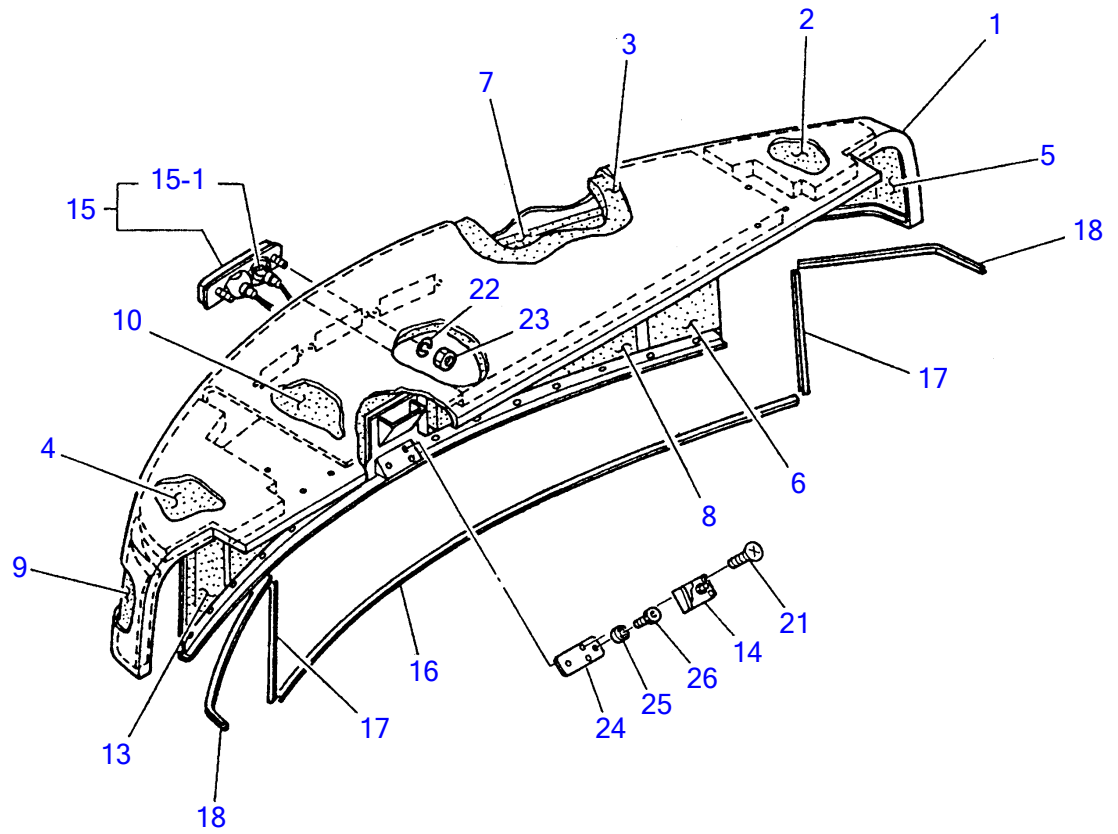
L132b5L



L1-32c-0-D

## COVER (3/7) (engine cover)

Item	Part number	Description	Q'ty	Chan.	Serial No.	Serv.	Remarks
		COVER ASSY			1703004~1703051		
		COVER ASSY			1703052~1704278		
		COVER ASSY			1704279~1705080		
		COVER ASSY			1705081~		
0-1	<b>0568219100</b>	COVER ASSY, engine	1		1703004~1703051		
	<b>0568224100</b>	COVER ASSY, engine	1		1703052~		
1	<b>0568219200</b>	· COVER	1		1703004~1703051		
	<b>0568224200</b>	· COVER	1		1703052~		
2	<b>0568219102</b>	· ABSORBENT	1				
3	<b>0568219103</b>	· ABSORBENT	1				
4	<b>0568219104</b>	· ABSORBENT	1				
5	<b>0568219105</b>	· PLATE	1				
6	<b>0568224106</b>	· SPONGE	1				
7	<b>0568219107</b>	· RUBBER	1				
8	<b>0568219108</b>	· ABSORBENT	1				
9	<b>0568219120</b>	· COVER	1		1703004~1703230		
	<b>0568224110</b>	· COVER	1		1703231~		
10	<b>1653900015</b>	· LATCH	1				
11	<b>1651101224</b>	· STOPPER	1				
12	<b>1120590512</b>	· SCREW	2				
13	<b>1130090005</b>	· NUT	2				
14	<b>1140090005</b>	· WASHER, spring	2				
15	<b>1100040820</b>	· BOLT	3				
16	<b>1140020008</b>	· WASHER, spring	7				
17	<b>1654605200</b>	· TRIM	1				
18	<b>1130040012</b>	· NUT	1				sold by the meter
19	<b>1141110012</b>	· WASHER	1				
20	<b>1100240814</b>	· BOLT	4				
21	<b>1141110008</b>	· WASHER	4				
22	<b>0568219150</b>	· SPONGE	1		1703004~1703230		
	<b>L132c1L</b>						

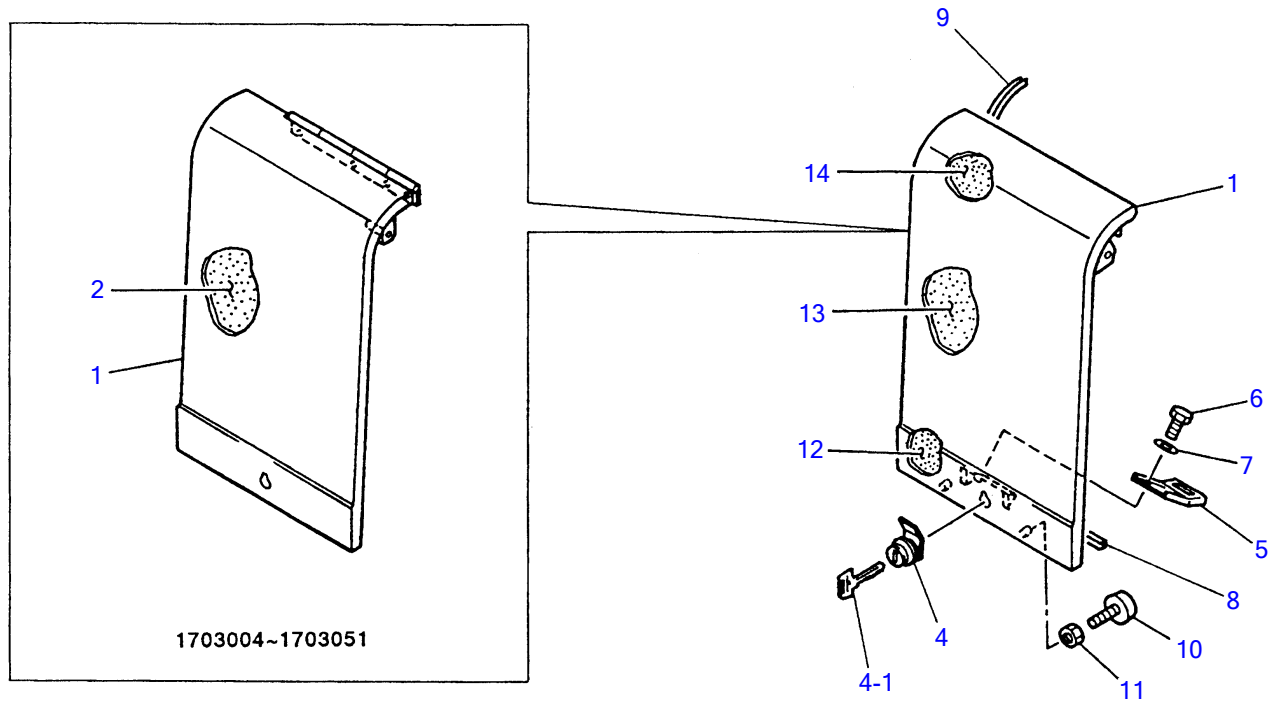


L1-32d-1-D



## COVER (4/7) (engine hood)

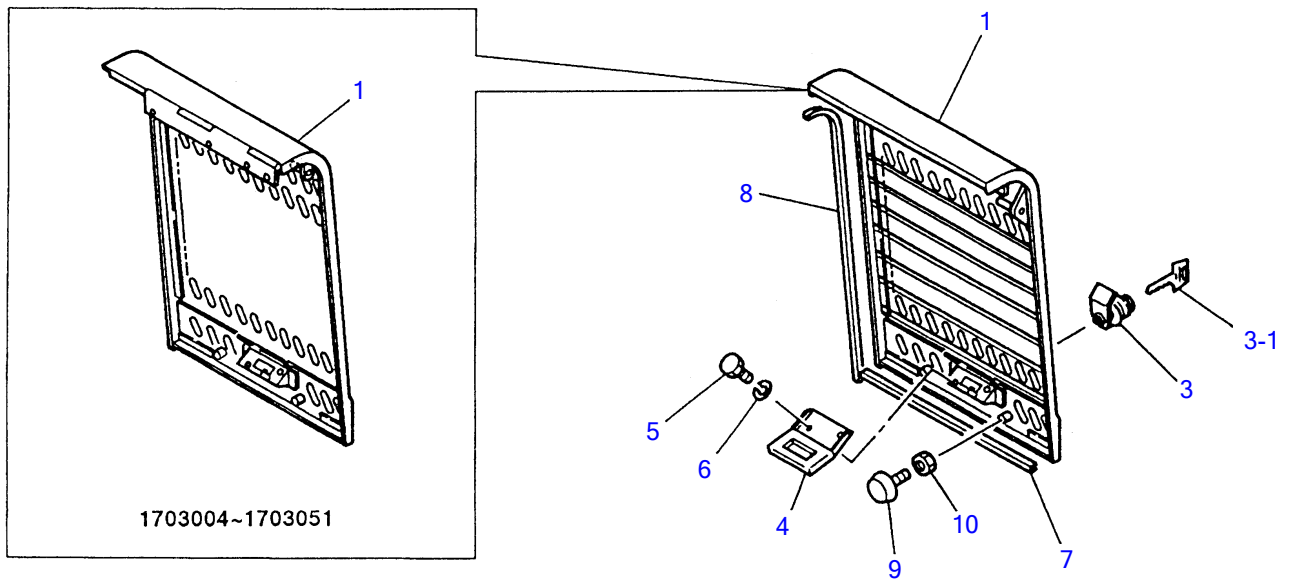
Item	Part number	Description	Q'ty	Chan.	Serial No.	Serv.	Remarks
		COVER ASSY			1703004~1703051		
		COVER ASSY			1703052~1704278		
		COVER ASSY			1704279~1705080		
		COVER ASSY			1705081~		
0-2	0568219300	HOOD ASSY, engine	1		1703004~1704278		
	0568229100	HOOD ASSY, engine	1		1704279~		
1	0568219400	· HOOD, engine	1				
2	0568219302	· ABSORBENT	1				
3	0568219303	· ABSORBENT	1		1703004~1704005		
	0568219320	· ABSORBENT	1		1704006~		
4	0568219304	· ABSORBENT	1				
5	0568219305	· ABSORBENT	1				
6	0568219306	· ABSORBENT	1				
7	0568219307	· ABSORBENT	1				
8	0568219308	· ABSORBENT	1				
9	0568219309	· ABSORBENT	1				
10	0568219310	· ABSORBENT	1				
13	0568219313	· ABSORBENT	1				
14	1653611422	· STRIKER	1				
15	1703003800	· LAMP ASSY	3				
15-1	1703003801	· · BULB	2				
16	1654520153	· TRIM	1				sold by the meter
17	1654520030	· TRIM	2		1703004~1704251		sold by the meter
	1654609030	· STRIP, weather	2		1704252~		sold by the meter
18	1654520043	· TRIM	2				sold by the meter
21	1120630820	· SCREW	3				
22	1140020004	· WASHER, spring	6				
23	1130030004	· NUT	6				
24	0568225310	· PLATE	1		1704006~		
25	0568225350	· STOPPER	1		1704006~		
26	1110040814	· SCREW, cap	1		1704006~		
	L132d2L						



L1-32e-0-D

**COVER (5/7) (side cover; R.H.)**

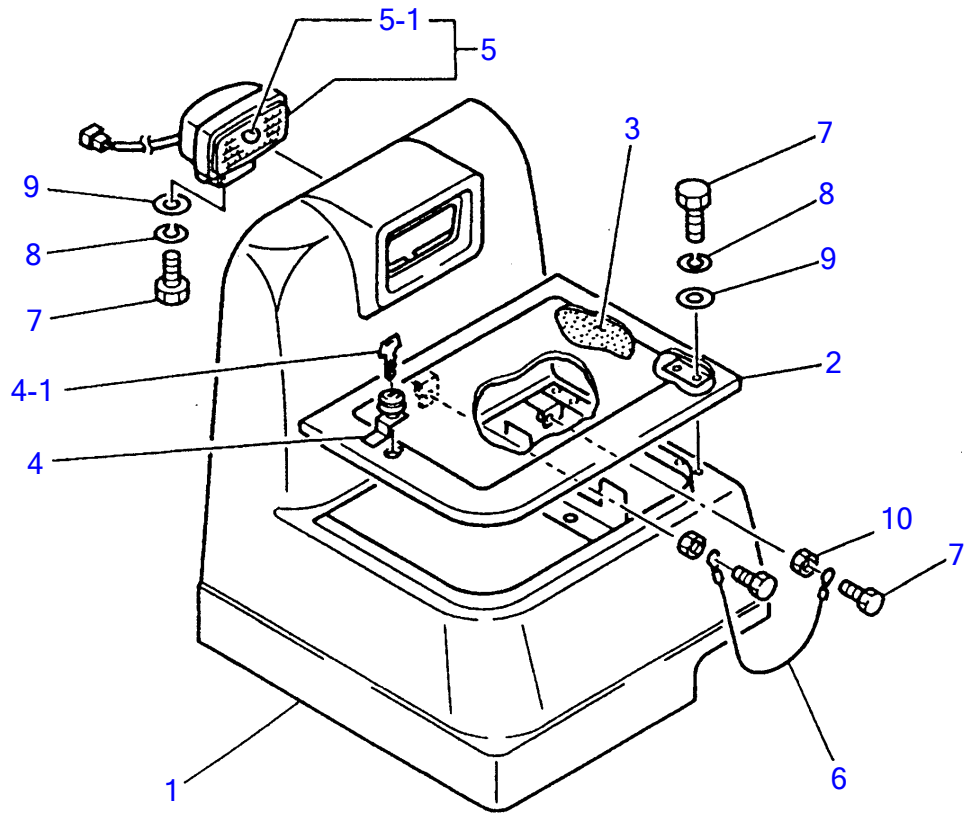
Item	Part number	Description	Q'ty	Chan.	Serial No.	Serv.	Remarks
		COVER ASSY			1703004~1703051		
		COVER ASSY			1703052~1704278		
		COVER ASSY			1704279~1705080		
		COVER ASSY			1705081~		
0-3	<b>0568219500</b>	COVER ASSY, side (R.H.)	1		1703004~1703051		
	<b>0568224300</b>	COVER ASSY, side (R.H.)	1		1703052~		
1	<b>0568219600</b>	· COVER	1		1703004~1703051		
	<b>0568223850</b>	· COVER	1		1703052~		
2	<b>0568219650</b>	· ABSORBENT	1		1703004~1703051		
4	<b>0568221700</b>	· LOCK ASSY	1				
4-1	<b>1700100019</b>	· KEY	1				
5	<b>1653900024</b>	· CATCH	1				
6	<b>1100040612</b>	· BOLT	2				
7	<b>1140020006</b>	· WASHER, spring	2				
8	<b>1654520143</b>	· TRIM	1		1703004~1703051		sold by the meter
	<b>1654520043</b>	· TRIM	1		1703052~		sold by the meter
9	<b>1654520173</b>	· TRIM	1		1703004~1703051		sold by the meter
	<b>1654520072</b>	· TRIM	1		1703052~		sold by the meter
10	<b>1652515100</b>	· STOPPER	2				
11	<b>1130040005</b>	· NUT	2				
12	<b>0568223801</b>	· ABSORBENT	1		1703052~		
13	<b>0568223802</b>	· ABSORBENT	2		1703052~		
14	<b>0568223803</b>	· ABSORBENT	1		1703052~		
	<b>L132e1L</b>						



L1-32f-0-D

**COVER (6/7) (side cover; L.H.)**

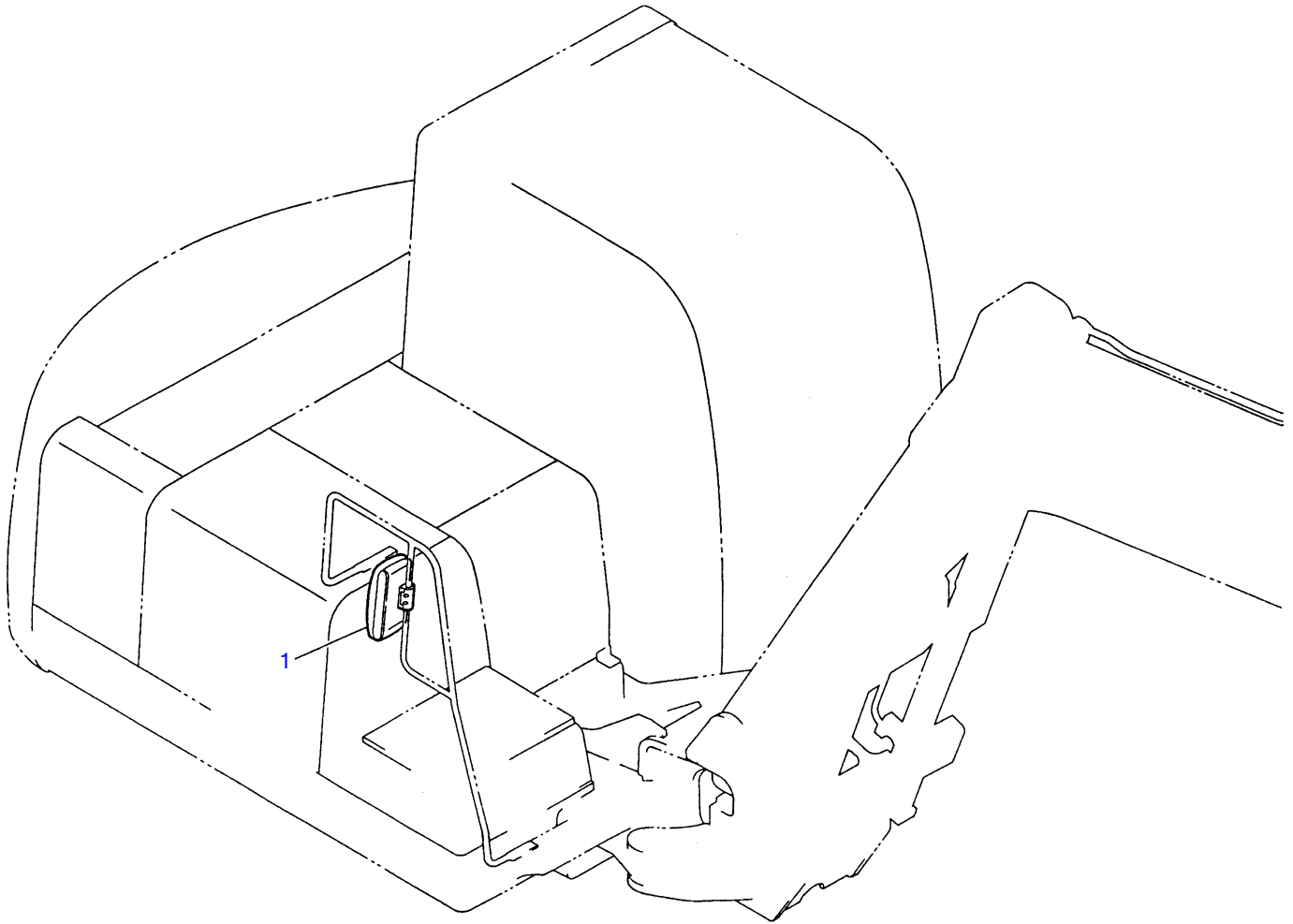
Item	Part number	Description	Q'ty	Chan.	Serial No.	Serv.	Remarks
		COVER ASSY			1703004~1703051		
		COVER ASSY			1703052~1704278		
		COVER ASSY			1704279~1705080		
		COVER ASSY			1705081~		
0-4	<b>0568219700</b>	COVER ASSY, side (L.H.)	1		1703004~1703051		
	<b>0568223900</b>	COVER ASSY, side (L.H.)	1		1703052~		
1	<b>0568219800</b>	• COVER	1		1703004~1703051		
	<b>0568223950</b>	• COVER	1		1703052~		
3	<b>0568221700</b>	• LOCK ASSY	1				
3-1	<b>1700100019</b>	• KEY	1				
4	<b>1653900024</b>	• CATCH	1				
5	<b>1100040612</b>	• BOLT	2				
6	<b>1140020006</b>	• WASHER, spring	2				
7	<b>1654520143</b>	• TRIM	1		1703004~1703051		sold by the meter
	<b>1654520043</b>	• TRIM	1		1703052~		sold by the meter
8	<b>1654520173</b>	• TRIM	1		1703004~1703051		sold by the meter
	<b>1654520072</b>	• TRIM	1		1703052~		sold by the meter
9	<b>1652515100</b>	• STOPPER	2				
10	<b>1130040005</b>	• NUT	2				
	<b>L132f1L</b>						



L1-32g-0-D

**COVER (7/7) (front cover)**

Item	Part number	Description	Q'ty	Chan.	Serial No.	Serv.	Remarks
		COVER ASSY			1703004~1703051		
		COVER ASSY			1703052~1704278		
		COVER ASSY			1704279~1705080		
		COVER ASSY			1705081~		
0-5	<b>0568219900</b>	COVER ASSY, front	1				
1	<b>0568220000</b>	· COVER	1				
2	<b>0568220700</b>	· COVER	1				
3	<b>0568220800</b>	· ABSORBENT	1				
4	<b>0568221600</b>	· LOCK ASSY	1				
4-1	<b>1700100019</b>	· KEY	1				
5	<b>1703003700</b>	· LAMP ASSY	1				
5-1	<b>1703003701</b>	· BULB	1				
6	<b>1929900237</b>	· WIRE	1				
7	<b>1100040820</b>	· BOLT	7				
8	<b>1140020008</b>	· WASHER, spring	5				
9	<b>1141110008</b>	· WASHER	5				
10	<b>1130040008</b>	· NUT	2				
	<b>L132g1L</b>						

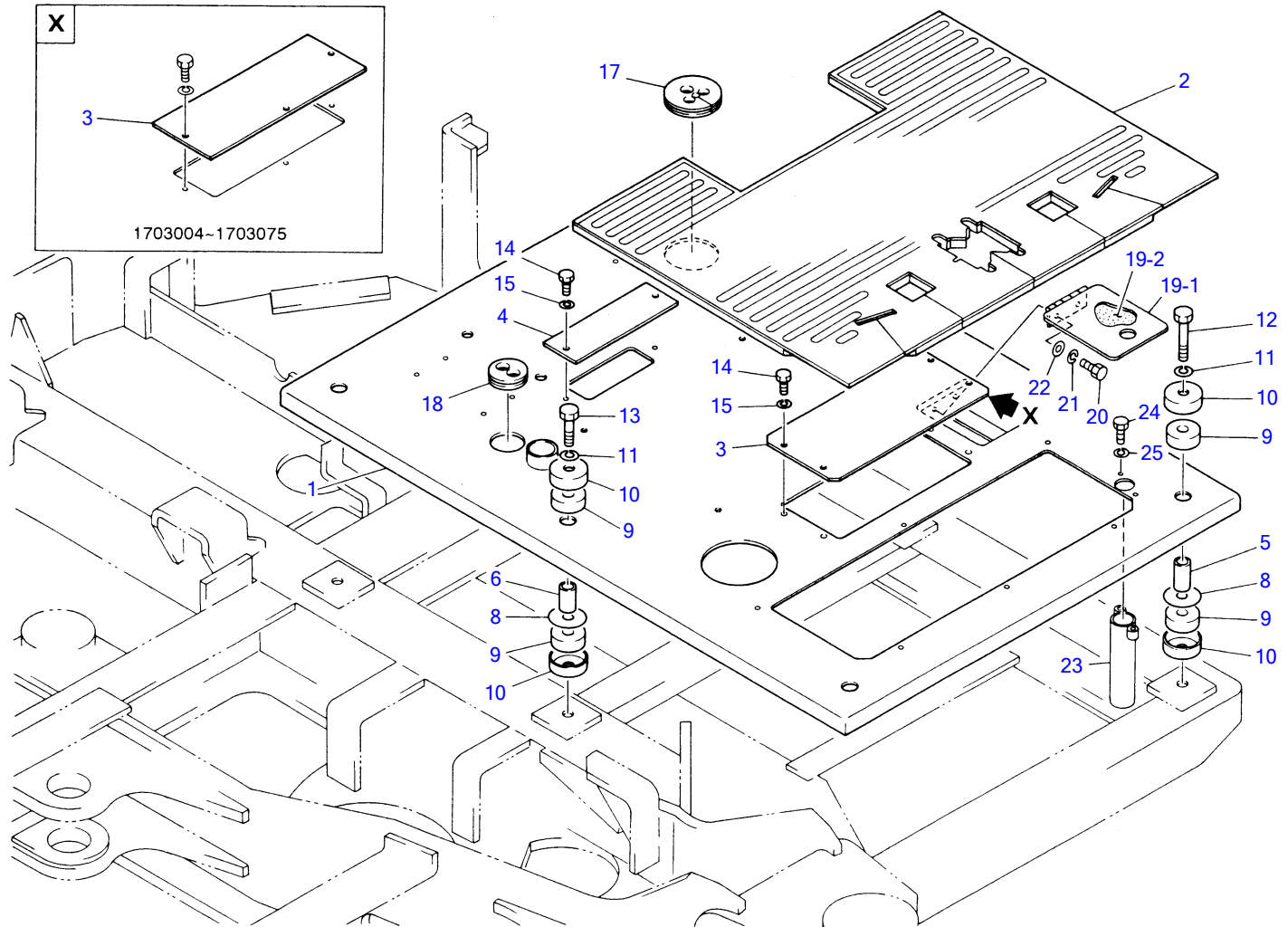


L1-33a-0-D



**OUTSIDE REARVIEW MIRROR**

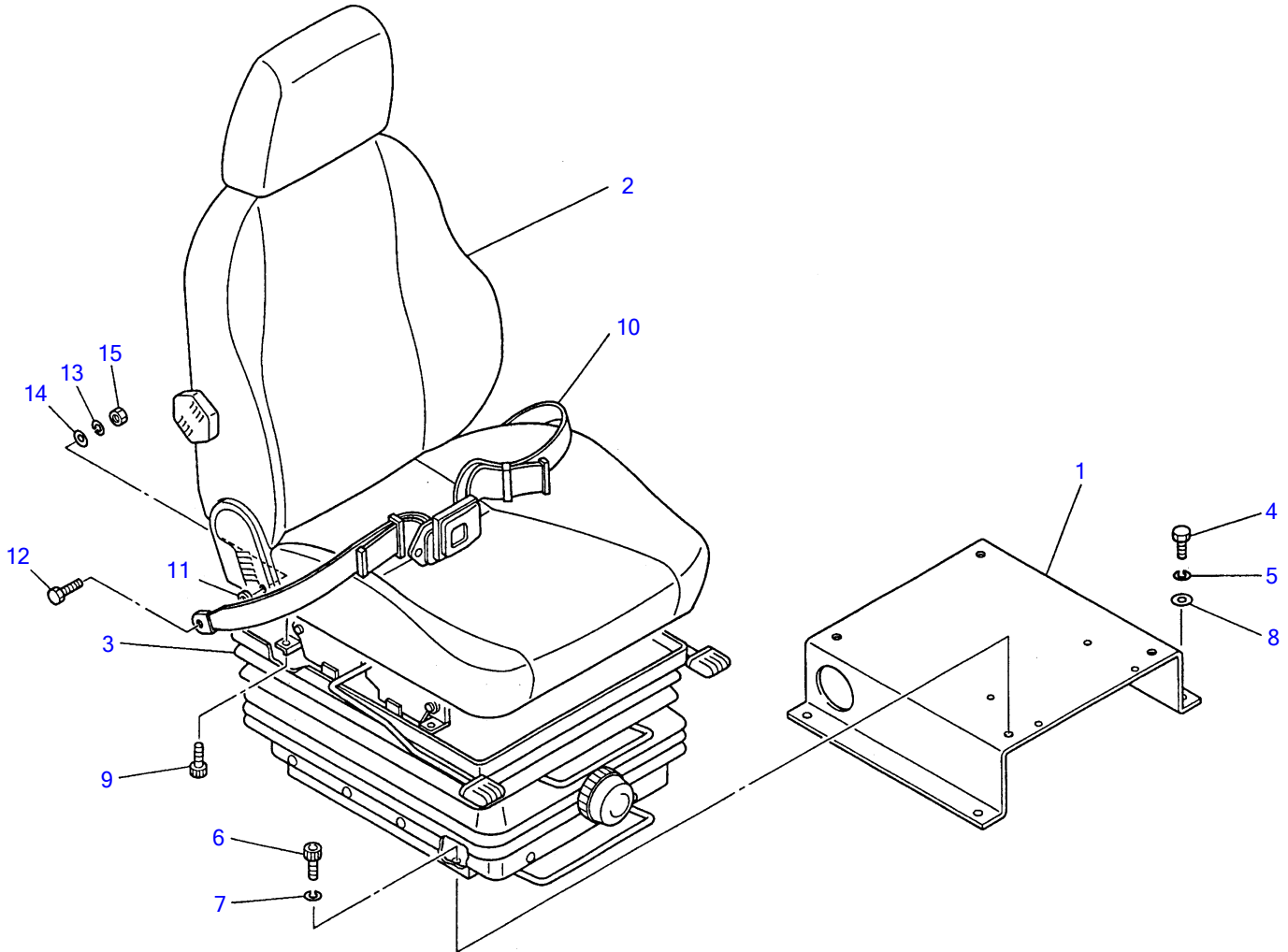
Item	Part number	Description	Q'ty	Chan.	Serial No.	Serv.	Remarks
1	<b>1656500010</b> <b>L133a0L</b>	MIRROR ASSY MIRROR	1				



L1-33b-3-D

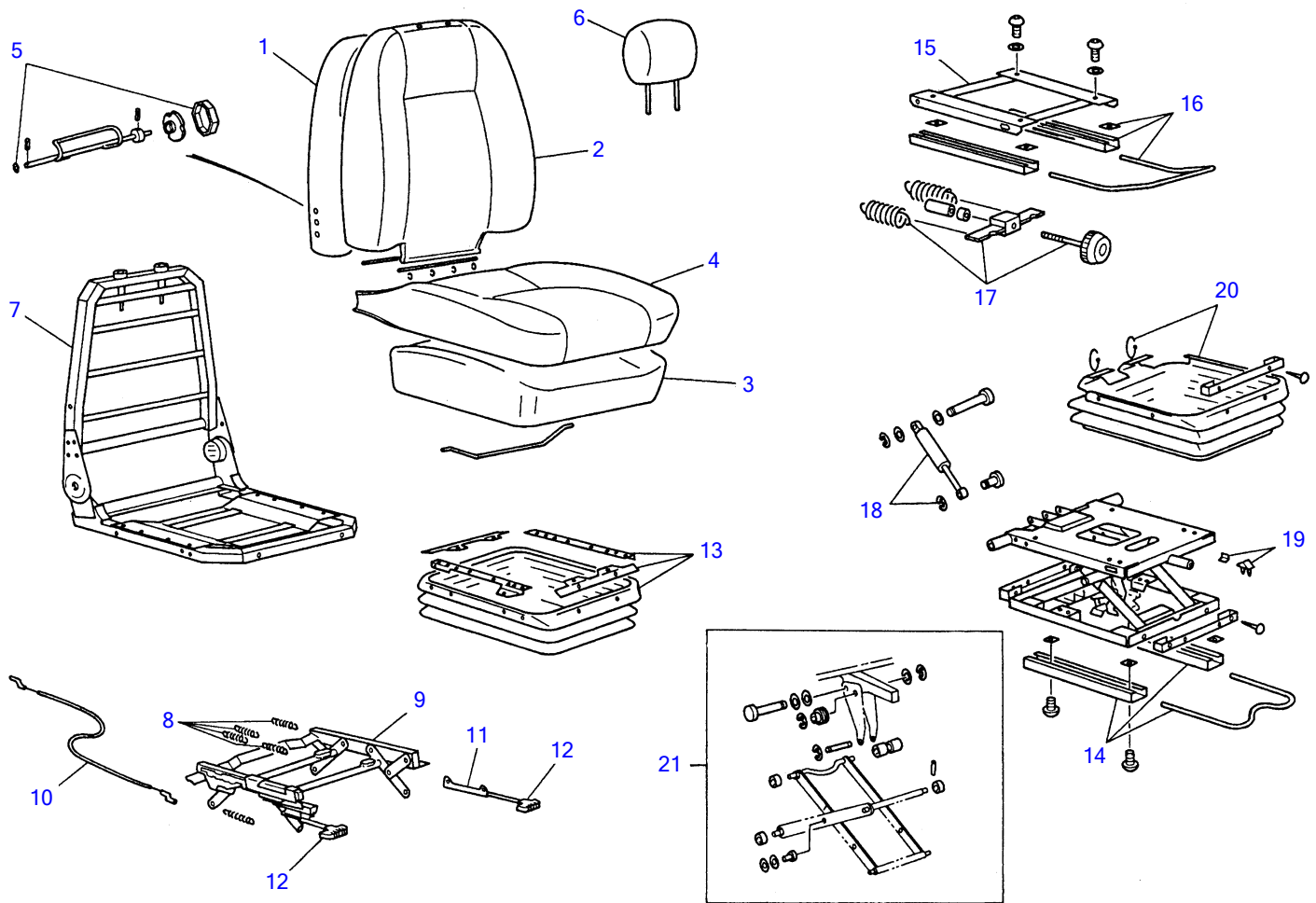
**FLOOR PLATE**

Item	Part number	Description	Q'ty	Chan.	Serial No.	Serv.	Remarks
		FLOOR PLATE ASSY			1703004~1703075		
		FLOOR PLATE ASSY			1703076~1705080		
		FLOOR PLATE ASSY			1705081~		
		FLOOR PLATE ASSY (for air conditioner)			1705081~		
1	0563501100	PLATE	1		1703004~1703075		
	0563502100	PLATE	1		1703076~1705080		
	0563512200	PLATE	1		1705081~		
2	0563501200	MAT	1		1703004~1703075		
	0563502200	MAT	1	(H)	1703076~1703230		
	0563502400	MAT	1	(H)	1703231~1705080		
	0563511200	MAT	1		1705081~		
	0563512100	MAT	1		1705081~		for air conditioner
3	0563500300	COVER	1		1703004~1703075		
	0563502300	COVER	1		1703076~		
4	0563500400	COVER	1				
5	0563500500	TUBE	4				
6	0563500600	TUBE	2				
8	0433503400	WASHER	6				
9	0433503100	RUBBER	12				
10	0433503200	COVER	12				
11	1140020016	WASHER, spring	6				
12	1100041695	BOLT	4				
13	1100014685	BOLT	2				
14	1100040816	BOLT	5		1703004~1703075		
	1100040816	BOLT	6		1703076~		
15	1140020008	WASHER, spring	5		1703004~1703075		
	1140020008	WASHER, spring	6		1703076~1705080		
	1140020008	WASHER, spring	8		1705081~		
17	1652030001	GROMMET	1				
18	1652030002	GROMMET	1				
19	0563502600	COVER ASSY	1		1704086~		
19-1	0563502650	• COVER	1		1704086~		
19-2	0563502660	• SHEET	1		1704086~		
20	1100040612	BOLT	2		1704086~		
21	1140020006	WASHER, spring	2		1704086~		
22	1141110006	WASHER	2		1704086~		
23	0563512300	PIPE	1		1705081~		
24	1100040820	BOLT	2		1705081~		
25	1141110008	WASHER	2		1705081~		
	L133b4L						



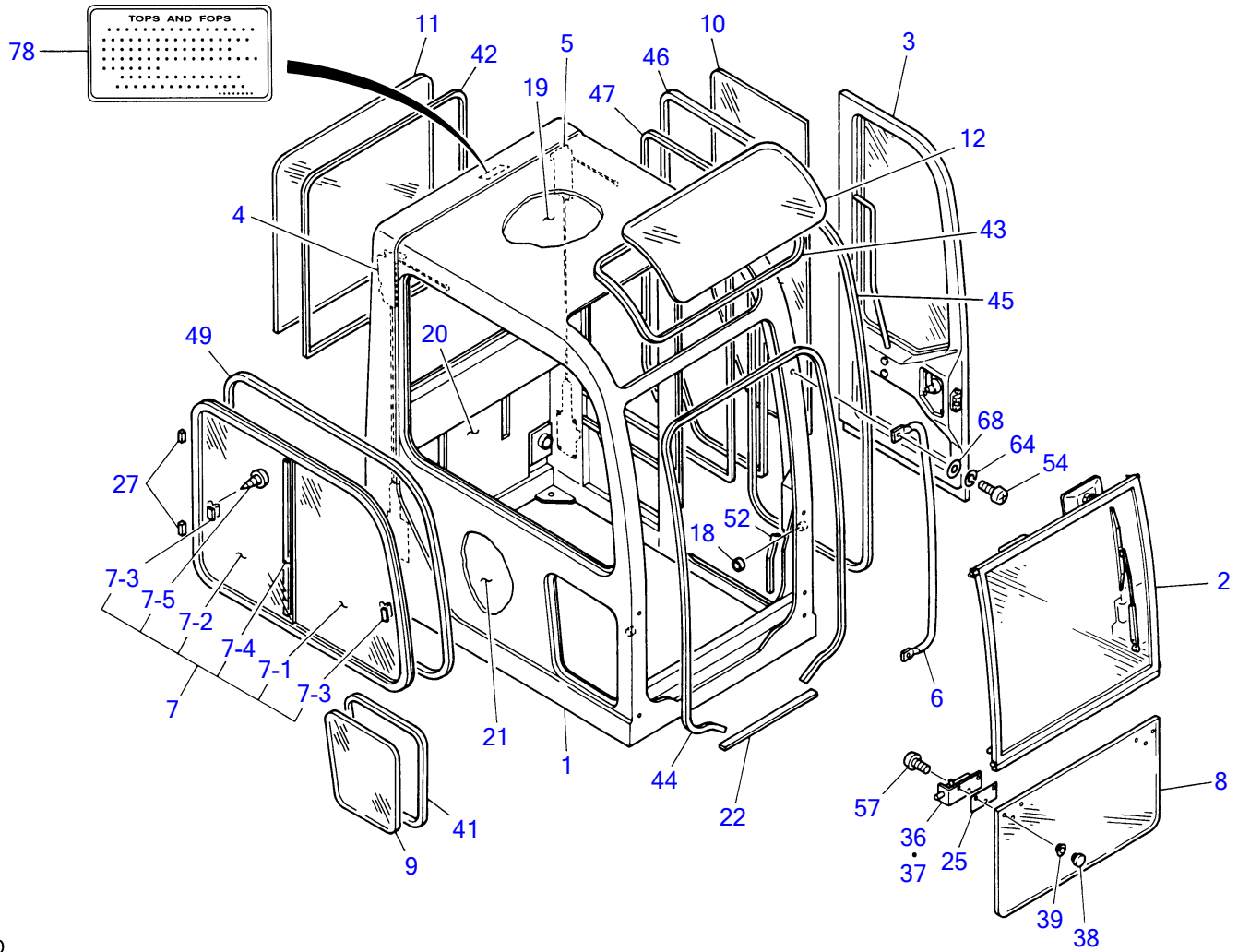
L1-34a-1-D

Item	Part number	Description	SEAT (1/2)		Serial No.	Serv. Remarks
			Q'ty	Chan.		
		SEAT ASSY			1703004~1705080	
		SEAT ASSY			1705081~	
1	<b>0563414100</b>	BRACKET	1		1703004~1705080	
	<b>0563413900</b>	BRACKET	1		1705081~	
2	<b>1914100049</b>	SEAT ASSY	1			
3	<b>1914100050</b>	CUSHION ASSY	1			
4	<b>1100041020</b>	BOLT	4			
5	<b>1140020010</b>	WASHER, spring	4			
6	<b>1110040820</b>	SCREW, cap	4			
7	<b>1140020008</b>	WASHER, spring	4			
8	<b>1141110010</b>	WASHER	4			
9	<b>1110040830</b>	SCREW, cap	2			
10	<b>1914100048</b>	BELT ASSY, seat	1		1703004~1703879	
	<b>1914100062</b>	BELT ASSY, seat	1		1703880~	
11	<b>0563415100</b>	WASHER	2		1703880~	
12	<b>1100041240</b>	BOLT	2		1703880~	
13	<b>1140020012</b>	WASHER, spring	2		1703880~	
14	<b>1141110012</b>	WASHER	2		1703880~	
15	<b>1130040012</b>	NUT	2		1703880~	
	<b>L134a3L</b>					



L1-34b-0-D

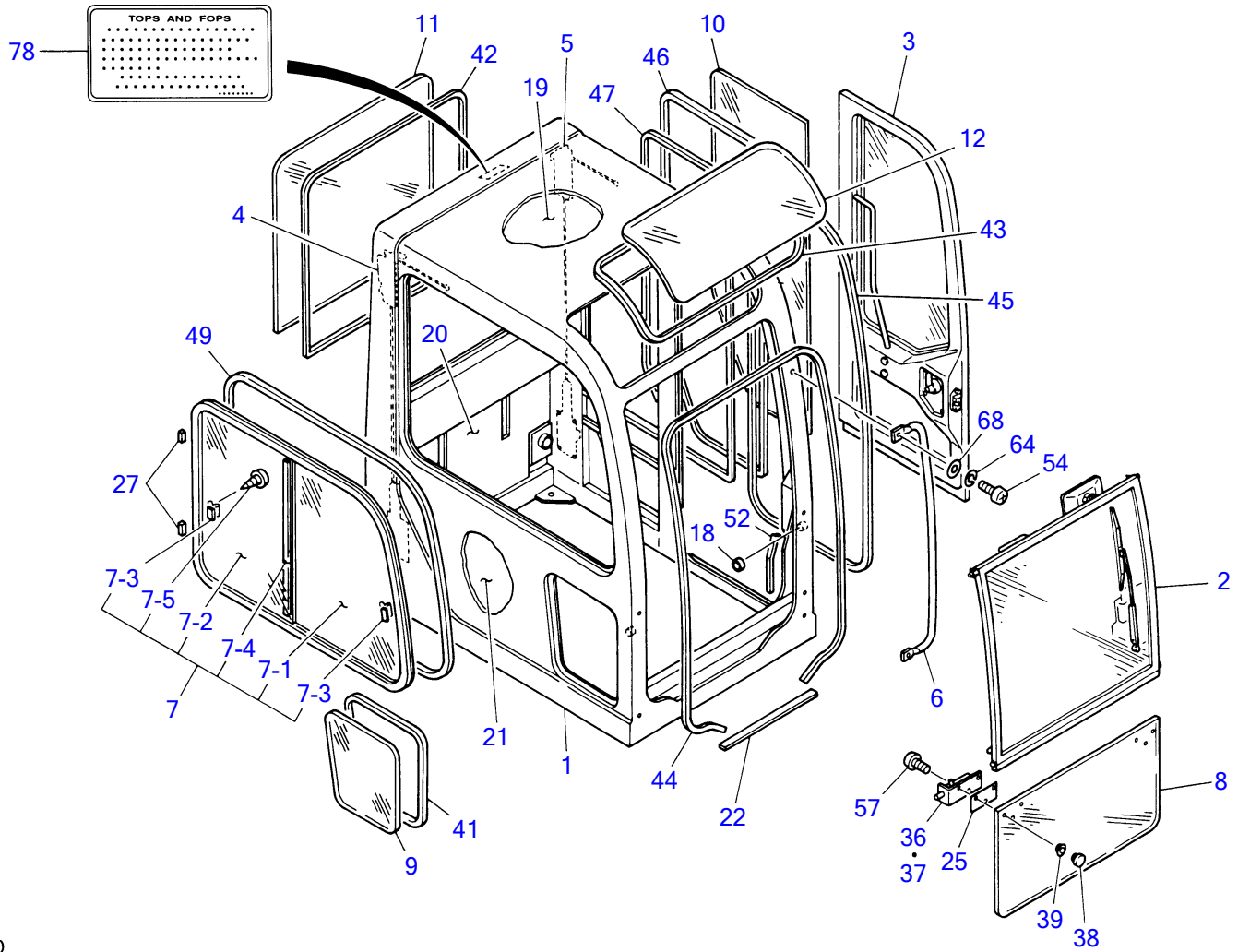
Item	Part number	Description	SEAT (2/2)		Serial No.	Serv.	Remarks
			Q'ty	Chan.			
		SEAT ASSY			1703004~1705080		
		SEAT ASSY			1705081~		
0	1914100049	SEAT ASSY	1				
1	1914102049	· FORM	1				
2	1914103049	· COVER	1				
3	1914104049	· FORM	1				
4	1914124049	· COVER	1				
5	1914106049	· SUPPORT	1				
6	1914107049	· REST ASSY, head	1				
7	1914108049	· FORM	1				
8	1914109049	· SPRING	1				
9	1914110049	· HEIGHT RISER	1				
10	1914111049	· CABLE	1				
11	1914112049	· LATCH	1				
12	1914113049	· KNOB	1				
13	1914114049	· COVER	1				
14	1914115049	· RAIL, slide	1				
15	1914116049	· MOUNTING	1				
16	1914117049	· RAIL, slide	1				
17	1914118049	· ADJUSTER	1				
18	1914119049	· DAMPER	1				
19	1914120049	· STOPPER	1				
20	1914122049	· COVER	1				
21	1914123049	· PIVOT	1				
	L134b1L						



L1-35a-2-D

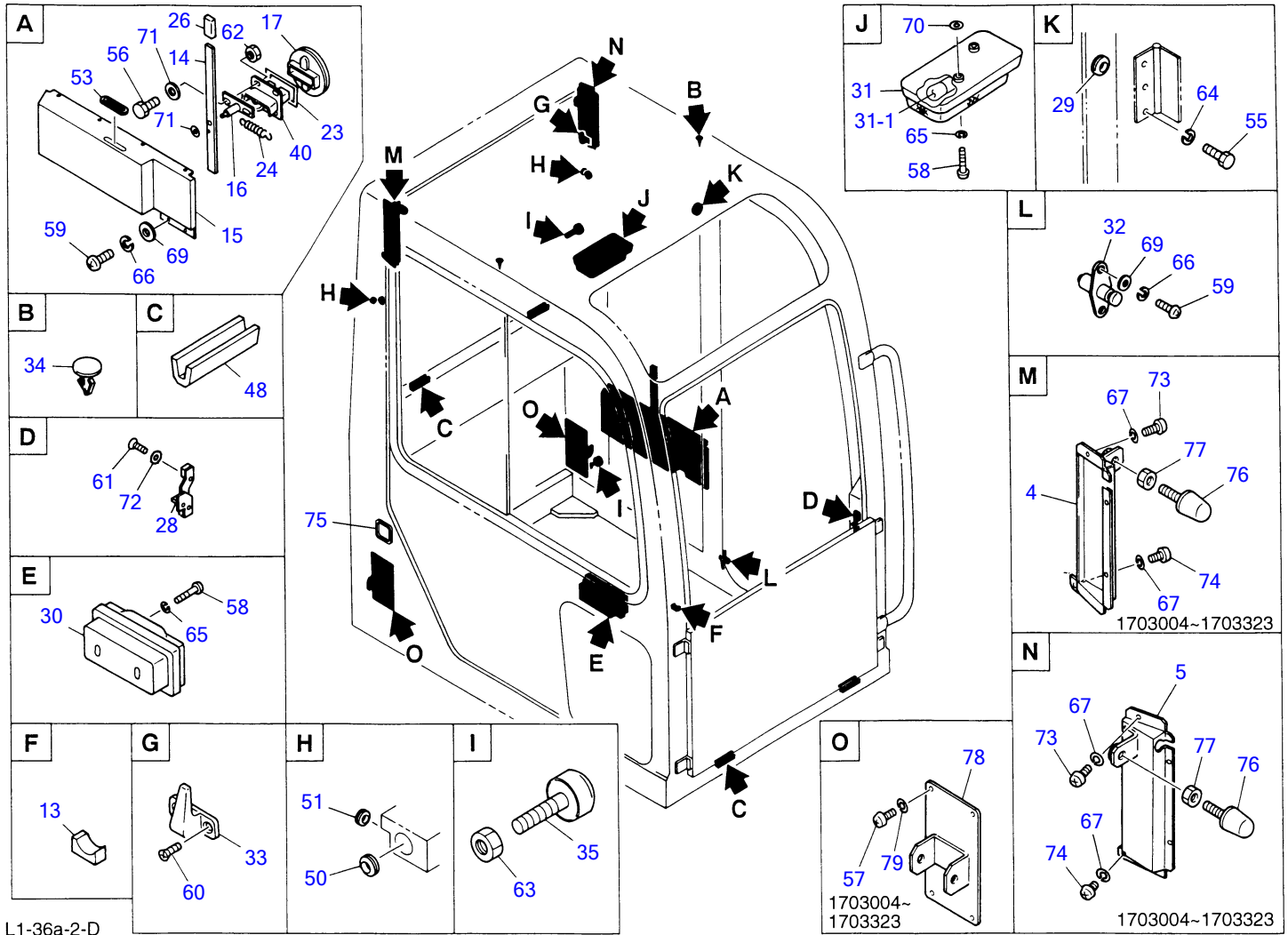


		CAB (1/5)						
Item	Part number	Description	Qty	Chan.	Serial No.	Serv.	Remarks	
0	0568628100	CAB ASSY	1		1703004~1703095		incl.1/5~5/5	
	0568628400	CAB ASSY	1	(H) ⌋⌋	1703096~1703570		incl.1/5~4/5	
	0568628500	CAB ASSY (FOPS)	1	(H) ⌋⌋	1703571~1704871		incl.1/5~4/5	
	0568641100	CAB ASSY (FOPS)	1	(H)	1704872~1705080		incl.1/5~4/5	
	0568641500	CAB ASSY (FOPS)	1	(H)	1705081~		incl.1/5~4/5	
1	X *****	• FRAME	1					
2	0568628800	• SASH ASSY, front (Bz)	1		1703004~1703095		See page 5-26	
	0568629000	• SASH ASSY, front (Bz)	1		1703096~1703570		See page 5-26	
	0568629100	• SASH ASSY, front (G)	1		1703571~		See page 5-26	
3	0568630300	• DOOR ASSY (Bz)	1		1703004~1703570		See page 5-28	
	0568629200	• DOOR ASSY (G)	1		1703571~		See page 5-28	
4	0568631000	• CONSTON ASSY (R.H.)	1		1703004~1703095		See page 5-30	
5	0568632000	• CONSTON ASSY (L.H.)	1		1703004~1703095		See page 5-30	
6	0568625500	• HANDRAIL	1					
7	0568632600	• SASH ASSY (Bz)	1	(L)	old type			
	0568632700	• SASH ASSY (Bz)	1	(H)	new type			
	0568639510	• SASH ASSY (G)	1		1703571~			
7-1	0568632602	• • GLASS (Bz)	1		old type		639mm wide	
	0568632702	• • GLASS (Bz)	1		new type		592mm wide	
	0568639512	• • GLASS (G)	1		1703571~		592mm wide	
7-2	0568632603	• • GLASS (Bz)	1		old type		514mm wide	
	0568632703	• • GLASS (Bz)	1		new type		561mm wide	
	0568639513	• • GLASS (G)	1		1703571~		561mm wide	
7-3	1654010400	• • LOCK ASSY	2					
7-4	1654008200	• • STRIP, weather	1					
7-5	1122420410	• • SCREW	4					
8	0568633000	• GLASS (Bz)	1		1703004~1703570			
	0568639520	• GLASS (G)	1		1703571~			
9	0568625800	• GLASS (Bz)	1		1703004~1703570			
	0568639530	• GLASS (G)	1		1703571~			
10	0568625900	• GLASS (Bz)	1		1703004~1703570			
	0568639540	• GLASS (G)	1		1703571~			
11	0568626000	• GLASS (Bz)	1		1703004~1703570			
	0568639550	• GLASS (G)	1		1703571~			
12	0568633200	• GLASS	1					
18	0568633700	• STOPPER	2					
19	0568633800	• ABSORBENT	1		1703004~1703508			
	0568634500	• ABSORBENT	1	(H)	1703509~1704871			
	0568641110	• ABSORBENT (FOPS)	4		1704872~			
20	0568633900	• ABSORBENT	1		1703004~1703508			
	0568634510	• ABSORBENT	1	(H)	1703509~			
21	0568634000	• ABSORBENT	1		1703004~1703508			
	0568634520	• ABSORBENT	1	(H)	1703509~			
22	0568634100	• SEAL	1					
25	0438601740	• SEAL	2					
27	0438601770	• SPACER	7					
36	1654005300	• LATCH (R.H)	1					
37	1654005350	• LATCH (L.H)	1					
38	1654004006	• RETAINER	6					
39	1654004007	• PACKING	6					
41	1654262150	• H-RUBBER	1					sold by the meter
42	1654231325	• H-RUBBER	1					sold by the meter
43	1654231255	• H-RUBBER	1					sold by the meter
44	1654605440	• SEAL	1					sold by the meter
45	1654605341	• SEAL	1					sold by the meter
46	1654614240	• SEAL	1		1703004~1703323			sold by the meter
47	1654615235	• SEAL	1					sold by the meter
49	1653930375	• TRIM	1					sold by the meter
52	1653916020	• TRIM	2					sold by the meter
54	1120991025	• SCREW	2					
57	1120590512	• SCREW	6					
64	1140090010	• WASHER, spring	2					
68	1141190010	• WASHER	2					
78	0569352100	DECAL	1		1704872~			
		NOTE	1					
	X 0568628000	CAB MOUNTING ASSY	1		1703004~1704871			
	X 0568641000	CAB MOUNTING ASSY	1		1704872~			incl. Item 78
		Bz; Bronze glass.						

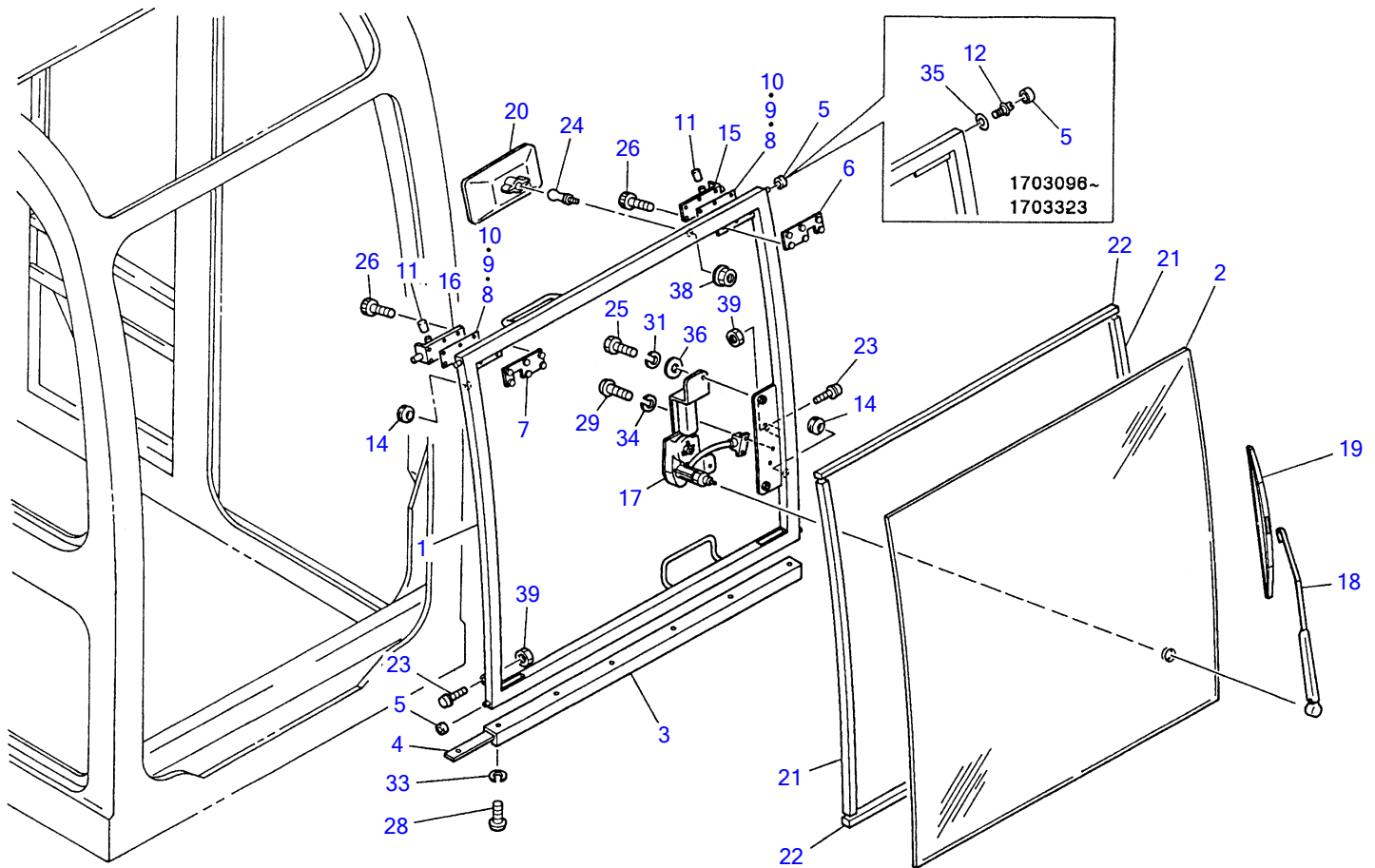


L1-35a-2-D

Item	Part number	Description	CAB (1/5) Q'ty	Chan.	Serial No.	Serv.	Remarks
78	L135a3L	G; Green glass.					



Item	Part number	Description	CAB (2/5)		Serial No.	Serv.	Remarks
			Q'ty	Chan.			
0	0568628100	CAB ASSY	1		1703004~1703095		incl.1/5~5/5
	0568628400	CAB ASSY	1	(H) llκ	1703096~1703570		incl.1/5~4/5
	0568628500	CAB ASSY (FOPS)	1	(H) llκ	1703571~1704871		incl.1/5~4/5
	0568641100	CAB ASSY (FOPS)	1	(H)	1704872~1705080		incl.1/5~4/5
	0568641500	CAB ASSY (FOPS)	1	(H)	1705081~		incl.1/5~4/5
4	0568631300	· COVER (R.H.)	1		1703096~1703323		
5	0568632100	· COVER (L.H.)	1		1703096~1703323		
13	0568633300	· STOPPER	1				
14	0568634300	· LEVER	1				
15	0568633500	· COVER	1				
16	0568634200	· BRACKET	1				
17	0568626600	· GROMMET	1				
23	0568634400	· SEAL	1				
24	0438601950	· SPRING	1				
26	0438601760	· COVER	2				
28	0068620500	· STRIKER	1				
29	1652051600	· GROMMET	1				
30	1654004600	· ASHTRAY	1				
31	1703004100	· LAMP, room	1				
31-1	1703004102	· BULB	1				
32	1700000015	· SWITCH	1				
33	1654004800	· HANGER	1				
34	1654005000	· CLIP	2				
35	1651101042	· STOPPER	2				
40	1654005100	· LOCK	1				
48	1654004900	· STOPPER	4				
50	1654040010	· GROMMET	2				
51	1652051600	· GROMMET	2				
53	1652601601	· BUSHING	1				
55	1100290820	· BOLT	6				
56	1100040825	· BOLT	4				
57	1120590512	· SCREW	8		1703096~1703323		
58	1120530520	· SCREW	4				
59	1120590408	· SCREW	10				
60	1120690412	· SCREW	2				
61	0068621300	· SCREW	2				
62	1130040012	· NUT	2				
63	1130090010	· NUT	2				
64	1140090010	· WASHER, spring	6				
65	1140010005	· WASHER, spring	4				
66	1140090004	· WASHER, spring	10				
67	1140090006	· WASHER, spring	8		1703096~1703323		
69	1141190004	· WASHER	10				
70	1141110005	· WASHER	1				
71	1141110008	· WASHER	3				
72	1140330010	· WASHER	2				
73	1120590616	· SCREW	6		1703096~1703323		
74	1120590610	· SCREW	2		1703096~1703323		
75	1653916020	· TRIM	1		1704872~		sold by the meter
76	1651101224	· STOPPER	2		1703096~		
77	1130140012	· NUT	2		1703096~		
78	0568631100	· BRACKET	2		1703096~1703323		
79	1140090005	· WASHER, spring	8		1703096~1703323		
	L136a3L						



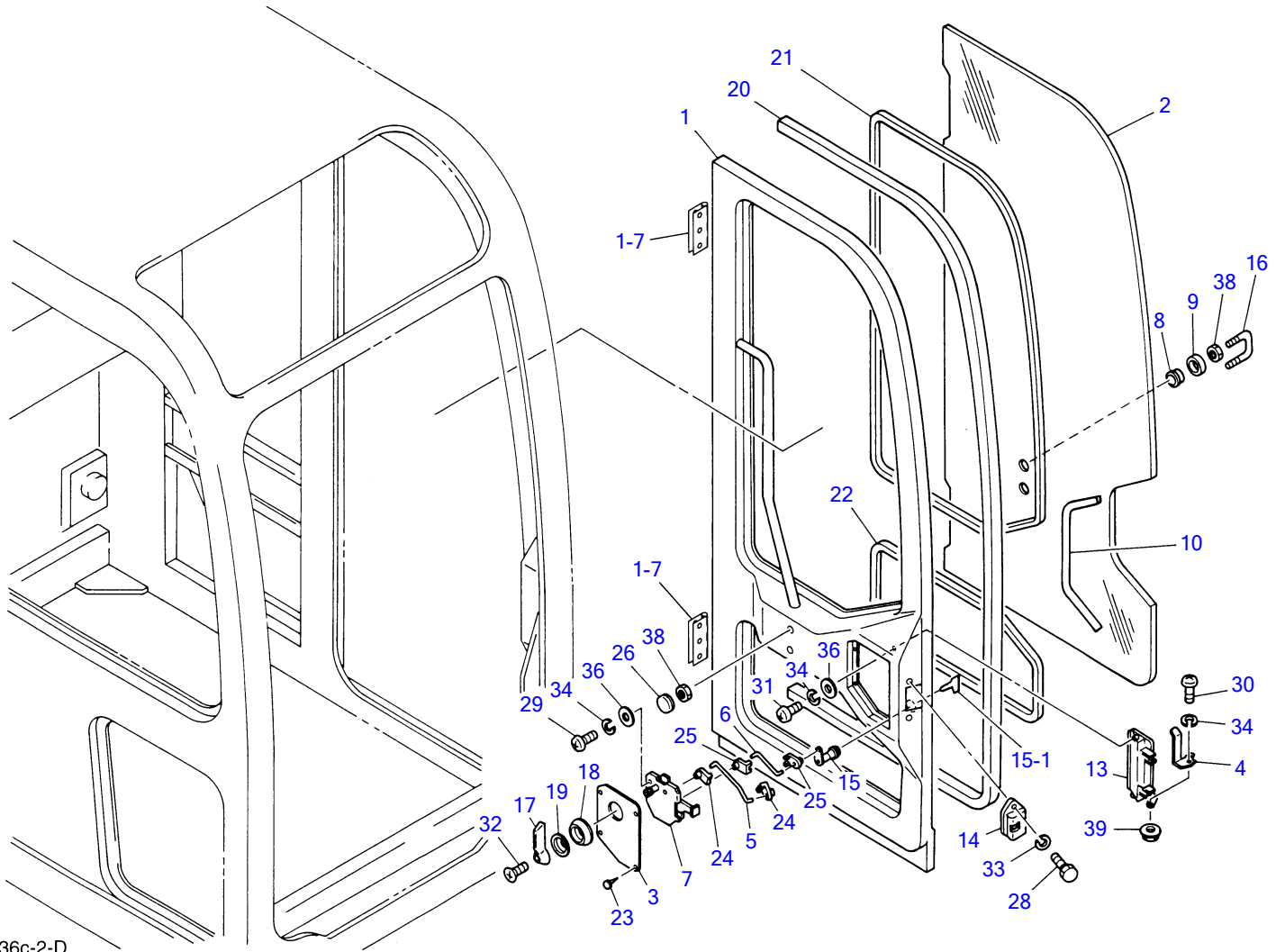
L1-36b-1-D

**CAB (3/5) (front sash)**

Item	Part number	Description	Q'ty	Chan.	Serial No.	Serv.	Remarks
0	<b>0568628100</b>	CAB ASSY	1		1703004~1703095		incl.1/5~5/5
	<b>0568628400</b>	CAB ASSY	1	(H) ☐☐	1703096~1703570		incl.1/5~4/5
	<b>0568628500</b>	CAB ASSY (FOPS)	1	(H) ☐☐	1703571~1704871		incl.1/5~4/5
	<b>0568641100</b>	CAB ASSY (FOPS)	1	(H)	1704872~1705080		incl.1/5~4/5
	<b>0568641500</b>	CAB ASSY (FOPS)	1	(H)	1705081~		incl.1/5~4/5
0-2	<b>0568628800</b>	• SASH ASSY, front (Bz)	1		1703004~1703095		
	<b>0568629000</b>	• SASH ASSY, front (Bz)	1		1703096~1703570		
	<b>0568629100</b>	• SASH ASSY, front (G)	1		1703571~		
1	<b>0568628900</b>	• • SASH	1				
2	<b>0568621700</b>	• • GLASS (Bz)	1		1703004~1703570		
	<b>0568639330</b>	• • GLASS (G)	1		1703571~		
3	<b>0568621800</b>	• • SEAL	1				
4	<b>0568621900</b>	• • PLATE	1				
5	<b>0568622200</b>	• • ROLLER	4				
6	<b>0568622400</b>	• • PLATE (L.H.)	1				
7	<b>0568622300</b>	• • PLATE (R.H.)	1				
8	<b>0468605031</b>	• • SHIM	AR				t=0.7mm
9	<b>0468605032</b>	• • SHIM	AR				t=1.2mm
10	<b>0468605033</b>	• • SHIM	AR				t=1.6mm
11	<b>0398612500</b>	• • COVER	2				
12	<b>0568631700</b>	• • PIN	2		1703096~1703323		
14	<b>1652001002</b>	• • GROMMET	2				
15	<b>1654005350</b>	• • LATCH (L.H.)	1				
16	<b>1654005300</b>	• • LATCH (R.H.)	1				
17	<b>1704078924</b>	• • MOTOR, wiper	1				
18	<b>1704100100</b>	• • ARM, wiper	1				
19	<b>1704200100</b>	• • BLADE, wiper	1				
20	<b>1654005400</b>	• • MIRROR	1				
21	<b>1654616080</b>	• • SEAL	2				sold by the meter
22	<b>1654615085</b>	• • SEAL	2				sold by the meter
23	<b>1651101028</b>	• • STOPPER	2				
24	<b>1654006000</b>	• • BOLT	1				
25	<b>1100290820</b>	• • BOLT	2				
26	<b>1110090516</b>	• • SCREW, cap	12				
28	<b>1120530408</b>	• • SCREW	6				
29	<b>1120590408</b>	• • SCREW	2				
31	<b>1140090008</b>	• • WASHER, spring	2				
33	<b>1140020004</b>	• • WASHER, spring	6				
34	<b>1140090004</b>	• • WASHER, spring	2				
35	<b>1141110008</b>	• • WASHER	2		1703096~1703323		
36	<b>1141190008</b>	• • WASHER	2				
38	<b>1131242008</b>	• • NUT	1				
39	<b>1130090010</b>	• • NUT	2				

NOTE  
Bz; Bronze glass.  
G; Green glass.

**L136b3L**



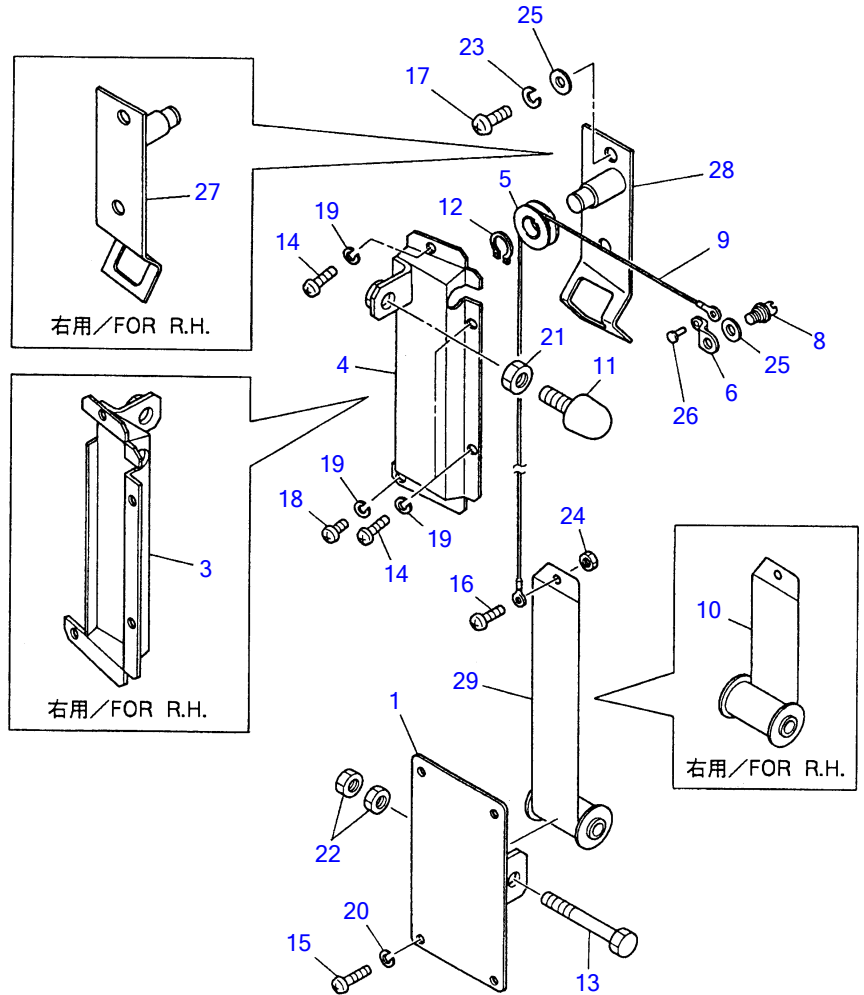
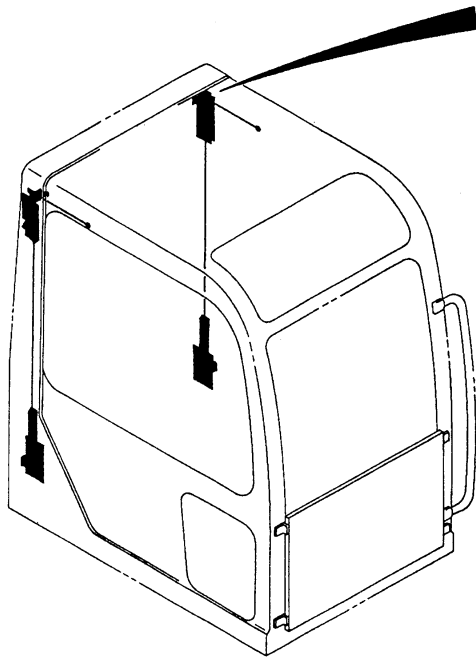
L1-36c-2-D



CAB (4/5) (door)							
Item	Part number	Description	Q'ty	Chan.	Serial No.	Serv.	Remarks
0	0568628100	CAB ASSY	1		1703004~1703095		incl.1/5~5/5
	0568628400	CAB ASSY	1	(H) ¶¶	1703096~1703570		incl.1/5~4/5
	0568628500	CAB ASSY (FOPS)	1	(H) ¶¶	1703571~1704871		incl.1/5~4/5
	0568641100	CAB ASSY (FOPS)	1	(H)	1704872~1705080		incl.1/5~4/5
	0568641500	CAB ASSY (FOPS)	1	(H)	1705081~		incl.1/5~4/5
0-3	0568630300	• DOOR ASSY	1		1703004~1703570		
	0568629200	• DOOR ASSY	1		1703571~		
1	0568623100	• • DOOR	1				
1-7	0568623107	• • • HINGE	2				
2	0568623200	• • GLASS (Bz)	1		1703004~1703570		
	0568639430	• • GLASS (G)	1		1703571~		
3	0568623300	• • COVER	1				
4	0568630900	• • PLATE	1				
5	0568630800	• • ROD	1				
6	0568630600	• • ROD	1				
7	0568623400	• • CONTROL ASSY	1				
8	0568623500	• • COLLAR	2				
9	0568623600	• • SEAL	2				
10	0568630700	• • SEAL	1		1703004~1703323		
13	1654005600	• • HANDLE	1				
14	0068620400	• • LOCK ASSY	1				
15	1653611527	• • LOCK ASSY	1				
15-1	1700100019	• • KEY	1				
16	1654005900	• • STRIKER	1				
17	1654005500	• • HANDLE	1				
18	1654005800	• • BASE	1				
19	1654005700	• • PLATE	1				
20	1654614260	• • SEAL	1		1703004~1703323		
21	1654615280	• • SEAL	1				sold by the meter
22	1654615160	• • SEAL	1				sold by the meter
23	1652711432	• • CLIP	4				
24	0068621500	• • SNAP	2				
25	0398610900	• • SNAP	2				
26	1652053200	• • GROMMET	2				
28	1100290616	• • BOLT	2				
29	1120530612	• • SCREW	2				
30	1120530616	• • SCREW	1				
31	1120530608	• • SCREW	2				
32	1120790516	• • SCREW	1				
33	1140090006	• • WASHER, spring	2				
34	1140020006	• • WASHER, spring	5				
36	1141110006	• • WASHER	4				
38	1130040010	• • NUT	4				
39	1131242006	• • NUT	1				

NOTE  
Bz; Bronze glass.  
G; Green glass.

L136c3L

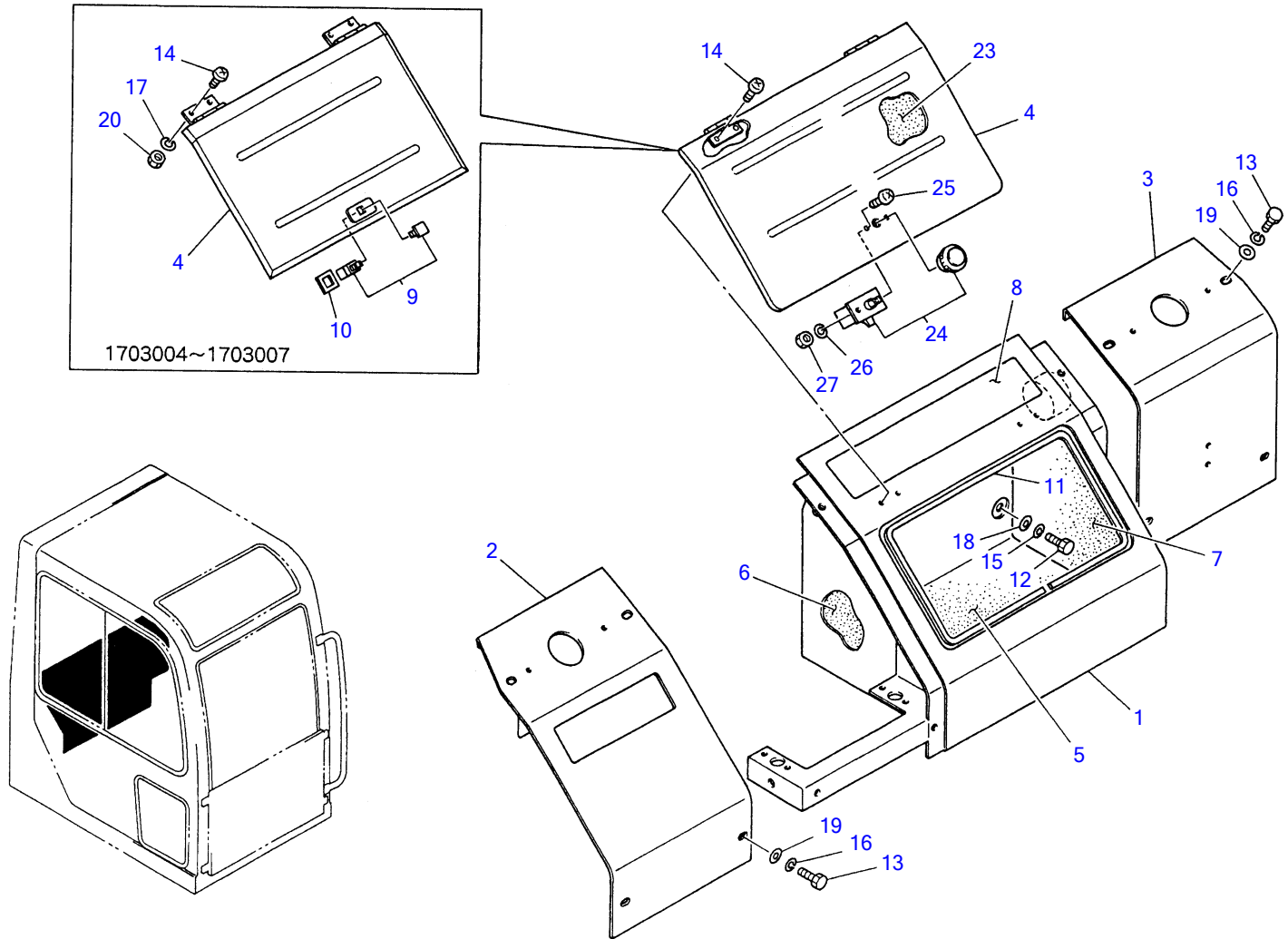


L1-36d-0-D

**CAB (5/5) (conston) (1703004~1703095)**

Item	Part number	Description	Q'ty	Chan.	Serial No.	Serv.	Remarks
0	<b>0568628100</b>	CAB ASSY	1				incl.1/5~5/5
0-4	<b>0568631000</b>	• CONSTON ASSY (R.H.)	1				
0-5	<b>0568632000</b>	• CONSTON ASSY (L.H.)	1				
1	<b>0568631100</b>	• • BRACKET	2				
3	<b>0568631300</b>	• • COVER (R.H.)	1				
4	<b>0568632100</b>	• • COVER (L.H.)	1				
5	<b>0568631400</b>	• • PULLY	2				
6	<b>0568631500</b>	• • PLATE	2				
8	<b>0568631700</b>	• • PIN	2				
9	<b>0568631800</b>	• • WIRE	2				
10	<b>0568632450</b>	• • CONSTON (R.H.)	1				
11	<b>1651101224</b>	• • STOPPER	2				
12	<b>1220000015</b>	• • RING, snap	2				
13	<b>1100041080</b>	• • BOLT	2				
14	<b>1120590616</b>	• • SCREW	6				
15	<b>1120590512</b>	• • SCREW	8				
16	<b>1120530408</b>	• • SCREW	2				
17	<b>1120530820</b>	• • SCREW	2				
18	<b>1120590610</b>	• • SCREW	2				
19	<b>1140090006</b>	• • WASHER, spring	8				
20	<b>1140090005</b>	• • WASHER, spring	8				
21	<b>1130140012</b>	• • NUT	2				
22	<b>1130140010</b>	• • NUT	4				
23	<b>1140020008</b>	• • WASHER, spring	4				
24	<b>1130140004</b>	• • NUT	2				
25	<b>1141110008</b>	• • WASHER	6				
26	<b>0568631900</b>	• • RIVET	2				
27	<b>0568631200</b>	• • BRACKET (R.H.)	1				
28	<b>0568632200</b>	• • BRACKET (L.H.)	1				
29	<b>0568632400</b>	• • CONSTON (L.H.)	1				
	<b>L136d1L</b>						

TB070 Book No.PL1-101Z5 S/N1703004-1705487  
CONSOLE BOX (1703004~1703051)



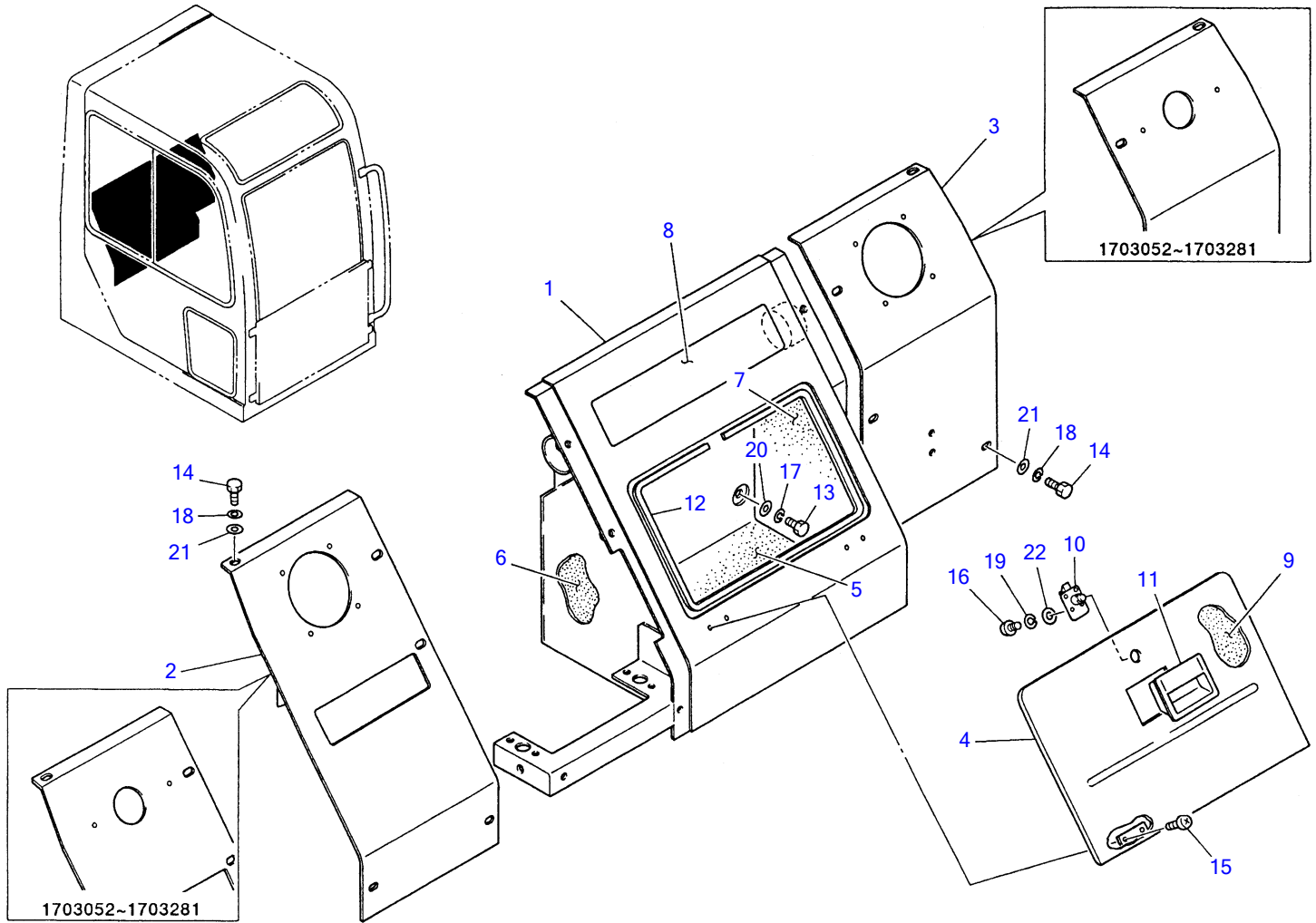
L1-36e-0-D

**CONSOLE BOX (1703004~1703051)**

Item	Part number	Description	Q'ty	Chan.	Serial No.	Serv.	Remarks
		BOX ASSY, console					
1	0564800100	BOX	1		1703004~1703006		
	0564801100	BOX	1		1703007~		
2	0564800200	COVER (R.H.)	1				
3	0564800300	COVER (L.H.)	1				
4	0564800400	COVER	1		1703004~1703006		
	0564801400	COVER	1		1703007~		
5	0564800500	INSULATION	1		1703004~1703006		
	0564801200	INSULATION	1		1703007~		
6	0564800600	INSULATION (R.H.)	1				
7	0564800700	INSULATION (L.H.)	1				
8	0564800800	DECAL	1				
9	1652711680	LATCH	1		1703004~1703006		
10	1652711386	SPACER	1		1703004~1703006		
11	1654605100	SEAL	1		1703004~1703006		sold by the meter
	1653917103	TRIM	1		1703007~		sold by the meter
12	1100241020	BOLT	4		1703004~1703006		
	1100241020	BOLT	5		1703007~		
13	1100290820	BOLT	8				
14	1120590312	SCREW	4		1703004~1703006		
	1120590412	SCREW	4		1703007~		
15	1140020010	WASHER, spring	4		1703004~1703006		
	1140020010	WASHER, spring	5		1703007~		
16	1140090008	WASHER, spring	8				
17	1140020003	WASHER, spring	4		1703004~1703006		
18	1141110010	WASHER	4		1703004~1703006		
	1141110010	WASHER	5		1703007~		
19	1141190008	WASHER	8				
20	1130040003	NUT	4		1703004~1703006		
23	0564801500	ABSORBENT	1		1703007~		
24	1653312700	FASTENER	1		1703007~		
25	1120590510	SCREW	2		1703007~		
26	1140020005	WASHER, spring	2		1703007~		
27	1130040005	NUT	2		1703007~		

L136e2L

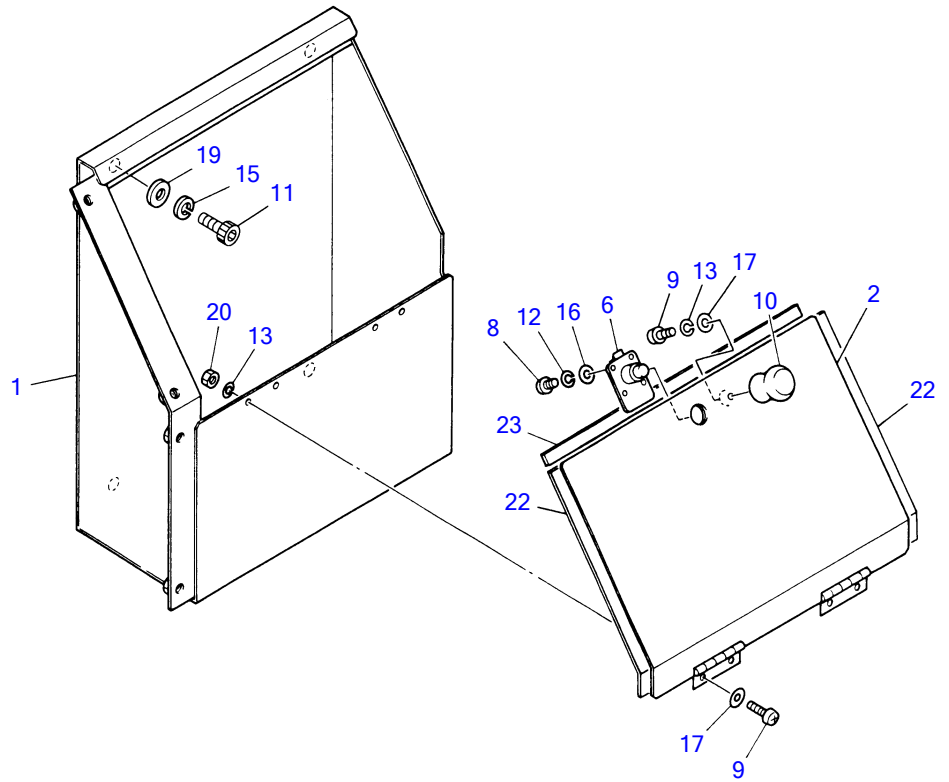
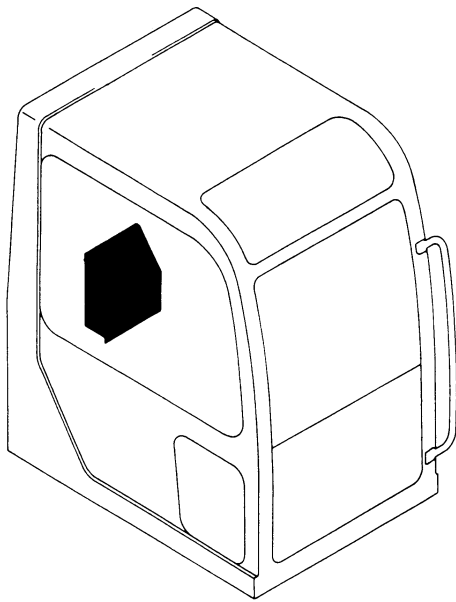
TB070 Book No.PL1-101Z5 S/N1703004-1705487  
**CONSOLE BOX (1703052~1704871)**



L1-36e-2-D

**CONSOLE BOX (1703052~1704871)**

Item	Part number	Description	Q'ty	Chan.	Serial No.	Serv.	Remarks
		BOX ASSY, console					
1	0564802100	BOX	1				
2	0564802200	COVER (R.H.)	1		1703052~1703281		
	0564802900	COVER (R.H.)	1		1703282~		
3	0564802300	COVER (L.H.)	1		1703052~1703281		
	0564803000	COVER (L.H.)	1		1703282~		
4	0564802400	COVER	1				
5	0564802500	INSULATION	1				
6	0564802600	INSULATION (R.H.)	1				
7	0564802700	INSULATION (L.H.)	1				
8	0564800800	DECAL	1				
9	0564802800	ABSORBENT	1				
10	1653321500	LATCH	1				
11	1653117930	GRIP	1				
12	1653917102	TRIM	1				sold by the meter
13	1100241020	BOLT	5				
14	1100290820	BOLT	10				
15	1120590412	SCREW	4				
16	1120530308	SCREW	4				
17	1140020010	WASHER, spring	5				
18	1140090008	WASHER, spring	10				
19	1140020003	WASHER, spring	4				
20	1141110010	WASHER	5				
21	1141190008	WASHER	10				
22	1141110003	WASHER	4				
	L136e3L						

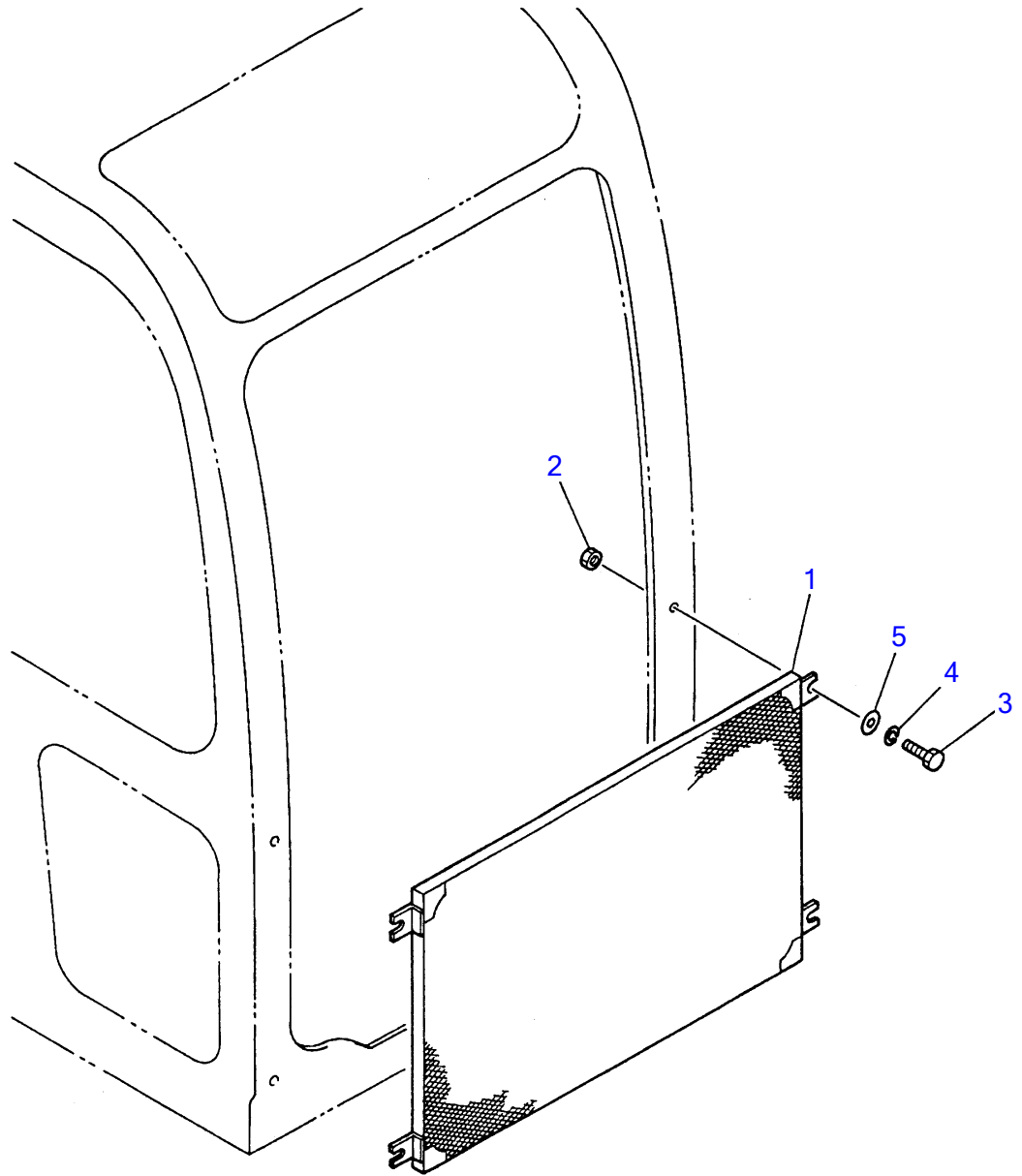


L1-36e-3-D



**CONSOLE BOX (1704872~)**

Item	Part number	Description	Q'ty	Chan.	Serial No.	Serv.	Remarks
		BOX ASSY, console					
1	<b>0564810100</b>	BOX	1				
2	<b>0564810400</b>	COVER	1				
6	<b>1653321500</b>	LATCH	1				
8	<b>1120530308</b>	SCREW	4				
9	<b>1120590410</b>	SCREW	5				
10	<b>1652760001</b>	HANDLE	1				
11	<b>1110041020</b>	SCREW, cap	4				
12	<b>1140020003</b>	WASHER, spring	4				
13	<b>1140090004</b>	WASHER, spring	5				
15	<b>1140020010</b>	WASHER, spring	4				
16	<b>1141110003</b>	WASHER	4				
17	<b>1141190004</b>	WASHER	5				
19	<b>1141110010</b>	WASHER	4				
20	<b>1130090004</b>	NUT	4				
22	<b>1654313020</b>	SPONGE	2				
23	<b>1654313030</b>	SPONGE	1				
	<b>L136e4L</b>						

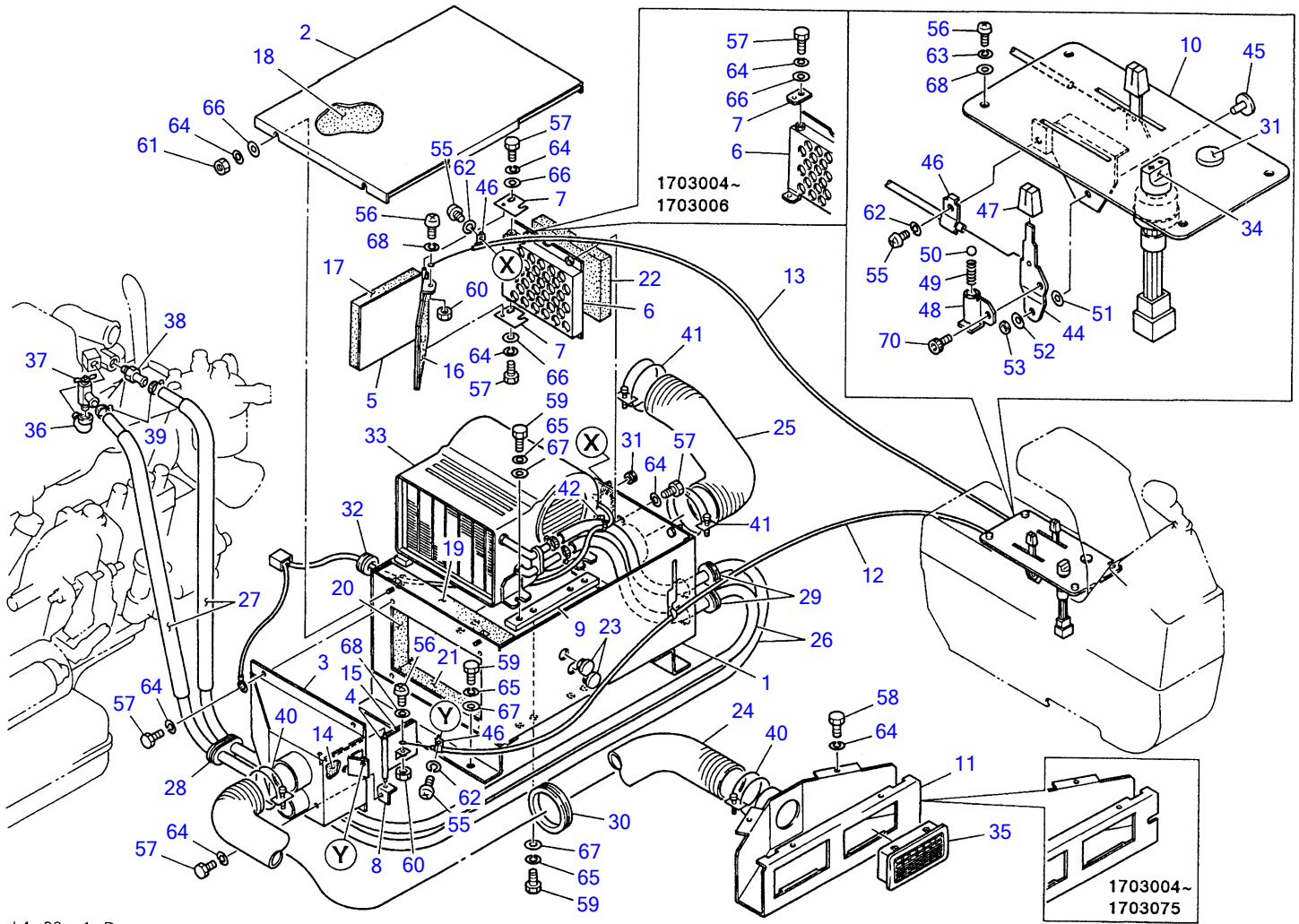


L1-36f-0-D

**FRONT GUARD**

Item	Part number	Description	Q'ty	Chan.	Serial No.	Serv.	Remarks
1	<b>0568636100</b>	GUARD ASSY, front	1				
2	<b>1135611025</b>	GUARD	4				
3	<b>1100291025</b>	NUT	4				
4	<b>1140090010</b>	BOLT	4				
5	<b>1141190010</b>	WASHER, spring	4				
	<b>L136f0L</b>	WASHER	4				

TB070 Book No.PL1-101Z5 S/N1703004-1705487  
 HEATER (1703004~1704053)

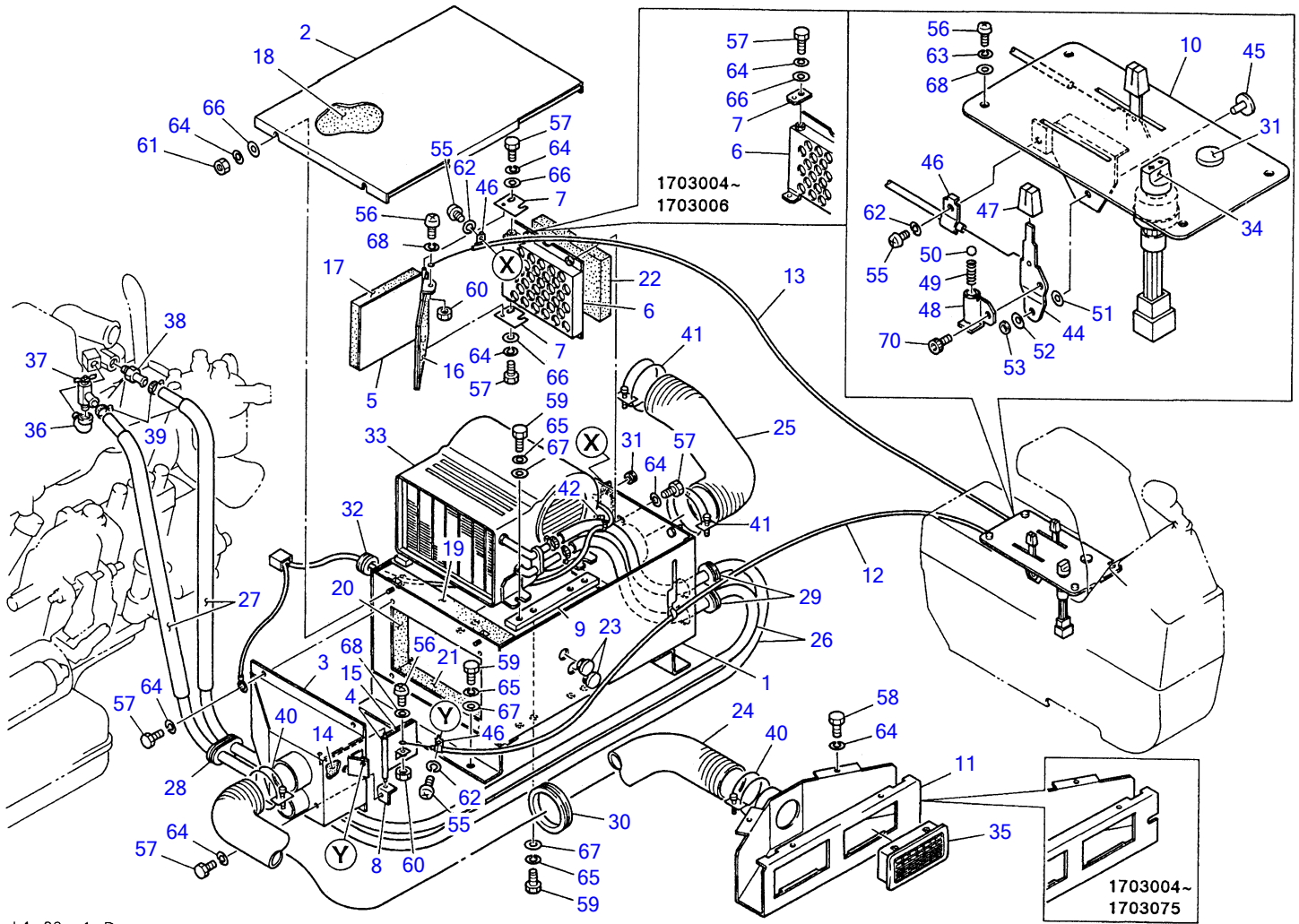


L1-38a-1-D

**HEATER (1703004~1704053)**

Item	Part number	Description	Q'ty	Chan.	Serial No.	Serv.	Remarks
		HEATER ASSY					
1	0564513100	BOX	1				
2	0564513150	COVER	1				
3	0564513200	DUCT	1				
4	0564513250	DAMPER	1				
5	0564513300	DAMPER	1				
6	0564513350	DUCT	1				
7	0564513370	BRACKET	1		1703004~1703006		
	0564513360	BRACKET	2		1703007~		
8	0564513380	BRACKET	1				
9	0564513390	BRACKET	2				
10	0564513400	PANEL	1				
11	0564511300	DUCT	1		1703004~1703075		
	0564513700	DUCT	1		1703076~		
12	0564513450	WIRE	1				
13	0564513500	WIRE	1				
14	0564513510	SPONGE	1				
15	0564513520	SPONGE	1				
16	0564513530	SPONGE	1		1703004~1703006		
	0564513535	SPONGE	1		1703007~		
17	0564513540	SPONGE	1				
18	0564513550	SPONGE	1				
19	0564513560	SPONGE	1				
20	0564513570	SPONGE	2				
21	0564513580	SPONGE	1				
22	0564513590	FILTER	1				
23	1652052000	GROMMET	2		1703007~		
24	1567415100	HOSE	1				sold by the meter
25	1567526540	HOSE	1				sold by the meter
26	1911521820	HOSE	2				sold by the meter
27	1531335100	PROTECTOR	2				sold by the meter
28	0097210300	GROMMET	1				
29	1652002201	GROMMET	2				
30	1652060075	GROMMET	1				
31	1652051200	GROMMET	2				
32	1652052800	GROMMET	1				
33	1911507651	HEATER	1				
34	1700000011	SWITCH, heater	1				
35	0564511100	LOUVER	2		1703004~1703075		
	1911504000	LOUVER	2		1703076~		
36	1501300003	ELBOW	1		1703004~1703006		
	1501986526	ELBOW	1		1703007~		
37	1911502100	VALVE	1				
38	0007224009	NIPPLE	1				
39	1911500500	BAND	4				
40	1533011060	BAND	2				
41	1533011070	BAND	2				
42	1652200004	BAND	1				
44	0564612520	LEVER	2				
45	0564612510	SHAFT	2				
46	0564612530	CLAMP	4				
47	0564612550	KNOB	2				
48	0564612540	HOLDER	2				
49	0007000081	SPRING	2				
50	1390020400	BALL, steel	2				
51	1652540014	WASHER	2				
52	1141110006	WASHER	2				
53	1224100008	NUT	2				
55	1120530408	SCREW	4				
56	1120590510	SCREW	6				
57	1100090610	BOLT	11		1703004~1703006		
	1100040610	BOLT	13		1703007~		
58	1100040616	BOLT	4				
59	1100041020	BOLT	12				
60	1130090005	NUT	2				
61	1130040006	NUT	4				
62	1140020004	WASHER, spring	4				
63	1140090005	WASHER, spring	4				

TB070 Book No.PL1-101Z5 S/N1703004-1705487  
 HEATER (1703004~1704053)

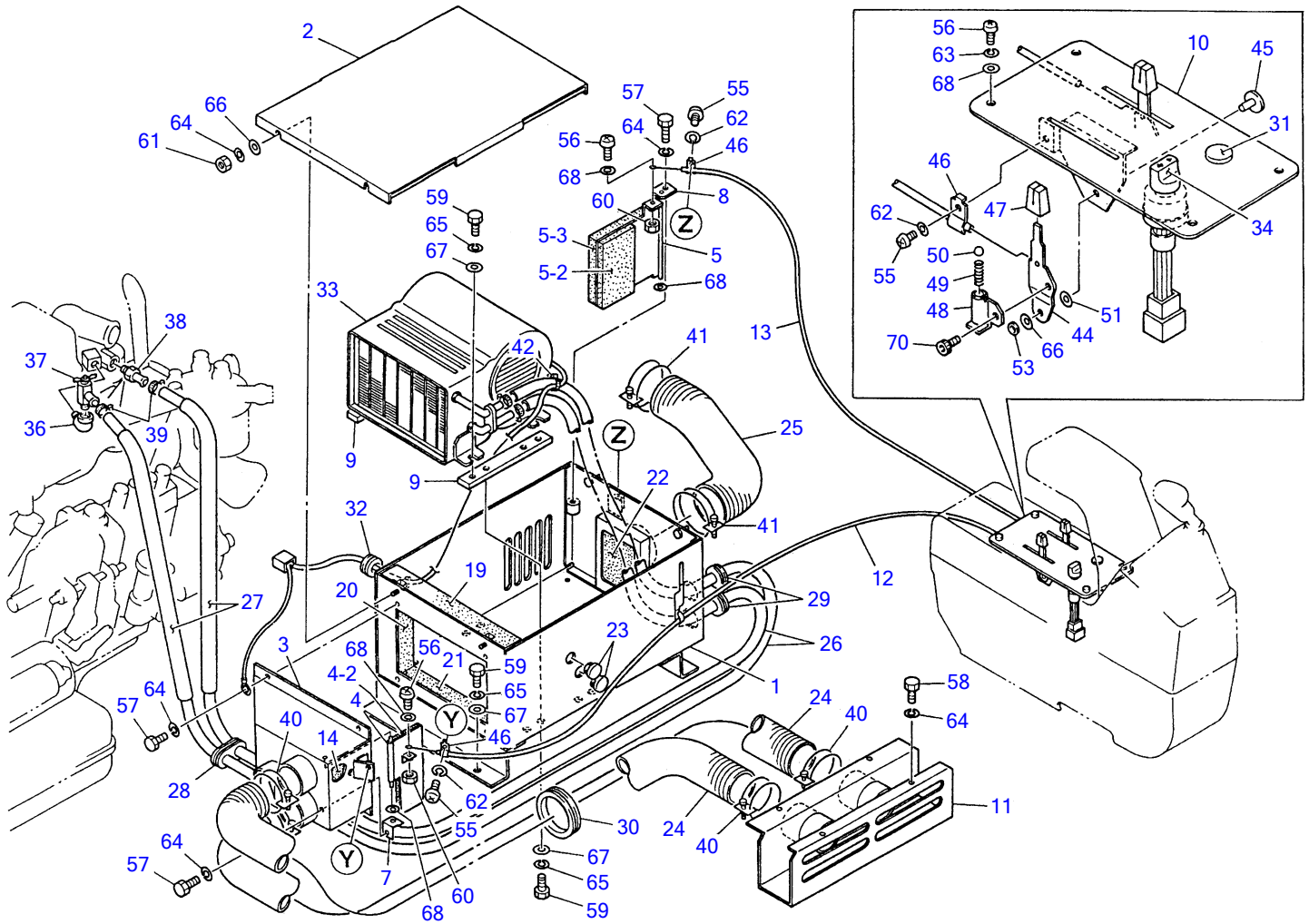


L1-38a-1-D

**HEATER (1703004~1704053)**

Item	Part number	Description	Q'ty	Chan.	Serial No.	Serv.	Remarks
64	<b>1140090006</b>	WASHER, spring	19		1703004~1703006		
64	<b>1140020006</b>	WASHER, spring	21		1703007~		
65	<b>1140020010</b>	WASHER, spring	12				
66	<b>1141190006</b>	WASHER	4		1703004~1703006		
66	<b>1141110006</b>	WASHER	8		1703007~		
67	<b>1141110010</b>	WASHER	12				
68	<b>1141190005</b>	WASHER	6				
70	<b>1110040406</b>	SCREW, cap	2				
	<b>L138a1L</b>						

TB070 Book No.PL1-101Z5 S/N1703004-1705487  
HEATER (1704054~1705080)



L1-38a-2-D

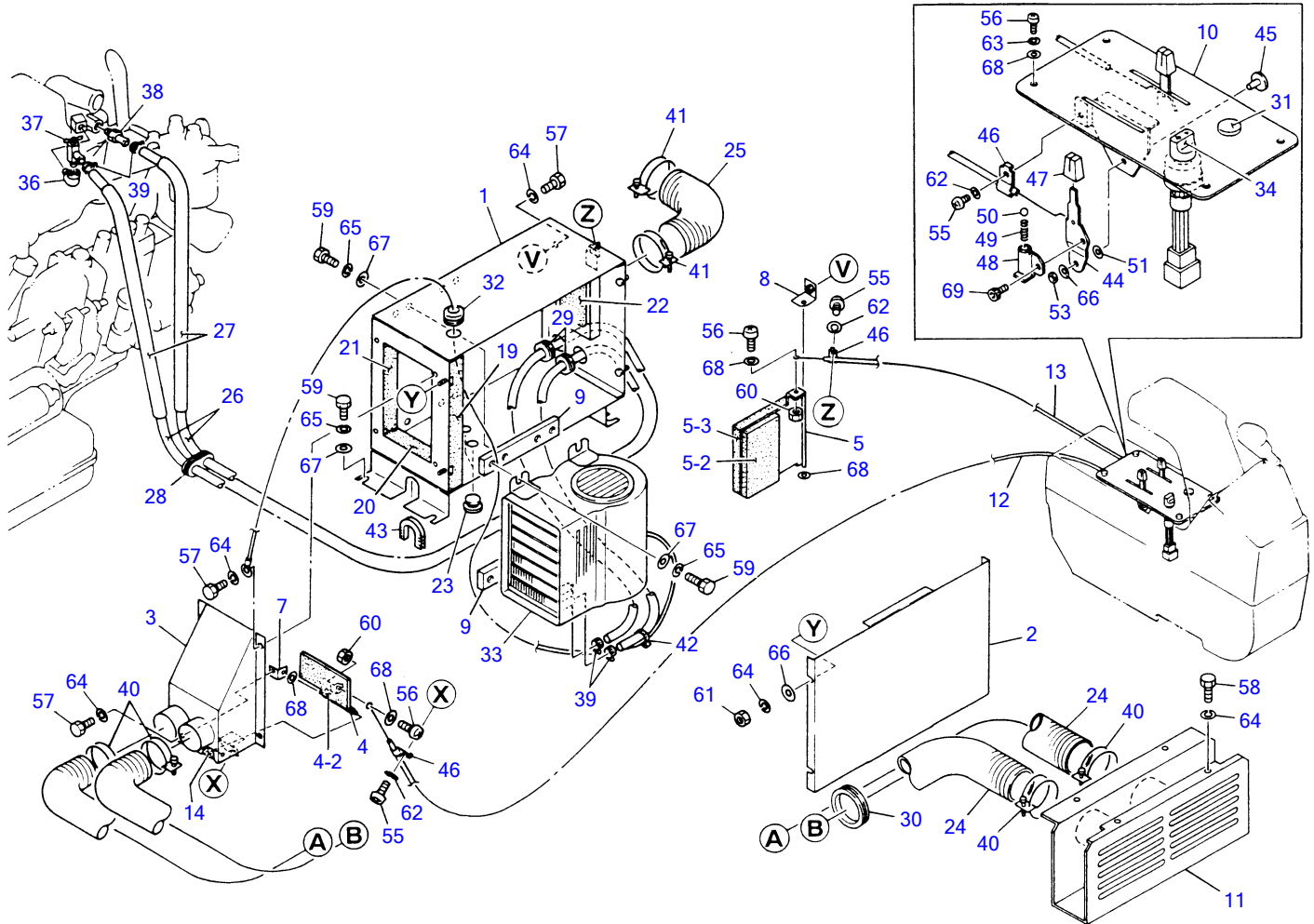


**HEATER (1704054~1705080)**

Item	Part number	Description	Q'ty	Chan.	Serial No.	Serv.	Remarks
		HEATER ASSY					
1	0564519100	BOX	1				
2	0564513150	COVER	1				
3	0564519150	DUCT	1				
4	0564519200	DAMPER	1				
4-2	0564519220	• SPONGE	1				
5	0564519300	DAMPER	1				
5-2	0564519320	• SPONGE	1				
5-3	0564519330	• SPONGE	1				
7	0564519400	BRACKET	1				
8	0564519450	BRACKET	2				
9	0564513390	BRACKET	1				
10	0564513400	PANEL	1				
11	0564519500	DUCT	1				
12	0564513450	WIRE	1				
13	0564513500	WIRE	1				
14	0564513510	SPONGE	1				
19	0564513560	SPONGE	1				
20	0564513570	SPONGE	2				
21	0564513580	SPONGE	1				
22	0564519550	FILTER	1				
23	1652052000	GROMMET	2				
24	1567415100	HOSE	1				sold by the meter
25	1567526540	HOSE	1				sold by the meter
26	1911521820	HOSE	2				sold by the meter
27	1531335100	PROTECTOR	2				sold by the meter
28	0097210300	GROMMET	1				
29	1652002201	GROMMET	2				
30	1652060075	GROMMET	1				
31	1652051200	GROMMET	1				
32	1652052800	GROMMET	1				
33	1911507651	HEATER	1				
34	1700000011	SWITCH, heater	1				
36	1501986526	ELBOW	1				
37	1911502100	VALVE	1				
38	0007224009	NIPPLE	1				
39	1911500500	BAND	4				
40	1533011060	BAND	4				
41	1533011070	BAND	2				
42	1652200004	BAND	1				
44	0564612520	LEVER	2				
45	0564612510	SHAFT	2				
46	0564612530	CLAMP	4				
47	0564612550	KNOB	2				
48	0564612540	HOLDER	2				
49	0007000081	SPRING	2				
50	1390020400	BALL, steel	2				
51	1652540014	WASHER	2				
53	1224100008	NUT	2				
55	1120530408	SCREW	4				
56	1120590510	SCREW	6				
57	1100040610	BOLT	6				
58	1100040616	BOLT	4				
59	1100041020	BOLT	12				
60	1130090005	NUT	2				
61	1130040006	NUT	4				
62	1140020004	WASHER, spring	4				
63	1140090005	WASHER, spring	4				
64	1140020006	WASHER, spring	14				
65	1140020010	WASHER, spring	12				
66	1141110006	WASHER	6				
67	1141110010	WASHER	12				
68	1141190005	WASHER	8				
70	1110040406	SCREW, cap	2				

L138a2L

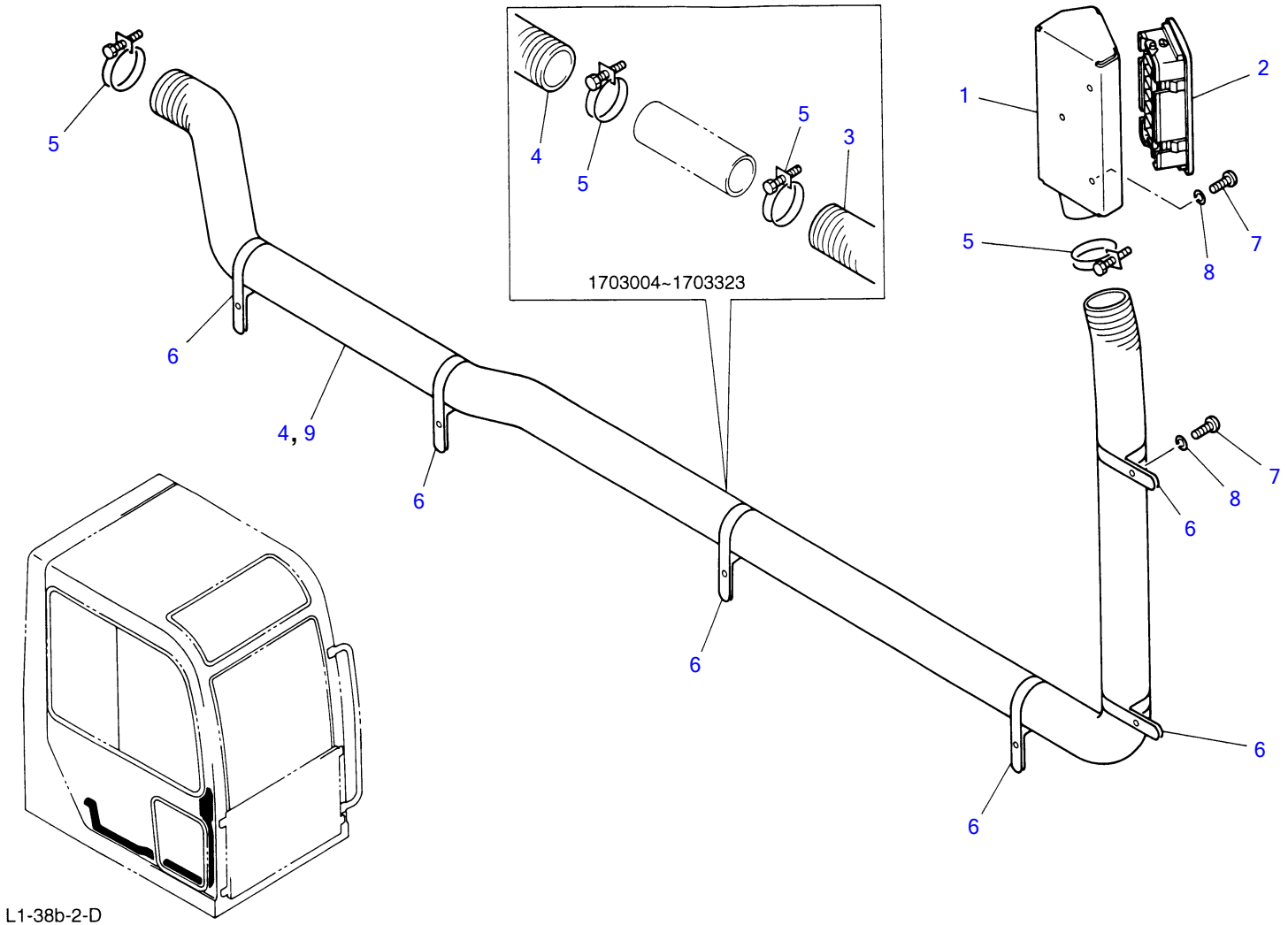
TB070 Book No.PL1-101Z5 S/N1703004-1705487  
HEATER (1705081~)



L1-38a-3-D

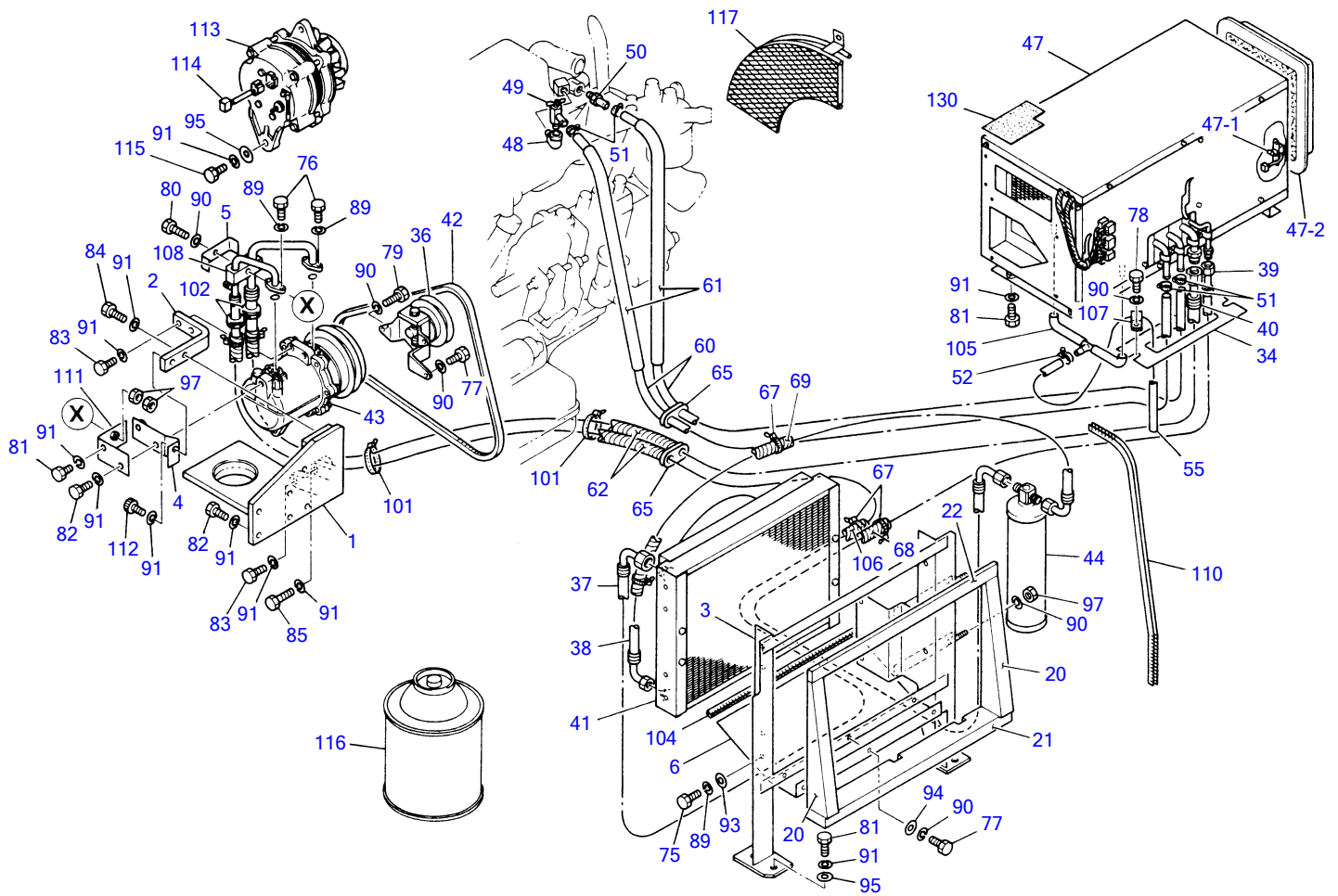
## HEATER (1705081~)

Item	Part number	Description	Q'ty	Chan.	Serial No.	Serv.	Remarks
		HEATER ASSY					
1	0564520100	BOX	1				
2	0564516150	COVER	1				
3	0564519150	DUCT	1				
4	0564519200	DAMPER	1				
4-2	0564519220	• SPONGE	1				
5	0564520200	DAMPER	1				
5-2	0564519320	• SPONGE	1				
5-3	0564520220	• SPONGE	1				
7	0564519400	BRACKET	1				
8	0564520300	BRACKET	1				
9	0564513390	BRACKET	2				
10	0564513400	PANEL	1				
11	0564523100	DUCT	1				
12	0564612750	WIRE	1				
13	0564513450	WIRE	1				
14	0564513510	SPONGE	1				
19	0564513560	SPONGE	1				
20	0564513570	SPONGE	2				
21	0564513580	SPONGE	1				
22	0564519550	FILTER	1				
23	1652052000	GROMMET	2				
24	1567415100	HOSE	2				sold by the meter
25	1567526525	HOSE	1				sold by the meter
26	1911521820	HOSE	2				sold by the meter
27	1531335100	PROTECTOR	2				sold by the meter
28	0097210300	GROMMET	1				
29	1652002201	GROMMET	2				
30	1652060075	GROMMET	1				
31	1652051200	GROMMET	1				
32	1652052800	GROMMET	1				
33	1911507651	HEATER	1				
34	1700000011	SWITCH, heater	1				
36	1501986526	ELBOW	1				
37	1911502100	VALVE	1				
38	0007224009	NIPPLE	1				
39	1911500500	BAND	4				
40	1533011060	BAND	9				
41	1533011070	BAND	2				
42	1652200004	BAND	1				
43	1653917008	TRIM	2				sold by the meter
44	0564612520	LEVER	2				
45	0564612510	SHAFT	2				
46	0564612530	CLAMP	4				
47	0564612550	KNOB	2				
48	0564612540	HOLDER	2				
49	0007000081	SPRING	2				
50	1390020400	BALL, steel	2				
51	1652540014	WASHER	2				
53	1224100008	NUT	2				
55	1120530408	SCREW	4				
56	1120590510	SCREW	6				
57	1100040610	BOLT	6				
58	1100040616	BOLT	4				
59	1100041020	BOLT	12				
60	1130090005	NUT	2				
61	1130040006	NUT	4				
62	1140020004	WASHER, spring	4				
63	1140090005	WASHER, spring	4				
64	1140020006	WASHER, spring	14				
65	1140020010	WASHER, spring	12				
66	1141110006	WASHER	6				
67	1141110010	WASHER	12				
68	1141190005	WASHER	8				
69	1110040406	SCREW, cap	2				
	L138a3L						



Item	Part number	Description	DEFROSTER		Serial No.	Serv.	Remarks
			Q'ty	Chan.			
		DEFROSTER ASSY					
1	0564514100	DEFROSTER	1		1703004~1703075		
	0564514200	DEFROSTER	1		1703076~		
2	0564511100	LOUVER	1		1703004~17030075		
	1911504000	LOUVER	1		1703076~		
3	1567503868	HOSE	1		1703004~1703323		
4	1567513875	HOSE	1		1703004~1703323		sold by the meter
	1567613860	HOSE	1		1703324~1704053		sold by the meter
5	1533011045	BAND	4		1703004~1703323		
	1533011045	BAND	2		1703324~		
6	1652410032	CLAMP	5		1703004~1703323		
	1652410032	CLAMP	6		1703324~		
7	1120590512	SCREW	8		1703004~1703323		
	1120590512	SCREW	9		1703324~		
8	1140090005	WASHER, spring	8		1703004~1703323		
	1140090005	WASHER, spring	9		1703324~		
9	1567613880	HOSE	1		1704054~		sold by the meter
	L138b2L						

TB070 Book No.PL1-101Z5 S/N1703004-1705487  
AIR CONDITIONER (1/2)



L1-38c-2-D

**AIR CONDITIONER (1/2)**

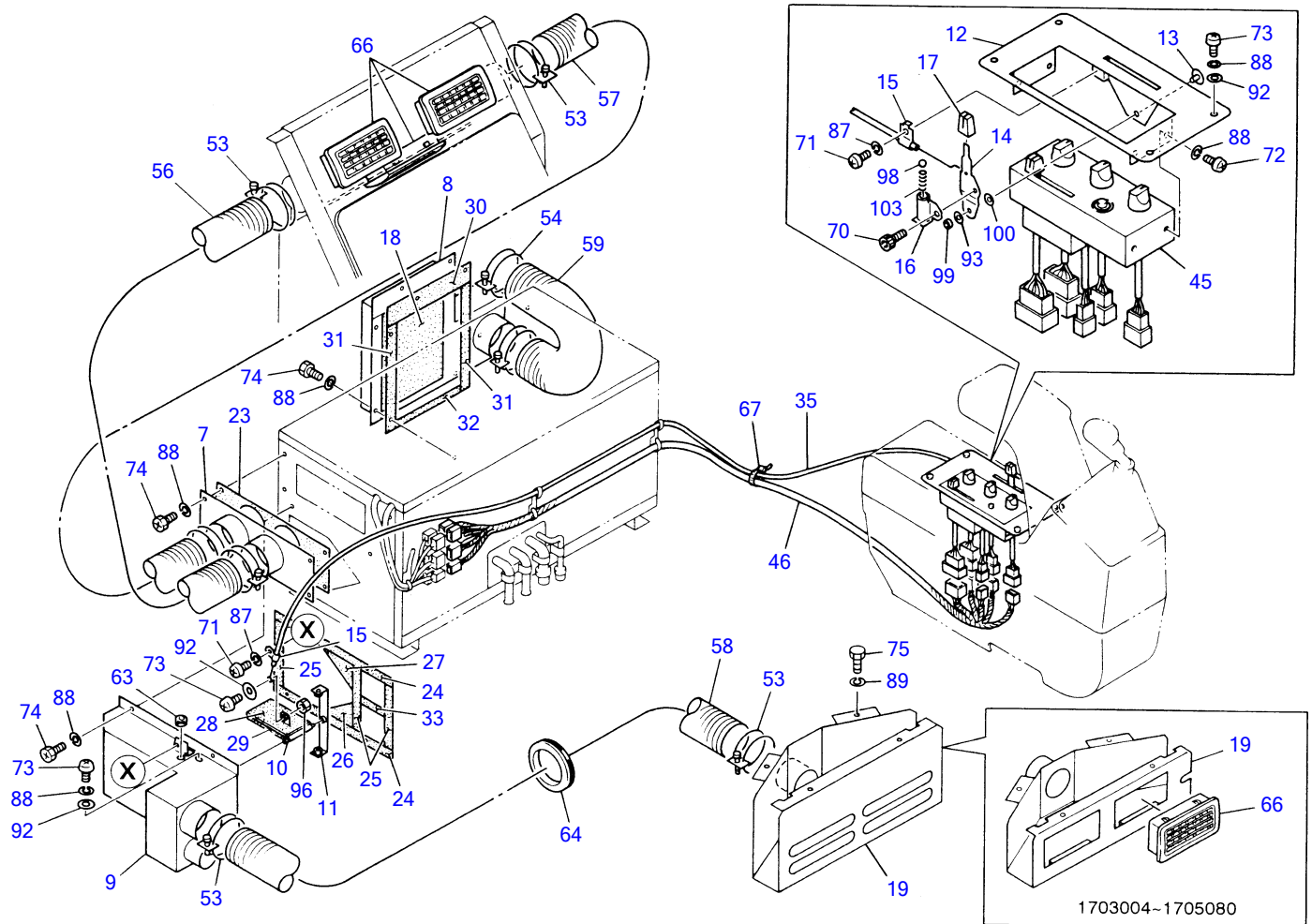
Item	Part number	Description	Q'ty	Chan.	Serial No.	Serv.	Remarks
		AIR CONDITIONER ASSY			1703004~1705080		
		AIR CONDITIONER ASSY			1705081~1705337		
		AIR CONDITIONER ASSY			1705338~		
1	0564612100	BRACKET	1				
2	0564612150	ANGLE	1				
3	0564612200	BRACKET	1				
4	0564612220	BRACKET	1				
5	0564612250	PLATE	1				
6	0564612280	LOUVER	1				
20	0564612600	INSULATOR	2				
21	0564612610	INSULATOR	1				
22	0564612620	INSULATOR	1				
34	0564612740	RUBBER	1				
36	1911504110	PULLEY	1				
37	1911504120	HOSE ASSY	1				
38	1911504130	HOSE	1				
39	1911504140	HOSE	1				
40	1911504150	HOSE	1				
41	1911503770	CONDENSER	1				
42	1911503776	V-BELT	1				
43	1911503780	COMPRESSOR	1				
44	1911503785	DRYER	1				
47	1911504100	UNIT, air conditioner	1				
47-1	1911504163	• RESISTER	1		1703004~#		
	1911504166	• RESISTER	1		#~		
47-2	1911504164	• FILTER	1				
48	1501986526	ELBOW	1				
49	1911502100	VALVE	1				
50	0007224009	NIPPLE	1				
51	1911500500	BAND	4				
52	1533011016	BAND	1				
55	1531112060	HOSE	1				sold by the meter
60	1911521820	HOSE	2				sold by the meter
61	1531335100	PROTECTOR	2				sold by the meter
62	1532210085	PROTECTOR	2				sold by the meter
65	0097210300	GROMMET	2				
67	1652200004	BAND	10				
68	1532210100	PROTECTOR	1				sold by the meter
69	1532208040	PROTECTOR	1				sold by the meter
75	1100040616	BOLT	7				
76	1100040620	BOLT	4				
77	1100040816	BOLT	5				
78	1100040820	BOLT	2				
79	1100040845	BOLT	1				
80	1100040840	BOLT	1				
81	1100041020	BOLT	9				
82	1100041025	BOLT	7				
83	1100041030	BOLT	3				
84	1100041040	BOLT	1				
85	1100041050	BOLT	1				
89	1140020006	WASHER, spring	11				
90	1140020008	WASHER, spring	11				
91	1140020010	WASHER, spring	22				
93	1141110006	WASHER	7				
94	1141110008	WASHER	3				
95	1141110010	WASHER	5				
97	1130040008	NUT	3				
101	1652251002	BAND	2				
102	1652002202	GROMMET	2				
104	1653917037	TRIM	1				sold by the meter
105	1911504180	TUBE ASSY, drain	1				
106	1532210170	PROTECTOR	1				sold by the meter
107	0007300035	CLAMP	1				
108	0564612260	RUBBER	1				
110	1654520070	TRIM	1				sold by the meter
111	0564612290	BRACKET	1				
112	1110041045	SCREW, cap	1				
113	1910104104	DYNAMO; 40A	1				





**AIR CONDITIONER (1/2)**

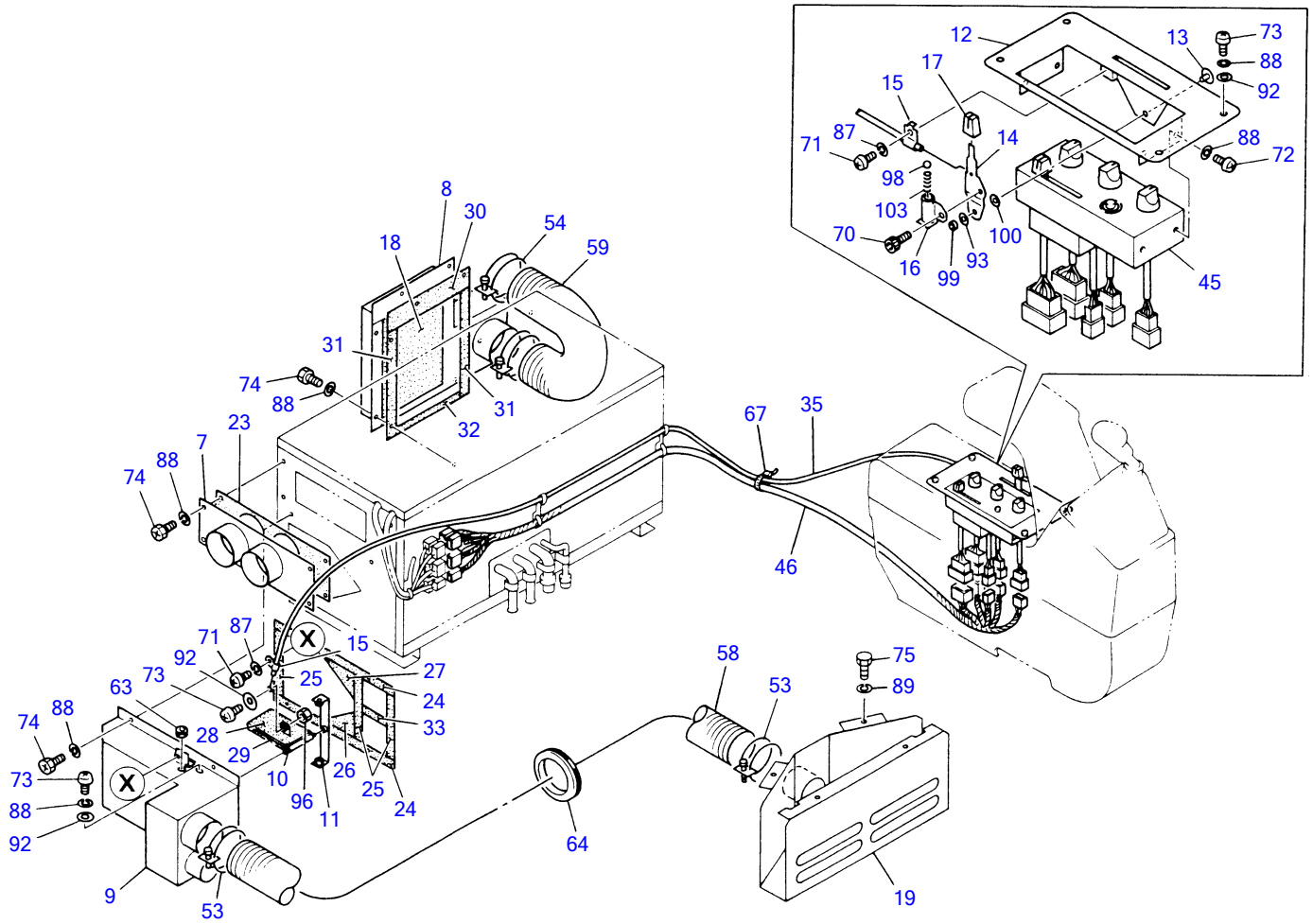
Item	Part number	Description	Q'ty	Chan.	Serial No.	Serv.	Remarks
114	<b>0564612330</b>	HARNESS, wiring	1				
115	<b>1103041035</b>	BOLT	1				
116	<b>0872463100</b>	GAS	4				
117	<b>0564612760</b>	GUARD	1				
130	<b>0564617500</b>	RUBBER	1				
	<b>L138c3L</b>						



L1-38d-1-D

**AIR CONDITIONER (2/2) (1703004~1705337)**

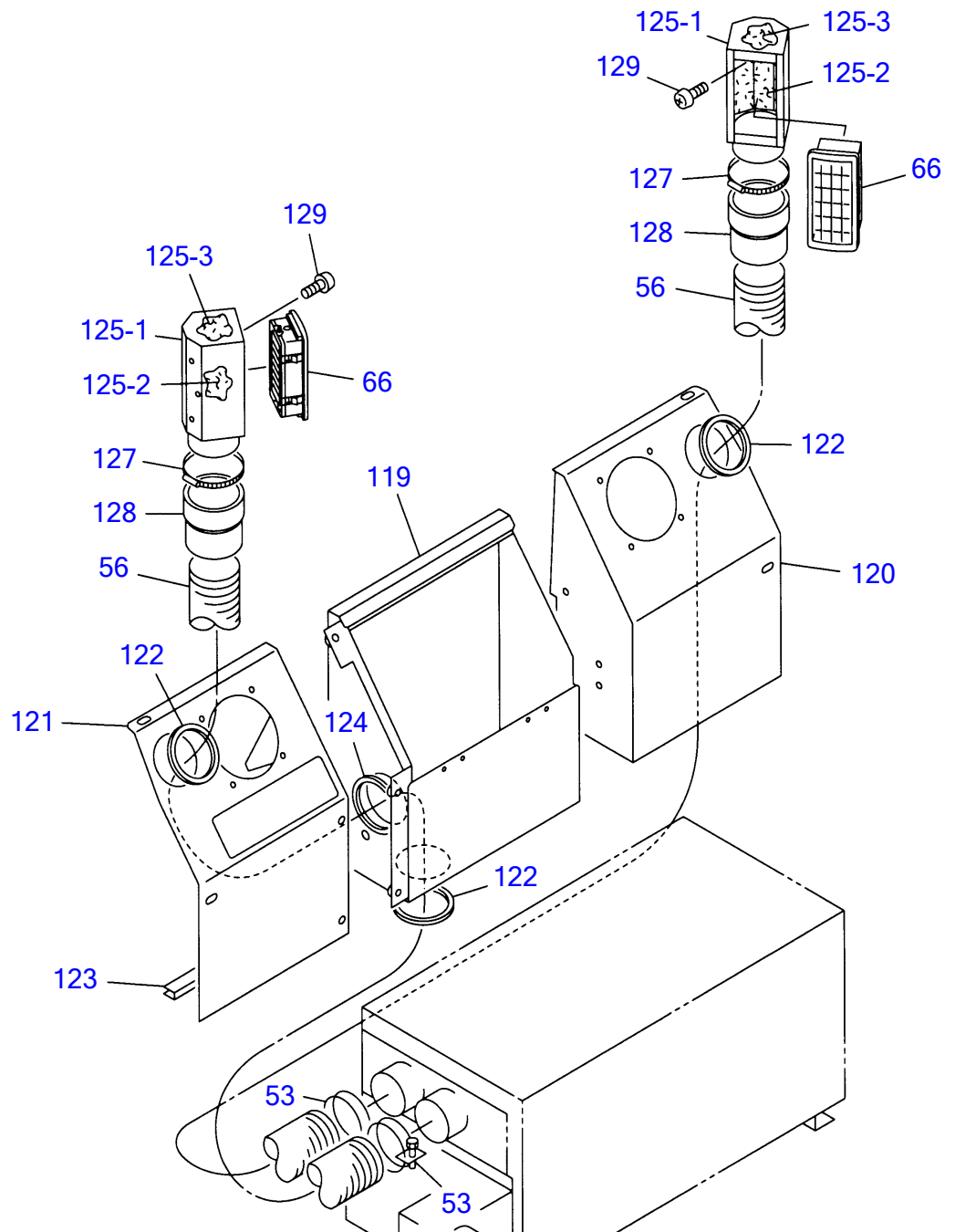
Item	Part number	Description	Q'ty	Chan.	Serial No.	Serv.	Remarks
		AIR CONDITIONER ASSY			1703004~1705080		
		AIR CONDITIONER ASSY			1705081~1705337		
7	0564612300	DUCT	1				
8	0564612350	DUCT	1				
9	0564612400	DUCT	1				
10	0564612450	DAMPER	1				
11	0564612460	ANGLE	1				
12	0564612500	PANEL	1				
13	0564612510	SHAFT	1				
14	0564612520	LEVER	1				
15	0564612530	CLAMP	2				
16	0564612540	HOLDER	1				
17	0564612550	KNOB	1				
18	0564612560	FILTER	1				
19	0564513700	DUCT	1		1703004~1705080		
	0564615100	DUCT	1		1705081~#		
23	0564612630	INSULATOR	1				
24	0564612640	INSULATOR	2				
25	0564612650	INSULATOR	3				
26	0564612660	INSULATOR	1				
27	0564612670	INSULATOR	1				
28	0564612680	INSULATOR	1				
29	0564612690	INSULATOR	1				
30	0564612700	INSULATOR	1				
31	0564612710	INSULATOR	2				
32	0564612720	INSULATOR	1				
33	0564612730	INSULATOR	1				
35	0564612750	WIRE	1		1703004~1705080		
	0564615200	WIRE	1		1705081~#		
45	1911504160	SWITCH, air conditioner	1				
46	1911504170	HARNESS, wiring	1				
53	1533011060	BAND	6				
54	1533011070	BAND	2				
56	1567415075	HOSE	1				sold by the meter
57	1567415140	HOSE	1				sold by the meter
58	1567415070	HOSE	1				sold by the meter
59	1567526535	HOSE	1				sold by the meter
63	1652051200	GROMMET	1				
64	1652060075	GROMMET	1				
66	1911504000	LOUVER	5		1703004~1705080		
	1911504000	LOUVER	3		1705081~#		
67	1652200004	BAND	1				
70	1110040406	SCREW, cap	1				
71	1120530408	SCREW	2				
72	1120530508	SCREW	4				
73	1120590510	SCREW	7				
74	1105090510	BOLT	12				
75	1100040616	BOLT	4				
87	1140020004	WASHER, spring	2				
88	1140090005	WASHER, spring	18				
89	1140020006	WASHER, spring	4				
92	1141190005	WASHER	7				
93	1141110006	WASHER	1				
96	1130040005	NUT	1				
98	1390020400	BALL, steel	1				
99	1224100008	NUT	1				
100	1652540014	SPACER	1				
103	0007000081	SPRING	1				
	L138d1L						



L1-38d-2-D

**AIR CONDITIONER (2/2) NO.1 (1705338~)**

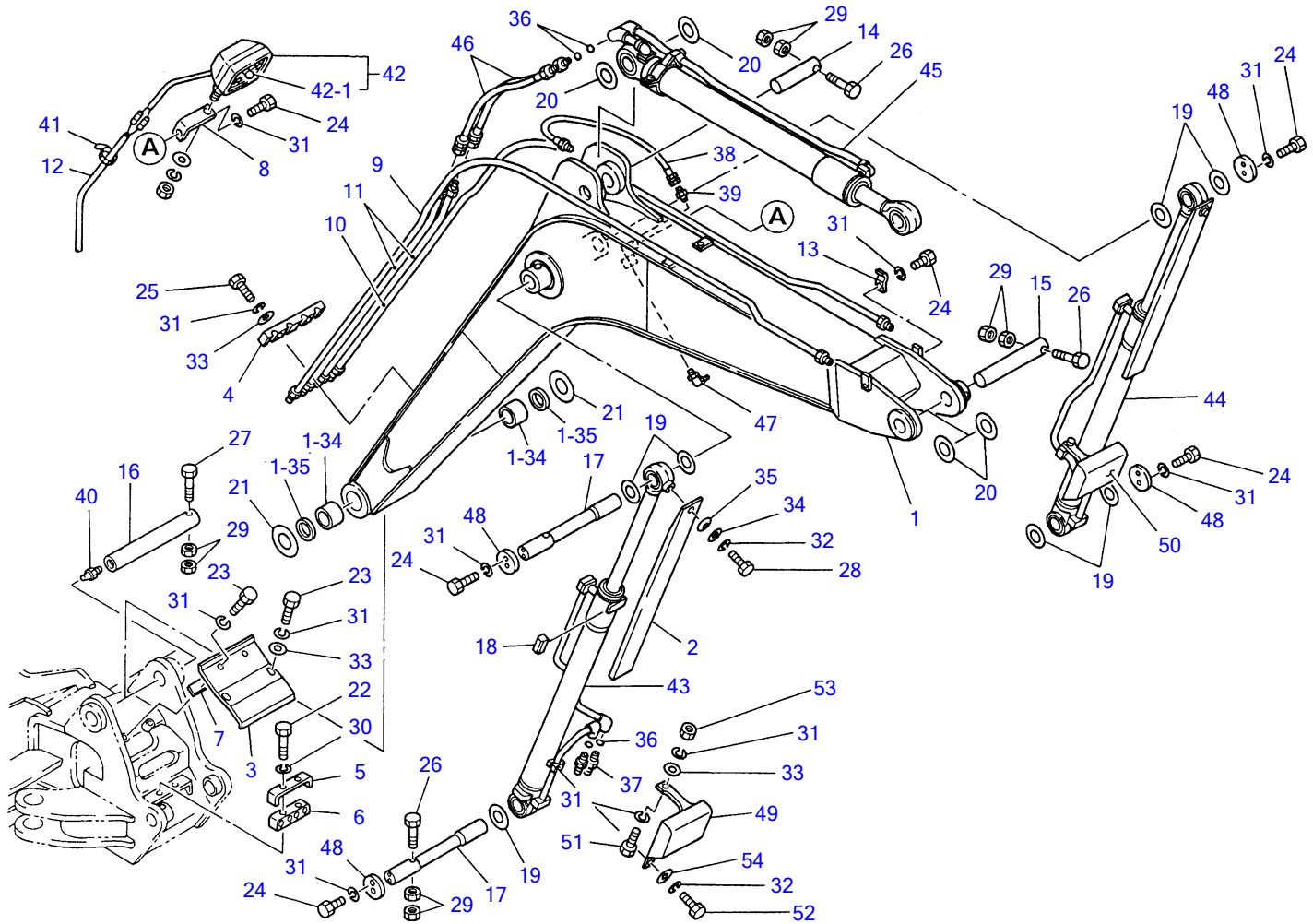
Item	Part number	Description	Q'ty	Chan.	Serial No.	Serv.	Remarks
		AIR CONDITIONER ASSY					
7	0564612300	DUCT	1				
8	0564612350	DUCT	1				
9	0564612400	DUCT	1				
10	0564612450	DAMPER	1				
11	0564612460	ANGLE	1				
12	0564612500	PANEL	1				
13	0564612510	SHAFT	1				
14	0564612520	LEVER	1				
15	0564612530	CLAMP	2				
16	0564612540	HOLDER	1				
17	0564612550	KNOB	1				
18	0564612560	FILTER	1				
19	0564615100	DUCT	1				
23	0564612630	INSULATOR	1				
24	0564612640	INSULATOR	2				
25	0564612650	INSULATOR	3				
26	0564612660	INSULATOR	1				
27	0564612670	INSULATOR	1				
28	0564612680	INSULATOR	1				
29	0564612690	INSULATOR	1				
30	0564612700	INSULATOR	1				
31	0564612710	INSULATOR	2				
32	0564612720	INSULATOR	1				
33	0564612730	INSULATOR	1				
35	0564615200	WIRE	1				
45	1911504160	SWITCH, air conditioner	1				
46	1911504170	HARNESS, wiring	1				
53	1533011060	BAND	2				
54	1533011070	BAND	2				
58	1567415070	HOSE	1				
59	1567526535	HOSE	1				sold by the meter
63	1652051200	GROMMET	1				sold by the meter
64	1652060075	GROMMET	1				
67	1652200004	BAND	1				
70	1110040406	SCREW, cap	1				
71	1120530408	SCREW	2				
72	1120530508	SCREW	4				
73	1120590510	SCREW	7				
74	1105090510	BOLT	12				
75	1100040616	BOLT	4				
87	1140020004	WASHER, spring	2				
88	1140090005	WASHER, spring	18				
89	1140020006	WASHER, spring	4				
92	1141190005	WASHER	7				
93	1141110006	WASHER	1				
96	1130040005	NUT	1				
98	1390020400	BALL, steel	1				
99	1224100008	NUT	1				
100	1652540014	SPACER	1				
103	0007000081	SPRING	1				
	L138d2L						



L1-38e-0-D

**AIR CONDITIONER (2/2) NO.2 (1705338~)**

Item	Part number	Description	Q'ty	Chan.	Serial No.	Serv.	Remarks
		AIR CONDITIONER ASSY					
53	<b>1533011060</b>	BAND	4				
56	<b>1567415075</b>	HOSE	2				sold by the meter
66	<b>1911504000</b>	LOUVER	2				
119	<b>0564617100</b>	BOX	1				
120	<b>0564617200</b>	COVER (L.H.)	1				
121	<b>0564617300</b>	COVER (R.H.)	1				
122	<b>1653918021</b>	TRIM	3				sold by the meter
123	<b>1653918020</b>	TRIM	1				sold by the meter
124	<b>1653918017</b>	TRIM	1				sold by the meter
125	<b>0564617400</b>	DUCT ASSY	2				
125-1	<b>0564617410</b>	· DUCT	1				
125-2	<b>0564617420</b>	· INSULATOR	1				
125-3	<b>0564617430</b>	· INSULATOR	1				
127	<b>1533700051</b>	CLAMP	2				
128	<b>1567325000</b>	CUFF	2				
129	<b>1122400512</b>	SCREW	6				
	<b>L138e0L</b>						

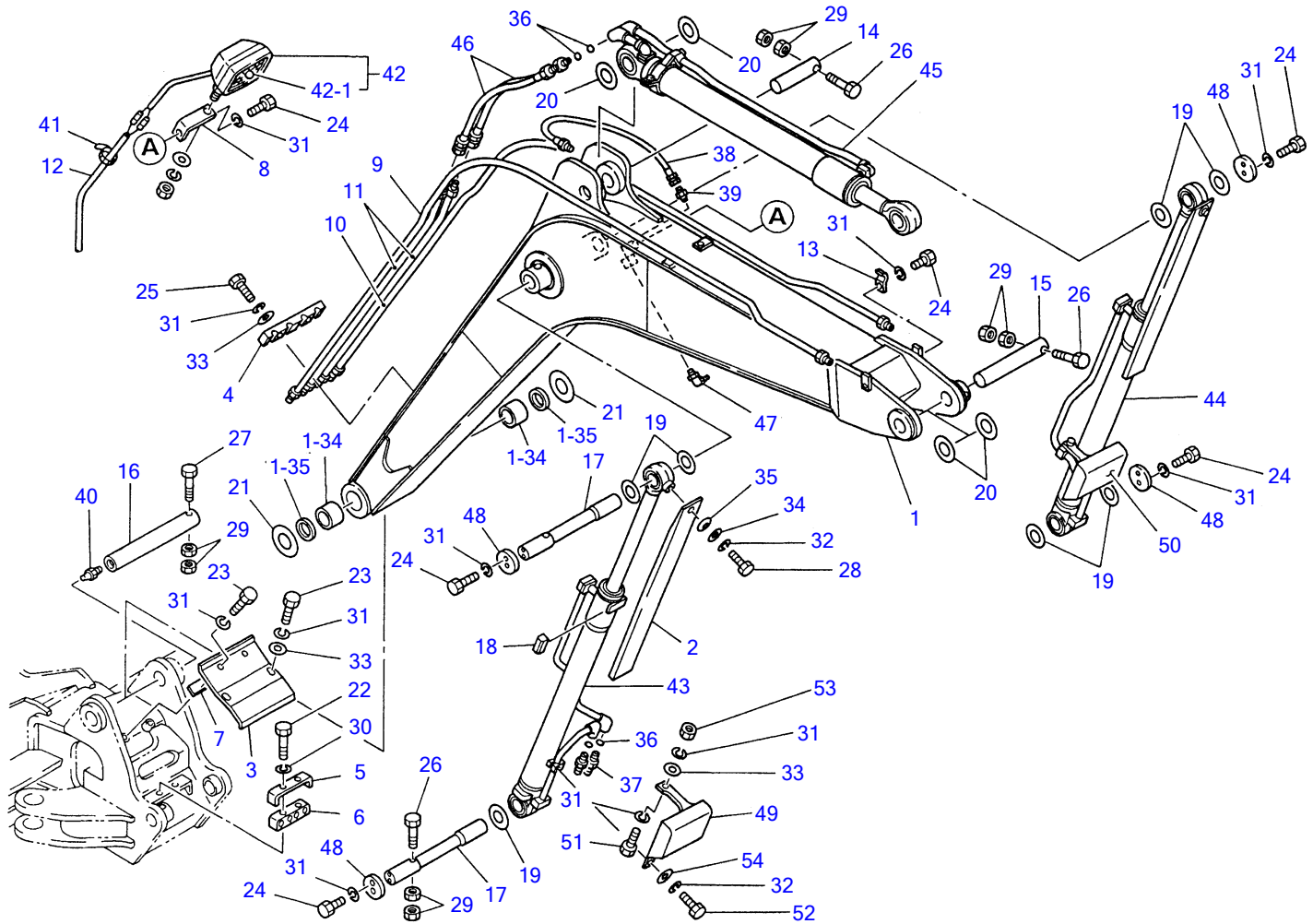


L1-39a-0-D



**BOOM (1703004~1703190)**

Item	Part number	Description	Q'ty	Chan.	Serial No.	Serv.	Remarks
		BOOM ASSY			1703004~1703063		
		BOOM ASSY			1703064~1703190		
1	<b>0566014100</b>	BOOM SUB ASSY	1	(L)	1703004~1703063		
	<b>0566016500</b>	BOOM SUB ASSY	1		1703064~1703190		
1-34	<b>0002400038</b>	· BUSHING	2				
1-35	<b>1432200065</b>	· SEAL, dust	2				
2	<b>0566015300</b>	COVER	2				
3	<b>0566014400</b>	COVER	1				
4	<b>0566012700</b>	CLAMP	2				
5	<b>0566014500</b>	CLAMP	1				
6	<b>0566014600</b>	PROTECTOR	1				
7	<b>0566014700</b>	RUBBER	1				
8	<b>0566013100</b>	BRACKET	1				
9	<b>0566014900</b>	PIPE (R.H.)	1				
10	<b>0566015000</b>	PIPE (L.H.)	1				
11	<b>0566015100</b>	PIPE	2				
12	<b>0566013500</b>	HARNES, wire	1				
13	<b>0427332600</b>	CLAMP	4				
14	<b>0001607200</b>	PIN	1				
15	<b>0011507335</b>	PIN	1				
16	<b>0011578002</b>	PIN	1				
17	<b>0011596002</b>	PIN	2	(L)	1703004~1703134		
	<b>0011596003</b>	PIN	2	(H)	1703135~1703190		
18	<b>0566014800</b>	LINER	4				
19	<b>0003600098</b>	SHIM	AR				t=1.0mm
	<b>0003600109</b>	SHIM	AR				t=0.5mm
	<b>0003600108</b>	SHIM	AR				t=0.2mm
20	<b>0003600099</b>	SHIM	AR				t=1.0mm
	<b>0003600095</b>	SHIM	AR				t=0.5mm
	<b>0003600094</b>	SHIM	AR				t=0.2mm
21	<b>0003600100</b>	SHIM	AR				t=1.0mm
	<b>0003600106</b>	SHIM	AR				t=0.5mm
	<b>0003600105</b>	SHIM	AR				t=1.0mm
22	<b>1100040850</b>	BOLT	2				
23	<b>1100041016</b>	BOLT	4				
24	<b>1100041020</b>	BOLT	13				
25	<b>1100041050</b>	BOLT	4				
26	<b>1100141205</b>	BOLT	2				
27	<b>1100141240</b>	BOLT	1				
28	<b>1101041220</b>	BOLT	2				
29	<b>1130040012</b>	NUT	8				
30	<b>1140020008</b>	WASHER, spring	2				
31	<b>1140020010</b>	WASHER, spring	21		1703004~1703063		
	<b>1140020010</b>	WASHER, spring	25		1703064~		
32	<b>1140020012</b>	WASHER, spring	2		1703004~1703063		
	<b>1140020012</b>	WASHER, spring	4		1703064~		
33	<b>1141110010</b>	WASHER	6		1703004~1703063		
	<b>1141110010</b>	WASHER	8		1703064~		
34	<b>0003600057</b>	WASHER	2				
35	<b>1225121022</b>	WASHER	2				
36	<b>1420010180</b>	O-RING	4				
37	<b>1515600202</b>	ADAPTOR	2				
38	<b>1934802063</b>	HOSE ASSY	1		1703004~1703063		
	<b>1934802070</b>	HOSE ASSY	1	(H)	1703064~		
39	<b>1511050002</b>	ADAPTOR	1				
40	<b>1560001000</b>	NIPPLE, grease	1				
41	<b>1652201005</b>	BAND	10				
42	<b>1703003900</b>	LAMP ASSY	1	(L)	1703004~1703030		
	<b>0566015400</b>	LAMP ASSY	1	(H)	1703031~		
42-1	<b>1703003901</b>	· BULB	1				
43	X *****	CYLINDER, boom (R.H.)	1				see page 6-07
44	X *****	CYLINDER, boom (L.H.)	1				see page 6-07
45	X *****	CYLINDER, arm	1				see page 6-07
46	<b>1802743047</b>	HOSE ASSY	2				
47	<b>1560001675</b>	NIPPLE, grease	1				
48	<b>0566015200</b>	PLATE	4				
49	<b>0566016700</b>	PROTECTOR (R.H.)	1		1703064~		
50	<b>0566016800</b>	PROTECTOR (L.H.)	1		1703064~		

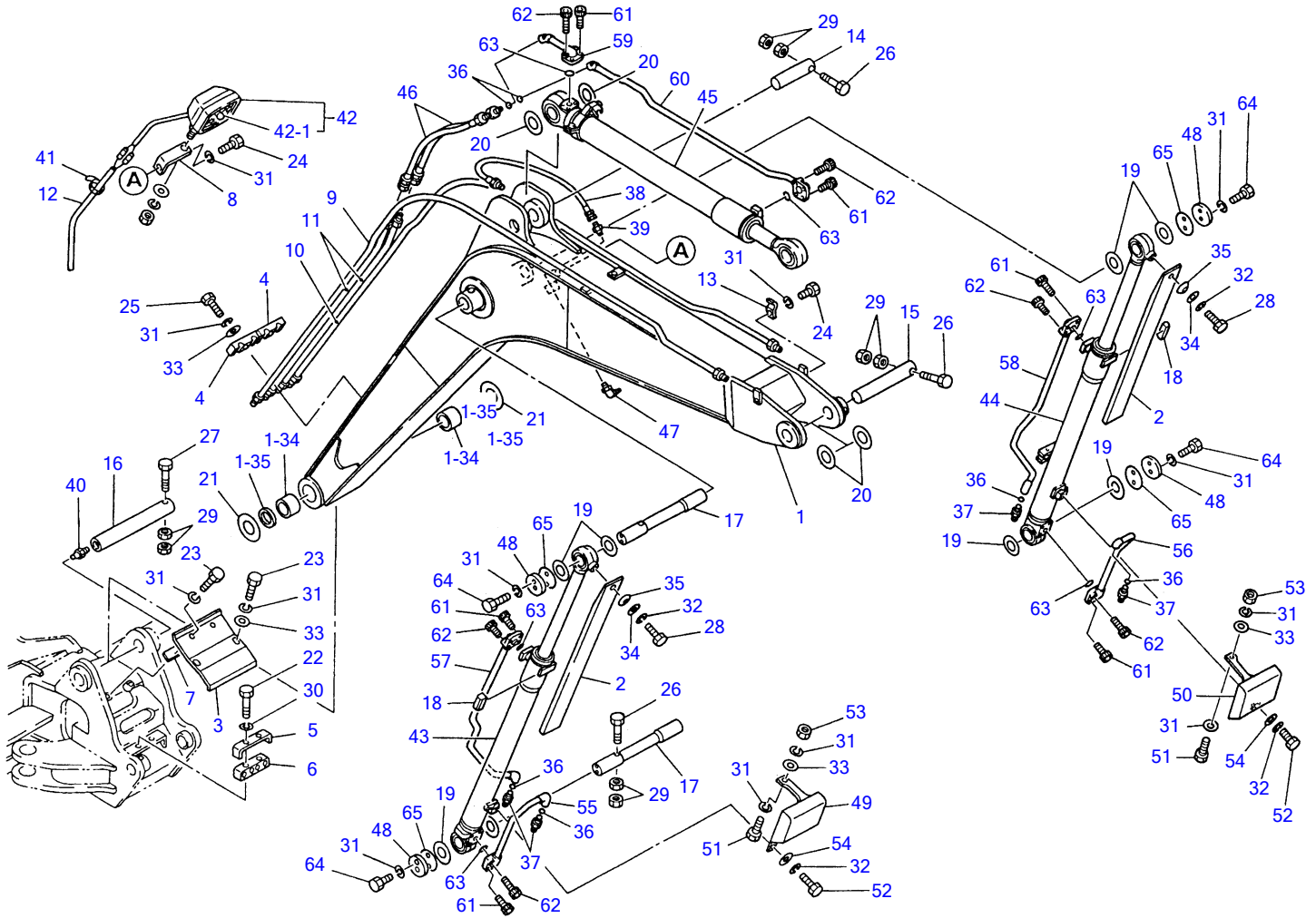


L1-39a-0-D

**BOOM (1703004~1703190)**

Item	Part number	Description	Q'ty	Chan.	Serial No.	Serv.	Remarks
51	<b>1100241065</b>	BOLT	2		1703064~		
52	<b>1100041250</b>	BOLT	2		1703064~		
53	<b>1130040010</b>	NUT	2		1703064~		
54	<b>1141110012</b>	WASHER	2		1703064~		
54		NOTE					
54		Item 43 is interchangeable with set item 43, 55, 57, 61, 62, 63; page 6-07, 08.					
54		Item 44 is interchangeable with set item 44, 56, 58, 61, 62, 63; page 6-07, 08.					
54		Item 45 is interchangeable with set item 45, 46, 59, 60, 61, 62, 63; page 6-07, 08.					
	<b>L139a1L</b>						

TB070 Book No.PL1-101Z5 S/N1703004-1705487  
BOOM (1703191~)

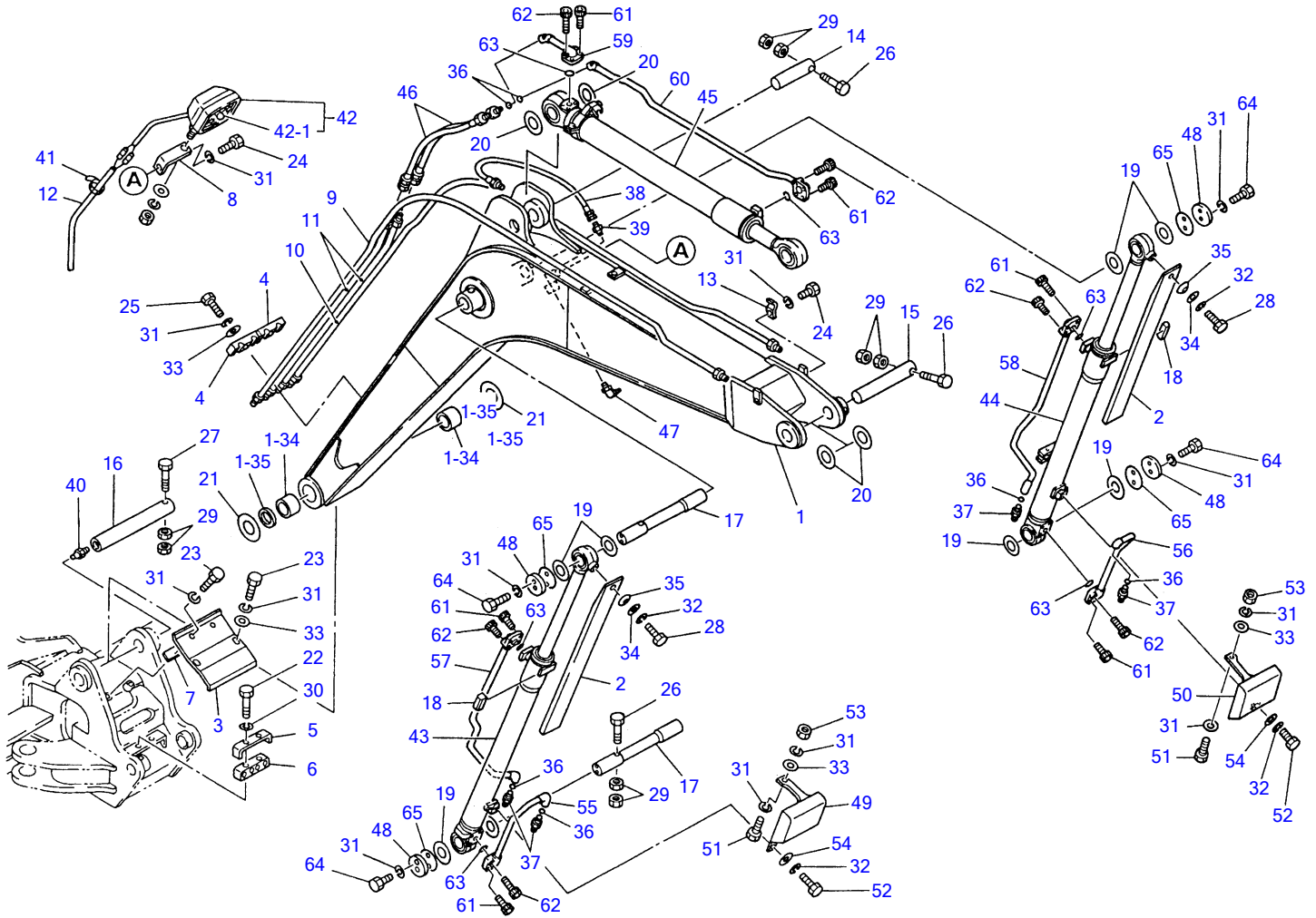


L1-39a-2-D

**BOOM (1703191~)**

Item	Part number	Description	Q'ty	Chan.	Serial No.	Serv.	Remarks
		BOOM ASSY					
1	0566016500	BOOM SUB ASSY	1				
1-34	0002400038	• BUSHING	2				
1-35	1432200065	• SEAL, dust	2				
2	0566015300	COVER	2				
3	0566014400	COVER	1				
4	0437318300	CLAMP	4				
5	0566014500	CLAMP	1				
6	0566014600	PROTECTOR	1				
7	0566014700	RUBBER	1				
8	0566013100	BRACKET	1				
9	0566014900	PIPE (R.H.)	1		1703004~1703074		
	0566019300	PIPE (R.H.)	1	(H)	1703075~		
10	0566015000	PIPE (L.H.)	1		1703004~1703074		
	0566019400	PIPE (L.H.)	1	(H)	1703075~		
11	0566015100	PIPE	2		1703004~1703074		
	0566019500	PIPE	2	(H)	1703075~		
	0566013500	HARNESS, wire	1				
13	0427332600	CLAMP	4				
14	0001607200	PIN	1				
15	0011507335	PIN	1				
16	0011578002	PIN	1				
17	0011596003	PIN	2				
18	0566014800	LINER	4				
19	0003600098	SHIM	AR				t=1.0mm
	0003600109	SHIM	AR				t=0.5mm
	0003600108	SHIM	AR				t=0.2mm
20	0003600099	SHIM	AR				t=1.0mm
	0003600095	SHIM	AR				t=0.5mm
	0003600094	SHIM	AR				t=0.2mm
21	0003600100	SHIM	AR				t=1.0mm
	0003600106	SHIM	AR				t=0.5mm
	0003600105	SHIM	AR				t=0.2mm
	0003600162	SHIM	AR				t=1.2mm
22	1100040850	BOLT	2				
23	1100041016	BOLT	4				
24	1100041020	BOLT	5				
25	1100041050	BOLT	4				
26	1100141205	BOLT	2				
27	1100141240	BOLT	1				
28	1101041220	BOLT	2				
29	1130040012	NUT	8				
30	1140020008	WASHER, spring	2				
31	1140020010	WASHER, spring	25				
32	1140020012	WASHER, spring	4				
33	1141110010	WASHER	8				
34	0003600057	WASHER	2				
35	1225121022	WASHER	2				
36	1420010180	O-RINF	4				
37	1515600202	ADAPTOR	2				
38	1934802070	HOSE ASSY	1				
39	1511050002	ADAPTOR	1				
40	1560001000	NIPPLE, grease	1				
41	1652201005	BAND	10				
42	0566015400	LAMP ASSY	1				
42-1	1703003901	• BULB	1				
43	1900068200	CYLINDER, boom (R.H.)	1				
44	1900068300	CYLINDER, boom (L.H.)	1				
45	1900068400	CYLINDER, arm	1				
46	1802743048	HOSE ASSY	2				
47	1560001675	NIPPLE, grease	1				
48	0566015200	PLATE	4				
49	0566016700	PROTECTOR (R.H.)	1				
50	0566016800	PROTECTOR (L.H.)	1				
51	1100241065	BOLT	2				
52	1100041250	BOLT	2				
53	1130040010	NUT	2				
54	1141110012	WASHER	2				

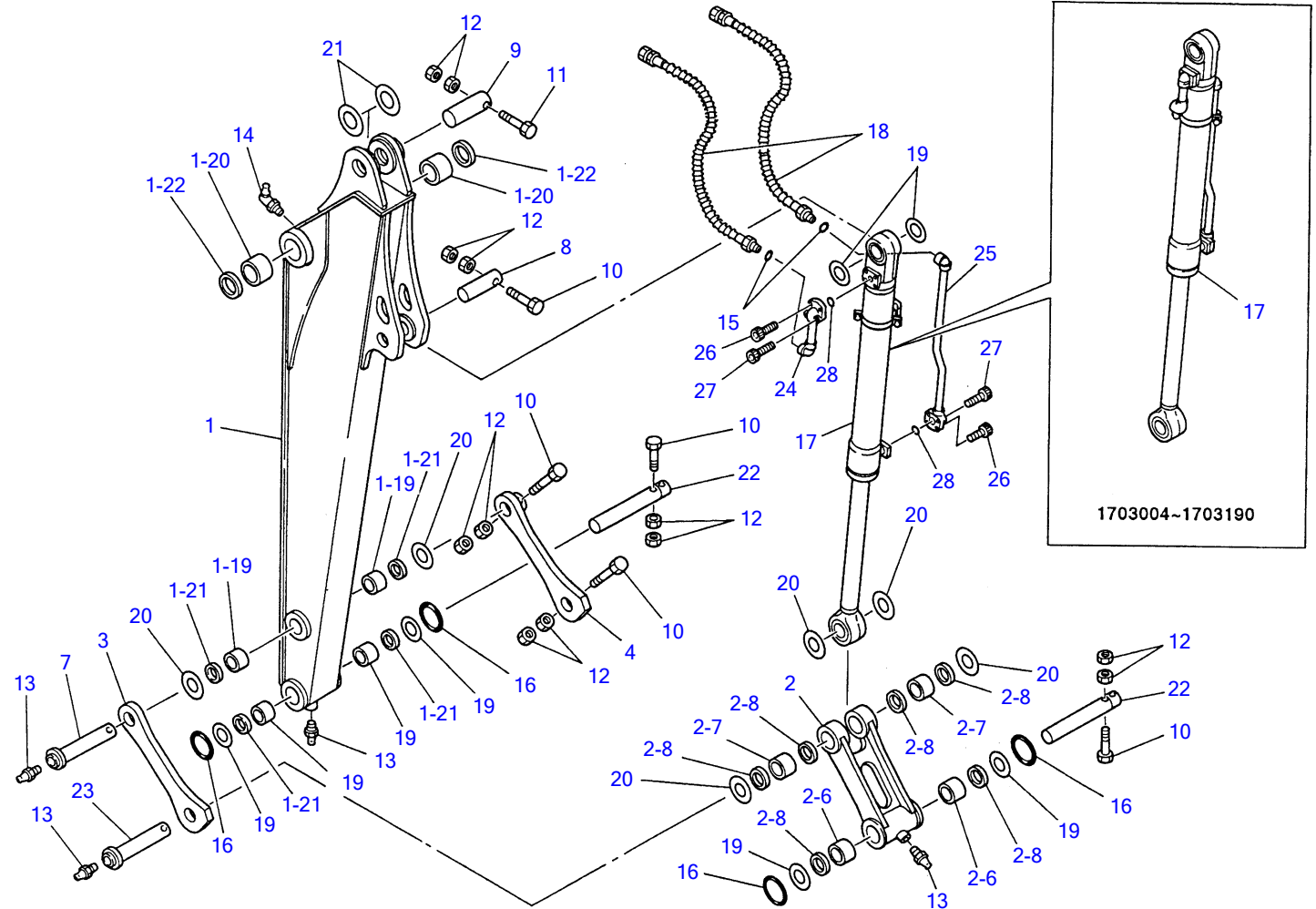
TB070 Book No.PL1-101Z5 S/N1703004-1705487  
BOOM (1703191~)



L1-39a-2-D

**BOOM (1703191~)**

Item	Part number	Description	Q'ty	Chan.	Serial No.	Serv.	Remarks
55	0566016900	PIPE (R.H.)	1				
56	0566017000	PIPE (L.H.)	1				
57	0566017100	PIPE (R.H.)	1				
58	0566017200	PIPE (L.H.)	1				
59	0566017300	PIPE	1				
60	0566017400	PIPE	1				
61	1110040830	SCREW, cap	12				
62	1110040840	SCREW, cap	12				
63	1420010220	O-RING	6				
64	1100041025	BOLT	8				
65	0566019100	SHIM	AR				t=1.0mm
65	0566019200	SHIM	AR				t=2.3mm
	L139a4L						

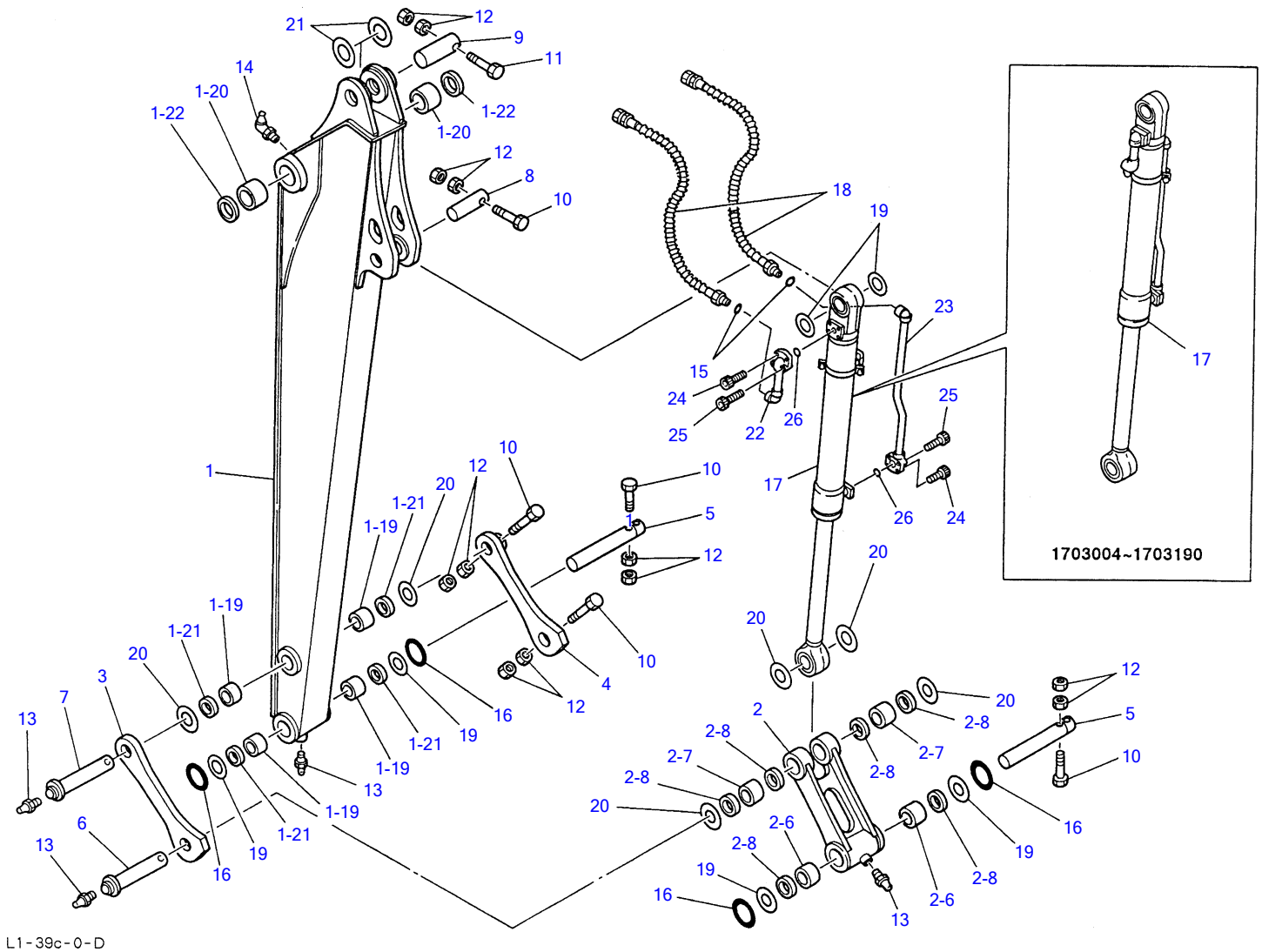


L1-39b-1-D



ARM						
Item	Part number	Description	Q'ty	Chan.	Serial No.	Serv. Remarks
		ARM ASSY			1703004~1703190	
		ARM ASSY			1703191~	
1	0566117100	ARM SUB ASSY	1		1703004~1703320	
	0566120100	ARM SUB ASSY	1	(H)	1703321~	
1-19	0002400025	• BUSHING	4			
1-20	0002400036	• BUSHING	2			
1-21	1432200050	• SEAL, dust	4			
1-22	1432200060	• SEAL, dust	2			
2	0566117300	LINK ASSY, bucket	1			
2-6	0002400025	• BUSHING	2			
2-7	0002100028	• BUSHING	2			
2-8	1432200050	• SEAL, dust	6			
3	0566117500	LINK, guide (R.H.)	1			
4	0566117600	LINK, guide (L.H.)	1			
7	0001735001	PIN	1			
8	0001605150	PIN	1			
9	0001607160	PIN	1			
10	1100041295	BOLT	5			
11	1100141210	BOLT	1			
12	1130040012	NUT	12			
13	1560001000	NIPPLE, grease	4			
14	1560001675	NIPPLE, grease	1			
15	1420010180	O-RING	2			
16	1432900048	O-RING	4			
17	X *****	CYLINDER, bucket	1	A	1703004~1703190	
	1900068500	CYLINDER, bucket	1	a (H)	1703191~	
18	1802643084	HOSE ASSY	2			
19	0003600096	SHIM	AR			t=1.0mm
	0003600061	SHIM	AR			t=0.5mm
	0003600060	SHIM	AR			t=0.2mm
20	0003600097	SHIM	AR			t=1.0mm
	0003600061	SHIM	AR			t=0.5mm
	0003600060	SHIM	AR			t=0.2mm
21	0003600099	SHIM	AR			t=1.0mm
	0003600095	SHIM	AR			t=0.5mm
	0003600094	SHIM	AR			t=0.2mm
22	0011595001	PIN	2			
23	0011025001	PIN	1			
24	0566017500	PIPE	1	a (H)	1703191~	
25	0566017600	PIPE	1	a (H)	1703191~	
26	1110040830	SCREW, cap	4	a (H)	1703191~	
27	1110040840	SCREW, cap	4	a (H)	1703191~	
28	1420010220	O-RING	2	a (H)	1703191~	
		NOTE				
		Set "A" is interchangeable with set "a".				
	L139b2L					

TB070 Book No.PL1-101Z5 S/N1703004-1705487  
LONG ARM



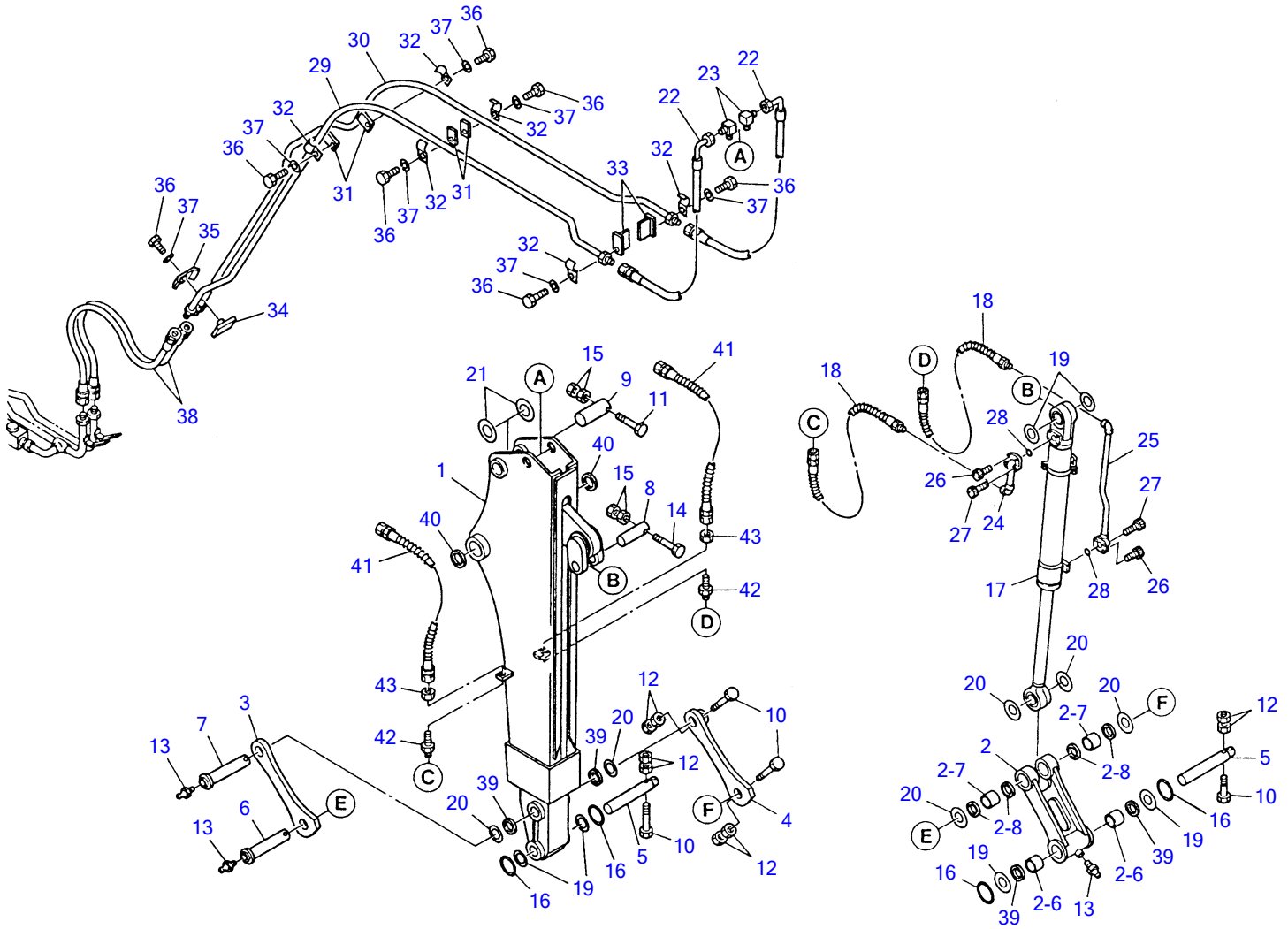
L1-39c-0-D

LONG ARM						
Item	Part number	Description	Q'ty	Chan.	Serial No.	Serv. Remarks
		LONG ARM ASSY			1703004~1703190	
		LONG ARM ASSY			1703191~	
1	0566118100	ARM SUB ASSY	1		1703004~1703299	
	0566121100	ARM SUB ASSY	1	(H) ㄱ	1703300~1704450	
	0566121700	ARM SUB ASSY	1	(H)	1704451~	
1-19	0002400025	· BUSHING	4			
1-20	0002400036	· BUSHING	2			
1-21	1432200050	· SEAL, dust	4			
1-22	1432200060	· SEAL, dust	2			
2	0566117300	LINK ASSY, bucket	1			
2-6	0002400025	· BUSHING	2			
2-7	0002100028	· BUSHING	2			
2-8	1432200050	· SEAL, dust	6			
3	0566117500	LINK, guide (R.H.)	1			
4	0566117600	LINK, guide (L.H.)	1			
5	0011595001	PIN	2			
6	0011025001	PIN	1			
7	0001735001	PIN	1			
8	0001605150	PIN	1			
9	0001607160	PIN	1			
10	1100041295	BOLT	5			
11	1100141210	BOLT	1			
12	1130040012	NUT	12			
13	1560001000	NIPPLE, grease	4			
14	1560001675	NIPPLE, grease	1			
15	1420010180	O-RING	2			
16	1432900048	O-RING	4			
17	X *****	CYLINDER, bucket	1	A	1703004~1703190	
	1900068500	CYLINDER, bucket	1	a (H)	1703191~	
18	1802643118	HOSE ASSY	2			
19	0003600096	SHIM	AR			t=1.0mm
	0003600061	SHIM	AR			t=0.5mm
	0003600060	SHIM	AR			t=0.2mm
20	0003600097	SHIM	AR			t=1.0mm
	0003600061	SHIM	AR			t=0.5mm
	0003600060	SHIM	AR			t=0.2mm
21	0003600099	SHIM	AR			t=1.0mm
	0003600095	SHIM	AR			t=0.5mm
	0003600094	SHIM	AR			t=0.2mm
22	0566017500	PIPE	1	a (H)	1703191~	
23	0566017600	PIPE	1	a (H)	1703191~	
24	1110040830	SCREW, cap	4	a (H)	1703191~	
25	1110040840	SCREW, cap	4	a (H)	1703191~	
26	1420010220	O-RING	2	a (H)	1703191~	

NOTE  
Set "A" is interchangeable with set "a".

L139c2L

TB070 Book No.PL1-101Z5 S/N1703004-1705487  
TELESCOPIC ARM

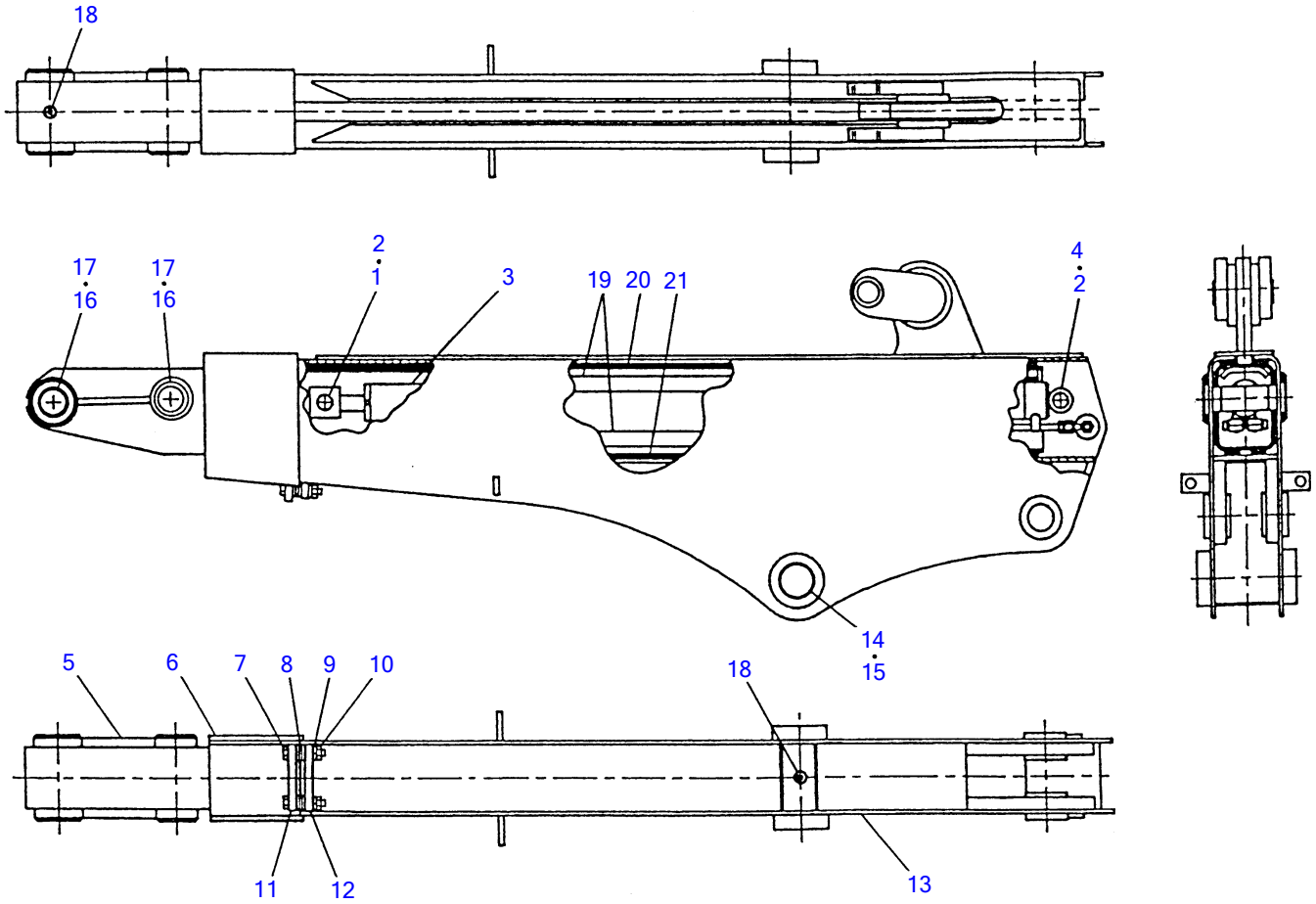


L1-39d-0-D

**TELESCOPIC ARM**

Item	Part number	Description	Q'ty	Chan.	Serial No.	Serv.	Remarks
0	0566124000	ARM ASSY, telescopic					
1	9TB070000	▪ SUB ASSY, arm	1				See page 6-15
2	0566117300	▪ ARM ASSY, LINK	1				
2-6	0002400025	▪ ▪ BUSHING	2				
2-7	0002100028	▪ ▪ BUSHING	2				
2-8	1432200050	▪ ▪ SEAL, dust	4				
3	0566117500	▪ LINK, guide (R.H.)	1				
4	0566117600	▪ LINK, guide (L.H.)	1				
5	0011595001	▪ PIN	2				
6	0011025001	▪ PIN	1				
7	0001735001	▪ PIN	1				
8	0001605160	▪ PIN	1				
9	0001607170	▪ PIN	1				
10	1100041295	▪ BOLT	4				
11	1103141215	▪ BOLT	1				
12	1130040012	▪ NUT	8				
13	1560001000	▪ NIPPLE, grease	3				
14	1103141200	▪ BOLT	1				
15	1130240012	▪ NUT	4				
16	1432900048	▪ O-RING	4				
17	1900068500	▪ CYLINDER, bucket	1				
18	1802643110	▪ HOSE ASSY	2				
19	0003600096	▪ SHIM	AR				t=1.0mm
20	0003600097	▪ SHIM	AR				t=1.0mm
21	0003600099	▪ SHIM	AR				t=1.0mm
22	0003600094	▪ SHIM	AR				t=0.2mm
	0003600095	▪ SHIM	AR				t=0.5mm
	1938900053	▪ HOSE ASSY	2				
23	0007200214	▪ ELBOW	2				
24	0566017500	▪ PIPE	1				
25	0566017600	▪ PIPE	1				
26	1110040830	▪ SCREW, cap	4				
27	1110040840	▪ SCREW, cap	4				
28	1420010220	▪ O-RING	2				
29	0567321400	▪ PIPE (R.H.)	1				
30	0567321500	▪ PIPE (L.H.)	1				
31	0567319300	▪ PLATE	4				
32	0567322100	▪ CLAMP	6				
33	0567321100	▪ SUPPORT	2				
34	0567320700	▪ SUPPORT	1				
35	0567320800	▪ CLAMP	1				
36	1100041020	▪ BOLT	7				
37	1140020008	▪ WASHER, spring	7				
38	1938900037	▪ HOSE ASSY	2				
39	1432200050	▪ SEAL, dust	4				
40	1432200060	▪ SEAL, dust	2				
41	1802640100	▪ HOSE ASSY	2				
42	0007200189	▪ ADAPTOR	2				
43	0007200156	▪ NUT	2				

L139d0L

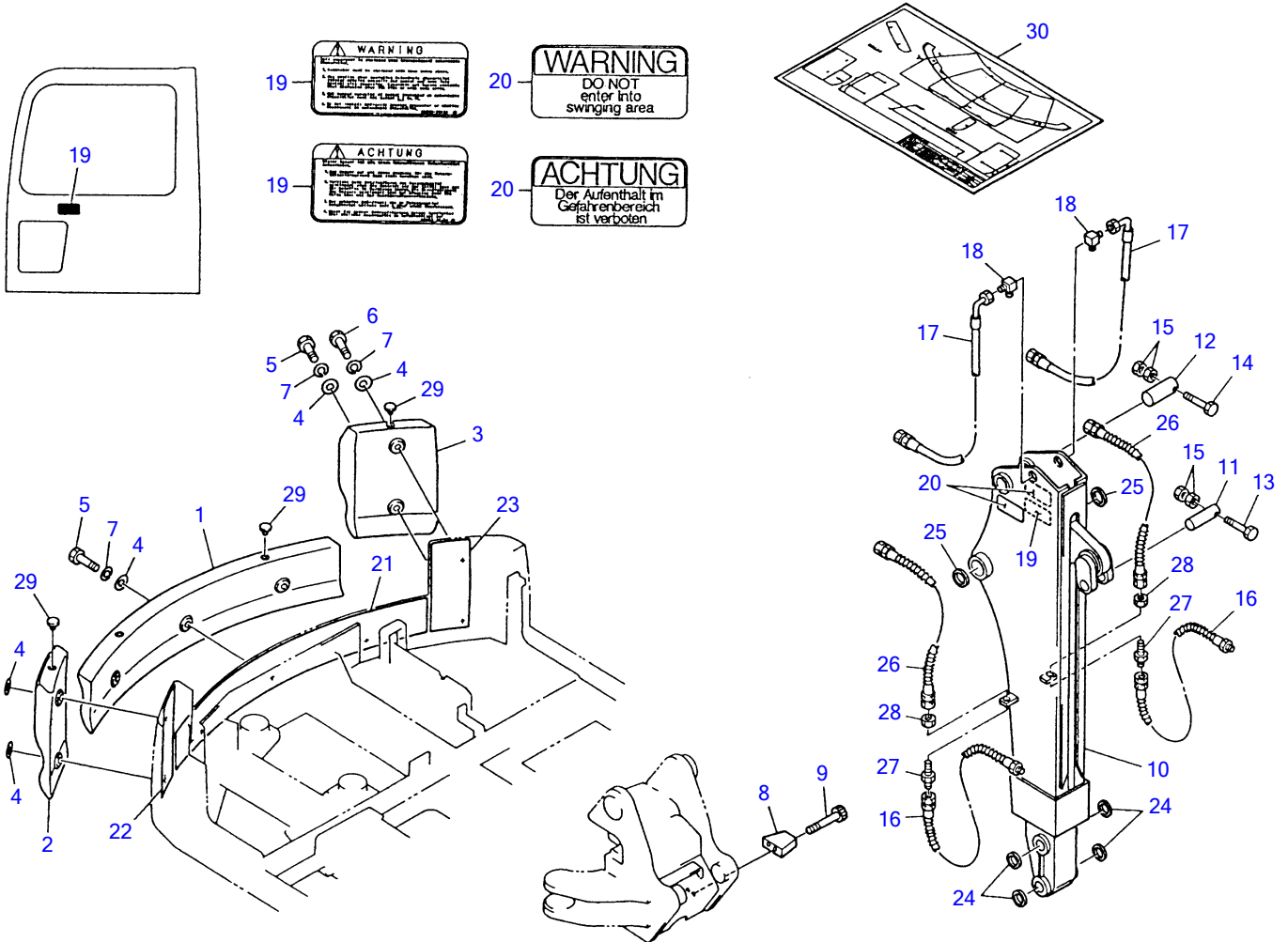


L1-39e-0-D

**ARM SUB ASSY (telescopic)**

Item	Part number	Description	Q'ty	Chan.	Serial No.	Serv.	Remarks
0	<b>9TB070000</b>	ARM SUB ASSY	1				
1	<b>P701167</b>	• PIN	1				
2	<b>H50607</b>	• RING, snap	4				
3	<b>R725410</b>	• CYLINDER	1				
4	<b>P701165</b>	• PIN	1				
5	<b>9TB070200</b>	• PLATE	1				
6	<b>9TB070010</b>	• COLLAR	1				
7	<b>H30667</b>	• BOLT	2				
8	<b>H30805</b>	• WASHER	16				
9	<b>H30617</b>	• WASHER, spring	2				
10	<b>H30630</b>	• NUT	2				
11	<b>0000728030</b>	• COLLAR	1				
12	<b>H910552</b>	• BRACKET	1				
13	<b>9TB070100</b>	• HOUSING	1				
14	<b>0002400036</b>	• BUSHING	2				
15	<b>1432200060</b>	• SEAL, dust	2				
16	<b>0002400025</b>	• BUSHING	4				
17	<b>1432200050</b>	• SEAL, dust	4				
18	<b>H50601</b>	• NIPPLE, grease	2				
19	<b>M302417</b>	• STRIP, side	4				
20	<b>M302432</b>	• STRIP, top	2				
21	<b>M302425</b>	• STRIP, bottom	1				
	<b>L139e0L</b>						

TB070 Book No.PL1-101Z5 S/N1703004-1705487  
**TELESCOPIC ARM KIT**

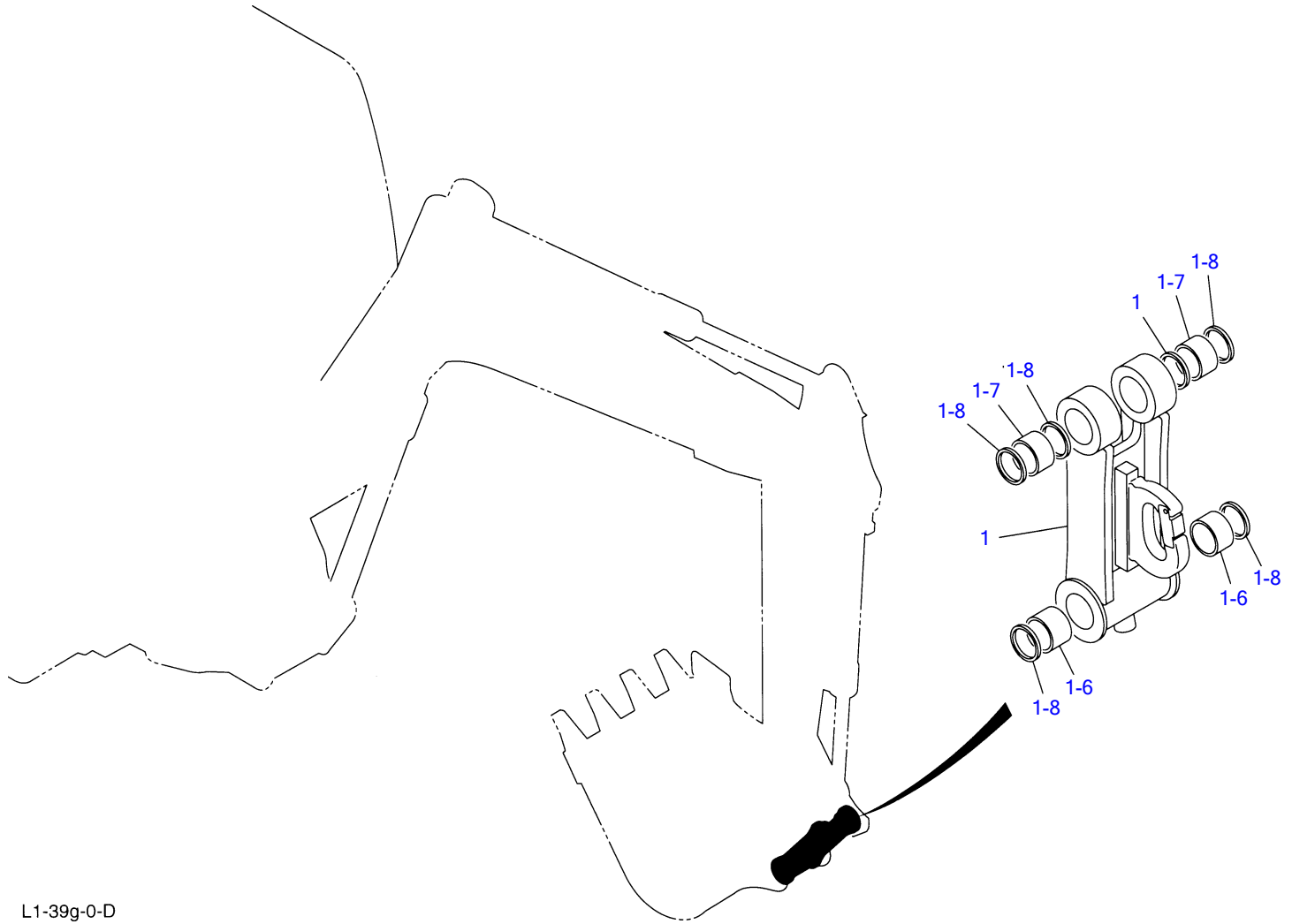


L1-39f-0-D



**TELESCOPIC ARM KIT**

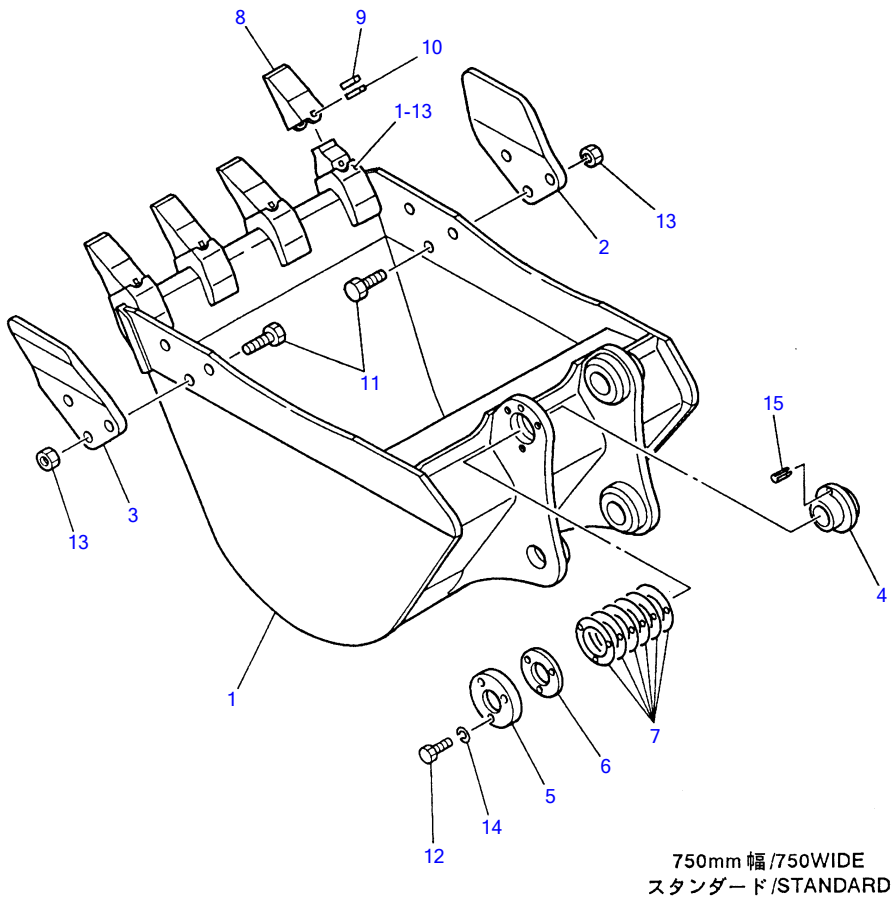
Item	Part number	Description	Q'ty	Chan.	Serial No.	Serv.	Remarks
0	<b>0569610008</b>	TELESCOPIC ARM KIT	1		1703004~1703886		English
0-1	<b>0569610006</b>	TELESCOPIC ARM KIT	1		1703887~		English
0-2	<b>0569610009</b>	TELESCOPIC ARM KIT	1		1703004~1703886		German
0-3	<b>0569610007</b>	TELESCOPIC ARM KIT	1		1703887~		German
1	<b>0563023200</b>	· COUNTERWEIGHT; A	1				
2	<b>0563023300</b>	· COUNTERWEIGHT; R.H.	1				
3	<b>0563023400</b>	· COUNTERWEIGHT; L.H.	1				
4	<b>0563023600</b>	· WASHER	7				
5	<b>1101041870</b>	· BOLT	5				
6	<b>1101141800</b>	· BOLT	2				
7	<b>1140020018</b>	· WASHER, spring	7				
8	<b>0563900100</b>	· PLATE	1				
9	<b>1111141200</b>	· SCREW, cap	2				
10	<b>9TB070000</b>	· SUB ASSY, arm	1				
11	<b>0001605160</b>	· PIN	1				
12	<b>0001607170</b>	· PIN	1				
13	<b>1103141215</b>	· BOLT	1				
14	<b>1103141200</b>	· BOLT	1				
15	<b>1130240012</b>	· NUT	4				
16	<b>1802643110</b>	· HOSE ASSY	2				
17	<b>1938900053</b>	· HOSE ASSY	2				
18	<b>0007200214</b>	· ELBOW	2				
19	<b>0569338100</b>	· DECAL	2				English
	<b>0569339100</b>	· DECAL	2				German
20	<b>0359306500</b>	· DECAL	2				English
	<b>0359308100</b>	· DECAL	2				German
21	<b>0569610003</b>	· TEMPLATE	1		1703004~1703886		
22	<b>0569610004</b>	· TEMPLATE	1		1703004~1703886		
23	<b>0569610005</b>	· TEMPLATE	1		1703004~1703886		
24	<b>1432200050</b>	· SEAL, dust	4				
25	<b>1432200060</b>	· SEAL, dust	2				
26	<b>1802640100</b>	· HOSE ASSY	2				
27	<b>0007200189</b>	· ADAPTOR	2				
28	<b>0007200156</b>	· NUT	2				
29	<b>1652533018</b>	· CAP	4				
30	<b>0569610010</b>	· SHEET, drawing	1				
	<b>L139f0L</b>						



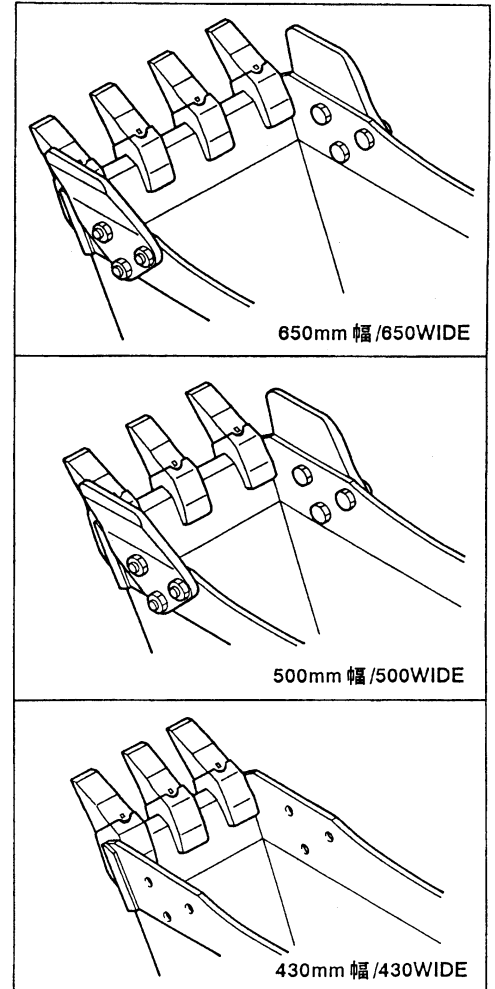
L1-39g-0-D

**HANGING HOOK**

Item	Part number	Description	Q'ty	Chan.	Serial No.	Serv.	Remarks
1	<b>0566126100</b>	HOOK ASSY					
		LINK ASSY, bucket	1				
1-6	<b>0002400025</b>	▪ BUSHING	2				
1-7	<b>0002100028</b>	▪ BUSHING	2				
1-8	<b>1432200050</b>	▪ SEAL, dust	6				
	<b>L139g0L</b>						

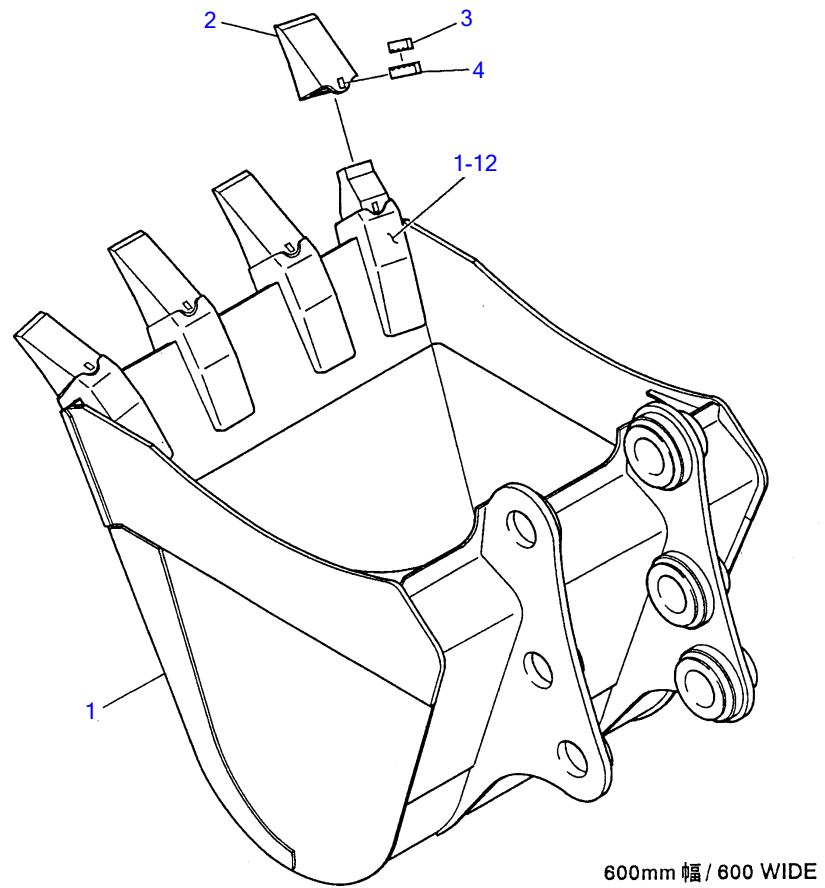


750mm 幅 / 750WIDE  
 スタンダード / STANDARD



L1-40a-2-D

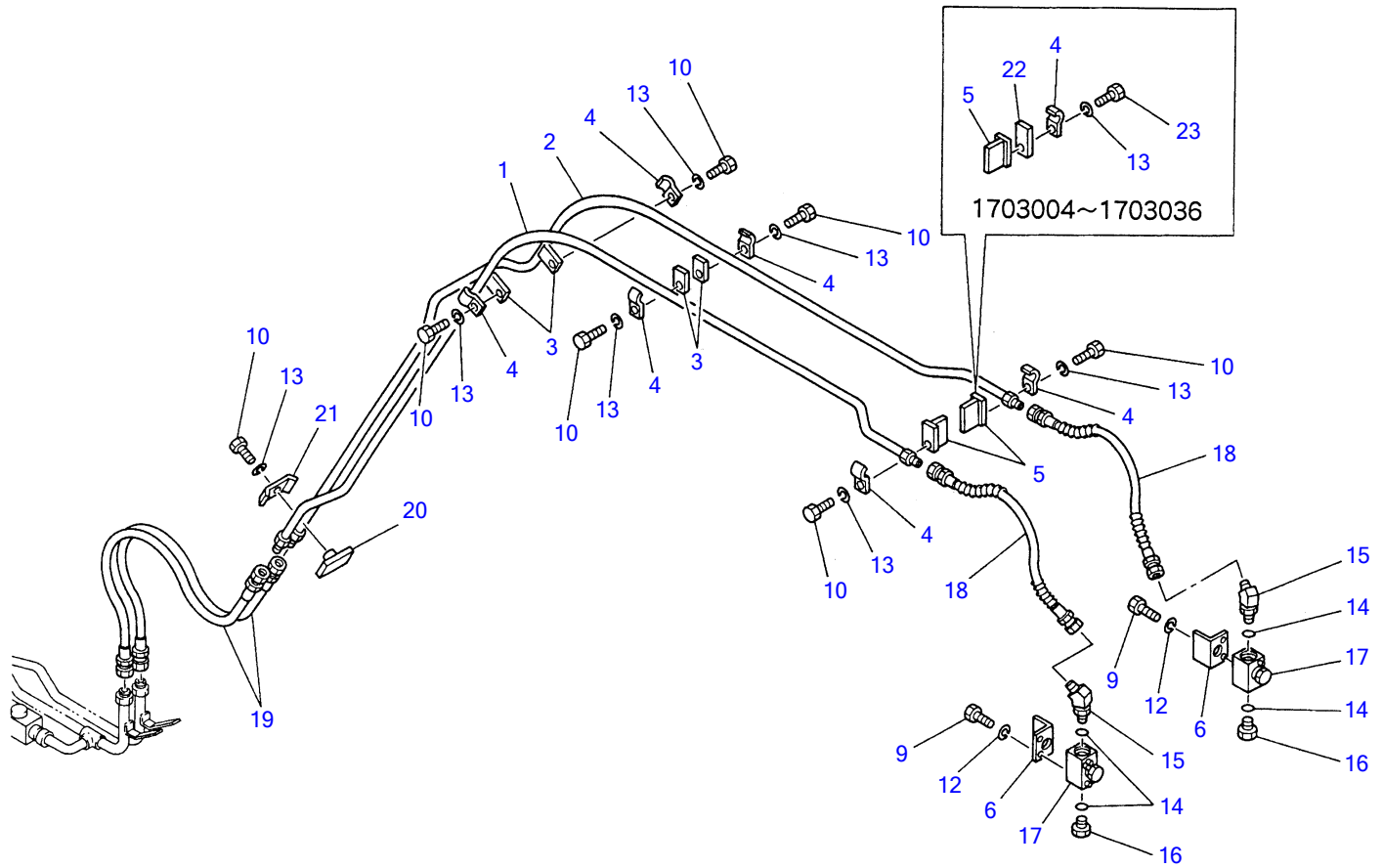
							<b>BUCKET</b>
Item	Part number	Description	Q'ty	Chan.	Serial No.	Serv.	Remarks
0	<b>0566212000</b>	BUCKET ASSY	1				750wide
	<b>0566213000</b>	BUCKET ASSY	1				500wide
	<b>0566214000</b>	BUCKET ASSY	1				650wide
	<b>0566215000</b>	BUCKET ASSY	1				430wide
1	X *****	· BUCKET	1				750W
	X *****	· BUCKET	1				650W
	X *****	· BUCKET	1				500W
	X *****	· BUCKET	1				430W
1-13	<b>1914201101</b>	· · ADAPTOR, tooth	4				650W, 750W
	<b>1914201101</b>	· · ADAPTOR, tooth	3				500W, 430W
2	<b>0566212200</b>	· CUTTER, side (L.H.)	1				500W, 650W, 750W
3	<b>0566212300</b>	· CUTTER, side (R.H.)	1				500W, 650W, 750W
4	<b>0566211400</b>	· BUSHING	1				
5	<b>0566211500</b>	· PLATE	1				
6	<b>0566211600</b>	· FLANGE	1				
7	<b>0566211700</b>	· SHIM	6				
8	<b>1914201102</b>	· POINT, tooth	4				650W, 750W
	<b>1914201102</b>	· POINT, tooth	3				500W, 430W
9	<b>1914201103</b>	· PIN, lock	4				650W, 750W
	<b>1914201103</b>	· PIN, lock	3				500W, 430W
10	<b>1914201104</b>	· PIN	4				650W, 750W
	<b>1914201104</b>	· PIN	3				500W, 430W
11	<b>1100052050</b>	· BOLT	6				500W, 650W, 750W
12	<b>1100051230</b>	· BOLT	3				
13	<b>1130050020</b>	· NUT	6				500W, 650W, 750W
14	<b>1140020012</b>	· WASHER, spring	3				
15	<b>1213000836</b>	· PIN, spring	1				
	<b>L140a2L</b>						



L1-40b-0-D

**BUCKET (for U.S.A.)**

Item	Part number	Description	Q'ty	Chan.	Serial No.	Serv.	Remarks
0	<b>0566218000</b>	BUCKET ASSY	1				600wide
1	X *****	▪ BUCKET	1				
1-12	<b>1914201101</b>	▪ ▪ ADAPTOR, tooth	4				
2	<b>1914201102</b>	▪ POINT, tooth	4				
3	<b>1914201103</b>	▪ PIN, lock	4				
4	<b>1914201104</b>	▪ PIN	4				
	<b>L140b0L</b>						

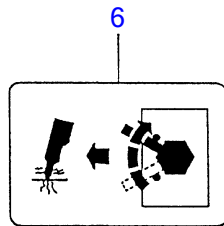
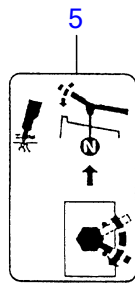
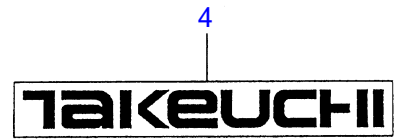
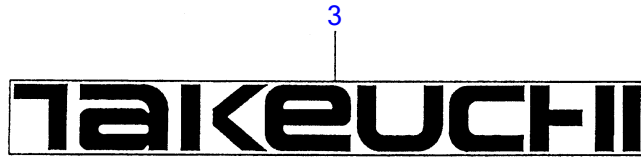
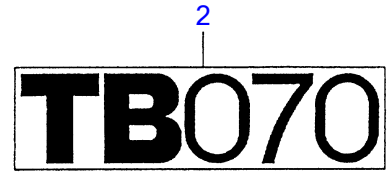
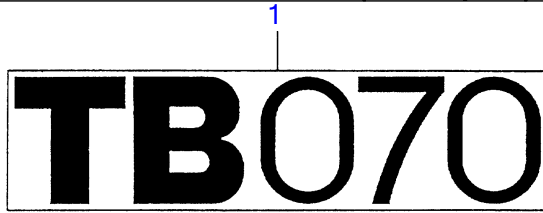


L1-41a-0-D



AUXILIARY LINE

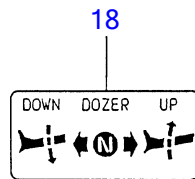
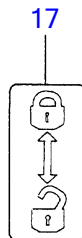
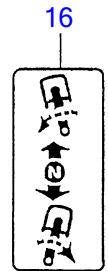
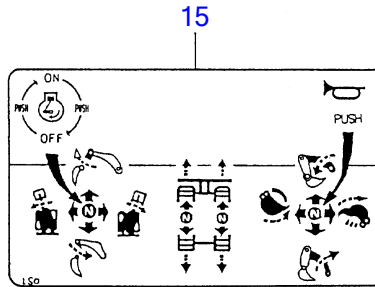
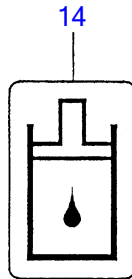
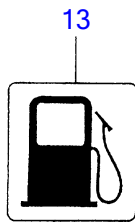
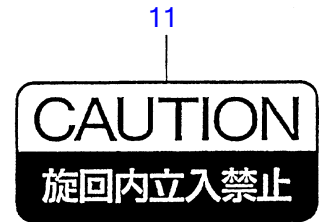
Item	Part number	Description	Q'ty	Chan.	Serial No.	Serv.	Remarks
0	0567320000	PIPING ASSY	1				
	0567322000	PIPING ASSY, long arm	1				
1	0567320100	• PIPE (R.H.)	1		1703004~1703036		
	0567320900	• PIPE (R.H.)	1		1703037~1703074		
	0567321400	• PIPE (R.H.)	1	(H)	1703075~		
2	0567320200	• PIPE (L.H.)	1		1703004~1703036		
	0567321000	• PIPE (L.H.)	1		1703037~1703074		
	0567321500	• PIPE (L.H.)	1	(H)	1703075~		
3	0567319300	• PLATE	4				
4	0567319400	• CLAMP	6		1703004~1703324		
	0567322100	• CLAMP	6	(H)	1703325~		
5	0567320300	• SUPPORT	2		1703004~1703036		
	0567321100	• SUPPORT	2		1703037~		
6	0567320400	• ANGLE	2	(L)	1703004~1703018		
	0567321300	• ANGLE	2		1703019~1704049		
	0567321600	• ANGLE	2	(H)	1704050~		
9	1100040816	• BOLT	4				
10	1100041020	• BOLT	6		1703004~1703036		
	1100041020	• BOLT	7		1703037~		
12	1140020008	• WASHER, spring	4				
13	1140020010	• WASHER, spring	7				
14	1420010240	• O-RING	4				
15	1515100113	• ELBOW	2				
16	1515600503	• PLUG	2				
17	1901723700	• VALVE, stop	2				
18	1938900035	• HOSE ASSY	2				
	1938900046	• HOSE ASSY	2				for long arm
19	1938900037	• HOSE ASSY	2				
20	0567320700	• SUPPORT	1				
21	0567320800	• CLAMP	1				
22	0567321200	• PLATE	1		1703004~1703036		
23	1100041025	• BOLT	1		1703004~1703036		
	L141a3L						



8

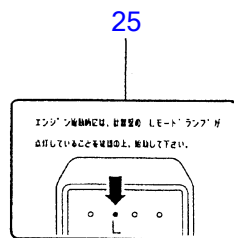
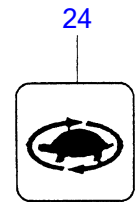
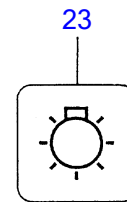
TB070 油圧ショベル			
項目	仕様	標準	型式別標準
総重量 (kg)	7610	7610	
最大稼働重量 (kg)	9980(9800)	9980(9800)	
平地稼働重量 (kg)	7388	7388	
荷役重量 (kg)	7160	7160	
牽引重量 (kg)	5260		
牽引出力 (PS)	56		
最高走行速度 (km/h)	5.5 / 3.0		
70-71mm(2.8) (kgf)	57.5		

株式会社竹内製作所



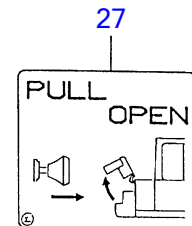
22

ISO HOOD	ISO CONTROLLER
ISO FLASHER	ISO CONTROLLER
ISO LIGHT	ISO RES. 121
ISO WIPER	ISO RES. 141
ISO RADIO	ISO LOCK
ISO METER	ISO AUTOMATIC
ISO AIR CON.	ISO RES. 121
ISO MIRROR	ISO RES. 141



26

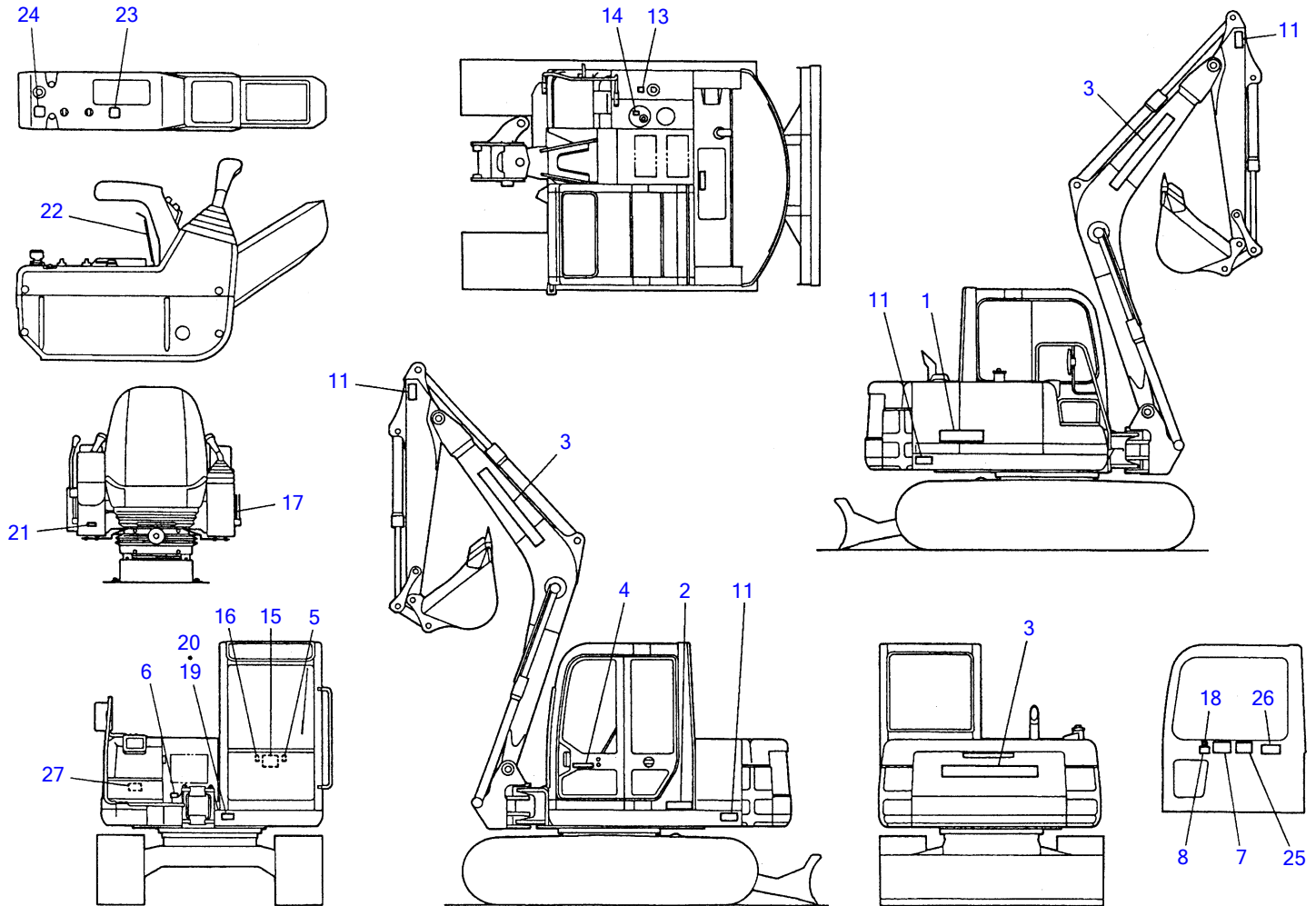
項目	仕様	標準	型式別標準
総重量 (kg)	7610	7610	
最大稼働重量 (kg)	9980(9800)	9980(9800)	
平地稼働重量 (kg)	7388	7388	
荷役重量 (kg)	7160	7160	
牽引重量 (kg)	5260		
牽引出力 (PS)	56		
最高走行速度 (km/h)	5.5 / 3.0		
70-71mm(2.8) (kgf)	57.5		



**DECAL (for Japan) (1703004~1703515)**

Item	Part number	Description	Q'ty	Chan.	Serial No.	Serv.	Remarks
0	0569325000	DECAL SET	1				
1	0569321100	▪ DECAL	1				
2	0569321200	▪ DECAL	1				
3	0569321300	▪ DECAL	3				
4	0569321400	▪ DECAL	1				
5	0569321500	▪ DECAL	1				
6	0569321600	▪ DECAL	1				
7	X *****	▪ DECAL	1				
8	0569325100	▪ DECAL	1				
11	0359300900	▪ DECAL	4				
13	0359306600	▪ SYMBOL MARK	1				
14	0359306700	▪ SYMBOL MARK	1				
15	0569322200	▪ DECAL	1				ISO, A
16	0439301500	▪ DECAL	1				
17	0439301000	▪ SYMBOL MARK	1		1703004~1703384		
	0329352300	▪ SYMBOL MARK	1	(H)	1703385~		
18	0569322100	▪ DECAL	1				
19	X *****	▪ DECAL	1				
20	X *****	▪ SCREW	4				
21	X *****	▪ DECAL	1				
22	0569321800	▪ DECAL	1		1703004~1703079		
	0569321950	▪ DECAL	1		1703080~		
23	0569321900	▪ DECAL	1				
24	0569321910	▪ DECAL	1				
25	0569321920	▪ DECAL	1				
26	0499300600	▪ DECAL	1				
27	0569326400	▪ DECAL	1				

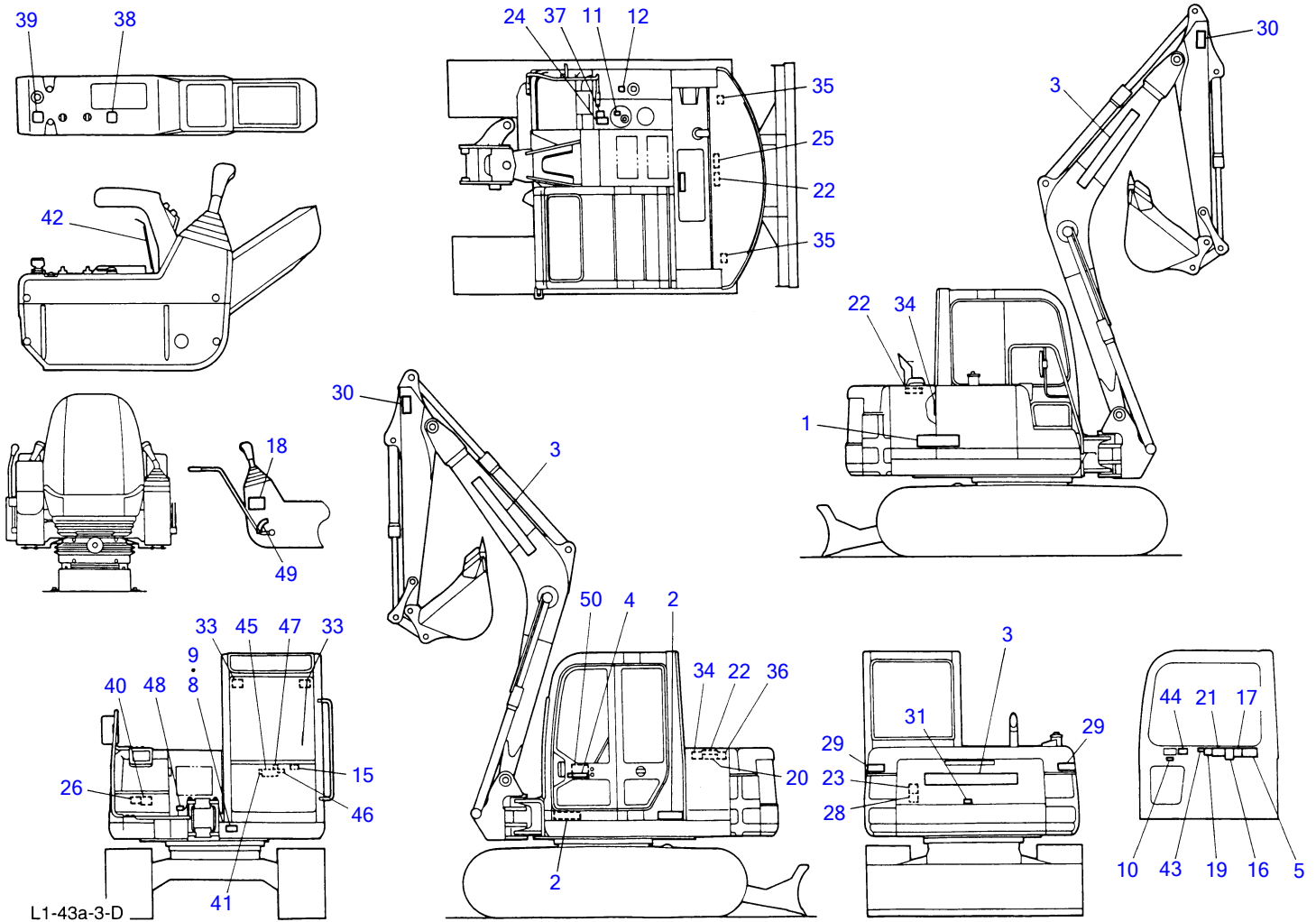
L143a2L



L1-43a-1-D

**DECAL (for Japan) (1703004~1703515)**

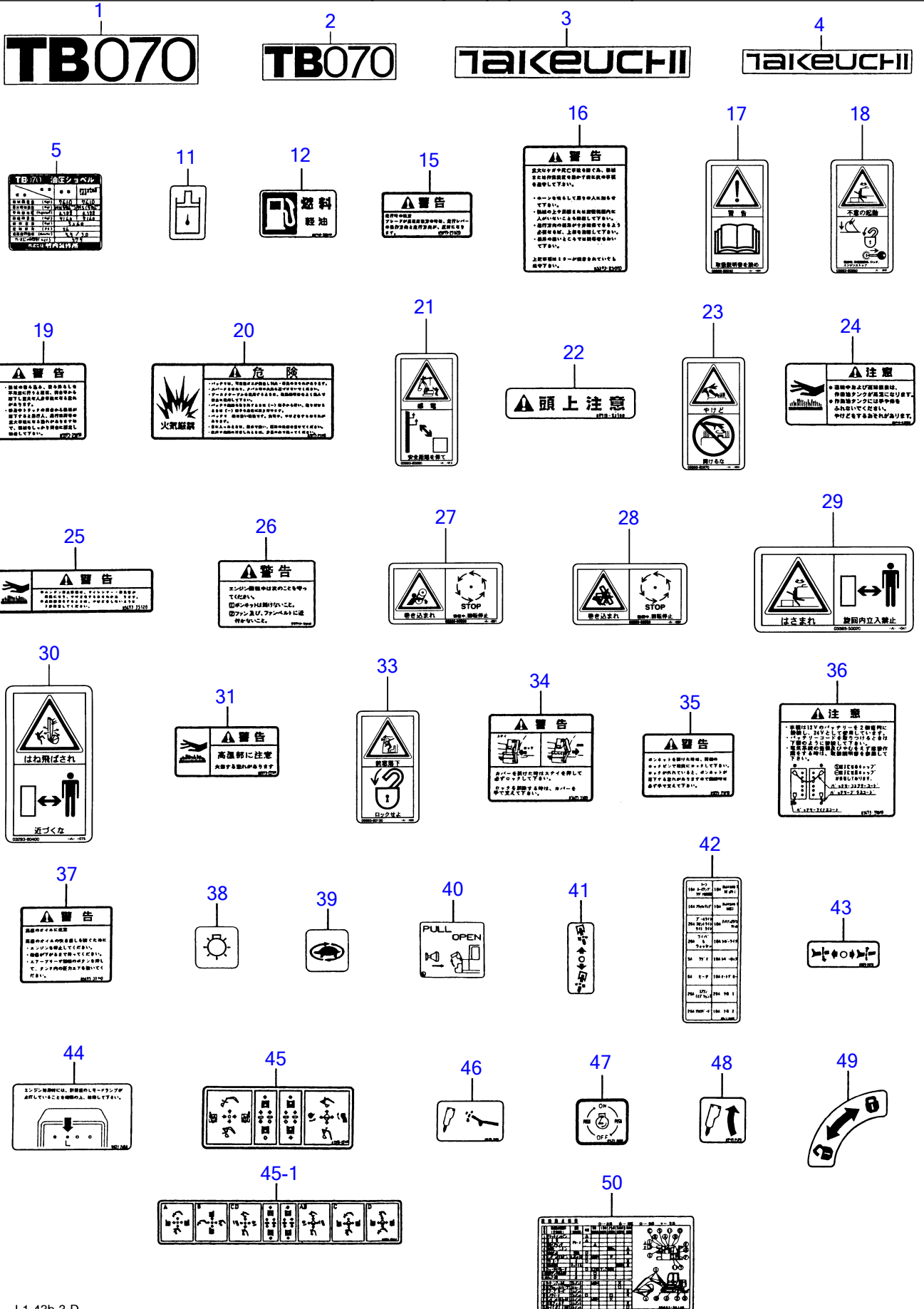
Item	Part number	Description	Q'ty	Chan.	Serial No.	Serv.	Remarks
0	0569325000	DECAL SET	1				
1	0569321100	▪ DECAL	1				
2	0569321200	▪ DECAL	1				
3	0569321300	▪ DECAL	3				
4	0569321400	▪ DECAL	1				
5	0569321500	▪ DECAL	1				
6	0569321600	▪ DECAL	1				
7	X *****	▪ DECAL	1				
8	0569325100	▪ DECAL	1				
11	0359300900	▪ DECAL	4				
13	0359306600	▪ SYMBOL MARK	1				
14	0359306700	▪ SYMBOL MARK	1				
15	0569322200	▪ DECAL	1				ISO, A
16	0439301500	▪ DECAL	1				
17	0439301000	▪ SYMBOL MARK	1		1703004~1703384		
	0329352300	▪ SYMBOL MARK	1	(H)	1703385~		
18	0569322100	▪ DECAL	1				
19	X *****	▪ DECAL	1				
20	X *****	▪ SCREW	4				
21	X *****	▪ DECAL	1				
22	0569321800	▪ DECAL	1		1703004~1703079		
	0569321950	▪ DECAL	1		1703080~		
23	0569321900	▪ DECAL	1				
24	0569321910	▪ DECAL	1				
25	0569321920	▪ DECAL	1				
26	0499300600	▪ DECAL	1				
27	0569326400	▪ DECAL	1				
	L143a2L						



DECAL (for Japan) (1703516~)

Item	Part number	Description	Q'ty	Chan.	Serial No.	Serv.	Remarks
0	0569335000	DECAL SET	1				
1	0569321100	• DECAL	1				
2	0569321200	• DECAL	2				
3	0569321300	• DECAL	3				
4	0569321400	• DECAL	1				
5	0569335200	• DECAL	1				
8	X *****	• DECAL	1				
9	X *****	• SCREW	4				
10	X *****	• DECAL	1				
11	0359306700	• SYMBOL MARK	1				
12	0871002240	• DECAL	1				
15	0359325020	• DECAL	1				
16	0359325030	• DECAL	1				
17	0339350040	• DECAL	1				
18	0339350050	• DECAL	1				
19	0359325090	• DECAL	1				
20	0359325140	• DECAL	1				
21	0339350060	• DECAL	1				
22	0871082300	• DECAL	3				
23	0339350070	• DECAL	1				
24	0871082220	• DECAL	1				
25	0569335120	• DECAL	1				
26	0871082120	• DECAL	1				
27	0329360500	• DECAL	1				
28	0329360300	• DECAL	1				
29	0339350020	• DECAL	2				
30	0329360400	• DECAL	2				
31	0359325100	• DECAL	1				
33	0339350130	• DECAL	2				
34	0569335030	• DECAL	2				
35	0569335040	• DECAL	2				
36	0569335020	• DECAL	1				
37	0569335110	• DECAL	1				
38	0569321900	• DECAL	1				
39	0569321910	• DECAL	1				
40	0569326400	• DECAL	1				
41	0359325170	• DECAL	1				
42	0569335080	• DECAL	1				
43	0359325190	• DECAL	1				
44	0569335050	• DECAL	1				
45	0359325240	• DECAL	1				
45-1	0359325260	• DECAL	1				
46	0569335070	• DECAL	1				
47	0569335060	• DECAL	1				
48	0359325220	• DECAL	1				
49	0329360100	• SYMBOL MARK	1				
50	0569335140	• DECAL	1				

L143a4L

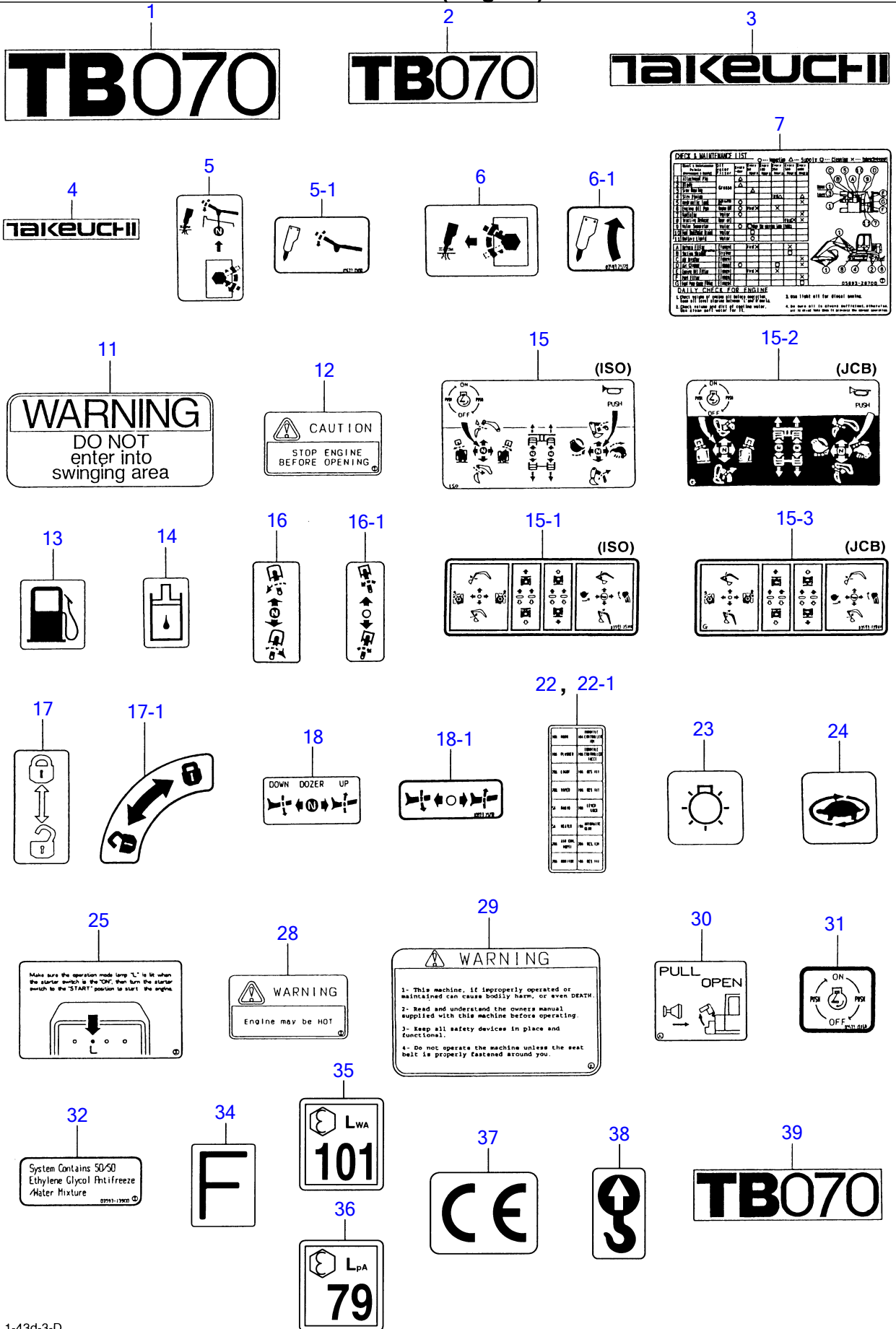




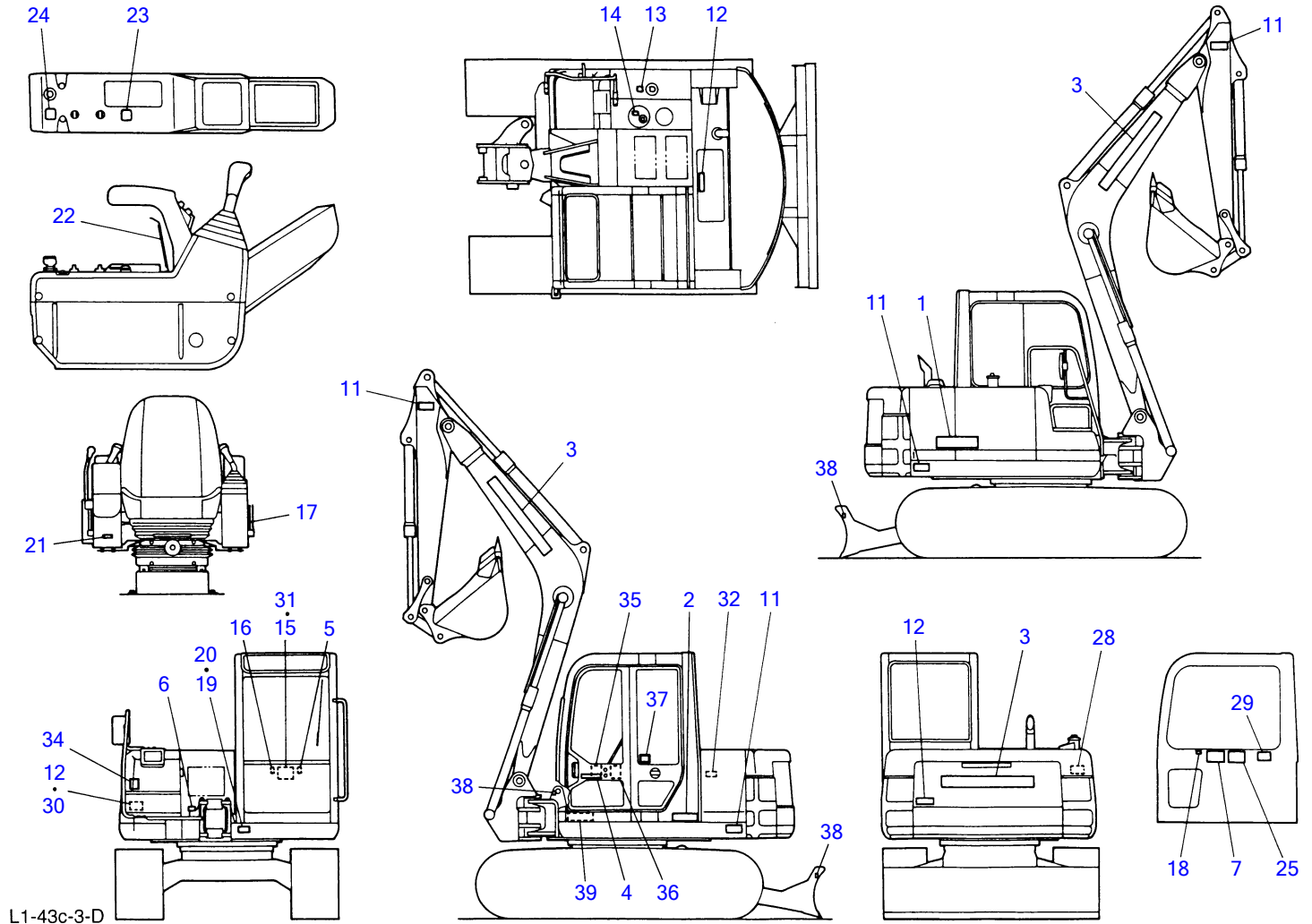
DECAL (for Japan) (1703516~)

Item	Part number	Description	Q'ty	Chan.	Serial No.	Serv.	Remarks
0	0569335000	DECAL SET	1				
1	0569321100	• DECAL	1				
2	0569321200	• DECAL	2				
3	0569321300	• DECAL	3				
4	0569321400	• DECAL	1				
5	0569335200	• DECAL	1				
8	X *****	• DECAL	1				
9	X *****	• SCREW	4				
10	X *****	• DECAL	1				
11	0359306700	• SYMBOL MARK	1				
12	0871002240	• DECAL	1				
15	0359325020	• DECAL	1				
16	0359325030	• DECAL	1				
17	0339350040	• DECAL	1				
18	0339350050	• DECAL	1				
19	0359325090	• DECAL	1				
20	0359325140	• DECAL	1				
21	0339350060	• DECAL	1				
22	0871082300	• DECAL	3				
23	0339350070	• DECAL	1				
24	0871082220	• DECAL	1				
25	0569335120	• DECAL	1				
26	0871082120	• DECAL	1				
27	0329360500	• DECAL	1				
28	0329360300	• DECAL	1				
29	0339350020	• DECAL	2				
30	0329360400	• DECAL	2				
31	0359325100	• DECAL	1				
33	0339350130	• DECAL	2				
34	0569335030	• DECAL	2				
35	0569335040	• DECAL	2				
36	0569335020	• DECAL	1				
37	0569335110	• DECAL	1				
38	0569321900	• DECAL	1				
39	0569321910	• DECAL	1				
40	0569326400	• DECAL	1				
41	0359325170	• DECAL	1				
42	0569335080	• DECAL	1				
43	0359325190	• DECAL	1				
44	0569335050	• DECAL	1				
45	0359325240	• DECAL	1				
45-1	0359325260	• DECAL	1				
46	0569335070	• DECAL	1				
47	0569335060	• DECAL	1				
48	0359325220	• DECAL	1				
49	0329360100	• SYMBOL MARK	1				
50	0569335140	• DECAL	1				

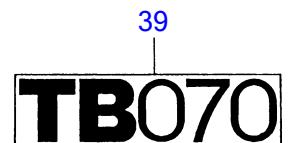
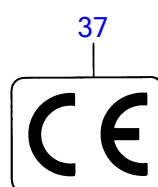
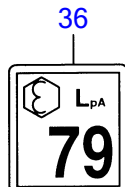
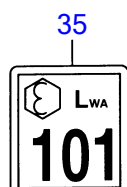
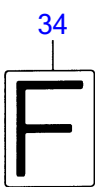
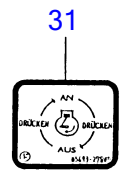
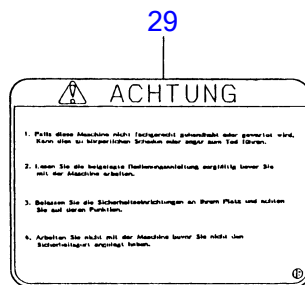
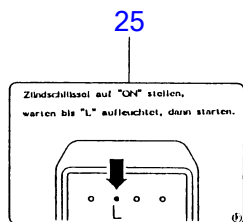
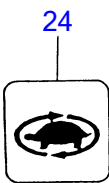
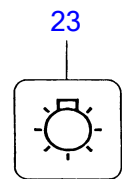
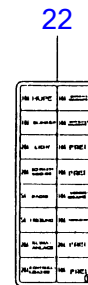
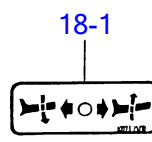
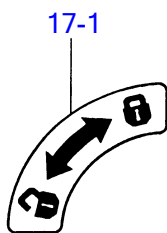
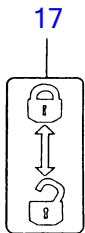
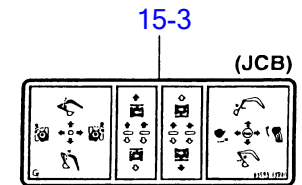
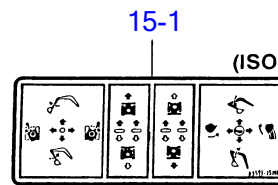
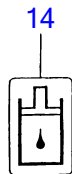
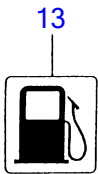
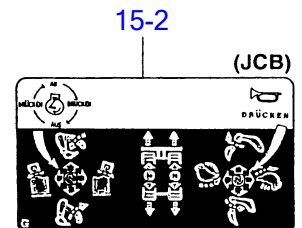
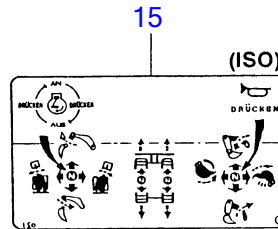
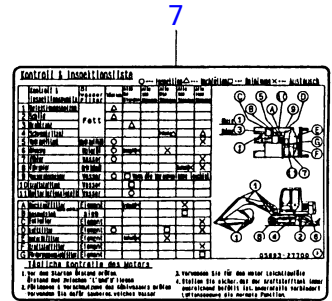
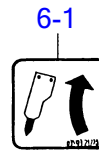
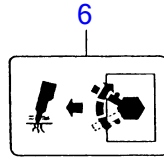
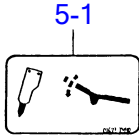
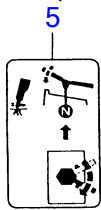
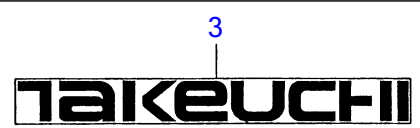
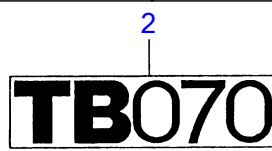
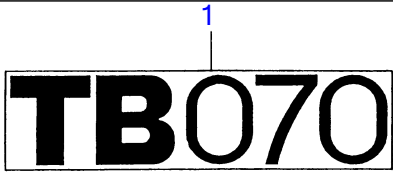
L143a4L



Item	Part number	Description	DECAL (English)		Serial No.	Serv.	Remarks
			Q'ty	Chan.			
0	0569321000	DECAL SET	1				machine color; marine blue
	0569326000	DECAL SET	1				machine color; red and gray
	0569337000	DECAL SET	1				for U.S.A.
1	0569321100	• DECAL	1				
2	0569321200	• DECAL	1				machine color; marine blue
	0569326100	• DECAL	1				machine color; red and gray
3	0569321300	• DECAL	3				
4	0569321400	• DECAL	1				
5	0569321500	• DECAL	1		1703004~1703515		
5-1	0569335070	• DECAL	1	(H)	1703516~		
6	0569321600	• DECAL	1		1703004~1703515		
6-1	0359325220	• DECAL	1	(H)	1703516~		
7	0569326700	• DECAL	1				
11	0359306500	• DECAL	4				
12	0359307400	• DECAL	3				
13	0359306600	• SYMBOL MARK	1				
14	0359306700	• SYMBOL MARK	1				
15	0569322200	• DECAL	1		1703004~1703515		ISO
15-1	0359325240	• DECAL	1	(H)	1703516~		ISO
15-2	0569322300	• DECAL	1		1703004~1703515		JCB
15-3	0359313800	• DECAL	1	(H)	1703516~		JCB
16	0439301500	• DECAL	1		1703004~1703515		
16-1	0359325170	• DECAL	1	(H)	1703516~		
17	0439301000	• SYMBOL MARK	1		1703004~1703515		
17-1	0329360100	• SYMBOL MARK	1	(H)	1703516~		
18	0569322100	• DECAL	1		1703004~1703515		
18-1	0359325190	• DECAL	1	(H)	1703516~		
19	X *****	• DECAL	1				
20	X *****	• SCREW	2				
21	X *****	• DECAL	1				
22	0569321800	• DECAL	1		1703004~1703079		
22-1	0569321950	• DECAL	1		1703080~		
23	0569321900	• DECAL	1				
24	0569321910	• DECAL	1				
25	0569321940	• DECAL	1				
28	0569321980	• DECAL	1				
29	0359313700	• DECAL	1				
30	0569326400	• DECAL	1				
31	0569335060	• DECAL	1		1703516~		
32	0359313900	• DECAL	1		1997. 1~		for U.S.A.
34	0399300400	• DECAL	1				
35	X *****	• DECAL	1				
36	X *****	• DECAL	1				
37	X *****	• DECAL	1				
38	0399300500	• DECAL	3				
39	0569321200	• DECAL	1				
	L143c3L						

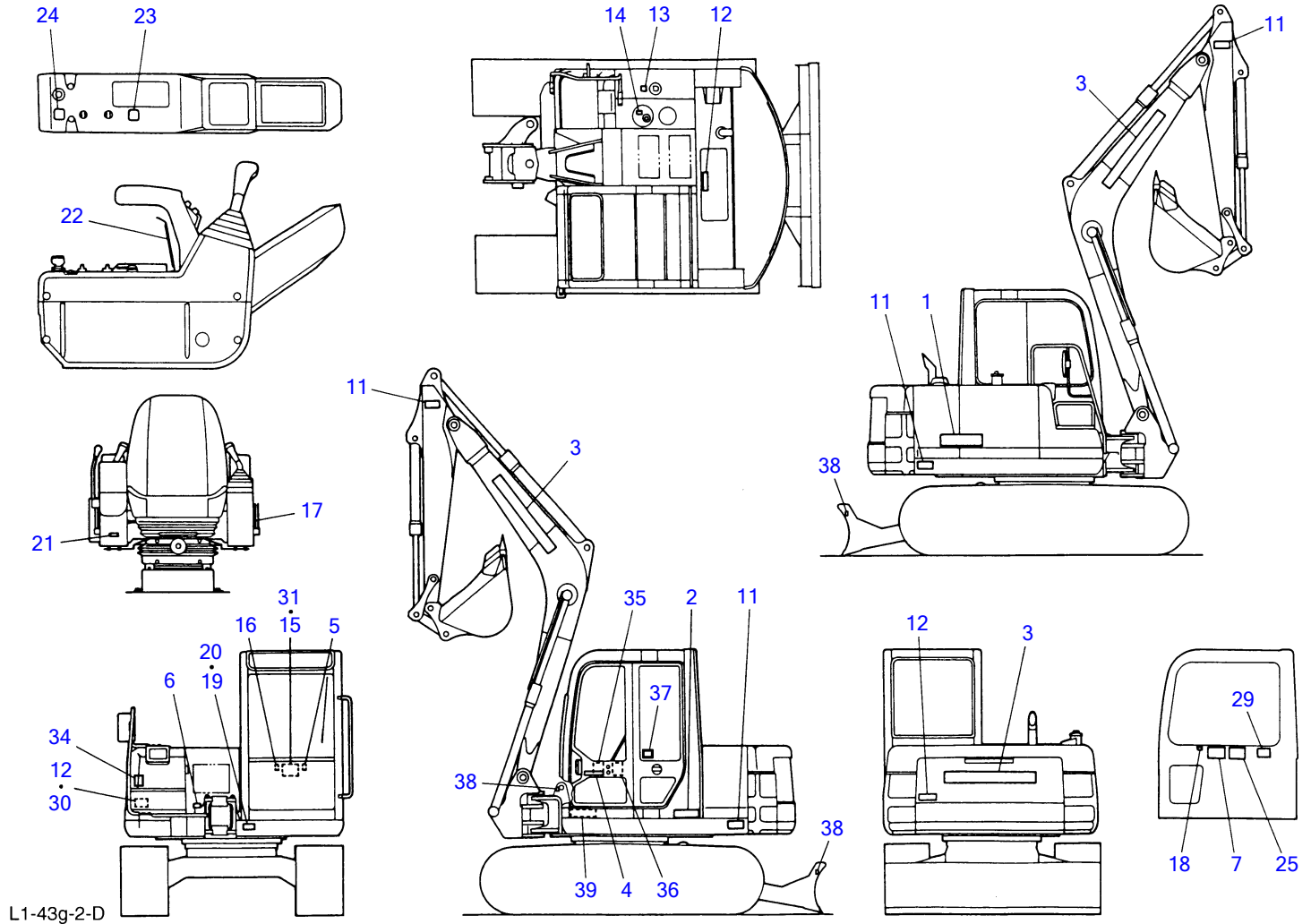


Item	Part number	Description	DECAL (English)		Serial No.	Serv.	Remarks
			Q'ty	Chan.			
0	0569321000	DECAL SET	1				machine color; marine blue
	0569326000	DECAL SET	1				machine color; red and gray
	0569337000	DECAL SET	1				for U.S.A.
1	0569321100	• DECAL	1				
2	0569321200	• DECAL	1				machine color; marine blue
	0569326100	• DECAL	1				machine color; red and gray
3	0569321300	• DECAL	3				
4	0569321400	• DECAL	1				
5	0569321500	• DECAL	1		1703004~1703515		
5-1	0569335070	• DECAL	1	(H)	1703516~		
6	0569321600	• DECAL	1		1703004~1703515		
6-1	0359325220	• DECAL	1	(H)	1703516~		
7	0569326700	• DECAL	1				
11	0359306500	• DECAL	4				
12	0359307400	• DECAL	3				
13	0359306600	• SYMBOL MARK	1				
14	0359306700	• SYMBOL MARK	1				
15	0569322200	• DECAL	1		1703004~1703515		ISO
15-1	0359325240	• DECAL	1	(H)	1703516~		ISO
15-2	0569322300	• DECAL	1		1703004~1703515		JCB
15-3	0359313800	• DECAL	1	(H)	1703516~		JCB
16	0439301500	• DECAL	1		1703004~1703515		
16-1	0359325170	• DECAL	1	(H)	1703516~		
17	0439301000	• SYMBOL MARK	1		1703004~1703515		
17-1	0329360100	• SYMBOL MARK	1	(H)	1703516~		
18	0569322100	• DECAL	1		1703004~1703515		
18-1	0359325190	• DECAL	1	(H)	1703516~		
19	X *****	• DECAL	1				
20	X *****	• SCREW	2				
21	X *****	• DECAL	1				
22	0569321800	• DECAL	1		1703004~1703079		
22-1	0569321950	• DECAL	1		1703080~		
23	0569321900	• DECAL	1				
24	0569321910	• DECAL	1				
25	0569321940	• DECAL	1				
28	0569321980	• DECAL	1				
29	0359313700	• DECAL	1				
30	0569326400	• DECAL	1				
31	0569335060	• DECAL	1		1703516~		
32	0359313900	• DECAL	1		1997. 1~		for U.S.A.
34	0399300400	• DECAL	1				
35	X *****	• DECAL	1				
36	X *****	• DECAL	1				
37	X *****	• DECAL	1				
38	0399300500	• DECAL	3				
39	0569321200	• DECAL	1				
	L143c3L						



Item	Part number	Description	DECAL (German)		Serial No.	Serv.	Remarks
			Q'ty	Chan.			
0	0569322000	DECAL SET	1				machine color; marine blue
	0569327000	DECAL SET	1				machine color; red and gray
1	0569321100	• DECAL	1				
2	0569321200	• DECAL	1				machine color; marine blue
	0569326100	• DECAL	1				machine color; red and gray
3	0569321300	• DECAL	3				
4	0569321400	• DECAL	1				
5	0569321500	• DECAL	1		1703004~1703515		
5-1	0569335070	• DECAL	1	(H)	1703516~		
6	0569321600	• DECAL	1		1703004~1703515		
6-1	0359325220	• DECAL	1	(H)	1703516~		
7	0569327700	• DECAL	1				
11	0359308100	• DECAL	4				
12	0359314400	• DECAL	3				
13	0359306600	• SYMBOL MARK	1				
14	0359306700	• SYMBOL MARK	1				
15	0569327200	• DECAL	1		1703004~1703515		ISO
15-1	0359325240	• DECAL	1	(H)	1703516~		ISO
15-2	0569327300	• DECAL	1		1703004~1703515		JCB
15-3	0359313800	• DECAL	1	(H)	1703516~		JCB
16	0439301500	• DECAL	1		1703004~1703515		
16-1	0359325170	• DECAL	1	(H)	1703516~		
17	0439301000	• SYMBOL MARK	1		1703004~1703515		
17-1	0329360100	• SYMBOL MARK	1	(H)	1703516~		
18	0569327100	• DECAL	1		1703004~1703515		
18-1	0359325190	• DECAL	1	(H)	1703516~		
19	X *****	• DECAL	1				
20	X *****	• SCREW	2				
21	X *****	• DECAL	1				
22	0569327950	• DECAL	1				
23	0569321900	• DECAL	1				
24	0569321910	• DECAL	1				
25	0569327940	• DECAL	1				
29	0359314700	• DECAL	1				
30	0569327400	• DECAL	1				
31	0569327800	• DECAL	1		1703516~		
34	0399300400	• DECAL	1				
35	X *****	• DECAL	1				
36	X *****	• DECAL	1				
37	X *****	• DECAL	1				
38	0399300500	• DECAL	3				
39	0569321200	• DECAL	1				

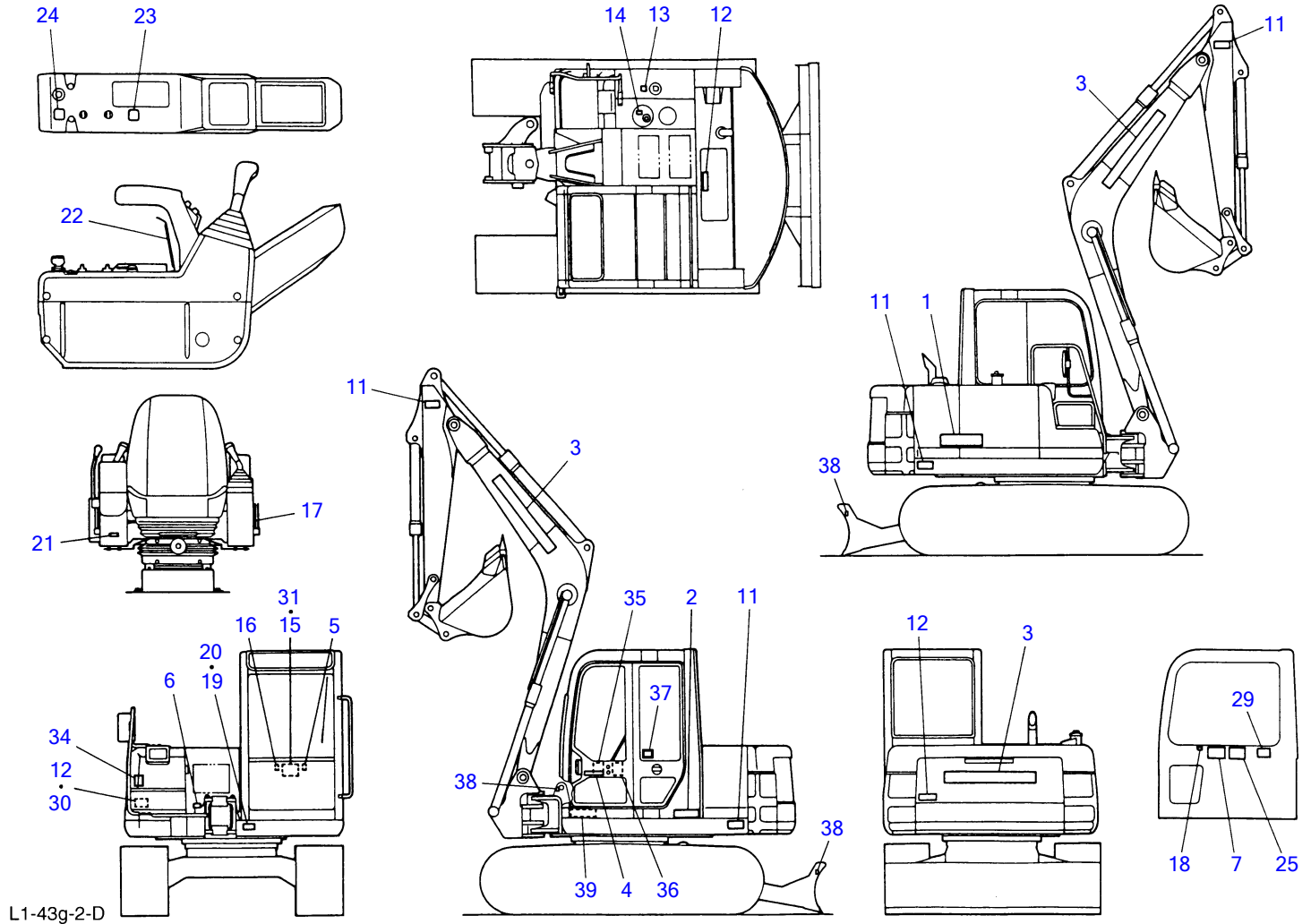
L143g2L





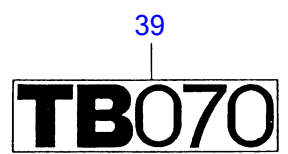
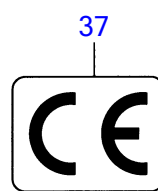
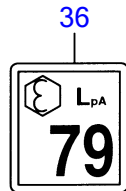
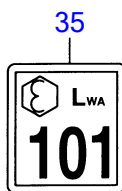
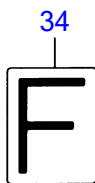
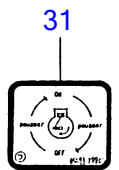
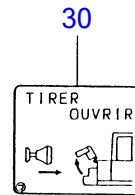
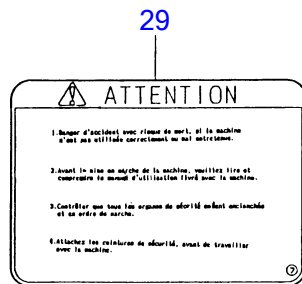
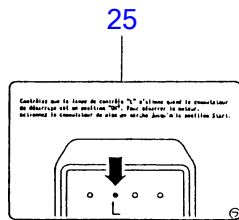
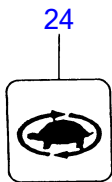
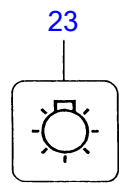
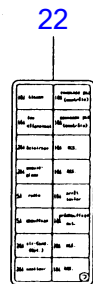
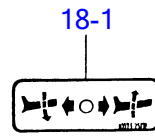
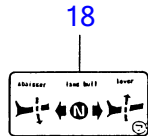
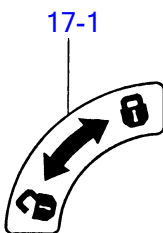
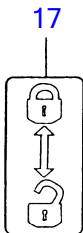
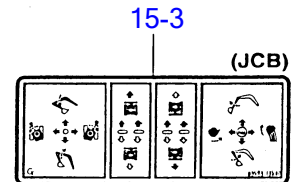
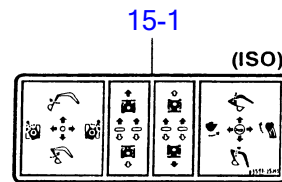
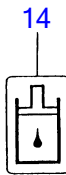
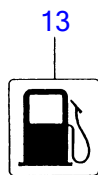
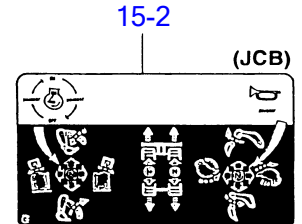
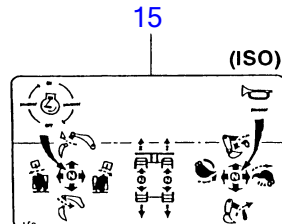
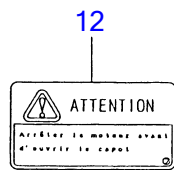
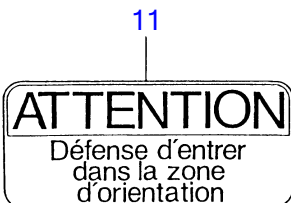
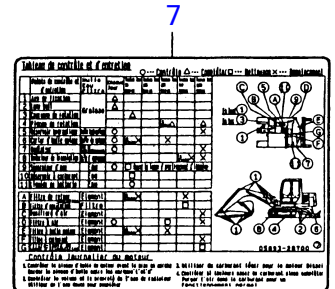
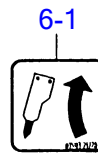
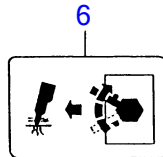
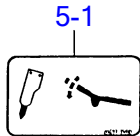
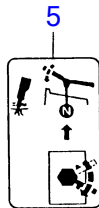
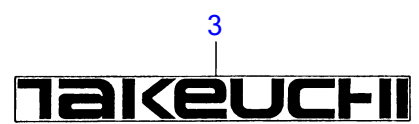
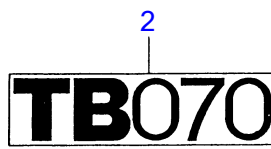
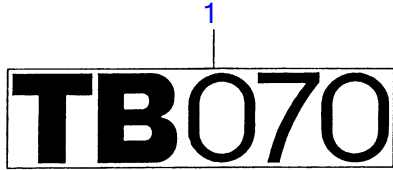
Item	Part number	Description	DECAL (German)		Serial No.	Serv.	Remarks
			Q'ty	Chan.			
0	0569322000	DECAL SET	1				machine color; marine blue
	0569327000	DECAL SET	1				machine color; red and gray
1	0569321100	• DECAL	1				
2	0569321200	• DECAL	1				machine color; marine blue
	0569326100	• DECAL	1				machine color; red and gray
3	0569321300	• DECAL	3				
4	0569321400	• DECAL	1				
5	0569321500	• DECAL	1		1703004~1703515		
5-1	0569335070	• DECAL	1	(H)	1703516~		
6	0569321600	• DECAL	1		1703004~1703515		
6-1	0359325220	• DECAL	1	(H)	1703516~		
7	0569327700	• DECAL	1				
11	0359308100	• DECAL	4				
12	0359314400	• DECAL	3				
13	0359306600	• SYMBOL MARK	1				
14	0359306700	• SYMBOL MARK	1				
15	0569327200	• DECAL	1		1703004~1703515		ISO
15-1	0359325240	• DECAL	1	(H)	1703516~		ISO
15-2	0569327300	• DECAL	1		1703004~1703515		JCB
15-3	0359313800	• DECAL	1	(H)	1703516~		JCB
16	0439301500	• DECAL	1		1703004~1703515		
16-1	0359325170	• DECAL	1	(H)	1703516~		
17	0439301000	• SYMBOL MARK	1		1703004~1703515		
17-1	0329360100	• SYMBOL MARK	1	(H)	1703516~		
18	0569327100	• DECAL	1		1703004~1703515		
18-1	0359325190	• DECAL	1	(H)	1703516~		
19	X *****	• DECAL	1				
20	X *****	• SCREW	2				
21	X *****	• DECAL	1				
22	0569327950	• DECAL	1				
23	0569321900	• DECAL	1				
24	0569321910	• DECAL	1				
25	0569327940	• DECAL	1				
29	0359314700	• DECAL	1				
30	0569327400	• DECAL	1				
31	0569327800	• DECAL	1		1703516~		
34	0399300400	• DECAL	1				
35	X *****	• DECAL	1				
36	X *****	• DECAL	1				
37	X *****	• DECAL	1				
38	0399300500	• DECAL	3				
39	0569321200	• DECAL	1				

L143g2L

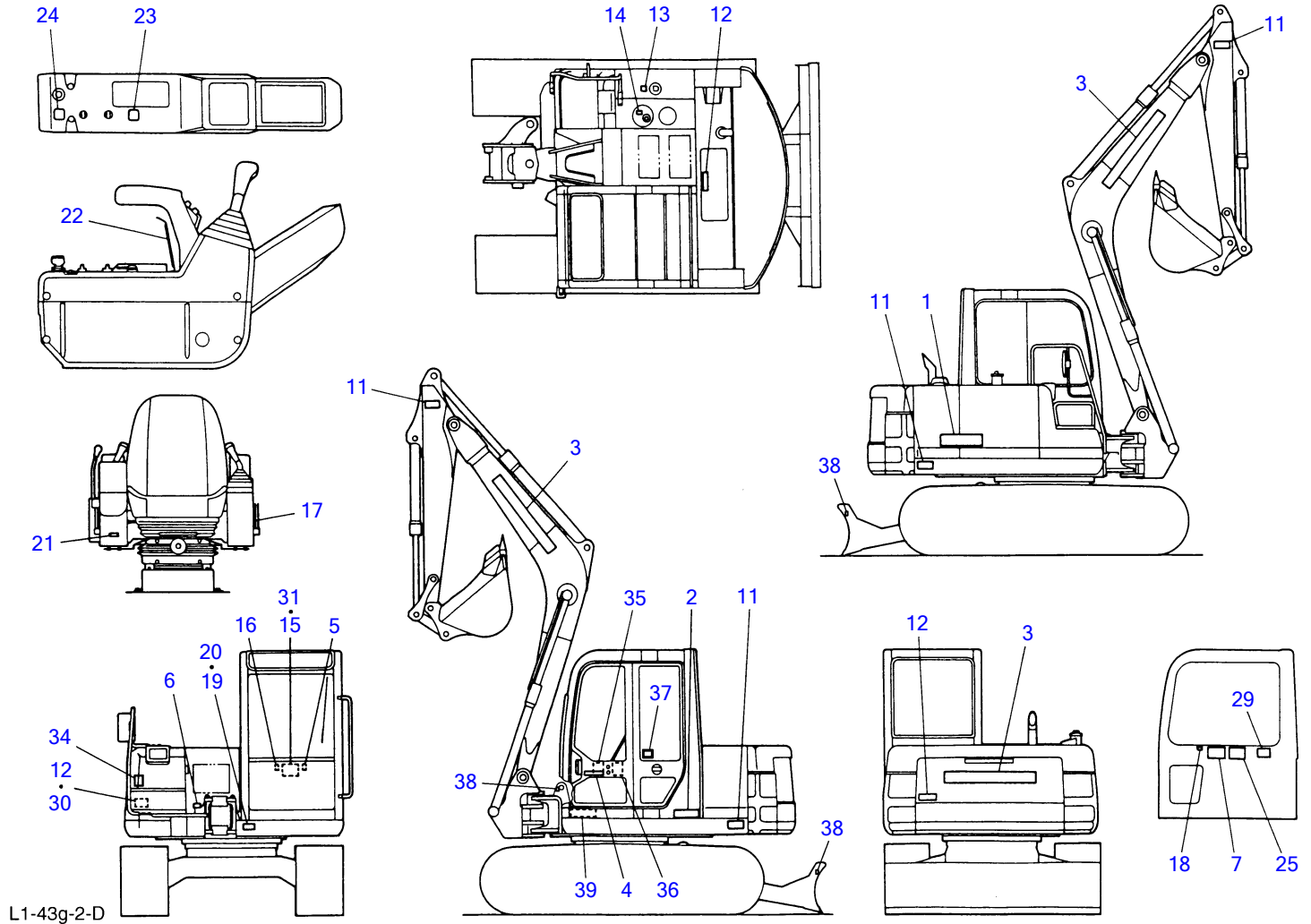


Item	Part number	Description	DECAL (French)		Serial No.	Serv.	Remarks
			Q'ty	Chan.			
0	0569323000	DECAL SET	1				machine color; marine blue
	0569328000	DECAL SET	1				machine color; red and gray
1	0569321100	• DECAL	1				
2	0569321200	• DECAL	1				machine color; marine blue
	0569326100	• DECAL	1				machine color; red and gray
3	0569321300	• DECAL	3				
4	0569321400	• DECAL	1				
5	0569321500	• DECAL	1		1703004~1703515		
5-1	0569335070	• DECAL	1	(H)	1703516~		
6	0569321600	• DECAL	1		1703004~1703515		
6-1	0359325220	• DECAL	1	(H)	1703516~		
7	0569328700	• DECAL	1				
11	0359309100	• DECAL	4				
12	0359315400	• DECAL	3				
13	0359306600	• SYMBOL MARK	1				
14	0359306700	• SYMBOL MARK	1				
15	0569328200	• DECAL	1		1703004~1703515		ISO
15-1	0359325240	• DECAL	1	(H)	1703516~		ISO
15-2	0569328300	• DECAL	1		1703004~1703515		JCB
15-3	0359313800	• DECAL	1	(H)	1703516~		JCB
16	0439301500	• DECAL	1		1703004~1703515		
16-1	0359325170	• DECAL	1	(H)	1703516~		
17	0439301000	• SYMBOL MARK	1		1703004~1703515		
17-1	0329360100	• SYMBOL MARK	1	(H)	1703516~		
18	0569328100	• DECAL	1		1703004~1703515		
18-1	0359325190	• DECAL	1	(H)	1703516~		
19	X *****	• DECAL	1				
20	X *****	• SCREW	2				
21	X *****	• DECAL	1				
22	0569328950	• DECAL	1				
23	0569321900	• DECAL	1				
24	0569321910	• DECAL	1				
25	0569328940	• DECAL	1				
29	0359315700	• DECAL	1				
30	0569328400	• DECAL	1				
31	0569328800	• DECAL	1		1703516~		
34	0399300400	• DECAL	1				
35	X *****	• DECAL	1				
36	X *****	• DECAL	1				
37	X *****	• DECAL	1				
38	0399300500	• DECAL	3				
39	0569321200	• DECAL	1				

L143i2L

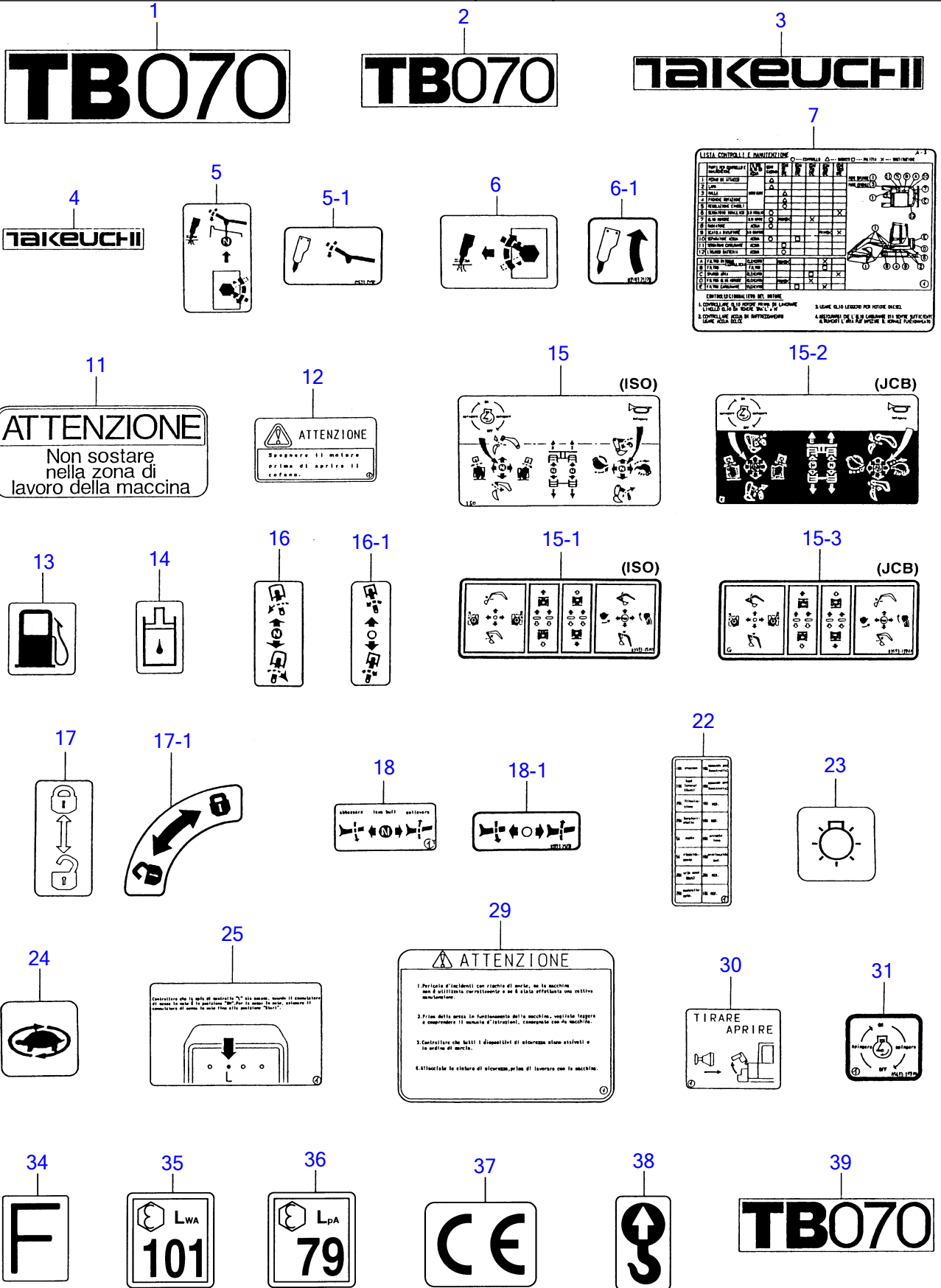


Item	Part number	Description	DECAL (French)		Serial No.	Serv.	Remarks
			Q'ty	Chan.			
0	0569323000	DECAL SET	1				machine color; marine blue
	0569328000	DECAL SET	1				machine color; red and gray
1	0569321100	• DECAL	1				
2	0569321200	• DECAL	1				machine color; marine blue
	0569326100	• DECAL	1				machine color; red and gray
3	0569321300	• DECAL	3				
4	0569321400	• DECAL	1				
5	0569321500	• DECAL	1		1703004~1703515		
5-1	0569335070	• DECAL	1	(H)	1703516~		
6	0569321600	• DECAL	1		1703004~1703515		
6-1	0359325220	• DECAL	1	(H)	1703516~		
7	0569328700	• DECAL	1				
11	0359309100	• DECAL	4				
12	0359315400	• DECAL	3				
13	0359306600	• SYMBOL MARK	1				
14	0359306700	• SYMBOL MARK	1				
15	0569328200	• DECAL	1		1703004~1703515		ISO
15-1	0359325240	• DECAL	1	(H)	1703516~		ISO
15-2	0569328300	• DECAL	1		1703004~1703515		JCB
15-3	0359313800	• DECAL	1	(H)	1703516~		JCB
16	0439301500	• DECAL	1		1703004~1703515		
16-1	0359325170	• DECAL	1	(H)	1703516~		
17	0439301000	• SYMBOL MARK	1		1703004~1703515		
17-1	0329360100	• SYMBOL MARK	1	(H)	1703516~		
18	0569328100	• DECAL	1		1703004~1703515		
18-1	0359325190	• DECAL	1	(H)	1703516~		
19	X *****	• DECAL	1				
20	X *****	• SCREW	2				
21	X *****	• DECAL	1				
22	0569328950	• DECAL	1				
23	0569321900	• DECAL	1				
24	0569321910	• DECAL	1				
25	0569328940	• DECAL	1				
29	0359315700	• DECAL	1				
30	0569328400	• DECAL	1				
31	0569328800	• DECAL	1		1703516~		
34	0399300400	• DECAL	1				
35	X *****	• DECAL	1				
36	X *****	• DECAL	1				
37	X *****	• DECAL	1				
38	0399300500	• DECAL	3				
39	0569321200	• DECAL	1				
	L143i2L						



Item	Part number	Description	DECAL (Italian)		Serial No.	Serv.	Remarks
			Q'ty	Chan.			
0	0569324000	DECAL SET	1				machine color; marine blue
	0569329000	DECAL SET	1				machine color; red and gray
1	0569321100	• DECAL	1				
2	0569321200	• DECAL	1				machine color; marine blue
	0569326100	• DECAL	1				machine color; red and gray
3	0569321300	• DECAL	3				
4	0569321400	• DECAL	1				
5	0569321500	• DECAL	1		1703004~1703515		
5-1	0569335070	• DECAL	1	(H)	1703516~		
6	0569321600	• DECAL	1		1703004~1703515		
6-1	0359325220	• DECAL	1	(H)	1703516~		
7	0569329700	• DECAL	1				
11	0359310100	• DECAL	4				
12	0359316400	• DECAL	3				
13	0359306600	• SYMBOL MARK	1				
14	0359306700	• SYMBOL MARK	1				
15	0569329200	• DECAL	1		1703004~1703515		ISO
15-1	0359325240	• DECAL	1	(H)	1703516~		ISO
15-2	0569329300	• DECAL	1		1703004~1703515		JCB
15-3	0359313800	• DECAL	1	(H)	1703516~		JCB
16	0439301500	• DECAL	1		1703004~1703515		
16-1	0359325170	• DECAL	1	(H)	1703516~		
17	0439301000	• SYMBOL MARK	1		1703004~1703515		
17-1	0329360100	• SYMBOL MARK	1	(H)	1703516~		
18	0569329100	• DECAL	1		1703004~1703515		
18-1	0359325190	• DECAL	1	(H)	1703516~		
19	X *****	• DECAL	1				
20	X *****	• SCREW	2				
21	X *****	• DECAL	1				
22	0569329950	• DECAL	1				
23	0569321900	• DECAL	1				
24	0569321910	• DECAL	1				
25	0569329940	• DECAL	1				
29	0359316700	• DECAL	1				
30	0569329400	• DECAL	1				
31	0569329800	• DECAL	1		1703516~		
34	0399300400	• DECAL	1				
35	X *****	• DECAL	1				
36	X *****	• DECAL	1				
37	X *****	• DECAL	1				
38	0399300500	• DECAL	3				
39	0569321200	• DECAL	1				

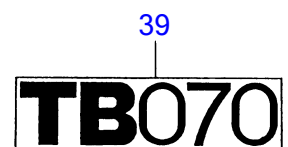
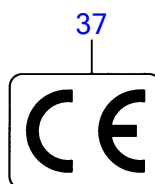
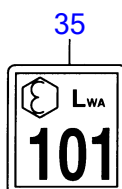
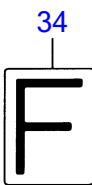
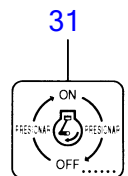
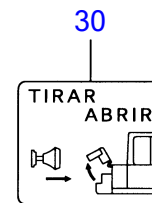
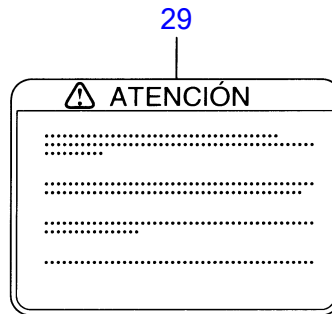
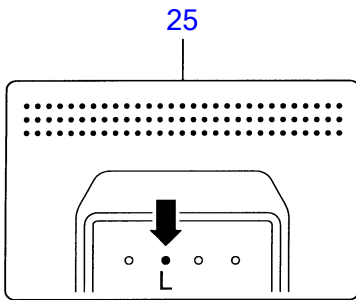
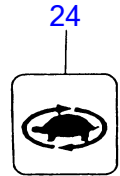
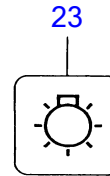
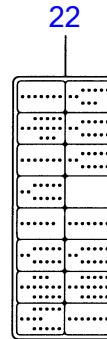
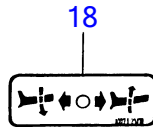
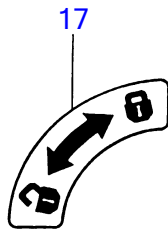
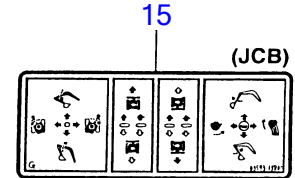
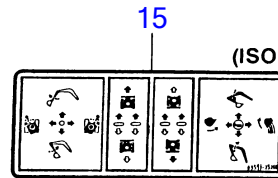
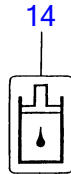
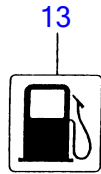
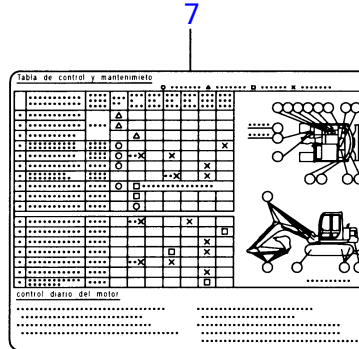
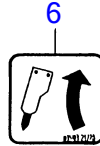
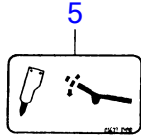
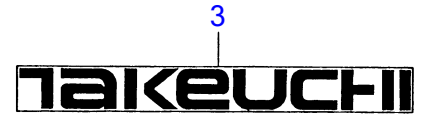
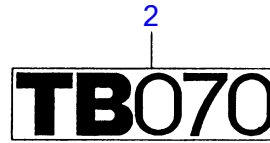
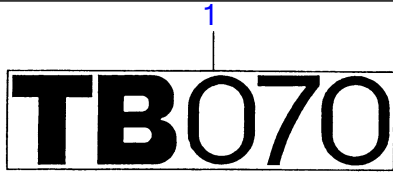
L143k2L



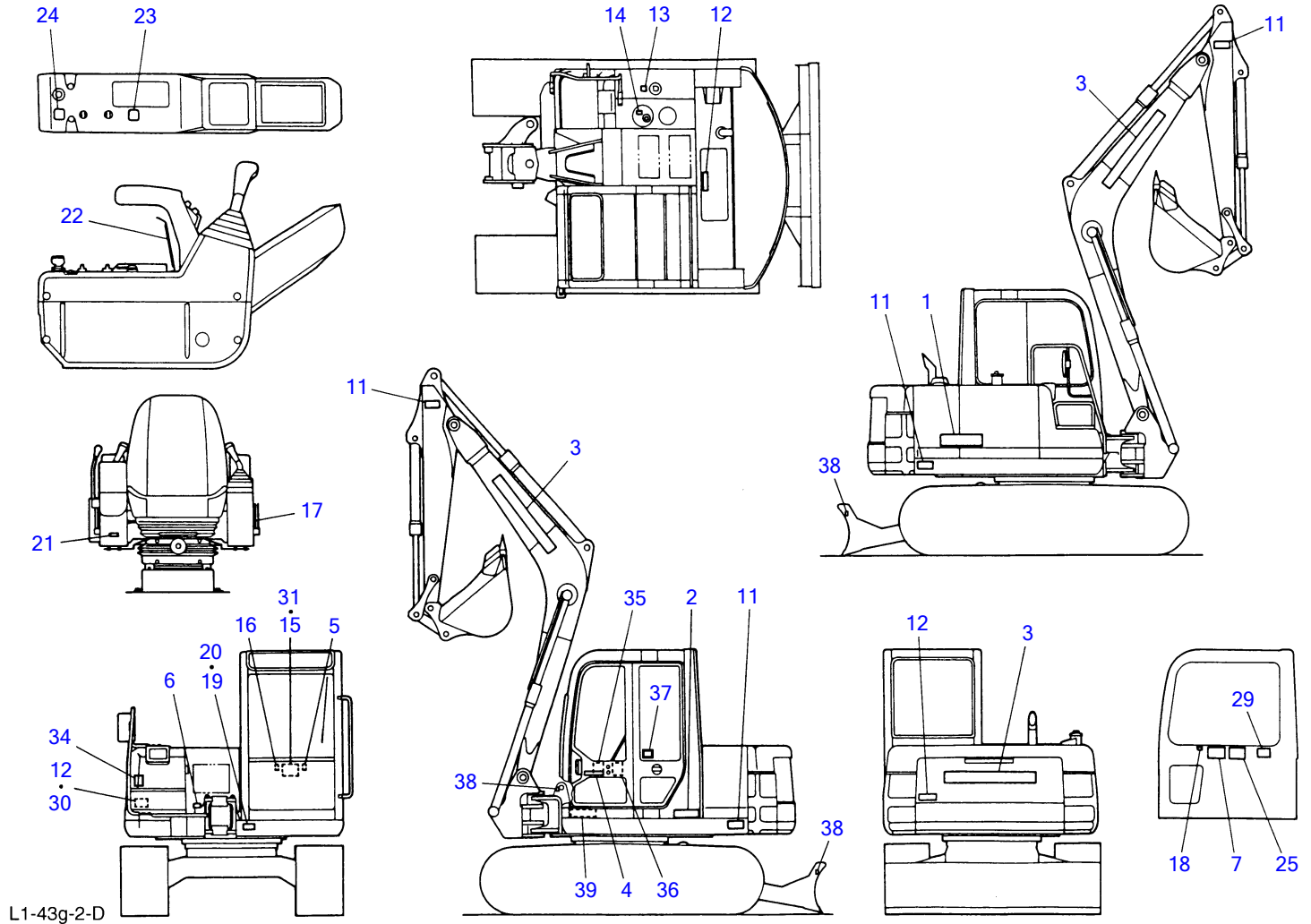


Item	Part number	Description	DECAL (Italian)		Serial No.	Serv.	Remarks
			Q'ty	Chan.			
0	0569324000	DECAL SET	1				machine color; marine blue
	0569329000	DECAL SET	1				machine color; red and gray
1	0569321100	• DECAL	1				
2	0569321200	• DECAL	1				machine color; marine blue
	0569326100	• DECAL	1				machine color; red and gray
3	0569321300	• DECAL	3				
4	0569321400	• DECAL	1				
5	0569321500	• DECAL	1		1703004~1703515		
5-1	0569335070	• DECAL	1	(H)	1703516~		
6	0569321600	• DECAL	1		1703004~1703515		
6-1	0359325220	• DECAL	1	(H)	1703516~		
7	0569329700	• DECAL	1				
11	0359310100	• DECAL	4				
12	0359316400	• DECAL	3				
13	0359306600	• SYMBOL MARK	1				
14	0359306700	• SYMBOL MARK	1				
15	0569329200	• DECAL	1		1703004~1703515		ISO
15-1	0359325240	• DECAL	1	(H)	1703516~		ISO
15-2	0569329300	• DECAL	1		1703004~1703515		JCB
15-3	0359313800	• DECAL	1	(H)	1703516~		JCB
16	0439301500	• DECAL	1		1703004~1703515		
16-1	0359325170	• DECAL	1	(H)	1703516~		
17	0439301000	• SYMBOL MARK	1		1703004~1703515		
17-1	0329360100	• SYMBOL MARK	1	(H)	1703516~		
18	0569329100	• DECAL	1		1703004~1703515		
18-1	0359325190	• DECAL	1	(H)	1703516~		
19	X *****	• DECAL	1				
20	X *****	• SCREW	2				
21	X *****	• DECAL	1				
22	0569329950	• DECAL	1				
23	0569321900	• DECAL	1				
24	0569321910	• DECAL	1				
25	0569329940	• DECAL	1				
29	0359316700	• DECAL	1				
30	0569329400	• DECAL	1				
31	0569329800	• DECAL	1		1703516~		
34	0399300400	• DECAL	1				
35	X *****	• DECAL	1				
36	X *****	• DECAL	1				
37	X *****	• DECAL	1				
38	0399300500	• DECAL	3				
39	0569321200	• DECAL	1				

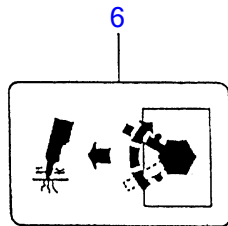
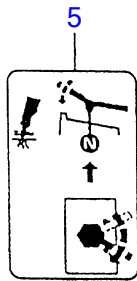
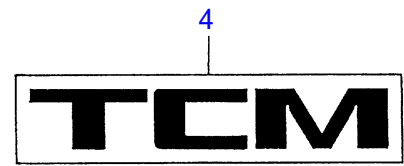
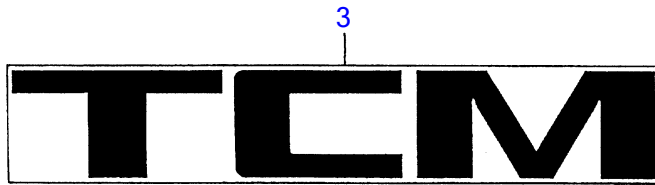
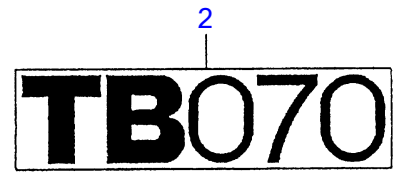
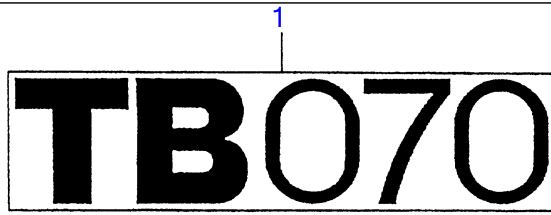
L143k2L



Item	Part number	Description	DECAL (spanish)			Remarks
			Q'ty	Chan.	Serial No. Serv.	
0	0569348000	DECAL SET	1			machine color; red and gray
1	0569321100	• DECAL	1			
2	0569326100	• DECAL	1			
3	0569321300	• DECAL	3			
4	0569321400	• DECAL	1			
5	0569335070	• DECAL	1			
6	0359325220	• DECAL	1			
7	0569348100	• DECAL	1			
11	0339364100	• DECAL	4			
12	0339364200	• DECAL	3			
13	0359306600	• SYMBOL MARK	1			
14	0359306700	• SYMBOL MARK	1			
15	0359325240	• DECAL	1			ISO
	0359313800	• DECAL	1			JCB
16	0359325170	• DECAL	1			
17	0329360100	• SYMBOL MARK	1			
18	0359325190	• DECAL	1			
19	X *****	• DECAL	1			
20	X *****	• SCREW	2			
21	X *****	• DECAL	1			
22	0569348300	• DECAL	1			
23	0569321900	• DECAL	1			
24	0569321910	• DECAL	1			
25	0569348200	• DECAL	1			
29	0339364500	• DECAL	1			
30	0569348400	• DECAL	1			
31	0569348500	• DECAL	1			
34	0399300400	• DECAL	1			
35	X *****	• DECAL	1			
36	X *****	• DECAL	1			
37	X *****	• DECAL	1			
38	0399300500	• DECAL	3			
39	0569321200	• DECAL	1			
	L143s0L					



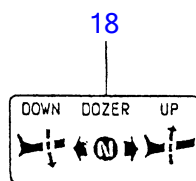
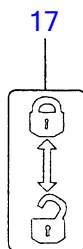
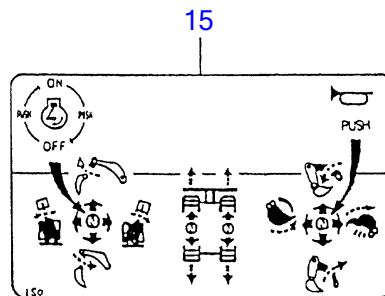
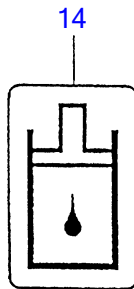
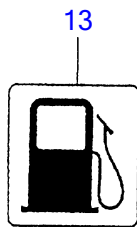
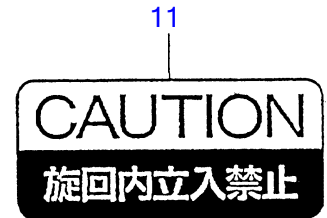
Item	Part number	Description	DECAL (spanish)			Remarks
			Q'ty	Chan.	Serial No. Serv.	
0	0569348000	DECAL SET	1			machine color; red and gray
1	0569321100	• DECAL	1			
2	0569326100	• DECAL	1			
3	0569321300	• DECAL	3			
4	0569321400	• DECAL	1			
5	0569335070	• DECAL	1			
6	0359325220	• DECAL	1			
7	0569348100	• DECAL	1			
11	0339364100	• DECAL	4			
12	0339364200	• DECAL	3			
13	0359306600	• SYMBOL MARK	1			
14	0359306700	• SYMBOL MARK	1			
15	0359325240	• DECAL	1			ISO
	0359313800	• DECAL	1			JCB
16	0359325170	• DECAL	1			
17	0329360100	• SYMBOL MARK	1			
18	0359325190	• DECAL	1			
19	X *****	• DECAL	1			
20	X *****	• SCREW	2			
21	X *****	• DECAL	1			
22	0569348300	• DECAL	1			
23	0569321900	• DECAL	1			
24	0569321910	• DECAL	1			
25	0569348200	• DECAL	1			
29	0339364500	• DECAL	1			
30	0569348400	• DECAL	1			
31	0569348500	• DECAL	1			
34	0399300400	• DECAL	1			
35	X *****	• DECAL	1			
36	X *****	• DECAL	1			
37	X *****	• DECAL	1			
38	0399300500	• DECAL	3			
39	0569321200	• DECAL	1			
	L143s0L					



8

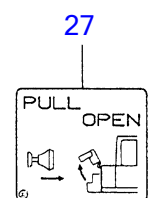
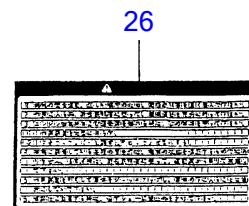
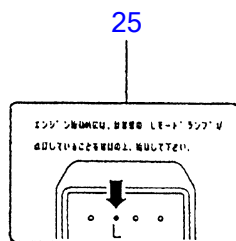
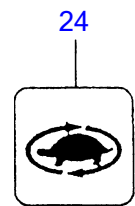
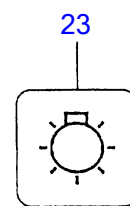
TB070 油圧シリンダ	
項目	保証
総重量 (kg)	7610
最大作業重量 (kg)	7195
自重 (kg)	7160
最大出力 (kW)	5.7
最高走行速度 (km/h)	3.0
最大掘削力 (kg)	575

株式会社 東洋建設株式会社

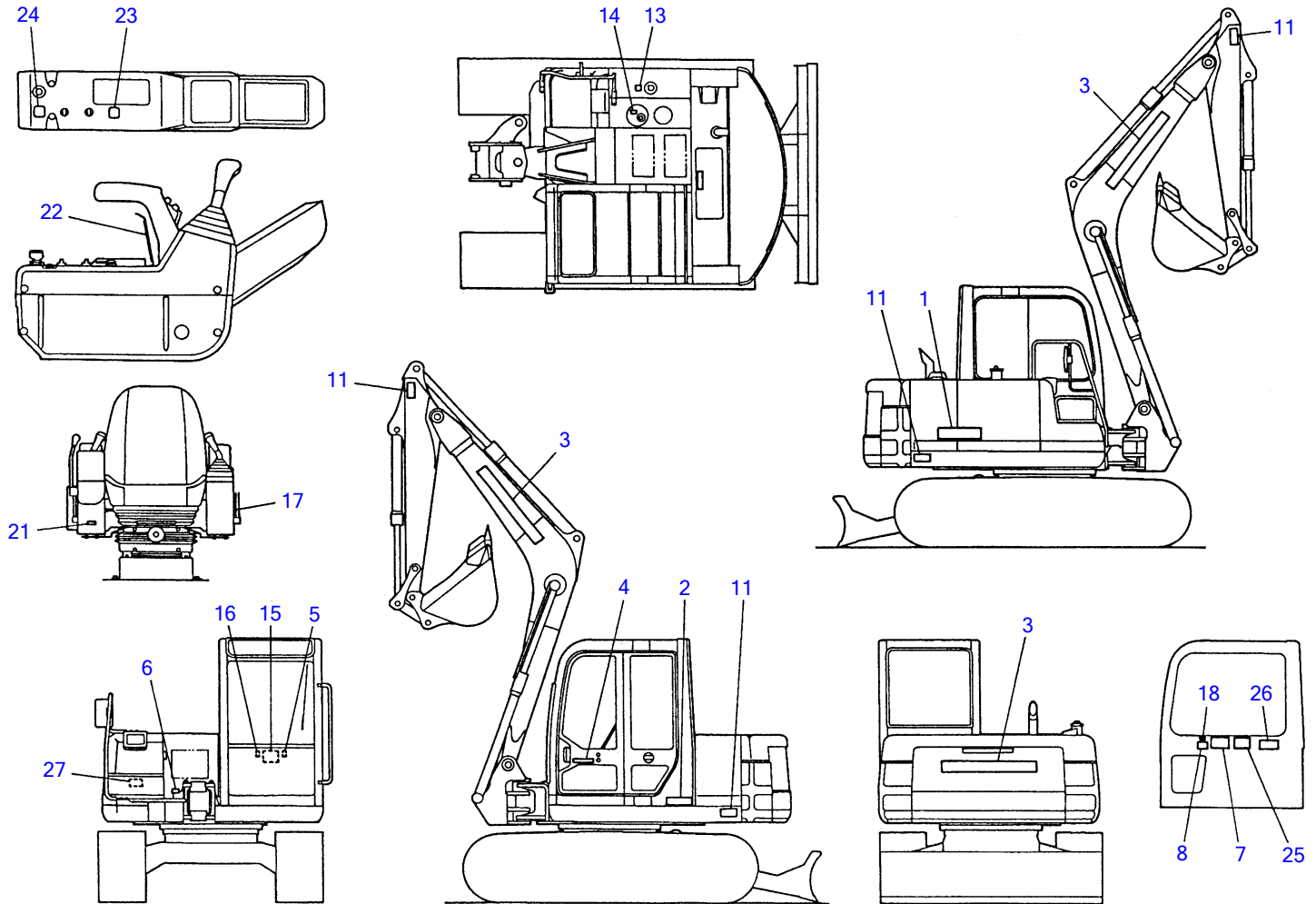


22

項目	保証
1000 mm	1000 mm
1000 mm	1000 mm
200 mm	200 mm
200 mm	200 mm
SA 1000	1000 mm
SA 1000	1000 mm
200 mm	200 mm
200 mm	200 mm



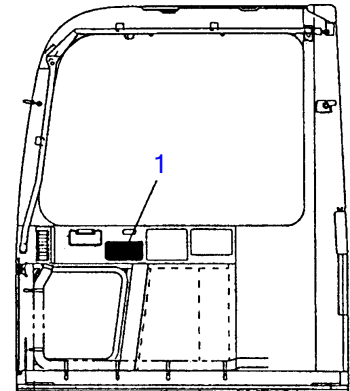
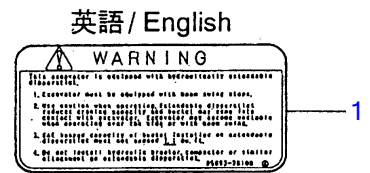
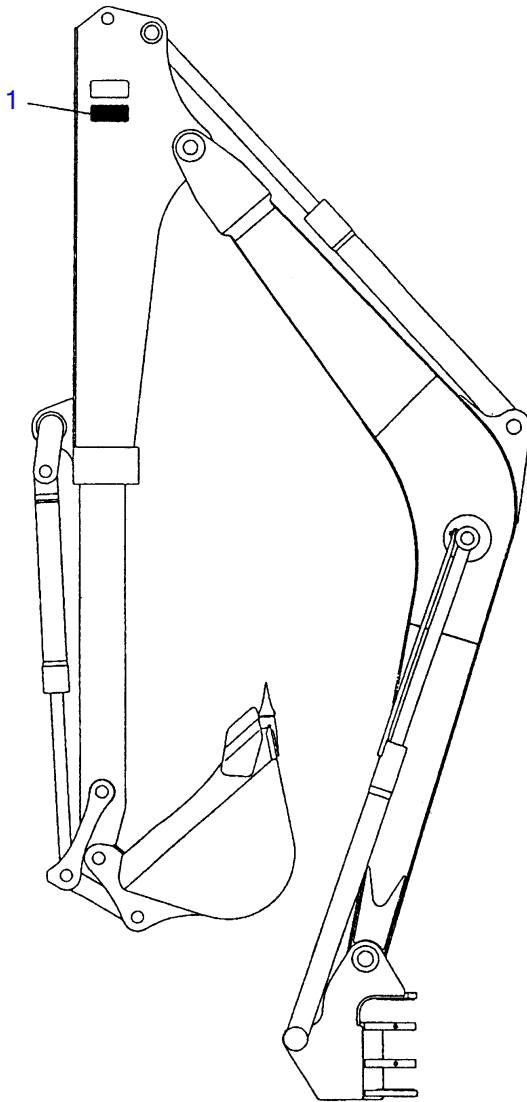
Item	Part number	Description	DECAL (for TCM)				Remarks
			Q'ty	Chan.	Serial No.	Serv.	
0	0569330000	DECAL SET	1				
1	0569321100	• DECAL	1				
2	0569321200	• DECAL	1				
3	0569330100	• DECAL	3				
4	0569330200	• DECAL	1				
5	0569321500	• DECAL	1				
6	0569321600	• DECAL	1				
7	X *****	• DECAL	1				
8	0569330300	• DECAL	1				
11	0359300900	• DECAL	4				
13	0359306600	• SYMBOL MARK	1				
14	0359306700	• SYMBOL MARK	1				
15	0569322200	• DECAL	1				ISO, A
16	0439301500	• DECAL	1				
17	0439301000	• SYMBOL MARK	1				
18	0569322100	• DECAL	1				
21	X *****	• DECAL	1				
22	0569321950	• DECAL	1				
23	0569321900	• DECAL	1				
24	0569321910	• DECAL	1				
25	0569321920	• DECAL	1				
26	0499300600	• DECAL	1				
27	0569326400	• DECAL	1				
	L143e1L						



L1-43e-1-D

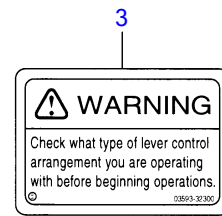
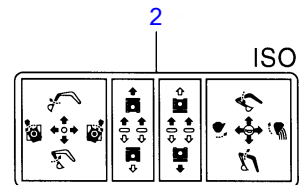
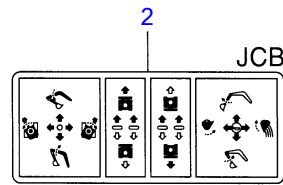
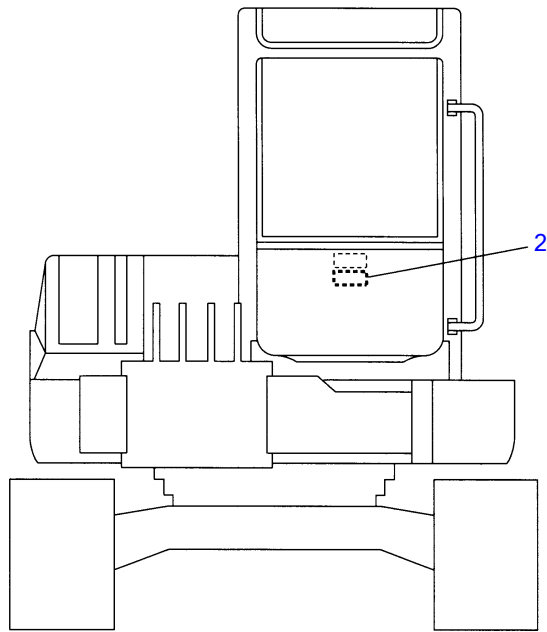
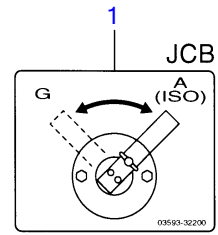
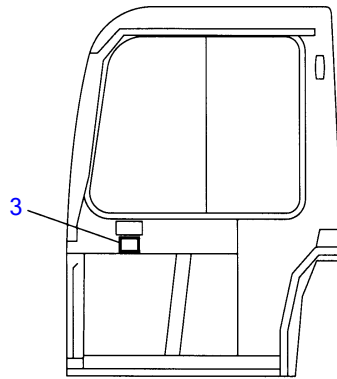
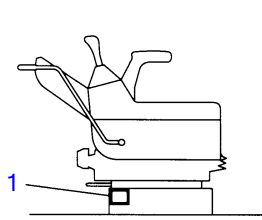


Item	Part number	Description	DECAL (for TCM)				Remarks
			Q'ty	Chan.	Serial No.	Serv.	
0	0569330000	DECAL SET	1				
1	0569321100	• DECAL	1				
2	0569321200	• DECAL	1				
3	0569330100	• DECAL	3				
4	0569330200	• DECAL	1				
5	0569321500	• DECAL	1				
6	0569321600	• DECAL	1				
7	X *****	• DECAL	1				
8	0569330300	• DECAL	1				
11	0359300900	• DECAL	4				
13	0359306600	• SYMBOL MARK	1				
14	0359306700	• SYMBOL MARK	1				
15	0569322200	• DECAL	1				ISO, A
16	0439301500	• DECAL	1				
17	0439301000	• SYMBOL MARK	1				
18	0569322100	• DECAL	1				
21	X *****	• DECAL	1				
22	0569321950	• DECAL	1				
23	0569321900	• DECAL	1				
24	0569321910	• DECAL	1				
25	0569321920	• DECAL	1				
26	0499300600	• DECAL	1				
27	0569326400	• DECAL	1				
	L143e1L						



L1-43p-0-D

Item	Part number	Description	DECAL (telescopic arm)				Remarks
			Q'ty	Chan.	Serial No.	Serv.	
1	0569338100	DECAL; English	2				
	0569339100	DECAL; German	2				
	L143p0L						



(English)

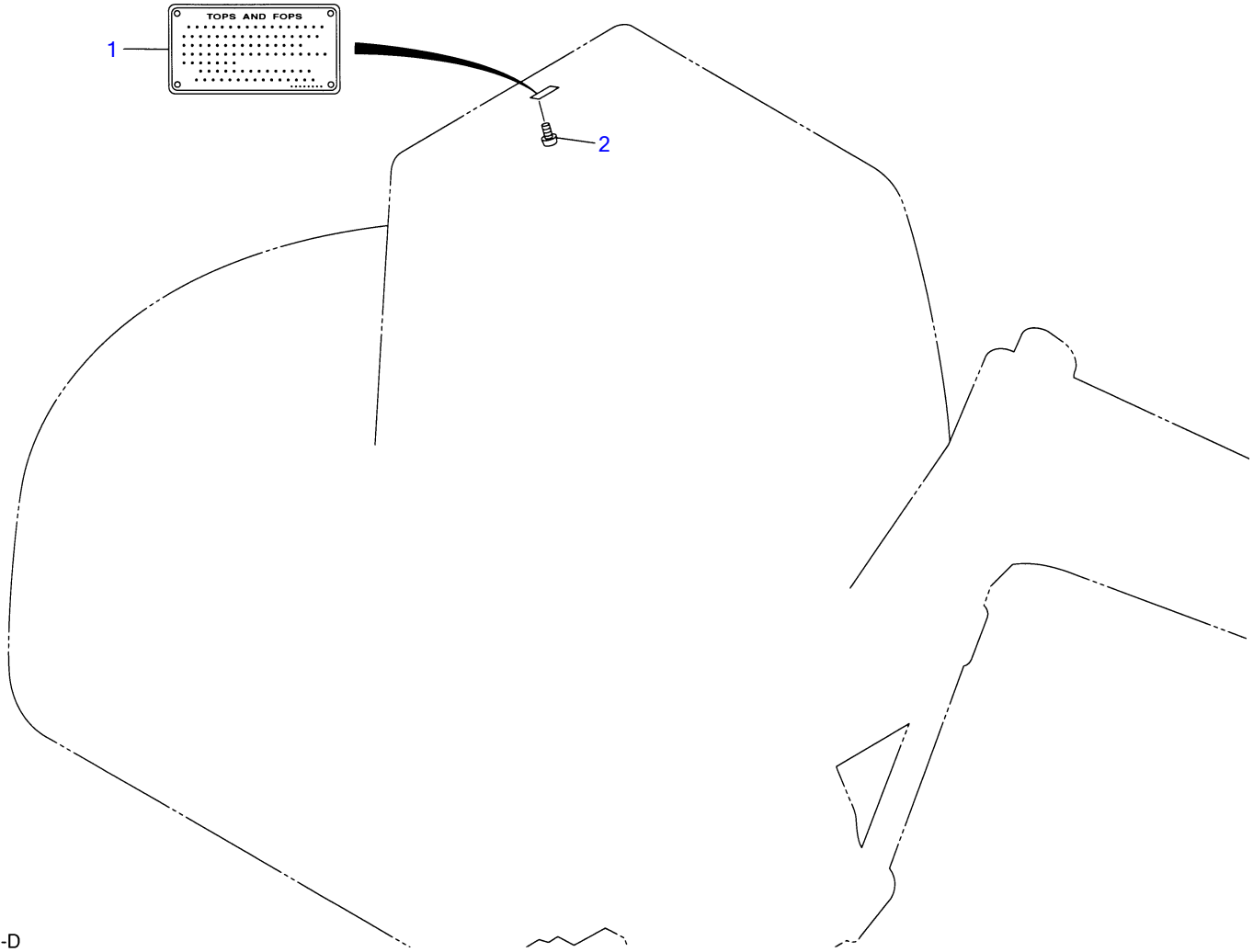


(German)

L1-43r-0-D

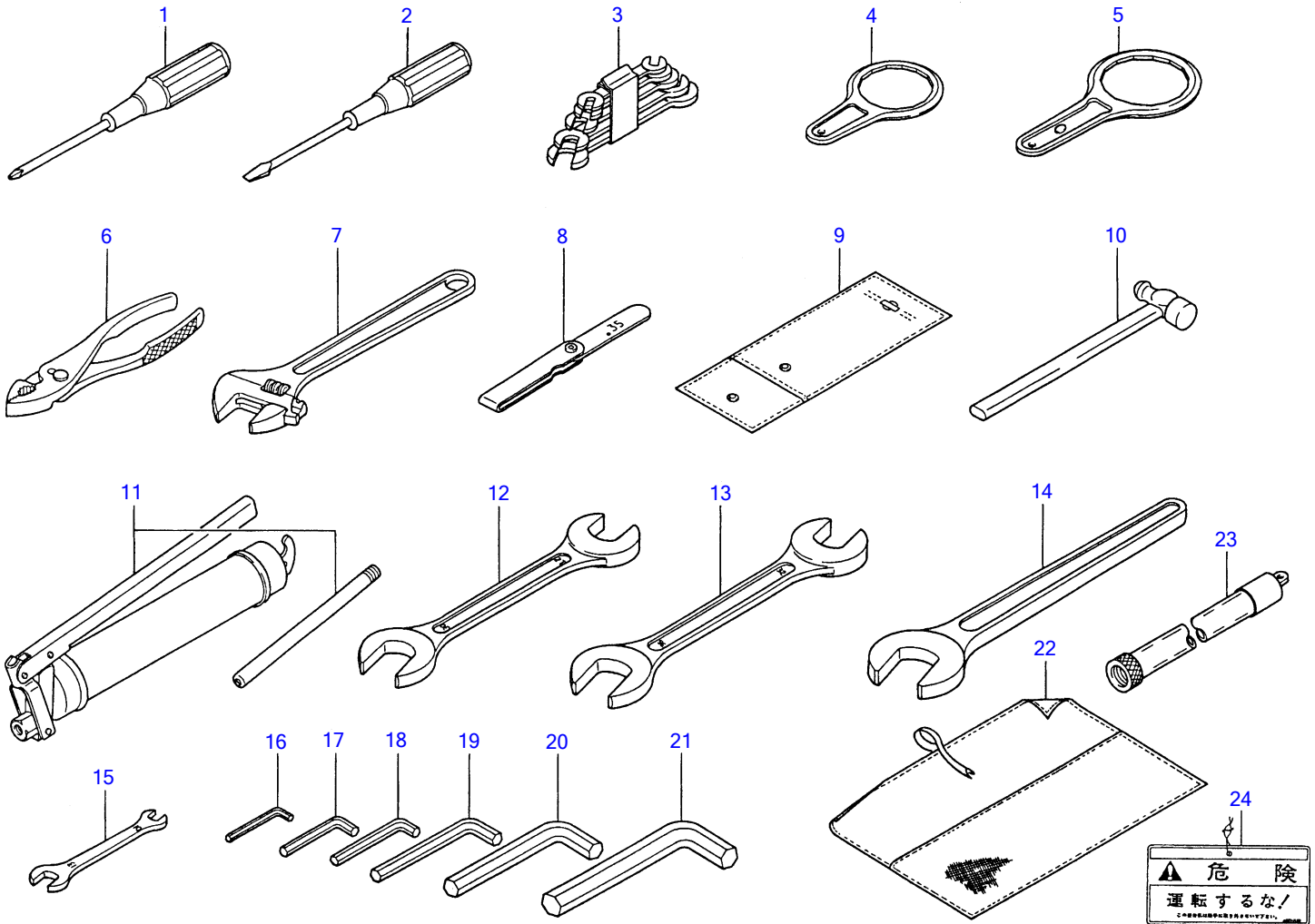
**DECAL (selector valve)**

Item	Part number	Description	Q'ty	Chan.	Serial No.	Serv.	Remarks
0	<b>0569341000</b>	DECAL SET(ISO-JCB)	1				English
	<b>0569342000</b>	DECAL SET(ISO-JCB)	1				German
1	<b>0359332200</b>	• DECAL(ISO-JCB)	1				
2	<b>0359313800</b>	• DECAL(JCB)	1				
	<b>0359325240</b>	• DECAL(ISO)	1				
3	<b>0359332300</b>	• DECAL(ISO-JCB)	1				English
	<b>0359332400</b>	• DECAL(ISO-JCB)	1				German
	<b>L143r0L</b>						



L1-43u-0-D

Item	Part number	Description	Q'ty	DECAL (FOPS)			Remarks
				Chan.	Serial No.	Serv.	
0	0569350000	DECAL SET	1				
1	0569350100	· DECAL	1				
2	1122800006	· SCREW	4				
	L143u0L						

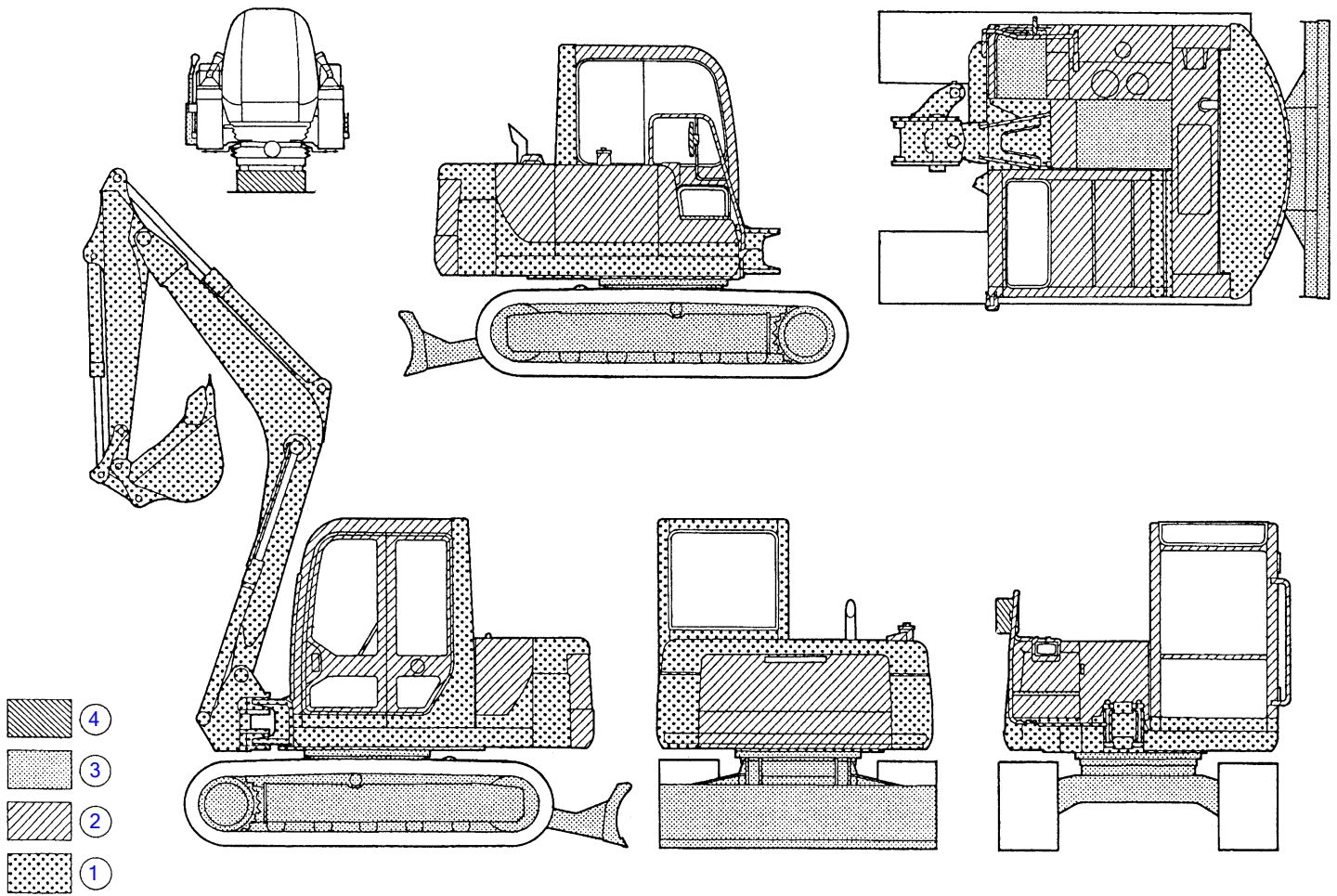


L1-44a-2-D



**TOOL & ACCESSORIES**

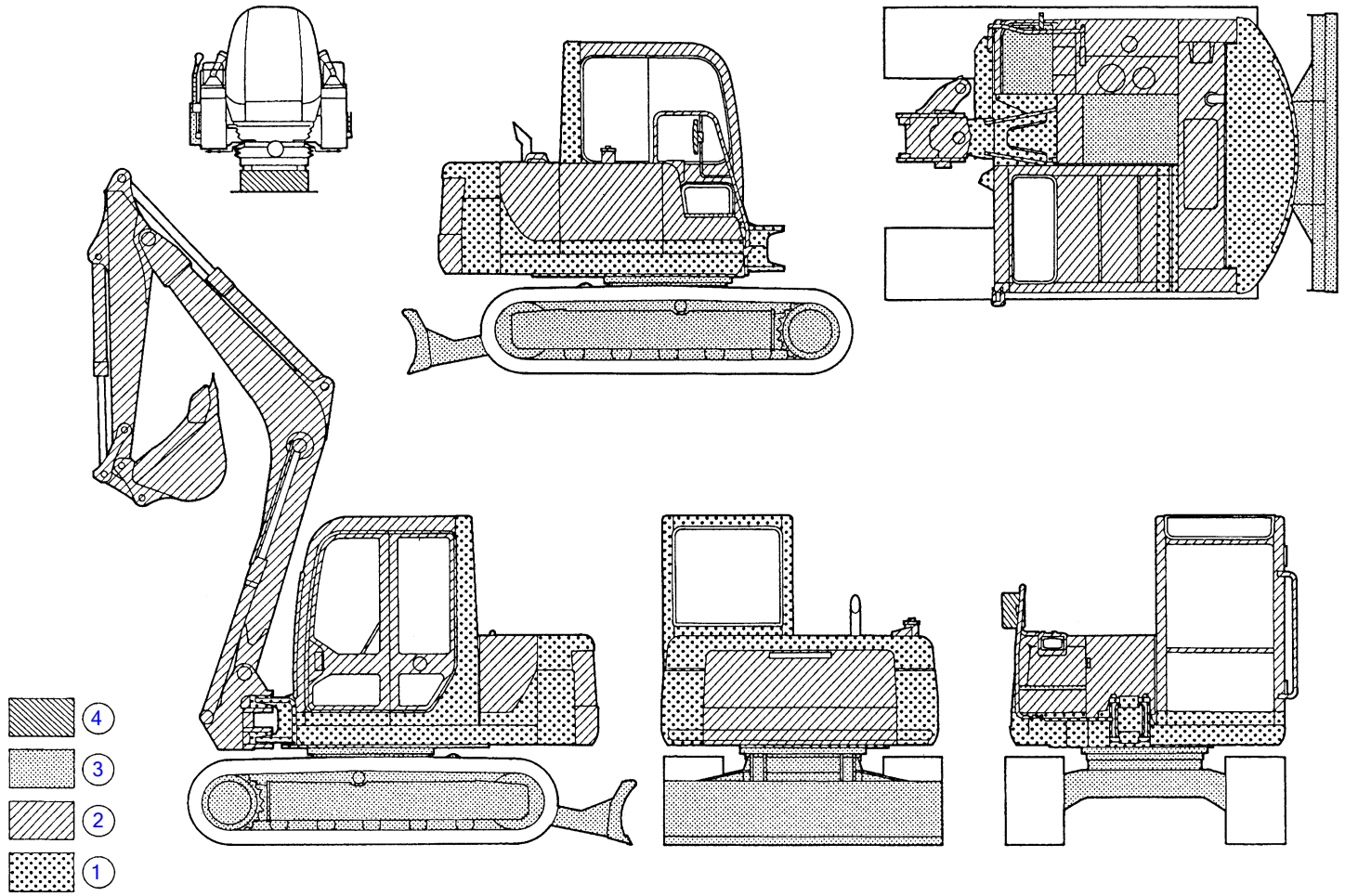
Item	Part number	Description	Q'ty	Chan.	Serial No.	Serv.	Remarks
0	<b>1910104080</b>	TOOL SET	1				
1	<b>1910104081</b>	▪ SCREWDRIVER (+)	1				Æ <sup>-</sup> » Ý 99508Z003
2	<b>1910104082</b>	▪ SCREWDRIVER (-)	1				Æ <sup>-</sup> » Ý 0299530100
3	<b>1910104083</b>	▪ SPANNER SET	1				Æ <sup>-</sup> » Ý 99507Z001
4	<b>1910104084</b>	▪ WRENCH, filter	1				Æ <sup>-</sup> » Ý 99755Z7000
5	<b>1910104085</b>	▪ WRENCH, filter	1				Æ <sup>-</sup> » Ý 99755Z7001
6	<b>1910104086</b>	▪ PLIER	1				Æ <sup>-</sup> » Ý 0299525100
7	<b>1910104087</b>	▪ MONKEY WRENCH	1				Æ <sup>-</sup> » Ý 0299520200
8	<b>1910104088</b>	▪ GAUGE	1				Æ <sup>-</sup> » Ý 99541Z5000
9	<b>1910104089</b>	▪ CASE, tool	1				Æ <sup>-</sup> » Ý 9959575000
10	<b>1690300330</b>	HAMMER	1				
11	<b>1691060600</b>	GUN ASSY, grease	1				
	<b>1691010800</b>	GUN ASSY, grease	1				for Japan
12	<b>1690002730</b>	SPANNER	1				
13	<b>1690003236</b>	SPANNER	1				
14	<b>1690100041</b>	SPANNER	1				
15	<b>1690001013</b>	SPANNER	1				
16	<b>1690600250</b>	WRENCH, hex	1				
17	<b>1690600500</b>	WRENCH, hex	1				
18	<b>1690600600</b>	WRENCH, hex	1				
19	<b>1690600800</b>	WRENCH, hex	1				
20	<b>1690601000</b>	WRENCH, hex	1				
21	<b>1690601200</b>	WRENCH, hex	1				
22	<b>1691400001</b>	CASE, tool	1				
23	<b>1554512200</b>	TUBE	1				for EU
24	<b>0359325160</b>	DECAL	1				for Japan
	<b>L144a3L</b>						



L1-A1a-1-D

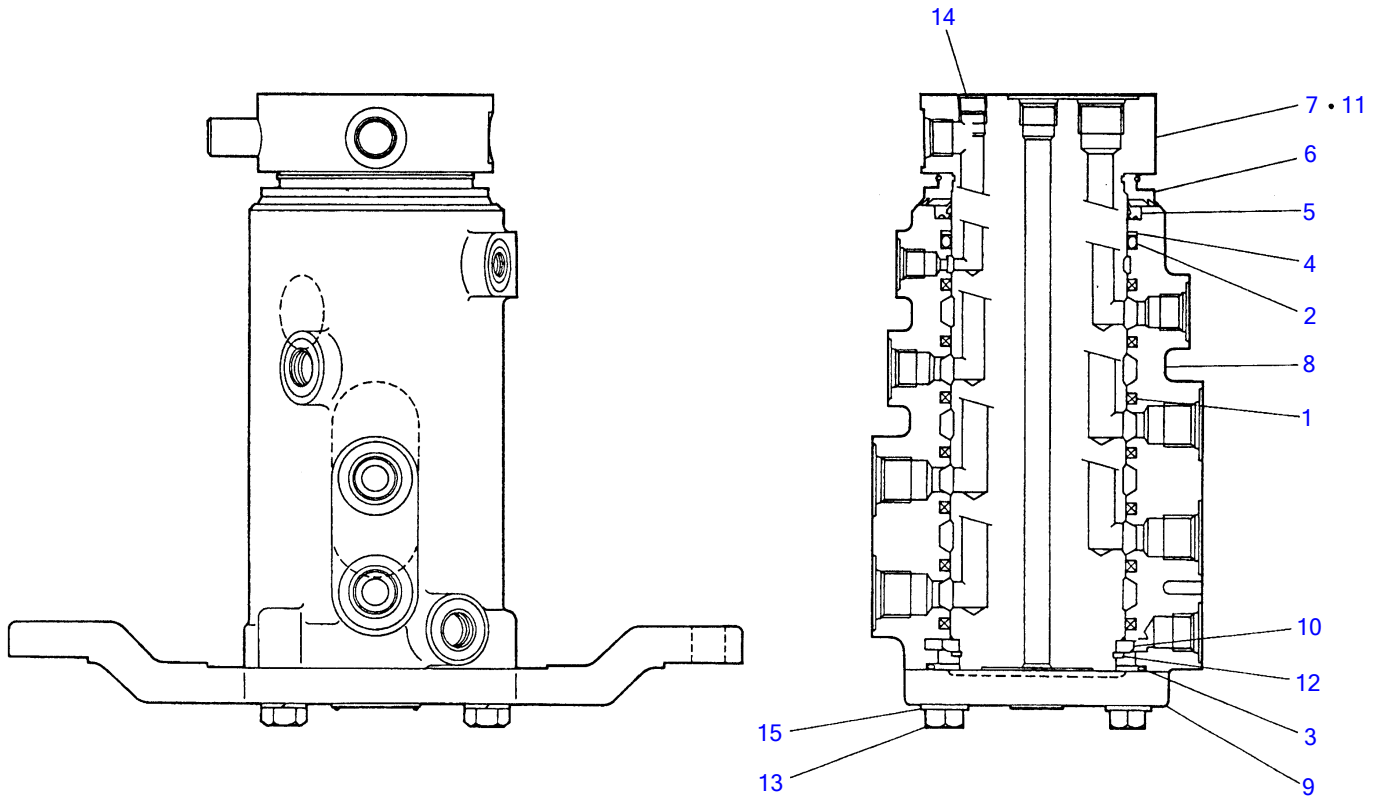
**PAINTED COLOR (for Japan)**

Item	Part number	Description	Q'ty	Chan.	Serial No.	Serv.	Remarks
		PAINTED COLOR					
		PAINTED COLOR					
1	<b>1919060140</b>	MARLINE BLUE	1				
	<b>1919069140</b>	MARLINE BLUE	1				spray
2	<b>1919060142</b>	LIGHT GRAY	1				
	<b>1919069142</b>	LIGHT GRAY	1				spray
3	<b>1919060144</b>	GRAY	1				
	<b>1919069144</b>	GRAY	1				spray
4	<b>1919060005</b>	BLACK	1				
7	<b>1919060090</b>	ORANGE YELLOW	1				FITTING,grease
	<b>L1A1a0L</b>						



L1-A1b-1-D

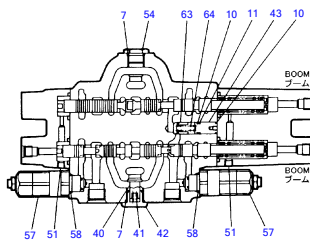
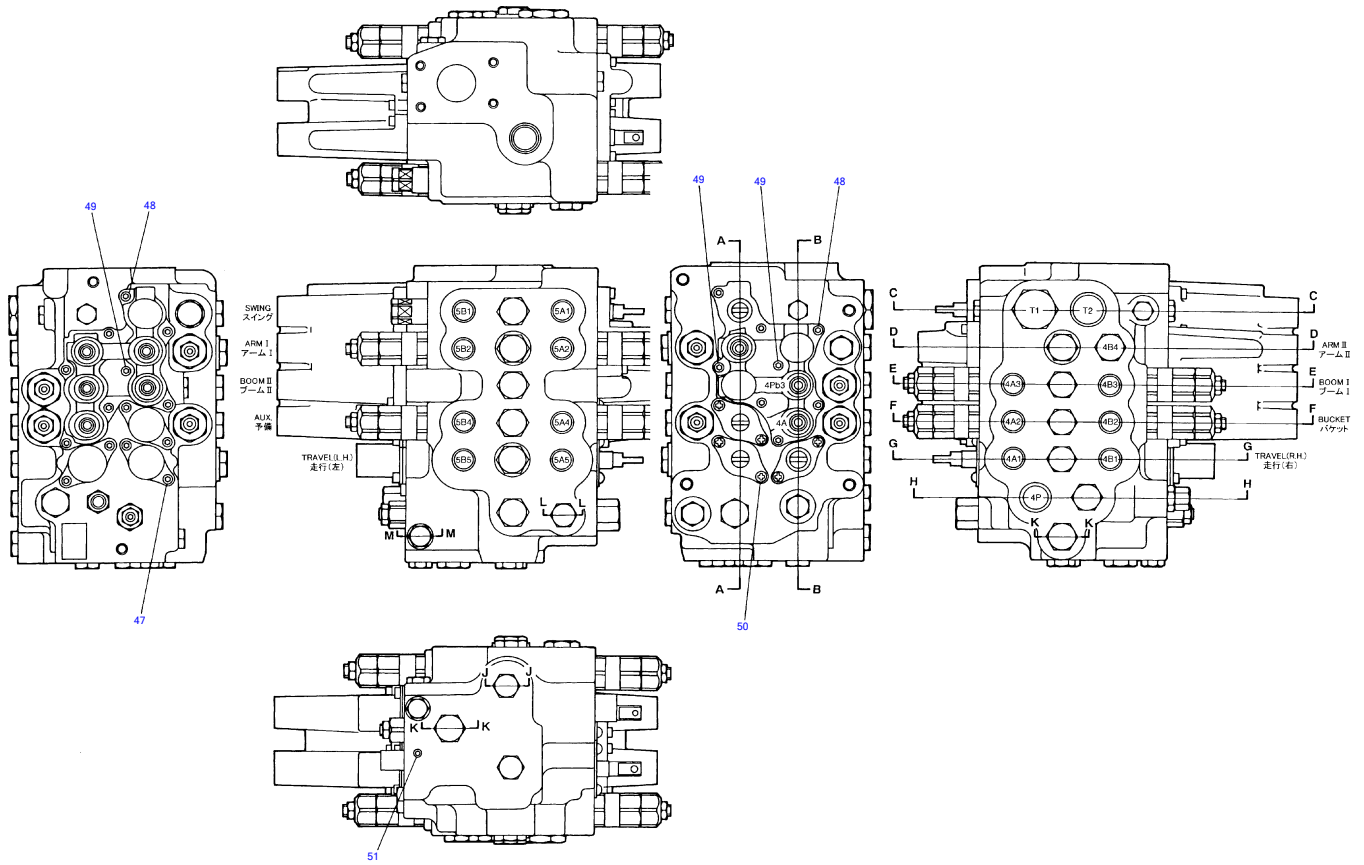
Item	Part number	Description	PAINTED COLOR			Remarks
			Q'ty	Chan.	Serial No.	
		PAINTED COLOR				
		PAINTED COLOR				
1	1919060105	RED	1			
	1919069025	RED	1			spray
2	1919060142	LIGHT GRAY	1			
	1919069142	LIGHT GRAY	1			spray
3	1919060144	GRAY	1			
	1919069144	GRAY	1			spray
4	1919060005	BLACK	1			
7	1919060090	ORANGE YELLOW	1			FITTING,grease
	L1A1b0L					



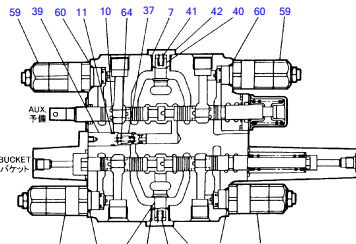
L1-45a-0-D

SWIVEL JOINT						
Item	Part number	Description	Q'ty	Chan.	Serial No.	Serv. Remarks
0	1904007400	JOINT, swivel	1		1703004~1704011	
	1904008000	JOINT, swivel	1	(H)	1704012~	
0-1	1904007499	• KIT, seal	1		1703004~1704011	
	1904008099	• KIT, seal	1		1704012~	
1	X 1904007406	• • SEAL	7		1703004~1704011	
	X 1904008006	• • SEAL	7		1704012~	
2	X 1420010800	• • O-RING	1			
3	X 1420110950	• • O-RING	1			
4	X 1421030800	• • RING, back-up	1			
5	X 1904000494	• • SEAL, dust	1			
6	X 1904002391	• • SEAL, dust	1			
7	1904007401	• SHAFT	1			
8	1904007402	• HUBE	1			
9	1904003621	• FRANGE	1			
10	1904003691	• SPACER	1			
11	1904007405	• PIN	1			
12	1220000072	• RING, snap	1			
13	1100051030	• BOLT	4			
14	1501810002	• PLUG	3			
15	1140010010	• WASHER, spring	4			
	L145a3L					

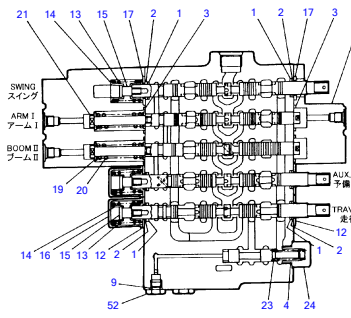
TB070 Book No.PL1-101Z5 S/N1703004-1705487  
**CONTROL VALVE 1 (1703004~1705080)**



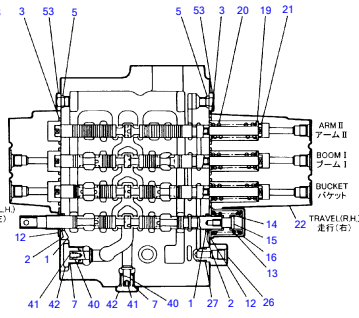
SECTION "E-E"



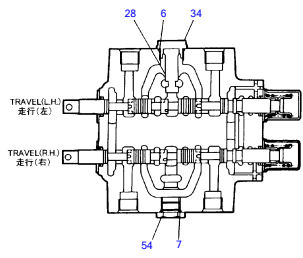
SECTION "F-F"



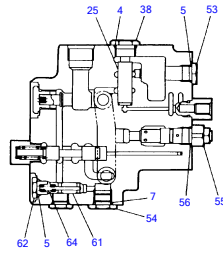
SECTION "A-A"



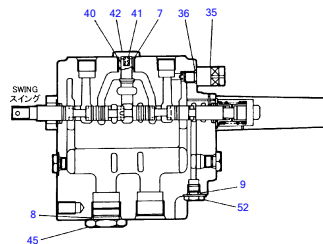
SECTION "B-B"



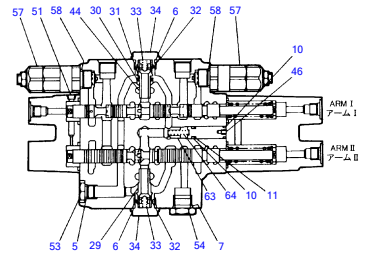
SECTION "G-G"



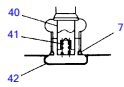
SECTION "H-H"



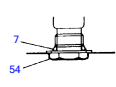
SECTION "C-C"



SECTION "D-D"



SECTION "J-J"



SECTION "K-K"



SECTION "L-L"



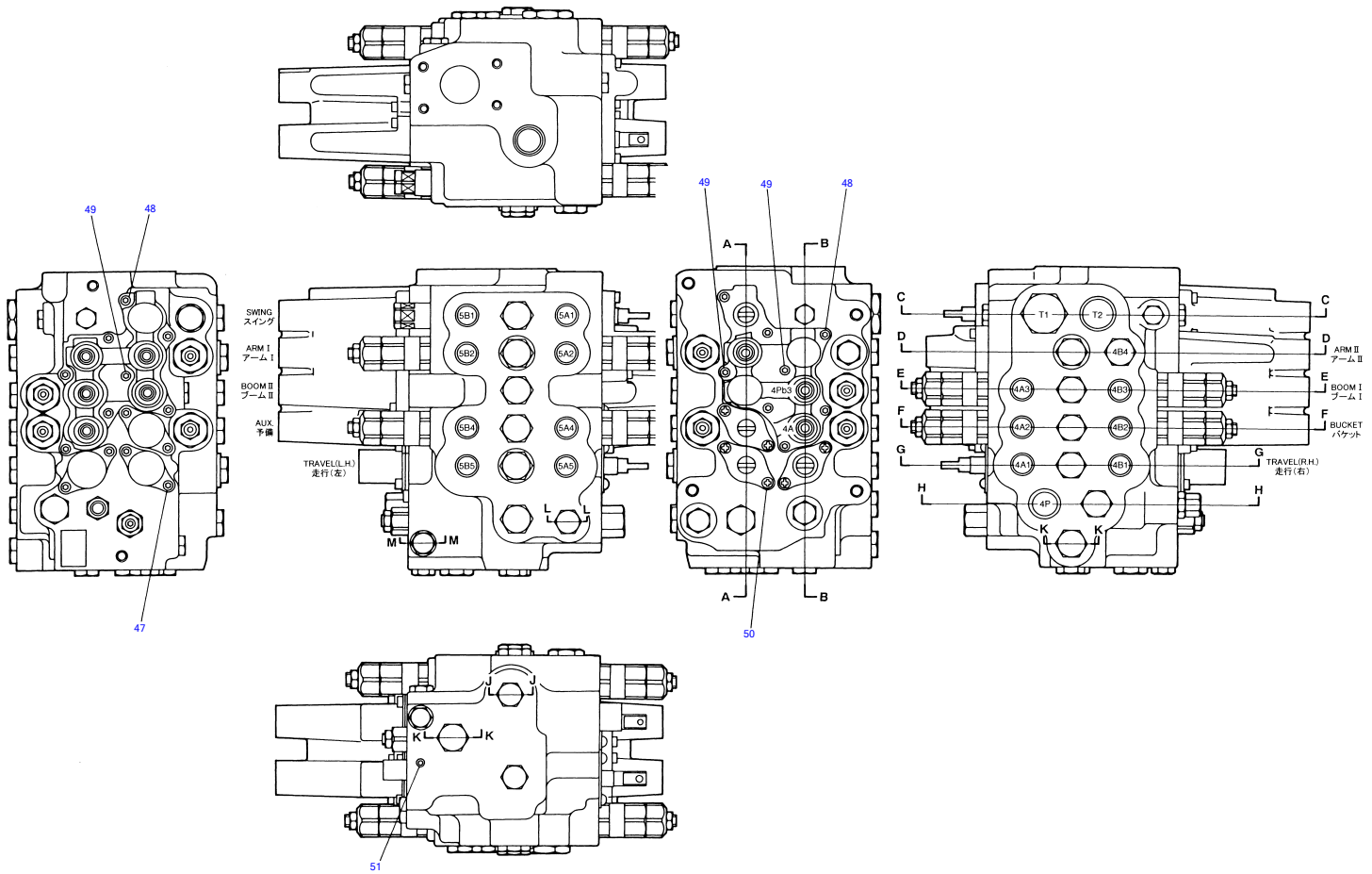
SECTION "M-M"



**CONTROL VALVE 1 (1703004~1705080)**

Item	Part number	Description	Q'ty	Chan.	Serial No.	Serv.	Remarks
0	1901031800	VALVE ASSY, control	1		1703004~1703504		
	1901033900	VALVE ASSY, control	1	(H)	1703505~1705015		
	1901037200	VALVE ASSY, control	1	(H)	1705016~1705080		
0-1	1901031899	• KIT, seal	1				
1	X 1901031841	• • SEAL, oil	8				
2	X 1901031871	• • WIPER	8				
3	X 1420000260	• • O-RING	10				
4	X 1901025482	• • O-RING	2				
5	X 1420010140	• • O-RING	6				
6	X 1420010240	• • O-RING	3				
7	X 1420010180	• • O-RING	13				
8	X 1420010290	• • O-RING	1				
9	X 1420010110	• • O-RING	3				
10	X 1420000125	• • O-RING	5				
11	X 1421030125	• • RING, back-up	3				
12	1901031872	• PLATE	6				
13	1901031856	• SPRING	4				
14	1901031851	• HOLDER, spring	8				
15	1901031890	• SCREW, cap	4				
16	1901031891	• CAP	3				
17	1901031873	• PLATE	2				
18	1901031861	• CAP	1				
19	1901029754	• HOLDER, spring	10				
20	1901031857	• SPRING	5				
21	1901031830	• SCREW, cap	5				
22	1901031862	• CAP	1				
23	1901031858	• SPRING	1				
24	1901031892	• PLUG	1				
25	1901031893	• ROD	1				
26	1901031894	• PLUG ASSY	1				
27	1420010140	• • O-RING	1				
28	1901031895	• SLEEVE	1				
29	1901031896	• SLEEVE	1				
30	1901031866	• POPPET	1				
31	1901031859	• SPRING	1				
32	1901025467	• POPPET	2				
33	1901025458	• SPRING	2				
34	1901031870	• PLUG	3				
35	1901027721	• VALVE ASSY	1				anti-void
36	1901025482	• • O-RING	1				
37	1901031867	• POPPET	1				
38	1901025498	• PLUG	1				
39	1901031897	• PLUG	1				
40	1901031868	• POPPET	7				
41	1901031853	• SPRING	7				
42	1901031898	• PLUG	7				
43	1901031874	• PLUG	1				
44	1901031875	• SLEEVE	1				
45	1901031876	• PLUG	1				
46	1901031877	• PLUG	1				
47	1110050612	• SCREW, cap	6				
48	1110050620	• SCREW, cap	13				
49	1110050632	• SCREW, cap	3				
50	1120540610	• SCREW	6				
51	1501810001	• PLUG	4				
52	1901031796	• PLUG	3				
53	1901027693	• PLUG	5				
54	1901025497	• PLUG	6				
55	1901031821	• VALVE ASSY	1				relief
56	1901025481	• • O-RING	1				
57	1901031823	• VALVE ASSY	6				overload relief
58	1901805012	• • O-RING	1				
59	1901031822	• VALVE ASSY	2				overload relief
60	1901805012	• • O-RING	1				
61	1901031863	• POPPET	1				
62	1901031878	• PLUG	1				
63	1901031864	• POPPET	2				
64	1901031860	• SPRING	4				

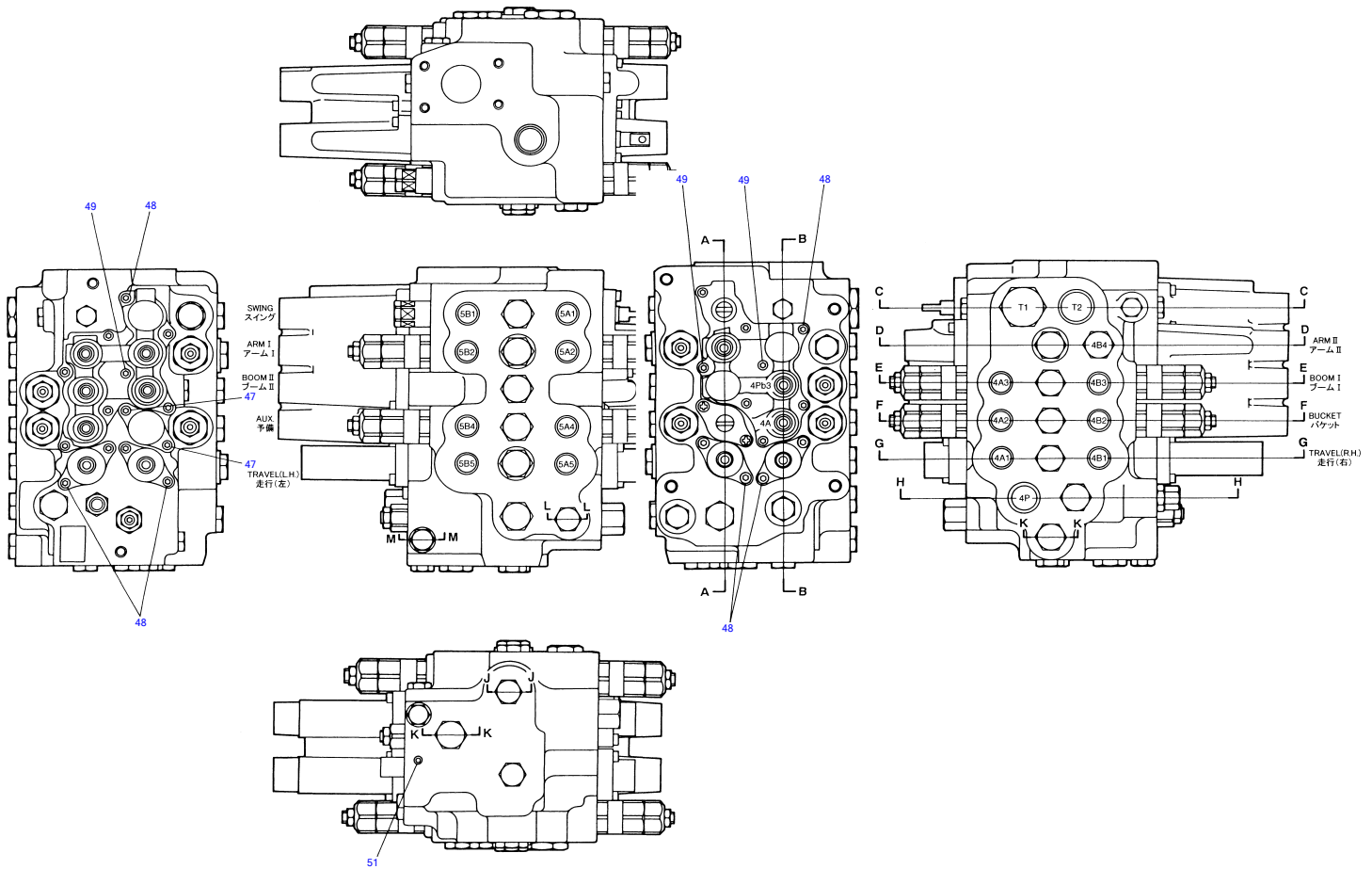
TB070 Book No.PL1-101Z5 S/N1703004-1705487  
**CONTROL VALVE 1 (1703004~1705080)**



**CONTROL VALVE 1 (1703004~1705080)**

Item	Part number	Description	Q'ty	Chan.	Serial No.	Serv.	Remarks
0	1901031800	VALVE ASSY, control	1		1703004~1703504		
	1901033900	VALVE ASSY, control	1	(H)	1703505~1705015		
	1901037200	VALVE ASSY, control	1	(H)	1705016~1705080		
0-1	1901031899	• KIT, seal	1				
1	X 1901031841	• • SEAL, oil	8				
2	X 1901031871	• • WIPER	8				
3	X 1420000260	• • O-RING	10				
4	X 1901025482	• • O-RING	2				
5	X 1420010140	• • O-RING	6				
6	X 1420010240	• • O-RING	3				
7	X 1420010180	• • O-RING	13				
8	X 1420010290	• • O-RING	1				
9	X 1420010110	• • O-RING	3				
10	X 1420000125	• • O-RING	5				
11	X 1421030125	• • RING, back-up	3				
12	1901031872	• PLATE	6				
13	1901031856	• SPRING	4				
14	1901031851	• HOLDER, spring	8				
15	1901031890	• SCREW, cap	4				
16	1901031891	• CAP	3				
17	1901031873	• PLATE	2				
18	1901031861	• CAP	1				
19	1901029754	• HOLDER, spring	10				
20	1901031857	• SPRING	5				
21	1901031830	• SCREW, cap	5				
22	1901031862	• CAP	1				
23	1901031858	• SPRING	1				
24	1901031892	• PLUG	1				
25	1901031893	• ROD	1				
26	1901031894	• PLUG ASSY	1				
27	1420010140	• • O-RING	1				
28	1901031895	• SLEEVE	1				
29	1901031896	• SLEEVE	1				
30	1901031866	• POPPET	1				
31	1901031859	• SPRING	1				
32	1901025467	• POPPET	2				
33	1901025458	• SPRING	2				
34	1901031870	• PLUG	3				
35	1901027721	• VALVE ASSY	1				anti-void
36	1901025482	• • O-RING	1				
37	1901031867	• POPPET	1				
38	1901025498	• PLUG	1				
39	1901031897	• PLUG	1				
40	1901031868	• POPPET	7				
41	1901031853	• SPRING	7				
42	1901031898	• PLUG	7				
43	1901031874	• PLUG	1				
44	1901031875	• SLEEVE	1				
45	1901031876	• PLUG	1				
46	1901031877	• PLUG	1				
47	1110050612	• SCREW, cap	6				
48	1110050620	• SCREW, cap	13				
49	1110050632	• SCREW, cap	3				
50	1120540610	• SCREW	6				
51	1501810001	• PLUG	4				
52	1901031796	• PLUG	3				
53	1901027693	• PLUG	5				
54	1901025497	• PLUG	6				
55	1901031821	• VALVE ASSY	1				relief
56	1901025481	• • O-RING	1				
57	1901031823	• VALVE ASSY	6				overload relief
58	1901805012	• • O-RING	1				
59	1901031822	• VALVE ASSY	2				overload relief
60	1901805012	• • O-RING	1				
61	1901031863	• POPPET	1				
62	1901031878	• PLUG	1				
63	1901031864	• POPPET	2				
64	1901031860	• SPRING	4				

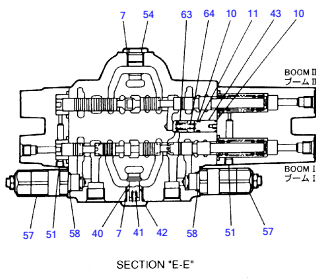
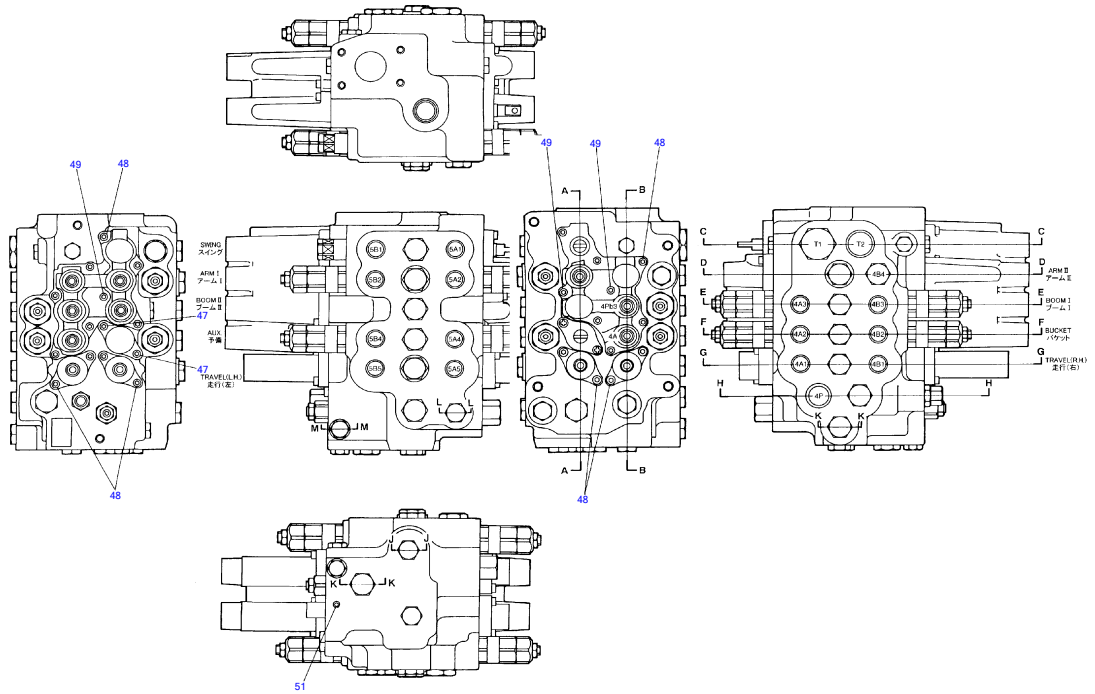
TB070 Book No.PL1-101Z5 S/N1703004-1705487  
**CONTROL VALVE 1 (1705081~)**



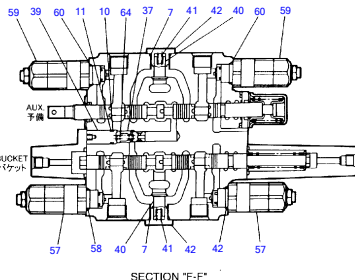
**CONTROL VALVE 1 (1705081~)**

Item	Part number	Description	Q'ty	Chan.	Serial No.	Serv.	Remarks
0	1901037300	VALVE ASSY, control	1				
0-1	1901034299	• KIT, seal	1				
1	X 1901031841	• • SEAL, oil	4				
2	X 1901031871	• • WIPER	4				
3	X 1420000260	• • O-RING	14				
4	X 1901025482	• • O-RING	2				
5	X 1420010140	• • O-RING	6				
6	X 1420010240	• • O-RING	3				
7	X 1420010180	• • O-RING	13				
8	X 1420010290	• • O-RING	1				
9	X 1420010110	• • O-RING	3				
10	X 1420000125	• • O-RING	5				
11	X 1421030125	• • RING, back-up	3				
12	1901031872	• PLATE	2				
13	1901031856	• SPRING	2				
14	1901031851	• HOLDER, spring	4				
15	1901031890	• SCREW, cap	2				
16	1901031891	• CAP	1				
17	1901031873	• PLATE	2				
18	1901031861	• CAP	1				
19	1901029754	• HOLDER, spring	14				
20	1901031857	• SPRING	6				
21	1901031830	• SCREW, cap	7				
22	1901031862	• CAP	1				
23	1901031858	• SPRING	1				
24	1901031892	• PLUG	1				
25	1901031893	• ROD	1				
26	1901031894	• PLUG ASSY	1				
27	1420010140	• • O-RING	1				
28	1901031895	• SLEEVE	1				
29	1901031896	• SLEEVE	1				
30	1901031866	• POPPET	1				
31	1901031859	• SPRING	1				
32	1901025467	• POPPET	2				
33	1901034239	• SPRING	2				
34	1901031870	• PLUG	3				
35	1901027721	• VALVE ASSY	1				anti-void
36	1901025482	• • O-RING	1				
37	1901031867	• POPPET	1				
38	1901025498	• PLUG	1				
39	1901031897	• PLUG	1				
40	1901031868	• POPPET	7				
41	1901031853	• SPRING	7				
42	1901031898	• PLUG	7				
43	1901031874	• PLUG	1				
44	1901031875	• SLEEVE	1				
45	1901031876	• PLUG	1				
46	1901031877	• PLUG	1				
47	1110050612	• SCREW, cap	2				
48	1110050620	• SCREW, cap	21				
49	1110050632	• SCREW, cap	3				
50	1120540610	• SCREW	2				
51	1501810001	• PLUG	4				
52	1901031796	• PLUG	3				
53	1901027693	• PLUG	5				
54	1901025497	• PLUG	6				
55	1901031821	• VALVE ASSY	1				relief
56	1901025481	• • O-RING	1				
57	1901031823	• VALVE ASSY	6				overload relief
58	1901805012	• • O-RING	1				
59	1901031822	• VALVE ASSY	2				overload relief
60	1901805012	• • O-RING	1				
61	1901031863	• POPPET	1				
62	1901031878	• PLUG	1				
63	1901031864	• POPPET	2				
64	1901031860	• SPRING	4				
65	1901034286	• CAP	2				
66	1901034287	• CAP	2				

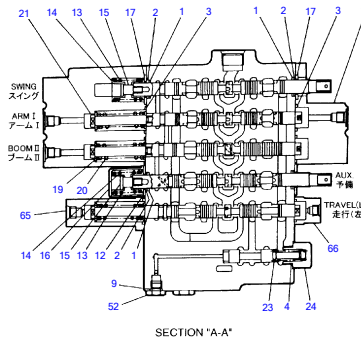
TB070 Book No.PL1-101Z5 S/N1703004-1705487  
**CONTROL VALVE 1 (1705081~)**



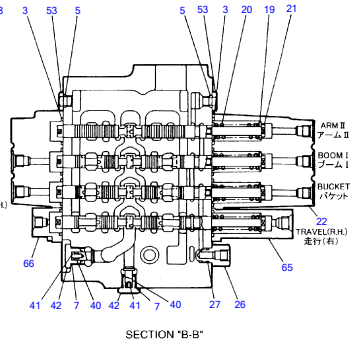
SECTION "E-E"



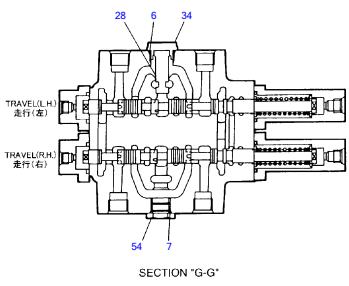
SECTION "F-F"



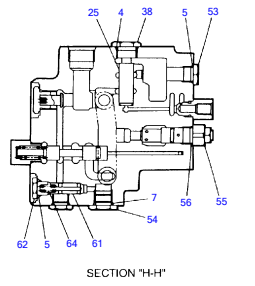
SECTION "A-A"



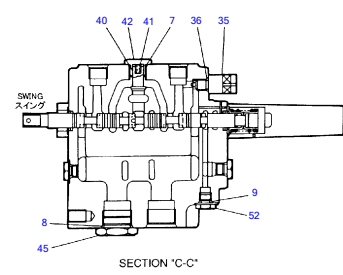
SECTION "B-B"



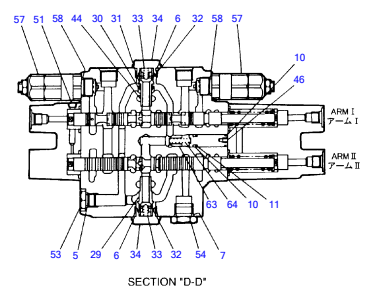
SECTION "G-G"



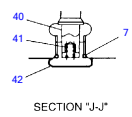
SECTION "H-H"



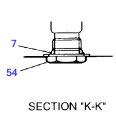
SECTION "C-C"



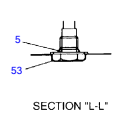
SECTION "D-D"



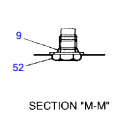
SECTION "J-J"



SECTION "K-K"



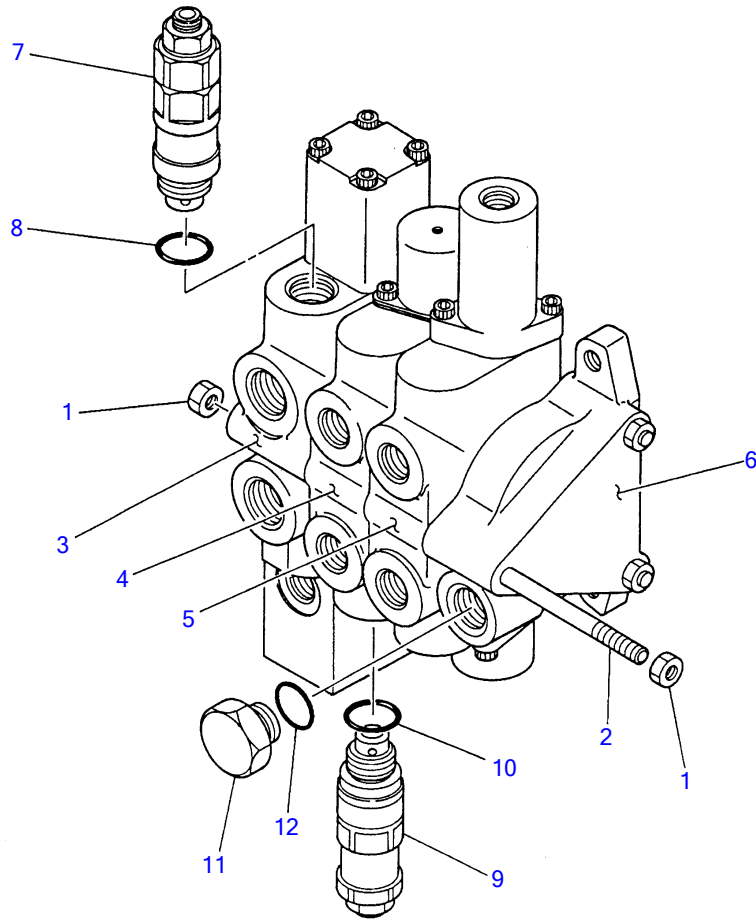
SECTION "L-L"



SECTION "M-M"

**CONTROL VALVE 1 (1705081~)**

Item	Part number	Description	Q'ty	Chan.	Serial No.	Serv.	Remarks
0	1901037300	VALVE ASSY, control	1				
0-1	1901034299	• KIT, seal	1				
1	X 1901031841	• • SEAL, oil	4				
2	X 1901031871	• • WIPER	4				
3	X 1420000260	• • O-RING	14				
4	X 1901025482	• • O-RING	2				
5	X 1420010140	• • O-RING	6				
6	X 1420010240	• • O-RING	3				
7	X 1420010180	• • O-RING	13				
8	X 1420010290	• • O-RING	1				
9	X 1420010110	• • O-RING	3				
10	X 1420000125	• • O-RING	5				
11	X 1421030125	• • RING, back-up	3				
12	1901031872	• PLATE	2				
13	1901031856	• SPRING	2				
14	1901031851	• HOLDER, spring	4				
15	1901031890	• SCREW, cap	2				
16	1901031891	• CAP	1				
17	1901031873	• PLATE	2				
18	1901031861	• CAP	1				
19	1901029754	• HOLDER, spring	14				
20	1901031857	• SPRING	6				
21	1901031830	• SCREW, cap	7				
22	1901031862	• CAP	1				
23	1901031858	• SPRING	1				
24	1901031892	• PLUG	1				
25	1901031893	• ROD	1				
26	1901031894	• PLUG ASSY	1				
27	1420010140	• • O-RING	1				
28	1901031895	• SLEEVE	1				
29	1901031896	• SLEEVE	1				
30	1901031866	• POPPET	1				
31	1901031859	• SPRING	1				
32	1901025467	• POPPET	2				
33	1901034239	• SPRING	2				
34	1901031870	• PLUG	3				
35	1901027721	• VALVE ASSY	1				anti-void
36	1901025482	• • O-RING	1				
37	1901031867	• POPPET	1				
38	1901025498	• PLUG	1				
39	1901031897	• PLUG	1				
40	1901031868	• POPPET	7				
41	1901031853	• SPRING	7				
42	1901031898	• PLUG	7				
43	1901031874	• PLUG	1				
44	1901031875	• SLEEVE	1				
45	1901031876	• PLUG	1				
46	1901031877	• PLUG	1				
47	1110050612	• SCREW, cap	2				
48	1110050620	• SCREW, cap	21				
49	1110050632	• SCREW, cap	3				
50	1120540610	• SCREW	2				
51	1501810001	• PLUG	4				
52	1901031796	• PLUG	3				
53	1901027693	• PLUG	5				
54	1901025497	• PLUG	6				
55	1901031821	• VALVE ASSY	1				relief
56	1901025481	• • O-RING	1				
57	1901031823	• VALVE ASSY	6				overload relief
58	1901805012	• • O-RING	1				
59	1901031822	• VALVE ASSY	2				overload relief
60	1901805012	• • O-RING	1				
61	1901031863	• POPPET	1				
62	1901031878	• PLUG	1				
63	1901031864	• POPPET	2				
64	1901031860	• SPRING	4				
65	1901034286	• CAP	2				
66	1901034287	• CAP	2				

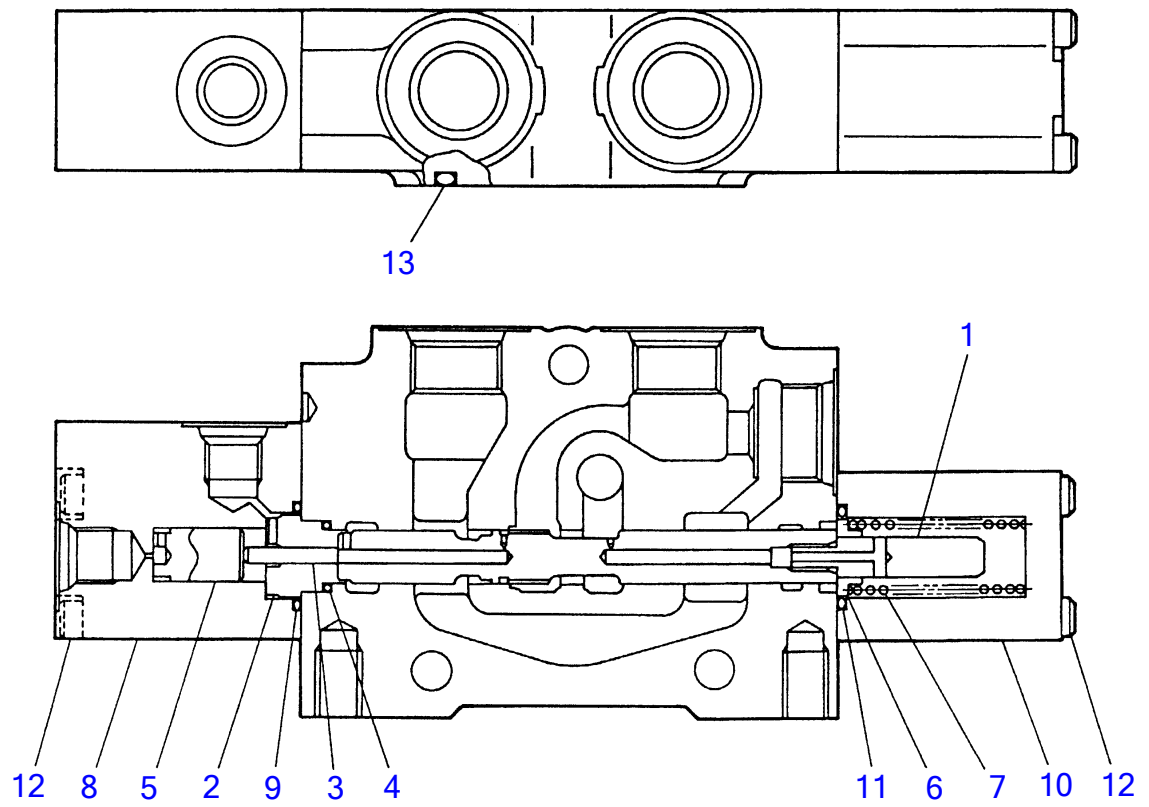


L1-47a-0-D



**CONTROL VALVE 2**

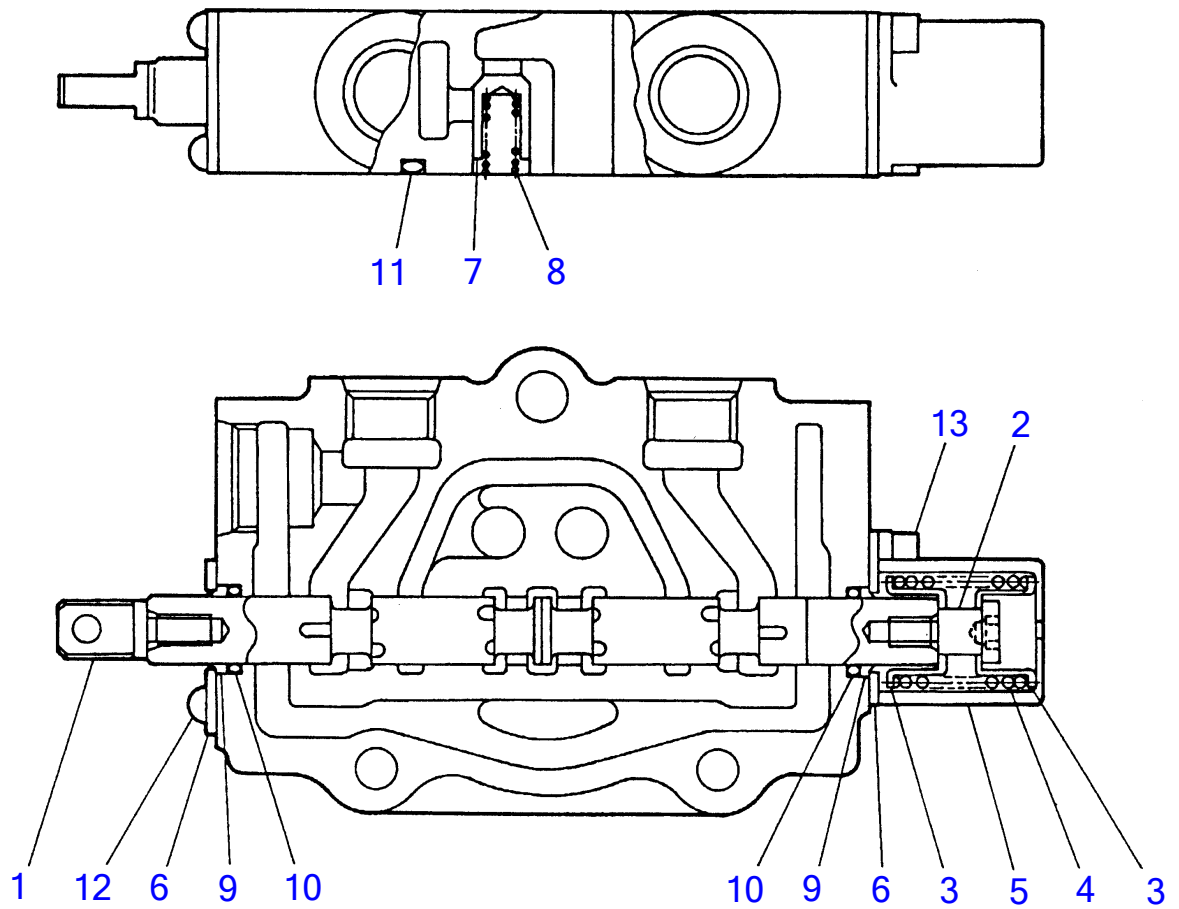
Item	Part number	Description	Q'ty	Chan.	Serial No.	Serv.	Remarks
0	<b>1901031900</b>	VALVE ASSY, control	1				
1	<b>1130250008</b>	• NUT	6				
2	<b>1901031906</b>	• BOLT	3				
3	<b>1901031901</b>	• BLOCK ASSY, NO. 1	1				flow control, swing
4	<b>1901031912</b>	• BLOCK ASSY, NO. 2	1				blade
5	<b>1901031911</b>	• BLOCK ASSY, NO. 3	1				slew
6	<b>1901031902</b>	• HOUSING	1				
7	<b>1901031921</b>	• VALVE ASSY	1				relief
8	<b>1901025482</b>	• • O-RING	1				
9	<b>1901031922</b>	• VALVE ASSY	1				over load
10	<b>1901025482</b>	• • O-RING	1				
11	<b>1901025493</b>	• PLUG ASSY	1				
12	<b>1420010180</b>	• • O-RING	1				
	<b>L147a1L</b>						



L1-47b-0-D

**BLOCK ASSY; No. 1**

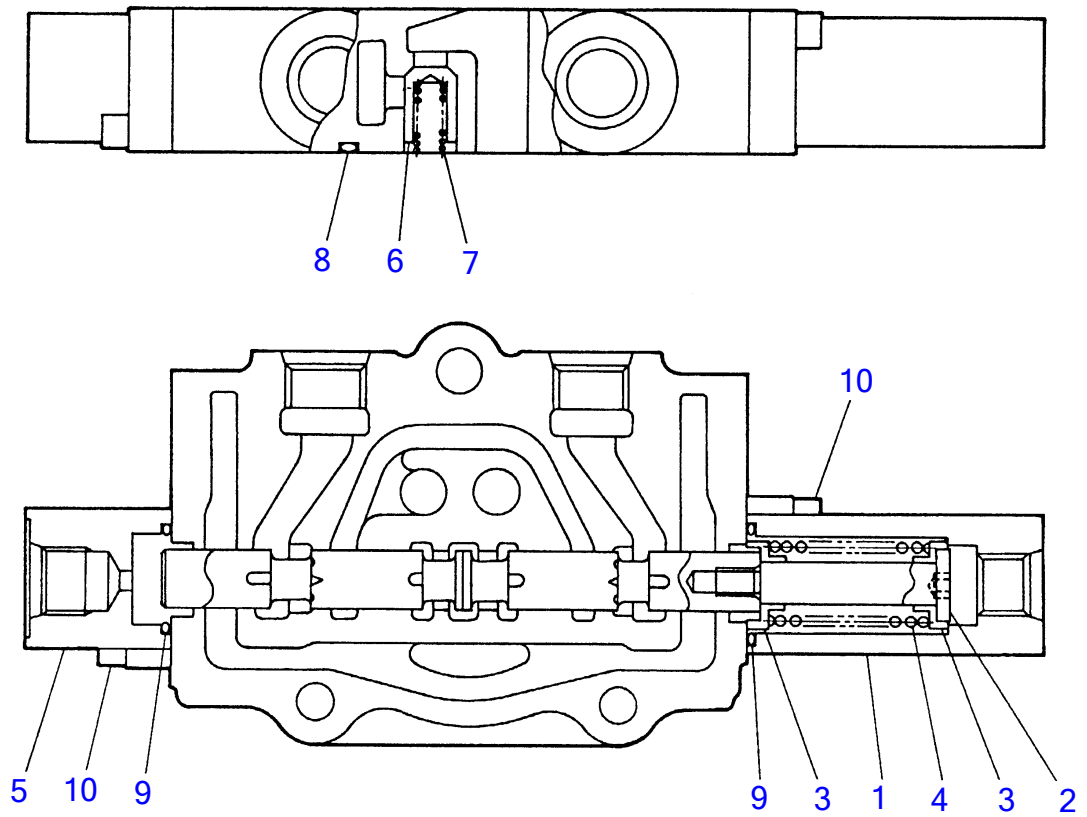
Item	Part number	Description	Q'ty	Chan.	Serial No.	Serv.	Remarks
0	<b>1901031901</b>	BLOCK ASSY, NO. 1	1				flow control, swing
1	<b>1901031791</b>	▪ SCREW, cap	1				
2	<b>1901031793</b>	▪ SLEEVE	1				
3	<b>1901031794</b>	▪ PIN	1				
4	<b>1420010120</b>	▪ O-RING	1				
5	<b>1901031795</b>	▪ PISTON	1				
6	<b>1901031751</b>	▪ HOLDER, spring	1				
7	<b>1901031756</b>	▪ SPRING	1				
8	<b>1901031762</b>	▪ CAP	1				
9	<b>1420000210</b>	▪ O-RING	1				
10	<b>1901031763</b>	▪ CAP	1				
11	<b>1420010200</b>	▪ O-RING	1				
12	<b>1110050660</b>	▪ SCREW, cap	8				
13	<b>1420100550</b>	▪ O-RING	1				
	<b>L147b2L</b>						



L1-47c-0-D

**BLOCK ASSY; No. 2**

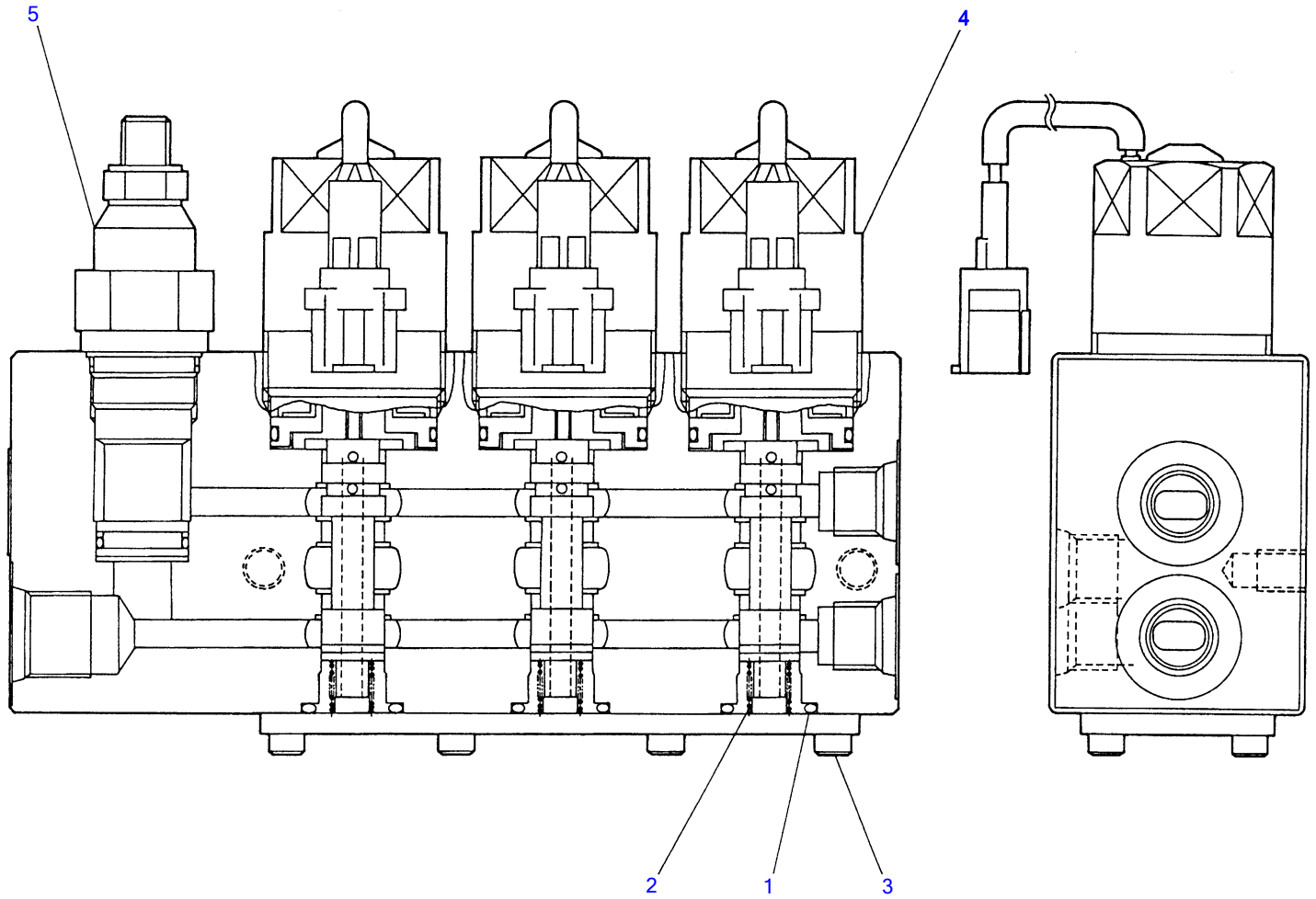
Item	Part number	Description	Q'ty	Chan.	Serial No.	Serv.	Remarks
0	<b>1901031912</b>	BLOCK ASSY, NO. 2	1				blade
1	<b>1901027794</b>	▪ HEAD	1				
2	<b>1901031790</b>	▪ SCREW, cap	1				
3	<b>1901027792</b>	▪ HOLDER, spring	2				
4	<b>1901027857</b>	▪ SPRING	1				
5	<b>1901027761</b>	▪ CAP	1				
6	<b>1901027772</b>	▪ PLATE	2				
7	<b>1901027768</b>	▪ VALVE, check	1				
8	<b>1901027757</b>	▪ SPRING	1				
9	<b>1901027771</b>	▪ WIPER	2				
10	<b>1420000120</b>	▪ O-RING	2				
11	<b>1420100550</b>	▪ O-RING	1				
12	<b>1120540510</b>	▪ SCREW	2				
13	<b>1110050512</b>	▪ SCREW, cap	2				
	<b>L147c2L</b>						



L1-47d-0-D

**BLOCK ASSY; No. 3**

Item	Part number	Description	Q'ty	Chan.	Serial No.	Serv.	Remarks
0	<b>1901031911</b>	BLOCK ASSY, NO.3	1				slew
1	<b>1901027962</b>	▪ CAP	1				
2	<b>1901029990</b>	▪ SCREW, cap	1				
3	<b>1901029951</b>	▪ HOLDER, spring	2				
4	<b>1901027956</b>	▪ SPRING	1				
5	<b>1901027961</b>	▪ CAP	1				
6	<b>1901027768</b>	▪ VALVE, check	1				
7	<b>1901027757</b>	▪ SPRING	1				
8	<b>1420100550</b>	▪ O-RING	1				
9	<b>1420500220</b>	▪ O-RING	2				
10	<b>1110050518</b>	▪ SCREW, cap	4				
	<b>L147d2L</b>						



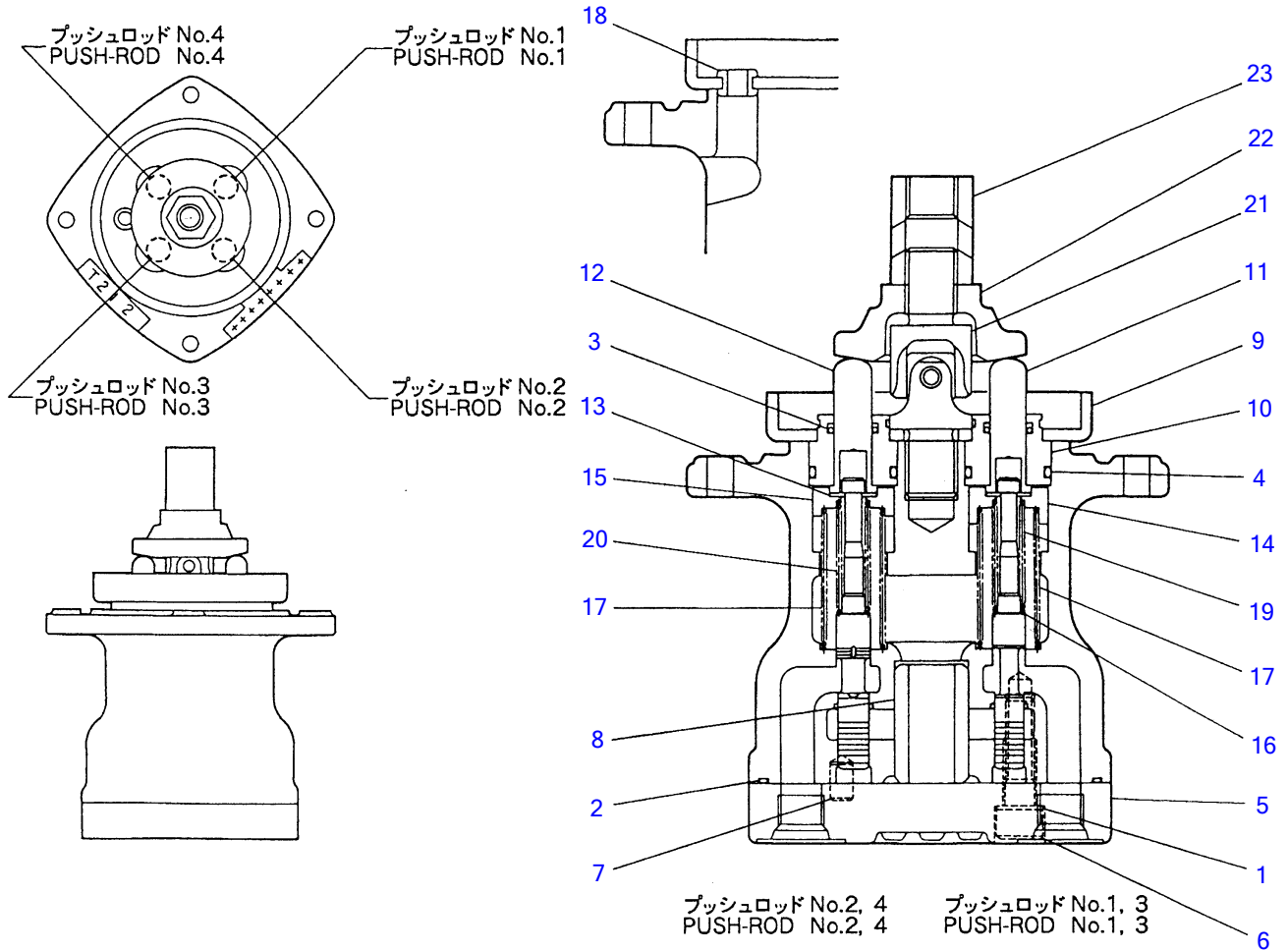
L1-49a-0-D



**SOLENOID VALVE**

Item	Part number	Description	Q'ty	Chan.	Serial No.	Serv.	Remarks
0	<b>1901723800</b>	VALVE ASSY, solenoid	1				
1	<b>1420010150</b>	▪ O-RING	3				
2	<b>1901723805</b>	▪ SPRING	3				
3	<b>1110050410</b>	▪ SCREW, cap	8				
4	<b>1901723808</b>	▪ SOLENOID	3				
5	<b>1901722210</b>	▪ VALVE, relief	1				
	<b>L149a1L</b>						

TB070 Book No.PL1-101Z5 S/N1703004-1705487  
**PILOT VALVE**

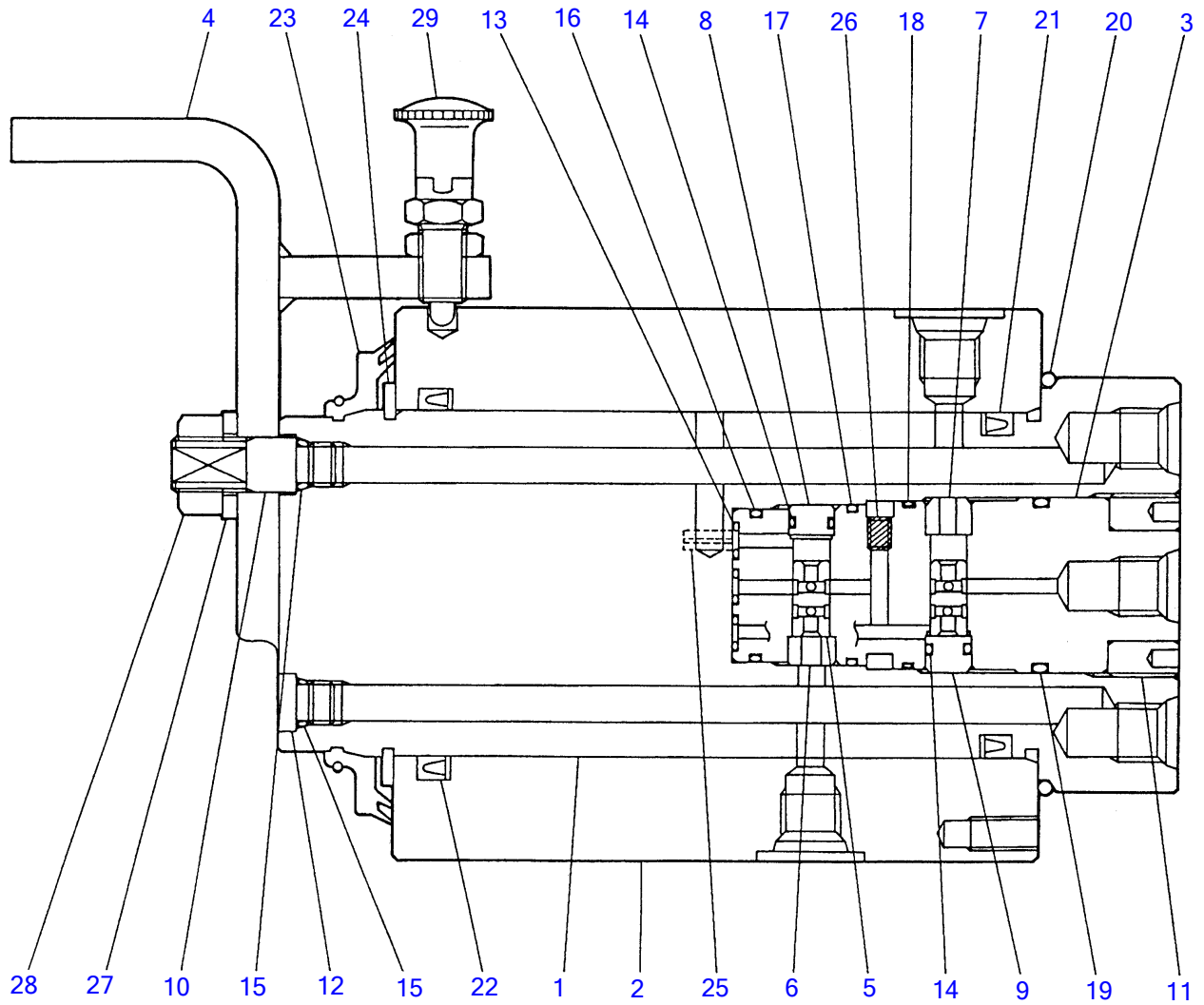


L1-49b-0-D

**PILOT VALVE**

Item	Part number	Description	Q'ty	Chan.	Serial No.	Serv.	Remarks
0	<b>1901721200</b>	VALVE, pilot	1				
0-1	<b>1901721199</b>	• KIT, seal	1				
1	X <b>1901715103</b>	• • WASHER, seal	2				
2	X <b>1420500900</b>	• • O-RING	1				
3	X <b>1901710914</b>	• • SEAL	4				
4	X <b>1420010200</b>	• • O-RING	4				
5	<b>1901716702</b>	• PLATE	1				
6	<b>1110050822</b>	• SCREW, cap	2				
7	<b>1213000510</b>	• PIN, spring	1				
8	<b>1901710905</b>	• BUSHING	1				
9	<b>1901703201</b>	• PLATE	1				
10	<b>1901710912</b>	• PLUG	4				
11	<b>1901719011</b>	• ROD	2				
12	<b>1901719012</b>	• ROD	2				
13	<b>1901710915</b>	• WASHER	8				
14	<b>1901715115</b>	• HOLDER	2				
15	<b>1901710916</b>	• HOLDER	2				
16	<b>1901710917</b>	• WASHER	4				
17	<b>1901721220</b>	• SPRING	4				
18	<b>1901703261</b>	• BUSHING	1				
19	<b>1901717721</b>	• SPRING	2				
20	<b>1901721123</b>	• SPRING	2				
21	<b>1901720232</b>	• JOINT	1				
22	<b>1901720233</b>	• PLATE	1				
23	<b>1901703222</b>	• NUT	1				
	<b>L149b3L</b>						

TB070 Book No.PL1-101Z5 S/N1703004-1705487  
ROTARY VALVE

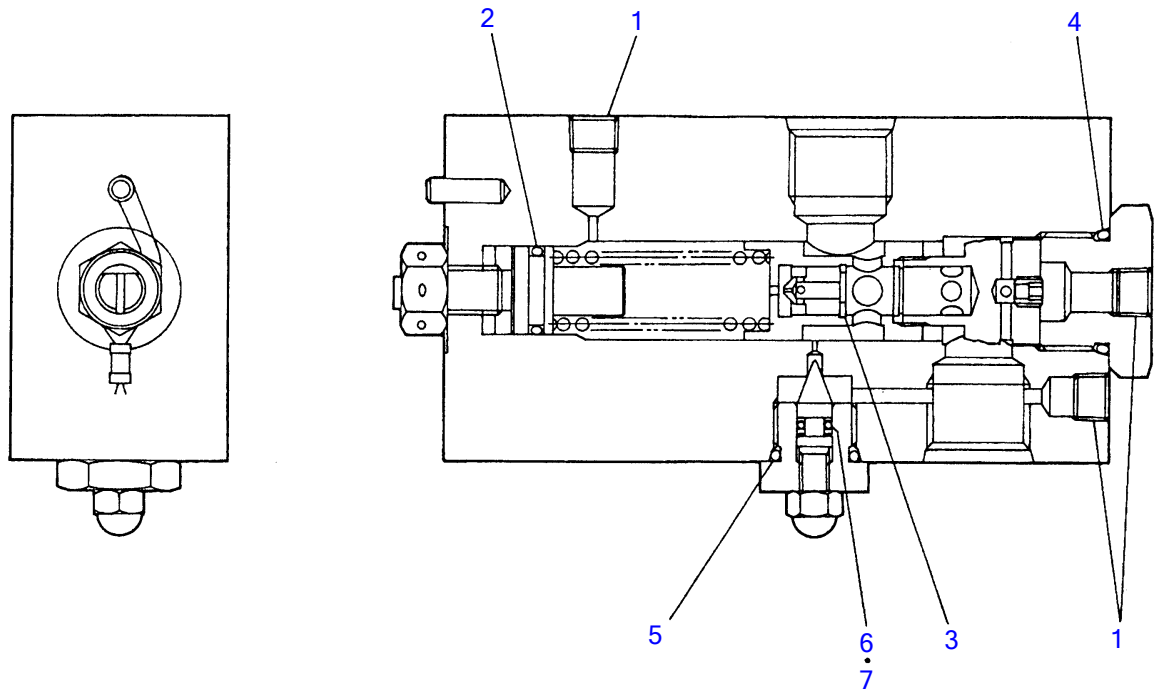


Y3-50a-0-D

ROTARY VALVE

Item	Part number	Description	Q'ty	Chan.	Serial No.	Serv.	Remarks
0	<b>1901722300</b>	VALVE ASSY, rotary	1				
1	X *****	▪ SPOOL, rotary	1				
2	X *****	▪ BODY	1				
3	X *****	▪ CASE, shuttle	1				
4	<b>1901722304</b>	▪ LEVER	1				
5	X *****	▪ SHUTTLE	2				
6	X *****	▪ PLUG	1				
7	X *****	▪ PLUG	1				
8	X *****	▪ PLUG	1				
9	X *****	▪ PLUG	1				
10	<b>1901722310</b>	▪ PLUG	2				
11	X *****	▪ RETAINER	1				
12	<b>1501750001</b>	▪ PLUG	6				
13	X *****	▪ O-RING	3				
14	X *****	▪ O-RING	2				
15	<b>1420000080</b>	▪ O-RING	8				
16	X *****	▪ O-RING	1				
17	X *****	▪ O-RING	1				
18	X *****	▪ O-RING	1				
19	X *****	▪ O-RING	1				
20	<b>1420100850</b>	▪ O-RING	1				
21	<b>1901722322</b>	▪ PACKING	1				
22	<b>1901722323</b>	▪ PACKING	1				
23	<b>1904001795</b>	▪ SEAL, dust	1				
24	<b>1220000075</b>	▪ RING, snap	1				
25	X *****	▪ PIN, spring	1				
26	X *****	▪ PLUG	1				
27	<b>1140010012</b>	▪ WASEHR, spring	1				
28	<b>1130050012</b>	▪ NUT	1				
29	<b>1901722331</b>	▪ PLUNGER, index	1				
	<b>L150a1L</b>						

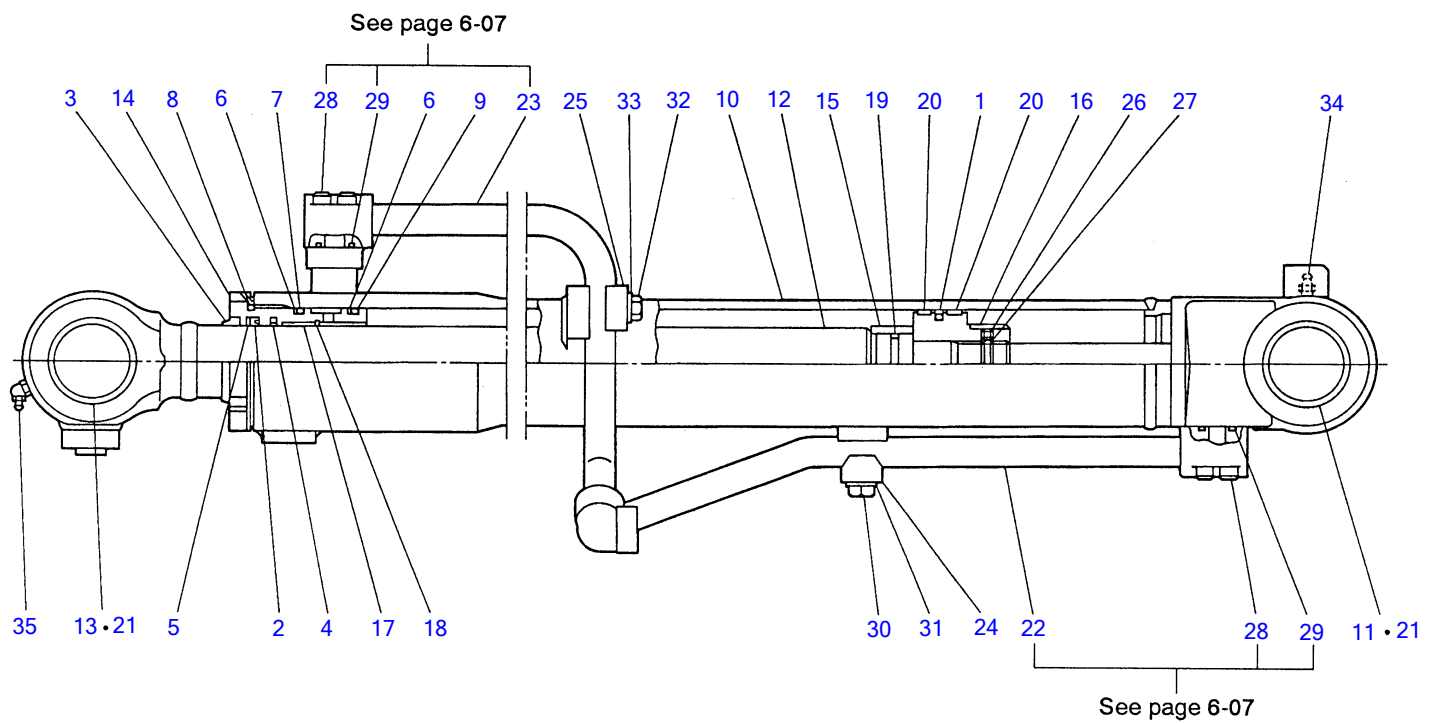
TB070 Book No.PL1-101Z5 S/N1703004-1705487  
EMERGENCY SHUT-OFF VALVE



L1-50c-0-D

**EMERGENCY SHUT-OFF VALVE**

Item	Part number	Description	Q'ty	Chan.	Serial No.	Serv.	Remarks
0	<b>1901729500</b>	VALVE ASSY	2				
1	<b>1501810001</b>	▪ PLUG	3				
2	<b>1420010140</b>	▪ O-RING	1				
3	<b>1221000010</b>	▪ RING, snap	1				
4	<b>1420010210</b>	▪ O-RING	1				
5	<b>1420010140</b>	▪ O-RING	1				
6	<b>1420010040</b>	▪ O-RING	1				
7	<b>1421020040</b>	▪ RING, back-up	1				
	<b>L150c0L</b>						



L1-51a-0-D

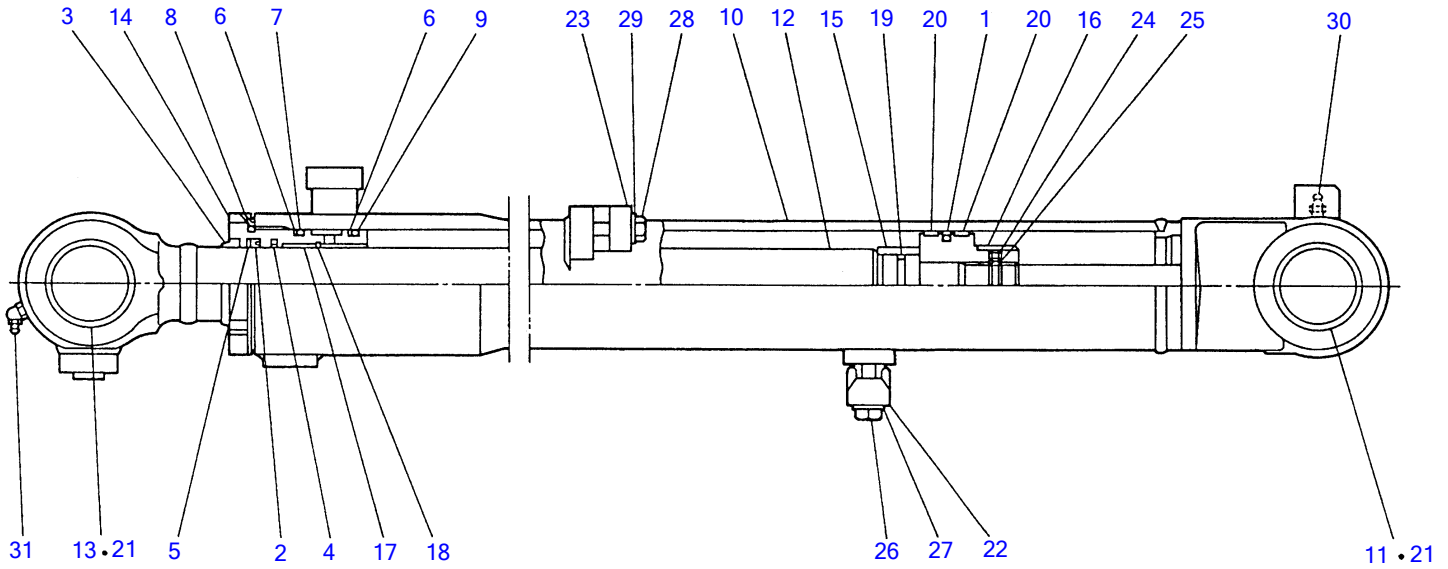


**BOOM CYLINDER (R.H.) (1703004~1703190)**

Item	Part number	Description	Q'ty	Chan.	Serial No.	Serv.	Remarks
0	X *****	CYLINDER ASSY	1				
0-1	1900065199	• KIT, seal	1				
1	X 1900047231	• • PACKING, piston	1				
2	X 1900050631	• • PACKING, rod	1				
3	X 1900063231	• • SEAL, dust	1				
4	X 1900063226	• • RING, seal	1				
5	X 1900063227	• • RING, back-up	1				
6	X 1421130750	• • RING, back-up	3				
7	X 1420110750	• • O-RING	1				
8	X 1420100800	• • O-RING	1				
9	X 1420110700	• • O-RING	1				
10	1900065198	• TUBE ASSY	1				
11	1900065102	• • BUSHING	1				
12	1900065197	• ROD ASSY, piston	1				
13	1900065102	• • BUSHING	1				
14	1900065103	• COVER ASSY, rod	1				
15	1900065105	• • CUSHION, rod	1				
16	1900065106	• PISTON	1				
17	1900063213	• BUSHING	1				
18	1900063214	• RING, snap	1				
19	1900063216	• SEAL, cushion	1				
20	1900047232	• RING, wear	2				
21	1900047423	• SEAL, dust	4				
22	X *****	• PIPE	1				
23	X *****	• PIPE	1				
24	1900063417	• HOLDER	1				
25	1900065128	• HOLDER	1				
26	1121050808	• SET-SCREW	1				
27	1390020350	• BALL, steel	1				
28	X *****	• SCREW, cap	8				
29	X *****	• O-RING	2				
30	1100051245	• BOLT	1				
31	1140010012	• WASHER, spring	1				
32	1100051045	• BOLT	1				
33	1140010010	• WASHER, spring	1				
34	1560001000	• NIPPLE, grease	1				
35	1560001675	• NIPPLE, grease	1				

L151a2L

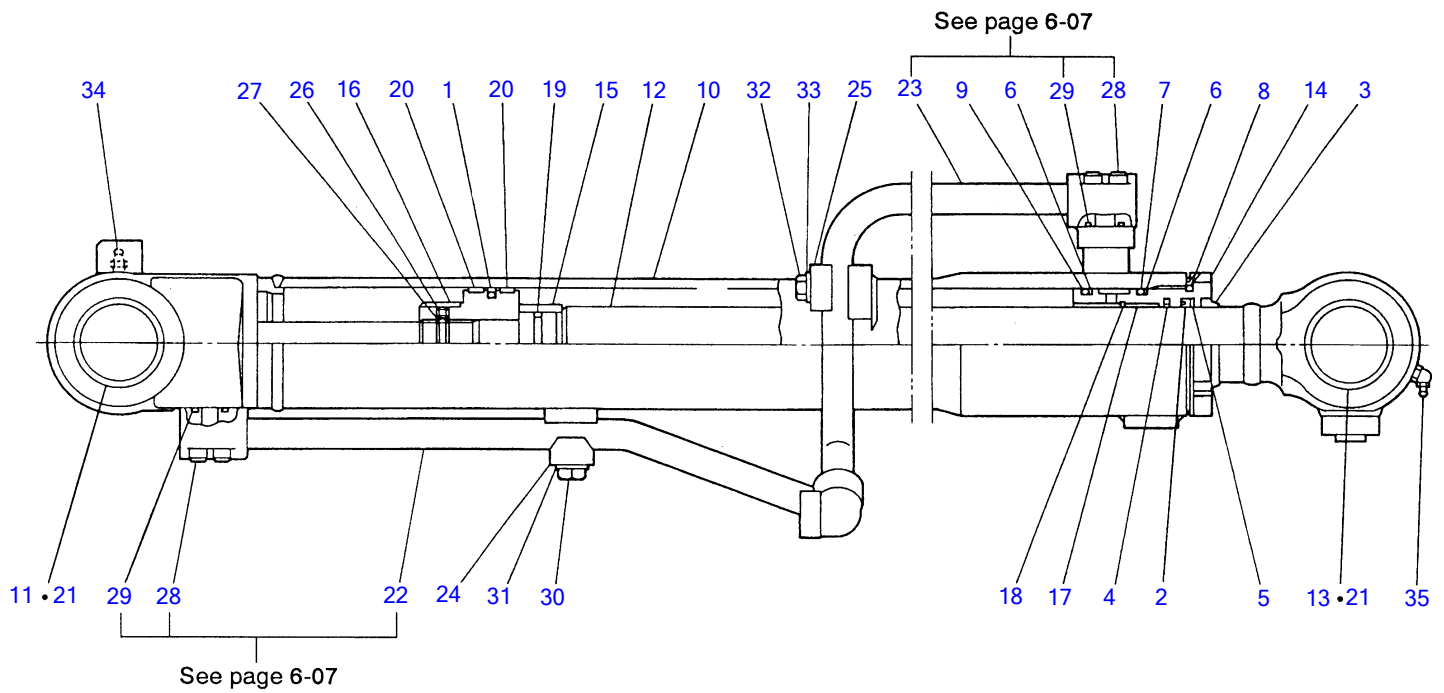
TB070 Book No.PL1-101Z5 S/N1703004-1705487  
BOOM CYLINDER (R.H.) (1703191~)



L1-51a-1-D

**BOOM CYLINDER (R.H.) (1703191~)**

Item	Part number	Description	Q'ty	Chan.	Serial No.	Serv.	Remarks
0	<b>1900068200</b>	CYLINDER ASSY	1				
0-1	<b>1900065199</b>	• KIT, seal	1				
1	X <b>1900047231</b>	• • PACKING, piston	1				
2	X <b>1900050631</b>	• • PACKING, rod	1				
3	X <b>1900063231</b>	• • SEAL, dust	1				
4	X <b>1900063226</b>	• • RING, seal	1				
5	X <b>1900063227</b>	• • RING, back-up	1				
6	X <b>1421130750</b>	• • RING, back-up	3				
7	X <b>1420110750</b>	• • O-RING	1				
8	X <b>1420100800</b>	• • O-RING	1				
9	X <b>1420110700</b>	• • O-RING	1				
10	<b>1900065198</b>	• TUBE ASSY	1				
11	<b>1900065102</b>	• • BUSHING	1				
12	<b>1900065197</b>	• ROD ASSY, piston	1				
13	<b>1900065102</b>	• • BUSHING	1				
14	<b>1900068203</b>	• COVER ASSY, rod	1				
15	<b>1900068205</b>	• • CUSHION, rod	1				
16	<b>1900065106</b>	• PISTON	1				
17	<b>1900063213</b>	• BUSHING	1				
18	<b>1900063214</b>	• RING, snap	1				
19	<b>1900063216</b>	• SEAL, cushion	1				
20	<b>1900047232</b>	• RING, wear	2				
21	<b>1900047423</b>	• SEAL, dust	4				
22	<b>1900063417</b>	• HOLDER	1				
23	<b>1900065128</b>	• HOLDER	1				
24	<b>1121050808</b>	• SET-SCREW	1				
25	<b>1390020350</b>	• BALL, steel	1				
26	<b>1100051245</b>	• BOLT	1				
27	<b>1140010012</b>	• WASHER, spring	1				
28	<b>1100051045</b>	• BOLT	1				
29	<b>1140010010</b>	• WASHER, spring	1				
30	<b>1560001000</b>	• NIPPLE, grease	1				
31	<b>1560001675</b>	• NIPPLE, grease	1				
	<b>L151a4L</b>						



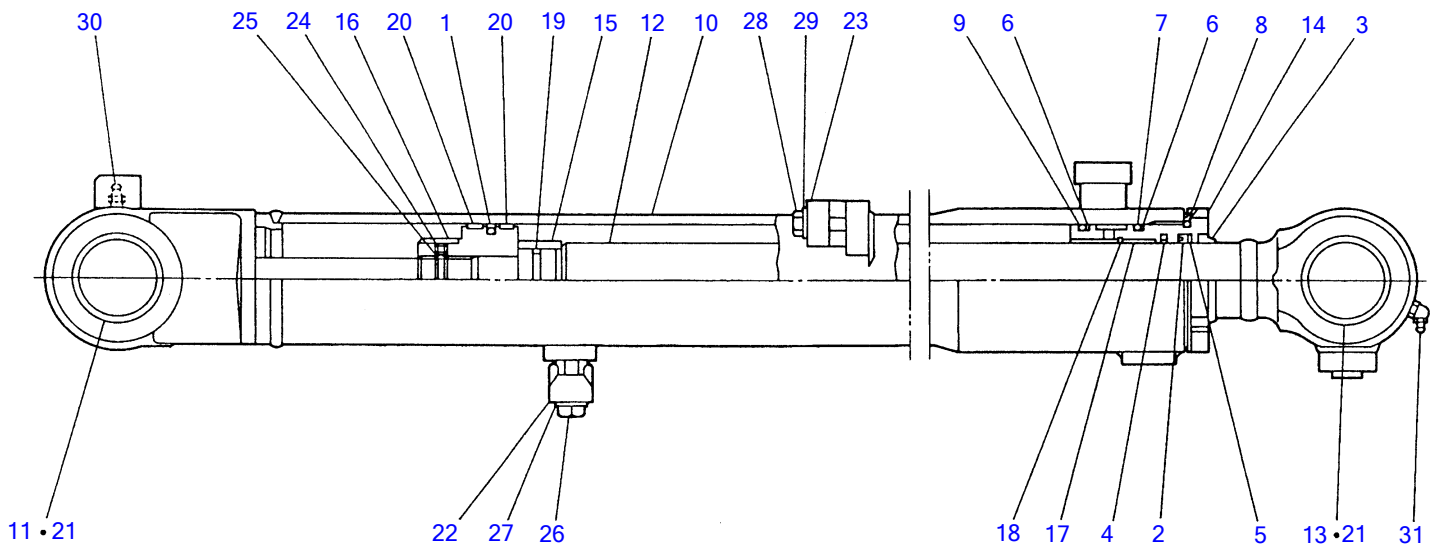
L1-51b-0-D

**BOOM CYLINDER (L.H.) (1703004~1703190)**

Item	Part number	Description	Q'ty	Chan.	Serial No.	Serv.	Remarks
0	X *****	CYLINDER ASSY	1				
0-1	1900065199	• KIT, seal	1				
1	X 1900047231	• • PACKING, piston	1				
2	X 1900050631	• • PACKING, rod	1				
3	X 1900063231	• • SEAL, dust	1				
4	X 1900063226	• • RING, seal	1				
5	X 1900063227	• • RING, back-up	1				
6	X 1421130750	• • RING, back-up	3				
7	X 1420110750	• • O-RING	1				
8	X 1420100800	• • O-RING	1				
9	X 1420110700	• • O-RING	1				
10	1900065298	• TUBE ASSY	1				
11	1900065102	• • BUSHING	1				
12	1900065197	• ROD ASSY, piston	1				
13	1900065102	• • BUSHING	1				
14	1900065103	• COVER ASSY, rod	1				
15	1900065105	• • CUSHION, rod	1				
16	1900065106	• PISTON	1				
17	1900063213	• BUSHING	1				
18	1900063214	• RING, snap	1				
19	1900063216	• SEAL, cushion	1				
20	1900047232	• RING, wear	2				
21	1900047423	• SEAL, dust	4				
22	X *****	• PIPE	1				
23	X *****	• PIPE	1				
24	1900063417	• HOLDER	1				
25	1900065128	• HOLDER	1				
26	1121050808	• SET-SCREW	1				
27	1390020350	• BALL, steel	1				
28	X *****	• SCREW, cap	8				
29	X *****	• O-RING	2				
30	1100051245	• BOLT	1				
31	1140010012	• WASHER, spring	1				
32	1100051045	• BOLT	1				
33	1140010010	• WASHER, spring	1				
34	1560001000	• NIPPLE, grease	1				
35	1560001675	• NIPPLE, grease	1				

L151b2L

TB070 Book No.PL1-101Z5 S/N1703004-1705487  
BOOM CYLINDER (L.H.) (1703191~)

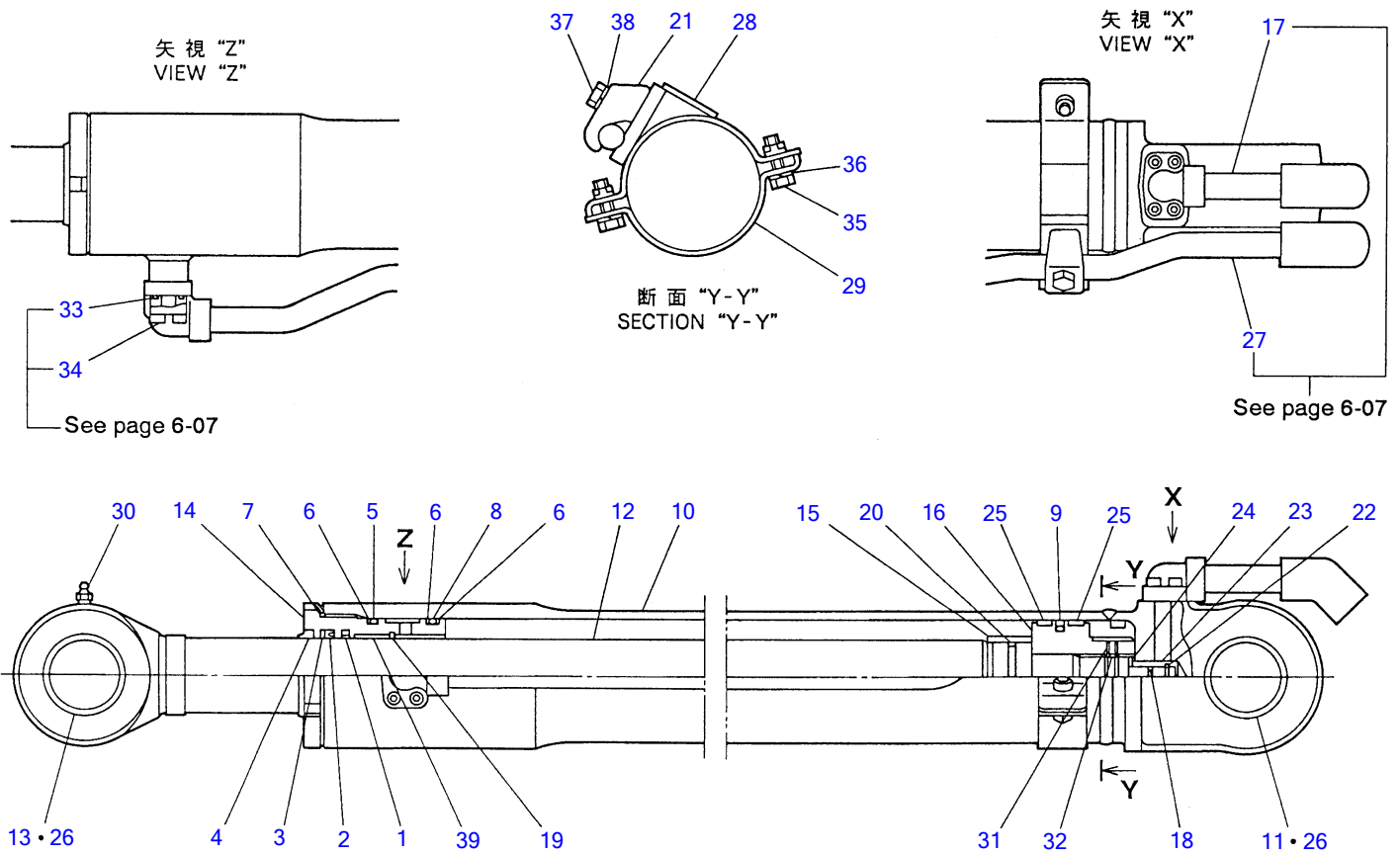


L1-51b-1-D

**BOOM CYLINDER (L.H.) (1703191~)**

Item	Part number	Description	Q'ty	Chan.	Serial No.	Serv.	Remarks
0	<b>1900068300</b>	CYLINDER ASSY	1				
0-1	<b>1900065199</b>	• KIT, seal	1				
1	X <b>1900047231</b>	• • PACKING, piston	1				
2	X <b>1900050631</b>	• • PACKING, rod	1				
3	X <b>1900063231</b>	• • SEAL, dust	1				
4	X <b>1900063226</b>	• • RING, seal	1				
5	X <b>1900063227</b>	• • RING, back-up	1				
6	X <b>1421130750</b>	• • RING, back-up	3				
7	X <b>1420110750</b>	• • O-RING	1				
8	X <b>1420100800</b>	• • O-RING	1				
9	X <b>1420110700</b>	• • O-RING	1				
10	<b>1900065298</b>	• TUBE ASSY	1				
11	<b>1900065102</b>	• • BUSHING	1				
12	<b>1900065197</b>	• ROD ASSY, piston	1				
13	<b>1900065102</b>	• • BUSHING	1				
14	<b>1900068203</b>	• COVER ASSY, rod	1				
15	<b>1900068205</b>	• • CUSHION, rod	1				
16	<b>1900065106</b>	• PISTON	1				
17	<b>1900063213</b>	• BUSHING	1				
18	<b>1900063214</b>	• RING, snap	1				
19	<b>1900063216</b>	• SEAL, cushion	1				
20	<b>1900047232</b>	• RING, wear	2				
21	<b>1900047423</b>	• SEAL, dust	4				
22	<b>1900063417</b>	• HOLDER	1				
23	<b>1900065128</b>	• HOLDER	1				
24	<b>1121050808</b>	• SET-SCREW	1				
25	<b>1390020350</b>	• BALL, steel	1				
26	<b>1100051245</b>	• BOLT	1				
27	<b>1140010012</b>	• WASHER, spring	1				
28	<b>1100051045</b>	• BOLT	1				
29	<b>1140010010</b>	• WASHER, spring	1				
30	<b>1560001000</b>	• NIPPLE, grease	1				
31	<b>1560001675</b>	• NIPPLE, grease	1				
	<b>L151b4L</b>						

TB070 Book No.PL1-101Z5 S/N1703004-1705487  
 ARM CYLINDER (1703004~1703190)



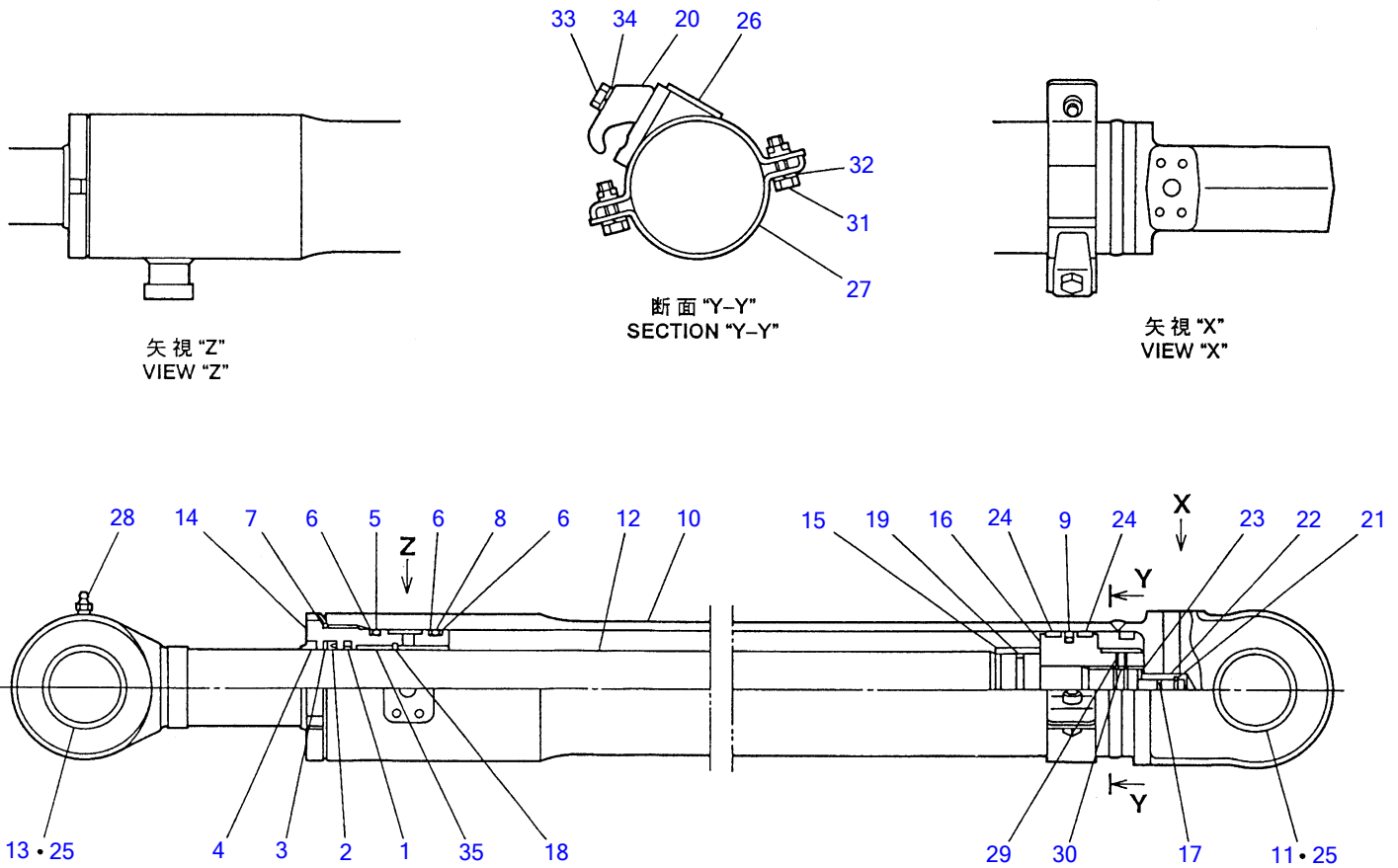
L1-52a-0-D



**ARM CYLINDER (1703004~1703190)**

Item	Part number	Description	Q'ty	Chan.	Serial No.	Serv.	Remarks
0	X *****	CYLINDER ASSY	1				
0-1	1900063499	· KIT, seal	1				
1	X 1900063426	· · RING, back-up	1				
2	X 1900063431	· · PACKING, rod	1				
3	X 1900063427	· · RING, back-up	1				
4	X 1900063432	· · SEAL, dust	1				
5	X 1420110900	· · O-RING	1				
6	X 1900063428	· · RING, back-up	3				
7	X 1420100950	· · O-RING	1				
8	X 1420110850	· · O-RING	1				
9	X 1900050633	· · PACKING, piston	1				
10	1900063498	· TUBE ASSY	1				
11	1900063402	· · BUSHING	1				
12	1900063497	· ROD ASSY, piston	1				
13	1900063402	· · BUSHING	1				
14	1900063403	· COVER ASSY, rod	1				
15	1900063405	· · BEARING, cushion	1				
16	1900063406	· PISTON	1				
17	X *****	· PIPE	1				
18	1900047116	· SEAL, cushion	1				
19	1900063414	· RING, snap	1				
20	1900063416	· SEAL, cushion	1				
21	1900063417	· HOLDER	1				
22	1900047122	· STOPPER	2				
23	1900063425	· BEARING, cushion	1				
24	1900063429	· RING, snap	1				
25	1900050632	· RING, wear	2				
26	1900063433	· SEAL, dust	4				
27	X *****	· PIPE	1				
28	1900063435	· BAND	1				
29	1900063436	· BAND	1				
30	1560001000	· NIPPLE, grease	1				
31	1121051010	· SET-SCREW	1				
32	1390020400	· BALL, steel	1				
33	X *****	· O-RING	2				
34	X *****	· SCREW, cap	8				
35	1100051043	· BOLT	2				
36	1141190010	· WASHER	2				
37	1100051245	· BOLT	1				
38	1140010012	· WASHER, spring	1				
39	1900063413	· BUSHING	1				

L152a2L



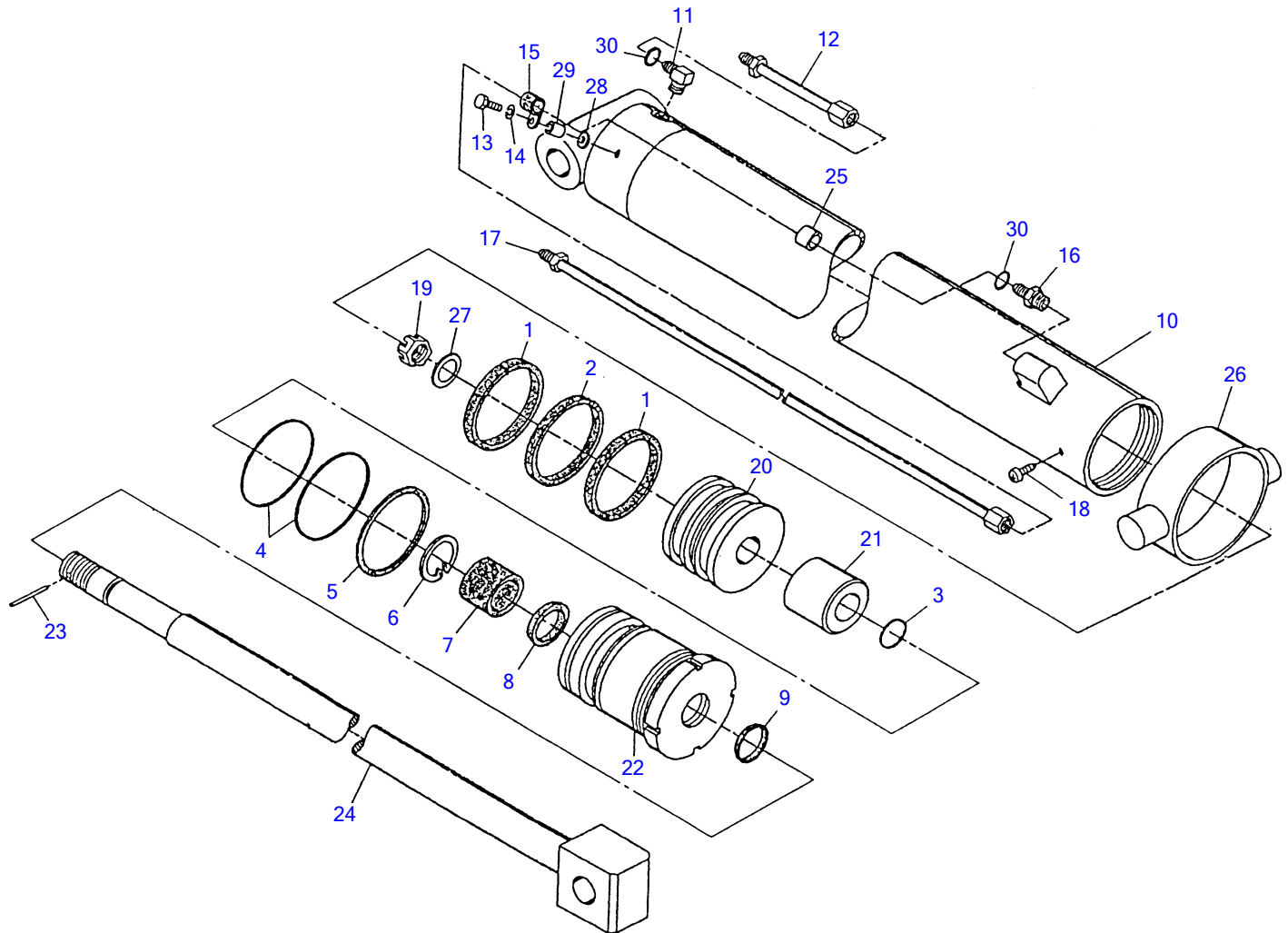
L1-52a-1-D

**ARM CYLINDER (1703191~)**

Item	Part number	Description	Q'ty	Chan.	Serial No.	Serv.	Remarks
0	<b>1900068400</b>	CYLINDER ASSY	1				
0-1	<b>1900063499</b>	• KIT, seal	1				
1	X <b>1900063426</b>	• • RING, back-up	1				
2	X <b>1900063431</b>	• • PACKING, rod	1				
3	X <b>1900063427</b>	• • RING, back-up	1				
4	X <b>1900063432</b>	• • SEAL, dust	1				
5	X <b>1420110900</b>	• • O-RING	1				
6	X <b>1900063428</b>	• • RING, back-up	3				
7	X <b>1420100950</b>	• • O-RING	1				
8	X <b>1420110850</b>	• • O-RING	1				
9	X <b>1900050633</b>	• • PACKING, piston	1				
10	<b>1900063498</b>	• TUBE ASSY	1				
11	<b>1900063402</b>	• • BUSHING	1				
12	<b>1900063497</b>	• ROD ASSY, piston	1				
13	<b>1900063402</b>	• • BUSHING	1				
14	<b>1900063403</b>	• COVER ASSY, rod	1				
15	<b>1900068405</b>	• • BEARING, cushion	1				
16	<b>1900063406</b>	• PISTON	1				
17	<b>1900047116</b>	• SEAL, cushion	1				
18	<b>1900063414</b>	• RING, snap	1				
19	<b>1900063416</b>	• SEAL, cushion	1				
20	<b>1900063417</b>	• HOLDER	1				
21	<b>1900047122</b>	• STOPPER	2				
22	<b>1900063425</b>	• BEARING, cushion	1				
23	<b>1900063429</b>	• RING, snap	1				
24	<b>1900050632</b>	• RING, wear	2				
25	<b>1900063433</b>	• SEAL, dust	4				
26	<b>1900063435</b>	• BAND	1				
27	<b>1900063436</b>	• BAND	1				
28	<b>1560001000</b>	• NIPPLE, grease	1				
29	<b>1121051010</b>	• SET-SCREW	1				
30	<b>1390020400</b>	• BALL, steel	1				
31	<b>1100051043</b>	• BOLT	2				
32	<b>1141190010</b>	• WASHER	2				
33	<b>1100051245</b>	• BOLT	1				
34	<b>1140010012</b>	• WASHER, spring	1				
35	<b>1900063413</b>	• BUSHING	1				

**L152a4L**

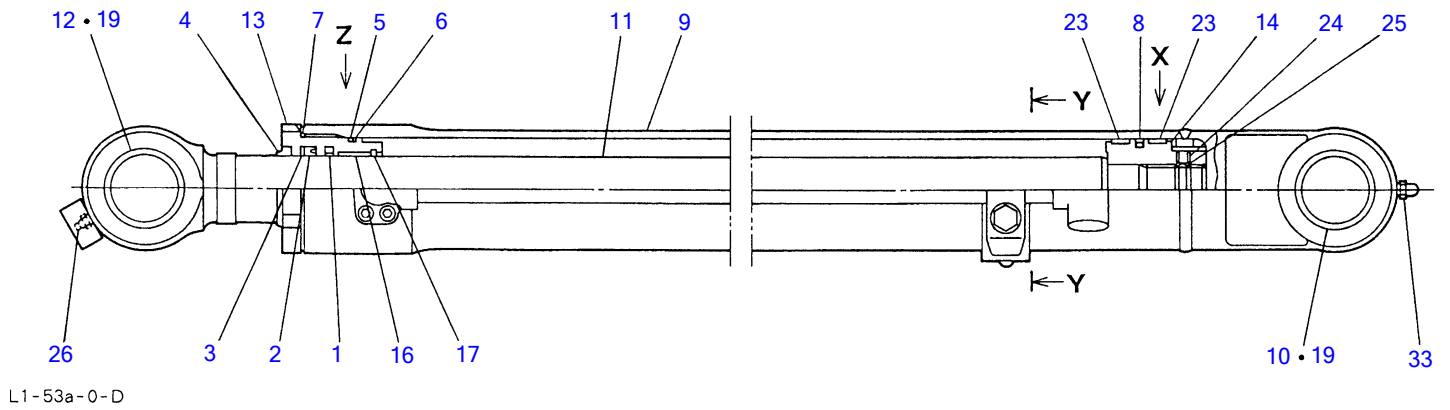
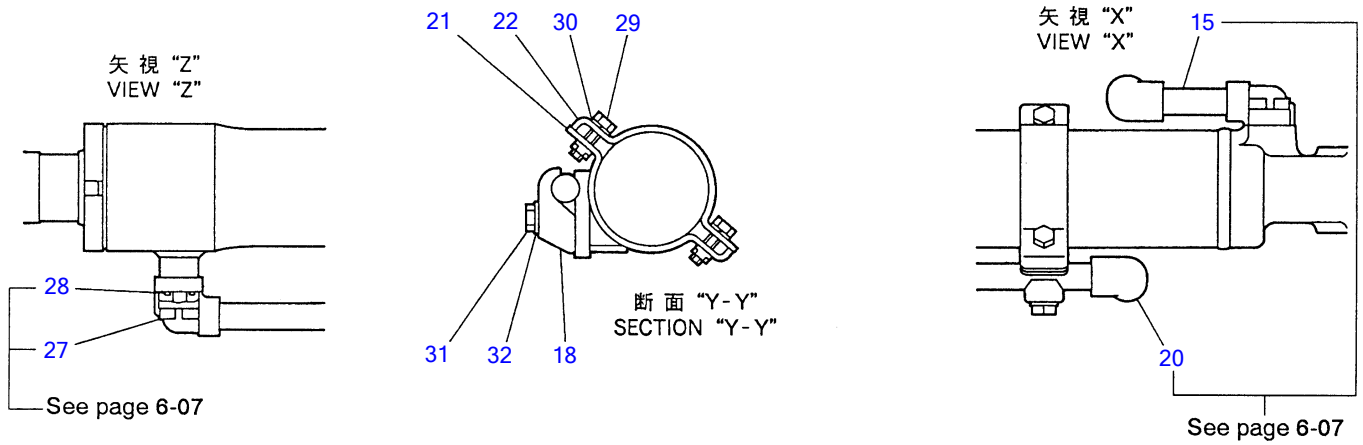
TB070 Book No.PL1-101Z5 S/N1703004-1705487  
TELESCOPIC CYLINDER



L1-52b-0-D

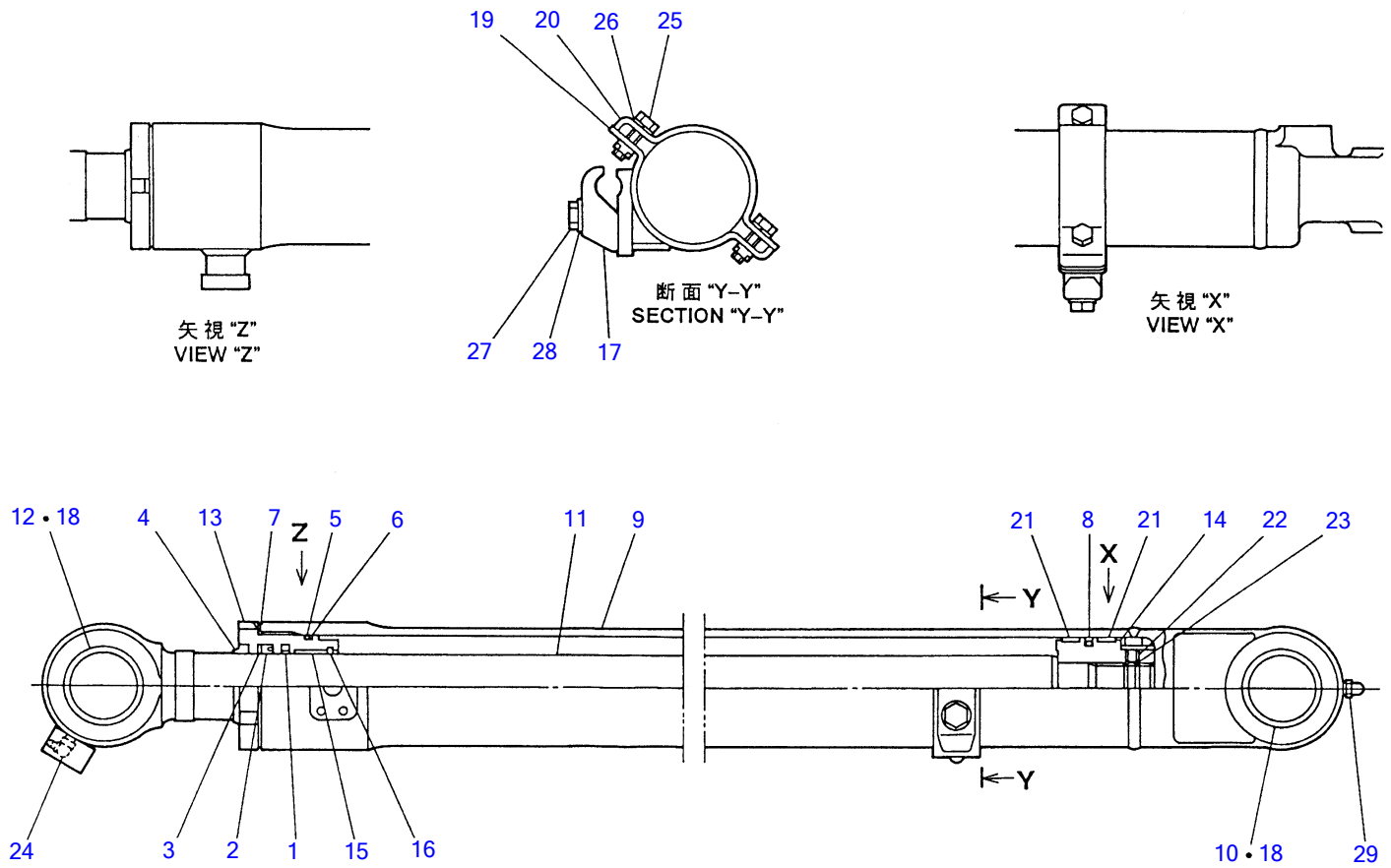
**TELESCOPIC CYLINDER**

Item	Part number	Description	Q'ty	Chan.	Serial No.	Serv.	Remarks
0	<b>R725410</b>	CYLINDER ASSY	1				
0-1	<b>0000007250</b>	· KIT, seal	1				
1	X *****	· · RING, WEAR	2				
2	X *****	· · SEAL	1				
3	X *****	· · O-RING	1				
4	X *****	· · O-RING	2				
5	X *****	· · PACKING, piston	1				
6	X *****	· · RING, snap	1				
7	X *****	· · BEARING	1				
8	X *****	· · SEAL	1				
9	X *****	· · SEAL, dust	1				
10	<b>R702100</b>	· TUBE ASSY	1				
11	<b>F89652</b>	· ELBOW	1				
12	<b>R702803</b>	· NIPPLE	1				
13	<b>H30673</b>	· BOLT	1				
14	<b>H30616</b>	· WASHER, spring	1				
15	<b>H50738</b>	· CLAMP	1				
16	<b>F80646</b>	· NIPPLE	1				
17	<b>R702860</b>	· NIPPLE	1				
18	<b>H30787</b>	· SCREW	1				
19	<b>H30786</b>	· NUT	1				
20	<b>R702500</b>	· PISTON	1				
21	<b>R702550</b>	· CUSHION	1				
22	<b>R702600</b>	· COVER ASSY, rod	1				
23	<b>H50729</b>	· PIN	1				
24	<b>R702200</b>	· ROD ASSY, piston	1				
25	<b>R308241</b>	· GUARD	1				
26	<b>N/A</b>	·	1				
27	<b>H30813</b>	· WASHER	1				
28	<b>H30644</b>	· WASHER	1				
29	<b>H307503</b>	· SPACER	1				
30	<b>R702802</b>	· O-RING	2				
	<b>L152b0L</b>						



**BUCKET CYLINDER (1703004~1703190)**

Item	Part number	Description	Q'ty	Chan.	Serial No.	Serv.	Remarks
0	X *****	CYLINDER ASSY	1				
0-1	1900063599	· KIT, seal	1				
1	X 1900063226	· · RING, seal	1				
2	X 1900050631	· · PACKING, rod	1				
3	X 1900063227	· · RING, back-up	1				
4	X 1900063231	· · SEAL, dust	1				
5	X 1420110800	· · O-RING	1				
6	X 1421130800	· · RING, back-up	1				
7	X 1420100850	· · O-RING	1				
8	X 1900050932	· · PACKING, piston	1				
9	1900063598	· TUBE ASSY	1				
10	1900047002	· · BUSHING	1				
11	1900063597	· ROD ASSY, piston	1				
12	1900047002	· · BUSHING	1				
13	1900063503	· COVER, rod	1				
14	1900063506	· PISTON	1				
15	X *****	· PIPE	1				
16	1900063213	· BUSHING	1				
17	1900063214	· RING, snap	1				
18	1900063417	· HOLDER	1				
19	1900047023	· SEAL, dust	4				
20	X *****	· PIPE	1				
21	1900063527	· BAND	1				
22	1900063528	· BAND	1				
23	1900050931	· RING, wear	2				
24	1121051010	· SET-SCREW	1				
25	1390020400	· BALL, steel	1				
26	1560001000	· NIPPLE, grease	1				
27	X *****	· SCREW, cap	8				
28	X *****	· O-RING	2				
29	1100051043	· BOLT	2				
30	1141190010	· WASHER	2				
31	1100051245	· BOLT	2				
32	1140010012	· WASHER, spring	2				
33	1560001675	· NIPPLE, grease	1				
	L153a2L						

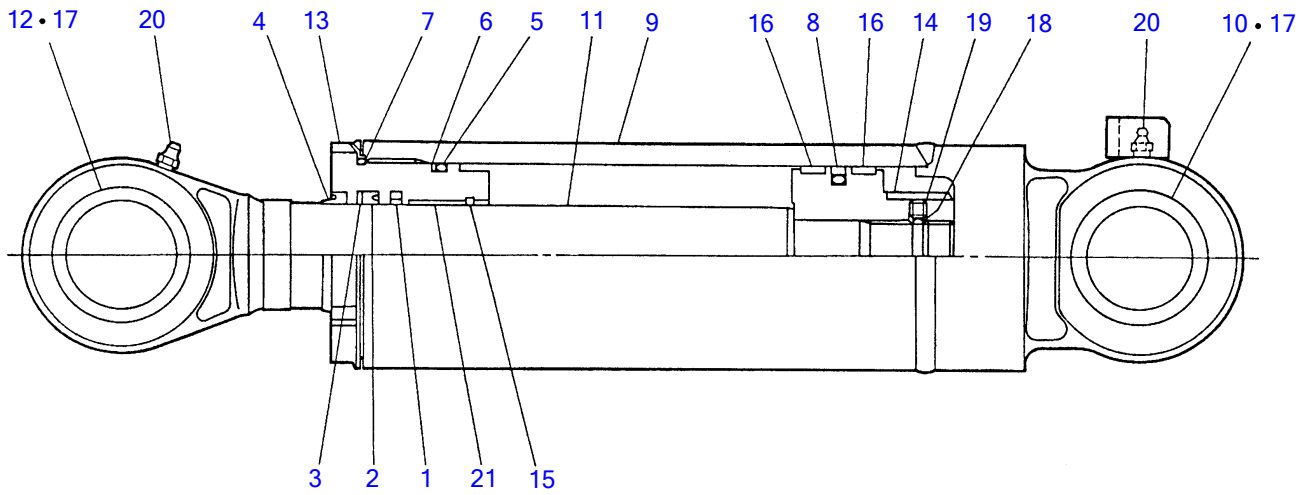


L1-53a-1-D



**BUCKET CYLINDER (1703191~)**

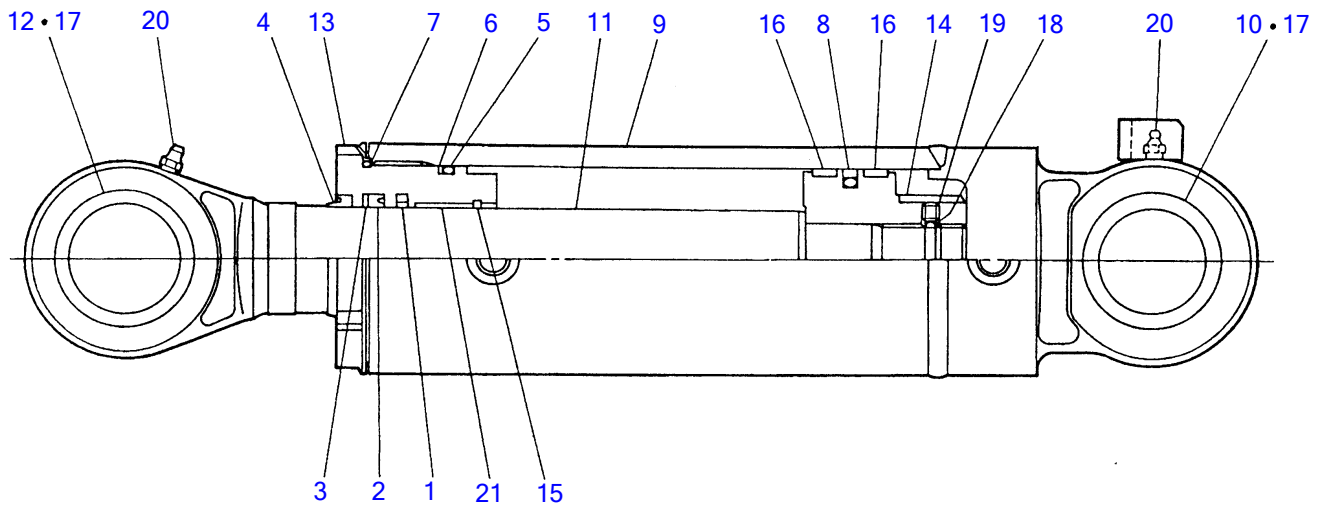
Item	Part number	Description	Q'ty	Chan.	Serial No.	Serv.	Remarks
0	<b>1900068500</b>	CYLINDER ASSY	1				
0-1	<b>1900063599</b>	· KIT, seal	1				
1	X <b>1900063226</b>	· · RING, seal	1				
2	X <b>1900050631</b>	· · PACKING, rod	1				
3	X <b>1900063227</b>	· · RING, back-up	1				
4	X <b>1900063231</b>	· · SEAL, dust	1				
5	X <b>1420110800</b>	· · O-RING	1				
6	X <b>1421130800</b>	· · RING, back-up	1				
7	X <b>1420100850</b>	· · O-RING	1				
8	X <b>1900050932</b>	· · PACKING, piston	1				
9	<b>1900063598</b>	· TUBE ASSY	1				
10	<b>1900047002</b>	· · BUSHING	1				
11	<b>1900063597</b>	· ROD ASSY, piston	1				
12	<b>1900047002</b>	· · BUSHING	1				
13	<b>1900063503</b>	· COVER, rod	1				
14	<b>1900063506</b>	· PISTON	1				
15	<b>1900063213</b>	· BUSHING	1				
16	<b>1900063214</b>	· RING, snap	1				
17	<b>1900063417</b>	· HOLDER	1				
18	<b>1900047023</b>	· SEAL, dust	4				
19	<b>1900063527</b>	· BAND	1				
20	<b>1900063528</b>	· BAND	1				
21	<b>1900050931</b>	· RING, wear	2				
22	<b>1121051010</b>	· SET-SCREW	1				
23	<b>1390020400</b>	· BALL, steel	1				
24	<b>1560001900</b>	· NIPPLE, grease	1				
25	<b>1100051043</b>	· BOLT	2				
26	<b>1141190010</b>	· WASHER	2				
27	<b>1100051245</b>	· BOLT	2				
28	<b>1140010012</b>	· WASHER, spring	2				
29	<b>1560001675</b>	· NIPPLE, grease	1				
	<b>L153a4L</b>						



L1-54a-0-D

**DOZER BLADE CYLINDER (R.H.)**

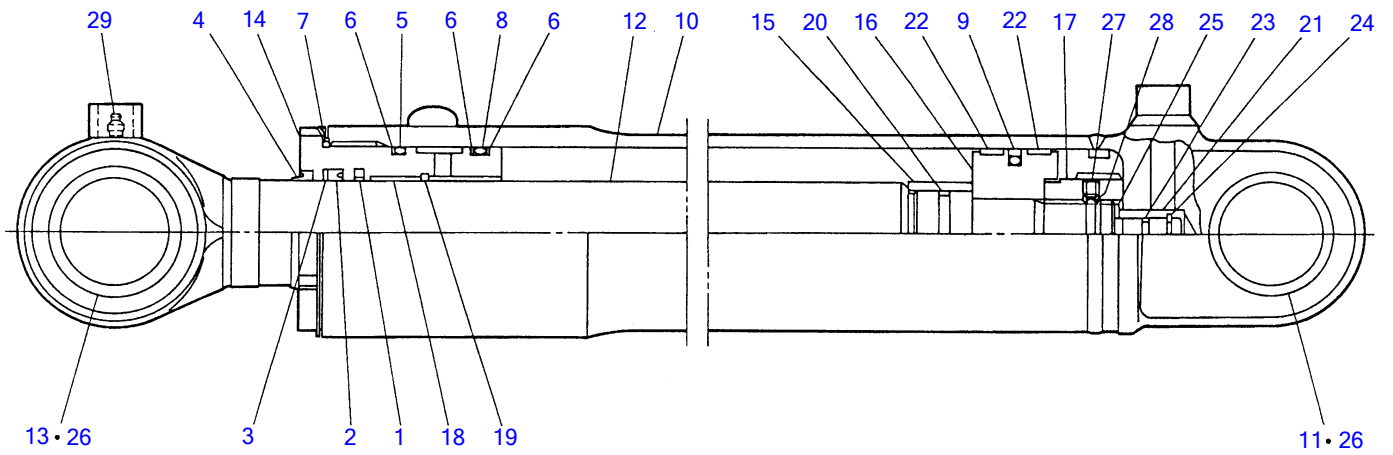
Item	Part number	Description	Q'ty	Chan.	Serial No.	Serv.	Remarks
0	<b>1900063700</b>	CYLINDER ASSY	1				
0-1	<b>1900063799</b>	• KIT, seal	1				
1	X <b>1900063726</b>	• • RING, seal	1				
2	X <b>1900063731</b>	• • PACKING, rod	1				
3	X <b>1900063727</b>	• • RING, back-up	1				
4	X <b>1900063732</b>	• • SEAL, dust	1				
5	X <b>1420110950</b>	• • O-RING	1				
6	X <b>1900063728</b>	• • RING, back-up	1				
7	X <b>1420101000</b>	• • O-RING	1				
8	X <b>1900047031</b>	• • PACKING, piston	1				
9	<b>1900063798</b>	• TUBE ASSY	1				
10	<b>1900063702</b>	• • BUSHING	1				
11	<b>1900063797</b>	• ROD ASSY, piston	1				
12	<b>1900063702</b>	• • BUSHING	1				
13	<b>1900063703</b>	• COVER, rod	1				
14	<b>1900063706</b>	• PISTON	1				
15	<b>1900063714</b>	• RING, snap	1				
16	<b>1900047032</b>	• RING, wear	2				
17	<b>1900063433</b>	• SEAL, dust	4				
18	<b>1390020400</b>	• BALL, steel	1				
19	<b>1121051010</b>	• SET-SCREW	1				
20	<b>1560001000</b>	• NIPPLE, grease	1				
21	<b>1900063713</b>	• BUSHING	1				
	<b>L154a3L</b>						



L1-54b-0-D

**DOZER BLADE CYLINDER (L.H.)**

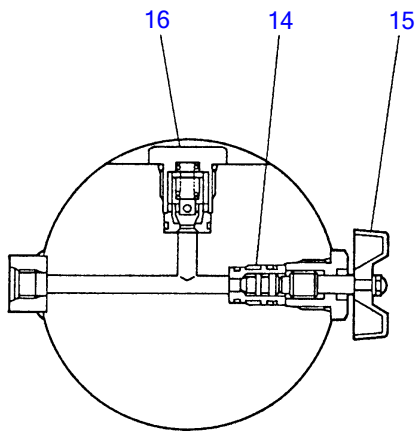
Item	Part number	Description	Q'ty	Chan.	Serial No.	Serv.	Remarks
0	<b>1900063800</b>	CYLINDER ASSY	1				
0-1	<b>1900063799</b>	• KIT, seal	1				
1	X <b>1900063726</b>	• • RING, seal	1				
2	X <b>1900063731</b>	• • PACKING, rod	1				
3	X <b>1900063727</b>	• • RING, back-up	1				
4	X <b>1900063732</b>	• • SEAL, dust	1				
5	X <b>1420110950</b>	• • O-RING	1				
6	X <b>1900063728</b>	• • RING, back-up	1				
7	X <b>1420101000</b>	• • O-RING	1				
8	X <b>1900047031</b>	• • PACKING, piston	1				
9	<b>1900063898</b>	• TUBE ASSY	1				
10	<b>1900063702</b>	• • BUSHING	1				
11	<b>1900063797</b>	• ROD ASSY, piston	1				
12	<b>1900063702</b>	• • BUSHING	1				
13	<b>1900063703</b>	• COVER, rod	1				
14	<b>1900063706</b>	• PISTON	1				
15	<b>1900063714</b>	• RING, snap	1				
16	<b>1900047032</b>	• RING, wear	2				
17	<b>1900063433</b>	• SEAL, dust	4				
18	<b>1390020400</b>	• BALL, steel	1				
19	<b>1121051010</b>	• SET-SCREW	1				
20	<b>1560001000</b>	• NIPPLE, grease	1				
21	<b>1900063713</b>	• BUSHING	1				
	<b>L154b3L</b>						



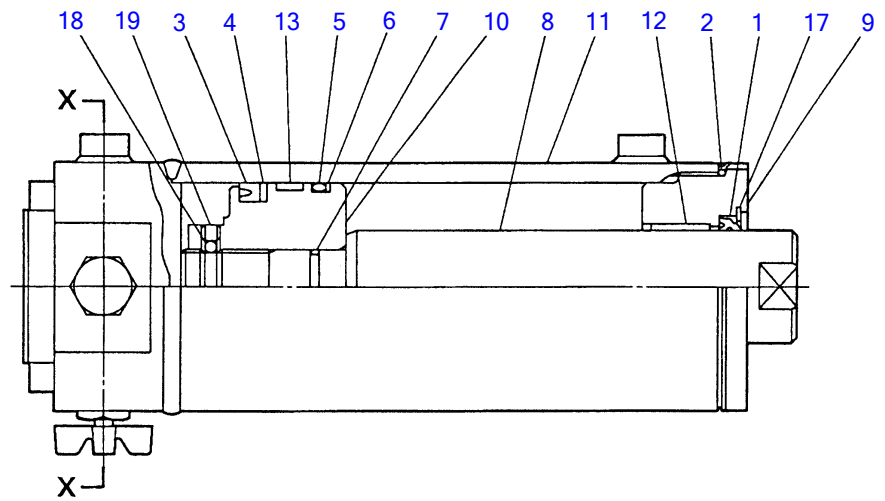
L1-55a-0-D

**SWING CYLINDER**

Item	Part number	Description	Q'ty	Chan.	Serial No.	Serv.	Remarks
0	<b>1900063600</b>	CYLINDER ASSY	1				
0-1	<b>1900063699</b>	• KIT, seal	1				
1	X <b>1900063626</b>	• • RING, seal	1				
2	X <b>1900063631</b>	• • PACKING, rod	1				
3	X <b>1900063627</b>	• • RING, back-up	1				
4	X <b>1900063632</b>	• • SEAL, dust	1				
5	X <b>1420111150</b>	• • O-RING	1				
6	X <b>1900063628</b>	• • RING, back-up	3				
7	X <b>1420101200</b>	• • O-RING	1				
8	X <b>1420111100</b>	• • O-RING	1				
9	X <b>1900063633</b>	• • PACKING, piston	1				
10	<b>1900063698</b>	• TUBE ASSY	1				
11	<b>1900063602</b>	• • BUSHING	1				
12	<b>1900063697</b>	• ROD ASSY, piston	1				
13	<b>1900063602</b>	• • BUSHING	1				
14	<b>1900063603</b>	• COVER ASSY, rod	1				
15	<b>1900063605</b>	• • BEARING, cushion	1				
16	<b>1900063606</b>	• PISTON	1				
17	<b>1900063609</b>	• NUT	1				
18	<b>1900063613</b>	• BUSHING	1				
19	<b>1900063614</b>	• RING, snap	1				
20	<b>1900063616</b>	• SEAL, cushion	1				
21	<b>1900063625</b>	• BEARING, cushion	1				
22	<b>1900063629</b>	• RING, wear	2				
23	<b>1900063634</b>	• SEAL, cushion	1				
24	<b>1900063640</b>	• STOPPER	2				
25	<b>1900063641</b>	• RING, snap	1				
26	<b>1900063642</b>	• SEAL, dust	4				
27	<b>1121051212</b>	• SET-SCREW	1				
28	<b>1390020450</b>	• BALL, steel	1				
29	<b>1560001000</b>	• NIPPLE, grease	1				
	<b>L155a3L</b>						



断面 "X-X"  
SECTION "X-X"

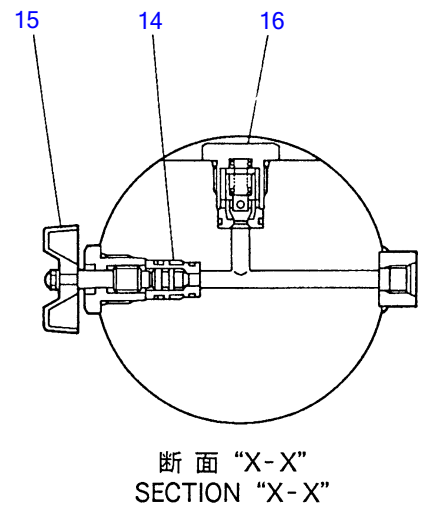
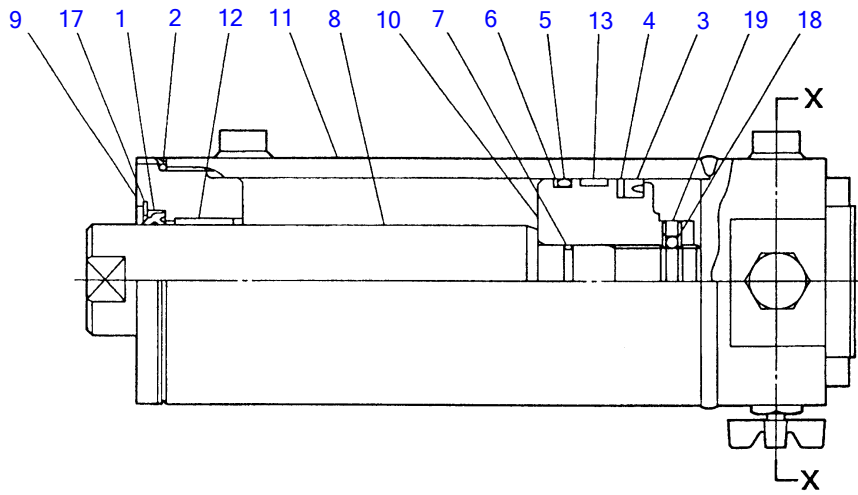


L1-55b-0-D



**TENSIONING CYLINDER (R.H.)**

Item	Part number	Description	Q'ty	Chan.	Serial No.	Serv.	Remarks
0	<b>1900063900</b>	CYLINDER ASSY	1				
0-1	<b>1900063999</b>	• KIT, seal	1				
1	X <b>1411100060</b>	• • SEAL, dust	1				
2	X <b>1420111150</b>	• • O-RING	1				
3	X <b>1411131100</b>	• • PACKING, piston	1				
4	X <b>1411310903</b>	• • RING, back-up	1				
5	X <b>1420011000</b>	• • O-RING	1				
6	X <b>1421021000</b>	• • RING, back-up	1				
7	X <b>1420010320</b>	• • O-RING	1				
8	<b>1900063901</b>	• ROD, piston	1				
9	<b>1900063903</b>	• COVER, rod	1				
10	<b>1900063906</b>	• PISTON	1				
11	<b>1900063907</b>	• TUBE	1				
12	<b>1900063913</b>	• BUSHING	1				
13	<b>1900063926</b>	• RING, wear	1				
14	<b>1900063928</b>	• VALVE ASSY, seat	1				
15	<b>1900063929</b>	• NEEDLE ASSY	1				
16	<b>1900063933</b>	• VALVE ASSY, check	1				
17	<b>1221000082</b>	• RING, snap	1				
18	<b>1390020350</b>	• BALL, steel	1				
19	<b>1121050812</b>	• SET-SCREW	1				
	<b>L155b3L</b>						

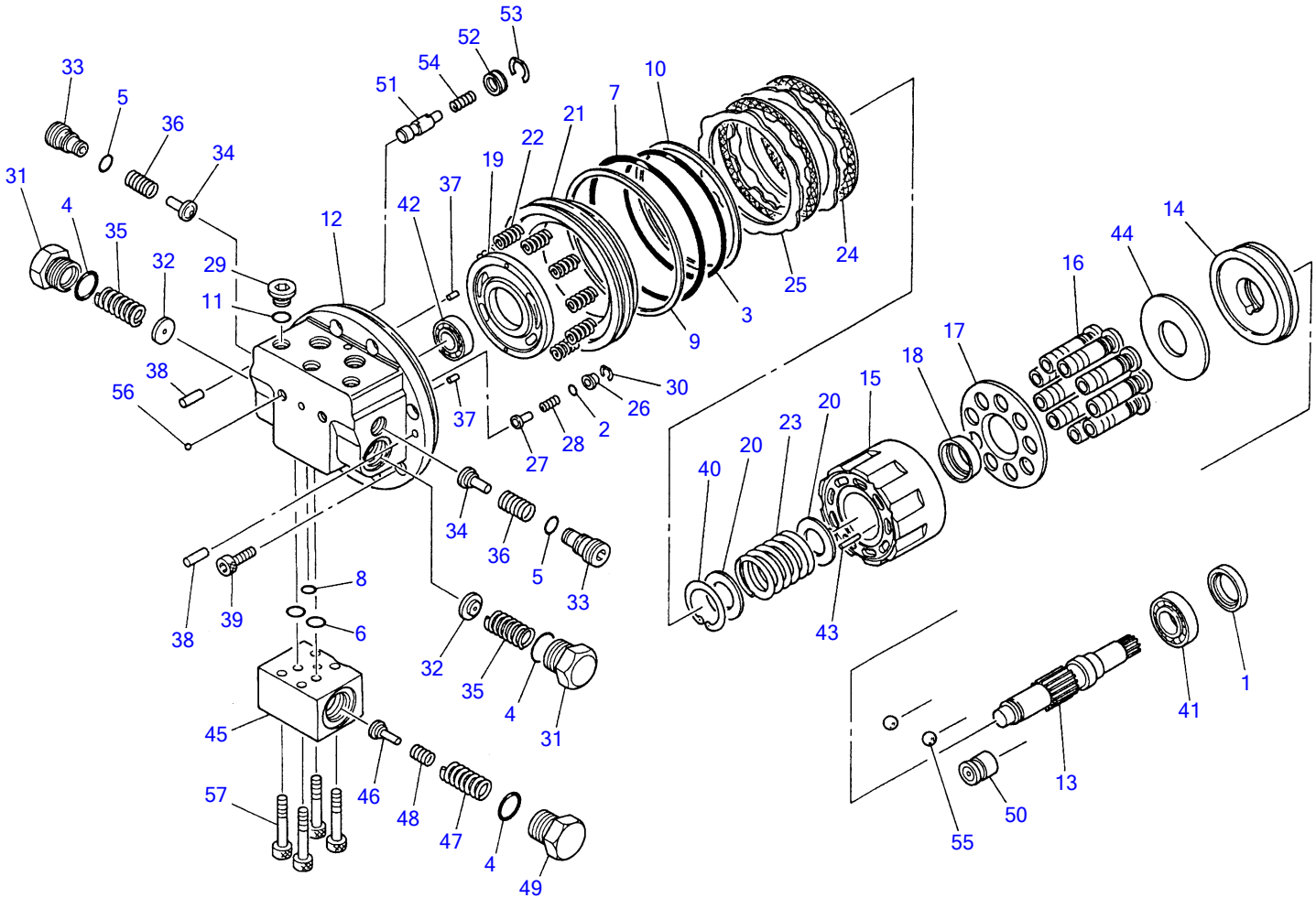


L1-55c-0-D

**TENSIONING CYLINDER (L.H.)**

Item	Part number	Description	Q'ty	Chan.	Serial No.	Serv.	Remarks
0	<b>1900064000</b>	CYLINDER ASSY	1				
0-1	<b>1900063999</b>	• KIT, seal	1				
1	X <b>1411100060</b>	• • SEAL, dust	1				
2	X <b>1420111150</b>	• • O-RING	1				
3	X <b>1411131100</b>	• • PACKING, piston	1				
4	X <b>1411310903</b>	• • RING, back-up	1				
5	X <b>1420011000</b>	• • O-RING	1				
6	X <b>1421021000</b>	• • RING, back-up	1				
7	X <b>1420010320</b>	• • O-RING	1				
8	<b>1900063901</b>	• ROD, piston	1				
9	<b>1900063903</b>	• COVER, rod	1				
10	<b>1900063906</b>	• PISTON	1				
11	<b>1900064007</b>	• TUBE	1				
12	<b>1900063913</b>	• BUSHING	1				
13	<b>1900063926</b>	• RING, wear	1				
14	<b>1900063928</b>	• VALVE ASSY, seat	1				
15	<b>1900063929</b>	• NEEDLE ASSY	1				
16	<b>1900063933</b>	• VALVE ASSY, check	1				
17	<b>1221000082</b>	• RING, snap	1				
18	<b>1390020350</b>	• BALL, steel	1				
19	<b>1121050812</b>	• SET-SCREW	1				
	<b>L155c3L</b>						

TB070 Book No.PL1-101Z5 S/N1703004-1705487  
TRAVEL MOTOR (1/2) (moter sec.) (1703004~1703853)



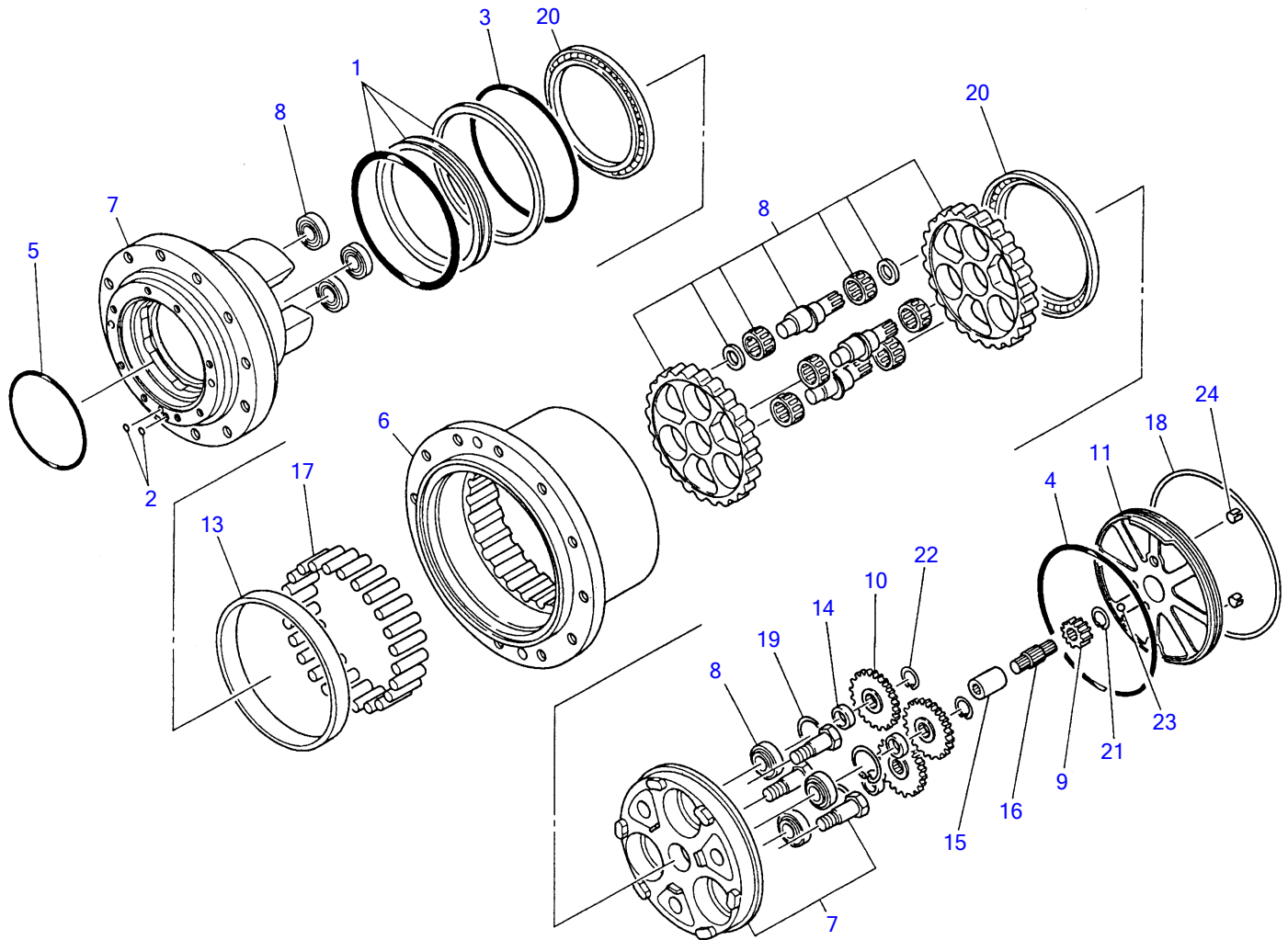
L1-56a-0-D

TRAVEL MOTOR (1/2) (moter sec.) (1703004~1703853)

Item	Part number	Description	Q'ty	Chan.	Serial No.	Serv.	Remarks
0	1903114700	MOTOR ASSY, travel	2		1703004~1703367		incl. 1/2, 2/2
	1903116500	MOTOR ASSY, travel	2	(H)	1703368~1703853		incl. 1/2, 2/2
0-1	X *****	· MOTOR ASSY	1				
0-2	1903902999	· · KIT, seal	1				
1	X 1903902932	· · · SEAL, oil	1				
2	X 1420010090	· · · O-RING	1				
3	X 1420310250	· · · O-RING	1				
4	X 1420010260	· · · O-RING	3				
5	X 1420010160	· · · O-RING	2				
6	X 1420010180	· · · O-RING	2				
7	X 1420111400	· · · O-RING	1				
8	X 1420010080	· · · O-RING	1				
9	X 1903902947	· · · RING, back-up	1				
10	X 1903902948	· · · RING, back-up	1				
11	X 1420010140	· · · O-RING	1				
12	1903902998	· · FLANGE ASSY	1				
13	1903902902	· · SHAFT	1				
14	1903902903	· · PLATE, swash	1				
15	1903902904	· · BLOCK, cylinder	1				
16	1903902905	· · PISTON ASSY	1				
17	1903902907	· · PLATE, retainer	1				
18	1903902908	· · BALL, thrust	1				
19	1903902909	· · PLATE	1				
20	1903902910	· · WASHER	2				
21	1903902912	· · PISTON	1				
22	1903902913	· · SPRING	8				
23	1903902914	· · SPRING	1				
24	1912000365	· · PLATE	2				
25	1912000366	· · PLATE	2				
26	1903004268	· · SEAT, valve	1				
27	1903004269	· · VALVE	1				
28	1903902920	· · SPRING	1				
29	1903902921	· · PLUG	1				
30	1903004271	· · RING	1				
31	1903004273	· · PLUG	2				
32	1903902925	· · RETAINER, spring	2				
33	1903902926	· · PLUG	2				
34	1903902927	· · VALVE	2				
35	1903004278	· · SPRING	2				
36	1903902930	· · SPRING	2				
37	1212000410	· · PIN	2				
38	1212000825	· · PIN	2				
39	1110011030	· · SCREW, cap	8				
40	1903902945	· · RING, snap	1				
41	1903902949	· · BEARING	1				
42	1300006203	· · BEARING	1				
43	1903902951	· · PIN	3				
44	1903902953	· · PLATE, thrust	1				
45	1903902955	· · BODY ASSY	1				
46	1903902957	· · STOPPER	1				
47	1903902958	· · SPRING	1				
48	1903902959	· · SPRING	1				
49	1903902960	· · PLUG	1				
50	1903902961	· · PISTON ASSY	1				
51	1903902963	· · VALVE	1				
52	1903902964	· · STOPPER	1				
53	1903902965	· · RING	1				
54	1903902966	· · SPRING	1				
55	1390020022	· · BALL, steel	2				
56	1390020500	· · BALL, steel	2				
57	1110010850	· · SCREW, cap	4				

L156a3L

TB070 Book No.PL1-101Z5 S/N1703004-1705487  
TRAVEL MOTOR (2/2) (reduction sec.) (1703004~1703853)



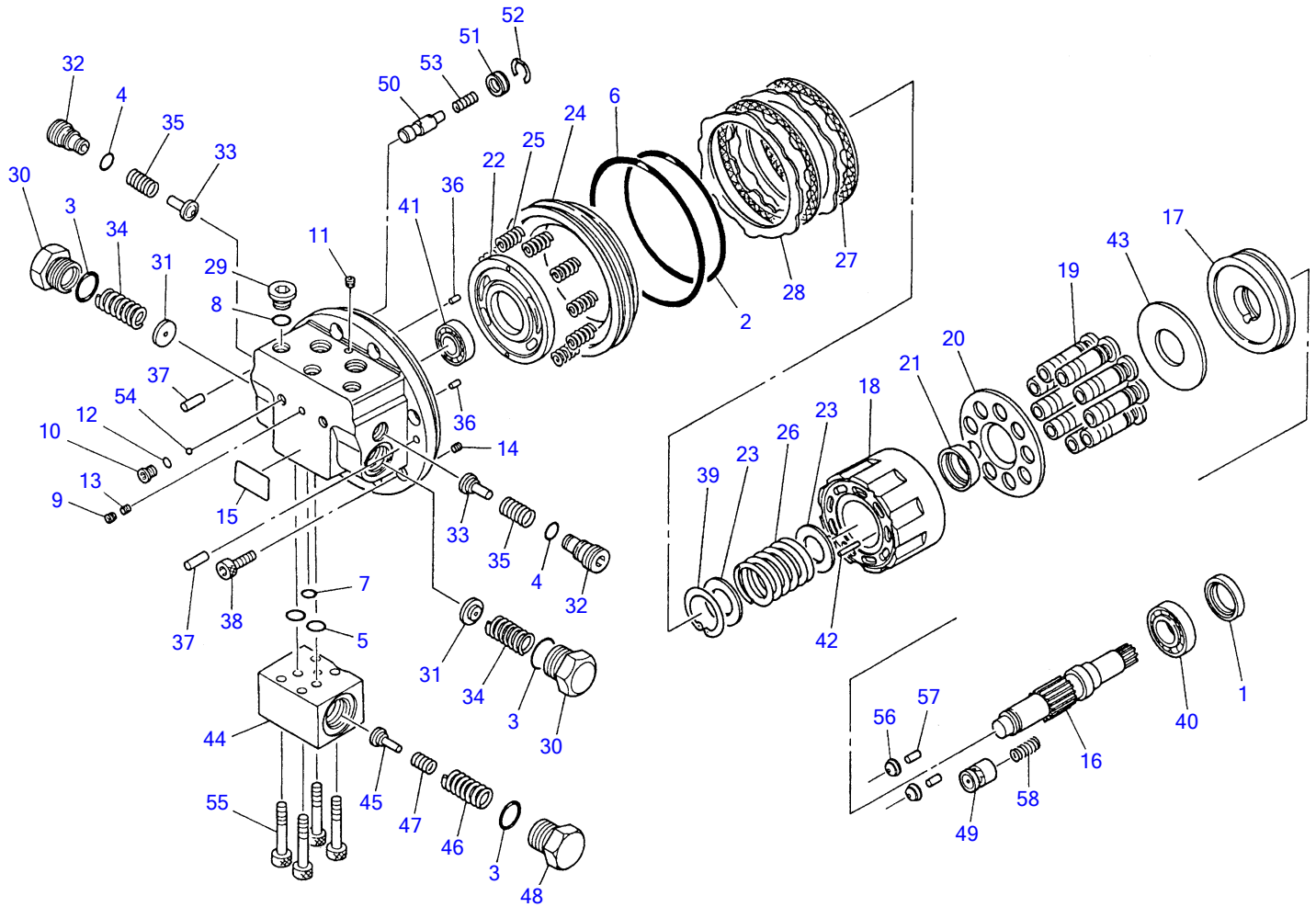
L1-56b-1-D

**TRAVEL MOTOR (2/2) (reduction sec.) (1703004~1703853)**

Item	Part number	Description	Q'ty	Chan.	Serial No.	Serv.	Remarks
0	<b>1903114700</b>	MOTOR ASSY, travel	2		1703004~1703367		incl. 1/2, 2/2
	<b>1903116500</b>	MOTOR ASSY, travel	2	(H)	1703368~1703853		incl. 1/2, 2/2
0-3	X *****	· REDUCTION ASSY	1				
0-4	<b>1912903799</b>	· · KIT, seal	1		1703004~1703367		
	<b>1912904699</b>	· · KIT, seal	1	(H)	1703368~1703853		
1	X <b>1912903710</b>	· · · KIT, seal F	1		1703004~1703367		
	X <b>1912904610</b>	· · · KIT, seal F	1	(H)	1703368~1703853		
2	X <b>1420010700</b>	· · · O-RING	2				
3	X <b>1420112300</b>	· · · O-RING	1				
4	X <b>1912903729</b>	· · · O-RING	1				
5	X <b>1420310257</b>	· · · O-RING	1				
6	<b>1912903701</b>	· · CASE	1				
7	<b>1912903797</b>	· · SPINDLE ASSY	1				
8	<b>1912903798</b>	· · GEAR ASSY	1				
9	<b>1912903706</b>	· · GEAR	1				
10	<b>1912903707</b>	· · GEAR ASSY	1				
11	<b>1912903708</b>	· · COVER	1				
13	<b>1912903711</b>	· · COLLAR	1				
14	<b>1912903714</b>	· · DISTANCE	3				
15	<b>1912000315</b>	· · COUPLING	1				
16	<b>1912903716</b>	· · SHAFT	1				
17	<b>1912903717</b>	· · PIN	24				
18	<b>1912903718</b>	· · RING	1				
19	<b>1912903720</b>	· · RING, snap	3				
20	<b>1912903721</b>	· · BEARING	2				
21	<b>1220000019</b>	· · RING, snap	1				
22	<b>1220000025</b>	· · RING, snap	3				
23	<b>1390000600</b>	· · BALL, steel	1				
24	<b>1501810003</b>	· · PLUG	2				

**L156b3L**

TB070 Book No.PL1-101Z5 S/N1703004-1705487  
TRAVEL MOTOR (1/2) (moter sec.) (1703854~)



L1-56a-2-D

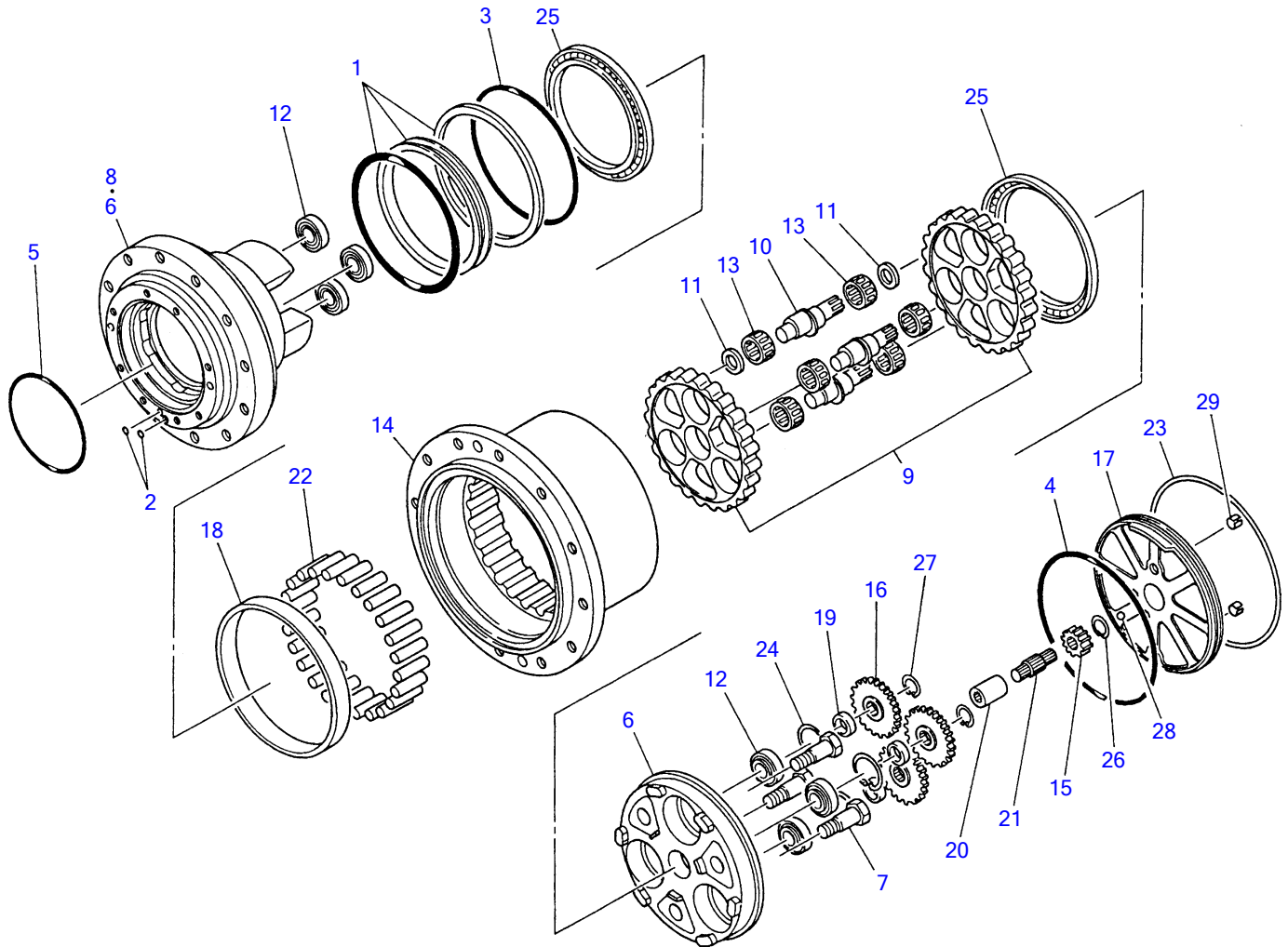


**TRAVEL MOTOR (1/2) (moter sec.) (1703854~)**

Item	Part number	Description	Q'ty	Chan.	Serial No.	Serv.	Remarks
0	<b>1903117700</b>	MOTOR ASSY, travel	2				incl. 1/2, 2/2
0-1	X *****	• MOTOR ASSY	1				
0-2	<b>1903904099</b>	• • KIT, seal	1				
1	X <b>1903904032</b>	• • • SEAL, oil	1				
2	X <b>1903904035</b>	• • • O-RING	1				
3	X <b>1420010260</b>	• • • O-RING	3				
4	X <b>1420010160</b>	• • • O-RING	2				
5	X <b>1420010180</b>	• • • O-RING	2				
6	X <b>1903904039</b>	• • • O-RING	1				
7	X <b>1420010080</b>	• • • O-RING	1				
8	X <b>1420010140</b>	• • • O-RING	1				
0-3	<b>1903904098</b>	• • KIT, rear flange	1				
9	<b>1501810001</b>	• • • PLUG	1				
10	<b>1903903221</b>	• • • PLUG	2				
11	<b>1501810000</b>	• • • PLUG	7				
12	<b>1420010110</b>	• • • O-RING	2				
13	<b>1903904078</b>	• • • ORIFICE	1				
14	<b>1903904079</b>	• • • FILTER	1				
15	X *****	• • • NAME-PLATE	1				
16	<b>1903902902</b>	• • SHAFT	1				
17	<b>1903904003</b>	• • PLATE, swash	1				
18	<b>1903902904</b>	• • BLOCK, cylinder	1				
19	<b>1903902905</b>	• • PISTON ASSY	1				
20	<b>1903902907</b>	• • PLATE, retainer	1				
21	<b>1903902908</b>	• • BALL, thrust	1				
22	<b>1903902909</b>	• • PLATE	1				
23	<b>1903902910</b>	• • WASHER	2				
24	<b>1903904012</b>	• • PISTON	1				
25	<b>1903904013</b>	• • SPRING	8				
26	<b>1903902914</b>	• • SPRING	1				
27	<b>1912000365</b>	• • PLATE	2				
28	<b>1912000366</b>	• • PLATE	2				
29	<b>1903902921</b>	• • PLUG	1				
30	<b>1903004273</b>	• • PLUG	2				
31	<b>1903902925</b>	• • RETAINER, spring	2				
32	<b>1903904026</b>	• • PLUG	2				
33	<b>1903902927</b>	• • VALVE	2				
34	<b>1903004278</b>	• • SPRING	2				
35	<b>1903902930</b>	• • SPRING	2				
36	<b>1212000410</b>	• • PIN	2				
37	<b>1212000825</b>	• • PIN	2				
38	<b>1110051030</b>	• • SCREW, cap	8				
39	<b>1221000042</b>	• • RING, snap	1				
40	<b>1903902949</b>	• • BEARING	1				
41	<b>1300006203</b>	• • BEARING	1				
42	<b>1903904051</b>	• • PIN	3				
43	<b>1903904053</b>	• • PLATE, thrust	1				
44	<b>1903904055</b>	• • BODY ASSY	1				
45	<b>1903902957</b>	• • STOPPER	1				
46	<b>1903902958</b>	• • SPRING	1				
47	<b>1903902959</b>	• • SPRING	1				
48	<b>1903902960</b>	• • PLUG	1				
49	<b>1903904061</b>	• • PISTON ASSY	1				
50	<b>1903904063</b>	• • VALVE	1				
51	<b>1903902964</b>	• • STOPPER	1				
52	<b>1903902965</b>	• • RING	1				
53	<b>1903902966</b>	• • SPRING	1				
54	<b>1390020500</b>	• • BALL, steel	2				
55	<b>1110010850</b>	• • SCREW, cap	4				
56	<b>1903904076</b>	• • PIVOT	2				
57	<b>1903904077</b>	• • PIN	2				
58	<b>1903904085</b>	• • SPRING	1				

L156a4L

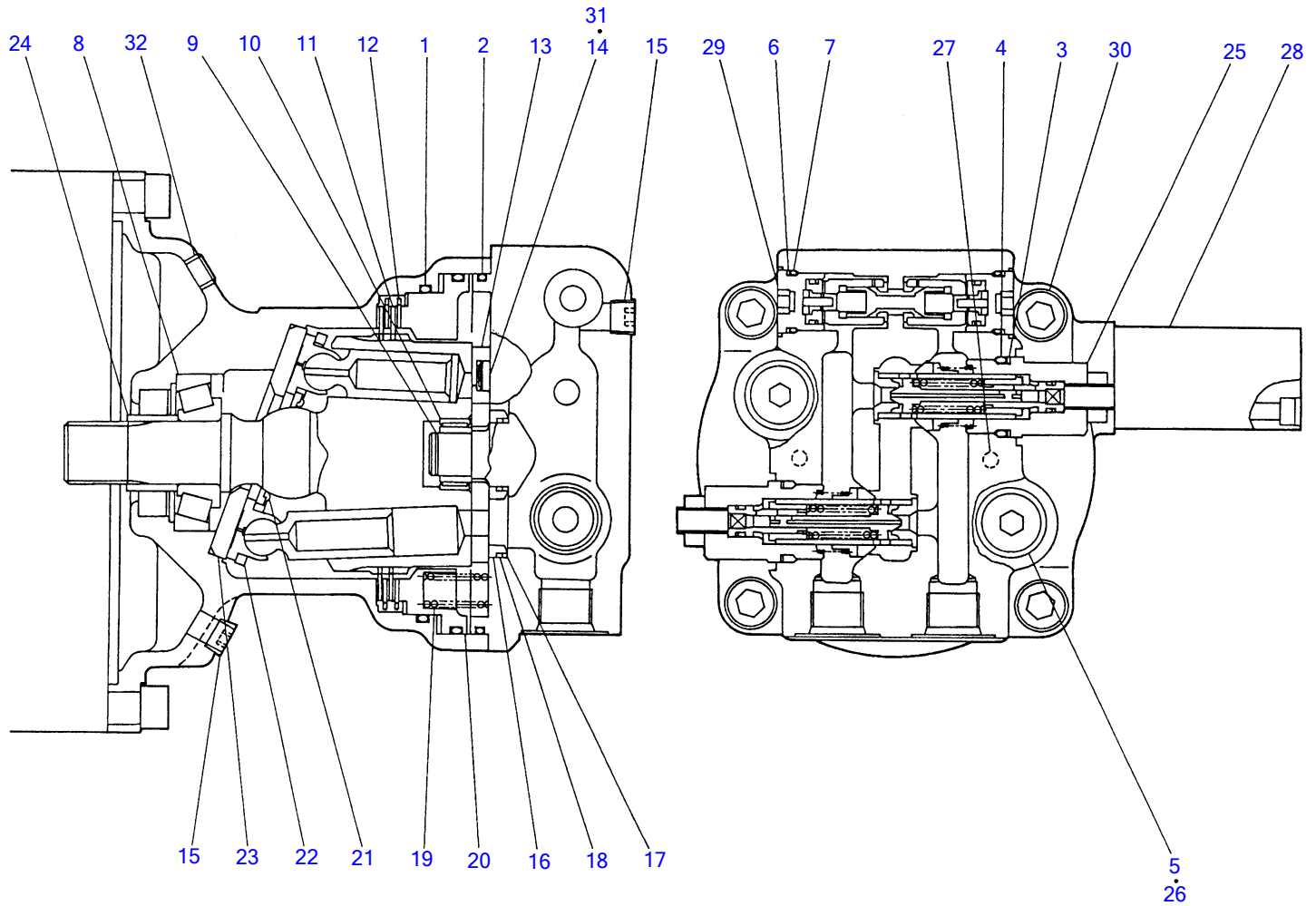
TB070 Book No.PL1-101Z5 S/N1703004-1705487  
TRAVEL MOTOR (2/2) (reduction sec.) (1703854~)



L1-56b-2-D

**TRAVEL MOTOR (2/2) (reduction sec.) (1703854~)**

Item	Part number	Description	Q'ty	Chan.	Serial No.	Serv.	Remarks
0	<b>1903117700</b>	MOTOR ASSY, travel	2				incl. 1/2, 2/2
0-4	X *****	· REDUCTION ASSY	1				
0-5	<b>1912905199</b>	· · KIT, seal	1				
1	X <b>1912905110</b>	· · · KIT, seal F	1				
2	X <b>1420010700</b>	· · · O-RING	2				
3	X <b>1420112300</b>	· · · O-RING	1				
4	X <b>1420000740</b>	· · · O-RING	1				
5	X <b>1420100370</b>	· · · O-RING	1				
0-6	<b>1912905198</b>	· · KIT, spindle	1				
6	<b>1912905102</b>	· · · SPINDLE ASSY	1				
7	<b>1912903719</b>	· · · BOLT	3				
8	<b>1912903737</b>	· · · EXPANDER	1				
0-7	<b>1912905197</b>	· · GEAR ASSY, RV	1				
9	<b>1912905104</b>	· · · KIT, RV gear	1				
10	<b>1912903709</b>	· · · CRANK-SHAFT	3				
11	<b>1912903712</b>	· · · SPACER	6				
12	<b>1912903722</b>	· · · BEARING	6				
13	<b>1912903723</b>	· · · BEARING	6				
14	<b>1912905101</b>	· · HUB	1				
15	<b>1912903706</b>	· · GEAR	1				
16	<b>1912903707</b>	· · GEAR ASSY	1				
17	<b>1912905108</b>	· · COVER	1				
18	<b>1912903711</b>	· · COLLAR	1				
19	<b>1912903714</b>	· · DISTANCE	3				
20	<b>1912000315</b>	· · COUPLING	1				
21	<b>1912903716</b>	· · SHAFT	1				
22	<b>1912903717</b>	· · PIN	24				
23	<b>1912903718</b>	· · RING	1				
24	<b>1912903720</b>	· · RING, snap	3				
25	<b>1912903721</b>	· · BEARING	2				
26	<b>1220000019</b>	· · RING, snap	1				
27	<b>1220000025</b>	· · RING, snap	3				
28	<b>1390000600</b>	· · BALL, steel	1				
29	<b>1501810003</b>	· · PLUG	3				
	<b>L156b4L</b>						

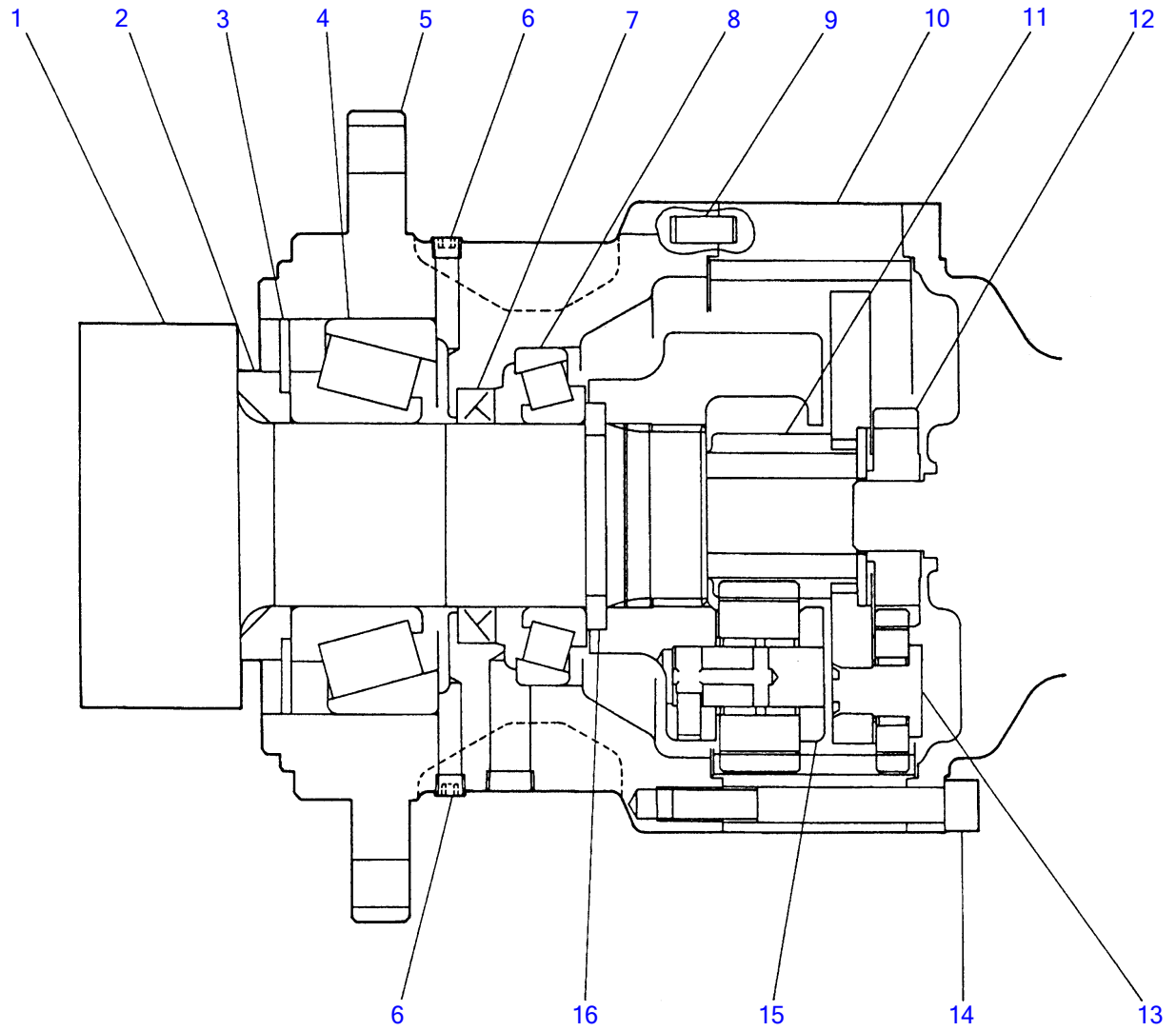


L1-57a-0-D

**SLEW MOTOR (1/2) (moter sec.)**

Item	Part number	Description	Q'ty	Chan.	Serial No.	Serv.	Remarks
0	<b>1903114600</b>	MOTOR ASSY, slew	1				incl. 1/2, 2/2
0-1	X *****	• MOTOR ASSY	1				
0-2	<b>1903903199</b>	• • KIT, seal	1				
1	X <b>1420310250</b>	• • • O-RING	1				
2	X <b>1420310253</b>	• • • O-RING	2				
3	X <b>1421020260</b>	• • • RING, back-up	2				
4	X <b>1420010260</b>	• • • O-RING	2				
5	X <b>1420010140</b>	• • • O-RING	2				
6	X <b>1421020210</b>	• • • RING, back-up	2				
7	X <b>1420010210</b>	• • • O-RING	2				
8	<b>1903903101</b>	• • BEARING	1				
9	<b>1903903102</b>	• • RING, snap	1				
10	<b>1903903103</b>	• • BEARING	1				
11	<b>1903903104</b>	• • PLATE	2				
12	<b>1903903105</b>	• • PLATE	2				
13	<b>1903903107</b>	• • PLATE	1				
14	<b>1903903109</b>	• • PISTON	2				
15	<b>1501810002</b>	• • PLUG	3				
16	<b>1903903111</b>	• • BUSHING	4				
17	<b>1903903112</b>	• • SPRING, conical	4				
18	<b>1903903113</b>	• • RING	4				
19	<b>1903903114</b>	• • SPRING	12				
20	<b>1903903115</b>	• • PISTON	1				
21	<b>1903903117</b>	• • RING	1				
22	<b>1903903119</b>	• • PLATE	1				
23	<b>1903903120</b>	• • PLATE	1				
24	<b>1903903122</b>	• • COLLAR	1				
25	<b>1901800045</b>	• • VALVE ASSY, relief	2				
26	<b>1903903126</b>	• • CAP	2				
27	<b>1212000612</b>	• • PIN	2				
28	<b>1903903130</b>	• • TIMER	1				
29	<b>1903113050</b>	• • VALVE ASSY	2				
30	<b>1110051230</b>	• • SCREW, cap	4				
31	<b>1903903135</b>	• • RING, back-up	2				
32	<b>1501810004</b>	• • PLUG	1				

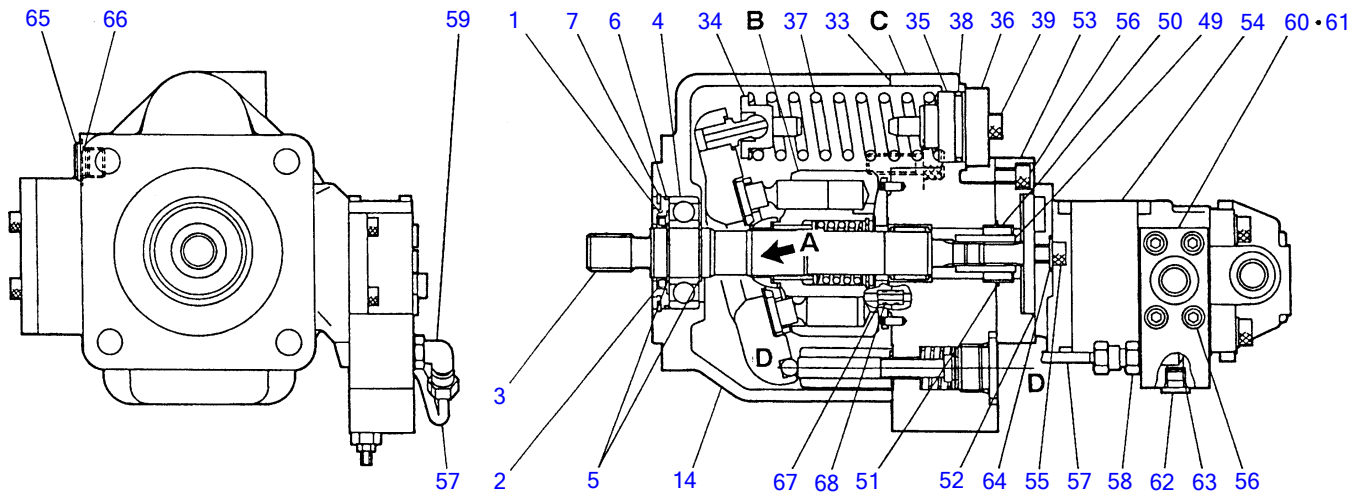
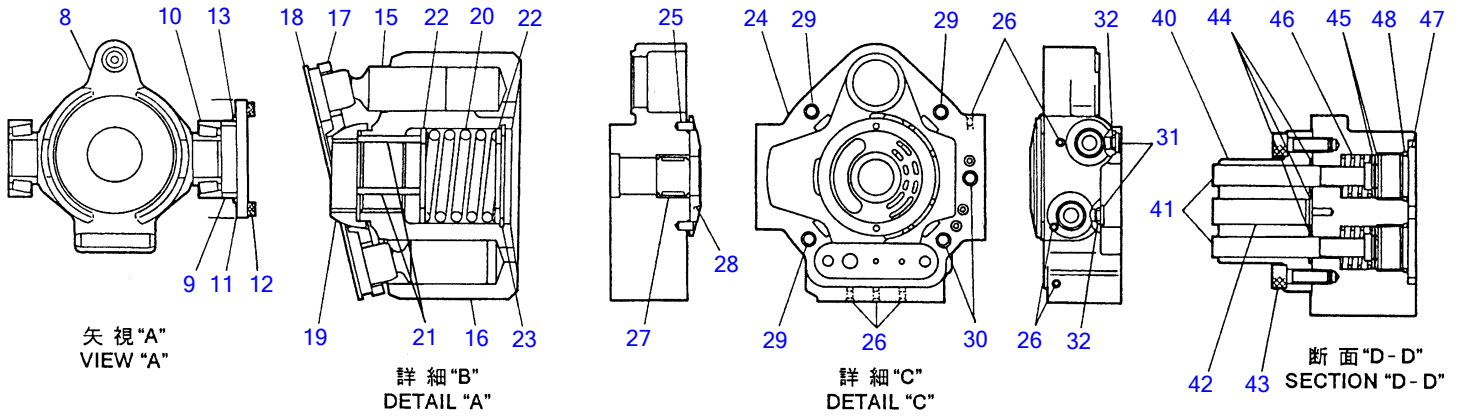
**L157a2L**



L1-57b-0-D

**SLEW MOTOR (2/2) (reduction sec.)**

Item	Part number	Description	Q'ty	Chan.	Serial No.	Serv.	Remarks
0	<b>1903114600</b>	MOTOR ASSY, slew	1				incl. 1/2, 2/2
0-3	X *****	• REDUCTION ASSY	1				
1	<b>1912904001</b>	• • SHAFT	1				
2	<b>1912904002</b>	• • COLLAR	1				
3	<b>1912904003</b>	• • PLATE	1				
4	<b>1912904004</b>	• • BEARING	1				
5	<b>1912904005</b>	• • CASE	1				
6	<b>1501810001</b>	• • PLUG	2				
7	<b>1912904007</b>	• • SEAL, oil	1				
8	<b>1912904008</b>	• • BEARING	1				
9	<b>1912904009</b>	• • PIN	2				
10	<b>1912904010</b>	• • GEAR	1				
11	<b>1912904011</b>	• • GEAR	1				
12	<b>1912904012</b>	• • GEAR	1				
13	<b>1912904013</b>	• • HOLDER ASSY	1				
14	<b>1110051295</b>	• • SCREW, cap	6				
15	<b>1912904015</b>	• • HOLDER ASSY	1				
16	<b>1912904016</b>	• • COLLAR	2				
	<b>L157b1L</b>						

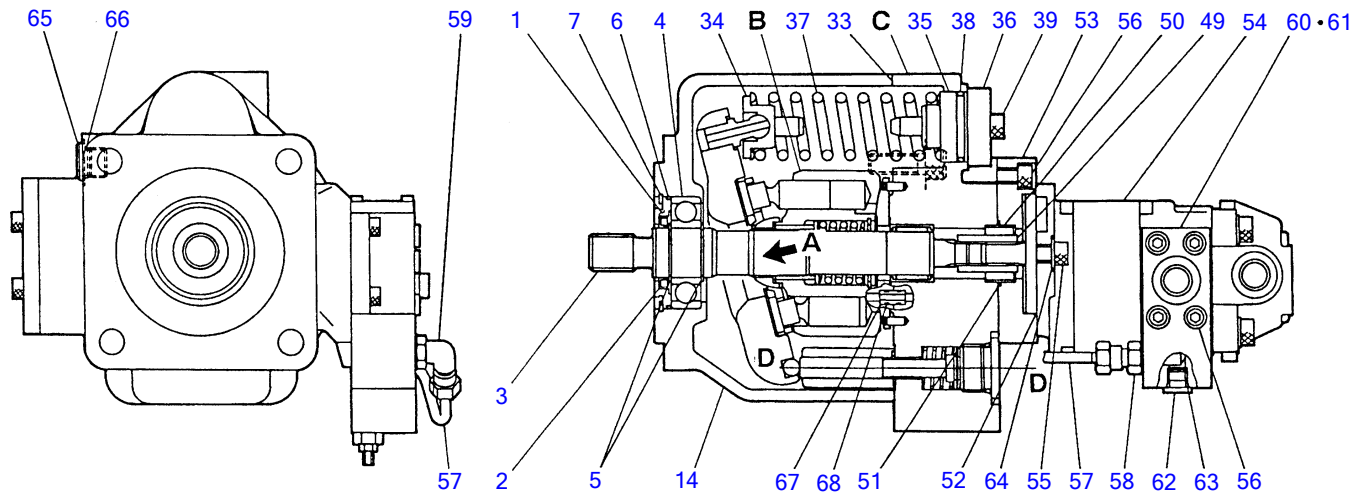
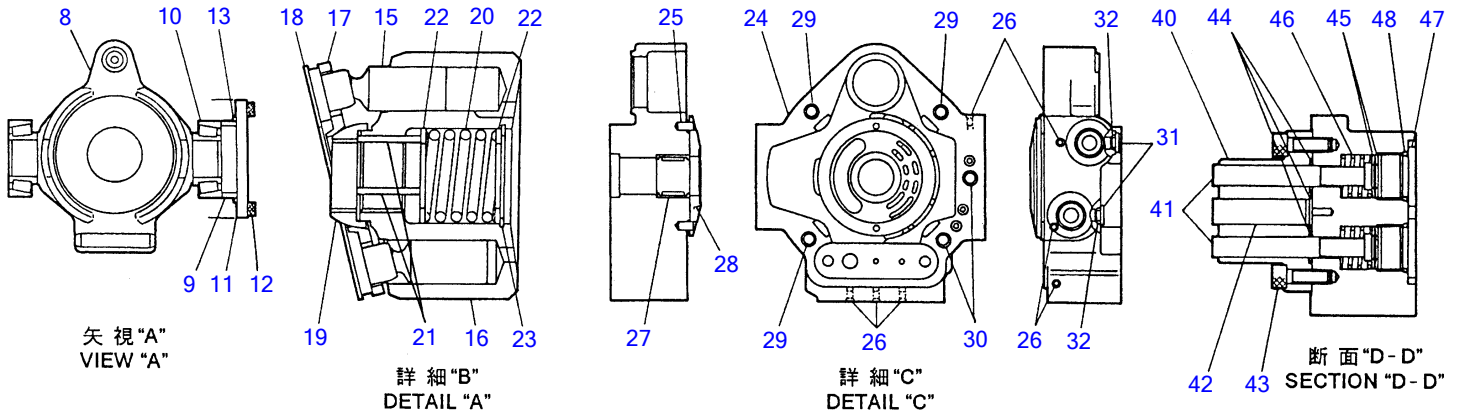


L1-58a-1-D



**HYDRAULIC PUMP (1/3) (1703004~1704023)**

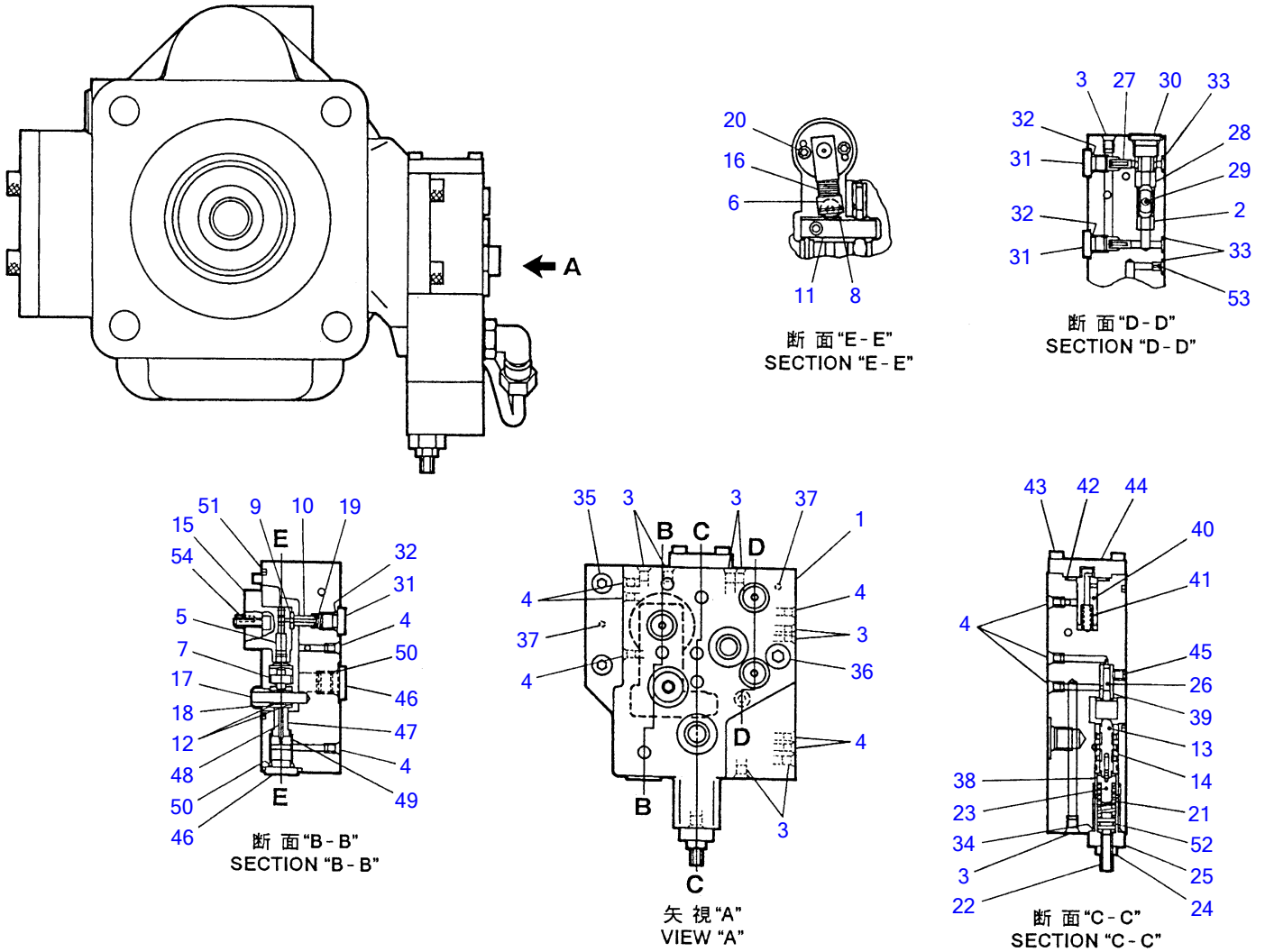
Item	Part number	Description	Q'ty	Chan.	Serial No.	Serv.	Remarks
0	1902012800	PUMP ASSY	1				incl. 1/2, 2/2
0-1	1902904200	• SHAFT ASSY	1				
0-2	1902904298	• • SUB ASSY, seal case	1				
1	X *****	• • • CASE, seal	1				
2	X *****	• • • SEAL, oil	1				
3	1902012605	• • SHAFT	1				
4	1902012606	• • BEARING	1				
5	1220000035	• • RING, snap	2				
6	1420360151	• • O-RING	1				
7	1221000080	• • RING, snap	1				
0-3	1902012898	• SUB ASSY, hanger group	1				
0-4	X *****	• • HANGER ASSY	1				
0-5	1902904398	• • • SUB ASSY, hanger	1				
8	X *****	• • • • HANGER	1				
9	X *****	• • • • DISTANCE	1				
10	X *****	• • • • BEARING	2				
11	1902012610	• • • COVER	1				
12	1110050822	• • • SCREW, cap	4				
13	1420100750	• • • O-RING	1				
14	X *****	• • HOUSING	1				
0-6	1902904400	• ROTARY ASSY	1				
15	X *****	• • PISTON	10				
16	X *****	• • CYLINDER BLOCK	1				
17	X *****	• • RETAINER	1				
18	X *****	• • PLATE	1				
19	X *****	• • GUIDE	1				
20	X *****	• • SPRING	1				
21	X *****	• • PIN	3				
22	X *****	• • HOLDER, spring	2				
23	X *****	• • RING, snap	1				
0-7	1902904500	• COVER ASSY	1				
0-8	1902904598	• • SUB ASSY, cover	1				
24	X *****	• • • COVER	1				
25	X *****	• • • PIN	2				
26	X *****	• • • PLUG	7				
27	X *****	• • • BEARING	1				
28	1902012613	• • PLATE	1				
29	1110051440	• • SCREW, cap	3				
30	1110051470	• • SCREW, cap	2				
31	1902900905	• • PLUG	2				
32	1420010110	• • O-RING	2				
33	1902012618	• • PACKING	1				
0-9	1902904600	• CONTROL SP. ASSY	1				
34	1902012619	• • HOLDER, spring	1				
35	1902904602	• • HOLDER, spring	1				
36	1902012620	• • COVER	1				
37	1902904606	• • SPRING	1				
38	1420000500	• • O-RING	1				
39	1110051030	• • SCREW, cap	2				
0-10	1902904700	• CONTROL PIS. ASSY	1				
		• • CONTROL PIS. SUB ASSY	1				
40	1902904701	• • CYLINDER	1				
41	1902904702	• • PISTON	2				
42	1902012623	• • PIN	1				
43	1110051030	• • SCREW, cap	2				
44	1420010200	• • O-RING	3				
45	1902012626	• • WASHER	4				
46	1902012627	• • SPRING	2				
47	1902012628	• • PLUG	2				
48	1420010290	• • O-RING	2				
0-11	1902904800	• PUMP ASSY, gear	1				
49	1902010512	• • COUPLING	1				
50	1902012631	• • DISTANCE	1				
51	1902012632	• • O-RING	1				
52	1420500800	• • O-RING	1				
53	1902012634	• • PLATE	1				
54	1902012635	• • PUMP, gear	1				
55	1110051025	• • SCREW, cap	2				



L1-58a-1-D

**HYDRAULIC PUMP (1/3) (1703004~1704023)**

Item	Part number	Description	Q'ty	Chan.	Serial No.	Serv.	Remarks
56	1110051030	• • SCREW, cap	3				
57	1902012638	• • PIPE	1				
58	1902012639	• • NIPPLE	1				
59	1902012640	• • ELBOW	1				
60	1902012641	• • FLANGE	1				
61	1420100350	• • O-RING	1				
62	1902900905	• • PLUG	1				
63	1420010110	• • O-RING	1				
64	1902012645	• • WASHER	2				
65	1902012209	• PLUG	1				
66	1420000180	• O-RING	1				
67	1902012603	• SLEEVE	3				
68	1420010070	• O-RING	6				
	L158a3L						

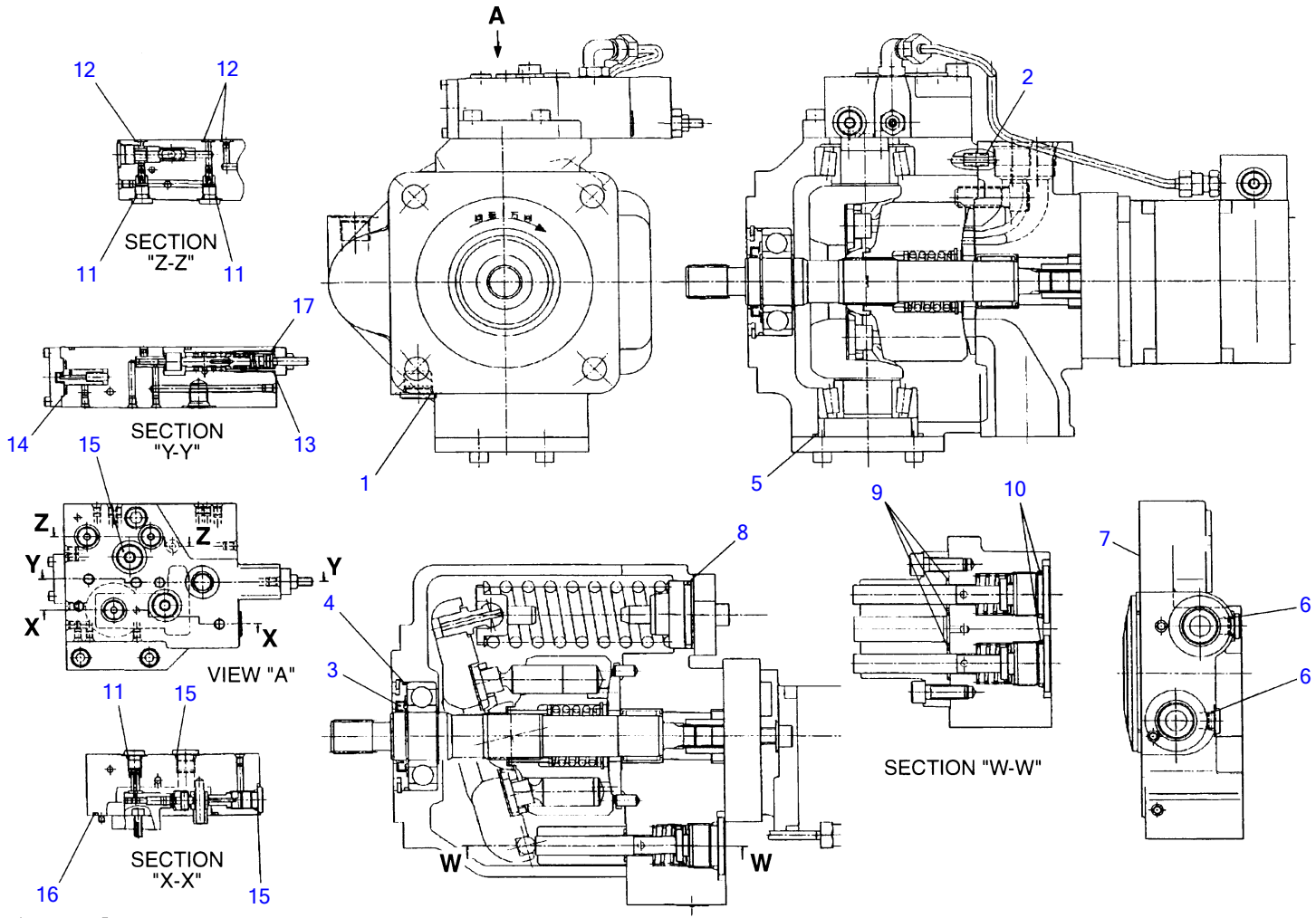


L1-58b-0-D

**HYDRAULIC PUMP (2/3) (1703004~1704023)**

Item	Part number	Description	Q'ty	Chan.	Serial No.	Serv.	Remarks
0	<b>1902012800</b>	PUMP ASSY	1				incl. 1/2, 2/2
0-12	<b>1902904900</b>	• CONTROL ASSY	1				
0-13	<b>1902904998</b>	• • SUB ASSY, body	1				
1	X *****	• • • BODY	1				
2	X *****	• • • PLATE	1				
3	X *****	• • • PLUG	5				
4	X *****	• • • PLUG	6				
0-14	<b>1902904997</b>	• • SUB ASSY, piston	1				
5	X *****	• • • PISTON	1				
6	X *****	• • • ROLLER	1				
7	X *****	• • • PIN	1				
8	X *****	• • • RING, snap	1				
0-15	<b>1902904996</b>	• • SUB ASSY, retainer	1				
9	X *****	• • • RETAINER	1				
10	X *****	• • • PISTON	1				
0-16	<b>1902904995</b>	• • SUB ASSY, arm	1				
11	X *****	• • • ARM	1				
12	X *****	• • • METAL	2				
0-17	<b>1902904994</b>	• • SUB ASSY, spool	1				
13	X *****	• • • SPOOL	1				
14	X *****	• • • BARREL	1				
15	<b>1902904903</b>	• • CYLINDER	1				
16	<b>1902012646</b>	• • SPRING	1				
17	<b>1902012647</b>	• • PIN	1				
18	<b>1902012648</b>	• • SLEEVE	1				
19	<b>1902012649</b>	• • SPRING	1				
20	<b>1110050516</b>	• • SCREW, cap	2				
21	<b>1902904918</b>	• • SPRING	1				
22	<b>1902904919</b>	• • SCREW	1				
23	<b>1902904920</b>	• • HOLDER, spring	1				
24	<b>1130150008</b>	• • NUT	1				
25	<b>1902904922</b>	• • GUIDE	1				
26	<b>1902904923</b>	• • PISTON	1				
27	<b>1902904924</b>	• • ORIFICE	2				
28	<b>1902012651</b>	• • SEAT, valve	1				
29	<b>1902012652</b>	• • PLUNGER	1				
30	<b>1902012653</b>	• • PLUG	1				
31	<b>1902900964</b>	• • PLUG	3				
32	<b>1420010080</b>	• • O-RING	3				
33	<b>1420010060</b>	• • O-RING	3				
34	<b>1420360015</b>	• • O-RING	1				
35	<b>1110050822</b>	• • SCREW, cap	2				
36	<b>1110051055</b>	• • SCREW, cap	1				
37	<b>1213000410</b>	• • PIN, spring	2				
38	<b>1902012661</b>	• • RETAINER	1				
39	<b>1902904942</b>	• • BARREL	1				
40	<b>1902012662</b>	• • SPOOL	1				
41	<b>1902012663</b>	• • SPRING	1				
42	<b>1420000220</b>	• • O-RING	1				
43	<b>1110050416</b>	• • SCREW, cap	2				
44	<b>1902012666</b>	• • PLATE	1				
45	<b>1121050606</b>	• • SCREW, cap	1				
46	<b>1902900905</b>	• • PLUG	3				
47	<b>1902012669</b>	• • BARREL	1				
48	<b>1902012670</b>	• • PIN	1				
49	<b>1902012671</b>	• • RETAINER	1				
50	<b>1420010110</b>	• • O-RING	3				
51	<b>1420360152</b>	• • O-RING	1				
52	<b>1420000080</b>	• • O-RING	1				
53	<b>1902012675</b>	• • ORIFICE	1				
54	<b>1213000310</b>	• • PIN, spring	1				

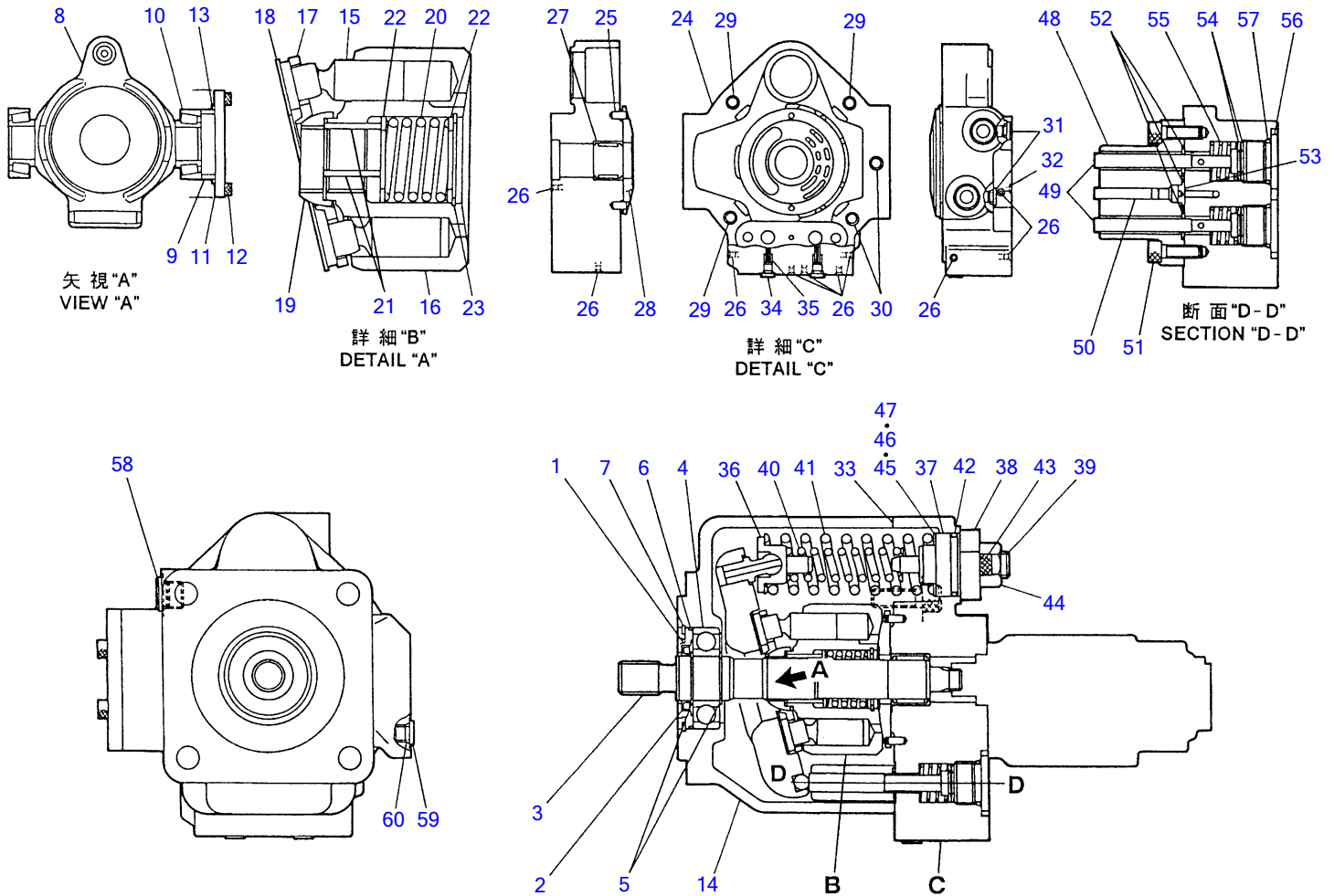
L158b1L



L1-58c-0-D

**HYDRAULIC PUMP (3/3) (1703004~1704023)**

Item	Part number	Description	Q'ty	Chan.	Serial No.	Serv.	Remarks
0	<b>1902012800</b>	PUMP ASSY	1				incl. 1/2, 2/2
0-18	<b>1902012899</b>	• KIT, seal	1				
1	X <b>1420000180</b>	• • O-RING	1				
2	X <b>1420010070</b>	• • O-RING	6				
3	X <b>1902012805</b>	• • SEAL, oil	1				
4	X <b>1420310151</b>	• • O-RING	1				
5	X <b>1420100750</b>	• • O-RING	1				
6	X <b>1420010110</b>	• • O-RING	2				
7	X <b>1902012618</b>	• • PACKING	1				
8	X <b>1420000440</b>	• • O-RING	1				
9	X <b>1420010200</b>	• • O-RING	3				
10	X <b>1420010290</b>	• • O-RING	2				
11	X <b>1420010080</b>	• • O-RING	3				
12	X <b>1420010060</b>	• • O-RING	3				
13	X <b>1420310015</b>	• • O-RING	1				
14	X <b>1420000220</b>	• • O-RING	1				
15	X <b>1420010110</b>	• • O-RING	3				
16	X <b>1420310152</b>	• • O-RING	1				
17	X <b>1420000080</b>	• • O-RING	1				
	<b>L158c0L</b>						

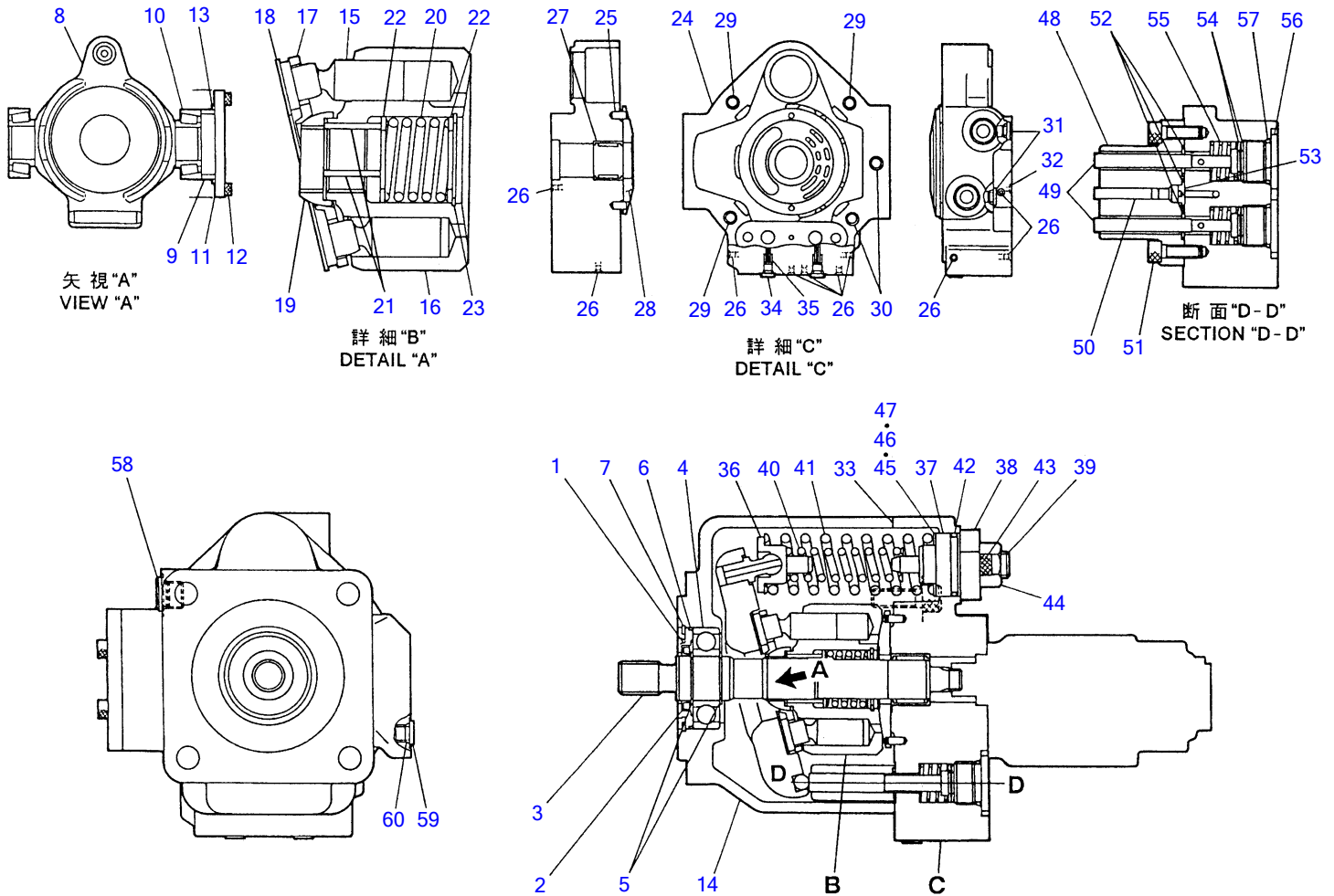


L1-58a-2-D



**HYDRAULIC PUMP (1/3) (1704024~)**

Item	Part number	Description	Qty	Chan.	Serial No.	Serv.	Remarks
0	<b>1902014800</b>	PUMP ASSY	1				incl. 1/2, 2/2
0-1	<b>1902904200</b>	• SHAFT ASSY	1				
0-2	<b>1902904298</b>	• • SUB ASSY, seal case	1				
1	X *****	• • • CASE, seal	1				
2	X *****	• • • SEAL, oil	1				
3	<b>1902012605</b>	• • SHAFT	1				
4	<b>1902012606</b>	• • BEARING	1				
5	<b>1220000035</b>	• • RING, snap	2				
6	<b>1420360151</b>	• • O-RING	1				
7	<b>1221000080</b>	• • RING, snap	1				
0-3	<b>1902014398</b>	• SUB ASSY, hanger group	1				
0-4	X *****	• • HANGER ASSY	1				
0-5	<b>1902905098</b>	• • • SUB ASSY, hanger	1				
8	X *****	• • • • HANGER	1				
9	X *****	• • • • DISTANCE	1				
10	X *****	• • • • BEARING	2				
11	<b>1902012610</b>	• • • COVER	1				
12	<b>1110050822</b>	• • • SCREW, cap	4				
13	<b>1420100750</b>	• • • O-RING	1				
14	X *****	• • HOUSING	1				
0-6	<b>1902904400</b>	• ROTARY ASSY	1				
15	X *****	• • PISTON	10				
16	X *****	• • CYLINDER BLOCK	1				
17	X *****	• • RETAINER	1				
18	X *****	• • PLATE	1				
19	X *****	• • GUIDE	1				
20	X *****	• • SPRING	1				
21	X *****	• • PIN	3				
22	X *****	• • HOLDER, spring	2				
23	X *****	• • RING, snap	1				
0-7	<b>1902905700</b>	• COVER ASSY	1				
0-8	<b>1902905798</b>	• • SUB ASSY, cover	1				
24	X *****	• • • COVER	1				
25	X *****	• • • PIN	2				
26	X *****	• • • PLUG	4				
27	X *****	• • • BEARING	1				
28	<b>1902905702</b>	• • PLATE	1				
29	<b>1110051440</b>	• • SCREW, cap	3				
30	<b>1110051470</b>	• • SCREW, cap	2				
31	<b>1901034371</b>	• • PLUG ASSY	2				
32	<b>1420010070</b>	• • O-RING	1				
33	<b>1902012618</b>	• • PACKING	1				
34	<b>1902905703</b>	• • PLUG ASSY	2				
35	<b>1902014302</b>	• • ORIFICE	2				
0-9	<b>1902905200</b>	• SPRING ASSY, control	1				
36	<b>1902012619</b>	• • HOLDER, spring	1				
37	<b>1902905202</b>	• • HOLDER, spring	1				
38	<b>1902014303</b>	• • COVER	1				
39	<b>1902014304</b>	• • SCREW	1				
40	<b>1902905205</b>	• • SPRING	1				
41	<b>1902905206</b>	• • SPRING	1				
42	<b>1420000440</b>	• • O-RING	1				
43	<b>1110051030</b>	• • SCREW, cap	2				
44	<b>1130050020</b>	• • NUT	1				
45	<b>1902014305</b>	• • SHIM	1				
46	<b>1902014306</b>	• • SHIM	1				
47	<b>1902014207</b>	• • SHIM	1				
0-10	<b>1902905300</b>	• PISTON ASSY, control	1				
0-11	<b>1902905398</b>	• • SUB ASSY, cylinder	1				
48	<b>1902905301</b>	• • • CYLINDER	1				
49	<b>1902905302</b>	• • • PISTON	2				
50	<b>1902014308</b>	• • PIN	1				
51	<b>1110051030</b>	• • SCREW, cap	2				
52	<b>1420010160</b>	• • O-RING	3				
53	<b>1902014309</b>	• • ORIFICE	1				
54	<b>1902012626</b>	• • WASHER	4				
55	<b>1902012627</b>	• • SPRING	2				
56	<b>1902012628</b>	• • PLUG	2				

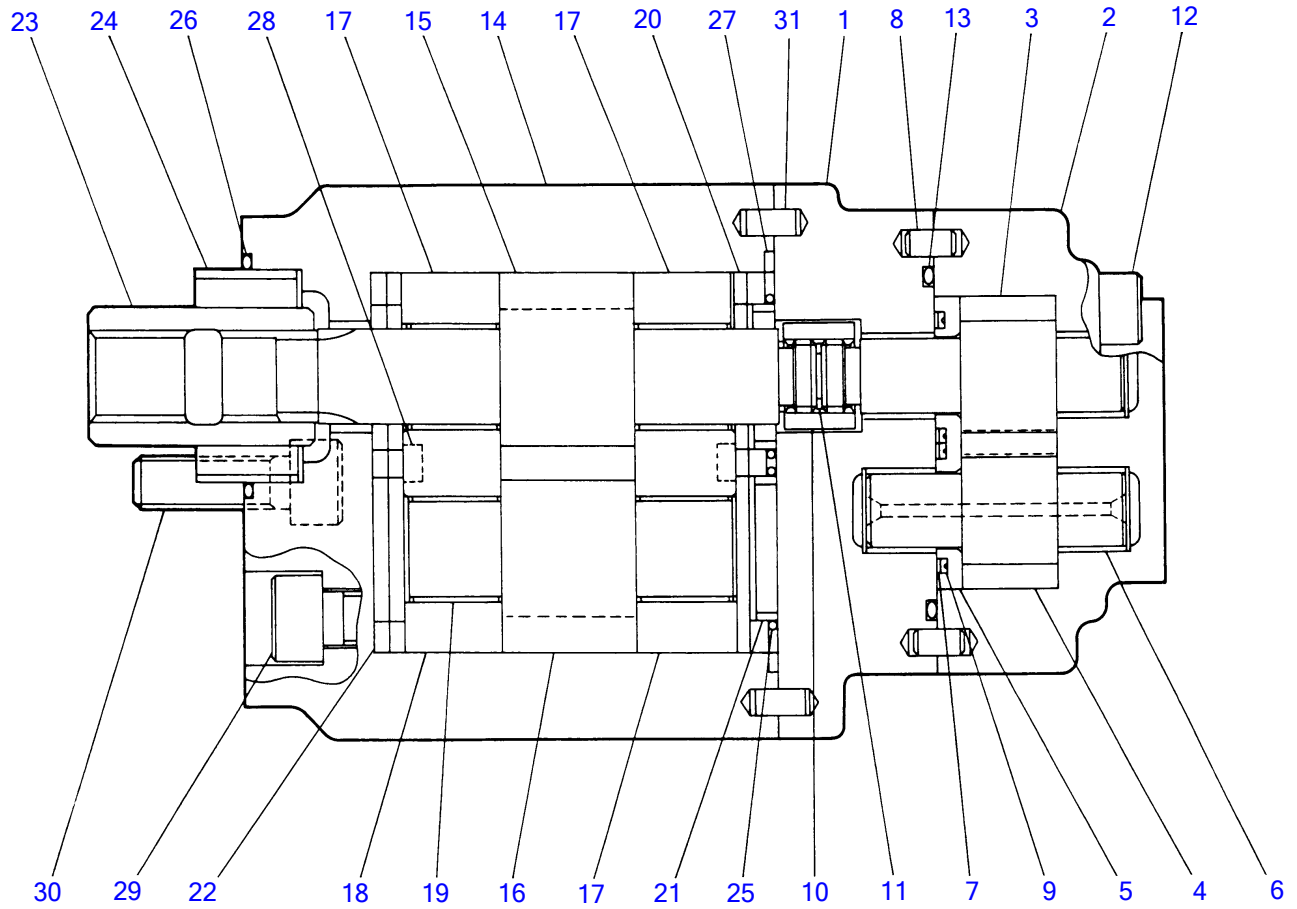


L1-58a-2-D

**HYDRAULIC PUMP (1/3) (1704024~)**

Item	Part number	Description	Q'ty	Chan.	Serial No.	Serv.	Remarks
57	<b>1420010290</b>	• • O-RING	2				
58	<b>1902014801</b>	• PLUG ASSY	1				
59	<b>1902014301</b>	• PLUG	1				
60	<b>1420010110</b>	• O-RING	1				
	<b>L158a4L</b>						

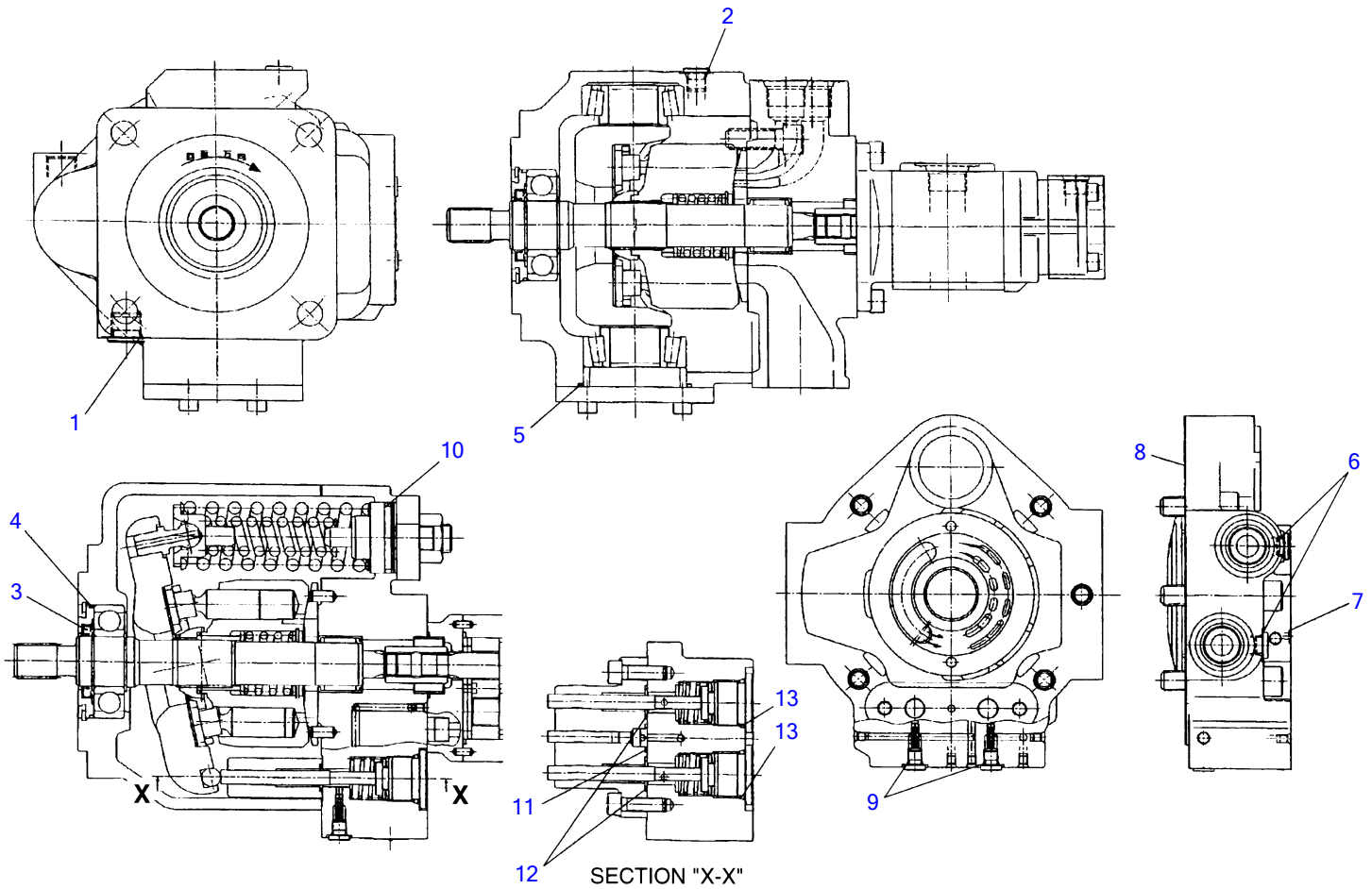
TB070 Book No.PL1-101Z5 S/N1703004-1705487  
HYDRAULIC PUMP (2/3) (1704024~)



L1-58b-2-D

**HYDRAULIC PUMP (2/3) (1704024~)**

Item	Part number	Description	Q'ty	Chan.	Serial No.	Serv.	Remarks
0	<b>1902014800</b>	PUMP ASSY	1				incl. 1/2, 2/2
0-12	<b>1902908800</b>	· PUMP ASSY, gear	1				
0-13	<b>1902905900</b>	· · PUMP ASSY, sub gear	1				
0-14	<b>1902905998</b>	· · · PUMP ASSY, gear	1				
1	X *****	· · · · FRAME	1				
2	X *****	· · · · HOUSING	1				
3	X *****	· · · · GEAR	1				
4	X *****	· · · · GEAR	1				
5	X *****	· · · · PLATE	1				
6	X *****	· · · · METAL	4				
7	<b>1902905907</b>	· · · RING, back-up	1				
8	<b>1902900716</b>	· · · PIN	2				
9	<b>1902905908</b>	· · · RING	1				
10	<b>1902905909</b>	· · · COUPLING	1				
11	<b>1221000012</b>	· · · RING, snap	1				
12	<b>1110050840</b>	· · · SCREW, scket head	4				
13	<b>1420310138</b>	· · · O-RING	1				
0-15	X *****	· · SUB ASSY, case	1				
14	X *****	· · · CASE	1				
15	X *****	· · · GEAR	1				
16	X *****	· · · GEAR	1				
17	X *****	· · · PLATE	2				
18	X *****	· · · PLATE	2				
19	X *****	· · · METAL	4				
20	X *****	· · · PLATE	3				
21	X *****	· · · GUIDE	2				
22	X *****	· · · PLATE	1				
23	<b>1902010512</b>	· · COUPLING	1				
24	<b>1902012631</b>	· · DISTANCE	1				
25	<b>1902901612</b>	· · O-RING	2				
26	<b>1902012632</b>	· · O-RING	1				
27	<b>1902901611</b>	· · RING	2				
28	<b>1902903714</b>	· · RING	2				
29	<b>1110151000</b>	· · SCREW, cap	4				
30	<b>1110051025</b>	· · SCREW, cap	2				
31	<b>1902900716</b>	· · PIN	2				
		NOTE					
	<b>1902905899</b>	KIT, seal incl. item 7, 9, 13, 25, 27, 28.	1				
	<b>L158b2L</b>						



L1-58c-1-D

**HYDRAULIC PUMP (3/3) (1704024~)**

Item	Part number	Description	Q'ty	Chan.	Serial No.	Serv.	Remarks
0	<b>1902014800</b>	PUMP ASSY	1				incl. 1/2, 2/2
0-16	<b>1902014899</b>	• KIT, seal	1				
1	X <b>1420010180</b>	• • O-RING	1				
2	X <b>1420010110</b>	• • O-RING	1				
3	X <b>1902012805</b>	• • SEAL, oil	1				
4	X <b>1420310151</b>	• • O-RING	1				
5	X <b>1420100750</b>	• • O-RING	1				
6	X <b>1420010110</b>	• • O-RING	2				
7	X <b>1420010070</b>	• • O-RING	1				
8	X <b>1902012618</b>	• • PACKING	1				
9	X <b>1420010080</b>	• • O-RING	2				
10	X <b>1420000440</b>	• • O-RING	1				
11	X <b>1420010160</b>	• • O-RING	1				
12	X <b>1420010200</b>	• • O-RING	2				
13	X <b>1420010290</b>	• • O-RING	2				
	<b>L158c1L</b>						



**ニッサン デイゼル**

**NISSAN DIESEL**

# **PARTS CATALOG**

INDUSTRIAL ENGINE

# **BD3004**

**産業機械用**

**Pub.No. PBD34 39607**  
**NISSAN DIESEL**

**1996-7**  
平成8年7月



**NISSAN DIESELPARTS CTALOG**

Item	Part number	Description	Q'ty	Chan.	Serial No.	Serv.	Remarks
	<b>ENGINE NISSAN BD3004</b>						

## TABLE OF CONTENTS

INTRODUCTION .....	10-20
1. General Description of the Catalog .....	10-20
2. Using the Catalog .....	10-20
a. Finding the Parts Numbers	
b. Using the Parts Catalog	
c. Using the Illustrations	
d. Using the Lists	
3. Placing an Order .....	10-29
4. Parts Catalog Revision Service .....	10-29
TABLE	
Table 1 : Table of Symbols & abbreviations .....	10-30
Table 2 : Date and engine serial numbers .....	10-31
APPLICABLE MODEL TABLE .....	10-34
SPECIFICATION COMBINATION TABLE .....	10-35
TEXT (Illustration & Lists) .....	10-39
PARTS NUMBER INDEX .....	10-113

# TABLE

**TABLE 1. TABLE OF SYMBOLS & ABBREVIATIONS**

The following lists in alphabetical order the symbols and abbreviations used in the parts list "Description" column throughout this catalog.

Symbol	Description	Symbol	Description
~ A	Ampere (electric current:~A)	KCAL.	Kilocalorie (heat quantity:~k cal)
ALMI.	Aluminum	~L	Liter (capacity:~ℓ)
APP.	Applicable numbers	L=	Length (~mm)
ASS' Y or ASY	Assembly	LESS	Devoid of
AUTO.	Automatic	L.H.	Left hand
BRKT.	Bracket	LOW.	Lower
~ C	Centigrade (temperature:~°C)	MAN.	Manifold
~ CC	Cubic centimeter (capacity:~cc)	MM	Millimeter
C/L	Clutch	N=	Number of teeth
C/#	Chassis number	NO.	Number
D=	Diameter (~mm)	O.D.	Overdrive
DEST.	Destination	OPT.	Option
DF or D/F	Differential carrier	O.S.	Oversize (~mm)
DO.	Ditto	OUT.	Outer
E/#	Engine number	P=	Pitch (~mm)
EXC.	Excluding	P/S	Propeller shaft
EXH.	Exhaust	P.T.O.	Power take-off
F/A	Front axle	Q' ty	Quantity
FR.	Front	R/A	Rear axle
FRP	Fiber reinforced plastic	RAD.	Radiator
~ G	Gram (weight:~g)	R.H.	Right hand
GEN.	Generator	RPM	Max. revolutions per minute (~rpm)
GOV.	Governor	R.R.	Rear
H=	Height (~mm)	S.P.	Service parts
H & L	High & Low	STD.	Standard
HYD.	Hydraulic	STRG.	Steering
"	Inch	T=	Thickness (~mm)
INC.	Including	T/F	Transfer
INJ.	Injection	T/M	Transmission
INN.	Inner	UP.	Upper
INT.	Intake	U.S.	Undersize (~mm)
JKC	Jidosha Kiki Make	~ V	Volt (voltage:~v)
~ KG	Kilogram (weight:~kg)	~ W	Watt (wattage:~w)
~ KM	Kilometer (speed:~km)	W/	With
KYB	Kayaba kogyo Make	W/O	Without

## 附表Ⅱ エンジンNo.一覧表

TABLE 2. DATE AND ENGINE SERIAL NUMBERS (BD30)

DATE	ENGINE SERIAL No.	DATE	ENGINE SERIAL No.
9104	AFTER E/#007330	9302	AFTER E/#018191
9105	AFTER E/#007685	9303	AFTER E/#018201
9106	AFTER E/#007791	9304	AFTER E/#019079
9107	AFTER E/#008121	9305	AFTER E/#019446
9108	AFTER E/#008591	9306	AFTER E/#019692
9109	AFTER E/#009001	9307	AFTER E/#019908
9110	AFTER E/#009566	9308	AFTER E/#020194
9111	AFTER E/#010099	9309	AFTER E/#020441
9112	AFTER E/#010881	9310	AFTER E/#020719
9201	AFTER E/#011850	9311	AFTER E/#021088
9202	AFTER E/#012391	9312	AFTER E/#021478
9203	AFTER E/#012814	9401	AFTER E/#021871
9204	AFTER E/#013223	9402	AFTER E/#022355
9205	AFTER E/#013702	9403	AFTER E/#022921
9206	AFTER E/#014177	9404	AFTER E/#023451
9207	AFTER E/#014616	9405	AFTER E/#024018
9208	AFTER E/#015167	9406	AFTER E/#024591
9209	AFTER E/#015592	9407	AFTER E/#025225
9210	AFTER E/#016174	9408	AFTER E/#025884
9211	AFTER E/#016742	9409	AFTER E/#026231
9212	AFTER E/#017293	9410	AFTER E/#026734
9301	AFTER E/#017777	9411	AFTER E/#027270

附表Ⅱ エンジンNo.一覧表

TABLE 2. DATE AND ENGINE SERIAL NUMBERS (BD30)

DATE	ENGINE SERIAL No.	DATE	ENGINE SERIAL No.
9412	AFTER E/#027755		
9501	AFTER E/#028252		
9502	AFTER E/#028934		
9503	AFTER E/#029730		
9504	AFTER E/#030571		
9505	AFTER E/#031127		
9506	AFTER E/#031606		
9507	AFTER E/#032344		
9508	AFTER E/#033205		
9509	AFTER E/#033809		
9510	AFTER E/#034522		
9511	AFTER E/#035263		
9512	AFTER E/#036062		
9601	AFTER E/#036756		
9602	AFTER E/#037074		
9603	AFTER E/#037728		
9604	AFTER E/#038035		
9605	AFTER E/#038701		
9606	AFTER E/#039077		

# 仕様組合せ一覧表

(アプライドNo. 及びセクション仕様記号)

## SPECIFICATION COMBINATION TABLE

(Section index-Applicable model No. to applicable usage code)







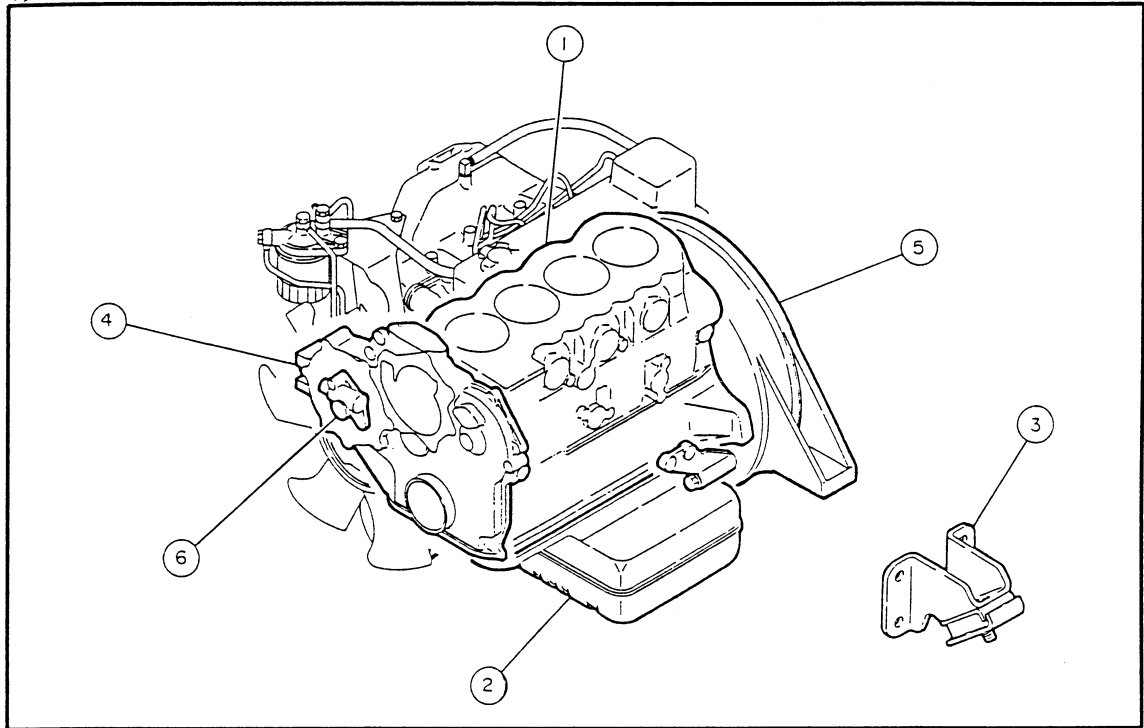
**Engine for TB070 NISSAN BD3004**

PAGE	FIG. NO.	C O D E	SECTION NAME	APPLICABLE NO. 及びセクション仕様記号 APPLICABLE NO. & APPLICABLE USAGE CODE													INTERCHANGEABILITY				
				25	26	28	29	34	40	50	61	62	63							↓ 互 換 性	EXECUTION E/♯
157	E231B		GENERATOR (INNER PARTS)	-	-	-	-	-	1	1	1	1	1								
159	E231C		GENERATOR (INNER PARTS)	1	1	-	-	1	-	-	-	-	-								
164	E233A		MOTOR-STARTING (FITTING PARTS)	A1	A1	B1	B1	A1	B2	B2	B2	B2	B2								
167	E233B		MOTOR-STARTING (INNER PARTS)	2	2	-	-	2	-	-	-	-	-								
169	E233C		MOTOR-STARTING (INNER PARTS)	-	-	2	2	-	-	-	-	-	-								
169	E233C		MOTOR-STARTING (INNER PARTS)	-	-	-	-	-	1	1	1	1	1						-038700		
173	E300A		CLUTCH	-	-	-	-	-	A1	-	-	-	-								
175	E300B		LEVER-CLUTCH	-	-	-	-	-	A1	-	-	-	-								
177	E300C		SHAFT-ROWER CONDUCTION	-	-	-	-	-	A1	-	-	-	-								
179	E300D		COVER-CLUTCH (INNER PARTS)	-	-	-	-	-	1	-	-	-	-								
183	E985A		ACCESSORY	A3	A3	A6	-	-	-	A14	A4	A4	A4								
183	E985A	S	ACCESSORY (FOR DOM.)	-	-	-	A7	-	-	-	-	-	-								
183	E985A	S	ACCESSORY (FOR INN.)	-	-	-	A13	-	-	-	-	-	-								
188	E985B		ACCESSORY	-	-	-	-	B2	B3	-	-	-	-								
191	E985C		MUFFLER-EXHAUST	-	-	-	-	-	A1	-	-	-	-								
193	E995A		TOOL	A1	A1	A1	-	-	-	-	-	-	-								
193	E995A		TOOL	-	-	-	A1	-	-	-	-	-	-						-027269		

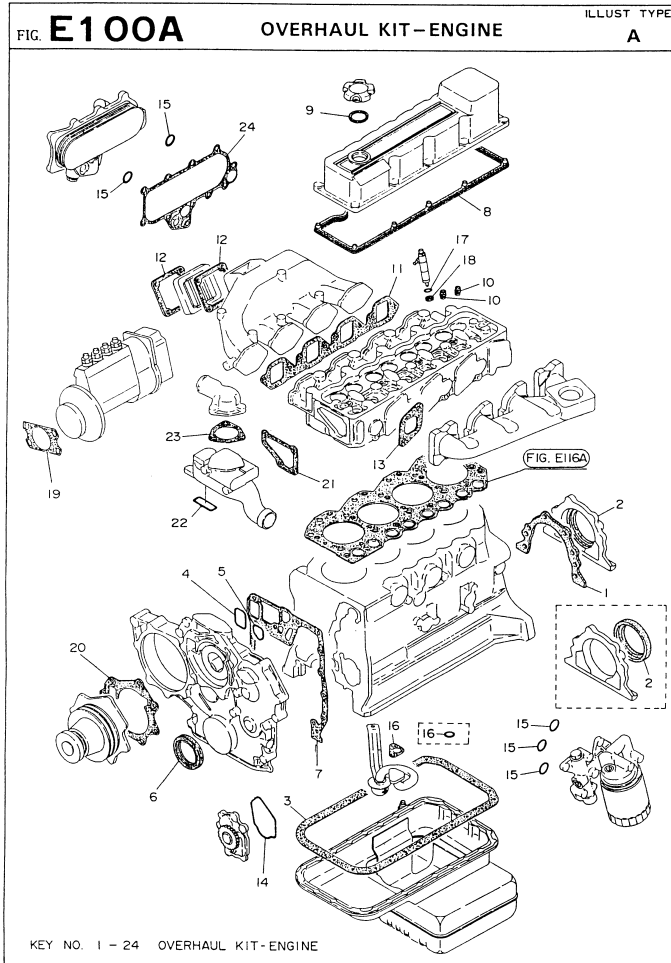
# ENGINE PARTS

Engine for TB070 NISSAN BD3004

1) ブロック オイル パン フロント カバー フライホイール ハウジング  
 BLOCK, OIL PAN, FRONT COVER, FLYWHEEL HOUSING



KEY. NO	SECTION NAME	FIG. NO
	<small>オーバーホール キット エンジン</small> OVERHAUL KIT-ENGINE .....	E100A
①	<small>シリンダ ブロック</small> CYLINDER BLOCK .....	E110A
②	<small>パン オイル</small> PAN-OIL .....	E111A
③	<small>マウンティング エンジン</small> MOUNTING-ENGINE .....	E112A
④	<small>カバー フロント</small> COVER-FRONT .....	E115A
⑤	<small>ハウジング フライホイール</small> HOUSING-FLYWHEEL .....	E115J
⑥	<small>ドライバ メータ (インナ パーツ)</small> DRIVER-METER (INNER PARTS) .....	E115K



PAGE 2

\*印は非販売部品です。  
各々のASS'にて御注文下さい。

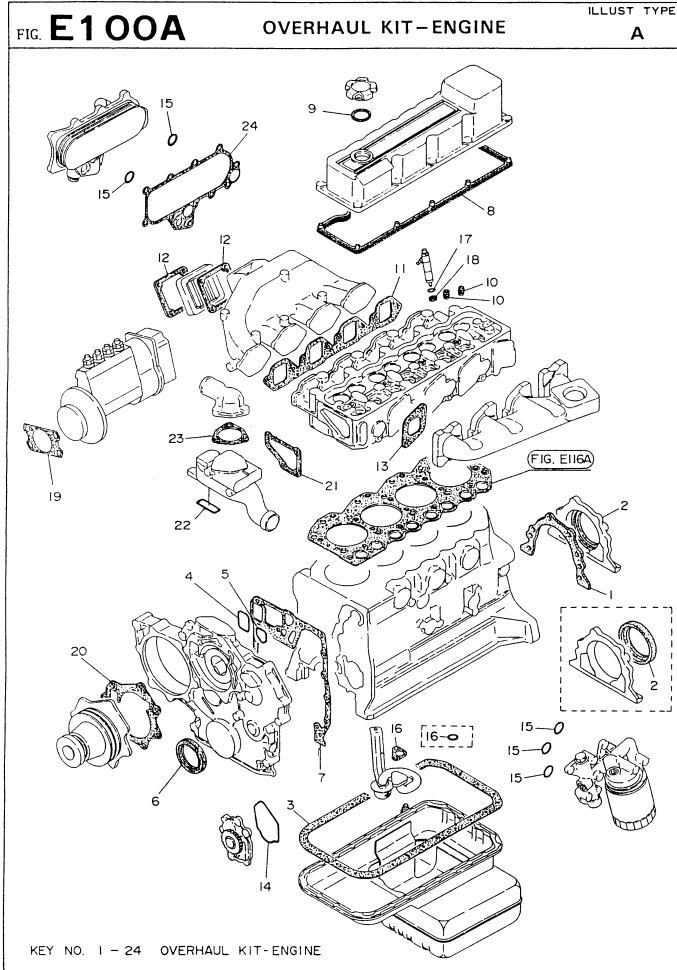
NOTE: The Mark \* shown in the Key No. of the figure is not for sale individually. Please place an order as each Assembly.

*** OVERHAUL KIT - ENGINE ***				FIG. E100A	
Key-No.	Description 部品名称	Part Number 部品番号	Quantity Per Section 個数及び適用	INT	Execution (E/#)
A1	ALL MODELS				
1-24	OVERHAUL KIT-ENGINE	10101-02D26	1		
1	GASKET, RETAINER	K 12298-34N00	1		
2	SEAL-OIL, RETAINER	K 12279-43G01	1		031127-
2	SEAL-OIL, RETAINER	12279-43G02	1		1 029730-
2	SEAL-OIL, RETAINER	12279-43G00	1		1 030571-
3	GASKET, OIL PAN	K 11121-63G00	1		
3	GASKET, OIL PAN	11121-10G00	1		1 037728-
4	SEAL, GEAR CASE	K 14465-43G20	1		
4	SEAL, GEAR CASE	14465-43G17	1		1 037728-
5	SEAL, GEAR CASE	K 14465-43G21	1		
5	SEAL, GEAR CASE	14465-43G19	1		1 037728-
6	SEAL-OIL, GEAR CASE	K 13510-43G00	1		
7	GASKET, FR. PLATE	K 13037-54T01	1		
7	GASKET, FR. PLATE	13037-54T00	1		1 025225-
8	GASKET, ROCKER COVER	K 13270-54T01	1		
9	GASKET, FILLER CAP	K 15270-78500	1		
10	SEAL, VALVE STEM	K 13207-V1700	8		
11	GASKET, INT. MANIFOLD	K 14035-31N00	1		
12	GASKET, AIR HEATER	K 14064-54T00	2		
13	GASKET, EXH. MANIFOLD	K 14036-54T00	4		
14	GASKET, OIL PUMP	K 15025-43G01	1		
15	O RING, OIL FILTER	K 21334-02N00	5		
16	GASKET, OIL STRAINER	K 15053-80G00	1		
16	O RING, OIL STRAINER	K 15053-43G01	1		1 022921-
17	O RING, NOZZLE	K 16618-54T00	4		
18	GASKET, NOZZLE	K 16626-54T00	4		
19	GASKET, INJ. PUMP	K 16701-37504	1		
20	GASKET, WATER PUMP	K 21014-34N01	1		
20	GASKET, WATER PUMP	21014-34N00	1		1 033809-
21	GASKET, THERMO. HOUSIN	K 11072-34N01	1		
21	GASKET, THERMO. HOUSIN		1		1 019908-

PUB-NO.: PBD3439607 Page 3

NISSAN DIESEL MOTOR CO., LTD.

Printed in Japan



PAGE 2

\*印は非販売部品です。各々のASSYにてご注文下さい。

NOTE: The Mark \* shown in the Key No. of the figure is not for sale individually. Please place an order as each Assembly.

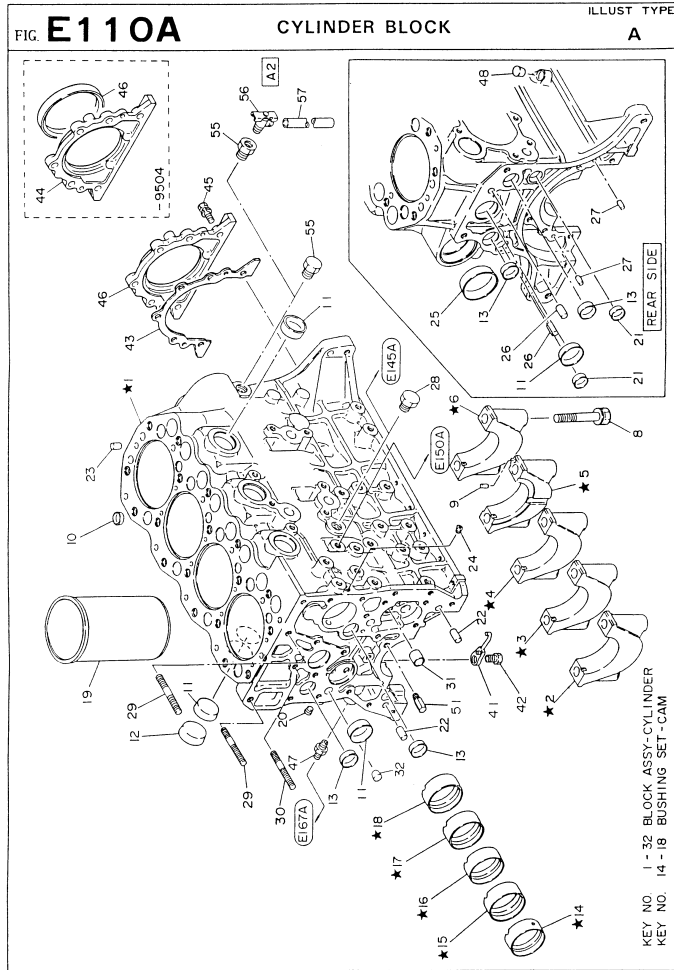
*** OVERHAUL KIT - ENGINE ***				FIG E100A	
Key-No.	Description 部品名称	Part Number 部品番号	Quantity Per Section 個数及び適用	INT	Execution (E/#)
21	GASKET, THERMO. HOUSING	11072-34N00	1		1
22	SEAL, THERMO. HOUSING	14465-43G02	1		033205-
22	SEAL, THERMO. HOUSING	14465-43G01	1		1
23	GASKET, WATER OUTLET	11062-34N00	1		
24	GASKET, OIL COOLER	21304-34N00	1		

PUB-NO.: PBD3439607

Page 4

NISSAN DIESEL MOTOR CO., LTD.

Printed in Japan



PAGE 6

★印は別納品部品です。  
各々のASSYにて取注下さい。

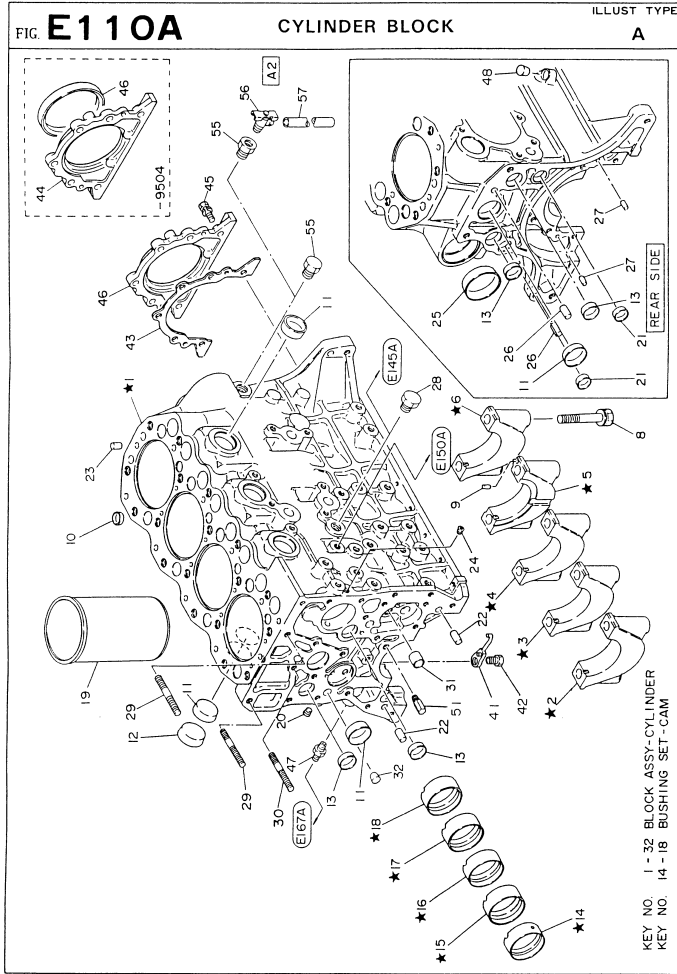
NOTE: The Mark ★ shown in the Key No. of the figure is not for sale individually. Please place an order as each Assembly.

*** CYLINDER BLOCK ***				FIG E110A	
Key-No.	Description 部品名称	Part Number 部品番号	Quantity Per Section 個数及び通用	IN T	Execution (E/#)
A1	.01, .02, .03, .04, .05, .10, .13, .14, .15, .16, .17, .18, .19				
A2	.25, .26, .28, .29, .34, .40, .61, .62, .63				
				A A	
				1 2	
1-32	BLOCK ASSY-CYLINDER	11009-54T02	1 1		032344-
1-32	BLOCK ASSY-CYLINDER	11009-54T01	1 1		1
8	BOLT-BKARING CAP	12293-0W800	10 10		032344-
8	BOLT-BEARING CAP	12293-43G00	10 10		X
9	PIN-STRAIGHT	01522-05104	1 1		
10	PLUG-WELCH	01648-00224	8 8		
11	PLUG-WELCH	01648-00044	9 9		
12	PLUG-WELCH	01648-00154	1 1		
13	PLUG-WELCH	01648-00024	4 4		
14-18	BUSHING SET-CAM (STD. SIZE)	S 13002-43G00	1 1		
14-18	BUSHING SET-CAM (U.S. O.25)	S 13003-43G01	1 1		
14-18	BUSHING SET-CAM (U.S. O.50)	S 13003-43G02	1 1		
14-18	BUSHING SET-CAM (U.S. O.75)	S 13003-43G03	1 1		
19	LINER-CYLINDER	11012-54T00	4 4		
20	PLUG-SCREW	01642-03004	1 1		016742-
20	PLUG-SCREW	01642-02114	1 1		0
21	PLUG-WELCH	01648-00224	2 2		
22	DOWEL	30412-P5100	2 2		
23	PIN-SPRING	11013-T9000	2 2		
24	PLUG-SCREW	01642-03004	1 1		016742-
24	PLUG-SCREW	01642-02114	1 1		0
25	PLUG	11019-90002	1 1		
26	DOWEL	30412-P5100	2 2		
27	PIN	12313-10600	2 2		
28	PLUG-SCREW	11021-J2000	1 1		
29	STUD	08227-07010	2 2		
30	STUD	15213-43G01	1 1		037728-
30	STUD	15213-43G00	1 1		1
31	BUSH-OIL PUMP	15075-43G00	1 1		

PUB-NO.: PBD3439607 Page 7

NISSAN DIESEL MOTOR CO., LTD.

Printed in Japan



PAGE 6

\*印は取替部品です。各々のASS'Yにて取注下さい。  
 NOTE: The Mark \* shown in the Key No. of the figure is not for sale individually. Please place an order as each Assembly.

*** CYLINDER BLOCK ***			FIG. E110A			
Key-No.	Description 部品名称	Part Number 部品番号	Quantity Per Section 個数及び適用		Execution (E/#)	
32	PLUG-TAPER	11024-54T00	1	1		
41	JET-OIL	12124-54T00	4	4		
42	BOLT-OIL JET	12123-Z5501	4	4		
43	GASKET-RETAINER	12298-34N00	1	1		
44	RETAINER-OIL SEAL	12297-43G02	1	1	-031126	
45	BOLT, W/WASHER	08120-8251E	6	6		
46	SEAL-OIL, W/RETAINER	12279-43G01	1	1	031127-	
46	SEAL-OIL	12279-43G02	1	1	Y 029730-	
46	SEAL-OIL	12279-43G00	1	1	1	
48	PLUG-TAPER	01647-00044	1	1		
51	JET-OIL	13081-76202	1	1		
55	PLUG-SCREW	11021-J2000	1	1		
55	ADAPTER	01632-01114	1	1		
56	COCK-DRAIN	21212-90002	1	1		
57	HOSE-DRAIN	21218-Z7001	1	1		
	(NOTE)					
	NEW KEY NO. 46				031127-	
	OLD KEY NO. 44+46				1	

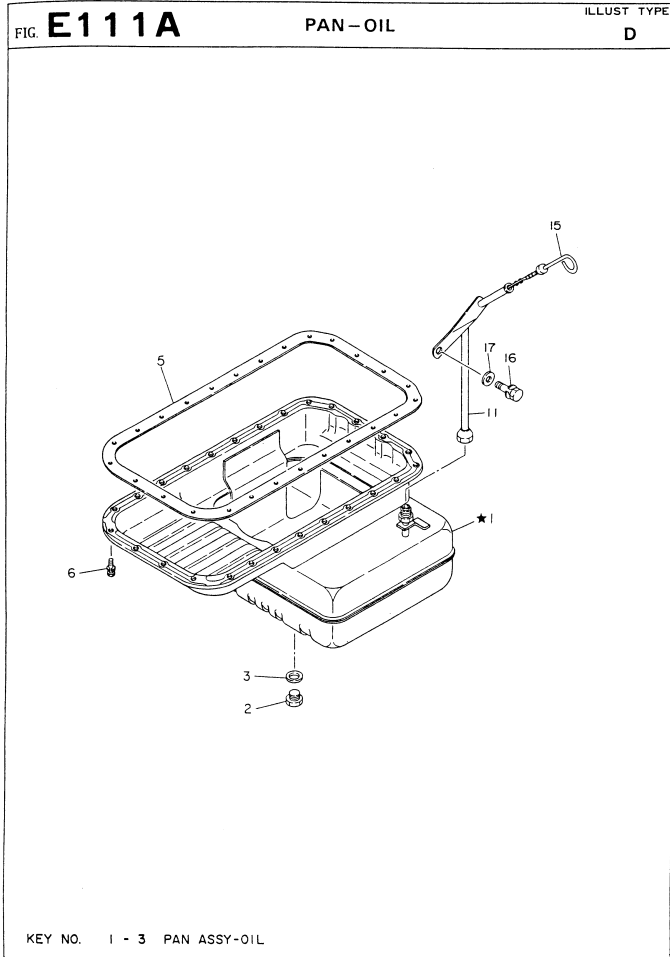
PUB-NO.: PBD3439607

Page 8

NISSAN DIESEL MOTOR CO., LTD.

Printed in Japan

# Engine for TB070 NISSAN BD3004



PAGE 13

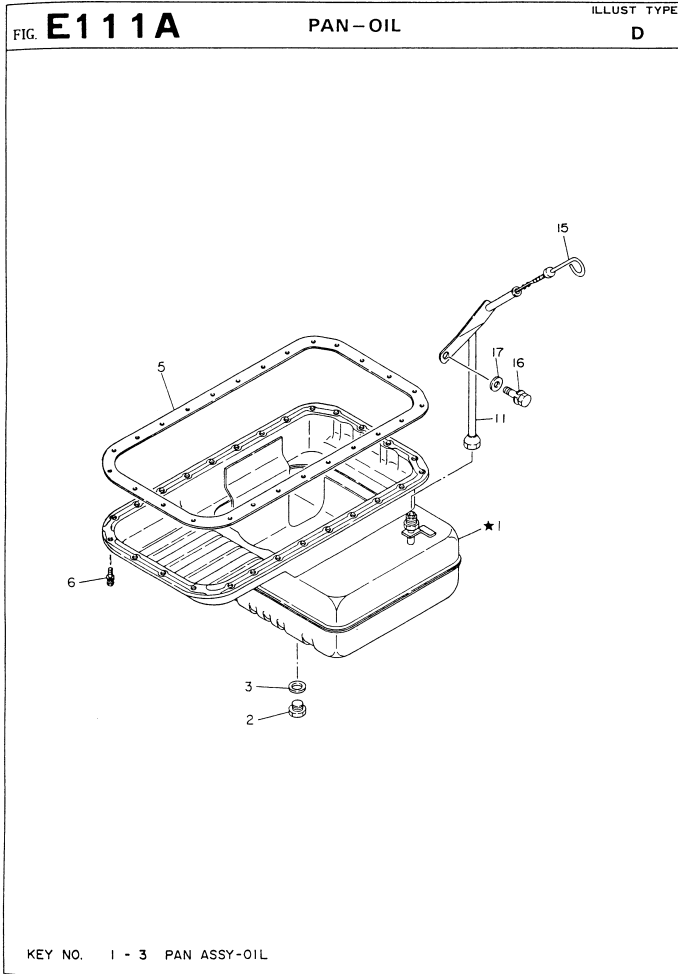
\*印は非常売部品です。各々のASSYにて個注下さい。  
 NOTE: The Mark \* shown in the Key No. of the figure is not for sale individually. Please place an order as each Assembly.

*** P A N - O I L ***				FIG E111A					
Key-No.	Description 部品名称	Part Number 部品番号	Quantity Per Section 個数及び適用						Execution (E/#)
			A	B	C	D	E	F	
A1...	15, 16, 17, 34								
A2...	19								
B1...	13, 14								
C1...	61, 62, 63								
C2...	01, 02, 28, 29, 40								
D1...	18, 25, 26								
E1...	03, 04, 05, 50								
F1...	10								
1-3	PAN ASSY-OIL	11110-90577	1						036756-
1-3	PAN ASSY-OIL	11110-90565	1						026734-
1	PAN-OIL	11110-90365	1						1
1-3	PAN ASSY-OIL	11110-90576	1						026734-
1-3	PAN ASSY-OIL	11110-90566	1						1
1	PAN-OIL	11110-90367	1						1
1-3	PAN ASSY-OIL	11110-90570	1		1				026734-
1	PAN-OIL	11110-90279	1		1				1
1-3	PAN ASSY-OIL	11110-90578	1			1			036756-
1-3	PAN ASSY-OIL	11110-90567	1			1			026734-
1	PAN-OIL	11110-90371	1			1			1
1-3	PAN ASSY-OIL	11110-90569	1			1			026734-
1	PAN-OIL	11110-90278	1			1			1
1-3	PAN ASSY-OIL	11110-90572	1				1		026734-
2	PLUG-DRAIN	11128-51N00	1	1	1				1
2	PLUG-DRAIN	11128-69200	1	1	1				1
2	PLUG-DRAIN	17307-90005	1	1	1		1	1	1
3	WASHER-PLUG	11026-61000	1	1	1		1	1	1
3	WASHER-PLUG	11026-90004	1	1	1		1	1	1
5	GASKET-OIL PAN	11121-63G00	1	1	1	1	1	1	1
5	GASKET-OIL PAN	11121-10G00	1	1	1	1	1	1	1
6	BOLT, W/WASHER	08120-61228	26	26	26	26	26	26	26
7	BOLT, W/WASHER	08120-62528	2	2	2	2	2	2	2
11	GUIDE-GAUGE	11150-90003	1	1					
11	GUIDE-GAUGE	11150-90005	1	1					017293-
11	GUIDE-GAUGE	11150-90007	1	1					013702-
11	GUIDE-GAUGE	11150-90006	1	1					012391-

PUB-NO.: PBD3439607 Page 16

NISSAN DIESEL MOTOR CO., LTD. Printed in Japan





PAGE 13

\*印は非販売部品です。各々のASS'Yにて集注下さい。

NOTE: The Mark \* shown in the Key No. of the figure is not for sale individually. Please place an order as each Assembly.

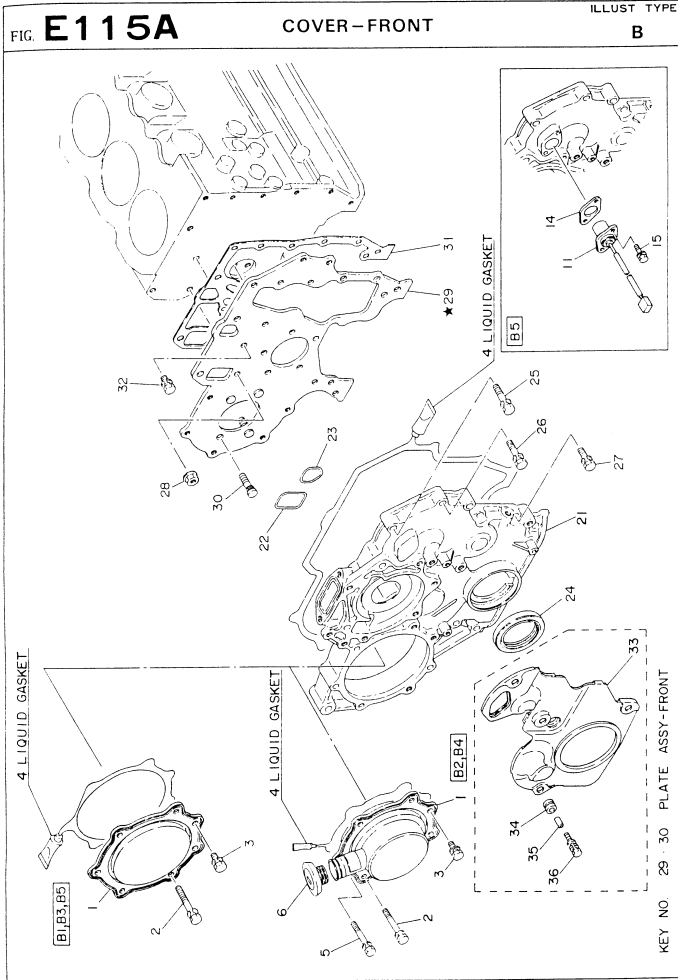
\*\*\* PAN - OIL \*\*\* FIG. E111A

Key-No.	Description 部品名称	Part Number 部品番号	Quantity Per Section 個数及び適用						I N T	Execution (E/#)	
			A	B	C	D	E	F			
			1	2	1	1	2	1	1		
11	GUIDE-GAUGE	11150-90005	-	-	1	-	-	-	-		O
11	GUIDE-GAUGE	11150-90001	-	-	-	1	1	-	-		
11	GUIDE-GAUGE	11150-90012	-	-	-	-	1	-	-		
11	GUIDE-GAUGE	11150-90008	-	-	-	-	-	-	1		
15	GAUGE-OIL LEVEL	11140-90005	1	1	-	-	-	-	-		
15	GAUGE-OIL LEVEL	11140-90007	-	-	1	-	-	-	-		O17293-
15	GAUGE-OIL LEVEL	11140-90008	-	-	1	-	-	-	-		O 012391-
15	GAUGE-OIL LEVEL	11140-90007	-	-	1	-	-	-	-		O
15	GAUGE-OIL LEVEL	11140-90003	-	-	-	1	1	-	1		
15	GAUGE-OIL LEVEL	11140-43G04	-	-	-	-	-	1	-		
15	GAUGE-OIL LEVEL	11140-90004	-	-	-	-	-	-	1		
16	BOLT, W/WASHER	08120-8161E	-	-	1	-	-	-	1		
16	BOLT, W/WASHER	08120-8201E	-	-	-	-	-	-	1		
17	WASHER-PLAIN	08915-4381A	-	-	-	-	-	1	-		
18	STAY	01935-02054	-	-	-	-	-	-	1		
23	SENDER-OIL THERMO	25080-96001	-	-	-	-	-	-	1		
24	CAP-OIL FILLER	15255-T8200	-	-	-	-	-	-	1		

PUB-NO.: PBD3439607 Page 17

NISSAN DIESEL MOTOR CO., LTD. Printed in Japan





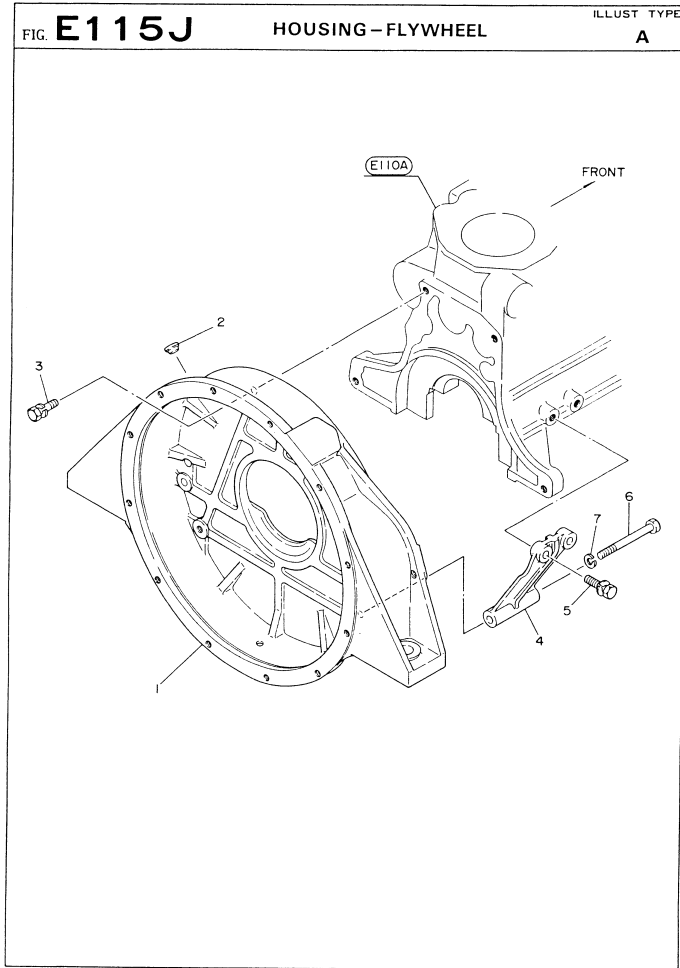
PAGE 21

※印は別冊完結品です。B=0.055mmの隙間を下さい。  
NOTE: The Mark \* shown in the Key No. of the figure is not for sale individually. Please place an order as each Assembly.

*** COVER - FRONT ***										FIG E115A								
Key-No.	Description 部品名称	m/c	Part Number 部品番号	Quantity Per Section 個数及び通用												I N T	Execution (E/#)	
				A	A	A	B	B	B	B	C	C	C	C	C			
17	NUT-DRIVER		25192-90012															
18	PLUG-SCREW		08931-4081A															9606-
19	GASKET		01351-22084															9606-
21	CASE-GEAR		13034-54T00	1	1	1	1	1	1	1	1	1	1	1	1	1	1	
21	CASE-GEAR		13034-0T600															
22	SEAL-RUBBER		14465-43G20	1	1	1	1	1	1	1	1	1	1	1	1	1	1	037728-
22	SEAL-RUBBER		14465-43G17	1	1	1	1	1	1	1	1	1	1	1	1	1	1	037728-
23	SEAL-RUBBER		14465-43G21	1	1	1	1	1	1	1	1	1	1	1	1	1	1	
23	SEAL-RUBBER		14465-43G19	1	1	1	1	1	1	1	1	1	1	1	1	1	1	
24	SEAL-OIL		13510-43G00	1	1	1	1	1	1	1	1	1	1	1	1	1	1	
25	BOLT, W/WASHER		08120-8451E	3	3	3	3	3	3	3	3	3	3	3	3	3	3	
26	BOLT, W/WASHER		08120-8401E	3	3	3	3	3	3	3	3	3	3	3	3	3	3	
27	BOLT, W/WASHER		08120-8351E	2	2	2	2	2	2	2	2	2	2	2	2	2	2	
28	NUT		16132-43G00	1	1	1	1	1	1	1	1	1	1	1	1	1	1	
29, 30	PLATE ASSY-FRONT		13031-90007	1	1	1	1	1	1	1	1	1	1	1	1	1	1	
30	BOLT		16702-37501	4	4	4	4	4	4	4	4	4	4	4	4	4	4	
31	GASKET-PLATE		13037-54T01	1	1	1	1	1	1	1	1	1	1	1	1	1	1	025225-
31	GASKET-PLATE		13037-54T00	1	1	1	1	1	1	1	1	1	1	1	1	1	1	1
32	BOLT, W/WASHER		08120-8161E	9	9	9	9	9	9	9	9	9	9	9	9	9	9	
33	COVER-CASE		13036-02N01	1	1	1	1	1	1	1	1	1	1	1	1	1	1	
34	GROMMET-COVER		13042-T7200	4	4	4	4	4	4	4	4	4	4	4	4	4	4	
35	SPACER		13035-T7200	4	4	4	4	4	4	4	4	4	4	4	4	4	4	
36	BOLT, W/WASHER		08120-61633	4	4	4	4	4	4	4	4	4	4	4	4	4	4	
	(NOTE)																	
	NEW KEY NO. 1+18+19																	9606-
	OLD KEY NO. 1																	1

PUB-NO.: PBD3439607 Page 24

NISSAN DIESEL MOTOR CO., LTD. Printed in Japan



PAGE 26

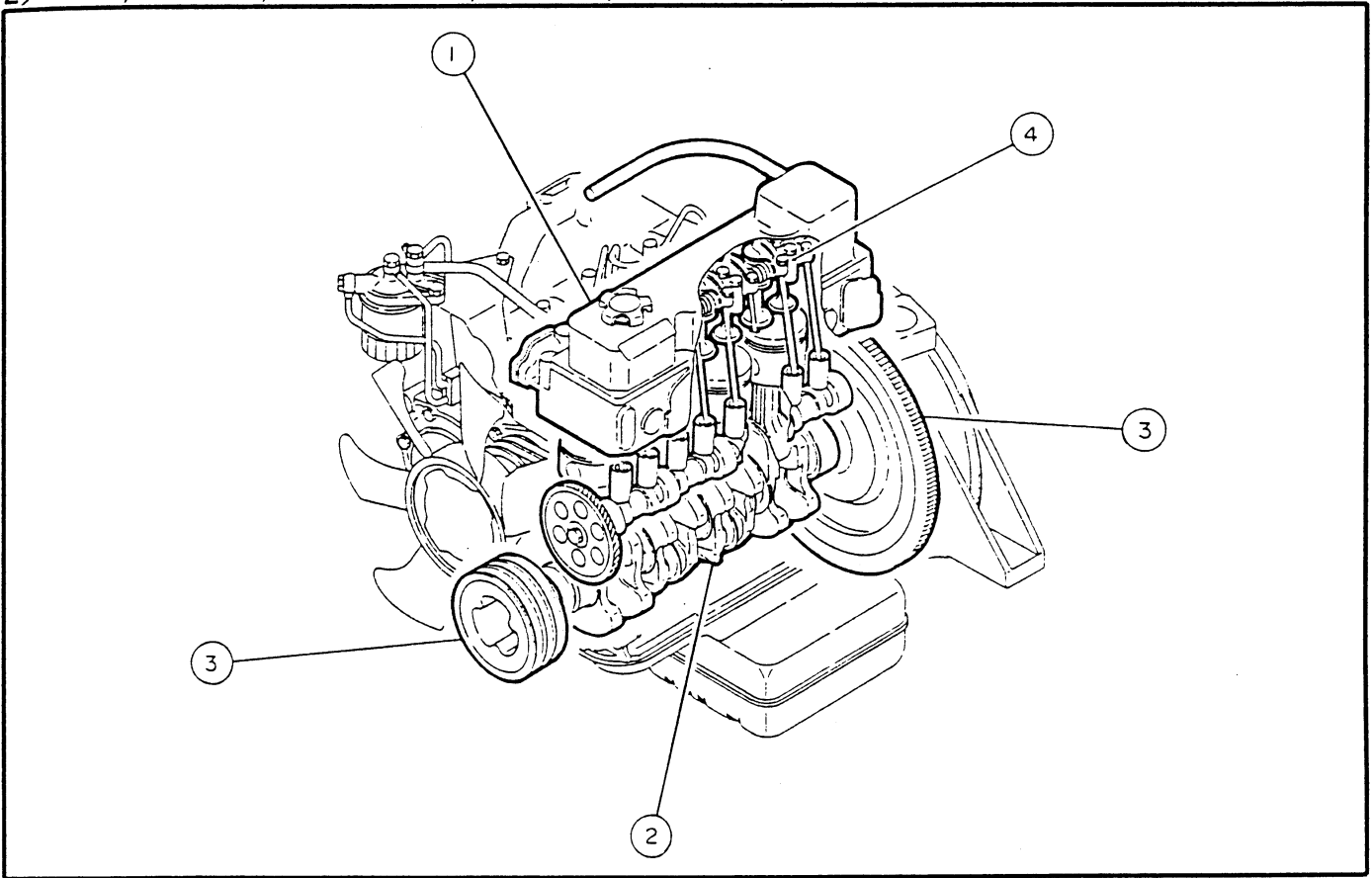
\*印は非販売部品です。 BへのASS'YLT組立文下をい。 NOTE: The Mark \* shown in the Key No. of the figure is not for sale individually. Please place an order as each Assembly.

\*\*\* HOUSING - FLYWHEEL \*\*\* FIG E115J

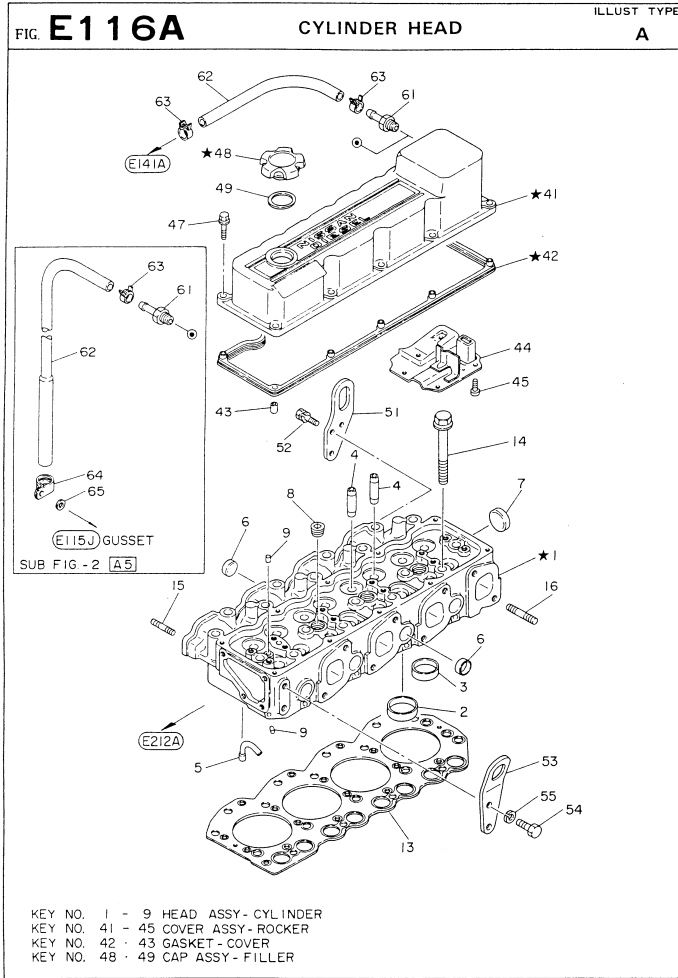
Key-No.	Description 部品名称	Part Number 部品番号	Quantity Per Section 個数及び適用	INT	Execution (E/#)
A1	15, 16, 17, 18, 19, 25, 26, 34				*
B1	01, 02, 03, 04, 05, 10, 13, 14, 28, 29, 40, 50, 61, 63				*
B2	62				*
			A B B 1 1 2		
1	HOUSING-FLYWHEEL	12331-90074	1 - -		
1	HOUSING-FLYWHEEL	12331-90069	- 1 1		
2	CAP-RUBBER	12335-90005	1 1 1		
3	BOLT, W/WASHER	08121-0351E	4 - -		
3	BOLT, W/WASHER	08121-0301E	- 4 2		
4	GUSSET-BLOCK	30430-90013	2 2 2		
5	BOLT, W/WASHER	08121-0351E	4 4 4		
6	BOLT	08121-0001A	2 2 2		
7	WASHER-SPRING	08915-1401A	2 2 2		
8	BOLT, W/WASHER	08121-0351E	- - 2		
8	BOLT, W/WASHER	08121-0301E	- - 2		
					019692- X

PUB-NO.: PBD3439607 Page 28 NISSAN DIESEL MOTOR CO., LTD. Printed in Japan

2) ヘッド HEAD, ピストン PISTON, クランクシャフト CRANKSHAFT, プーリ PULLEY, フライホイール FLYWHEEL, バルブ VALVE, メカニズム MECHANISM



KEY. NO	SECTION NAME	FIG. NO
①	<small>シリンダ</small> CYLINDER <small>ヘッド</small> HEAD .....	E116A
②	<small>ピストン</small> PISTON & <small>クランクシャフト</small> CRANKSHAFT .....	E120A
③	<small>クランク</small> CRANK <small>プーリ</small> PULLEY & <small>フライホイール</small> FLYWHEEL .....	E122A
④	<small>バルブ</small> VALVE <small>メカニズム</small> MECHANISM .....	E130A



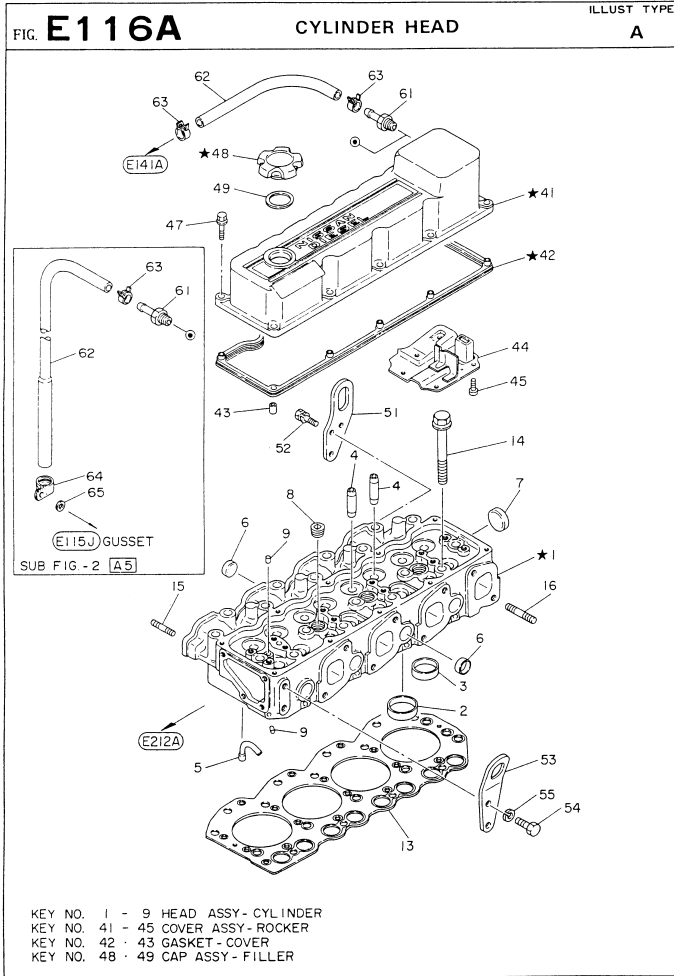
PAGE 32

*** CYLINDER HEAD ***			FIG. E116A		
Key-No.	Description 部品名称	Part Number 部品番号	Quantity Per Section 個数及び適用	INT	Execution (E/#)
<< SUB FIG.-1(HEAD,COVER) >> A1...ALL MODELS					
1-9	HEAD ASSY-CYLINDER	11039-54T02	1	A1	
2	SEAT-VALVE, INLET	11098-54T01	4		
3	SEAT-VALVE, EXHAUST (STD. SIZE)	11099-54T00	4		
3	SEAT-VALVE, EXHAUST (O.S. O.20)	11099-54T10	4		
3	SEAT-VALVE, EXHAUST (O.S. O.40)	11099-54T11	4		
4	GUIDE-VALVE	13212-54T01	8		014177-
4	GUIDE-VALVE	13212-54T00	8		0
5	JET-WATER	11085-Z5501	4		
6	PLUG-WELCH	01648-00024	7		
7	PLUG-WELCH	01648-00044	2		
8	PLUG-TAPER	00931-20800	3		
9	PLUG-TAPER	00933-20650	2		
13	GASKET-HEAD, GRADE:2 (T=1.20)	11044-54T05	1		
13	GASKET-HEAD, GRADE:3 (T=1.25)	11044-54T06	1		
13	GASKET-HEAD, GRADE:4 (T=1.30)	11044-54T07	1		
14	BOLT-HEAD	11056-43G00	18		
15	STUD	08223-82210	2		
16	STUD	08227-03040	8		
41-45	COVER ASSY-ROCKER	13264-54T01	1		
42,43	GASKET-COVER	13270-54T01	1		
43	SPACER	13298-54T00	10		
44	PLATE-BAFFLE	13266-54T01	1		
45	SCREW	08310-50610	5		
47	BOLT, W/WASHER	13224-0T600	10		012814-
47	BOLT, W/WASHER	08120-62033	10		1
48,49	CAP ASSY-FILLER	15255-21800	1		
49	GASKET-CAP	15270-78500	1		

PUB-NO.: PBD3439607 Page 33

NISSAN DIESEL MOTOR CO., LTD.

Printed in Japan



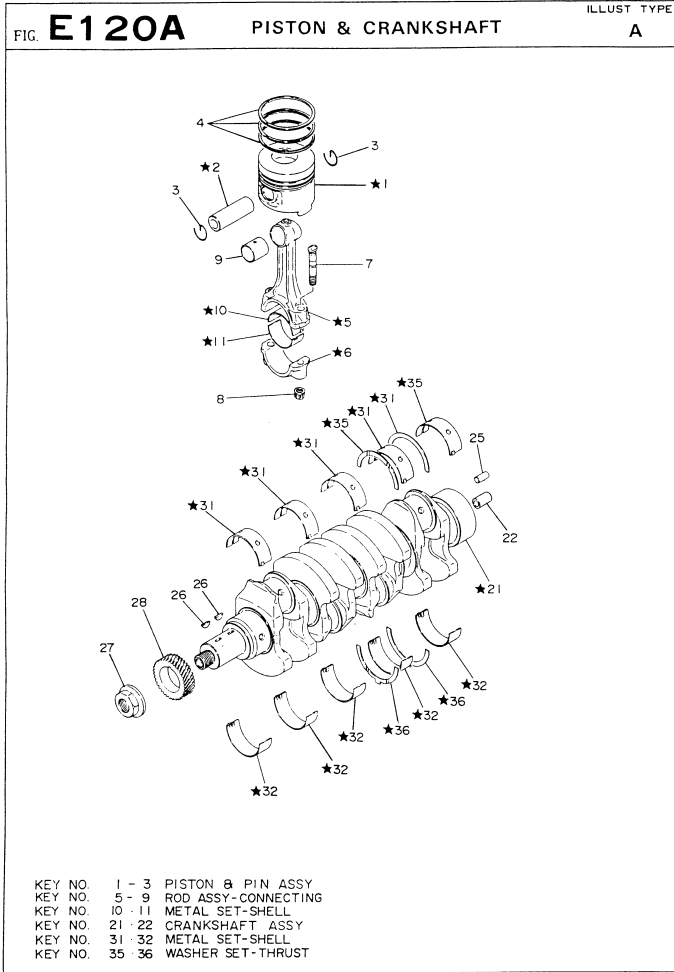
PAGE 32

※印は別冊取扱説明書にて、  
 各々のASSYにて解説文下といたし、  
 NOTE: The Mark \* shown in the Key No. of the  
 figure is not for sale individually.  
 Please place an order as each Assembly.

*** CYLINDER HEAD ***					FIG E116A				
Key-No.	Description 部品名称	Part Number 部品番号	Quantity Per Section 個数及び適用					INT	Execution (E/#)
<< SUB FIG.-2(SLINGER,BLOWBY HOSE) >>									
A1...	13,14,15,25,26,34,61,63 16;18(-9508)								
A2...	01,02,03,04,05,10,28,29,40,50								
A3...	62								
A4...	17								
A5...	16;18(9509-) 19								
51	SLINGER-ENG. RR.	10006-43G00		A	A	A	A		
52	BOLT, W/WASHER	08120-8201E	2	2	2	2	2		
53	SLINGER-ENG. FR.	10005-11T01				1			
54	BOLT	08171-0201A				2			029730-
54	BOLT	08131-0201A				2			0
55	WASHER-SPRING	08915-1401A				2			
61	CONNECTOR-HOSE	01691-00054	1	1	1	1			
61	CONNECTOR-HOSE	11831-86P00				1			
62	HOSE-BLOWBY	08740-31041	1	1	1	1			015167-
62	HOSE-BLOWBY	08740-30041	1	1	1	1			1
62	HOSE-BLOWBY	08740-34041	1	1	1	1			
62	HOSE-BLOWBY	11032-90015				1			
63	CLAMP-HOSE	22316-T8203	2	2	2	2			
63	CLAMP-HOSE	01558-00104				1			
64	CLIP	01551-10214				1			
65	WASHER-PLAIN	08915-4401A				1			

PUB-NO.: PBD3439607 Page 34

NISSAN DIESEL MOTOR CO., LTD. Printed in Japan



PAGE 36

\*印は非販売部品です。  
 各々のASSYにて取注文下さい。

NOTE: The Mark \* shown in the Key No. of the figure is not for sale individually. Please place an order as each Assembly.

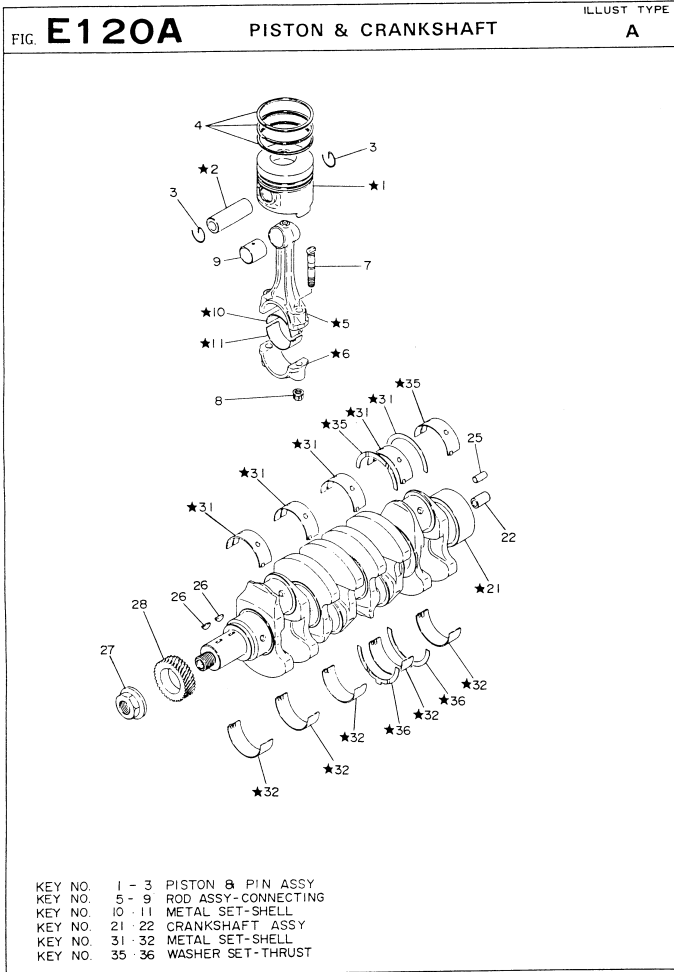
*** PISTON & CRANKSHAFT ***					FIG E120A	
Key-No.	Description 部品名称	UNIT	Part Number 部品番号	Quantity Per Section 個数及び適用	INT	Execution (E/#)
* A1...ALL MODELS						
1-3	PISTON & PIN ASSY (GRADE:1)	S	12010-54T01	4		9606-
1-3	PISTON & PIN ASSY (GRADE:1)	S	12010-54T00	4		1
1-3	PISTON & PIN ASSY (GRADE:2)	S	12010-54T11	4		9606-
1-3	PISTON & PIN ASSY (GRADE:2)	S	12010-54T10	4		1
1-3	PISTON & PIN ASSY (GRADE:3)	S	12010-54T61	4		9606-
1-3	PISTON & PIN ASSY (GRADE:3)	S	12010-54T60	4		1
3	RING-SNAP		12032-54T00	8		
4	RING SET-PISTON (ACYL.:TP)	S	12033-54T10	1		
4	RING SET-PISTON (ACYL.:RIKEN)	S	12033-43G11	1		
5-9	ROD ASSY-CONNECTING	*	12100-0W800	4		9606-
5-9	ROD ASSY-CONNECTING		12100-31N00	4		X
7	BOLT		12109-43G00	8		
8	NUT		12112-43G00	8		
9	BUSHING		12030-31N00	4		
10.11	METAL SET-SHELL (STD. SIZE)	S	12110-54T14	4		
10.11	METAL SET-SHELL (U.S. 0.25)	S	12110-54T10	4		
10.11	METAL SET-SHELL (U.S. 0.50)	S	12110-54T11	4		
10.11	METAL SET-SHELL (U.S. 0.75)	S	12110-54T12	4		
10.11	METAL SET-SHELL (U.S. 1.00)	S	12110-54T13	4		
21.22	CRANKSHAFT ASSY	*	12200-25605	1		9605-
21.22	CRANKSHAFT ASSY	*	12200-54T02	1		1 037074-
21.22	CRANKSHAFT ASSY		12200-54T00	1		1
22	BUSH		32202-B9500	1		037074-
22	BUSH		32202-30000	1		1
25	PIN-STRAIGHT		01522-10224	1		
26	KEY-CRANK		12205-76200	2		
27	NUT-PULLEY		12309-61503	1		
28	GEAR-CRANK		13021-43G01	1		
31.32	METAL SET-SHELL, 1ENG (STD. SIZE)	S	12207-54T10	1		
31.32	METAL SET-SHELL, 1ENG (U.S. 0.25)	S	12209-54T10	1		

PUB-NO.: PBD3439607 Page 37

NISSAN DIESEL MOTOR CO., LTD.

Printed in Japan





PAGE 36

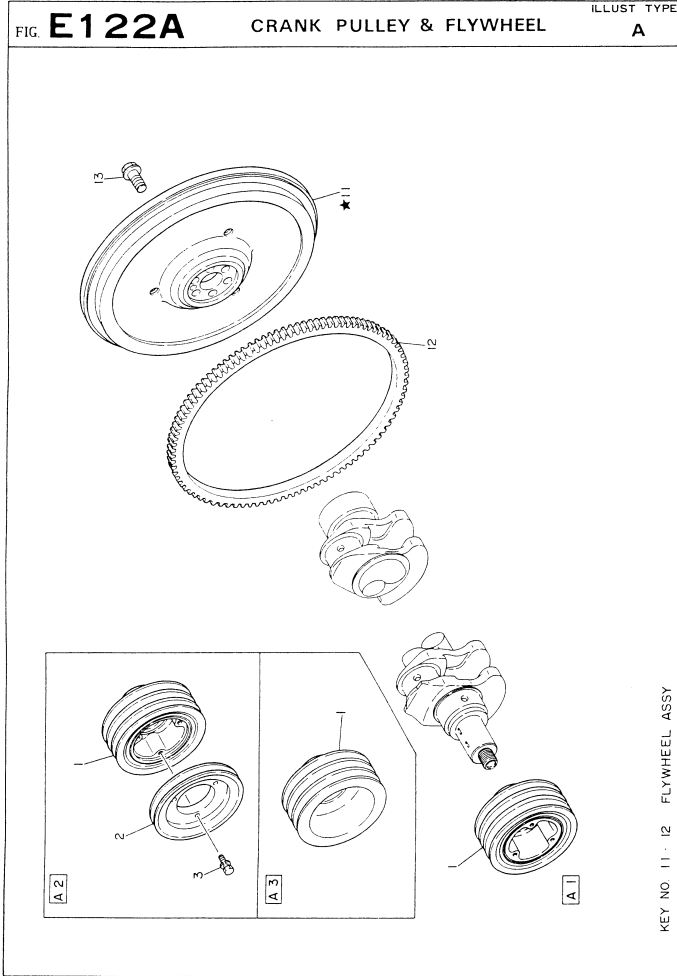
※印は別個発注品です。各々のASSYにてご注文下さい。 NOTE: The Mark \* shown in the Key No. of the figure is not for sale individually. Please place an order as each Assembly.

\*\*\* PISTON & CRANKSHAFT \*\*\* FIG E120A

Key-No	Description 部品名称	QTY 個数	Part Number 部品番号	Quantity Per Section 個数及び適用	INT T	Execution (E/#)
				A		
31.32	METAL SET-SHELL,1ENG (U.S. 0.50)	S	12210-54T10	1		
31.32	METAL SET-SHELL,1ENG (U.S. 0.75)	S	12211-54T10	1		
31.32	METAL SET-SHELL,1ENG (U.S. 1.00)	S	12212-54T10	1		
35.36	WASHER SET-THRUST (T=2.325)	S	12280-37525	2		
35.36	WASHER SET-THRUST (T=2.350)	S	12280-37526	2		
35.36	WASHER SET-THRUST (T=2.375)	S	12280-37527	2		
35.36	WASHER SET-THRUST (O.S. 0.20)	S	12280-37528	2		
35.36	WASHER SET-THRUST (O.S. 0.40)	S	12280-37529	2		

PUB-NO.: PBD3439607 Page 38

NISSAN DIESEL MOTOR CO., LTD. Printed in Japan



PAGE 40

※印は別販売部品です。  
各々のASS'Yに別注下さい。

NOTE: The Mark \* shown in the Key No. of the figure is not for sale individually. Please place an order as each Assembly.

\*\*\* CRANK PULLEY & FLYWHEEL \*\*\* FIG. E122A

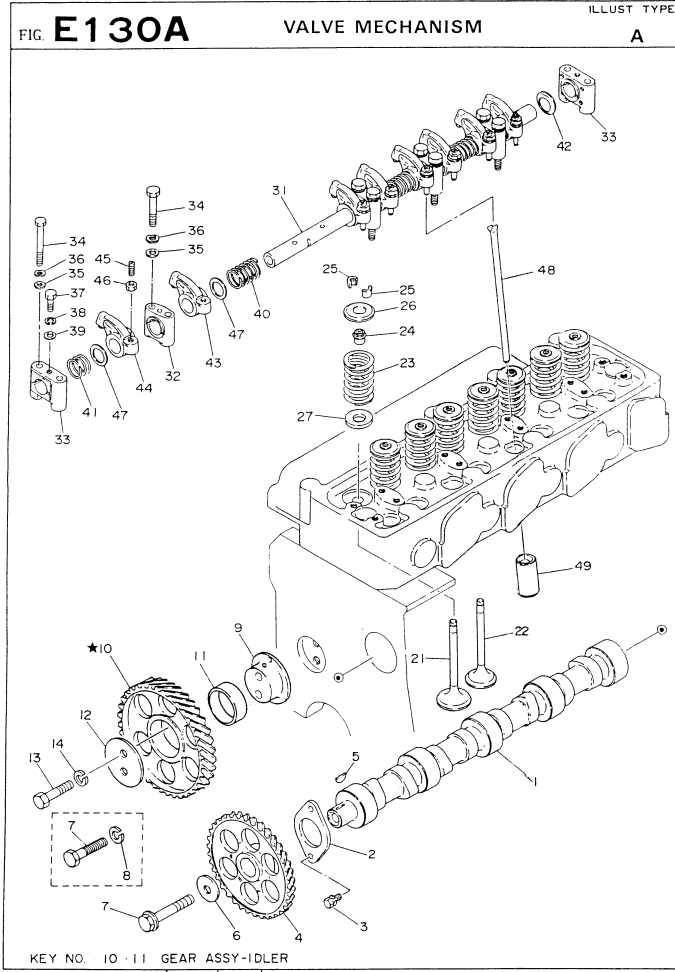
Key-No.	Description 部品名称	Imp. Code 部品番号	Quantity Per Section 個数及び通用							I N T	Execution (E/H)
			A	A	B	B	B	B	B		
A1	15, 16, 18										*
A2	17										*
A3	19, 25, 26, 34										*
B1	13, 14										*
B2	29(-9410)										*
B2	01, 02										*
B3	40(W/O CLUTCH)										*
B3	40(W/CLUTCH)										*
B4	03, 05, 61, 62, 63										*
B5	10										*
B6	28										*
B6	29(9411-)										*
B7	04, 50										*
1	PULLEY-CRANK	12303-90071		1							
1	PULLEY-CRANK	12303-90072		1							
1	PULLEY-CRANK	12304-90168			1						037728-
1	PULLEY-CRANK	12303-90071			1						1
1	PULLEY-CRANK	12303-02N02			1						
1	PULLEY-CRANK	12304-90164				1	1				036756-
1	PULLEY-CRANK	12303-02N02				1	1				1
1	PULLEY-CRANK	12304-90168						1	1		038035-
1	PULLEY-CRANK	12303-02N02							1	1	1
1	PULLEY-CRANK	12303-90074								1	036756-
1	PULLEY-CRANK	12303-02N02								1	1
2	PULLEY-SUB	12305-90062		1							
3	BOLT, W/WASHER	08120-8301E		3							
11, 12	FLYWHEEL ASSY	12310-90369		1	1						
11, 12	FLYWHEEL ASSY	12310-90279			1		1	1	1	1	
11, 12	FLYWHEEL ASSY	12310-43G00			1				1	1	
11, 12	FLYWHEEL ASSY	12310-90360				1					
12	GEAR-RING	12312-Z5500		1	1						
12	GEAR-RING	12312-43G00			1	1	1	1	1	1	
13	BOLT-FLYWHEEL	12316-L2001		6	6						
13	BOLT-FLYWHEEL	12316-V1701			6	6	6	6	6	6	
15	BEARING-BALL	14663-Z7000				1					

PUB-NO.: PBD3439607

Page 42

NISSAN DIESEL MOTOR CO., LTD.

Printed in Japan



PAGE 44

※印は別販売部品です。各々のASSYにて取付して下さい。

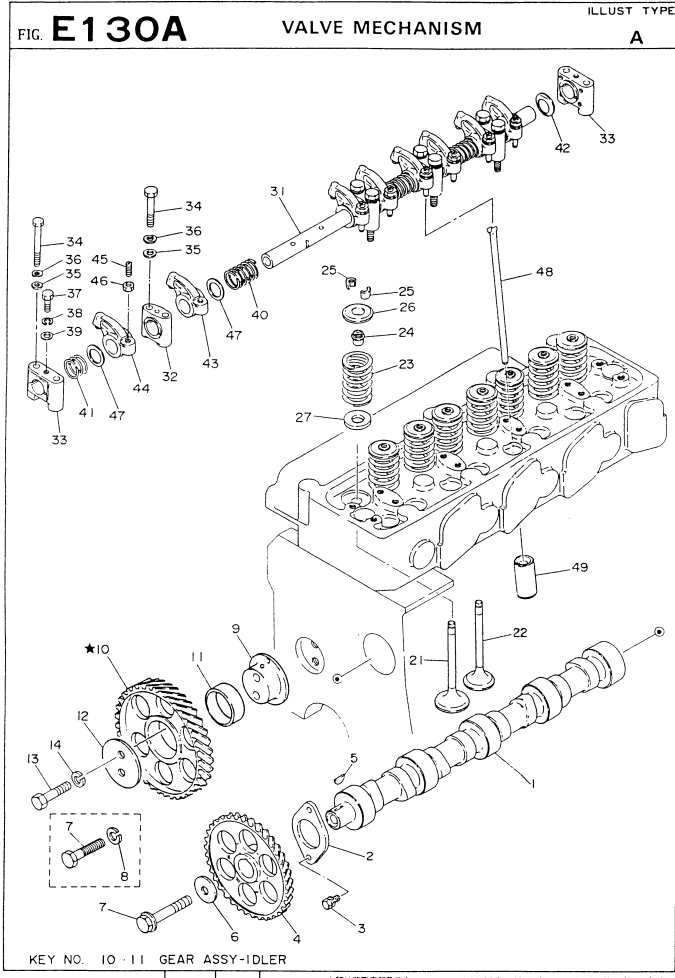
NOTE: The Mark \* shown in the Key No. of the figure is not for sale individually. Please place an order as each Assembly.

*** VALVE MECHANISM ***				FIG E130A	
Key-No.	Description 部品名称	Part Number 部品番号	Quantity Per Section 個数及び適用	INT	Execution (E/N)
A1...ALL MODELS					
1	CAMSHAFT	13001-54T03	1		
2	PLATE-LOCATING	13010-06J00	1		026231-
2	PLATE-LOCATING	13010-43G00	1	1	
3	BOLT, W/WASHER	08120-61628	2		
4	GEAR-CAMSHAFT	13024-0T600	1		
5	KEY-WOODRUFF	00926-41600	1		
6	WASHER-PLAIN	13030-37500	1		
7	BOLT, W/WASHER	08051-0501A	1		037728-
7	BOLT, W/WASHER	01121-00724	1	1	027755-
7	BOLT	08131-0501A	1	1	
8	WASHER-SPRING	08915-1401A	1		-027754
9	SHAFT-IDLER GEAR	13016-54T00	1		
10. 11	GEAR ASSY-IDLER	13012-54T00	1		
11	BUSH	13015-43G01	1		
12	PLATE-IDLER GEAR	13011-43G00	1		
13	BOLT	08170-8501A	2		017777-
13	BOLT	08130-8501A	2	1	
14	WASHER-SPRING	08915-1381A	2		
21	VALVE-INLET	13201-43G01	4		
22	VALVE-EXHAUST	13202-54T01	4		
23	SPRING-VALVE	13203-90010	8		
24	SEAL-VALVE STEM	13207-V1700	8		
25	COLLAR-SPLIT	13208-Z5500	16		017293-
25	COLLAR-SPLIT	13208-Y1400	16	1	
26	RETAINER	13209-43G01	8		
27	SEAT-VALVE	13206-31N01	8		022921-
27	SEAT-VALVE	13206-31N00	8	1	
31	SHAFT-ROCKER	13252-43G02	1		
32	BRACKET-ROCKER	13222-43G00	4		
33	BRACKET-ROCKER	13223-43G01	2		

PUB-NO.: PBD3439607 Page 45

NISSAN DIESEL MOTOR CO., LTD.

Printed in Japan



PAGE 44

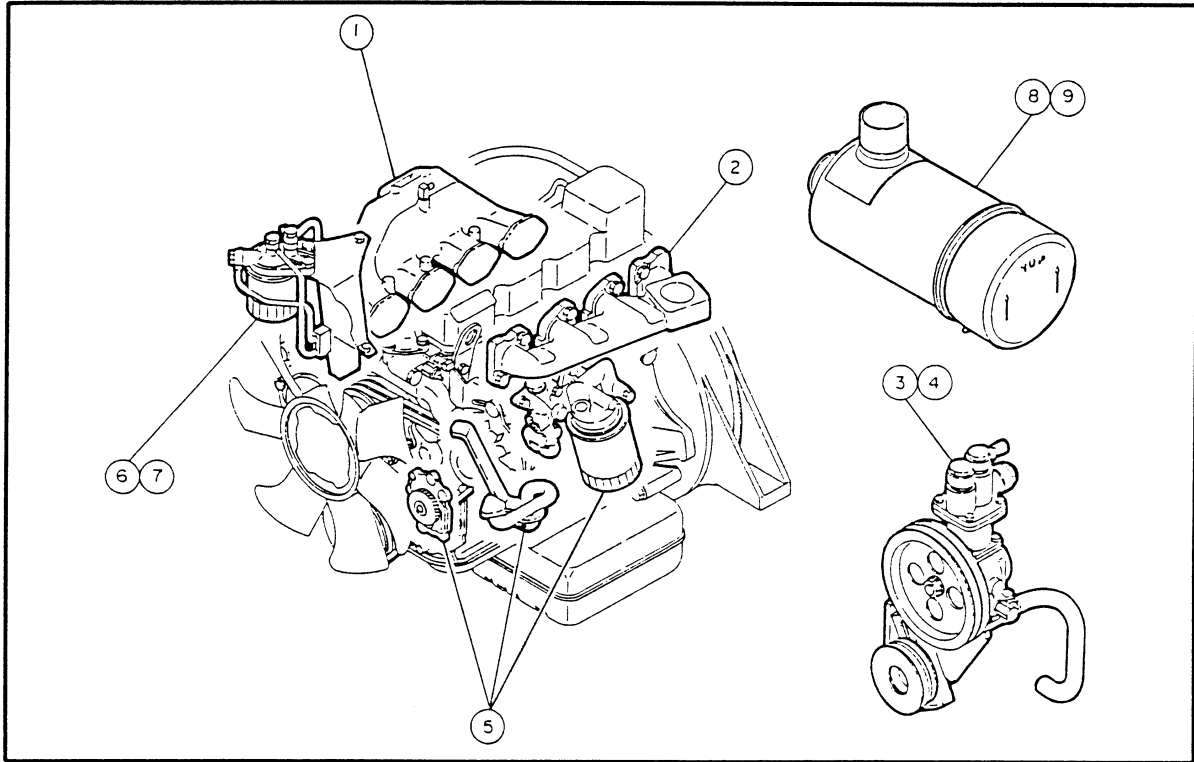
*** VALVE MECHANISM ***				FIG. E130A	
Key-No.	Description 部品名称	Part Number 部品番号	Quantity Per Section 個数及び適用	INT	Execution (E/#)
			A		
			1		
34	BOLT-ROCKER	08010-86000	12		
35	WASHER-PLAIN	08915-4381A	12		
36	WASHER-SPRING	08915-3381A	12		
37	BOLT	08120-61610	2		
38	WASHER-SPRING	08915-13610	2		
39	WASHER-PLANE	08915-43610	2		
40	SPRING-INSIDE	13256-43G01	3		
41	SPRING-INSIDE	13256-43G02	1		
42	SPRING-INSIDE	13255-43G00	1		
43	ROCKER-VALVE, EXH.	13257-63G00	4		036062-
43	ROCKER-VALVE, EXH.	13257-43G03	4		1
44	ROCKER-VALVE, INTAKE	13258-63G00	4		036062-
44	ROCKER-VALVE, INTAKE	13258-43G03	4		1
45	SCREW-ADJUST	13234-43G01	8		
46	NUT	01225-00112	8		
47	WASHER	13297-43G00	8		
48	ROD-PUSH	13238-54T00	8		
49	LIFTER-VALVE	13231-54T02	8		

PUB-NO.: PBD3439607 Page 46

NISSAN DIESEL MOTOR CO., LTD. Printed in Japan

Engine for TB070 NISSAN BD3004

3) MANIFOLD, AIR COMPRESSOR, OIL PUMP, FUEL FILTER, AIR CLEANER

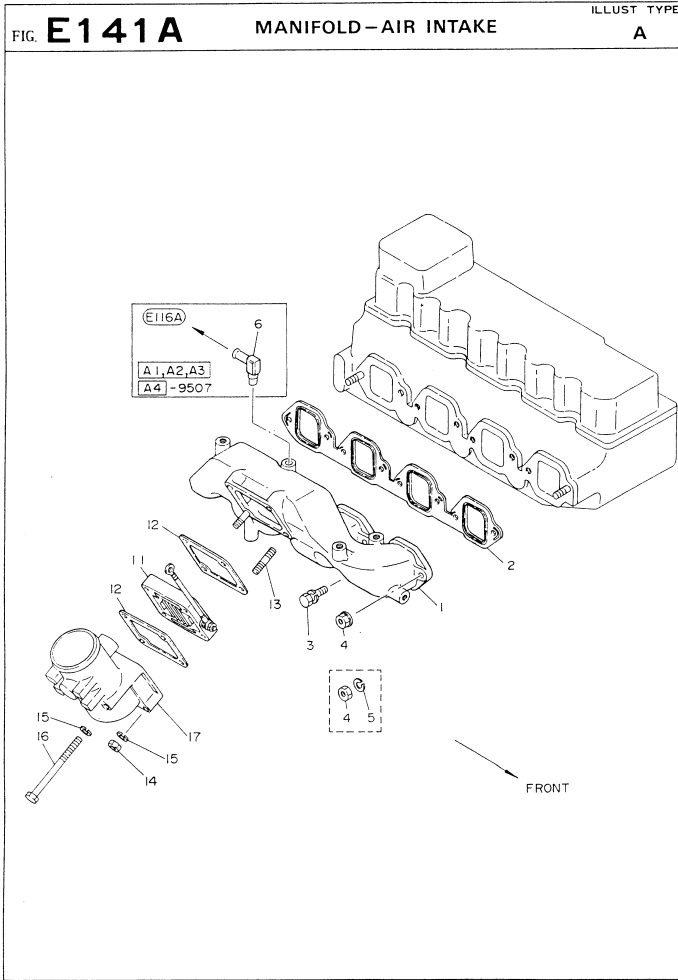


KEY. NO	SECTION NAME	FIG. NO
①	マニホールド エア インテーク MANIFOLD-AIR INTAKE .....	E141A
②	マニホールド エキゾースト MANIFOLD-EXHAUST .....	E141C
③	コンプレッサー エア (フィッティング パーツ) COMPRESSOR-AIR (FITTING PARTS) .....	E145A
④	コンプレッサー エア (インナ パーツ) COMPRESSOR-AIR (INNER PARTS) .....	E145B
⑤	オイル ポンプ オイル フィルタ OIL PUMP & OIL FILTER .....	E150A
⑥	フィルタ フューエル (フィッティング パーツ) FILTER-FUEL (FITTING PARTS) .....	E164A
⑥	フィルタ フューエル A ジュウユ ヨウ FILTER-FUEL "FOR A-DIESEL OIL" .....	E164B
⑥	セジメンタ フューエル (フィッティング パーツ) SEDIMENTER-FUEL (FITTING PARTS) .....	E164C
⑦	フィルタ フューエル (インナ パーツ) FILTER-FUEL (INNER PARTS) .....	E164D
⑦	フィルタ フューエル (インナ パーツ) FILTER-FUEL (INNER PARTS) .....	E164E
⑦	セジメンタ フューエル (インナ パーツ) SEDIMENTER-FUEL (INNER PARTS) .....	E164F
⑧	クリーナ エア (フィッティング パーツ) CLEANER-AIR (FITTING PARTS) .....	E165A

Engine for TB070 NISSAN BD3004

---

KEY. NO	SECTION NAME	FIG. NO
⑧	クリーナ エア (フィッティング パーツ) CLEANER-AIR (FITTING PARTS) .....	E165B
⑨	クリーナ エア (インナ パーツ) CLEANER-AIR (INNER PARTS) .....	E165C
⑨	クリーナ エア (インナ パーツ) CLEANER-AIR (INNER PARTS) .....	E165D



PAGE 48

※印は別販部品です。各々のASSEMBLYで図注下さい。  
NOTE: The Mark \* shown in the Key No. of the figure is not for sale individually. Please place an order as each Assembly.

\*\*\* MANIFOLD - AIR INTAKE \*\*\* FIG. E141A

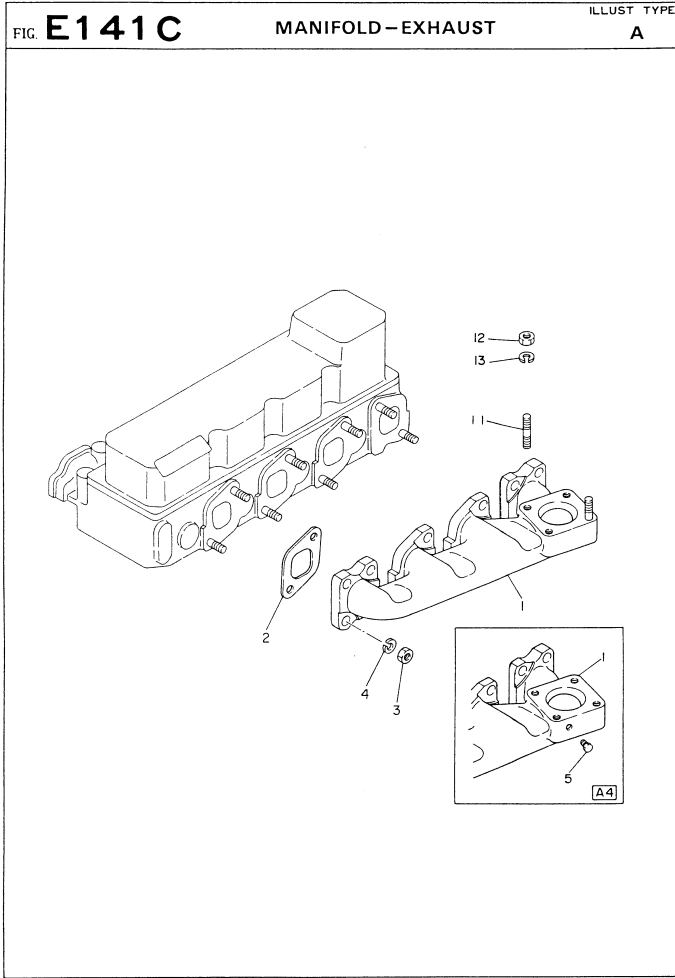
Key-No.	Description 部品名称	Part Number 部品番号	Quantity Per Section 個数及び適用								INT	Execution (E/#)
			A	A	A	A	B	B	B	B		
A1...	13, 14, 25, 26, 34											
A2...	61, 62, 63											
A3...	15, 17											
A4...	16, 18, 19											
B1...	01, 02, 03, 04, 05, 40, 50											
B2...	10, 28, 29											
1	MANIFOLD-AIR INTAKE	14003-90019	1	1								
1	MANIFOLD-AIR INTAKE	14003-54T00			1							033809-
1	MANIFOLD-AIR INTAKE	14003-90019			1						X	
1	MANIFOLD-AIR INTAKE	14003-90060				1						
2	GASKET-MANIFOLD	14035-31N00	1	1	1	1	1					
3	BOLT, W/WASHER	08120-8251E	6	6	6	6	6					
4	NUT, W/WASHER	08911-1081G	2	2	2	2	2					025884-
4	NUT	08911-1081A	2	2	2	2	2				1	
5	WASHER-SPRING	08915-1381A	2	2	2	2	2					-025883
6	CONNECTOR	13277-T6200	1	1	1	1	1					
6	CONNECTOR	13277-T6200						1				-033808
11	HEATER ASSY-AIR	11065-90004	1	1	1	1	1					
11	HEATER ASSY-AIR	11065-90005	1	1	1	1	1					
12	GASKET-HEATER	14064-54T00	2	2	2	2	2					
13	STUD	08223-86010	2									
13	STUD	08223-84010	4	4	4	4	4					
14	NUT	08911-1081A	2					4	4			
15	WASHER-SPRING	08915-1381A	4					4	4			
16	BOLT	08120-8011A	2									
17	DUCT-AIR INTAKE	14380-54T05	1									
17	ADAPTER-CLEANER	14380-90012								1		
18	WASHER-SPRING	08915-13610								1		
19	NUT	08911-10610								1		

PUB-NO.: PBD3439607

Page 50

NISSAN DIESEL MOTOR CO., LTD.

Printed in Japan



PAGE 52

\*印は非販売部品です。各々のASS'VLTで注文下さい。 NOTE: The Mark \* shown in the Key No. of the figure is not for sale individually. Please place an order as each Assembly.

\*\*\* MANIFOLD - EXHAUST \*\*\* FIG. E141C

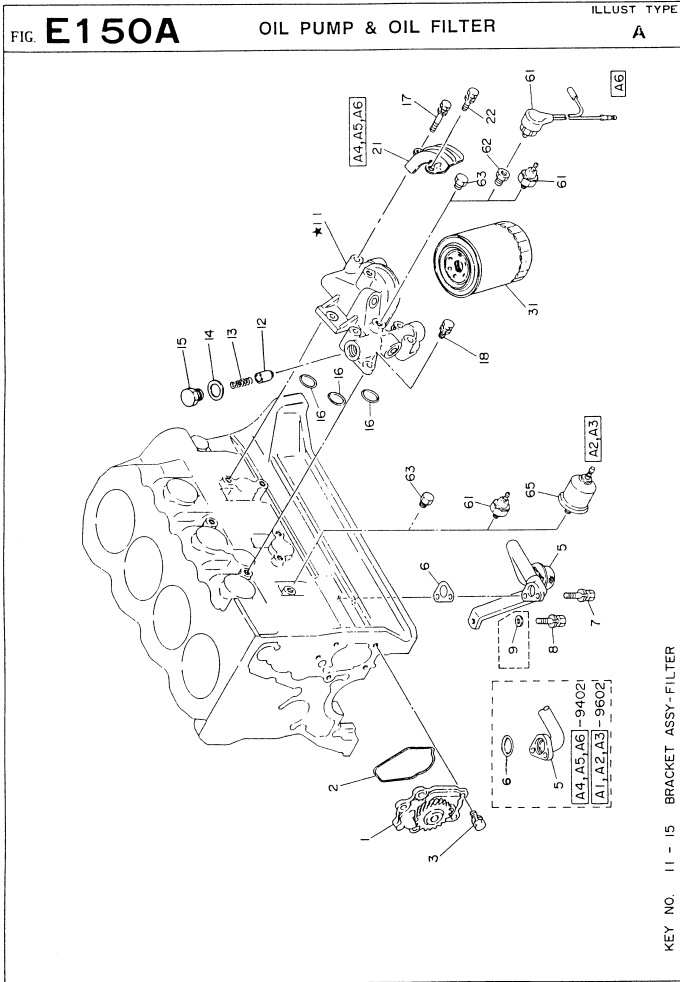
Key-No.	Description 部品名称	Part Number 部品番号	Quantity Per Section 個数及び適用						I N T	Execution (E/#)
			A 1	A 2	A 3	A 4	B 1	B 2		
A1	15, 16, 17, 18, 19, 25, 26, 34									
A2	61, 62									
A3	01, 02, 03, 04, 10									
A4	05, 50									
B1	13, 14									
B2	28, 29, 63									
B3	40									
1	MANIFOLD-EXHAUST	14004-90077	1	1	1	-	-	-	-	
1	MANIFOLD-EXHAUST	14004-90162	-	-	1	-	-	-	-	
1	MANIFOLD-EXHAUST	14004-43G01	-	-	-	1	1	1	-	
2	GASKET-MANIFOLD	14036-54T00	4	4	4	4	4	4	4	
3	NUT	08911-6401A	8	8	8	8	8	8	8	
4	WASHER-MANIFOLD	14038-96000	8	8	8	8	8	8	8	
5	PLUG-TAPER	08931-3021A	-	-	1	-	-	-	-	
11	STUD	01151-03064	2	2	-	-	-	-	-	
11	STUD	01151-03204	-	-	-	3	-	-	-	
11	STUD	08227-02840	-	-	-	3	-	-	-	
11	STUD	08227-02840	-	-	-	3	-	-	-	
12	NUT	14039-95000	2	-	-	-	-	-	-	
13	WASHER-SPRING	08915-1401A	2	-	-	-	-	-	-	

015167-1

PUB-NO.: PBD3439607 Page 54

NISSAN DIESEL MOTOR CO., LTD. Printed in Japan





PAGE 64

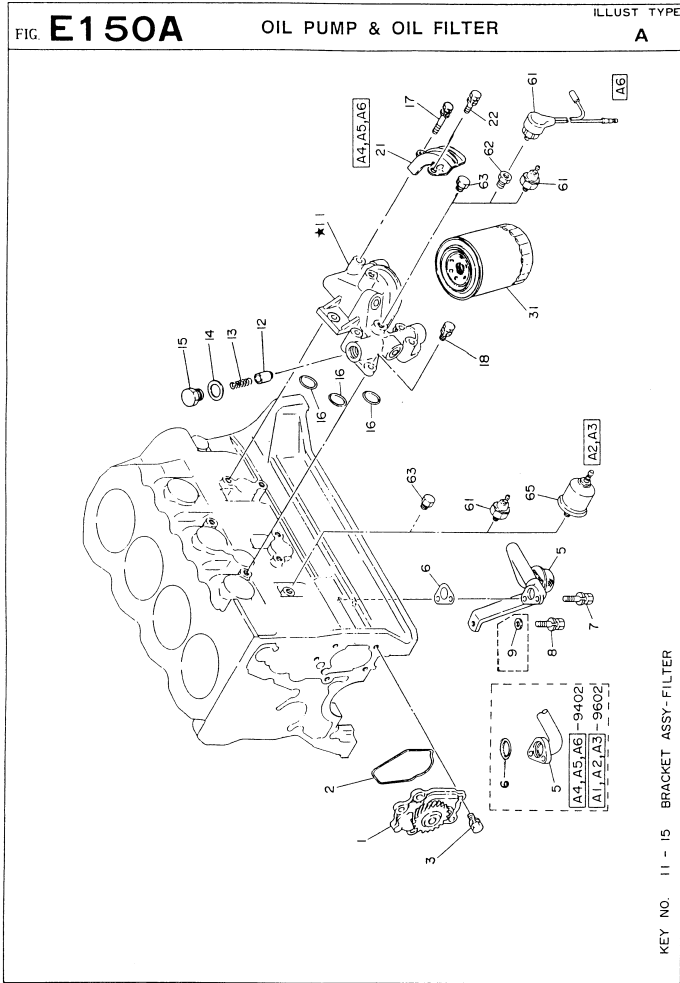
\*印は別販売品です。各々のASSYにてご注文下さい。  
 NOTE: The Mark \* shown in the Key No. of the figure is not for sale individually. Please place an order as each Assembly.

\*\*\* OIL PUMP & OIL FILTER \*\*\* FIG E150A

Key-No.	Description 部品名称	Part Number 部品番号	Quantity Per Section 個数及び適用			INT	Execution (E/#)
** << SUB FIG.-1(OIL PUMP) >> ** * A1...15,16,17,18,19,25,26,34 * A2...01,02,03,04,05,10,13,14,28,29,40,50,61,63 * B1...62(-9305) * C1...62(9306-)							
1	PUMP ASSY-OIL	15010-43G05	1	1	1		026734-
1	PUMP ASSY-OIL	15010-43G04	1	1	1		1
2	GASKET-PUMP	15025-43G01	1	1	1		
3	BOLT, W/WASHER	08120-8201E	5	5	5		
5	STRAINER-OIL	15050-90065	1	-	-		037728-
5	STRAINER-OIL	15050-90063	1	-	-		Y
5	STRAINER-OIL	15050-31N01	-	1	1		022921-
5	STRAINER-OIL	15050-31N00	-	1	1		Y
6	GASKET	15053-80G00	1	-	-		037728-
6	O RING	15053-43G01	1	-	-		X
6	GASKET	15053-80G00	-	1	1		022921-
6	O RING	15053-43G01	-	1	1		X
7	BOLT, W/WASHER	08120-8201E	2	2	2		
8	BOLT, W/WASHER	08120-8161E	1	1	1		
9	WASHER-PLAIN	08915-4381A	1	1	1		-022920
(NOTE)							
	NEW KEY NO. 5+6		-	*	*		022921-
	OLD KEY NO. 5+6		-	*	*		1
	NEW KEY NO. 5+6		*	-	-		037728-
	OLD KEY NO. 5+6		*	-	-		1

PUB-NO.: PBD3439607 Page 67

NISSAN DIESEL MOTOR CO., LTD. Printed in Japan



PAGE 64

\*印は別売部品です。  
各々のASSEMBLYに記述下さい。

NOTE: The Mark \* shown in the Key No. of the figures not for sale individually. Please place an order as each Assembly.

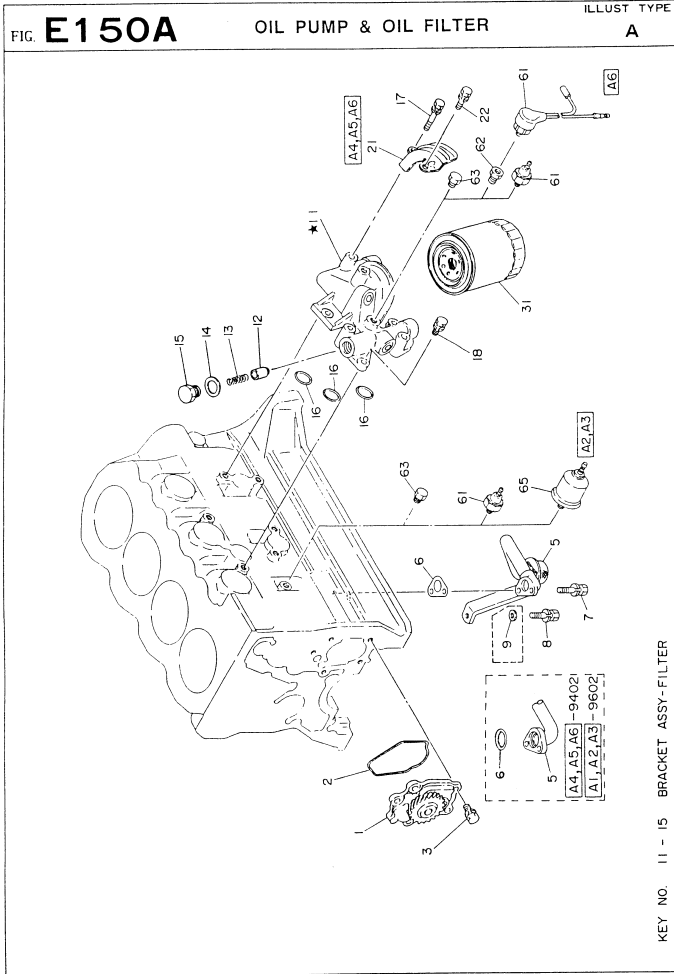
\*\*\* OIL PUMP & OIL FILTER \*\*\* FIG E150A

Key-No.	Description 部品名称	Part Number 部品番号	Quantity Per Section 個数及び適用						INT	Execution (E/H)
<< SUB FIG.-2(OIL FILTER) >>										
A1	01, 10, 15, 16, 17, 18, 19, 25, 26, 34, 61									
A2	02, 05, 50									
A3	03, 04									
A4	13, 40, 63									
A5	28, 29									
A6	14									
B1	62(-9305)									
C1	62(9306-)									
11-15	BRACKET ASSY-FILTER	15238-25600	1	1	1	1	1	1	-	035263-
11-15	BRACKET ASSY-FILTER	15238-54T01	1	1	1	1	1	1	-	1
11-15	BRACKET ASSY-FILTER	15239-90060	-	-	-	-	-	-	1	
11-15	BRACKET ASSY-FILTER	15239-90061	-	-	-	-	-	-	1	
12	VALVE	15132-43G01	1	1	1	1	1	1	1	
13	SPRING-VALVE	15133-06J01	1	1	1	1	1	1	1	
14	WASHER-SEAL	05412-1800P	1	1	1	1	1	1	1	
15	CAP-VALVE	15134-43G01	1	1	1	1	1	1	1	
16	O RING	21334-02N00	3	3	3	3	3	3	3	
17	BOLT, W/WASHER	08120-8451E	3	3	3	3	3	3	3	
18	BOLT, W/WASHER	08120-8201E	4	4	4	4	4	4	4	
21	PLATE-SHIELD	15199-31N00	-	-	-	-	-	-	-	
22	BOLT, W/WASHER	08120-8161E	-	-	-	-	-	-	1	
30.31	FILTER ASSY-OIL	15200-90063	-	-	-	-	-	-	1	
30.31	FILTER ASSY-OIL	15200-90064	-	-	-	-	-	-	1	
30	COVER-FILTER	15278-99308	-	-	-	-	-	-	1	
30	COVER-FILTER	15278-99218	-	-	-	-	-	-	1	
31	CARTRIDGE-OIL	15208-43G00	1	1	1	1	1	1	-	024591-
31	CARTRIDGE-OIL	15208-W3401	1	1	1	1	1	1	-	1
31	CARTRIDGE-OIL	15208-43G00	-	-	-	-	-	-	1	
36	BRACKET-FILTER	15205-90008	-	-	-	-	-	-	1	
36	BRACKET-FILTER	15205-90015	-	-	-	-	-	-	1	025884-
36	BRACKET-FILTER	15205-90013	-	-	-	-	-	-	1	1
37	BOLT, W/WASHER	08120-8201E	-	-	-	-	-	-	2	
38	BOLT, W/WASHER	08121-0251E	-	-	-	-	-	-	2	
39	CONNECTOR-TUBE	15169-90004	-	-	-	-	-	-	2	

PUB-NO.: PBD3439607 Page 68

NISSAN DIESEL MOTOR CO., LTD.

Printed in Japan



KEY NO. 11 - 15 BRACKET ASSY-FILTER

PAGE 64

\*印出并無異品を付す。 NOTE: The Mark \* shown in the Key No. of the figure is not for sale individually. 印出並無異品を付す。 Please place an order as each Assembly.

*** OIL PUMP & OIL FILTER ***										FIG E150A		
Key-No.	Description 部品名称	Part Number 部品番号	Quantity Per Section 個数及び適用						I N T	Execution (E/#)		
			A	A	A	A	A	B			C	
40	TUBE-OIL, INLET	15192-90002	1	2	3	4	5	6	1			
40	TUBE-OIL, INLET	15192-90006	-	-	-	-	-	-	1			
41	TUBE-OIL, OUTLET	15192-90003	-	-	-	-	-	-	1			
41	TUBE-OIL, OUTLET	15192-90007	-	-	-	-	-	-	1			
42	CONNECTOR-OIL	08712-1521A	-	-	-	-	-	-	1			
43	BOLT-EYE	01619-00334	-	-	-	-	-	-	3	4		
44	GASKET	01351-21204	-	-	-	-	-	-	6	8		
45	SUPPORT-TUBE	16677-90011	-	-	-	-	-	-	1	1		
45	SUPPORT-TUBE	16677-90012	-	-	-	-	-	-	1			
46	BOLT, W/WASHER	08120-8161E	-	-	-	-	-	-	2			
46	BOLT, W/WASHER	08124-0161E	-	-	-	-	-	-	2			
47	WASHER-PLAIN	08915-4381A	-	-	-	-	-	-	2			
48	CLAMP-TUBE	99450-90018	-	-	-	-	-	-	2	2		
49	BOLT, W/WASHER	08120-64028	-	-	-	-	-	-	1	1		
61	SWITCH-OIL PRESS	25240-89902	1	1	-	-	-	-	1	1		
61	SWITCH-OIL PRESS	15160-90003	-	-	-	-	-	-	-	-		
61	SWITCH-OIL PRESS	15160-27001	-	-	-	-	-	-	1			
62	ADAPTER	01632-01094	-	-	-	-	-	-	1			
63	PLUG-TAPER	08931-3021A	1	-	-	-	-	-	1	1		
65	SENDER-OIL PRESS	15161-96000	-	-	-	-	-	-	-	-		

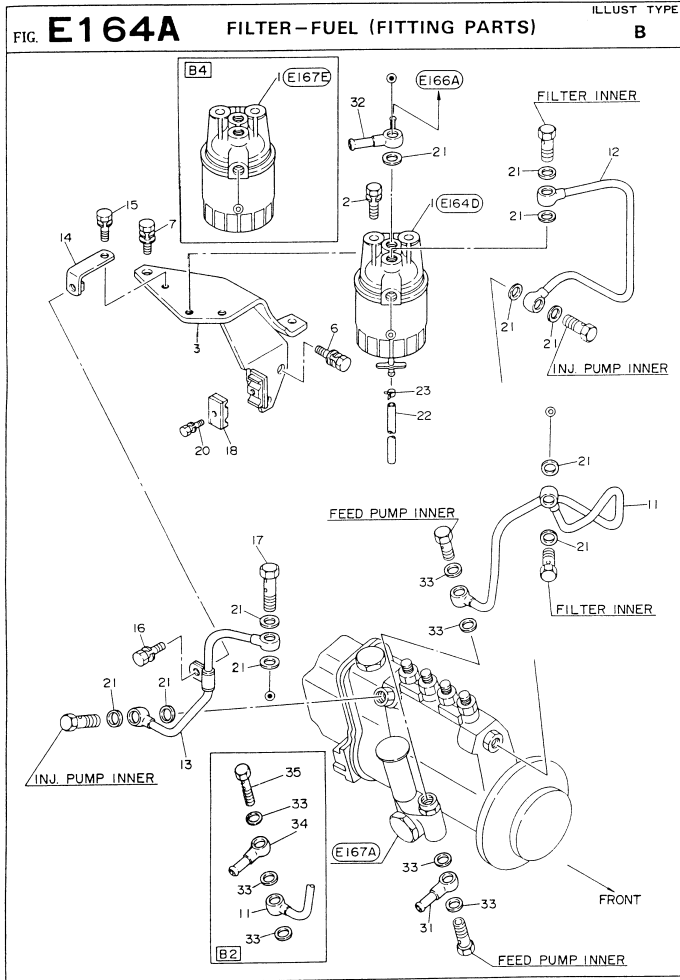
PUB-NO.: PBD3439607

Page 69

NISSAN DIESEL MOTOR CO., LTD.

Printed in Japan





PAGE 71

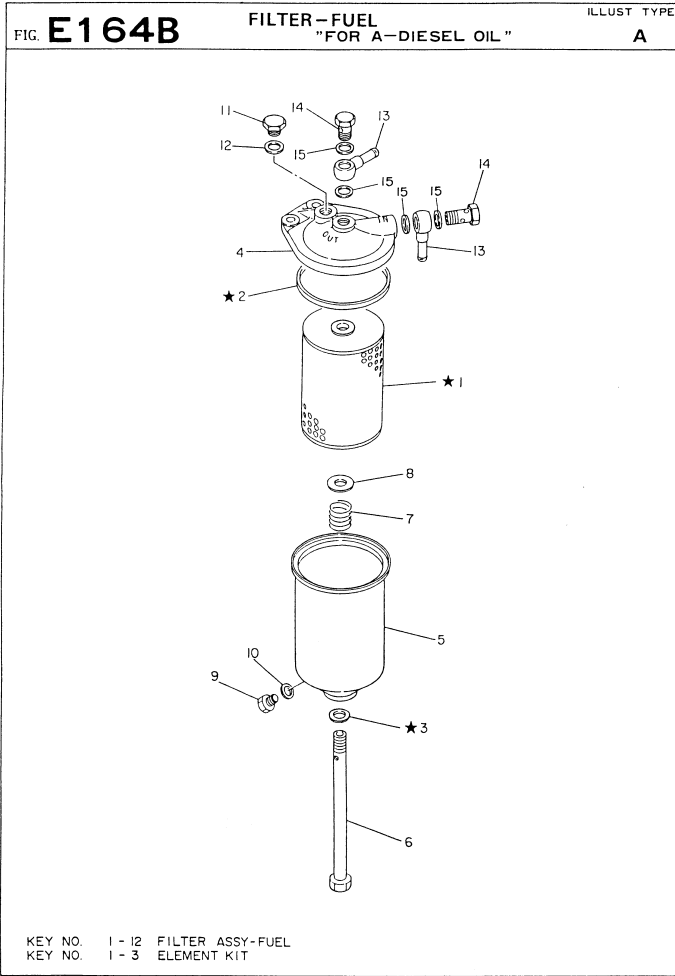
※印は取替完成品です。  
 ※印のある部品は個別に取替はできません。  
 NOTE: The Mark # shown in the Key No. of the figure is not for sale individually.  
 Please place an order as each Assembly.

\*\*\* FILTER - FUEL (FITTING PARTS) \*\*\* FIG. E164A

Key-No.	Description 部品名称	Part Number 部品番号	Quantity Per Section 個数及び適用												I N T	Execution (E/#)
			A	A	A	A	A	B	B	B	C	D				
13	TUBE-FUEL, RETURN	17522-90008	1	2	3	4	5	6	7	1	2	3	4	1	1	
14	STAY	01935-12084								1	1	1	1			
15	BOLT, W/WASHER	08120-8161E								1	1	1	1			
16	BOLT, W/WASHER	08120-8161F								1	1	1	1			
17	VALVE-OVER FLOW	16441-90002	1	1	1	1	1	1	1	1	1	1	1			
17	BOLT-CONNECTOR	16434-90003												1	1	
18	CLAMP-TUBE	16696-Z5500	1	1	1	1	1	1	1	1	1	1	1	2	2	
19	CLAMP-TUBE	16697-Z5500	1	1	1	1	1	1	1					2	2	
20	BOLT, W/WASHER	08120-62528	1	1	1	1	1	1	1	1	1	1	1	2	2	
21	GASKET	16794-10G01	1	1	1	1	1	1	1	1	1	1	1	1	1	
22	HOSE-FUEL	14757-Z5000								1	1			1	1	
22	HOSE-FUEL	16676-97001												1	1	
23	CLAMP-HOSE	21383-J6500								1	1	1	1			
31	CONNECTOR-FUEL	17516-90000	1	1						1	1	1	1			
31	CONNECTOR-FUEL	16668-27000			1	1										
31	CONNECTOR-FUEL	16668-90013			1	1										
32	CONNECTOR-FUEL	16669-90060	1													
32	CONNECTOR-FUEL	16669-90063	1							1	1	1	1			
32	CONNECTOR-FUEL	16669-90062			1	1										
32	CONNECTOR-FUEL	16669-90013			1	1										
32	CONNECTOR-FUEL	16669-90064					1									
33	GASKET	16794-10G01	4	4	4	5		4	4	5	4	4	4	4	4	
34	CONNECTOR-FUEL	16668-27000					1				1					
35	BOLT-CONNECTOR	16434-96000					1				1					

PUB-NO.: PBD3439607 Page 75

NISSAN DIESEL MOTOR CO., LTD. Printed in Japan



PAGE 76

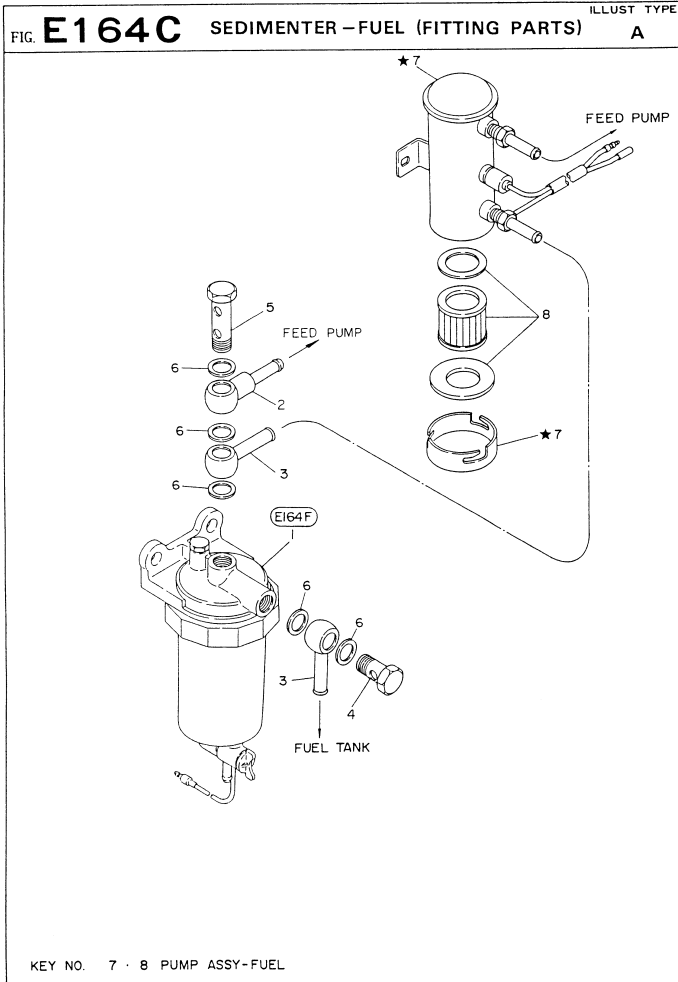
※印は昇降部品です。 NOTE: The Mark ★ shown in the Key No. of the figure is not for sale individually. Please place an order as each Assembly.

\*\*\* F I L T E R - F U E L \*\*\* "FOR A-DIESEL OIL" FIG. E164B

Key-No.	Description 部品名称	QTY	Part Number 部品番号	Quantity Per Section 個数及び適用	INT	Execution (E/N)
A1	ALL MODELS(SP.)					
1-12	FILTER ASSY-FUEL		16400-90061	1	A	
1-3	ELEMENT KIT		16444-99426	1		
4	COVER		16442-99010	1		
5	CASE		16445-99107	1		
6	BOLT-CENTER		16446-99004	1		
7	SPRING		16449-90001	1		
8	WASHER		16450-90001	1		
9	PLUG-DRAIN		16452-90001	1		
10	PACKING		16458-99003	1		
11	PLUG-AIR		15286-99002	1		
12	PACKING		16459-99002	1		
13	CONNECTOR-RING		17516-90000	2		
14	BOLT-EYE		16434-90000	2		
15	GASKET		01351-22144	4		

PUB-NO.: PBD3439607 Page 77

NISSAN DIESEL MOTOR CO., LTD. Printed in Japan



PAGE 78

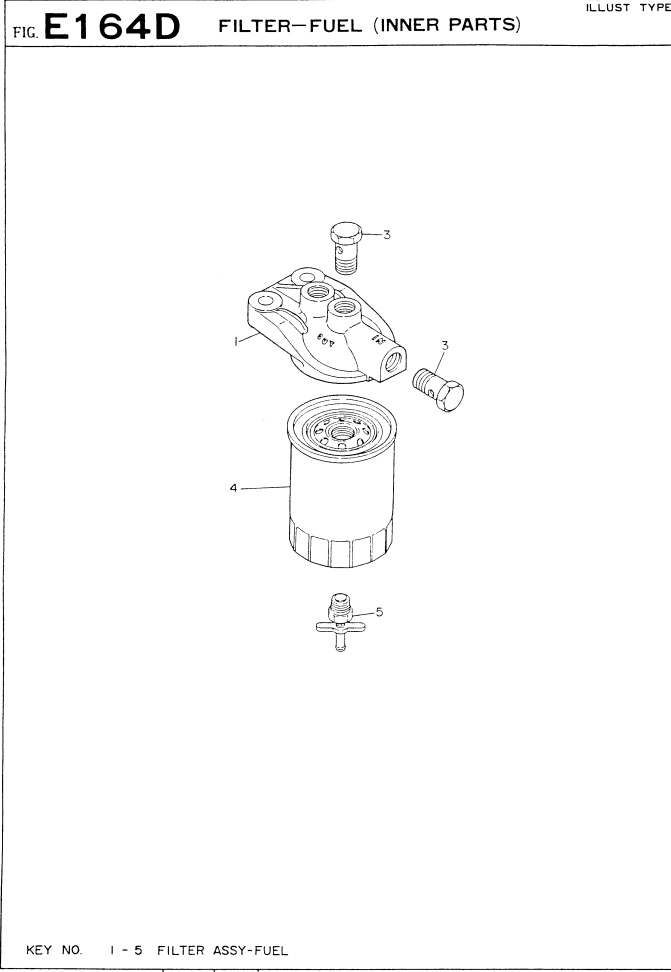
\*印は非販売部品です。各々のASSYにて御注文下さい。  
NOTE: The Mark ★ shown in the Key No. of the figure is not for sale individually. Please place an order as each Assembly.

\*\*\* SEDIMENTER - FUEL (FITTING PARTS) \*\*\* FIG E164C

Key-No.	Description 部品名称	Part Number 部品番号	Quantity Per Section 個数及び適用	Execution I N T (E/#)
A1...	25,26			
1	SEDIMETER ASSY-FUEL (INNER PARTS E164F)	16400-95006	1	A 1
2	CONNECTOR-FUEL	16668-27000	1	
3	CONNECTOR-FUEL	17516-90000	2	
4	BOLT-EYE	16434-90000	1	
5	BOLT-CONNECTOR	16434-96000	1	
6	GASKET	16794-10G01	5	
7.8	PUMP ASSY-FUEL	16640-96009	1	
8	REPAIR KIT	16640-99025	1	

PUB-NO.: PBD3439607 Page 79

NISSAN DIESEL MOTOR CO., LTD. Printed in Japan



PAGE 80

※図は別紙を添付せず、各々のASSY-VLTで御注文下さい。  
 NOTE: The Mark # shown in the Key No. of the figure is not for sale individually. Please place an order as each Assembly.

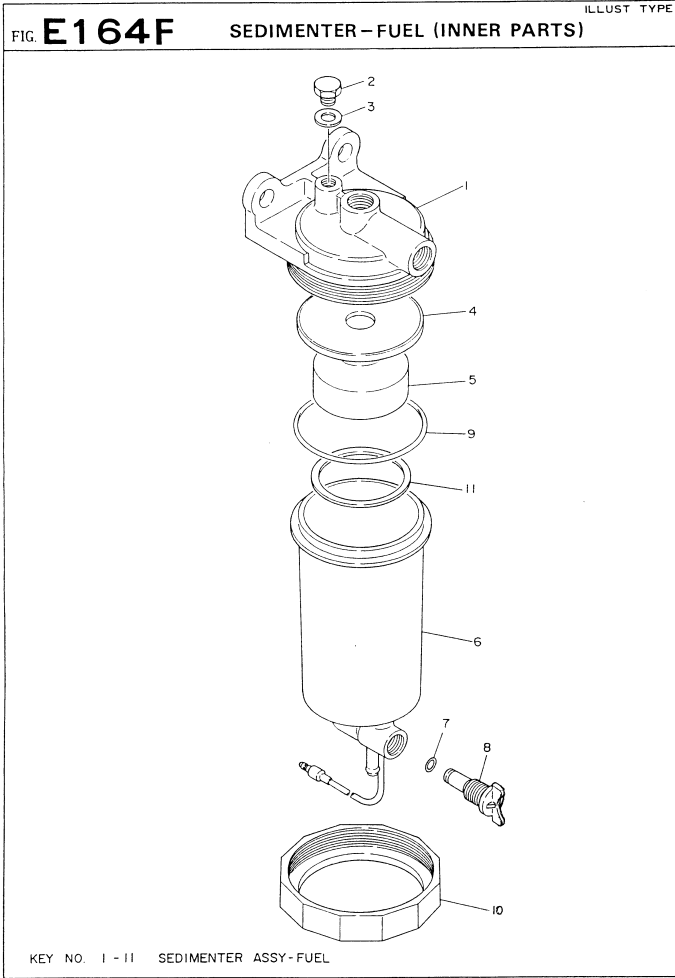
\*\*\* F I L T E R - F U E L \*\*\*

Key-No.	Description 部品名称	QTY 部数	Part Number 部品番号	Quantity Per Section 個数及び適用	INT (E/#)	Execution (E/#)
1-5	FILTER-FUEL	1	16400-T9303	1		
1	COVER	1	16442-J2000	1		
3	BOLT-EYE	2	16454-99002	2		
4	CARTRIDGE-FUEL	1	16403-J6500	1		
5	COCK-DRAIN	1	16452-J6500	1		

PUB-NO.: PBD3439607 Page 81

NISSAN DIESEL MOTOR CO., LTD. Printed in Japan





PAGE 84

※此は非標準部品です。  
※非標準部品の注文は、

NOTE: The Mark \* shown in the Key No. of the figure is not for sale individually. Please place an order as each Assembly.

\*\*\* S E D I M E N T E R - F U E L \*\*\*

FIG E164F

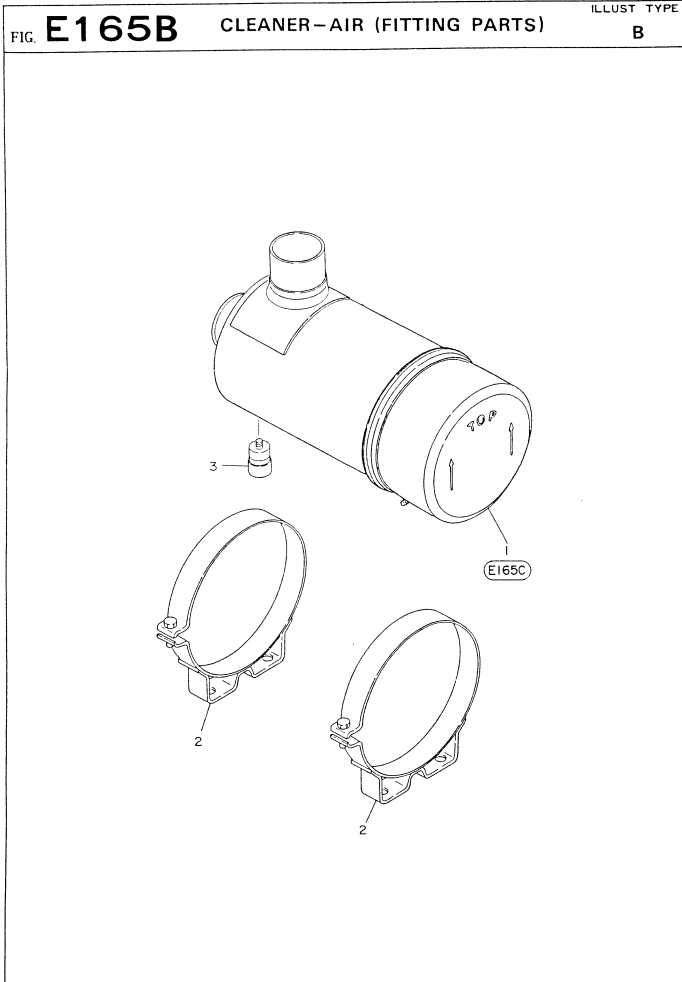
Key-No.	Description 部品名称	Part Number 部品番号	Quantity Per Section 個数及び適用	INT	Execution (E/#)
1-11	SEDIMENTER-FUEL	16400-95006	1		
1	COVER	16442-99117	1		
2	PLUG	16426-37701	1		
3	PACKING	16443-99012	1		
4	SCREEN ASSY	16421-99003	1		
5	BAFFLE ASSY	16448-99007	1		
6	BODY ASSY-SUB	16445-99119	1		
7	O RING	16408-T9000	1		
8	COCK-DRAIN	16411-T9000	1		
9	O RING	16462-99000	1		
10	NUT	16463-99000	1		
11	O RING	16453-99002	1		

PUB-NO.: PBD3439607

Page 85

NISSAN DIESEL MOTOR CO., LTD.

Printed in Japan



PAGE 88

※印は別冊完結品です。各々のASSYにて御注文下さい。  
 NOTE: The Mark \* shown in the Key No. of the figure is not for sale individually. Please place an order as each Assembly.

\*\*\* CLEANER - AIR (FITTING PARTS) \*\*\* FIG E165B

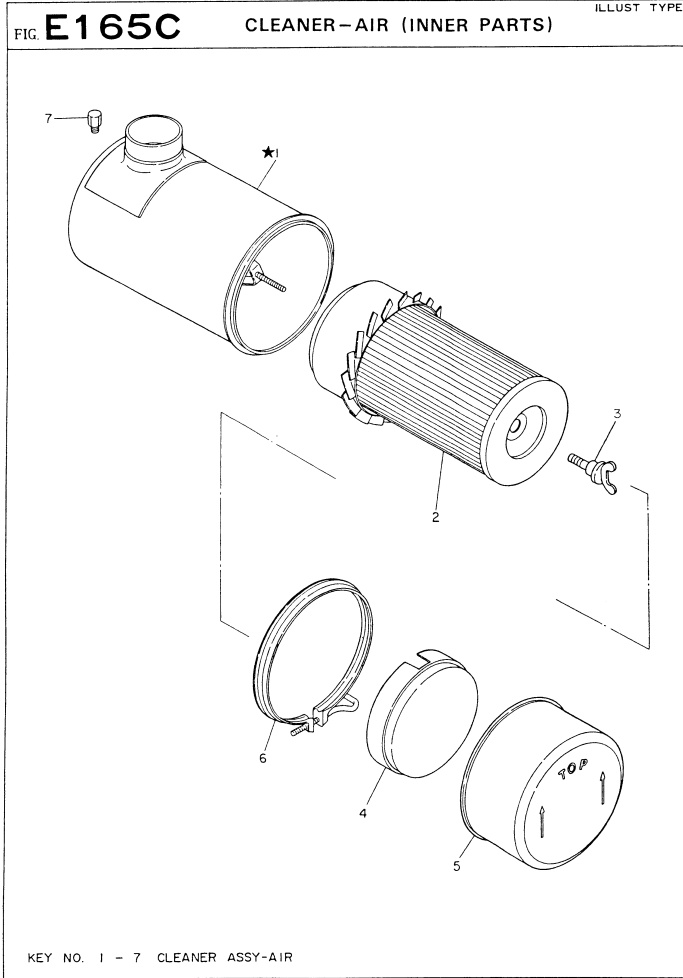
Key-No.	Description 部品名称	Part Number 部品番号	Quantity Per Section 個数及び適用	INT	Execution (E/#)
* B1	...25,26				*
* B2	...14				*
			B 1 2		
1	CLEANER ASSY-AIR (INNER PARTS E165C)	16500-90067	1 1		*
2	BAND-CLEANER	16573-90064	2 2		*
3	INDICATOR-DUST	16550-25509	1 -		*
3	INDICATOR-DUST	16550-96060	- 1		*

PUB-NO.: PBD3439607

Page 89

NISSAN DIESEL MOTOR CO., LTD.

Printed in Japan



PAGE 90

\*印は別販売部品です。  
各々のASSYにて動注文下さい。

NOTE: The Mark \* shown in the Key No. of the figure is not for sale individually.  
Please place an order as each Assembly.

*** C L E A N E R - A I R ***					FIG E165C	
Key-No.	Description 部品名称	Part Number 部品番号	Quantity Per Section 個数及び適用	INT	Execution (E/#)	
1-7	CLEANER-AIR	16500-90067	1			
2	ELEMENT-AIR	16546-99500	1		027755-	
2	ELEMENT-AIR	16546-99209	1		O	
3	BOLT	16524-99006	1			
4	BAFFLE	16521-99014	1			
5	CUP	16526-99212	1			
6	CLAMP ASSY	16509-99109	1			
7	NIPPLE-CAP	16510-Z9001	1			

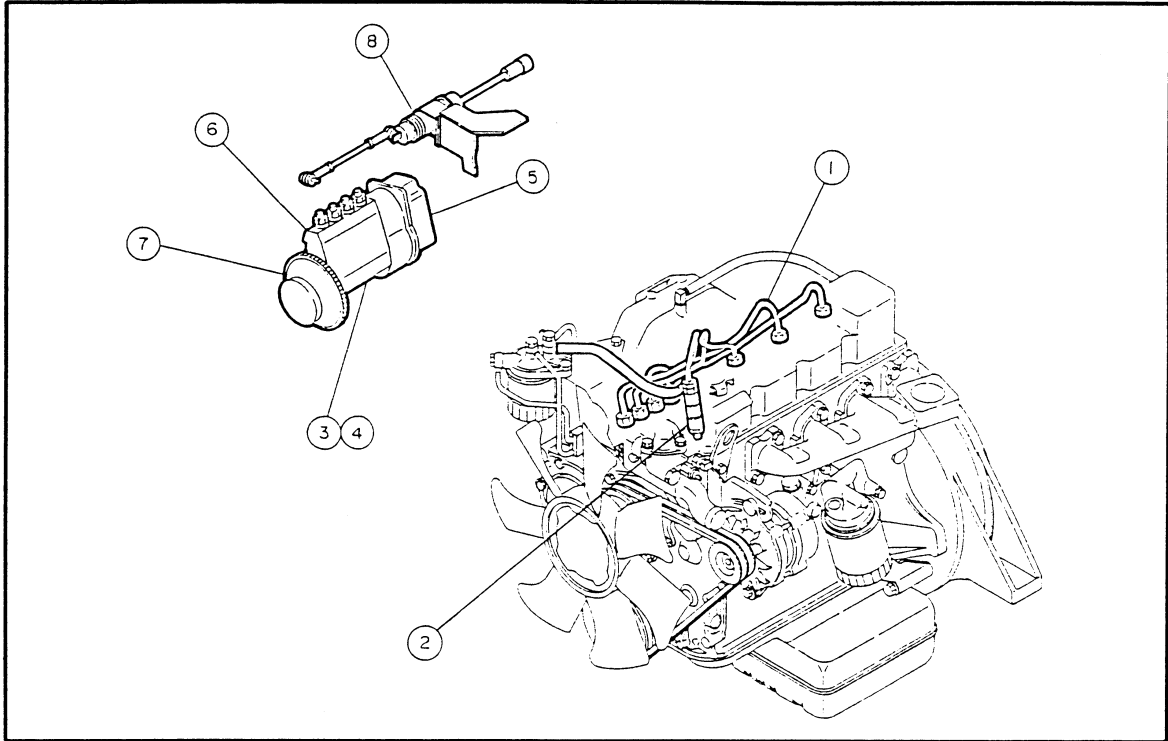
PUB-NO.: PBD3439607

Page 91

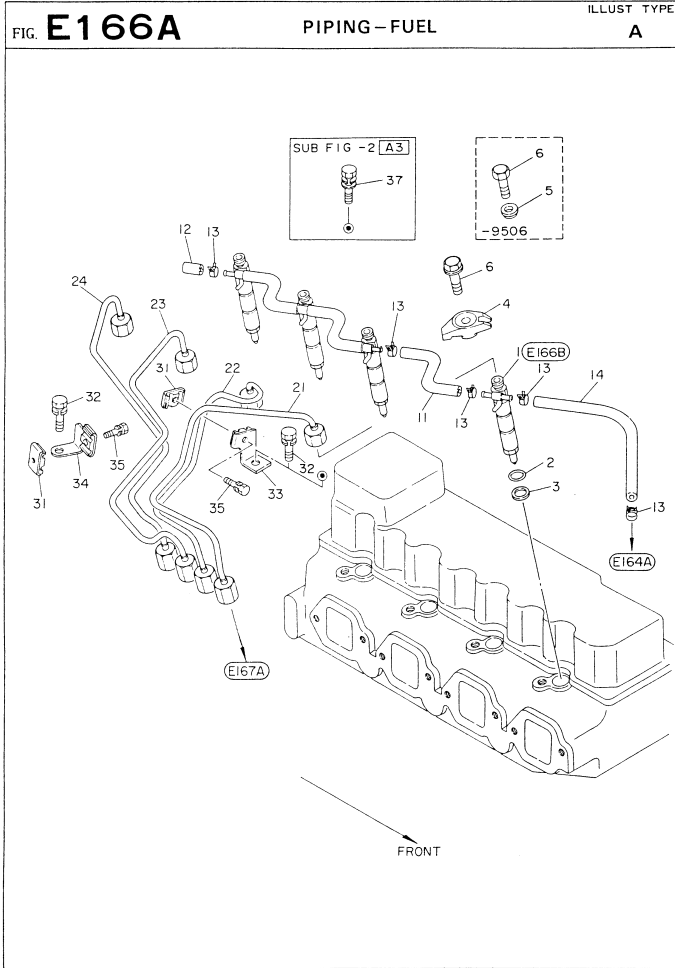
NISSAN DIESEL MOTOR CO., LTD.

Printed in Japan

4) FUEL SYSTEM



KEY. NO	SECTION NAME	FIG. NO
①	パイピング フューエル PIPING-FUEL	E166A
②	ノズル ホルダー (インナ パーツ) NOZZLE & HOLDER (INNER PARTS)	E166B
③	ポンプ フューエル インジェクション (フィッティング パーツ) PUMP-FUEL INJECTION (FITTING PARTS)	E167A
④	ポンプ インジェクション (インナ パーツ) PUMP-INJECTION (INNER PARTS)	E167B
⑤	ガバナ (インナ パーツ) GOVERNOR (INNER PARTS)	E167C
⑥	ポンプ フィード (インナ パーツ) PUMP-FEED (INNER PARTS)	E167D
⑦	カップリング (インナ パーツ) COUPLING (INNER PARTS)	E167E
⑧	ストップ システム エマージェンシー STOP SYSTEM-EMERGENCY	E199A



PAGE 94

※印は非動装部品です。  
各々のASSYにて取注下さい。

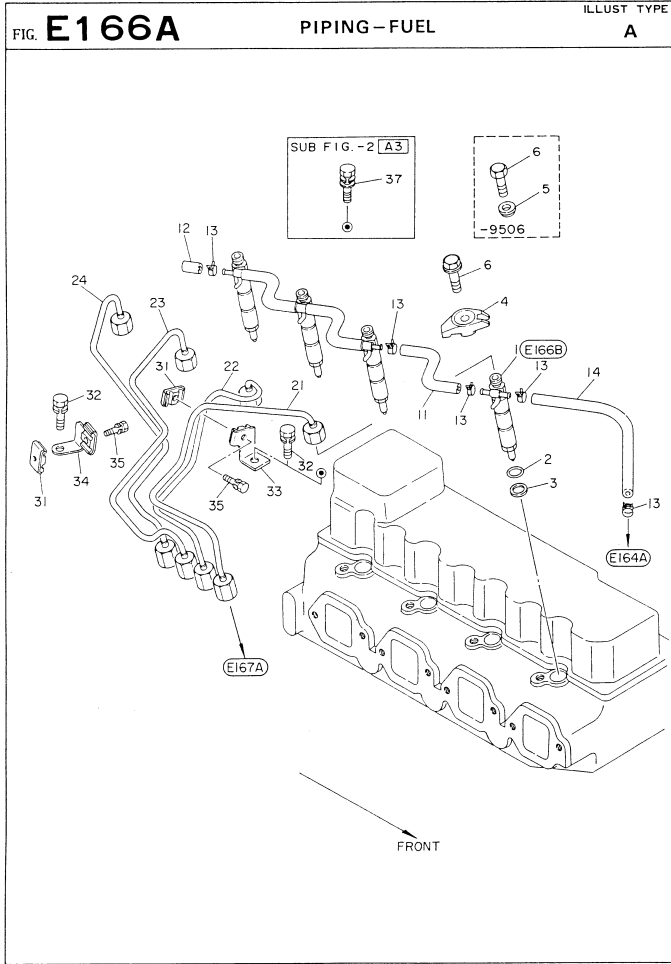
NOTE: The Mark ★ shown in the Key No. of the figure is not for sale individually. Please place an order as each Assembly.

*** PIPING - FUEL ***					FIG E166A	
Key-No.	Description 部品名称	Part Number 部品番号	Quantity Per Section 個数及び適用			Execution (E/N)
* << SUB FIG.-1(NOZZLE) >>						
A1	...15, 16, 17, 18, 19, 24					
A2	...13, 14, 25, 26, 61, 62, 63					
B1	...01, 02, 10, 28, 29, 40					
C1	...03, 04, 05, 50					
1	NOZZLE & HOLDER ASSY (INNER PARTS E166B)	16600-54T01	4			
1	NOZZLE & HOLDER ASSY	16600-90074	4			019446-
1	NOZZLE & HOLDER ASSY (INNER PARTS E166B)	16600-54T01	4			X
1	NOZZLE & HOLDER ASSY	16600-90103	4			037728-
1	NOZZLE & HOLDER ASSY	16600-90100	4			Y
2	D RING	16618-54T00	4	4	4	
3	GASKET	16626-54T00	4	4	4	
4	SUPPORT	16650-54T00	4	4	4	
5	WASHER	16657-54T00	4	4	4	-032343
6	BOLT, W/WASHER	16815-77800	4	4	4	032344-
6	BOLT	08021-0501A	4	4	4	Y
(NOTE)						
NEW KEY NO. 6						
OLD KEY NO. 5+6						
NKW KEY NO. 1+11						
OLD KEY NO. 1+11						
* << SUB FIG.-2(INJ. TUBE) >>						
A1	...13, 14, 61, 62, 63					
A2	...15, 16, 17, 19, 25, 26, 34					
A3	...18					
B1	...01, 02, 10, 28, 29, 40					
C1	...03, 04, 05, 50					
11	HOSE-FUEL	16446-54T00	3	3	3	
11	TUBE-FUEL, SPILL	16670-90060	1			037728-
11	TUBE-FUEL, SPILL	16670-90019	1			X
12	CAP-CONNECTOR	16207-54T00	1	1	1	

PUB-NO.: PB03439607 Page 97

NISSAN DIESEL MOTOR CO., LTD.

Printed in Japan



PAGE 94

※印は互換部品です。  
各々のASS'Yに付随して下さい。

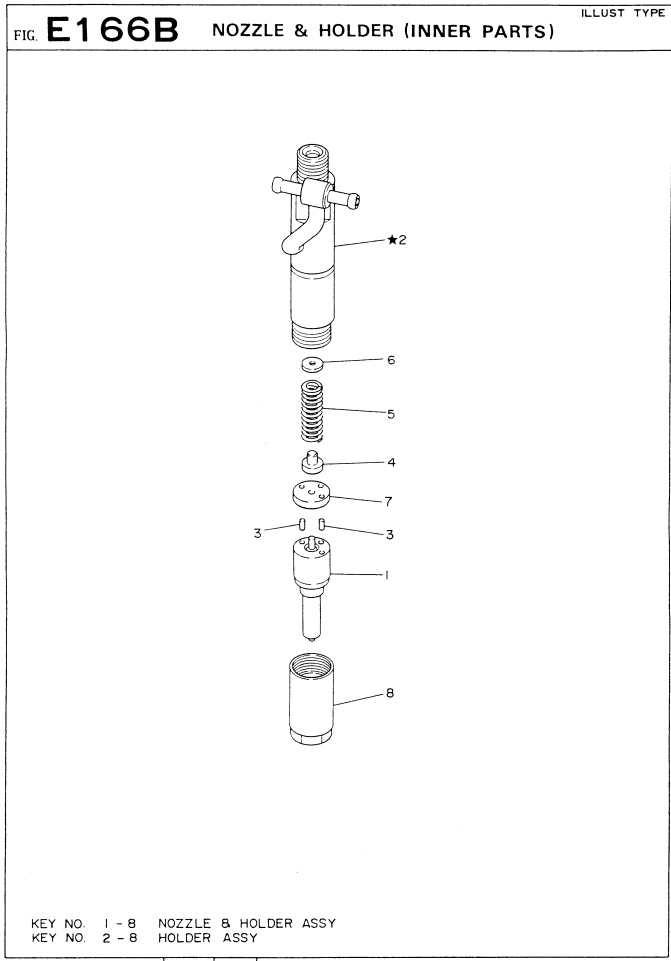
NOTE: The Mark # shown in the Key No. of the figure is not for sale individually. Please place an order as each Assembly.

*** P I P I N G - F U E L ***			FIG E166A				Execution (E/N)	
Key-No.	Description 部品名称	Part Number 部品番号	Quantity Per Section 個数及び通用				I N T	Execution (E/N)
			A 1	A 2	A 3	B 1		
13	CLAMP	01558-00111	9	9	9	9		
14	HOSE-FUEL	08740-17011	1	-	1	-		
14	HOSE-FUEL	08740-25011	-	1	-	-		011850-
14	HOSE-FUEL	08740-26011	-	1	-	-		1 029730-
14	HOSE-FUEL	08740-25011	-	1	-	-		X
14	HOSE-FUEL	08740-29011	-	1	-	-		
15	GASKET	01351-21084	-	-	-	8		
16	CLIP	01551-16014	-	-	-	1		
17	STAY	01935-02054	-	-	-	1		
18	BOLT, W/WASHER	08120-8161F	-	-	-	1		
21	TUBE-INJ., NO.1	16680-90073	-	-	1	1		
21	TUBE-INJ., NO.1	16680-90072	1	1	1	-		
22	TUBE-INJ., NO.2	16681-90070	-	-	1	1		
22	TUBE-INJ., NO.2	16681-90069	1	1	1	-		
23	TUBE-INJ., NO.3	16682-90075	-	-	1	1		
23	TUBE-INJ., NO.3	16682-90074	1	1	1	-		
24	TUBE-INJ., NO.4	16683-90065	-	-	1	1		
24	TUBE-INJ., NO.4	16683-90064	1	1	1	-		
31	SUPPORT-TUBE	16698-43G01	-	-	3	3		
31	SUPPORT-TUBE	16698-43G00	2	2	2	-		
32	BOLT, W/WASHER	08120-8161E	2	2	3	3		
33	SUPPORT-TUBE	16688-54T01	-	-	1	1		
33	SUPPORT-TUBE	16688-90060	1	1	1	-		
34	SUPPORT-TUBE	16698-90006	-	-	1	1		
34	SUPPORT-TUBE	16688-54T13	1	1	1	-		
35	BOLT, W/WASHER	08120-62528	2	2	3	3		
36	SUPPORT-TUBE	16698-90007	-	-	1	1		
37	BOLT, W/WASHER	08120-8301F	-	1	-	-		029730-
37	BOLT, W/WASHER	08120-8161E	-	1	-	-		X

PUB-NO.: PBD3439607 Page 98

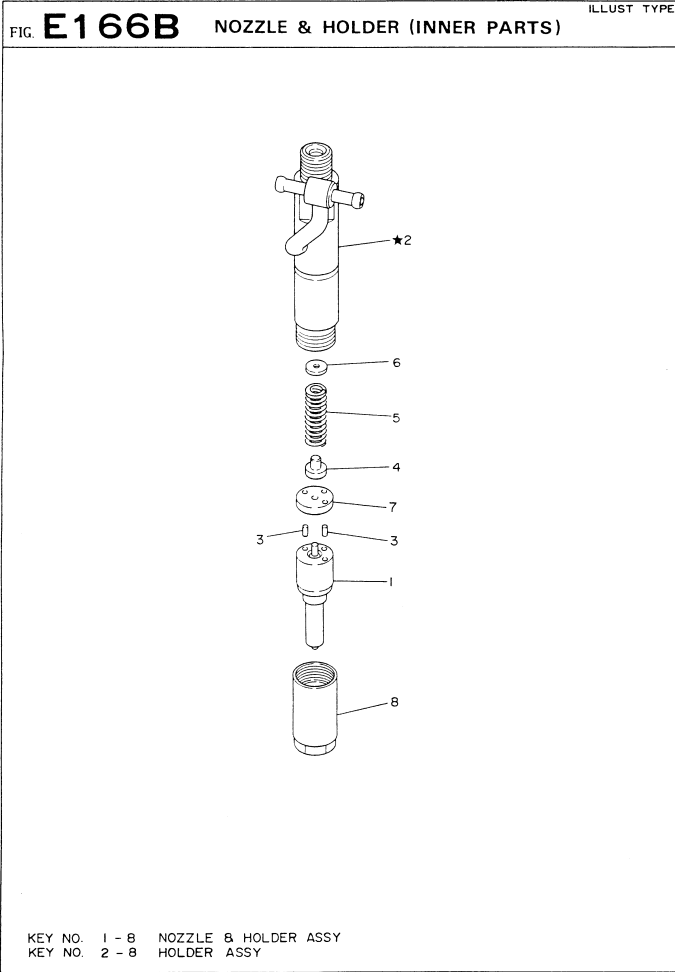
NISSAN DIESEL MOTOR CO., LTD.

Printed in Japan



\*\*\* NOZZLE & HOLDER \*\*\* FIG. E166B

Key-No.	Description 部品名称	QTY 個数	Part Number 部品番号	Quantity Per Section 個数及び適用	Execution N T (E/#)
1-8	NOZZLE & HOLDER	1	16600-54T01	4	
1	NOZZLE	4	16620-54T01	4	
2-8	HOLDER ASSY	4	16610-54T00	4	
3	PIN	8	16621-54T00	8	
4	SEAT	4	16617-54T00	4	
5	SPRING	4	16622-54T00	4	
6	SHIM, T=0.50	S	16614-54T00	N	
6	SHIM, T=0.525	S	16614-54T01	N	
6	SHIM, T=0.55	S	16614-54T02	N	
6	SHIM, T=0.575	S	16614-54T03	N	
6	SHIM, T=0.60	S	16614-54T04	N	
6	SHIM, T=0.625	S	16614-54T05	N	
6	SHIM, T=0.65	S	16614-54T06	N	
6	SHIM, T=0.675	S	16614-54T07	N	
6	SHIM, T=0.70	S	16614-54T08	N	
6	SHIM, T=0.725	S	16614-54T09	N	
6	SHIM, T=0.75	S	16614-54T10	N	
6	SHIM, T=0.775	S	16614-54T11	N	
6	SHIM, T=0.80	S	16614-54T12	N	
6	SHIM, T=0.825	S	16614-54T13	N	
6	SHIM, T=0.85	S	16614-54T14	N	
6	SHIM, T=0.875	S	16614-54T15	N	
6	SHIM, T=0.90	S	16614-54T16	N	
6	SHIM, T=0.925	S	16614-54T17	N	
6	SHIM, T=0.95	S	16614-54T18	N	
6	SHIM, T=0.975	S	16614-54T19	N	
6	SHIM, T=1.00	S	16614-54T60	N	
6	SHIM, T=1.025	S	16614-54T61	N	
6	SHIM, T=1.05	S	16614-54T62	N	
6	SHIM, T=1.075	S	16614-54T63	N	
6	SHIM, T=1.10	S	16614-54T64	N	
6	SHIM, T=1.125	S	16614-54T65	N	



PAGE 100

\*\*\* NOZZLE & HOLDER \*\*\* FIG. E166B

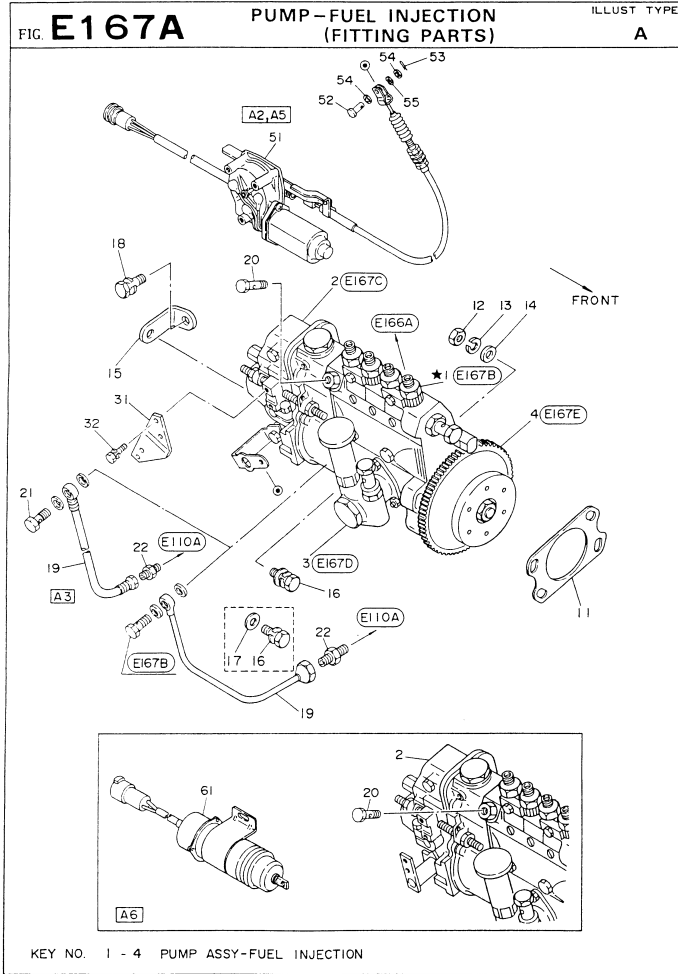
Key-No.	Description 部品名称	COO P Part Number 部品番号	Quantity Per Section 個数及び通用	INT	Execution (E/#)
			1		
6	SHIM, T=1.15	S 16614-54T66	N		
6	SHIM, T=1.175	S 16614-54T67	N		
6	SHIM, T=1.20	S 16614-54T68	N		
6	SHIM, T=1.225	S 16614-54T69	N		
6	SHIM, T=1.25	S 16614-54T70	N		
6	SHIM, T=1.275	S 16614-54T71	N		
6	SHIM, T=1.30	S 16614-54T72	N		
6	SHIM, T=1.325	S 16614-54T73	N		
6	SHIM, T=1.35	S 16614-54T74	N		
6	SHIM, T=1.375	S 16614-54T75	N		
6	SHIM, T=1.40	S 16614-54T76	N		
6	SHIM, T=1.425	S 16614-54T77	N		
6	SHIM, T=1.45	S 16614-54T78	N		
6	SHIM, T=1.475	S 16614-54T79	N		
6	SHIM, T=1.50	S 16614-54T80	N		
7	PIECE	16616-54T00	4		
8	NUT	16629-54T00	4		

PUB-NO.: PBD3439607 Page 102

NISSAN DIESEL MOTOR CO., LTD. Printed in Japan







PAGE 104

\*印は別販売品です。  
各々のASSYにて組立下さい。

NOTE: The Mark \* shown in the Key No. of the figure is not for sale individually. Please place an order as each Assembly.

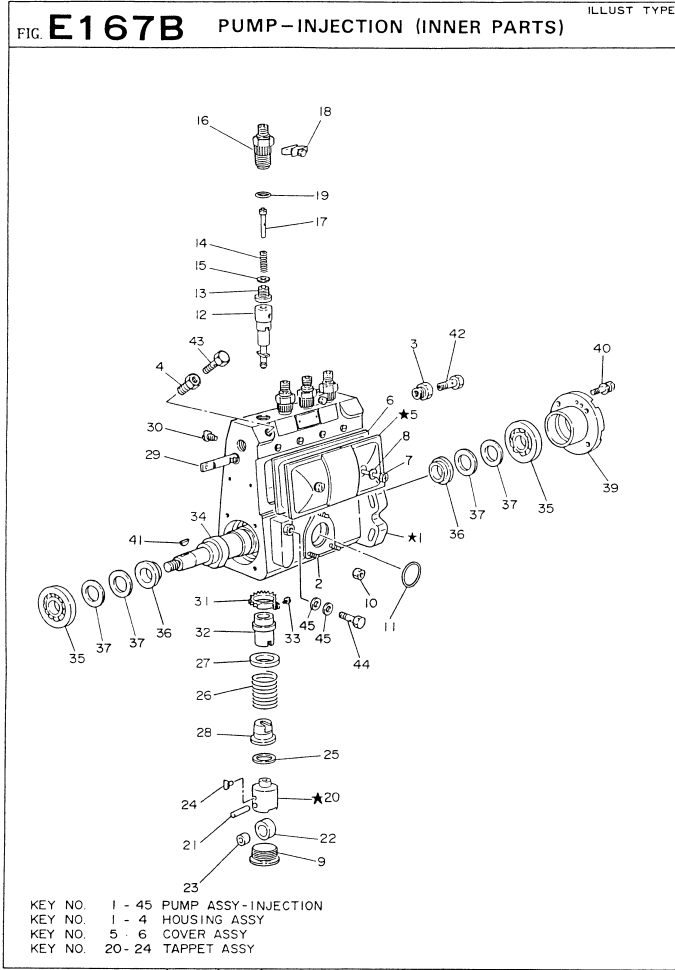
\*\*\* PUMP - FUEL INJECTION (FITTING PARTS) \*\*\* FIG. E167A

Key-No.	Description 部品名称	Part Number 部品番号	Quantity Per Section 個数及び適用									I N T	Execution (E/#)					
			A 1	A 2	A 3	A 4	A 5	A 6	B 1	B 2	B 3			B 4	B 5	B 6	B 7	B 8
11	GASKET-PUMP	16701-37504	1	1	1	1	1	1	1	1	1	1	1	1	1	1	1	
12	NUT	08911-1401A	4	4	4	4	4	4	4	4	4	4	4	4	4	4	4	
13	WASHER-SPRING	08915-1401A	4	4	4	4	4	4	4	4	4	4	4	4	4	4	4	
14	WASHER-PLAIN	08915-4401A	4	4	4	4	4	4	4	4	4	4	4	4	4	4	4	
15	SUPPORT-PUMP	16814-90062	1	1	1	1	1	1	1	1	1	1	1	1	1	1	1	
16	BOLT, W/WASHER	08124-0201F	1	1	1	1	1	1	1	1	1	1	1	1	1	1	1	027755-
16	BOLT, W/WASHER	08124-0201E	1	1	1	1	1	1	1	1	1	1	1	1	1	1	1	-027754
17	WASHER-PLAIN	08915-4401A	1	1	1	1	1	1	1	1	1	1	1	1	1	1	1	
18	BOLT, W/WASHER	08121-0201E	1	1	1	1	1	1	1	1	1	1	1	1	1	1	1	
19	TUBE-OIL	15108-90064	1	1	1	1	1	1	1	1	1	1	1	1	1	1	1	
19	HOSE-OIL	25049-96005	-	1	-	-	-	-	-	-	-	-	-	-	-	-	-	
20	BOLT-CONNECTOR	16434-90004	-	1	-	1	-	-	-	-	-	-	-	-	-	-	-	
21	BOLT-CONNECTOR	16666-96001	-	1	-	1	-	-	-	-	-	-	-	-	-	-	-	
22	CONNECTOR-TUBE	08712-1421A	1	1	1	1	1	1	1	1	1	1	1	1	1	1	1	
22	CONNECTOR-HOSE	01622-01024	-	1	-	-	-	-	-	-	-	-	-	-	-	-	-	
31	LEVER-CONTROL	19332-90007	1	1	1	1	-	-	-	-	-	-	-	-	-	-	-	019692-
31	LEVER-CONTROL	19332-90006	1	1	1	1	-	-	-	-	-	-	-	-	-	-	-	1
31	LEVER-CONTROL	18238-90064	-	-	-	-	1	1	1	-	1	1	-	-	-	-	-	
31	LEVER-CONTROL	19331-90068	-	-	-	-	-	-	-	-	-	-	-	-	-	-	-	
32	BOLT, W/WASHER	08120-61628	2	2	2	2	2	2	2	2	2	2	2	2	2	2	2	
41	LEVER-STOP	19332-90005	-	-	-	-	1	1	1	-	1	1	-	-	-	-	-	
42	BOLT, W/WASHER	08120-61228	-	-	-	-	-	2	2	2	-	2	2	-	-	-	-	
43	BRACKET-SOLENOID	18516-90062	-	-	-	-	1	1	1	-	1	1	-	-	-	-	-	012391-
43	BRACKET-SOLENOID	18516-90061	-	-	-	-	1	1	1	-	1	1	-	-	-	-	-	0
44	BOLT, W/WASHER	08121-0201E	-	-	-	-	-	1	1	1	-	1	1	-	-	-	-	
45	SUPPORT-WIRE	19363-90014	-	-	-	-	-	1	1	1	-	1	1	-	-	-	-	
46	SCREW, W/WASHER	08360-61262	-	-	-	-	-	2	2	2	-	2	2	-	-	-	-	022921-
46	BOLT, W/WASHER	08120-61228	-	-	-	-	-	2	2	2	-	2	2	-	-	-	-	0
51	MOTOR ASSY-STOP	19801-90006	-	1	-	-	-	-	-	-	-	-	-	-	-	-	-	
51	MOTOR ASSY-STOP	19801-90010	-	-	-	-	1	1	-	1	1	-	1	1	-	-	-	013702-
51	MOTOR ASSY-STOP	19801-25517	-	-	-	-	1	1	-	1	1	-	1	1	-	-	-	0
51	MOTOR ASSY-STOP	19801-25507	-	-	-	-	-	1	-	-	-	-	-	-	-	-	-	

PUB-NO.: PBD3439607 Page 107

NISSAN DIESEL MOTOR CO., LTD.

Printed in Japan



PAGE 110

\*印は昇格部品です。  
 ☆のASSYにてご注文下さい。

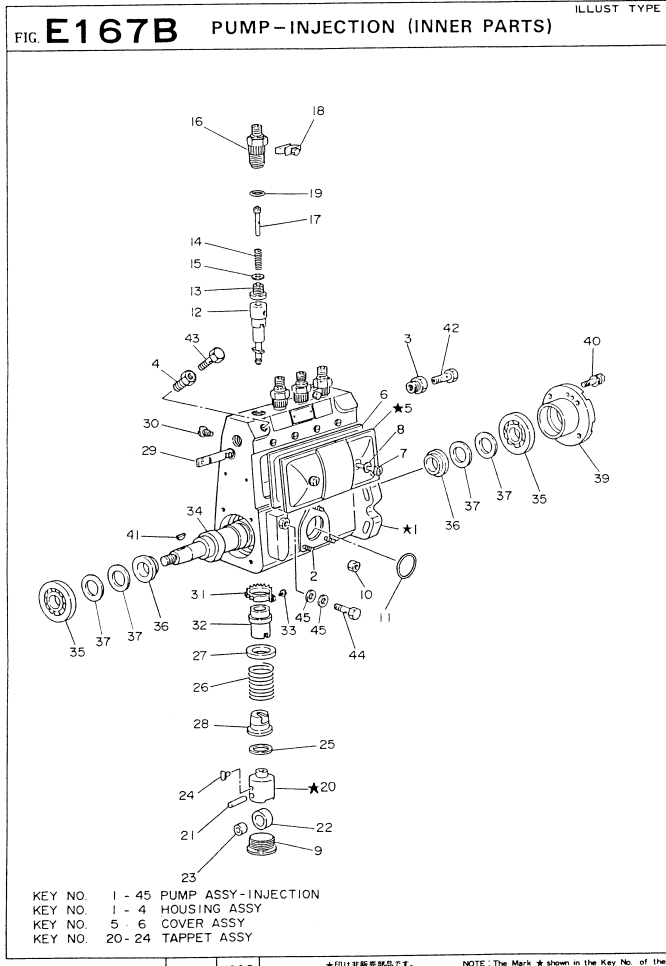
NOTE: The Mark \* shown in the Key No. of the figure is not for sale individually. Please place an order as each Assembly.

*** P U M P - I N J E C T I O N ***				FIG E167B	
Key-No.	Description 部品名称	Part Number 部品番号	Quantity Per Section 個数及び適用	INT	Execution (E/#)
1-45	PUMP-INJECTION	16703-90113	1	2	
1-45	PUMP-INJECTION	16703-90115	1		
1-4	HOUSING ASSY	16710-54T60	1	1	
2	STUD	16729-37500	3	3	
3	ADAPTER	16752-37500	1	1	
4	ADAPTER	16705-99000	1	1	
5-6	COVER	16720-99012	1	1	
6	GASKET	16767-99009	1	1	
7	SCREW	16723-37503	2	2	
8	GASKET	16716-37500	2	2	
9	PLUG	16842-Z9000	4	4	
10	NUT	16747-99002	3	3	
11	O RING	19278-99014	1	1	
12	PLUNGER ASSY	16760-99602	4	4	
13	VALVE-DELIVERY	16773-Z9008	4	4	
13	VALVE-DELIVERY	16773-Z9009	4	4	
14	SPRING	16776-Z9002	4	4	
15	GASKET	16777-Z9001	4	4	
16	HOLDER	16778-Z9003	4	4	
17	STOPPER	16779-Z9000	4	4	
18	PLATE	16761-Z9000	2	2	
19	O RING	19279-95000	4	4	
20-24	TAPPET ASSY	16745-T8260	4	4	
21	PIN	16748-37500	4	4	
22	ROLLER	16741-99004	4	4	
23	BUSH	16743-99003	4	4	
24	GUIDE	16759-37500	4	4	
25	SHIM T=0.3	16741-T8260	N	N	
25	SHIM T=0.4	16741-T8261	N	N	
25	SHIM T=0.5	16741-T8262	N	N	
25	SHIM T=0.6	16741-T8263	N	N	
25	SHIM T=0.7	16741-T8264	N	N	

PUB-NO.: PB03439607 Page 111

NISSAN DIESEL MOTOR CO., LTD.

Printed in Japan

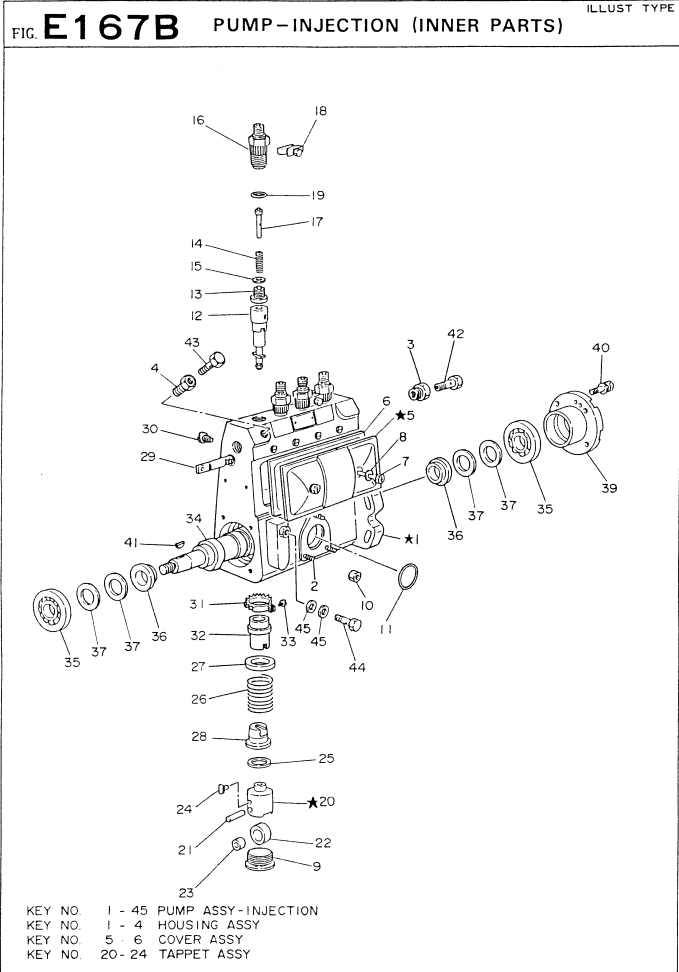


PAGE 110

\*\*\* PUMP - INJECTION \*\*\* FIG E167B

Key-No.	Description 部品名称	Part Number 部品番号	Quantity Per Section 個数及び適用	INT	Execution (E/#)
			1 2		
25	SHIM T=0.8	S 16741-T8235	N N		
25	SHIM T=0.9	S 16741-T8266	N N		
25	SHIM T=1.0	S 16741-99006	N N		
25	SHIM T=1.1	S 16741-99008	N N		
25	SHIM T=1.2	S 16741-99009	N N		
25	SHIM T=1.3	S 16741-99010	N N		
25	SHIM T=1.4	S 16741-99011	N N		
25	SHIM T=0.55	S 16741-T8267	N N		
25	SHIM T=0.65	S 16741-T8268	N N		
25	SHIM T=0.75	S 16741-T8269	N N		
25	SHIM T=0.85	S 16741-T8270	N N		
25	SHIM T=0.95	S 16741-T8271	N N		
25	SHIM T=1.05	S 16741-99012	N N		
25	SHIM T=1.15	S 16741-99013	N N		
25	SHIM T=1.25	S 16741-99014	N N		
25	SHIM T=1.5	S 16741-99015	N N		
25	SHIM T=1.5	S 16741-99015	N N		
25	SHIM T=1.6	S 16741-99016	N N		
25	SHIM T=0.2	S 16741-T8272	N N		
25	SHIM T=0.25	S 16741-T8273	N N		
25	SHIM T=0.35	S 16741-T8274	N N		
25	SHIM T=0.45	S 16741-T8275	N N		
25	SHIM T=1.35	S 16741-T8276	N N		
25	SHIM T=1.45	S 16741-T8277	N N		
25	SHIM T=1.55	S 16741-T8278	N N		
26	SPRING	16741-T8279	4 4		
27	SEAT-SPRING	16269-37500	4 4		
28	SEAT-SPRING	16269-T8260	4 4		
29	RACK-CONTROL	16727-37501	1 1		
30	SCREW	16726-95000	1 1		
31	PINION	16767-37500	4 4		
32	SLEEVE-CONTROL	16766-37500	4 4		

PUB-NO.: PBD3439607 Page 112 NISSAN DIESEL MOTOR CO., LTD. Printed in Japan



PAGE 110

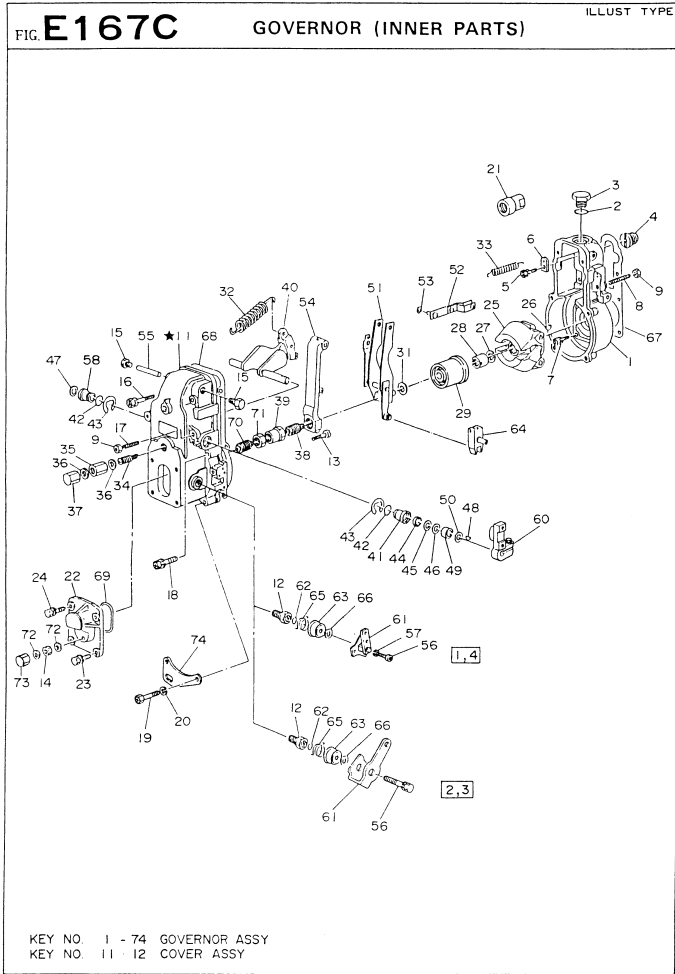
\*印は別冊表紙です。各々のASSYにTを注文下さい。  
 NOTE: The Mark \* shown in the Key No. of the figure is not for sale individually. Please place an order as each Assembly.

\*\*\* P U M P - I N J E C T I O N \*\*\*

Key-No.	Description 部品名称	Part Number 部品番号	Quantity Per Section 個数及び適用	INT	Execution (E/#)
			1 2		
33	SCREW	16768-37500	4 4		
34	CAMSHAFT	16738-T9300	1 1		
35	BEARING	S 16739-Z9001	2 2		
35	BEARING	S 16732-99002	2 2		
36	RING	16740-37500	2 2		
37	SHIM T=0.1	S 16741-37500	N N		
37	SHIM T=0.12	S 16741-37501	N N		
37	SHIM T=0.14	S 16741-37502	N N		
37	SHIM T=0.16	S 16741-37503	N N		
37	SHIM T=0.18	S 16741-37504	N N		
37	SHIM T=0.5	S 16741-37505	N N		
37	SHIM T=1.0	S 16741-29000	N N		
37	SHIM T=0.3	S 16741-37506	N N		
37	SHIM T=0.7	S 16741-29001	N N		
37	SHIM T=1.4	S 16741-37509	N N		
37	SHIM T=2.4	S 16741-29005	N N		
39	COVER	16744-99012	1 1		
40	BOLT	16754-37501	4 4		
41	KEY-WOODRUFF	16742-37501	1 1		
42	BOLT-EYE	16793-90000	1 1		
43	VALVE-OVER FLOW	16773-29001	1 1		
44	BOLT-EYE	16757-37500	1 1		
45	GASKET	16778-99001	2 2		

PUB-NO.: PBD3439607 Page 113

NISSAN DIESEL MOTOR CO., LTD. Printed in Japan



PAGE 114

\*印は別冊取組図T.T. 各々のASSYにて取組下さい。

NOTE: The Mark \* shown in the Key No. of the figure is not for sale individually. Please place an order as each Assembly.

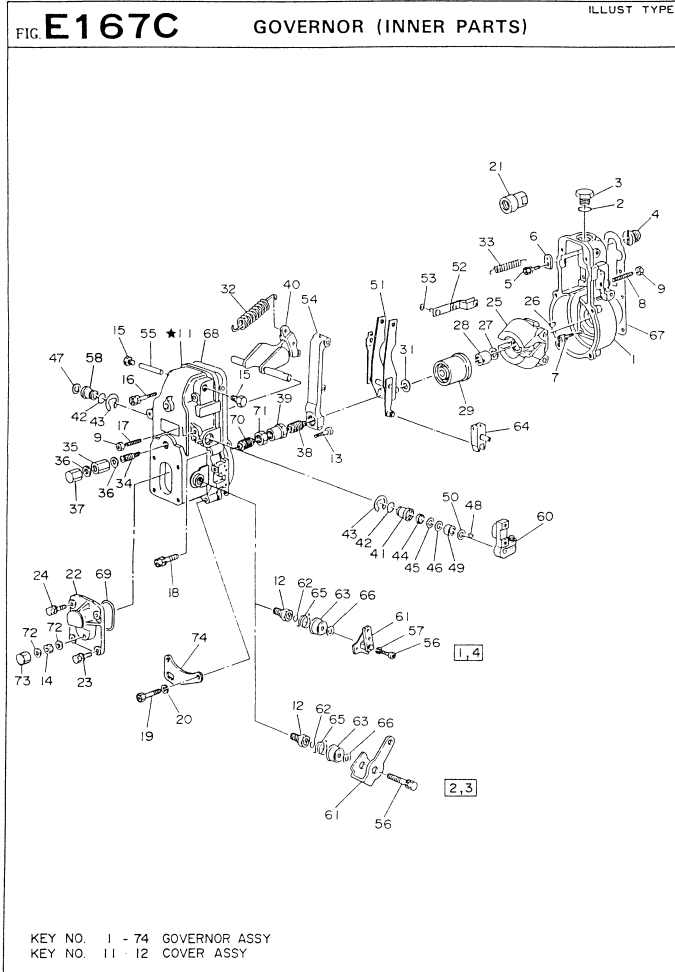
\*\*\* GOVERNOR \*\*\* FIG E167C

Key-No.	Description 部品名称	Part Number 部品番号	Quantity Per Section 個数及び通用	Execution (E/#)
1-74	GOVERNOR	19109-90302	1 2 3 4	
1-74	GOVERNOR	19109-90305	1 - - -	
1-74	GOVERNOR	19109-90315	- 1 - -	
1-74	GOVERNOR	19109-90317	- - 1 -	
1	HOUSING-GOV.	19356-99114	1 1 1 1	
2	O RING	19279-99003	1 1 1 1	
3	PLUG	19289-99004	1 1 1 1	
4	ADAPTER	19258-37500	1 1 1 1	
5	SCREW	19382-Z9000	1 1 1 1	
6	PLATE	19380-90004	1 1 1 1	
7	BOLT	19287-99005	6 6 6 6	
8	SCREW	19310-90004	1 1 1 1	
9	NUT	18319-97000	2 2 2 2	
11. 12	COVER ASSY	19373-99013	1 1 1 1	
12	BUSH	19123-90002	1 1 1 1	
13	SCREW	19336-99103	1 1 1 1	
14	NUT	08911-20610	1 - - -	
14	NUT	19252-96000	1 - - -	
14	NUT	19314-Z9018	- 1 1 1	
15	PLUG	19382-90001	2 2 2 2	
16	BOLT	19285-99000	2 2 2 2	
17	SCREW	19310-90004	1 1 1 1	
18	BOLT	19797-99001	2 2 2 2	
19	BOLT	19285-99004	- 2 2 2	
19	BOLT	19334-Z9001	2 2 - -	
20	WASHER-SPRING	19260-37502	2 2 2 2	
21	LIMITER	16782-99013	1 1 1 1	
22	COVER	19286-99118	1 1 1 1	
23	BOLT	19797-99003	2 2 2 2	
24	BOLT	08110-61662	2 2 2 2	
25	FLYWEIGHT ASSY	19312-99114	1 1 1 1	
26	KEY-WOODRUFF	16742-37500	1 1 1 1	

PUB-NO.: PBD3439607 Page 115

NISSAN DIESEL MOTOR CO., LTD.

Printed in Japan



PAGE 114

\*印は非販売部品です。  
各々のASSYにて取注文下さい。

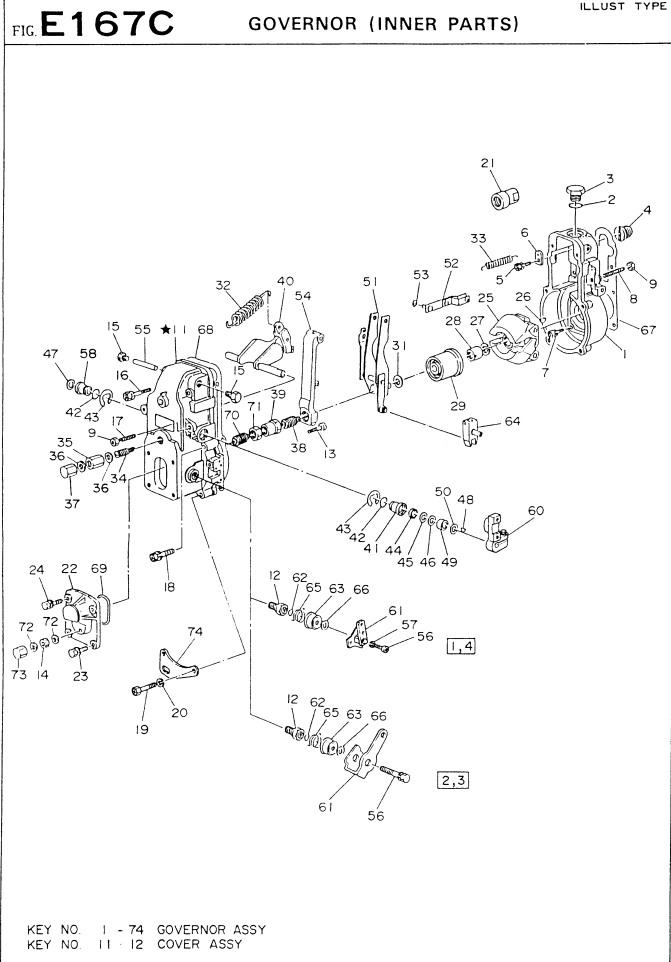
NOTE: The Mark \* shown in the Key No. of the figure is not for sale individually.  
Please place an order as each Assembly.

*** GOVERNOR ***		***		FIG. E167C	
Key-No.	Description 部品名称	Part Number 部品番号	Quantity Per Section 個数及び通用	INT	Execution (E/#)
27	WASHER-SPRING	16874-90001	1 2 3 4		
28	NUT	19325-90002	1 1 1 1		
29	SLEEVE	19363-99007	1 1 1 1		
31	SHIM, T=0.2	S 19342-90001	N N N N		
31	SHIM, T=0.3	S 19342-90002	N N N N		
31	SHIM, T=0.4	S 19342-90003	N N N N		
31	SHIM, T=1.0	S 19342-90004	N N N N		
31	SHIM, T=0.5	S 19283-99118	N N N N		
31	SHIM, T=1.5	S 19283-99119	N N N N		
31	SHIM, T=2.0	S 19283-01T03	N N N N		
31	SHIM, T=3.0	S 19283-01T04	N N N N		
31	SHIM, T=4.0	S 19283-01T05	N N N N		
32	SPRING-GOV.	19303-90012	1 1 1 1		
33	SPRING	19303-99109	1 1 1 1		
34	CAPSULE-SPRING	19376-99113	1 1 1 1		
35	NUT	19314-99016	1 1 1 1		
36	GASKET	16778-99002	2 2 2 2		
37	CAP	19290-99004	1 1 1 1		
38	CAPSULE-SPRING	19376-99403	1 1 1 1		
39	NUT	19314-99004	1 1 1 1		
40	LEVER-SWIVEL	19276-99005	1 - - -		
40	LEVER-SWIVEL	19276-99017	- 1 1 1		
41	BUSH	19123-99011	- 1 1 1		
41	BUSH	19277-29001	1 - - -		
42	O RING	19278-90000	2 2 2 2		
43	RING-SNAP	19279-90000	2 2 2 2		
44	SEAL-OIL	19388-99005	1 1 1 1		
45	SHIM	19283-99014	1 1 1 1		
46	SHIM, T=0.3	19283-90001	N N N N		
47	PLUG	19378-90002	1 - - -		
48	KEY-WOODRUFF	19344-90000	1 1 1 1		
49	COLLER	16854-99002	1 1 1 1		

PUB-NO.: PBD3439607 Page 116

NISSAN DIESEL MOTOR CO., LTD.

Printed in Japan



PAGE 114

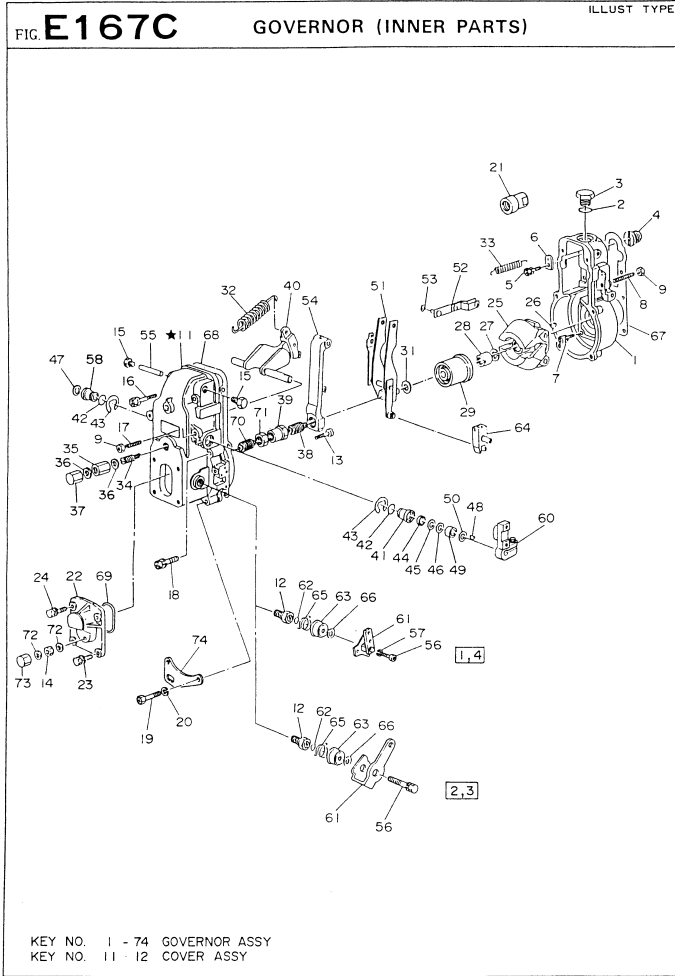
\*印は別販売品です。  
各々のASSYにてご注文下さい。

NOTE: The Mark ★ shown in the Key No. of the figure is not for sale individually.  
Please place an order as each Assembly.

*** GOVERNOR			***				FIG E167C	
Key-No.	Description 部品名称	Part Number 部品番号	Quantity Per Section 個数及び通用				IN T	Execution (E/#)
50	WASHER	16854-90001	1	2	3	4		
51	LEVER-GUIDE	19353-99205	1	1	1	1		
52	LINK	19340-99002	1	1	1	1		
53	RING-SNAP	19332-90001	1	1	1	1		
54	LEVER-TENSION	19337-90302	1	1	1	1		
55	PIN	19350-90001	1	1	1	1		
56	BOLT	08110-61662	-	1	-	-		
56	BOLT	19382-99000	1	-	-	-		
57	WASHER-SPRING	16755-37500	1	-	-	-		
58	BUSH	19123-99012	-	1	1	1		
58	BUSH	19277-Z9001	1	-	-	-		
60	LEVER-CONTROL	19334-99504	1	1	1	1		
61	LEVER-STOPPING	19334-49650	-	1	-	-		
61	LEVER-STOPPING	19334-99112	1	-	-	-		
61	LEVER-STOPPING	19334-99800	-	1	-	-		
61	LEVER-STOPPING	19334-99802	-	-	1	-		
62	O RING	19278-90001	1	1	1	1		
63	CAP	19124-90001	1	1	1	1		
64	LEVER-SLIDING	19129-99005	1	1	1	1		
65	SPRING-RETURN	19131-99118	1	1	1	1		
66	SHIM, T=0.2	S 19125-Z9007	N	N	N	N		
66	SHIM, T=0.25	S 19125-Z9008	N	N	N	N		
66	SHIM, T=0.3	S 19125-Z9009	N	N	N	N		
66	SHIM, T=0.35	S 19125-Z9010	N	N	N	N		
66	SHIM, T=0.4	S 19125-Z9011	N	N	N	N		
66	SHIM, T=0.5	S 19125-Z9012	N	N	N	N		
67	GASKET	19389-99007	1	1	1	1		
68	GASKET	19136-99000	1	1	1	1		
69	O RING	19798-90000	1	1	1	1		
70	CAPSULE-SPRING	19376-99315	1	1	1	1		
71	NUT	19314-90001	1	1	1	1		
72	GASKET	19211-37500	2	2	2	2		

PUB-NO.: PBD3439607 Page 117 NISSAN DIESEL MOTOR CO., LTD. Printed in Japan





PAGE 114

※印は取替部品です。  
各々のASS'Yにて取注下さい。

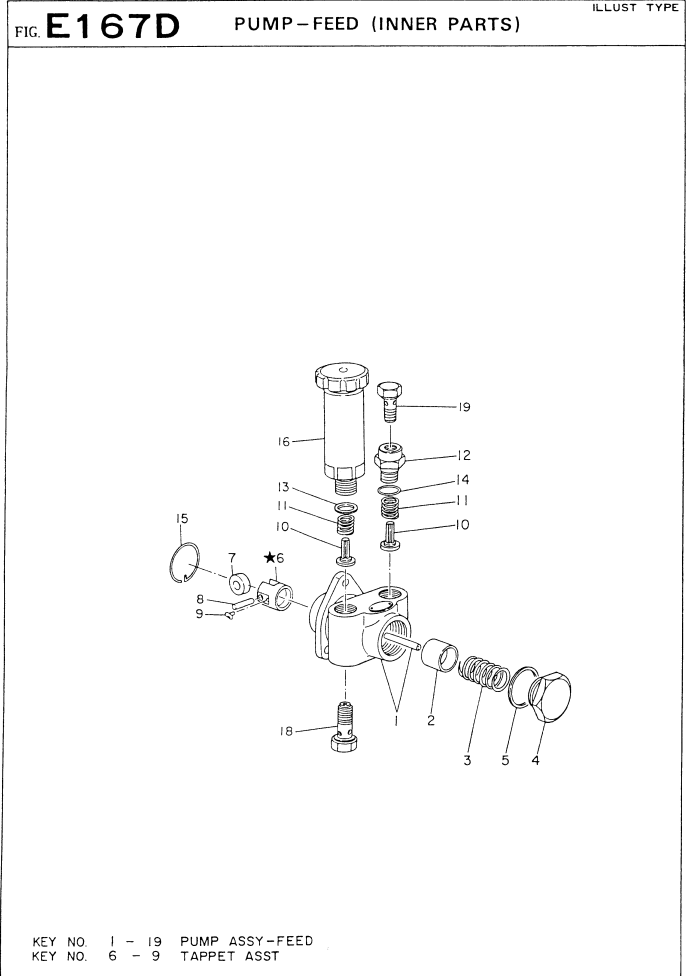
NOTE: The Mark ★ shown in the Key No. of the figure is not for sale individually. Please place an order as each Assembly.

*** GOVERNOR			***				FIG E167C	
Key-No.	Description 部品名称	Part Number 部品番号	Quantity Per Section 個数及び適用				INT	Execution (E/#)
73	NUT-CAP	19290-99006	1	2	3	4		
74	BRACKET	19333-99109	1	1	1	1		

PUB-NO.: PBD3439607 Page 118

NISSAN DIESEL MOTOR CO., LTD.

Printed in Japan



PAGE 120

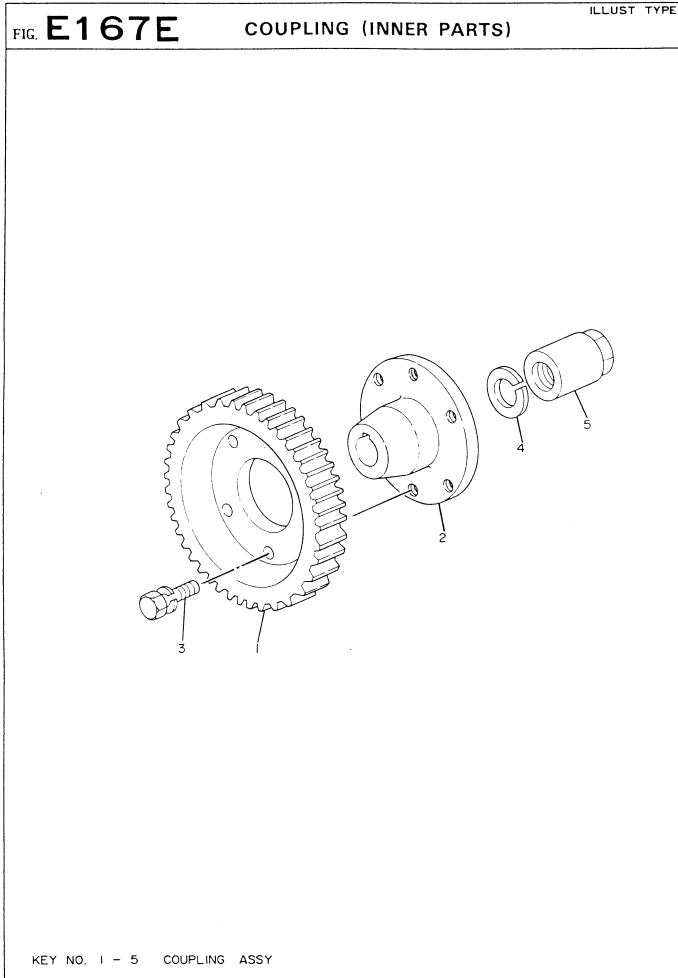
※印は別販売部品です。各々のASSYにて取付して下さい。  
NOTE: The Mark \* shown in the Key No. of the figure is not for sale individually. Please place an order as each Assembly.

\*\*\* P U M P - F E E D \*\*\*

Key-No.	Description 部品名称	Part Number 部品番号	Quantity Per Section 個数及び適用	IN T	Execution (E/#)
1-19	PUMP-FEED	16640-90019	1		
1	HOUSING	16641-J2001	1		
2	PISTON	16645-37501	1		
3	SPRING-PISTON	16646-37501	1		
4	PLUG	16663-99004	1		
5	WASHER	16657-37500	1		
6-9	TAPPET ASSY	16657-99011	1		
7	ROLLER-TAPPET	16649-37500	1		
8	PIN-ROLLER	16653-37501	1		
9	GUIDE-TAPPET	16651-37501	2		
10	VALVE-CHECK	16652-37500	2		
11	SPRING-VALVE	16653-37500	2		
12	ADAPTER	16658-99000	1		
13	WASHER	16659-37500	1		
14	O RING	19278-99010	1		
15	RING-TAPPET	16660-37500	1		
16	PUMP-PRIMING	16665-99004	1		
18	BOLT-EYE	16656-37501	1		
19	BOLT-EYE	16793-90000	1		

PUB-NO. : PBD3439607 Page 121

NISSAN DIESEL MOTOR CO., LTD. Printed in Japan



※部は別販品です。各々のASSYにて取付下さい。 NOTE: The Mark \* shown in the Key No. of the figure is not for sale individually. Please place an order as each Assembly.

PAGE 122

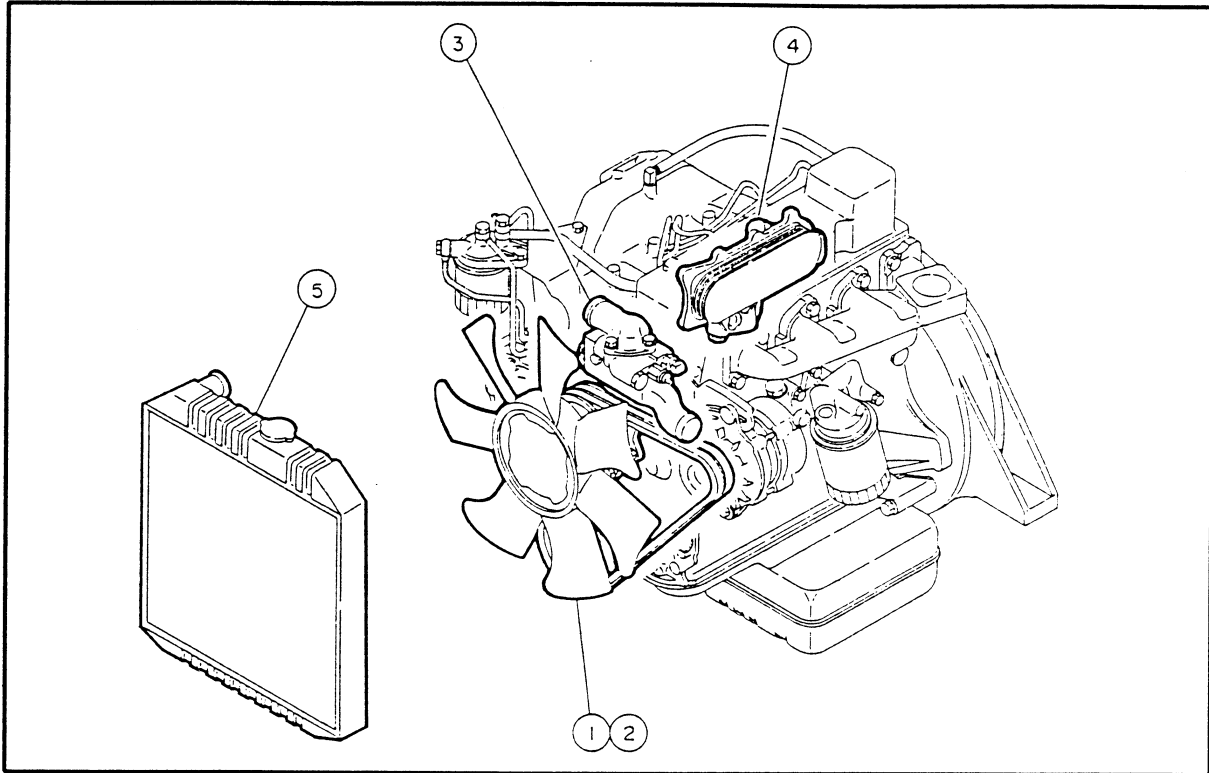
\*\*\* COUPLING \*\*\* FIG E167E

Key-No.	Description 部品名称	Part Number 部品番号	Quantity Per Section 個数及び適用	INT	Execution (E/#)
1-5	COUPLING	16820-90007	1		
1	GEAR	16735-90007	1		
2	FLANGE	16821-99205	1		
3	BOLT	19252-01T00	6		
4	WASHER-SPRING	16874-99003	1		
5	NUT	16875-Z9000	1		

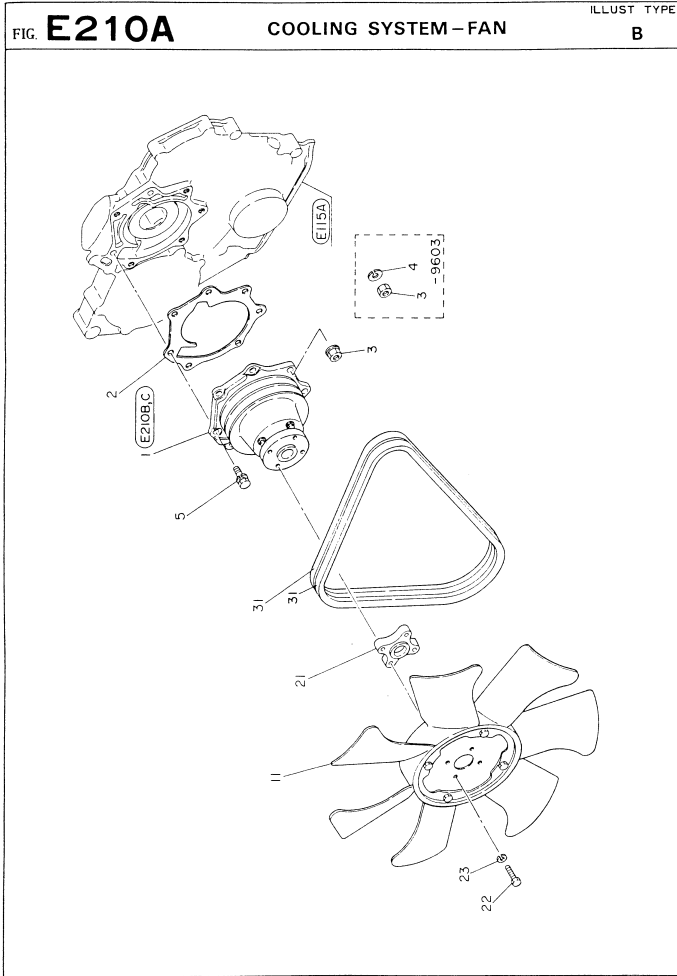
PUB-NO. : PBD3439607 Page 123

NISSAN DIESEL MOTOR CO., LTD. Printed in Japan

クーリング システム  
5) COOLING SYSTEM



KEY. NO	SECTION NAME	FIG. NO
①	クーリング システム ファン COOLING SYSTEM-FAN	E210A
②	ポンプ ウォータ (インナ パーツ) PUMP-WATER (INNER PARTS)	E210B
②	ポンプ ウォータ (インナ パーツ) PUMP-WATER (INNER PARTS)	E210C
③	ハウジング サーモスタット HOUSING-THERMOSTAT	E212A
④	クーラ オイル COOLER-OIL	E213A
⑤	ラジエータ RADIATOR	E214A



PAGE 129

※印は非販売部品です。各々のASS'Yに備え付け下され。

NOTE: The Mark \* shown in the Key No. of the figure is not for sale individually. Please place an order as each Assembly.

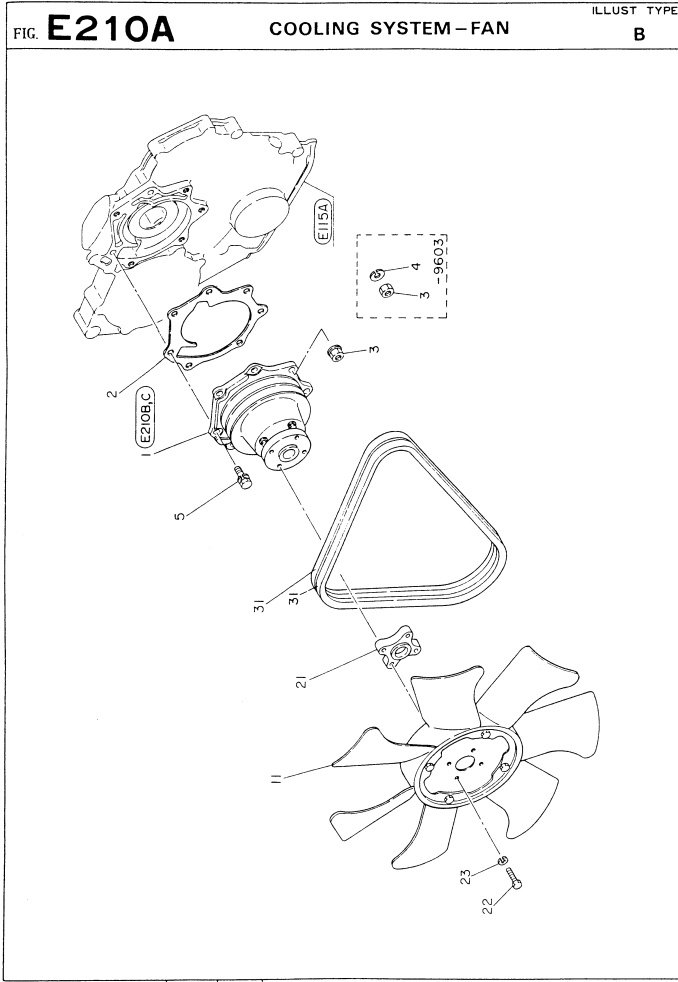
\*\*\* COOLING SYSTEM - FAN \*\*\* FIG. E210A

Key-No.	Description 部品名称	MOOC	Part Number 部品番号	Quantity Per Section 個数及び適用												INT	Execution (E/#)	
				A	A	A	A	A	B	B	B	C	D	E	F			
				1	2	3	4	5	6	7	1	2	3	1	1	1	1	2
* A1	..15,16,19,34																	*
* A2	..14																	*
* A3	..62																	*
* A4	..02																	*
* A5	..29																	*
* A6	..01																	*
* A7	..40(FAN:SUCTION)																	*
* B1	..25																	*
* B2	..10																	*
* B3	..26																	*
* C1	..17																	*
* D1	..18																	*
* E1	..13																	*
* F1	..40(FAN: BLOW)																	*
*	61,63																	*
* F2	..03,04,05,28,50																	*
1	PUMP ASSY-WATER		21010-90069															037074-
1	PUMP ASSY-WATER (INNER PARTS E210C)		21010-90068															031606-
1	PUMP ASSY-WATER (INNER PARTS E210B)		21010-90066															
1	PUMP ASSY-WATER		21010-90069															037074-
1	PUMP ASSY-WATER (INNER PARTS E210C)		21010-90068															019446-
1	PUMP ASSY-WATER (INNER PARTS E210B)		21010-90065															
2	GASKET-PUMP		21014-34N01															033809-
2	GASKET-PUMP		21014-34N00															
3	NUT, W/WASHER		08918-1401A															038035-
3	NUT		08911-1401A															
4	WASHER-SPRING		08915-1401A															-038034
5	BOLT, W/WASHER		08120-8201E															
11	FAN-COOLING		21060-T9000															
11	FAN-COOLING		21060-90075															
11	FAN-COOLING		21060-90076															021478-
11	FAN-COOLING		21060-90075															Y
11	FAN-COOLING		21060-90078															022355-
11	FAN-COOLING		21060-T9000															Y
11	FAN-COOLING		21060-L6000															
11	FAN-COOLING		21060-90074															
12	WASHER-PLAIN		08915-43610															022355-
12	WASHER		21508-90006															
21	SPACER-FAN		21064-T3470															

PUB-NO.: PBD3439607 Page 134

NISSAN DIESEL MOTOR CO., LTD.

Printed in Japan



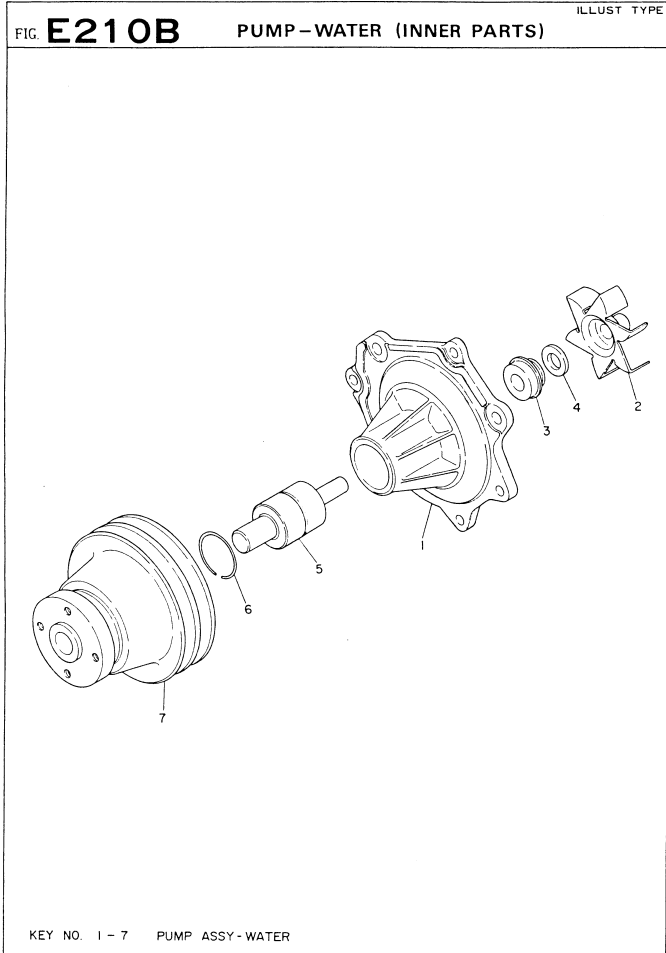
PAGE 129

※印は本機専用部品です。各々のASS'Yに付して注文下さい。 NOTE: The Mark \* shown in the Key No. of the figure is not for sale individually. Please place an order as each Assembly.

*** COOLING SYSTEM - FAN ***										FIG.E210A									
Key-No.	Description 部品名称	Part Number 部品番号	Quantity Per Section 個数及び適用										Execution (E/#)						
			A1	A2	A3	A4	A5	A6	A7	B1	B2	C		D	E	F			
21	SPACER-FAN	21052-90107	-	-	-	-	-	-	-	-	-	1	-	-	-	-	-	-	021478-
21	SPACER-FAN	21052-90105	-	-	-	-	-	-	-	-	-	-	1	-	-	-	-	-	
21	SPACER-FAN	21063-73502	-	-	-	-	-	-	-	-	-	-	-	-	-	-	1	-	
21	SPACER-FAN	21052-90107	-	-	-	-	-	-	-	-	-	-	-	1	-	-	-	-	
21	SPACER-FAN	21052-90105	-	-	-	-	-	-	-	-	-	-	-	-	-	-	-	X	
22	BOLT	08130-62010	4	-	-	-	-	4	4	-	-	-	-	-	-	4	-	-	021478-
22	BOLT	08130-63510	-	4	4	-	-	-	-	-	-	-	-	-	-	4	4	-	
22	BOLT	08130-64510	-	-	-	-	-	-	-	-	-	-	-	-	-	-	-	-	
22	BOLT	08130-66510	-	-	-	-	-	-	-	-	-	-	-	-	-	-	-	4	
22	BOLT	08130-65510	-	-	-	-	-	-	-	-	-	-	-	-	-	-	-	-	
22	BOLT	08130-64510	-	-	-	-	-	-	-	-	-	-	-	-	-	-	-	X	025884-
23	WASHER-SPRING	08915-33610	4	4	4	4	4	4	4	4	4	4	4	4	4	4	4	4	
23	WASHER-SPRING	08915-23610	4	4	4	4	4	4	4	4	4	4	4	4	4	4	4	1	
31	V BELT	02117-13523	2	2	-	-	-	-	-	2	2	-	2	2	-	-	-	-	021478-
31	V BELT	02117-35023	-	-	-	-	-	-	-	-	-	-	-	2	-	-	-	-	
31	V BELT, SET	11720-43G01	-	1	1	1	1	1	1	-	-	-	-	-	-	-	1	1	
	(NOTE)		-	-	-	-	-	-	-	-	-	-	-	-	-	-	-	-	
	NEW KEY NO. 11+21+22		-	-	-	-	-	-	-	-	-	-	-	-	-	-	-	-	022355-
	OLD KEY NO. 11+21+22		-	-	-	-	-	-	-	-	-	-	-	-	-	-	-	1	
	NEW KEY NO. 11+12		-	-	-	-	-	-	-	-	-	-	-	-	-	-	-	-	
	OLD KEY NO. 11		-	-	-	-	-	-	-	-	-	-	-	-	-	-	-	1	

PUB-NO.: PBD3439607 Page 135

NISSAN DIESEL MOTOR CO., LTD. Printed in Japan



PAGE 136

\*印は取替先物品です。  
各々のASSYにてご注文下さい。

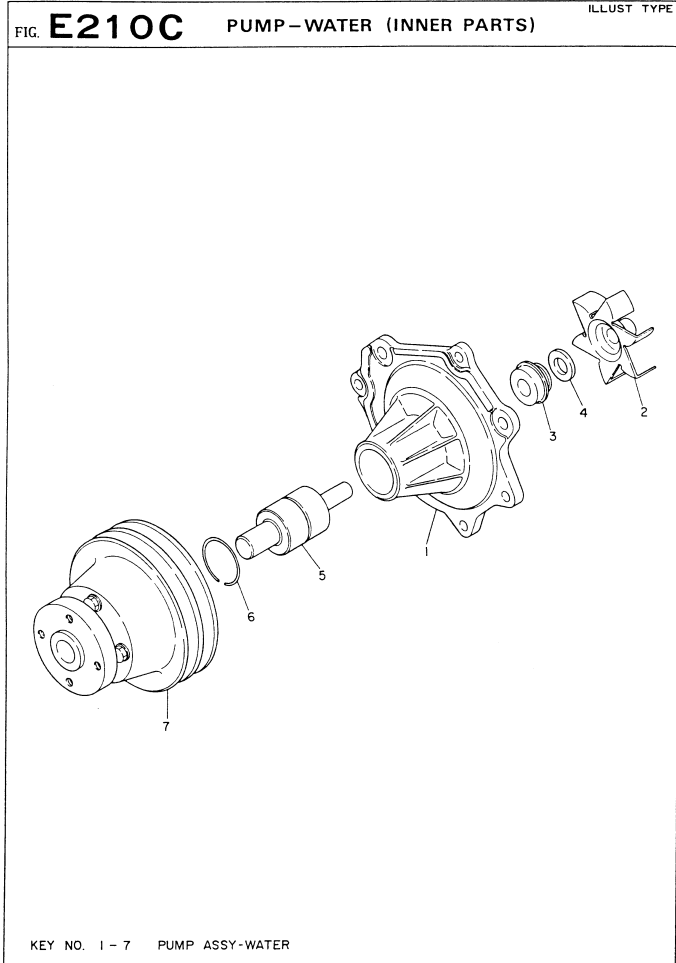
NOTE: The Mark \* shown in the Key No. of the figure is not for sale individually.  
Please place an order as each Assembly.

*** P U M P - W A T E R ***				FIG E210B	
Key-No.	Description 部品名称	Part Number 部品番号	Quantity Per Section 個数及び適用	I N T	Execution (E/#)
			1 2		
1-7	PUMP-WATER	21010-90065	1 -		
1-7	PUMP-WATER	21010-90066	- 1		
1	BODY	21011-99103	1 1		
2	VANE	21022-99101	1 -		
2	VANE	21022-99110	- 1		
3	SEAL ASSY	21026-99201	1 1		
4	SEAT ASSY	21027-99003	1 1		
5	BEARING	21035-99001	1 -		
5	BEARING	21035-99004	- 1		
6	WIRE-LOCK	21043-37500	1 1		
7	PULLEY	21051-99106	1 1		

PUB-NO. : PB03439607 Page 137

NISSAN DIESEL MOTOR CO., LTD.

Printed in Japan



PAGE 138

\*印は別冊取扱説明書で、  
各々のASSY-VLTの図注文下をい。  
NOTE: The Mark \* shown in the Key No. of the  
figure is not for sale individually.  
Please place an order as each Assembly.

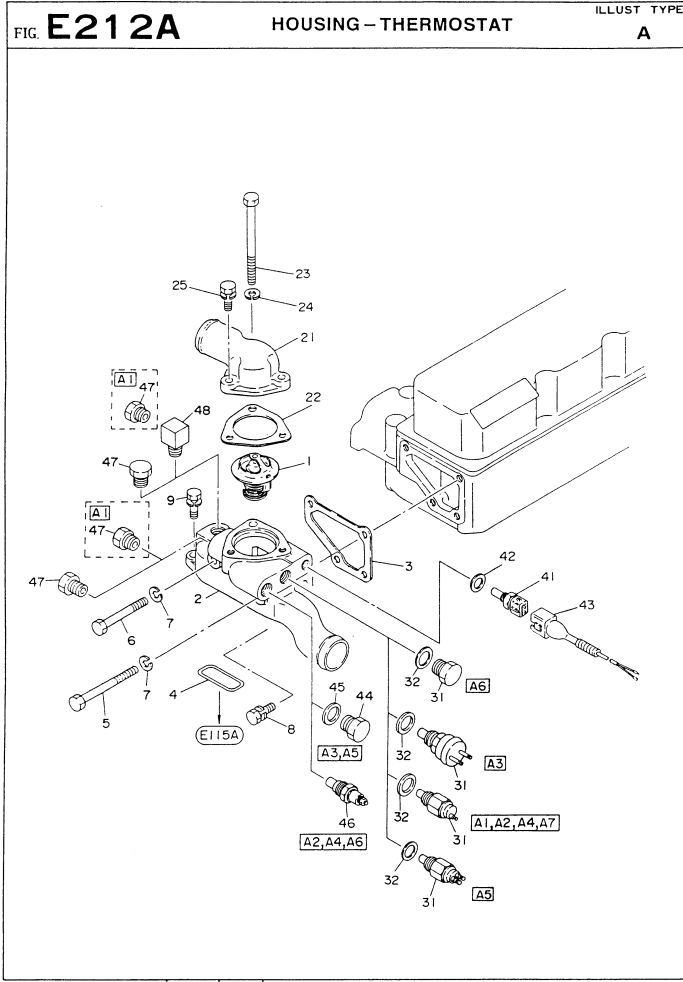
*** PUMP - WATER ***			FIG. E210C														
Key-No	Description 部品名称	Part Number 部品番号	Quantity Per Section 個数及び適用												INT	Execution (E/#)	
1-7	PUMP-WATER	21010-90068	1														
1	BODY	21011-99103	1														
2	VANE	21022-99101	1														
3	SEAL ASSY	21026-99201	1														
4	SEAT ASSY	21027-99003	1														
5	BEARING	21035-99001	1														
6	WIRE-LOCK	21043-37500	1														
7	PULLEY	21051-99206	1														

PUB-NO.: PBD3439607

Page 139

NISSAN DIESEL MOTOR CO., LTD. Printed in Japan





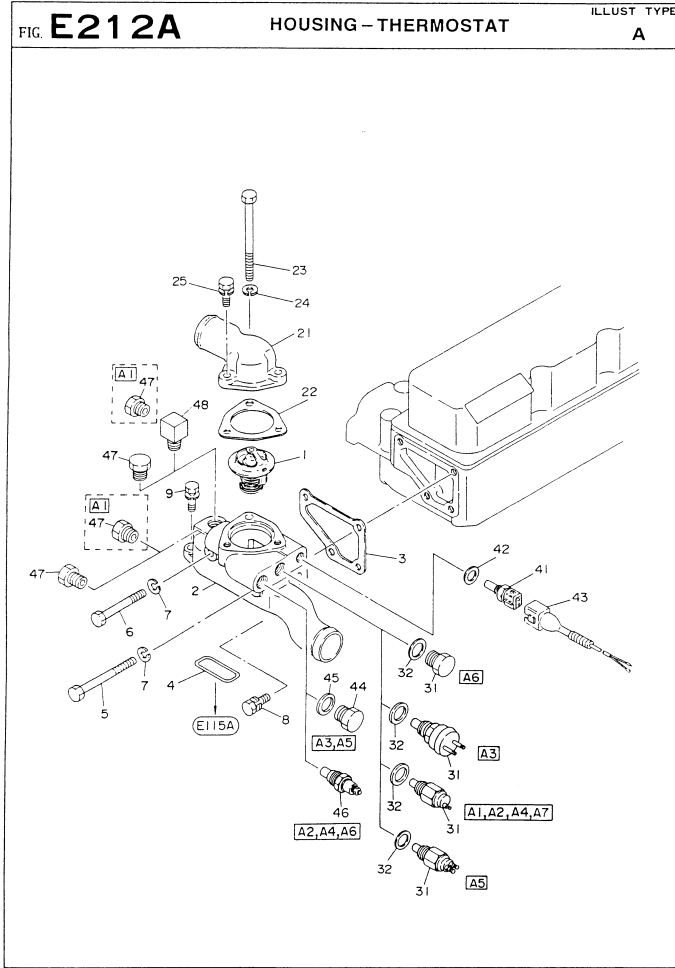
PAGE 140

※印は別冊商品です。各々のASS'Yにて取付け下さい。 NOTE: The Mark \* shown in the Key No. of the figure is not for sale individually. Please place an order as each Assembly.

*** HOUSING - THERMOSTAT ***										FIG. E212A							
Key-No.	Description 部品名称	Part Number 部品番号	Quantity Per Section 個数及び適用							INT	Execution (E/N)						
* A1...	16, 17, 18, 19										*						
* A2...	25, 26										*						
* A3...	13										*						
* A4...	61, 62, 63										*						
* A5...	14										*						
* A6...	28										*						
* A7...	34										*						
* B1...	01										*						
* B2...	02										*						
* B3...	03, 04, 05, 50 29 (FOR DOM.)										*						
* B4...	15										*						
* B5...	10										*						
* B6...	40										*						
* B7...	29 (FOR INN.)										*						
1	THERMOSTAT, 82°C	21200-96017	A1	A2	A3	A4	A5	A6	A7	B1	B2	B3	B4	B5	B6	B7	018191-
1	THERMOSTAT, 82°C	21200-96009	1	1	1	1	1	1	1	1	1	1	1	1	1	1	0
1	THERMOSTAT, 82°C	21200-96017	1	1	1	1	1	1	1	1	1	1	1	1	1	1	024018-
1	THERMOSTAT, 71°C	21200-96015	1	1	1	1	1	1	1	1	1	1	1	1	1	1	1
1	THERMOSTAT, 71°C	21200-76205	1	1	1	1	1	1	1	1	1	1	1	1	1	1	1
1	THERMOSTAT, 71°C	21200-96015	1	1	1	1	1	1	1	1	1	1	1	1	1	1	019446-
1	THERMOSTAT, 71°C	21200-76205	1	1	1	1	1	1	1	1	1	1	1	1	1	1	0
2	HOUSING-THERMOSTAT	11061-90066	1	1	1	1	1	1	1	1	1	1	1	1	1	1	
2	HOUSING-THERMOSTAT	11061-90063	1	1	1	1	1	1	1	1	1	1	1	1	1	1	
3	GASKET-HOUSING	11072-34N01	1	1	1	1	1	1	1	1	1	1	1	1	1	1	019908-
3	GASKET-HOUSING	11072-34N00	1	1	1	1	1	1	1	1	1	1	1	1	1	1	1
4	SEAL-RUBBER	14465-43G02	1	1	1	1	1	1	1	1	1	1	1	1	1	1	033205-
4	SEAL-RUBBER	14465-43G01	1	1	1	1	1	1	1	1	1	1	1	1	1	1	1
5	BOLT	08120-8001A	1	1	1	1	1	1	1	1	1	1	1	1	1	1	
6	BOLT	08120-8751A	1	1	1	1	1	1	1	1	1	1	1	1	1	1	
7	WASHER-SPRING	08915-1381A	2	2	2	2	2	2	2	2	2	2	2	2	2	2	
8	BOLT, W/WASHER	08120-8201E	2	2	2	2	2	2	2	2	2	2	2	2	2	2	
9	BOLT, W/WASHER	08120-8301E	1	1	1	1	1	1	1	1	1	1	1	1	1	1	
21	OUTLET-WATER	11060-43G00	1	1	1	1	1	1	1	1	1	1	1	1	1	1	
22	GASKET-OUTLET	11062-34N00	1	1	1	1	1	1	1	1	1	1	1	1	1	1	
23	BOLT	08120-8031A	1	1	1	1	1	1	1	1	1	1	1	1	1	1	
24	WASHER-SPRING	08915-1381A	1	1	1	1	1	1	1	1	1	1	1	1	1	1	
25	BOLT, W/WASHER	08120-8251E	2	2	2	2	2	2	2	2	2	2	2	2	2	2	

PUB-NO.: PBD3439607 Page 142

NISSAN DIESEL MOTOR CO., LTD. Printed in Japan



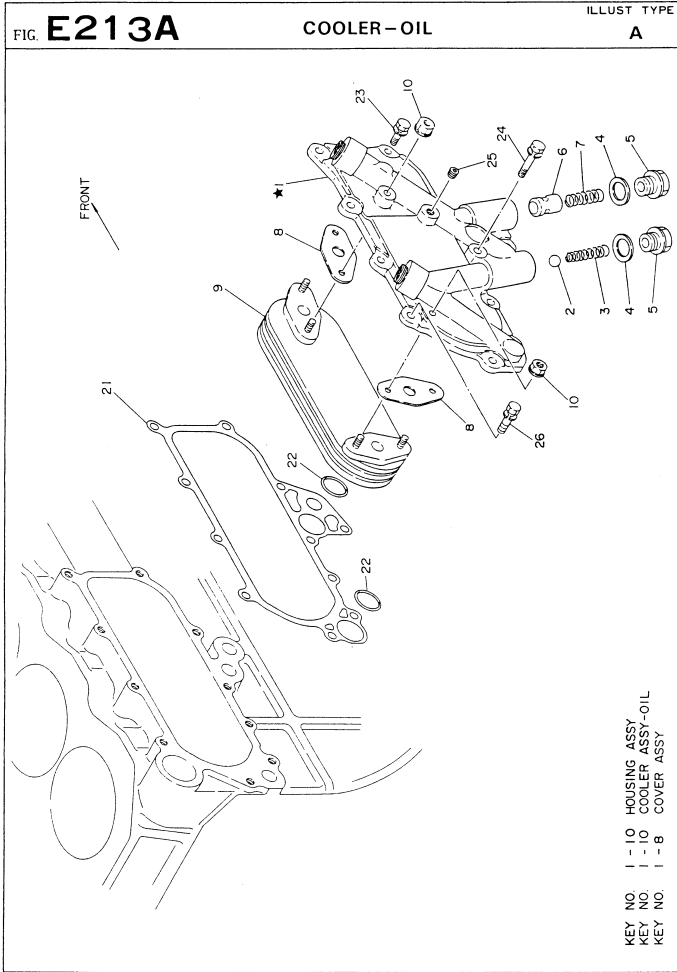
PAGE 140

\*印は別冊発注品です。  
 各々のASS'Yにて組立下さい。  
 NOTE: The Mark \* shown in the Key No. of the figure is not for sale individually.  
 Please place an order as each Assembly.

\*\*\* HOUSING - THERMOSTAT \*\*\*

Key-No.	Description 部品名称	Part Number 部品番号	Quantity Per Section 個数及び適用											I N T	Execution (E/#)	
			A	A	A	A	A	A	B	B	B	B	B			B
31	PLUG-SCREW	08931-4461A	-	-	-	-	-	-	-	-	-	-	-	-	-	-
31	SWITCH-WATER THERMO	18502-90060	1	1	-	-	-	-	-	-	-	-	-	-	-	-
31	SWITCH-WATER THERMO	18502-90017	-	-	-	-	-	-	-	-	-	-	-	-	-	-
31	SWITCH-WATER THERMO	18502-90065	-	-	-	-	-	-	-	-	-	-	-	-	-	-
31	SWITCH-WATER THERMO	18502-90066	-	-	-	-	-	-	-	-	-	-	-	-	-	-
32	GASKET	01351-21164	1	1	1	1	1	1	1	1	1	1	1	1	1	1
41	SENSOR-WATER THERMO	22630-10G00	1	1	1	1	1	1	1	1	1	1	1	1	1	1
42	GASKET	16794-10G00	1	1	1	1	1	1	1	1	1	1	1	1	1	1
43	HARNESS-SENSOR	22635-C8600	-	1	1	1	1	1	1	1	1	1	1	1	1	-
44	PLUG-SCREW	08931-4461A	-	-	-	-	-	-	-	-	-	-	-	-	-	-
45	GASKET	01351-21164	-	-	-	-	-	-	-	-	-	-	-	-	-	-
46	SENDING UNIT-WATER	25080-96001	-	1	1	1	1	1	1	1	1	1	1	1	1	1
47	PLUG-SCREW	11021-J2000	-	-	2	2	2	-	-	-	-	-	-	-	-	-
47	PLUG-SCREW	11021-J2000	2	-	-	-	-	-	-	-	-	-	-	-	-	-
48	ADAPTER	16581-90007	1	1	-	-	-	-	-	-	-	-	-	-	-	-

PUB-NO.: PBD3439607 Page 143 NISSAN DIESEL MOTOR CO., LTD. Printed in Japan



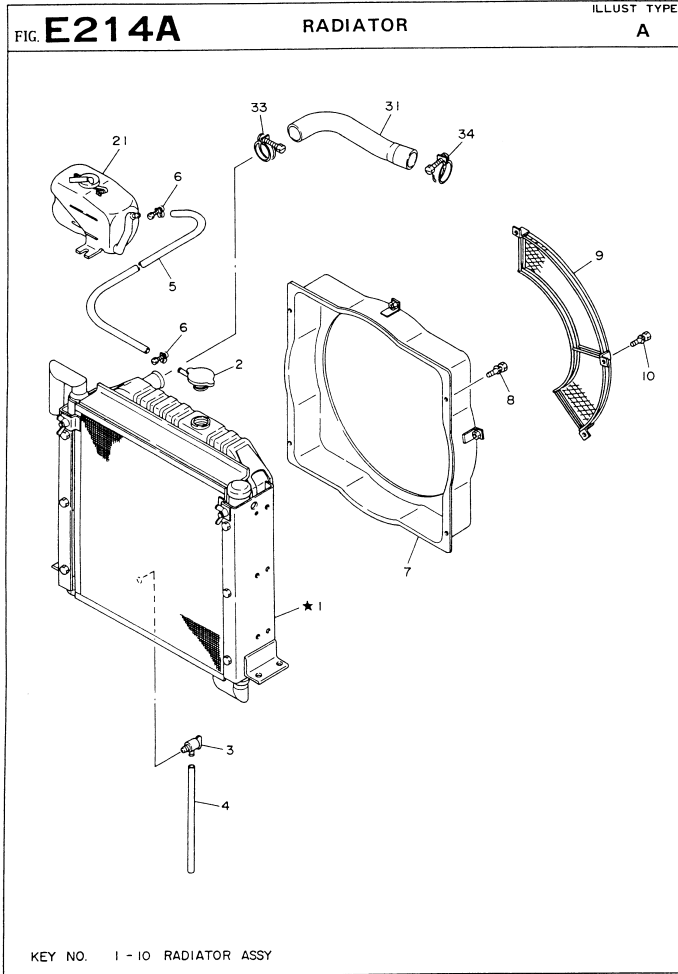
PAGE 144

\*印は別販売部品です。各々のASS'Yにて順注下さい。  
 NOTE: The Mark \* shown on the Key No. of the figure is not for sale individually. Please place an order as each Assembly.

*** COOLER - OIL ***				FIG E213A	
Key-No.	Description 部品名称	Part Number 部品番号	Quantity Per Section 個数及び通用	INT	Execution (E/N)
A1	..02,04,13,14,15,16,17,18,19,25,26,34,50,61,62,63				
A2	..01,03,05,28,29,40				
A3	..10				
1-10	COOLER ASSY-OIL	21305-54T00	1	A	
1-10	HOUSING ASSY	21302-90060	1	A	
1-8	COVER ASSY	21320-31N00	1	A	
2	VALVE-SHORT	15300-76200	1	A	
3	SPRING-VALVE	15341-T9000	1	A	
4	GASKET	15304-61501	2	A	
5	PLUG	15303-61503	2	A	
6	VALVE	15280-90001	1	A	
7	SPRING	15243-31N00	1	A	
8	GASKET	21334-05D03	2	A	019446-
8	GASKET	21303-C6800	2	A	1
8	GASKET	21334-06J00	2	A	
9	ELEMENT-COOLER	21355-43G01	1	A	
10	NUT, W/WASHER	08911-1081G	4	A	
21	GASKET-COVER	21304-34N00	1	A	
22	O RING	21334-02N00	2	A	
23	BOLT, W/WASHER	08120-8201E	10	A	
24	BOLT, W/WASHER	08120-8451E	1	A	
25	PLUG-SCREW	01642-03004	1	A	033809-
25	PLUG-SCREW	01642-02114	1	A	1
26	BOLT, W/WASHER	08120-8301E	1	A	

PUB-NO.: PBD3439607 Page 145

NISSAN DIESEL MOTOR CO., LTD. Printed in Japan



KEY NO. 1 - 10 RADIATOR ASSY

PAGE 146

★印は取替部品です。  
各々のASSYにて個注下さい。

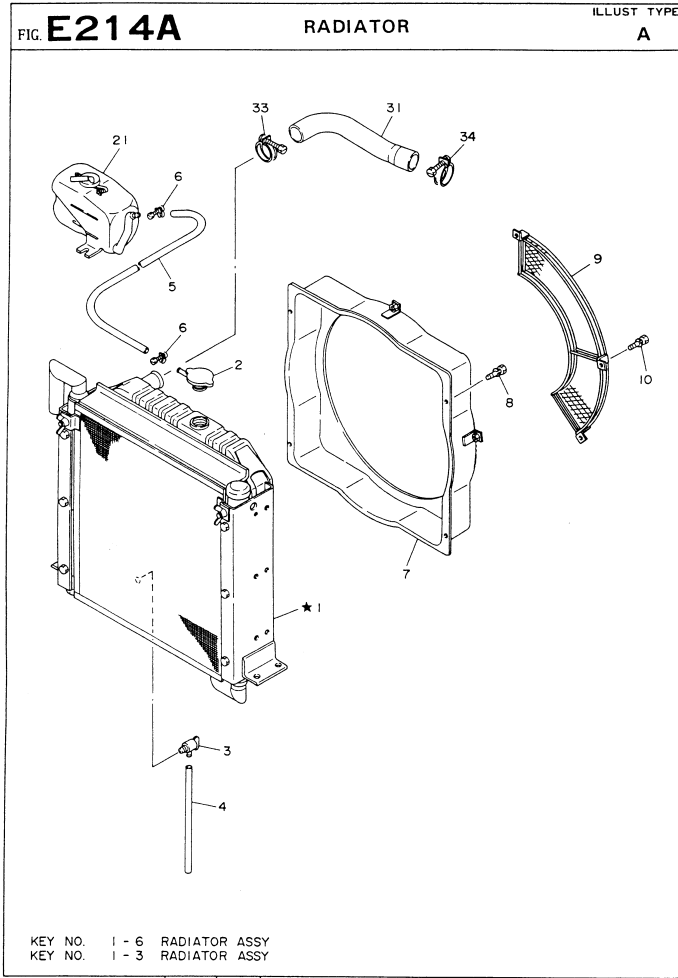
NOTE: The Mark ★ shown in the Key No. of the figure is not for sale individually. Please place an order as each Assembly.

*** RADIATOR ***			FIG E214A						Execution (E/#)	
Key-No.	Description 部品名称	Part Number 部品番号	Quantity Per Section 個数及び適用						I	N
			A	A	B	B	B	B		
			1	2	1	2	3	4	5	6
A1...	25									
A2...	26									
B1...	02									
B2...	03,04									
B3...	29									
B4...	05,28									
B5...	40									
B6...	50									
1-10	RADIATOR ASSY	21399-90177	1	-	-	-	-	-	-	-
1-10	RADIATOR ASSY	21399-90179	1	-	-	-	-	-	-	-
1	RADIATOR ASSY	21400-90362	-	1	1	-	-	1	-	-
1	RADIATOR ASSY	21400-90363	-	-	-	1	1	1	1	-
2	CAP-RADIATOR	21430-90078	1	1	-	-	-	-	-	-
2	CAP-RADIATOR	21430-90077	-	1	1	1	1	1	1	1
3	COCK-DRAIN	21481-90005	1	1	1	1	1	1	1	1
4	TUBE-DRAIN	02173-03050	1	-	-	-	-	-	-	-
5	HOSE-RESERVER	21741-90002	1	-	-	-	-	-	-	-
6	CLAMP-HOSE	47434-90000	2	-	-	-	-	-	-	-
7	SHROUD-FAN	21477-90068	1	-	-	-	-	-	-	-
7	SHROUD-FAN	21477-90070	1	-	-	-	-	-	-	-
7	SHROUD-FAN	21477-90066	-	1	1	-	-	1	1	-
7	SHROUD-FAN	21477-90067	-	-	-	-	1	1	1	1
8	BOLT, W/WASHER	08120-8201F	4	4	-	-	-	-	-	-
8	BOLT, W/WASHER	08120-61633	-	2	2	2	2	2	2	2
9	GUARD-FAN	21475-90018	1	1	-	-	-	-	-	-
9	GUARD-FAN	21475-90017	-	1	-	-	1	1	1	1
10	BOLT, W/WASHER	08120-8201F	3	3	6	6	6	6	6	6
21	TANK-RESERVER	21401-90110	1	1	-	-	-	-	-	-
21	TANK-RESERVER	21401-90067	-	1	1	1	1	1	1	1
22	HOSE	21741-10T01	-	1	1	1	1	1	1	1
23	CLAMP-HOSE	21383-90117	-	2	2	2	2	2	2	2
24	CUSHION-RUBBER	21411-90062	-	2	2	2	2	2	2	2
25	MOUNT-RUBBER	11155-97000	-	2	2	2	2	2	2	2
26	WASHER-PLAIN	01311-00044	-	2	2	2	2	2	2	2
31	HOSE-WATER, UPPER	21501-90366	1	1	-	-	1	-	-	-

PUB-NO.: PBD349607 Page 148

NISSAN DIESEL MOTOR CO., LTD.

Printed in Japan



PAGE 146

\*印は非販売部品です。各々のASS'VLTで注文下さい。  
NOTE: The Mark \* shown in the Key No. of the figure is not for sale individually. Please place an order as each Assembly.

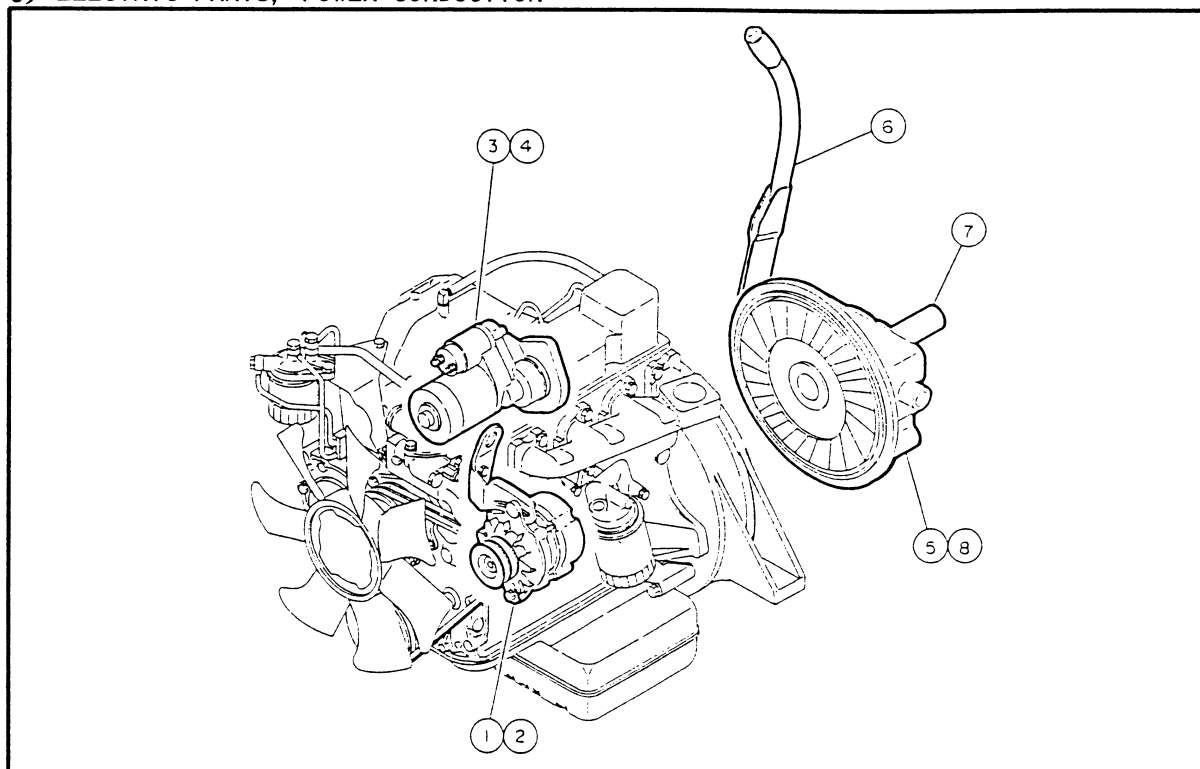
\*\*\* R A D I A T O R \*\*\*

Key-No.	Description 部品名称	Part Number 部品番号	Quantity Per Section 個数及び通用						I N T	Execution (E/#)
			A 1	A 2	B 1	B 2	B 3	B 4		
31	HOSE-WATER, UPPER	21501-90367	-	-	1	-	-	-	-	-
31	HOSE-WATER, UPPER	21501-90368	-	-	-	1	-	-	-	-
31	HOSE-WATER, UPPER	21501-90369	-	-	-	-	1	-	1	-
32	HOSE-WATER, LOWER	21503-90273	-	-	1	-	-	-	1	-
32	HOSE-WATER, LOWER	21503-90274	-	-	-	1	-	-	-	-
32	HOSE-WATER, LOWER	21503-90275	-	-	-	-	1	-	-	-
32	HOSE-WATER, LOWER	21503-90276	-	-	-	-	-	1	-	1
33	CLAMP-HOSE	21383-90012	2	2	1	1	1	1	1	1
34	CLAMP-HOSE	21383-90013	2	2	2	2	2	2	2	2
35	CLAMP-HOSE	21383-90014	-	-	1	1	1	1	1	1

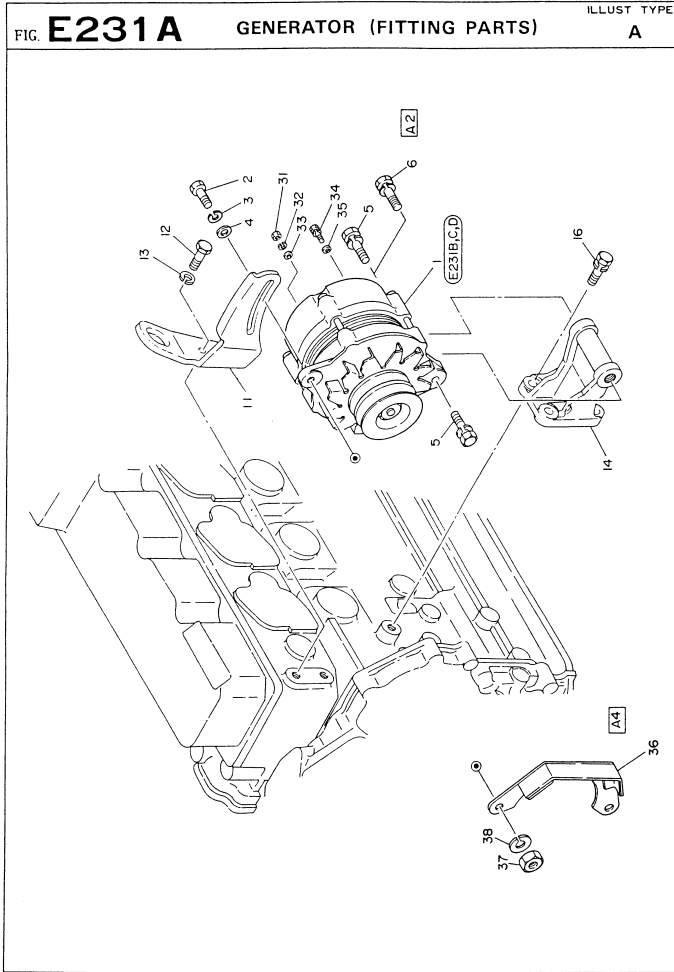
PUB-NO.: PBD3439607 Page 145

NISSAN DIESEL MOTOR CO., LTD. Printed in Japan

6) エレクトリック パーツ パワー コンダクション  
ELECTRIC PARTS, POWER CONDUCTION



KEY. NO	SECTION NAME	FIG. NO
①	ジェネレータ (フィッティング パーツ) GENERATOR (FITTING PARTS)	E231A
②	ジェネレータ (インナ パーツ) ヒタチ GENERATOR (INNER PARTS) "HITACHI 12V-35A"	E231B
②	ジェネレータ (インナ パーツ) ヒタチ GENERATOR (INNER PARTS) "HITACHI 24V-25A"	E231C
②	ジェネレータ (インナ パーツ) ヒタチ GENERATOR (INNER PARTS) "HITACHI 24V-40A"	E231D
③	モータ スターティング (フィッティング パーツ) MOTOR-STARTING (FITTING PARTS)	E233A
④	モータ スターティング (インナ パーツ) ヒタチ メイク MOTOR-STARTING (INNER PARTS) "HITACHI MAKE"	E233B
④	モータ スターティング (インナ パーツ) ヒタチ メイク MOTOR-STARTING (INNER PARTS) "HITACHI MAKE"	E233C
⑤	クラッチ CLUTCH	E300A
⑥	レバー クラッチ LEVER-CLUTCH	E300B
⑦	シャフト パワー コンダクション SHAFT-POWER CONDUCTION	E300C
⑧	カバー クラッチ (インナ パーツ) COVER-CLUTCH (INNER PARTS)	E300D



PAGE 150

※印は取替部品です。各々のASS'Yに注記下さい。

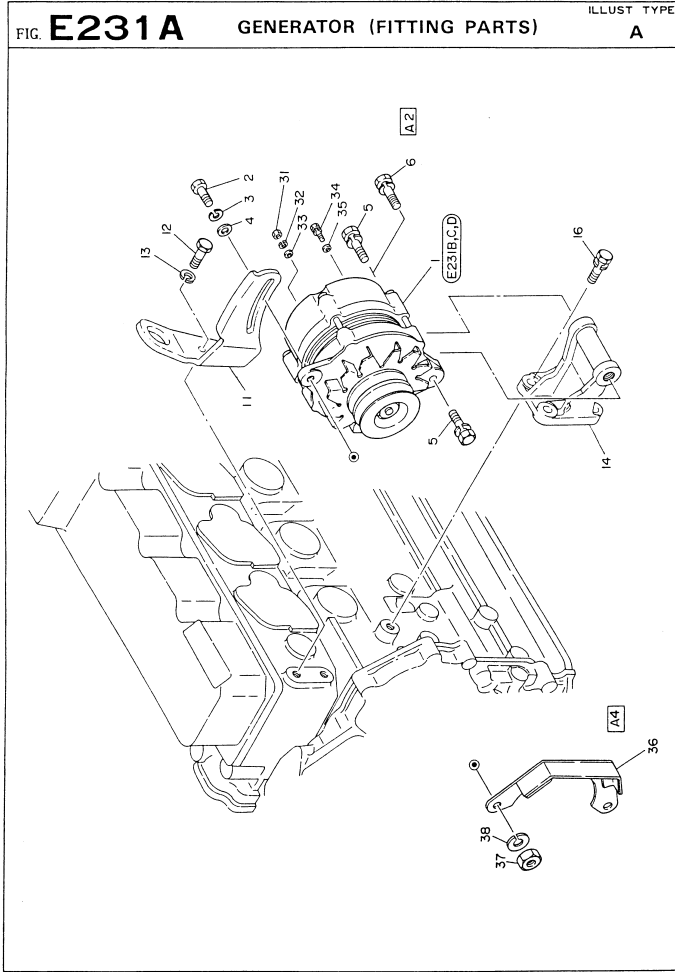
NOTE: The Mark \* shown in the Key No. of the figure is not for sale individually. Please place an order as each Assembly.

*** GENERATOR (FITTING PARTS) ***				FIG E231A					Execution (E/#)	
Key-No.	Description 部品名称	Part Number 部品番号	Quantity Per Section 個数及び適用					I	N	T
			A	A	A	B	C			
* A1...	13; 14; 15; 16; 18(25A) 10, 19, 25, 26, 34									*
* A2...	13; 14; 15; 16; 18(40A)									*
* A3...	01, 02, 40, 61, 62, 63									*
* A4...	03, 04, 05, 50									*
* B1...	17									*
* C1...	28, 29									*
1	GENERATOR ASSY (24V-25A) (INNER PARTS E231C)	23100-90074	1	-	-	1	-	-		
1	GENERATOR ASSY (24V-40A) (INNER PARTS E231D)	23100-90075	1	-	-	-	-	-		
1	GENERATOR ASSY (12V-35A) (INNER PARTS E231B)	23100-90072	-	-	1	1	-	-		
1	GENERATOR ASSY (24V-25A)	23100-90076	-	-	-	-	1	-		
2	BOLT	11716-6T000	1	1	1	1	1	1		033809-
2	BOLT	11716-44G00	1	1	1	1	1	1		O
2	BOLT	01111-01054	-	-	1	-	-	-		
3	WASHER-SPRING	08915-1381A	1	1	1	1	1	1		
4	WASHER	33296-43G00	1	1	1	1	1	1		
5	BOLT, W/WASHER	08121-0301F	2	1	2	2	2	2		
6	BOLT, W/WASHER	08121-0351F	1	-	-	-	-	-		
11	BAR-ADJUST	11715-54T00	1	1	1	1	1	1		
11	BAR-ADJUST	23174-90077	-	-	-	1	-	-		007330-
11	BAR-ADJUST	23174-90076	-	-	-	1	-	-		X
12	BOLT	08171-0201A	2	2	2	2	-	-		029730-
12	BOLT	08131-0201A	2	2	2	2	-	-		O
12	BOLT	08171-0201A	-	-	-	-	2	-		
12	BOLT, W/WASHER	08120-8301E	-	-	-	2	-	-		
13	WASHER-SPRING	08915-1401A	2	2	2	2	2	2		
14	BRACKET-GENERATOR	11710-02N01	1	1	-	-	1	-		
14	BRACKET-GENERATOR	11710-90000	-	-	1	-	-	-		
14	BRACKET-GENERATOR	23168-90073	-	-	-	1	-	-		011850-
14	BRACKET-GENERATOR	23168-90072	-	-	-	1	-	-		X
14	BRACKET-GENERATOR	23168-90071	-	-	-	1	-	-		X

PUB-NO.: PBD3439607 Page 153

NISSAN DIESEL MOTOR CO., LTD.

Printed in Japan



PAGE 150

\*図は非販売部品です。  
各のASSYにて取付して下さい。

NOTE: The Mark \* shown in the Key No. of the figure is not for sale individually. Please place an order as each Assembly.

\*\*\* GENERATOR (FITTING PARTS) \*\*\* FIG E231A

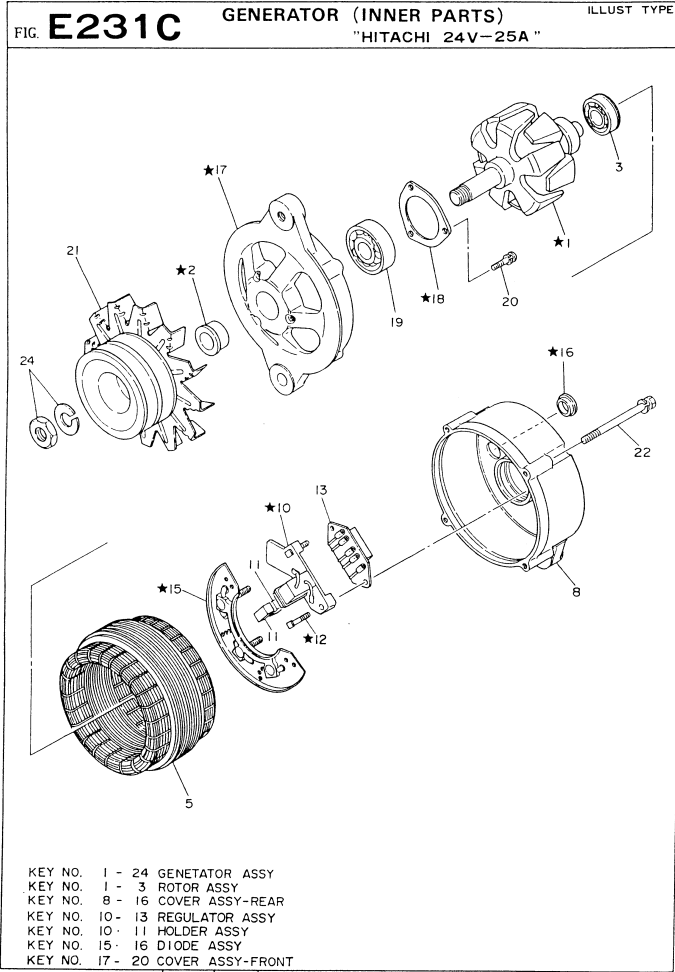
Key-No.	Description 部品名称	Part Number 部品番号	Quantity Per Section 個数及び通用					I N T	Execution (E/H)
			A 1	A 2	A 3	A 4	B C		
15	SPACER	01931-01384	-	-	-	2	-		011850-
15	SPACER	23173-90063	-	-	-	1	-	X	
16	BOLT, W/WASHER	08121-0301E	3	3	3	3	-		007330-
16	BOLT, W/WASHER	08121-0501E	-	-	-	2	-		
16	BOLT, W/WASHER	08121-0401E	-	-	-	2	-	X	
21	BRACKET-GENERATOR	23175-90003	-	-	-	1	-		007330-
21	BRACKET-GENERATOR	23175-90002	-	-	-	1	-	X	
22	BOLT, W/WASHER	08121-0201E	-	-	-	1	-		
23	BOLT, W/WASHER	08121-0301E	-	-	-	1	-		
24	BOLT, W/WASHER	08120-8501E	-	-	-	2	-		
25	V BELT	02117-85523	-	-	-	1	-		007330-
25	V BELT	02117-83523	-	-	-	1	-	X	
31	NUT	08911-10510	1	1	1	1	1		
31	NUT	08911-10610	-	-	-	-	1		
32	WASHER-SPRING	08915-13510	1	1	1	1	1		
32	WASHER-SPRING	08915-13610	-	-	-	-	1		
33	WASHER-PLAIN	08915-43510	1	1	1	1	1		
33	WASHER-PLAIN	08915-43610	-	-	-	-	1		
34	SCREW, W/WASHER	08360-51262	1	1	1	1	1		
35	WASHER-PLAIN	08915-43510	1	1	1	1	1		
36	GUARD-BELT	23225-90065	-	-	-	1	-		
37	NUT	08911-2081A	-	-	-	1	-		
38	WASHER-SPRING	08915-1381A	-	-	-	1	-		
41	TUBE-OIL, INLET	14665-43G00	-	-	-	-	1		
42	CONNECTOR-TUBE	11025-61501	-	-	-	-	1		
43	BOLT-EYE	01619-00444	-	-	-	-	1		
44	GASKET	01351-00104	-	-	-	-	2		
45	HOSE-OIL, RETURN	14670-21N00	-	-	-	-	1		
46	CONNECTOR-HOSE	11831-86P00	-	-	-	-	1		028252-
46	CONNECTOR-HOSE	14671-61500	-	-	-	-	1	1	
47	CLAMP-HOSE	01555-00221	-	-	-	-	2		
48	CONNECTOR-PUMP	14682-Y7505	-	-	-	-	1		

PUB-NO.: PBD3439607 Page 154

NISSAN DIESEL MOTOR CO., LTD.

Printed in Japan





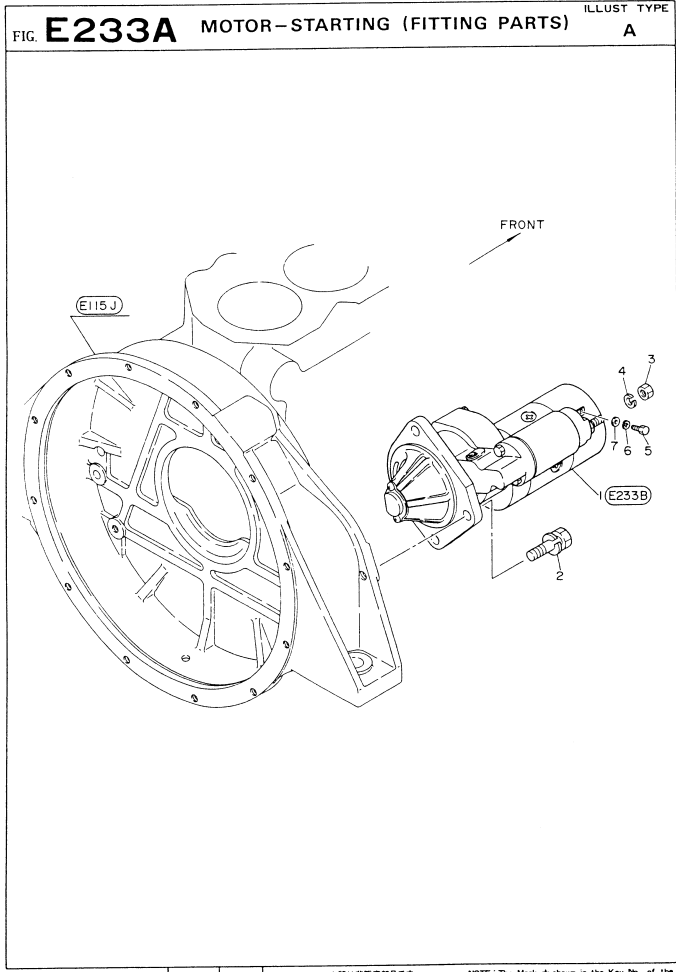
PAGE 158

※印は非販売部品です。  
 各々のASSYにて取注下さい。  
 NOTE: The Mark \* shown in the Key No. of the figure is not for sale individually. Please place an order as each Assembly.

*** GENERATOR			"HITACHI 24V-25A"				FIG E231C	
Key-No	Description 部品名称	Part Number 部品番号	Quantity Per Section 個数及び適用				1 N T	Execution (E/W)
1-24	GENERATOR	23100-90074	1					
1-3	ROTOR ASSY	23108-51H00	1					
3	BEARING-BALL	23120-79800	1					
5	STATOR	23102-99212	1					
8-16	COVER ASSY-REAR	23127-99506	1					
8	COVER-REAR	23183-51H00	1					
10-13	REGULATOR ASSY	23133-51H00	1					
10-11	HOLDER ASSY	23135-10H00	1					
11	BRUSH SET	23142-Q4601	2					
13	IC REGULATOR	23500-99008	1					
15-16	DIODE ASSY	23230-51H00	1					
17-20	COVER ASSY-FR.	23118-51H01	1					
19	BEARING-BALL	23120-58500	1					
20	SCREW KIT	23200-Q4601	1					
21	PULLEY ASSY	23151-99412	1					
22	BOLT-THROUGH	23131-W1700	4					
24	NUT-PULLEY	23153-51H00	1					

PUB-NO.: PBD3439607 Page 159

NISSAN DIESEL MOTOR CO., LTD. Printed in Japan



PAGE 162

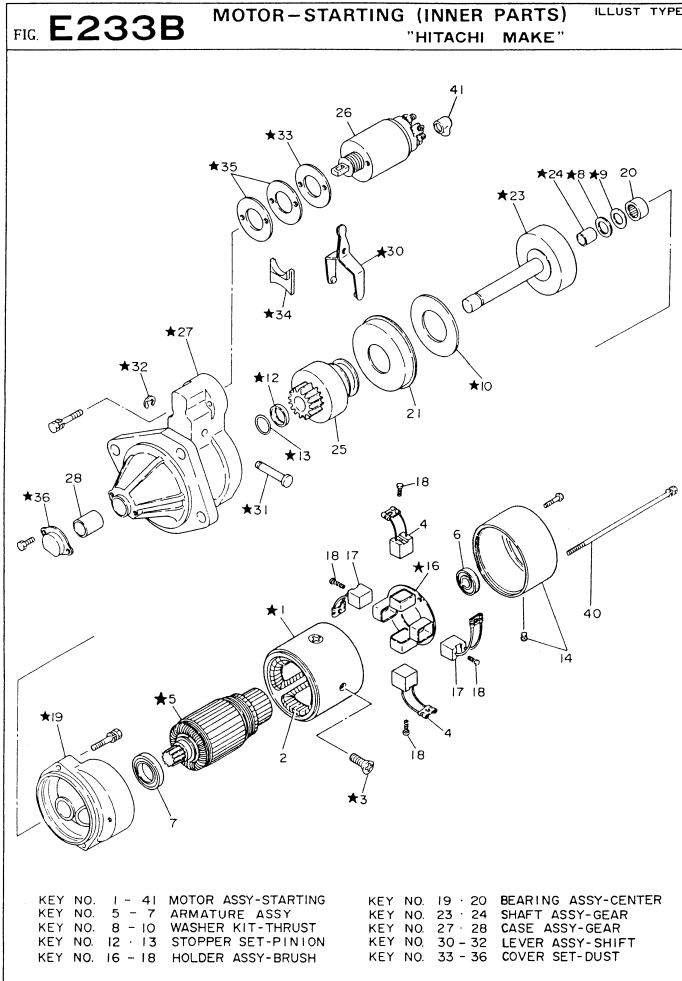
★印は非標準部品です。各々のASS'Yにて要注下さい。  
 NOTE: The Mark ★ shown in the Key No. of the figure is not for sale individually. Please place an order as each Assembly.

\*\*\* MOTOR - STARTING (FITTING PARTS) \*\*\* FIG. E233A

Key-No.	Description 部品名称	Part Number 部品番号	Quantity Per Section 個数及び適用	Execution (E/#)
A1...	15, 16, 17, 18, 19, 25, 26, 34			
B1...	10, 13, 14, 28, 29			
B2...	01, 02, 03, 04, 05, 40, 50, 61, 62, 63			
			A B	
			1 1 2	
1	MOTOR ASSY-STARTING (24V-3.5KW) (INNER PARTS E233B)	23300-06J04	1 -	008591-
1	MOTOR ASSY-STARTING (24V-3.5KW) (INNER PARTS E233B)	23300-06J02	1 -	0
1	MOTOR ASSY-STARTING (24V-3KW) (INNER PARTS E233C)	23300-90068	1 -	
1	MOTOR ASSY-STARTING (12V-2.1KW)	23300-90069	1 -	9605-
1	MOTOR ASSY-STARTING (12V-2.1KW) (INNER PARTS E233C)	23300-90067	1 -	1
2	BOLT, W/WASHER	08121-2351E	3 -	
2	BOLT, W/WASHER	08121-0301E	2 2	
3	NUT	08911-3081A	1 1 1	
4	WASHER-SPRING	08915-1381A	1 1 1	
5	SCREW	08360-41010	1 -	
6	WASHER-SPRING	08915-13410	1 -	
7	WASHER-PLAIN	01311-00244	1 -	

PUB-NO.: PBD3439607 Page 164

NISSAN DIESEL MOTOR CO., LTD. Printed in Japan



PAGE 166

※印は別販売部品です。  
各々のASSYに付記して下さい。

NOTE: The Mark \* shown in the Key No. of the figure is not for sale individually.  
Please place an order as each Assembly.

*** M O T O R - S T A R T I N G "HITACHI MAKE" ***			FIG E233B		
Key-No.	Description 部品名称	Part Number 部品番号	Quantity Per Section 個数及び適用	INT	Execution (E/#)
1-41	MOTOR-STARTING	23300-06J02	1 2		
1-41	MOTOR-STARTING	23300-06J04	1 -		
2	COIL ASSY-FIELD	23306-Z9002	1 1		
4	BRUSH (+)	23331-Z9002	2 2		
5-7	ARMATURE ASSY	23310-99205	1 1		
6	BEARING-BALL	23383-Z9002	1 1		
7	BEARING-BALL	23383-Z9003	1 1		
8-10	WASHER KIT-THRUST	23372-V0600	1 1		
12, 13	STOPPER SET-PINION	23369-Z9001	1 1		
14	COVER-REAR	23337-06J01	1 1		
16-18	HOLDER ASSY-BRUSH	23330-C8600	1 1		
17	BRUSH (-)	23331-Z9002	2 2		
18	SPRING-BRUSH	23333-Z9001	4 4		
19, 20	BEARING ASSY-CENTER	23383-34T00	1 1		
20	BEARING-NEEDLE	23341-V0600	1 1		
21	PLATE-CENTER	23358-V0600	1 1		
23, 24	SHAFT ASSY-GEAR	23312-Z9000	1 1		
25	PINION ASSY	23314-Z9002	1 1		
26	SWITCH ASSY	23343-06J01	1 -		
26	SWITCH ASSY	23343-06J04	- 1		
27, 28	CASE ASSY-GEAR	23318-06J02	1 1		
28	METAL	23319-Z9000	1 1		
30-32	LEVER ASSY-SHIFT	23322-06J01	- 1		
30-32	LEVER ASSY-SHIFT	23322-61502	1 -		
33-36	COVER SET-DUST	23470-06J01	1 1		
40	BOLT-THROUGH	23340-J5500	2 2		
41	CAP	24360-06J00	1 1		

PUB-NO.: PBD3439607 Page 167

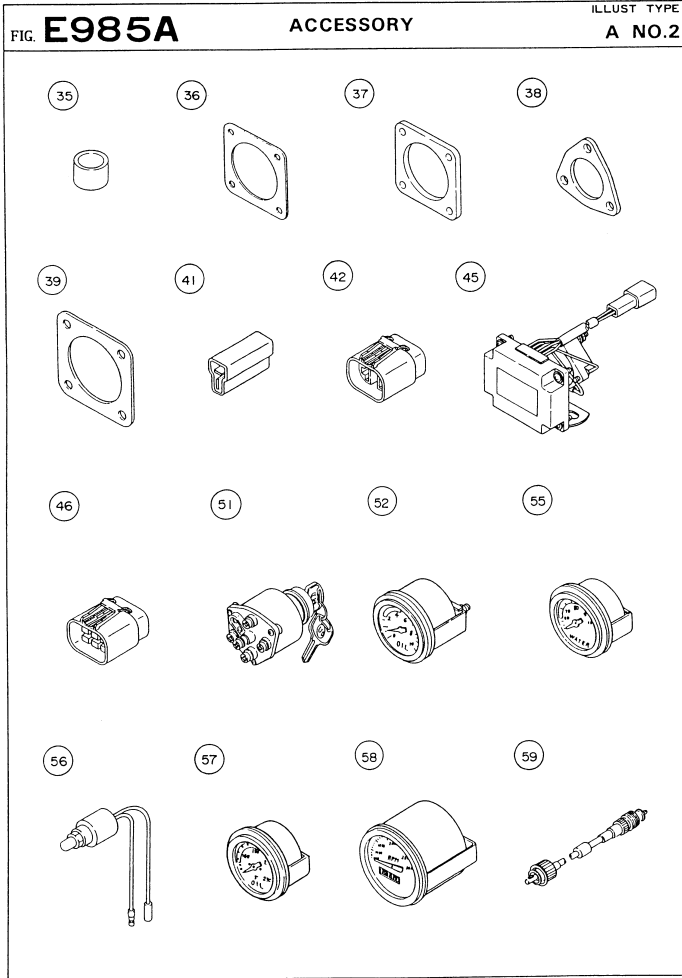
NISSAN DIESEL MOTOR CO., LTD.

Printed in Japan

7) <sup>アクセサリ</sup>ACCESSORY, <sup>ツール</sup>TOOL

KEY. NO	SECTION NAME	FIG. NO
	<sup>アクセサリ</sup> ACCESSORY .....	E985A
	<sup>アクセサリ</sup> ACCESSORY .....	E985B
	<sup>マフラ</sup> <sup>エキゾースト</sup> MUFFLER-EXHAUST .....	E985C
	<sup>ツール</sup> TOOL .....	E995A





PAGE 181

※印は取替先物品です。各々のASSYにて取替え下さい。 NOTE: The Mark \* shown in the Key No. of the figure is not for sale individually. Please place an order as each Assembly.

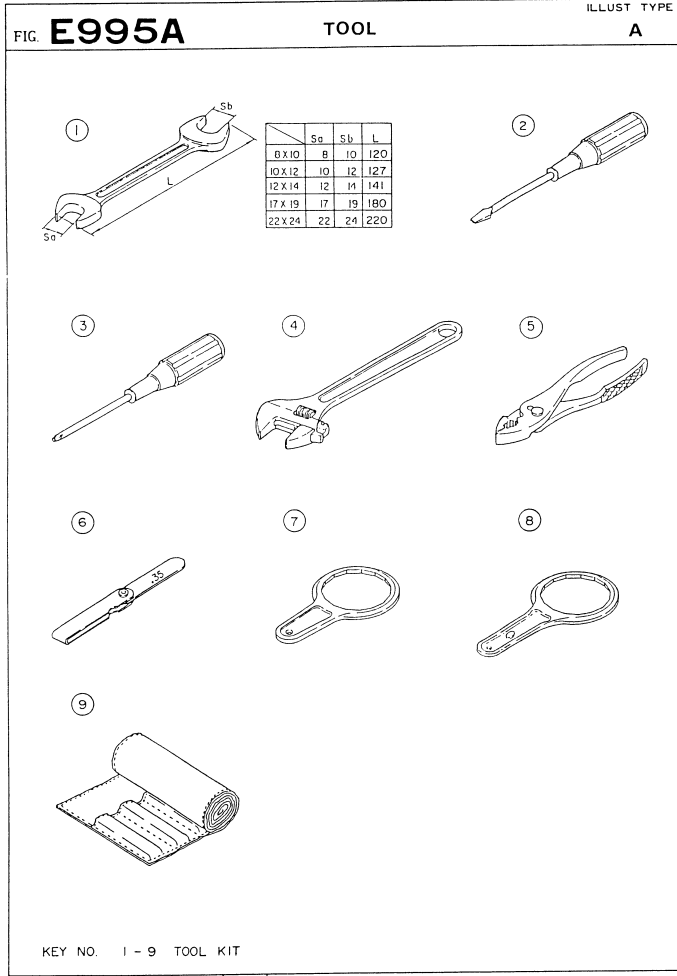
\*\*\* ACCESSORY \*\*\* FIG. E985A

Key-No.	Description 部品名称	Part Number 部品番号	Quantity Per Section 個数及び適用														I N T	Execution (E/#)
			A1	A2	A3	A4	A5	A6	A7	A8	A9	A10	A11	A12	A13	A14		
38	PLATE	20601-10G00	-	-	-	-	-	1	1	-	-	-	-	-	1	-		
39	GASKET	20017-90062	-	-	-	1	-	-	-	1	1	1	1	-	1	-		
41	CONNECTOR-WIRE	24017-90004	-	-	-	-	-	-	-	1	1	1	1	-	-	-		
42	CONNECTOR-WIRE	24017-90014	-	-	-	-	-	1	1	-	-	-	-	-	1	-		
45	RELAY-SAFETY	23220-90065	1	1	-	1	-	-	-	-	-	-	1	-	-	-	031127-	
45	RELAY-SAFETY	23220-90062	1	1	-	1	-	-	-	-	-	-	1	-	-	-	1	
45	RELAY-SAFETY	23220-90065	-	-	-	-	-	-	-	-	-	-	-	-	-	-		035263-
45	RELAY-SAFETY	23220-90062	-	-	-	-	-	-	-	-	-	-	-	-	-	-	1	
45	RELAY-SAFETY	23220-90064	-	-	-	-	-	1	-	-	-	-	-	-	-	-		031127-
45	RELAY-SAFETY	23220-Z7000	-	-	-	-	-	1	-	-	-	-	-	-	-	-	1	
45	RELAY-SAFETY	23220-90063	-	-	-	-	-	-	-	1	-	-	-	-	-	-		
46	CONNECTOR-WIRE	24017-90006	-	-	-	-	-	-	-	1	-	-	-	-	-	-		
51	SWITCH-STARTER	25110-90069	-	-	-	-	-	-	-	1	1	-	-	-	1	-		
51	SWITCH-STARTER	25110-Z7000	-	-	-	-	-	-	-	-	-	1	1	-	1	-		
52	GAUGE-OIL PRESS	25026-90067	-	-	-	-	-	-	-	-	-	1	1	-	-	-		
52	GAUGE-OIL PRESS	25026-90072	-	-	-	-	-	-	-	-	-	-	-	-	1	1		
55	GAUGE-WATER THERMO	25039-90065	-	-	-	-	-	-	-	1	1	-	-	-	-	-		
55	GAUGE-WATER THERMO	25039-90075	-	-	-	-	-	-	-	-	-	-	-	-	1	1		
56	SOCKET-WIRE	24816-90005	-	-	-	-	-	-	-	1	1	-	-	-	-	1		
56	SOCKET-WIRE	24816-90004	-	-	-	-	-	-	-	-	-	2	3	-	3	-		
57	GAUGE-OIL THERMO	25039-90066	-	-	-	-	-	-	-	-	-	-	1	-	-	-		
57	GAUGE-OIL THERMO	25039-90074	-	-	-	-	-	-	-	-	-	-	-	-	1	1		
58	TACHOMETER	25050-90063	-	-	-	-	-	-	-	-	-	-	1	1	-	-		
58	TACHOMETER (W/METER DRIVER)	25050-90063	-	-	-	-	-	-	-	-	-	1	-	-	-	-		
58	TACHOMETER	25050-90061	-	1	-	-	-	-	-	-	-	1	-	-	-	-		
58	TACHOMETER	25050-90078	-	-	-	-	-	-	-	-	-	-	-	1	-	-		
58	TACHOMETER	25050-90076	-	-	-	-	-	-	-	-	-	-	-	-	-	1		
59	CABLE-METER	25053-96009	-	1	-	-	-	-	-	-	-	-	1	1	1	1		
59	CABLE-METER (W/METER DRIVER)	25053-96009	-	-	-	-	-	-	-	-	-	-	1	-	-	-		
61	SWITCH-MAIN	25160-90000	-	-	-	-	-	-	-	-	-	-	1	-	1	1		
62	SCREW	08320-8301A	-	-	-	-	-	-	-	-	-	-	2	-	2	2		
63	NUT	08911-1081A	-	-	-	-	-	-	-	-	-	-	2	-	2	2		

PUB-NO.: PBD3439607 Page 184

NISSAN DIESEL MOTOR CO., LTD. Printed in Japan





PAGE 192

\*印は別販売部品です。各々のASSYにてご注文下さい。  
NOTE: The Mark \* shown in the Key No. of the figure is not for sale individually. Please place an order as each Assembly.

\*\*\* TOOL \*\*\* FIG. E995A

Key-No.	Description 部品名称	Part Number 部品番号	Quantity Per Section 個数及び適用	INT	Execution (E/#)
A1	.02, 03, 04, 05, 25, 26, 28, 50 29(-9410)				
1-9	TOOL KIT	99504-90061	1	A	
1	WRENCH SET	99507-Z0001	1		
2	DRIVER-SCREW, (-)	02995-30200	1		031606-
2	DRIVER-SCREW, (-)	02995-30100	1		O
3	DRIVER-SCREW, (+)	99508-Z0003	1		
4	WRENCH-MONKEY	02995-20200	1		
5	PLIER	02995-25100	1		
6	GAUGE-THICKNESS	99541-90006	1		031606-
6	GAUGE-THICKNESS	99541-Z5000	1		O
7	WRENCH-FILTER	99755-27000	1		
8	WRENCH-FILTER	99755-27001	1		
9	BAG-TOOL	99595-75000	1		

PUB-NO.: PBD3439607 Page 193

NISSAN DIESEL MOTOR CO., LTD.

Printed in Japan



# Engine for TB070 NISSAN BD3004

## PARTS NUMBER INDEX ( 00841-0321A ~ 08130-65510 ) Pub. No. = PBD3439607

Part Number 部品番号	Page ページ	Key-No.	Part Number 部品番号	Page ページ	Key-No.	Part Number 部品番号	Page ページ	Key-No.
00841-0321A	175	28	01648-00224	7	10	08120-8201E	74	6
00851-21800	175	9	00224	7	21	8201E	87	4
00921-21200	179	5	01691-00054	34	61	8201E	134	5
2182A	177	30	01931-0138A	154	15	8201E	142	8
00922-14000	177	6	01935-02054	17	18	8201E	145	23
24700	57	14	02054	98	17	8201F	74	6
00923-1061A	108	53	12004	58	43	8201F	74	6
00926-41600	45	5	12084	75	14	8201F	74	7
62200	175	5	02117-13523	135	31	8201F	148	8
00931-20800	33	8	35023	135	31	8201F	148	10
00932-1011A	173	13	83523	154	25	8251E	8	45
1011A	177	13	85523	154	25	8251E	50	3
00933-20650	33	9	02173-03050	148	4	8251E	142	25
01011-00554	31	7	02995-20200	193	4	8251F	74	7
01111-01054	153	2	25100	193	5	8301E	42	3
16194	57	18	30100	193	2	8301E	87	5
01121-00402	173	3	30200	193	2	8301E	142	9
00724	45	7	05412-1800P	68	14	8401E	23	16
01151-03064	54	11	08010-86000	46	34	8301E	153	12
03204	54	11	08021-0501A	97	6	8301F	74	7
01225-00112	46	46	* 08051-0501A	45	7	8301F	98	37
01311-00044	148	26	08104-01600	179	10	8351E	24	27
00244	164	7	08110-61210	173	15	8401E	23	16
01323-10004	108	55	61662	115	24	8401E	24	26
01351-00104	154	44	61662	117	56	8451E	24	25
21084	98	15	64010	126	13	8451E	68	17
21104	57	22	8251B	177	11	8451E	145	24
21164	143	32	08114-0201B	175	14	8501E	154	24
21164	143	45	08120-61228	16	6	8601E	23	2
21184	57	26	61228	107	42	8651E	23	5
21204	57	27	61228	107	46	8751A	142	6
21204	69	44	61610	46	37	08121-0001A	28	6
21224	57	28	61628	45	3	0201E	19	3
22084	24	15	61628	107	32	0201E	107	18
22144	77	15	61628	126	2	0201E	107	44
01522-05104	7	9	61633	23	15	0201E	126	5
05104	57	2	61633	24	36	0201E	154	22
10224	37	25	61633	126	2	0251E	68	38
01551-10214	34	64	61633	148	8	0301E	28	3
16014	98	16	62028	126	13	0301E	28	8
01555-00221	154	47	62033	33	47	0301E	57	8
01558-00104	34	63	62528	16	7	0301E	154	16
00111	98	13	62528	75	20	0301E	154	23
00111	155	50	62528	98	35	0301E	164	2
01618-00504	188	2	64028	69	49	0301E	173	17
01619-00334	69	43	8001A	142	5	0301F	153	5
00344	57	30	8011A	50	16	0351E	28	3
00344	188	3	8031A	142	23	0351E	28	5
00434	57	31	8161E	17	16	0351E	28	8
00444	154	43	8161E	23	3	0351E	173	18
01622-01024	107	22	8161E	23	15	0351F	153	6
01632-01054	57	20	8161E	24	32	0401E	154	16
01094	69	62	8161E	67	8	0501E	154	16
01114	8	55	8161E	68	22	0551E	57	7
01642-02014	31	8	8161E	69	46	2351E	164	2
02044	191	5	8161E	75	15	08124-0161E	69	46
02114	7	20	8161E	98	32	0201E	107	16
02114	7	24	8161E	98	37	0201F	107	16
02114	145	25	8161F	58	44	0251E	74	2
03004	7	20	8161F	75	16	0301E	57	4
03004	7	24	8161F	87	2	0301E	177	8
03004	145	25	8161F	98	18	0401A	175	32
01647-00044	8	48	8201E	17	16	08130-62010	135	22
01648-00024	7	13	8201E	34	52	63510	135	22
00024	33	6	8201E	67	3	64510	135	22
00044	7	11	8201E	67	7	64510	135	22
00044	33	7	8201E	68	18	65510	135	22
00154	7	12	8201E	68	37	65510	135	22

## PARTS NUMBER INDEX ( 08130-66510 ~ 08931-4461A ) Pub. No. = PBD3439607

Part Number 部品番号	Page ページ	Key-No.	Part Number 部品番号	Page ページ	Key-No.	Part Number 部品番号	Page ページ	Key-No.
08130-66510	135	22	08915-1381A	153	3			
8501A	45	13	1381A	154	38			
08131-0201A	34	54	1381A	164	4			
0201A	153	12	1381A	185	64			
0501A	45	7	1401A	28	7			
08170-8501A	45	13	1401A	34	55			
08171-0201A	34	54	1401A	45	8			
0201A	153	12	1401A	54	13			
0201A	153	12	1401A	107	13			
08223-82210	33	15	1401A	134	4			
84010	50	13	1401A	153	13			
85010	50	13	1401A	175	33			
08227-02840	54	11	14010	179	11			
02840	54	11	1441A	175	3			
03040	33	16	23610	135	23			
07010	7	29	2381A	173	5			
08310-50610	33	45	33610	126	33			
08320-8301A	184	62	33610	135	23			
08360-41010	164	5	3381A	46	36			
51262	154	34	43510	154	33			
61262	107	46	43510	154	35			
61262	126	4	43610	46	39			
08712-1421A	107	22	43610	108	54			
1521A	69	42	43610	126	16			
2401A	57	3	43610	134	12			
08740-17011	98	14	43610	154	33			
25011	98	14	4381A	17	17			
25011	98	14	4381A	46	35			
25011	98	14	4381A	67	9			
29011	98	14	4381A	69	47			
30041	34	62	4381A	185	65			
31041	34	62	4401A	34	65			
34041	34	62	4401A	57	5			
08911-10510	154	31	4401A	107	14			
10510	175	23	44010	107	17			
10610	50	19	4401A	175	29			
10610	126	15	4441A	175	4			
10610	126	15	53610	127	34			
10610	126	32	* 08918-1401A	134	3			
10610	154	31	08931-3021A	54	5			
1081A	50	4	3021A	69	63			
1081A	50	14	4081A	24	18			
1081A	184	63	4461A	143	31			
1081G	50	4	4461A	143	44			
1081G	145	10						
1401A	107	12						
1401A	134	3						
1401G	19	4						
1441A	175	2						
20610	115	14						
2081A	154	37						
30610	93	13						
30610	183	11						
3081A	164	3						
34010	179	3						
6401A	54	3						
08915-13410	164	6						
13510	154	32						
13610	46	38						
13610	50	18						
13610	127	33						
13610	154	32						
13610	173	16						
1381A	45	14						
1381A	50	5						
1381A	50	15						
1381A	142	7						
1381A	142	24						

# Engine for TB070 NISSAN BD3004

PARTS NUMBER INDEX ( 10005-11T01 ~ 13206-31N00 )										Pub. No. = PBD3439607	
Part Number	Page	Key-No.	Part Number	Page	Key-No.	Part Number	Page	Key-No.	Part Number	Page	Key-No.
部品番号	ページ	キー番号	部品番号	ページ	キー番号	部品番号	ページ	キー番号	部品番号	ページ	キー番号
10005-11T01	34	53	11140-90007	17	15 S	12280-37526	38	35.36			
10006-43G00	34	51	90007	17	15 S	37527	38	35.36			
10101-02D26	3	1-24	90008	17	15 S	37528	38	35.36			
11009-54T01	7	1-32	11150-90001	17	11 S	37529	38	35.36			
54T02	7	1-32	90003	16	11	12293-0W800	7	8			
11012-54T00	7	19	90005	16	11	43G00	7	8			
11013-19000	7	23	90005	17	11	12297-43G02	8	44			
11019-90002	7	25	90006	16	11 K	12298-34N00	3	1			
11021-J2000	7	28	90007	16	11	34N00	8	43			
J2000	8	55	90008	17	11	12303-02N02	42	1			
J2000	143	47	90012	17	11	02N02	42	1			
J2000	143	47	11155-97000	148	25	02N02	42	1			
11024-54T00	8	32	11220-11N00	19	1	02N02	42	1			
11025-61501	154	42	11232-54T00	19	2	90071	42	1			
11026-61000	16	3	11710-02N01	153	14	90071	42	1			
90004	16	3	90000	153	14	90072	42	1			
90004	188	1	11715-54T00	153	11	90074	42	1			
11032-90015	34	62	11716-44G00	153	2	12304-90164	42	1			
11039-54T02	33	1-9	6T000	153	2	90168	42	1			
11044-54T05	33	13	11720-43G01	135	31	90168	42	1			
54T06	33	13	11823-90003	57	23	12305-90062	42	2			
54T07	33	13	11831-86P00	34	61	12309-61503	37	27			
11056-43G00	33	14	86P00	154	46	12310-43G00	42	11.12			
11060-43G00	142	21	11911-90006	57	6	90279	42	11.12			
11061-90063	142	2	11914-11T00	57	13	90360	42	11.12			
90066	142	2	11917-11T00	57	13	90369	42	11.12			
11062-34N00	4	4	11925-11T00	57	11-15	12312-25500	42	12			
34N03	142	23	90003	62	46	43G00	42	12			
11065-90004	50	11	11928-11T00	57	16	12313-10600	7	27			
90005	50	11	11944-11T00	57	11	12316-L2001	42	13			
11067-90065	185	72	11948-11T00	57	17	17101	42	13			
90065	188	62 S	12010-54T00	37	1-3	12331-90069	28	1			
90066	185	72 S	54T01	37	1-3	90074	28	1			
11069-60K00	185	72 S	54T10	37	1-3	12335-90005	28	2			
11072-34N00	4	21 S	54T11	37	1-3	13001-54T03	45	1			
34N00	142	3 S	54T60	37	1-3 S	13002-43G00	7	14-18			
34N01	3	21 S	54T61	37	1-3 S	13003-43G01	7	14-18			
11085-25501	33	5	12030-31N00	37	9 S	43G02	7	14-18			
11098-54T01	33	2 S	12032-54T00	37	3 S	43G03	7	14-18			
11099-54T00	33	3 S	12033-43G11	37	4	13010-06V00	45	2			
54T10	33	3 S	54T10	37	4	43G00	45	2			
54T11	33	3 S	12100-0W800	37	5-9	13011-43G00	45	12			
11110-90278	16	1 S	31N00	37	5-9	13012-54T00	45	10.11			
90275	16	1 S	12109-43G00	37	7	13015-43G01	45	9			
90365	16	1 S	12110-54T10	37	10.11	13016-54T00	45	9			
90367	16	1 S	54T11	37	10.11	13021-43G01	37	28			
90371	16	1 S	54T12	37	10.11	13024-0T600	45	4			
90565	16	1-3 S	54T13	37	10.11	13030-37500	45	6			
90566	16	1-3 S	54T14	37	10.11	13031-90007	24	29.30			
90567	16	1-3 S	12112-43G00	37	8	13034-0T600	24	21			
90569	16	1-3 S	12123-25501	8	42	54T00	24	21			
90570	16	1-3 S	12124-54T00	8	41	13035-77200	24	35			
90572	16	1-3 S	12200-25605	37	21.22	13036-02N01	24	33			
90576	16	1-3 S	54T00	37	21.22	13037-54T00	3	7			
90577	16	1-3 S	54T02	37	21.22	54T00	24	31			
90578	16	1-3 S	12205-76200	37	26 K	54T01	3	7			
11121-01F00	23	4 S	12207-54T10	37	31.32	54T01	24	31			
10G00	3	3 S	12209-54T10	37	31.32	13039-34N00	23	14			
63G00	3	3 S	12210-54T10	38	31.32	13042-77200	24	34			
11128-51N00	16	2 K	12211-54T10	38	31.32	13067-96001	23	12			
69200	16	2 K	12212-54T10	38	31.32	96002	23	13			
11140-43G04	17	15 S	12279-43G00	3	2	13081-76200	8	51			
90003	17	15 S	43G00	8	46	13100-25500	23	11			
90004	17	15 S	43G01	8	46	25500	31	1-11			
90005	17	15 S	43G02	8	46	13201-43G01	45	21			
			43G03	8	46	13202-54T01	45	22			
			12280-37525	38	35.36	13203-90010	45	23			
						13206-31N00	45	27			

PARTS NUMBER INDEX ( 13206-31N01 ~ 16453-99002 )										Pub. No. = PBD3439607	
Part Number	Page	Key-No.	Part Number	Page	Key-No.	Part Number	Page	Key-No.	Part Number	Page	Key-No.
部品番号	ページ	キー番号	部品番号	ページ	キー番号	部品番号	ページ	キー番号	部品番号	ページ	キー番号
13206-31N01	45	27	14465-43G21	24	23	15213-43G00	7	30			
K 13207-V1700	3	10	14503-90002	58	46	43G01	7	30			
V1700	45	24	14504-90005	58	42	15238-25600	68	11-15			
13208-Y1400	45	25	14505-90001	58	47	54T01	68	11-15			
Z5500	45	25	14514-29003	61	7	15239-90060	68	11-15			
13209-43G01	45	26	14526-90000	62	49	90061	68	11-15			
13212-54T00	33	4	14527-90000	62	45	15243-31N00	145	7			
54T01	33	4	14532-90001	61	18	15255-78200	17	24			
13222-43G00	45	32	14533-90000	61	19	78200	23	5			
13223-43G01	45	33	90000	62	35	21800	33	48.49			
13224-0T600	33	47	14552-99000	62	33-35	K 15270-78500	3	9			
13231-54T02	46	49	14556-90001	62	34	78500	33	49			
13234-43G01	46	45 K	14568-90003	61	26	15278-99218	68	30			
13238-54T00	46	48 K	14569-90002	61	29	99308	68	30			
13252-43G02	45	31 K	14571-90002	61	24	15280-90001	145	6			
13255-43G00	46	42 K	14572-90002	61	23	15286-99002	77	11			
13256-43G01	46	40 K	90004	61	28	15300-76200	145	2			
43G02	46	41 K	14577-90002	61	27	15303-61503	145	5			
13257-43G03	46	43 K	14580-90002	62	30	15304-61501	145	4			
63G00	46	43	14621-90061	58	11	15341-90001	145	3			
13258-43G03	46	44	14636-90002	61	5	16132-43G00	24	28			
63G00	46	44	14663-27000	42	15	16207-54T00	97	12			
13264-54T01	33	41-45	14665-43G00	154	41	54T00	155	49			
13266-54T01	33	44	14670-21N00	154	45	16269-78260	112	28			
K 13270-54T01	3	8	14671-61500	154	46	37500	112	27			
54T01	3	8	14682-77505	154	48	16400-19303	74	1			
13277-76200	50	6	Z5001	185	91	79303	81	1-5			
76200	50	6	14757-25000	75	22	27000	74	1			
13297-43G00	46	47	15010-43G04	67	1	27000	83	1-4			
13298-54T00	33	43	43G05	67	1	90061	77	1-12			
K 13510-43G00	3	6 K	15025-43G01	3	14	95006	85	1			
43G00	24	24	43G01	67	2	95006	85	1			
13560-11T00	23	1	15050-31N00	67	5	16403-J5500	83	3			
54T00	23	1	31N01	67	5	J6500	81	4			
* 54T10	23	1	90063	67	5	27002	83	4			
90000	23	1	90065	67	5	16408-19000	85	7			
90001	23	1	15053-43G01	3	16	16411-19000	85	8			
* 90003	23	1	43G01	67	6	16419-90078	74	3			
14003-54T00	50	1	43G01	67	6	90161	74	3			
90019	50	1 K	80G00	3	16	90165	74	3			
90019	50	1	80G00	67	6	90166	74	3			
90060	50	1	80G00	67	6	16421-99003	85	4			
14004-43G01	54	1	15075-43G00	7	31	16425-37700	85	2			
90077	54	1	15105-96000	57	29	16434-90000	77	14			
90162	54	1	15108-90064	107	19	90000	79	4			
K 14035-31N00	3	11	15109-90015	57	19	90003	75	17			
31N00	50	2	15132-43G01	68	12	90004	107	20			
K 14036-54T00	3	13	15133-06J01	68	13	96000	75	35			
54T00	54	2	15134-43G01	68	15	96000	79	5			
14038-96000	54	4	15140-95065	183</							

# Engine for TB070 NISSAN BD3004

PARTS NUMBER INDEX ( 16454-99002 ~ 16741-99008 ) Pub. No. = PBD3439607									
Part Number	Page	Key-No.	Part Number	Page	Key-No.	Part Number	Page	Key-No.	Part Number
部品番号	ページ	キー番号	部品番号	ページ	キー番号	部品番号	ページ	キー番号	部品番号
16454-99002	81	S	16614-54767	102	G	16683-90065	98	24	
99002	83	S	54768	102	G	16688-54701	98	33	
16458-99003	77	10	54769	102	G	54713	98	34	
16459-99002	77	12	54770	102	G	90060	98	33	
16462-99000	85	9	54771	102	G	16696-25500	75	18	
16463-99000	85	10	54772	102	G	16697-25500	75	19	
16500-90067	89	1	54773	102	G	16698-43600	98	31	
90067	91	1-7	54774	102	G	43601	98	31	
90168	87	1	54775	102	G	90006	98	34	
90168	93	1-16	54776	102	G	90007	98	36	
16505-99105	93	8-14	54777	102	G	16701-37504	3	19	
16509-99109	91	6	54778	102	G	37504	107	11	
16510-29001	91	7	54779	102	G	16702-37501	24	30	
16521-99014	91	4	54780	102	G	16703-90113	106	1	
16524-99006	91	3	16616-54700	102	7	90113	106	1	
16526-43601	93	1-3	16617-54700	101	4	90113	111	1-45	
99212	91	5	16618-54700	3	17	90115	106	1	
16533-62210	93	14	54700	97	2	90115	111	1-45	
16536-43600	93	2	16620-54701	101	1	16705-99000	111	4	
73000	93	3	16621-54700	101	3	16710-54760	111	1-4	
73000	93	2	16622-54700	101	5	16712-90170	106	1-4	
16546-50100	93	2	16626-54700	3	18	90171	106	1-4	
99209	91	9	16626-54700	97	3	16716-37500	111	8	
99500	91	2	16629-54700	102	8	16720-99012	111	5.6	
16548-37501	93	10	16640-90019	106	3	16723-37503	111	7	
16550-25509	89	3	90019	121	1-19	16726-95000	112	30	
99060	89	3	96009	79	7.8	16727-37501	112	29	
16551-47000	93	15	99029	79	8	16729-37500	111	2	
16561-43600	93	12	16641-J2001	121	1	16732-99002	113	35	
16568-Y4100	93	16	16645-37501	121	2	16735-90067	123	1	
16573-90064	89	2	16646-37501	121	3	16738-29000	113	34	
16574-90072	87	3	16649-37500	121	7	16739-29001	113	35	
16581-90007	143	48	16650-54700	97	4	16740-37500	113	36	
16598-73600	93	11	16651-37501	121	9	16741-29000	111	25	
16600-54701	97	1	16652-37500	121	10	18261	111	25	
54701	97	1	16653-37500	121	11	18262	111	25	
54701	101	1-8	37501	121	8	18263	111	25	
90074	97	1	16656-37501	121	18	18264	111	25	
90100	97	1	16657-37500	121	5	18265	112	25	
90103	97	1	54700	97	5	18266	112	25	
16610-54700	101	2-8	99011	121	6-9	18267	112	25	
16614-54700	101	6	16658-99000	121	12	18268	112	25	
54701	101	6	16659-37500	121	13	18269	112	25	
54702	101	6	16660-37500	121	15	18270	112	25	
54703	101	6	16663-99004	121	4	18271	112	25	
54704	101	6	16665-99004	121	16	18272	112	25	
54705	101	6	16666-96001	107	21	18273	112	25	
54706	101	6	16668-27000	75	31	18274	112	25	
54707	101	6	27000	75	34	18275	112	25	
54708	101	6	27000	79	2	18276	112	25	
54709	101	6	90013	75	31	18277	112	25	
54710	101	6	16669-90013	75	32	18278	112	25	
54711	101	6	90060	75	32	18279	112	26	
54712	101	6	90062	75	32	29000	113	37	
54713	101	6	90063	75	32	29001	113	37	
54714	101	6	90064	75	32	29005	113	37	
54715	101	6	16670-90019	97	11	37500	113	37	
54716	101	6	90060	97	11	37501	113	37	
54717	101	6	16676-97001	75	22	37502	113	37	
54718	101	6	16677-90011	69	45	37503	113	37	
54719	101	6	90012	69	45	37504	113	37	
54760	101	6	16680-90072	98	21	37505	113	37	
54761	101	6	90073	98	21	37506	113	37	
54762	101	6	16681-90069	98	22	37509	113	37	
54763	101	6	90070	98	22	90015	112	25	
54764	101	6	16682-90074	98	23	99004	111	22	
54765	101	6	90075	98	23	99006	112	25	
54766	102	6	16683-90064	98	24	99008	112	25	

PARTS NUMBER INDEX ( 16741-99009 ~ 19376-99113 ) Pub. No. = PBD3439607									
Part Number	Page	Key-No.	Part Number	Page	Key-No.	Part Number	Page	Key-No.	Part Number
部品番号	ページ	キー番号	部品番号	ページ	キー番号	部品番号	ページ	キー番号	部品番号
16741-99009	112	25	17520-90005	74	11	19251-90006	126	11	
99010	112	25	90007	74	11	90010	126	11	
99011	112	25	90009	74	11	19252-01700	123	3	
99012	112	25	90010	74	11	96000	115	14	
99013	112	25	17521-90004	74	12	19258-37500	115	4	
99014	112	25	90005	74	12	19260-37502	115	20	
99015	112	25	90006	74	12	19276-99005	116	40	
99016	112	25	90009	74	12	99017	116	40	
16742-37500	115	26	17522-90003	74	13	19277-29001	116	41	
37501	113	41	90004	74	13	29001	117	58	
16743-99003	111	23	90007	74	13	19278-90000	116	42	
16744-99012	113	38	90008	75	13	90001	117	62	
16745-18260	111	20-24	18114-90005	126	14	99010	121	14	
16747-99002	111	10	18115-90014	126	11-18	99014	111	11	
16748-37500	111	21	90019	126	11-15	19279-90000	116	43	
16752-37500	111	3	18117-20000	108	52	95000	111	19	
16754-37501	113	40	18141-90008	183	12	99003	115	2	
16755-37500	117	57	18166-21001	126	12	19283-01700	116	31	
16757-37500	113	44	Z1001	183	10	01704	116	31	
16759-37500	111	24	90012	126	12	01705	116	31	
16760-99602	111	12	90012	126	31	90001	116	46	
16761-29000	111	18	18236-90062	126	14	99014	116	45	
16766-37500	112	32	18238-90064	107	31	99018	116	31	
16767-37500	112	31	18319-97000	115	9	99119	116	31	
99009	111	6	18410-60400	126	18	19285-99000	115	16	
16768-37500	113	33	18499-90017	183	18	99004	115	19	
16773-29001	113	43	90018	183	18	19286-99118	115	22	
Z9008	111	13	18502-90017	143	31	19287-99005	115	7	
Z9009	111	13	90060	143	31	19289-99004	115	3	
16776-29002	111	14	90065	143	31	19290-99004	116	37	
16777-29001	111	15	90066	143	31	99006	116	73	
16778-29003	111	16	18503-90018	126	1	19303-90012	116	32	
99001	113	45	90061	126	1	99109	116	33	
99002	116	36	90062	126	1	19310-90004	115	8	
16779-29000	111	17	90063	108	61	90004	115	17	
16782-99013	115	21	90064	126	1	19312-99114	115	25	
16790-90310	106	1-4	90065	126	61	19314-29018	115	14	
90311	106	1-4	90066	126	1	90001	117	71	
90312	106	1-4	90068	108	61	99004	116	39	
90318	106	1-4	18516-90017	126	3	99016	116	35	
90319	106	1-4	90061	107	43	19325-90002	116	28	
90361	106	1-4	90062	107	43	19331-90068	107	31	
90362	106	1-4	90062	126	3	19332-90001	117	53	
90367	106	1-4	19050-Z5001	188	21	90005	107	41	
90368	106	1-4	19109-90302	106	2	90006	107	31	
90369	106	1-4	90302	115	1-74	90007	107	31	
16793-90000	113	42	90305	106	2	19333-99109	118	74	
90000	121	19	90305	106	2	19334-29001	115	19	
16794-10600	143	42	90305	115	1-74	49650	117	61	
10601	75	21	90315	106	2	99112	117	61	
10601	75	33	90315	115	1-74	99504	117	60	
10601	19	6	90317	106	2	99800	117	61	
16814-90062	107	15	90317	115	1-74	99802	117	61	
16815-77800	97	6	90360	106	2	19336-99103	115	13	
16820-90007	106	4	19123-90002	115	12	19337-90302	117	54	
16821-99205	123	2	99011	116	41	19340-99002	117	52	
16842-29000	111	9	19124-90001	117	63	19342-90001	116	31	
16854-90001	117	50	19125-29007	117	66	90002	116	31	
99002	116	49	Z9008	117	66	90003	116	31	
16874-90001	116	27	Z9009	117	66	19344-90000	116	48	
16875-29000	123	4	Z9010	117	66	19350-90001	117	55	
17200-90202	189	92	Z9011	11					

# Engine for TB070 NISSAN BD3004

PARTS NUMBER INDEX ( 19376-99315 ~ 19808-90000 ) Pub. No. = PBD3439607											
Part Number 部品番号	Page ページ	Key-No.	Part Number 部品番号	Page ページ	Key-No.	Part Number 部品番号	Page ページ	Key-No.	Part Number 部品番号	Page ページ	Key-No.
19376-99315	117	70									
99403	116	38									
19378-90002	116	47									
19380-90004	115	6									
19382-29000	115	5									
90001	115	15									
99000	117	56									
19388-99005	116	44									
19389-99007	117	67									
19797-99001	115	18									
99003	115	23									
19798-90000	117	69									
19801-25507	107	51									
Z5517	107	51									
90006	107	51									
90010	107	51									
19808-90000	126	17									
Page	7		NISSAN DIESEL MOTOR CO., LTD.			Printed in Japan					

PARTS NUMBER INDEX ( 20010-91369 ~ 23300-06J04 ) Pub. No. = PBD3439607														
Part Number 部品番号	Page ページ	Key-No.	Part Number 部品番号	Page ページ	Key-No.	Part Number 部品番号	Page ページ	Key-No.	Part Number 部品番号	Page ページ	Key-No.	Part Number 部品番号	Page ページ	Key-No.
* 20010-91369	191	4	21200-76205	142	1	23102-99207	157	5						
20017-25001	185	107	96009	142	1	99212	159	5						
90006	183	36	96015	142	1	99217	161	5						
90006	191	3	96017	142	1	23108-51H00	159	1-3						
90062	184	39	96017	142	1	99211	157	1-3						
90062	188	32	96017	142	1	99300	161	1-3						
20101-27001	183	31	21212-90002	8	56	23118-L6001	157	17-20						
Z7001	191	1	21218-27001	8	57	51H01	159	17-20						
90002	183	31	21302-90060	145	1-10	51H02	161	17-20						
90002	188	31	21303-C6800	145	8	23120-27000	157	19						
20102-25005	185	105 K	21304-34N00	4	24	58500	159	19						
20112-25001	185	106	34N00	145	21	58500	161	19						
90008	183	37	21305-54T00	145	1-10	79800	157	3						
90008	191	6	21320-31N00	145	1-8	79800	159	3						
90009	183	37 K	21334-02N00	3	15	79800	161	3						
90009	188	37	02N00	68	16	23124-27000	157	18						
20203-90513	191	8	02N00	145	22	61502	161	18						
20601-10G00	184	38	05D03	145	8	23127-99410	157	8-16						
20602-41G00	183	34	06J00	145	8	99506	159	8-16						
20604-B8000	183	35	21355-43G01	145	9	99502	161	8-16						
20691-01E00	185	108	21383-J6500	75	23	23128-99213	157	8						
01E80	191	2	99007	57	24	99303	161	8						
20711-01E00	185	108	90012	149	33	23131-L6000	157	22						
21010-90065	134	1	90012	188	41	L6001	157	23						
90065	137	1-7	90013	149	34	W1700	159	22						
90066	134	1	90013	188	42	W1700	161	22						
90066	137	1-7	90014	149	35	23133-51H00	159	10-13						
90068	134	1	90014	188	43	51H01	161	10-13						
90068	134	1	90117	148	23	23134-99013	157	10-13						
90068	139	1-7	21400-90362	148	1	23135-B9801	157	10-11						
90069	134	1	90363	148	1	10H00	159	10-11						
90069	134	1	90378	148	1-6	23142-04601	157	11						
21011-93103	137	1	90461	148	1-3	04601	159	11						
99103	139	1	21401-90067	148	21	80W00	161	11						
21014-34N00	3	20	90110	148	21	23151-99407	157	21						
34N00	134	2	21411-90062	148	24	99412	159	21						
34N01	3	20	21430-90077	148	2	99412	161	21						
34N01	134	2	21430-90078	148	2	23153-43G06	161	24						
21022-99101	137	2	21475-90017	148	9	51H00	159	24						
99101	139	2	90018	148	9	23161-27000	157	24						
99110	137	2	21477-90066	148	7	23168-90071	153	14						
21026-99201	137	3	90067	148	7	90072	153	14						
99201	139	3	90068	148	7	90073	153	14						
21027-99003	137	4	90070	148	7	23173-90063	154	15						
99003	139	4	21481-90005	148	3	23174-90076	153	11						
21030-43G00	57	12	21501-90366	148	31	90077	153	11						
21035-99001	137	5	90367	149	31	23175-90002	154	21						
99001	139	5	90367	188	39	90003	154	21						
99004	137	5	90368	149	31	23183-51H00	159	8						
21043-37500	137	6	90369	149	31	23200-B9801	157	20						
37500	139	6	21503-90273	149	32	04601	159	20						
21051-99106	137	7	90274	149	32	04601	161	20						
99206	139	7	90274	188	40	23220-27000	184	45						
21052-90105	135	21	90275	149	32	90062	184	45						
90105	135	21	90276	149	32	90062	184	45						
90107	135	21	21508-90006	134	12	90063	184	45						
90107	135	21	21741-10T01	148	22	90064	184	45						
21060-L6000	134	11	90002	148	5	90065	184	45						
T9000	134	11	22316-T8203	34	63	90065	184	45						
T9000	134	11	22630-10G00	143	41	90065	188	45						
90074	134	11	22635-C6800	143	43	23225-90065	154	36						
90075	134	11	23100-90072	153	1	23230-B9801	157	15-16						
90075	134	11	90072	157	1-24	51H00	159	15-16						
90076	134	11	90074	153	1	51H01	161	15-16						
90078	134	11	90074	159	1-24	23300-06J02	164	1						
21063-73502	135	21	90075	153	1	06J02	167	1-41						
21064-T3470	134	21	90075	161	1-24	06J04	164	1						
21200-76205	142	1	90076	153	1	06J04	167	1-41						
Page	8		NISSAN DIESEL MOTOR CO., LTD.			Printed in Japan								

# Engine for TB070 NISSAN BD3004

PARTS NUMBER INDEX ( 23300-90067 ~ 27070-M0200 ) Pub. No. = PBD3439607											
MOOC	Part Number	Page	Key-No.	MOOC	Part Number	Page	Key-No.	MOOC	Part Number	Page	Key-No.
	部品番号	ページ			部品番号	ページ			部品番号	ページ	
	23300-90067	164	1		23465-M4900	169	16-18		25530-90000	188	64
	90067	169	1-31		23468-T9002	170	31		25550-Z5003	183	15
	90068	164	1		23470-06J01	167	33-36		Z5003	188	25
	90068	169	1-31		10T00	170	26-29		25610-Z5002	185	73
	90069	164	1		43G00	170	26-29		Z5002	188	64
	23305-09500	169	6		23500-99008	159	13		25613-90016	185	71
	23306-T9000	169	5-7		99008	161	13		90016	188	61
	29002	167	2		99011	157	13		25977-43G02	23	11
	10G00	169	5-7		24017-Z5501	183	16		26001-90014	188	55
	23310-T9002	169	2-4		Z5501	188	26		26210-90005	185	75
	54T00	169	2-4		Z5502	185	102		90019	185	75
	99205	167	5-7		90004	184	41		90019	189	65
	23312-Z9000	167	23, 24		90004	188	44		90060	185	75
	10T00	169	12-19		90006	183	17		90060	188	65
	43G00	169	12-19		90006	184	46		26275-90004	185	81
	23314-Z9002	167	25		90009	185	74		90004	189	71
	23318-06J02	167	27, 28		90009	188	63		27070-M0200	57	25
	54T00	170	22		90010	183	21				
	54T01	170	22		90012	183	22				
	23319-M4900	169	3		90014	184	42				
	Z9000	167	28		90015	183	17				
	23322-06J01	167	30-32		90015	188	27				
	10T00	170	24, 25		90016	185	109				
	43G00	170	24, 25		90016	188	46				
	51S02	167	30-32		24089-D9910	189	98				
	23324-43G00	170	20		24090-Z9001	189	97				
	23325-T9000	169	4		24120-90001	185	101				
	23330-C8600	167	16-18		24360-06J00	167	41				
	23331-T9000	169	7		24816-90004	184	56				
	T9001	169	11		90005	184	56				
	Z9002	167	4		25026-90067	184	52				
	Z9002	167	17		90072	184	52				
	23333-T9001	169	10		25039-90065	184	55				
	Z9001	167	18		90065	188	51				
	10G00	169	10		90066	184	57				
	23337-06J01	167	14		90074	184	57				
	10G00	169	8		90075	184	55				
	23338-M4900	169	4		25049-96005	107	19				
	23340-J5500	167	40		25050-90061	184	58				
	T9001	170	30		90063	184	58				
	23341-T9000	169	13		90063	184	58				
	V0600	167	20		90063	188	55				
	10T00	170	23		90076	184	58				
	43G00	170	23		90078	184	58				
	23343-06J01	167	26		25053-96008	188	60				
	06J04	167	26		96009	184	59				
	99217	170	21		96009	184	59				
	99218	170	21		25080-96001	17	23				
	23354-10T00	169	12-14		96001	143	46				
	43G00	169	12-14		25110-Z7000	184	51				
	23357-10T00	169	15		90069	184	51				
	43G00	169	15		90069	188	47				
	23358-M4900	169	13		25160-90000	184	61				
	V0600	167	21		25177-96001	31	11				
	23365-M4900	169	14		25186-Z9011	31	1-3				
	23369-T9000	169	16-18		25187-90015	31	4				
	Z9001	167	12, 13		25188-90016	31	5				
	23372-V0600	167	8-10		25191-Z9002	31	6				
	23378-T9000	169	9-11		Z9003	31	9				
	10G00	169	9-11		25192-90012	24	17				
	23380-10G00	169	7		90015	23	17				
	10G00	169	11		25221-90000	31	10				
	23383-Z9002	167	6		25230-C6400	185	71				
	Z9003	167	7		C9900	183	19				
	Z9003	169	14		R8201	183	19				
	34T00	167	19, 20		25235-N8500	183	23				
	23441-10T00	169	19		25240-89902	69	61				
	43G00	170	19		25530-90000	185	73				

Page 9

NISSAN DIESEL MOTOR CO., LTD.

Printed in Japan

PARTS NUMBER INDEX ( 30100-90708 ~ 36628-90104 ) Pub. No. = PBD3439607											
MOOC	Part Number	Page	Key-No.	MOOC	Part Number	Page	Key-No.	MOOC	Part Number	Page	Key-No.
	部品番号	ページ			部品番号	ページ			部品番号	ページ	
	30100-90708	173	1								
	30210-90062	173	2								
	90062	179	1-14								
	30211-58000	179	14								
	30213-55101	179	6								
	30214-44002	179	8								
	30221-90062	179	1								
	30224-90062	179	9								
	30225-85060	179	13								
	30226-K7200	179	4								
	30227-85060	179	12								
	30257-L1111	179	7								
	30291-37700	173	4								
	30400-91407	173	11, 12								
	30402-53000	173	12								
	30412-P5100	7	22								
	P5100	7	26								
	30422-90006	173	14								
	30430-90013	28	4								
	30501-90008	175	10								
	30502-90006	175	11								
	30513-85060	175	12								
	30515-85060	175	7								
	30522-90003	175	1								
	30523-90001	175	6								
	30526-90003	177	12								
	30536-49246	179	2								
	30538-85060	175	8								
	32112-90004	177	2								
	32114-90007	177	9								
	32119-90005	177	7								
	90006	177	10								
	32202-89500	37	23								
	30000	37	22								
	32205-90001	177	5								
	32241-90073	177	1								
	32950-90000	177	3								
	33164-90003	177	4								
	33296-43G00	153	4								
	36310-90201	175	21-30								
	36327-59508	175	22								
	36329-27160	175	24								
	36330-59508	175	25								
	36332-59508	175	26								
	36333-59508	175	27								
	36369-90003	175	31								
	36628-90104	175	13								

Page 10

NISSAN DIESEL MOTOR CO., LTD.

Printed in Japan

Engine for TB070 NISSAN BD3004

PARTS NUMBER INDEX ( 47434-90000 ~ 49751-90002 ) Pub.No. = PB03439607												
Code	Part Number 部品番号	Page ページ	Key-No.	Code	Part Number 部品番号	Page ページ	Key-No.	Code	Part Number 部品番号	Page ページ	Key-No.	
	47434-90000	148	6									
	49751-90002	23	14									
		Page	11	NISSAN DIESEL MOTOR CO., LTD.								Printed in Japan

PARTS NUMBER INDEX ( 58122-91660 ~ 58122-91660 ) Pub.No. = PB03439607												
Code	Part Number 部品番号	Page ページ	Key-No.	Code	Part Number 部品番号	Page ページ	Key-No.	Code	Part Number 部品番号	Page ページ	Key-No.	
	58122-91660	157	12									
		Page	12	NISSAN DIESEL MOTOR CO., LTD.								Printed in Japan

# Engine for TB070 NISSAN BD3004

PARTS NUMBER INDEX ( 91111-90068 ~ 99755-Z7001 ) Pub No. = PBD3439607												
C K K	Part Number	Page	Key-No.	Part Number	Page	Key-No.	Part Number	Page	Key-No.	Part Number	Page	Key-No.
	部品番号	ページ		部品番号	ページ		部品番号	ページ		部品番号	ページ	
	91111-90068	58	45									
	92600-90005	57	1									
	90005	61	1-49									
	92610-99001	61	1									
	92611-99000	61	2									
	99001	61	3									
	92612-99000	61	4									
	92613-99000	61	6									
	92614-99000	61	8									
	92615-99000	61	9-13									
	92616-99000	61	10									
	99001	61	11									
	99002	61	13									
	99003	62	41									
	99004	62	43									
	92617-99000	61	12									
	92618-99000	61	15									
	92619-99000	61	20									
	99001	61	21									
	92620-99000	61	22-35									
	92621-99000	61	22									
	92622-99000	61	25									
	92623-99000	62	31									
	92624-99000	62	32									
	92626-99000	62	47									
	92628-99025	61	16									
	92629-99025	61	23-27									
	92630-99025	61	28-31									
	92631-99000	61	14									
	96931-90002	189	94									
	96934-90004	189	96									
	96947-90000	189	95									
	98506-90000	189	93									
	99450-90018	69	48									
	99504-90061	193	1-9									
	99507-Z0001	193	1									
	99508-Z0003	193	3									
	99541-Z5000	193	6									
	90006	193	6									
	99595-75000	193	9									
	99755-Z7000	193	7									
	Z7001	193	8									