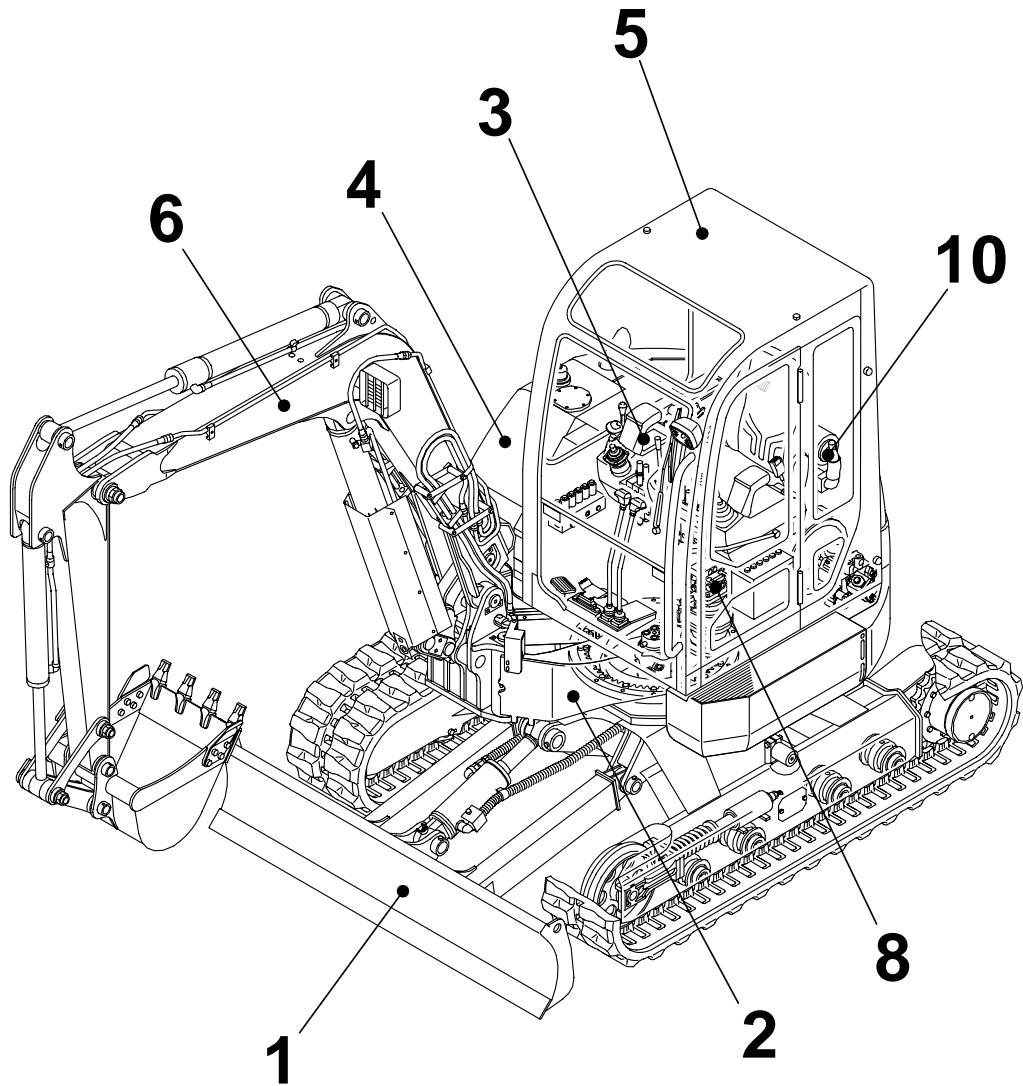


TB53FR

Book No. BJ1Z006

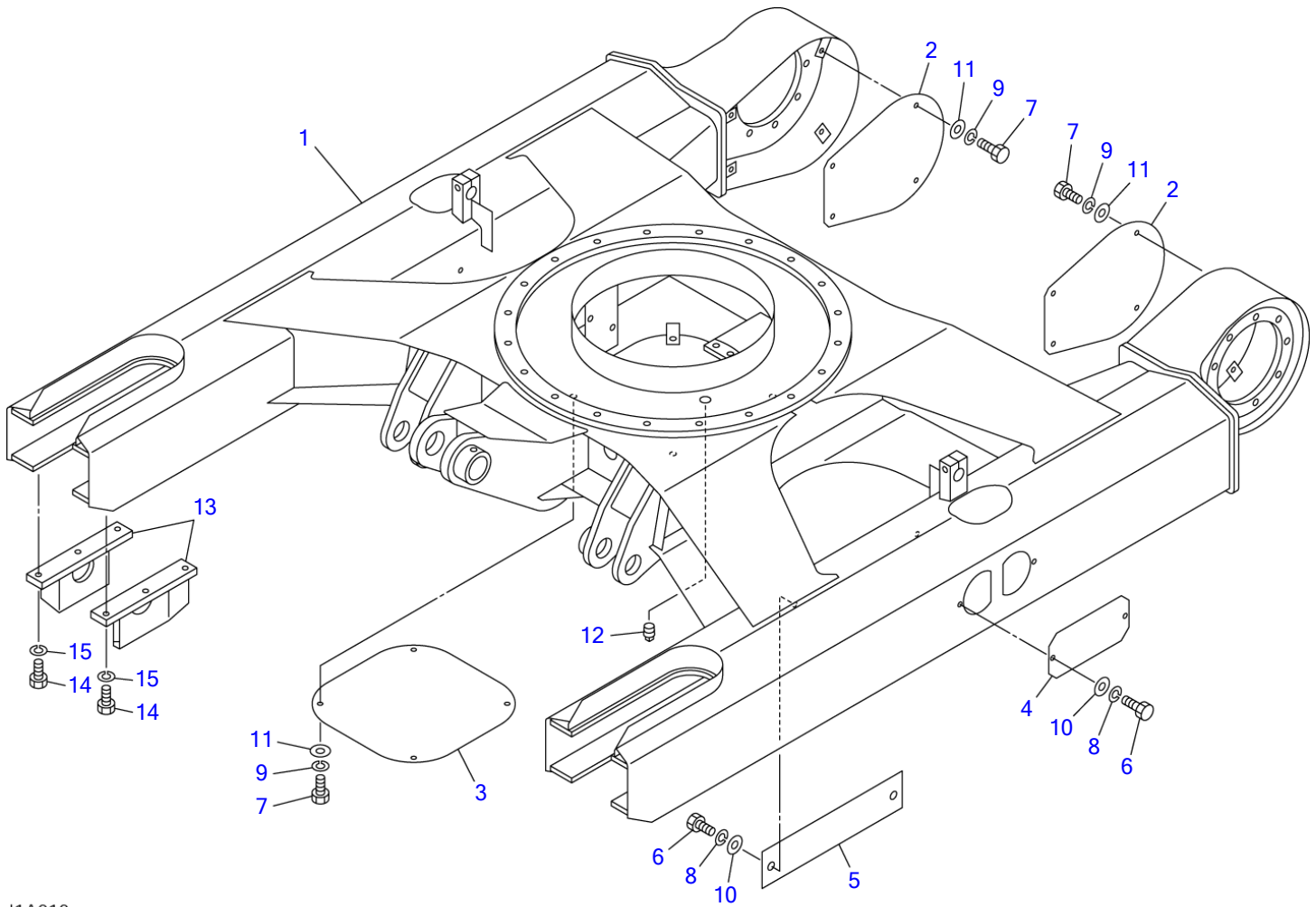
Serial No.15810005-15811324

(2005.12)



TAIKENUCHI

Item	Part number	Description	INDEX				Remarks
			Q'ty	Chan.	Serial No.	Serv.	
1		UNDERCARRIAGE					
2		TURNTABLE & CONTROL LEVER					
3		ENGINE & ELECTRICAL SYSTEM					
4		HYDRAULIC PIPNG & TANK					
5		COVER & CAB					
6		HOE ATTACHMENT					
7		DECAL & TOOL					
8		HYDRAULIC DEVICE					
10		ENGINE 4TNE88-ETBZ					
		ENGINE 4TNV88-QTBZ					
		2008.7.11					

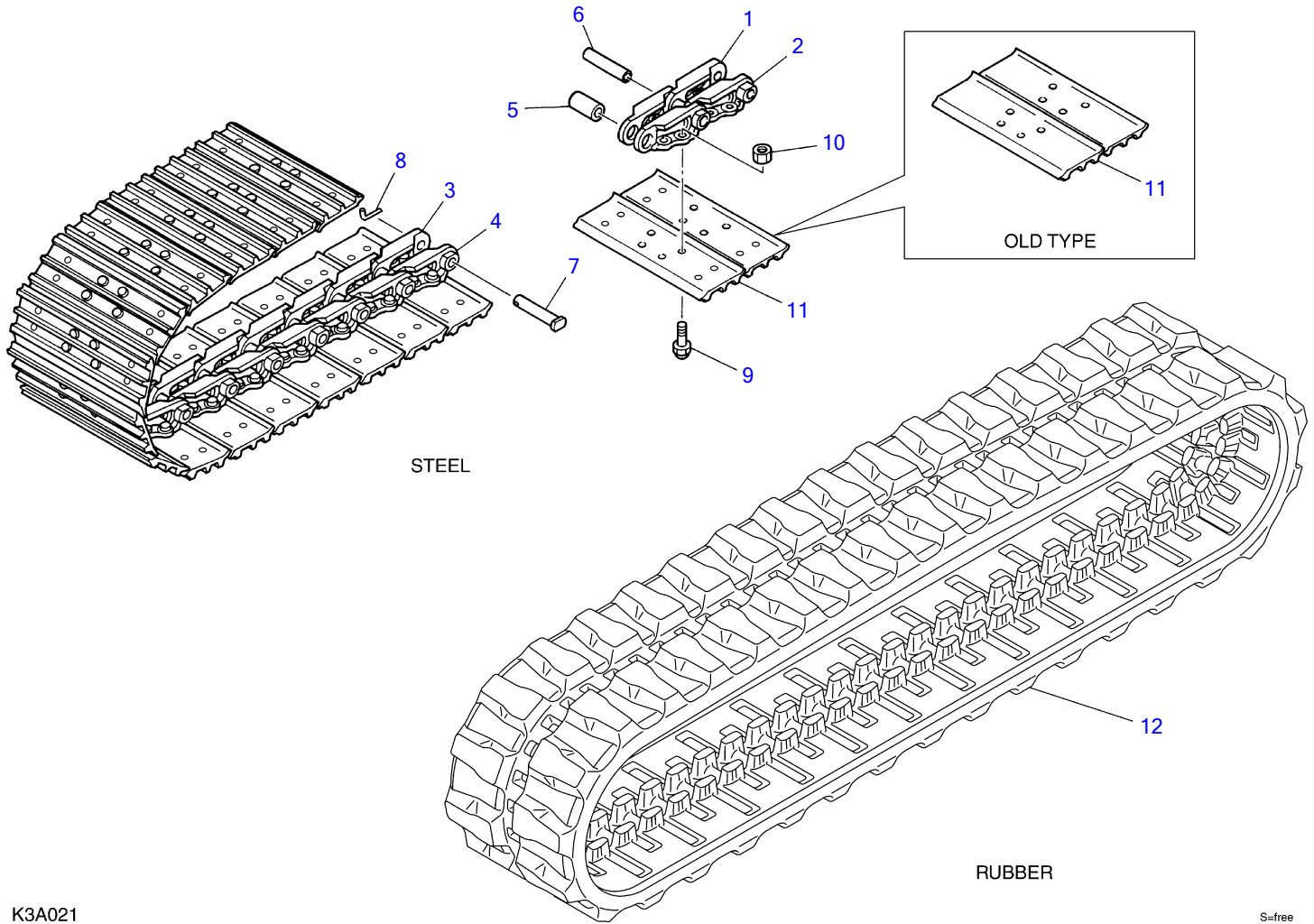


J1A010

S=1/14

LOWER FRAME

Item	Part number	Description	Q'ty	Chan.	Serial No.	Serv.	Remarks
Item	Part number	•” •j -¼ 0	?	Chan.	Serial No.	Mod.	Remarks
		FRAME ASSY, lower (rubber)					X03910-09500-0
		FRAME ASSY, lower (steel)					X03910-09900-0
1	X *****	FRAME	1				
2	0391004002	COVER	2				
3	0391004003	COVER	1				
4	0391005010	COVER	2				
5	0561019400	COVER	2				
6	1100040816	BOLT	8				
7	1100041020	BOLT	12				
8	1140020008	WASHER, spring	8				
9	1140020010	WASHER, spring	12				
10	1141110008	WASHER	8				
11	1141110010	WASHER	12				
12	1508710010	PLUG	1				
13	0461000700	GUIDE, shoe	4				steel
14	1101041230	BOLT	12				steel
15	1140020012	WASHER, spring	12				steel
	J1a010						



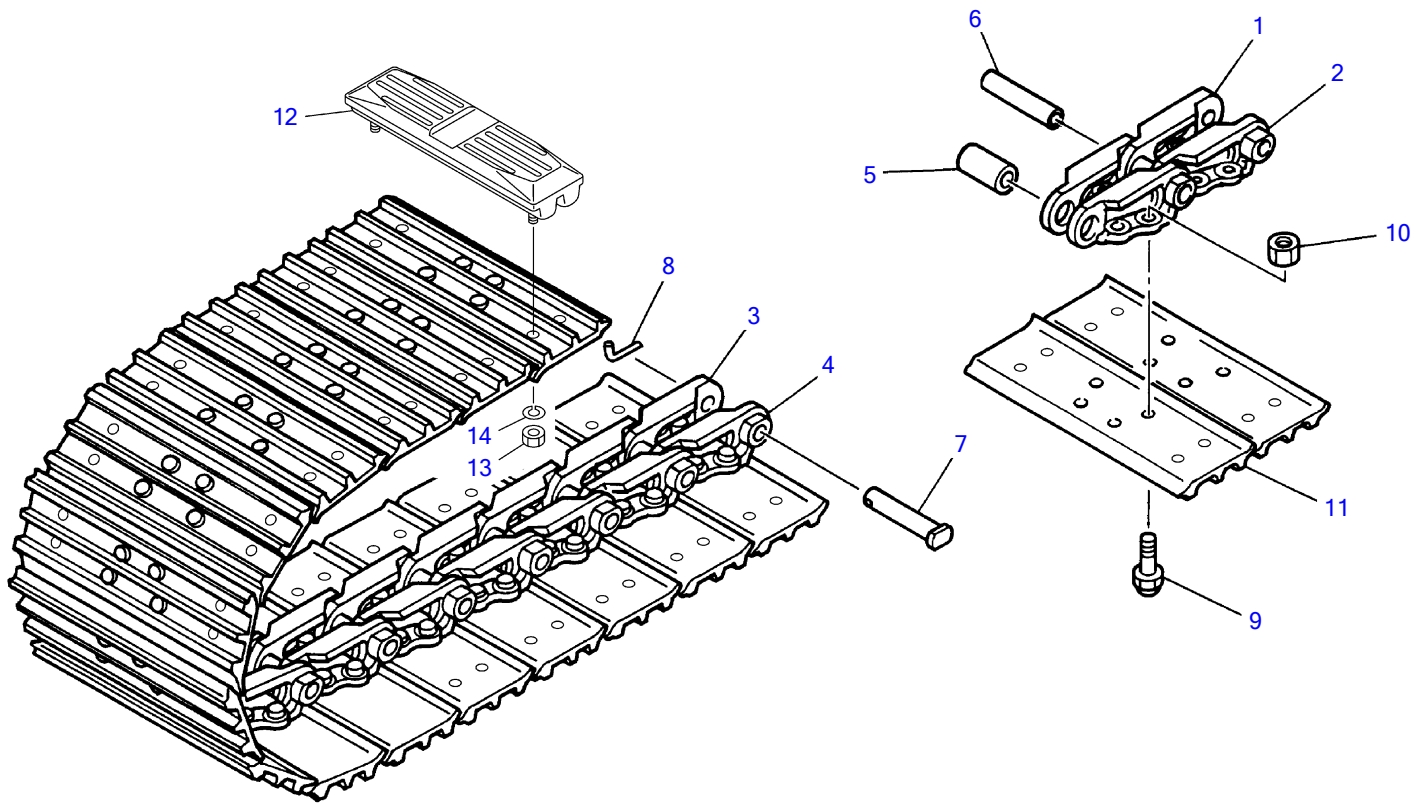
K3A021

S=free

CRAWLER BELT

Item	Part number	Description	Q'ty	Chan.	Serial No.	Serv.	Remarks
0	1914051300	BELT, steel crawler (380wide)	2		old type		X19140-51300-0
	1914051600	BELT, steel crawler (400wide)	2	(H)	new type		X19140-51600-0
1	1914039001	· LINK (R.H.)	37				
2	1914039002	· LINK (L.H.)	37				
3	1914039003	· LINK, master (R.H.)	1				
4	1914039004	· LINK, master (L.H.)	1				
5	1914039012	· BUSHING	38				
6	1914039006	· PIN, track	37				
7	1914039007	· PIN, master	1				
8	1914039008	· PIN	1				
9	1914039009	· BOLT	152				
10	1914033010	· NUT	152				
11	1914051311	· PLATE, shoe	38		old type		380wide
	1914051611	· PLATE, shoe	38		new type		400wide
12	1914065400	BELT, rubber crawler	2	(L)	15810005~15810524		
	1914065500	BELT, rubber crawler	2	(H)	15810525~		
	J1a023						

TB53FR Book No. BJ1Z006 S/N 15810005-15811324
CRAWLER BELT (with rubber pads)



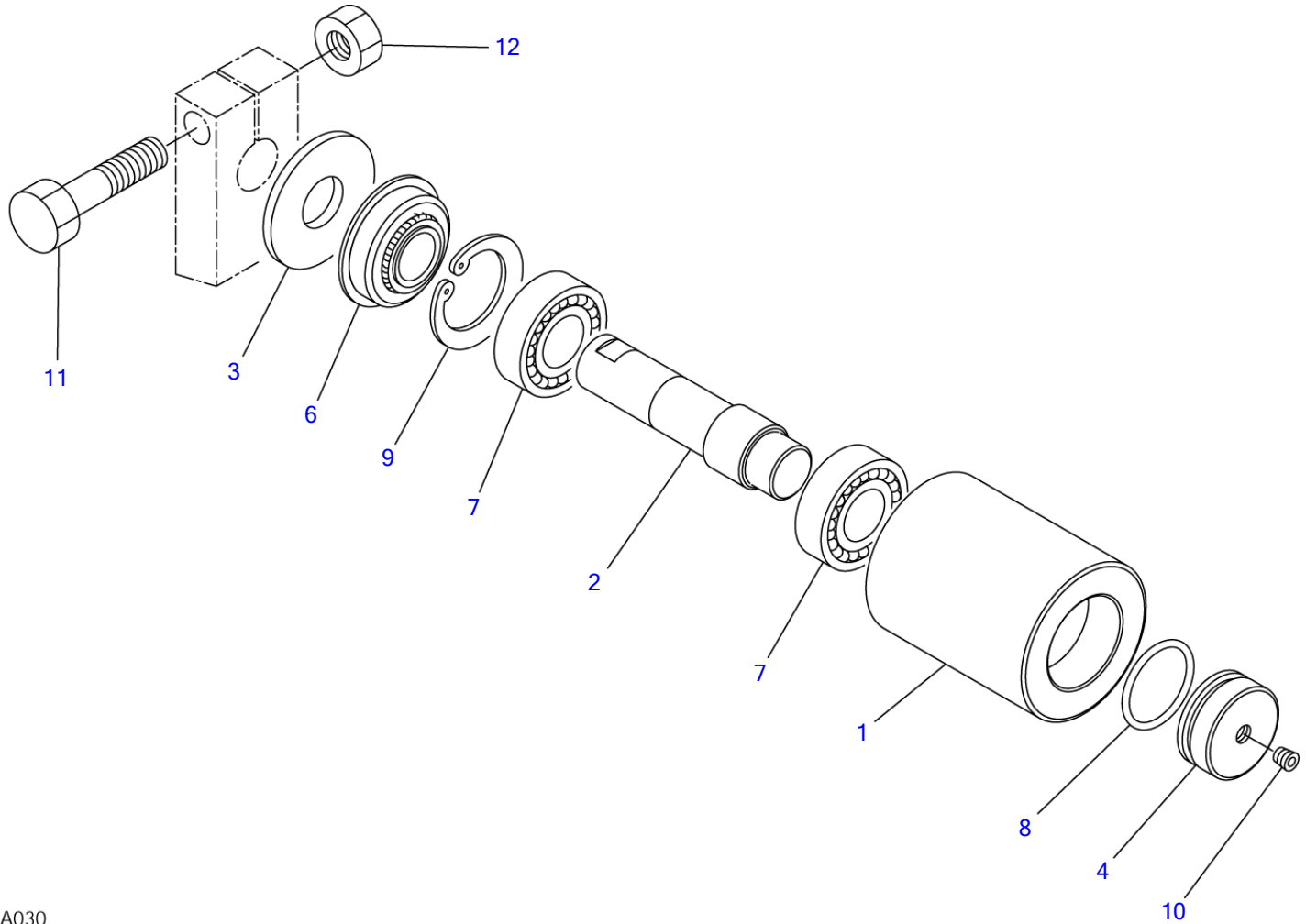
K3A151

S-free

CRAWLER BELT (with rubber pads)

Item	Part number	Description	Q'ty	Chan.	Serial No.	Serv.	Remarks
0	1914051700	BELT ASSY, steel crawler (400wide)	2				X19140-51700-0
1	1914039001	▪ LINK (R.H.)	37				
2	1914039002	▪ LINK (L.H.)	37				
3	1914039003	▪ LINK, master (R.H.)	1				
4	1914039004	▪ LINK, master (L.H.)	1				
5	1914039012	▪ BUSHING	38				
6	1914039006	▪ PIN, track	37				
7	1914039007	▪ PIN, master	1				
8	1914039008	▪ PIN	1				
9	1914039009	▪ BOLT	152				
10	1914033010	▪ NUT	152				
11	1914051611	▪ PLATE, shoe	38				400wide
12	1914400500	▪ PAD, rubber	38				
13	1130020012	▪ ▪ NUT	152				
14	1140020012	▪ ▪ WASHER, spring	152				
	K3a152						

TB53FR Book No. BJ1Z006 S/N 15810005-15811324
CARRIER ROLLER (15810005-15810683)

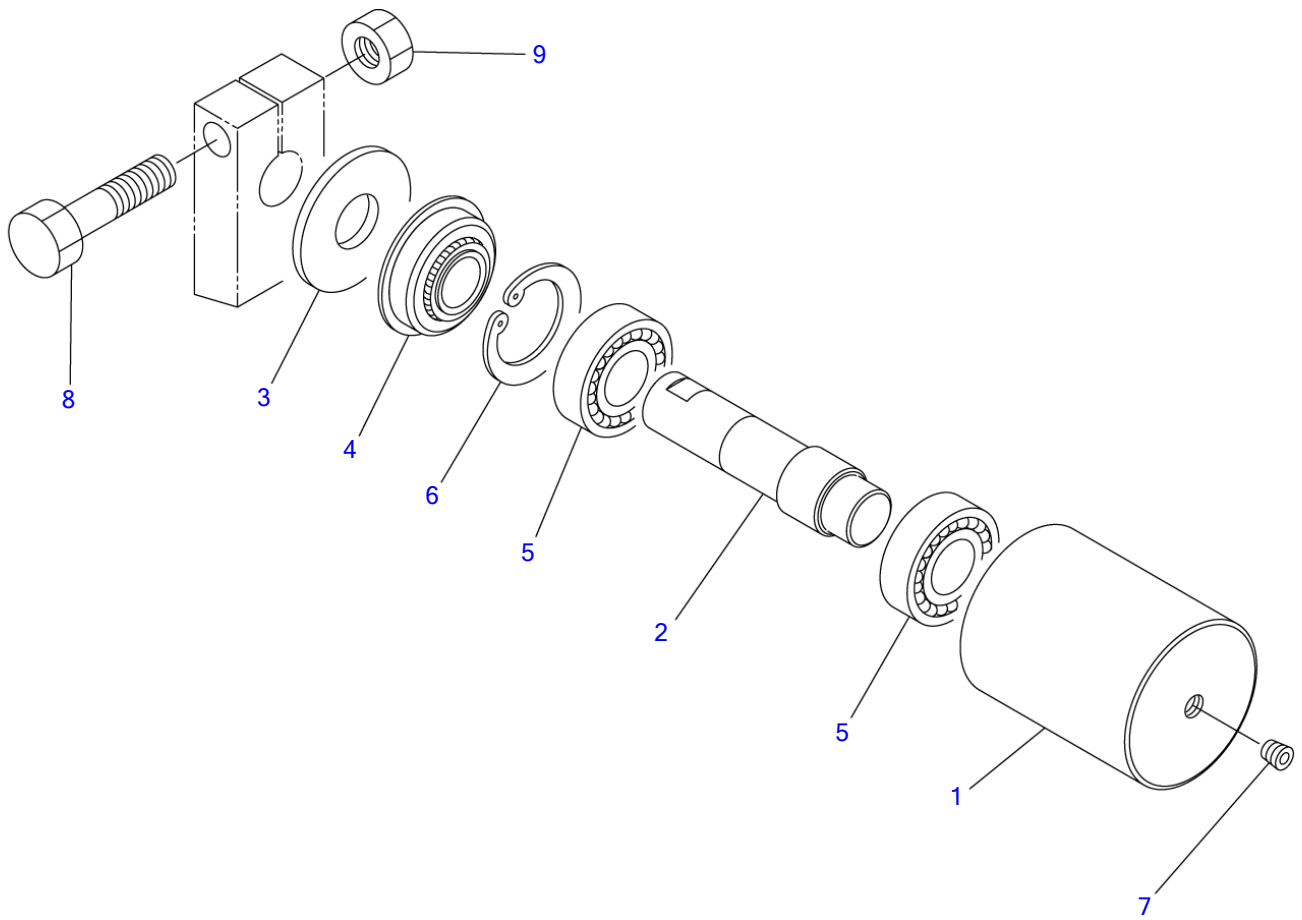


K3A030

S=1/3

CARRIER ROLLER (15810005-15810683)

Item	Part number	Description	Q'ty	Chan.	Serial No.	Serv.	Remarks
		ROLLER ASSY, carrier					X04612-01000-0
0-1	0461201100	ROLLER SUB ASSY	2				
1	0461200200	· ROLLER	1				
2	0461201200	· SHAFT	1				
3	0141201300	· COVER	1				
4	0171200400	· COVER	1				
6	1431203062	· SEAL	1				
7	1300006206	· BEARING	2				
8	1420100500	· O-RING	1				
9	1221000062	· RING, snap	1				
10	1501810001	· PLUG	1				
11	1101051665	BOLT	2				
12	1130550016	NUT	2				
	K3a031						

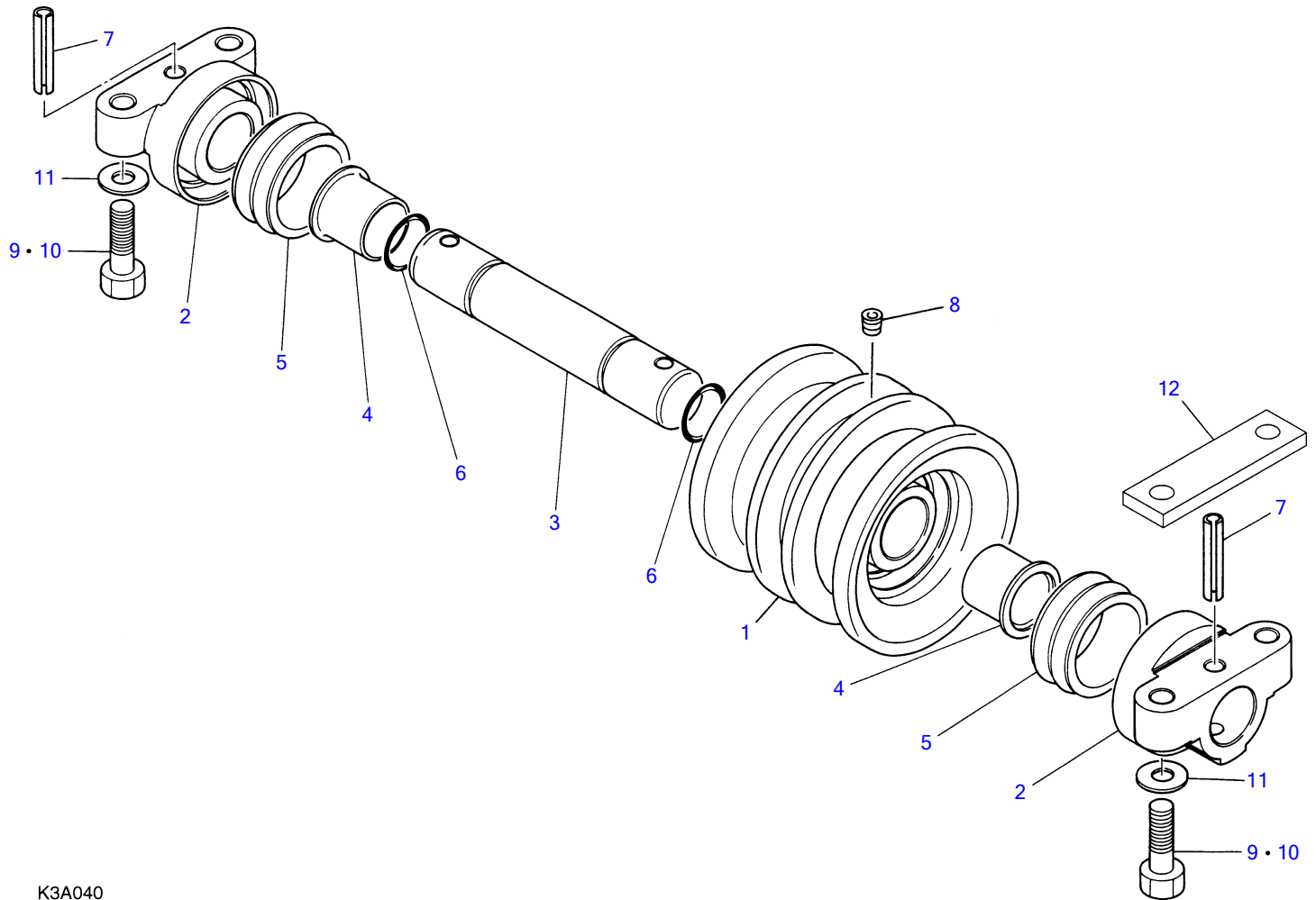


G4A100

S=1/3

CARRIER ROLLER (15810684-)

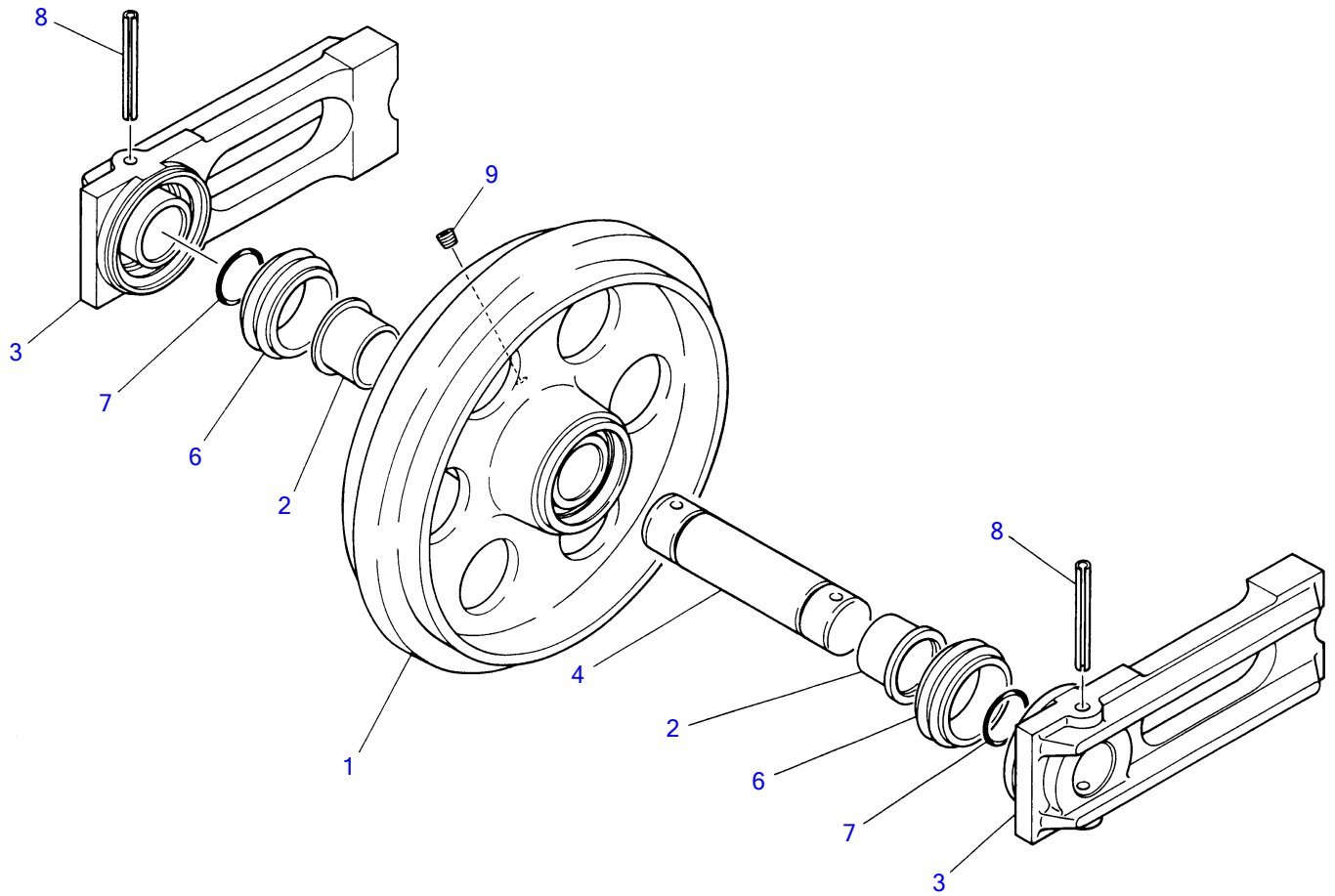
Item	Part number	Description	Q'ty	Chan.	Serial No.	Serv.	Remarks
		ROLLER ASSY, carrier					X03912-00000-2
0-1	0391200100	ROLLER SUB ASSY	2				
1	0391200110	▪ ROLLER	1				
2	0391200120	▪ SHAFT	1				
3	0141201300	▪ COVER	1				
4	1431203062	▪ SEAL	1				
5	1300006206	▪ BEARING	2				
6	1221000062	▪ RING, snap	1				
7	1501820001	▪ PLUG	1				
8	1101041670	BOLT	2				
9	1130540016	NUT	2				
	K3a141						



K3A040

TRACK ROLLER

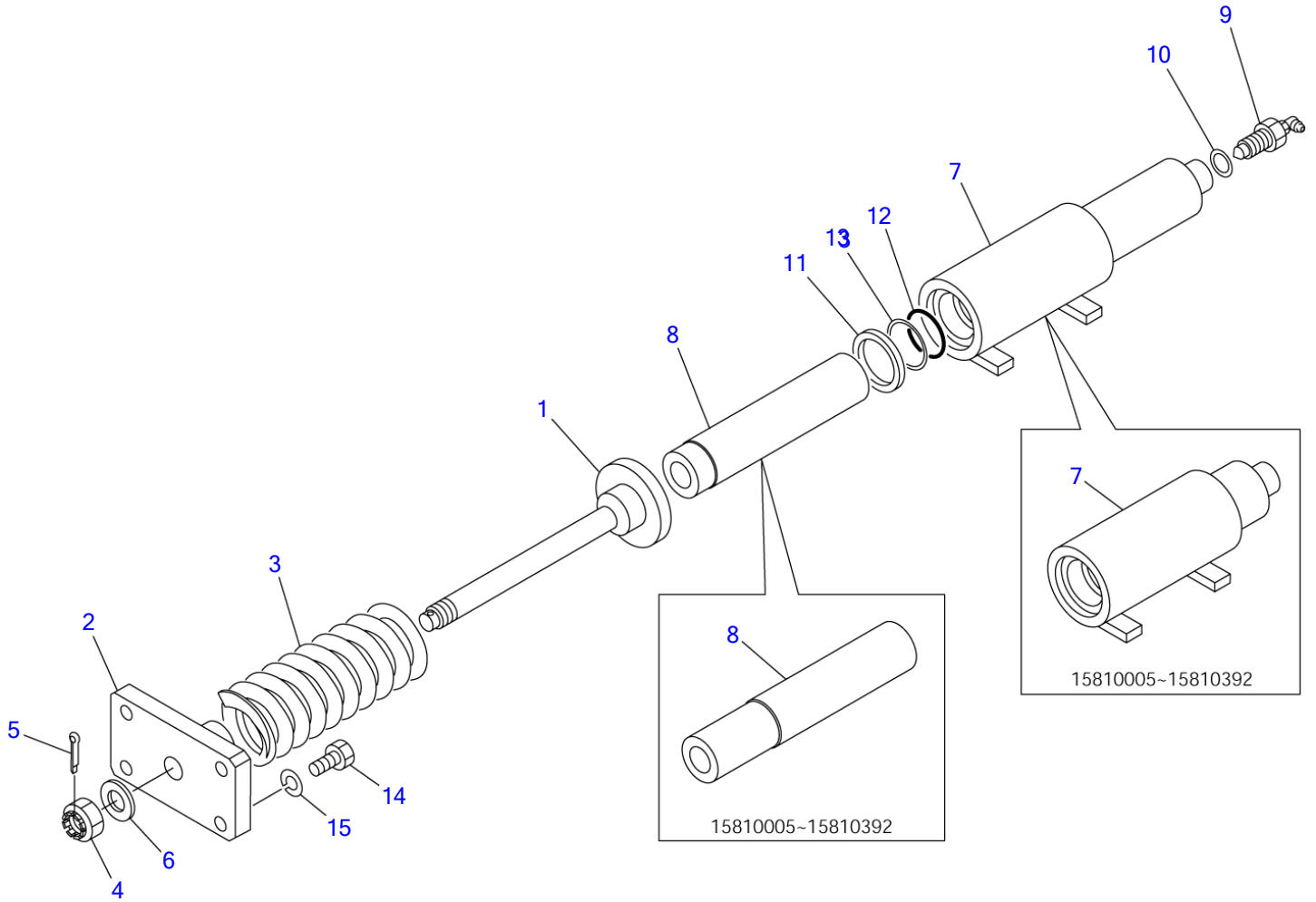
Item	Part number	Description	Q'ty	Chan.	Serial No.	Serv.	Remarks
		ROLLER ASSY, track (rubber)					X03913-02000-5
		ROLLER ASSY, track (steel)					X03913-03000-5
0-1	0391302100	ROLLER SUB ASSY, track	10				
1	0391302300	• ROLLER	1				
2	0461300300	• COVER	2				
3	0461300400	• SHAFT	1				
4	1333073535	• BUSHING	2				
5	1432500560	• SEAL, floating	2				
6	1420100300	• O-RING	2				
7	1213001055	• PIN, spring	2				
8	1501810001	• PLUG	2				
9	1101051245	BOLT	40				
10	1101051255	BOLT	40				steel
11	1141540012	WASHER	40				
12	0391300400	PLATE	20				steel
	K3a042						



K3A050

Item	Part number	Description	FRONT IDLER			Remarks
			Q'ty	Chan.	Serial No.	
		IDLER ASSY, front				
0-1	0461490010	IDLER ASSY, sub	2			X04614-01000-4
1	0461401100	▪ IDLER	1			
2	1333064540	▪ BUSHING	2			
3	0461400300	▪ BLOCK	2			
4	0461400400	▪ SHAFT	1			
6	1432500640	▪ SEAL, floating	2			
7	1420100400	▪ O-RING	2			
8	1213101000	▪ PIN, spring	2			
9	1501810001	▪ PLUG	2			
	K3a053					

TB53FR Book No. BJ1Z006 S/N 15810005-15811324
TRACK ADJUSTER



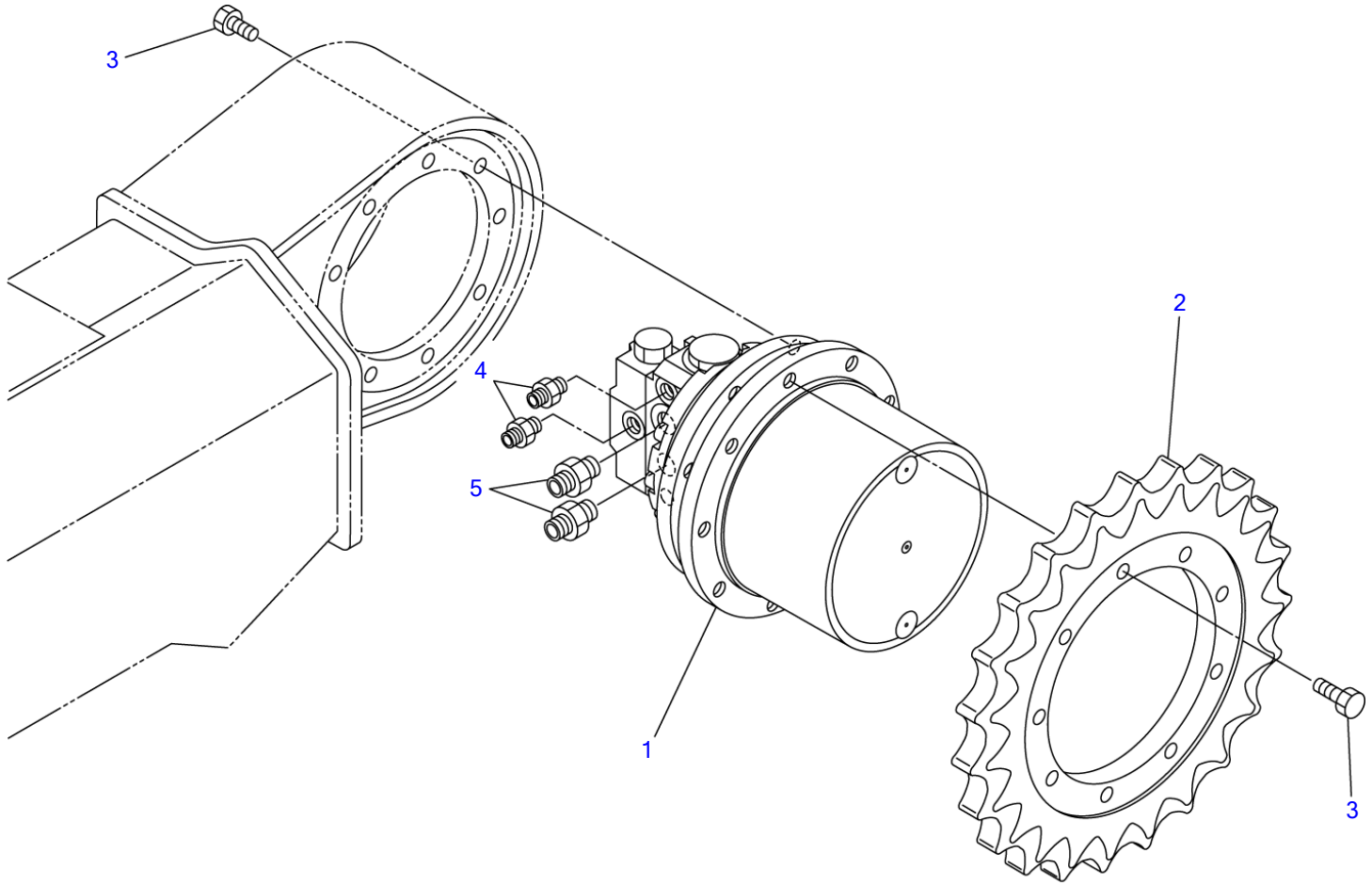
J1A060

S=FREE

TRACK ADJUSTER

Item	Part number	Description	Q'ty	Chan.	Serial No.	Serv.	Remarks
		SPRING ASSY (R.H.)					X03915-07600-0
		SPRING ASSY (L.H.)					X03915-07700-0
0-1	0391502100	SPRING SUB ASSY	2		15810005~15810392		
	0391507300	SPRING SUB ASSY	2		15810393~		
1	0391502200	• ROD	1		15810005~15810392		
	0391507310	• ROD	1		15810393~		
2	0461500400	• PLATE	1		15810005~15810392		
	0391507320	• PLATE	1		15810393~		
3	0007000002	• SPRING	1				
4	1132530020	• NUT	1		15810005~15810392		
	1132030024	• NUT	1		15810393~		
5	1210000440	• PIN, split	1				
6	1141540020	• WASHER	1		15810005~15810392		
	1141540024	• WASHER	1		15810393~		
0-2	0391504100	CYLINDER ASSY, grease	2		15810005~15810392		
	0391507400	CYLINDER ASSY, grease	2		15810393~		
7	0391504200	• CYLINDER, grease	1		15810005~15810392		
	0391507410	• CYLINDER, grease	1		15810393~		
8	0391502700	• PISTON	1		15810005~15810392		
	0391507420	• PISTON	1		15810393~		
9	1541301602	• VALVE ASSY, check	1				
10	1541201616	• WASHER	1				
11	1400402835	• SEAL	1		15810005~15810392		
	1400403038	• SEAL	1		15810393~		
12	1422010500	• O-RING	1		15810005~15810392		
	1422010550	• O-RING	1		15810393~		
13	1421020500	• RING, back-up	1		15810005~15810392		
	1421020550	• RING, back-up	1		15810393~		
14	1101051245	BOLT	8				
15	1140010012	WASHER, spring	8				

J1a060



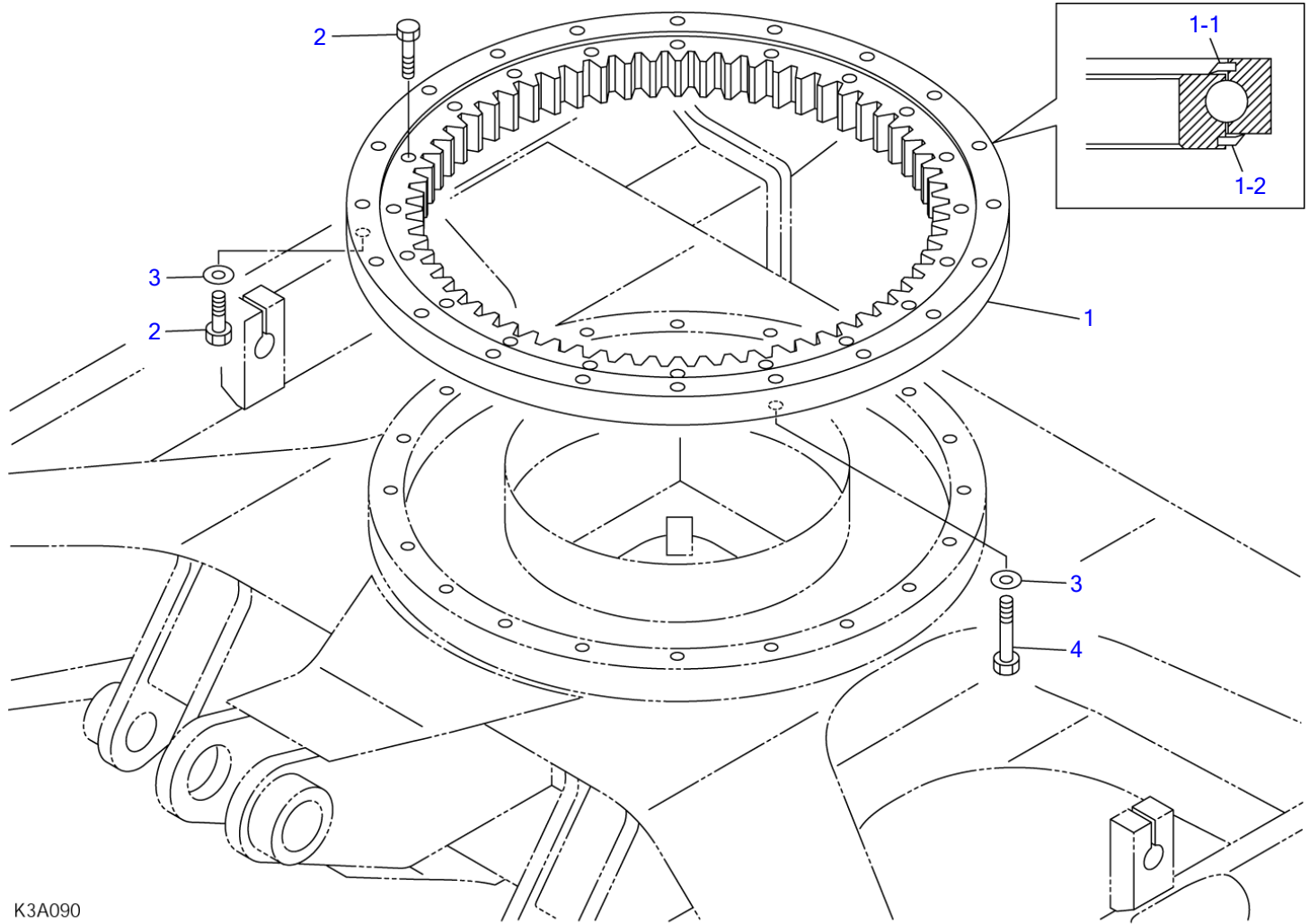
K3A080

S-FREE

TRAVEL DEVICE

Item	Part number	Description	Q'ty	Chan.	Serial No.	Serv.	Remarks
		MOTOR ASSY, travel					X03916-05000-0
1	1903119500	MOTOR, travel	2		15810005~15810392		
2	1903123000	MOTOR, travel	2	(H)	15810393~		
3	0261603100	SPROCKET	2				
4	1100051435	BOLT	36				
4	1515600200	ADAPTOR	4				
5	1420010110	• O-RING	1				
	1515600202	ADAPTOR	4				
	1420010180	• O-RING	1				
	J1a070						

TB53FR Book No. BJ1Z006 S/N 15810005-15811324
SLEW BEARING



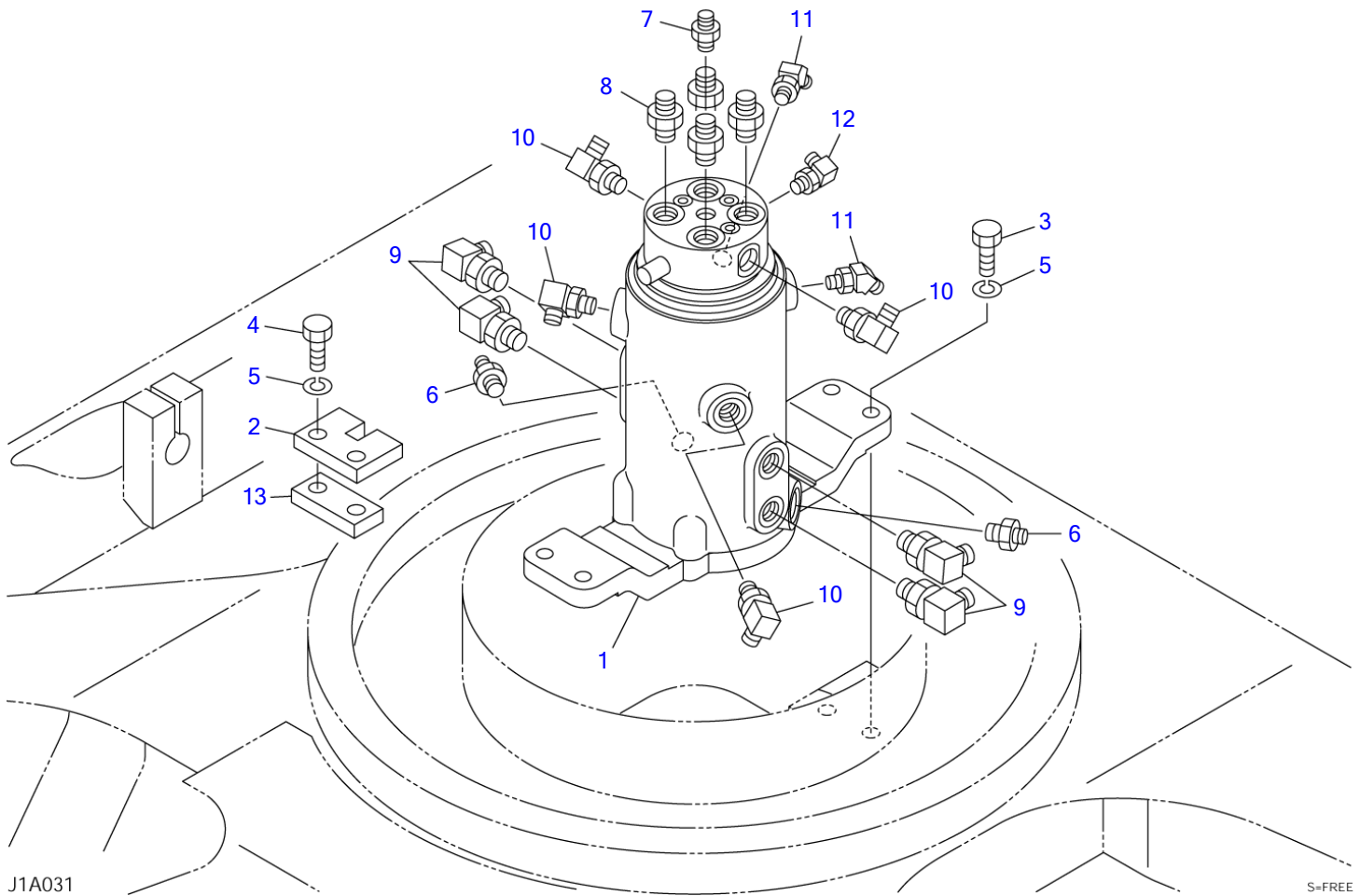
K3A090

S=FREE

SLEW BEARING

Item	Part number	Description	Q'ty	Chan.	Serial No.	Serv.	Remarks
		BEARING ASSY, slew					X03920-00000-1
1	1913003500	BEARING	1				
1-1	1913003508	• SEAL	1				
1-2	1913003509	• SEAL	1				
2	1101051680	BOLT	39				
3	1141540016	WASHER	20				
4	0392000100	BOLT	1				
	K3a090						

TB53FR Book No. BJ1Z006 S/N 15810005-15811324
SWIVEL JOINT & ACCESSORIES

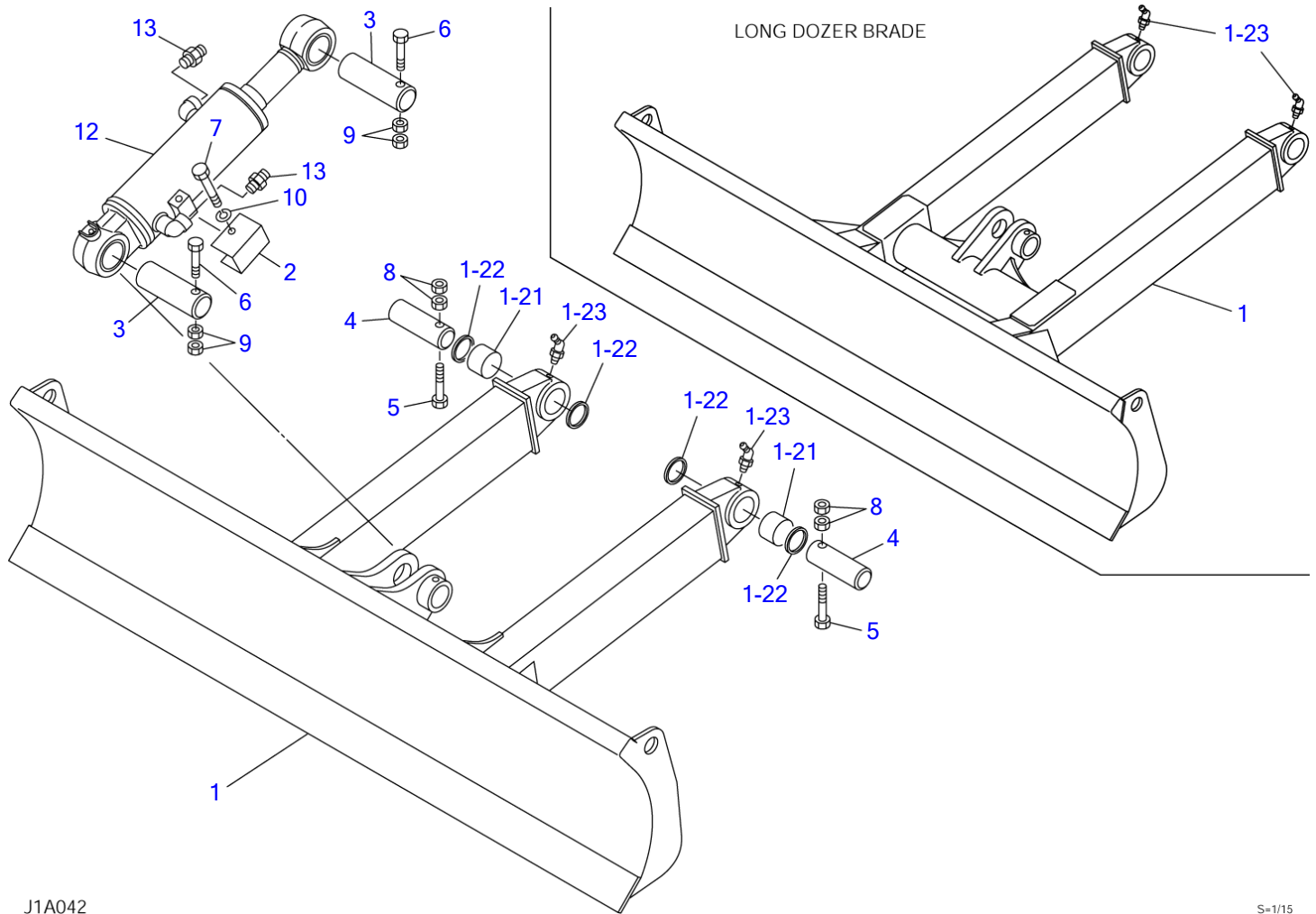


J1A031

S=FREE

SWIVEL JOINT & ACCESSORIES

Item	Part number	Description	Q'ty	Chan.	Serial No.	Serv.	Remarks
		JOINT ASSY, swivel					X03921-02100-0
1	1904006300	JOINT, swivel	1				
2	0442100100	STOPPER	1				
3	1101041245	BOLT	4				
4	1101041240	BOLT	2		15810005~15811250		
	1101041250	BOLT	2		15811251~		
5	1140020012	WASHER, spring	6				
6	0007203057	NIPPLE	2				
7	1511050003	ADAPTOR	1				
8	1515600202	ADAPTOR	4				
	1420010180	· O-RING	1				
9	1515010042	ELBOW	4				
	1420010180	· O-RING	1				
10	1515010041	ELBOW	4				
	1420010140	· O-RING	1				
11	1515100110	ELBOW	2				
	1420010110	· O-RING	1				
12	1515012040	ELBOW	1				
	1420010110	· O-RING	1				
13	0392102110	PLATE	1		15811251~	M	
	J1a032						



J1A042

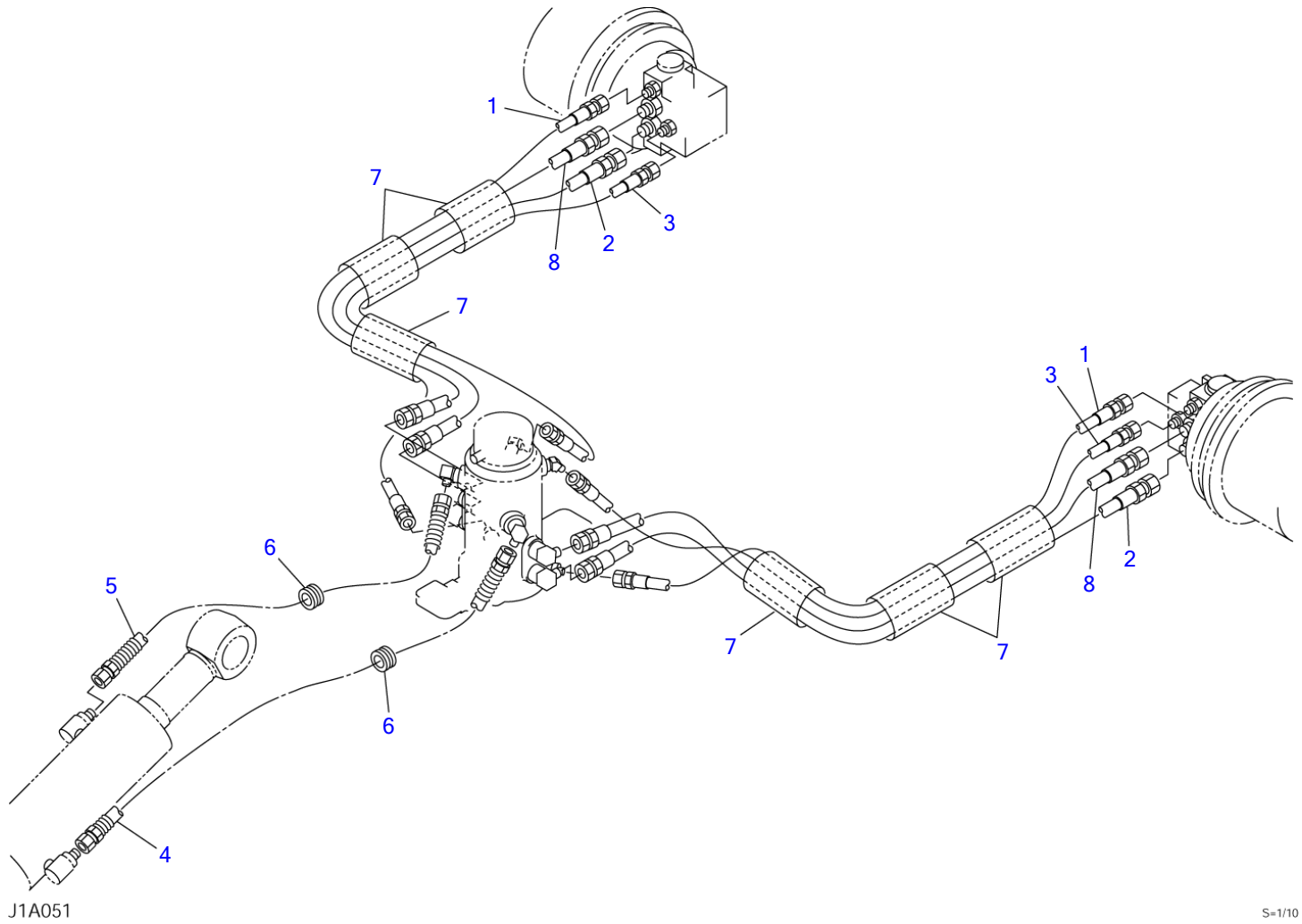
S=1/15

DOZER BLADE

Item	Part number	Description	Q'ty	Chan.	Serial No.	Serv.	Remarks
		BLADE ASSY, dozer					X03963-10000-3
		BLADE ASSY, long dozer					X03963-10500-1
1	0396310100	BLADE, dozer	1				
	0396310600	BLADE, dozer	1				long
1-21	0002200014	• BUSHING	2				
1-22	1432200045	• SEAL, dust	4				
1-23	1560001900	• FITTING, grease	2				
	1560001675	• FITTING, grease	2				long
2	0466300300	COVER	1	A	15810005~15810107		
	0426300400	COVER	1	a(H)	15810108~		
3	0001606150	PIN	2				
4	0001604135	PIN	2				
5	1103041085	BOLT	2				
6	1103141200	BOLT	2				
7	1100040860	BOLT	1				
8	1130240010	NUT	4				
9	1130240012	NUT	4				
10	1140020008	WASHER, spring	1				
12	1900047400	CYLINDER, dozer blade	1	A	15810005~15810107		
	1900077100	CYLINDER, dozer blade	1	a(H)	15810108~		
13	1515600201	ADAPTOR	2				
	1420010140	• O-RING	1				

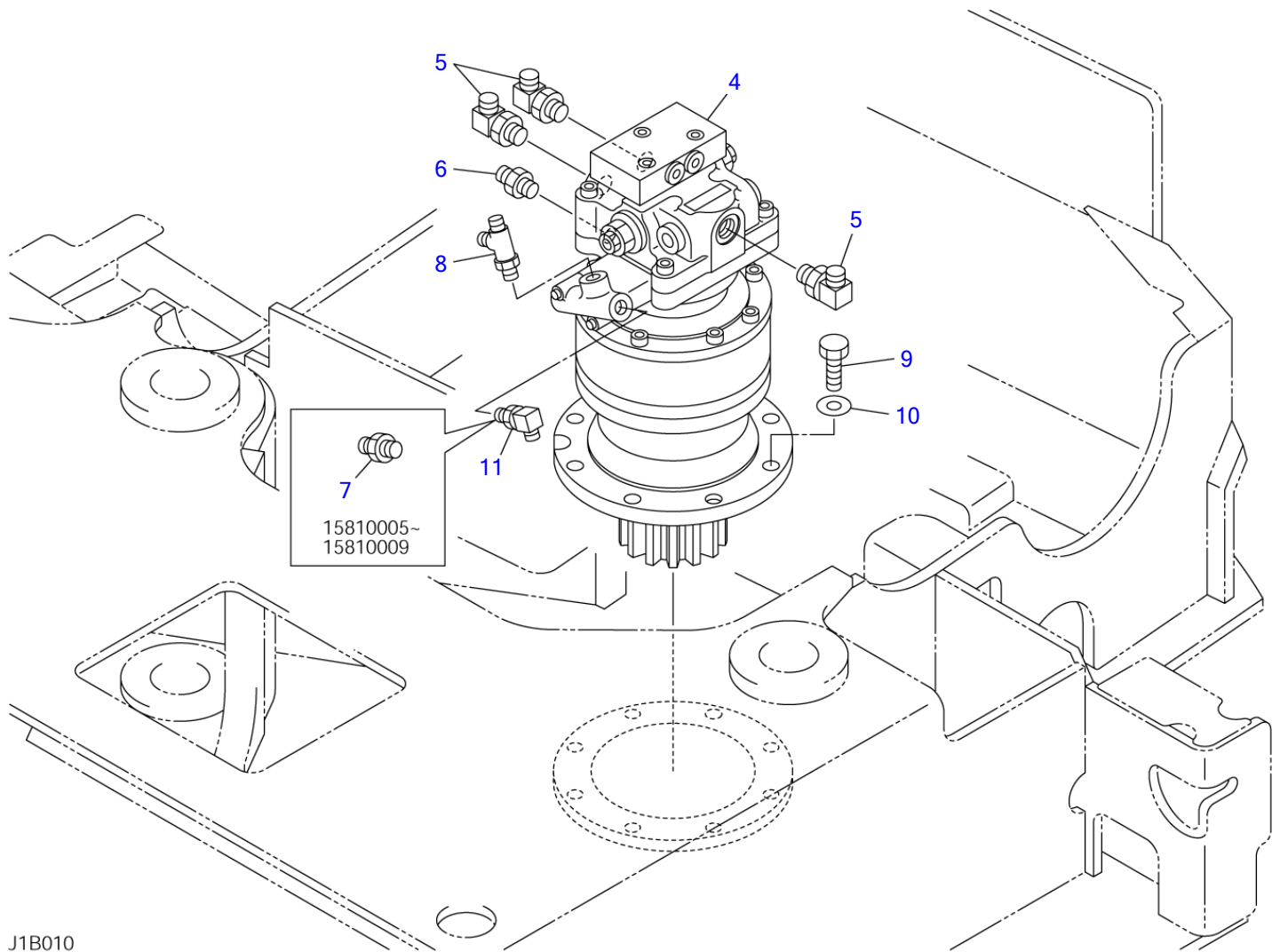
<<NOTE>>
 SET "A" is interchangeable
 with SET "a".

J1a043



PIPING; LOWER

Item	Part number	Description	Q'ty	Chan.	Serial No.	Serv.	Remarks
		PIPING ASSY, lower					X03972-04000-2
1	1801022132	HOSE ASSY	2				
2	1801540132	HOSE ASSY	2				
3	0397204030	HOSE ASSY	2			M	18010-22140
4	1801620116	HOSE ASSY	1				
5	1801620094	HOSE ASSY	1				
6	0437200100	GUARD	2				
7	1531350020	PROTECTOR	6				sold by the meter
8	0397204080	HOSE ASSY	2			M	18015-40132
	J1a052						

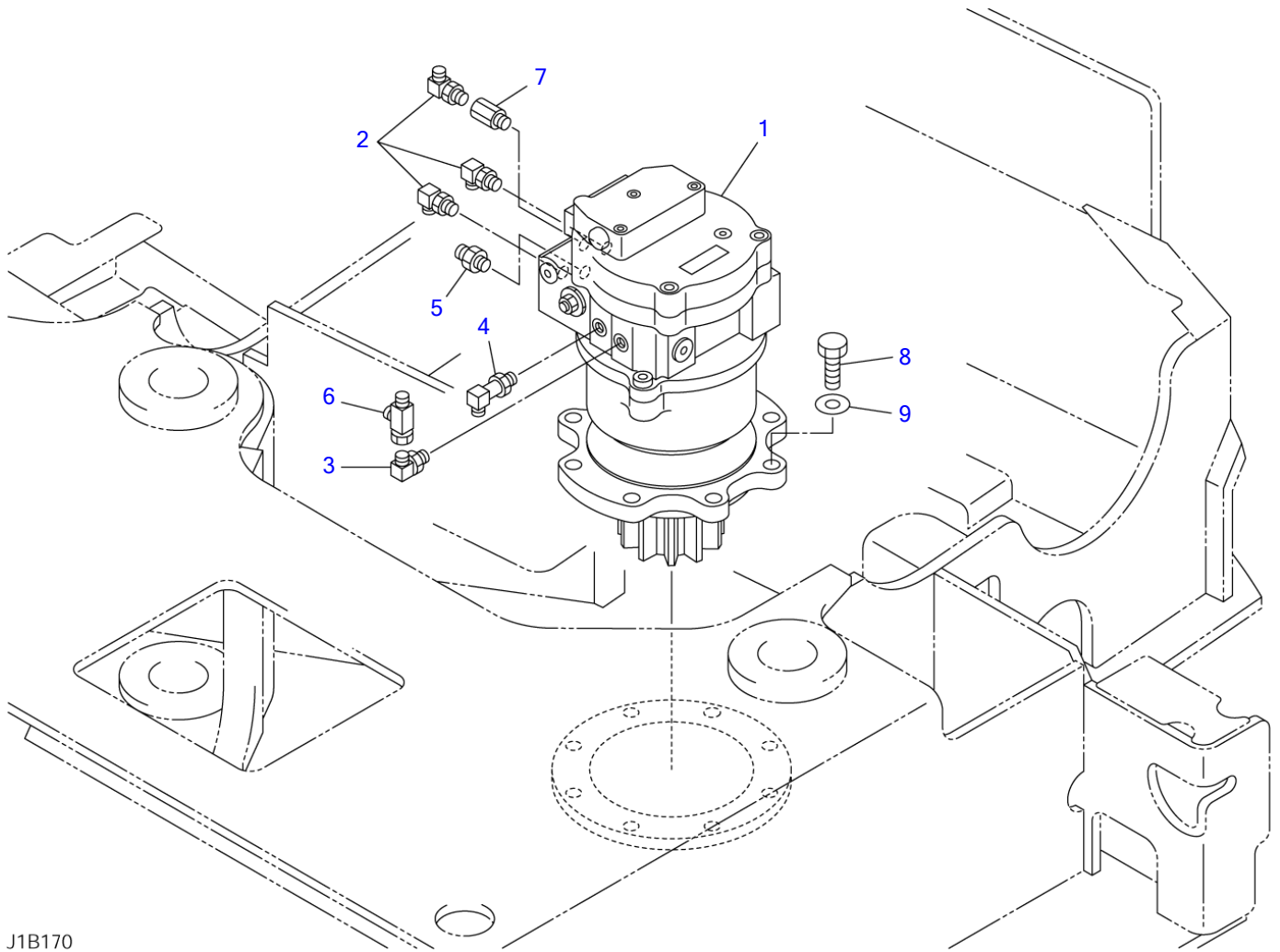


J1B010

S=1/7

SLEWING DEVICE (15810005-15810674)

Item	Part number	Description	Q'ty	Chan.	Serial No.	Serv.	Remarks
		DEVICE ASSY, slewing					X03923-16000-2
4	1903120200	MOTOR, slew	1				
5	1515010042	ELBOW	3				
	1420010180	· O-RING	1				
6	1515600576	ADAPTOR	1				
	1420010140	· O-RING	1				
7	1515600200	ADAPTOR	1		15810005~15810009		
	1420010110	· O-RING	1				
8	1512370011	TEE	1				
	1420010110	· O-RING	1				
9	1101041640	BOLT	8				
10	1141550016	WASHER	8				
11	1515012040	ELBOW	1		15810010~		
	1420010110	· O-RING	1				
	J1b011						



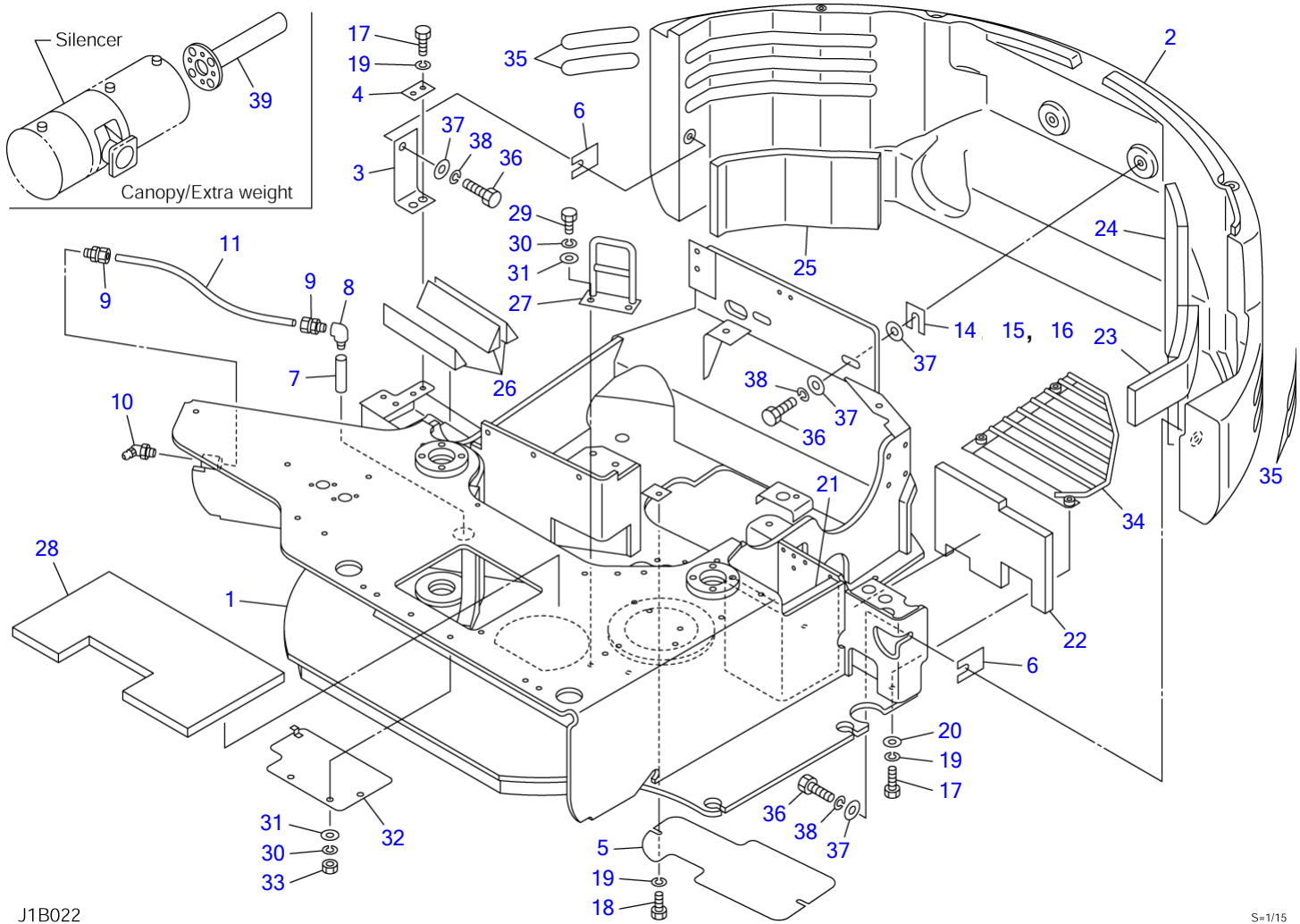
J1B170

S-177

SLEWING DEVICE (15810675-)

Item	Part number	Description	Q'ty	Chan.	Serial No.	Serv.	Remarks
		DEVICE ASSY, slewing					X03923-17500-0
1	1903122000	MOTOR, slew	1				
2	1515010131	ELBOW	3				
	1420010140	• O-RING	1				
3	1515012040	ELBOW	1				
	1420010110	• O-RING	1				
4	1515012510	ELBOW	1				
	1420010110	• O-RING	1				
5	1515600576	ADAPTOR	1				
	1420010140	• O-RING	1				
6	1513390015	TEE	1				
7	0007213016	BUSHING	1				
8	1101041640	BOLT	8				
9	1141550016	WASHER	8				
	J1b170						

TB53FR Book No. BJ1Z006 S/N 15810005-15811324
TURNTABLE (15810005-15810674)



J1B022

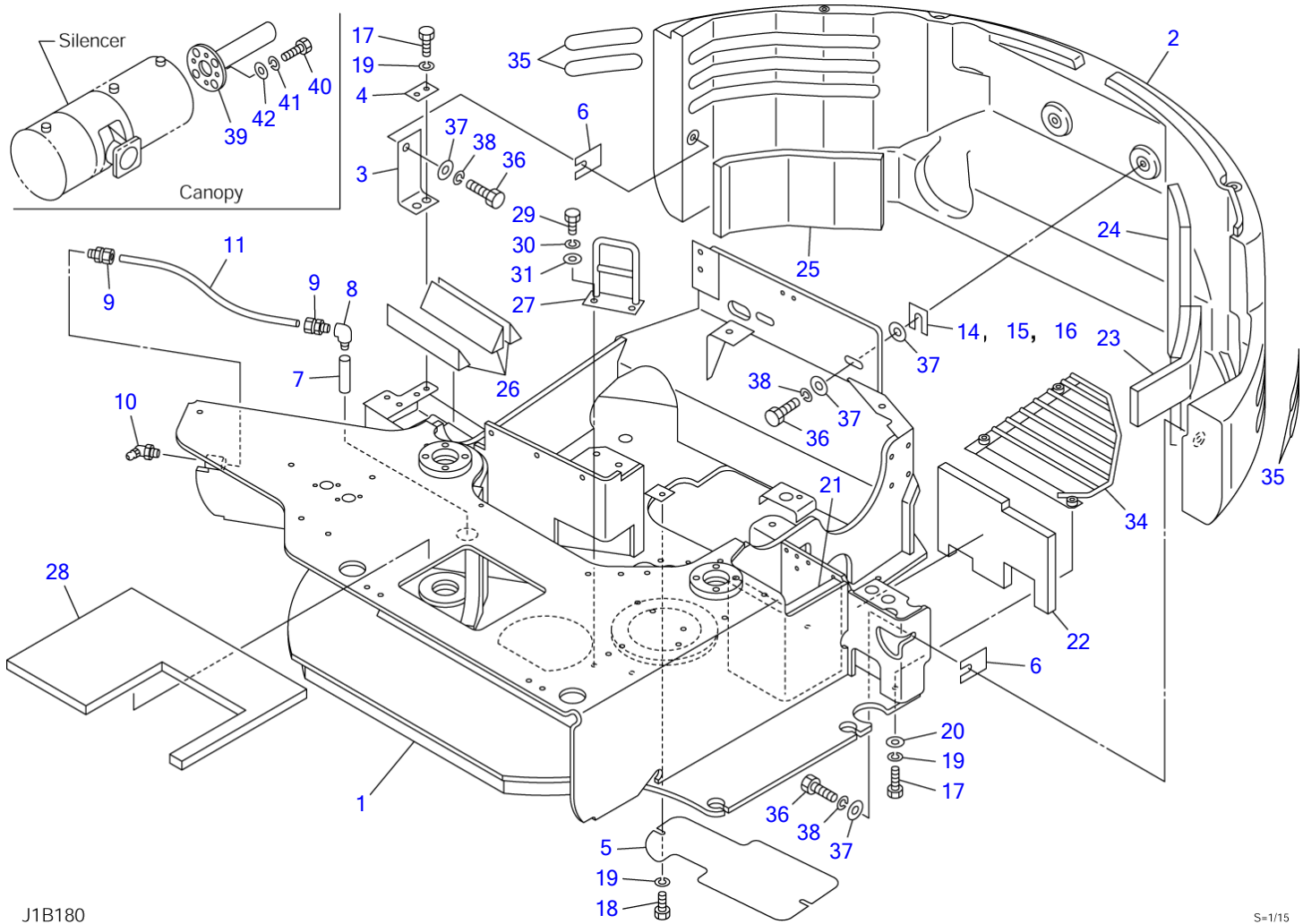
S=1/15

TURNTABLE (15810005-15810674)

Item	Part number	Description	Q'ty	Chan.	Serial No.	Serv.	Remarks
		TURNTABLE ASSY (standard)					cab
		TURNTABLE ASSY (standard)					canopy
		TURNTABLE ASSY (extra weight)					cab
		TURNTABLE ASSY (extra weight)					canopy
1	X *****	TURNTABLE	1				
2	0393011200	COUNTERWEIGHT (cab)	1				standard
	0393015910	COUNTERWEIGHT (canopy)	1				standard
	0393015510	COUNTERWEIGHT (cab)	1				extra weight
	0393015610	COUNTERWEIGHT (canopy)	1				extra weight
3	0393011300	ANGLE	1				
4	0393011310	PLATE	1				
5	0393015300	COVER	1				
6	0393014200	PLATE	AR				
7	0009101090	NIPPLE	1				
8	1508010001	ELBOW	1				
9	1532520601	CONNECTOR	1				
10	1560001675	FITTING, grease	1				
11	1532020670	TUBE	1				sold by the meter
14	0433010610	SHIM	AR				t=1.0mm
15	0433010620	SHIM	AR				t=1.6mm
16	0433010630	SHIM	AR				t=2.3mm
17	1100041030	BOLT	5				
18	1100041020	BOLT	2				
19	1140020010	WASHER, spring	7				
20	1141110010	WASHER	3				
21	0393014302	ABSORBENT, noise	1				
22	0393014303	ABSORBENT, noise	1				
23	0393014304	ABSORBENT, noise	1				
24	0393014305	ABSORBENT, noise	1				
25	0393014306	ABSORBENT, noise	1				
26	0393014307	URETHANE	3				
27	0393015200	BRACKET	1				
28	0393015210	ABSORBENT, noise	1				
29	1101041220	BOLT	2				
30	1140020012	WASHER, spring	5				
31	1141110012	WASHER	5				
32	0393015310	COVER	1		15810010~		
33	1130540012	NUT	3		15810010~		
34	0393015320	GUARD	1		15810010~		
35	0399351510	DECAL	4		15810054~		
36	1101041650	BOLT	4				
37	0003000010	WASHER	6				
38	1140020016	WASHER, spring	4				
39	0393015650	PIPE (canopy)	1				extra weight

J1b022

TB53FR Book No. BJ1Z006 S/N 15810005-15811324
TURNTABLE (15810675-)



J1B180

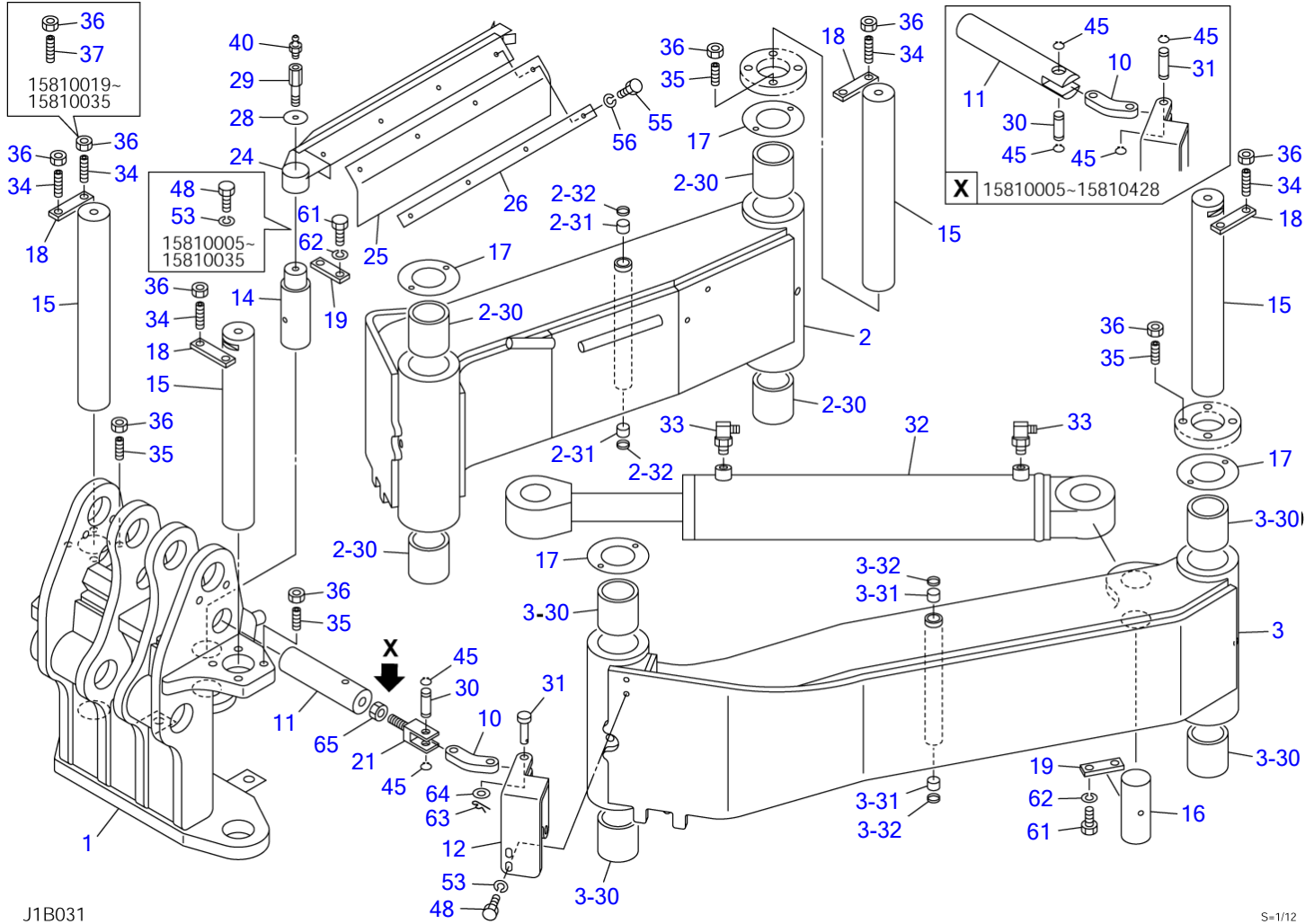
S=1/15

TURNTABLE (15810675-)

Item	Part number	Description	Q'ty	Chan.	Serial No.	Serv.	Remarks
		TURNTABLE ASSY (standard)					cab
		TURNTABLE ASSY (standard)					canopy
		TURNTABLE ASSY (extra weight)					cab
		TURNTABLE ASSY (extra weight)					canopy
1	X *****	TURNTABLE	1				
2	0393011200	COUNTERWEIGHT (cab)	1				standard
	0393015910	COUNTERWEIGHT (canopy)	1				standard
	0393015510	COUNTERWEIGHT (cab)	1				extra weight
	0393015610	COUNTERWEIGHT (canopy)	1				extra weight
3	0393011300	ANGLE	1				
4	0393011310	PLATE	1				
5	0393015300	COVER	1				
6	0393014200	PLATE	AR				
7	0009101090	NIPPLE	1				
8	1508010001	ELBOW	1				
9	1532520601	CONNECTOR	1				
10	1560001675	FITTING, grease	1				
11	1532020670	TUBE	1				sold by the meter
14	0433010610	SHIM	AR				t=1.0mm
15	0433010620	SHIM	AR				t=1.6mm
16	0433010630	SHIM	AR				t=2.3mm
17	1100041030	BOLT	5				
18	1100041020	BOLT	2				
19	1140020010	WASHER, spring	7				
20	1141110010	WASHER	3				
21	0393014302	ABSORBENT, noise	1				
22	0393014303	ABSORBENT, noise	1				
23	0393014304	ABSORBENT, noise	1				
24	0393014305	ABSORBENT, noise	1				
25	0393014306	ABSORBENT, noise	1				
26	0393014307	URETHANE	3				
27	0393015200	BRACKET	1				
28	0393016210	ABSORBENT, noise	1				
29	1101041220	BOLT	2				
30	1140020012	WASHER, spring	2				
31	1141110012	WASHER	2				
34	0393015320	GUARD	1				
35	0399351510	DECAL	4				
36	1101041650	BOLT	4				
37	0003000010	WASHER	6				
38	1140020016	WASHER, spring	4				
39	0394011910	PIPE (canopy)	1		15810675~15811070		
	0393017910	PIPE (canopy)	1	(H)	15811071~		
	0393015650	PIPE (canopy)	1		15810675~15811070		extra weight
	0393017610	PIPE (canopy)	1	(H)	15811071~		extra weight
40	1100040820	BOLT	4				canopy
41	1140020008	WASHER, spring	4				canopy
42	1141110008	WASHER	4				canopy

J1b181

TB53FR Book No. BJ1Z006 S/N 15810005-15811324
BOOM OFFSET (1/2) (15810005-15810674)



J1B031

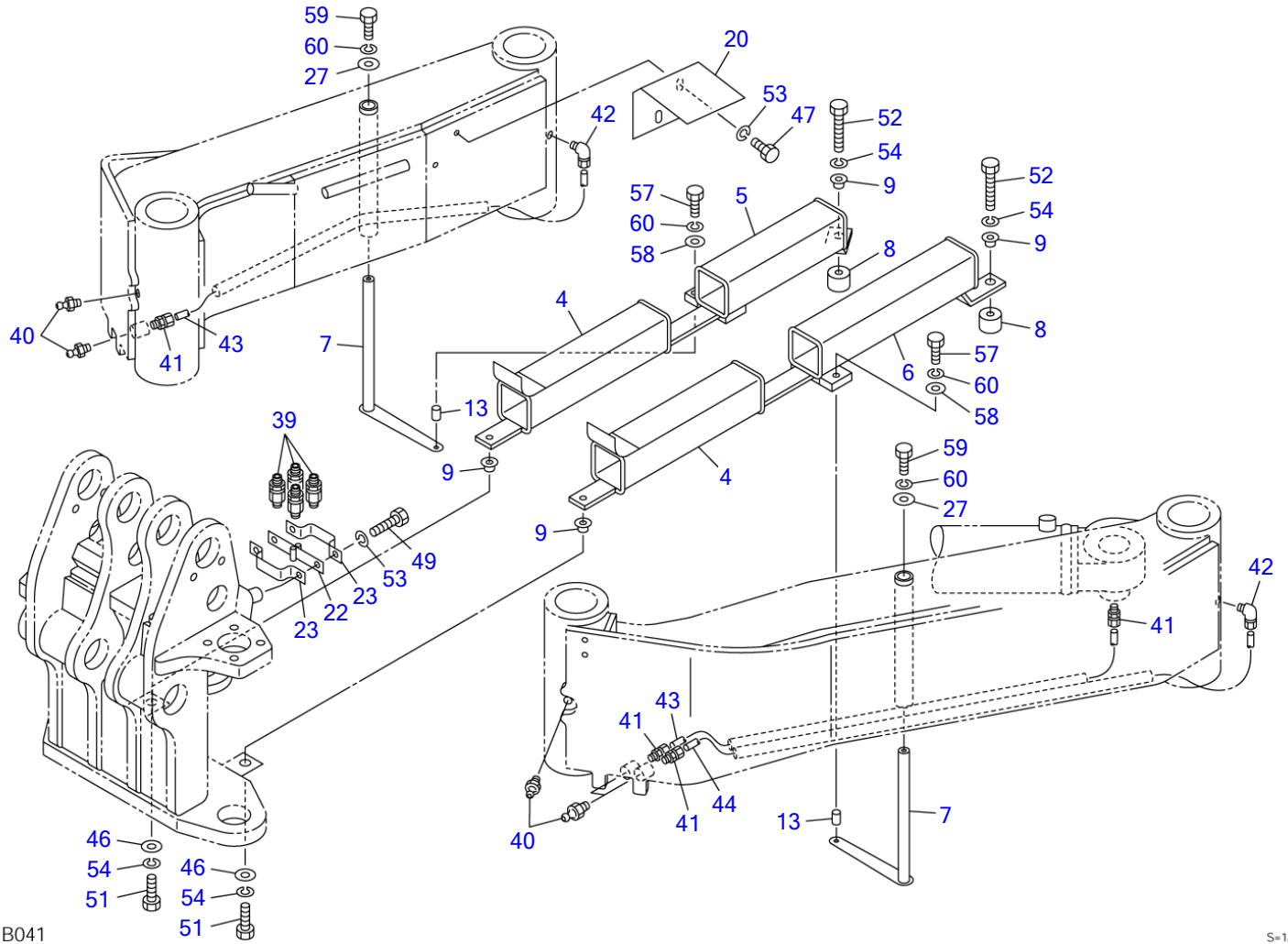
S=1/12

BOOM OFFSET (1/2) (15810005-15810674)

Item	Part number	Description	Q'ty	Chan.	Serial No.	Serv.	Remarks
		OFFSET ASSY, boom					X03931-09000-7
1	0393107100	BRACKET	1				
2	0393108200	OFFSET, arm (R.H)	1				
2-30	0002400048	• BUSHING	4				
2-31	1333002015	• BUSHING	2				
2-32	1432200060	• SEAL, dust	2		15810036~		
3	0393108300	OFFSET, arm (L.H)	1	A	15810005~15810018		
	0393109300	OFFSET, arm (L.H)	1	a(H)	15810019~		
3-30	0002400048	• BUSHING	4				
3-31	1333002015	• BUSHING	2				
3-32	1432200060	• SEAL, dust	2		15810036~		
10	0393104510	LINK	1				
11	0393104520	PIN	1	B	15810005~15810428		
	0393109450	PIN	1	b(H)	15810429~		
12	0393104500	BRACKET	1				
14	0393107600	PIN	1				
15	0393104620	PIN	4				
16	0393104630	PIN	1				
17	0393104640	SPACER	4				
18	0393104650	PLATE	4		15810005~15810035		
	0393109400	PLATE	4	(H)	15810036~		
19	0393104660	PLATE	2		15810005~15810035		
	0393109410	PLATE	2	(H)	15810036~		
21	0393109460	YOKE	1		15810429~		
24	0393107700	GUARD	1				
25	0393107710	RUBBER	1				
26	0393107720	PLATE	1				
28	0003600057	WASHER	1				
29	0007210027	BUSHING	1				
30	0004215035	SHAFT	1	B	15810005~15810428		
	0004215032	SHAFT	1	b(H)	15810429~		
31	0004215046	SHAFT	1		15810005~15810018		
	0393108450	SHAFT	1		15810019~15810428		
	0004015003	PIN	1	(H)	15810429~		
32	1900083600	CYLINDER, offset	1	A	15810005~15810018		
	1900084000	CYLINDER, offset	1	a(H)	15810019~15810674		
	1900092300	CYLINDER, offset	1	(H)	15810675~		
33	1515010041	ELBOW	2				
	1420010140	• O-RING	1				
34	1121041050	SET-SCREW	7		15810005~15810035		
	1121041455	SET-SCREW	8		15810036~		
35	1121041040	SET-SCREW	8		15810005~15810035		
	1121041445	SET-SCREW	8		15810036~		
36	1130040010	NUT	16		15810005~15810035		
	1130040014	NUT	16		15810036~		
37	1121041055	SET-SCREW	1		15810019~15810035		
40	1560001000	FITTING, grease	1				
45	1220000015	RING, retaining	4		15810005~15810428		
	1220000015	RING, retaining	2		15810429~		
48	1100041025	BOLT	7		15810005~15810035		
	1100041025	BOLT	3		15810036~		
53	1140020010	WASHER, spring	7		15810005~15810035		
	1140020010	WASHER, spring	3		15810036~		
55	1100040616	BOLT	4				
56	1140020006	WASHER, spring	4				
61	1100041425	BOLT	4		15810036~		
62	1140020014	WASHER, spring	4		15810036~		
63	1214000012	PIN, snap	1		15810429~		
64	1141110016	WASHER	1		15810429~		
65	1130040016	NUT	1	b	15810429~		

<<NOTE>>
 SET "A" is interchangeable
 with SET "a".
 SET "B" is interchangeable
 with SET "b".

J1b032



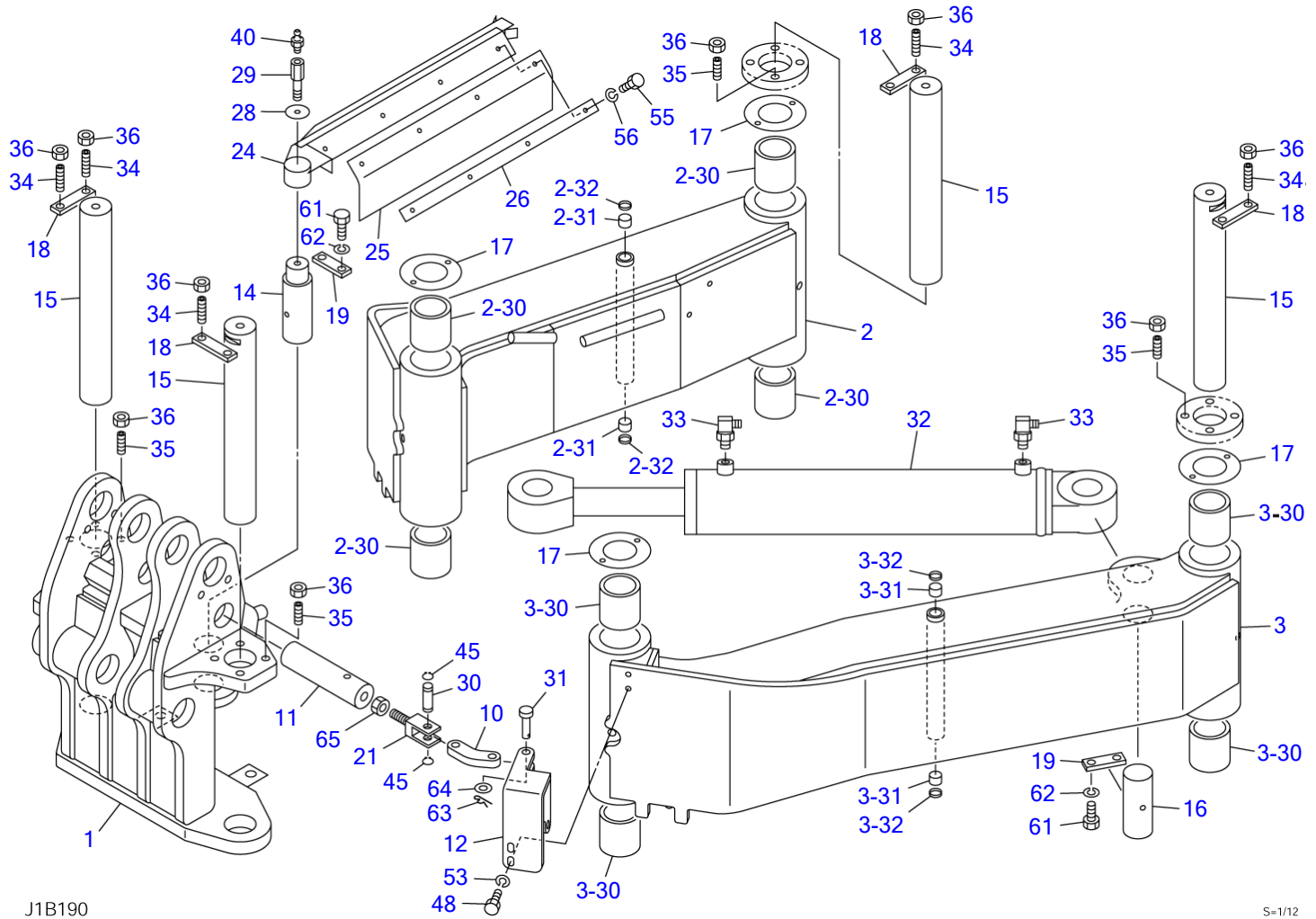
J1B041

S=1/12

BOOM OFFSET (2/2) (15810005-15810674)

Item	Part number	Description	Q'ty	Chan.	Serial No.	Serv.	Remarks
		OFFSET ASSY, boom					X03931-09000-7
4	0393107400	GUIDE	2				
5	0393108400	GUIDE	1				
6	0393108410	GUIDE	1				
7	0393108420	LEVER	2				
8	0393108430	COLLAR	2				
9	0393107450	COLLAR	4				
13	0393108440	COLLAR	2				
20	0393104670	ANGLE	1				
22	0393107610	CLAMP	2				
23	0393107620	CLAMP	4				
27	0003608003	WASHER	2				
39	1514011104	ADAPTOR	8				
40	1560001000	FITTING, grease	5				
41	1532520601	CONNECTOR	3				
42	1532620601	ELBOW	3				
43	1532120600	TUBE	2				sold by the meter
44	1532120620	TUBE	1				sold by the meter
46	1141110012	WASHER	2				
47	1100041016	BOLT	2				
49	1100041030	BOLT	4				
51	1101041230	BOLT	2				
52	1101041260	BOLT	2				
53	1140020010	WASHER, spring	6				
54	1140020012	WASHER, spring	7				
57	1100040830	BOLT	2				
58	1141110008	WASHER	2				
59	1100040816	BOLT	2				
60	1140020008	WASHER, spring	4				
	J1b042						

TB53FR Book No. BJ1Z006 S/N 15810005-15811324
BOOM OFFSET (1/2) (15810675-)



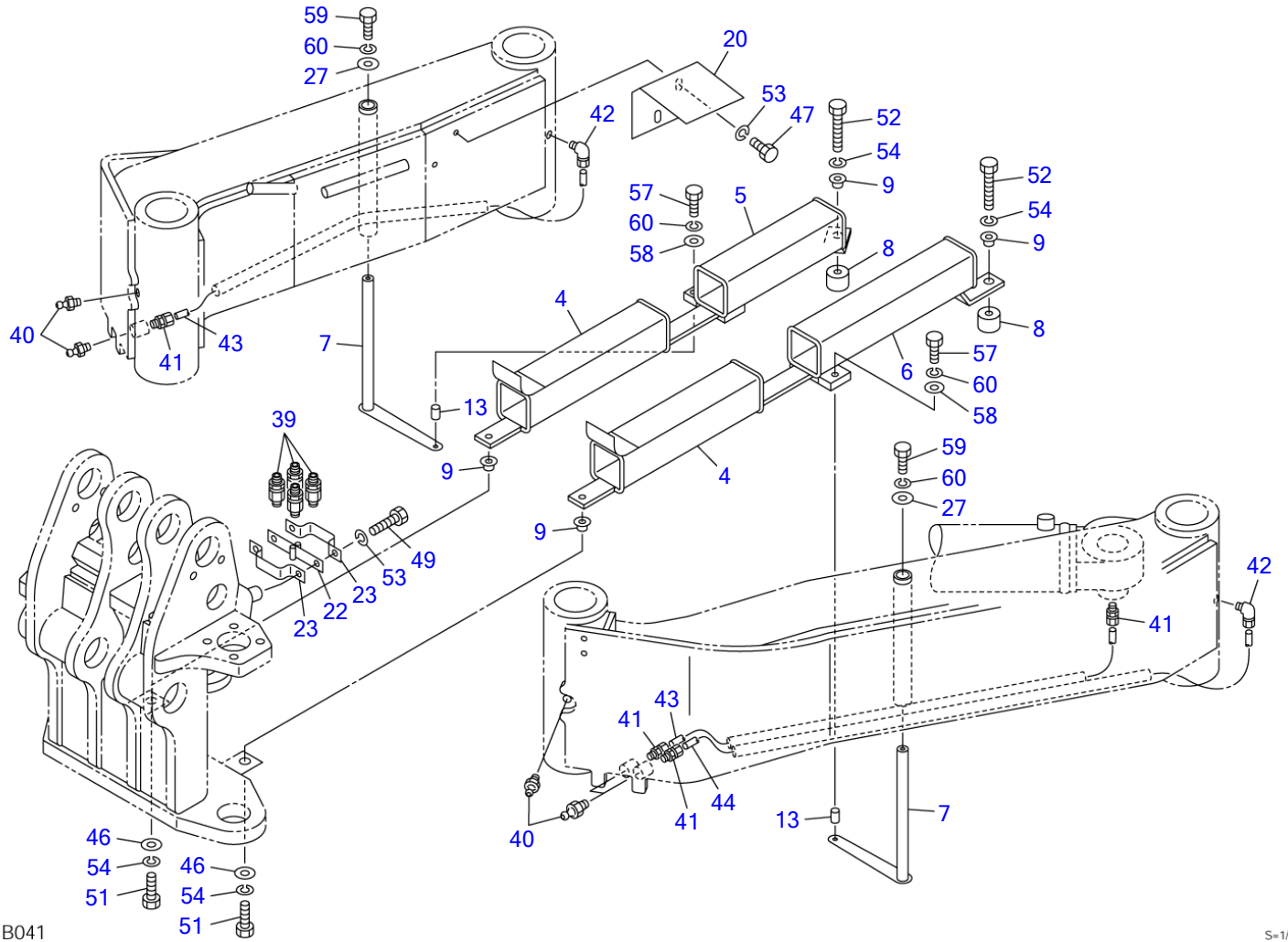
J1B190

S=1/12

BOOM OFFSET (1/2) (15810675-)

Item	Part number	Description	Q'ty	Chan.	Serial No.	Serv.	Remarks
		OFFSET ASSY, boom					X03931-10000-1
1	0393107100	BRACKET	1				
2	0393108200	OFFSET, arm (R.H)	1				
2-30	0002400048	• BUSHING	4				
2-31	1333002015	• BUSHING	2				
2-32	1432200060	• SEAL, dust	2				
3	0393109300	OFFSET, arm (L.H)	1				
3-30	0002400048	• BUSHING	4				
3-31	1333002015	• BUSHING	2				
3-32	1432200060	• SEAL, dust	2				
10	0393104510	LINK	1				
11	0393109450	PIN	1				
12	0393104500	BRACKET	1				
14	0393107600	PIN	1				
15	0393104620	PIN	4				
16	0393104630	PIN	1				
17	0393104640	SPACER	4				
18	0393109400	PLATE	4				
19	0393109410	PLATE	2				
21	0393109460	YOKE	1				
24	0393107700	GUARD	1				
25	0393107710	RUBBER	1				
26	0393107720	PLATE	1				
28	0003600057	WASHER	1				
29	0007210027	BUSHING	1				
30	0004215032	SHAFT	1				
31	0004015003	PIN	1				
32	1900092300	CYLINDER, offset	1				
33	1515010041	ELBOW	2				
	1420010140	• O-RING	1				
34	1121041455	SET-SCREW	8				
35	1121041445	SET-SCREW	8				
36	1130040014	NUT	16				
40	1560001000	FITTING, grease	1				
45	1220000015	RING, retaining	2				
48	1100041025	BOLT	3				
53	1140020010	WASHER, spring	3				
55	1100040616	BOLT	4				
56	1140020006	WASHER, spring	4				
61	1100041425	BOLT	4				
62	1140020014	WASHER, spring	4				
63	1214000012	PIN, snap	1				
64	1141110016	WASHER	1				
65	1130040016	NUT	1				

J1b191

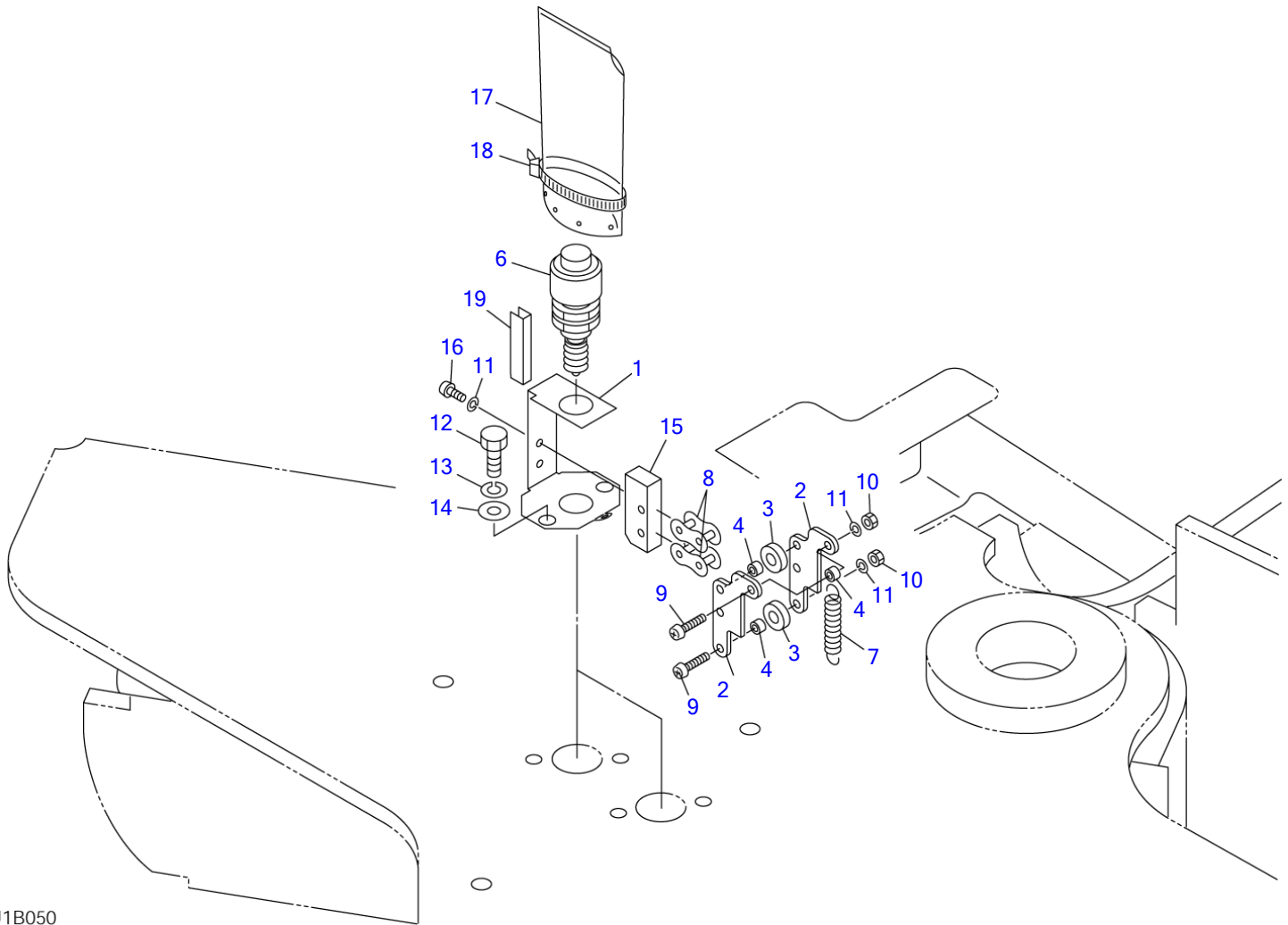


J1B041

S-1/12

BOOM OFFSET (2/2) (15810675-)

Item	Part number	Description	Q'ty	Chan.	Serial No.	Serv.	Remarks
		OFFSET ASSY, boom					X03931-10000-1
4	0393107400	GUIDE	2				
5	0393108400	GUIDE	1				
6	0393108410	GUIDE	1				
7	0393108420	LEVER	2				
8	0393108430	COLLAR	2				
9	0393107450	COLLAR	4				
13	0393108440	COLLAR	2				
20	0393104670	ANGLE	1				
22	0393107610	CLAMP	2				
23	0393107620	CLAMP	4				
27	0003608003	WASHER	2				
39	1514011104	ADAPTOR	8				
40	1560001000	FITTING, grease	5				
41	1532520601	CONNECTOR	3				
42	1532620601	ELBOW	3				
43	1532120600	TUBE	2				sold by the meter
44	1532120620	TUBE	1				sold by the meter
46	1141110012	WASHER	2				
47	1100041016	BOLT	2				
49	1100041030	BOLT	4				
51	1101041230	BOLT	2				
52	1101041260	BOLT	2				
53	1140020010	WASHER, spring	6				
54	1140020012	WASHER, spring	7				
57	1100040830	BOLT	2				
58	1141110008	WASHER	2				
59	1100040816	BOLT	2				
60	1140020008	WASHER, spring	4				
	J1b201						



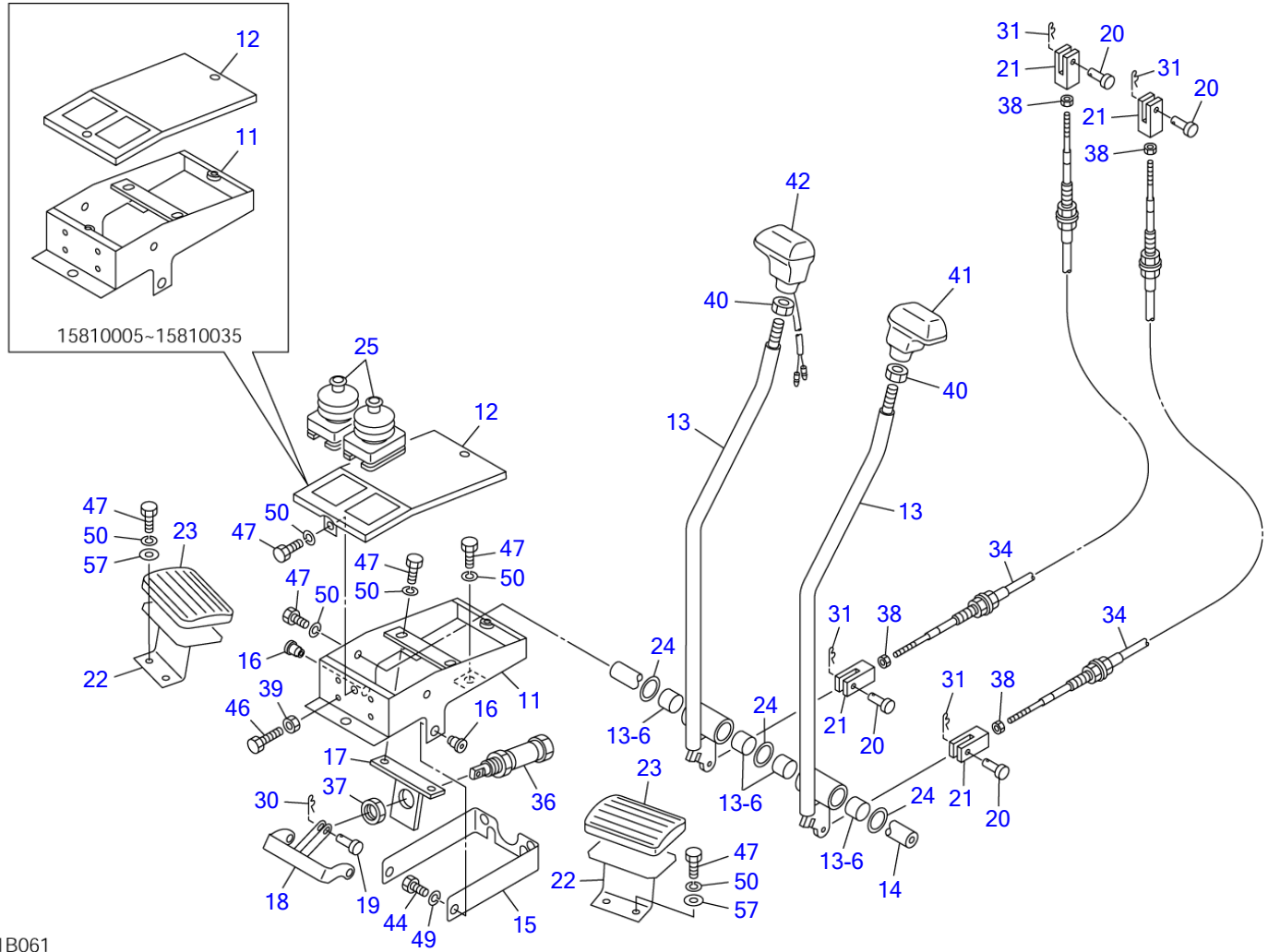
J1B050

S=1/4

OFFSET SWITCH

Item	Part number	Description	Q'ty	Chan.	Serial No.	Serv.	Remarks
		SWITCH ASSY, offset					X03331-20900-4
1	0333120930	BRACKET	1				
2	0333120920	PIPE	2				
3	0353108830	ROLLER	2				
4	0353108840	COLLAR	3				
6	1700000014	SWITCH	1				
7	0323255900	SPRING	1				
8	1620550000	LINK ASSY	2				
9	1120530520	SCREW	2				
10	1130030005	NUT	2				
11	1140020005	WASHER, spring	4				
12	1100040816	BOLT	2				
13	1140020008	WASHER, spring	2				
14	1141110008	WASHER	2				
15	0333120940	BLOCK	1				
16	1120530512	SCREW	2				
17	0333120950	COVER	1				
18	1652201007	BAND	1				
19	1654606005	TRIM	1				sold by the meter
	J1b051						

TB53FR Book No. BJ1Z006 S/N 15810005-15811324
TRAVEL LEVER (15810005-15810674)



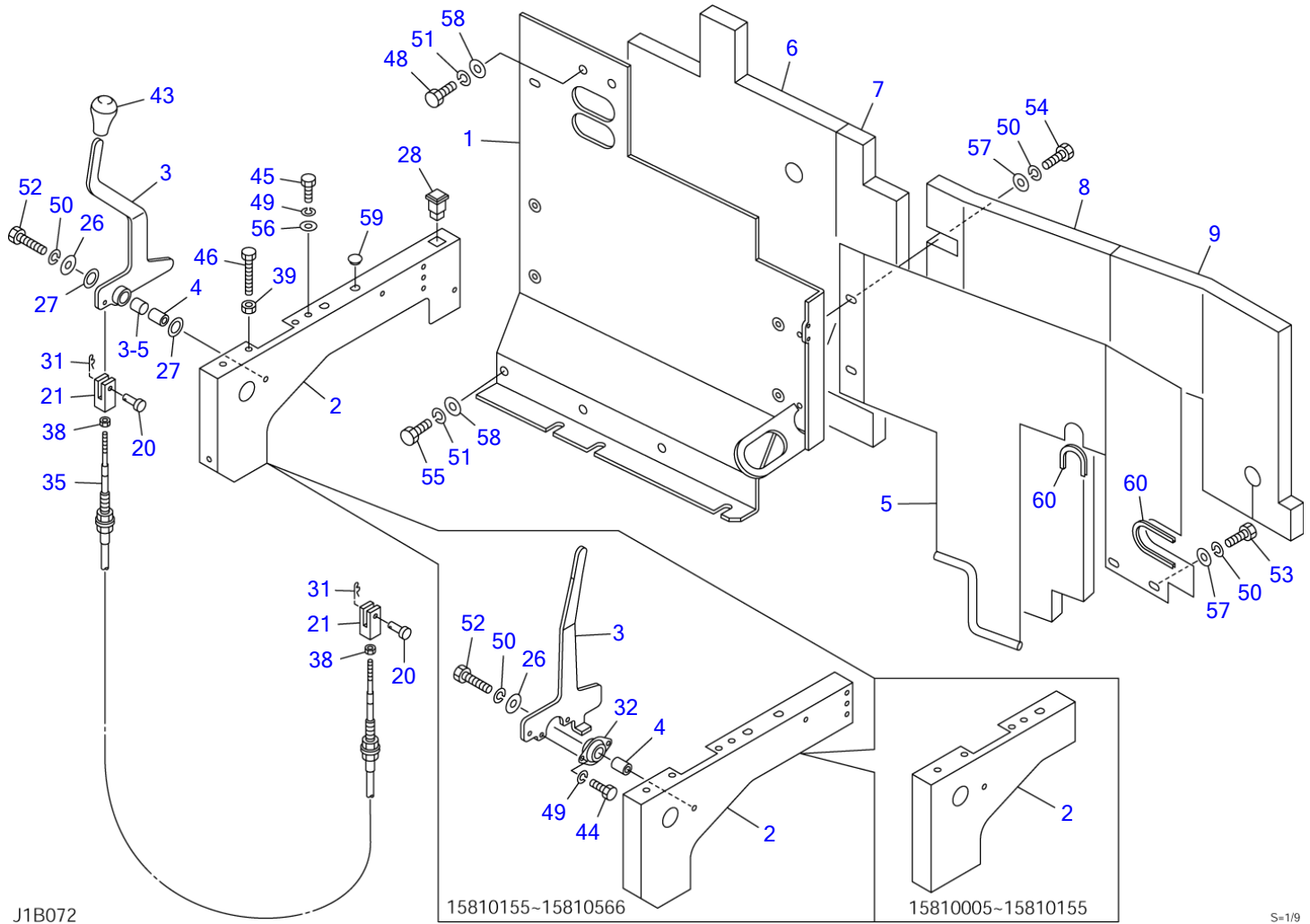
J1B061

S=1/8

TRAVEL LEVER (15810005-15810674)

Item	Part number	Description	Q'ty	Chan.	Serial No.	Serv.	Remarks
		LEVER ASSY, control					X03932-19000-5
11	0393216300	BRACKET	1		15810005~15810035		
	0393219460	BRACKET	1		15810036~		
12	0393214200	COVER	1		15810005~15810035		
	0393219470	COVER	1		15810036~15810566		
	0393219560	COVER	1	(H)	15810567~		
13	0353232400	LEVER	2				
13-6	1333002015	· BUSHING	2				
14	0563224400	SHAFT	1				
15	0393216400	HOLDER	1		15810005~15810035		
	0393219420	HOLDER	1		15810036~		
16	0563224420	COLLAR	2		15810005~15810035		
	0393219440	COLLAR	2		15810036~		
17	0563225300	BRACKET	1		15810005~15810035		
	0393219410	BRACKET	1		15810036~		
18	0393214420	ARM	1		15810005~15810035		
	0393219450	ARM	1		15810036~		
19	0004005117	PIN	1				
20	0004006017	PIN	4				
21	0563217400	YOKE	4				
22	0563219700	REST, foot	2				
23	0563218500	COVER	2				
24	0093208300	WASHER	5				
25	0563217700	BOOT	2				
30	1214000005	PIN, snap	1				
31	1214000006	PIN, snap	4				
34	1630771140	CABLE, control	2				
36	1900074800	CYLINDER, lock	1				
37	1130730024	NUT	1				
38	1130040005	NUT	4				
39	1130040006	NUT	4				
40	1130040012	NUT	2				
41	1650202610	GRIP	1				
42	1650203210	GRIP (with switch)	1				
44	1100040614	BOLT	2				
46	1100040625	BOLT	4		15810005~15810035		
	1100040635	BOLT	4		15810036~		
47	1100040816	BOLT	13				
49	1140020006	WASHER, spring	2				
50	1140020008	WASHER, spring	13				
57	1141110008	WASHER	4				
	J1b062						

TB53FR Book No. BJ1Z006 S/N 15810005-15811324
DOZER BLADE LEVER (15810005-15810674)



J1B072

15810155-15810566

15810005-15810155

S=1/9

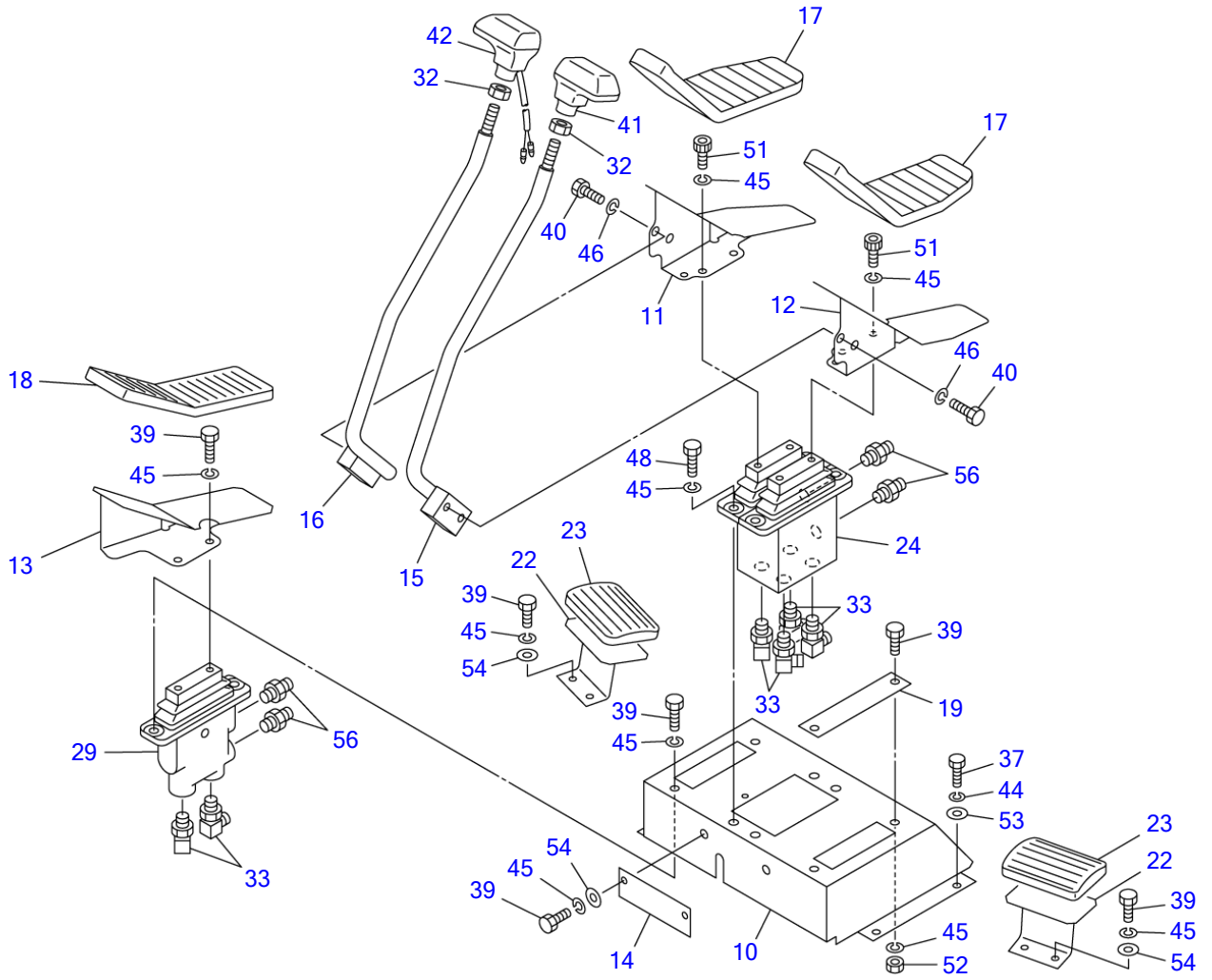
DOZER BLADE LEVER (15810005-15810674)

Item	Part number	Description	Q'ty	Chan.	Serial No.	Serv.	Remarks
		LEVER ASSY, control					X03932-19000-5
1	0393219100	BRACKET	1	A(L)	old type		
	0397310230	BRACKET	1	a(H)	new type		
2	0393219200	BRACKET	1		15810005~15810155		
	0563230100	BRACKET	1	B(H)	15810156~15810566		
	0393219900	BRACKET	1	b(H)	15810567~		
3	0393219210	LEVER	1	B	15810005~15810566		
	0393219910	LEVER	1	b(H)	15810567~		
3-5	1333001515	• BUSHING	1	b	15810567~		
4	0393217220	BOSS	1	B	15810005~15810566		
	0393219930	BOSS	1	b(H)	15810567~		
5	0393219300	PLATE	1	A(L)	old type		
	0397310240	PLATE	1	a(H)	new type		
6	0393219310	ABSORBENT, noise	1				
7	0393217320	ABSORBENT, noise	1				
8	0393217330	ABSORBENT, noise	1	A(L)	old type		
	0397310250	ABSORBENT, noise	1	a(H)	new type		
9	0393219340	ABSORBENT, noise	1				
20	0004006017	PIN	2				
21	0563217400	YOKE	2				
26	0003600020	WASHER	1				
27	0083252100	WASHER	2	b	15810567~		
28	1700550024	COVER	1	b	15810567~		
31	1214000006	PIN, snap	2				
32	1332051518	MINI-PILLOW	1		15810005~15810566		
35	1630771200	CABLE, control	1	B	15810005~15810566		
	1630341190	CABLE, control	1	b(H)	15810567~		
38	1130040005	NUT	2				
39	1130040006	NUT	2				
43	1650153655	GRIP	1				
44	1100040614	BOLT	2		15810005~15810566		
45	1100040616	BOLT	2				
46	1100040625	BOLT	2		15810005~15810035		
	1100040635	BOLT	2		15810036~		
48	1100041020	BOLT	2				
49	1140020006	WASHER, spring	2				
50	1140020008	WASHER, spring	5				
51	1140020010	WASHER, spring	5				
52	1100040830	BOLT	1				
53	1100040820	BOLT	2				
54	1100040835	BOLT	2				
55	1100041025	BOLT	3				
56	1141110006	WASHER	2				
57	1141110008	WASHER	4				
58	1141110010	WASHER	5				
59	1652533019	CAP	1		15810156~		
60	1653917010	TRIM	2				sold by the meter

<<NOTE>>
 SET "A" is interchangeable
 with SET "a".
 SET "B" is interchangeable
 with SET "b".

J1b072

TB53FR Book No. BJ1Z006 S/N 15810005-15811324
TRAVEL LEVER (15810675-)



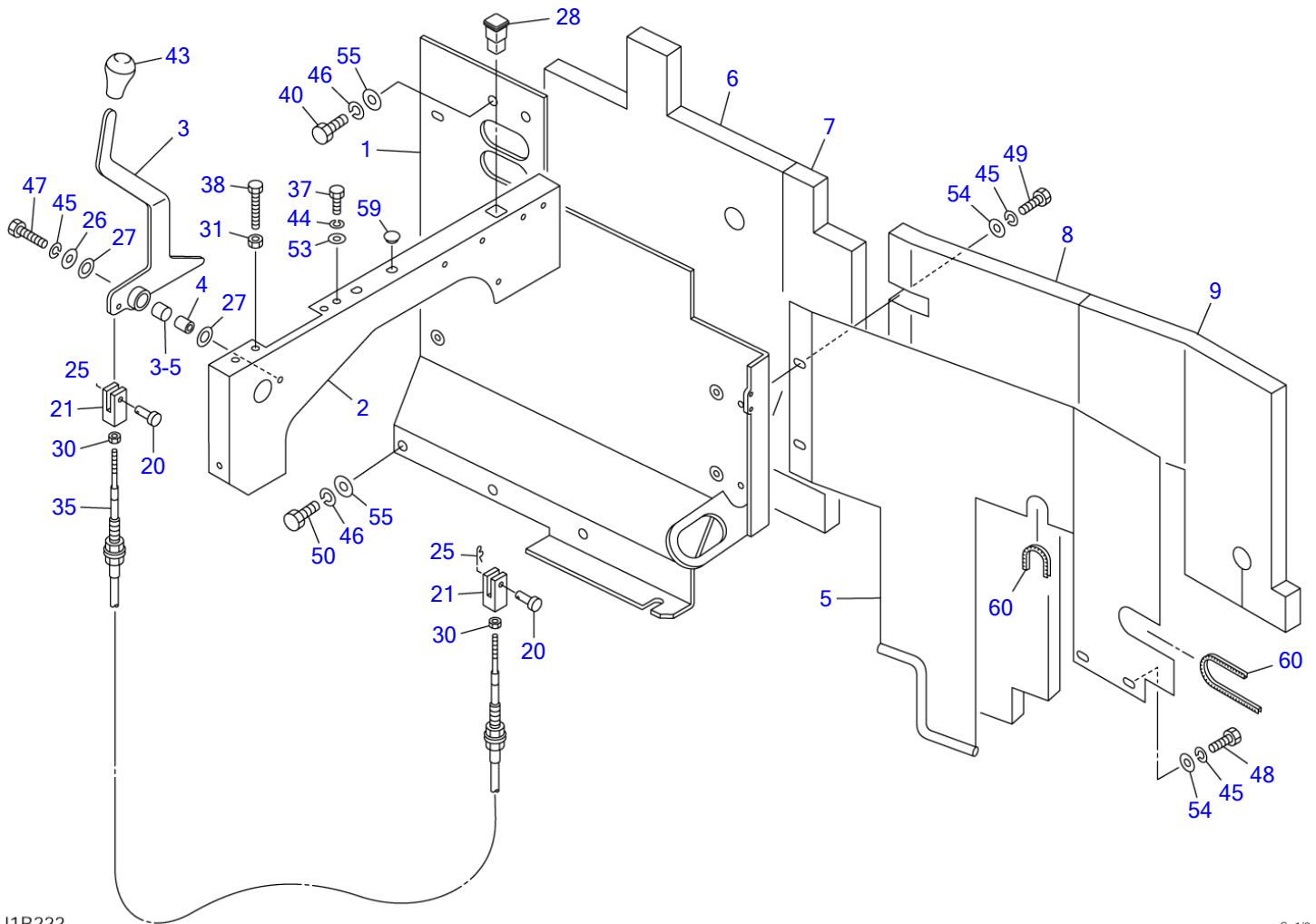
J1B210

S-1/8

TRAVEL LEVER (15810675-)

Item	Part number	Description	Q'ty	Chan.	Serial No.	Serv.	Remarks
		LEVER ASSY, control					X03932-21000-1
10	0393221300	BOX	1				
11	0563230020	PEDAL (R.H.)	1				
12	0563230030	PEDAL (L.H.)	1				
13	0393220400	PEDAL	1				
14	0393220210	PLATE	1				
15	0393220300	LEVER (L.H.)	1				
16	0393220350	LEVER (R.H.)	1				
17	0563226200	COVER	2				
18	0363214600	COVER	1				
19	0563230050	PLATE	1				
22	0563219700	REST, foot	2				
23	0563218500	COVER	2				
24	1901739100	VALVE, pilot	1				
29	1901746300	VALVE, pilot	1				
32	1130040012	NUT	2				
33	1515012040	ELBOW	6				
	1420010110	• O-RING	1				
37	1100040616	BOLT	4				
39	1100040816	BOLT	12				
40	1100041020	BOLT	4				
41	1650202610	GRIP	1				
42	1650203210	GRIP	1				
44	1140020006	WASHER, spring	4				
45	1140020008	WASHER, spring	20				
46	1140020010	WASHER, spring	4				
48	1100040820	BOLT	4				
51	1110040816	SCREW, cap	4				
52	1140020008	NUT	2				
53	1141110006	WASHER	4				
54	1141110008	WASHER	6				
56	1515600200	ADAPTOR	4				
	1420010110	• O-RING	1				
	J1b210						

TB53FR Book No. BJ1Z006 S/N 15810005-15811324
DOZER BLADE LEVER (15810675-)



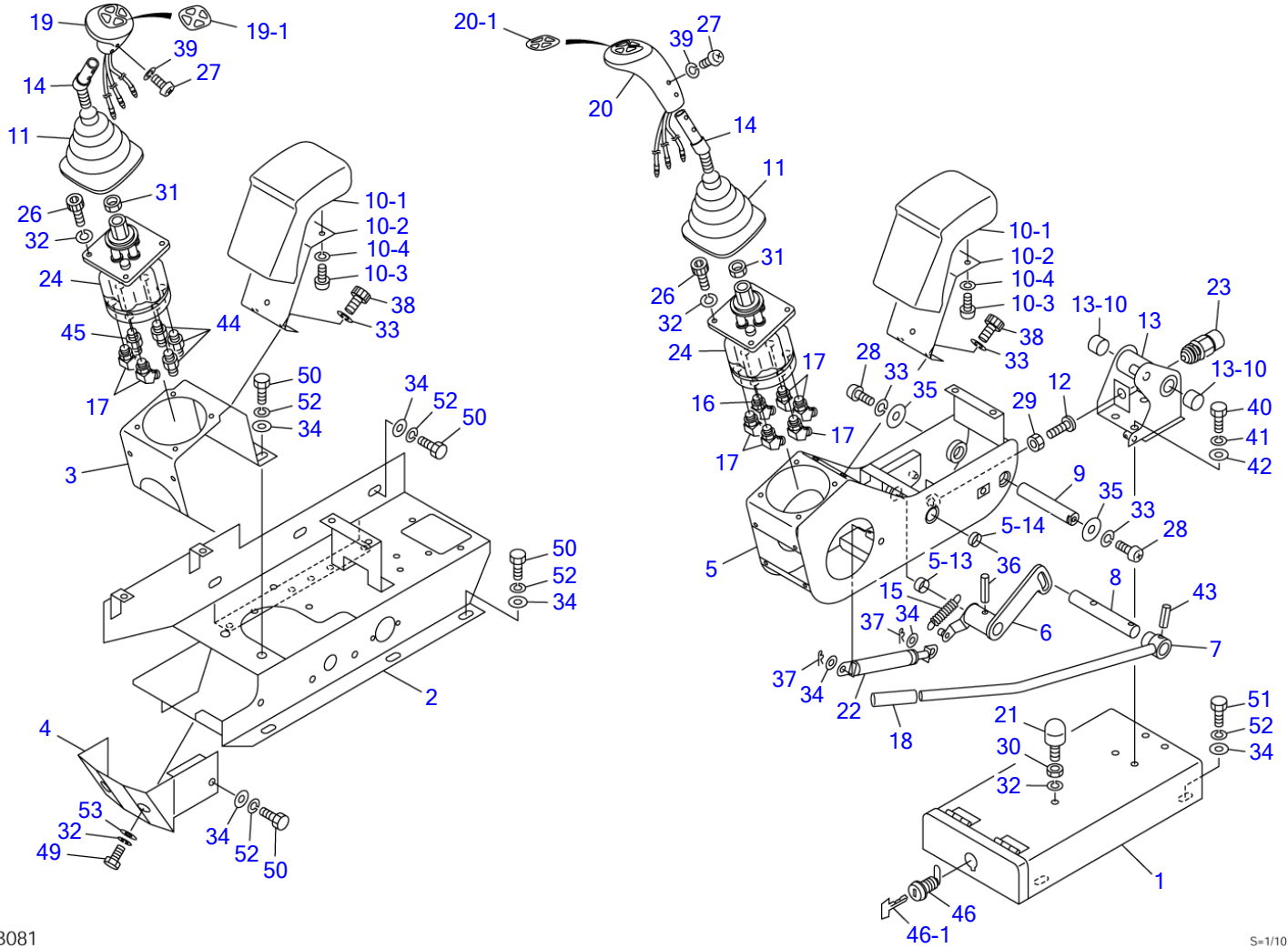
J1B222

S=1/8

DOZER BLADE LEVER (15810675-)

Item	Part number	Description	Q'ty	Chan.	Serial No.	Serv.	Remarks
		LEVER ASSY, control					X03932-21000-1
1	0393221100	BRACKET	1				
2	0393221200	BRACKET	1				
3	0393221210	LEVER	1				
3-5	1333001515	· BUSHING	1				
5	1333001515	BUSHING	1				
4	0393219930	BOSS	1				
6	0393219310	ABSORBENT, noise	1				
7	0393217320	ABSORBENT, noise	1				
8	0397310250	ABSORBENT, noise	1				
9	0393219340	ABSORBENT, noise	1				
20	0004006017	PIN	2				
21	0563217400	YOKE	2				
25	1214000006	PIN, snap	2				
26	0003600020	WASHER	1				
27	0083252100	WASHER	2				
28	1700550024	ORNAMENT	1				
30	1130040005	NUT	2				
31	1130040006	NUT	2				
35	1630341190	CABLE, control	1				
37	1100040616	BOLT	2				
38	1100040635	BOLT	2				
40	1100041020	BOLT	2				
43	1650153655	GRIP	1				
44	1140020006	WASHER, spring	2				
45	1140020008	WASHER, spring	5				
46	1140020010	WASHER, spring	5				
47	1100040830	BOLT	1				
48	1100040820	BOLT	2				
49	1100040835	BOLT	2				
50	1100041025	BOLT	3				
53	1141110006	WASHER	2				
54	1141110008	WASHER	4				
55	1141110010	WASHER	5				
59	1652533019	CAP	1				
60	1653917010	TRIM	2				sold by the meter
	J1b220						

TB53FR Book No. BJ1Z006 S/N 15810005-15811324
 OPERATION LEVER & STAND (15810005-15810674)



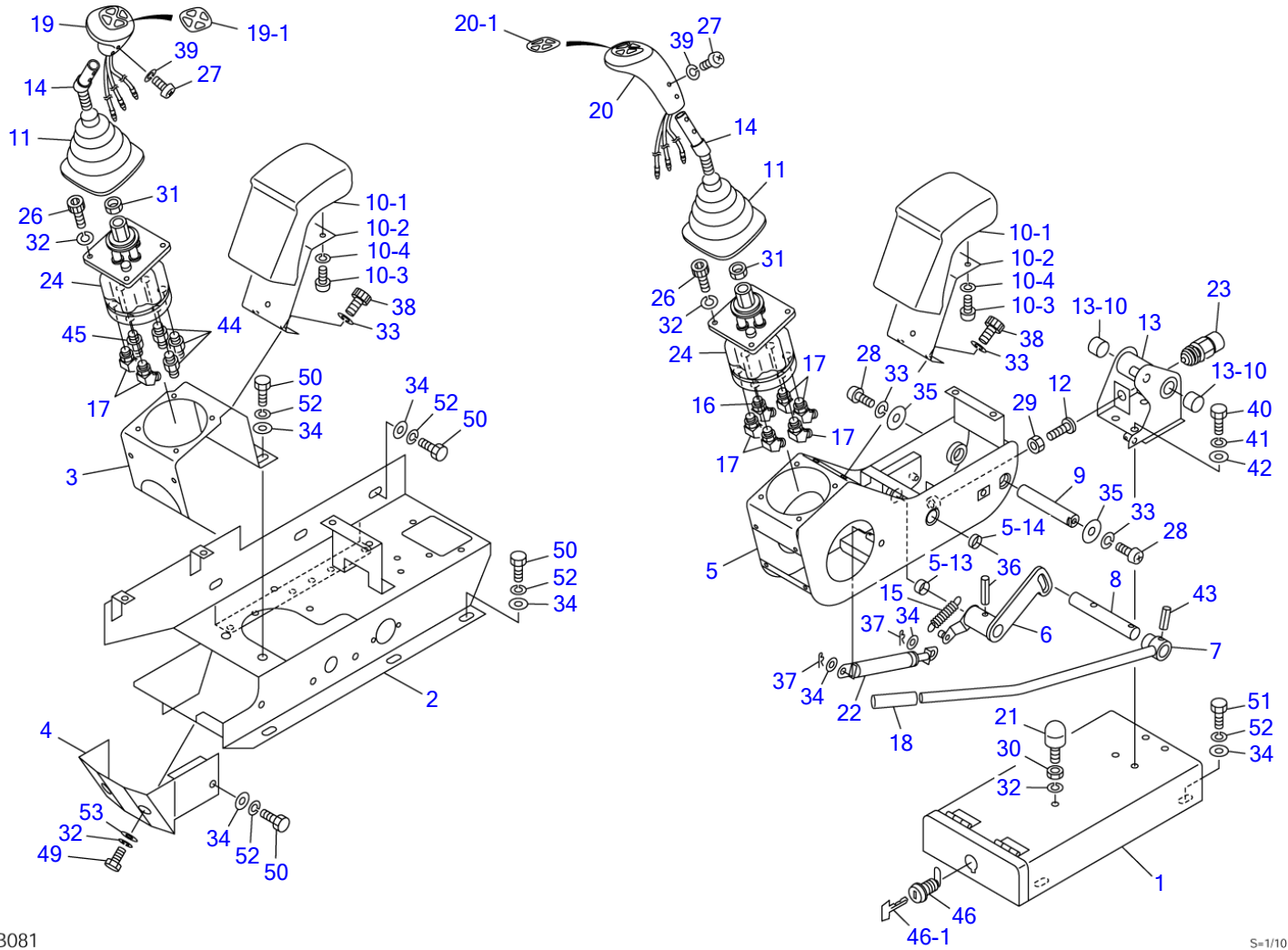
J1B081

S=1/10

OPERATION LEVER & STAND (15810005-15810674)

Item	Part number	Description	Q'ty	Chan.	Serial No.	Serv.	Remarks
		VALVE ASSY					X03951-11000-4
1	0395110100	BOX	1				
2	0395111100	BOX	1				
3	0395110300	BRACKET	1				
4	0395111400	COVER	1		15810005~15810009		
	0395111420	COVER	1		15810010~15810155		
	0395111430	COVER	1	(H)	15810156~		
5	0335130800	BOX, control (L.H.)	1				
5-13	1333002010	· BUSHING	1				
5-14	1333002015	· BUSHING	1				
6	0335130400	LEVER	1				
7	0375105400	LEVER (L.H.)	1				
8	0335124700	SHAFT	1				
9	0335124750	SHAFT	1				
10	0375105500	REST, arm	2				
10-1	0375105510	· URETHANE	1				
10-2	0375105520	· PLATE	1				
10-3	1120530812	· SCREW	3				
10-4	1140020008	· WASHER, spring	3				
11	0335124900	BOOT	2				
12	0335120970	BOLT	1				
13	0375104400	BRACKET (L.H.)	1				
13-10	1333002015	· BUSHING	2				
14	0375105100	LEVER	2				
15	0425105100	SPRING	1				
16	1512370012	ELBOW (with filter)	1				
	1420010110	· O-RING	1				
17	1515100110	ELBOW	7				
	1420010110	· O-RING	1				
18	1650202300	CAP	1				
19	1650204600	GRIP (R.H.)	1				horn A f f Z f / decel.
19-1	1650204601	· COVER	1				
20	1650204700	GRIP (L.H.)	1				A-B
20-1	1650204701	· COVER	1				
21	1651061001	STOPPER	1				
22	1653900036	SPRING, gas	1		15810005~15810035		
	1653900050	SPRING, gas	1	(H)	15810036~15810482		
	1653900057	SPRING, gas	1	(H)	15810483~		
23	1700000033	SWITCH, limit	1				
24	1901730400	VALVE, pilot	2				
26	1110040616	SCREW, cap	8				
27	1120590610	SCREW	4				
28	1120590816	SCREW	2				
29	1130040010	NUT	1				
30	1130040006	NUT	1				
31	1130040014	NUT	2				
32	1140020006	WASHER, spring	12				
33	1140090008	WASHER, spring	6				
34	1141110008	WASHER	15				
35	0003600011	WASHER	2				
36	1213000832	PIN, spring	1				
37	1214000008	PIN, snap	2				
38	1110040820	SCREW, cap	4				
39	1140090006	WASHER, spring	4				
40	1100041020	BOLT	4				
41	1140020010	WASHER, spring	4				
42	1141110010	WASHER	4				
43	1213000836	PIN, spring	1				
44	1515600200	ADAPTOR	3				
	1420010110	· O-RING	1				
45	1512370008	ADAPTOR (with filter)	1				
	1420010110	· O-RING	1				
46	1653601395	LOCK	1				
46-1	1700100019	KEY	1				
49	1100040612	BOLT	3				
50	1100040816	BOLT	9				
51	1100040820	BOLT	4				
52	1140020008	WASHER, spring	13				

TB53FR Book No. BJ1Z006 S/N 15810005-15811324
OPERATION LEVER & STAND (15810005-15810674)



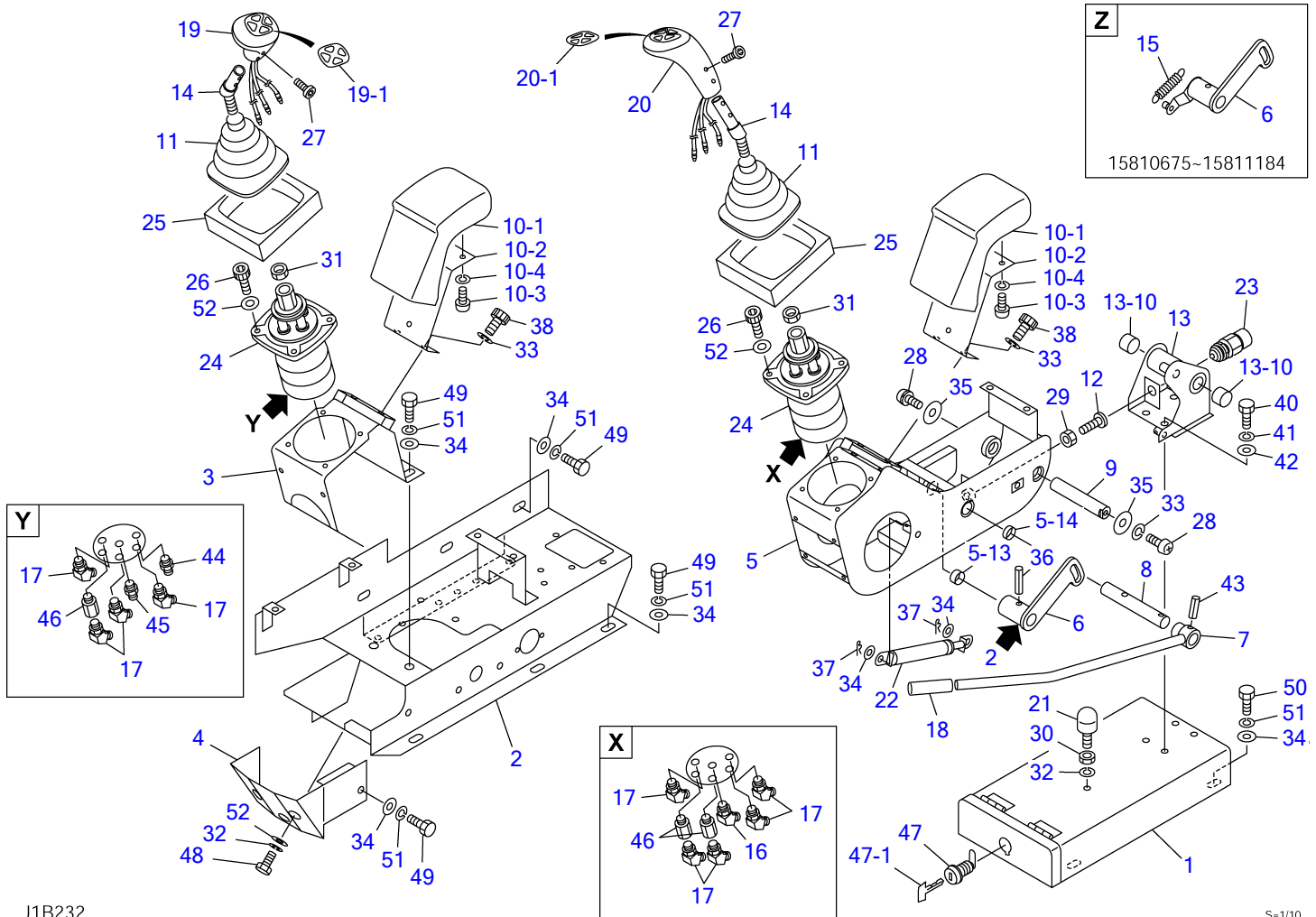
J1B081

S=1/10

OPERATION LEVER & STAND (15810005-15810674)

Item	Part number	Description	Q'ty	Chan.	Serial No.	Serv.	Remarks
53	1141110006 J1b082	WASHER	3				

TB53FR Book No. BJ1Z006 S/N 15810005-15811324
OPERATION LEVER & STAND (15810675-)



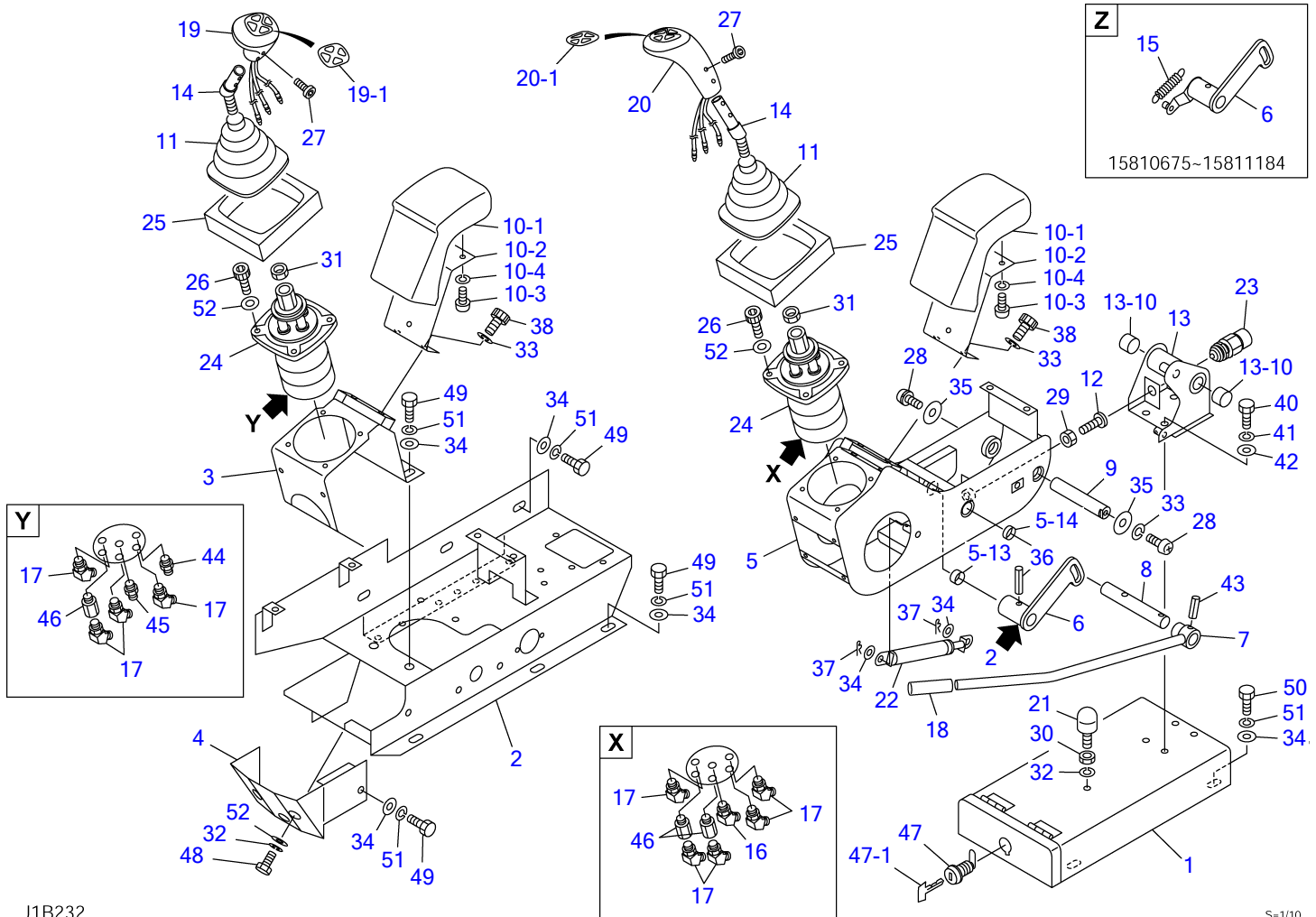
J1B232

S=1/10

OPERATION LEVER & STAND (15810675-)

Item	Part number	Description	Q'ty	Chan.	Serial No.	Serv.	Remarks
		VALVE ASSY					X03951-12000-4
1	0395110100	BOX	1				
2	0395111100	BOX	1				
3	0395112100	BRACKET	1				
4	0395111430	COVER	1				
5	0395113300	BOX, control (L.H.)	1		15810675~15811184		
	0395113700	BOX, control (L.H.)	1		15811185~		
5-13	1333002010	• BUSHING	1				
5-14	1333002015	• BUSHING	1				
6	0335130400	LEVER	1		15810675~15811184		
	0395113450	LEVER	1		15811185~		
7	0375105400	LEVER (L.H.)	1				
8	0335124700	SHAFT	1				
9	0335124750	SHAFT	1				
10	0375105500	REST, arm	2				
10-1	0375105510	• URETHANE	1				
10-2	0375105520	• PLATE	1				
10-3	1120530812	• SCREW	3				
10-4	1140020008	• WASHER, spring	3				
11	0335124900	BOOT	2				
12	0335120970	BOLT	1				
13	0375104400	BRACKET (L.H.)	1				
13-10	1333002015	• BUSHING	2				
14	0375105100	LEVER	2				
15	0425105100	SPRING	1		15810675~15811184		
16	1512370012	ELBOW (with filter)	1				
	1420010110	• O-RING	1				
17	1515100110	ELBOW	9				
	1420010110	• O-RING	1				
18	1650202300	CAP	1				
19	1650204600	GRIP (R.H.)	1				horn A f f Z f / decel.
19-1	1650204601	• COVER	1				
20	1650204700	GRIP (L.H.)	1				A-B
20-1	1650204701	• COVER	1				
21	1651061001	STOPPER	1				
22	1653900057	SPRING, gas	1				
23	1700000033	SWITCH, limit	1				
24	1901745600	VALVE, pilot	2				
25	0395113046	SPONGE	2				
26	1110040625	SCREW, cap	8				
27	1111810610	SCREW	4			M	
28	1150120816	SCREW	2				
29	1130040010	NUT	1				
30	1130040006	NUT	1				
31	1130040014	NUT	2				
32	1140020006	WASHER, spring	4				
33	1140090008	WASHER, spring	4				
34	1141110008	WASHER	16				
35	0003600011	WASHER	2				
36	1213000832	PIN, spring	1				
37	1214000008	PIN, snap	2				
38	1110040820	SCREW, cap	4				
40	1100041020	BOLT	4				
41	1140020010	WASHER, spring	4				
42	1141110010	WASHER	4				
43	1213000836	PIN, spring	1				
44	1515600200	ADAPTOR	1				
	1420010110	• O-RING	1				
45	1512370008	ADAPTOR (with filter)	1				
	1420010110	• O-RING	1				
46	1513250202	BUSHING	3				
	1420010110	• O-RING	1				
47	1653601395	LOCK	1				
47-1	1700100019	KEY	1				
48	1100040612	BOLT	3				
49	1100040816	BOLT	8				
50	1100040820	BOLT	4				
51	1140020008	WASHER, spring	12				

TB53FR Book No. BJ1Z006 S/N 15810005-15811324
OPERATION LEVER & STAND (15810675-)

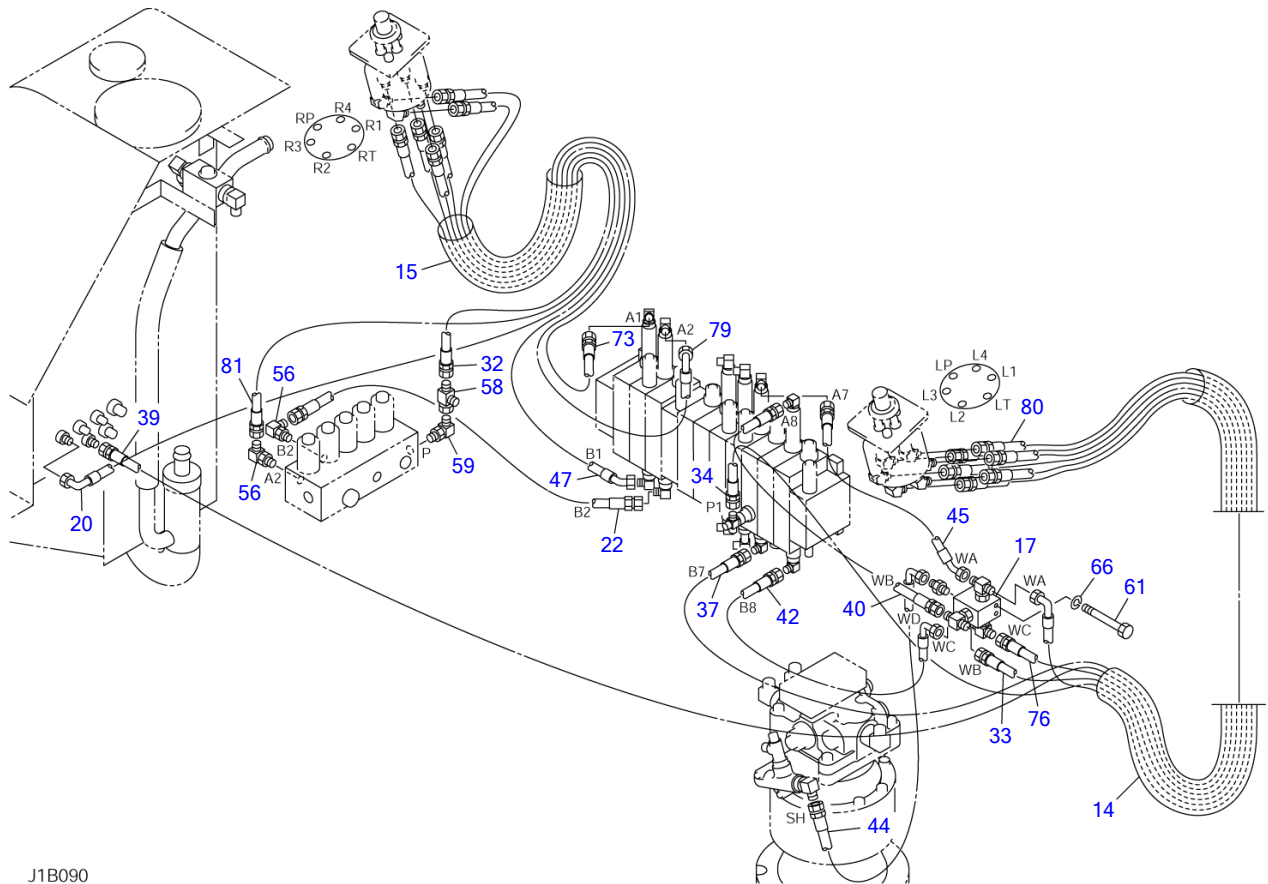


J1B232

S=1/10

OPERATION LEVER & STAND (15810675-)

Item	Part number	Description	Q'ty	Chan.	Serial No.	Serv.	Remarks
52	1141110006 J1b232	WASHER	11				



J1B090

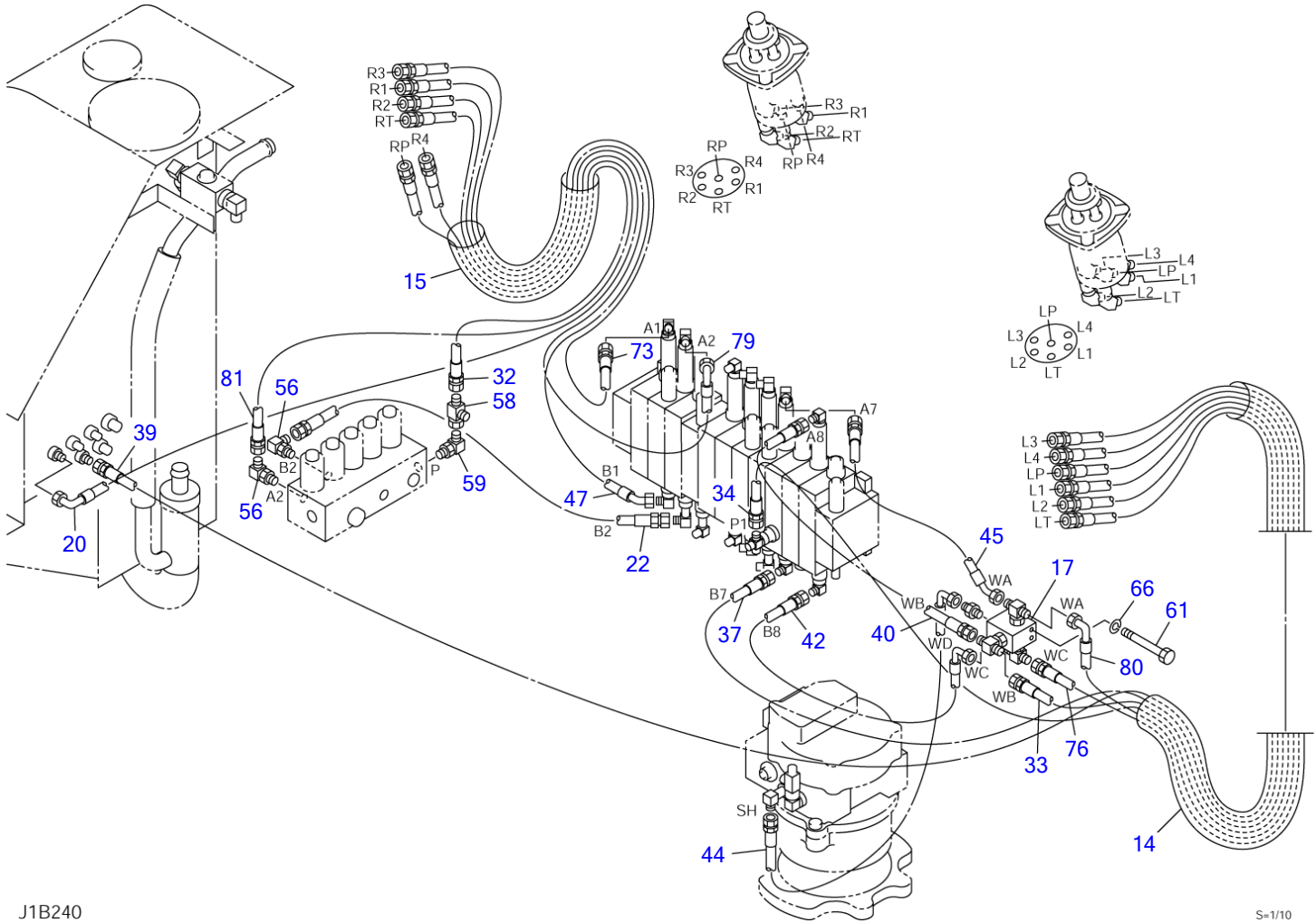
S=1/10

PIPING; OPERATION LEVER (1/2) (15810005-15810674)

Item	Part number	Description	Q'ty	Chan.	Serial No.	Serv.	Remarks
		PIPING ASSY					X03971-10800-3
14	1567525080	PROTECTOR	1				sold by the meter
15	1567525060	PROTECTOR	1				sold by the meter
17	1901721800	VALVE, shuttle	1				
20	0397110020	HOSE ASSY	1				18010-52135
22	0397110040	HOSE ASSY	1				18010-22050
32	0397110130	HOSE ASSY	1				18010-22115
33	0397110140	HOSE ASSY	1				18010-22130
34	0397110150	HOSE ASSY	1				18010-22165
37	0397110300	HOSE ASSY	1				18010-22180
39	0397110190	HOSE ASSY	1				18010-22215
40	0397110200	HOSE ASSY	1				18010-52020
42	0397110220	HOSE ASSY	1				18010-52045
44	0397110240	HOSE ASSY	1				18010-52085
45	0397110250	HOSE ASSY	1				18010-79030
47	0397110270	HOSE ASSY	1				18010-79130
56	1515012040	ELBOW	2				
	1420010110	• O-RING	1				
58	1513390015	TEE	1				
59	1515010050	ELBOW	1				
	1420010140	• O-RING	1				
61	1100040660	BOLT	2				
66	1140020006	WASHER, spring	2				
73	0397110390	HOSE ASSY	1				
76	0397110420	HOSE ASSY	1				
79	0397110450	HOSE ASSY	1				
80	0397110460	HOSE ASSY	1				
81	0397110470	HOSE ASSY	1				
	J1b092						

PIPING; OPERATION LEVER (2/2) (15810005-15810674)

Item	Part number	Description	Q'ty	Chan.	Serial No.	Serv.	Remarks
		PIPING ASSY					X03971-10800-3
1	0397109100	BRACKET	1				
6	0567127300	BRACKET	1				
7	0567127400	COVER	1				
8	0353228460	PEDAL	1				
9	0397110600	SHEET	1				
11	1901729700	VALVE, pilot	1				
12	1901732400	VALVE, solenoid	1				
21	0397110030	HOSE ASSY	1				18010-22045
23	0397110050	HOSE ASSY	1				18010-22055
24	0397110060	HOSE ASSY	1				18010-22065
25	0397110070	HOSE ASSY	1				18010-22080
26	0397110080	HOSE ASSY	1				18010-22085
29	0397110100	HOSE ASSY	1				18010-22100
30	0397110110	HOSE ASSY	1				18010-22110
31	0397110120	HOSE ASSY	1				18010-23085
38	0397110180	HOSE ASSY	1				18010-22060
43	0397110230	HOSE ASSY	1				18010-52070
46	0397110260	HOSE ASSY	1				18010-22060
49	0397110280	HOSE ASSY	1				18010-54040
55	1515010042	ELBOW	1				
	1420010180	• O-RING	1				
56	1515010040	ELBOW	7				
	1420010110	• O-RING	1				
57	1515100110	ELBOW	1				
	1420010110	• O-RING	1				
58	1513390015	TEE	1				
60	0097022400	GUARD	1				
62	1100040816	BOLT	6				
63	1100041016	BOLT	3				
65	1101041220	BOLT	2				
67	1140020008	WASHER, spring	6				
68	1140020010	WASHER, spring	3				
69	1140020012	WASHER, spring	5				
70	1101041235	BOLT	3				
72	0397110380	HOSE ASSY	1				
74	0397110400	HOSE ASSY	1				
75	0397110410	HOSE ASSY	1				
	J1b101						

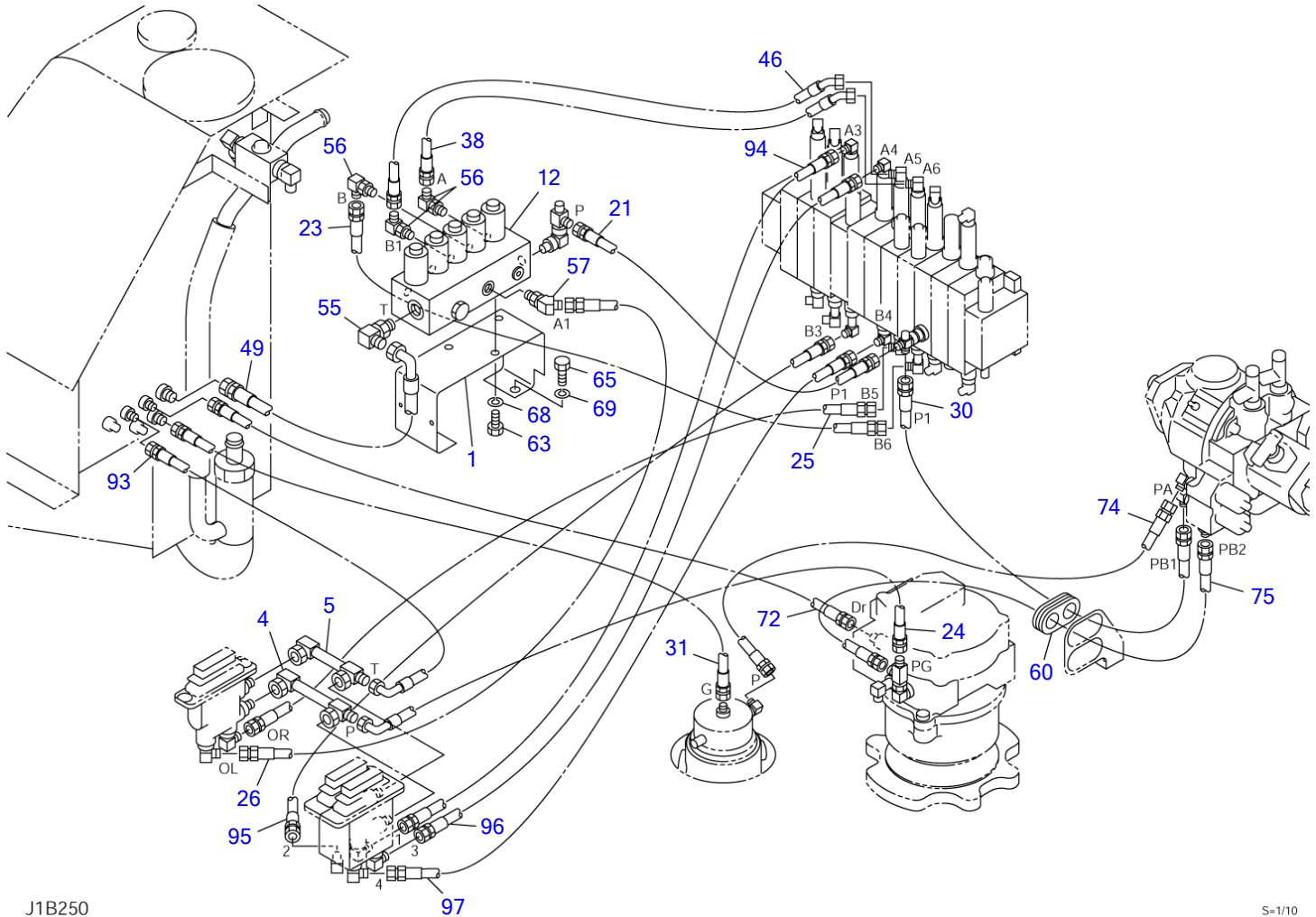


J1B240

S=1/10

PIPING; OPERATION LEVER (1/2) (15810675-)

Item	Part number	Description	Q'ty	Chan.	Serial No.	Serv.	Remarks
		PIPING ASSY					X03971-14500-2
14	1567525080	PROTECTOR	1				sold by the meter
15	1567525060	PROTECTOR	1				sold by the meter
17	1901721800	VALVE, shuttle	1				
20	0397110020	HOSE ASSY	1				18010-52135
22	0397110040	HOSE ASSY	1				18010-22050
32	0397110130	HOSE ASSY	1				18010-22115
33	0397110140	HOSE ASSY	1				18010-22130
34	0397110150	HOSE ASSY	1				18010-22165
37	0397110300	HOSE ASSY	1				18010-22180
39	0397110190	HOSE ASSY	1				18010-22215
40	0397110200	HOSE ASSY	1				18010-52020
42	0397110220	HOSE ASSY	1				18010-52045
44	0397110240	HOSE ASSY	1				18010-52085
45	0397110250	HOSE ASSY	1				18010-79030
47	0397110270	HOSE ASSY	1				18010-79130
56	1515012040	ELBOW	2				
	1420010110	• O-RING	1				
58	1513390015	TEE	1				
59	1515010050	ELBOW	1				
	1420010140	• O-RING	1				
61	1100040660	BOLT	2				
66	1140020006	WASHER, spring	2				
73	0397110390	HOSE ASSY	1				
76	0397110420	HOSE ASSY	1				
79	0397110450	HOSE ASSY	1				
80	0397110460	HOSE ASSY	1				
81	0397110470	HOSE ASSY	1				
	J1b240						

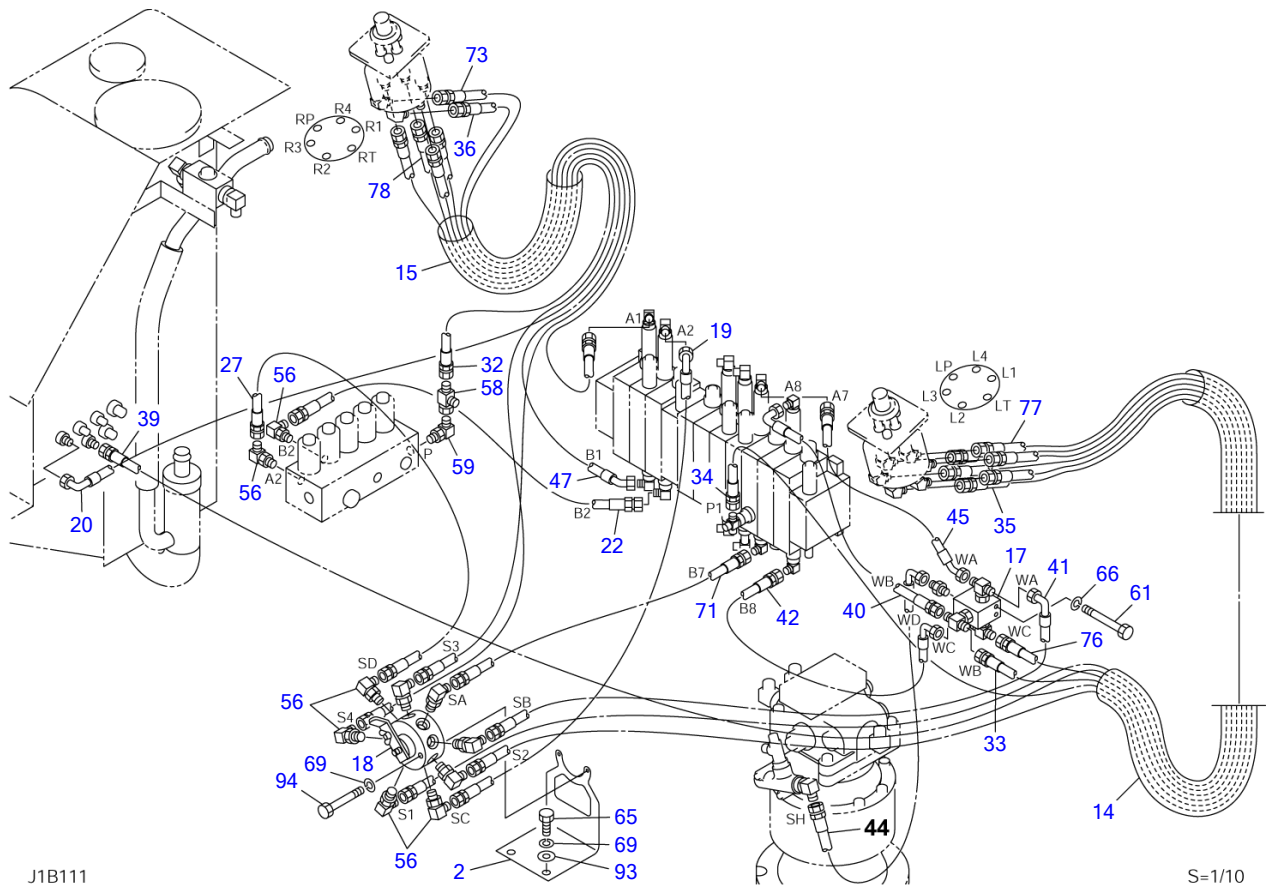


J1B250

S=1/10

PIPING; OPERATION LEVER (2/2) (15810675-)

Item	Part number	Description	Q'ty	Chan.	Serial No.	Serv.	Remarks
		PIPING ASSY					X03971-14500-2
1	0397109100	BRACKET	1				
4	0397113510	PIPE	1				
5	0397113520	PIPE	1				
12	1901732400	VALVE, solenoid	1				
21	0397110030	HOSE ASSY	1				18010-22045
23	0397110050	HOSE ASSY	1				18010-22055
24	0397113010	HOSE ASSY	1				18010-52065
25	0397110070	HOSE ASSY	1				18010-22080
26	0397110080	HOSE ASSY	1				18010-22085
30	0397110110	HOSE ASSY	1				18010-22110
31	0397110120	HOSE ASSY	1				18010-23085
38	0397110180	HOSE ASSY	1				18010-22060
46	0397110260	HOSE ASSY	1				18010-22060
49	0397110280	HOSE ASSY	1				18010-54040
55	1515010042	ELBOW	1				
	1420010180	• O-RING	1				
56	1515012040	ELBOW	3				
	1420010110	• O-RING	1				
57	1515001110	ELBOW	1				
	1420010110	• O-RING	1				
60	0097022400	GUARD	1				
63	1100041016	BOLT	3				
65	1101041220	BOLT	2				
68	1140020010	WASHER, spring	3				
69	1140020012	WASHER, spring	2				
72	0397110380	HOSE ASSY	1				
74	0397110400	HOSE ASSY	1				
75	0397110410	HOSE ASSY	1				
93	0397113040	HOSE ASSY	1				18010-52100
94	0397114030	HOSE ASSY	1				18010-22120
95	0397114040	HOSE ASSY	1				18010-22105
96	0397114050	HOSE ASSY	1				18010-22110
97	0397114060	HOSE ASSY	1				18010-22095
	J1b250						



J1B111

S=1/10

PIPING; OPERATION LEVER (1/2) (ISO-JCB pattern; 15810005-15810674)

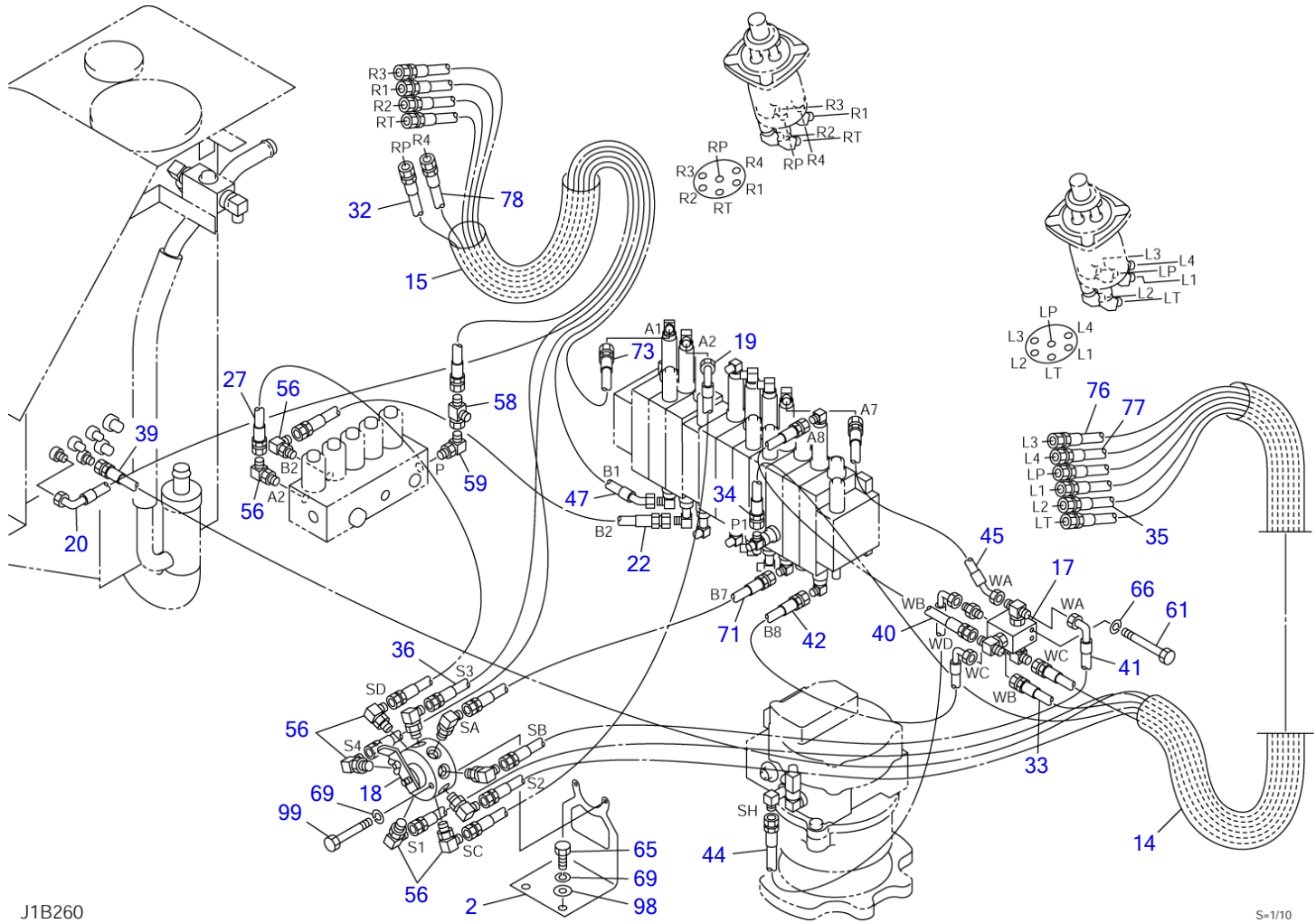
Item	Part number	Description	Q'ty	Chan.	Serial No.	Serv.	Remarks
		PIPING ASSY					X03971-10000-3
2	0357108200	BRACKET	1				
14	1567525080	PROTECTOR	1				sold by the meter
15	1567525060	PROTECTOR	1				sold by the meter
17	1901721800	VALVE, shuttle	1				
18	1901730500	VALVE, selector	1				
19	0397110010	HOSE ASSY	1				18010-52090
20	0397110020	HOSE ASSY	1				18010-52135
22	0397110040	HOSE ASSY	1				18010-22050
27	0397110090	HOSE ASSY	1				18010-22090
32	0397110130	HOSE ASSY	1				18010-22115
33	0397110140	HOSE ASSY	1				18010-22130
34	0397110150	HOSE ASSY	1				18010-22165
35	0397110160	HOSE ASSY	1				18010-22163
36	0397110170	HOSE ASSY	1				18010-22175
39	0397110190	HOSE ASSY	1				18010-22215
40	0397110200	HOSE ASSY	1				18010-52025
41	0397110210	HOSE ASSY	1				18010-52035
42	0397110220	HOSE ASSY	1				18010-52045
44	0397110240	HOSE ASSY	1				18010-52085
45	0397110250	HOSE ASSY	1				18010-79030
47	0397110270	HOSE ASSY	1				18010-79130
56	1515012040	ELBOW	10				
	1420010110	• O-RING	1				
58	1513390015	TEE	1				
59	1515010050	ELBOW	1				
	1420010140	• O-RING	1				
61	1100040660	BOLT	2				
65	1101041220	BOLT	1				
66	1140020006	WASHER, spring	2				
69	1140020012	WASHER, spring	1				
71	0397110370	HOSE ASSY	1				
73	0397110390	HOSE ASSY	1				
76	0397110420	HOSE ASSY	1				
77	0397110430	HOSE ASSY	1				18010-22160
78	0397110440	HOSE ASSY	1				
93	1141110012	WASHER	1				
94	1100040650	BOLT	2				

J1b112

PIPING; OPERATION LEVER (2/2) (ISO-JCB pattern; 15810005-15810674)

Item	Part number	Description	Q'ty	Chan.	Serial No.	Serv.	Remarks
		PIPING ASSY					X03971-10000-3
1	0397109100	BRACKET	1				
6	0567127300	BRACKET	1				
7	0567127400	COVER	1				
8	0353228460	PEDAL	1				
9	0397110600	SHEET	1				
11	1901729700	VALVE, pilot	1				
12	1901732400	VALVE, solenoid	1				
21	0397110030	HOSE ASSY	1				18010-22045
23	0397110050	HOSE ASSY	1				18010-22055
24	0397110060	HOSE ASSY	1				18010-22065
25	0397110070	HOSE ASSY	1				18010-22080
26	0397110080	HOSE ASSY	1				18010-22085
29	0397110100	HOSE ASSY	1				18010-22100
30	0397110110	HOSE ASSY	1				18010-22110
31	0397110120	HOSE ASSY	1				18010-23085
38	0397110180	HOSE ASSY	1				18010-22060
43	0397110230	HOSE ASSY	1				18010-52070
46	0397110260	HOSE ASSY	1				18010-22060
49	0397110280	HOSE ASSY	1				18010-54040
55	1515010042	ELBOW	1				
	1420010180	• O-RING	1				
56	1515010040	ELBOW	7				
	1420010110	• O-RING	1				
57	1515100110	ELBOW	1				
	1420010110	• O-RING	1				
58	1513390015	TEE	1				
60	0097022400	GUARD	1				
62	1100040816	BOLT	6				
63	1100041016	BOLT	3				
65	1101041220	BOLT	2				
67	1140020008	WASHER, spring	6				
68	1140020010	WASHER, spring	3				
69	1140020012	WASHER, spring	5				
70	1101041235	BOLT	3				
72	0397110380	HOSE ASSY	1				
74	0397110400	HOSE ASSY	1				
75	0397110410	HOSE ASSY	1				
	J1b121						

TB53FR Book No. BJ1Z006 S/N 15810005-15811324
 PIPING; OPERATION LEVER (1/2) (ISO-JCB pattern; 15810675-)



J1B260

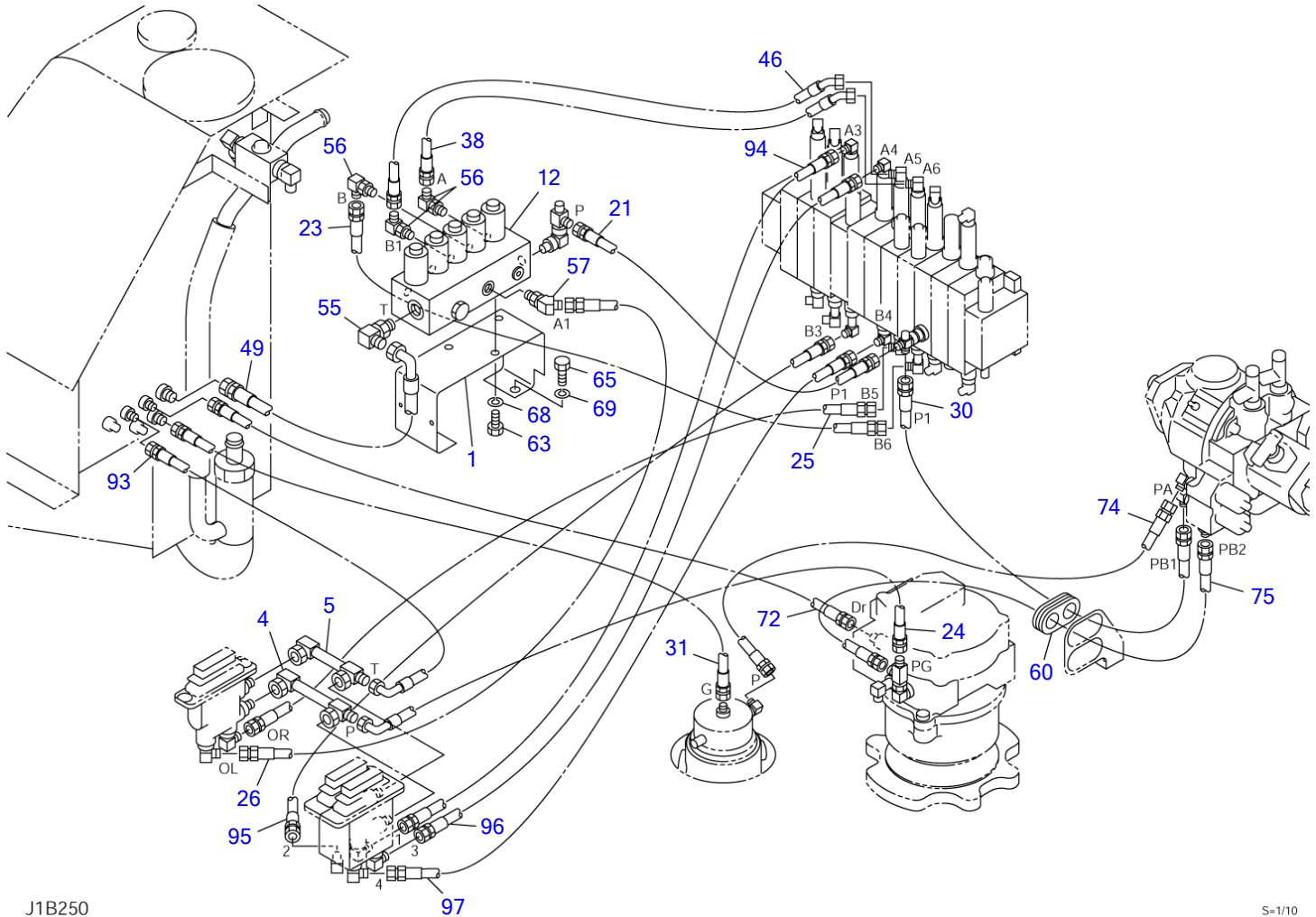
S=1/10

PIPING; OPERATION LEVER (1/2) (ISO-JCB pattern; 15810675-)

Item	Part number	Description	Q'ty	Chan.	Serial No.	Serv.	Remarks
		PIPING ASSY					X03971-14000-2
2	0357108200	BRACKET	1				
14	1567525080	PROTECTOR	1				sold by the meter
15	1567525060	PROTECTOR	1				sold by the meter
17	1901721800	VALVE, shuttle	1				
18	1901730500	VALVE, selector	1				
19	0397110010	HOSE ASSY	1				18010-52090
20	0397110020	HOSE ASSY	1				18010-52135
22	0397110040	HOSE ASSY	1				18010-22050
27	0397110090	HOSE ASSY	1				18010-22090
32	0397110130	HOSE ASSY	1				18010-22115
33	0397110140	HOSE ASSY	1				18010-22130
34	0397110150	HOSE ASSY	1				18010-22165
35	0397110160	HOSE ASSY	1				18010-22163
36	0397110170	HOSE ASSY	1				18010-22175
39	0397110190	HOSE ASSY	1				18010-22215
40	0397110200	HOSE ASSY	1				18010-52025
41	0397110210	HOSE ASSY	1				18010-52035
42	0397110220	HOSE ASSY	1				18010-52045
44	0397110240	HOSE ASSY	1				18010-52085
45	0397110250	HOSE ASSY	1				18010-79030
47	0397110270	HOSE ASSY	1				18010-79130
56	1515012040	ELBOW	10				
	1420010110	• O-RING	1				
58	1513390015	TEE	1				
59	1515010050	ELBOW	1				
	1420010140	• O-RING	1				
61	1100040660	BOLT	2				
65	1101041220	BOLT	2				
66	1140020006	WASHER, spring	2				
69	1140020012	WASHER, spring	2				
71	0397110370	HOSE ASSY	1				
73	0397110390	HOSE ASSY	1				
76	0397110420	HOSE ASSY	1				
77	0397110430	HOSE ASSY	1				18010-22160
78	0397110440	HOSE ASSY	1				
98	1141110012	WASHER	1				
99	1100040650	BOLT	2				

J1b260

TB53FR Book No. BJ1Z006 S/N 15810005-15811324
PIPING; OPERATION LEVER (2/2) (ISO-JCB pattern; 15810675-)



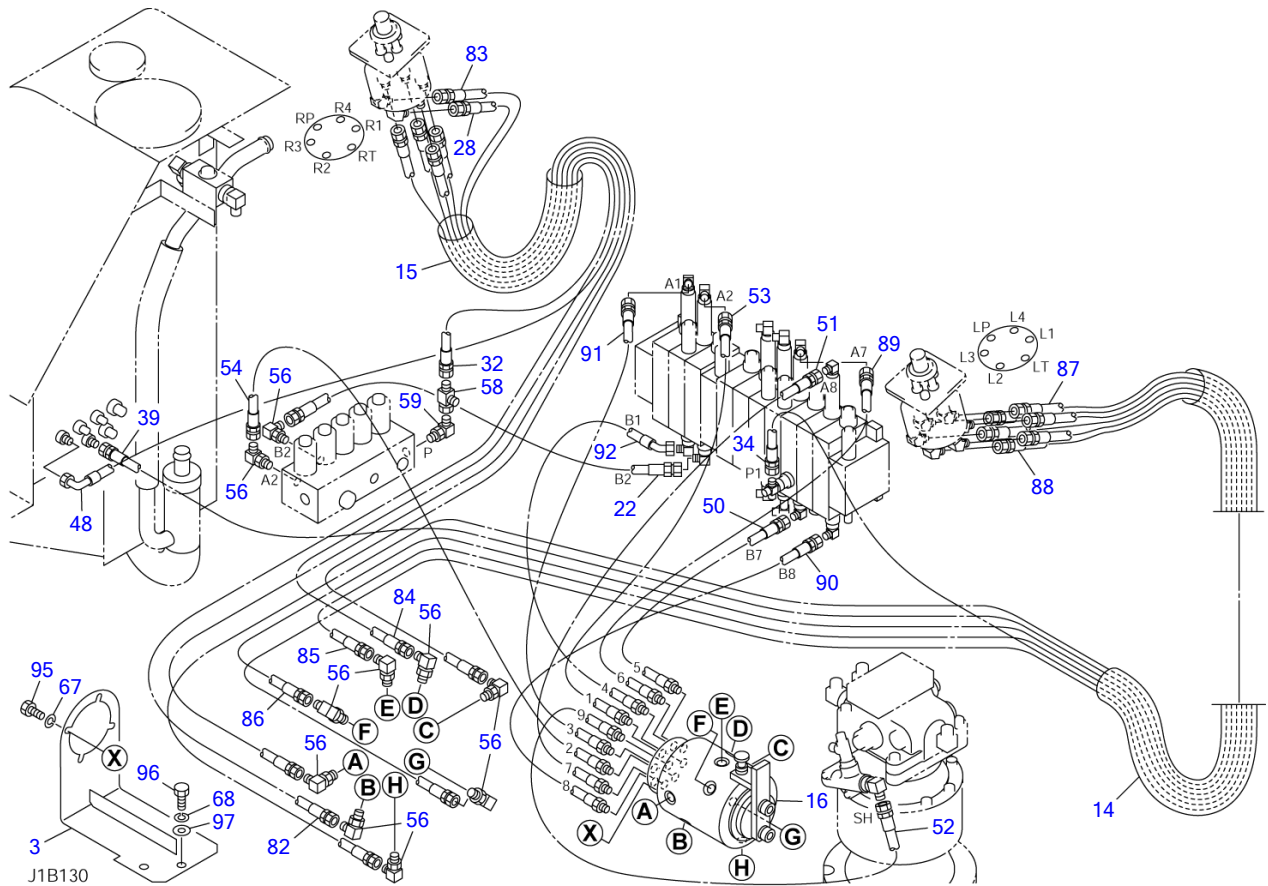
J1B250

S=1/10

PIPING; OPERATION LEVER (2/2) (ISO-JCB pattern; 15810675-)

Item	Part number	Description	Q'ty	Chan.	Serial No.	Serv.	Remarks
		PIPING ASSY					X03971-14000-2
1	0397109100	BRACKET	1				
4	0397113510	PIPE	1				
5	0397113520	PIPE	1				
12	1901732400	VALVE, solenoid	1				
21	0397110030	HOSE ASSY	1				18010-22045
23	0397110050	HOSE ASSY	1				18010-22055
24	0397113010	HOSE ASSY	1				18010-52065
25	0397110070	HOSE ASSY	1				18010-22080
26	0397110080	HOSE ASSY	1				18010-22085
30	0397110110	HOSE ASSY	1				18010-22110
31	0397110120	HOSE ASSY	1				18010-23085
38	0397110180	HOSE ASSY	1				18010-22060
46	0397110260	HOSE ASSY	1				18010-22060
49	0397110280	HOSE ASSY	1				18010-54040
55	1515010042	ELBOW	1				
	1420010180	• O-RING	1				
56	1515012040	ELBOW	3				
	1420010110	• O-RING	1				
57	1515001110	ELBOW	1				
	1420010110	• O-RING	1				
60	0097022400	GUARD	1				
63	1100041016	BOLT	3				
65	1101041220	BOLT	2				
68	1140020010	WASHER, spring	3				
69	1140020012	WASHER, spring	2				
72	0397110380	HOSE ASSY	1				
74	0397110400	HOSE ASSY	1				
75	0397110410	HOSE ASSY	1				
93	0397113040	HOSE ASSY	1				18010-52100
94	0397114030	HOSE ASSY	1				18010-22120
95	0397114040	HOSE ASSY	1				18010-22105
96	0397114050	HOSE ASSY	1				18010-22110
97	0397114060	HOSE ASSY	1				18010-22095
	J1b270						

TB53FR Book No. BJ1Z006 S/N 15810005-15811324
PIPING; OPERATION LEVER (1/2) (multi pattern; 15810005-15810674)



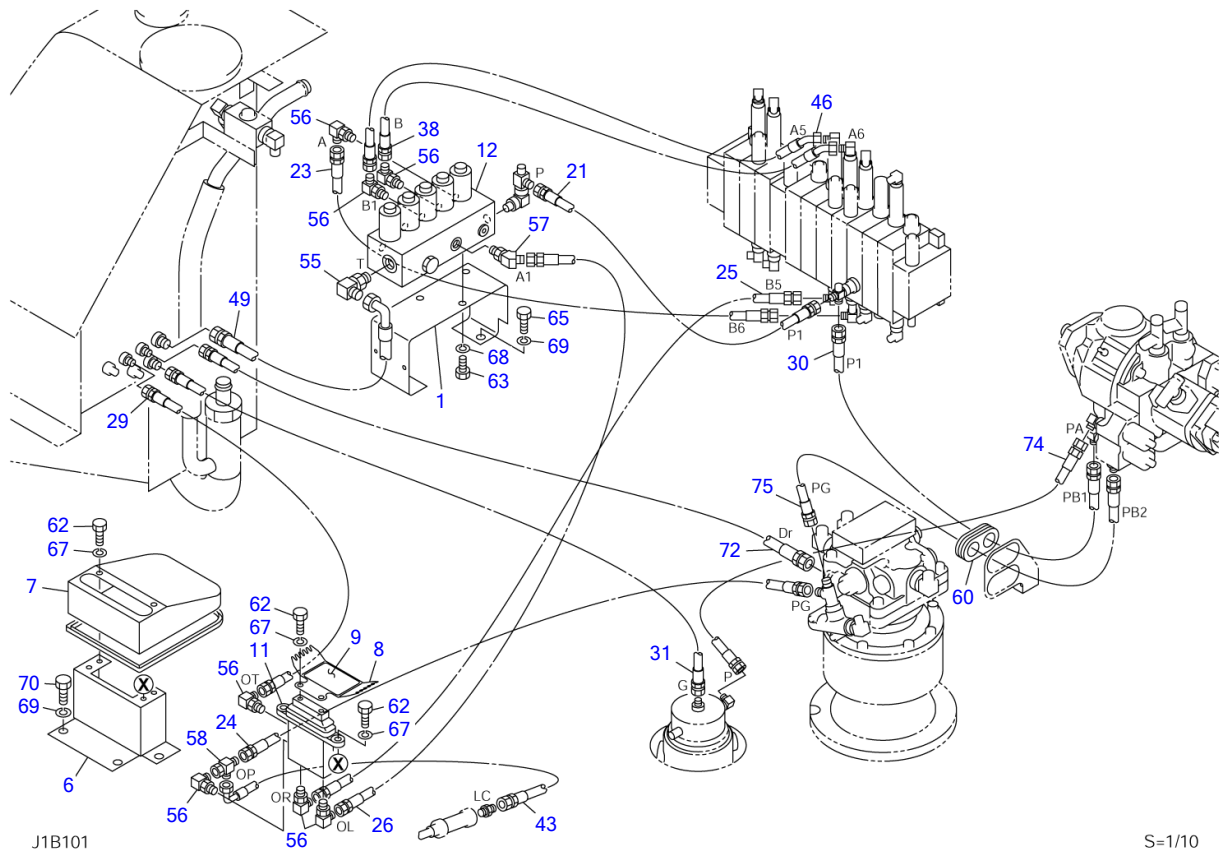
S=1/10

PIPING; OPERATION LEVER (1/2) (multi pattern; 15810005-15810674)

Item	Part number	Description	Q'ty	Chan.	Serial No.	Serv.	Remarks
		PIPING ASSY					X03971-10900-3
3	0397110910	BRACKET	1				
14	1567525080	PROTECTOR	1				sold by the meter
15	1567525060	PROTECTOR	1				sold by the meter
16	1901732600	VALVE, rotary	1				
22	0397110040	HOSE ASSY	1				18010-22050
28	0397110290	HOSE ASSY	1				18010-22095
32	0397110130	HOSE ASSY	1				18010-22115
34	0397110150	HOSE ASSY	1				18010-22165
39	0397110190	HOSE ASSY	1				18010-22215
48	0397110310	HOSE ASSY	1				18010-52180
50	0397110320	HOSE ASSY	1				18010-70045
51	0397110330	HOSE ASSY	1				18010-70055
52	0397110340	HOSE ASSY	1				18010-70110
53	0397110350	HOSE ASSY	1				18010-70065
54	0397110360	HOSE ASSY	1				18010-70080
56	1515012040	ELBOW	10				
	1420010110	• O-RING	1				
58	1513390015	TEE	1				
59	1515010050	ELBOW	1				
	1420010140	• O-RING	1				
67	1140020008	WASHER, spring	4				
68	1140020010	WASHER, spring	2				
82	0397110480	HOSE ASSY	1				18010-22095
83	0397110490	HOSE ASSY	1				18010-22095
84	0397110500	HOSE ASSY	1				18010-22095
85	0397110510	HOSE ASSY	1				18010-22180
86	0397110520	HOSE ASSY	1				18010-22180
87	0397110530	HOSE ASSY	1				18010-22180
88	0397110540	HOSE ASSY	1				18010-22180
89	0397110550	HOSE ASSY	1				18010-70075
90	0397110560	HOSE ASSY	1				18010-70075
91	0397110570	HOSE ASSY	1				18010-70065
92	0397110580	HOSE ASSY	1				18010-70065
95	1100040820	BOLT	4				
96	1100041025	BOLT	2				
97	1141110010	WASHER	2				

J1b132

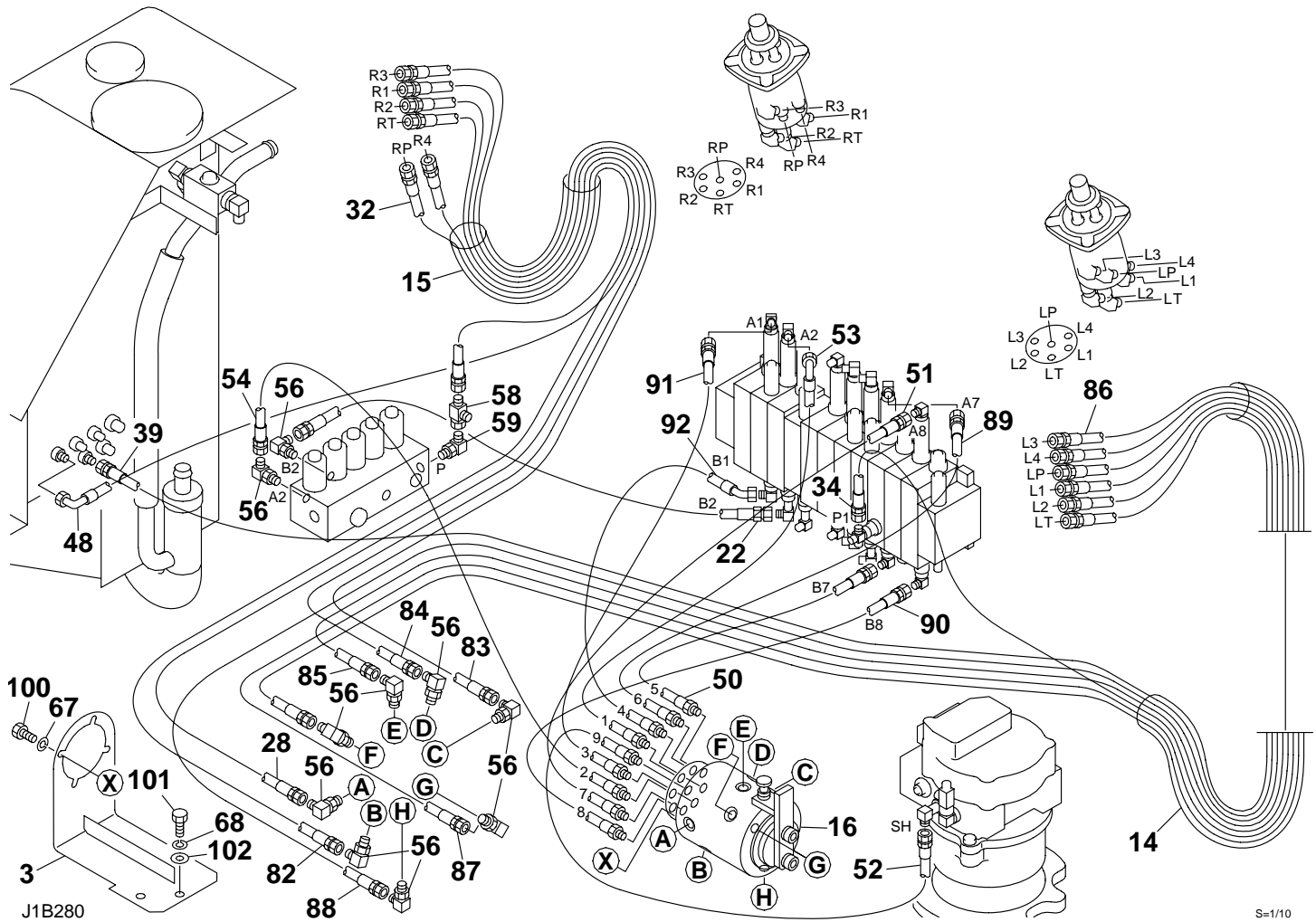
TB53FR Book No. BJ1Z006 S/N 15810005-15811324
PIPING; OPERATION LEVER (2/2) (multi pattern; 15810005-15810674)



PIPING; OPERATION LEVER (2/2) (multi pattern; 15810005-15810674)

Item	Part number	Description	Q'ty	Chan.	Serial No.	Serv.	Remarks
		PIPING ASSY					X03971-10900-3
1	0397109100	BRACKET	1				
6	0567127300	BRACKET	1				
7	0567127400	COVER	1				
8	0353228460	PEDAL	1				
9	0397110600	SHEET	1				
11	1901729700	VALVE, pilot	1				
12	1901732400	VALVE, solenoid	1				
21	0397110030	HOSE ASSY	1				18010-22045
23	0397110050	HOSE ASSY	1				18010-22055
24	0397110060	HOSE ASSY	1				18010-22065
25	0397110070	HOSE ASSY	1				18010-22080
26	0397110080	HOSE ASSY	1				18010-22085
29	0397110100	HOSE ASSY	1				18010-22100
30	0397110110	HOSE ASSY	1				18010-22110
31	0397110120	HOSE ASSY	1				18010-23085
38	0397110180	HOSE ASSY	1				18010-22060
43	0397110230	HOSE ASSY	1				18010-52070
46	0397110260	HOSE ASSY	1				18010-22060
49	0397110280	HOSE ASSY	1				18010-54040
55	1515010042	ELBOW	1				
	1420010180	• O-RING	1				
56	1515010040	ELBOW	7				
	1420010110	• O-RING	1				
57	1515100110	ELBOW	1				
	1420010110	• O-RING	1				
58	1513390015	TEE	1				
60	0097022400	GUARD	1				
62	1100040816	BOLT	6				
63	1100041016	BOLT	3				
65	1101041220	BOLT	2				
67	1140020008	WASHER, spring	6				
68	1140020010	WASHER, spring	3				
69	1140020012	WASHER, spring	5				
70	1101041235	BOLT	3				
72	0397110380	HOSE ASSY	1				
74	0397110400	HOSE ASSY	1				
75	0397110410	HOSE ASSY	1				
	J1b141						

TB53FR Book No. BJ1Z006 S/N 15810005-15811324
PIPING; OPERATION LEVER (1/2) (multi pattern; 15810675-)



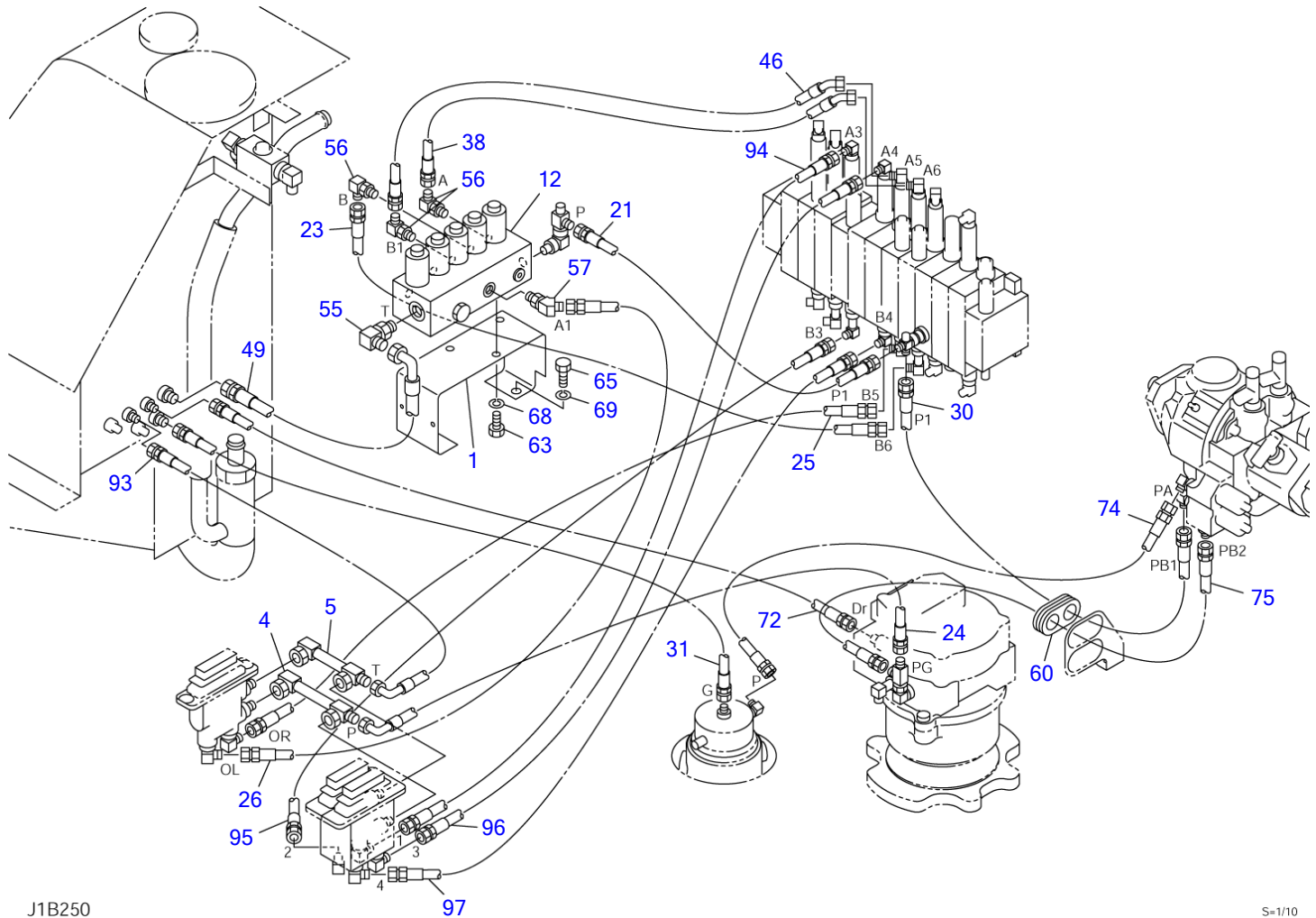
S=1/10

PIPING; OPERATION LEVER (1/2) (multi pattern; 15810675-)

Item	Part number	Description	Q'ty	Chan.	Serial No.	Serv.	Remarks
		PIPING ASSY					X03971-14700-2
3	0397110910	BRACKET	1				
14	1567525080	PROTECTOR	1				sold by the meter
15	1567525060	PROTECTOR	1				sold by the meter
16	1901732600	VALVE, rotary	1				
22	0397110040	HOSE ASSY	1				18010-22050
28	0397110290	HOSE ASSY	1				18010-22095
32	0397110130	HOSE ASSY	1				18010-22115
34	0397110150	HOSE ASSY	1				18010-22165
39	0397110190	HOSE ASSY	1				18010-22215
48	0397110310	HOSE ASSY	1				18010-52180
50	0397110320	HOSE ASSY	1				18010-70045
51	0397110330	HOSE ASSY	1				18010-70055
52	0397110340	HOSE ASSY	1				18010-70110
53	0397110350	HOSE ASSY	1				18010-70065
54	0397110360	HOSE ASSY	1				18010-70080
56	1515012040	ELBOW	10				
	1420010110	· O-RING	1				
58	1513390015	TEE	1				
59	1515010050	ELBOW	1				
	1420010140	· O-RING	1				
67	1140020008	WASHER, spring	4				
68	1140020010	WASHER, spring	2				
82	0397110480	HOSE ASSY	1				18010-22095
83	0397110490	HOSE ASSY	1				18010-22095
84	0397110500	HOSE ASSY	1				18010-22095
85	0397110510	HOSE ASSY	1				18010-22180
86	0397110520	HOSE ASSY	1				18010-22180
87	0397110530	HOSE ASSY	1				18010-22180
88	0397110540	HOSE ASSY	1				18010-22180
89	0397110550	HOSE ASSY	1				18010-70075
90	0397110560	HOSE ASSY	1				18010-70075
91	0397110570	HOSE ASSY	1				18010-70065
92	0397110580	HOSE ASSY	1				18010-70065
100	1100040820	BOLT	4				
101	1100041025	BOLT	2				
102	1141110010	WASHER	2				

J1b280

TB53FR Book No. BJ1Z006 S/N 15810005-15811324
PIPING; OPERATION LEVER (2/2) (multi pattern; 15810675-)



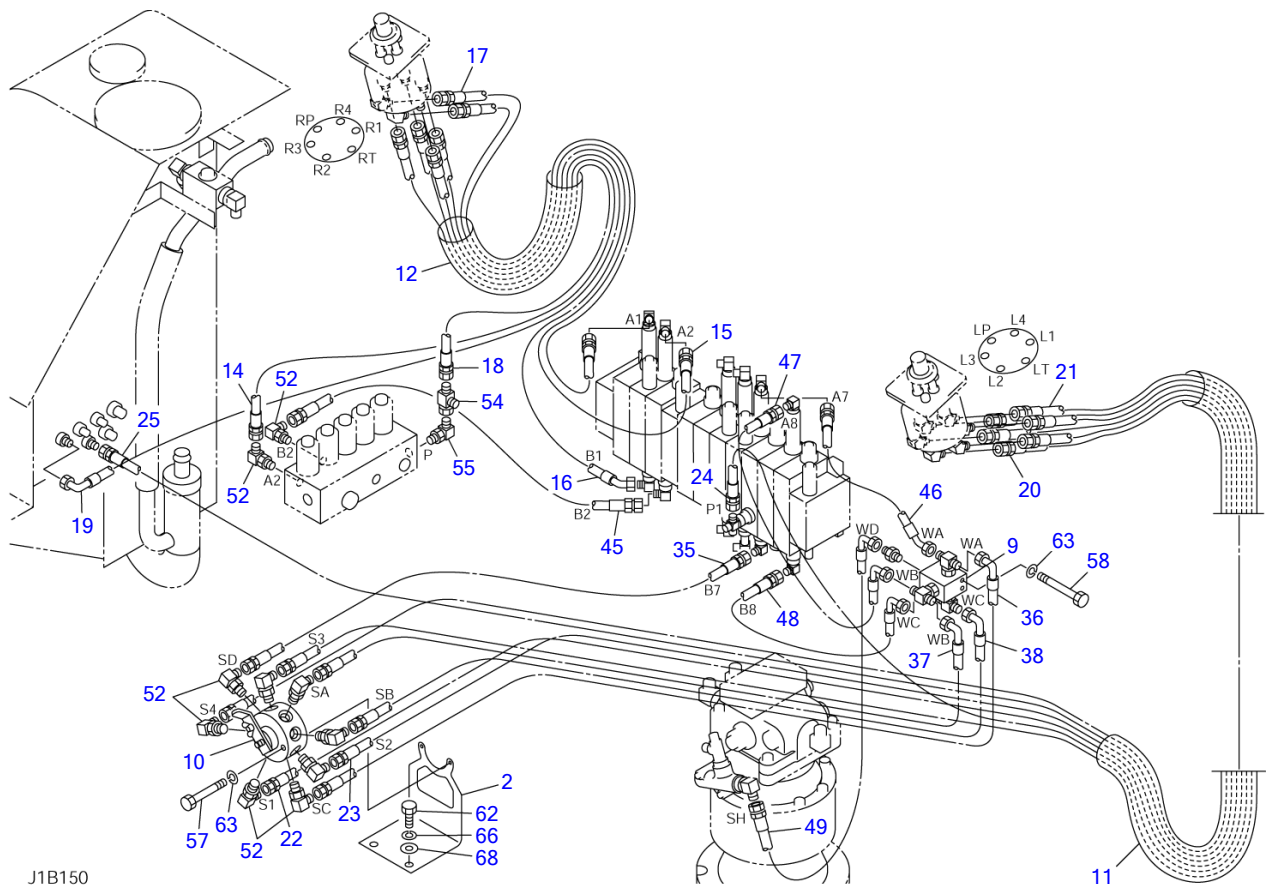
J1B250

S=1/10

PIPING; OPERATION LEVER (2/2) (multi pattern; 15810675-)

Item	Part number	Description	Q'ty	Chan.	Serial No.	Serv.	Remarks
		PIPING ASSY					X03971-14700-2
1	0397109100	BRACKET	1				
4	0397113510	PIPE	1				
5	0397113520	PIPE	1				
12	1901732400	VALVE, solenoid	1				
21	0397110030	HOSE ASSY	1				18010-22045
23	0397110050	HOSE ASSY	1				18010-22055
24	0397113010	HOSE ASSY	1				18010-52065
25	0397110070	HOSE ASSY	1				18010-22080
26	0397110080	HOSE ASSY	1				18010-22085
30	0397110110	HOSE ASSY	1				18010-22110
31	0397110120	HOSE ASSY	1				18010-23085
38	0397110180	HOSE ASSY	1				18010-22060
46	0397110260	HOSE ASSY	1				18010-22060
49	0397110280	HOSE ASSY	1				18010-54040
55	1515010042	ELBOW	1				
	1420010180	• O-RING	1				
56	1515012040	ELBOW	3				
	1420010110	• O-RING	1				
57	1515001110	ELBOW	1				
	1420010110	• O-RING	1				
60	0097022400	GUARD	1				
63	1100041016	BOLT	3				
65	1101041220	BOLT	2				
68	1140020010	WASHER, spring	3				
69	1140020012	WASHER, spring	2				
72	0397110380	HOSE ASSY	1				
74	0397110400	HOSE ASSY	1				
75	0397110410	HOSE ASSY	1				
93	0397113040	HOSE ASSY	1				18010-52100
94	0397114030	HOSE ASSY	1				18010-22120
95	0397114040	HOSE ASSY	1				18010-22105
96	0397114050	HOSE ASSY	1				18010-22110
97	0397114060	HOSE ASSY	1				18010-22095
	J1b290						

TB53FR Book No. BJ1Z006 S/N 15810005-15811324
 PIPING; OPERATION LEVER (1/2) (A-B pattern; 15810005-15810674)

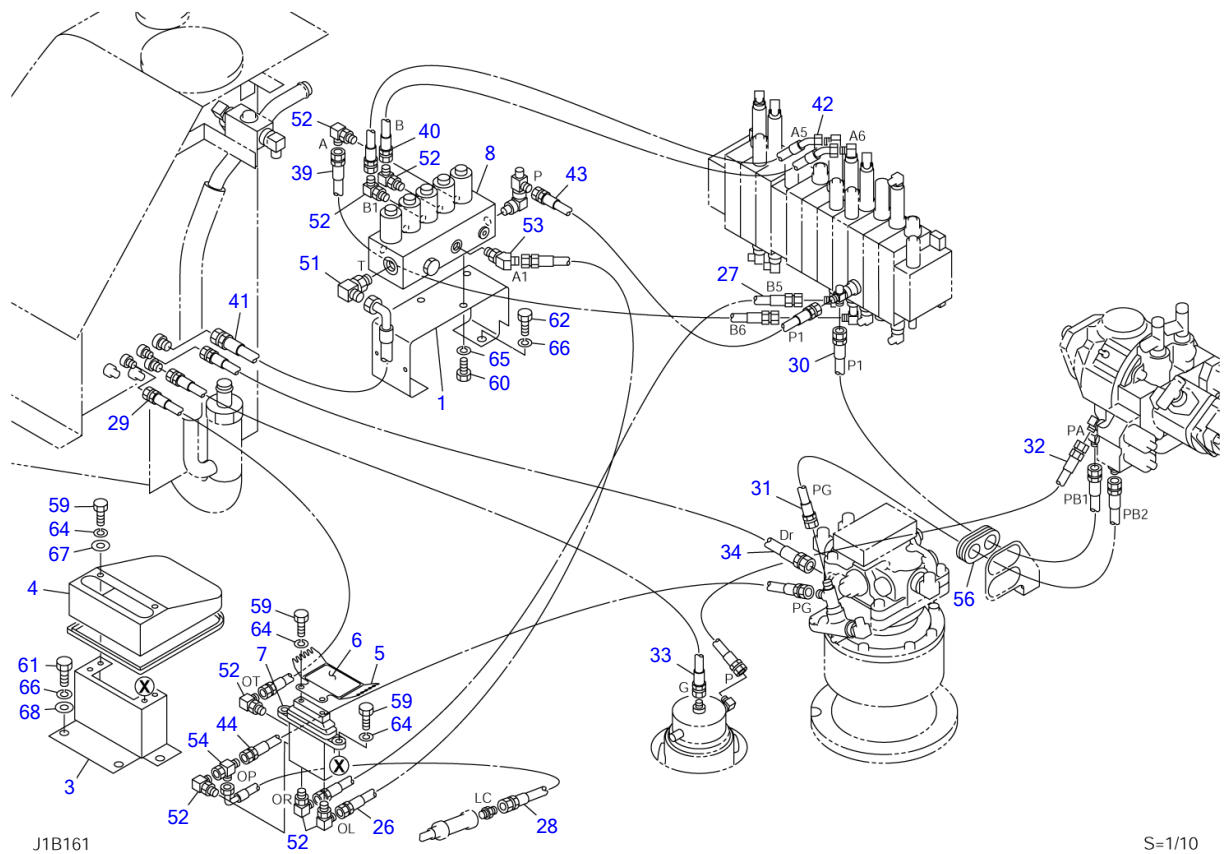


J1B150

S=1/10

PIPING; OPERATION LEVER (1/2) (A-B pattern; 15810005-15810674)

Item	Part number	Description	Q'ty	Chan.	Serial No.	Serv.	Remarks
		PIPING ASSY					X03971-12000-3
2	0357108200	BRACKET	1				
9	1901721800	VALVE, shuttle	1				
10	1901731400	VALVE, selector	1				
11	1567525080	PROTECTOR	1				sold by the meter
12	1567525060	PROTECTOR	1				sold by the meter
14	0397110470	HOSE ASSY	1				18010-22135
15	0397110450	HOSE ASSY	1				18010-22085
16	0397110270	HOSE ASSY	1				18010-79130
17	0397110390	HOSE ASSY	1				18010-22085
18	0397110130	HOSE ASSY	1				18010-22115
19	0397110020	HOSE ASSY	1				18010-52135
20	0397112070	HOSE ASSY	1				18010-22170
21	0397112080	HOSE ASSY	1				18010-22170
22	0397112090	HOSE ASSY	1				18010-22170
23	0397112100	HOSE ASSY	1				18010-22170
24	0397110150	HOSE ASSY	1				18010-22165
25	0397110190	HOSE ASSY	1				18010-22215
35	0397112220	HOSE ASSY	1				18010-22055
36	0397112230	HOSE ASSY	1				18010-52040
37	0397112240	HOSE ASSY	1				18010-52035
38	0397112250	HOSE ASSY	1				18010-52035
45	0397110040	HOSE ASSY	1				18010-22050
46	0397110250	HOSE ASSY	1				18010-79030
47	0397110200	HOSE ASSY	1				18010-52025
48	0397110220	HOSE ASSY	1				18010-52045
49	0397110240	HOSE ASSY	1				18010-52085
52	1515012040	ELBOW	10				
	1420010110	• O-RING	1				
54	1513390015	TEE	1				
55	1515010050	ELBOW	1				
	1420010140	• O-RING	1				
57	1100040650	BOLT	2				
58	1100040660	BOLT	2				
62	1101041225	BOLT	2				
63	1140020006	WASHER, spring	4				
66	1140020012	WASHER, spring	2				
68	1141110012	WASHER	2				
	J1b152						



J1B161

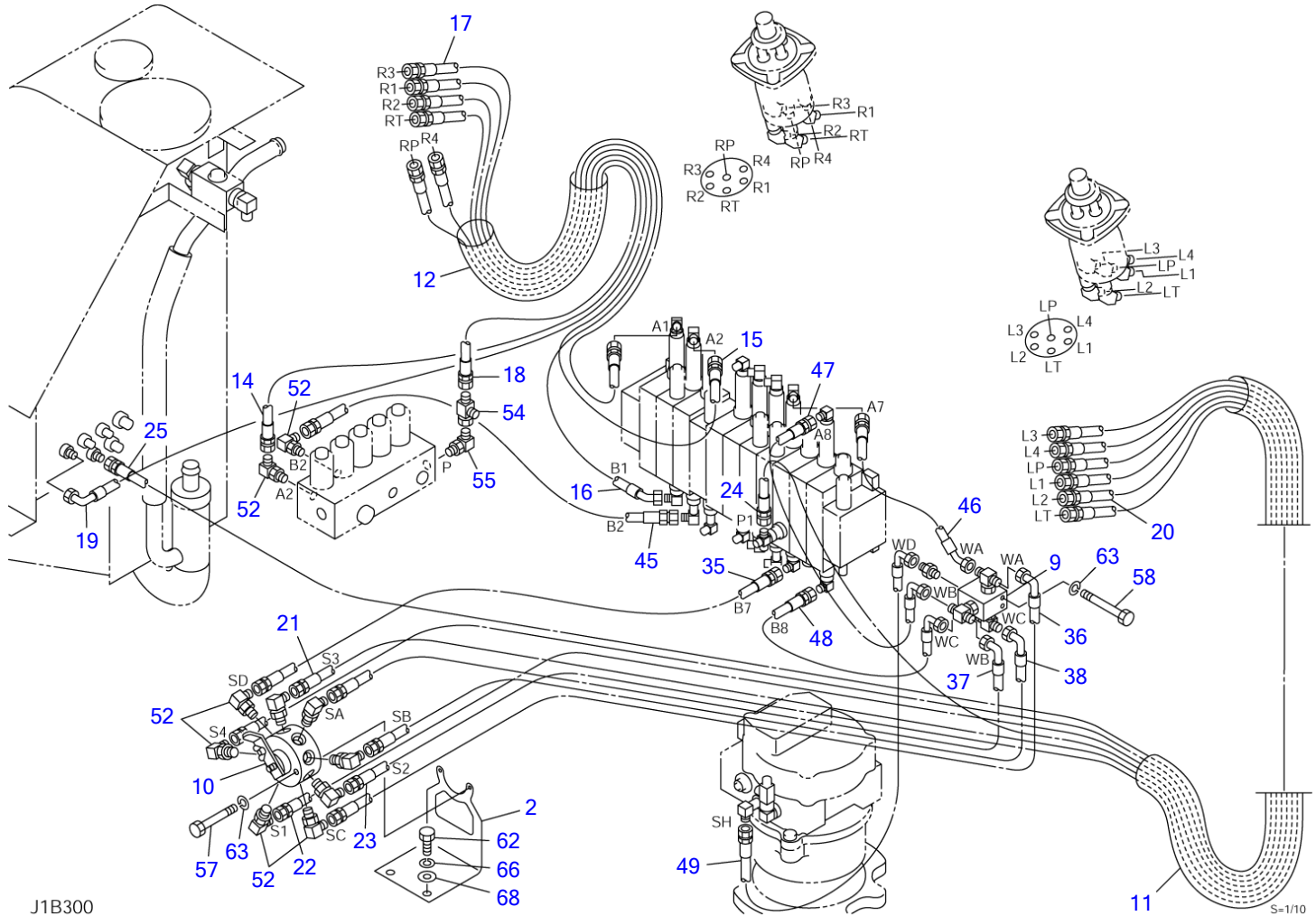
S=1/10

PIPING; OPERATION LEVER (2/2) (A-B pattern; 15810005-15810674)

Item	Part number	Description	Q'ty	Chan.	Serial No.	Serv.	Remarks
		PIPING ASSY					X03971-12000-3
1	0397109100	BRACKET	1				
3	0567127300	BRACKET	1				
4	0567127400	COVER	1				
5	0353228460	PEDAL	1				
6	0397110600	SHEET	1				
7	1901729700	VALVE, pilot	1				
8	1901732400	VALVE, solenoid	1				
26	0397110080	HOSE ASSY	1				18010-22085
27	0397110070	HOSE ASSY	1				18010-22080
28	0397110230	HOSE ASSY	1				18010-52070
29	0397110100	HOSE ASSY	1				18010-22100
30	0397110110	HOSE ASSY	1				18010-22110
31	0397110410	HOSE ASSY	1				18010-22110
32	0397110400	HOSE ASSY	1				18010-22100
33	0397110120	HOSE ASSY	1				18010-23085
34	0397110380	HOSE ASSY	1				18010-22080
39	0397110050	HOSE ASSY	1				18010-22055
40	0397110180	HOSE ASSY	1				18010-22060
41	0397110280	HOSE ASSY	1				18010-54040
42	0397110260	HOSE ASSY	1				18010-22060
43	0397110030	HOSE ASSY	1				18010-22045
44	0397110060	HOSE ASSY	1				18010-22065
51	1515010042	ELBOW	1				
	1420010180	• O-RING	1				
52	1515010040	ELBOW	7				
	1420010110	• O-RING	1				
53	1515100110	ELBOW	1				
	1420010110	• O-RING	1				
54	1513390015	TEE	1				
56	0097022400	GUARD	1				
59	1100040816	BOLT	6				
60	1100041016	BOLT	3				
61	1101041235	BOLT	3				
62	1101041225	BOLT	2				
64	1140020008	WASHER, spring	6				
65	1140020010	WASHER, spring	3				
66	1140020012	WASHER, spring	5				
67	1141110008	WASHER	2				
68	1141110012	WASHER	3				

J1b161

TB53FR Book No. BJ1Z006 S/N 15810005-15811324
 PIPING; OPERATION LEVER (1/2) (A-B pattern; 15810675-)



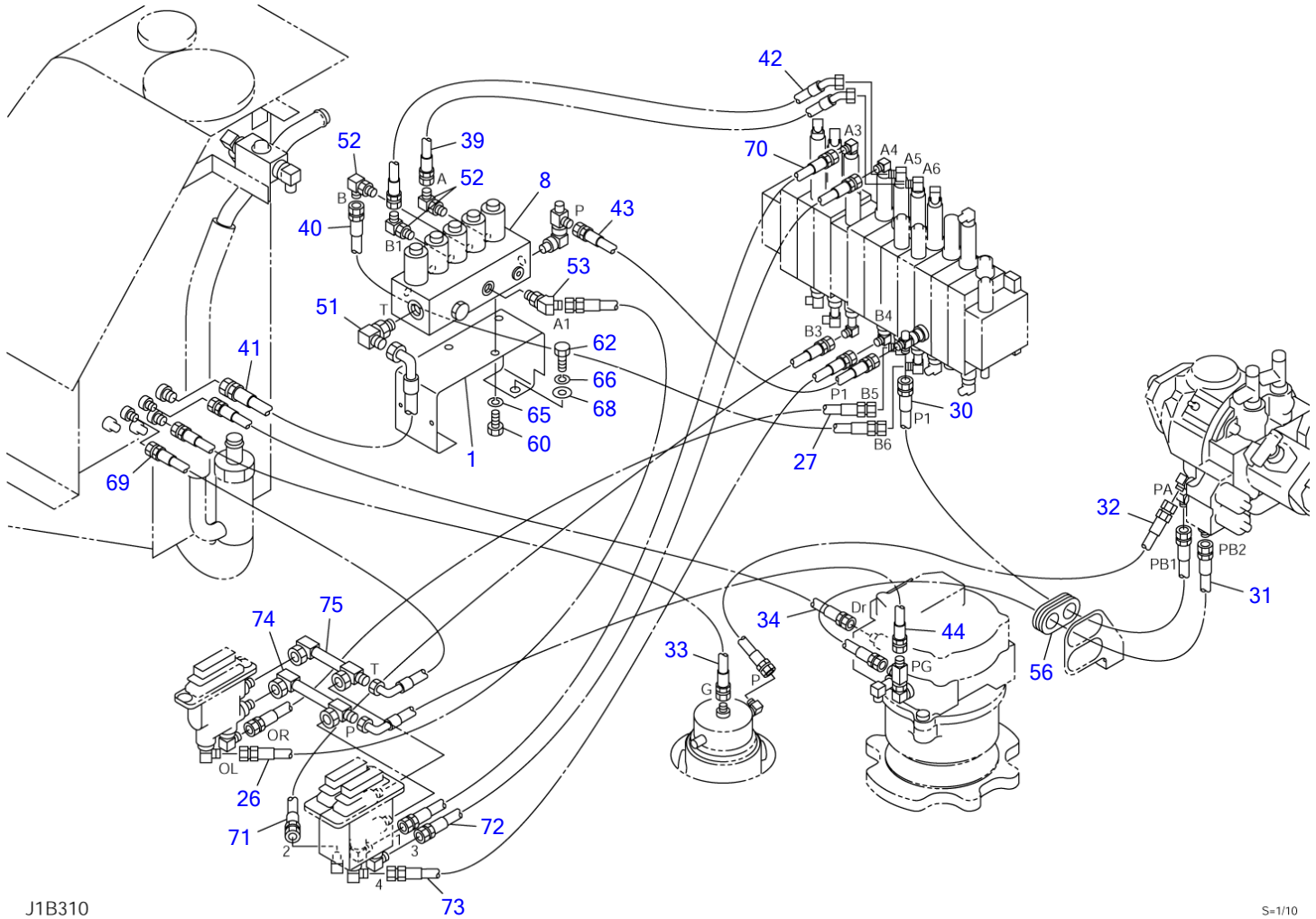
J1B300

S=1/10

PIPING; OPERATION LEVER (1/2) (A-B pattern; 15810675-)

Item	Part number	Description	Q'ty	Chan.	Serial No.	Serv.	Remarks
		PIPING ASSY					X03971-14900-2
2	0357108200	BRACKET	1				
9	1901721800	VALVE, shuttle	1				
10	1901731400	VALVE, selector	1				
11	1567525080	PROTECTOR	1				sold by the meter
12	1567525060	PROTECTOR	1				sold by the meter
14	0397110470	HOSE ASSY	1				18010-22135
15	0397110450	HOSE ASSY	1				18010-22085
16	0397110270	HOSE ASSY	1				18010-79130
17	0397110390	HOSE ASSY	1				18010-22085
18	0397110130	HOSE ASSY	1				18010-22115
19	0397110020	HOSE ASSY	1				18010-52135
20	0397112070	HOSE ASSY	1				18010-22170
21	0397112080	HOSE ASSY	1				18010-22170
22	0397112090	HOSE ASSY	1				18010-22170
23	0397112100	HOSE ASSY	1				18010-22170
24	0397110150	HOSE ASSY	1				18010-22165
25	0397110190	HOSE ASSY	1				18010-22215
35	0397112220	HOSE ASSY	1				18010-22055
36	0397112230	HOSE ASSY	1				18010-52040
37	0397112240	HOSE ASSY	1				18010-52035
38	0397112250	HOSE ASSY	1				18010-52035
45	0397110040	HOSE ASSY	1				18010-22050
46	0397110250	HOSE ASSY	1				18010-79030
47	0397110200	HOSE ASSY	1				18010-52025
48	0397110220	HOSE ASSY	1				18010-52045
49	0397110240	HOSE ASSY	1				18010-52085
52	1515012040	ELBOW	10				
	1420010110	• O-RING	1				
54	1513390015	TEE	1				
55	1515010050	ELBOW	1				
	1420010140	• O-RING	1				
57	1100040650	BOLT	2				
58	1100040660	BOLT	2				
62	1101041225	BOLT	2				
63	1140020006	WASHER, spring	4				
66	1140020012	WASHER, spring	2				
68	1141110012	WASHER	2				
	J1b300						

TB53FR Book No. BJ1Z006 S/N 15810005-15811324
PIPING; OPERATION LEVER (2/2) (A-B pattern; 15810675-)



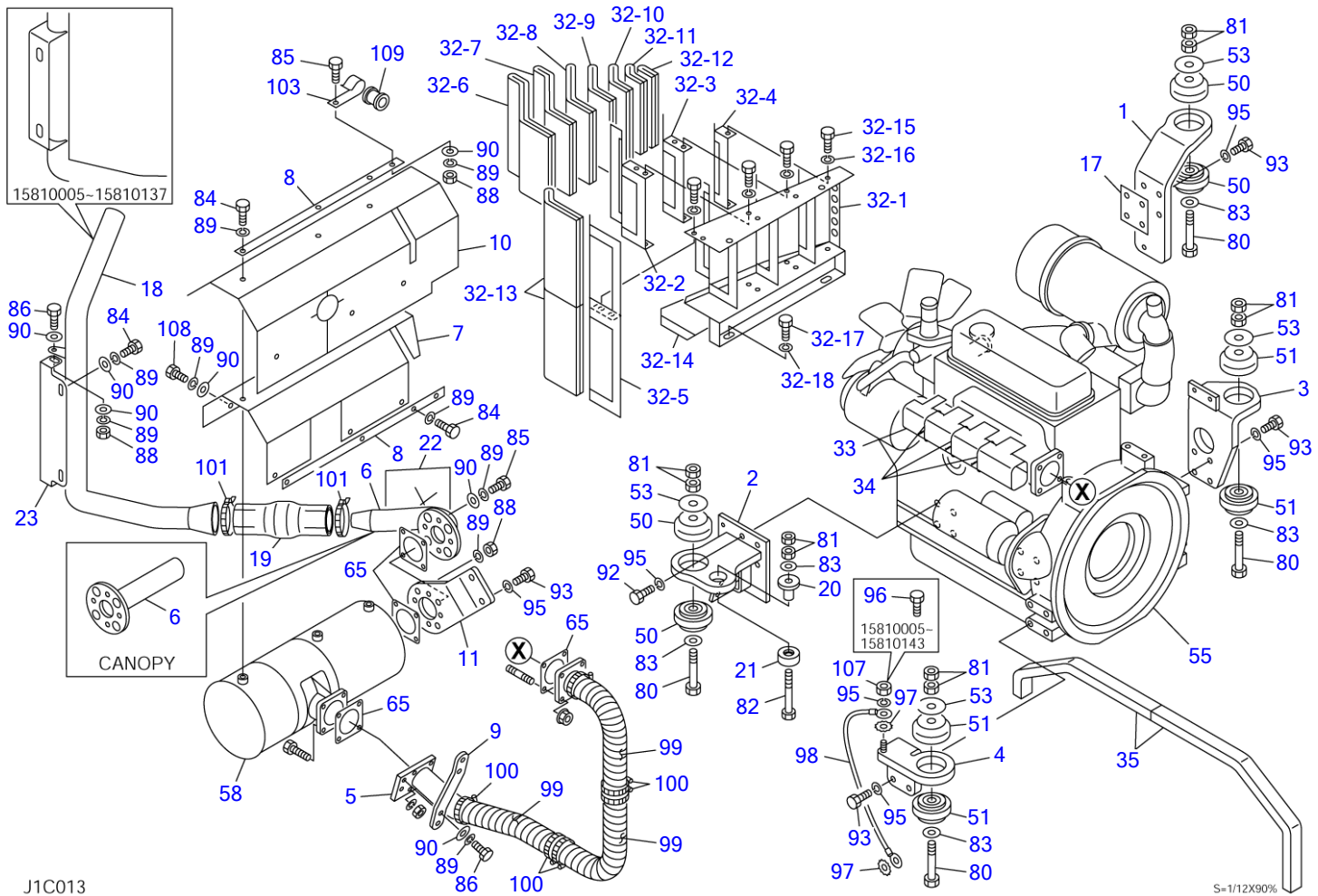
J1B310

S=1/10

PIPING; OPERATION LEVER (2/2) (A-B pattern; 15810675-)

Item	Part number	Description	Q'ty	Chan.	Serial No.	Serv.	Remarks
		PIPING ASSY					X03971-14900-2
1	0397109100	BRACKET	1				
8	1901732400	VALVE, solenoid	1				
26	0397110080	HOSE ASSY	1				18010-22085
27	0397110070	HOSE ASSY	1				18010-22080
30	0397110110	HOSE ASSY	1				18010-22110
31	0397110410	HOSE ASSY	1				
32	0397110400	HOSE ASSY	1				
33	0397110120	HOSE ASSY	1				18010-23085
34	0397110380	HOSE ASSY	1				
39	0397110050	HOSE ASSY	1				18010-22055
40	0397110180	HOSE ASSY	1				18010-22060
41	0397110280	HOSE ASSY	1				18010-54040
42	0397110260	HOSE ASSY	1				18010-22060
43	0397110030	HOSE ASSY	1				18010-22045
44	0397113010	HOSE ASSY	1				18010-52065
51	1515010042	ELBOW	1				
	1420010180	• O-RING	1				
52	1515012040	ELBOW	3				
	1420010110	• O-RING	1				
53	151500110	ELBOW	1				
	1420010110	• O-RING	1				
56	0097022400	GUARD	1				
60	1100041016	BOLT	3				
62	1101041225	BOLT	2				
65	1140020010	WASHER, spring	3				
66	1140020012	WASHER, spring	2				
68	1141110012	WASHER	2				
69	0397113040	HOSE ASSY	1				18010-52100
70	0397114030	HOSE ASSY	1				18010-22120
71	0397114040	HOSE ASSY	1				18010-22105
72	0397114050	HOSE ASSY	1				18010-22110
73	0397114060	HOSE ASSY	1				18010-22095
74	0397113510	PIPE	1				
75	0397113520	PIPE	1				
	J1b310						

TB53FR Book No. BJ1Z006 S/N 15810005-15811324
ENGINE & ACCESSORIES (1/2) (15810005-15810674)



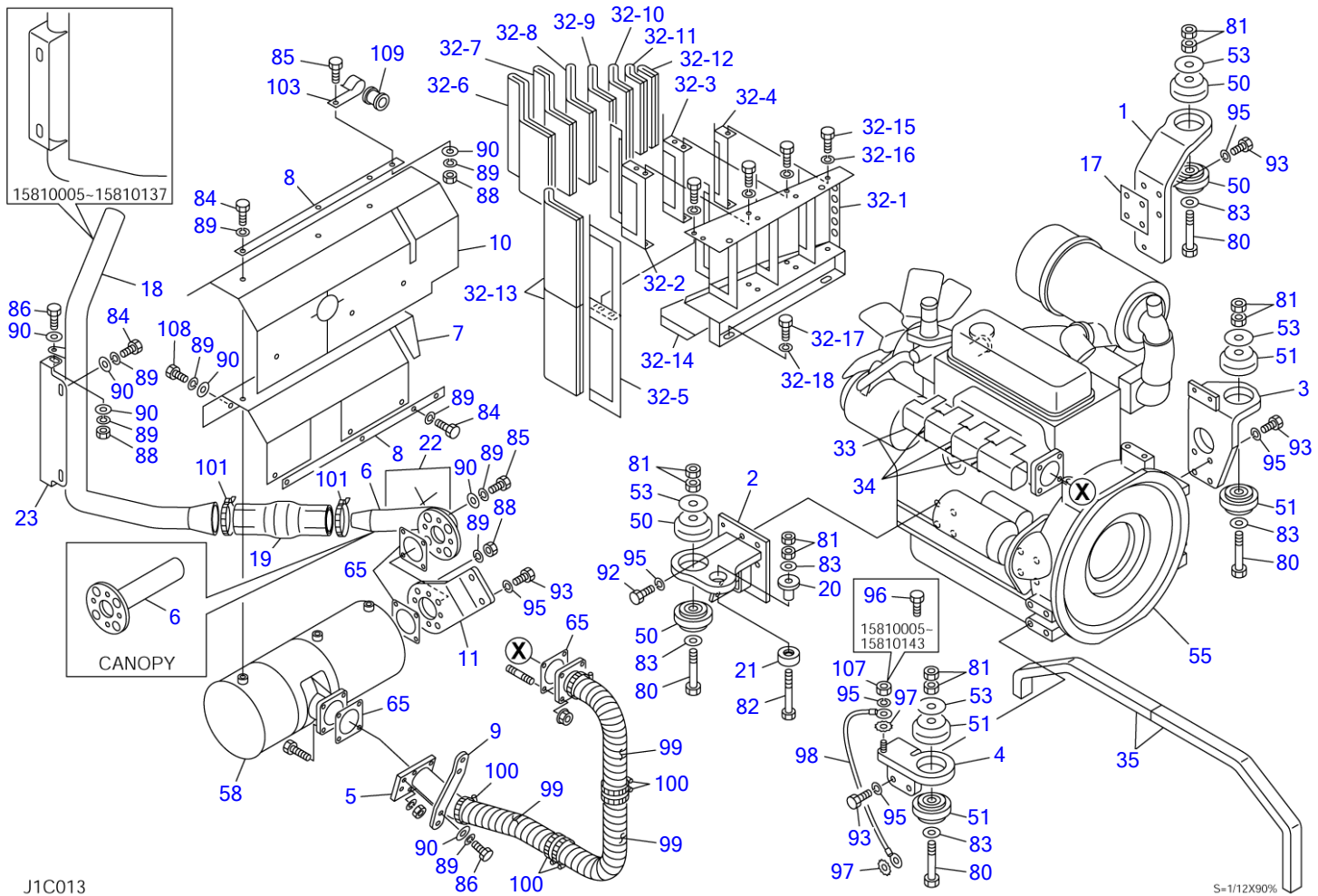
J1C013

S=1/12X90%

ENGINE & ACCESSORIES (1/2) (15810005-15810674)

Item	Part number	Description	Qty	Chan.	Serial No.	Serv.	Remarks
		ENGINE ASSY (cab)					X03940-11000-12
		ENGINE ASSY (canopy)					X03940-11900-12
1	0394011010	FOOT, engine (F.R.)	1				
2	0394011020	FOOT, engine (F.L.)	1				
3	0394011030	FOOT, engine (R.R.)	1				
4	0394009040	FOOT, engine (R.L.)	1				
5	0394011050	PIPE	1				
6	0394011060	PIPE	1		old type		cab
	0394011580	PIPE	1	(H)	new type		cab
	0394011910	PIPE	1				canopy
7	0394011070	COVER	1				
8	0394011080	PLATE	3				
9	0394014540	PLATE	1				
10	0394011100	INSULATOR	1		15810005~15810293		
	0394011450	INSULATOR	1	(H)	15810294~		
11	0394011110	BRACKET	1				
17	0394006260	SPACER	1				
18	0394011180	PIPE	1	A	15810005~15810137		cab
	0394011500	PIPE	1	a(H)	15810138~#		cab
	0394011570	PIPE	1	(H)	#~		cab
19	0394011190	INSULATOR	1		15810005~15810293		cab
	0564027630	INSULATOR	1	(H)	15810294~#		cab
20	0394011200	COLLAR	1				
21	0394011210	COLLAR	1				
22	0394011220	INSULATOR	1				
23	0394011510	BRACKET	1	a(H)	15810138~		
32	X *****	BLADE ASSY	1				
32-1	0394011310	• BLADE	1				
32-2	0394011322	• BLADE	1				
32-3	0394011324	• BLADE	1				
32-4	0394011326	• BLADE	1				
32-5	0394011340	• BLADE	1				
32-6	0394011331	• ABSORBENT, noise	1				
32-7	0394011332	• ABSORBENT, noise	1				
32-8	0394011333	• ABSORBENT, noise	1				
32-9	0394011334	• ABSORBENT, noise	1				
32-10	0394011335	• ABSORBENT, noise	1				
32-11	0394011336	• ABSORBENT, noise	1				
32-12	0394011337	• ABSORBENT, noise	1				
32-13	0394011338	• ABSORBENT, noise	2				
32-14	0394011339	• ABSORBENT, noise	1				
32-15	1100040616	• BOLT	14				
32-16	1140020006	• WASHER, spring	14				
32-17	1100040816	• BOLT	4				
32-18	1140020008	• WASHER, spring	4				
33	0394011350	INSULATOR	1				
34	0394011351	WIRE	3				
35	0394011352	URETHANE	2				
50	1651030006	RUBBER, cushion	4				
51	1651030003	RUBBER, cushion	4				
53	0003600085	WASHER	4				
55	1910164001	ENGINE	1				4TNE88-ETBZ
58	1910134008	SILENCER	1				Y170124-13500
65	1910070022	GASKET	4				Y129400-13201
80	1101141215	BOLT	4				
81	1130540012	NUT	10				
82	1101041290	BOLT	1				
83	1141540012	WASHER	5				
84	1100040816	BOLT	11				
85	1100040820	BOLT	5				
86	1100040825	BOLT	6				
88	1130040008	NUT	7				
89	1140020008	WASHER, spring	26				
90	1141110008	WASHER	13				
92	1100041025	BOLT	4				
93	1100041030	BOLT	14				cab
	1100041030	BOLT	12				canopy
95	1140020010	WASHER, spring	18				

TB53FR Book No. BJ1Z006 S/N 15810005-15811324
ENGINE & ACCESSORIES (1/2) (15810005-15810674)

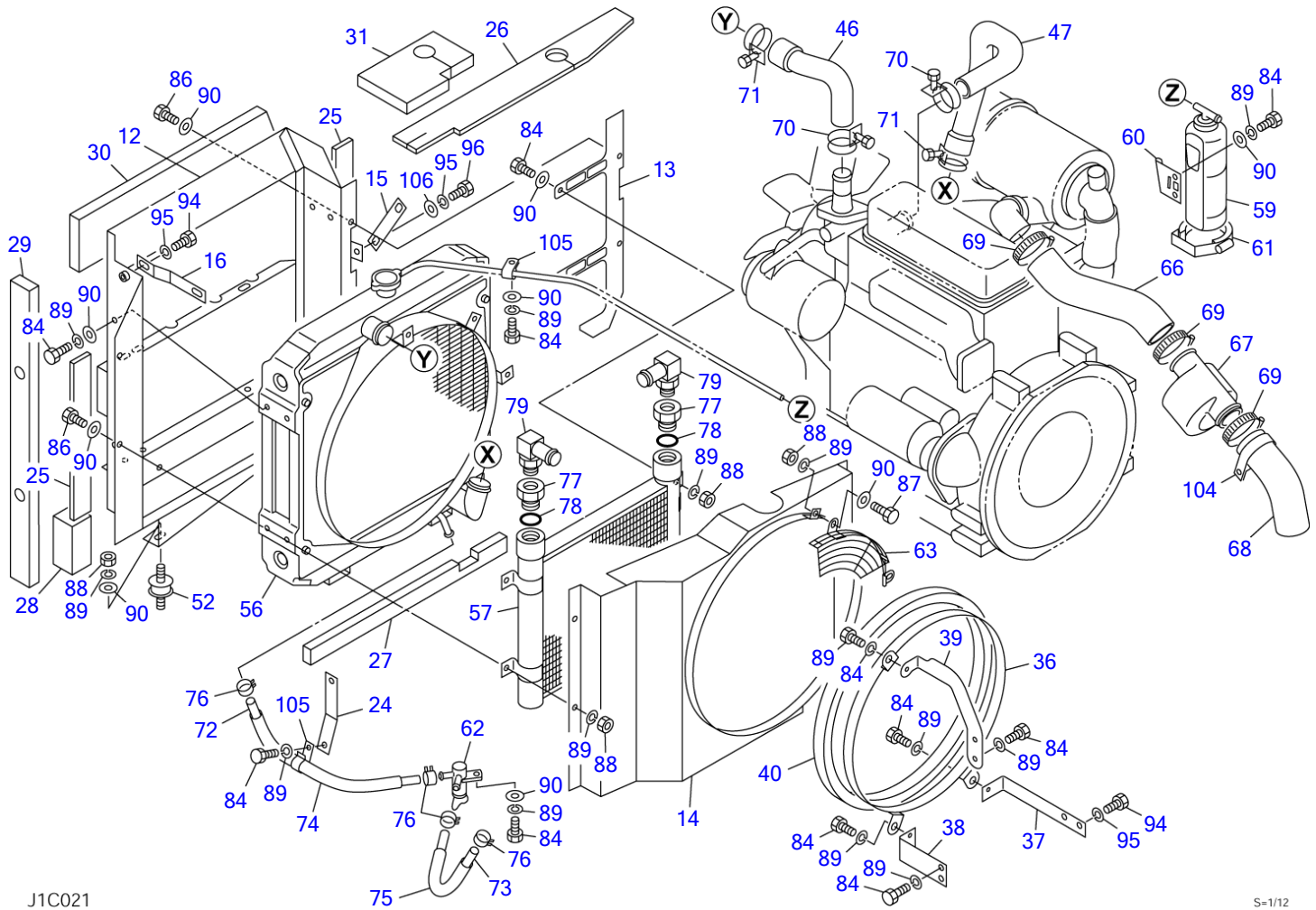


J1C013

S=1/12X90%

ENGINE & ACCESSORIES (1/2) (15810005-15810674)

Item	Part number	Description	Q'ty	Chan.	Serial No.	Serv.	Remarks
96	1100041020	BOLT	1		15810005~15810143		
97	1140330010	WASHER	2				
98	1702430280	CABLE, earth	1				
99	0354006930	TAPE	3		15810005~15810293		
99	0564027640	TAPE	3	(H)	15810294~		
100	1533700070	CLIP	6				
101	1533700054	CLAMP	2		15810005~#		cab
103	0007300062	CLAMP	1				
107	1130040010	NUT	1		15810144~		
108	1100040812	BOLT	2				
109	0868423862	GROMMET	1				
109		<<NOTE>>					
109		"A" is interchangeable with					
109		SET "a".					
	J1c014						



J1C021

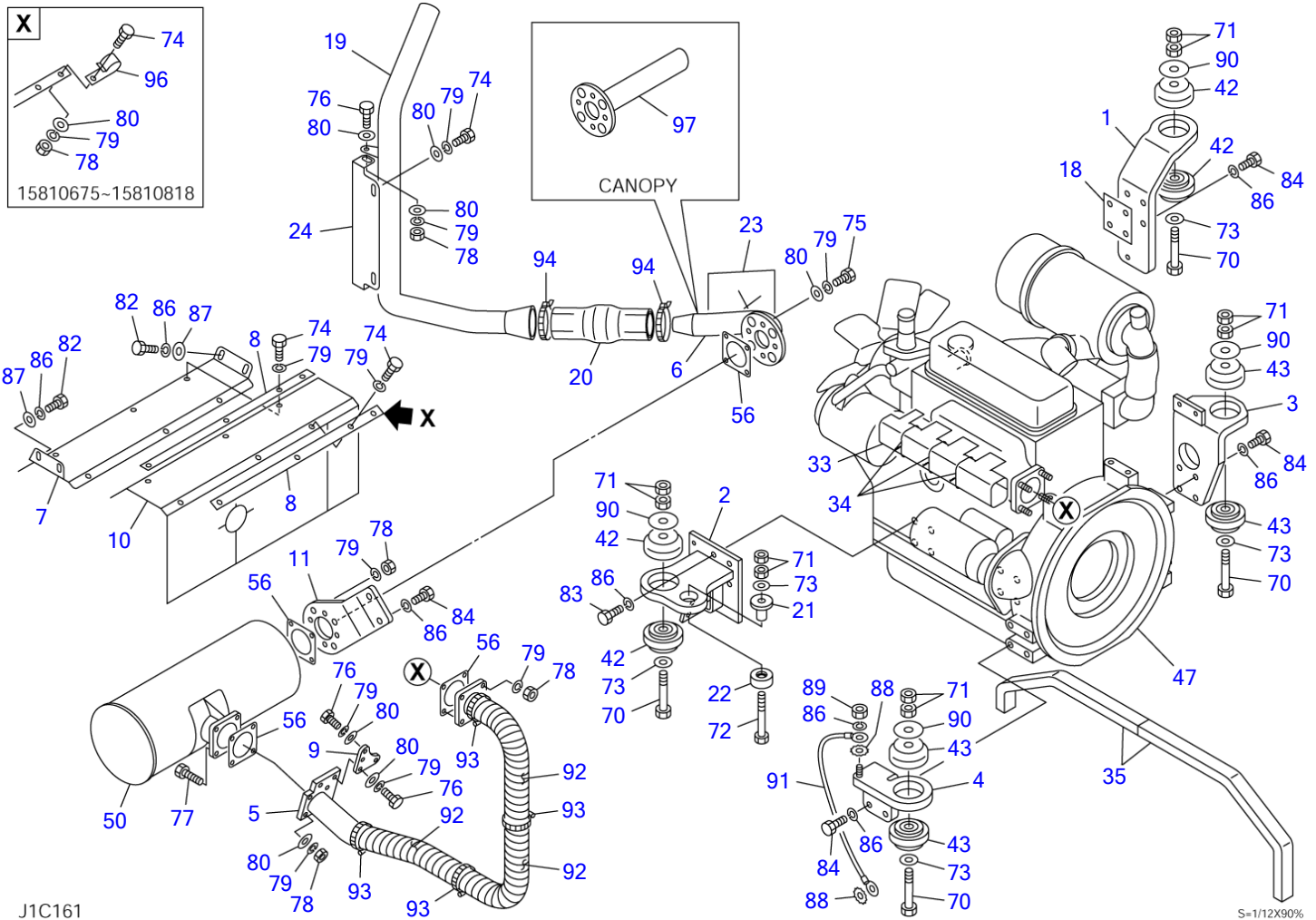
S-1/12

ENGINE & ACCESSORIES (2/2) (15810005-15810674)

Item	Part number	Description	Q'ty	Chan.	Serial No.	Serv.	Remarks
		ENGINE ASSY (cab)					X03940-11000-12
		ENGINE ASSY (canopy)					X03940-11900-12
12	0394011120	BRACKET	1				
13	0394011130	PLATE	1				
14	0394011140	SHROUD	1				
15	0394010240	PLATE	1				
16	0394010250	PLATE	1				
24	0394014410	PLATE	1		#~		
25	0394010730	URETHANE	2				
26	0394010740	URETHANE	1				
27	0394010280	URETHANE	1				
28	0394010760	URETHANE	1				
29	0394011250	URETHANE	1				
30	0394011260	ABSORBENT, noise	1				
31	0394011270	ABSORBENT, noise	1				
36	0394011400	RING, fun	1				
37	0394011410	BRACKET	1				
38	0394011420	BRACKET	1				
39	0394011430	BRACKET	1				
40	0394011440	URETHANE	1				
46	0394011401	HOSE	1				
47	0394011402	HOSE	1				
52	1651014004	RUBBER, cushion	2				
56	1910134006	RADIATOR	1				Y129953-44510
57	1910134007	COOLER, oil	1				Y129953-44910
59	1910047040	TANK, sub	1				Y171064-44510
60	1910047052	BRACKET	1				Y121256-44600
61	1910047047	BAND	1				Y124450-44550
62	1910078037	VALVE, drain	1				Y129150-49100
63	1910067051	NET, wire	1				Y129132-44590
66	1910134024	PIPE	1				Y129612-12270
67	1910135030	RESONATOR	1				Y121855-12060
68	1910098025	PIPE	1		15810005~15810143		Y119869-12220
69	1910032047	BAND	2				Y23000-060000
70	1910006013	BAND	2				Y23010-038000
71	1910029015	BAND	2				Y23010-050000
72	1530807075	HOSE	1				sold by the meter
73	1530807050	HOSE	1				sold by the meter
74	1531115065	HOSE	1				sold by the meter
75	1531115040	HOSE	1				sold by the meter
76	1533120011	BAND	4				sold by the meter
77	0007213060	BUSHING	2				
78	1420010290	O-RING	2				
79	1513350005	CONNECTOR	2				
	1420010240	· O-RING	1				
84	1100040816	BOLT	17				
86	1100040825	BOLT	4				
87	1100040840	BOLT	2				
88	1130040008	NUT	10				
89	1140020008	WASHER, spring	27				
90	1141110008	WASHER	19				
94	1100041035	BOLT	4				
95	1140020010	WASHER, spring	6				
96	1100041020	BOLT	2				
104	0007300044	CLAMP	1				
105	0007300004	CLAMP	2				
106	1141110010	WASHER	1				

J1c024

TB53FR Book No. BJ1Z006 S/N 15810005-15811324
 ENGINE & ACCESSORIES (1/3) (15810675-15811070)



J1C161

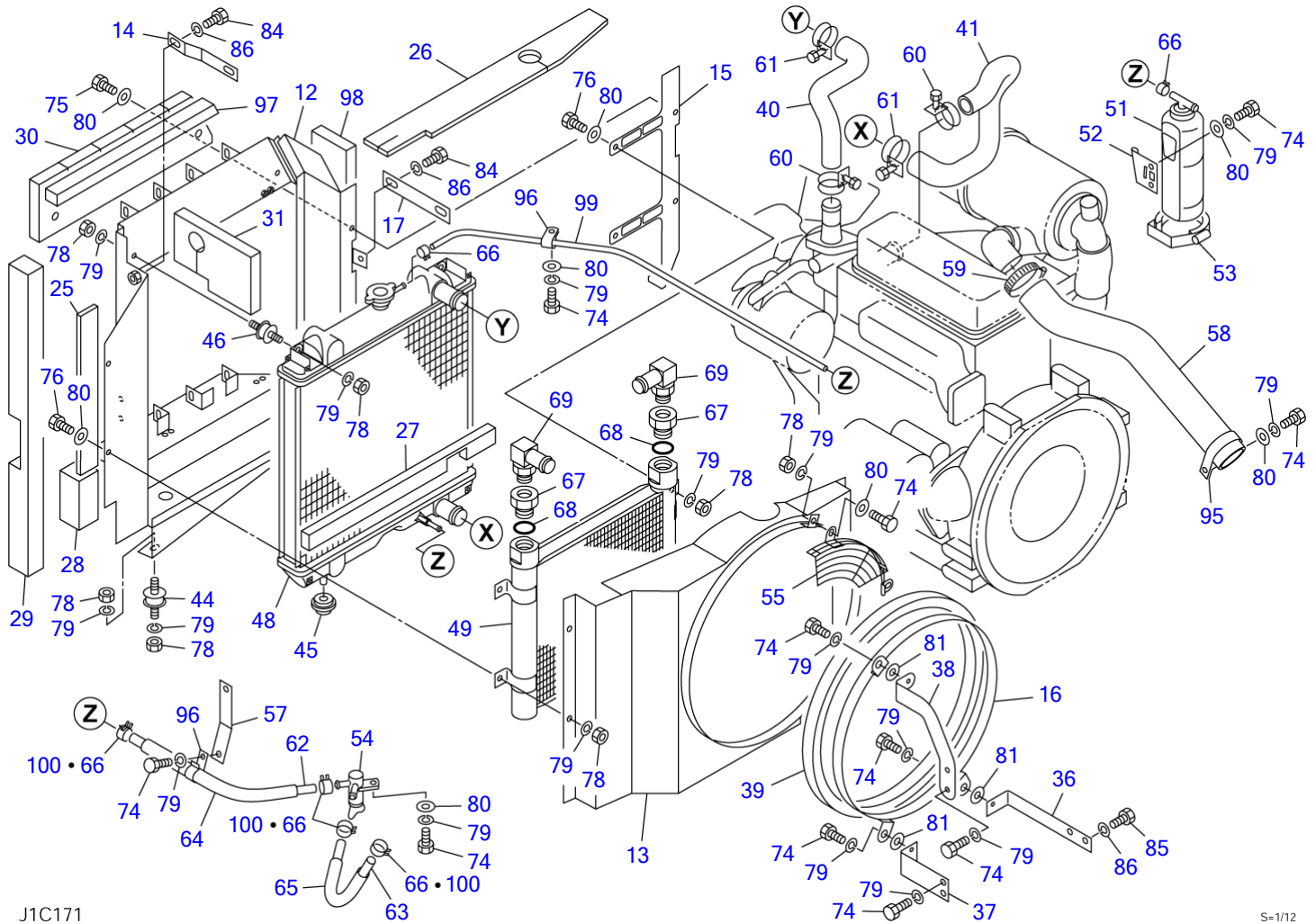
S=1/12X90%

ENGINE & ACCESSORIES (1/3) (15810675-15811070)

Item	Part number	Description	Q'ty	Chan.	Serial No.	Serv.	Remarks
		ENGINE ASSY (cab)					X03940-18000-6
		ENGINE ASSY (canopy)					X03940-18900-6
1	0394018010	FOOT, engine (F.R.)	1				
2	0394014010	FOOT, engine (F.L.)	1				
3	0394011030	FOOT, engine (R.R.)	1				
4	0394009040	FOOT, engine (R.L.)	1				
5	0394014020	PIPE	1				
6	0394018040	PIPE	1		15810675~15810818		cab
	0394018410	PIPE	1	(H)	15810819~		cab
7	0394014050	COVER	1				
8	0394011080	PLATE	2				
9	0394014060	PLATE	1				
10	0394018070	INSULATOR	1				
11	0394018080	BRACKET	1				
18	0394006260	SPACER	1				
19	0394011500	PIPE	1		15810675~15810818		cab
	0394011570	PIPE	1	(H)	15810819~		cab
20	0564027630	INSULATOR	1		15810675~15810818		cab
21	0394011200	COLLAR	1				
22	0394011210	COLLAR	1				
23	0394011220	INSULATOR	1				
24	0394011510	BRACKET	1				
33	0394011350	INSULATOR	1				
34	0394011351	WIRE	3				
35	0394011352	URETHAN	2		15810957~		
42	1651030006	RUBBER, cushion	4				
43	1651030003	RUBBER, cushion	4				
47	1910201001	ENGINE	1				4TNV88-QTBZ
50	1910201005	SILENCER	1				Y129642-13540
56	1910197023	GASKET	4				Y129930-13201
70	1101141215	BOLT	4				
71	1130540012	NUT	10				
72	1101041290	BOLT	1				
73	1141540012	WASHER	5				
74	1100040816	BOLT	9				
75	1100040820	BOLT	4				
76	1100040825	BOLT	6				
77	1100040830	BOLT	4				
78	1130040008	NUT	15				
79	1140020008	WASHER, spring	27				
80	1141110008	WASHER	19				
82	1100041016	BOLT	4				
83	1100041025	BOLT	4				
84	1100041030	BOLT	12				
86	1140020010	WASHER, spring	21				
87	1141110010	WASHER	4				
88	1140330010	WASHER	2				
89	1130040010	NUT	1				
90	0003600085	WASHER	4				
91	1702430280	CABLE, earth	1				
92	0564027640	TAPE	3				
93	1533700070	BAND	6				
94	1533700054	BAND	2		15810675~15810818		cab
96	0007300044	CLAMP	1		15810675~15810818		
97	0393015650	PIPE (canopy)	1				extra weight
	0394011910	PIPE (canopy)	1				

J1c162

TB53FR Book No. BJ1Z006 S/N 15810005-15811324
ENGINE & ACCESSORIES (2/3) (15810675-15811070)



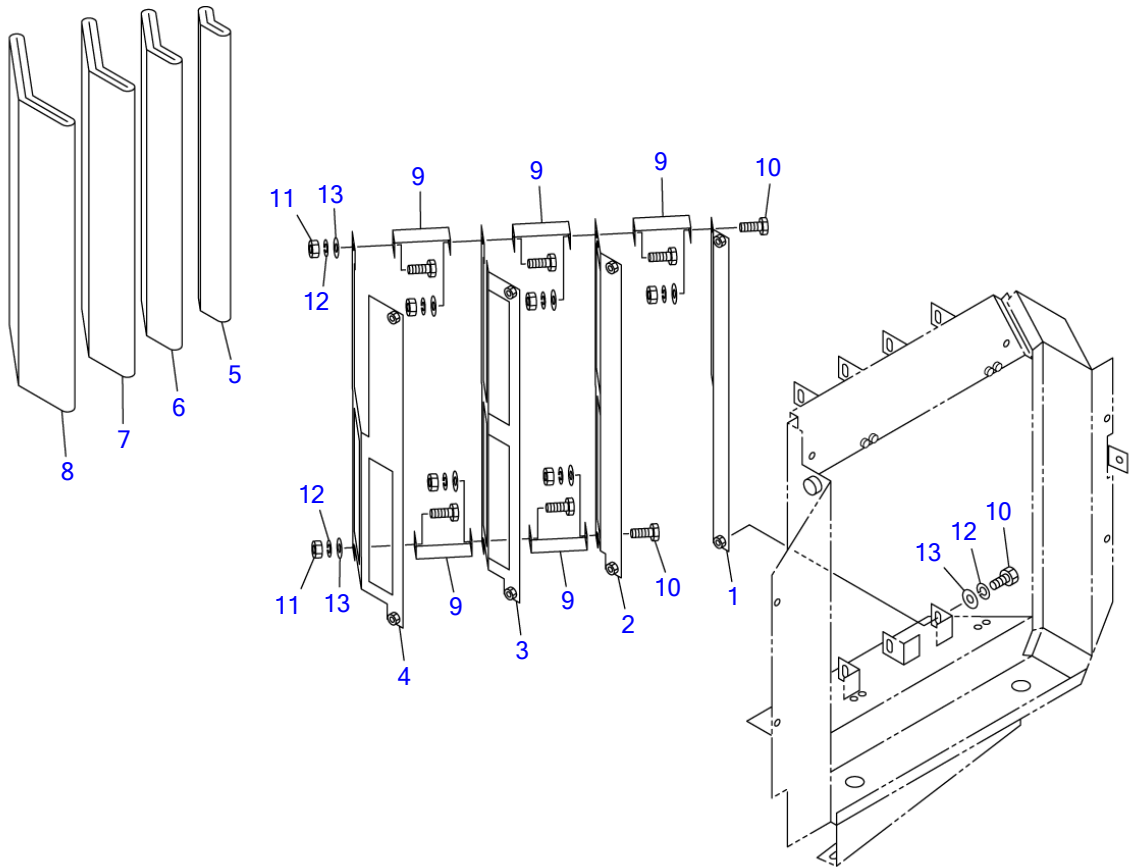
J1C171

S=1/12

ENGINE & ACCESSORIES (2/3) (15810675-15811070)

Item	Part number	Description	Q'ty	Chan.	Serial No.	Serv.	Remarks
		ENGINE ASSY (cab)					X03940-18000-6
		ENGINE ASSY (canopy)					X03940-18900-6
12	0394018200	BRACKET	1				
13	0394018220	SHROUD	1				
14	0394014230	PLATE	1				
15	0394018240	PLATE	1				
16	0394014270	RING, fun	1				
17	0394010240	PLATE	1				
25	0394010730	URETHANE	1				
26	0394010740	URETHANE	1				
27	0394014090	URETHANE	1				
28	0394010760	URETHANE	1				
29	0394018100	URETHANE	1				
30	0394018110	ABSORBENT, noise	1				
31	0394011270	ABSORBENT, noise	1				
36	0394011410	BRACKET	1				
37	0394011420	BRACKET	1				
38	0394014140	BRACKET	1				
39	0394011440	URETHANE	1				
40	1910164311	HOSE	1				Y129612-49030
41	0394018050	HOSE	1				
44	1651014004	RUBBER, cushion	2				
45	1910170052	RUBBER, cushion	2				
46	1651010003	RUBBER, cushion	2				
48	1910201002	RADIATOR	1				Y129508-44500
49	1911300060	COOLER, oil	1				
51	1910047040	TANK, sub	1				Y171064-44510
52	1910047052	BRACKET	1				Y121256-44600
53	1910047047	BAND	1				Y124450-44550
54	1910078037	VALVE, drain	1				Y129150-49100
55	1910067051	NET, wire	1				Y129132-44590
57	0394014410	PLATE	1		15810675~15810878		
58	1910201024	PIPE	1				Y129642-12270
59	1910032047	BAND	1				Y23000-060000
60	1910006013	BAND	2				Y23010-03800
61	1910029015	BAND	2				Y23010-05000
62	1530808085	HOSE	1				sold by the meter
63	1530808050	HOSE	1				sold by the meter
64	1531118075	PROTECTOR	1				sold by the meter
65	1531118040	PROTECTOR	1				sold by the meter
66	1533120011	BAND	2				
67	0007213060	BUSHING	2				
68	1420010290	O-RING	2				
69	1513350005	CONNECTOR	2				
	1420010240	• O-RING	1				
74	1100040816	BOLT	17				
75	1100040820	BOLT	2				
76	1100040825	BOLT	4				
78	1130040008	NUT	16				
79	1140020008	WASHER, spring	31				
80	1141110008	WASHER	15				
81	0003608003	WASHER	3				
84	1100041030	BOLT	4				
85	1100041035	BOLT	2				
86	1140020010	WASHER, spring	6				
95	0007300044	CLAMP	1				
96	0007300004	CLAMP	2				
97	0394018120	URETHANE	1				
98	0394018130	URETHANE	1				
99	1531407085	HOSE	1				sold by the meter
100	1533120012	BAND	4		15810897~		

J1c171



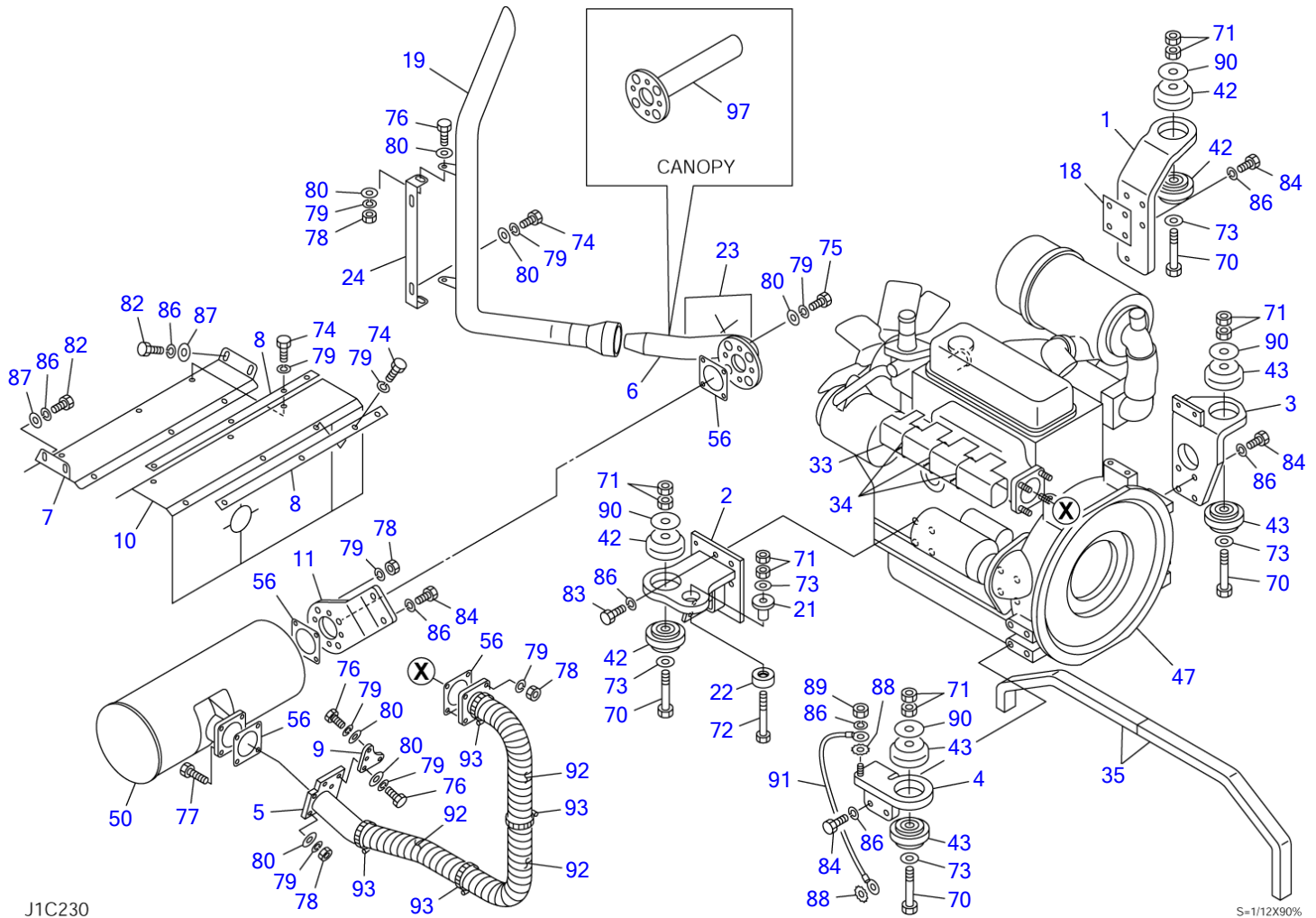
J1C220

S-1/10

ENGINE & ACCESSORIES (3/3) (15810675-15811070)

Item	Part number	Description	Q'ty	Chan.	Serial No.	Serv.	Remarks
0-32	0394018300	BLADE ASSY	1				
1	0394018310	▪ BLADE	1				
2	0394018320	▪ BLADE	1				
3	0394018330	▪ BLADE	1				
4	0394018340	▪ BLADE	1				
5	0394018351	▪ ABSORBENT, noise	1				
6	0394018352	▪ ABSORBENT, noise	1				
7	0394018353	▪ ABSORBENT, noise	1				
8	0394018354	▪ ABSORBENT, noise	1				
9	0394018360	▪ PLATE	5				
10	1100040816	▪ BOLT	16				
11	1130040008	▪ NUT	8				
12	1140020008	▪ WASHER, spring	16				
13	1141110008	▪ WASHER	16				
	J1c220						

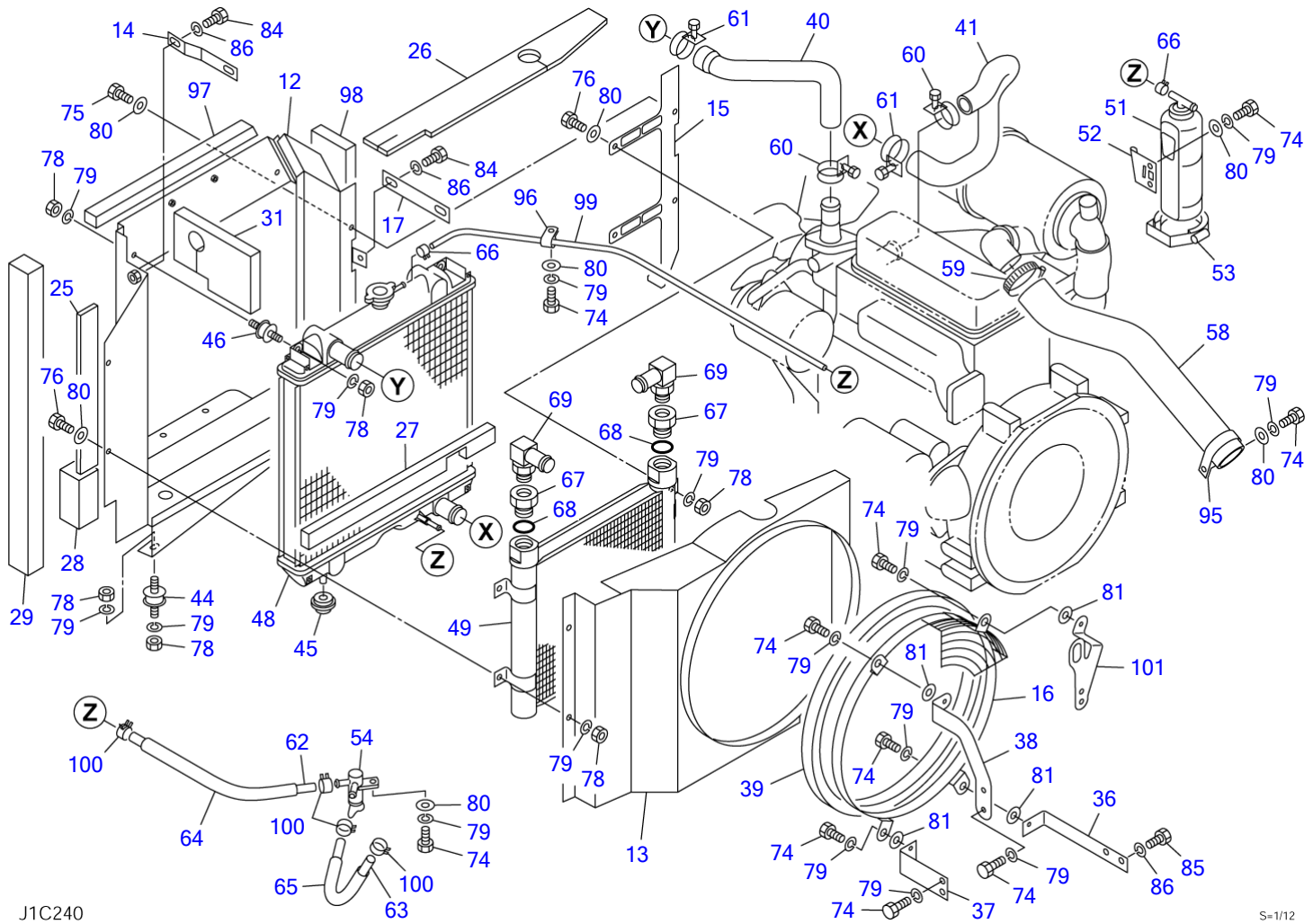
TB53FR Book No. BJ1Z006 S/N 15810005-15811324
ENGINE & ACCESSORIES (1/3) (15811071-)



ENGINE & ACCESSORIES (1/3) (15811071-)

Item	Part number	Description	Q'ty	Chan.	Serial No.	Serv.	Remarks
		ENGINE ASSY (cab)					X03940-18000-9
		ENGINE ASSY (canopy)					X03940-18900-9
1	0394018010	FOOT, engine (F.R.)	1				
2	0394014010	FOOT, engine (F.L.)	1				
3	0394011030	FOOT, engine (R.R.)	1				
4	0394009040	FOOT, engine (R.L.)	1				
5	0394014020	PIPE	1				
6	0394018410	PIPE	1				cab
7	0394014050	COVER	1				
8	0394011080	PLATE	2				
9	0394014060	PLATE	1				
10	0394018070	INSULATOR	1				
11	0394018080	BRACKET	1				
18	0394006260	SPACER	1				
19	0394014510	PIPE	1				cab
21	0394011200	COLLAR	1				
22	0394011210	COLLAR	1				
23	0394011220	INSULATOR	1				
24	0394014520	BRACKET	1				cab
33	0394011350	INSULATOR	1				
34	0394011351	WIRE	3				
35	0394011352	URETHAN	2				
42	1651030006	RUBBER, cushion	4				
43	1651030003	RUBBER, cushion	4				
47	1910201001	ENGINE	1				4TNV88-QTBZ
50	1910201005	SILENCER	1				Y129642-13540
56	1910197023	GASKET	4				Y129930-13201
70	1101141215	BOLT	4				
71	1130540012	NUT	10				
72	1101041290	BOLT	1				
73	1141540012	WASHER	5				
74	1100040816	BOLT	9				
75	1100040820	BOLT	4				
76	1100040825	BOLT	6				
77	1100040830	BOLT	4				
78	1130040008	NUT	15				
79	1140020008	WASHER, spring	27				
80	1141110008	WASHER	19				
82	1100041016	BOLT	4				
83	1100041025	BOLT	4				
84	1100041030	BOLT	12				
86	1140020010	WASHER, spring	21				
87	1141110010	WASHER	4				
88	1140330010	WASHER	2				
89	1130040010	NUT	1				
90	0003600085	WASHER	4				
91	1702430280	CABLE, earth	1				
92	0564027640	TAPE	3				
93	1533700070	BAND	6				
97	0393015650	PIPE (canopy)	1				extra weight
	0394011910	PIPE (canopy)	1				
	J1c230						

TB53FR Book No. BJ1Z006 S/N 15810005-15811324
ENGINE & ACCESSORIES (2/3) (15811071-)



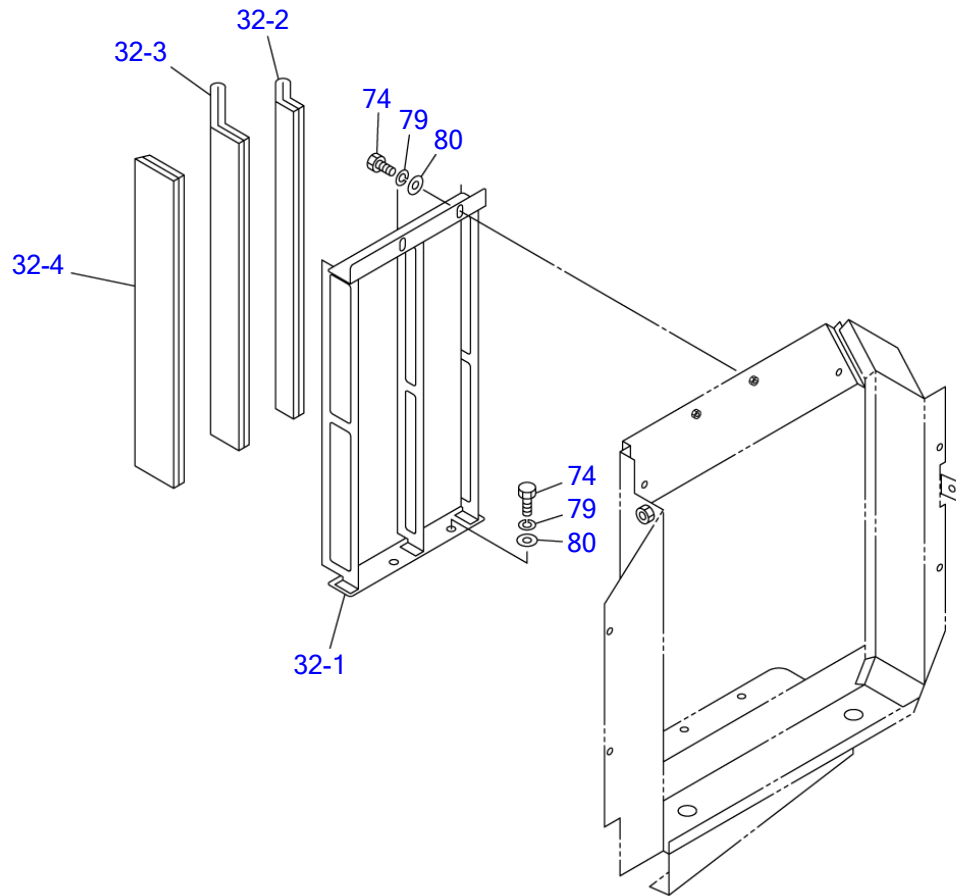
J1C240

S=1/12

ENGINE & ACCESSORIES (2/3) (15811071-)

Item	Part number	Description	Q'ty	Chan.	Serial No.	Serv.	Remarks
		ENGINE ASSY (cab)					X03940-18000-9
		ENGINE ASSY (canopy)					X03940-18900-9
12	0394011800	BRACKET	1				
13	0394018220	SHROUD	1				
14	0394014230	PLATE	1				
15	0394018240	PLATE	1				
16	0394014600	RING, fun	1				
17	0394010240	PLATE	1				
25	0394010730	URETHANE	1				
26	0394010740	URETHANE	1				
27	0394014090	URETHANE	1				
28	0394010760	URETHANE	1				
29	0394018100	URETHANE	1				
31	0394011270	ABSORBENT, noise	1				
36	0394011410	BRACKET	1				
37	0394011420	BRACKET	1				
38	0394014620	BRACKET	1				
39	0394011440	URETHANE	1				
40	0394011870	HOSE	1				
41	0394018050	HOSE	1				
44	1651014004	RUBBER, cushion	2				
45	1910170052	RUBBER, cushion	2				
46	1651010003	RUBBER, cushion	2				
48	1910201003	RADIATOR	1				Y129642-44520
49	1911300060	COOLER, oil	1				
51	1910047040	TANK, sub	1				Y171064-44510
52	1910047052	BRACKET	1				Y121256-44600
53	1910047047	BAND	1				Y124450-44550
54	1910078037	VALVE, drain	1				Y129150-49100
58	1910201024	PIPE	1				Y129642-12270
59	1910032047	BAND	1				Y23000-060000
60	1910006013	BAND	2				Y23010-03800
61	1910029015	BAND	2				Y23010-05000
62	1530808085	HOSE	1				sold by the meter
63	1530808050	HOSE	1				sold by the meter
64	1531118075	PROTECTOR	1				sold by the meter
65	1531118040	PROTECTOR	1				sold by the meter
66	1533120011	BAND	2				
67	0007213060	BUSHING	2				
68	1420010290	O-RING	2				
69	1513350005	CONNECTOR	2				
	1420010240	• O-RING	1				
74	1100040816	BOLT	17				
75	1100040820	BOLT	2				
76	1100040825	BOLT	4				
78	1130040008	NUT	16				
79	1140020008	WASHER, spring	31				
80	1141110008	WASHER	15				
81	0003608252	WASHER	4				
84	1100041030	BOLT	4				
85	1100041035	BOLT	2				
86	1140020010	WASHER, spring	6				
95	0007300044	CLAMP	1				
96	0007300004	CLAMP	1				
97	0394018120	URETHANE	1				
98	0394018130	URETHANE	1				
99	1531407085	HOSE	1				sold by the meter
100	1533120012	BAND	4				
101	0394014640	BRACKET	1				

J1c240

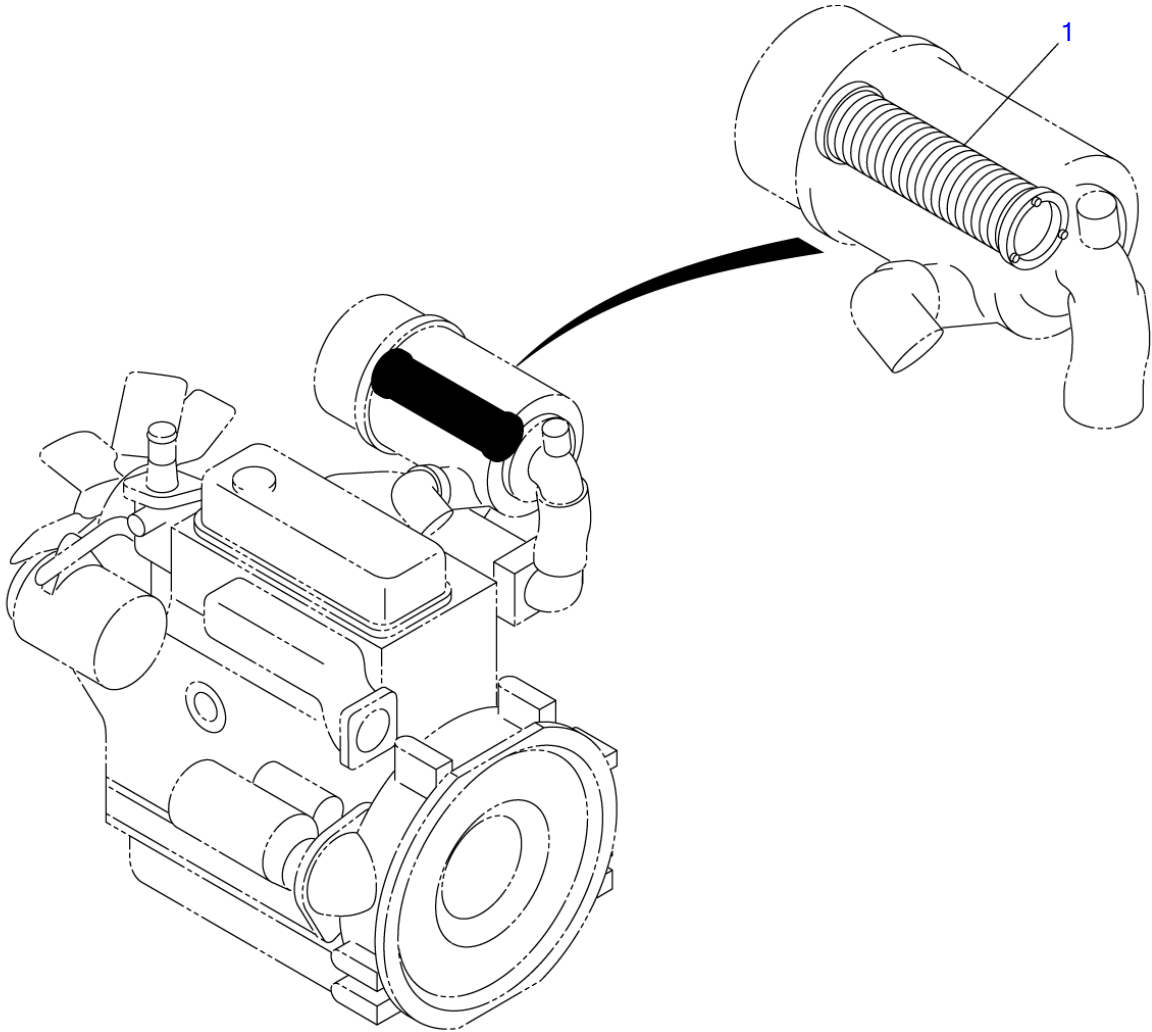


J1C250

S-1/10

ENGINE & ACCESSORIES (3/3) (15811071-)

Item	Part number	Description	Q'ty	Chan.	Serial No.	Serv.	Remarks
32	0394018400	BLADE ASSY	1				X03940-18400-0
32-1	0394011850	▪ BLADE	1				
32-2	0394011857	▪ ABSORBENT, noise	1				
32-3	0394011858	▪ ABSORBENT, noise	1				
32-4	0394011859	▪ ABSORBENT, noise	1				
74	1100040816	BOLT	4				
79	1140020008	WASHER, spring	4				
80	1141110008	WASHER	4				
	J1c250						

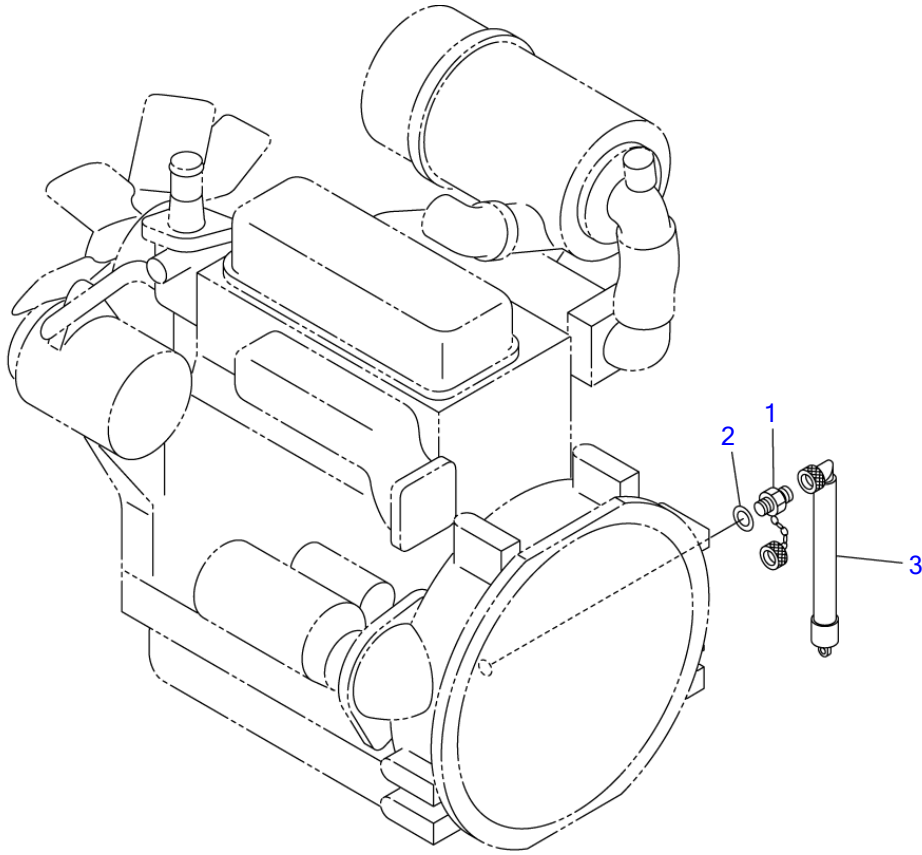


J1C110

S=1/4, 1/8

AIR CLEANER (for double element)

Item	Part number	Description	Q'ty	Chan.	Serial No.	Serv.	Remarks
1	1911102772 G4c150	CLEANER ASSY, air ELEMENT	1				X03740-07500-0 fhfif<fhf\j" P82-2858

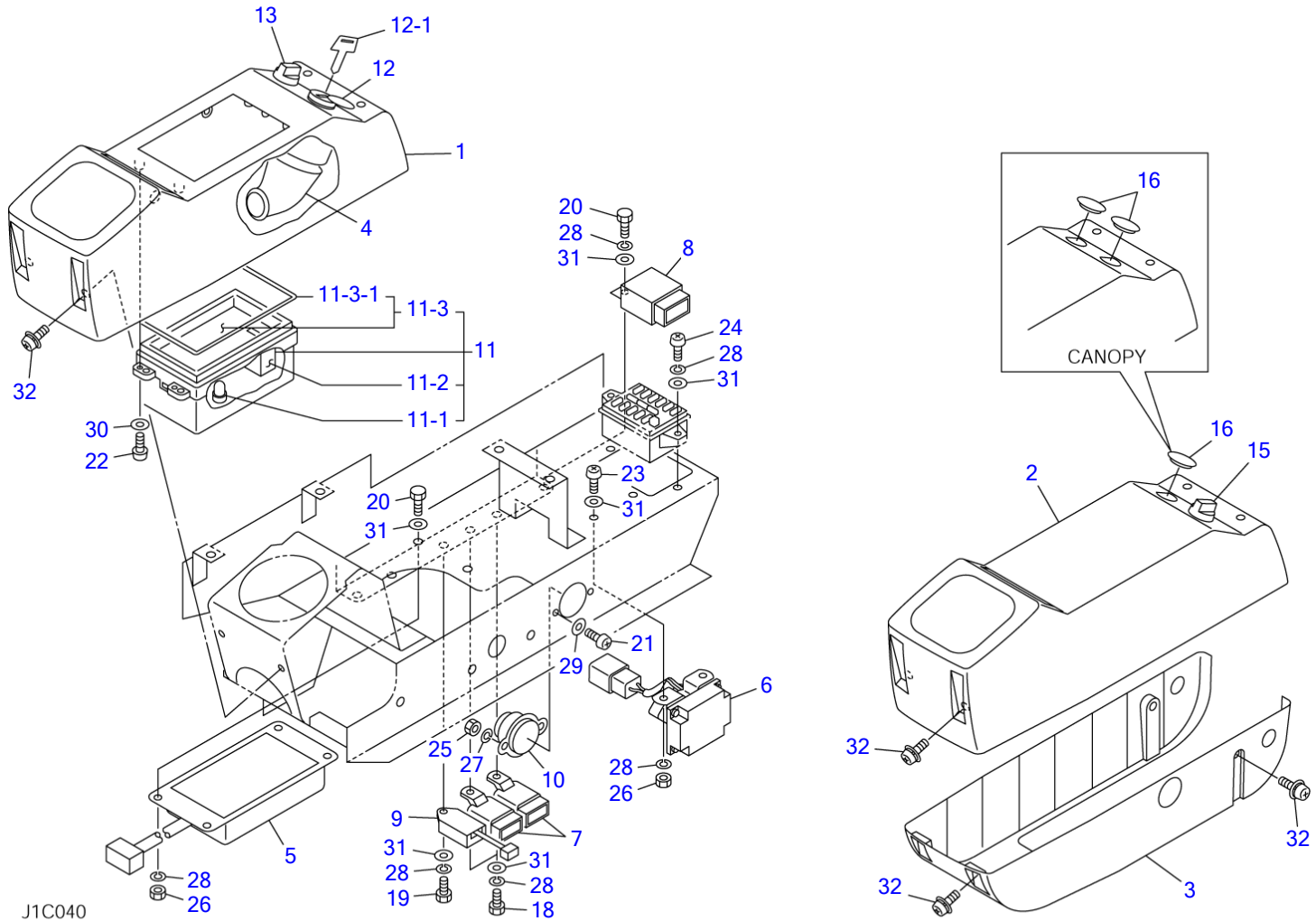


K3C030

S=1/8

DRAIN PLUG

Item	Part number	Description	Q'ty	Chan.	Serial No.	Serv.	Remarks
		PLUG ASSY, drain					X03340-13000-2
1	1554502250	PLUG	1				
2	1432122302	WASHER	1			M	
3	1554512601	TUBE	1				
	J1c031						

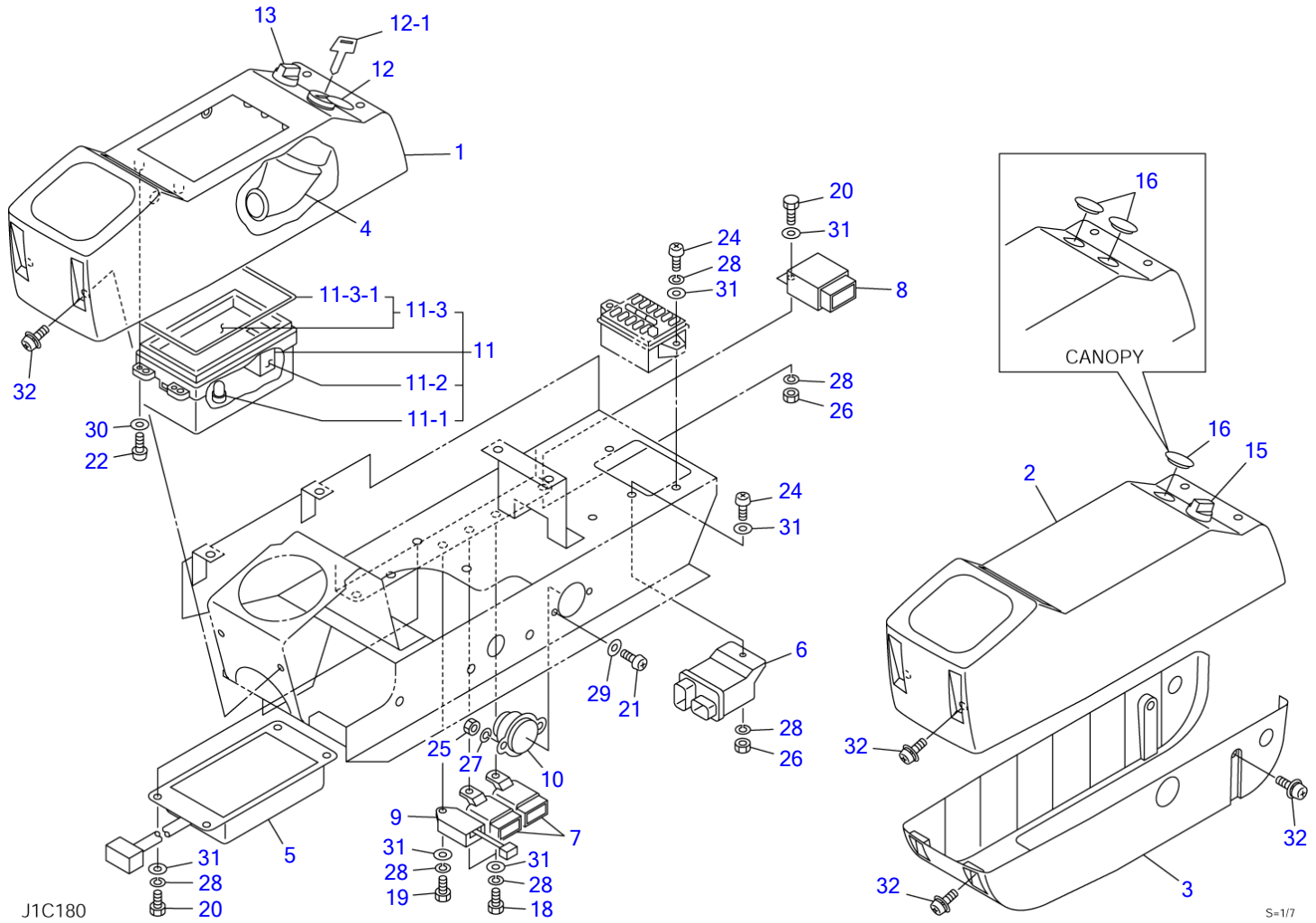


S=1/7

CONTROL BOX (15810005-15810674)

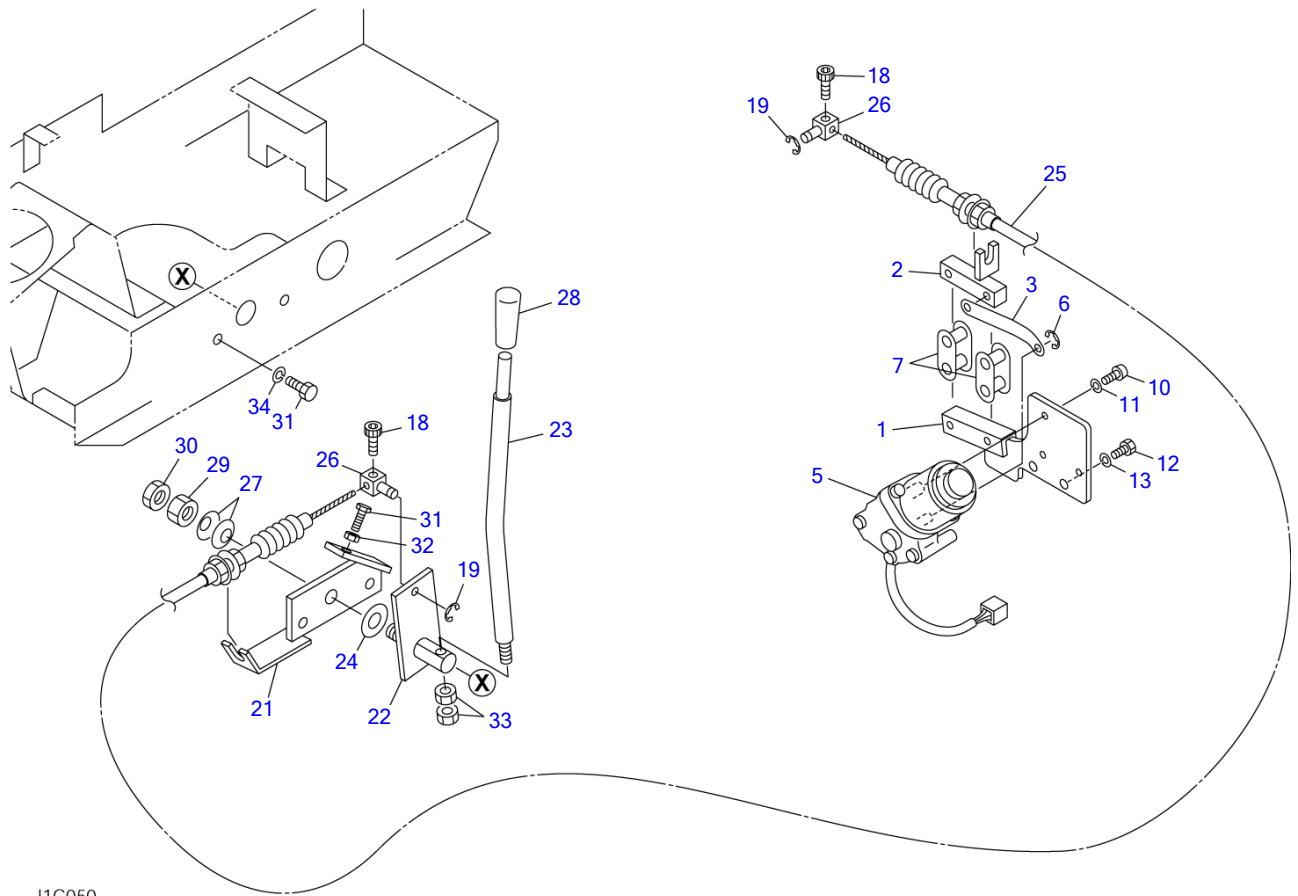
Item	Part number	Description	Q'ty	Chan.	Serial No.	Serv.	Remarks
		BOX ASSY, control (cab)					X03943-07000-4
		BOX ASSY, control (canopy)					X03943-08000-4
1	0334326150	COVER (R.H.)	1				
2	0334327150	COVER (L.H.)	1				
3	0334327250	COVER (L.H.)	1				
4	0870431821	COVER	1				
5	1730140660	CONTROLLER	1				
6	1910080106	RELAY, safety	1				Y129136-77100
7	1711900042	RELAY	2				
8	1711900062	RELAY	1				
9	1910095116	UNIT, timer	1	(L)	old type		Y119632-77920
	1910150118	UNIT, timer	1	(H)	new type		Y129211-77920
10	1730140680	BUZZER	1				
11	1730140650	GAUGE, cluster	1				
11-1	1730140634	• BULB	10				
11-2	1730140652	• METET, hour	1				
11-3	1730140653	• GLASS	1				
11-3-1	1730140654	• • PACKING	1				
12	1700100023	SWITCH, starter	1				
12-1	1700100019	KEY	1				
13	1700000010	SWITCH, lamp	1				
15	1704300007	SWITCH, wiper	1				cab
16	1652533019	CAP	1				cab
	1652533019	CAP	2				canopy
18	1100040610	BOLT	2				
19	1100040612	BOLT	1				
20	1100040616	BOLT	5				
21	1120530310	SCREW	2				
22	1120530416	SCREW	4				
23	1120530612	SCREW	2				
24	1120530616	SCREW	2				
25	1130040003	NUT	2				
26	1130040006	NUT	6				
27	1140020003	WASHER, spring	2				
28	1140020006	WASHER, spring	12				
29	1141110003	WASHER	2				
30	1141110004	WASHER	4				
31	1141110006	WASHER	12				
32	1110540614	BOLT, sems	12				
	J1c041						

TB53FR Book No. BJ1Z006 S/N 15810005-15811324
CONTROL BOX (15810675-)



CONTROL BOX (15810675-)

Item	Part number	Description	Q'ty	Chan.	Serial No.	Serv.	Remarks
		BOX ASSY, control (cab)					X03943-09000-1
		BOX ASSY, control (canopy)					X03943-09500-1
1	0334326150	COVER (R.H.)	1				
2	0334327150	COVER (L.H.)	1				
3	0334327250	COVER (L.H.)	1				
4	0870431821	COVER	1				
5	1730140660	CONTROLLER	1				
6	1910181106	RELAY, safety	1				Y119802-77200
7	1711900042	RELAY	2				
8	1711900062	RELAY	1				
9	1910150118	UNIT, timer	1				Y129211-77920
10	1730140680	BUZZER	1				
11	1730140650	GAUGE, cluster	1				
11-1	1730140634	• BULB	10				
11-2	1730140652	• METET, hour	1				
11-3	1730140653	• GLASS	1				
11-3-1	1730140654	• • PACKING	1				
12	1700100023	SWITCH, starter	1				
12-1	1700100019	KEY	1				
13	1700000010	SWITCH, lamp	1				
15	1704300007	SWITCH, wiper	1				cab
16	1652533019	CAP	1				cab
	1652533019	CAP	2				canopy
18	1100040610	BOLT	2				
19	1100040612	BOLT	1				
20	1100040616	BOLT	5				
21	1120530310	SCREW	2				
22	1120530416	SCREW	4				
24	1120530616	SCREW	3				
25	1130030003	NUT	2				
26	1130040006	NUT	2				
27	1140020003	WASHER, spring	2				
28	1140020006	WASHER, spring	11				
29	1141110003	WASHER	2				
30	1141110004	WASHER	4				
31	1141110006	WASHER	11				
32	1110540614	BOLT, sems	12				
	J1c180						

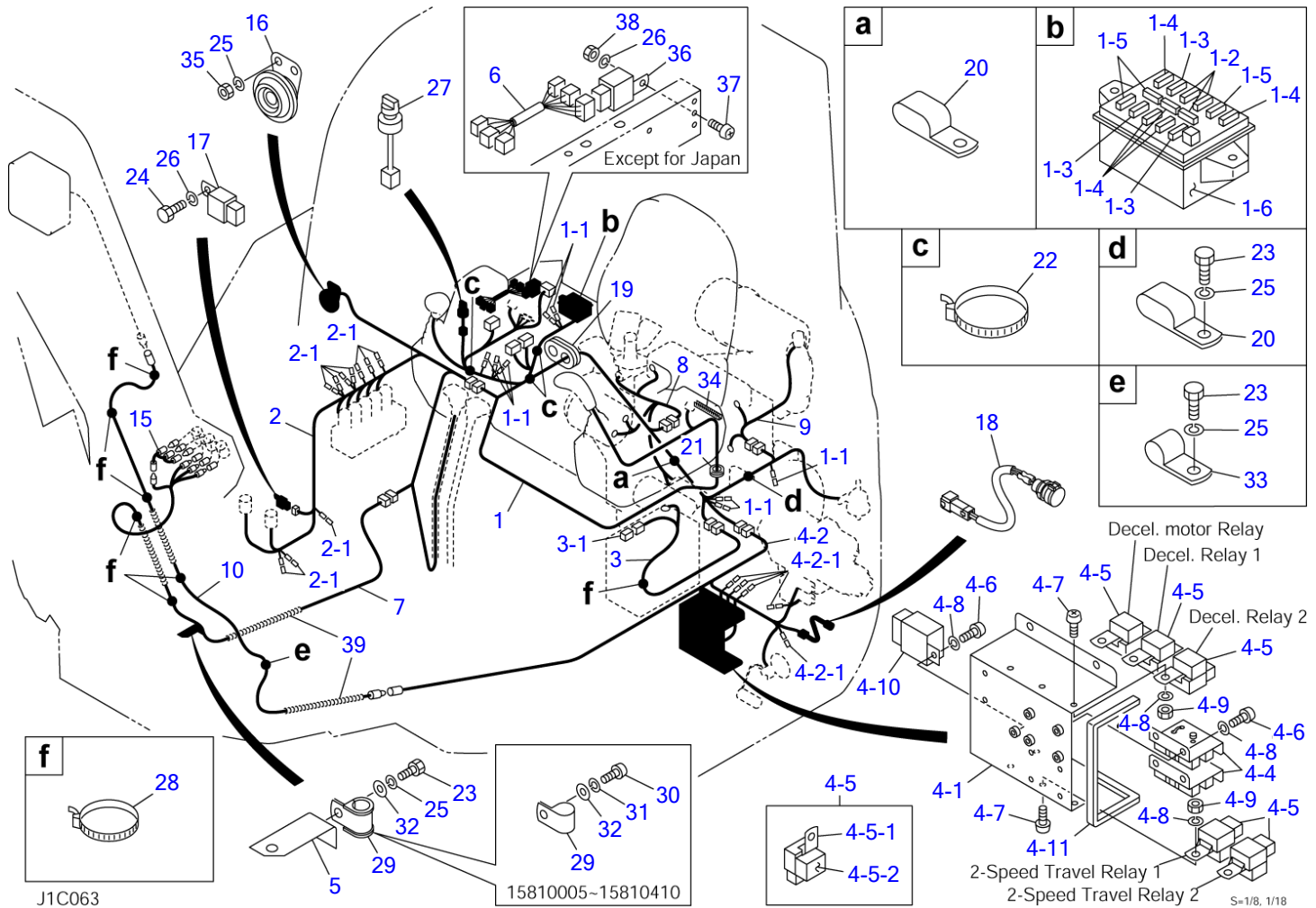


J1C050

S=1/6

ENGINE CONTROL

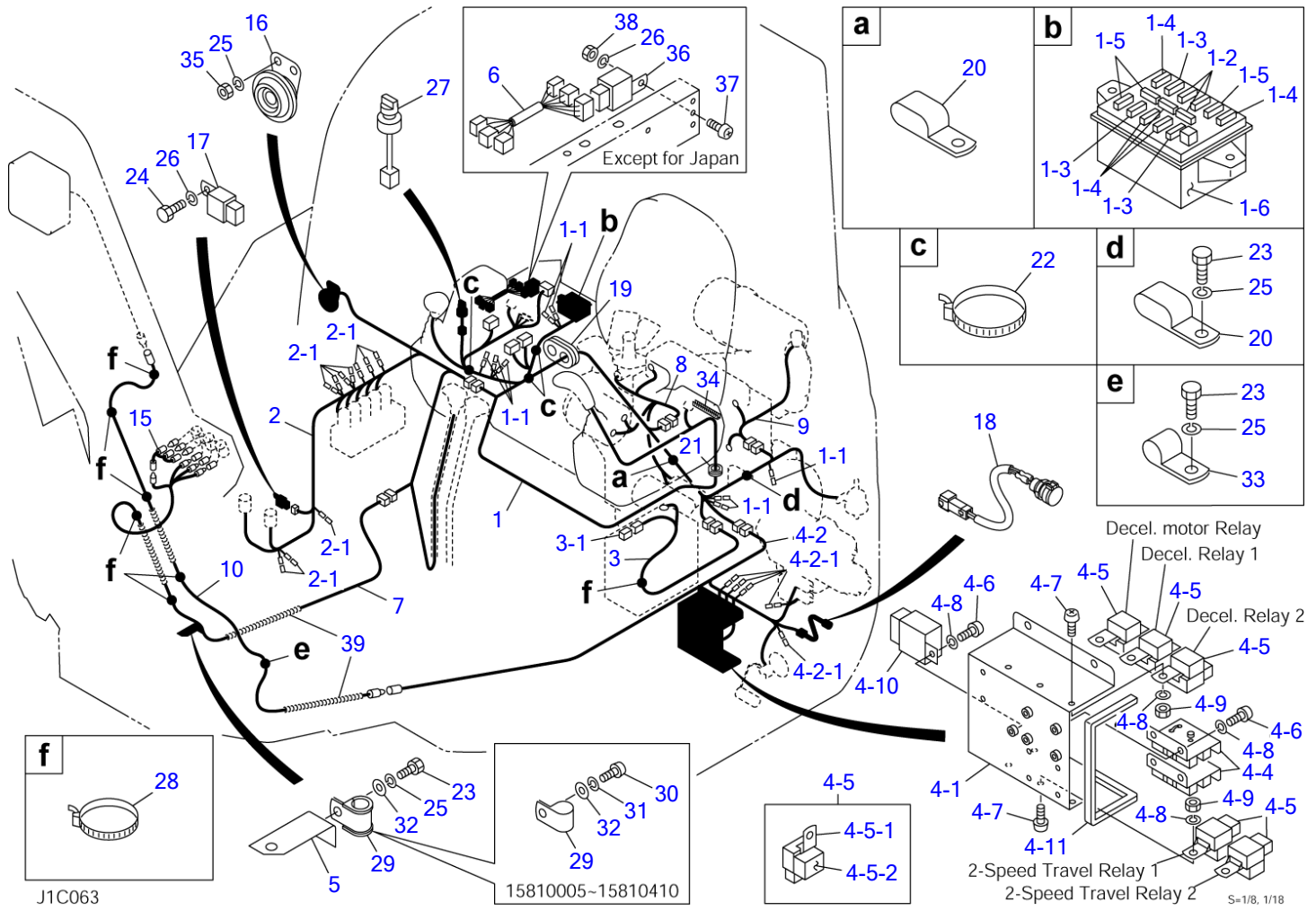
Item	Part number	Description	Q'ty	Chan.	Serial No.	Serv.	Remarks
		DECEL. ASSY					X03941-09500-2
1	0394109600	BRACKET	1				
2	0354108300	LINK, wire	1				
3	0354108310	PLATE	1				
5	1910065116	MOTOR , stop	1				Y129136-66810
6	1224010007	RING, retaining	1				
7	1620580000	LINK ASSY	2				
10	1120530516	SCREW	3				
11	1140020005	WASHER, spring	3				
12	1100040816	BOLT	2				
13	1140020008	WASHER, spring	2				
18	1110040510	SCREW, cap	2				
19	1224010006	RING, retaining	2				
21	0354108100	PLATE	1				
22	0364110200	LEVER	1				
23	0354105200	SHAFT	1				
24	0344100400	WASHER	1				
25	0564122100	WIRE	1				
26	0007900016	PIN	2				
27	1225110014	WASHER, conical	2				
28	1650132050	GRIP	1				
29	1130540014	NUT	1				
30	1130640014	NUT	1				
31	1100040820	BOLT	3				
32	1130040008	NUT	1				
33	1130140010	NUT	2				
34	1140020008	WASHER, spring	2				
	J1c050						



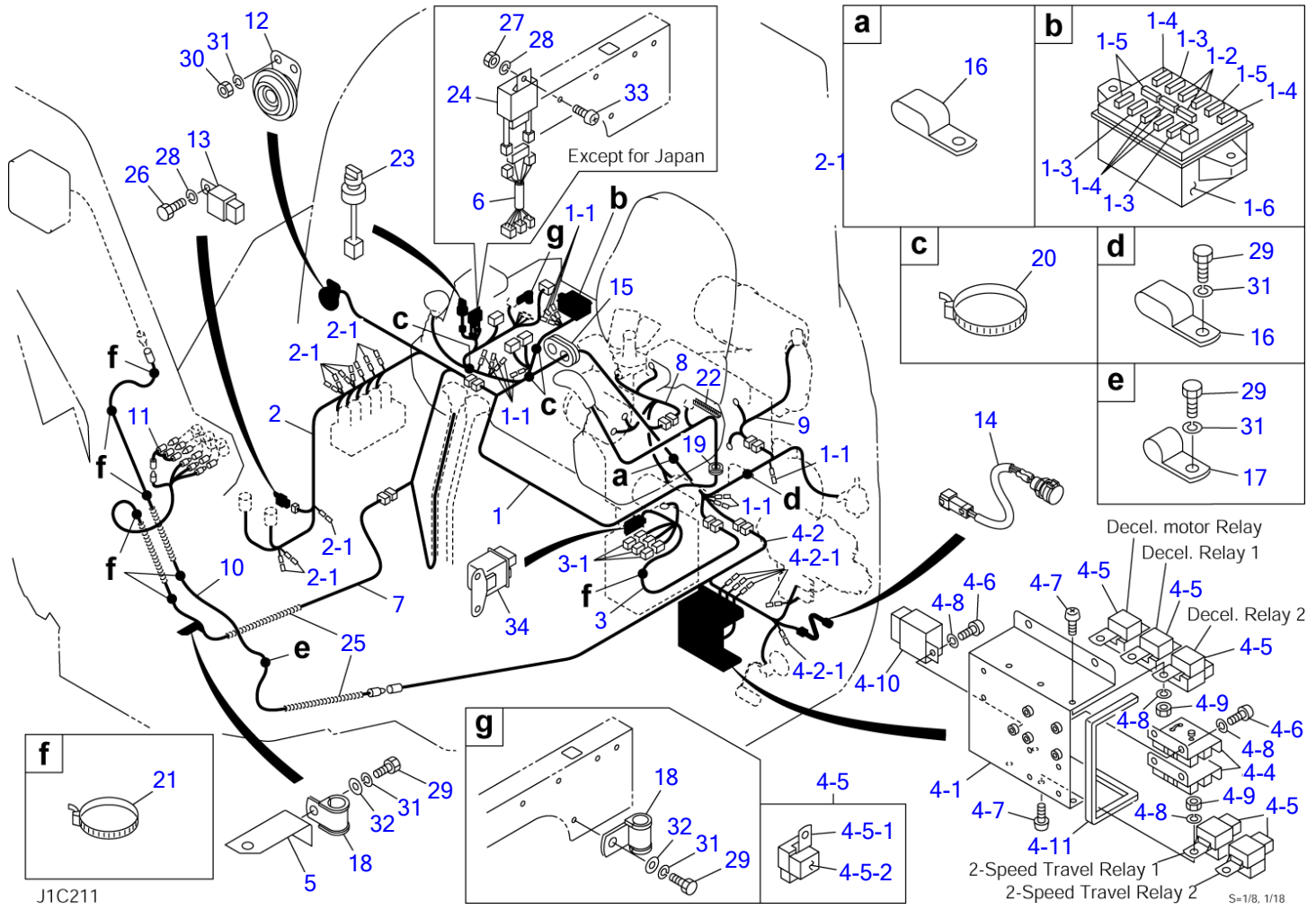
ELECTRICAL (15810005-15810674)

Item	Part number	Description	Q'ty	Chan.	Serial No.	Serv.	Remarks
		ELECTRICAL ASSY					X03942-16500-9
		ELECTRICAL ASSY (for Japan)					X03942-16300-9
1	0394216600	HARNESS	1	A	15810005~15810018		
	0394216900	HARNESS	1	a(H)	15810019~		
1-1	1730500008	• DIODE (3A yellow)	10				
1-2	1701310010	• FUSE	3				10A
1-3	1701310015	• FUSE	3				15A
1-4	1701310020	• FUSE	5				20A
1-5	1701310030	• FUSE	3				30A
1-6	1701200002	• BOX, fuse	1				
2	0394216620	HARNESS	1		15810005~15810018		
	0394216650	HARNESS	1	(H)	15810019~		
2-1	1730500008	• DIODE (3A yellow)	11				
3	0394216630	HARNESS	1				
3-1	1701330065	• LINK, fusible	1				65A
4	0394216700	BOX ASSY	1				
4-1	0394216710	• BOX	1				
4-2	0394216720	• HARNESS, wiring	1				
4-2-1	1730500008	• • DIODE (3A yellow)	6				
4-4	0354213650	• RESISTOR	2				
4-5	0334242540	• RELAY ASSY	5				
4-5-1	1711900042	• • RELAY	1				
4-5-2	1654301003	• • SPONGE	1				sold by the meter
4-6	1120530612	• SCREW	5				
4-7	1120530616	• SCREW	5				
4-8	1140020006	• WASHER, spring	9				
4-9	1130040006	• NUT	5				
4-10	1711900062	• RELAY	1				
4-11	1653917065	• TRIM	1				sold by the meter
5	0394216800	ANGLE	1				
6	0394216850	HARNESS	1		15810160~		except for Japan
7	0564224360	HARNESS, wiring	1				
8	0394216950	HARNESS	1	a(H)	15810019~		
9	0394216970	HARNESS	1	a(H)	15810019~		
10	0394210350	WIRE	1				
15	0564224410	WIRE	1		15810019~		
16	1703500612	HORN	1				
17	1711900042	RELAY	1				
18	1711900066	SOCKET	1				
19	0097210300	GUARD	1				
20	0007300006	CLAMP	2				
21	1652022506	GROMMET	1				
22	1652201005	BAND	3				
23	1100040816	BOLT	3				
24	1100040616	BOLT	1				
25	1140020008	WASHER, spring	5				
26	1140020006	WASHER, spring	1				for Japan
	1140020006	WASHER, spring	2				
27	1700000019	SWITCH, rotary	1		15810005~15810018		
	1700000036	SWITCH, rotary	1		15810019~15810143		
	1700000038	SWITCH, rotary	1	(H)	15810144~		
28	1652201008	BAND	9				
29	1652410008	CLAMP	1		15810005~15810410		
	1711900076	CLAMP	1		15810411~		
30	1120530412	SCREW	1		15810005~15810410		
31	1140020004	WASHER, spring	1		15810005~15810410		
32	1141110004	WASHER	1		15810005~15810410		
	1141110008	WASHER	1		15810411~		
33	0007300050	CLAMP	1		15810019~		
34	1653917015	TRIM	1		15810019~		sold by the meter
35	1130040008	NUT	1		15810019~		
36	1711900062	RELAY	1		15810160~		except for Japan
37	1120530616	SCREW	1		15810160~		except for Japan
38	1130040006	NUT	1		15810160~		except for Japan
39	0394216980	SPRING	2		15810411~		

<<NOTE>>



Item	Part number	Description	Q'ty	Chan.	Serial No.	Serv.	Remarks
39	J1c063	"A" is interchangeable with SET "a".					

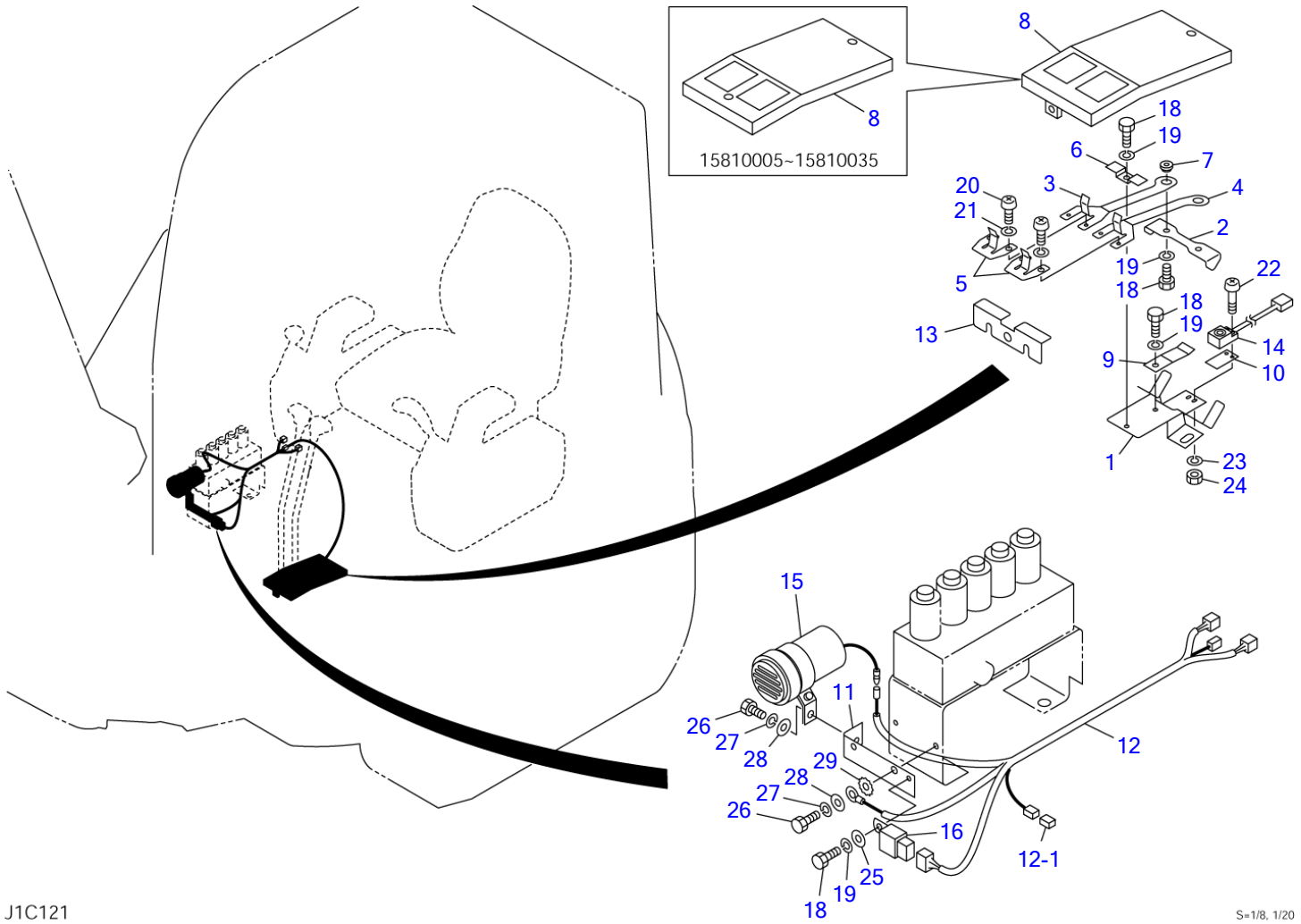


ELECTRICAL (15810675-)

Item	Part number	Description	Q'ty	Chan.	Serial No.	Serv.	Remarks
		ELECTRICAL ASSY					X03942-20000-2
		ELECTRICAL ASSY (for Japan)					X03942-20500-2
1	0394220100	HARNESS	1				
1-1	1730500008	• DIODE (3A yellow)	12				
1-2	1701310010	• FUSE	3				10A
1-3	1701310015	• FUSE	3				15A
1-4	1701310020	• FUSE	5				20A
1-5	1701310030	• FUSE	3				30A
1-6	1701200002	• BOX, fuse	1				
2	0394216650	HARNESS	1				
2-1	1730500008	• DIODE (3A yellow)	11				
3	0374213600	HARNESS	1				
3-1	1701330045	• LINK, fusible	3				45A
4	0394216700	BOX ASSY	1				X03942-16700-2
4-1	0394216710	• BOX	1				
4-2	0394216720	• HARNESS, wiring	1				
4-2-1	1730500008	• • DIODE (3A yellow)	6				
4-4	0354213650	• RESISTOR	2				
4-5	0334242540	• RELAY ASSY	5				
4-5-1	1711900042	• • RELAY	1				
4-5-2	1654301003	• • SPONGE	1				sold by the meter
4-6	1120530612	• SCREW	5				
4-7	1120530616	• SCREW	5				
4-8	1140020006	• WASHER, spring	9				
4-9	1130040006	• NUT	5				
4-10	1711900062	• RELAY	1				
4-11	1653917065	• TRIM	1				sold by the meter
5	0394216800	ANGLE	1				
6	0394216850	HARNESS	1				except for Japan
7	0564224360	HARNESS, wiring	1				
8	0394219150	HARNESS	1				
9	0394220200	HARNESS	1				
10	0394210350	WIRE	1				
11	0564224410	WIRE	1				
12	1703500612	HORN	1				
13	1711900042	RELAY	1				
14	1711900066	SOCKET	1				
15	0097210300	GUARD	1				
16	0007300006	CLAMP	2				
17	0007300050	CLAMP	1				
18	1711900076	CLAMP	2				
19	1652022506	GROMMET	1				
20	1652201005	BAND	3				
21	1652201008	BAND	9				
22	1653917015	TRIM	1				sold by the meter
23	1700000038	SWITCH, rotary	1				
24	1711900062	RELAY	1				except for Japan
25	0394216980	SPRING	2				
26	1100040616	BOLT	1				
27	1130040006	NUT	1				except for Japan
28	1140020006	WASHER, spring	1				for Japan
	1140020006	WASHER, spring	2				
29	1100040816	BOLT	5				
30	1130040008	NUT	1				
31	1140020008	WASHER, spring	6				
32	1141110008	WASHER	2				
33	1120530616	SCREW	1				except for Japan
34	1910161119	RELAY	1				Y119646-77900

J1c211

TB53FR Book No. BJ1Z006 S/N 15810005-15811324
TRAVEL ALARM (15810005-15810392)



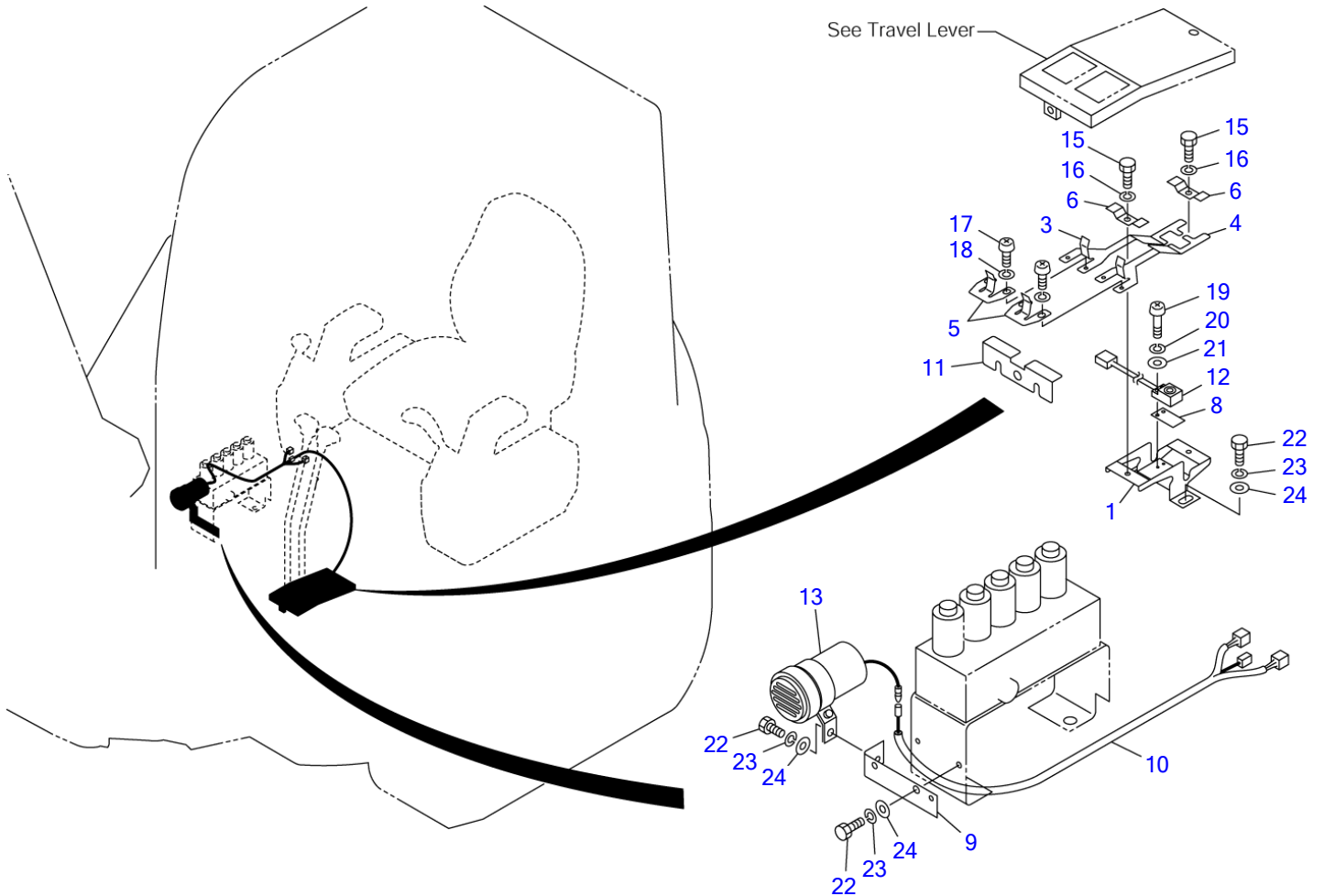
J1C121

S=1/8, 1/20

TRAVEL ALARM (15810005-15810392)

Item	Part number	Description	Q'ty	Chan.	Serial No.	Serv.	Remarks
		ALAME ASSY, travel					X03932-19600-1
1	0393219510	BRACKET	1				
2	0393219520	PLATE	1				
3	0393219530	PLATE (R.H.)	1				
4	0393219540	PLATE (L.H.)	1				
5	0393219550	PLATE	2				
6	0393219555	PLATE	1				
7	0393219556	BOSS	2				
8	0393219590	COVER	1		15810005~15810035		
	0393219560	COVER	1		15810036~		
9	0393219570	PLATE	1				
10	0393219571	SHIM	AR				
11	0393219572	ANGLE	1				
12	0393219580	HARNES	1				
12-1	1730500008	• DIODE (3A yellow)	1				
13	0393219620	PLATE	1		15810316~		
14	1700009010	SWITCH, proximity	1				
15	0354211050	BUZZER	1				
16	1711900042	RELAY	1				
18	1100040616	BOLT	5				
19	1140020006	WASHER, spring	5				
20	1120530512	SCREW	4				
21	1140020005	WASHER, spring	4				
22	1120530316	SCREW	2				
23	1140020003	WASHER, spring	2				
24	1130040003	NUT	2				
25	1141110006	WASHER	1				
26	1100040816	BOLT	2				
27	1140020008	WASHER, spring	2				
28	1141110008	WASHER	2				
29	1140330008	WASHER	1				

J1c121

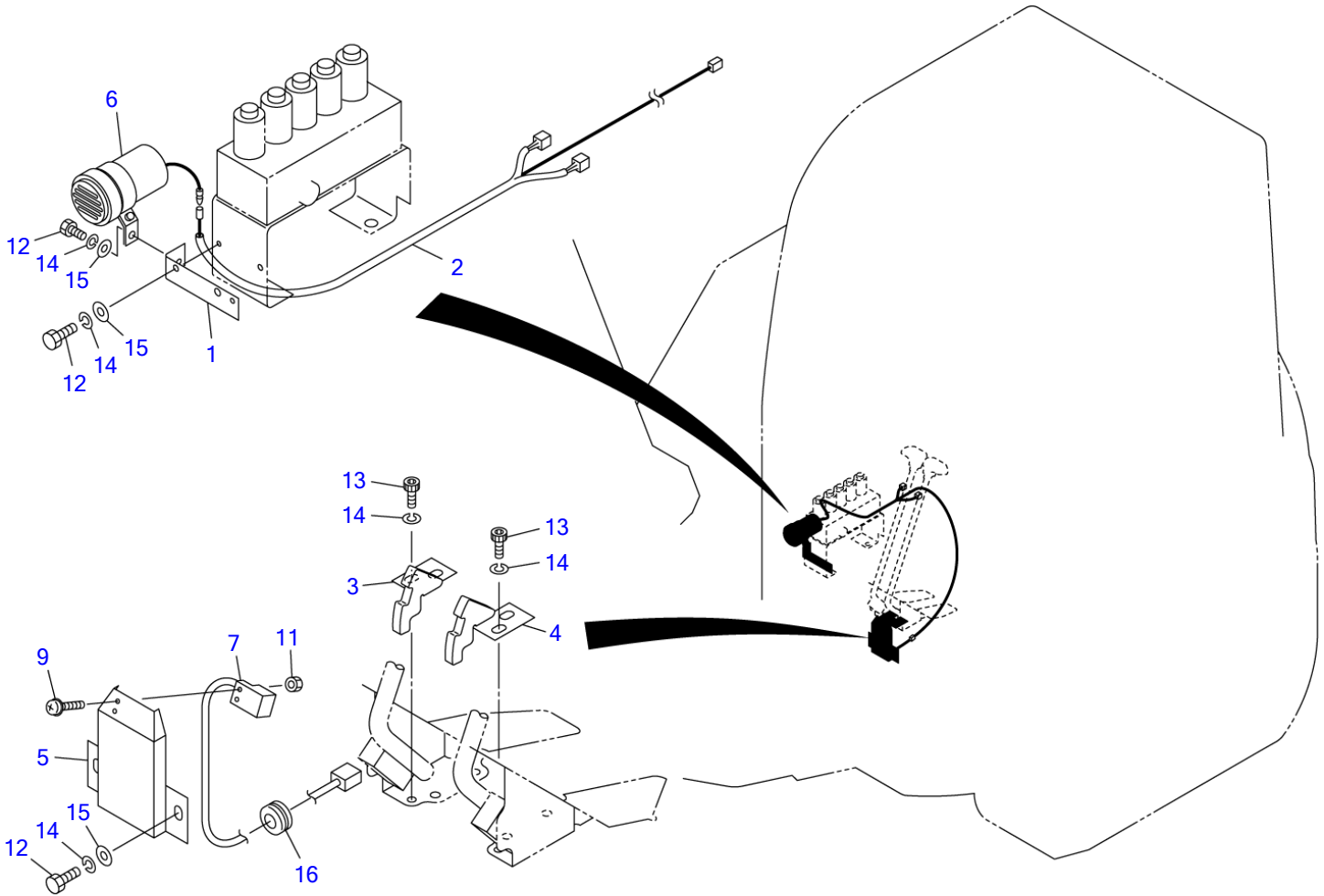


J1C140

S=1/8, 1/20

TRAVEL ALARM (15810393-15810674)

Item	Part number	Description	Q'ty	Chan.	Serial No.	Serv.	Remarks
		ALAME ASSY, travel					X03932-19700-1
1	0393219780	BRACKET	1				
3	0393219735	PLATE (R.H.)	1				
4	0393219745	PLATE (L.H.)	1				
5	0393219750	PLATE	2				
6	0393219760	PLATE	2				
8	0393219571	SHIM	AR				
9	0393219572	ANGLE	1				
10	0393219770	HARNES	1				
11	0393219620	PLATE	1				
12	1700009010	SWITCH, proximity	1				
13	0354211050	BUZZER	1				
15	1100040616	BOLT	2				
16	1140020006	WASHER, spring	2				
17	1120530512	SCREW	4				
18	1140020005	WASHER, spring	4				
19	1120530316	SCREW	2				
20	1140020003	WASHER, spring	2				
21	1141110003	WASHER	2				
22	1100040816	BOLT	5				
23	1140020008	WASHER, spring	5				
24	1141110008	WASHER	5				
	J1c140						

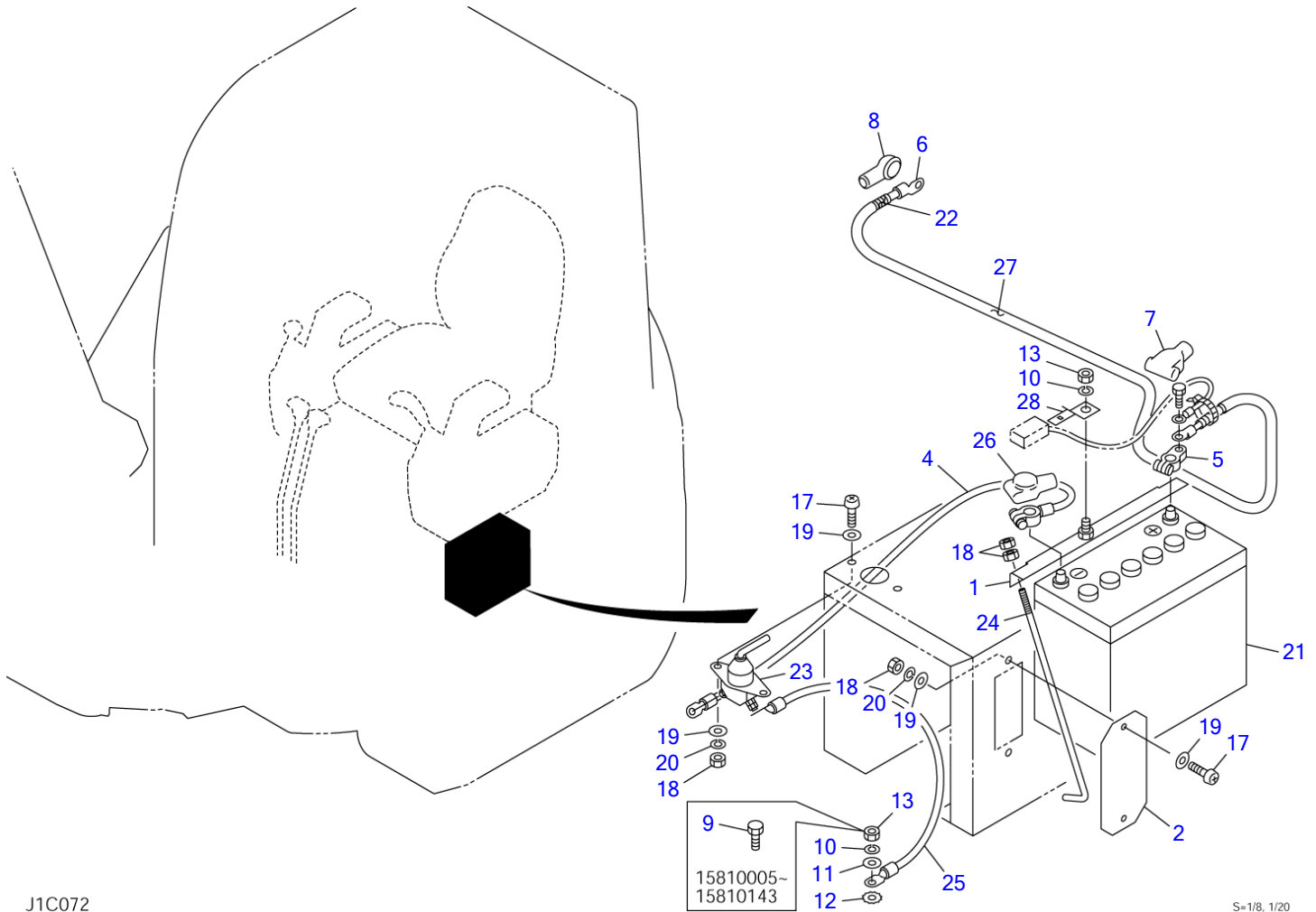


J1C152

S=1/6, 1/20

TRAVEL ALARM (15810675-)

Item	Part number	Description	Q'ty	Chan.	Serial No.	Serv.	Remarks
		ALAME ASSY, travel					X03932-21500-1
1	0393219572	ANGLE	1				
2	0393219770	HARNES	1				
3	0564230810	PLATE (R.H.)	1				
4	0564230820	PLATE (L.H.)	1				
5	0564230830	COVER	1				
6	0354211050	BUZZER	1				
7	1700009010	SWITCH, proximity	1				
9	1150110312	SCREW	2				
11	1130030003	NUT	2				
12	1100040816	BOLT	4				
13	1110040816	SCREW, cap	2				
14	1140020006	WASHER, spring	6				
15	1141110006	WASHER	4				
16	1652000602	GROMMET	1				
	J1c151						

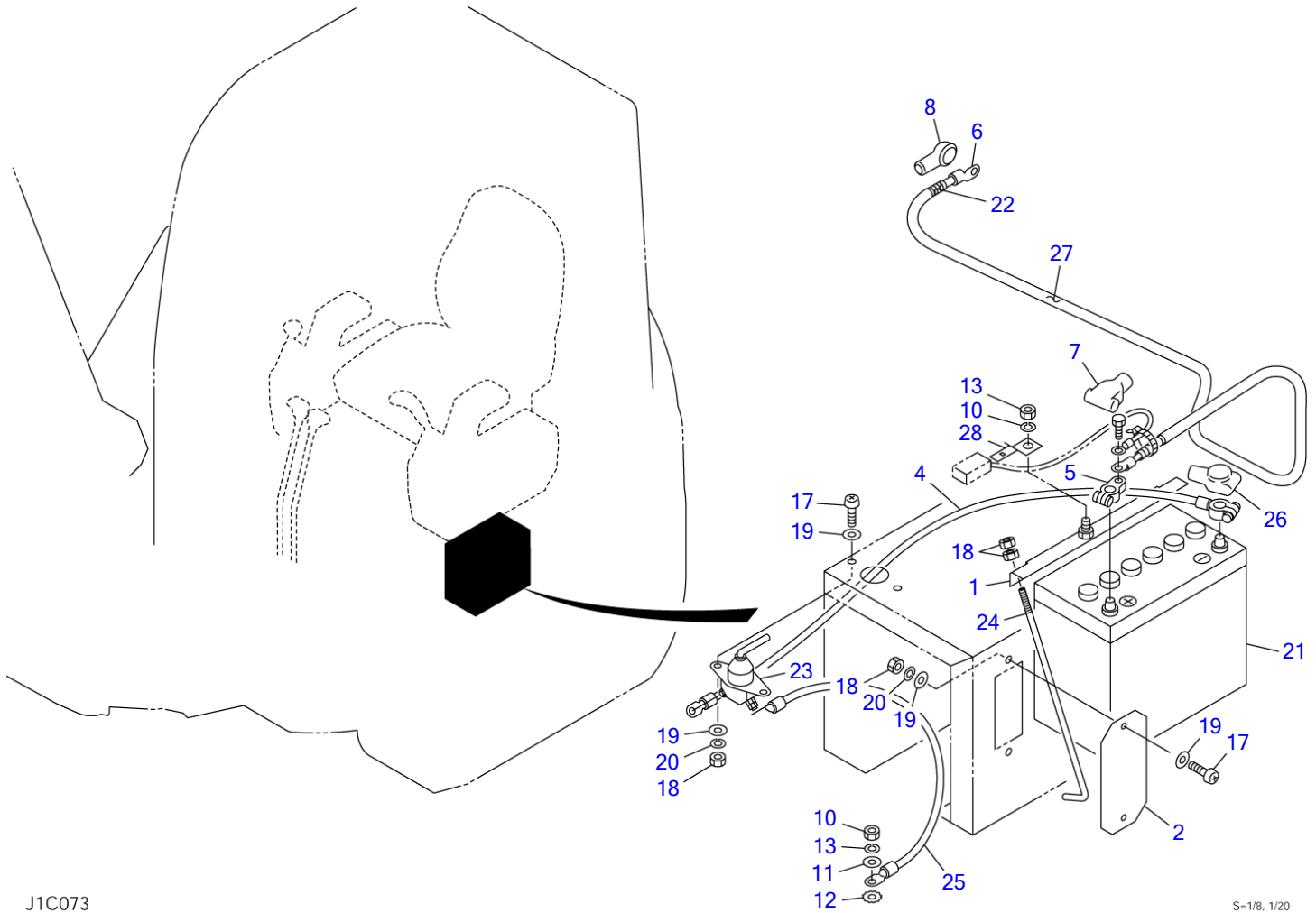


J1C072

S=1/8, 1/20

BATTERY (15810005-15810464)

Item	Part number	Description	Q'ty	Chan.	Serial No.	Serv.	Remarks
		BATTERY ASSY					X03944-06500-7
1	0394406800	ANGLE	1				
2	0394406700	PLATE	1				
4	1702230045	CABLE, earth	1		15810005~15810009		
	1702230040	CABLE, earth	1		15810010~		
5	1702330000	TERMINAL	1				
6	1702530120	CABLE, battery	1				
7	1702920060	COVER	1				
8	1910007119	COVER	1				
9	1100041016	BOLT	1		15810005~15810143		
10	1140020010	WASHER, spring	2				
11	1141110010	WASHER	1				
12	1140330010	WASHER	1				
13	1130040010	NUT	2		15810144~		
17	1120530620	SCREW	4				
18	1130040006	NUT	8				
19	1141110006	WASHER	8				
20	1140020006	WASHER, spring	4				
21	1702059026	BATTERY	1				
22	1703221310	PROTECTOR	1				sold by the meter
23	1700100051	SWITCH, battery	1				
24	1702106270	BOLT	2				
25	1702530050	CABLE, battery	1		15810005~15810009		
	1702530100	CABLE, battery	1		15810010~15810452		
	1702530080	CABLE, battery	1	(H)	15810453~		
	1702920002	COVER	1		15810010~		
26	1531325100	PROTECTOR	1				sold by the meter
27	1711900064	CLIP	1				
28	J1c072						

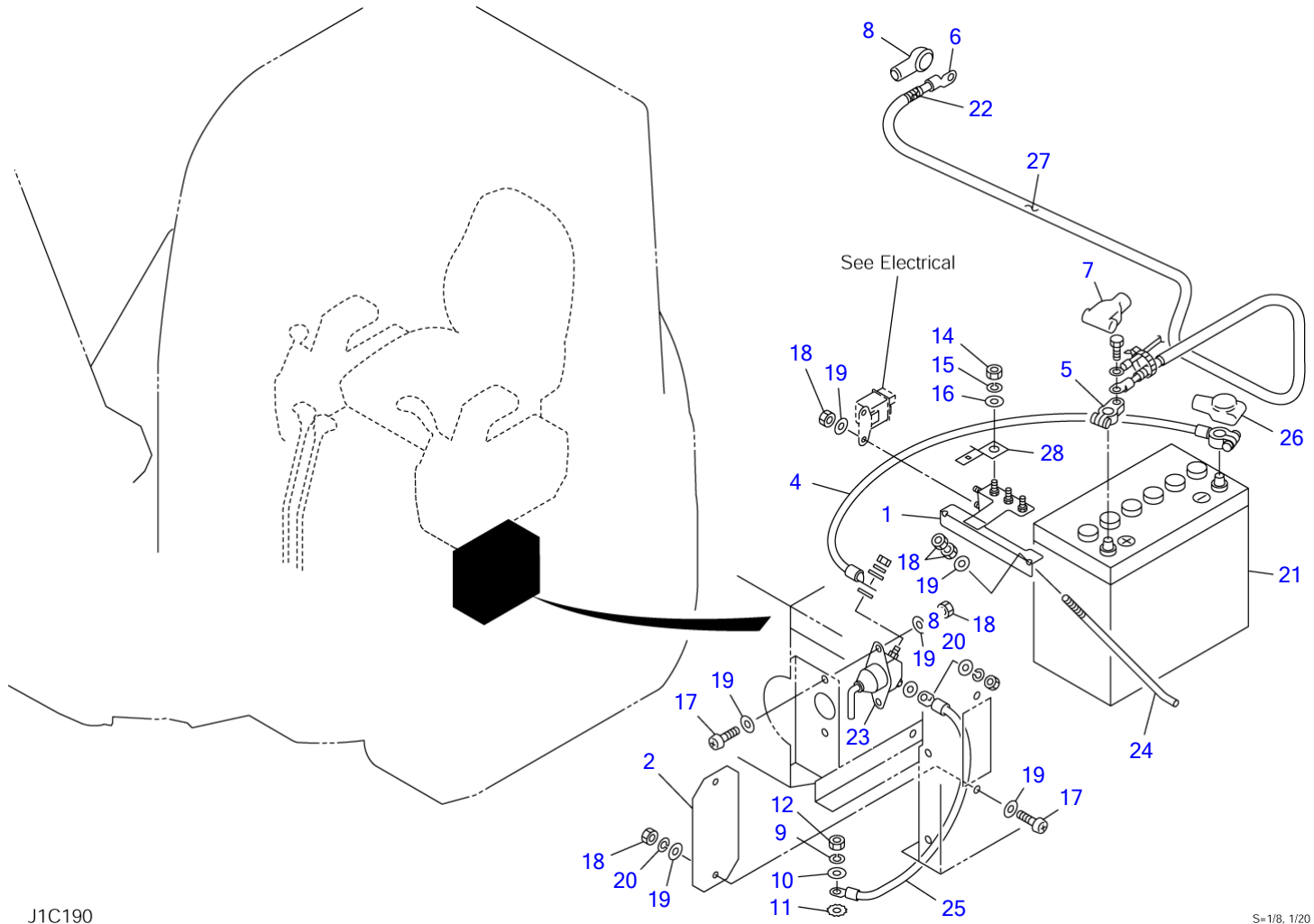


J1C073

S=1/8, 1/20

BATTERY (15810465-15810674)

Item	Part number	Description	Q'ty	Chan.	Serial No.	Serv.	Remarks
		BATTERY ASSY					X03944-06500-8
1	0394406800	ANGLE	1				
2	0394406700	PLATE	1				
4	1702230040	CABLE, earth	1				
5	1702330000	TERMINAL	1				
6	1702530145	CABLE, battery	1				
7	1702920060	COVER	1				
8	1910007119	COVER	1				
10	1140020010	WASHER, spring	2				
11	1141110010	WASHER	1				
12	1140330010	WASHER	1				
13	1130040010	NUT	2				
17	1120530620	SCREW	4				
18	1130040006	NUT	8				
19	1141110006	WASHER	8				
20	1140020006	WASHER, spring	4				
21	1702059026	BATTERY	1				
22	1703221330	PROTECTOR	1				sold by the meter
23	1700100051	SWITCH, battery	1				
24	1702106270	BOLT	2				
25	1702530080	CABLE, battery	1				
26	1702920002	COVER	1				
27	1531325120	PROTECTOR	1				sold by the meter
28	1711900064	CLIP	1				
	J1c073						



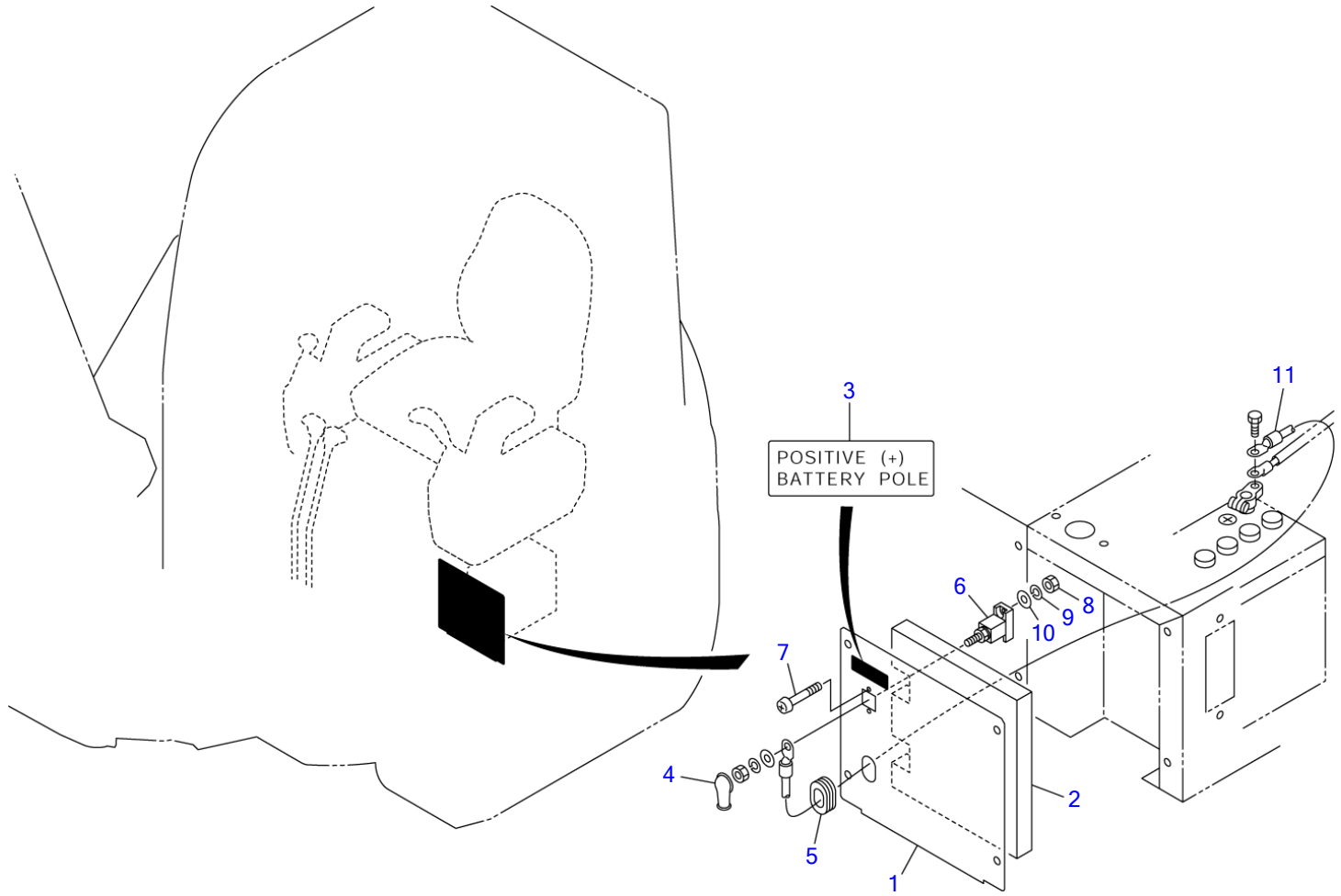
J1C190

S=1/8, 1/20

BATTERY (15810675-)

Item	Part number	Description	Q'ty	Chan.	Serial No.	Serv.	Remarks
		BATTERY ASSY					X03944-09000-2
1	0394409010	ANGLE	1				
2	0394406700	PLATE	1				
4	1702230040	CABLE, earth	1				
5	1702330000	TERMINAL	1				
6	1702530145	CABLE, battery	1				
7	1702920060	COVER	1				
8	1910007119	COVER	1				
9	1140020010	WASHER, spring	1				
10	1141110010	WASHER	1				
11	1140330010	WASHER	1				
12	1130040010	NUT	1				
14	1130040008	NUT	3				
15	1140020008	WASHER, spring	3				
16	1141110008	WASHER	3				
17	1120530620	SCREW	4				
18	1130040006	NUT	10				
19	1141110006	WASHER	12				
20	1140020006	WASHER, spring	4				
21	1702051531	BATTERY	1				
22	1703221330	PROTECTOR	1				sold by the meter
23	1700100051	SWITCH, battery	1				
24	1702106250	BOLT	2				
25	1702531050	CABLE, battery	1				
26	1702920002	COVER	1				
27	1531325120	PROTECTOR	1				sold by the meter
28	1711900064	CLIP	3				

J1c191



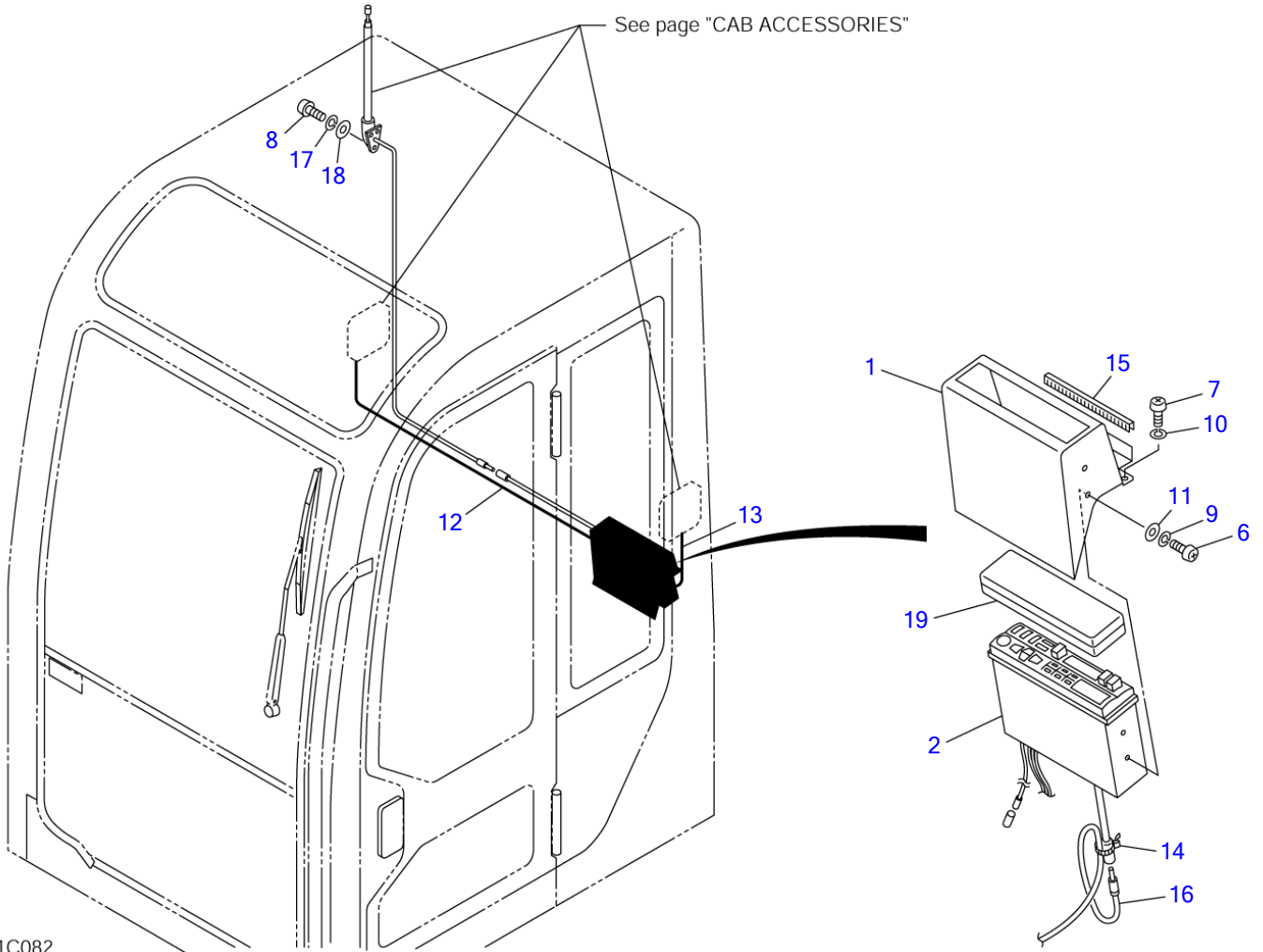
J1C130

S=1/8, 1/20

BATTERY POLE (+)

Item	Part number	Description	Q'ty	Chan.	Serial No.	Serv.	Remarks
	0394406900	POLE ASSY, battery	1				X03944-06900-0
1	0394406901	▪ PLATE	1				
2	0394406902	▪ ABSORBENT, noise	1				
3	0394406903	▪ DECAL	1				
4	1910007119	▪ COVER	1				
5	1652001902	▪ GROMMET	1				
6	1702754001	▪ TABLE	1				
7	1120530525	▪ SCREW	2				
8	1130030005	▪ NUT	2				
9	1140020005	▪ WASHER, spring	2				
10	1141110005	▪ WASHER	4				
11	1702530070	▪ CABLE, battery	1				

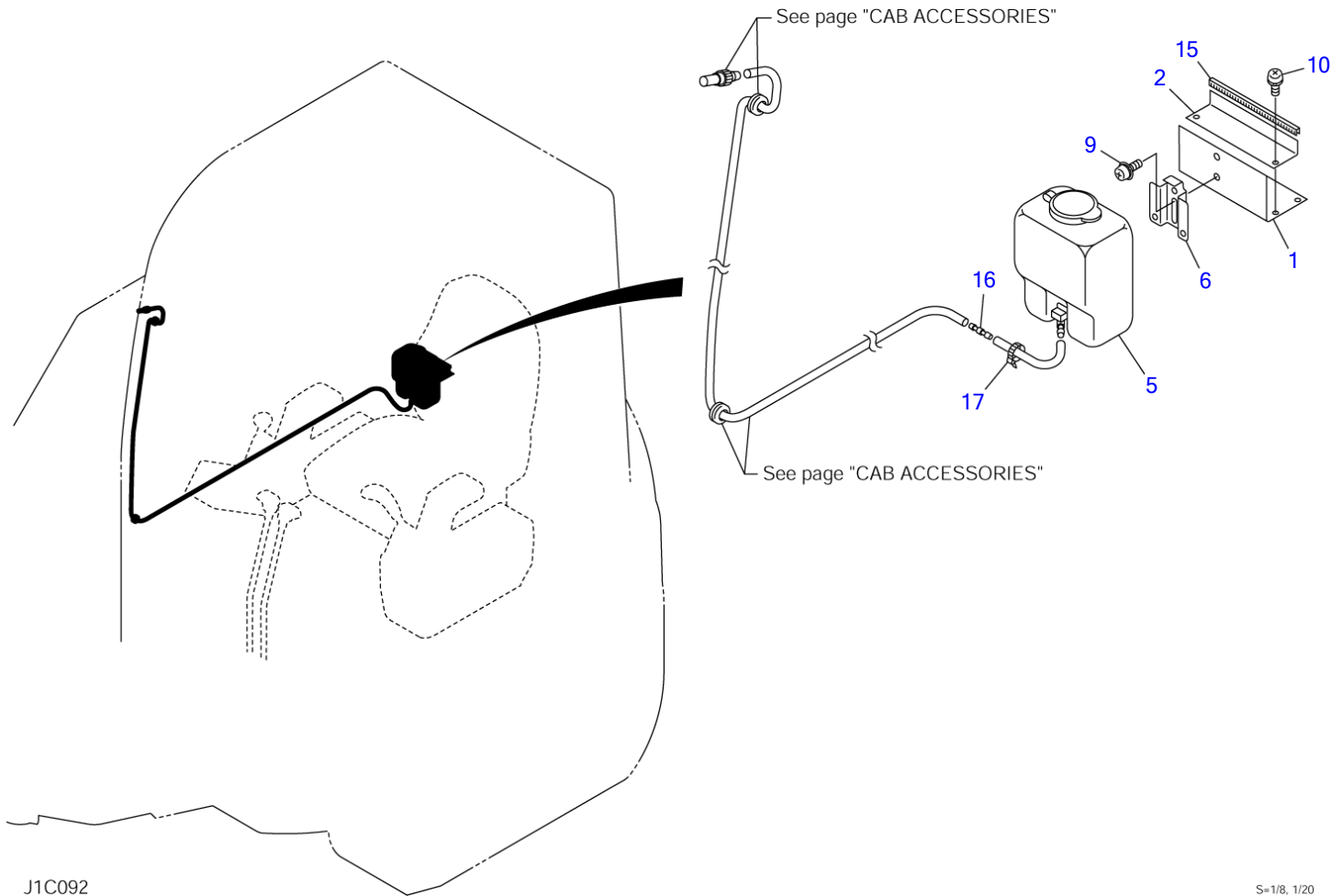
J1c130



J1C082

S=1/8, 1/15

Item	Part number	Description	RADIO		Serial No.	Serv.	Remarks
			Q'ty	Chan.			
		RADIO ASSY (for EC)					X05647-08000-5
		RADIO ASSY (for U.S.A.)					X05647-08500-5
		RADIO ASSY (for JAPAN)					X05647-08600-5
1	0564708100	COVER	1				
2	1705003900	CASSETTE STEREO	1				for EC
	1705004000	CASSETTE STEREO	1				for U.S.A.
	1705004100	CASSETTE STEREO	1				for JAPAN
6	1120590516	SCREW	4				
7	1120590616	SCREW	2				
8	1120530516	SCREW	3		15810005~15811250		
9	1140090005	WASHER, spring	4				
10	1140090006	WASHER, spring	2				
11	1141190005	WASHER	4				
12	0334702018	HARNESS, wiring	1		15810005~15810722		
13	0334702019	HARNESS, wiring	1		15810005~15810722		
14	1652231100	BAND	1				
15	1653917005	TRIM	1				
16	1705001610	JUMPER	1		15810005~15811250		sold by the meter
17	1140020005	WASHER, spring	3		15810005~15811250		
18	1141110005	WASHER	3		15810005~15811250		
19	1705003650	COVER	1				
	J1c082						



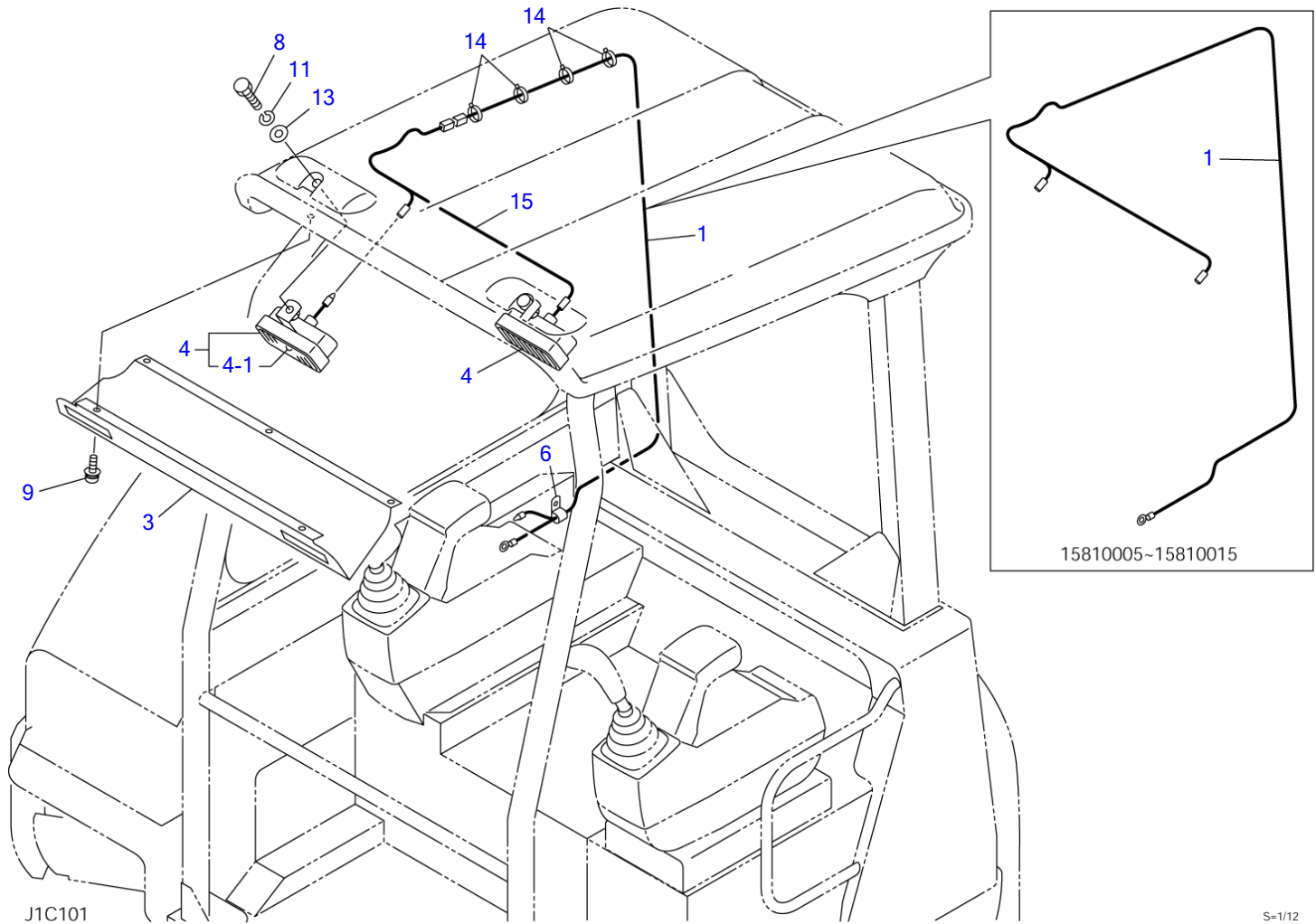
J1C092

S=1/8, 1/20

WINDOW WASHER

Item	Part number	Description	Q'ty	Chan.	Serial No.	Serv.	Remarks
		WASHER ASSY, window					X05689-03000-2
1	0568903100	PLATE	1				
2	0568903200	PLATE	1				
5	1711910101	TANK	1				
6	1711910062	BRACKET	1				
9	1150410612	SCREW	2				
10	1150120616	SCREW	4				
15	1653917011	TRIM	1				sold by the meter
16	1711910080	VALVE, check	1				
17	1652231250	BAND	1				
	J1c092						

TB53FR Book No. BJ1Z006 S/N 15810005-15811324
CANOPY LIGHT (15810005-15810674)

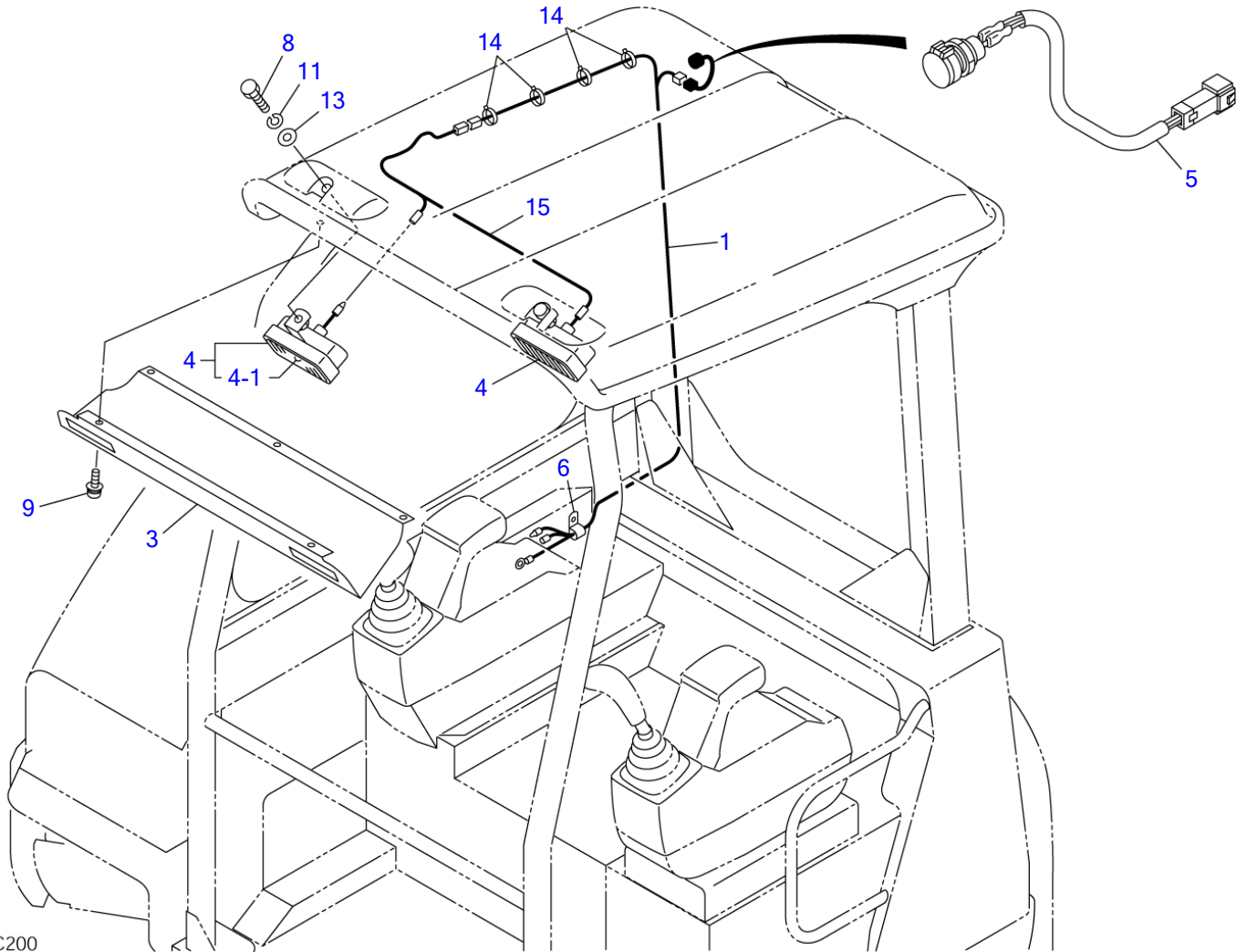


J1C101

S=1/12

CANOPY LIGHT (15810005-15810674)

Item	Part number	Description	Q'ty	Chan.	Serial No.	Serv.	Remarks
		LAMP ASSY, canopy					X03984-02000-5
1	0398402100	HARNES, wiring	1	A(L)	15810005~15810015		
	0398402200	HARNES, wiring	1	a(H)	15810016~		
3	0358402700	COVER	1				
4	1703001900	LAMP	2				
4-1	1703001901	• BULB	1				12V, 20W
6	1652900006	BAND	1				
8	1100040820	BOLT	2				
9	1150420516	SCREW	5				
11	1140020008	WASHER, spring	2				
13	1141110008	WASHER	2				
14	1652201007	BAND	4				M
15	0398402300	HARNES, wiring	1	a(H)	15810016~		
		<<NOTE>>					
		"A" is interchangeable with					
		SET "a".					
	J1c102						

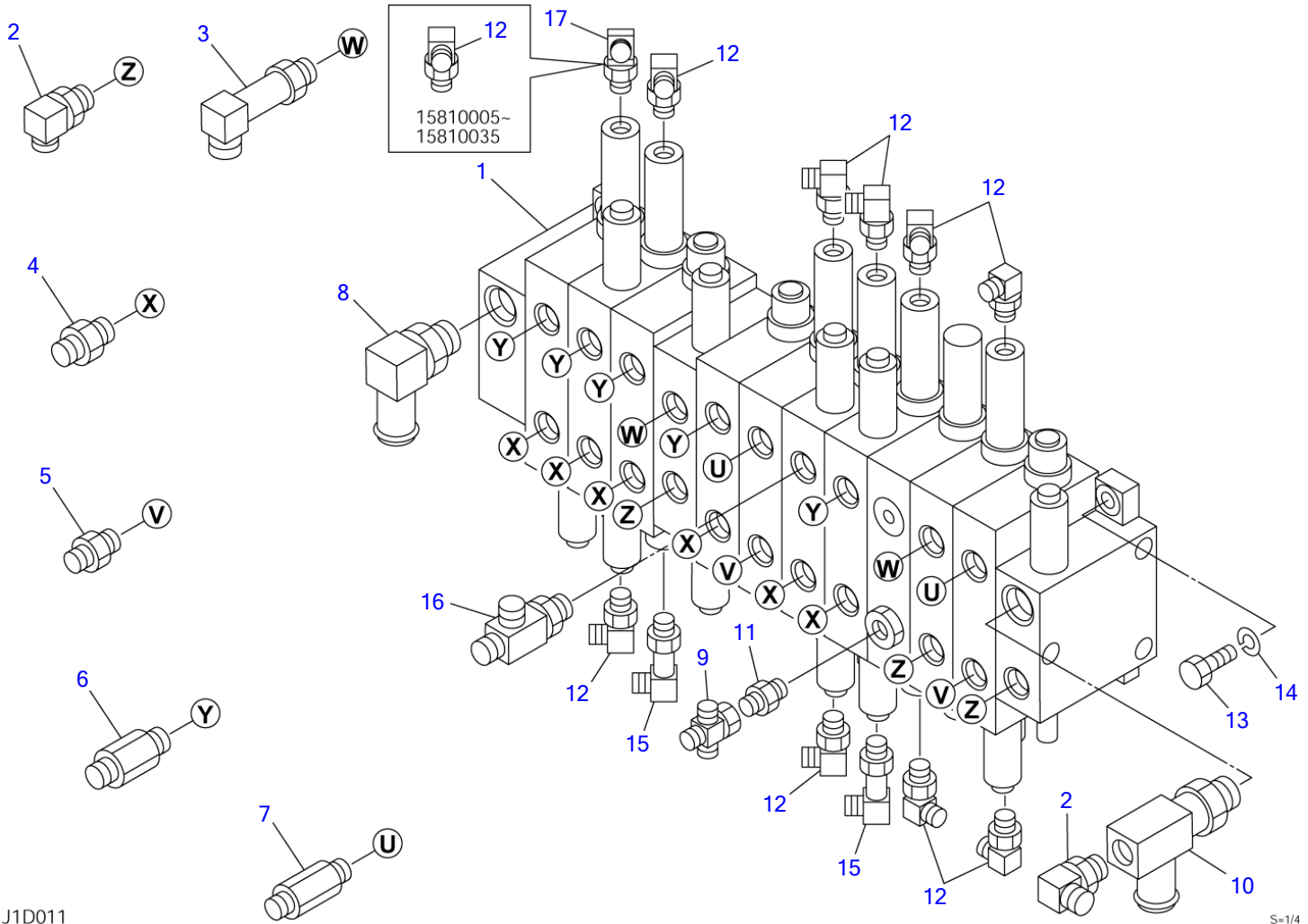


J1C200

S=1/12

CANOPY LIGHT (15810675-)

Item	Part number	Description	Q'ty	Chan.	Serial No.	Serv.	Remarks
		LAMP ASSY, canopy					X03984-02500-0
1	0398402600	HARNES, wiring	1				
3	0358402700	COVER	1				
4	1703001900	LAMP	2				
4-1	1703001901	• BULB	1				12V, 20W
5	0394203100	SOCKET ASSY	1				
6	1652900006	BAND	1				
8	1100040820	BOLT	2				
9	1150420516	SCREW	5				
11	1140020008	WASHER, spring	2				
13	1141110008	WASHER	2				
14	1652200007	BAND	4				
15	0398402300	HARNES, wiring	1				
	J1c200						



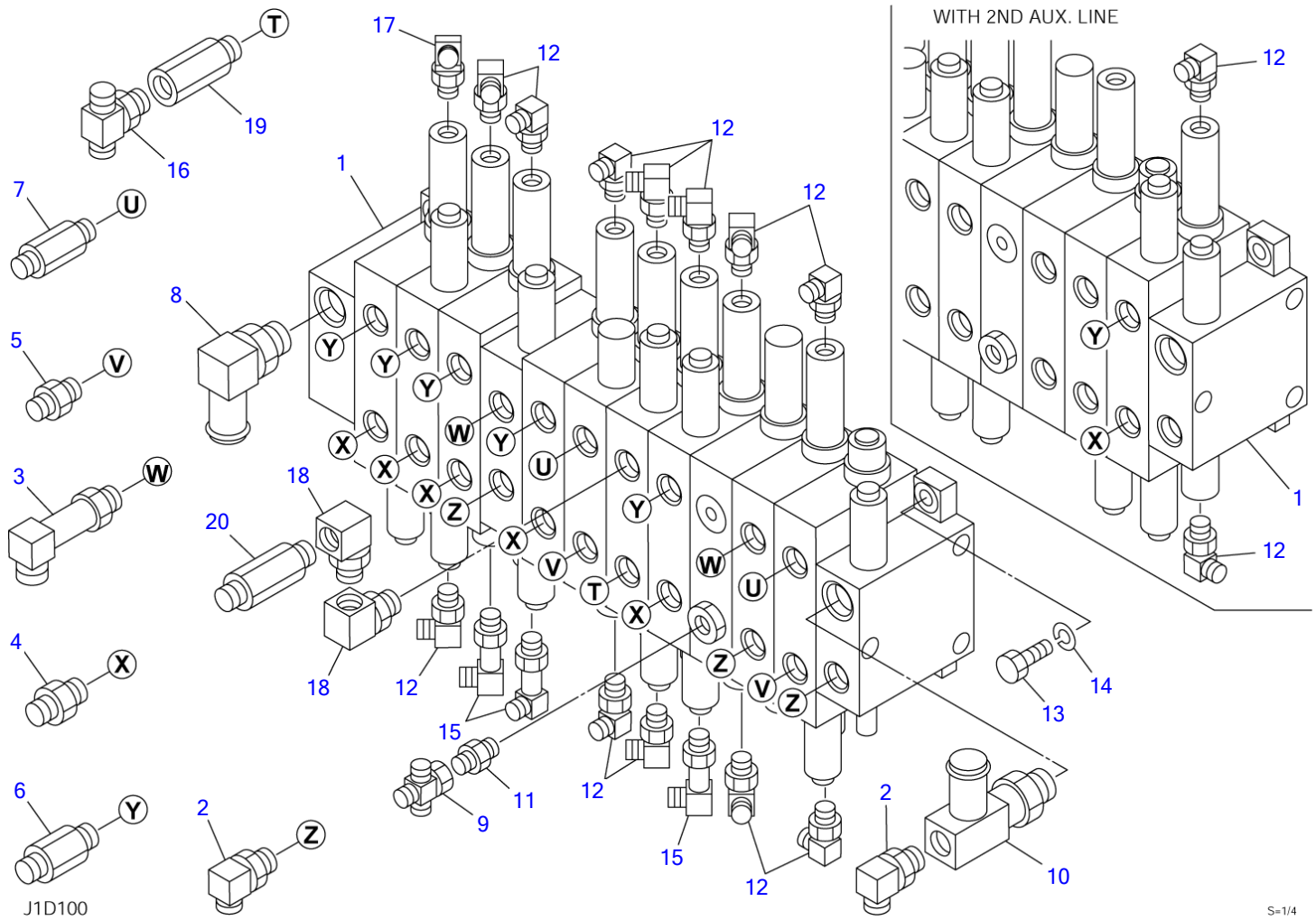
J1D011

S-1/4

VALVE & ACCESSORIES (15810005-15810674)

Item	Part number	Description	Q'ty	Chan.	Serial No.	Serv.	Remarks
		VALVE ASSY, control					X03950-10500-5
1	1901036900	VALVE, control	1				
2	1515010042	ELBOW	4				
	1420010180	• O-RING	1				
3	1515010512	ELBOW	2				
	1420010180	• O-RING	1				
4	1515600202	ADAPTOR	6				
	1420010180	• O-RING	1				
5	1515600577	ADAPTOR	2				
	1420010180	• O-RING	1				
6	0007203041	ADAPTOR	5				
	1420010180	• O-RING	1			M	
7	0007203004	ADAPTOR	2				
	1420010180	• O-RING	1			M	
8	1513350010	ELBOW	1				
	1420010240	• O-RING	1				
9	0007263004	CROSS	1				
10	0395010600	ELBOW	1				
	1420010240	• O-RING	1			M	
11	1515600200	ADAPTOR	1				
	1420010110	• O-RING	1				
12	1515012040	ELBOW	10		15810005~15810035		
	1420010110	• O-RING	1				
	1515012040	ELBOW	9		15810036~		
	1420010110	• O-RING	1				
13	1100040820	BOLT	4				
14	1140020008	WASHER, spring	4				
15	1515012510	ELBOW	2				
	1420010110	• O-RING	1				
16	1512373005	TEE	1				
	1420010180	• O-RING	1				
17	1515100110	ELBOW	1		15810036~		
	1420010110	• O-RING	1				
	J1d012						

TB53FR Book No. BJ1Z006 S/N 15810005-15811324
 VALVE & ACCESSORIES (15810675-)

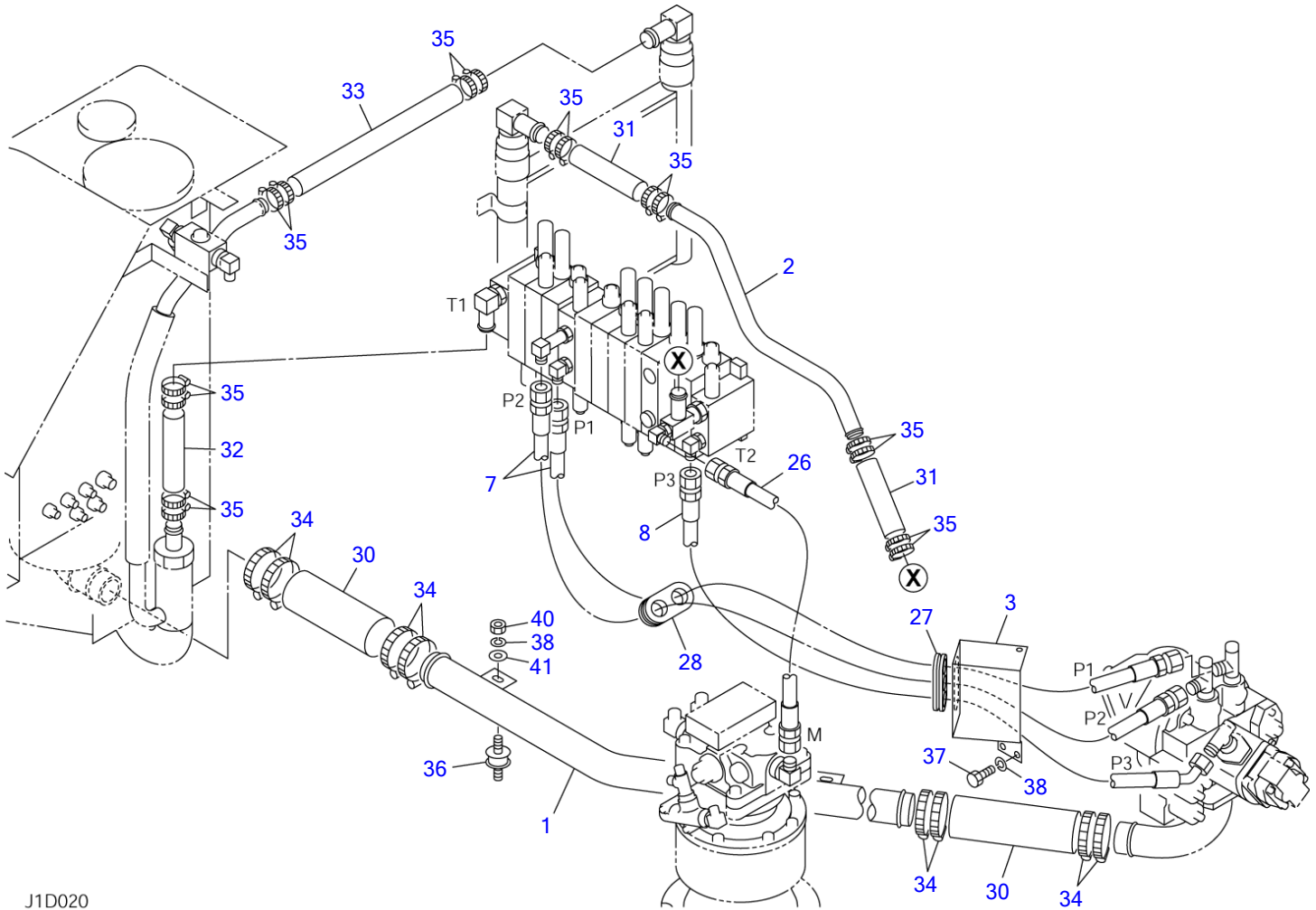


S=1/4

VALVE & ACCESSORIES (15810675-)

Item	Part number	Description	Q'ty	Chan.	Serial No.	Serv.	Remarks
		VALVE ASSY, control					X03950-15000-2
		VALVE ASSY, control (with 2nd aux. line)					X03950-15500-2
1	1901042300	VALVE, control	1				
	1901042500	VALVE, control	1				with 2nd aux. line
2	1515010042	ELBOW	4				
	1420010180	• O-RING	1				
3	1515010512	ELBOW	2				
	1420010180	• O-RING	1				
4	1515600202	ADAPTOR	5				
	1420010180	• O-RING	1				
	1515600202	ADAPTOR	6				with 2nd aux. line
	1420010180	• O-RING	1				
5	1515600577	ADAPTOR	2				
	1420010180	• O-RING	1				
6	0007203041	ADAPTOR	5				
	0007203041	ADAPTOR	6				with 2nd aux. line
	1420010180	• O-RING	1			M	
7	0007203004	ADAPTOR	2				
	1420010180	• O-RING	1			M	
8	1513350010	ELBOW	1				
	1420010240	• O-RING	1				
9	0007263004	CROSS	1				
10	0395010600	ELBOW	1				
	1420010240	• O-RING	1			M	
11	1515600200	ADAPTOR	1				
	1420010110	• O-RING	1				
12	1515012040	ELBOW	12				
	1420010110	• O-RING	1				
	1515012040	ELBOW	14				with 2nd aux. line
	1420010110	• O-RING	1				
13	1100040820	BOLT	3				
14	1140020008	WASHER, spring	3				
15	1515012510	ELBOW	3				
	1420010110	• O-RING	1				
16	1512374002	TEE	1				
	1420010180	• O-RING	1				
17	1515100110	ELBOW	1				
	1420010110	• O-RING	1				
18	1513300016	ELBOW	2				
	1420010180	• O-RING	1				
19	0007213038	BUSHING	1				
	1420010180	• O-RING	1			M	
20	0007203074	ADAPTOR	1				
	1420010180	• O-RING	1			M	

J1d100

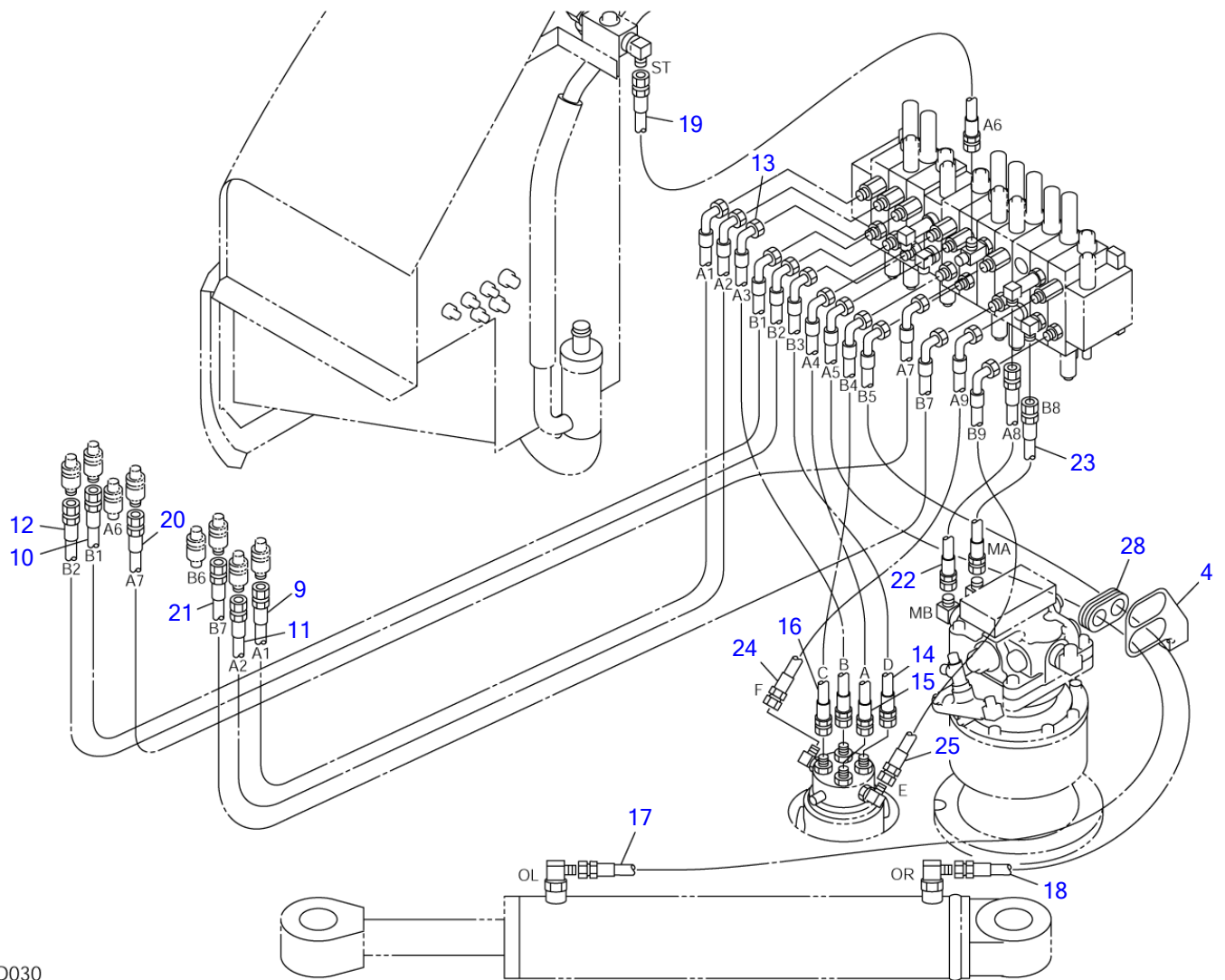


J1D020

S=1/10

PIPING; UPPER (1/2) (15810005-15810674)

Item	Part number	Description	Q'ty	Chan.	Serial No.	Serv.	Remarks
		PIPING ASSY					X03970-10000-1
1	0397008100	PIPE	1				
2	0397009105	PIPE	1				
3	0397009110	BRACKET	1				
7	0397005080	HOSE ASSY	2				G.G fÓ15X1340
8	0397010010	HOSE ASSY	1				18015-47068
26	0397010190	HOSE ASSY	1				18010-24050
27	0097022400	GUARD	1				
28	0097210300	GUARD	1				
30	1530650017	HOSE	2		15810005~15810009		sold by the meter
	0397010200	HOSE	2	(H)	15810010~		
31	1530525014	HOSE	2				sold by the meter
32	1530525028	HOSE	1				sold by the meter
33	1530525035	HOSE	1				sold by the meter
34	1533700070	CLIP	8				
35	1533700041	CLIP	16				
36	1651012004	RUBBER, cushion	2				
37	1100040816	BOLT	2				
38	1140020008	WASHER, spring	3				
40	1130040008	NUT	1				
41	1141110008	WASHER	1				
	J1d021						



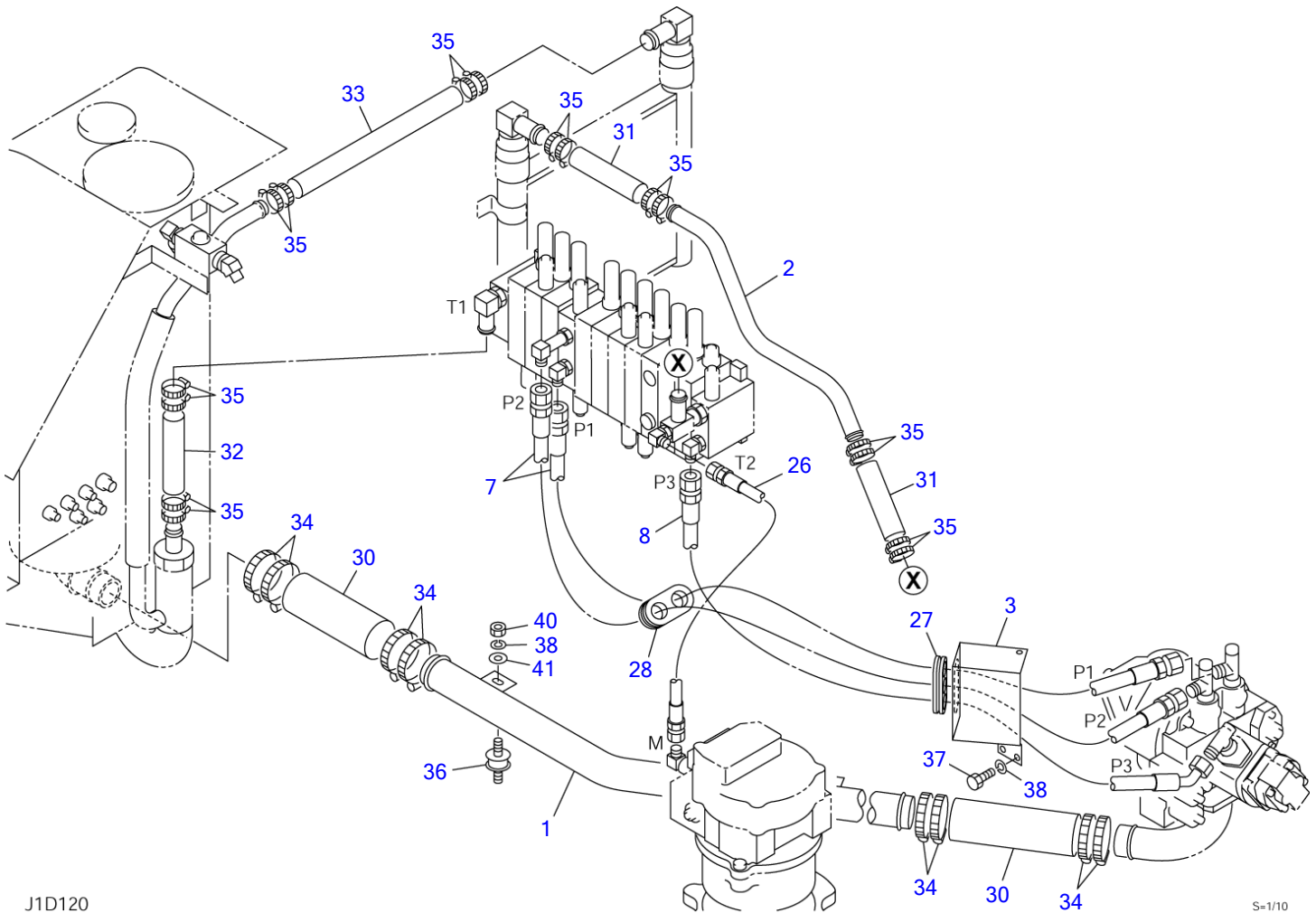
J1D030

S=1/10

PIPING; UPPER (2/2) (15810005-15810674)

Item	Part number	Description	Q'ty	Chan.	Serial No.	Serv.	Remarks
		PIPING ASSY					X03970-10000-1
4	0397009120	BRACKET	1				
9	0397010020	HOSE ASSY	1				18015-41210
10	0397010030	HOSE ASSY	1				18015-41170
11	0397010040	HOSE ASSY	1				18015-41210
12	0397010050	HOSE ASSY	1				18015-41170
13	0397010060	HOSE ASSY	1				18015-41060
14	0397010070	HOSE ASSY	1				18015-41065
15	0397010080	HOSE ASSY	1				18015-41060
16	0397010090	HOSE ASSY	1				18015-41055
17	0397010100	HOSE ASSY	1				18015-21200
18	0397010110	HOSE ASSY	1				18015-21140
19	0397010120	HOSE ASSY	1				18015-40042
20	0397010130	HOSE ASSY	1				18015-41170
21	0397010140	HOSE ASSY	1				18015-41190
22	0397010150	HOSE ASSY	1				18025-40055
23	0397010160	HOSE ASSY	1				18025-40065
24	0397010170	HOSE ASSY	1				18015-21070
25	0397010180	HOSE ASSY	1				18015-21050
28	0097210300	GUARD	1				
	J1d030						

TB53FR Book No. BJ1Z006 S/N 15810005-15811324
PIPING; UPPER (1/2) (15810675-)



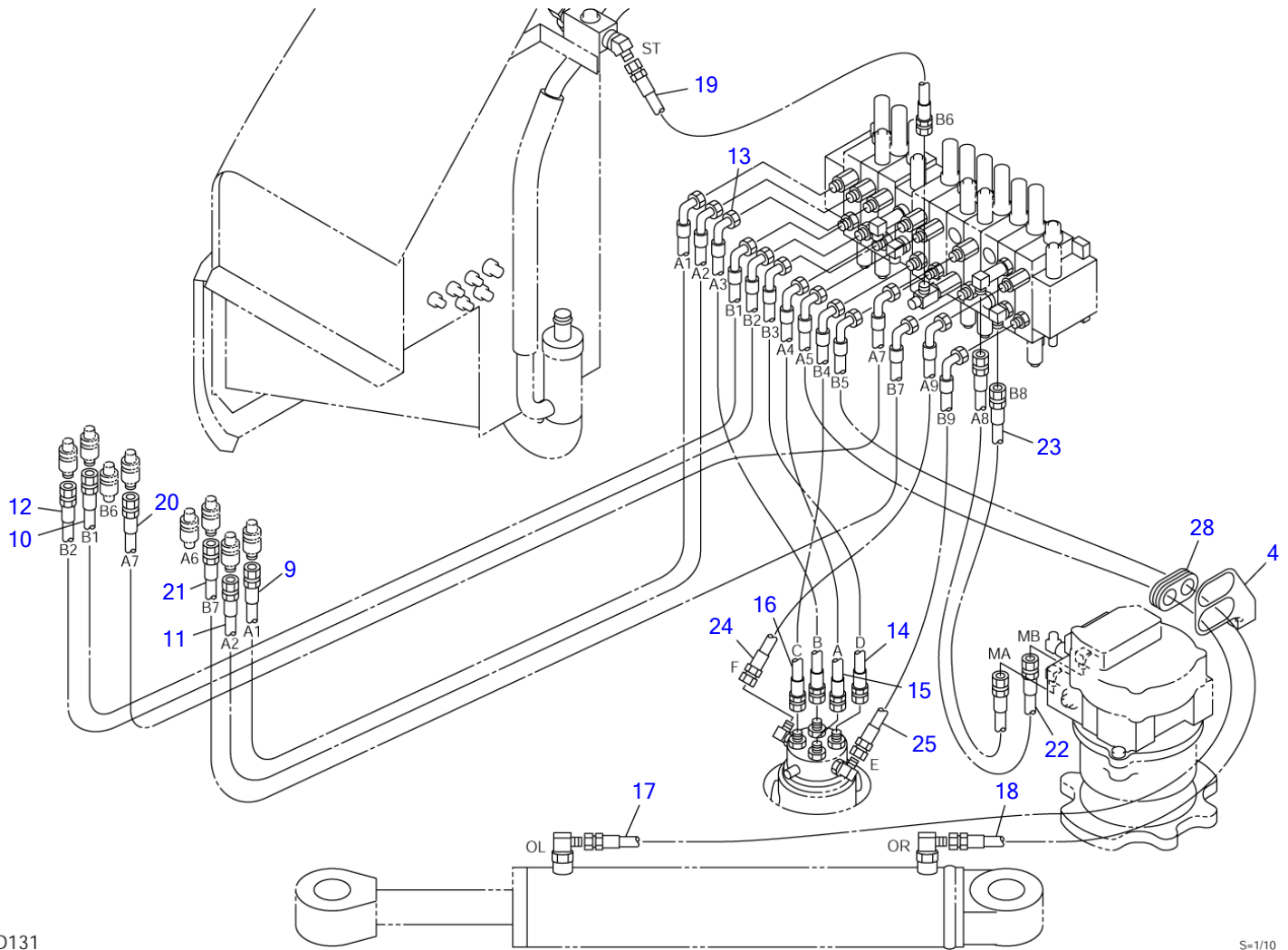
J1D120

S-1/10

PIPING; UPPER (1/2) (15810675-)

Item	Part number	Description	Q'ty	Chan.	Serial No.	Serv.	Remarks
		PIPING ASSY					X03970-12000-2
1	0397008100	PIPE	1				
2	0397009105	PIPE	1				
3	0397009110	BRACKET	1				
7	0397005080	HOSE ASSY	2				G.G fÓ15X1340
8	0397010010	HOSE ASSY	1				18015-47068
26	0397012190	HOSE ASSY	1				18010-24031
27	0097022400	GUARD	1				
28	0097210300	GUARD	1				
30	0397010200	HOSE	2				
31	1530525014	HOSE	2				sold by the meter
32	1530525028	HOSE	1				sold by the meter
33	1530525035	HOSE	1				sold by the meter
34	1533700070	CLIP	8				
35	1533700041	CLIP	16				
36	1651012004	RUBBER, cushion	2				
37	1100040816	BOLT	2				
38	1140020008	WASHER, spring	3				
40	1130040008	NUT	1				
41	1141110008	WASHER	1				
	J1d120						

TB53FR Book No. BJ1Z006 S/N 15810005-15811324
PIPING; UPPER (2/2) (15810675-)

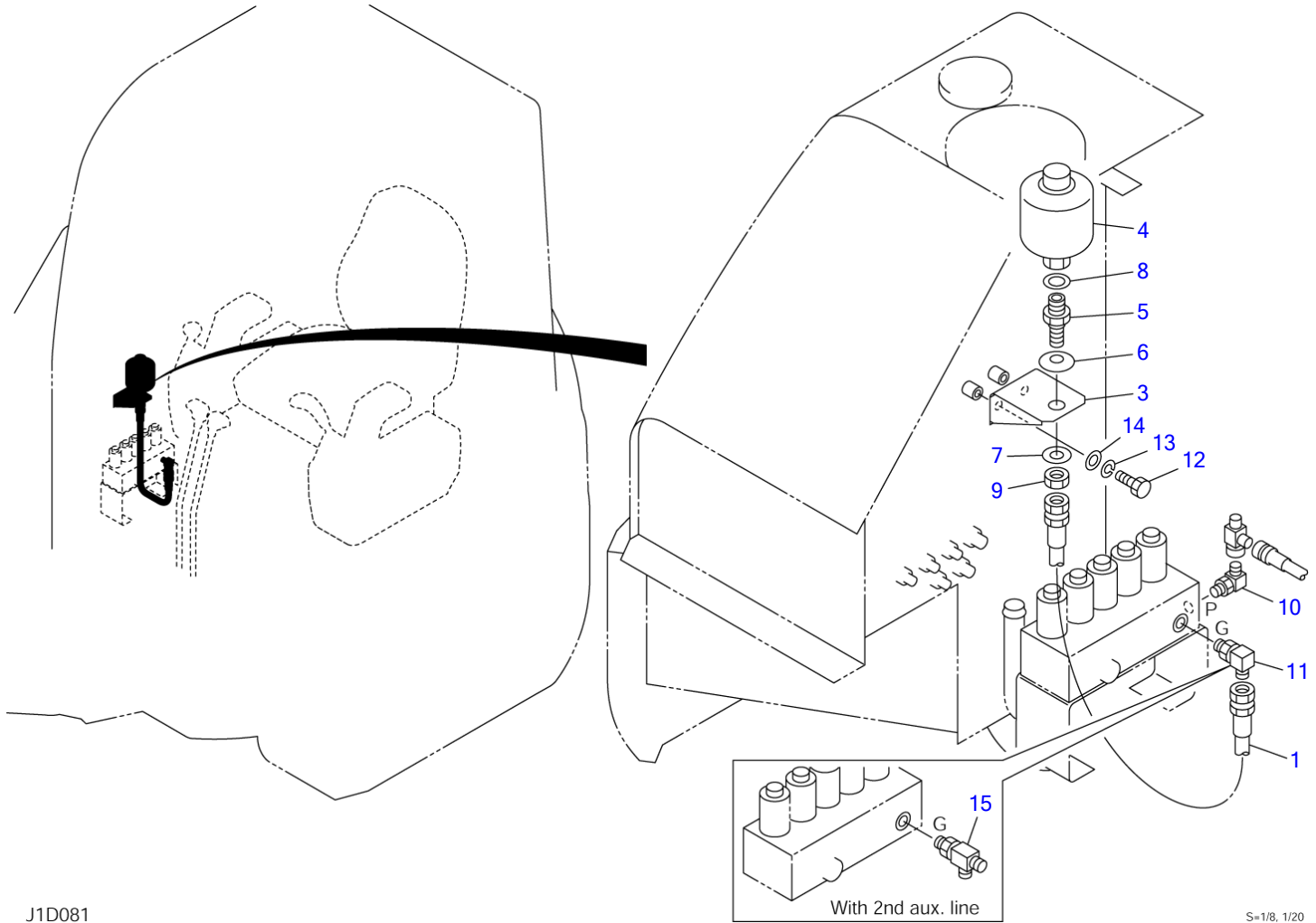


J1D131

S=1/10

PIPING; UPPER (2/2) (15810675-)

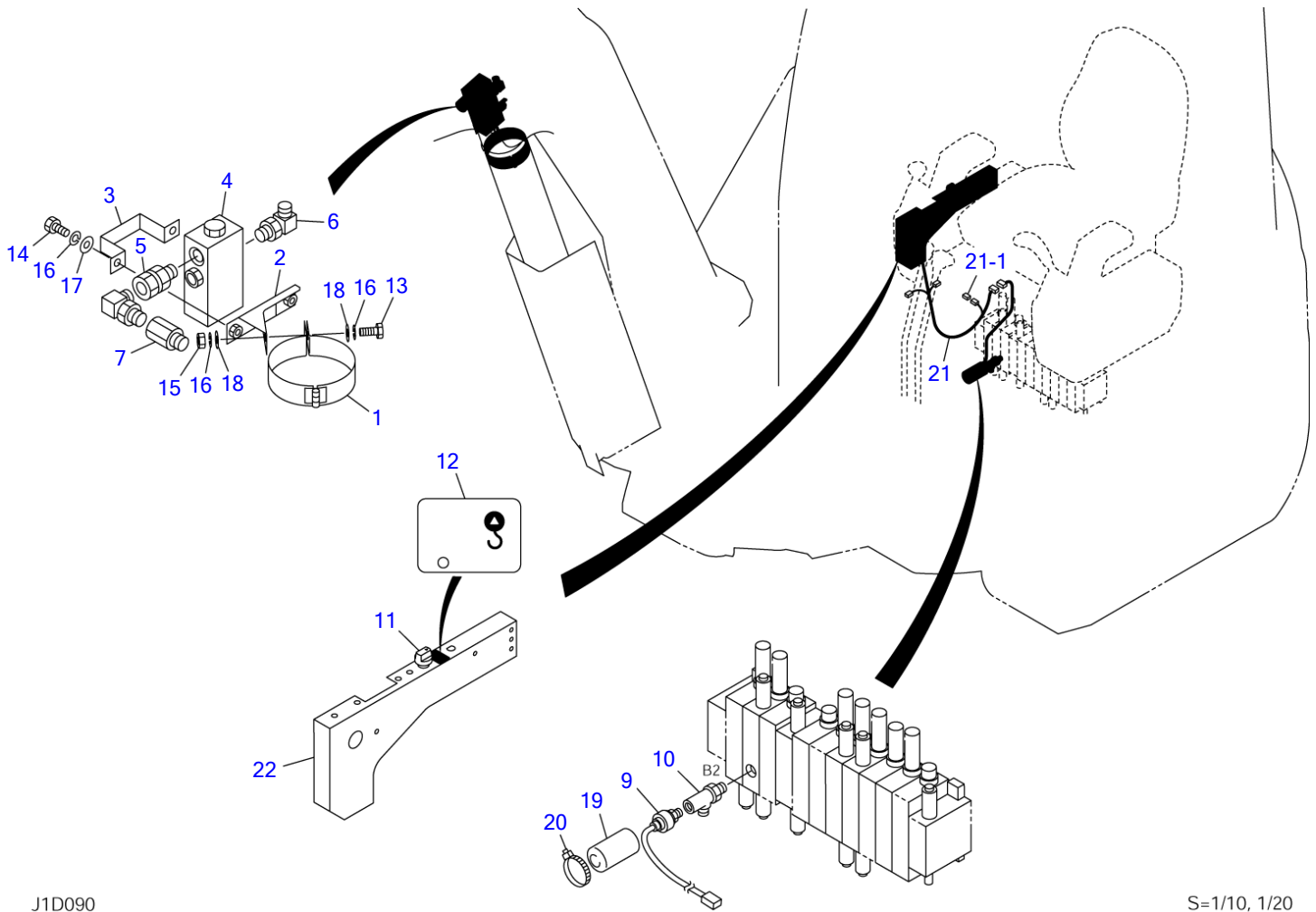
Item	Part number	Description	Q'ty	Chan.	Serial No.	Serv.	Remarks
		PIPING ASSY					X03970-12000-2
4	0397009120	BRACKET	1				
9	0397010020	HOSE ASSY	1				18015-41215
10	0397010030	HOSE ASSY	1				18015-41170
11	0397010040	HOSE ASSY	1				18015-41215
12	0397010050	HOSE ASSY	1				18015-41170
13	0397010060	HOSE ASSY	1				18015-41060
14	0397010070	HOSE ASSY	1				18015-41065
15	0397010080	HOSE ASSY	1				18015-41060
16	0397010090	HOSE ASSY	1				18015-41055
17	0397010100	HOSE ASSY	1				18015-21200
18	0397010110	HOSE ASSY	1				18015-21140
19	0397010120	HOSE ASSY	1				18015-40050
20	0397010130	HOSE ASSY	1				18015-41170
21	0397010140	HOSE ASSY	1				18015-41190
22	0397012150	HOSE ASSY	1				18025-40068
23	0397012160	HOSE ASSY	1				18025-40060
24	0397010170	HOSE ASSY	1				18015-21070
25	0397010180	HOSE ASSY	1				18015-21050
28	0097210300	GUARD	1				
	J1d130						



ACCUMULATOR

Item	Part number	Description	Q'ty	Chan.	Serial No.	Serv.	Remarks
0	0395010700	ACCUMULATOR ASSY	1				X03950-10700-2
	0395010900	ACCUMULATOR ASSY (with 2nd aux. line)	1				X03950-10900-2
1	0395010710	• HOSE ASSY	1				
3	0565034710	• BRACKET	1				
4	1552200020	• ACCUMULATOR	1				
5	0007200222	• ADAPTOR	1				
6	1140020020	• WASHER, spring	1				
7	1141110016	• WASHER	1				
8	1432160004	• WASHER	1				
9	0007200154	• NUT	1				
10	1901740900	• VALVE, check	1				
11	1515012040	• ELBOW	1				without 2nd aux. line
	1420010110	• • O-RING	1				
12	1100041025	• BOLT	2				
13	1140020010	• WASHER, spring	2				
14	1141110010	• WASHER	2				
15	1512370011	• TEE	1				with 2nd aux. line
	1420010110	• • O-RING	1				
	J1d081						

TB53FR Book No. BJ1Z006 S/N 15810005-15811324
EMERGENCY SHUT-OFF VALVE



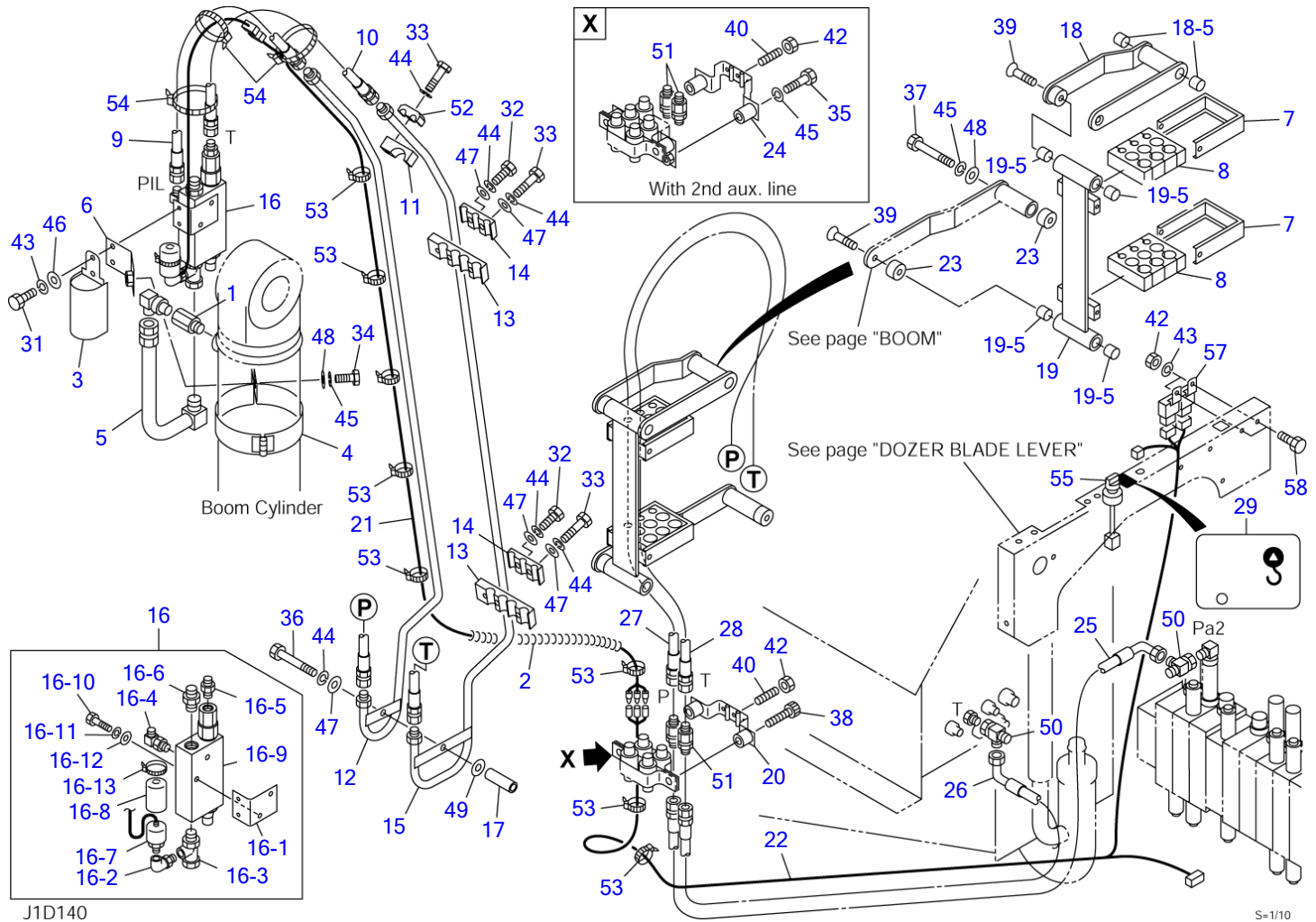
J1D090

S=1/10, 1/20

EMERGENCY SHUT-OFF VALVE

Item	Part number	Description	Q'ty	Chan.	Serial No.	Serv.	Remarks
	0395010800	VALVE ASSY, emergency shut-off	1				X03950-10800-1
1	0395010810	• CLAMP	1				
2	0395010820	• BRACKET	1				
3	0395009100	• PLATE	1				
4	1901731600	• VALVE, shut-off	1				
5	0007236041	• ADAPTOR	1				
	1420010180	• • O-RING	1			M	
6	1515010042	• ELBOW	1				
	1420010180	• • O-RING	1				
7	0007213010	• BUSHING	1				
1	1420010180	• O-RING	1				
9	1700100055	• SWITCH, pressure	1				
10	1512340004	• ELBOW	1				
	1420010180	• • O-RING	1				
11	1700000019	• SWITCH, rotary	1				
12	0565017400	• DECAL	1				
13	1100041035	• BOLT	1				
14	1100041020	• BOLT	2				
15	1130040010	• NUT	1				
16	1140020010	• WASHER, spring	4				
17	1141110010	• WASHER	2				
18	0003600003	• WASHER	2				
19	1700100061	• COVER	1		15810228~		
20	1652231250	• BAND	1		15810228~		
21	0395010860	• HARNESS	1		15810005~15810161		X03950-10850-0
21-1	1730500008	• • DIODE (3A yellow)	1				
22	0563230100	• BRACKET	1		15810005~15810155		
	J1d090						

TB53FR Book No. BJ1Z006 S/N 15810005-15811324
BOOM EMERGENCY SHUT-OFF VALVE (pilot pressure type)



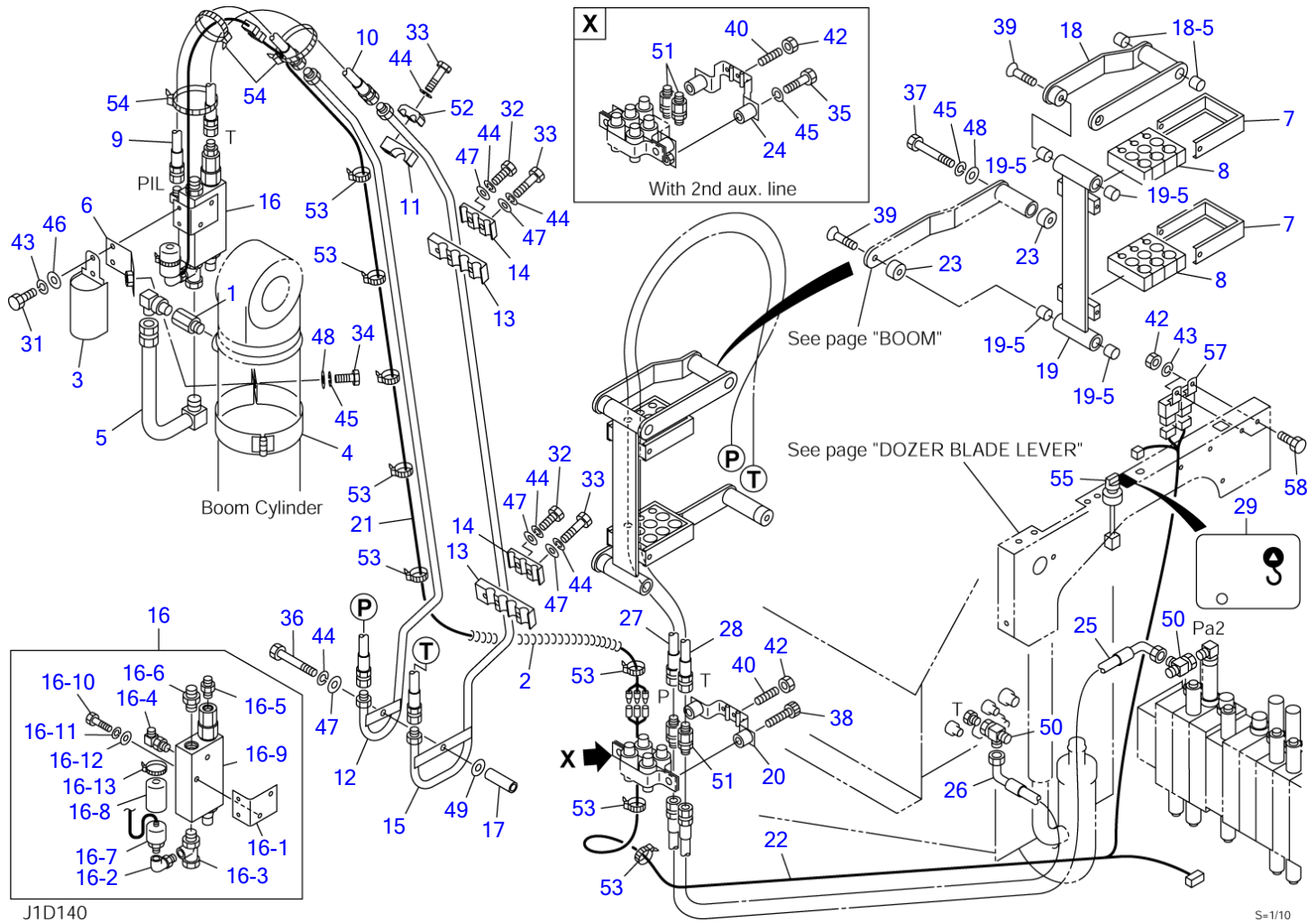
J1D140

S=1/10

BOOM EMERGENCY SHUT-OFF VALVE (pilot pressure type)

Item	Part number	Description	Q'ty	Chan.	Serial No.	Serv.	Remarks
0	0395022000	VALVE ASSY, emergency shut-off (with 1st aux. line)	1				X03950-22000-0
	0395022100	VALVE ASSY, emergency shut-off (with 2nd & 3rd aux. line)	1				X03950-22100-0
	0395022200	VALVE ASSY, emergency shut-off (with 1st aux. line & arm shut-off valve)	1				X03950-22200-0
	0395022300	VALVE ASSY, emergency shut-off (with 2nd & 3rd aux. line & arm shut-off valve)	1				X03950-22300-0
1	0007213010	• BUSHING	1				
	1420010180	• • O-RING	1				
2	0394216980	• SPRING	1				
3	0395009620	• COVER	1				
4	0395010810	• CLAMP	1				
5	0395012710	• PIPE	1				
6	0395012740	• PLATE	1				
7	0395012770	• HOLDER	2				
8	0395012780	• RUBBER	2				
9	0395012840	• HOSE ASSY	1				18010-22072
10	0395012850	• HOSE ASSY	1				18010-22060
11	0395012870	• CLAMP	1				
12	0395012910	• PIPE	1				
13	0395012940	• CLAMP	2				
14	0395012950	• CLAMP	2				
15	0395022010	• PIPE	1				without arm shut-off valve
16	0395022020	• VALVE ASSY, emergency shut-off	1				
16-1	0395009600	• • BRACKET	1				
16-2	1513300022	• • ELBOW	1				
	1420010110	• • • O-RING	1				
16-3	1513390039	• • ADAPTOR	1				
	1420010180	• • • O-RING	1				
16-4	1515012040	• • ELBOW	1				
	1420010110	• • • O-RING	1				
16-5	1515600200	• • ADAPTOR	1				
	1420010110	• • • O-RING	1				
16-6	1515600202	• • ADAPTOR	1				
	1420010180	• • • O-RING	1				
16-7	1700100080	• • SWITCH, pressure	1				
16-8	1700100061	• • COVER	1				
16-9	1901742700	• • VALVE, emergency shut-off	1				
16-10	1100040645	• • BOLT	2				
16-11	1140020006	• • WASHER, spring	2				
16-12	1141110006	• • WASHER	2				
16-13	1652231250	• • BAND	1				
17	0395022030	• PIPE	1				
18	0395022040	• ARM	1				
18-5	1333001515	• • BUSHING	2				
19	0395022050	• LINK, hose	1				
19-5	1333001515	• • BUSHING	4				
20	0395022060	• CLAMP	1				with 1st aux. line
21	0395022070	• HARNESS ASSY	1				
22	0395022080	• HARNESS ASSY	1				
23	0395022090	• SPACER	2				
24	0395022110	• CLAMP	1				with 2nd & 3rd aux. line
25	0395022120	• HOSE ASSY	1				18010-52205
26	0395022130	• HOSE ASSY	1				18010-52200
27	0395022140	• HOSE ASSY	1				18010-22195
28	0395022150	• HOSE ASSY	1				18010-22190
29	0565017400	• DECAL	1				
31	1100040620	• BOLT	2				
32	1100040830	• BOLT	2				
33	1100040855	• BOLT	3				

TB53FR Book No. BJ1Z006 S/N 15810005-15811324
BOOM EMERGENCY SHUT-OFF VALVE (pilot pressure type)



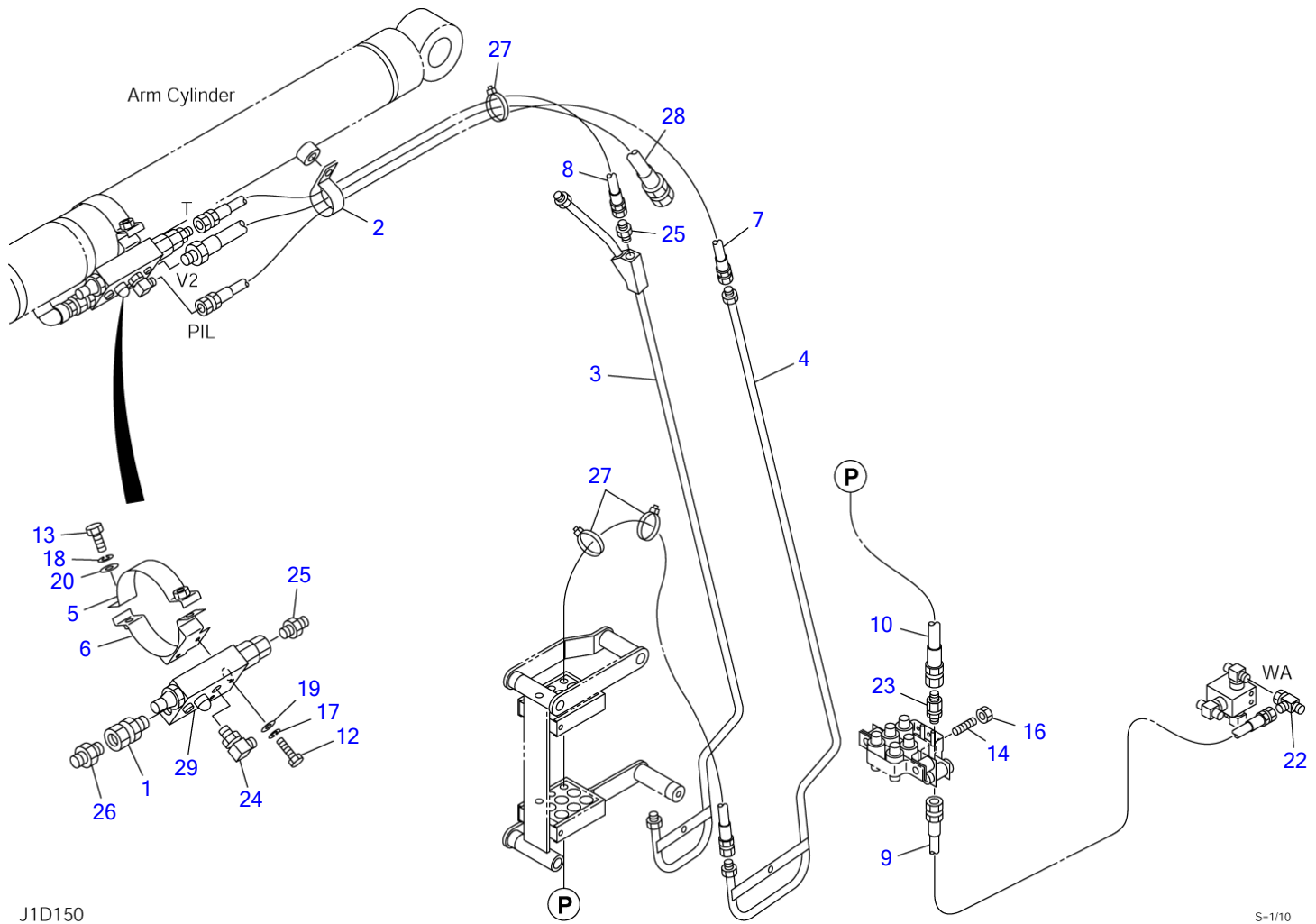
J1D140

S=1/10

BOOM EMERGENCY SHUT-OFF VALVE (pilot pressure type)

Item	Part number	Description	Q'ty	Chan.	Serial No.	Serv.	Remarks
34	1100041030	• BOLT	1				
35	1100041050	• BOLT	2				with 2nd & 3rd aux. line
36	1100040880	• BOLT	1				
37	1100141015	• BOLT	1				
38	1110041050	• SCREW, cap	2				with 1st aux. line
39	1120800830	• SCREW	2				
40	1121040616	• SET-SCREW	2				
42	1130040006	• NUT	4				
43	1140020006	• WASHER, spring	4				
44	1140020008	• WASHER, spring	6				
45	1140020010	• WASHER, spring	2				with 1st aux. line
45	1140020010	• WASHER, spring	4				with 2nd & 3rd aux. line
46	1141110006	• WASHER	2				
47	1141110008	• WASHER	5				
48	1141110010	• WASHER	2				
49	1141550008	• WASHER	1				without arm shut-off valve
50	1513390015	• TEE	2				
51	1514011102	• ADAPTOR	2				
52	1534000012	• CLAMP	1				
53	1652201005	• BAND	11				
54	1652201007	• BAND	3				
55	1700000019	• SWITCH, rotary	1				
57	1711900042	• RELAY	2				
58	1100040612	• BOLT	2				
	J1d140						

TB53FR Book No. BJ1Z006 S/N 15810005-15811324
ARM EMERGENCY SHUT-OFF VALVE (pilot pressure type)



J1D150

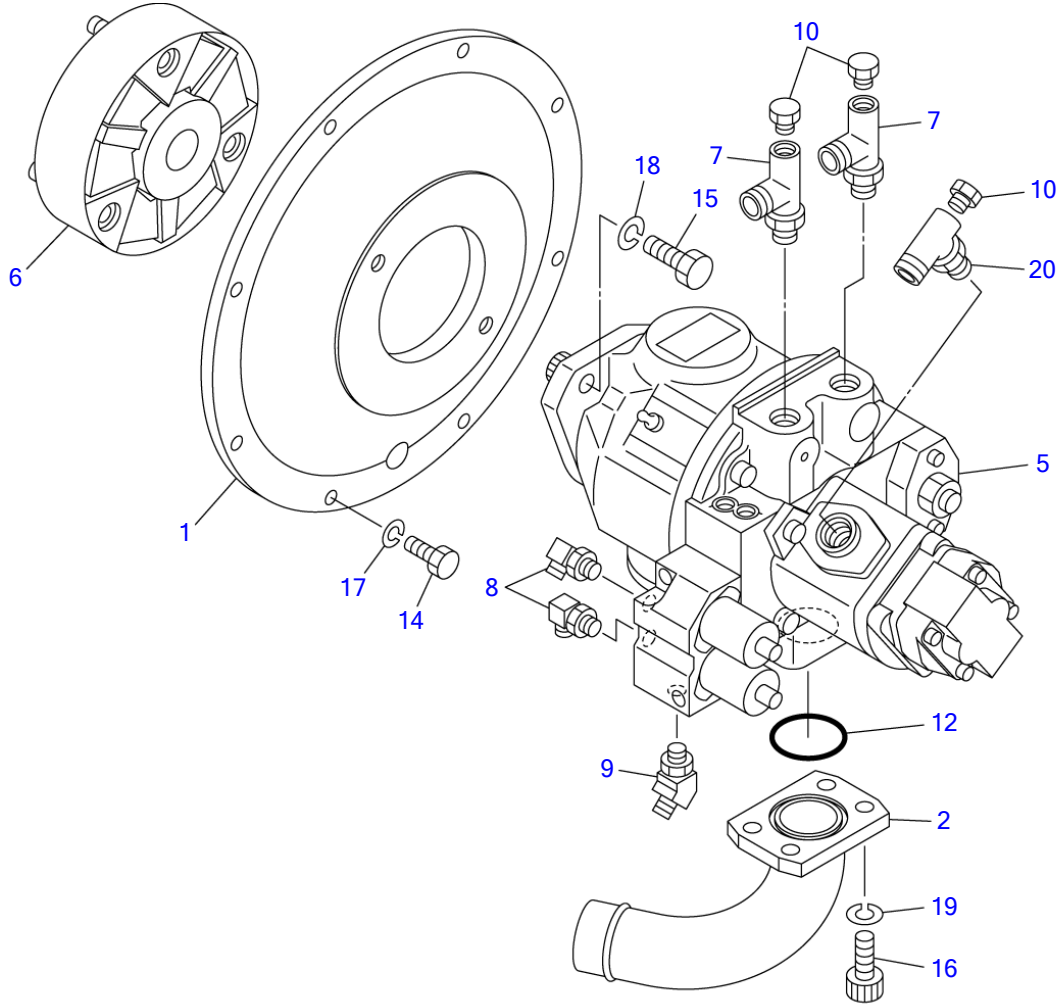
S=1/10

ARM EMERGENCY SHUT-OFF VALVE (pilot pressure type)

Item	Part number	Description	Q'ty	Chan.	Serial No.	Serv.	Remarks
0	0395022500	VALVE ASSY, emergency shut-off	1				X03950-22500-0
1	0007236041	· ADAPTOR	1				
	1420010180	· · O-RING	1			M	
2	0007300030	· CLAMP	1				
3	0395012920	· PIPE	1				
4	0395012930	· PIPE	1				
5	0395013100	· BAND	1				
6	0395013110	· BAND	1				
7	0395013170	· HOSE ASSY	1				18010-22139
8	0395013180	· HOSE ASSY	1				18010-22130
9	0395022510	· HOSE ASSY	1				18010-22190
10	0395022520	· HOSE ASSY	1				18010-22180
12	1100040645	· BOLT	2				
13	1100041035	· BOLT	2				
14	1121040616	· SET-SCREW	1				
16	1130040006	· NUT	1				
17	1140020006	· WASHER, spring	2				
18	1140020010	· WASHER, spring	2				
19	1141110006	· WASHER	2				
20	1141110010	· WASHER	2				
22	1513390015	· TEE	1				
23	1514011102	· ADAPTOR	1				
24	1515012040	· ELBOW	1				
	1420010110	· · O-RING	1				
25	1515600200	· ADAPTOR	2				
	1420010110	· · O-RING	1				
26	1515600202	· ADAPTOR	1				
	1420010180	· · O-RING	1				
27	1652201005	· BAND	3				
28	1801742115	· HOSE ASSY	1				
29	1901742800	· VALVE, emergency shut-off	1				

J1d150

TB53FR Book No. BJ1Z006 S/N 15810005-15811324
PUMP DRIVE

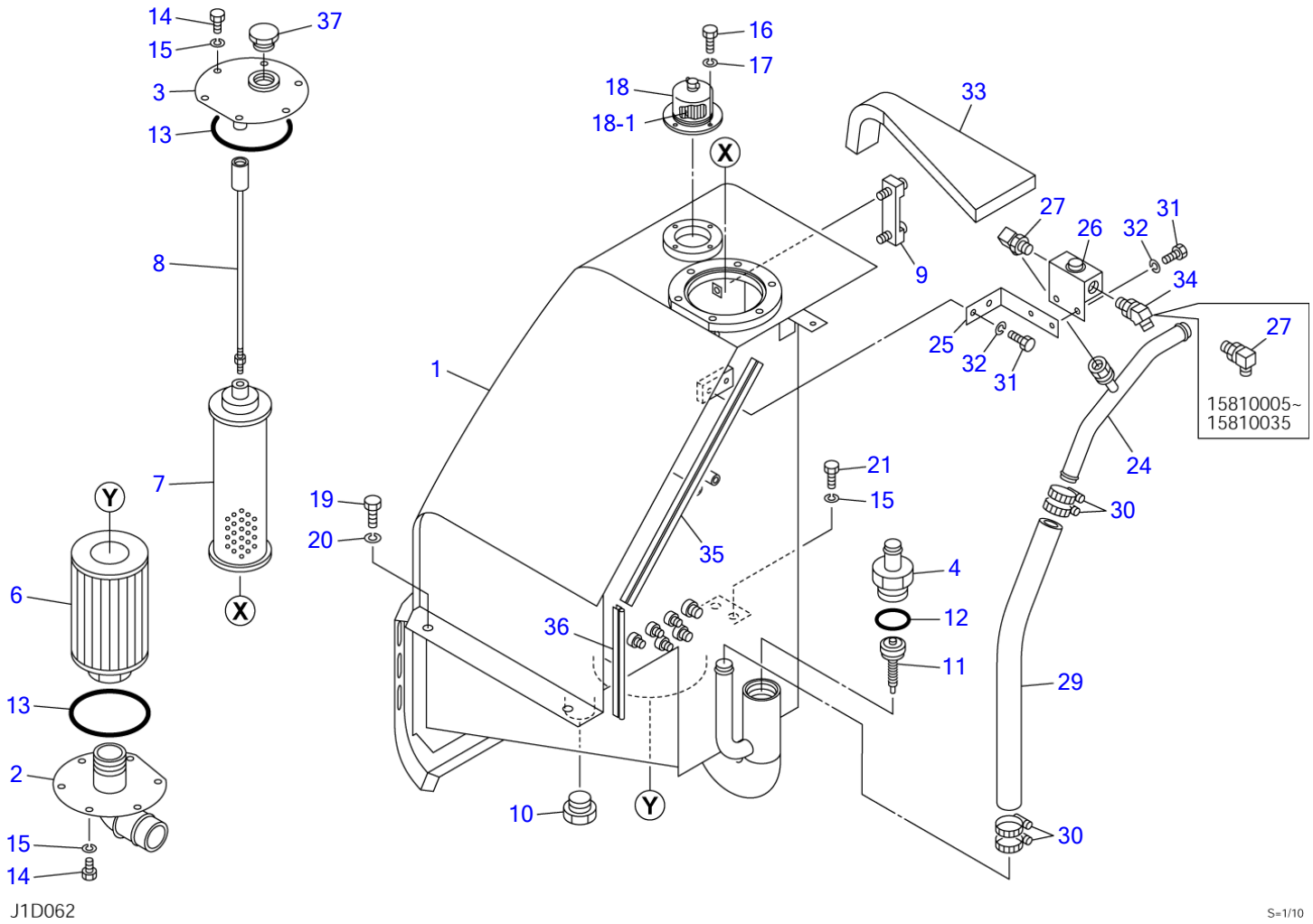


J1D051

S=1/5

Item	Part number	Description	PUMP DRIVE			Remarks
			Q'ty	Chan.	Serial No.	
		PUMP ASSY, drive				X03952-06500-5
1	0395206100	HOUSING	1			
2	0395206200	FLANGE	1			
5	1902017000	PUMP, hydraulic	1			
6	1603102500	COUPLING	1			
7	1512340004	ELBOW	2			
	1420010180	• O-RING	1			
8	1515012040	ELBOW	2			
	1420010110	• O-RING	1			
9	1515100110	ELBOW	1			
	1420010110	• O-RING	1			
10	1501750002	PLUG	3			
	1420010110	• O-RING	1			
12	1420100450	O-RING	1			
14	1100041025	BOLT	8			
15	1101041230	BOLT	2			
16	1110041230	SCREW, cap	4			
17	1140020010	WASHER, spring	8			
18	1140020012	WASHER, spring	2			
19	1140420012	WASHER, spring	4			
20	1513390014	TEE	1			
	1420010180	• O-RING	1			
	J1d052					

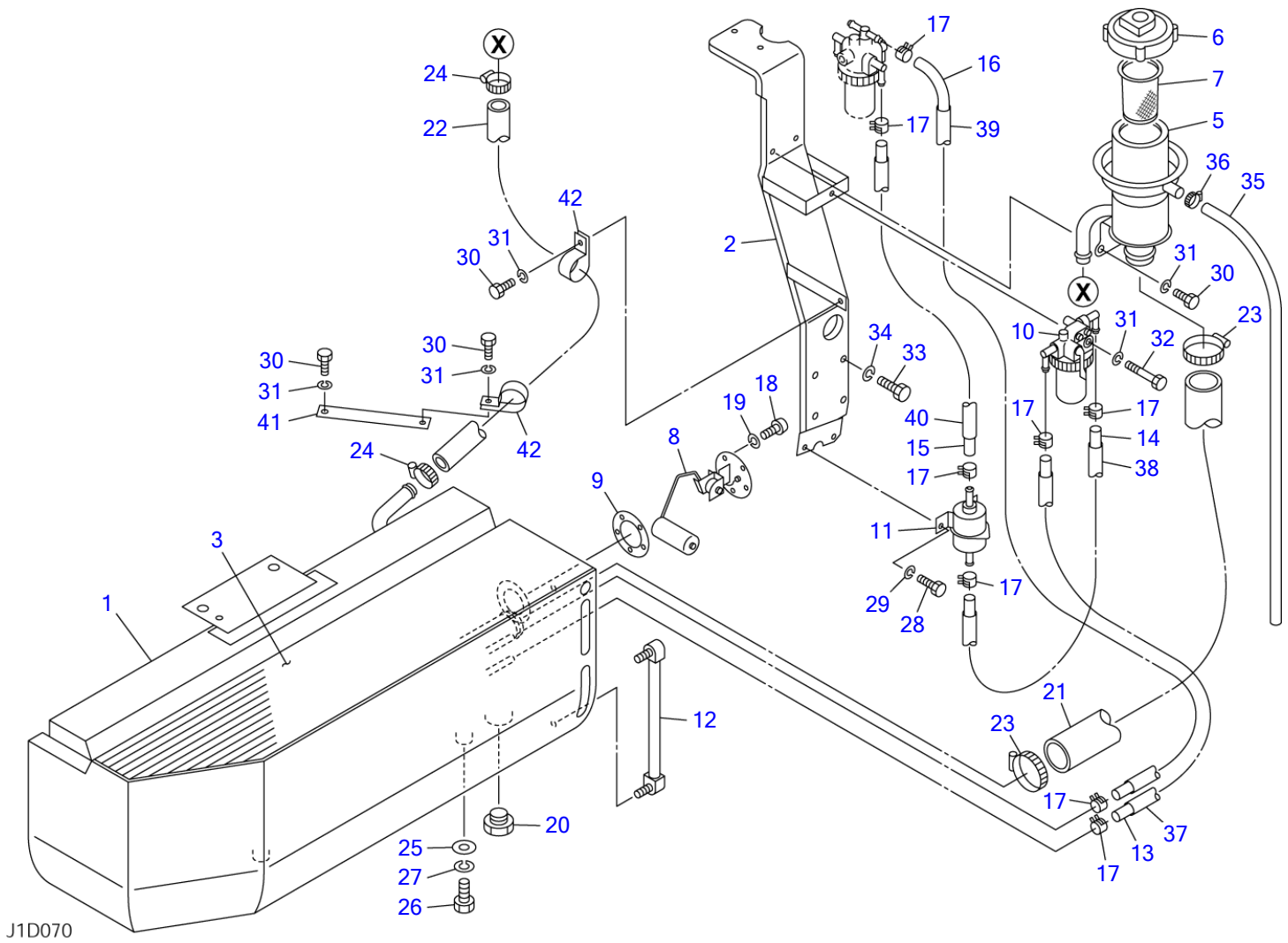
TB53FR Book No. BJ1Z006 S/N 15810005-15811324
HYDRAULIC TANK



HYDRAULIC TANK

Item	Part number	Description	Q'ty	Chan.	Serial No.	Serv.	Remarks
		TANK ASSY, hydraulic					X03980-07000-4
1	0398007100	TANK, hydraulic	1				
2	0398005200	PIPE	1				
3	0398007300	COVER	1				
4	0398005400	ADAPTOR	1				
6	1550000112	FILTER	1				
7	1551101910	FILTER	1				
8	1551101970	ROD	1				
9	1553020685	GAUGE	1				
10	1501750010	PLUG	1				
	1420010290	• O-RING	1				
11	1540141230	VALVE, check	1				
12	1420010440	O-RING	1				
13	1420101250	O-RING	2				
14	1100041014	BOLT	12				
15	1140020010	WASHER, spring	14				
16	1100040616	BOLT	4				
17	1140020006	WASHER, spring	4				
18	1552000900	BREATHING, air	1				
18-1	1552000902	• ELEMENT	1				
19	1101041225	BOLT	2				
20	1140020012	WASHER, spring	2				
21	1100041025	BOLT	2				
24	0398006200	PIPE	1				
25	0398006300	ANGLE	1				
26	1901719800	VALVE , stop	1				
27	1515010042	ELBOW	2		15810005~15810035		
	1515010042	ELBOW	1		15810036~		
	1420010180	• O-RING	1				
29	1530525045	HOSE	1				sold by the meter
30	1533700041	CLAMP	4				
31	1100040816	BOLT	4				
32	1140020008	WASHER, spring	4				
33	0398006400	ABSORBENT, noise	1				
34	1515100112	ELBOW	1		15810036~		
	1420010180	• O-RING	1				
35	1654606042	SEAL	1		15810064~		sold by the meter
36	1654619020	SEAL	1		15810064~		sold by the meter
37	1501750010	PLUG	1		15810594~		
	1420010290	• O-RING	1				
	J1d062						

TB53FR Book No. BJ1Z006 S/N 15810005-15811324
FUEL TANK & FUEL PIPING (15810005-15810674)



J1D070

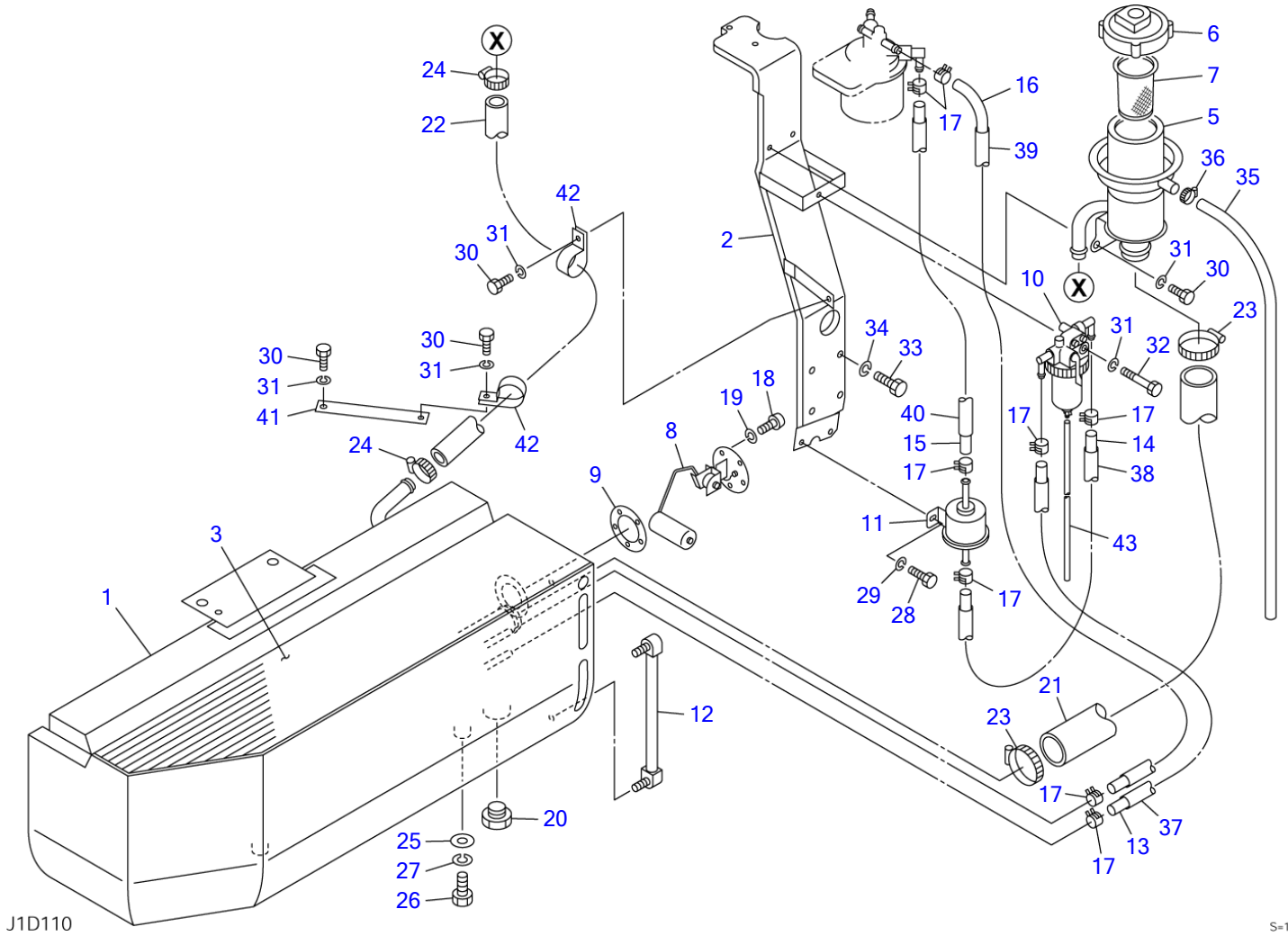
S=1/10

FUEL TANK & FUEL PIPING (15810005-15810674)

Item	Part number	Description	Q'ty	Chan.	Serial No.	Serv.	Remarks
		TANK ASSY, fuel					X03981-08000-2
1	0398108100	TANK	1				
2	0398108200	BRACKET	1				
3	0398107300	SHEET	1				
5	0568116200	PORT, supply	1				
6	1552100500	CAP	1				
7	1552100320	STRAINER	1				
8	1553202000	UNIT, gauge	1				
9	1553200800	PACKING	1				
10	1910030030	SEPARATOR, water	1				Y129335-55700
11	1910047033	PUMP, feed	1				Y129322-77401
12	1553001250	GAUGE, level	1				
13	1531207095	HOSE	1				sold by the meter
14	1531207075	HOSE	1				sold by the meter
15	1531207050	HOSE	1				sold by the meter
16	1531207130	HOSE	1				sold by the meter
17	1533120012	BAND	8				
18	1120530510	SCREW	5				
19	1140020005	WASHER, spring	5				
20	1501750006	PLUG	1				
	1420010240	• O-RING	1				
21	1530541105	HOSE	1				sold by the meter
22	1530519085	HOSE	1				sold by the meter
23	1533700060	CLAMP	2				
24	1533700028	CLAMP	2				
25	0003600023	WASHER	2				
26	1101041225	BOLT	4				
27	1140020012	WASHER, spring	4				
28	1100040616	BOLT	2				
29	1140020006	WASHER, spring	2				
30	1100040816	BOLT	5				
31	1140020008	WASHER, spring	6				
32	1100040865	BOLT	1				
33	1100041025	BOLT	4				
34	1140020010	WASHER, spring	4				
35	1531010080	HOSE	1				sold by the meter
36	1533120015	BAND	1		15810005~15810021		
	1533700017	BAND	1	(H)	15810022~		
37	1531115085	HOSE	1				sold by the meter
38	1531115065	HOSE	1				sold by the meter
39	1531115040	HOSE	1				sold by the meter
40	1531115120	HOSE	1				sold by the meter
41	0398108400	PLATE	1				
42	0007300013	CLAMP	2				

J1d070

TB53FR Book No. BJ1Z006 S/N 15810005-15811324
FUEL TANK & FUEL PIPING (15810675-)



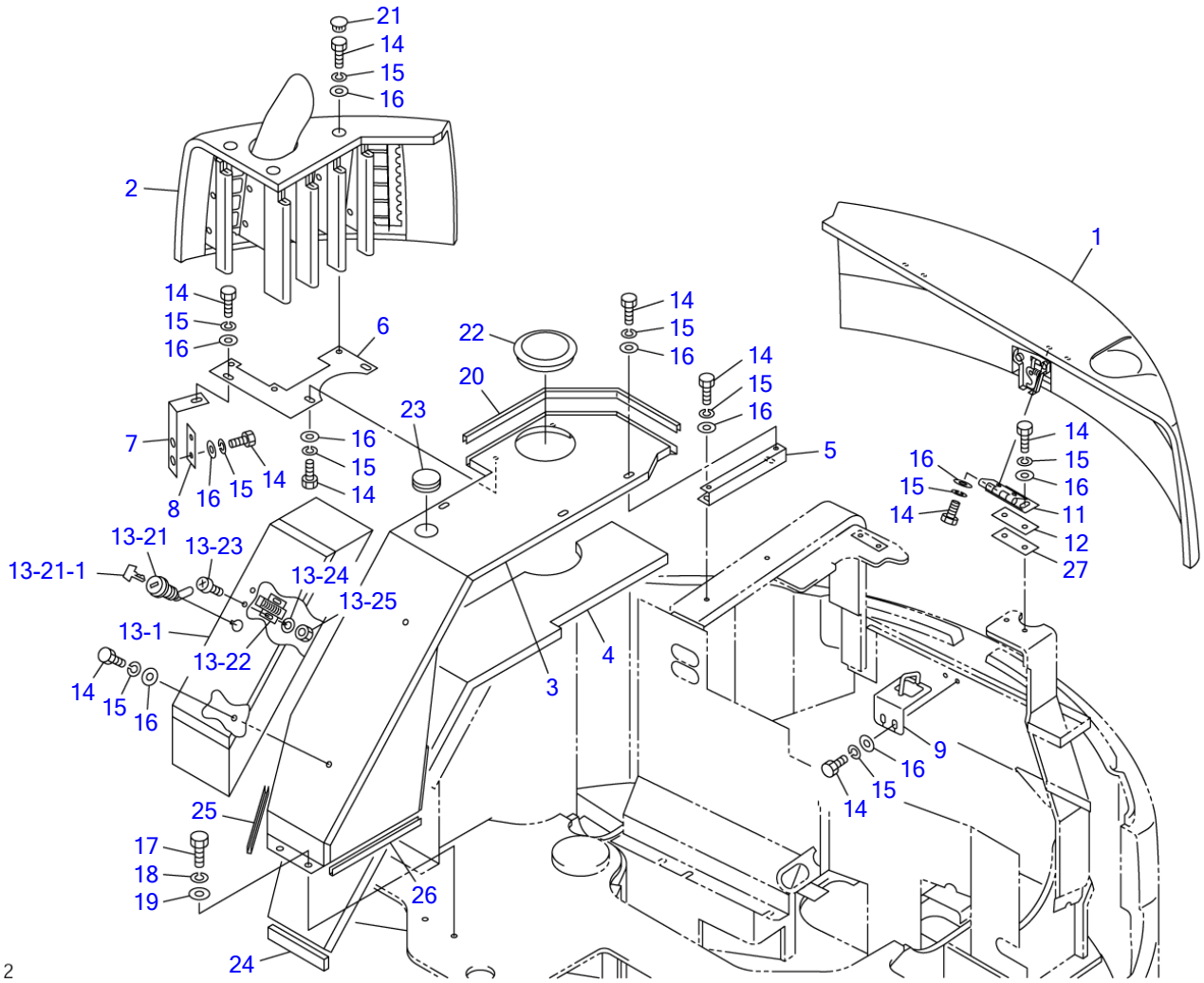
J1D110

S=1/10

FUEL TANK & FUEL PIPING (15810675-)

Item	Part number	Description	Q'ty	Chan.	Serial No.	Serv.	Remarks
		TANK ASSY, fuel					X03981-11000-1
1	0398108100	TANK	1				
2	0398110100	BRACKET	1				
3	0398107300	SHEET	1				
5	0568116200	PORT, supply	1				
6	1552100500	CAP	1				
7	1552100320	STRAINER	1				
8	1553202000	UNIT, gauge	1				
9	1553200800	PACKING	1				
10	1910186033	SEPARATOR, water	1				Y129906-55700
11	1910199034	PUMP, feed	1				Y129612-52100
12	1553001250	GAUGE, level	1				
13	1531207095	HOSE	1				sold by the meter
14	1531207075	HOSE	1				sold by the meter
15	1531207055	HOSE	1				sold by the meter
16	1531207120	HOSE	1				sold by the meter
17	1533120012	BAND	8				
18	1120530510	SCREW	5				
19	1140020005	WASHER, spring	5				
20	1501750006	PLUG	1				
	1420010240	• O-RING	1				
21	1530541105	HOSE	1				sold by the meter
22	1530519085	HOSE	1				sold by the meter
23	1533700060	CLAMP	2				
24	1533700028	CLAMP	2				
25	0003600023	WASHER	2				
26	1101041225	BOLT	4				
27	1140020012	WASHER, spring	4				
28	1100040616	BOLT	2				
29	1140020006	WASHER, spring	2				
30	1100040816	BOLT	5				
31	1140020008	WASHER, spring	6				
32	1100040865	BOLT	1				
33	1100041025	BOLT	4				
34	1140020010	WASHER, spring	4				
35	1531010082	HOSE	1				sold by the meter
36	1533700017	BAND	1				
37	1531115090	PROTECTOR	1				sold by the meter
38	1531115070	PROTECTOR	1				sold by the meter
39	1531115115	PROTECTOR	1				sold by the meter
40	1531115050	PROTECTOR	1				sold by the meter
41	0398108400	PLATE	1				
42	0007300013	CLAMP	2				
43	1531007050	HOSE	1				sold by the meter

J1d111

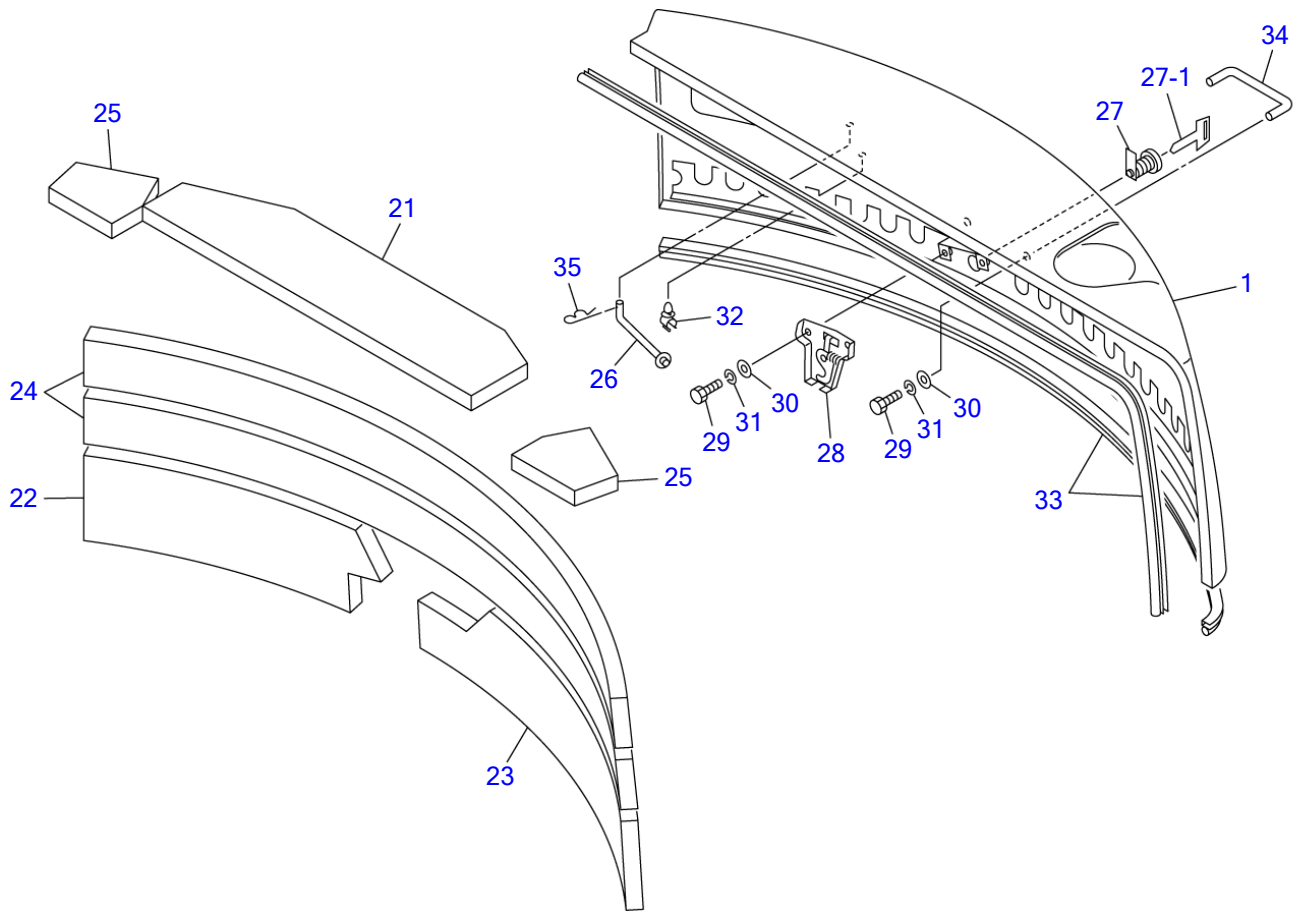


J1E012

S=1/15

COVER (1/3) (15810005-15810674)

Item	Part number	Description	Q'ty	Chan.	Serial No.	Serv.	Remarks
		COVER ASSY (cab)					X03982-10000-3
		COVER ASSY (canopy)					X03982-10900-3
1	0398210100	HOOD, engine	1				see page (2/3)
2	0398210200	COVER, side (cab)	1				see page (3/3)
	0398210910	COVER, side (canopy)	1				see page (3/3)
3	0398210300	COVER	1				
4	0398210310	ABSORBENT, noise	1				
5	0398210320	SPACER	1				
6	0398210330	PLATE	1				
7	0398210340	ANGLE	1				
8	0398209440	PLATE	1				
9	0398204500	HOOK	1				
11	0568239510	HINGE	2				
12	0568239520	SHIM	AR				t=1.6mm
13	0568244200	BOX ASSY, tool	1				
13-1	0568244210	• BOX, tool	1				
13-21	1653601395	• LOCK	1				
13-21-1	1700100019	• KEY	1				
13-22	1653900016	• LATCH	1				
13-23	1120530512	• SCREW	2				
13-24	1140020005	• WASHER, spring	2				
13-25	1130030005	• NUT	2				
14	1100040816	BOLT	24				
15	1140020008	WASHER, spring	24				
16	1141110008	WASHER	24				
17	1101041220	BOLT	2				
18	1140020012	WASHER, spring	2				
19	1141110012	WASHER	2				
20	1654605060	SEAL	1				sold by the meter
21	1652533008	CAP	3				
22	1653900003	COVER	1				
23	1652060051	BUSHING	1		15810019~		
24	1654305016	SPONGE	1		15810174~		sold by the meter
25	1654606017	TRIM	1		15810174~		sold by the meter
26	1654606029	TRIM	1		15810174~		sold by the meter
27	0398210350	SHIM	AR				t=6.0mm
	J1e012						

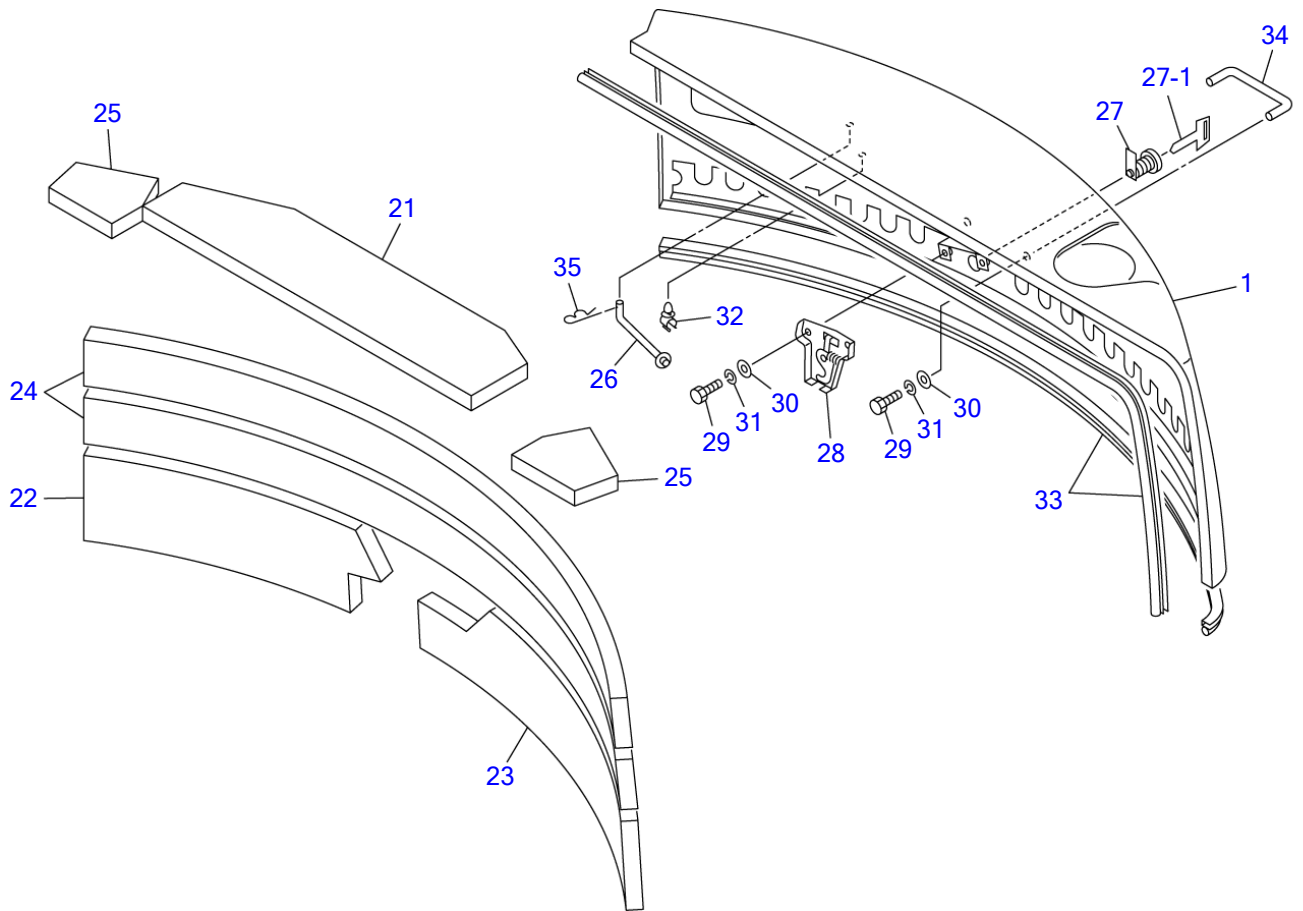


J1E021

S-1/10

COVER (2/3) (engine hood; 15810005-15810674)

Item	Part number	Description	Q'ty	Chan.	Serial No.	Serv.	Remarks
0-1	0398210100	HOOD ASSY, engine	1				X03982-10100-4
1	0398210110	▪ HOOD, engine	1				
21	0398208121	▪ ABSORBENT, noise	1				
22	0398209122	▪ ABSORBENT, noise	1				
23	0398208123	▪ ABSORBENT, noise	1				
24	0398204124	▪ ABSORBENT, noise	2				
25	0398208125	▪ ABSORBENT, noise	2				
26	0568238160	▪ ROD	1				
27	1653601395	▪ LOCK	1				
27-1	1700100019	▪ KEY	1				
28	1653900024	▪ CATCH	1				
29	1100040616	▪ BOLT	4				
30	1141110006	▪ WASHER	4				
31	1140020006	▪ WASHER, spring	4				
32	1652702023	▪ HOLDER	1				
33	1654605130	▪ RUBBER	2				sold by the meter
34	1653142305	▪ HANDLE	1				
35	1214000008	▪ PIN, snap	1				
	J1e021						

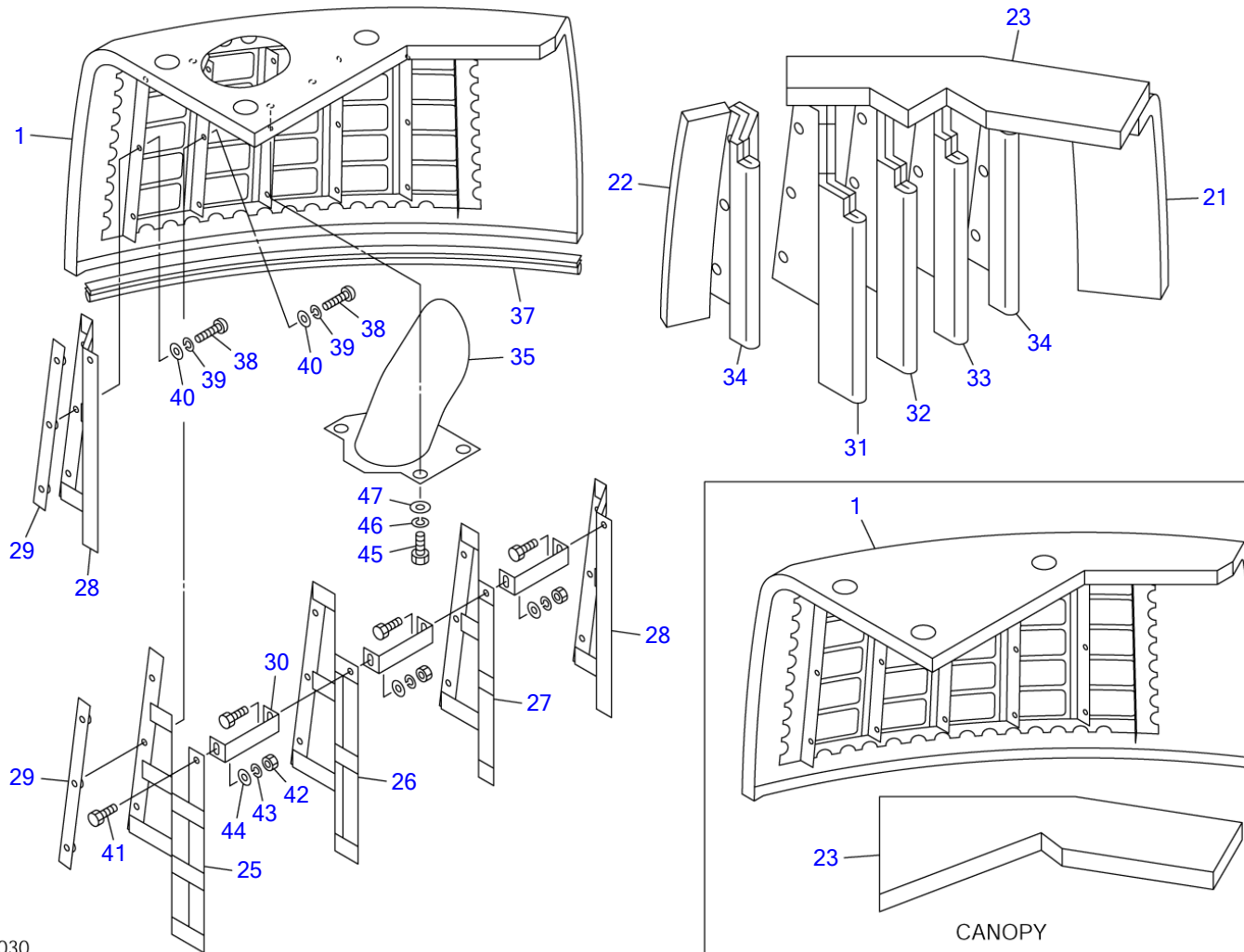


J1E021

S-1/10

COVER (2/3) (engine hood; 15810675-)

Item	Part number	Description	Q'ty	Chan.	Serial No.	Serv.	Remarks
0-1	0398210100	HOOD ASSY, engine	1				X03982-10100-4
1	0398210110	▪ HOOD, engine	1				
21	0398208121	▪ ABSORBENT, noise	1				
22	0398209122	▪ ABSORBENT, noise	1				
23	0398208123	▪ ABSORBENT, noise	1				
24	0398204124	▪ ABSORBENT, noise	2				
25	0398208125	▪ ABSORBENT, noise	2				
26	0568238160	▪ ROD	1				
27	1653601395	▪ LOCK	1				
27-1	1700100019	▪ KEY	1				
28	1653900024	▪ CATCH	1				
29	1100040616	▪ BOLT	4				
30	1141110006	▪ WASHER	4				
31	1140020006	▪ WASHER, spring	4				
32	1652702023	▪ HOLDER	1				
33	1654605130	▪ RUBBER	2				sold by the meter
34	1653142305	▪ HANDLE	1				
35	1214000008	▪ PIN, snap	1				
	J1e021						



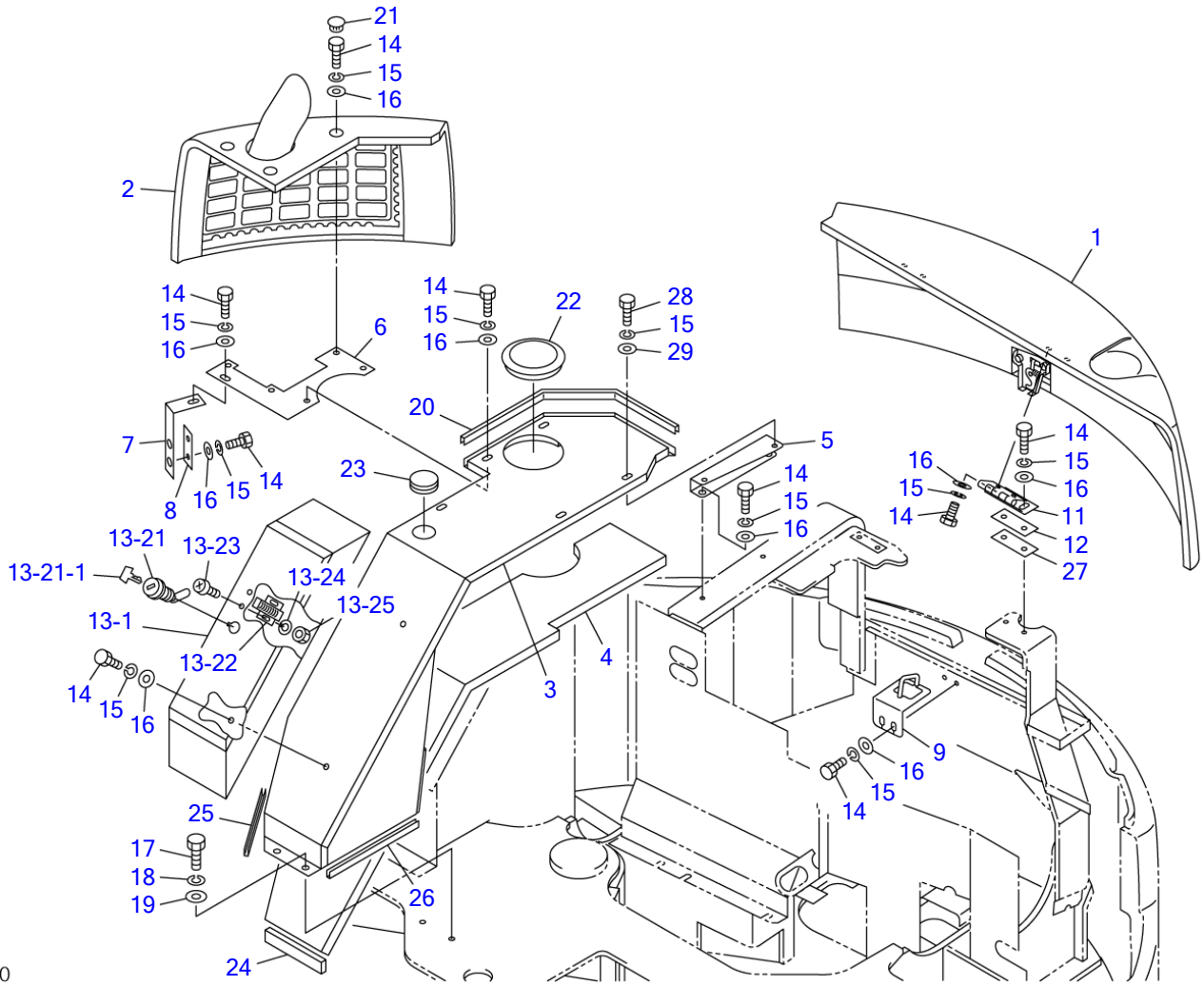
J1E030

S=1/8

COVER (3/3) (side cover; 15810005-15810674)

Item	Part number	Description	Q'ty	Chan.	Serial No.	Serv.	Remarks
0-2	0398210200	COVER ASSY, side (cab)	1				X03982-10200-0
	0398210910	COVER ASSY, side (canopy)	1				X03982-10910-0
1	0398210210	• COVER, side (cab)	1				
	0398210920	• COVER, side (canopy)	1				
21	0398209221	• ABSORBENT, noise	1				
22	0398209222	• ABSORBENT, noise	1				
23	0398210223	• ABSORBENT, noise	1				cab
	0398210923	• ABSORBENT, noise	1				canopy
25	0398210230	• BLADE	1				
26	0398209245	• BLADE	1				
27	0398209260	• BLADE	1				
28	0398209270	• BLADE	2				
29	0398209280	• PLATE	5				
30	0398209290	• PLATE	3				
31	0398210240	• ABSORBENT, noise	1				
32	0398209303	• ABSORBENT, noise	1				
33	0398209304	• ABSORBENT, noise	1				
34	0398209305	• ABSORBENT, noise	2				
35	0398210260	• NOZZLE	1				cab
37	1654605060	• RUBBER	1				sold by the meter
38	1120530520	• SCREW	15				
39	1140090005	• WASHER, spring	15				
40	1141190005	• WASHER	15				
41	1100040616	• BOLT	4				
42	1130040006	• NUT	4				
43	1140020006	• WASHER, spring	4				
44	1141110006	• WASHER	4				
45	1100040816	• BOLT	3				cab
46	1140020008	• WASHER, spring	3				cab
47	1141110008	• WASHER	3				cab

J1e032



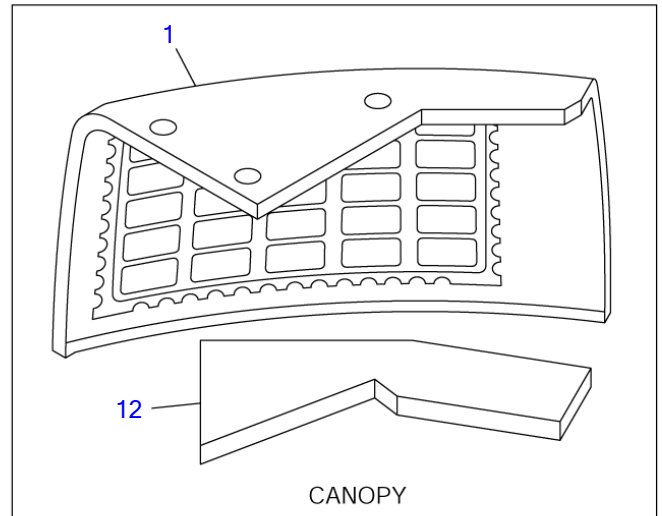
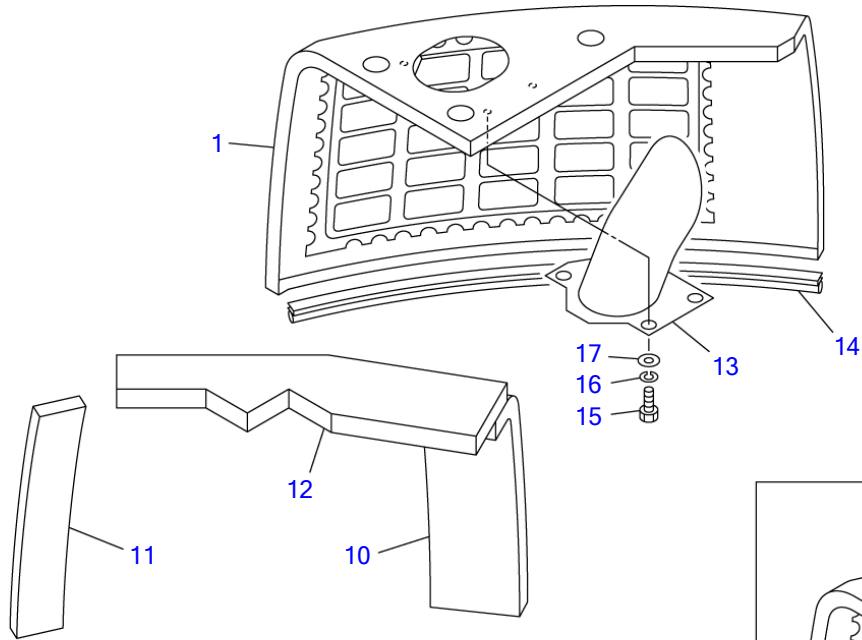
J1E160

S=1/15

COVER (1/3) (15810675-)

Item	Part number	Description	Q'ty	Chan.	Serial No.	Serv.	Remarks
		COVER ASSY (cab)					X03982-11000-1
		COVER ASSY (canopy)					X03982-11500-1
1	0398210100	HOOD, engine	1				see page (2/3)
2	0398211100	COVER, side (cab)	1				see page (3/3)
	0398211600	COVER, side (canopy)	1				see page (3/3)
3	0398211200	COVER	1				
4	0398210310	ABSORBENT, noise	1				
5	0398210360	SPACER	1				
6	0398211300	PLATE	1				
7	0398210340	ANGLE	1				
8	0398209440	PLATE	1				
9	0398204500	HOOK	1				
11	0568239510	HINGE	2				
12	0568239520	SHIM	AR				t=1.6mm
13	0568244200	BOX ASSY, tool	1				
13-1	0568244210	• BOX, tool	1				
13-21	1653601395	• LOCK	1				
13-21-1	1700100019	• KEY	1				
13-22	1653900016	• LATCH	1				
13-23	1120530512	• SCREW	2				
13-24	1140020005	• WASHER, spring	2				
13-25	1130030005	• NUT	2				
14	1100040816	BOLT	22				
15	1140020008	WASHER, spring	25				
16	1141110008	WASHER	20				
17	1101041220	BOLT	2				
18	1140020012	WASHER, spring	2				
19	1141110012	WASHER	2				
20	1654605060	SEAL	1				sold by the meter
21	1652533008	CAP	3				
22	1653900003	COVER	1				
23	1652060051	BUSHING	1				
24	1654305016	SPONGE	1				sold by the meter
25	1654606017	TRIM	1				sold by the meter
26	1654606029	TRIM	1				sold by the meter
27	0398210350	SHIM	AR				t=6.0mm
28	1100040835	BOLT	3				
29	0003608252	WASHER	5				

J1e160

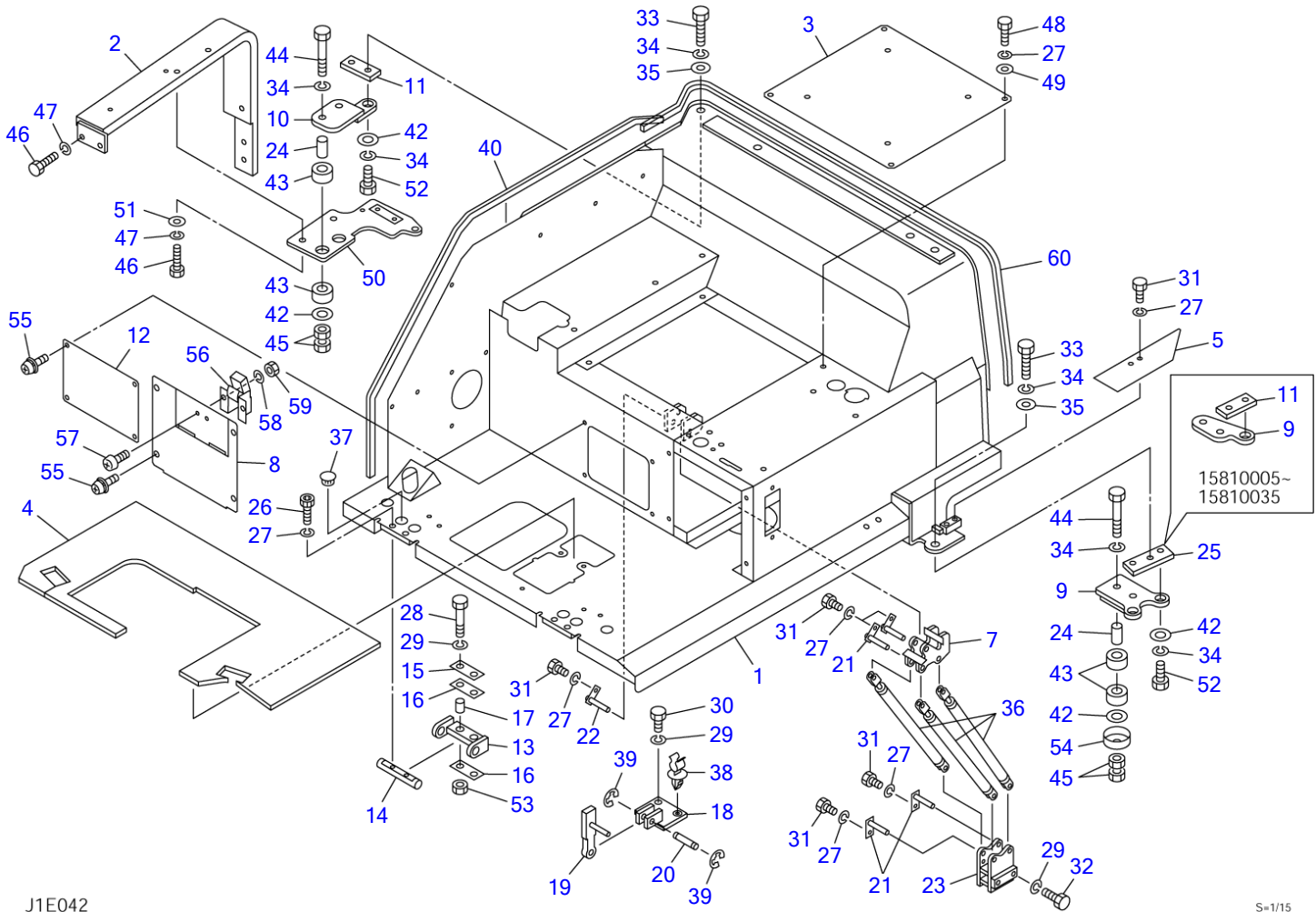


J1E170

S=1/8

COVER (3/3) (side cover; 15810675-)							
Item	Part number	Description	Q'ty	Chan.	Serial No.	Serv.	Remarks
0-2	0398211100	COVER ASSY, side (cab)	1				X03982-11100-1
	0398211600	COVER ASSY, side (canopy)	1				X03982-11600-1
1	0398211110	· COVER, side (cab)	1				
	0398211610	· COVER, side (canopy)	1				
10	0398209221	· ABSORBENT, noise	1				
11	0398209222	· ABSORBENT, noise	1				
12	0398210223	· ABSORBENT, noise	1				cab
	0398210923	· ABSORBENT, noise	1				canopy
13	0398210260	· NOZZLE	1		15810675~15811070		cab
14	1654605060	· RUBBER	1				sold by the meter
15	1100040816	· BOLT	3		15810675~15811070		cab
16	1140020008	· WASHER, spring	3		15810675~15811070		cab
17	1141110008	· WASHER	3		15810675~15811070		cab
	J1e171						

TB53FR Book No. BJ1Z006 S/N 15810005-15811324
FLOOR FRAME (1/2)(15810005-15810674)



J1E042

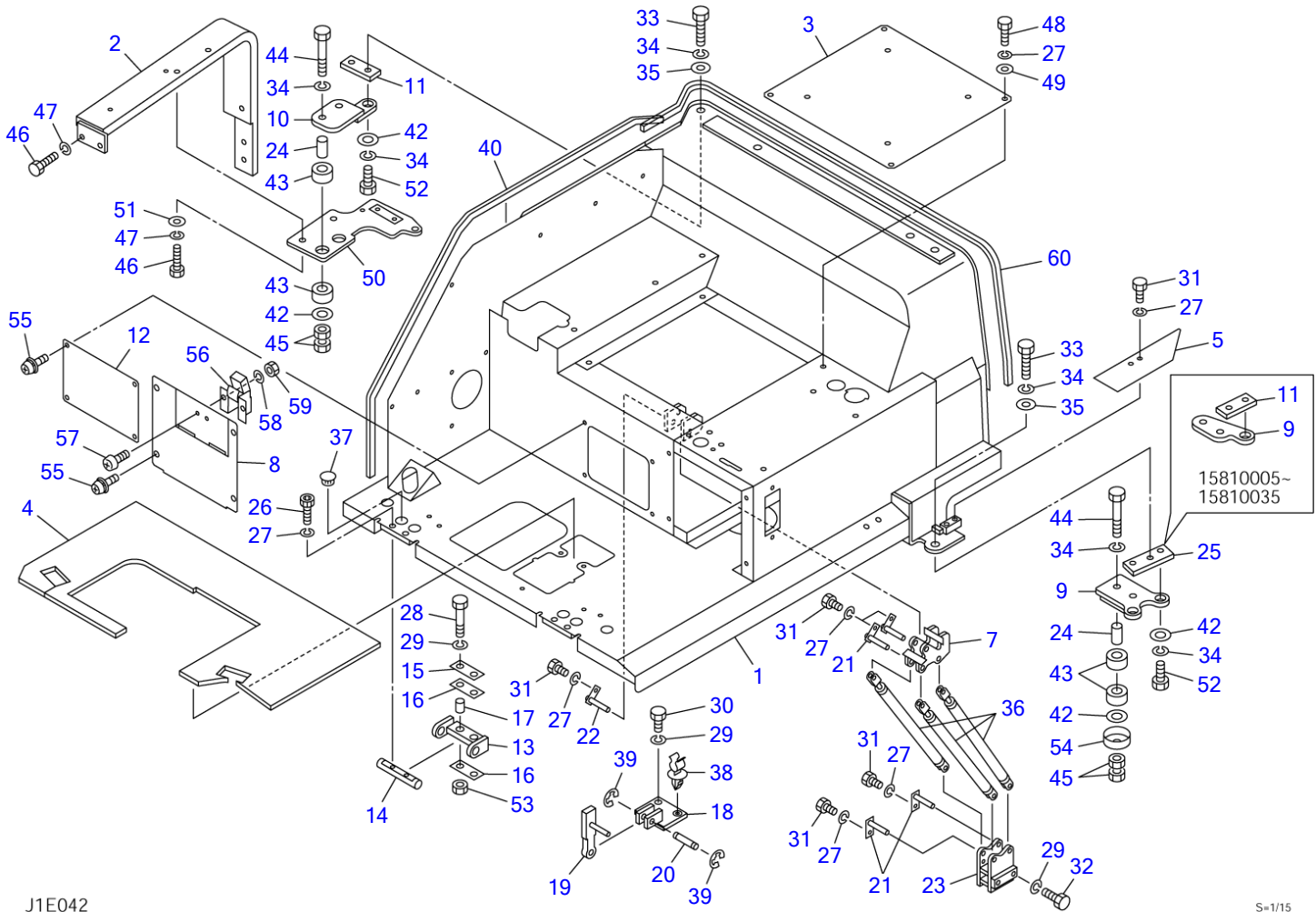
S=1/15

FLOOR FRAME (1/2)(15810005-15810674)

Item	Part number	Description	Q'ty	Chan.	Serial No.	Serv.	Remarks
		FRAME ASSY, floor					X03935-21000-9
1	0393521100	FRAME	1				
2	0393521200	BRACKET	1				
3	0393516300	PLATE	1				
4	0393521400	MAT, floor	1		15810005~15810362		
	0393521420	MAT, floor	1	(H)	15810363~		
5	0393521410	PLATE	1				
7	0393521710	LEVER	1	(L)	15810005~15810221		
	0563519600	LEVER	1	(H)	15810222~		
8	0393521610	PLATE	1	B	15810005~15810464		
	0393521720	PLATE	1	b(H)	15810465~		
9	0393517220	PLATE	1	A	15810005~15810035		
	0393521670	PLATE	1	a(H)	15810036~		
10	0393517230	JOINT	1				
11	0393517240	PLATE	2	A	15810005~15810035		
	0393521640	PLATE	1	a(H)	15810036~		
12	0393521620	PLATE	1				
13	0393521650	BRACKET	2				
14	0393512310	SHAFT	2				
15	0563509520	PLATE	2				
16	0373502990	CUSHION	4				
17	0393521660	SPACER	4				
18	0563511500	BRACKET	1				
19	0563511510	LEVER	1				
20	0004212040	SHAFT	1				
21	0563511250	PIN	4				
22	0563511260	PIN	1				
23	0563511120	BRACKET	1				
24	0393517250	PIPE	4				
25	0393521680	PLATE	1	a(H)	15810036~		
26	1110040835	SCREW, cap	4				
27	1140020008	WASHER, spring	19				
28	1101041260	BOLT	4				
29	1140020012	WASHER, spring	8				
30	1101041225	BOLT	2				
31	1100040816	BOLT	15				
32	1101041235	BOLT	2				
33	1101041440	BOLT	2				
34	1140020014	WASHER, spring	9				
35	1141110014	WASHER	2				
36	1653900013	DAMPER	3				
37	1652533008	CAP	4				
38	1652702023	HOLDER	1				
39	1224000010	RING, retaining	2				
40	1654605300	RUBBER	1		15810005~15810648		sold by the meter
	1654605130	RUBBER	1		15810649~		sold by the meter
42	0003600122	WASHER	6				
43	0433503100	RUBBER	8				
44	1101041480	BOLT	4				
45	1130540014	NUT	8				
46	1100041030	BOLT	4				
47	1140020010	WASHER, spring	4				
48	1100040820	BOLT	4				
49	1141110008	WASHER	12				
50	0393521630	PLATE	1				
51	1141110010	WASHER	2				
52	1101041430	BOLT	3				
53	1130040012	NUT	4				
54	0393521690	STOPPER	1		15810036~		
55	1150420816	SCREW	8				
56	1653900015	LATCH	1	b	15810465~		
57	1120530512	SCREW	2	b	15810465~		
58	1140020005	WASHER, spring	2	b	15810465~		
59	1130030005	NUT	2	b	15810465~		
60	1653916120	TRIM	1				sold by the meter

<<NOTE>>
 SET "A" is interchangeable
 with SET "a".

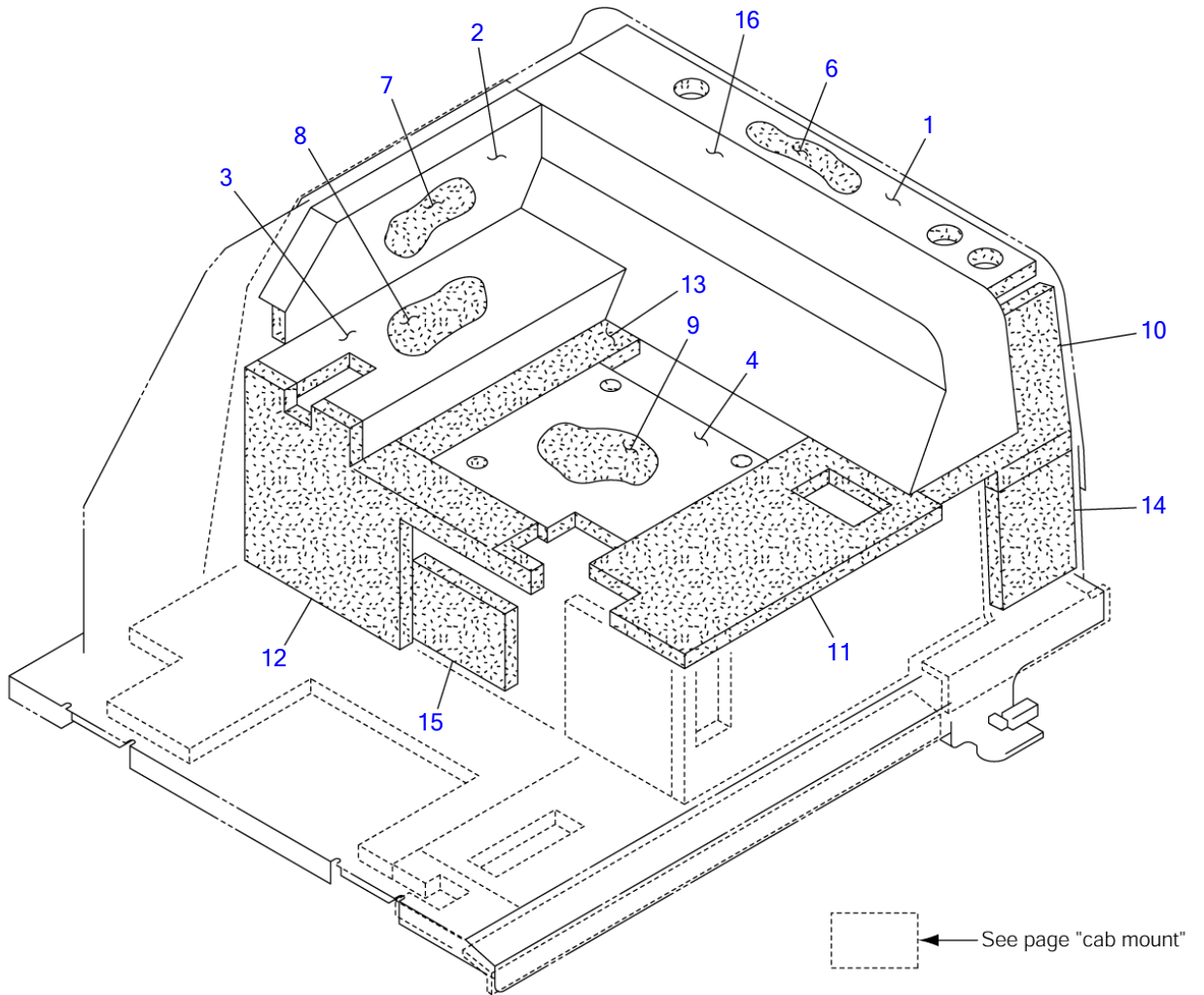
TB53FR Book No. BJ1Z006 S/N 15810005-15811324
FLOOR FRAME (1/2)(15810005-15810674)



J1E042

S=1/15

Item	Part number	Description	Q'ty	Chan.	Serial No.	Serv.	Remarks
60	J1e042	FLOOR FRAME (1/2)(15810005-15810674) "B" is interchangeable with SET "b".					



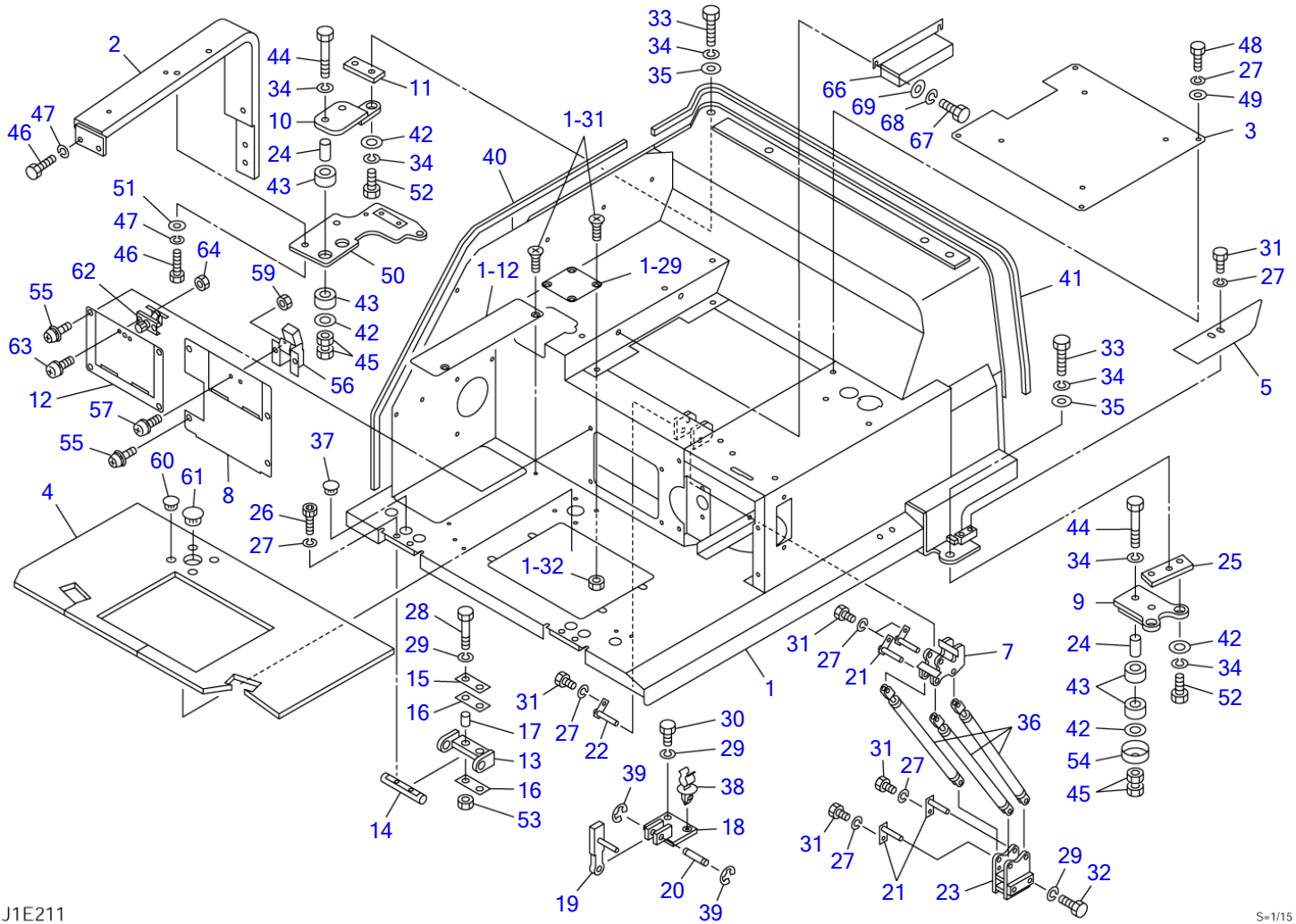
J1E051

S-1/10

FLOOR FRAME (2/2)(15810005-15810674)

Item	Part number	Description	Q'ty	Chan.	Serial No.	Serv.	Remarks
0-6	0393521500	ABSORBENT ASSY, noise					X03935-21500-5
1	0393517601	▪ INSULATOR	1				
2	0393517602	▪ INSULATOR	1				
3	0393517603	▪ INSULATOR	1				
4	0393521501	▪ INSULATOR	1				
6	0393517611	▪ ABSORBENT, noise	1				
7	0393517612	▪ ABSORBENT, noise	1				
8	0393517613	▪ ABSORBENT, noise	1				
9	0393521502	▪ ABSORBENT, noise	1				
10	0393517615	▪ ABSORBENT, noise	1	(L)			old type
	0563519501	▪ ABSORBENT, noise	1	(H)			new type
11	0393521503	▪ ABSORBENT, noise	1				
12	0393521504	▪ ABSORBENT, noise	1				
13	0393517618	▪ ABSORBENT, noise	1				
14	0393517619	▪ ABSORBENT, noise	1				
15	0353512418	▪ ABSORBENT, noise	1				
16	0393516619	▪ SHEET	1				
	J1e051						

TB53FR Book No. BJ1Z006 S/N 15810005-15811324
FLOOR FRAME (1/2)(15810675-)



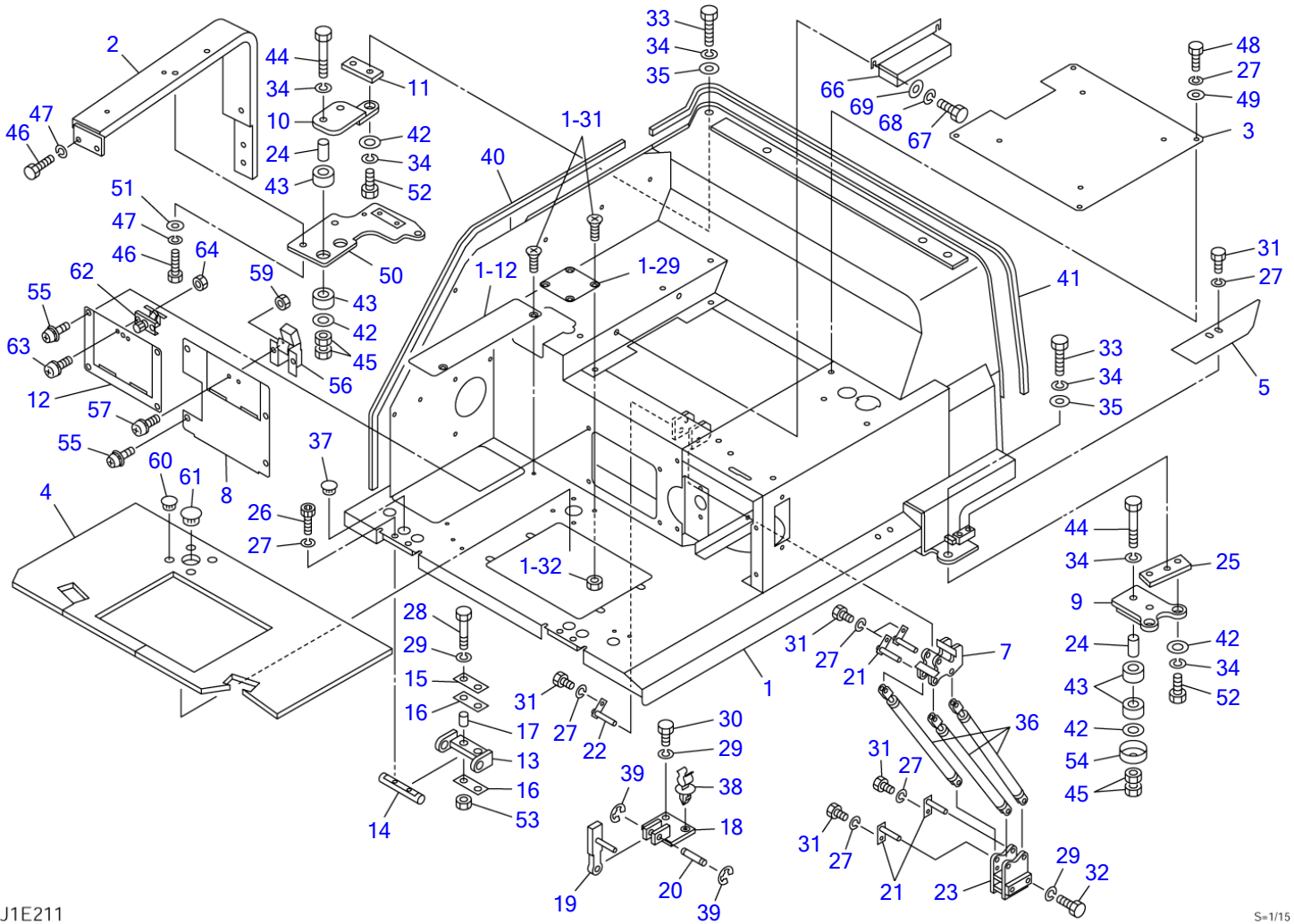
J1E211

S=1/15

FLOOR FRAME (1/2)(15810675-)

Item	Part number	Description	Q'ty	Chan.	Serial No.	Serv.	Remarks
		FRAME ASSY, floor					X03935-23000-4
1	0393523100	FRAME	1				
1-12	0563519160	· PLATE	1				
1-29	0393521129	· PLATE	1				
1-31	1120630820	· SCREW	6				
1-32	1130040008	· NUT	4				
2	0393521200	BRACKET	1				
3	0393516300	PLATE	1				
4	0393522200	MAT, floor	1				
5	0393521410	PLATE	1				
7	0563519600	LEVER	1				
8	0563519700	PLATE	1				
9	0393521670	PLATE	1				
10	0393517230	JOINT	1				
11	0393521640	PLATE	1				
12	0393523200	PLATE	1				
13	0393521650	BRACKET	2				
14	0393512310	SHAFT	2				
15	0563509520	PLATE	2				
16	0373502990	CUSHION	4				
17	0393521660	SPACER	4		15810675~15811064		
	0343515086	SPACER	4	(H)	15811065~		
18	0563511500	BRACKET	1				
19	0563511510	LEVER	1				
20	0004212040	SHAFT	1				
21	0563511250	PIN	4				
22	0563511260	PIN	1				
23	0563511120	BRACKET	1				
24	0393517250	PIPE	4				
25	0393521680	PLATE	1				
26	1110040835	SCREW, cap	4				
27	1140020008	WASHER, spring	19				
28	1101041260	BOLT	4				
29	1140020012	WASHER, spring	8				
30	1101041225	BOLT	2				
31	1100040816	BOLT	15				
32	1101041235	BOLT	2				
33	1101041440	BOLT	2				
34	1140020014	WASHER, spring	9				
35	1141110014	WASHER	2				
36	1653900013	DAMPER	3				
37	1652533008	CAP	4				
38	1652702023	HOLDER	1				
39	1224000010	RING, retaining	2				
40	1654605130	RUBBER	1				
41	1653916120	TRIM	1				sold by the meter
42	0003600122	WASHER	6				sold by the meter
43	0433503100	RUBBER	8				
44	1101041480	BOLT	4				
45	1130540014	NUT	8				
46	1100041030	BOLT	4				
47	1140020010	WASHER, spring	4				
48	1100040820	BOLT	4				
49	1141110008	WASHER	12				
50	0393521630	PLATE	1				
51	1141110010	WASHER	2				
52	1101041430	BOLT	3				
53	1130040012	NUT	4				
54	0393521690	STOPPER	1				
55	1150420816	SCREW	8				
56	1653900015	LATCH	1				
57	1150110512	SCREW	2				
59	1130030005	NUT	2				
60	1652533002	CAP	4				
61	1652533011	CAP	1				
62	1653353310	LATCH	1				
63	1150110310	SCREW	2				
64	1130030003	NUT	2				

TB53FR Book No. BJ1Z006 S/N 15810005-15811324
FLOOR FRAME (1/2)(15810675-)

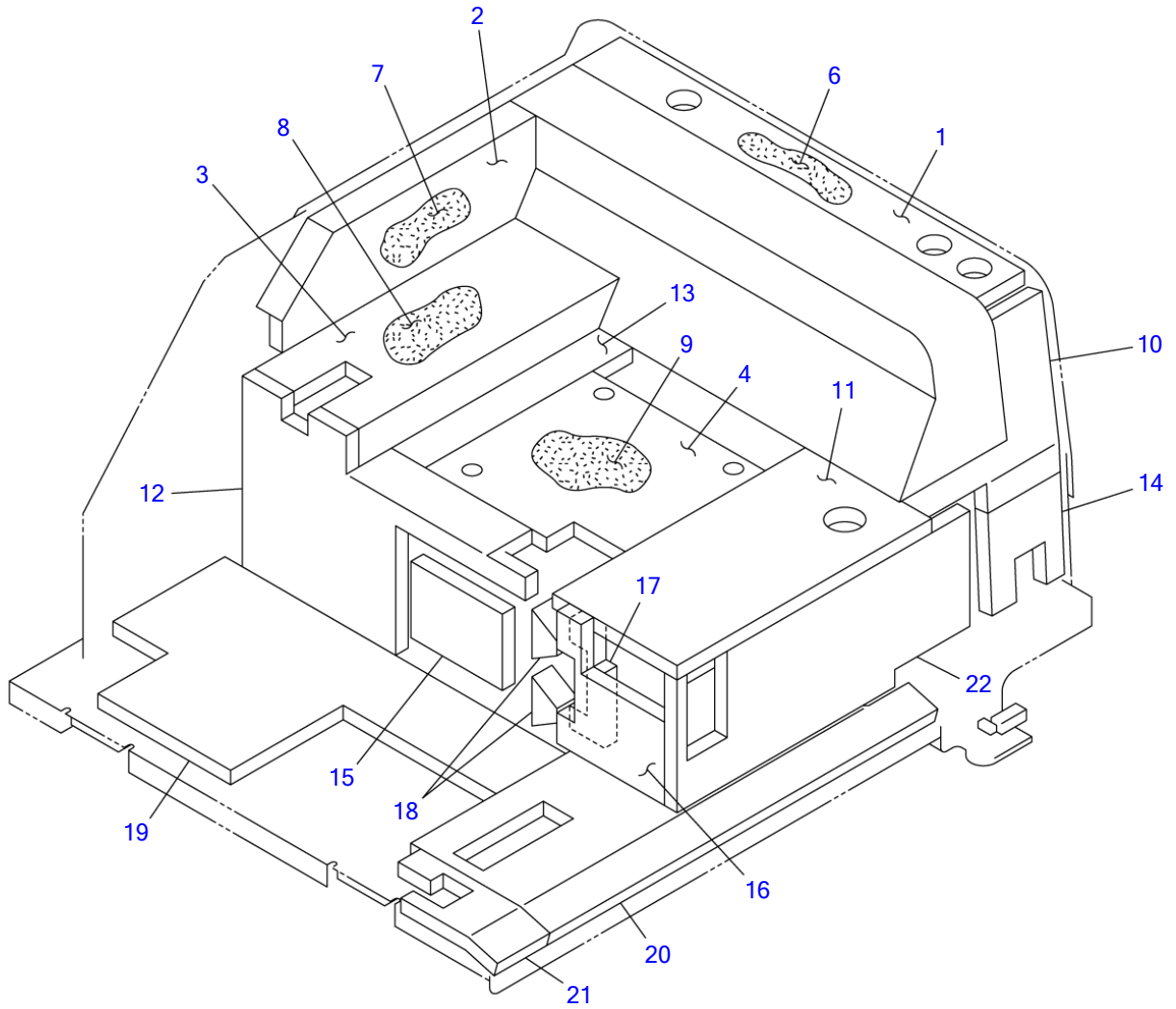


J1E211

S-1/15

FLOOR FRAME (1/2)(15810675-)

Item	Part number	Description	Q'ty	Chan.	Serial No.	Serv.	Remarks
66	0397310440	COVER	1				
67	1100040616	BOLT	2				
68	1140020006	WASHER, spring	2				
69	1141110006	WASHER	2				
	J1e212						

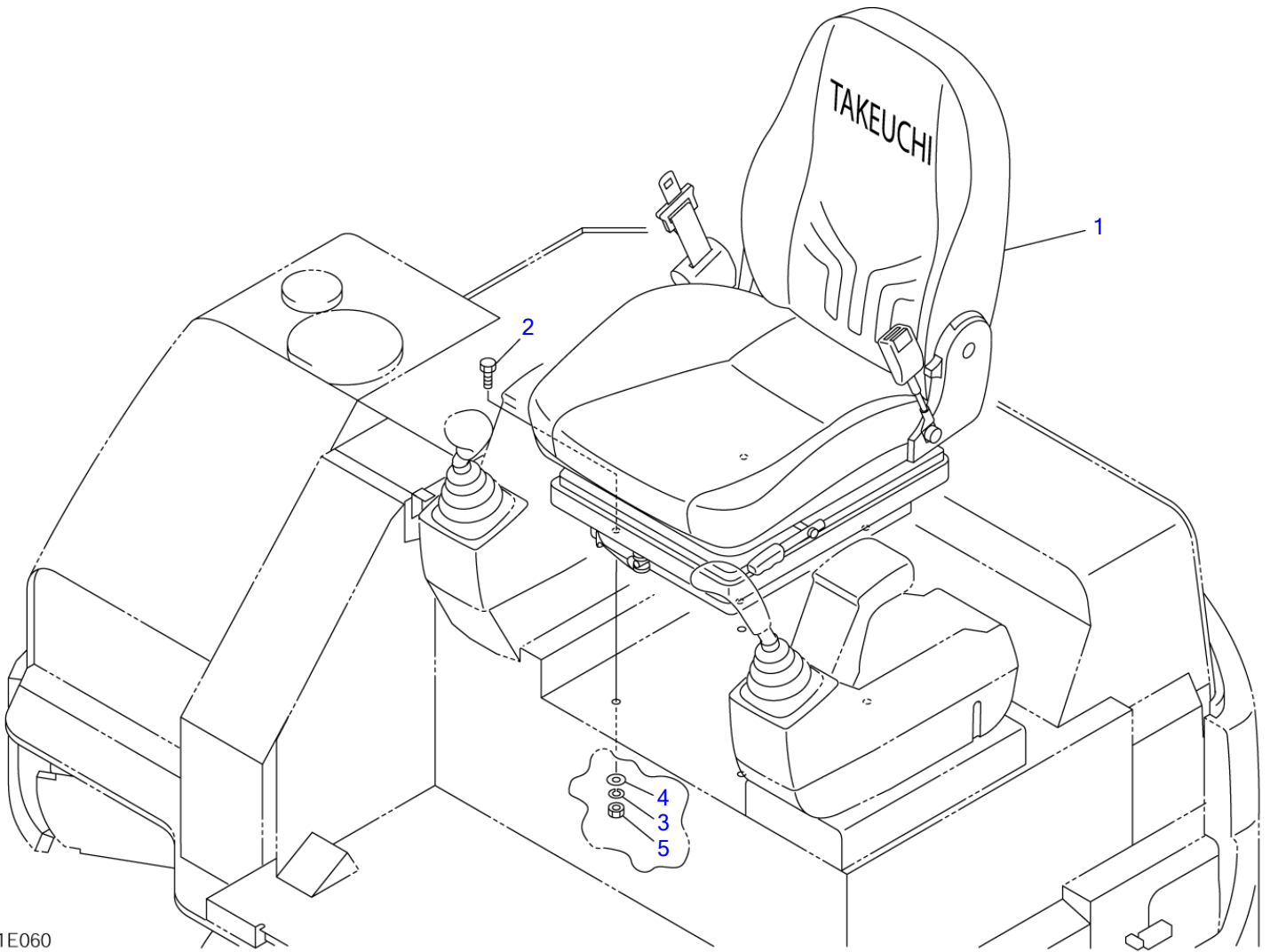


J1E150

S=1/10

FLOOR FRAME (2/2)(15810675-)

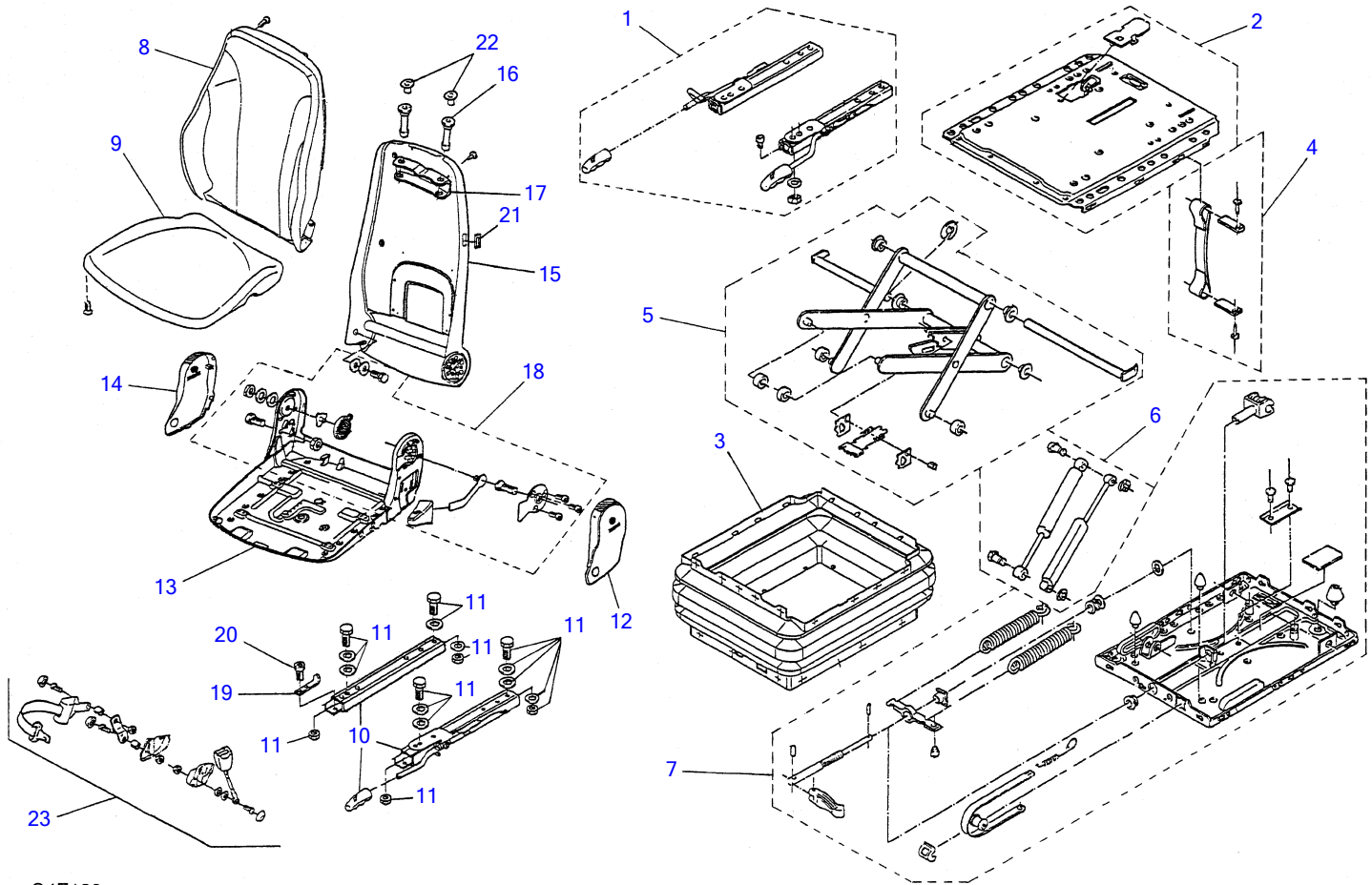
Item	Part number	Description	Q'ty	Chan.	Serial No.	Serv.	Remarks
0-6	0393523500	ABSORBENT ASSY, noise					X03935-23500-1
1	0393517601	▪ INSULATOR	1				
2	0393517602	▪ INSULATOR	1				
3	0393517603	▪ INSULATOR	1				
4	0393521501	▪ INSULATOR	1				
6	0393517611	▪ ABSORBENT, noise	1				
7	0393517612	▪ ABSORBENT, noise	1				
8	0393517613	▪ ABSORBENT, noise	1				
9	0393521502	▪ ABSORBENT, noise	1				
10	0563519501	▪ ABSORBENT, noise	1				
11	0563519502	▪ ABSORBENT, noise	1				
12	0393521504	▪ ABSORBENT, noise	1				
13	0393517618	▪ ABSORBENT, noise	1				
14	0393517619	▪ ABSORBENT, noise	1				
15	0353512418	▪ ABSORBENT, noise	1				
16	0393523516	▪ ABSORBENT, noise	1				
17	0393523517	▪ ABSORBENT, noise	1				
18	0563519515	▪ ABSORBENT, noise	2				
19	0393523519	▪ ABSORBENT, noise	1				
20	0563519505	▪ ABSORBENT, noise	1				
21	0563519507	▪ ABSORBENT, noise	1				
22	0563519509	▪ ABSORBENT, noise	1				
	J1e150						



J1E060

S=1/10

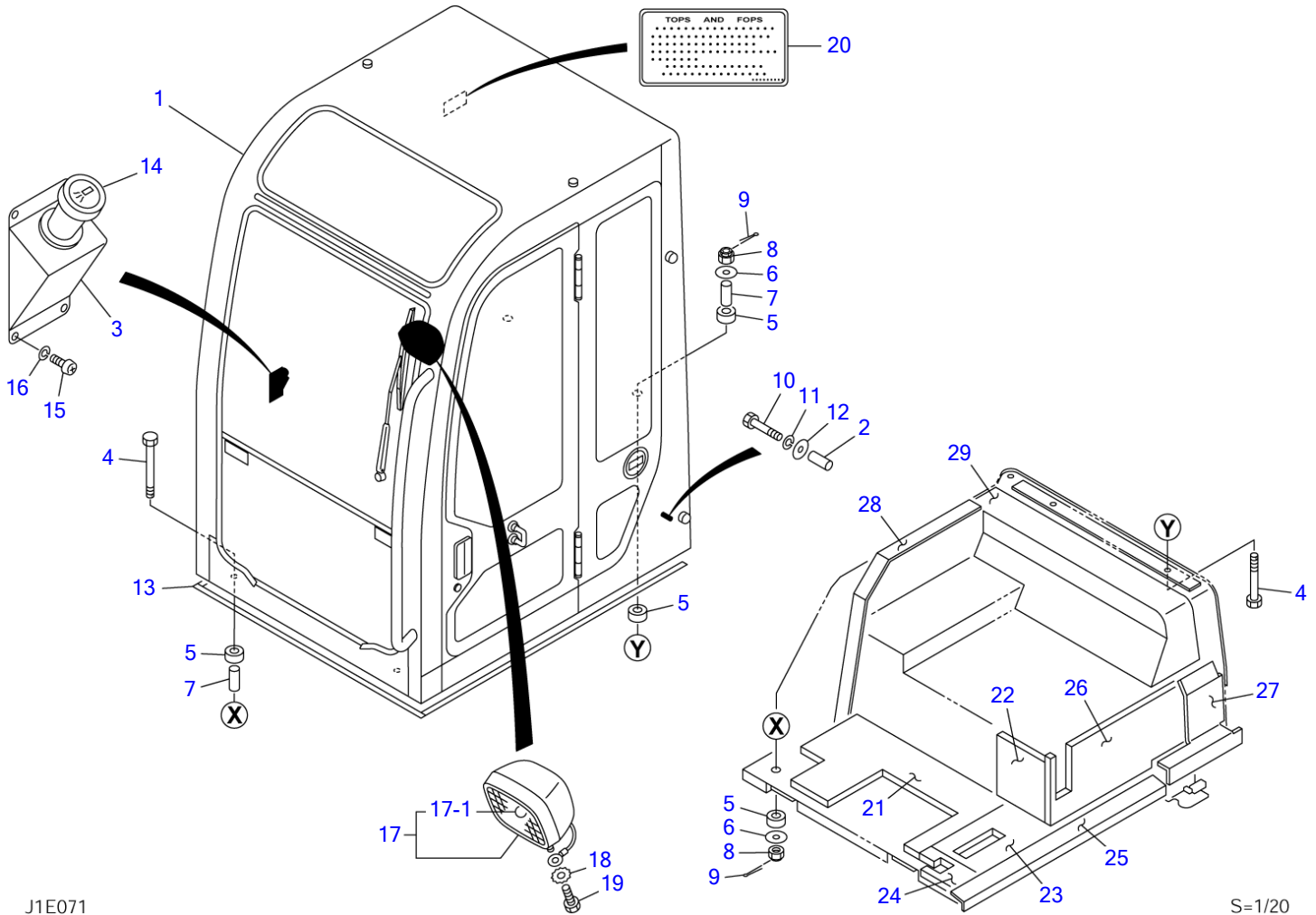
SEAT (1/2)							
Item	Part number	Description	Q'ty	Chan.	Serial No.	Serv.	Remarks
		SEAT ASSY (fabric)					X03934-08000-1
		SEAT ASSY (PVC)					X03934-08500-1
1	1914100071	SEAT (fabric)	1				see page (2/2)
	1914100072	SEAT (PVC)	1				see page (2/2)
2	1100040825	BOLT	4				
3	1140020008	WASHER, spring	4				
4	1141110008	WASHER	4				
5	1130040008	NUT	4				
	J1e062						



G4E180

SEAT (2/2)						
Item	Part number	Description	Q'ty	Chan.	Serial No.	Serv. Remarks
0	1914100071	SEAT (fabric)	1			
	1914100072	SEAT (PVC)	1			
1	1914101071	· RAIL ASSY	1			fabric
	1914101072	· RAIL ASSY	1			PVC
2	1914102071	· PLATE ASSY	1			fabric
	1914102072	· PLATE ASSY	1			PVC
3	1914103071	· BOOT	1			fabric
	1914103072	· BOOT	1			PVC
4	1914104072	· ANGLE ASSY	1			
5	1914105072	· LINK ASSY	1			
6	1914106072	· DAMPER ASSY	1			
7	1914107072	· SPRING ASSY	1			
8	1914108072	· TRIM	1			
9	1914109072	· TRIM	1			
10	1914110072	· RAIL ASSY	1			
11	1914111072	· BOLT ASSY	1			
12	1914112072	· COVER (L.H.)	1			
13	1914113072	· FRAME	1			
14	1914114072	· COVER (R.H.)	1			
15	1914115072	· FRAME	1			
16	1914116072	· GUIDE	2			
17	1914117072	· BRACKET	1			
18	1914118072	· JOINT ASSY	1			
19	1914119072	· PLATE	1			
20	1914120072	· SCREW, cap	1			
21	1914121072	· PLATE	1			
22	1914122072	· PLUG	2			
23	1914123072	· BELT ASSY, seat	1			

J1e140

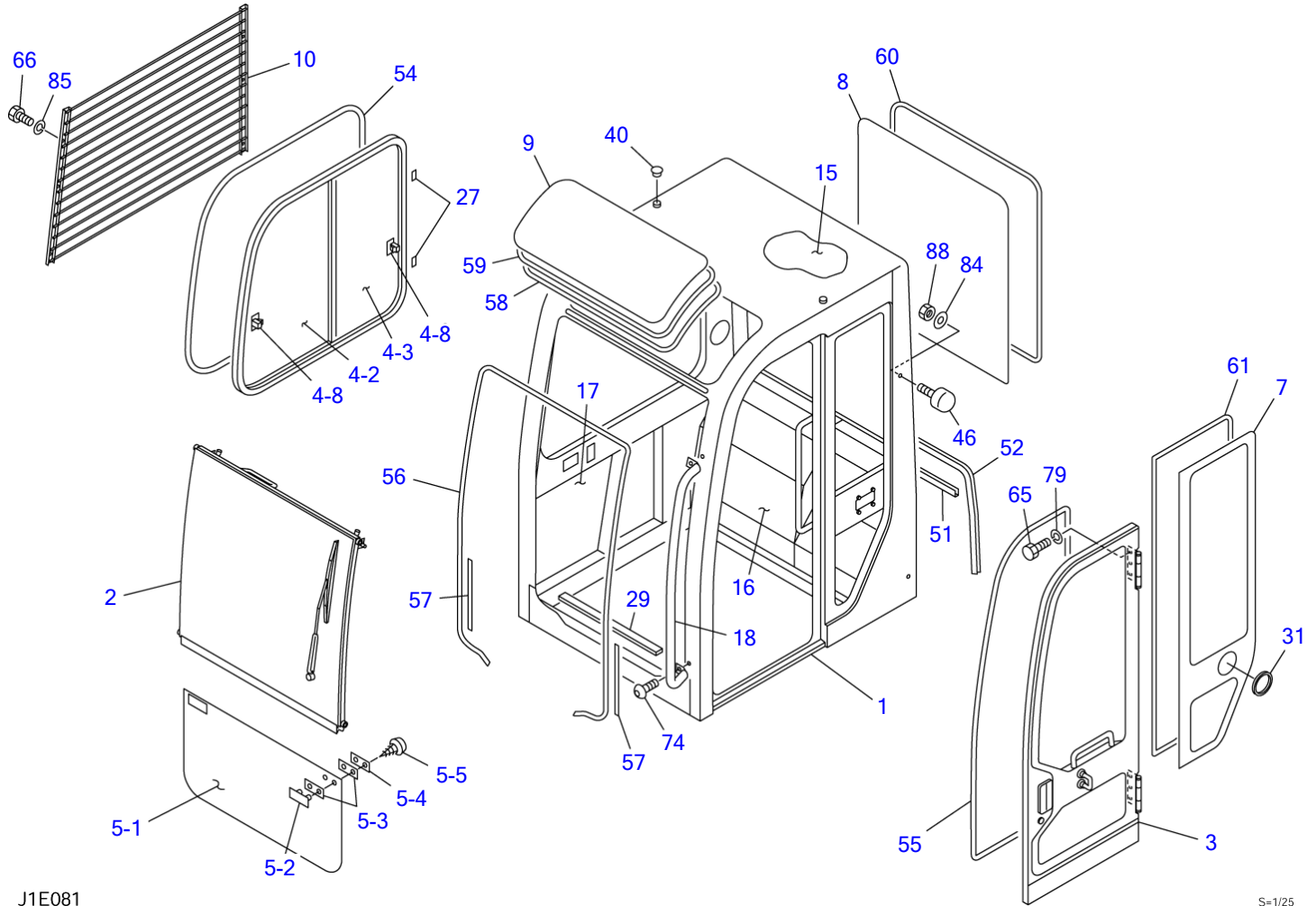


J1E071

S=1/20

CAB MOUNT (15810005-15810674)

Item	Part number	Description	Q'ty	Chan.	Serial No.	Serv.	Remarks
0	0398619000	CAB MOUNT	1				X03986-19000-7
1	0398619100	• CAB	1		15810005~15810656		see page (1/4)
	0398619700	• CAB	1	(H)	15810657~		see page (1/4)
2	0398619002	• COLLAR	1				
3	0338627020	• BRACKET	1				
4	0568640900	• BOLT	4				
5	0433503100	• RUBBER	8				
6	0003000010	• WASHER	4				
7	0563500600	• TUBE	4				
8	1132080016	• NUT	4				
9	1210010430	• PIN, split	4				
10	1101041475	• BOLT	1				
11	1140020014	• WASHER, spring	1				
12	0003600174	• WASHER	1				
13	1654301240	• SPONGE	1				sold by the meter
14	1711900059	• LIGHTER	1				
15	1120590410	• SCREW	4				
16	1140090004	• WASHER, spring	4				
17	1703006300	• LAMP ASSY	1				
17-1	1703006305	• • BULB	1				12V, 55W
18	1140330008	• WASHER	1				
19	1100040816	• BOLT	1				
20	X *****	• DECAL	1				
21	0398619201	• ABSORBENT, noise	1		15810029~		
22	0398619202	• ABSORBENT, noise	1		15810029~		
23	0563519505	• ABSORBENT, noise	1		15810029~		
24	0563519507	• ABSORBENT, noise	1		15810029~		
25	0563519508	• ABSORBENT, noise	1		15810029~		
26	0563519509	• ABSORBENT, noise	1		15810029~		
27	0563519510	• ABSORBENT, noise	1		15810029~		
28	0563519513	• ABSORBENT, noise	1		15810029~		
29	0393516619	• SHEET	1		15810029~		
	J1e073						



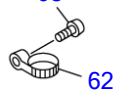

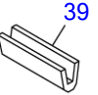
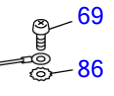

J1E081

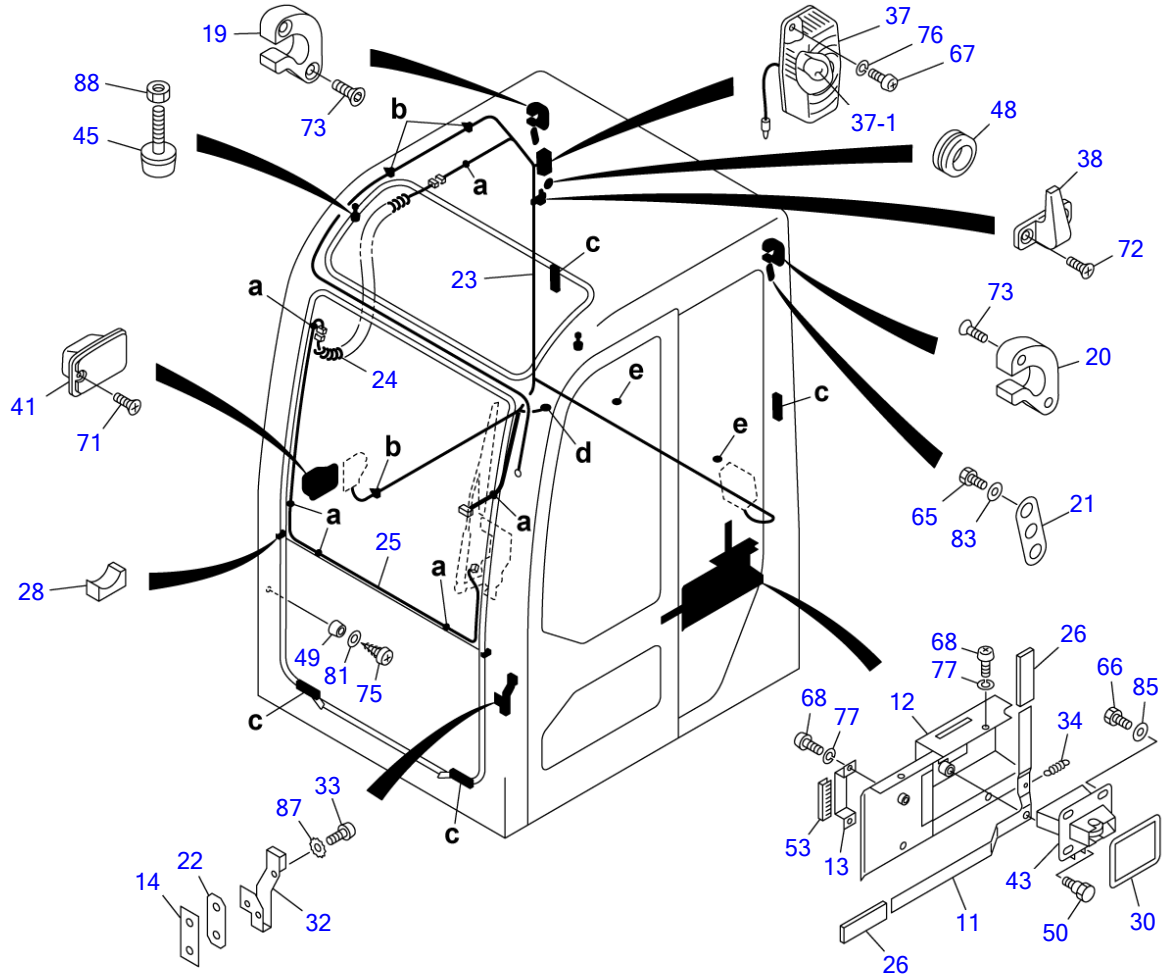
S=1/25

CAB (1/4) (15810005-15810674)

Item	Part number	Description	Q'ty	Chan.	Serial No.	Serv.	Remarks
0	0398619100	CAB ASSY	1		15810005~15810656		X03986-19100-0
	0398619700	CAB ASSY	1	(H)	15810657~		X03986-19700-0
1	X *****	• CAB	1				
2	0338630400	• SASH, front	1				see page (3/4)
3	0568640400	• DOOR	1				see page (4/4)
4	0378601300	• SASH ASSY	1				
4-2	0378601320	• • GLASS	1				
4-3	0378601330	• • GLASS	1				
4-8	0338630650	• • LOCK ASSY	2				
5	0378601600	• GLASS, front	1				
5-1	0378601610	• • GLASS	1				
5-2	1654010900	• • RETAINER	2				
5-3	1654011100	• • PACKING	4				
5-4	1654011000	• • PLATE	2				
5-5	1122410412	• • SCREW	4				
7	0568640207	• GLASS	1				
8	0338630820	• GLASS	1		15810005~15810018		
	0378601900	• GLASS	1		15810019~		
9	0568633200	• GLASS	1		15810005~15810656		
	0358605300	• GLASS	1		15810657~		
10	0398619500	• GUARD	1				
15	0568640700	• ABSORBENT, noise	1				
16	0568640710	• ABSORBENT, noise	1				
17	0568640720	• ABSORBENT, noise	1				
18	0568625500	• HANDRAIL	1				
27	0438601770	• SPACER	7				
29	0568634100	• SEAL	1				
31	0568626600	• GROMMET	1				
40	1653303010	• CLIP	2				
46	1651101042	• RUBBER	2				
51	1654619140	• SEAL	1				sold by the meter
52	1654619260	• SEAL	1				sold by the meter
54	1653930355	• RUBBER	1				sold by the meter
55	1654605326	• RUBBER	1				sold by the meter
56	1654605374	• RUBBER	1				sold by the meter
57	1654605033	• RUBBER	2				sold by the meter
58	1653916222	• TRIM	1				sold by the meter
59	1654231255	• H-RUBBER	1		15810005~15810656		sold by the meter
	1654615216	• H-RUBBER	1		15810657~		sold by the meter
60	1654231336	• H-RUBBER	1				sold by the meter
61	1654615278	• DAM	1				sold by the meter
65	1100090820	• BOLT	6				
66	1100040825	• BOLT	6				
74	1120990830	• SCREW	2				
79	1140090008	• WASHER, spring	6				
84	1141190010	• WASHER	2				
85	1141550008	• WASHER	6				
88	1130090010	• NUT	2				

J1e082

a	
b	
c	
d	
e	



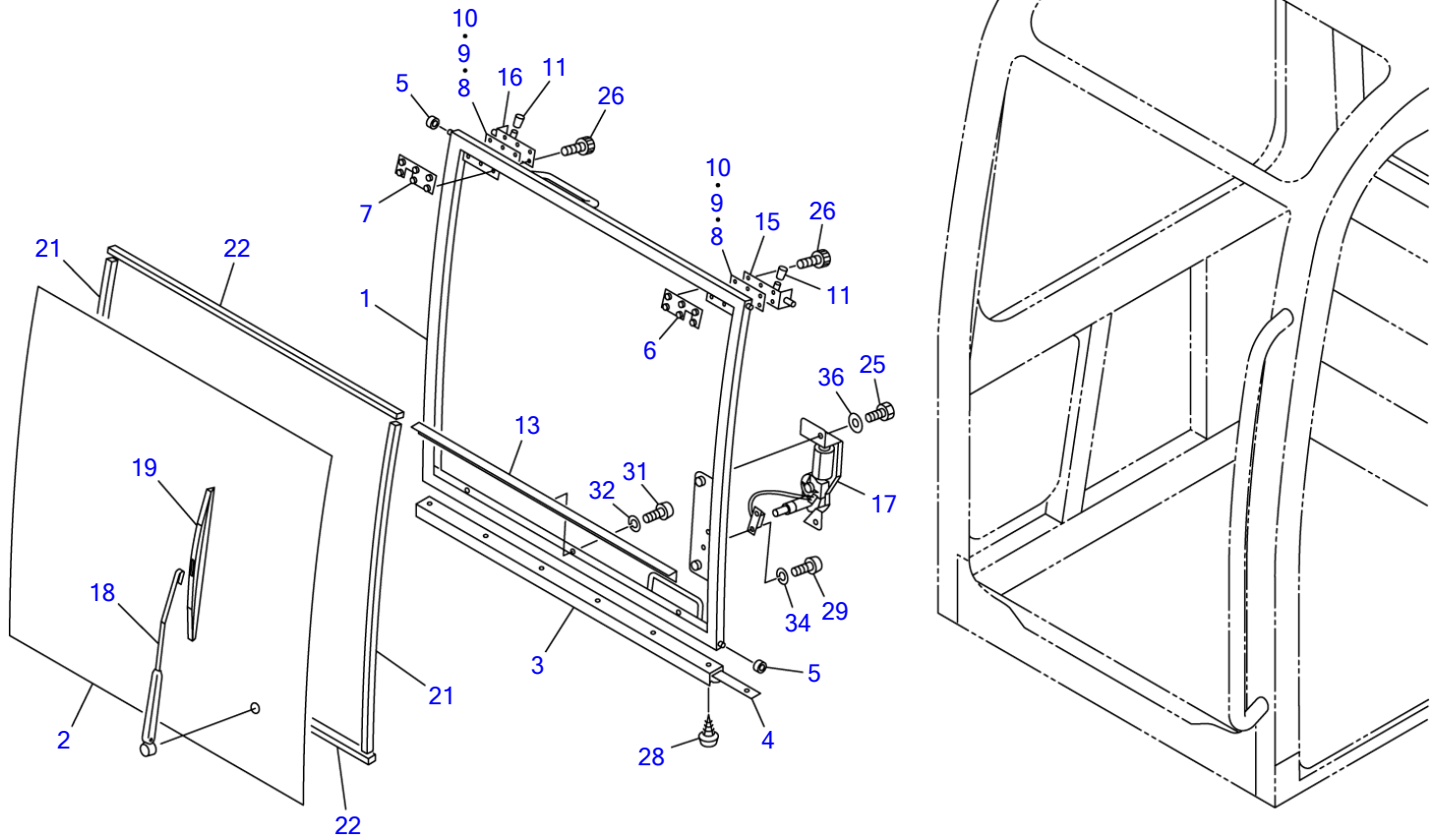
J1E090

S=1/20, 1/10, 1/5

CAB (2/4) (15810005-15810674)

Item	Part number	Description	Q'ty	Chan.	Serial No.	Serv.	Remarks
0	0398619100	CAB ASSY	1		15810005~15810656		X03986-19100-0
	0398619700	CAB ASSY	1	(H)	15810657~		X03986-19700-0
11	0378601420	• PLATE	1		15810005~15810009		
	0398619600	• PLATE	1	(H)	15810010~		
12	0568640600	• COVER	1				
13	0338630870	• PLATE	1				
14	0338630880	• PLATE	1				
19	0338630910	• STOPPER (R.H.)	1				
20	0338630960	• STOPPER (L.H.)	1				
21	0338630920	• PLATE	2				
22	0338630930	• PACKING	1				
23	0568640810	• HARNESS, wiring	1				
24	0398802200	• HARNESS, wiring	1				
25	0338631010	• HARNESS, wiring	1				
26	0438601760	• COVER	2				
28	0568633300	• STOPPER	2				
30	0568634400	• SEAL	1				
32	0068620500	• STRIKER	1				
33	0068621300	• SCREW	2				
34	0007000096	• SPRING	1				
37	1703001700	• LAMP, room	1				
37-1	1703001701	• • BULB	1				
38	1654004800	• HANGER	1				
39	1654004900	• STOPPER	4				
41	1654010500	• ASHTRAY	1				
43	1654005100	• LOCK	1				
44	1652351054	• CLIP	4				
45	1651101028	• STOPPER	2				
47	1652060016	• GROMMET	2				
48	1652060031	• BUSHING	1				
49	1652102320	• RUBBER	2				
50	0378601510	• PIN	1				
53	1653916007	• RUBBER	1				sold by the meter
62	1652221050	• BAND	4				
65	1100090820	• BOLT	4				
66	1100040825	• BOLT	4				
67	1120540408	• SCREW	6				
68	1120590512	• SCREW	9				
69	1120590516	• SCREW	1				
71	1120630412	• SCREW	2				
72	1120790412	• SCREW	2				
73	1120800830	• SCREW	4				
75	1122410416	• SCREW	2				
76	1140090004	• WASHER, spring	2				
77	1140090005	• WASHER, spring	13				
81	1141190004	• WASHER, spring	2				
83	1141190008	• WASHER	4				
85	1141550008	• WASHER	4				
86	1140330005	• WASHER	1				
87	1140330010	• WASHER	2				
88	1130090010	• NUT	2				

J1e091

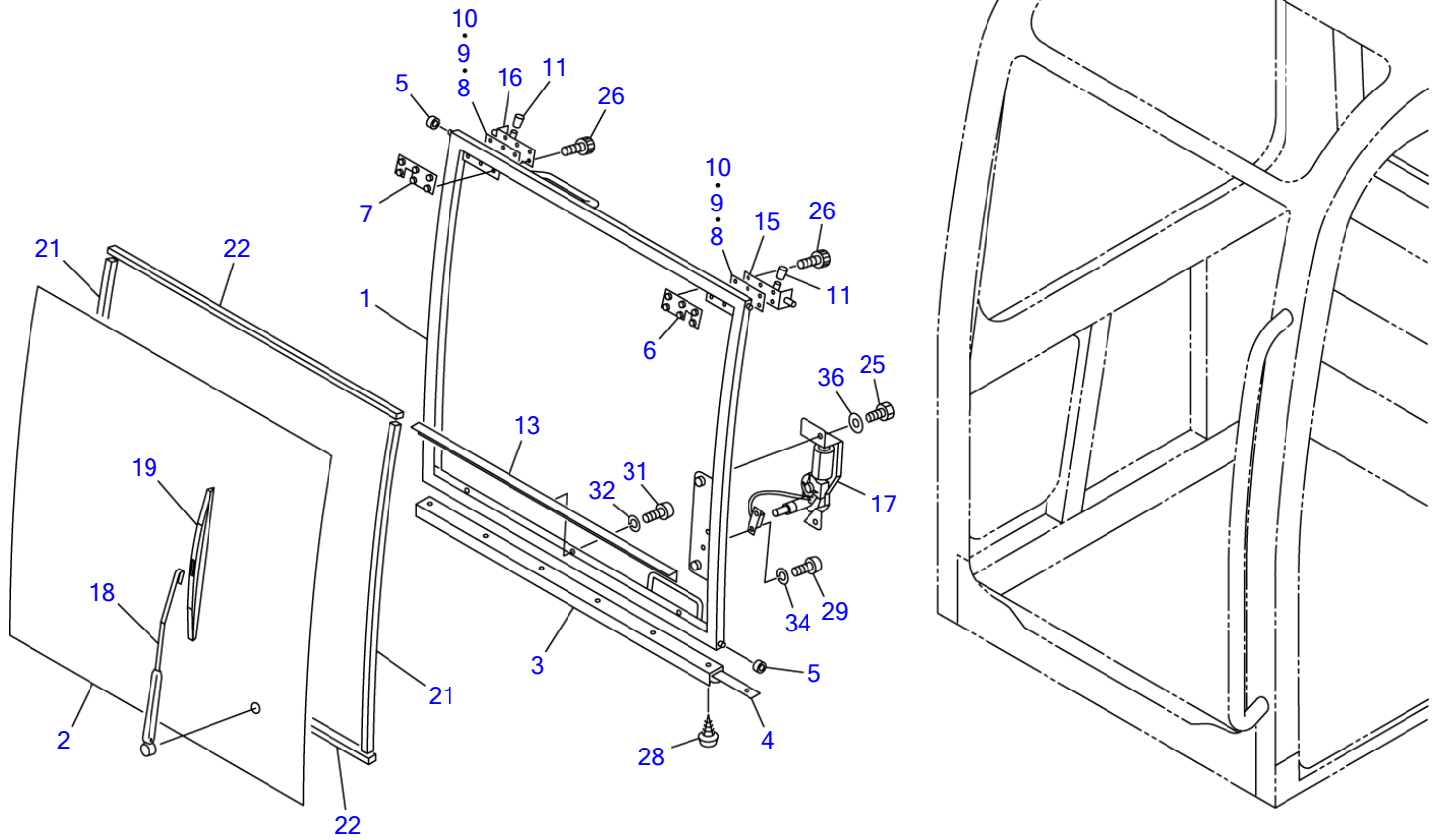


G4E110

S=1/15

CAB (3/4) (front sash; 15810005-15810674)

Item	Part number	Description	Q'ty	Chan.	Serial No.	Serv.	Remarks
0-1	0338630400	SASH ASSY, front	1				
1	0338630430	▪ SASH, front	1				
2	0568639330	▪ GLASS	1				
3	0568621800	▪ SEAL	1				
4	0568621900	▪ PLATE	1				
5	0568622200	▪ ROLLER	4				
6	0568622400	▪ PLATE (L.H.)	1				
7	0568622300	▪ PLATE (R.H.)	1				
8	0468605031	▪ SHIM t=0.7	AR				
9	0468605032	▪ SHIM t=1.2	AR				
10	0468605033	▪ SHIM t=1.6	AR				
11	0398612500	▪ COVER	2				
13	0338630440	▪ PLATE	1				
15	1654005350	▪ LATCH (L.H.)	1				
16	1654005300	▪ LATCH (R.H.)	1				
17	1704078912	▪ MOTOR, wiper	1				
18	1704100530	▪ ARM, wiper	1				
19	1704200530	▪ BLADE	1				
21	1654616080	▪ DAM	2				sold by the meter
22	1654615085	▪ DAM	2				sold by the meter
25	1100290820	▪ BOLT	2				
26	1110090516	▪ SCREW, cap	12				
28	1122510412	▪ SCREW	6				
29	1120590408	▪ SCREW	2				
31	1120590516	▪ SCREW	3				
32	1140090005	▪ WASHER, spring	3				
34	1140090004	▪ WASHER, spring	2				
36	1141190008	▪ WASHER	2				
	J1e101						

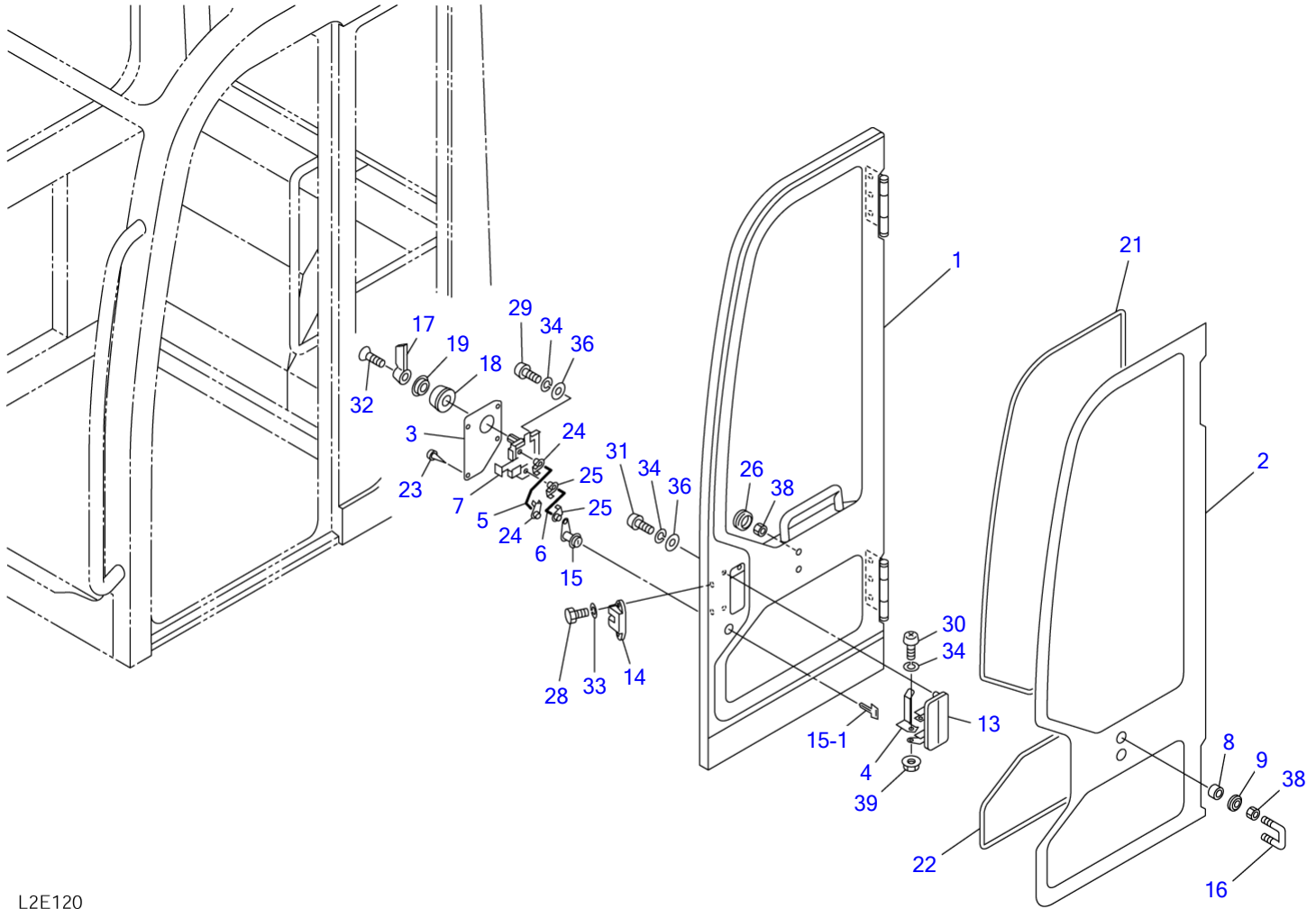


G4E110

S=1/15

CAB (3/4) (front sash; 15810675-)

Item	Part number	Description	Q'ty	Chan.	Serial No.	Serv.	Remarks
0-1	0338630400	SASH ASSY, front	1				
1	0338630430	▪ SASH, front	1				
2	0568639330	▪ GLASS	1				
3	0568621800	▪ SEAL	1				
4	0568621900	▪ PLATE	1				
5	0568622200	▪ ROLLER	4				
6	0568622400	▪ PLATE (L.H.)	1				
7	0568622300	▪ PLATE (R.H.)	1				
8	0468605031	▪ SHIM t=0.7	AR				
9	0468605032	▪ SHIM t=1.2	AR				
10	0468605033	▪ SHIM t=1.6	AR				
11	0398612500	▪ COVER	2				
13	0338630440	▪ PLATE	1				
15	1654005350	▪ LATCH (L.H.)	1				
16	1654005300	▪ LATCH (R.H.)	1				
17	1704078912	▪ MOTOR, wiper	1				
18	1704100530	▪ ARM, wiper	1				
19	1704200530	▪ BLADE	1				
21	1654616080	▪ DAM	2				sold by the meter
22	1654615085	▪ DAM	2				sold by the meter
25	1100290820	▪ BOLT	2				
26	1110090516	▪ SCREW, cap	12				
28	1122510412	▪ SCREW	6				
29	1120590408	▪ SCREW	2				
31	1120590516	▪ SCREW	3				
32	1140090005	▪ WASHER, spring	3				
34	1140090004	▪ WASHER, spring	2				
36	1141190008	▪ WASHER	2				
	J1e101						

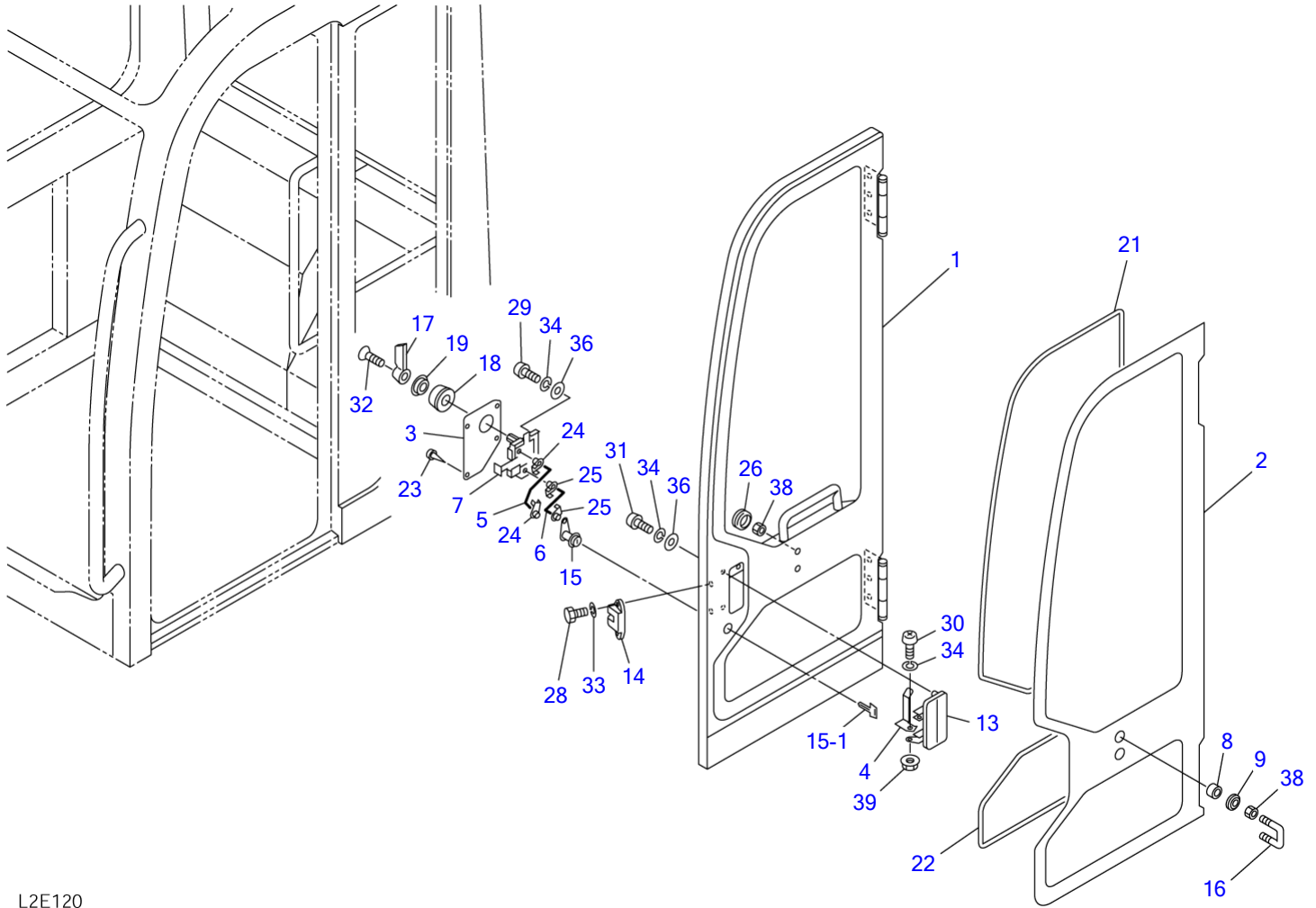


L2E120

S=1/15

CAB (4/4) (door; 15810675-)

Item	Part number	Description	Q'ty	Chan.	Serial No.	Serv.	Remarks
0-2	0568640400	DOOR ASSY	1				
1	0568640500	▪ DOOR	1				
2	0568640410	▪ GLASS	1				
3	0568623300	▪ COVER	1				
4	0568630900	▪ PLATE	1				
5	0568630800	▪ ROD	1				
6	0568630600	▪ ROD	1				
7	0568623400	▪ CONTROL ASSY	1				
8	0568623500	▪ COLLAR	2				
9	0568623600	▪ SEAL	2				
13	1654005600	▪ HANDLE	1				
14	0068620400	▪ LOCK ASSY	1				
15	1653611527	▪ LOCK	1				
15-1	1700100019	▪ KEY	1				
16	1654005900	▪ STRIKER	1				
17	1654005500	▪ HANDLE	1				
18	1654005800	▪ BASE	1				
19	1654005700	▪ ESCUTCHEON	1				
21	1654615280	▪ DAM	1				sold by the meter
22	1654615160	▪ DAM	1				sold by the meter
23	1652711432	▪ CLIP	4				
24	0068621500	▪ SNAP	2				
25	0398610900	▪ SNAP	2				
26	1652053200	▪ GROMMET	2				
28	1100290616	▪ BOLT	2				
29	1120530612	▪ SCREW	2				
30	1120530616	▪ SCREW	1				
31	1120530608	▪ SCREW	2				
32	1120790516	▪ SCREW	1				
33	1140090006	▪ WASHER, spring	2				
34	1140020006	▪ WASHER, spring	5				
36	1141110006	▪ WASHER	4				
38	1130040010	▪ NUT	2				
39	1131242006	▪ NUT	1				
	J1e111						



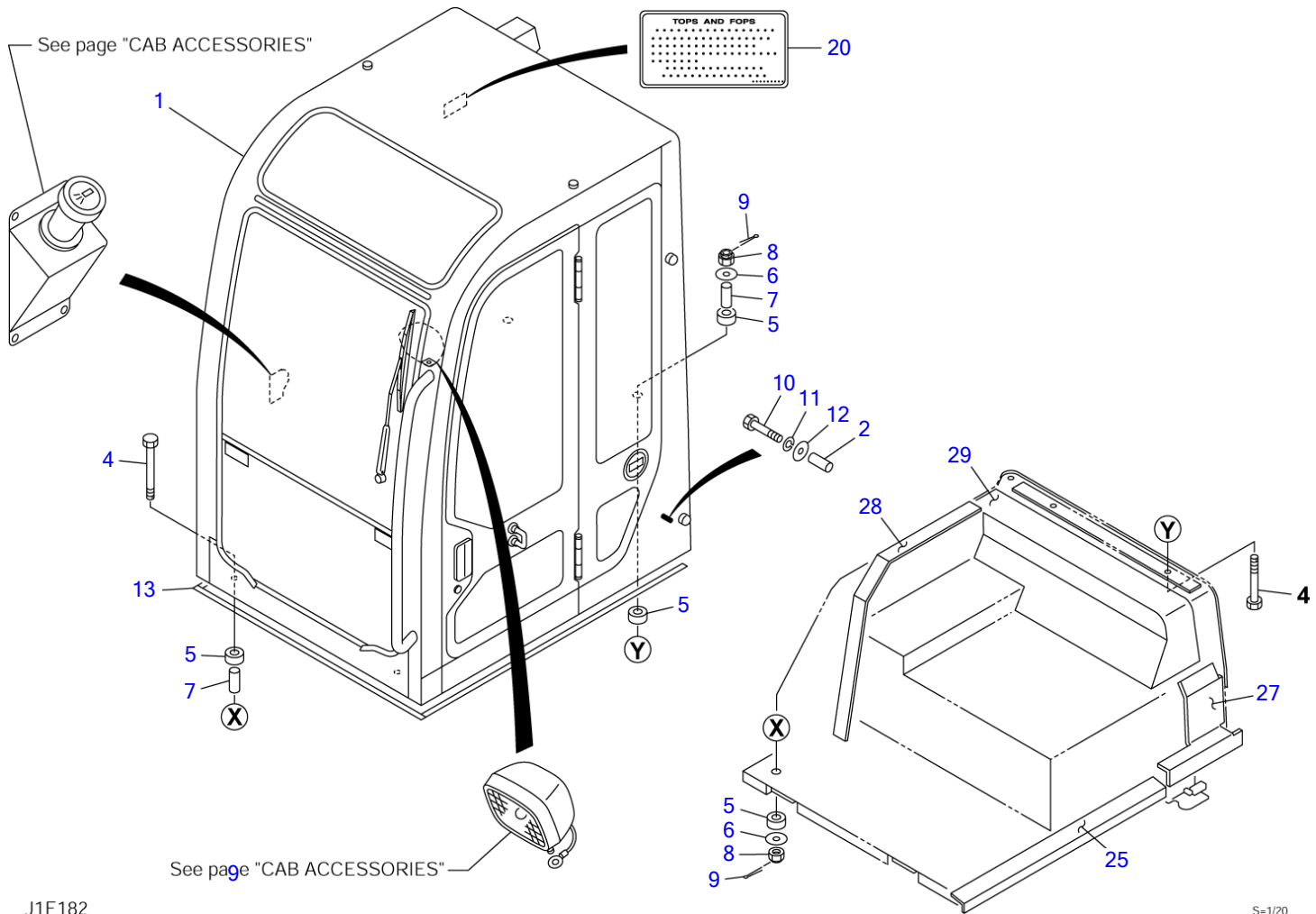
L2E120

S=1/15

CAB (4/4) (door; 15810005-15810674)

Item	Part number	Description	Q'ty	Chan.	Serial No.	Serv.	Remarks
0-2	0568640400	DOOR ASSY	1				
1	0568640500	▪ DOOR	1				
2	0568640410	▪ GLASS	1				
3	0568623300	▪ COVER	1				
4	0568630900	▪ PLATE	1				
5	0568630800	▪ ROD	1				
6	0568630600	▪ ROD	1				
7	0568623400	▪ CONTROL ASSY	1				
8	0568623500	▪ COLLAR	2				
9	0568623600	▪ SEAL	2				
13	1654005600	▪ HANDLE	1				
14	0068620400	▪ LOCK ASSY	1				
15	1653611527	▪ LOCK	1				
15-1	1700100019	▪ KEY	1				
16	1654005900	▪ STRIKER	1				
17	1654005500	▪ HANDLE	1				
18	1654005800	▪ BASE	1				
19	1654005700	▪ ESCUTCHEON	1				
21	1654615280	▪ DAM	1				sold by the meter
22	1654615160	▪ DAM	1				sold by the meter
23	1652711432	▪ CLIP	4				
24	0068621500	▪ SNAP	2				
25	0398610900	▪ SNAP	2				
26	1652053200	▪ GROMMET	2				
28	1100290616	▪ BOLT	2				
29	1120530612	▪ SCREW	2				
30	1120530616	▪ SCREW	1				
31	1120530608	▪ SCREW	2				
32	1120790516	▪ SCREW	1				
33	1140090006	▪ WASHER, spring	2				
34	1140020006	▪ WASHER, spring	5				
36	1141110006	▪ WASHER	4				
38	1130040010	▪ NUT	2				
39	1131242006	▪ NUT	1				
	J1e111						

TB53FR Book No. BJ1Z006 S/N 15810005-15811324
CAB MOUNT (15810675-)



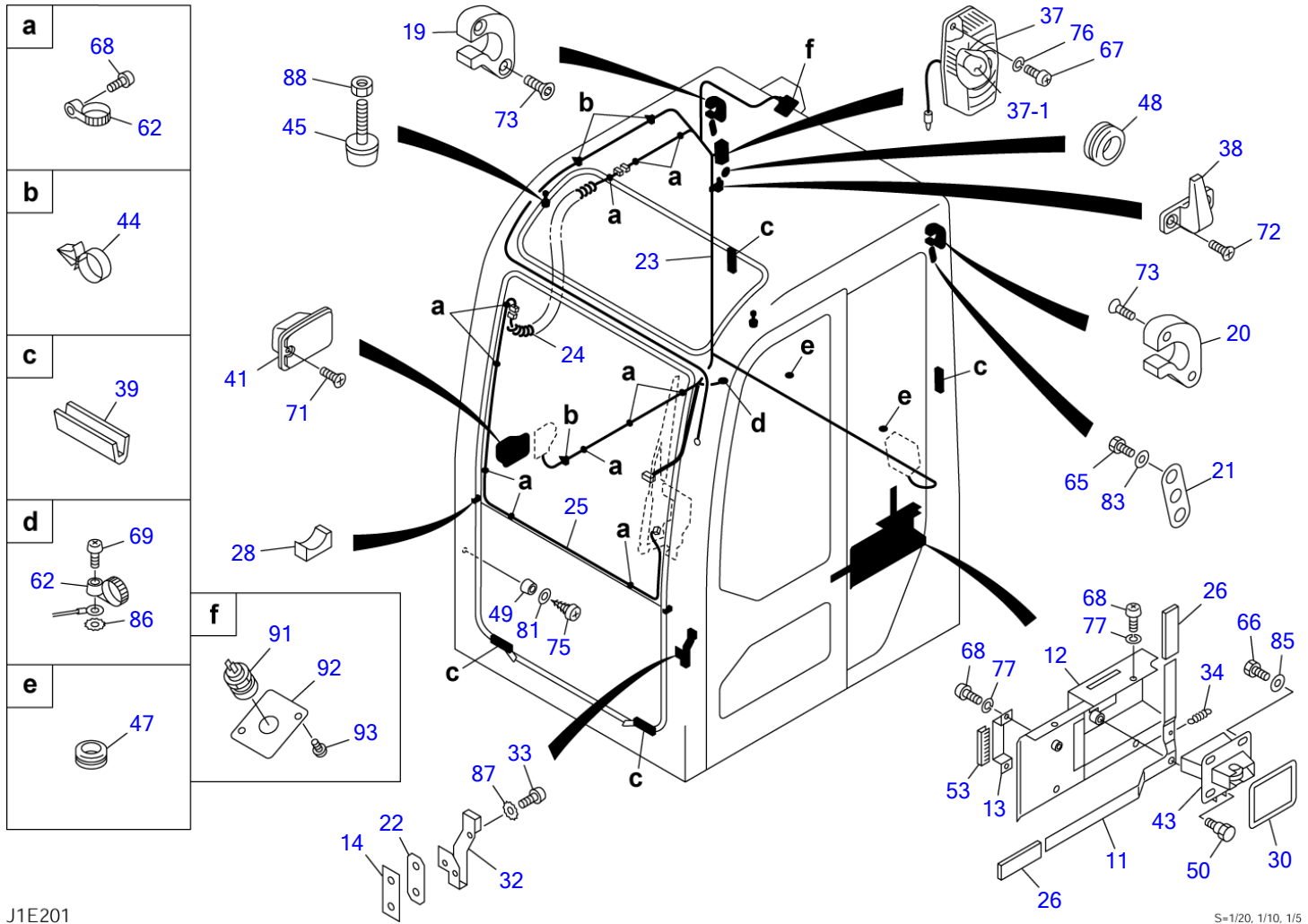
CAB MOUNT (15810675-)

Item	Part number	Description	Q'ty	Chan.	Serial No.	Serv.	Remarks
0	0398619000	CAB MOUNT	1				X03986-19000-10
1	0398620300	• CAB	1				see page (1/4)
2	0398619002	• COLLAR	1				
4	0568640900	• BOLT	4				
5	0433503100	• RUBBER	8				
6	0003000010	• WASHER	4				
7	0563500600	• TUBE	4				
8	1132080016	• NUT	4				
9	1210010430	• PIN, split	4				
10	1101041475	• BOLT	1				
11	1140020014	• WASHER, spring	1				
12	0003600174	• WASHER	1				
13	1654301240	• SPONGE	1				sold by the meter
20	X *****	• DECAL	1				
25	0563519508	• ABSORBENT, noise	1				
27	0563519510	• ABSORBENT, noise	1				
28	0563519513	• ABSORBENT, noise	1				
29	0393516619	• SHEET	1				
	J1e182						

CAB (1/4) (15810675-)

Item	Part number	Description	Q'ty	Chan.	Serial No.	Serv.	Remarks
0	0398620300	CAB ASSY	1				X03986-20300-1
1	X *****	• CAB	1				
2	0338630400	• SASH, front	1				see page (3/4)
3	0568640400	• DOOR	1				see page (4/4)
4	0378601300	• SASH ASSY	1				
4-2	0378601320	• • GLASS	1				
4-3	0378601330	• • GLASS	1				
4-8	0338630650	• • LOCK ASSY	2				
5	0378601600	• GLASS, front	1				
5-1	0378601610	• • GLASS	1				
5-2	1654010900	• • RETAINER	2				
5-3	1654011100	• • PACKING	4				
5-4	1654011000	• • PLATE	2				
5-5	1122410412	• • SCREW	4				
7	0568640207	• GLASS	1				
8	0378601900	• GLASS	1				
9	0358605300	• GLASS	1				
10	0398619500	• GUARD	1				
15	0568640700	• ABSORBENT, noise	1				
16	0568640710	• ABSORBENT, noise	1				
17	0568640720	• ABSORBENT, noise	1				
18	0568625500	• HANDRAIL	1				
27	0438601770	• SPACER	7				
29	0568634100	• SEAL	1				
31	0568626600	• GROMMET	1				
40	1653303010	• CLIP	2				
46	1651101042	• RUBBER	2				
51	1654619140	• SEAL	1				sold by the meter
52	1654619260	• SEAL	1				sold by the meter
54	1653930355	• RUBBER	1				sold by the meter
55	1654605326	• RUBBER	1				sold by the meter
56	1654605374	• RUBBER	1				sold by the meter
57	1654605033	• RUBBER	2				sold by the meter
58	1653916222	• TRIM	1				sold by the meter
59	1654615216	• H-RUBBER	1				sold by the meter
60	1654231336	• H-RUBBER	1				sold by the meter
61	1654615278	• DAM	1				sold by the meter
65	1100090820	• BOLT	6				
66	1100040825	• BOLT	6				
74	1120990830	• SCREW	2				
79	1140090008	• WASHER, spring	6				
84	1141190010	• WASHER	2				
85	1141550008	• WASHER	6				
88	1130090010	• NUT	2				

J1e192



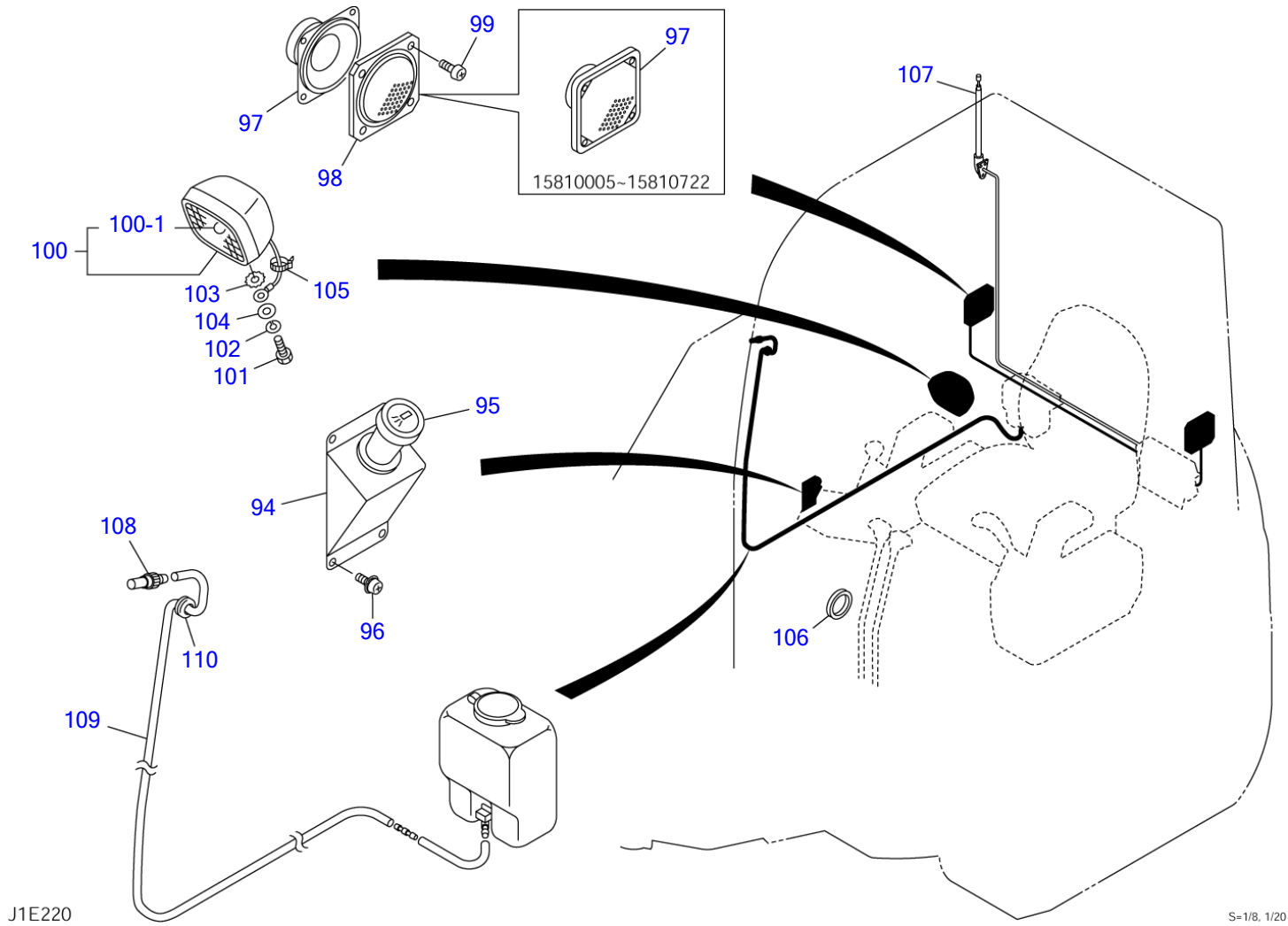
J1E201

S=1/20, 1/10, 1/5

CAB (2/4) (15810675-)

Item	Part number	Description	Qty	Chan.	Serial No.	Serv.	Remarks
0	0398620300	CAB ASSY	1				X03986-20300-1
11	0398619600	• PLATE	1				
12	0568640600	• COVER	1				
13	0338630870	• PLATE	1				
14	0338630880	• PLATE	1				
19	0338630910	• STOPPER (R.H.)	1				
20	0338630960	• STOPPER (L.H.)	1				
21	0338630920	• PLATE	2				
22	0338630930	• PACKING	1				
23	0568651750	• HARNESS, wiring	1				
24	0398802200	• HARNESS, wiring	1				
25	0338631010	• HARNESS, wiring	1				
26	0438601760	• COVER	2				
28	0568633300	• STOPPER	2				
30	0568634400	• SEAL	1				
32	0068620500	• STRIKER	1				
33	0068621300	• SCREW	2				
34	0007000096	• SPRING	1				
37	1703001700	• LAMP, room	1				
37-1	1703001701	• • BULB	1				
38	1654004800	• HANGER	1				
39	1654004900	• STOPPER	4				
41	1654010500	• ASHTRAY	1				
43	1654005100	• LOCK	1				
44	1652351054	• CLIP	4				
45	1651101028	• STOPPER	2				
47	1652060016	• GROMMET	2				
48	1652060031	• BUSHING	1				
49	1652102320	• RUBBER	2				
50	0378601510	• PIN	1				
53	1653916007	• RUBBER	1				sold by the meter
62	1652221050	• BAND	11				
65	1100090820	• BOLT	4				
66	1100040825	• BOLT	4				
67	1120540408	• SCREW	6				
68	1120590512	• SCREW	15				
69	1120590516	• SCREW	1				
71	1120630412	• SCREW	2				
72	1120790412	• SCREW	2				
73	1120800830	• SCREW	4				
75	1122410416	• SCREW	2				
76	1140090004	• WASHER, spring	2				
77	1140090005	• WASHER, spring	13				
81	1141190004	• WASHER, spring	2				
83	1141190008	• WASHER	4				
85	1141550008	• WASHER	4				
86	1140330005	• WASHER	1				
87	1140330010	• WASHER	2				
88	1130090010	• NUT	2				
91	1711900066	• SOCKET	1				
92	0578600143	• COVER	1				
93	1150420512	• SCREW	2				

J1e201



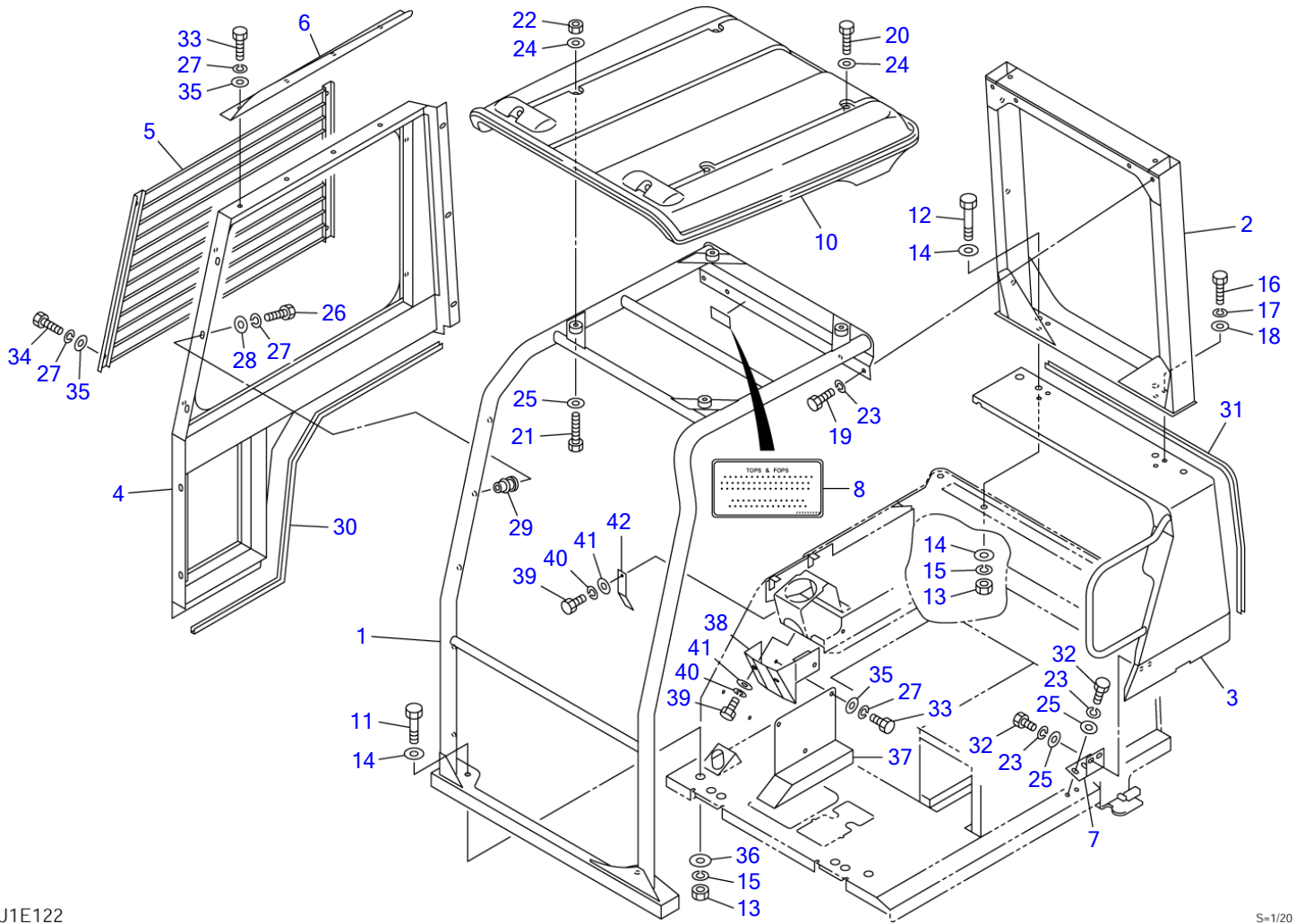
CAB ACCESSORIES

Item	Part number	Description	Q'ty	Chan.	Serial No.	Serv.	Remarks
94	0338627020	BRACKET	1				
95	1711900059	LIGHTER	1				
96	1150120410	SCREW	4				
97	1705003200	SPEAKER	2	A	15810005~15810722		
	1705003500	SPEAKER	2	a(H)	15810723~		
98	1705003550	GRILLE	2	a	15810723~		
99	1120590410	SCREW	8				
100	1703006300	LAMP ASSY	1				
100-1	1703006305	· BULB	1				12V, 55W
101	1100040816	BOLT	1				
102	1140020008	WASHER, spring	1				
103	1140330008	WASHER	1				
104	1141110008	WASHER	1				
105	1652231250	BAND	1				
106	1654605026	RUBBER, sash	1				sold by the meter
107	1705003400	ANTENNA	1		15810005~15811250		
	1705003450	ANTENNA	1	(H)	15811251~		
108	1711910040	NOZZLE	1				
109	1711919180	HOSE	1				
110	1652001002	GROMMET	1				

<<NOTE>>
 "A" is interchangeable with
 SET "a".

J1e220

TB53FR Book No. BJ1Z006 S/N 15810005-15811324
CANOPY

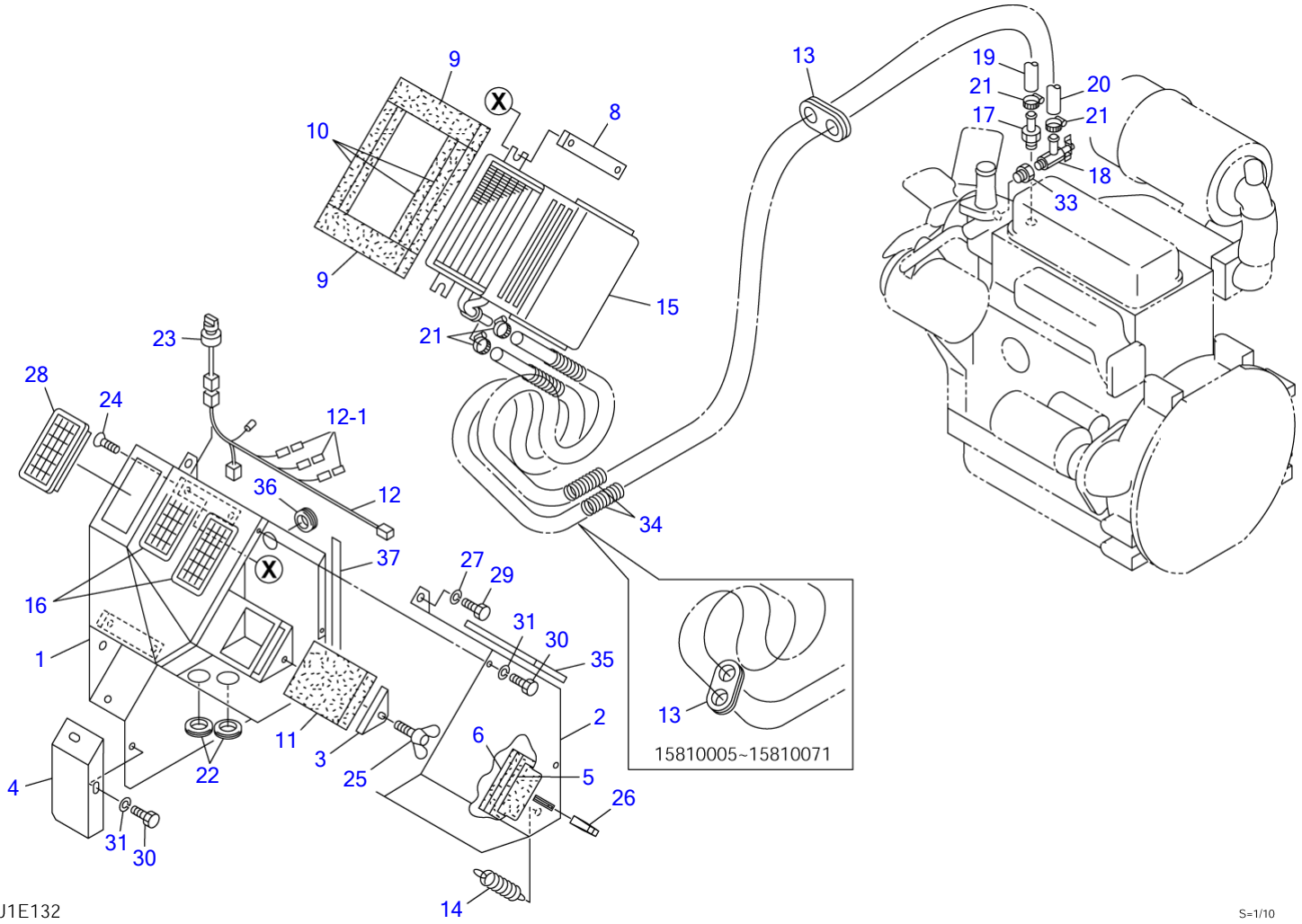


J1E122

S-1/20

Item	Part number	Description	CANOPY		Serial No.	Serv.	Remarks
			Q'ty	Chan.			
		CANOPY ASSY					X03984-01000-5
1	0398401100	POLE	1				
2	0398401200	POLE	1				
3	0398401300	COVER	1				
4	0398400400	PANEL	1				
5	0398401500	GUARD	1				
6	0398400600	COVER	1				
7	0398401600	ANGLE	1				
8	X *****	DECAL	1		15810005~15810063		FOPS
	X *****	DECAL	1		15810064~		TOPS & FOPS
10	0368416300	ROOF	1				
11	1101041445	BOLT	2				
12	1101041460	BOLT	2				
13	1130540014	NUT	4				
14	1141550014	WASHER	6				
15	1140020014	WASHER, spring	4				
16	1101041230	BOLT	4				
17	1140020012	WASHER, spring	4				
18	1141110012	WASHER	4				
19	1100041020	BOLT	2				
20	1100041035	BOLT	2				
21	1100041050	BOLT	2				
22	1130040010	NUT	2				
23	1140020010	WASHER, spring	8				
24	0003600020	WASHER	4				
25	1141110010	WASHER	6				
26	1100040830	BOLT	8				
27	1140020008	WASHER, spring	19				
28	0003608252	WASHER	8				
29	1652520008	BAND	8				
30	1654607120	SEAL	1				
31	1654605135	RUBBER	1				sold by the meter
32	1100041016	BOLT	4				sold by the meter
33	1100040816	BOLT	7				
34	1100040825	BOLT	4				
35	1141110008	WASHER	11				
36	0003600122	WASHER	2				
37	0398401610	COVER	1				
38	0398401620	COVER	1		15810005~15810015		
	0398401630	COVER	1		15810016~15810315		
	0398401640	COVER	1	(H)	15810316~		
39	1100040612	BOLT	3				
40	1140020006	WASHER, spring	3				
41	1141110006	WASHER	3				
42	0398401650	PLATE	1		15810316~		
	J1e123						

TB53FR Book No. BJ1Z006 S/N 15810005-15811324
HEATER

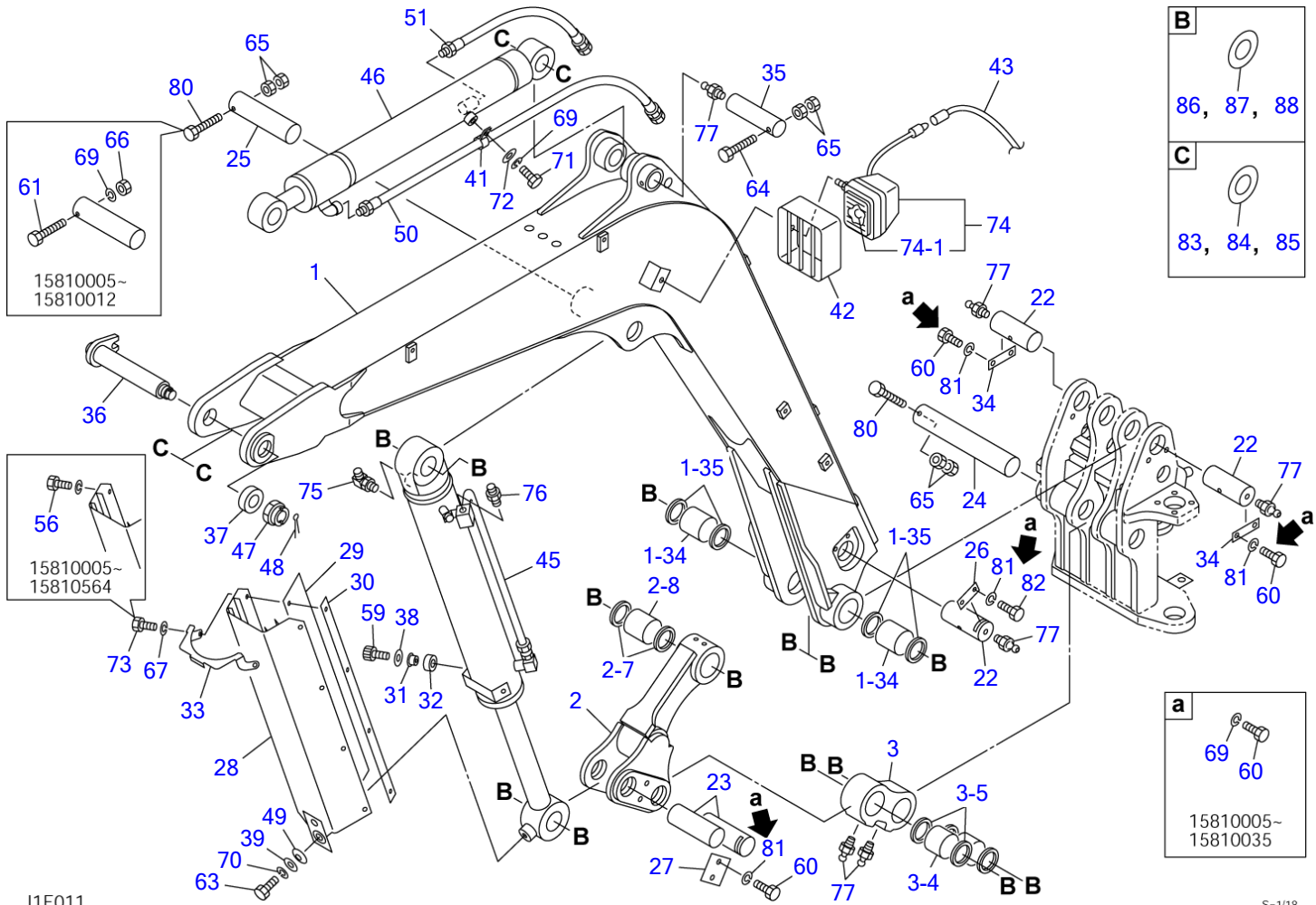


J1E132

S=1/10

Item	Part number	Description	HEATER		Serial No.	Serv.	Remarks
			Q'ty	Chan.			
0-1	0394512900	HEATER ASSY					X03945-12900-7
1	0564527100	▪ BOX	1				
2	0564527200	▪ COVER ASSY	1				
3	0564527300	▪ PLATE	1				
4	0564527310	▪ PLATE	1				
5	0564527320	▪ URETHANE	1				
6	0564527330	▪ URETHANE	1				
8	0354508400	▪ PLATE	2				
9	0354508310	▪ URETHANE	2				
10	0354508320	▪ URETHANE	3				
11	0564519550	▪ FILTER	1				
12	0394512700	▪ HARNESS, wiring	1				
12-1	1730500008	▪ ▪ DIODE (3A yellow)	3				
13	0097210300	▪ GUARD	2		15810005~15810071		
	0097210300	▪ GUARD	1		15810072~		
14	0143283500	▪ SPRING	1				
15	1911508100	▪ HEATER	1				
16	1911504000	▪ LOUVER	2				
17	1911502200	▪ ADAPTOR	1				
18	1911502100	▪ VALVE	1				
19	1911521850	▪ HOSE	1				
20	1911521840	▪ HOSE	1				
21	1911500500	▪ CLAMP	4				
22	1652002202	▪ GROMMET	2		15810005~15810071		
23	1700000011	▪ SWITCH, heater	1				
24	1120630820	▪ SCREW	4				
25	1121530614	▪ BOLT, wing	1				
26	0564612550	▪ KNOB	1				
27	1140020008	▪ WASHER, spring	4				
28	0564511100	▪ LOUVER	1				
29	1100040816	▪ BOLT	4				
30	1100040616	▪ BOLT	1				
31	1140020006	▪ WASHER, spring	1				
33	1501910303	▪ SOCKET	1				
34	0354508700	▪ SPRING	2		15810072~		
35	0354508710	▪ URETHANE	1		15810072~		
36	1652053000	▪ GROMMET	1				
37	1654305026	▪ SPONGE	1				sold by the meter
	J1e132						

TB53FR Book No. BJ1Z006 S/N 15810005-15811324
 BOOM (1/2) (15810005-15810674)



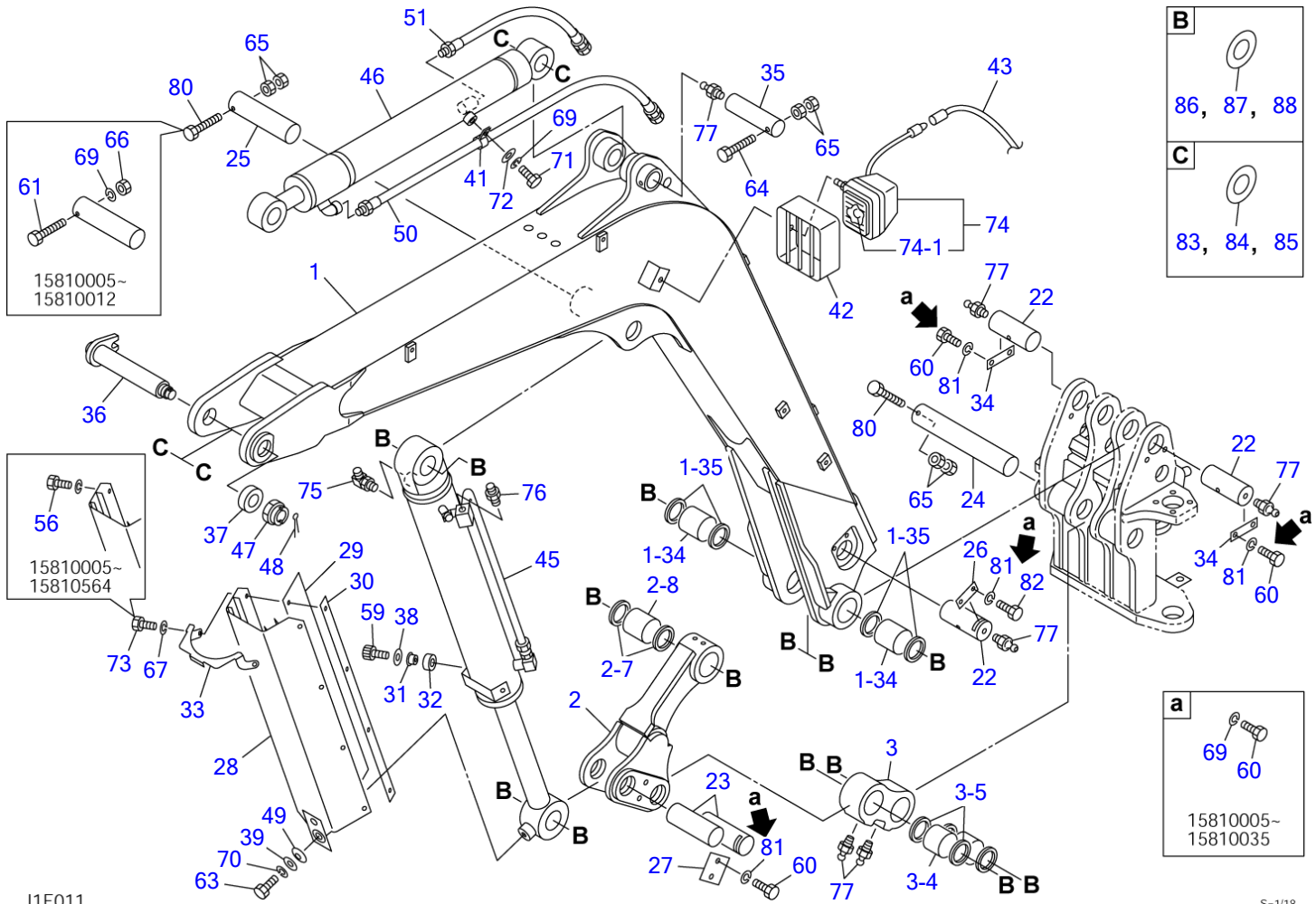
J1F011

S=1/18

BOOM (1/2) (15810005-15810674)

Item	Part number	Description	Q'ty	Chan.	Serial No.	Serv.	Remarks
		BOOM ASSY					X03960-12000-7
1	0396012100	BOOM	1				
1-34	0396011350	• BUSHING	2				
1-35	1432200060	• SEAL, dust	4				
2	0396011300	LINK, boom	1				
2-7	1432200060	• SEAL, dust	2				
2-8	0396011350	• BUSHING	1				
3	0396007300	LINK	1				
3-4	0396011350	• BUSHING	2				
3-5	1432200060	• SEAL, dust	4				
22	0396011600	PIN	3				
23	0396007610	PIN	2				
24	0396007620	PIN	1		15810005~15810012		
	0011507355	PIN	1		15810013~		
25	0396007630	PIN	1		15810005~15810012		
	0011507215	PIN	1		15810013~		
26	0396007640	PLATE	1		15810005~15810012		
	0396012330	PLATE	1	(H)	15810013~		
27	0396007650	PLATE	1				
28	0396011700	PROTECTOR	1				
29	0396007710	RUBBER	2				
30	0396007720	PLATE	2				
31	0396011710	COLLAR	2				
32	1300206003	BEARING	2				
33	0396011750	COVER	1		15810564~		
34	0393104650	PLATE	2		15810005~15810012		
	0393109400	PLATE	2	(H)	15810013~		
35	0001675001	PIN	1				
36	0011905003	PIN	1				
37	0003900019	WASHER	1				
38	0003600079	WASHER	2				
39	0003600024	WASHER	1				
41	0007300051	CLAMP	1				
42	0056031510	PROTECTOR	1				
43	0434200600	WIRE	1				
45	1900083500	CYLINDER, boom	1		15810005~15810674		
	1900092200	CYLINDER, boom	1	(H)	15810675~		
46	1900081500	CYLINDER, arm	1				
47	1132630039	NUT	1				
48	1210010670	PIN, split	1				
49	1225121022	WASHER, conical	1				
50	0396011800	HOSE ASSY	1				
51	0396012320	HOSE ASSY	1				
56	1100040616	BOLT	6				
59	1110040812	SCREW, cap	2				
60	1100041025	BOLT	8		15810005~15810035		
	1100041425	BOLT	6		15810036~		
61	1100041040	BOLT	1		15810005~15810012		
63	1101041220	BOLT	1				
64	1103041295	BOLT	1				
65	1130240012	NUT	2		15810005~15810012		
	1130240012	NUT	6		15810013~		
66	1130040010	NUT	1		15810005~15810012		
67	1140020006	WASHER, spring	8				
69	1140020010	WASHER, spring	10		15810005~15810012		
	1140020010	WASHER, spring	9		15810013~15810035		
	1140020010	WASHER, spring	1		15810036~		
70	1140020012	WASHER, spring	1				
71	1100041016	BOLT	1				
72	1141110010	WASHER	1				
73	1100040620	BOLT	2		15810564~		
74	1703006100	LAMP ASSY	1				
74-1	1703006106	• BULB	1				
75	1515010042	ELBOW	1				
	1420010180	• O-RING	1				
76	1515600202	ADAPTOR	1				
	1420010180	• O-RING	1				
77	1560001000	FITTING, grease	6				

TB53FR Book No. BJ1Z006 S/N 15810005-15811324
 BOOM (1/2) (15810005-15810674)



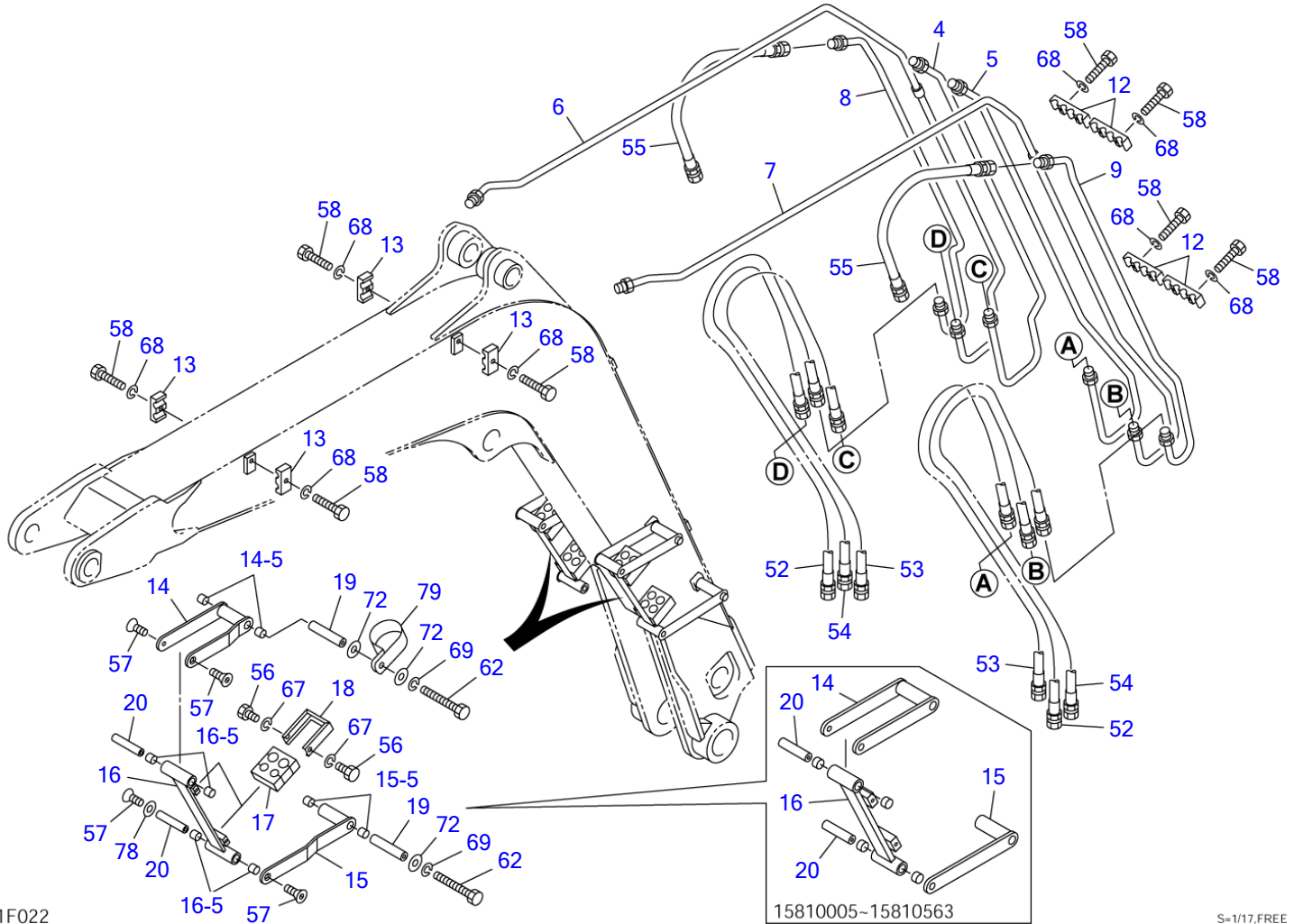
J1F011

S=1/18

BOOM (1/2) (15810005-15810674)

Item	Part number	Description	Q'ty	Chan.	Serial No.	Serv.	Remarks
80	1103141205	BOLT	2		15810013~		
81	1140020014	WASHER, spring	8		15810036~		
82	1101041425	BOLT	2		15810036~		
83	0003600096	WASHER	AR				t=1.0mm
84	0003600061	WASHER	AR				t=0.5mm
85	0003600060	WASHER	AR				t=0.2mm
86	0003600157	WASHER	AR				t=1.0mm
87	0003600095	WASHER	AR				t=0.5mm
88	0003600094	WASHER	AR				t=0.2mm
	J1f011						

TB53FR Book No. BJ1Z006 S/N 15810005-15811324
BOOM (2/2) (15810005-15810674)



J1F022

S=1/17,FREE

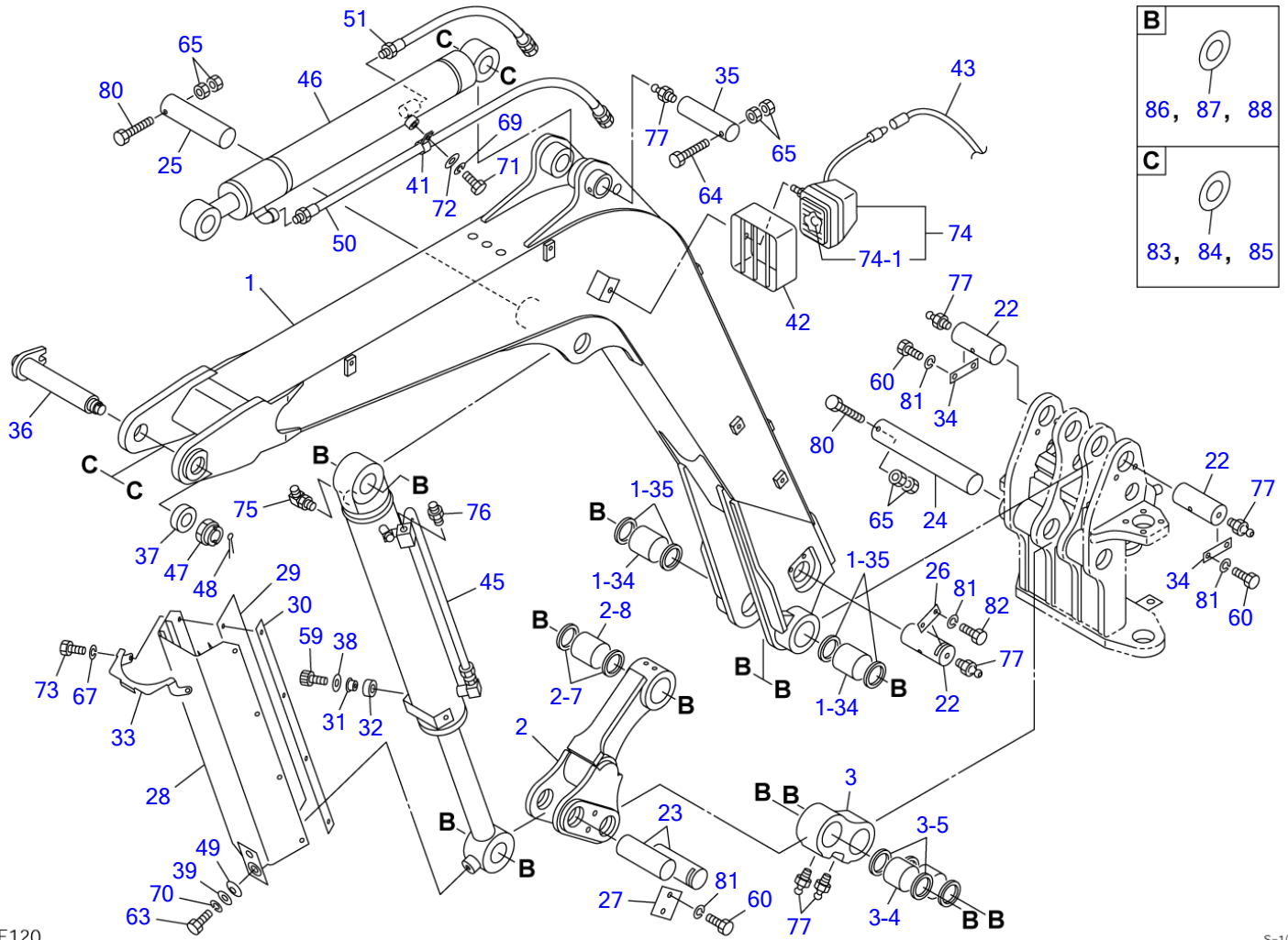
BOOM (2/2) (15810005-15810674)

Item	Part number	Description	Q'ty	Chan.	Serial No.	Serv.	Remarks
		BOOM ASSY					X03960-12000-7
4	0396011400	PIPE (R.H.)	1				
5	0396011410	PIPE (L.H.)	1				
6	0396012300	PIPE (R.H.)	1				
7	0396012310	PIPE (L.H.)	1				
8	0396011440	PIPE (R.H.)	1				
9	0396011450	PIPE (L.H.)	1				
12	0396007480	CLAMP	4				
13	0396007490	CLAMP	4				
14	0396011500	ARM	2	A	15810005~15810563		
	0397310450	ARM	2	a(H)	15810564~		
14-5	1333001515	· BUSHING	4				
15	0396011520	ARM	2	A	15810005~15810563		
	0397310470	ARM	2	a(H)	15810564~		
15-5	1333001515	· BUSHING	4				
16	0396011540	LINK, hose	2	A	15810005~15810563		
	0397310550	LINK, hose	2	a(H)	15810564~		
16-5	1333001515	· BUSHING	8				
17	0396011560	RUBBER	4				
18	0396011570	HOLDER	4				
19	0396007560	SHAFT	4				
20	0396007570	SHAFT	4	A	15810005~15810563		
	0397310570	SHAFT	4	a(H)	15810564~		
52	0396011820	HOSE ASSY	2				
53	0396011830	HOSE ASSY	2				
54	0396011840	HOSE ASSY	2				
55	0396011850	HOSE ASSY	2				
56	1100040616	BOLT	8				
57	1120800816	SCREW	8				
58	1100040835	BOLT	12				
62	1100141000	BOLT	4				
67	1140020006	WASHER, spring	8				
68	1140020008	WASHER, spring	12				
69	1140020010	WASHER, spring	4		15810005~15810012		
	1140020010	WASHER, spring	4		15810013~15810035		
	1140020010	WASHER, spring	4		15810036~		
72	1141110010	WASHER	5				
78	0356015500	WASHER	2				
79	0007300061	CLAMP	2				

<<NOTE>>
 SET "A" is interchangeable
 with SET "a".

J1f021

TB53FR Book No. BJ1Z006 S/N 15810005-15811324
 BOOM (1/2) (15810675-15810794)



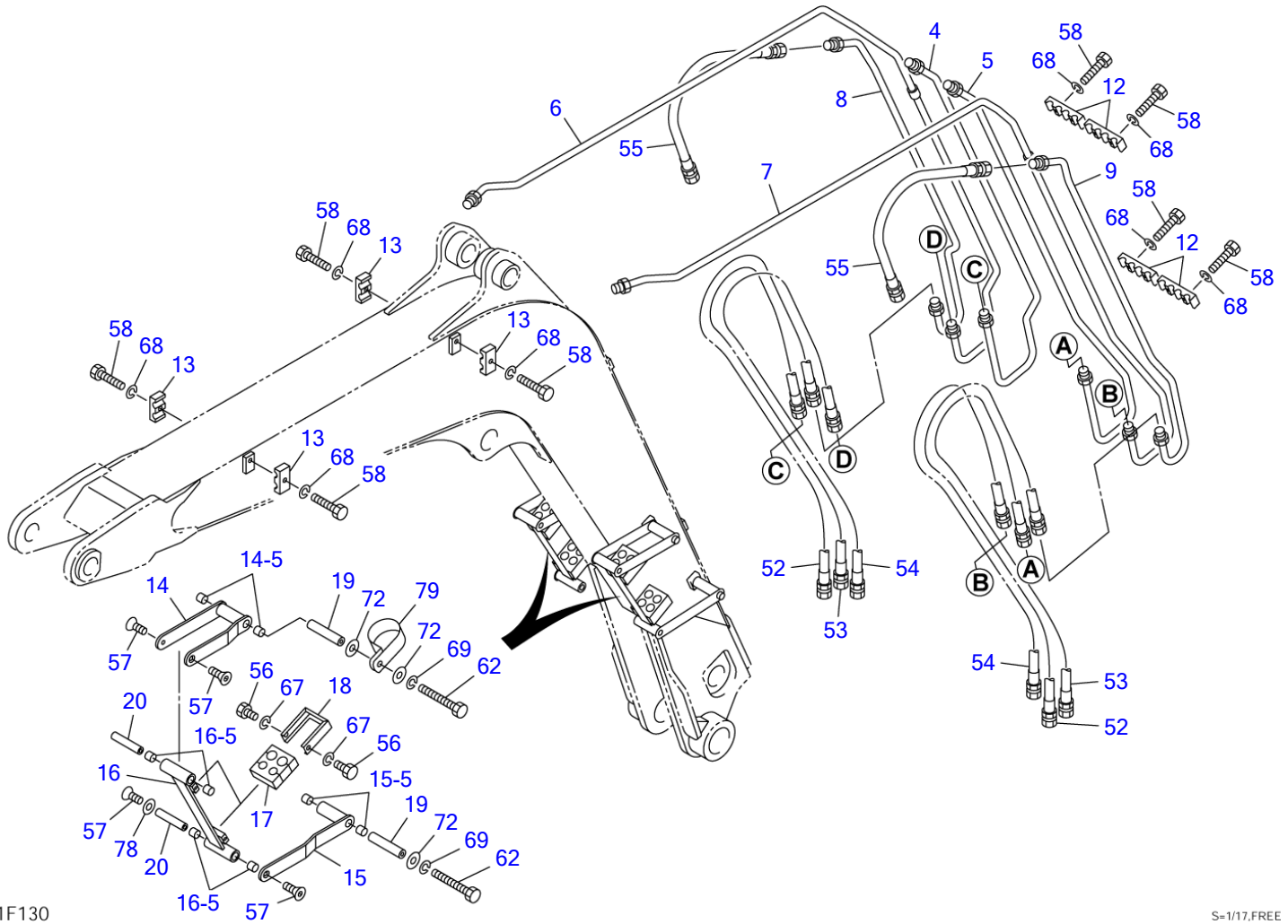
J1F120

S-1/18

BOOM (1/2) (15810675-15810794)

Item	Part number	Description	Q'ty	Chan.	Serial No.	Serv.	Remarks
		BOOM ASSY					X03960-13000-0
1	0396012100	BOOM	1				
1-34	0396011350	• BUSHING	2				
1-35	1432200060	• SEAL, dust	4				
2	0396011300	LINK, boom	1				
2-7	1432200060	• SEAL, dust	2				
2-8	0396011350	• BUSHING	1				
3	0396007300	LINK	1				
3-4	0396011350	• BUSHING	2				
3-5	1432200060	• SEAL, dust	4				
22	0396011600	PIN	3				
23	0396007610	PIN	2				
24	0011507355	PIN	1				
25	0011507215	PIN	1				
26	0396012330	PLATE	1				
27	0396007650	PLATE	1				
28	0396011700	PROTECTOR	1				
29	0396007710	RUBBER	2				
30	0396007720	PLATE	2				
31	0396011710	COLLAR	2				
32	1300206003	BEARING	2				
33	0396011750	COVER	1				
34	0393109400	PLATE	2				
35	0001675001	PIN	1				
36	0011905003	PIN	1				
37	0003900019	WASHER	1				
38	0003600079	WASHER	2				
39	0003600024	WASHER	1				
41	0007300051	CLAMP	1				
42	0056031510	PROTECTOR	1				
43	0434200600	WIRE	1				
45	1900092200	CYLINDER, boom	1				
46	1900081500	CYLINDER, arm	1				
47	1132630039	NUT	1				
48	1210010670	PIN, split	1				
49	1225121022	WASHER, conical	1				
50	0396011800	HOSE ASSY	1				
51	0396012320	HOSE ASSY	1				
59	1110040812	SCREW, cap	2				
60	1100041425	BOLT	6				
63	1101041220	BOLT	1				
64	1103041295	BOLT	1				
65	1130240012	NUT	6				
67	1140020006	WASHER, spring	8				
69	1140020010	WASHER, spring	1				
70	1140020012	WASHER, spring	1				
71	1100041016	BOLT	1				
72	1141110010	WASHER	1				
73	1100040620	BOLT	2				
74	1703006100	LAMP ASSY	1				
74-1	1703006106	• BULB	1				
75	1515010042	ELBOW	1				
	1420010180	• O-RING	1				
76	1515600202	ADAPTOR	1				
	1420010180	• O-RING	1				
77	1560001000	FITTING, grease	6				
80	1103141205	BOLT	2				
81	1140020014	WASHER, spring	8				
82	1101041425	BOLT	2				
83	0003600096	SHIM	AR				t=1.0mm
84	0003600061	SHIM	AR				t=0.5mm
85	0003600060	SHIM	AR				t=0.2mm
86	0003600157	SHIM	AR				t=1.0mm
87	0003600095	SHIM	AR				t=0.5mm
88	0003600094	SHIM	AR				t=0.2mm

J1f120



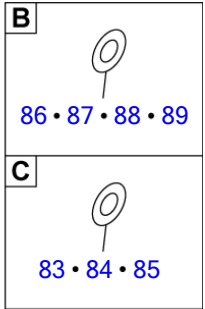
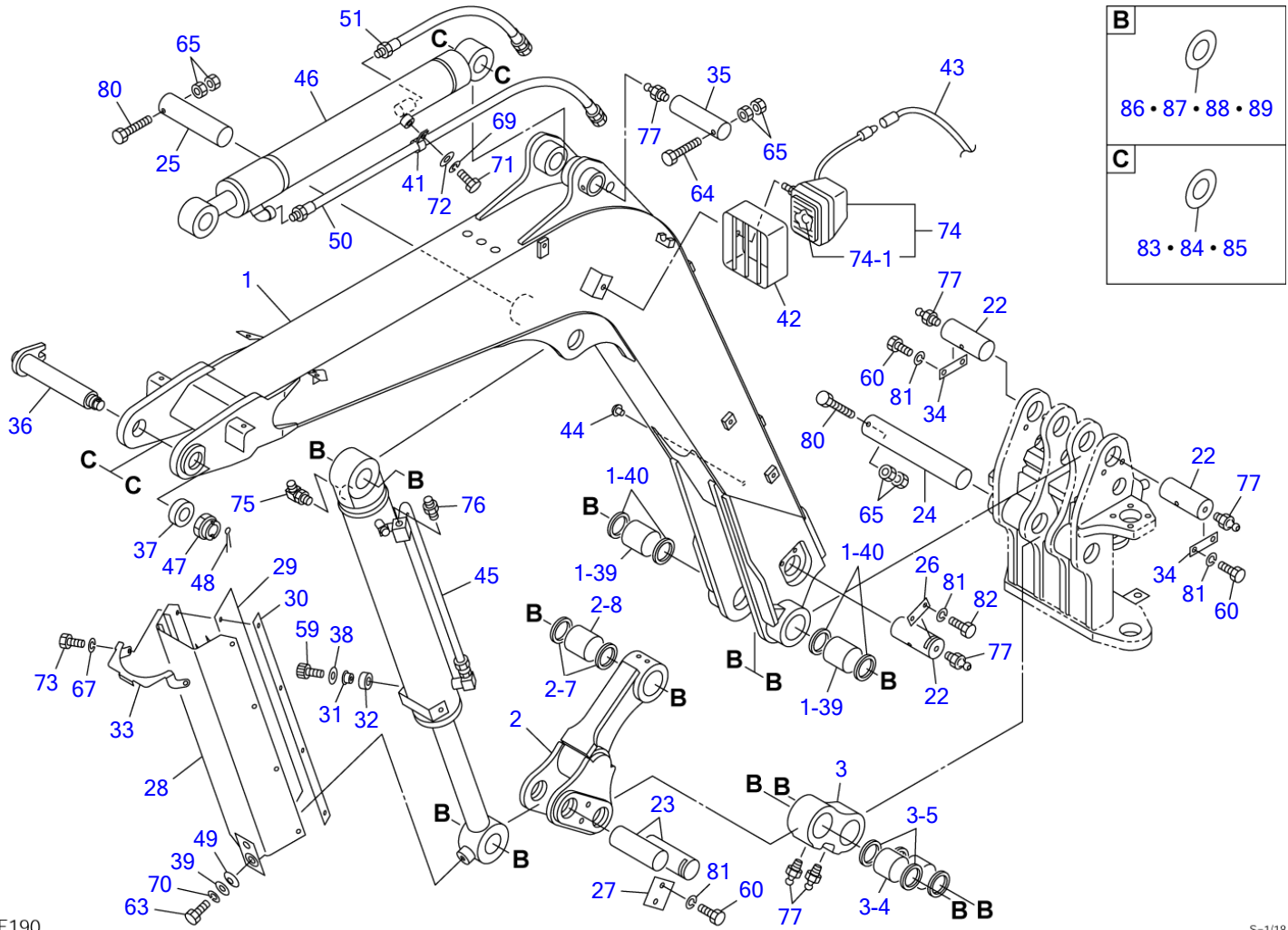
J1F130

S=1/17,FREE

BOOM (2/2) (15810675-15810794)

Item	Part number	Description	Q'ty	Chan.	Serial No.	Serv.	Remarks
		BOOM ASSY					X03960-13000-0
4	0396011400	PIPE (R.H.)	1				
5	0396011410	PIPE (L.H.)	1				
6	0396012300	PIPE (R.H.)	1				
7	0396012310	PIPE (L.H.)	1				
8	0396011440	PIPE (R.H.)	1				
9	0396011450	PIPE (L.H.)	1				
12	0396007480	CLAMP	4				
13	0396007490	CLAMP	4				
14	0397310450	ARM	2				
14-5	1333001515	• BUSHING	4				
15	0397310470	ARM	2				
15-5	1333001515	• BUSHING	4				
16	0397310550	LINK, hose	2				
16-5	1333001515	• BUSHING	8				
17	0396011560	RUBBER	4				
18	0396011570	HOLDER	4				
19	0396007560	SHAFT	4				
20	0397310570	SHAFT	4				
52	0396011820	HOSE ASSY	2				
53	0396011830	HOSE ASSY	2				
54	0396011840	HOSE ASSY	2				
55	0396011850	HOSE ASSY	2				
56	1100040616	BOLT	8				
57	1120800816	SCREW	8				
58	1100040835	BOLT	12				
62	1100141000	BOLT	4				
67	1140020006	WASHER, spring	8				
68	1140020008	WASHER, spring	12				
69	1140020010	WASHER, spring	4				
72	1141110010	WASHER	5				
78	0356015500	WASHER	2				
79	0007300061	CLAMP	2				
	J1f130						

TB53FR Book No. BJ1Z006 S/N 15810005-15811324
BOOM (1/2) (15810795-)



J1F190

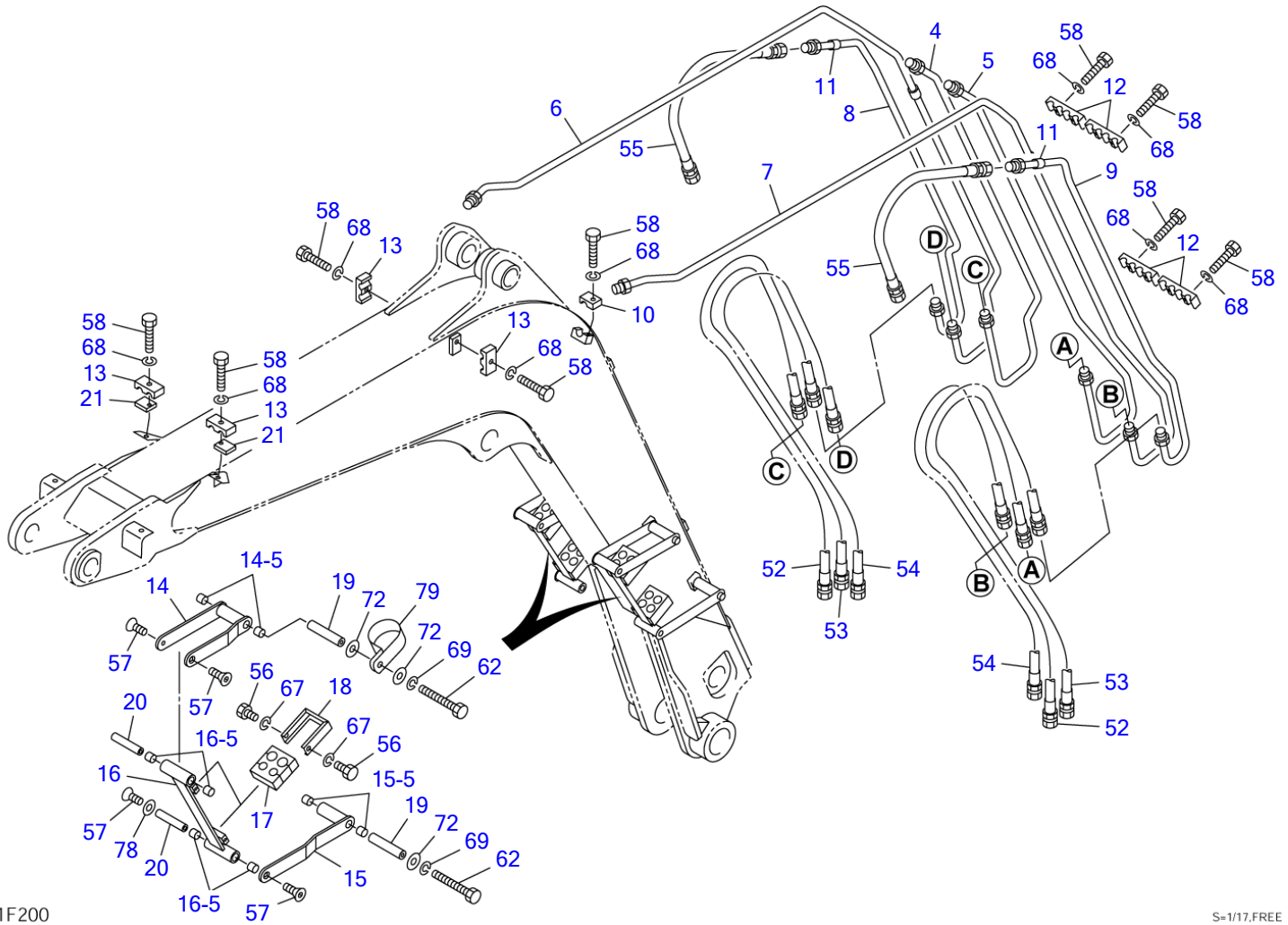
S-1/18

BOOM (1/2) (15810795-)

Item	Part number	Description	Q'ty	Chan.	Serial No.	Serv.	Remarks
		BOOM ASSY					X03960-14000-2
1	0396014100	BOOM	1				
1-39	0396011350	• BUSHING	2				
1-40	1432200060	• SEAL, dust	4				
2	0396011300	LINK, boom	1				
2-7	1432200060	• SEAL, dust	2				
2-8	0396011350	• BUSHING	1				
3	0396007300	LINK	1				
3-4	0396011350	• BUSHING	2				
3-5	1432200060	• SEAL, dust	4				
22	0396011600	PIN	3				
23	0396007610	PIN	2				
24	0011507355	PIN	1				
25	0011507215	PIN	1				
26	0396012330	PLATE	1				
27	0396007650	PLATE	1				
28	0396011700	PROTECTOR	1				
29	0396007710	RUBBER	2				
30	0396007720	PLATE	2				
31	0396011710	COLLAR	2				
32	1300206003	BEARING	2				
33	0396011750	COVER	1				
34	0393109400	PLATE	2				
35	0001675001	PIN	1				
36	0011905003	PIN	1				
37	0003900019	WASHER	1				
38	0003600079	WASHER	2				
39	0003600024	WASHER	1				
41	0007300051	CLAMP	1				
42	0056031510	PROTECTOR	1				
43	0434200600	WIRE	1				
44	1652533016	CAP	1				
45	1900092200	CYLINDER, boom	1				
46	1900081500	CYLINDER, arm	1				
47	1132630039	NUT	1				
48	1210010670	PIN, split	1				
49	1225120022	WASHER, conical	1			M	
50	0396011800	HOSE ASSY	1				
51	0396012320	HOSE ASSY	1				
59	1110040812	SCREW, cap	2				
60	1100041425	BOLT	6				
63	1101041220	BOLT	1				
64	1103041295	BOLT	1				
65	1130240012	NUT	6				
67	1140020006	WASHER, spring	8				
69	1140020010	WASHER, spring	1				
70	1140020012	WASHER, spring	1				
71	1100041016	BOLT	1				
72	1141110010	WASHER	1				
73	1100040620	BOLT	2				
74	1703006100	LAMP ASSY	1				
74-1	1703006106	• BULB	1				
75	1515010042	ELBOW	1				
	1420010180	• O-RING	1				
76	1515600202	ADAPTOR	1				
	1420010180	• O-RING	1				
77	1560001000	FITTING, grease	6				
80	1103141205	BOLT	2				
81	1140020014	WASHER, spring	8				
82	1101041425	BOLT	2				
83	0003600096	SHIM	AR				t=1.0mm
84	0003600061	SHIM	AR				t=0.5mm
85	0003600060	SHIM	AR				t=0.2mm
86	0003600157	SHIM	AR				t=1.0mm
87	0003600095	SHIM	AR				t=0.5mm
88	0003600094	SHIM	AR				t=0.2mm
89	0003600124	SHIM	AR				

J1f191

TB53FR Book No. BJ1Z006 S/N 15810005-15811324
 BOOM (2/2) (15810795-)

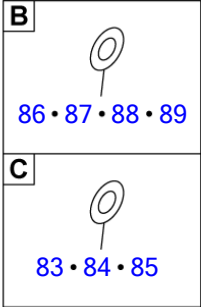
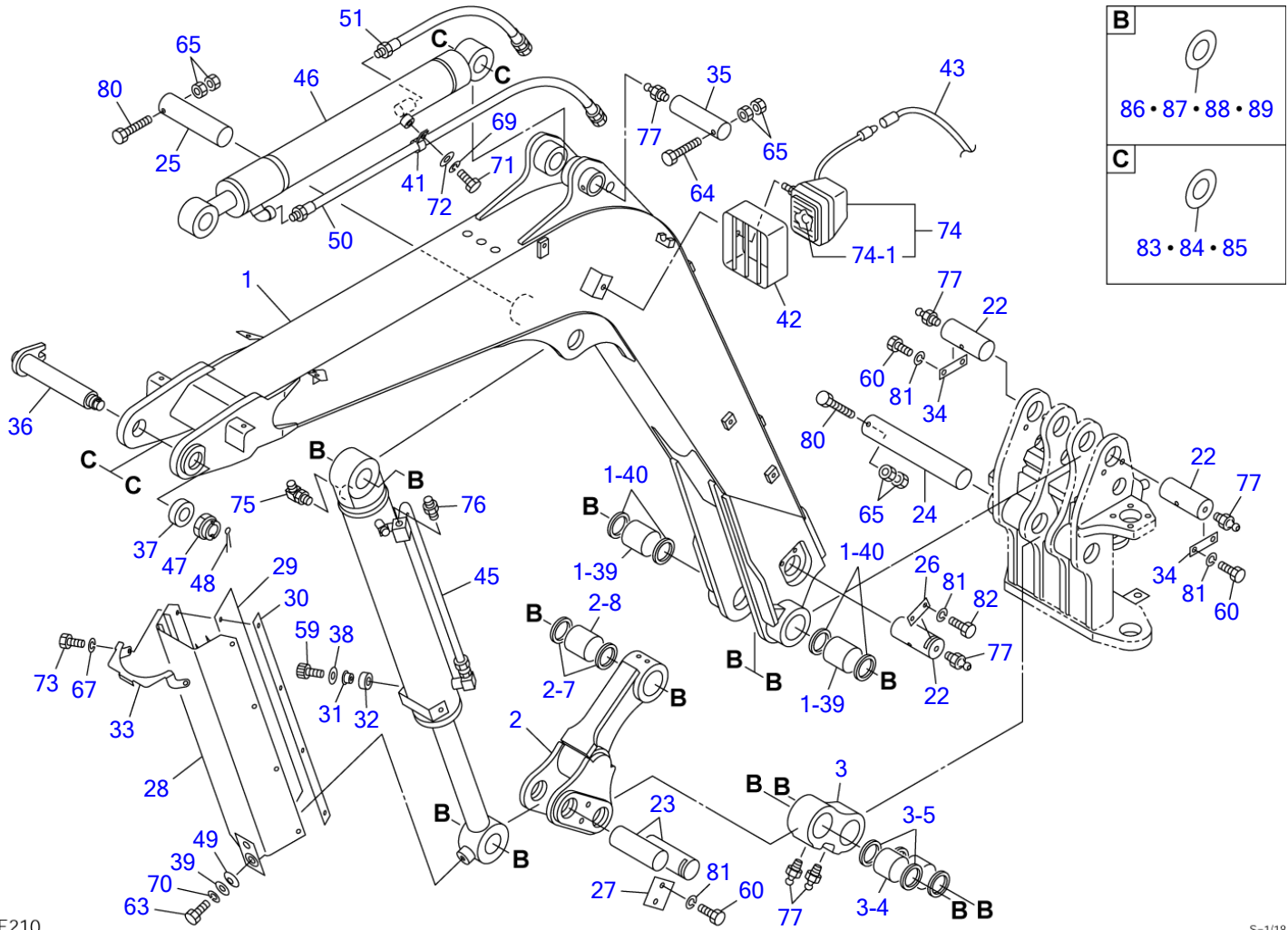


J1F200

S=1/17,FREE

BOOM (2/2) (15810795-)

Item	Part number	Description	Q'ty	Chan.	Serial No.	Serv.	Remarks
		BOOM ASSY					X03960-14000-2
4	0396011400	PIPE (R.H.)	1				
5	0396011410	PIPE (L.H.)	1				
6	0396012300	PIPE (R.H.)	1				
7	0396012310	PIPE (L.H.)	1				
8	0396014310	PIPE (R.H.)	1				
9	0396014320	PIPE (L.H.)	1				
10	0447310602	CLAMP	2				
11	1531419003	PROTECTOR	2				sold by the meter
12	0396007480	CLAMP	4				
13	0396007490	CLAMP	4				
14	0397310450	ARM	2				
14-5	1333001515	• BUSHING	4				
15	0397310470	ARM	2				
15-5	1333001515	• BUSHING	4				
16	0397310550	LINK, hose	2				
16-5	1333001515	• BUSHING	8				
17	0396011560	RUBBER	4				
18	0396011570	HOLDER	4				
19	0396007560	SHAFT	4				
20	0397310570	SHAFT	4				
21	0397310130	PLATE	2				
52	0396011820	HOSE ASSY	2				18015-40200
53	0396011830	HOSE ASSY	2				18015-40180
54	0396011840	HOSE ASSY	2				18015-10195
55	0396014330	HOSE ASSY	2				
56	1100040616	BOLT	8				
57	1120800816	SCREW	8				
58	1100040835	BOLT	14				
62	1100141000	BOLT	4				
67	1140020006	WASHER, spring	8				
68	1140020008	WASHER, spring	14				
69	1140020010	WASHER, spring	4				
72	1141110010	WASHER	5				
78	0356015500	WASHER	2				
79	0007300061	CLAMP	2				
	J1f201						

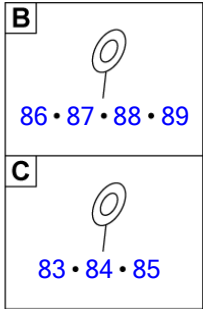
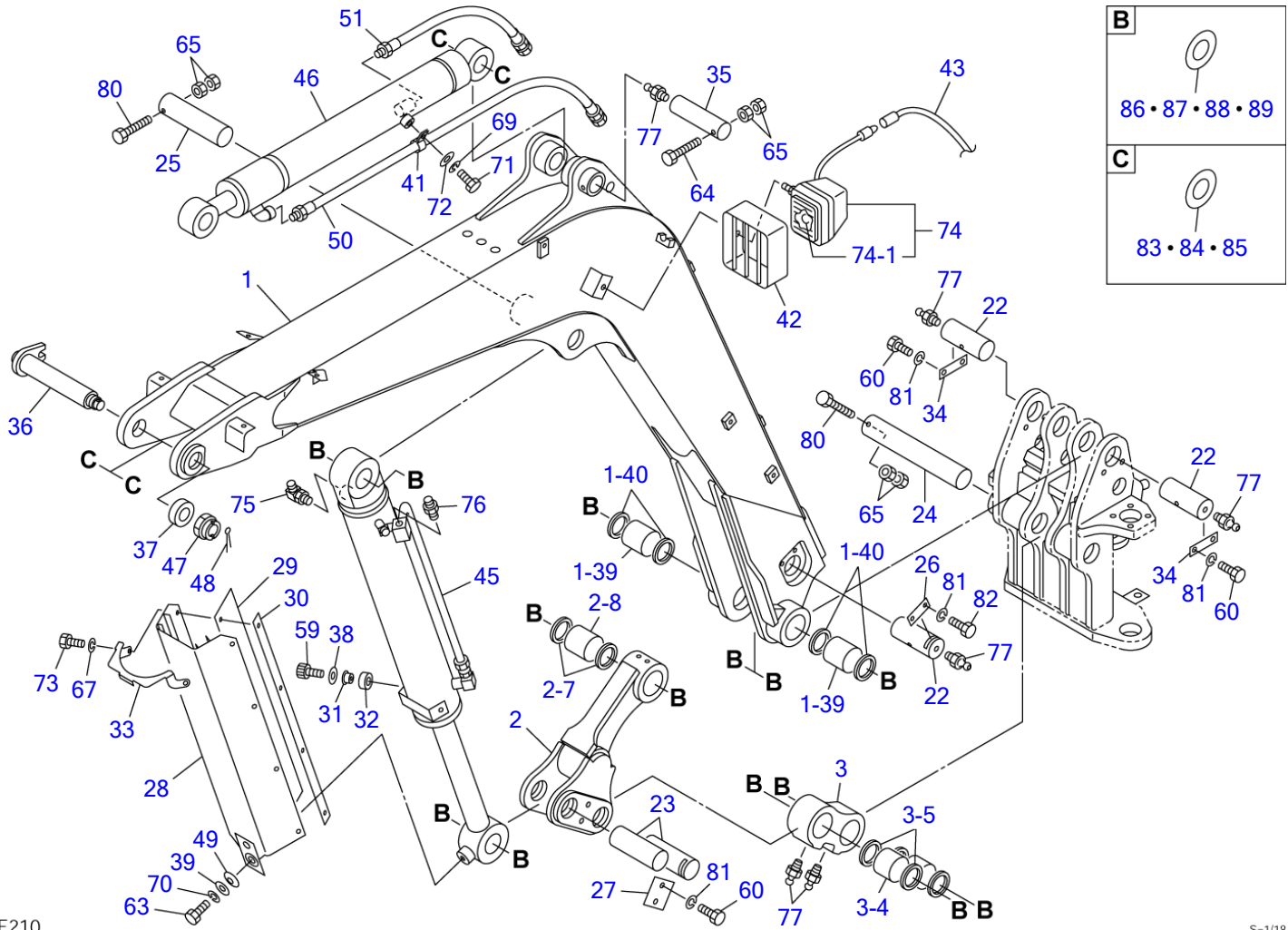


J1F210

S-1/18

BOOM (1/2) (with emergency shut-off valve; 15811047-)

Item	Part number	Description	Q'ty	Chan.	Serial No.	Serv.	Remarks
		BOOM ASSY (with boom shut-off valve)					X03960-14300-2
		BOOM ASSY (with boom & arm shut-off valve)					X03960-14400-2
1	0396014100	BOOM	1				
1-39	0396011350	• BUSHING	2				
1-40	1432200060	• SEAL, dust	4				
2	0396011300	LINK, boom	1				
2-7	1432200060	• SEAL, dust	2				
2-8	0396011350	• BUSHING	1				
3	0396007300	LINK	1				
3-4	0396011350	• BUSHING	2				
3-5	1432200060	• SEAL, dust	4				
22	0396011600	PIN	3				
23	0396007610	PIN	2				
24	0011507355	PIN	1				
25	0011507215	PIN	1				
26	0396012330	PLATE	1				
27	0396007650	PLATE	1				
28	0396011700	PROTECTOR	1				
29	0396007710	RUBBER	2				
30	0396007720	PLATE	2				
31	0396011710	COLLAR	2				
32	1300206003	BEARING	2				
33	0396011750	COVER	1				
34	0393109400	PLATE	2				
35	0001675001	PIN	1				
36	0011905003	PIN	1				
37	0003900019	WASHER	1				
38	0003600079	WASHER	2				
39	0003600024	WASHER	1				
41	0007300051	CLAMP	1				with boom shut-off valve
42	0056031510	PROTECTOR	1				
43	0434200600	WIRE	1				
45	1900092200	CYLINDER, boom	1				
46	1900081500	CYLINDER, arm	1				
47	1132630039	NUT	1				
48	1210010670	PIN, split	1				
49	1225120022	WASHER, conical	1				
50	0396011800	HOSE ASSY	1				with boom shut-off valve
51	0396012320	HOSE ASSY	1				
59	1110040812	SCREW, cap	2				
60	1100041425	BOLT	6				
63	1101041220	BOLT	1				
64	1103041295	BOLT	1				
65	1130240012	NUT	6				
67	1140020006	WASHER, spring	8				
69	1140020010	WASHER, spring	1				with boom shut-off valve
70	1140020012	WASHER, spring	1				
71	1100041016	BOLT	1				with boom shut-off valve
72	1141110010	WASHER	1				with boom shut-off valve
73	1100040620	BOLT	2				
74	1703006100	LAMP ASSY	1				
74-1	1703006106	• BULB	1				
75	1515010042	ELBOW	1				
	1420010180	• O-RING	1				
76	1515600202	ADAPTOR	1				
	1420010180	• O-RING	1				
77	1560001000	FITTING, grease	6				
80	1103141205	BOLT	2				
81	1140020014	WASHER, spring	8				
82	1101041425	BOLT	2				
83	0003600096	SHIM	AR				t=1.0mm
84	0003600061	SHIM	AR				t=0.5mm
85	0003600060	SHIM	AR				t=0.2mm
86	0003600157	SHIM	AR				t=1.0mm
87	0003600095	SHIM	AR				t=0.5mm
88	0003600094	SHIM	AR				t=0.2mm

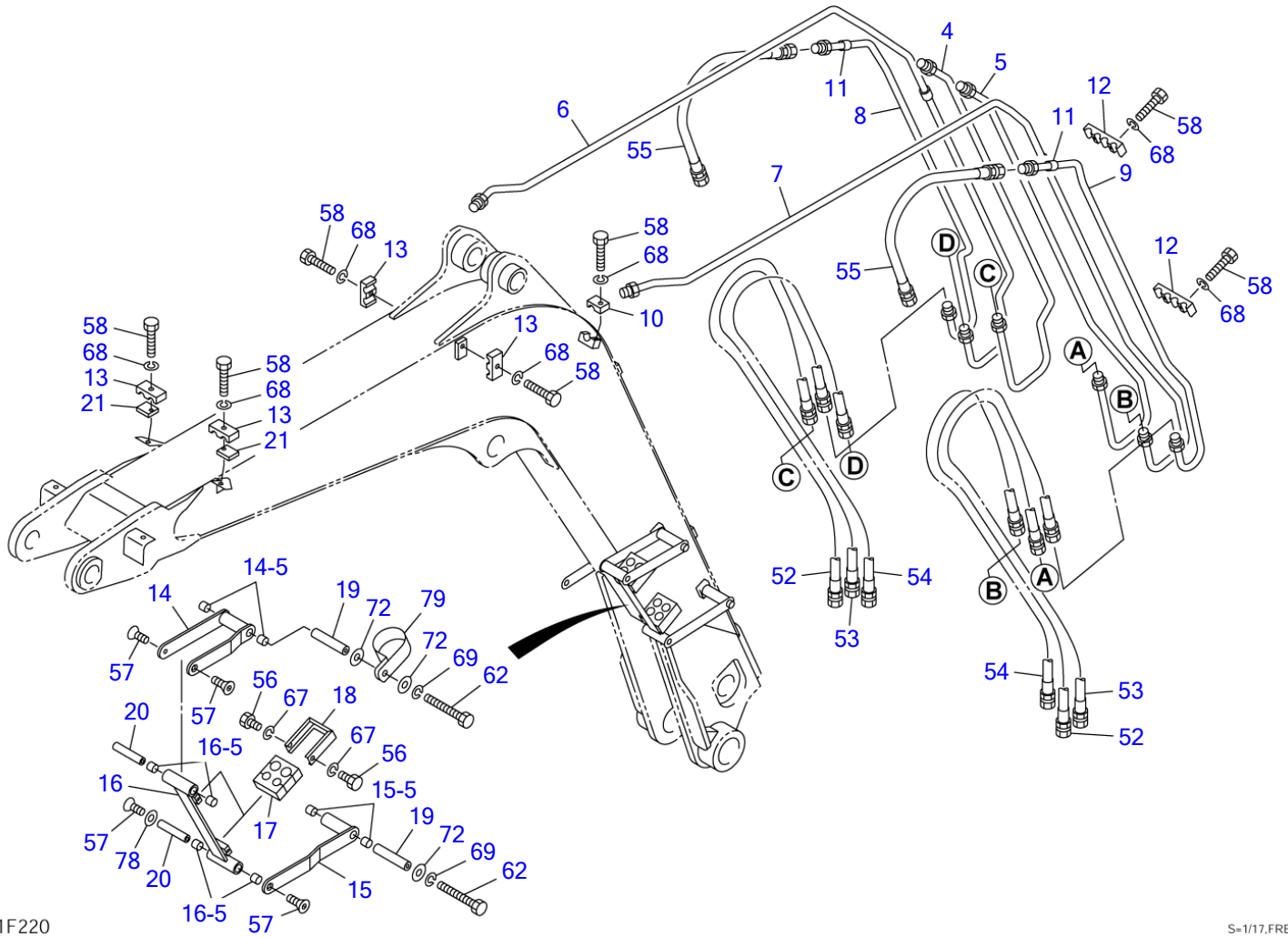


J1F210

S-1/18

BOOM (1/2) (with emergency shut-off valve; 15811047-)

Item	Part number	Description	Q'ty	Chan.	Serial No.	Serv.	Remarks
89	0003600124 J1f211	SHIM	AR				

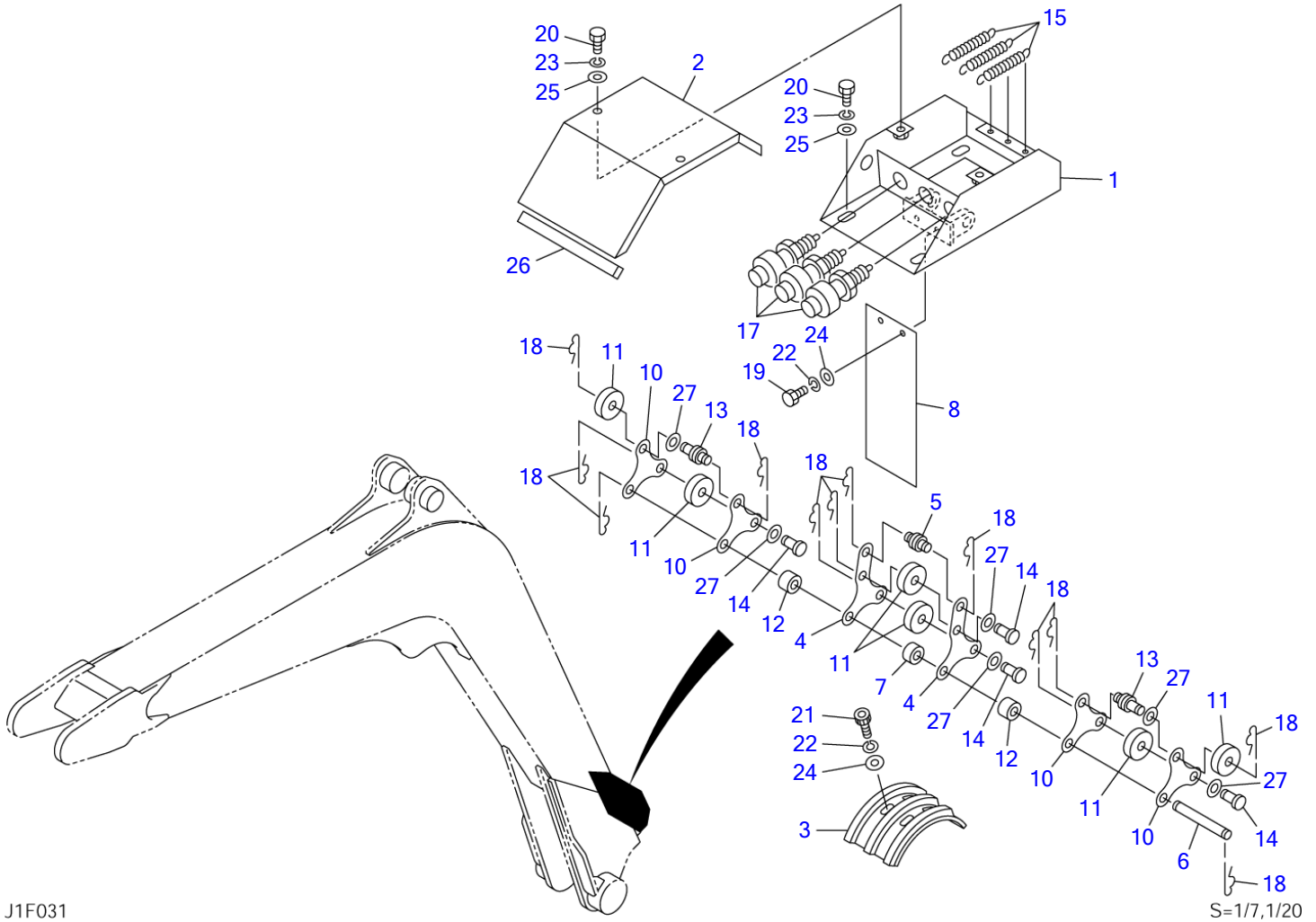


J1F220

S=1/17,FREE

BOOM (2/2) (with emergency shut-off valve; 15811047-)

Item	Part number	Description	Q'ty	Chan.	Serial No.	Serv.	Remarks
		BOOM ASSY (with boom shut-off valve)					X03960-14300-2
		BOOM ASSY (with boom & arm shut-off valve)					X03960-14400-2
4	0396011400	PIPE (R.H.)	1				
5	0396011410	PIPE (L.H.)	1				
6	0396012300	PIPE (R.H.)	1				
7	0396012310	PIPE (L.H.)	1				
8	0396014310	PIPE (R.H.)	1				
9	0396014320	PIPE (L.H.)	1				
10	0447310602	CLAMP	1				
11	1531419003	PROTECTOR	2				sold by the meter
12	0396007480	CLAMP	2				
13	0396007490	CLAMP	4				
14	0397310450	ARM	1				
14-5	1333001515	• BUSHING	2				
15	0397310470	ARM	2				
15-5	1333001515	• BUSHING	2				
16	0397310550	LINK, hose	1				
16-5	1333001515	• BUSHING	4				
17	0396011560	RUBBER	2				
18	0396011570	HOLDER	2				
19	0396007560	SHAFT	4				
20	0397310570	SHAFT	4				
21	0397310130	PLATE	2				
52	0396011820	HOSE ASSY	2				18015-40200
53	0396011830	HOSE ASSY	2				18015-40180
54	0396011840	HOSE ASSY	2				18015-40195
55	0396014330	HOSE ASSY	2				
56	1100040616	BOLT	8				
57	1120800816	SCREW	6				
58	1100040835	BOLT	8				
62	1100141000	BOLT	3				
67	1140020006	WASHER, spring	8				
68	1140020008	WASHER, spring	8				
69	1140020010	WASHER, spring	4				
72	1141110010	WASHER	5				
78	0356015500	WASHER	2				
79	0007300061	CLAMP	2				
	J1f221						

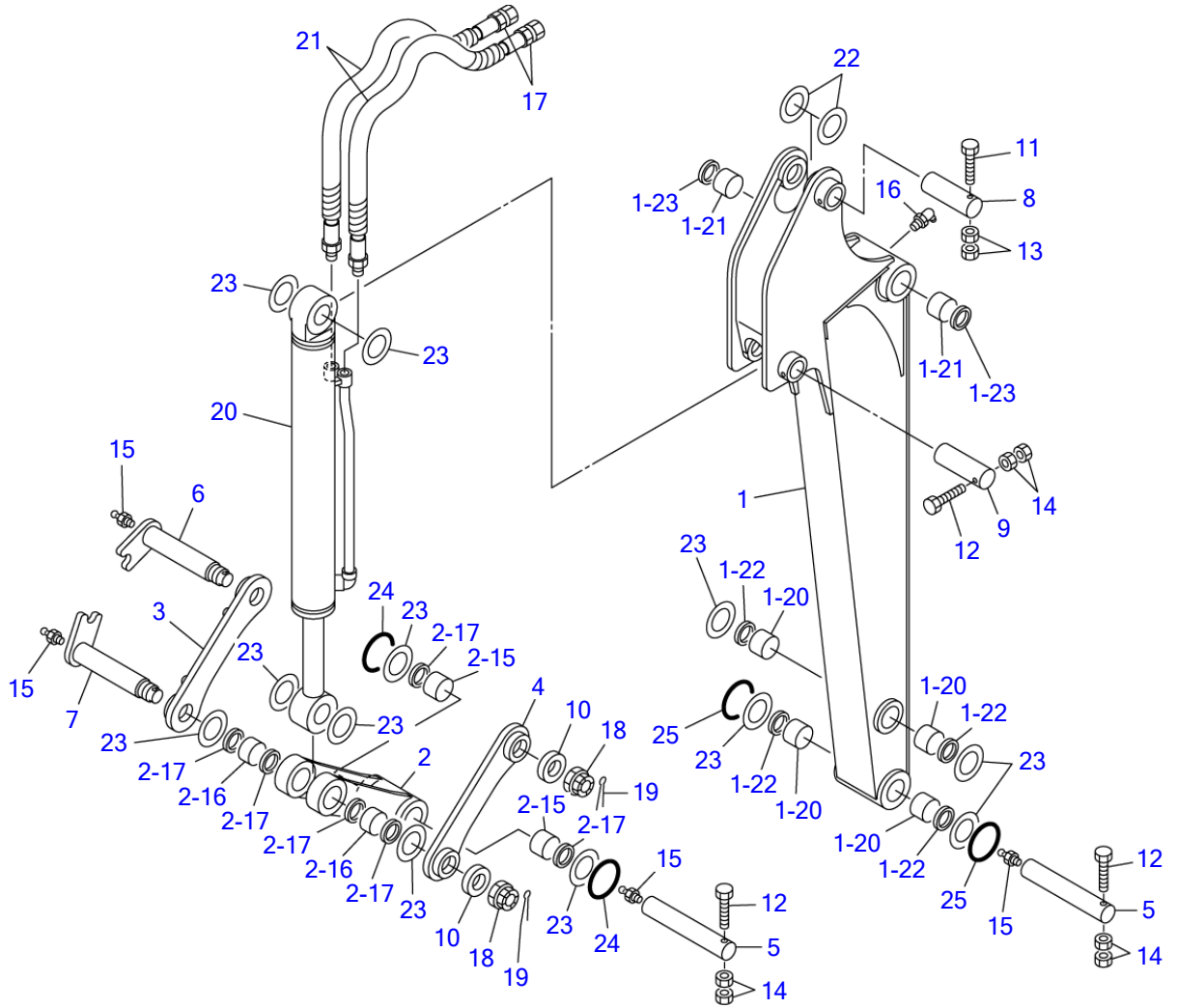


J1F031

S=1/7,1/20

INTERFERENCE SENSOR

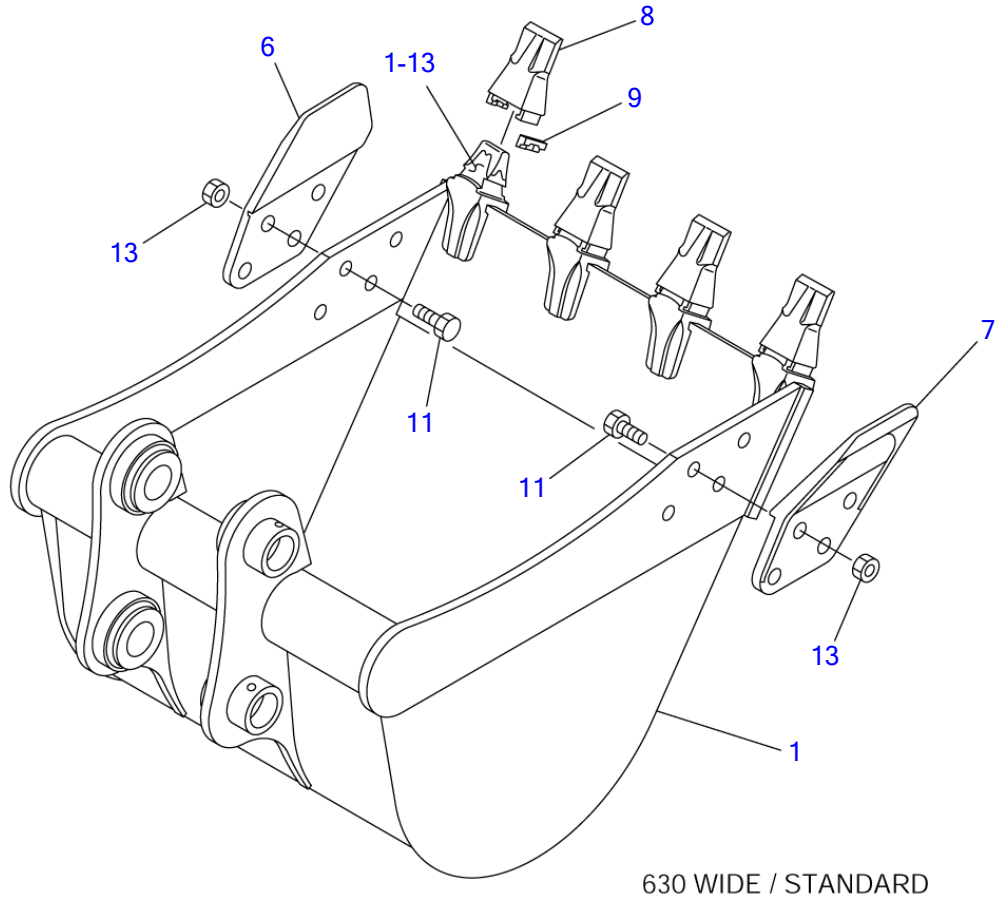
Item	Part number	Description	Q'ty	Chan.	Serial No.	Serv.	Remarks
		SWITCH ASSY, boom					X03960-12900-2
1	0396012910	BOX, switch	1				
2	0396012920	COVER	1				
3	0396012930	PLATE	1				
4	0396007840	PLATE	2				
5	0396007850	PIN	1				
6	0396007860	PIN	1				
7	0396007870	COLLAR	1				
8	0396011980	RUBBER	1				
10	0356012540	PLATE	4				
11	0356012550	COLLAR	6				
12	0356012560	COLLAR	2				
13	0356012570	PIN	2				
14	0356012590	PIN	4				
15	0007000074	SPRING	3				
17	1700000014	SWITCH	3				
18	1214000008	PIN, snap	12				
19	1100040616	BOLT	2				
20	1100040816	BOLT	6				
21	1110040616	SCREW, cap	2				
22	1140020006	WASHER, spring	4				
23	1140020008	WASHER, spring	6				
24	1141110006	WASHER	2				
25	1141110008	WASHER	6				
26	1654319015	SPONGE	1				sold by the meter
27	0003600173	SHIM	AR				t=1.0mm
	J1f031						



J1F040

S=1/17

Item	Part number	Description	ARM		Serial No.	Serv.	Remarks
			Q'ty	Chan.			
		ARM ASSY					X03961-14000-3
		LONG ARM ASSY					X03961-15000-2
1	0396111100	ARM	1				
	0396115100	LONG ARM	1				
1-20	0002400040	· BUSHING	4				
1-21	0002400050	· BUSHING	2				
1-22	1432200045	· SEAL, dust	4				
1-23	1432200050	· SEAL, dust	2				
2	0396111300	LINK, bucket	1				
2-15	0002400040	· BUSHING	2				
2-16	0002100027	· BUSHING	2				
2-17	1432200045	· SEAL, dust	6				
3	0396107400	LINK, guide	1		15810005~15810012		
	0396114300	LINK, guide	1	(H)	15810013~		
4	0396107500	LINK, guide	1		15810005~15810012		
	0396114400	LINK, guide	1	(H)	15810013~		
5	0001524501	PIN	2				
6	0001794012	PIN	1				
7	0001794013	PIN	1				
8	0001605155	PIN	1				
9	0001604150	PIN	1				
10	0003900020	WASHER	2				
11	1103041295	BOLT	1				
12	1103041085	BOLT	3				
13	1130240012	NUT	2				
14	1130240010	NUT	6				
15	1560001000	FITTING, grease	4				
16	1560001675	FITTING, grease	1				
17	1801742100	HOSE ASSY	2				
	1801742130	HOSE ASSY	2				long arm
18	1132630030	NUT	2				
19	1210010655	PIN, split	2				
20	1900075800	CYLINDER, bucket	1				
21	1532210080	TUBE	2				sold by the meter
22	0003600096	SHIM	AR				t=0.1mm
23	0456008600	SHIM	AR				t=1.0mm fÓ75
	0003600180	SHIM	AR				t=1.0mm fÓ85
	0003600179	SHIM	AR				t=1.0mm fÓ80
24	1432900046	O-RING	2				
25	1432900008	O-RING	2				
	J1f041						

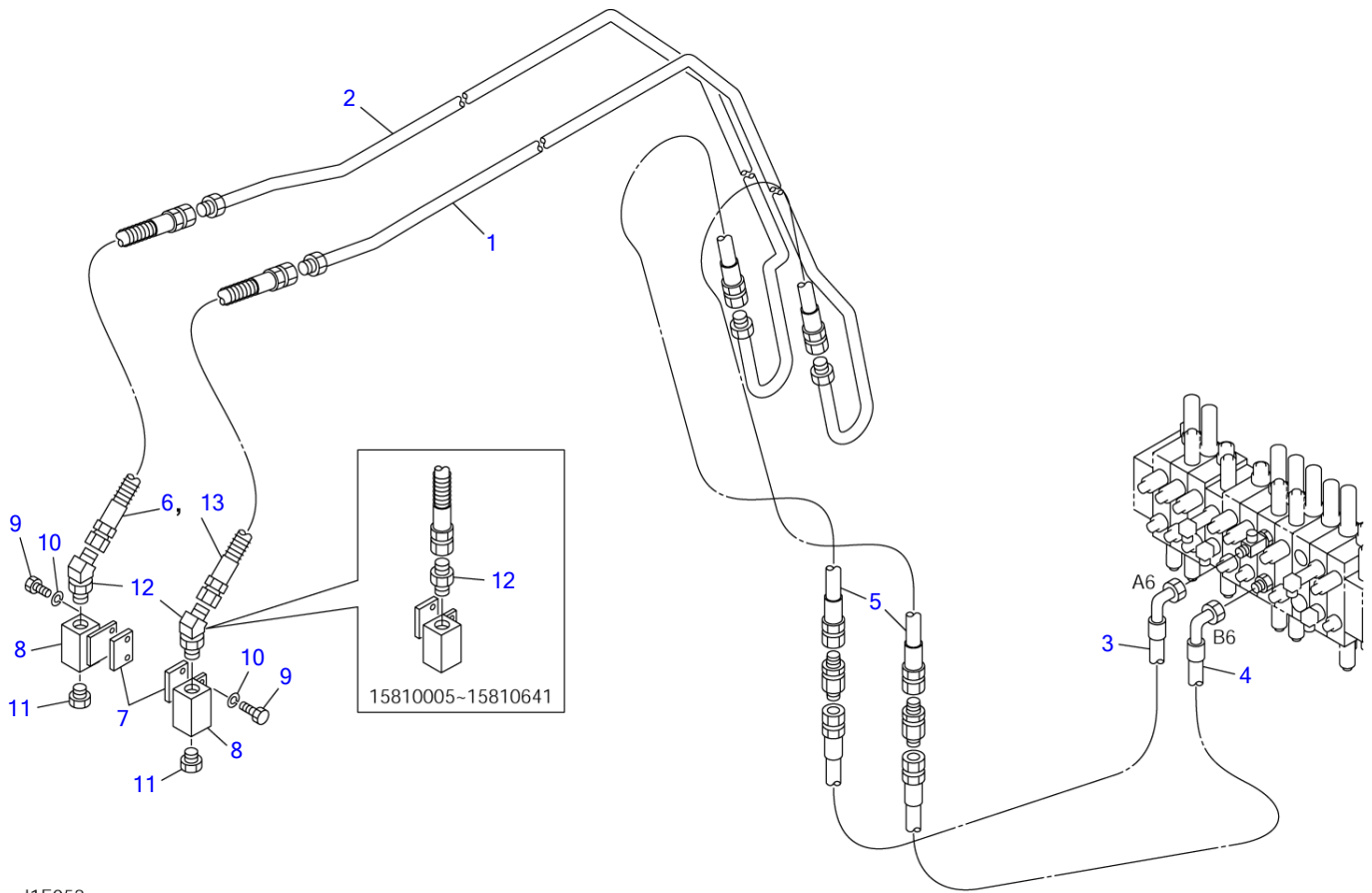


K3F050

S=1/8

BUCKET						
Item	Part number	Description	Q'ty	Chan.	Serial No.	Serv. Remarks
0	0396216000	BUCKET ASSY	1			630wide
	0396217000	BUCKET ASSY	1			530wide
1	X *****	· BUCKET	1			
1-13	1914201302	· · ADAPTOR, tooth	4			
6	1914210001	· CUTTER (R.H.)	1			
7	1914210002	· CUTTER (L.H.)	1			
8	1914201301	· POINT, tooth	4			
9	1914201203	· PIN	4			
11	1100051635	· BOLT	8			
13	1130050016	· NUT	8			
	K3f050					

TB53FR Book No. BJ1Z006 S/N 15810005-15811324
AUXILIARY LINE (15810005-15810674)

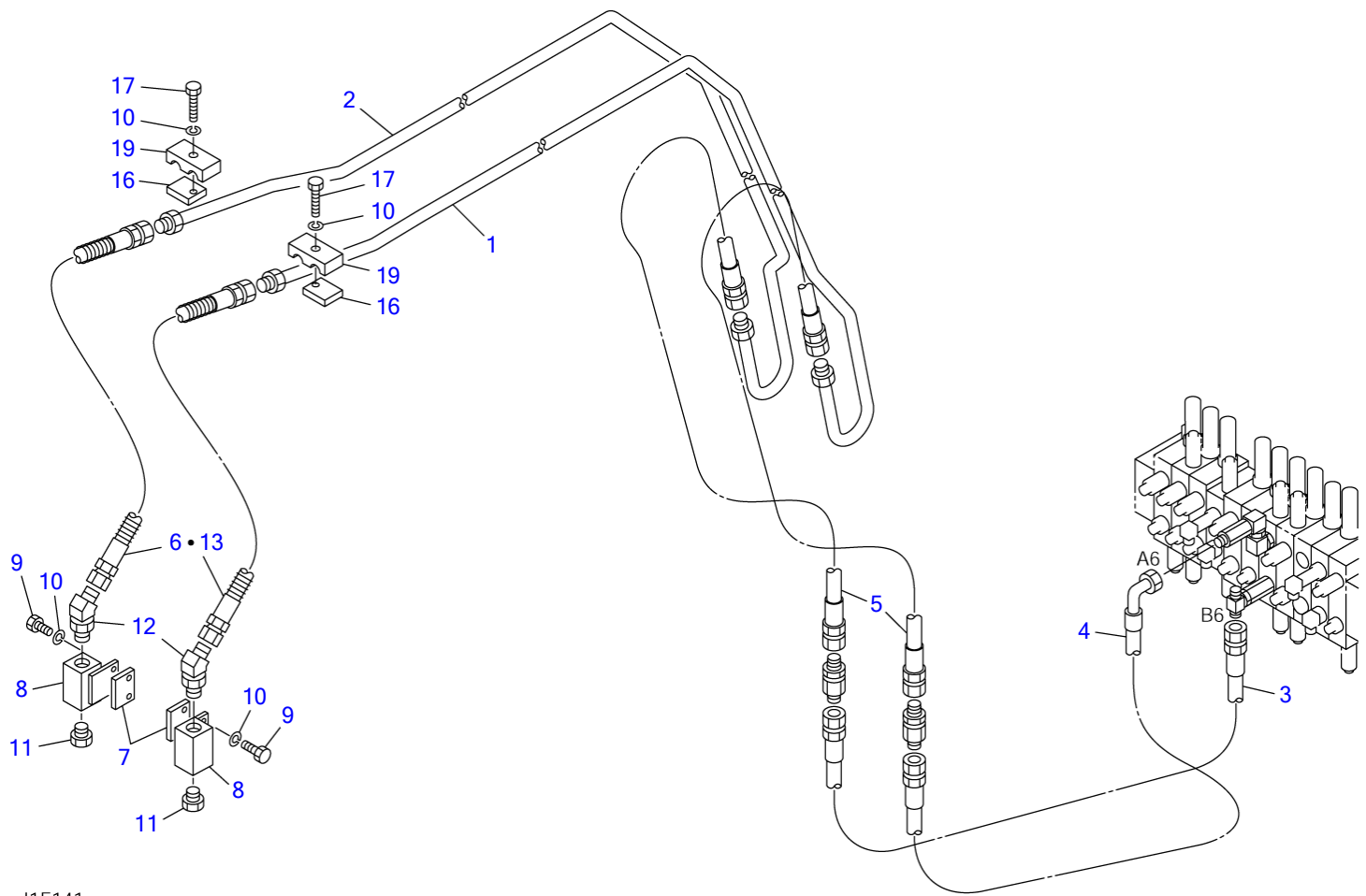


J1F052

S-1/10

AUXILIARY LINE (15810005-15810674)

Item	Part number	Description	Q'ty	Chan.	Serial No.	Serv.	Remarks
0	0397308000	AUXILIARY LINE ASSY	1				X03973-08000-3
	0397308500	AUXILIARY LINE ASSY (long arm)	1				X03973-08500-3
1	0397308100	· PIPE (L.H.)	1				
2	0397308200	· PIPE (R.H.)	1				
3	0397307300	· HOSE ASSY	1				18015-41170
4	0397307310	· HOSE ASSY	1				18015-41190
5	0397307320	· HOSE ASSY	2				18015-40195
6	1801640100	· HOSE ASSY	2				
7	0447311300	· PLATE	2				
8	1901719800	· VALVE, stop	2				
9	1100040816	· BOLT	4				
10	1140020008	· WASHER, spring	4				
11	1501750004	· PLUG	2				
	1420010180	· · O-RING	1				
12	1515600202	· ADAPTOR	2		15810005~15810641		
	1420010180	· · O-RING	1				
	1515100112	· ELBOW	2	(H)	15810642~		
	1420010180	· · O-RING	1				
13	1801640130	· HOSE ASSY	2		15810005~15810641		long arm
	1801640115	· HOSE ASSY	2	(H)	15810642~		long arm
	J1f053						



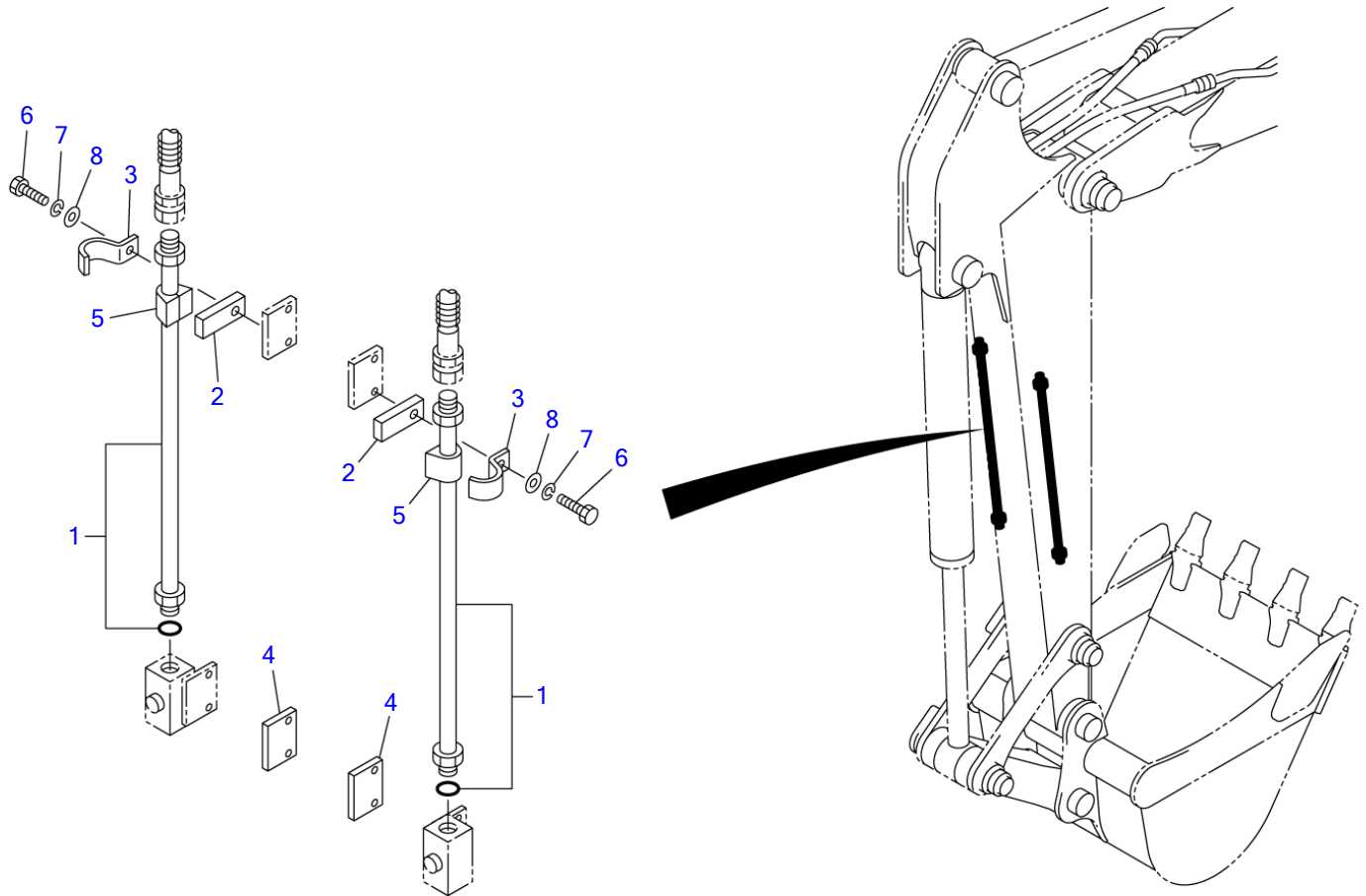
J1F141

S=1/10

AUXILIARY LINE (15810675-)

Item	Part number	Description	Q'ty	Chan.	Serial No.	Serv.	Remarks
0	0397308000	AUXILIARY LINE ASSY	1		15810675~15810794		X03973-08000-4
	0397319000	AUXILIARY LINE ASSY	1		15810795~		X03973-19000-1
	0397308500	AUXILIARY LINE ASSY (long arm)	1		15810675~15810794		X03973-08500-4
	0397319100	AUXILIARY LINE ASSY (long arm)	1		15810795~		X03973-19100-1
1	0397308100	• PIPE (L.H.)	1		15810675~15810794		
	0397319010	• PIPE (L.H.)	1		15810795~		
2	0397308200	• PIPE (R.H.)	1		15810675~15810794		
	0397319020	• PIPE (R.H.)	1		15810795~		
3	0397308300	• HOSE ASSY	1				18015-40170
4	0397308310	• HOSE ASSY	1				18015-41190
5	0397307320	• HOSE ASSY	2				18015-40195
6	1801640100	• HOSE ASSY	2		15810675~15810794		
	1801640090	• HOSE ASSY	2		15810795~		
7	0447311300	• PLATE	2		15810675~15810794		
8	1901719800	• VALVE, stop	2				
9	1100040816	• BOLT	4				
10	1140020008	• WASHER, spring	6				
11	1501750004	• PLUG	2				
	1420010180	• • O-RING	1				
12	1515100112	• ELBOW	2				
	1420010180	• • O-RING	1				
13	1801640115	• HOSE ASSY	2		15810675~15810794		long arm
	1801640105	• HOSE ASSY	2		15810795~		long arm
16	0397310130	• PLATE	2		15810795~		
17	1100040840	• BOLT	2		15810795~		
19	1534000018	• CLAMP	2		15810795~		

J1f142

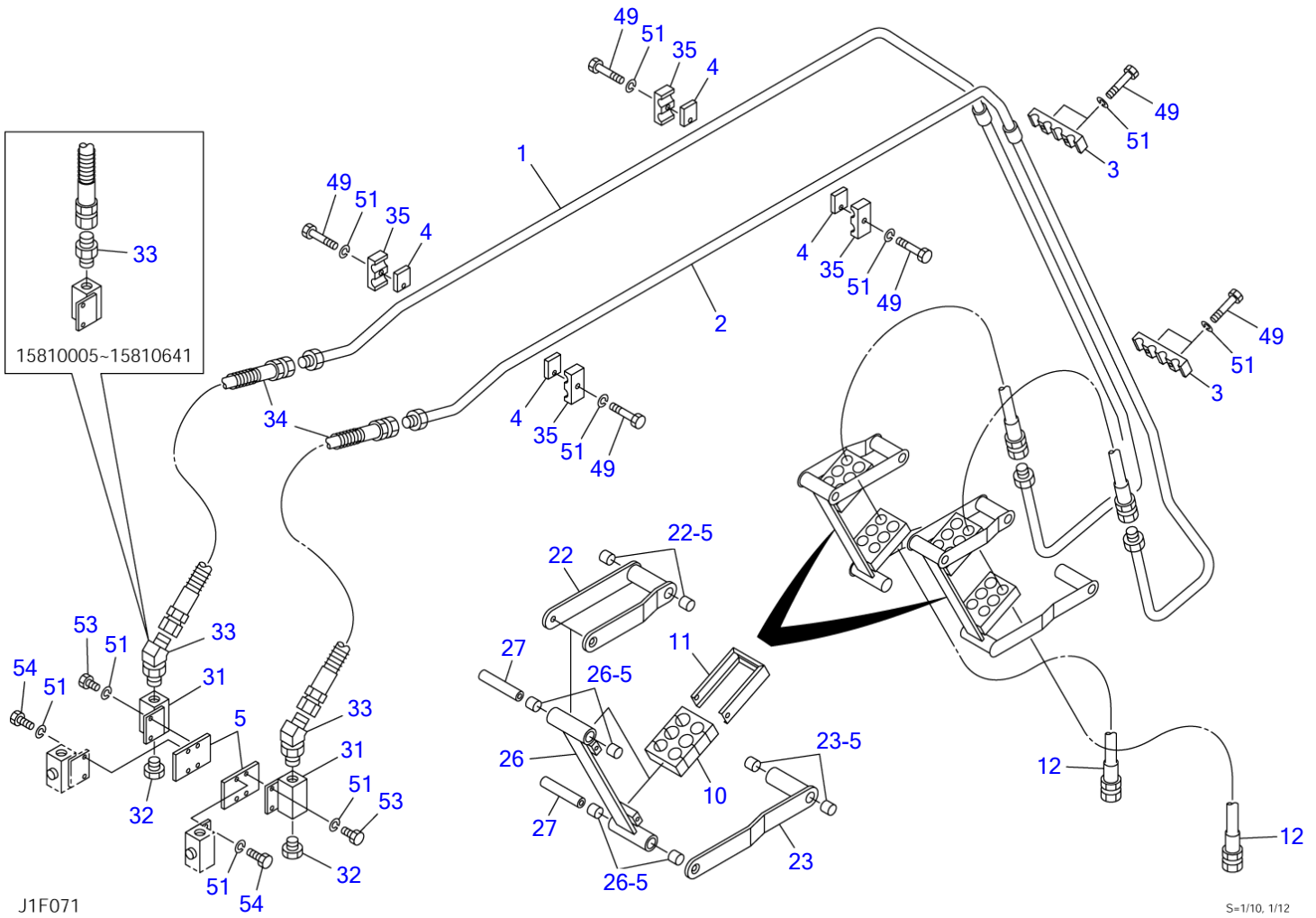


J1F060

S=1/8, 1/16

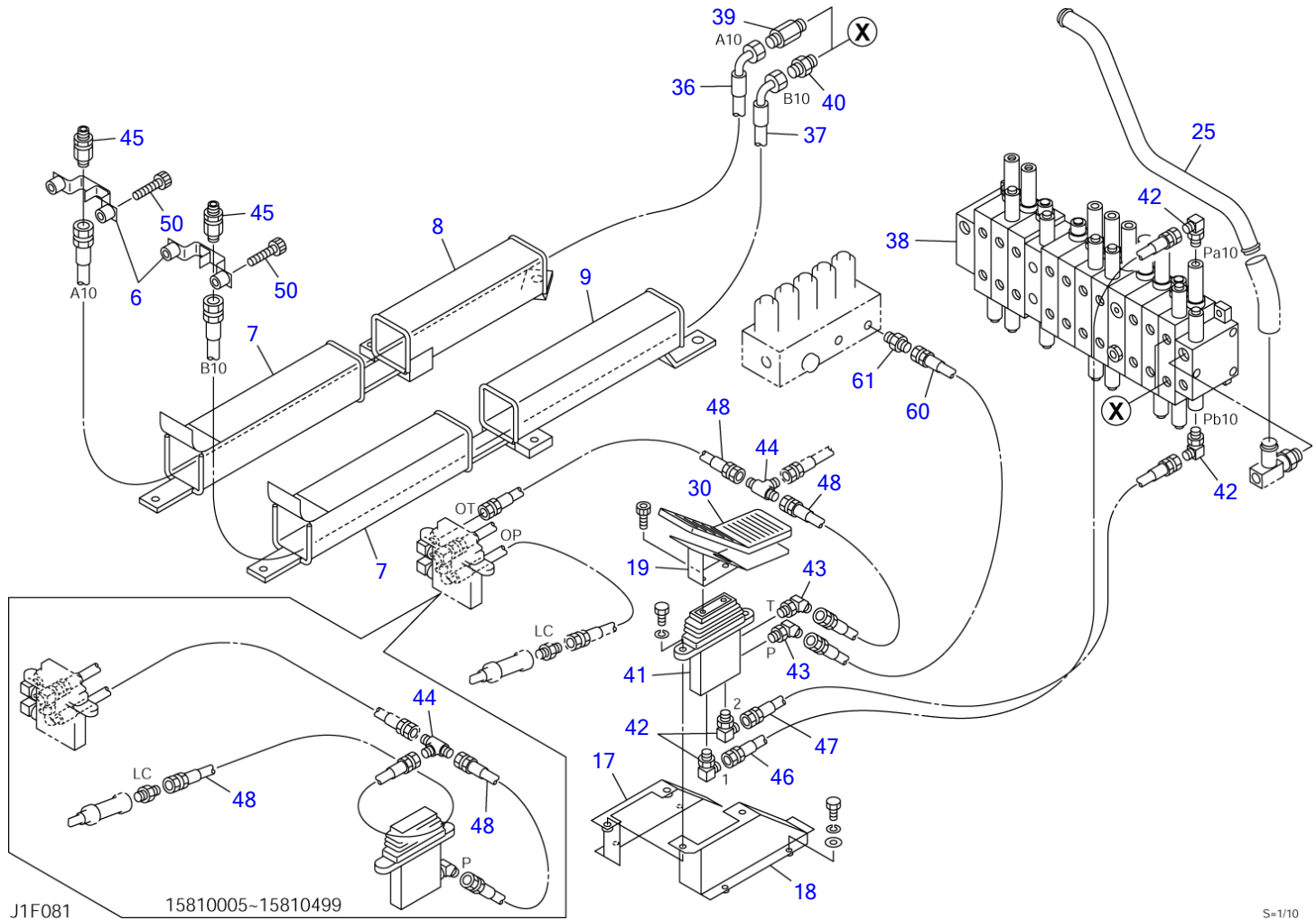
LONG AUXILIARY LINE

Item	Part number	Description	Q'ty	Chan.	Serial No.	Serv.	Remarks
0	0397308600	LINE ASSY, auxiliary	1				X03973-08600-0
1	0397308610	▪ PIPE	2				
2	0397308620	▪ PLATE	2				
3	0427332600	▪ CLAMP	2				
4	0447311300	▪ PLATE	2				
5	1531419003	▪ PROTECTOR	2				sold by the meter
6	1100040830	▪ BOLT	2				
7	1140020008	▪ WASHER, spring	2				
8	1141110008	▪ WASHER	2				
	J1f060						



2ND AUXILIARY LINE (1/3) (15810005-15810674)

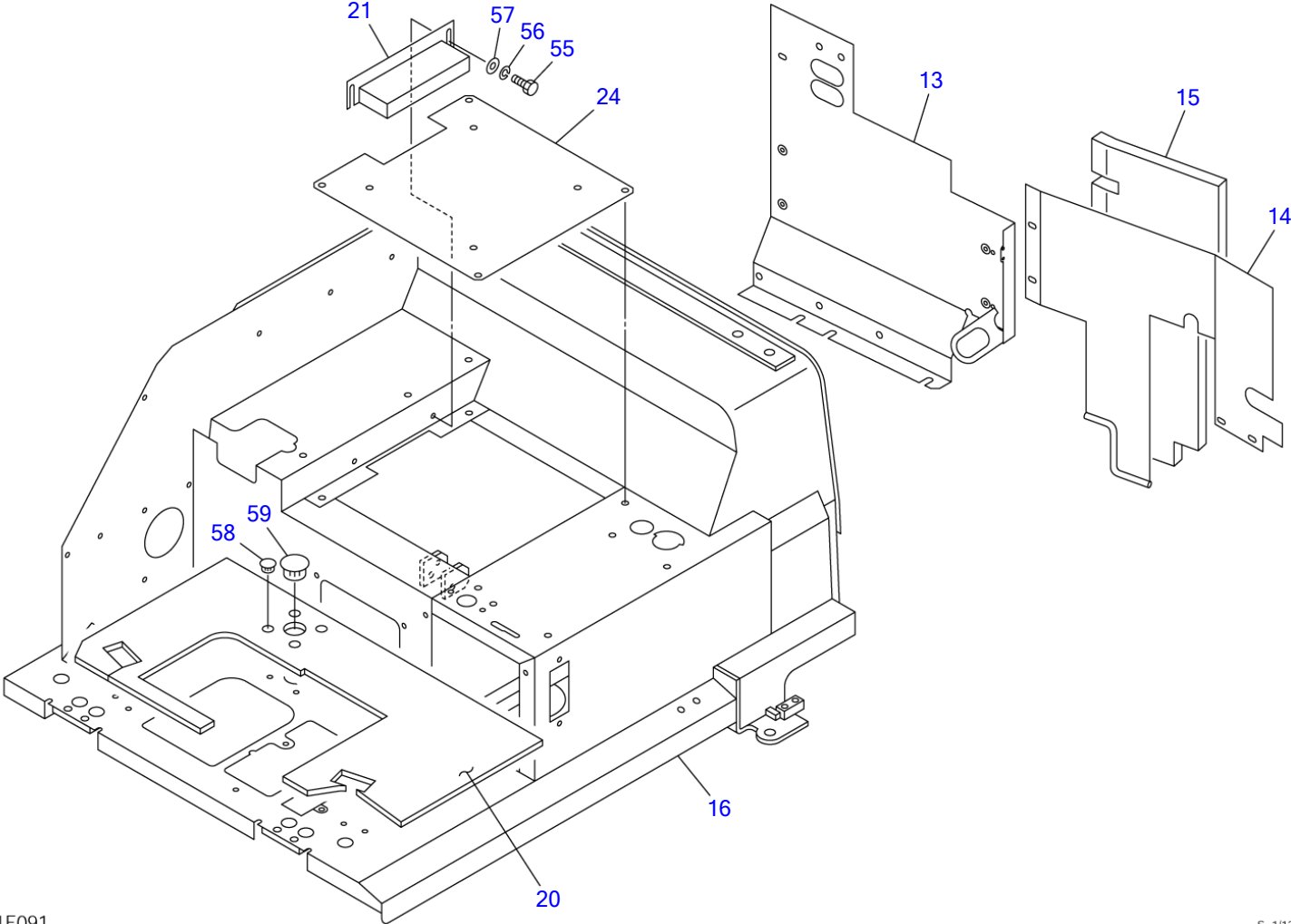
Item	Part number	Description	Q'ty	Chan.	Serial No.	Serv.	Remarks
0	0397310000	LINE ASSY, 2nd aux.	1				X03973-10000-8
	0397310500	LINE ASSY, 2nd aux. (long arm)	1				X03973-10500-8
1	0397310100	• PIPE (R.H.)	1				
2	0397310110	• PIPE (L.H.)	1				
3	0397310120	• CLAMP	2				
4	0397310130	• PLATE	4				
5	0397310140	• PLATE	2				
10	0397310200	• RUBBER	4				
11	0397310210	• HOLDER	4				
12	0397310220	• HOSE ASSY	2				18015-40180
22	0397310450	• ARM, hose	2		15810005~15810565		
22-5	1333001515	• • BUSHING	2		15810005~15810565		
23	0397310470	• ARM, hose	2		15810005~15810565		
23-5	1333001515	• • BUSHING	2		15810005~15810565		
26	0397310550	• LINK, hose	2		15810005~15810565		
26-5	1333001515	• • BUSHING	4		15810005~15810565		
27	0397310570	• SHAFT	4		15810005~15810565		
31	1901719800	• VALVE, stop	2				
32	1501750004	• PLUG	2				
	1420010180	• • O-RING	1				
33	1515600202	• ADAPTOR	2		15810005~15810641		
	1420010180	• • O-RING	1				
	1515100112	• ELBOW	2	(H)	15810642~		
	1420010180	• • O-RING	1				
34	1801640100	• HOSE ASSY	2				
	1801640130	• HOSE ASSY	2		15810005~15810641		long arm
	1801640115	• HOSE ASSY	2	(H)	15810642~		long arm
35	0396007490	• CLAMP	4				
49	1100040860	• BOLT	8				
51	1140020008	• WASHER, spring	16				
53	1100040816	• BOLT	4				
54	1100040820	• BOLT	4				
	J1f072						



S=1/10

2ND AUXILIARY LINE (2/3) (15810005-15810674)

Item	Part number	Description	Q'ty	Chan.	Serial No.	Serv.	Remarks
0	0397310000	LINE ASSY, 2nd aux.	1				X03973-10000-8
	0397310500	LINE ASSY, 2nd aux. (long arm)	1				X03973-10500-8
6	0397310150	• CLAMP	2				
7	0397310160	• GUIDE	2				
8	0397310170	• GUIDE	1				
9	0397310180	• GUIDE	1				
17	0397310400	• BRACKET	1				
18	0397310410	• BRACKET	1				
19	0397310420	• PEDAL	1				
25	0397310495	• PIPE	1				
30	0363214600	• COVER	1				
36	1801541165	• HOSE ASSY	1				
37	1801541175	• HOSE ASSY	1				
38	1901041700	• VALVE, control	1				
39	0007203041	• ADAPTOR	1				
	1420010180	• • O-RING	1				M
40	1515600202	• ADAPTOR	1				
	1420010180	• • O-RING	1				
41	1901735000	• VALVE, pilot	1				
42	1515012040	• ELBOW	4				
	1420010110	• • O-RING	1				
43	1515102110	• ELBOW	2				
	1420010110	• • O-RING	1				
44	1513390040	• TEE	2		15810005~15810499		
	1513390040	• TEE	1		15810500~		
45	1514011104	• ADAPTOR	2				
46	1801022115	• HOSE ASSY	1				
47	1801022095	• HOSE ASSY	1				
48	1801022055	• HOSE ASSY	4		15810005~15810499		
	1801022055	• HOSE ASSY	2		15810500~		
50	1110041050	• SCREW, cap	4				
60	0397310580	• HOSE ASSY	1		15810500~		
61	1515600200	• ADAPTOR	1		15810500~		
	1420010110	• • O-RING	1				
	J1f081						

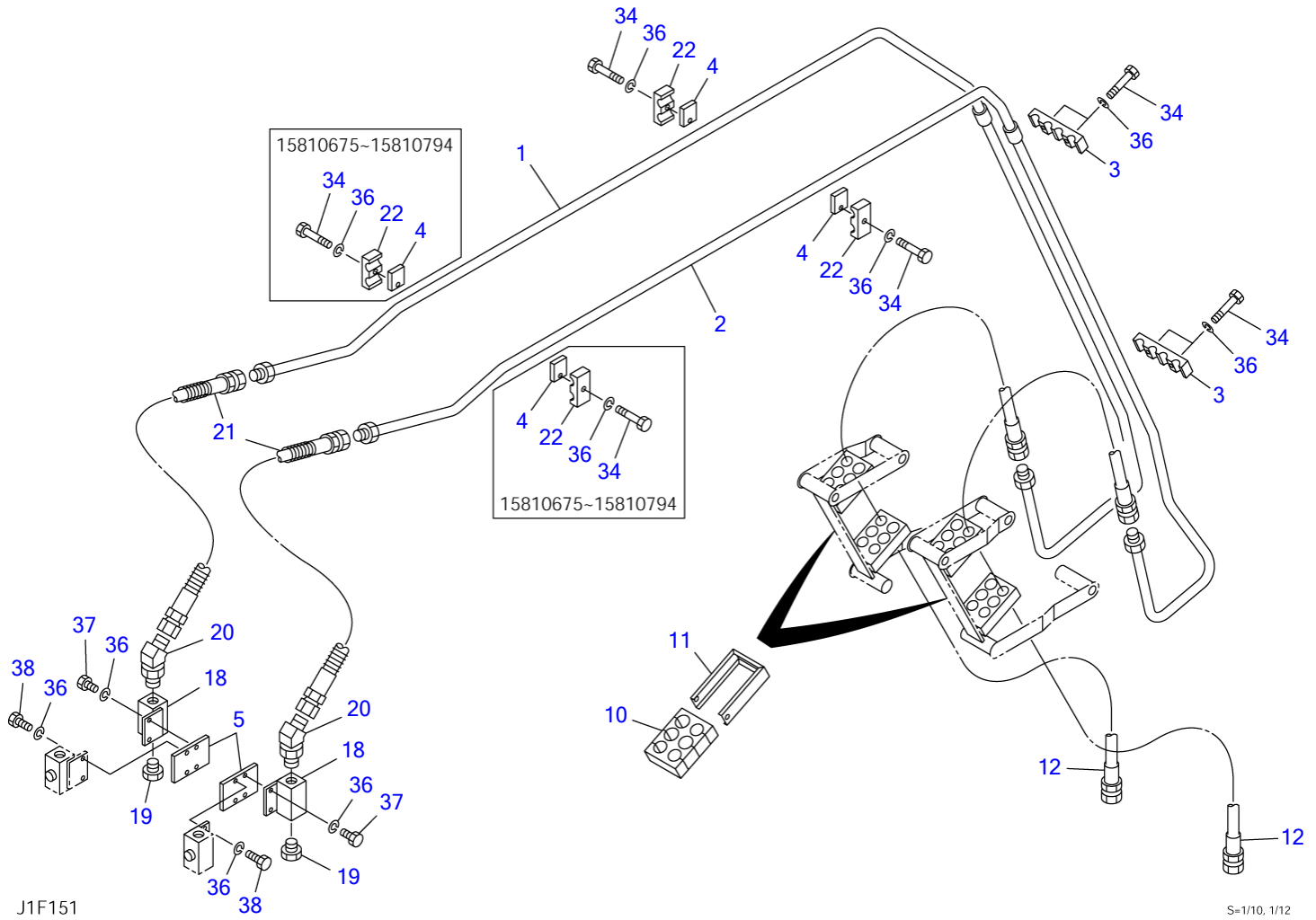


J1F091

S=1/12

2ND AUXILIARY LINE (3/3) (15810005-15810674)

Item	Part number	Description	Q'ty	Chan.	Serial No.	Serv.	Remarks
0	0397310000	LINE ASSY, 2nd aux.	1				X03973-10000-8
	0397310500	LINE ASSY, 2nd aux. (long arm)	1				X03973-10500-8
13	0397310230	· BRACKET	1		15810005~15810565		
14	0397310240	· PLATE	1		15810005~15810565		
15	0397310250	· ABSORBENT, noise	1		15810005~15810565		
16	0397310300	· FRAME	1		15810005~15810565		
20	0397310430	· MAT, floor	1		15810005~15810565		
	0397310670	· MAT, floor	1	(H)	15810566~		
21	0397310440	· COVER	1				
24	0397310490	· PLATE	1				
55	1100040616	· BOLT	2				
56	1140020006	· WASHER, spring	2				
57	1141110006	· WASHER	2				
58	1652533002	· CAP	4		15810566~		
59	1652533011	· CAP	1		15810566~		
	J1f091						



J1F151

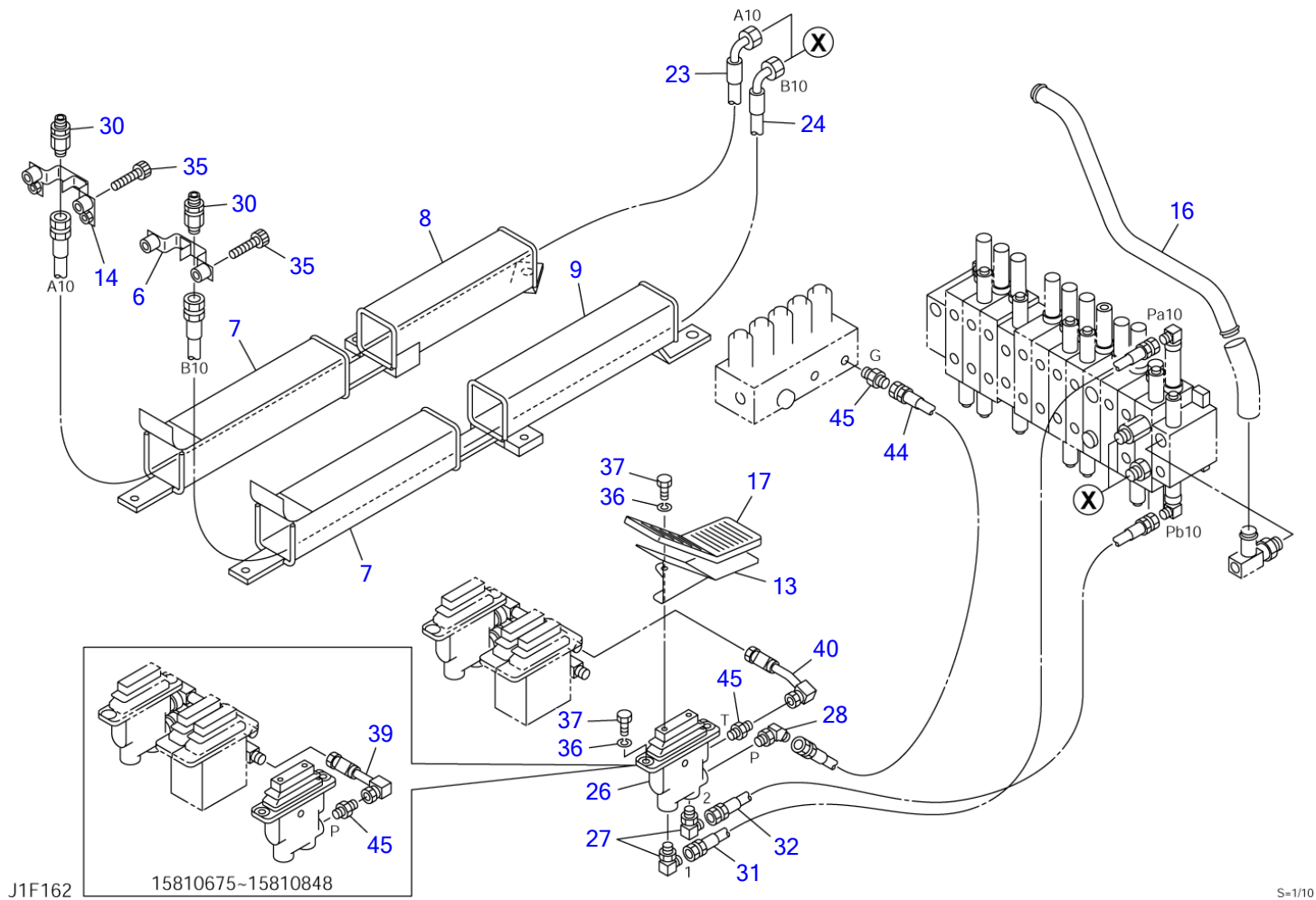
S=1/10, 1/12

2ND AUXILIARY LINE (1/2) (15810675-)

Item	Part number	Description	Q'ty	Chan.	Serial No.	Serv.	Remarks
0	0397318000	LINE ASSY, 2nd aux.	1		15810675~15810794		X03973-18000-2
	0397319200	LINE ASSY, 2nd aux.	1		15810795~		X03973-19200-2
	0397318500	LINE ASSY, 2nd aux. (long arm)	1		15810675~15810794		X03973-18500-2
	0397319300	LINE ASSY, 2nd aux. (long arm)	1		15810795~		X03973-19300-2
1	0397310100	• PIPE (R.H.)	1		15810675~15810794		
	0397319210	• PIPE (R.H.)	1		15810795~		
2	0397310110	• PIPE (L.H.)	1		15810675~15810794		
	0397319220	• PIPE (L.H.)	1		15810795~		
3	0397310120	• CLAMP	2				
4	0397310130	• PLATE	2				
5	0397310140	• PLATE	2				
10	0397310200	• RUBBER	4				
11	0397310210	• HOLDER	4				
12	0397310220	• HOSE ASSY	2				18015-40180
18	1901719800	• VALVE, stop	2				
19	1501750004	• PLUG	2				
	1420010180	• • O-RING	1				
20	1515100112	• ELBOW	2				
	1420010180	• • O-RING	1				
21	1801640100	• HOSE ASSY	2		15810675~15810794		
	1801640090	• HOSE ASSY	2		15810795~		
	1801640115	• HOSE ASSY	2		15810675~15810794		long arm
	1801640105	• HOSE ASSY	2		15810795~		long arm
22	0396007490	• CLAMP	2				
34	1100040860	• BOLT	6				
36	1140020008	• WASHER, spring	14				
37	1100040816	• BOLT	4				
38	1100040820	• BOLT	4				

J1f153

TB53FR Book No. BJ1Z006 S/N 15810005-15811324
 2ND AUXILIARY LINE (2/2) (15810675-)

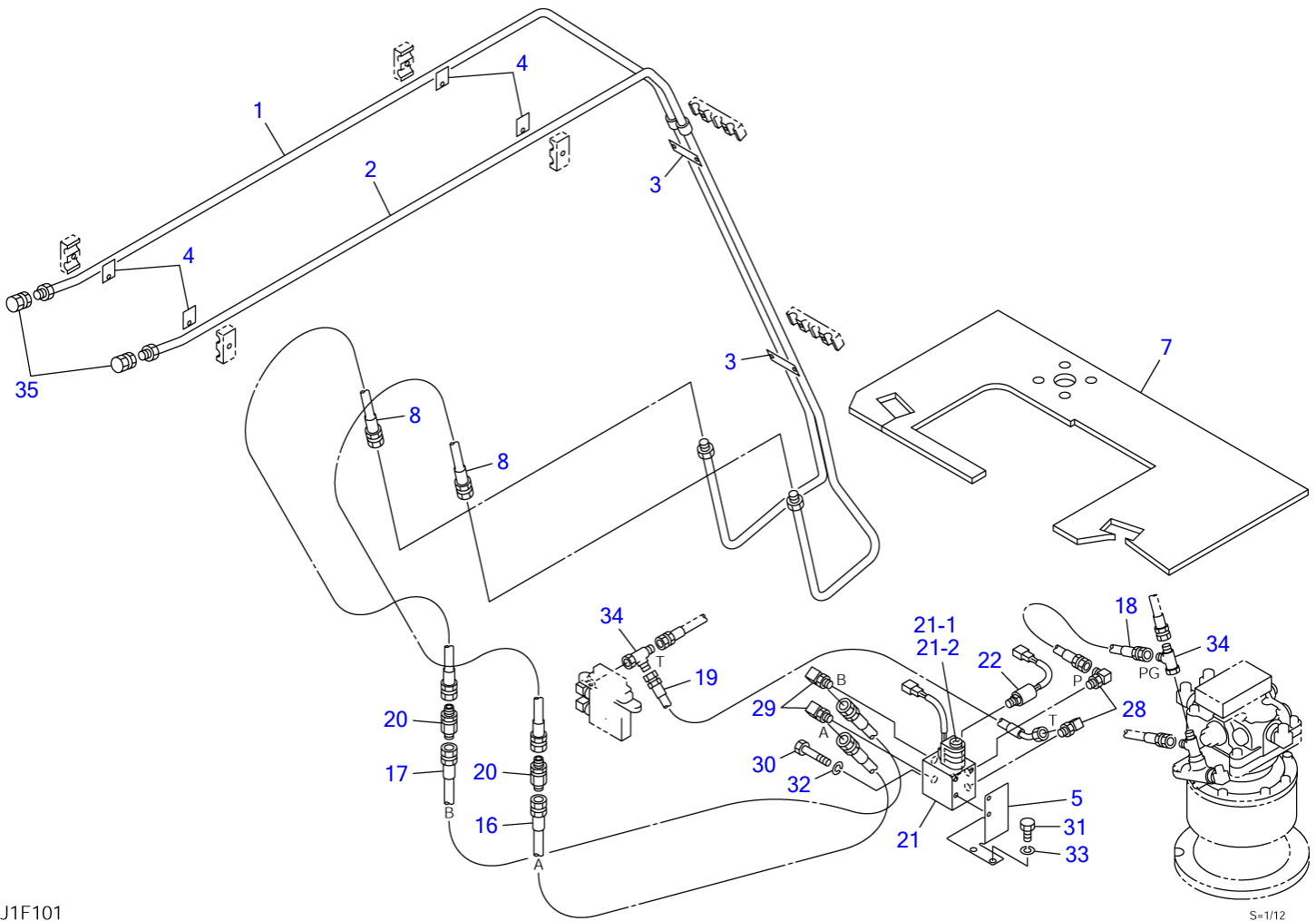


S=1/10

2ND AUXILIARY LINE (2/2) (15810675-)

Item	Part number	Description	Q'ty	Chan.	Serial No.	Serv.	Remarks
0	0397318000	LINE ASSY, 2nd aux.	1		15810675~15810794		X03973-18000-2
	0397319200	LINE ASSY, 2nd aux.	1		15810795~		X03973-19200-2
	0397318500	LINE ASSY, 2nd aux. (long arm)	1		15810675~15810794		X03973-18500-2
	0397319300	LINE ASSY, 2nd aux. (long arm)	1		15810795~		X03973-19300-2
6	0397310150	• CLAMP	1				
7	0397310160	• GUIDE	2				
8	0397310170	• GUIDE	1				
9	0397310180	• GUIDE	1				
13	0397318010	• PEDAL	1				
14	0397319230	• CLAMP	1				
16	0397310495	• PIPE	1				
17	0363214600	• COVER	1				
23	1801541165	• HOSE ASSY	1				
24	1801541175	• HOSE ASSY	1				
26	1901746300	• VALVE, pilot	1				
27	1515012040	• ELBOW	2				
	1420010110	• • O-RING	1				
28	1515102110	• ELBOW	1		15810849~		
	1420010110	• • O-RING	1				
30	1514011104	• ADAPTOR	2				
31	1801022115	• HOSE ASSY	1				
32	1801022095	• HOSE ASSY	1				
35	1110041050	• SCREW, cap	4				
36	1140020008	• WASHER, spring	4				
37	1100040816	• BOLT	4				
39	0397113530	• PIPE	1		15810675~15810848		
40	0397113540	• PIPE	1				
44	0397310580	• HOSE ASSY	1		15810849~		18010-22105
45	1515600200	• ADAPTOR	2				
	1420010110	• • O-RING	1				
	J1f162						

TB53FR Book No. BJ1Z006 S/N 15810005-15811324
3RD AUXILIARY LINE (1/2) (available only with the 2nd aux. line;
15810005-15810674)



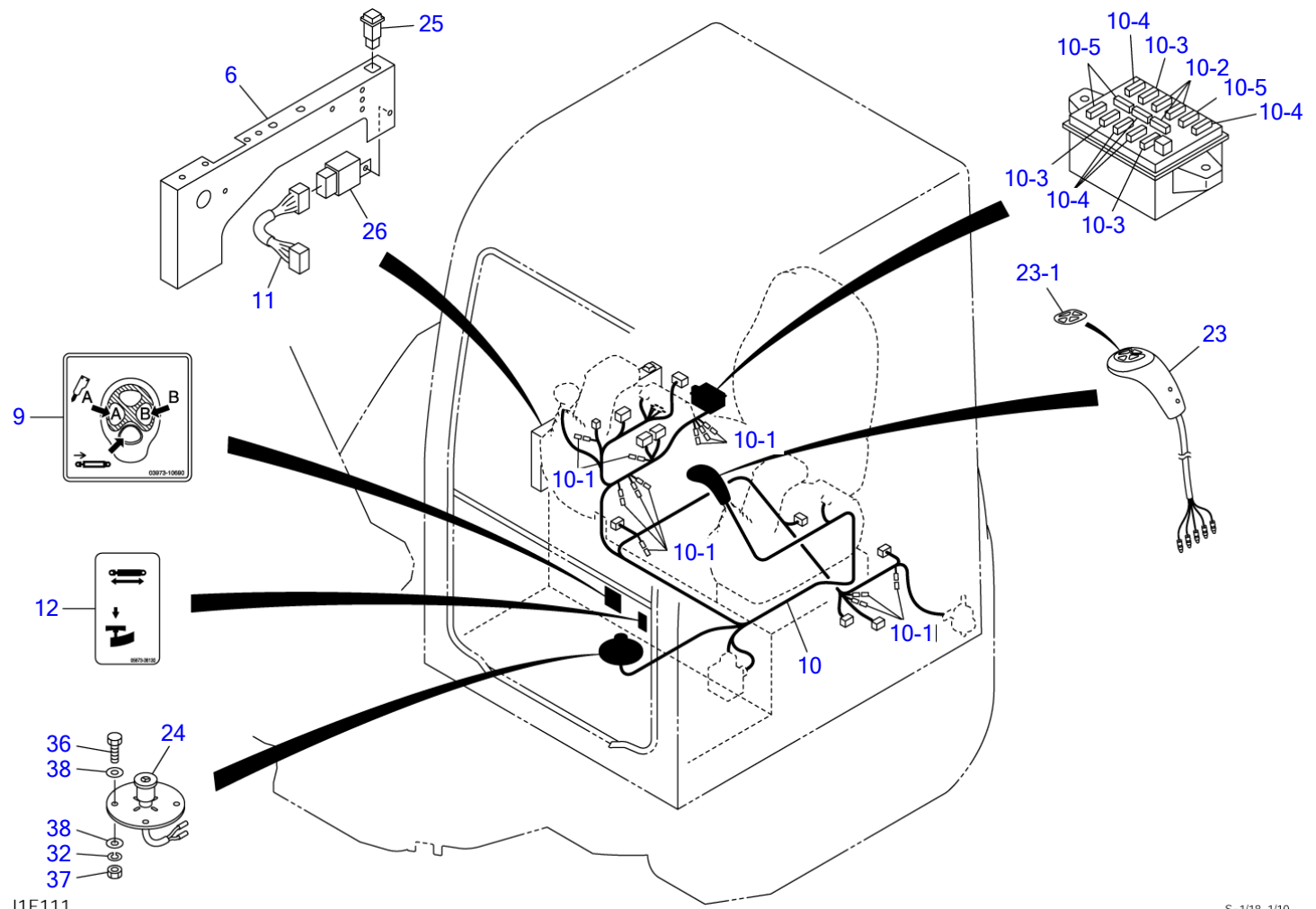
J1F101

S=1/12

3RD AUXILIARY LINE (1/2) (available only with the 2nd aux. line; 15810005-15810674)

Item	Part number	Description	Q'ty	Chan.	Serial No.	Serv.	Remarks
0	0397310600	LINE ASSY, 3rd auxiliary	1				X03973-10600-7
1	0397310610	• PIPE (R.H.)	1				
2	0397310620	• PIPE (L.H.)	1				
3	0397310630	• PLATE	2				
4	0397310640	• PLATE	4				
5	0397310655	• BRACKET	1				
7	0397310670	• MAT, floor	1		15810005~15810331		
8	0397310680	• HOSE ASSY	2				
16	1801520170	• HOSE ASSY	1				
17	1801520200	• HOSE ASSY	1				
18	1801022050	• HOSE ASSY	1				
19	1801079070	• HOSE ASSY	1				
20	1514011103	• ADAPTOR	2				
21	1901741700	• VALVE, solenoid	1				
21-1	1901741402	• • SOLENOID	1				
21-2	1901741703	• • COIL	1				
22	1700100065	• SWITCH, pressure	1				
	1420010110	• • O-RING	1				M
28	1515012040	• ELBOW	2				
	1420010110	• • O-RING	1				
29	1515010130	• ELBOW	2				
	1420010110	• • O-RING	1				
30	1100040885	• BOLT	2				
31	1100041020	• BOLT	2				
32	1140020008	• WASHER, spring	2				
33	1140020010	• WASHER, spring	2				
34	1513390015	• TEE	2				
35	1513900002	• SOCKET	2				
	1420310908	• • O-RING	1				
	J1f101						

TB53FR Book No. BJ1Z006 S/N 15810005-15811324
 3RD AUXILIARY LINE (2/2) (available only with the 2nd aux. line;
 15810005-15810674)



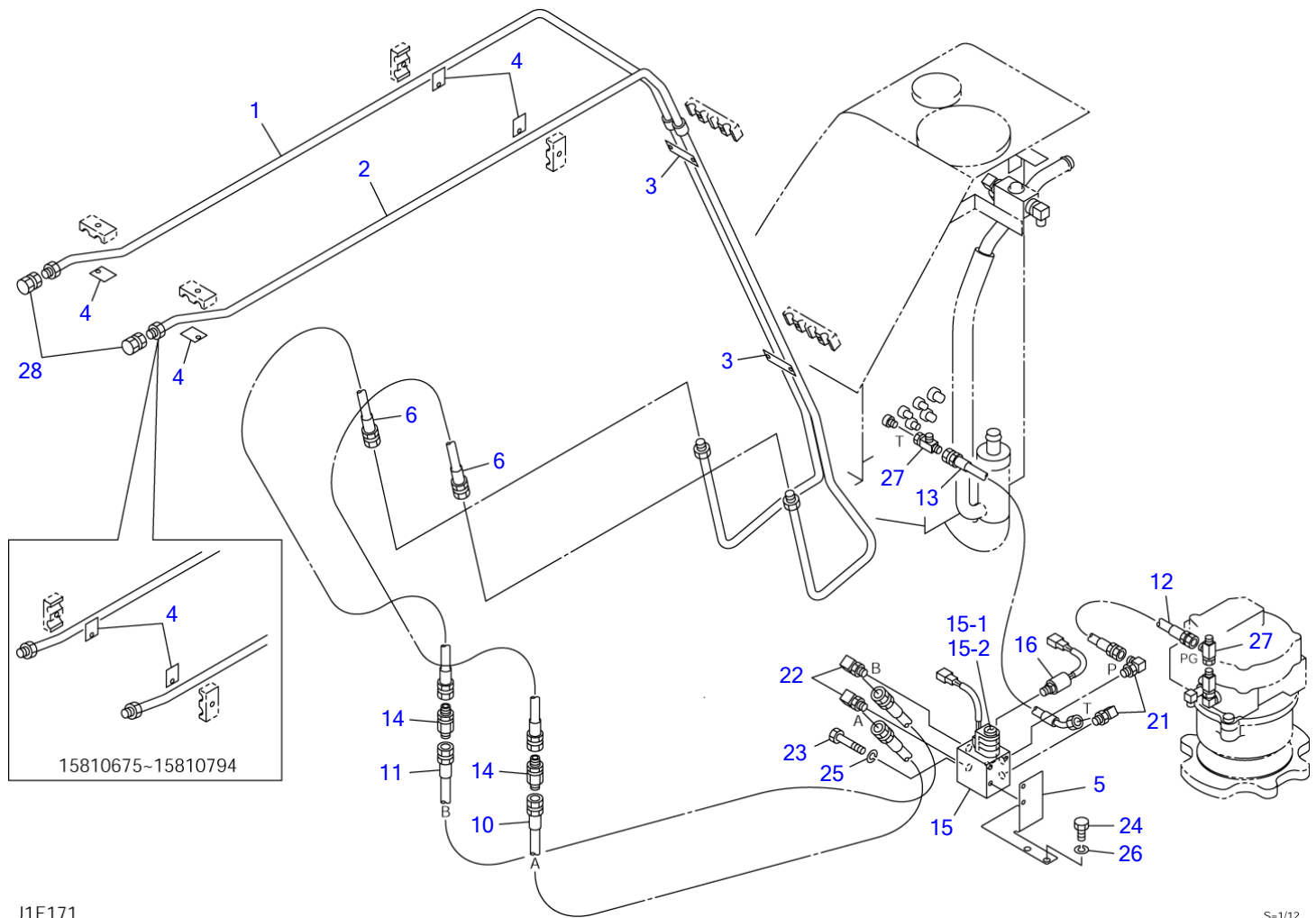
J1F111

S=1/18, 1/10

3RD AUXILIARY LINE (2/2) (available only with the 2nd aux. line; 15810005-15810674)

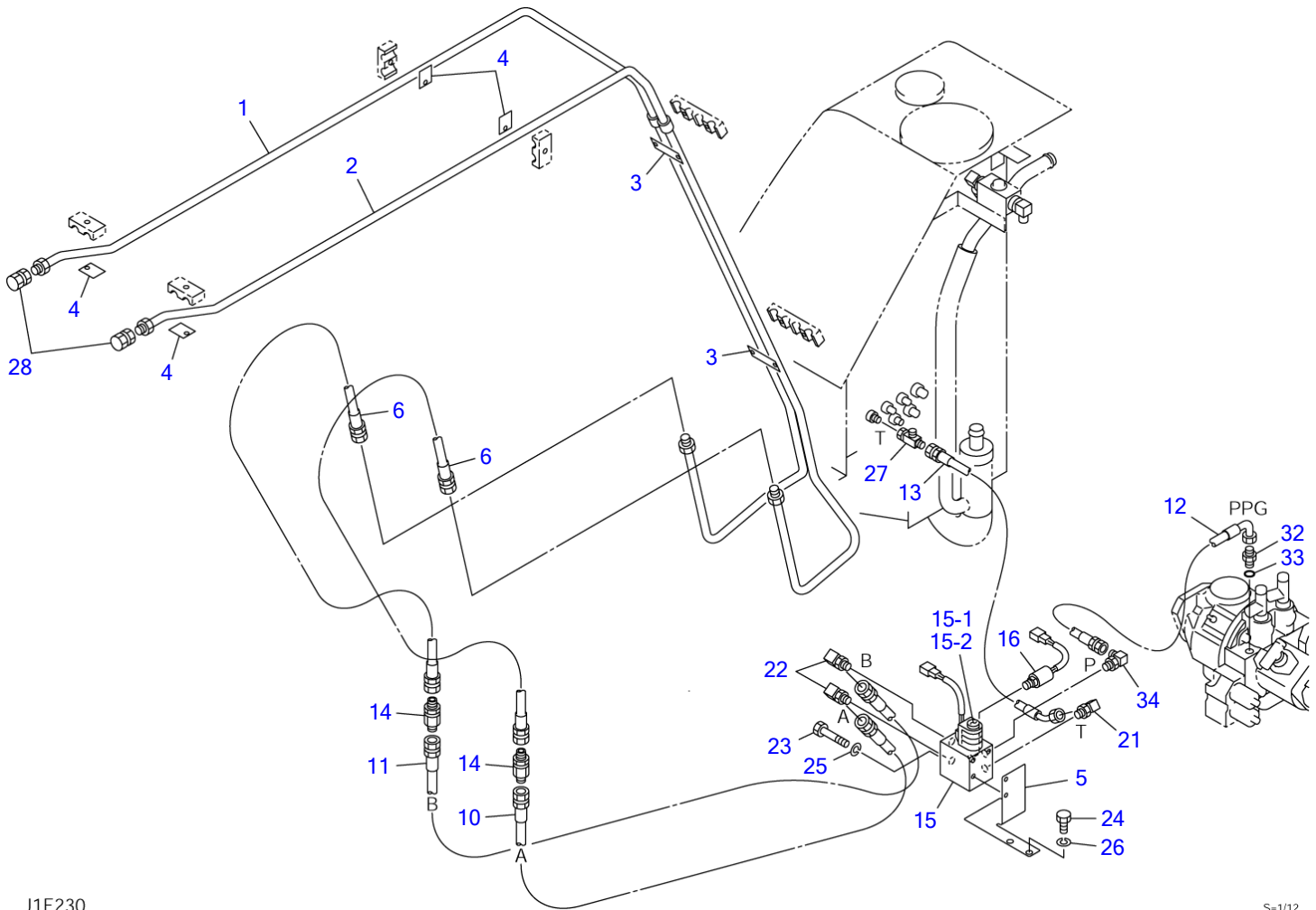
Item	Part number	Description	Q'ty	Chan.	Serial No.	Serv.	Remarks
0	0397310600	LINE ASSY, 3rd auxiliary	1				X03973-10600-7
6	0397310660	▪ BRACKET	1		15810005~15810566		
9	0397310690	▪ DECAL	1				
10	0397310700	▪ HARNESS	1				
10-1	1730500008	▪ DIODE (3A yellow)	10				
10-2	1701310010	▪ FUSE	3				10A
10-3	1701310015	▪ FUSE	3				15A
10-4	1701310020	▪ FUSE	5				20A
10-5	1701310030	▪ FUSE	3				30A
11	0397310710	▪ WIRE	1				
12	0567336130	▪ DECAL	1				
23	1650204750	▪ GRIP (L.H.)	1				4switches
23-1	1650204701	▪ ▪ COVER	1				
24	1700100064	▪ SWITCH, foot	1				
25	1700550032	▪ LAMP, pilot	1				
26	1711900062	▪ RELAY	1				
32	1140020008	▪ WASHER, spring	4				
36	1100040825	▪ BOLT	4				
37	1130040008	▪ NUT	4				
38	1141110008	▪ WASHER	8				
	J1f112						

TB53FR Book No. BJ1Z006 S/N 15810005-15811324
3RD AUXILIARY LINE (1/2) (available only with the 2nd aux. line;
15810675-15811045)



3RD AUXILIARY LINE (1/2) (available only with the 2nd aux. line; 15810675-15811045)

Item	Part number	Description	Q'ty	Chan.	Serial No.	Serv.	Remarks
0	0397318600	LINE ASSY, 3rd auxiliary	1		15810675~15810794		X03973-18600-1
	0397319400	LINE ASSY, 3rd auxiliary	1		15810795~		X03973-19400-0
1	0397310610	• PIPE (R.H.)	1		15810675~15810794		
	0397319410	• PIPE (R.H.)	1		15810795~		
2	0397310620	• PIPE (L.H.)	1		15810675~15810794		
	0397319420	• PIPE (L.H.)	1		15810795~		
3	0397310630	• PLATE	2				
4	0397310640	• PLATE	4				
5	0397317610	• BRACKET	1				
6	0397310680	• HOSE ASSY	2				
10	1801520170	• HOSE ASSY	1				
11	1801520175	• HOSE ASSY	1				
12	1801022050	• HOSE ASSY	1				
13	1801079095	• HOSE ASSY	1				
14	1514011103	• ADAPTOR	2				
15	1901741700	• VALVE, solenoid	1		15810675~15810715		
	1901747100	• VALVE, solenoid	1	(H)	15810716~		
15-1	1901741402	• • SOLENOID	1				
15-2	1901741703	• • COIL	1				
16	1700100065	• SWITCH, pressure	1				
	1420010110	• • O-RING	1				M
21	1515012040	• ELBOW	2				
	1420010110	• • O-RING	1				
22	1515010130	• ELBOW	2				
	1420010110	• • O-RING	1				
23	1100040885	• BOLT	2				
24	1100041020	• BOLT	2				
25	1140020008	• WASHER, spring	2				
26	1140020010	• WASHER, spring	2				
27	1513390015	• TEE	2				
28	1513900002	• SOCKET	2				
	1420310908	• • O-RING	1				
	J1f171						

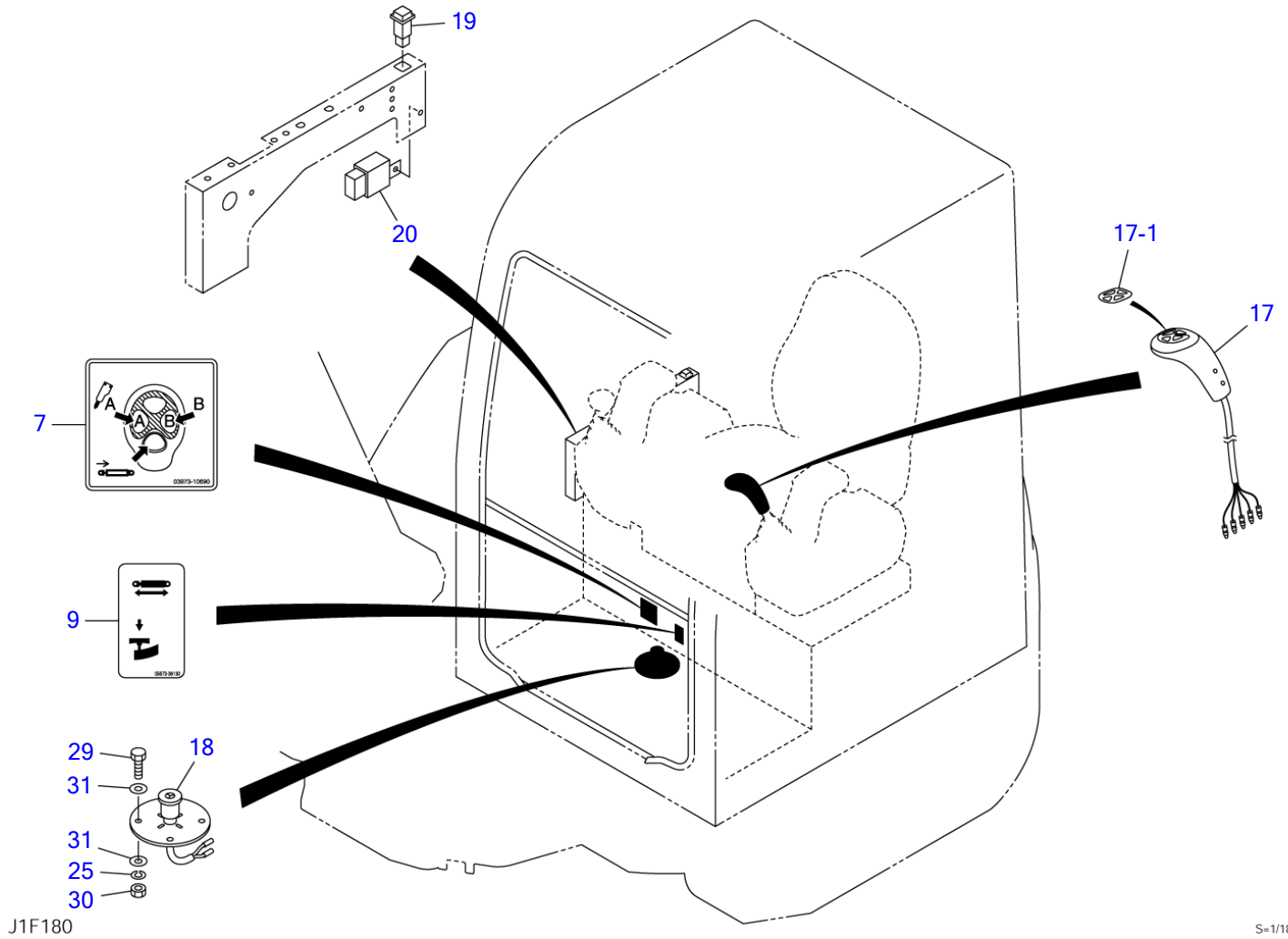


J1F230

S=1/12

3RD AUXILIARY LINE (1/2) (available only with the 2nd aux. line; 15811046-)

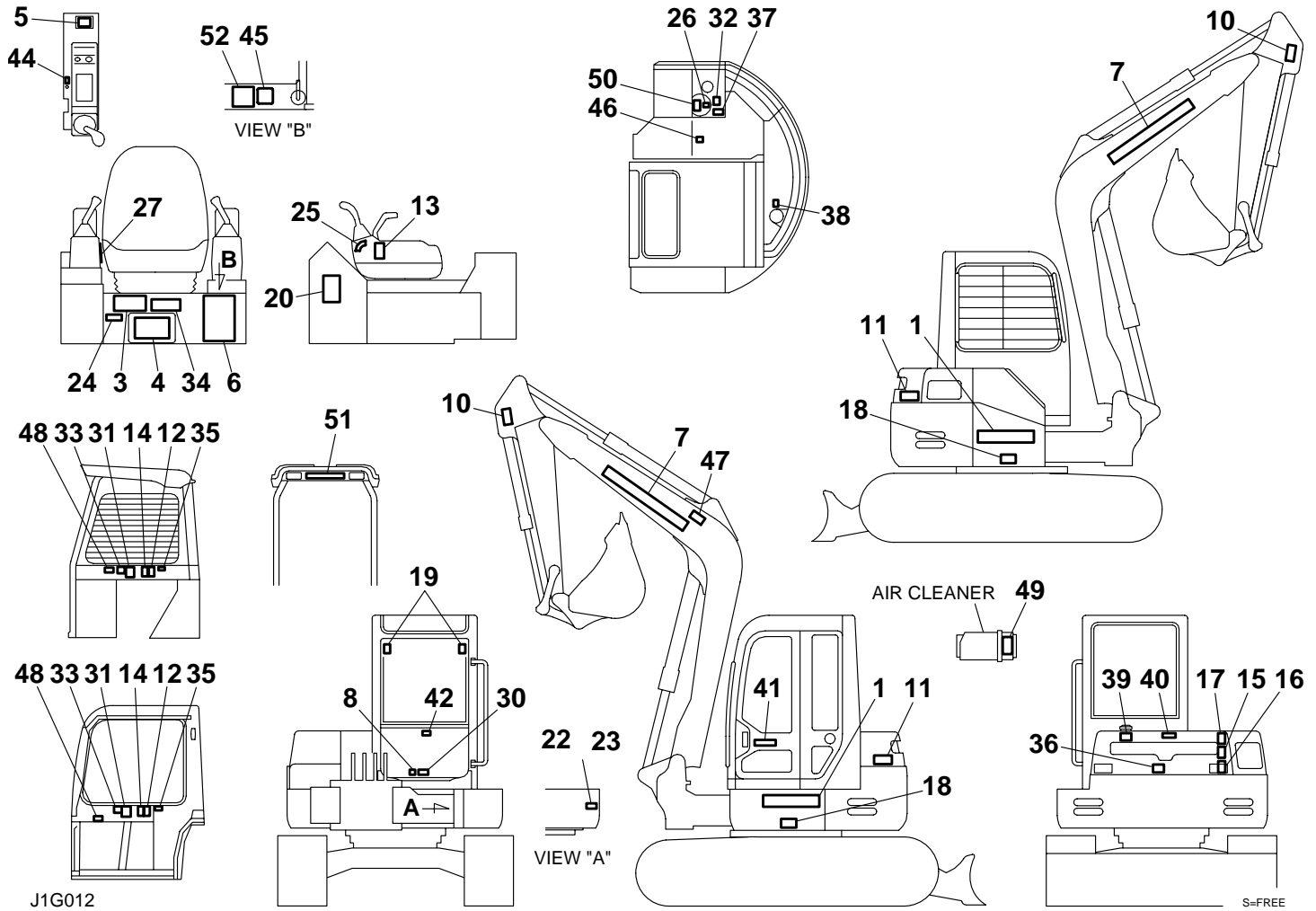
Item	Part number	Description	Q'ty	Chan.	Serial No.	Serv.	Remarks
0	0397319400	LINE ASSY, 3rd auxiliary	1				X03973-19400-2
1	0397319410	• PIPE (R.H.)	1				
2	0397319420	• PIPE (L.H.)	1				
3	0397310630	• PLATE	2				
4	0397310640	• PLATE	4				
5	0397318610	• BRACKET	1			M	
6	0397310680	• HOSE ASSY	2				
10	1801520170	• HOSE ASSY	1				
11	1801520175	• HOSE ASSY	1				
12	1801052150	• HOSE ASSY	1				
13	1801079095	• HOSE ASSY	1				
14	1514011103	• ADAPTOR	2				
15	1901747100	• VALVE, solenoid	1	(H)	15810716~		
15-1	1901741402	• • SOLENOID	1				
15-2	1901741703	• • COIL	1				
16	1700100065	• SWITCH, pressure	1				
	1420010110	• • O-RING	1			M	
21	1515012040	• ELBOW	1				
	1420010110	• • O-RING	1				
22	1515010130	• ELBOW	2				
	1420010110	• • O-RING	1				
23	1100040885	• BOLT	2				
24	1100041020	• BOLT	2				
25	1140020008	• WASHER, spring	2				
26	1140020010	• WASHER, spring	2				
27	1513390015	• TEE	1				
28	1513900002	• SOCKET	2				
	1420310908	• • O-RING	1				
32	0007203059	• NIPPLE	1				
33	1420010080	• O-RING	1				
34	1512375004	• ELBOW	1				
	1420010110	• • O-RING	1				
	J1f231						



3RD AUXILIARY LINE (2/2) (available only with the 2nd aux. line; 15810675-)

Item	Part number	Description	Q'ty	Chan.	Serial No.	Serv.	Remarks
0	0397318600	LINE ASSY, 3rd auxiliary	1		15810675~15810794		X03973-18600-1
	0397319400	LINE ASSY, 3rd auxiliary	1		15810795~		X03973-19400-2
7	0397310690	▪ DECAL	1				
9	0567336130	▪ DECAL	1				
17	1650204750	▪ GRIP (L.H.)	1				4switches
17-1	1650204751	▪ ▪ COVER	1				
18	1700100064	▪ SWITCH, foot	1				
19	1700550032	▪ LAMP, pilot	1				
20	1711900062	▪ RELAY	1				
25	1140020008	▪ WASHER, spring	4				
29	1100040825	▪ BOLT	4				
30	1130040008	▪ NUT	4				
31	1141110008	▪ WASHER	8				
	J1f182						

TB53FR Book No. BJ1Z006 S/N 15810005-15811324
 DECAL (for Japan; 15810005-15810674)



1 **TB53FR**

3 **TB53FR 油圧ショベル**
株式会社 竹内製作所

4 給油面点検表

5

03A 子機(国)	03993-61205 (C)
03A 空	1SA 76/6 A,B
03A 走行速	2SA 3/6
03A フォアホック	3SA 1/1-2/2 1,2
03A 70°	4SA 1/1
03A 70°	5SA 1/1
03A 70°	6SA 1/1

6 警告

7 **TAKEUCHI**

8

10

11

12

13

14

15

16

17

18

19

20

25

26

27

30

31

32

33

34

35

36

37

38

39

40

41 **TAKEUCHI**

42

44

45

46

47

48

49

50

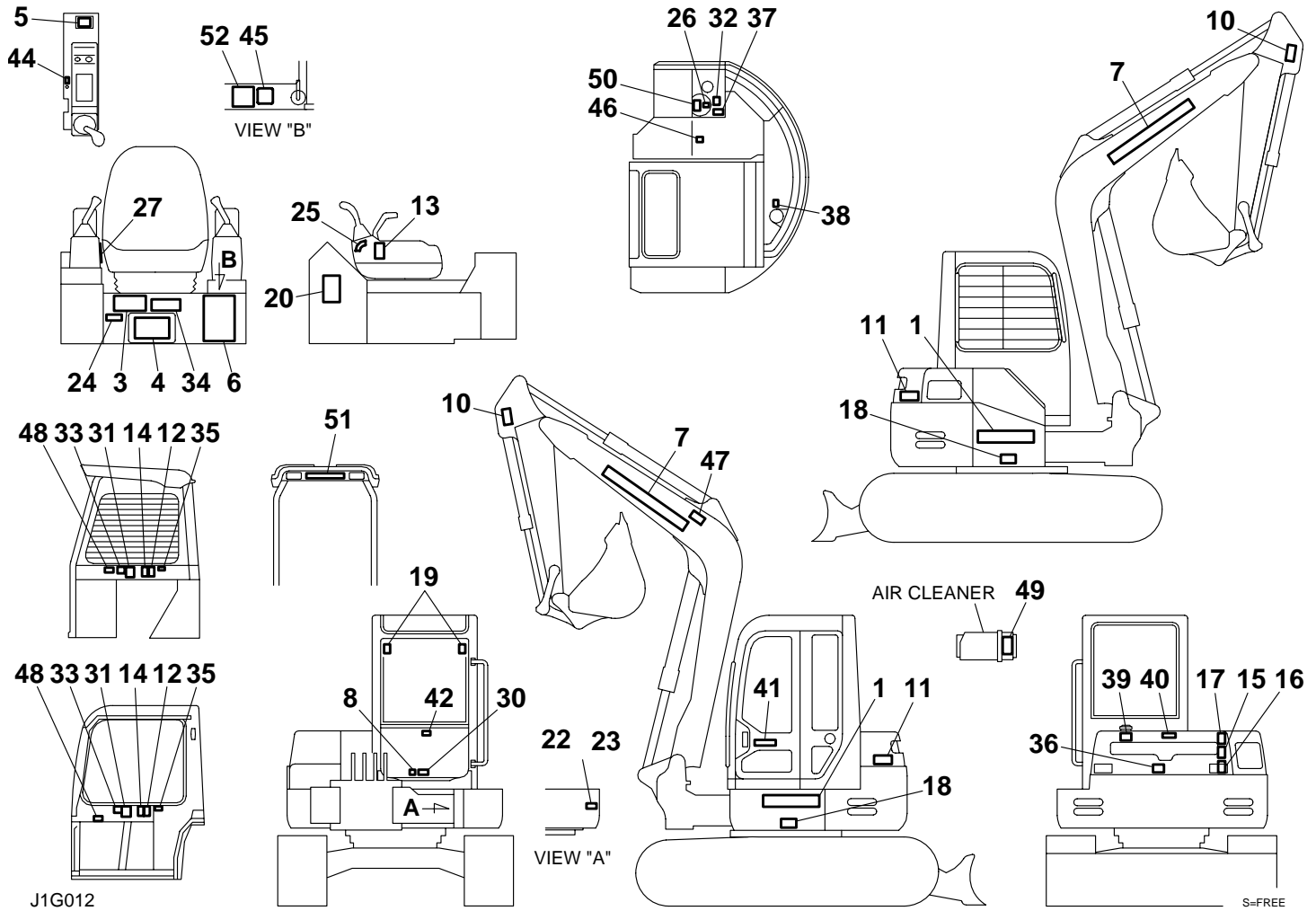
51 **TAKEUCHI**

52

J1G022

S-free

TB53FR Book No. BJ1Z006 S/N 15810005-15811324
 DECAL (for Japan; 15810005-15810674)

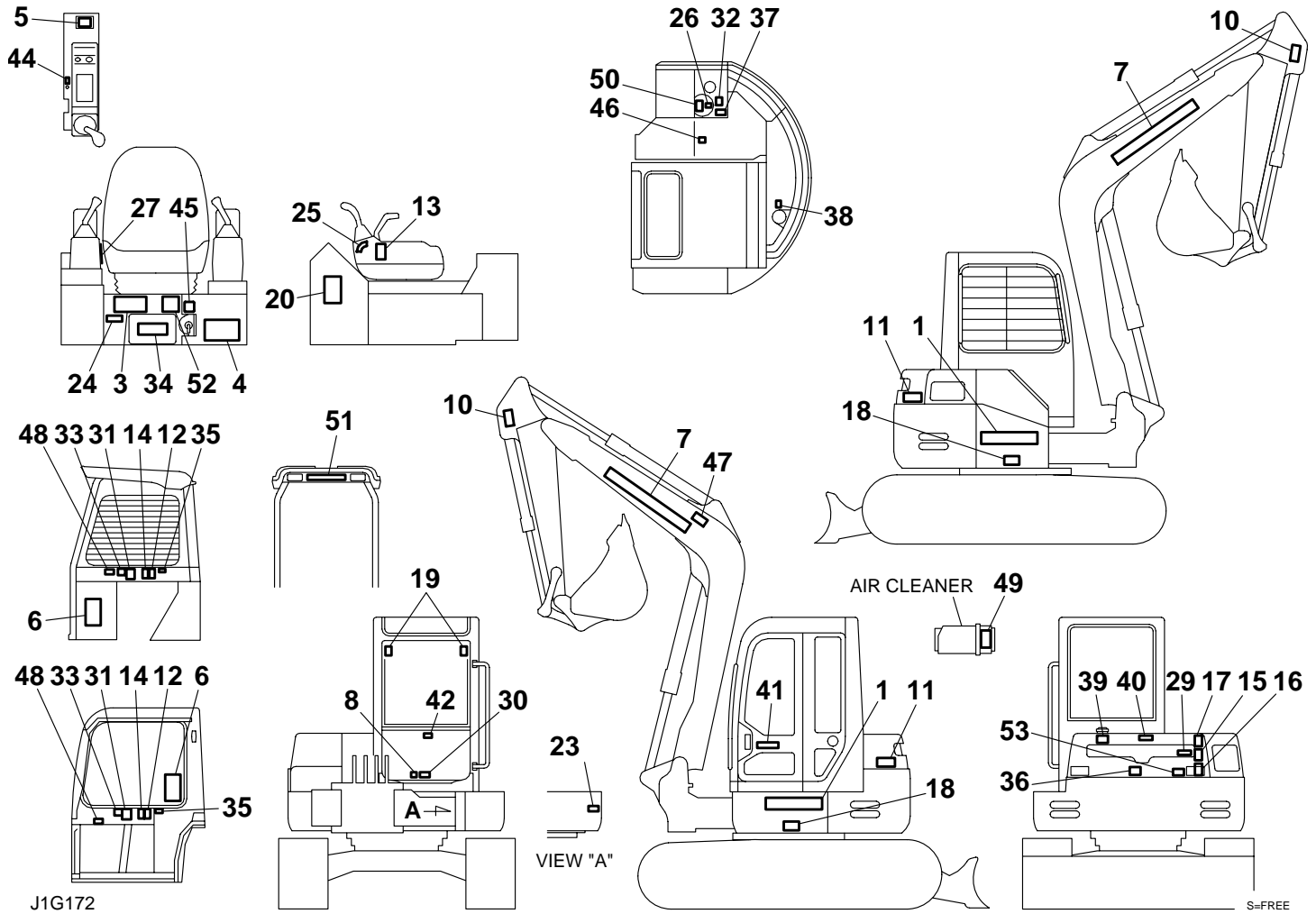


DECAL (for Japan; 15810005-15810674)

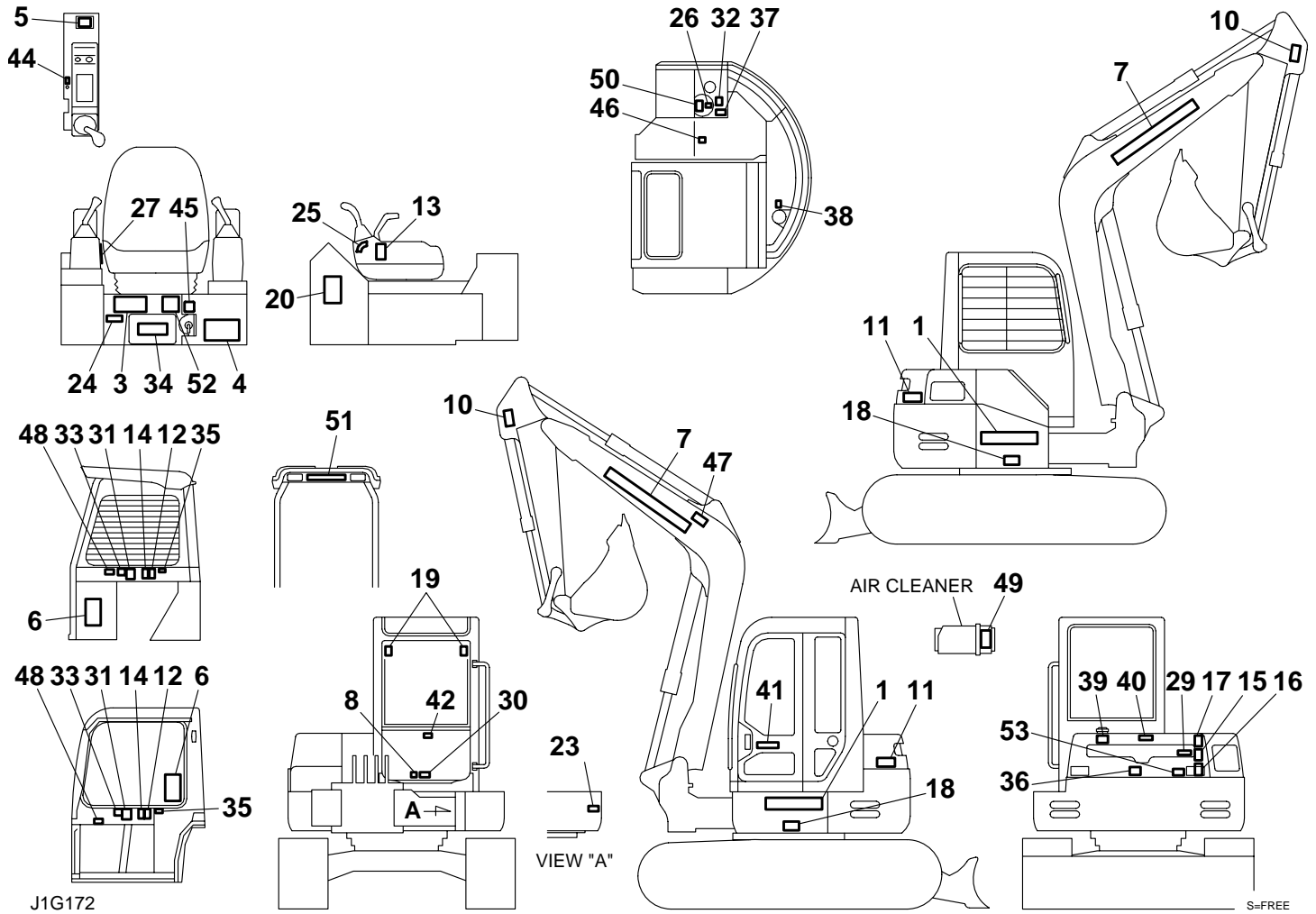
Item	Part number	Description	Q'ty	Chan.	Serial No.	Serv.	Remarks
0	0399351200	DECAL SET (canopy)	1				X03993-51200-9
	0399351300	DECAL SET (cab)	1				X03993-51300-9
1	0399351201	• DECAL	2				
3	0399351203	• DECAL	1				
4	0399351204	• DECAL	1				
5	0399351205	• DECAL	1				
6	0399351206	• DECAL	1				
7	0399351207	• DECAL	2				
8	0359340050	• DECAL	1				
10	0329360400	• DECAL	2				
11	0339350020	• DECAL	2				
12	0339350040	• DECAL	1				
13	0339350050	• DECAL	1				
14	0339350060	• DECAL	1				
15	0339350070	• DECAL	1				
16	0339350080	• DECAL	1				
17	0339350090	• DECAL	1				
18	0339350110	• DECAL	2				
19	0339350130	• DECAL	2				cab
20	0379345400	• DECAL	1				
22	X *****	• DECAL	1				
23	X *****	• SCREW	4				
24	X *****	• DECAL	1				
25	0329360100	• DECAL	1				
26	0359306700	• DECAL	1				
27	0359317200	• DECAL	1				
30	0359325020	• DECAL	1				
31	0359325030	• DECAL	1				
32	0359325080	• DECAL	1				
33	0359325090	• DECAL	1				
34	0359325140	• DECAL	1				
35	0359325190	• DECAL	1				
36	0871082120	• DECAL	1				
37	0871082220	• DECAL	1				
38	0871082240	• DECAL	1				
39	0871082280	• DECAL	1				
40	0871082300	• DECAL	1				
41	0569321400	• DECAL	1				cab
42	0379336800	• DECAL	1				
44	0399351209	• DECAL	1				
45	0399351210	• DECAL	1				
46	0359325220	• DECAL	1				
47	0339352010	• DECAL	1				
48	0339362070	• DECAL	1				
49	0339352040	• DECAL	1				
50	0339352050	• DECAL	1				
51	0359306100	• DECAL	1		15810393~		canopy
52	0569354410	• DECAL	1		15810633~		

J1g012

TB53FR Book No. BJ1Z006 S/N 15810005-15811324
DECAL (for Japan; 15810675-)



TB53FR Book No. BJ1Z006 S/N 15810005-15811324
DECAL (for Japan; 15810675-)

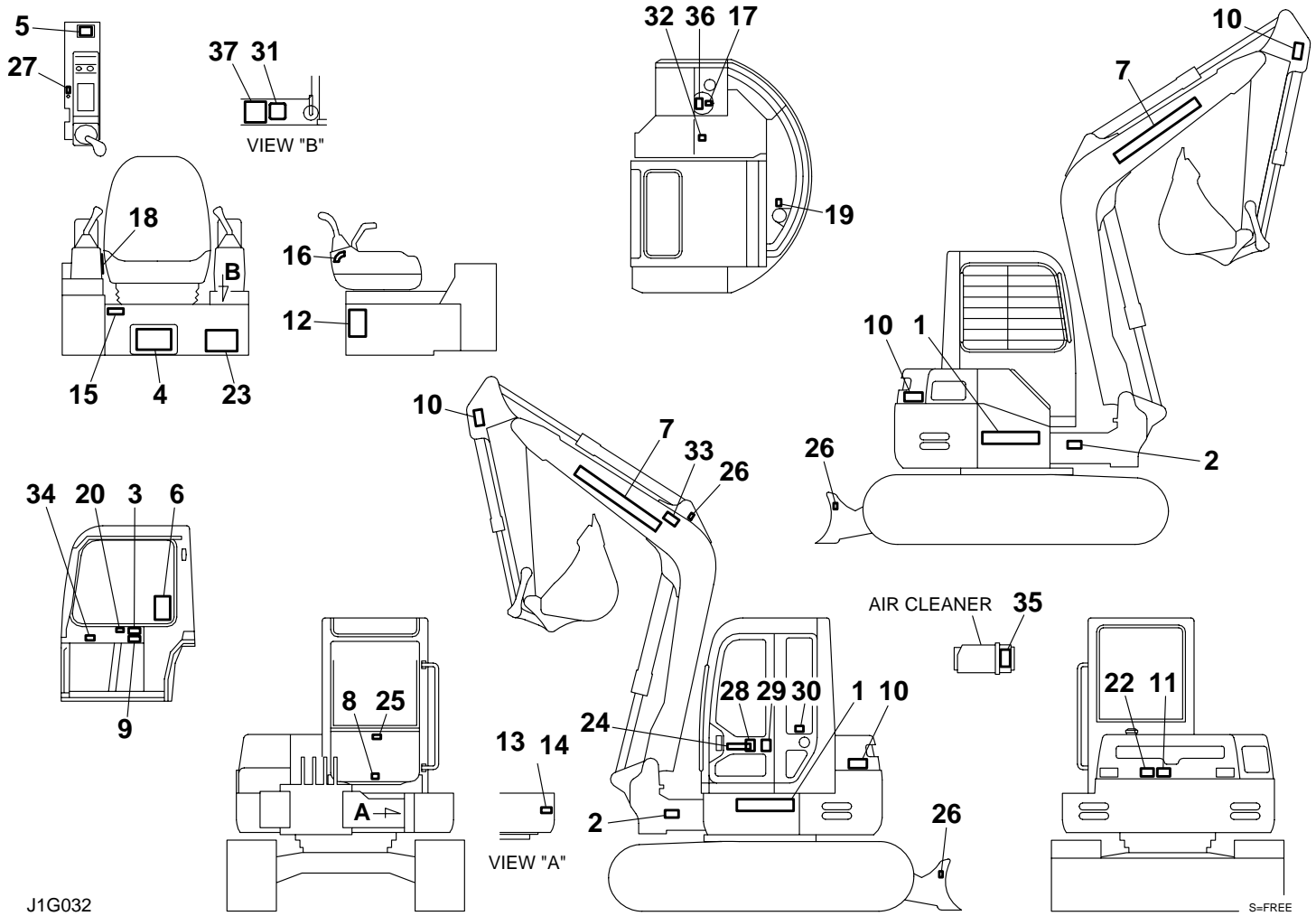


DECAL (for Japan; 15810675-)

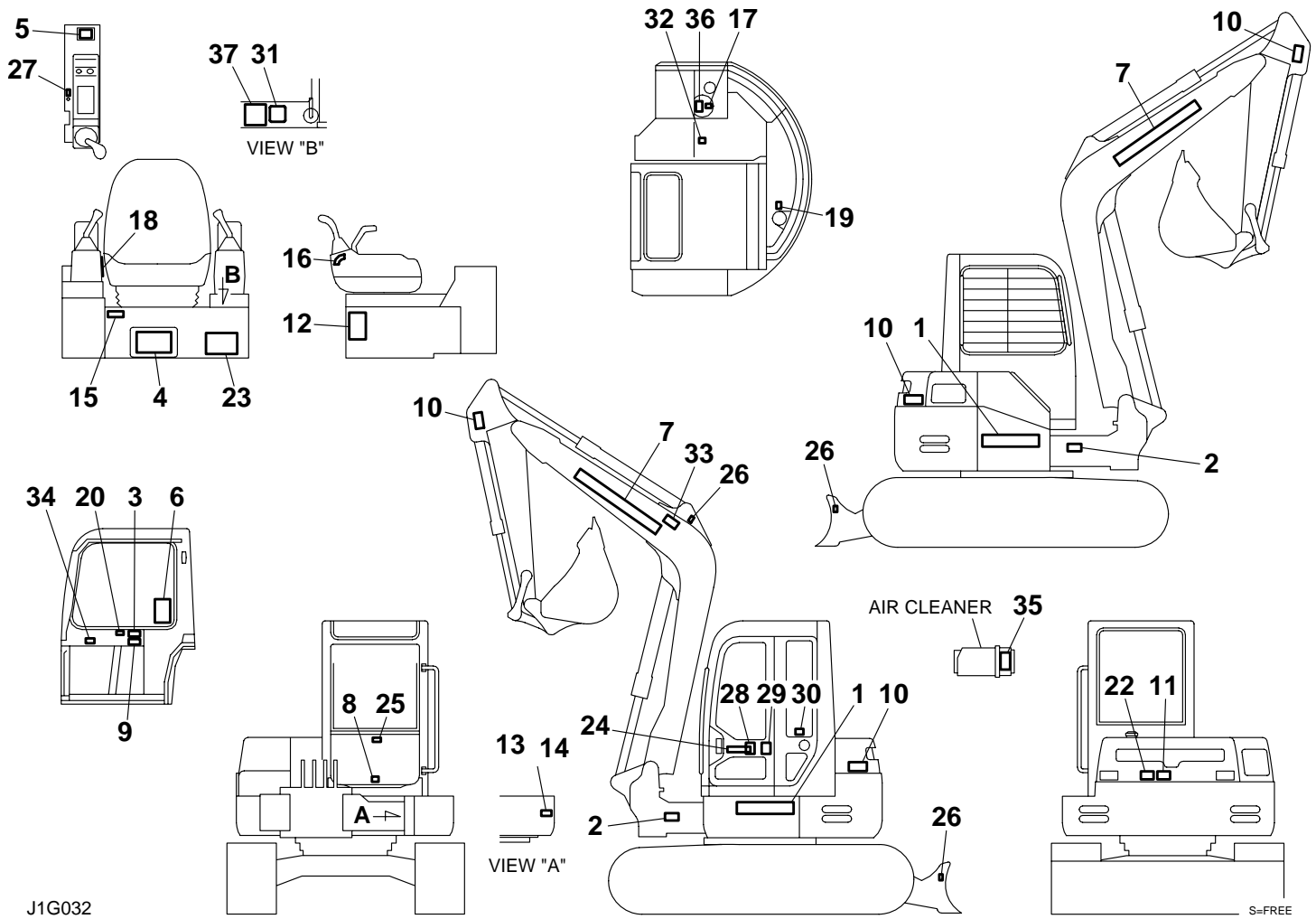
Item	Part number	Description	Q'ty	Chan.	Serial No.	Serv.	Remarks
0	0399351200	DECAL SET (canopy)	1				X03993-55600-4
	0399351300	DECAL SET (cab)	1				X03993-55700-4
1	0399351201	• DECAL	2				
3	0399355603	• DECAL	1				
4	0399351204	• DECAL	1				
5	0399351205	• DECAL	1				
6	0399351206	• DECAL	1				
7	0359306300	• DECAL	2				
8	0399354608	• DECAL	1				
10	0329360400	• DECAL	2				
11	0339350020	• DECAL	2				
12	0339350040	• DECAL	1				
13	0339350050	• DECAL	1				
14	0339350060	• DECAL	1				
15	0339350070	• DECAL	1				
16	0339350080	• DECAL	1				
17	0339350090	• DECAL	1				
18	0339350110	• DECAL	2				
19	0339350130	• DECAL	2				cab
20	0379345400	• DECAL	1				
22	X *****	• DECAL	1				
23	X *****	• SCREW	4				
24	X *****	• DECAL	1				
25	0329360100	• DECAL	1				
26	0359306700	• DECAL	1				
27	0359317200	• DECAL	1				
29	0359313900	• DECAL	1				
30	0359325020	• DECAL	1				
31	0359325030	• DECAL	1				
32	0359325080	• DECAL	1				
33	0359325090	• DECAL	1				
34	0359325140	• DECAL	1				
35	0359325190	• DECAL	1				
36	0871082120	• DECAL	1				
37	0871082220	• DECAL	1				
38	0871082240	• DECAL	1				
39	0871082280	• DECAL	1				
40	0871082300	• DECAL	1				
41	0569321400	• DECAL	1				cab
42	0379336800	• DECAL	1				
44	0399351209	• DECAL	1				
45	0399351210	• DECAL	1				
46	0359325220	• DECAL	1				
47	0339352010	• DECAL	1				
48	0339362070	• DECAL	1				
49	0339352040	• DECAL	1				
50	0339352050	• DECAL	1				
51	0359306100	• DECAL	1				canopy
52	0569354410	• DECAL	1				
53	0339377640	• DECAL	1			M	

J1g172

TB53FR Book No. BJ1Z006 S/N 15810005-15811324
DECAL (cab) (15810005-15810674)



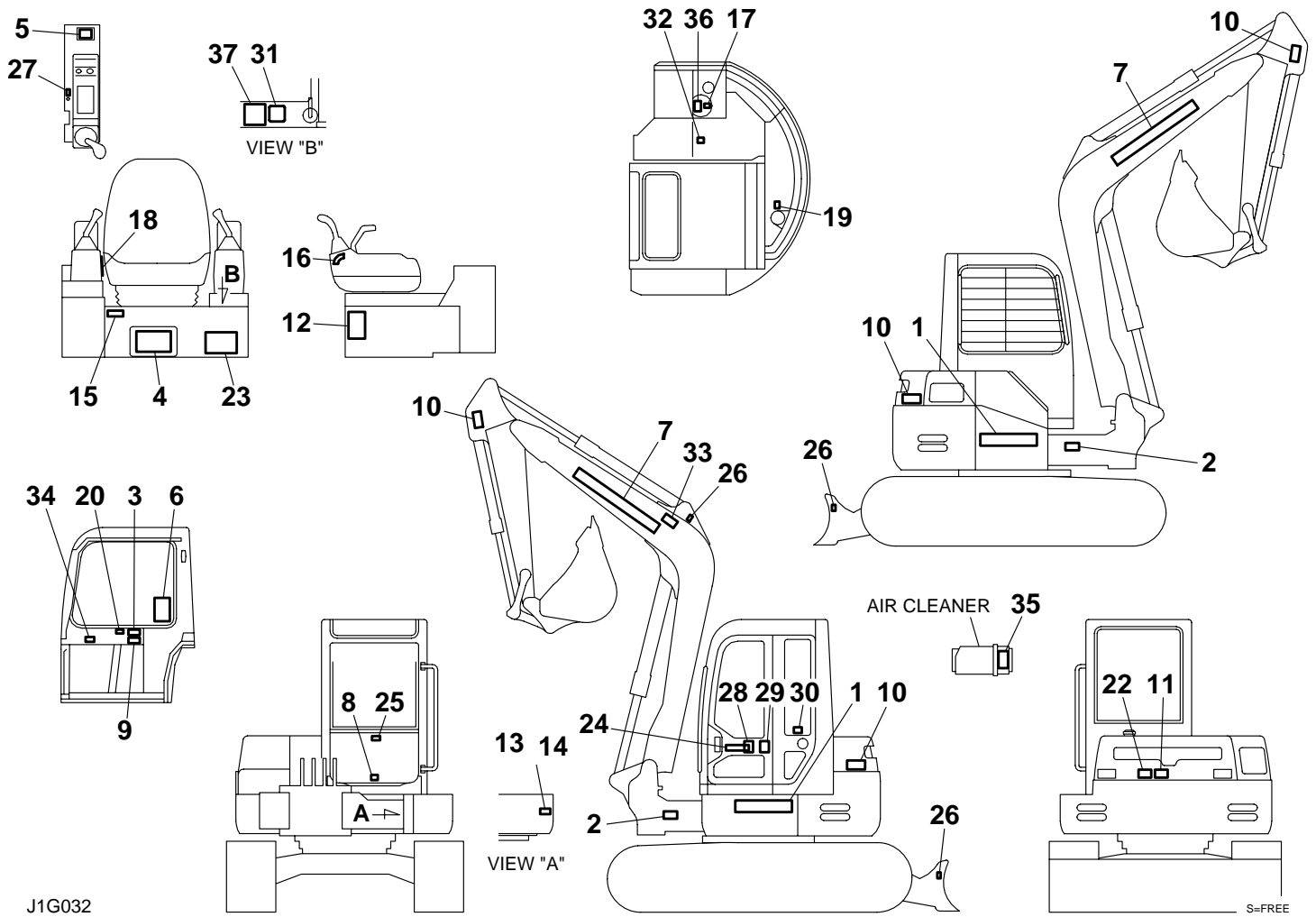
TB53FR Book No. BJ1Z006 S/N 15810005-15811324
DECAL (cab) (15810005-15810674)



DECAL (cab) (15810005-15810674)

Item	Part number	Description	Q'ty	Chan.	Serial No.	Serv.	Remarks
0	0399351400	DECAL SET (English)	1				X03993-51400-12
	0399351500	DECAL SET (German)	1				X03993-51500-12
	0399351600	DECAL SET (French)	1				X03993-51600-12
	0399351700	DECAL SET (Italian)	1				X03993-51700-12
	0399352300	DECAL SET (U. S. TAKEUCHI)	1				X03993-52300-12
1	0399351201	• DECAL	2				
2	0399352302	• DECAL (U. S. TAKEUCHI)	2				
3	0399352303	• DECAL (U. S. TAKEUCHI)	1				
4	0399351404	• DECAL (English)	1				
	0399351504	• DECAL (German)	1				
	0399351604	• DECAL (French)	1				
	0399351704	• DECAL (Italian)	1				
5	0399351405	• DECAL (English)	1				
	0399351505	• DECAL (German)	1				
	0399351605	• DECAL (French)	1				
	0399351705	• DECAL (Italian)	1				
6	0399351406	• DECAL (English)	1				
	0399351506	• DECAL (German)	1				
	0399351606	• DECAL (French)	1				
	0399351706	• DECAL (Italian)	1				
7	0399351207	• DECAL	2				
8	0359340050	• DECAL	1				
9	0399352309	• DECAL (U. S. TAKEUCHI)	1				
10	0359306500	• DECAL (English)	4				
	0359308100	• DECAL (German)	4				
	0359309100	• DECAL (French)	4				
	0359310100	• DECAL (Italian)	4				
11	0359307400	• DECAL (English)	1				
	0359314400	• DECAL (German)	1				
	0359315400	• DECAL (French)	1				
	0359316400	• DECAL (Italian)	1				
12	0379337300	• DECAL (English)	1				
	0379338300	• DECAL (German)	1				
	0379339300	• DECAL (French)	1				
	0379340300	• DECAL (Italian)	1				
13	X *****	• DECAL	1				
14	X *****	• SCREW	4				
15	X *****	• DECAL	1				
16	0329360100	• DECAL	1				
17	0359306700	• DECAL	1				
18	0359317200	• DECAL	1				
19	0359306600	• DECAL (English)	1				
	0339375260	• DECAL (German)	1				
	0339375460	• DECAL (French)	1				
	0339375660	• DECAL (Italian)	1				
20	0359325190	• DECAL	1				
22	0569321980	• DECAL (English)	1				
23	0359313700	• DECAL (English)	1				
	0359314700	• DECAL (German)	1				
	0359315700	• DECAL (French)	1				
	0359316700	• DECAL (Italian)	1				
24	0569321400	• DECAL	1				
25	0379336800	• DECAL	1				
26	0399300500	• DECAL	3				
27	0399351410	• DECAL (English)	1				
	0399351511	• DECAL (German)	1				
	0399351610	• DECAL (French)	1				
	0399351710	• DECAL (Italian)	1				
	0399352310	• DECAL (U. S. TAKEUCHI)	1				
28	X *****	• DECAL	1				
29	X *****	• DECAL	1				
30	X *****	• DECAL	1				
31	0399351210	• DECAL	1				
32	0359325220	• DECAL	1				
33	0359347010	• DECAL (English)	1				
	0339375210	• DECAL (German)	1				
	0339375410	• DECAL (French)	1				
	0339375610	• DECAL (Italian)	1				

TB53FR Book No. BJ1Z006 S/N 15810005-15811324
DECAL (cab) (15810005-15810674)

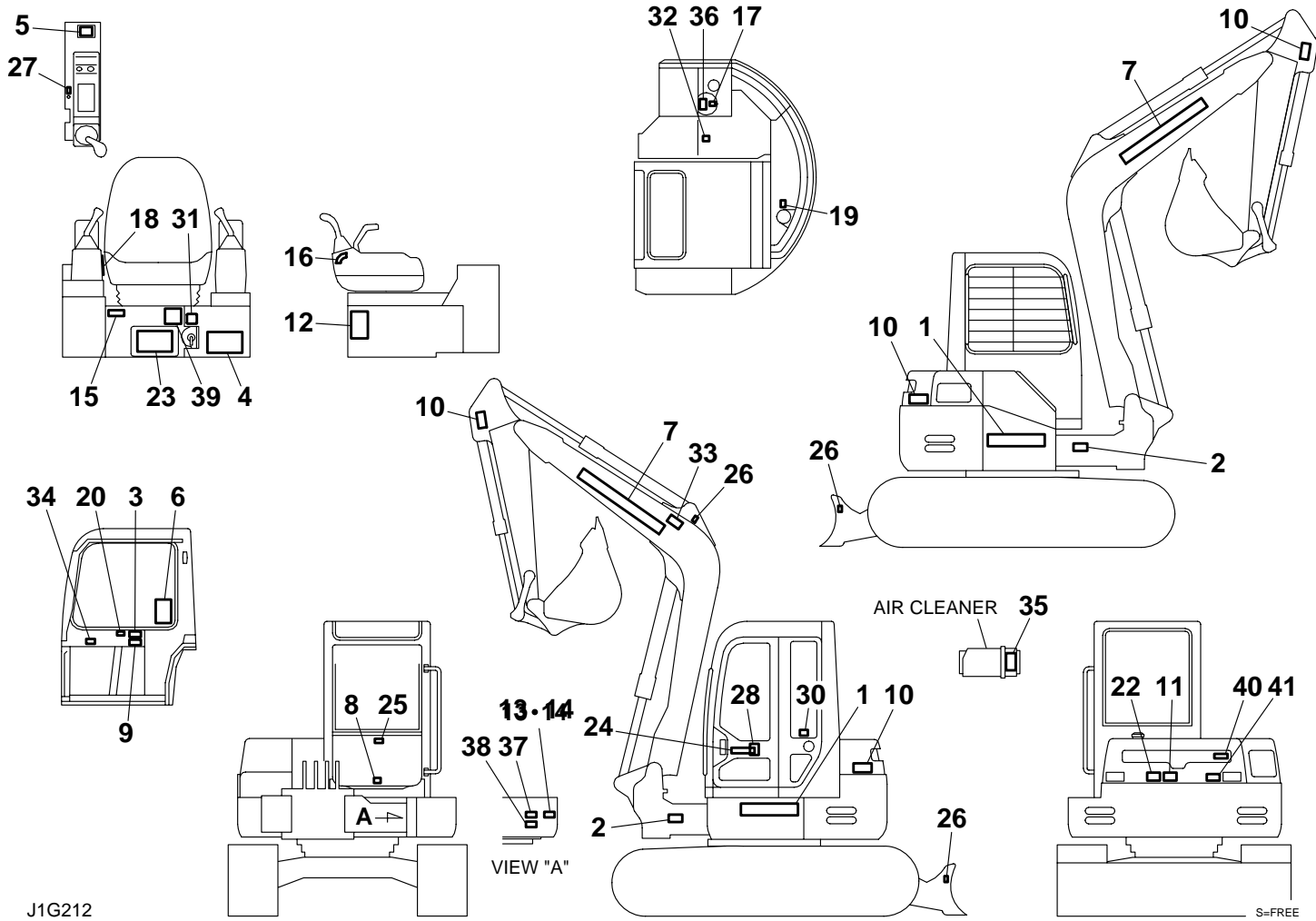


J1G032

DECAL (cab) (15810005-15810674)

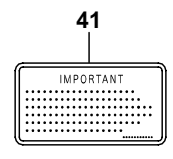
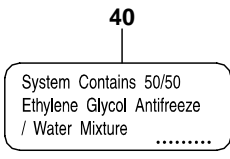
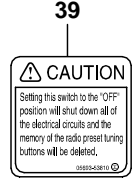
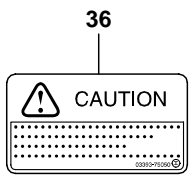
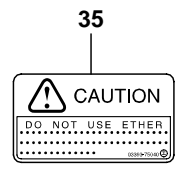
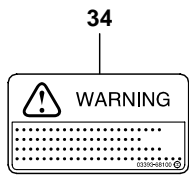
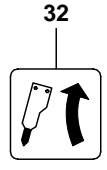
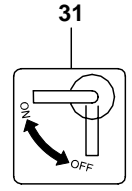
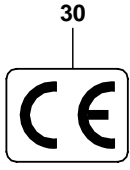
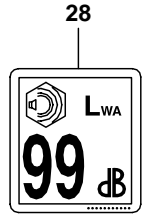
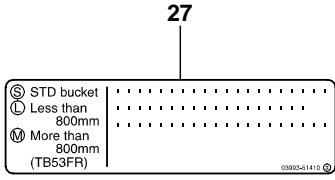
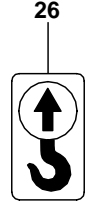
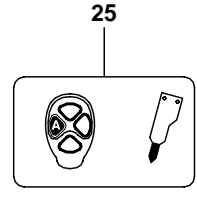
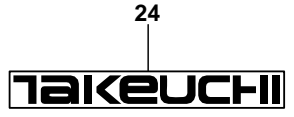
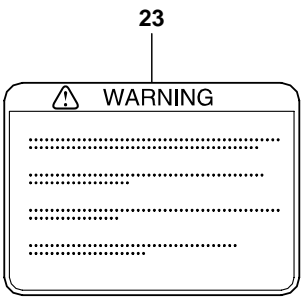
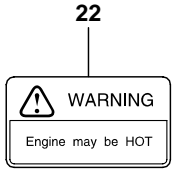
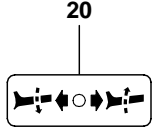
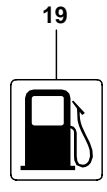
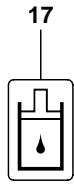
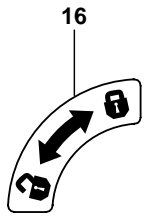
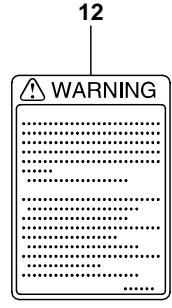
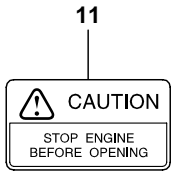
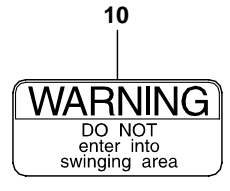
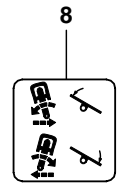
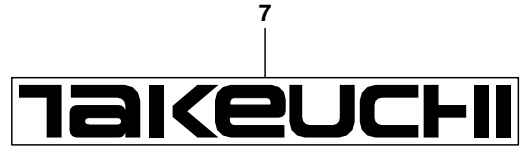
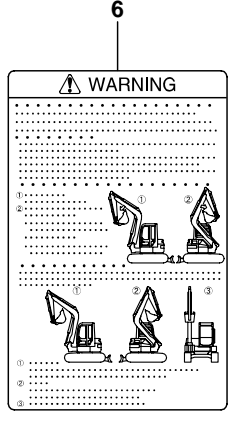
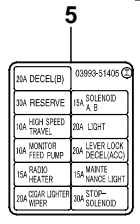
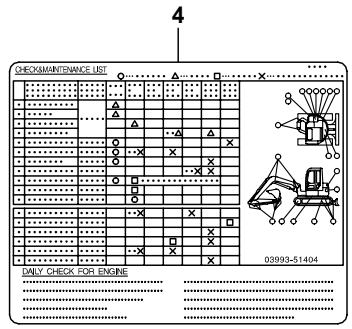
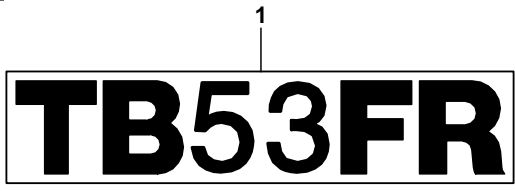
Item	Part number	Description	Q'ty	Chan.	Serial No.	Serv.	Remarks
34	0339368100	• DECAL (English)	1				
34	0339369100	• DECAL (German)	1				
34	0339370100	• DECAL (French)	1				
34	0339371100	• DECAL (Italian)	1				
35	0339375040	• DECAL (English)	1				
35	0339375240	• DECAL (German)	1				
35	0339375440	• DECAL (French)	1				
35	0339375640	• DECAL (Italian)	1				
36	0339375050	• DECAL (English)	1				
36	0339375250	• DECAL (German)	1				
36	0339375450	• DECAL (French)	1				
36	0339375650	• DECAL (Italian)	1				
37	0569353810	• DECAL (English)	1		15810633~		
37	0569353910	• DECAL (German)	1		15810633~		
37	0569354010	• DECAL (French)	1		15810633~		
37	0569354110	• DECAL (Italian)	1		15810633~		
	J1g032						

TB53FR Book No. BJ1Z006 S/N 15810005-15811324
DECAL (cab) (15810675-)



J1G212

S=FREE

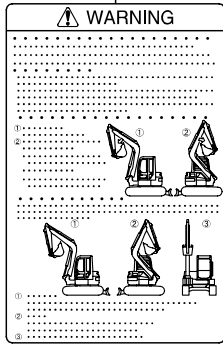


US TAKEUCHI

1 **TB53FR**



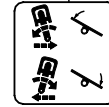
4 **CHECK/Maintenance List**
A table with columns for various components and their status (checked, not checked, etc.). Includes a diagram of the excavator and the number 03993-61404.



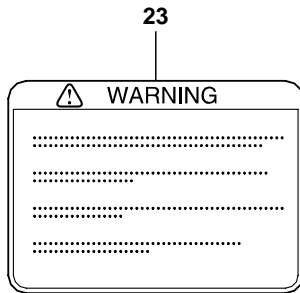
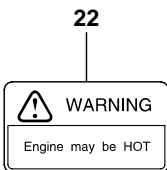
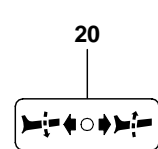
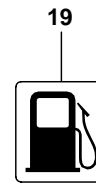
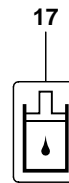
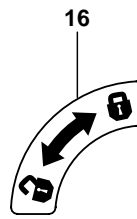
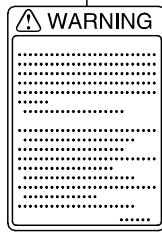
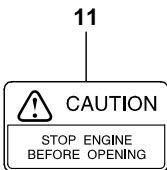
5 **03993-61405 C**
A table listing various components and their status (ON, OFF, etc.).



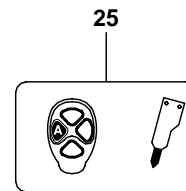
7 **Takeuchi**



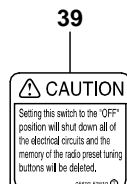
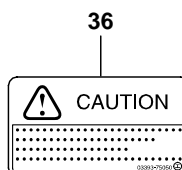
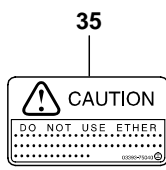
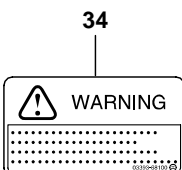
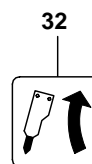
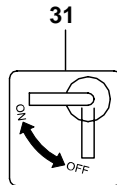
9 The Attachment Interference Switch (AIS) is automatically set to the M mode by the Interference Prevention System (IPS) when the engine is started. To use the minimal front radius feature, reset the AIS to the M position then select the appropriate attachment width (L or M).



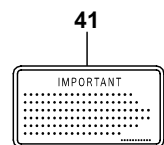
24 **Takeuchi**



27
Ⓞ Standard bucket attachment 24 inches wide.
Ⓞ Bucket attachment more than 24 inches and less than 31 inches wide.
Ⓞ Bucket attachment more than 31 inches wide, or any other approved attachment.
(TB53FR) 03993-62310 C



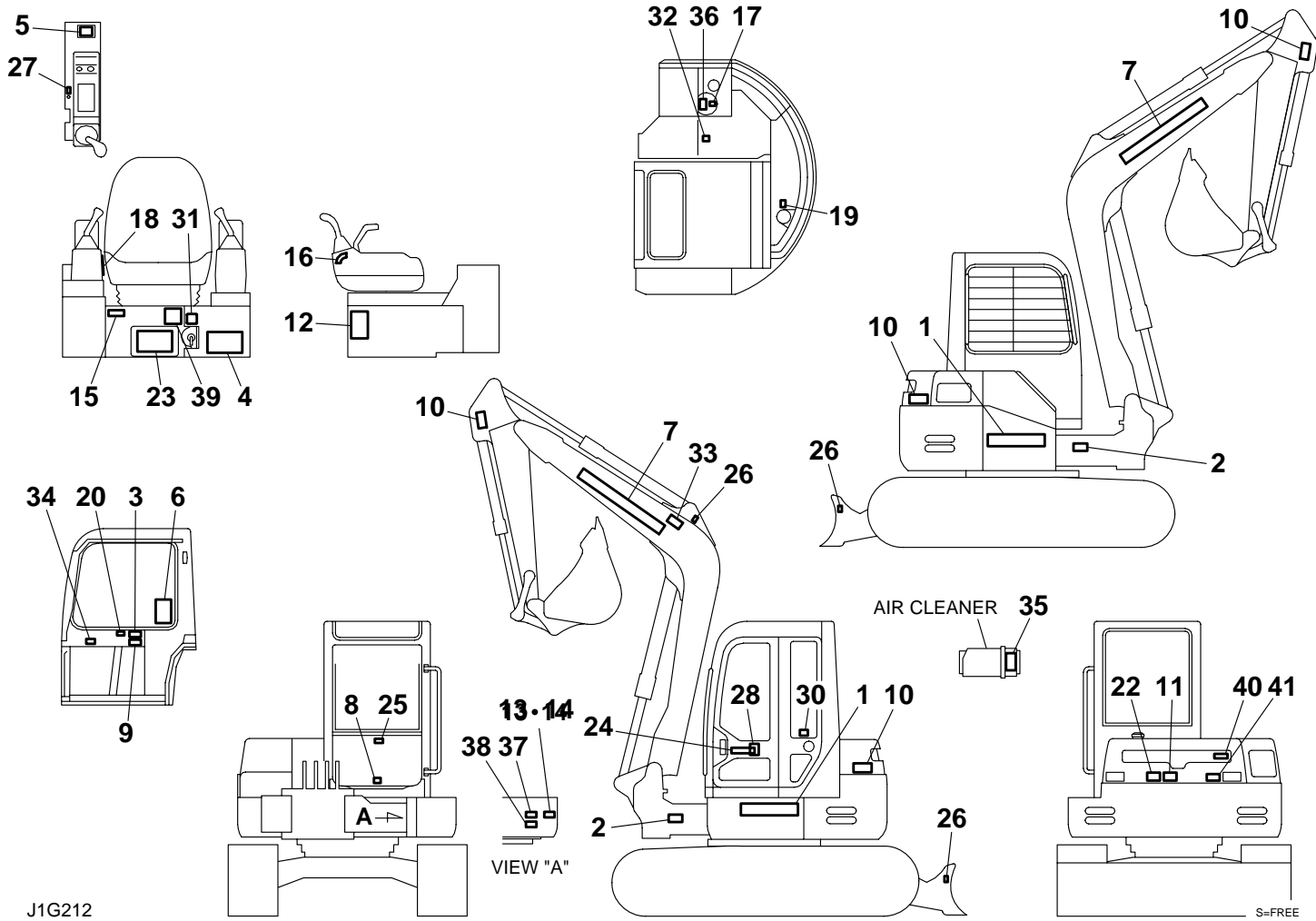
40 System Contains 50/50 Ethylene Glycol Antifreeze / Water Mixture



DECAL (cab) (15810675-)

Item	Part number	Description	Q'ty	Chan.	Serial No.	Serv.	Remarks
0	0399354600	DECAL SET (English)	1				X03993-54600-5
	0399354700	DECAL SET (German)	1				X03993-54700-5
	0399354800	DECAL SET (French)	1				X03993-54800-5
	0399354900	DECAL SET (Italian)	1				X03993-54900-5
	0399355000	DECAL SET (U. S. TAKEUCHI)	1				X03993-55000-5
	0399355800	DECAL SET (Spanish)	1				X03993-55800-5
1	0399351201	• DECAL	2				
2	0399352302	• DECAL (U. S. TAKEUCHI)	2				
3	0399352303	• DECAL (U. S. TAKEUCHI)	1				
4	0399351404	• DECAL (English)	1				
	0399351504	• DECAL (German)	1				
	0399351604	• DECAL (French)	1				
	0399351704	• DECAL (Italian)	1				
	0399355804	• DECAL (Spanish)	1				
5	0399351405	• DECAL (English)	1				
	0399351505	• DECAL (German)	1				
	0399351605	• DECAL (French)	1				
	0399351705	• DECAL (Italian)	1				
	0399355805	• DECAL (Spanish)	1				
6	0399351406	• DECAL (English)	1				
	0399351506	• DECAL (German)	1				
	0399351606	• DECAL (French)	1				
	0399351706	• DECAL (Italian)	1				
	0399355806	• DECAL (Spanish)	1				
7	0359306300	• DECAL	2				
8	0399354608	• DECAL	1				
9	0399352309	• DECAL (U. S. TAKEUCHI)	1				
10	0359306500	• DECAL (English)	4				
	0359308100	• DECAL (German)	4				
	0359309100	• DECAL (French)	4				
	0359310100	• DECAL (Italian)	4				
	0339364100	• DECAL (Spanish)	4				
11	0359307400	• DECAL (English)	1				
	0359314400	• DECAL (German)	1				
	0359315400	• DECAL (French)	1				
	0359316400	• DECAL (Italian)	1				
	0339364200	• DECAL (Spanish)	1				
12	0379337300	• DECAL (English)	1				
	0379338300	• DECAL (German)	1				
	0379339300	• DECAL (French)	1				
	0379340300	• DECAL (Italian)	1				
	0379354200	• DECAL (Spanish)	1				
13	X *****	• DECAL	1				
14	X *****	• SCREW	4				
15	X *****	• DECAL	1				
16	0329360100	• DECAL	1				
17	0359306700	• DECAL	1				
18	0359317200	• DECAL	1				
19	0359306600	• DECAL (English)	1				
	0339375260	• DECAL (German)	1				
	0339375460	• DECAL (French)	1				
	0339375660	• DECAL (Italian, Spanish)	1				
20	0359325190	• DECAL	1				
22	0569321980	• DECAL (English)	1				
23	0359313700	• DECAL (English)	1				
	0359314700	• DECAL (German)	1				
	0359315700	• DECAL (French)	1				
	0359316700	• DECAL (Italian)	1				
	0359365323	• DECAL (Spanish)	1				
24	0569321400	• DECAL	1				
25	0379336800	• DECAL	1				
26	0399300500	• DECAL	3				
27	0399351410	• DECAL (English)	1				
	0399351511	• DECAL (German)	1				
	0399351610	• DECAL (French)	1				
	0399351710	• DECAL (Italian)	1				
	0399352310	• DECAL (U. S. TAKEUCHI)	1				
	0399355810	• DECAL (Spanish)	1				

TB53FR Book No. BJ1Z006 S/N 15810005-15811324
DECAL (cab) (15810675-)

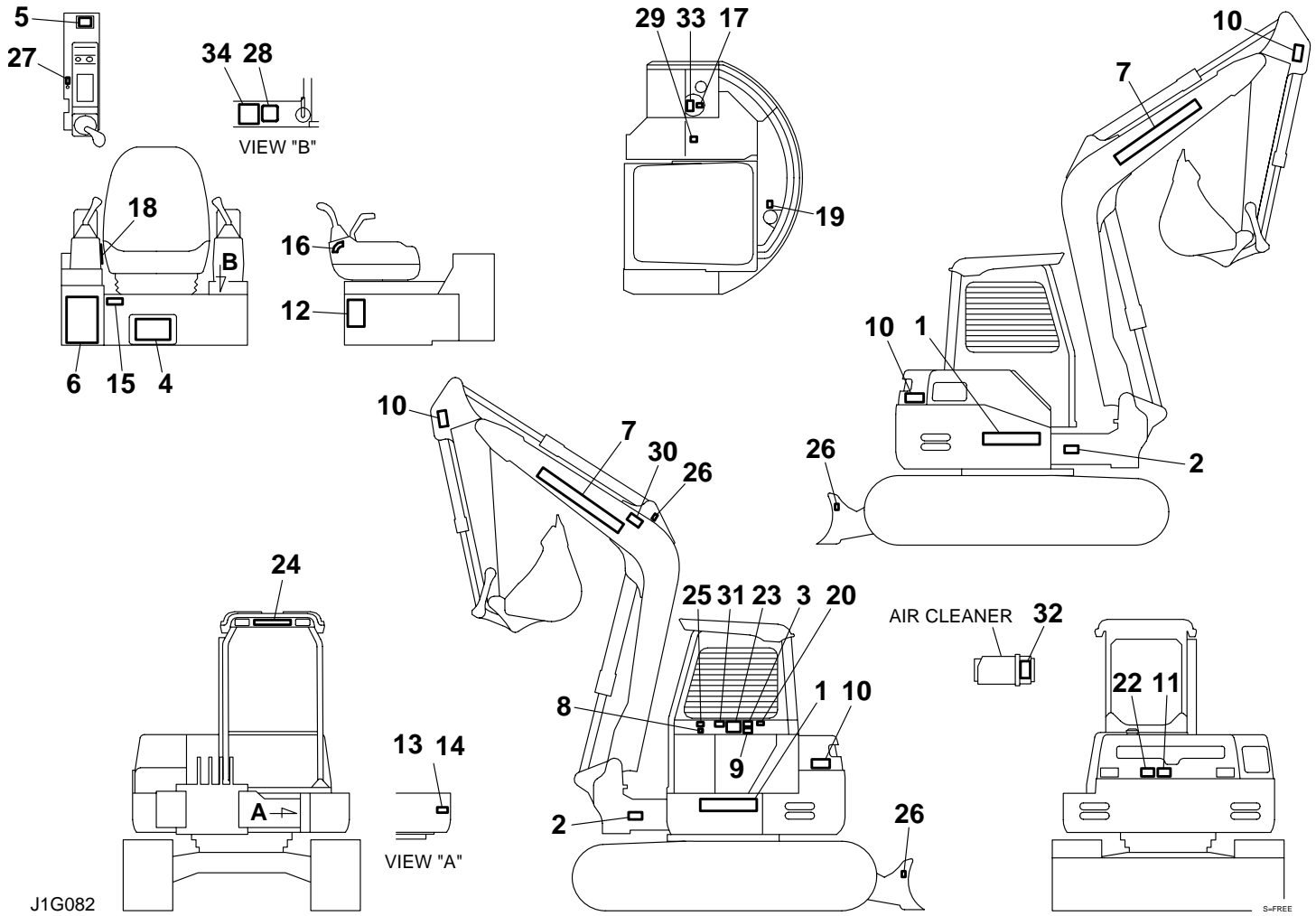


DECAL (cab) (15810675-)

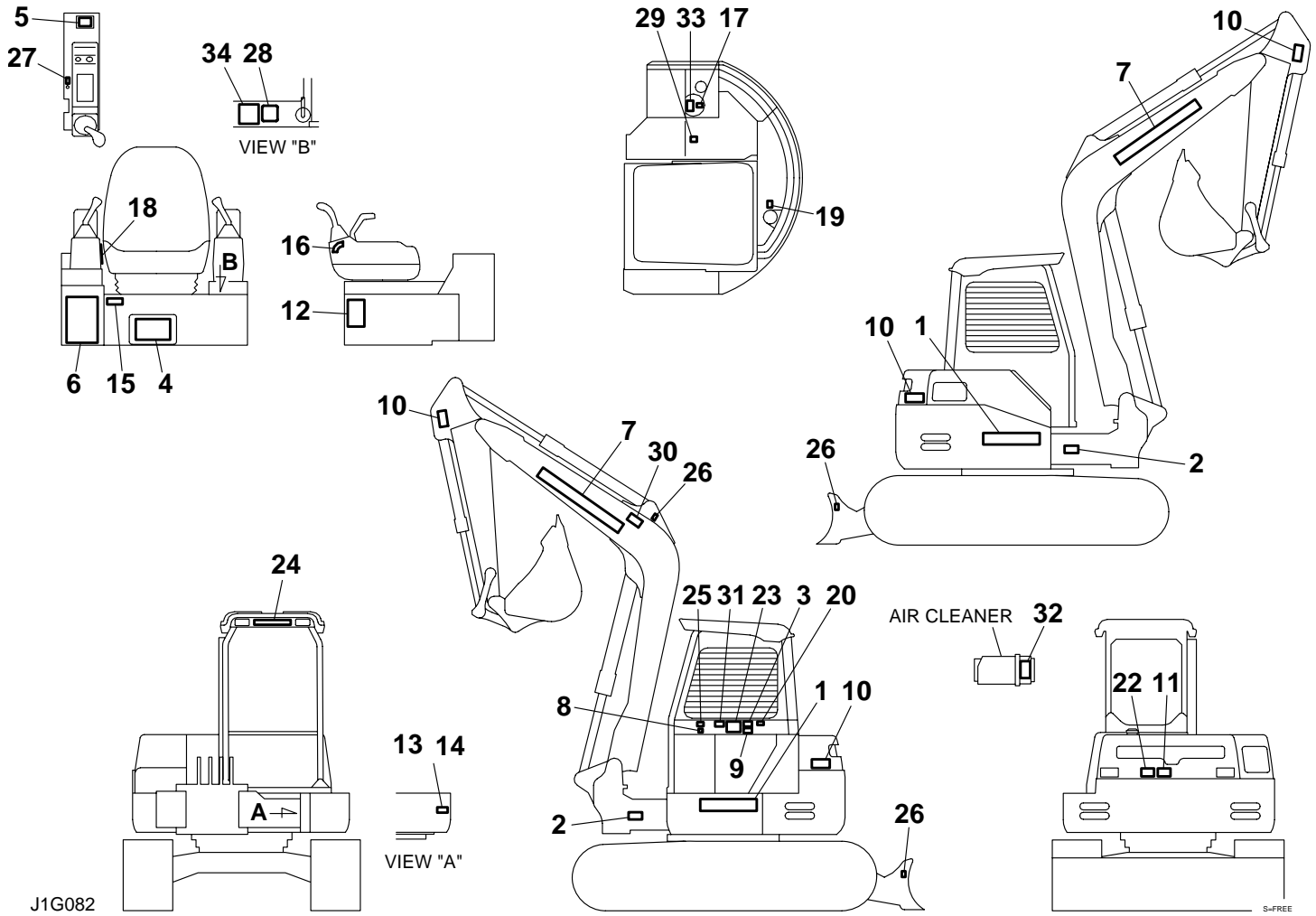
Item	Part number	Description	Q'ty	Chan.	Serial No.	Serv.	Remarks
28	X *****	• DECAL	1				
30	X *****	• DECAL	1				
31	0399351210	• DECAL	1				
32	0359325220	• DECAL	1				
33	0359347010	• DECAL (English)	1				
33	0339375210	• DECAL (German)	1				
33	0339375410	• DECAL (French)	1				
33	0339375610	• DECAL (Italian)	1				
33	0339375810	• DECAL (Spanish)	1				
34	0339368100	• DECAL (English)	1				
34	0339369100	• DECAL (German)	1				
34	0339370100	• DECAL (French)	1				
34	0339371100	• DECAL (Italian)	1				
34	0399355820	• DECAL (Spanish)	1				
35	0339375040	• DECAL (English)	1				
35	0339375240	• DECAL (German)	1				
35	0339375440	• DECAL (French)	1				
35	0339375640	• DECAL (Italian)	1				
35	0339375840	• DECAL (Spanish)	1				
36	0339375050	• DECAL (English)	1				
36	0339375250	• DECAL (German)	1				
36	0339375450	• DECAL (French)	1				
36	0339375650	• DECAL (Italian)	1				
36	0339375850	• DECAL (Spanish)	1				
37	X *****	• DECAL	1				
38	X *****	• DECAL	1				
39	0569353810	• DECAL (English)	1				
39	0569353910	• DECAL (German)	1				
39	0569354010	• DECAL (French)	1				
39	0569354110	• DECAL (Italian)	1				
39	0569354310	• DECAL (Spanish)	1				
40	0359313900	• DECAL	1				
41	0339376240	• DECAL (English)	1				M
41	0339376340	• DECAL (German)	1				M
41	0339379440	• DECAL (French)	1				M
41	0339379540	• DECAL (Italian)	1				M
41	0339379640	• DECAL (Spanish)	1				M

J1g213

TB53FR Book No. BJ1Z006 S/N 15810005-15811324
DECAL (canopy) (15810005-15810674)



TB53FR Book No. BJ1Z006 S/N 15810005-15811324
DECAL (canopy) (15810005-15810674)



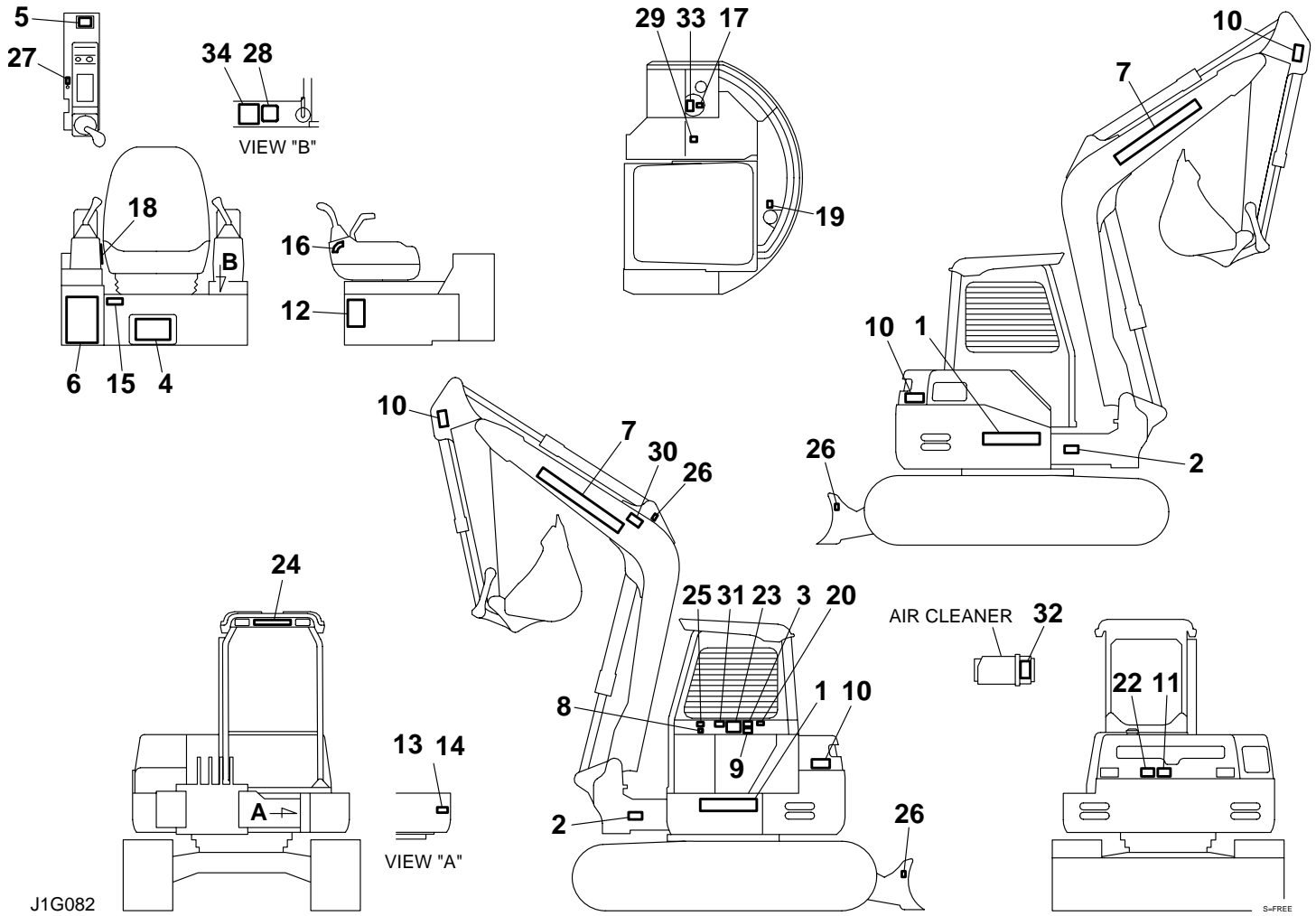
J1G082

S-FREE

DECAL (canopy) (15810005-15810674)

Item	Part number	Description	Q'ty	Chan.	Serial No.	Serv.	Remarks
0	0399351800	DECAL SET (English)	1				X03993-51800-11
	0399351900	DECAL SET (German)	1				X03993-51900-11
	0399352000	DECAL SET (French)	1				X03993-52000-11
	0399352100	DECAL SET (Italian)	1				X03993-52100-11
	0399352400	DECAL SET (U. S. TAKEUCHI)	1				X03993-52400-11
1	0399351201	• DECAL	2				
2	0399352302	• DECAL (U. S. TAKEUCHI)	2				
3	0399352303	• DECAL (U. S. TAKEUCHI)	1				
4	0399351404	• DECAL (English)	1				
	0399351504	• DECAL (German)	1				
	0399351604	• DECAL (French)	1				
	0399351704	• DECAL (Italian)	1				
5	0399351405	• DECAL (English)	1				
	0399351505	• DECAL (German)	1				
	0399351605	• DECAL (French)	1				
	0399351705	• DECAL (Italian)	1				
6	0399351406	• DECAL (English)	1				
	0399351506	• DECAL (German)	1				
	0399351606	• DECAL (French)	1				
	0399351706	• DECAL (Italian)	1				
7	0399351207	• DECAL	2				
8	0359340050	• DECAL	1				
9	0399352309	• DECAL (U. S. TAKEUCHI)	1				
10	0359306500	• DECAL (English)	4				
	0359308100	• DECAL (German)	4				
	0359309100	• DECAL (French)	4				
	0359310100	• DECAL (Italian)	4				
11	0359307400	• DECAL (English)	1				
	0359314400	• DECAL (German)	1				
	0359315400	• DECAL (French)	1				
	0359316400	• DECAL (Italian)	1				
12	0379337300	• DECAL (English)	1				
	0379338300	• DECAL (German)	1				
	0379339300	• DECAL (French)	1				
	0379340300	• DECAL (Italian)	1				
13	X *****	• DECAL	1				
14	X *****	• SCREW	4				
15	X *****	• DECAL	1				
16	0329360100	• DECAL	1				
17	0359306700	• DECAL	1				
18	0359317200	• DECAL	1				
19	0359306600	• DECAL (English)	1				
	0339375260	• DECAL (German)	1				
	0339375460	• DECAL (French)	1				
	0339375660	• DECAL (Italian)	1				
20	0359325190	• DECAL	1				
22	0569321980	• DECAL (English)	1				
23	0359313700	• DECAL (English)	1				
	0359314700	• DECAL (German)	1				
	0359315700	• DECAL (French)	1				
	0359316700	• DECAL (Italian)	1				
24	0359306100	• DECAL	1		15810393~		
25	0379336800	• DECAL	1				
26	0399300500	• DECAL	3				
27	0399351410	• DECAL (English)	1				
	0399351511	• DECAL (German)	1				
	0399351610	• DECAL (French)	1				
	0399351710	• DECAL (Italian)	1				
	0399352310	• DECAL (U. S. TAKEUCHI)	1				
28	0399351210	• DECAL	1				
29	0359325220	• DECAL	1				
30	0359347010	• DECAL (English)	1				
	0339375210	• DECAL (German)	1				
	0339375410	• DECAL (French)	1				
	0339375610	• DECAL (Italian)	1				
31	0339368100	• DECAL (English)	1				
	0339369100	• DECAL (German)	1				
	0339370100	• DECAL (French)	1				

TB53FR Book No. BJ1Z006 S/N 15810005-15811324
DECAL (canopy) (15810005-15810674)



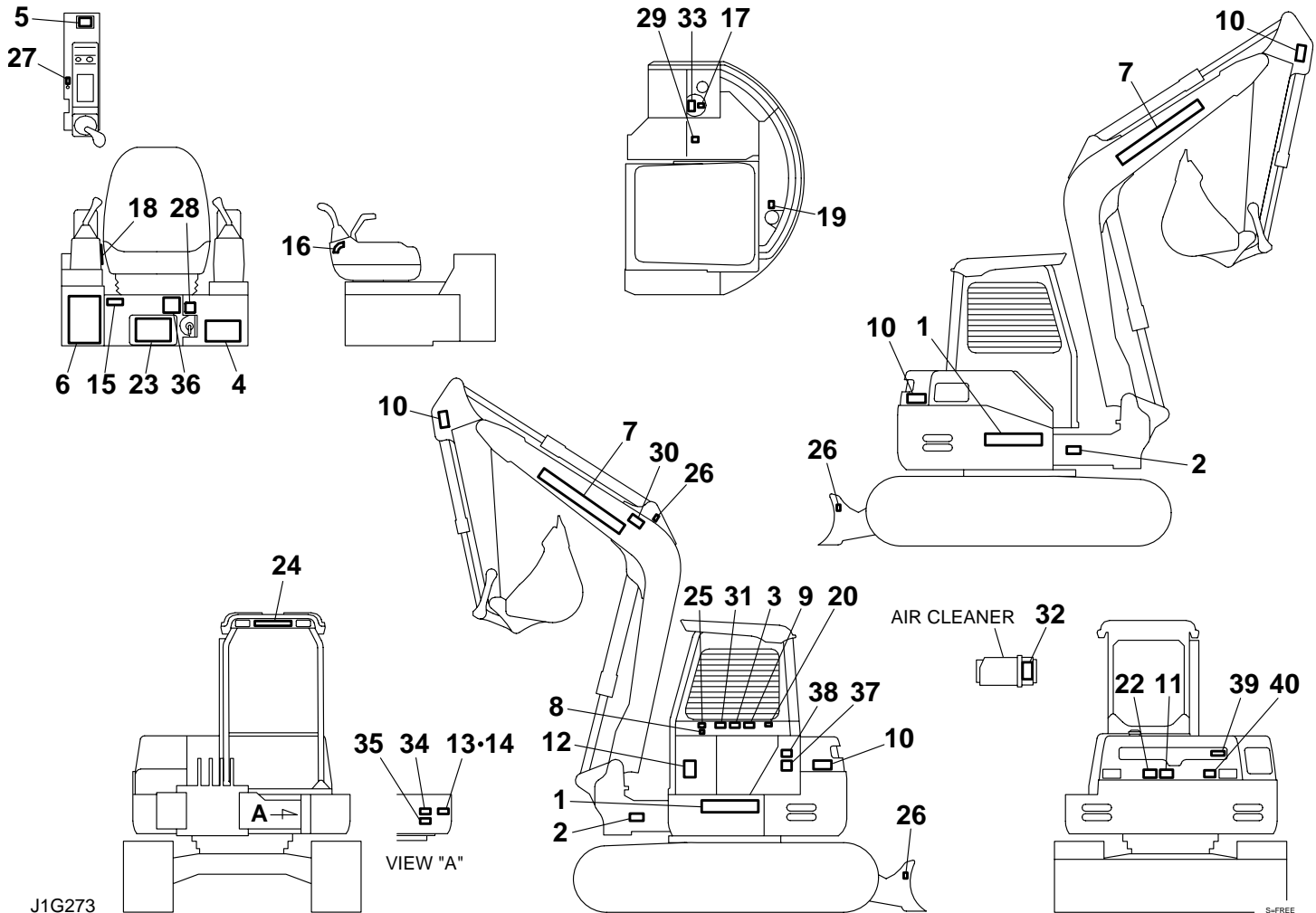
J1G082

S-FREE

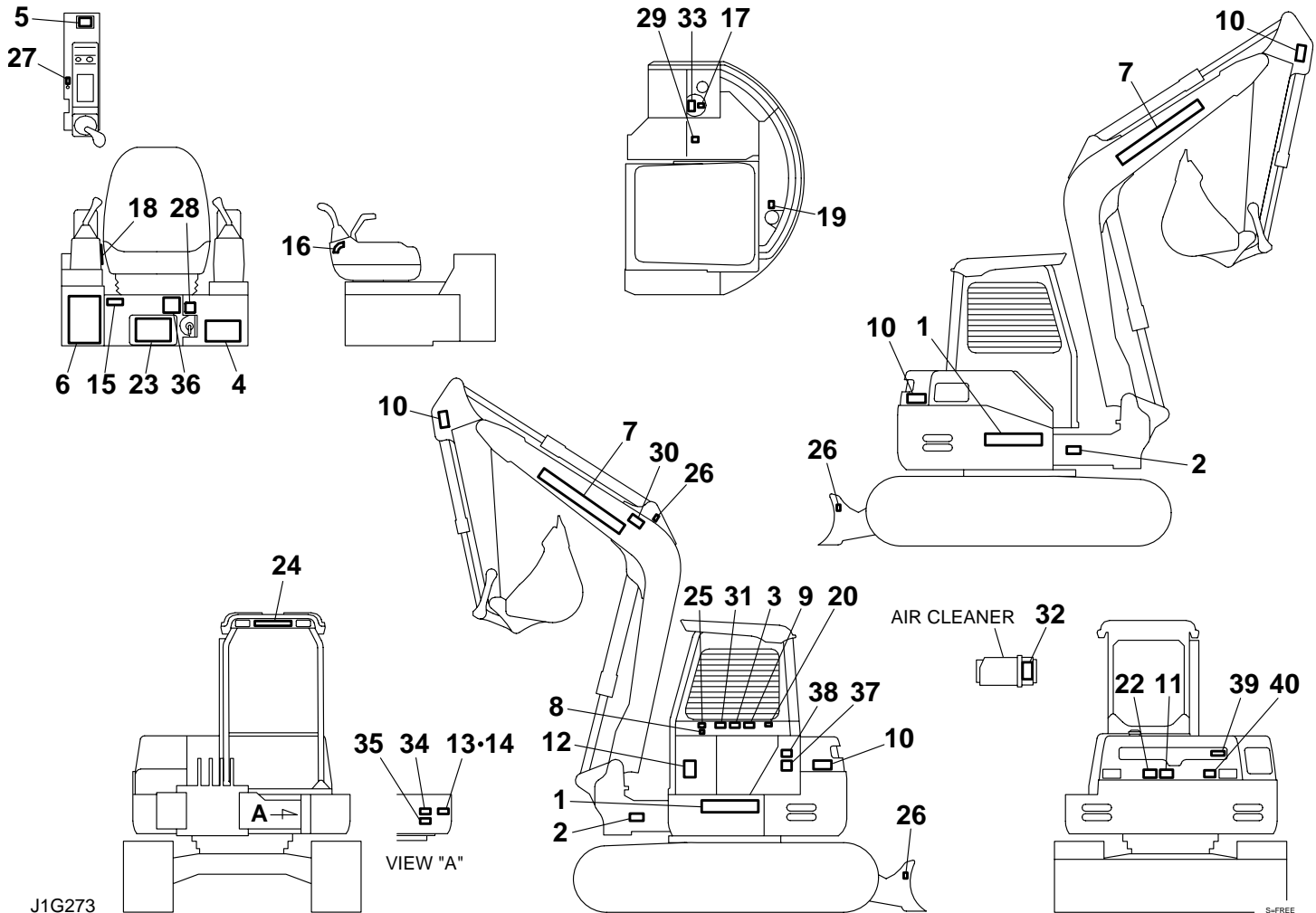
DECAL (canopy) (15810005-15810674)

Item	Part number	Description	Q'ty	Chan.	Serial No.	Serv.	Remarks
31	0339371100	• DECAL (Italian)	1				
32	0339375040	• DECAL (English)	1				
32	0339375240	• DECAL (German)	1				
32	0339375440	• DECAL (French)	1				
32	0339375640	• DECAL (Italian)	1				
33	0339375050	• DECAL (English)	1				
33	0339375250	• DECAL (German)	1				
33	0339375450	• DECAL (French)	1				
33	0339375650	• DECAL (Italian)	1				
34	0569353810	• DECAL (English)	1		15810633~		
34	0569353910	• DECAL (German)	1		15810633~		
34	0569354010	• DECAL (French)	1		15810633~		
34	0569354110	• DECAL (Italian)	1		15810633~		
	J1g082						

TB53FR Book No. BJ1Z006 S/N 15810005-15811324
DECAL (canopy) (15810675-)



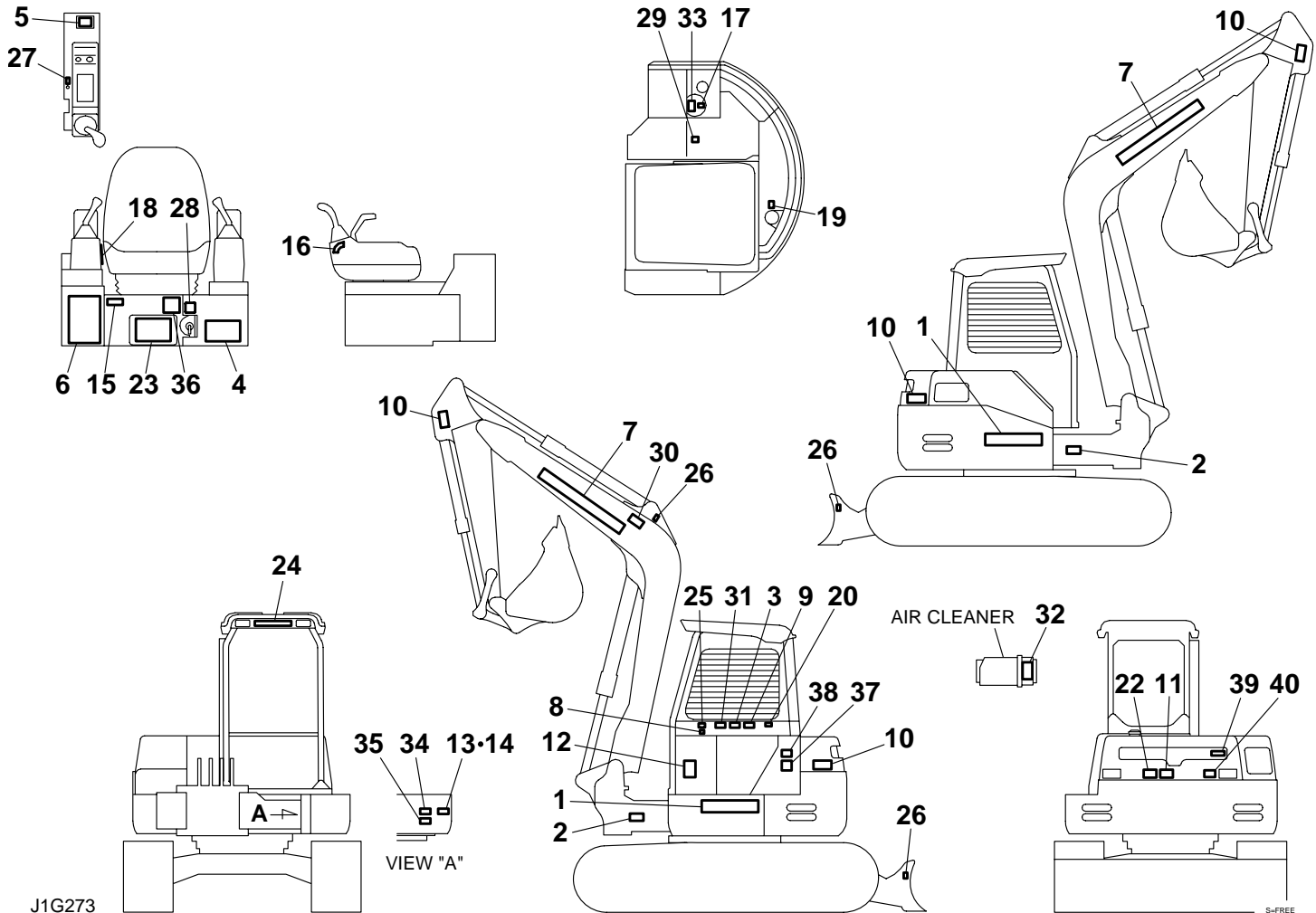
TB53FR Book No. BJ1Z006 S/N 15810005-15811324
DECAL (canopy) (15810675-)



DECAL (canopy) (15810675-)

Item	Part number	Description	Q'ty	Chan.	Serial No.	Serv.	Remarks
0	0399355100	DECAL SET (English)	1				X03993-55100-5
	0399355200	DECAL SET (German)	1				X03993-55200-5
	0399355300	DECAL SET (French)	1				X03993-55300-5
	0399355400	DECAL SET (Italian)	1				X03993-55400-5
	0399355500	DECAL SET (U. S. TAKEUCHI)	1				X03993-55500-5
	0399355900	DECAL SET (Spanish)	1				X03993-55900-5
1	0399351201	• DECAL	2				
2	0399352302	• DECAL (U. S. TAKEUCHI)	2				
3	0399352303	• DECAL (U. S. TAKEUCHI)	1				
4	0399351404	• DECAL (English)	1				
	0399351504	• DECAL (German)	1				
	0399351604	• DECAL (French)	1				
	0399351704	• DECAL (Italian)	1				
	0399355804	• DECAL (Spanish)	1				
5	0399351405	• DECAL (English)	1				
	0399351505	• DECAL (German)	1				
	0399351605	• DECAL (French)	1				
	0399351705	• DECAL (Italian)	1				
	0399355805	• DECAL (Spanish)	1				
6	0399351406	• DECAL (English)	1				
	0399351506	• DECAL (German)	1				
	0399351606	• DECAL (French)	1				
	0399351706	• DECAL (Italian)	1				
	0399355806	• DECAL (Spanish)	1				
7	0359306300	• DECAL	2				
8	0399354608	• DECAL	1				
9	0399352309	• DECAL (U. S. TAKEUCHI)	1				
10	0359306500	• DECAL (English)	4				
	0359308100	• DECAL (German)	4				
	0359309100	• DECAL (French)	4				
	0359310100	• DECAL (Italian)	4				
	0339364100	• DECAL (Spanish)	4				
11	0359307400	• DECAL (English)	1				
	0359314400	• DECAL (German)	1				
	0359315400	• DECAL (French)	1				
	0359316400	• DECAL (Italian)	1				
	0339364200	• DECAL (Spanish)	1				
12	0379337300	• DECAL (English)	1				
	0379338300	• DECAL (German)	1				
	0379339300	• DECAL (French)	1				
	0379340300	• DECAL (Italian)	1				
	0379354200	• DECAL (Spanish)	1				
13	X *****	• DECAL	1				
14	X *****	• SCREW	4				
15	X *****	• DECAL	1				
16	0329360100	• DECAL	1				
17	0359306700	• DECAL	1				
18	0359317200	• DECAL	1				
19	0359306600	• DECAL (English)	1				
	0339375260	• DECAL (German)	1				
	0339375460	• DECAL (French)	1				
	0339375660	• DECAL (Italian, Spanish)	1				
20	0359325190	• DECAL	1				
22	0569321980	• DECAL (English)	1				
23	0359313700	• DECAL (English)	1				
	0359314700	• DECAL (German)	1				
	0359315700	• DECAL (French)	1				
	0359316700	• DECAL (Italian)	1				
	0359365323	• DECAL (Spanish)	1				
24	0359306100	• DECAL	1				
25	0379336800	• DECAL	1				
26	0399300500	• DECAL	3				
27	0399351410	• DECAL (English)	1				
	0399351511	• DECAL (German)	1				
	0399351610	• DECAL (French)	1				
	0399351710	• DECAL (Italian)	1				
	0399352310	• DECAL (U. S. TAKEUCHI)	1				
	0399355810	• DECAL (Spanish)	1				

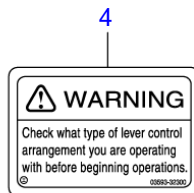
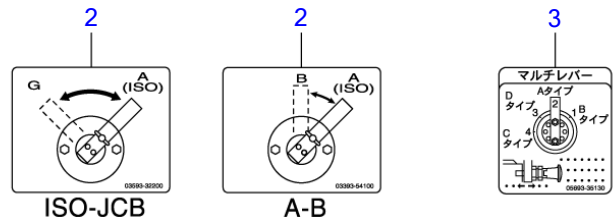
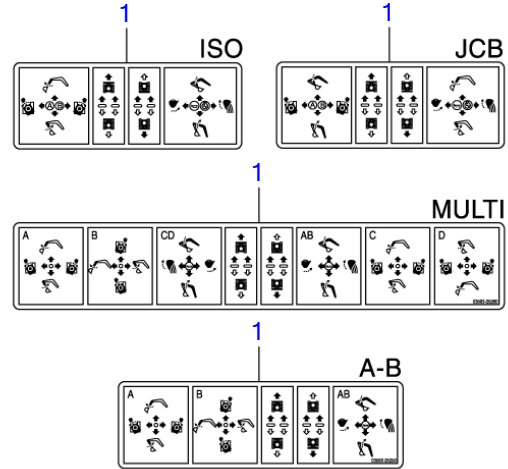
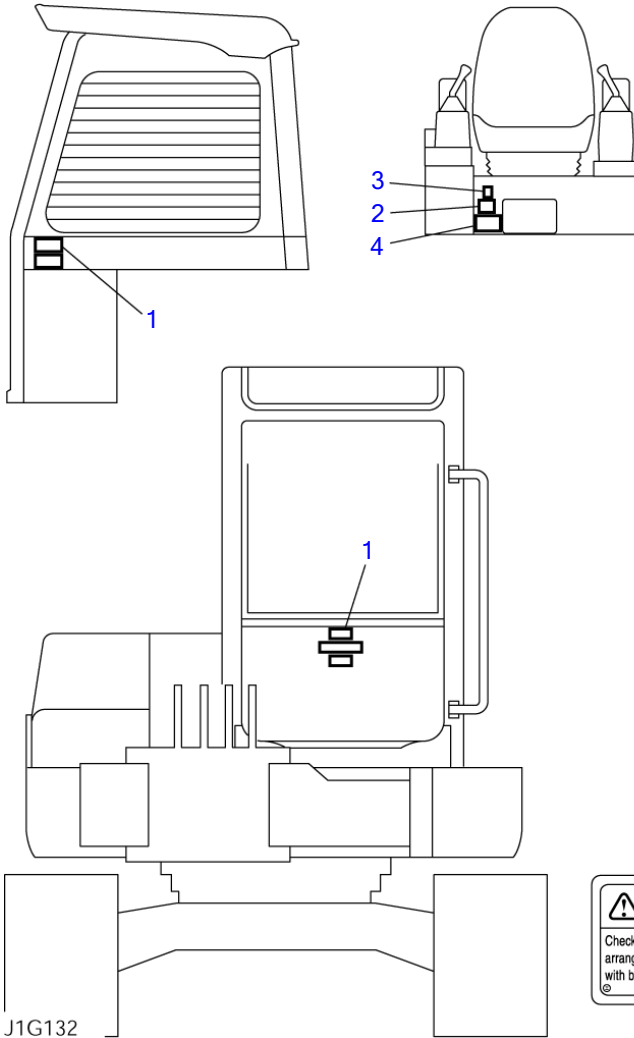
TB53FR Book No. BJ1Z006 S/N 15810005-15811324
DECAL (canopy) (15810675-)



DECAL (canopy) (15810675-)

Item	Part number	Description	Q'ty	Chan.	Serial No.	Serv.	Remarks
28	0399351210	• DECAL	1				
29	0359325220	• DECAL	1				
30	0359347010	• DECAL (English)	1				
30	0339375210	• DECAL (German)	1				
30	0339375410	• DECAL (French)	1				
30	0339375610	• DECAL (Italian)	1				
30	0339375810	• DECAL (Spanish)	1				
31	0339368100	• DECAL (English)	1				
31	0339369100	• DECAL (German)	1				
31	0339370100	• DECAL (French)	1				
31	0339371100	• DECAL (Italian)	1				
31	0399355820	• DECAL (Spanish)	1				
32	0339375040	• DECAL (English)	1				
32	0339375240	• DECAL (German)	1				
32	0339375440	• DECAL (French)	1				
32	0339375640	• DECAL (Italian)	1				
32	0339375840	• DECAL (Spanish)	1				
33	0339375050	• DECAL (English)	1				
33	0339375250	• DECAL (German)	1				
33	0339375450	• DECAL (French)	1				
33	0339375650	• DECAL (Italian)	1				
33	0339375850	• DECAL (Spanish)	1				
34	X *****	• DECAL	1				
35	X *****	• DECAL	1				
36	0569353810	• DECAL (English)	1				
36	0569353910	• DECAL (German)	1				
36	0569354010	• DECAL (French)	1				
36	0569354110	• DECAL (Italian)	1				
36	0569354310	• DECAL (Spanish)	1				
37	X *****	• DECAL	1				
38	X *****	• DECAL	1				
39	0359313900	• DECAL	1				
40	0339376240	• DECAL (English)	1				
40	0339376340	• DECAL (German)	1				
40	0339379440	• DECAL (French)	1				
40	0339379540	• DECAL (Italian)	1				
40	0339379640	• DECAL (Spanish)	1				

J1g273



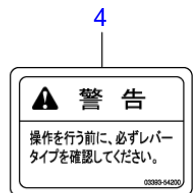
(English)



(German)



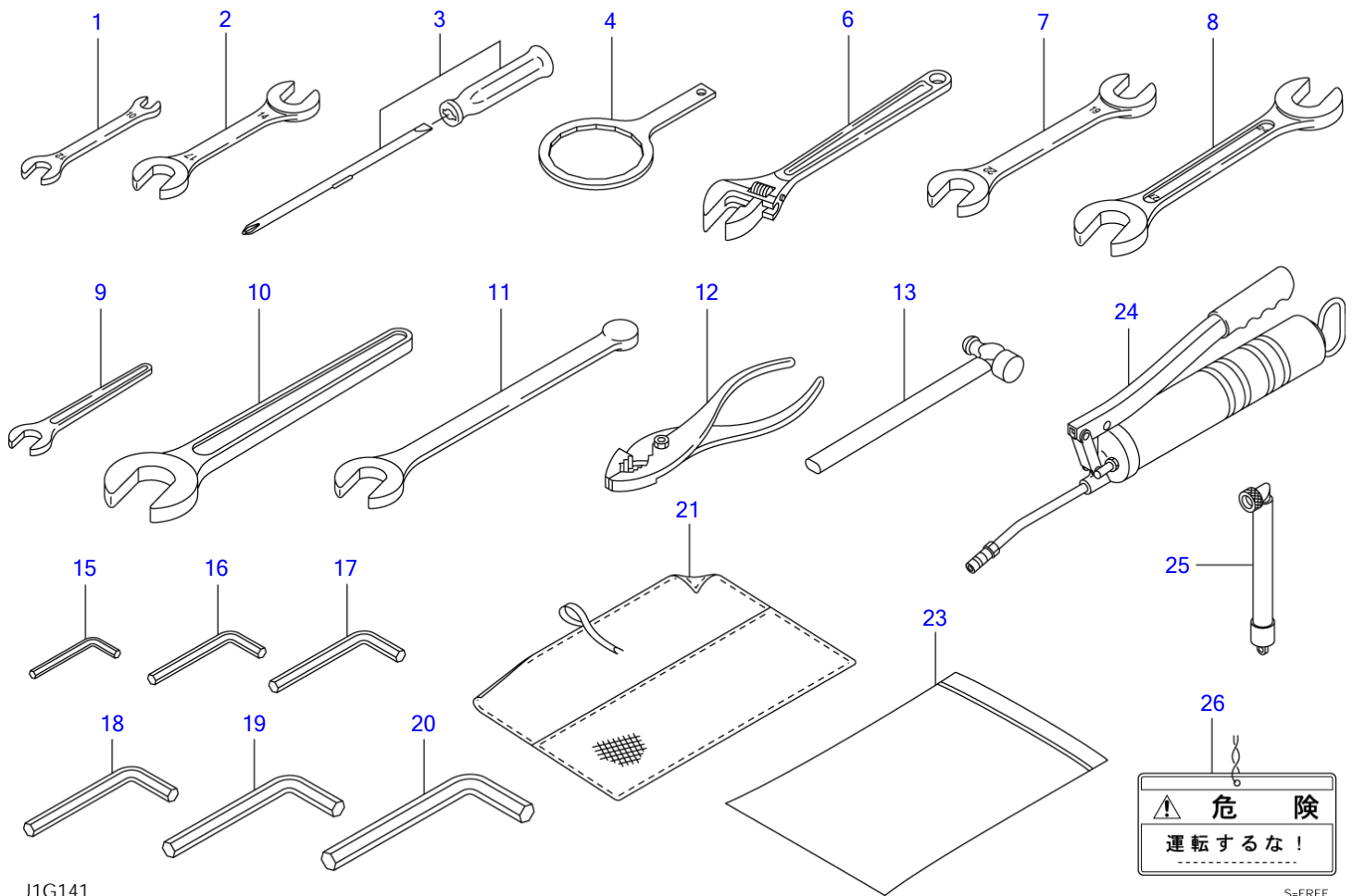
(Spanish)



S=FREE

DECAL (selector valve)

Item	Part number	Description	Q'ty	Chan.	Serial No.	Serv.	Remarks
0	0399351310	DECAL SET	1				ISO
	0399351320	DECAL SET (with selector)	1				English, ISO-JCB
	0399351330	DECAL SET (with selector)	1				German, ISO-JCB
	0399351340	DECAL SET	1				multi
	0399351350	DECAL SET	1				A-B
	0399351360	DECAL SET (with selector)	1				German, ISO-JCB
1	0379336600	• DECAL	1				ISO
	0379348100	• DECAL	1				JCB
	0359325260	• DECAL	1				multi
	0359325250	• DECAL	1				A-B
2	0359332200	• DECAL	1				ISO-JCB
	0339354100	• DECAL	1				A-B
3	0569335130	• DECAL	1				multi
4	0359332300	• DECAL (English)	1				
	0359332400	• DECAL (German)	1				
	0339354200	• DECAL	1				A-B
	0329364020	• DECAL (Spanish)	1				
	J1g132						

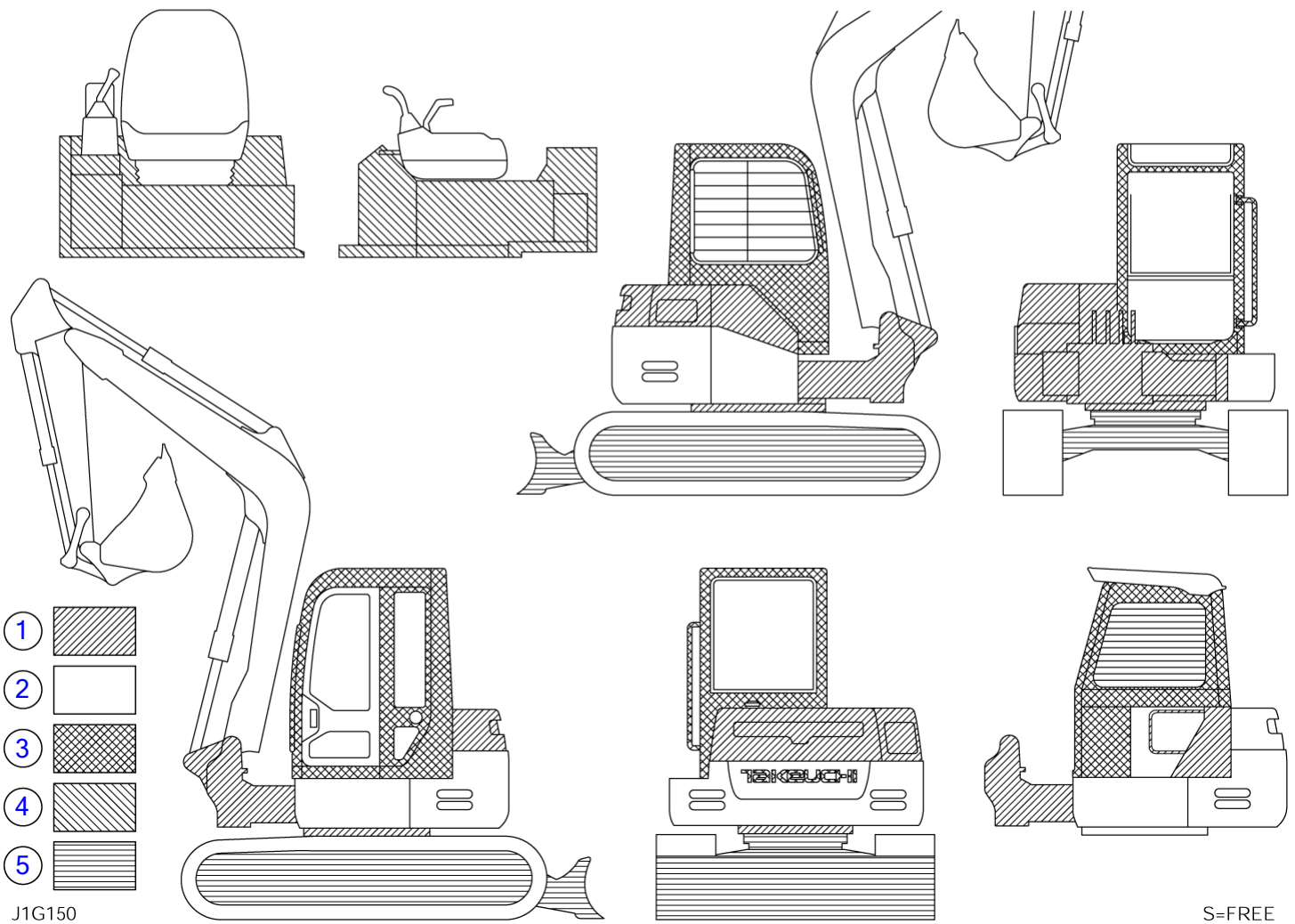


J1G141

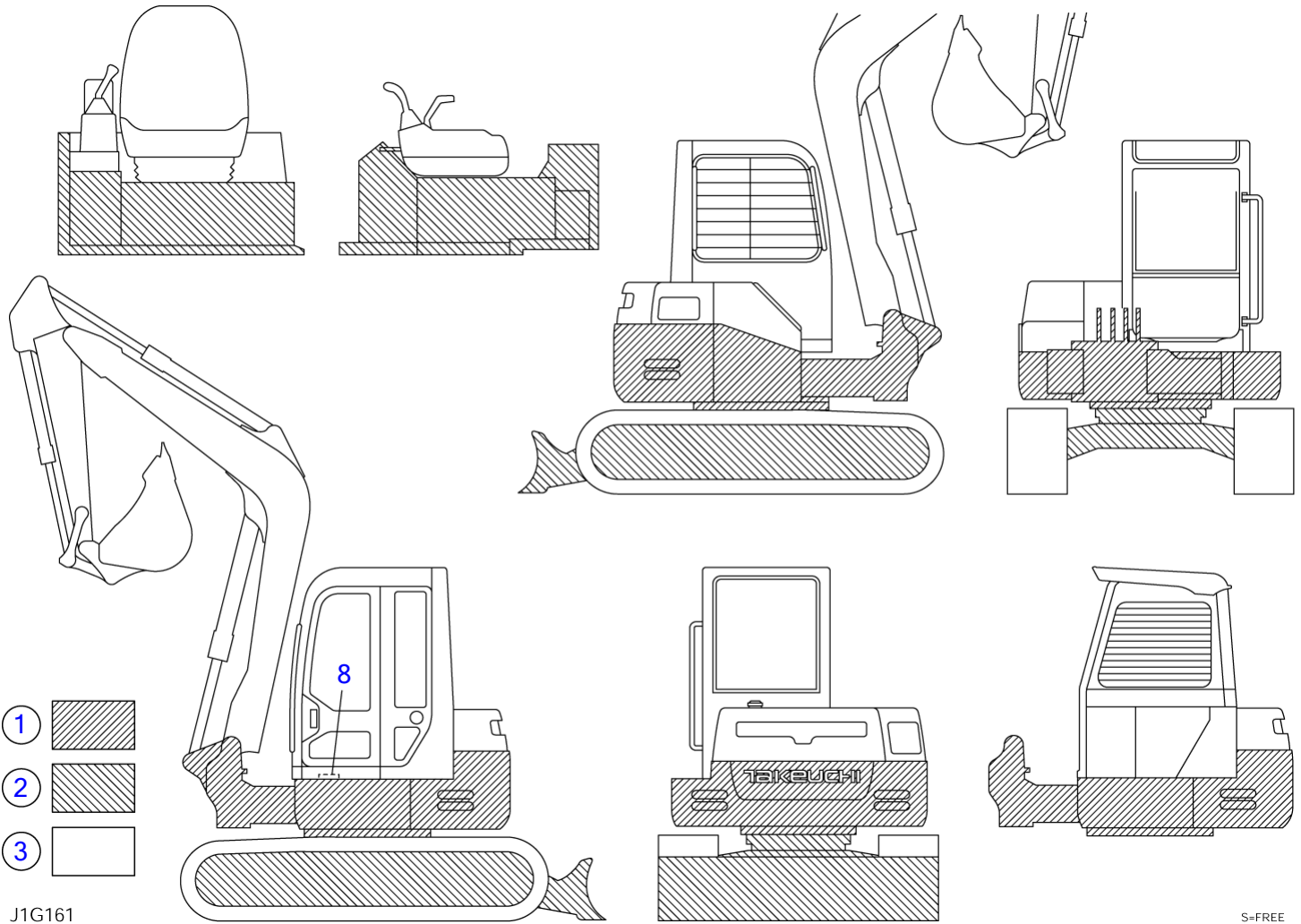
S=FREE

TOOL & ACCESSORIES

Item	Part number	Description	Q'ty	Chan.	Serial No.	Serv.	Remarks
		TOOL ASSY (for Japan)					X03992-11500-0
		TOOL ASSY					X03992-11600-1
0	0379207010	TOOL ASSY	1				
1	1910047081	• SPANNER	1				Y28110-100120
2	1910047082	• SPANNER	1				Y28110-140170
3	1910006112	• SCREWDRIVER	1				Y104200-92350
4	1910065081	• WRENCH, filter	1				Y119640-92750
6	1690400250	• WRENCH, monkey	1				
7	1690001922	• SPANNER	1				
8	1690002427	• SPANNER	1				
9	1690100013	• SPANNER	1				
10	1690100041	• SPANNER	1				
11	1690900026	• SPANNER	1				
12	1690500200	• PLIER	1				
13	1690300330	• HAMMER	1				
15	1690600400	• WRENCH, hex.	1				
16	1690600500	• WRENCH, hex.	1				
17	1690600600	• WRENCH, hex.	1				
18	1690600800	• WRENCH, hex.	1				
19	1690601000	• WRENCH, hex.	1				
20	1690601400	• WRENCH, hex.	1				
21	1691400001	• CASE, tool	1				
23	1691900001	• CASE	1				
24	1691060610	GUN, grease	1				
	1691010800	GUN, grease	1				for Japan
25	1554512601	TUBE	1				for EU
26	0359325160	PLATE	1				for Japan
	J1g142						

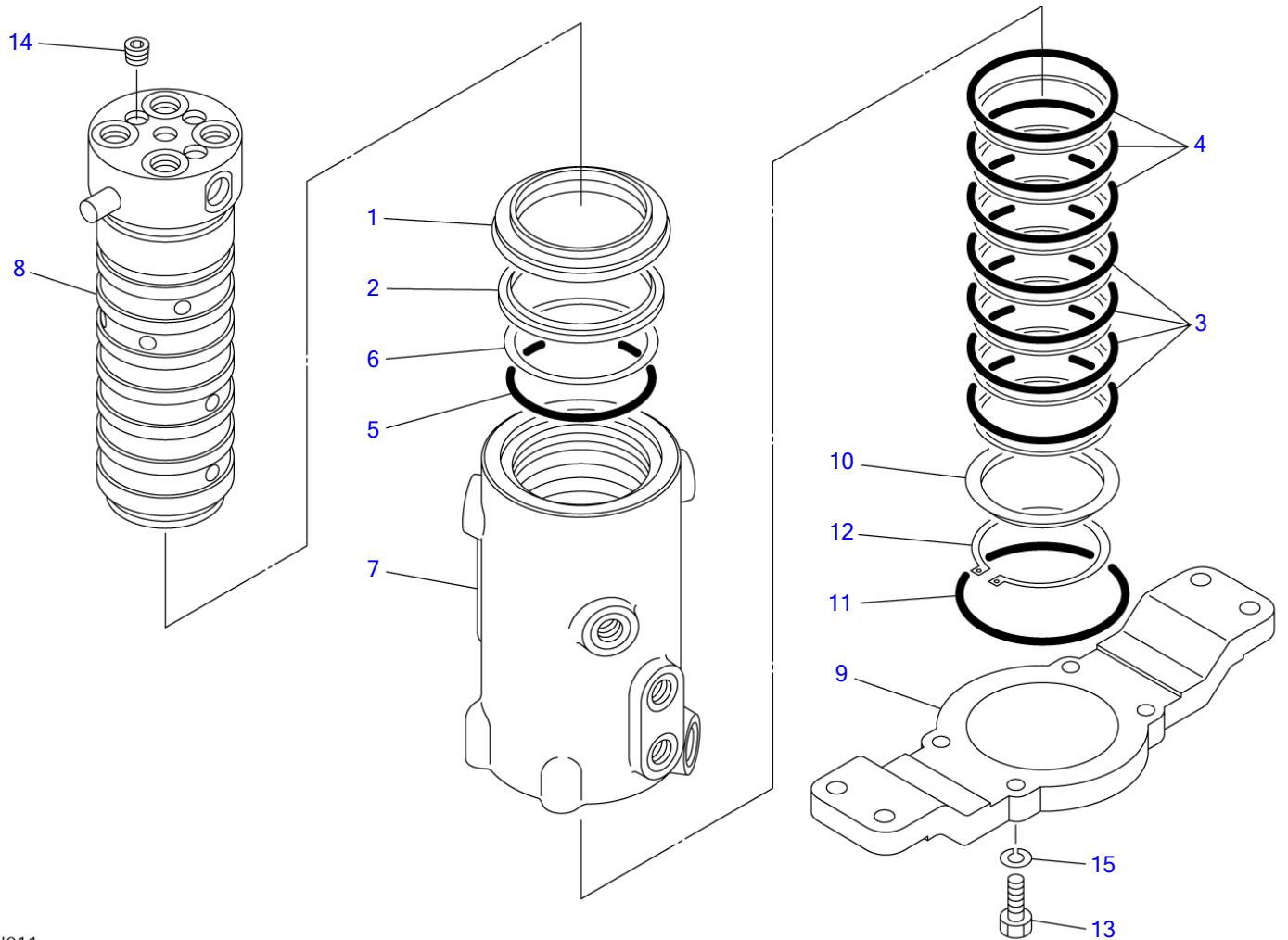


Item	Part number	Description	PAINTED COLOR			Remarks
			Q'ty	Chan.	Serial No.	
		PAINTED COLOR				X03991-06000-1
		PAINTED COLOR				X03991-07000-1
		PAINTED COLOR				X03991-08000-1
		PAINTED COLOR				X03991-09000-1
1	1919060105	RED				
	1919069105	RED				spray
2	1919060164	BLUE				
	1919069164	BLUE				spray
3	1919060142	LIGHT GRAY				
	1919069142	LIGHT GRAY				spray
4	1919060144	GRAY				
	1919069144	GRAY				spray
5	1919060166	GRAY				
	1919069166	GRAY				spray
	J1g151					



PAINTED COLOR (U.S. TAKEUCHI)

Item	Part number	Description	Q'ty	Chan.	Serial No.	Serv.	Remarks
		PAINTED COLOR					X03991-09100-3
		PAINTED COLOR					X03991-09200-3
		PAINTED COLOR					X03991-09300-3
		PAINTED COLOR					X03991-09400-3
1	1919060105	RED					
	1919069105	RED					spray
2	1919060144	GRAY					
	1919069144	GRAY					spray
3	1919060142	LIGHT GRAY					
	1919069142	LIGHT GRAY					spray
8	1919060175	YELLOW					
	1919069175	YELLOW					spray
	J1g162						

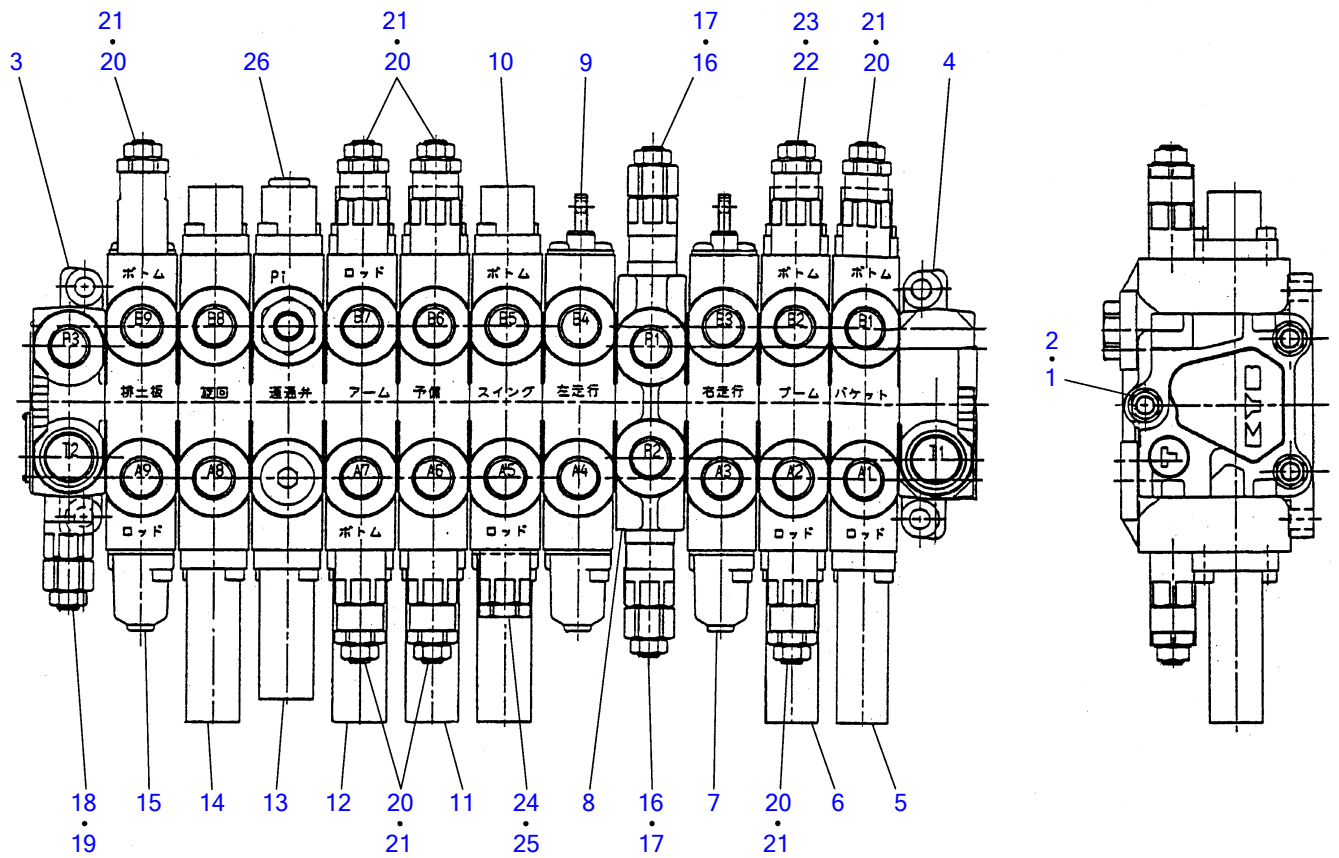


K3H011

S=1/4

SWIVEL JOINT

Item	Part number	Description	Q'ty	Chan.	Serial No.	Serv.	Remarks
0	1904006300	JOINT, swivel	1				
0-1	1904006399	• KIT, seal	1				
1	X 1904002391	• • SEAL, dust	1				
2	X 1904000494	• • SEAL, dust	1				
3	X 1904006316	• • SEAL, slipper	4				
4	X 1904006317	• • SEAL, slipper	3				
5	X 1420010800	• • O-RING	1				
6	X 1421030800	• • RING, back-up	1				
7	1904006301	• HUB	1				
8	1904006311	• SHAFT	1				
9	1904003621	• FRANGE	1				
10	1904003691	• SPACER	1				
11	1420110950	• O-RING	1				
12	1220000072	• RING, snap	1				
13	1100041030	• BOLT	4				
14	1501810002	• PLUG	3				
15	1140010010	• WASHER, spring	4				
	K3h012						



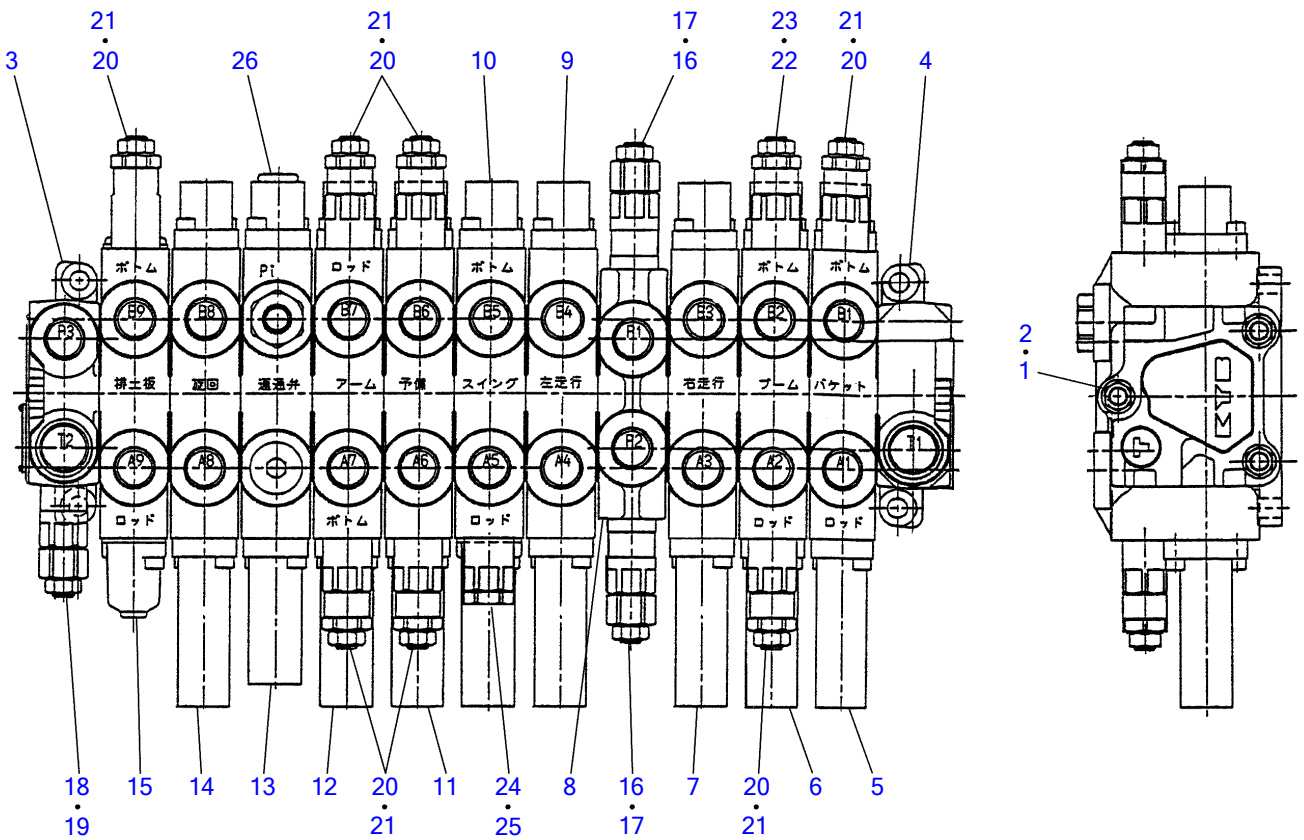
J1H010

CONTROL VALVE (15810005-15810674)

Item	Part number	Description	Q'ty	Chan.	Serial No.	Serv.	Remarks
0	1901036900	VALVE ASSY, control	1				
1	1130050008	▪ NUT	6				
2	1901036508	▪ ROD, tie	3				
3	1901036501	▪ HOUSING ASSY	1				P3,T2
4	1901036504	▪ HOUSING ASSY	1				T1
5	1901036513	▪ BLOCK ASSY; No.1	1				bucket
6	1901036511	▪ BLOCK ASSY; No.2	1				boom
7	1901036515	▪ BLOCK ASSY; No.3	1				traction R.H.
8	1901036502	▪ HOUSING ASSY	1				P1, P2
9	1901036516	▪ BLOCK ASSY; No.4	1				traction L.H.
10	1901036918	▪ BLOCK ASSY; No.5	1				swing
11	1901036519	▪ BLOCK ASSY; No.6	1				auxiliary
12	1901036512	▪ BLOCK ASSY; No.7	1				arm
13	1901036510	▪ BLOCK ASSY; No.8	1				
14	1901036514	▪ BLOCK ASSY; No.9	1				slew
15	1901036517	▪ BLOCK ASSY; No.10	1				blade
16	1901036521	▪ VALVE ASSY	2				relief
17	1901025482	▪ ▪ O-RING	1				
18	1901036522	▪ VALVE ASSY	1				relief
19	1901025482	▪ ▪ O-RING	1				
20	1901036523	▪ VALVE ASSY	7				over load
21	1901025482	▪ ▪ O-RING	1				
22	1901036524	▪ VALVE ASSY	1				over load
23	1901025482	▪ ▪ O-RING	1				
24	1901027721	▪ VALVE ASSY	1				antivoid
25	1901025482	▪ ▪ O-RING	1				
26	1901036573	▪ PLUG	1				

J1h010

TB53FR Book No. BJ1Z006 S/N 15810005-15811324
 CONTROL VALVE (15810675-)



J1H170

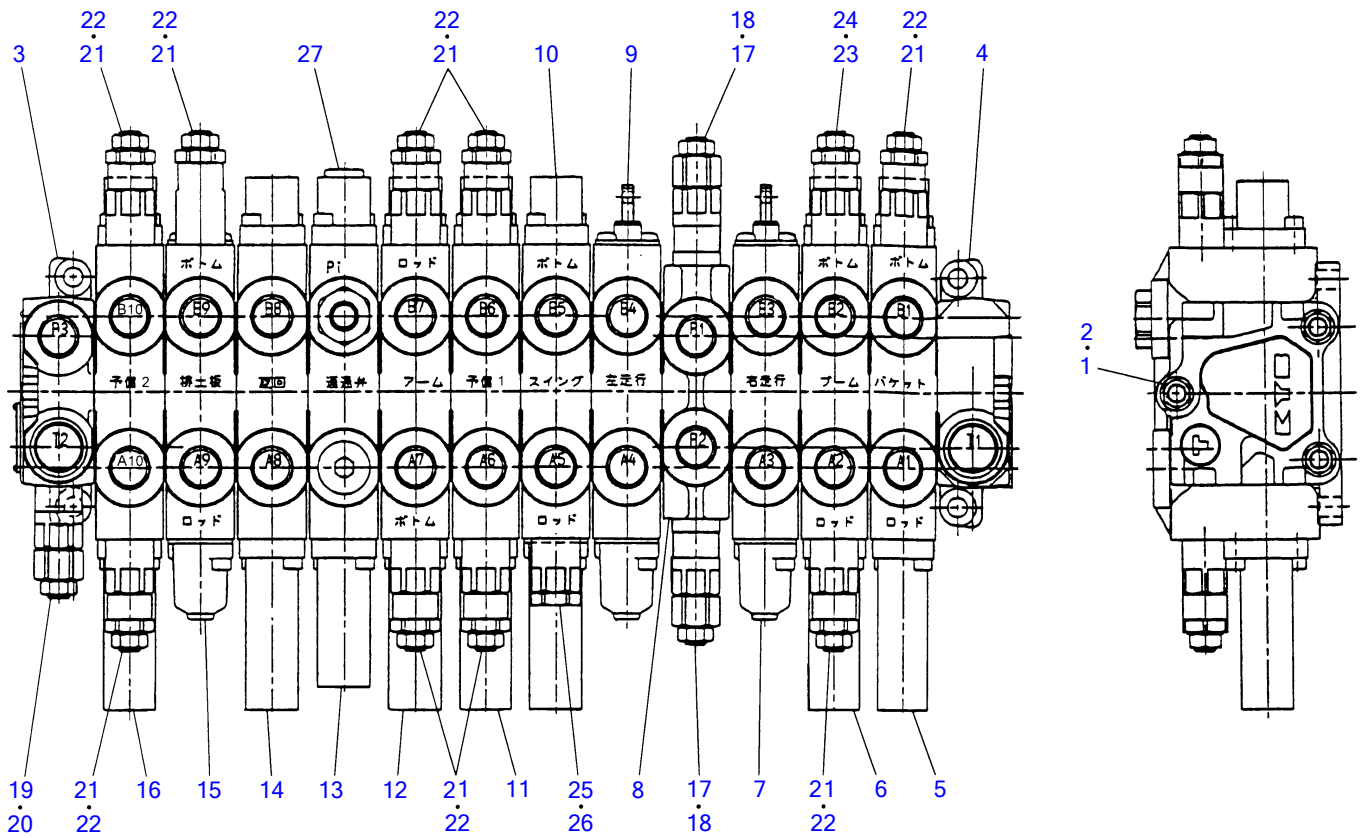
S-free

CONTROL VALVE (15810675-)

Item	Part number	Description	Q'ty	Chan.	Serial No.	Serv.	Remarks
0	1901042300	VALVE ASSY, control	1				
1	1130050008	• NUT	6				
2	1901036508	• ROD, tie	3				
3	1901036501	• HOUSING ASSY	1				P3,T2
4	1901036504	• HOUSING ASSY	1				T1
5	1901036513	• BLOCK ASSY; No.1	1				bucket
6	1901036541	• BLOCK ASSY; No.2	1		15810675~2004. 07		boom
	1901036561	• BLOCK ASSY; No.2	1	(H)	2004. 07~		boom
7	1901042315	• BLOCK ASSY; No.3	1				traction R.H.
8	1901036502	• HOUSING ASSY	1				P1, P2
9	1901042316	• BLOCK ASSY; No.4	1				traction L.H.
10	1901036918	• BLOCK ASSY; No.5	1				swing
11	1901036519	• BLOCK ASSY; No.6	1				auxiliary
12	1901036542	• BLOCK ASSY; No.7	1		15810675~2004. 07		arm
	1901036562	• BLOCK ASSY; No.7	1	(H)	2004. 07~		arm
13	1901036510	• BLOCK ASSY; No.8	1				
14	1901036514	• BLOCK ASSY; No.9	1				slew
15	1901036517	• BLOCK ASSY; No.10	1				blade
16	1901042322	• VALVE ASSY	2				relief
17	1901025482	• • O-RING	1				
18	1901042323	• VALVE ASSY	1				relief
19	1901025482	• • O-RING	1				
20	1901036523	• VALVE ASSY	7				over load
21	1901025482	• • O-RING	1				
22	1901036524	• VALVE ASSY	1				over load
23	1901025482	• • O-RING	1				
24	1901042625	• VALVE ASSY	1				antivoid
25	1901025482	• • O-RING	1				
26	1901036573	• PLUG	1				

J1h171

TB53FR Book No. BJ1Z006 S/N 15810005-15811324
CONTROL VALVE (with the 2nd auxiliary line; 15810005-15810674)



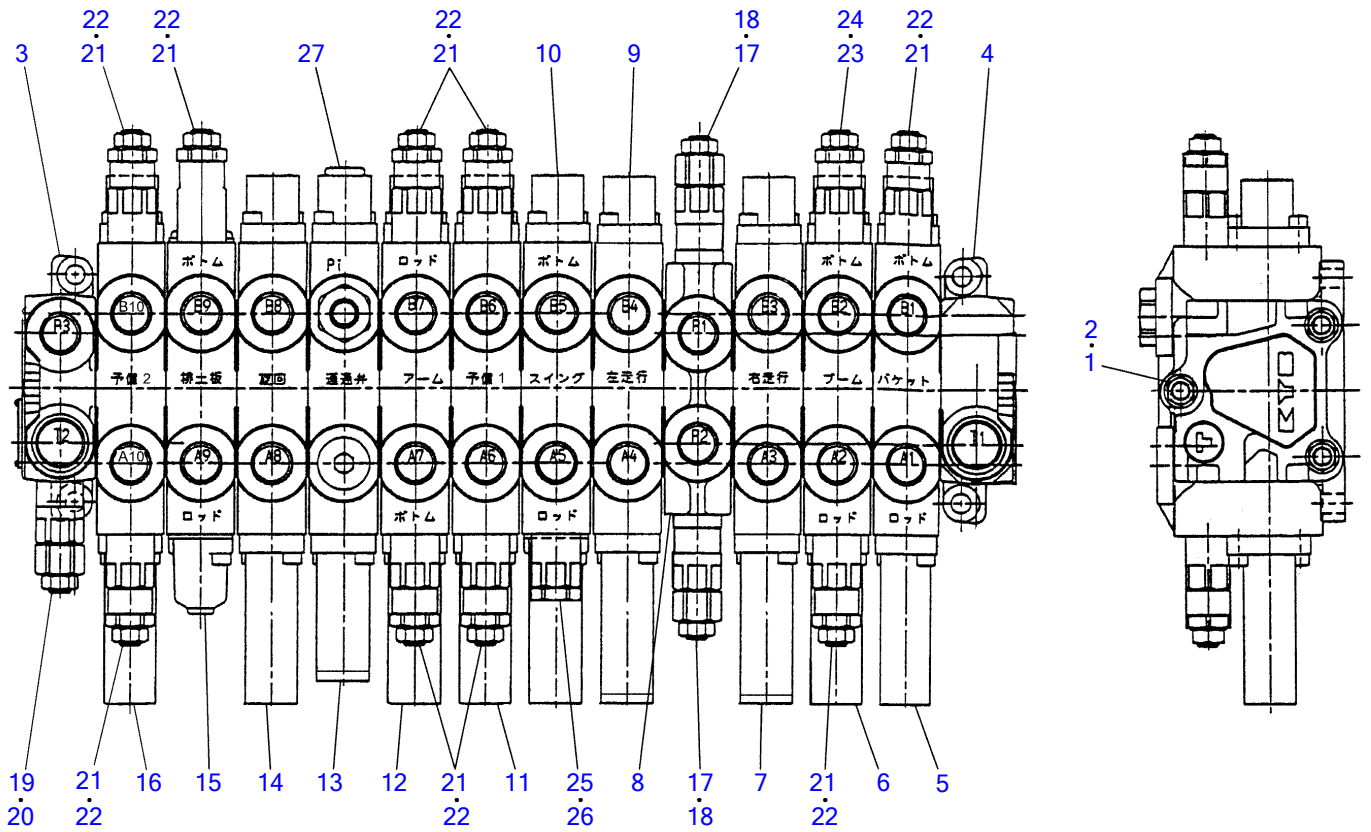
J1H070

S=free

CONTROL VALVE (with the 2nd auxiliary line; 15810005-15810674)

Item	Part number	Description	Q'ty	Chan.	Serial No.	Serv.	Remarks
0	1901041700	VALVE ASSY, control	1				
1	1130050008	• NUT	6				
2	1901041708	• ROD, tie	3				
3	1901036501	• HOUSING ASSY	1				P3,T2
4	1901036504	• HOUSING ASSY	1				T1
5	1901036513	• BLOCK ASSY; No.1	1				bucket
6	1901036511	• BLOCK ASSY; No.2	1				boom
7	1901036515	• BLOCK ASSY; No.3	1				traction R.H.
8	1901036502	• HOUSING ASSY	1				P1, P2
9	1901036516	• BLOCK ASSY; No.4	1				traction L.H.
10	1901036918	• BLOCK ASSY; No.5	1				swing
11	1901036519	• BLOCK ASSY; No.6	1				auxiliary 1
12	1901036512	• BLOCK ASSY; No.7	1				arm
13	1901036510	• BLOCK ASSY; No.8	1				
14	1901036514	• BLOCK ASSY; No.9	1				slew
15	1901036517	• BLOCK ASSY; No.10	1				blade
16	1901041719	• BLOCK ASSY; No.11	1				auxiliary 2
17	1901036521	• VALVE ASSY	2				relief
18	1901025482	• • O-RING	1				
19	1901036522	• VALVE ASSY	1				relief
20	1901025482	• • O-RING	1				
21	1901036523	• VALVE ASSY	9				over load
22	1901025482	• • O-RING	1				
23	1901036524	• VALVE ASSY	1				over load
24	1901025482	• • O-RING	1				
25	1901027721	• VALVE ASSY	1				antivoid
26	1901025482	• • O-RING	1				
27	1901036573	• PLUG	1				

J1h070



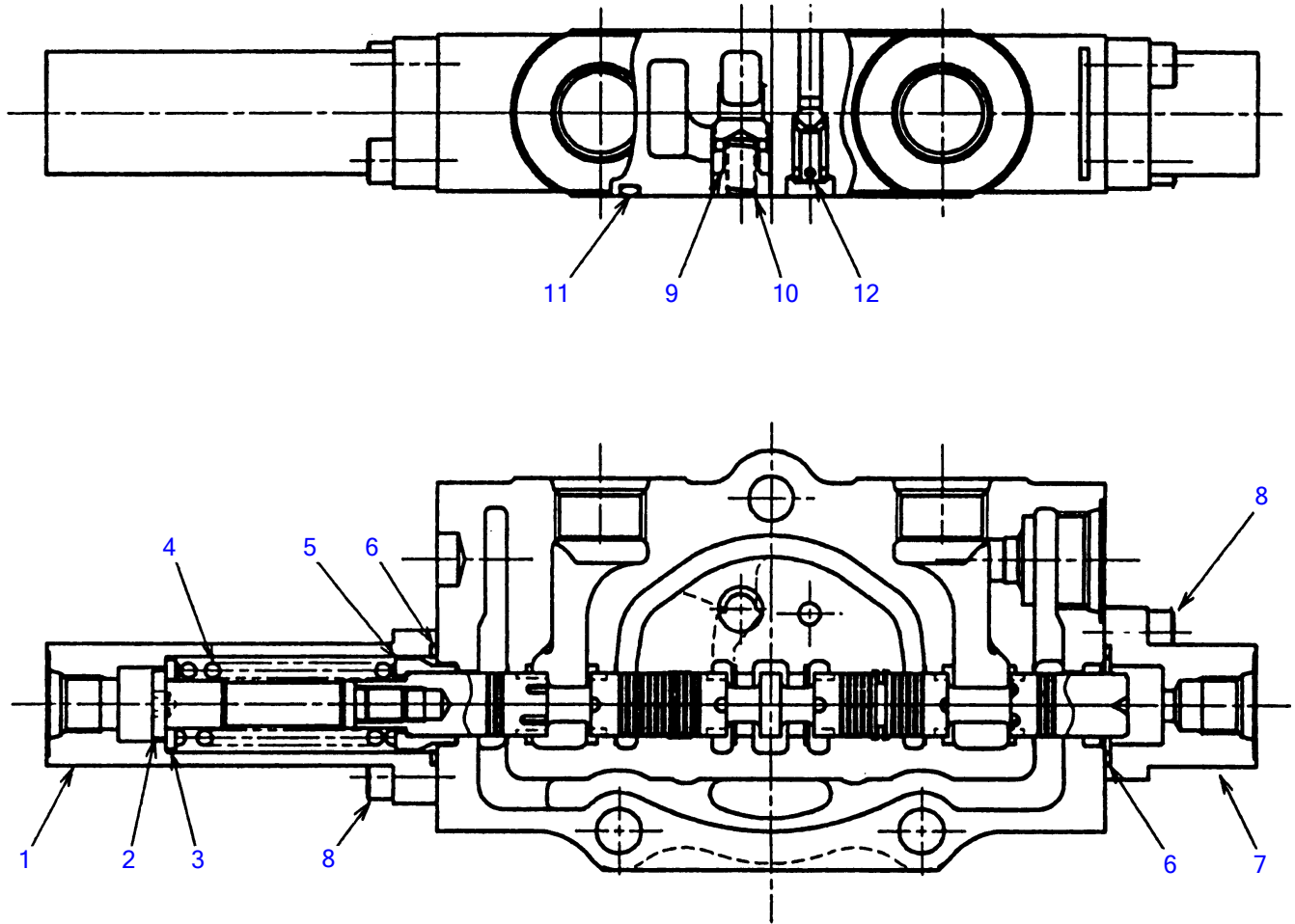
J1H180

S-free

CONTROL VALVE (with the 2nd auxiliary line; 15810675-)

Item	Part number	Description	Q'ty	Chan.	Serial No.	Serv.	Remarks
0	1901042500	VALVE ASSY, control	1				
1	1130050008	• NUT	6				
2	1901041708	• ROD, tie	3				
3	1901036501	• HOUSING ASSY	1				P3,T2
4	1901036504	• HOUSING ASSY	1				T1
5	1901036513	• BLOCK ASSY; No.1	1				bucket
6	1901036541	• BLOCK ASSY; No.2	1		15810675~2004. 07		boom
	1901036561	• BLOCK ASSY; No.2	1	(H)	2004. 07~		boom
7	1901042315	• BLOCK ASSY; No.3	1				traction R.H.
8	1901036502	• HOUSING ASSY	1				P1, P2
9	1901042316	• BLOCK ASSY; No.4	1				traction L.H.
10	1901036918	• BLOCK ASSY; No.5	1				swing
11	1901036519	• BLOCK ASSY; No.6	1				auxiliary 1
12	1901036542	• BLOCK ASSY; No.7	1		15810675~2004. 07		arm
	1901036562	• BLOCK ASSY; No.7	1	(H)	2004. 07~		arm
13	1901036510	• BLOCK ASSY; No.8	1				
14	1901036514	• BLOCK ASSY; No.9	1				slew
15	1901036517	• BLOCK ASSY; No.10	1				blade
16	1901041719	• BLOCK ASSY; No.11	1				auxiliary 2
17	1901042322	• VALVE ASSY	2				relief
18	1901025482	• • O-RING	1				
19	1901042323	• VALVE ASSY	1				relief
20	1901025482	• • O-RING	1				
21	1901036523	• VALVE ASSY	9				over load
22	1901025482	• • O-RING	1				
23	1901036524	• VALVE ASSY	1				over load
24	1901025482	• • O-RING	1				
25	1901042625	• VALVE ASSY	1				antivoid
26	1901025482	• • O-RING	1				
27	1901036573	• PLUG	1				

J1h181

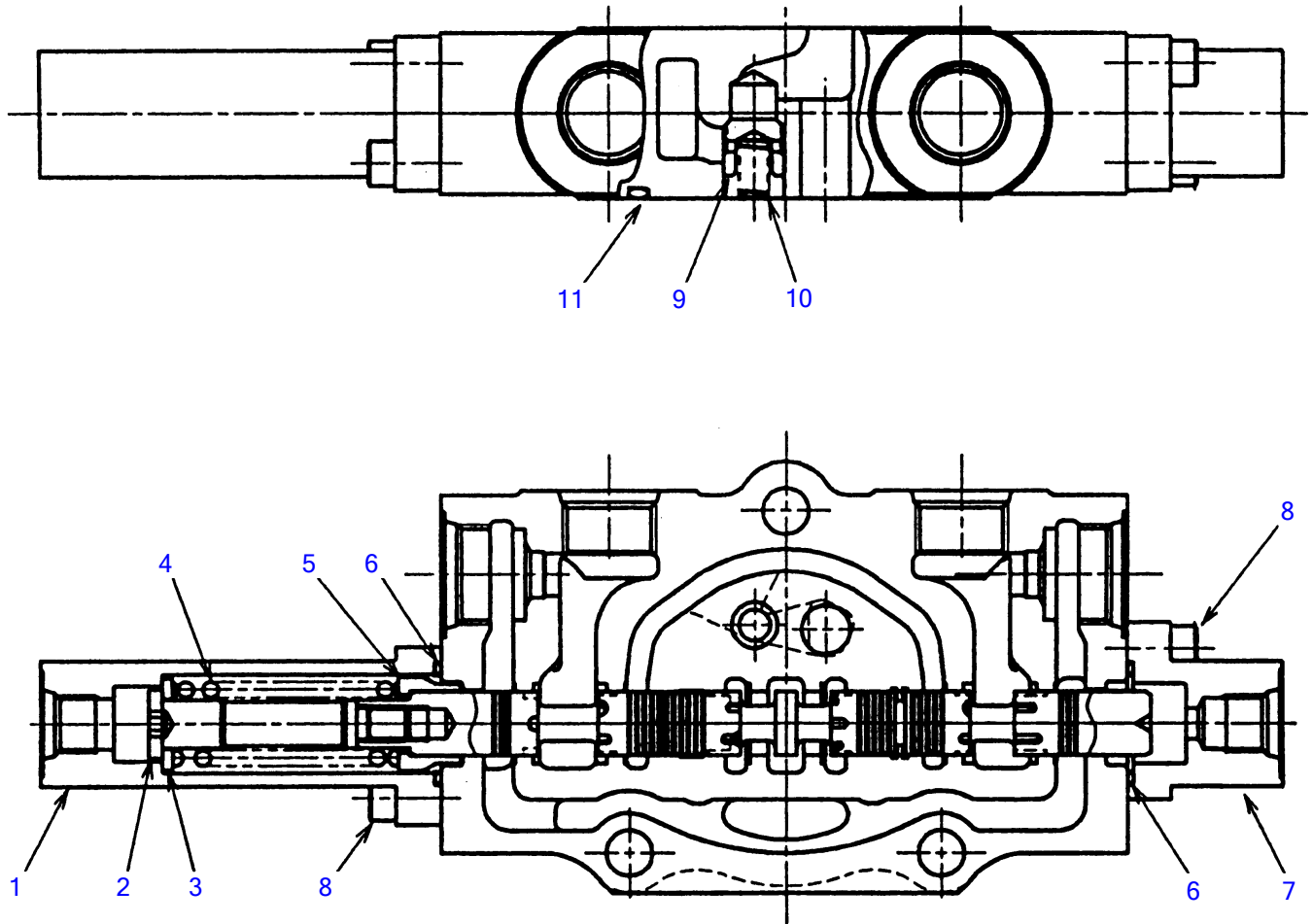


K3H030

BLOCK ASSY; No. 1

Item	Part number	Description	Q'ty	Chan.	Serial No.	Serv.	Remarks
0	1901036513	BLOCK ASSY; No.1	1				bucket
1	1901036566	· CAP	1				
2	1901036531	· END, spool	1				
3	1901029754	· HOLDER, spring	1				
4	1901036556	· SPRING	1				
5	1901036551	· HOLDER, spring	1				
6	1420500240	· O-RING	2				
7	1901036567	· CAP	1				
8	1110020618	· SCREW, cap	4				
9	1901025467	· PLUNGER	1				
10	1901034239	· SPRING	1				
11	1420100650	· O-RING	1				
12	1901036526	· PLUNGER	1				

K3h030

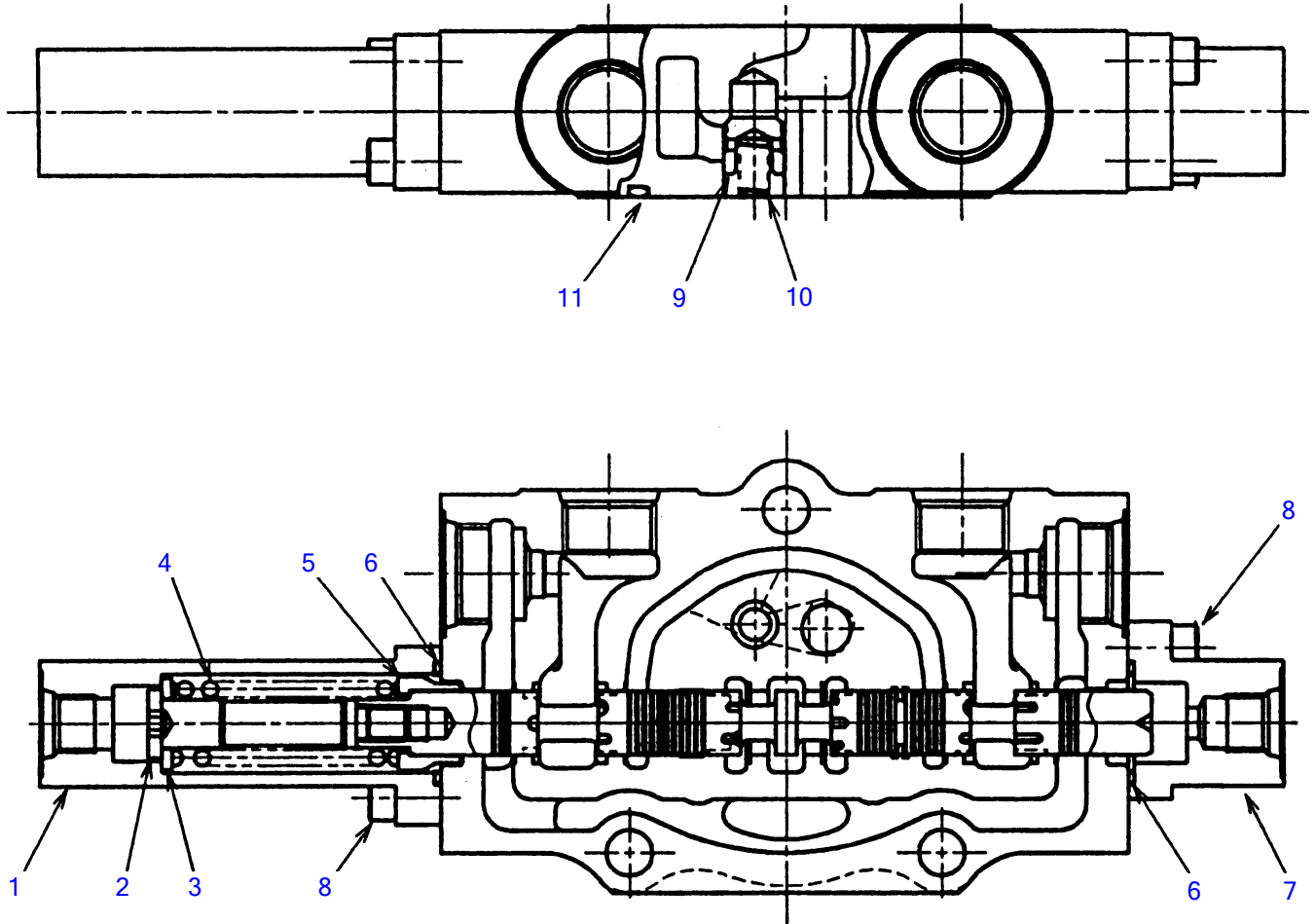


K3H040

BLOCK ASSY; No. 2, 11 (15810005-15810674)

Item	Part number	Description	Q'ty	Chan.	Serial No.	Serv.	Remarks
0	1901036511	BLOCK ASSY; No.2	1				boom
	1901041719	BLOCK ASSY; No.11	1				auxiliary 2
1	1901036566	· CAP	1				
2	1901036531	· END, spool	1				
3	1901029754	· HOLDER, spring	1				
4	1901036556	· SPRING	1				
5	1901036551	· HOLDER, spring	1				
6	1420500240	· O-RING	2				
7	1901036567	· CAP	1				
8	1110020618	· SCREW, cap	4				
9	1901025467	· PLUNGER	1				
10	1901034239	· SPRING	1				
11	1420100650	· O-RING	1				

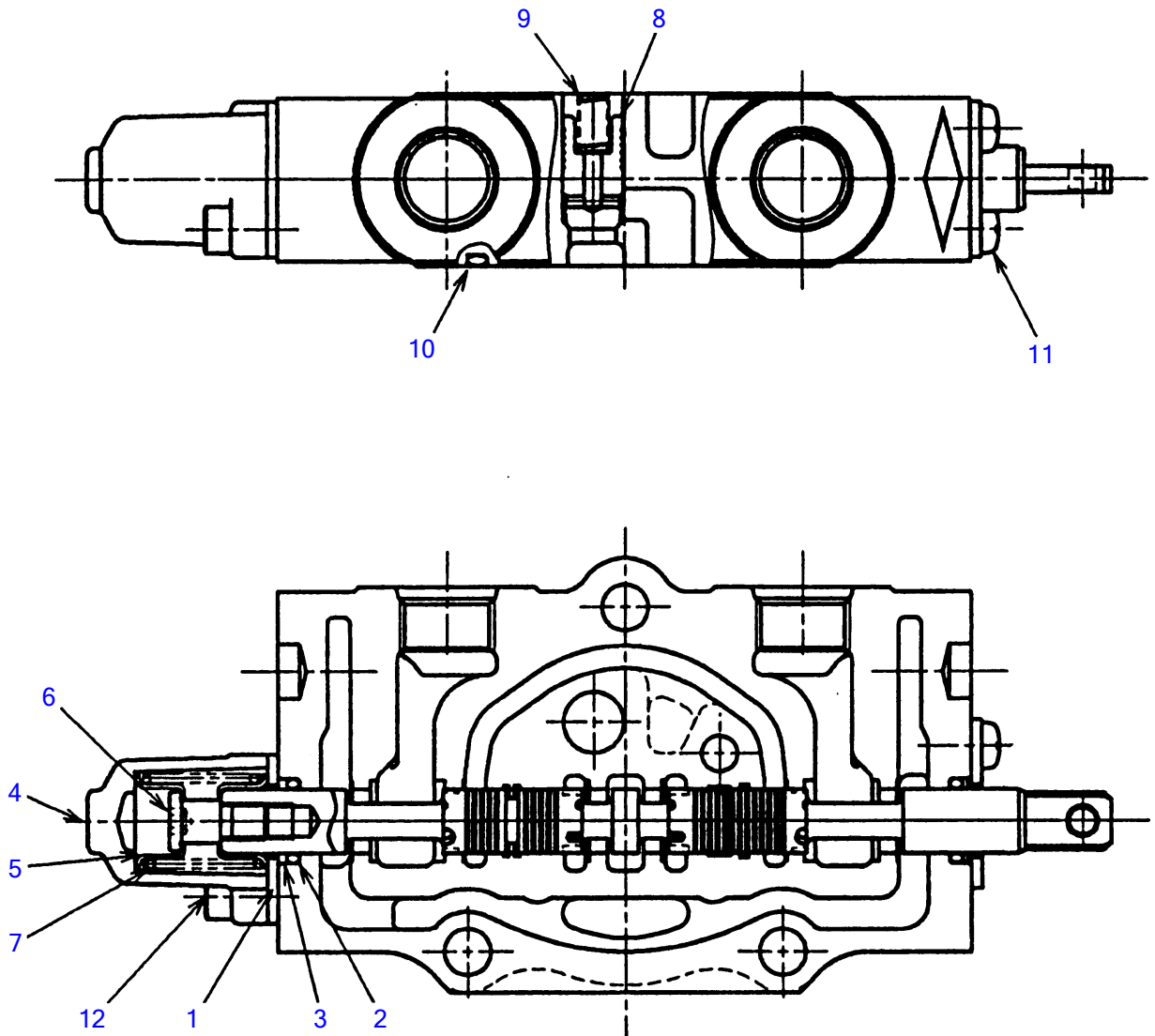
J1h080



K3H040

BLOCK ASSY; No. 2, 11 (15810675-)

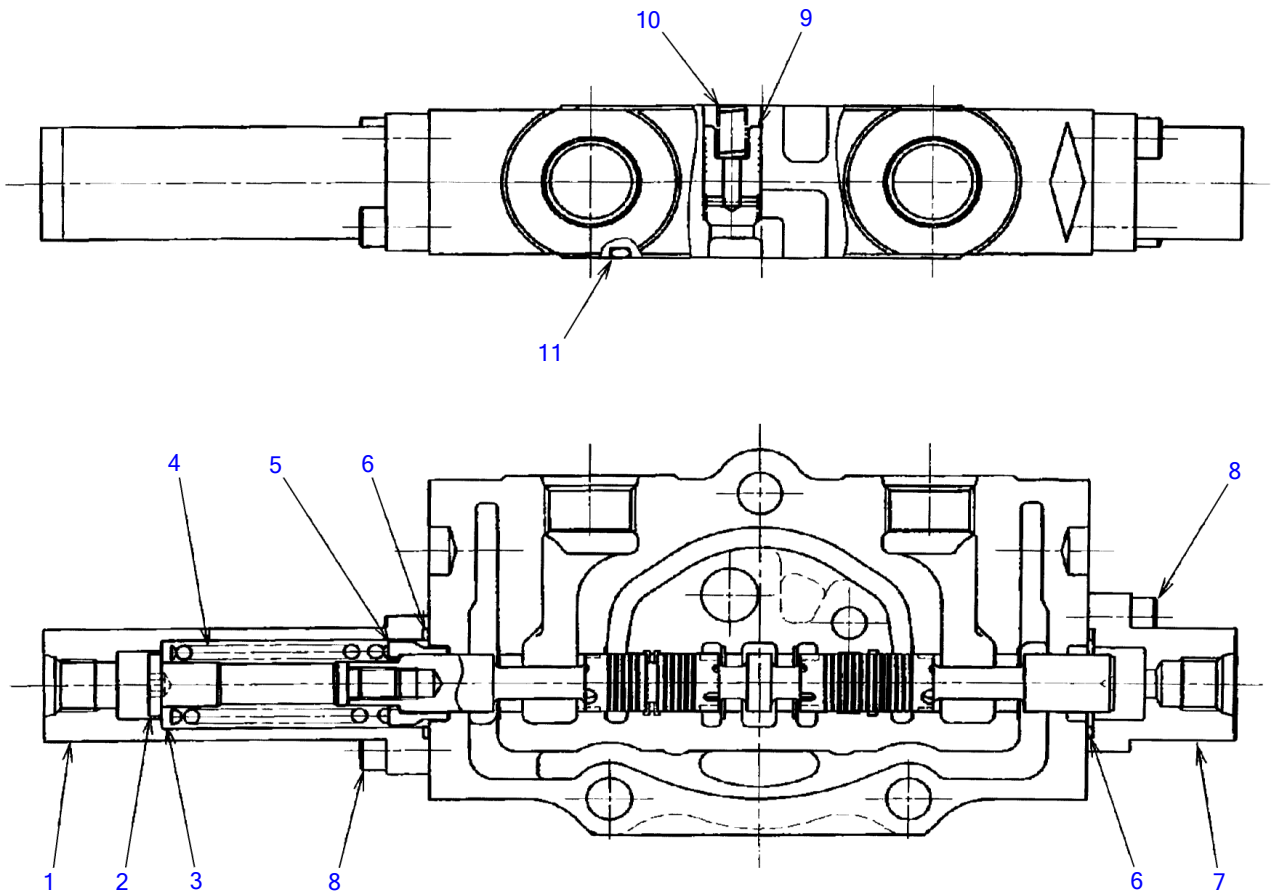
Item	Part number	Description	Q'ty	Chan.	Serial No.	Serv.	Remarks
0	1901036541	BLOCK ASSY; No.2	1		15810675~2004.07		boom
	1901036561	BLOCK ASSY; No.2	1	(H)	2004.07~		boom
	1901041719	BLOCK ASSY; No.11	1				auxiliary 2
1	1901036566	· CAP	1				
2	1901036531	· END, spool	1				
3	1901029754	· HOLDER, spring	1				
4	1901036556	· SPRING	1				
5	1901036551	· HOLDER, spring	1				
6	1420500240	· O-RING	2				
7	1901036567	· CAP	1				
8	1110020618	· SCREW, cap	4				
9	1901025467	· PLUNGER	1				
10	1901034239	· SPRING	1				
11	1420100650	· O-RING	1				
	J1h231						



K3H050

BLOCK ASSY; No. 3 (15810005-15810674)

Item	Part number	Description	Q'ty	Chan.	Serial No.	Serv.	Remarks
0	1901036515	BLOCK ASSY; No.3	1				traction R.H.
1	1901025483	▪ PLATE, seal	2				
2	1901025484	▪ O-RING	2				
3	1901025485	▪ SEAL	2				
4	1901025462	▪ CAP	1				
5	1901025453	▪ HOLDER, spring	2				
6	1901025432	▪ END, spool	1				
7	1901025457	▪ SPRING	1				
8	1901036528	▪ PLUNGER	1				
9	1901034239	▪ SPRING	1				
10	1420100650	▪ O-RING	1				
11	1120540610	▪ SCREW	2				
12	1110020618	▪ SCREW, cap	2				
	K3h050						

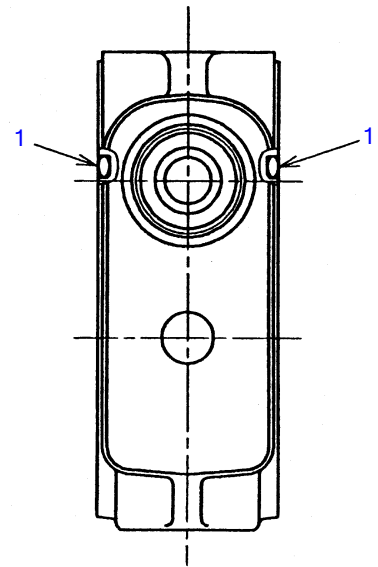
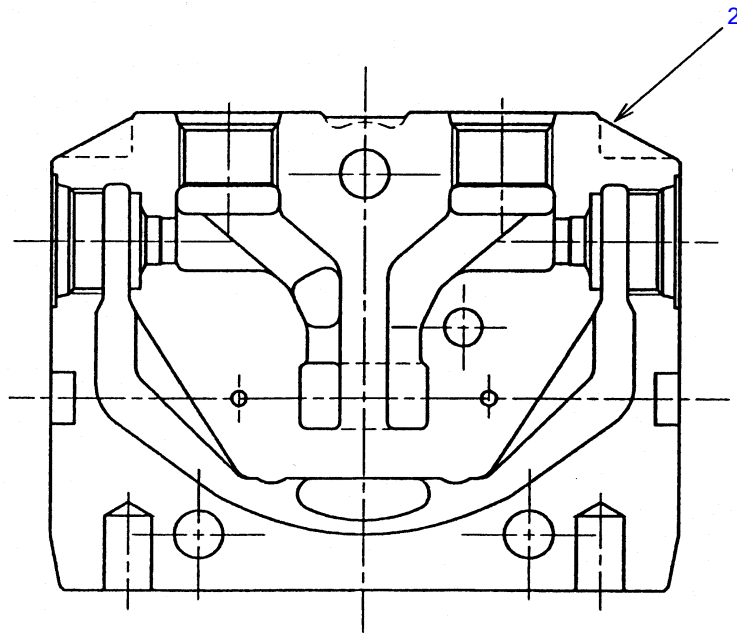
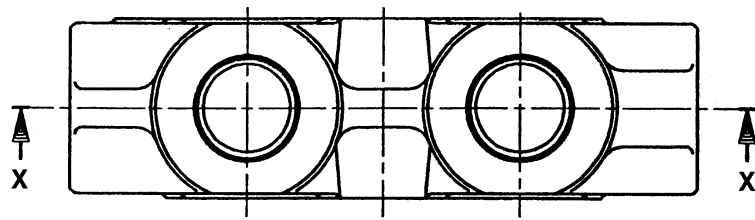


J1H200

S=FREE

BLOCK ASSY; No. 3 (15810675-)

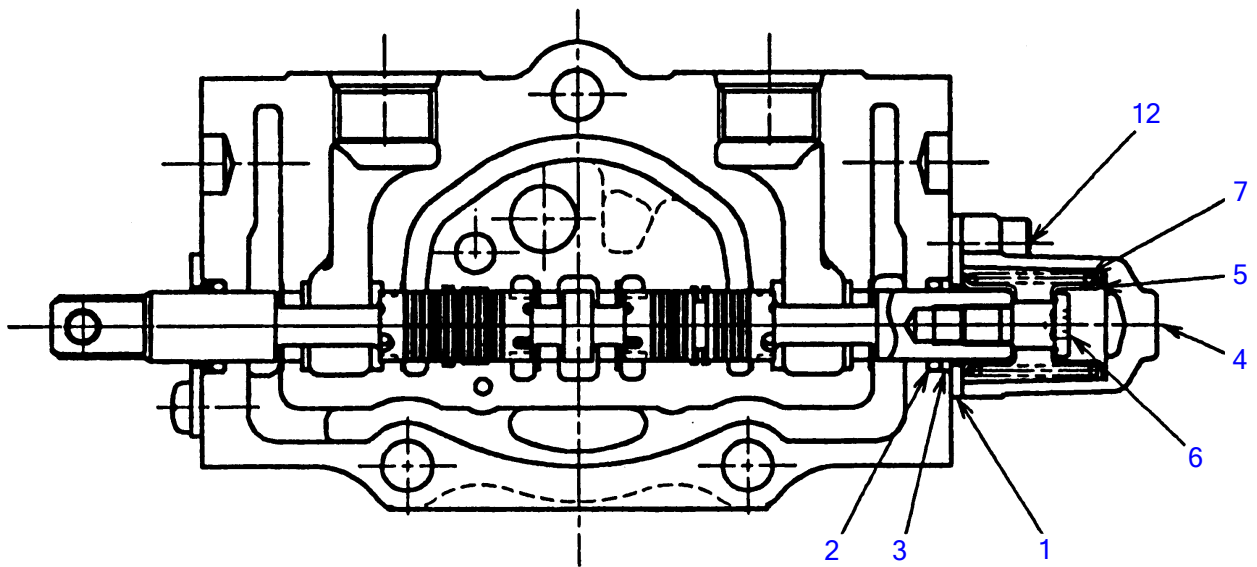
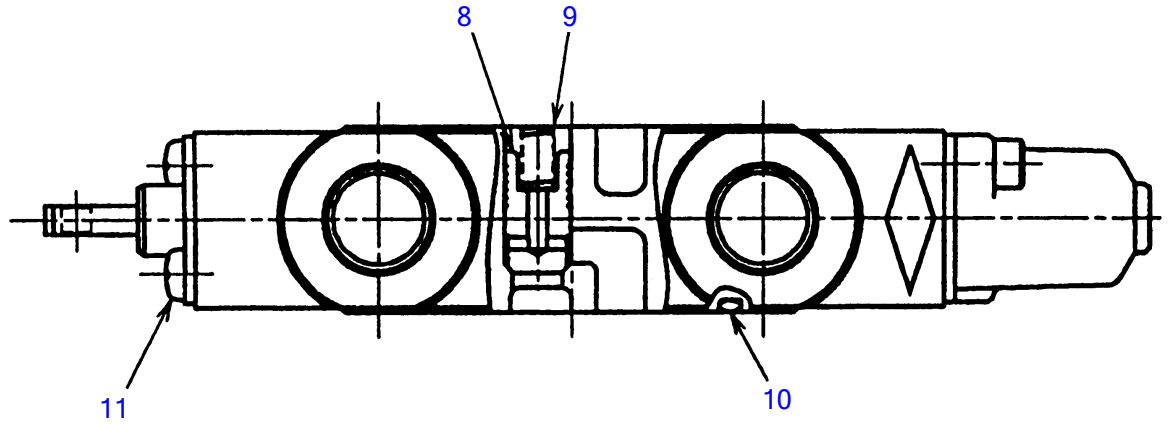
Item	Part number	Description	Q'ty	Chan.	Serial No.	Serv.	Remarks
0	1901042315	BLOCK ASSY; No.3	1				traction R.H.
1	1901042331	• CAP	1				
2	1901036531	• END, spool	1				
3	1901029754	• HOLDER, spring	1				
4	1901042356	• SPRING	1				
5	1901036551	• HOLDER, spring	1				
6	1420500240	• O-RING	2				
7	1901036567	• CAP	1				
8	1110020618	• SCREW, cap	4				
9	1901036528	• PLUNGER	1				
10	1901034239	• SPRING	1				
11	1420100650	• O-RING	1				
	J1H200						



K3H060

SECTION "X-X"

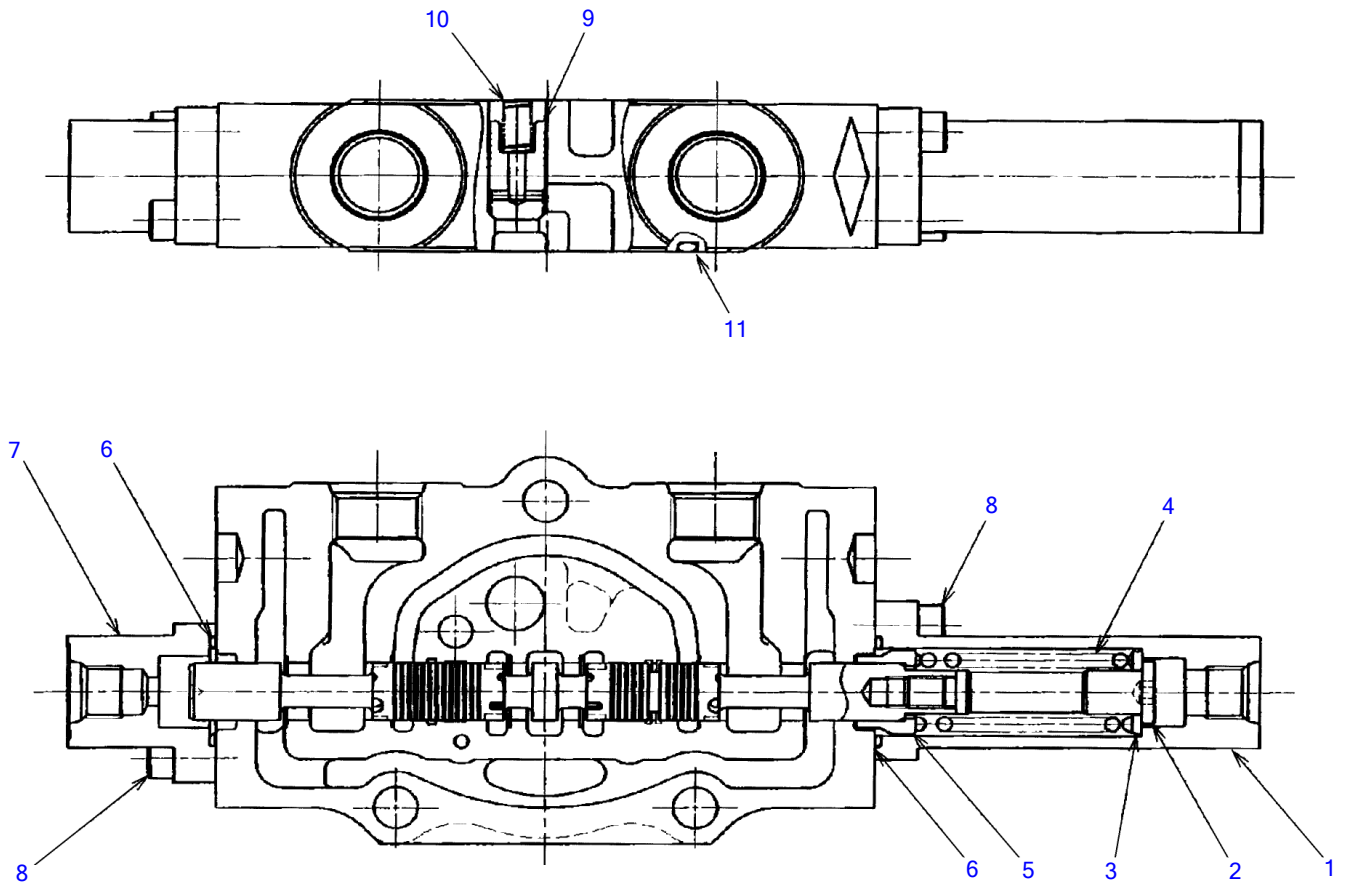
HOUSING ASSY						
Item	Part number	Description	Q'ty	Chan.	Serial No.	Serv. Remarks
0	1901036502	HOUSING ASSY	1			P1,P2
1	1420100650	· O-RING	2			
2	1901036505	· HOUSING	1			
	K3h060					



K3H070

BLOCK ASSY; No. 4 (15810005-15810674)

Item	Part number	Description	Q'ty	Chan.	Serial No.	Serv.	Remarks
0	1901036516	BLOCK ASSY; No.4	1				traction L.H.
1	1901025483	▪ PLATE, seal	2				
2	1901025484	▪ O-RING	2				
3	1901025485	▪ SEAL	2				
4	1901025462	▪ CAP	1				
5	1901025453	▪ HOLDER, spring	2				
6	1901025432	▪ END, spool	1				
7	1901025457	▪ SPRING	1				
8	1901036528	▪ PLUNGER	1				
9	1901034239	▪ SPRING	1				
10	1420100650	▪ O-RING	1				
11	1120540610	▪ SCREW	2				
12	1110020618	▪ SCREW, cap	2				
	K3h070						

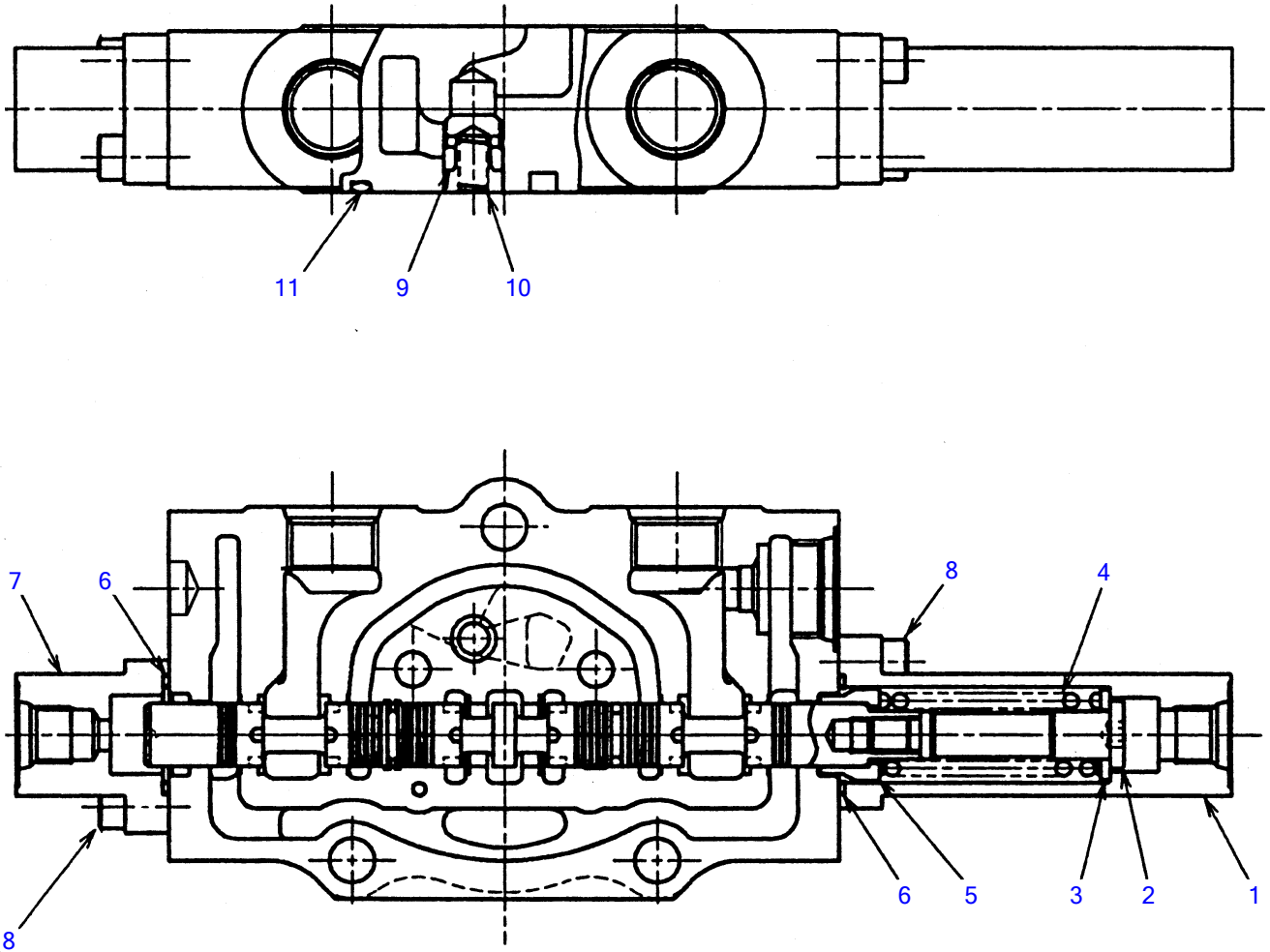


J1H210

S=FREE

BLOCK ASSY; No. 4 (15810675-)

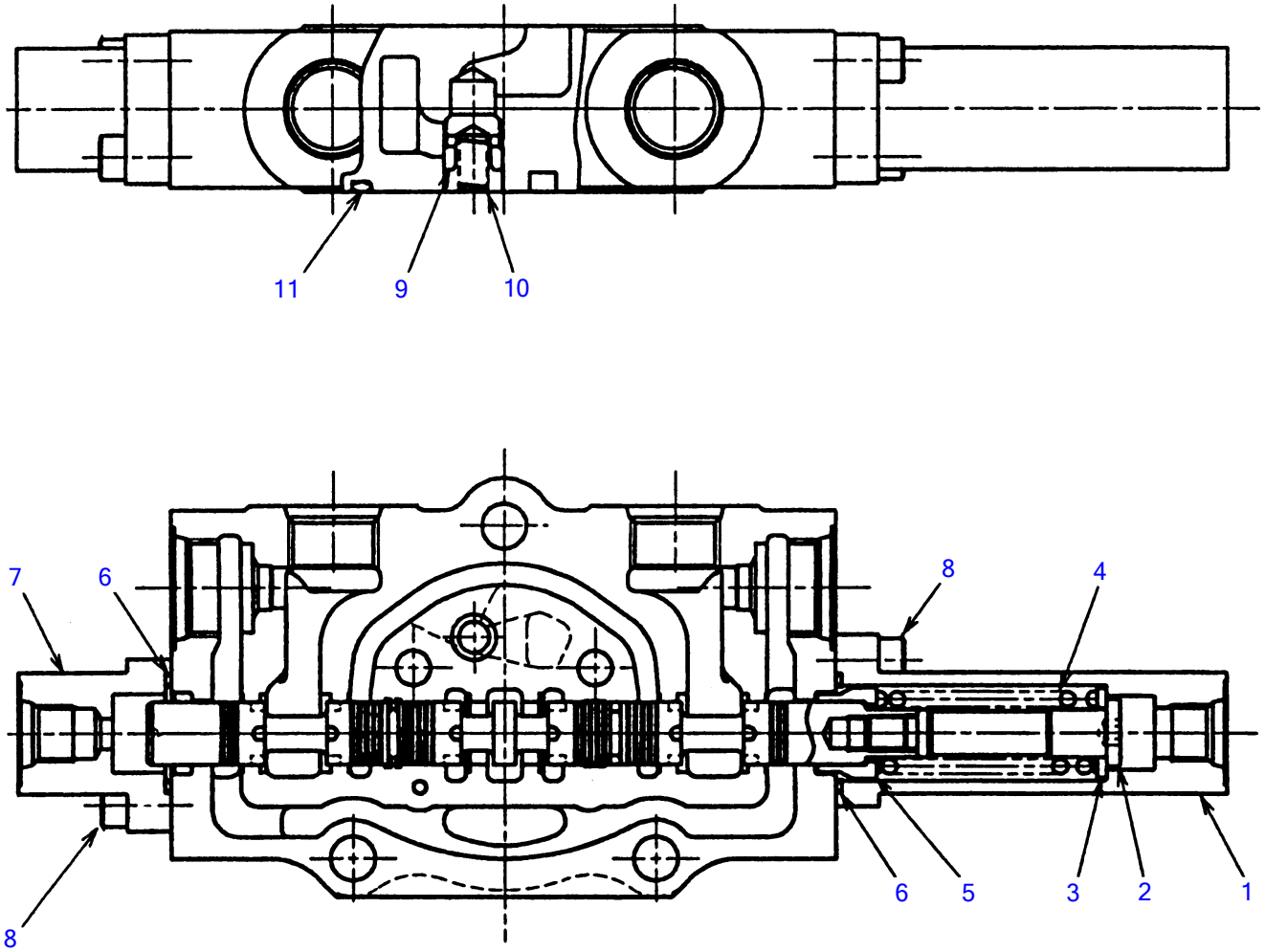
Item	Part number	Description	Q'ty	Chan.	Serial No.	Serv.	Remarks
0	1901042316	BLOCK ASSY; No.4	1				traction L.H.
1	1901042331	• CAP	1				
2	1901036531	• END, spool	1				
3	1901029754	• HOLDER, spring	1				
4	1901042356	• SPRING	1				
5	1901036551	• HOLDER, spring	1				
6	1420500240	• O-RING	2				
7	1901036567	• CAP	1				
8	1110020618	• SCREW, cap	4				
9	1901036528	• PLUNGER	1				
10	1901034239	• SPRING	1				
11	1420100650	• O-RING	1				
	J1H210						



J1H020

BLOCK ASSY; No. 5

Item	Part number	Description	Q'ty	Chan.	Serial No.	Serv.	Remarks
0	1901036918	BLOCK ASSY; No.5	1				swing
1	1901036566	• CAP	1				
2	1901036531	• END, spool	1				
3	1901029754	• HOLDER, spring	1				
4	1901036556	• SPRING	1				
5	1901036551	• HOLDER, spring	1				
6	1420500240	• O-RING	2				
7	1901036567	• CAP	1				
8	1110020618	• SCREW, cap	4				
9	1901025467	• PLUNGER	1				
10	1901034239	• SPRING	1				
11	1420100650	• O-RING	1				
	J1H020						

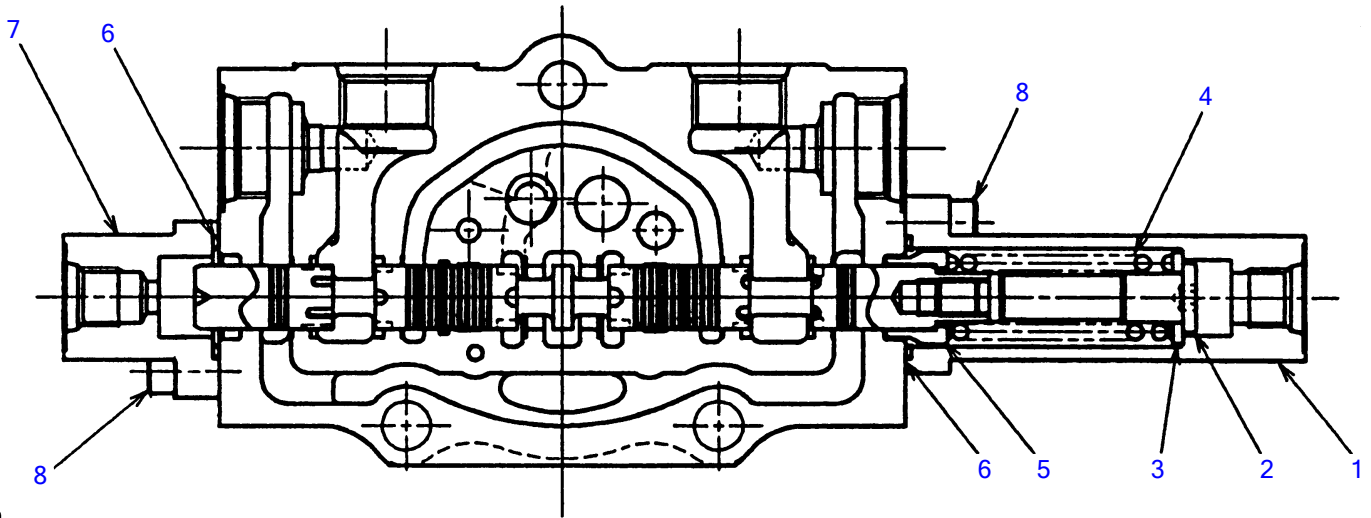
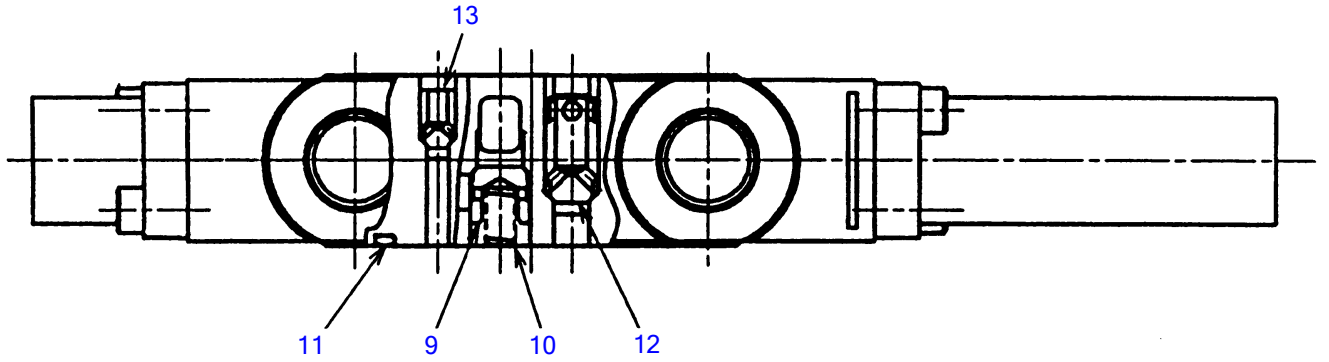


K3H090

BLOCK ASSY; No. 6

Item	Part number	Description	Q'ty	Chan.	Serial No.	Serv.	Remarks
0	1901036519	BLOCK ASSY; No.6	1				auxiliary 1
1	1901036566	• CAP	1				
2	1901036531	• END, spool	1				
3	1901029754	• HOLDER, spring	1				
4	1901036556	• SPRING	1				
5	1901036551	• HOLDER, spring	1				
6	1420500240	• O-RING	2				
7	1901036567	• CAP	1				
8	1110020618	• SCREW, cap	4				
9	1901025467	• PLUNGER	1				
10	1901034239	• SPRING	1				
11	1420100650	• O-RING	1				

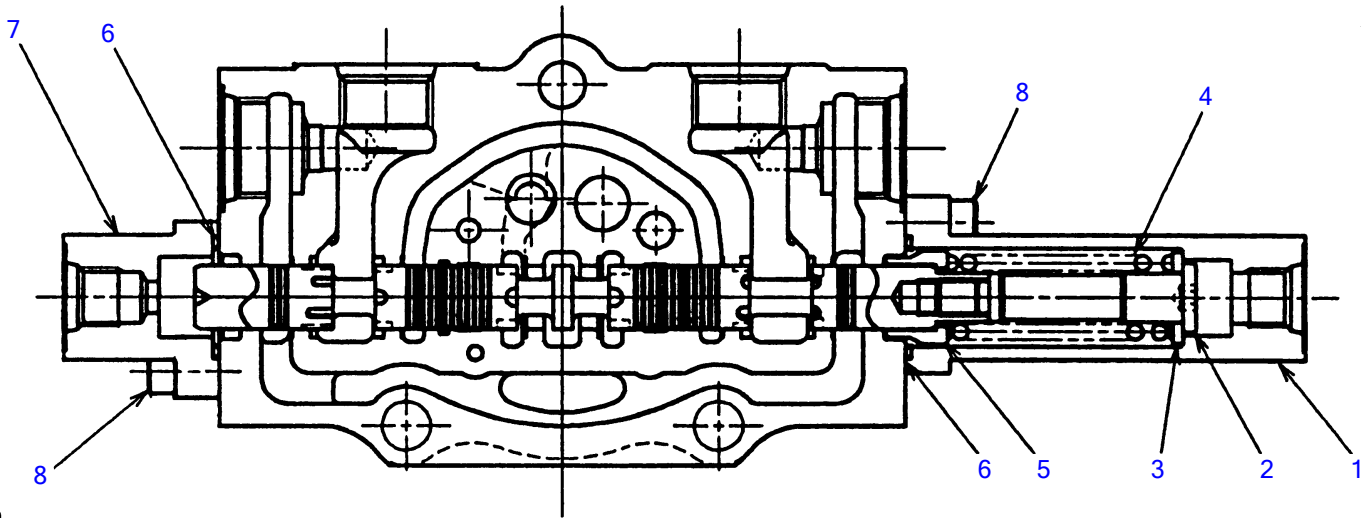
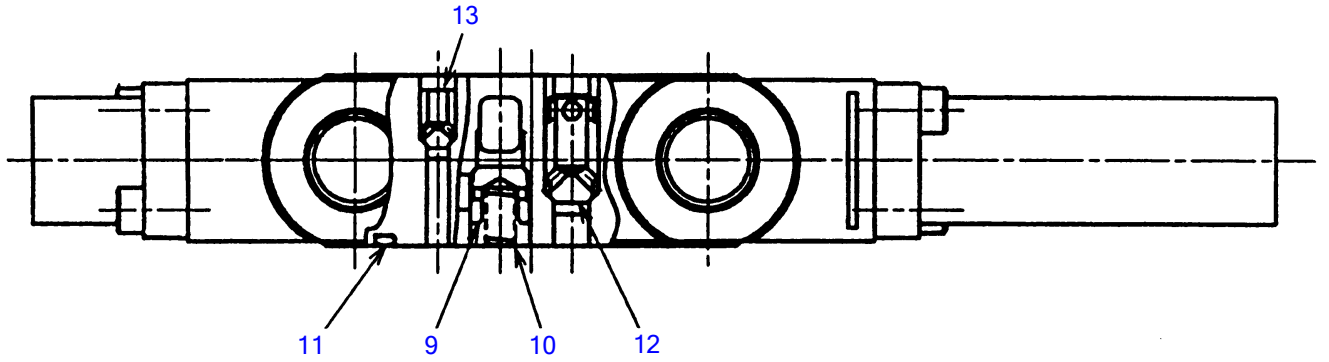
K3h090



K3H100

BLOCK ASSY; No. 7 (15810005-15810674)

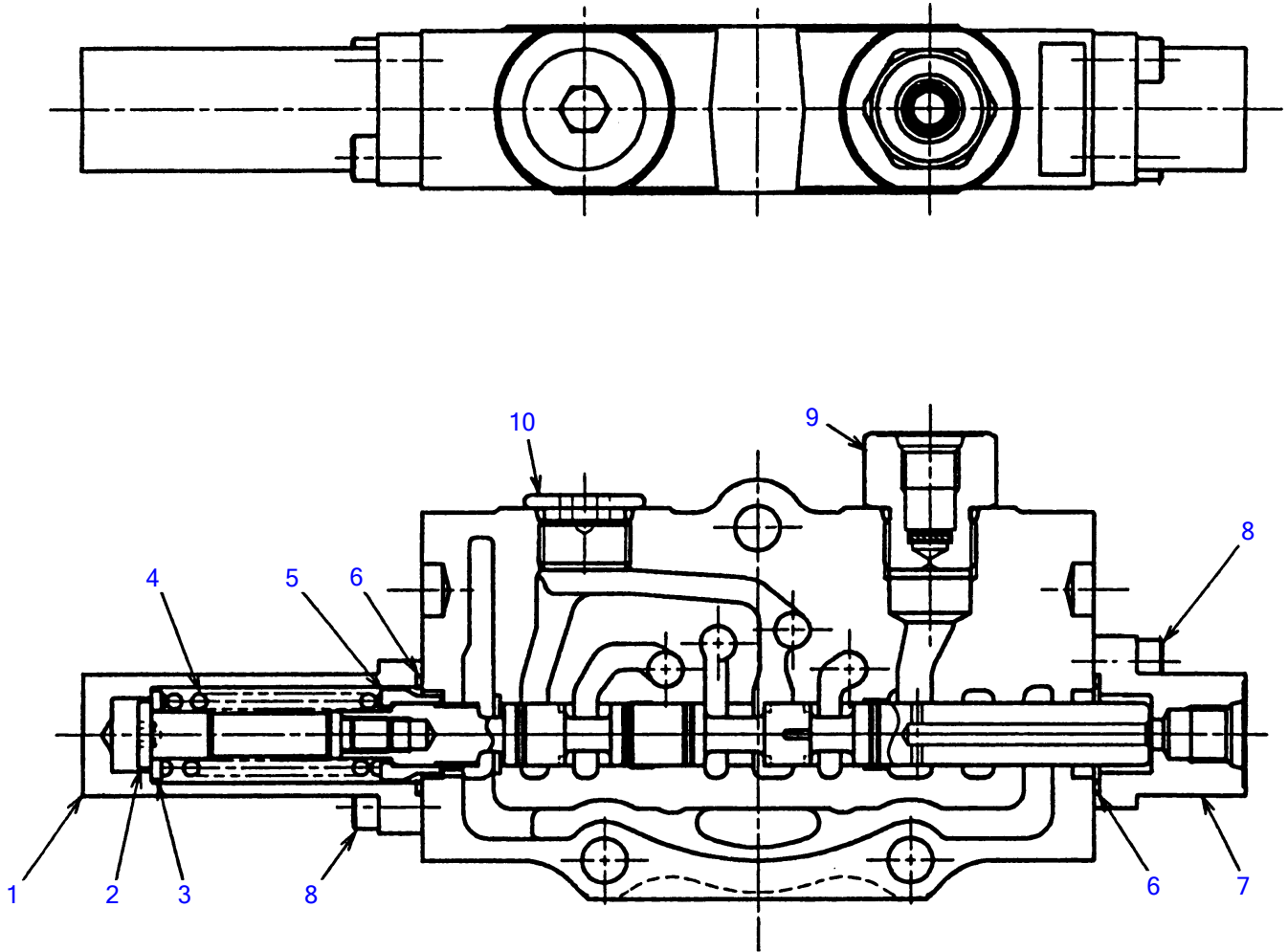
Item	Part number	Description	Q'ty	Chan.	Serial No.	Serv.	Remarks
0	1901036512	BLOCK ASSY; No.7	1				arm
1	1901036566	▪ CAP	1				
2	1901036531	▪ END, spool	1				
3	1901029754	▪ HOLDER, spring	1				
4	1901036556	▪ SPRING	1				
5	1901036551	▪ HOLDER, spring	1				
6	1420500240	▪ O-RING	2				
7	1901036567	▪ CAP	1				
8	1110020618	▪ SCREW, cap	4				
9	1901025467	▪ PLUNGER	1				
10	1901034239	▪ SPRING	1				
11	1420100650	▪ O-RING	1				
12	1901036529	▪ PLUNGER	1				
13	1901036530	▪ PLUNGER	1				
	K3h100						



K3H100

BLOCK ASSY; No. 7 (15810675-)

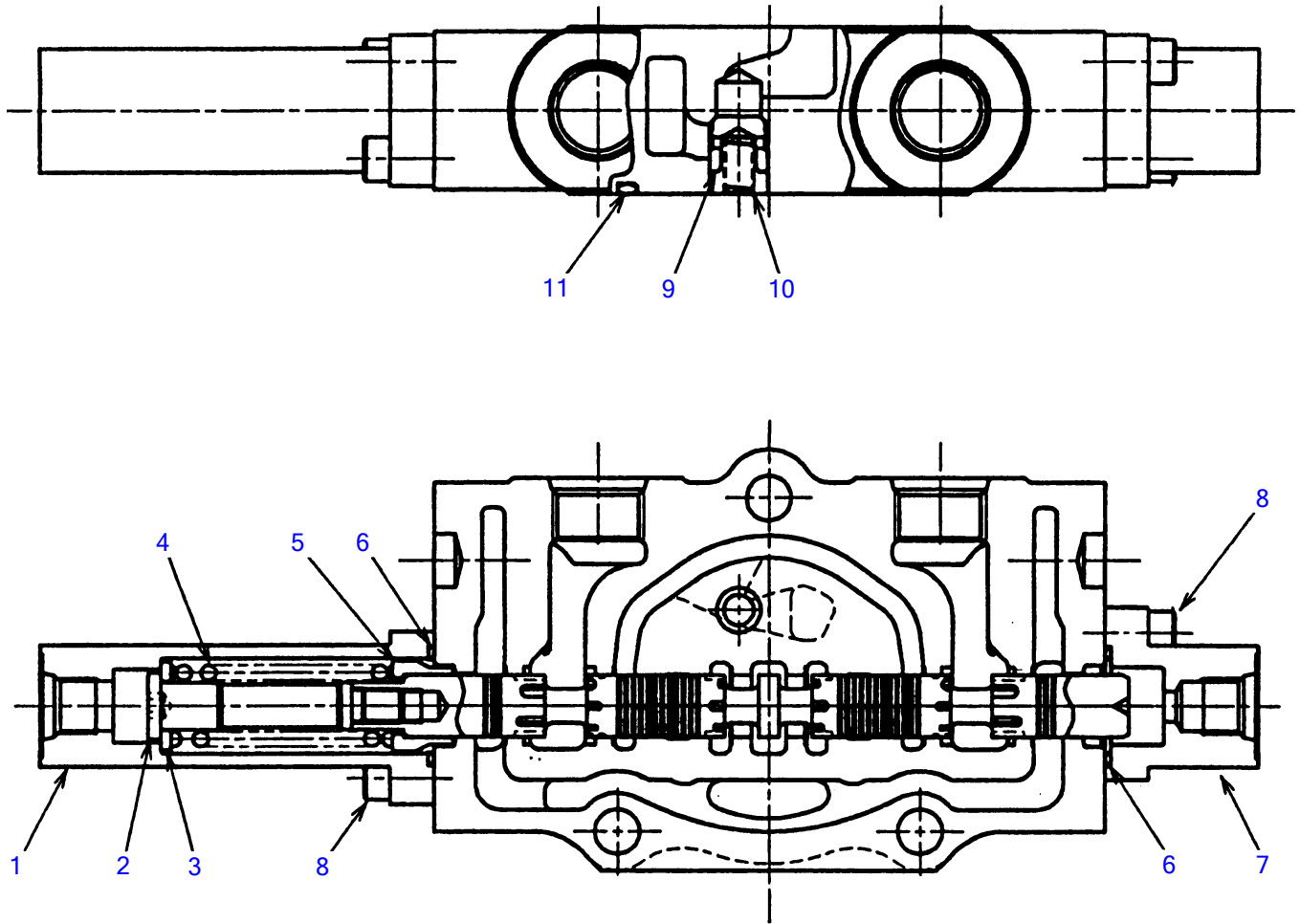
Item	Part number	Description	Q'ty	Chan.	Serial No.	Serv.	Remarks
0	1901036542	BLOCK ASSY; No.7	1		15810675~2004.07		arm
	1901036562	BLOCK ASSY; No.7	1	(H)	2004.07~		arm
1	1901036566	· CAP	1				
2	1901036531	· END, spool	1				
3	1901029754	· HOLDER, spring	1				
4	1901036556	· SPRING	1				
5	1901036551	· HOLDER, spring	1				
6	1420500240	· O-RING	2				
7	1901036567	· CAP	1				
8	1110020618	· SCREW, cap	4				
9	1901025467	· PLUNGER	1				
10	1901034239	· SPRING	1				
11	1420100650	· O-RING	1				
12	1901036529	· PLUNGER	1				
13	1901036530	· PLUNGER	1				
	J1h241						



K3H110

BLOCK ASSY; No. 8

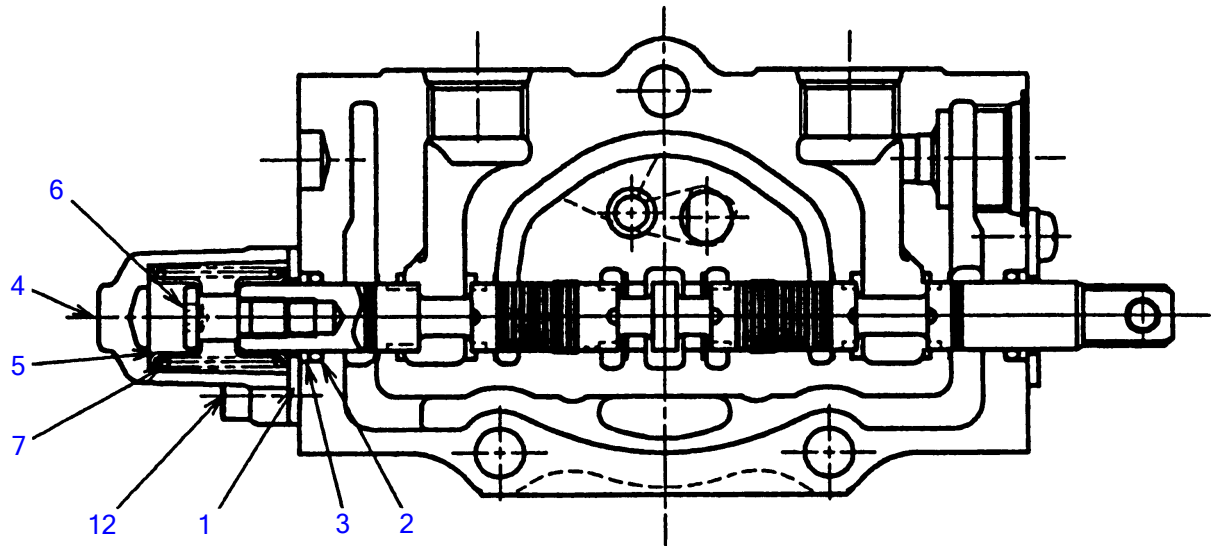
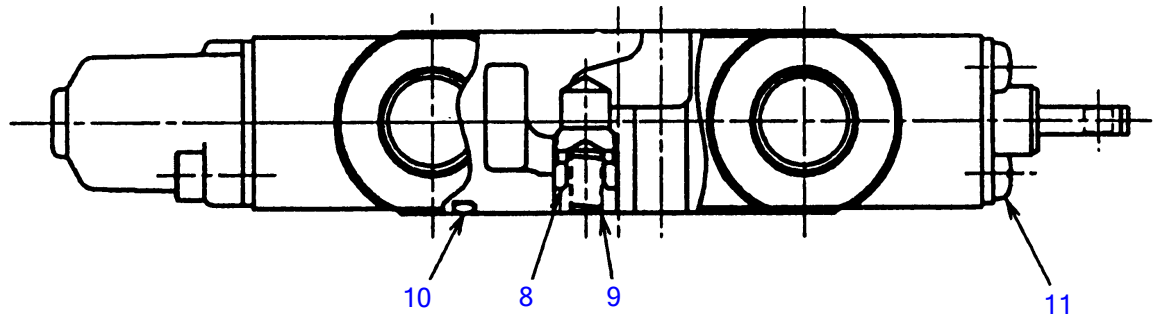
Item	Part number	Description	Q'ty	Chan.	Serial No.	Serv.	Remarks
0	1901036510	BLOCK ASSY; No.8	1				
1	1901036568	▪ CAP	1				
2	1901036531	▪ END, spool	1				
3	1901029754	▪ HOLDER, spring	1				
4	1901036552	▪ SPRING	1				
5	1901036551	▪ HOLDER, spring	1				
6	1420500240	▪ O-RING	2				
7	1901036567	▪ CAP	1				
8	1110020618	▪ SCREW, cap	4				
9	1901036571	▪ PLUG	1				
10	1901036572	▪ PLUG	1				
	K3h110						



K3H120

BLOCK ASSY; No. 9

Item	Part number	Description	Q'ty	Chan.	Serial No.	Serv.	Remarks
0	1901036514	BLOCK ASSY; No.9	1				slew
1	1901036566	• CAP	1				
2	1901036531	• END, spool	1				
3	1901029754	• HOLDER, spring	1				
4	1901036556	• SPRING	1				
5	1901036551	• HOLDER, spring	1				
6	1420500240	• O-RING	2				
7	1901036567	• CAP	1				
8	1110020618	• SCREW, cap	4				
9	1901025467	• PLUNGER	1				
10	1901034239	• SPRING	1				
11	1420100650	• O-RING	1				
	K3h120						

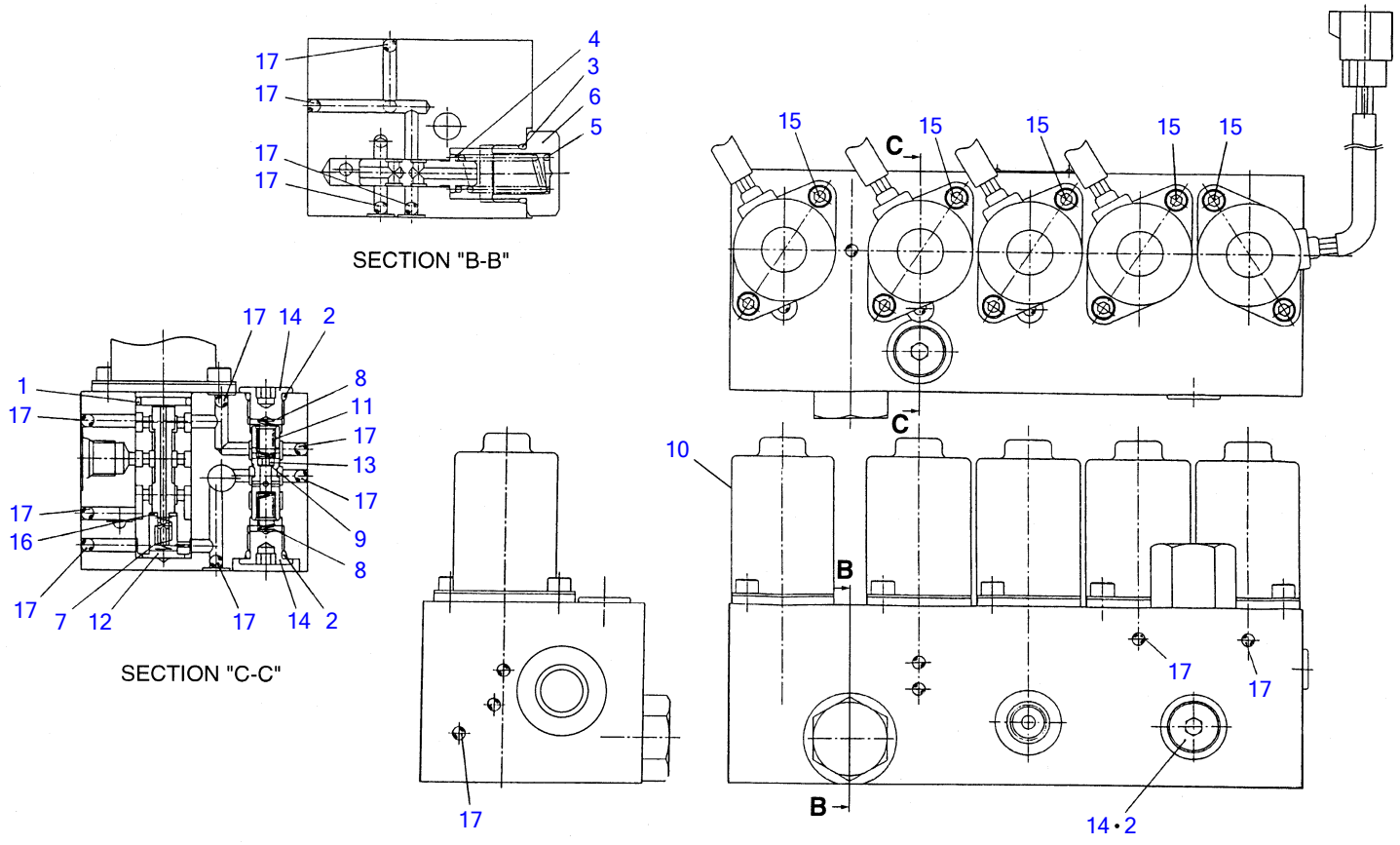


K3H130

BLOCK ASSY; No. 10

Item	Part number	Description	Q'ty	Chan.	Serial No.	Serv.	Remarks
0	1901036517	BLOCK ASSY; No.10	1				blade
1	1901025483	▪ PLATE, seal	2				
2	1901025484	▪ O-RING	2				
3	1901025485	▪ SEAL	2				
4	1901025462	▪ CAP	1				
5	1901025453	▪ HOLDER, spring	2				
6	1901025432	▪ END, spool	1				
7	1901025457	▪ SPRING	1				
8	1901025467	▪ PLUNGER	1				
9	1901034239	▪ SPRING	1				
10	1420100650	▪ O-RING	1				
11	1120540610	▪ SCREW	2				
12	1110020618	▪ SCREW, cap	2				

K3h130

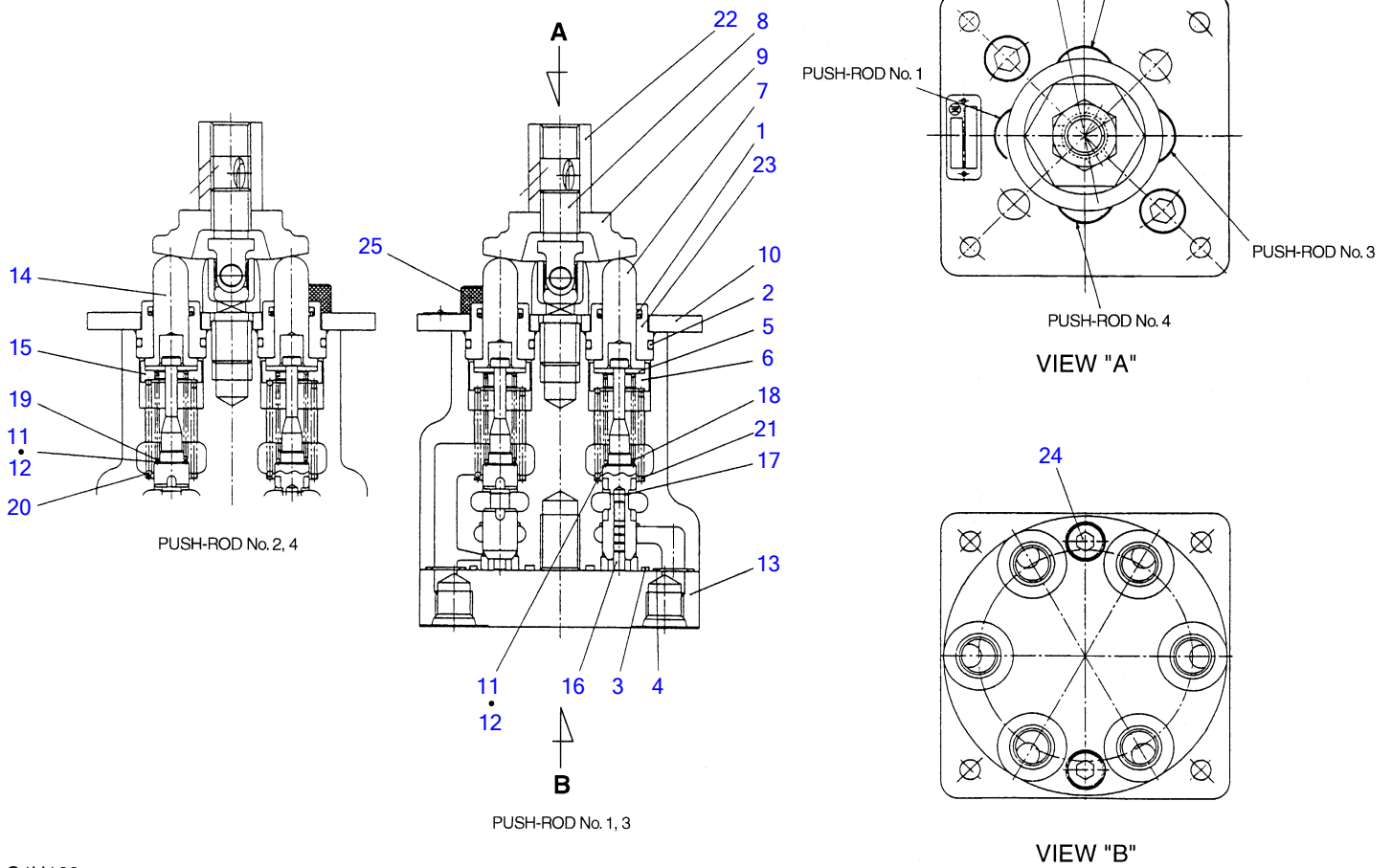


J1H030

SOLENOID VALVE

Item	Part number	Description	Q'ty	Chan.	Serial No.	Serv.	Remarks
0	1901732400	VALVE ASSY, solenoid	1				
0-1	1901732499	• KIT, seal	1				
1	X 1420000160	• • O-RING	5				
2	X 1420010110	• • O-RING	3				
3	X 1420010180	• • O-RING	1				
4	1901732003	• SHIM	4				
5	1901732502	• SPRING	1				
6	1901732004	• PLUG	1				
7	1901728703	• SPRING	5				
8	1901729605	• SPRING	2				
9	1901732407	• ORIFICE	1				
10	1901729607	• SOLENOID	5				
11	1901729610	• PLUNGER	1				
12	1901728711	• STOPPER	5				
13	1901729616	• RING	1				
14	1901720720	• PLUG	3				
15	1110020510	• SCREW, cap	10				
16	1140010004	• WASHER	5				
17	1901017793	• BALL, steel	22				
	J1h030						

TB53FR Book No. BJ1Z006 S/N 15810005-15811324
PILOT VALVE (15810005-15810674)

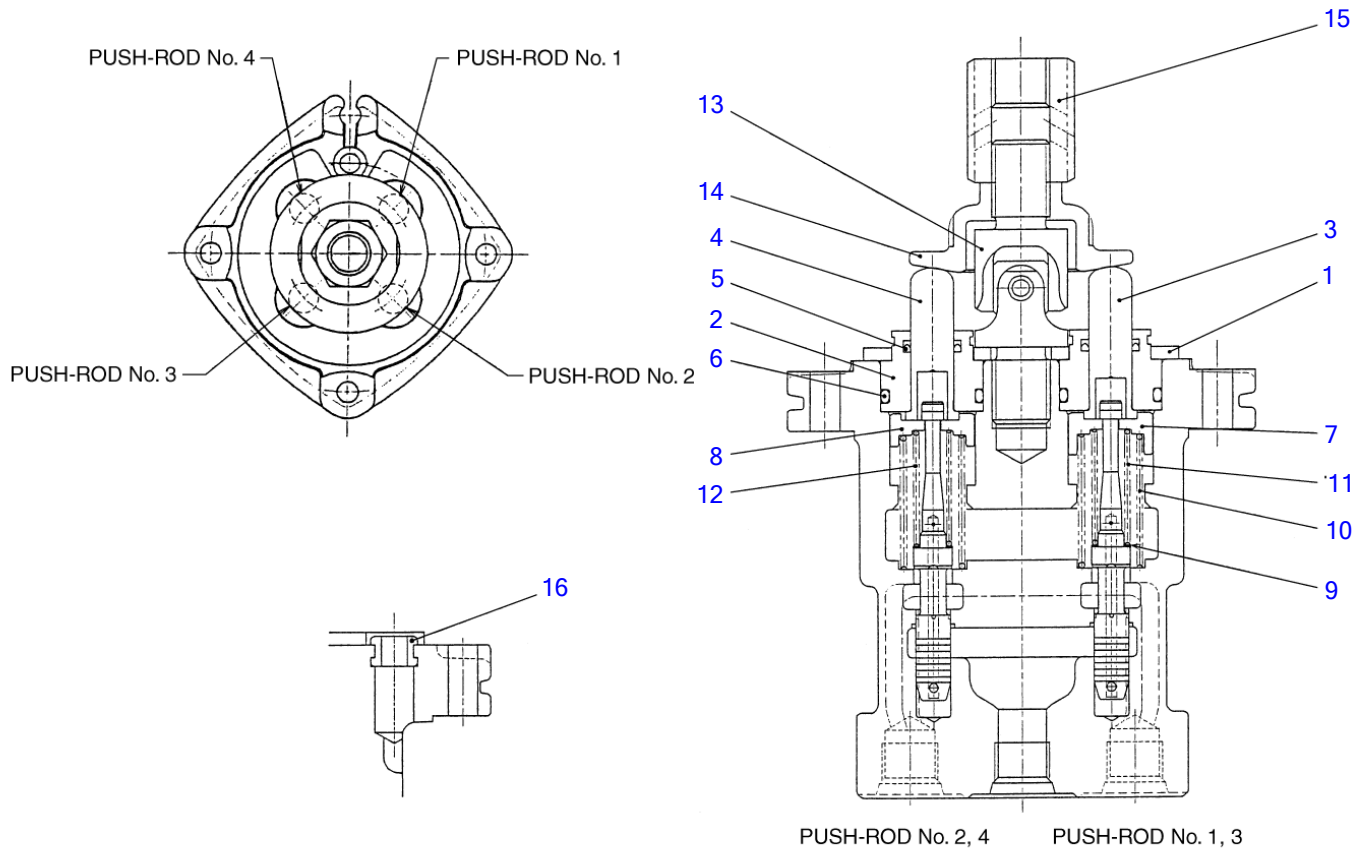


C4H160

PILOT VALVE (15810005-15810674)

Item	Part number	Description	Q'ty	Chan.	Serial No.	Serv.	Remarks
0	1901730400	VALVE ASSY, pilot	1				
0-1	1901730499	· KIT, seal	1				
1	X 1901728523	· · PACKING	4				
2	X 1420000200	· · O-RING	4				
3	X 1420500600	· · O-RING	1				
4	X 1420500120	· · O-RING	6				
5	1901730401	· RETAINER	4				
6	1901730402	· HOLDER	2				
7	1901730403	· ROD	2				
8	1901728501	· JOINT	1				
9	1901728502	· CAM	1				
10	1901730406	· PLATE	1				
11	1901730407	· SHIM t=0.2	4				
12	1901730408	· SHIM t=0.1	4				
13	1901730409	· PLATE	1				
14	1901730410	· ROD	2				
15	1901730411	· HOLDER	2				
16	1901730412	· PISTON	4				
17	1901730415	· RING	4				
18	1901730416	· SPRING	2				
19	1901730417	· SPRING	2				
20	1901730418	· SPRING	2				
21	1901730419	· SPRING	2				
22	1901728513	· NUT	1				
23	1901730422	· SLEEVE	4				
24	1110050825	· SCREW, cap	2				
25	1110051020	· SCREW, cap	2				
	C4h161						

TB53FR Book No. BJ1Z006 S/N 15810005-15811324
PILOT VALVE (15810675-)

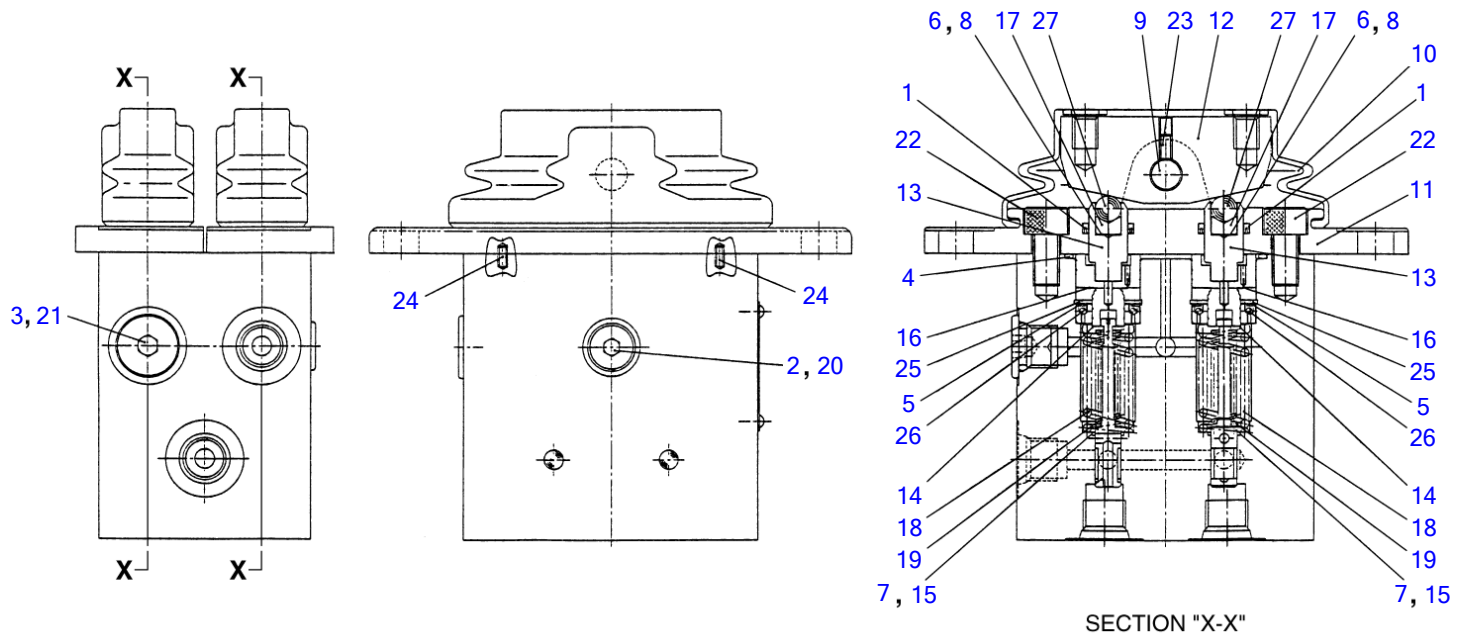


G4H300

S=free

PILOT VALVE (15810675-)

Item	Part number	Description	Q'ty	Chan.	Serial No.	Serv.	Remarks
0	1901745600	VALVE ASSY, pilot	1				
1	1901745702	▪ PLATE	1				
2	1901710912	▪ PLUG	4				
3	1901710911	▪ ROD	2				
4	1901719012	▪ ROD	2				
5	1901710914	▪ SEAL	4				
6	1420010200	▪ O-RING	4				
7	1901745709	▪ HOLDER	2				
8	1901745710	▪ HOLDER	2				
9	1901710917	▪ ROD	4				
10	1901745612	▪ SPRING	4				
11	1901742614	▪ SPRING	2				
12	1901742615	▪ SPRING	2				
13	1901720232	▪ JOINT	1				
14	1901743620	▪ PLATE	1				
15	1901703222	▪ NUT	1				
16	1901735630	▪ BUSHING	1				
	G4h300						

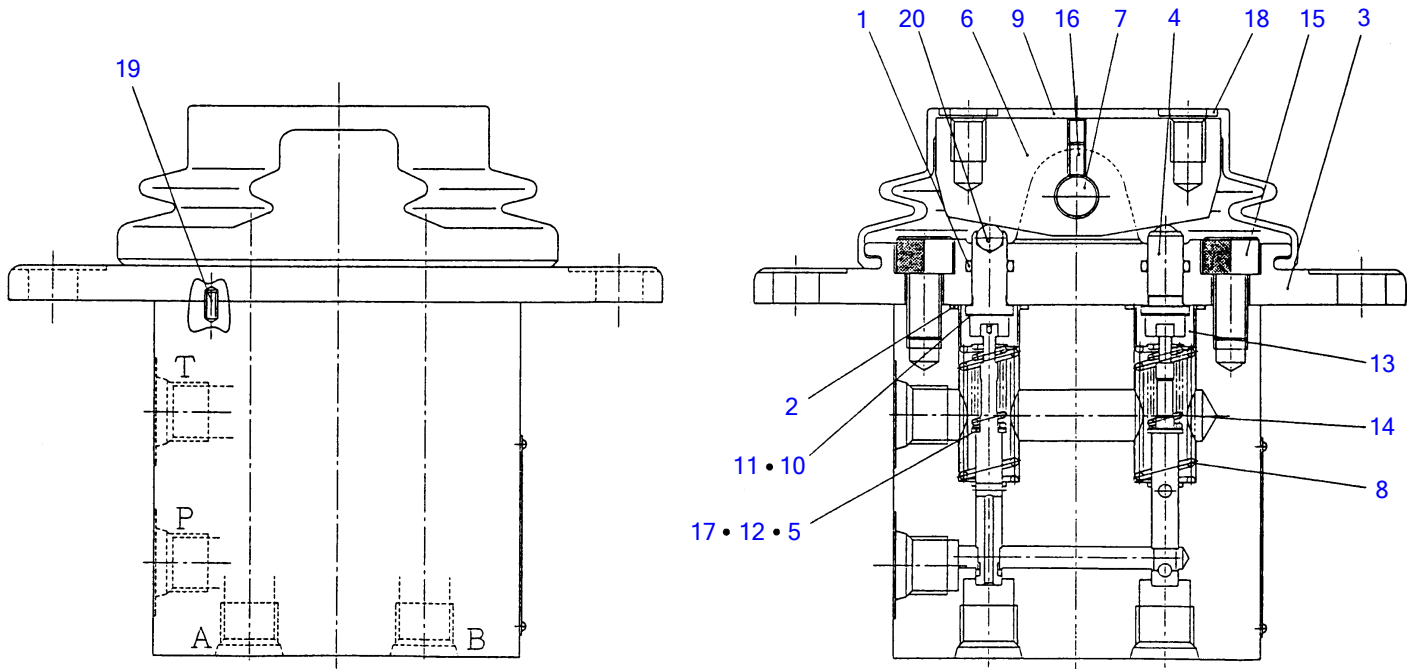


L4H110

S=FREE

REMOTE CONTROL VALVE (for travel; 15810675-)

Item	Part number	Description	Q'ty	Chan.	Serial No.	Serv.	Remarks
0	1901739100	VALVE ASSY, remote control	1				
0-1	1901739199	• KIT, seal	1				
1	X 1901728523	• • U-PACKING	4				
2	X 1420010080	• • O-RING	1				
3	X 1420010110	• • O-RING	1				
4	X 1420510460	• • O-RING	2				
5	1901739101	• SHIM	4				
6	1901739102	• ORIFICE	4				
7	1901739103	• SHIM	4				
8	1901739104	• ORIFICE	4				
9	1901729706	• PIN	2				
10	1901729708	• BOOT	2				
11	1901739108	• COVER	2				
12	1901739109	• CAM	2				~2004. 06
	1901739129	• CAM	2				2004. 06~
13	1901739113	• PUSHER	4				
14	1901739114	• RETAINER	4				
15	1901739115	• SHIM	4				
16	1901739116	• WASHER	4				
17	1901739118	• HOLDER	4				
18	1901739119	• SPRING	4				
19	1901739120	• SPRING	4				
20	1901729618	• PLUG	1				
21	1901720720	• PLUG	1				
22	1110050816	• SCREW, cap	4				
23	1121040408	• SET-SCREW	2				~2004. 06
	1121040606	• SET-SCREW	2				2004. 06~
24	1213040306	• PIN, spring	4				
25	1221000020	• RING, snap	4				
26	1390020020	• BALL, steel	8				
27	1390020500	• BALL, steel	4				
	L4h111						

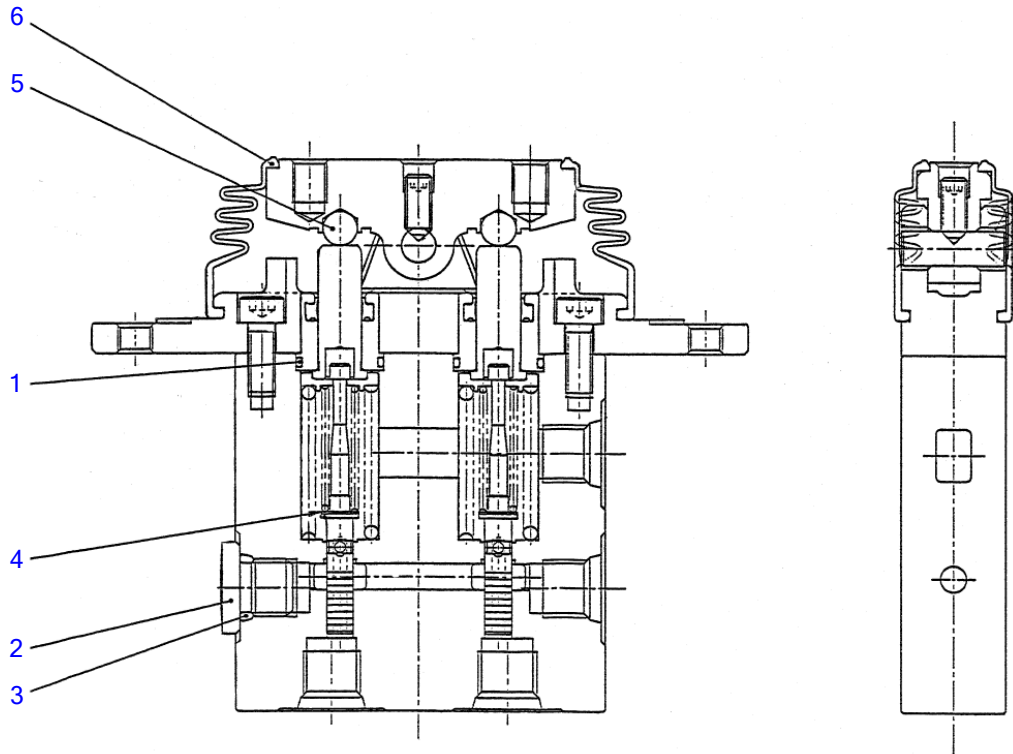


U1H210

REMOTE CONTROL VALVE (for offset; 15810005-15810674)

Item	Part number	Description	Q'ty	Chan.	Serial No.	Serv.	Remarks
0	1901729700	VALVE ASSY, remote control	1				
0-1	1901729799	▪ KIT, seal	1				
1	1420000080	▪ ▪ O-RING	2				
2	1420510016	▪ ▪ O-RING	2				
3	1901729702	▪ COVER	1				
4	1901729703	▪ PUSHER	2				
5	1901729704	▪ SHIM t=0.1	2				
6	1901729705	▪ CAM	1				
7	1901729706	▪ PIN	1				
8	1901729707	▪ SPRING	2				
9	1901729708	▪ BOOT	1				
10	1901729709	▪ SHIM t=0.1	2				
11	1901729710	▪ SHIM t=0.2	2				
12	1901729711	▪ SHIM t=0.2	2				
13	1901729713	▪ HOLDER, spring	2				
14	1901729714	▪ SPRING	2				
15	1110050816	▪ SCREW, cap	2				
16	1121050408	▪ SET-SCREW	1				
17	1141190005	▪ WASHER	2				
18	1141190008	▪ WASHER	2				
19	1213000306	▪ PIN, spring	2				
20	1390020006	▪ BALL, steel	2				
	U1h210						

TB53FR Book No. BJ1Z006 S/N 15810005-15811324
REMOTE CONTROL VALVE (for the 2nd auxiliary line; 15810005-15810674)

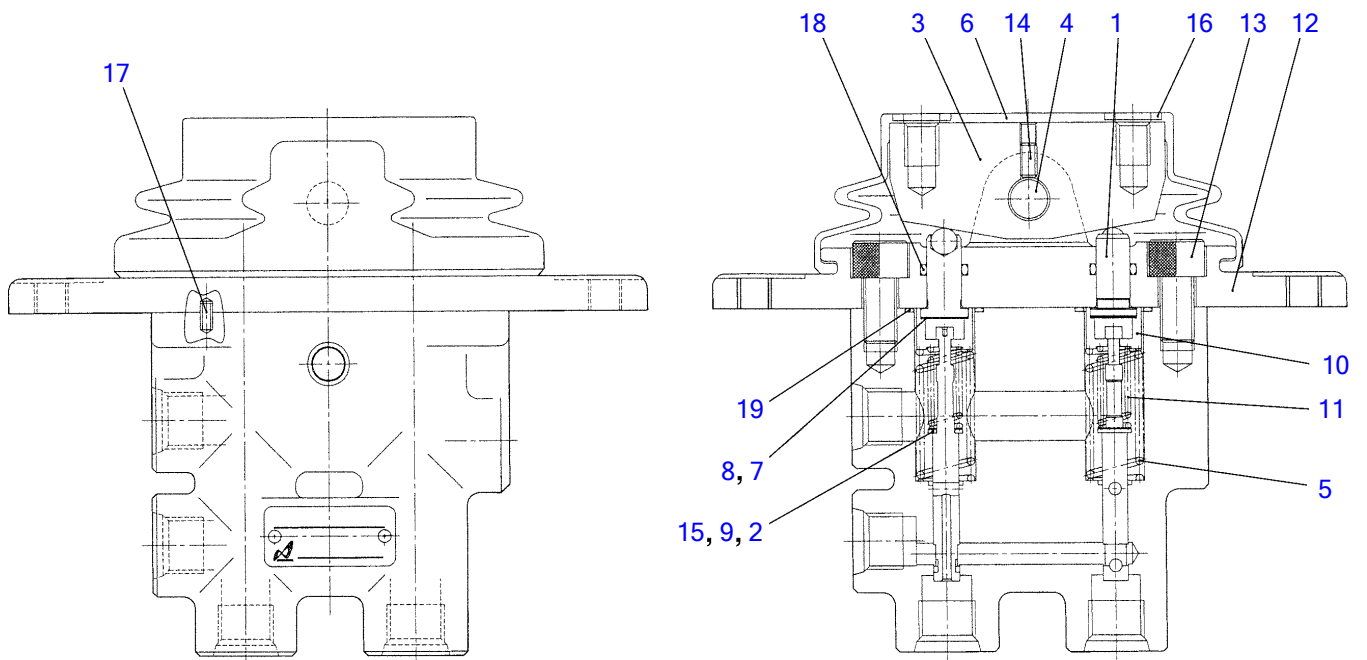


L3H150

S=FREE

REMOTE CONTROL VALVE (for the 2nd auxiliary line; 15810005-15810674)

Item	Part number	Description	Q'ty	Chan.	Serial No.	Serv.	Remarks
0	1901735000	VALVE ASSY, remote control	1				
1	1420300017	▪ O-RING	2				
2	1501750002	▪ PLUG	1				
	1420010110	▪ ▪ O-RING	1				
3	1420010110	▪ O-RING	1				
4	1110050616	▪ SCREW, cap	2				
5	1390020500	▪ BALL, steel	2				
6	1901735001	▪ BOOT	1				
	L3h150						



J1H160

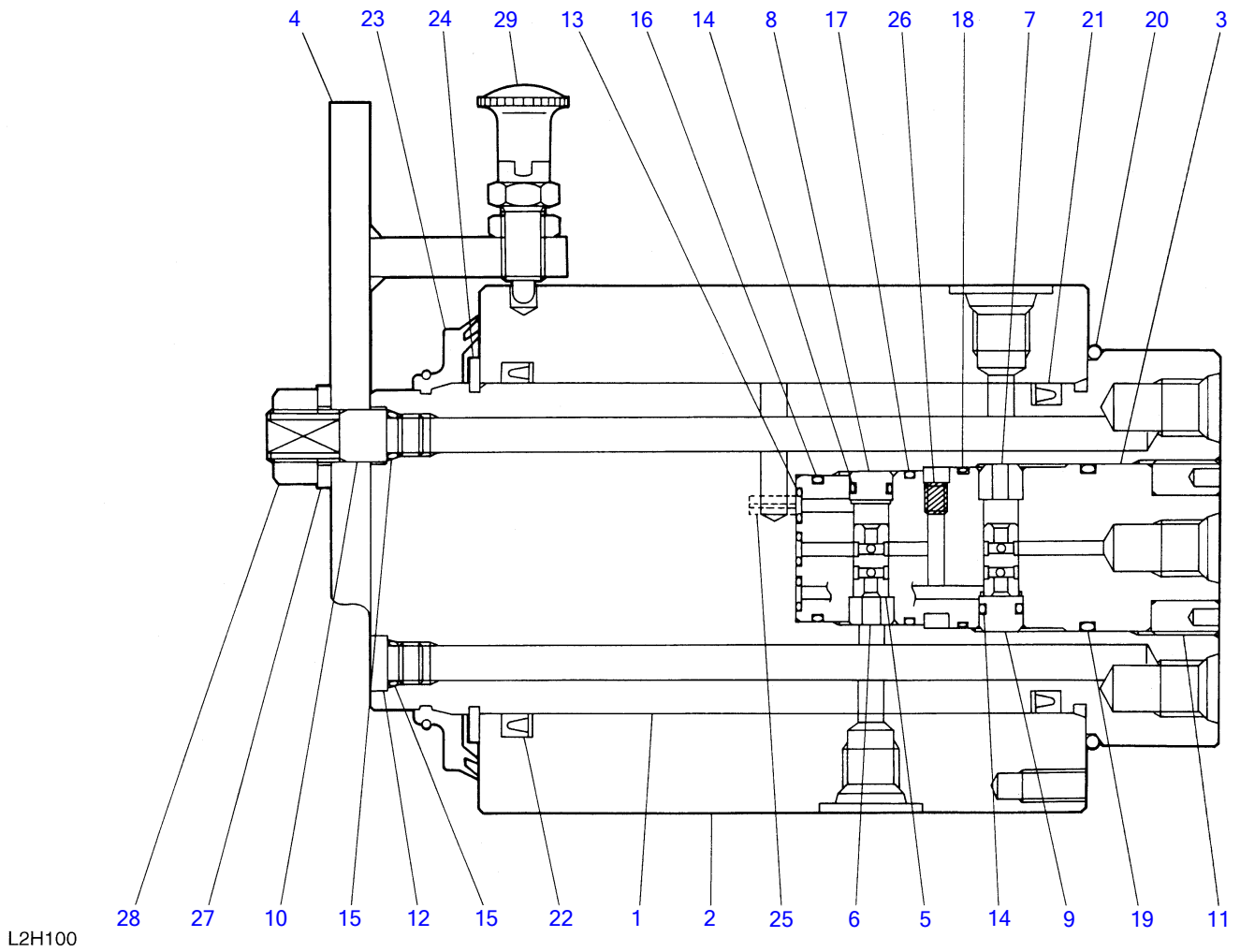
S=free

REMOTE CONTROL VALVE (for offset and the 2nd auxiliary line; 15810675-)

Item	Part number	Description	Q'ty	Chan.	Serial No.	Serv.	Remarks
0	1901746300	VALVE ASSY, pilot	1				
1	1901746301	▪ PUSHER	2				
2	1901729704	▪ SHIM t=0.1	2				
3	1901729705	▪ CAM	1				
4	1901729706	▪ PIN	1				
5	1901729707	▪ SPRING	2				
6	1901729708	▪ BOOT	1				
7	1901729709	▪ SHIM t=0.1	2				
8	1901729710	▪ SHIM t=0.2	2				
9	1901729711	▪ SHIM t=0.2	2				
10	1901729713	▪ HOLDER, spring	2				
11	1901729714	▪ SPRING	2				
12	1901746315	▪ COVER	1				
13	1100040816	▪ SCREW, cap	2				
14	1121340408	▪ SET-SCREW	1				
15	1141100004	▪ WASHER	2				
16	1141100008	▪ WASHER	2				
17	1213000306	▪ PIN, spring	2				
18	1420000080	▪ O-RING	2				
19	1420310016	▪ O-RING	2				

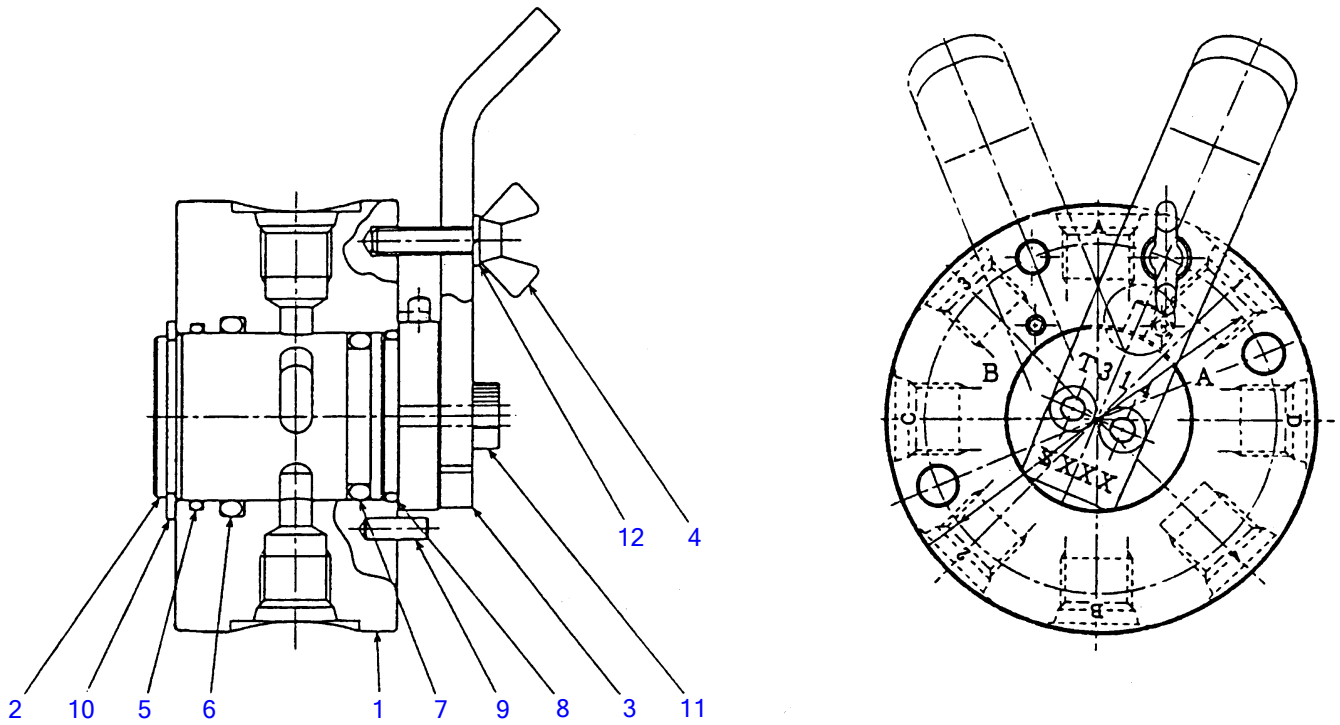
J1h160

TB53FR Book No. BJ1Z006 S/N 15810005-15811324
ROTARY VALVE



ROTARY VALVE

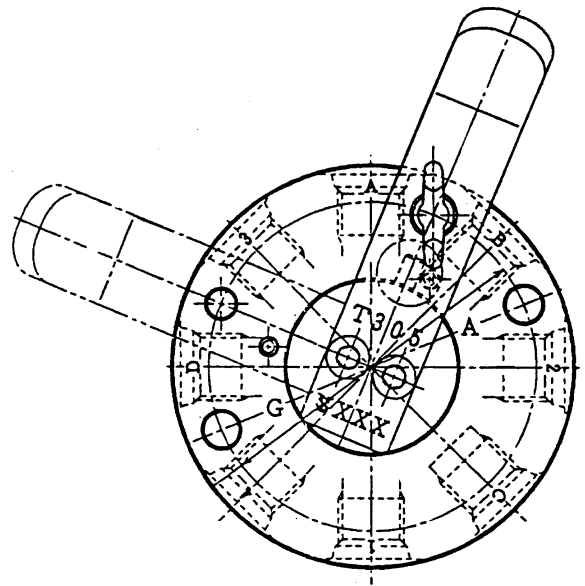
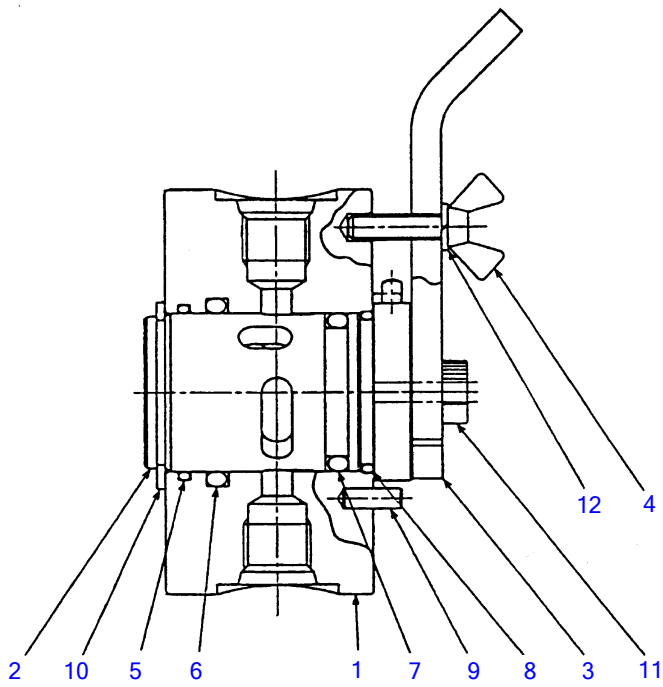
Item	Part number	Description	Q'ty	Chan.	Serial No.	Serv.	Remarks
0	1901732600	VALVE ASSY, rotary	1				
1	X *****	▪ SPOOL, rotary	1				
2	X *****	▪ BODY	1				
3	X *****	▪ CASE, shuttle	1				
4	1901732604	▪ LEVER	1				
5	X *****	▪ SHUTTLE	2				
6	X *****	▪ PLUG	1				
7	X *****	▪ PLUG	1				
8	X *****	▪ PLUG	1				
9	X *****	▪ PLUG	1				
10	1901722310	▪ PLUG	2				
11	X *****	▪ RETAINER	1				
12	1501750001	▪ PLUG	6				
	1420010080	▪ O-RING	1				
13	X *****	▪ O-RING	3				
14	X *****	▪ O-RING	2				
15	1420000080	▪ O-RING	8				
16	X *****	▪ O-RING	1				
17	X *****	▪ O-RING	1				
18	X *****	▪ O-RING	1				
19	X *****	▪ O-RING	1				
20	1420100850	▪ O-RING	1				
21	1411120650	▪ PACKING	1				
22	1411120750	▪ PACKING	1				
23	1904001795	▪ SEAL, dust	1				
24	1220000075	▪ RING, snap	1				
25	X *****	▪ PIN, spring	1				
26	X *****	▪ PLUG	1				
27	1140010012	▪ WASEHR, spring	1				
28	1130050012	▪ NUT	1				
29	1901722331	▪ PLUNGER, index	1				
	L2h100						



C4H170

SELECTOR VALVE (A-B pattern)

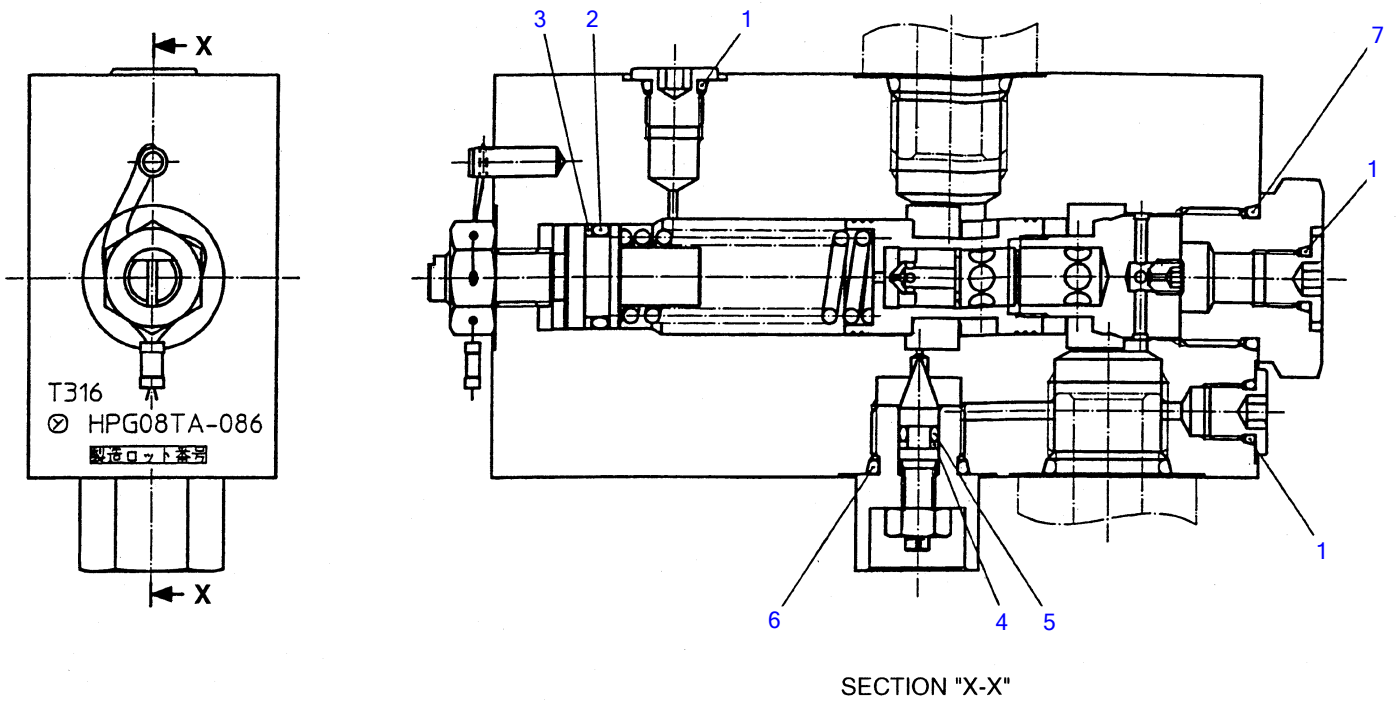
Item	Part number	Description	Q'ty	Chan.	Serial No.	Serv.	Remarks
0	1901731400	VALVE ASSY, selector	1				
1	1901731401	▪ BODY	1				
2	1901731402	▪ ROTOR	1				
3	1901730503	▪ LEVER	1				
4	1901730504	▪ BOLT	1				
5	1901730505	▪ O-RING	1				
6	1901730506	▪ O-RING	1				
7	1901730507	▪ O-RING	1				
8	1901730508	▪ O-RING	1				
9	1213000412	▪ PIN, spring	3				
10	1220000030	▪ RING, snap	1				
11	1110050514	▪ SCREW, cap	2				
12	1140010005	▪ WASHER, spring	1				
	C4h170						



C4H180

SELECTOR VALVE (ISO-JCB pattern)

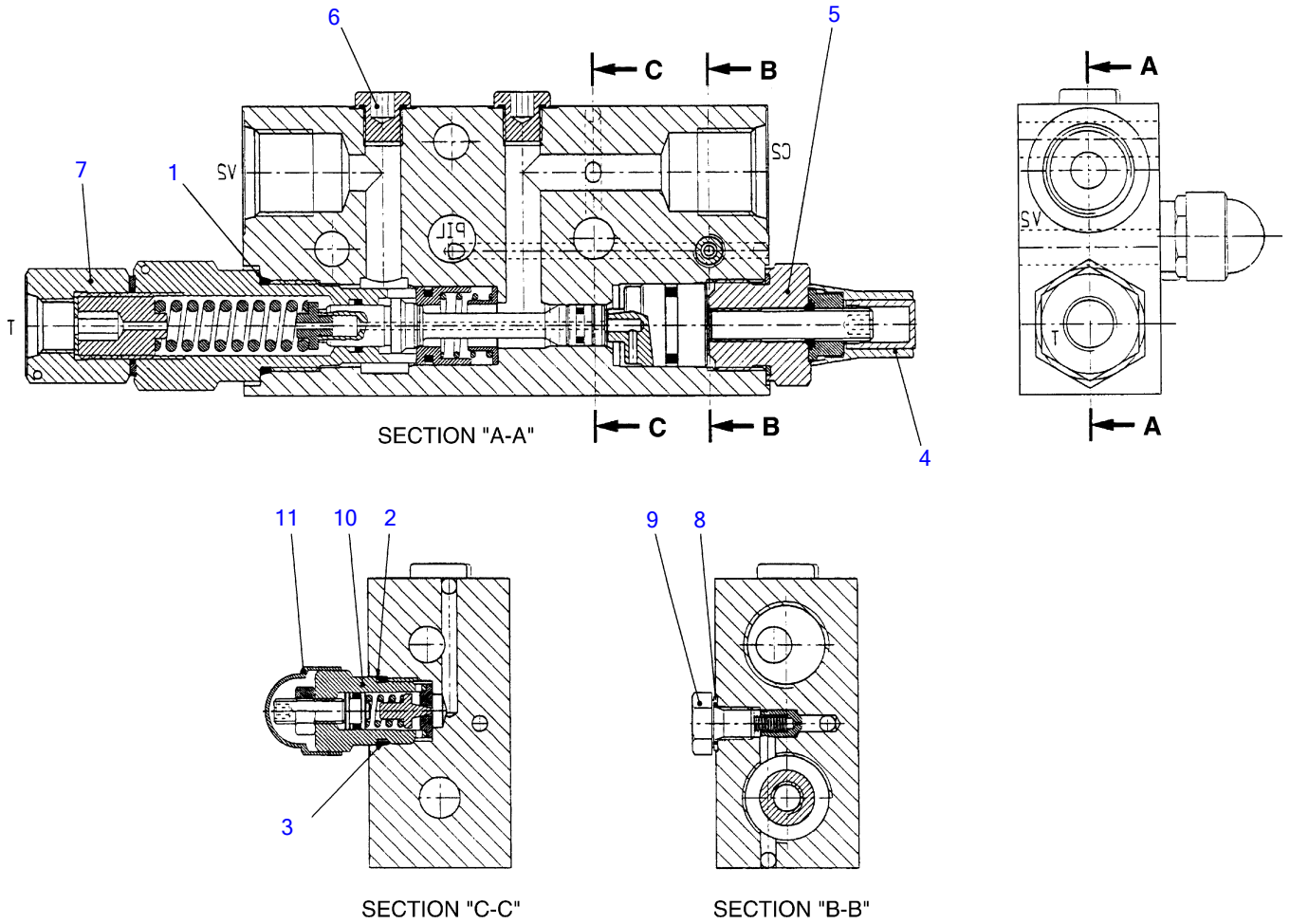
Item	Part number	Description	Q'ty	Chan.	Serial No.	Serv.	Remarks
0	1901730500	VALVE ASSY, selector	1				
1	1901730501	▪ BODY	1				
2	1901730502	▪ ROTOR	1				
3	1901730503	▪ LEVER	1				
4	1901730504	▪ BOLT	1				
5	1901730505	▪ O-RING	1				
6	1901730506	▪ O-RING	1				
7	1901730507	▪ O-RING	1				
8	1901730508	▪ O-RING	1				
9	1213000412	▪ PIN, spring	3				
10	1220000030	▪ RING, snap	1				
11	1110050514	▪ SCREW, cap	2				
12	1140010005	▪ WASHER, spring	1				
	C4h180						



K3H140

EMERGENCY SHUT-OFF VALVE

Item	Part number	Description	Q'ty	Chan.	Serial No.	Serv.	Remarks
0	1901731600	VALVE, shut-off	1				
0-1	1901731699	▪ KIT, seal	1				
1	X 1420010080	▪ ▪ O-RING	3				
2	X 1420010140	▪ ▪ O-RING	1				
3	X 1421020140	▪ ▪ RING, back-up	1				
4	X 1421020040	▪ ▪ RING, back-up	1				
5	X 1420010040	▪ ▪ O-RING	1				
6	X 1420010140	▪ ▪ O-RING	1				
7	X 1420010210	▪ ▪ O-RING	1				
	K3h141						



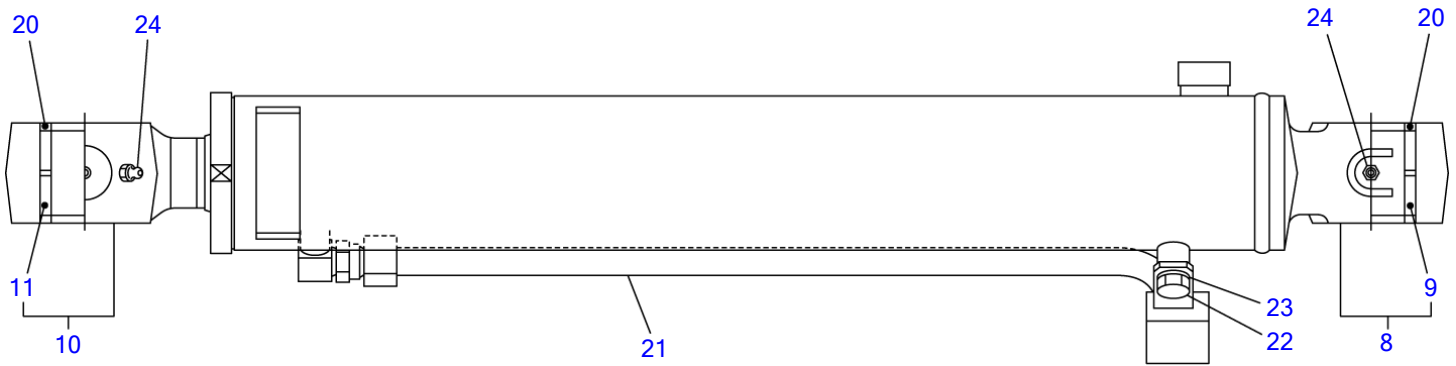
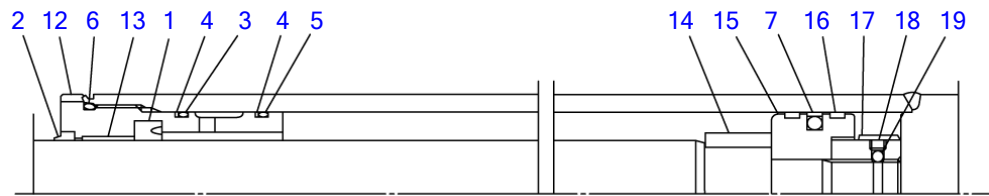
K3H380

S=free

EMERGENCY SHUT-OFF VALVE (with pilot)

Item	Part number	Description	Q'ty	Chan.	Serial No.	Serv.	Remarks
0	1901742700	VALVE ASSY, load holding	1				boom
	1901742800	VALVE ASSY, load holding	1				arm
0-1	1901742799	· KIT, seal	1				
1	1901742904	· · O-RING	1				
2	1901742908	· · RING, back-up	1				
3	1901742708	· · O-RING	1				
4	1901742901	· CAP	1				
5	1901742902	· PLUG	1				
6	1901742903	· PLUG	2				
7	1901742704	· SOCKET	1				
8	1901742906	· SEAL	1				
9	1901742907	· PLUG	1				
10	1901742909	· PLUG	1				
11	1901742711	· CAP	1				
	K3h380						

TB53FR Book No. BJ1Z006 S/N 15810005-15811324
BOOM CYLINDER (15810005-15810674)



J1H040

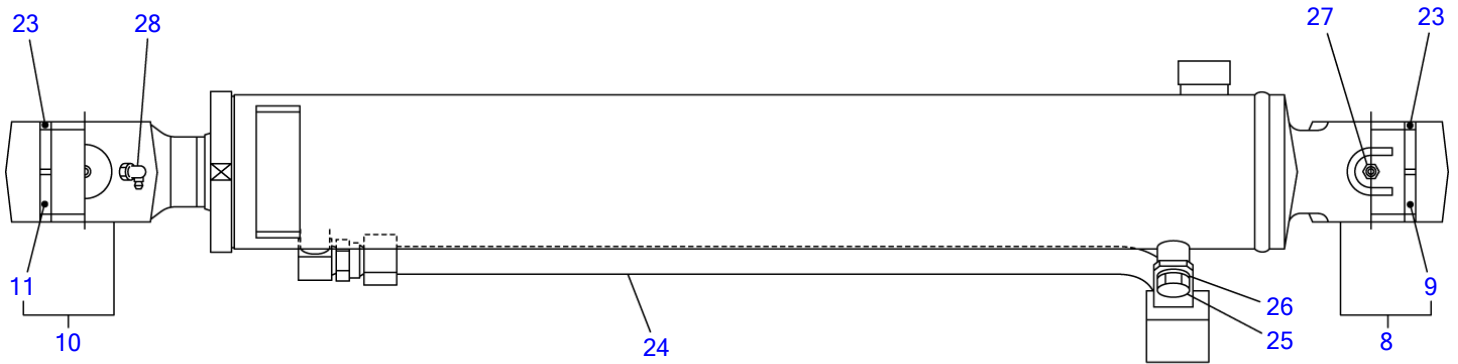
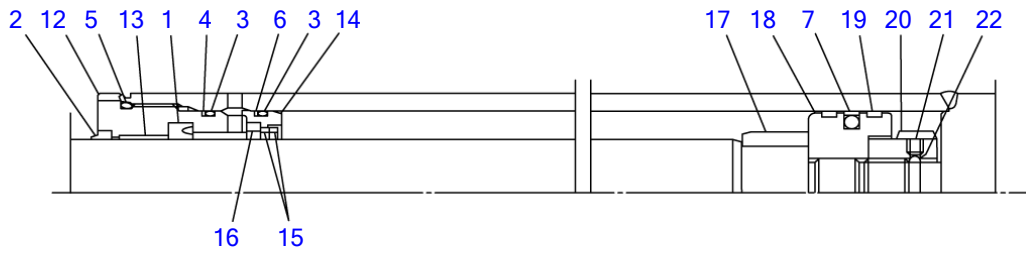
S=free

BOOM CYLINDER (15810005-15810674)

Item	Part number	Description	Q'ty	Chan.	Serial No.	Serv.	Remarks
0	1900083500	CYLINDER ASSY	1				boom
0-1	1900083599	• KIT, seal	1				
1	X 1900047433	• • PACKING, rod	1				
2	X 1900071532	• • SEAL, dust	1				
3	X 1420111050	• • O-RING	1				
4	X 1900083527	• • RING, back-up	2				
5	X 1420111000	• • O-RING	1				
6	X 1420101000	• • O-RING	1				
7	X 1900047431	• • PACKING, piston	1				
8	1900083598	• TUBE KIT	1				
9	1900063702	• • BUSHING	1				
10	1900083597	• ROD KIT, piston	1				
11	1900063702	• • BUSHING	1				
12	1900083503	• COVER, rod	1				
13	1900083513	• BUSHING	1				
14	1900083505	• CUSHION, rod	1				
15	1900083506	• PISTON	1				
16	1900083526	• RING, wear	2				
17	1900047409	• NUT	1				
18	1121051010	• SET-SCREW	1				
19	1390020400	• BALL, steel	1				
20	1900063433	• SEAL, dust	4				
21	1900092210	• PIPE	1				
22	1100051016	• BOLT	1				
23	1141100010	• WASHER	1				
24	1560001000	• FITTING, grease	2				

J1h041

TB53FR Book No. BJ1Z006 S/N 15810005-15811324
BOOM CYLINDER (15810675-)



J1H190

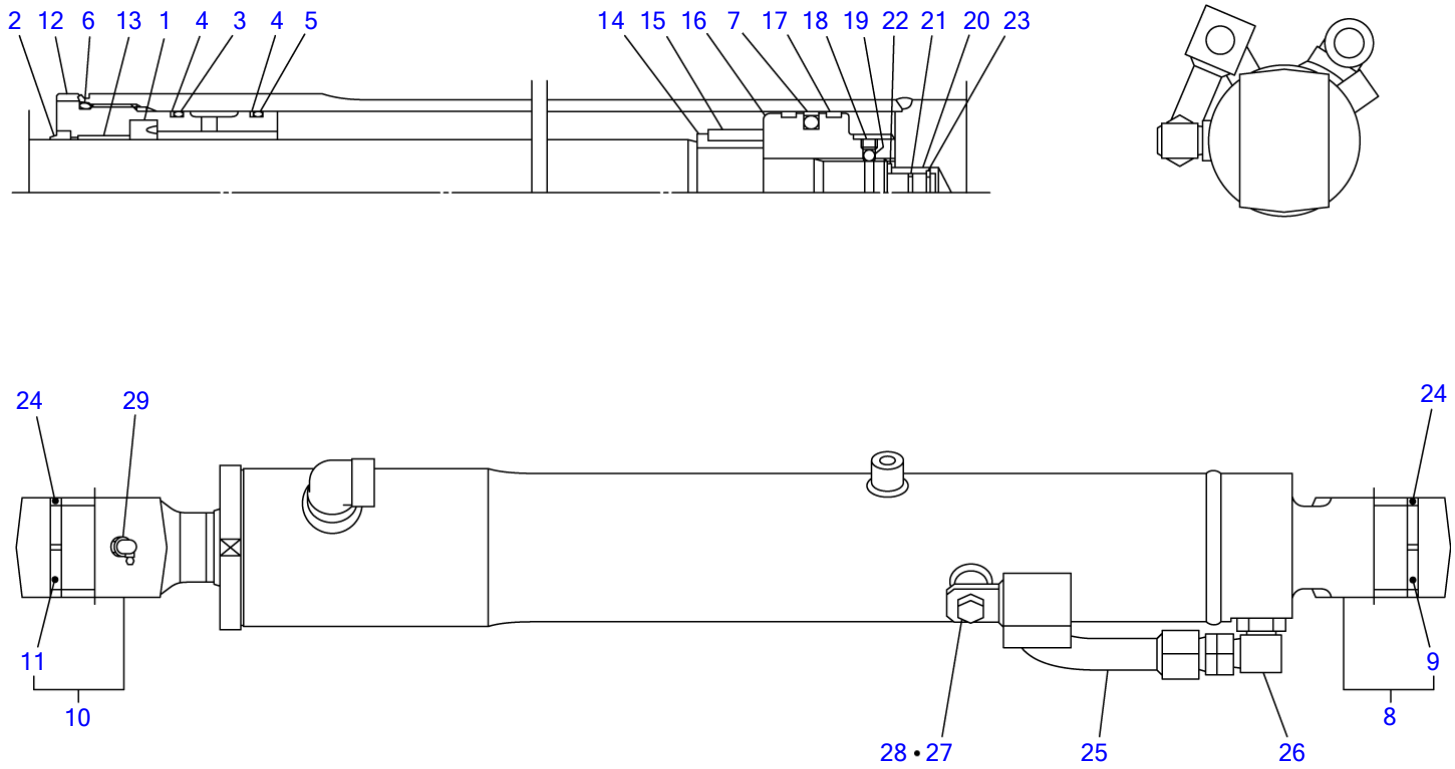
S=free

BOOM CYLINDER (15810675-)

Item	Part number	Description	Q'ty	Chan.	Serial No.	Serv.	Remarks
0	1900092200	CYLINDER ASSY	1				boom
0-1	1900092299	• KIT, seal	1				
1	X 1900047433	• • PACKING, rod	1				
2	X 1900071532	• • SEAL, dust	1				
3	X 1420111050	• • O-RING	2				
4	X 1900092227	• • RING, back-up	1				
5	X 1420101100	• • O-RING	1				
6	X 1900083527	• • RING, back-up	1				
7	X 1900047431	• • PACKING, piston	1				
8	1900092298	• TUBE KIT	1				
9	1900063702	• • BUSHING	1				
10	1900092297	• ROD KIT, piston	1				
11	1900092220	• • BUSHING	1				
12	1900092203	• COVER, rod	1				
13	1900092202	• BUSHING	1				
14	1900092208	• HOLDER	1				
15	1900092216	• RING, cushion	2				
16	1900092228	• COLLAR	1				
17	1900092205	• CUSHION, rod	1				
18	1900092207	• PISTON	1				
19	1900091824	• RING, wear	2				
20	1900092209	• NUT	1				
21	1121041010	• SET-SCREW	1				
22	1390020400	• BALL, steel	1				
23	1900083533	• SEAL, dust	4				
24	1900092210	• PIPE	1				
25	1100041016	• BOLT	1				
26	1141110010	• WASHER	1				
27	1560001000	• FITTING, grease	1				
28	1560001900	• FITTING, grease	1				

J1h192

TB53FR Book No. BJ1Z006 S/N 15810005-15811324
ARM CYLINDER



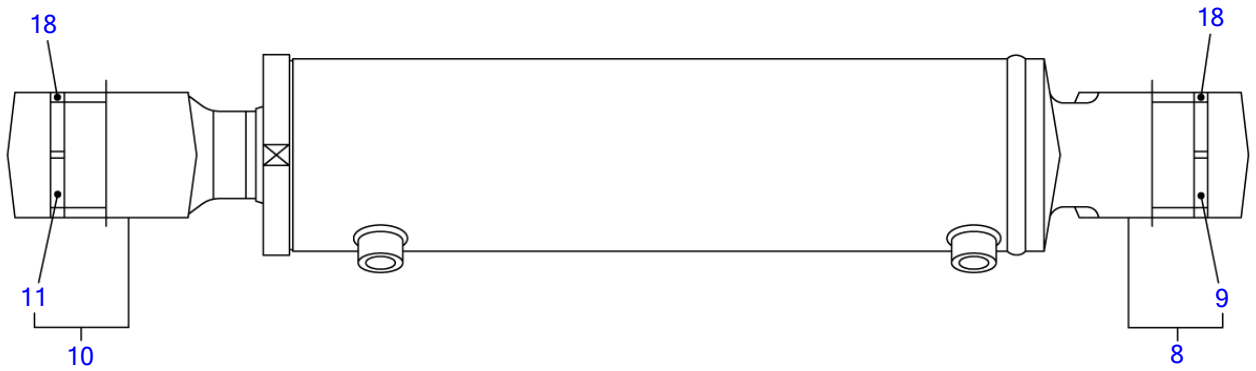
K3H162

S=free

ARM CYLINDER

Item	Part number	Description	Q'ty	Chan.	Serial No.	Serv.	Remarks
0	1900081500	CYLINDER ASSY	1				arm
0-1	1900081599	• KIT, seal	1				
1	X 1900005812	• • PACKING, rod	1				
2	X 1900073933	• • SEAL, dust	1				
3	X 1420110850	• • O-RING	1				
4	X 1900081529	• • RING, back-up	2				
5	X 1420110900	• • O-RING	1				
6	X 1420110800	• • O-RING	1				
7	X 1900047131	• • PACKING, piston	1				
8	1900081598	• TUBE	1				
9	1900047102	• • BUSHING	1				
10	1900081597	• ROD, piston	1				
11	1900081502	• • BUSHING	1				
12	1900081503	• COVER, rod	1				
13	1900067526	• BUSHING	1				
14	1900047105	• BEARING, cushion	1				
15	1900081515	• SPACER	1				
16	1900067406	• PISTON	1				
17	1900067427	• RING, wear	2				
18	1121050808	• SET-SCREW	1				
19	1390020350	• BALL, steel	1				
20	1900081505	• BEARING, cushion	1				
21	1900047116	• SEAL, cushion	1				
22	1900047114	• RING, snap	1				
23	1900047122	• STOPPER	2				
24	1900047023	• SEAL, dust	4				
25	1900081528	• PIPE ASSY	1				
26	1900081519	• NIPPLE	1				
27	1110051016	• BOLT	1				
28	1141190010	• WASHER	1				
29	1560001900	• FITTING, grease	1				
	K3h162						

TB53FR Book No. BJ1Z006 S/N 15810005-15811324
OFFSET CYLINDER (15810005-15810018)



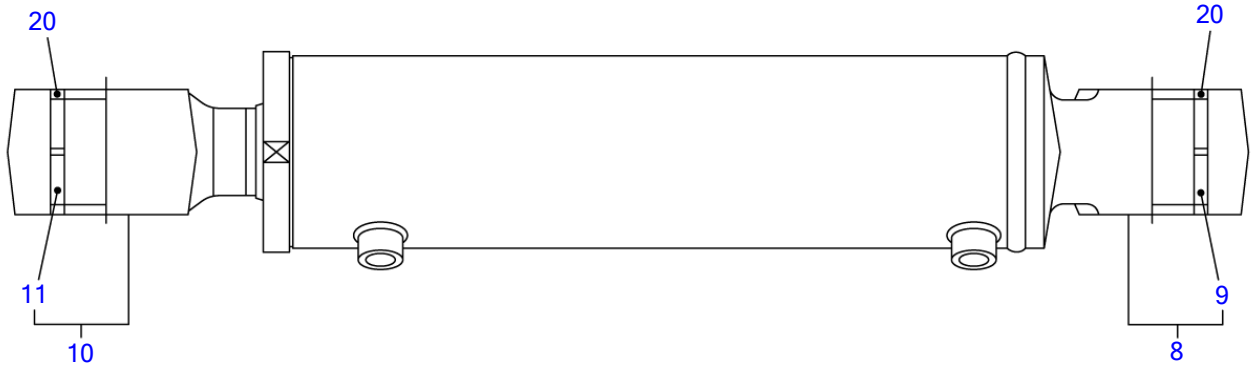
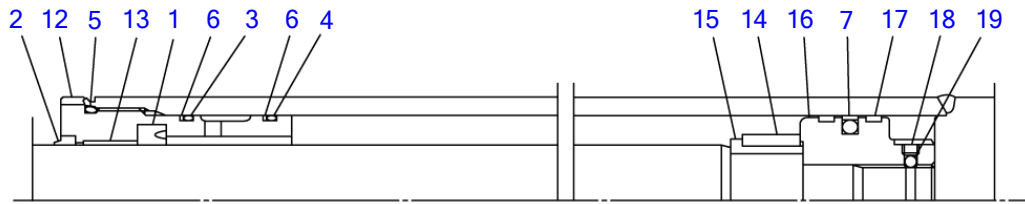
J1H050

S=free

OFFSET CYLINDER (15810005-15810018)

Item	Part number	Description	Q'ty	Chan.	Serial No.	Serv.	Remarks
0	1900083600	CYLINDER ASSY	1				offset
0-1	1900083699	• KIT, seal	1				
1	X 1900047033	• • PACKING, rod	1				
2	X 1900070831	• • SEAL, dust	1				
3	X 1420110950	• • O-RING	1				
4	X 1900063728	• • RING, back-up	1				
5	X 1420101000	• • O-RING	1				
6	X 1900047031	• • PACKING, piston	1				
8	1900083698	• TUBE KIT	1				
9	1900083602	• • BUSHING	1				
10	1900083697	• ROD KIT, piston	1				
11	1900083602	• • BUSHING	1				
12	1900083603	• COVER, rod	1				
13	1900067426	• BUSHING	1				
14	1900083606	• PISTON	1				
15	1900079926	• RING, wear	2				
16	1121051010	• SET-SCREW	1				
17	1390020400	• BALL, steel	1				
18	1900047423	• SEAL, dust	4				
	J1h050						

TB53FR Book No. BJ1Z006 S/N 15810005-15811324
OFFSET CYLINDER (15810019-15810674)



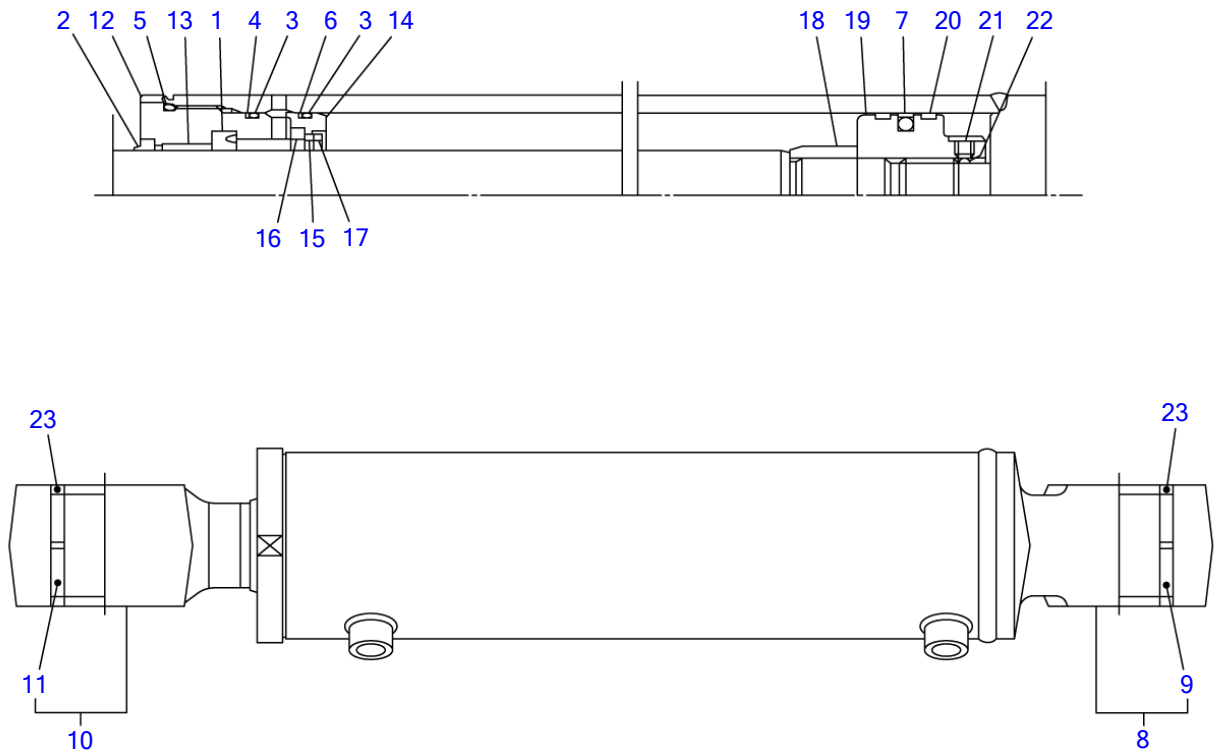
J1H051

S=free

OFFSET CYLINDER (15810019-15810674)

Item	Part number	Description	Q'ty	Chan.	Serial No.	Serv.	Remarks
0	1900084000	CYLINDER ASSY	1				offset
0-1	1900084099	• KIT, seal	1				
1	X 1900047033	• • PACKING, rod	1				
2	X 1900070831	• • SEAL, dust	1				
3	X 1420110950	• • O-RING	1				
4	X 1420110900	• • O-RING	1				
5	X 1420101000	• • O-RING	1				
6	X 1900063728	• • RING, back-up	2				
7	X 1900047031	• • PACKING, piston	1				
8	1900084098	• TUBE KIT	1				
9	1900083602	• • BUSHING	1				
10	1900084097	• ROD KIT, piston	1				
11	1900083602	• • BUSHING	1				
12	1900050803	• COVER, rod	1				
13	1900067426	• BUSHING	1				
14	1900047005	• CUSHION, rod	1				
15	1900047015	• SPACER	1				
16	1900079906	• PISTON	1				
17	1900079926	• RING, wear	2				
18	1121050808	• SET-SCREW	1				
19	1390020350	• BALL, steel	1				
20	1900047423	• SEAL, dust	4				
	J1h051						

TB53FR Book No. BJ1Z006 S/N 15810005-15811324
OFFSET CYLINDER (15810675-)

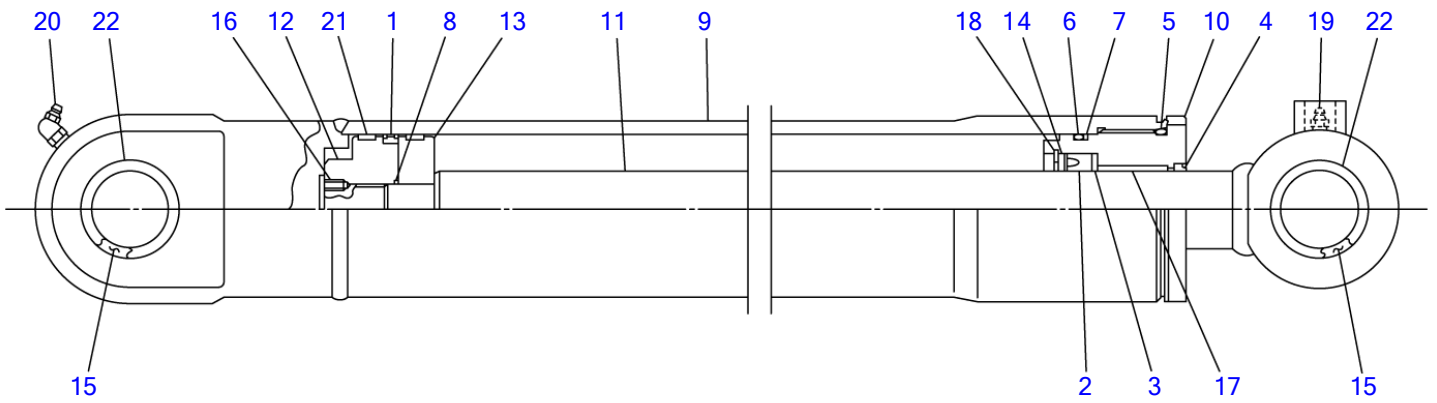


J1H220

S=free

OFFSET CYLINDER (15810675-)

Item	Part number	Description	Q'ty	Chan.	Serial No.	Serv.	Remarks
0	1900092300	CYLINDER ASSY	1				offset
0-1	1900092399	▪ KIT, seal	1				
1	X 1900047033	▪ ▪ PACKING, rod	1				
2	X 1900070831	▪ ▪ SEAL, dust	1				
3	X 1420110950	▪ ▪ O-RING	2				
4	X 1900086928	▪ ▪ RING, back-up	1				
5	X 1420101000	▪ ▪ O-RING	1				
6	X 1900063728	▪ ▪ RING, back-up	1				
7	X 1900047031	▪ ▪ PACKING, piston	1				
8	1900092398	▪ TUBE KIT	1				
9	1900083602	▪ ▪ BUSHING	1				
10	1900092397	▪ ROD KIT, piston	1				
11	1900083602	▪ ▪ BUSHING	1				
12	1900087803	▪ COVER, rod	1				
13	1900087813	▪ BUSHING	1				
14	1900086908	▪ HOLDER	1				
15	1900086916	▪ RING, cushion	1				
16	1900086919	▪ COLLAR	1				
17	1900087815	▪ SPACER	1				
18	1900087816	▪ CUSHION, rod	1				
19	1900087806	▪ PISTON	1				
20	1900089525	▪ RING, wear	2			M	
21	1121041010	▪ SET-SCREW	1				
22	1390020400	▪ BALL, steel	1				
23	1900047423	▪ SEAL, dust	4				
	J1h221						



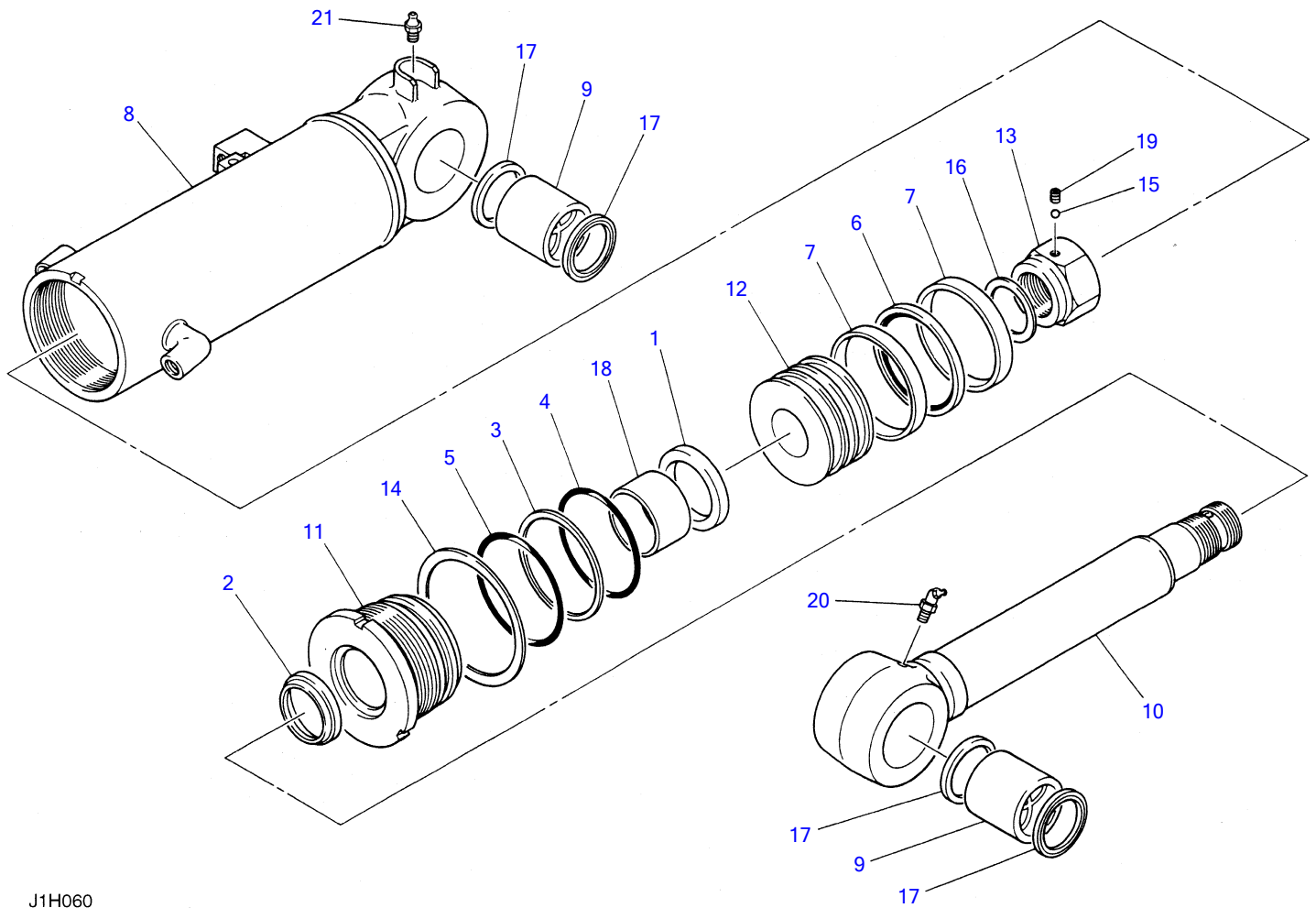
K3H180

S=FREE

BUCKET CYLINDER

Item	Part number	Description	Q'ty	Chan.	Serial No.	Serv.	Remarks
0	1900075800	CYLINDER ASSY	1				bucket
0-1	1900075899	KIT, seal	1				
1	X 1410220800	PACKING, piston	1				
2	X 1410545612	PACKING, rod	1				
3	X 1411261453	RING, back-up	1				
4	X 1900075823	SEAL, dust	1				
5	X 1420110800	O-RING	1				
6	X 1420110750	O-RING	1				
7	X 1421130750	RING, back-up	1				
8	X 1420110750	O-RING	1				
9	1900075807	• TUBE	1				
10	1900075803	• COVER, rod	1				
11	1900075801	• ROD, piston	1				
12	1900059606	• PISTON	1				
13	1900075855	• HOLDER, packing	1				
14	1900075808	• HOLDER, packing rod	1				
15	1900075802	• BUSHING	2				
16	1121050812	• SET-SCREW	1				
17	1333004540	• BUSHING	1				
18	1221000060	• RING, snap	1				
19	1560001000	• FITTING, grease	1				
20	1560001675	• FITTING, grease	1				
21	1410810800	• RING, wear	2				
22	1432200045	• SEAL, dust	4				
	K3h182						

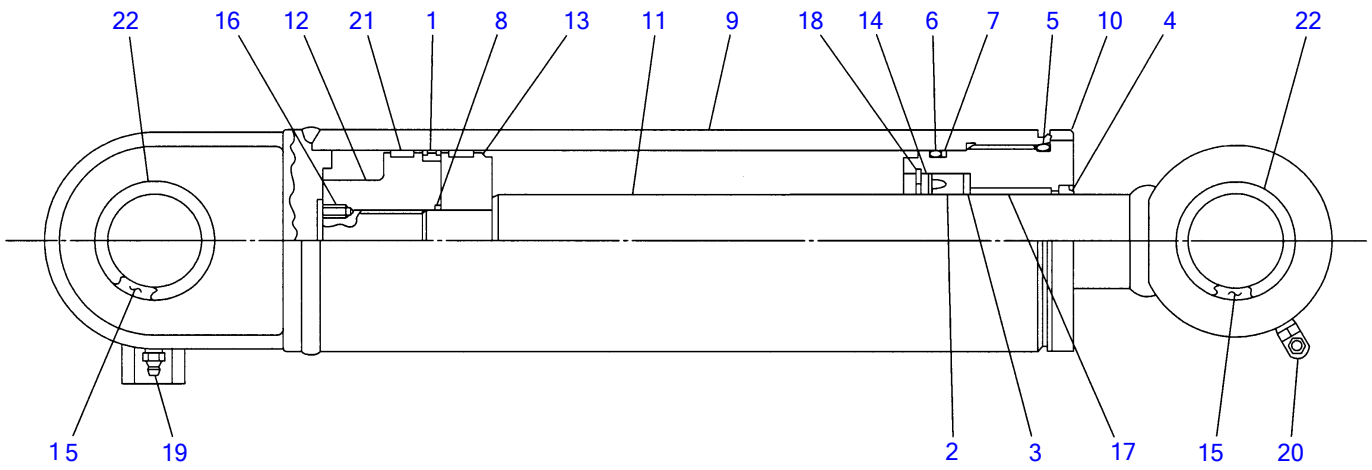
TB53FR Book No. BJ1Z006 S/N 15810005-15811324
DOZER BLADE CYLINDER (15810005-15810107)



J1H060

DOZER BLADE CYLINDER (15810005-15810107)

Item	Part number	Description	Q'ty	Chan.	Serial No.	Serv.	Remarks
0	1900047400	CYLINDER ASSY	1				blade
0-1	1900047495	• KIT, seal	1				
1	X 1900047433	• • PACKING, rod	1				
2	X 1900047434	• • SEAL, dust	1				
3	X 1421031000	• • RING, back-up	1				
4	X 1420011000	• • O-RING	1				
5	X 1421001100	• • O-RING	1				
6	X 1900047431	• • PACKING, piston	1				
7	1900047432	• RING, wear	2				
8	1900047407	• TUBE	1				
9	1900047402	• BUSHING	2				
10	1900047401	• ROD, piston	1				
11	1900047403	• COVER, rod	1				
12	1900047406	• PISTON	1				
13	1900047409	• NUT	1				
14	1900047420	• WASHER, lock	1				
15	1900047421	• BALL, steel	1				
16	1900047422	• SHIM	1				
17	1900047423	• SEAL, dust	4				
18	1333006040	• BUSHING	1				
19	1121000808	• SET-SCREW	1				
20	1560001675	• FITTING, grease	1				
21	1560001000	• FITTING, grease	1				
	J1h060						

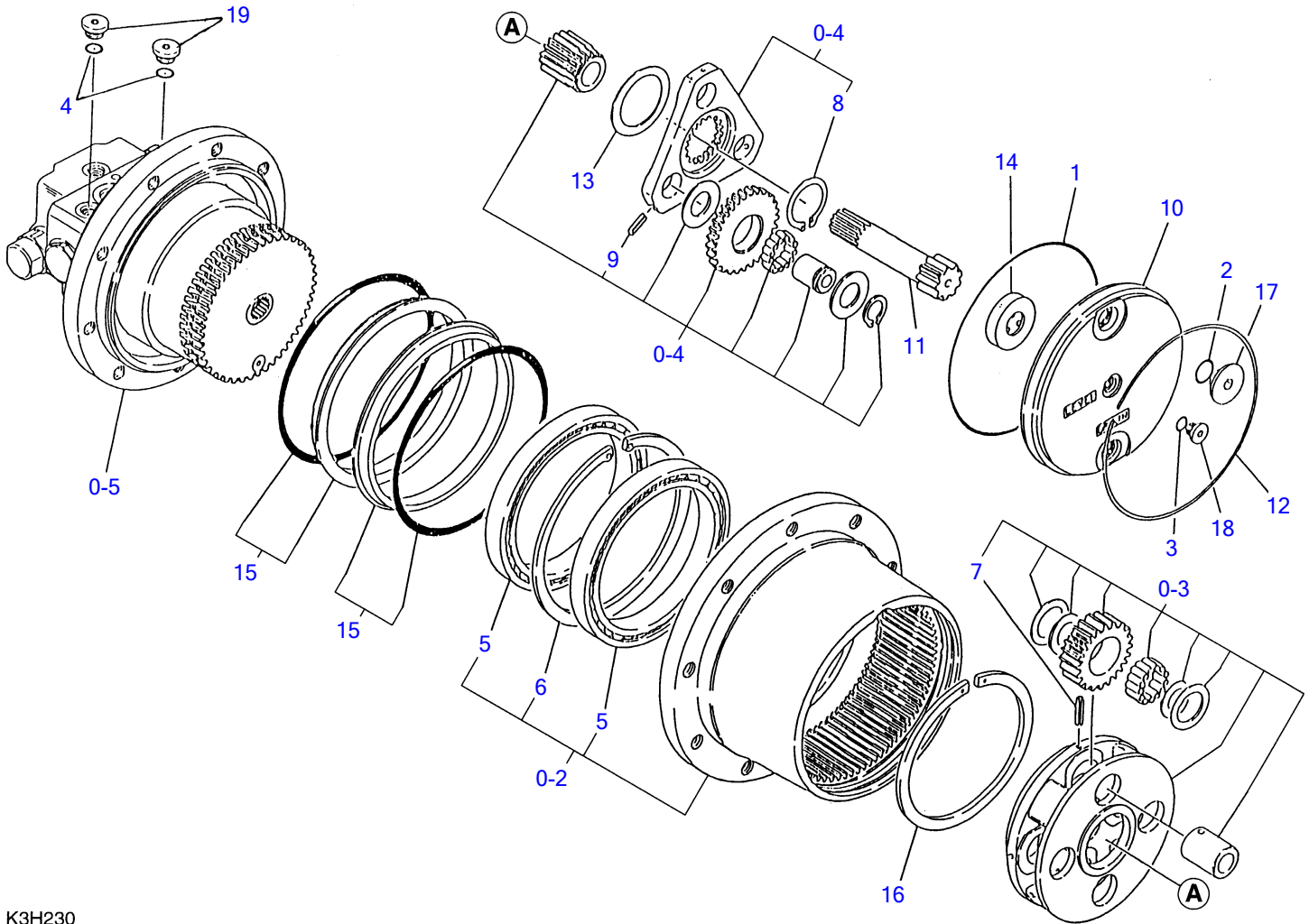


K3H200

DOZER BLADE CYLINDER (15810108-)

Item	Part number	Description	Q'ty	Chan.	Serial No.	Serv.	Remarks
0	1900077100	CYLINDER ASSY	1				blade
0-1	1900077199	• KIT, seal	1				
1	X 1410221100	• • PACKING, piston	1				
2	X 1410560762	• • PACKING, rod	1				
3	X 1411276603	• • RING, back-up	1				
4	X 1900077123	• • SEAL, dust	1				
5	X 1420111100	• • O-RING	1				
6	X 1420111050	• • O-RING	1				
7	X 1421131050	• • RING, back-up	1				
8	X 1420110450	• • O-RING	1				
9	1900077107	• TUBE	1				
10	1900077103	• COVER, rod	1				
11	1900077101	• ROD, piston	1				
12	1900077106	• PISTON	1				
13	1900077155	• HOLDER, packing	1				
14	1900077108	• HOLDER, rod packing	1				
15	1900077102	• BUSHING	2				
16	1121050812	• SET-SCREW	1				
17	1333006040	• BUSHING	1				
18	1221000075	• RING, snap	1				
19	1560001000	• FITTING, grease	1				
20	1560001675	• FITTING, grease	1				
21	1410811100	• RING, wear	2				
22	1432200055	• SEAL, dust	4				
	K3h202						

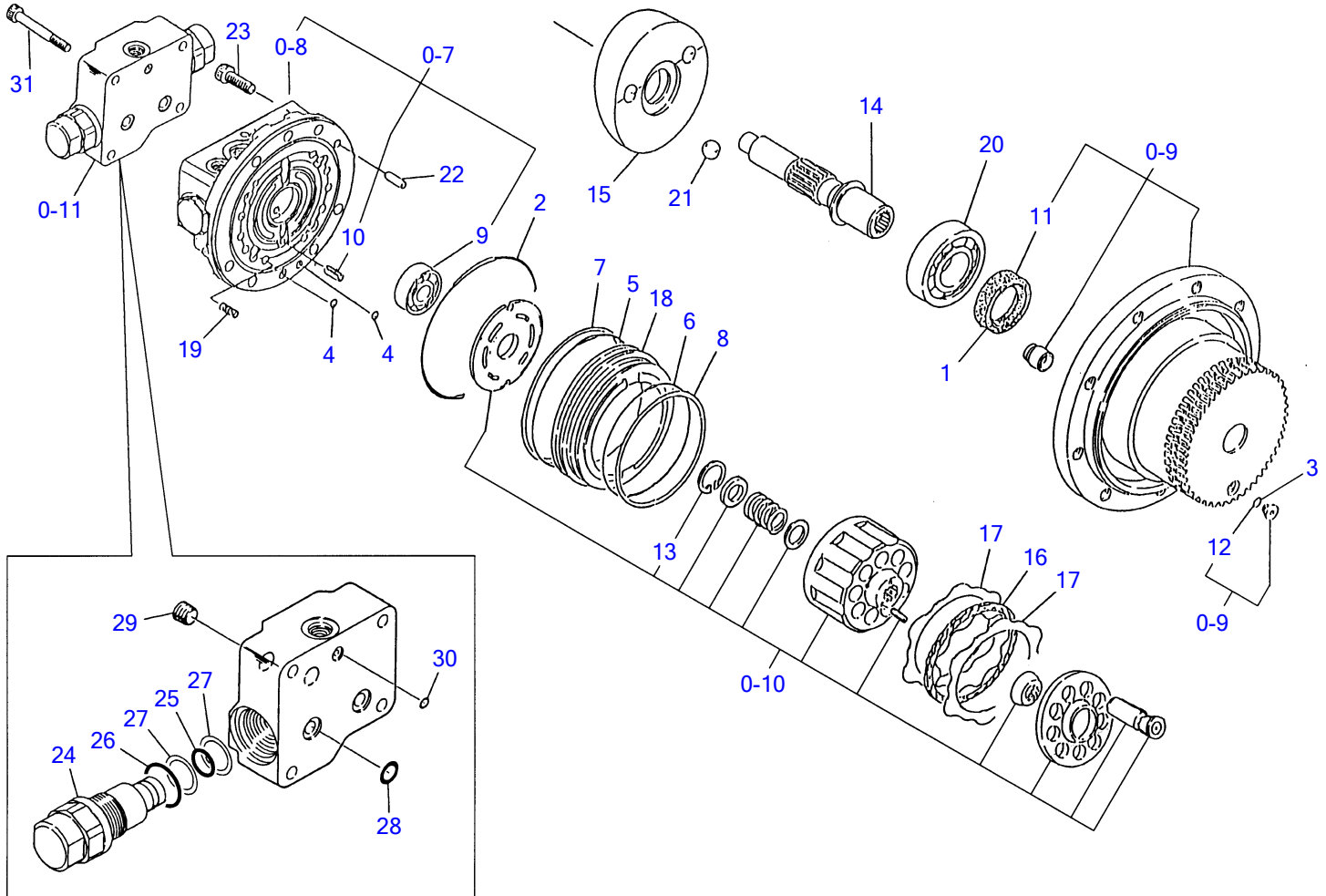
TB53FR Book No. BJ1Z006 S/N 15810005-15811324
TRAVEL MOTOR (1/3) (reduction sec.)



K3H230

TRAVEL MOTOR (1/3) (reduction sec.)						
Item	Part number	Description	Q'ty	Chan.	Serial No.	Serv. Remarks
0	1903119500	MOTOR ASSY, travel	1		15810005~15810392	
	1903123000	MOTOR ASSY, travel	1		15810393~	
0-1	1903119599	· KIT, seal	1			
1	X 1420300264	· · O-RING	1			
2	X 1420010140	· · O-RING	2			
3	X 1420010080	· · O-RING	1			
4	X 1420010110	· · O-RING	2			
0-2	1903119598	· KIT, body	1			
5	1903119519	· · BEARING	2			
6	1903119524	· · RING, snap	1			
0-3	1903119597	· KIT, carrier1	1			
7	1213000632	· · PIN, spring	4			
0-4	1903119596	· KIT, carrier2	1			
8	1220000035	· · RING, snap	4			
9	1213000532	· · PIN, spring	3			
0-5	1903904600	· MOTOR, hydraulic	1		15810005~15810392	
	1903906500	· MOTOR, hydraulic	1		15810393~	
10	1903119502	· COVER	1			
11	1903119509	· GEAR	1			
12	1903119513	· RING, snap	1			
13	1903118915	· WASHER	1			
14	1903118916	· RING	1			
15	1903118917	· SEAL, floating	2			
16	1903119523	· RING, snap	1			
17	1903118932	· PLUG	2			
18	1501810001	· PLUG	1			
19	1903901930	· PLUG	2			
	J1h140					

TB53FR Book No. BJ1Z006 S/N 15810005-15811324
TRAVEL MOTOR (2/3) (motor sec.)

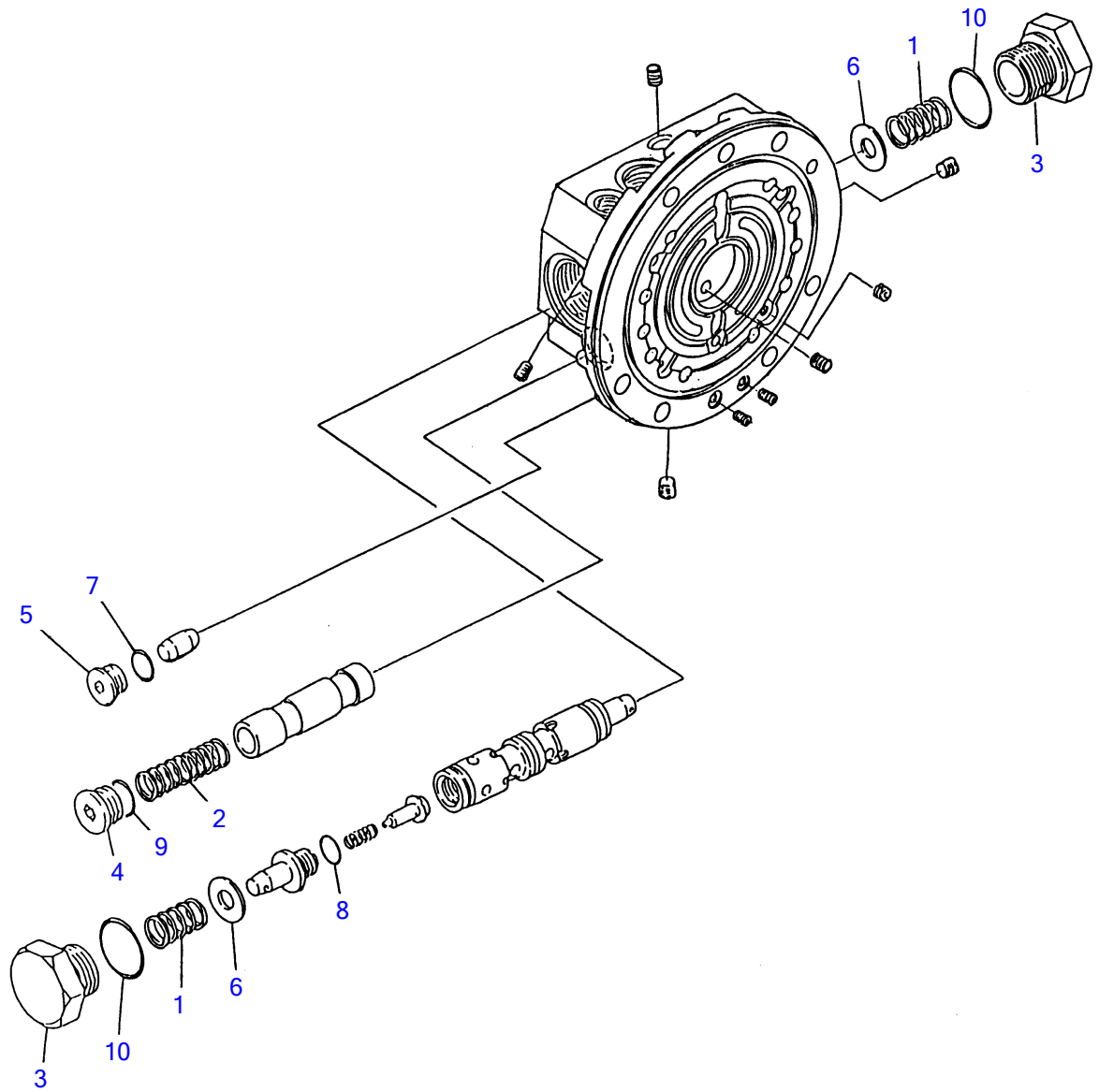


K3H240

TRAVEL MOTOR (2/3) (motor sec.)

Item	Part number	Description	Q'ty	Chan.	Serial No.	Serv.	Remarks
0	1903119500	MOTOR ASSY, travel	1		15810005~15810392		
	1903123000	MOTOR ASSY, travel	1		15810393~		
0-5	1903904600	· MOTOR, hydraulic	1		15810005~15810392		
	1903906500	· MOTOR, hydraulic	1		15810393~		
0-6	1903904699	· · KIT, seal	1				
1	X 1903902319	· · · SEAL, oil	1				
2	X 1420111350	· · · O-RING	1				
3	X 1420010080	· · · O-RING	1				
4	X 1420010070	· · · O-RING	2				
5	X 1420111250	· · · O-RING	1				
6	X 1420111150	· · · O-RING	1				
7	X 1421131250	· · · RING, back-up	1				
8	X 1421131150	· · · RING, back-up	1				
0-7	1903904698	· · KIT, body1	1		15810005~15810392		
	1903904694	· · KIT, body1	1		15810393~		
0-8	X *****	· · · BODY ASSY	1				
9	1300006302	· · · BEARNIG	1				
10	1213000616	· · · PIN, spring	1				
0-9	1903904697	· · KIT, body2	1				
11	1903902319	· · · SEAL, oil	1				
12	1420010080	· · · O-RING	1				
0-10	1903904696	· · BARREL KIT, cylinder	1				
13	1221000035	· · · RING, snap	1				
14	1903904603	· · SHAFT	1				
15	1903904610	· · PLATE	1		15810005~15810392		
	1903904630	· · PLATE	1		15810393~		
16	1903904615	· · PLATE	1				
17	1903904616	· · PLATE	2				
18	1903904617	· · PISTON	1				
19	1903904429	· · SPRING	10		15810005~15810142		
	1903904429	· · SPRING	12		15810143~		
20	1300006206	· · BEARING	1				
21	1390021000	· · BALL, steel	2				
22	1212010815	· · PIN	1				
23	1110021025	· · SCREW, cap	7				
0-11	1901808900	· · VALVE ASSY, relief	1				
24	1901808902	· · · VALVE, relief	2				
25	1420010150	· · · · O-RING	1				
26	1420010280	· · · · O-RING	1				
27	1421020150	· · · · RING back-up	2				
28	1420010120	· · · O-RING	2				
29	1501810002	· · · PLUG	2				
30	1420010070	· · · O-RING	1				
31	1110020845	· · SCREW	4				

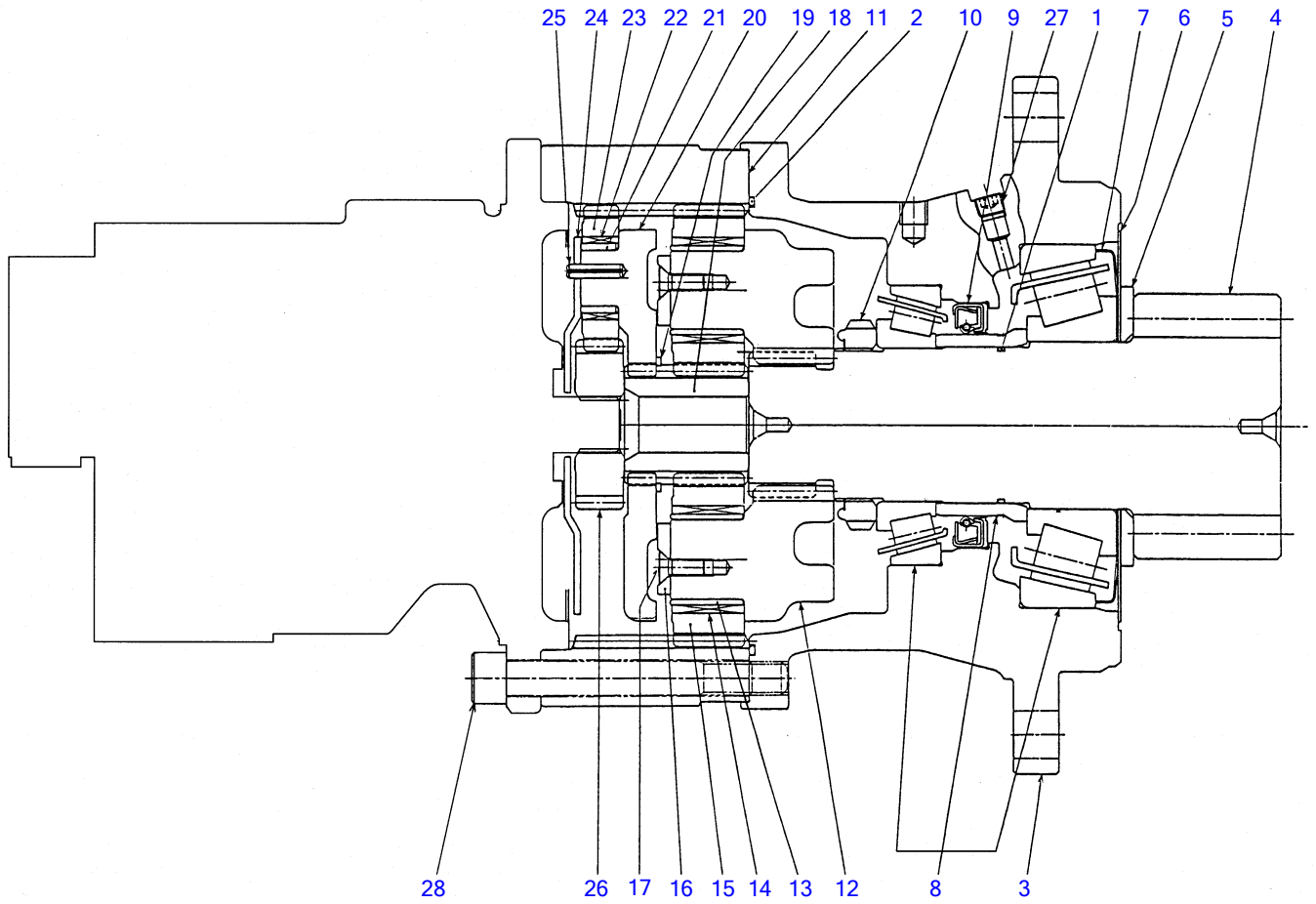
J1h101



K3H250

TRAVEL MOTOR (3/3) (valve sec.)

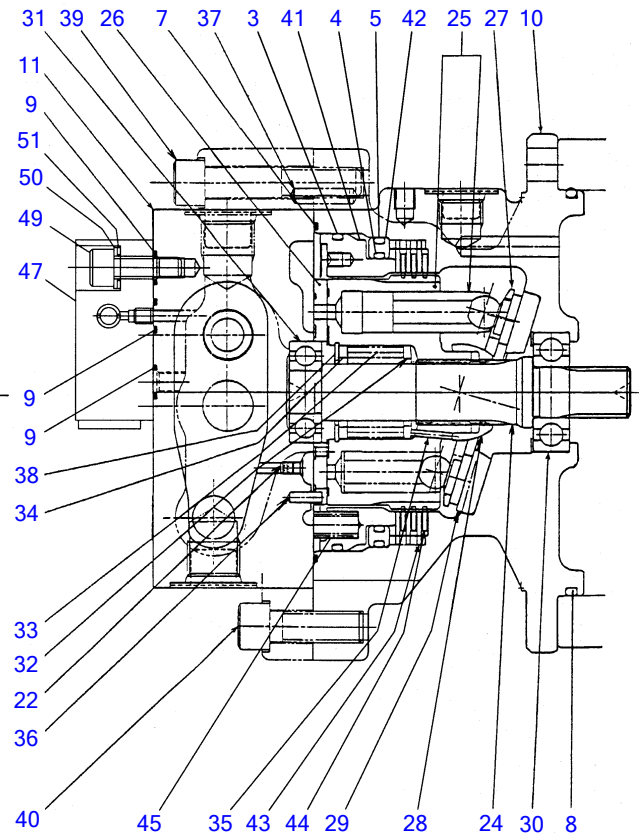
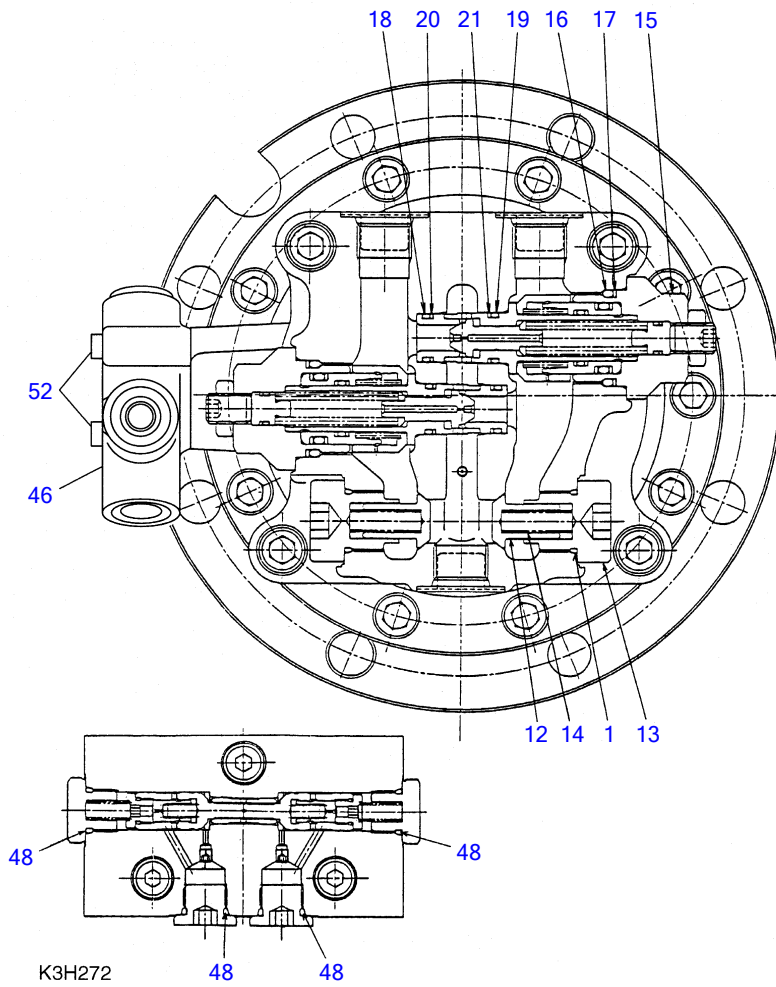
Item	Part number	Description	Q'ty	Chan.	Serial No.	Serv.	Remarks
0	1903119500	MOTOR ASSY, travel	1		15810005~15810392		
	1903123000	MOTOR ASSY, travel	1		15810393~		
0-8	X *****	· BODY ASSY	1				
1	1903904138	· · SPRING	2		15810005~15810392		
	1903904145	· · SPRING	2	(H)	15810393~		
2	1903904139	· · SPRING	1				
3	1903904140	· · PLUG	2				
4	1901807011	· · PLUG	2				
5	1903904142	· · PLUG	2				
6	1903904144	· · RING	2				
7	1420010080	· · O-RING	2				
8	1420000125	· · O-RING	2				
9	1420010140	· · O-RING	2				
10	1420010250	· · O-RING	2				
	J1h150						



K3H262

SLEW MOTOR (1/2) (reduction sec. ; 15810005-15810674)

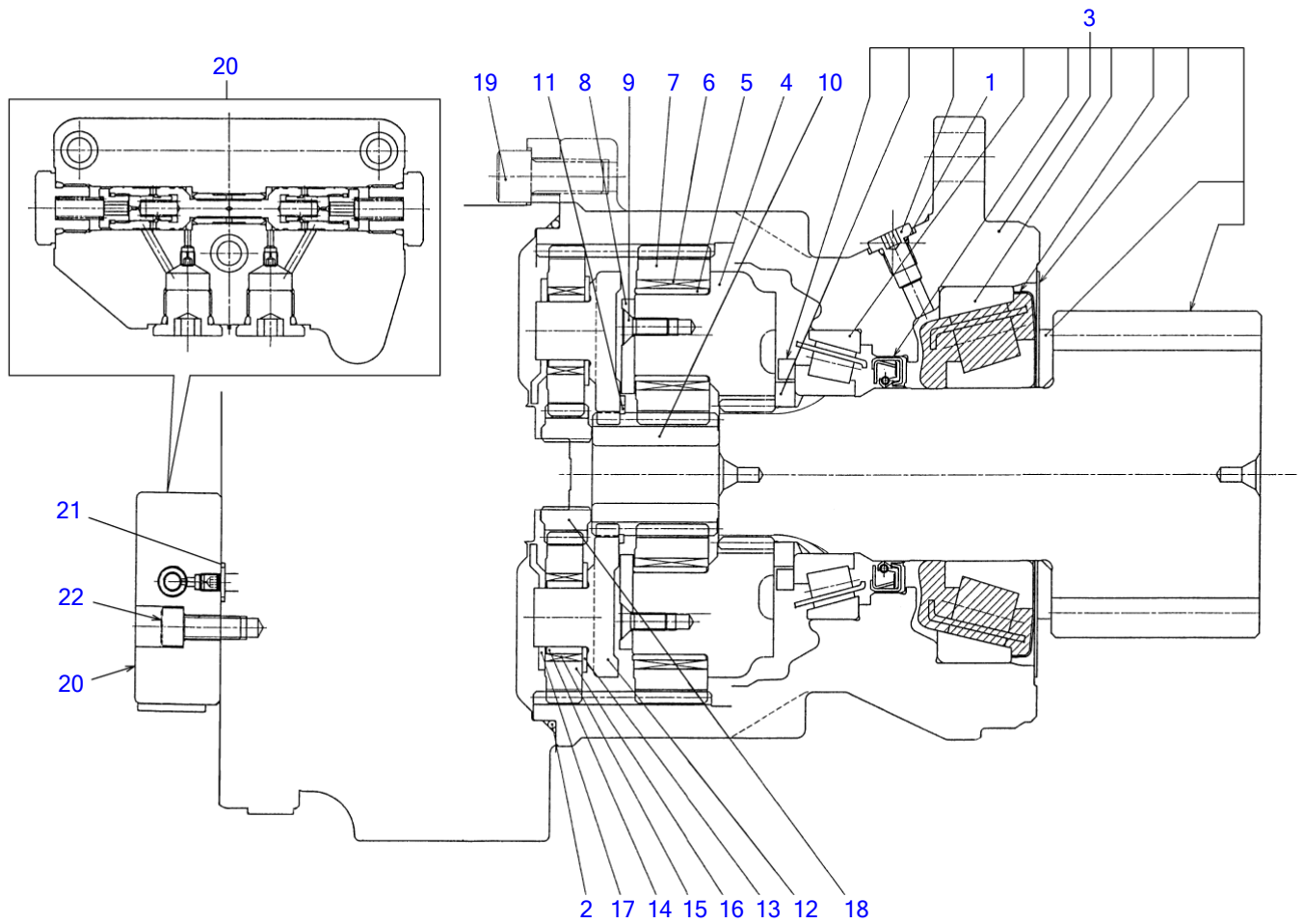
Item	Part number	Description	Q'ty	Chan.	Serial No.	Serv.	Remarks
0	1903120200	MOTOR ASSY, slew	1				
0-1	X *****	· GEAR, reduction	1				
0-2	1912905499	· · KIT, seal	1				
1	X 1420500530	· · · O-RING	1				
2	X 1420300164	· · · O-RING	1				
3	1912905401	· · BODY	1				
4	1912905502	· · SHAFT	1				
5	1912905403	· · COLLAR	1				
6	1912905404	· · PLATE	1				
7	1912905405	· · PLATE	1				
8	1912905406	· · SET, bearing	1				
9	1912905409	· · SEAL, oil	1				
10	1912905411	· · NUT	1				
11	1912905413	· · GEAR	1				
12	1912905414	· · HOLDER	1				
13	1912905415	· · LACE, inner	4				
14	1912905416	· · BEARNIG	4				
15	1912904517	· · GEAR	4				
16	1912905418	· · PLATE	1				
17	1912900714	· · SCREW	4				
18	1912900915	· · GEAR	1				
19	1220000042	· · RING, snap	1				
20	1912905420	· · HOLDER	1				
21	1912900720	· · LACE, inner	3				
22	1912905422	· · CAGE&ROLLER	3				
23	1912905425	· · GEAR	3				
24	1912905429	· · PLATE SET	1				
25	1213000520	· · PIN, spring	3				
26	1912905424	· · GEAR	1				
27	1501810001	· · PLUG	1				
28	1110151200	· SCREW, cap	9				
	K3h262						



SLEW MOTOR (2/2) (motor sec. ; 15810005-15810674)

Item	Part number	Description	Q'ty	Chan.	Serial No.	Serv.	Remarks
0	1903120200	MOTOR ASSY, slew	1				
0-3	X *****	• MOTOR, piston	1				
0-4	1903904799	• • KIT, seal	1				
1	X 1420010210	• • • O-RING	2				
3	X 1420111200	• • • O-RING	1				
4	X 1420111050	• • • O-RING	1				
5	X 1420111150	• • • O-RING	1				
7	X 1903120165	• • • O-RING	1				
8	X 1420300253	• • • O-RING	1				
9	X 1420010100	• • • O-RING	6				
10	1903904801	• • CASE	1				
11	1903904821	• • COVER	1				
12	1903904722	• • POPPET	2				
13	1903904723	• • PLUG	2				
14	1903904725	• • SPRING	2				
15	1901800047	• • VALVE, relief	2				
16	1420010320	• • • O-RING	1				
17	1421020320	• • • RING, back-up	1				
18	1420010150	• • • O-RING	1				
19	1420010160	• • • O-RING	1				
20	1421020150	• • • RING, back-up	1				
21	1421020160	• • • RING, back-up	1				
22	1901802713	• • ORIFICE	1				
24	1903120103	• • SHAFT	1				
25	1903920191	• • KIT, block	1		15810005~15810142		
	1903920291	• • KIT, block	1		15810143~		
26	1903106825	• • PLATE	1		15810005~15810142		
	1903904524	• • PLATE	1		15810143~		
27	1903106814	• • PLATE	1		15810005~15810142		
	1903904511	• • PLATE	1		15810143~		
28	1903106813	• • HOLDER	1				
29	1903904709	• • PLATE	1				
30	1903904711	• • BEARING	1				
31	1903107927	• • BEARING	1				
32	1903106808	• • COLLAR	1				
33	1903106809	• • SPRING	1				
34	1903007109	• • WASHER	1				
35	1903106812	• • PIN	3				
36	1212000412	• • PIN	1				
37	1903120119	• • PIN	2				
38	1221000037	• • RING, snap	1				
39	1110021260	• • SCREW, cap	2				
40	1110021235	• • SCREW, cap	2				
41	1903120136	• • PISTON	1				
42	1903120137	• • COLLAR	1				
43	1903120138	• • PLATE	3				
44	1903120139	• • PLATE	3				
45	1903120141	• • SPRING	20				
46	1901809000	• • VALVE ASSY	1				
47	1901809200	• • VALVE ASSY	1				
48	1420010140	• • • O-RING	4				
49	1110050825	• • • SCREW, cap	3				
50	1141190008	• • • WASHER	3				
51	1901809131	• • • SEAL	3				
52	1110020640	• SCREW, cap	2				

J1h110



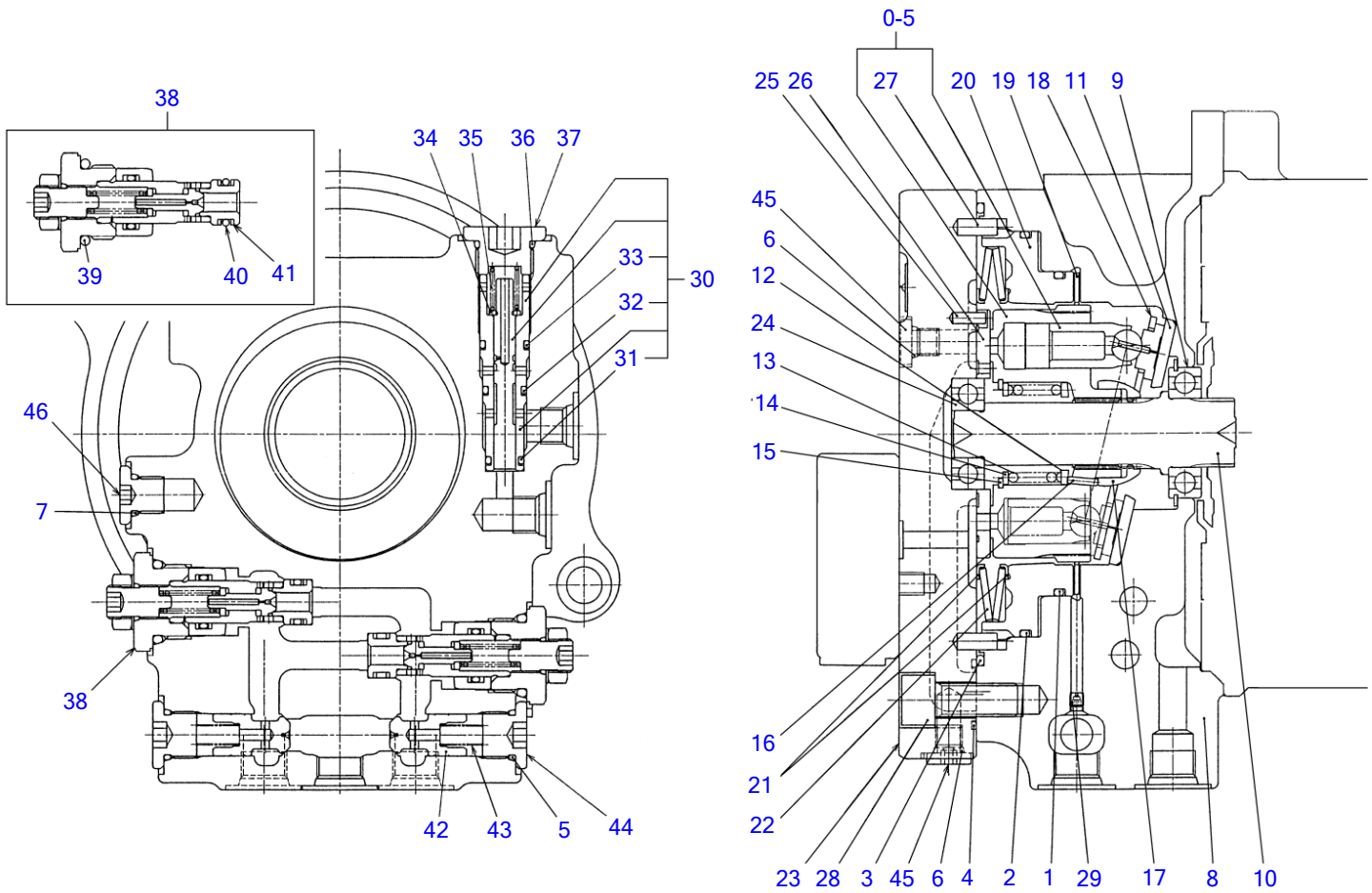
K3H263

S=free

SLEW MOTOR (1/2) (reduction sec. ; 15810675-)

Item	Part number	Description	Q'ty	Chan.	Serial No.	Serv.	Remarks
0	1903122000	MOTOR ASSY, slew	1				
0-1	X *****	• GEAR, reduction	1				X19129-07700
0-2	1912907799	• • KIT, seal	1				
1	X 1420010080	• • • O-RING	1				
2	X 1420300260	• • • O-RING	1				
3	1912907798	• • HOUSING ASSY	1				
4	1912907011	• • HOLDER	1				
5	1912905415	• • LACE, inner	4				
6	1912905416	• • BEARING	4				
7	1912904517	• • GEAR	4				
8	1912907015	• • PLATE, thrust	1				
9	1912900714	• • SCREW	4				
10	1912906009	• • GEAR	1				
11	1220000042	• • RING, snap	1				
12	1912907019	• • HOLDER	1				
13	1912907020	• • WASHER, thrust	3				
14	1912900720	• • LACE, inner	3				
15	1912905422	• • CAGE&ROLLER	3				
16	1912907023	• • GEAR	3				
17	1912907097	• • PLATE, thrust	1				
18	1912907025	• • GEAR	1				
19	1110041230	• SCREW, cap	2				
20	1903119920	• VALVE ASSY	1				
21	1420010100	• O-RING	3				
22	1110040820	• SCREW, cap	3				

K3h263



K3H274

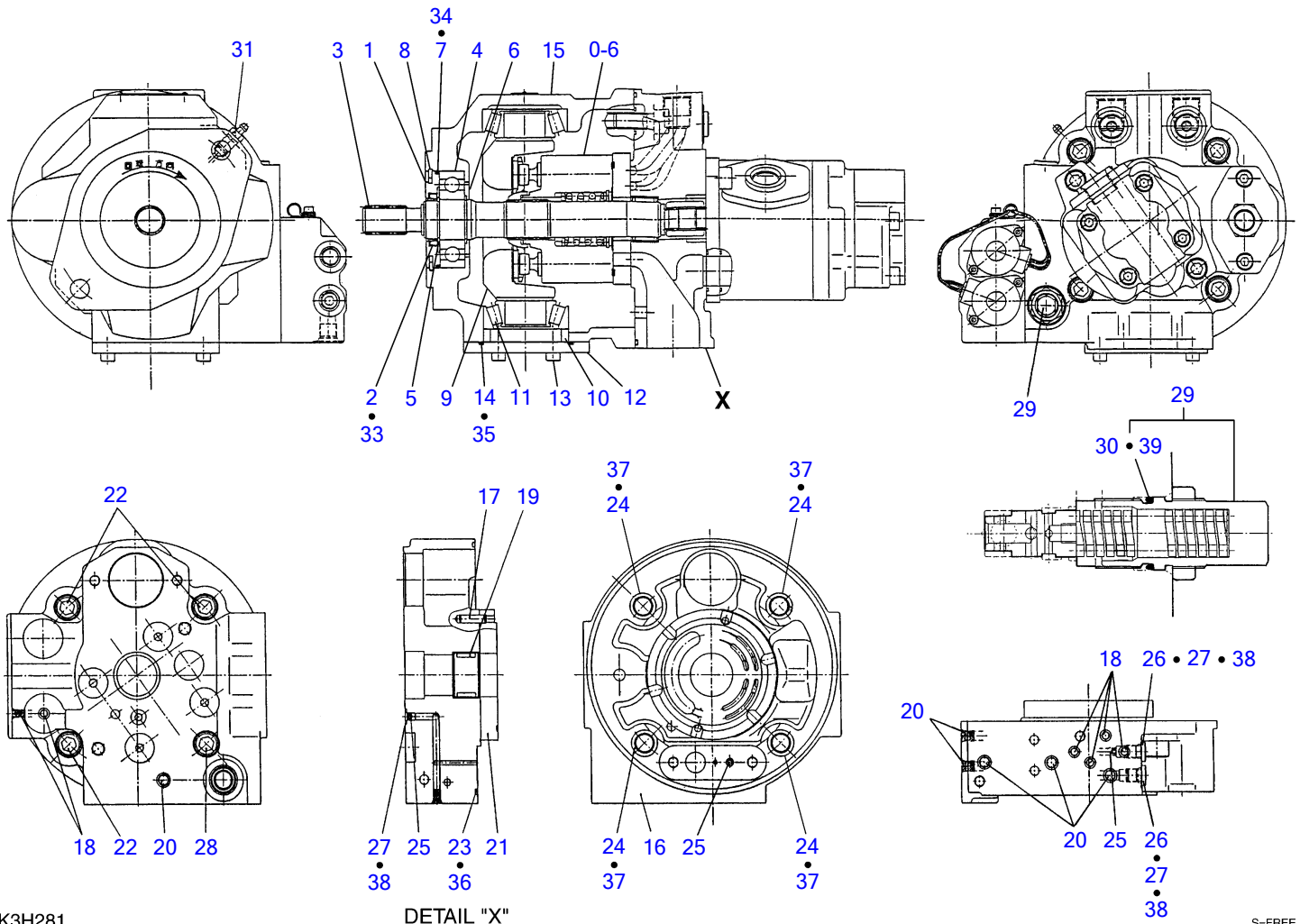
S=free

SLEW MOTOR (2/2) (motor sec. ; 15810675-)

Item	Part number	Description	Q'ty	Chan.	Serial No.	Serv.	Remarks
0	1903122000	MOTOR ASSY, slew	1				
0-3	X *****	• MOTOR, piston	1				X19039-06700
0-4	1903906799	• • KIT, seal	1				
1	X 1420111100	• • • O-RING	1				
2	X 1420111350	• • • O-RING	1				
3	X 1903007227	• • • O-RING	1				
4	X 1420010210	• • • O-RING	2				
5	X 1420010140	• • • O-RING	2				
6	X 1420010080	• • • O-RING	2				
7	X 1420010110	• • • O-RING	1				
8	1903906701	• • CASE	1				
9	1903904502	• • BEARING, ball	1				
10	1903904503	• • SHAFT	1				
11	1903904504	• • PLATE, thrust	1				
0-5	1903120698	• • KIT, cylinder block	1				
12	1903106808	• • COLLAR	1				
13	1903904507	• • SPRING	1				
14	1903904508	• • WASHER	1				
15	1221000037	• • RING, snap	1				
16	1903904510	• • PIN	3				
17	1903106813	• • HOLDER	1				
18	1903904511	• • PLATE	1				
19	1903904514	• • DISK	1				
20	1903904515	• • PISTON	1				
21	1903904518	• • SHEET, spring	2				
22	1903904519	• • SPRING	1				
23	1903904521	• • COVER	1				
24	1903107927	• • BEARING	1				
25	1903005224	• • PIN	1				
26	1903904524	• • PLATE, valve	1				
27	1903904525	• • PIN	2				
28	1110041230	• • SCREW, cap	5				
29	1901802713	• • ORIFICE	1				
30	1901809200	• • VALVE ASSY	1				
31	1420010101	• • • O-RING	1				
32	1420010120	• • • O-RING	1				
33	1420010140	• • • O-RING	1				
34	1141110008	• • WASHER	1				
35	1903904535	• • SPRING	1				
36	1420010180	• • O-RING	1				
37	1903904537	• • PLUG	1				
38	1903906798	• • VALVE ASSY, relief	2				
39	1420010240	• • • O-RING	1				
40	1420010120	• • • O-RING	1				
41	1421020120	• • • RING, back-up	2				
42	1903904539	• • VALVE, check	2				
43	1903904540	• • SPRING	2				
44	1903106843	• • PLUG	2				
45	1912905325	• • PLUG	2				
46	1903108655	• • PLUG	1				

K3h274

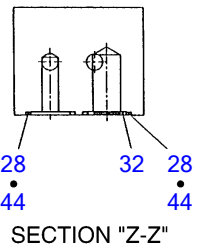
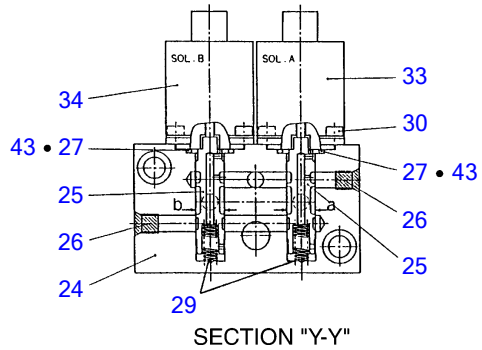
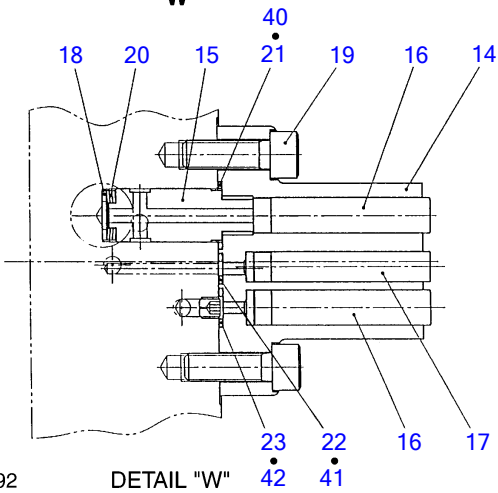
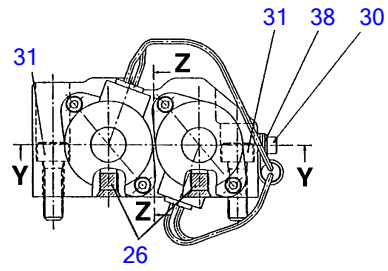
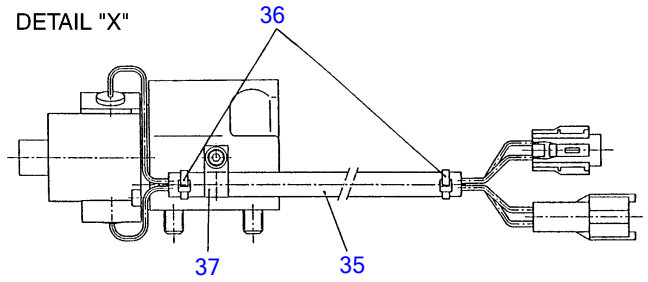
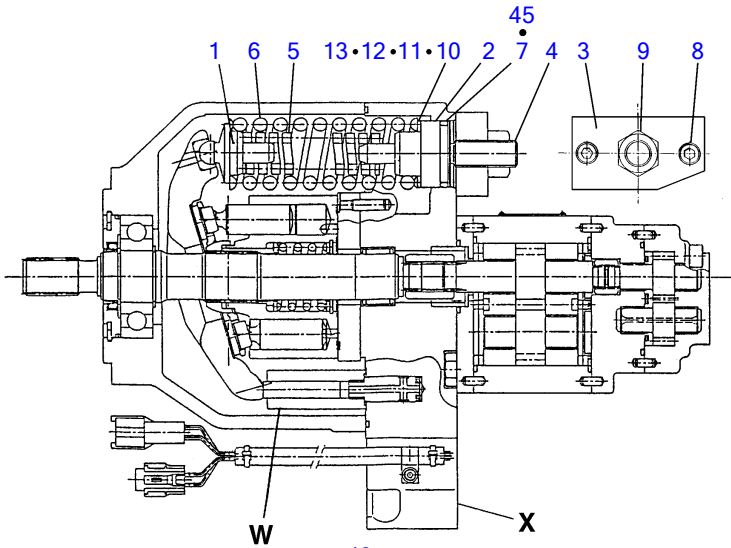
TB53FR Book No. BJ1Z006 S/N 15810005-15811324
 HYDRAULIC PUMP (1/3)



HYDRAULIC PUMP (1/3)

Item	Part number	Description	Q'ty	Chan.	Serial No.	Serv.	Remarks
0	1902017000	PUMP, hydraulic	1				
0-1	1902903400	· SHAFT ASSY	1				
0-2	1902903498	· · CASE ASSY, seal	1				
1	X *****	· · · CASE, seal	1				
2	X *****	· · · SEAL, dust	1				
3	1902903401	· · SHAFT	1				
4	1902903403	· · BEARING	1				
5	1220000028	· · RING, snap	1				
6	1220000030	· · RING, snap	1				
7	1420300147	· · O-RING	1				
8	1221000072	· · RING, snap	1				
0-3	1902017098	· HANGER ASSY	1				
0-4	X *****	· · HANGER ASSY	1				
0-5	1902906798	· · · HANGER SUB ASSY	1				
9	X *****	· · · · HANGER	1				
10	X *****	· · · · PIECE, distance	1				
11	X *****	· · · · BEARING	2				
12	1902903501	· · · PLATE	1				
13	1110020616	· · · SCREW, cap	4				
14	1420300144	· · · O-RING	1				
15	X *****	· · HOUSING	1				
0-6	1902906800	· ROTARY ASSY	1				
0-7	1902906900	· COVER ASSY	1				
0-8	1902906998	· · COVER SUB ASSY	1				
16	X *****	· · · COVER	1				
17	X *****	· · · PIN	2				
18	X *****	· · · PLUG	3				
19	X *****	· · · BEARING	1				
20	X *****	· · · PLUG	3				
21	1902906902	· · PLATE	1				
22	1110021230	· · SCREW, cap	3				
23	1420300168	· · O-RING	1				
24	1902903602	· · O-RING	4				
25	1902903603	· · ORIFICE	3				
26	1902900964	· · PLUG	2				
27	1420010080	· · O-RING	3				
28	1110021255	· · SCREW, cap	1				
29	1902017010	· VALVE, relief	1		15810005~15810177		
	1901800050	· VALVE, relief	1	(H)	15810178~		
30	1902903602	· · O-RING	1				
31	1902017011	· VALVE	1				
32	1902017099	· KIT, seal 1	1				
33	X *****	· · SEAL, dust	1				
34	1420300147	· · O-RING	1				
35	1420300144	· · O-RING	1				
36	1420300168	· · O-RING	1				
37	1902903602	· · O-RING	4				
38	1420010080	· · O-RING	3				
39	1902903602	· · O-RING	1				

J1h121



K3H292

DETAIL "W"

SECTION "Y-Y"

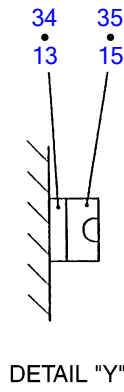
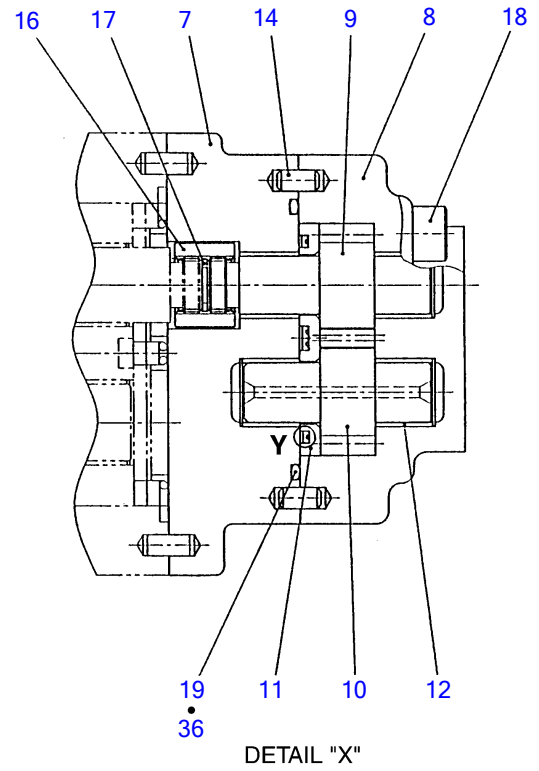
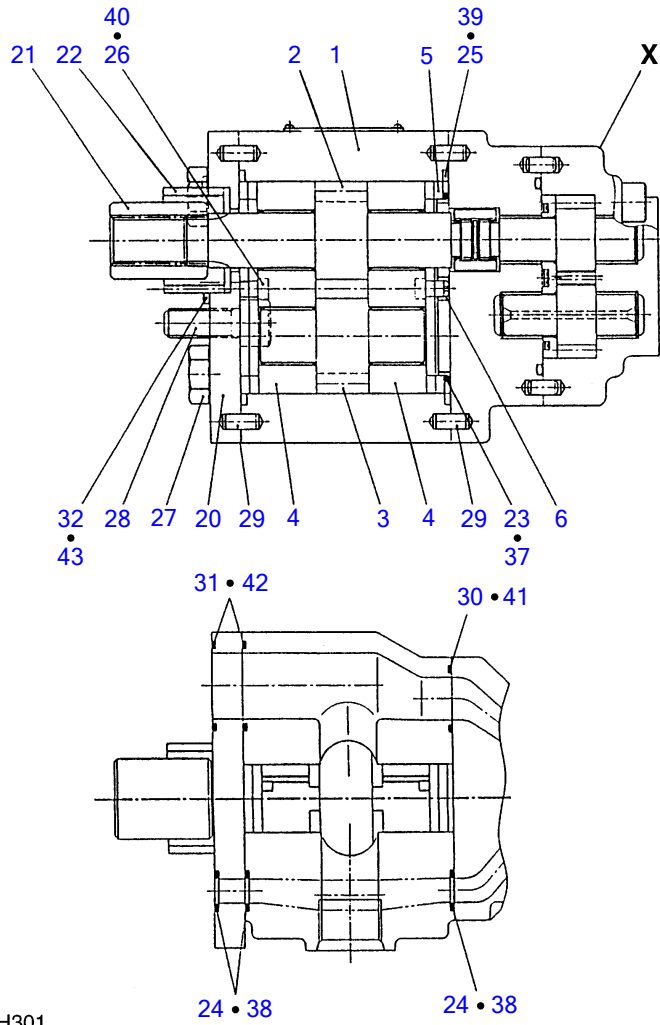
S-FREE

HYDRAULIC PUMP (2/3)

Item	Part number	Description	Q'ty	Chan.	Serial No.	Serv.	Remarks
0	1902017000	PUMP, hydraulic	1				
0-9	1902907000	• SPRING ASSY	1		15810005~15810177		
	1902909200	• SPRING ASSY	1	(H)	15810178~		
1	1902903502	• • HOLDER, spring	1				
2	1902907002	• • HOLDER, spring	1				
3	1902907003	• • COVER	1		15810005~15810177		
	1902909203	• • COVER	1	(H)	15810178~		
4	1902903505	• • SCREW	1				
5	1902903506	• • SPRING	1				
6	1902907006	• • SPRING	1				
7	1420000340	• • O-RING	1				
8	1110020830	• • SCREW, cap	2				
9	1130050016	• • NUT	1				
10	1902903508	• • SHIM t=0.3	2				
11	1902903509	• • SHIM t=0.5	2				
12	1902903510	• • SHIM t=1.0	2				
13	1902903511	• • SHIM t=2.0	2				
0-10	1902907100	• CONTROL ASSY, piston	1				
0-11	1902907198	• • CYLINDER ASSY	1				
14	X *****	• • • CYLINDER	1				
15	X *****	• • • PISTON	1				
16	1902907103	• • PIN	2				
17	1902903607	• • PIN	1				
18	1902907105	• • HOLDER, spring	1				
19	1110020825	• • SCREW, cap	2				
20	1902903608	• • WASHER, conical	3				
21	1420310016	• • O-RING	1				
22	1420310009	• • O-RING	1				
23	1420310011	• • O-RING	1				
0-12	1902907300	• VALVE ASSY	1				
0-13	1902907398	• • BODY SUB ASSY	1				
24	X *****	• • • BODY	1				
25	X *****	• • • SPOOL	2				
26	X *****	• • • PLUG	2				
27	1420000160	• • O-RING	2				
28	1420300017	• • O-RING	2				
29	1902012663	• • SPRING	2				
30	1110020410	• • SCREW, cap	5				
31	1110020825	• • SCREW, cap	2				
32	1902907309	• • ELEMENT, filter	1				
33	1902907310	• • SOLENOID	1				
34	1902907311	• • SOLENOID	1				
35	1902907313	• • COVER	1				
36	1902907314	• • BAND	2				
37	1902907315	• • CLAMP	1				
38	1141100004	• • WASHER	1				
39	1902017097	• KIT, seal 2	1				
40	1420310016	• • O-RING	1				
41	1420310009	• • O-RING	1				
42	1420310011	• • O-RING	1				
43	1420000160	• • O-RING	2				
44	1420300017	• • O-RING	2				
45	1420000340	• • O-RING	1				

J1h131

TB53FR Book No. BJ1Z006 S/N 15810005-15811324
 HYDRAULIC PUMP (3/3) (15810005-15810177)



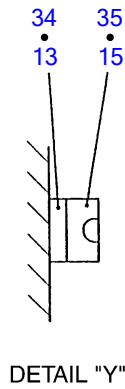
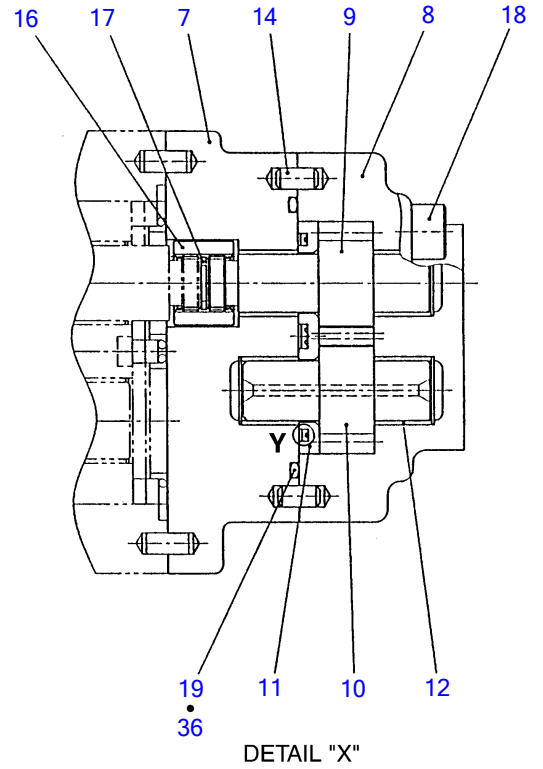
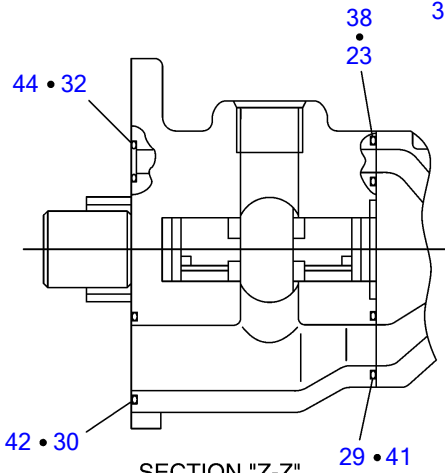
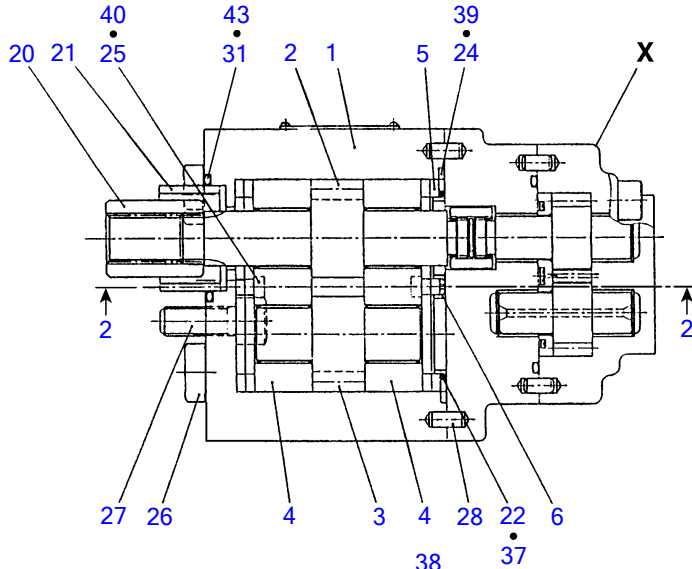
K3H301

S=FREE

HYDRAULIC PUMP (3/3) (15810005-15810177)

Item	Part number	Description	Q'ty	Chan.	Serial No.	Serv.	Remarks
0	1902017000	PUMP, hydraulic	1				
0-14	1902907200	· PUMP ASSY, gear	1				
0-15	1902907298	· · KIT, body	1				
1	X *****	· · · CASE	1				
2	X *****	· · · GEAR	1				
3	X *****	· · · GEAR	1				
4	X *****	· · · PLATE, side	2				
5	X *****	· · · PLATE	2				
6	X *****	· · · GUIDE	2				
0-16	1902907400	· · PUMP ASSY, sub gear	1				
0-17	1902907498	· · · KIT, body	1				
7	X *****	· · · · FRAME	1				
8	X *****	· · · · HOUSING	1				
9	X *****	· · · · GEAR	1				
10	X *****	· · · · GEAR	1				
11	X *****	· · · · PLATE, side	1				
12	X *****	· · · · METAL	4				
13	1902905907	· · · RING, back-up	1				
14	1902900716	· · · PIN	2				
15	1902905908	· · · RING	1				
16	1902905909	· · · RING	1				
17	1221000012	· · · RING, snap	1				
18	1110020840	· · · SCREW, cap	4				
19	1420300138	· · · O-RING	1				
20	1902907202	· · FRAME	1				
21	1902907212	· · COUPLING	1				
22	1902907213	· · BUSHING	1				
23	1902901612	· · O-RING	2				
24	1420010100	· · O-RING	3				
25	1902901611	· · RING	2				
26	1902903714	· · RING	2				
27	1100051095	· · BOLT	4				
28	1110021025	· · SCREW, cap	2				
29	1902900716	· · PIN	4				
30	1420300018	· · O-RING	1				
31	1420300023	· · O-RING	2				
32	1420300128	· · O-RING	1				
33	1902907297	· KIT, seal	1				
34	1902905907	· · RING, back-up	1				
35	1902905908	· · RING	1				
36	1420300138	· · O-RING	1				
37	1902901612	· · O-RING	2				
38	1420010100	· · O-RING	3				
39	1902901611	· · RING	2				
40	1902903714	· · RING	2				
41	1420300018	· · O-RING	1				
42	1420300023	· · O-RING	2				
43	1420300128	· · O-RING	1				
	K3h301						

TB53FR Book No. BJ1Z006 S/N 15810005-15811324
 HYDRAULIC PUMP (3/3) (15810178-)



K3H302

SECTION "Z-Z"

DETAIL "X"

DETAIL "Y"

S=FREE

HYDRAULIC PUMP (3/3) (15810178-)

Item	Part number	Description	Q'ty	Chan.	Serial No.	Serv.	Remarks
0	1902017000	PUMP, hydraulic	1				
0-14	1902909300	· PUMP ASSY, gear	1				
0-15	1902909398	· · KIT, body	1				
1	X *****	· · · CASE	1				
2	X *****	· · · GEAR	1				
3	X *****	· · · GEAR	1				
4	X *****	· · · PLATE, side	2				
5	X *****	· · · PLATE	2				
6	X *****	· · · GUIDE	2				
0-16	1902907400	· · PUMP ASSY, sub gear	1				
0-17	1902907498	· · · KIT, body	1				
7	X *****	· · · · FRAME	1				
8	X *****	· · · · HOUSING	1				
9	X *****	· · · · GEAR	1				
10	X *****	· · · · GEAR	1				
11	X *****	· · · · PLATE, side	1				
12	X *****	· · · · METAL	4				
13	1902905907	· · · RING, back-up	1				
14	1902900716	· · · PIN	2				
15	1902905908	· · · RING	1				
16	1902905909	· · · RING	1				
17	1221000012	· · · RING, snap	1				
18	1110020840	· · · SCREW, cap	4				
19	1420300138	· · · O-RING	1				
20	1902907212	· · COUPLING	1				
21	1902907213	· · BUSHING	1				
22	1902901612	· · O-RING	2				
23	1420300014	· · O-RING	1				
24	1902901611	· · RING	1				
25	1902903714	· · RING	2				
26	1100051090	· · BOLT	4				
27	1110051025	· · SCREW, cap	2				
28	1902900716	· · PIN	2				
29	1420300018	· · O-RING	1				
30	1420300023	· · O-RING	1				
31	1420300128	· · O-RING	1				
32	1420010100	· · O-RING	1				
33	1902909399	· KIT, seal	1				
34	1902905907	· · RING, back-up	1				
35	1902905908	· · RING	1				
36	1420300138	· · O-RING	1				
37	1902901612	· · O-RING	2				
38	1420300014	· · O-RING	1				
39	1902901611	· · RING	1				
40	1902903714	· · RING	2				
41	1420300018	· · O-RING	1				
42	1420300023	· · O-RING	1				
43	1420300128	· · O-RING	1				
44	1420010100	· · O-RING	1				

K3h302

How to read this Parts Catalog.

1. Parts mentioned in this Parts Catalog may not necessarily be standard equipping parts.
2. Parts change may be made without prior notice.
3. Form of this Parts Catalog.

Y00F2161 (1997.09.01)

Fig. 29 燃料噴射ポンプ(ブーコン用)
FUEL INJECTION PUMP (W/BOOST)

①	②	③	④	⑤	⑥						
見出 REF.No.	レベル LEV.	部品番号 PARTS No.	部品名 DESCRIPTION	個数 (Qty)							
1	•	729595-51390	F0ポンプ ASY(ブーコン用)	FUEL INJECTION PUMP	1	1	1	1	1	1	1
1-1	•	729595-51391	F0ポンプ ASY(ブーコン用)	FUEL INJECTION PUMP	1	1	1	1	1	1	1
3	••	26022-060162	ナコネジ M 6X 16	SCREW M 6X 16	9	9	9	9	9	9	9
I 3-1	••	26022-060162	ナコネジ M 6X 16	SCREW M 6X 16	4	4	4	4	4	4	K
4	••	129470-51040	カムシャフト	CAMSHAFT	1	1	1	1	1	1	1
5	••	122710-51050	ベアリング*ローラ	BEARING, ROLLER	2	2	2	2	2	2	2
6	••	129470-51060	ベアリング*オキ	RETAINER	1	1	1	1	1	1	1
備考 (1) ブーストコンベンセータ付き、4JH-DT、4JH-DTZとも E/# 00155 までは、特別注文仕様とします				Remarks (1) BOOST COMPENSATOR TYPE. OPTIONAL PART, TO E/# 00155, (4JH-DT,4JH-DTZ)							

① Ref. No.

The Ref. No. in the list may not be accord with the Ref. No. on illustration.

(Ex.) Illustration No. List head No.

1 1 (Befor change) → 1 - 1 (After change)

When interchangeable symbol N, R, and K, illustrations for new parts are sometimes omitted.

② Lev.(Level)

Indication and Meaning of Level

Level : Hereunder is given the relation among the number of dots(•),the level and the nominal parent- child relationship.

-Parent parts(Assembly parts)
-Child parts included in "••" (Semi- Assembly parts,component parts of Assembly parts.)
-Child parts included in "•••", Grand- child parts in terms of "••".
(Compoient parts of Semi- Assembly parts.)

Note) A parts of non- sale parts are illustrated but not listed.

③ Change Mark

Change Mark "I" is given to the part for which a design change was made at this time.

The design change was not shown in the last published Parts Catalog.

④ Interchangeability Mark

In the case where a part change took place,one of the following interchangeability marks is indicated for that part.

Symbol	interchangeability	Contents note
N	Old ↔ New	New Part is interchangeable for Old Part but not interchangeable conversely.
Q	Old ↔ New	New Part is not interchangeable for Old Part but interchangeable conversely.
R	Old ↔ New	New Part is interchangeable for Old Part and vice versa.
S	Old ↔ New	New Part is not interchangeable for Old Part and vice versa.
W		Part newly added.
Z		Part discontinued.
F		Not interchangeable single part but interchangeable by set of the related parts.
K		Changed only in quantity used.

⑤ Effective Machine No.

When a part is changed,Effective Machine No. of a Model for which the part is applicable is indication in each column of (A)- (F).

Product Symbol	Product No.	Product Symbol	Product No.
C	Clutch No. Compressor No.	M	Machine No.
D	Drive No.	T	Tractor No.
E	Engine No.	Note1) ※	Date

Note1) Date may follow the symbol in some cases. (Ex.) ※ 1996.01

Note2) As far as engine models shown by "XXX" are concerned, the modification of the parts could not be predicted or the engine models themselves could not be identified.

Note3) (A=E/#00185) means that the design change on the part has been effective for the model at the column (A)(in this case, for 4JH- DT) on and from E/(Engine Serial Number) 00185.

⑥ Remarks Mark

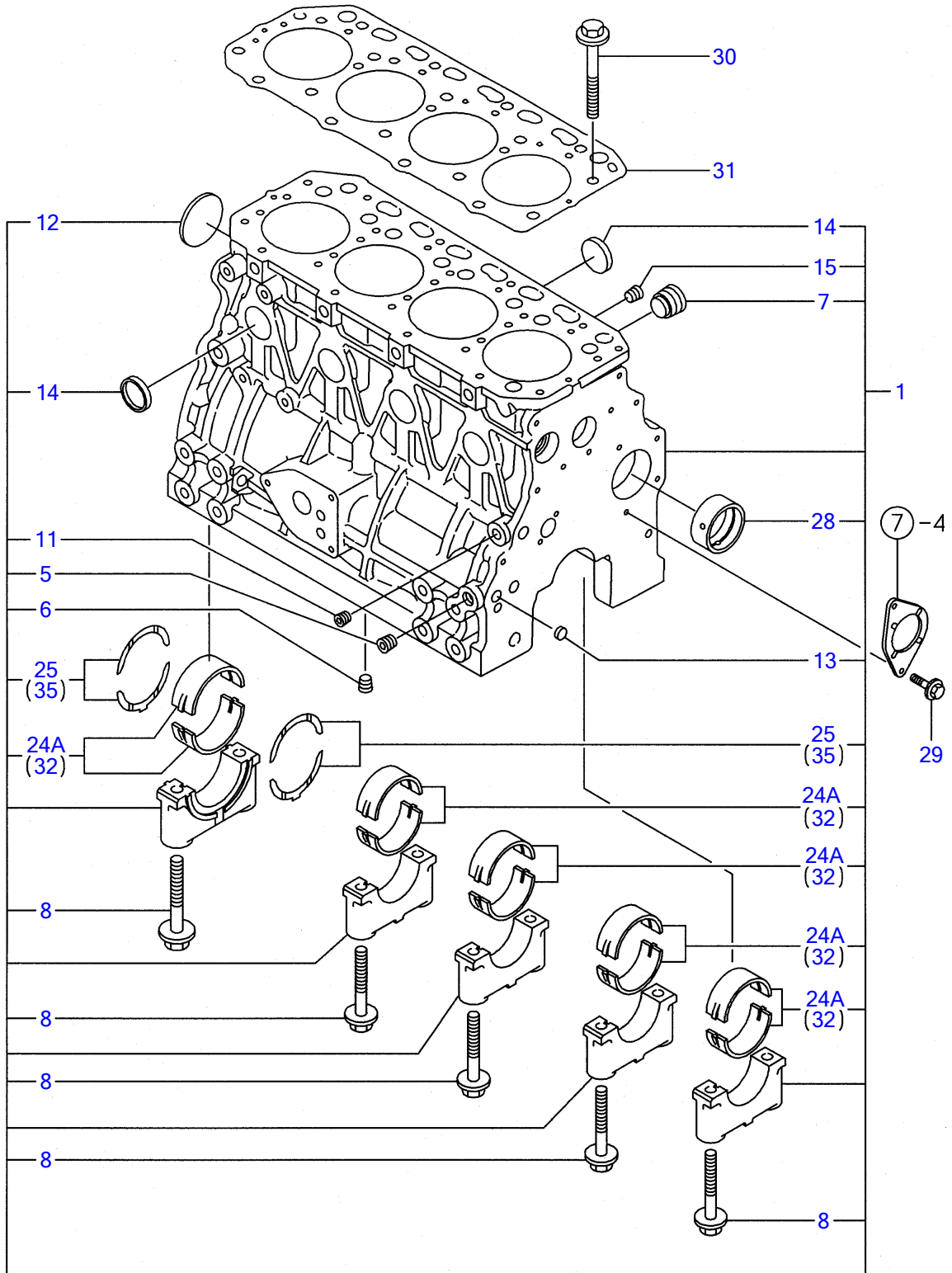
Figures or alphabets (Symbols) are entered in the remark column.

The comments(remarks)on the pertinent parts are indicated in the lower part of the list by the same symbols as those stated above.

Engine for TB53FR 4TNE88-ETBZ
CYLINDER BLOCK

Y00D6851
4TNE88-(E) TB (1, Z)

1 シリンダブロック
CYLINDER BLOCK

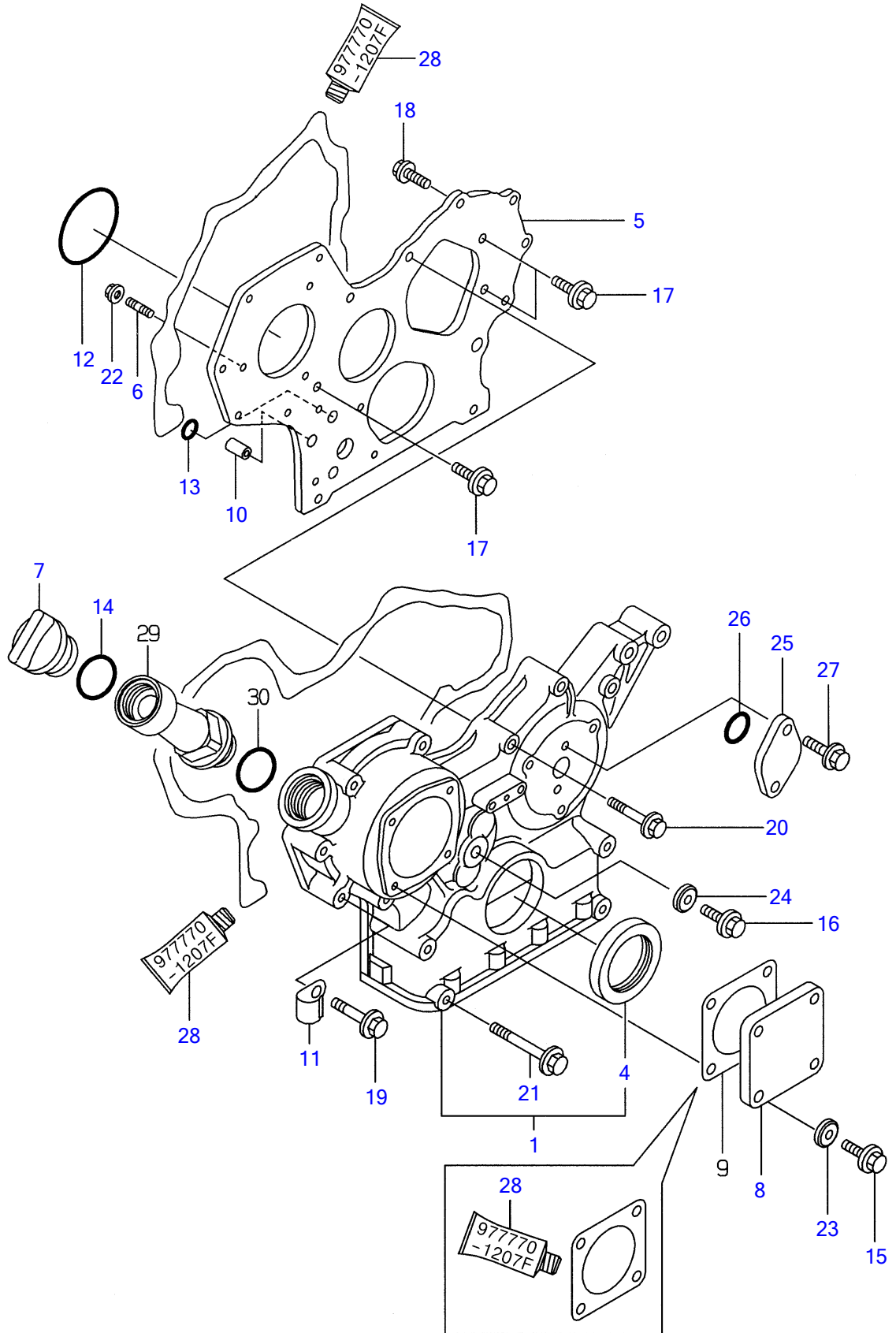


REF NO.	PARTS NO.	Description	Q'ty	I	R	Notes
1	Y729407-01561	BLOCK ASSY, CYLINDER	1			
5	Y124160-01910	PLUG PT1/4	2			
6	Y124160-01910	PLUG PT1/4	1			
7	Y171051-01921	PLUG	1			
8	Y129150-02020	BOLT, METAL CAP	10			
11	Y23876-010000	PLUG PT1/8, SCREW	1			
12	Y129001-01250	PLUG 50	1			
13	Y27241-120000	PLUG 12	2			
14	Y27241-300000	PLUG 30	8			
15	Y23876-030000	PLUG PT3/8, SCREW	1			
24A	Y129001-02930	MAIN BEARING SET	5			(3) 10° 1/2
25	Y129150-02930	METAL, THRUST	2			
28	Y129795-02411	BUSH, CAMSHAFT	1			
29	Y26106-080162	BOLT M 8X 16 PLATED	2			
30	Y129150-01200	STUD, CYL. HEAD	18			
31	Y129407-01340	GASKET, CYL. HEAD	1			
32	Y129150-02870	MAIN METAL US=0.25	5			(1) 10° 1/2 (U.S=0.25)
35	Y129150-02940	METAL, THRUST.25 2PIE	1			(2) 10° 1/2 (O.S=0.25)

Engine for TB53FR 4TNE88-ETBZ
GEAR HOUSING

Y00D6851
4TNE88- (E) TB (1, Z)

2 ギヤケース
GEAR HOUSING



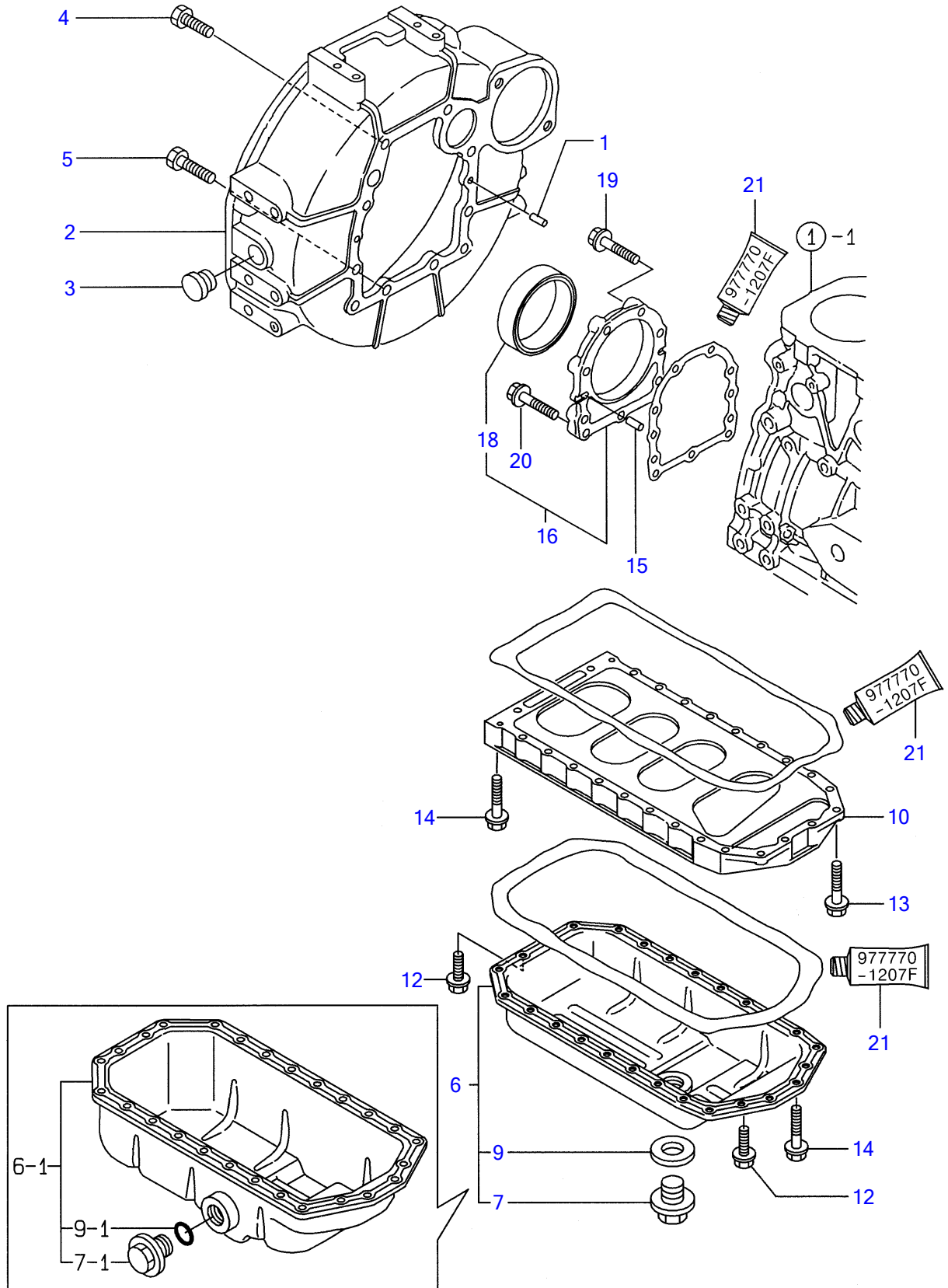
REF NO.	PARTS NO.	Description	Q'ty	I	R	"
1	Y719810-01500	HOUSING ASSY, GEAR	1			
4	Y129795-01800	SEAL, OIL	1			
5	Y129400-01520	FLANGE, GEARS HOUSING	1			
6	Y121450-01560	STUD M 8X 22	3			
7	Y124160-01751	CAP, LUB.OIL SUPPLY	1			
8	Y124240-01871	COVER, HO-P	1			
10	Y129795-01950	PIPE, KNOCK L=18	2			
11	Y129150-03100	RETAINER	1			
12	Y121850-51960	O-RING, F.I.PUMP	1			
13	Y24311-000160	O-RING 1A P-16.0	2			
14	Y24311-000320	O-RING 1A P-32.0	1			
15	Y26106-080122	BOLT M 8X 12 PLATED	4			
16	Y26106-080162	BOLT M 8X 16 PLATED	1			
17	Y26106-080162	BOLT M 8X 16 PLATED	3			
18	Y26106-080202	BOLT M 8X 20 PLATED	2			
19	Y26106-080452	BOLT M 8X 45 PLATED	6			
20	Y26106-080552	BOLT M 8X 55 PLATED	3			
21	Y129001-91841	BOLT M 8X 85 PLATED	4			
22	Y26366-080002	NUT M 8	3			
23	Y22190-080002	SEAL WASHER 8S	4			
24	Y22190-080002	SEAL WASHER 8S	1			
25	Y121023-01550	COVER, BLIND	1			
26	Y24341-000240	O-RING 1A S-24.0	1			
27	Y26106-060162	BOLT M 6X 16 PLATED	2			
28	Y977770-1207F	GASKET, LIQUID	1			

(1) μlB¼@Ý
lPËÝÄb½

Engine for TB53FR 4TNE88-ETBZ
FLYWHEEL HOUSING & OIL SUMP

Y00D6851
4TNE88-(E) TB (1, Z)

3 フライホイールハウジング & オイルパン
FLYWHEEL HOUSING & OIL SUMP

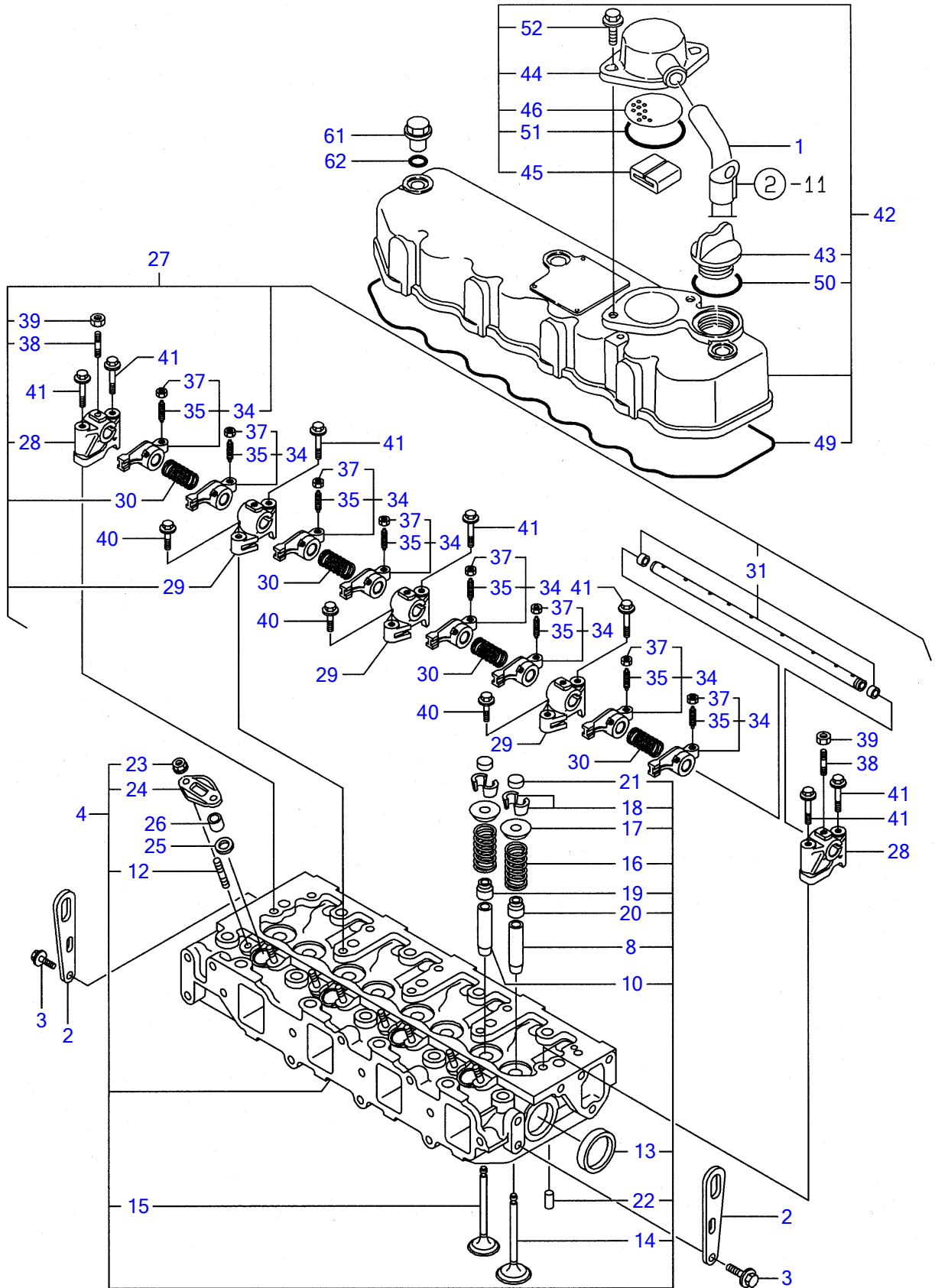


REF NO.	PARTS NO.	Description	Q'ty	I	R	"ø"
1	Y129100-01580	PARALLEL PIN 8X16	2			
2	Y129612-01600	HOUSING, FLYWHEEL	1			
3	Y119620-01750	CAP, FLYWHEEL COVER	1			
4	Y26206-100252	BOLT M10X25	6			
5	Y26206-100302	BOLT M10X30	4			
6	Y129400-01770	SUMP ASSY, LUB. OIL	1			
7	Y171301-01640	• PLUG M22	1			
9	Y24341-000250	• O-RING 1A S-25.0	1			
10	Y129400-01730	SPACER, OIL SUMP	1			
12	Y26106-080162	BOLT M 8X 16 PLATED	4			
13	Y26106-080252	BOLT M 8X 25 PLATED	2			
14	Y26106-080452	BOLT M 8X 45 PLATED	24			
15	Y129100-01580	PARALLEL PIN 8X16	2			
16	Y129100-01640	CASE ASSY, OIL SEAL	1			
18	Y129795-01780	• SEAL OIL	1			
19	Y129486-01670	BOLT M8X30, COLLAR HD	6			
20	Y26106-080352	BOLT M 8X 35 PLATED	3			
21	Y977770-1207F	GASKET, LIQUID	1			(1) μ18¼@Ý İpÉÝÄp½

Engine for TB53FR 4TNE88-ETBZ
CYLINDER HEAD & BONNET

Y00D6851
4TNE88- (E) TB (1, 2)

4 シリンダヘッド & ボンネット
CYLINDER HEAD & BONNET

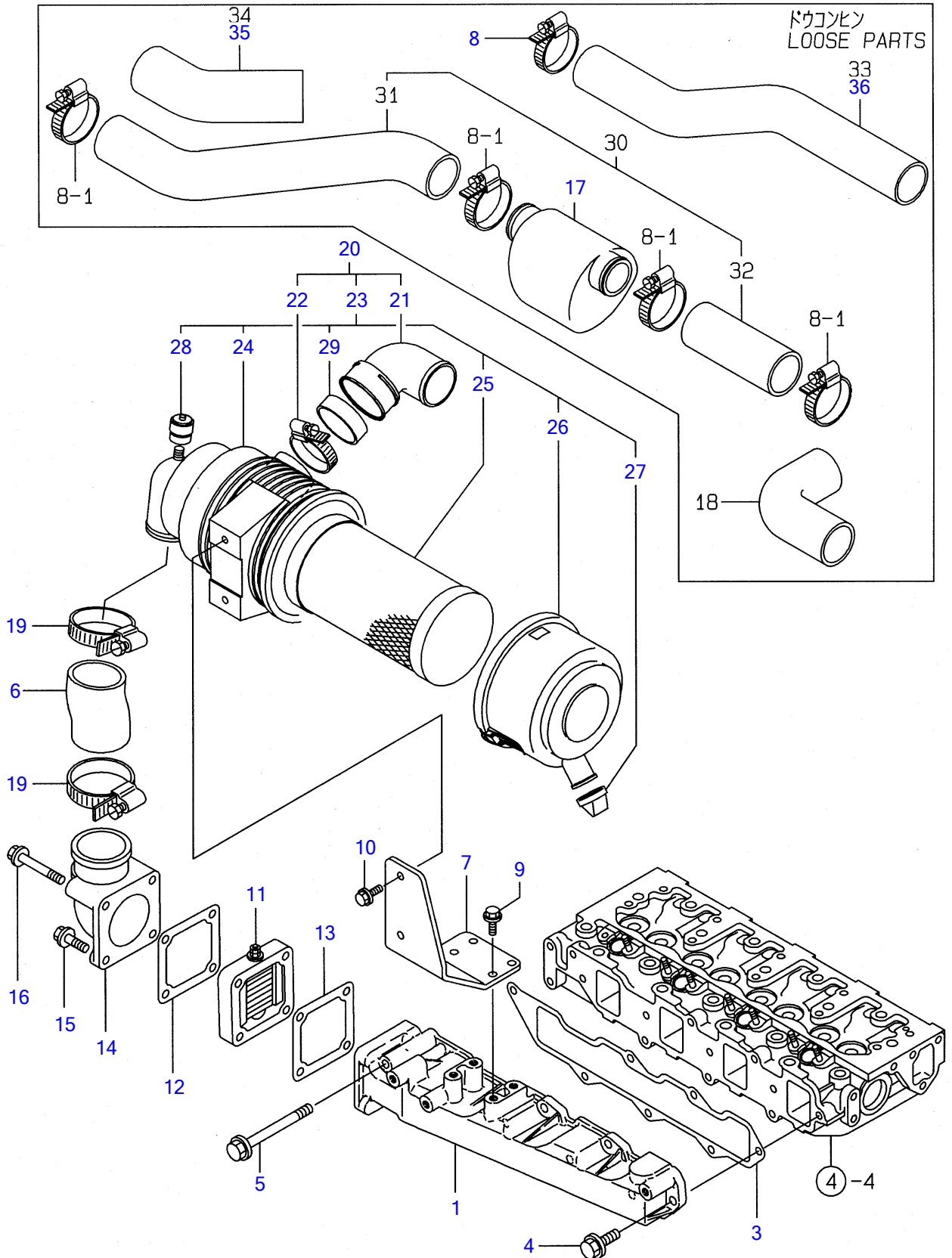


REF NO.	PARTS NO.	Description	Q'ty	I	R	"600
1	Y171350-03090	PIPE, BREATHER	1			
2	Y124736-07900	LIFTER, ENGINE	2			
3	Y26106-080142	BOLT M 8X 14 PLATED	4			
4	Y129407-11700	HEAD ASSY, CYLINDER	1			
8	Y120130-11860	• GUIDE, VALVE	4			(1) ÎÖ³ ÞËÝÃÞ½
10	Y129150-11810	• GUIDE, VALVE	4			(1) ÎÖ³ ÞËÝÃÞ½
12	Y26216-060202	• STUD M 6X 20 PLATED	8			
13	Y27241-400000	• PLUG 40	2			
14	Y129100-11100	• VALVE, INTAKE	4			
15	Y129100-11110	• VALVE, EXHAUST	4			
16	Y129795-11120	• SPRING, VALVE	8			
17	Y129795-11180	• RETAINER, SPRING	8			
18	Y27310-080000	• COTTER	8			
19	Y121400-11340	• SEAL, VALVE STEM	4			
20	Y124460-11340	• SEAL, VALVE STEM	4			
21	Y129150-11370	• CAP, VALVE	8			
22	Y22351-060012	• SPRING PIN 6X12	2			
23	Y26366-060002	• NUT M 6	8			
24	Y119625-11900	• RETAINER	4			
25	Y119625-11880	SEAT, NOZZLE	4			
26	Y119625-11870	PROTECTOR, NOZZLE	4			
27	Y129500-11240	SHAFT, ROCKER ARM	1			
28	Y129155-11260	• SUPPORT, ROCKER ARM	2			
29	Y129155-11270	• SUPPORT, ROCKER ARM	3			
30	Y129150-11280	• SPRING	4			
31	Y129550-11290	• SHAFT, ROCKER ARM	1			
34	Y129100-11650	• ARM ASSY, ROCKER	8			
35	Y129150-11230	• SCREW, VALVE	8			
37	Y129150-11750	• NUT M8XP1.0	8			
38	Y26226-080182	• STUD M 8X 18 PLATED	3			
39	Y26756-080002	• LOCK NUT M 8 PLATED	3			
40	Y26106-080252	BOLT M 8X 25 PLATED	3			
41	Y26106-080502	BOLT M 8X 50 PLATED	7			
42	Y129400-11350	BONNET ASSY	1			
43	Y124160-01751	• CAP, LUB.OIL SUPPLY	1			
44	Y129150-03020	• COVER, BREATHER	1			
45	Y129150-03070	• BAFFLE, BREATHER	1			
46	Y129150-03080	• PLATE, SHELTER	1			
49	Y129550-11310	• GASKET, BONNET	1			
50	Y24311-000320	• O-RING 1A P-32.0	1			
51	Y24341-000500	• O-RING 1A S-50.0	1			
52	Y26106-080162	• BOLT M 8X 16 PLATED	2			
61	Y124160-11360	KNOB	3			
62	Y24311-000120	O-RING 1A P 12.0	3			

Engine for TB53FR 4TNE88-ETBZ SUCTION MANIFOLD & AIR CLEANER

Y00D6851
4TNE88-(E) TB (1, Z)

5 キョウキマニホールド & エアクリーナ SUCTION MANIFOLD & AIR CLEANER



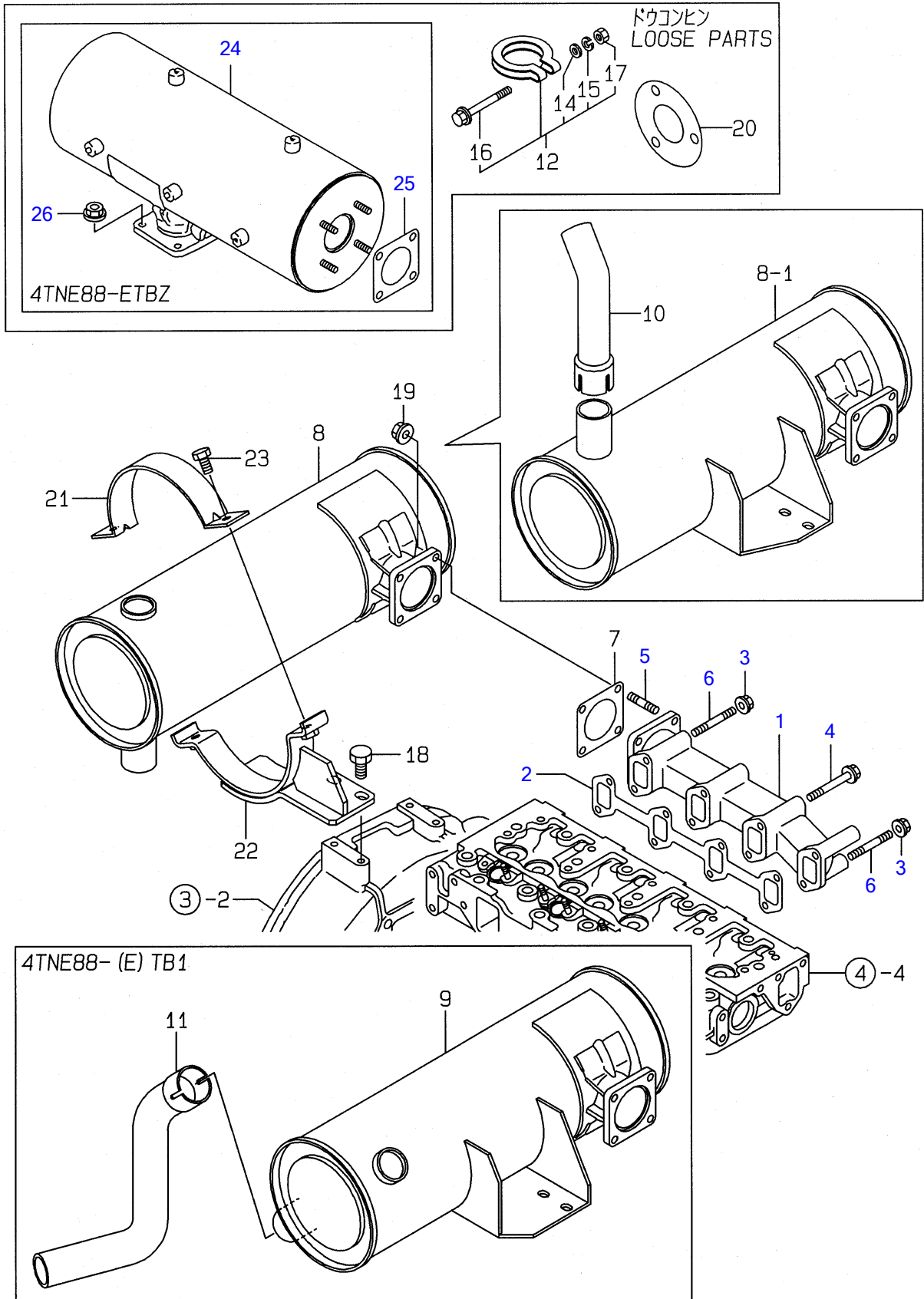
·Ö³·ĪÆĪ·ÛÄÞ & '±,Ø-Å SUCTION MANIFOLD & AIR CLEANER

REF NO.	PARTS NO.	Description	Q'ty	I	R	"ö
1	Y129407-12100	ĪÆĪÛÄÞ(INT	1			
3	Y129407-12110	PK(ĪÆĪÛÄÞ	1			
4	Y26106-080202	ÂÊÞĪÞÛÄ 8X 20	6			
5	Y26106-080802	ÂÊÞĪÞÛÄ 8X 80	1			
6	Y119910-12210	·Ö³·Ī-½	1			
7	Y119910-12560	ĪÞ×¹ÄÄ, '±,Ø-Å	1			
8	Y23000-060000	Ī-½,ØÄĪß 60	3			
9	Y26013-080222	ĪÞÛÄ(ÊÞÈ 8X 22	4			
10	Y26013-080222	ĪÞÛÄ(ÊÞÈ 8X 22	2			
11	Y129100-77500	È-Ä- ('±-	1			
12	Y129100-77510	ÊßÄ·Y('±-È-Ä-	1			
13	Y129150-77511	PK('±È-Ä)(ÈÝ±½)	1			
14	Y171340-77520	ĪÞÝÄÞ	1			
15	Y26106-080402	ÂÊÞĪÞÛÄ 8X 40	2			
16	Y26106-080802	ÂÊÞĪÞÛÄ 8X 80	2			
17	Y121855-12060	·Ö³·»²ÛÝ»-	1			
19	Y23000-060000	Ī-½,ØÄĪß 60	2			
20	Y129612-12680	'±,Ø-Å CMP	1			
21	Y129612-12560	· 'ÛĪÞ(²ÝÄ-	1			
22	Y23000-060000	· Ī-½,ØÄĪß 60	1			
23	Y129612-12690	· '±,Ø-Å CMP	1			
24	Y119910-12510	· · ĪÞÄÞ²	1			
25	Y119808-12520	· · 'ÛÖÝÄ(±³Ä	1			
26	Y119866-12541	· · ¶ĪÊÞ-ASSY	1			
27	Y119808-12540	· · ±ÝÛ-ÄÞÊÞÛĪÞ	1			
28	Y119140-12680	· · ²Ý¼Þ¹-Ä (ÄÞÝ·¼·	1			
29	Y129259-12570	· · ØÝ Þ	1			
35	Y119869-12220	·Ö³·ÝÄÖ³¶Ý B	1			
36	Y129612-12270	·Ö³·ÝÄÖ³¶Ý	1			

Engine for TB53FR 4TNE88-ETBZ
EXHAUST MANIFOLD & SILENCER

Y00D6851
 4TNE88- (E) TB (1, Z)

6 ハイキマニホールド & サイレンサ
 EXHAUST MANIFOLD & SILENCER



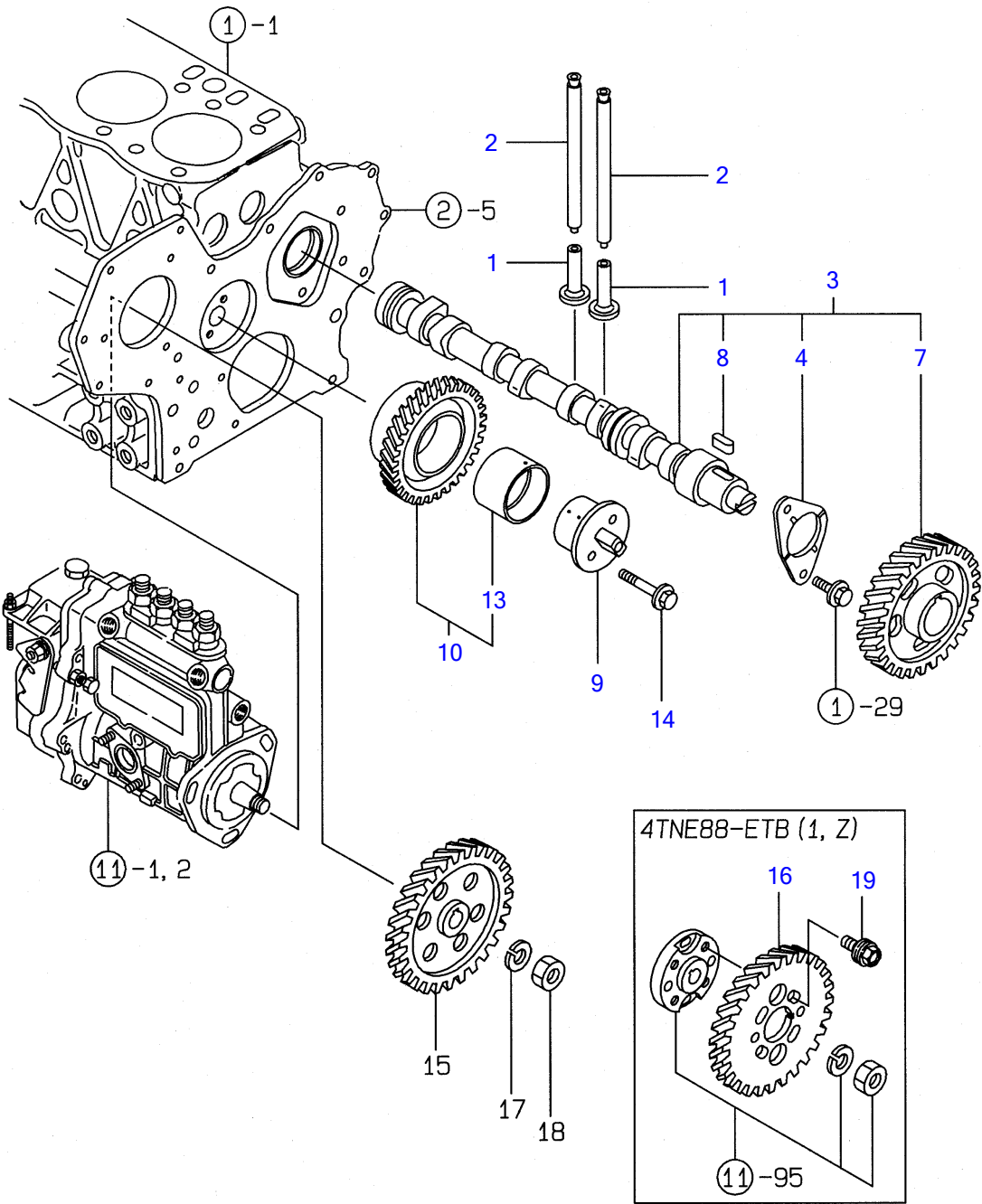
Ê²·ĪÆĪ-ÛÄĖ & »²ÚÝ» EXHAUST MANIFOLD & SILENCER

REF NO.	PARTS NO.	Description	Q'ty	Ø	Ø	Ø
1	Y129402-13101	MANIFOLD, EXHAUST	1			
2	Y129950-13110	GASKET, EXH.MANIFOLD	1			
3	Y26366-080002	NUT M 8	2			
4	Y26106-080802	BOLT M 8X 80 PLATED	6			
5	Y119131-18320	BOLT M 8X 22	4			
6	Y26216-080802	STUD M 8X 80 PLATED	2			
24	Y170124-13500	SILENCER	1			
25	Y129400-13201	GASKET, (NON-ASB.)	4			
26	Y26366-080002	NUT M 8	8			

Engine for TB53FR 4TNE88-ETBZ CAMSHAFT & DRIVING GEAR

Y00D6851
4TNE88- (E) TB (1, Z)

7 カムシャフト & クドウギヤ
CAMSHAFT & DRIVING GEAR



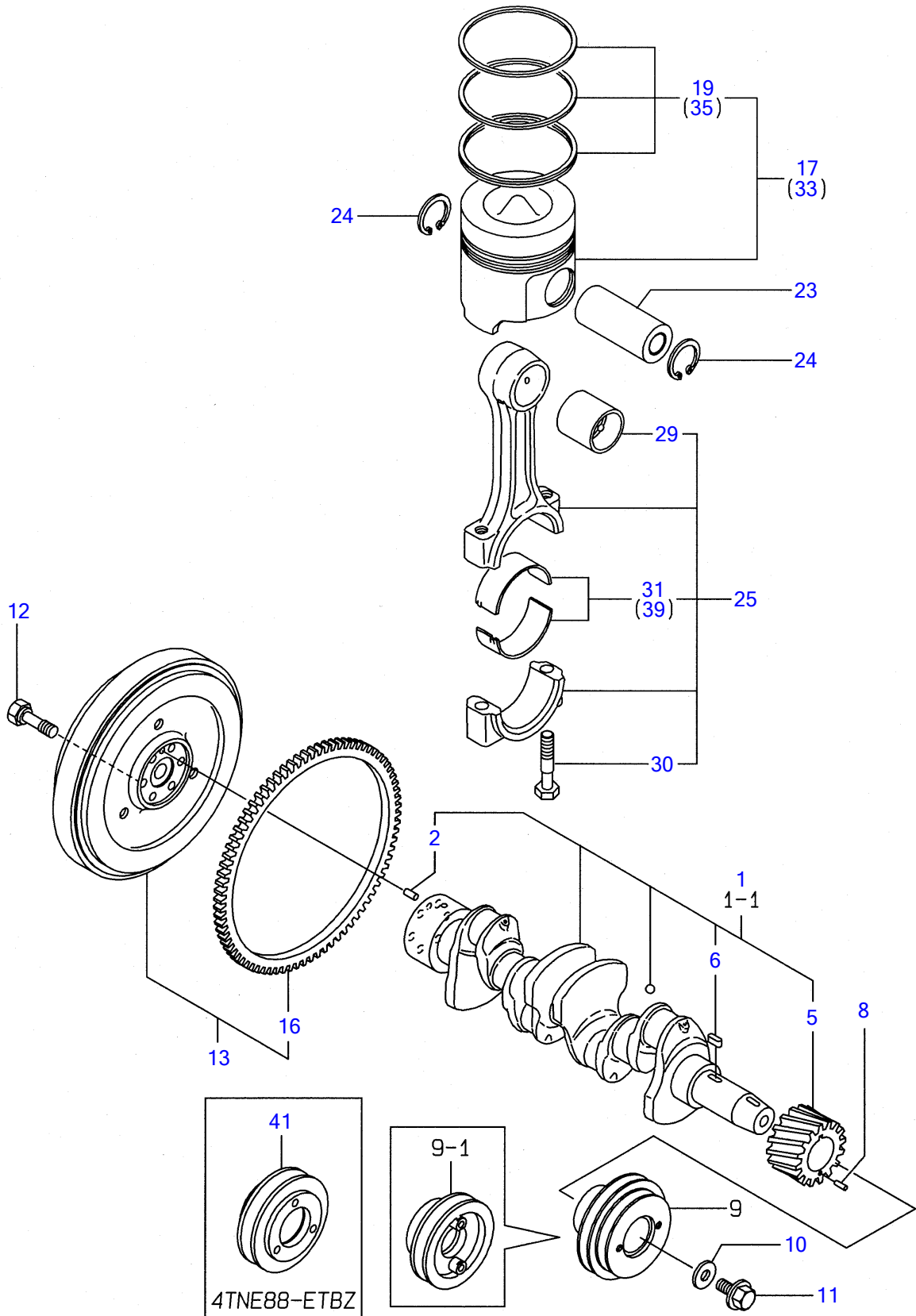
CAMSHAFT & DRIVING GEAR

REF NO.	PARTS NO.	Description	Q'ty	I	R	"õ
1	Y129150-14200	TAPPET	8			
2	Y129150-14400	ROD, PUSH	8			
3	Y729402-14580	CAMSHAFT ASSY	1			
4	Y129150-02450	METAL, THRUST	1			
7	Y129150-14101	GEAR, CAMSHAFT	1			
8	Y22512-070140	KEY 7X 14	1			
9	Y129100-25061	SHAFT, IDLE GEAR	1			
10	Y129150-25101	GEAR W/BUSH	1			
13	Y129150-25920	BUSH, IDLE GEAR	1			(1) 1/2
14	Y26106-080452	BOLT M 8X 45 PLATED	2			
16	Y129150-25931	GEAR	1			
19	Y129150-25301	BOLT, FI-P	4			

Engine for TB53FR 4TNE88-ETBZ
CRANKSHAFT & PISTON

Y00D6851
4TNE88- (E) TB (1, Z)

クランクシャフト & ピストン
CRANKSHAFT & PISTON



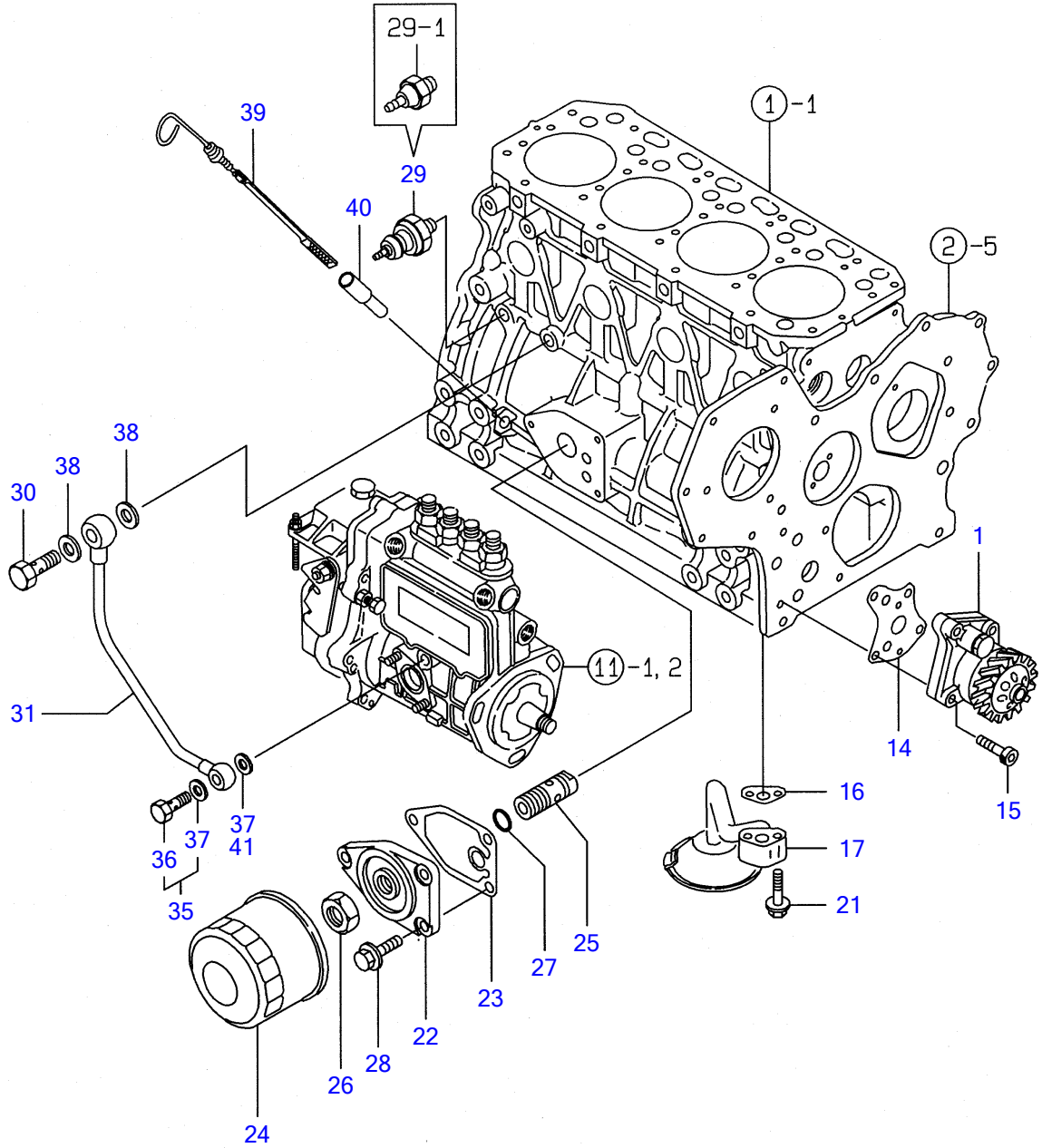
CRANKSHAFT & PISTON

REF NO.	PARTS NO.	Description	Q'ty		
1	Y129407-21100	CRANKSHAFT ASSY	1		
2	Y129100-01580	PARALLEL PIN 8X16	1		
5	Y129150-21200	GEAR, CRANKSHAFT	1		
6	Y22512-070140	KEY 7X 14	1		
8	Y22351-040010	SPRING PIN 4X10	1		
10	Y129795-21661	WASHER	1		
11	Y121850-21680	BOLT, V-PULLEY	1		
12	Y121111-21501	BOLT, FLYWHEEL	6		
13	Y129612-21570	FLYWHEEL ASSY	1		
16	Y119865-21600	GEAR, RING	1		
17	Y129001-22081	PISTON W/RINGS	4		
19	Y129001-22500	RING SET, PISTON	4		
23	Y129202-22300	PIN,PISTON	4		
24	Y22252-000260	CIRCLIP 26	8		
25	Y729402-23100	ROD ASSY, CONNECTING	4		
29	Y129100-23910	BUSH, PISTON PIN	4	(1)	1031P EY A P 1/2
30	Y121550-23200	BOLT, CONNECTING ROD	8		
31	Y129150-23600	BEARING, CRANKPIN	4		
33	Y129001-22901	PISTON W/RING O.S=0.25	4	(2)	μ° E P ° » 2 1/2 P (O.S=0.25) 1 P E Y A P 1/2
35	Y129001-22950	RING SET O.S=0.25	4	(2)	μ° E P ° » 2 1/2 P (O.S=0.25) 1 P E Y A P 1/2
39	Y129150-23610	METAL.PIN US=0.25	4	(3)	± Y A P ° » 2 1/2 P (U.S=0.25) 1 P E Y A P 1/2
41	Y171301-21650	V-PULLEY, CRANKSHAFT	1		

Engine for TB53FR 4TNE88-ETBZ
LUB.OIL SYSTEM

Y00D6851
4TNE88- (E) TB (1, Z)

9 LOシステム
LUB.OIL SYSTEM



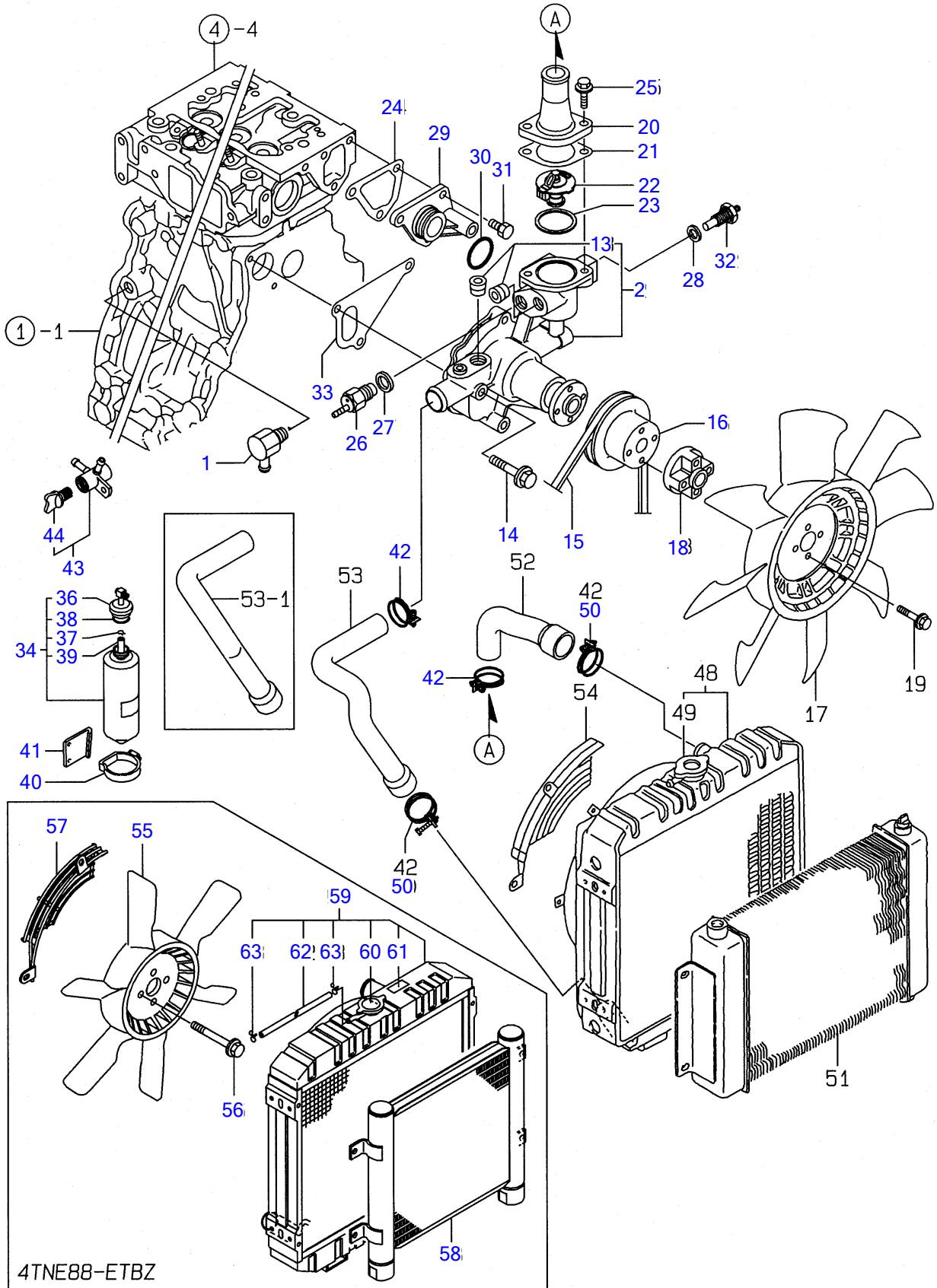
LO 1/2" LUB.OIL SYSTEM

REF NO.	PARTS NO.	Description	Q'ty
1	Y129407-32000	LO-P CMP PUMP ASSY, LUB. OIL	1
14	Y129150-32020	PK(LO-P GASKET, L.O. PUMP	1
15	Y26450-060252	6 6X 25 BOLT M 6X 25	4
16	Y129150-35041	PK(LO-P GASKET, (NON-ASB.)	1
17	Y129436-35091	LO-P PIPE ASSY, LUB. OIL	1
21	Y26106-080352	8X 35 BOLT M 8X 35 PLATED	2
22	Y129150-35101	BRACKET, STRAINER	1
23	Y129150-35111	PK(LO-P GASKET, (NON-ASB.)	1
24	Y129150-35151	80X80L FILTER 80X80L	1
25	Y129001-35300	BOLT, LUB.O. STRAINER	1
26	Y129150-35350	NUT	1
27	Y24311-000160	O-RING 1A P-16.0	1
28	Y26106-080202	8X 20 BOLT M 8X 20 PLATED	3
29	Y114250-39450	SWITCH, (0.5KG) L.O.	1
30	Y124160-39140	BOLT 10, PIPE JOINT	1
31	Y129550-39450	LO-T CMP PIPE ASSY, LUB. OIL	1
35	Y124550-59830	BOLT W/ SEAL WASHER	1
36	Y124550-59820	BOLT 8, PIPE JOINT	1
37	Y22190-080002	SEAL WASHER 8S	1
38	Y22190-100002	SEAL WASHER 10S	2
39	Y171420-34820	DIPSTICK, LUB. OIL	1
40	Y121520-34810	GUIDE, DIPSTICK	1
41	Y22190-080002	SEAL WASHER 8S	1

Engine for TB53FR 4TNE88-ETBZ COOLING WATER SYSTEM

Y00D6851
4TNE88-(E) TB (1, Z)

10 CWシステム COOLING WATER SYSTEM



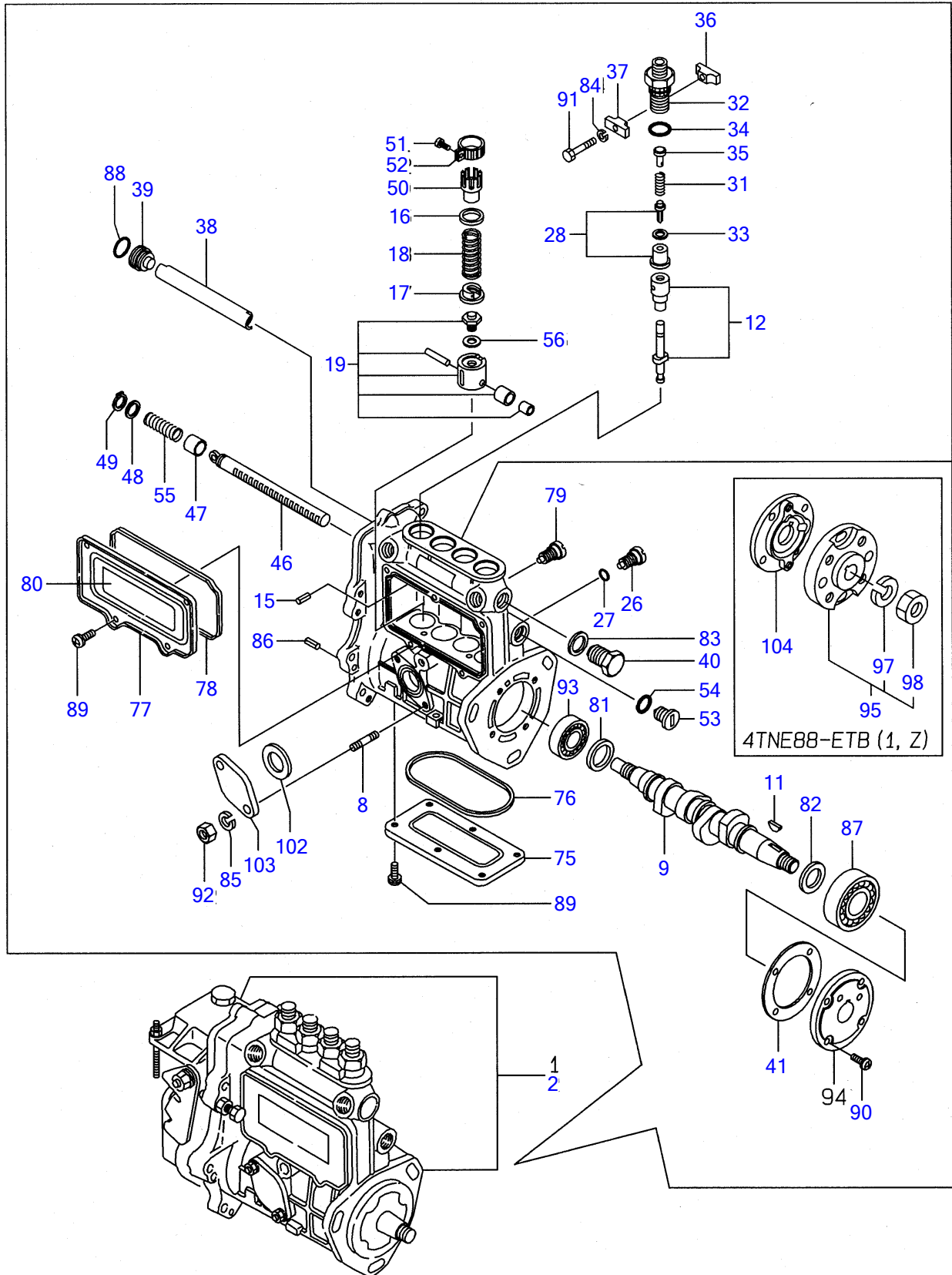
CW¼½ÄÑ COOLING WATER SYSTEM

REF NO.	PARTS NO.	Description	Q'ty
1	Y121750-49110	JOINT	1
2	Y129001-42003	PUMP ASSY,COOLANT	1
13	Y23876-030000	• PLUG PT3/8,SCREW	2
14	Y26106-080602	BOLT M 8X 60 PLATED	3
15	Y25132-003900	V-BELT (A-39)	1
16	Y129403-42380	V-PULLEY(D=110)	1
18	Y121267-44760	SPACER	1
20	Y129350-49560	COVER, THERMOSTAT	1
21	Y129795-49551	GASKET, (NON-ASB.)	1
22	Y129155-49800	THERMOSTAT	1
23	Y129150-49811	GASKET, (NON-ASB.)	1
24	Y124395-49840	GASKET, THERMO. CASE	1
25	Y26106-080202	BOLT M 8X 20 PLATED	2
26	Y121250-44901	SWITCH, THERMO(110BC	1
27	Y124465-44950	GASKET 16	1
28	Y129150-49360	GASKET 10	1
29	Y129001-42040	JOINT	1
30	Y129486-42140	O-RING,CW-P	1
31	Y26106-080162	BOLT M 8X 16 PLATED	3
32	Y119266-49350	SENSOR, THERMO.	1
33	Y129486-42021	GASKET	1
34	Y171064-44510	SUB-TANK ASSY	1
36	Y121450-44531	• CAP	1
37	Y124450-44560	• CLAMP	1
38	Y121470-44581	• GASKET	1
39	Y23065-070225	• HOSE 7X 225	1
40	Y124450-44550	CLAMP, SUB-TANK	1
41	Y121256-44600	BRACKET, SUB-TANK	1
42	Y23010-038000	CLAMP 38	2
43	Y129150-49100	COCK ASSY, 3-WAY	1
44	Y129150-49080	• COCK, DRAIN	1
50	Y23010-050000	CLAMP 50	2
55	Y129110-44740	FAN (D=390), COOLING	1
56	Y26106-060302	BOLT M 6X 30 PLATED	4
57	Y129132-44590	NET, WIRE	1
58	Y129953-44910	COOLER,OIL	1
59	Y129953-44510	RADIATOR	1
60	Y119032-44660	• CAP ASSY	1
61	Y121400-44900	• LABEL	1
62	Y119032-44670	• HOSE, RUBBER	1
63	Y119032-44680	• CLAMP	2

Engine for TB53FR 4TNE88-ETBZ FUEL INJECTION PUMP

Y00D6851
4TNE88- (E) TB (1, Z)

11 FOフンシャポンプ FUEL INJECTION PUMP

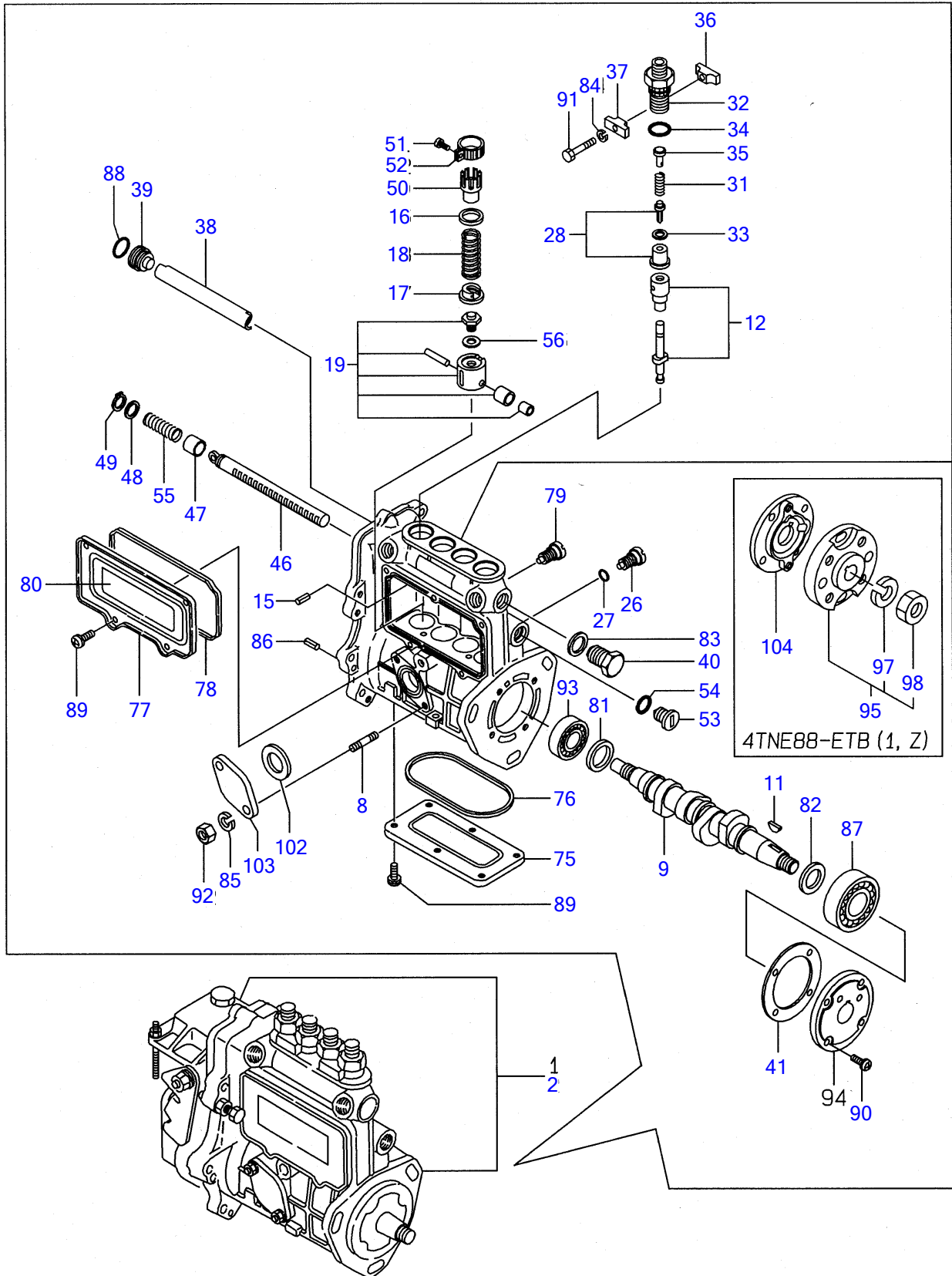


REF NO.	PARTS NO.	Description	Q'ty	Notes
2	Y729612-51450	PUMP ASSY, F.INJECT	1	(1) NO.2 FOIY¼ØIBYIBASSY Ê³Ó, NO.12 ¶PÊPÁ μ,Ñ.
8	Y129155-51020	• STUD, FEED PUMP	2	
9	Y129470-51040	• CAMSHAFT	1	
11	Y122710-51090	• KEY	1	
12	Y129506-51100	• PLUNGER W/BARREL	4	
15	Y129155-51140	• PIN, BARREL LOCKING	4	
16	Y174307-51170	• RETAINER A	4	
17	Y129155-51180	• SPRING SHOE, PLUNGER	4	
18	Y124950-51190	• SPRING, PLUNGER	4	
19	Y129155-51200	• TAPPET ASSY	4	
26	Y129155-51270	• LOCKING, TAPPET	4	
27	Y129155-51280	• O-RING S6	4	
28	Y129100-51300	• VALVE W/SEAT, DELIV.	4	
31	Y129155-51320	• SPRING, DELIV. VALVE	4	
32	Y129155-51340	• GUARD, DELIVERY VALVE	4	
33	Y124550-51350	• GASKET, DELIVERY	4	
34	Y124550-51370	• O-RING, DELIVERY	4	
35	Y129155-51370	• STOPPER, VALVE	4	
36	Y129155-51380	• LOCKING (A)	2	
37	Y129155-51390	• LOCKING (B)	2	
38	Y129555-51400	• DEFLECTER	1	
39	Y129155-51410	• CHECK BOLT, DEFLECTOR	1	
40	Y129155-51420	• PLUG (M16)	1	
41	Y129155-51450	• SHIM SET, ADJUSTING	1	
46	Y129555-51500	• RACK, CONTROL	1	
47	Y129155-51521	• BUSH, RACK	1	
48	Y129155-51530	• SPACER, AUX. SPRING	1	
49	Y129155-51540	• CIRCLIP	1	
50	Y129155-51550	• PINION, CONTROL	4	
51	Y122117-51560	• SCREW, PINION	4	
52	Y174307-51560	• PINION	4	
53	Y129155-51570	• PLUG (M12)	1	
54	Y129155-51580	• O-RING	1	
55	Y129155-51591	• SPRING, RACK	1	
56	Y129155-51600	• SHIM PACK	4	
75	Y129555-51701	• COVER	1	
76	Y129555-51710	• GASKET	1	
76-1	Y129555-51711	• GASKET	1	N
77	Y129555-51751	• COVER, SIDE	1	
78	Y129555-51760	• GASKET	1	
79	Y129155-51790	• LOCKING, RACK	1	
80	Y129156-51910	• LABEL, CAUTION	1	
81	Y129155-51930	• SPACER T=3.25	1	
82	Y129155-51940	• SPACER T=1.5	1	
83	Y22190-160002	• SEAL WASHER 16S	1	
84	Y22217-050000	• SPRING WASHER 5	2	
85	Y22217-060000	• SPRING WASHER 6	2	
86	Y22351-050010	• SPRING PIN 5X10	2	
87	Y24101-063034	• BALL BEARING	1	
88	Y24341-000160	• O-RING 1A S-16.0	1	
89	Y26022-050122	• SCREW M 5X 12	11	
90	Y26022-060162	• SCREW M 6X 16	4	
91	Y26116-050302	• BOLT M 5X 30 PLATED	2	
92	Y26716-060002	• NUT 6	2	

Engine for TB53FR 4TNE88-ETBZ FUEL INJECTION PUMP

Y00D6851
4TNE88- (E) TB (1, Z)

11 FOフンシャポンプ FUEL INJECTION PUMP



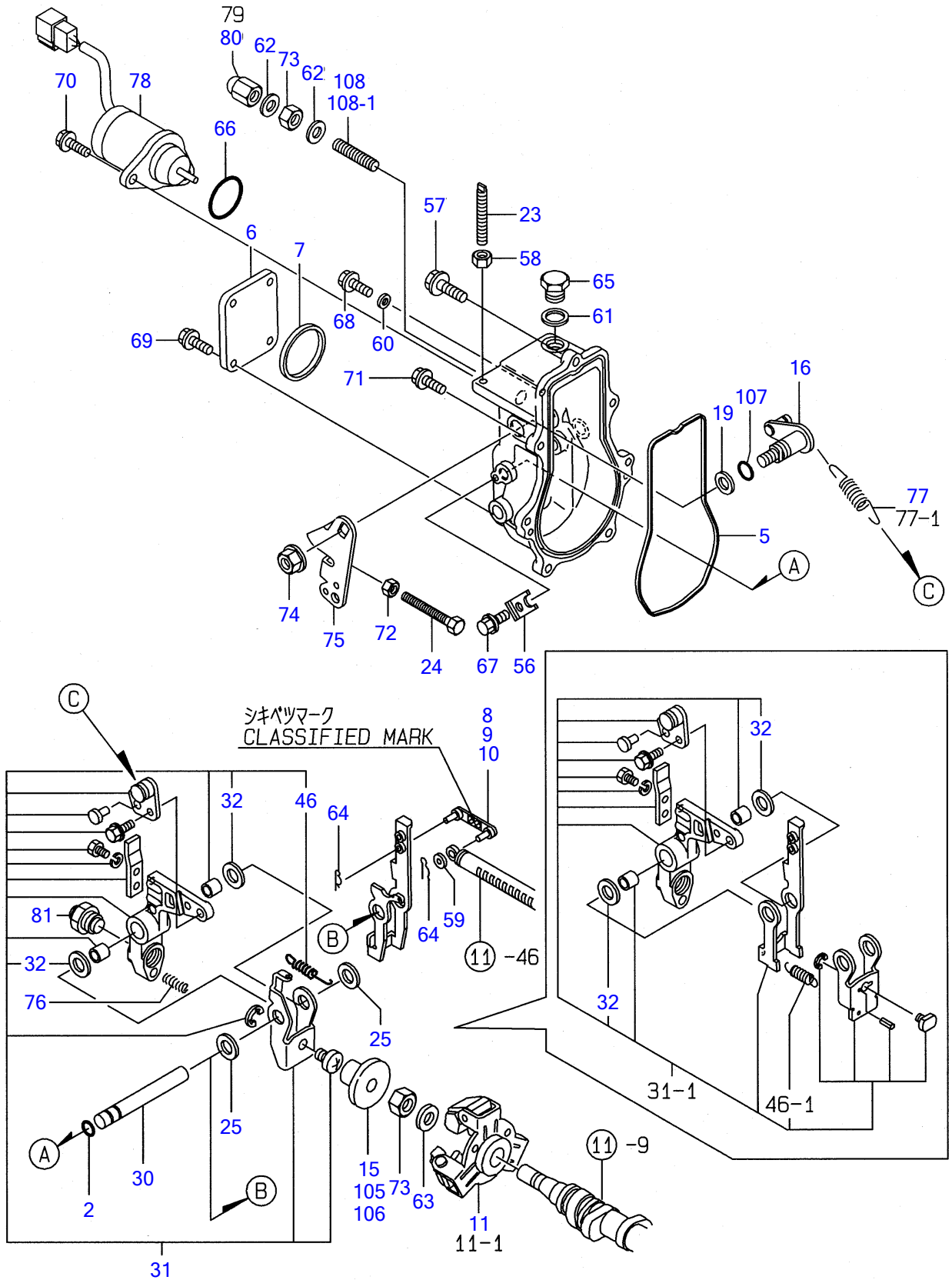
FOIY¼ÔÍßÝÍß FUEL INJECTION PUMP

REF NO.	PARTS NO.	Description	Q'ty	I	R	Q'ty
93	Y129155-51050	• BALL BEARING, THRUST	1			
95	Y129208-54500	• FLANGE ASSY	1			
97	Y22217-120000	• SPRING WASHER	1			
98	Y26716-120002	• NUT 12	1			
102	Y129155-52050	• GASKET	1			
103	Y129100-52200	• COVER	1			
104	Y129208-51060	• SUPPORT	1			

Engine for TB53FR 4TNE88-ETBZ GOVERNOR

Y00D6851
4TNE88-(E) TB (1, Z)

12 12 12
ガバナー
GOVERNOR

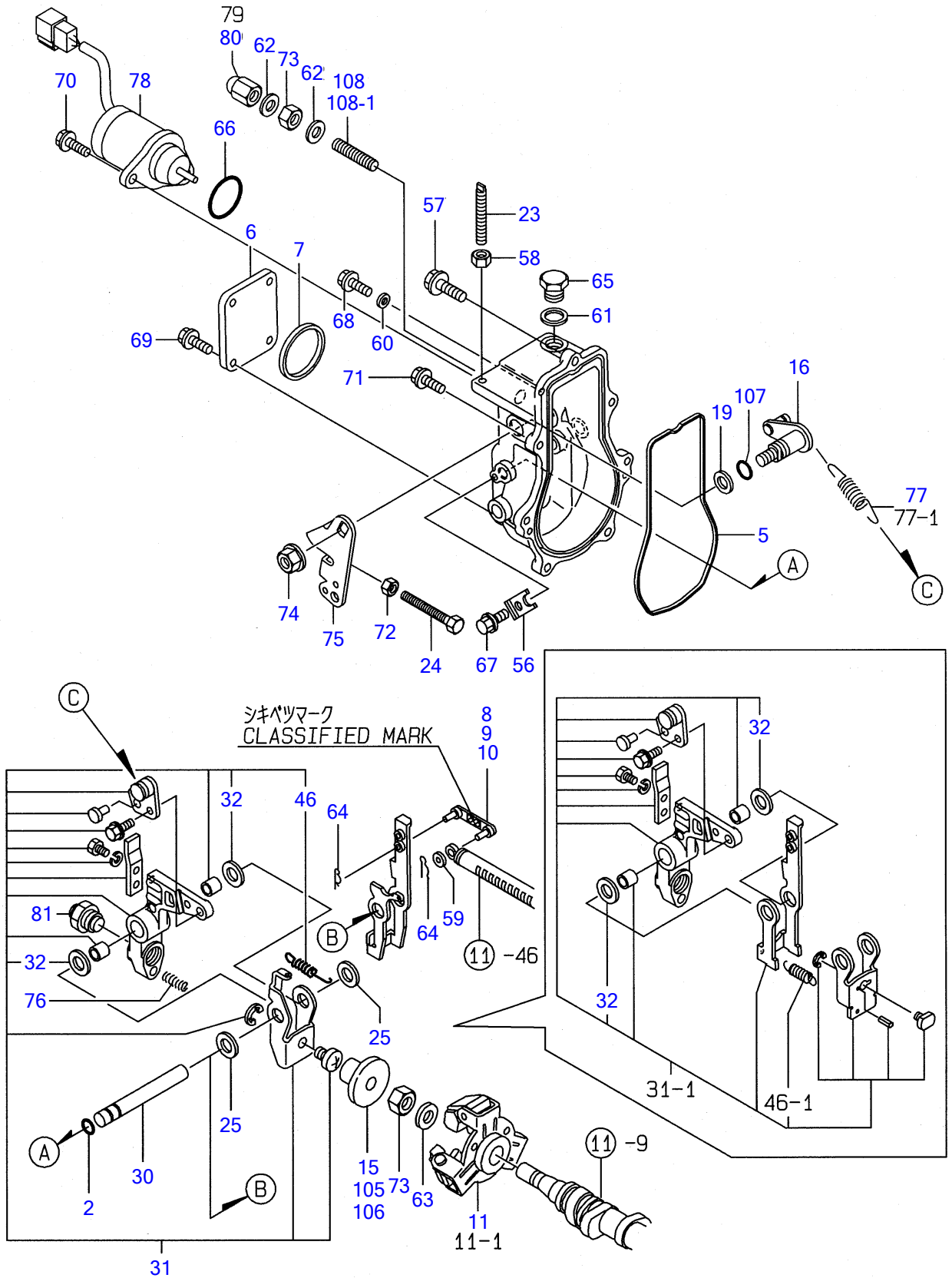


REF NO.	PARTS NO.	Description	Q'ty	I	R	"000
2	Y129155-51280	• OØÝ Þ(S6	1			
5	Y129052-61050	• ÊßÄ·Ý (¶ÞÊÞÄ¹·½	1			
6	Y129052-61060	• ¶ÞÊÞÄ¹·½Ä	1			
7	Y129052-61070	• ÊßÄ·Ý (¹·½Ä	1			
8	Y129155-61120	• ØÝ, L=30(İ-, 0	1			(1) ¾ÝÄ ¼Ö³ÞÊÝ: ¼·ÍÞÄ·Ø³ µ ¶·ÆÝÉ³ ÄÖ³ÖÝÊ¶²½. (²x½Ä »Ý¼Ö³)
9	Y129155-61130	• ØÝ, L=31(İ-, 1	1			(1) ¾ÝÄ ¼Ö³ÞÊÝ: ¼·ÍÞÄ·Ø³ µ ¶·ÆÝÉ³ ÄÖ³ÖÝÊ¶²½. (²x½Ä »Ý¼Ö³)
10	Y129155-61140	• ØÝ, L=30.5(İ-, 05)	1			(1) ¾ÝÄ ¼Ö³ÞÊÝ: ¼·ÍÞÄ·Ø³ µ ¶·ÆÝÉ³ ÄÖ³ÖÝÊ¶²½. (²x½Ä »Ý¼Ö³)
11	Y129486-61201	• ¶ÞÊÞÄ³·²Ä CMP	1			
15	Y129155-61341	• ½Ø-ÌÞ	1			(2) ¾ÝÄ ¼Ö³ÞÊÝ.* ºÉºÖ·(¶ÞÊÞÄ ASSY)ÉFIG.11 FOIÝ¼ÖÍßÝÍß Æ İ,ĐÍ½.
16	Y129100-61400	• ºÝÄÛ-ÛÛÊÞ¼Þ, CMP	1			
19	Y129155-61430	• ¶Ý»Þ(ºÝÄÛ-ÛÛÊÞ ¼Þ,	1			
23	Y129155-61450	• ¶²ÄÝ¾²¹ÞÝÞÛÄ	1			
24	Y129155-61460	• ±²ÄÞÛ¾²¹ÞÝÞÛÄ	1			
25	Y129155-61480	• ¶Ý»Þ CMP	2			
30	Y129052-61390	• ¼ÖÍÄ(¶ÞÊÞÄÛÊÞ	1			
31	Y119908-61501	• ¶ÞÊÞÄÛÊÞ- CMP	1			
32	Y174307-51700	• ¼Ñ¾ÄÄ(ÄÖ³¾²Ö³	2			
46	Y129486-61540	• ¾ÄÄ½ÍßØÝ, Þ	1			
56	Y119660-61901	• Ç¹ÄÞÖ	1			
57	Y129155-61950	• »ÞÄ· B(İ³²Ý	1			
58	Y124550-66370	• ÄÖÄÄÄ 6 (ÄÄÞØ±Ä	1			
59	Y22117-040000	• »Þ¶Ê(ºÍÛ 4	1			
60	Y22190-060003	• ¼-ÛÛÄ¼Ö(ÛÛ 6	1			
61	Y22190-100002	• ¼-ÛÛÄ¼Ö(ºÍÛ·ÆÄØÛ)10	1			
62	Y22190-120002	• ¼-ÛÛÄ¼Ö(ºÍÛ 12	2			
63	Y22287-120000	• ½-Êß-ÛÄ, »Þ¶Ê 12	1			
64	Y22372-040000	• ½ÄÍßÊßÝJASO 4	2			
65	Y23887-100002	• 6¶, İßx, Þ 10	1			
66	Y24341-000280	• OØÝ, Þ 1A S 28.0	1			
67	Y26106-060102	• ÄÊÞÍÞÛÄ M 6X 10	1			
68	Y26106-060102	• ÄÊÞÍÞÛÄ M 6X 10	1			
69	Y26106-060102	• ÄÊÞÍÞÛÄ M 6X 10	4			
70	Y26106-060142	• ÄÊÞÍÞÛÄ 6X 14	2			
71	Y26106-060202	• ÄÊÞÍÞÛÄ 6X 20	6			
72	Y26756-060002	• ÄÖÄÄÄ 6	1			
73	Y26776-120002	• ÄÖÄÄÄ(İç 12	2			
74	Y26366-080002	• ÄÊÞÄ·ÄÄÄ 8	1			
75	Y129100-61440	• ºÝÄÛ-ÛÛÊÞ-	1			
76	Y129100-61650	• FOçÞ³Ø³ÊÞÉ	1			

Engine for TB53FR 4TNE88-ETBZ GOVERNOR

Y00D6851
4TNE88-(E) TB (1, Z)

12 12 12
ガバナー
GOVERNOR

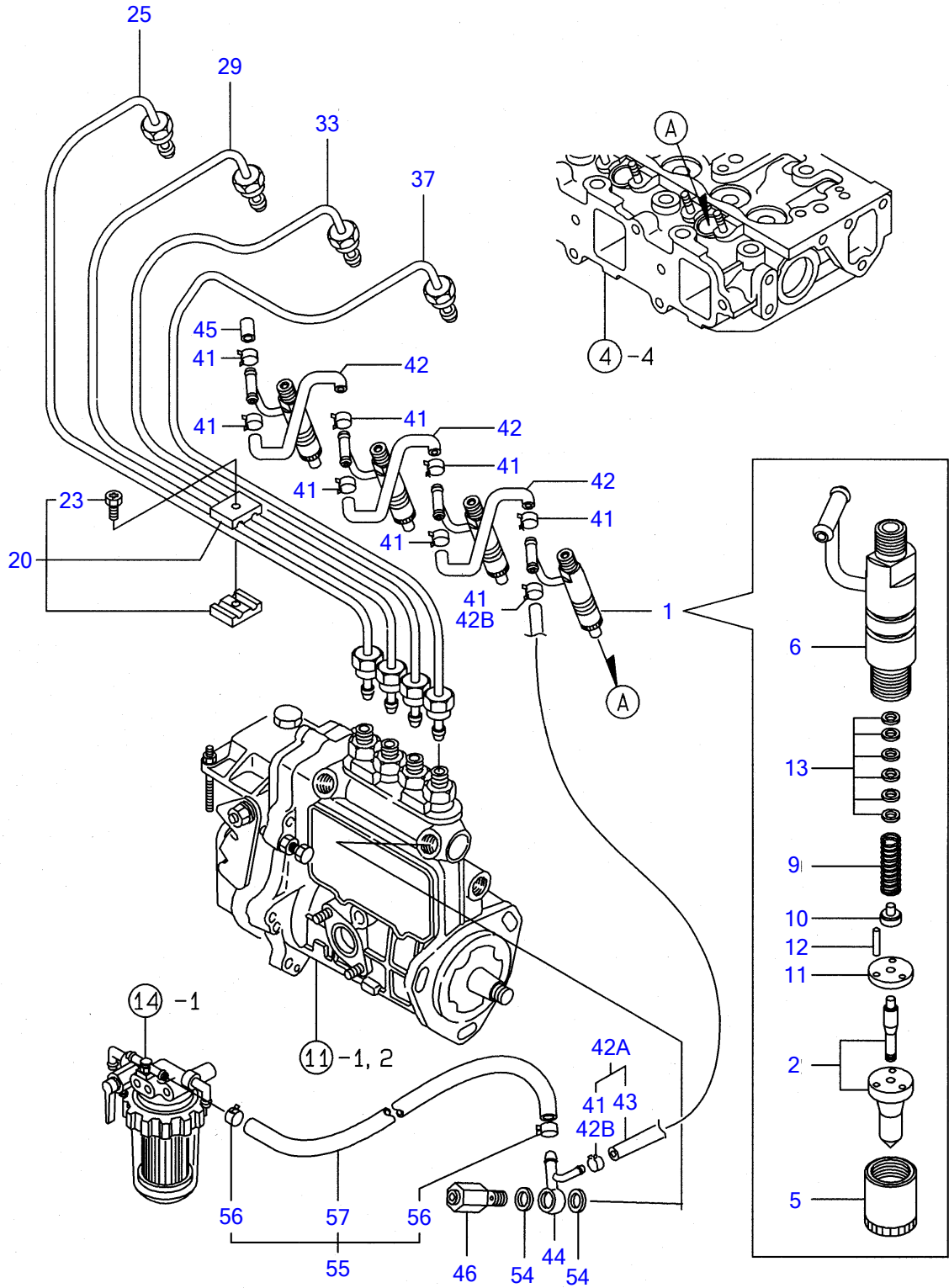


REF NO.	PARTS NO.	Description	Q'ty	I	R	"öll
77	Y129486-61710	• SPRING, GOVERNOR	1			
78	Y119285-77951	• SOLENOID	1			
80	Y129100-61930	• NUT, CAP	1			
81	Y129132-61550	• ANGLEICH ASSY	1			
105	Y129155-61350	• SLEEVE	1			(2) 3/4" x 1/4" O-ring
106	Y129155-61360	• SLEEVE	1			(2) 3/4" x 1/4" O-ring
107	Y129155-61830	• O-RING S10	1			
108	Y120323-61470	• BOLT, CONTROL	1			

Engine for TB53FR 4TNE88-ETBZ
FUEL INJECTION VALVE

Y00D6851
 4TNE88- (E) TB (1, Z)

13 F07アンシャパン
 FUEL INJECTION VALVE



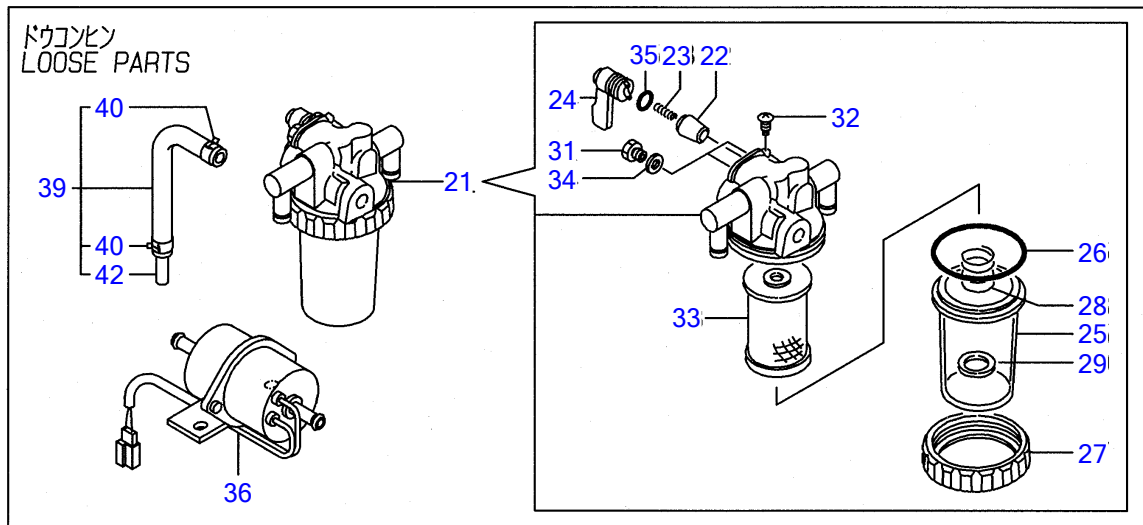
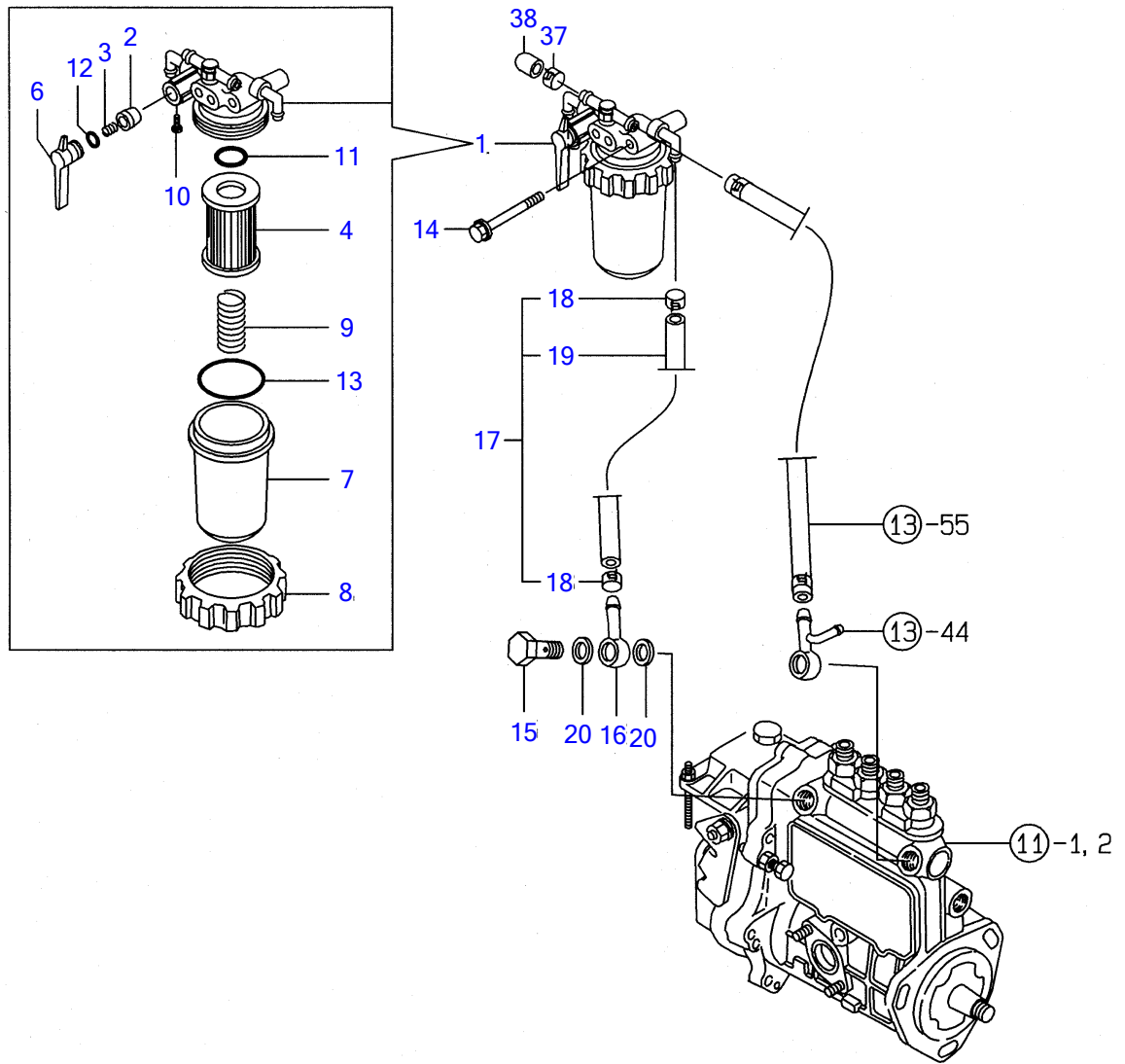
FOI¼-ÍPÝ FUEL INJECTION VALVE

REF NO.	PARTS NO.	Description	Q'ty
1	Y729102-53100	FOI¼ÍPÝ ASSY	4
2	Y129102-53000	• É½PÙ CMP	4
5	Y114250-53080	• ÅÅ(É½PÙÅØÅ¹	4
6	Y129100-53100	• É½PÙÍÙÅP- CMP	4
9	Y114250-53120	• ½ÍØÝ, P(É½PÙ	4
10	Y114250-53130	• ¼-Å(É½PÙ½ÍØÝ, P	4
11	Y114250-53140	• ½ÅÍÍÍÙ-Å	4
12	Y114250-53210	• ÉÛÝ(É½PÙ²Å·PÒ	8
13	Y114250-53400	• ¼Ñ CMP	4
20	Y119305-59120	ÍÙÅPÒ(ÍÝ¼ÓÏÝCMP	2
23	Y129150-59131	• +±Å HB4X14	2
25	Y129612-59831	FOI¼ÓÏÝ CMP	1
29	Y129407-59910	FO-T(ÍÝ¼Ó CMP	1
33	Y129407-59920	FO-T(ÍÝ¼Ó CMP	1
37	Y129407-59940	FO-T(ÍÝ¼Ó CMP	1
47	Y124066-59100	Î-½, ØÅÍÍ(ÍÙ 8	7
42	Y121250-59550	FO-T(D8XL120	3
42A	Y119840-59500	FO-T(ÓÅP¼ CMP	1
42B	Y124066-59100	• Î-½, ØÅÍÍ(ÍÙ 8	2
43	Y119840-59560	• FO-T ÓÅP¼	1
44	Y119840-59570	Å·PÅ	1
45	Y129150-59580	·ÓÅÍÍ(FO-TÓÅP¼	1
46	Y129100-59951	Á·Å, ÉPÙÍP CMP	1
54	Y22190-120002	• ¼-ÙÙÅ¼Ó(ÉÍÙ 12	2
55	Y129210-59150	FO-T CMP	1
56	Y124766-59050	• Î-½, ØÅÍÍ(ÍÙ 12	2
57	Y105025-59530	• FO.ÉÛÍÍ	1

Engine for TB53FR 4TNE88-ETBZ FUEL LINE

Y00D6851
4TNE88- (E) TB (1, Z)

14 FUEL LINE

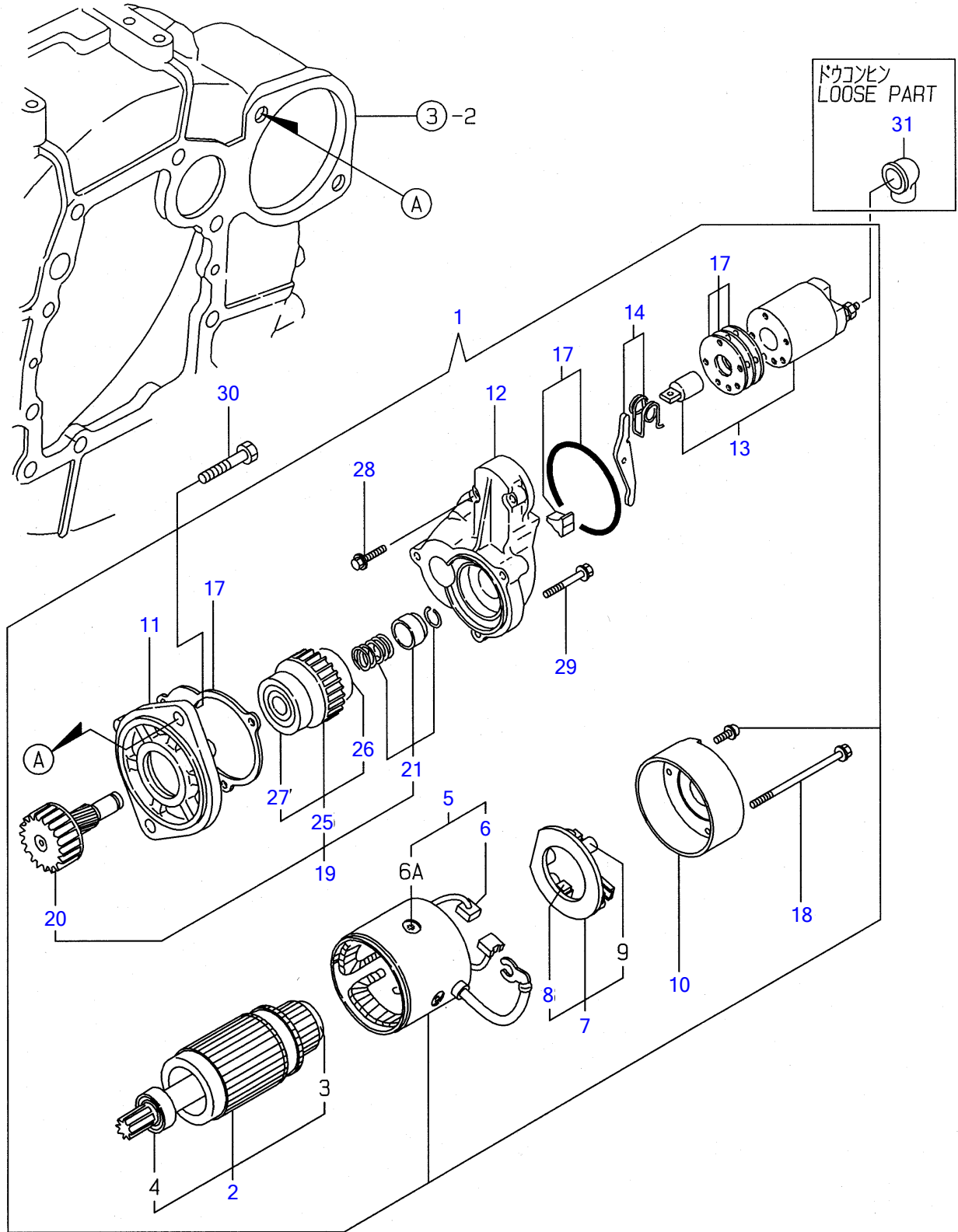


REF NO.	PARTS NO.	Description	Q'ty	I	R	Oil
1	Y129052-55620	STRAINER ASSY, FUEL	1			
2	Y104200-55321	• VALVE, TAPER	1			
3	Y104200-55330	• SPRING, TAPER VALVE	1			
4	Y129100-55650	• ELEMENT, FUEL	1			
6	Y129100-55670	• LEVER	1			
7	Y129100-55680	• CUP, STRAINER	1			
8	Y129100-55690	• RING, RETAINING	1			
9	Y129100-55700	• SPRING	1			
10	Y104200-55750	• SCREW M 4	1			
11	Y24311-000160	• O-RING 1A P-16.0	1			
12	Y24311-240100	• O-RING 1A P-10A	1			
13	Y24321-000650	• O-RING 1A G-65.0	1			
14	Y26014-080702	BOLT W/WASHER M8X 70	1			
15	Y103854-39140	BOLT, PIPE JOINT	1			
16	Y101304-59020	JOINT 12, PIPE	1			
17	Y129210-59040	PIPE ASSY, FUEL OIL	1			
18	Y124766-59050	• CLAMP 12	2			
19	Y129555-59510	• PIPE, FUEL	1			
20	Y22190-120002	SEAL WASHER 12	2			
21	Y129335-55700	SEPARATOR, WATER	1			
22	Y104200-55321	• VALVE, TAPER	1			
23	Y104200-55330	• SPRING, TAPER VALVE	1			
24	Y104200-55341	• HANDLE, COCK	1			
25	Y124064-55510	• BOWL, FUEL STRAINER	1			
26	Y102103-55520	• O-RING	1			
27	Y110250-55610	• RING, RETAINING	1			
28	Y121257-55720	• SPRING, SCREEN	1			
29	Y121257-55731	• FLOAT	1			
31	Y101720-55750	• PLUG 6	2			
32	Y104200-55750	• SCREW M 4	1			
33	Y171081-55910	• SCREEN	1			
34	Y23418-060000	• GASKET 6, NYLON	2			
35	Y24311-240100	• O-RING 1A P-10A	1			
36	Y129322-77401	FEED PUMP	1			
37	Y124066-59100	CLAMP 8	1			
38	Y129150-59580	CAP	1			
39	Y119840-59601	• BEND ASSY	1			
40	Y124766-59050	• CLAMP 12	2			
42	Y119840-59621	• JOINT	1			

Engine for TB53FR 4TNE88-ETBZ
STARTING MOTOR

Y00D6851
4TNE88- (E) TB (1, Z)

15 スターティングモータ
STARTING MOTOR



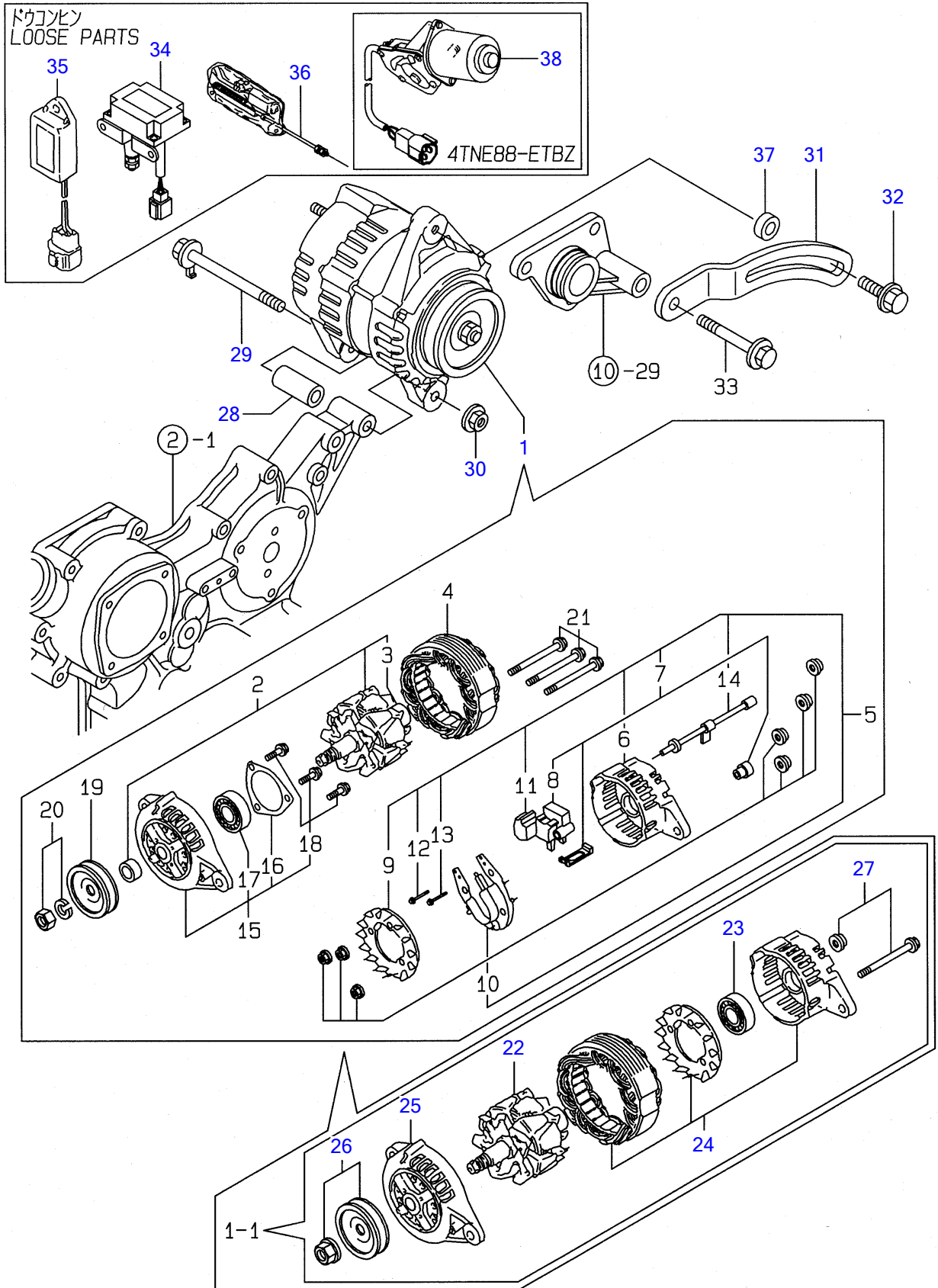
½Ä-Ä²Ý, ÞÓ-Ä STARTING MOTOR

REF NO.	PARTS NO.	Description	Q'ty
1	Y129136-77011	STARTER	1
2	Y129900-77400	• ARMATURE ASSY	1
5	Y129900-77440	• COIL ASSY, FIELD	1
6	Y129900-77450	• BRUSH (+)	2
6A	Y171008-77450	• SCREW, POLE CORE SET	4
7	Y129900-77480	• HOLDER ASSY, BRASH	1
8	Y129900-77500	• BRUSH (-)	2
10	Y129900-77460	• COVER, REAR	1
11	Y171008-77510	• HOUSING ASSY, GEAR	1
12	Y129136-77520	• CENTER HOUSING	1
13	Y129136-77310	• SHAFT, PINION	1
14	Y171008-77540	• LEVER SET, SHIFT	1
17	Y129400-77571	• DUST COVER, (NON-ASB.)	1
18	Y129900-77640	• BOLT, THROUGH	2
19	Y171008-77650	• PINION ASSY	1
20	Y171008-77660	• SHAFT, PINION	1
21	Y171008-77670	• STOPPER SET, PINION	1
25	YX2114555500	• CLUTCH ASSY	1
26	YX2114955020	• BALL BEARING	1
27	YX2240410100	• BALL BEARING	1
28	Y26106-060322	• BOLT M 6X 32 PLATED	2
29	Y26106-060402	• BOLT M 6X 40 PLATED	3
30	Y26116-120252	BOLT M12X 25 PLATED	2
31	Y124550-77030	COVER, TERMINAL	1

Engine for TB53FR 4TNE88-ETBZ GENERATOR

Y00D6851
4TNE88-(E) TB (1, Z)

16 ジェネレータ GENERATOR



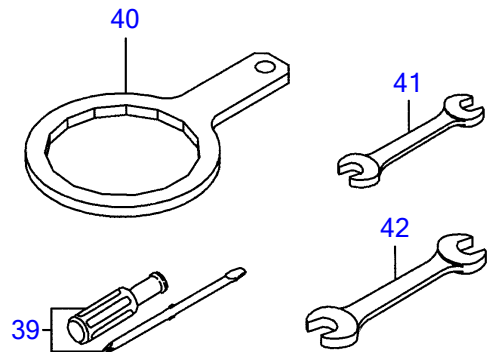
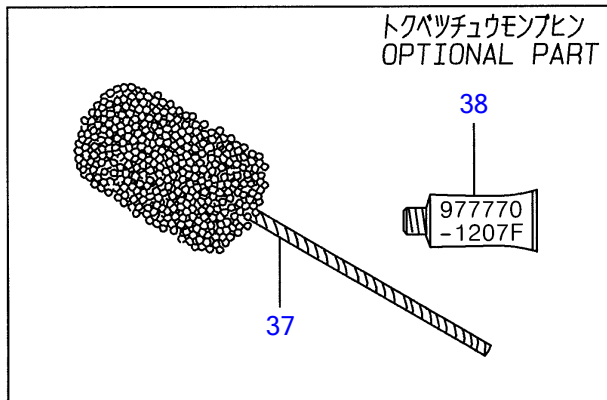
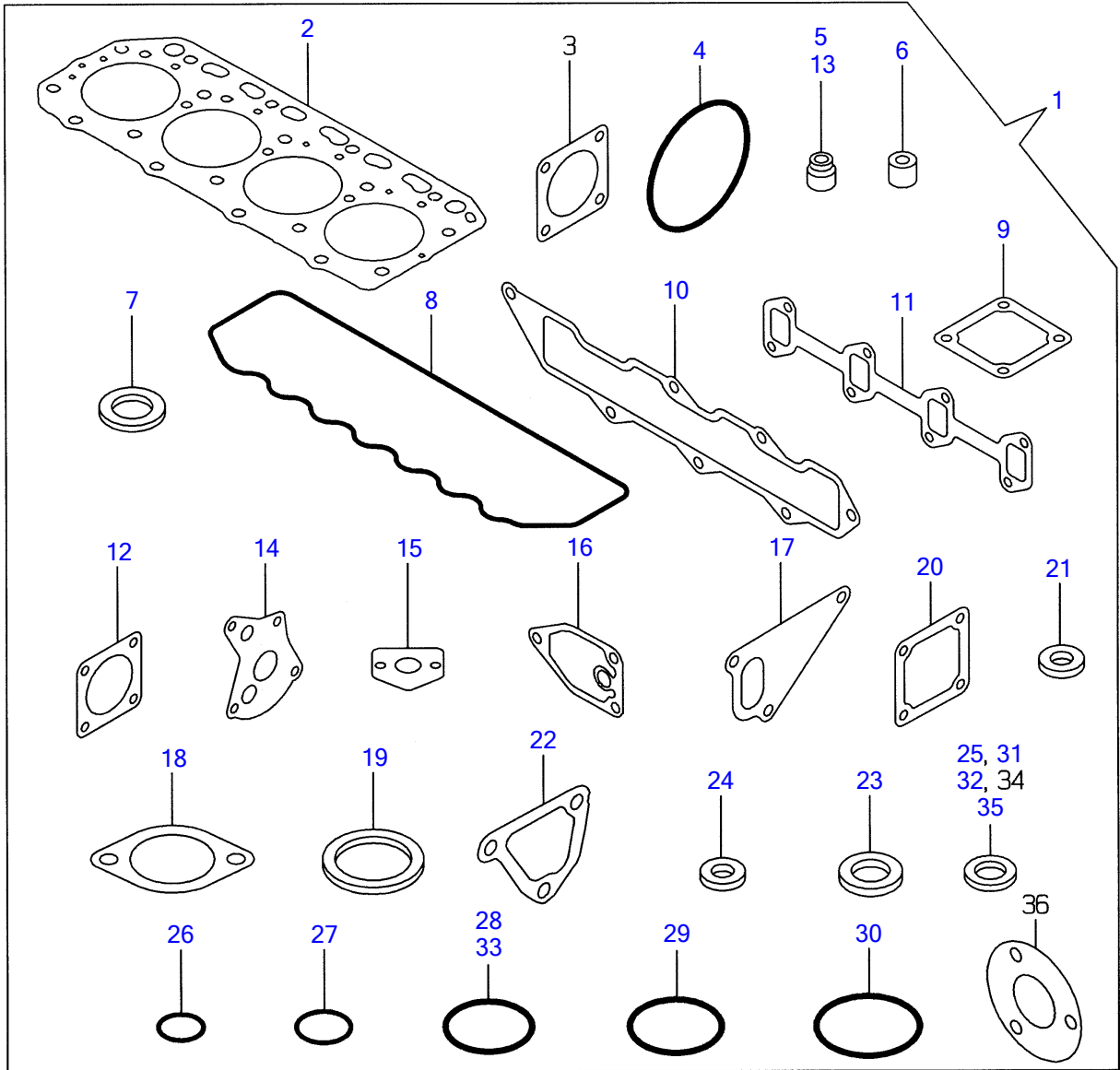
¼P'ÈÚ-À GENERATOR

REF NO.	PARTS NO.	Description	Q'ty		
1	Y119836-77201	GENERATOR (AC)	1		
22	Y129612-77700	• ROTOR ASSY	1		
23	Y129612-77710	• BALL BEARING	1		
24	Y119836-77920	• BRACKET ASSY, REAR	1		
25	Y129612-77730	• FRONT BRACKET ASSY	1		
26	Y129612-77740	• PULLEY	1		
27	Y129612-77750	• SCREW KIT	1		
28	Y119820-77340	SPACER	1		
29	Y129136-77251	BOLT M 8X110	1		
30	Y129612-77260	NUT ,GENERATOR	1		
31	Y129136-77350	ADJUSTER	1		
32	Y26014-080352	BOLT M 8X 35	1		
34	Y129136-77100	RELAY, SAFETY	1		
35	Y119632-77920	TIMER	1		
35-1	Y129211-77920	TIMER	1	N	
36	Y119032-77910	MOTOR ASSY, ENG.STOP	1		
37	Y106500-44810	SPACER	1		
38	Y129136-66810	MOTOR, DECEL.	1		

Engine for TB53FR 4TNE88-ETBZ
GASKET SET

Y00D6851
 4TNE88- (E) TB (1, Z)

17 パッキンセット
 GASKET SET



How to read this Parts Catalog.

1. Parts mentioned in this Parts Catalog may not necessarily be standard equipping parts.
2. Parts change may be made without prior notice.
3. Form of this Parts Catalog.

Y00F2161 (1997.09.01)

Fig. 29 燃料噴射ポンプ(ブーコン用)
FUEL INJECTION PUMP (W/BOOST)

見出 REF.No.	レベル LEV.	部品番号 PARTS No.	部品名 DESCRIPTION	個数 (Qty)						備考 REMARKS
				A	B	C	D	E	F	
1	•	729595-51390	F0ポンプ ASY(ブーコン用)	1	1	1	1	1	1	
1-1	•	729595-51391	F0ポンプ ASY(ブーコン用)	1	1	1	1	1	1	
		(A=E/#00185) (B=E/#00200)								
3	••	26022-060162	ナコネジ M 6X 16	9	9	9	9	9	9	
I 3-1	••	26022-060162	ナコネジ M 6X 16	4	4	4	4	4	4	K
		(A=E/#00185) (B=E/#00200) (C=E/#00156) (D=E/#00156) (E=E/#00156)								
4	••	129470-51040	カムシャフト	1	1	1	1	1	1	
5	••	122710-51050	ベアリング*ローラ	2	2	2	2	2	2	
6	••	129470-51060	ベアリング*オキ	1	1	1	1	1	1	

備考
(1) ブーストコンペンセータ付き、4JH-DT、4JH-DTZとも E/# 00155 までは、特別注文仕様とします

Remarks
(1) BOOST COMPENSATOR TYPE. OPTIONAL PART, TO E/# 00155, (4JH-DT, 4JH-DTZ)

① Ref. No.

The Ref. No. in the list may not be accord with the Ref. No. on illustration.

(Ex.) Illustration No. List head No.

1 1 (Befor change) → 1 - 1 (After change)

When interchangeable symbol N, R, and K, illustrations for new parts are sometimes omitted.

② Lev. (Level)

Indication and Meaning of Level

Level : Hereunder is given the relation among the number of dots (•), the level and the nominal parent-child relationship.

- Parent parts (Assembly parts)
- Child parts included in "••" (Semi-Assembly parts, component parts of Assembly parts.)
- Child parts included in "•••", Grand-child parts in terms of "••".
(Component parts of Semi-Assembly parts.)

Note) A parts of non-sale parts are illustrated but not listed.

③ Change Mark

Change Mark "I" is given to the part for which a design change was made at this time.

The design change was not shown in the last published Parts Catalog.

④ Interchangeability Mark

In the case where a part change took place, one of the following interchangeability marks is indicated for that part.

Symbol	interchangeability	Contents note
N	Old ↔ New	New Part is interchangeable for Old Part but not interchangeable conversely.
Q	Old ↔ New	New Part is not interchangeable for Old Part but interchangeable conversely.
R	Old ↔ New	New Part is interchangeable for Old Part and vice versa.
S	Old ↔ New	New Part is not interchangeable for Old Part and vice versa.
W		Part newly added.
Z		Part discontinued.
F		Not interchangeable single part but interchangeable by set of the related parts.
K		Changed only in quantity used.

⑤ Effective Machine No.

When a part is changed, Effective Machine No. of a Model for which the part is applicable is indication in each column of (A) - (F).

Product Symbol	Product No.	Product Symbol	Product No.
C	Clutch No. Compressor No.	M	Machine No.
D	Drive No.	T	Tractor No.
E	Engine No.	Note1) ※	Date

Note1) Date may follow the symbol in some cases. (Ex.) ※ 1996.01

Note2) As far as engine models shown by "XXX" are concerned, the modification of the parts could not be predicted or the engine models themselves could not be identified.

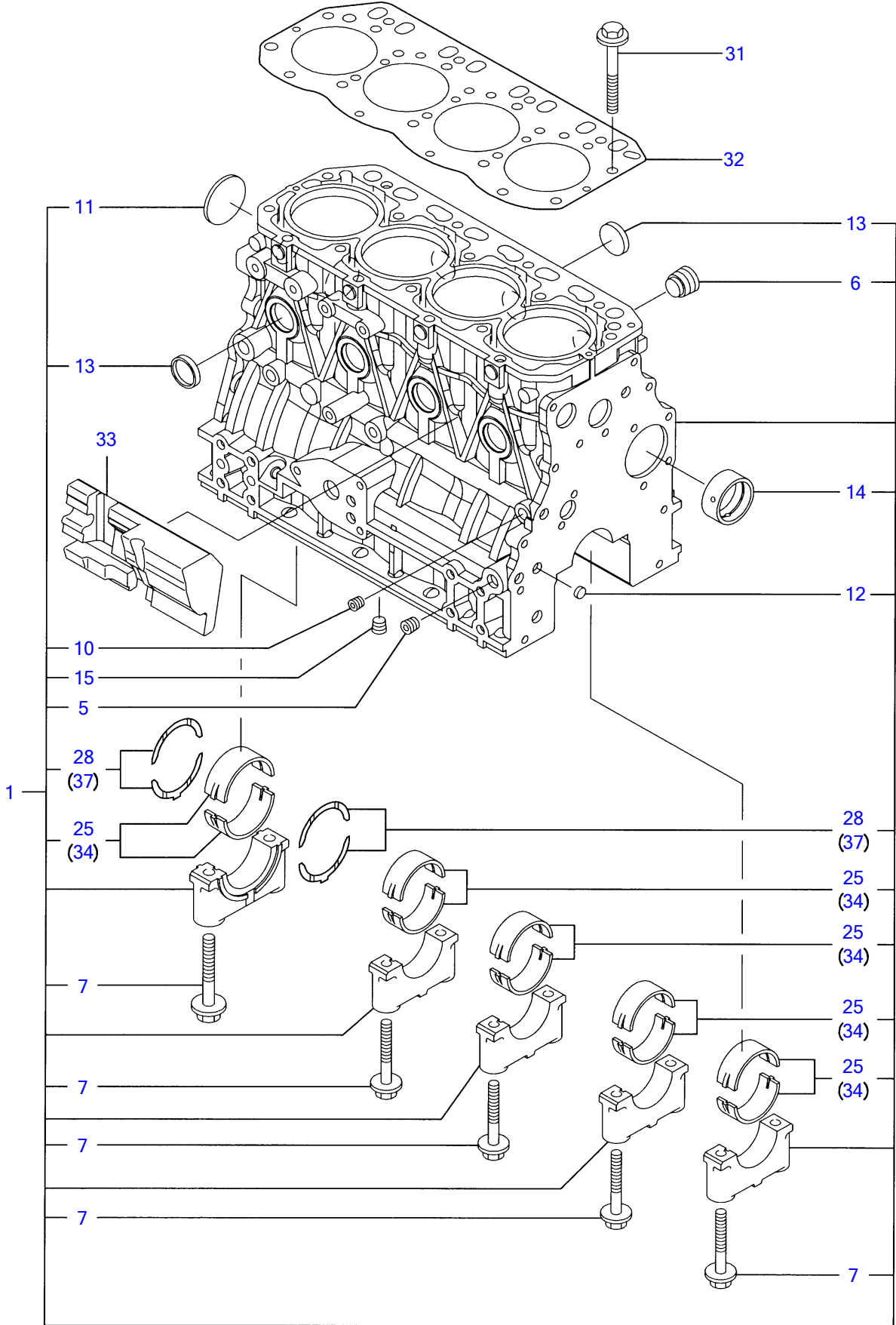
Note3) (A=E/#00185) means that the design change on the part has been effective for the model at the column (A) (in this case, for 4JH-DT) on and from E/# (Engine Serial Number) 00185.

⑥ Remarks Mark

Figures or alphabets (Symbols) are entered in the remark column.

The comments (remarks) on the pertinent parts are indicated in the lower part of the list by the same symbols as those stated above.

Engine for TB53FR 4TNV88-QTBZ
CYLINDER BLOCK

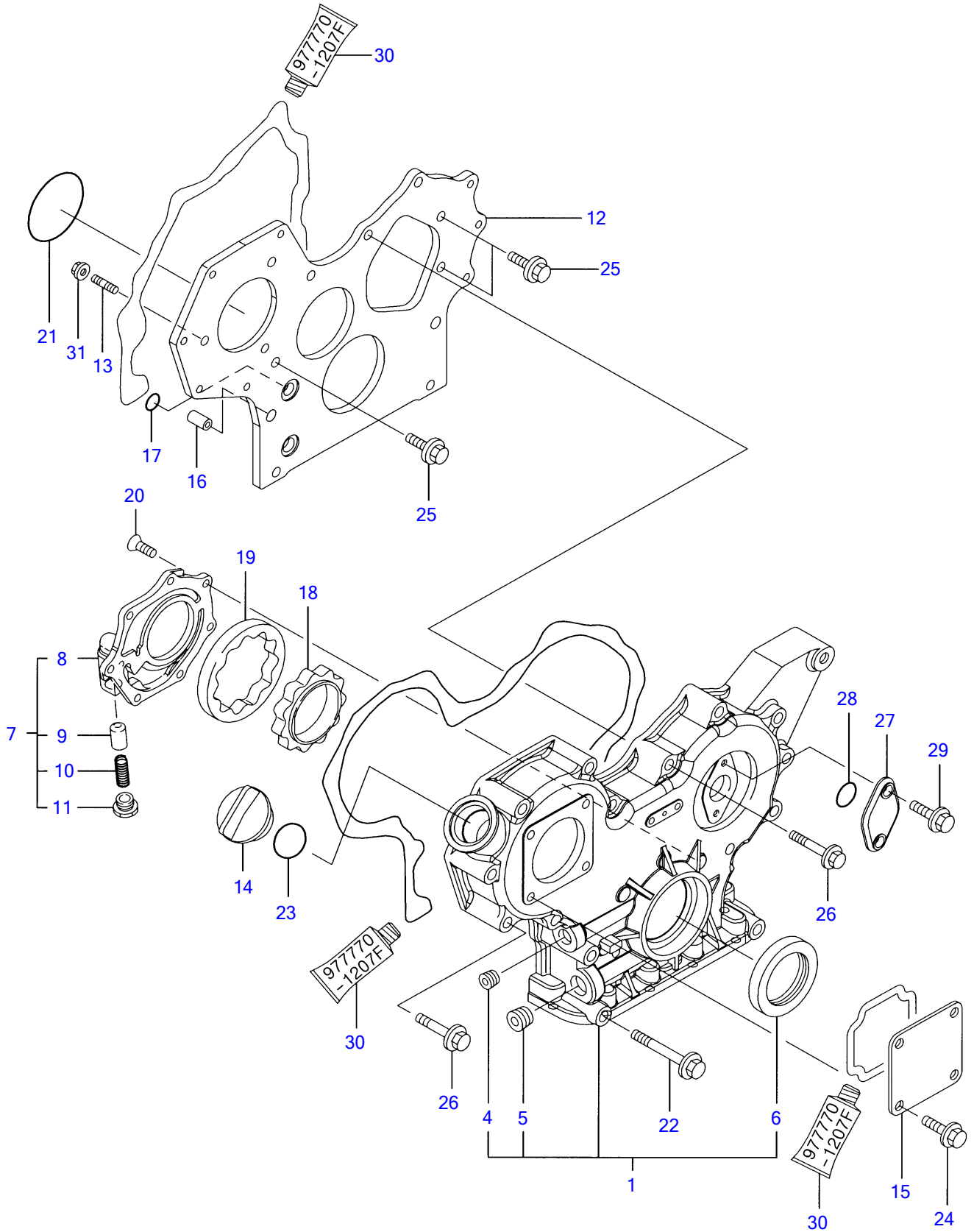


Y00D8180	1. シリンダブロック			
4TNV88-QTBZ		1:2004.01		PLUS

¼ØÝÀÞÞÙ, CYLINDER BLOCK

REF NO.	PARTS NO.	Description	Q'ty	I	R	"ö
1	Y729602-01560	¼ØÝÀÞÞÙ, ASSY	1			
5	Y124160-01910	• Ì×, Þ PT1/4	2			
6	Y171051-01921	• Ì×, Þ NPTF1	1			
7	Y129150-02020	• ÎÞÙÄ(ÒÀÙ-ÒÄÌÞ	10			
10	Y124060-01050	• Ì×, Þ	1			
11	Y129001-01250	• »×¶ÞÄÌ×, Þ 50	1			
12	Y27241-120000	• ÜÝ¶ÞÄÌ×, Þ 12	2			
13	Y27241-300000	• ÜÝ¶ÞÄÌ×, Þ 30	8			
14	Y129795-02411	• ÎÄ¼Ö (A)	1			
15	Y124160-01910	• Ì×, Þ PT1/4	1			
25	Y129001-02930	• Ò²ÝÒÄÙCMP(STDÎÖ³ËÝ)	5			(3) ÎÖ³ÞËË¼
28	Y129150-02930	• ½×½ÄÖÙ	2			
31	Y129150-01200	• ÍÄÞÞÙÄ	18			
32	Y129407-01340	• ÍÄÞ¶½¹ÄÄ	1			
33	Y129004-01190	• Ä²»Þ²Ë½ÌÞ-»	1			
34	Y129150-02870	• Ò²ÝÒÄÙ U.S=0.25	5			(1) ±ÝÄÞ°»²½Þ(U.S=0
37	Y129150-02940	• ½×½ÄÖÙ 0.25(2¹=1¼ÄÄ	1			(2) µ°ËÞ°»²½Þ(O.S=0

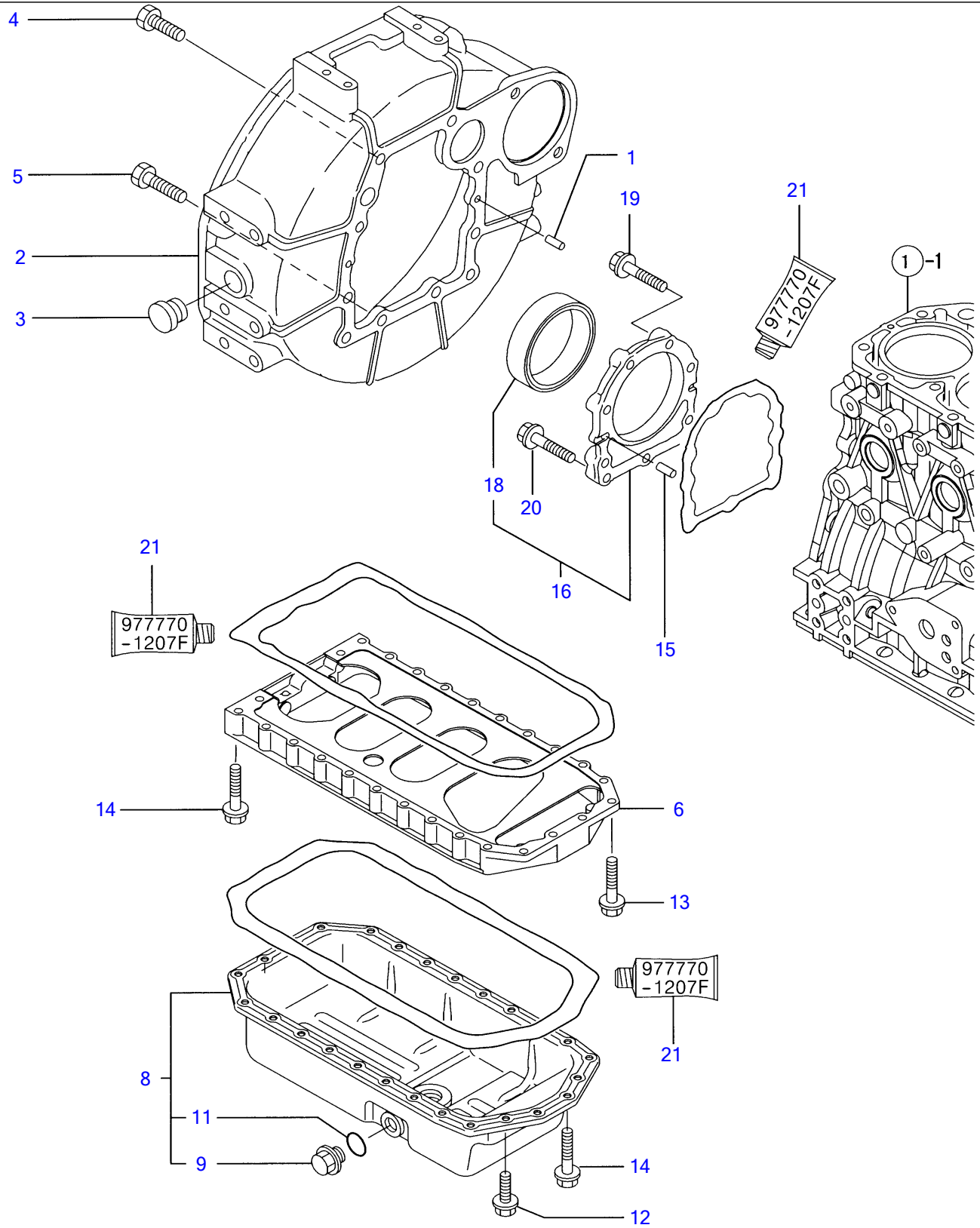
Engine for TB53FR 4TNV88-QTBZ
GEAR HOUSING



Y00D8180	2. ギヤケース			
4TNV88-QTBZ		1:2004.01		PLUS

REF NO.	PARTS NO.	Description	Q'ty	I	R	Ø
1	Y729233-01500	GEAR CASE ASSY	1			
4	Y23876-030000	PLUG PT3/8,SCREW	1			
5	Y23876-040000	PLUG PT 1/2	1			
6	Y119934-01800	SEAL, OIL	1			
7	Y119802-32100	COVER ASSY, PUMP	1			
8	Y119802-32070	COVER, LUB.OIL PUMP	1			
9	Y129900-32130	VALVE, RELIEF	1			
10	Y129418-32320	SPRING	1			
11	Y129001-32330	PLUG	1			
12	Y119802-01520	FRANGE, GEAR CASE	1			
13	Y119802-01560	STUD, M8X25	3			
14	Y124160-01751	COVER,FILLER	1			
15	Y124240-01871	COVER, HO-P	1			
16	Y129795-01950	PIPE, KNOCK L=18	2			
17	Y119609-32040	O-RING P16	4			
18	Y119802-32111	ROTOR, INNER	1			
19	Y119802-32120	ROTOR, OUTER	1			
20	Y119802-32130	SCREW, M6X16	7			
21	Y121850-51960	O-RING, F.I.PUMP	1			
22	Y129001-91841	BOLT, M8X85	3			
23	Y24311-000320	O-RING 1A P-32.0	1			
24	Y26106-080162	BOLT M 8X 16 PLATED	4			
25	Y26106-080162	BOLT M 8X 16 PLATED	3			
26	Y26106-080552	BOLT M 8X 55 PLATED	12			
27	Y121023-01550	COVER, BLIND	1			
28	Y24341-000240	O-RING 1A S-24.0	1			
29	Y26106-060162	BOLT M 6X 16 PLATED	2			
30	Y977770-1207F	GASKET, LIQUID	1			(1) 1/4" x 1/2" x 1/8"
31	Y26306-080002	NUT	3			

Engine for TB53FR 4TNV88-QTBZ
FLYWHEEL HOUSING & OIL SUMP



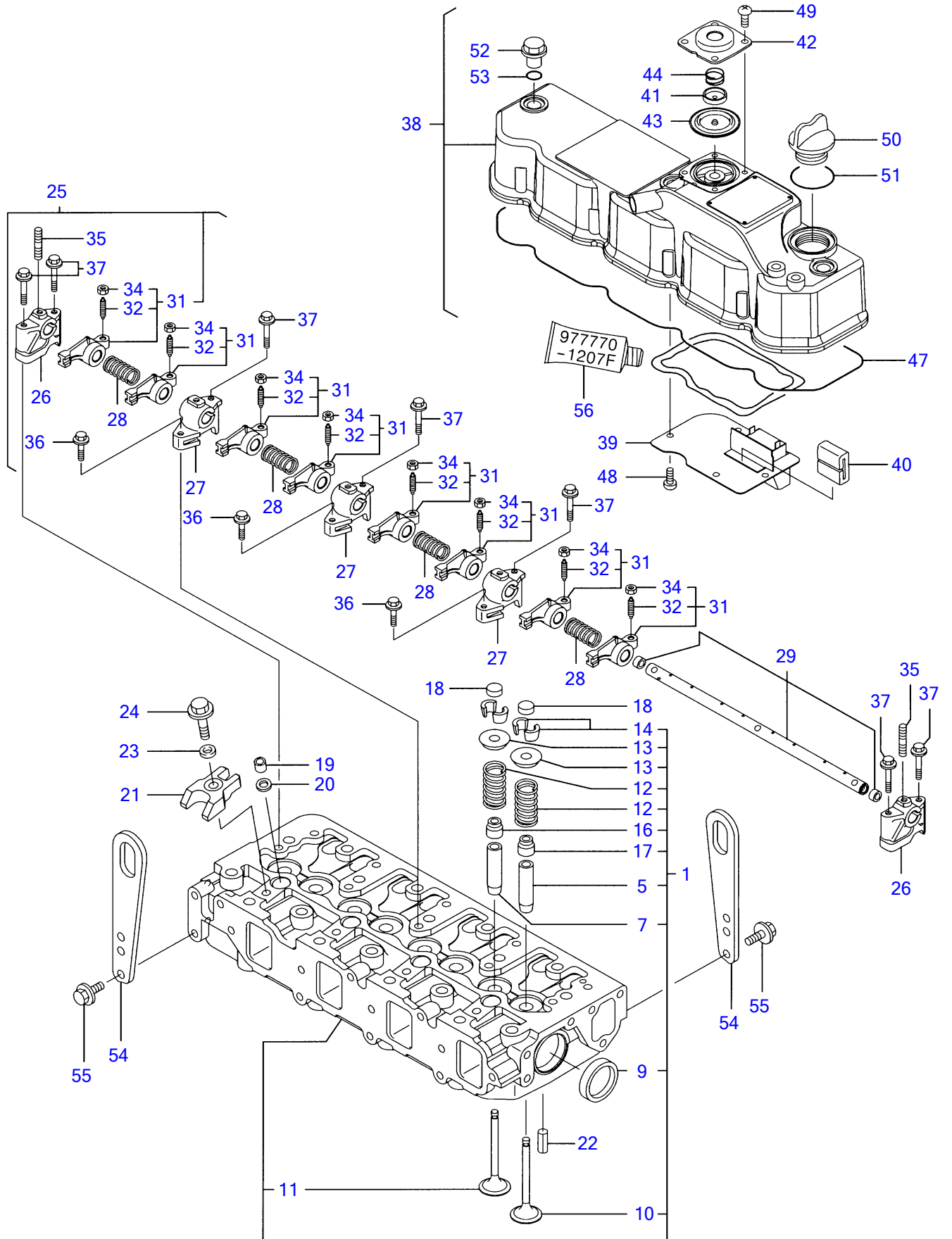
Y00D8180	3. フライホイールハウジング & オイルパン		
4TNV88-QTBZ		1:2004.01	PLUS

FLYWHEEL HOUSING & OIL SUMP

REF NO.	PARTS NO.	Description	Q'ty	I	R	"60
1	Y129100-01580	• PARALLEL PIN 8X16	2			
2	Y129612-01600	• HOUSING, FLYWHEEL	1			
3	Y119620-01750	• CAP, FLYWHEEL COVER	1			
4	Y26206-100252	• BOLT M10X25	6			
5	Y26206-100302	• BOLT M10X30	4			
6	Y129400-01730	• SPACER, OIL SUMP	1			
8	Y129400-01770	• SUMP ASSY, LUB. OIL	1			
9	Y171301-01640	• PLUG M22	1			
11	Y24341-000250	• O-RING 1A S-25.0	1			
12	Y26106-080162	• BOLT M 8X 16 PLATED	4			
13	Y26106-080252	• BOLT M 8X 25 PLATED	2			
14	Y26106-080452	• BOLT M 8X 45 PLATED	24			
15	Y129100-01580	• PARALLEL PIN 8X16	2			
16	Y129100-01640	• CASE ASSY, OIL SEAL	1			
18	Y129795-01780	• SEAL, OIL	1			
19	Y129486-01670	• BOLT M8X30, COLLAR HD	6			
20	Y26106-080352	• BOLT M 8X 35 PLATED	3			
21	Y977770-1207F	• GASKET, LIQUID	1			

(1) μ13¼@Ý
İPËYÁP½

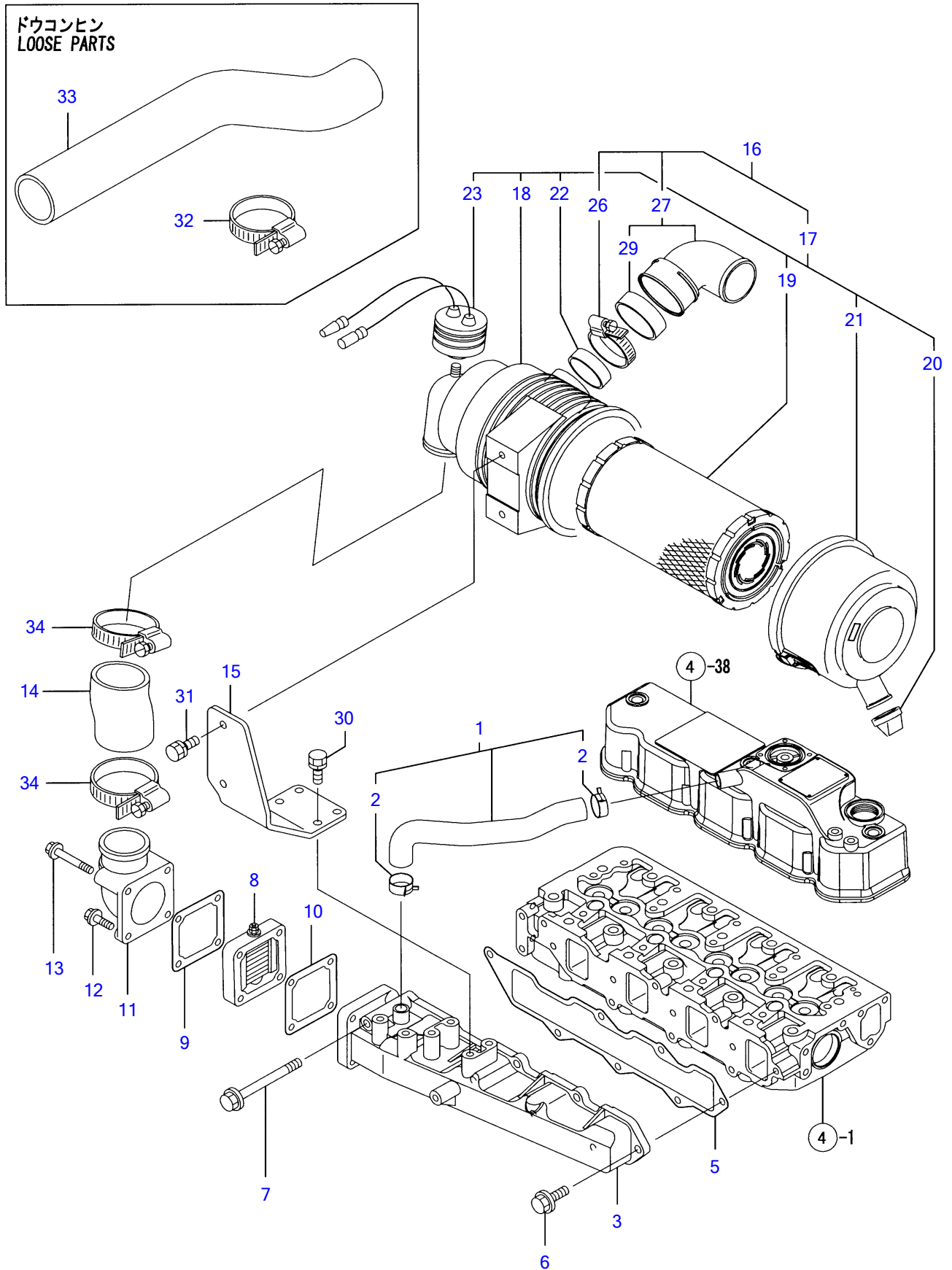
Engine for TB53FR 4TNV88-QTBZ CYLINDER HEAD & BONNET



Y00D8180	4. シリンダヘッド & ボンネット		
4TNV88-QTBZ		1:2004.01	PLUS

REF NO.	PARTS NO.	Description	Q'ty	I	R	Notes
1	Y129601-11700	• ¼ØÝÀbíÄÄb CMP	• HED ASSY, CYLINDER	1		
5	Y120130-11860	• • ÊbÜÍb¶²Äb(SUC	• • GUIDE, VALVE	4		(1) ÎÖ³ÍbËÝÄb½
7	Y129150-11810	• • Ê²·ÍbÝ¶²Äb	• • GUIDE, VALVE	4		(1) ÎÖ³ÍbËÝÄb½
9	Y27241-400000	• • ÚÝ¶ÍbÄÍb×, b 40	• • PLUG 40	2		
10	Y129004-11100	• • ÊbÜÍb(INT	• • VALVE, INTAKE	4		
11	Y129100-11110	• • ÊbÜÍb(EXH	• • VALVE, EXHAUST	4		
12	Y129795-11120	• • ÍbÝÊbÈ	• • SPRING, VALVE	8		
13	Y129795-11180	• • µ»'(ÍbÝÊbÈ)	• • RETAINER, SPRING	8		
14	Y27310-080001	• • °ÄÄ-(½ÄÑ)8 2¹=1SET	• • COTTER 8	8		
16	Y121400-11340	• • ÊbÜÍb½ÄÑ¼-Ü	• • SEAL, VALVE STEM	4		
17	Y124460-11340	• • ÊbÜÍb½ÄÑ¼-Ü	• • SEAL, VALVE STEM	4		
18	Y129150-11370	• • ÔÄÍb(ÍbÝ	• CAP, VALVE	8		
19	Y119802-11870	• • ÍbÜÄ, Ä(Ê½bÜ	• PROTECTOR, NOZZLE	4		
20	Y119625-11880	• • Ê½bÜ¼-Ä	• SEAT, NOZZLE	4		
21	Y129004-11900	• • Ê½bÜµ»'	• RETAINER, NOZZLE	4		
22	Y22351-060012	• • ½ÍbØÝ, bÈbÝ 6.0AX 12	• SPRING PIN 6X12	2		
23	Y120270-54410	• • »b¶ÍbÈ(²Ý¼b', Ä	• WASHER	4		
24	Y26106-080352	• • ÄÊbÍbÜÄ 8X 35	• BOLT M 8X 35 PLATED	4		
25	Y129601-11241	• • ÍbÝÜÝ¼b, CMP	• SHAFT ASSY, ROCKER	1		
26	Y119802-11260	• • ÍbÝÜÝ»Íb-Ä (A	• • SUPPORT, ROCKER	2		
27	Y119802-11270	• • ÍbÝÜÝ»Íb-Ä (B	• • SUPPORT, ROCKER	3		
28	Y129150-11280	• • ÍbÝÜÝ¼b, ÊbÈ	• • SPRING	4		
29	Y129601-11251	• • ÍbÝÜÝ¼b,	• • SHAFT	1		
31	Y129004-11650	• • ÍbÝÜÝKIT	• • ARM ASSY, ROCKER	8		
32	Y129150-11230	• • • ±¼bÖ½Ä (ÍbÝ½Ä	• • • SCREW, VALVE	8		
34	Y129150-11750	• • • ÄÄÄ M8XP1.0	• • • NUT M8XP1.0	8		
35	Y26226-080182	• • ³°ÐÍbÜÄ(2D 8X 18	• • STUD M 8X 18	3		
36	Y26106-080252	• • ÄÊbÍbÜÄ 8X 25	• BOLT M 8X 25 PLATED	3		
37	Y26106-080502	• • ÄÊbÍbÜÄ 8X 50	• BOLT M 8X 50 PLATED	7		
38	Y129601-11350	• • ÍbÝÈÄÄ CMP	• BONNET ASSY	1		
39	Y129004-03010	• • ÊbÄÍÜÍbÜ-Ä	• • PLATE, BAFFLE	1		
40	Y129150-03070	• • ÊbÄÍÜ(ÍbØ-»b	• • BAFFLE, BREATHER	1		
41	Y119802-03110	• • ¾ÝÄÍbÜ-Ä	• • PLATE, DIAPHRAGM	1		
42	Y119802-03120	• • ÄÄ, Äb²ÖÍ×Ñ	• • COVER, DIAPHRAGM	1		
43	Y119802-03130	• • Äb²ÖÍ×Ñ	• • DIAPHRAGM	1		
44	Y119802-03140	• • ÊbÈ, Äb²ÖÍ×Ñ	• • SPRING, DIAPHRAGM	1		
47	Y129601-11310	• • ÊbÄ·Ý(ÍbÝÜÝ¼Ä	• • GASKET, COVER	1		
48	Y22857-500100	• • ÄÄÈbÝÈ¼b 5.0X10	• • SCREW 5X10, TAPPING	4		
49	Y22857-500100	• • ÄÄÈbÝÈ¼b 5.0X10	• • SCREW 5X10, TAPPING	4		
50	Y124160-01751	• • ÄÄ(ÍÖ³)	• COVER, FILLER	1		
51	Y24311-000320	• • OØÝ, b 1A P 32.0	• O-RING 1A P-32.0	1		
52	Y124160-11360	• • ÄÄÄ	• KNOB	3		
53	Y24311-000120	• • OØÝ, b 1A P 12.0	• O-RING 1A P 12.0	3		
54	Y129900-07900	• • ÄØ±¹b¶Ä, b	• LIFTER, ENGINE	2		
55	Y26106-080142	• • ÄÊbÍbÜÄ M 8X 14	• BOLT M 8X 14 PLATED	4		
56	Y977770-1207F	• • ¼Ø²-Ý¹² ·¼bÖ³¶²½¹ÄÄ	• GASKET, LIQUID	1		(2) µÍb¼ÖÝ ÍbËÝÄb½

Engine for TB53FR 4TNV88-QTBZ SUCTION MANIFOLD & AIR CLEANER

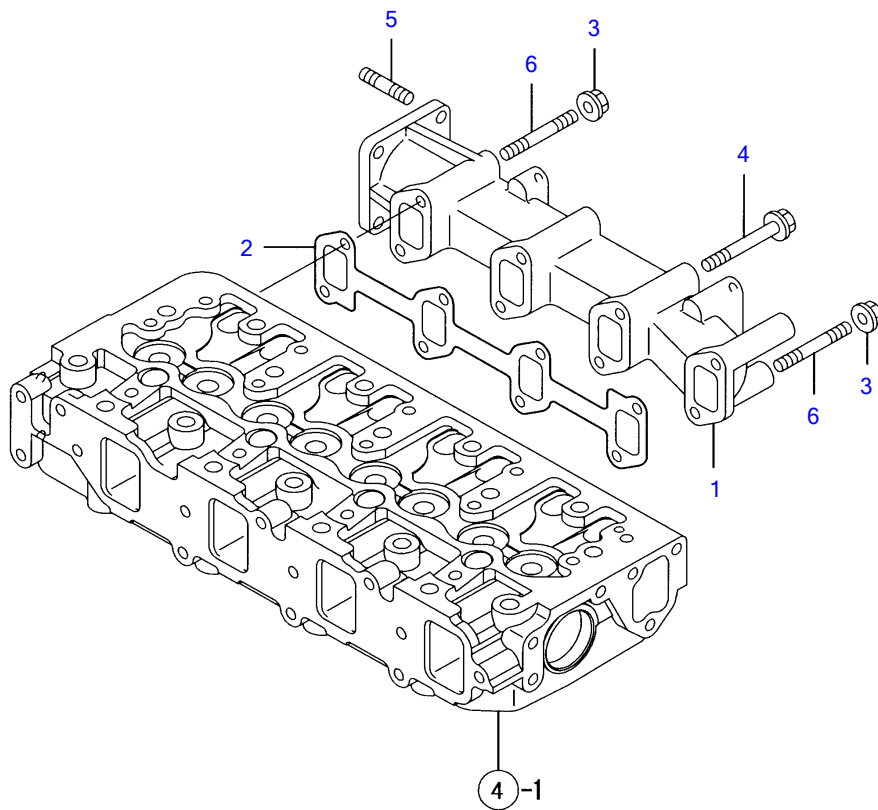
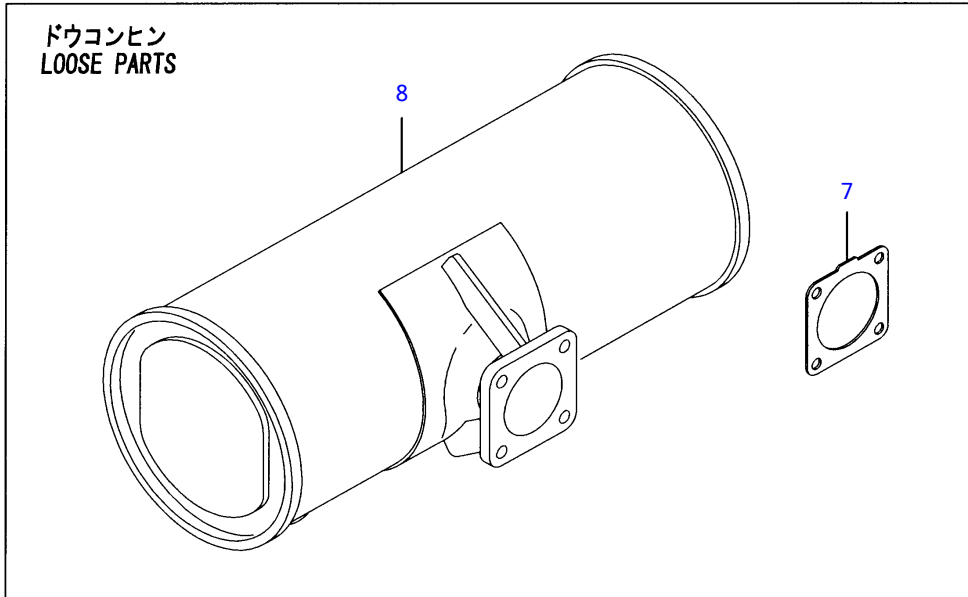


Y00D8180	5. キュウキマニホールド & エアクリーナ	1:2004.01	PLUS
4TNV88-QTBZ			

·Ö³·ÏÆÏ·ÙÀÞ & '±,Ø-À SUCTION MANIFOLD & AIR CLEANER

REF NO.	PARTS NO.	Description	Q'ty
1	Y129601-03080	· ÌÞØ-»ÞÊß²Ïß	1
2	Y129410-03990	· · Ì-½,ØÀÏß 24	2
3	Y129601-12100	· ÏÆÏ·ÙÀÞ(INT Öº)	1
5	Y129407-12110	· ÞË(ÏÆÏÙÀÞ	1
6	Y26106-080202	· ÂÊÞÏÞÙÄ 8X 20	6
7	Y26106-080802	· ÂÊÞÏÞÙÄ 8X 80	1
8	Y129100-77500	· Ê-À- ('±-	1
9	Y129100-77510	· ÊßÂ·Ý('±-Ê-À-	1
10	Y129150-77511	· ÞË('±Ê-À)(ÊÝ±½)	1
11	Y171340-77520	· ÌÞÝÀÞ	1
12	Y26106-080402	· ÂÊÞÏÞÙÄ 8X 40	2
13	Y26106-080802	· ÂÊÞÏÞÙÄ 8X 80	2
14	Y119910-12210	· ·Ö³·Ï-½	1
15	Y119802-12560	· ÌÞ×¹ÀÄ, '±,Ø-À	1
16	Y129612-12681	· '±,Ø-À CMP	1
17	Y129612-12691	· · · ±,Ø-À CMP	1
18	Y119910-12510	· · · ÌÞÀÞ²	1
19	Y119808-12520	· · · 'ÚÖÝÄ(±³À	1
20	Y119808-12540	· · · ±ÝÙ-ÀÞÊÞÙÏÞ	1
21	Y119866-12541	· · · ¶ÊÞ-ASSY	1
22	Y129259-12570	· · · ØÝ,Þ	1
23	Y129953-12620	· · · ²Ý¼Þ¹-À CMP(³'	1
26	Y23000-060000	· · Ì-½,ØÀÏß 60	1
27	Y129612-12560	· · 'ÚÏÞ(²ÝÄ-	1
29	Y129612-12590	· · · ¶Þ½¹ÀÄ(²ÝÄ-	1
30	Y26013-080222	· ÌÞÙÄ(ÊÞÊ 8X 22	4
31	Y26013-080222	· ÌÞÙÄ(ÊÞÊ 8X 22	2
32	Y23000-060000	· Ì-½,ØÀÏß 60	1
33	Y129642-12270	· ·Ö³·ÝÁÖ³¶Ý	1
34	Y23000-060000	· Ì-½,ØÀÏß 60	2

Engine for TB53FR 4TNV88-QTBZ
EXHAUST MANIFOLD & SILENCER

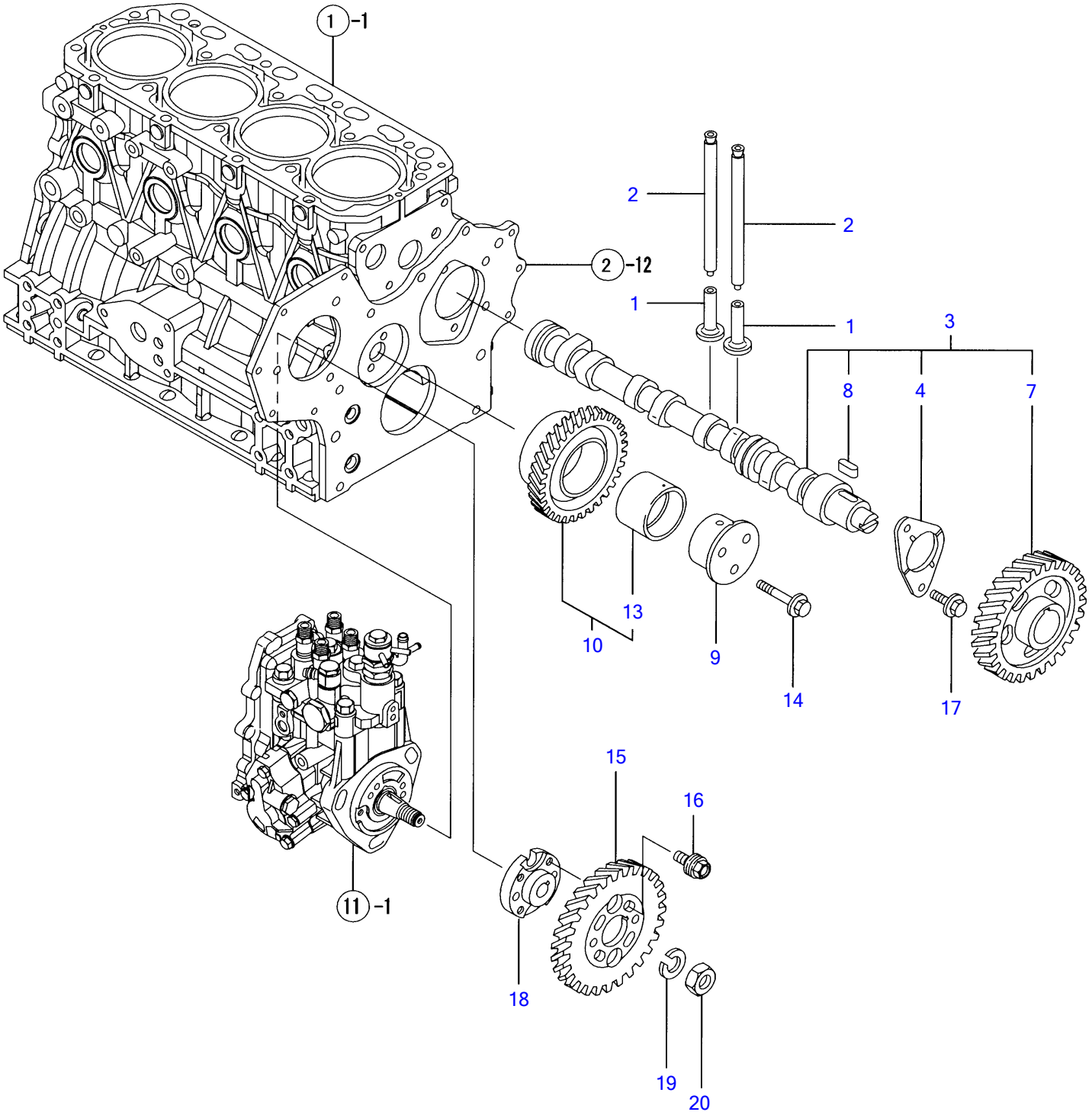


Y00D8180	6. ハイキマニホールド & サイレンサ		
4TNV88-QTBZ	1:2004.01		PLUS

Ê²-ĪÆĪ-ÛÄĖ & »²ÚÝ» EXHAUST MANIFOLD & SILENCER

REF NO.	PARTS NO.	Description	Q'ty
1	Y129640-13109	MANIFOLD, EXHAUST	1
2	Y129950-13110	GASKET, EXH.MANIFOLD	1
3	Y26306-080002	NUT	2
4	Y123900-13630	BOLT 8X80	6
5	Y119131-18320	BOLT M 8X 22	4
6	Y123900-13610	STUD BOLT M 8X 80	2
7	Y129930-13200	GASKET, SILENCER	4
8	Y129642-13540	SILENCER	1

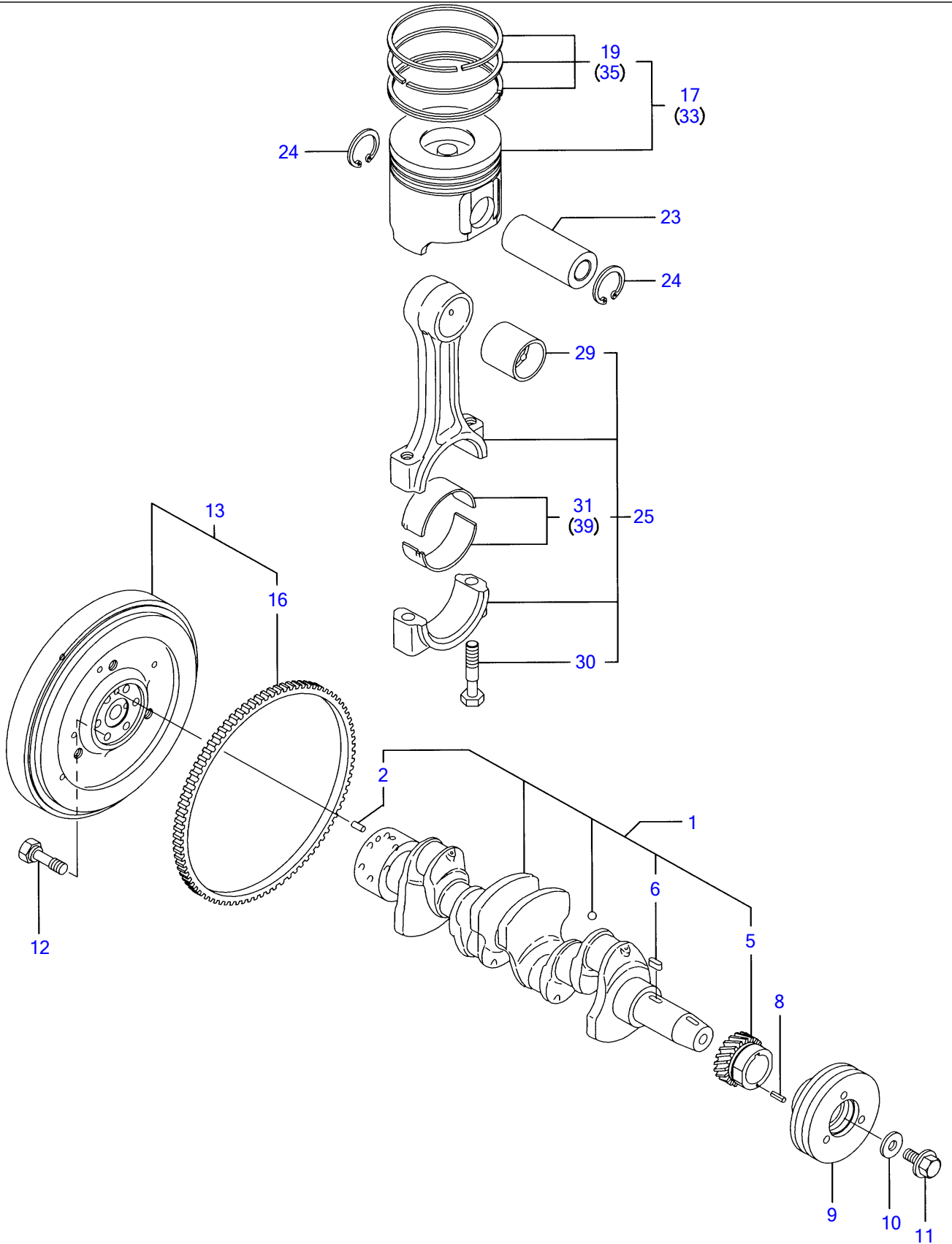
Engine for TB53FR 4TNV88-QTBZ CAMSHAFT & DRIVING GEAR



Y00D8180	7. カムシャフト & クドウギヤ			
4TNV88-QTBZ	1:2004.01			PLUS

REF NO.	PARTS NO.	Description	Q'ty	I	R	"
1	Y129150-14200	• TAPPET	8			
2	Y129150-14400	• ROD, PUSH	8			
3	Y729402-14580	• CAMSHAFT ASSY	1			
4	Y129150-02450	• METAL, THRUST(CAM	1			
7	Y129150-14101	• GEAR, CAMSHAFT	1			
8	Y22512-070140	• KEY 7X 14	1			
9	Y119802-25051	• SHAFT, IDLE GEAR	1			
10	Y119802-25100	• GEAR ASSY, IDLE	1			
13	Y119802-25070	• BUSH, IDLE GEAR	1			(1) 1/2
14	Y26106-080402	• BOLT M 8X 40 PLATED	3			
15	Y119802-25901	• GEAR, PUMP	1			
16	Y129150-25301	• BOLT, FI-P	4			
17	Y26106-080142	• BOLT M 8X 14 PLATED	2			
18	Y158552-51151	• FLANGE	1			
19	Y22217-140000	• SPRING WASHER 14	1			
20	Y26776-140002	• LOCK NUT M14 PLATED	1			

Engine for TB53FR 4TNV88-QTBZ CRANKSHAFT & PISTON

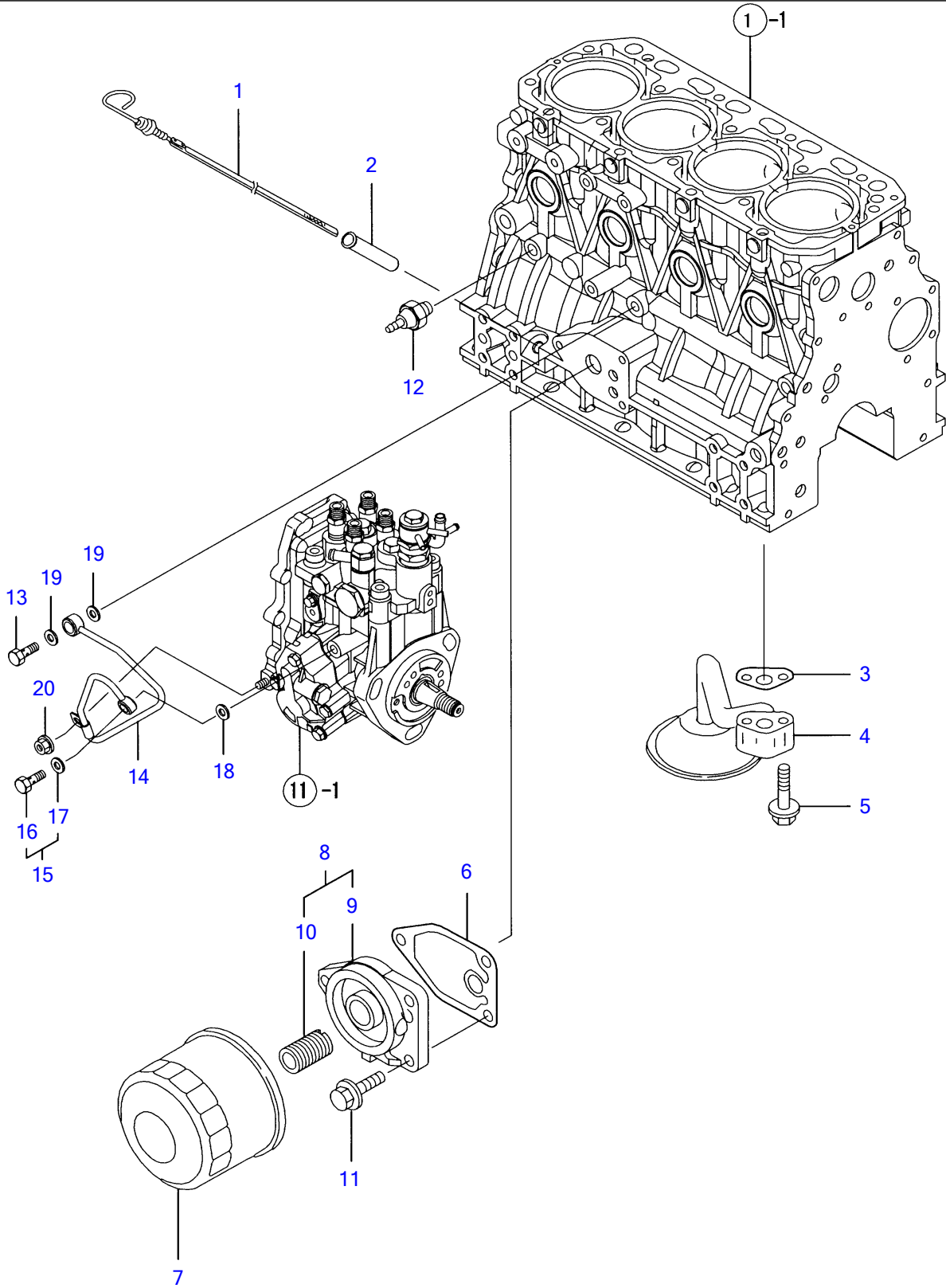


Y00D8180	8. クランクシャフト & ピストン		
4TNV88-QTBZ		1:2004.01	PLUS

CRANKSHAFT & PISTON

REF NO.	PARTS NO.	Description	Q'ty	I	R	Notes
1	Y129601-21001	CRANKSHAFT ASSY	1			
2	Y129100-01580	PARALLEL PIN 8X16	1			
5	Y119802-21201	GEAR, CRANKSHAFT	1			
6	Y22512-070140	KEY 7X 14	1			
8	Y22351-030010	SPRING PIN 3X10	1			
9	Y119802-21660	V-PULLEY, CRANKSHAFT	1			
10	Y129795-21661	WASHER	1			
11	Y121850-21680	BOLT, V-PULLEY	1			
12	Y121111-21501	BOLT, FLYWHEEL	6			
13	Y129642-21590	FLYWHEEL ASSY	1			
16	Y119865-21600	GEAR, RING	1			
17	Y129005-22080	PISTON ASSY	4			
19	Y129005-22500	RING SET, PISTON	4			
23	Y129202-22300	PIN, PISTON(D26,L70)	4			
24	Y22252-000260	CIRCLIP 26	8			
25	Y729402-23100	ROD ASSY, CONNECTING	4			
29	Y129100-23910	BUSH, PISTON PIN	4			(1) Note
30	Y121550-23200	BOLT, CONNECTING ROD	8			
31	Y129150-23600	BEARING, CRANKPIN	4			
33	Y129005-22900	PISTON W/RING OS=.25	4			(2) Note
35	Y129005-22950	RING SET O.S=0.25	4			(2) Note
39	Y129150-23610	METAL.PIN US=0.25	4			(3) Note

Engine for TB53FR 4TNV88-QTBZ
LUB.OIL SYSTEM

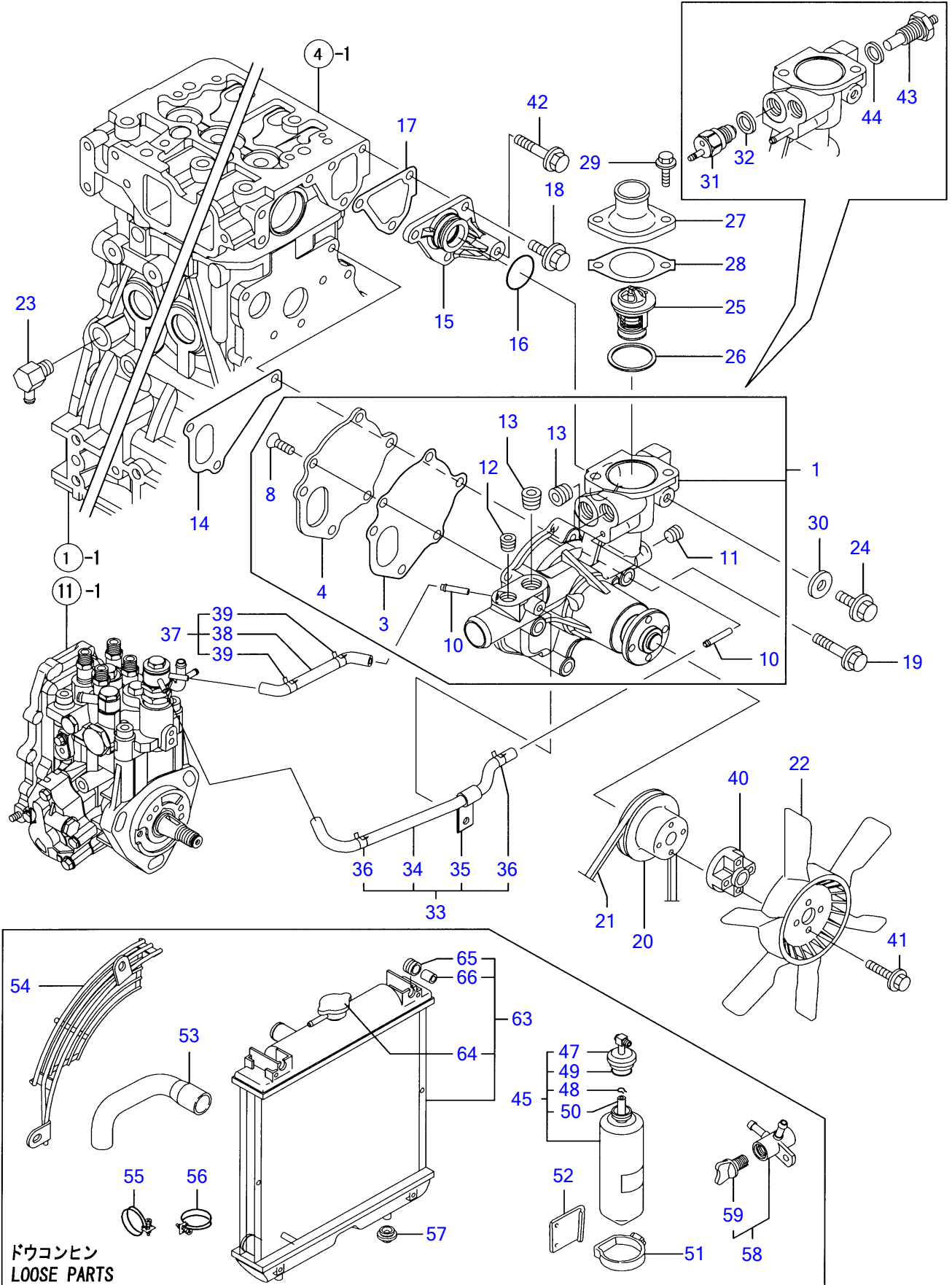


Y00D8180	9. LOシステム			
4TNV88-QTBZ		1:2004.01		PLUS

LO 1/2" LUB.OIL SYSTEM

REF NO.	PARTS NO.	Description	Q'ty
1	Y129004-34802	DIPSTICK, LUB.OIL	1
2	Y121520-34810	GUIDE, DIPSTICK	1
3	Y129150-35041	GASKET, (NON-ASB.)	1
4	Y129436-35091	PIPE ASSY, LUB. OIL	1
5	Y26106-080352	BOLT M 8X 35 PLATED	2
6	Y129150-35111	GASKET, (NON-ASB.)	1
7	Y129150-35152	FILTER 80X80L	1
8	Y119802-35100	BRACKET ASSY, FILTER	1
9	Y119802-35110	BRACKET, FILTER	1
10	Y129100-35140	STUD	1
11	Y26106-080202	BOLT M 8X 20 PLATED	3
12	Y114250-39450	SWITCH,(0.5KG)L.O.	1
13	Y124160-39140	BOLT 10, PIPE JOINT	1
14	Y119802-39450	PIPE ASSY, LUB. OIL	1
15	Y129005-59830	BOLT ASSY, JOINT	1
16	Y23857-030000	JOINT BOLT 3	1
17	Y22190-080002	SEAL WASHER 8S	1
18	Y22190-080002	SEAL WASHER 8S	1
19	Y22190-100002	SEAL WASHER 10S	2
20	Y26366-060002	NUT M 6	1

Engine for TB53FR 4TNV88-QTBZ COOLING WATER SYSTEM



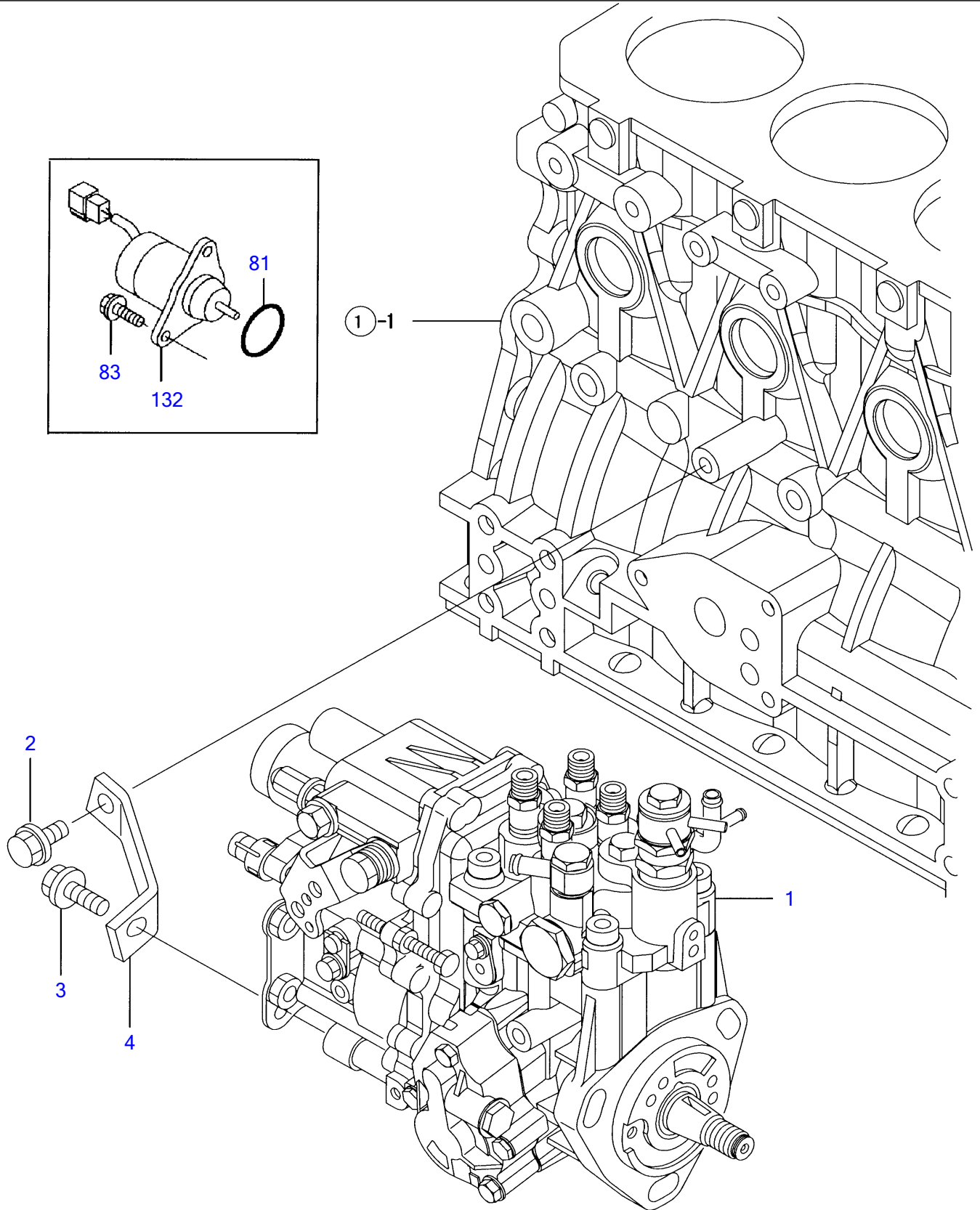
ドウコンピン
LOOSE PARTS

Y00D8180	10. CWシステム		
4TNV88-QTBZ		1:2004.01	PLUS

CW¼½ÄÑ COOLING WATER SYSTEM

REF NO.	PARTS NO.	Description	Q'ty
1	Y129004-42001	• CWÍßÝÍß CMP	• PUMP ASSY, WATER 1
3	Y129100-42051	• • PK(CW-P)(ÉÝ±½)	• • GASKET, (NON-ASB.) 1
4	Y129100-42121	• • ÌßÚ-Ä	• • PLATE 1
8	Y121850-42410	• • ½, ØÕ³	• • SCREW 3
10	Y119802-49113	• • CW-T Ä-bÄ	• • JOINT 2
11	Y23876-010000	• • È¼ÞÍß×, ÞPT1/8	• • PLUG PT1/8, SCREW 1
12	Y23876-020000	• • È¼ÞÍß×, Þ 1/4	• • PLUG 1/4 1
13	Y129916-49740	• • È¼ÞÍß×, Þ R03	• • PLUG, DRAIN R03 2
14	Y129486-42021	• PK(CW-P)	• GASKET 1
15	Y129004-42040	• ¼ÞÖ²ÝÄ(CW-P)	• JOINT 1
16	Y129486-42140	• ØÝ, Þ G 30	• O-RING, CW-P 1
17	Y124395-49840	• PK(»-Ó½ÄÄÄ¹-½)	• GASKET, THERMO. CASE 1
18	Y26106-080162	• ÄÊÞÍÞÜÄ 8X 16	• BOLT M 8X 16 PLATED 3
19	Y26106-080602	• ÄÊÞÍÞÜÄ 8X 60	• BOLT M 8X 60 PLATED 3
20	Y129403-42380	• Víß-Ø(D=110)	• V-PULLEY(D=110) 1
21	Y129612-42290	• VíÞÜÄ(º, ÞA37.5	• V-BELT 1
22	Y129110-44740	• Ì±Ý (D390*KC	• FAN (D=390), COOLING 1
23	Y121750-49110	• Ä-ÞÄ(Ø½ÞÇ-Èß²Íß)	• JOINT 1
24	Y26106-080122	• ÄÊÞÍÞÜÄ 8X 12	• BOLT M 8X 12 PLATED 1
25	Y129457-49801	• »-Ó½ÄÄÄ(82	• THERMOSTAT(82 1
26	Y129150-49811	• PK(»-Ó½ÄÄÄ ¼Ä)(ÉÝ±½)	• GASKET, (NON-ASB.) 1
27	Y129350-49530	• »-Ó½ÄÄÄ¶ÊÞ-(ÌÞ×Ä, :12	• COVER, THERMOSTAT 1
28	Y129795-49551	• PK(»-Ó½ÄÄÄ¶ÊÞ-)(ÉÝ±½)	• GASKET, (NON-ASB.) 1
29	Y26106-080222	• ÄÊÞÍÞÜÄ 8X 22	• BOLT M 8X 22 PLATED 2
30	Y23414-080000	• ÈßÄ-Ý(ÏÜ 8	• GASKET 8, ROUND 1
31	Y121250-44901	• »-Ó½²ÄÄ(110ßC 1¼Ý¼)	• SWITCH, THERMO(110ßC 1
32	Y124465-44950	• ÈßÄ-Ý16	• GASKET 16 1
33	Y129004-49610	• CW-T A CMP(MP2	• PIPE ASSY, A MP2 1
34	Y129004-49711	• • CW-T A(MP2	• • PIPE ASSY, A MP2 1
35	Y119802-49730	• • ÌÜÄÞÖ(CW-T	• • CLAMP, CW-T 1
36	Y124722-59050	• • Ì-½, ØÄÍß(ÏÜ 9	• • CLAMP 9 2
37	Y129004-49620	• CW-T B CMP(MP2	• PIPE ASSY, B MP2 1
38	Y129004-49721	• • CW-T B(MP2	• • PIPE, WATER B MP2 1
39	Y124722-59050	• • Ì-½, ØÄÍß(ÏÜ 9	• • CLAMP 9 2
40	Y121267-44760	• ½Íß-» (ÌÞ×Ä, :12)	• SPACER 1
41	Y26106-060302	• ÄÊÞÍÞÜÄ 6X 30	• BOLT M 6X 30 PLATED 4
42	Y26106-080452	• ÄÊÞÍÞÜÄ 8X 45	• BOLT M 8X 45 PLATED 1
43	Y119266-49350	• »-Ó¼Ý»-	• SENSOR, THERMO. 1
44	Y129150-49360	• PK 10	• GASKET 10 1
45	Y171064-44510	• »ÌÞÄÝ, CMP	• SUB-TANK ASSY 1
47	Y121450-44531	• • ÖÄÍß	• • CAP 1
48	Y124450-44560	• • µ»'(µ-ÈÞ-ÌÜ-Èß²Íß	• • CLAMP 1
49	Y121470-44581	• • ÈßÄ-Ý	• • GASKET 1
50	Y23065-070225	• • 23061-070300(Ä³Ö²í	• • PIPE 7X 225 1
51	Y124450-44550	• ÈÞÝÄÞ(»ÌÞÄÝ	• CLAMP, SUB-TANK 1
52	Y121256-44600	• ÌÞ×¹ÄÄ (ÌÞ×Ä, :12)	• BRACKET, SUB-TANK 1
53	Y129612-49030	• CW-T (A	• PIPE, COOLING WATER 1
54	Y129132-44590	• Ü²ÖÈÄÄ	• NET, WIRE 1
55	Y23010-038000	• Ì-½ÈÞÝÄÞ 38	• CLAMP 38 2
56	Y23010-044000	• Ì-½ÈÞÝÄÞ 44	• CLAMP 44 2
57	Y119255-44660	• ÌÞ³¼ÝÞÞÑ(×¼Þ-Ä	• RUBBER 2
58	Y129150-49100	• »ÝÍß³ºÄ, CMP	• COCK ASSY, 3-WAY 1
59	Y129150-49080	• • ÄÞÜÝºÄ,	• • COCK, DRAIN 1
63	Y129642-44510	• ×¼Þ-Ä ASSY	• RADIATOR ASSY 1
64	Y129107-44590	• • ÖÄÍß(0.9KG/CM²) D46	• • CAP, RADIATOR 1
65	Y129467-44580	• • Ì³ÝÄ×ÈÞ-	• • MOUNT RUBBER 2
66	Y129467-44590	• • ¶×-	• • COLLAR 2

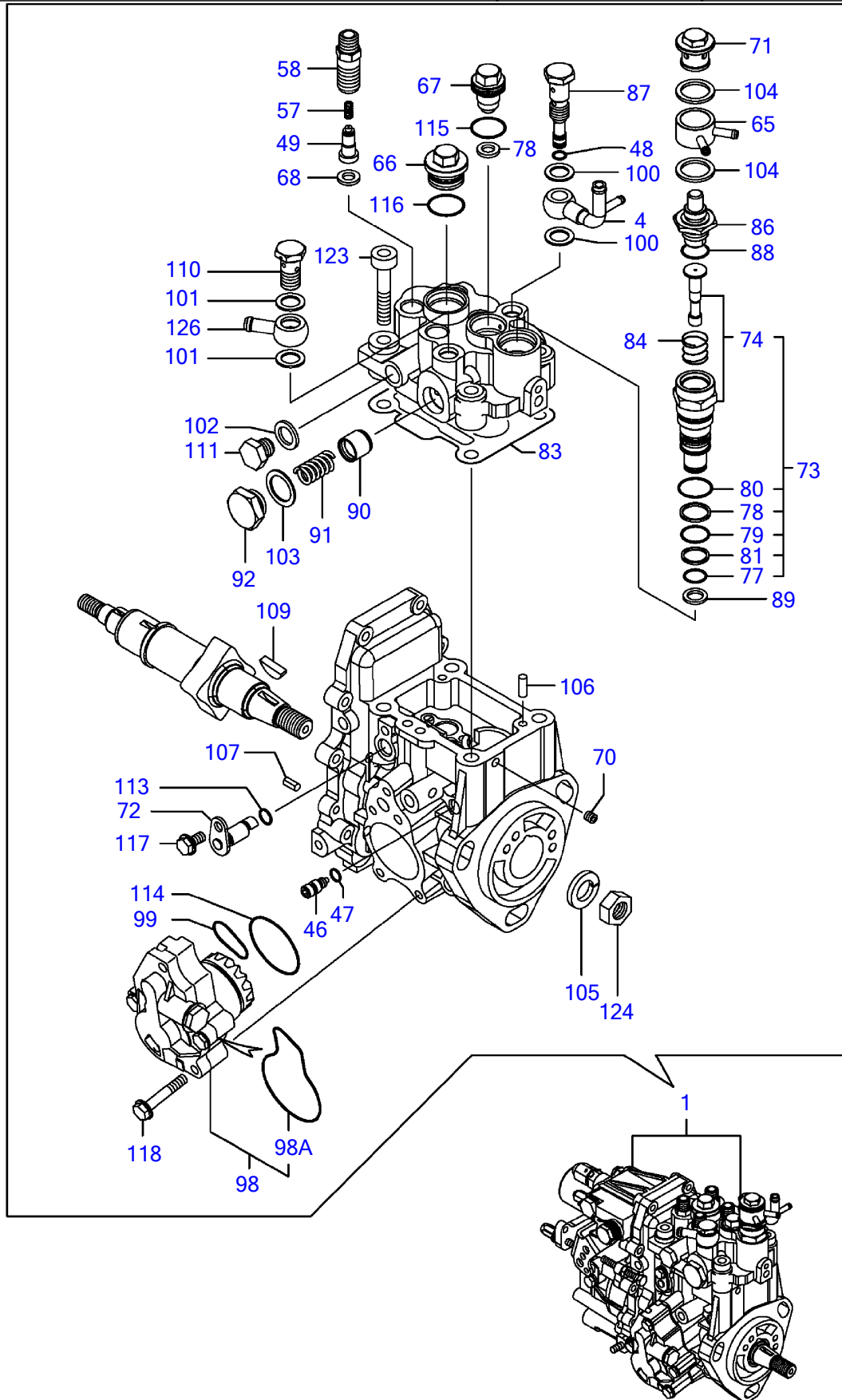
Engine for TB53FR 4TNV88-QTBZ
FUEL INJECTION PUMP



Y00D8180	11. FOファンシャポンプ		
4TNV88-QTBZ		1:2004.01	PLUS

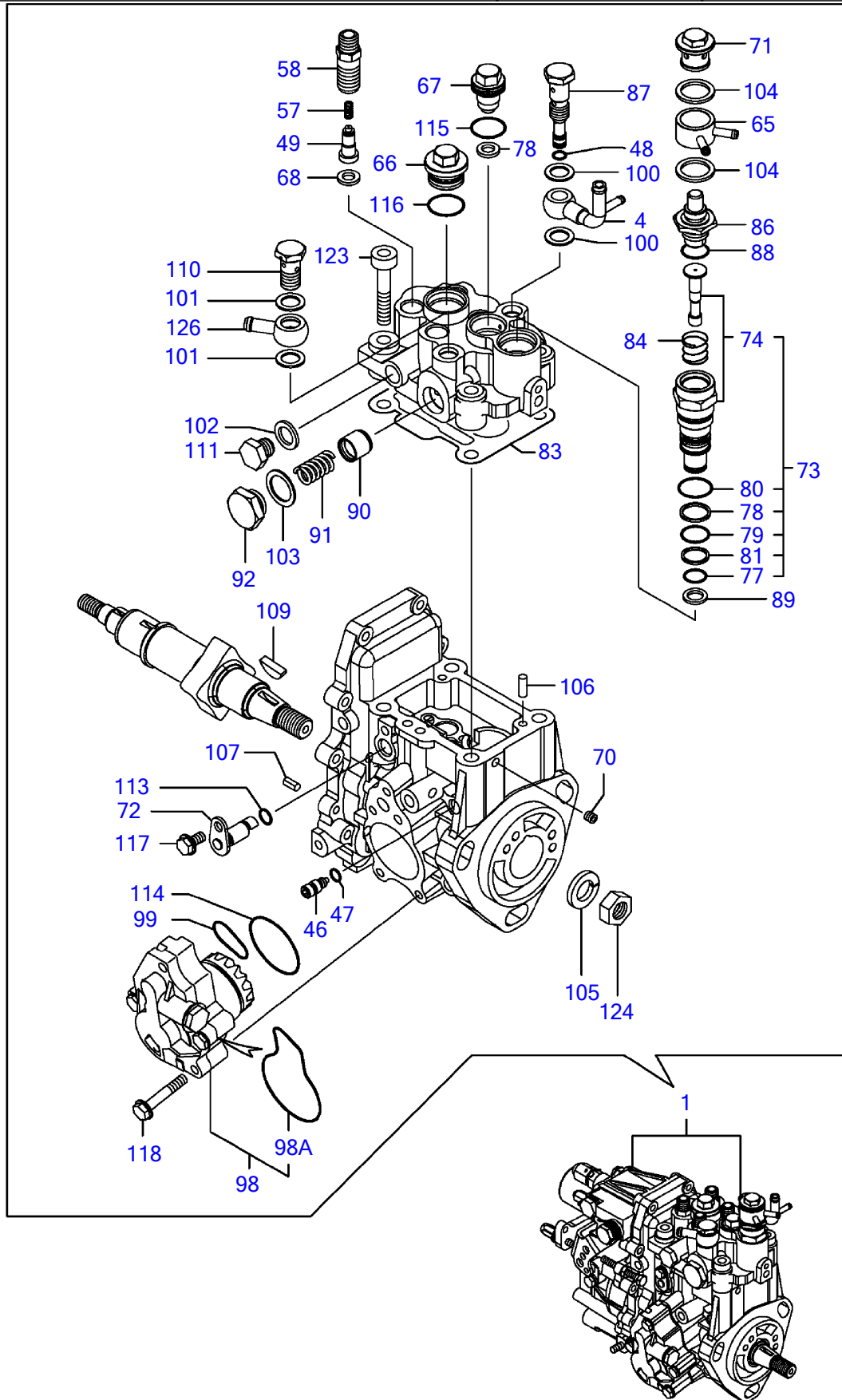
REF NO.	PARTS NO.	Description	Q'ty
1	Y729642-51410	FUEL INJECTION PUMP ASSY	1
2	Y26106-080162	BOLT M 8X 16 PLATED	1
3	Y26106-080202	BOLT M 8X 20 PLATED	1
4	Y129601-51250	SUPPORT, FIP	1
81	Y24341-000280	O-RING 1A S-28.01	1
83	Y26106-060142	BOLT M	2
132	Y119233-77932	SOLENOID, STOP	1

Engine for TB53FR 4TNV88-QTBZ
FUEL INJECTION PUMP (INNER PARTS)



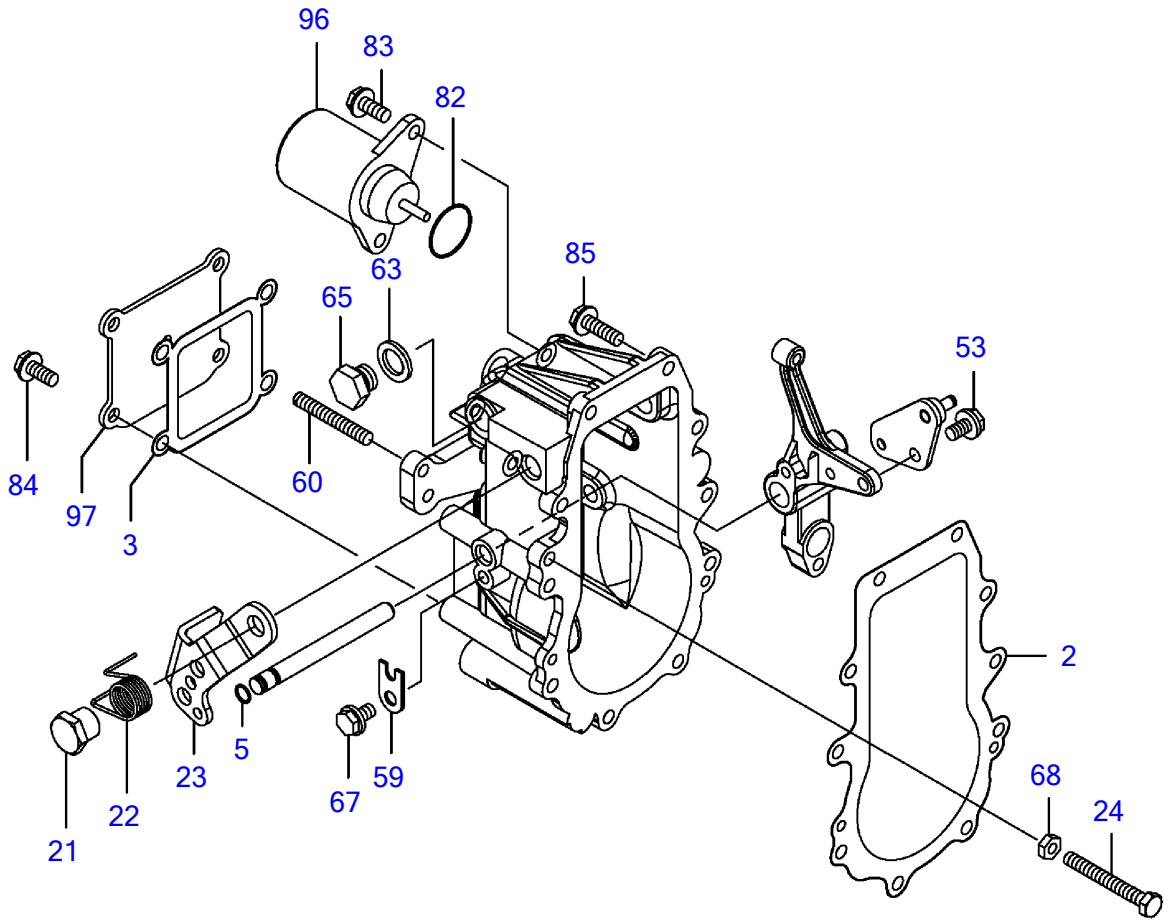
REF NO.	PARTS NO.	Description	Q'ty	R	Notes
1	Y729642-51410	PUMP ASSY, F.INJECT	1	(1)	(1) DAP NO. 1 FOIY¼-IBYIB ASSY ÆÊ³Ó, NO. 11-2 ¶PÊPÁ I, DÍ½i
4	Y158552-51670	JOINT	1		
46	Y158600-51270	STOPPER	1		
47	Y158563-51281	O-RING	1		
48	Y158563-51281	O-RING	1		
49	Y158560-51300	VALVE ASSY, DILEVERY	4		
57	Y158563-51330	SPRING	4		
58	Y158601-51340	HOLDER, DELIVERY	4		
65	Y158553-51551	JOINT, COOLING WATER	1		
66	Y158601-51550	PLUG	1		
67	Y119802-51560	BARREL PLUG	1		
68	Y158552-51570	PK(BARREL PLUG	4		
70	Y158557-51570	PLUG	1		
71	Y158601-51570	PLUG, WATER PUMP	1		
72	Y158552-51580	LIFTER	1		
73	Y119802-51590	TIMER SET	1		
74	Y119802-51600	TIMER CMP	1		
77	Y158553-51670	O-RING, 1011	1		
78	Y119802-51680	BACKUP RING	1		
79	Y119802-51690	O RING	1		
80	Y24356-010200	PACKING, 1020	1		
81	Y24372-000150	RING, BACKUP T2 P 15	1		
83	Y158552-51600	PACKING, HEAD	1		
84	Y158553-51630	SPRING, TIMER	1		
86	Y158553-51640	ELEMENT, THERMO	1		
87	Y158601-51650	JOINT	1		
88	Y158553-51660	O-RING, P14	1		
89	Y158553-51680	PACKING, TIMER	1		
90	Y158601-51770	PISTON	1		
91	Y158552-51780	DAMPER ASSY	1		
92	Y158601-51790	PLUG	1		
98	Y158552-52100	PUMP ASSY, FEED	1		
98A	Y158552-52500	O-RING(FEED P INNER	1		
99	Y158552-52310	O-RING	1		
100	Y22190-120002	SEAL WASHER 12	2		
101	Y22190-120002	SEAL WASHER 12	2		
102	Y22190-120002	SEAL WASHER 12	1		
103	Y22190-180002	SEAL WASHER 18	1		
104	Y22190-180002	SEAL WASHER 18	2		
105	Y22217-140000	SPRING WASHER 14	1		
106	Y22312-050140	PARALLEL PIN 5X14	2		
107	Y22351-050010	SPRING PIN 5X10	2		
110	Y23857-060000	JOINT BOLT 6, PIPE	1		
111	Y23887-120002	PLUG M12, HEX.	1		
113	Y24311-000070	O-RING 1A P-7.0	1		
114	Y158552-52400	O-RING 4E S42	1		
115	Y24356-010180	O-RING	1		

Engine for TB53FR 4TNV88-QTBZ
FUEL INJECTION PUMP (INNER PARTS)



REF NO.	PARTS NO.	Description	Q'ty	I	R	"õ
116	Y24356-010200	• • OØÝ, p4D1020	1			
117	Y26106-060102	• • ÂÊþÛÄM6X10	1			
118	Y158553-51770	• • ìþÜÄ	4			
123	Y26450-080452	• • 6¶, ±ÄÛÄ8X45	4			
124	Y26776-140002	• • ÄÖÄÄ(î, 14	1			
126	Y129916-59020	• ¶ÝÄ-þÄ(¶Ä, Á12	1			

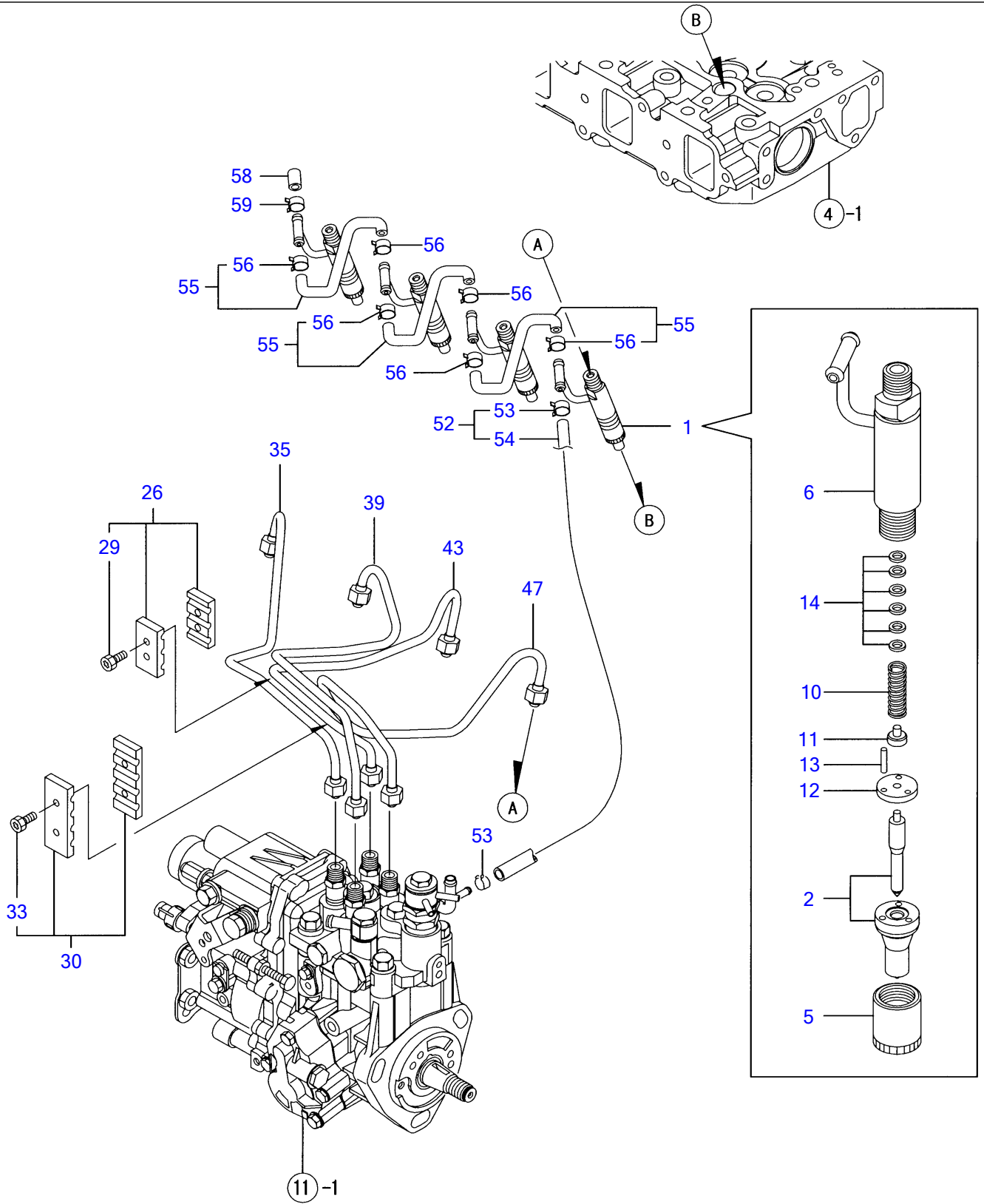
Engine for TB53FR 4TNV88-QTBZ
GOVERNOR (INNER PARTS)



Y00D8100	11-2. ガバナ (インナパーツ)		
4TNV88-QTB. QTB1		1:2004 01	PI IIS

REF NO.	PARTS NO.	Description	Q'ty	I	R	”ó
2	Y158553-61050	PACKING, CASE	1			
3	Y158553-61070	PACKING	1			
5	Y129155-51280	• O-RING S6	1			
21	Y129255-61410	• NUT	1			
22	Y119807-61420	• SPRING	1			
23	Y158552-61441	• LEVER, REGULATOR	1			
24	Y129155-61460	• BOLT, IDLE LIMIT	1			
53	Y26106-060102	• BOLT M 6X 10 PLATED	1			
60	Y171002-66830	• SCREW, ADJUST	1			
63	Y22190-120000	• SEAL WASHER 12(BOLT)	1			
65	Y23887-120002	• PLUG M12,HEX.	1			
67	Y26106-060102	• BOLT M 6X 10 PLATED	1			
68	Y26756-060002	• LOCK NUT 6	1			
82	Y24341-000280	O-RING 1A S-28.0	1			
83	Y26106-060142	BOLT M 6X 14 PLATED	2			
84	Y26106-060142	BOLT M 6X 14 PLATED	4			
85	Y26106-060202	BOLT M 6X 20 PLATED	10			
96	Y119233-77932	SOLENOID, STOP	1			
97	Y129642-61060	COVER, CASE	1			

Engine for TB53FR 4TNV88-QTBZ FUEL INJECTION VALVE

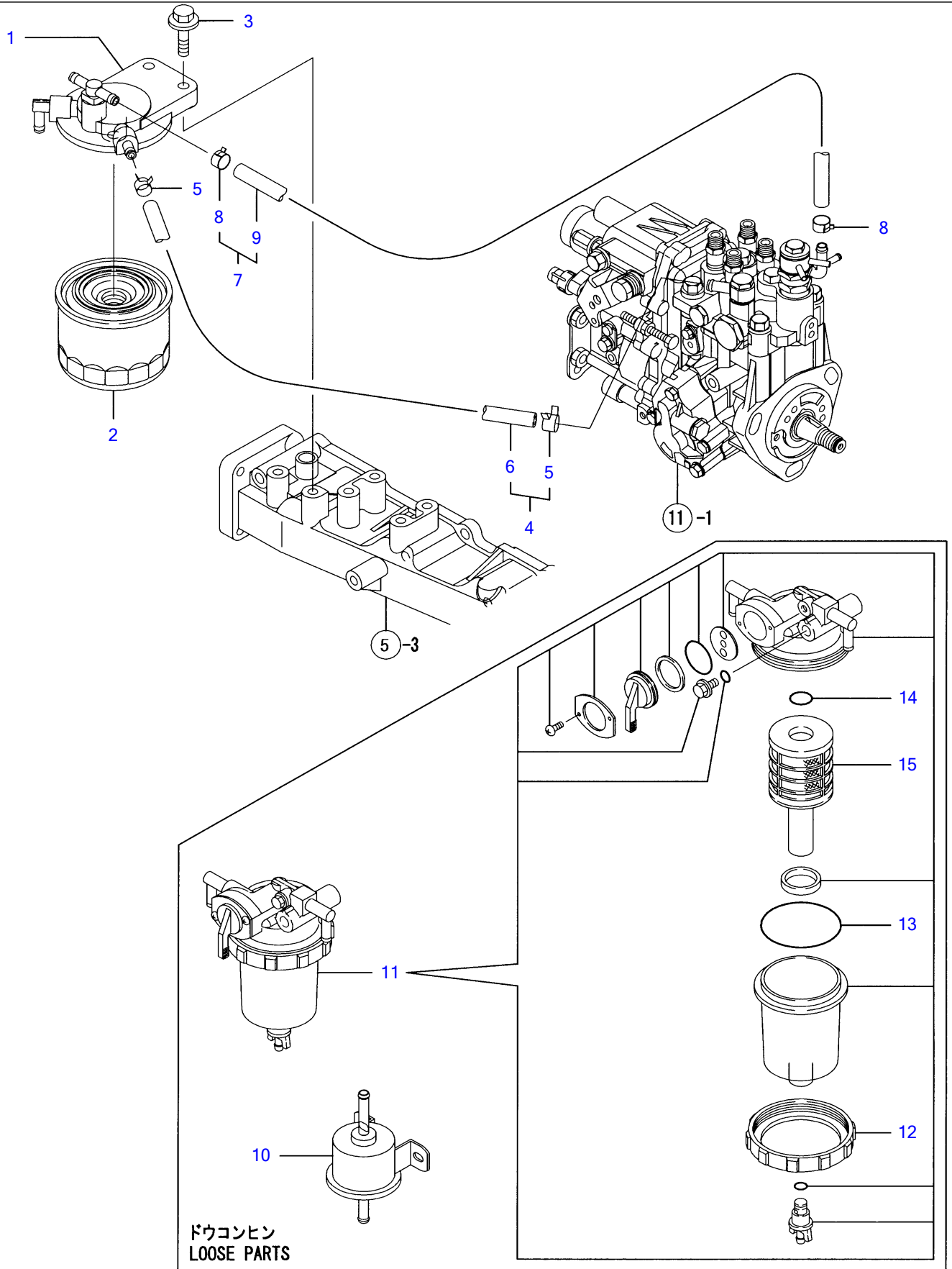


Y00D8180	12. F07ンシャペン			
4TNV88-QTBZ		1:2004.01		PLUS

FOIY¼-ÍPÝ FUEL INJECTION VALVE

REF NO.	PARTS NO.	Description	Q'ty	I	R	»ö
1	Y729642-53100	• FOÍPÝ ASSY(WBH	• FUEL INJECTOR(WBH	4		
2	Y129640-53001	• • É½PÙ CMP	• • NOZZLE ASSY	4		
5	Y114250-53080	• • 1-½ÁÁÁ(D16.95)	• • NUT, NOZZLE CASE	4		
6	Y119802-53100	• • É½PÙÍÙÁP CMP	• • HOLDER ASSY, NOZZLE	4		
10	Y114250-53120	• • ½ÍØÝ, P(É½PÙ	• • SPRING, NOZZLE	4		
11	Y114250-53130	• • ¼-Ä(É½PÙ½ÍØÝ, P	• • SEAT, NOZZLE SPRING	4		
12	Y114250-53140	• • ½ÁÁÍØÍÙ-Á	• • PLATE, STOP	4		
13	Y114250-53210	• • ÈÛÝ(É½PÙ²Á·PÒ	• • PIN	8		
14	Y114250-53400	• • ¼Ñ CMP	• • SHIM PACK	4		
26	Y129150-59120	• ÍÙÁPÒ(ÍY¼Ô¶Ý CMP	• RETAINER, INJ. PIPE	1		
29	Y129150-59131	• • ÍPÙÄ	• • BOLT M4X14,HEX.SCKT.	2		
30	Y129550-59120	• ÍÙÁPÒ(ÍY¼Ô¶ÝCMP	• RETAINER	1		
33	Y129150-59131	• • ÍPÙÄ	• • BOLT M4X14,HEX.SCKT.	2		
35	Y129601-59810	• FO-T(ÍY¼Ô CMP	• PIPE ASSY, INJECTION	1		
39	Y129601-59820	• FO-T(ÍY¼Ô CMP	• PIPE ASSY, INJECTION	1		
43	Y129601-59830	• FO-T(ÍY¼Ô CMP	• PIPE ASSY, INJECTION	1		
47	Y129601-59840	• FO-T(ÍY¼Ô CMP	• PIPE ASSY, INJECTION	1		
52	Y119802-59550	• FO-T(ÓÄP¼ CMP	• PIPE ASSY, RETURN	1		
53	Y124722-59050	• • Í-½,ØÄÍØ(ÍÙ 9	• • CLAMP 9	2		
54	Y119802-59560	• • FO-T(ÓÄP¼	• • PIPE, FUEL RETURN	1		
55	Y129486-59551	• FOÓÄP¼¶¶Ý CMP	• PIPE, FUEL RETURN	3		
56	Y124722-59050	• • Í-½,ØÄÍØ(ÍÙ 9	• • CLAMP 9	6		
58	Y119593-59580	• • ÓÄÍØ(FO-TÓÄP¼	• CAP	1		
59	Y124060-77680	• Í-½,ØÄÍØ(ÍÙ 10	• CLAMP 10	1		

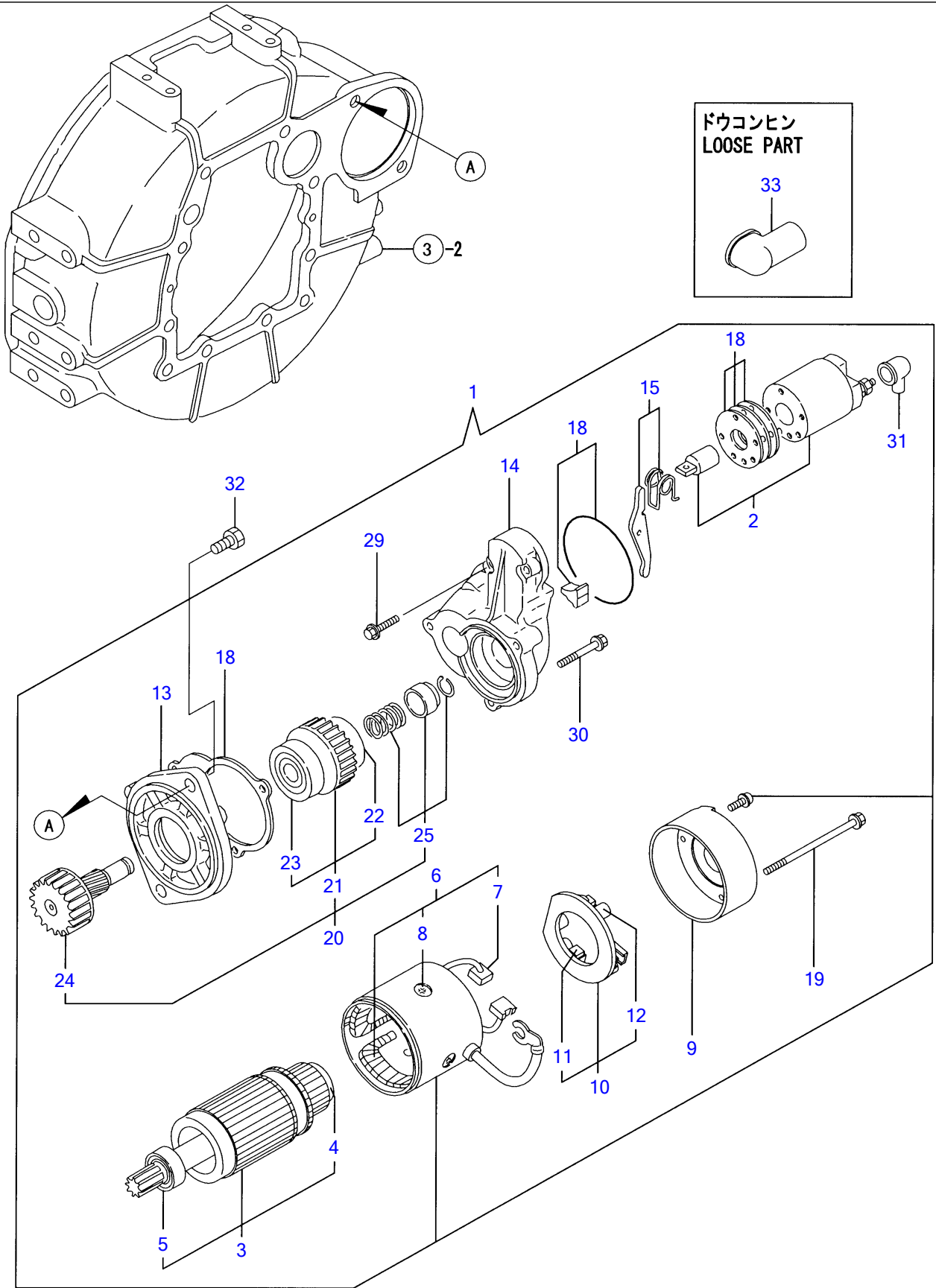
Engine for TB53FR 4TNV88-QTBZ
FUEL LINE



Y00D8180 4TNV88-QTBZ	13. FOパイプ	1:2004.01	PLUS
-------------------------	-----------	-----------	------

REF NO.	PARTS NO.	Description	Q'ty	QTY	I	R	QTY
1	Y129004-55611	BRACKET, FILTER	1				
2	Y119802-55800	FILTER, FUEL	1				
3	Y26106-080302	BOLT M 8X 30 PLATED	2				
4	Y129210-59090	PIPE ASSY, FUEL OIL	1				
5	Y124766-59050	• CLAMP 12	2				
6	Y105325-59570	• PIPE, FUEL OIL	1				
7	Y129210-59150	PIPE ASSY, FUEL OIL	1				
8	Y124766-59050	• CLAMP 12	2				
9	Y105025-59530	• PIPE, FUEL (D13XL400)	1				
10	Y129612-52100	FUEL PUMP	1				
11	Y129906-55700	SEPARATOR ASSY	1				
12	Y129100-55690	• RING, RETAINING	1				
13	Y24321-000650	• O-RING 1A G-65.0	1				
14	Y24311-000160	• O-RING 1A P-16.0	1				
15	Y119802-55710	• ELEMENT	1				

Engine for TB53FR 4TNV88-QTBZ
STARTING MOTOR

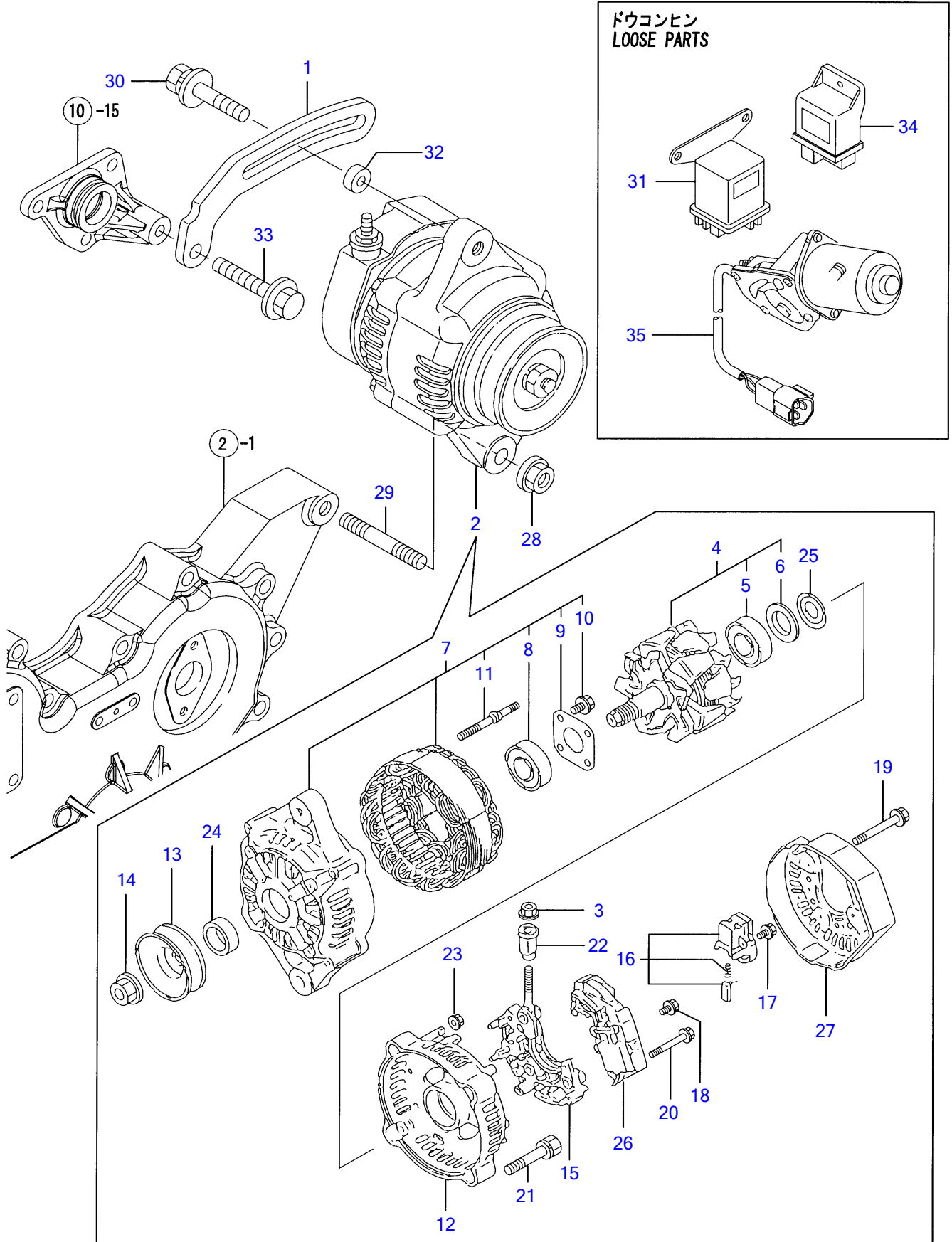


Y00D8180	14. スターティングモータ		
4TNV88-QTBZ	1:2004.01		PLUS

½Ä-Ä²Ý, ÞÓ-Ä STARTING MOTOR

REF NO.	PARTS NO.	Description	Q'ty
1	Y129136-77011	• ½Ä-Ä²Ý, ÞÓ-Ä	1
2	Y129136-77310	• • Í, ÞËÄ²Ä, ½²ÄÄ ASY	1
3	Y129900-77400	• • ±-ÏÄÖ ASY	1
4	YX2130350900	• • • ÎÞ-ÛÍÞ±ØÝ, Þ(1	1
5	YX2114255110	• • • ÎÞ-ÛÍÞ±ØÝ, Þ(2	1
6	Y129900-77440	• • ð²-ÛÄÞ²²Û ASY	1
7	Y129900-77450	• • • ð×¼(+	2
8	Y171008-77450	• • • Ìß-Û²±¾ÄÄ½, ØÖ³	4
9	Y129900-77460	• • ØÖÏËÞ-	1
10	Y129900-77480	• • ð×¼ÄÛÄÞ ASY	1
11	Y129900-77450	• • • ð×¼(+	2
12	Y129400-77490	• • • ð×¼½ÛßØÝ, Þ	4
13	Y171008-77510	• • Þ±¹-½	1
14	Y129136-77520	• • ¾ÝÄ-Ë³¼ÞÝ, Þ	1
15	Y171008-77540	• • ÛËÞ- ¾ÄÄ	1
18	Y129400-77571	• • ÄÞ½ÄÏËÞ-ÄÄ(ÉÝ±½)	1
19	Y129900-77640	• • ½Û-ÄÏÞÛÄ	2
20	Y171008-77650	• • ËßÆµÝ ¼, Þ	1
21	YX2114555500	• • • , xÄÄ ASY	1
22	YX2114955020	• • • • ÎÞ-ÛÍÞ±ØÝ, Þ(3	1
23	YX2240410100	• • • • ÎÞ-ÛÍÞ±ØÝ, Þ(4	1
24	Y171008-77660	• • • ËßÆµÝ¼ÖÏÄ	1
25	Y171008-77670	• • • ½ÄÄËË-¾ÄÄ	1
29	Y26106-060322	• • ÄËÞÏÞÛÄ 6X 32	2
30	Y26106-060402	• • ÄËÞÏÞÛÄ 6X 40	3
31	Y171008-77750	• • ÏËÞ-(Ä-ÐÄÛ	1
32	Y26116-120252	• ÎÞÛÄ 12X 25	2
33	Y124550-77030	• ÏËÞ-(ST:BA-ÐÄÛ	1

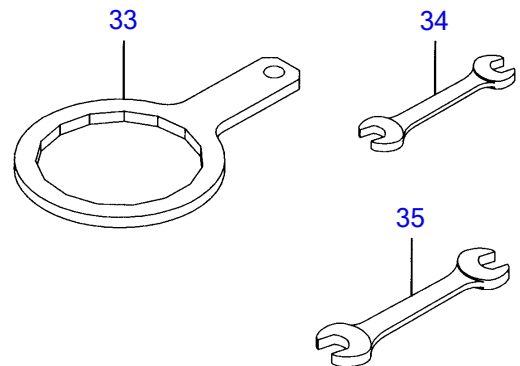
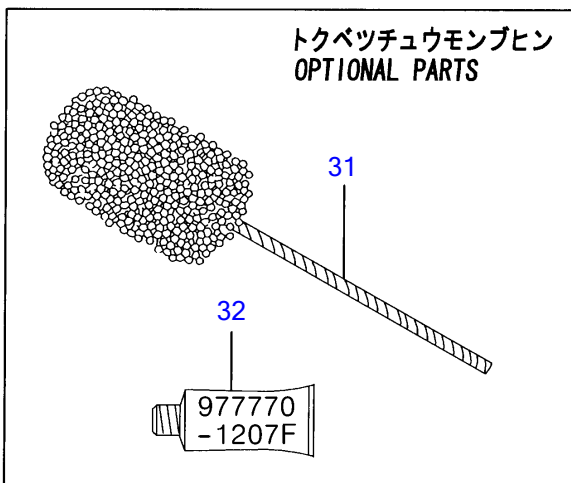
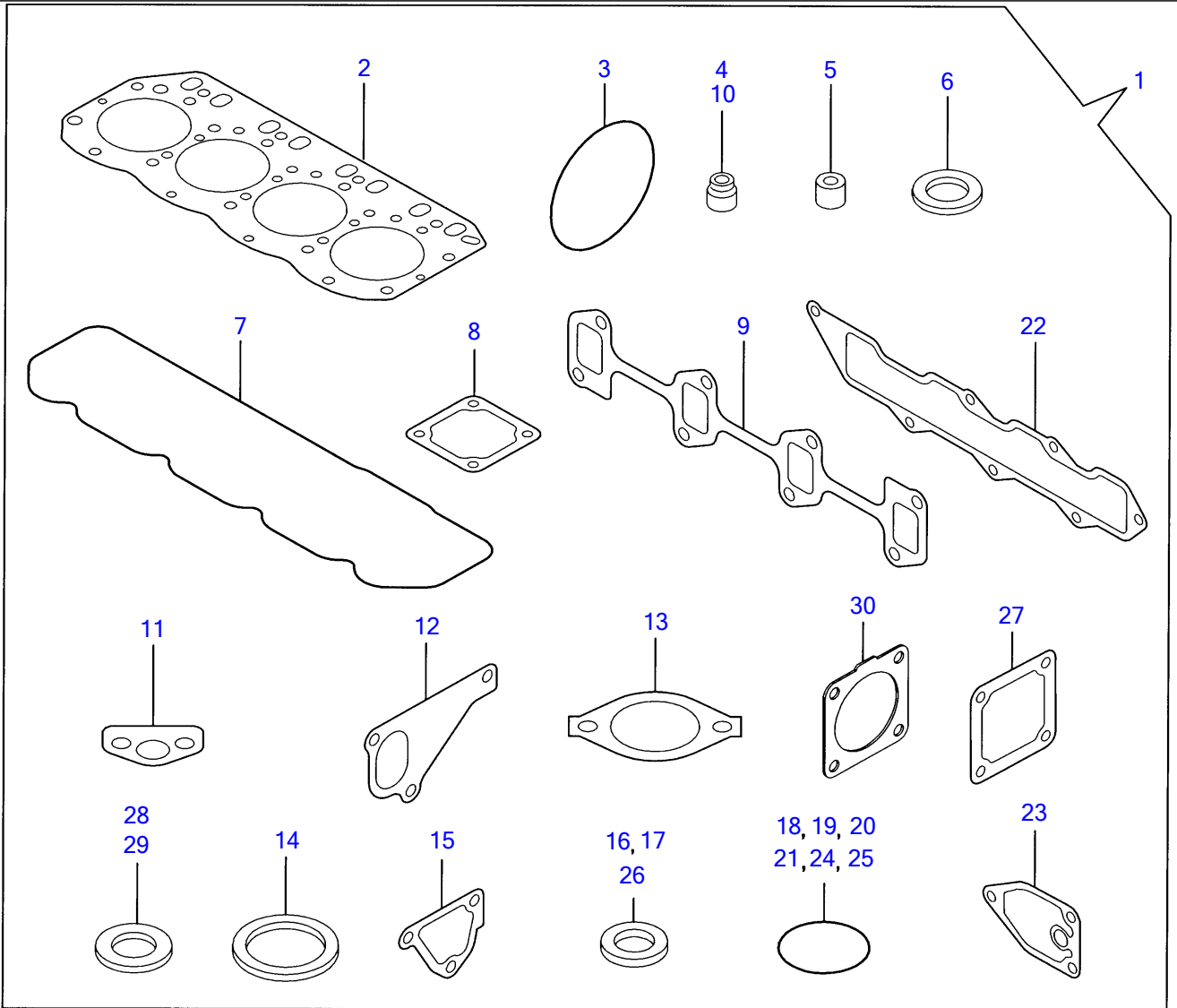
Engine for TB53FR 4TNV88-QTBZ GENERATOR



Y00D8180	15. ジェネレータ			
4TNV88-QTBZ		1:2004.01		PLUS

REF NO.	PARTS NO.	Description	Q'ty
1	Y119940-77330	• ADJUSTER, BELT	1
2	Y129240-77200	• ALTERNATOR	1
3	Y129240-79310	• NUT	1
4	Y119620-77380	• ROTOR ASSY	1
5	Y126501-79240	• BALL BEARING	1
6	Y119620-79250	• COVER, BEARING	1
7	Y119620-77421	• FLAME ASSY, DRIVE	1
8	Y119620-79200	• BALL BEARING	1
9	Y119620-79210	• PLATE	1
10	Y119620-79220	• SCREW	4
11	Y119620-79230	• BOLT, STUD	2
12	Y119620-77440	• FLAME ASSY, REAR	1
13	Y119620-77461	• PULLEY	1
14	Y119620-77471	• NUT	1
15	Y119620-79260	• HOLDER	1
16	Y129052-79270	• HOLDER, BRUSH	1
17	Y119620-79290	• SCREW	6
18	Y119620-79300	• SCREW	1
19	Y119620-79310	• BOLT	3
20	Y119620-79320	• SCREW W/WASHER	2
21	Y119620-79330	• BOLT	2
22	Y119620-79340	• INSULATION BUSH	1
23	Y119620-79350	• NUT	2
24	Y119620-77490	• COLLAR	1
25	Y119620-79360	• THRUST WASHER	1
26	Y129240-77710	• REGULATOR ASSY	1
27	Y129240-79300	• COVER	1
28	Y26306-100002	• NUT	1
29	Y129795-01900	• STUD	1
30	Y119802-77340	• BOLT, ADJUSTER	1
31	Y119646-77900	• RELAY, POWER	1
32	Y119940-77270	• ADJUSTER, BELT	1
33	Y26106-080452	• BOLT M 8X 45 PLATED	1
34	Y119802-77200	• RELAY, SAFETY	1
35	Y129136-66810	• MOTOR, DECEL	1

Engine for TB53FR 4TNV88-QTBZ
GASKET SET



Y00D8180	16. パッキンセット			
4TNV88-QTBZ		1:2004.01		PLUS

93, p & ÊÛÁ·Ý¾ÄÄ GASKET SET

REF NO.	PARTS NO.	Description	Q'ty
1	Y729601-92700	GASKET SET (NON-ASB.)	1
2	Y129407-01340	GASKET, CYL. HEAD	1
3	Y121850-51960	O-RING, F.I. PUMP	1
4	Y124460-11340	SEAL, VALVE STEM	4
5	Y119802-11870	PROTECTOR, NOZZLE	4
6	Y119625-11880	SEAT, NOZZLE	4
7	Y129601-11310	GASKET, COVER	1
8	Y129150-77511	GASKET, (NON-ASB.)	1
9	Y129950-13110	GASKET, EXH. MANIFOLD	1
10	Y121400-11340	SEAL, VALVE STEM	4
11	Y129150-35041	GASKET, (NON-ASB.)	1
12	Y129486-42021	GASKET	1
13	Y129795-49551	GASKET, (NON-ASB.)	1
14	Y129150-49811	GASKET, (NON-ASB.)	1
15	Y124395-49840	GASKET, THERMO. CASE	1
16	Y22190-080002	SEAL WASHER 8S	2
17	Y124465-44950	GASKET 16	1
18	Y24311-000120	O-RING 1A P 12.0	3
19	Y24311-000320	O-RING 1A P-32.0	2
20	Y24341-000240	O-RING 1A S-24.0	1
21	Y129486-42140	O-RING, CW-P	1
22	Y129407-12110	GASKET, INT. MANIFOLD	1
23	Y129150-35111	GASKET, (NON-ASB.)	1
24	Y24341-000250	O-RING 1A S-25.0	1
25	Y119609-32040	O-RING P16	4
26	Y22190-100002	SEAL WASHER 10S	2
27	Y129100-77510	GASKET, AIR HEATER	1
28	Y23414-080000	GASKET 8, ROUND	1
29	Y129150-49360	GASKET 10	1
30	Y129930-13200	GASKET, SILENCER	4
31	Y129400-92430	HORN, FLEX	1
32	Y977770-1207F	GASKET, LIQUID	1
33	Y119640-92750	WRENCH, FILTER	1
34	Y28110-100120	WRENCH 10X12	1
35	Y28110-140170	WRENCH 14X17	1