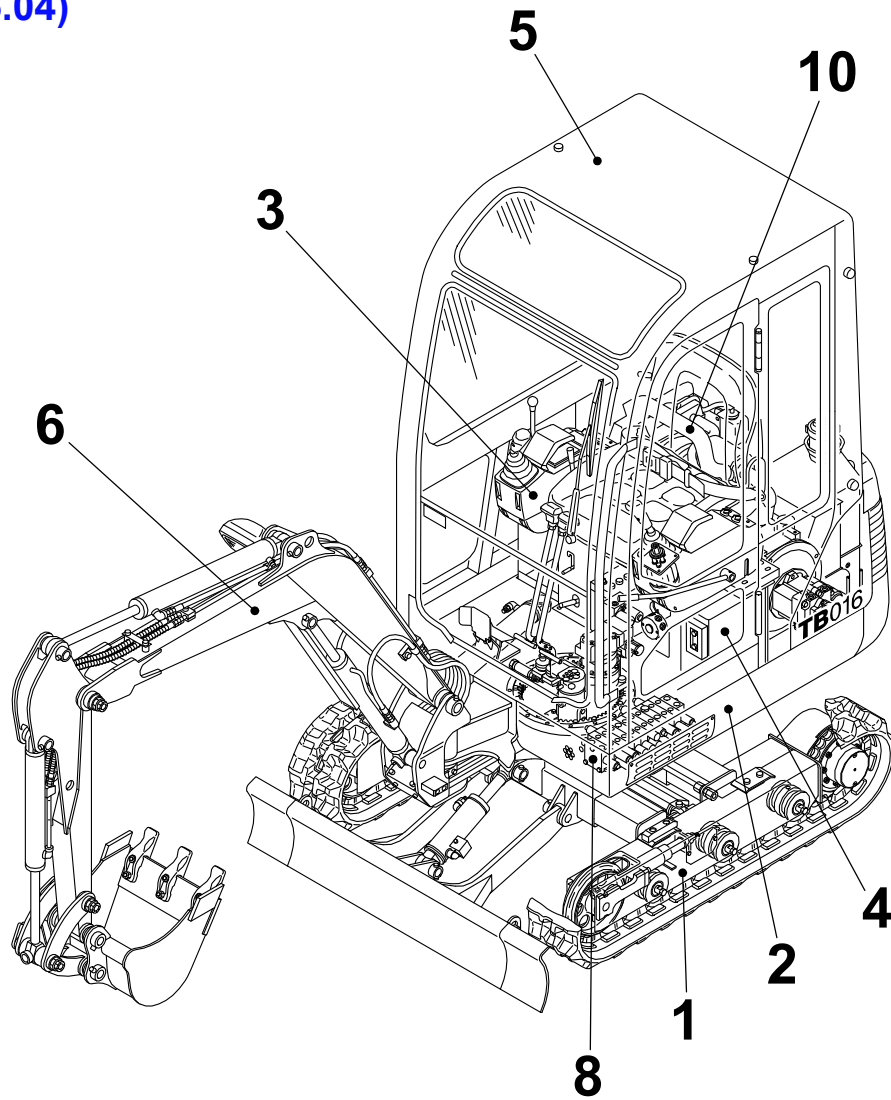


# TB014

Book No. BC4Z004

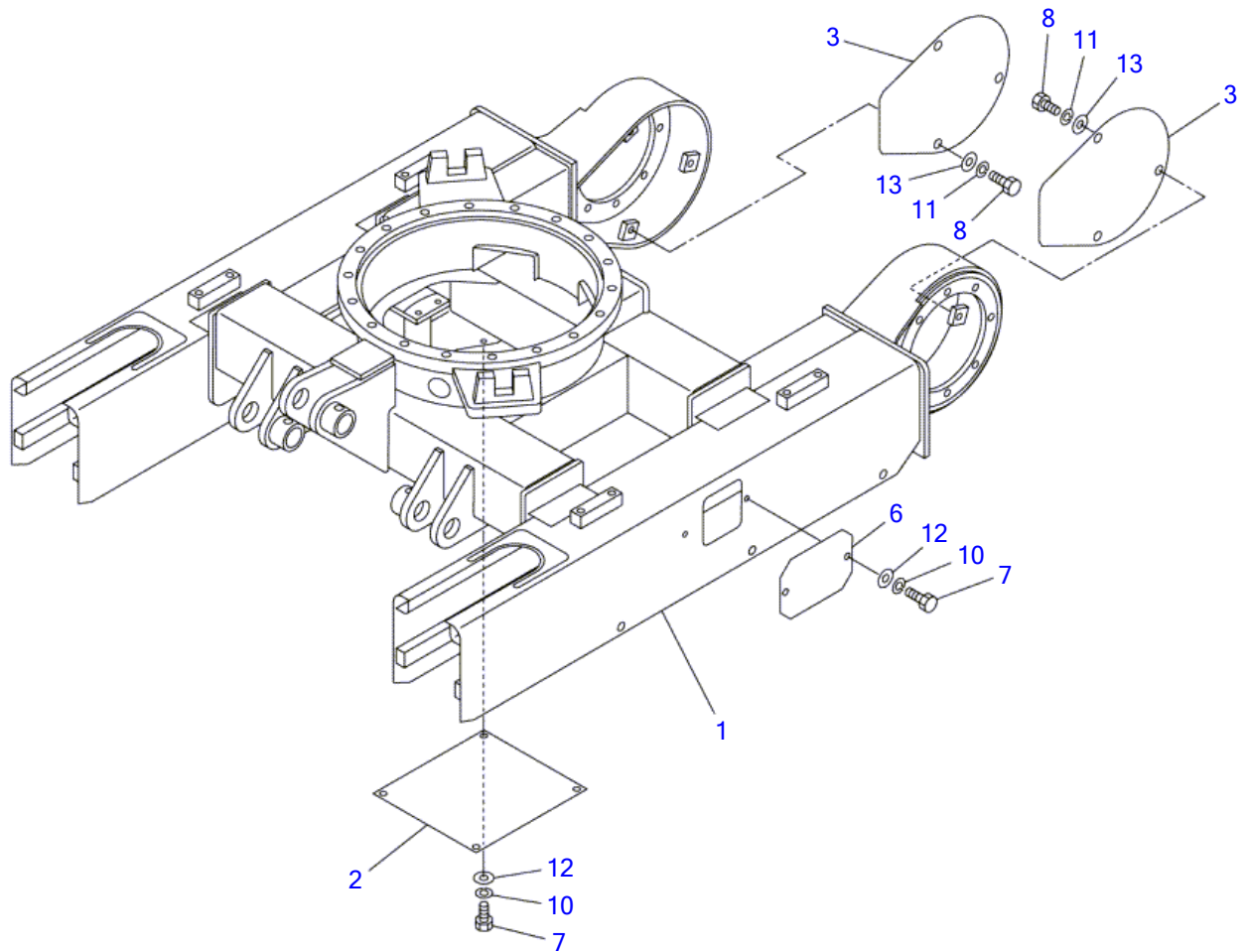
Serial No. 11400003-11401973  
(2005.04)



# TAKEUCHI



					INDEX						
Item	Part number	Description	Q'ty	Chan.	Serial No.	Serv.	Remarks				
1		UNDERCARRIAGE									
2		TURNTABLE & CONTROL LEVER									
3		ENGINE & ELECTRICAL SYSTEM									
4		HYDRAULIC PIPNG & TANK									
5		COVER & CAB									
6		HOE ATTACHMENT									
7		DECAL & TOOL									
8		HYDRAULIC DEVICE									
10		ENGINE(3TNE68-NTB)									
		ENGINE(3TNE68-TB1,ETB1)									
		2005.02.14									
99		KITS, ATTACHMENTS AND QUICK REFERENCE									

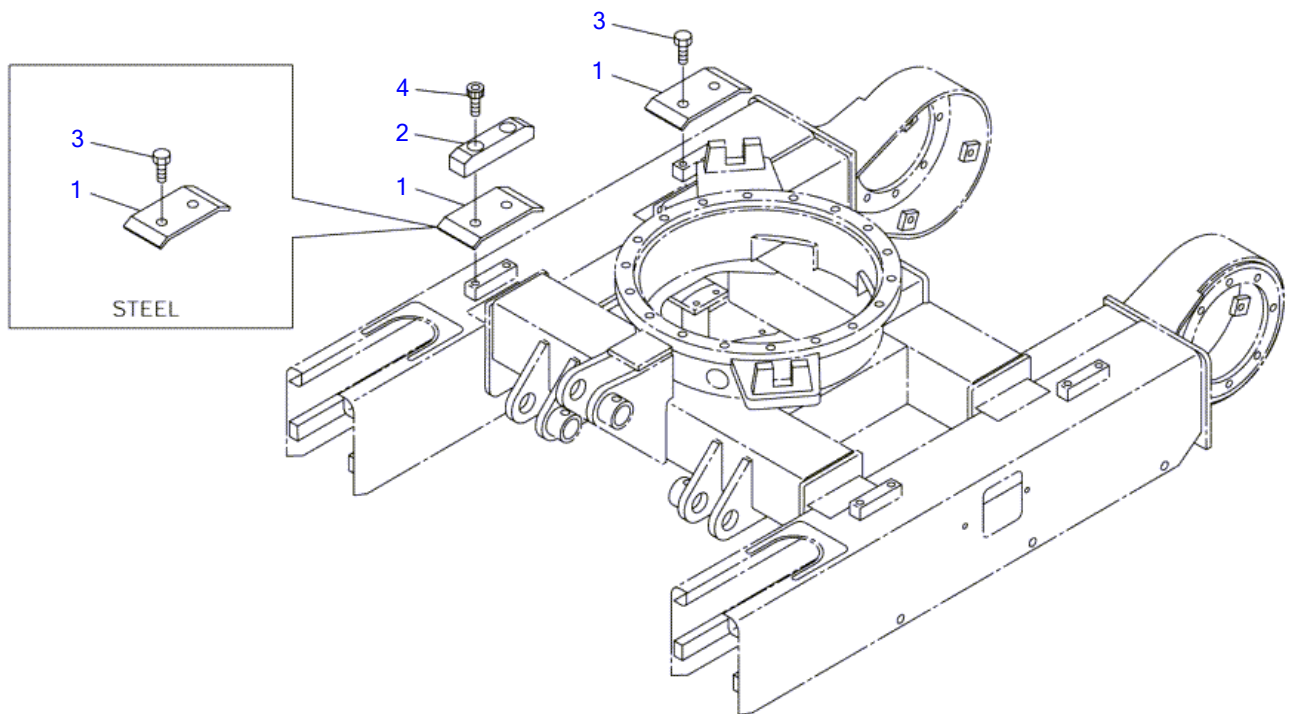


C4A011

S-1/10

**LOWER FRAME**

Item	Part number	Description	Q'ty	Chan.	Serial No.	Serv.	Remarks
		FRAME ASSY, lower					X03310-30000-1
1	X *****	FRAME	1				
2	0331010400	PLATE	1				
3	0331021003	COVER	2				
6	0331018600	COVER	2				
7	1100040816	BOLT	8				
8	1100041020	BOLT	6				
10	1140020008	WASHER, spring	8				
11	1140020010	WASHER, spring	6				
12	1141110008	WASHER	8				
13	1141110010	WASHER	6				
	C4a012						

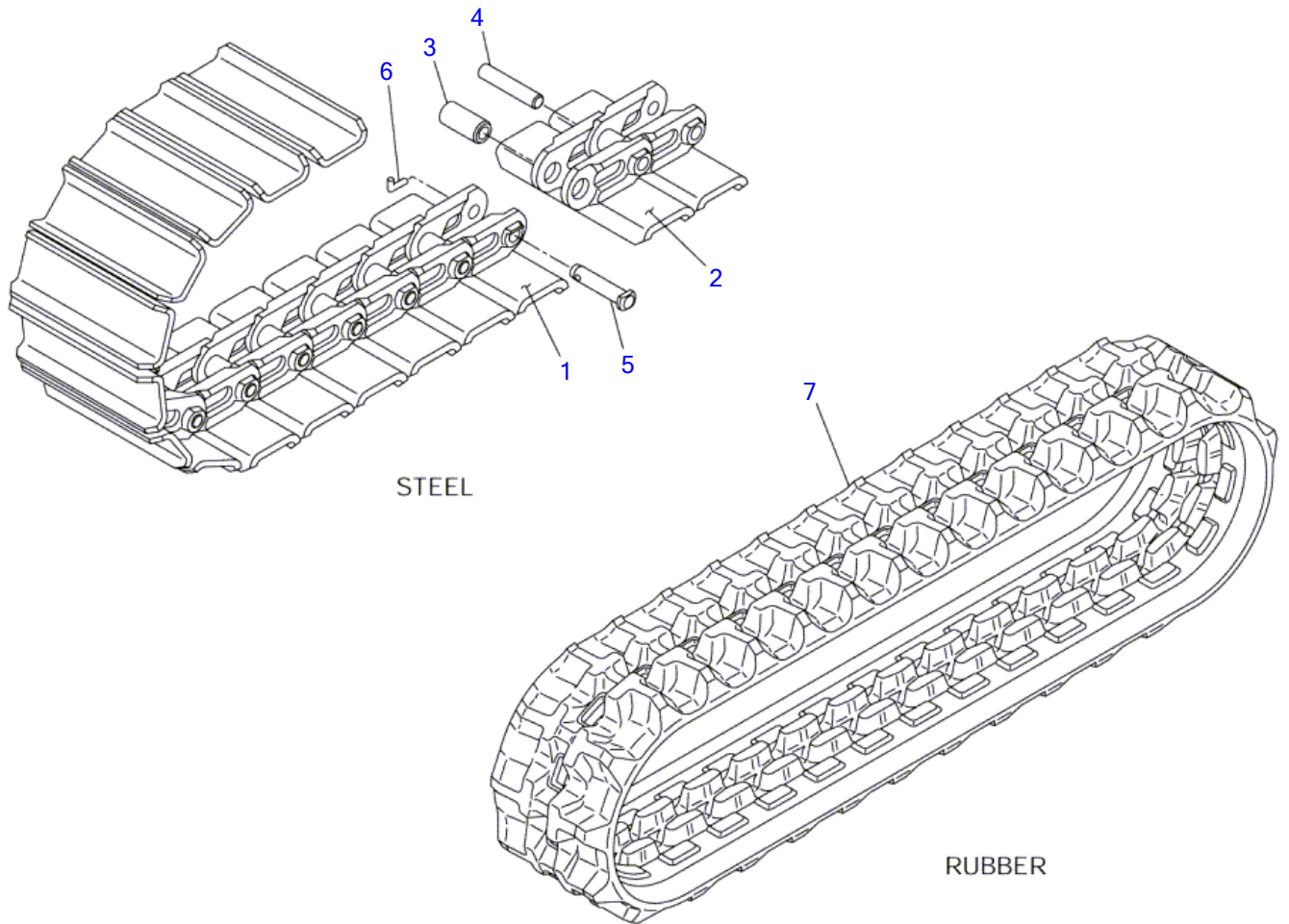


C4A200

S-1/10

**SHOE SLIDE**

Item	Part number	Description	Q'ty	Chan.	Serial No.	Serv.	Remarks
		SHOE SLIDE ASSY (rubber)					X03312-02000-0
		SHOE SLIDE ASSY (steel)					X03312-02100-0
1	<b>0421013800</b>	SLIDE, shoe	4				
2	<b>0331011200</b>	GUIDE	2				rubber
3	<b>1100041020</b>	BOLT	4				rubber
	<b>1100041020</b>	BOLT	8				steel
4	<b>1110041030</b>	SCREW, cap	4				
	<b>C4a200</b>						



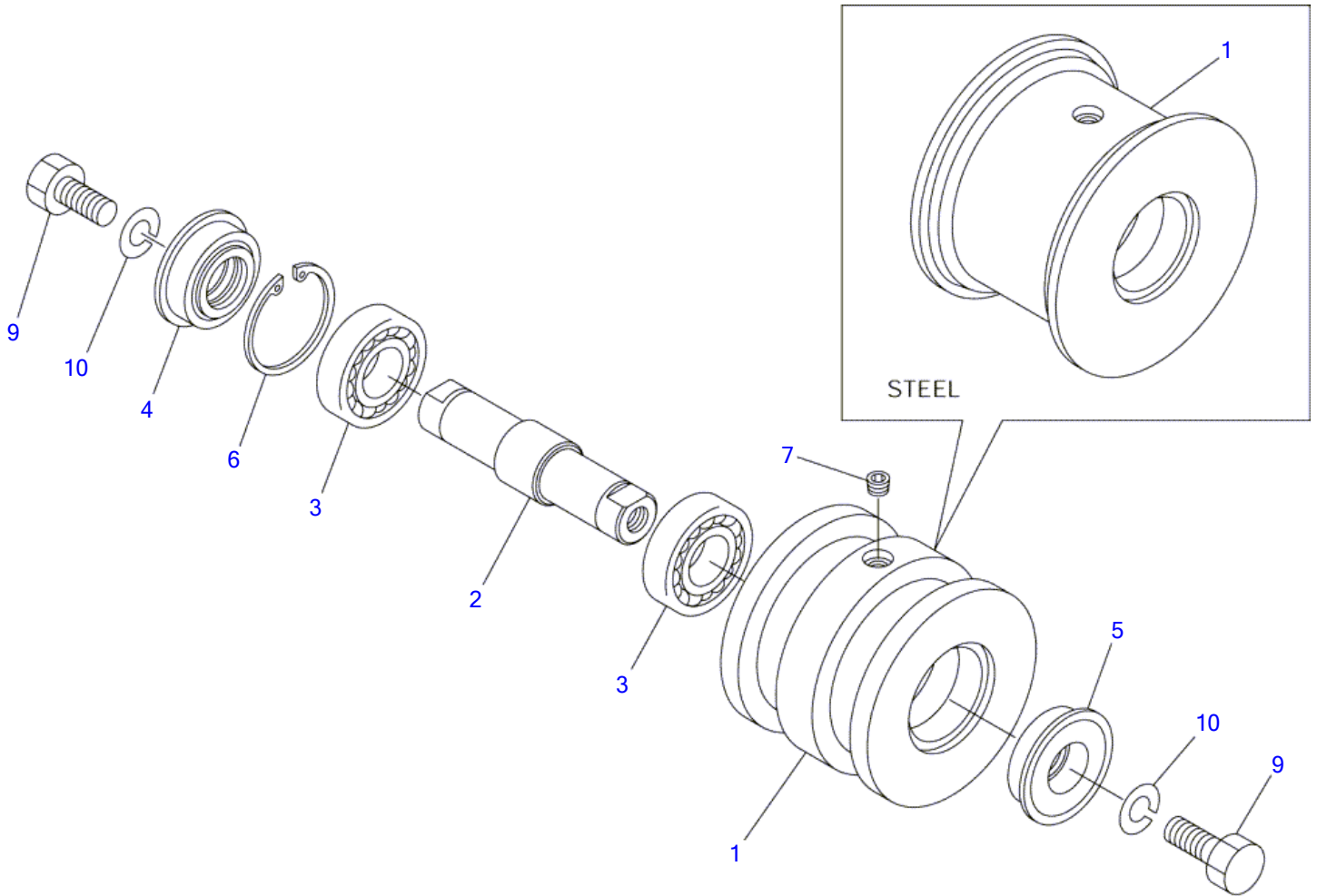
C4A030

S-1/8, 1/10



**CRAWLER BELT**

Item	Part number	Description	Q'ty	Chan.	Serial No.	Serv.	Remarks
0	<b>1914050300</b>	BELT, steel crawler	2				X19140-50300-0
1	<b>1914050214</b>	▪ PLATE ASSY, master	1				
2	<b>1914050213</b>	▪ PLATE ASSY	31				
3	<b>1914050005</b>	▪ BUSHING	32				
4	<b>1914050006</b>	▪ PIN, track	31				
5	<b>1914050007</b>	▪ PIN, master	1				
6	<b>1914050008</b>	▪ PIN, coter	1				
7	<b>1914049300</b>	BELT, rubber crawler	2		11400003~11400328		
	<b>1914049800</b>	BELT, rubber crawler	2	(H)	11400329~11400424		short pitch
	<b>1914080400</b>	BELT, rubber crawler	2	(H)	11400425~		short pitch
	<b>C4a031S</b>						

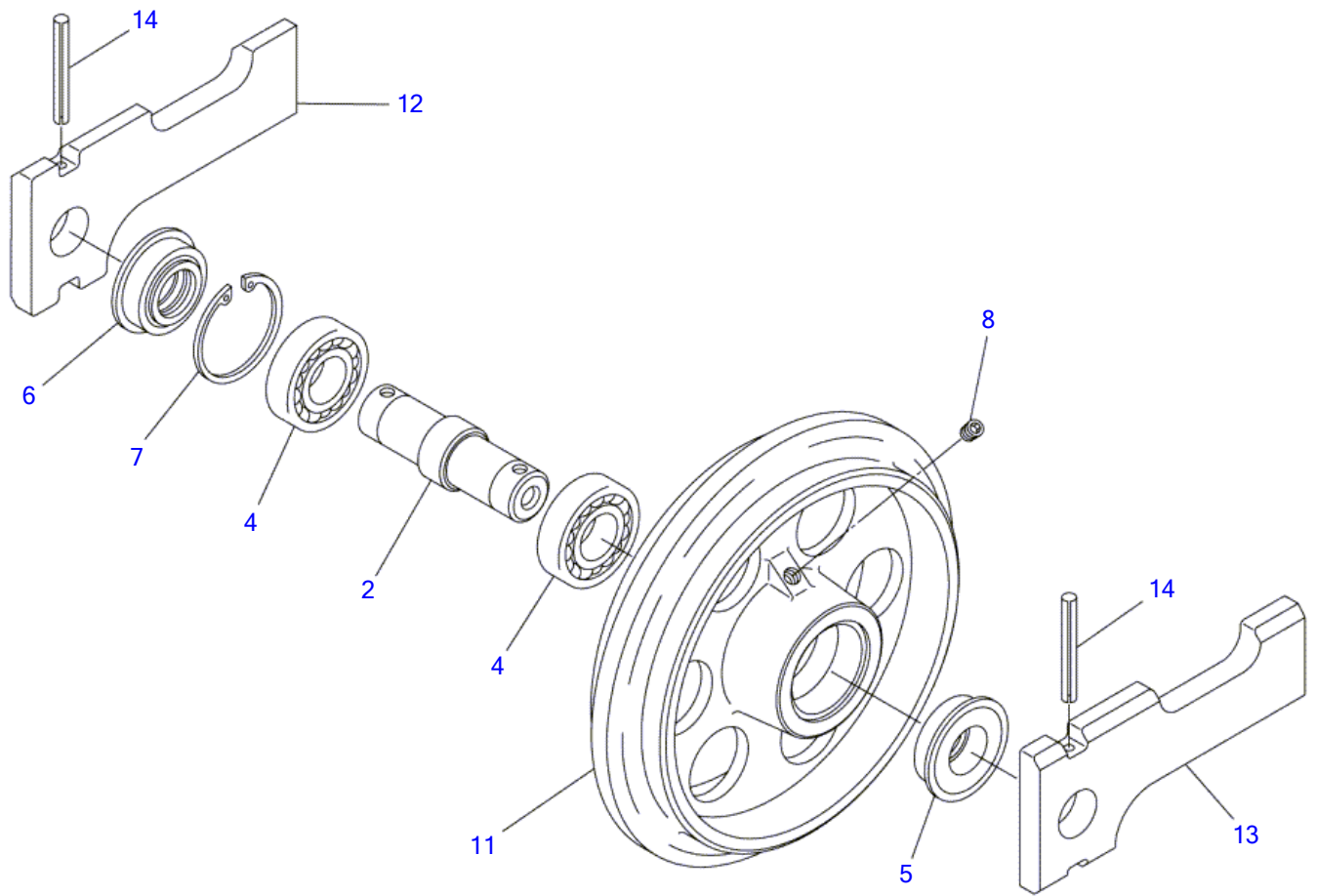


C4A040

S-1/3

**TRACK ROLLER**

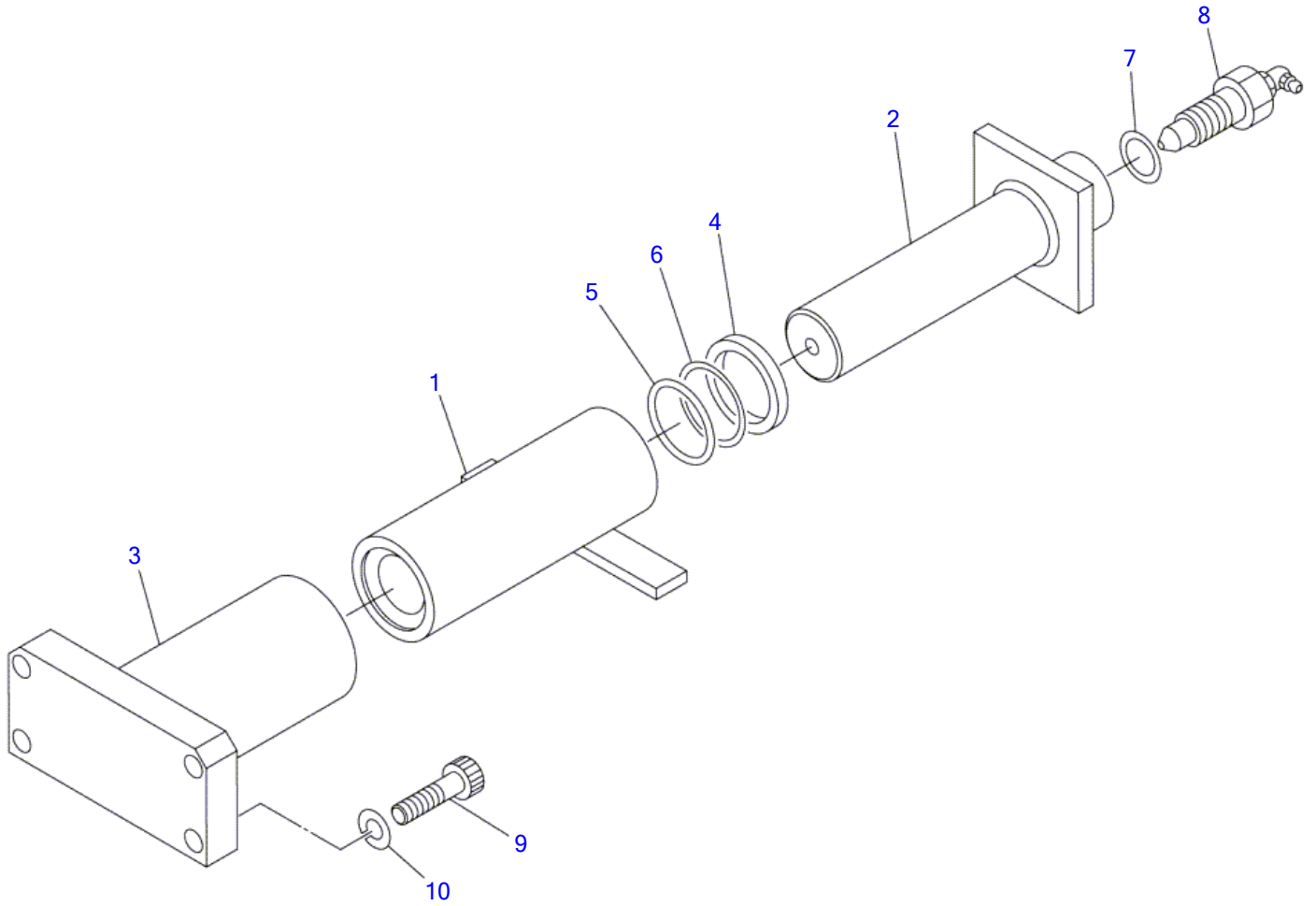
Item	Part number	Description	Q'ty	Chan.	Serial No.	Serv.	Remarks
		ROLLER ASSY, track (rubber crawler)					X03313-06000-1
		ROLLER ASSY, track (steel crawler)					X03313-07000-1
0-1	<b>0331306100</b>	ROLLER SUB ASSY	6				rubber crawler
	<b>0331307100</b>	ROLLER SUB ASSY	6				steel crawler
1	<b>0331306200</b>	• SHELL	1				rubber crawler
	<b>0331307200</b>	• SHELL	1				steel crawler
2	<b>0421301300</b>	• SHAFT	1				
3	<b>1300006205</b>	• BEARING	2				
4	<b>1431202552</b>	• SEAL	1				
5	<b>1431202547</b>	• SEAL	1				
6	<b>1221000052</b>	• RING, snap	1				
7	<b>1501810001</b>	• PLUG	1				
9	<b>1101041225</b>	BOLT	12				
10	<b>1140010012</b>	WASHER, spring	12				
	<b>C4a042</b>						



C4A050

S-1/4

FRONT IDLER						
Item	Part number	Description	Q'ty	Chan.	Serial No.	Serv. Remarks
		IDLER ASSY, front				X03314-04000-1
0-1	<b>0421401200</b>	IDLER SUB ASSY	2			
2	<b>0421400200</b>	▪ SHAFT	1			
4	<b>1300006206</b>	▪ BEARING	2			
5	<b>1431203055</b>	▪ SEAL	1			
6	<b>1431203062</b>	▪ SEAL	1			
7	<b>1221000062</b>	▪ RING, snap	1			
8	<b>1501810001</b>	▪ PLUG	1			
11	<b>0421401100</b>	▪ IDLER	1			
12	<b>0331404600</b>	YOKE (R.H.)	2			
13	<b>0331404700</b>	YOKE (L.H.)	2			
14	<b>1213000670</b>	PIN, spring	4			
	<b>C4a052</b>					

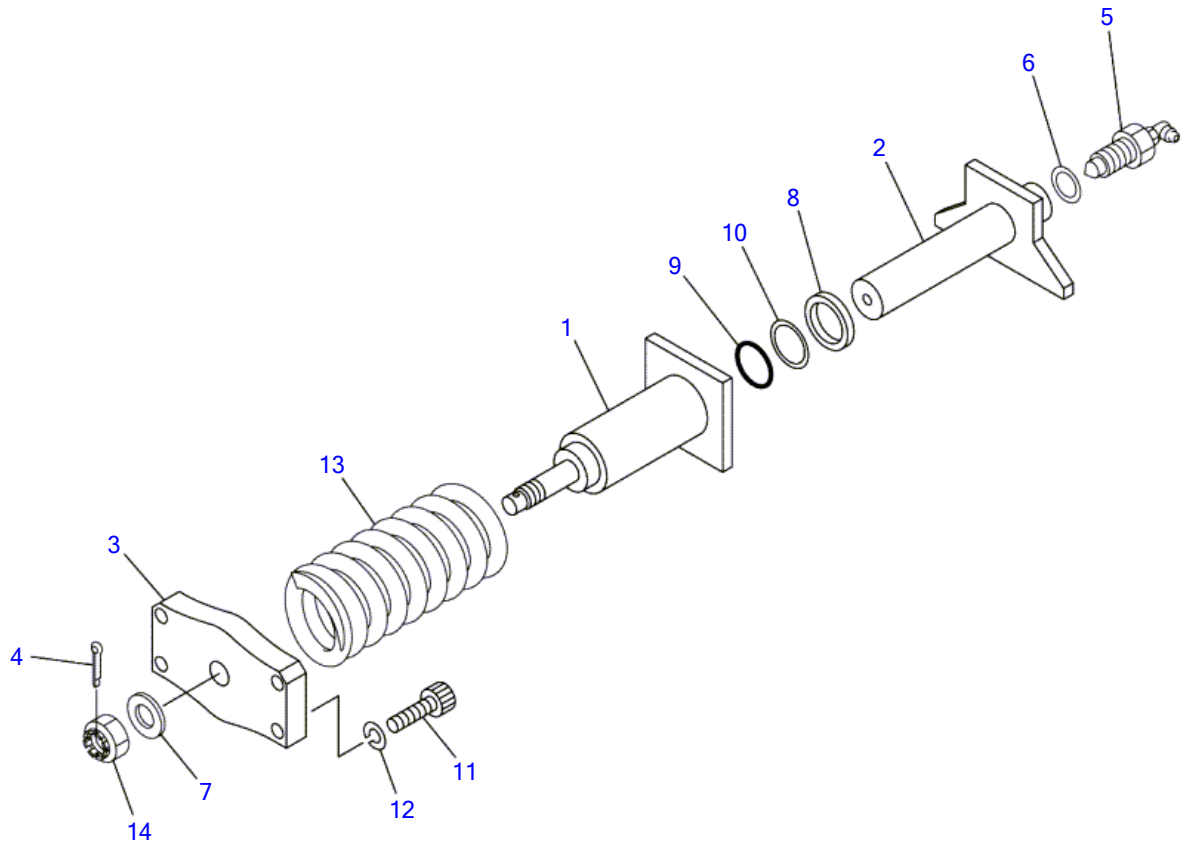


C4A060

S-1/3

**TRACK ADJUSTER (11400003-11400782)**

Item	Part number	Description	Q'ty	Chan.	Serial No.	Serv.	Remarks
0-1	<b>0331506500</b>	ADJUSTER ASSY, track	2				X03315-06500-1
1	<b>0331506100</b>	▪ CYLINDER, grease	1				
2	<b>0331506200</b>	▪ PISTON	1		11400003~11400010		
	<b>0331506600</b>	▪ PISTON	1	(H)	11400011~		
3	<b>0331505300</b>	▪ PLATE	1		11400003~11400010		
	<b>0331506700</b>	▪ PLATE	1	(H)	11400011~		
4	<b>1400502033</b>	▪ SEAL, oil	1				
5	<b>1422010350</b>	▪ O-RING	1				
6	<b>1421020350</b>	▪ RING, back-up	1				
7	<b>1541201616</b>	▪ WASHER	1				
8	<b>1541301602</b>	▪ VALVE ASSY, check	1				
9	<b>1110041035</b>	SCREW, cap	8				
10	<b>1140420010</b>	WASHER, spring	8				
	<b>C4a062S</b>						



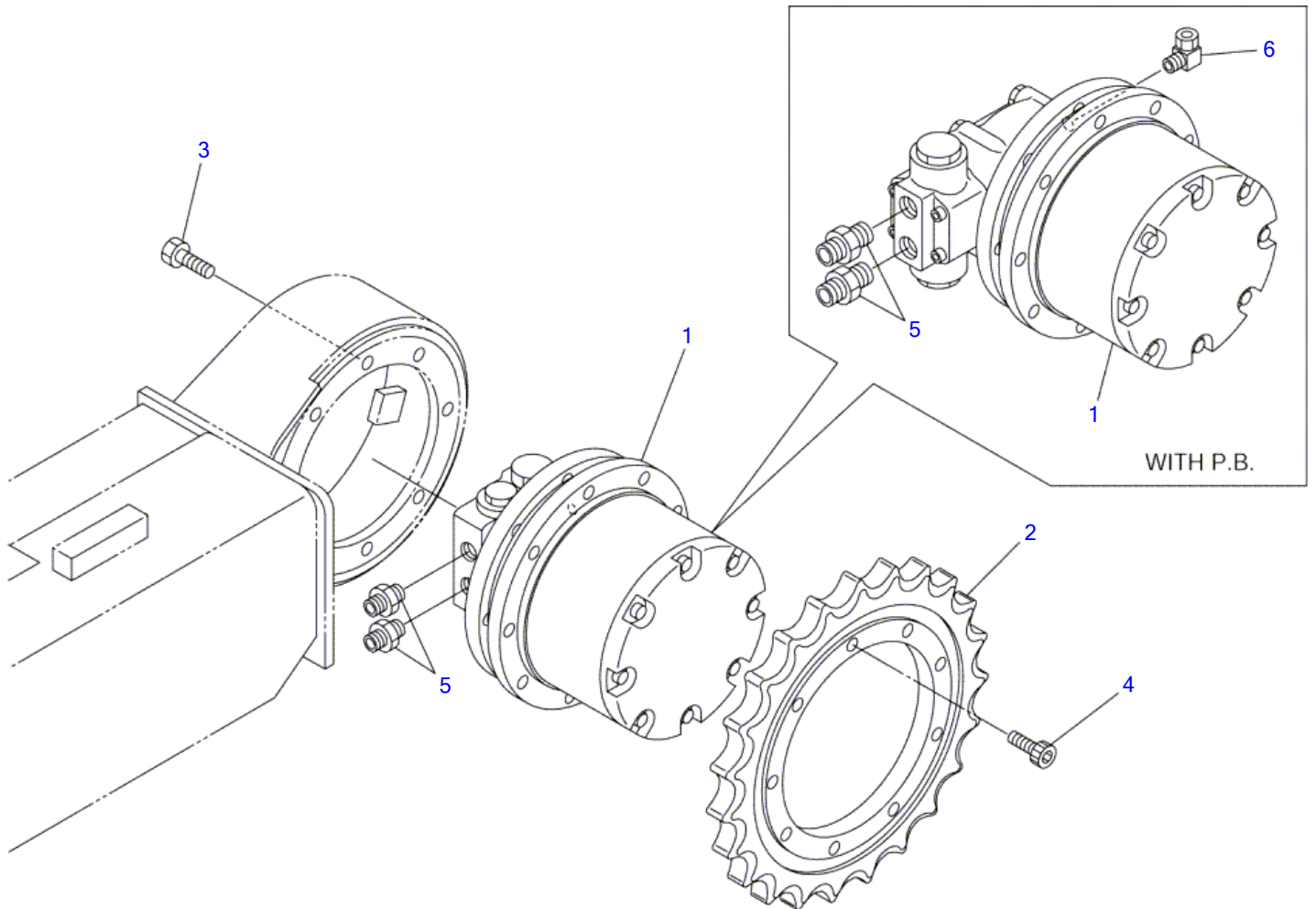
C4A150

S-1/5



**TRACK ADJUSTER (11400783-)**

Item	Part number	Description	Q'ty	Chan.	Serial No.	Serv.	Remarks
0-1	<b>0331508500</b>	ADJUSTER ASSY, track (R)	1				X03315-08500-4
	<b>0331508900</b>	ADJUSTER ASSY, track (L)	1				X03315-08900-4
1	<b>0331508600</b>	· CYLINDER, grease	1				
2	<b>0331508700</b>	· PISTON	1				
3	<b>0331508030</b>	· PLATE	1				
4	<b>1210010440</b>	· PIN, split	1				
5	<b>1541301602</b>	· VALVE ASSY, check	1				
6	<b>1541201616</b>	· WASHER	1				
7	<b>1141540016</b>	· WASHER	1				
8	<b>1400401654</b>	· SEAL, oil	1				
9	<b>1422010300</b>	· O-RING	1				
10	<b>1421020300</b>	· RING, back-up	1				
11	<b>1110041035</b>	SCREW, cap	8				
12	<b>1140420010</b>	WASHER, spring	8				
13	<b>0007000018</b>	SPRING	2				
14	<b>1132080016</b>	NUT	2				
	<b>C4a152</b>						

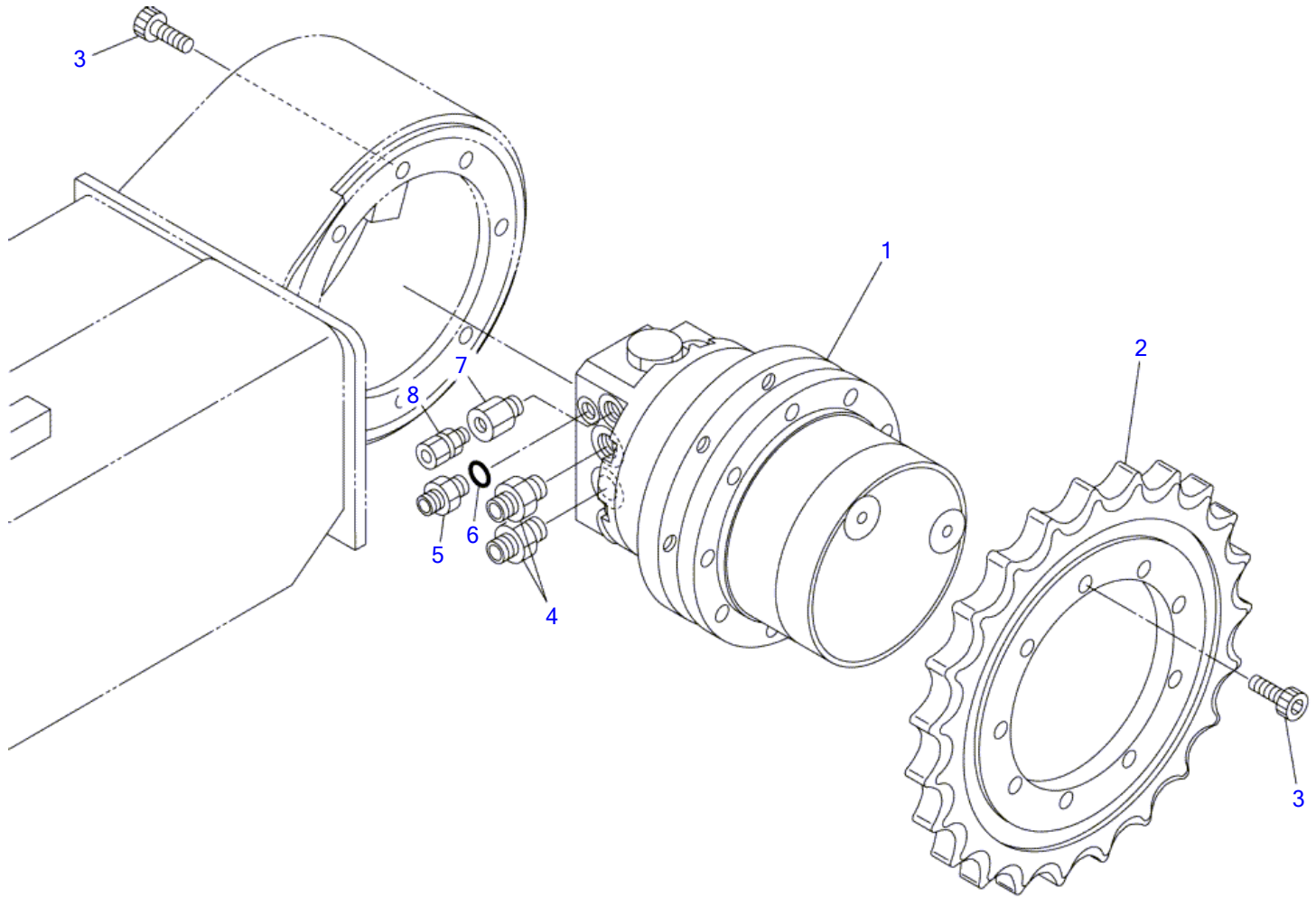


C4A071

S-1/5

**TRAVEL DEVICE (11400003-11400436)**

Item	Part number	Description	Q'ty	Chan.	Serial No.	Serv.	Remarks
		MOTOR ASSY, travel					X03316-16000-1
		MOTOR ASSY, travel (with P.B.)			11400263~11400436		X03316-18000-1
1	<b>1903118000</b>	MOTOR, travel	2				
	<b>1903119800</b>	MOTOR, travel	2		11400263~11400436		with P.B.
2	<b>0331610100</b>	SPROCKET	2				
3	<b>1100241022</b>	BOLT	16				
4	<b>1110041025</b>	SCREW, cap	18				
5	<b>1515600200</b>	ADAPTOR	4				
	<b>1420010110</b>	· O-RING	1			M	
	<b>1515600576</b>	ADAPTOR	4		11400263~11400436		with P.B.
	<b>1420010140</b>	· O-RING	1			M	
6	<b>1532620802</b>	ELBOW	2		11400263~11400436		with P.B.
	<b>C4a071</b>						

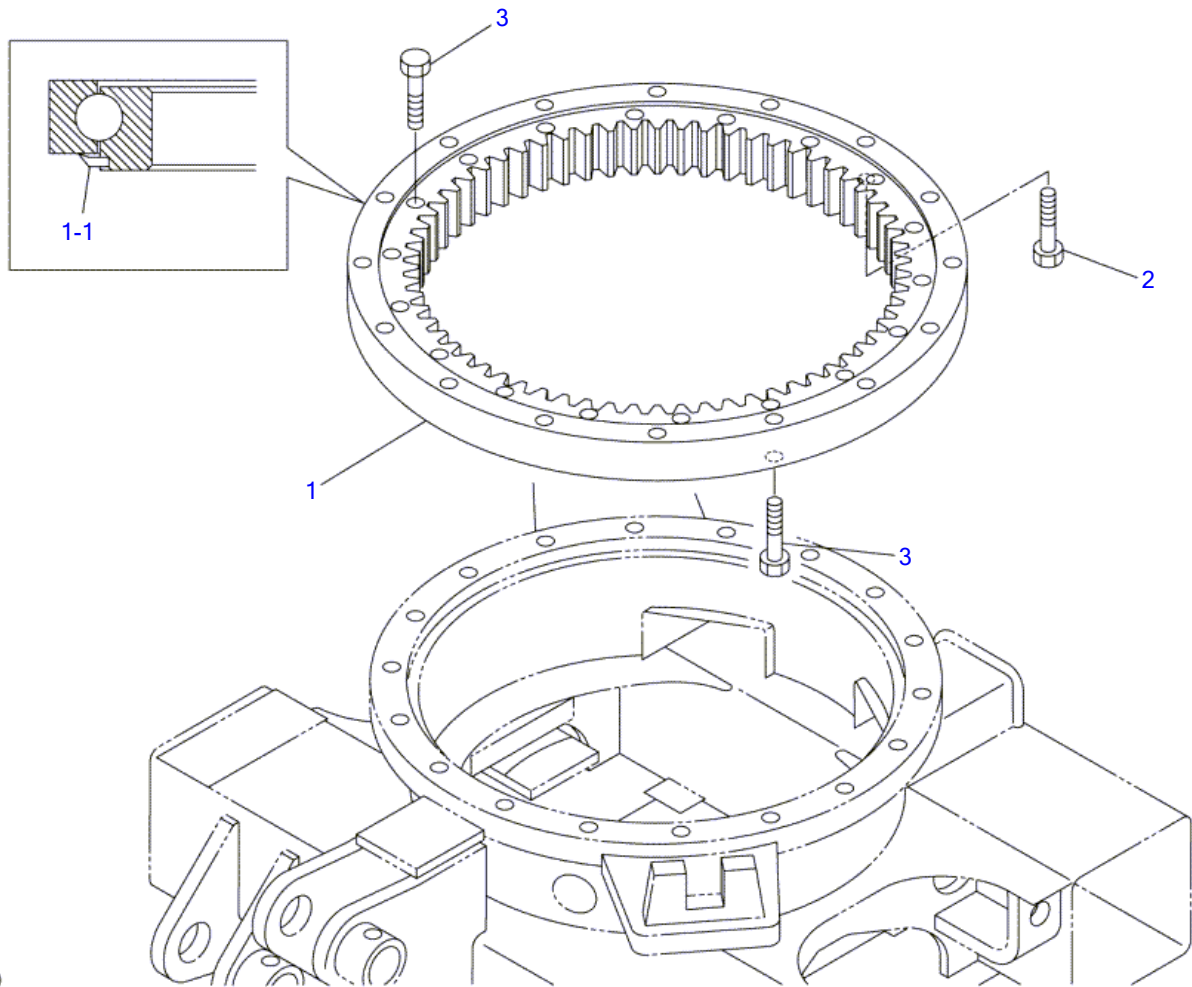


C4A160

S-1/4

**TRAVEL DEVICE (11400437-)**

Item	Part number	Description	Q'ty	Chan.	Serial No.	Serv.	Remarks
		MOTOR ASSY, travel					X03316-19000-0
1	1903121200	MOTOR, travel	2				
2	0421600100	SPROCKET	2				
3	1110041022	SCREW, cap	34				
4	1515600576	ADAPTOR	4				
	1420010140	· O-RING	1			M	
5	0007203059	NIPPLE	2				
6	1420010080	O-RING	2				
7	0007211014	BUSHING	2				
8	1532520801	CONNECTOR	2				
	<b>C4a160S</b>						

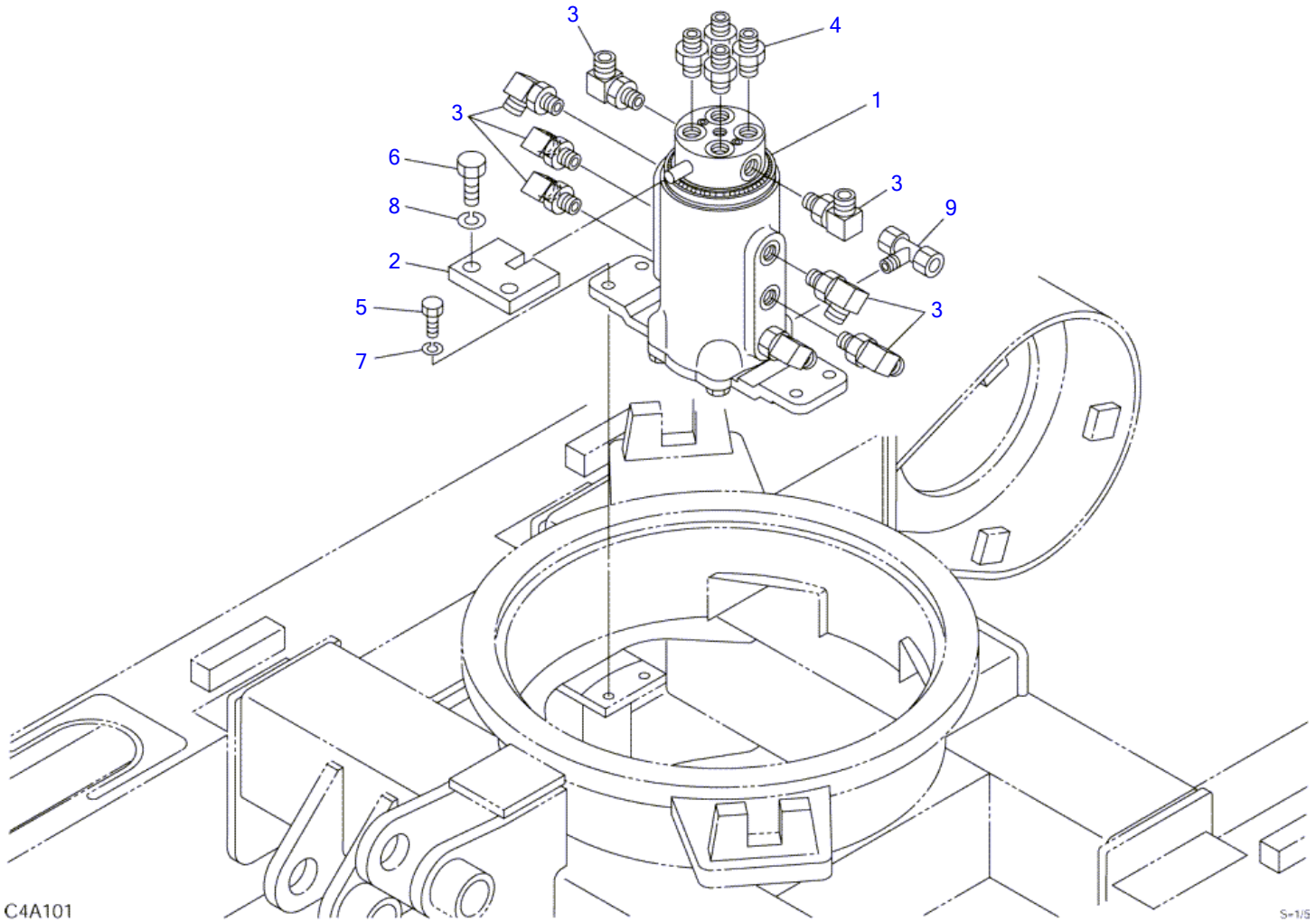


C4A090

S=1/5

**SLEW BEARING**

Item	Part number	Description	Q'ty	Chan.	Serial No.	Serv.	Remarks
		BEARING ASSY, slew					X03320-02000-1
1	<b>1913003950</b>	BEARING	1				
1-1	<b>1913003959</b>	• SEAL	1				
2	<b>0422001100</b>	BOLT	1				
3	<b>1106251250</b>	BOLT	33				
	<b>C4a092</b>						



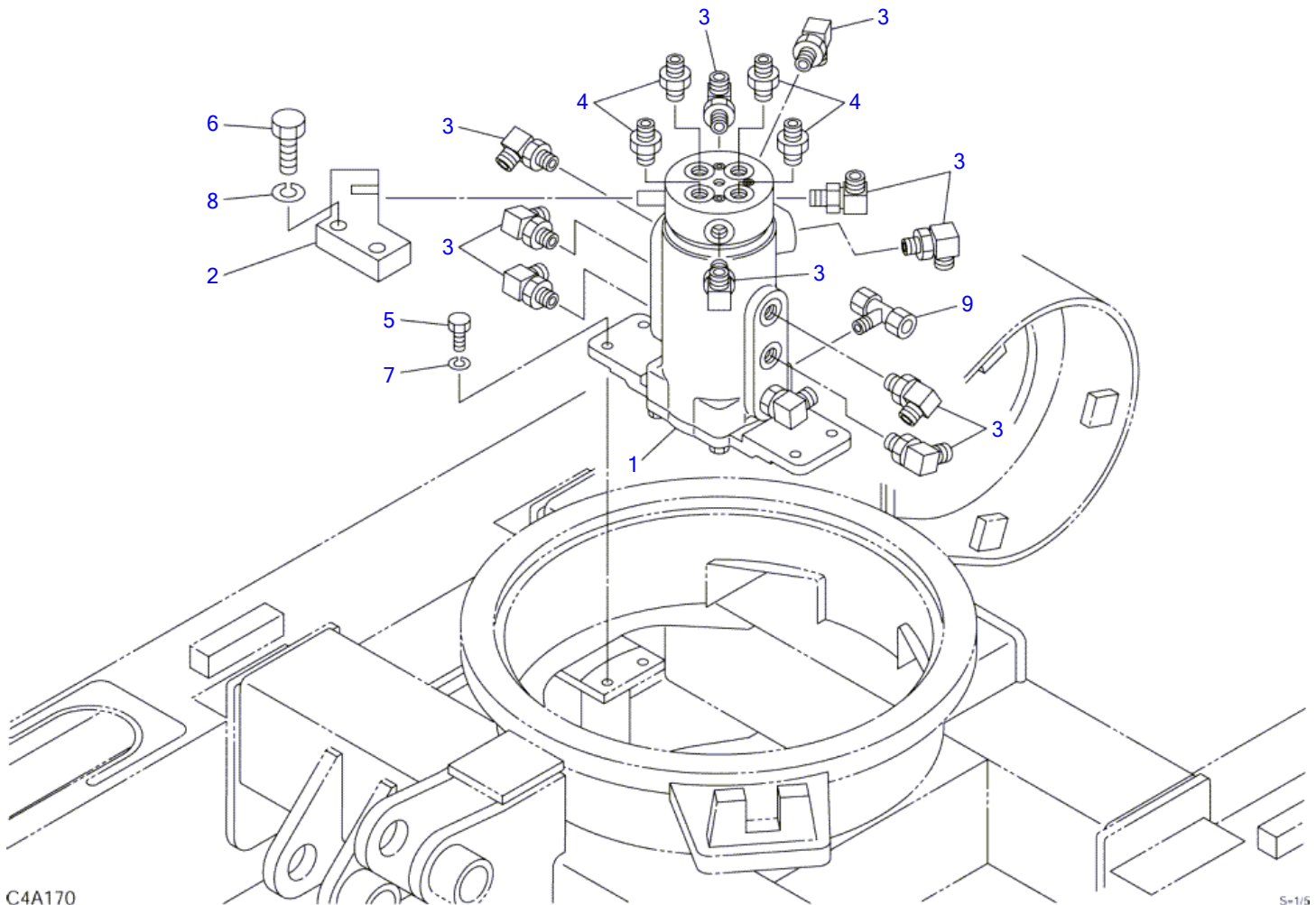
C4A101

S=1/5



**SWIVEL JOINT & ACCESSORIES (11400003-11400436)**

Item	Part number	Description	Q'ty	Chan.	Serial No.	Serv.	Remarks
		JOINT ASSY, swivel					X03321-13000-1
		JOINT ASSY, swivel (with P.B.)			11400263~11400436		X03321-17000-0
1	<b>1904007900</b>	JOINT, swivel	1				
2	<b>0332113100</b>	COLLAR	1				
3	<b>1515012040</b>	ELBOW	8				
	<b>1420010110</b>	• O-RING	1			M	
4	<b>1515600200</b>	ADAPTOR	4				
	<b>1420010110</b>	• O-RING	1			M	
5	<b>1100040820</b>	BOLT	4				
6	<b>1101041235</b>	BOLT	2				
7	<b>1140020008</b>	WASHER, spring	4				
8	<b>1140020012</b>	WASHER, spring	2				
9	<b>1532720801</b>	TEE	1				with P.B.
	<b>C4a102</b>						

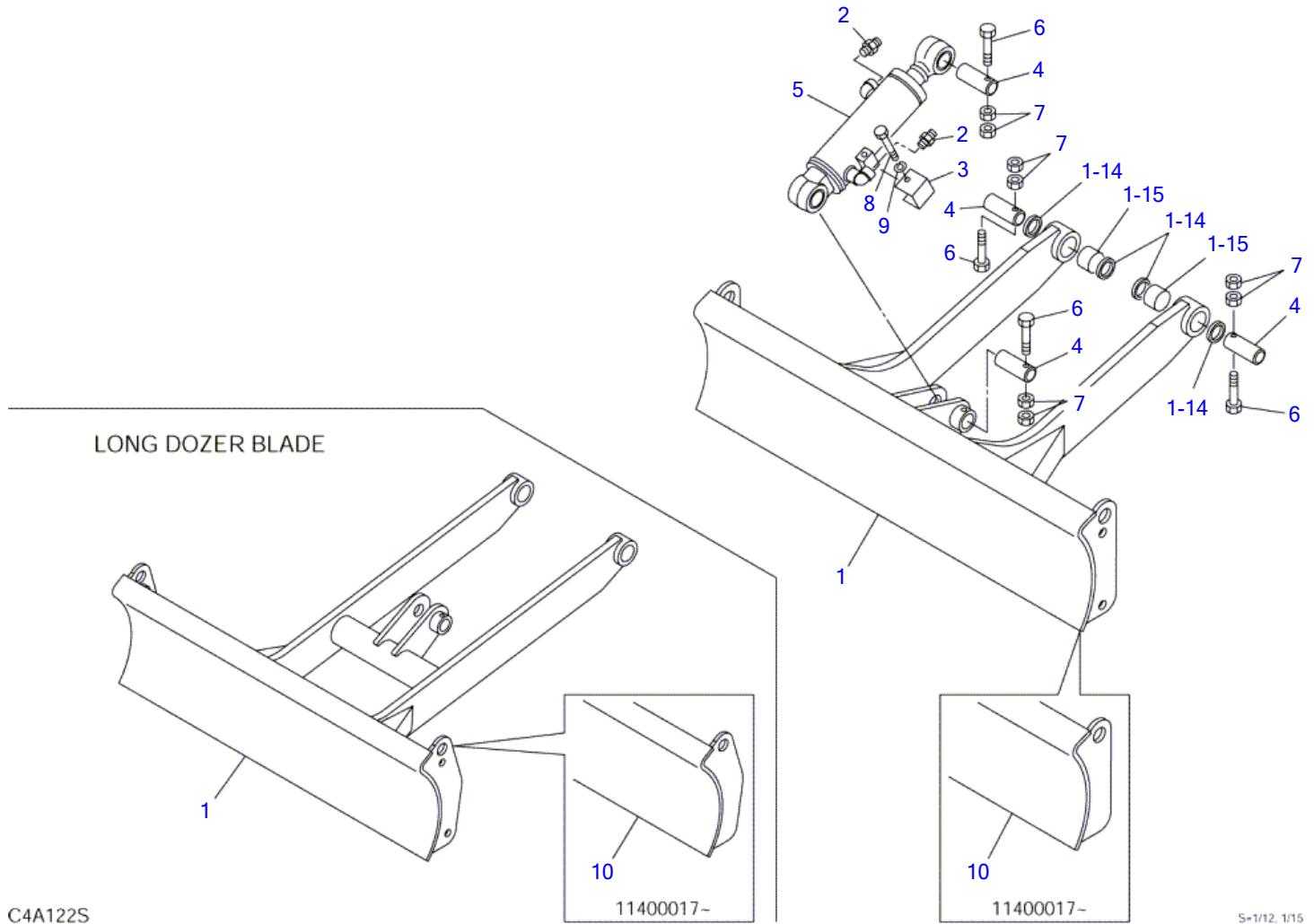


C4A170

S-1/5

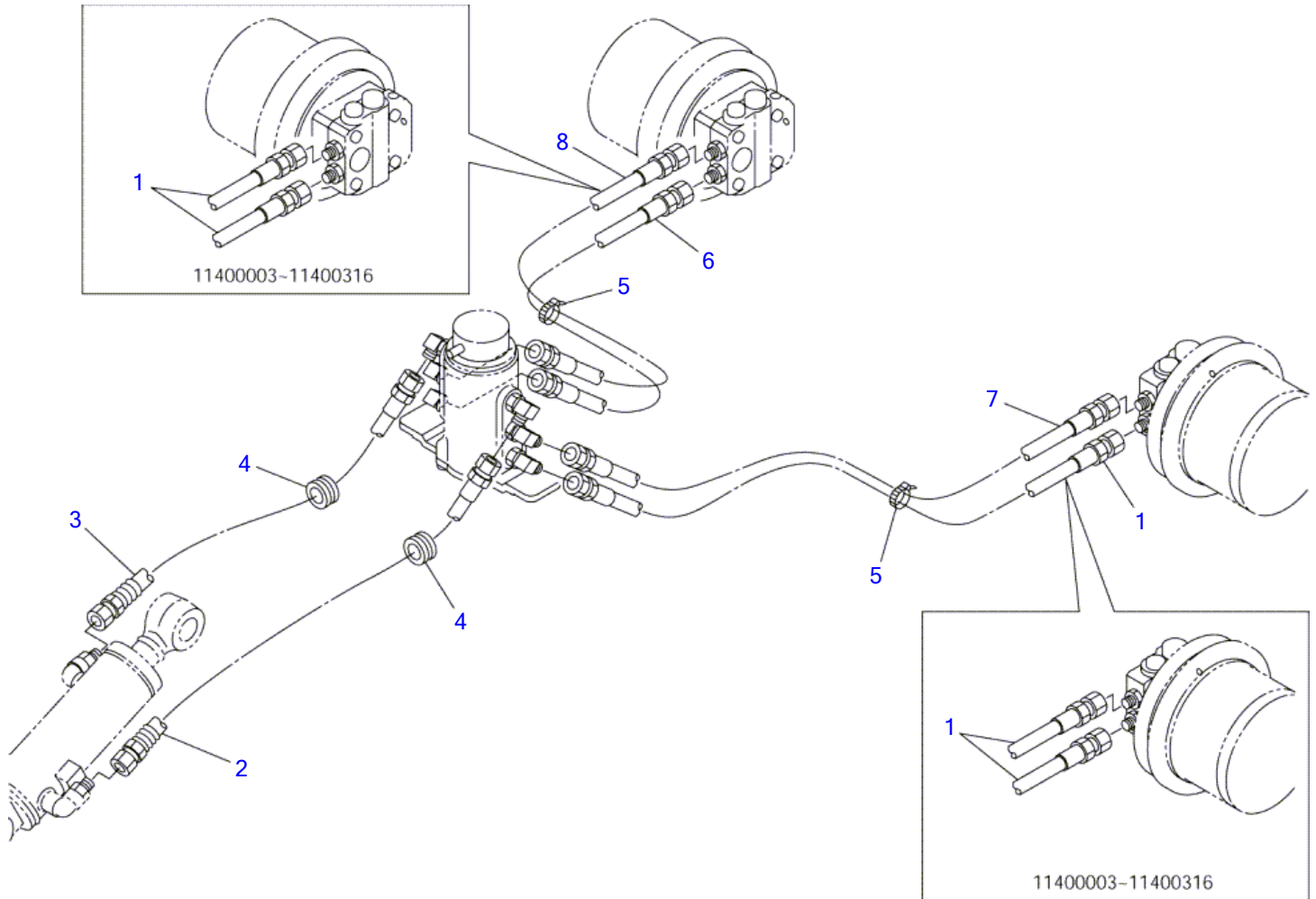
**SWIVEL JOINT & ACCESSORIES (11400437-)**

Item	Part number	Description	Q'ty	Chan.	Serial No.	Serv.	Remarks
		JOINT ASSY, swivel					X03321-19000-1
1	1904008100	JOINT, swivel	1				
2	0332119100	COLLAR	1				
3	1515012040	ELBOW	11				
	1420010110	• O-RING	1			M	
4	1515600200	ADAPTOR	4				
	1420010110	• O-RING	1			M	
5	1100040820	BOLT	4				
6	1101041235	BOLT	2				
7	1140020008	WASHER, spring	4				
8	1140020012	WASHER, spring	2				
9	1532720801	TEE	1				
	C4a171						



**DOZER BLADE**

Item	Part number	Description	Q'ty	Chan.	Serial No.	Serv.	Remarks
		BLADE ASSY, dozer					X03363-36000-3
		BLADE ASSY, dozer (long)					X03363-38000-3
1	<b>0336332100</b>	BLADE, dozer	1		11400003~11400010		595mm long
	<b>0336336100</b>	BLADE, dozer	1	(H)	11400011~11400016		595mm long
	<b>0336334100</b>	BLADE, dozer (long)	1		11400003~11400010		950mm long
	<b>0336338100</b>	BLADE, dozer (long)	1	(H)	11400011~11400016		950mm long
1-14	<b>1432200030</b>	• SEAL, dust	4				
1-15	<b>0426007300</b>	• BUSHING	2				
2	<b>1515600200</b>	ADAPTOR	2				
	<b>1420010110</b>	• O-RING	1			M	
3	<b>0426300400</b>	COVER	1				
4	<b>0011601100</b>	PIN	4				
5	<b>1900070300</b>	CYLINDER, dozer blade	1				
	<b>1900074900</b>	CYLINDER, dozer blade (long)	1				
6	<b>1103040860</b>	BOLT	4				
7	<b>1130240008</b>	NUT	8				
8	<b>1100040860</b>	BOLT	1				
9	<b>1140020008</b>	WASHER, spring	1				
10	<b>0336336300</b>	BLADE, dozer	1		11400017~		595mm long
	<b>0336338300</b>	BLADE, dozer (long)	1		11400017~		950mm long
	<b>C4a122S</b>						

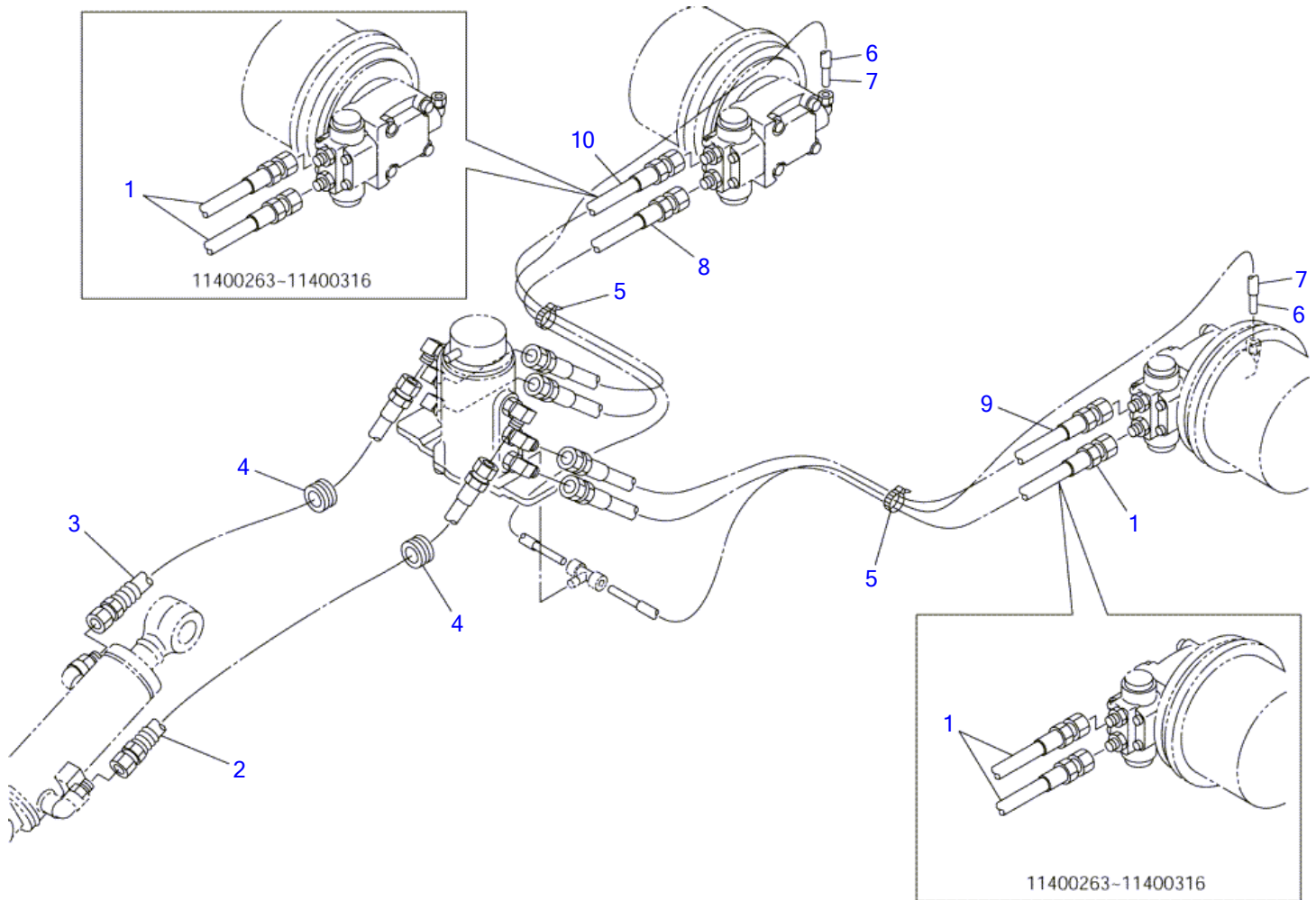


C4A131

S=1/8

**PIPING; LOWER (11400003-11400436)**

Item	Part number	Description	Q'ty	Chan.	Serial No.	Serv.	Remarks
		PIPING ASSY, lower					X03372-24000-0
1	<b>1801760070</b>	HOSE ASSY	4		11400003~11400316		
	<b>0337224100</b>	HOSE ASSY	1		11400317~		18015-60070
2	<b>1801660068</b>	HOSE ASSY	1		11400003~11400010		
	<b>1801519002</b>	HOSE ASSY	1		11400011~11400316		
	<b>0337224200</b>	HOSE ASSY	1		11400317~		18015-00067
3	<b>1801660050</b>	HOSE ASSY	1		11400003~11400010		
	<b>1801519001</b>	HOSE ASSY	1		11400011~11400316		
	<b>0337224210</b>	HOSE ASSY	1		11400317~		18015-00050
4	<b>0077200400</b>	GUARD	2				
5	<b>1652201005</b>	BAND	2				
6	<b>0337224110</b>	HOSE ASSY	1		11400317~		18015-60070
7	<b>0337224120</b>	HOSE ASSY	1		11400317~		18015-60070
8	<b>0337224130</b>	HOSE ASSY	1		11400317~		18015-60070
	<b>C4a131</b>						



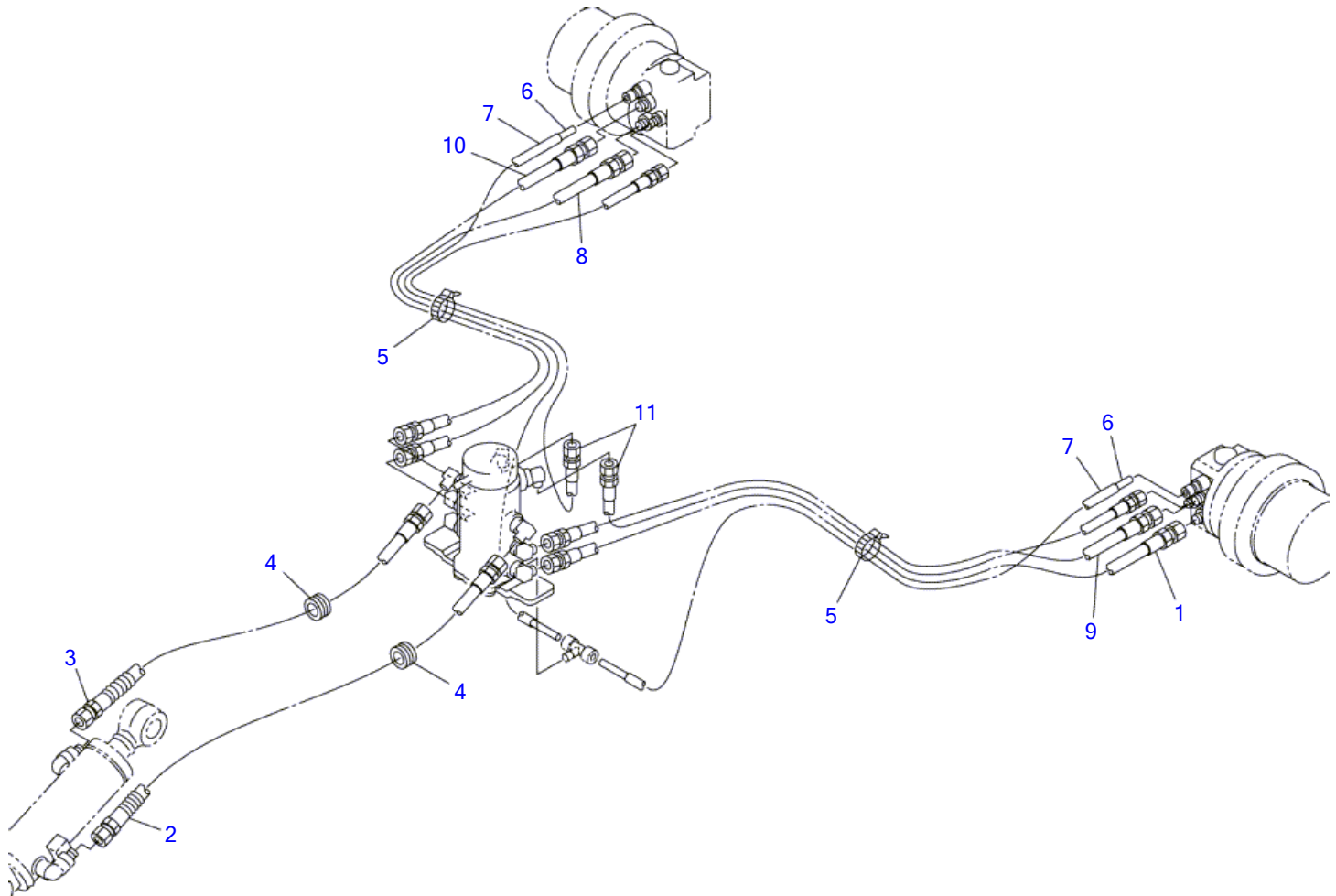
C4A180

S=1/8



**PIPING; LOWER (with P.B.; 11400263-11400436)**

Item	Part number	Description	Q'ty	Chan.	Serial No.	Serv.	Remarks
		PIPING ASSY, lower					X03372-25000-0
1	<b>1801760064</b>	HOSE ASSY	4		11400263~11400316		
	<b>0337225100</b>	HOSE ASSY	1		11400317~11400436		18015-60064
2	<b>1801519002</b>	HOSE ASSY	1		11400263~11400316		
	<b>0337224200</b>	HOSE ASSY	1		11400317~11400436		18015-00067
3	<b>1801519001</b>	HOSE ASSY	1		11400263~11400316		
	<b>0337224210</b>	HOSE ASSY	1		11400317~11400436		18015-00050
4	<b>0077200400</b>	GUARD	2				
5	<b>1652201005</b>	BAND	2				
6	<b>1532020890</b>	TUBE	2				sold by the meter
7	<b>1531010080</b>	PROTECTOR	2				sold by the meter
8	<b>0337225110</b>	HOSE ASSY	1		11400317~11400436		18015-60064
9	<b>0337225120</b>	HOSE ASSY	1		11400317~11400436		18015-60064
10	<b>0337225130</b>	HOSE ASSY	1		11400317~11400436		18015-60064
	<b>C4a180</b>						

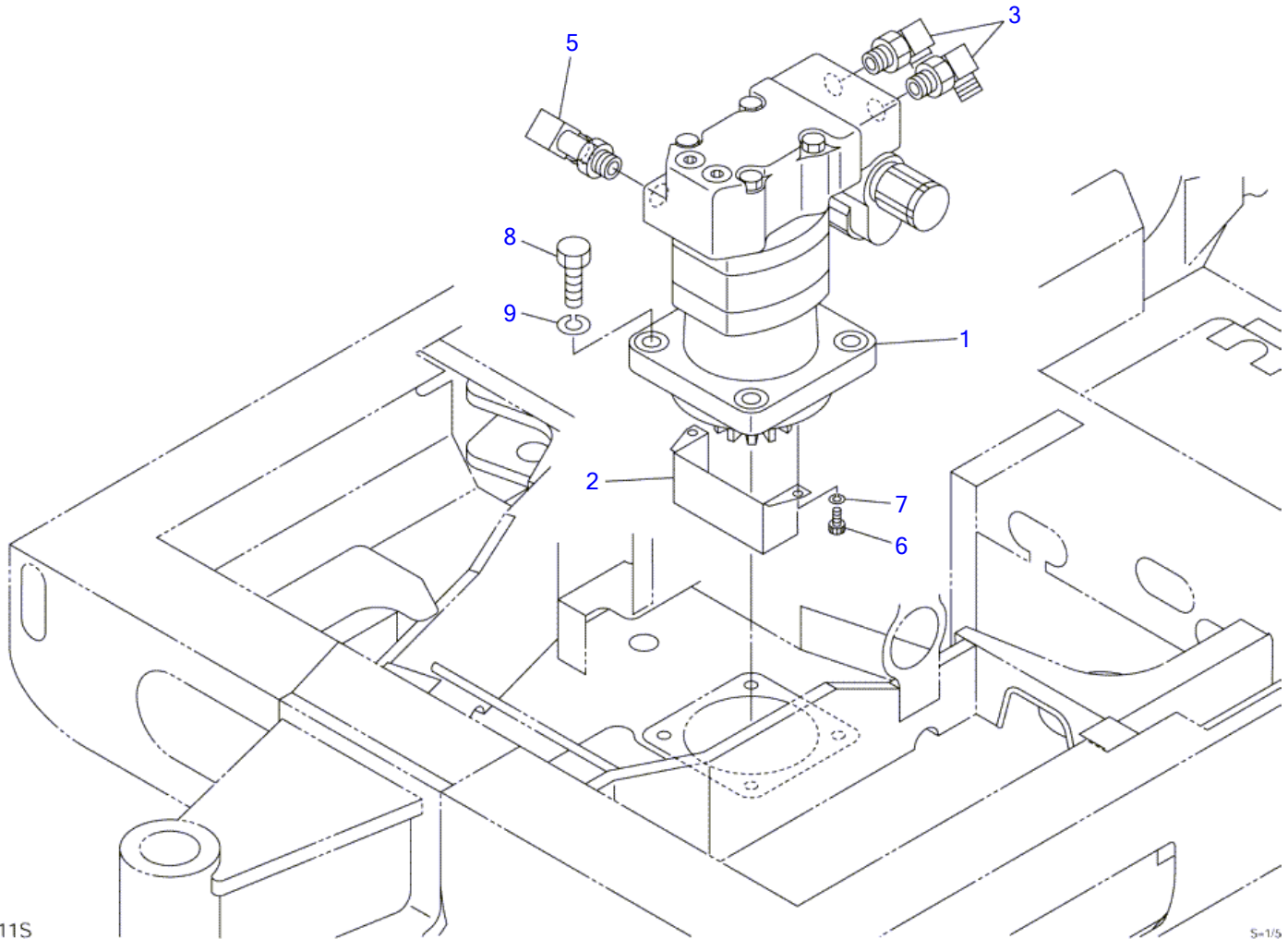


C4A190

S=1/10

**PIPING; LOWER (11400437-)**

Item	Part number	Description	Q'ty	Chan.	Serial No.	Serv.	Remarks
		PIPING ASSY, lower					X03372-27000-0
1	0337227100	HOSE ASSY	1				18015-60071
2	0337224200	HOSE ASSY	1				18015-00067
3	0337224210	HOSE ASSY	1				18015-00050
4	0077200400	GUARD	2				
5	1652201005	BAND	2				
6	1532020865	TUBE	2				sold by the meter
7	1531010055	PROTECTOR	2				sold by the meter
8	0337227110	HOSE ASSY	1				18015-60071
9	0337227120	HOSE ASSY	1				18015-60071
10	0337227130	HOSE ASSY	1				18015-60071
11	0337227140	HOSE ASSY	1				18015-02073
	C4a190						

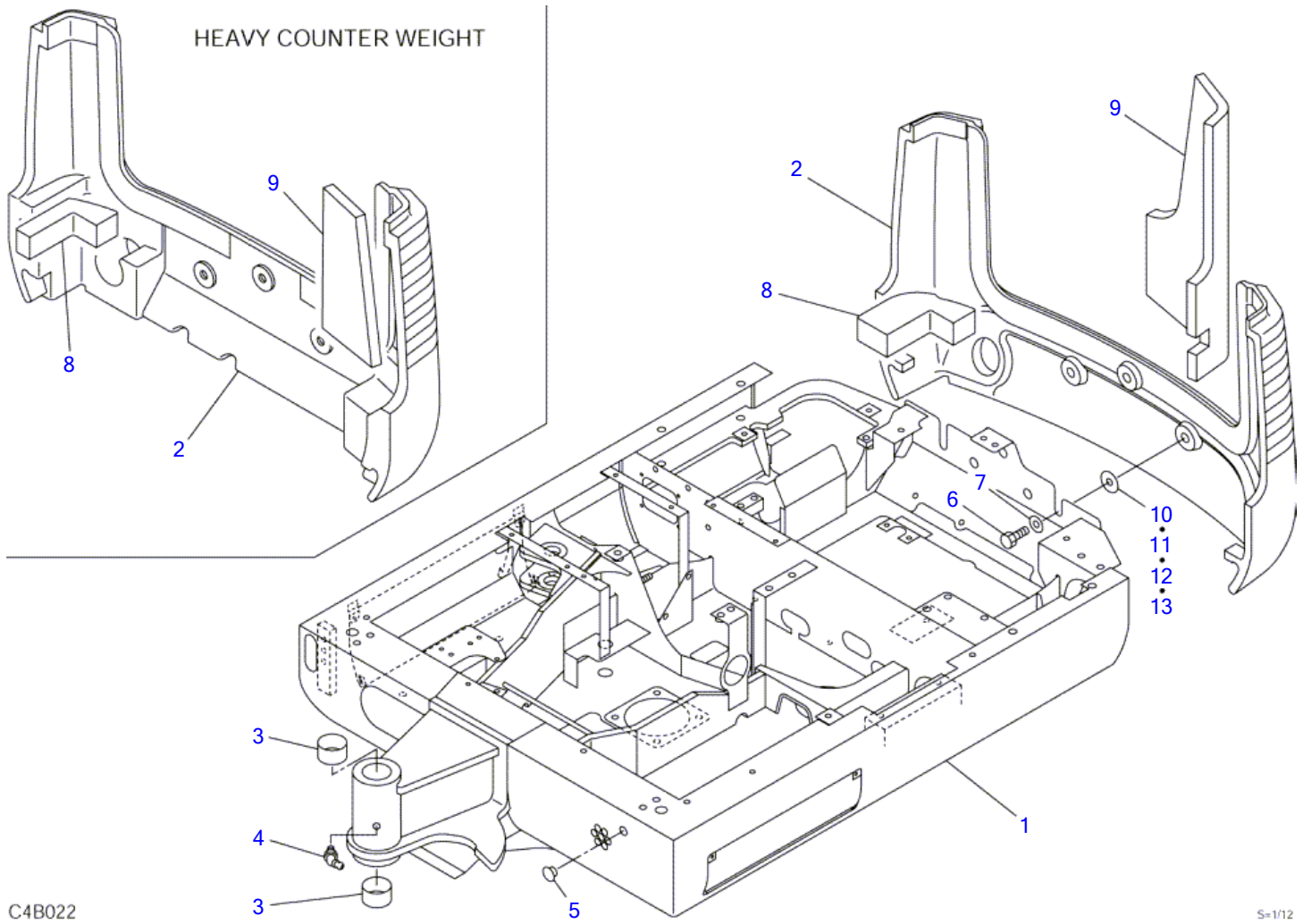


C4B011S

S-1/5

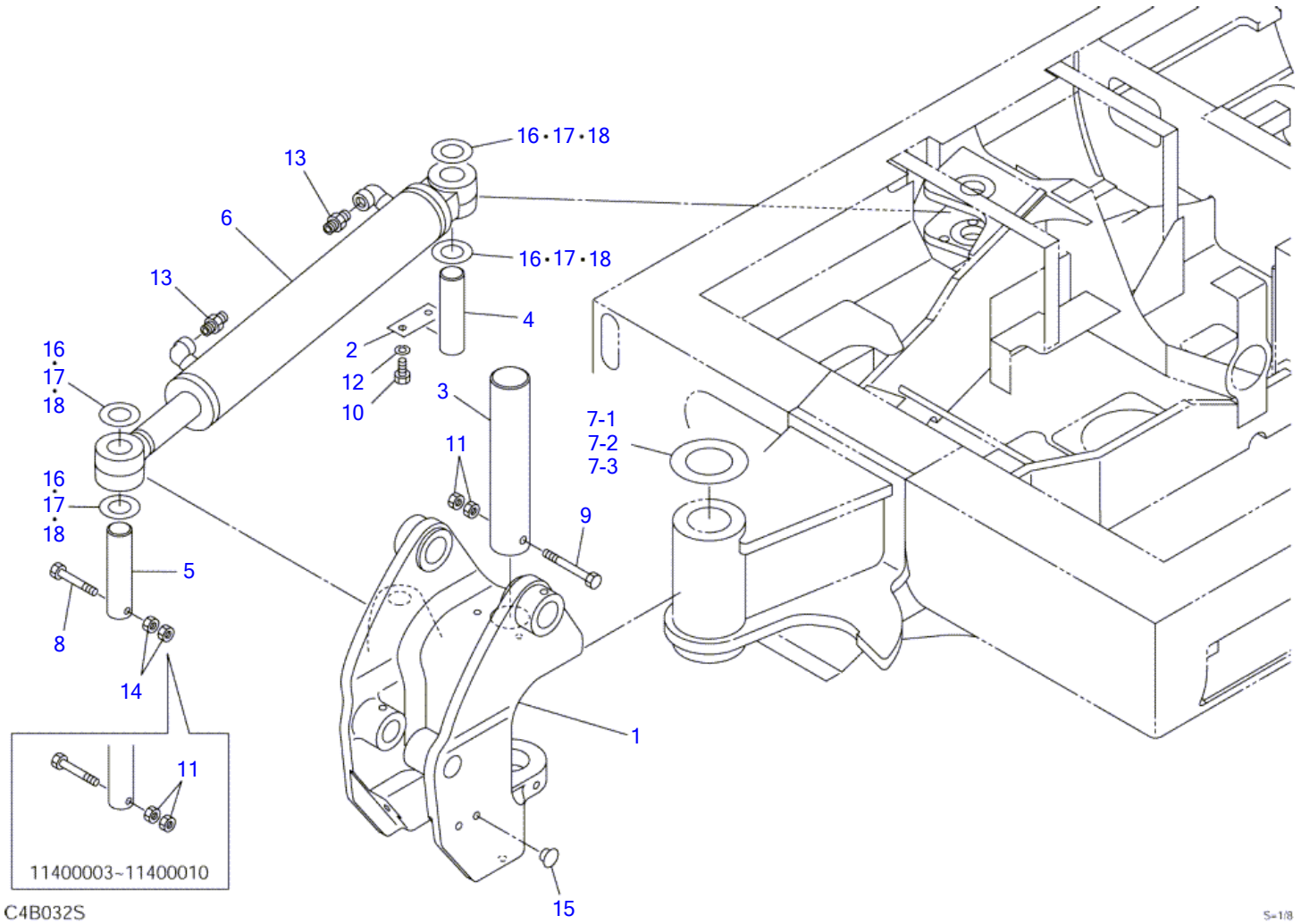
**SLEWING DEVICE**

Item	Part number	Description	Q'ty	Chan.	Serial No.	Serv.	Remarks
		DEVICE ASSY, slewing					X03323-18000-1
1	<b>1903117800</b>	MOTOR, slew (without P.B.)	1				
2	<b>0332314100</b>	COVER	1				
3	<b>1515010050</b>	ELBOW	2				
	<b>1420010140</b>	• O-RING	1			M	
5	<b>1513350003</b>	ELBOW	1				
	<b>1420010140</b>	• O-RING	1			M	
6	<b>1110040610</b>	SCREW, cap	2				
7	<b>1140420006</b>	WASHER, spring	2				
8	<b>1101041235</b>	BOLT	4				
9	<b>0003900036</b>	WASHER	4				
	<b>C4b012S</b>						



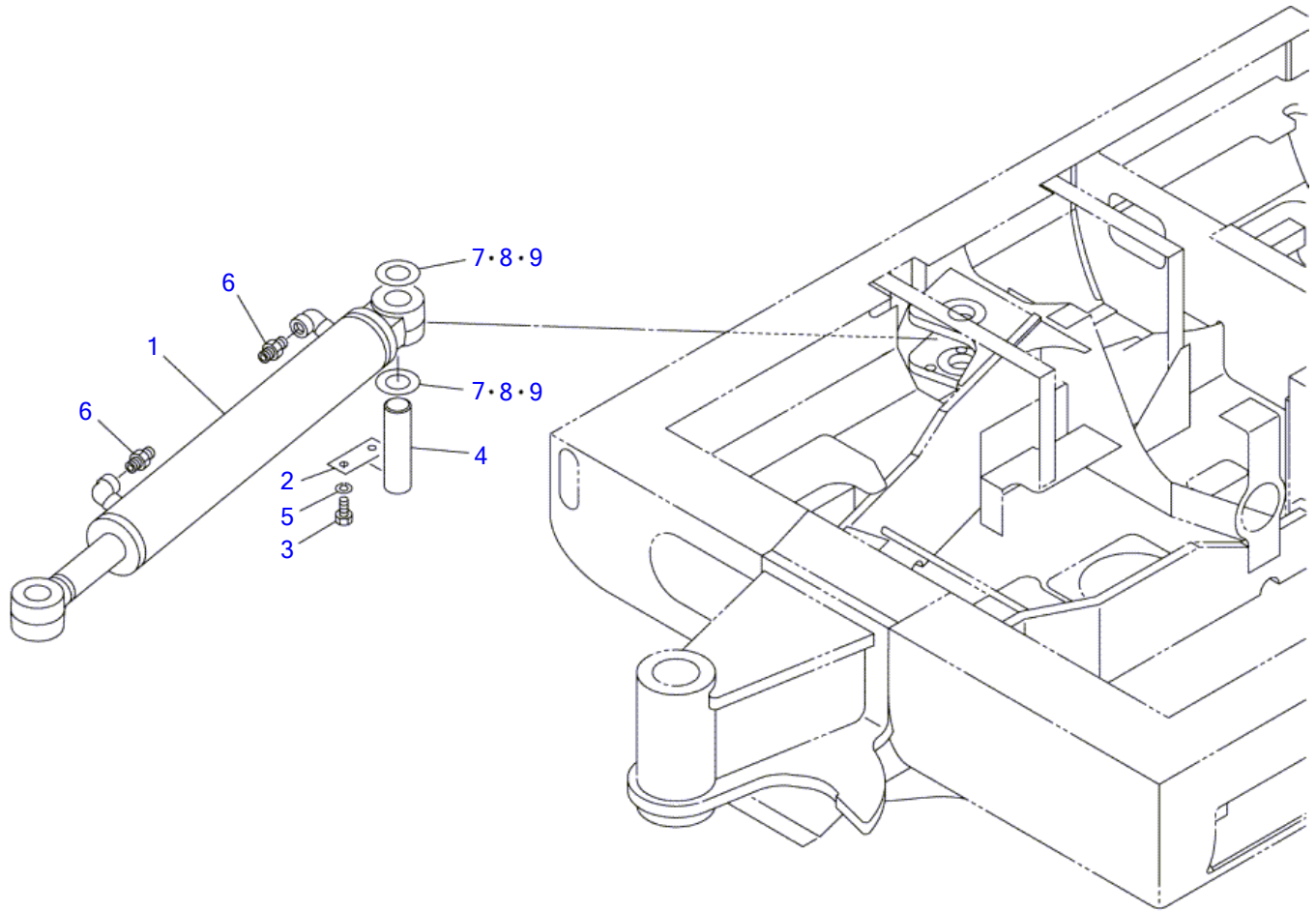
**TURNTABLE**

Item	Part number	Description	Q'ty	Chan.	Serial No.	Serv.	Remarks
		TURNTABLE ASSY					X03330-21000-7
		TURNTABLE ASSY (hevy weight)					X03330-22000-6
1	X *****	TURNTABLE	1				
2	0333018500	COUNTERWEIGHT	1				(69kg)
	0333022500	COUNTERWEIGHT, heavy	1				(116kg)
3	0002400050	BUSHING	2				
4	1560001675	FITTING, grease	1				
5	1652533023	CAP	1				
6	1101051435	BOLT	3				
7	1141550014	WASHER	3				
8	0334019360	URETHANE	1				
	0333022200	URETHANE	1				hevy weight
9	0338230840	ABSORBENT, noise	1				
	0333022300	ABSORBENT, noise	1				hevy weight
10	0003600151	SHIM	AR				t=1.0mm
11	0003600152	SHIM	AR				t=2.3mm
12	0003600153	SHIM	AR				t=3.2mm
13	0003600175	SHIM	AR				t=0.5mm
	C4b023						





BOOM SWING							
Item	Part number	Description	Q'ty	Chan.	Serial No.	Serv.	Remarks
		SWING ASSY, boom					X03331-19000-3
1	0333118100	BACKET	1		11400003~11400010		
	0333119100	BACKET	1	(H)	11400011~		
2	0423103800	PLATE	1				
3	0011515004	PIN	1				
4	0011691002	PIN	1				
5	0001601130	PIN	1				
6	1900070500	CYLINDER, swing	1				
7	0333114500	WASHER	1				
7-1	0333114501	· WASHER t=4.5	AR				
7-2	0333114502	· WASHER t=5.0	AR				
7-3	0333114503	· WASHER t=5.5	AR				
8	1100040860	BOLT	1		11400003~11400010		
	1103040860	BOLT	1		11400011~		
9	1100140825	BOLT	1				
10	1101041220	BOLT	2				
11	1130040008	NUT	4		11400003~11400010		
	1130040008	NUT	2		11400011~		
12	1140020012	WASHER, spring	2				
13	1515600200	ADAPTOR	2				
	1420010110	· O-RING	1			M	
14	1130240008	NUT	2		11400011~		
15	1652062003	CAP	2				
16	0426109800	SHIM t=1.0	AR			M	
17	0003600045	SHIM t=0.5	AR				
18	0003600044	SHIM t=0.2	AR			M	
	C4b033S						

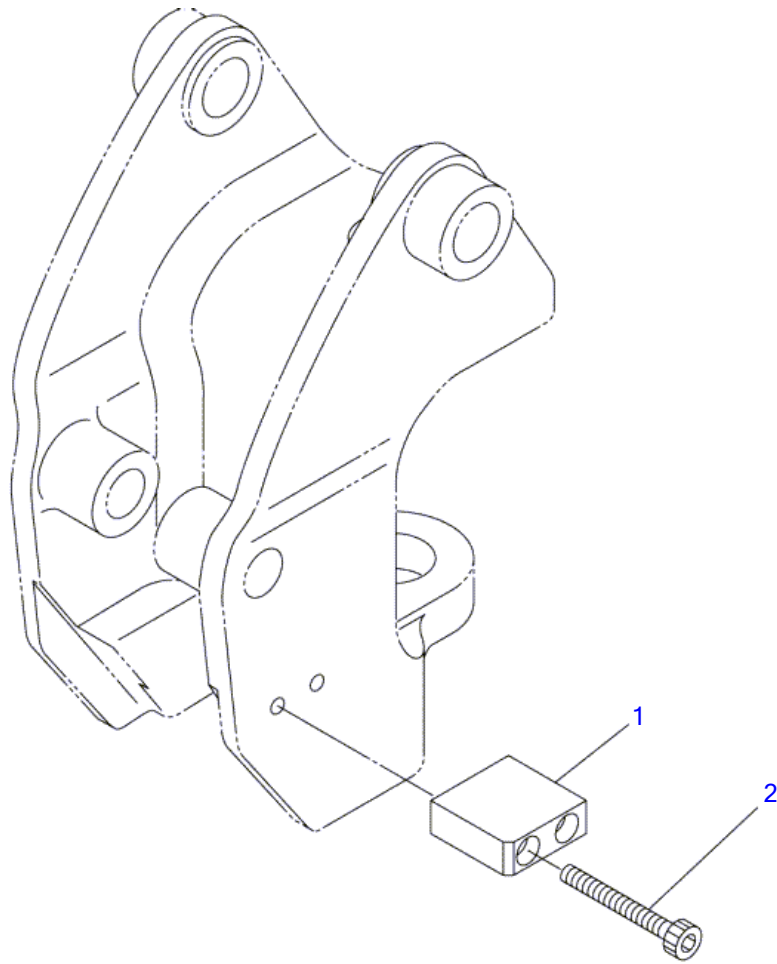


C4B270

S-1/8

**SWING CYLINDER (for YBM)**

Item	Part number	Description	Q'ty	Chan.	Serial No.	Serv.	Remarks
		SWING CYLINDER ASSY					X03331-19500-0
1	1900070500	CYLINDER, swing	1				
2	0423103800	PLATE	1				
3	1101041220	BOLT	2				
4	0011691002	PIN	1				
5	1140020012	WASHER, spring	2				
6	1515600200	ADAPTOR	2				
	1420010110	• O-RING	1			M	
7	0003600044	SHIM t=0.2	AR				
8	0003600045	SHIM t=0.5	AR				
9	0426109800	SHIM t=1.0	AR				
	C4b270						

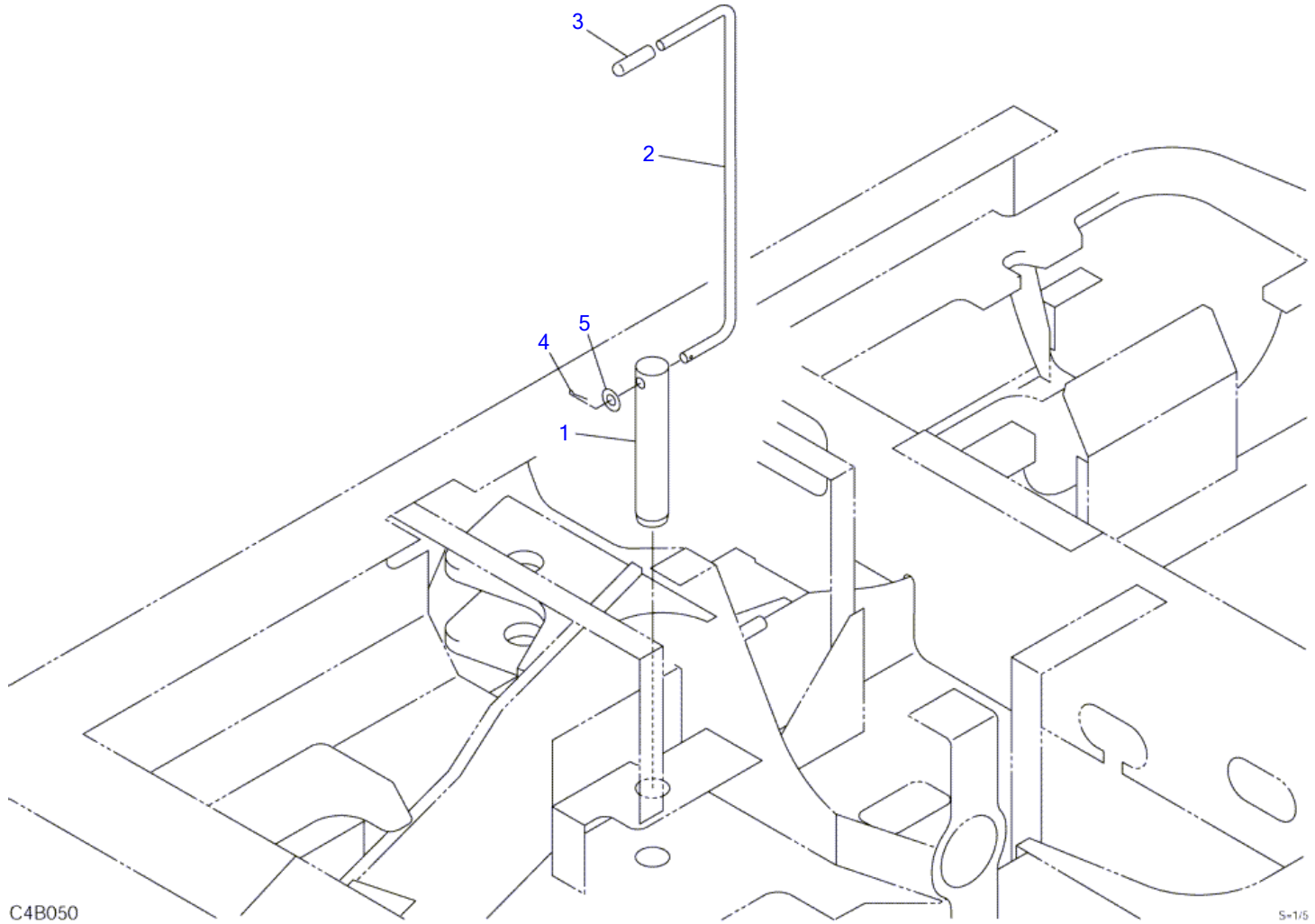


C4B040

S-1/4

**SWING STOPPER**

Item	Part number	Description	Q'ty	Chan.	Serial No.	Serv.	Remarks
1	<b>0333903100</b>	STOPPER ASSY, swing	1				X03339-03000-0
2	<b>1110041070</b>	PLATE	1				
	<b>C4b041</b>	SCREW, cap	2				



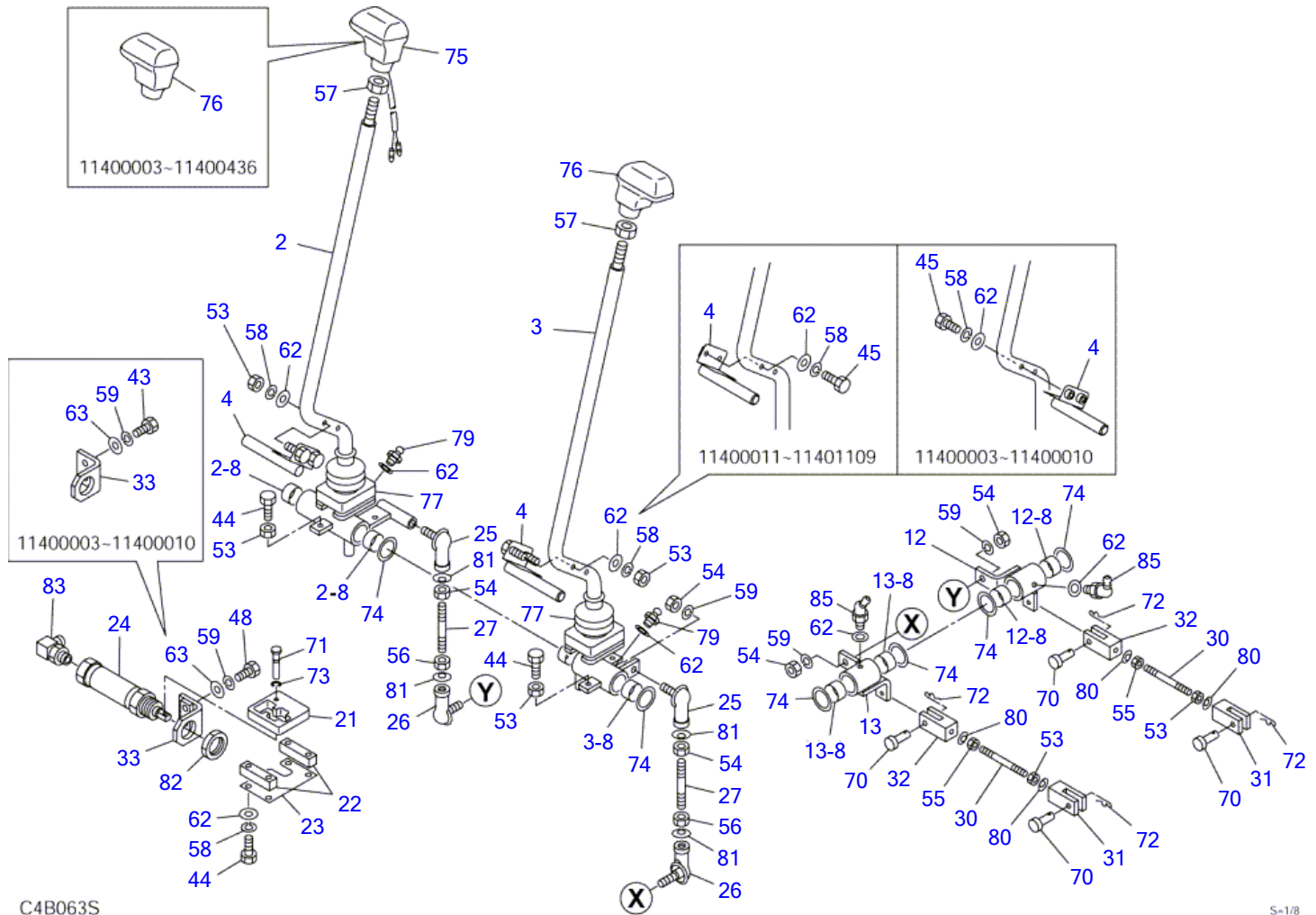
C4B050

S-1/5

**SLEWING LOCK**

Item	Part number	Description	Q'ty	Chan.	Serial No.	Serv.	Remarks
		PIN ASSY, swing lock					X03322-12000-1
1	<b>0332212010</b>	PIN	1				
2	<b>0332212020</b>	ROD	1				
3	<b>0543208900</b>	GRIP	1				
4	<b>1210012516</b>	PIN, split	1				
5	<b>1141110008</b>	WASHER	1				
	<b>C4b052</b>						

TB014 Book No. BC4Z004 S/N 11400003-11401973  
**TRAVEL LEVER**



C4B063S

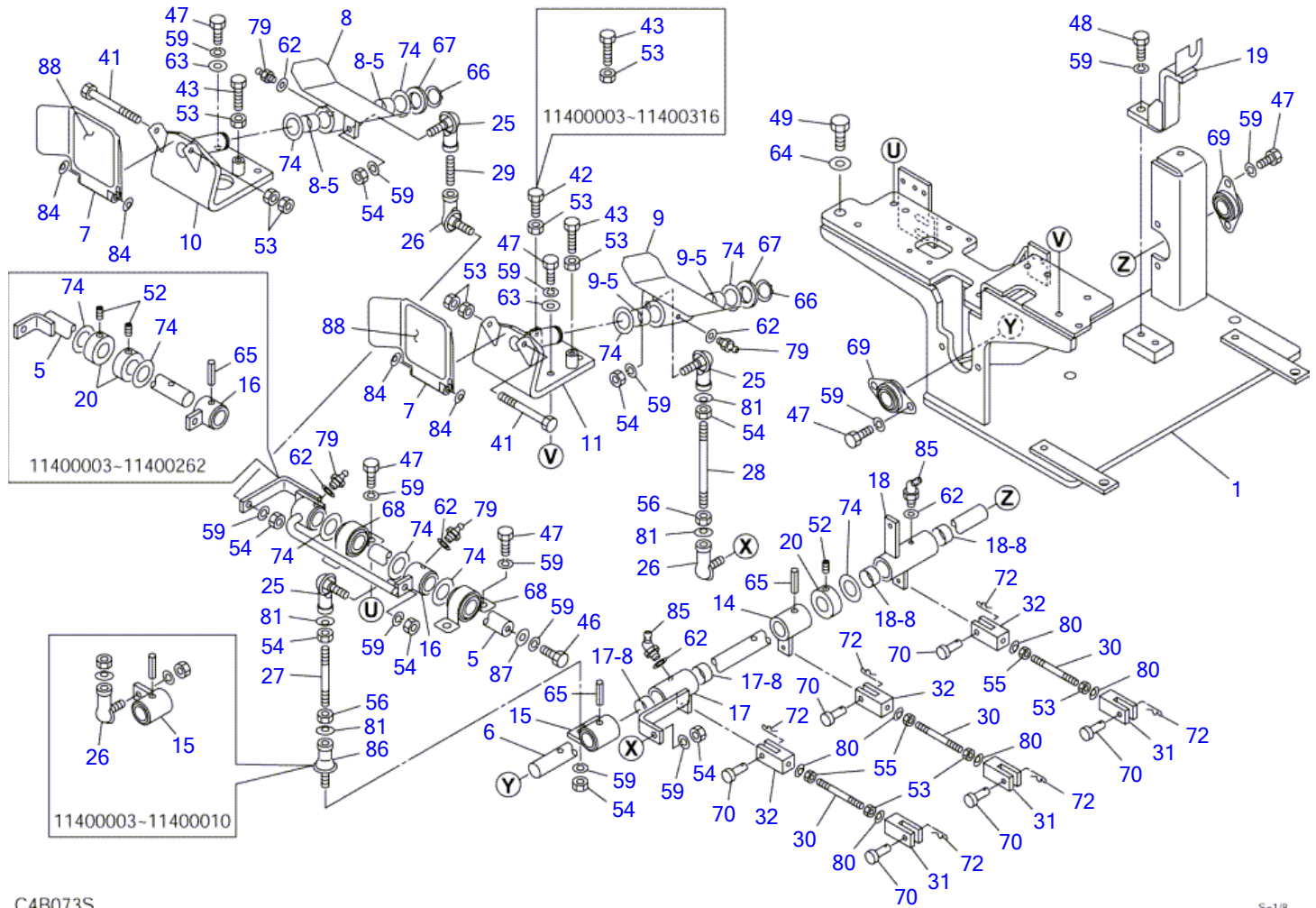
S-1/8



TRAVEL LEVER

Item	Part number	Description	Q'ty	Chan.	Serial No.	Serv.	Remarks
		LEVER ASSY, control					X03332-44000-8
2	0333234150	LEVER (R.H.)	1		11400003~11400010		
	0333236150	LEVER (R.H.)	1		11400011~11400262		
	0333236500	LEVER (R.H.)	1		11400263~		
2-8	1333002015	• BUSHING	2				
3	0333234200	LEVER (L.H.)	1		11400003~11400010		
	0333236200	LEVER (L.H.)	1		11400011~		
3-8	1333002015	• BUSHING	2				
4	0333224250	LEVER	2		11400003~11400010		
	0333236250	LEVER	2		11400011~		
12	0333234330	LEVER (R.H.)	1				
12-8	1333002015	• BUSHING	2				
13	0333234350	LEVER (L.H.)	1				
13-8	1333002015	• BUSHING	2				
21	0333231460	PLATE	1		11400003~11400010		
	0333236320	PLATE	1		11400011~		
22	0333231470	BAR	2		11400003~11400010		
	0333236330	BAR	2		11400011~		
23	0333231480	PLATE	1				
24	1900074800	CYLINDER, lock	1				
25	1340010080	END, rod	2				
26	1340010085	END, rod	2				
27	0005008050	ROD	2				
30	0005006070	ROD	2				
31	0005500006	YOKE (R.H.)	2				
32	0005600003	YOKE (L.H.)	2				
33	0333234450	BRACKET	1		11400003~11400010		
	0333236340	BRACKET	1		11400011~		
43	1100040620	BOLT	2		11400003~11400010		
44	1100040625	BOLT	8				
45	1100040630	BOLT	4		11400003~11401109		
48	1100040825	BOLT	2		11400011~		
53	1130040006	NUT	10				
54	1130040008	NUT	5				
55	1131540006	NUT	2				
56	1131540008	NUT	2				
57	1131040012	NUT	2				
58	1140020006	WASHER, spring	10		11400003~11400010		
	1140020006	WASHER, spring	8		11400011~		
59	1140020008	WASHER, spring	3		11400003~11400010		
	1140020008	WASHER, spring	5		11400011~		
62	1141110006	WASHER	14		11400003~11400010		
	1141110006	WASHER	12		11400011~		
63	1141110008	WASHER	2		11400011~		
70	0004005117	PIN	4				
71	0333231500	PIN	2		11400003~11400010		
	0333236350	PIN	2		11400011~		
72	1214010005	PIN, snap	4				
73	1224010004	E-RING	1				
74	0093208300	WASHER	6				
75	1650203210	GRIP	1		11400437~		
76	1650202610	GRIP	2		11400003~11400436		
	1650202610	GRIP	1		11400437~		
77	0563217700	BOOT	2				
79	1560011006	FITTING, grease	2				
80	1225000006	WASHER	4				
81	1225000008	WASHER	4				
82	1130640024	NUT	1				
83	1515012040	ELBOW	1				
	1420010110	• O-RING	1			M	
85	1560012006	FITTING, grease	2				
	C4b063S						

TB014 Book No. BC4Z004 S/N 11400003-11401973  
**SWING PEDAL & AUXILIARY PEDAL**



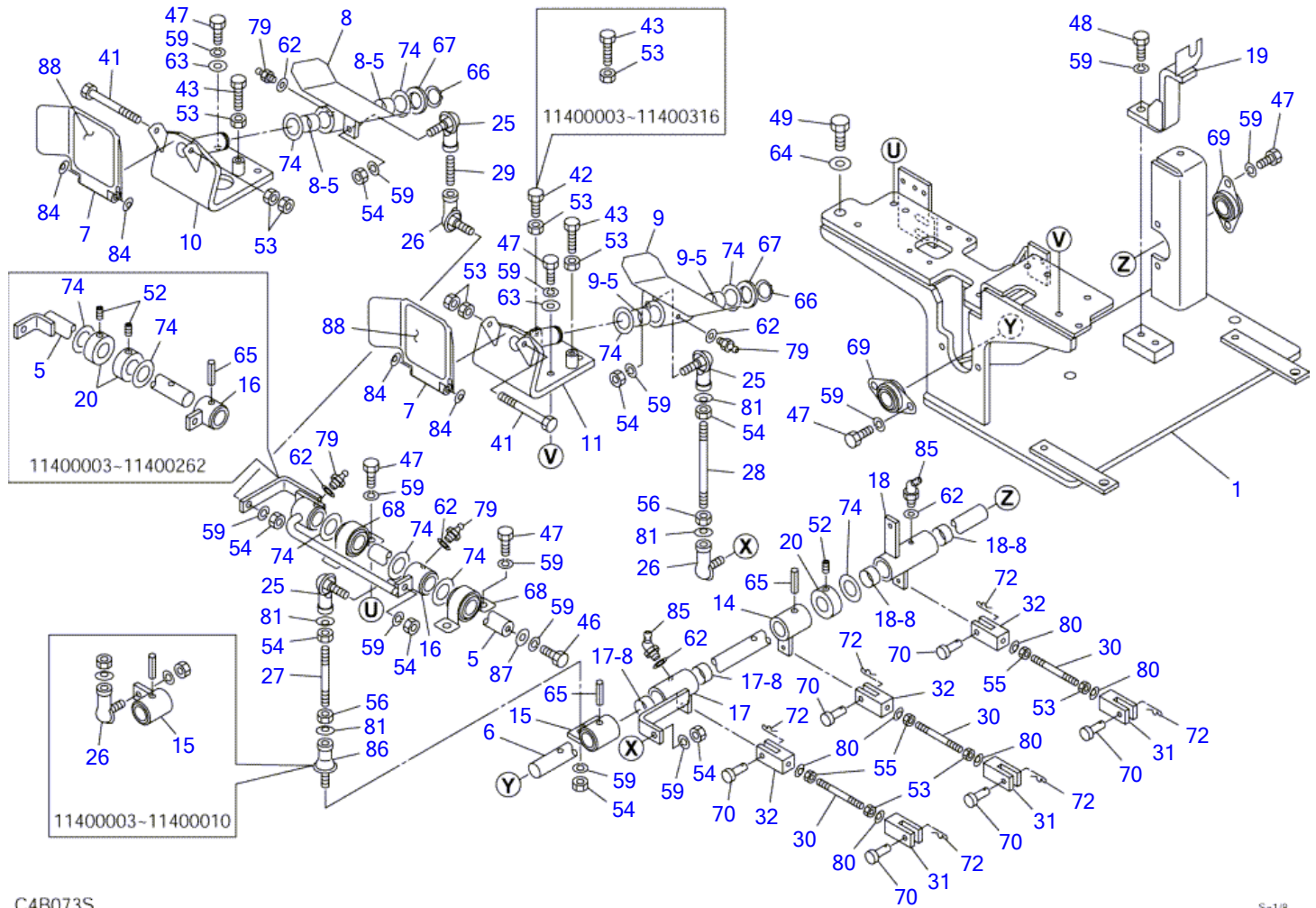
C4B073S

S-1/8

**SWING PEDAL & AUXILIARY PEDAL**

Item	Part number	Description	Q'ty	Chan.	Serial No.	Serv.	Remarks
		LEVER ASSY, control					X03332-44000-8
1	0333234100	BRACKET	1		11400003~11400010		
	0333236100	BRACKET	1		11400011~11400262		
	0334242700	BRACKET	1		11400263~		
5	0333231250	SHAFT	1		11400003~11400010		
	0333236260	SHAFT	1		11400011~11400262		
	0333236650	SHAFT	1		11400263~		
6	0333234250	SHAFT	1				
7	0333234260	COVER	2				
8	0333234270	PEDAL	1				
8-5	1333002020	• BUSHING	2				
9	0333234290	PEDAL	1				
9-5	1333002020	• BUSHING	2				
10	0333231320	BRACKET (R.H.)	1		11400003~11400010		
	0333236270	BRACKET (R.H.)	1		11400011~		
11	0333231330	BRACKET (L.H.)	1		11400003~11400010		
	0333236280	BRACKET (L.H.)	1		11400011~		
14	0333231380	LEVER	1				
15	0333231390	LEVER	1		11400003~11400010		
	0333236290	LEVER	1		11400011~		
16	0333231400	LEVER	1		11400003~11400010		
	0333236300	LEVER	1		11400011~11400262		
	0333241200	LEVER	1		11400263~		
17	0333234400	LEVER	1				
17-8	1333002015	• BUSHING	2				
18	0333234420	LEVER	1				
18-8	1333002015	• BUSHING	2				
19	0333234440	BRACKET	1		11400003~11400010		
	0333236310	BRACKET	1		11400011~		
20	0163209400	STOPPER	3		11400003~11400010		
	0163209400	STOPPER	1		11400011~		
25	1340010080	END, rod	3				
26	1340010085	END, rod	3		11400003~11400010		
	1340010085	END, rod	2		11400011~		
27	0005008050	ROD	1				
28	0005008130	ROD	1				
29	1121040825	SET-SCREW	1				
30	0005006070	ROD	3				
31	0005500006	YOKE (R.H.)	3				
32	0005600003	YOKE (L.H.)	3				
41	1100040680	BOLT	2				
42	1100040635	BOLT	1		11400317~		
43	1100040620	BOLT	4		11400003~11400316		
	1100040620	BOLT	3		11400317~		
46	1100040816	BOLT	1		11400263~		
47	1100040820	BOLT	14				
48	1100040825	BOLT	2				
49	1100041025	BOLT	3				
52	1121040808	SET-SCREW	3		11400003~11400010		
	1121040808	SET-SCREW	1		11400011~		
53	1130040006	NUT	11				
54	1130040008	NUT	7				
55	1131540006	NUT	3				
56	1131540008	NUT	2				
59	1140020008	WASHER, spring	22		11400003~11400262		
	1140020008	WASHER, spring	23		11400263~		
62	1141110006	WASHER	4		11400003~11400262		
	1141110006	WASHER	6		11400263~		
63	1141110008	WASHER	6				
64	1141550010	WASHER	3				
65	1213000830	PIN, spring	3		11400003~11400262		
	1213000830	PIN, spring	2		11400263~		
66	1220000020	RING, snap	2				
67	0003600034	WASHER	2				
68	1332002022	MINI-PILLOW	2				
69	1332052022	MINI-PILLOW	2				
70	0004005117	PIN	6				
72	1214010005	PIN, snap	6				

TB014 Book No. BC4Z004 S/N 11400003-11401973  
**SWING PEDAL & AUXILIARY PEDAL**

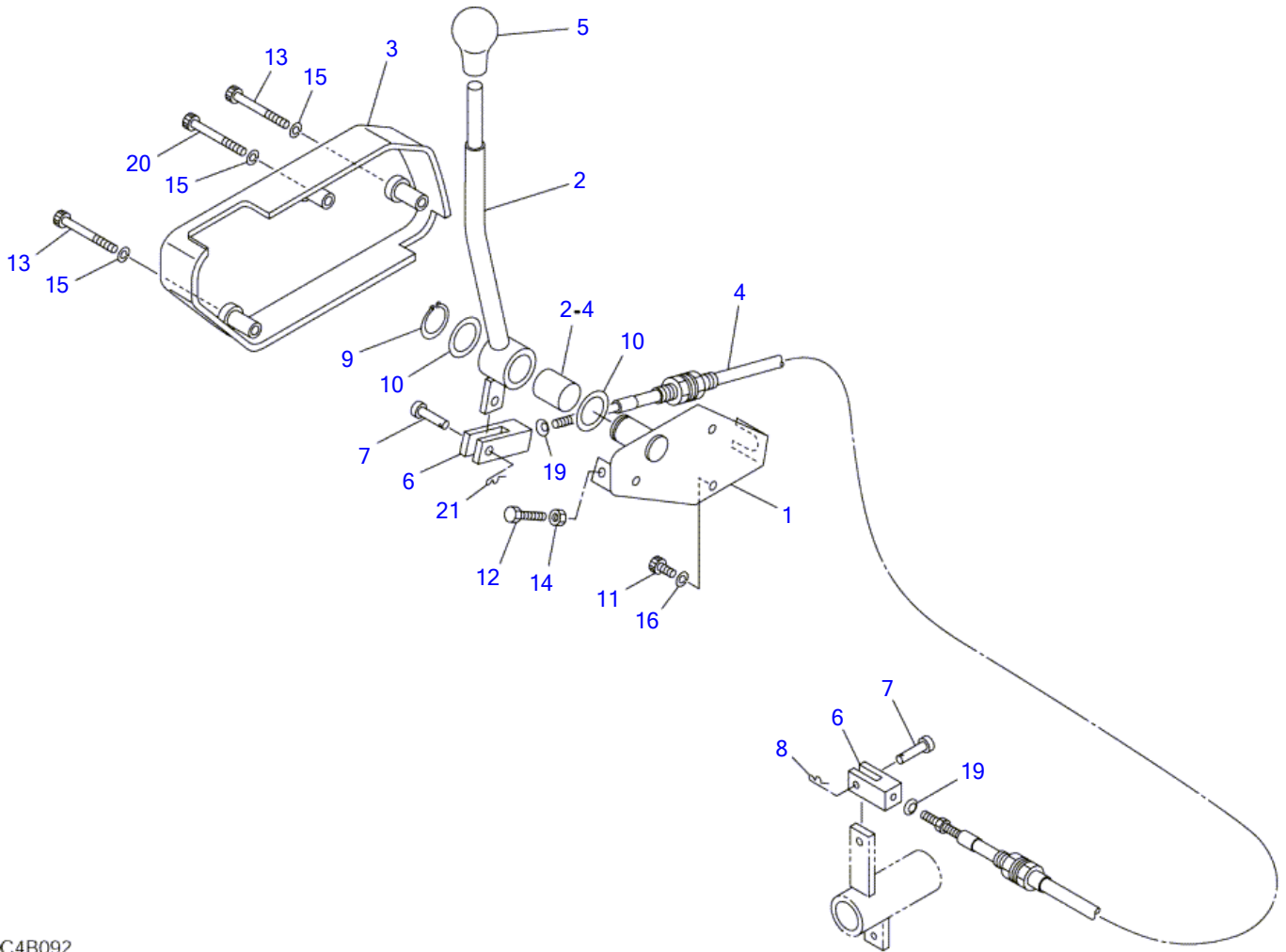


C4B073S

S-1/8

**SWING PEDAL & AUXILIARY PEDAL**

Item	Part number	Description	Q'ty	Chan.	Serial No.	Serv.	Remarks
74	<b>0860322200</b>	WASHER	9		11400003~11400010		
74	<b>0860322200</b>	WASHER	5		11400011~11400262		
74	<b>0093208300</b>	WASHER	7		11400263~		
79	<b>1560011006</b>	FITTING, grease	3		11400003~11400262		
79	<b>1560011006</b>	FITTING, grease	4		11400263~		
80	<b>1225000006</b>	WASHER	6				
81	<b>1225000008</b>	WASHER	4				
84	<b>1225110006</b>	WASHER, conical	4				
85	<b>1560012006</b>	FITTING, grease	2				
86	<b>1340300080</b>	END, rod	1		11400011~		
87	<b>0003608252</b>	WASHER	1		11400263~		
88	<b>0333241250</b>	SEET	2		11400263~		
	<b>C4b073S</b>						

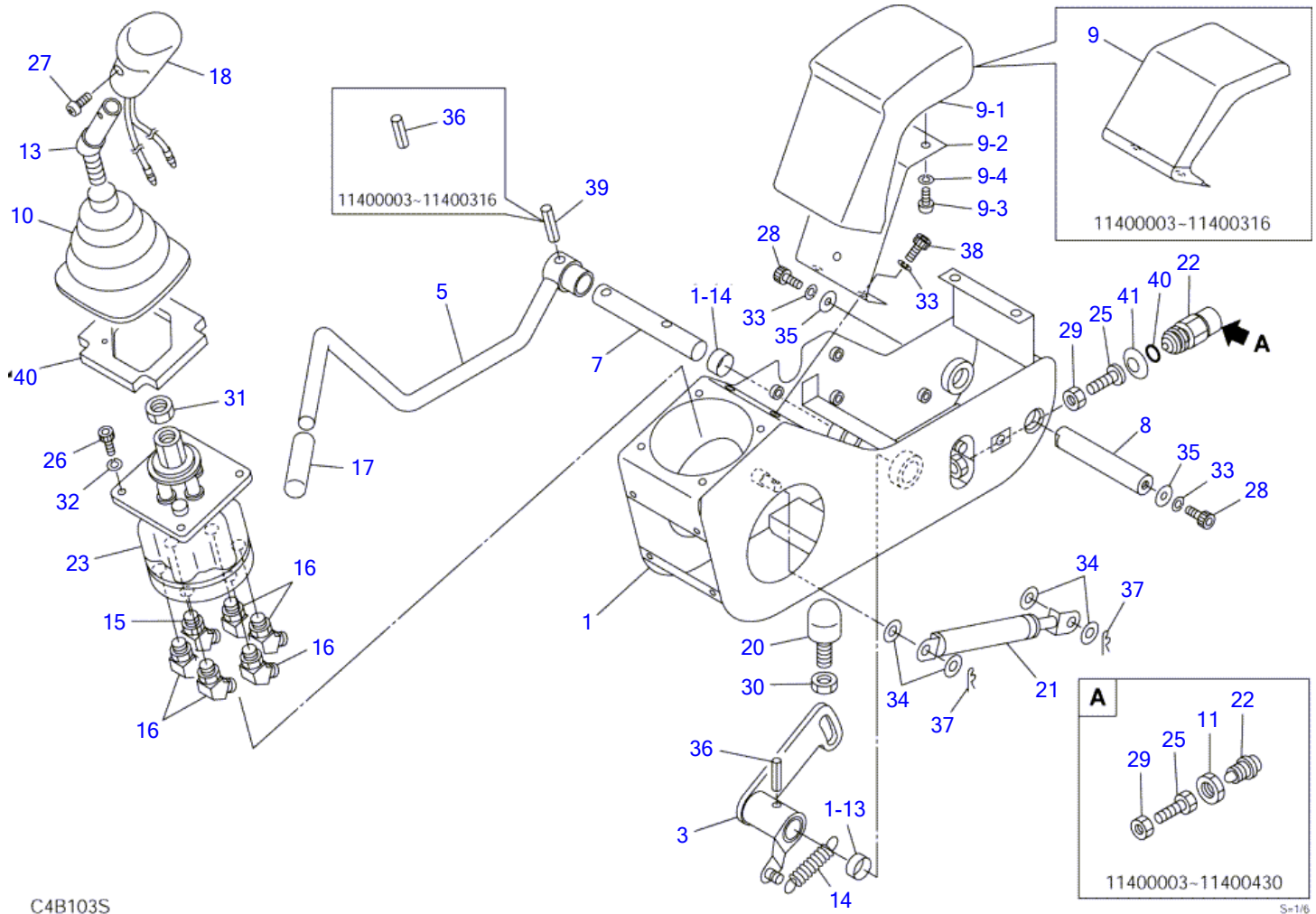


C4B092

S=1/5

**DOZER BLADE LEVER**

Item	Part number	Description	Q'ty	Chan.	Serial No.	Serv.	Remarks
		LEVER ASSY, dozer blade					X03333-04000-2
1	<b>0333303100</b>	BRACKET	1		11400003~11400010		
	<b>0333304100</b>	BRACKET	1		11400011~		
2	<b>0333302200</b>	LEVER	1				
2-4	<b>1333002025</b>	• BUSHING	1				
3	<b>0333302350</b>	COVER	1				
4	<b>1630341190</b>	CABLE, control	1				
5	<b>1650153655</b>	GRIP	1				
6	<b>0005506024</b>	YOKE	2				
7	<b>0004006017</b>	PIN	2				
8	<b>1214000006</b>	PIN, snap	1				
9	<b>1220000020</b>	RING, snap	1				
10	<b>0093208300</b>	WASHER	2				
11	<b>1110040616</b>	SCREW, cap	3				
12	<b>1100040620</b>	BOLT	2		11400003~11400010		
	<b>1100040625</b>	BOLT	2		11400011~		
13	<b>1110040535</b>	SCREW, cap	2				
14	<b>1130040006</b>	NUT	2				
15	<b>1140010005</b>	WASHER, spring	3				
16	<b>1140020006</b>	WASHER, spring	3				
19	<b>1225000005</b>	WASHER	2				
20	<b>1110040540</b>	SCREW, cap	2				
21	<b>1214010006</b>	PIN, snap	1				
	<b>C4b092S</b>						

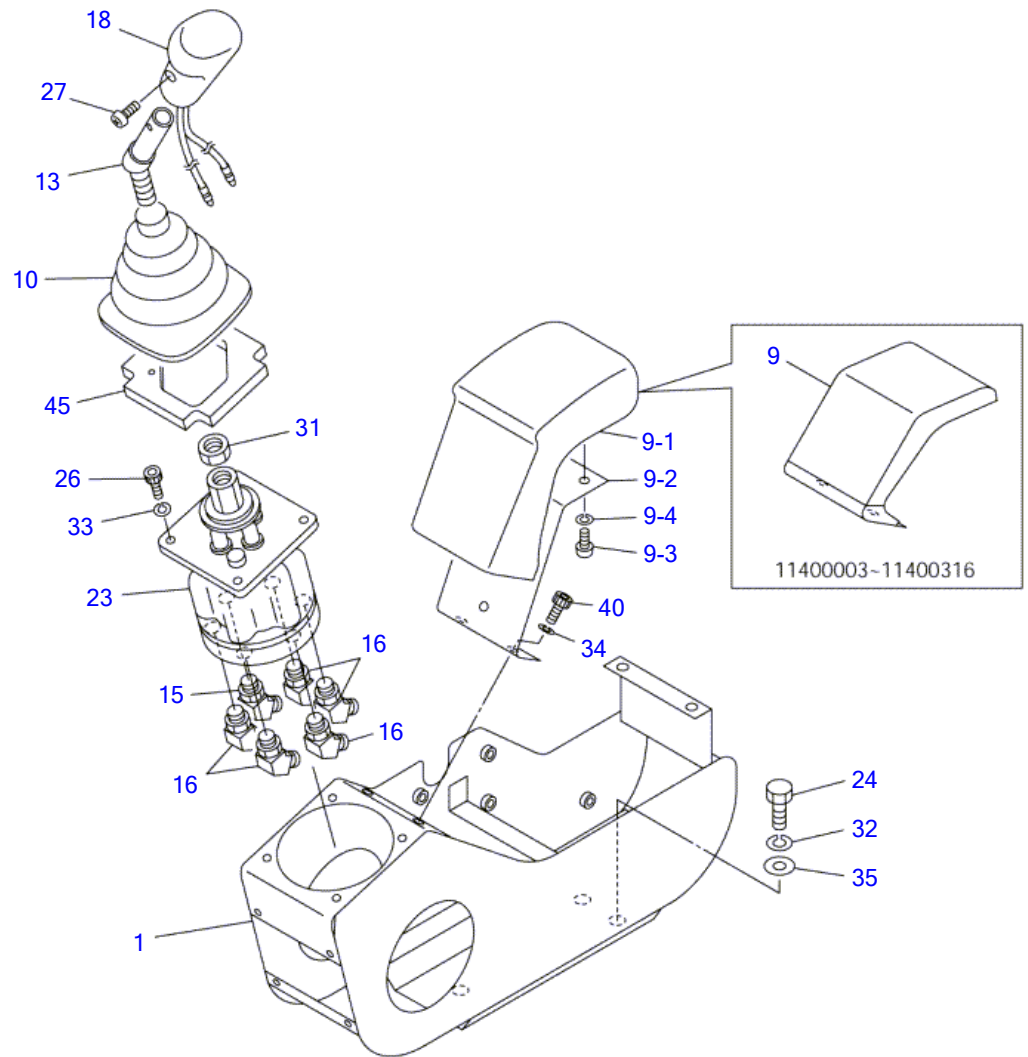




**OPERATION LEVER & STAND; R.H. (canopy)**

Item	Part number	Description	Q'ty	Chan.	Serial No.	Serv.	Remarks
		VALVE ASSY					X03351-34000-2
1	0335128100	BOX, control (R.H.)	1		11400003~11400010		
	0335130100	BOX, control (R.H.)	1	(H)	11400011~11400460		
	0335130700	BOX, control (R.H.)	1		11400461~		
1-13	1333002010	• BUSHING	1				
1-14	1333002015	• BUSHING	1				
3	0335128300	PLATE (R.H.)	1		11400003~11400010		
	0335130300	PLATE (R.H.)	1		11400011~		
5	0335128500	LEVER (R.H.)	1		11400003~11400010		
	0335130500	LEVER (R.H.)	1	(H)	11400011~11400316		
	0375105300	LEVER (R.H.)	1	(H)	11400317~		
7	0335124700	SHAFT	1				
8	0335124750	SHAFT	1				
9	0375103010	REST, arm	1		11400003~11400010		
	0335130900	REST, arm	1	(H)(L)	11400011~11400316		
	0375105500	REST, arm	1	(H)	11400317~		
9-1	0375105510	• URETHANE	1		11400317~		
9-2	0375105520	• PLATE	1		11400317~		
9-3	1120530812	• SCREW	3		11400317~		
9-4	1140020008	• WASHER, spring	3		11400317~		
10	0335124900	BOOT	1				
11	0335120960	NUT	1		11400003~11400430		
13	0565102500	LEVER	1				
14	0425105100	SPRING	1				
15	1512370012	ADAPTOR	1				
	1420010110	• O-RING	1			M	
16	1515100110	ELBOW	5				
	1420010110	• O-RING	1			M	
17	1650202300	CAP	1				
18	1650203300	GRIP	1				
20	1651101224	STOPPER	1				
21	1653900036	SPRING, gas	1	(L)	11400003~11400670		
	1653900050	SPRING, gas	1	(H)	11400671~11401133		
	1653900057	SPRING, gas	1	(H)	11401134~		
22	1700000026	SWITCH, safety	1	(L)	11400003~11400430		
	1700000033	SWITCH, safety	1	(H)	11400431~		
23	1901730400	VALVE, pilot	1				
25	1100041030	BOLT	1	(L)	11400003~11400430		
	0335120970	BOLT	1	(H)	11400431~		
26	1110040616	SCREW, cap	4				
27	1120590416	SCREW	1				
28	1110040816	SCREW, cap	2				
29	1130040010	NUT	1				
30	1130040012	NUT	1				
31	1130040014	NUT	1				
32	1140020006	WASHER, spring	4				
33	1140020008	WASHER, spring	4				
34	1141110008	WASHER	4				
35	0003600011	WASHER	2				
36	1213000832	PIN, spring	2		11400003~11400316		
	1213000832	PIN, spring	1		11400317~		
37	1214000008	PIN, snap	2				
38	1110040820	SCREW, cap	2				
39	1213000836	PIN, spring	1		11400317~		
40	1420010140	O-RING	1		11400431~11400460		
	0375105610	SPONGE	1		11400954~		
41	1225121016	WASHER	1		11400431~11400460		

**C4b103S**

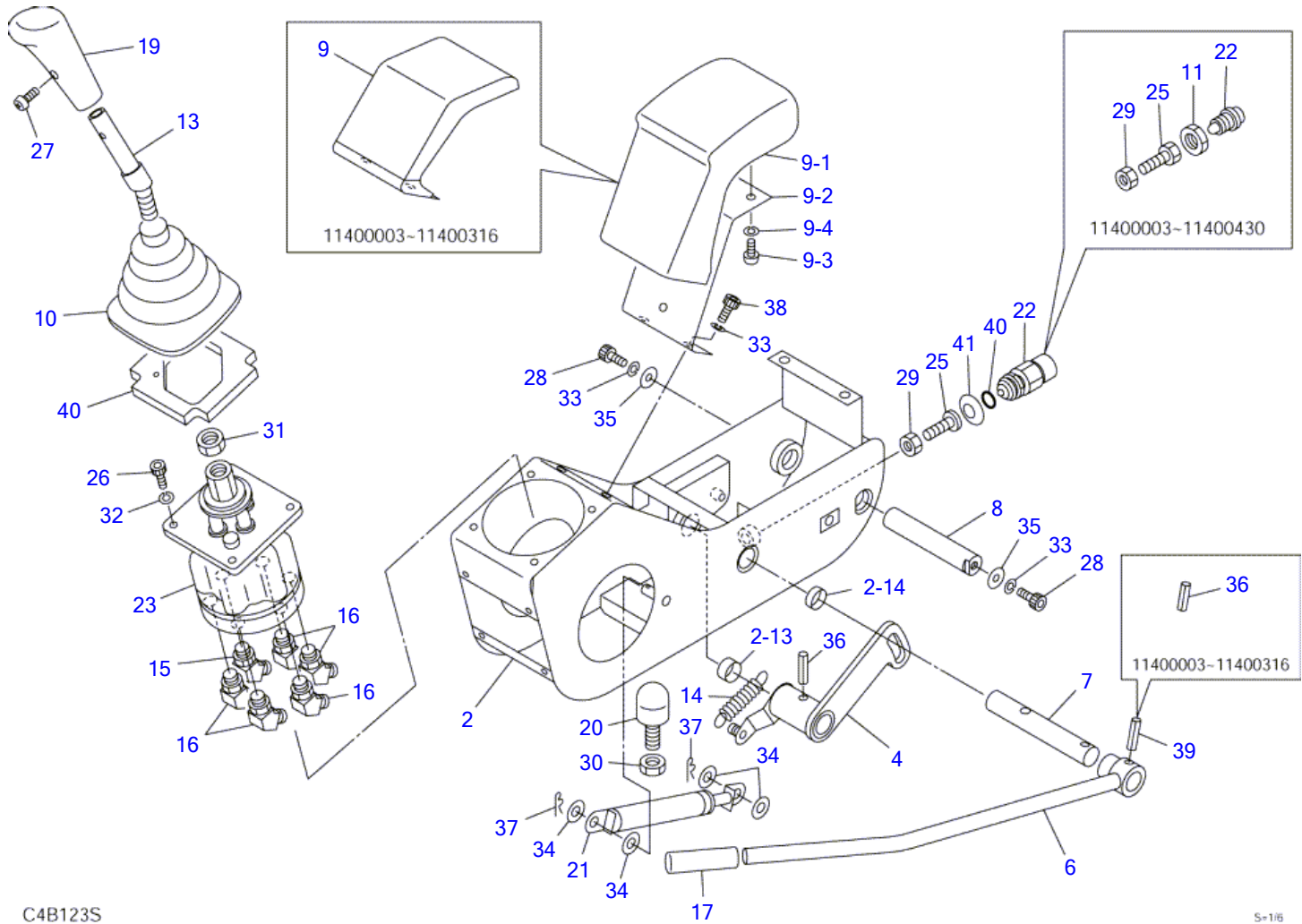


C4B112S

S-1/6

**OPERATION LEVER & STAND; R.H. (cab)**

Item	Part number	Description	Q'ty	Chan.	Serial No.	Serv.	Remarks
		VALVE ASSY					X03351-35000-2
1	<b>0375103050</b>	BOX, control (R.H.)	1		11400003~11400010		
	<b>0335131100</b>	BOX, control (R.H.)	1		11400011~		
9	<b>0375103010</b>	REST, arm	1		11400003~11400010		
	<b>0335130900</b>	REST, arm	1	(H)(L)	11400011~11400316		
	<b>0375105500</b>	REST, arm	1	(H)	11400317~		
9-1	<b>0375105510</b>	• URETHANE	1		11400317~		
9-2	<b>0375105520</b>	• PLATE	1		11400317~		
9-3	<b>1120530812</b>	• SCREW	3		11400317~		
9-4	<b>1140020008</b>	• WASHER, spring	3		11400317~		
10	<b>0335124900</b>	BOOT	1				
13	<b>0565102500</b>	LEVER	1				
15	<b>1512370012</b>	ADAPTOR	1				
	<b>1420010110</b>	• O-RING	1			M	
16	<b>1515100110</b>	ELBOW	5				
	<b>1420010110</b>	• O-RING	1			M	
18	<b>1650203300</b>	GRIP	1				
23	<b>1901730400</b>	VALVE, pilot	1				
24	<b>1100041020</b>	BOLT	2		11400003~11400010		
	<b>1100041020</b>	BOLT	3		11400011~		
26	<b>1110040616</b>	SCREW, cap	4				
27	<b>1120590416</b>	SCREW	2				
31	<b>1130040014</b>	NUT	1				
32	<b>1140020010</b>	WASHER, spring	2		11400003~11400010		
	<b>1140020010</b>	WASHER, spring	3		11400011~		
33	<b>1140020006</b>	WASHER, spring	4				
34	<b>1140090008</b>	WASHER, spring	2				
35	<b>1141110010</b>	WASHER	2		11400003~11400010		
	<b>1141110010</b>	WASHER	3		11400011~		
40	<b>1120590816</b>	SCREW, cap	2		11400003~11400010		
	<b>1110040820</b>	SCREW, cap	2		11400011~		
45	<b>0375105610</b>	SPONGE	1		11400954~		
	<b>C4b113S</b>						



C4B123S

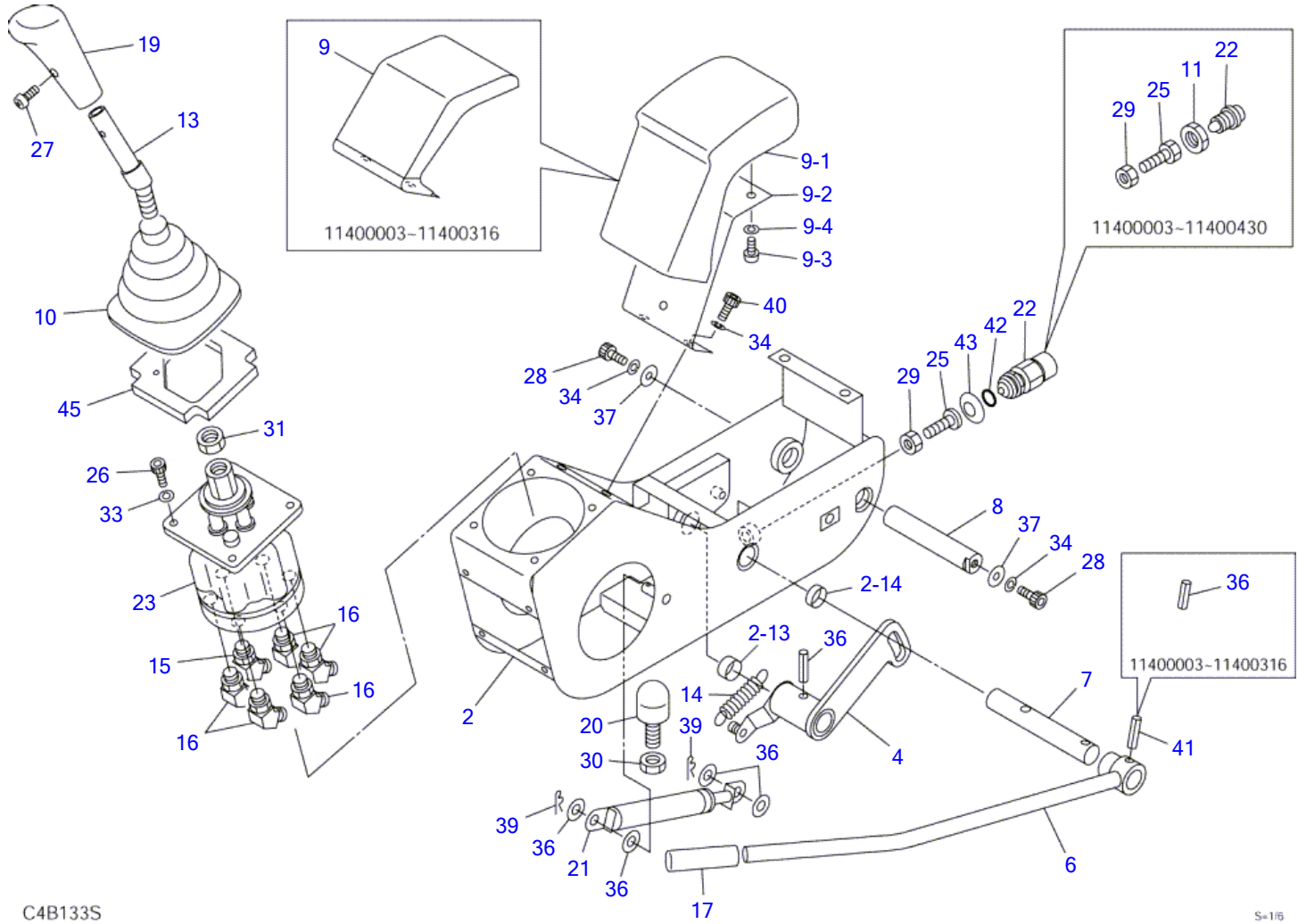
S-116

**OPERATION LEVER & STAND; L.H. (canopy)**

Item	Part number	Description	Q'ty	Chan.	Serial No.	Serv.	Remarks
		VALVE ASSY					X03351-34000-2
2	0335128200	BOX, control (L.H.)	1		11400003~11400010		
	0335130200	BOX, control (L.H.)	1	(H)	11400011~11400460		
	0335130800	BOX, control (L.H.)	1		11400461~		
2-13	1333002010	• BUSHING	1				
2-14	1333002015	• BUSHING	1				
4	0335128400	PLATE (L.H.)	1		11400003~11400010		
	0335130400	PLATE (L.H.)	1		11400011~		
6	0335128600	LEVER (L.H.)	1		11400003~11400010		
	0335130600	LEVER (L.H.)	1	(H)	11400011~11400316		
	0375105400	LEVER (L.H.)	1	(H)	11400317~		
7	0335124700	SHAFT	1				
8	0335124750	SHAFT	1				
9	0375103010	REST, arm	1		11400003~11400010		
	0335130900	REST, arm	1	(H)(L)	11400011~11400316		
	0375105500	REST, arm	1	(H)	11400317~		
9-1	0375105510	• URETHANE	1		11400317~		
9-2	0375105520	• PLATE	1		11400317~		
9-3	1120530812	• SCREW	3		11400317~		
9-4	1140020008	• WASHER, spring	3		11400317~		
10	0335124900	BOOT	1				
11	0335120960	NUT	1		11400003~11400430		
13	0565102500	LEVER	1				
14	0425105100	SPRING	1				
15	1512370012	ADAPTOR	1				
	1420010110	• O-RING	1			M	
16	1515100110	ELBOW	5				
	1420010110	• O-RING	1			M	
17	1650202300	CAP	1				
19	1650203400	GRIP	1				
20	1651101224	STOPPER	1				
21	1653900036	SPRING, gas	1	(L)	11400003~11400670		
	1653900050	SPRING, gas	1	(H)	11400671~11401133		
	1653900057	SPRING, gas	1	(H)	11401134~		
22	1700000026	SWITCH, safety	1	(L)	11400003~11400430		
	1700000033	SWITCH, safety	1	(H)	11400431~		
23	1901730400	VALVE, pilot	1				
25	1100041030	BOLT	1	(L)	11400003~11400430		
	0335120970	BOLT	1	(H)	11400431~		
26	1110040616	SCREW, cap	4				
27	1120590416	SCREW	1				
28	1110040816	SCREW, cap	2				
29	1130040010	NUT	1				
30	1130040012	NUT	1				
31	1130040014	NUT	1				
32	1140020006	WASHER, spring	4				
33	1140020008	WASHER, spring	4				
34	1141110008	WASHER	4				
35	0003600011	WASHER	2				
36	1213000832	PIN, spring	2		11400003~11400316		
	1213000832	PIN, spring	1		11400317~		
37	1214000008	PIN, snap	2				
38	1110040820	SCREW, cap	2				
39	1213000836	PIN, spring	1		11400317~		
40	1420010140	O-RING	1		11400431~11400460		
	0375105610	SPONGE	1		11400954~		
41	1225121016	WASHER	1		11400431~11400460		

**C4b123S**

TB014 Book No. BC4Z004 S/N 11400003-11401973  
OPERATION LEVER & STAND; L.H. (cab)

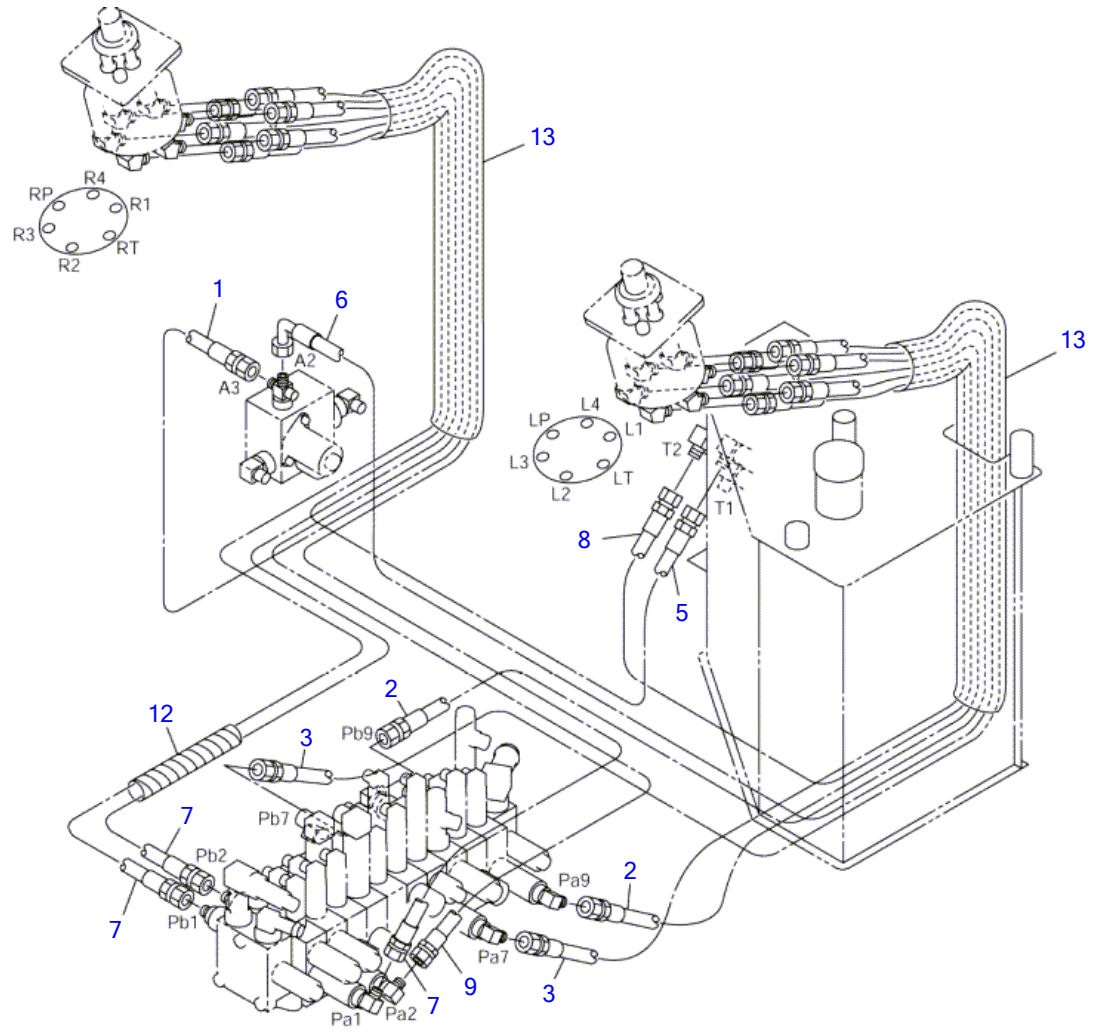


**OPERATION LEVER & STAND; L.H. (cab)**

Item	Part number	Description	Q'ty	Chan.	Serial No.	Serv.	Remarks
		VALVE ASSY					X03351-35000-2
2	0335128200	BOX, control (L.H.)	1		11400003~11400010		
	0335130200	BOX, control (L.H.)	1	(H)	11400011~11400460		
	0335130800	BOX, control (L.H.)	1		11400461~		
2-13	1333002010	• BUSHING	1				
2-14	1333002015	• BUSHING	1				
4	0335128400	PLATE (L.H.)	1		11400003~11400010		
	0335130400	PLATE (L.H.)	1		11400011~		
6	0335128600	LEVER (L.H.)	1		11400003~11400010		
	0335130600	LEVER (L.H.)	1	(H)	11400011~11400316		
	0375105400	LEVER (L.H.)	1	(H)	11400317~		
7	0335124700	SHAFT	1				
8	0335124750	SHAFT	1				
9	0375103010	REST, arm	1		11400003~11400010		
	0335130900	REST, arm	1	(H)(L)	11400011~11400316		
	0375105500	REST, arm	1	(H)	11400317~		
9-1	0375105510	• URETHANE	1		11400317~		
9-2	0375105520	• PLATE	1		11400317~		
9-3	1120530812	• SCREW	3		11400317~		
9-4	1140020008	• WASHER, spring	3		11400317~		
10	0335124900	BOOT	1				
11	0335120960	NUT	1		11400003~11400430		
13	0565102500	LEVER	1				
14	0425105100	SPRING	1				
15	1512370012	ADAPTOR	1				
	1420010110	• O-RING	1			M	
16	1515100110	ELBOW	5				
	1420010110	• O-RING	1			M	
17	1650202300	CAP	1				
19	1650203400	GRIP	1				
20	1651101224	STOPPER	1				
21	1653900036	SPRING, gas	1	(L)	11400003~11400670		
	1653900050	SPRING, gas	1	(H)	11400671~11401133		
	1653900057	SPRING, gas	1	(H)	11401134~		
22	1700000026	SWITCH, safety	1	(L)	11400003~11400430		
	1700000033	SWITCH, safety	1	(H)	11400431~		
23	1901730400	VALVE, pilot	1				
25	1100041030	BOLT	1	(L)	11400003~11400430		
	0335120970	BOLT	1	(H)	11400431~		
26	1110040616	SCREW, cap	4				
27	1120590416	SCREW	1				
28	1110040816	SCREW, cap	2				
29	1130040010	NUT	1				
30	1130040012	NUT	1				
31	1130040014	NUT	1				
33	1140020006	WASHER, spring	4				
34	1140020008	WASHER, spring	4				
36	1141110008	WASHER	4				
37	0003600011	WASHER	2				
38	1213000832	PIN, spring	2		11400003~11400316		
	1213000832	PIN, spring	1		11400317~		
39	1214000008	PIN, snap	2				
40	1110040820	SCREW, cap	2				
41	1213000836	PIN, spring	1		11400317~		
42	1420010140	O-RING	1		11400431~11400460		
43	1225121016	WASHER	1		11400431~11400460		
45	0375105610	SPONGE	1		11400954~		

**C4b133S**

TB014 Book No. BC4Z004 S/N 11400003-11401973  
PIPING; OPERATION LEVER (11400003-11400010)



C4B180S

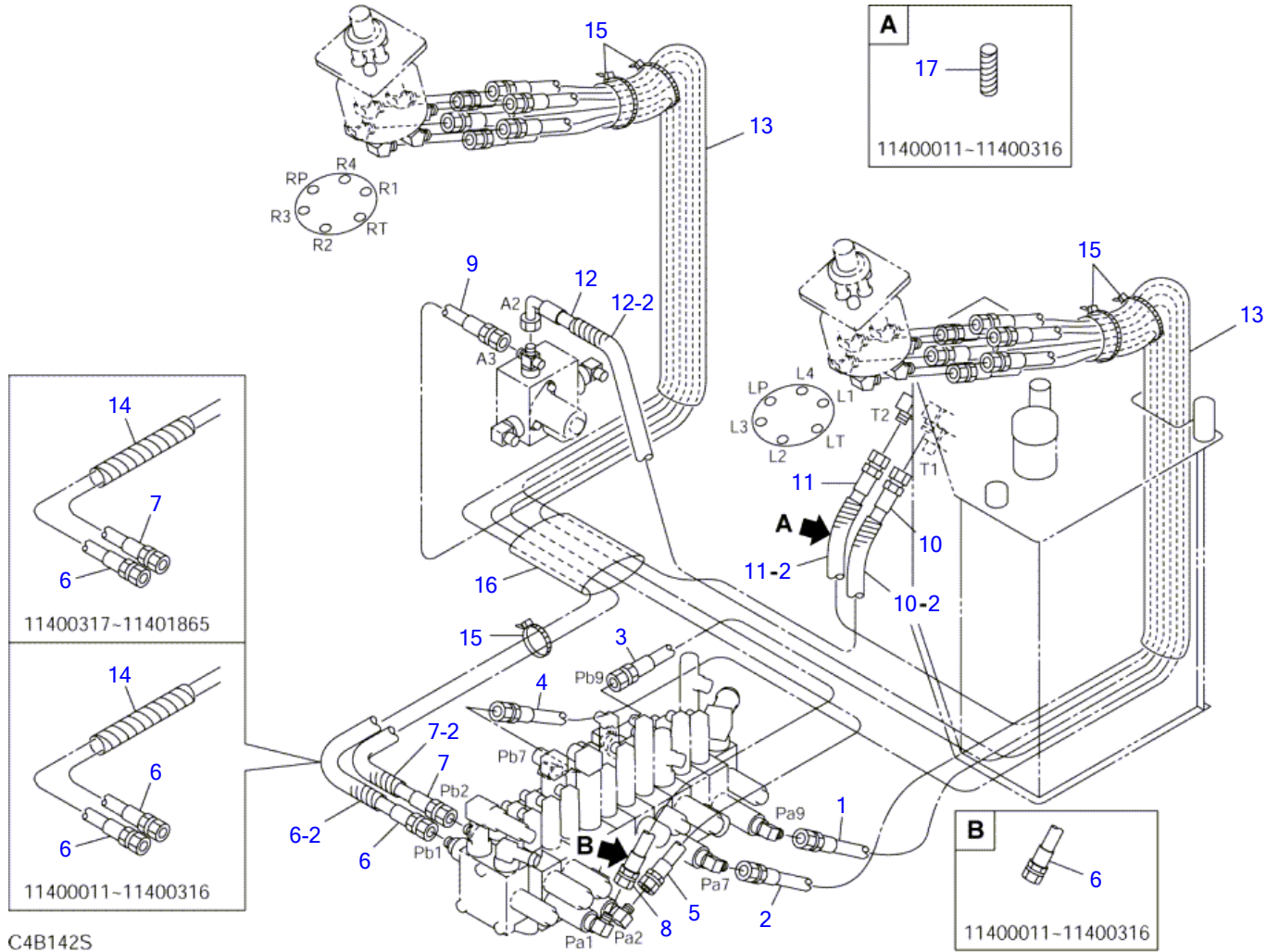
S=1/8



**PIPING; OPERATION LEVER (11400003-11400010)**

Item	Part number	Description	Q'ty	Chan.	Serial No.	Serv.	Remarks
		PIPING ASSY					X03371-23000
1	1934822110	HOSE ASSY	1				
2	1934722140	HOSE ASSY	2				
3	1934722145	HOSE ASSY	2				
5	1934822150	HOSE ASSY	1				
6	1934852180	HOSE ASSY	1				
7	1934722210	HOSE ASSY	3				
8	1934822175	HOSE ASSY	1				
9	1934722205	HOSE ASSY	1				
12	1532224015	PROTECTOR	1				sold by the meter
13	1531345087	PROTECTOR	2				sold by the meter
	C4b181						

TB014 Book No. BC4Z004 S/N 11400003-11401973  
 PIPING; OPERATION LEVER (11400011-)



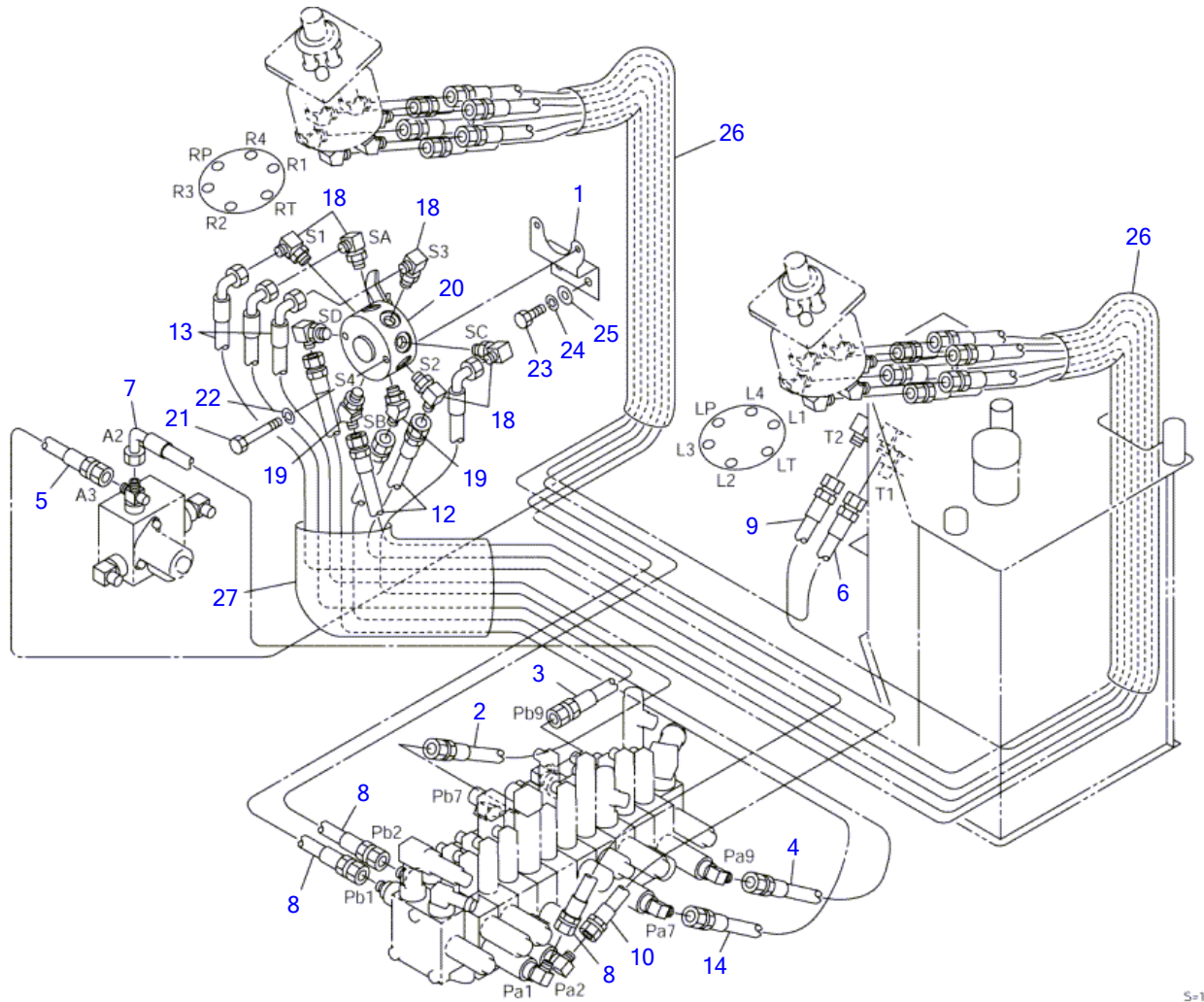
C4B142S

S-1/8

**PIPING; OPERATION LEVER (11400011-)**

Item	Part number	Description	Q'ty	Chan.	Serial No.	Serv.	Remarks
		PIPING ASSY					X03371-31000-1
1	<b>1934722134</b>	HOSE ASSY	1		11400011~11400316		
	<b>0337131100</b>	HOSE ASSY	1	(H)	11400317~		19347-22134
2	<b>1934722144</b>	HOSE ASSY	1		11400011~11400316		
	<b>0337131200</b>	HOSE ASSY	1	(H)	11400317~		19347-22144
3	<b>1934722146</b>	HOSE ASSY	1		11400011~11400316		
	<b>0337131110</b>	HOSE ASSY	1	(H)	11400317~		19347-22146
4	<b>1934722160</b>	HOSE ASSY	1		11400011~11400316		
	<b>0337131210</b>	HOSE ASSY	1	(H)	11400317~		19347-22160
5	<b>1934722205</b>	HOSE ASSY	1		11400011~11400316		
	<b>0337131120</b>	HOSE ASSY	1	(H)	11400317~		19347-22205
6	<b>1934722210</b>	HOSE ASSY	3		11400011~11400316		
	<b>0337131220</b>	HOSE ASSY	1	(H)	11400317~		19347-22210
6-2	<b>1532208055</b>	• PROTECTOR	1		11401866~	M	sold by the meter
7	<b>0337131130</b>	HOSE ASSY	1		11400317~		19347-22210
7-2	<b>1532208055</b>	• PROTECTOR	1		11401866~	M	sold by the meter
8	<b>0337131230</b>	HOSE ASSY	1		11400317~		19347-22210
9	<b>1934822110</b>	HOSE ASSY	1		11400011~11400316		
	<b>0337131140</b>	HOSE ASSY	1	(H)	11400317~		19347-22110
10	<b>1934822144</b>	HOSE ASSY	1		11400011~11400316		
	<b>0337131150</b>	HOSE ASSY	1	(H)	11400317~		19348-22144
10-2	<b>1532208015</b>	• PROTECTOR	1		11400317~		sold by the meter
11	<b>1934822185</b>	HOSE ASSY	1		11400011~11400316		
	<b>0337131160</b>	HOSE ASSY	1	(H)	11400317~		19348-22185
11-2	<b>1532208015</b>	• PROTECTOR	1		11400317~		sold by the meter
12	<b>1934852185</b>	HOSE ASSY	1		11400011~11400316		
	<b>0337131170</b>	HOSE ASSY	1	(H)	11400317~		19348-52185
12-2	<b>1532208025</b>	• PROTECTOR	1		11400317~		sold by the meter
13	<b>1531645087</b>	PROTECTOR	2				sold by the meter
14	<b>1532218015</b>	PROTECTOR	1		11400011~11401865		sold by the meter
15	<b>1652200007</b>	BAND	5			M	
16	<b>1531335025</b>	PROTECTOR	1				sold by the meter
17	<b>1532208006</b>	PROTECTOR	1		11400011~11400316		sold by the meter

**C4b142S**



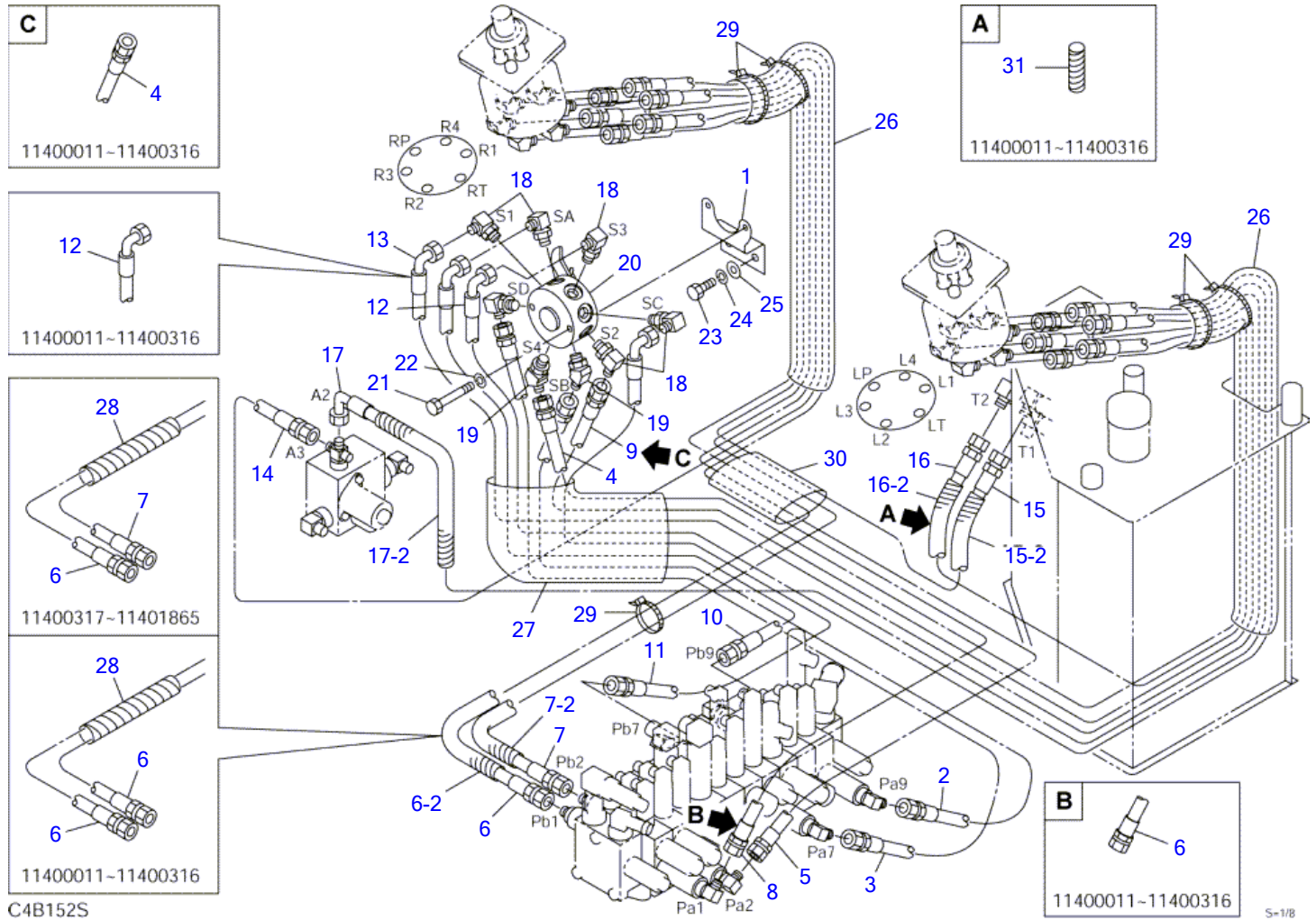
C4B190S

S-1/8

**PIPING; OPERATION LEVER (A-B pattern; 11400003-11400010)**

Item	Part number	Description	Q'ty	Chan.	Serial No.	Serv.	Remarks
		PIPING ASSY (A-B)					X03371-24000
1	0337120010	BRACKET	1				
2	1934752064	HOSE ASSY	1				
3	1934752060	HOSE ASSY	1				
4	1934722074	HOSE ASSY	1				
5	1934822110	HOSE ASSY	1				
6	1934822150	HOSE ASSY	1				
7	1934852180	HOSE ASSY	1				
8	1934722210	HOSE ASSY	3				
9	1934822175	HOSE ASSY	1				
10	1934722205	HOSE ASSY	1				
12	1934722180	HOSE ASSY	2				
13	1934752180	HOSE ASSY	2				
14	1934722080	HOSE ASSY	1				
18	1515010040	ELBOW	6				
	1420010110	• O-RING	1			M	
19	1515100110	ELBOW	2				
	1420010110	• O-RING	1			M	
20	1901731400	VALVE, selector	1				
21	1100040650	BOLT	2				
22	1140020006	WASHER, spring	2				
23	1100040816	BOLT	2				
24	1140020008	WASHER, spring	2				
25	1141110008	WASHER	2				
26	1531345087	PROTECTOR	2				sold by the meter
27	1531345025	PROTECTOR	1				sold by the meter
	C4b191						

TB014 Book No. BC4Z004 S/N 11400003-11401973  
 PIPING; OPERATION LEVER (A-B pattern; 11400011-)



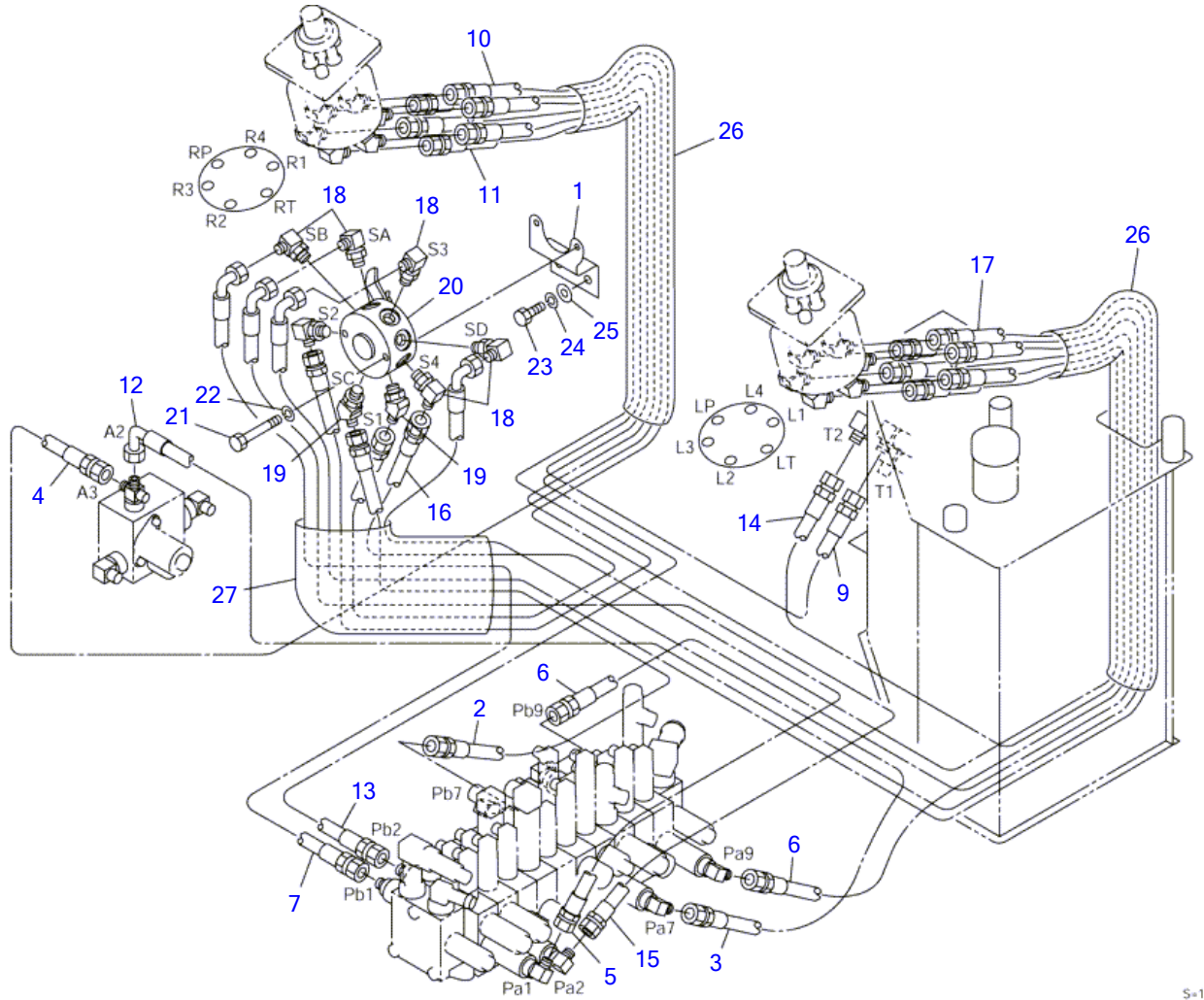
C4B152S

S-1/8

**PIPING; OPERATION LEVER (A-B pattern; 11400011-)**

Item	Part number	Description	Q'ty	Chan.	Serial No.	Serv.	Remarks
		PIPING ASSY (A-B)					X03371-34000-2
1	0337120010	BRACKET	1				
2	1934722074	HOSE ASSY	1		11400011~11400316		
	0337134100	HOSE ASSY	1	(H)	11400317~		19347-22074
3	1934722080	HOSE ASSY	1		11400011~11400316		
	0337134110	HOSE ASSY	1	(H)	11400317~		19347-22080
4	1934722180	HOSE ASSY	2		11400011~11400316		
	0337133130	HOSE ASSY	1	(H)	11400317~		19347-22185
5	1934722205	HOSE ASSY	1		11400011~11400316		
	0337131120	HOSE ASSY	1	(H)	11400317~		19347-22205
6	1934722210	HOSE ASSY	3		11400011~11400316		
	0337131220	HOSE ASSY	1	(H)	11400317~		19347-22210
6-2	1532208055	• PROTECTOR	1		11401866~	M	sold by the meter
7	0337131130	HOSE ASSY	1		11400317~		19347-22210
7-2	1532208055	• PROTECTOR	1		11401866~	M	sold by the meter
8	0337131230	HOSE ASSY	1		11400317~		19347-22210
9	0337134120	HOSE ASSY	1		11400317~		19347-22180
10	1934752060	HOSE ASSY	1		11400011~11400316		
	0337134130	HOSE ASSY	1	(H)	11400317~		19347-52060
11	1934752064	HOSE ASSY	1		11400011~11400316		
	0337134140	HOSE ASSY	1	(H)	11400317~		19347-52064
12	1934752180	HOSE ASSY	2		11400011~11400316		
	0337133170	HOSE ASSY	1	(H)	11400317~		19347-52185
13	0337134150	HOSE ASSY	1		11400317~		19347-52100
14	1934822110	HOSE ASSY	1		11400011~11400316		
	0337131140	HOSE ASSY	1	(H)	11400317~		19348-22110
15	1934822144	HOSE ASSY	1		11400011~11400316		
	0337131150	HOSE ASSY	1	(H)	11400317~		19348-22144
15-2	1532208015	• PROTECTOR	1		11400317~		sold by the meter
16	1934822185	HOSE ASSY	1		11400011~11400316		
	0337131160	HOSE ASSY	1	(H)	11400317~		19348-22185
16-2	1532208015	• PROTECTOR	1		11400317~		sold by the meter
17	1934852185	HOSE ASSY	1		11400011~11400316		
	0337131170	HOSE ASSY	1	(H)	11400317~		19348-52185
17-2	1532208025	• PROTECTOR	1		11400317~		sold by the meter
18	1515012040	ELBOW	6				
	1420010110	• O-RING	1			M	
19	1515100110	ELBOW	2				
	1420010110	• O-RING	1			M	
20	1901731400	VALVE, selector	1				
21	1100040650	BOLT	2				
22	1140020006	WASHER, spring	2				
23	1100040816	BOLT	2				
24	1140020008	WASHER, spring	2				
25	1141110008	WASHER	2				
26	1531645087	PROTECTOR	2				sold by the meter
27	1531345025	PROTECTOR	1				sold by the meter
28	1532218015	PROTECTOR	1		11400011~11401865		sold by the meter
29	1652200007	BAND	5			M	
30	1531335025	PROTECTOR	1				sold by the meter
31	1532208006	PROTECTOR	1		11400011~11400316		sold by the meter

**C4b153S**



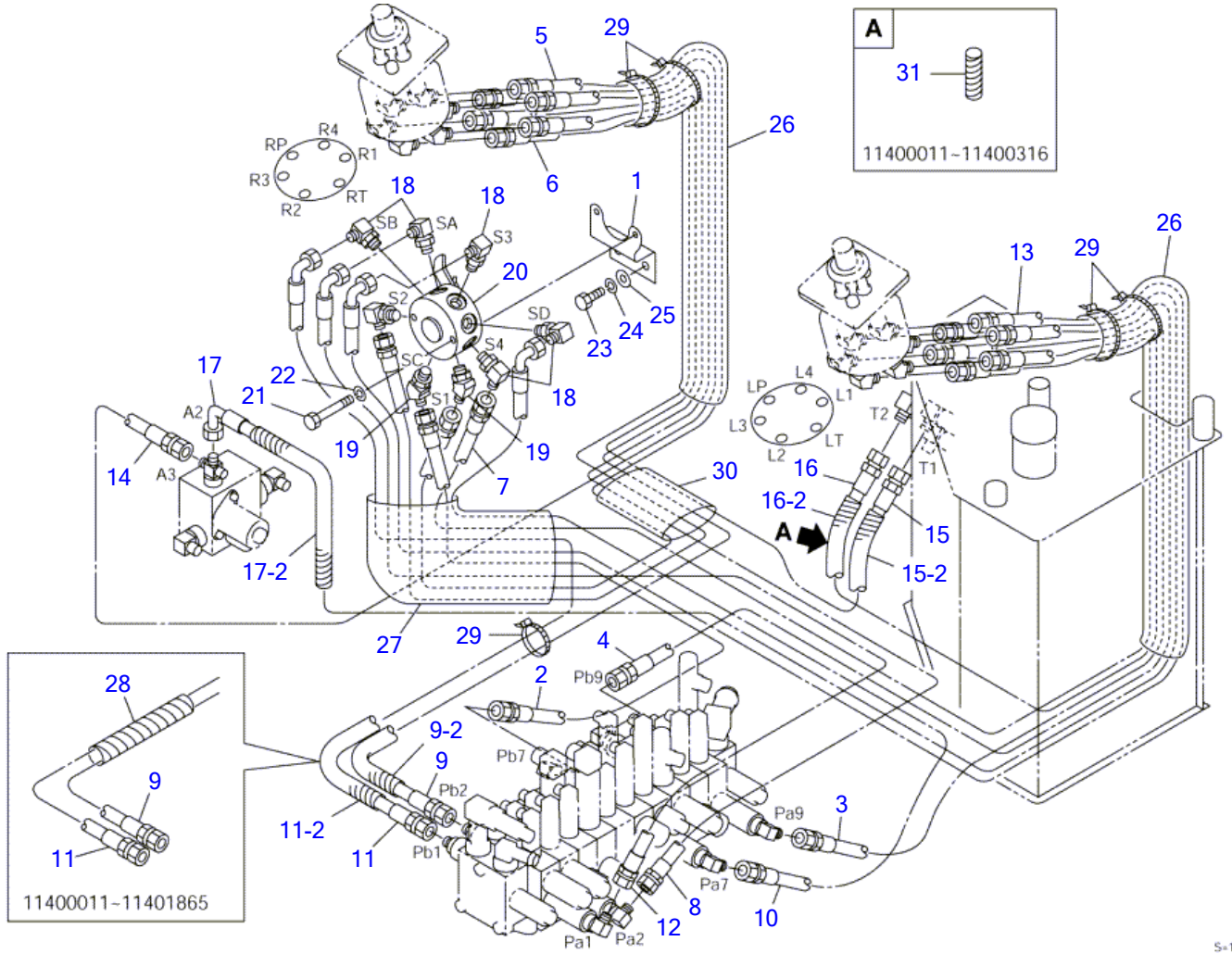
C4B200S

S-1/8



**PIPING; OPERATION LEVER (ISO-JCB pattern; 11400003-11400010)**

Item	Part number	Description	Q'ty	Chan.	Serial No.	Serv.	Remarks
		PIPING ASSY (ISO-JCB)	1				X03371-25000
1	0337120010	BRACKET	1				
2	1934722058	HOSE ASSY	1				
3	1934752090	HOSE ASSY	1				
4	1934822110	HOSE ASSY	1				
5	1934752120	HOSE ASSY	1				
6	1934722140	HOSE ASSY	1				
7	1934752100	HOSE ASSY	1				
9	1934822150	HOSE ASSY	1				
10	1934722170	HOSE ASSY	1				
11	1934722175	HOSE ASSY	1				
12	1934852180	HOSE ASSY	1				
13	1934722210	HOSE ASSY	1				
14	1934822175	HOSE ASSY	1				
15	1934722205	HOSE ASSY	1				
16	1934722180	HOSE ASSY	1				
17	1934752180	HOSE ASSY	1				
18	1515010040	ELBOW	6				
	1420010110	· O-RING	1			M	
19	1515100110	ELBOW	2				
	1420010110	· O-RING	1			M	
20	1901730500	VALVE, selector	1				
21	1100040650	BOLT	2				
22	1140020006	WASHER, spring	2				
23	1100040816	BOLT	2				
24	1140020008	WASHER, spring	2				
25	1141110008	WASHER	2				
26	1531345087	PROTECTOR	2				sold by the meter
27	1531345025	PROTECTOR	1				sold by the meter
	C4b201						



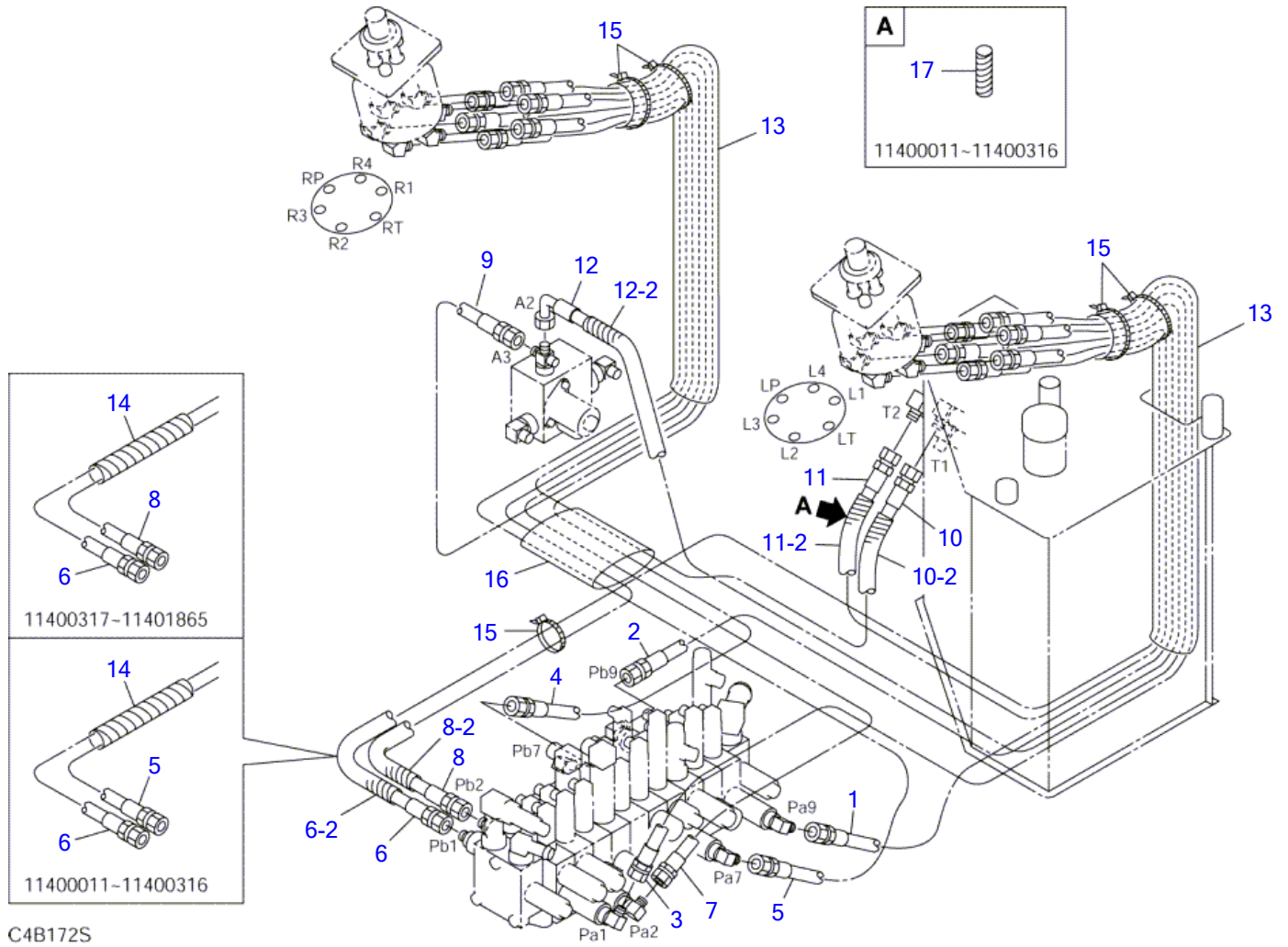
C4B162S

S-1/8

**PIPING; OPERATION LEVER (ISO-JCB pattern; 11400011-)**

Item	Part number	Description	Q'ty	Chan.	Serial No.	Serv.	Remarks
		PIPING ASSY (ISO-JCB)	1				X03371-33000-2
1	0337120010	BRACKET	1				
2	1934722058	HOSE ASSY	1		11400011~11400316		
	0337133100	HOSE ASSY	1	(H)	11400317~		19347-22058
3	1934722134	HOSE ASSY	1		11400011~11400316		
	0337131100	HOSE ASSY	1	(H)	11400317~		19347-22134
4	1934722146	HOSE ASSY	1		11400011~11400316		
	0337131110	HOSE ASSY	1	(H)	11400317~		19347-22146
5	1934722155	HOSE ASSY	1		11400011~11400316		
	0337133110	HOSE ASSY	1	(H)	11400317~		19347-22155
6	1934722165	HOSE ASSY	1		11400011~11400316		
	0337133120	HOSE ASSY	1	(H)	11400317~		19347-22165
7	1934722180	HOSE ASSY	1		11400011~11400316		
	0337133130	HOSE ASSY	1	(H)	11400317~		19347-22210
8	1934722205	HOSE ASSY	1		11400011~11400316		
	0337131120	HOSE ASSY	1	(H)	11400317~		19347-22205
9	1934722210	HOSE ASSY	1		11400011~11400316		
	0337131130	HOSE ASSY	1	(H)	11400317~		19347-22210
9-2	1532208055	• PROTECTOR	1		11401866~	M	sold by the meter
10	1934752090	HOSE ASSY	1		11400011~11400316		
	0337133140	HOSE ASSY	1	(H)	11400317~		19347-52090
11	1934752100	HOSE ASSY	1		11400011~11400316		
	0337133150	HOSE ASSY	1	(H)	11400317~		19347-52100
11-2	1532208055	• PROTECTOR	1		11401866~	M	sold by the meter
12	1934752120	HOSE ASSY	1		11400011~11400316		
	0337133160	HOSE ASSY	1	(H)	11400317~		19347-52120
13	1934752180	HOSE ASSY	1		11400011~11400316		
	0337133170	HOSE ASSY	1	(H)	11400317~		19347-52185
14	1934822110	HOSE ASSY	1		11400011~11400316		
	0337131140	HOSE ASSY	1	(H)	11400317~		19348-22110
15	1934822144	HOSE ASSY	1		11400011~11400316		
	0337131150	HOSE ASSY	1	(H)	11400317~		19348-22144
15-2	1532208015	• PROTECTOR	1		11400317~		sold by the meter
16	1934822185	HOSE ASSY	1		11400011~11400316		
	0337131160	HOSE ASSY	1	(H)	11400317~		19348-22185
16-2	1532208015	• PROTECTOR	1		11400317~		sold by the meter
17	1934852185	HOSE ASSY	1		11400011~11400316		
	0337131170	HOSE ASSY	1	(H)	11400317~		19348-52185
17-2	1532208025	• PROTECTOR	1		11400317~		sold by the meter
18	1515012040	ELBOW	6				
	1420010110	• O-RING	1			M	
19	151500110	ELBOW	2				
	1420010110	• O-RING	1			M	
20	1901730500	VALVE, selector	1				
21	1100040650	BOLT	2				
22	1140020006	WASHER, spring	2				
23	1100040816	BOLT	2				
24	1140020008	WASHER, spring	2				
25	1141110008	WASHER	2				
26	1531645087	PROTECTOR	2				sold by the meter
27	1531345025	PROTECTOR	1				sold by the meter
28	1532218015	PROTECTOR	1		11400011~11401865		sold by the meter
29	1652200007	BAND	5			M	
30	1531335025	PROTECTOR	1				sold by the meter
31	1532208006	PROTECTOR	1		11400011~11400316		sold by the meter

**C4b163S**



C4B172S

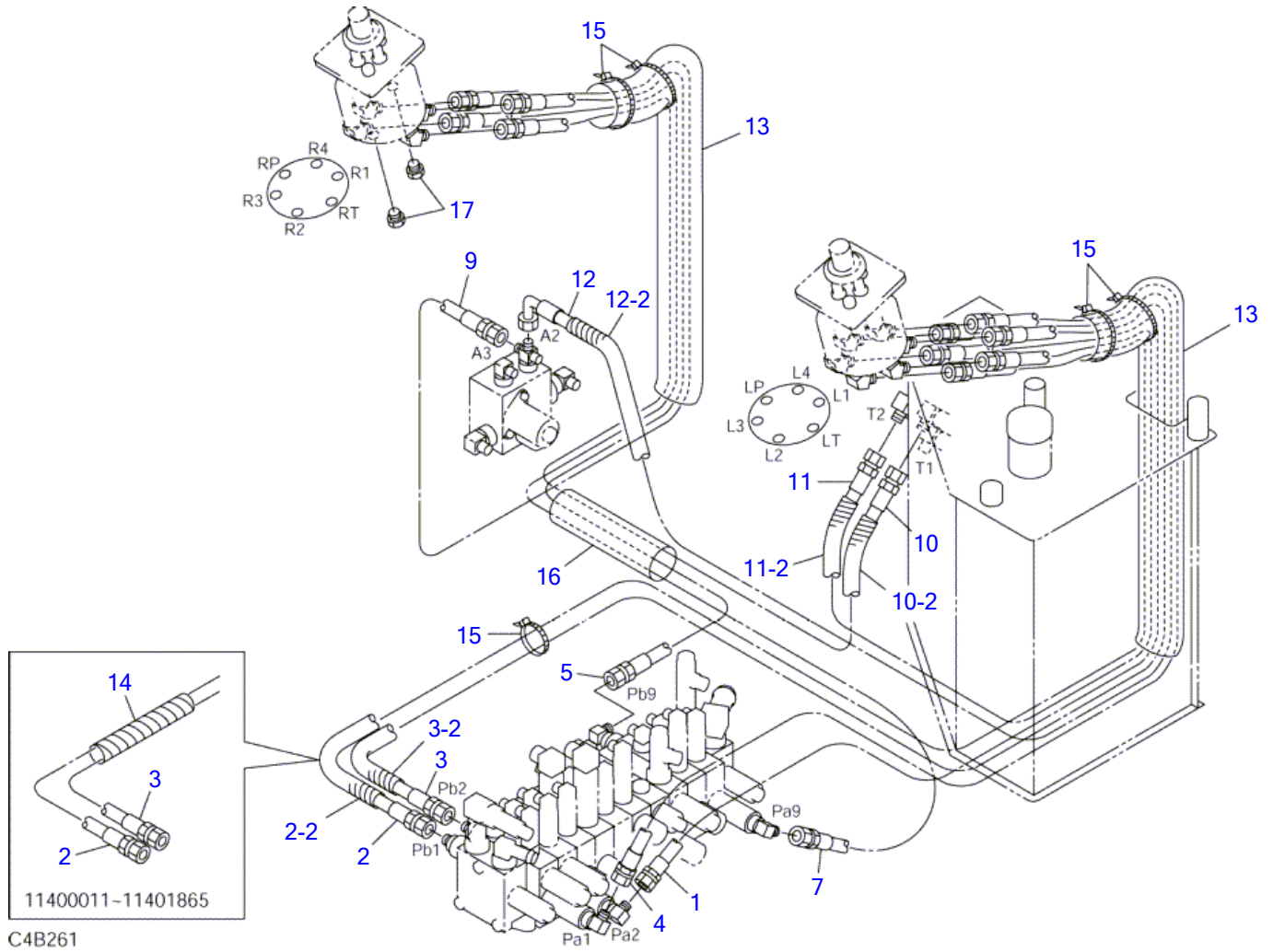
S-1/8

**PIPING; OPERATION LEVER (JCB pattern)**

Item	Part number	Description	Q'ty	Chan.	Serial No.	Serv.	Remarks
		PIPING ASSY (JCB)	1				X03371-32000-1
1	<b>1934722134</b>	HOSE ASSY	1		11400003~11400316		
	<b>0337131100</b>	HOSE ASSY	1	(H)	11400317~		19347-22134
2	<b>1934722146</b>	HOSE ASSY	1		11400003~11400316		
	<b>0337131110</b>	HOSE ASSY	1	(H)	11400317~		19347-22146
3	<b>1934722165</b>	HOSE ASSY	1		11400003~11400316		
	<b>0337132100</b>	HOSE ASSY	1	(H)	11400317~		19347-22165
4	<b>1934722175</b>	HOSE ASSY	1		11400003~11400316		
	<b>0337132110</b>	HOSE ASSY	1	(H)	11400317~		19347-22175
5	<b>1934722190</b>	HOSE ASSY	2		11400003~11400316		
	<b>0337132120</b>	HOSE ASSY	1	(H)	11400317~		19347-22190
6	<b>0337132130</b>	HOSE ASSY	1		11400317~		19347-22210
6-2	<b>1532208055</b>	• PROTECTOR	1		11401866~	M	sold by the meter
7	<b>1934722205</b>	HOSE ASSY	1		11400003~11400316		
	<b>0337131120</b>	HOSE ASSY	1	(H)	11400317~		19347-22205
8	<b>1934722210</b>	HOSE ASSY	1		11400003~11400316		
	<b>0337131130</b>	HOSE ASSY	1	(H)	11400317~		19347-22210
8-2	<b>1532208055</b>	• PROTECTOR	1		11401866~	M	sold by the meter
9	<b>1934822110</b>	HOSE ASSY	1		11400003~11400316		
	<b>0337131140</b>	HOSE ASSY	1	(H)	11400317~		19348-22110
10	<b>1934822144</b>	HOSE ASSY	1		11400003~11400316		
	<b>0337131150</b>	HOSE ASSY	1	(H)	11400317~		19348-22144
10-2	<b>1532208015</b>	• PROTECTOR	1		11400317~		sold by the meter
11	<b>1934822185</b>	HOSE ASSY	1		11400003~11400316		
	<b>0337131160</b>	HOSE ASSY	1	(H)	11400317~		19348-22185
11-2	<b>1532208015</b>	• PROTECTOR	1		11400317~		sold by the meter
12	<b>1934852185</b>	HOSE ASSY	1		11400003~11400316		
	<b>0337131170</b>	HOSE ASSY	1	(H)	11400317~		19348-52185
12-2	<b>1532208025</b>	• PROTECTOR	1		11400317~		sold by the meter
13	<b>1531645087</b>	PROTECTOR	2				sold by the meter
14	<b>1532218015</b>	PROTECTOR	1		11400011~11401865		sold by the meter
15	<b>1652200007</b>	BAND	5			M	
16	<b>1531335025</b>	PROTECTOR	1				sold by the meter
17	<b>1532208006</b>	PROTECTOR	1		11400003~11400316		sold by the meter

**C4b172S**

TB014 Book No. BC4Z004 S/N 11400003-11401973  
 PIPING; OPERATION LEVER (for YBM)

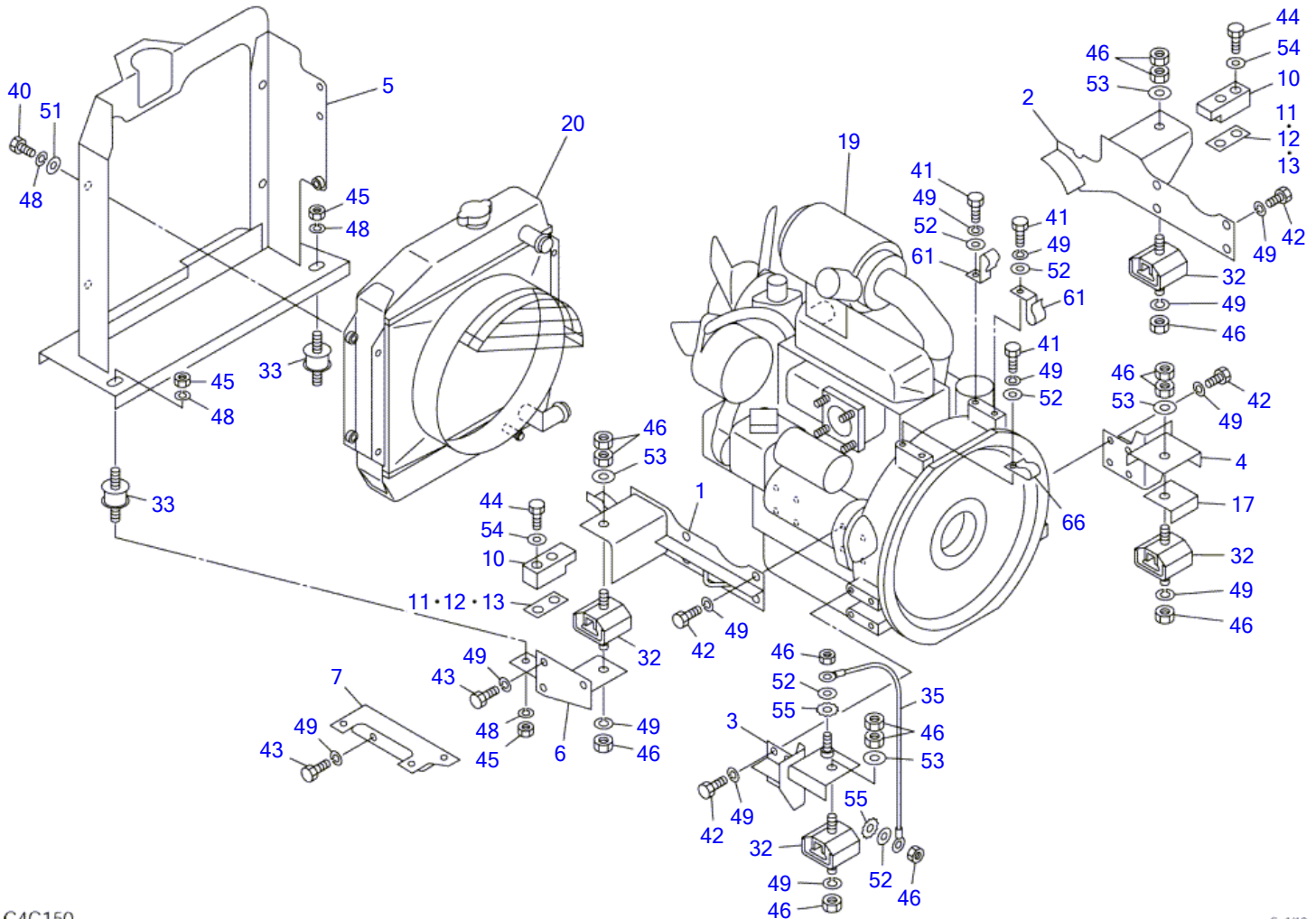


C4B261

S-1/8

**PIPING; OPERATION LEVER (for YBM)**

Item	Part number	Description	Q'ty	Chan.	Serial No.	Serv.	Remarks
		PIPING ASSY (for YBM)	1				X03371-41000-1
1	0337141010	HOSE ASSY	1				19347-22160
2	0337141020	HOSE ASSY	1				19347-22210
2-2	1532208055	• PROTECTOR	1		11401866~		sold by the meter
3	0337141030	HOSE ASSY	1				19347-22198
3-2	1532208055	• PROTECTOR	1		11401866~		sold by the meter
4	0337141040	HOSE ASSY	1				19347-22168
5	0337141050	HOSE ASSY	1				19347-22178
7	0337141070	HOSE ASSY	1				19347-22196
9	0337131140	HOSE ASSY	1				19348-22110
10	0337131150	HOSE ASSY	1				19348-22144
10-2	1532208015	• PROTECTOR	1				sold by the meter
11	0337131160	HOSE ASSY	1				19348-22185
11-2	1532208015	• PROTECTOR	1				sold by the meter
12	0337131170	HOSE ASSY	1				19348-52185
12-2	1532208025	• PROTECTOR	1				sold by the meter
13	1531645087	PROTECTOR	2				sold by the meter
14	1532218015	PROTECTOR	1		11400011~11401865		sold by the meter
15	1652200007	BAND	5			M	
16	1531335025	PROTECTOR	1				sold by the meter
17	1501750002	PLUG	2				
	1420010110	• O-RING	1			M	
	C4b261						



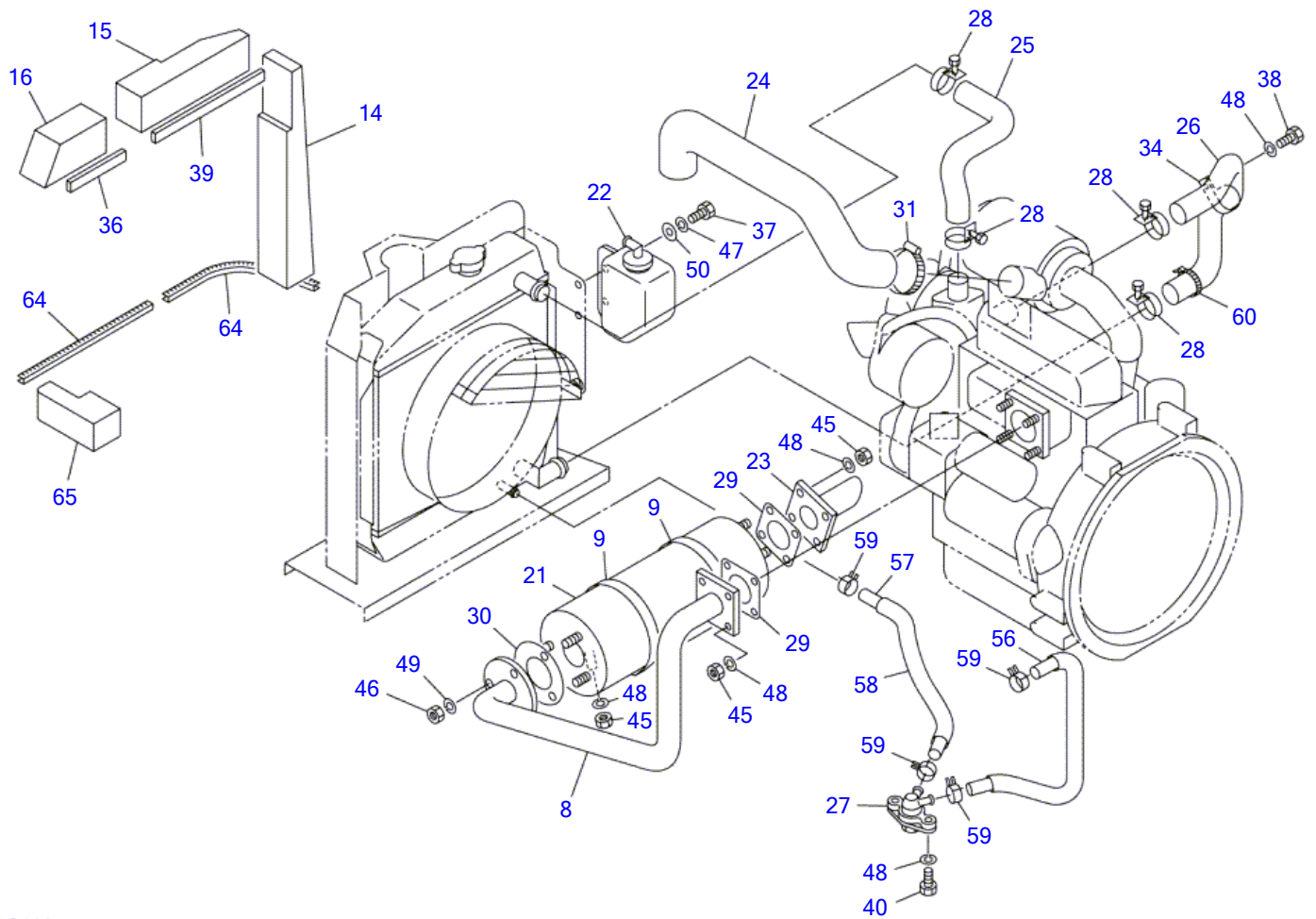
C4C150

S-1/10



**ENGINE & ACCESSORIES (1/2) (11400003-11400010)**

Item	Part number	Description	Q'ty	Chan.	Serial No.	Serv.	Remarks
		ENGINE ASSY					X03340-17000
1	0334017100	FOOT, engine (F.L.)	1				
2	0334017200	FOOT, engine (F.R.)	1				
3	0334017300	FOOT, engine (R.L.)	1				
4	0334017400	FOOT, engine (R.R.)	1				
5	0334017500	BRACKET	1				
6	0334017600	MOUNT	1				
7	0334017700	BRACKET	1				
10	0424003600	STOPPER	2				
11	0424003610	SHIM t=1.6	AR				
12	0424003620	SHIM t=2.3	AR				
13	0424003630	SHIM t=0.8	AR				
17	0334017930	COVER	1				
19	1910127001	ENGINE	1				3TNE68-NTB
20	1910096002	RADIATOR	1				Y119632-44520
32	1651081361	RUBBER, cushion	4				
33	1651014003	RUBBER, cushion	3				
35	1702430280	CABLE, earth	1				
40	1100040825	BOLT	4				
41	1100041016	BOLT	3				
42	1100041020	BOLT	16				
43	1100041025	BOLT	5				
44	1101041240	BOLT	4				
45	1130040008	NUT	4				
46	1130040010	NUT	14				
48	1140020008	WASHER, spring	8				
49	1140020010	WASHER, spring	28				
51	1141110008	WASHER	4				
52	1141110010	WASHER	5				
53	1141550010	WASHER	4				
54	1141550012	WASHER	4				
55	1140330010	WASHER	2				
61	0007300036	CLAMP	2				
66	0007300035	CLAMP	1				
	C4c151						



C4C160

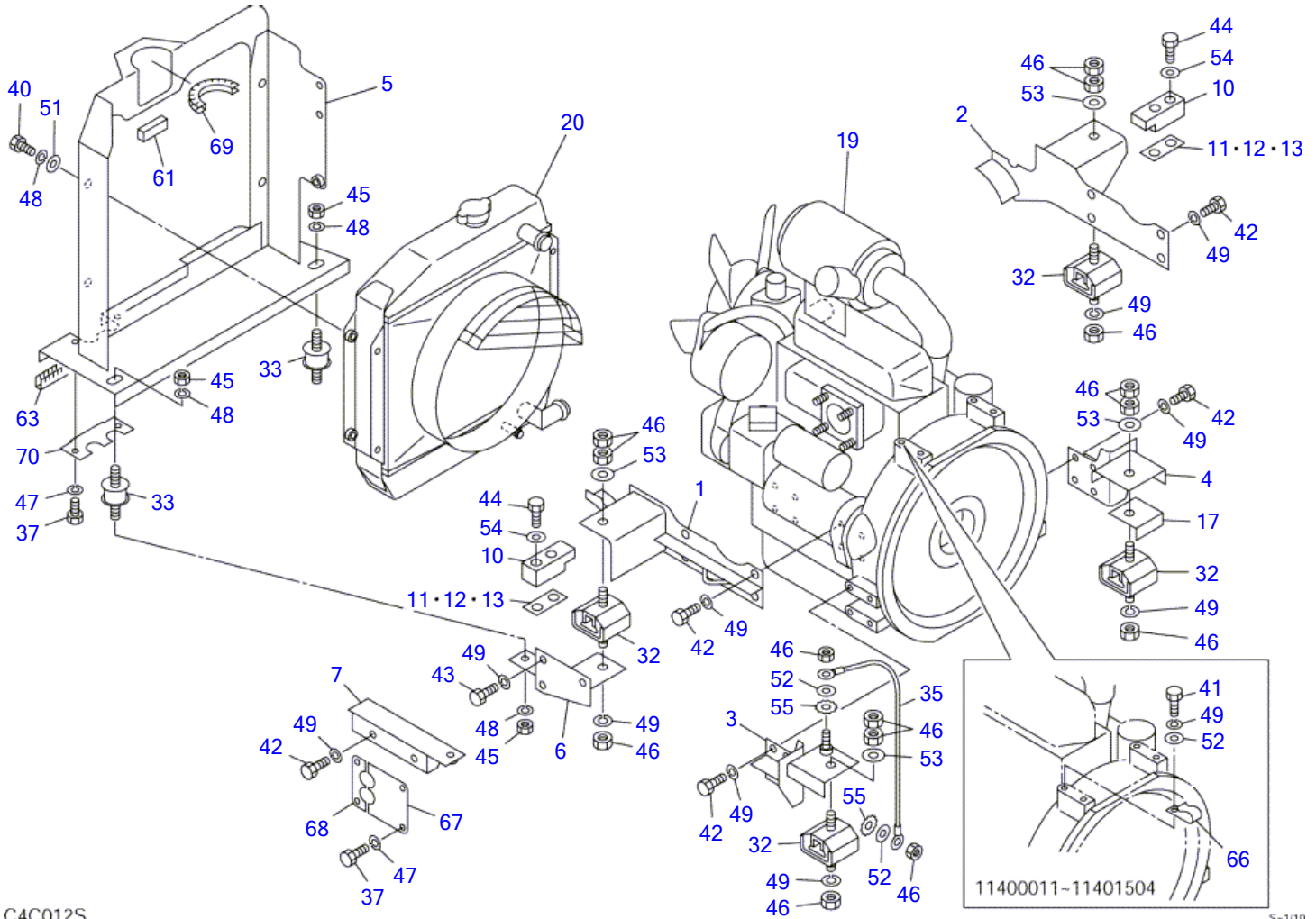
S=1/10

**ENGINE & ACCESSORIES (2/2) (11400003-11400010)**

Item	Part number	Description	Q'ty	Chan.	Serial No.	Serv.	Remarks
		ENGINE ASSY					X03340-17000
8	0334017800	PIPE	1				
9	0064017000	BAND	2				
14	0334017900	URETHANE	1				
15	0334017910	URETHANE	1				
16	0334017920	URETHANE	1				
21	1910096005	SILENCER	1				Y119232-13500
22	1910056020	TANK	1				Y121468-44510
23	1910127024	PIPE, exhaust	1				Y119266-13580
24	1910116013	PIPE, air intake	1				Y119233-12210
25	1910056024	HOSE	1				Y119688-49010
26	1910065012	HOSE	1				Y119632-49020
27	1910065037	PLUG, drain	1				Y121450-49110
28	1910006013	BAND	4				Y23010-038000
29	1910051022	GASKET	2				Y124701-11911
30	1910006015	GASKET	1				Y103954-13200
31	1910116047	CLIP	1				Y23000-054000
34	0007300030	CLAMP	1				
36	1654331011	SPONGE	1				sold by the meter
37	1100040616	BOLT	2				
38	1100040816	BOLT	1				
39	1654331022	SPONGE	1				sold by the meter
40	1100040825	BOLT	2				
45	1130040008	NUT	10				
46	1130040010	NUT	3				
47	1140020006	WASHER, spring	2				
48	1140020008	WASHER, spring	15				
49	1140020010	WASHER, spring	3				
50	1141110006	WASHER	2				
56	1531407055	HOSE	1				sold by the meter
57	1531407050	TUBE	1				sold by the meter
58	1531115040	HOSE	1				sold by the meter
59	1533120011	BAND	4				
60	1652241300	BAND	1				
64	1654607028	SEAL	2				sold by the meter
65	0334017940	ABSORBENT, noise	1				

**C4c161**

TB014 Book No. BC4Z004 S/N 1140003-1140193  
ENGINE & ACCESSORIES (1/2) (11400011-)



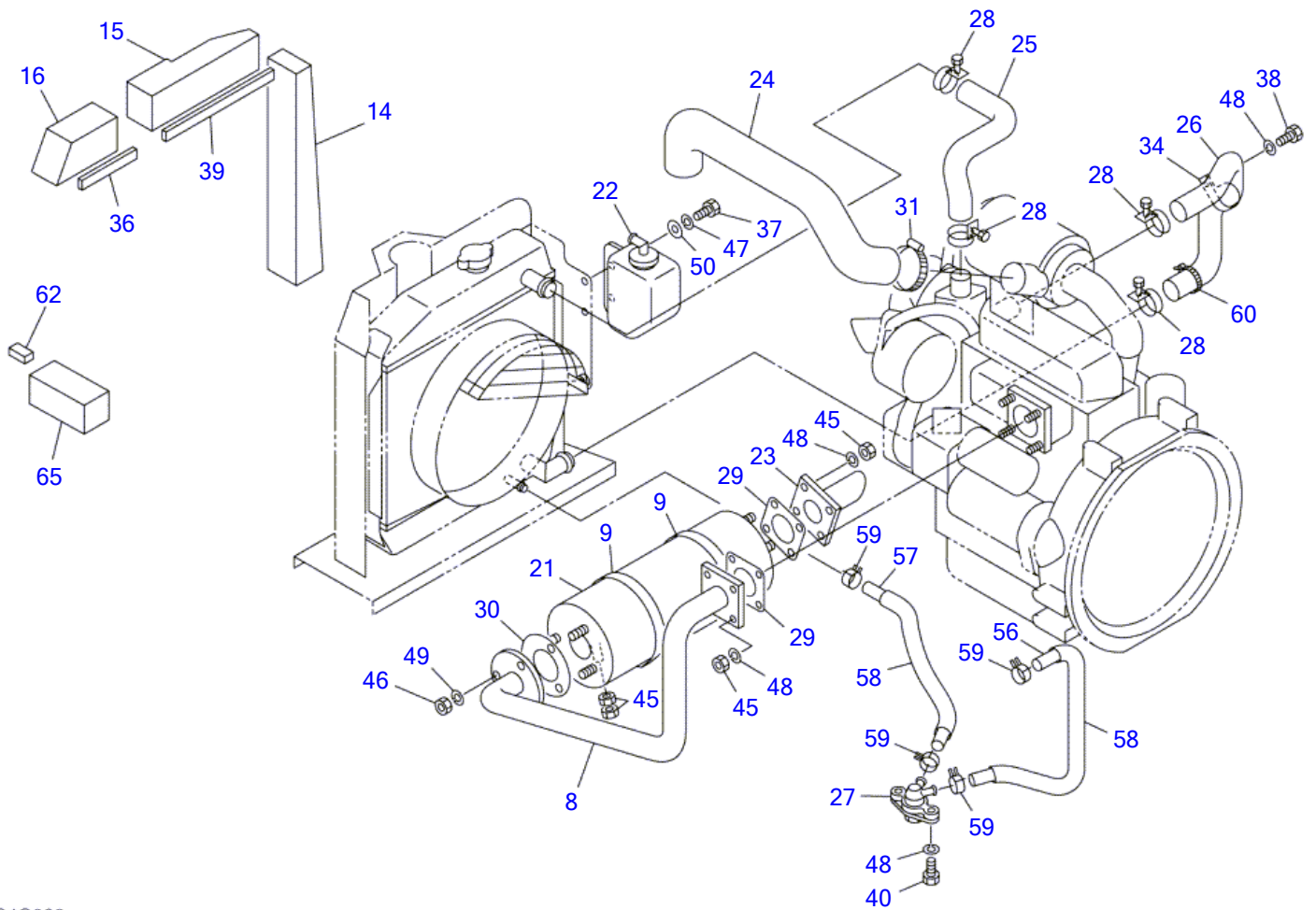
C4C012S

5-1/10

**ENGINE & ACCESSORIES (1/2) (11400011-)**

Item	Part number	Description	Q'ty	Chan.	Serial No.	Serv.	Remarks
		ENGINE ASSY					X03340-20000-9
1	0334019400	FOOT, engine (F.L.)	1				
2	0334019500	FOOT, engine (F.R.)	1				
3	0334017300	FOOT, engine (R.L.)	1				
4	0334017400	FOOT, engine (R.R.)	1				
5	0334019100	BRACKET	1				
6	0334017600	MOUNT	1				
7	0334019200	BRACKET	1				
10	0424003600	STOPPER	2				
11	0424003610	SHIM	2				
12	0424003620	SHIM	2				
13	0424003630	SHIM	2				
17	0334017930	COVER	1				
19	1910127001	ENGINE	1		11400011~11400022		3TNE68-NTB
	1910133001	ENGINE	1		11400023~11400460		3TNE68-TB1
	1910149001	ENGINE	1	(H)	11400461~		3TNE68-ETB1
20	1910096002	RADIATOR	1				Y119632-44520
32	1651081361	RUBBER, cushion	4				
33	1651014003	RUBBER, cushion	3				
35	1702430280	CABLE, earth	1				
37	1100040616	BOLT	6				
40	1100040825	BOLT	4				
41	1100041016	BOLT	1		11400011~11401504		
42	1100041020	BOLT	18				
43	1100041025	BOLT	3				
44	1101041240	BOLT	4				
45	1130040008	NUT	4				
46	1130040010	NUT	14				
47	1140020006	WASHER, spring	6				
48	1140020008	WASHER, spring	8				
49	1140020010	WASHER, spring	25				
51	1141110008	WASHER	4				
52	1141110010	WASHER	2				
53	1141550010	WASHER	4				
54	1141550012	WASHER	4				
55	1140330010	WASHER	2				
61	1654307005	SPONGE	1				sold by the meter
63	1654607032	SEAL	1				sold by the meter
66	0007300035	CLAMP	1		11400011~11401504		
67	0334019340	PLATE	1				
68	0334019350	PLATE	1				
69	1653916008	TRIM	1				sold by the meter
70	0334019370	PLATE	1				

**C4c014S**

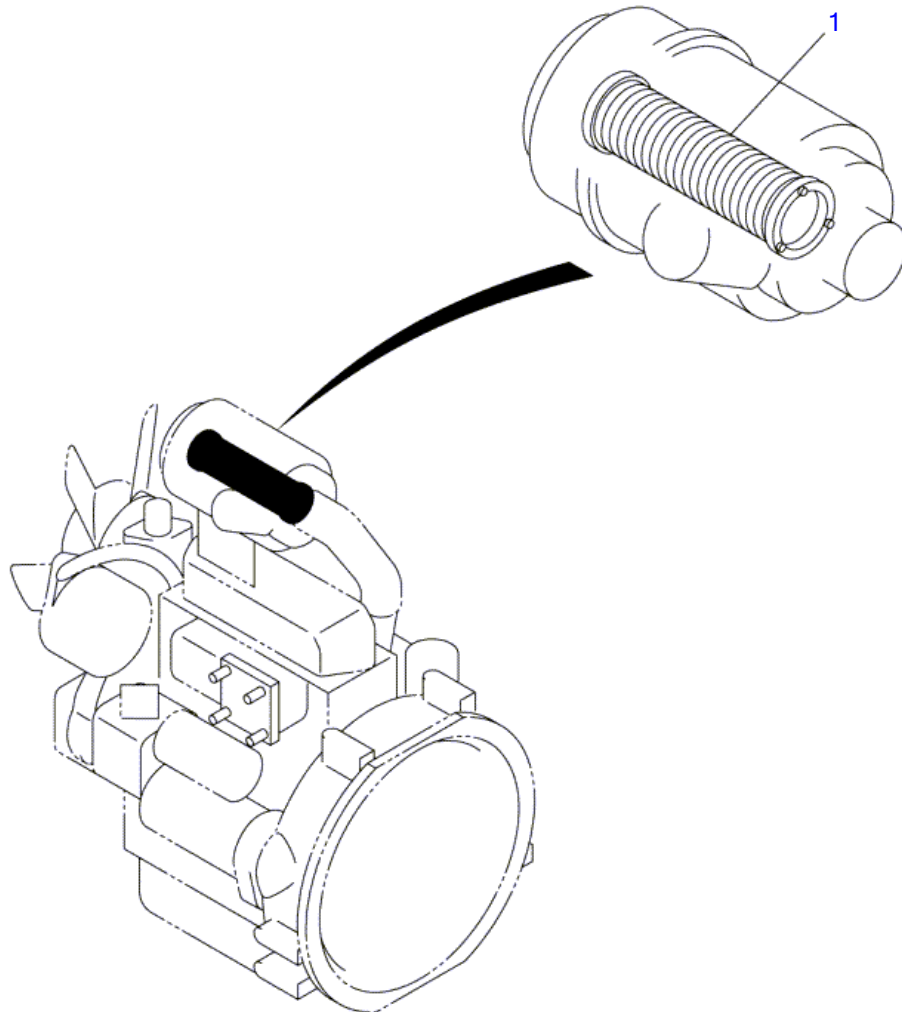


C4C023

5-1/10

**ENGINE & ACCESSORIES (2/2) (11400011-)**

Item	Part number	Description	Q'ty	Chan.	Serial No.	Serv.	Remarks
		ENGINE ASSY					X03340-20000-9
8	0334017800	PIPE	1				
9	0064017000	BAND	2				
14	0334019300	URETHANE	1				
15	0334019310	URETHANE	1				
16	0334019320	URETHANE	1				
21	1910096005	SILENCER	1				Y119232-13500
22	1910056020	TANK	1				Y121468-44510
23	1910127024	PIPE, exhaust	1		11400011~11400376		Y119266-13580
	0334020100	PIPE, exhaust	1	(H)	11400377~		
24	1910116013	PIPE, air intake	1				Y119233-12210
25	1910056024	HOSE	1		11400011~11400941		Y119688-49010
	1910137011	HOSE	1	(H)	11400942~		Y119233-49030
26	1910065012	HOSE	1				Y119632-49020
27	1910065037	PLUG, drain	1				Y121450-49110
28	1910006013	BAND	4				Y23010-038000
29	1910051022	GASKET	2				Y124701-11911
30	1910006015	GASKET	1				Y103954-13200
31	1910116047	CLIP	1				Y23000-054000
34	0007300030	CLAMP	1				
36	1654331011	SPONGE	1				sold by the meter
37	1100040616	BOLT	8				
38	1100040816	BOLT	1				
39	1654331022	SPONGE	1				sold by the meter
40	1100040825	BOLT	6				
45	1130040008	NUT	9				
46	1130040010	NUT	18				
47	1140020006	WASHER, spring	8				
48	1140020008	WASHER, spring	20				
49	1140020010	WASHER, spring	38				
50	1141110006	WASHER	2				
56	1530808035	HOSE	1			M	sold by the meter
57	1530808036	TUBE	1			M	sold by the meter
58	1531115027	PROTECTOR	2				sold by the meter
59	1533120512	BAND	4			M	
60	1652241300	BAND	1				
62	1654309003	SPONGE	1				sold by the meter
65	0334019330	URETHANE	1				
	<b>C4c024S</b>						



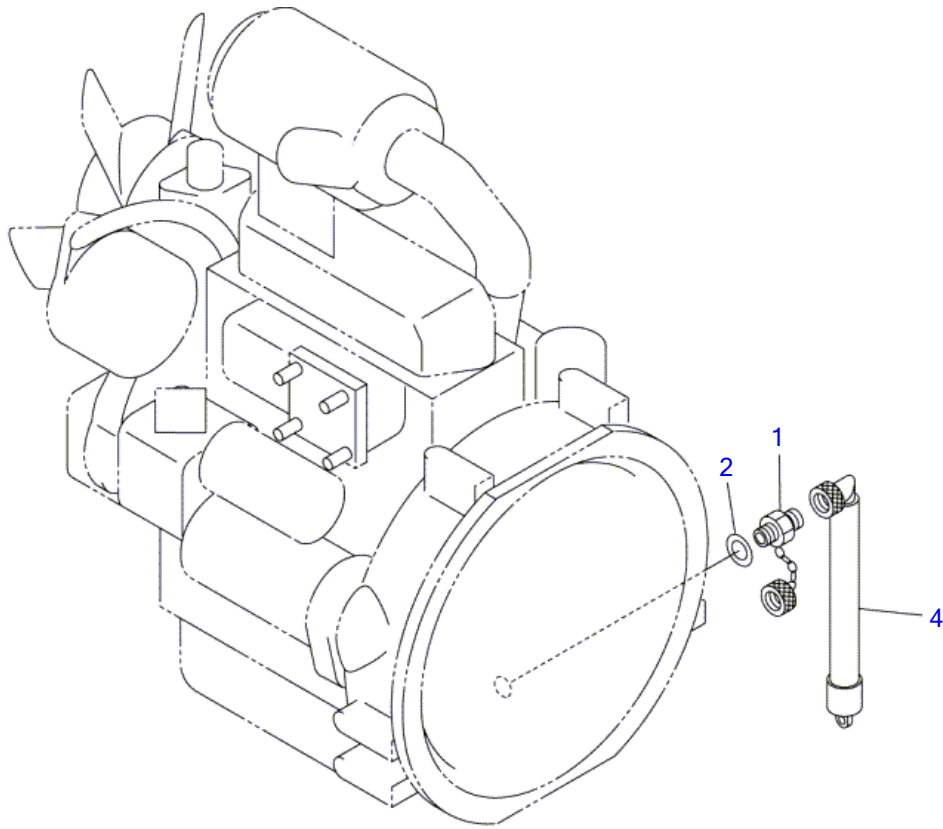
C4C240

S=1/4, 1/8



**AIR CLEANER (for double element)**

Item	Part number	Description	Q'ty	Chan.	Serial No.	Serv.	Remarks
1	<b>1911101342</b> <b>C4c240</b>	CLEANER ASSY, air ELEMENT	1				X03340-22000-0 ÄPÄÜÄP;Ý P53-5396

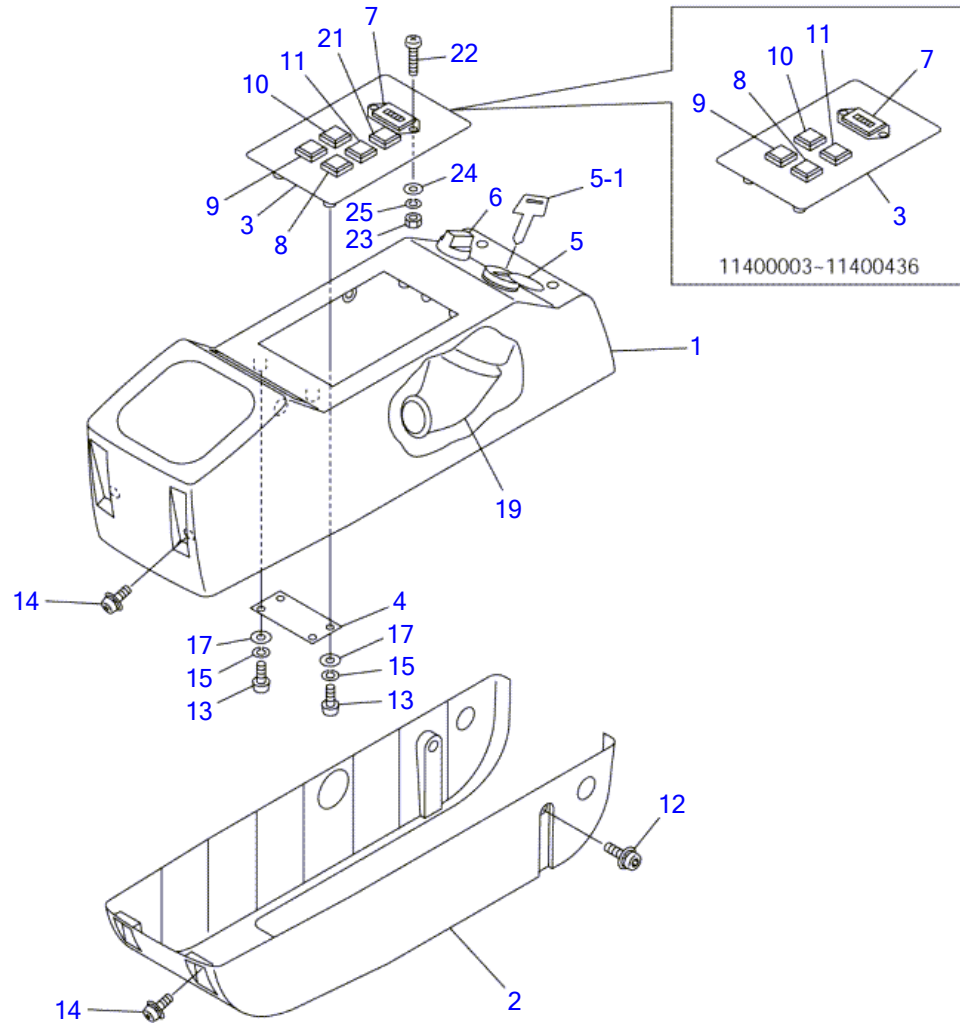


C4C030

S=1/6

**DRAIN PLUG (for EU)**

Item	Part number	Description	Q'ty	Chan.	Serial No.	Serv.	Remarks
		PLUG ASSY, drain					X03240-16000-1
1	1554502250	PLUG	1		11400003~11400022		
	1554501650	PLUG	1		11400023~		
2	1541400522	WASHER	1		11400003~11400022		
	1541400516	WASHER	1		11400023~		
4	1554512601	TUBE	1		11400003~11400022		
	1554512201	TUBE	1		11400023~		
	C4c031S						

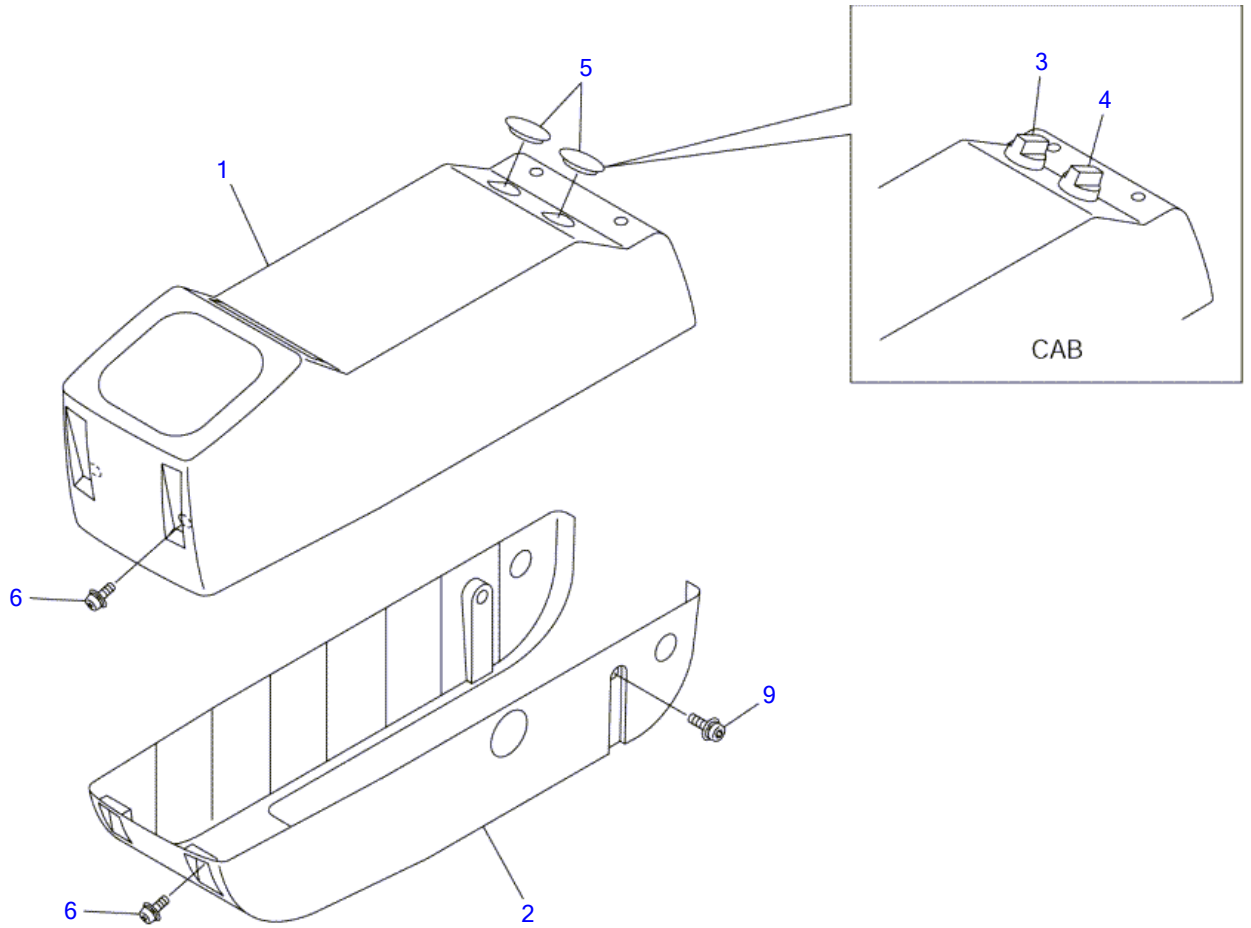


C4C042S

S-1/6

**CONTROL BOX; R.H.**

Item	Part number	Description	Q'ty	Chan.	Serial No.	Serv.	Remarks
		BOX ASSY, control (R.H.)					X03343-30000-4
1	<b>0334326150</b>	COVER (R.H.)	1				
2	<b>0334326250</b>	COVER (R.H.)	1				
3	<b>0334326600</b>	PANEL	1		11400003~11400436		
	<b>0334326610</b>	PANEL	1		11400437~		
4	<b>0334326700</b>	STAY	2				
5	<b>1700100023</b>	SWITCH, starter	1	(L)	11400003~11401079		
	<b>1700100052</b>	SWITCH, starter	1	(H)	11401080~		
5-1	<b>1700100019</b>	KEY	1				
6	<b>1700000010</b>	SWITCH, lamp	1				
7	<b>1730000500</b>	METER, hour	1				
8	<b>1700550002</b>	LAMP, charge	1				
9	<b>1700550003</b>	LAMP, oil	1				
10	<b>1700550020</b>	LAMP, pilot	1				
11	<b>1700550021</b>	LAMP, pilot	1				
12	<b>1110540614</b>	SCREW, cap	2				
13	<b>1120530410</b>	SCREW	8				
14	<b>1150410614</b>	SCREW	6				
15	<b>1140020004</b>	WASHER, spring	8				
17	<b>1141110004</b>	WASHER	8				
19	<b>0870431821</b>	COVER	1				
21	<b>1700550022</b>	LAMP, pilot	1		11400437~		
22	<b>1120530312</b>	SCREW	2				
23	<b>1130030003</b>	NUT	2				
24	<b>1141110003</b>	WASHER	2				
25	<b>1140020003</b>	WASHER, spring	2				
	<b>C4c043S</b>						

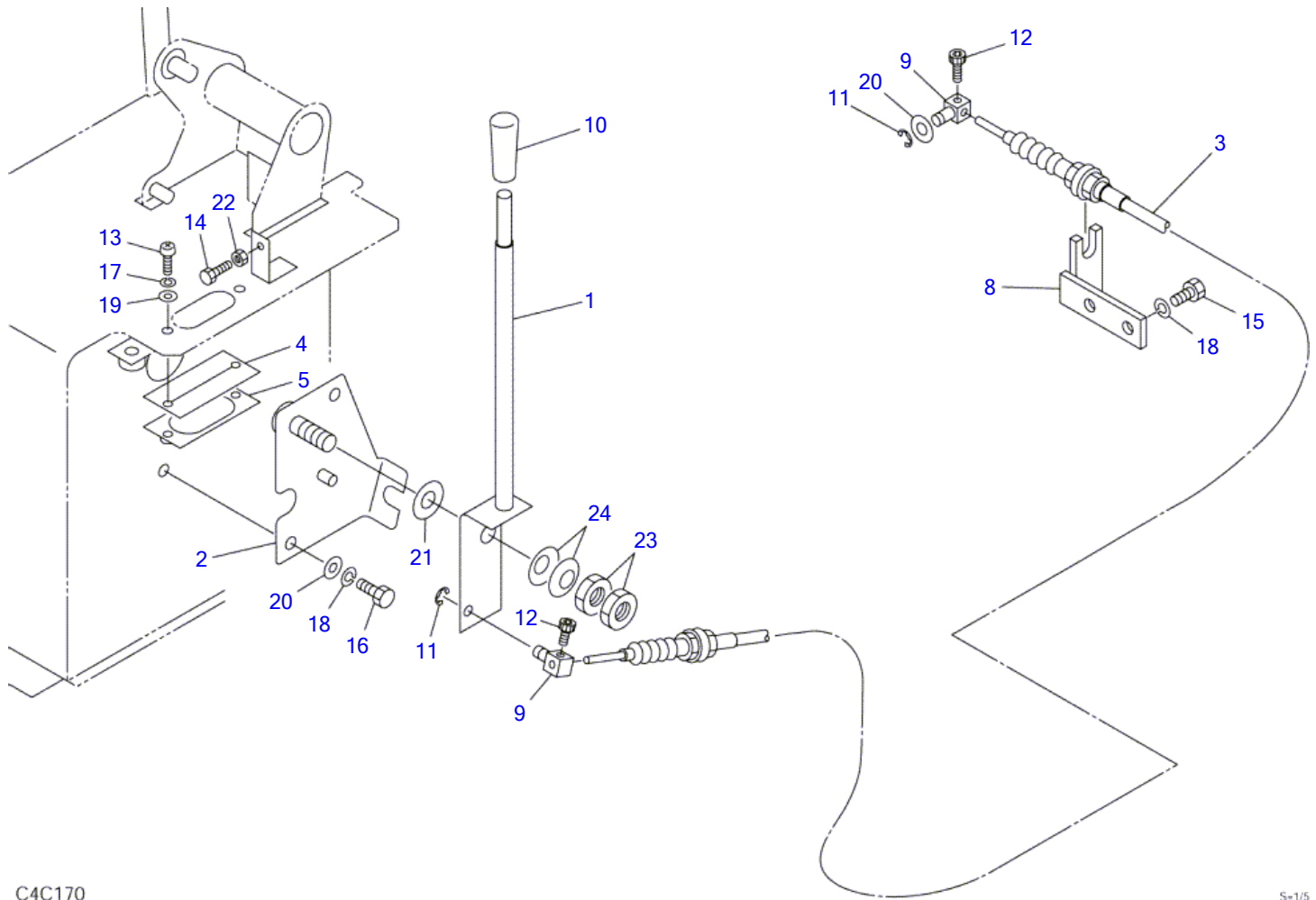


C4C052

S-1/6

**CONTROL BOX; L.H.**

Item	Part number	Description	Q'ty	Chan.	Serial No.	Serv.	Remarks
		BOX ASSY, control (L.H.) (cab)					X03343-27000-4
		BOX ASSY, control (L.H.) (canopy)					X03343-27500-4
1	<b>0334327150</b>	COVER (L.H.)	1				
2	<b>0334327250</b>	COVER (L.H.)	1				
3	<b>1704300007</b>	SWITCH, wiper	1				cab
4	<b>1700000011</b>	SWITCH, heater	1				cab
5	<b>1652533019</b>	CAP	2				canopy
6	<b>1150410614</b>	SCREW	8				
9	<b>1110540614</b>	SCREW, cap	2				
	<b>C4c052</b>						



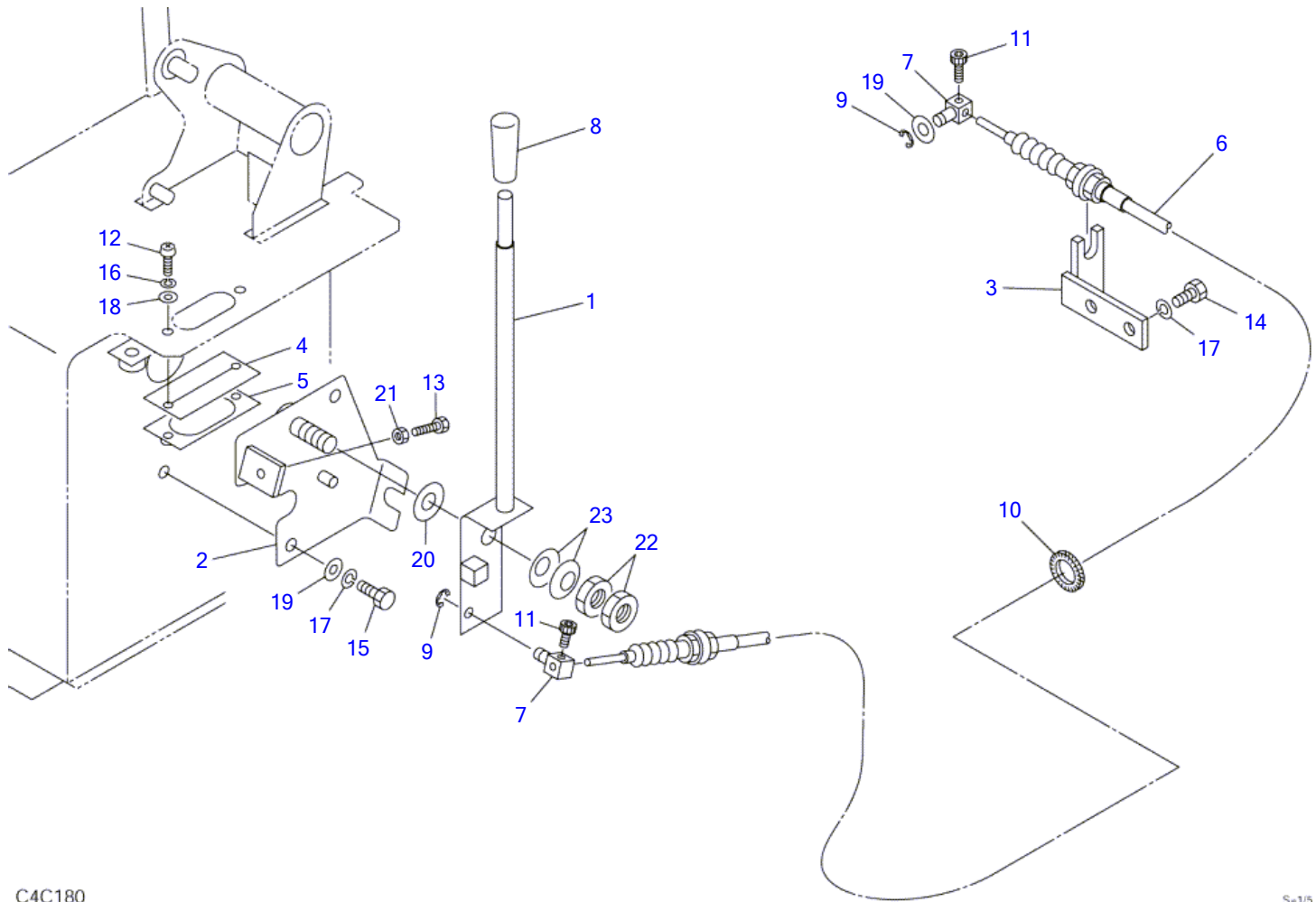
C4C170

S-1/5



**ENGINE CONTROL (11400003-11400010)**

Item	Part number	Description	Q'ty	Chan.	Serial No.	Serv.	Remarks
		CONTROL ASSY, engine					X03341-16000
1	0334116100	LEVER	1				
2	0334116200	BRACKET	1				
3	0334116300	WIRE	1				
4	0334116400	SEAL	1				
5	0334116500	COVER	1				
8	0334112300	BRACKET	1				
9	0007900016	PIN	2				
10	1650132050	GRIP	1				
11	1224010006	E-RING	2				
12	1110040510	SCREW, cap	2				
13	1120530514	SCREW	2				
14	1100240625	BOLT	1				
15	1100040816	BOLT	2				
16	1100040820	BOLT	2				
17	1140020005	WASHER, spring	2				
18	1140020008	WASHER	4				
19	1141110005	WASHER	2				
20	1141110008	WASHER	3				
21	1141540014	WASHER	1				
22	1130040006	NUT	1				
23	1130640014	NUT	2				
24	1225110014	WASHER, conical	2				
	C4c171						

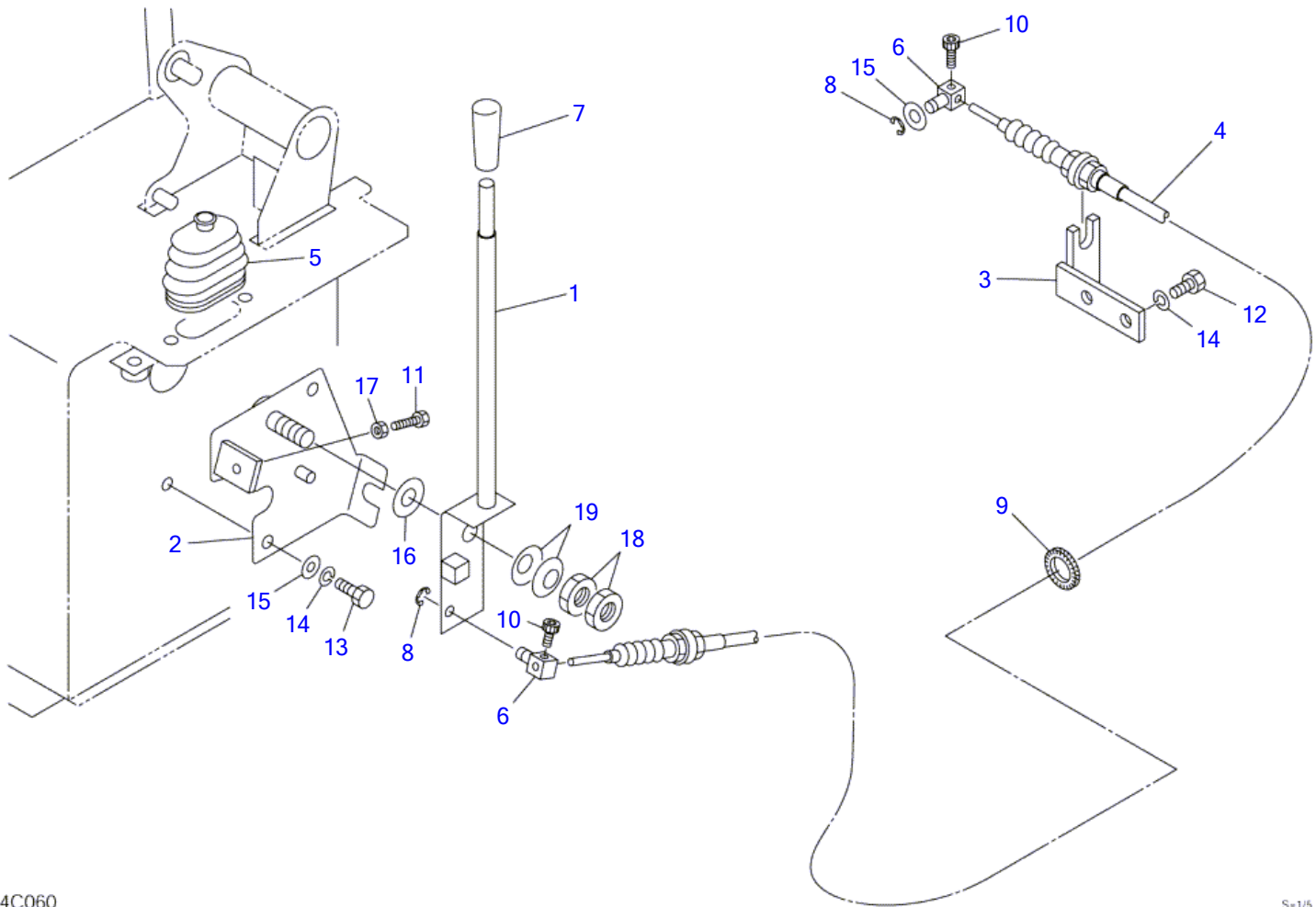


C4C180

S=1/5

**ENGINE CONTROL (11400011-11400016)**

Item	Part number	Description	Q'ty	Chan.	Serial No.	Serv.	Remarks
		CONTROL ASSY, engine	1				X03341-19000-0
1	0334119100	LEVER	1				
2	0334119200	BRACKET	1				
3	0334119300	BRACKET	1				
4	0334119400	RUBBER	1				
5	0334119500	COVER	1				
6	0334116300	WIRE	1				
7	0007900016	PIN	2				
8	1650132050	GRIP	1				
9	1224010006	E-RING	2				
10	1652606201	BUSHING	1				
11	1110040510	SCREW, cap	2				
12	1120530514	SCREW	2				
13	1100240640	BOLT	1				
14	1100040816	BOLT	2				
15	1100040820	BOLT	2				
16	1140020005	WASHER, spring	2				
17	1140020008	WASHER, spring	4				
18	1141110005	WASHER	2				
19	1141110008	WASHER	3				
20	1141540014	WASHER	1				
21	1130040006	NUT	1				
22	1130640014	NUT	2				
23	1225110014	WASHER, conical	2				
	<b>C4c181</b>						

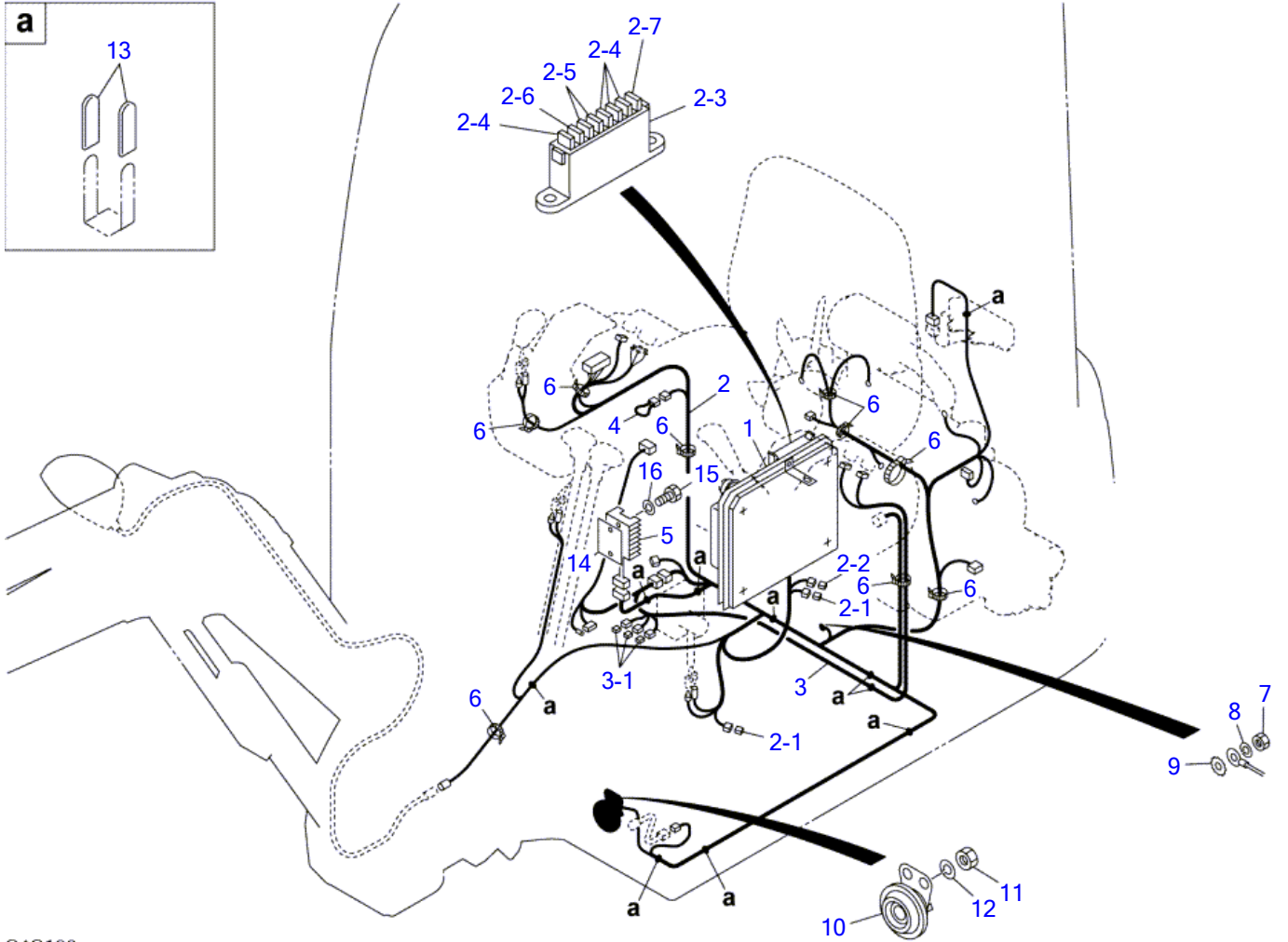


C4C060

S=1/5

**ENGINE CONTROL (11400017-)**

Item	Part number	Description	Q'ty	Chan.	Serial No.	Serv.	Remarks
		CONTROL ASSY, engine					X03341-20000-2
1	<b>0334119100</b>	LEVER	1				
2	<b>0334119200</b>	BRACKET	1				
3	<b>0334119300</b>	BRACKET	1				
4	<b>0334116300</b>	WIRE	1				
5	<b>0334120100</b>	BOOT	1				
6	<b>0007900016</b>	PIN	2	(L)	11400017~11401091		
	<b>0007900020</b>	PIN	2		11401092~		
7	<b>1650132050</b>	GRIP	1				
8	<b>1224010006</b>	E-RING	2				
9	<b>1652606201</b>	BUSHING	1				
10	<b>1110040510</b>	SCREW, cap	2				
11	<b>1100240640</b>	BOLT	1				
12	<b>1100040816</b>	BOLT	2				
13	<b>1100040820</b>	BOLT	2				
14	<b>1140020008</b>	WASHER, spring	4				
15	<b>1141110008</b>	WASHER	3				
16	<b>1141540014</b>	WASHER	1				
17	<b>1130040006</b>	NUT	1				
18	<b>1130640014</b>	NUT	2				
19	<b>1225110014</b>	WASHER, conical	2				
	<b>C4c062S</b>						

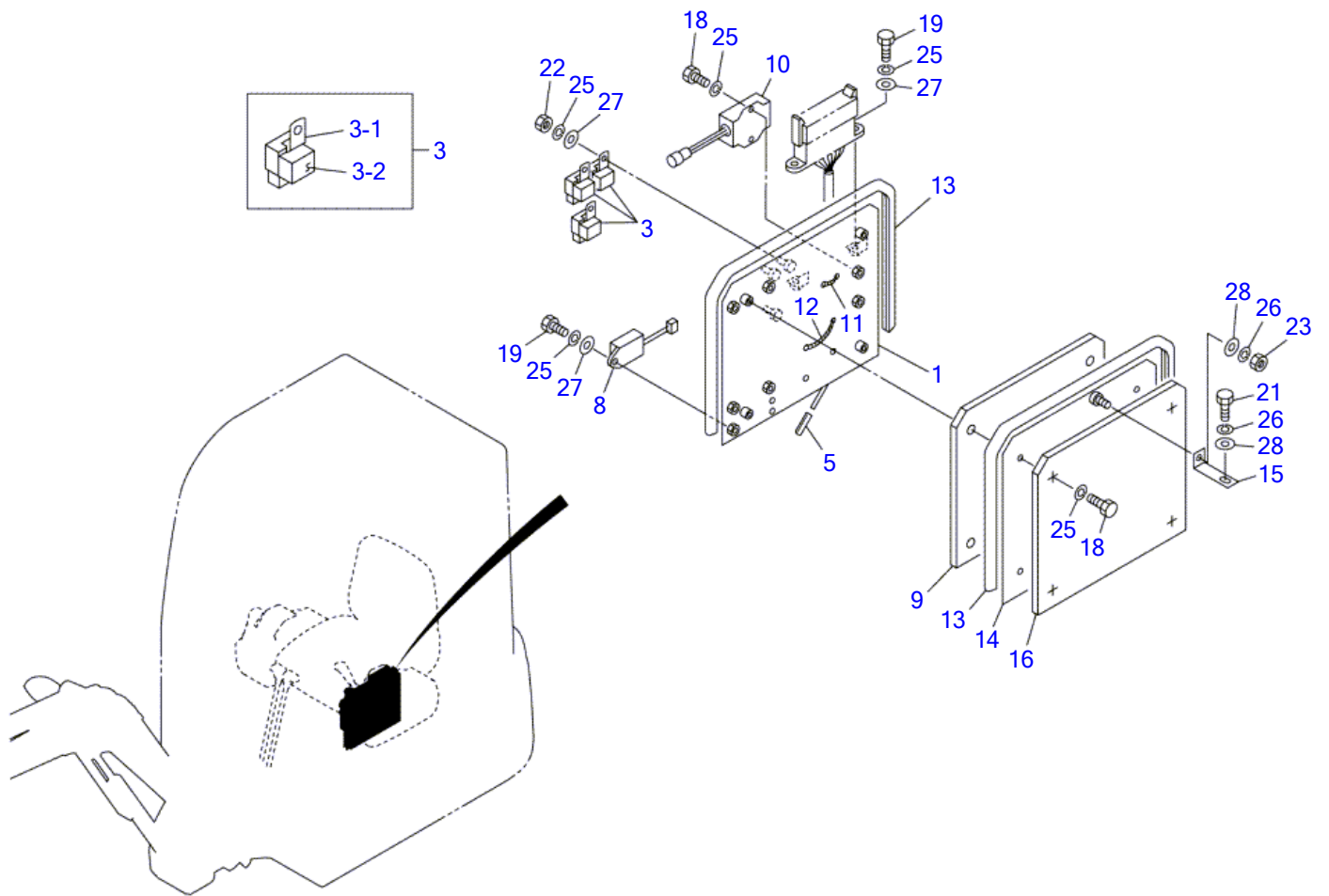


C4C192

S=1/14,1/8

**ELECTRICAL (1/2) (11400003-11400010)**

Item	Part number	Description	Q'ty	Chan.	Serial No.	Serv.	Remarks
		ELECTRICAL ASSY (canopy)					X03342-37000
		ELECTRICAL ASSY (cab)					X03342-38000
1	<b>0334237100</b>	UNIT, control	1				see page (2/2)
2	<b>0334237200</b>	HARNESS, wiring	1				
2-1	<b>1730500008</b>	• DIODE (3A, yellow)	2				
2-2	<b>1730500017</b>	• DIODE (1A, gray)	1				
2-3	<b>1701203501</b>	• BOX, fuse	1				
2-4	<b>1701310010</b>	• FUSE (10A)	4				
2-5	<b>1701310015</b>	• FUSE (15A)	2				
2-6	<b>1701310025</b>	• FUSE (25A)	1				
2-7	<b>1701310030</b>	• FUSE (30A)	1				
3	<b>0334230300</b>	HARNESS, wiring	1				cab
3-1	<b>1730500008</b>	• DIODE (3A, yellow)	3				cab
4	<b>0334230400</b>	CONNECTOR	1				cab
5	<b>1910127104</b>	LIMITER, current	1				Y119653-77710
6	<b>1652231250</b>	BAND	10				
7	<b>1130040010</b>	NUT	1				
8	<b>1140020010</b>	WASHER, spring	1				
9	<b>1140330010</b>	WASHER	1				
10	<b>1703500612</b>	HORN	1				
11	<b>1130040008</b>	NUT	1				
12	<b>1140020008</b>	WASHER, spring	1				
13	<b>0872433150</b>	CLAMP	16				
14	<b>0334230150</b>	SHEET	1				
15	<b>1100040620</b>	BOLT	2				
16	<b>1140020006</b>	WASHER, spring	2				
	<b>C4c192</b>						



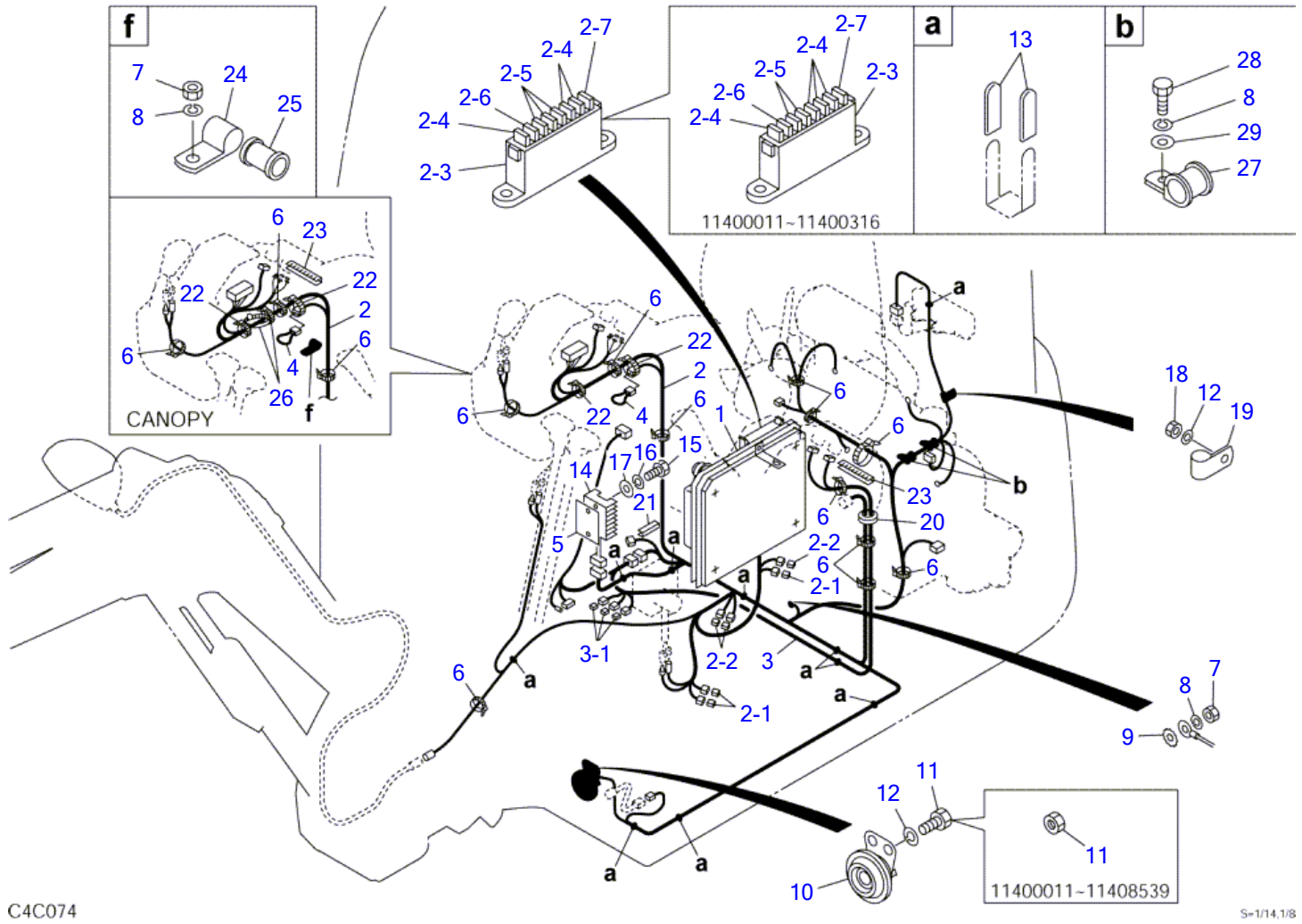
C4C200

S=1/30, 1/10, 1/6



**ELECTRICAL (2/2) (11400003-11400010)**

Item	Part number	Description	Q'ty	Chan.	Serial No.	Serv.	Remarks
0-1	<b>0334237100</b>	UNIT, control	1				
1	<b>0334239110</b>	• PLATE	1				
3	<b>0334230130</b>	• RELAY ASSY	3				
3-1	<b>1711900042</b>	• • RELAY	1				
3-2	<b>1654302003</b>	• • SPONGE	1				sold by the meter
5	<b>0872433150</b>	• CLAMP	2				
8	<b>1910150118</b>	• UNIT, timer	1				Y129211-77920
9	<b>0334239120</b>	• INSULATOR	1				
10	<b>1910056107</b>	• RESISTOR, grow	1				
11	<b>1652231100</b>	• BAND	1				
12	<b>1652231250</b>	• BAND	1				
13	<b>1654613083</b>	• PACKING	2				sold by the meter
14	<b>0334239130</b>	• PLATE	1				
15	<b>0334230160</b>	• BRACKET	1				
16	<b>0334239140</b>	• INSULATOR	1				
18	<b>1100040610</b>	• BOLT	6				
19	<b>1100040616</b>	• BOLT	3				
21	<b>1100040816</b>	• BOLT	1				
22	<b>1130030006</b>	• NUT	3				
23	<b>1130030008</b>	• NUT	1				
25	<b>1140020006</b>	• WASHER, spring	12				
26	<b>1140020008</b>	• WASHER, spring	2				
27	<b>1141110006</b>	• WASHER	6				
28	<b>1141110008</b>	• WASHER	2				
	<b>C4c201</b>						



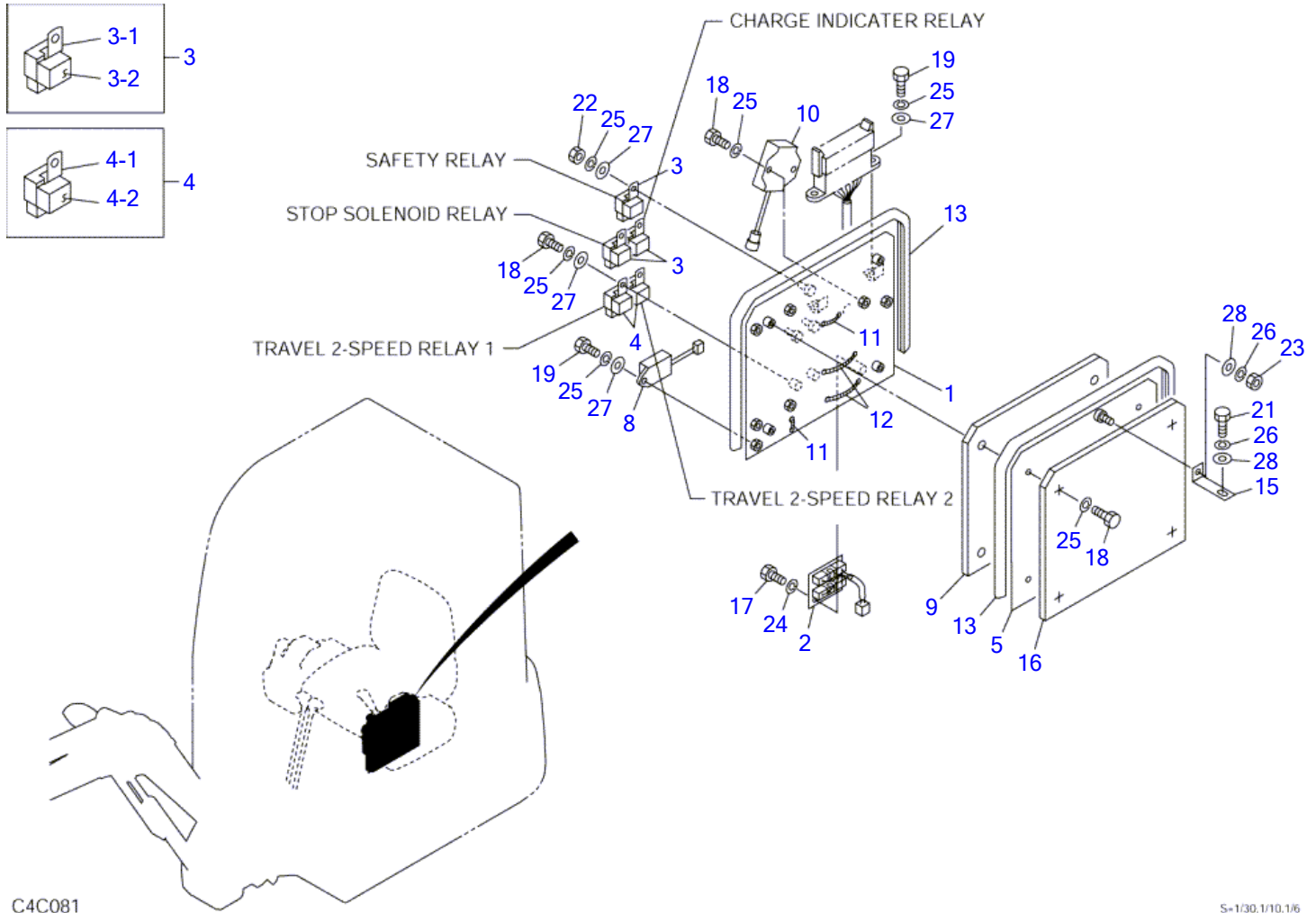
C4C074

S-1/14,1/8

## ELECTRICAL (1/2) (11400011-)

Item	Part number	Description	Q'ty	Chan.	Serial No.	Serv.	Remarks
		ELECTRICAL ASSY (canopy)					X03342-64000-6
		ELECTRICAL ASSY (cab)					X03342-64500-6
1	0334241100	UNIT, control	1		11400011~11400436		see page (2/2)
	0334264100	UNIT, control	1		11400437~		see page (2/2)
2	0334241200	HARNESS, wiring	1		11400011~11400310		
	0334242100	HARNESS, wiring	1		11400311~11400436		
	0334264200	HARNESS, wiring	1		11400437~		
2-1	1730500008	• DIODE (3A, yellow)	2		11400011~11400436		
	1730500008	• DIODE (3A, yellow)	3		11400437~		
2-2	1730500017	• DIODE (1A, gray)	1		11400011~11400436		
	1730500017	• DIODE (1A, gray)	3		11400437~		
2-3	1701203501	• BOX, fuse	1				
2-4	1701310010	• FUSE (10A)	4		11400011~11400316		
	1701310010	• FUSE (10A)	3		11400317~		
2-5	1701310015	• FUSE (15A)	2		11400011~11400316		
	1701310015	• FUSE (15A)	3		11400317~		
2-6	1701310025	• FUSE (25A)	1				
2-7	1701310030	• FUSE (30A)	1				
3	0334230300	HARNESS, wiring	1		11400011~11400310		cab
	0334242200	HARNESS, wiring	1	(H)	11400311~		cab
3-1	1730500008	• DIODE (3A, yellow)	3				cab
4	0334230400	CONNECTOR	1				cab
5	0334243300	SHEET	1				
6	1652231250	BAND	14				
7	1130040010	NUT	1		11400011~11401055		cab
	1130040010	NUT	2		11401056~		canopy
8	1140020010	WASHER, spring	1		11400011~11401504		
	1140020010	WASHER, spring	3		11401505~		cab
	1140020010	WASHER, spring	4		11401505~		canopy
9	1140330010	WASHER	1				
10	1703500612	HORN	1				
11	1130040008	NUT	1		11400011~11408539		
	1100040816	BOLT	1		11408540~	M	
12	1140020008	WASHER, spring	1				
13	0872433150	CLAMP	16				
14	1910127104	LIMITER, current	1				Y119653-77710
15	1100040620	BOLT	2				
16	1140020006	WASHER, spring	2				
17	1141110006	WASHER	2				
18	1130040008	NUT	1				
19	0007300004	CLAMP	1				
20	0868423862	GROMMET	1				
21	1653916005	TRIM (canopy)	1				sold by the meter
22	1652201005	BAND	2				
23	1653917009	TRIM (canopy)	2				sold by the meter
	1653917009	TRIM (cab)	1				sold by the meter
24	0007300001	CLAMP	1		11401044~		canopy
25	0868423862	GROMMET	1		11401044~		canopy
26	1652241400	BAND	2		11401109~		canopy
27	1711900076	CLAMP	2		11401505~		
28	1100041016	BOLT	2		11401505~		
29	1141110010	WASHER	2		11401505~		

C4c074

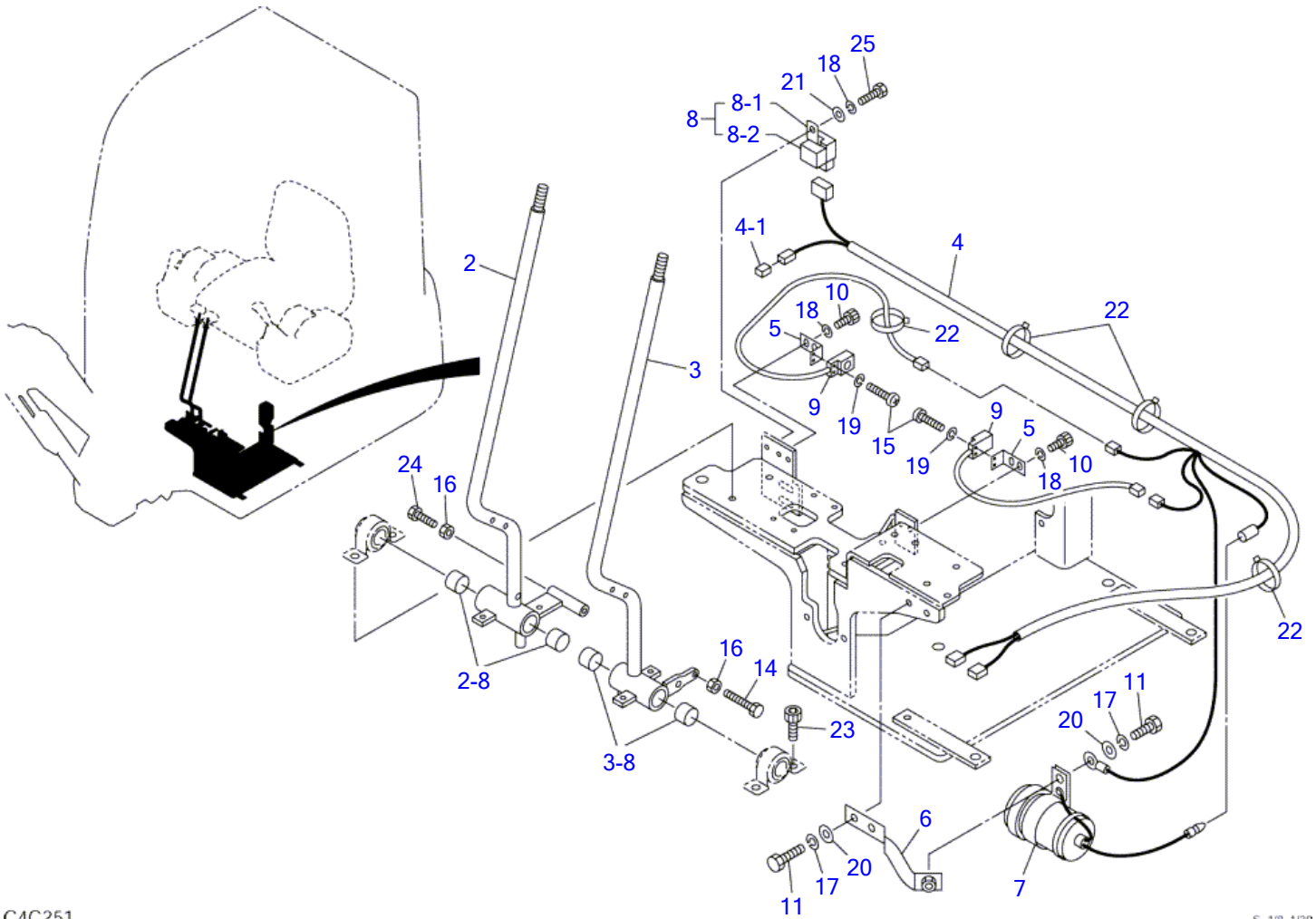


S-1/30,1/10,1/6

## ELECTRICAL (2/2) (11400011-)

Item	Part number	Description	Q'ty	Chan.	Serial No.	Serv.	Remarks
0-1	0334241100	UNIT, control	1		11400011~11400436		
	0334264100	UNIT, control	1		11400437~		
1	0334243110	• PLATE	1				
2	0334230120	• RESISTOR	1		11400437~		
3	0334230130	• RELAY ASSY	3				
3-1	1711900042	• • RELAY	1				
3-2	1654302003	• • SPONGE	1				sold by the meter
4	0334230140	• RELAY ASSY	2		11400437~		
4-1	1711900042	• • RELAY	1		11400437~		
4-2	1654304003	• • SPONGE	1		11400437~		sold by the meter
5	0334243120	• PLATE	1		11400011~11400424		
	0334243130	• PLATE	1		11400425~		
8	1910150118	• UNIT, timer	1				Y129211-77920
9	0334239120	• INSULATOR	1				
10	1910056107	• RESISTOR, grow	1				Y129155-77810
11	1652231100	• BAND	2				
12	1652231250	• BAND	2				
13	1654613083	• PACKING	2				sold by the meter
15	0334230160	• BRACKET	1				
16	0334239140	• INSULATOR	1				
17	1100040510	• BOLT	2		11400437~		
18	1100040610	• BOLT	6		11400011~11400436		
	1100040610	• BOLT	8		11400437~		
19	1100040616	• BOLT	3				
21	1100040816	• BOLT	1				
22	1130030006	• NUT	3				
23	1130030008	• NUT	1				
24	1140020005	• WASHER, spring	2		11400437~		
25	1140020006	• WASHER, spring	12		11400011~11400436		
	1140020006	• WASHER, spring	14		11400437~		
26	1140020008	• WASHER, spring	2				
27	1141110006	• WASHER	6		11400011~11400436		
	1141110006	• WASHER	8		11400437~		
28	1141110008	• WASHER	2				

C4c083

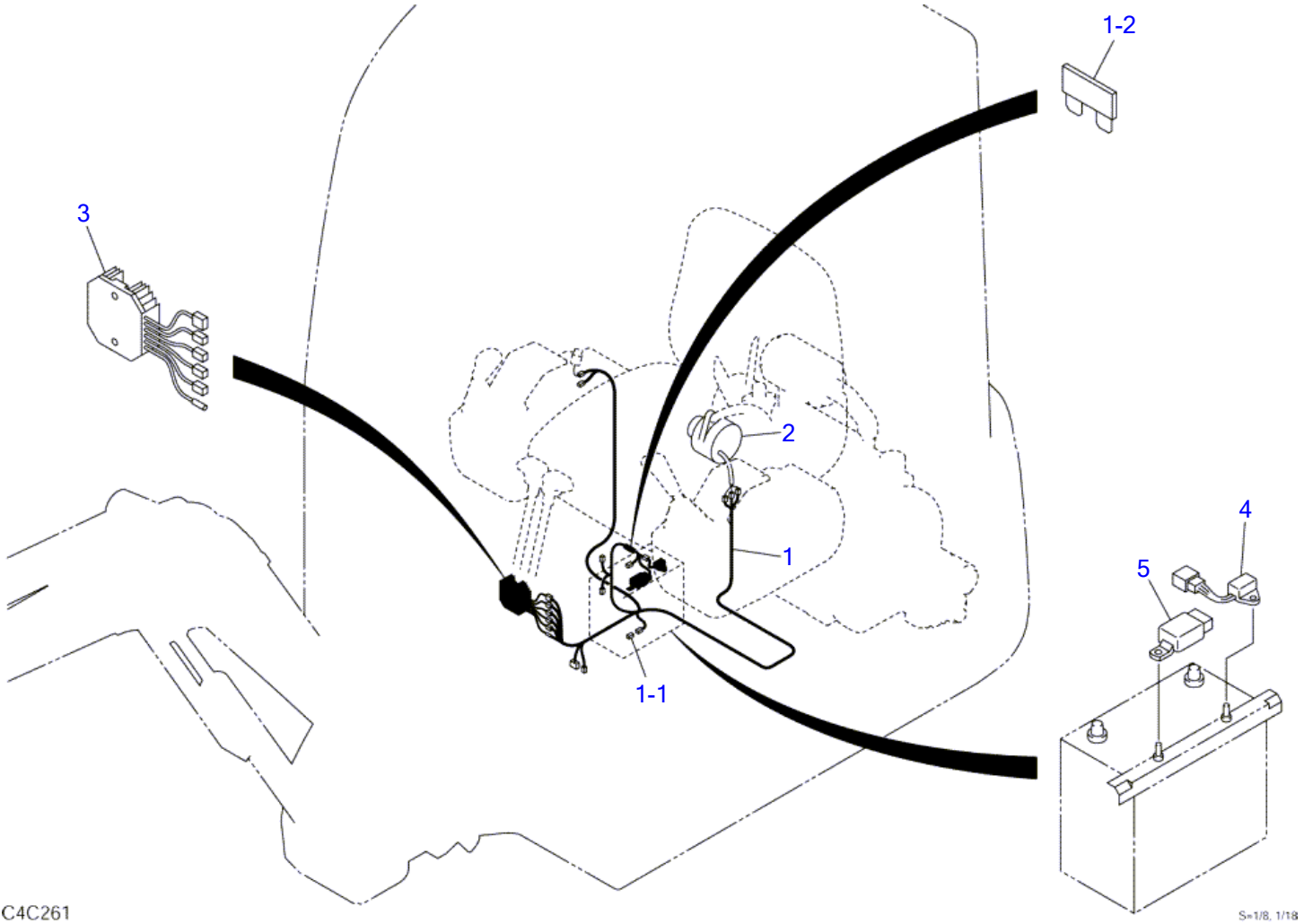


C4C251

S-1/8, 1/30

**TRAVEL ALARM**

Item	Part number	Description	Q'ty	Chan.	Serial No.	Serv.	Remarks
		ALARM ASSY, travel					X03342-42500-5
2	0334242600	LEVER (R.H.)	1				
2-8	1333002015	· BUSHING	2				
3	0334242650	LEVER (L.H.)	1				
3-8	1333002015	· BUSHING	2				
4	0334242520	HARNES, wiring	1				
4-1	1730500008	· DIODE (3A, yellow)	1				
5	0334242530	BRACKET	2				
6	0334233020	BRACKET	1				
7	0354211050	BUZZER	1				
8	0334242540	RELAY ASSY	1				
8-1	1711900042	· RELAY	1				
8-2	1654301003	· SPONGE	1				sold by the meter
9	1700009010	SWITCH	2				
10	1110040612	SCREW, cap	4				
11	1100040820	BOLT	3				
14	1100040625	BOLT	1				
15	1120530314	SCREW	4				
16	1130040006	NUT	2				
17	1140020008	WASHER, spring	3				
18	1140020006	WASHER, spring	5				
19	1140020003	WASHER, spring	4				
20	1141110008	WASHER	3				
21	1141110006	WASHER	5				
22	1652231250	BAND	4				
23	1110040820	SCREW, cap	1				
24	1100040620	BOLT	1				
25	1100040612	BOLT	1				
	<b>C4c251S</b>						



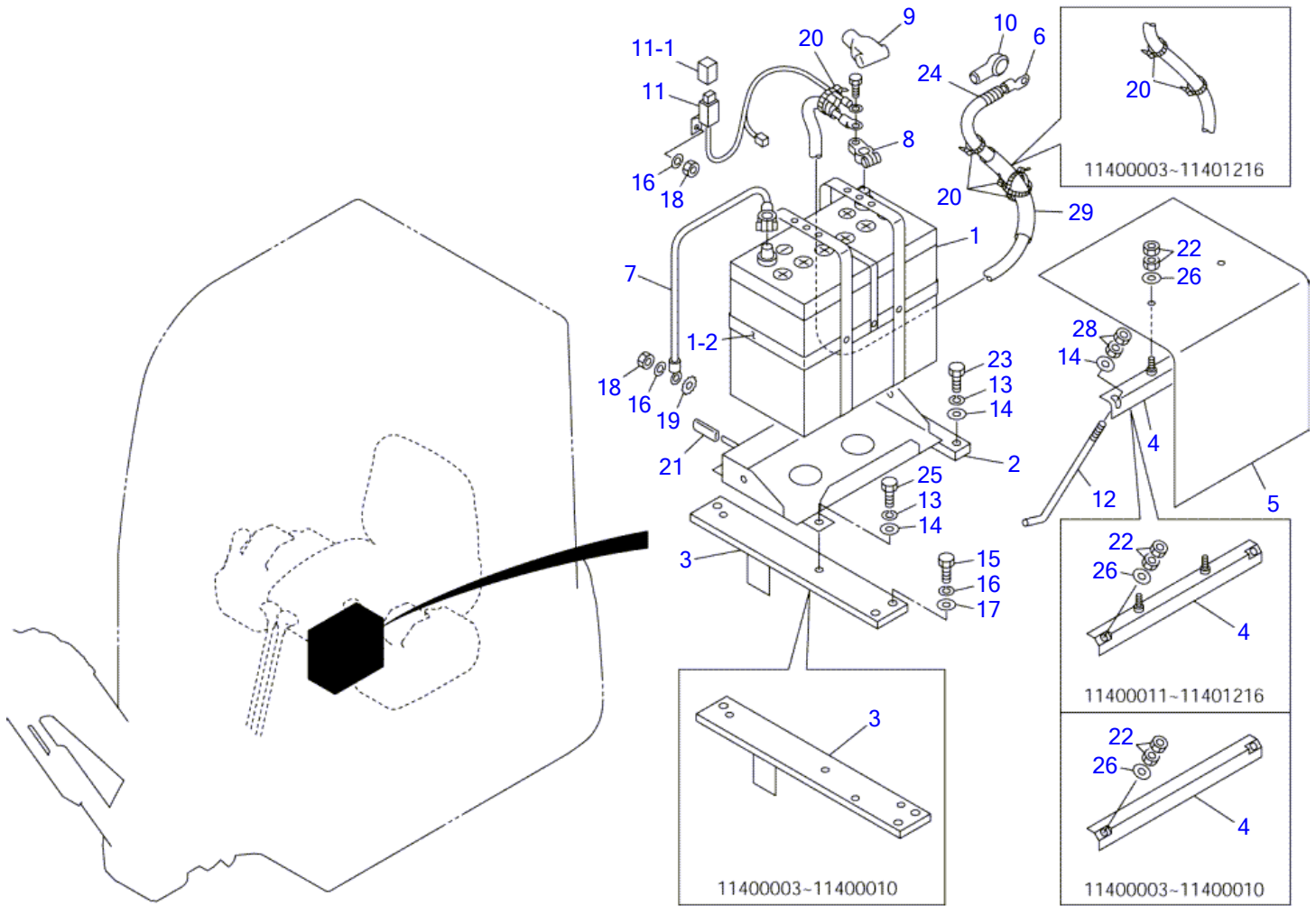
C4C261

S=1/8, 1/18



**GENERATOR (for 35A)**

Item	Part number	Description	Q'ty	Chan.	Serial No.	Serv.	Remarks
		GENERATOR ASSY					X03342-51000-0
1	<b>0334251100</b>	HARNES, wiring	1				
1-1	<b>1730500008</b>	• DIODE (3A, yellow)	1				
1-2	<b>1701310015</b>	• FUSE (15A)	1				
2	<b>1910133123</b>	GENERATOR (35A)	1				Y119000-77202
3	<b>1910133104</b>	LIMITER, current	1				Y119000-77711
4	<b>1910011130</b>	INDICATER, charge	1				
5	<b>1711900042</b>	RELAY	1				
	<b>C4c262S</b>						

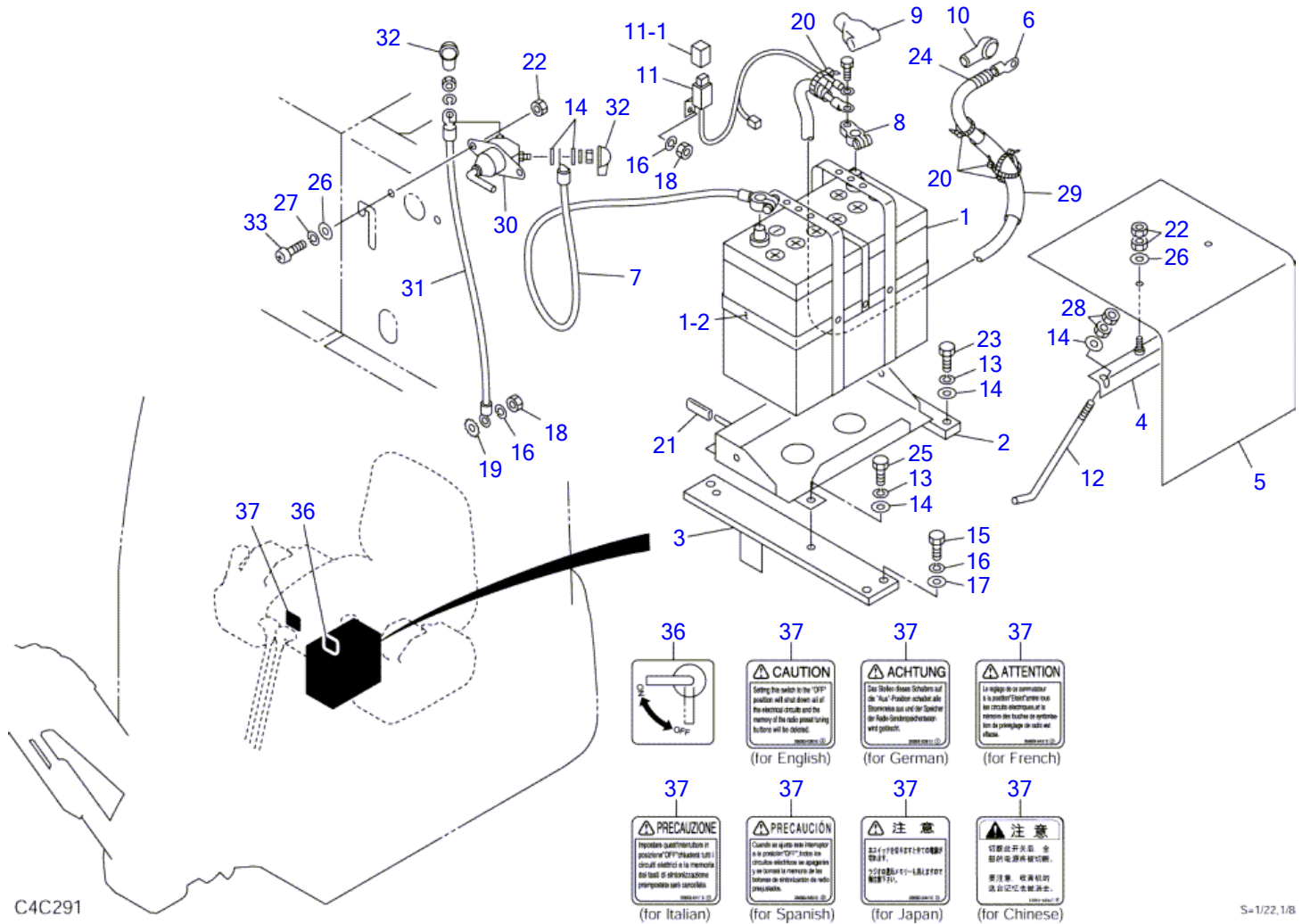


C4C113S

S-1/22.1/8

BATTERY						
Item	Part number	Description	Q'ty	Chan.	Serial No.	Serv. Remarks
		BATTERY ASSY				X03344-20000-11
		BATTERY ASSY ( for USA)				X03344-21000-11
1	0334420100	BATTERY (55B24R)	1			
	0334421100	BATTERY (55B24R-S)	1			for USA
1-2	1711900063	• BELT	1			
2	0334418010	BRACKET	1		11400003~11400010	
	0334420010	BRACKET	1	(H)	11400011~	
3	0334418020	BRACKET	1		11400003~11400010	
	0334420020	BRACKET	1	(H)	11400011~	
4	0424402100	ANGLE	1		11400003~11400010	
	0334420030	ANGLE	1		11400011~11401216	
	0334420060	ANGLE	1		11401217~	
5	0334420040	SHEET	1		11400011~	
6	1702522110	CABLE	1		11400003~11400010	
	1702522115	CABLE	1	(H)	11400011~	
	1702607110	CABLE	1		11400003~11400010	for USA
	1702607115	CABLE	1	(H)	11400011~	for USA
7	1702222038	CABLE, earth	1			
	1702622038	CABLE, earth	1			for USA
8	1702330040	TERMINAL	1			
	1702330000	TERMINAL	1			for USA
9	1702920001	COVER	1		11400003~11400010	
	1702920060	COVER	1		11400011~	
10	1910011119	CAP	1			Y124160-77020
11	0334418030	LINK, fusible	1		11400003~11400010	
	0334420050	LINK, fusible	1		11400011~	
	0334419010	LINK, fusible	1		11400003~11400010	for USA
	0334421010	LINK, fusible	1		11400011~	for USA
11-1	1701330045	• FUSE (45A)	1			
12	1702106224	BOLT	2		11400003~11400782	
	1702106215	BOLT	2		11400783~11401198	
	1702108220	BOLT	2		11401199~	
13	1140020008	WASHER, spring	4			
14	1141110008	WASHER	6			
15	1100241030	BOLT	3			
16	1140020010	WASHER, spring	5			
17	1141110010	WASHER	3			
18	1130040010	NUT	2			
19	1140330010	WASHER	1			
20	1652231140	BAND	4			
21	0872433150	TUBE	4			
22	1130040006	NUT	4			
23	1100240825	BOLT	2			
24	1703221300	PROTECTOR	1		11400003~11400010	sold by the meter
	1703221015	PROTECTOR	1		11400011~	sold by the meter
25	1100240816	BOLT	2			
26	1141110006	WASHER	2			
28	1130040008	NUT	4		11401217~	
29	1531115010	PROTECTOR	1		11401217~	sold by the meter

C4c114S

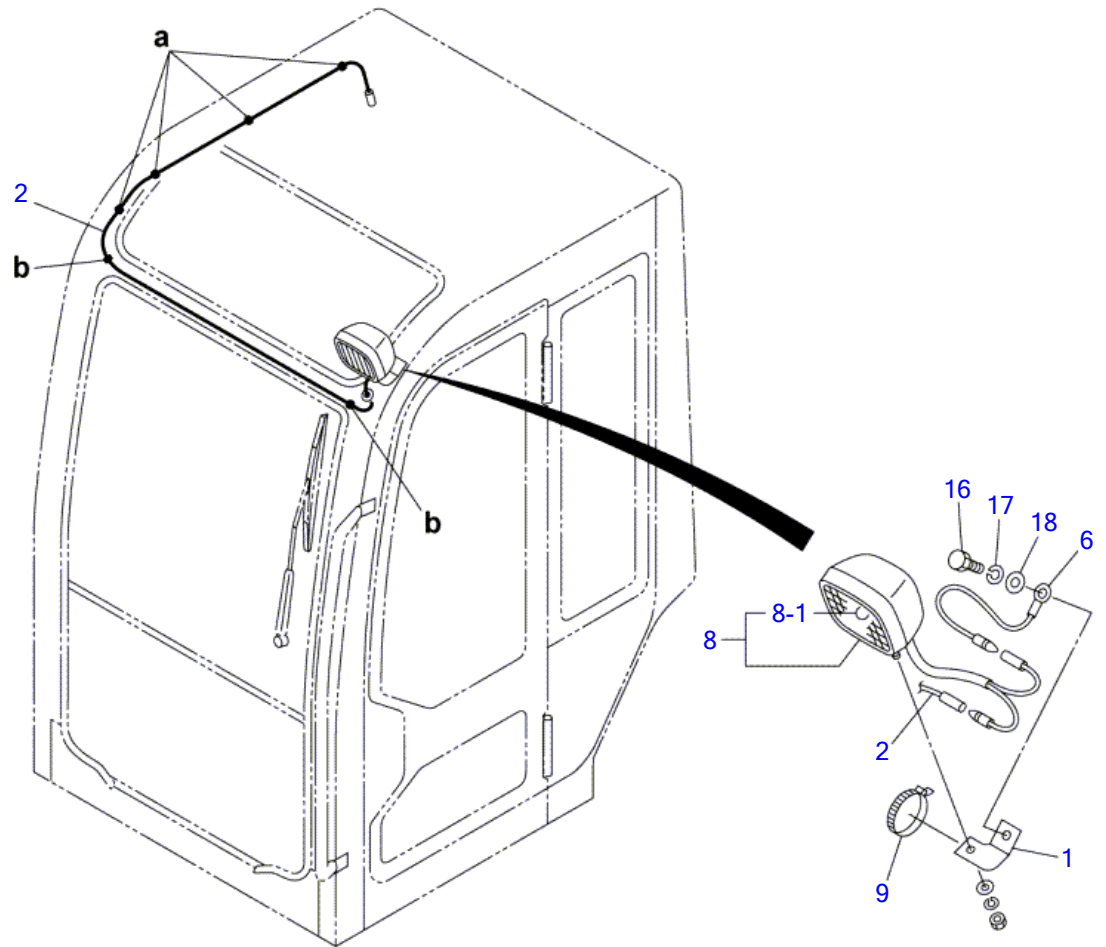
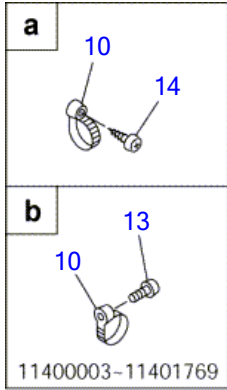


36	37	37	37
	<p><b>CAUTION</b></p> <p>Setting the switch to the "OFF" position will clear most of the electrical circuits and the memory of the radio preset tuning feature will be cleared.</p> <p>(for English)</p>	<p><b>ACHTUNG</b></p> <p>Das Stecker-Becken Schließen auf die "Aus"-Position entfernt alle Stromkreise aus und der Speicher der Radio-Voreinstellungsfunktion wird gelöscht.</p> <p>(for German)</p>	<p><b>ATTENTION</b></p> <p>Le réglage de ce commutateur à la position "arrêt" efface tous les circuits électroniques et la mémoire des touches de mémorisation des fréquences de radio est effacée.</p> <p>(for French)</p>
37	37	37	37
<p><b>PRECAUZIONE</b></p> <p>Impostare quest'interruttore in posizione "OFF" cancella tutti i circuiti elettrici e la memoria dei tasti di sintonizzazione preimpostate sarà cancellata.</p> <p>(for Italian)</p>	<p><b>PRECAUCIÓN</b></p> <p>Cuando se quite este interruptor a la posición "OFF" todos los circuitos electrónicos se apagan y se borrarán la memoria de los botones de sintonización de radio PRESET/AM/FM.</p> <p>(for Spanish)</p>	<p><b>注意</b></p> <p>このスイッチを「OFF」位置にすると、ほとんどの電気回路とラジオのプリセット機能のメモリがクリアされます。</p> <p>(for Japan)</p>	<p><b>注意</b></p> <p>切换此开关至“全”位时，电路电源将被切断，同时电台存储记忆亦将被清除。</p> <p>(for Chinese)</p>

**BATTERY (with battery switch)**

Item	Part number	Description	Q'ty	Chan.	Serial No.	Serv.	Remarks
		BATTERY ASSY (for English)					X03344-20200-11
		BATTERY ASSY (for German)					X03344-20300-11
		BATTERY ASSY (for French)					X03344-20400-11
		BATTERY ASSY (for Italian)					X03344-20500-11
		BATTERY ASSY (for Spanish)					X03344-20600-11
		BATTERY ASSY (for Japan)					X03344-20700-11
		BATTERY ASSY (for Chinese)					X03344-20800-11
		BATTERY ASSY ( for USA)					X03344-21200-11
1	<b>0334420100</b>	BATTERY (55B24R)	1				
	<b>0334421100</b>	BATTERY (55B24R-S)	1				for USA
1-2	<b>1711900063</b>	· BELT	1				
2	<b>0334420010</b>	BRACKET	1				
3	<b>0334420020</b>	BRACKET	1				
4	<b>0334420060</b>	ANGLE	1				
5	<b>0334420040</b>	SHEET	1				
6	<b>1702522115</b>	CABLE	1				
	<b>1702607115</b>	CABLE	1				for USA
7	<b>1702222038</b>	CABLE, earth	1				
	<b>1702622038</b>	CABLE, earth	1				for USA
8	<b>1702330040</b>	TERMINAL	1				
	<b>1702330000</b>	TERMINAL	1				for USA
9	<b>1702920060</b>	COVER	1				
10	<b>1910011119</b>	CAP	1				Y124160-77020
11	<b>0334420050</b>	LINK, fusible	1				
	<b>0334421010</b>	LINK, fusible	1				for USA
11-1	<b>1701330045</b>	· FUSE (45A)	1				
12	<b>1702108215</b>	BOLT	2				
13	<b>1140020008</b>	WASHER, spring	4				
14	<b>1141110008</b>	WASHER	8				
15	<b>1100241030</b>	BOLT	3				
16	<b>1140020010</b>	WASHER, spring	5				
17	<b>1141110010</b>	WASHER	3				
18	<b>1130040010</b>	NUT	2				
19	<b>1140330010</b>	WASHER	1				
20	<b>1652231140</b>	BAND	4				
21	<b>0872433150</b>	TUBE	6				
22	<b>1130040006</b>	NUT	6				
23	<b>1100240825</b>	BOLT	2				
24	<b>1703221015</b>	PROTECTOR	1				sold by the meter
25	<b>1100240816</b>	BOLT	2				
26	<b>1141110006</b>	WASHER	4				
27	<b>1140020006</b>	WASHER, spring	2				
28	<b>1130040008</b>	NUT	4				
29	<b>1531115010</b>	PROTECTOR	1				sold by the meter
30	<b>1700100051</b>	SWITCH	1				
31	<b>1702520045</b>	CABLE, battery	1				
32	<b>1702901281</b>	CAP	2				
33	<b>1120590616</b>	SCREW	2				
36	<b>0399351210</b>	DECAL	1				
37	<b>0569353810</b>	DECAL (English)	1				
	<b>0569353910</b>	DECAL (German)	1				
	<b>0569354010</b>	DECAL (French)	1				
	<b>0569354110</b>	DECAL (Italian)	1				
	<b>0569354310</b>	DECAL (Spanish)	1				
	<b>0569354410</b>	DECAL (Japan)	1				
	<b>0569355847</b>	DECAL (Chinese)	1				

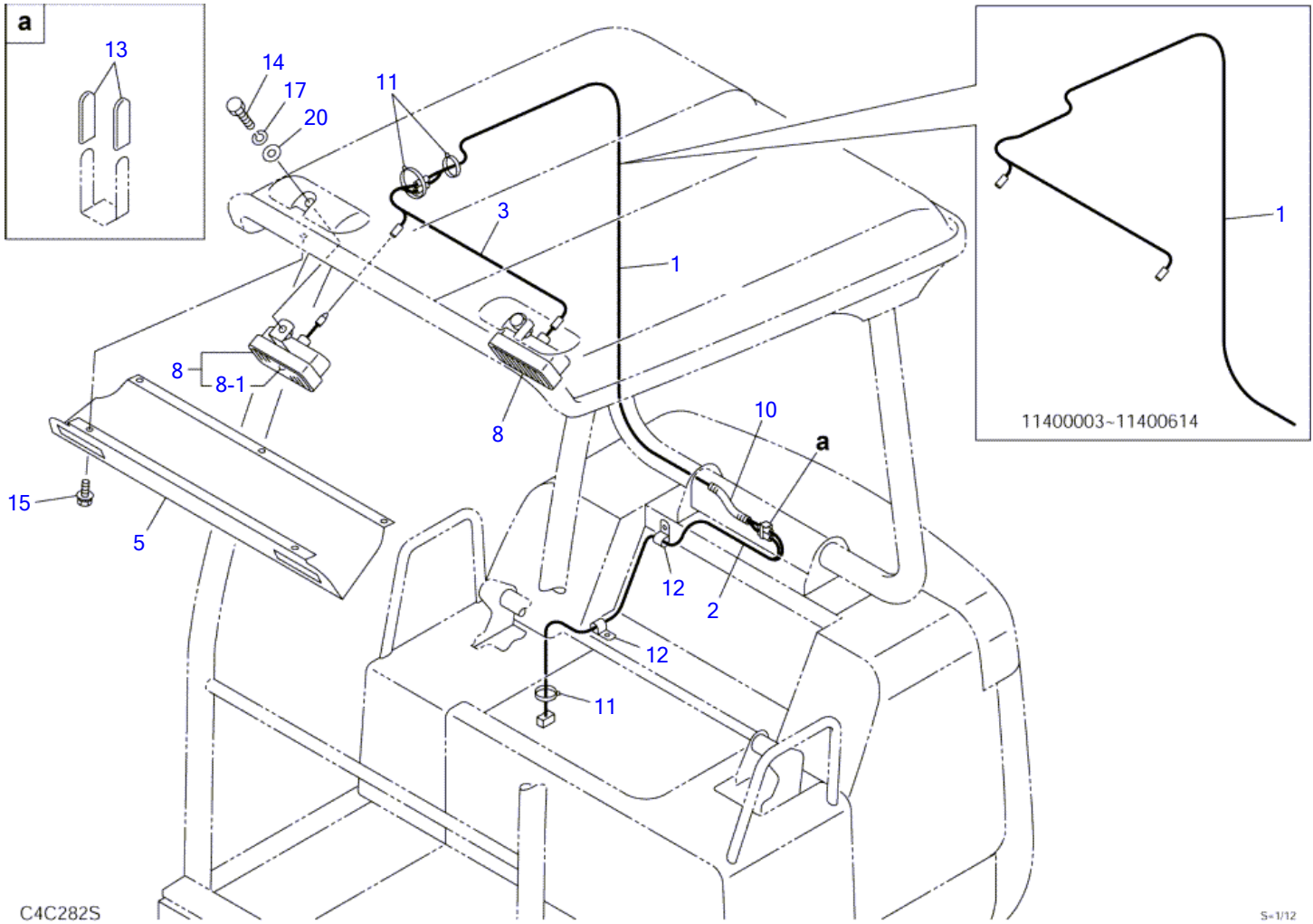
**C4c291**



C4C271S

S-1/10, 1/17

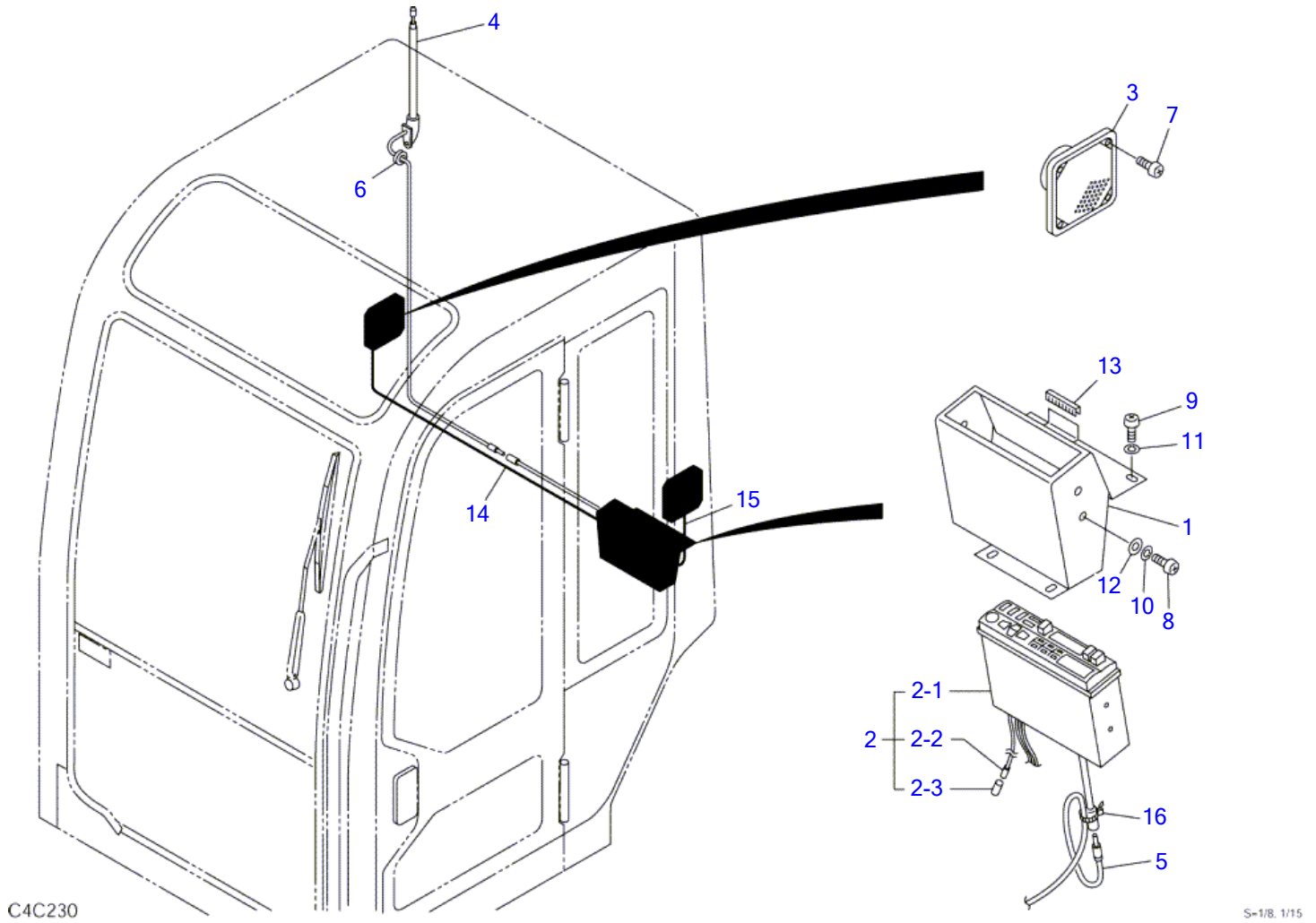
Item	Part number	Description	CAB LIGHT		Serial No.	Serv.	Remarks
			Q'ty	Chan.			
		CAB LIGHT ASSY					X03342-41500-2
1	0334241510	BRACKET	1				
2	0334241520	HARNESS, wiring	1				
6	0336021400	HARNESS, wiring	1				
8	1703006000	LAMP ASSY	1				
8-1	1703005506	• BULB	1				
9	1652231250	BAND	1				
10	1652221050	BAND	4				M
13	1120590512	SCREW	2		11400003~11401769		M
14	1122400512	SCREW	4				M
16	1100031025	BOLT	1				
17	1140020010	WASHER, spring	1				
18	1140330010	WASHER	1				
	<b>C4c271S</b>						





**CANOPY LIGHT**

Item	Part number	Description	Q'ty	Chan.	Serial No.	Serv.	Remarks
		CANOPY LIGHT ASSY					X03342-41600-3
1	<b>0334241610</b>	HARNES, wiring	1	A	11400003~11400614		
	<b>0334241630</b>	HARNES, wiring	1	a(H)	11400615~		
2	<b>0334241620</b>	HARNES, wiring	1				
3	<b>0334241640</b>	HARNES, wiring	1	a(H)	11400615~		
5	<b>0358402700</b>	COVER	1				
8	<b>1703001900</b>	LAMP ASSY	2				
8-1	<b>1703001901</b>	• BULB	1				
10	<b>1703210715</b>	TUBE	1				sold by the meter
11	<b>1652231250</b>	BAND	3				
12	<b>1652900006</b>	CLAMP	2				
13	<b>0872433150</b>	TUBE	2				
14	<b>1100040825</b>	BOLT	2				
15	<b>1150420516</b>	SCREW	5				
17	<b>1140020008</b>	WASHER, spring	2				
20	<b>1141110008</b>	WASHER	2				
		<<NOTE>>					
		"A" is interchangeable with					
		SET "a".					
	<b>C4c282S</b>						

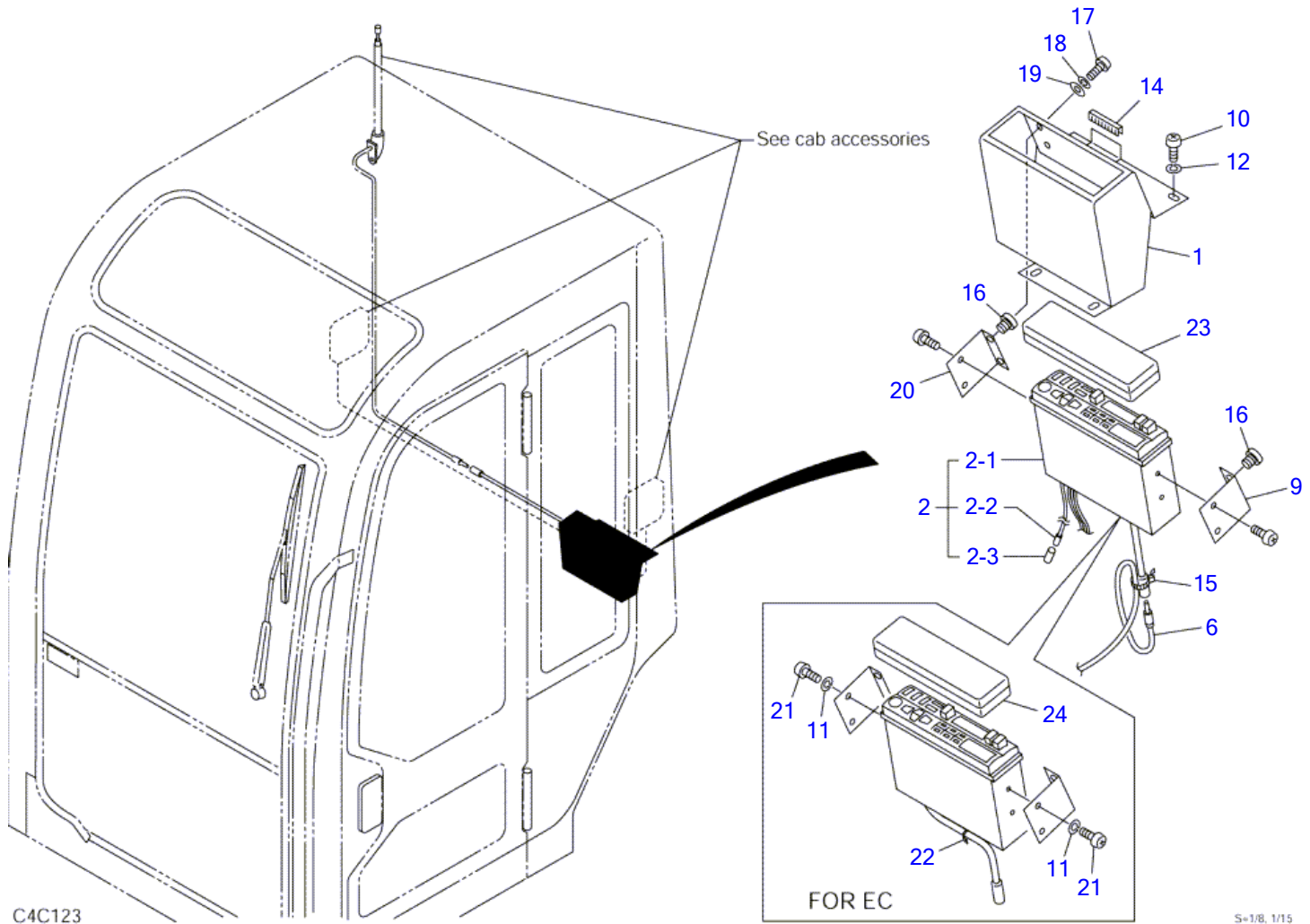


C4C230

S-1/8, 1/15

**RADIO (11400003-11400010)**

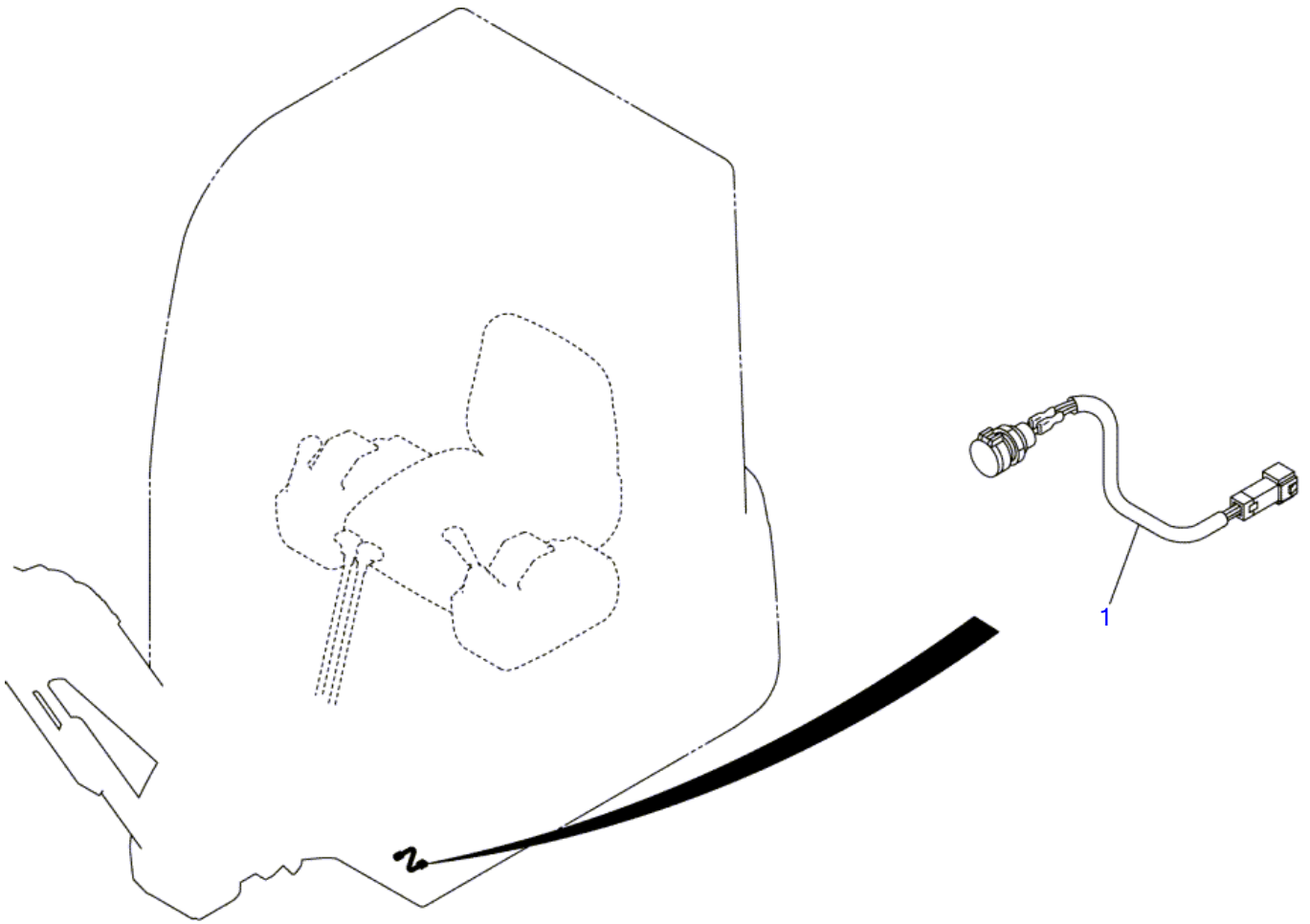
Item	Part number	Description	Q'ty	Chan.	Serial No.	Serv.	Remarks
		RADIO ASSY (for EC)					X03347-04000
		RADIO ASSY (for USA)					X03347-05000
		RADIO ASSY (for JAPAN)					X03347-06000
1	<b>0334704100</b>	COVER	1				
2	<b>0374700200</b>	CASSETTE STEREO ASSY	1				for EC
	<b>0374701200</b>	CASSETTE STEREO ASSY	1				for USA
	<b>0374702200</b>	CASSETTE STEREO ASSY	1				for JAPAN
2-1	<b>1705002900</b>	• CASSETTE STEREO	1				for EC
	<b>1705003000</b>	• CASSETTE STEREO	1				for USA
	<b>1705003100</b>	• CASSETTE STEREO	1				for JAPAN
2-2	<b>1702700002</b>	• SOCKET	1				
2-3	<b>1702700004</b>	• SLEEVE	1				
3	<b>1705003200</b>	SPEAKER	2				
4	<b>1705003400</b>	ANTENNA	1				
5	<b>1705001610</b>	JUMPER	1				
6	<b>1652053000</b>	GROMMET	1				
7	<b>1120590416</b>	SCREW	8				
8	<b>1120590516</b>	SCREW	4				
9	<b>1120590616</b>	SCREW	4				
10	<b>1140090005</b>	WASHER, spring	4				
11	<b>1140090006</b>	WASHER, spring	4				
12	<b>1141190005</b>	WASHER	4				
13	<b>1653917005</b>	TRIM	1				sold by the meter
14	<b>0334702018</b>	HARNESS, wiring	1				
15	<b>0334702019</b>	HARNESS, wiring	1				
16	<b>1652231100</b>	BAND	1				
	<b>C4c231</b>						



**RADIO (11400011-)**

Item	Part number	Description	Q'ty	Chan.	Serial No.	Serv.	Remarks
		RADIO ASSY (for EC)					X03347-07000-7
		RADIO ASSY (for USA)					X03347-08000-7
		RADIO ASSY (for JAPAN)					X03347-09000-7
1	<b>0334704500</b>	COVER	1				
2	<b>0334704800</b>	CASSETTE STEREO ASSY	1				for EC
	<b>0334704300</b>	CASSETTE STEREO ASSY	1				for USA
	<b>0334704400</b>	CASSETTE STEREO ASSY	1				for JAPAN
2-1	<b>1705004500</b>	• CASSETTE STEREO	1				for EC
	<b>1705003700</b>	• CASSETTE STEREO	1				for USA
	<b>1705003800</b>	• CASSETTE STEREO	1				for JAPAN
2-2	<b>1702700002</b>	• SOCKET	1				
2-3	<b>1702700004</b>	• SLEEVE	1				
6	<b>1705001610</b>	JUMPER	1				
9	<b>0334704600</b>	BRACKET (L.H.)	1				
10	<b>1120590616</b>	SCREW	4				
11	<b>1140090005</b>	WASHER, spring	4				for EC
12	<b>1140090006</b>	WASHER, spring	4				
14	<b>1653917005</b>	TRIM	1				sold by the meter
15	<b>1652231100</b>	BAND	1				for JAPAN, USA
16	<b>1652520005</b>	RUBBER, cushion	4				
17	<b>1120530520</b>	SCREW	4				
18	<b>1140020005</b>	WASHER, spring	4				
19	<b>1141110005</b>	WASHER	4				
20	<b>0334704700</b>	BRACKET (R.H.)	1				
21	<b>1120590510</b>	SCREW	4				for EC
22	<b>1652201003</b>	BAND	1				for EC
23	<b>1705003650</b>	COVER	1				
24	<b>1705004550</b>	COVER	1				for EC

**C4c123**

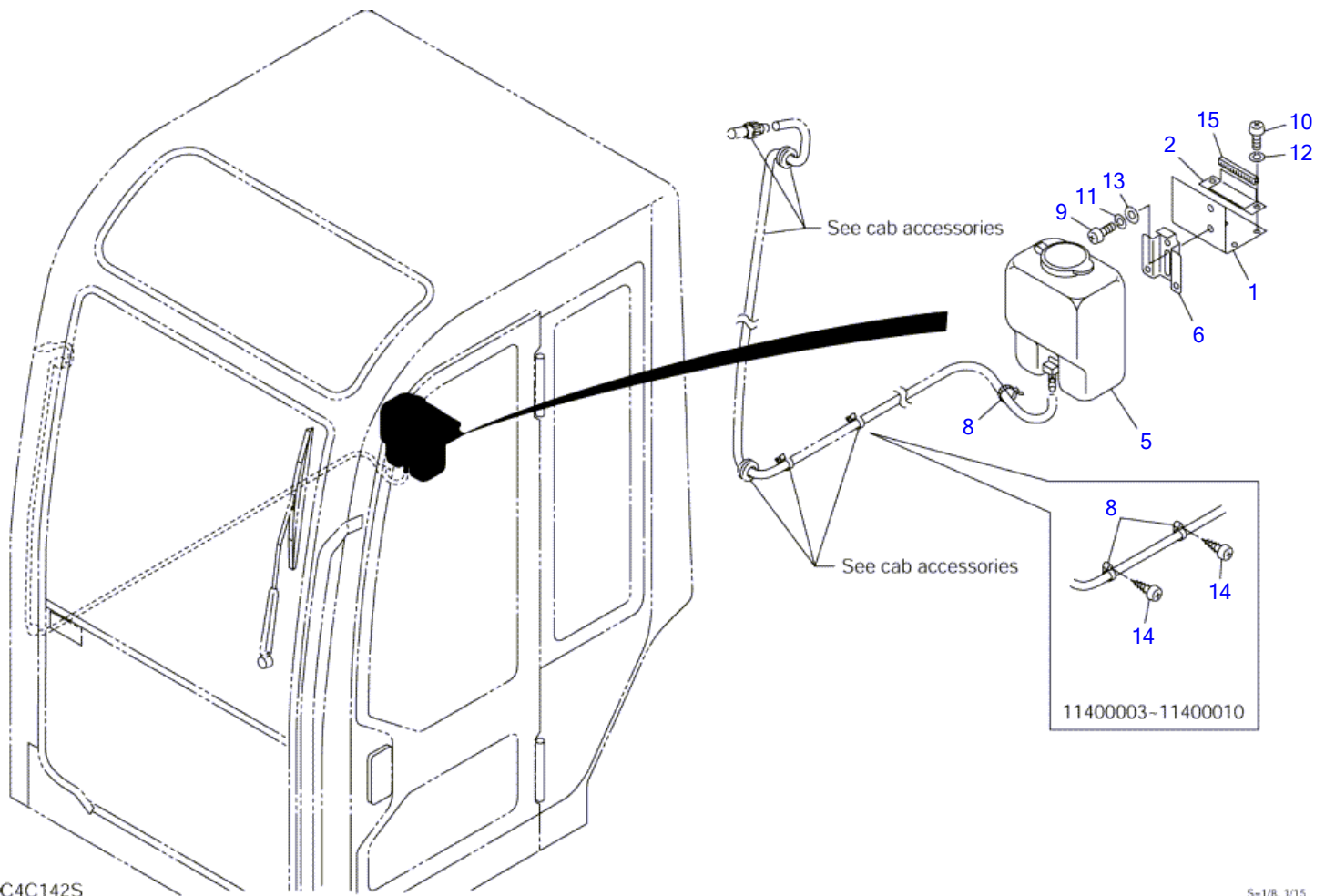


C4C130

S=1/18

**MAINTENANCE LIGHT SOCKET**

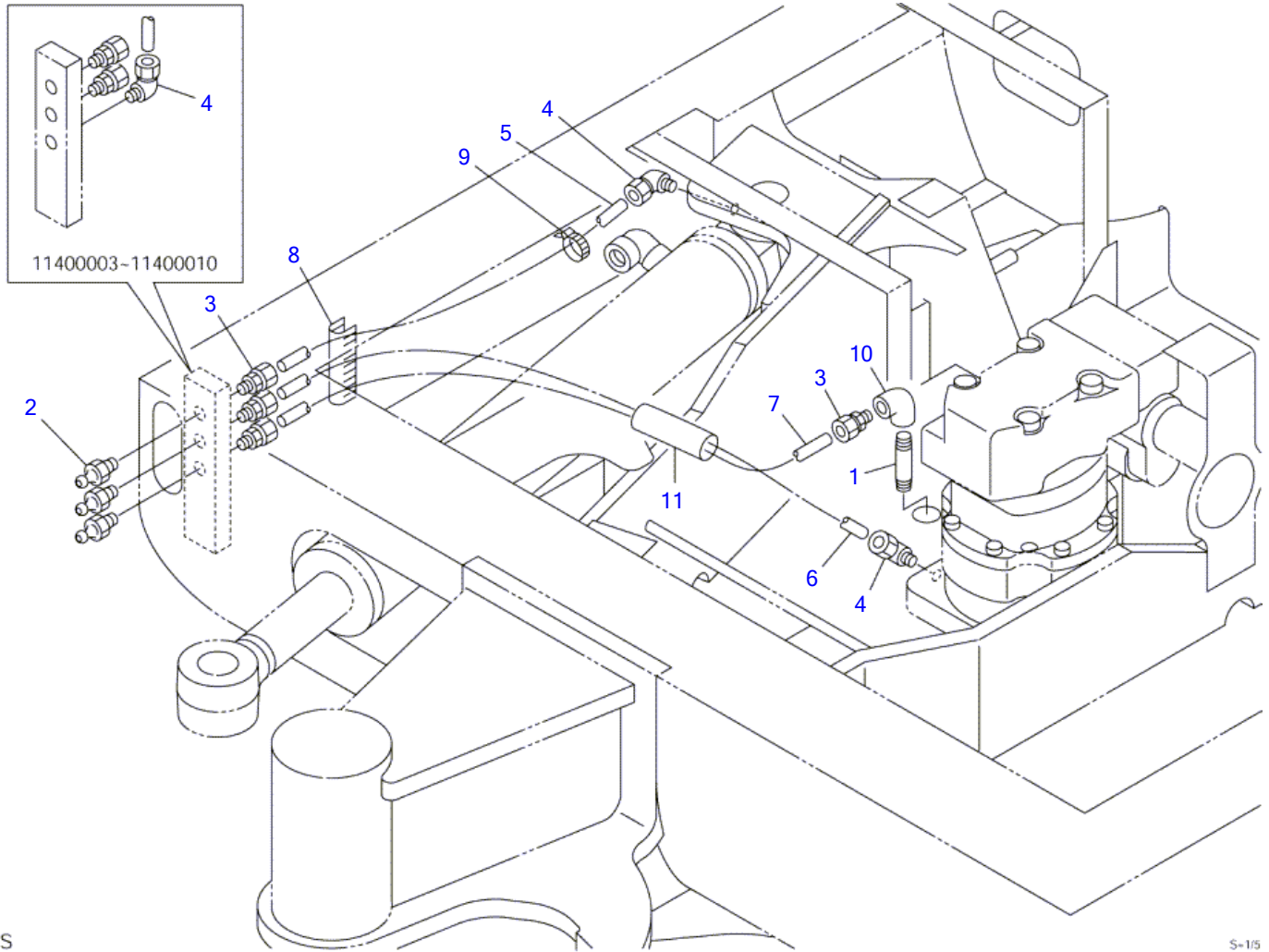
Item	Part number	Description	Q'ty	Chan.	Serial No.	Serv.	Remarks
1	<b>0394203100</b> <b>C4c131</b>	SOCKET ASSY, maintenance light SOCKET ASSY	1				X03942-03000-0





**WINDOW WASHER**

Item	Part number	Description	Q'ty	Chan.	Serial No.	Serv.	Remarks
		WINDOW WASHER ASSY					X03389-16000-2
1	<b>0378900100</b>	PLATE	1		11400003~11400010		
	<b>0338916100</b>	PLATE	1	(H)	11400011~		
2	<b>0338915200</b>	PLATE	1				
5	<b>1711910101</b>	TANK	1				
6	<b>1711910062</b>	BRACKET	1				
8	<b>1652221050</b>	BAND	2		11400003~11400010		
	<b>1652200004</b>	BAND	1		11400011~		
9	<b>1120530612</b>	SCREW	2				
10	<b>1120590616</b>	SCREW	4				
11	<b>1140020006</b>	WASHER, spring	2				
12	<b>1140090006</b>	WASHER, spring	4				
13	<b>1141110006</b>	WASHER	2				
14	<b>1122500412</b>	SCREW	2		11400003~11400010		
15	<b>1653917006</b>	TRIM	1				sold by the meter
	<b>C4c142S</b>						

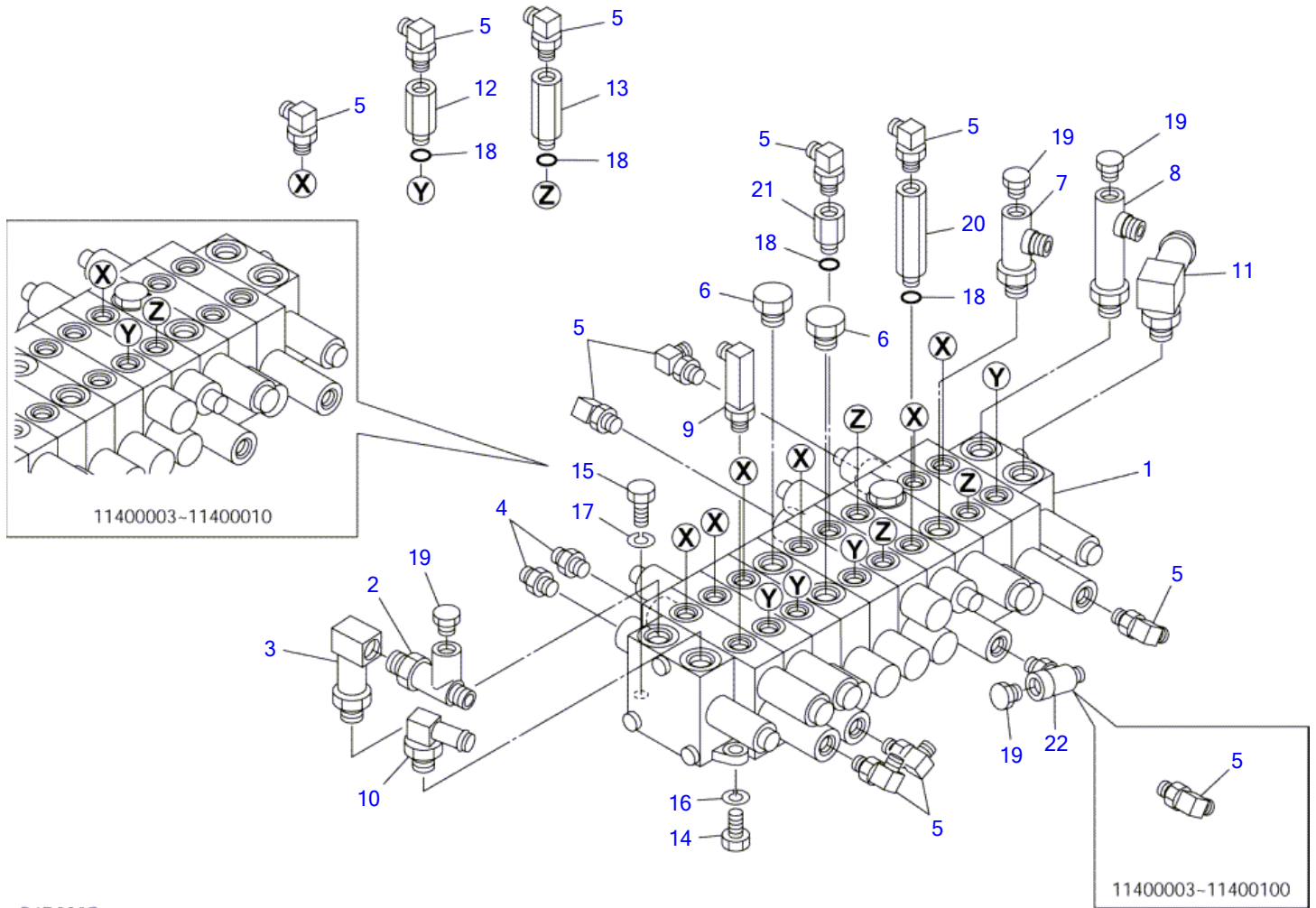


C4D011S

S-115

**GREASE PIPING**

Item	Part number	Description	Q'ty	Chan.	Serial No.	Serv.	Remarks
		PIPING ASSY, grease					X03324-04000-1
1	0009101040	NIPPLE	1				
2	1560001000	FITTING, grease	3				
3	1532520601	CONNECTOR	3		11400003~11400010		
	1532520601	CONNECTOR	4		11400011~		
4	1532620601	ELBOW	3		11400003~11400010		
	1532620601	ELBOW	2		11400011~		
5	1532020660	TUBE	1		11400003~11400010		sold by the meter
	1532020655	TUBE	1		11400011~		sold by the meter
6	1532020665	TUBE	1		11400003~11400010		sold by the meter
	1532020670	TUBE	1		11400011~		sold by the meter
7	1532020668	TUBE	1				sold by the meter
8	1653916002	TRIM	1				sold by the meter
9	1652231100	BAND	1				
10	1508010001	ELBOW	1				
11	1531115006	HOSE	1		11400011~		sold by the meter
	C4d011S						

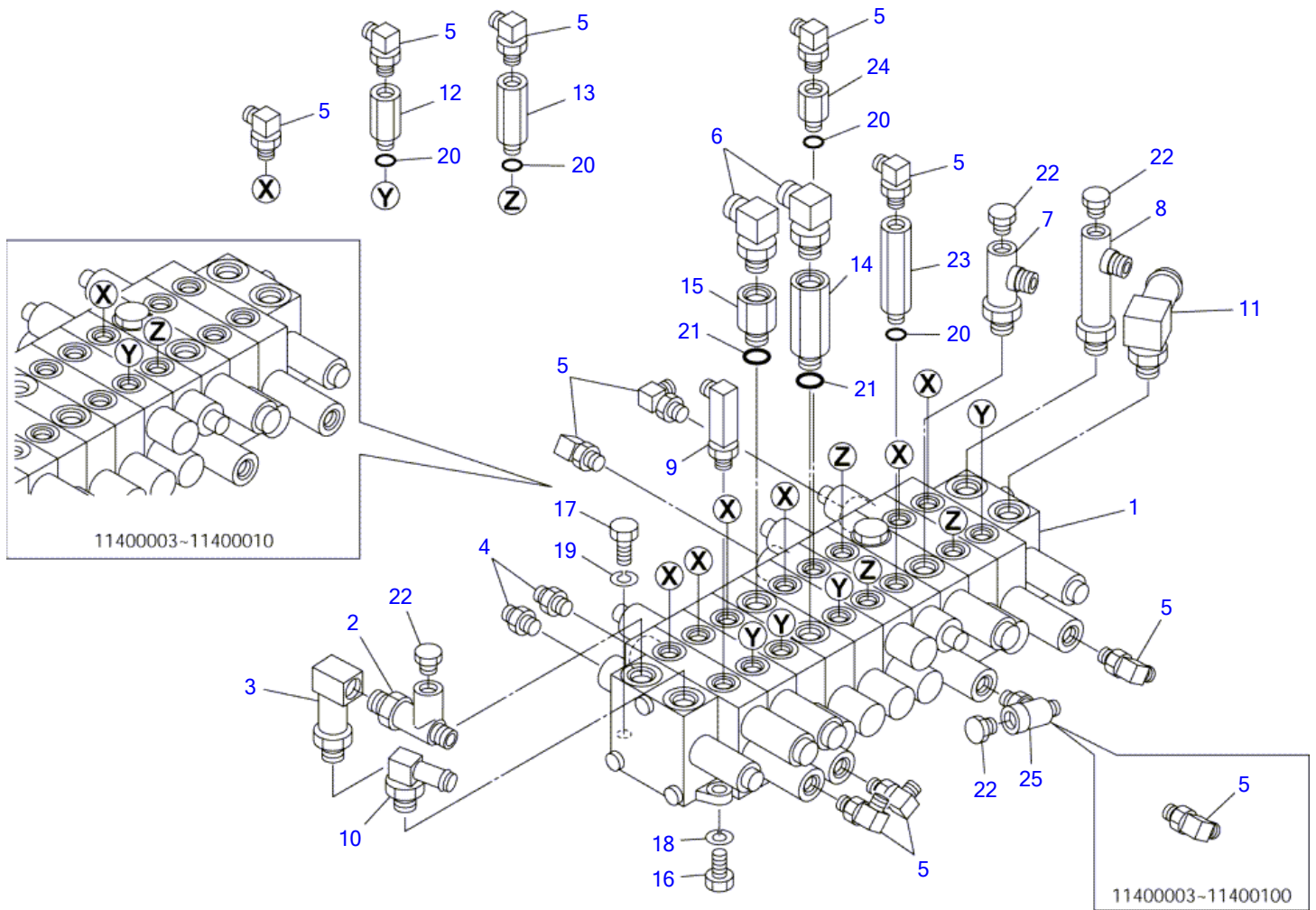


C4D022S

S=1/5

**VALVE & ACCESSORIES (for Japan)**

Item	Part number	Description	Q'ty	Chan.	Serial No.	Serv.	Remarks
		VALVE ASSY, control					X03350-30000-4
1	1901036100	VALVE, control	1		11400003~11400430		
	1901037600	VALVE, control	1	(H)	11400431~11400460		
	1901038400	VALVE, control	1	(H)	11400461~		
2	1512340016	ELBOW	1				
	1420010140	· O-RING	1			M	
3	1513300018	ELBOW	1				
	1420010140	· O-RING	1			M	
4	1515600200	ADAPTOR	2				
	1420010110	· O-RING	1			M	
5	1515012040	ELBOW	21		11400003~11400100		
	1420010110	· O-RING	1			M	
	1515012040	ELBOW	20		11400101~		
	1420010110	· O-RING	1			M	
6	1501750003	PLUG	2				
	1420010140	· O-RING	1			M	
7	1512340009	ELBOW	1				
	1420010140	· O-RING	1			M	
8	1512340010	ELBOW	1				
	1420010140	· O-RING	1			M	
9	1515012510	ELBOW	1				
	1420010110	· O-RING	1			M	
10	1513350013	ELBOW	1				
	1420010180	· O-RING	1			M	
11	1513350006	ADAPTOR	1				
	1420010180	· O-RING	1			M	
12	0007213028	BUSHING	5		11400003~11400010		
	0007213028	BUSHING	4		11400011~		
13	0007213032	BUSHING	2		11400003~11400010		
	0007213032	BUSHING	3		11400011~		
14	1100041025	BOLT	2				
15	1100040825	BOLT	2				
16	1140020010	WASHER, spring	2				
17	1140020008	WASHER, spring	2				
18	1420010110	O-RING	7		11400003~11400010		
	1420010110	O-RING	9		11400011~		
19	1501750002	PLUG	3		11400003~11400100		
	1420010110	· O-RING	1			M	
	1501750002	PLUG	4		11400101~		
	1420010110	· O-RING	1			M	
20	0007213041	BUSHING	1		11400011~		
21	0007213042	BUSHING	1		11400011~		
22	1513390029	TEE	1		11400101~		
	1420010110	· O-RING	1			M	
	C4d022S						



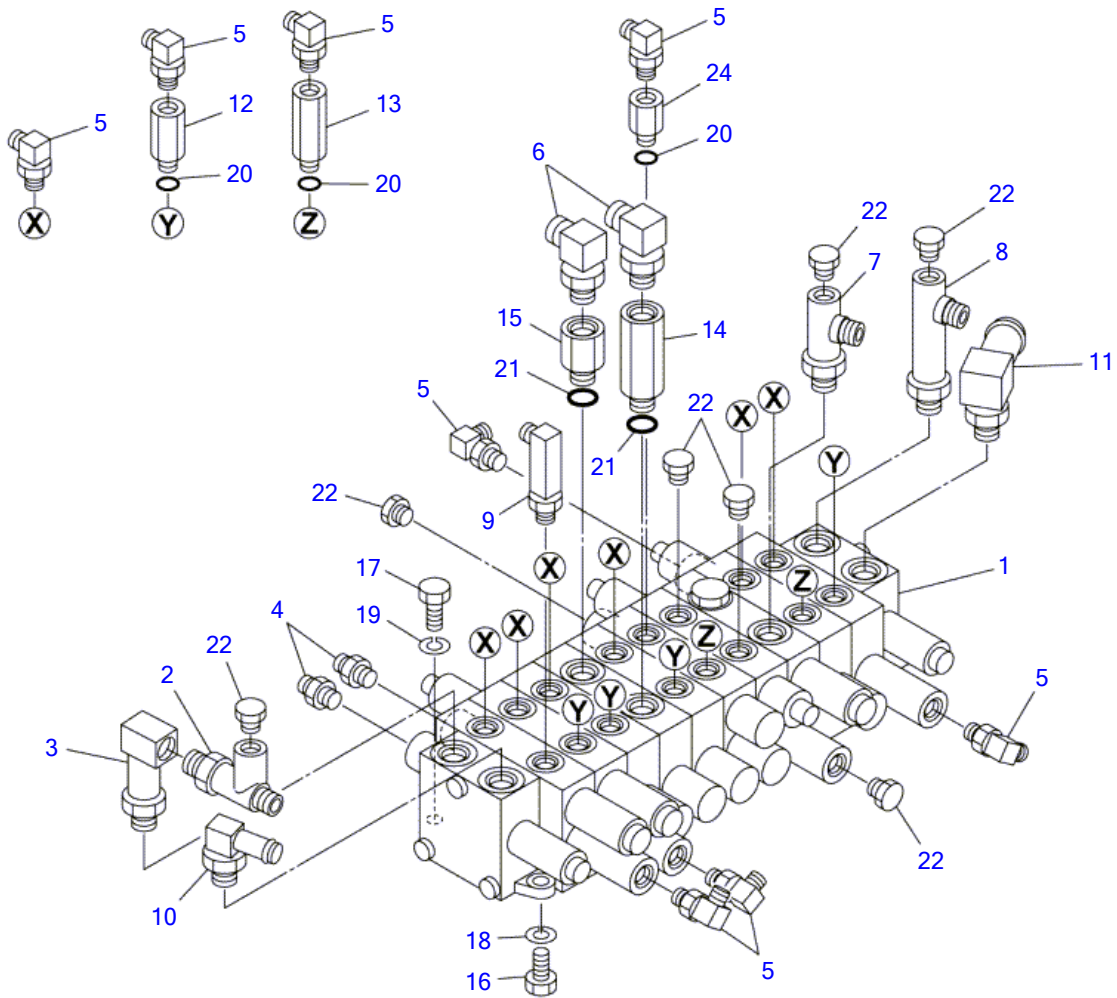
C4D032S

S-1/5

**VALVE & ACCESSORIES**

Item	Part number	Description	Q'ty	Chan.	Serial No.	Serv.	Remarks
		VALVE ASSY, control					X03350-28000-4
1	1901036100	VALVE, control	1		11400003~11400430		
	1901037600	VALVE, control	1	(H)	11400431~11400460		
	1901038400	VALVE, control	1	(H)	11400461~		
2	1512340016	ELBOW	1				
	1420010140	• O-RING	1			M	
3	1513300018	ELBOW	1				
	1420010140	• O-RING	1			M	
4	1515600200	ADAPTOR	2				
	1420010110	• O-RING	1			M	
5	1515012040	ELBOW	21		11400003~11400100		
	1420010110	• O-RING	1			M	
	1515012040	ELBOW	20		11400101~		
	1420010110	• O-RING	1			M	
6	1515010131	ELBOW	2				
	1420010140	• O-RING	1			M	
7	1512340009	ELBOW	1				
	1420010140	• O-RING	1			M	
8	1512340010	ELBOW	1				
	1420010140	• O-RING	1			M	
9	1515012510	ELBOW	1				
	1420010110	• O-RING	1			M	
10	1513350013	ELBOW	1				
	1420010180	• O-RING	1			M	
11	1513350006	ADAPTOR	1				
	1420010180	• O-RING	1			M	
12	0007213028	BUSHING	5		11400003~11400010		
	0007213028	BUSHING	4		11400011~		
13	0007213032	BUSHING	2		11400003~11400010		
	0007213032	BUSHING	3		11400011~		
14	0007213014	BUSHING	1				
15	0007213023	CONNECTOR	1				
16	1100041025	BOLT	2				
17	1100040825	BOLT	2				
18	1140020010	WASHER, spring	2				
19	1140020008	WASHER, spring	2				
20	1420010110	O-RING	7		11400003~11400010		
	1420010110	O-RING	9		11400011~		
21	1420010140	O-RING	2				
22	1501750002	PLUG	3		11400003~11400100		
	1420010110	• O-RING	1			M	
	1501750002	PLUG	4		11400101~		
	1420010110	• O-RING	1			M	
23	0007213041	BUSHING	1		11400011~		
24	0007213042	BUSHING	1		11400011~		
25	1513390029	TEE	1		11400101~		
	1420010110	• O-RING	1			M	
	C4d032S						

TB014 Book No. BC4Z004 S/N 11400003-11401973  
VALVE & ACCESSORIES (for YBM)



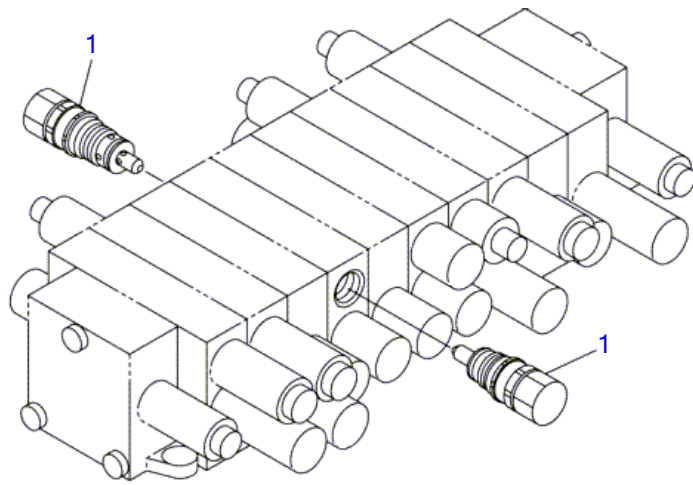
C4D320

S=1/5



**VALVE & ACCESSORIES (for YBM)**

Item	Part number	Description	Q'ty	Chan.	Serial No.	Serv.	Remarks
		VALVE ASSY, control	1				X03350-36000-1
1	1901038400	VALVE, control	1				
2	1512340016	ELBOW	1				
	1420010140	• O-RING	1			M	
3	1513300018	ELBOW	1				
	1420010140	• O-RING	1			M	
4	1515600200	ADAPTOR	2				
	1420010110	• O-RING	1			M	
5	1515012040	ELBOW	17				
	1420010110	• O-RING	1			M	
6	1515010131	ELBOW	2				
	1420010140	• O-RING	1			M	
7	1512340009	ELBOW	1				
	1420010140	• O-RING	1			M	
8	1512340010	ELBOW	1				
	1420010140	• O-RING	1			M	
9	1515012510	ELBOW	1				
	1420010110	• O-RING	1			M	
10	1513350013	ELBOW	1				
	1420010180	• O-RING	1			M	
11	1513350006	ADAPTOR	1				
	1420010180	• O-RING	1			M	
12	0007213028	BUSHING	4				
13	0007213032	BUSHING	2				
14	0007213014	BUSHING	1				
15	0007213023	ADAPTOR	1				
16	1100041025	BOLT	2				
17	1100040825	BOLT	2				
18	1140020010	WASHER, spring	2				
19	1140020008	WASHER, spring	2				
20	1420010110	O-RING	7				
21	1420010140	O-RING	2				
22	1501750002	PLUG	7				
	1420010110	• O-RING	1			M	
24	0007213042	BUSHING	1				
	C4d320						

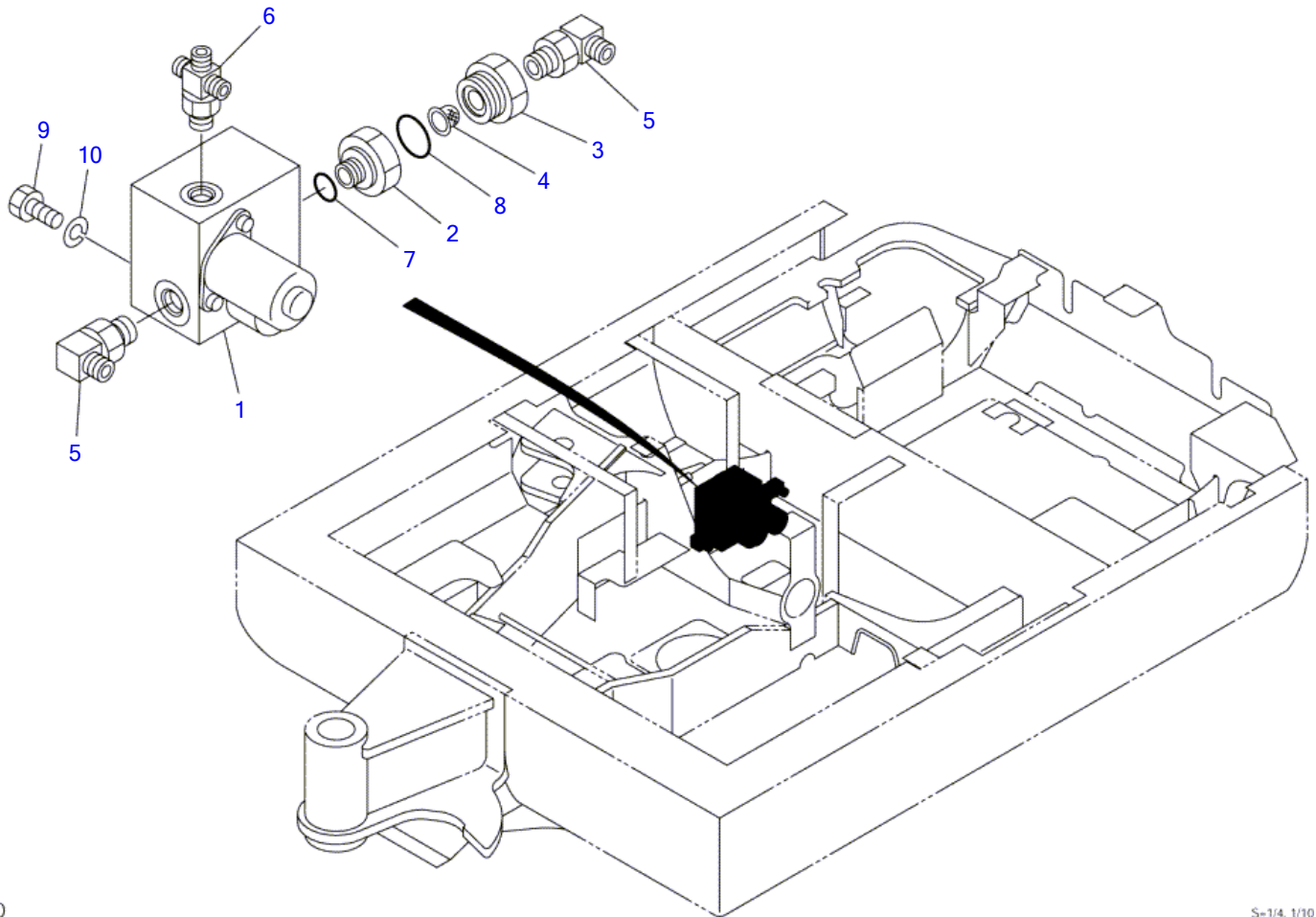


C4D240S

S-1/5

**OVER LOAD**

Item	Part number	Description	Q'ty	Chan.	Serial No.	Serv.	Remarks
1	<b>1901732800</b> <b>C4d240S</b>	VALVE ASSY, over load VALVE, relief	2				X03350-28500-0



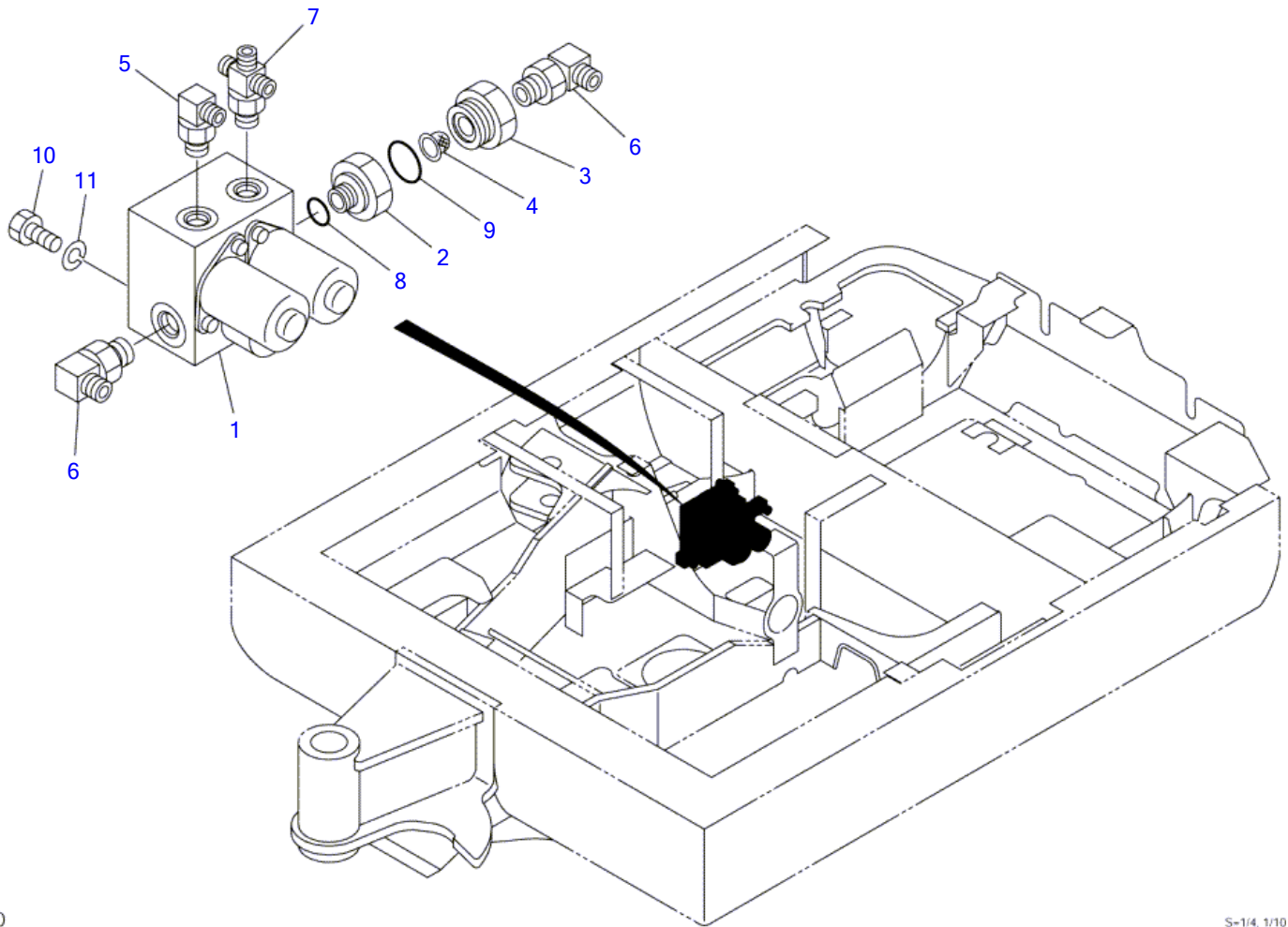
C4D040

S-1/4, 1/10

**SOLENOID VALVE (11400003-11400436)**

Item	Part number	Description	Q'ty	Chan.	Serial No.	Serv.	Remarks
		VALVE ASSY, solenoid					X03355-02000-0
1	1901728700	VALVE, solenoid	1				
2	0425500100	ADAPTOR	1				
3	0425500200	ADAPTOR	1				
4	0425500300	FILTER	1				
5	1515010041	ELBOW	2				
	1420010140	· O-RING	1			M	
6	1513390027	NIPPLE	1				
	1420010110	· O-RING	1			M	
7	1420010140	O-RING	1				
8	1420010200	O-RING	1				
9	1100041016	BOLT	2		11400003~11400010		
	1101041020	BOLT	2		11400011~		
10	1140020010	WASHER, spring	2		11400011~		
	C4d041						

TB014 Book No. BC4Z004 S/N 11400003-11401973  
SOLENOID VALVE (11400437-11400540)

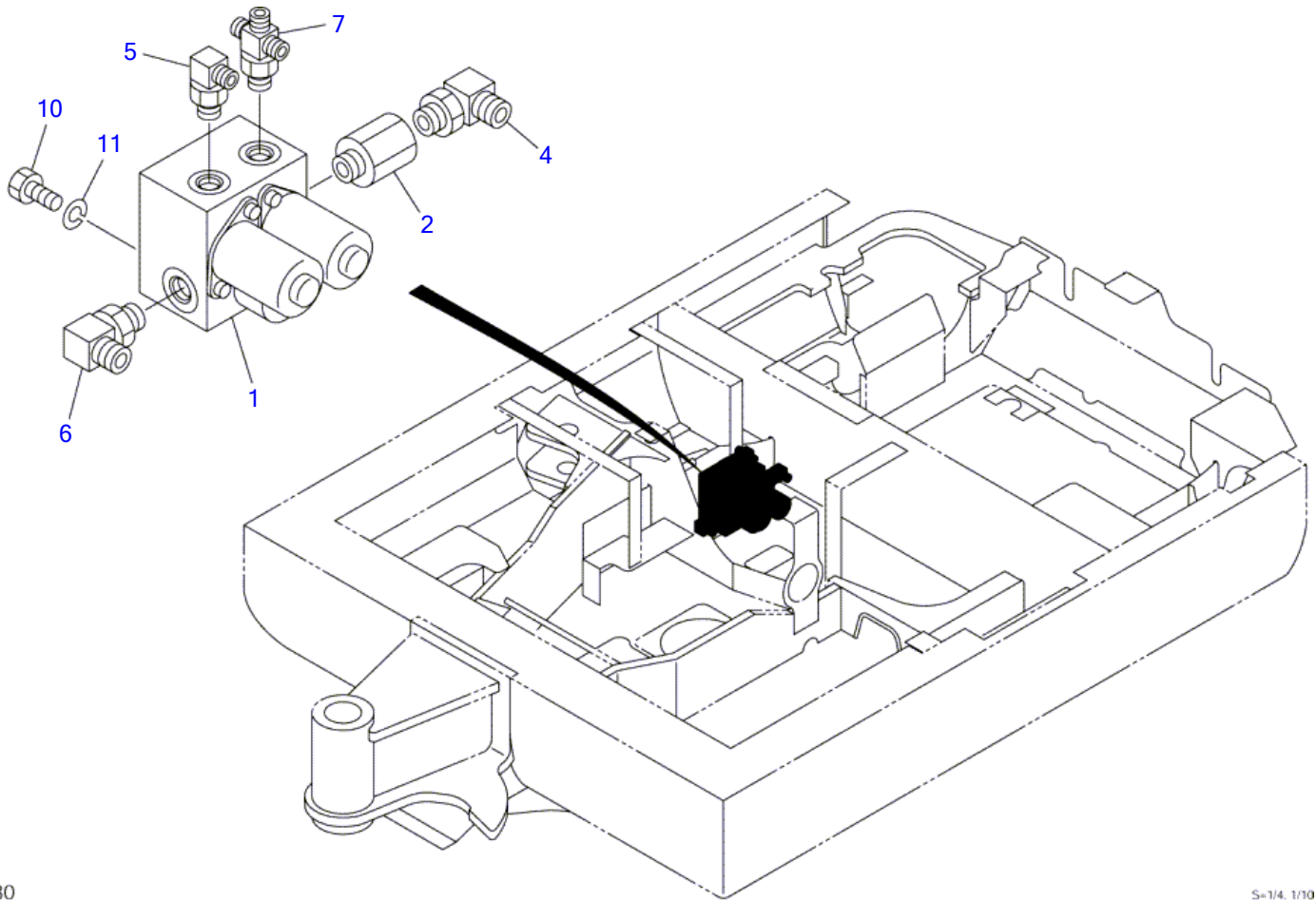


C4D050

S-1/4, 1/10

**SOLENOID VALVE (11400437-11400540)**

Item	Part number	Description	Q'ty	Chan.	Serial No.	Serv.	Remarks
		VALVE ASSY, solenoid					X03355-01000-0
1	1901728800	VALVE, solenoid	1				
2	0425500100	ADAPTOR	1				
3	0425500200	ADAPTOR	1				
4	0425500300	FILTER	1				
5	1515010040	ELBOW	1				
	1420010110	· O-RING	1			M	
6	1515010041	ELBOW	2				
	1420010140	· O-RING	1			M	
7	1513390027	NIPPLE	1				
	1420010110	· O-RING	1			M	
8	1420010140	O-RING	1				
9	1420010200	O-RING	1				
10	1101041020	BOLT	2				
11	1140020010	WASHER, spring	2				
	C4d051S						



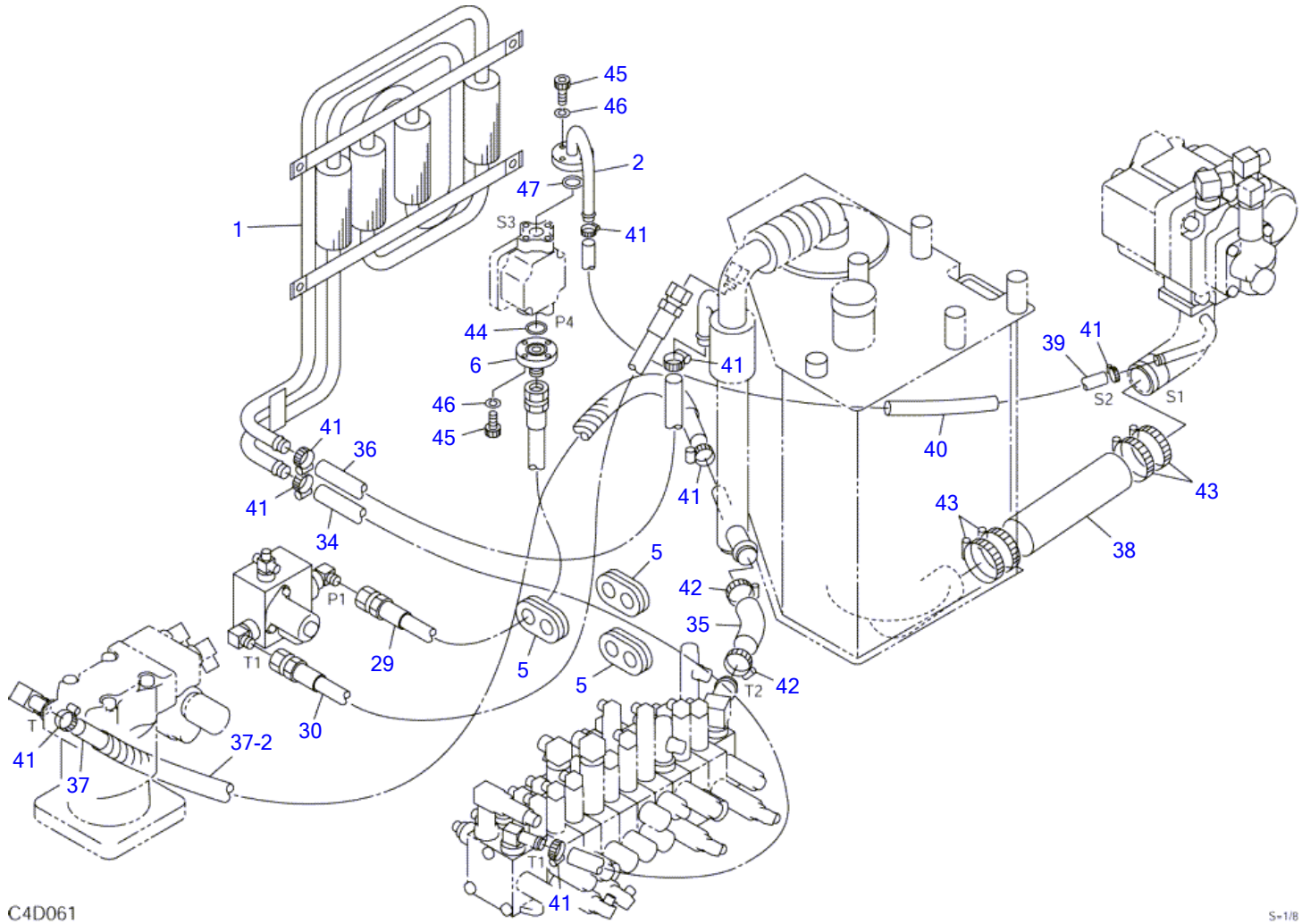
C4D330

S-174. 1/10



**SOLENOID VALVE (11400541)**

Item	Part number	Description	Q'ty	Chan.	Serial No.	Serv.	Remarks
		VALVE ASSY, solenoid	1				X03355-03000-1
1	<b>1901728800</b>	VALVE, solenoid	1				
2	<b>1513370047</b>	ADAPTOR (with filter)	1				
	<b>1420010140</b>	• O-RING	1			M	
4	<b>1515010051</b>	ELBOW	1				
	<b>1420010180</b>	• O-RING	1			M	
5	<b>1515012040</b>	ELBOW	1				
	<b>1420010110</b>	• O-RING	1			M	
6	<b>1515010041</b>	ELBOW	1				
	<b>1420010140</b>	• O-RING	1			M	
7	<b>1513390027</b>	TEE	1				
	<b>1420010110</b>	• O-RING	1			M	
10	<b>1101041020</b>	BOLT	2				
11	<b>1140020010</b>	WASHER, spring	2				
	<b>C4d330</b>						

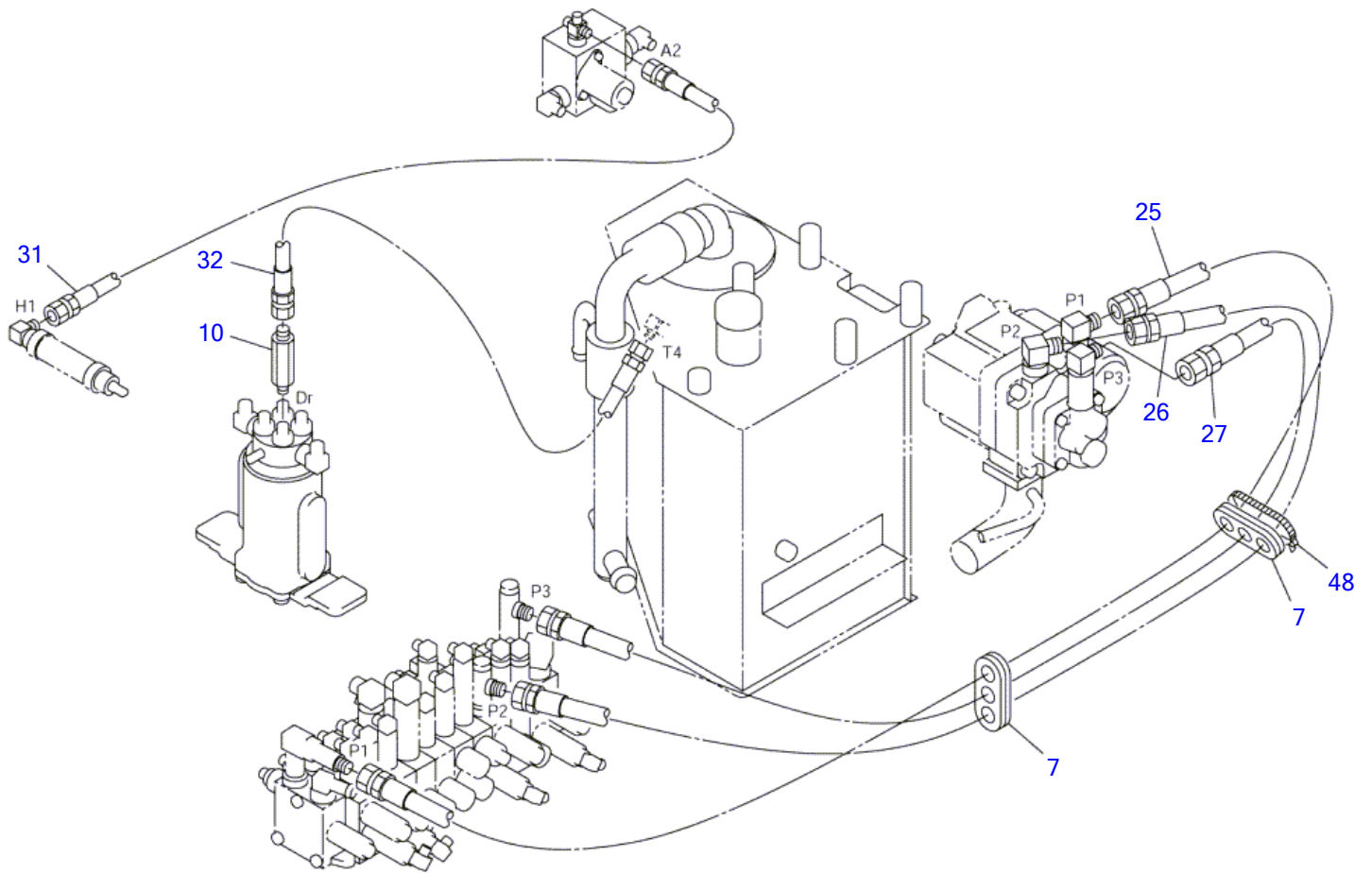


C4D061

S=1/8

**PIPING; UPPER (1/3)**

Item	Part number	Description	Q'ty	Chan.	Serial No.	Serv.	Remarks
		PIPING ASSY, upper					X03370-29000-5
		PIPING ASSY, upper (for YBM)					X03370-33000-4
1	<b>0337019100</b>	PIPE	1		11400003~11400010		
	<b>0337024600</b>	PIPE	1	(H)	11400011~		
2	<b>0337019200</b>	PIPE	1				
5	<b>0337017300</b>	GUARD	3				
6	<b>0007200185</b>	NIPPLE, flange	1				
29	<b>0337027160</b>	HOSE ASSY	1				18010-23042
30	<b>0337027170</b>	HOSE ASSY	1				18010-23042
34	<b>1530516132</b>	HOSE	1				sold by the meter
35	<b>1530525017</b>	HOSE	1				sold by the meter
36	<b>1530516071</b>	HOSE	1				sold by the meter
37	<b>0337027300</b>	HOSE (15305-16049)	1				sold by the meter
37-2	<b>1532224045</b>	• TUBE	1				sold by the meter
38	<b>1530741035</b>	HOSE	1				sold by the meter
39	<b>1530512065</b>	HOSE	1				sold by the meter
40	<b>1531325022</b>	PROTECTOR	1				sold by the meter
41	<b>1533700025</b>	BAND	8				
42	<b>1533700041</b>	BAND	2				
43	<b>1533700060</b>	BAND	4				
44	<b>1420010200</b>	O-RING	1				
45	<b>1110040620</b>	SCREW, cap	8				
46	<b>1140420006</b>	WASHER, spring	8				
47	<b>1420010180</b>	O-RING	1				
	<b>C4d063</b>						

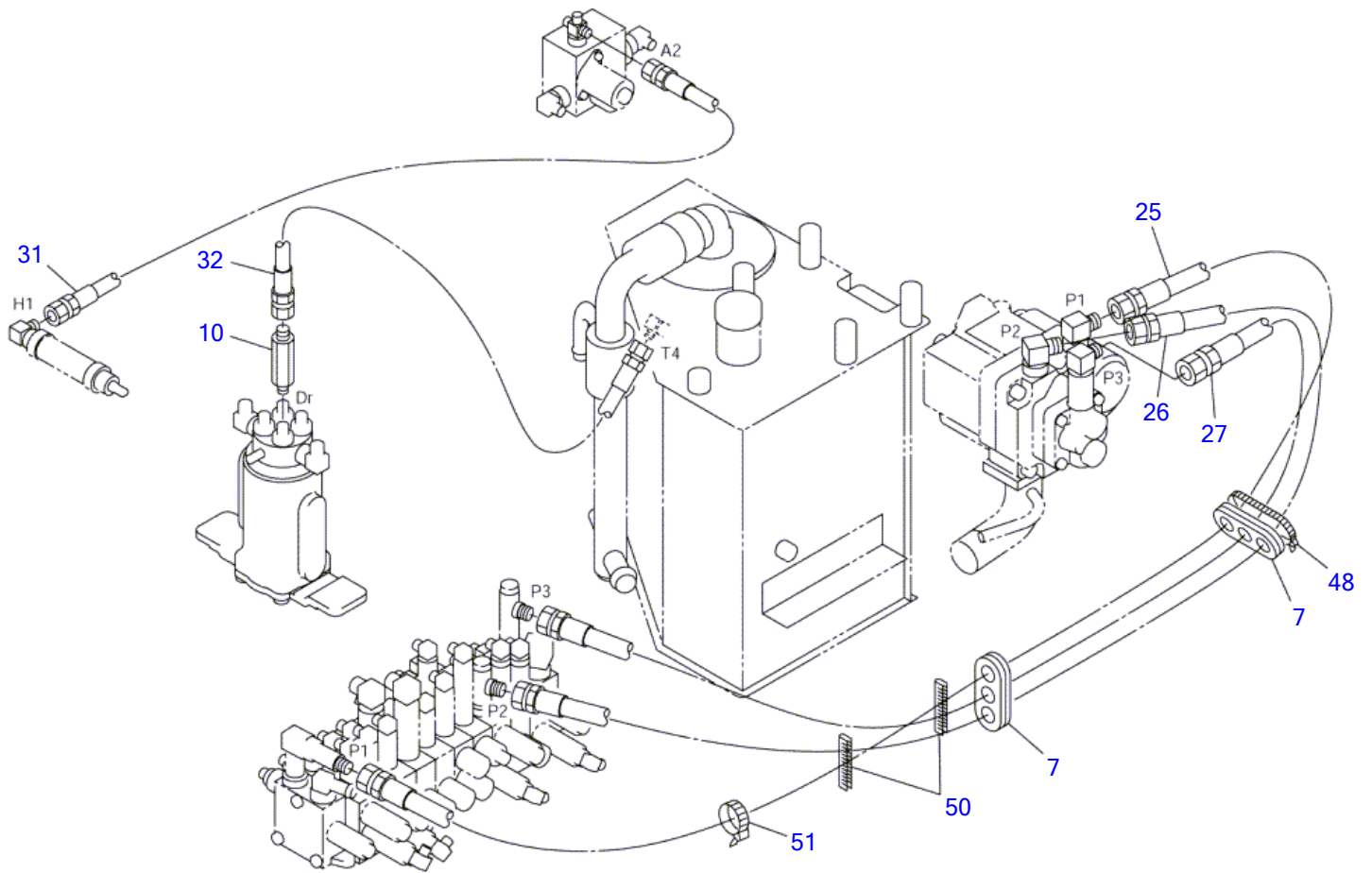


C4D161

S-1/8

**PIPING; UPPER (2/3) (11400003-11400010)**

Item	Part number	Description	Q'ty	Chan.	Serial No.	Serv.	Remarks
		PIPING ASSY, upper					X03370-22000
7	<b>0097022400</b>	GUARD	2				
10	<b>0007200193</b>	ADAPTOR	1				
25	<b>1938209144</b>	HOSE ASSY	1				
26	<b>1938209118</b>	HOSE ASSY	1				
27	<b>1938209110</b>	HOSE ASSY	1				
31	<b>1801022056</b>	HOSE	1				
32	<b>1801022062</b>	HOSE	1				
48	<b>1652200005</b>	BAND	1				
	<b>C4d161</b>						

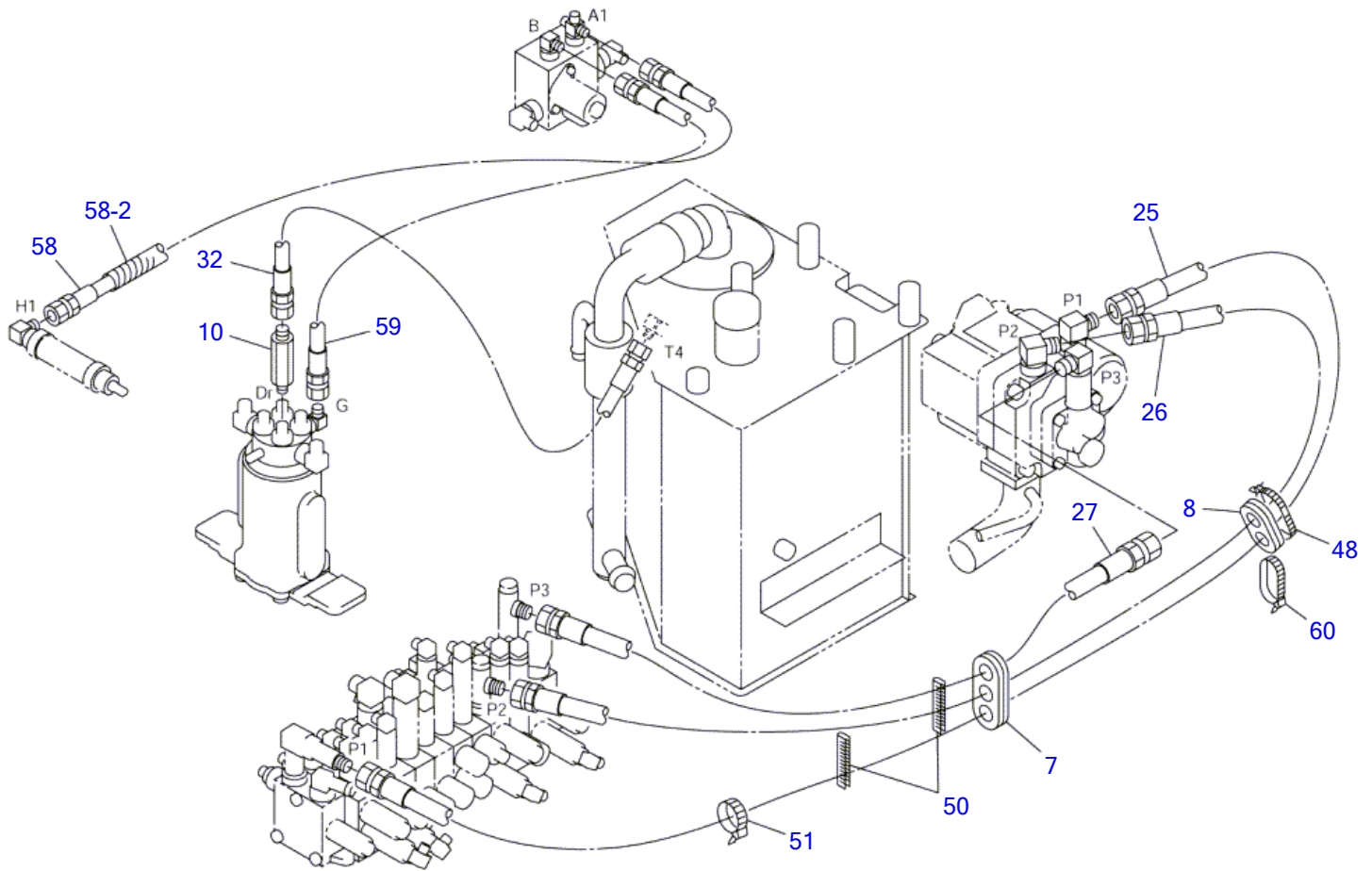


C4D071

S-1/8

**PIPING; UPPER (2/3) (11400011-11400436)**

Item	Part number	Description	Q'ty	Chan.	Serial No.	Serv.	Remarks
		PIPING ASSY, upper					X03370-27000-1
7	<b>0097022400</b>	GUARD	2				
10	<b>0007203062</b>	ADAPTOR	1				
25	<b>0337027130</b>	HOSE ASSY	1				18015-20144
26	<b>0337027140</b>	HOSE ASSY	1				18015-20118
27	<b>0337027150</b>	HOSE ASSY	1				18015-20110
31	<b>0337027280</b>	HOSE ASSY	1				18010-22063
32	<b>0337027290</b>	HOSE ASSY	1				18010-22070
48	<b>1652200005</b>	BAND	1				
50	<b>1653916008</b>	TRIM	2				sold by the meter
51	<b>1652231250</b>	BAND	1				
	<b>C4d071</b>						



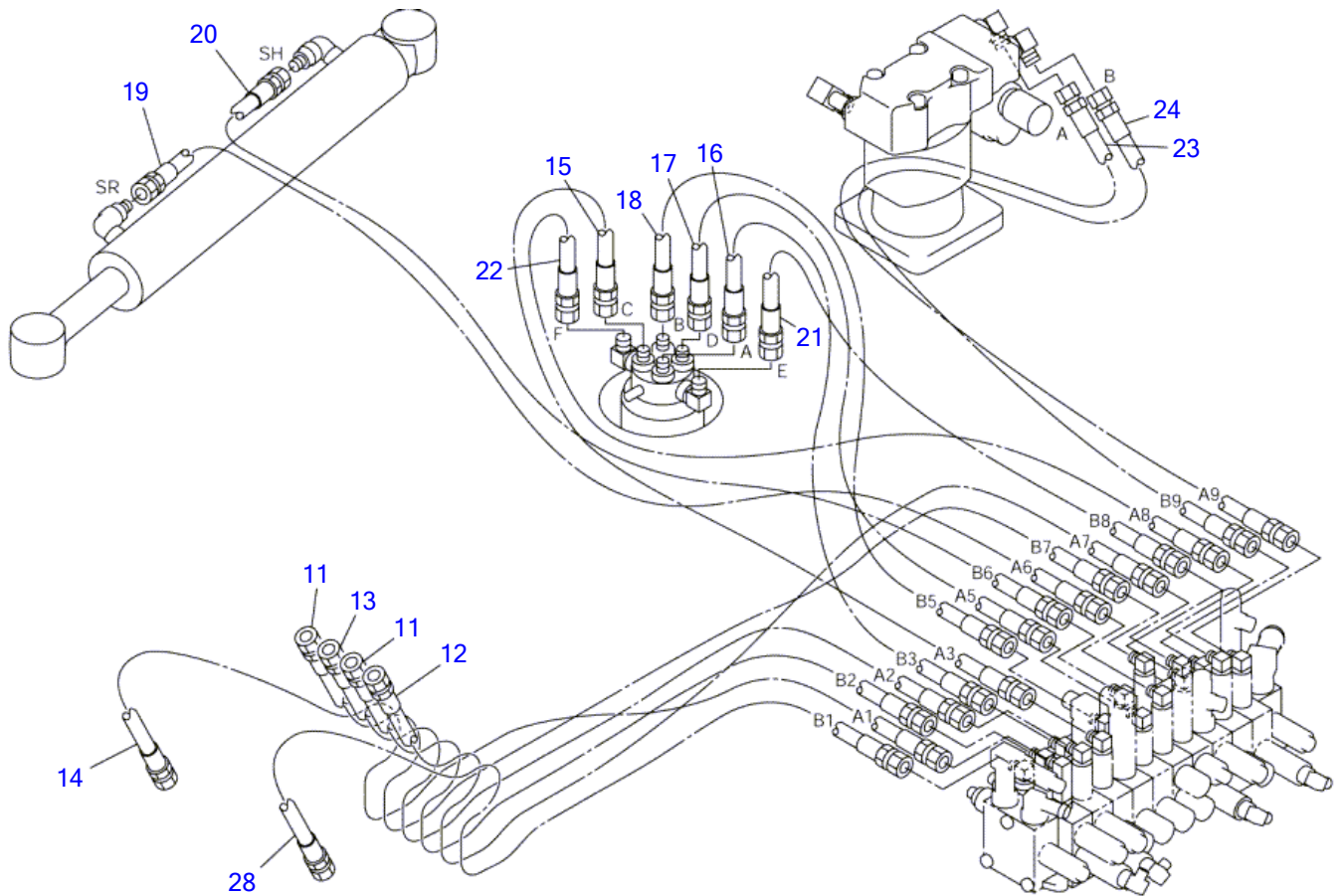
C4D252

S-1/8



**PIPING; UPPER (2/3) (11400437-)**

Item	Part number	Description	Q'ty	Chan.	Serial No.	Serv.	Remarks
		PIPING ASSY, upper					X03370-29000-5
		PIPING ASSY, upper (for YBM)					X03370-33000-4
7	<b>0097022400</b>	GUARD	1				
8	<b>0097210300</b>	GUARD	1				
10	<b>0007203062</b>	ADAPTOR	1				
25	<b>0337027130</b>	HOSE ASSY	1				18015-20144
26	<b>0337027140</b>	HOSE ASSY	1				18015-20118
27	<b>0337032300</b>	HOSE ASSY	1				18015-21082
32	<b>0337027290</b>	HOSE ASSY	1				18010-22070
48	<b>1652261410</b>	BAND	1				
50	<b>1653916008</b>	TRIM	2				sold by the meter
51	<b>1652231250</b>	BAND	1				
58	<b>0337029160</b>	HOSE ASSY	1				18010-22070
58-2	<b>1532210056</b>	• TUBE	1				sold by the meter
59	<b>0337029170</b>	HOSE ASSY	1				18010-22054
60	<b>1652201007</b>	BAND	1				
	<b>C4d252</b>						

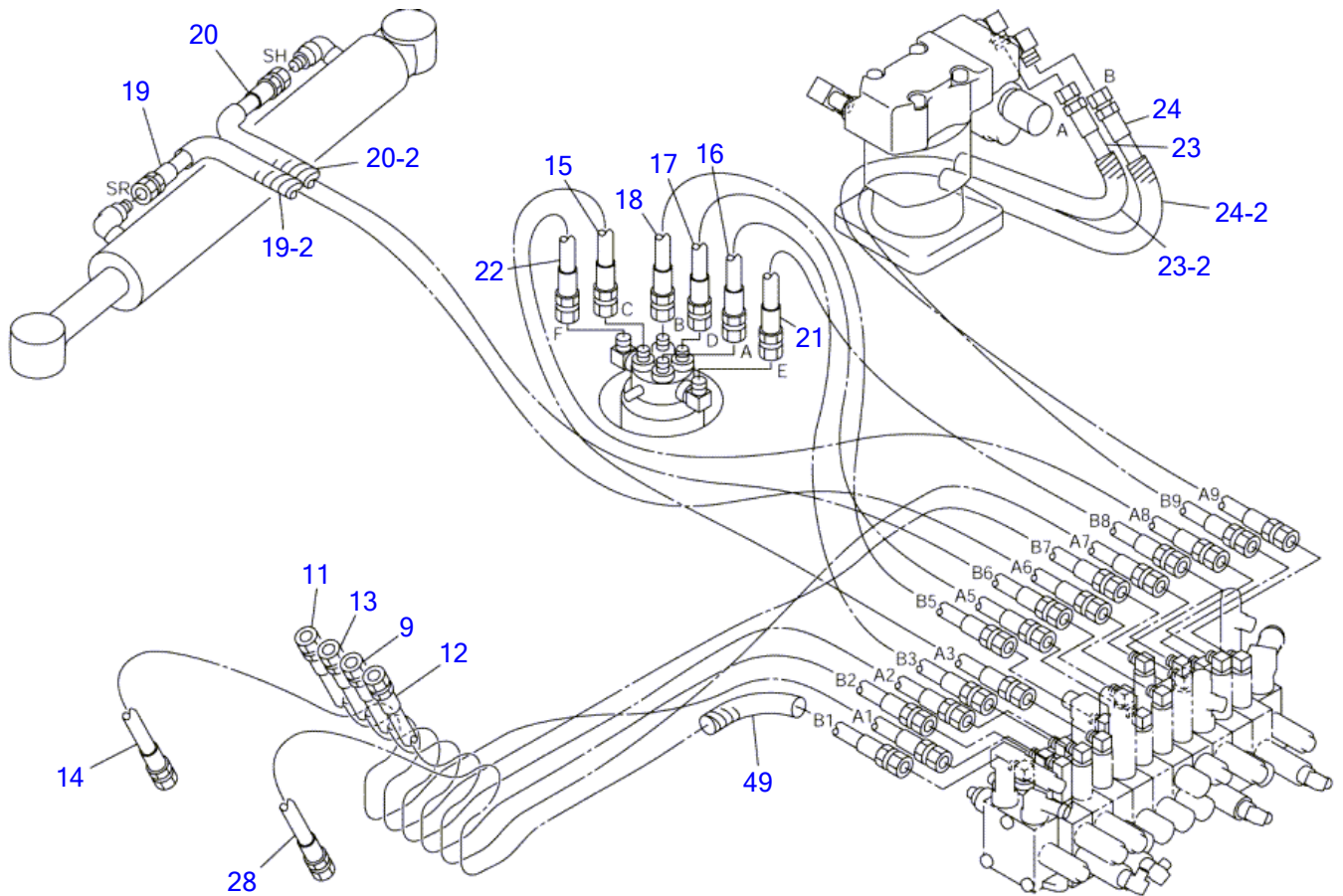


C4D171

S-1/8

**PIPING; UPPER (3/3) (11400003-11400010)**

Item	Part number	Description	Q'ty	Chan.	Serial No.	Serv.	Remarks
		PIPING ASSY, upper					X03370-22000
11	<b>1801869001</b>	HOSE ASSY	2				
12	<b>1801869002</b>	HOSE ASSY	1				
13	<b>1801869003</b>	HOSE ASSY	1				
14	<b>1801869004</b>	HOSE ASSY	1				
15	<b>1801860046</b>	HOSE ASSY	1				
16	<b>1801860038</b>	HOSE ASSY	1				
17	<b>1801860044</b>	HOSE ASSY	1				
18	<b>1801860042</b>	HOSE ASSY	1				
19	<b>1801860084</b>	HOSE ASSY	1				
20	<b>1801860080</b>	HOSE ASSY	1				
21	<b>1801860056</b>	HOSE ASSY	1				
22	<b>1801860040</b>	HOSE ASSY	1				
23	<b>1938206074</b>	HOSE ASSY	1				
24	<b>1938206068</b>	HOSE ASSY	1				
28	<b>1801869005</b>	HOSE ASSY	1				
	<b>C4d171</b>						

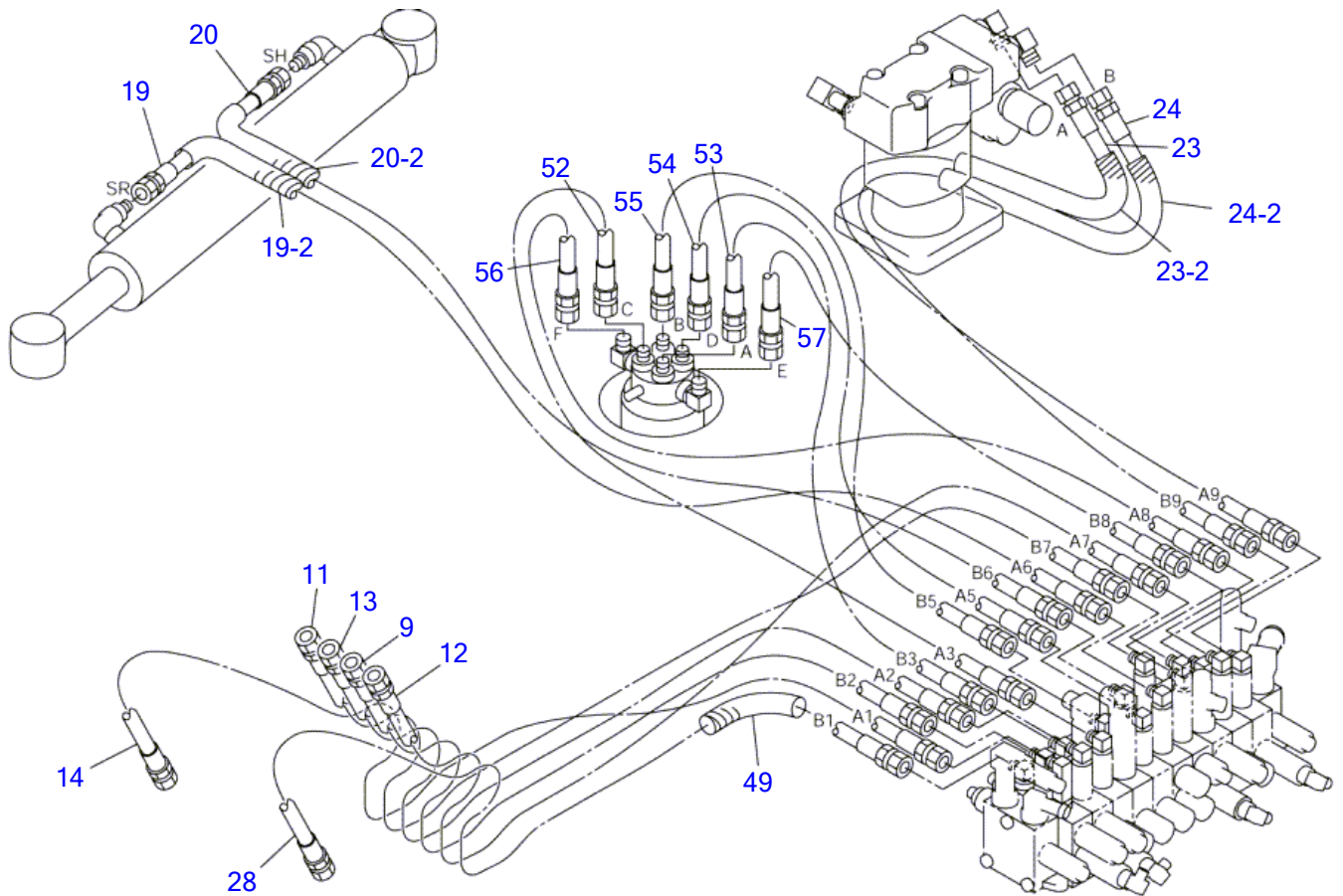


C4D081

S=1/8

**PIPING; UPPER (3/3) (11400011-11400436)**

Item	Part number	Description	Q'ty	Chan.	Serial No.	Serv.	Remarks
		PIPING ASSY, upper					X03370-27000-1
9	<b>0337027100</b>	HOSE ASSY	1				18015-60180
11	<b>0337024100</b>	HOSE ASSY	1				18015-60180
12	<b>0337024200</b>	HOSE ASSY	1				18015-60185
13	<b>0337024300</b>	HOSE ASSY	1				18015-60190
14	<b>0337024400</b>	HOSE ASSY	1				18015-60235
15	<b>0337027200</b>	HOSE ASSY	1				18015-60046
16	<b>0337027210</b>	HOSE ASSY	1				18015-60038
17	<b>0337027220</b>	HOSE ASSY	1				18015-60044
18	<b>0337027230</b>	HOSE ASSY	1				18015-60040
19	<b>0337027110</b>	HOSE ASSY	1				18015-60084
19-2	<b>1532215029</b>	• TUBE	1				sold by the meter
20	<b>0337027120</b>	HOSE ASSY	1				18015-60080
20-2	<b>1532215027</b>	• TUBE	1				sold by the meter
21	<b>0337027240</b>	HOSE ASSY	1				18015-00034
22	<b>0337027250</b>	HOSE ASSY	1				18015-00050
23	<b>0337027260</b>	HOSE ASSY	1				18015-00074
23-2	<b>1532215034</b>	• TUBE	1				sold by the meter
24	<b>0337027270</b>	HOSE ASSY	1				18015-00068
24-2	<b>1532215034</b>	• TUBE	1				sold by the meter
28	<b>0337024500</b>	HOSE ASSY	1				18015-60225
49	<b>1532215010</b>	TUBE	1				sold by the meter
	<b>C4d081</b>						

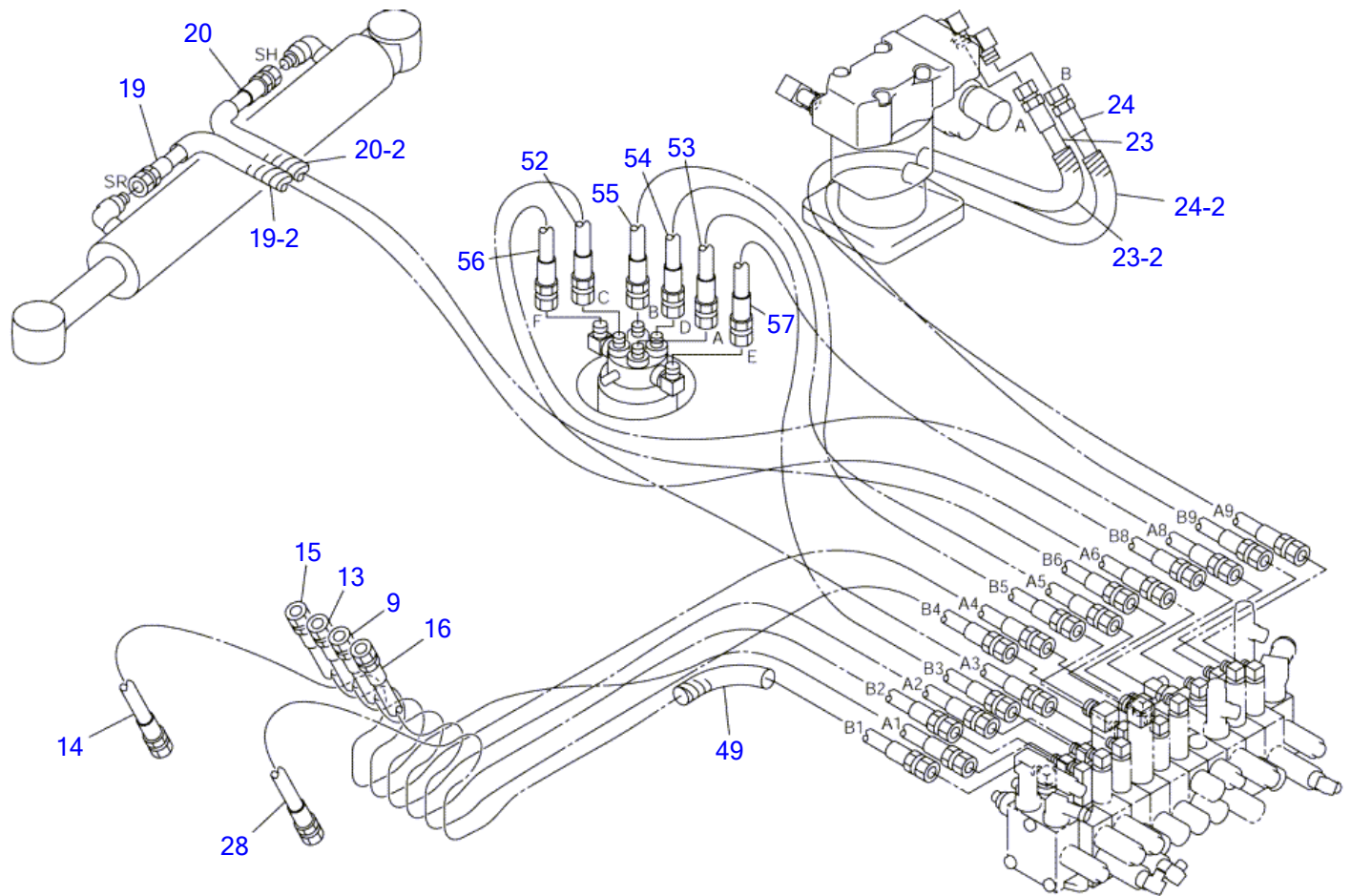


C4D260

S-1/8

**PIPING; UPPER (3/3) (11400437-)**

Item	Part number	Description	Q'ty	Chan.	Serial No.	Serv.	Remarks
		PIPING ASSY, upper					X03370-29000-5
9	0337029200	HOSE ASSY	1				18019-60180
11	0337029210	HOSE ASSY	1				18019-60180
12	0337029220	HOSE ASSY	1				18019-60185
13	0337029230	HOSE ASSY	1				18019-60190
14	0337029240	HOSE ASSY	1				18019-60235
19	0337027110	HOSE ASSY	1				18015-60084
19-2	1532215029	• TUBE	1				sold by the meter
20	0337027120	HOSE ASSY	1				18015-60080
20-2	1532215027	• TUBE	1				sold by the meter
23	0337027260	HOSE ASSY	1				18015-00074
23-2	1532215034	• TUBE	1				sold by the meter
24	0337027270	HOSE ASSY	1				18015-00068
24-2	1532215034	• TUBE	1				sold by the meter
28	0337029250	HOSE ASSY	1				18019-60225
49	1532215010	TUBE	1				sold by the meter
52	0337029100	HOSE ASSY	1				18015-60050
53	0337029110	HOSE ASSY	1				18015-60042
54	0337029120	HOSE ASSY	1				18015-60042
55	0337029130	HOSE ASSY	1				18015-60042
56	0337029140	HOSE ASSY	1				18015-00050
57	0337029150	HOSE ASSY	1				18015-00042
	C4d261						



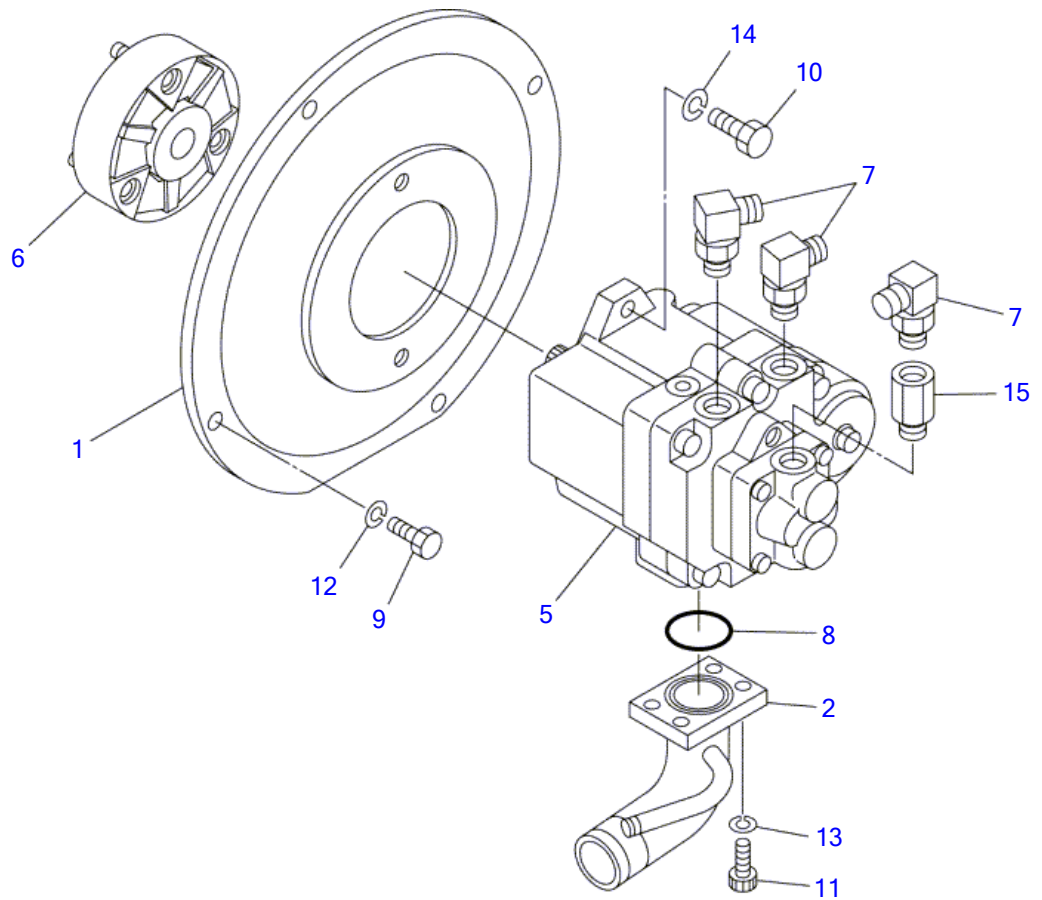
C4D340

S-1/8



**PIPING; UPPER (3/3) (for YBM)**

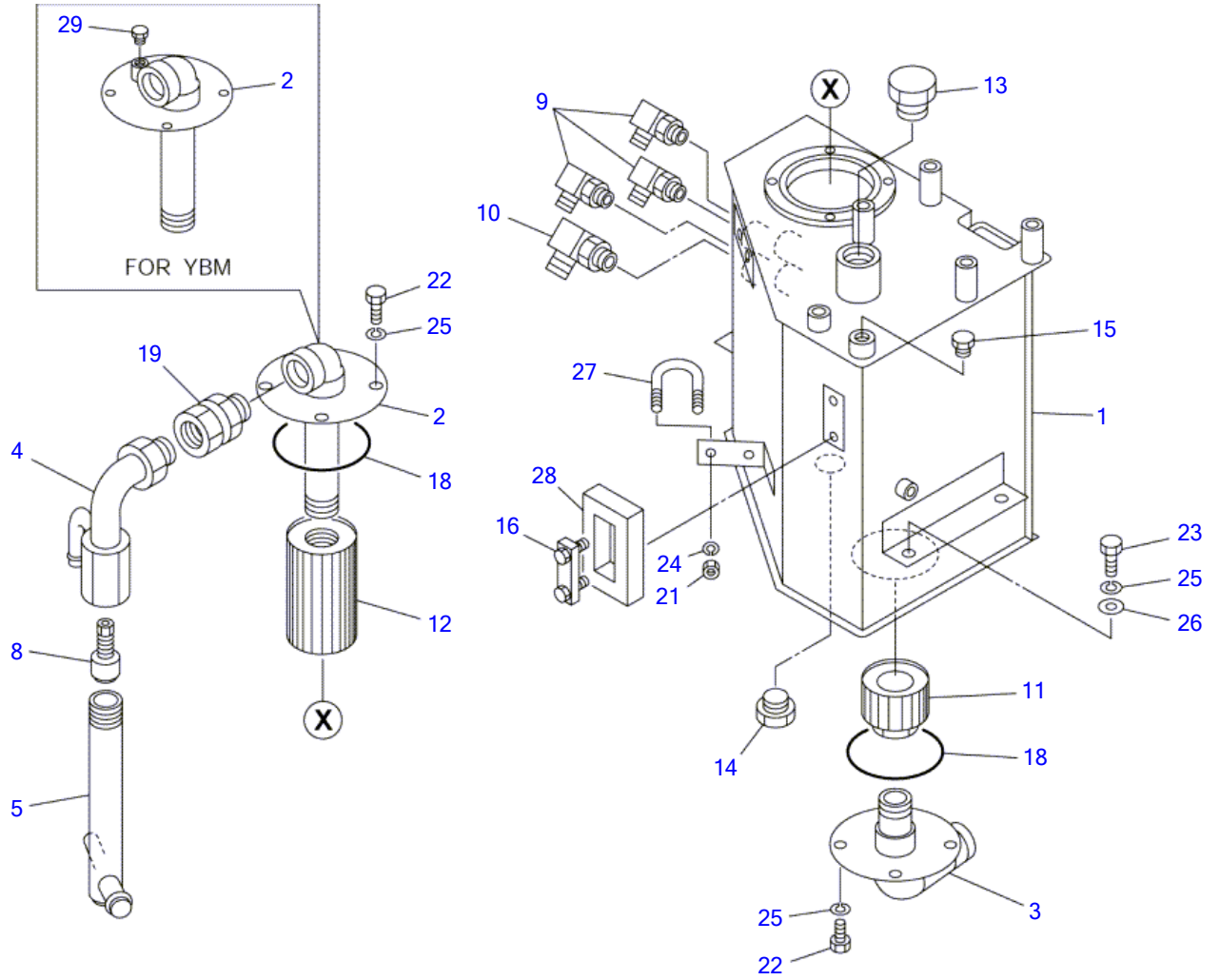
Item	Part number	Description	Q'ty	Chan.	Serial No.	Serv.	Remarks
		PIPING ASSY, upper (for YBM)					X03370-33000-4
9	<b>0337029200</b>	HOSE ASSY	1				18019-60180
13	<b>0337029230</b>	HOSE ASSY	1				18019-60190
14	<b>0337029240</b>	HOSE ASSY	1				18019-60235
15	<b>0337330100</b>	HOSE ASSY	1				18015-40185
16	<b>0337330200</b>	HOSE ASSY	1				18015-40200
19	<b>0337027110</b>	HOSE ASSY	1				18015-60084
19-2	<b>1532215029</b>	• TUBE	1				sold by the meter
20	<b>0337027120</b>	HOSE ASSY	1				18015-60080
20-2	<b>1532215027</b>	• TUBE	1				sold by the meter
23	<b>0337027260</b>	HOSE ASSY	1				18015-00074
23-2	<b>1532215034</b>	• TUBE	1				sold by the meter
24	<b>0337027270</b>	HOSE ASSY	1				18015-00068
24-2	<b>1532215034</b>	• TUBE	1				sold by the meter
28	<b>0337029250</b>	HOSE ASSY	1				18019-60225
49	<b>1532215010</b>	TUBE	1				sold by the meter
52	<b>0337029100</b>	HOSE ASSY	1				18015-60050
53	<b>0337029110</b>	HOSE ASSY	1				18015-60042
54	<b>0337029120</b>	HOSE ASSY	1				18015-60042
55	<b>0337029130</b>	HOSE ASSY	1				18015-60042
56	<b>0337029140</b>	HOSE ASSY	1				18015-00050
57	<b>0337029150</b>	HOSE ASSY	1				18015-00042
	<b>C4d341</b>						



C4D121

S-1/5

Item	Part number	Description	PUMP DRIVE		Serial No.	Serv.	Remarks
			Q'ty	Chan.			
		PUMP ASSY, drive					X03352-18000-3
1	0335213100	HOUSING	1				
2	0335215100	FLANGE	1		11400003~11400010		
	0335216100	FLANGE	1	(H)	11400011~		
5	1902014700	PUMP, hydraulic	1		11400003~11400490		
	1902018200	PUMP, hydraulic	1	(H)	11400491~		
6	1603100800	COUPLING	1				
7	1515010041	ELBOW	3				
	1420010140	• O-RING	1			M	
8	1420100400	O-RING	1				
9	1100041025	BOLT	4				
10	1101041230	BOLT	2				
11	1110041025	SCREW, cap	4				
12	1140020010	WASHER, spring	4				
13	1140420010	WASHER, spring	4				
14	1140020012	WASHER, spring	2				
15	0007213016	BUSHING	1				
	C4d122S						

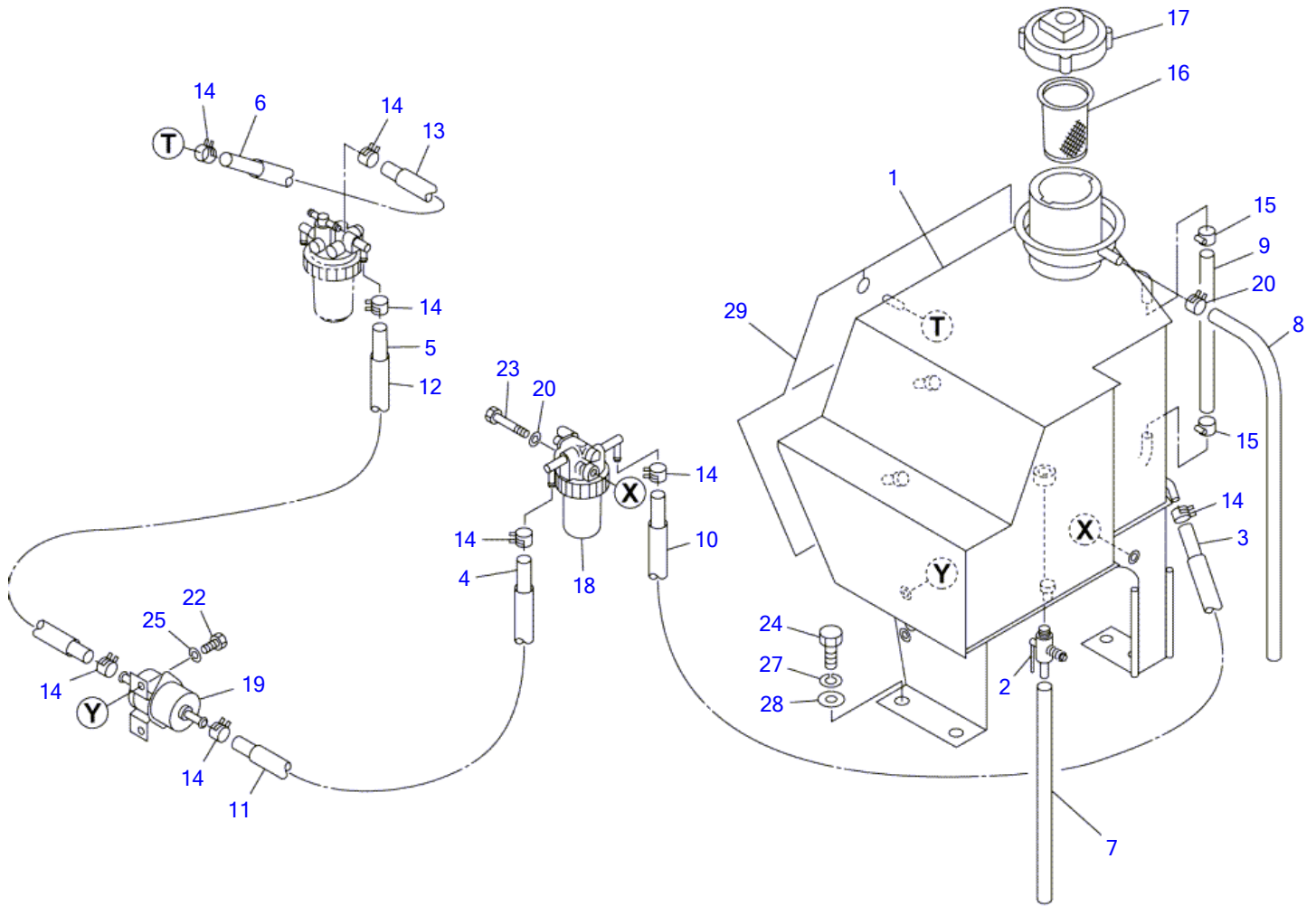


C4D131S

S=1/8

**HYDRAULIC TANK**

Item	Part number	Description	Q'ty	Chan.	Serial No.	Serv.	Remarks
		TANK ASSY, hydraulic					X03380-22000-4
		TANK ASSY, hydraulic (for YBM)					X03380-27000-2
1	0338021100	TANK, hydraulic	1		11400003~11400010		
	0338022100	TANK, hydraulic	1	(H)	11400011~11400424		
	0338022400	TANK, hydraulic	1		11400425~		
2	0338019300	COVER	1		11400003~11400010		
	0338022200	COVER	1	(H)	11400011~		
	0338027100	COVER	1				for YBM
3	0338019200	PIPE	1				
4	0338019400	JOINT	1				
	0338027200	JOINT	1				for YBM
5	0338021500	JOINT	1		11400003~11400010		
	0338022300	JOINT	1	(H)	11400011~		
8	1540140815	VALVE, check	1				
9	1515012040	ELBOW	3				
	1420010110	• O-RING	1				M
10	1515010041	ELBOW	1				
	1420010140	• O-RING	1				M
11	1550010150	FILTER	1				
12	1551101300	FILTER	1				
13	1501750010	PLUG	1				
	1420010290	• O-RING	1				M
14	1501750006	PLUG	1				
	1420010240	• O-RING	1				M
15	1501750002	PLUG	1		11400741~		
	1420010110	• O-RING	1				M
16	1553020655	GAUGE	1				
18	1420101050	O-RING	2				
19	1511420010	ADAPTOR	1				
21	1130040008	NUT	2				
22	1100041016	BOLT	8				
23	1100041025	BOLT	4				
24	1140020008	WASHER, spring	2				
25	1140020010	WASHER, spring	12				
26	1141550010	WASHER	4				
27	1533201010	U-BOLT	1				
28	0338021028	URETHANE	1				
29	1501710002	PLUG	1				for YBM
	C4d132S						

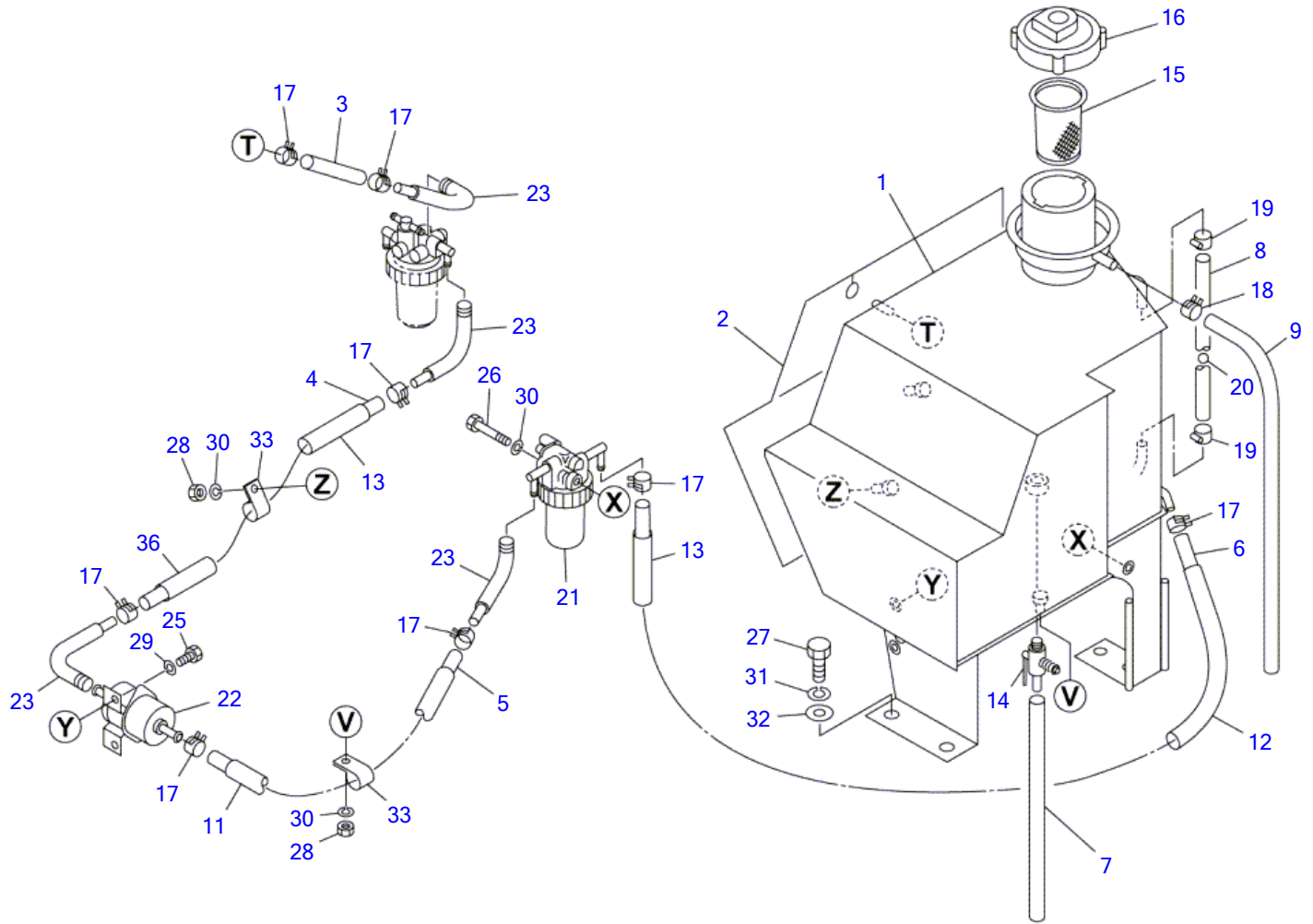


C4D210

S=1/8

**FUEL TANK & FUEL PIPING (11400003-11400010)**

Item	Part number	Description	Q'ty	Chan.	Serial No.	Serv.	Remarks
		TANK ASSY, fuel					X03381-19000
1	0338119100	TANK	1				
2	1522100014	VALVE, drain	1				
3	1531207035	HOSE	1				sold by the meter
4	1531207059	HOSE	1				sold by the meter
5	1531207050	HOSE	1				sold by the meter
6	1531207013	HOSE	1				sold by the meter
7	1531007031	HOSE	1				sold by the meter
8	1531010080	HOSE	1				sold by the meter
9	1531010021	HOSE	1				sold by the meter
10	1531115025	PROTECTOR	1				sold by the meter
11	1531115045	PROTECTOR	1				sold by the meter
12	1531115040	PROTECTOR	1				sold by the meter
13	1531115010	PROTECTOR	1				sold by the meter
14	1533120012	BAND	8				sold by the meter
15	1533700015	CLIP	2				
16	1552100320	STRAINER	1				
17	1552100500	CAP	1				
18	1910030033	SEPARATOR, water	1				Y129335-55700
19	1910047033	PUMP, feed	1				Y129322-77401
20	1533120015	BAND	1				
22	1100040612	BOLT	2				
23	1100040865	BOLT	1				
24	1100041025	BOLT	4				
25	1140020006	WASHER, spring	2				
27	1140020010	WASHER, spring	4				
28	1141110010	WASHER	4				
29	0339601300	INSULATOR	1				
	C4d211						



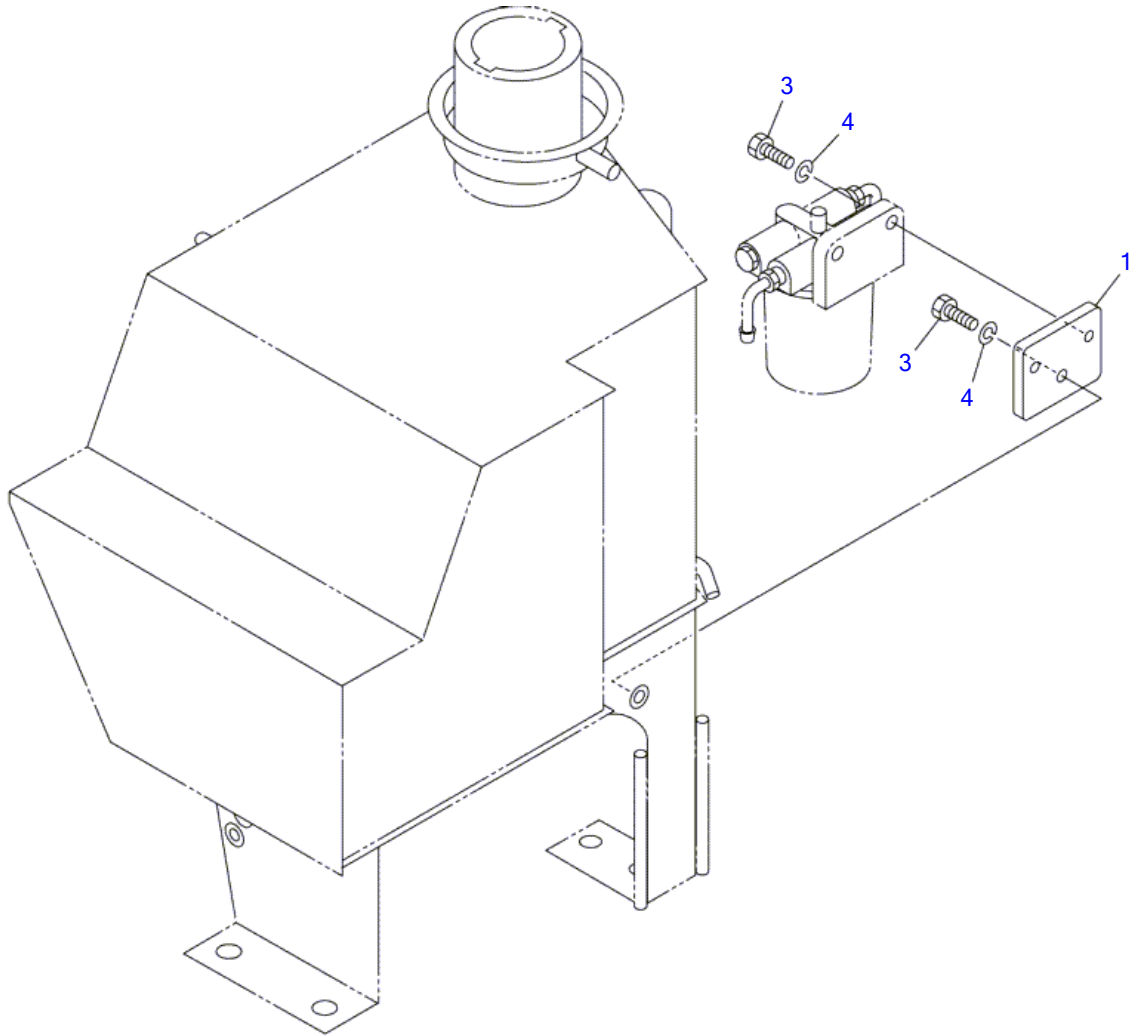
C4D141

S=1/8



**FUEL TANK & FUEL PIPING (11400011-)**

Item	Part number	Description	Q'ty	Chan.	Serial No.	Serv.	Remarks
		TANK ASSY, fuel					X03381-20000-4
1	0338121000	TANK	1				
2	0338121400	INSULATOR	1				
3	1531207011	HOSE	1				sold by the meter
4	1531207014	HOSE	1				sold by the meter
5	1531207021	HOSE	1				sold by the meter
6	1531207037	HOSE	1				sold by the meter
7	1531007035	HOSE	1				sold by the meter
8	1531010024	HOSE	1			M	sold by the meter
9	1531010080	HOSE	1				sold by the meter
11	1531115015	PROTECTOR	1				sold by the meter
12	1531115020	PROTECTOR	1				sold by the meter
13	1531115010	PROTECTOR	2				sold by the meter
14	1522100014	COCK	1				
15	1552100320	STRAINER	1				
16	1552100500	CAP	1				
17	1533120012	BAND	8				
18	1533120015	BAND	1				
19	1533700015	CLIP	2				
20	1553000001	FLOAT	1				
21	1910030033	SEPARATOR, water	1				Y129335-55700
22	1910047033	PUMP, feed	1				Y129322-77401
23	1910065047	HOSE, bend	4				Y119840-59601
25	1100040612	BOLT	2				
26	1100040865	BOLT	1				
27	1100041025	BOLT	3				
28	1130040008	NUT	2				
29	1140020006	WASHER, spring	2				
30	1140020008	WASHER, spring	3				
31	1140020010	WASHER, spring	3				
32	0003600003	WASHER	4				
33	0007300050	CLAMP	2				
36	1531115008	HOSE	1				sold by the meter
	C4d142						

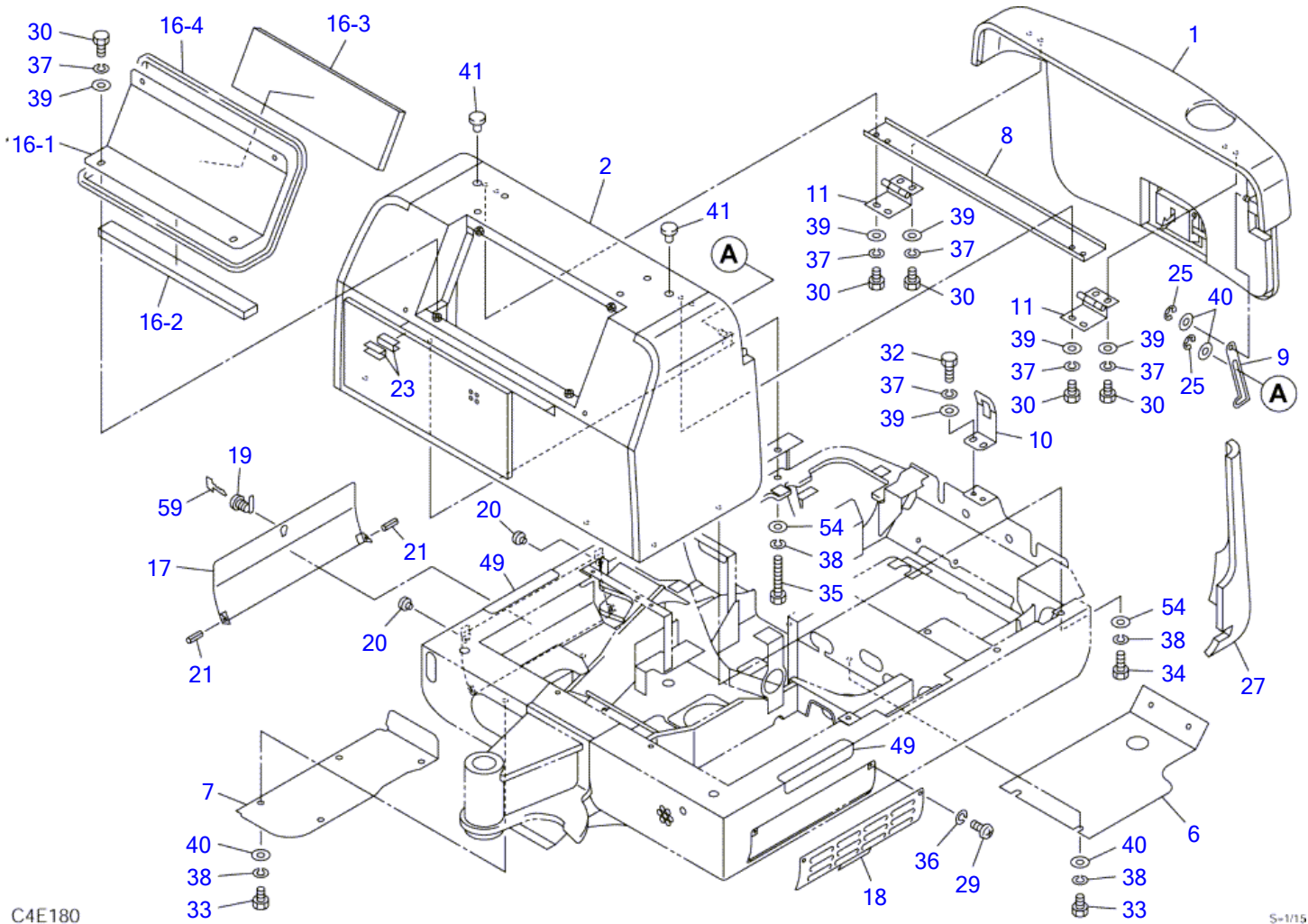


C4D350

S-1/5

**WATER SEPARATOR (for HE service)**

Item	Part number	Description	Q'ty	Chan.	Serial No.	Serv.	Remarks
		SEPARATOR ASSY, water					X03381-23000-1
1	<b>0338123001</b>	PLATE	1				
3	<b>1100240825</b>	BOLT	3				
4	<b>1140020008</b>	WASHER, spring	3				
	<b>C4d350</b>						

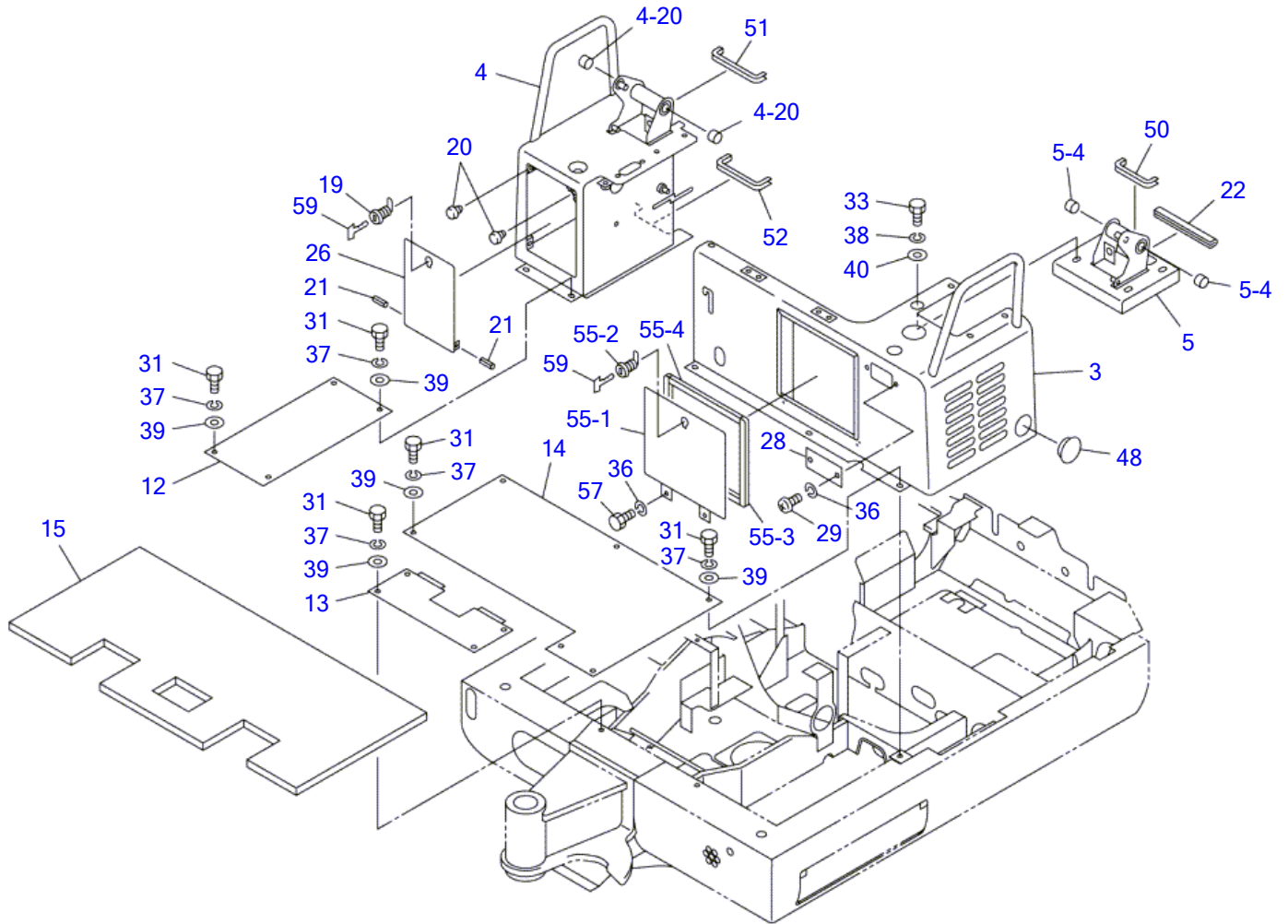


C4E180

S-1/15

**COVER (1/4) (11400003-11400010)**

Item	Part number	Description	Q'ty	Chan.	Serial No.	Serv.	Remarks
		COVER ASSY (canopy)					X03382-33000
		COVER ASSY (cab)					X03382-34000
1	0338233100	HOOD, engine	1				see page (3/4)
2	0338233200	COVER, engine	1				see page (4/4)
6	0338233700	COVER	1				
7	0338233710	COVER	1				
8	0338230720	GUTTER	1				
9	0338233730	STOPPER	1				
10	0338230740	HOOK	1				
11	0338230750	HINGE	2				
16	0338233790	COVER	1				
16-1	0338233791	• COVER	1				
16-2	0338230792	• ABSORBENT, noise	1				
16-3	0338230793	• ABSORBENT, noise	1				
16-4	1654605150	• SEAL	1				sold by the meter
17	0338230800	COVER (R.H.)	1				
18	0338230810	COVER (L.H.)	1				
19	1653601395	LOCK	1				
20	1652512200	RUBBER, cushion	2				
21	1213000420	PIN, spring	2				
23	1654613005	PACKING (sold by the meter)	2				sold by the meter
25	1224010009	E-RING	2				
27	0338230840	ABSORBENT, noise	1				
29	1120530612	SCREW	2				
30	1100040816	BOLT	12				
32	1100040825	BOLT	2				
33	1100041020	BOLT	8				
34	1100041035	BOLT	4				
35	1100141010	BOLT	2				
36	1140020006	WASHER, spring	2				
37	1140020008	WASHER, spring	14				
38	1140020010	WASHER, spring	14				
39	1141110008	WASHER	12				
40	1141110010	WASHER	10				
41	1652530001	PLUG	2				
49	0068228700	SHEET	2				
54	1141550010	WASHER	6				
59	1700100019	KEY	1				
	<b>C4e181</b>						

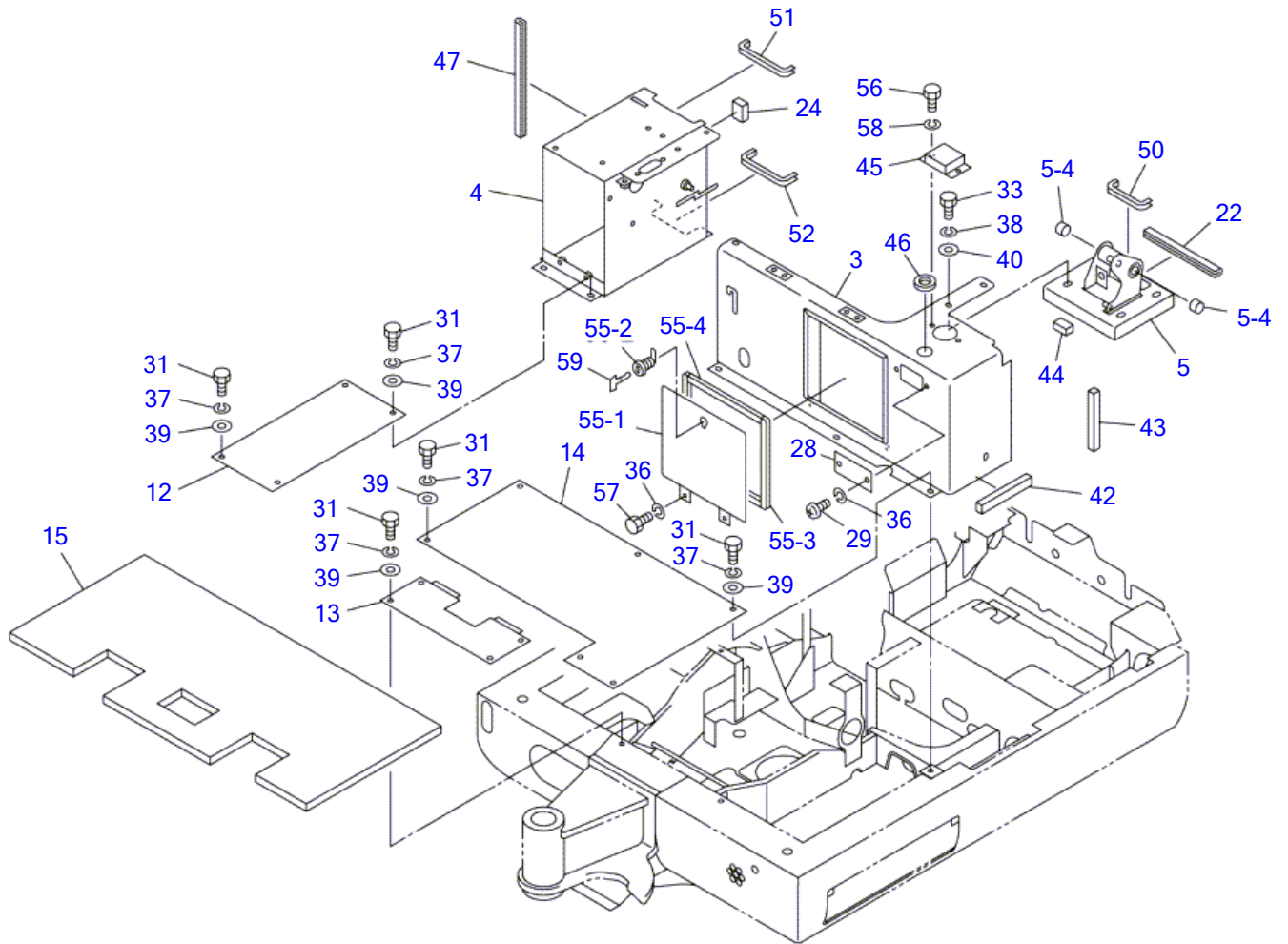


C4E190

S-1/15

## COVER (2/4) (canopy; 11400003-11400010)

Item	Part number	Description	Q'ty	Chan.	Serial No.	Serv.	Remarks
		COVER ASSY (canopy)					X03382-33000
3	0338233450	COVER	1				
4	0338233500	COVER (R.H.)	1				
4-20	1333002015	• BUSHING	2				
5	0338233600	COVER (L.H.)	1				
5-4	1333002015	• BUSHING	2				
12	0338230760	PLATE	1				
13	0338230770	PLATE	1				
14	0338230830	PLATE	1				
15	0338231300	MAT, floor	1				
19	1653601395	LOCK	1				
20	1652512200	RUBBER, cushion	2				
21	1213000420	PIN, spring	2				
22	1654606017	SEAL	1				sold by the meter
26	0338230820	COVER	1				
28	0338230850	COVER	1				
29	1120530612	SCREW	2				
31	1100040820	BOLT	14				
33	1100041020	BOLT	14				
36	1140020006	WASHER, spring	4				
37	1140020008	WASHER, spring	14				
38	1140020010	WASHER, spring	4				
39	1141110008	WASHER	14				
40	1141110010	WASHER	4				
48	1652060051	BUSHING	1				
50	1653917010	TRIM	1				sold by the meter
51	1653917015	TRIM	1				sold by the meter
52	1653917017	TRIM	1				sold by the meter
55	0338233950	COVER	1				
55-1	0338230960	• COVER	1				
55-2	1653601395	• LOCK	1				
55-3	0338233953	• SPONGE	2				
55-4	0338233954	• SPONGE	2				
57	1100040612	BOLT	2				
59	1700100019	KEY	2				
	<b>C4e193</b>						



C4E200

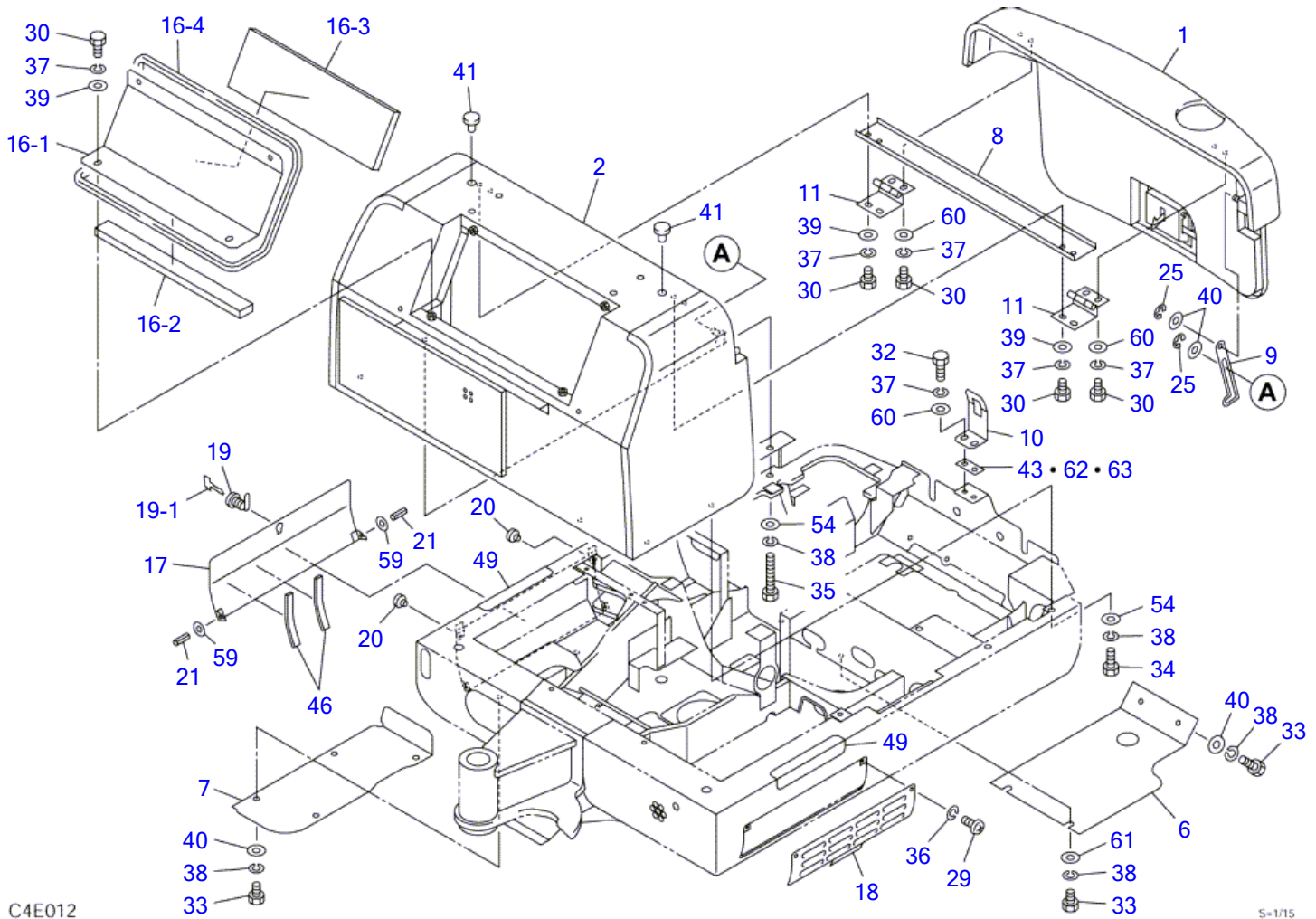
S=1/15



## COVER (2/4) (cab; 11400003-11400010)

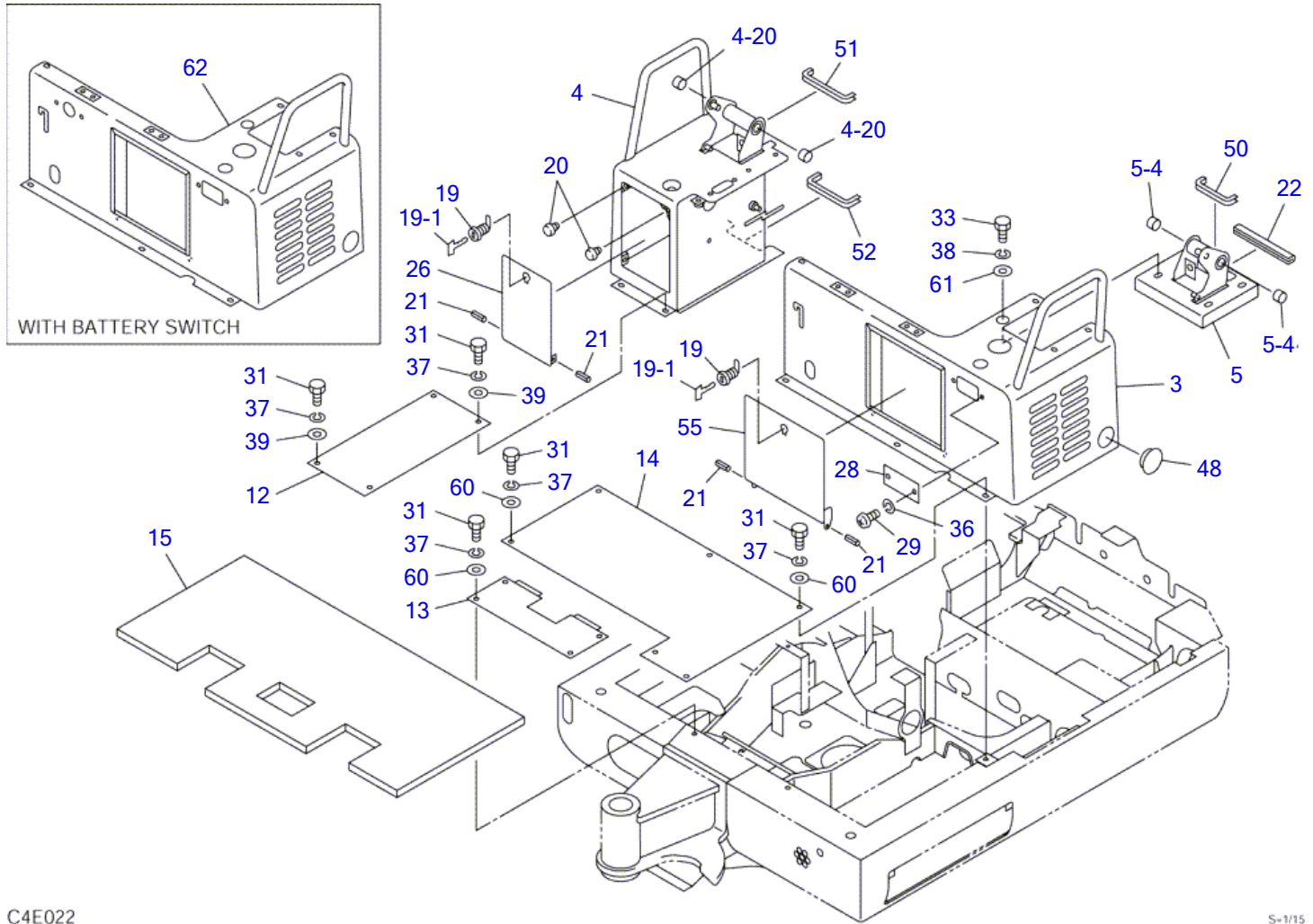
Item	Part number	Description	Q'ty	Chan.	Serial No.	Serv.	Remarks
		COVER ASSY (cab)					X03382-34000
3	0338234150	COVER	1				
4	0338234200	COVER (R.H.)	1				
5	0338233600	COVER (L.H.)	1				
5-4	1333002015	• BUSHING	2				
12	0338230760	PLATE	1				
13	0338230770	PLATE	1				
14	0338230830	PLATE	1				
15	0338231300	MAT, floor	1				
22	1654606021	SEAL	1				sold by the meter
24	1654308004	SPONGE	1				sold by the meter
28	0338230850	COVER	1				
29	1120530612	SCREW	2				
31	1100040820	BOLT	14				
33	1100041020	BOLT	4				
36	1140020006	WASHER, spring	4				
37	1140020008	WASHER, spring	14				
38	1140020010	WASHER, spring	4				
39	1141110008	WASHER	14				
40	1141110010	WASHER	4				
42	1654304015	SPONGE	1				sold by the meter
43	1654306015	SPONGE	1				sold by the meter
44	1654304003	SPONGE	1				sold by the meter
45	0338233900	COVER	1				
46	1654613015	PACKING	1				sold by the meter
47	1654606030	SEAL	1				sold by the meter
50	1653917010	TRIM	1				sold by the meter
51	1653917015	TRIM	1				sold by the meter
52	1653917017	TRIM	1				sold by the meter
55	0338233950	COVER	1				
55-1	0338230960	• COVER	1				
55-2	1653601395	• LOCK	1				
55-3	0338233953	• SPONGE	2				
55-4	0338233954	• SPONGE	2				
56	1100040510	BOLT	2				
57	1100040612	BOLT	2				
58	1140020005	WASHER, spring	2				
59	1700100019	KEY	1				

C4e203



## COVER (1/4) (11400011-)

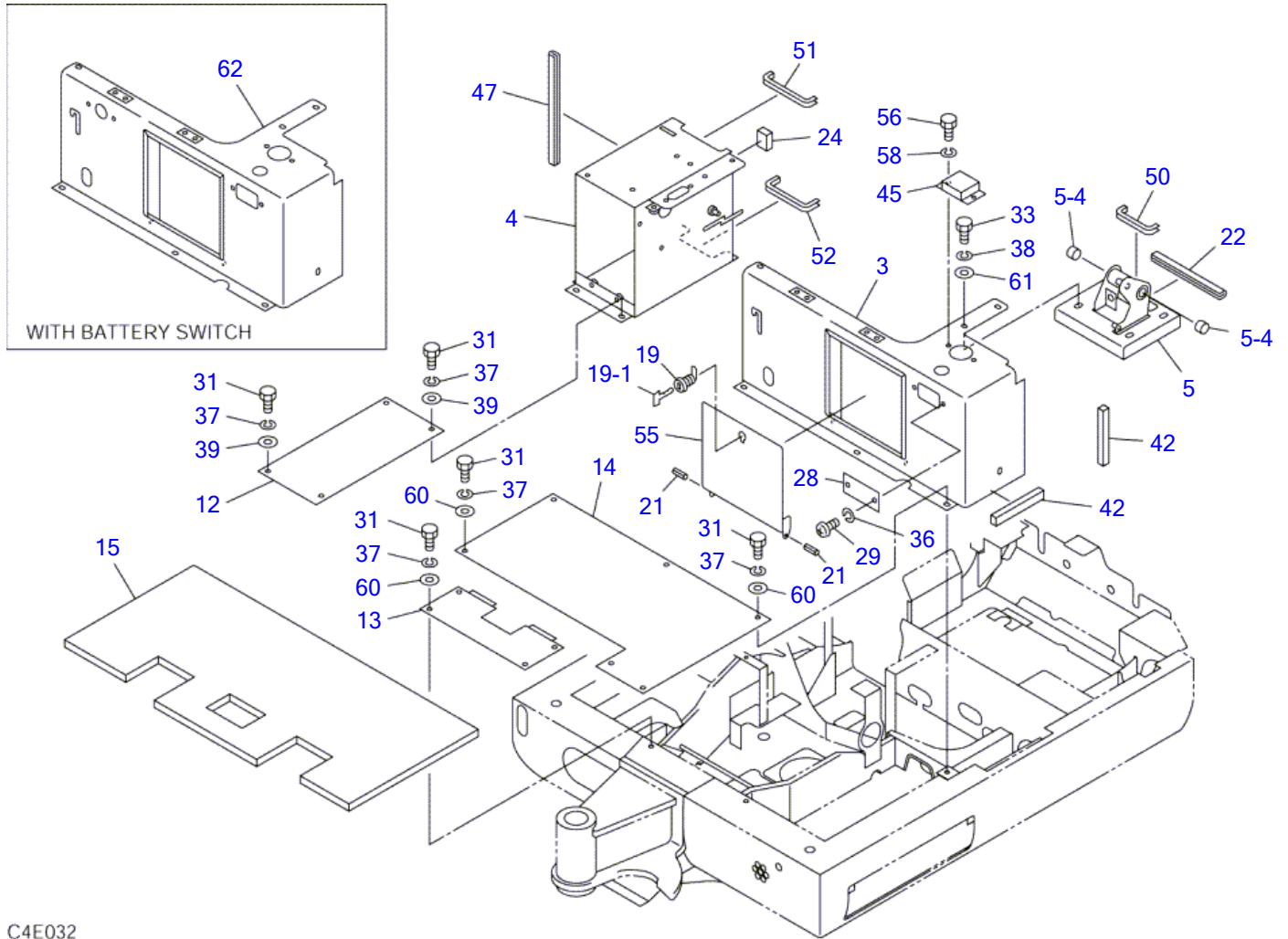
Item	Part number	Description	Q'ty	Chan.	Serial No.	Serv.	Remarks
		COVER ASSY (canopy)					X03382-39000-9
		COVER ASSY (cab)					X03382-40000-9
		COVER ASSY (canopy) (with battery switch)					X03382-40100-9
		COVER ASSY (cab) (with battery switch)					X03382-40200-9
1	0338235100	HOOD, engine	1				see page (3/4)
2	0338235200	COVER, engine	1		11400011~11400100		see page (4/4)
	0338239100	COVER, engine	1	(H)	11400101~		see page (4/4)
6	0338235700	COVER	1				
7	0338235710	COVER	1				
8	0338235720	GUTTER	1				
9	0338233730	STOPPER	1				
10	0338235740	HOOK	1				
11	0338230750	HINGE	2				
16	0338233790	COVER	1		11400011~11400100		
16-1	0338233791	· COVER	1		11400011~11400100		
16-2	0338230792	· ABSORBENT, noise	1		11400011~11400100		
16-3	0338230793	· ABSORBENT, noise	1		11400011~11400100		
16-4	1654605150	· SEAL	1		11400011~11400100		sold by the meter
17	0338235800	COVER (R.H.)	1				
18	0338235810	COVER (L.H.)	1				
19	1653601395	LOCK	1				canopy
19-1	1700100019	KEY	1				
20	1652515000	RUBBER, cushion	2				canopy
21	1213000420	PIN, spring	2				canopy
25	1224010009	E-RING	2				
29	1120530612	SCREW	2				
30	1100040816	BOLT	12		11400003~11400100		
	1100040816	BOLT	8		11400101~		
32	1100040825	BOLT	2				
33	1100041020	BOLT	8				
34	1100041035	BOLT	4				
35	1100141010	BOLT	2				
36	1140020006	WASHER, spring	2				
37	1140020008	WASHER, spring	14		11400003~11400100		
	1140020008	WASHER, spring	10		11400101~		
38	1140020010	WASHER, spring	14				
39	1141110008	WASHER	14		11400003~11400100		
	1141110008	WASHER	4		11400101~		
40	1141110010	WASHER	8				
41	1652530002	PLUG	2				canopy
43	0003900028	SPACER	1				
46	1654304010	SPONGE	2		11401109~		sold by the meter
49	0068228700	SHEET	2				canopy
54	0003600020	WASHER	6				
59	1141110004	WASHER	2				
60	0003608252	WASHER	6				
61	0003600003	WASHER	2				
62	0003900027	SHIM t=2.3	AR				
63	0003900028	SHIM t=4.5	AR				
	C4e012S						



C4E022

S-1/15

COVER (2/4) (canopy; 11400011-)						
Item	Part number	Description	Q'ty	Chan.	Serial No.	Serv. Remarks
		COVER ASSY (canopy)				X03382-39000-9
		COVER ASSY (canopy)				X03382-40100-9
		(with battery switch)				
3	0338235450	COVER	1			
4	0338235500	COVER (R.H.)	1		11400011~11400016	
	0338237100	COVER (R.H.)	1		11400017~11400460	
	0338239400	COVER (R.H.)	1		11400461~	
4-20	1333002015	• BUSHING	2			
5	0338235600	COVER (L.H.)	1		11400011~11400460	
	0338239500	COVER (L.H.)	1		11400461~	
5-4	1333002015	• BUSHING	2			
12	0338235760	PLATE	1			
13	0338235770	PLATE	1			
14	0338235830	PLATE	1			
15	0338239350	MAT, floor	1			
19	1653601395	LOCK	2			
19-1	1700100019	KEY	2			
20	1652515000	RUBBER, cushion	2			
21	1213000420	PIN, spring	4			
22	1654606017	SEAL	1			sold by the meter
26	0338230820	COVER	1			
28	0338230850	COVER	1			
29	1120530612	SCREW	2			
31	1100040820	BOLT	17			
33	1100041020	BOLT	4			
36	1140020006	WASHER, spring	2			
37	1140020008	WASHER, spring	16			
38	1140020010	WASHER, spring	4			
39	1141110008	WASHER	6			
48	1652060051	BUSHING	1			
50	1653917010	TRIM	1			sold by the meter
51	1653917015	TRIM	1			sold by the meter
52	1653917017	TRIM	1			sold by the meter
55	0338235950	COVER	1			
60	0003608252	WASHER	10		11401267~	
61	0003600003	WASHER	4			
62	0338240110	COVER	1			with battery switch
	C4e023S					

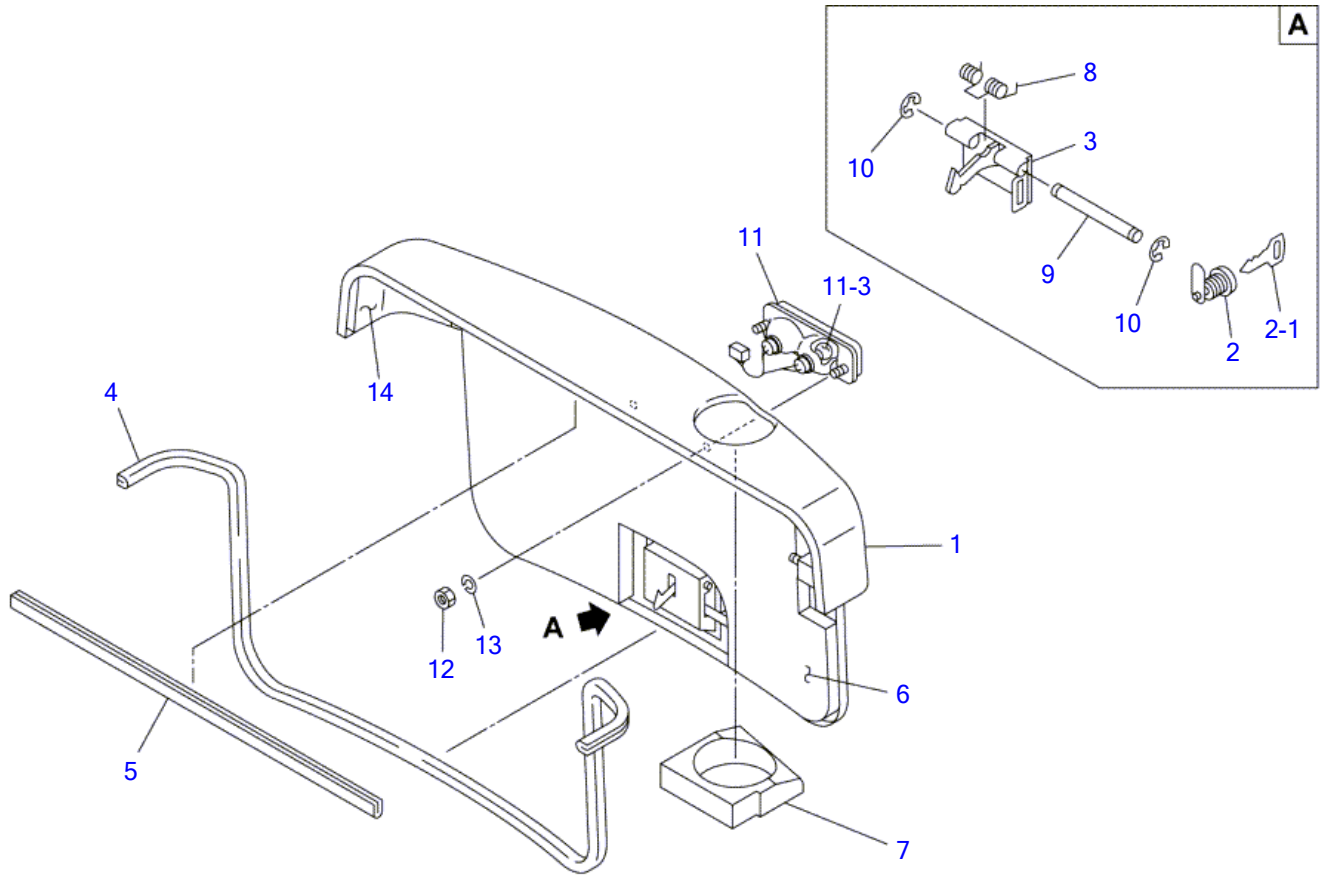


C4E032

S-1/15

## COVER (2/4) (cab; 11400011-)

Item	Part number	Description	Q'ty	Chan.	Serial No.	Serv.	Remarks
		COVER ASSY (cab)					X03382-40000-9
		COVER ASSY (cab) (with battery switch)					X03382-40200-9
3	0338236150	COVER	1				
4	0338236200	COVER (R.H.)	1		11400011~11400016		
	0338238100	COVER (R.H.)	1		11400017~		
5	0338235600	COVER (L.H.)	1		11400011~11400460		
	0338239500	COVER (L.H.)	1		11400461~		
5-4	1333002015	• BUSHING	2				
12	0338235760	PLATE	1				
13	0338235770	PLATE	1				
14	0338235830	PLATE	1				
15	0338239300	MAT, floor	1				
19	1653601395	LOCK	1				
19-1	1700100019	KEY	1				
21	1213000420	PIN, spring	2				
22	1654606021	SEAL	1				sold by the meter
24	1654308004	SPONGE	1				sold by the meter
28	0338230850	COVER	1				
29	1120530612	SCREW	2				
31	1100040820	BOLT	17				
33	1100041020	BOLT	4				
36	1140020006	WASHER, spring	2				
37	1140020008	WASHER, spring	16				
38	1140020010	WASHER, spring	4				
39	1141110008	WASHER	6				
42	1654304015	SPONGE	2				sold by the meter
45	0338236900	COVER	1				
47	1654606030	SEAL	1				sold by the meter
50	1653917010	TRIM	1				sold by the meter
51	1653917015	TRIM	1				sold by the meter
52	1653917017	TRIM	1				sold by the meter
55	0338235950	COVER	1				
56	1100040510	BOLT	2				
58	1140020005	WASHER, spring	2				
60	0003608252	WASHER	10		11401267~		
61	0003600003	WASHER	4				
62	0338240210	COVER	1				with battery switch
	C4e033S						



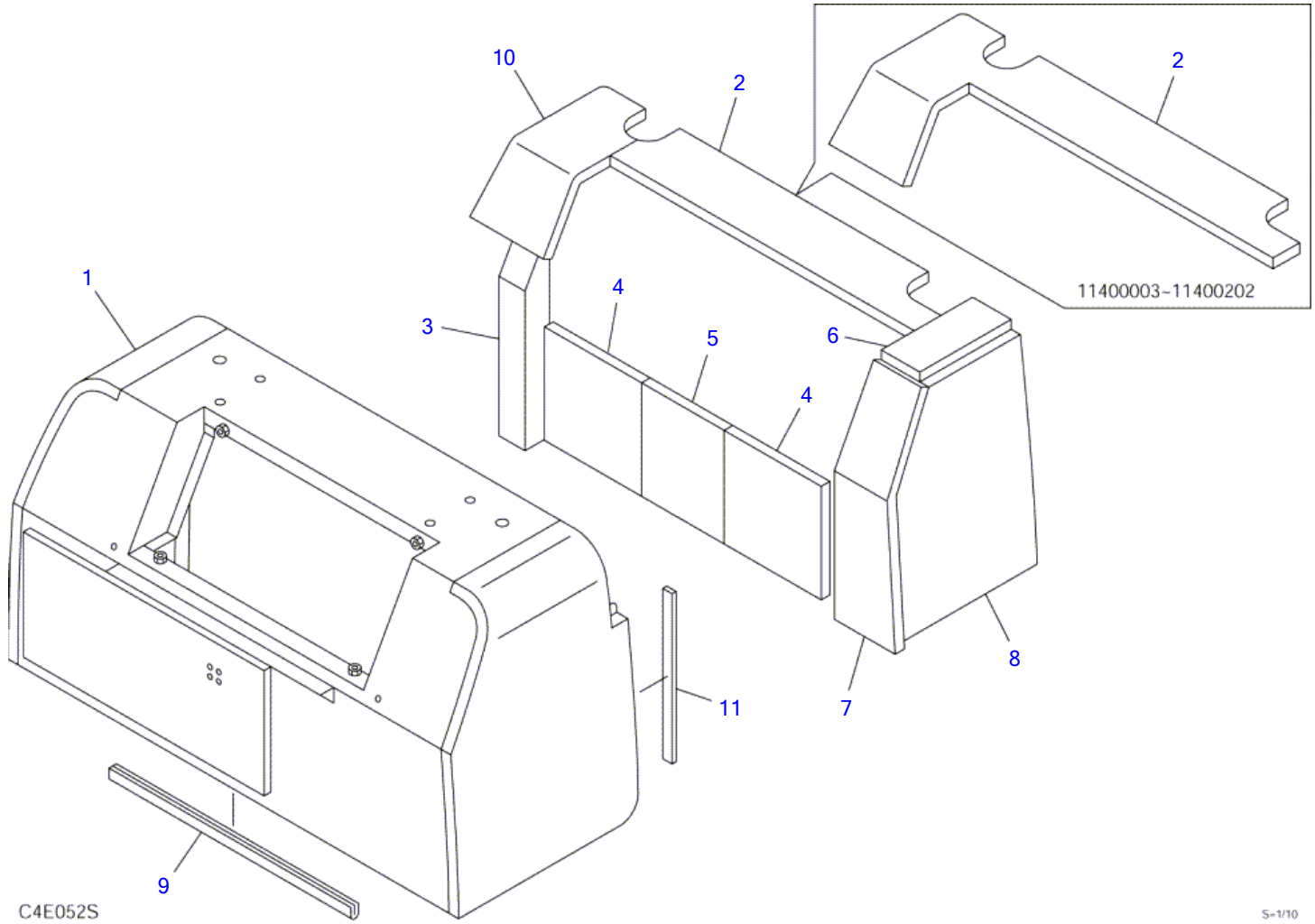
C4E041

S=1/8.1/10



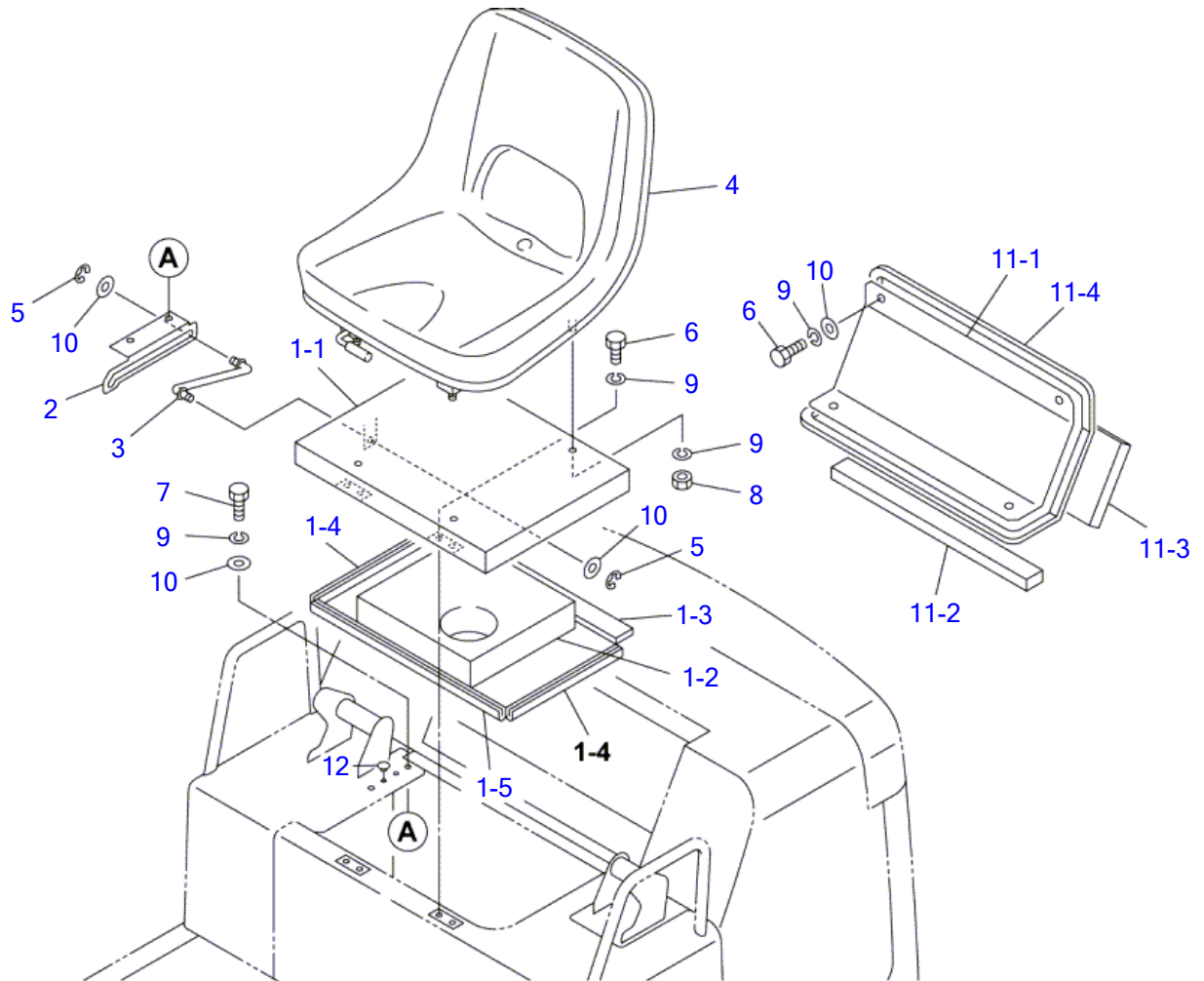
## COVER (3/4) (engine hood)

Item	Part number	Description	Q'ty	Chan.	Serial No.	Serv.	Remarks
0-1	<b>0338233100</b>	HOOD ASSY, engine	1		11400003~11400010		
	<b>0338235100</b>	HOOD ASSY, engine	1		11400011~		
1	<b>0338230130</b>	• HOOD, engine	1		11400003~11400010		
	<b>0338235130</b>	• HOOD, engine	1		11400011~		
2	<b>1653601395</b>	• LOCK	1				
2-1	<b>1700100019</b>	• KEY	1				
3	<b>0338230160</b>	• LOCK	1		11400003~11400010		
	<b>0338235180</b>	• LOCK	1		11400011~		
4	<b>1654606172</b>	• SEAL	1				sold by the meter
5	<b>1654605072</b>	• SEAL	1				sold by the meter
6	<b>0338233110</b>	• ABSORBENT, noise	1		11400003~11400202		
	<b>0338233111</b>	• ABSORBENT, noise	1		11400203~		
7	<b>0338233120</b>	• SPONGE	1				
8	<b>0007000095</b>	• SPRING	1				
9	<b>0004206111</b>	• SHAFT	1				
10	<b>1224010004</b>	• E-RING	2				
11	<b>1703002000</b>	• LAMP, tail	1				
11-3	<b>1703002003</b>	• • BULB	2				
12	<b>1130030004</b>	• NUT	2				
13	<b>1140020004</b>	• WASHER, spring	2				
14	<b>0338233112</b>	• ABSORBENT, noise	1		11400203~		
	<b>C4e042S</b>						



## COVER (4/4) (engine cover)

Item	Part number	Description	Q'ty	Chan.	Serial No.	Serv.	Remarks
0-2	<b>0338233200</b>	COVER ASSY, engine	1		11400003~11400010		
	<b>0338235200</b>	COVER ASSY, engine	1	(H)	11400011~11400100		
	<b>0338239100</b>	COVER ASSY, engine	1	(H)	11400101~		
1	<b>0338233300</b>	· COVER, engine	1		11400003~11400010		
	<b>0338235300</b>	· COVER, engine	1	(H)	11400011~11400100		
	<b>0338239200</b>	· COVER, engine	1	(H)	11400101~		
2	<b>0338230220</b>	· ABSORBENT, noise	1		11400003~11400010		
	<b>0338235220</b>	· ABSORBENT, noise	1		11400011~11400202		
	<b>0338235221</b>	· ABSORBENT, noise	1		11400203~		
3	<b>0338230230</b>	· SPONGE	1				
4	<b>0338233240</b>	· ABSORBENT, noise	2				
5	<b>0338233250</b>	· INSULATOR	1				
6	<b>0338235260</b>	· ABSORBENT, noise	1		11400011~		
7	<b>0338230270</b>	· ABSORBENT, noise	1				
8	<b>0338230280</b>	· ABSORBENT, noise	1				
9	<b>1654606052</b>	· SEAL	1				sold by the meter
10	<b>0338235222</b>	· ABSORBENT, noise	1		11400203~		
11	<b>1654303032</b>	· SPONGE	1				sold by the meter
	<b>C4e053S</b>						

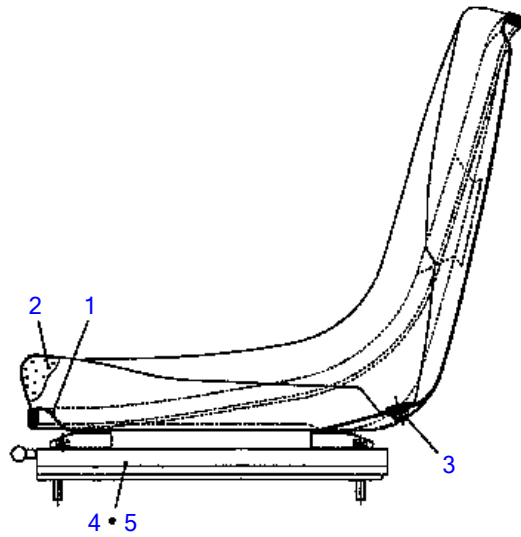
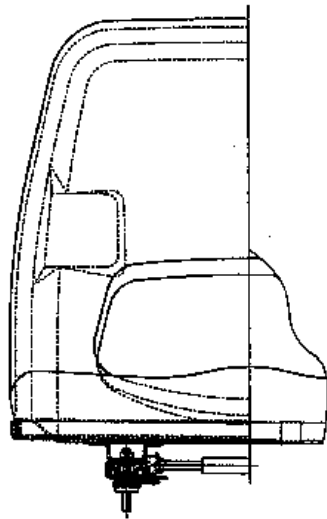
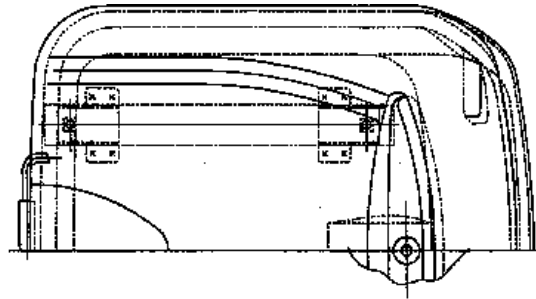


C4E061

S=1/12

**SEAT (1/2) (for Japan)**

Item	Part number	Description	Q'ty	Chan.	Serial No.	Serv.	Remarks
		SEAT ASSY					X03334-32000-1
1	<b>0333420100</b>	COVER ASSY	1		11400003~11400010		
	<b>0333426100</b>	COVER ASSY	1		11400011~11400016		
	<b>0333428100</b>	COVER ASSY	1		11400017~		
1-1	<b>0333420110</b>	• COVER	1		11400003~11400016		
	<b>0333428110</b>	• COVER	1		11400017~		
1-2	<b>0333420120</b>	• ABSORBENT, noise	1		11400003~11400010		
	<b>0333426120</b>	• ABSORBENT, noise	1		11400011~		
1-3	<b>0333420130</b>	• RUBBER	1		11400003~11400016		
	<b>0333427120</b>	• RUBBER	1		11400017~		
1-4	<b>1654606025</b>	• SEAL	2				sold by the meter
1-5	<b>1654606045</b>	• SEAL	1		11400003~11400016		sold by the meter
	<b>1654606044</b>	• SEAL	1		11400017~		sold by the meter
2	<b>0333420200</b>	BRACKET	1		11400003~11400010		
	<b>0333425200</b>	BRACKET	1		11400011~		
3	<b>0333420300</b>	ROD	1				
4	<b>1914100061</b>	SEAT ASSY	1				see page (2/2)
5	<b>1224010006</b>	E-RING	2				
6	<b>1100040816</b>	BOLT	4		11400003~11400100		
	<b>1100040816</b>	BOLT	8		11400101~		
7	<b>1100040820</b>	BOLT	2				
8	<b>1130040008</b>	NUT	4				
9	<b>1140020008</b>	WASHER, spring	10		11400003~11400100		
	<b>1140020008</b>	WASHER, spring	14		11400101~		
10	<b>1141110008</b>	WASHER	4		11400003~11400100		
	<b>1141110008</b>	WASHER	8		11400101~		
11	<b>0333431100</b>	COVER ASSY	1		11400101~		
11-1	<b>0333431110</b>	• COVER ASSY	1		11400101~		
11-2	<b>0333431120</b>	• ABSORBENT, noise	1		11400101~		
11-3	<b>0338230793</b>	• ABSORBENT, noise	1		11400101~		
11-4	<b>1654605149</b>	• SEAL	1		11400101~		sold by the meter
12	<b>1652515000</b>	CUSHING, rubber	2		11400101~		
	<b>C4e062S</b>						



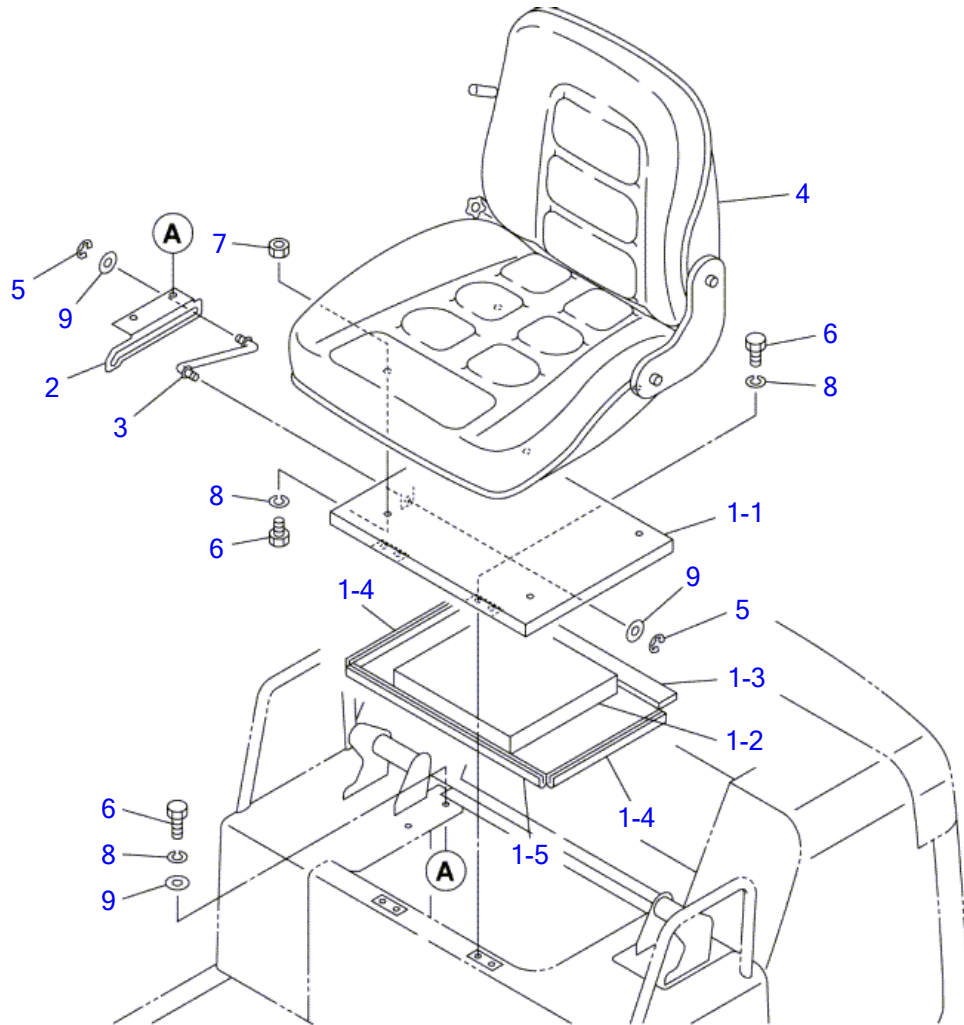
C4E280

S-1700

SEAT (2/2) (for Japan)

Item	Part number	Description	Q'ty	Chan.	Serial No.	Serv.	Remarks
0	1914100061	SEAT ASSY	1				X19141-00061-2
1	1914101061	▪ PLATE	1				
2	1914102061	▪ CUSHION	1				
3	1914105061	▪ GROMMET	1				
4	1914108061	▪ RAIL, slide (R.H.)	1				
5	1914109061	▪ RAIL, slide (L.H.)	1				

C4e280



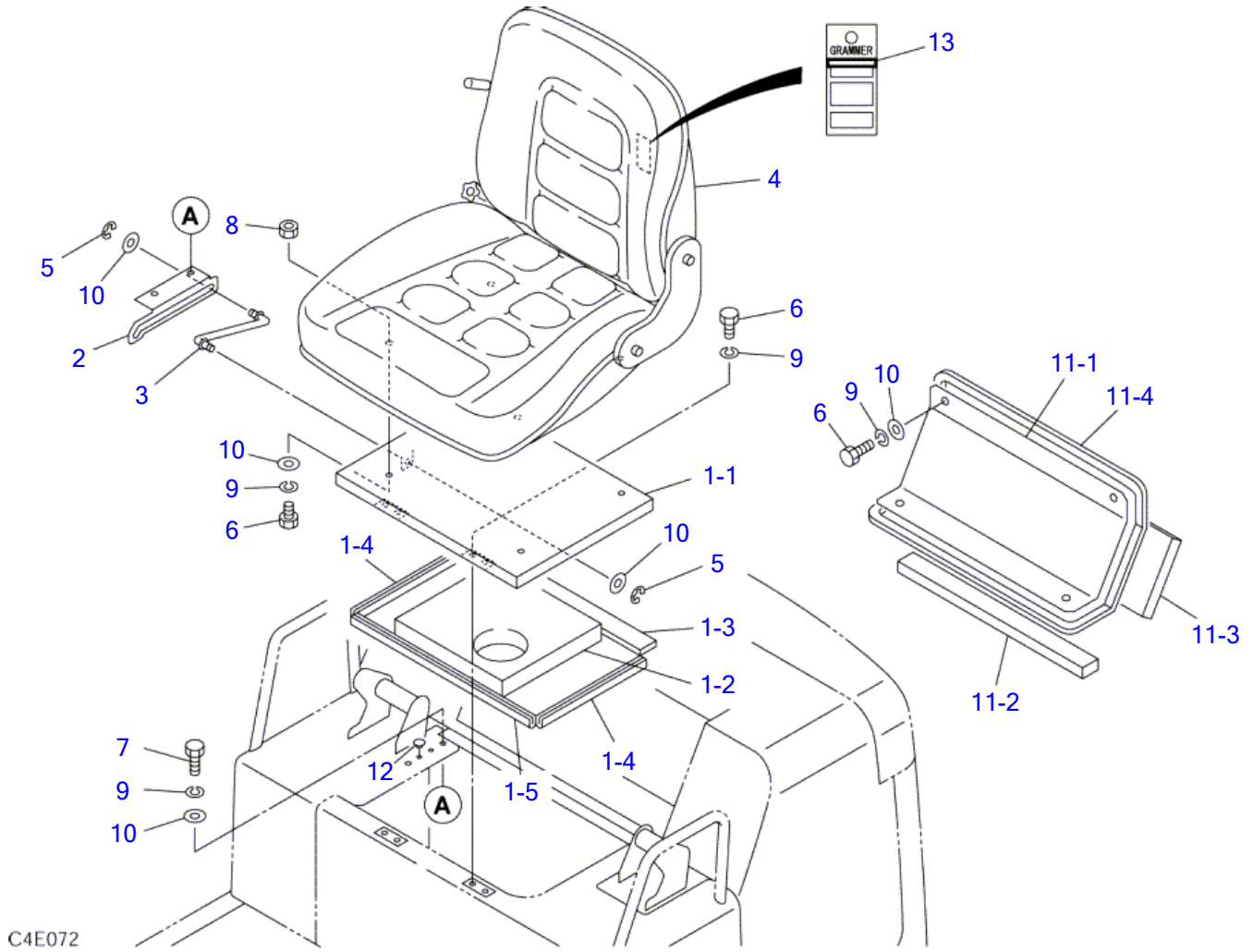
C4E210

S-1/12



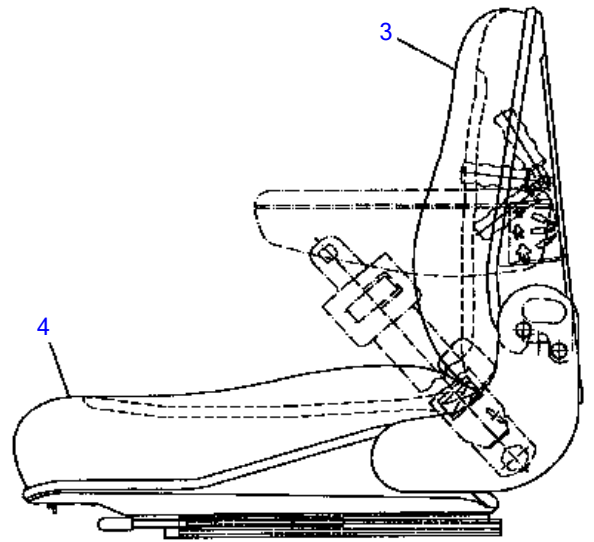
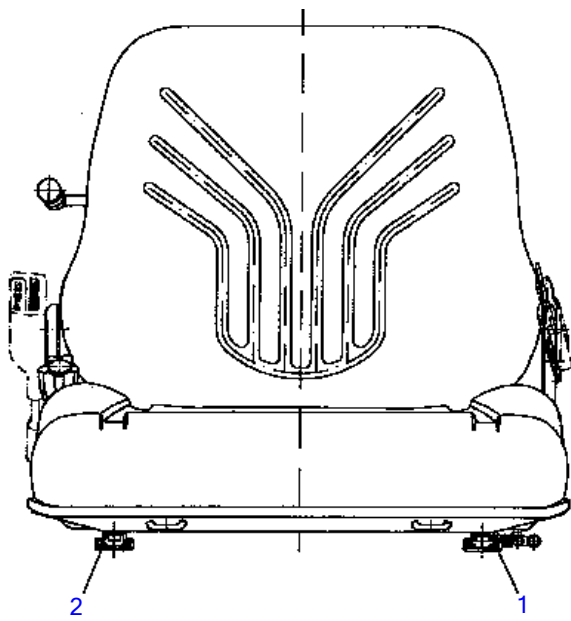
**SEAT (1/2) (for Japan; 11400003-11400010)**

Item	Part number	Description	Q'ty	Chan.	Serial No.	Serv.	Remarks
		SEAT ASSY					X03334-23000
1	<b>0333421100</b>	COVER ASSY	1				
1-1	<b>0333421110</b>	· COVER	1				
1-2	<b>0333421140</b>	· ABSORBENT, noise	1				
1-3	<b>0333420130</b>	· RUBBER	1				
1-4	<b>1654606025</b>	· SEAL	2				sold by the meter
1-5	<b>1654606045</b>	· SEAL	1				sold by the meter
2	<b>0333424200</b>	BRACKET	1				
3	<b>0333420300</b>	ROD	1				
4	<b>1914100063</b>	SEAT ASSY	1				see page (2/2)
5	<b>1224010006</b>	E-RING	2				
6	<b>1100040816</b>	BOLT	10				
7	<b>1130040008</b>	NUT	4				
8	<b>1140020008</b>	WASHER, spring	10				
9	<b>1141110008</b>	WASHER	4				
	<b>C4e212</b>						



**SEAT (2/2) (for Japan; 11400011-)**

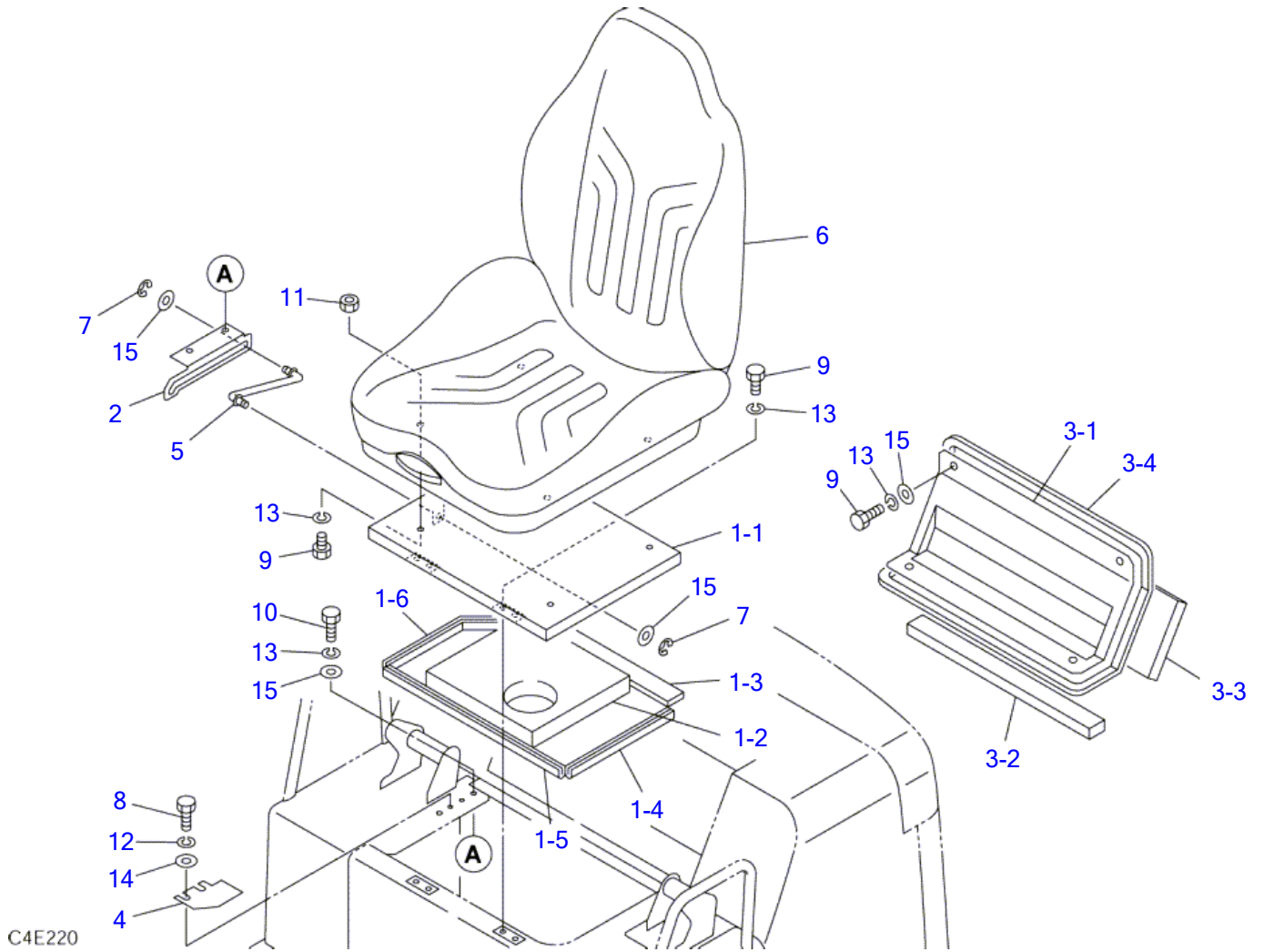
Item	Part number	Description	Q'ty	Chan.	Serial No.	Serv.	Remarks
		SEAT ASSY (P.V.C.)					X03334-31000-3
		SEAT ASSY (fabric)					X03334-35000-3
1	<b>0333425100</b>	COVER ASSY	1		11400011~11400016		
	<b>0333427100</b>	COVER ASSY	1		11400017~		
1-1	<b>0333421110</b>	• COVER	1		11400011~11400016		
	<b>0333427110</b>	• COVER	1		11400017~		
1-2	<b>0333425120</b>	• ABSORBENT, noise	1				
1-3	<b>0333420130</b>	• RUBBER	1		11400011~11400016		
	<b>0333427120</b>	• RUBBER	1		11400017~		
1-4	<b>1654606025</b>	• SEAL	2				sold by the meter
1-5	<b>1654606045</b>	• SEAL	1		11400011~11400016		sold by the meter
	<b>1654606044</b>	• SEAL	1		11400017~		sold by the meter
2	<b>0333425200</b>	BRACKET	1				
3	<b>0333420300</b>	ROD	1				
4	<b>1914100063</b>	SEAT ASSY (P.V.C.)	1				see page (2/2)
	<b>1914100059</b>	SEAT ASSY (fabric)	1				see page (2/2)
5	<b>1224010006</b>	E-RING	2				
6	<b>1100040816</b>	BOLT	8		11400011~11400100		
	<b>1100040816</b>	BOLT	12		11400101~		
7	<b>1100040820</b>	BOLT	2				
8	<b>1130040008</b>	NUT	4				
9	<b>1140020008</b>	WASHER, spring	10		11400011~11400100		
	<b>1140020008</b>	WASHER, spring	14		11400101~		
10	<b>1141110008</b>	WASHER	4		11400011~11400100		
	<b>1141110008</b>	WASHER	12		11400101~		
11	<b>0333431100</b>	COVER ASSY	1		11400101~		
11-1	<b>0333431110</b>	• COVER ASSY	1		11400101~		
11-2	<b>0333431120</b>	• ABSORBENT, noise	1		11400101~		
11-3	<b>0338230793</b>	• ABSORBENT, noise	1		11400101~		
11-4	<b>1654605149</b>	• SEAL	1		11400101~		sold by the meter
12	<b>1652515000</b>	CUSHING, rubber	2		11400101~		
13	<b>0339332300</b>	DECAL	1		11400011~1140#		
	<b>C4e073S</b>						



C4E290

Salma

SEAT (2/2)						
Item	Part number	Description	Q'ty	Chan.	Serial No.	Serv. Remarks
0	<b>1914100063</b>	SEAT ASSY (P.V.C.)	1			X19141-00063-1
	<b>1914100059</b>	SEAT ASSY (fabric)	1			X19141-00059-1
1	<b>1914103059</b>	▪ RAIL, slide (L.H.)	1			
2	<b>1914104059</b>	▪ RAIL, slide (R.H.)	1			
3	<b>1914110063</b>	▪ CUSHION	1			P.V.C.
	<b>1914110059</b>	▪ CUSHION	1			fabric
4	<b>1914111063</b>	▪ CUSHION	1			P.V.C.
	<b>1914111059</b>	▪ CUSHION	1			fabric
	<b>C4e290</b>					

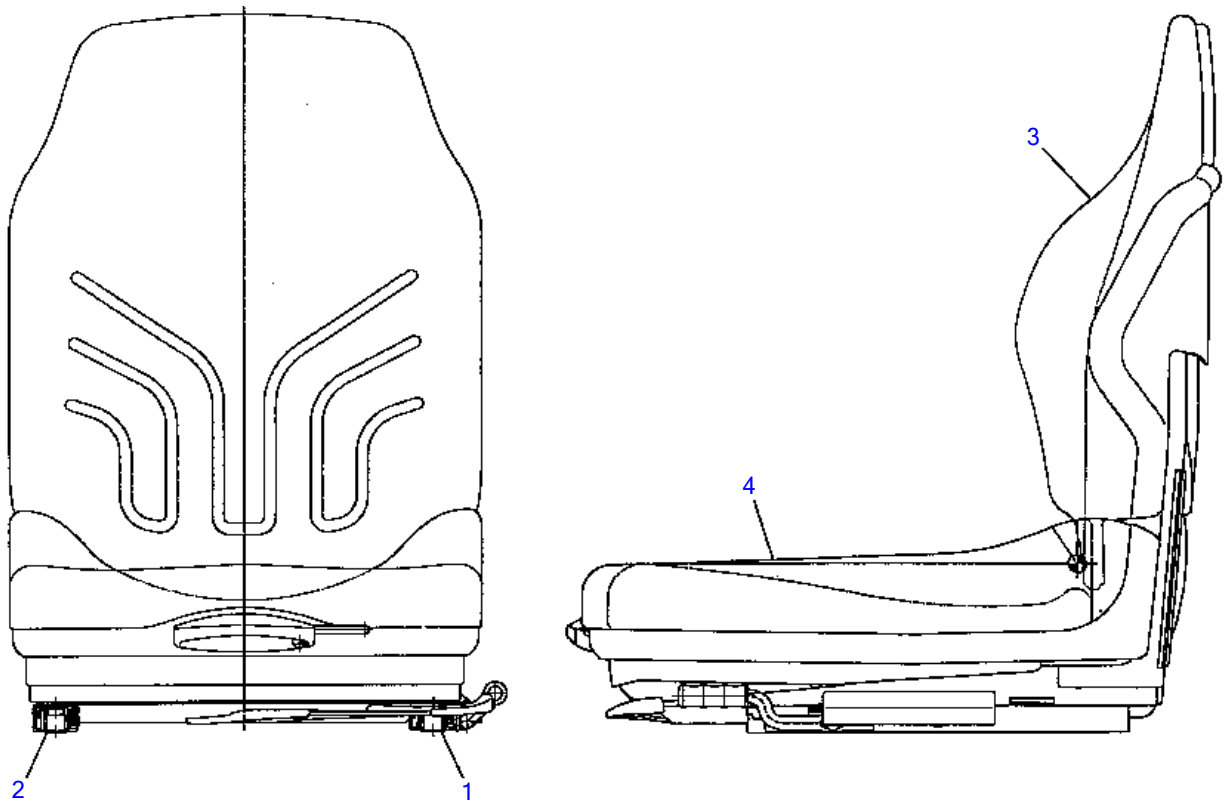


C4E220

S-1/12

**SEAT (1/2) (hight back)**

Item	Part number	Description	Q'ty	Chan.	Serial No.	Serv.	Remarks
		SEAT ASSY (fabric)	1				X03334-29000-0
		SEAT ASSY (PVC)	1				X03334-33000-0
1	<b>0333429100</b>	COVER ASSY	1				
1-1	<b>0333429110</b>	• COVER	1				
1-2	<b>0333425120</b>	• ABSORBENT, noise	1				
1-3	<b>0333429120</b>	• RUBBER	1				
1-4	<b>1654606025</b>	• SEAL	1				sold by the meter
1-5	<b>1654606044</b>	• SEAL	1				sold by the meter
1-6	<b>1654606026</b>	• SEAL	1				sold by the meter
2	<b>0333425200</b>	BRACKET	1				
3	<b>0333429200</b>	COVER ASSY	1				
3-1	<b>0333429210</b>	• COVER	1				
3-2	<b>0333429250</b>	• ABSORBENT, noise	1				
3-3	<b>0333429260</b>	• ABSORBENT, noise	1				
3-4	<b>1654605149</b>	• SEAL	1				sold by the meter
4	<b>0333429130</b>	PLATE	1				
5	<b>0333420300</b>	ROD	1				
6	<b>1914100070</b>	SEAT ASSY (fabric)	1				see page (2/2)
	<b>1914100077</b>	SEAT ASSY (P.V.C.)	1				see page (2/2)
7	<b>1224010006</b>	E-RING	2				
8	<b>1100040616</b>	BOLT	2				
9	<b>1100040816</b>	BOLT	12				
10	<b>1100040820</b>	BOLT	2				
11	<b>1130040008</b>	NUT	4				
12	<b>1140020006</b>	WASHER, spring	2				
13	<b>1140020008</b>	WASHER, spring	14				
14	<b>1141110006</b>	WASHER	2				
15	<b>1141110008</b>	WASHER	8				
	<b>C4e222</b>						



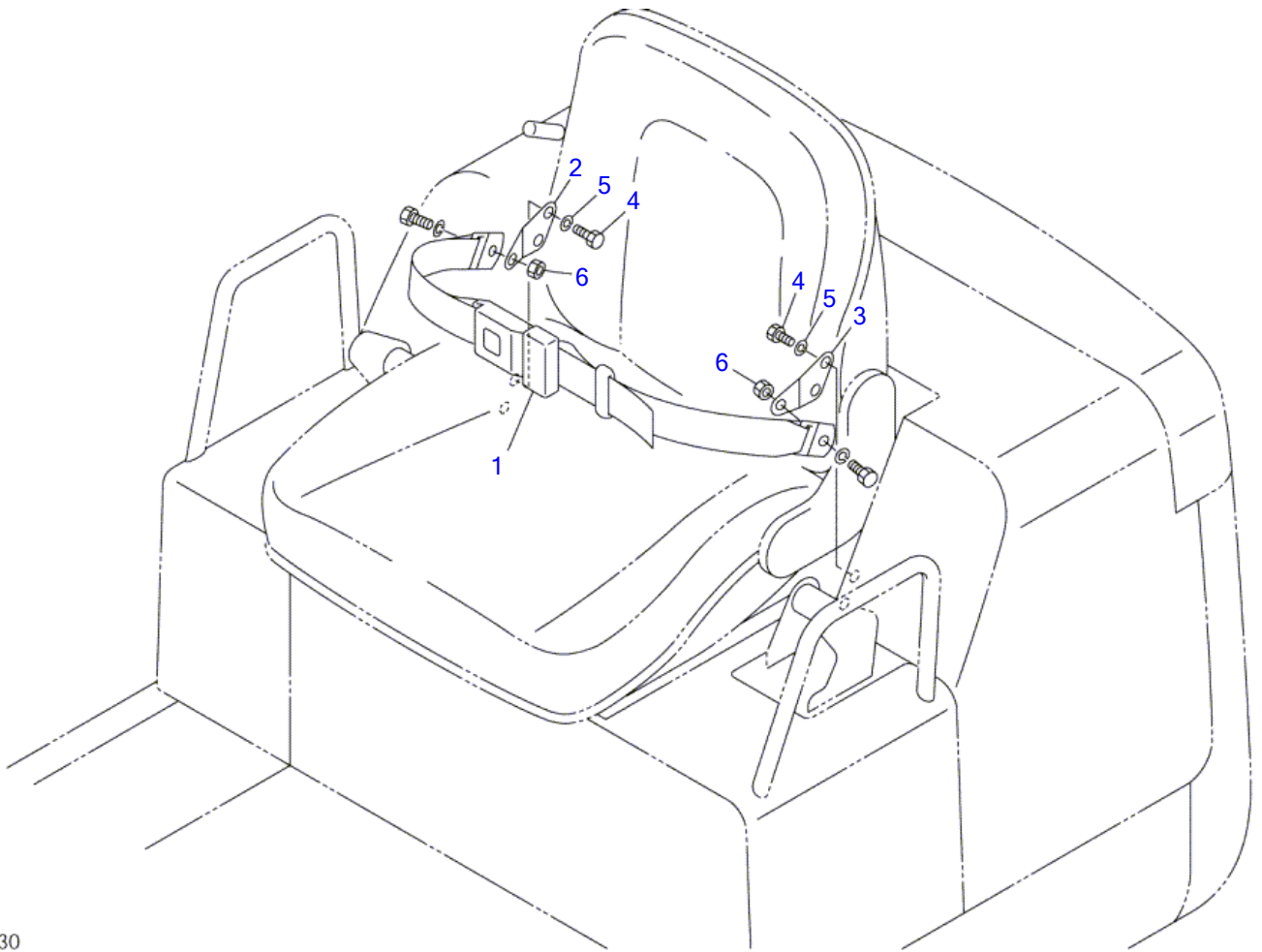
C4E300

5/15



**SEAT (2/2) (hight back)**

Item	Part number	Description	Q'ty	Chan.	Serial No.	Serv.	Remarks
0	<b>1914100070</b>	SEAT ASSY (fabric)	1				X19141-00070
	<b>1914100077</b>	SEAT ASSY (P.V.C.)	1				X19141-00077
1	<b>1914103070</b>	▪ RAIL, slide (L.H.)	1				
2	<b>1914104070</b>	▪ RAIL, slide (R.H.)	1				
3	<b>1914110070</b>	▪ CUSHION	1				fabric
	<b>1914110077</b>	▪ CUSHION	1				P.V.C.
4	<b>1914111070</b>	▪ CUSHION	1				fabric
	<b>1914111077</b>	▪ CUSHION	1				P.V.C.
	<b>C4e300</b>						

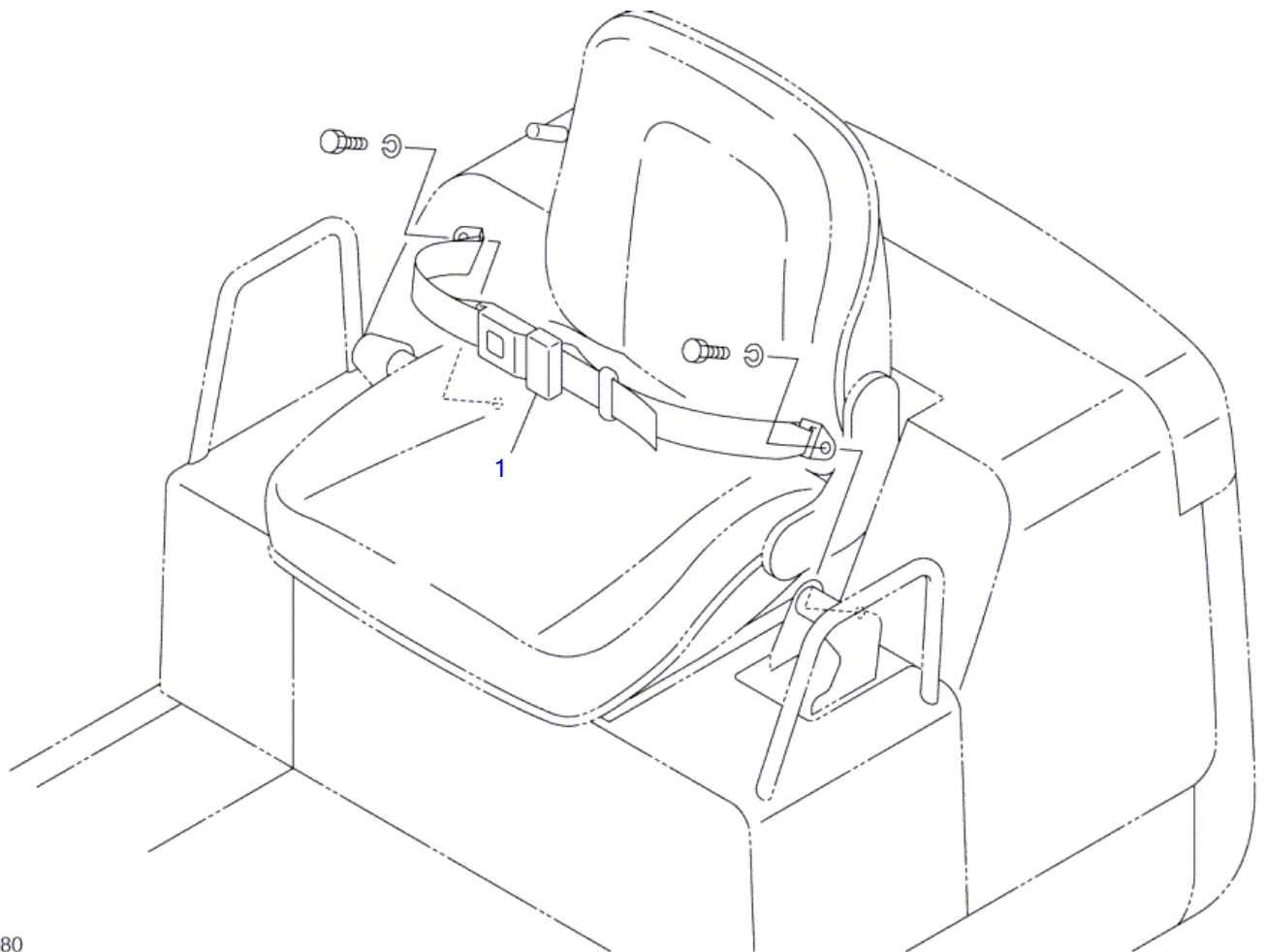


C4E230

S=1/8

**SEAT BELT (11400003-11400010)**

Item	Part number	Description	Q'ty	Chan.	Serial No.	Serv.	Remarks
		BELT ASSY, seat	1				X03334-18000
1	<b>1914100048</b>	BELT, seat	1				
2	<b>0333418100</b>	PLATE (R)	1				
3	<b>0333418200</b>	PLATE (L)	1				
4	<b>1100041030</b>	BOLT	4				
5	<b>1140020010</b>	WASHER, spring	4				
6	<b>1132940719</b>	NUT	2				
	<b>C4e231</b>						

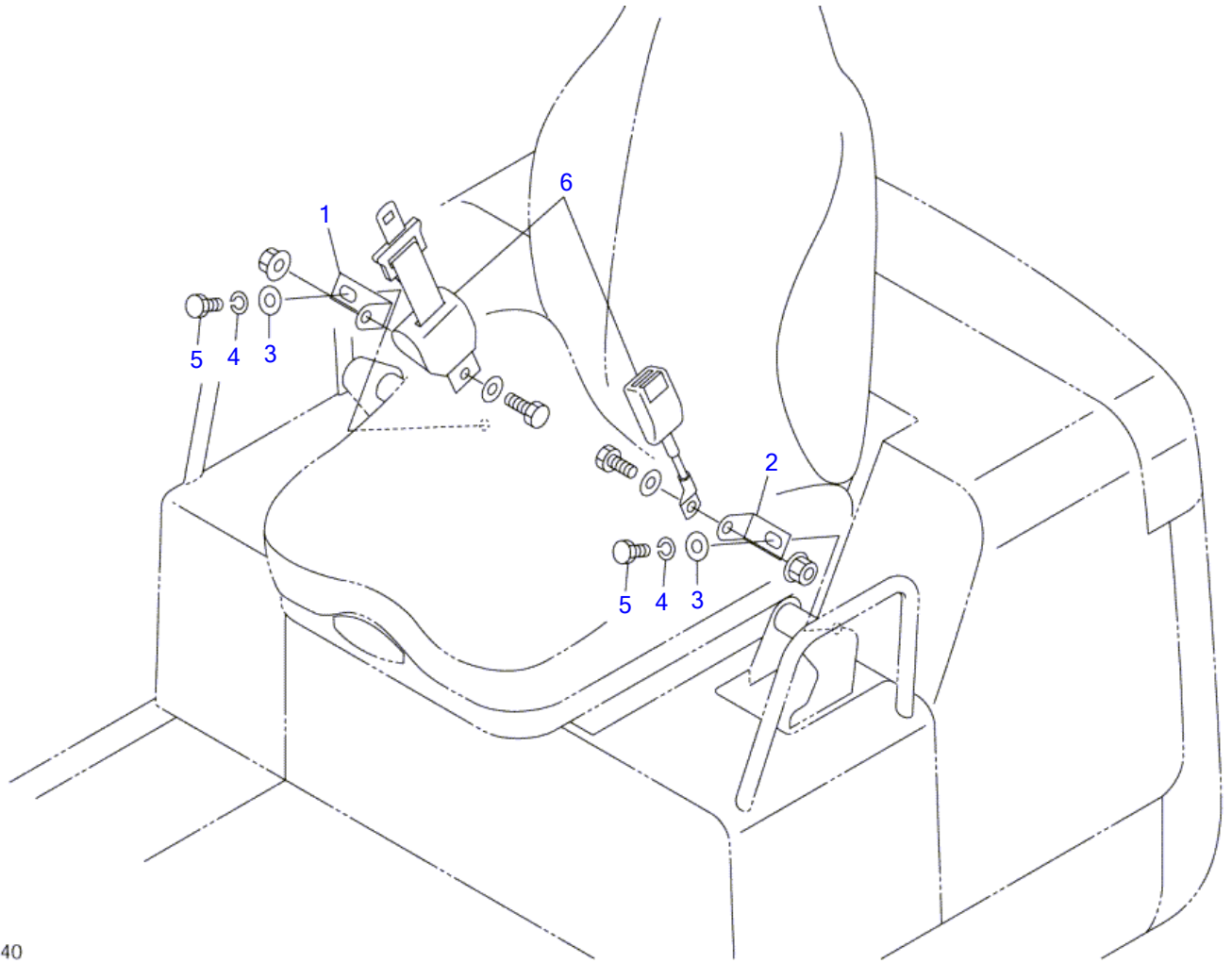


C4E080

S-1/8

SEAT BELT (11400011-)

Item	Part number	Description	Q'ty	Chan.	Serial No.	Serv.	Remarks
1	1914100080 C4e082	BELT ASSY, seat BELT, seat	1 1				X03334-22000-1

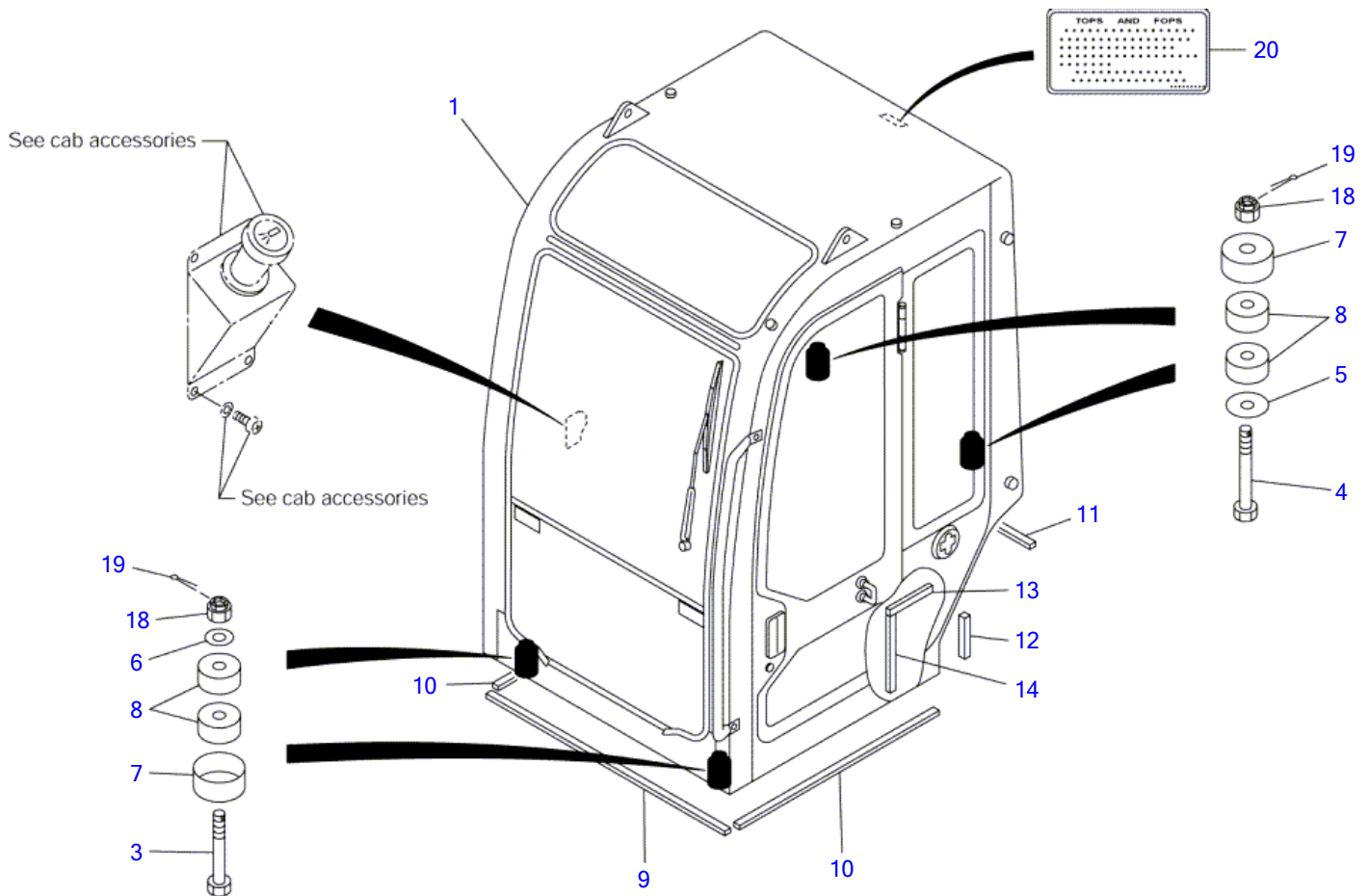


C4E240

S-1/8

**SEAT BELT (retractable)**

Item	Part number	Description	Q'ty	Chan.	Serial No.	Serv.	Remarks
		BELT ASSY, seat	1				X03334-30000-0
1	<b>0333430100</b>	BRACKET (R.H.)	1				
2	<b>0333430200</b>	BRACKET (L.H.)	1				
3	<b>0003600024</b>	WASHER	2				
4	<b>1140210007</b>	WASHER, spring	2				
5	<b>1111940725</b>	BOLT	2				
6	<b>1914100069</b>	BELT, seat	1				
	<b>C4e241</b>						



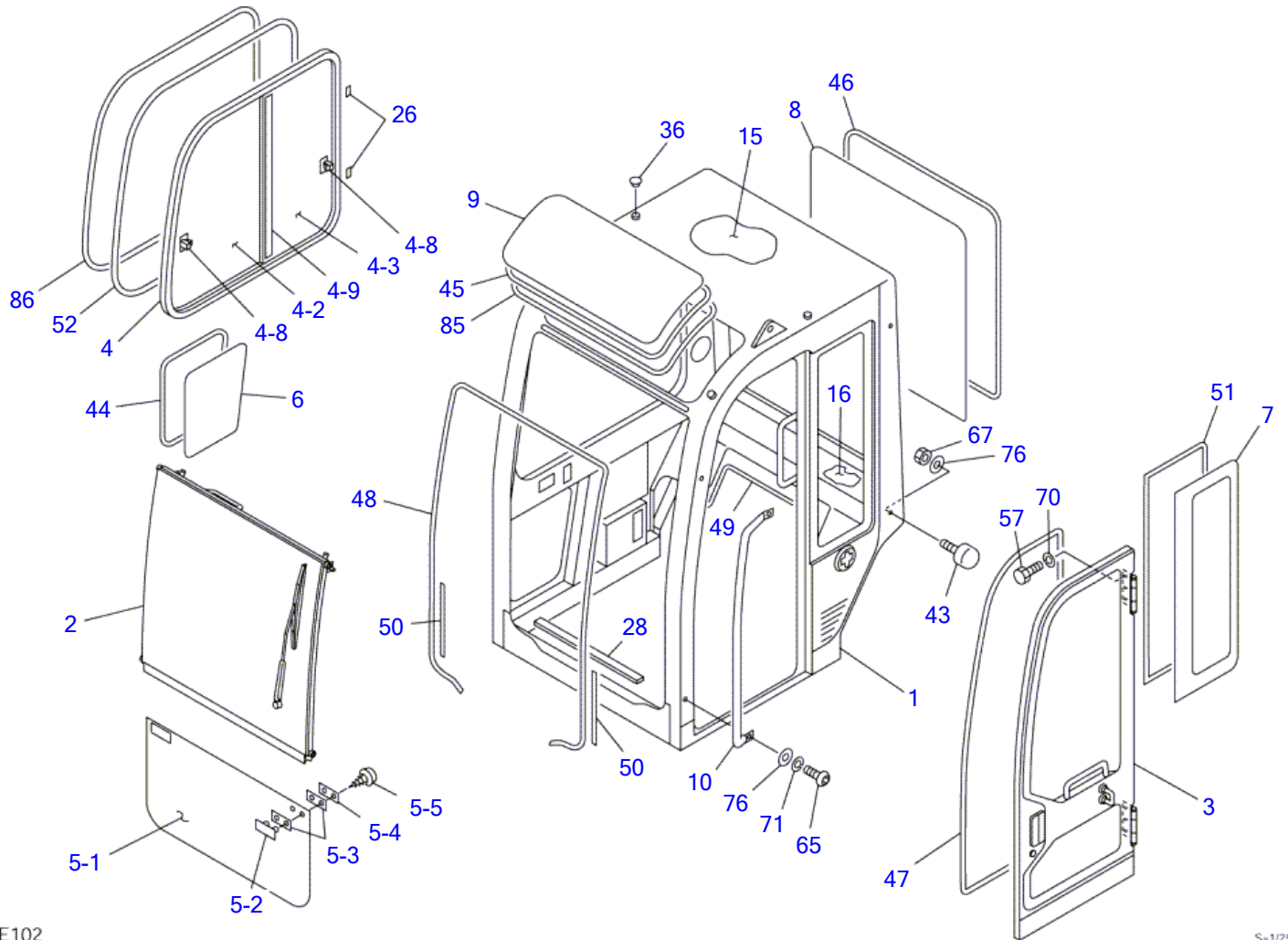
C4E092

S-1/2C



**CAB MOUNT (11400003-#)**

Item	Part number	Description	Q'ty	Chan.	Serial No.	Serv.	Remarks
0	<b>0338630000</b>	CAB MOUNT	1		11400003~11400490		X03386-30000-2
	<b>0338641000</b>	CAB MOUNT	1		11400491~		X03386-41000-3
1	<b>0338630200</b>	• CAB	1		11400003~11400490		see page (1/4)
	<b>0338641200</b>	• CAB	1		11400491~11401265		see page (1/4)
	<b>0338641800</b>	• CAB	1		11401266~	M	see page (1/4)
3	<b>0338624020</b>	• BOLT	2				
4	<b>0338624030</b>	• BOLT	2				
5	<b>0003000010</b>	• COLLAR	2				
6	<b>0003600129</b>	• WASHER	2				
7	<b>0278609000</b>	• STOPPER	4				
8	<b>1651005030</b>	• RUBBER, cushion	8				
9	<b>1654304097</b>	• SPONGE	1				sold by the meter
10	<b>1654304080</b>	• SPONGE	2				sold by the meter
11	<b>1654306085</b>	• SPONGE	1				sold by the meter
12	<b>1654306015</b>	• SPONGE	1				sold by the meter
13	<b>1654304017</b>	• SPONGE	1				sold by the meter
14	<b>1654304027</b>	• SPONGE	1				sold by the meter
18	<b>1132080016</b>	• NUT	4				
19	<b>1210010430</b>	• PIN, split	4				
20	<b>0339361100</b>	• DECAL	1				
	<b>C4e093S</b>						



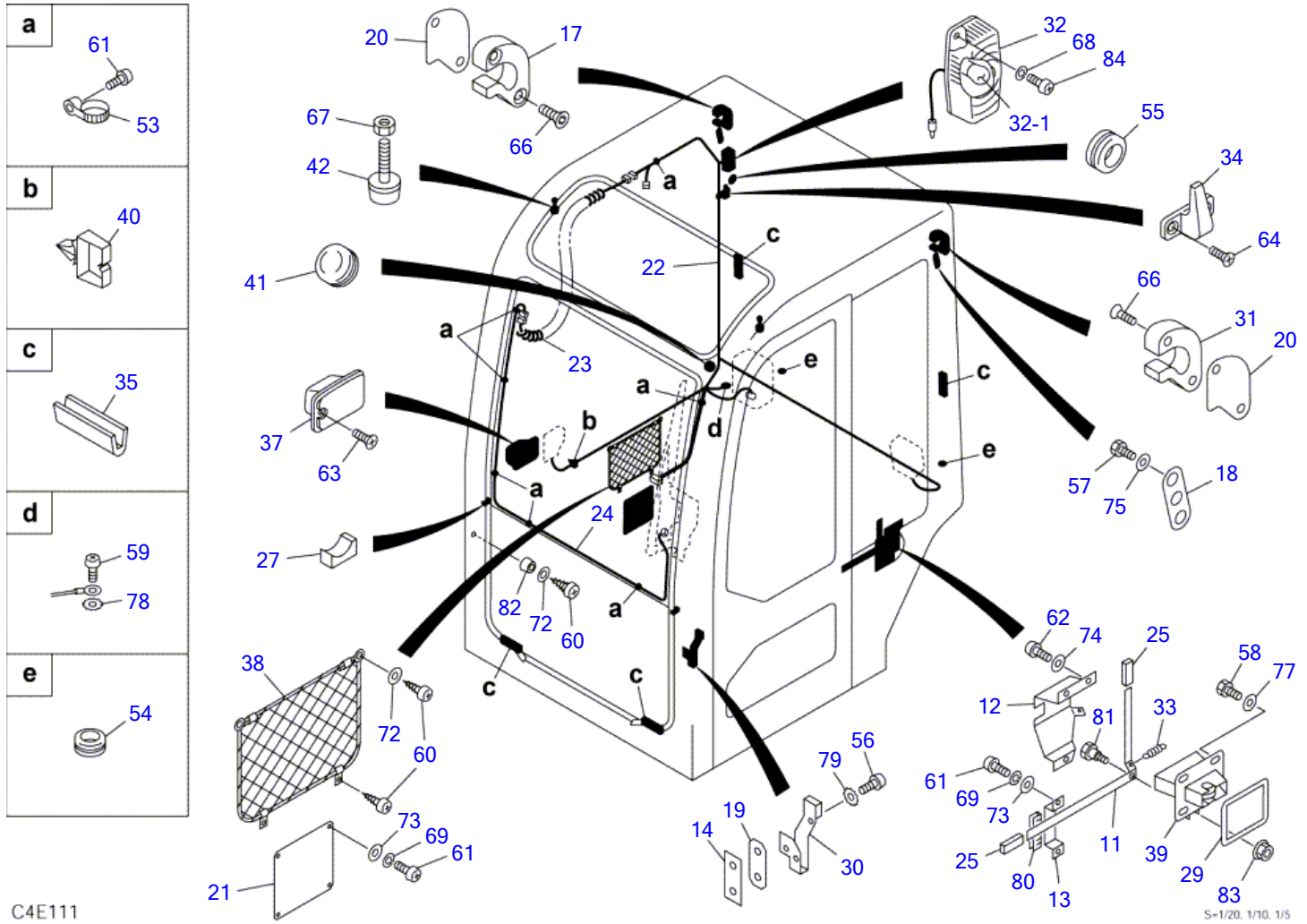
C4E102

S=1/25

CAB (1/4) (11400003-#)

Item	Part number	Description	Q'ty	Chan.	Serial No.	Serv.	Remarks
0	0338630200	CAB ASSY	1		11400003~11400490		X03386-30200
	0338641200	CAB ASSY	1		11400491~11401265		X03386-41200
	0338641800	CAB ASSY	1		11401266~	M	X03386-41800-2
1	X *****	• CAB	1				
2	0338630400	• SASH, front	1				see page (3/4)
3	0338630500	• DOOR	1				see page (4/4)
4	0338630600	• SASH ASSY	1				
4-2	0338630630	• • GLASS	1				
4-3	0338630640	• • GLASS	1				
4-8	0338630650	• • LOCK ASSY	2				
4-9	0338630006	• • STRIP, weather	1				
5	0338630700	• GLASS, front	1				
5-1	0338630710	• • GLASS	1				
5-2	1654010900	• • RETAINER	2				
5-3	1654011100	• • PACKING	4				
5-4	1654011000	• • PLATE	2				
5-5	1122410412	• • SCREW	4				
6	0338630800	• GLASS	1				
7	0338630810	• GLASS	1				
8	0338630820	• GLASS	1				
9	0568633200	• GLASS	1		11400003~11401265		
	0358605300	• GLASS	1		11401266~		
10	0338630840	• HANDLE	1				
15	0338630890	• ABSORBENT, noise	1				
16	0338630900	• ABSORBENT, noise	1				
26	0438601770	• SPACER	7				
28	0568634100	• SEAL	1				
36	1653303010	• CAP	3				
43	1651101042	• RUBBER	2				
44	1654262140	• H-RUBBER	1				sold by the meter
45	1654231225	• H-RUBBER	1		11400003~11401265		sold by the meter
	1654615216	• DAM	1		11401266~		sold by the meter
46	1654231336	• H-RUBBER	1				sold by the meter
47	1654605338	• SEAL	1				sold by the meter
48	1654605374	• RUBBER	1				sold by the meter
49	1654520168	• RUBBER	1				sold by the meter
50	1654605033	• RUBBER	2				sold by the meter
51	1654615220	• DAM	1				sold by the meter
52	1653930315	• TRIM	1				sold by the meter
57	1100090820	• BOLT	6				
65	1120800830	• SCREW	2				
67	1130090010	• NUT	2				
70	1140090008	• WASHER, spring	6				
71	1140090010	• WASHER, spring	2				
76	1141190010	• WASHER	4				
85	1653916222	• TRIM	1		11401266~		sold by the meter
86	1654620330	• SEAL	1		11400317~		sold by the meter

C4e103S



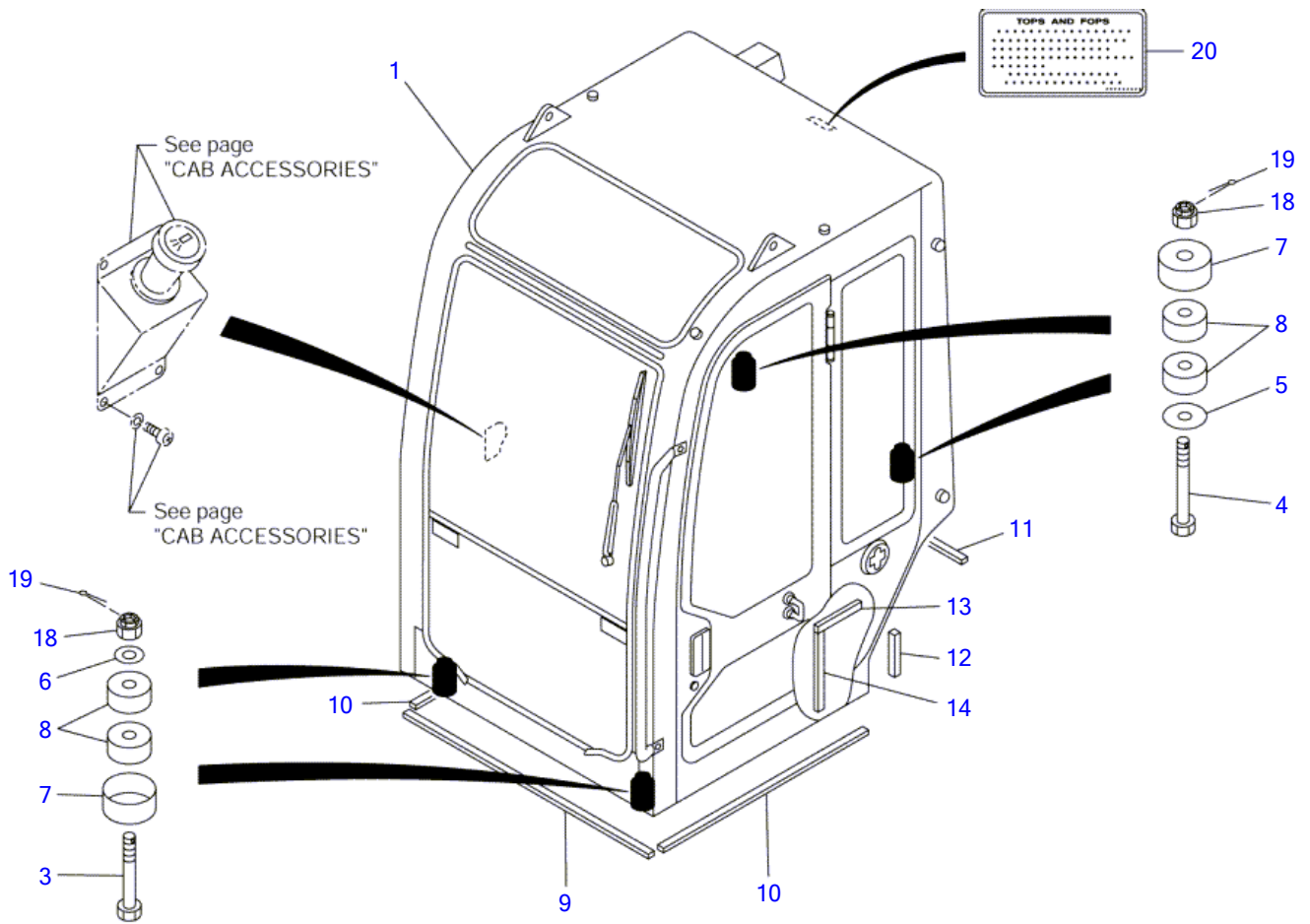
S-1/20, 1/10, 1/5

C4E111

CAB (2/4) (11400003-#)

Item	Part number	Description	Qty	Chan.	Serial No.	Serv.	Remarks
0	0338630200	CAB ASSY	1		11400003~11400490		X03386-30200
	0338641200	CAB ASSY	1		11400491~11401265		X03386-41200
	0338641800	CAB ASSY	1		11401266~	M	X03386-41800-2
11	0338630850	• PLATE	1				
12	0338630860	• PLATE	1				
13	0338630870	• PLATE	1				
14	0338630880	• PLATE	1				
17	0338630910	• STOPPER (R.H.)	1				
18	0338630920	• PLATE	2				
19	0338630930	• PACKING	1				
20	0338630940	• SHIM	2		11400317~		
21	0338630950	• COVER	1		11400317~11400976		
	0338630970	• COVER	1		11400977~		
22	0338631000	• HARNESS, wiring	1		11400003~11400310		
	0338631100	• HARNESS, wiring	1	(H)	11400311~		
23	0398802200	• HARNESS, wiring	1				
24	0338631010	• HARNESS, wiring	1				
25	0438601760	• COVER	2				
27	0568633300	• STOPPER	2				
29	0568634400	• SEAL	1				
30	0068620500	• STRIKER	1				
31	0338630960	• STOPPER (L.H.)	1				
32	1703001700	• LAMP, room	1				
32-1	1703001701	• • BULB	1				
33	0007000096	• SPRING	1				
34	1654004800	• HANGER	1				
35	1654004900	• STOPPER	4				
37	1654010500	• ASHTRAY	1				
38	1654010600	• POCKET	1				
39	1654010700	• LOCK	1				
40	1652341547	• CLAMP	1				
41	1652050900	• GROMMET	1				
42	1651101028	• STOPPER	2				
53	1652221050	• BAND	6				
54	1652060016	• GROMMET	2				
55	1652060031	• BUSHING	1				
56	0068621300	• SCREW	2				
57	1100090820	• BOLT	10				
58	1100040825	• BOLT	4				
59	1120590516	• SCREW	1				
60	1122410416	• SCREW	8				
61	1120590512	• SCREW	12				
62	1120590616	• SCREW	5				
63	1120630412	• SCREW	2				
64	1120790412	• SCREW	2				
66	1120890830	• SCREW	4				
67	1130090010	• NUT	4				
68	1140090004	• WASHER, spring	2				
69	1140090005	• WASHER, spring	6				
72	1141190004	• WASHER	6				
73	1141190005	• WASHER	6				
74	1140090006	• WASHER, spring	3				
75	1141190008	• WASHER	4				
77	1141550008	• WASHER	4				
78	1140330005	• WASHER	1				
79	1140330010	• WASHER	2				
80	1653916007	• TRIM	1				sold by the meter
81	1654010800	• PIN	1				
82	1652101811	• RUBBER	2				
83	1131242006	• NUT	1				
84	1120540408	• SCREW	2				

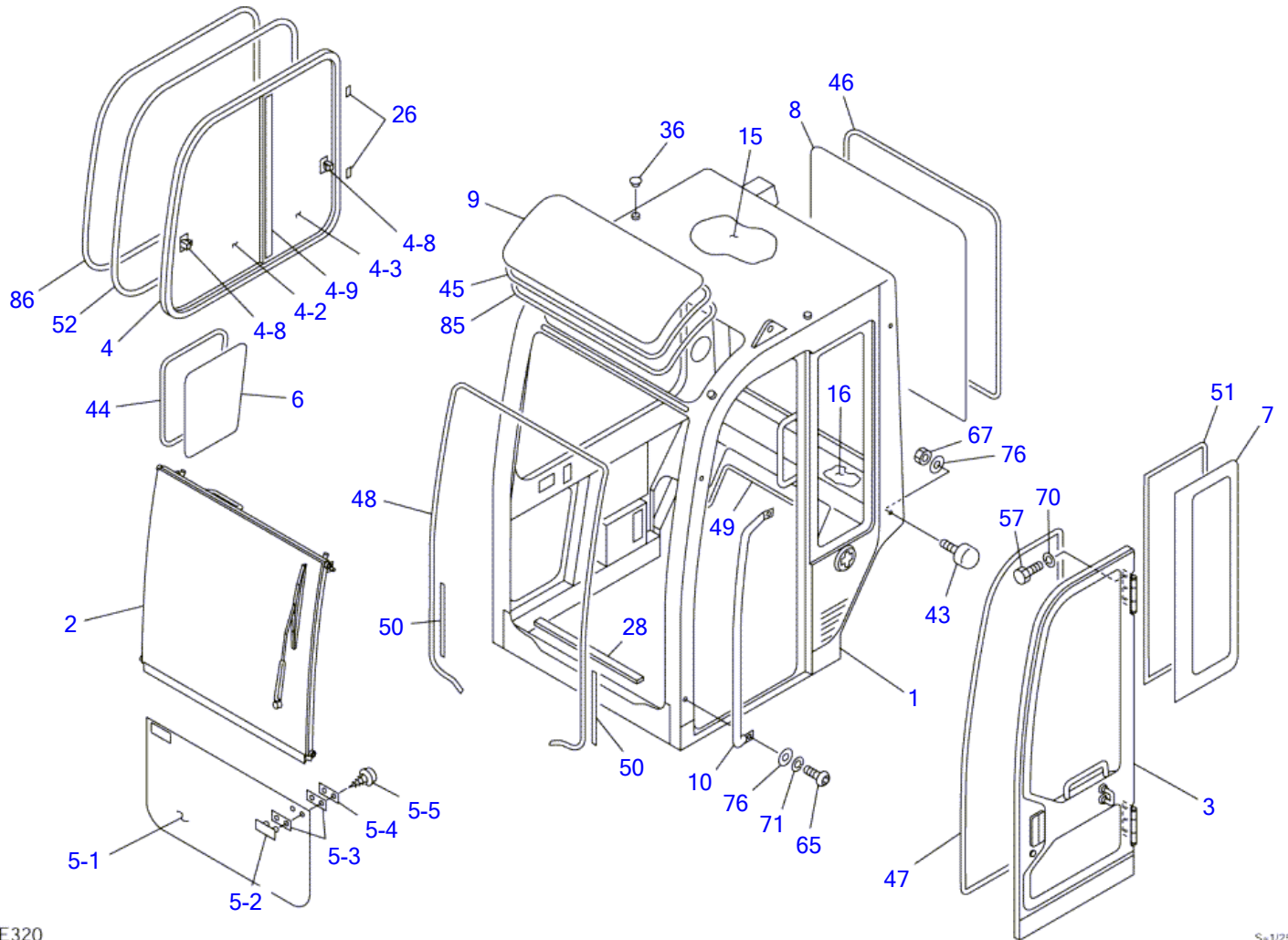
C4e113S



C4E310

5-1/20

CAB MOUNT (#)							
Item	Part number	Description	Q'ty	Chan.	Serial No.	Serv.	Remarks
0	0338642000	CAB MOUNT	1			A	X03386-42000-0
1	0338642500	• CAB	1			M	see page (1/4)
3	0338624020	• BOLT	2				
4	0338624030	• BOLT	2				
5	0003000010	• COLLAR	2				
6	0003600129	• WASHER	2				
7	0278609000	• STOPPER	4				
8	1651005030	• RUBBER, cushion	8				
9	1654304097	• SPONGE	1				sold by the meter
10	1654304080	• SPONGE	2				sold by the meter
11	1654306085	• SPONGE	1				sold by the meter
12	1654306015	• SPONGE	1				sold by the meter
13	1654304017	• SPONGE	1				sold by the meter
14	1654304027	• SPONGE	1				sold by the meter
18	1132080016	• NUT	4				
19	1210010430	• PIN, split	4				
20	0339361100	• DECAL	1				
	C4e310						



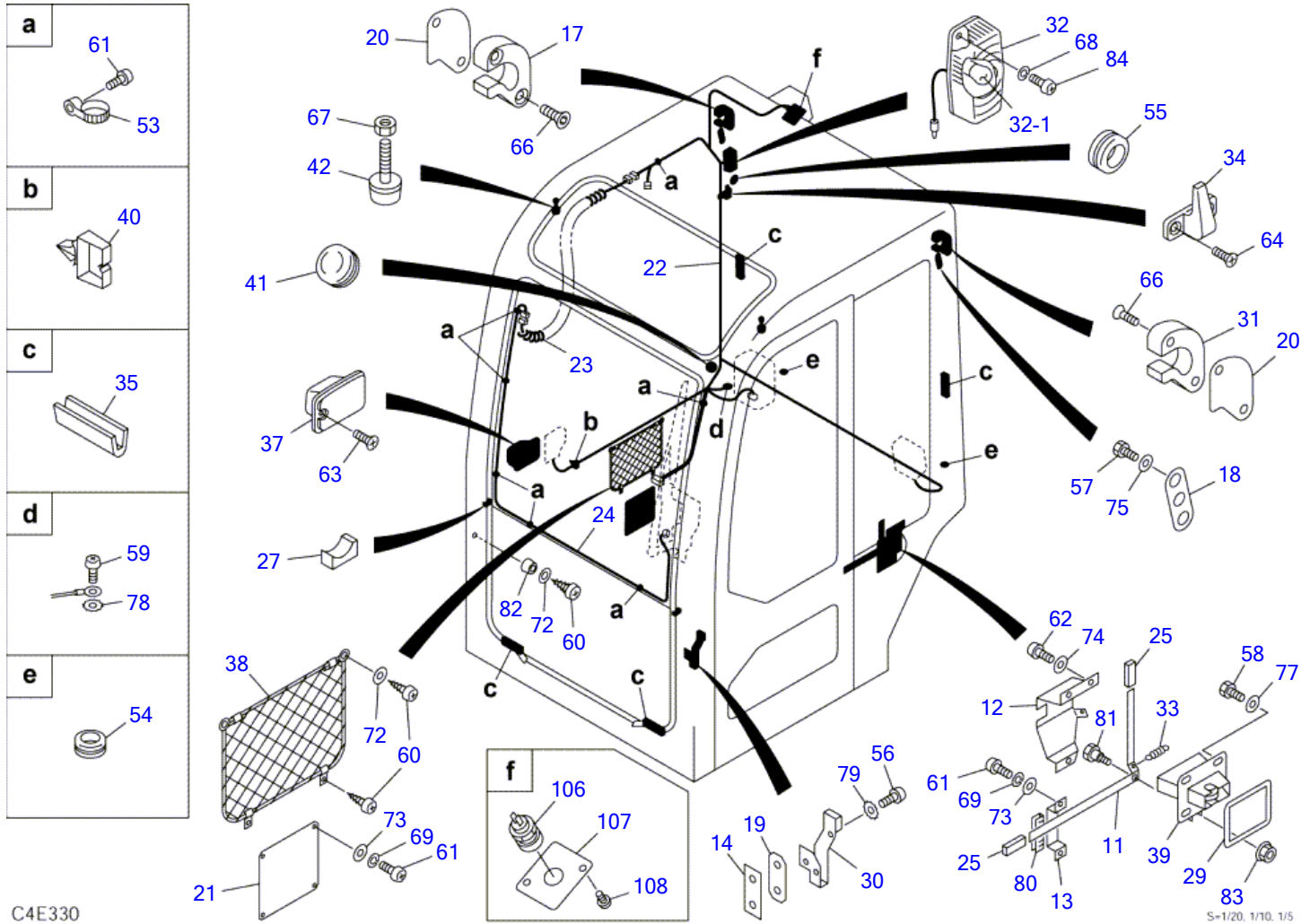
C4E320

S=1/25



Item	Part number	Description	CAB (1/4) (#-)			Serv.	Remarks
			Q'ty	Chan.	Serial No.		
0	0338642500	CAB ASSY	1			A	X03386-42500-0
1	X *****	• CAB	1			M	
2	0338630400	• SASH, front	1				see page (3/4)
3	0338630500	• DOOR	1				see page (4/4)
4	0338630600	• SASH ASSY	1				
4-2	0338630630	• • GLASS	1				
4-3	0338630640	• • GLASS	1				
4-8	0338630650	• • LOCK ASSY	2				
4-9	0338630006	• • STRIP, weather	1				
5	0338630700	• GLASS, front	1				
5-1	0338630710	• • GLASS	1				
5-2	1654010900	• • RETAINER	2				
5-3	1654011100	• • PACKING	4				
5-4	1654011000	• • PLATE	2				
5-5	1122410412	• • SCREW	4				
6	0338630800	• GLASS	1				
7	0338630810	• GLASS	1				
8	0338630820	• GLASS	1				
9	0358605300	• GLASS	1				
10	0338630840	• HANDLE	1				
15	0338630890	• ABSORBENT, noise	1				
16	0338630900	• ABSORBENT, noise	1				
26	0438601770	• SPACER	7				
28	0568634100	• SEAL	1				
36	1653303010	• CAP	3				
43	1651101042	• RUBBER	2				
44	1654262140	• H-RUBBER	1				sold by the meter
45	1654615216	• DAM	1				sold by the meter
46	1654231336	• H-RUBBER	1				sold by the meter
47	1654605338	• SEAL	1				sold by the meter
48	1654605374	• RUBBER	1				sold by the meter
49	1654520168	• RUBBER	1				sold by the meter
50	1654605033	• RUBBER	2				sold by the meter
51	1654615220	• DAM	1				sold by the meter
52	1653930315	• TRIM	1				sold by the meter
57	1100090820	• BOLT	6				
65	1120800830	• SCREW	2				
67	1130090010	• NUT	2				
70	1140090008	• WASHER, spring	6				
71	1140090010	• WASHER, spring	2				
76	1141190010	• WASHER	4				
85	1653916222	• TRIM	1				sold by the meter
86	1654620330	• SEAL	1				sold by the meter

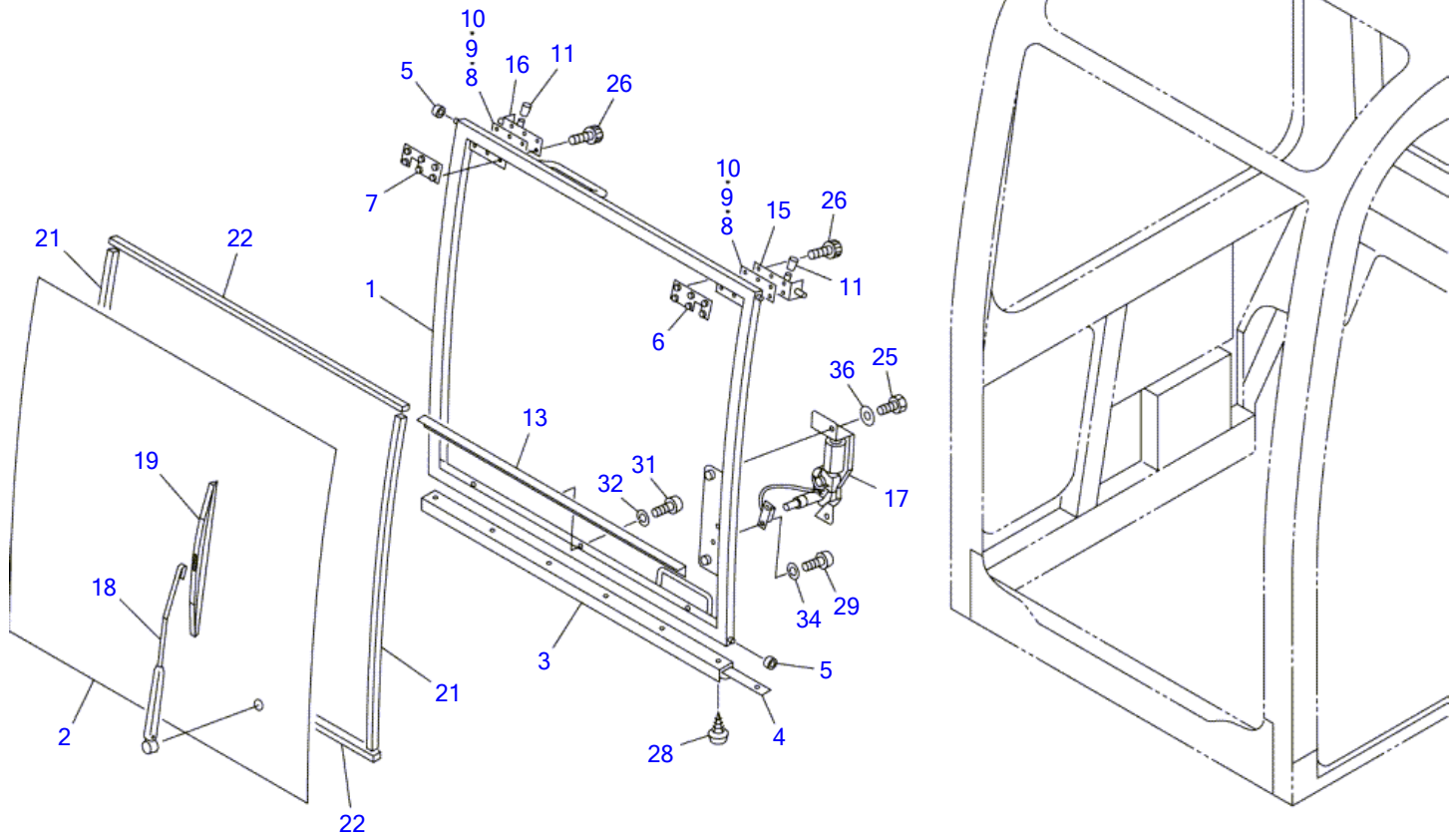
C4e320



S-1/20, 1/10, 1/5

C4E330

Item	Part number	Description	CAB (2/4) (#-)		Serial No.	Serv.	Remarks
			Q'ty	Chan.			
0	0338642500	CAB ASSY	1			A	X03386-42500-0
11	0338630850	• PLATE	1				
12	0338630860	• PLATE	1				
13	0338630870	• PLATE	1				
14	0338630880	• PLATE	1				
17	0338630910	• STOPPER (R.H.)	1				
18	0338630920	• PLATE	2				
19	0338630930	• PACKING	1				
20	0338630940	• SHIM	2				
21	0338630970	• COVER	1				
22	0338642110	• HARNESS, wiring	1			M	
23	0398802200	• HARNESS, wiring	1				
24	0338631010	• HARNESS, wiring	1				
25	0438601760	• COVER	2				
27	0568633300	• STOPPER	2				
29	0568634400	• SEAL	1				
30	0068620500	• STRIKER	1				
31	0338630960	• STOPPER (L.H.)	1				
32	1703001700	• LAMP, room	1				
32-1	1703001701	• • BULB	1				
33	0007000096	• SPRING	1				
34	1654004800	• HANGER	1				
35	1654004900	• STOPPER	4				
37	1654010500	• ASHTRAY	1				
38	1654010600	• POCKET	1				
39	1654010700	• LOCK	1				
40	1652341547	• CLAMP	1				
41	1652050900	• GROMMET	1				
42	1651101028	• STOPPER	2				
53	1652221050	• BAND	6				
54	1652060016	• GROMMET	2				
55	1652060031	• BUSHING	1				
56	0068621300	• SCREW	2				
57	1100090820	• BOLT	10				
58	1100040825	• BOLT	4				
59	1120590516	• SCREW	1				
60	1122410416	• SCREW	8				
61	1120590512	• SCREW	12				
62	1120590616	• SCREW	5				
63	1120630412	• SCREW	2				
64	1120790412	• SCREW	2				
66	1120890830	• SCREW	4				
67	1130090010	• NUT	4				
68	1140090004	• WASHER, spring	2				
69	1140090005	• WASHER, spring	6				
72	1141190004	• WASHER	6				
73	1141190005	• WASHER	6				
74	1140090006	• WASHER, spring	3				
75	1141190008	• WASHER	4				
77	1141550008	• WASHER	4				
78	1140330005	• WASHER	1				
79	1140330010	• WASHER	2				
80	1653916007	• TRIM	1				sold by the meter
81	1654010800	• PIN	1				
82	1652101811	• RUBBER	2				
83	1131242006	• NUT	1				
84	1120540408	• SCREW	2				
106	1711900066	• SOCKET	1			M	
107	0578600143	• COVER	1			M	
108	1150420512	• SCREW	2			M	
	C4e330						

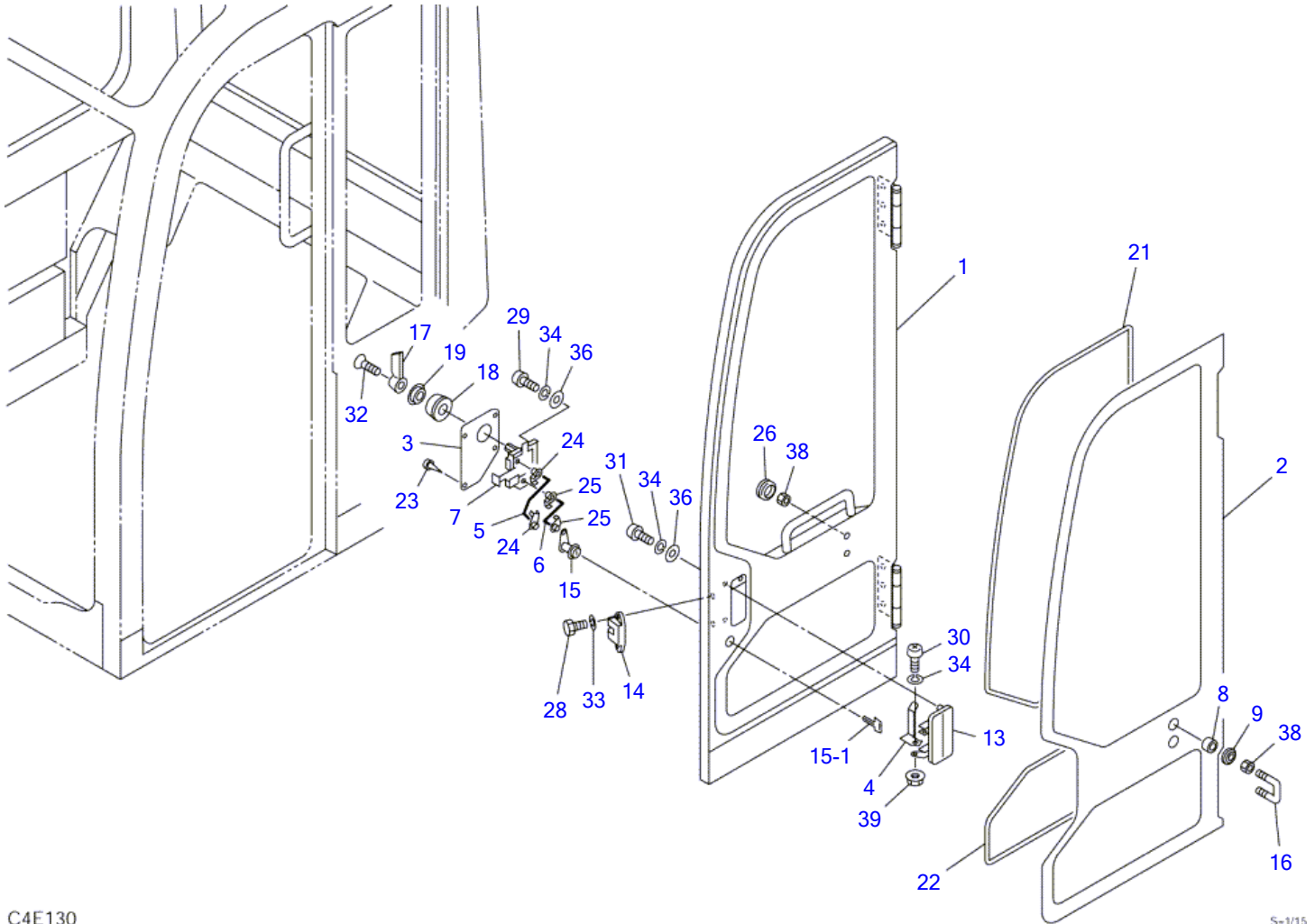


C4E120

S-1/15

**CAB (3/4) (front sash)**

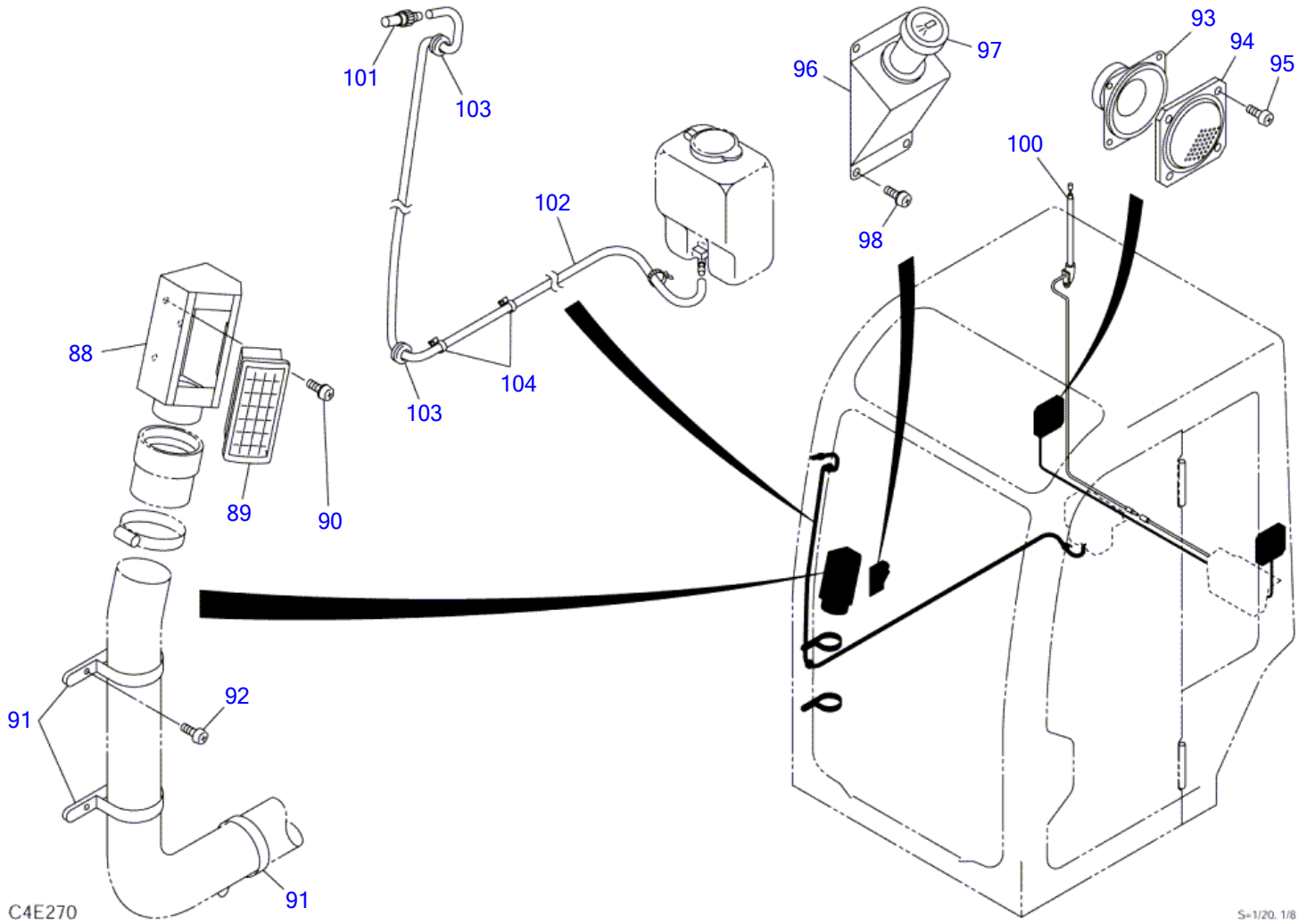
Item	Part number	Description	Q'ty	Chan.	Serial No.	Serv.	Remarks
0-1	<b>0338630400</b>	SASH ASSY, front	1				
1	<b>0338630430</b>	▪ SASH, front	1				
2	<b>0568639330</b>	▪ GLASS	1				
3	<b>0568621800</b>	▪ SEAL	1				
4	<b>0568621900</b>	▪ PLATE	1				
5	<b>0568622200</b>	▪ ROLLER	4				
6	<b>0568622400</b>	▪ PLATE (L.H.)	1				
7	<b>0568622300</b>	▪ PLATE	1				
8	<b>0468605031</b>	▪ SHIM t=0.7	AR				
9	<b>0468605032</b>	▪ SHIM t=1.2	AR				
10	<b>0468605033</b>	▪ SHIM t=1.6	AR				
11	<b>0398612500</b>	▪ COVER	2				
13	<b>0338630440</b>	▪ PLATE	1				
15	<b>1654005350</b>	▪ LATCH (L.H.)	1				
16	<b>1654005300</b>	▪ LATCH (R.H.)	1				
17	<b>1704078912</b>	▪ MOTOR, wiper	1				
18	<b>1704100530</b>	▪ ARM, wiper	1				
19	<b>1704200530</b>	▪ BLADE	1				
21	<b>1654616080</b>	▪ DAM	2				sold by the meter
22	<b>1654615085</b>	▪ DAM	2				sold by the meter
25	<b>1100290820</b>	▪ BOLT	2				
26	<b>1110090516</b>	▪ SCREW, cap	12				
28	<b>1122510412</b>	▪ SCREW	6				
29	<b>1120590408</b>	▪ SCREW	2				
31	<b>1120590516</b>	▪ SCREW	3				
32	<b>1140090005</b>	▪ WASHER, spring	3				
34	<b>1140090004</b>	▪ WASHER, spring	2				
36	<b>1141190008</b>	▪ WASHER	2				
	<b>C4e122</b>						



C4E130

S-1/15

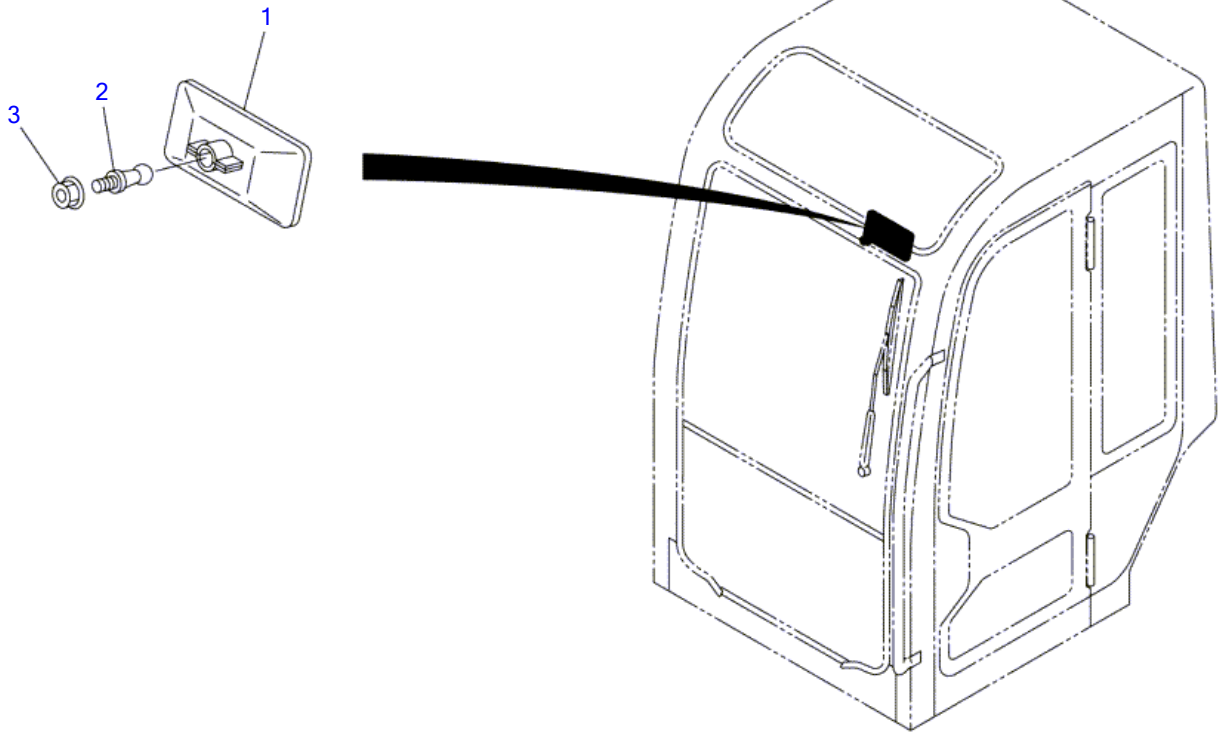
Item	Part number	Description	CAB (4/4) (door)				Remarks
			Q'ty	Chan.	Serial No.	Serv.	
0-2	0338630500	DOOR ASSY	1				
1	0338630540	• DOOR	1				
2	0338630550	• GLASS	1				
3	0568623300	• COVER	1				
4	0568630900	• PLATE	1				
5	0568630800	• ROD	1				
6	0568630600	• ROD	1				
7	0568623400	• UNIT, control	1				
8	0568623500	• COLLAR	2				
9	0568623600	• SEAL	2				
13	1654005600	• HANDLE	1				
14	0068620400	• LOCK	1				
15	1653611527	• LOCK	1				
15-1	1700100019	• KEY	1				
16	1654005900	• STRIKER	1				
17	1654005500	• HANDLE	1				
18	1654005800	• BASE	1				
19	1654005700	• ESCUTCHEON	1				
21	1654615280	• DAM	1				sold by the meter
22	1654615160	• DAM	1				sold by the meter
23	1652711432	• CLIP	4				
24	0068621500	• SNAP	2				
25	0398610900	• SNAP	2				
26	1652053200	• GROMMET	2				
28	1100290616	• BOLT	2				
29	1120530612	• SCREW	2				
30	1120530616	• SCREW	1				
31	1120530608	• SCREW	2				
32	1120790516	• SCREW	1				
33	1140090006	• WASHER, spring	2				
34	1140020006	• WASHER, spring	5				
36	1141110006	• WASHER	4				
38	1130040010	• NUT	4				
39	1131242006	• NUT	1				
	C4e132						





**CAB ACCESSORIES**

Item	Part number	Description	Q'ty	Chan.	Serial No.	Serv.	Remarks
88	<b>0872453510</b>	DEFROSTER	1				
89	<b>1911504000</b>	LOUVER	1				
90	<b>1150120512</b>	SCREW	3				
91	<b>1652261410</b>	BAND	3				
92	<b>1120590514</b>	SCREW	3				
93	<b>1705003500</b>	SPEAKER	2				
94	<b>1705003550</b>	GRILLE	2				
95	<b>1120590410</b>	SCREW	8				
96	<b>0338627020</b>	BRACKET	1				
97	<b>1711900059</b>	LIGHTER	1				
98	<b>1150120410</b>	SCREW	4				
100	<b>1705003400</b>	ANTENNA	1				
101	<b>1711910040</b>	NOZZLE	1				
102	<b>1711919180</b>	HOSE	1				sold by the meter
103	<b>1652001002</b>	GROMMET	2				
104	<b>1652351054</b>	BAND	2				
	<b>C4e270</b>						

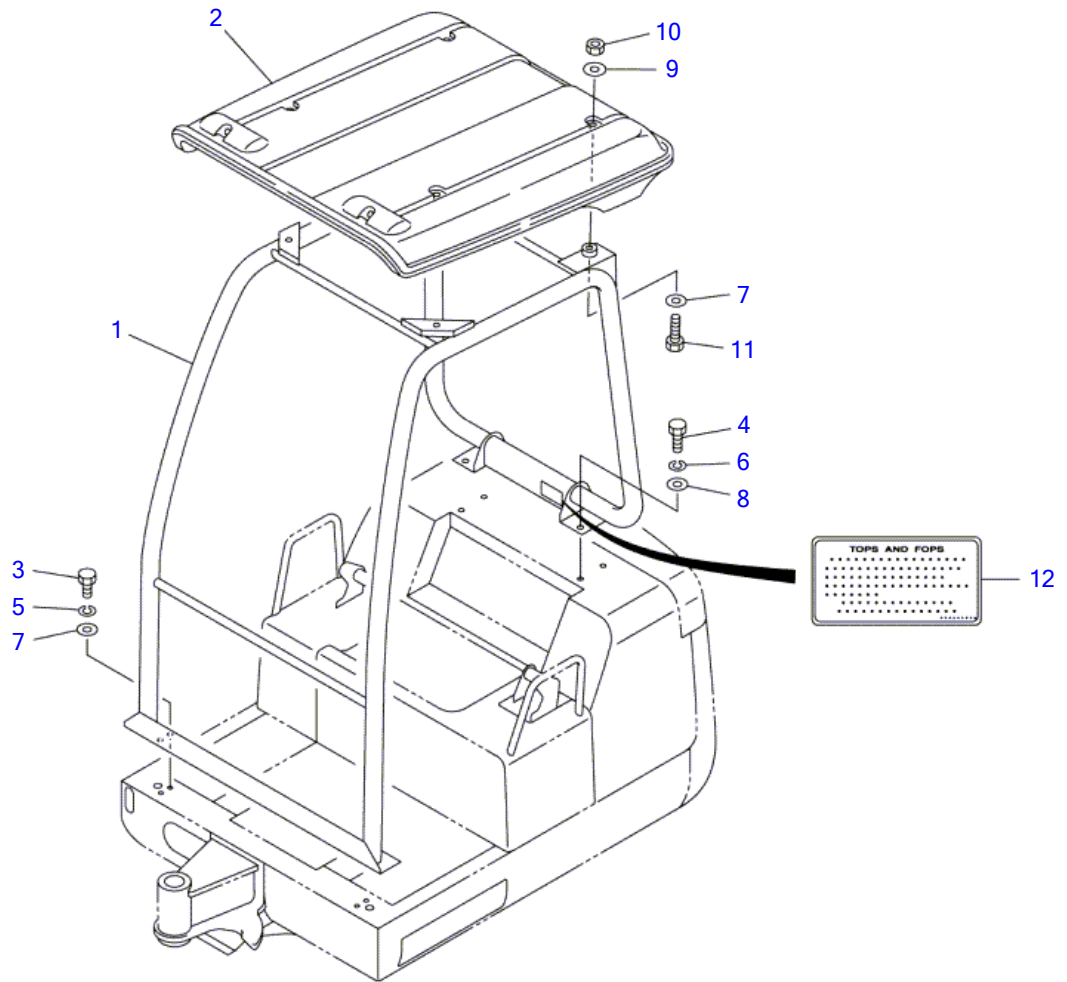


C4E140

S=1/20, 1/5

REARVIEW MIRROR

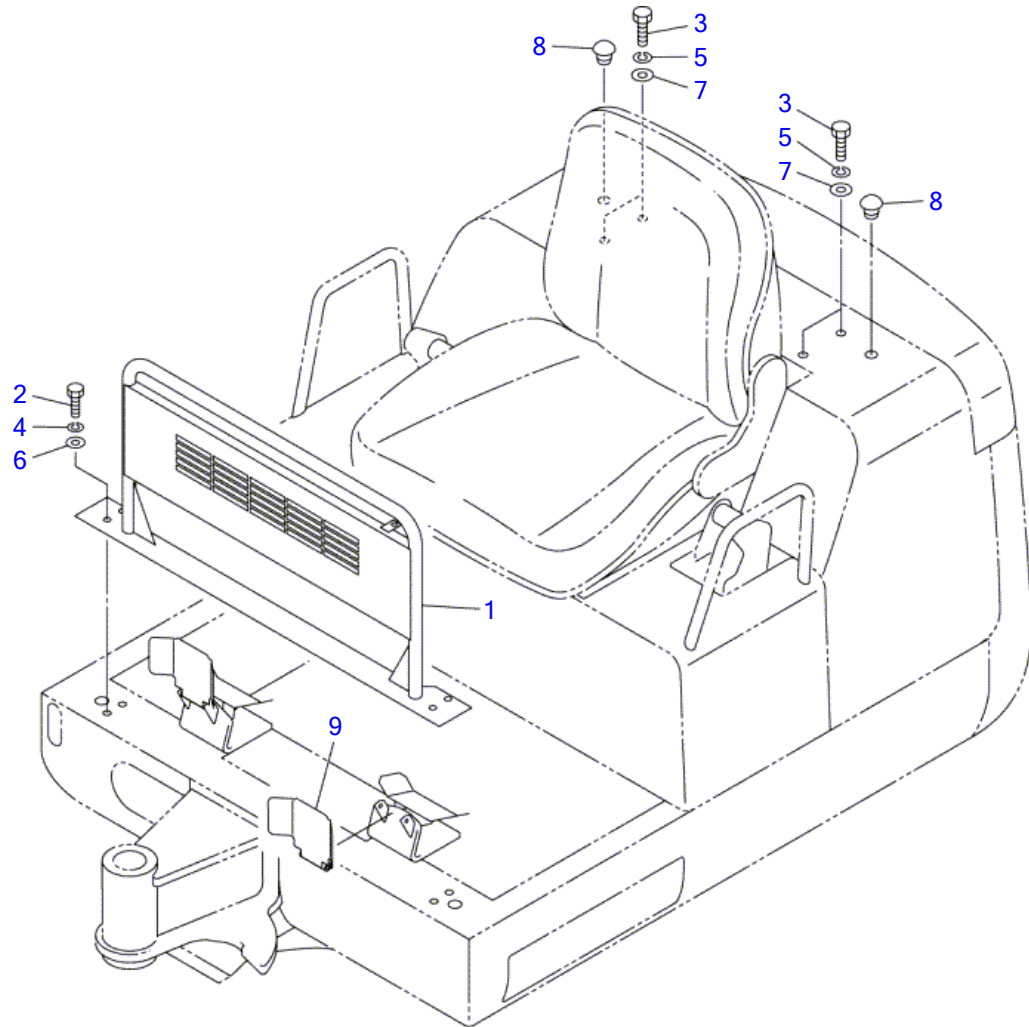
Item	Part number	Description	Q'ty	Chan.	Serial No.	Serv.	Remarks
		MIRROR ASSY, rearview					X03387-00000-0
1	1654005400	MIRROR	1				
2	1654006000	PIVOT	1				
3	1131242008	NUT	1				
	C4e141						



C4E151

S-1/20

Item	Part number	Description	CANOPY		Serial No.	Serv.	Remarks
			Q'ty	Chan.			
		CANOPY ASSY					X03384-25000-4
1	0338424100	POLE	1		11400003~11400262		
	0338425100	POLE	1	(H)	11400263~11400316		
	0338425200	POLE	1	(H)	11400317~		
2	0368416300	ROOF	1				
3	1100041025	BOLT	4				
4	1101041230	BOLT	4				
5	1140020010	WASHER, spring	4				
6	1140020012	WASHER, spring	4				
7	1141110010	WASHER	8				
8	1141110012	WASHER	4				
9	0003600020	WASHER	4				
10	1130040010	NUT	4				
11	1100041045	BOLT	4		11400003~11400010		
	1100041040	BOLT	4		11400011~		
12	0339359200	DECAL	1		11400263~		
	C4e151S						

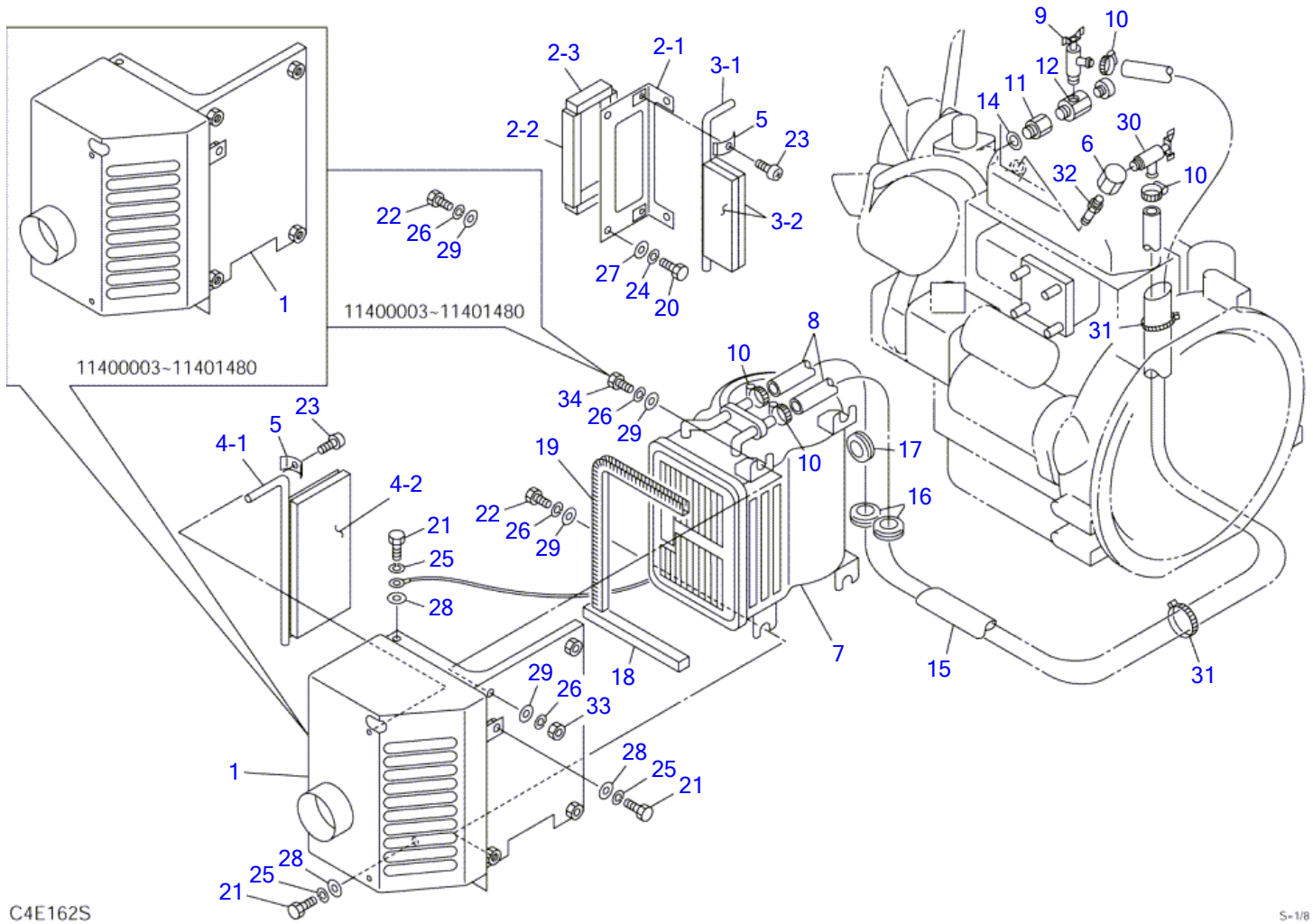


C4E260

S-1/12

**FRONT GUARD (for YBM)**

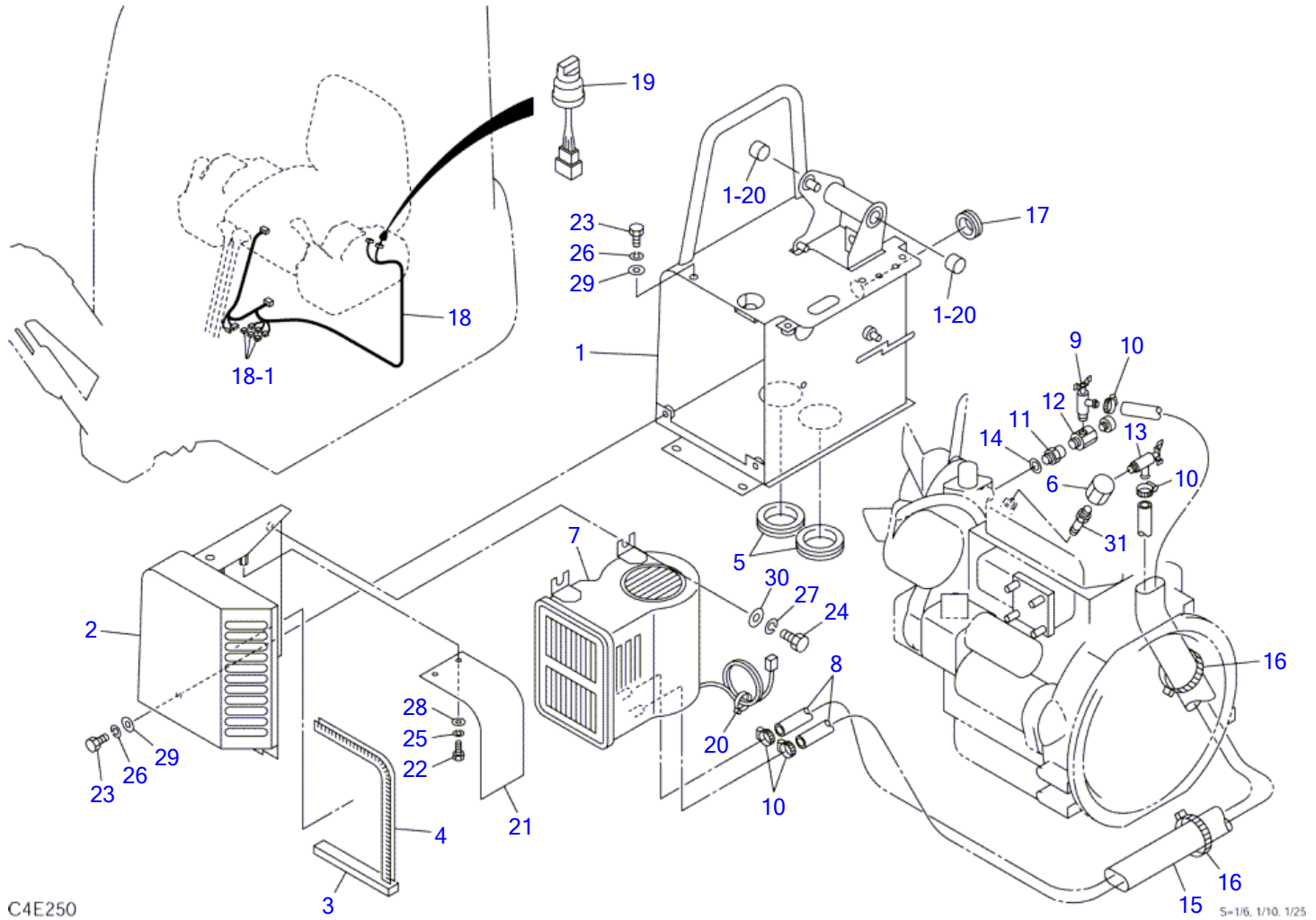
Item	Part number	Description	Q'ty	Chan.	Serial No.	Serv.	Remarks
		GUARD ASSY	1				X03384-27000-1
1	<b>0338427200</b>	GUARD	1				
2	<b>1100041025</b>	BOLT	4				
3	<b>1101041230</b>	BOLT	4				
4	<b>1140020010</b>	WASHER, spring	4				
5	<b>1140020012</b>	WASHER, spring	4				
6	<b>1141110010</b>	WASHER	4				
7	<b>1141110012</b>	WASHER	4				
8	<b>1652530002</b>	PLUG	2				
9	<b>0338427300</b>	COVER	1				
	<b>C4e260</b>						





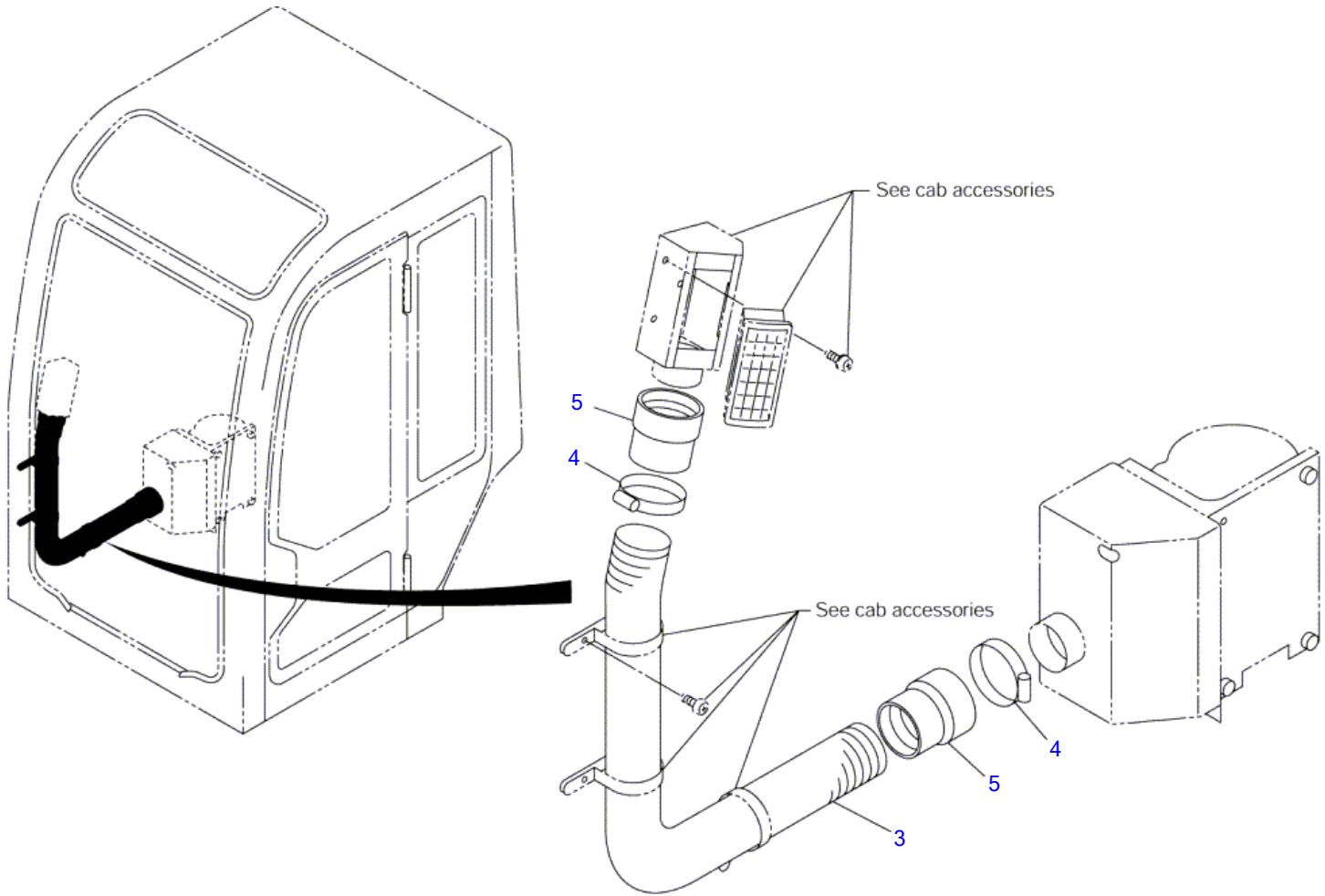
Item	Part number	Description	HEATER (cab)		Serial No.	Serv.	Remarks
			Q'ty	Chan.			
		HEATER ASSY					X03345-19000-5
1	0334517100	BRACKET	1		11400003~11400010		
	0334519100	BRACKET	1	(H)	11400011~		
2	0334517200	PLATE ASSY	1		11400003~11400010		
	0334519200	PLATE ASSY	1	(H)	11400011~		
2-1	0334517210	• PLATE	1		11400003~11400010		
	0334519210	• PLATE	1	(H)	11400011~		
2-2	1654311013	• URETHANE	2				sold by the meter
2-3	1654311007	• URETHANE	2		11400003~11400010		sold by the meter
	1654311006	• URETHANE	2		11400011~		sold by the meter
3	0334515300	LEVER ASSY	1		11400003~11400010		
	0334519300	LEVER ASSY	1		11400011~		
3-1	0334515310	• LEVER	1		11400003~11400010		
	0334519310	• LEVER	1		11400011~		
3-2	0334515320	• SPONGE	2		11400003~11400010		
	0334519320	• SPONGE	2		11400011~		
4	0334517400	LEVER ASSY	1				
4-1	0334515410	• LEVER	1				
4-2	0334517420	• SPONGE	1				
5	0334517500	PLATE	4				
6	0007262009	ELBOW	1				
7	1911508100	HEATER	1				
8	1911521810	HOSE	2				
9	1911502100	VALVE	1				
10	1911500500	CLAMP	4				
11	0007211011	BUSHING	1		11400003~11400022		
	0007211017	BUSHING	1	(H)	11400023~		
12	0007261004	JOINT	1				
14	1541400516	WASHER	1				
15	1531345090	PROTECTOR	1				sold by the meter
16	1652002201	GROMMET	2				
17	1652052800	GROMMET	1				
18	1654304016	SPONGE	1				sold by the meter
19	1654606035	SEAL	1				sold by the meter
20	1100040612	BOLT	4				
21	1100040816	BOLT	4				
22	1100041016	BOLT	3				
23	1120530410	SCREW	4				
24	1140020006	WASHER, spring	4				
25	1140020008	WASHER, spring	4				
26	1140020010	WASHER, spring	5				
27	1141110006	WASHER	4				
28	1141110008	WASHER	4				
29	1141110010	WASHER	5				
30	1911502300	VALVE	1				
31	1652201007	BAND	2				
32	0007205005	NIPPLE	1				
33	1130040010	NUT	1		11401481~		
34	1100041020	BOLT	1		11401481~		

C4e163S



Item	Part number	Description	HEATER (canopy)			Remarks
			Q'ty	Chan.	Serial No. Serv.	
		HEATER ASSY				X03345-21000-2
1	0334521100	COVER	1			
1-20	1333002015	• BUSHING	2			
2	0334521200	BRACKET	1			
3	1654304016	SPONGE	1			sold by the meter
4	1654606035	TRIM	1			sold by the meter
5	1652060063	GROMMET	2			
6	0007262009	ELBOW	1			
7	1911508100	HEATER	1			
8	1911511890	HOSE	2			sold by the meter
9	1911502100	VALVE	1			
10	1911500500	BAND	4			
11	0007211017	BUSHING	1			
12	0007261004	JOINT	1			
13	1911502300	VALVE	1			
14	1541400516	WASHER	1			
15	1531345090	PROTECTOR	1			sold by the meter
16	1652201007	VALVE	2			
17	1652052800	GROMMET	1			
18	0334242200	HARNES, wiring	1			
18-1	1730500008	• DIODE (3A, yellow)	3			
19	1700000011	SWITCH, heater	1			
20	1652231250	BAND	1			
21	0334521300	SEAL	1			
22	1100040610	BOLT	2			
23	1100040816	BOLT	3			
24	1100041016	BOLT	4			
25	1140020006	WASHER, spring	2			
26	1140020008	WASHER, spring	3			
27	1140020010	WASHER, spring	4			
28	1141110006	WASHER	2			
29	1141110008	WASHER	3			
30	1141110010	WASHER	4			
31	0007205005	NIPPLE	1			

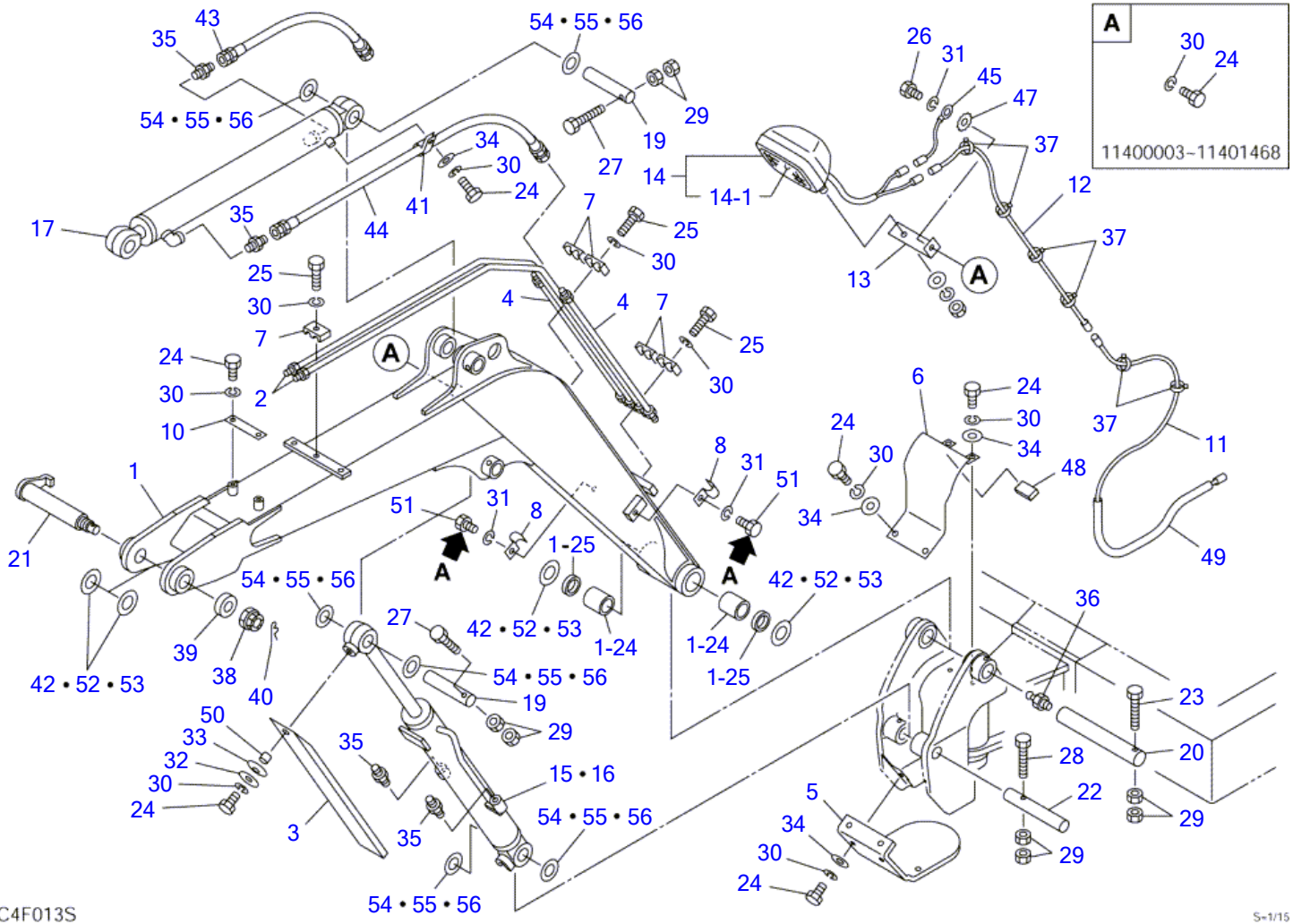
C4e251



C4E171

S-1/20, 1/8

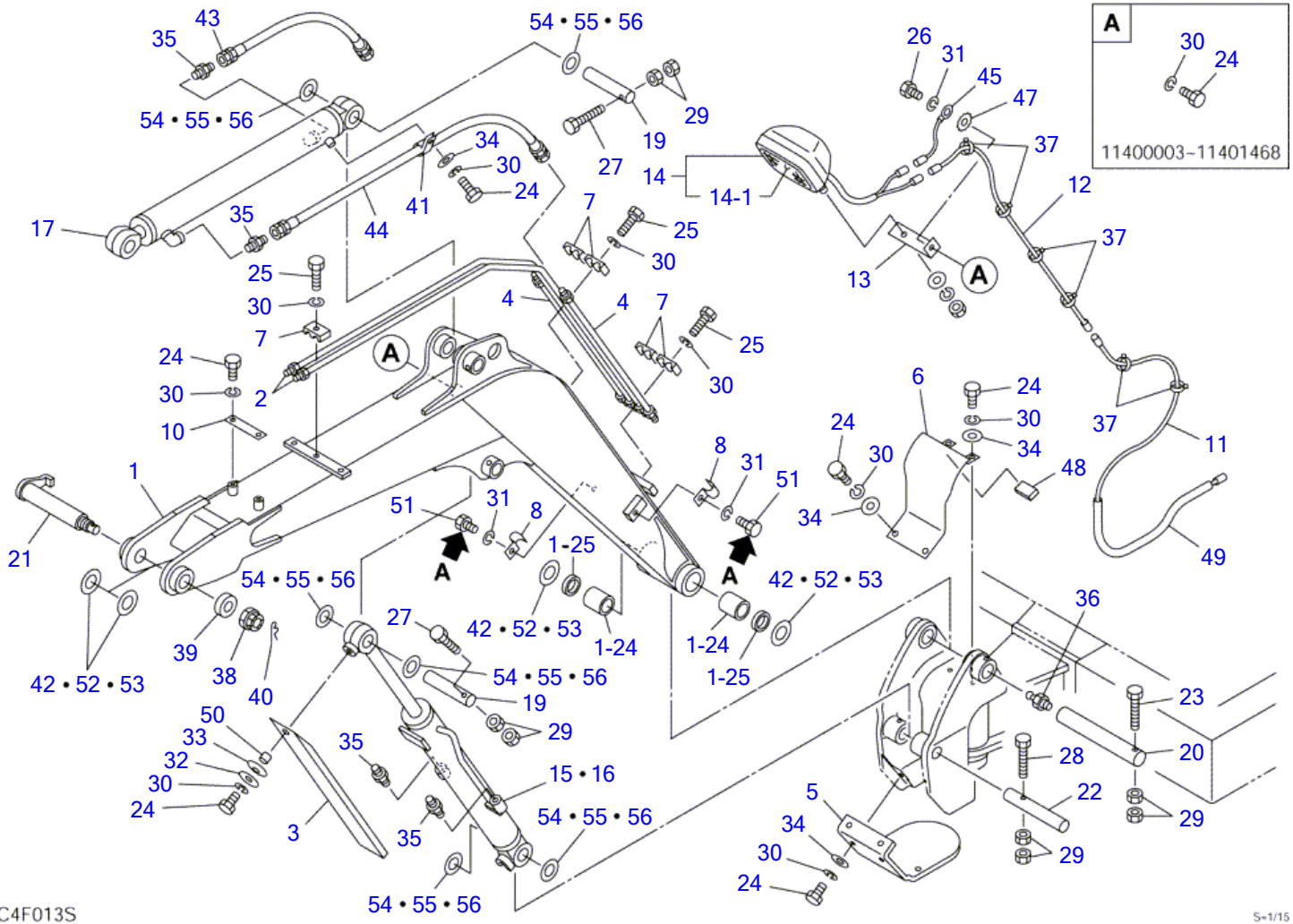
Item	Part number	Description	DEFROSTER			Remarks
			Q'ty	Chan.	Serial No.	
		DEFROSTER ASSY				X03345-20000-3
3	1567315075	HOSE	1			
4	1533700070	BAND	2			
5	1567325000	CUFFS	2			
	C4e173					



C4F013S

S-1/15

Item	Part number	Description	BOOM		Serial No.	Serv.	Remarks
			Q'ty	Chan.			
		BOOM ASSY (CANOPY)					X03360-29000-14
		BOOM ASSY (CAB)					X03660-30000-14
1	0336019100	BOOM SUB ASSY	1		11400003~11400010		CLAMP M8
	0336029100	BOOM SUB ASSY	1	(H)	11400011~11401142		CLAMP M8
	0336029500	BOOM SUB ASSY	1	(H)	11401143~		CLAMP M10
1-24	0002400044	• BUSHING	2				
1-25	1432200035	• SEAL, dust	2				
2	0336019310	PIPE	2				
3	0336015040	COVER	1		11400003~11400436		
	0336027500	COVER	1	(H)	11400437~		
4	0426007700	PIPE	2				
5	0336023050	COVER	1				
6	0336023060	COVER	1		11400003~11400010		
	0336029060	COVER	1	(H)	11400011~		
7	1534000012	CLAMP	5				
8	0336023080	CLAMP	2		11400003~11400316		
	0336021350	CLAMP	2		11400317~		
10	0336023010	CLAMP	1		11400003~11400010		
	0336021370	CLAMP	1	(H)	11400011~		
11	0336021380	WIRE	1		11400003~11400010		
	0434200500	WIRE	1	(H)	11400011~		
12	0336021390	HARNES, wiring	1				
13	0336015410	PLATE	1				
14	1703005300	LAMP ASSY	1		11400003~11400010		
	1703006000	LAMP ASSY	1	(H)	11400011~		
14-1	1703005506	• BULB	1				
15	1900070400	CYLINDER, boom	1		11400003~11400436		canopy
	1900080100	CYLINDER, boom	1	(H)	11400437~11400490		canopy
	1900082400	CYLINDER, boom	1	(H)	11400491~		canopy
16	1900072500	CYLINDER, boom	1		11400003~11400436		cab
	1900080200	CYLINDER, boom	1	(H)	11400437~11400490		cab
	1900082500	CYLINDER, boom	1	(H)	11400491~		cab
17	1900074600	CYLINDER, arm	1		11400003~11400358		
	1900078400	CYLINDER, arm	1	(H)	11400359~		
19	0001601130	PIN	2				
20	0011571011	PIN	1				
21	0011901006	PIN	1				
22	0011511004	PIN	1				
23	1103040880	BOLT	1				
24	1100040816	BOLT	12				
25	1100040830	BOLT	5				
26	1100041025	BOLT	1				
27	1103040860	BOLT	2				
28	1103040875	BOLT	1				
29	1130240008	NUT	1				
30	1140020008	WASHER, spring	18				
31	1140020010	WASHER, spring	2				
32	0003608003	WASHER	1				
33	1225121016	WASHER, conical	1				
34	1141110008	WASHER	6				
35	1515600200	ADAPTOR	4				
	1420010110	• O-RING	1				
36	1560001000	FITTING, grease	1				M
37	1652200005	BAND	6				
38	1132630024	NUT	1				
39	0003900021	WASHER	1				
40	1210010545	PIN, split	1				
41	0007300050	CLAMP	1				
42	0436111700	SHIM t=1.0	AR				
43	0336027300	HOSE ASSY	1				TB016 18015-60044
	0336029300	HOSE ASSY	1				TB014 18015-60034
44	0336027400	HOSE ASSY	1				TB016 18015-60096
	0336029400	HOSE ASSY	1				TB014 18015-60082
45	0336021400	HARNES, wiring	1				
47	1140330010	WASHER	1				
48	0336023048	RUBBER	1		11400003~11400010		
	0336029048	RUBBER	1	(H)	11400011~		
49	1531312050	PROTECTOR	1				sold by the meter

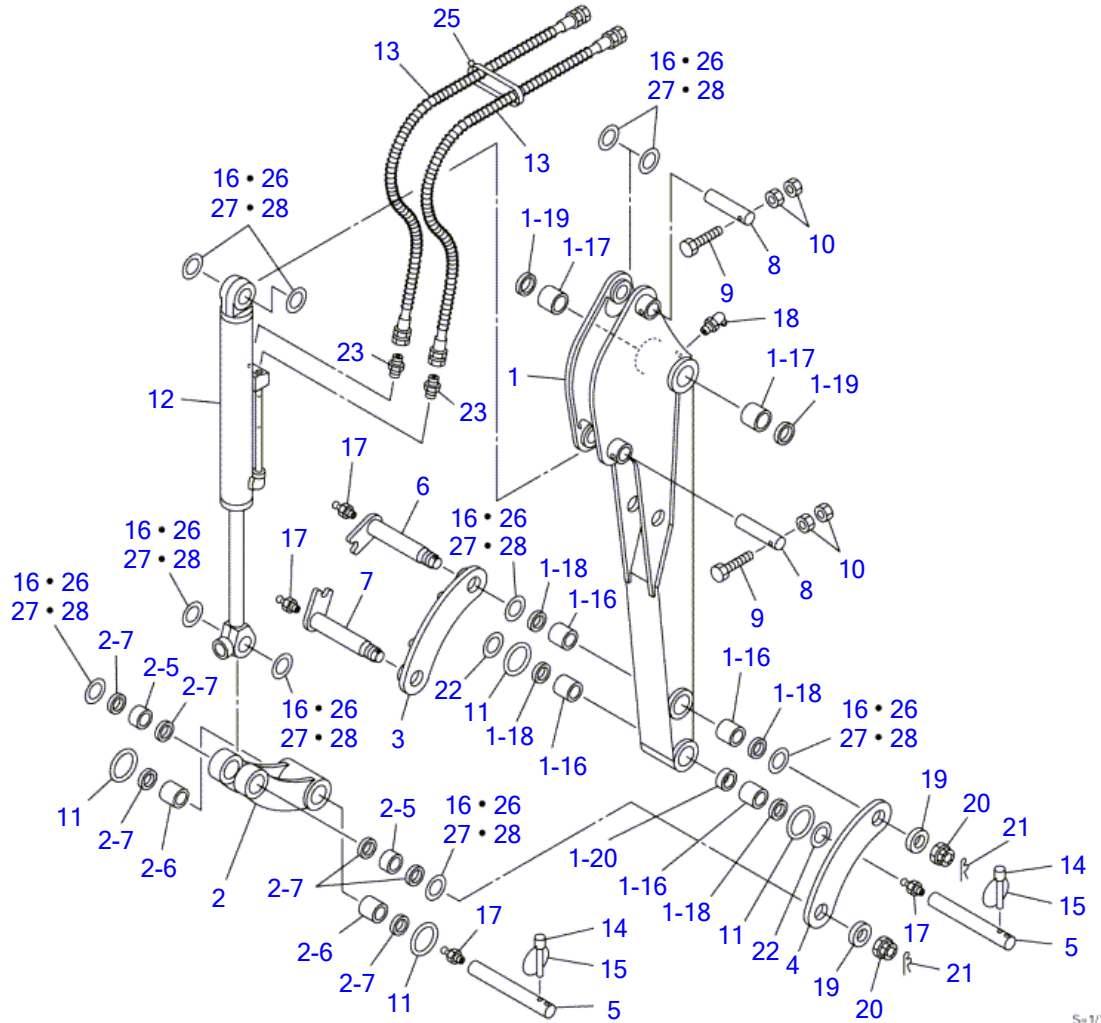
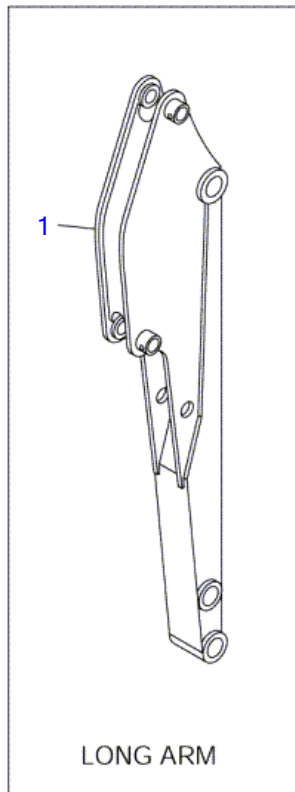


C4F013S

S-1/15



Item	Part number	Description	BOOM			Serv.	Remarks
			Q'ty	Chan.	Serial No.		
50	0003600160	COLLAR	1		11400437~		
51	1100041016	BOLT	2		11401469~		
52	0003600051	SHIM t=0.2	AR				
53	0003600052	SHIM t=0.5	AR				
54	0003600044	SHIM t=0.2	AR				
55	0003600045	SHIM t=0.5	AR				
56	0426109800	SHIM t=1.0	AR				
	C4f014S						

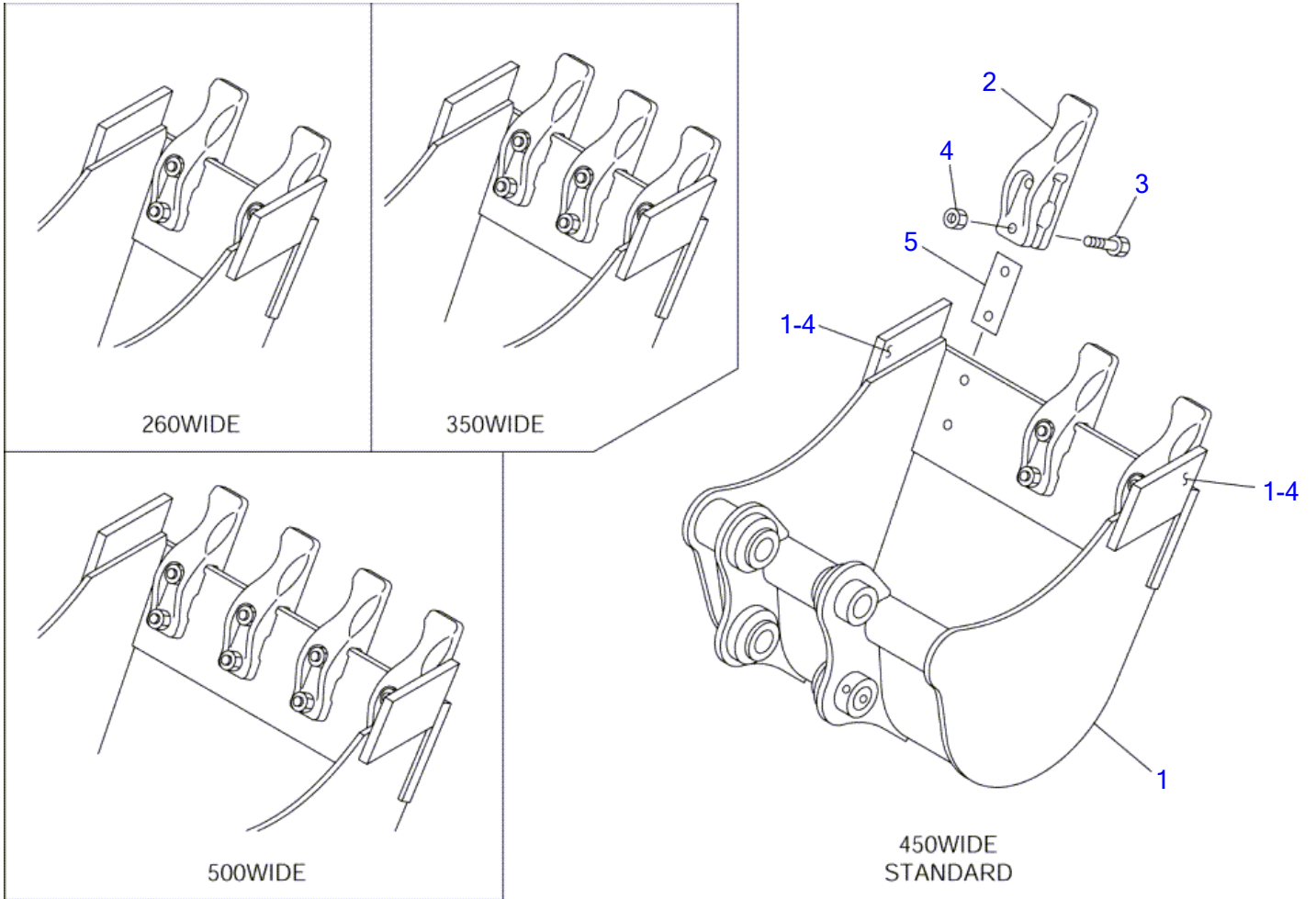


C4F021S

S-1/15

Item	Part number	Description	ARM Q'ty	Chan.	Serial No.	Serv.	Remarks
		ARM ASSY					X03361-30000-2
		ARM ASSY, long					X03361-36000-1
1	<b>0336127100</b>	ARM SUB ASSY	1		11400003~11400010		830mm
	<b>0336130100</b>	ARM SUB ASSY	1	(H)	11400011~		830mm
	<b>0336132100</b>	ARM SUB ASSY, long	1		11400003~11400310		1040mm
	<b>0336136100</b>	ARM SUB ASSY, long	1		11400311~		1040mm
1-16	<b>0002330040</b>	• BUSHING	4				
1-17	<b>0002400045</b>	• BUSHING	2				
1-18	<b>1432200030</b>	• SEAL, dust	4				
1-19	<b>1432200035</b>	• SEAL, dust	2				
1-20	<b>0003033001</b>	• COLLAR	1				
2	<b>0336122400</b>	LINK ASSY, bucket	1				
2-5	<b>0002130022</b>	• BUSHING	2				
2-6	<b>0002330040</b>	• BUSHING	2				
2-7	<b>1432200030</b>	• SEAL, dust	6				
3	<b>0336122500</b>	LINK, guide (R.H.)	1				
4	<b>0336122600</b>	LINK, guide (L.H.)	1				
5	<b>0001521002</b>	PIN	2				
6	<b>0001900151</b>	PIN	1				
7	<b>0011901004</b>	PIN	1				
8	<b>0001601110</b>	PIN	2				
9	<b>1103040860</b>	BOLT	2				
10	<b>1130240008</b>	NUT	4				
11	<b>1432900045</b>	O-RING	4				
12	<b>1900072200</b>	CYLINDER, bucket	1				
13	<b>0336130300</b>	HOSE ASSY	2				18015-60080
13-2	<b>1532212106</b>	• TUBE	1				sold by the meter
13	<b>0336132300</b>	HOSE ASSY (for long arm)	2				18015-60100
13-2	<b>1532212136</b>	• TUBE	1				sold by the meter
14	<b>0426106100</b>	PIN	2				
15	<b>0426106200</b>	RING	2				
16	<b>0426109800</b>	SHIM t=1.0	AR				
17	<b>1560001000</b>	FITTING, grease	4				
18	<b>1560001675</b>	FITTING, grease	1				
19	<b>0003900012</b>	WASHER	2				
20	<b>1132630024</b>	NUT	2				
21	<b>1210010545</b>	PIN, split	2				
23	<b>1515600200</b>	ADAPTOR	2				
	<b>1420010110</b>	• O-RING	1			M	
25	<b>1652200005</b>	BAND	1				
26	<b>0003600044</b>	SHIM t=0.2	AR				
27	<b>0003600045</b>	SHIM t=0.5	AR				
28	<b>0426109800</b>	SHIM t=1.0	AR				

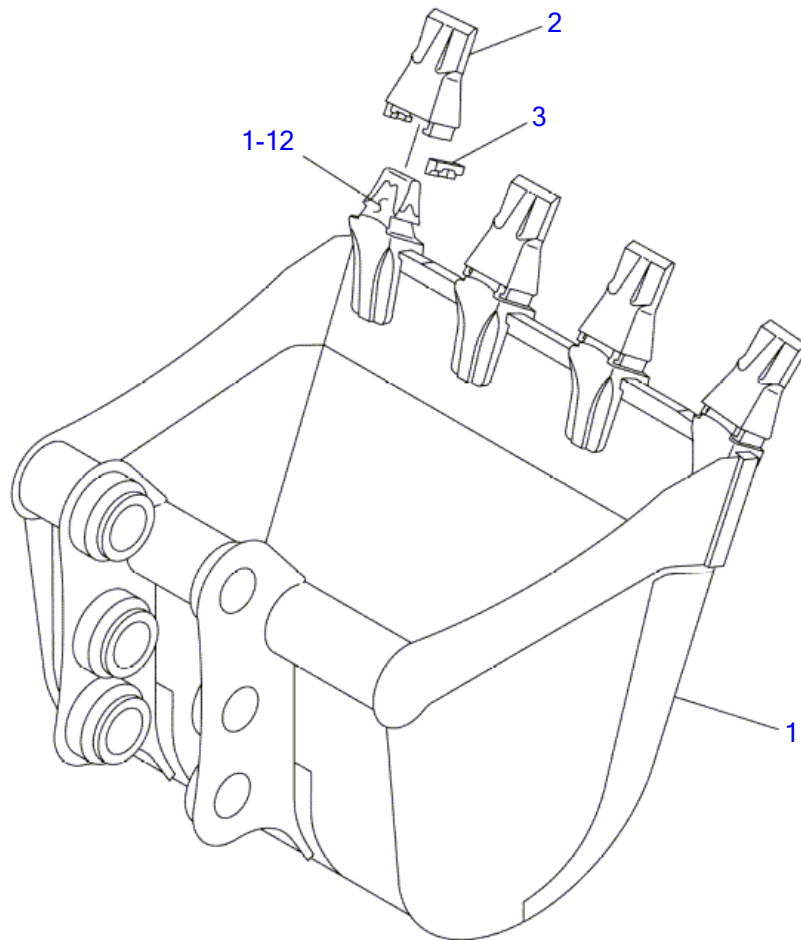
C4f021S



C4F051

S=1/8

BUCKET						
Item	Part number	Description	Q'ty	Chan.	Serial No.	Serv. Remarks
0	0336230000	BUCKET ASSY	1			260mm wide
	0336231000	BUCKET ASSY	1			350mm wide
	0336229000	BUCKET ASSY	1			450mm wide
	0336232000	BUCKET ASSY	1			500mm wide
1	X *****	· BUCKET	1			
1-4	0336228104	· · CUTTER, side	2			
2	0136209900	· TOOTH	2			260W
	0136209900	· TOOTH	3			350W, 450W
	0136209900	· TOOTH	4			550W
3	1101051245	· BOLT	4			260W
	1101051245	· BOLT	6			350W, 450W
	1101051245	· BOLT	8			550W
4	1130550012	· NUT	4			260W
	1130550012	· NUT	6			350W, 450W
	1130550012	· NUT	8			550W
5	0136209801	· SHIM t=0.8	AR			
	0136209802	· SHIM t=1.0	AR			
	0136209803	· SHIM t=1.2	AR			
	C4f052					



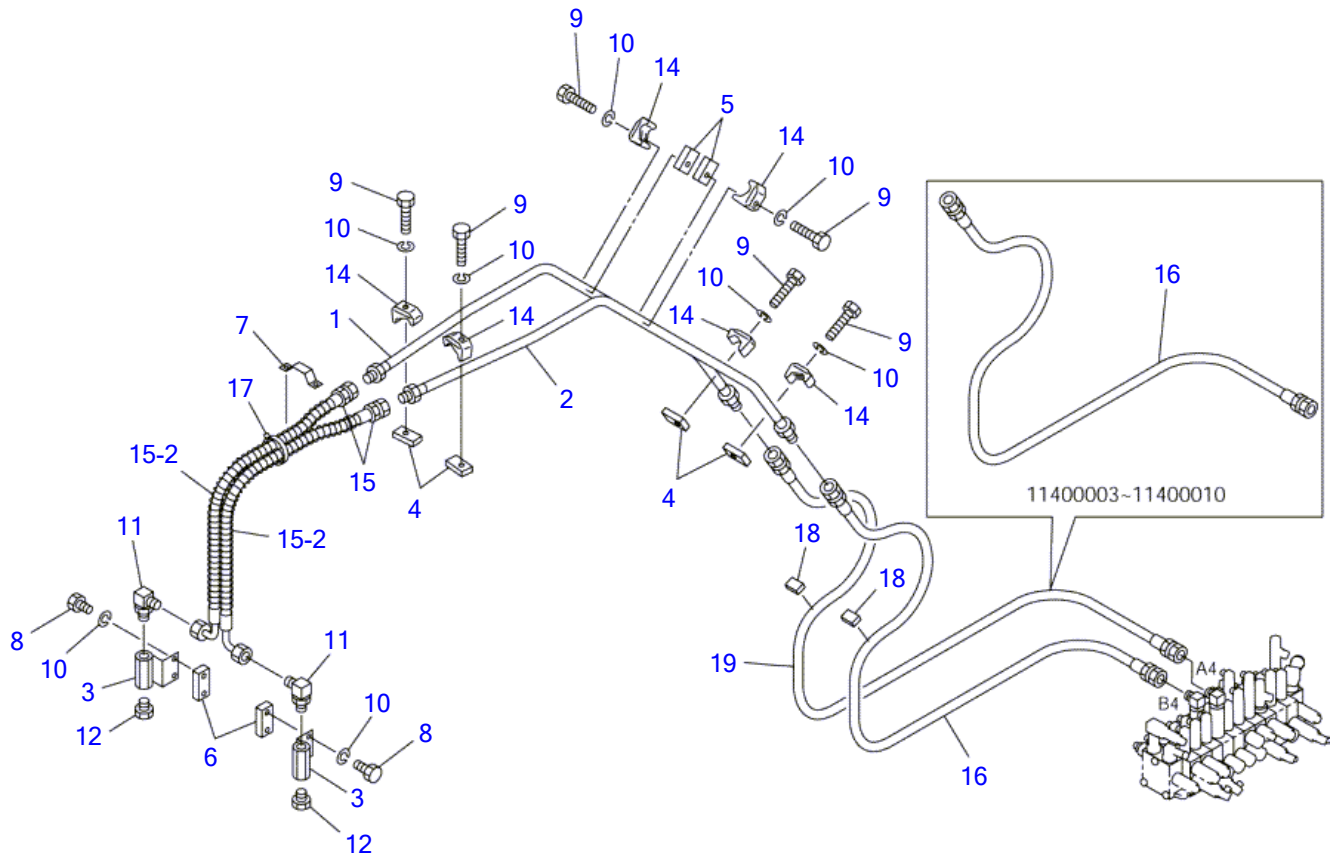
C4F070

S-1/6

**BUCKET (3-holes bucket)**

Item	Part number	Description	Q'ty	Chan.	Serial No.	Serv.	Remarks
0	<b>0336226000</b>	BUCKET ASSY	1				X03362-26000-0
1	X *****	▪ BUCKET	1				
1-12	<b>1914201201</b>	▪ ▪ ADAPTOR, tooth	4				
2	<b>1914201202</b>	▪ POINT, tooth	4				
3	<b>1914201203</b>	▪ PIN, lock	4				
	<b>C4f070</b>						

TB014 Book No. BC4Z004 S/N 11400003-11401973  
AUXILIARY LINE (11400003-11400394)



C4F062S

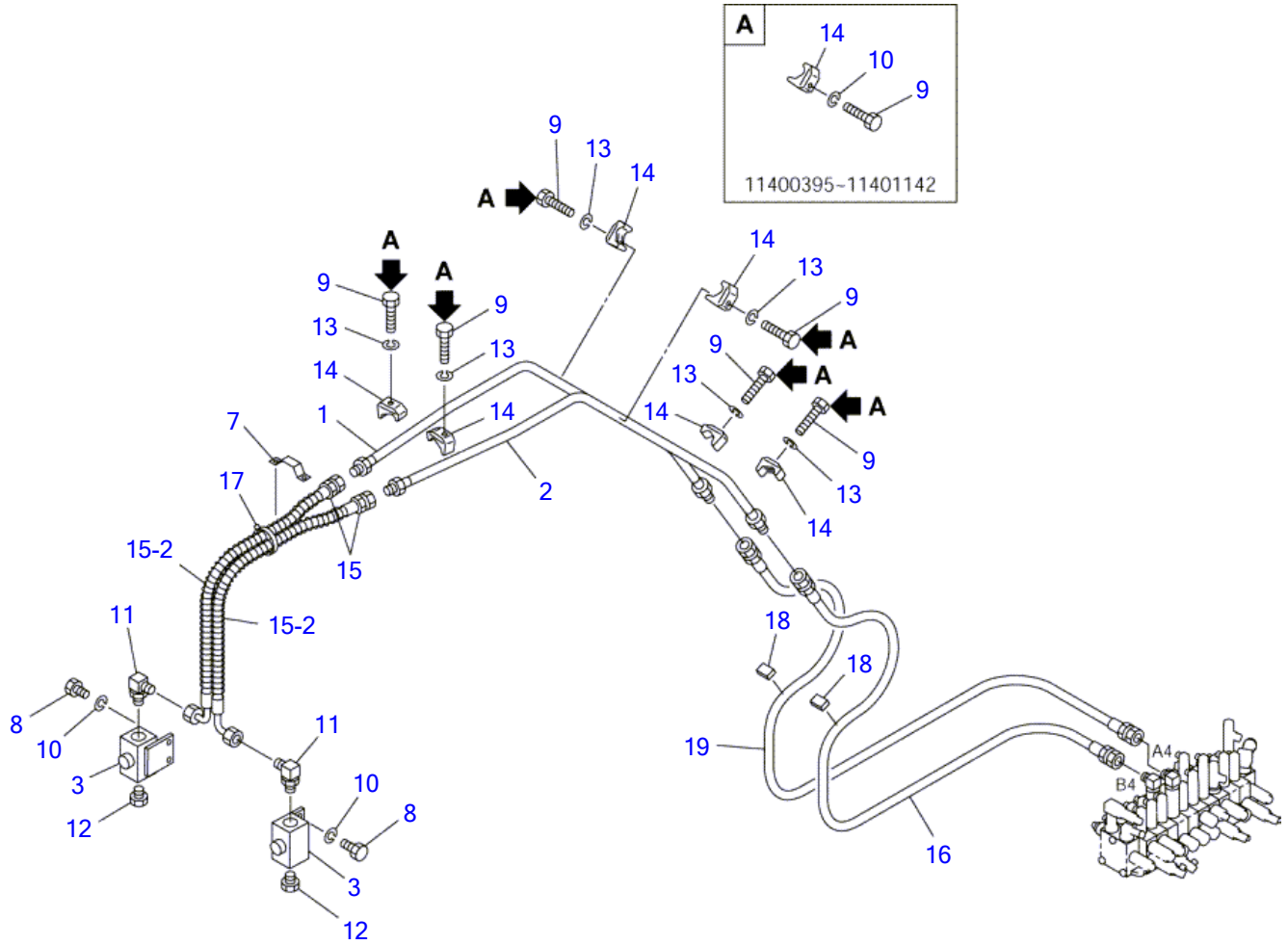
S-1/15



**AUXILIARY LINE (11400003-11400394)**

Item	Part number	Description	Q'ty	Chan.	Serial No.	Serv.	Remarks
0	<b>0337330000</b>	PIPING ASSY	1				X03373-30000-2
	<b>0337336000</b>	PIPING ASSY (for long arm)	1				X03373-36000-0
1	<b>0337324010</b>	• PIPE (R.H.)	1				
2	<b>0337324020</b>	• PIPE (L.H.)	1				
3	<b>0337334030</b>	• SOCKET	2				
4	<b>0337325040</b>	• PLATE	4				
5	<b>0336021217</b>	• BLOCK	2				
6	<b>0337325060</b>	• PLATE	2				
7	<b>0337328007</b>	• CLAMP	1				
8	<b>1100040816</b>	• BOLT	4				
9	<b>1100040840</b>	• BOLT	6				
10	<b>1140020008</b>	• WASHER, spring	10				
11	<b>1515010042</b>	• ELBOW	2				
	<b>1420010180</b>	• • O-RING	1			M	
12	<b>1515600502</b>	• PLUG	2				
	<b>1420010180</b>	• • O-RING	1			M	
14	<b>1534100217</b>	• CLAMP	6				
15	<b>0337330300</b>	• HOSE ASSY	2				18015-41079
15-2	<b>1532218070</b>	• • TUBE	1				sold by the meter
15	<b>0337333300</b>	• HOSE ASSY (for long arm)	2		11400003~11400310		18015-41100
15-2	<b>1532218092</b>	• • TUBE	1		11400003~11400310		sold by the meter
15	<b>0337336300</b>	• HOSE ASSY (for long arm)	2		11400311~11400394		18015-41090
15-2	<b>1532218082</b>	• • TUBE	1		11400311~11400394		sold by the meter
16	<b>1801859002</b>	• HOSE ASSY	2		11400003~11400010		
	<b>0337330100</b>	• HOSE ASSY	1		11400011~		18015-40185
17	<b>1652200005</b>	• BAND	1				
18	<b>0337328018</b>	• RUBBER	2				
19	<b>0337330200</b>	• HOSE ASSY	1		11400011~		18015-40200

**C4f061S**

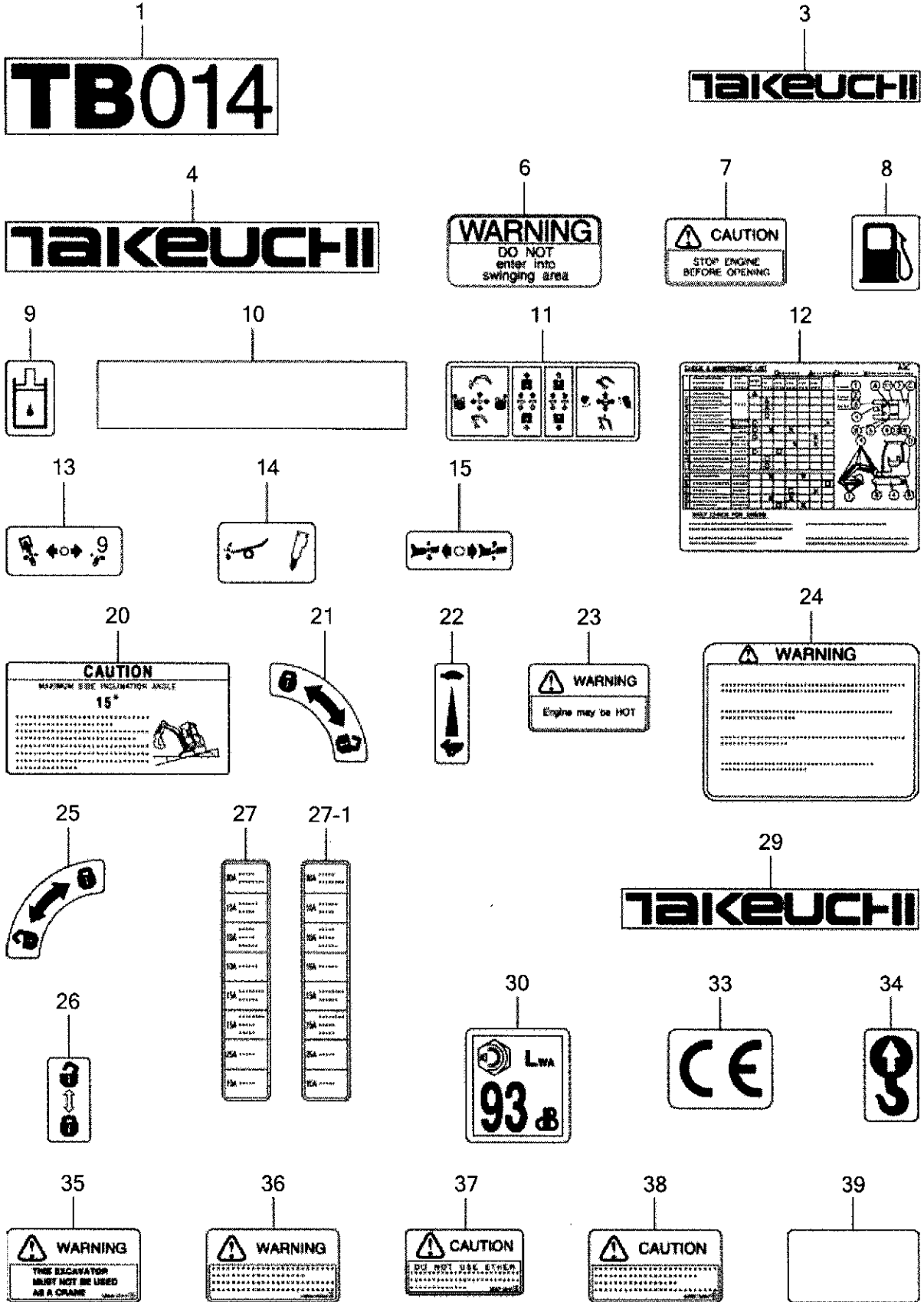


C4F081S

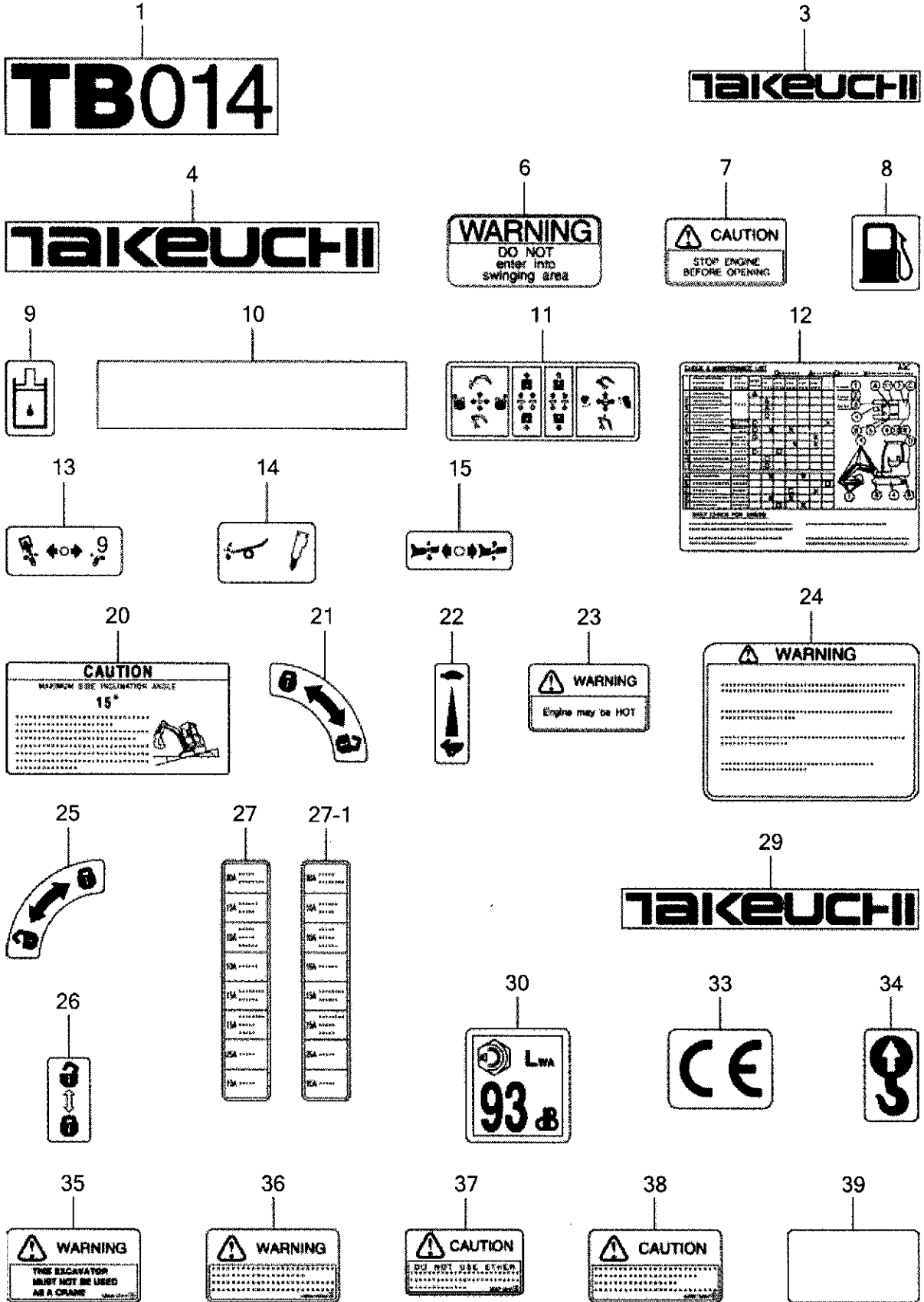
S-1/15

**AUXILIARY LINE (11400395-)**

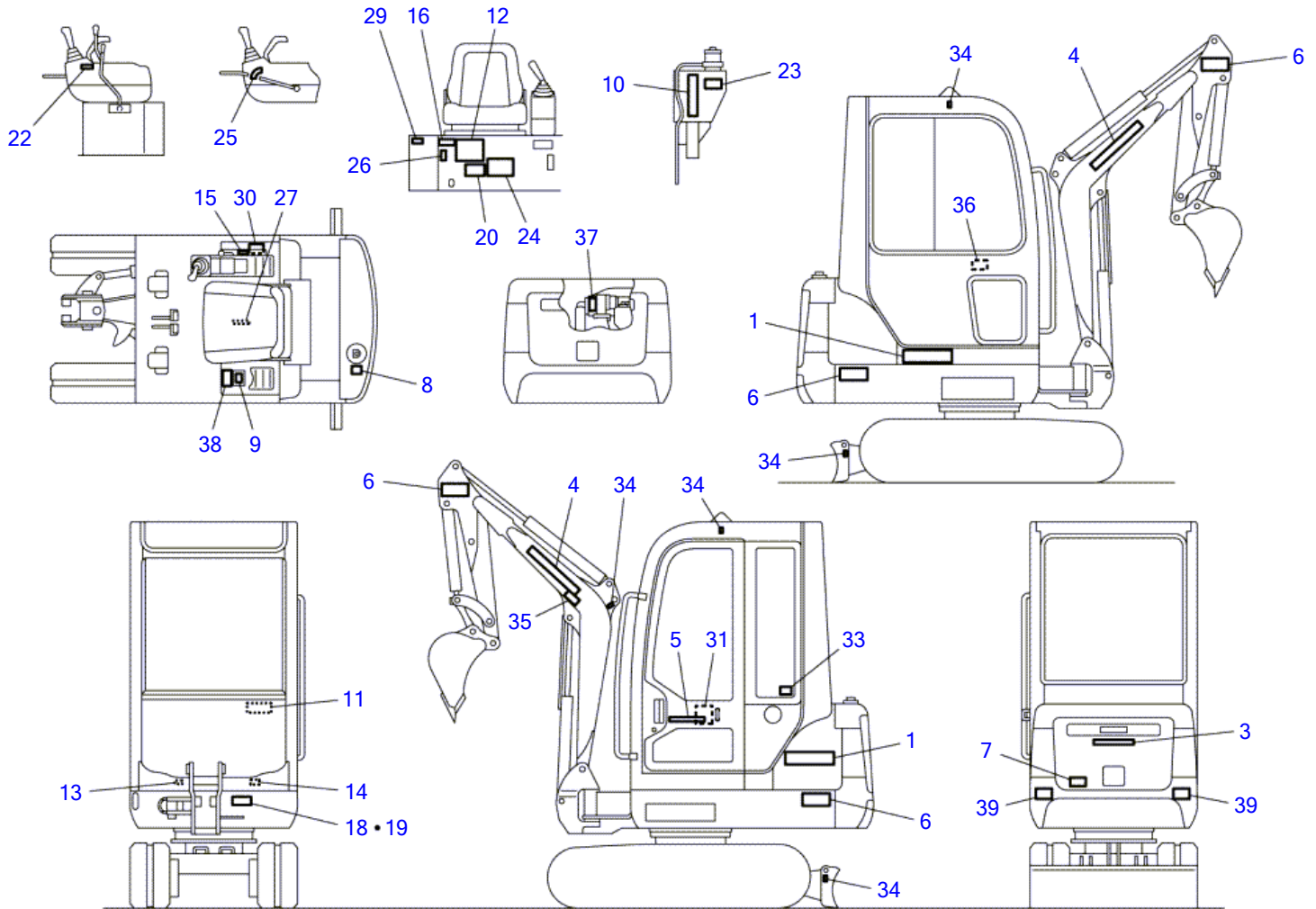
Item	Part number	Description	Q'ty	Chan.	Serial No.	Serv.	Remarks
0	<b>0337338000</b>	PIPING ASSY	1				X03373-38000-7
	<b>0337339000</b>	PIPING ASSY (for long arm)	1				X03373-39000-7
1	<b>0337324010</b>	• PIPE (R.H.)	1				
2	<b>0337324020</b>	• PIPE (L.H.)	1				
3	<b>1901719800</b>	• VALVE, stop	2				
7	<b>0337328007</b>	• CLAMP	1				
8	<b>1100040816</b>	• BOLT	4				
9	<b>1100040840</b>	• BOLT	6		11400395~11401142		
	<b>1100041045</b>	• BOLT	6		11401143~		
10	<b>1140020008</b>	• WASHER, spring	10		11400395~11401142		
	<b>1140020008</b>	• WASHER, spring	4		11401143~		
11	<b>1515010042</b>	• ELBOW	2				
	<b>1420010180</b>	• • O-RING	1			M	
12	<b>1501750004</b>	• PLUG	2				
	<b>1420010180</b>	• • O-RING	1			M	
13	<b>1140020010</b>	• WASHER, spring	6		11401143~		
14	<b>1534100217</b>	• CLAMP	6		11400395~11401142		
	<b>1534100218</b>	• CLAMP	6		11401143~		
15	<b>0337330300</b>	• HOSE ASSY	2				18015-41079
15-2	<b>1532218070</b>	• • PROTECTOR	1				sold by the meter
15	<b>0337336300</b>	• HOSE ASSY (for long arm)	2				18015-41090
15-2	<b>1532218082</b>	• • PROTECTOR	1				sold by the meter
16	<b>0337330100</b>	• HOSE ASSY	1				18015-40185
17	<b>1652200005</b>	• BAND	1				
18	<b>0337328018</b>	• RUBBER	2				
19	<b>0337330200</b>	• HOSE ASSY	1				18015-40200
	<b>C4f082S</b>						



DECAL (canopy)							
Item	Part number	Description	Q'ty	Chan.	Serial No.	Serv.	Remarks
0	0339340000	DECAL SET (English)	1				X03393-40000-14
	0339342000	DECAL SET (German)	1				X03393-42000-14
	0339344000	DECAL SET (French)	1				X03393-44000-14
	0339346000	DECAL SET (Italian)	1				X03393-46000-14
	0339366000	DECAL SET (Spanish)	1				X03393-66000-14
	0339376700	DECAL SET (Dutch)	1				X03393-76700-14
1	0339330100	• DECAL	2				
3	0359306200	• DECAL	1				
4	0329350200	• DECAL	2				
6	0359306500	• DECAL (English)	4				
	0359308100	• DECAL (German)	4				
	0359309100	• DECAL (French)	4				
	0359310100	• DECAL (Italian)	4				
	0339364100	• DECAL (Spanish)	4				
	0339376506	• DECAL (Dutch)	4			M	
7	0359307400	• DECAL (English)	1				
	0359314400	• DECAL (German)	1				
	0359315400	• DECAL (French)	1				
	0359316400	• DECAL (Italian)	1				
	0339364200	• DECAL (Spanish)	1				
	0339376507	• DECAL (Dutch)	1			M	
8	0359306600	• SYMBOL MARK (English)	1				
	0339375260	• SYMBOL MARK (German)	1				
	0339375460	• SYMBOL MARK (French)	1				
	0339375660	• SYMBOL MARK (Italian, Spanish)	1				
9	0359306700	• SYMBOL MARK	1				
10	0339330900	• DECAL	1				
11	0359325240	• DECAL	1				
12	0339330300	• DECAL (English)	1				
	0339330400	• DECAL (German)	1				
	0339330500	• DECAL (French)	1				
	0339330600	• DECAL (Italian)	1				
	0339364300	• DECAL (Spanish)	1				
	0339376400	• DECAL (Dutch)	1			M	
13	0329360060	• DECAL	1				
14	0339330800	• DECAL	1				
15	0359325190	• DECAL	1				
16	X *****	• DECAL	1				
17	0339340001	• DECAL	1				
18	X *****	• DECAL	1				
19	X *****	• SCREW	4				
20	0339310400	• DECAL (English)	1				
	0339311400	• DECAL (German)	1				
	0339312400	• DECAL (French)	1				
	0339313400	• DECAL (Italian)	1				
	0339364400	• DECAL (Spanish)	1				
	0339376520	• DECAL (Dutch)	1			M	
21	0349325020	• DECAL	1				
22	0359317200	• DECAL	1				
23	0569321980	• DECAL (English)	1				
	0339376523	• DECAL (Dutch)	1			M	
24	0359313700	• DECAL (English)	1				
	0359314700	• DECAL (German)	1				
	0359315700	• DECAL (French)	1				
	0359316700	• DECAL (Italian)	1				
	0339364500	• DECAL (Spanish)	1				
	0339376524	• DECAL (Dutch)	1			M	
25	0329360100	• SYMBOL MARK	1				
26	0329352400	• SYMBOL MARK	1				
27	0339332100	• DECAL (English)	1		11400003~11400316		
27-1	0339332150	• DECAL (English)	1		11400317~		
27	0339334100	• DECAL (German)	1		11400003~11400316		
27-1	0339334150	• DECAL (German)	1		11400317~		
27	0339336100	• DECAL (French)	1		11400003~11400316		
27-1	0339336150	• DECAL (French)	1		11400317~		
27	0339338100	• DECAL (Italian)	1		11400003~11400316		
27-1	0339338150	• DECAL (Italian)	1		11400317~		



DECAL (canopy)							
Item	Part number	Description	Q'ty	Chan.	Serial No.	Serv.	Remarks
27	0339364600	• DECAL (Spanish)	1				
29	0359306100	• DECAL	1		11400317~		
30	X *****	• DECAL	1				
33	X *****	• DECAL	1		11400438~		
34	0399300500	• DECAL	3		11400438~		
35	0359347010	• DECAL (English)	1				
35	0339375210	• DECAL (German)	1				
35	0339375410	• DECAL (French)	1				
35	0339375610	• DECAL (Italian)	1				
35	0339375810	• DECAL (Spanish)	1				
36	0359347020	• DECAL (English)	1				
36	0339375220	• DECAL (German)	1				
36	0339375420	• DECAL (French)	1				
36	0339375620	• DECAL (Italian)	1				
36	0339375820	• DECAL (Spanish)	1				
36	0339376536	• DECAL (Dutch)	1			M	
37	0339375040	• DECAL (English)	1				
37	0339375240	• DECAL (German)	1				
37	0339375440	• DECAL (French)	1				
37	0339375640	• DECAL (Italian)	1				
37	0339375840	• DECAL (Spanish)	1				
37	0339376537	• DECAL (Dutch)	1			M	
38	0339375050	• DECAL (English)	1				
38	0339375250	• DECAL (German)	1				
38	0339375450	• DECAL (French)	1				
38	0339375650	• DECAL (Italian)	1				
38	0339375850	• DECAL (Spanish)	1				
38	0339376538	• DECAL (Dutch)	1			M	
39	0379358550	• DECAL	1			M	
	C4g014S						



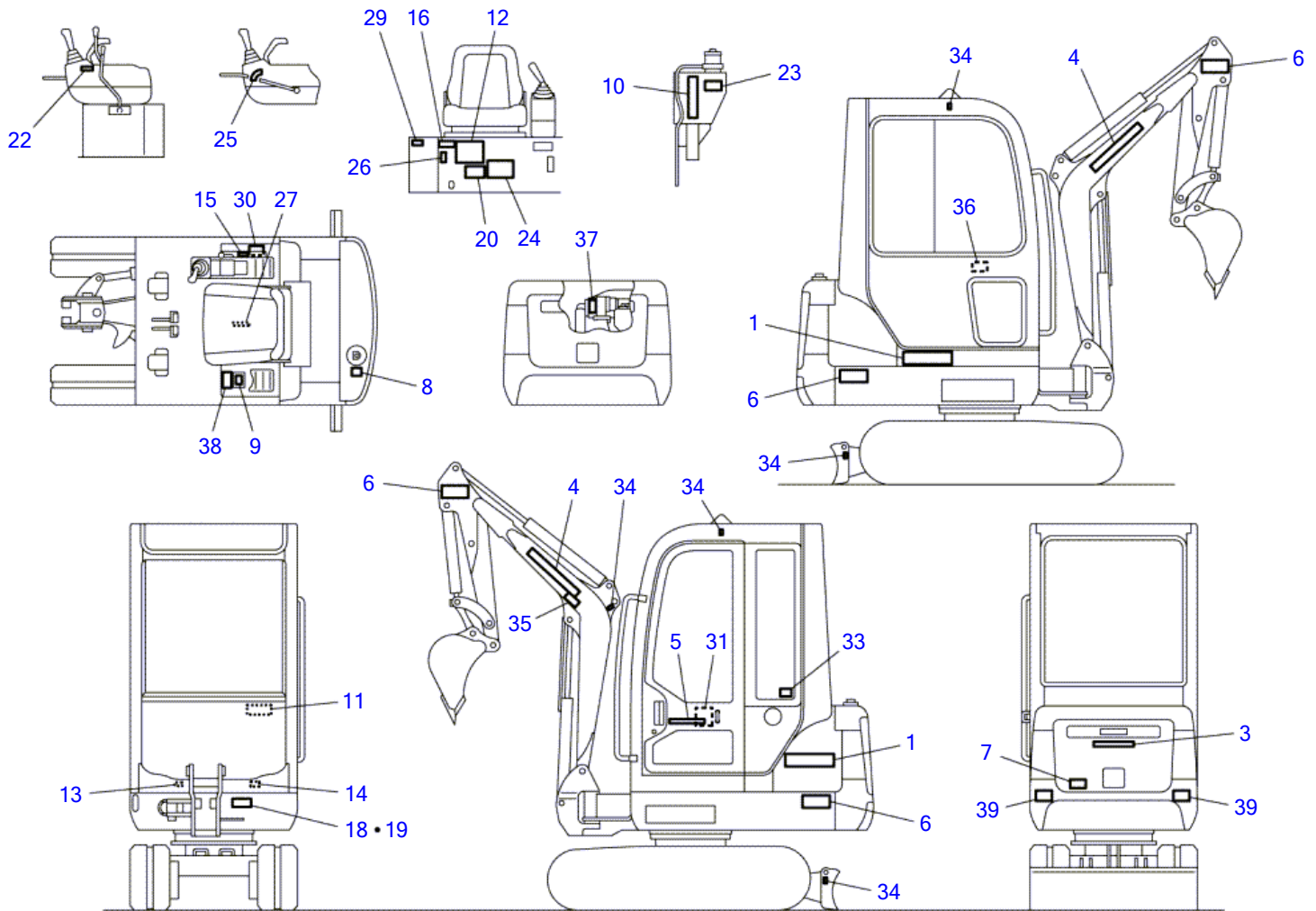
C4G064S

S-FREE



DECAL (cab)								
Item	Part number	Description	Q'ty	Chan.	Serial No.	Serv.	Remarks	
0	0339332000	DECAL SET (English)	1		11400003~11400437		X03393-32000-7	
	0339375000	DECAL SET (English)	1		11400438~		X03393-75000-9	
	0339334000	DECAL SET (German)	1		11400003~11400437		X03393-34000-7	
	0339375200	DECAL SET (German)	1		11400438~		X03393-75200-9	
	0339336000	DECAL SET (French)	1		11400003~11400437		X03393-36000-7	
	0339375400	DECAL SET (French)	1		11400438~		X03393-75400-9	
	0339338000	DECAL SET (Italian)	1		11400003~11400437		X03393-38000-7	
	0339375600	DECAL SET (Italian)	1		11400438~		X03393-75600-9	
	0339364000	DECAL SET (Spanish)	1		11400003~11400437		X03393-64000-7	
	0339375800	DECAL SET (Spanish)	1		11400438~		X03393-75800-9	
	0339376500	DECAL SET (Dutch)	1				X03393-76500-9	
1	0339330100	• DECAL	2					
3	0359306200	• DECAL	1					
4	0329350200	• DECAL	2					
5	0569321400	• DECAL	1					
6	0359306500	• DECAL (English)	4					
	0359308100	• DECAL (German)	4					
	0359309100	• DECAL (French)	4					
	0359310100	• DECAL (Italian)	4					
	0339364100	• DECAL (Spanish)	4					
	0339376506	• DECAL (Dutch)	4					M
7	0359307400	• DECAL (English)	1					
	0359314400	• DECAL (German)	1					
	0359315400	• DECAL (French)	1					
	0359316400	• DECAL (Italian)	1					
	0339364200	• DECAL (Spanish)	1					
	0339376507	• DECAL (Dutch)	1					M
8	0359306600	• SYMBOL MARK (English)	1					
	0339375260	• SYMBOL MARK (German)	1					
	0339375460	• SYMBOL MARK (French)	1					
	0339375660	• SYMBOL MARK (Italian, Spanish)	1					
9	0359306700	• SYMBOL MARK	1					
10	0339330900	• DECAL	1					
11	0359325240	• DECAL	1					
12	0339330300	• DECAL (English)	1					
	0339330400	• DECAL (German)	1					
	0339330500	• DECAL (French)	1					
	0339330600	• DECAL (Italian)	1					
	0339364300	• DECAL (Spanish)	1					
	0339376400	• DECAL (Dutch)	1					M
13	0329360060	• DECAL	1					
14	0339330800	• DECAL	1					
15	0359325190	• DECAL	1					
16	X *****	• DECAL	1					
18	X *****	• DECAL	1					
19	X *****	• SCREW	4					
20	0339310400	• DECAL (English)	1					
	0339311400	• DECAL (German)	1					
	0339312400	• DECAL (French)	1					
	0339313400	• DECAL (Italian)	1					
	0339364400	• DECAL (Spanish)	1					
	0339376520	• DECAL (Dutch)	1					M
22	0359317200	• DECAL	1					
23	0569321980	• DECAL (English)	1					
	0339376523	• DECAL (Dutch)	1					M
24	0359313700	• DECAL (English)	1					
	0359314700	• DECAL (German)	1					
	0359315700	• DECAL (French)	1					
	0359316700	• DECAL (Italian)	1					
	0339364500	• DECAL (Spanish)	1					
	0339376524	• DECAL (Dutch)	1					M
25	0329360100	• SYMBOL MARK	1					
26	0329352400	• SYMBOL MARK	1					
27	0339332100	• DECAL (English)	1		11400003~11400316			
27-1	0339332150	• DECAL (English)	1		11400317~			
27	0339334100	• DECAL (German)	1		11400003~11400316			
27-1	0339334150	• DECAL (German)	1		11400317~			

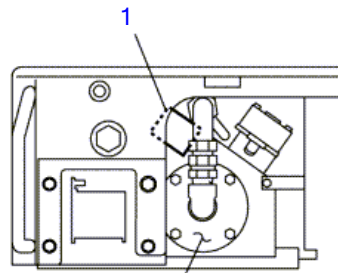
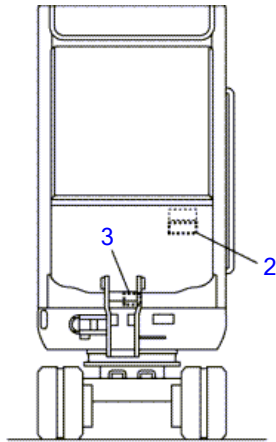
TB014 Book No. BC4Z004 S/N 11400003-11401973  
**DECAL (cab)**



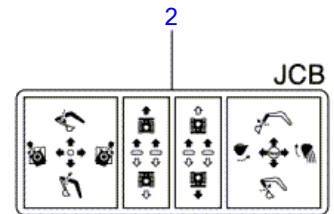
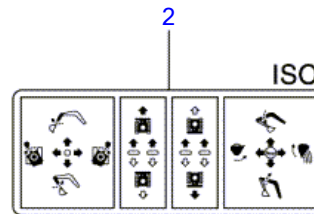
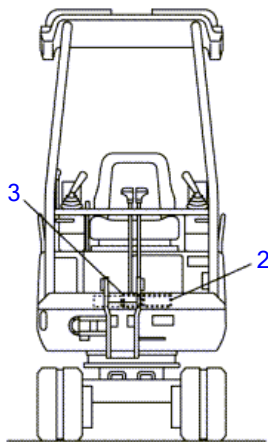
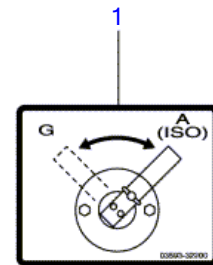
C4G064S

S-FREE

Item	Part number	Description	DECAL (cab)	Q'ty	Chan.	Serial No.	Serv.	Remarks
27	0339336100	• DECAL (French)		1		11400003~11400316		
27-1	0339336150	• DECAL (French)		1		11400317~		
27	0339338100	• DECAL (Italian)		1		11400003~11400316		
27-1	0339338150	• DECAL (Italian)		1		11400317~		
27	0339364600	• DECAL (Spanish)		1				
29	0394504900	• DECAL		1				
30	0189311800	• DECAL		1				
31	0359354028	• DECAL		1				
33	0399300800	• DECAL		1		11400438~		
34	0399300500	• DECAL		5		11400438~		
35	0359347010	• DECAL (English)		1				
35	0339375210	• DECAL (German)		1				
35	0339375410	• DECAL (French)		1				
35	0339375610	• DECAL (Italian)		1				
35	0339375810	• DECAL (Spanish)		1				
36	0359347020	• DECAL (English)		1				
36	0339375220	• DECAL (German)		1				
36	0339375420	• DECAL (French)		1				
36	0339375620	• DECAL (Italian)		1				
36	0339375820	• DECAL (Spanish)		1				
36	0339376536	• DECAL (Dutch)		1				M
37	0339375040	• DECAL (English)		1				
37	0339375240	• DECAL (German)		1				
37	0339375440	• DECAL (French)		1				
37	0339375640	• DECAL (Italian)		1				
37	0339375840	• DECAL (Spanish)		1				
37	0339376537	• DECAL (Dutch)		1				M
38	0339375050	• DECAL (English)		1				
38	0339375250	• DECAL (German)		1				
38	0339375450	• DECAL (French)		1				
38	0339375650	• DECAL (Italian)		1				
38	0339375850	• DECAL (Spanish)		1				
38	0339376538	• DECAL (Dutch)		1				M
39	0379358550	• DECAL		1				M
	C4g064S							



HYDRAULIC TANK



English



German



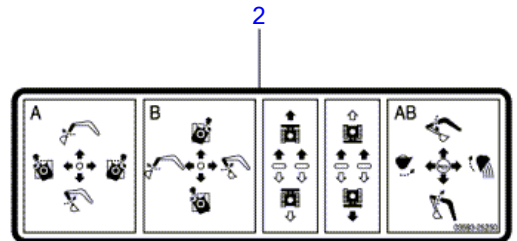
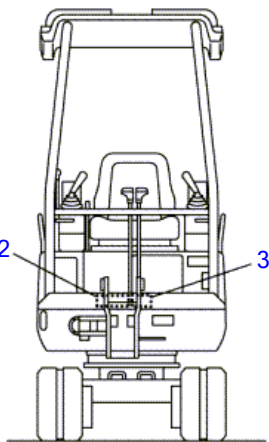
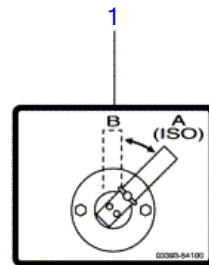
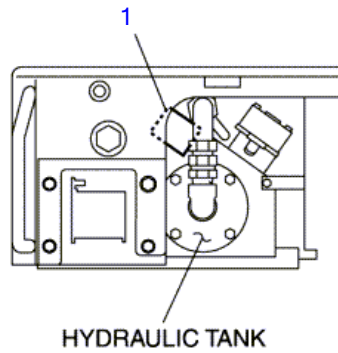
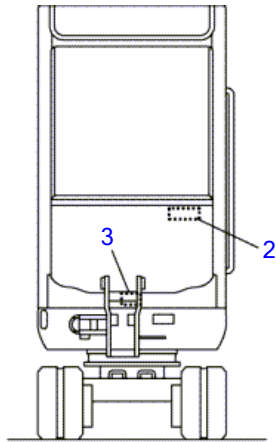
Spanish

C4G111

S-FREE

**DECAL (selector valve)**

Item	Part number	Description	Q'ty	Chan.	Serial No.	Serv.	Remarks
0	<b>0339348000</b>	DECAL SET (English)	1				X03393-48000-1
	<b>0339349000</b>	DECAL SET (German)	1				X03393-49000-1
	<b>0339349100</b>	DECAL SET (Spanish)	1				X03393-49100-1
1	<b>0359332200</b>	• DECAL	1				
2	<b>0359313800</b>	• DECAL	1				JCB
	<b>0359325240</b>	• DECAL	1				ISO
3	<b>0359332300</b>	• DECAL	1				English
	<b>0359332400</b>	• DECAL	1				German
	<b>0329364020</b>	• DECAL	1			M	Spanish
	<b>C4g112</b>						

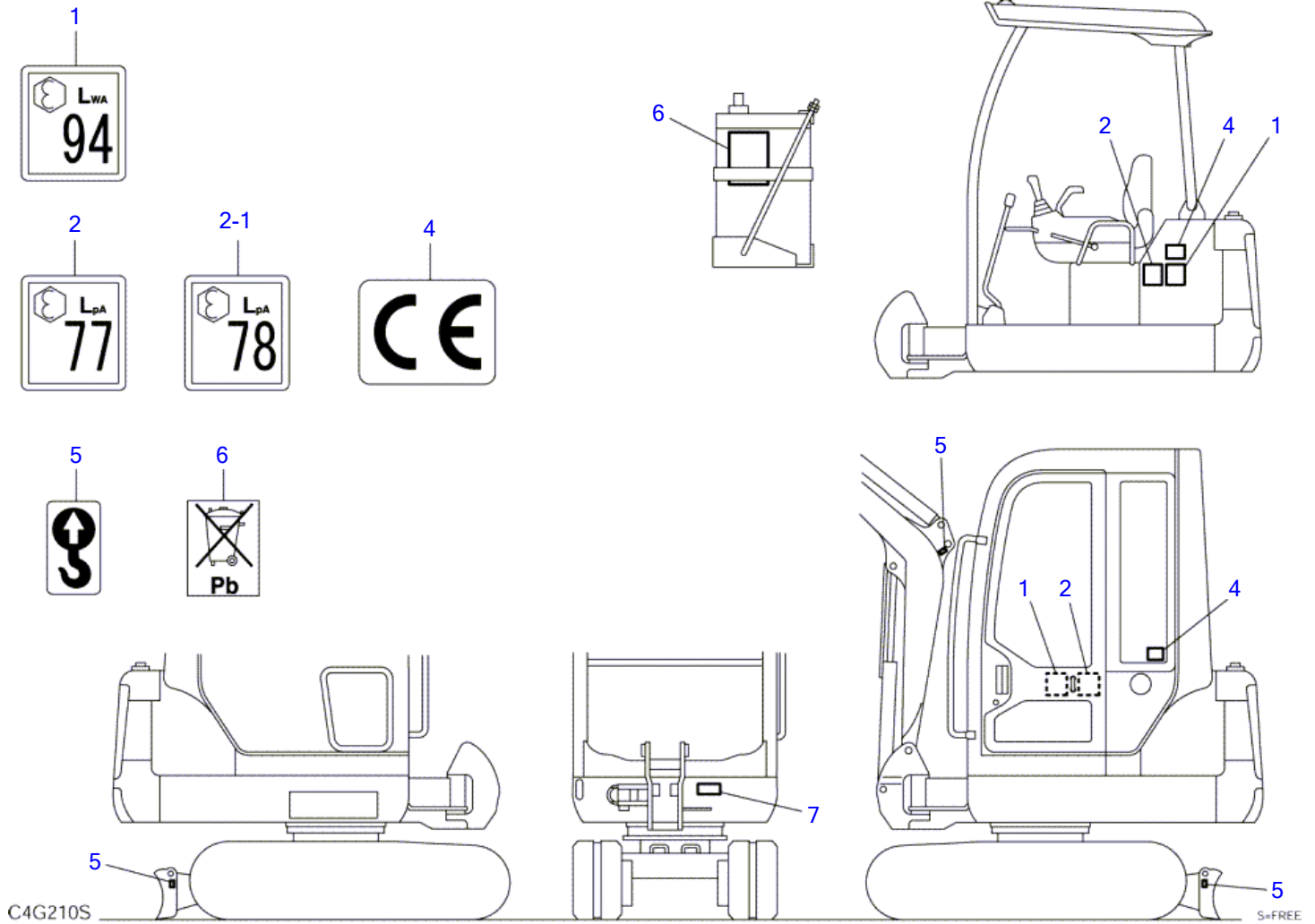


C4G140

S+FREE

**DECAL (selector valve) (A-B pattern)**

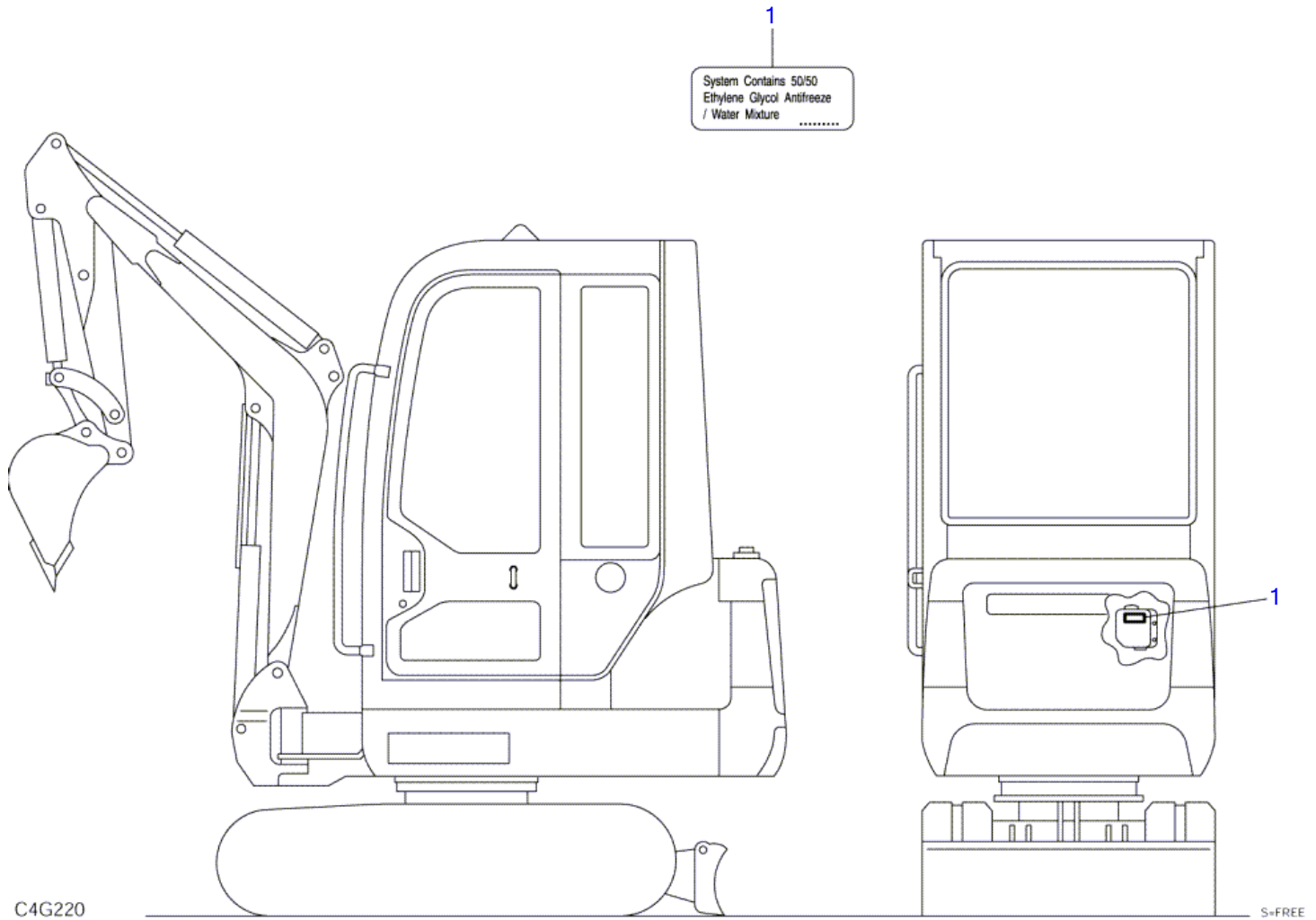
Item	Part number	Description	Qty	Chan.	Serial No.	Serv.	Remarks
0	<b>0339354000</b>	DECAL SET	1				X03393-54000-0
1	<b>0339354100</b>	• DECAL	1				
2	<b>0359325250</b>	• DECAL	1				
3	<b>0339354200</b>	• DECAL	1				
	<b>C4g141</b>						



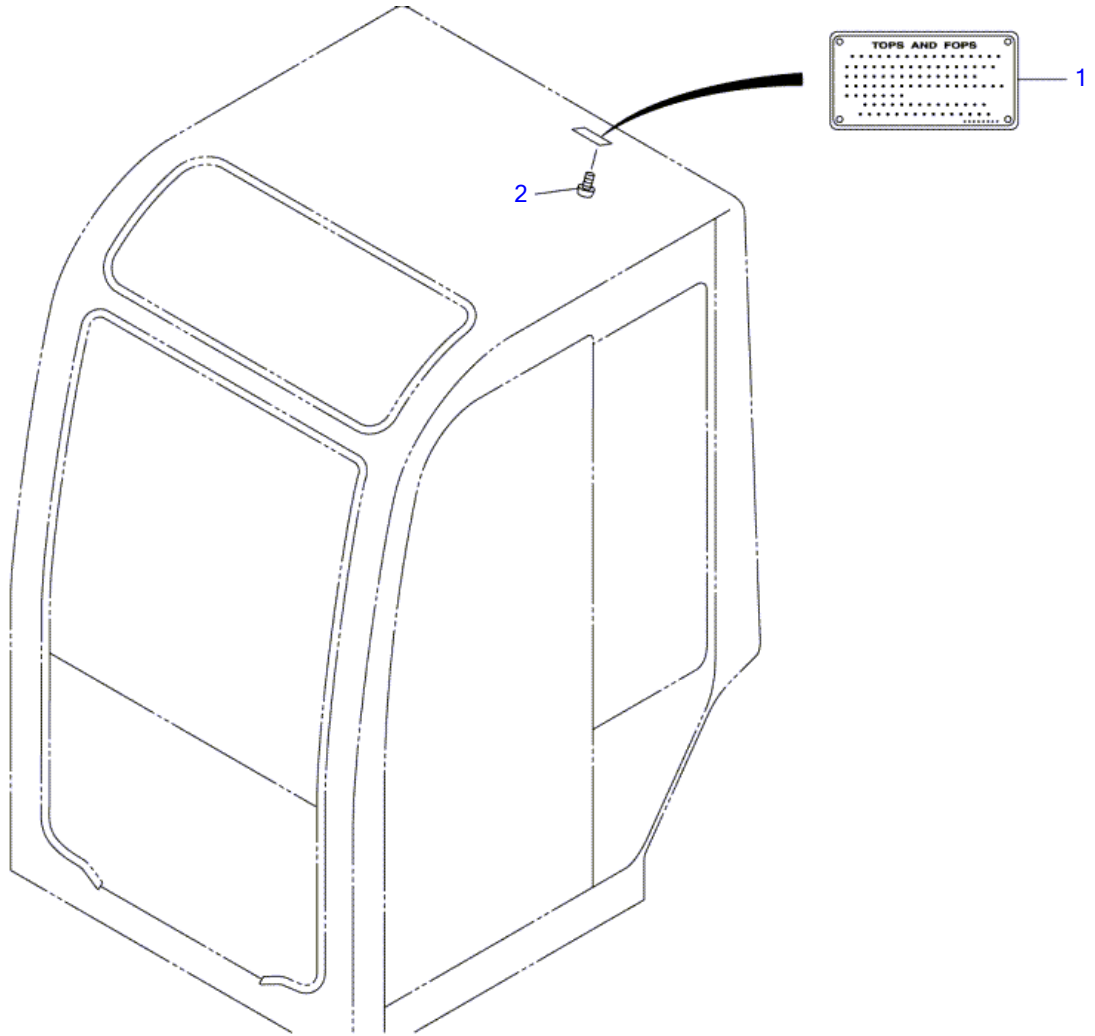


**DECAL (for EU; 11400003-11400437)**

Item	Part number	Description	Q'ty	Chan.	Serial No.	Serv.	Remarks
0	<b>0339355000</b>	DECAL SET	1				canopy
	<b>0339356000</b>	DECAL SET	1				cab
1	<b>0399300600</b>	• DECAL	1				
2	<b>0339355100</b>	• DECAL	1				canopy
2-1	<b>0399300700</b>	• DECAL	1				cab
4	<b>0339300800</b>	• DECAL	1				
5	<b>0399300500</b>	• DECAL	3				
6	<b>0379347200</b>	• DECAL	1				
7	<b>0339355200</b>	• DECAL	1				
	<b>C4g211S</b>						



DECAL (for US TAKEUCHI)						
Item	Part number	Description	Q'ty	Chan.	Serial No.	Serv. Remarks
0	0339372000	DECAL SET	1			X03393-72000-0
1	0359313900 C4g220	• DECAL	1			

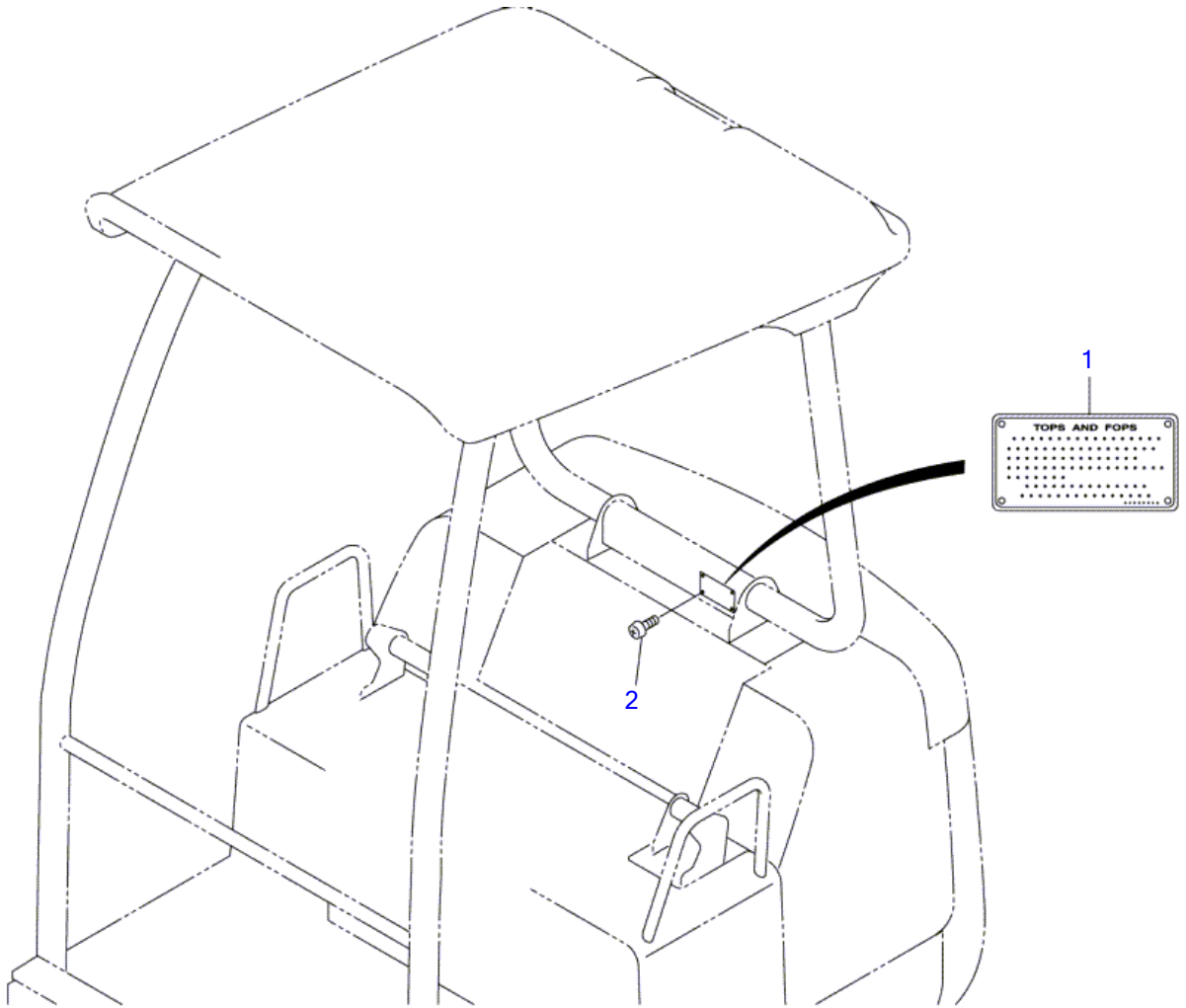


C4G230

S-1/15

**DECAL (TOPS) (cab)**

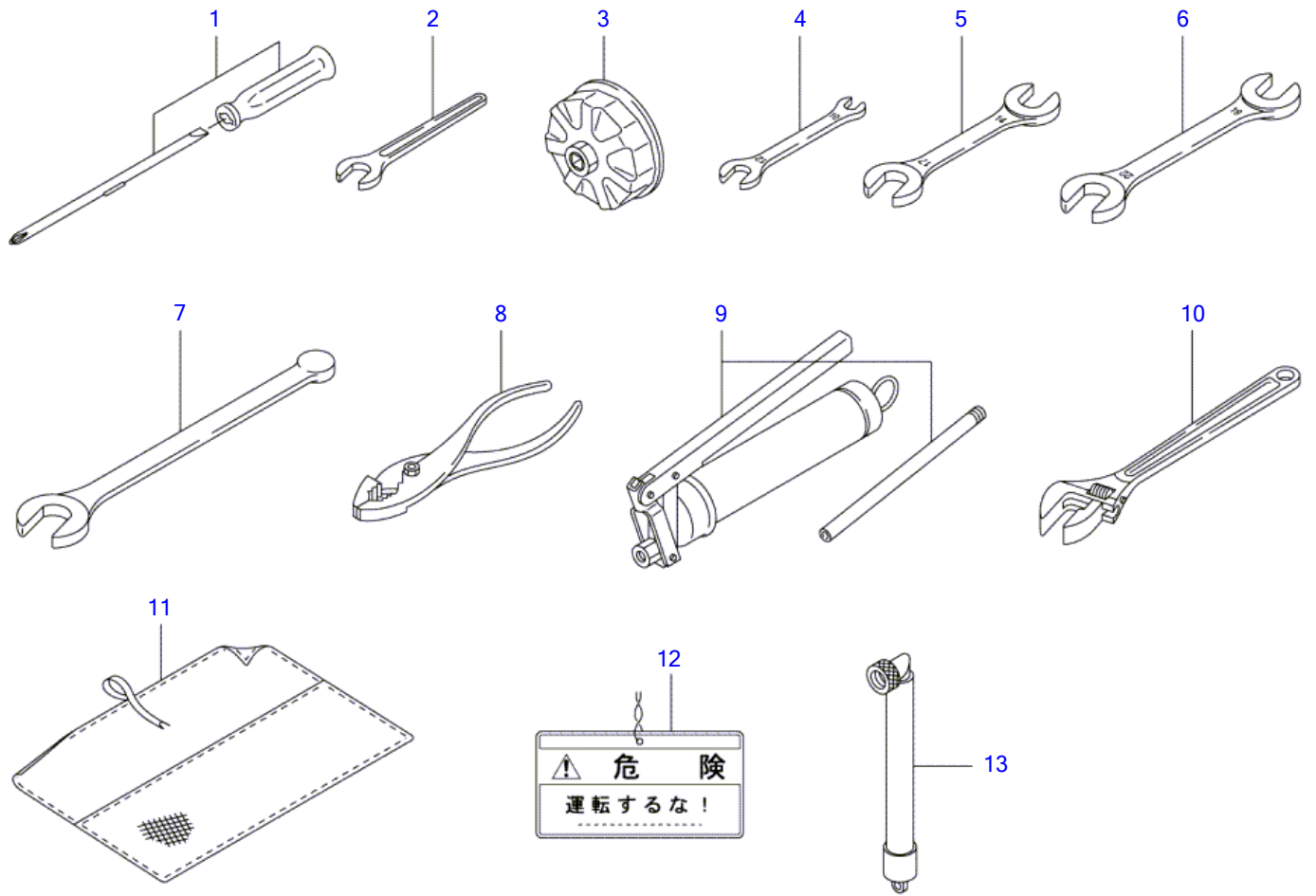
Item	Part number	Description	Q'ty	Chan.	Serial No.	Serv.	Remarks
0	<b>0339373000</b>	DECAL SET	1				X03393-73000-0
1	X *****	• DECAL	1				X03393-73100
2	<b>1122800006</b> <b>C4g231</b>	• SCREW	4				



C4G240

S-1/12

DECAL (TOPS) (canopy)						
Item	Part number	Description	Q'ty	Chan.	Serial No.	Serv. Remarks
0	<b>0339374000</b>	DECAL SET	1			X03393-74000-0
1	X *****	• DECAL	1			X03393-74100
2	<b>1122800006</b> <b>C4g241</b>	• SCREW	4			



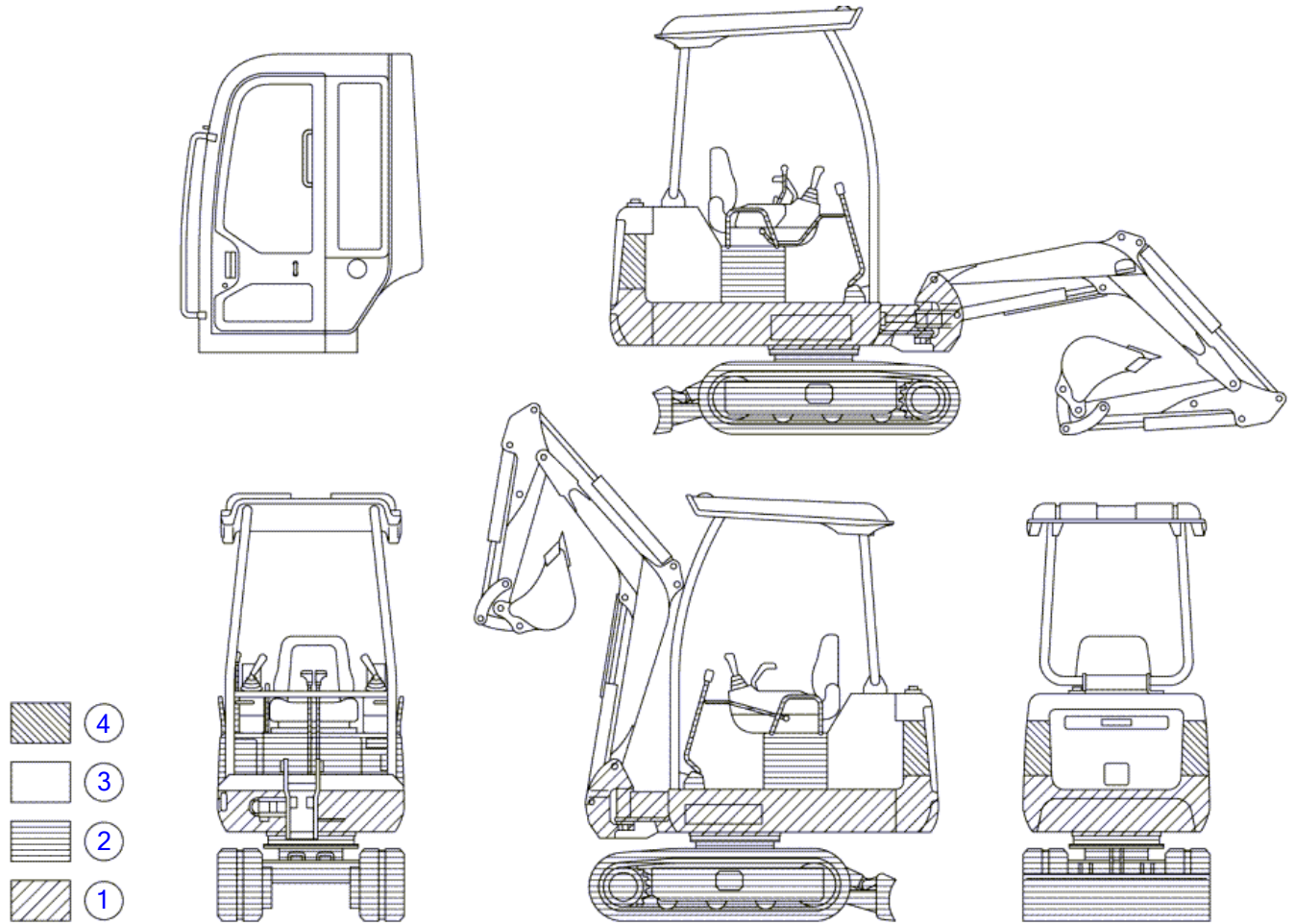
C4G121

S=FREE



**TOOL & ACCESSORIES**

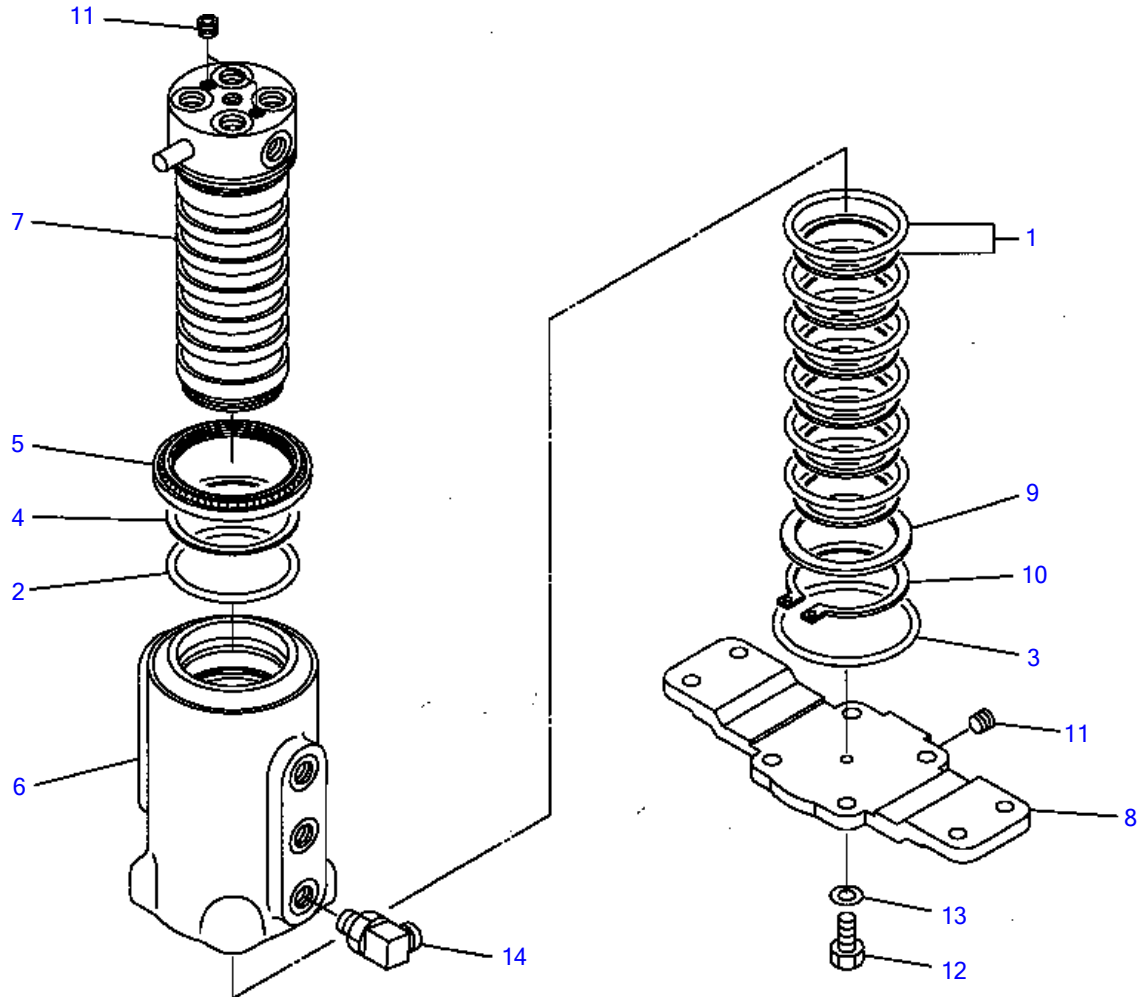
Item	Part number	Description	Q'ty	Chan.	Serial No.	Serv.	Remarks
		TOOL SET					
1	1910006112	SCREWDRIVER	1				
2	1690100013	SPANNER	1				
3	1910096081	WRENCH, filter	1				
4	1910047081	SPANNER	1				
5	1910047082	SPANNER	1				
6	1690001922	SPANNER	1				
7	1690900026	SPANNER	1				
8	1690500200	PLIER	1				
9	1691010800	GUN, grease	1				for Japan
	1691060600	GUN, grease	1				
10	1690400250	WRENCH, monkey	1				
11	1691400001	CASE, tool	1				
12	0359325160	PLATE	1				for Japan
13	1554512601	TUBE	1		11400003~11400022		for EU
	1554512201	TUBE	1		11400023~		for EU
	<b>C4g121S</b>						



C4G131

S-FREE

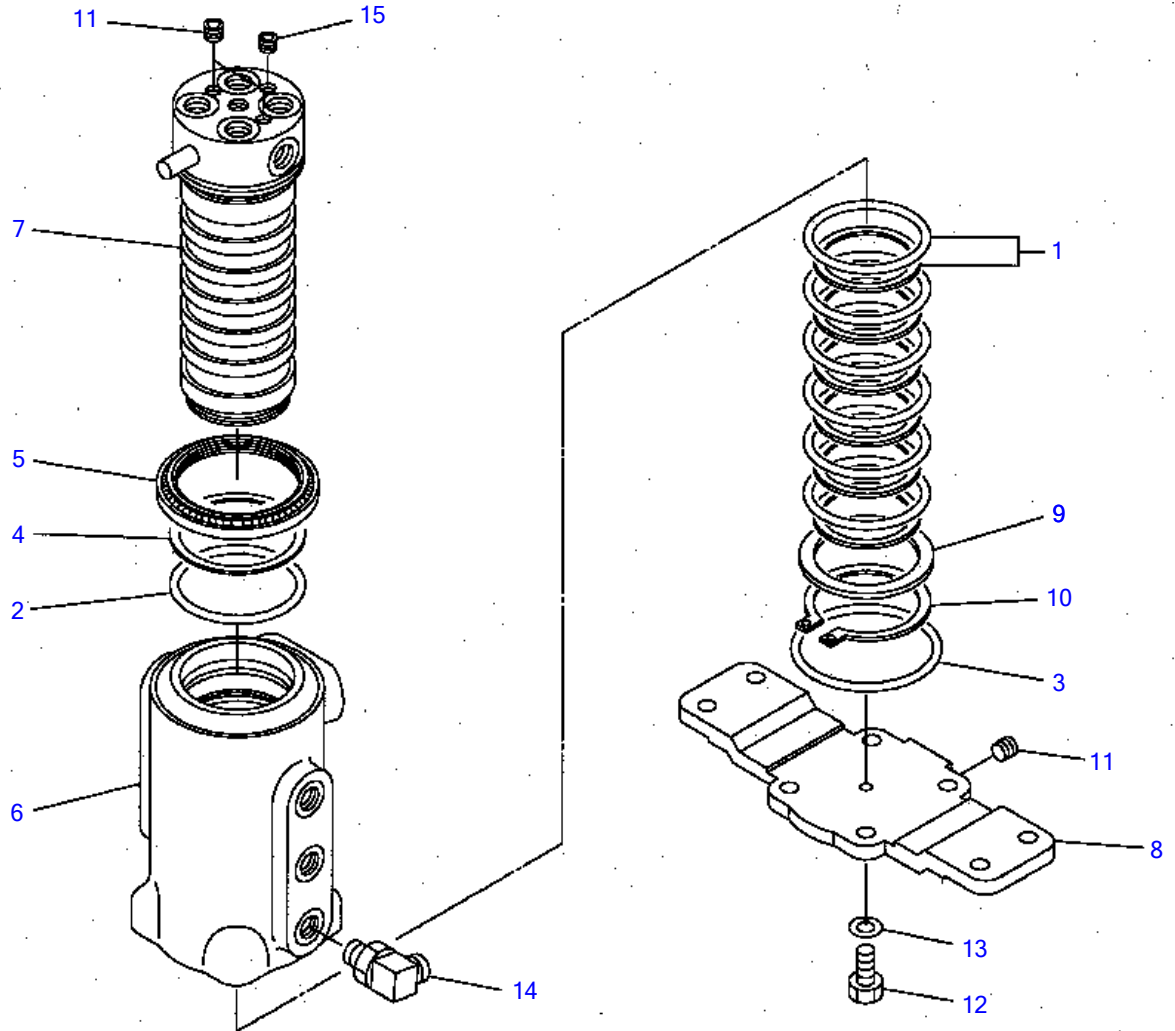
PAINTED COLOR							
Item	Part number	Description	Q'ty	Chan.	Serial No.	Serv.	Remarks
		PAINTED COLOR (rubber crawler)					canopy
		PAINTED COLOR (steel crawler)					canopy
		PAINTED COLOR (rubber crawler)					cab
		PAINTED COLOR (steel crawler)					cab
1	1919060105	RED					
	1919069025	RED					spray
	1919060167	RED					urethane
2	1919060144	GRAY					
	1919069144	GRAY					spray
3	1919060142	LIGHT GRAY					
	1919069142	LIGHT GRAY					spray
4	1919060005	BLACK					
	C4g132						



C4H010

**SWIVEL JOINT (11400003-11400436)**

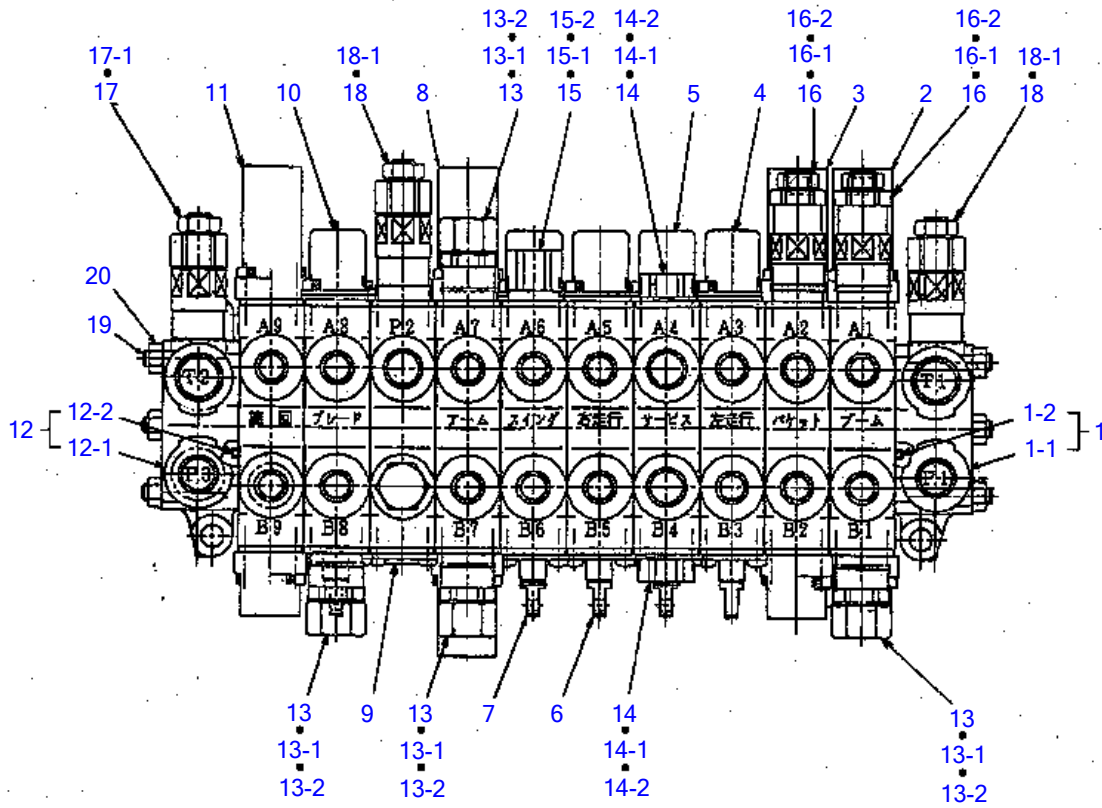
Item	Part number	Description	Q'ty	Chan.	Serial No.	Serv.	Remarks
0	<b>1904007900</b>	JOINT ASSY, swivel	1				
0-1	<b>1904007799</b>	▪ KIT, seal	1				
1	X <b>1904006416</b>	▪ ▪ SEAL, sliper	6				
2	X <b>1420010600</b>	▪ ▪ O-RING	1				
3	X <b>1420310040</b>	▪ ▪ O-RING	1				
4	X <b>1421030600</b>	▪ ▪ RING, back-up	1				
5	X <b>1904001695</b>	▪ ▪ SEAL, dust	1				
6	X <b>*****</b>	▪ HUB	1				
7	X <b>*****</b>	▪ SHAFT	1				
8	<b>1904007121</b>	▪ FLANGE	1				
9	<b>1904004604</b>	▪ RING, thrust	1				
10	<b>1220000055</b>	▪ RING, snap	1				
11	<b>1501810001</b>	▪ PLUG	3				
12	<b>1100050825</b>	▪ BOLT	4				
13	<b>1140010008</b>	▪ WASHER, spring	4				
14	<b>1515010040</b>	▪ ELBOW	1				
	<b>1420010110</b>	▪ ▪ O-RING	1				M
	<b>C4h012</b>						



C4H370

**SWIVEL JOINT (11400437-)**

Item	Part number	Description	Q'ty	Chan.	Serial No.	Serv.	Remarks
0	<b>1904008100</b>	JOINT ASSY, swivel	1				
0-1	<b>1904008199</b>	▪ KIT, seal	1				
1	X <b>1904006416</b>	▪ ▪ SEAL, sliper	6				
2	X <b>1420010600</b>	▪ ▪ O-RING	1				
3	X <b>1420310040</b>	▪ ▪ O-RING	1				
4	X <b>1421030600</b>	▪ ▪ RING, back-up	1				
5	X <b>1904001695</b>	▪ ▪ SEAL, dust	1				
6	X <b>*****</b>	▪ HUB	1				
7	X <b>*****</b>	▪ SHAFT	1				
8	<b>1904007121</b>	▪ FLANGE	1				
9	<b>1904004604</b>	▪ RING, thrust	1				
10	<b>1220000055</b>	▪ RING, snap	1				
11	<b>1501810001</b>	▪ PLUG	2				
12	<b>1100050825</b>	▪ BOLT	4				
13	<b>1140010008</b>	▪ WASHER, spring	4				
14	<b>1515010040</b>	▪ ELBOW	1				
	<b>1420010110</b>	▪ ▪ O-RING	1				M
15	<b>1501810000</b>	▪ PLUG	1				
	<b>C4h371</b>						



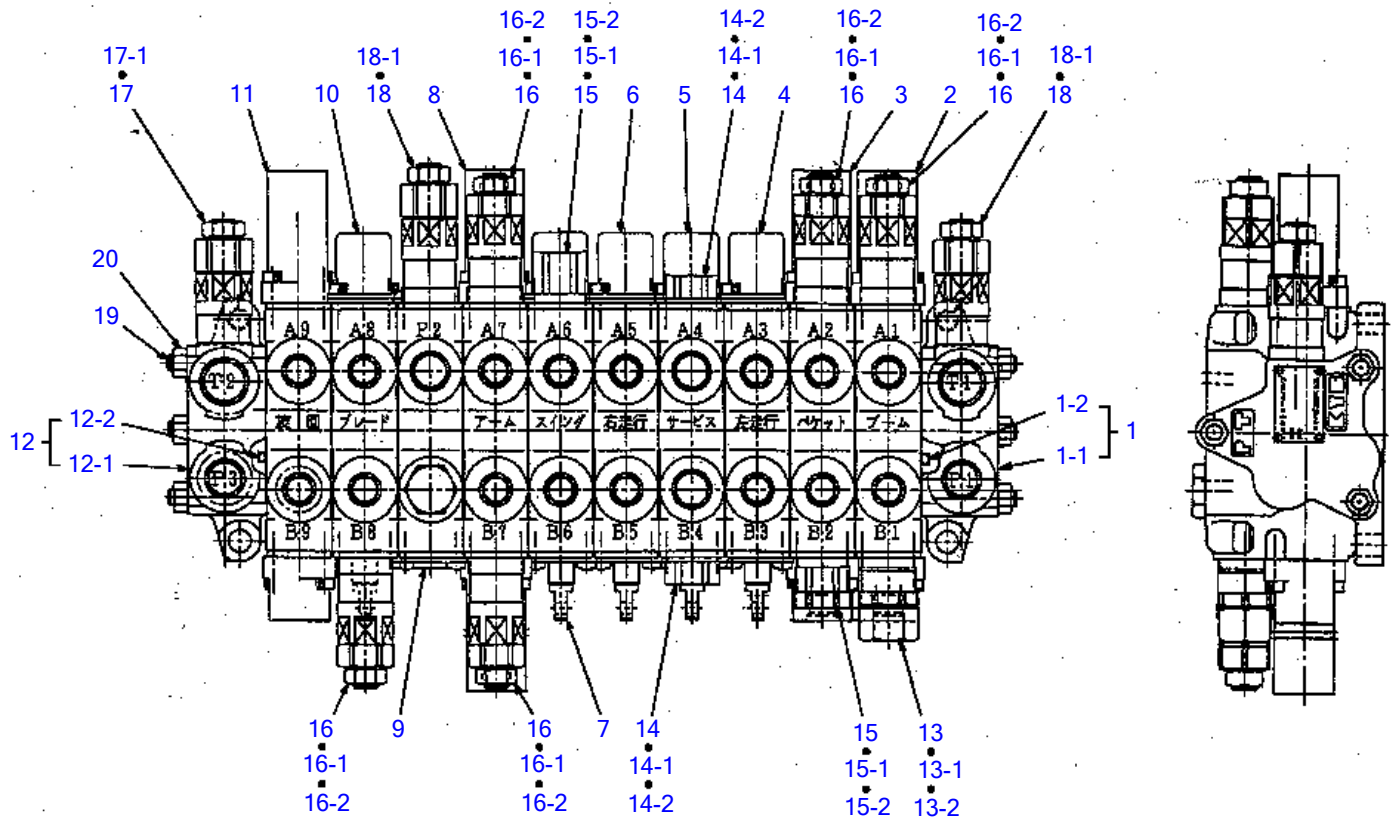
C4H031



**CONTROL VALVE (11400003-11400430)**

Item	Part number	Description	Q'ty	Chan.	Serial No.	Serv.	Remarks
0	1901036100	VALVE ASSY, control	1				
1	1901029902	• HOUSING ASSY	1				
1-1	1901029904	• • HOUSING	1				
1-2	1420100550	• • O-RING	1				
2	1901033811	• BLOCK ASSY, No. 1	1				boom
3	1901033813	• BLOCK ASSY, No. 2	1				bucket
4	1901033816	• BLOCK ASSY, No. 3	1				traction L.H.
5	1901033819	• BLOCK ASSY, No. 4	1				service
6	1901033815	• BLOCK ASSY, No. 5	1				traction R.H.
7	1901033818	• BLOCK ASSY, No. 6	1				swing
8	1901033812	• BLOCK ASSY, No. 7	1				arm
9	1901030010	• BLOCK ASSY, No. 8	1				
10	1901033817	• BLOCK ASSY, No. 9	1				blade
11	1901033814	• BLOCK ASSY, No. 10	1				slew
12	1901029901	• HOUSING ASSY	1				
12-1	1901029903	• • HOUSING	1				
12-2	1420100550	• • O-RING	1				
13	1901033824	• VALVE ASSY	4				over load
13-1	1420010180	• • O-RING	1				
13-2	1420010140	• • O-RING	1				
14	1901029992	• PLUG	2				
14-1	1420010140	• • O-RING	1				
14-2	1420010180	• • O-RING	1				
15	1901029923	• VALVE ASSY	1				antivoid
15-1	1420010180	• • O-RING	1				
15-2	1420010140	• • O-RING	1				
16	1901033823	• VALVE ASSY	2				over load
16-1	1420010180	• • O-RING	1				
16-2	1420010140	• • O-RING	1				
17	1901033822	• VALVE ASSY	1				relief
17-1	1901025482	• • O-RING	1				
18	1901036121	• VALVE ASSY	2				relief
18-1	1901025482	• • O-RING	1				
19	1901030006	• BOLT	3				
20	1901034907	• NUT	6				

**C4h032S**

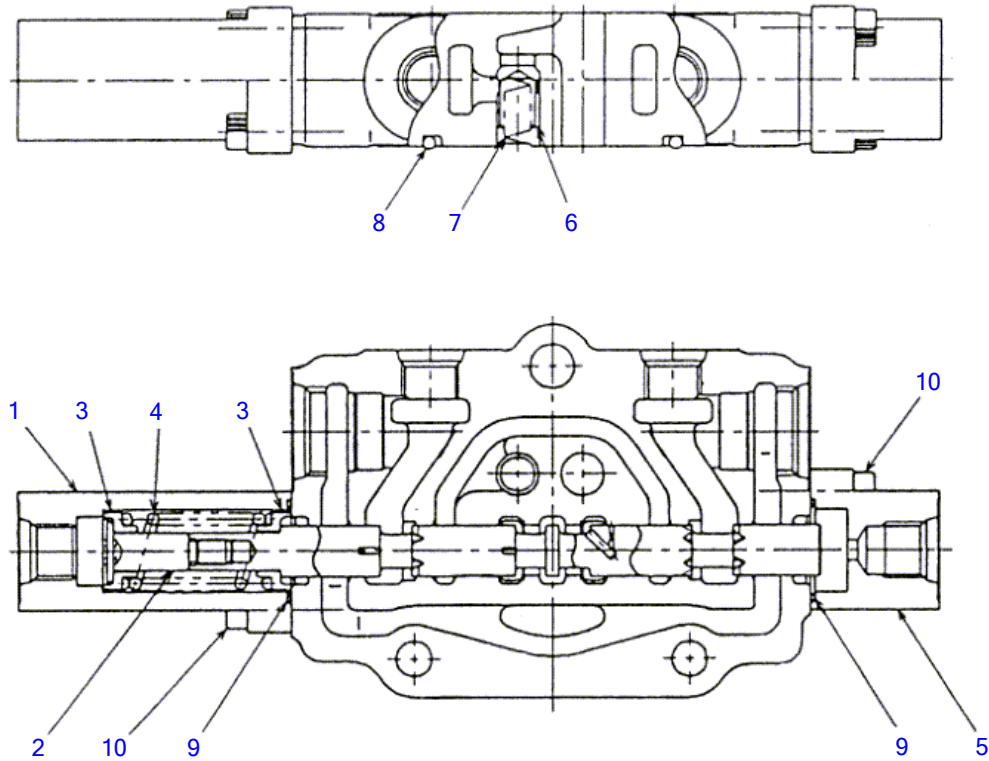


C4H380

**CONTROL VALVE (11400431-)**

Item	Part number	Description	Q'ty	Chan.	Serial No.	Serv.	Remarks
0	1901037600	VALVE ASSY, control	1		11400431~11400460		
	1901038400	VALVE ASSY, control	1	(H)	11400461~		
1	1901029902	· HOUSING ASSY	1				
1-1	1901029904	· · HOUSING	1				
1-2	1420100550	· · O-RING	1				
2	1901033811	· BLOCK ASSY, No. 1	1				boom
3	1901033813	· BLOCK ASSY, No. 2	1		11400431~11400460		bucket
	1901038513	· BLOCK ASSY, No. 2	1		11400461~		bucket
4	1901033816	· BLOCK ASSY, No. 3	1				traction L.H.
5	1901033819	· BLOCK ASSY, No. 4	1				service
6	1901033815	· BLOCK ASSY, No. 5	1				traction R.H.
7	1901033818	· BLOCK ASSY, No. 6	1				swing
8	1901033812	· BLOCK ASSY, No. 7	1				arm
9	1901030010	· BLOCK ASSY, No. 8	1		11400431~11400669		
	1901038420	· BLOCK ASSY, No. 8	1	(H)	11400670~		
10	1901033817	· BLOCK ASSY, No. 9	1				blade
11	1901033814	· BLOCK ASSY, No. 10	1				slew
12	1901029901	· HOUSING ASSY	1				
12-1	1901029903	· · HOUSING	1				
12-2	1420100550	· · O-RING	1				
13	1901033824	· VALVE ASSY	1				over load
13-1	1420010180	· · O-RING	1				
13-2	1420010140	· · O-RING	1				
14	1901029992	· PLUG	2				
14-1	1420010140	· · O-RING	1				
14-2	1420010180	· · O-RING	1				
15	1901029923	· VALVE ASSY	1		11400431~11400460		antivoid
	1901029923	· VALVE ASSY	2		11400461~		antivoid
15-1	1420010180	· · O-RING	1				
15-2	1420010140	· · O-RING	1				
16	1901038521	· VALVE ASSY	5				over load
16-1	1420010180	· · O-RING	1				
16-2	1420010140	· · O-RING	1				
17	1901033822	· VALVE ASSY	1				relief
17-1	1901025482	· · O-RING	1				
18	1901037626	· VALVE ASSY	2				relief
18-1	1901025482	· · O-RING	1				
19	1901030006	· BOLT	3				
20	1901034907	· NUT	6				

**C4h382S**

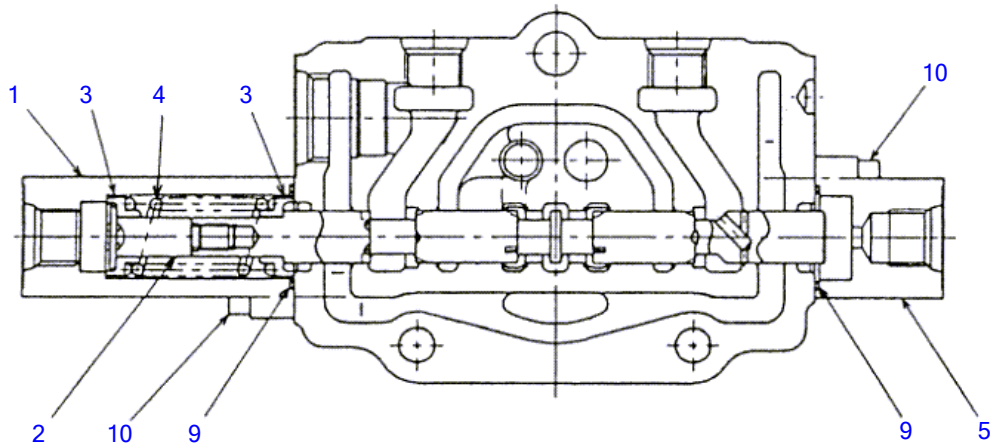
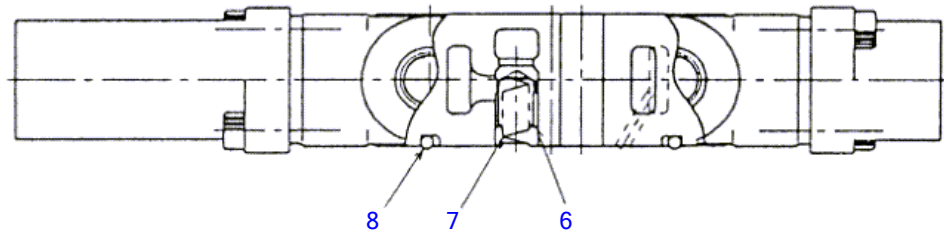


C4H040

S=FREE

**BLOCK ASSY; No. 1**

Item	Part number	Description	Q'ty	Chan.	Serial No.	Serv.	Remarks
0	<b>1901033811</b>	BLOCK ASSY, No. 1	1				boom
1	<b>1901027962</b>	• CAP	1				
2	<b>1901034591</b>	• SCREW, cap	1				
3	<b>1901031752</b>	• HOLDER, spring	2				
4	<b>1901034556</b>	• SPRING	1				
5	<b>1901027961</b>	• CAP	1				
6	<b>1901027768</b>	• PLUNGER	1				
7	<b>1901027757</b>	• SPRING	1				
8	<b>1420100550</b>	• O-RING	1				
9	<b>1420500220</b>	• O-RING	2				
10	<b>1110050518</b>	• SCREW, cap	4				
	<b>C4h040</b>						

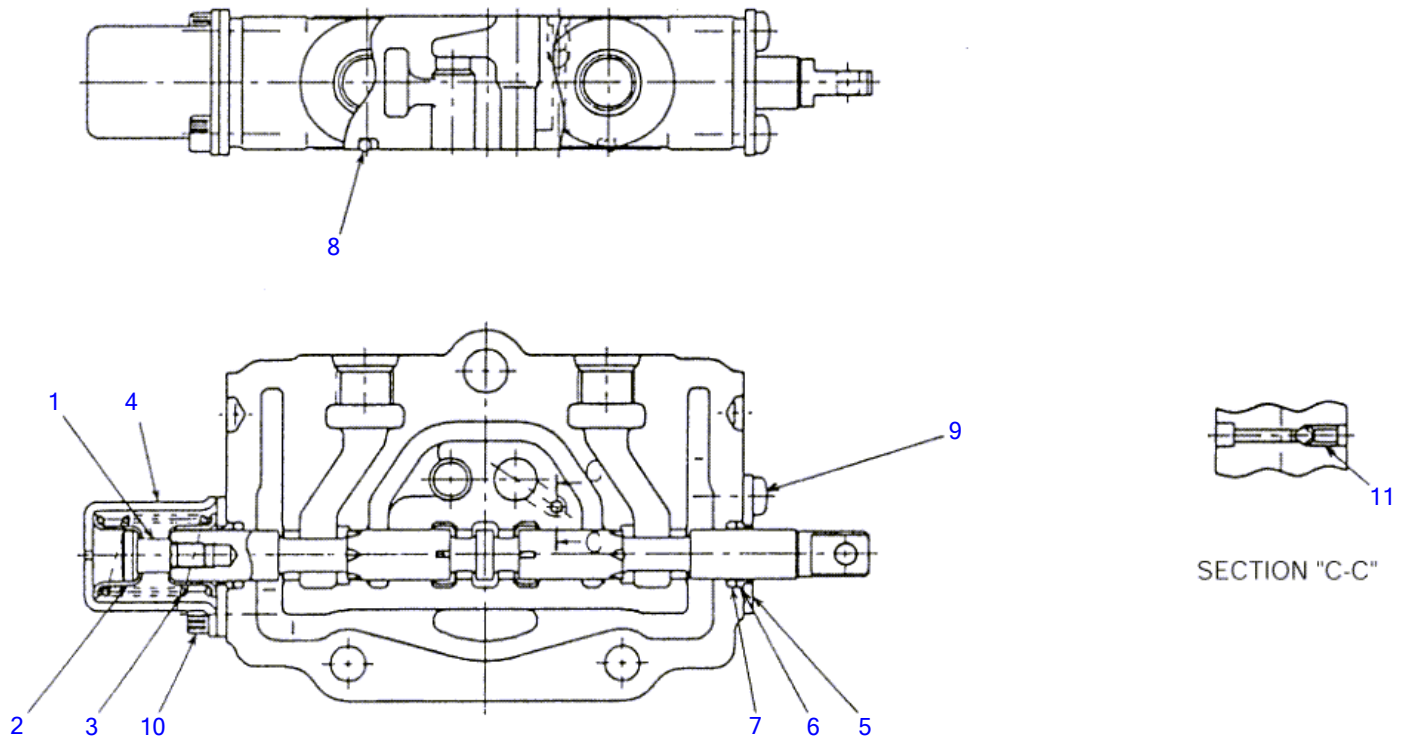


C4H050

S=FREE

**BLOCK ASSY; No. 2**

Item	Part number	Description	Q'ty	Chan.	Serial No.	Serv.	Remarks
0	<b>1901033813</b>	BLOCK ASSY, No. 2	1		11400003~11400460		bucket
	<b>1901038513</b>	BLOCK ASSY, No. 2	1		11400461~		bucket
1	<b>1901027962</b>	▪ CAP	1				
2	<b>1901034591</b>	▪ SCREW, cap	1				
3	<b>1901031752</b>	▪ HOLDER, spring	2				
4	<b>1901033856</b>	▪ SPRING	1				
5	<b>1901027961</b>	▪ CAP	1				
6	<b>1901027768</b>	▪ PLUNGER	1				
7	<b>1901027757</b>	▪ SPRING	1				
8	<b>1420100550</b>	▪ O-RING	1				
9	<b>1420500220</b>	▪ O-RING	2				
10	<b>1110050518</b>	▪ SCREW, cap	4				
	<b>C4h051S</b>						



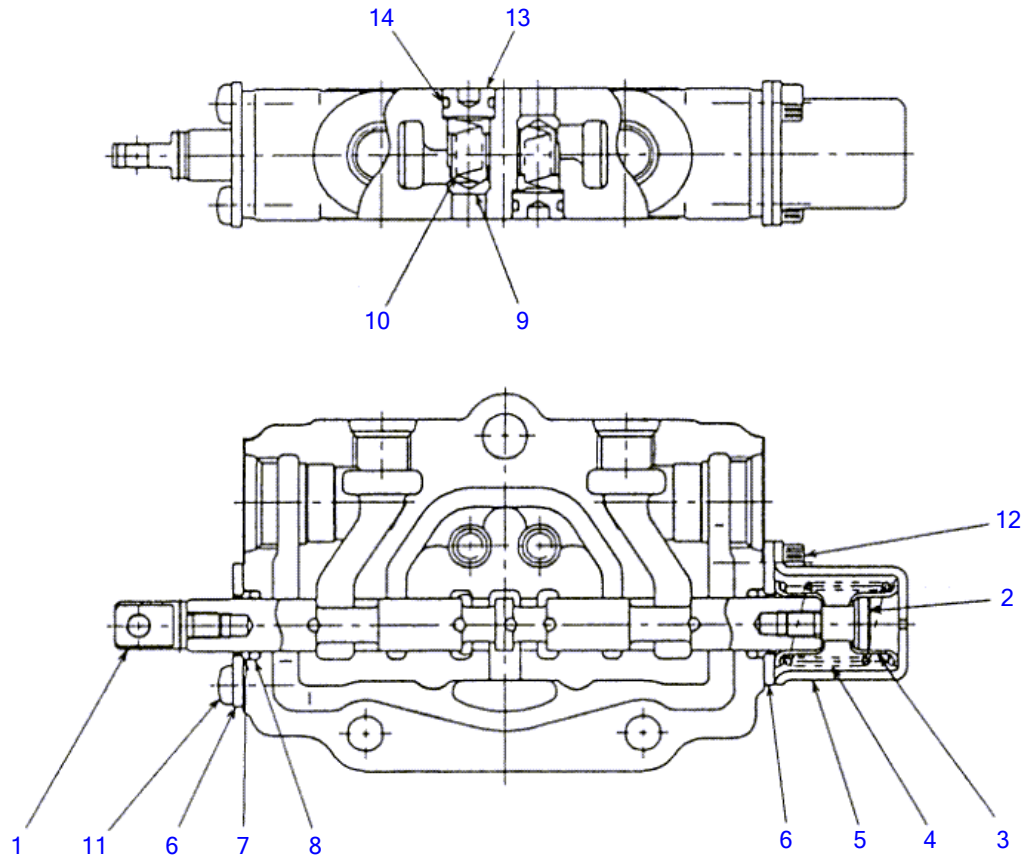
C4H060

S=FREE



**BLOCK ASSY; No. 3**

Item	Part number	Description	Q'ty	Chan.	Serial No.	Serv.	Remarks
0	<b>1901033816</b>	BLOCK ASSY, No. 3	1				traction L.H.
1	<b>1901031790</b>	▪ SCREW, cap	1				
2	<b>1901027792</b>	▪ HOLDER, spring	2				
3	<b>1901027758</b>	▪ SPRING	1				
4	<b>1901027761</b>	▪ CAP	1				
5	<b>1901027772</b>	▪ PLATE	2				
6	<b>1901027771</b>	▪ SEAL, oil	2				
7	<b>1420000120</b>	▪ O-RING	2				
8	<b>1420100550</b>	▪ O-RING	1				
9	<b>1120540510</b>	▪ SCREW	2				
10	<b>1110050512</b>	▪ SCREW, cap	2				
11	<b>1901033826</b>	▪ PLUNGER	1				
	<b>C4h060</b>						

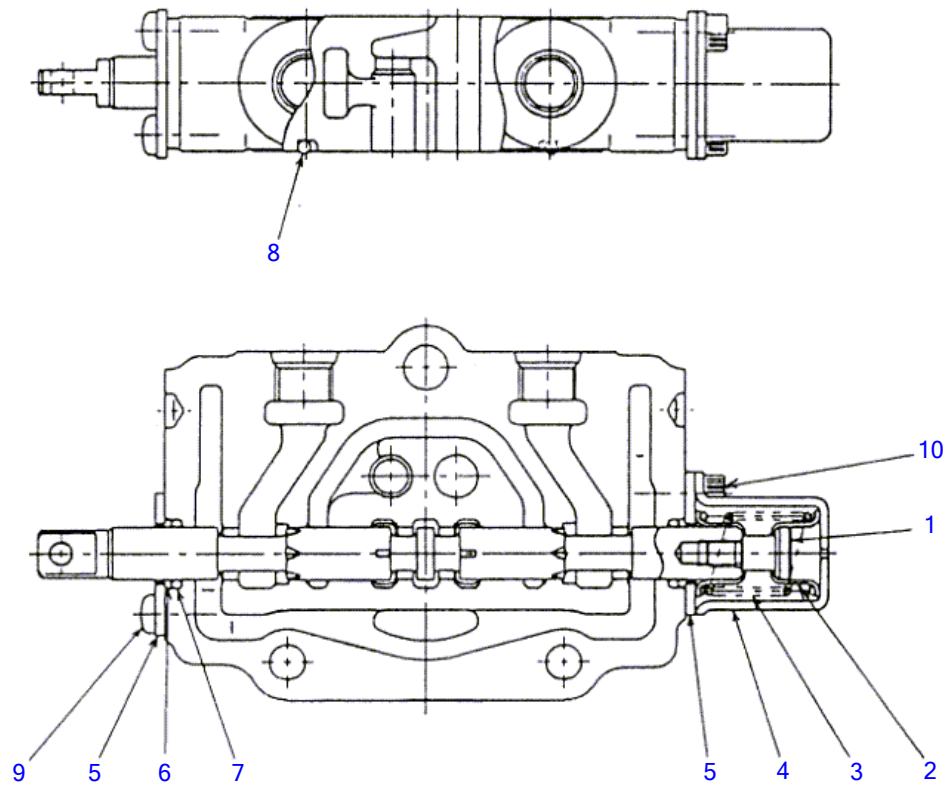


C4H070

S=FREE

**BLOCK ASSY; No. 4**

Item	Part number	Description	Q'ty	Chan.	Serial No.	Serv.	Remarks
0	<b>1901033819</b>	BLOCK ASSY, No. 4	1				service
1	<b>1901029930</b>	▪ HEAD	1				
2	<b>1901031790</b>	▪ SCREW, cap	1				
3	<b>1901027792</b>	▪ HOLDER, spring	2				
4	<b>1901027857</b>	▪ SPRING	1				
5	<b>1901027761</b>	▪ CAP	1				
6	<b>1901027772</b>	▪ PLATE	2				
7	<b>1901027771</b>	▪ SEAL, oil	2				
8	<b>1420000120</b>	▪ O-RING	2				
9	<b>1901027768</b>	▪ PLUNGER	1				
10	<b>1901027757</b>	▪ SPRING	1				
11	<b>1120540510</b>	▪ SCREW	2				
12	<b>1110050512</b>	▪ SCREW, cap	2				
13	<b>1901034983</b>	▪ PLUG	2				
14	<b>1420010090</b>	▪ O-RING	2				
	<b>C4h070</b>						

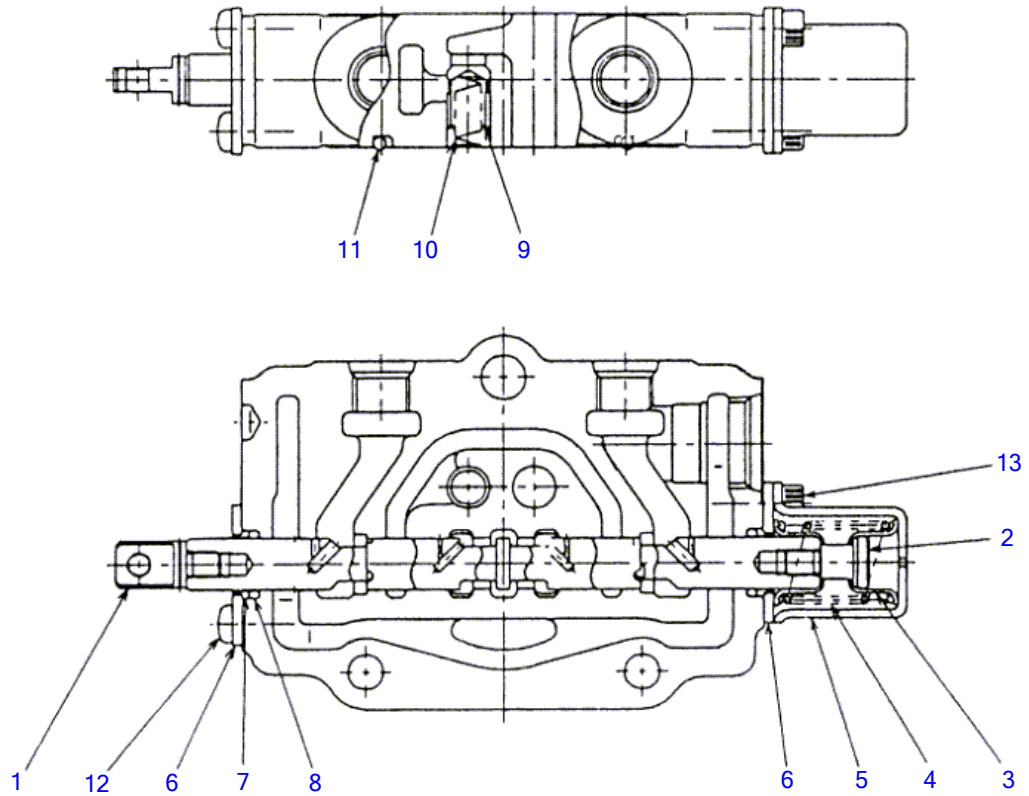


C4H080

S=FREE

**BLOCK ASSY; No. 5**

Item	Part number	Description	Q'ty	Chan.	Serial No.	Serv.	Remarks
0	<b>1901033815</b>	BLOCK ASSY, No. 5	1				traction R.H.
1	<b>1901031790</b>	▪ SCREW, cap	1				
2	<b>1901027792</b>	▪ HOLDER, spring	2				
3	<b>1901027758</b>	▪ SPRING	1				
4	<b>1901027761</b>	▪ CAP	1				
5	<b>1901027772</b>	▪ PLATE	2				
6	<b>1901027771</b>	▪ SEAL, oil	2				
7	<b>1420000120</b>	▪ O-RING	2				
8	<b>1420100550</b>	▪ O-RING	1				
9	<b>1120540510</b>	▪ SCREW	2				
10	<b>1110050512</b>	▪ SCREW, cap	2				
	<b>C4h080</b>						



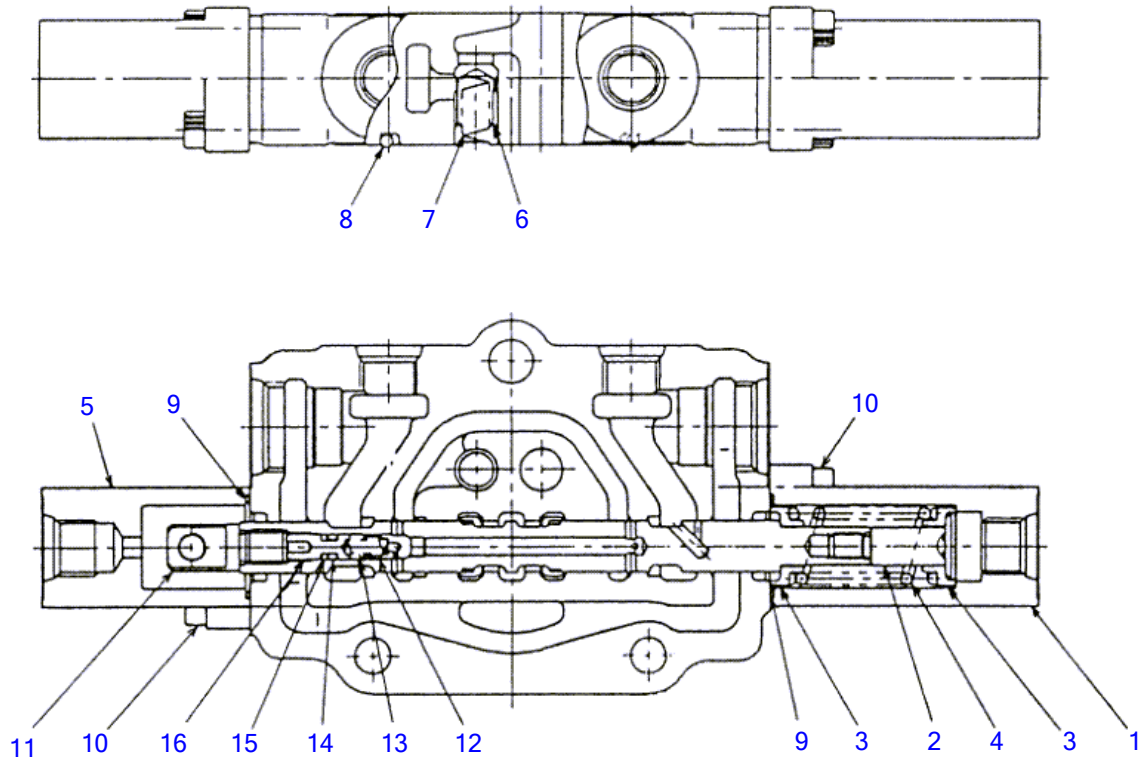
C4H090

S=FREE

**BLOCK ASSY; No. 6**

Item	Part number	Description	Q'ty	Chan.	Serial No.	Serv.	Remarks
0	<b>1901033818</b>	BLOCK ASSY, No. 6	1				swing
1	<b>1901029930</b>	▪ HEAD	1				
2	<b>1901031790</b>	▪ SCREW, cap	1				
3	<b>1901027792</b>	▪ HOLDER, spring	2				
4	<b>1901027857</b>	▪ SPRING	1				
5	<b>1901027761</b>	▪ CAP	1				
6	<b>1901027772</b>	▪ PLATE	2				
7	<b>1901027771</b>	▪ SEAL, oil	2				
8	<b>1420000120</b>	▪ O-RING	2				
9	<b>1901027768</b>	▪ PLUNGER	1				
10	<b>1901027757</b>	▪ SPRING	1				
11	<b>1420100550</b>	▪ O-RING	1				
12	<b>1120540510</b>	▪ SCREW	2				
13	<b>1110050512</b>	▪ SCREW, cap	2				

**C4h090**



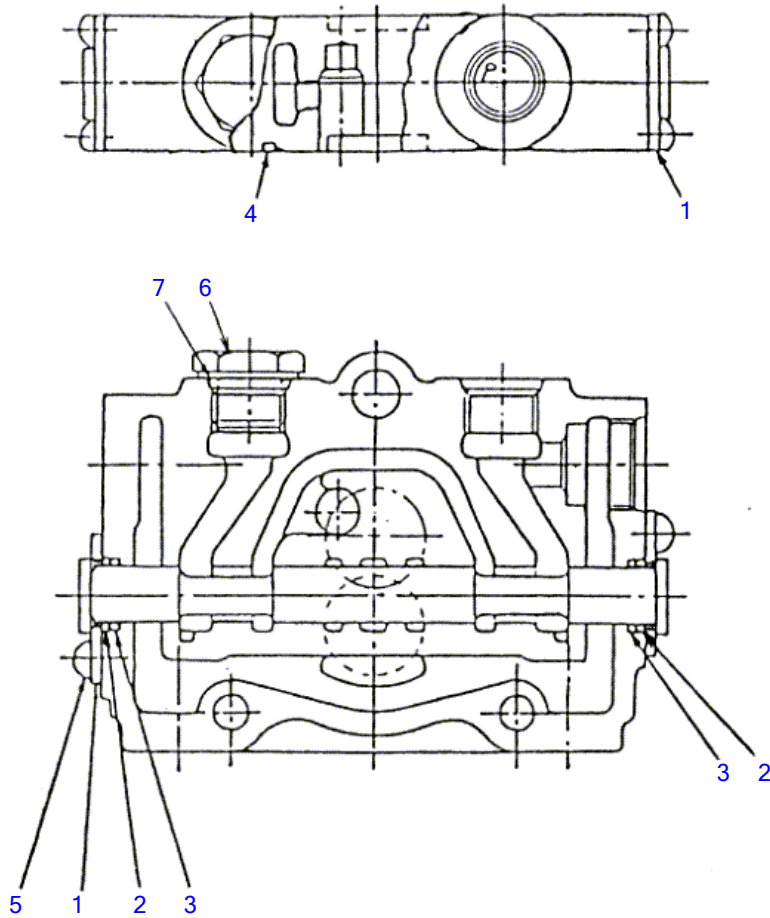
C4H100

S=FREE



**BLOCK ASSY; No. 7**

Item	Part number	Description	Q'ty	Chan.	Serial No.	Serv.	Remarks
0	<b>1901033812</b>	BLOCK ASSY, No. 7	1				arm
1	<b>1901027962</b>	▪ CAP	1				
2	<b>1901034591</b>	▪ SCREW, cap	1				
3	<b>1901031752</b>	▪ HOLDER, spring	2				
4	<b>1901033856</b>	▪ SPRING	1				
5	<b>1901027963</b>	▪ CAP	1				
6	<b>1901027768</b>	▪ PLUNGER	1				
7	<b>1901027757</b>	▪ SPRING	1				
8	<b>1420100550</b>	▪ O-RING	1				
9	<b>1420500220</b>	▪ O-RING	2				
10	<b>1110050518</b>	▪ SCREW, cap	4				
11	<b>1901027831</b>	▪ HEAD	1				
12	<b>1901029967</b>	▪ POPPET	1				
13	<b>1901027858</b>	▪ SPRING	1				
14	<b>1420000030</b>	▪ O-RING	1				
15	<b>1421020030</b>	▪ RING, back-up	1				
16	<b>1901029991</b>	▪ SPACER	1				
	<b>C4h100</b>						

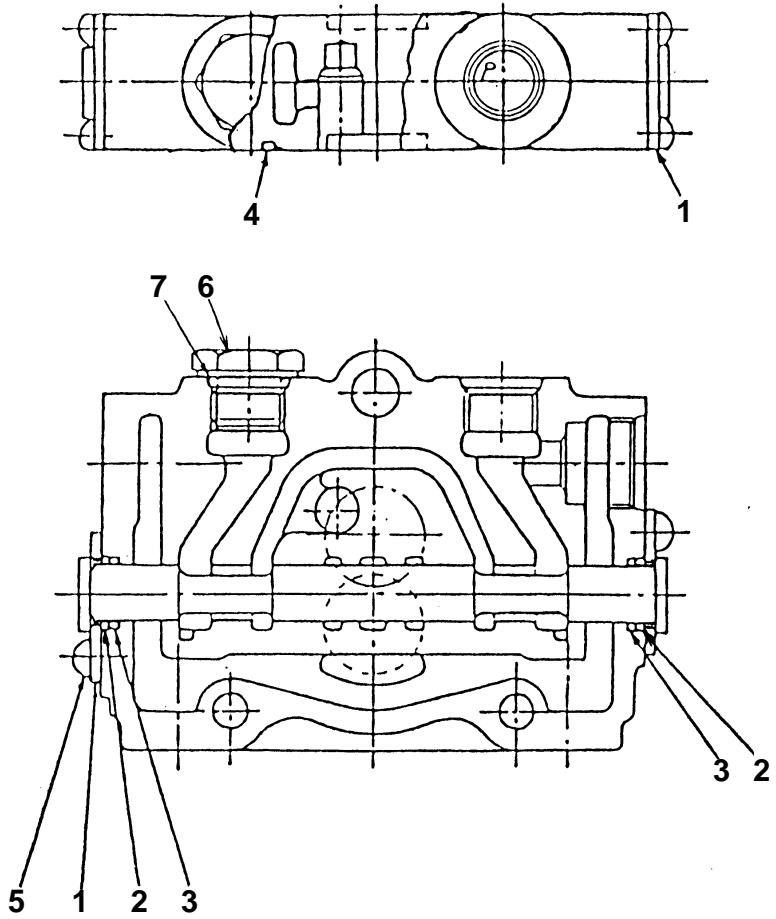


C4H110

S=FREE

**BLOCK ASSY; No. 8 (11400003-11400669)**

Item	Part number	Description	Q'ty	Chan.	Serial No.	Serv.	Remarks
0	<b>1901030010</b>	BLOCK ASSY, No. 8	1				
1	<b>1901027881</b>	▪ PLATE	2				
2	<b>1901027771</b>	▪ SEAL, oil	2				
3	<b>1420000120</b>	▪ O-RING	2				
4	<b>1420100550</b>	▪ O-RING	1				
5	<b>1120540510</b>	▪ SCREW	4				
6	<b>1901027693</b>	▪ PLUG	1				
7	<b>1420010140</b>	▪ O-RING	1				
	<b>C4h110</b>						

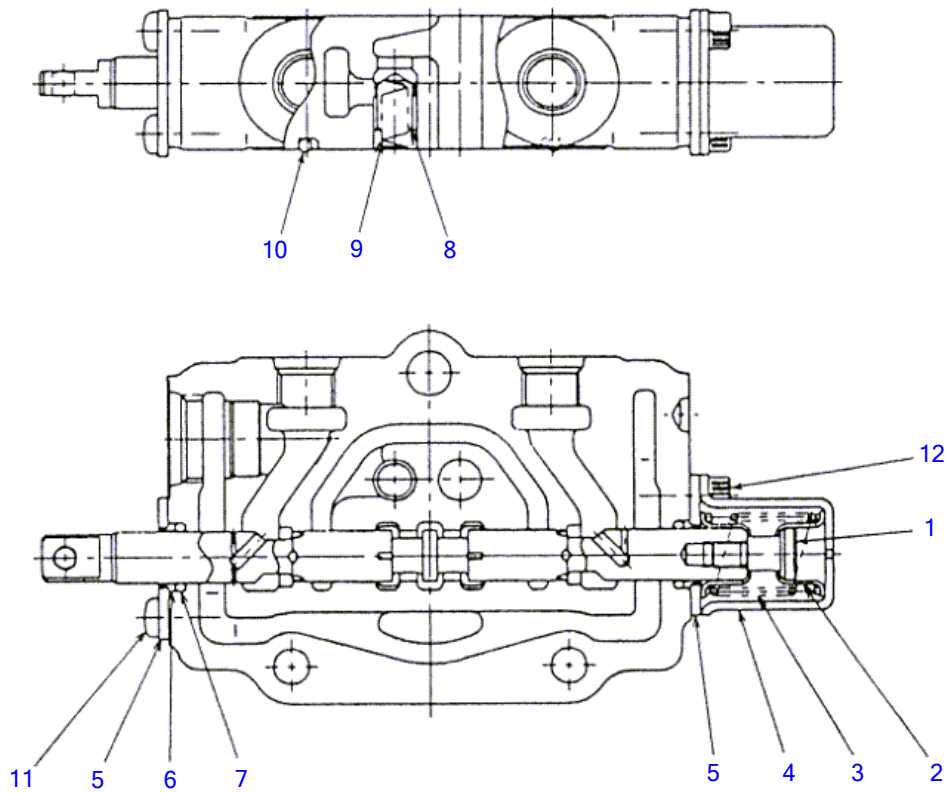


C4H110

S=FREE

**BLOCK ASSY; No. 8 (11400670-)**

Item	Part number	Description	Q'ty	Chan.	Serial No.	Serv.	Remarks
0	<b>1901038420</b>	BLOCK ASSY, No. 8	1				
1	<b>1901038852</b>	▪ PLATE	2				
2	<b>1421030120</b>	▪ RING, back up	2				
3	<b>1420000120</b>	▪ O-RING	2				
4	<b>1420100550</b>	▪ O-RING	1				
5	<b>1120540510</b>	▪ SCREW	4				
6	<b>1901034982</b>	▪ PLUG	1				
7	<b>1420010140</b>	▪ O-RING	1				
	<b>C4h111</b>						



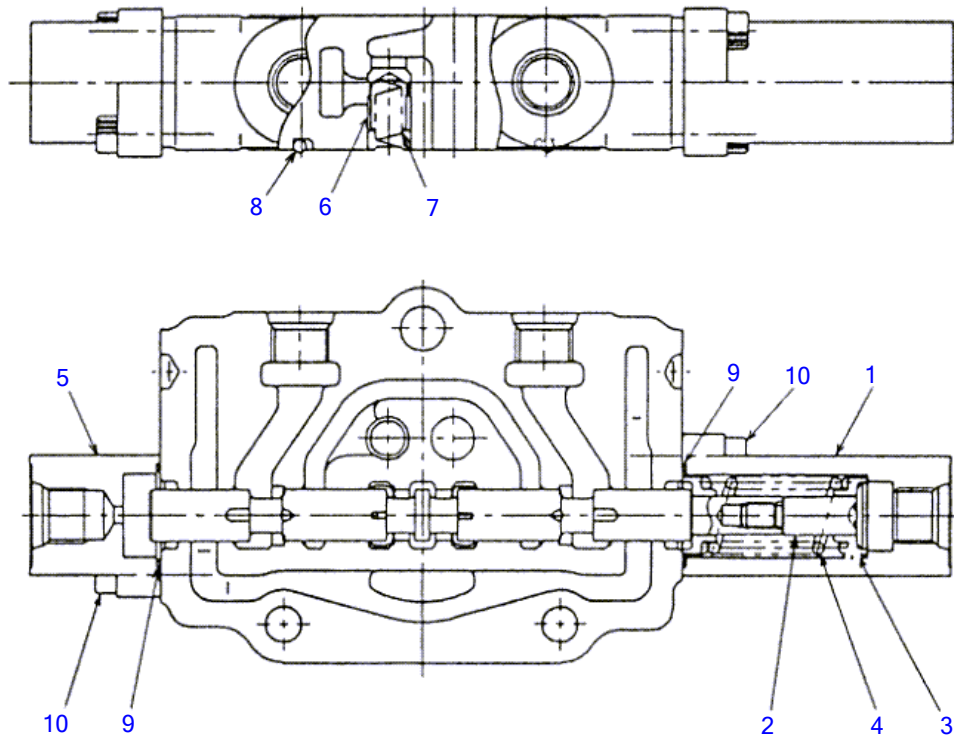
C4H120

S=FREE

**BLOCK ASSY; No. 9**

Item	Part number	Description	Q'ty	Chan.	Serial No.	Serv.	Remarks
0	<b>1901033817</b>	BLOCK ASSY, No. 9	1				blade
1	<b>1901031790</b>	▪ SCREW, cap	1				
2	<b>1901027792</b>	▪ HOLDER, spring	2				
3	<b>1901027857</b>	▪ SPRING	1				
4	<b>1901027761</b>	▪ CAP	1				
5	<b>1901027772</b>	▪ PLATE	2				
6	<b>1901027771</b>	▪ SEAL, oil	2				
7	<b>1420000120</b>	▪ O-RING	2				
8	<b>1901027768</b>	▪ PLUNGER	1				
9	<b>1901027757</b>	▪ SPRING	1				
10	<b>1420100550</b>	▪ O-RING	1				
11	<b>1120540510</b>	▪ SCREW	2				
12	<b>1110050512</b>	▪ SCREW, cap	2				

**C4h120**



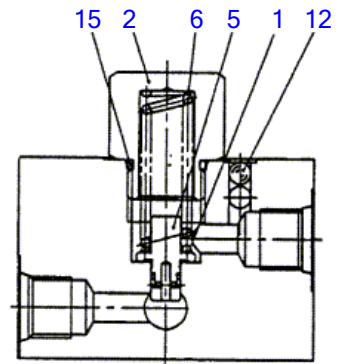
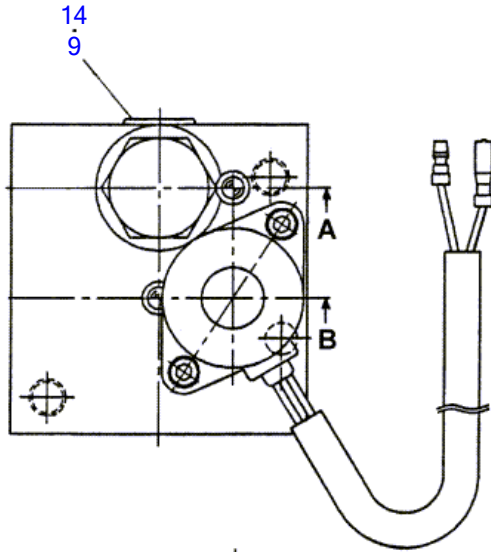
C4H130

S=FREE

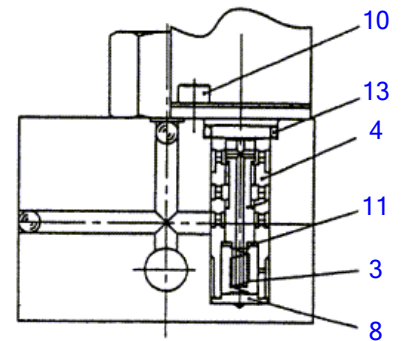
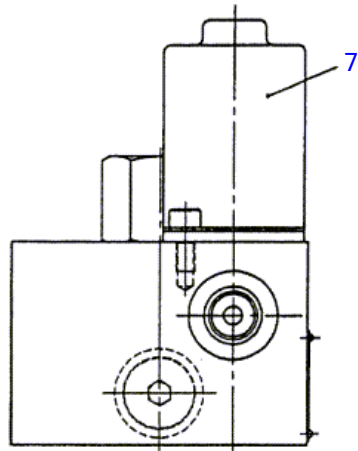


**BLOCK ASSY; No. 10**

Item	Part number	Description	Q'ty	Chan.	Serial No.	Serv.	Remarks
0	<b>1901033814</b>	BLOCK ASSY, No. 10	1				slew
1	<b>1901027962</b>	• CAP	1				
2	<b>1901034591</b>	• SCREW, cap	1				
3	<b>1901031752</b>	• HOLDER, spring	2				
4	<b>1901033856</b>	• SPRING	1				
5	<b>1901027961</b>	• CAP	1				
6	<b>1901027768</b>	• PLUNGER	1				
7	<b>1901027757</b>	• SPRING	1				
8	<b>1420100550</b>	• O-RING	1				
9	<b>1420500220</b>	• O-RING	2				
10	<b>1110050518</b>	• SCREW, cap	4				
	<b>C4h130</b>						



SECTION "A-A"



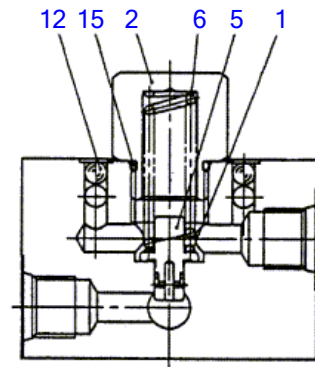
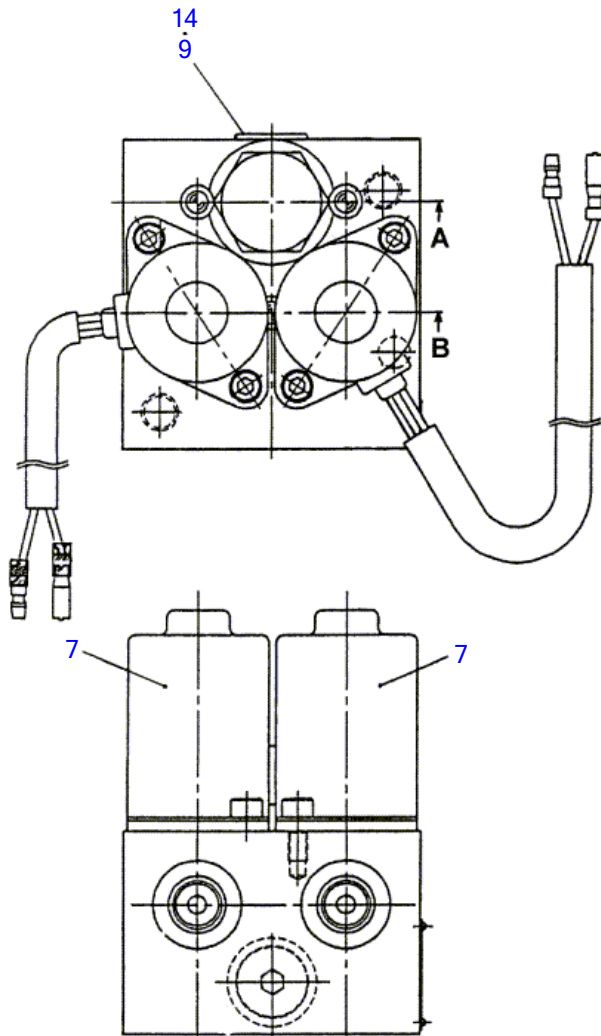
SECTION "B-B"

C4H140

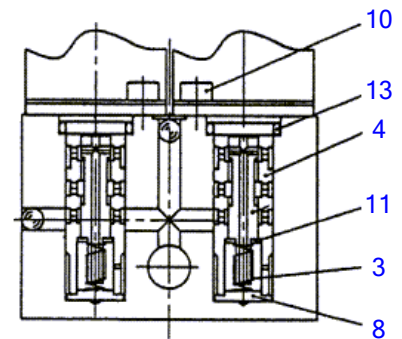
S=FREE

**SOLENOID VALVE (11400003-11400436)**

Item	Part number	Description	Q'ty	Chan.	Serial No.	Serv.	Remarks
0	<b>1901728700</b>	VALVE ASSY, solenoid	1				
1	<b>1901728701</b>	▪ SHIM	2				
2	<b>1901728702</b>	▪ PLUG	1				
3	<b>1901728703</b>	▪ SPRING	1				
4	<b>1901728704</b>	▪ SLEEVE	1				
5	<b>1901728705</b>	▪ PLUNGER	1				
6	<b>1901728708</b>	▪ SPRING	1				
7	<b>1901728709</b>	▪ SOLENOID	1				
8	<b>1901728711</b>	▪ STOPPER	1				
9	<b>1501750002</b>	▪ PLUG	1				
	<b>1420010110</b>	▪ O-RING	1				M
10	<b>1110040510</b>	▪ SCREW, cap	2				
11	<b>1141110004</b>	▪ WASHER	1				
12	<b>1901708623</b>	▪ BALL, steel	4				
13	<b>1420000160</b>	▪ O-RING	1				
14	<b>1420010110</b>	▪ O-RING	1				
15	<b>1420010180</b>	▪ O-RING	1				
	<b>C4h140</b>						



SECTION "A-A"



SECTION "B-B"

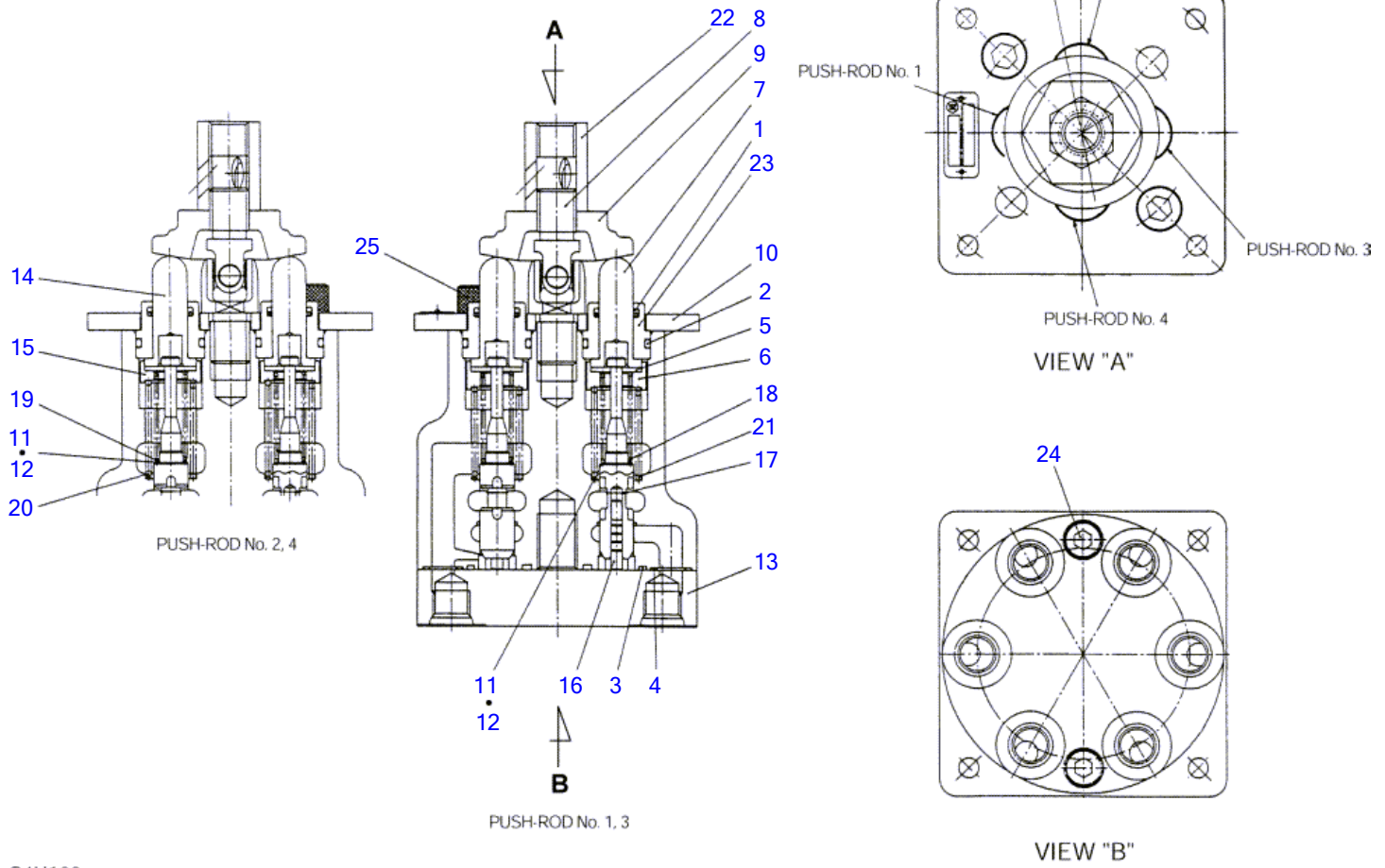
C4H150

S=FREE

**SOLENOID VALVE (11400437-)**

Item	Part number	Description	Q'ty	Chan.	Serial No.	Serv.	Remarks
0	<b>1901728800</b>	VALVE ASSY, solenoid	1				
1	<b>1901728701</b>	▪ SHIM	2				
2	<b>1901728702</b>	▪ PLUG	1				
3	<b>1901728703</b>	▪ SPRING	2				
4	<b>1901728704</b>	▪ SLEEVE	2				
5	<b>1901728705</b>	▪ PLUNGER	1				
6	<b>1901728708</b>	▪ SPRING	1				
7	<b>1901728709</b>	▪ SOLENOID	2				
8	<b>1901728711</b>	▪ STOPPER	2				
9	<b>1501750002</b>	▪ PLUG	1				
	<b>1420010110</b>	▪ O-RING	1				M
10	<b>1110040510</b>	▪ SCREW, cap	4				
11	<b>1141110004</b>	▪ WASHER	2				
12	<b>1901708623</b>	▪ BALL, steel	6				
13	<b>1420000160</b>	▪ O-RING	2				
14	<b>1420010110</b>	▪ O-RING	1				
15	<b>1420010180</b>	▪ O-RING	1				
	<b>C4h150</b>						

TB014 Book No. BC4Z004 S/N 11400003-11401973  
**PILOT VALVE**

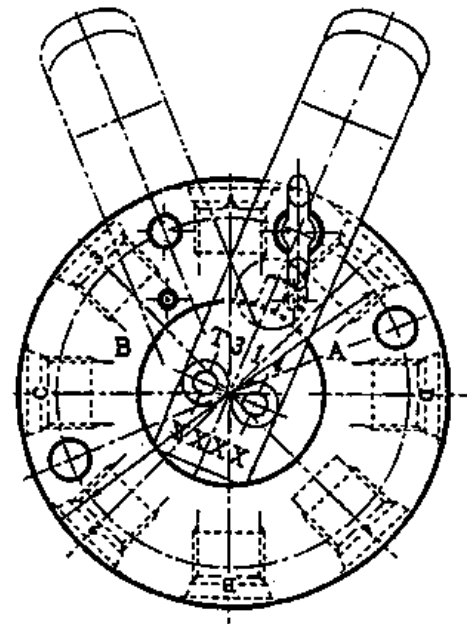
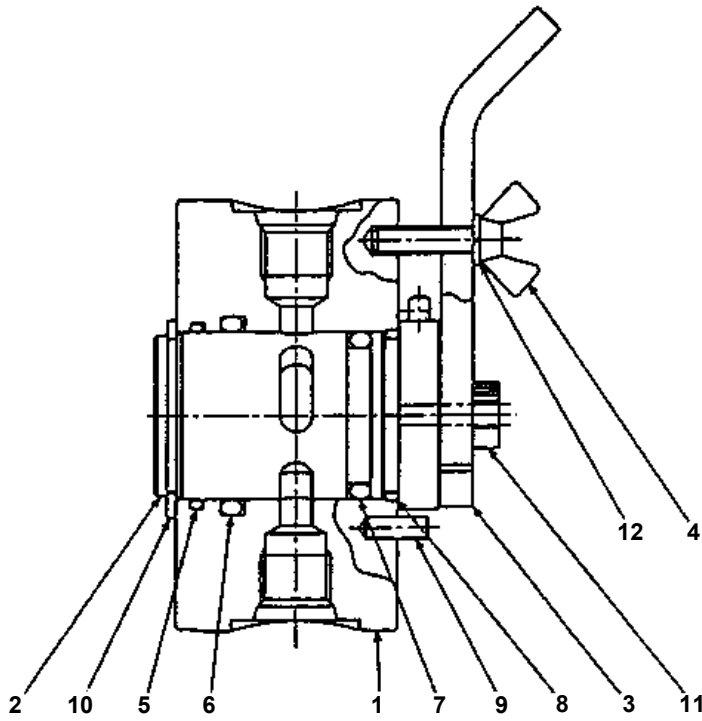


C4H160

S=FREE

**PILOT VALVE**

Item	Part number	Description	Q'ty	Chan.	Serial No.	Serv.	Remarks
0	<b>1901730400</b>	VALVE ASSY, pilot	2				
0-1	<b>1901730499</b>	· KIT, seal	1				
1	X <b>1901728523</b>	· · PACKING	4				
2	X <b>1420000200</b>	· · O-RING	4				
3	X <b>1420500600</b>	· · O-RING	1				
4	X <b>1420500120</b>	· · O-RING	6				
5	<b>1901730401</b>	· RETAINER	4				
6	<b>1901730402</b>	· HOLDER	2				
7	<b>1901730403</b>	· ROD	2				
8	<b>1901728501</b>	· JOINT	1				
9	<b>1901728502</b>	· CAM	1				
10	<b>1901730406</b>	· PLATE	1				
11	<b>1901730407</b>	· SHIM	4				t=0.2mm
12	<b>1901730408</b>	· SHIM	4				t=0.1mm
13	<b>1901730409</b>	· PLATE	1				
14	<b>1901730410</b>	· ROD	2				
15	<b>1901730411</b>	· HOLDER	2				
16	<b>1901730412</b>	· PISTON	4				
17	<b>1901730415</b>	· RING	4				
18	<b>1901730416</b>	· SPRING	2				
19	<b>1901730417</b>	· SPRING	2				
20	<b>1901730418</b>	· SPRING	2				
21	<b>1901730419</b>	· SPRING	2				
22	<b>1901728513</b>	· NUT	1				
23	<b>1901730422</b>	· SLEEVE	4				
24	<b>1110050825</b>	· SCREW, cap	2				
25	<b>1110051020</b>	· SCREW, cap	2				
	<b>C4h161</b>						

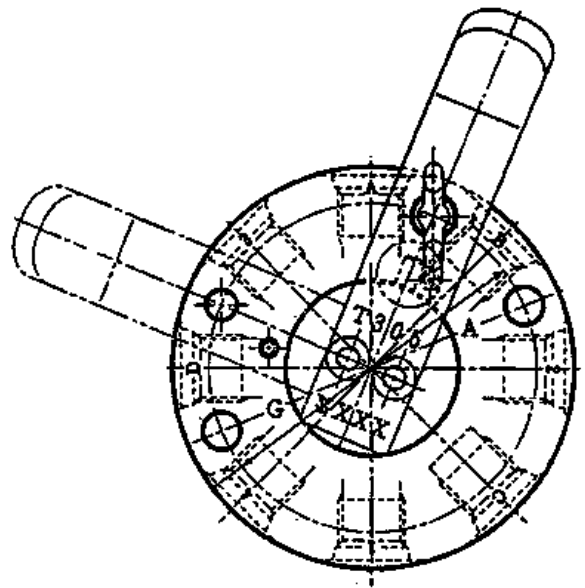
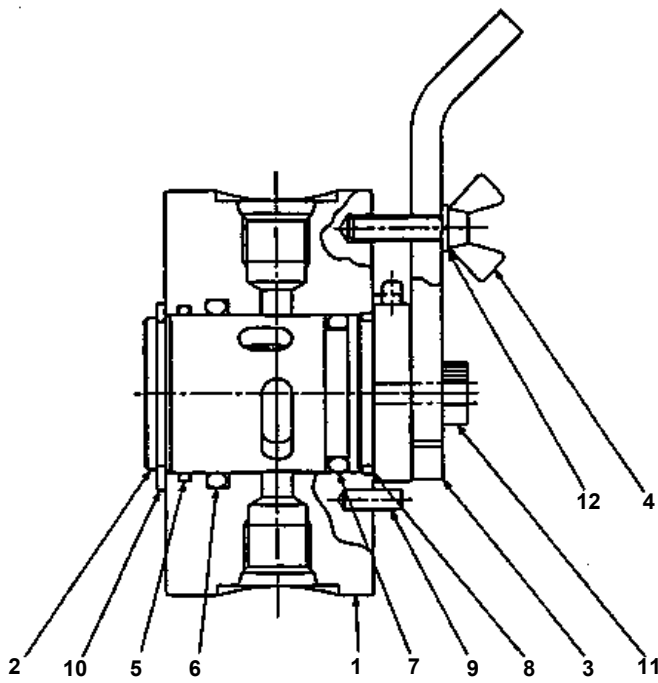


C4H170



**SELECTOR VALVE (A-B pattern)**

Item	Part number	Description	Q'ty	Chan.	Serial No.	Serv.	Remarks
0	<b>1901731400</b>	VALVE ASSY, selector	1				
1	<b>1901731401</b>	▪ BODY	1				
2	<b>1901731402</b>	▪ ROTOR	1				
3	<b>1901730503</b>	▪ LEVER	1				
4	<b>1901730504</b>	▪ BOLT	1				
5	<b>1901730505</b>	▪ O-RING	1				
6	<b>1901730506</b>	▪ O-RING	1				
7	<b>1901730507</b>	▪ O-RING	1				
8	<b>1901730508</b>	▪ O-RING	1				
9	<b>1213000412</b>	▪ PIN, spring	3				
10	<b>1220000030</b>	▪ RING, snap	1				
11	<b>1110050514</b>	▪ SCREW, cap	2				
12	<b>1140010005</b>	▪ WASHER, spring	1				
	<b>C4h170</b>						

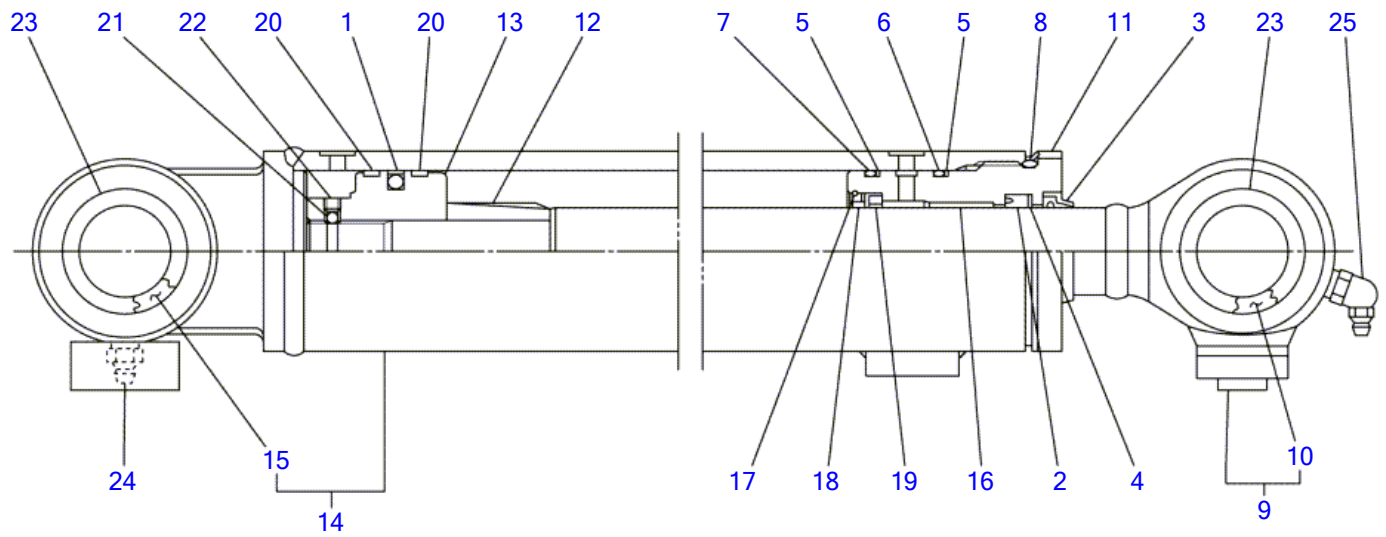


C4H180

**SELECTOR VALVE (A-G pattern)**

Item	Part number	Description	Q'ty	Chan.	Serial No.	Serv.	Remarks
0	<b>1901730500</b>	VALVE ASSY, selector	1				
1	<b>1901730501</b>	▪ BODY	1				
2	<b>1901730502</b>	▪ ROTOR	1				
3	<b>1901730503</b>	▪ LEVER	1				
4	<b>1901730504</b>	▪ BOLT	1				
5	<b>1901730505</b>	▪ O-RING	1				
6	<b>1901730506</b>	▪ O-RING	1				
7	<b>1901730507</b>	▪ O-RING	1				
8	<b>1901730508</b>	▪ O-RING	1				
9	<b>1213000412</b>	▪ PIN, spring	3				
10	<b>1220000030</b>	▪ RING, snap	1				
11	<b>1110050514</b>	▪ SCREW, cap	2				
12	<b>1140010005</b>	▪ WASHER, spring	1				
	<b>C4h180</b>						

TB014 Book No. BC4Z004 S/N 11400003-11401973  
BOOM CYLINDER



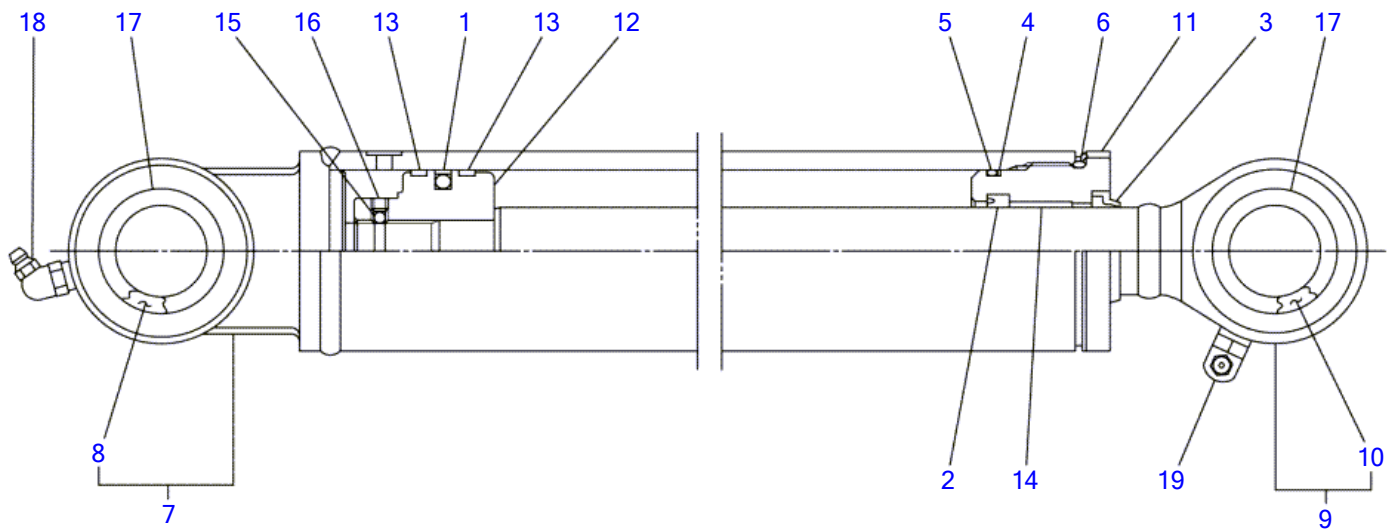
C4H190

S=FREE

**BOOM CYLINDER**

Item	Part number	Description	Q'ty	Chan.	Serial No.	Serv.	Remarks
0	<b>1900070400</b>	CYLINDER ASSY (canopy)	1		11400003~11400436		boom
	<b>1900080100</b>	CYLINDER ASSY (canopy)	1		11400437~11400490		
	<b>1900082400</b>	CYLINDER ASSY (canopy)	1	(H)	11400491~		
	<b>1900072500</b>	CYLINDER ASSY (cab)	1		11400003~11400436		
	<b>1900080200</b>	CYLINDER ASSY (cab)	1		11400437~11400490		
	<b>1900082500</b>	CYLINDER ASSY (cab)	1	(H)	11400491~		
0-1	<b>1900070499</b>	• KIT, seal	1				
1	X <b>1900051932</b>	• • PACKING, piston	1				
2	X <b>1410530408</b>	• • PACKING, rod	1				
3	X <b>1900073733</b>	• • SEAL, dust	1				
4	X <b>1411240302</b>	• • RING, back-up	1				
5	X <b>1421130500</b>	• • RING, back-up	2				
6	X <b>1420110500</b>	• • O-RING	1				
7	X <b>1420110450</b>	• • O-RING	1				
8	X <b>1420500550</b>	• • O-RING	1				
9	<b>1900070497</b>	• ROD ASSY, piston	1		11400003~11400436		
	<b>1900080197</b>	• ROD ASSY, piston	1		11400437~11400490		
	<b>1900082497</b>	• ROD ASSY, piston	1	(H)	11400491~		
10	<b>1900024720</b>	• • BUSHING	1				
11	<b>1900058803</b>	• COVER, rod	1				
12	<b>1900058816</b>	• CUSHON, rod	1				
13	<b>1900053506</b>	• PISTON	1				
14	<b>1900070498</b>	• TUBE ASSY	1		11400003~11400436		canopy
	<b>1900080198</b>	• TUBE ASSY	1	(H)	11400437~		canopy
	<b>1900072598</b>	• TUBE ASSY	1		11400003~11400436		cab
	<b>1900080298</b>	• TUBE ASSY	1	(H)	11400437~		cab
15	<b>1900024720</b>	• • BUSHING	1				
16	<b>1333003025</b>	• BUSHING	1				
17	<b>1900058626</b>	• STOPPER	1				
18	<b>1900058615</b>	• SPACER	1				
19	<b>1900058616</b>	• RING, cushion	1				
20	<b>1900066726</b>	• RING, wear	2				
21	<b>1390010250</b>	• BALL, steel	1				
22	<b>1121040606</b>	• SET-SCREW	1				
23	<b>1432200030</b>	• SEAL, dust	4				
24	<b>1560001000</b>	• FITTING, grease	1				
25	<b>1560001675</b>	• FITTING, grease	1				

**C4h191S**

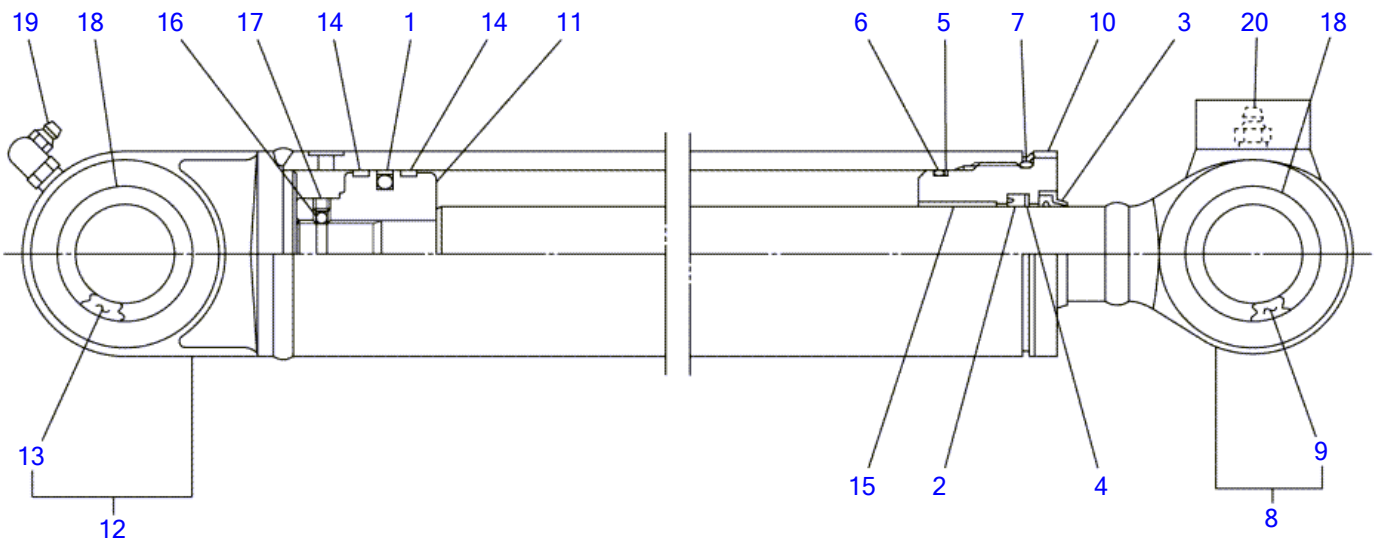


C4H200

S=FREE

**ARM CYLINDER**

Item	Part number	Description	Q'ty	Chan.	Serial No.	Serv.	Remarks
0	<b>1900074600</b>	CYLINDER ASSY	1		11400003~11400358		arm
	<b>1900078400</b>	CYLINDER ASSY	1	(H)	11400359~		TB014
0-1	<b>1900051999</b>	• KIT, seal	1				
1	X <b>1900051932</b>	• • PACKING, piston	1				
2	X <b>1410530408</b>	• • PACKING, rod	1				
3	X <b>1900051931</b>	• • SEAL, dust	1				
4	X <b>1421130500</b>	• • RING, back-up	1				
5	X <b>1420110500</b>	• • O-RING	1				
6	X <b>1420500550</b>	• • O-RING	1				
7	<b>1900074698</b>	• TUBE ASSY	1		11400003~11400358		
	<b>1900078498</b>	• TUBE ASSY	1		11400359~		
8	<b>1900024720</b>	• • BUSHING	1				
9	<b>1900074697</b>	• ROD ASSY, piston	1		11400003~11400358		
	<b>1900078497</b>	• ROD ASSY, piston	1		11400359~		
10	<b>1900024720</b>	• • BUSHING	1				
11	<b>1900053503</b>	• COVER, rod	1				
12	<b>1900053506</b>	• PISTON	1		11400003~11400358		
	<b>1900078306</b>	• PISTON	1		11400359~		
13	<b>1900066726</b>	• RING, wear	2				
14	<b>1333003025</b>	• BUSHING	1				
15	<b>1390020250</b>	• BALL, steel	1				
16	<b>1121050606</b>	• SET-SCREW	1		11400003~11400358		
	<b>1121050608</b>	• SET-SCREW	1		11400359~		
17	<b>1432200030</b>	• SEAL, dust	4				
18	<b>1560001675</b>	• FITTING, grease	1				
19	<b>1560001900</b>	• FITTING, grease	1				
	<b>C4h201S</b>						



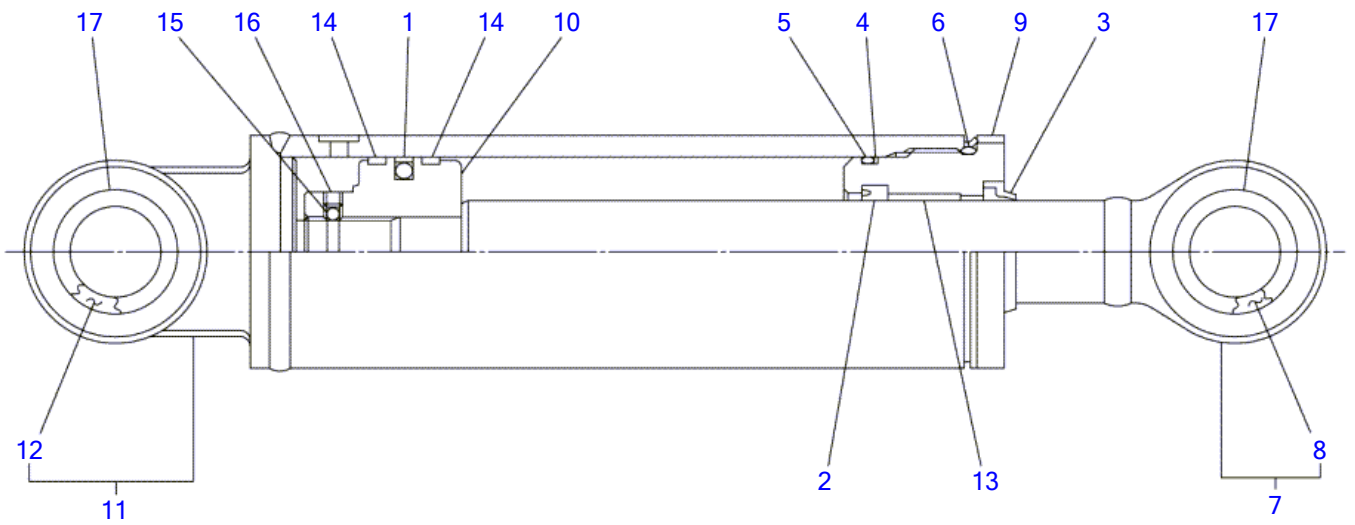
C4H220

S=FREE



**BUCKET CYLINDER**

Item	Part number	Description	Q'ty	Chan.	Serial No.	Serv.	Remarks
0	<b>1900072200</b>	CYLINDER ASSY	1				bucket
0-1	<b>1900072299</b>	• KIT, seal	1				
1	X <b>1900056931</b>	• • PACKING, piston	1				
2	X <b>1410530408</b>	• • PACKING, rod	1				
3	X <b>1900073733</b>	• • SEAL, dust	1				
4	X <b>1411240302</b>	• • RING, back-up	1				
5	X <b>1421130450</b>	• • RING, back-up	1				
6	X <b>1420110450</b>	• • O-RING	1				
7	X <b>1420500500</b>	• • O-RING	1				
8	<b>1900072297</b>	• ROD ASSY, piston	1				
9	<b>1900046302</b>	• • BUSHING	1				
10	<b>1900059003</b>	• COVER, rod	1				
11	<b>1900061506</b>	• PISTON	1				
12	<b>1900072298</b>	• TUBE ASSY	1				
13	<b>1900046302</b>	• • BUSHING	1				
14	<b>1900061526</b>	• RING, wear	2				
15	<b>1333003025</b>	• BUSHING	1				
16	<b>1390020250</b>	• BALL, steel	1				
17	<b>1121040605</b>	• SET-SCREW	1				
18	<b>1432200030</b>	• SEAL, dust	4				
19	<b>1560001900</b>	• FITTING, grease	1				
20	<b>1560001000</b>	• FITTING, grease	1				
	<b>C4h221</b>						

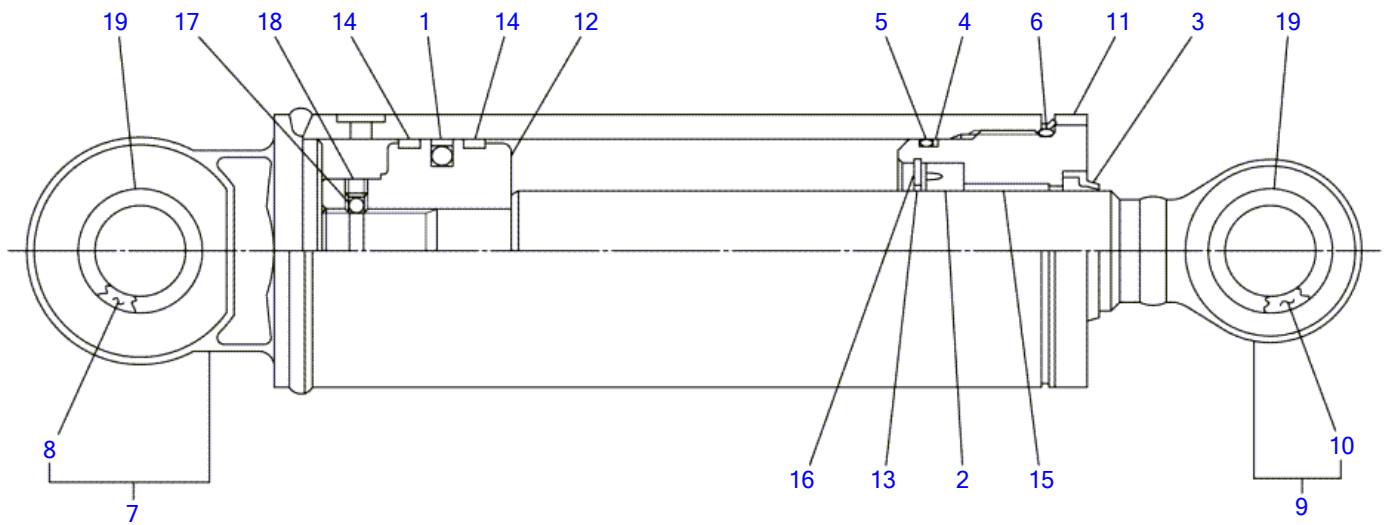


C4H240

S=FREE

**DOZER BLADE CYLINDER**

Item	Part number	Description	Q'ty	Chan.	Serial No.	Serv.	Remarks
0	<b>1900070300</b>	CYLINDER ASSY	1				blade
0-1	<b>1900070399</b>	• KIT, seal	1				
1	X <b>1900070334</b>	• • PACKING, piston	1				
2	X <b>1410535458</b>	• • PACKING, rod	1				
3	X <b>1900073533</b>	• • SEAL, dust	1				
4	X <b>1900051832</b>	• • RING, back-up	1				
5	X <b>1420110550</b>	• • O-RING	1				
6	X <b>1420110600</b>	• • O-RING	1				
7	<b>1900059201</b>	• ROD ASSY, piston	1				
8	<b>1900058502</b>	• • BUSHING	1				
9	<b>1900051803</b>	• COVER, rod	1				
10	<b>1900070306</b>	• PISTON	1				
11	<b>1900070398</b>	• TUBE ASSY	1				
12	<b>1900058502</b>	• • BUSHING	1				
13	<b>1333003525</b>	• BUSHING	1				
14	<b>1900070326</b>	• RING, wear	2				
15	<b>1390010250</b>	• BALL, steel	1				
16	<b>1121040607</b>	• SET-SCREW	1				
17	<b>1432200030</b>	• SEAL, dust	4				
	<b>C4h241</b>						

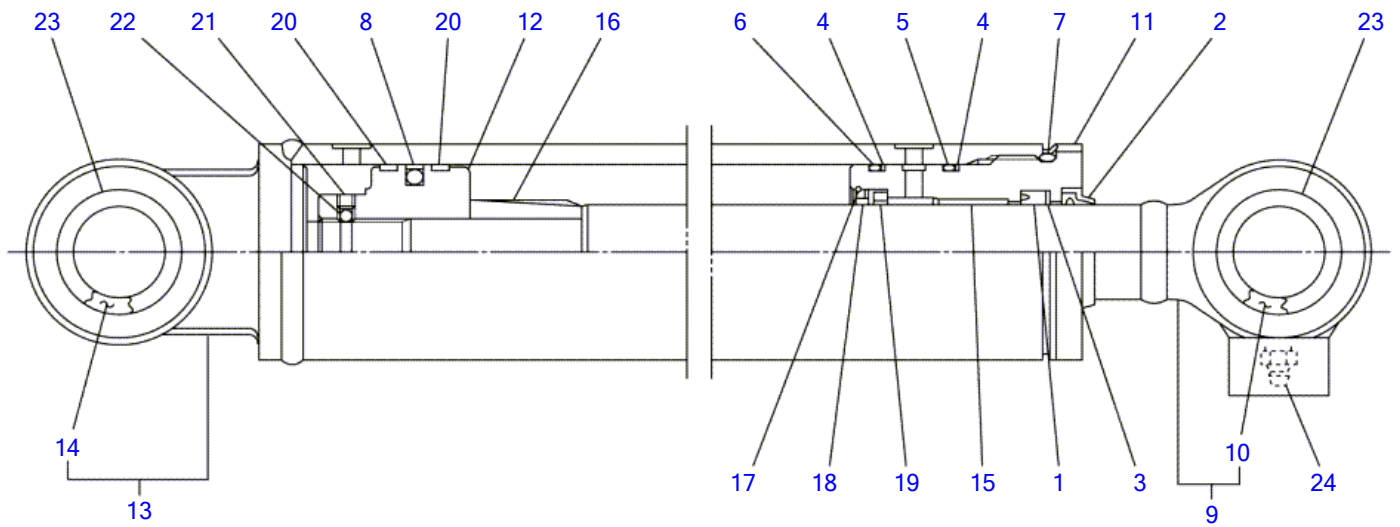


C4H250

S=FREE

**DOZER BLADE CYLINDER (for long dozer blade)**

Item	Part number	Description	Q'ty	Chan.	Serial No.	Serv.	Remarks
0	<b>1900074900</b>	CYLINDER ASSY	1				blade
0-1	<b>1900054399</b>	• KIT, seal	1				
1	X <b>1900050333</b>	• • PACKING, piston	1				
2	X <b>1900005612</b>	• • PACKING, rod	1				
3	X <b>1900048431</b>	• • SEAL, dust	1				
4	X <b>1421130700</b>	• • RING, back-up	1				
5	X <b>1420110700</b>	• • O-RING	1				
6	X <b>1420110750</b>	• • O-RING	1				
7	<b>1900074998</b>	• TUBE ASSY	1				
8	<b>1900058502</b>	• • BUSHING	1				
9	<b>1900074997</b>	• ROD ASSY, piston	1				
10	<b>1900058502</b>	• • BUSHING	1				
11	<b>1900054303</b>	• COVER, rod	1				
12	<b>1900054306</b>	• PISTON	1				
13	<b>1900013508</b>	• HOLDER, rod packing	1				
14	<b>1900050332</b>	• RING, wear	2				
15	<b>1333004030</b>	• BUSHING	1				
16	<b>1221000060</b>	• RING, snap	1				
17	<b>1390020250</b>	• BALL, steel	1				
18	<b>1121050608</b>	• SET-SCREW	1				
19	<b>1432200030</b>	• SEAL, dust	4				
	<b>C4h251</b>						

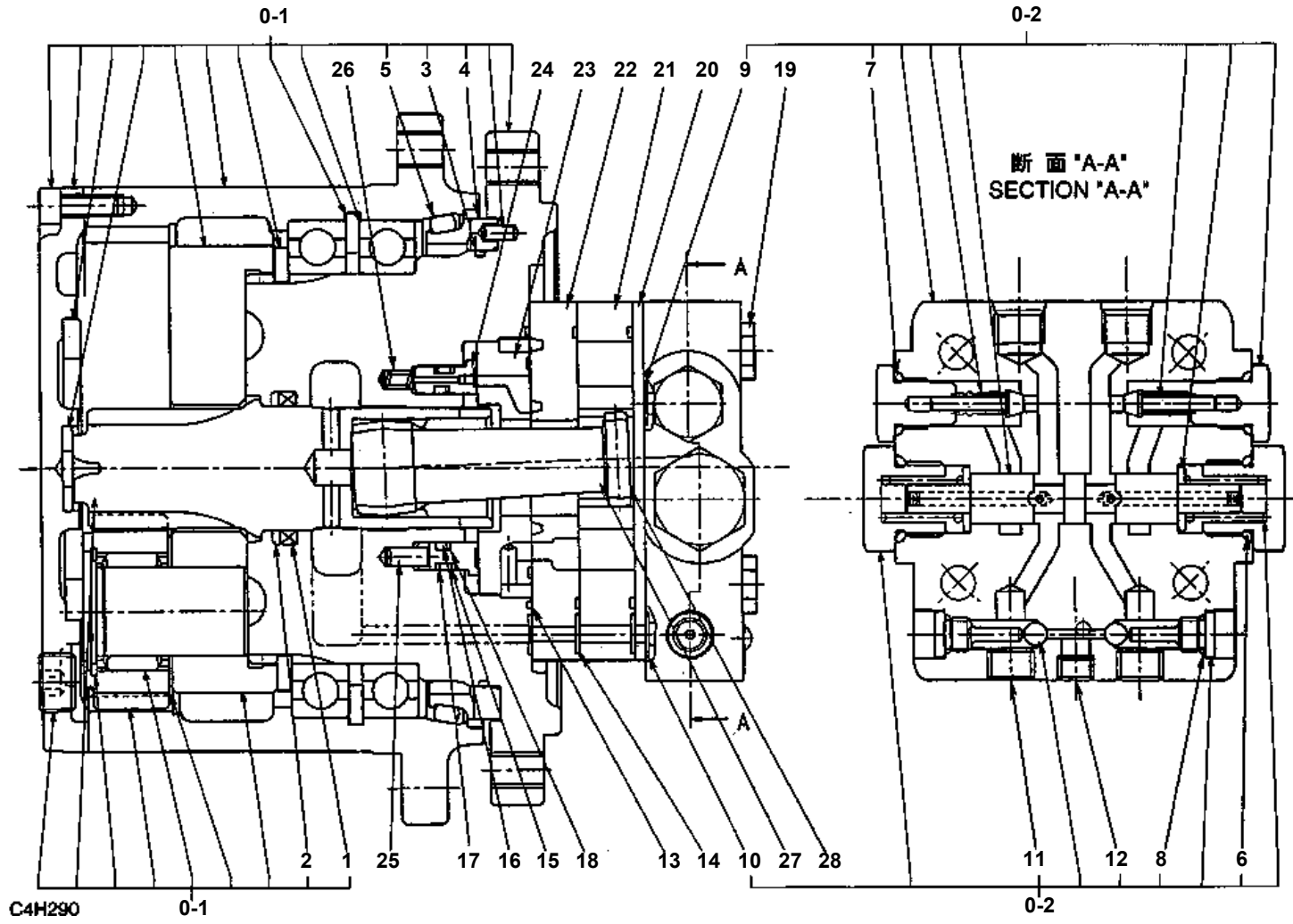


C4H260

S=FREE

**SWING CYLINDER**

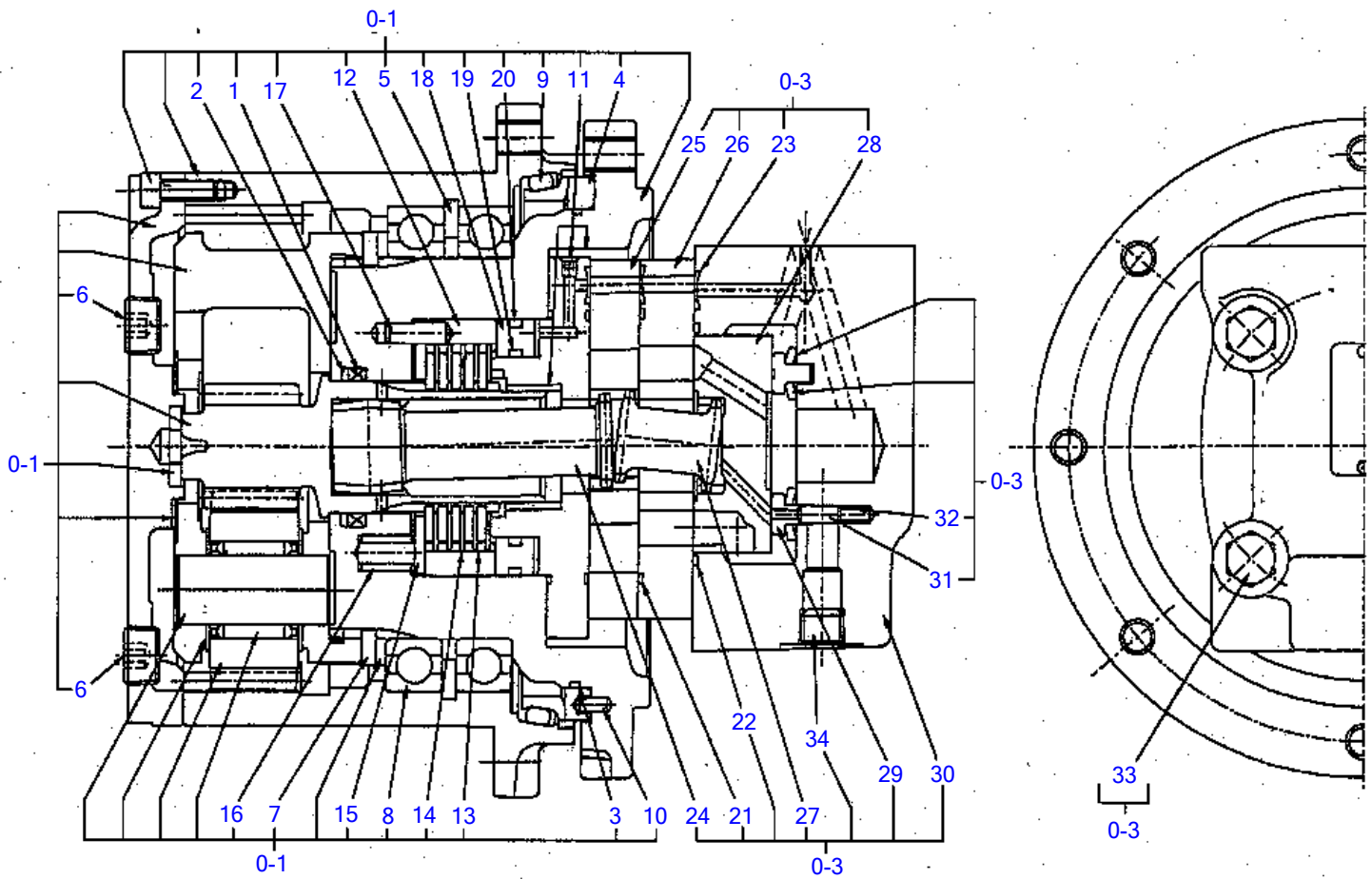
Item	Part number	Description	Q'ty	Chan.	Serial No.	Serv.	Remarks
0	<b>1900070500</b>	CYLINDER ASSY	1				swing
0-1	<b>1900070599</b>	• KIT, seal	1				
1	X <b>1410535458</b>	• • PACKING, rod	1				
2	X <b>1900073533</b>	• • SEAL, dust	1				
3	X <b>1411245352</b>	• • RING, back-up	1				
4	X <b>1421130550</b>	• • RING, back-up	2				
5	X <b>1420110550</b>	• • O-RING	1				
6	X <b>1420110500</b>	• • O-RING	1				
7	X <b>1420110600</b>	• • O-RING	1				
8	X <b>1900053331</b>	• • PACKING, piston	1				
9	<b>1900070597</b>	• ROD ASSY, piston	1				
10	<b>1900024720</b>	• • BUSHING	1				
11	<b>1900053303</b>	• COVER, rod	1				
12	<b>1900053306</b>	• PISTON	1				
13	<b>1900070598</b>	• TUBE ASSY	1				
14	<b>1900024720</b>	• • BUSHING	1				
15	<b>1333003525</b>	• BUSHING	1				
16	<b>1900057705</b>	• CUSHON, rod	1				
17	<b>1900048826</b>	• STOPPER	1				
18	<b>1900048815</b>	• SPACER	1				
19	<b>1900046316</b>	• RING, cushion	1				
20	<b>1900065326</b>	• RING, wear	2				
21	<b>1121040607</b>	• SET-SCREW	1				
22	<b>1390010250</b>	• BALL, steel	1				
23	<b>1432200030</b>	• SEAL, dust	4				
24	<b>1560001000</b>	• FITTING, grease	1				
	<b>C4h261</b>						





**TRAVEL MOTOR (11400003-11400436)**

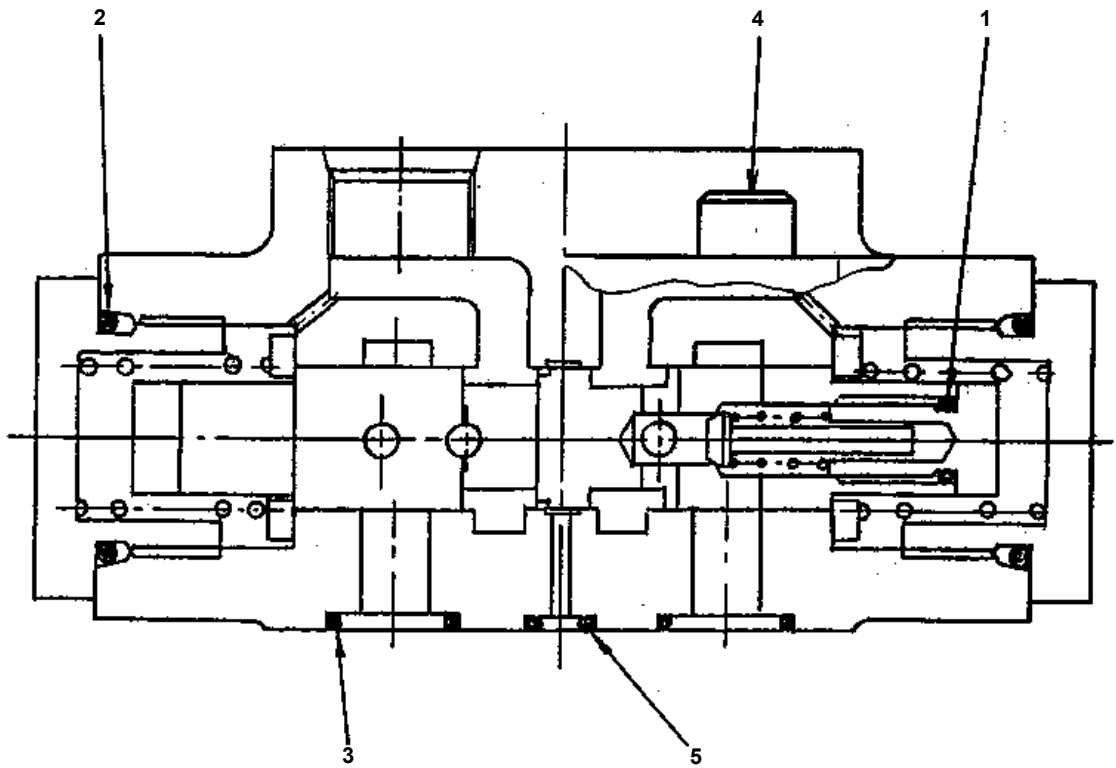
Item	Part number	Description	Q'ty	Chan.	Serial No.	Serv.	Remarks
0	<b>1903118000</b>	MOTOR ASSY	1				
0-1	<b>1912904300</b>	· REDUCTION ASSY	1				
0-2	<b>1912904399</b>	· · KIT, seal	1				
1	X <b>1912904319</b>	· · · X-RING	1				
2	X <b>1912904320</b>	· · · RING, back-up	1				
3	X <b>1912904322</b>	· · · O-RING	1				
4	<b>1903104306</b>	· · PLATE	1				
5	<b>1930104308</b>	· · SEAL ASSY, floating	1				
0-3	<b>1901806600</b>	· COVER ASSY	1				
0-4	<b>1901806699</b>	· · KIT, seal	1				
6	X <b>1901806630</b>	· · · O-RING	2				
7	X <b>1420310906</b>	· · · O-RING	2				
8	X <b>1420310903</b>	· · · O-RING	2				
9	X <b>1901806640</b>	· · · O-RING	2				
10	X <b>1901806641</b>	· · · O-RING	1				
11	<b>1901806642</b>	· · PLUG	2				
12	<b>1901806662</b>	· · PLUG	1				
0-5	<b>1903111199</b>	· KIT, seal	1				
13	X <b>1420310041</b>	· · O-RING	3				
14	X <b>1420310011</b>	· · O-RING	3				
15	X <b>1903111155</b>	· · O-RING	1				
16	X <b>1903111156</b>	· · O-RING	1				
17	X <b>1903111157</b>	· · RING, back-up	2				
18	X <b>1903111158</b>	· · RING, back-up	1				
19	<b>1903111143</b>	· BOLT	4				
20	<b>1903118044</b>	· PLATE	1				
21	<b>1903118045</b>	· GEROLLER	1				
22	<b>1903118046</b>	· PLATE	1				
23	<b>1903118047</b>	· VALVE	1				
24	<b>1903118048</b>	· PLATE	1				
25	<b>1903103634</b>	· PIN	2				
26	<b>1903103632</b>	· SPRING	2				
27	<b>1903009336</b>	· DRIVE	1				
28	<b>1903111152</b>	· SPACER	1				
	<b>C4h292</b>						



C4H520

TRAVEL MOTOR (1/2) (with P.B.; 11400003-11400436)

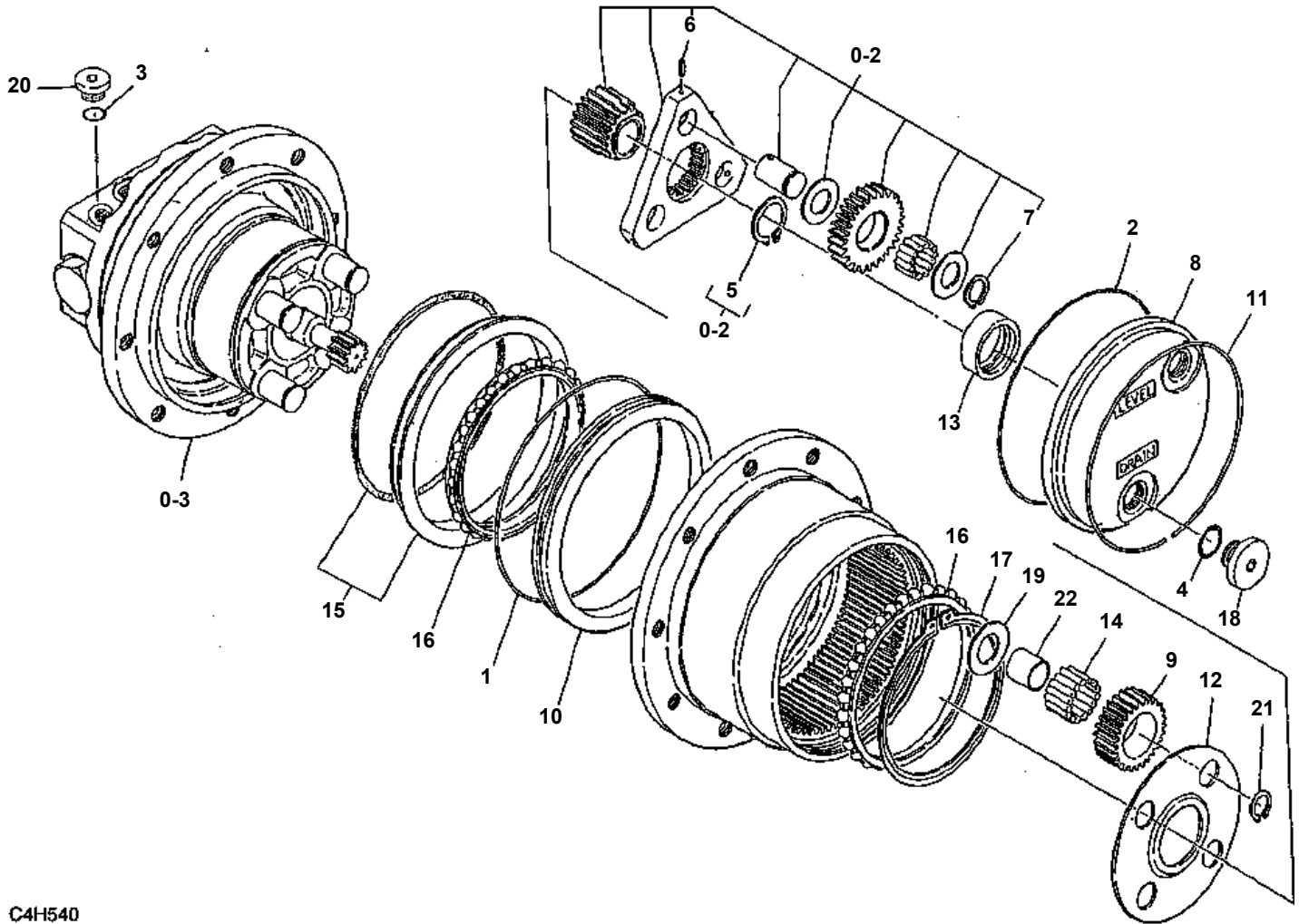
Item	Part number	Description	Q'ty	Chan.	Serial No.	Serv.	Remarks
0	1903119800	MOTOR ASSY	1				
0-1	1912906100	• REDUCTION ASSY	1				
0-2	1912902799	• • KIT, seal	1				
1	X 1912900608	• • • X-RING	1				
2	X 1912902605	• • • RING, back-up	1				
3	X 1420501350	• • • O-RING	1				
4	1912906102	• • PLATE	1				
5	1221000140	• • RING, snap	1				
6	1501810003	• • PLUG	2				
7	1220000110	• • RING, snap	1				
8	1300306822	• • BEARING	2				
9	1912906121	• • SEAL, floating	1				
10	1212000408	• • PIN	1				
11	1912906123	• • PLATE	1				
12	1903112529	• • GEAR	1				
13	1903008939	• • PLATE	5				
14	1903112531	• • PLATE	5				
15	1903112532	• • PLATE	1				
16	1903112533	• • SPRING	14				
17	1912902316	• • PIN	2				
18	1903112526	• • PISTON	1				
0-3	1903905100	• MOTOR ASSY	1				
0-4	1903905199	• • KIT, seal	1				
19	X 1420310137	• • • O-RING	1				
20	X 1420310147	• • • O-RING	1				
21	X 1420310041	• • • O-RING	3				
22	X 1420310038	• • • O-RING	1				
23	X 1420310011	• • • O-RING	3				
24	1903905101	• • DRIVE	1				
25	1903905102	• • GEROLLER	1				
26	1903112406	• • PLATE	1				
27	1903102624	• • DRIVE	1				
28	1903905105	• • VALVE	1				
29	1903103631	• • PLATE	1				
30	1903905107	• • HOUSING	1				
31	1903103634	• • PIN	1				
32	1903103632	• • SPRING	2				
33	1903009347	• • BOLT	4				
34	1903905118	• • PLUG	1				
	C4h521						



C4H530

**TRAVEL MOTOR (2/2) (with P.B.; 11400003-11400436)**

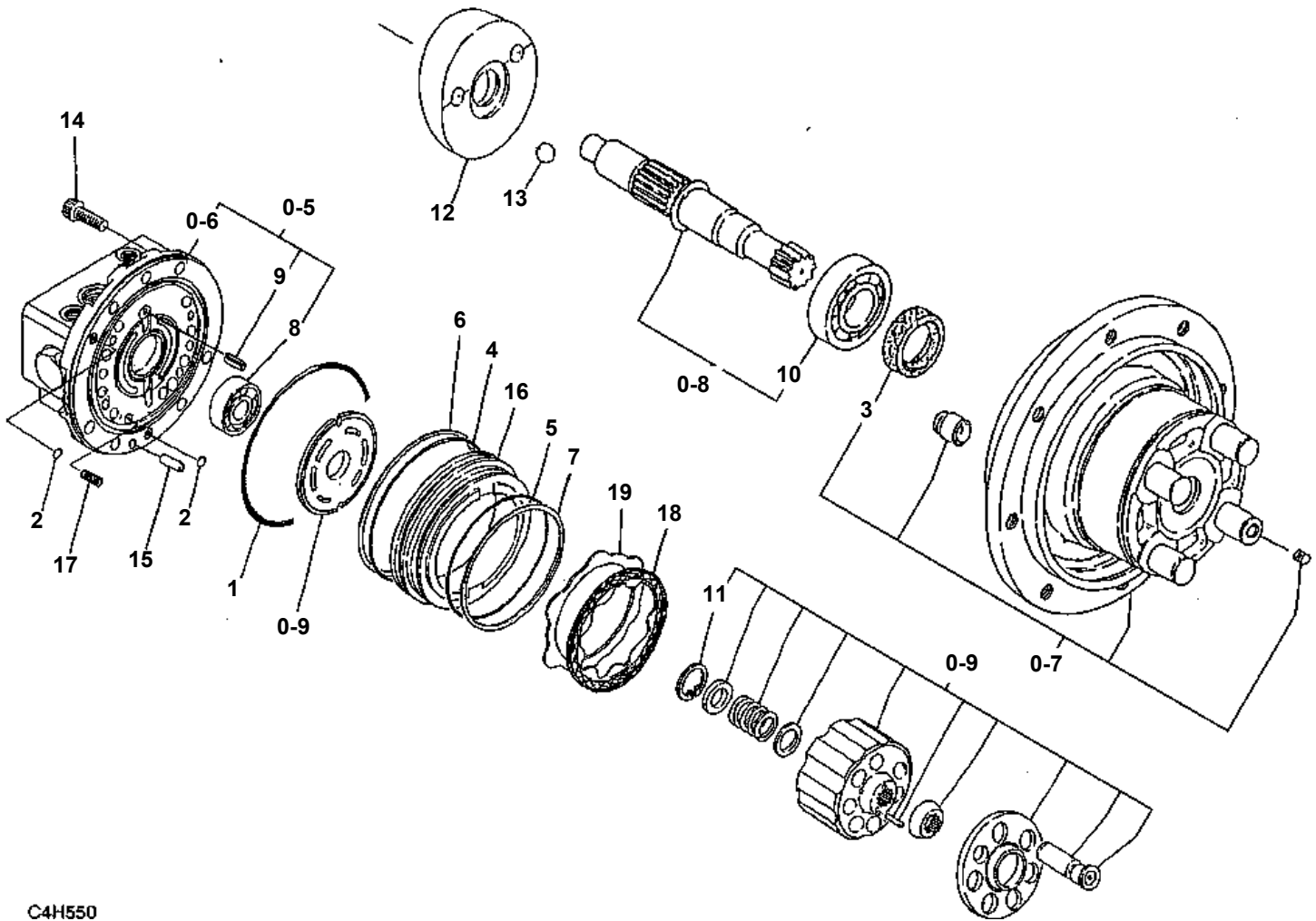
Item	Part number	Description	Q'ty	Chan.	Serial No.	Serv.	Remarks
0	<b>1903119800</b>	MOTOR ASSY	1				
0-5	<b>1901809400</b>	▪ VALVE ASSY	1				
1	<b>1420010070</b>	▪ ▪ O-RING	2				
2	<b>1420010240</b>	▪ ▪ O-RING	2				
3	<b>1420010120</b>	▪ ▪ O-RING	2				
4	<b>1110020855</b>	▪ ▪ SCREW, cap	4				
5	<b>1420010060</b>	▪ ▪ O-RING	1				
	<b>C4h530</b>						



C4H540

**TRAVEL MOTOR (1/3) (reduction sec.; 11400437-)**

Item	Part number	Description	Q'ty	Chan.	Serial No.	Serv.	Remarks
0	<b>1903121200</b>	MOTOR ASSY	1				
0-1	<b>1903121299</b>	• KIT, seal	1				
1	X <b>1420101300</b>	• • O-RING	1				
2	X <b>1420300248</b>	• • O-RING	1				
3	X <b>1420010110</b>	• • O-RING	2				
4	X <b>1420010140</b>	• • O-RING	2				
0-2	<b>1903121298</b>	• KIT, carrier 2	1				
5	<b>1220000026</b>	• • RING, snap	1				
6	<b>1213000312</b>	• • PIN, spring	3				
7	<b>1903918137</b>	• • RING, snap	3				
8	<b>1903121202</b>	• COVER	1				
9	<b>1903121206</b>	• GEAR	4				
10	<b>1903121212</b>	• RING, seal	1				
11	<b>1903118113</b>	• RING, snap	1				
12	<b>1903121214</b>	• PLATE	1				
13	<b>1903121215</b>	• RING	1				
14	<b>1903118116</b>	• NEEDLE	60				
15	<b>1903121218</b>	• SEAL, floating	1				
16	<b>1903121220</b>	• BEARING	2				
17	<b>1903121222</b>	• RING, snap	1				
18	<b>1903118932</b>	• PLUG	2				
0-3	<b>1903905200</b>	• KIT, motor	1				
19	<b>1903121234</b>	• WASHER	4				
20	<b>1903121235</b>	• PLUG	2				
21	<b>1903918137</b>	• RING, snap	4				
22	<b>1903121238</b>	• RING	4				
	<b>C4h540</b>						

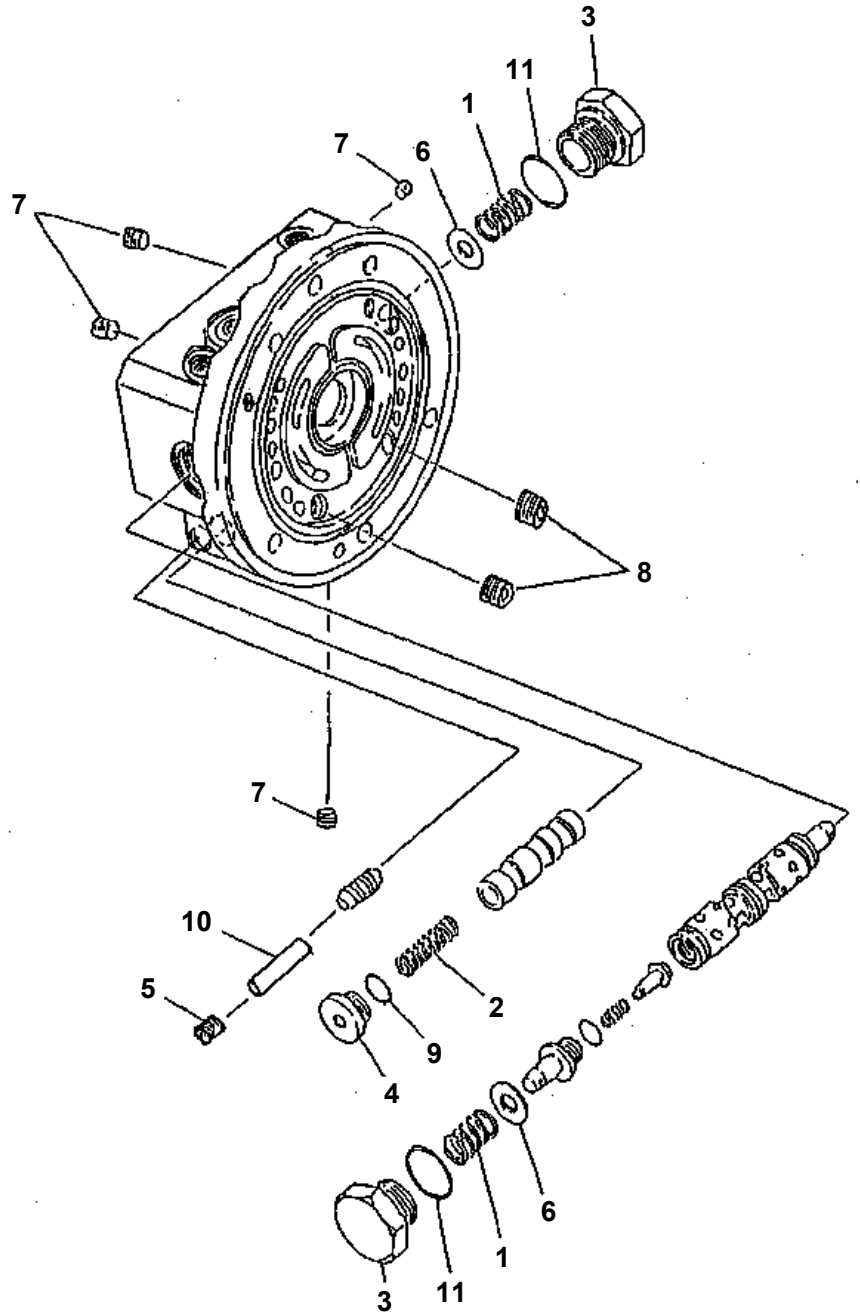


C4H550



TRAVEL MOTOR (2/3) (motor sec.; 11400437-)

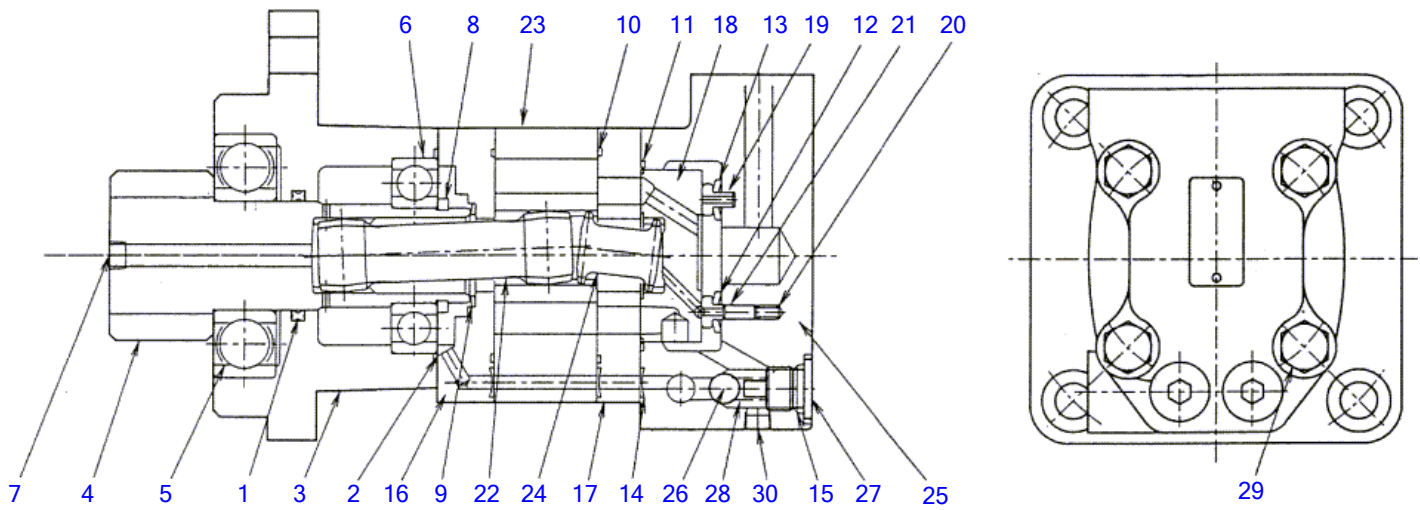
Item	Part number	Description	Q'ty	Chan.	Serial No.	Serv.	Remarks
0	1903121200	MOTOR ASSY	1				
0-3	1903905200	• KIT, motor	1				
0-4	1903905299	• • KIT, seal	1				
1	X 1420111050	• • • O-RING	1				
2	X 1420010090	• • • O-RING	1				
3	X 1903904226	• • • SEAL, oil	1				
4	X 1420110950	• • • O-RING	1				
5	X 1420110900	• • • O-RING	1				
6	X 1421130950	• • • RING, back-up	1				
7	X 1421130900	• • • RING, back-up	1				
0-5	1903905298	• • KIT, body 1	1				
0-6	1903905294	• • • BODY ASSY	1				
8	1300006201	• • • BEARING	1				
9	1213000512	• • • PIN, spring	1				
0-7	1903905297	• • KIT, body 2	1				
0-8	1903905296	• • KIT, shaft	1				
10	1300006004	• • • BEARING	1				
0-9	1903905295	• • KIT, cylinder	1				
11	1221000028	• • • RING, snap	1				
12	1903905210	• • PLATE, swash	1				
13	1390010750	• • BALL, steel	2				
14	1903904230	• • SCREW	7				
15	1212010614	• • PIN	1				
16	1903905226	• • PISTON	1				
17	1903904218	• • SPRING	10				
18	1903905228	• • PLATE	1				
19	1903904225	• • PLATE	1				
	C4h550						



C4H560

**TRAVEL MOTOR (3/3) (valve sec.; 11400437-)**

Item	Part number	Description	Q'ty	Chan.	Serial No.	Serv.	Remarks
0	<b>1903121200</b>	MOTOR ASSY	1				
0-6	X *****	· BODY ASSY	1				
1	<b>1903905208</b>	· · SPRING	2				
2	<b>1903904139</b>	· · SPRING	1				
3	<b>1901807010</b>	· · PLUG	2				
4	<b>1901807011</b>	· · PLUG	2				
5	<b>1501810000</b>	· · PLUG	2				
6	<b>1901804510</b>	· · RING	2				
7	<b>1501810000</b>	· · PLUG	8				
8	<b>1501810001</b>	· · PLUG	2				
9	<b>1420010140</b>	· · O-RING	2				
10	<b>1903905221</b>	· · NEEDLE	2				
11	<b>1420010180</b>	· · O-RING	2				
	<b>C4h560</b>						

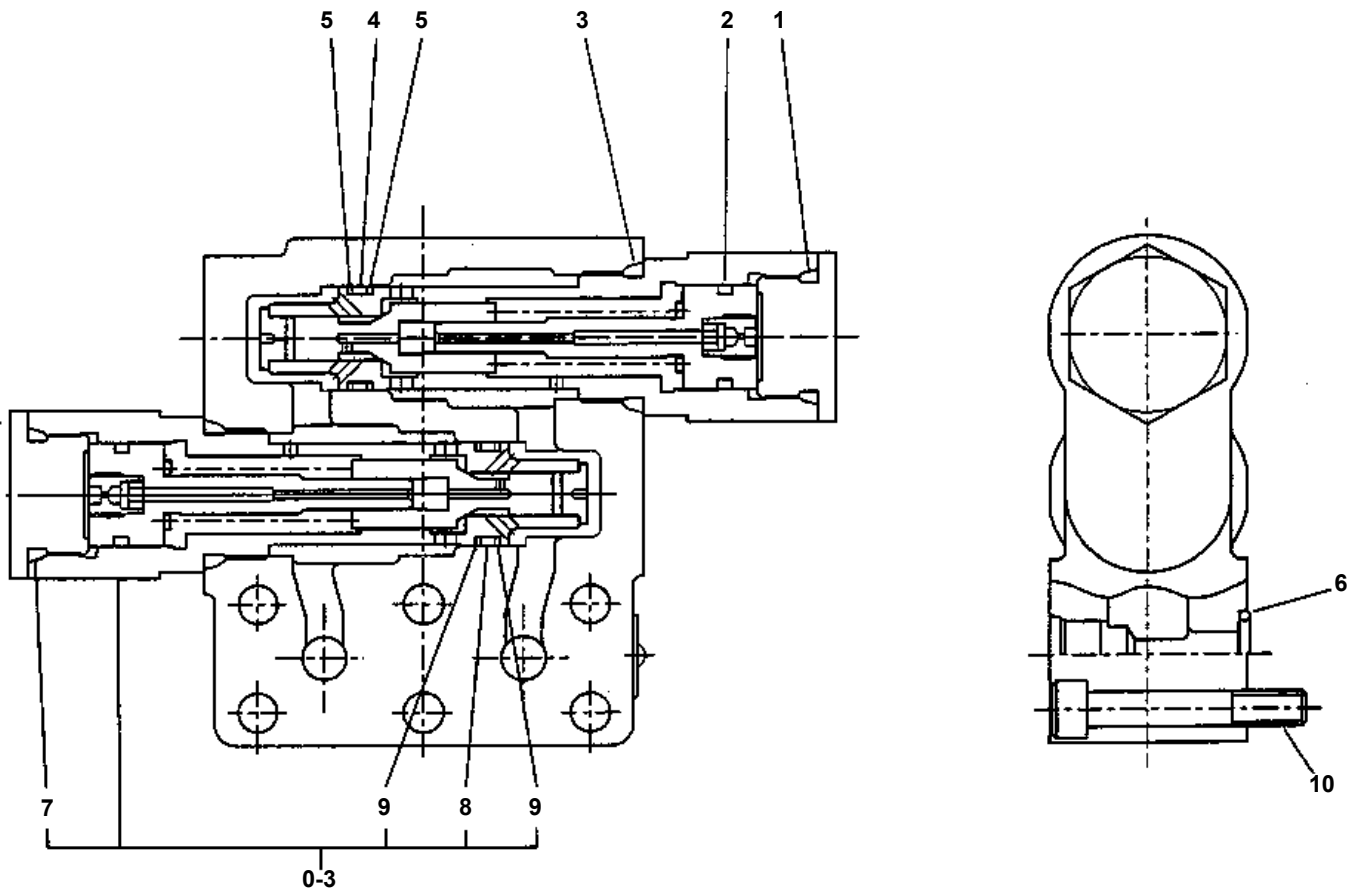


C4H330

S=FREE

**SLEW MOTOR (1/2)**

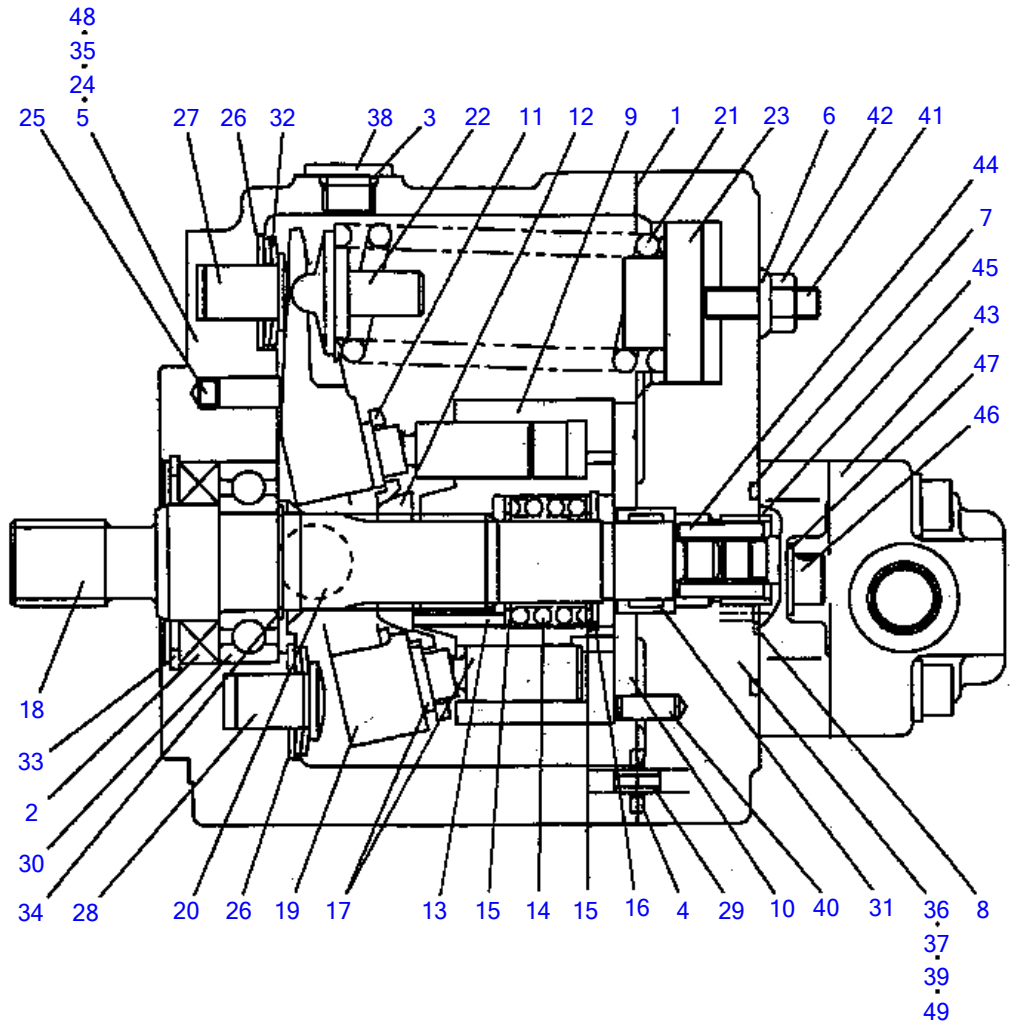
Item	Part number	Description	Q'ty	Chan.	Serial No.	Serv.	Remarks
0	<b>1903117800</b>	MOTOR ASSY, slew	1				
0-1	<b>1912905200</b>	• GEAR ASSY	1				
0-2	<b>1912905299</b>	• • KIT, seal	1				
1	X <b>1912905206</b>	• • • X-RING	1				
2	X <b>1420310041</b>	• • • O-RING	1				
3	<b>1912905201</b>	• • HOUSING	1				
4	<b>1912905202</b>	• • GEAR	1				
5	<b>1903117911</b>	• • BEARING	1				
6	<b>1300006207</b>	• • BEARING	1				
7	<b>1501810001</b>	• • PLUG	1				
8	<b>1903900437</b>	• • RING	1				
0-3	<b>1903904300</b>	• MOTOR ASSY	1				
0-4	<b>1903904399</b>	• • KIT, seal	1				
9	X <b>1432900017</b>	• • • SEAL	1				
10	X <b>1420310041</b>	• • • O-RING	2				
11	X <b>1420310038</b>	• • • O-RING	1				
12	X <b>1432900016</b>	• • • SEAL	1				
13	X <b>1432900015</b>	• • • SEAL	1				
14	X <b>1420310011</b>	• • • O-RING	3				
15	X <b>1420010140</b>	• • • O-RING	2				
16	<b>1903117817</b>	• • PLATE	1				
17	<b>1903904319</b>	• • PLATE	1				
18	<b>1903117925</b>	• • VALVE	1				
19	<b>1903117926</b>	• • RING	1				
20	<b>1903103632</b>	• • SPRING	2				
21	<b>1903103634</b>	• • PIN	2				
22	<b>1903903627</b>	• • DRIVE	1				
23	<b>1903903628</b>	• • ROLLER	1				
24	<b>1903102624</b>	• • DRIVE	1				
25	<b>1903904331</b>	• • HOUSING	1				
26	<b>1903117932</b>	• • BALL, steel	2				
27	<b>1903117933</b>	• • PLUG	2				
28	<b>1903117935</b>	• • SPRING	2				
29	<b>1903900432</b>	• • BOLT	4				
30	<b>1501810001</b>	• • PLUG	1				
	<b>C4h331</b>						



C4H350

**SLEW MOTOR (2/2)**

Item	Part number	Description	Q'ty	Chan.	Serial No.	Serv.	Remarks
0	<b>1903117800</b>	MOTOR ASSY, slew	1				
0-1	<b>1901808700</b>	• VALVE, relief	1				
0-2	<b>1901808799</b>	• • KIT, seal	1				
1	X <b>1420010250</b>	• • • O-RING	2				
2	X <b>1901808511</b>	• • • SEAL	2				
3	X <b>1420010280</b>	• • • O-RING	2				
4	X <b>1420010200</b>	• • • O-RING	2				
5	X <b>1421020200</b>	• • • RING, back-up	4				
6	X <b>1420010160</b>	• • • O-RING	2				
0-3	<b>1901808598</b>	• • CARTRIDGE ASSY	2				
7	<b>1420010280</b>	• • • O-RING	1				
8	<b>1420010200</b>	• • • O-RING	1				
9	<b>1421020200</b>	• • • RING, back-up	2				
10	<b>1901808719</b>	• • SCREW, cap	6				
	<b>C4h352S</b>						

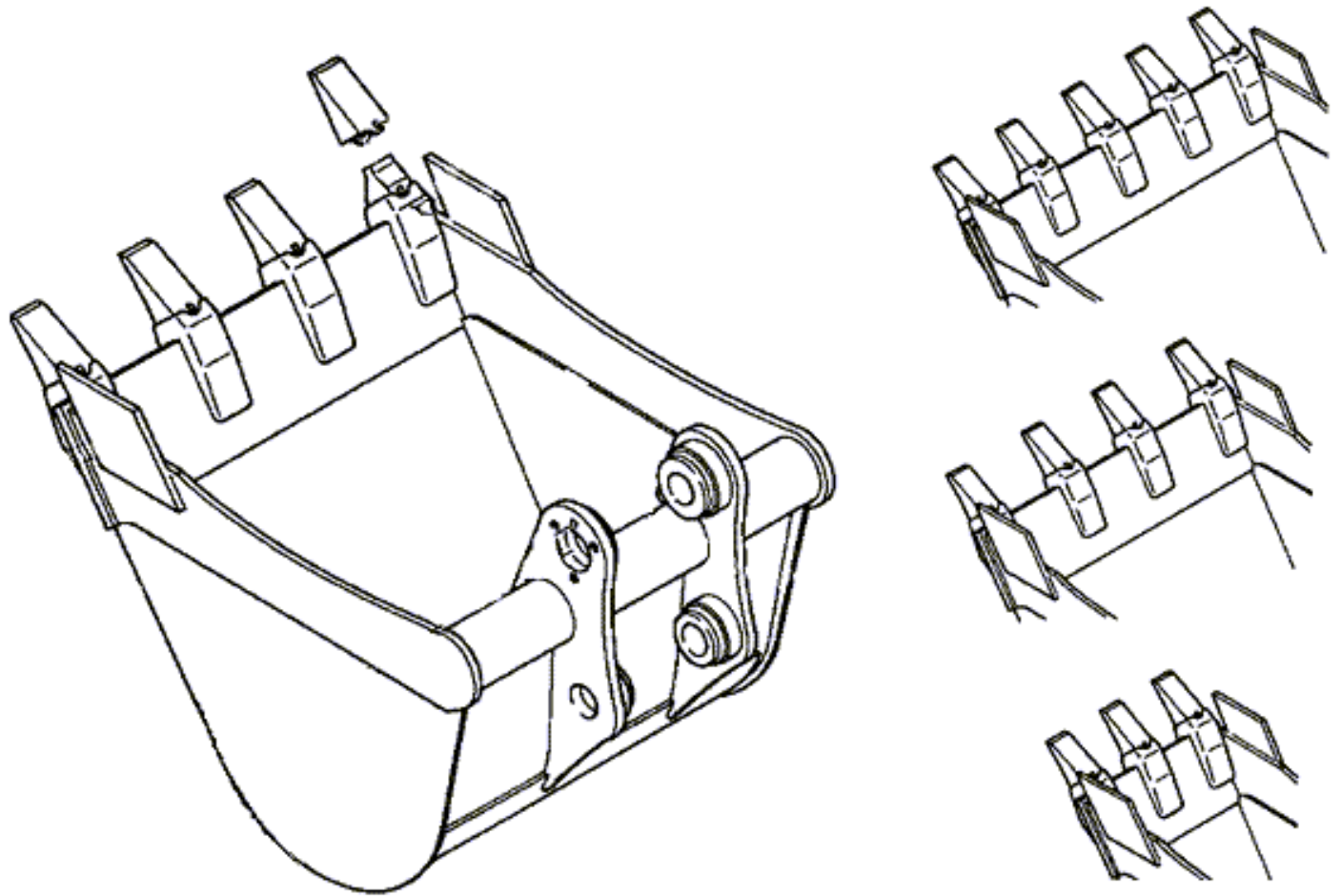


C4H360

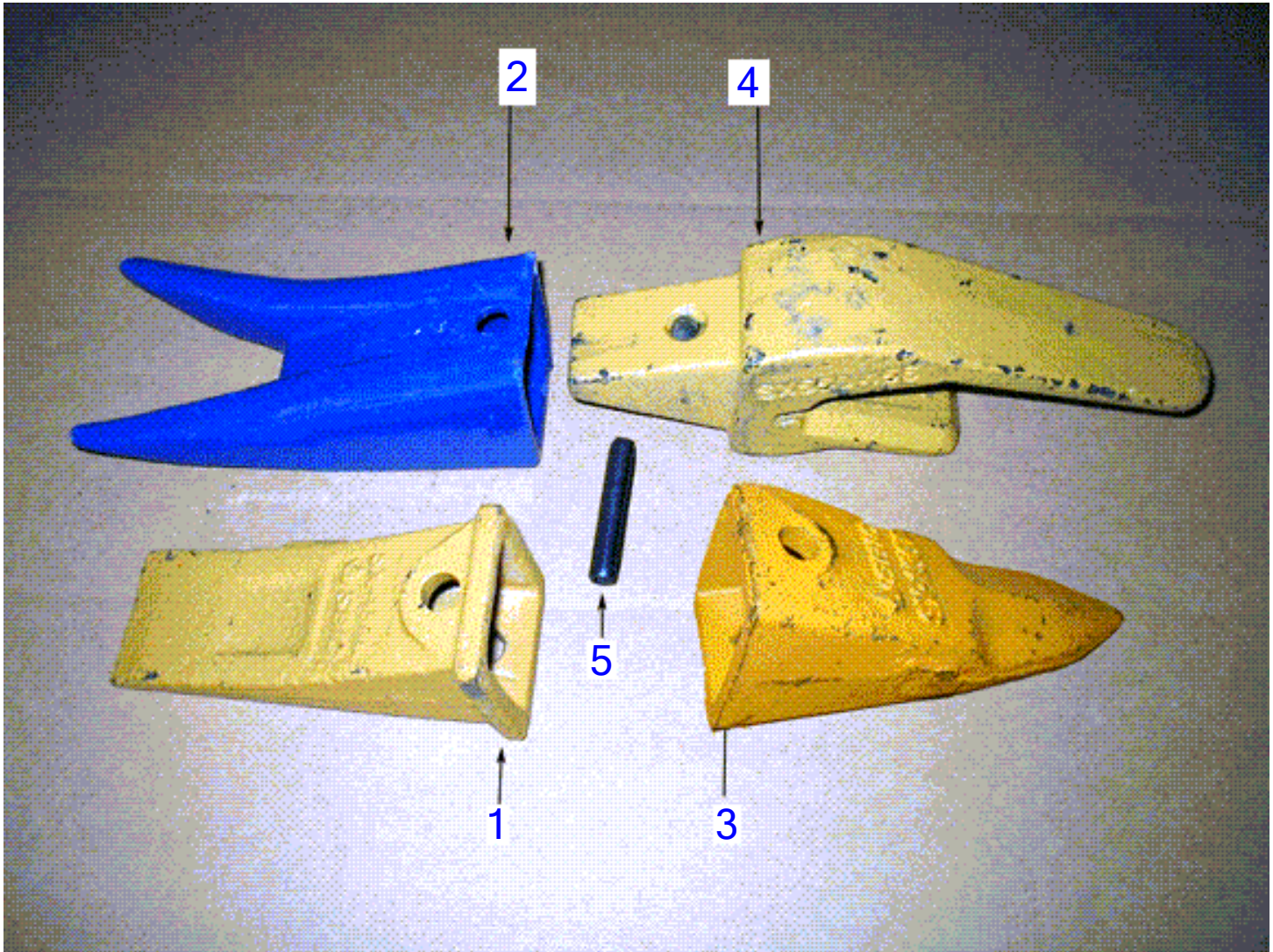


**HYDRAULIC PUMP**

Item	Part number	Description	Q'ty	Chan.	Serial No.	Serv.	Remarks
0	<b>1902014700</b>	PUMP ASSY	1		11400003~11400490		
	<b>1902018200</b>	PUMP ASSY	1		11400491~		
0-1	<b>1902014799</b>	• KIT, seal	1				
1	X <b>1902012013</b>	• • PACKING	1				
2	X <b>1902016032</b>	• • SEAL, oil	1				
3	X <b>1420010110</b>	• • O-RING	1				
4	X <b>1420010120</b>	• • O-RING	2				
5	X <b>1420010110</b>	• • O-RING	1				
6	X <b>1902016062</b>	• • WASHER, seal	1				
7	X <b>1420110500</b>	• • O-RING	1				
8	X <b>1420010080</b>	• • O-RING	1				
0-2	<b>1902906300</b>	• BARREL KIT, cylinder	1				
9	X *****	• • BARREL, cylinder	1				
10	X *****	• • PLATE, valve	1				
11	<b>1902014708</b>	• • HOLDER, shoe	1				
12	<b>1902016009</b>	• • HOLDER, barrel	1				
13	<b>1903901813</b>	• • NEEDLE	3				
14	<b>1902014714</b>	• • SPRING	1				
15	<b>1902014724</b>	• • RETAINER	2				
16	<b>1221000034</b>	• • RING, snap	1				
17	<b>1902906398</b>	• • PISTON ASSY	1				
18	<b>1902014703</b>	• SHAFT	1				
19	<b>1902016010</b>	• PLATE	1				
20	<b>1902016012</b>	• PIN	2				
21	<b>1902014715</b>	• SPRING	1				
22	<b>1902012043</b>	• HOLDER, spring	1				
23	<b>1902016019</b>	• GUIDE, spring	1				
24	<b>1902011526</b>	• PIN	1				
25	<b>1902014721</b>	• ROD	1				
26	<b>1902016023</b>	• WASHER	2				
27	<b>1902014725</b>	• PIN	1				
28	<b>1902014726</b>	• PIN	1				
29	<b>1902016027</b>	• PIN	1				
30	<b>1300006205</b>	• BEARING	1				
31	<b>1902012722</b>	• BEARING	1				
32	<b>1902016033</b>	• WASHER	4				
33	<b>1221000052</b>	• RING, snap	1				
34	<b>1220000025</b>	• RING, snap	1				
35	<b>1902014742</b>	• PLUG	1				
36	<b>1110051035</b>	• SCREW, cap	5				
37	<b>1902016049</b>	• PLUG	5				
38	<b>1902014742</b>	• PLUG	1				
39	<b>1140010010</b>	• WASHER, spring	5				
40	<b>1213000616</b>	• PIN, spring	1				
41	<b>1121050830</b>	• SET-SCREW	1				
42	<b>1130050008</b>	• NUT	1				
43	<b>1902906400</b>	• PUMP ASSY, gear	1				
44	<b>1902014766</b>	• COUPLING	1				
45	<b>1902014767</b>	• COLLAR	1				
46	<b>1110050820</b>	• SCREW, cap	2				
47	<b>1141110008</b>	• WASHER	2				
48	X *****	• BODY (S)	1				
49	X *****	• BODY (H)	1				
	<b>C4h363S</b>						

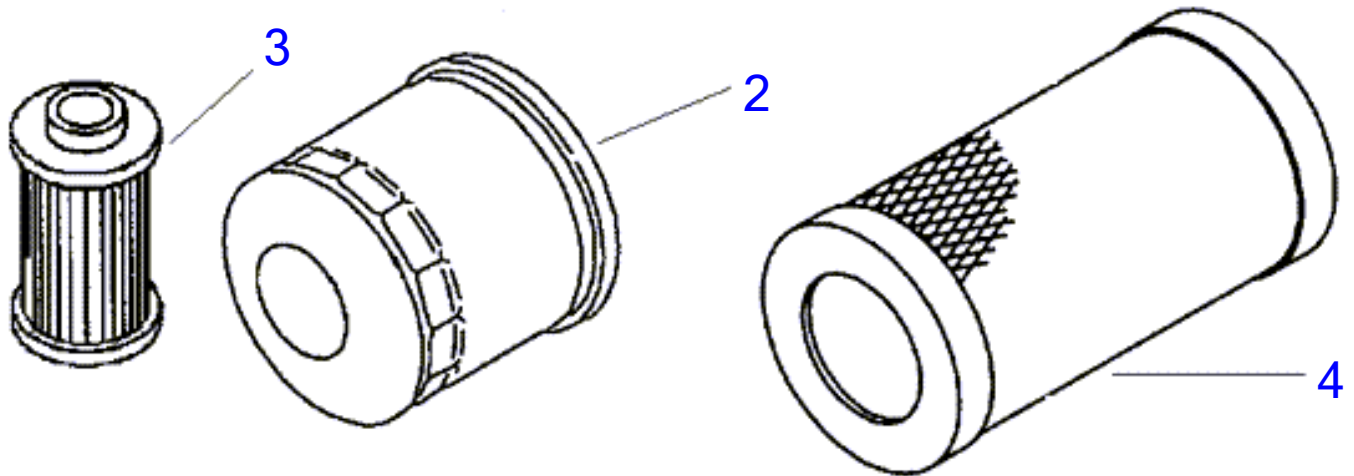


Item	Part number	Description	Q'ty	Chan.	Serial No.	Serv.	Remarks
		<b>TB014 Buckets</b>					
	<b>BQC01610</b>	10" Coupler Bucket TB014/TB016 )requires BQC01600)(special order)	1				
	<b>BQC01612</b>	12" Coupler Bucket TB014/TB016 (requires BQC01600)	1				
	<b>BQC01616</b>	16" Coupler Bucket TB014/TB016 (requires BQC01600)(special order)	1				
	<b>BQC01618</b>	18" Coupler Bucket TB014/TB016 (requires BQC01600)	1				
	<b>BQC01624</b>	24" Coupler Bucket TB014/TB016 (requires BQC01600)	1				
	<b>BQC01630</b>	30" Coupler Bucket TB014/TB016 (requires BQC01600)(special order)	1				
	<b>BQC01636</b>	36" Coupler Bucket TB014/TB016 (requires BQC01600)(special order)	1				
	<b>BTB01608</b>	8" Pin-on Bucket TB014/TB015/TB016	1				
	<b>BTB01610</b>	10" Pin-on Bucket TB014/TB015/TB016 (special order)	1				
	<b>BTB01612</b>	12" Pin-on Bucket TB014/TB015/TB016	1				
	<b>BTB01616</b>	16" Pin-on Bucket TB014/TB015/TB016 (special order)	1				
	<b>BTB01618</b>	18" Pin-on Bucket TB014/TB015/TB016	1				
	<b>BTB01624</b>	24" Pin-on Bucket TB014/TB015/TB016	1				
	<b>BTB01630</b>	30" Pin-on Bucket TB014/TB015/TB016 (special order)	1				
	<b>BTB01636</b>	36" Pin-on Bucket TB014/TB015/TB016 (special order)	1				



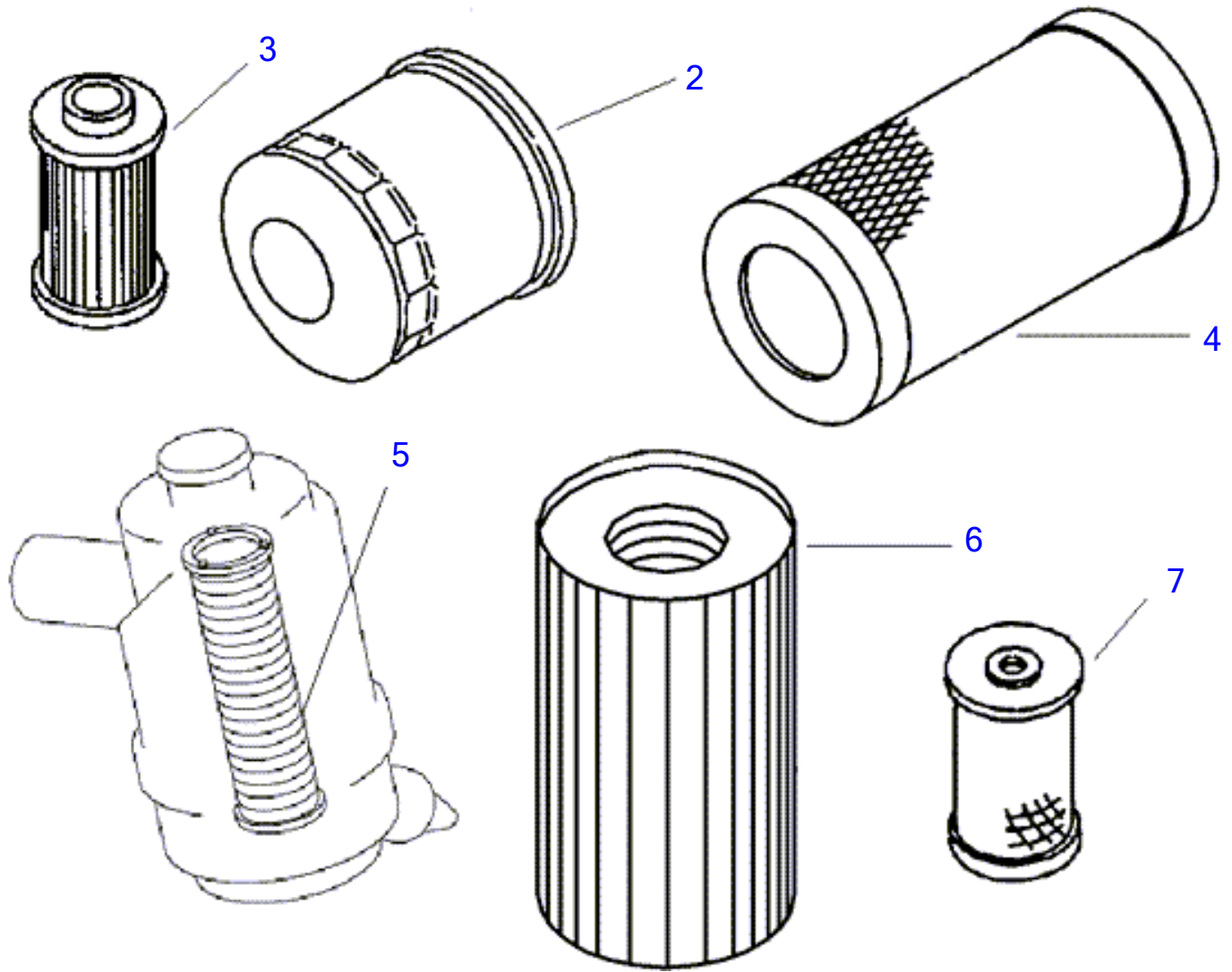
**Bucket Teeth**

Item	Part number	Description	Q'ty	Chan.	Serial No.	Serv.	Remarks
1	<b>1914210182</b>	Tooth	1				
2	<b>1914299142</b>	Double Tiger	1				
3	<b>1914299942</b>	Single Tiger (C&P) Tooth	1				
4	<b>19142181-1</b>	Adapter Shank 550 X 156 New Style	1				
	<b>1914210181</b>	Adapter Shank 230 X 156 Old Style	1				
5	<b>1914210183</b>	Pin - Metal	1				



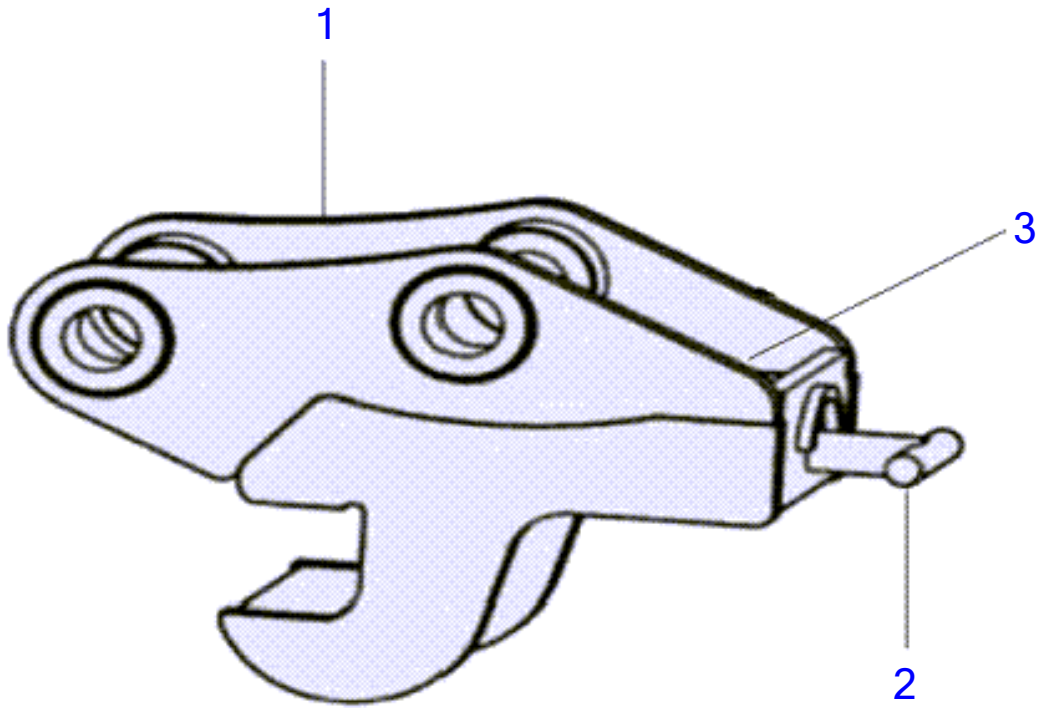
**250 Hour Filter Kit**

Item	Part number	Description	Q'ty	Chan.	Serial No.	Serv.	Remarks
1	<b>1909901400</b>	TB014/TB016/TB108 Filter Kit (250 Hour)	1				
2	<b>Y119305-35150</b>	* Engine Oil Filter	1				
3	<b>Y124550-55700</b>	* Fuel Filter	1				
4	<b>Y119655-12560</b>	* Air Filter	1				



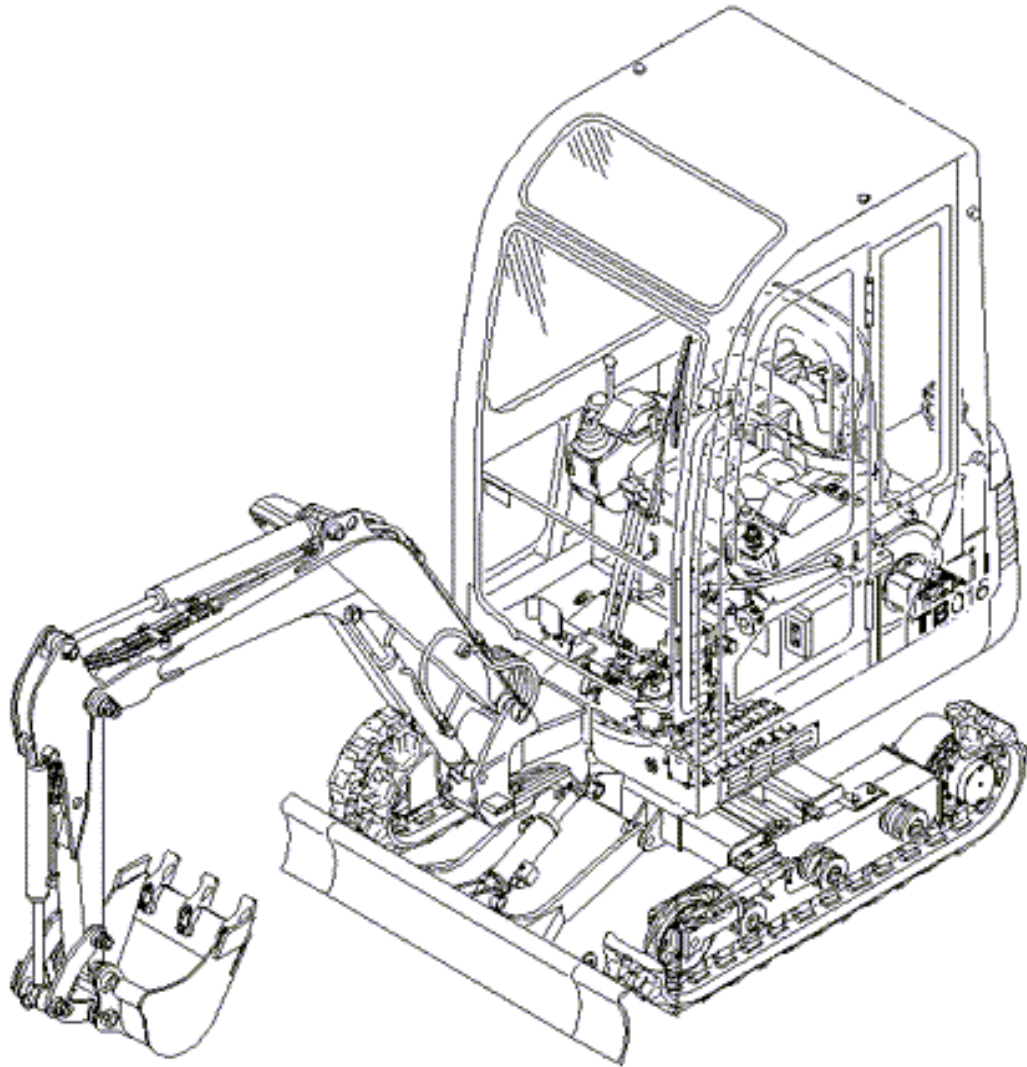


Annual Filter Kit						
Item	Part number	Description	Q'ty	Chan.	Serial No.	Serv. Remarks
1	<b>1909901410</b>	Annual Filter Kit	1			
2	<b>Y119305-35150</b>	* Engine Oil Filter	1			
3	<b>Y124550-55700</b>	* Fuel Filter	1			
4	<b>Y119655-12560</b>	* Air Filter	1			
5	<b>1911101342</b>	* Inner air Filter TB014/TB016	1			
6	<b>1551101300</b>	* Hydraulic Filter TB014/TB016	1			
7	<b>Y171081-55910</b>	* Screen Check S/N Application TNE	1			



**Quick Coupler**

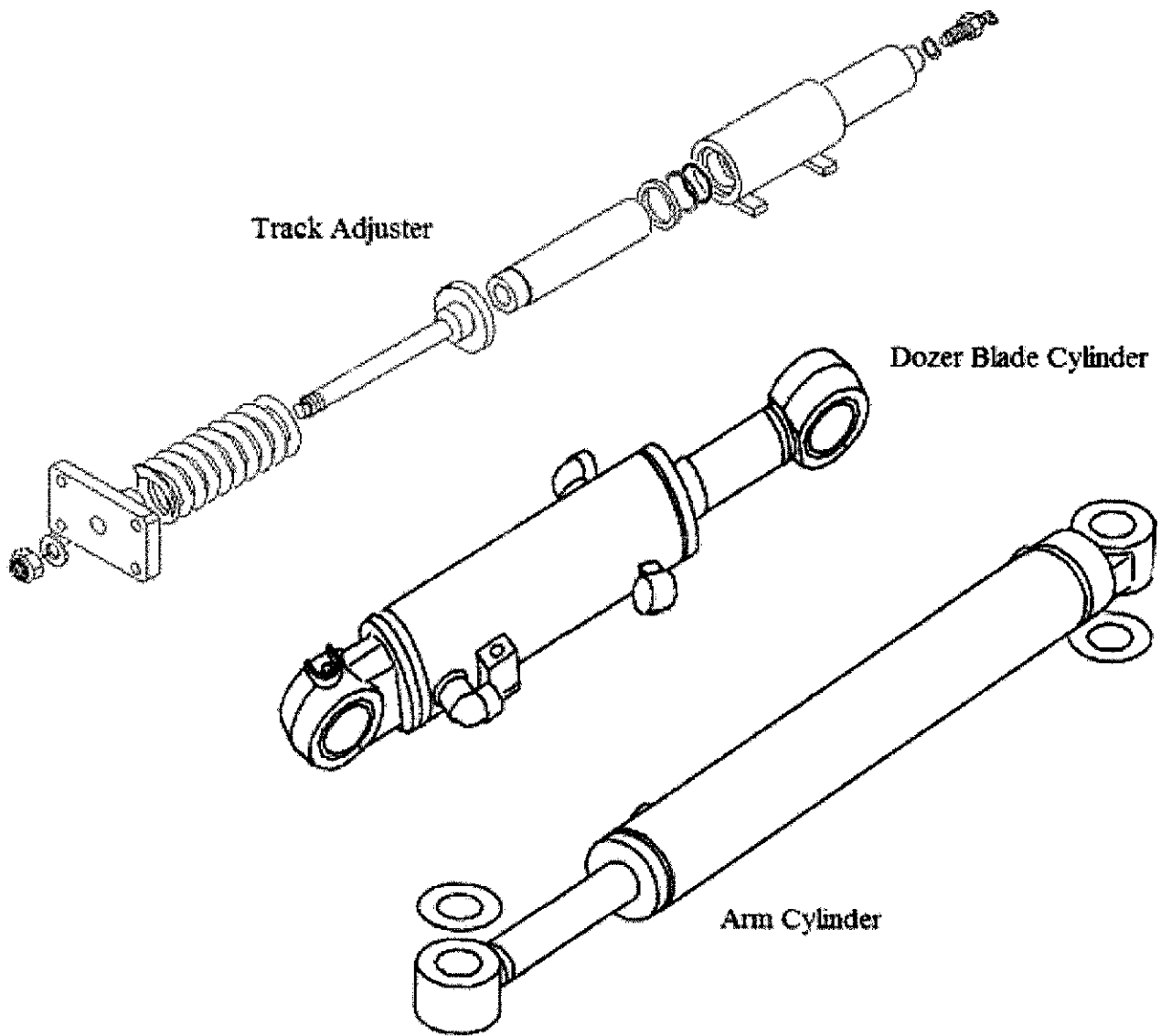
Item	Part number	Description	Q'ty	Chan.	Serial No.	Serv.	Remarks
1	<b>BQC01600</b>	Coupler TB014/TB016	1				
2	<b>BQC12501</b>	T Pin TB014/TB016	1				
3	<b>BQCCLEVIS</b>	Clevis Pin for all BQC T pins	1				



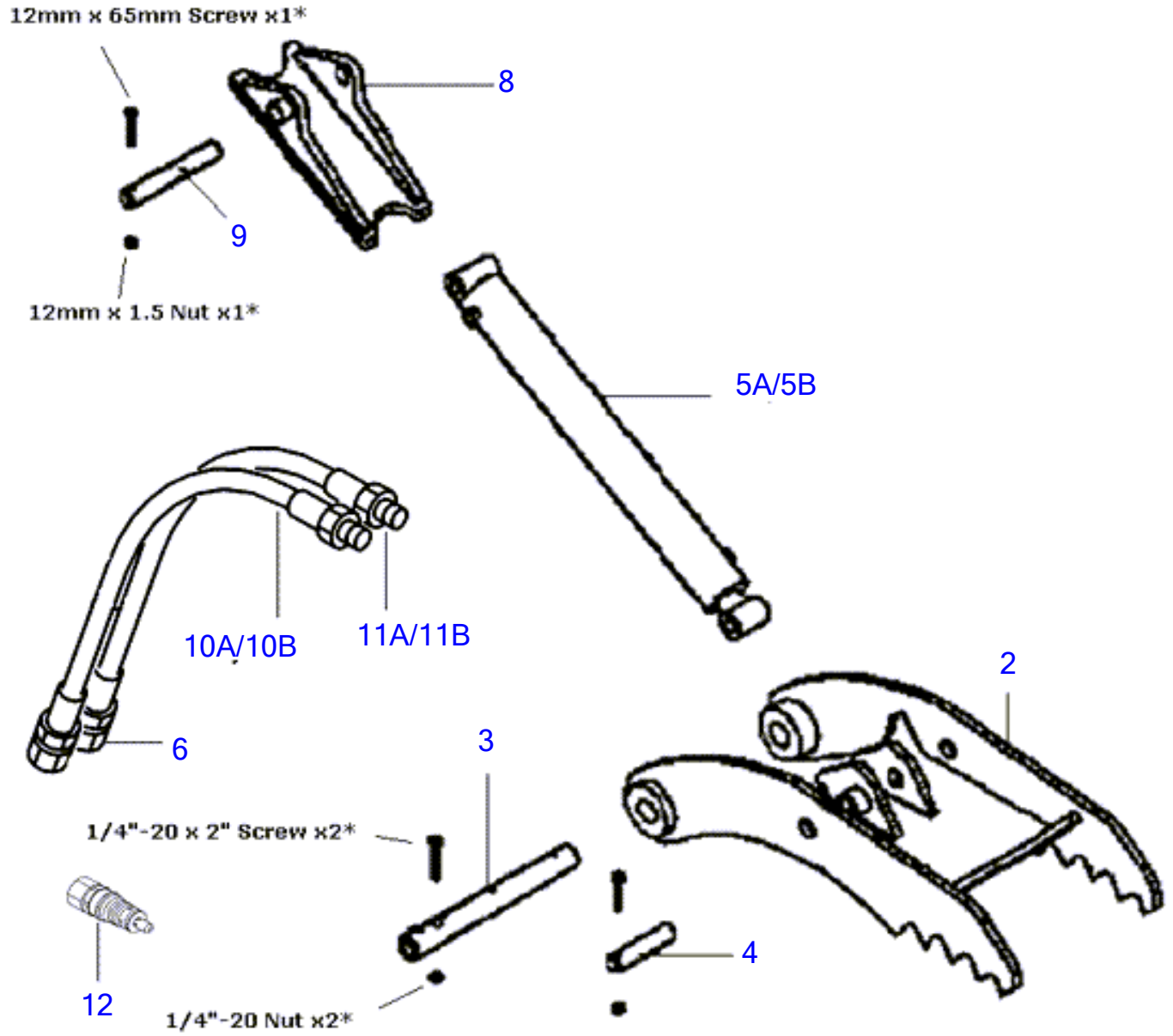
TAKEUCHI

**Recommended Stock Order List**

Item	Part number	Description	Q'ty	Chan.	Serial No.	Serv.	Remarks
	1551101300	Hydraulic Filter TB014/TB016	2				
	Y171081-55910	Screen Check S/N Application TNE	2				
	Y119655-12560	Air Filter	4				
	Y119305-35150	Engine Oil Filter	4				
	Y124550-55700	Fuel Filter	2				
	1900070599	Swing Cylinder Seal Kit	1				
	1900072399	Spanner Cylinder Seal Kit	1				
	1900054399	Blade Cylinder Seal Kit	1				
	1900072299	Bucket Cylinder Seal Kit TB014/TB016	1				
	1900051999	Multi Use Seal Kit (bt)	1				
	1900070499	Boom Cylinder Seal Kit	1				
	1914201202	Tooth TB007/TB015	4				
	1914201203	Lock	4				
	1914201201	Adaptor	4				
	1432200030	Dust Seal 30/40 TB014/TB016	6				
	1432200035	Seal Pin 35/45 T/4	6				
	1541301602	Valve Assy	4				
	1400502033	Seal	4				
	1420010350	O-Ring P-35	4				
	1421020360	Backup Ring P-36 Biascut	4				
	1420111050	O-Ring G-105 1b	2				
	1515600200	Adaptor	2				
	1909920106	1/4" Male Fitting w/O-ring	6				
	1909920109	3/8" Male Fitting Straight	6				
	1909920112	1/2" Male Fitting w/O-Ring BSPP	2				
	1909920406	1/4" Fitting PF	6				
	1909920409	3/8" Fitting PF	6				
	1909920412	1/2" Fitting PF	2				
	1909920506	1/4" 90 degree Female Fitting	2				
	1909920509	3/8" 90 degree Female Fitting	2				
	1909920512	1/2" 90 degree Female Fitting	2				
	1909920606	90 degree Female Fitting (block style)	2				
	1909920609	3/8" Female Fitting	2				
	1909920612	1/2" 90 degree Block Fitting	2				



		<b>Seal Kits</b>							
Item	Part number	Description	Q'ty	Chan.	Serial No.	Serv.	Remarks		
	<b>1900070599</b>	Swing Cylinder Seal Kit	1						
	<b>1900070399</b>	Blade Cylinder Seal Kit - Short Dozer Blade	1						
	<b>1900054399</b>	Blade Cylinder Seal Kit - Long Dozer Blade	1						
	<b>1900072299</b>	Bucket Cylinder Seal Kit TB014/TB016	1						
	<b>1900051999</b>	Multi Use ARm Cylinder Seal Kit (bt)	1						
	<b>1900070499</b>	Boom Cylinder Seal Kit	1						
	<b>0331506199</b>	TrackSeal Kit please check if Assembly has been changed SN11400003-11400782	1						
	<b>0331508699</b>	Track Seal Kit TB016/TB015 SN11602090-up SN11400783-uo	1						



\* obtain locally



Item	Part number	Thumbs Description	Q'ty	Chan.	Serial No.	Serv.	Remarks
2	01140114TA	Bracket	1				
3	01140114P1	Pivot pin	1				
4	01140114P2	Cylinder Rod Pin	1				
5A	1900021014A	Cylinder Assy - New Style	1				
	1900021014	Cylinder Assy - New Style	1				
	1900021014TA	Tube - New Style	1				
5B	1900021014	Cylinder Assy - Old Style	1				
	1900021014	Rod - Old Style	1				
8	01140114HB	Bracket	1				
9	01140114PC	Cylinder Pin TB016	1				
10B	BTH114A-1	Long Hose TB014/TB016 New Style	1				
11A	BTH114A	Long Hose TB014/TB016 Old Style	1				
	BTH114B-1	Short Hose TB014/TB016 New Style	1				
11B	BTH114B	Short Hse TB014/TB016 Old Style	1				
6	1513110040	1/2" JIC 1/12" BSPP Adpt Newstyle (1513110038-39)	2				
12	1901736200	Valve Overload TB016 SN 11602090-up	2				

All TB014 Manuals			Q'ty	Chan.	Serial No.	Serv.	Remarks
Item	Part number	Description					
		TB014 Manuals					
	<b>L014000001</b>	Operators Manual TB014-016 AC4E017 TNE (English)	1				
	<b>L014000003</b>	Parts Manual TB014 BC4-Z004 SN 1400003-11410000	1				
	<b>L014000004</b>	Service Manual TB014-016 CC4E001 TNE	1				

**ENGINE MODEL**

REF NO.

PARTS NO.

Description Q'ty I R

**ENGINE(TNE)**

**3TNE68-NTB**

**TB014 S/N 11400003-11400022**

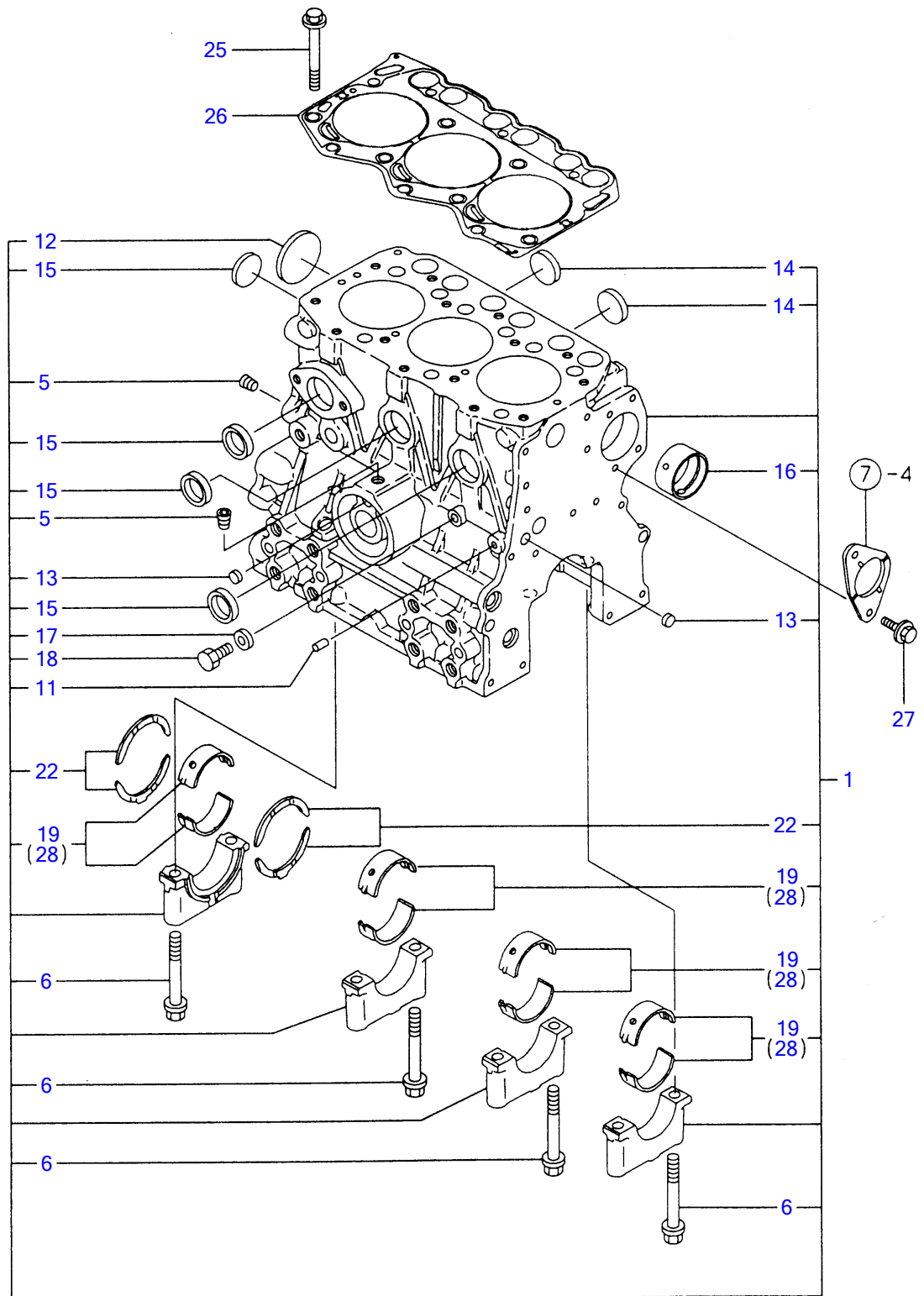
**TB016 S/N 11600003-11600031**

**2006.5.22**

Engine for TB014, TB016 3TNE68-NTB  
CYLINDER BLOCK

Y00D6550  
3TNE68-NTB

1 シリンダブロック  
CYLINDER BLOCK



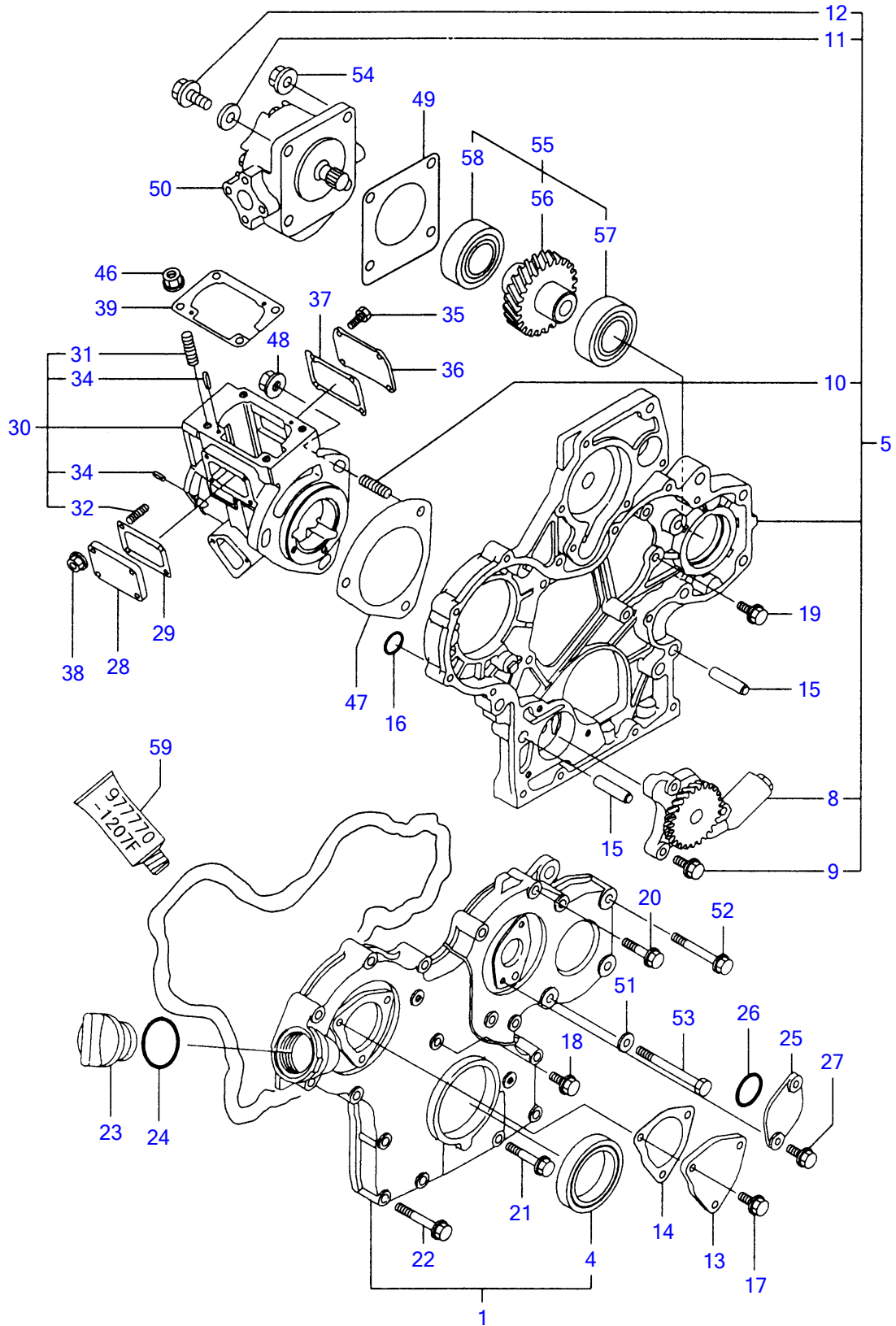
¼ØÝÀÞÍÞÛ, CYLINDER BLOCK

REF NO.	PARTS NO.	Description	Q'ty	I	R	Ø
1	Y719266-01560	¼ØÝÀÞÍÞÛ, ASSY	1			
5	Y124060-01050	• Íß×, Þ PT1/8	2			
6	Y119260-02020	• ÎÞÛÄ (ÒÀÛ·ÔÂÏß	8			
11	Y27221-060100	• ³ÁºÐÍß×, Þ 6X10	1			
12	Y27231-400000	• »×¶ÞÀÍß×, Þ 40	1			
13	Y27241-100000	• ÛÝ¶ÞÀÍß×, Þ 10	2			
14	Y27241-250000	• ÛÝ¶ÞÀÍß×, Þ 25	3			
15	Y27241-300000	• ÛÝ¶ÞÀÍß×, Þ 30	4			
16	Y119266-02410	• ÌÞÄ¼Ö	1			
17	Y22190-080002	• ¼°ÛÛ¼¬ (ØÛ. ÆÄØÛ) 8	1			
18	Y26106-080122	• ÂÊÞÍÞÛÄ 8X12	1			
19	Y119260-02800	• Ò²ÝÍÞ±ØÝ, Þ (YSM)	4			
22	Y119260-02930	• ½×½ÄÍÞ±ØÝ, Þ (YSM)	2			
25	Y119266-01200	ÍÄÄÞÍÞÛÄ	14			
26	Y119266-01330	ÍÄÄÞ¶Þ½¹ÄÄ	1			
27	Y26106-060122	ÂÊÞÍÞÛÄ M6X12	2			
28	Y719260-02870	Ò²ÝÍÞ±ØÝ, Þ U.S=0.25	4			(1) ±ÝÀÞº»²½Þ(U.S=0.25)ÞËËÄÞ½Ð

# Engine for TB014, TB016 3TNE68-NTB GEAR HOUSING

Y00D6550  
3TNE68-NTB

2 ギヤケース  
GEAR HOUSING



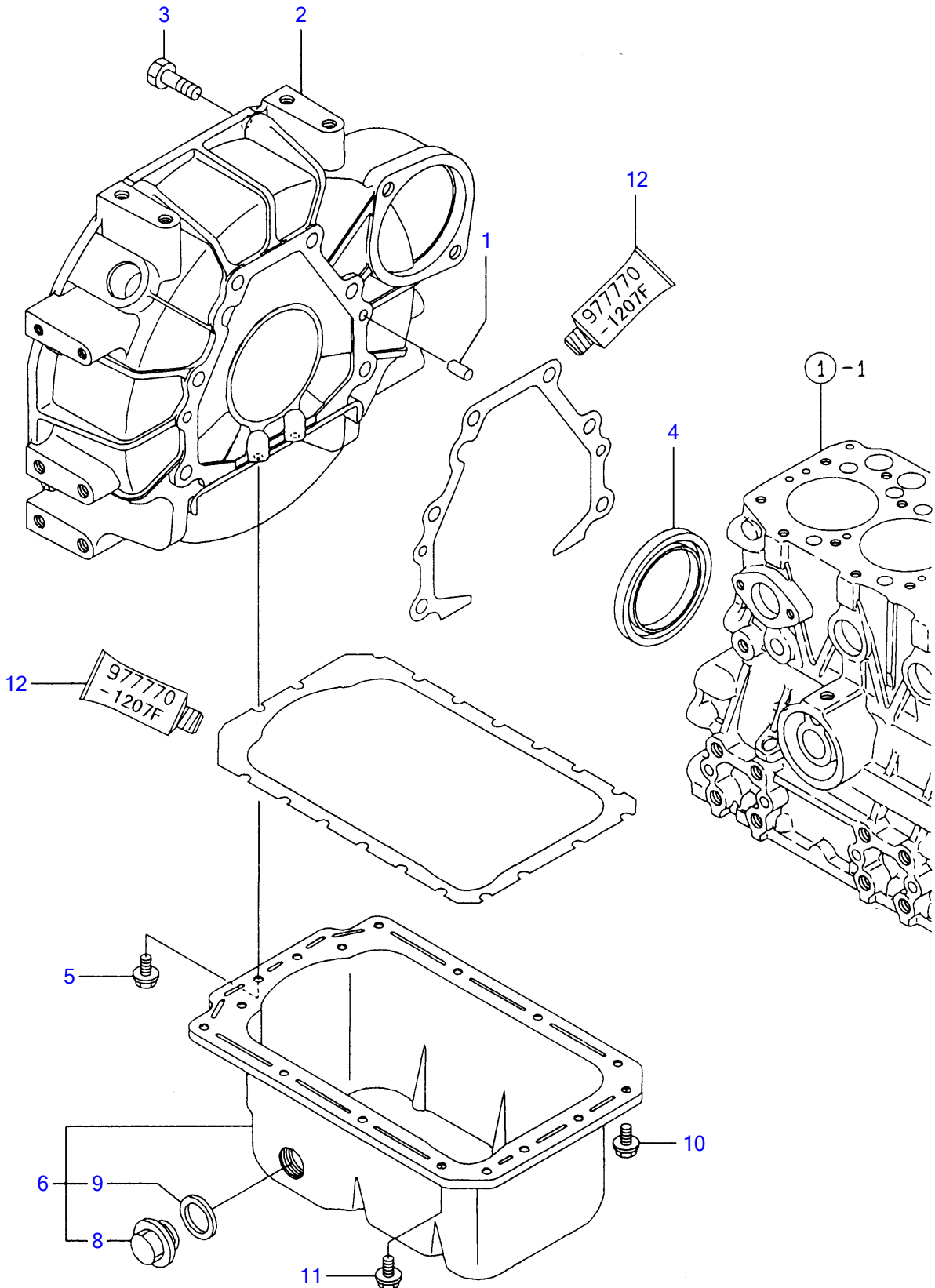
REF NO.	PARTS NO.	Description	Q'ty	I	R	"600
1	Y719266-01601	GEAR CASE ASSY	1			
4	Y119620-01800	SEAL HTC456208,	1			
5	Y119266-01580	GEAR CASE CMP	1			
8	Y119266-32000	PUMP ASSY, LUB.	1			
9	Y26106-060252	BOLT M6X25 PLATED	3			
10	Y26216-080202	STUD M8X20 PLATED	3			
11	Y22190-080002	SEAL WASHER 8S	1			
12	Y26106-080222	BOLT M8X22 PLATED	1			
13	Y119624-01740	COVER, F. I. PUMP	1			
14	Y119624-01750	PACKING (FI-P	1			
15	Y119266-01910	PIPE KNOCK	2			
16	Y24311-000120	O-RING 1A P12.0	2			
17	Y26106-060122	BOLT M6X12 PLATED	3			
18	Y26106-060162	BOLT M6X16 PLATED	1			
19	Y26106-060202	BOLT M6X20 PLATED	6			
20	Y26106-060352	BOLT M6X35 PLATED	7			
21	Y26106-060602	BOLT M6X60 PLATED	8			
22	26106-060652	BOLT M6X65 PLATED	2			
23	124160-01751	CAP, LUB. OIL SUPPLY	1			
24	24311-000320	O-RING 1A P32.0	1			
25	121023-01550	COVER, BLIND	1			
26	24341-000240	O-RING 1A S-24.0	1			
27	26106-060162	BOLT M6X16 PLATED	2			
28	119660-01551	COVER	1			
29	119660-01562	GASKET, (NON-ASB.)	1			
30	119266-01840	COVER	1			
31	121450-01560	STUD M8X22	4			
32	119660-01570	STUD M6X12	4			
34	22351-040010	SPRING PIN 4X10	4			
35	26116-050082	BOLT M5X8 PLATED	4			
36	119266-01880	COVER, CASE	1			
37	119266-01890	PK, COVER	1			
38	26366-060002	NUT M6	4			
39	119623-01950	SHIM PACK	1			
46	194990-22050	NUT W/WASHER 8	4			
47	119266-01870	GASKET	1			
48	26366-080002	NUT M8	3			
49	124240-01883	GASKET, (NON-ASB.)	1			
50	119462-26010	PUMP ASSY, HYDRAULIC	1			
51	22137-080000	WASHER 8, POLISHED	2			
52	26106-080702	BOLT M8X70 PLATED	1			
53	26116-081302	BOLT M8X130 PLATED	2			
54	26366-080002	NUT M8	4			
55	119263-26001	GEAR ASSY, HYDR. PUMP	1			
56	119263-26201	GEAR, H. O. PUMP	1			
57	129350-26490	BALL BEARING	1			
58	24104-060054	BALL BEARING	1			
59	977770-1207F	GASKET, LIQUID	1			

(1) μR¼@Ý  
IbÉYÄP½ID

Engine for TB014, TB016 3TNE68-NTB  
FLYWHEEL HOUSING & OIL SUMP

Y00D6550  
3TNE68-NTB

3 フライホイールハウジング & オイルパン  
FLYWHEEL HOUSING & OIL SUMP





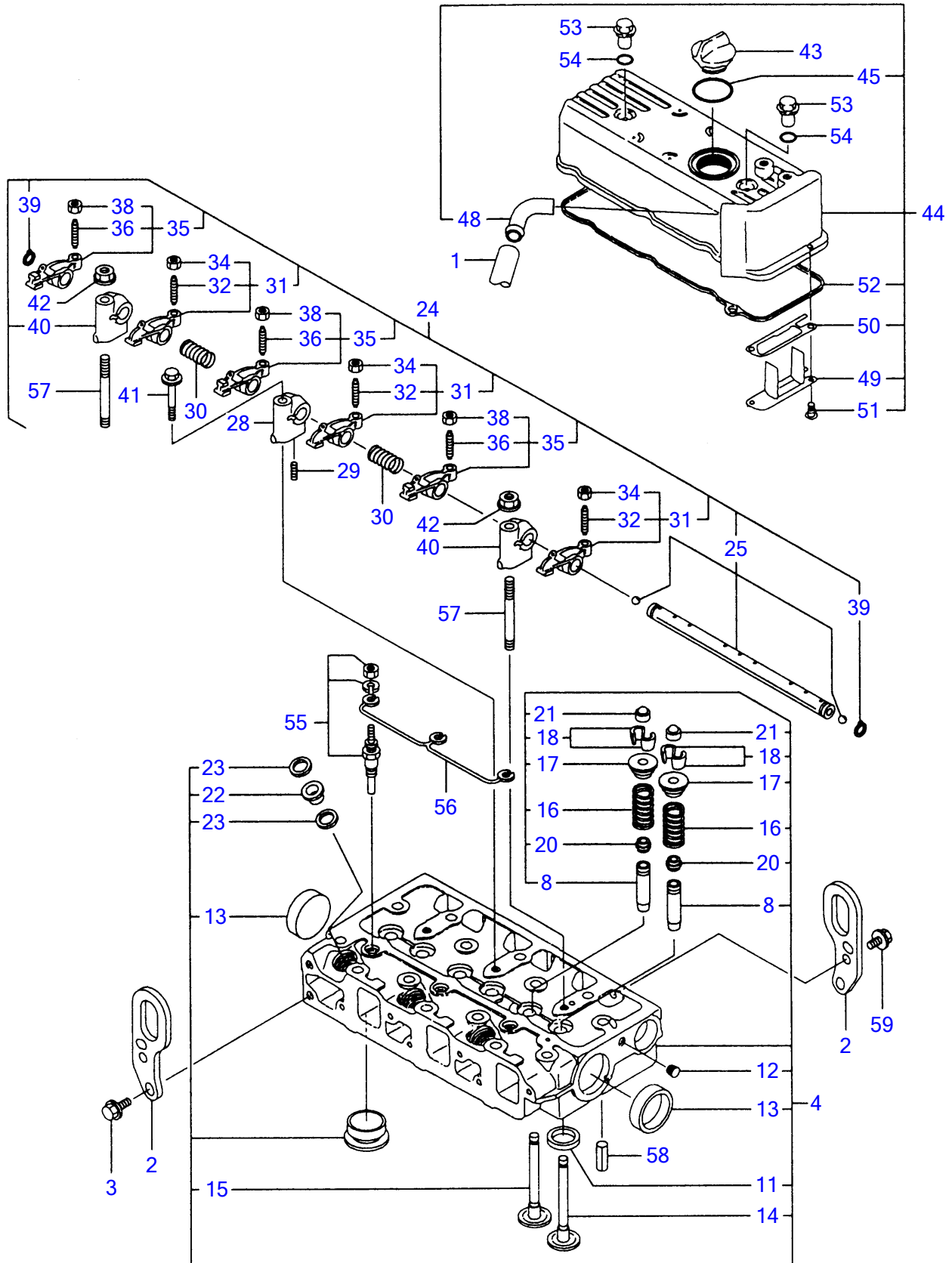
FLYWHEEL HOUSING & OIL SUMP

REF NO.	PARTS NO.	Description	Q'ty
1	Y129100-01580	PARALLEL PIN 8X16	2
2	Y119624-01600	HOUSING, FLYWHEEL	1
3	Y26206-100202	BOLT M10X20	6
4	Y124085-02220	SEAL, OIL	1
5	Y26106-060102	BOLT M6X10 PLATED	2
6	Y119275-01770	SUMP ASSY, OIL	1
8	Y119640-01640	DRAIN PLUG M22	1
9	Y22190-220002	SEAL WASHER 22	1
10	Y26106-060122	BOLT M6X12 PLATED	4
11	Y26106-060102	BOLT M6X10 PLATED	10
12	Y977770-1207F	GASKET, LIQUID	1

Engine for TB014, TB016 3TNE68-NTB  
**CYLINDER HEAD & BONNET**

Y00D6550  
 3TNE68-NTB

4 シリンダヘッド & ボンネット  
 CYLINDER HEAD & BONNET

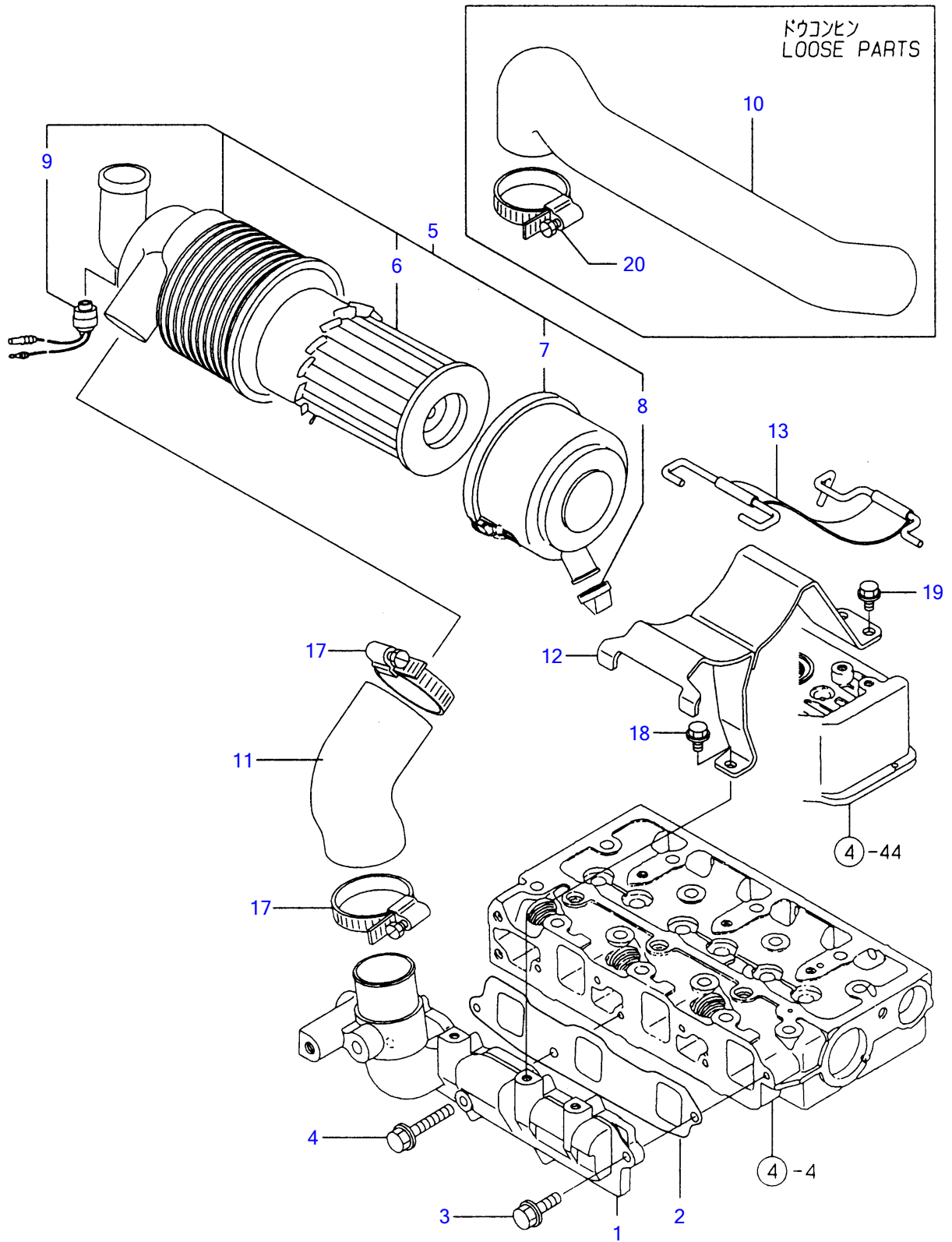


REF NO.	PARTS NO.	Description	Q'ty	I	R	"ö"
1	Y23065-120500	PIPE, VINYL 12X500	1			
2	Y119626-07900	LIFTER, ENGINE	2			
3	Y26106-080142	BOLT M 8X 14 PLATED	2			
4	Y119266-11710	HEAD ASSY, CYLINDER	1			
8	Y119260-11800	• GUIDE, VALVE	6			(1) İÖ³İPÈYÄP½D
11	Y119620-11080	• SEAT, SUCTION VALVE	3			
12	Y23871-005000	• PLUG PT 1/16	1			
13	Y27241-350000	• PLUG PT 35	2			
14	Y119266-11100	• VALVE, SUCTION	3			
15	Y119260-11110	• VALVE, EXHAUST	3			
16	Y114250-11120	• SPRING, VALVE	6			
17	Y114250-11180	• RETAINER, SPRING	6			
18	Y714250-11570	• COTTER ASSY	6			
20	Y119260-11340	• SEAL, VALVE STEM	6			
21	Y119260-11370	• CAP, VALVE	6			
22	Y11960011450	• PROTECTOR, NOZZLE	3			
23	119600-11460	• GASKET, NOZZLE	6			
24	119260-11200	SUPPORT ASSY, ARM	1			
25	119260-11240	• SHAFT ASSY, ARM	1			
28	119260-11260	• SUPPORT, ROCKER ARM	1			
29	119260-11270	• SCREW	1			
30	119260-11280	• SPRING	2			
31	719260-11650	• ARM ASSY, ROCKER	3			
32	105010-11230	• SCREW, VALVE	3			
34	26756-060002	• LOCK NUT 6	3			
35	719260-11660	• ARM ASSY, ROCKER	3			
36	105010-11230	• SCREW, VALVE	3			
38	26756-060002	• LOCK NUT 6	3			
39	22242-000100	• CIRCLIP 10	2			
40	119265-11260	• SUPPORT ROCKER ARM	2			
41	26106-080452	BOLT M 8X45 PLATED	1			
42	26366-080002	NUT M8	2			
43	124160-01751	CAP, LUB. OIL SUPPLY	1			
44	119266-11530	BONNET ASSY	1			
45	24311-000320	• O-RING 1A P 32.0	1			
48	119266-11390	• JOINT	1			
49	119266-03200	• PLATE, SHELTER	1			
50	119266-03210	• GASKET, (NON-ASB.)	1			
51	22857-500100	• SCREW 5X10 TAPPING	2			
52	119266-11310	• GASKET, BONNET	1			
53	124160-11360	KNOB	2			
54	24311-000120	O-RING 1A P12.0	2			
55	129155-77801	PLUG, GLOW	3			
56	119620-77820	CONNECTOR, GLOW PLUG	1			
57	119620-11350	STUD	2			
58	22351-060012	SPRING PIN 6X12	2			
59	26106-080142	BOLT M8X14 PLATED	1			

Engine for TB014, TB016 3TNE68-NTB  
SUCTION MANIFOLD & AIR CLEANER

Y00D6550  
3TNE68-NTB

5 キュウキマニホールド & エアクリーナ  
SUCTION MANIFOLD & AIR CLEANER

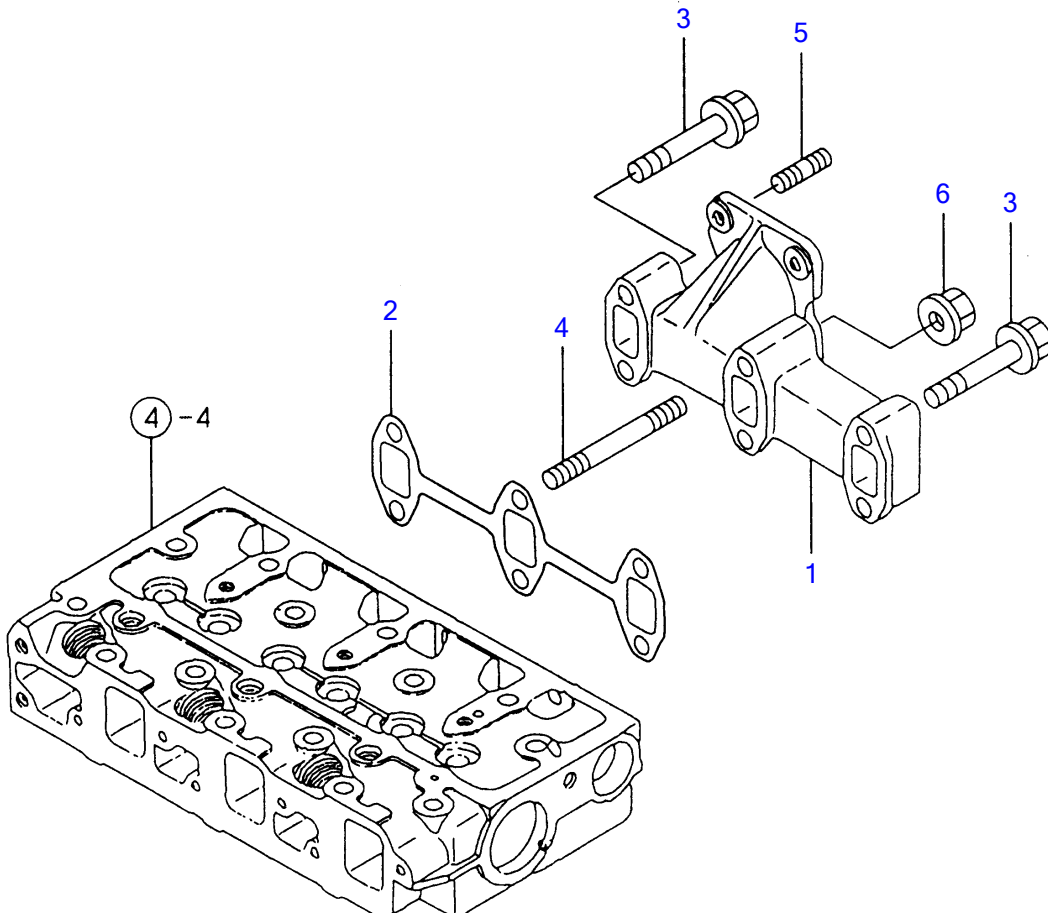
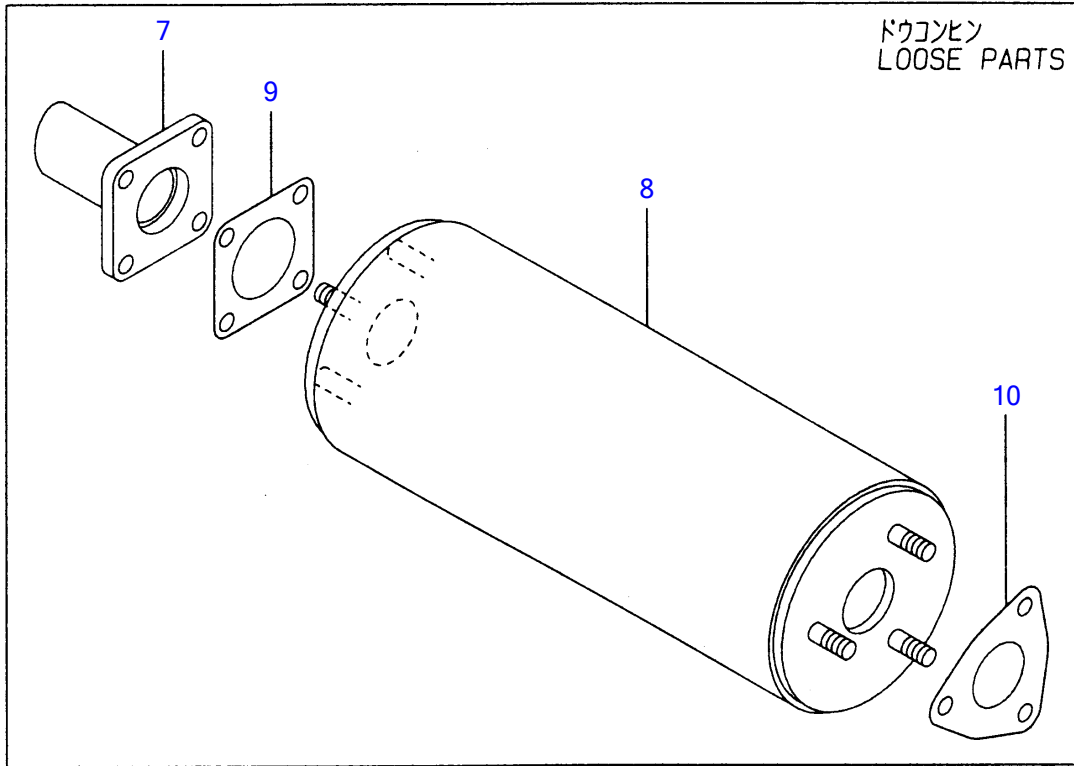


REF NO.	PARTS NO.	Description	Q'ty	I	R	”óll
1	Y119275-12100	MANIFOLD, SUCTION	1			
2	Y119270-12110	GASKET, SUC. MANIFOLD	1			
3	Y26106-060162	BOLT M6X16 PLATED	2			
4	Y26106-060282	BOLT M6X28 PLATED	1			
5	Y119254-12500	AIR CLEANER	1			
6	Y119655-12560	ELEMENT	1			
7	Y105027-12570	COVER, AIR CLEANER	1			
8	Y105027-12540	VALVE, UNLOADER	1			
9	Y126650-12680	INDICATOR	1			
10	Y119233-12210	PIPE, AIR INTAKE	1			
11	Y119233-12610	PIPE, INTAKE	1			
12	Y119266-12580	BRACKET	1			
13	Y119865-12600	STAY	1			
17	Y23000-054000	CLAMP 54	2			
18	Y26106-060122	BOLT M6X12 PLATED	1			
19	Y26106-080142	BOLT M8X14 PLATED	2			
20	Y23000-054000	CLAMP 54	1			

Engine for TB014, TB016 3TNE68-NTB  
EXHAUST MANIFOLD & SILENCER

Y00D6550  
3TNE68-NTB

6 ハイキマニホールド & サイレンサ  
EXHAUST MANIFOLD & SILENCER



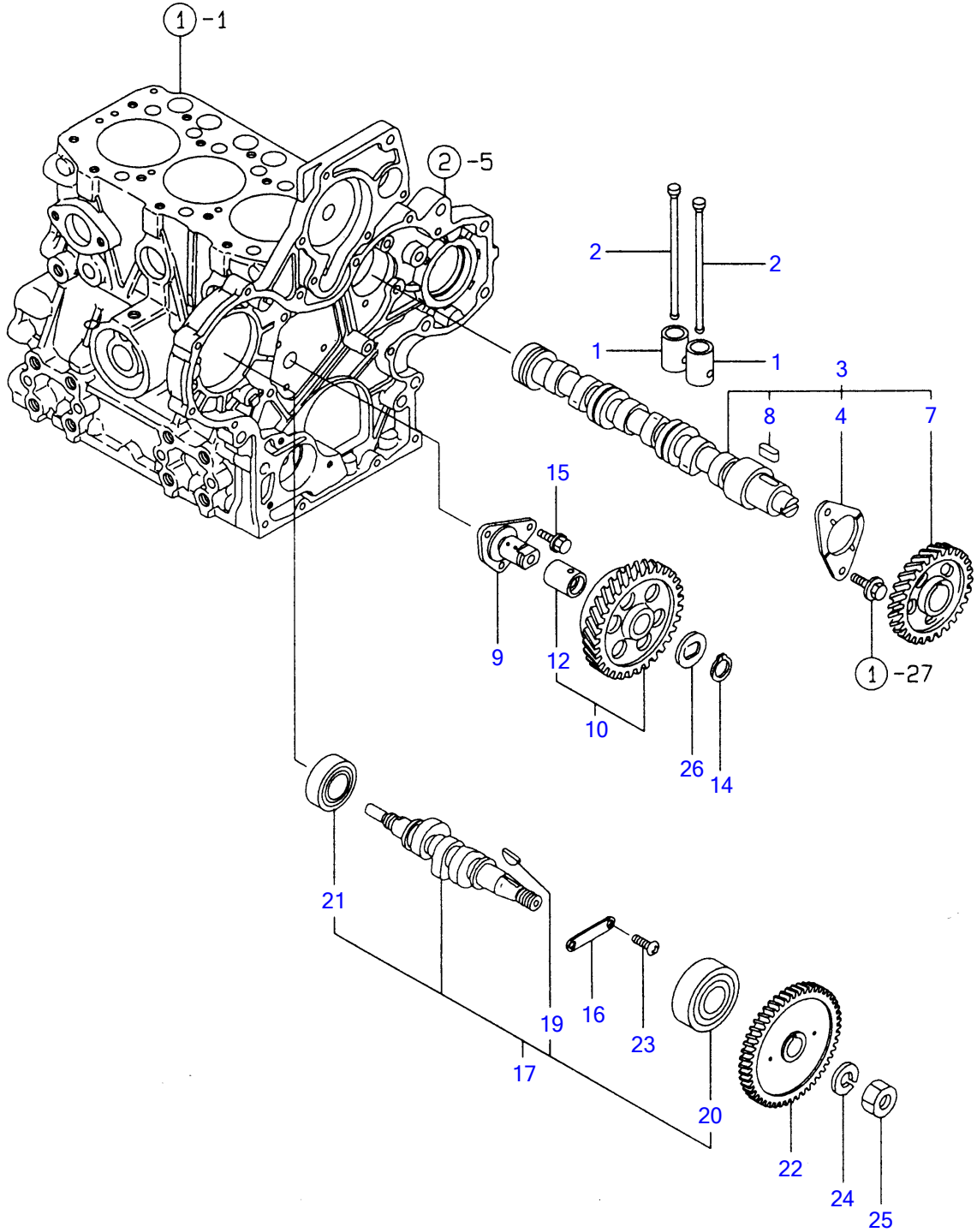
Ê²·ĪÆĪ-ÛÄĲ & »²ÚÝ» EXHAUST MANIFOLD & SILENCER

REF NO.	PARTS NO.	Description	Q'ty	I	R	»õĪĪ
1	Y119260-13100	ĪÆĪÛÄĲ(EXH	MANIFOLD, EXHAUST	1		
2	Y119260-13110	¶Ĳ½¹ÄÄ (ĪÆĪÛÄĲ	GASKET, EXH. MANIFOLD	1		
3	Y26106-060352	ÄÊĲĲÛÄ 6X35	BOLT M6X35 PLATED	4		
4	Y26216-060402	³ºĎĲÛÄ 6X40	STUD M6X40 PLATED	2		
5	Y119131-18320	³ºĎĲÛÄ M8X22	BOLT M8X22	4		
6	Y26366-060002	ÄÊĲÄ·ÄÄÄ 6	NUT M6	2		
7	Y119266-13580	ĪÝ¼-Äº³ (»²ÚÝ»	TAIL PIPE	1		
8	Y119232-13500	»²ÚÝ»	SILENCER COMP	1		
9	Y124701-11911	¶Ĳ½¹ÄÄ(»²ÚÝ») (ÉÝ±½)	GASKET, (NON-ASB.)	2		
10	Y103954-13201	¶Ĳ½¹ÄÄ(»²ÚÝ») (ÉÝ±½)	GASKET, SILENCER	1		

Engine for TB014, TB016 3TNE68-NTB  
CAMSHAFT & DRIVING GEAR

Y00D6550  
3TNE68-NTB

7 カムシャフト & クドウギヤ  
CAMSHAFT & DRIVING GEAR





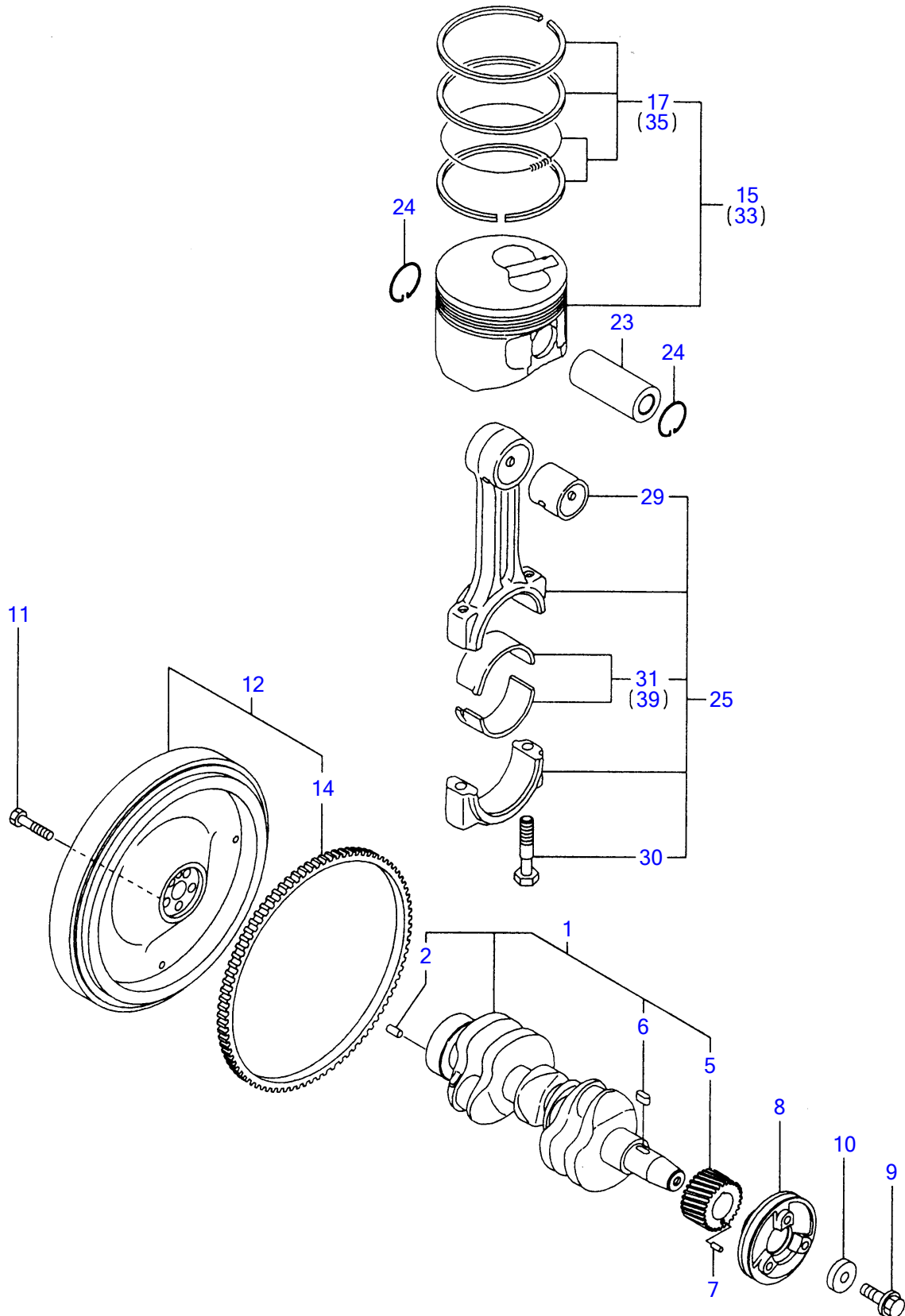
REF NO. PARTS NO. Description Q'ty

REF NO.	PARTS NO.	Description	Q'ty			
1	Y119260-14200	TAPPET	6			
2	Y119260-14400	ROD, PUSH	6			
3	Y119260-14580	CAMSHAFT ASSY	1			
4	Y119620-02450	• BEARING, THRUST	1			
7	Y119260-14100	• GEAR, CAMSHAFT	1			
8	Y22512-040120	• KEY 4X12	1			
9	Y119266-25050	SHAFT, IDLE GEAR	1			
10	Y119260-25100	GEAR W/BUSH, IDLE	1			
12	Y119620-25912	• BUSH	1			(1) BUSH
14	Y22242-000200	CIRCLIP 20	1			
15	Y26106-060122	BOLT M6X12 PLATED	3			
16	Y119266-01900	RETAINER	1			
17	Y119266-14200	CAM ASSY, F. I. PUMP	1			
19	Y122710-51090	• KEY	1			
20	Y24101-060034	• BALL BEARING	1			
21	Y24102-063034	• BALL BEARING 6303U	1			
22	119266-25900	GEAR, F. I. PUMP	1			
23	26557-060102	SCREW 6X10	2			
24	22217-120000	SPRING WASHER	1			
25	26716-120002	NUT 12	1			
26	119660-25022	RETAINER, IDLE GEAR	1			

Engine for TB014, TB016 3TNE68-NTB  
CRANKSHAFT & PISTON

Y00D6550  
3TNE68-NTB

クランクシャフト & ピストン  
CRANKSHAFT & PISTON



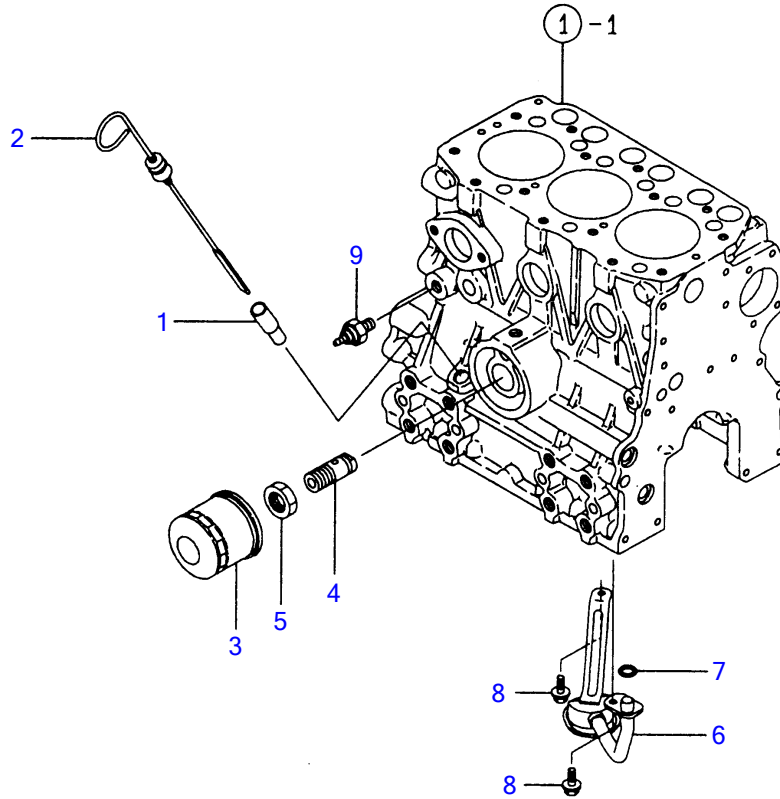
**CRANKSHAFT & PISTON**

REF NO.	PARTS NO.	Description	Q'ty			
1	Y119266-21700	CRANKSHAFT ASSY	1			
2	Y129100-01580	PARALLEL PIN 8X16	1			
5	Y119266-21200	GEAR, CRANKSHAFT	1			
6	Y22512-040120	KEY 4X12	1			
7	Y22351-030012	SPRING PIN 3X12	1			
8	Y119266-21660	V-PULLEY	1			
9	Y119621-21680	BOLT M12X1.25 FLANGE	1			
10	Y119620-21941	WASHER	1			
11	Y121111-21501	BOLT, FLYWHEEL	5			
12	Y119266-21560	FLYWHEEL ASSY	1			
14	Y119865-21600	GEAR, RING	1			
15	Y119326-22081	PISTON W/RINGS	3			
17	Y119265-22500	RING SET	3			
23	Y119265-22300	PIN, PISTON	3			
24	Y22252-000200	CIRCLIP 20	6			
25	Y119265-23100	ROD ASSY, CONNECTING	3			
29	Y119620-23910	BUSH, PISTON PIN	3	(1)		
30	119265-23200	BOLT, ROD	6			
31	719260-23600	BEARING, CRANKPIN	3			
33	119266-22900	PISTON ASSY OS=0.25	3	(2)		
35	119265-22950	RING SET O.S=0.25	3	(2)		
39	719260-23610	BEARING, PIN U.S=0.25	3	(3)		

Engine for TB014, TB016 3TNE68-NTB  
LUB.OIL SYSTEM

Y00D6550  
3TNE68-NTB

9 LOシステム  
LUB.OIL SYSTEM



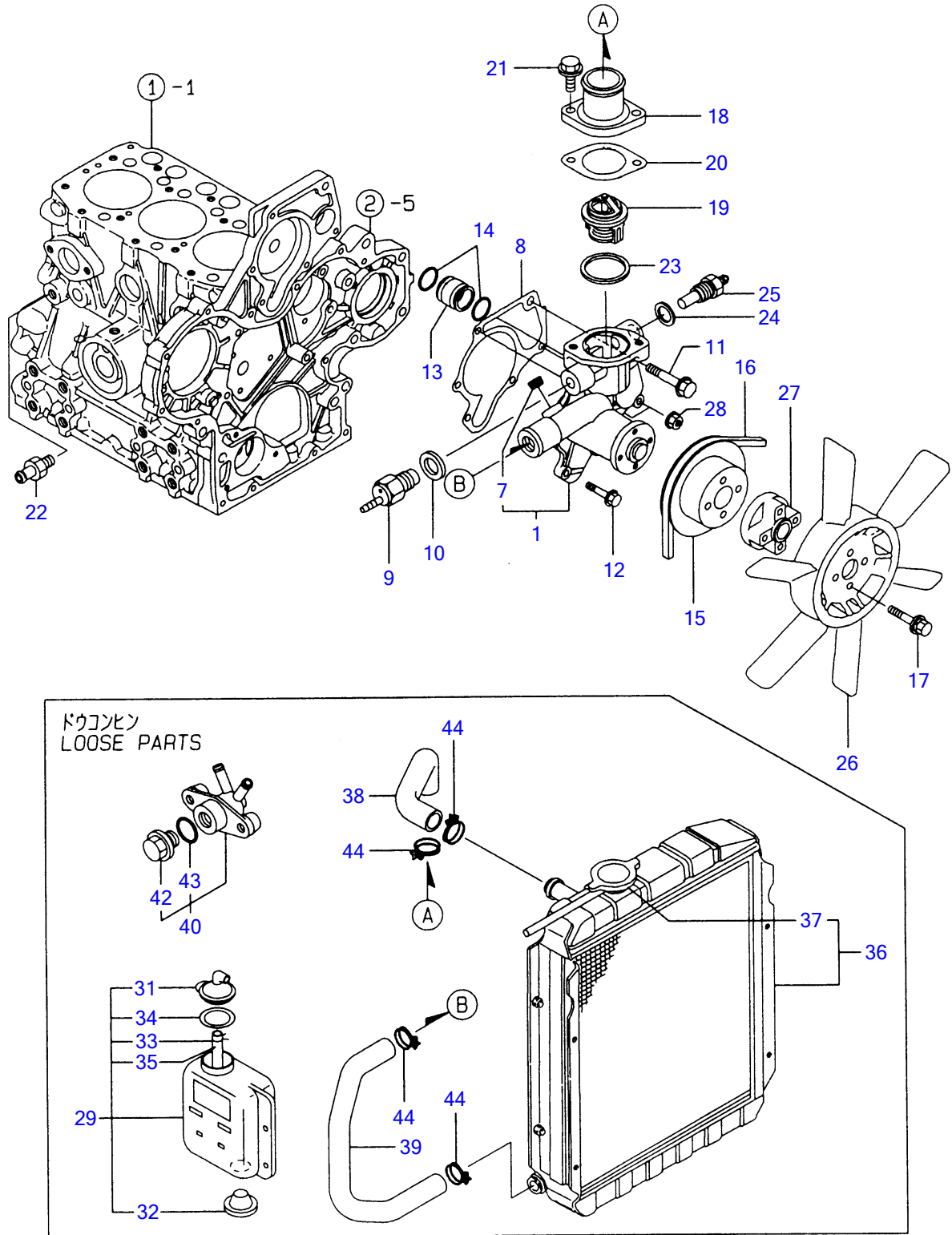
LO 1/2 AN LUB.OIL SYSTEM

REF NO.	PARTS NO.	Description	Q'ty
1	Y121520-34810	GUIDE, DIPSTICK	1
2	Y129132-34800	DIPSTICK	1
3	Y119305-35150	FILTER, LUB. OIL	1
4	Y119266-35310	STUD	1
5	Y129150-35350	NUT	1
6	Y119275-35080	PIPE ASSY, OIL INTAKE	1
7	Y119209-35030	O-RING	1
8	Y26106-060122	BOLT M6X12 PLATED	2
9	Y124160-39451	SWITCH, OIL PRESSURE	1

Engine for TB014, TB016 3TNE68-NTB  
**COOLING WATER SYSTEM**

Y00D6550  
 3TNE68-NTB

10 CWシステム  
 COOLING WATER SYSTEM



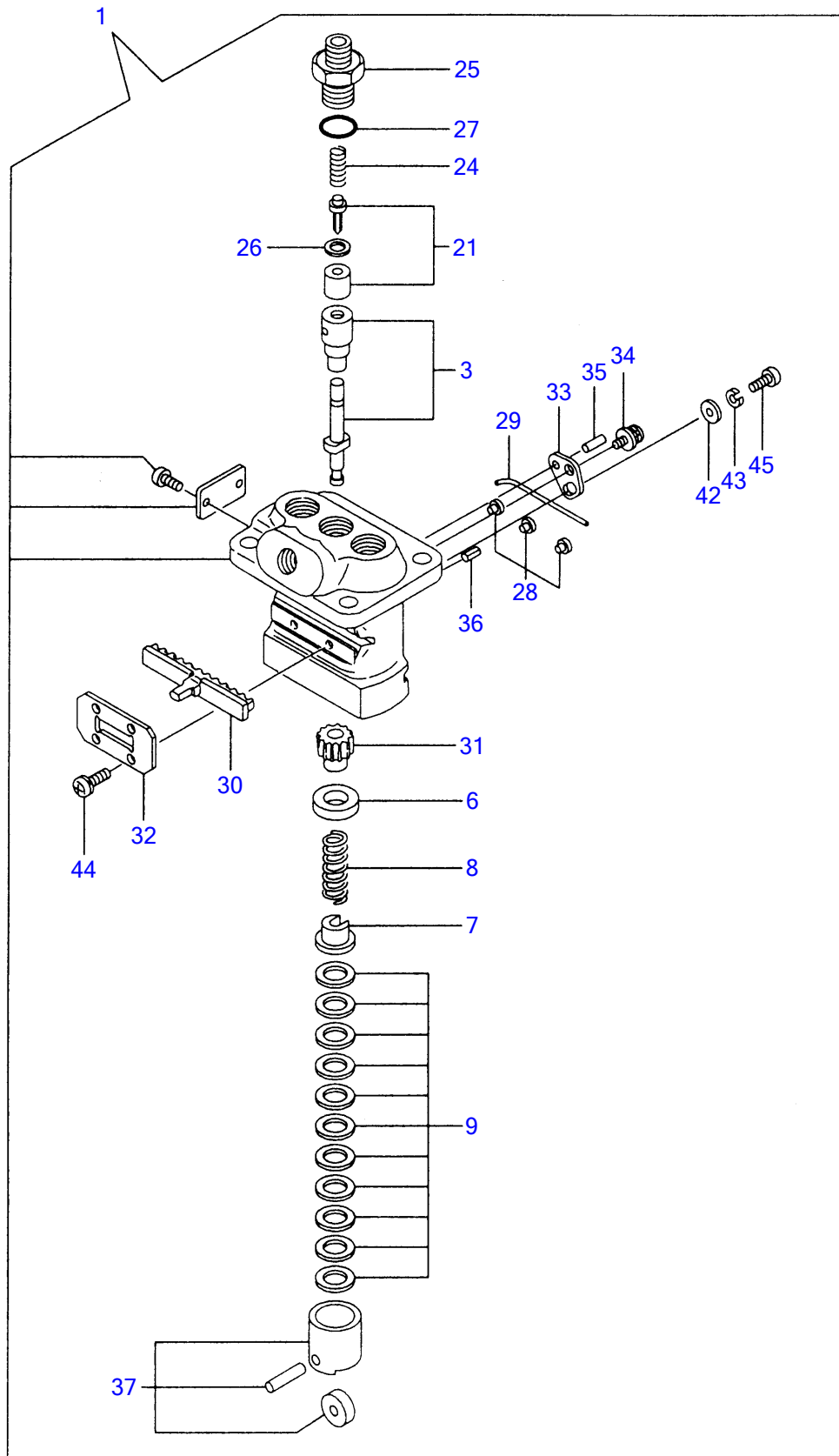
CW¼½ÄÑ COOLING WATER SYSTEM

REF NO.	PARTS NO.	Description	Q'ty
1	Y119266-42100	CWÍßÝÍß CMP	1
7	Y23871-030000	• È¼ÞÍß×, Þ PT3/8	1
8	Y119266-42020	PK (CWÍßÝÍß	1
9	Y121250-44901	»°Ó½²-Ä (110ÜŽ	1
10	Y124465-44950	Èß-Ý16	1
11	Y26106-080452	ÄÈÞÍÞÜÄ 8X45	1
12	Y26106-060302	ÄÈÞÍÞÜÄ 6X30	5
13	Y119266-42050	¼Þ®²ÝÄ (CW-P	1
14	Y24311-000220	OØÝ, Þ 1A P22.0	2
15	Y119660-42350	VÍß°Ø (CW-P	1
16	Y119620-42291	VÍÞÜÄ (HM:34.5INCH	1
17	Y26014-060352	ÍÞÜÄ (È×+ÈÞÈ 6X35	4
18	Y129350-49530	»°Ó½Ä-Ä¶ÈÞ°	1
19	Y129155-49800	»°Ó½Ä-Ä	1
20	Y129795-49551	PK (»°Ó½Ä-Ä¶ÈÞ°)(ÉÝ±½	1
21	Y26106-080202	ÄÈÞÍÞÜÄ 8X20	2
22	Y121550-49111	¼Þ®²ÝÄ PT1/4	1
23	129150-49811	PK (»°Ó½Ä-Ä¼Ä)(ÉÝ±½	1
24	129150-49360	PK 10	1
25	119266-49350	»°Ó¾Ý»°	1
26	124251-44740	ÌŞÝÍÞÜ°ÄÞ	1
27	171353-44760	¶Ý»Þ (ÌŞÝ	1
28	26366-060002	ÄÈÞÄ-Ä Ä 6	2
29	121468-44510	»ÍÞÄÝ, CMP	1
31	121450-44531	• -Íß	1
32	121468-44540	• Íß×, Þ (»ÍÞÄÝ,	1
33	124450-44560	• µ» (µ°ÈÞ°ÍÜ°Èß²Íß	1
34	121470-44581	• Èß-Ý	1
35	23065-070130	• ÈÞÆ°ÜÈß²Íß 7X130	1
36	119632-44520	×¼Þ°Ä	1
37	123682-44120	• ¶±Ä-Íß	1
38	119688-49010	CW-T (A	1
39	119632-49020	CW-T (B	1
40	121450-49110	»ÝÍß³°, CMP	1
42	121250-49121	• Íß×, Þ (È½ÞÇ	1
43	24311-000160	• OØÝ, Þ 1A P16.0	1
44	23010-038000	Í°½ÈÞÝÄÞ 38	4

Engine for TB014, TB016 3TNE68-NTB  
FUEL INJECTION PUMP

Y00D6550  
3TNE68-NTB

11 FOフンシャポンプ  
FUEL INJECTION PUMP





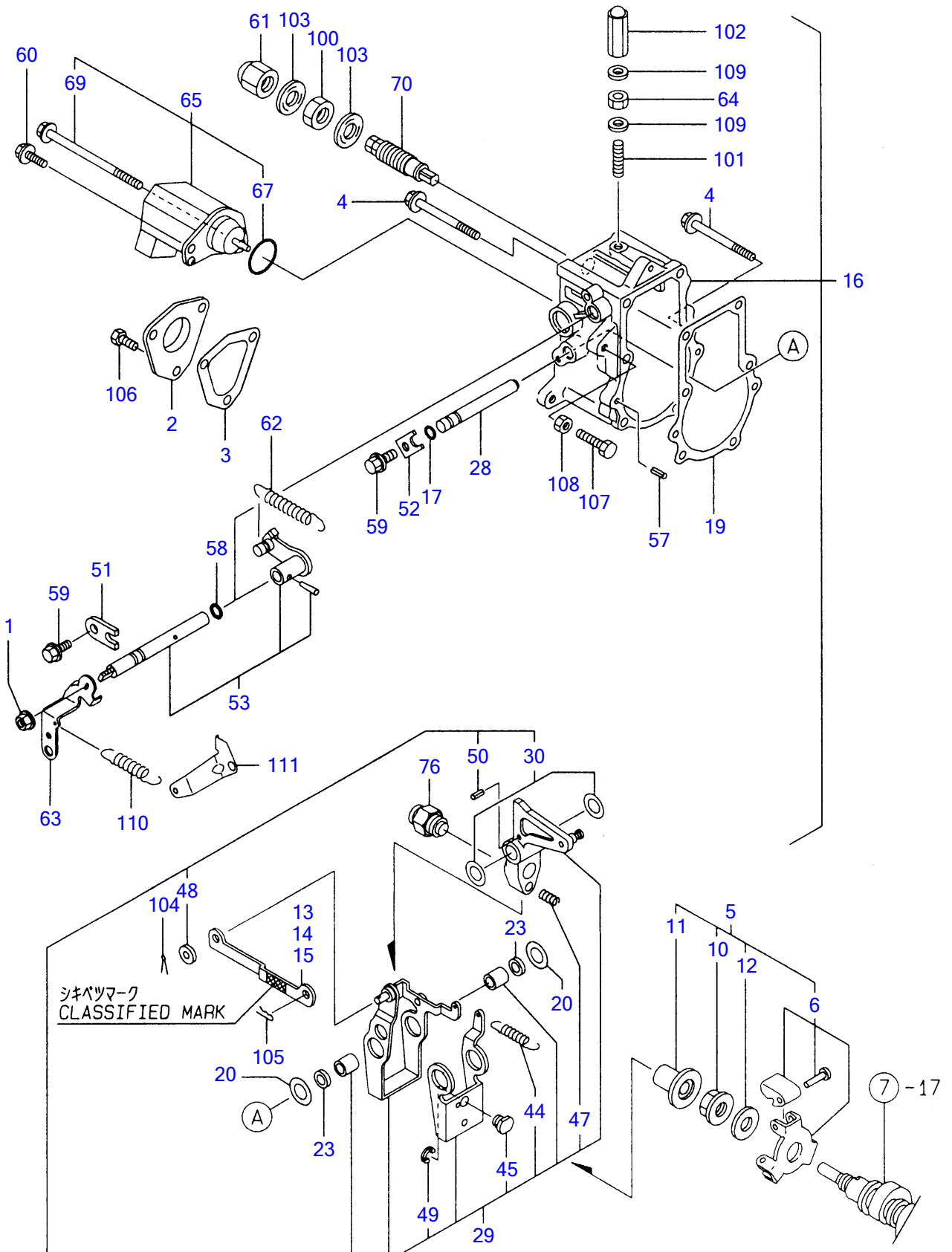
FUEL INJECTION PUMP

REF NO.	PARTS NO.	Description	Q'ty
1	Y719266-51100	F. I. INJECT. CMP	1
3	Y119225-51100	• PLUNGER W/BARREL	3
6	Y119620-51170	• RETAINER	3
7	Y119620-51180	• RETAINER	3
8	Y119620-51190	• SPRING, PLUNGER	3
9	Y119620-51250	• SHIM PACK	3
21	Y119225-51300	• VALVE W/SEAT, DELIV.	3
24	Y105546-51330	• SPRING, DELIV. VALVE	3
25	Y119620-51340	• HOLDER, DELIV. VALVE	3
26	Y119620-51350	• GASKET, DELIVERY	3
27	Y119620-51370	• O-RING	3
28	Y119620-51450	• GUIDE, PLUNGER	3
29	Y119620-51461	• PIN	1
30	Y119660-51500	• RACK	1
31	Y119620-51510	• PINION	3
32	Y119660-51530	• RETAINER, RACK	1
33	Y119620-51650	• PLATE	2
34	119620-51660	• SCREW	2
35	119620-51670	• PIN	2
36	119620-51680	• PIN	1
37	119620-51700	• TAPPET ASSY	3
42	22137-040000	• WASHER 4, PLATED	2
43	22217-040000	• SPRING WASHER 4	2
44	26022-040082	• SCREW M4X8	4
45	26033-040102	• SCREW M4X10	2

Engine for TB014, TB016 3TNE68-NTB  
GOVERNOR

Y00D6550  
3TNE68-NTB

12 12 12  
ガバネ  
GOVERNOR

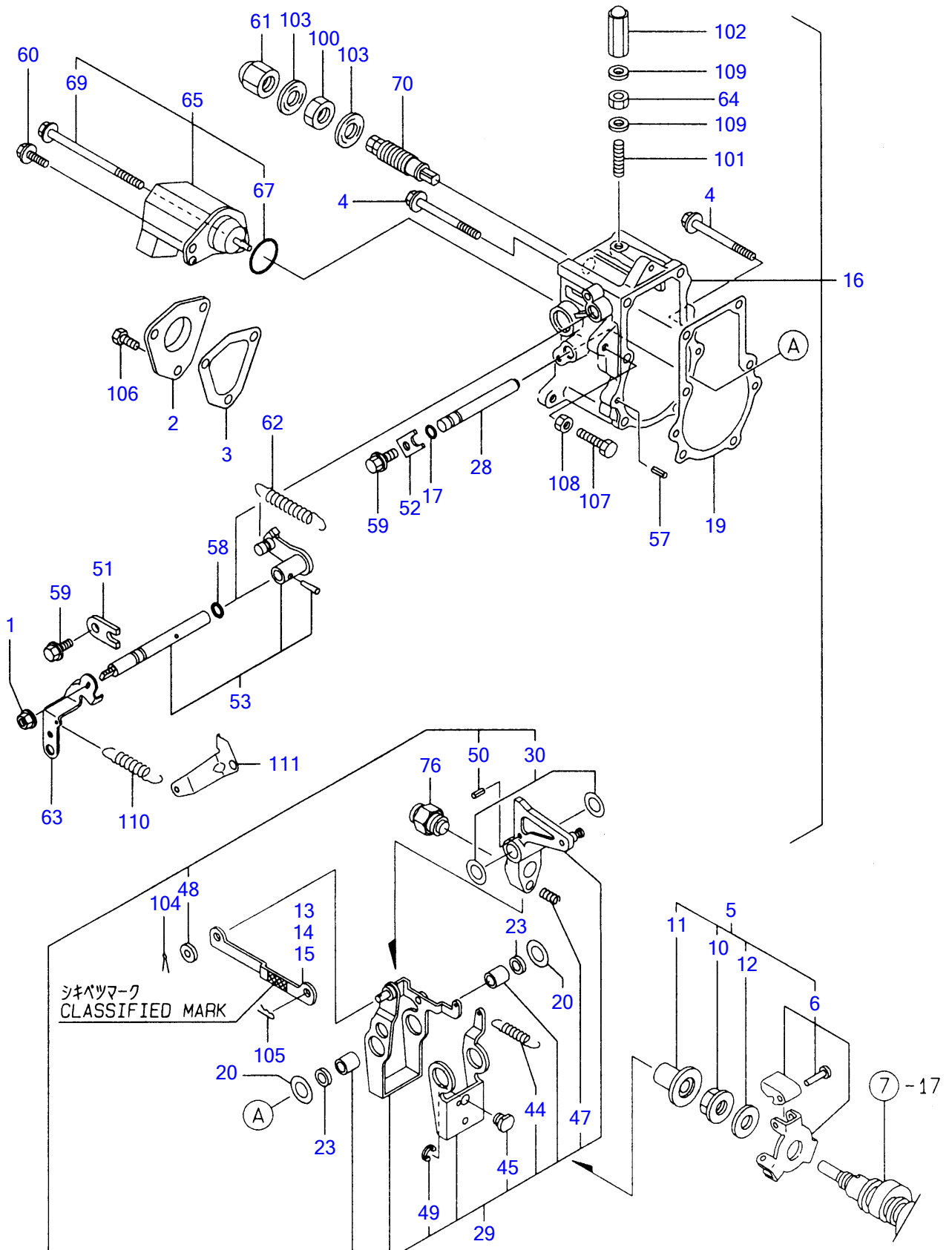


REF NO.	PARTS NO.	Description	Q'ty	UNIT	REMARKS
1	Y194990-22050	NUT W/WASHER 8	1		
2	Y119660-61060	COVER, GOVERNOR CASE	1		
3	Y119660-61071	GASKET, (NON ASB.)	1		
4	Y26106-060702	BOLT M6X70 PLATED	5		
5	Y119266-61100	DRIVING SET, GOV.	1		
6	Y119600-61200	WEIGHT ASSY, GOV.	1		
10	Y119660-61300	NUT, GOVERNOR WEIGHT	1		
11	Y119660-61341	SLEEVE, GOVERNOR	1		
12	Y119266-61230	SPACER	1		
13	Y119660-61121	LINK L=88.8 (NO COLOR)	1		(1) 3/4" DIA, 1/4" @ 1/2" EY: 1/4" ID, 1/4" O.D. (2x 1/2" DIA) (2x 1/4" @ 3/4")
14	Y119660-61140	LINK L=88.6 (WHITE)	1		(1) 3/4" DIA, 1/4" @ 1/2" EY: 1/4" ID, 1/4" O.D. (2x 1/2" DIA) (2x 1/4" @ 3/4")
15	Y119660-61150	LINK L=89.0 (RED)	1		(1) 3/4" DIA, 1/4" @ 1/2" EY: 1/4" ID, 1/4" O.D. (2x 1/2" DIA) (2x 1/4" @ 3/4")
16	Y119266-61200	CASE ASSY GOVERNOR	1		
17	Y129155-51280	O-RING S6	1		
19	119660-61052	GASKET, (NON ASB.)	1		
20	119660-61460	SHIM SET	1		
23	129155-61480	SPACER ASSY	2		
28	119660-61491	SHAFT, GOVERNOR LEVER	1		
29	119266-61510	LEVER ASSY, GOVERNOR	1		
30	174307-51700	SHIM SET	2		
44	119232-61540	SPRING, LEVER	1		
45	119600-61541	SHIFTER, P. T. O.	1		
47	119266-61650	SPRING, FUEL CONTROL	1		
48	22117-040000	WASHER 4	1		
49	22272-000040	CIRCLIP E-4	1		
50	22351-030014	SPRING PIN 3X14	1		
51	119600-61900	RETAINER, SHAFT	1		
52	119660-61901	RETAINER, SHAFT	1		
53	119285-66080	SHAFT ASSY, REGULATOR	1		
57	22351-040010	SPRING PIN 4X10	2		
58	24341-000070	O-RING 1A S-7.0	1		

Engine for TB014, TB016 3TNE68-NTB  
GOVERNOR

Y00D6550  
3TNE68-NTB

12 12 12  
ガバネ  
GOVERNOR



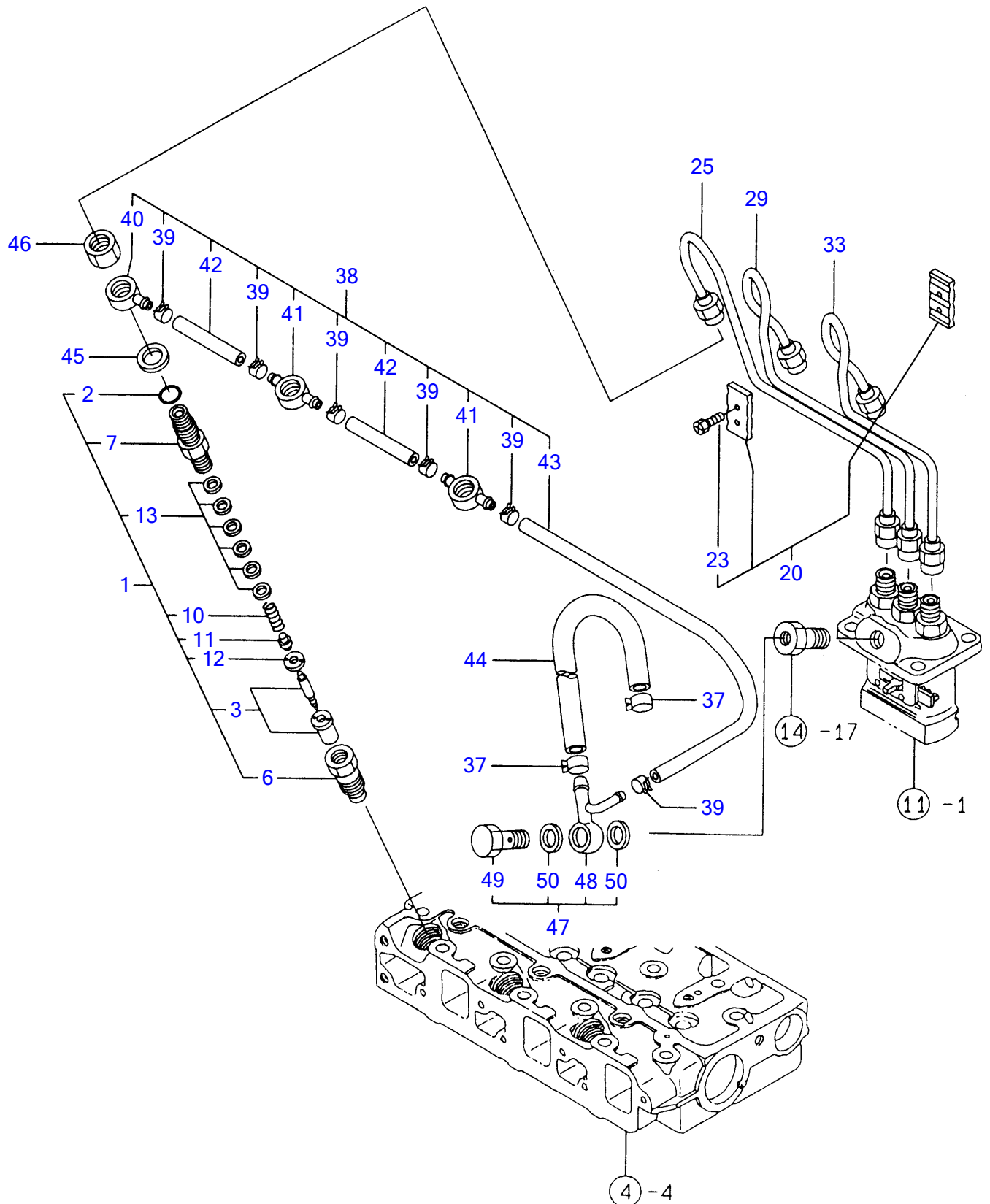
ጥቅም ላይ የዋለው ግዴታ ጠቅላይ ግዴታ

REF NO.	PARTS NO.	Description	Q'ty	I	R	ዕቅድ
59	26106-060102	• ለጥቅም ላይ የዋለው ግዴታ ጠቅላይ ግዴታ M6X10	2			
60	121465-59950	ጥቅም ላይ የዋለው ግዴታ ጠቅላይ ግዴታ 6X16	1			
61	26687-120002	ጥቅም ላይ የዋለው ግዴታ ጠቅላይ ግዴታ ለጥቅም ላይ የዋለው ግዴታ ጠቅላይ ግዴታ 12	1			
62	119600-66020	ጥቅም ላይ የዋለው ግዴታ ጠቅላይ ግዴታ ለጥቅም ላይ የዋለው ግዴታ ጠቅላይ ግዴታ	1			
63	119640-66051	ጥቅም ላይ የዋለው ግዴታ ጠቅላይ ግዴታ ለጥቅም ላይ የዋለው ግዴታ ጠቅላይ ግዴታ	1			
64	124550-66370	ጥቅም ላይ የዋለው ግዴታ ጠቅላይ ግዴታ ለጥቅም ላይ የዋለው ግዴታ ጠቅላይ ግዴታ 6 (ጥቅም ላይ የዋለው ግዴታ ጠቅላይ ግዴታ)	1			
65	119285-66500	ጥቅም ላይ የዋለው ግዴታ ጠቅላይ ግዴታ ለጥቅም ላይ የዋለው ግዴታ ጠቅላይ ግዴታ CMP	1			
67	24341-000280	• ጥቅም ላይ የዋለው ግዴታ ጠቅላይ ግዴታ ለጥቅም ላይ የዋለው ግዴታ ጠቅላይ ግዴታ 1A S-28.0	1			
69	26106-060952	• ለጥቅም ላይ የዋለው ግዴታ ጠቅላይ ግዴታ ጠቅላይ ግዴታ 6X95	1			
70	119600-66530	ጥቅም ላይ የዋለው ግዴታ ጠቅላይ ግዴታ ለጥቅም ላይ የዋለው ግዴታ ጠቅላይ ግዴታ CMP	1			
76	119610-66700	ጥቅም ላይ የዋለው ግዴታ ጠቅላይ ግዴታ ለጥቅም ላይ የዋለው ግዴታ ጠቅላይ ግዴታ CMP	1			
100	26776-120002	ጥቅም ላይ የዋለው ግዴታ ጠቅላይ ግዴታ ለጥቅም ላይ የዋለው ግዴታ ጠቅላይ ግዴታ ለጥቅም ላይ የዋለው ግዴታ ጠቅላይ ግዴታ 12	1			
101	121575-66830	ጥቅም ላይ የዋለው ግዴታ ጠቅላይ ግዴታ ለጥቅም ላይ የዋለው ግዴታ ጠቅላይ ግዴታ ለጥቅም ላይ የዋለው ግዴታ ጠቅላይ ግዴታ	1			
102	119600-66840	ጥቅም ላይ የዋለው ግዴታ ጠቅላይ ግዴታ ለጥቅም ላይ የዋለው ግዴታ ጠቅላይ ግዴታ ለጥቅም ላይ የዋለው ግዴታ ጠቅላይ ግዴታ	1			
103	22190-120002	ጥቅም ላይ የዋለው ግዴታ ጠቅላይ ግዴታ ለጥቅም ላይ የዋለው ግዴታ ጠቅላይ ግዴታ ለጥቅም ላይ የዋለው ግዴታ ጠቅላይ ግዴታ 12	2			
104	22360-040000	ጥቅም ላይ የዋለው ግዴታ ጠቅላይ ግዴታ ለጥቅም ላይ የዋለው ግዴታ ጠቅላይ ግዴታ 4	1			
105	22360-060000	ጥቅም ላይ የዋለው ግዴታ ጠቅላይ ግዴታ ለጥቅም ላይ የዋለው ግዴታ ጠቅላይ ግዴታ 6	1			
106	26116-050102	ጥቅም ላይ የዋለው ግዴታ ጠቅላይ ግዴታ ለጥቅም ላይ የዋለው ግዴታ ጠቅላይ ግዴታ 5X10	3			
107	26116-060304	ጥቅም ላይ የዋለው ግዴታ ጠቅላይ ግዴታ ለጥቅም ላይ የዋለው ግዴታ ጠቅላይ ግዴታ 6X30	1			
108	26756-060002	ጥቅም ላይ የዋለው ግዴታ ጠቅላይ ግዴታ ለጥቅም ላይ የዋለው ግዴታ ጠቅላይ ግዴታ 6	1			
109	22190-060003	ጥቅም ላይ የዋለው ግዴታ ጠቅላይ ግዴታ ለጥቅም ላይ የዋለው ግዴታ ጠቅላይ ግዴታ ለጥቅም ላይ የዋለው ግዴታ ጠቅላይ ግዴታ 6	2			
110	119840-61870	ጥቅም ላይ የዋለው ግዴታ ጠቅላይ ግዴታ ለጥቅም ላይ የዋለው ግዴታ ጠቅላይ ግዴታ	1			
111	119656-66910	ጥቅም ላይ የዋለው ግዴታ ጠቅላይ ግዴታ ለጥቅም ላይ የዋለው ግዴታ ጠቅላይ ግዴታ	1			

Engine for TB014, TB016 3TNE68-NTB  
**FUEL INJECTION VALVE**

Y00D6550  
 3TNE68-NTB

13 FOインシャペン  
 FUEL INJECTION VALVE



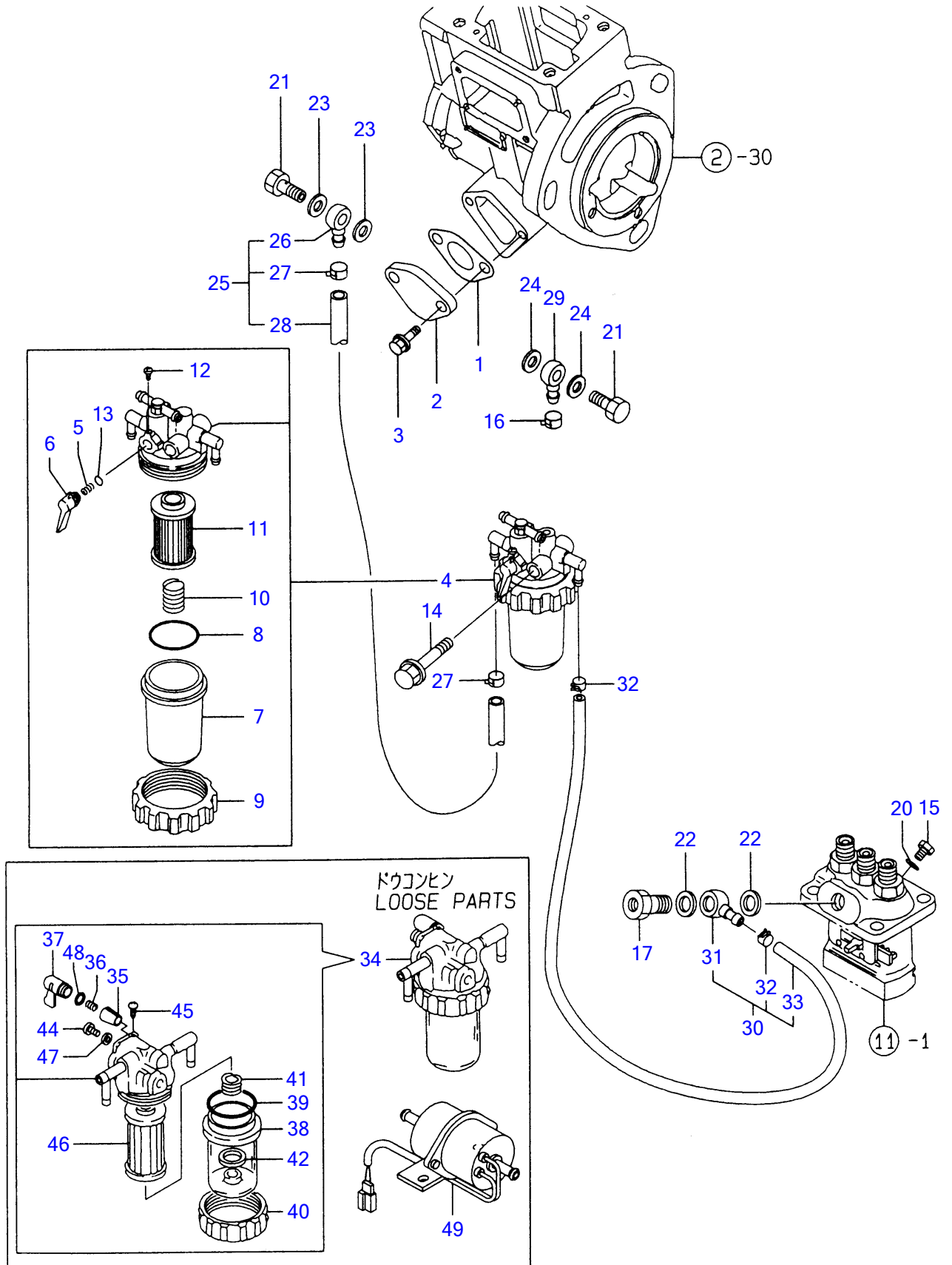
**FOÏY¼ÓÍÞÝ FUEL INJECTION VALVE**

REF NO.	PARTS NO.	Description	Q'ty
1	Y719255-53100	FOÏY¼-ÍÞÝ ASSY	3
2	Y129155-61830	• OØÝ, Þ (S10	3
3	Y119620-53000	• É½ÞÙ CMP	3
6	Y119620-53080	• É½ÞÙÄØÄ¹Ä	3
7	Y119255-53100	• É½ÞÙÍÙÄÞ°	3
10	Y119620-53120	• SP (É½ÞÙ	3
11	Y114250-53130	• ¼°Ä (É½ÞÙ½ÍßØÝ, Þ	3
12	Y119620-53140	• ÉÞÙÍÞ½Ä Íß½Íß°»	3
13	Y114250-53400	• ¼Ñ CMP	3
20	Y129150-59120	ÌÙÄÞÒ (ÌÝ¼-ÞÝ CMP	1
23	Y129150-59131	• +±Ä HB4X14	2
25	Y119266-59811	ÌÝ¼-ÞÝ CMP (NO. 1)	1
29	Y119266-59821	ÌÝ¼-ÞÝ CMP (NO. 2)	1
33	Y119266-59831	ÌÝ¼-ÞÝ CMP (NO. 3)	1
37	Y124766-59050	Î°½ Ø Íß (ÌÙ 12	2
38	Y119266-59540	FOÉß²Íß ÓÄÞ¼ CMP	1
39	Y124066-59100	• Î°½ Ø Íß (ÌÙ 8	6
40	119260-59520	• ¼Þ@²ÝÄ B	1
41	119260-59530	• ¼Þ@²ÝÄ A	2
42	105025-59550	• FOÉß²Íß ÓÄÞ¼	2
43	119000-59560	• FOÓÄÞ¼ÞÝ	1
44	124767-59080	FOÉß²Íß	1
45	23414-140000	Éß·Ý (ÌÙ 14	3
46	119620-59700	Ä¹Ä (É½ÞÙÓÄÞ¼	3
47	119266-59501	ÞÝÄ·ÞÄ CMP	1
48	119266-59570	• ¼Þ@²ÝÄ (µ°ÉÞ°ìÙ°	1
49	119266-59580	• ÞÝÄ·ÞÄÍÞÙÄ 8	1
50	23414-080012	• Éß·Ý (èÍÙ 8	2

Engine for TB014, TB016 3TNE68-NTB  
**FUEL LINE**

Y00D6550  
 3TNE68-NTB

14 FOIAT  
 FUEL LINE



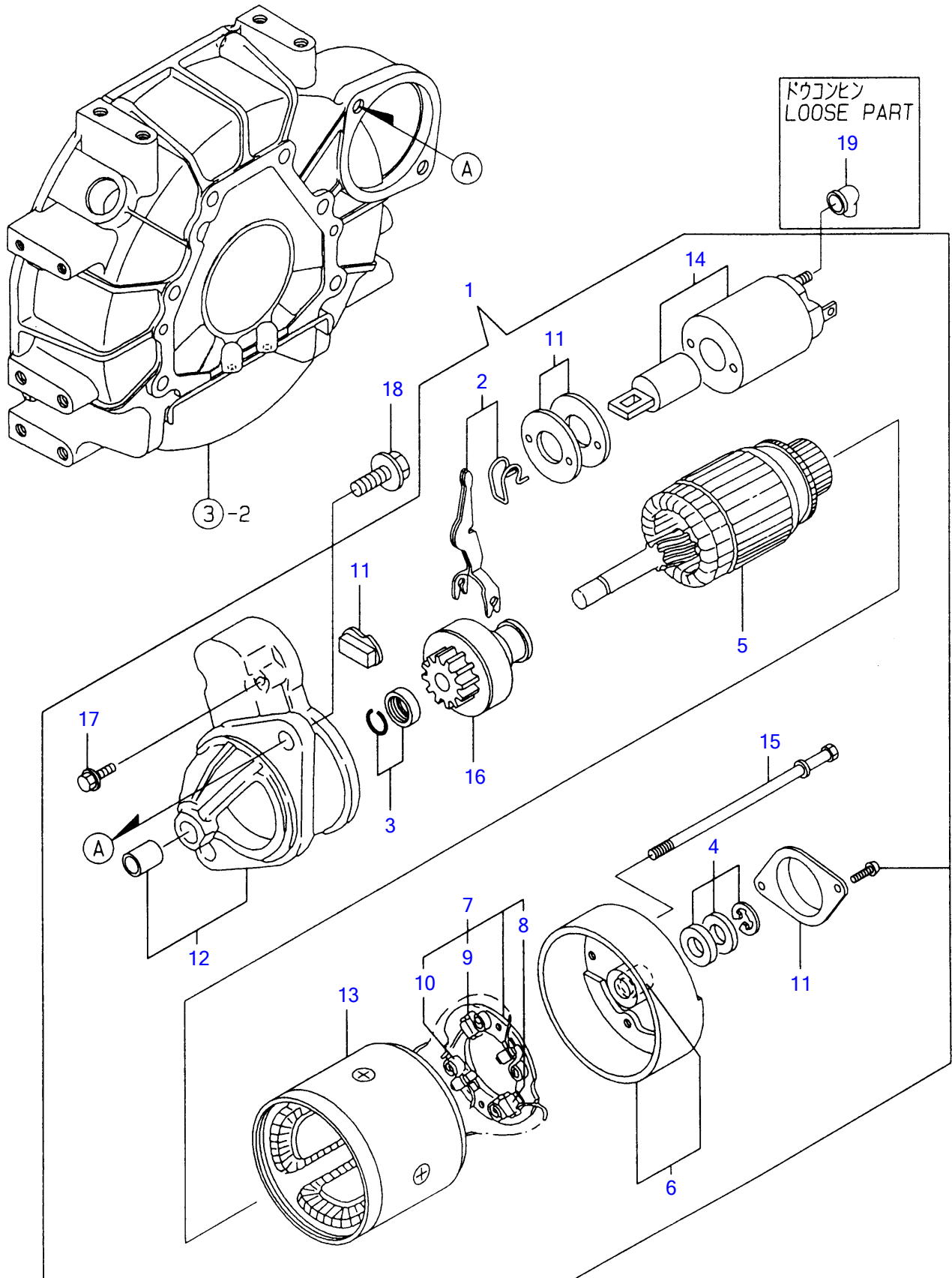


REF NO.	PARTS NO.	Description	Q'ty
1	Y121520-01851	GASKET, (NON-ASB.)	1
2	Y121520-01860	COVER, BLIND	1
3	Y26106-060162	BOLT M6X16 PLATED	2
4	Y119255-55620	STRAINER, FUEL	1
5	Y104200-55330	• SPRING, TAPER VALVE	1
6	Y119810-55340	• LEVER	1
7	Y121254-55510	• CUP, STRAINER	1
8	Y102103-55520	• O-RING	1
9	Y110250-55610	• RING, RETAINER	1
10	Y121250-55620	• SPRING	1
11	Y124550-55700	• T. TNE (2TR22	1
12	Y104200-55750	• SCREW M4	1
13	Y24311-240100	• O-RING 1A P-10A	1
14	Y26014-080702	BOLT W/WASHER M8X70	1
15	Y123482-01900	PLUG M8	1
16	Y124766-59050	CLAMP 12	1
17	Y119462-59190	BOLT ASSY, PIPE JOINT	1
20	23414-080012	GASKET 8	1
21	105582-59150	BOLT, PIPE JOINT	2
22	104200-59170	GASKET 12	2
23	22190-080002	SEAL WASHER 8S	2
24	22190-080002	SEAL WASHER 8S	2
25	119244-50920	PIPE W/JOINT, FUEL	1
26	104264-59030	• JOINT 8, PIPE	1
27	124766-59050	• CLAMP 12	2
28	121522-59100	• PIPE (L=500), FUEL	1
29	104264-59030	JOINT 8, PIPE	1
30	119230-59031	PIPE ASSY, FUEL OIL	1
31	101304-59020	• JOINT 12, PIPE	1
32	124766-59050	• CLAMP 12	2
33	119230-59080	• FO-T	1
34	129335-55700	SEPARATOR, WATER	1
35	104200-55321	• VALVE, TAPER	1
36	104200-55330	• SPRING, TAPER VALVE	1
37	104200-55341	• HANDLE, COCK	1
38	124064-55510	• BOWL, FUEL STRAINER	1
39	102103-55520	• O-RING	1
40	110250-55610	• RING, RETAINER	1
41	121257-55720	• SPRING, SCREEN	1
42	121257-55731	• FLOAT	1
44	101720-55750	• PLUG 6	2
45	104200-55750	• SCREW M4	1
46	171081-55910	• SCREEN	1
47	23418-060000	• GASKET 6 NYLON	2
48	24311-240100	• O-RING 1A P-10A	1
49	129322-77401	FEED PUMP	1

Engine for TB014, TB016 3TNE68-NTB  
STARTING MOTOR

Y0006550  
3TNE68-NTB

15 スターティングモータ  
STARTING MOTOR



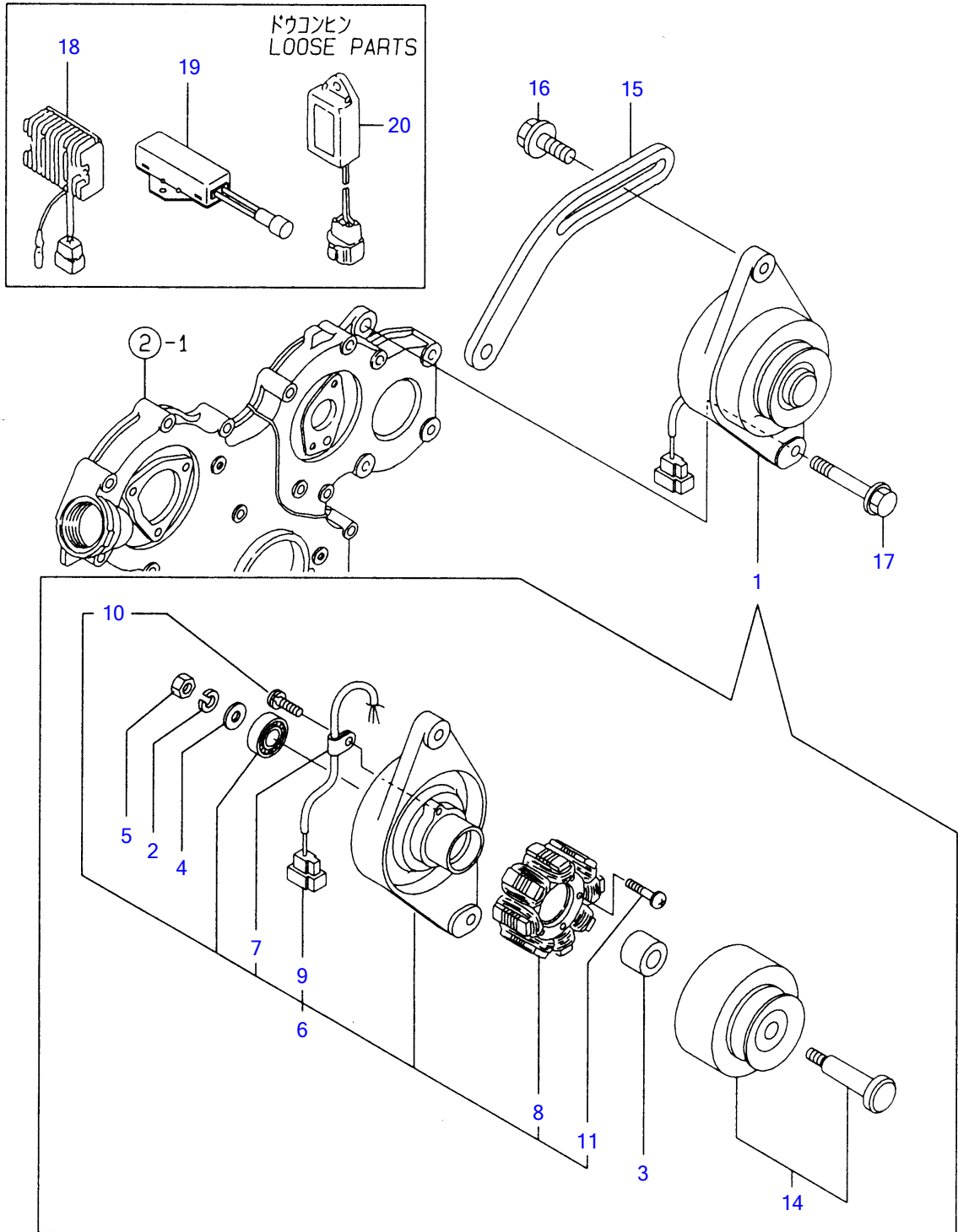
½A-Ã²Ý, ÞÓ-À STARTING MOTOR

REF NO.	PARTS NO.	Description	Q'ty
1	Y119631-77011	STARTING MOTOR	1
2	Y114371-77180	• SHIFT LEVER KIT	1
3	YX2114715500	• STOPPER SET, PINION	1
4	YX2114811000	• WASHER KIT, THRUST	1
5	Y114371-77110	• ARMATURE	1
6	Y114371-77140	• COVER ASSY, REAR	1
7	Y114371-77160	• HOLDER ASSY, BRUSH	1
8	Y114371-79040	• BRUSH (-)	2
9	Y114371-79050	• BRUSH (+)	1
10	Y114371-79060	• SPRING, BRUSH	4
11	Y114371-77170	• COVER KIT, DUST	1
12	Y119631-77651	• CASE, GEAR	1
13	Y124097-77710	• YOKE ASSY	1
14	YX2114275010	• SWITCH ASSY, MAGNET	1
15	Y124195-77770	• THROUGH BOLT	2
16	Y119631-77780	• PINION CMP	1
17	Y114371-79070	• BOLT M6X37	2
18	26116-120252	BOLT M12X25 PLATED	2
19	124160-77020	COVER, TERMINAL	1

Engine for TB014, TB016 3TNE68-NTB  
GENERATOR

Y00D6550  
3TNE68-NTB

16 ジェネレータ  
GENERATOR



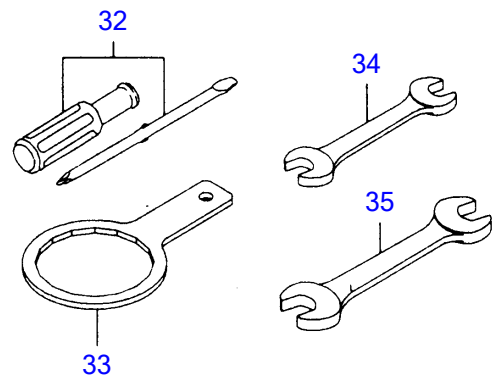
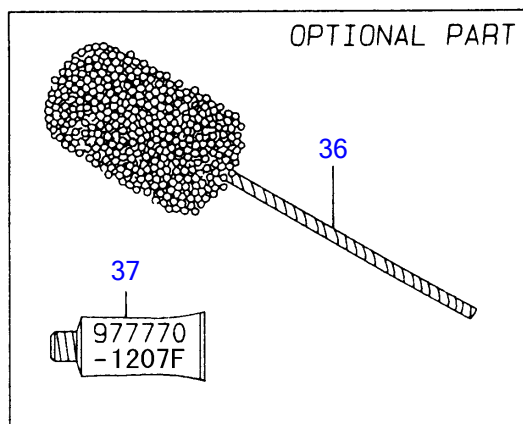
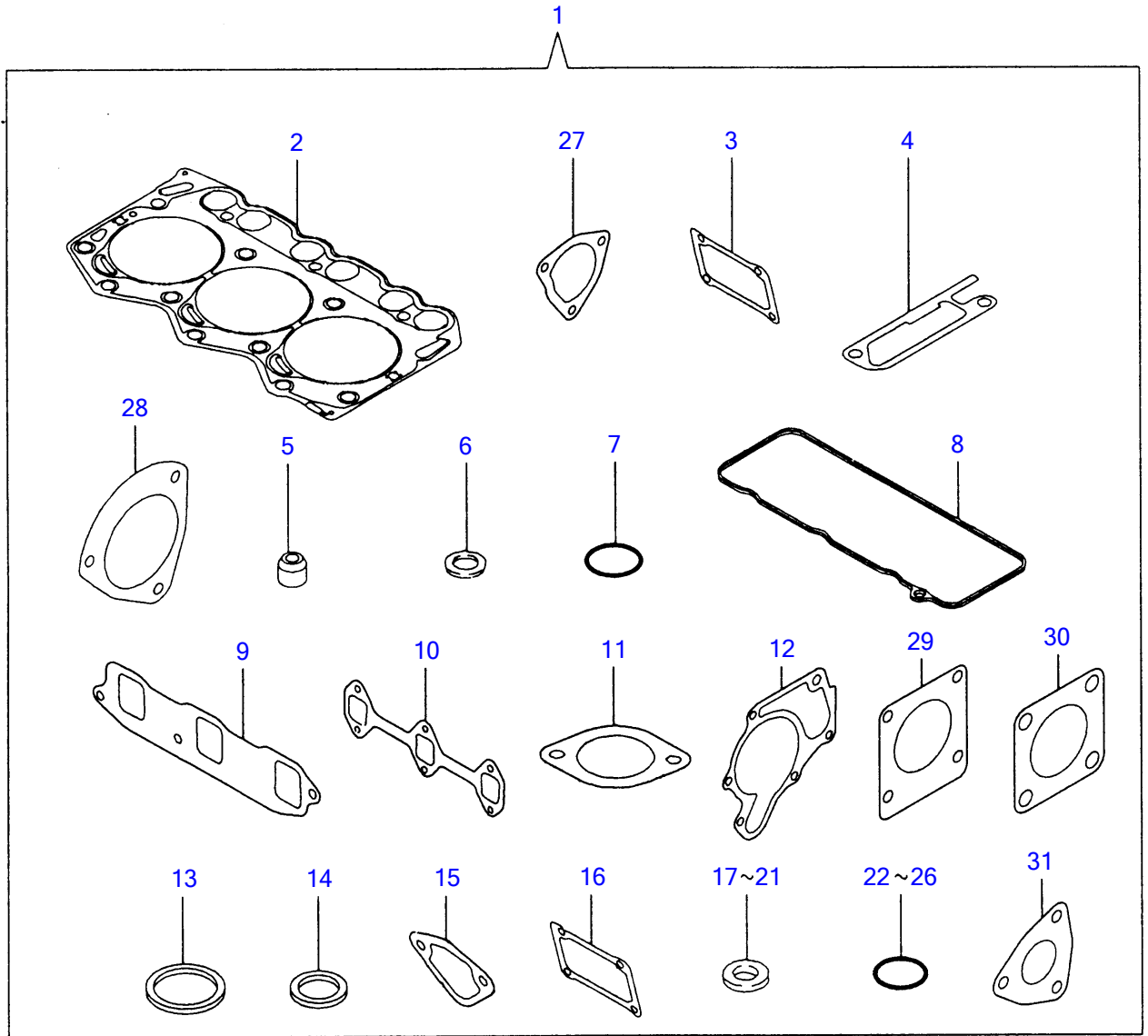
¼PÈÚ-À GENERATOR

REF NO.	PARTS NO.	Description	Q'ty	I	R	»óll
1	Y129150-77202	ÀP²ÁÓ (GP9165)	1			
2	YXM219230000	• ½lßØY, pÛ-¼-°	1			
3	YXM329830000	• ¶x°	1			
4	YXM860250000	• Èx»p¶È 10	1			
5	YXM863720000	• Á-Á	1			
6	Y129150-77210	• ìßÚ°Á CMP	1			
7	YXM069000000	• • xÝlß	1			
8	YXM081780000	• • ½Á°Á CMP	1			
9	YXM178780000	• • ¶lßx°	1			
10	YXYS400800	• • °È¼p	1			
11	YXYS402400	• • °È¼p	2			
14	Y129150-77230	• ìx²l²°Ú CMP	1			
15	Y119266-77330	±¼p-½Á (VlbpÙÄ	1			
16	Y119810-77340	ÎpÙÄ (±¼p-½Á	1			
17	Y26106-100402	ÁÈpÎpÙÄ 10X40	1			
18	Y119653-77710	¶°ÚÝÄØÐ-À	1			
19	Y129155-77810	U¼p½Á° (,pÛ°	1			
20	Y119632-77920	À²l° (1 SEC.	1			

Engine for TB014, TB016 3TNE68-NTB  
**GASKET SET & TOOLS**

Y00D6550  
 3TNE68-NTB

17 パッキンセット & コウグ  
 GASKET SET & TOOLS



REF NO.	PARTS NO.	Description	Qty	Unit	Notes
1	Y719266-92620	GASKET SET, (NON-ASB.)	1	(1)	
2	Y119266-01330	GASKET, CYL. HEAD	1		
3	Y119660-01562	GASKET, (NON-ASB.)	1		
4	Y119266-03210	GASKET, (NON-ASB.)	1		
5	Y119260-11340	SEAL, VALVE STEM	6		
6	Y119600-11460	GASKET, NOZZLE	6		
7	Y24311-000320	O-RING 1A P-32.0	2		
8	Y119266-11310	GASKET, BONNET	1		
9	Y119270-12110	GASKET, SUC. MANIFOLD	1		
10	Y119260-13110	GASKET, EXH. MANIFOLD	1		
11	Y129795-49551	GASKET, (NON-ASB.)	1		
12	Y119266-42020	GASKET, C.W. PUMP	1		
13	Y129150-49811	GASKET, (NON-ASB.)	1		
14	Y124465-44950	GASKET 16	1		
15	Y121520-01851	GASKET, (NON-ASB.)	1		
16	Y119266-01890	PK, COVER	1		
17	Y104200-59170	GASKET 12	2		
18	Y129150-49360	GASKET 10	1		
19	Y22190-080002	SEAL WASHER 8S	5		
20	Y23414-080012	GASKET 8	3		
21	Y23414-140000	GASKET 14, ROUND	3		
22	Y24311-000120	O-RING 1A P 12.0	4		
23	24311-240100	O-RING 1A P-10A	1		
24	119209-35030	O-RING	1		
25	24341-000240	O-RING 1A S-24.0	1		
26	24311-000220	O-RING 1A P 22.0	2		
27	119624-01750	PACKING (FI-P)	1		
28	119266-01870	GASKET	1		
29	124240-01883	GASKET, (NON-ASB.)	1		
30	124701-11911	GASKET, (NON-ASB.)	2		
31	103954-13201	GASKET, SILENCER	1		
32	104200-92350	DRIVER, SCREW	1		
33	119332-92751	WRENCH, FILTER	1		
34	28110-100120	WRENCH 10X12	1		
35	28110-140170	WRENCH 14X17	1		
36	129400-92400	FLEX HORN	1		(1) µlB¼@Ý İbËÝÄb½D
37	977770-1207F	GASKET, LIQUID	1	(1)	µlB¼@Ý İbËÝÄb½D





**ENGINE MODEL**

REF NO.

PARTS NO.

Description Q'ty I R

**ENGINE(TNE)**

**TB014**

**3TNE68-TB1 S/N 11400023-11400460**

**3TNE68-ETB1 S/N 11400461-**

**TB016**

**3TNE68-TB1 S/N 11600032-11601831**

**3TNE68-ETB1 S/N 11601832-**

**2006.5.22**



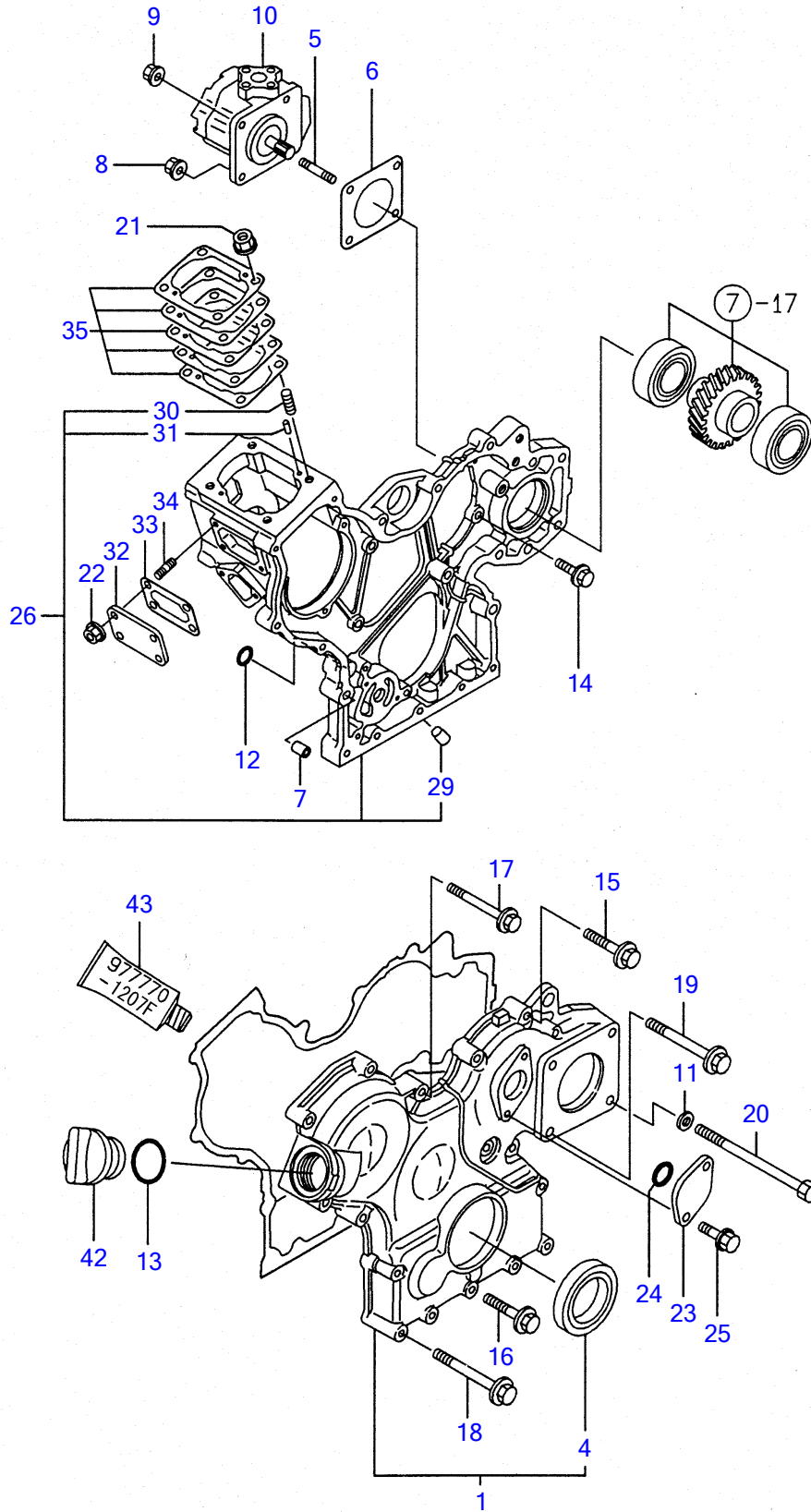
¼ØÝÄÞÍÞÜÄ, CYLINDER BLOCK

REF NO.	PARTS NO.	Description	Q'ty	I	R	Notes
1	Y719265-01560	BLOCK ASSY, CYLINDER	1			
5	Y124060-01050	• PLUG PT1/8	2			
6	Y119260-02020	• BOLT	8			
11	Y27221-060100	• PLUG 6X10	1			
12	Y27231-400000	• PLUG 40	1			3TNE68-TB1
I 12-1	Y119265-01250 (A=EXXX)	• PLUG 40	1	N		
13	Y27241-100000	• PLUG 10	2			
14	Y27241-250000	• PLUG 25	4			
15	Y27241-300000	• PLUG 30	2			
16	Y119266-02410	• BUSH	1			
17	Y719260-02800	• MAIN BEARING	4			
20	Y719260-02930	• BEARING, THRUST	2			
23	Y119266-01200	STUD, CYL. HEAD	14			
24	Y119265-01341	GASKET, CYL. HEAD	1			
25	Y26106-060122	BOLT M6X12 PLATED	2			
26	Y719260-02870	MAIN BEARING U.S=0.25	4			(1) ±ÝÄÞ°»²½Þ(U.S=0.25)ÞËËÄÞ½½D

Engine for TB014, TB016 3TNE68-TB1, ETB1  
GEAR HOUSING

Y00D6701  
3TNE68-(E) TB1

2 ギヤケース  
GEAR HOUSING



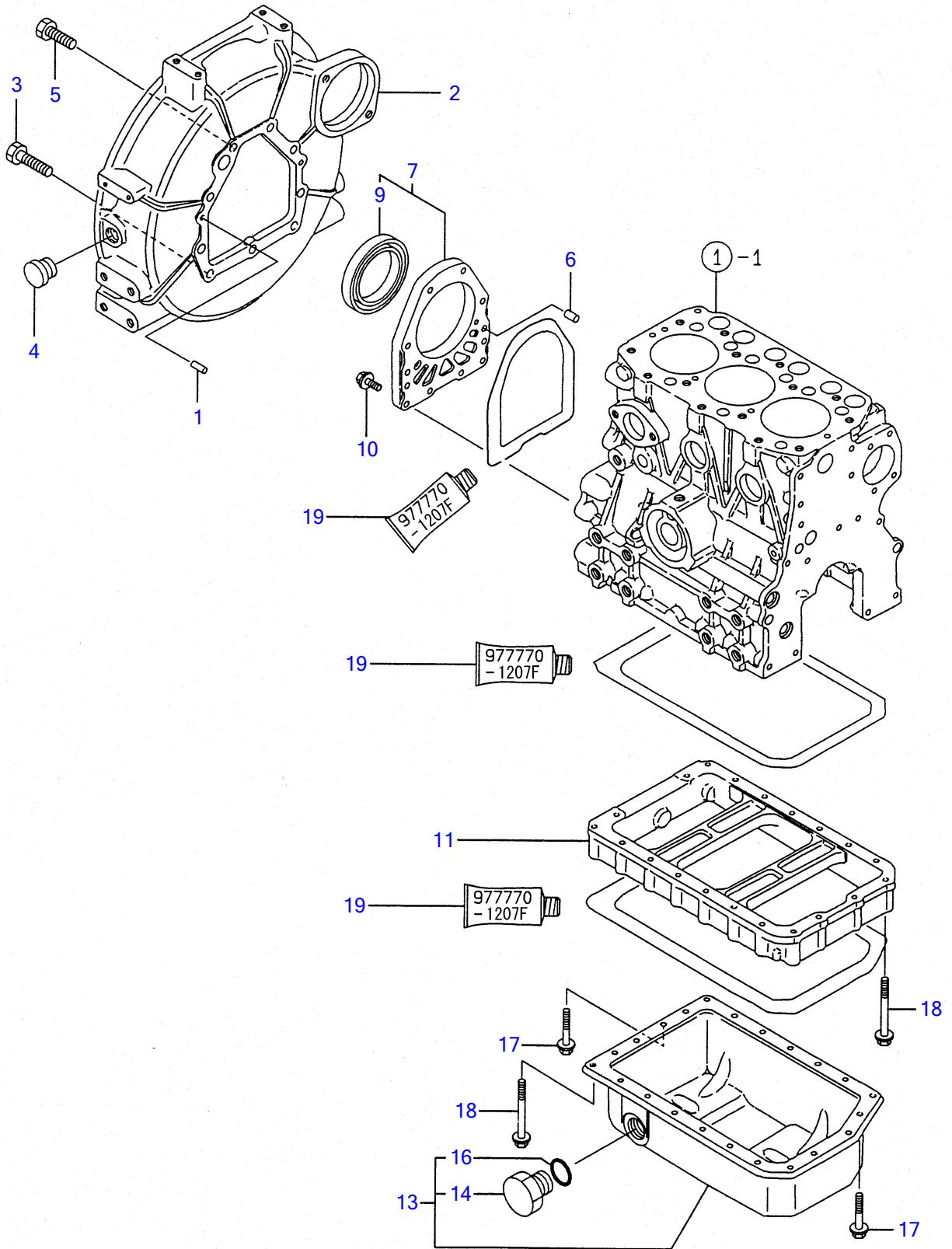
·PÔ¹-½ GEAR HOUSING

REF NO.	PARTS NO.	Description	Q'ty	I	R	"ö
1	Y119263-01590	·PÔ¹°½Ä CMP	1			
4	Y119620-01800	· µ²Ü¼°Ü (HTC456208)	1			
5	Y121450-01560	³°ÐÏPÜÄ 8X22	1			
6	Y124240-01883	Éß·Ý (HO-P) (ÉÝ±½)	1			
7	Y119660-01911	Éß²ÏÉ	4			
8	Y194990-22050	¹Ï½ (½Éß, 8	3			
9	Y194990-22050	¹Ï½ (½Éß, 8	1			
10	Y119462-26010	Ô±ÄÏÝÏ (PW1-C-4A)	1			
11	Y22137-080000	»PÏÉ (ÐÏP· 8	2			
12	Y24311-000120	OØÝ, P 1A P12.0	2			3TNE68-TB1
I 12-1	Y119624-32040	OØÝ, P 1A P12.0	2	N		
	(A=FROM 1SET)					
13	Y24311-000320	OØÝ, P 1A P32.0	1			
14	Y26106-060162	ÄÉPÏPÜÄ 6X16	6			
15	Y26106-060302	ÄÉPÏPÜÄ 6X30	4			
16	Y26106-060402	ÄÉPÏPÜÄ 6X40	3			
17	Y26106-060502	ÄÉPÏPÜÄ 6X50	3			
18	Y26106-060652	ÄÉPÏPÜÄ 6X65	6			
19	Y26106-080702	ÄÉPÏPÜÄ 8X70	1			
20	Y26116-081302	ÏPÜÄ 8X130	2			
21	Y194990-22050	¹Ï½ (½Éß, 8	4			
22	Y26366-060002	ÄÉPÄ·Ä 6	4			
23	Y121023-01550	ÏÄ (Ä°Ö°Ä	1			
24	Y24341-000240	OØÝ, P 1A S24.0	1			
25	Y26106-060162	ÄÉPÏPÜÄ 6X16	2			
26	Y119263-01490	·PÔ¹°½ CMP	1			
29	Y119260-01510	· ³Ä°ÐÏx, P	1			
30	Y121450-01560	· ³°ÐÏPÜÄ 8X22	4			
31	Y22351-040010	· ½ÏØÝ, PÉßÝ 4.0AX10	2			
32	Y119660-01551	ÏÄ (FOÏßÝÏ¼Ä	1			
33	Y119660-01562	PK (ÏßÝÏ¼ÄÏÄ) (ÉÝ±½)	1			
34	Y119660-01570	³°ÐÏPÜÄ M6X12	4			
35	Y119623-01950	ÏÝ¼-¼P·¼Ñ CMP	1			
42	Y124160-01751	ÏÄ (Ï°³	1			
43	Y977770-1207F	¼Ø°Ý¹² ·¼P°³ÏP½¹Ä	1			(1) µÏ¼°Ý ÏPÉÝÄP½ÏD

Engine for TB014, TB016 3TNE68-TB1, ETB1  
FLYWHEEL HOUSING & OIL SUMP

Y00D6701  
3TNE68- (E) TB1

3 フライホイールハウジング & オイルパン  
FLYWHEEL HOUSING & OIL SUMP



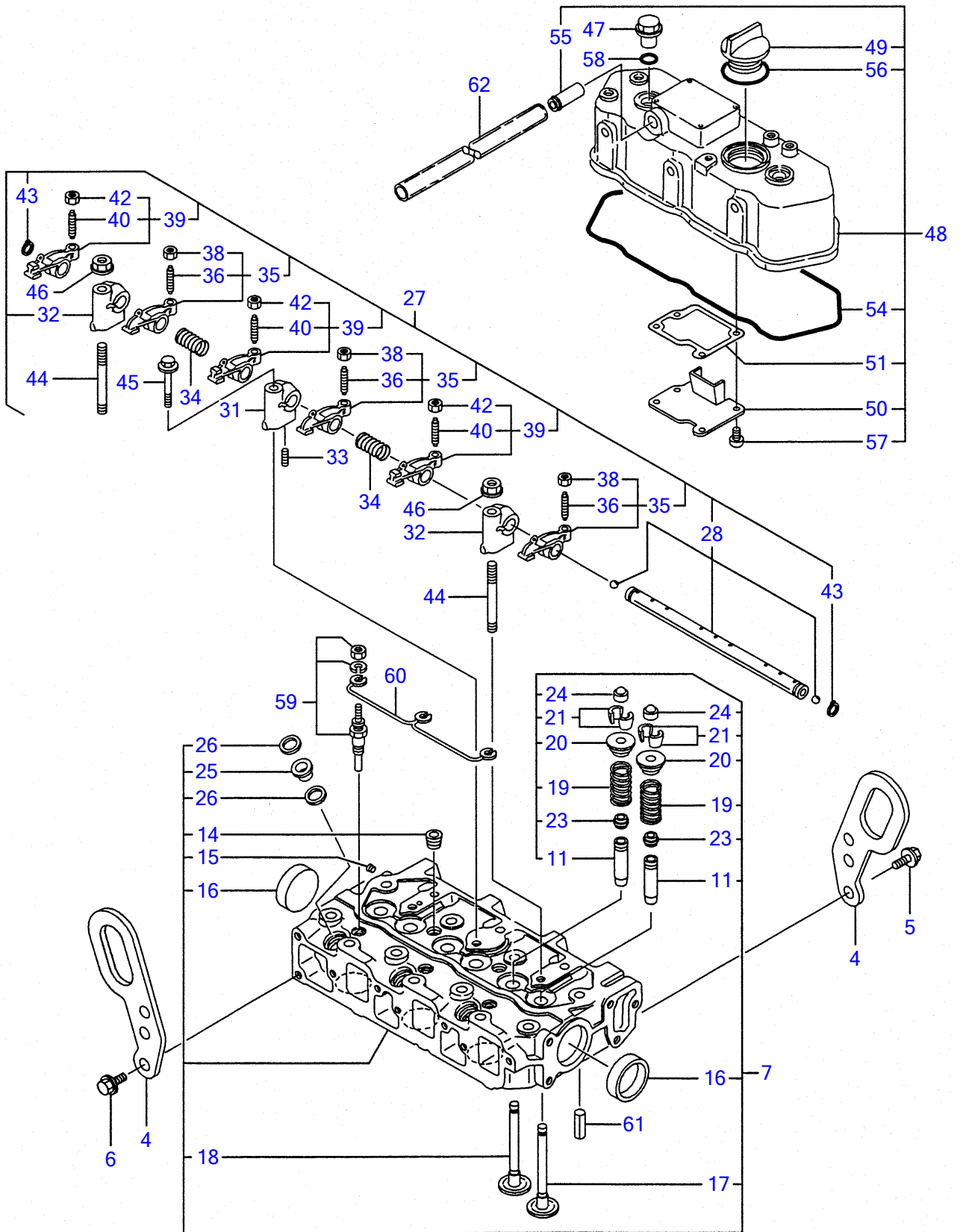
FLYWHEEL HOUSING & OIL SUMP

REF NO.	PARTS NO.	Description	Q'ty	I	R	"Oil
1	Y129100-01580	PARALLEL PIN 8X16	2			
2	Y119600-01600	HOUSING, FLYWHEEL	1			
3	Y121120-01620	BOLT M10X28	3			
4	Y119620-01750	CAP, FLYWHEEL COVER	1			
5	Y26206-100252	BOLT M10X25	6			
6	Y119620-01620	PARALLEL PIN 6X10	2			
7	Y119660-01640	CASE ASSY, OIL SEAL	1			
9	Y124085-02220	SEAL, OIL	1			
10	Y26106-060222	BOLT M6X22 PLATED	10			
11	Y119454-01721	SPACER, OIL SUMP	1			
13	Y119260-01770	SUMP ASSY, OIL	1			
14	Y121400-01640	PLUG M16	1			
16	Y24311-000180	O-RING 1A P-18.0	1			
17	Y26106-060102	BOLT M6X10 PLATED	3			
18	Y26106-060452	BOLT M6X45 PLATED	20			
19	Y977770-1207F	GASKET, LIQUID	1			(1) μiB¼@Y İBÉYÄb½İD

Engine for TB014, TB016 3TNE68-TB1, ETB1  
CYLINDER HEAD & BONNET

Y00D6701  
3TNE68-(E) TB1

4 シリンダヘッド & ボンネット  
CYLINDER HEAD & BONNET





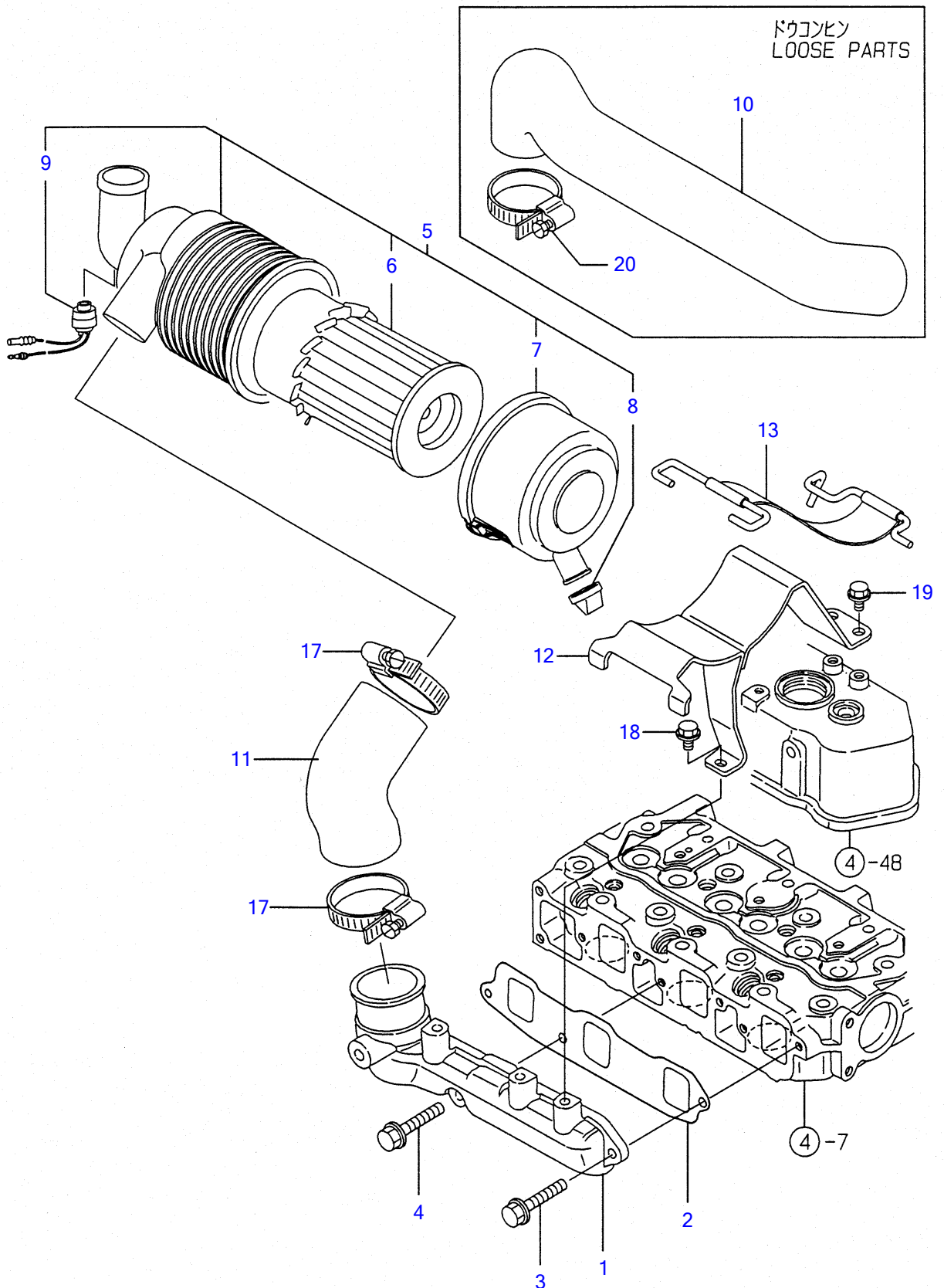
¼ØÝÁÞÍÄÄÞ & ÎÞÝËÄÄ CYLINDER HEAD & BONNET

REF NO.	PARTS NO.	Description	Q'ty	I	R	Notes
4	Y119626-07900	LIFTER, ENGINE	2			
5	Y26106-080142	BOLT M 8X 14 PLATED	1			
6	Y26106-080142	BOLT M 8X 14 PLATED	2			
7	Y119265-11700	HEAD ASSY, CYLINDER	1			
11	Y119260-11800	GUIDE, VALVE	6			(1) 3TNE68-TB1
14	Y23871-030000	PLUG PT 3/8, SCREW	2			
I 14-1	Y23876-030000 (A=E64997)	PLUG PT 3/8, SCREW	2	N		
15	Y27221-050080	PLUG 5X8	1			
16	Y27241-350000	PLUG 35	2			
17	Y119260-11100	VALVE, SUCTION	3			
18	Y119260-11110	VALVE, EXHAUST	3			
19	Y114250-11120	SPRING, VALVE	6			
20	Y114250-11180	RETAINER, SPRING	6			
21	Y714250-11570	COTTER ASSY	6			
23	119260-11340	SEAL, VALVE STEM	6			
24	19260-11370	CAP, VALVE	6			
25	11960011450	PROTECTOR, NOZZLE	3			
26	119600-11460	GASKET, NOZZLE	6			
27	Y119260-11200	SUPPORT ASSY, ARM	1			
28	Y119260-11240	SHAFT ASSY, ARM	1			
31	Y119260-11260	SUPPORT, ROCKER ARM	1			
32	Y119265-11260	SUPPORT, ROCKER ARM	2			
33	Y119260-11270	SCREW	1			
34	Y119260-11280	SPRING	2			
35	Y719260-11650	ARM ASSY, ROCKER	3			
36	Y105010-11230	SCREW, VALVE	3			
38	Y26756-060002	LOCK NUT 6	3			
39	Y719260-11660	ARM ASSY, ROCKER	3			
40	Y105010-11230	SCREW, VALVE	3			
42	Y26756-060002	LOCK NUT 6	3			
43	Y22242-000100	CIRCLIP 10	2			
44	Y119620-11350	STUD	2			
45	Y26106-080452	BOLT M 8X45 PLATED	1			
46	Y26366-080002	NUT M8	2			
47	Y124160-11360	KNOB	2			
48	119260-11330	BONNET ASSY, (NON-ASB)	1			3TNE68-TB1
I 48-1	119260-11331 (A=E64997)	BONNET ASSY	1	N		
49	Y124160-01751	CAP, LUB. OIL SUPPLY	1			
50	Y119260-03020	PLATE, SHELTER	1			
51	Y119260-03031	GASKET, (NON-ASB.)	1			
54	Y119260-11310	GASKET, BONNET	1			
55	Y118400-03060	JOINT, BREATHER	1			
56	Y24311-000320	O-RING 1A P-32.0	1			
57	Y22857-500100	SCREW 5X10 TAPPING	4			
58	Y24311-000120	O-RING 1A P12.0	2			
59	Y129155-77801	PLUG, GLOW	3			
60	Y119620-77820	CONNECTOR, GLOW PLUG	1			
61	Y22351-060012	SPRING PIN 6X12	2			
62	Y23065-120500	PIPE, VINYL 12X500	1			

Engine for TB014, TB016 3TNE68-TB1, ETB1  
SUCTION MANIFOLD & AIR CLEANER

Y00D6701  
3TNE68- (E) TB1

5 キュウキマニホールド & イアクリーナ  
SUCTION MANIFOLD & AIR CLEANER



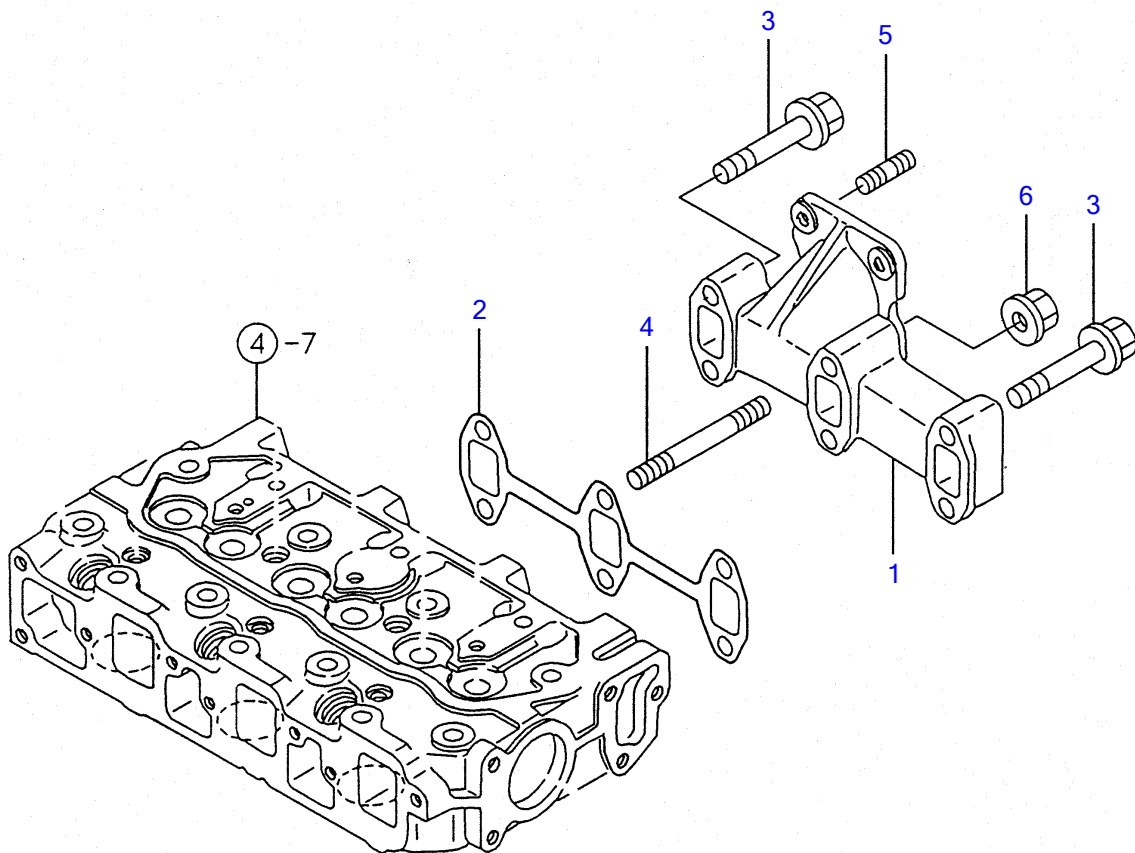
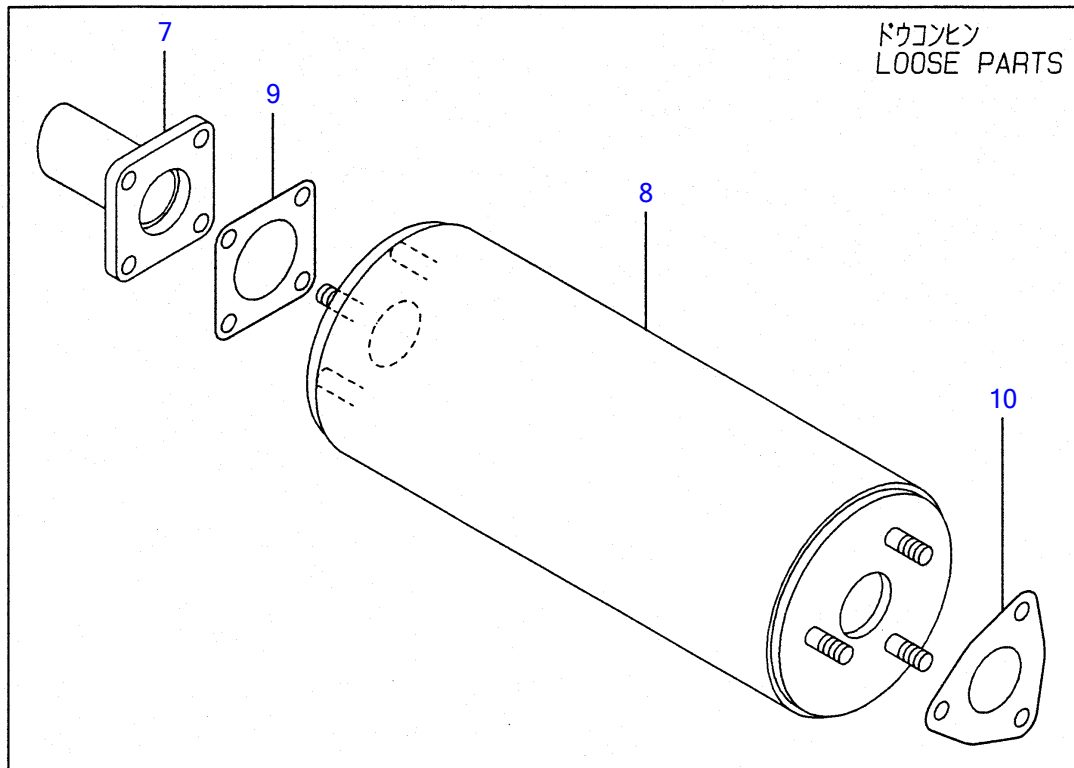
·Ö³·ÏÆÏ-ÛÄÞ & '±,Ø-Ä SUCTION MANIFOLD & AIR CLEANER

REF NO.	PARTS NO.	Description	Q'ty	I	R	"ö
1	Y119270-12100	ÏÆÏÛÄÞ (INT	1			3TNE68-TB1
I 1-1	Y119275-12101 (A=E65286)	·³·ÏÆÏÛÄÞ	1	R		
2	Y119270-12110	PK (ÏÆÏ-ÛÄÞ	1			
3	Y26106-060162	ÄÊÞÏÞÛÄ 6X16	2			
4	Y26106-060282	ÄÊÞÏÞÛÄ 6X28	1			
5	Y119254-12500	'±,Ø-Ä CMP	1			
6	Y119655-12560	· ÚÖÝÄ	1			
7	Y105027-12570	· ¶ÊÞ° ('±,Ø-Ä	1			
8	Y105027-12540	· ±ÝÛ-ÄÞÊÞÛÏÞ	1			
9	Y126650-12680	· ²Ý¼Þ¹-Ä	1			
10	Y119233-12210	·Ö³·ÝÄÖ³¶Ý	1			
11	Y119233-12610	Êß²Ïß (²ÝÄ°	1			
12	Y119266-12580	ÏÞ×¹-Ä ('±,Ø-Ä	1			
13	Y119865-12600	'±,Ø-ÄÊÞÝÄÞ CMP	1			
17	Y23000-054000	Ï-½,ØÄÏß 54	2			
18	26106-060122	ÄÊÞÏÞÛÄ M6X12	1			
19	Y26106-080142	ÄÊÞÏÞÛÄ M8X14	2			
20	Y23000-054000	Ï-½,ØÄÏß 54	1			

Engine for TB014, TB016 3TNE68-TB1, ETB1  
EXHAUST MANIFOLD & SILENCER

Y00D6701  
3TNE68-(E) TB1

6 ハイキマニホルド & サイレンサ  
EXHAUST MANIFOLD & SILENCER



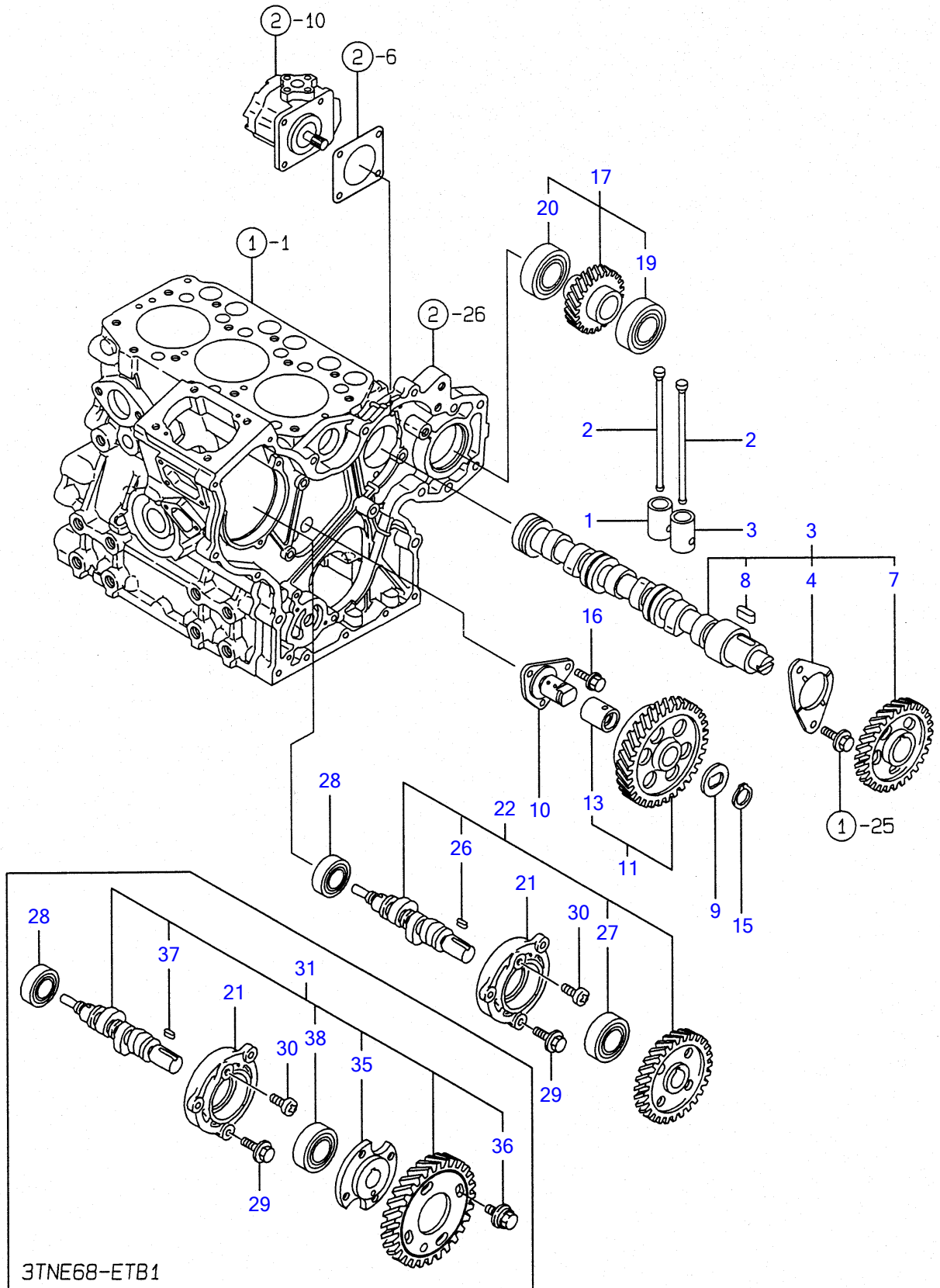
Ê²-ÏÆÏ-ÛÄÞ & »²ÚÝ» EXHAUST MANIFOLD & SILENCER

REF NO.	PARTS NO.	Description	Q'ty	I	R	»ð
1	Y119260-13100	ÏÆÏÛÄÞ(EXH MANIFOLD, EXHAUST	1			
2	Y119260-13110	¶Þ½¹ÄÄ (ÏÆÏÛÄÞ GASKET, EXH. MANIFOLD	1			
3	Y26106-060352	ÄÊÞÏÞÛÄ 6X35 BOLT M6X35 PLATED	4			
4	Y26216-060402	³ºÐÏÞÛÄ 6X40 STUD M6X40 PLATED	2			
5	Y119131-18320	³ºÐÏÞÛÄ M8X22 BOLT M8X22	4			
6	Y26366-060002	ÄÊÞÄ·ÄÄÄ 6 NUT M6	2			
I 7	Y119266-13580 (A=EXXX)	ÏÝ¼-Äº³ (»²ÚÝ» TAIL PIPE	1	Z		3TNE68-TB1
8	Y119232-13500	»²ÚÝ» SILENCER COMP	1			
9	Y124701-11911	¶Þ½¹ÄÄ(»²ÚÝ») (ÉÝ±½) GASKET, (NON-ASB.)	2			
10	Y103954-13201	¶Þ½¹ÄÄ(»²ÚÝ») (ÉÝ±½) GASKET, SILENCER	1			

Engine for TB014, TB016 3TNE68-TB1, ETB1  
**CAMSHAFT & DRIVING GEAR**

Y00D6701  
 3TNE68-(E) TB1

7 カムシャフト & クドウギヤ  
 CAMSHAFT & DRIVING GEAR



3TNE68-ETB1

CAMSHAFT & DRIVING GEAR

REF NO.	PARTS NO.	Description	Q'ty	I	R	"õ
1	Y119260-14200	TAPPET	6			
2	Y119260-14400	ROD, PUSH	6			
3	Y119260-14580	CAMSHAFT ASSY	1			
4	Y119620-02450	• BEARING, THRUST	1			
7	Y119260-14100	• GEAR, CAMSHAFT	1			
8	Y22512-040120	• KEY 4X12	1			
9	Y119660-25022	RETAINER, IDLE GEAR	1			
10	Y119660-25052	SHAFT, IDLE GEAR	1			
11	Y119260-25100	GEAR W/BUSH, IDLE	1			
13	Y119620-25912	• BUSH	1			(1) ÌÖ³ÌÈËÝÄÌ½D
15	Y22242-000200	CIRCLIP 20	1			
16	Y26106-060122	BOLT M6X12 PLATED	3			
17	Y119263-26001	GEAR ASSY, HYDR. PUMP	1			
19	Y129350-26490	• BALL BEARING	1			
20	Y24104-060054	• BALL BEARING	1			
21	Y119660-01821	BEARING, FUEL CAM.	1			
22	Y119255-14200	CAM ASSY, F. I. PUMP	1			
26	Y22512-040120	• KEY 4X12	1			
27	Y24102-063034	• BALL BEARING 6303U	1			
28	Y24101-062034	BALL BEARING	1			
29	Y26106-060162	BOLT M6X16 PLATED	3			
30	Y26587-080102	SCREW M8X10	1			
I 31	Y119225-14210	CAM ASSY, F. I. PUMP	1			3TNE68-ETB1
I 35	Y119660-25920	FLANGE	1			3TNE68-ETB1
I 36	Y119660-25930	THREAD, FI-P GEAR	4			3TNE68-ETB1
I 37	Y22512-040120	KEY 4X12	1			3TNE68-ETB1
I 38	Y24102-063034	BALL BEARING 6303U	1			3TNE68-ETB1





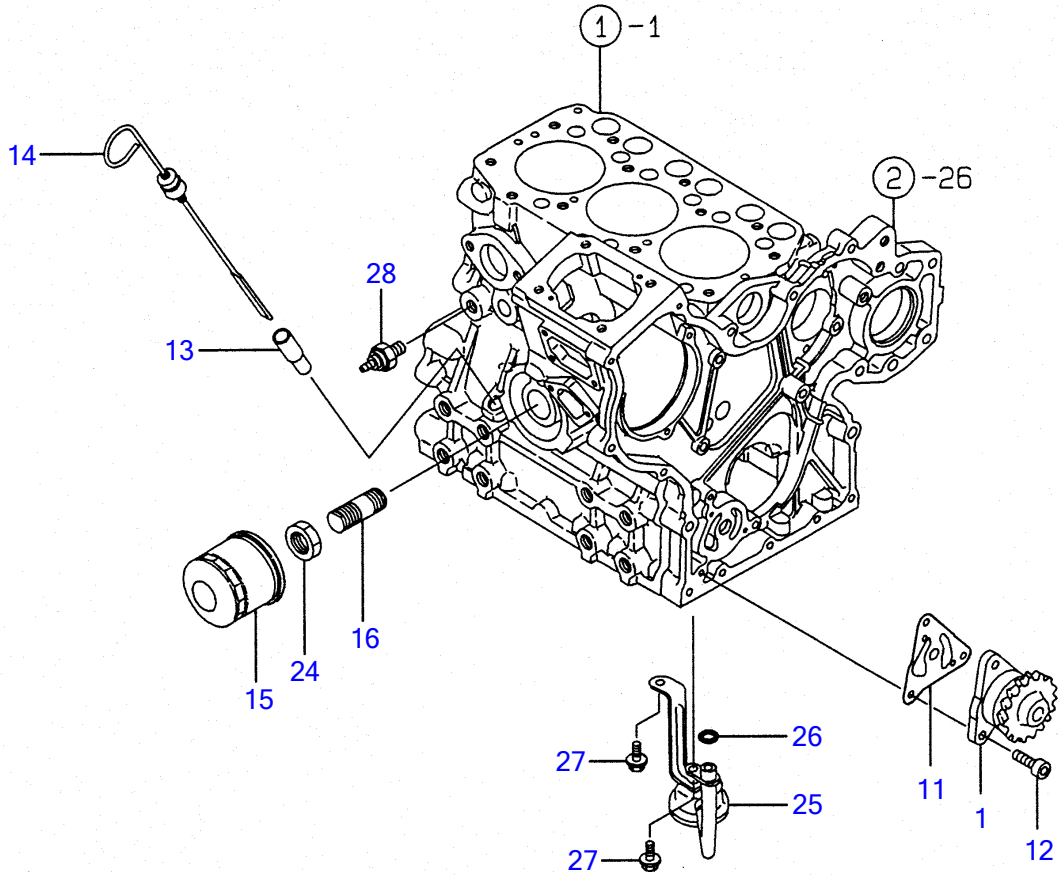
**CRANKSHAFT & PISTON**

REF NO.	PARTS NO.	Description	Q'ty	I	R	Notes
1	Y119265-21700	CRANKSHAFT ASSY	1			
2	Y129100-01580	PARALLEL PIN 8X16	1			
5	Y119260-21200	GEAR, CRANKSHAFT	1			
6	Y22512-040120	KEY 4X12	1			
8	Y119233-21680	V-PULLEY	1			3TNE68-TB1
I 8-1	Y119233-21681	PULLEY, CRANKSHAFT	1	R		
	(A=E64121)					
9	Y119621-21680	BOLT M12X1.25 FLANGE	1			
10	Y119620-21941	WASHER	1			
11	Y121111-21501	BOLT, FLYWHEEL	5			
12	Y119233-21580	FLYWHEEL ASSY	1			
15	Y119865-21600	GEAR, RING	1			
16	Y119265-22601	PISTON W/RINGS	3			
18	Y119265-22500	RING SET	3			
24	Y119265-22300	PIN, PISTON	3			
25	Y22252-000200	CIRCLIP 20	6			
26	119265-23100	ROD ASSY, CONNECTING	3			
30	119620-23910	BUSH, PISTON PIN	3			(1) 1/2" ID
31	Y119265-23200	BOLT, ROD	6			
32	Y719260-23600	BEARING, CRANKPIN	3			
34	Y22351-030010	SPRING PIN 3X10	1			
35	Y719260-23610	BEARING, PIN U.S.=0.25	3			(2) 1/2" ID (U.S.=0.25)
37	Y119265-22930	PISTON W/RING OS=0.25	3			(3) 1/2" ID (O.S.=0.25)
39	Y119265-22950	RING SET O.S.=0.25	3			(3) 1/2" ID (O.S.=0.25)

Engine for TB014, TB016 3TNE68-TB1, ETB1  
LUB.OIL SYSTEM

Y00D6701  
3TNE68- (E) TB1

9  $\text{LUB.OIL SYSTEM}$   
LUB.OIL SYSTEM



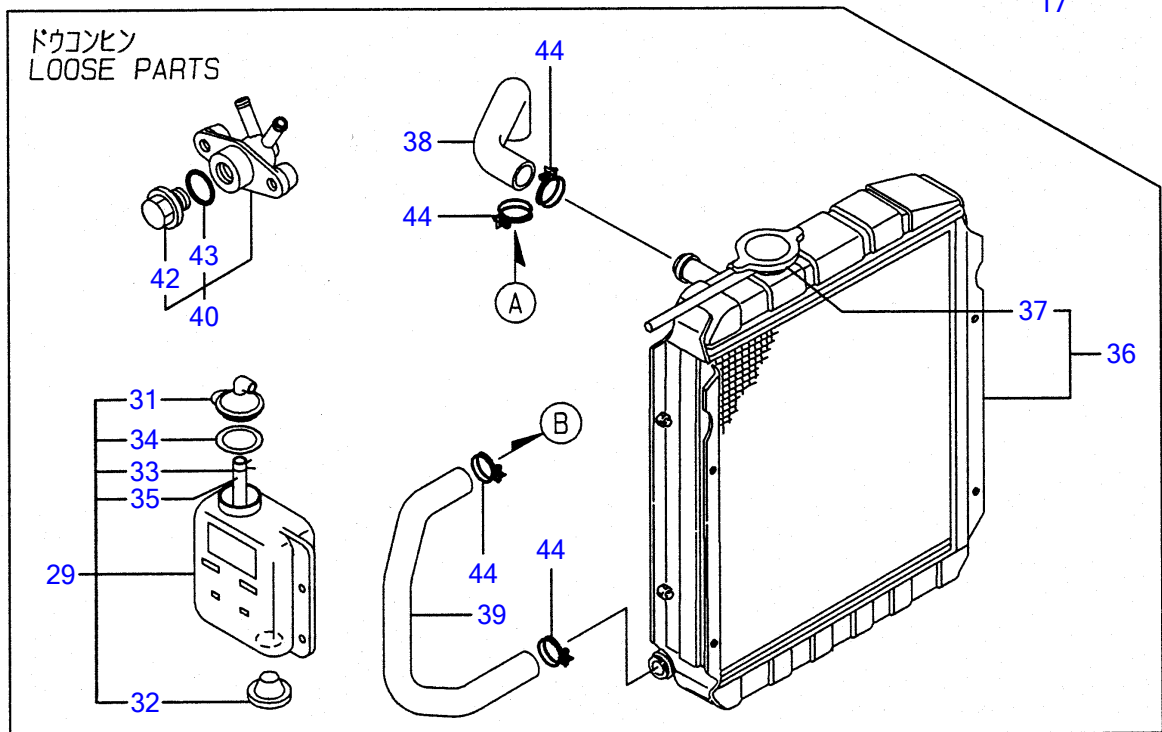
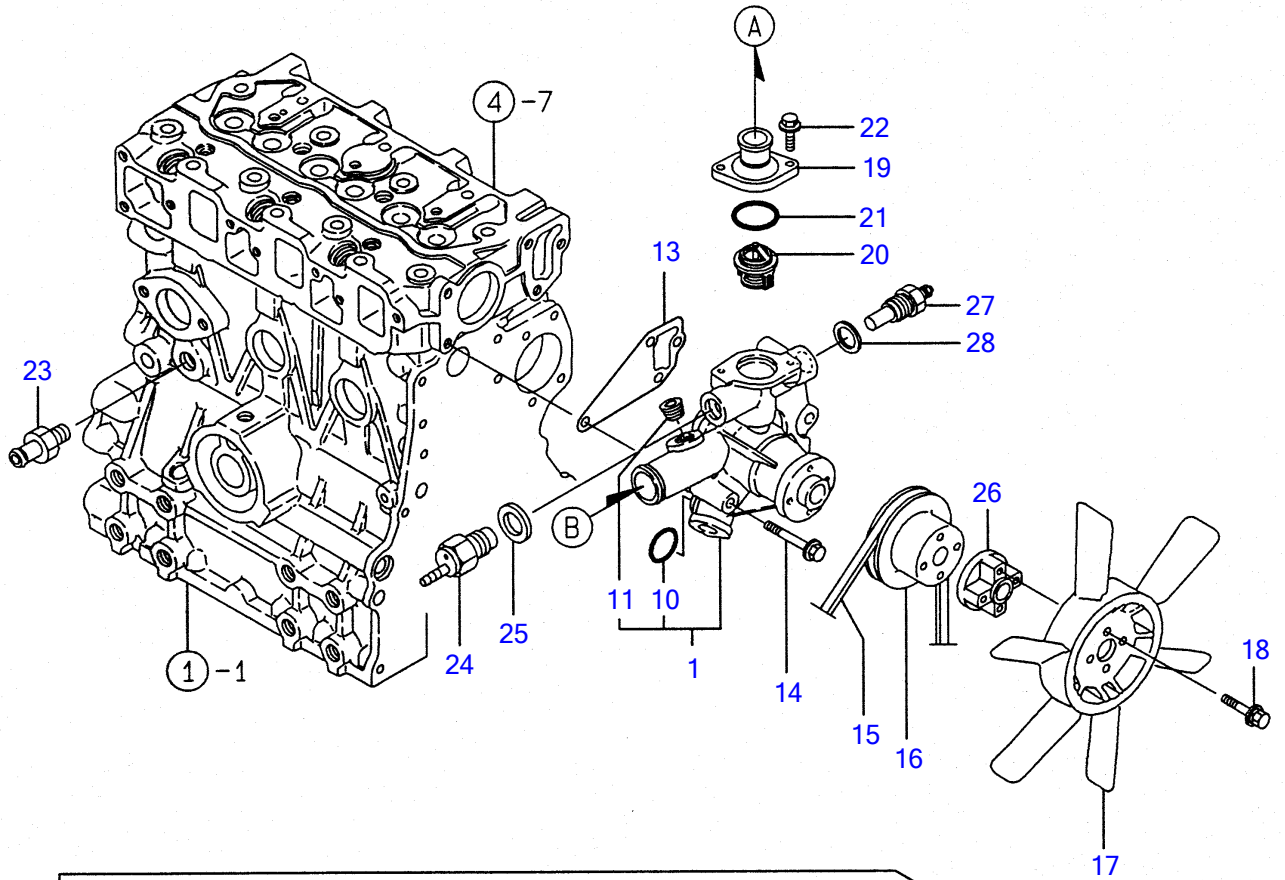
LO $\frac{1}{2}$ ÅÑ LUB.OIL SYSTEM

REF NO.	PARTS NO.	Description	Q'ty	I	R	Notes
1	Y119260-32000	PUMP ASSY, LUB. OIL	1			
11	Y119660-32020	GASKET, L. O. PUMP	1			
12	Y26450-060202	BOLT M6X20	3			
13	Y121520-34810	GUIDE, DIPSTICK	1			
14	Y129132-34800	DIPSTICK	1			
15	Y119305-35150	FILTER, LUB. OIL	1			
16	Y119225-35300	VALVE ASSY, OIL PRESS	1			
24	Y129150-35350	NUT	1			
25	Y119260-35081	PIPE ASSY, OIL INTAKE	1			
26	Y119209-35030	O-RING	1			
27	Y26106-060122	BOLT M6X12 PLATED	2			
28	Y124160-39451	SWITCH, OIL PRESSURE	1			3TNE68-TB1
I 28-1	Y114250-39450 (A=E65092)	SWITCH, (0.5KG) L. O.	1	N		

Engine for TB014, TB016 3TNE68-TB1, ETB1  
**COOLING WATER SYSTEM**

Y00D6701  
 3TNE68-(E) TB1

10 CWシステム  
 COOLING WATER SYSTEM



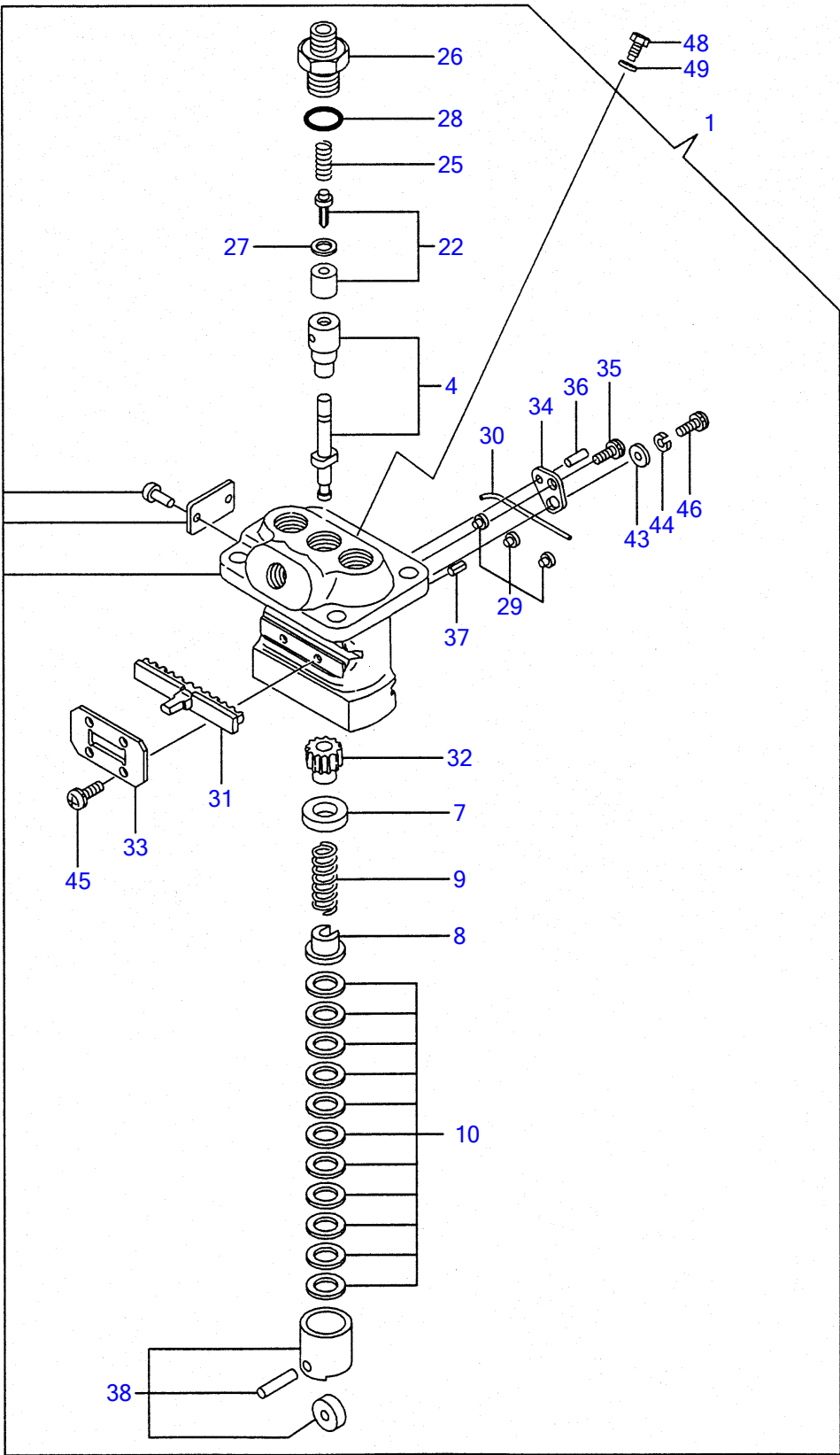
CW 1/2" AN COOLING WATER SYSTEM

REF NO.	PARTS NO.	Description	Q'ty	I	R	Q'ty
1	Y119244-42001	CW 1/2" AN ASSY	1			
10	Y119225-42320	• O-RING	1			
11	Y23871-030000	• PLUG PT3/8, SCREW	1			3TNE68-TB1
I 11-1	Y23876-030000 (A=E65286)	• PLUG PT3/8, SCREW	1	N		
13	Y119260-42020	PK	1			3TNE68-TB1
I 13-1	Y119260-42021 (A=E65286)	GASKET, C. W.	1	N		
14	Y26106-080452	BOLT M8X45 PLATED	3			
15	Y119620-42291	V-BELT	1			
16	Y119620-42350	V-PULLEY, C. W. PUMP	1			
17	Y124251-44740	FAN, COOLING	1			
18	Y26014-060352	BOLT M6X35	4			
19	Y119260-49530	COVER, THERMOSTAT	1			
20	Y119260-49800	THERMOSTAT (71)	1			
21	24321-000350	O-RING 1A G-35.0	1			3TNE68-TB1
I 21-1	Y119209-42140 (A=E65286)	O-RING, COVER THERMOS	1	N		
22	Y26106-060182	BOLT M6X18 PLATED	2			
23	Y121550-49111	JOINT PT1/4	1			
24	Y121250-44901	SWITCH, THERMO (110)	1			
25	Y124465-44950	GASKET 16	1			
26	Y171353-44760	SPACER	1			
27	Y119266-49350	SENSOR, THERMO.	1			
28	Y129150-49360	GASKET 10	1			
29	Y121468-44510	SUB-TANK ASSY	1			
31	Y121450-44531	• CAP	1			
32	Y121468-44540	• PLUG, SUB-TANK	1			
33	Y124450-44560	• CLAMP	1			
34	Y121470-44581	• GASKET	1			
35	Y23065-070130	• PIPE 7X130	1			
36	Y119632-44520	RADIATOR CMP	1			
I 37	Y129107-44590	• CAP, RADIATOR	1			
38	Y119688-49010	PIPE (A), C. WATER	1			
39	Y119632-49020	PIPE (B), C. WATER	1			
40	Y121450-49110	COCK ASSY, 3-WAY	1			
42	Y121250-49121	• PLUG	1			
43	Y24311-000160	• O-RING 1A P-16.0	1			
44	Y23010-038000	CLAMP 38	4			

Engine for TB014, TB016 3TNE68-TB1, ETB1  
**FUEL INJECTION PUMP**

Y00D6701  
 3TNE68-(E) TB1

11 FOファンシャポンブ  
 FUEL INJECTION PUMP



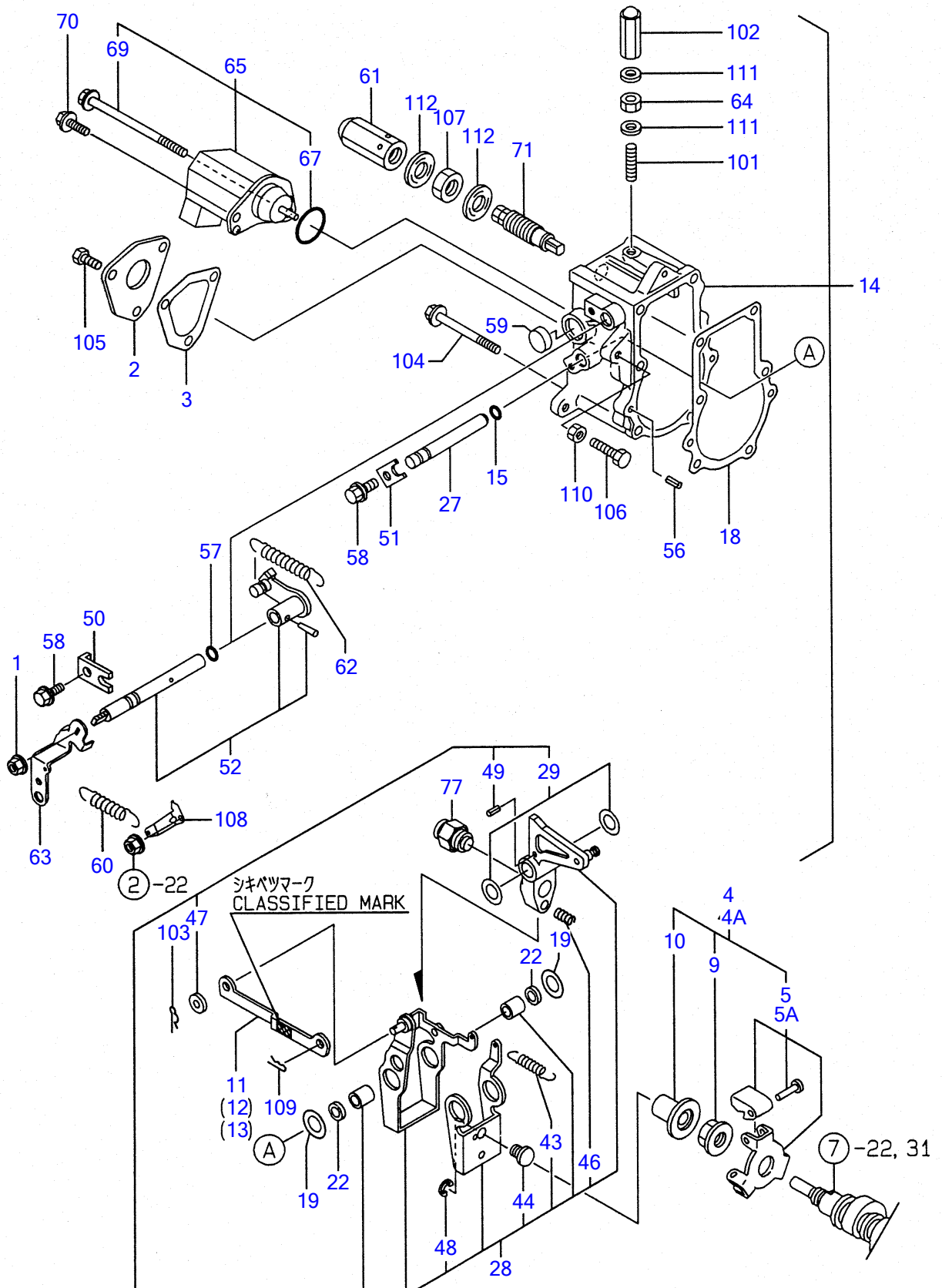
FOIY¼ŌIßYIß FUEL INJECTION PUMP

REF NO.	PARTS NO.	Description	Q'ty	I	R	3TNE68-TB1
1	Y719225-51100	F. I. IßYIß CMP	1			3TNE68-TB1
I 1-1	Y719266-51100 (A=E65286)	F. I. IßYIß CMP	1	N		
4	Y119225-51100	• IßxY¼p-ÉpÚÚ CMP	• PLUNGER W/BARREL	3		
7	Y119620-51170	• ÉpÉ³¹ A	• RETAINER	3		
8	Y119620-51180	• ÉpÉ³¹ B	• RETAINER	3		
9	Y119620-51190	• SP (IßxY¼p-	• SPRING, PLUNGER	3		
10	Y119620-51250	• ¼Ñ CMP	• SHIM PACK	3		
22	Y119225-51300	• ÁbØÍbØÉpÚìb CMP	• VALVE W/SEAT, DELIV.	3		
25	Y105546-51330	• ½IßØY, b	• SPRING, DELIV. VALVE	3		
26	Y119620-51340	• ÁbØÍbØÉpÚìbÛÁp°	• HOLDER, DELIV. VALVE	3		
27	Y119620-51350	• PK (ÁbØÍbØ	• GASKET, DELIVERY	3		
28	Y119620-51370	• OØY, b	• O-RING	3		
29	Y119620-51450	• ¶p²ÁbÉß°½ (ÁIß-Á	• GUIDE, PLUNGER	3		
30	Y119620-51461	• ÉßY	• PIN	1		
31	Y119660-51500	• x-	• RACK	1		
32	Y119620-51510	• ÉßÆµY	• PINION	3		
33	Y119660-51530	• x-µ»	• RETAINER, RACK	1		
34	Y119620-51650	• FOÁ@³³¼²IßÚ°Ä	• PLATE	2		
35	Y119620-51660	• FOÁ@³³¼²É¼p	• SCREW	2		
36	Y119620-51670	• FOÁ@³³¼²ÉßY	• PIN	2		
37	Y119620-51680	• ÉßY (ÚIbÚ²Á- bØ	• PIN	1		
38	Y119620-51700	• ÁIß-Á CMP	• TAPPET ASSY	3		
I 43	Y22137-040000 (A=E65286)	• »b¶pÉ Ð¶p· 4	• WASHER 4, POLISHED	2	Z	3TNE68-TB1
I 44	Y22217-040000 (A=E65286)	• ÉpÉ»b¶pÉ 4	• SPRING WASHER 4	2	Z	3TNE68-TB1
45	Y26022-040082	• ÁIb°É¼p (ÉpÉ 4X8	• SCREW M4X8	4		
46	Y26587-040102	• Ép²YÁbÉ¼p (+±Á 4X10	• SCREW M4X10	2		3TNE68-TB1
I 46-1	Y26033-040102 (A=E65286)	• Ép²YÁbÉ¼p (ÉpÉ+Éx 4X10	• SCREW M4X10	2	R	
I 48	Y119266-51900 (A=E65286)	• I bÚÄ (,³·Ç·	BOLT	1	W	
I 49	Y22190-080002 (A=E65286)	• ¼°ÚÚ-¼- (eIÜµÆÄØÙ) 8	SEAL, WASHER 8S	1	W	

Engine for TB014, TB016 3TNE68-TB1, ETB1  
GOVERNOR

Y00D6701  
3TNE68-(E) TB1

12 12 12  
ガバネ  
GOVERNOR





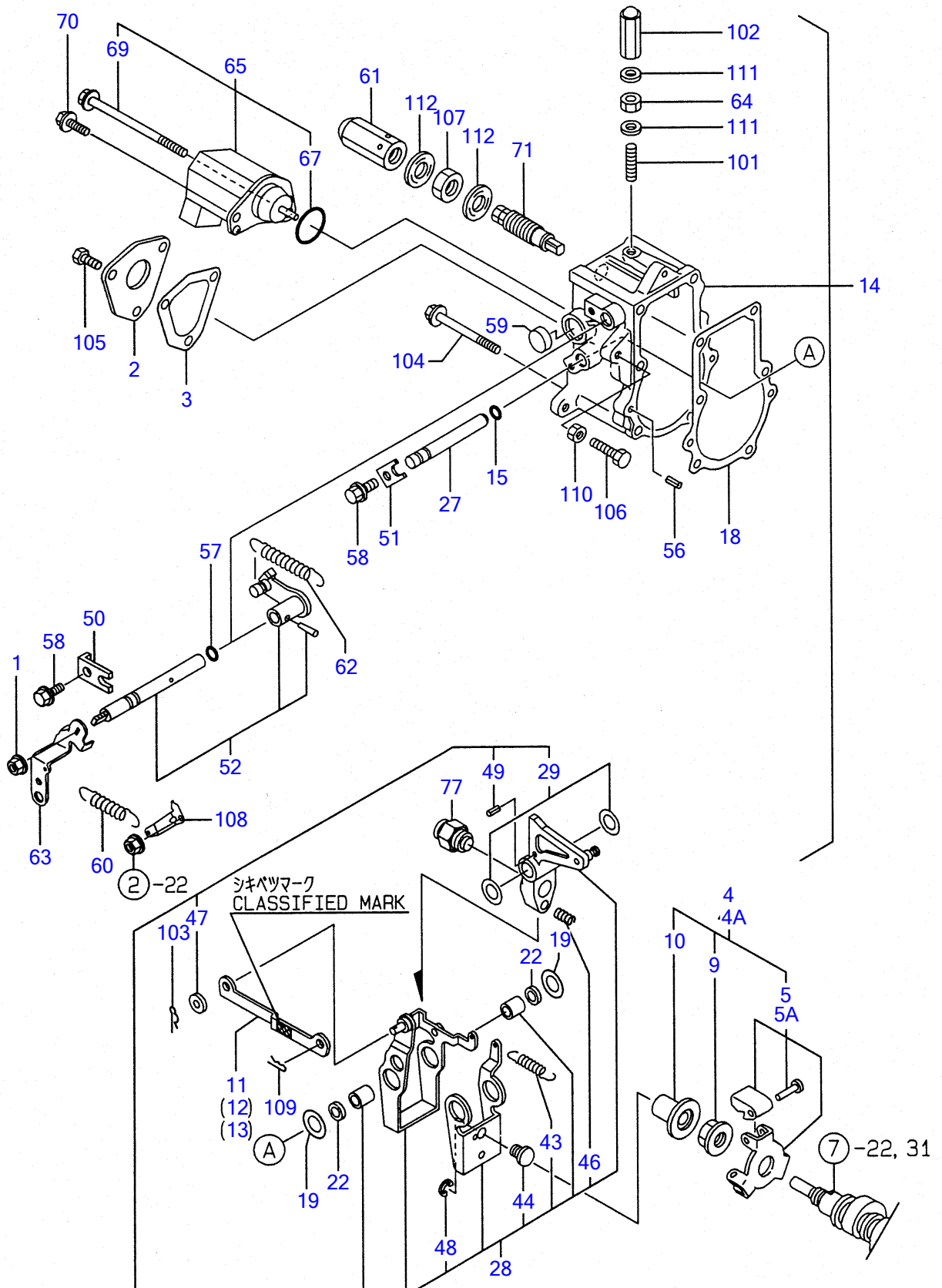
ГИБЕА GOVERNOR

REF NO.	PARTS NO.	Description	Q'ty	I	R	"ö
1	Y194990-22050	NUT W/WASHER 8	1			
2	Y119660-61060	COVER, GOVERNOR CASE	1			
3	Y119660-61071	GASKET, (NON ASB.)	1			
4	Y119600-61100	DRIVING SET, GOV.	1			3TNE68-TB1
I 4A	Y119600-61300	DRIVING SET, GOV.	1			3TNE68-ETB1
5	Y119600-61200	WEIGHT ASSY, GOV.	1			3TNE68-TB1
I 5A	Y119600-61400	WEIGHT ASSY, GOV.	1			3TNE68-ETB1
9	Y119660-61300	NUT, GOVERNOR WEIGHT	1			
10	Y119660-61341	SLEEVE, GOVERNOR	1			
11	Y119660-61121	LINK L=88.8 (NO COLOR)	1			(1) ¼YÄ, ¼®³ìPËÝ: ¼·ÍPÄî°, ! ¶,ÆÝÉ ³·Á·³ÓÝÉ¶P²í½D(²x½Ä »Ý¼®³)
12	Y119660-61140	LINK L=88.6 (WHITE)	1			(1) ¼YÄ, ¼®³ìPËÝ: ¼·ÍPÄî°, ! ¶,ÆÝÉ ³·Á·³ÓÝÉ¶P²í½D(²x½Ä »Ý¼®³)
13	Y119660-61150	LINK L=89.0 (RED)	1			(1) ¼YÄ, ¼®³ìPËÝ: ¼·ÍPÄî°, ! ¶,ÆÝÉ ³·Á·³ÓÝÉ¶P²í½D(²x½Ä »Ý¼®³)
14	Y119632-61200	CASE ASSY GOVERNOR	1			
15	Y129155-51280	O-RING S6	1			
18	Y119660-61052	GASKET, (NON ASB.)	1			
19	Y119660-61460	SHIM SET	1			
22	Y129155-61480	SPACER ASSY	2			
27	Y119660-61491	SHAFT, GOVERNOR LEVER	1			3TNE68-TB1
I 27-1	Y119660-61590 (A=E65286)	SHAFT	1		N	
28	Y119232-61510	LEVER ASSY, GOVERNOR	1			
29	Y174307-51700	SHIM SET	2			
43	Y119232-61540	SPRING, LEVER	1			
44	Y119600-61541	SHIFTER, P. T. O.	1			
46	Y119660-61651	SPRING, STARTING	1			
47	Y22117-040000	WASHER 4	1			
48	Y22272-000040	CIRCLIP E-4	1			
49	Y22351-030014	SPRING PIN 3X14	1			
50	Y119600-61900	RETAINER, SHAFT	1			
51	Y119660-61901	RETAINER, SHAFT	1			
52	Y119285-66080	SHAFT ASSY, REGULATOR	1			
56	Y22351-040010	SPRING PIN 4X10	2			
57	Y24341-000070	O-RING 1A S-7.0	1			
58	Y26106-060102	BOLT M6X10 PLATED	2			
59	Y119640-61400	PLUG	1			
60	Y119840-61870	SPRING	1			
61	Y26687-120002	CAP NUT M12	1			

# Engine for TB014, TB016 3TNE68-TB1, ETB1 GOVERNOR

Y00D6701  
3TNE68-(E) TB1

12 12  
ガバネ GOVERNOR



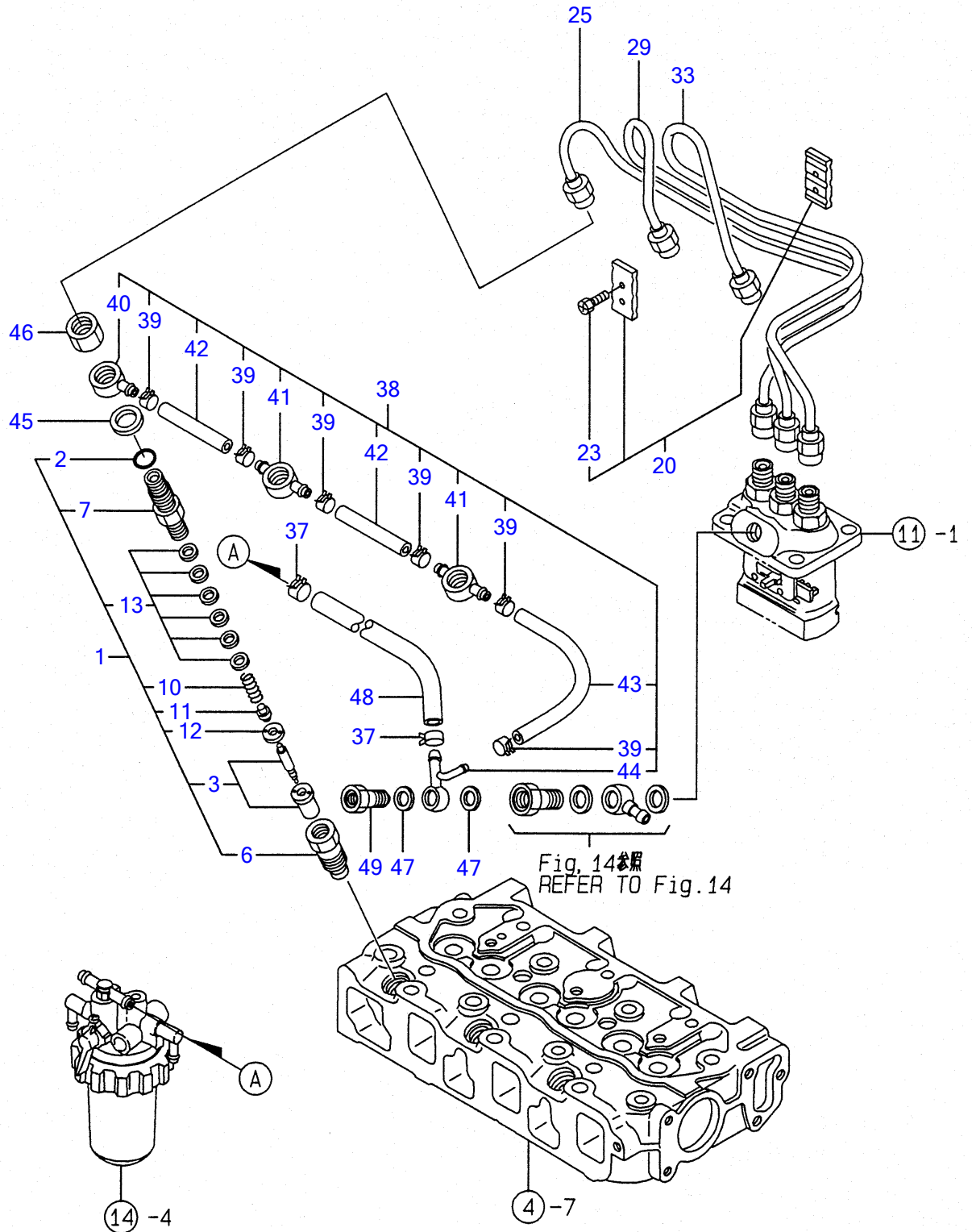
**ᐅᐅᐅᐅᐅ GOVERNOR**

REF NO.	PARTS NO.	Description	Q'ty	I	R	"ᐅᐅᐅᐅᐅ
62	Y119600-66020	SPRING, REGULATOR	1			
63	Y119640-66051	HANDLE, REGULATOR	1			
64	Y124550-66370	LOCK NUT M6	1			
65	Y119285-66500	ENGINE STOP DEVICE	1			
67	Y24341-000280	• O-RING 1A S-28.0	1			
69	Y26106-060952	• BOLT M6X95 PLATED	1			
70	121465-59950	BOLT M6X16 PLATED	1			
71	119600-66530	TORQUE SPRING ASSY	1			
77	119610-66700	ANGLEICH ASSY	1			
101	121575-66830	SCREW, ADJUST	1			
102	119600-66840	NUT CAP	1			
103	22360-040000	SNAP PIN 4	1			
104	Y26106-060702	BOLT M6X70 PLATED	5			
105	Y26116-050102	BOLT M5X10 PLATED	3			
106	Y26116-060304	BOLT M6X30 PLATED	1			
107	Y26776-120002	LOCK NUT 12 PLATED	1			
108	Y119656-66910	HOOK	1			
109	Y22360-060000	SNAP PIN 6	1			
110	Y26756-060002	LOCK NUT 6	1			
111	Y22190-060003	SEAL WASHER 6	2			
112	Y22190-120002	SEAL WASHER 12	2			

Engine for TB014, TB016 3TNE68-TB1, ETB1  
**FUEL INJECTION VALVE**

Y00D6701  
 3TNE68-(E) TB1

13 FOフンシャベン  
 FUEL INJECTION VALVE



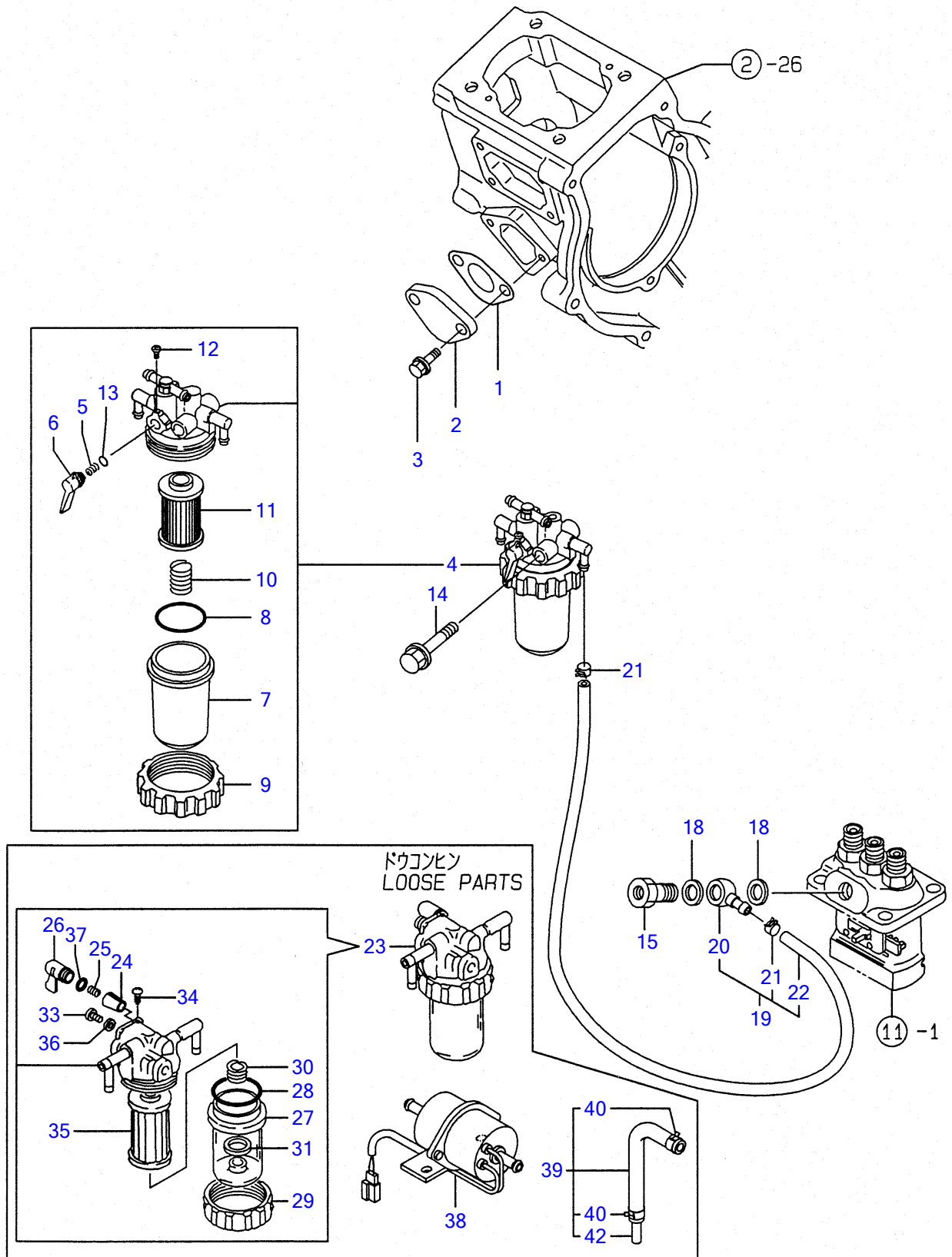
FOIY¼ÓÍPÝ FUEL INJECTION VALVE

REF NO.	PARTS NO.	Description	Q'ty	I	R	3TNE68-TB1
1	Y719255-53100	FOIY¼ÍPÝ ASSY	FUEL INJECT, VALVE AS	3		
2	Y129155-61830	• OØÝ, P (S10	• O-RING S10	3		
3	Y119620-53000	• É½PÙ CMP	• NOZZLE ASSY, F. INJECT	3		
6	Y119620-53080	• É½PÙÄØÄ¹Ä ¯Ä	• NUT, VALVE W/CASE	3		
7	Y119255-53100	• É½PÙÏÙÄP°	• HOLDER, NOZZLE	3		
10	Y119620-53120	• SP (É½PÙ	• SPRING, VALVE	3		
11	Y114250-53130	• ¼°Ä (É½PÙ½ÏØÝ, P	• SEAT, NOZZLE SPRING	3		
12	Y119620-53140	• ÊPÙÏP½Ä ÏB½ÏB°»	• SRACER, VALVE STOP	3		
13	Y114250-53400	• ¼Ñ CMP	• SHIM PACK	3		
20	Y129150-59120	ÏÜÄPØ (ÏY¼-ÏY CMP	RETAINER, INJ. PIPE	1		
23	Y129150-59131	• ±Ä HB4X14	• BOLT M4X14, HEX. SCKT.	2		
25	Y119209-59810	ÏY¼-ÏY CMP (NO. 1)	PIPE (1), FUEL INJECT	1		
29	Y119209-59820	ÏY¼-ÏY CMP (NO. 2)	PIPE (2), FUEL INJECT	1		
33	Y119209-59830	ÏY¼-ÏY CMP (NO. 3)	PIPE (3), FUEL INJECT	1		
37	Y124766-59050	Ï°½ Ø ÏB (ÏÜ 12	CLAMP 12	2		
38	Y119642-59450	FOËB²ÏB ÓÄP¼ CMP	PIPE ASSY, FUEL OVER	1		
39	Y124066-59100	• Ï°½ Ø ÏB (ÏÜ 8	• CLAMP 8	6		
40	Y119260-59520	• ¼P®²YÄ B	• JOINT (B)	1		
41	Y119260-59530	• ¼P®²YÄ A	• JOINT (A)	2		
42	Y105025-59550	• FOËB²ÏB ÓÄP¼	• PIPE, FUEL RETURN	2		
43	Y119642-59550	• FOËB²ÏB ÓÄP¼	• PIPE, FUEL RETURN	1		
44	Y119642-59570	• ¼P®²YÄ (µ°ÊP°ÏÜ°	• JOINT, OVER FLOW PIPE	1		
45	Y23414-140000	ÊB ¯Ý (ÏÜ 14	GASKET 14, ROUND	3		3TNE68-TB1
I 45-1	Y22190-140002 (A=E64121)	¼°ÜÜ ¯¼- (ËÏÜ®ÆÄØÜ) 14	SEAL, WASHER 14S	3	N	
46	Y119620-59700	Ä ¯Ä (É½PÙÓÄP¼	NUT	3		
47	Y23414-080012	ÊB ¯Ý (ËÏÜ 8	GASKET 8	2		3TNE68-TB1
I 47-1	Y22190-080002 (A=E64121)	¼°ÜÜ ¯¼- (ËÏÜ®ÆÄØÜ) 8	SEAL, WASHER 8S	2	N	
48	Y119225-59560	ÊB² ÏB (L=190	PIPE, FUEL OIL	1		
49	Y124550-59820	ÏYÄ-PÄÏPÜÄ 8	BOLT 8, PIPE JOINT	1		

Engine for TB014, TB016 3TNE68-TB1, ETB1  
**FUEL LINE**

Y00D6701  
 3TNE68- (E) TB1

14 FO/P17  
 FUEL LINE



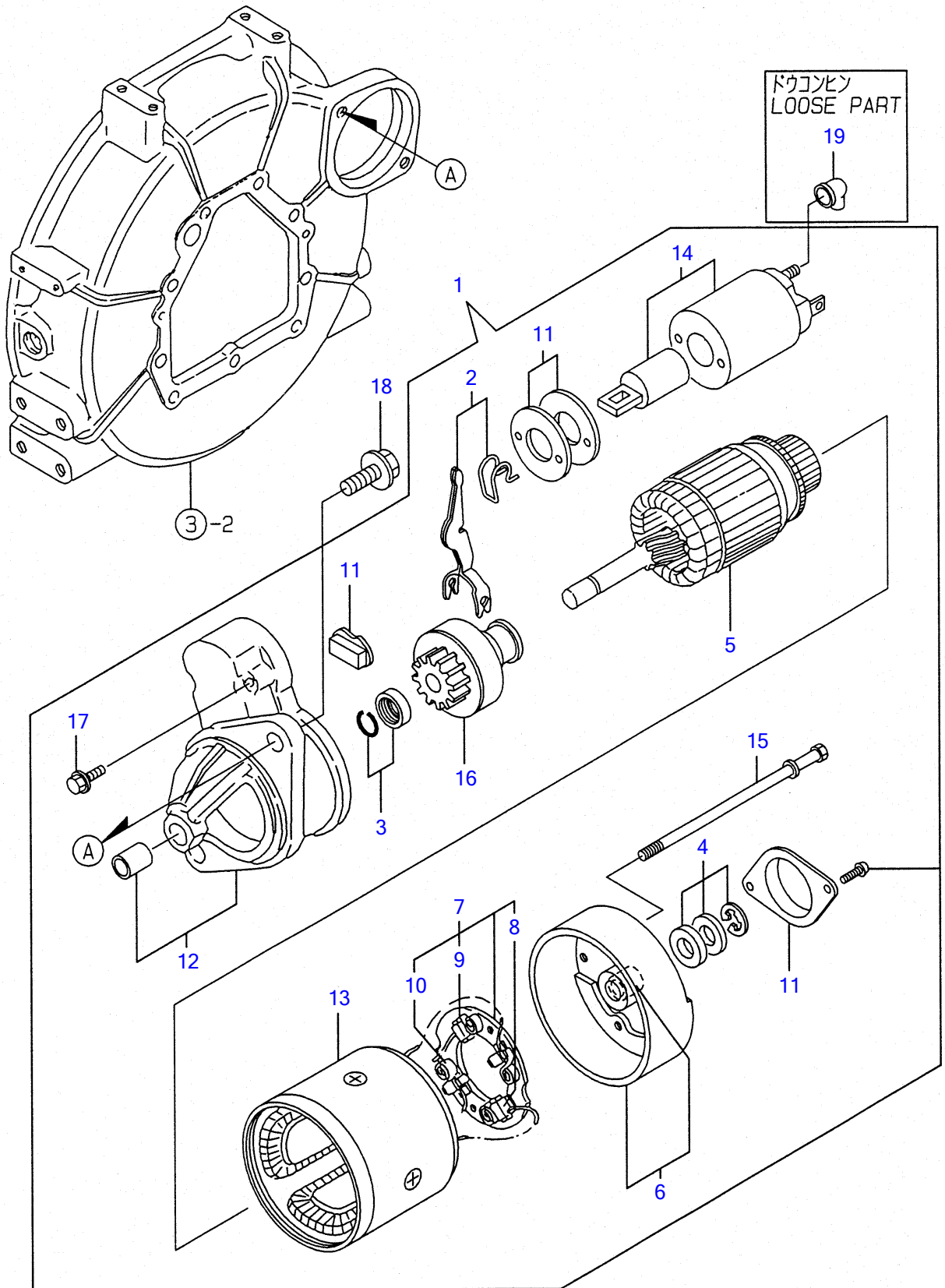
FOËËË FUEL LINE

REF NO.	PARTS NO.	Description	Q'ty	I	R	Notes
1	Y121520-01851	GASKET, (NON-ASB.)	1			
2	Y121520-01860	COVER, BLIND	1			
3	Y26106-060162	BOLT M6X16 PLATED	2			
4	Y119255-55620	STRAINER, FUEL	1			
5	Y104200-55330	• SPRING, TAPER VALVE	1			
6	Y119810-55340	• LEVER	1			
7	Y121254-55510	• CUP, STRAINER	1			
8	Y102103-55520	• O-RING	1			
9	Y110250-55610	• RING, RETAINER	1			
10	Y121250-55620	• SPRING	1			
11	Y124550-55700	• ELEMENT	1			
12	Y104200-55750	• SCREW M4	1			
13	Y24311-240100	• O-RING 1A P-10A	1			
14	Y26014-080702	BOLT W/WASHER M8X70	1			
15	Y119462-59190	BOLT ASSY, PIPE JOINT	1			
18	Y104200-59170	GASKET 12	2			3TNE68-TB1
I 18-1	Y22190-120002 (A=E64121)	SEAL WASHER 12	2	N		
19	Y119230-59031	PIPE ASSY, FUEL OIL	1			
20	Y101304-59020	• JOINT 12, PIPE	1			
21	Y124766-59050	• CLAMP 12	2			
22	Y119230-59080	• FO-T	1			
23	Y129335-55700	SEPARATOR, WATER	1			
24	Y104200-55321	• VALVE, TAPER	1			
25	Y104200-55330	• SPRING, TAPER VALVE	1			
26	Y104200-55341	• HANDLE, COCK	1			
27	Y124064-55510	• BOWL, FUEL STRAINER	1			
28	Y102103-55520	• O-RING	1			
29	Y110250-55610	• RING, RETAINER	1			
30	Y121257-55720	• SPRING, SCREEN	1			
31	Y121257-55731	• FLOAT	1			
33	Y101720-55750	• PLUG 6	2			
34	Y104200-55750	• SCREW M4	1			
35	Y171081-55910	• SCREEN	1			
36	Y23418-060000	• GASKET 6 NYLON	2			
37	Y24311-240100	• O-RING 1A P-10A	1			
38	Y129322-77401	FEED PUMP	1			
I 39	Y119840-59601 (A=E60051)	BEND ASSY	4	W		
I 40	Y124766-59050 (A=E60051)	• CLAMP 12	8	W		
I 42	Y119840-59621 (A=E60051)	• JOINT	4	W		

Engine for TB014, TB016 3TNE68-TB1, ETB1  
STARTING MOTOR

Y00D6701  
3TNE68-(E) TB1

15 スタートイングモータ  
STARTING MOTOR





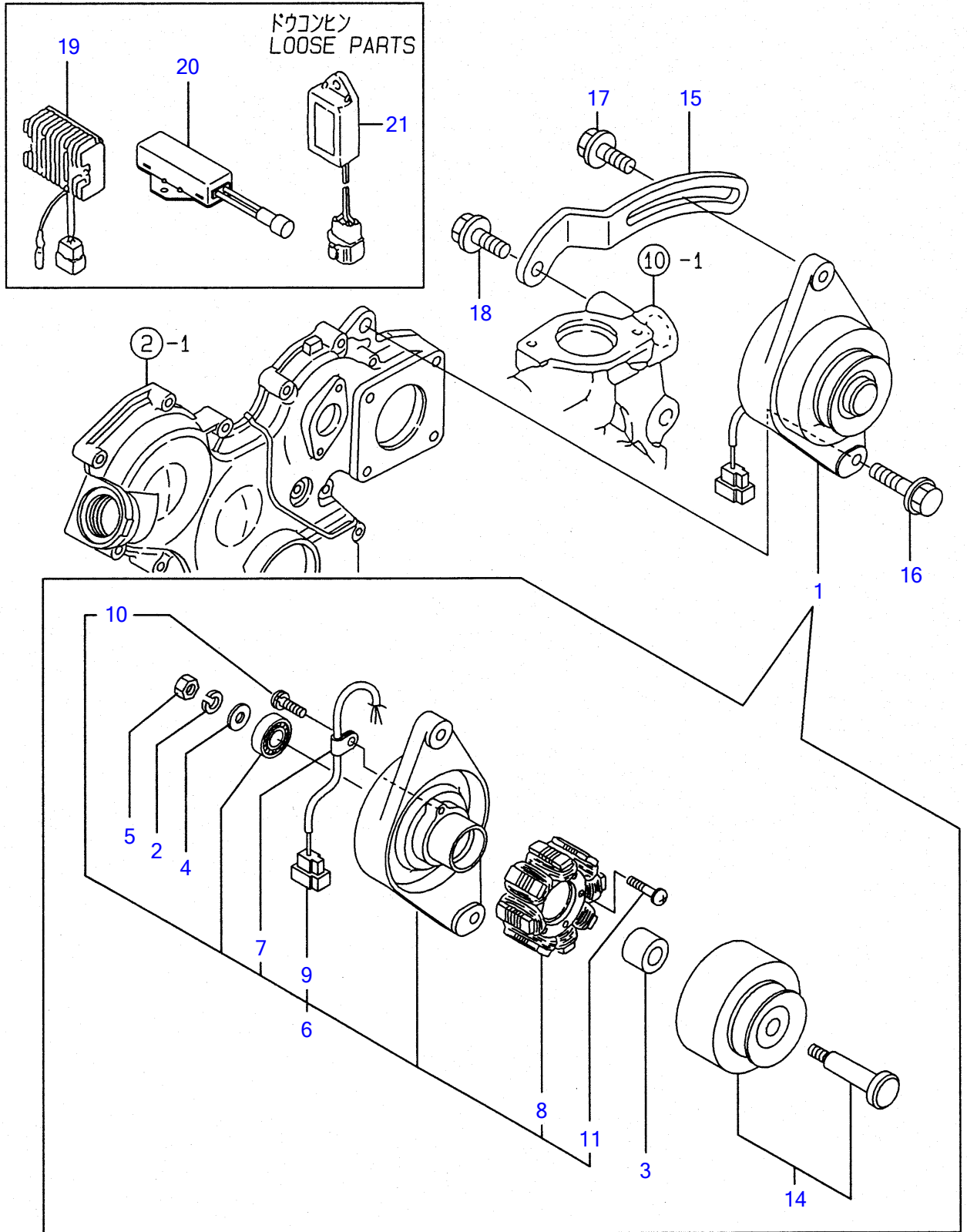
½Ä-Ä²Ý, ÞÓ-Ä STARTING MOTOR

REF NO.	PARTS NO.	Description	Q'ty	I	R	3TNE68-TB1
1	Y119631-77011	STARTING MOTOR	1			
2	Y114371-77180	• SHIFT LEVER KIT	1			
3	YX2114715500	• STOPPER SET, PINION	1			
4	YX2114811000	• WASHER KIT, THRUST	1			
5	Y114371-77110	• ARMATURE	1			
6	Y114371-77140	• COVER ASSY, REAR	1			
7	Y114371-77160	• HOLDER ASSY, BRUSH	1			
8	Y114371-79040	• BRUSH (-)	2			
9	Y114371-79050	• BRUSH (+)	1			
10	Y114371-79060	• SPRING, BRUSH	4			
11	Y114371-77170	• COVER KIT, DUST	1			
12	Y119631-77651	• CASE, GEAR	1			
13	Y124097-77710	• YOKE ASSY	1			
14	YX2114275010	• SWITCH ASSY, MAGNET	1			3TNE68-TB1
I 14-1	Y124298-77020 (A=E65286)	• SWITCH, MAGNET	1	N		
15	Y124195-77770	• THROUGH BOLT	2			
16	Y119631-77780	• PINION CMP	1			
17	Y114371-79070	• BOLT M6X37	2			
18	Y26116-120252	BOLT M12X25 PLATED	2			
19	Y124160-77020	COVER, TERMINAL	1			

Engine for TB014, TB016 3TNE68-TB1, ETB1  
GENERATOR

Y00D6701  
3TNE68- (E) TB1

16 ジェネレータ  
GENERATOR



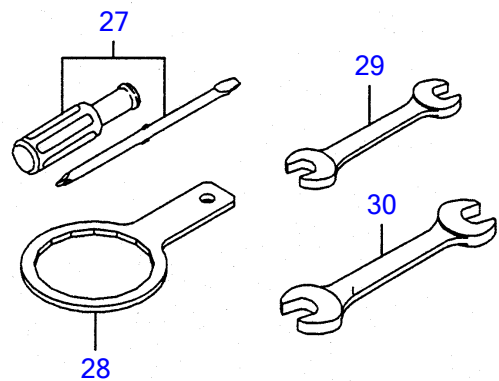
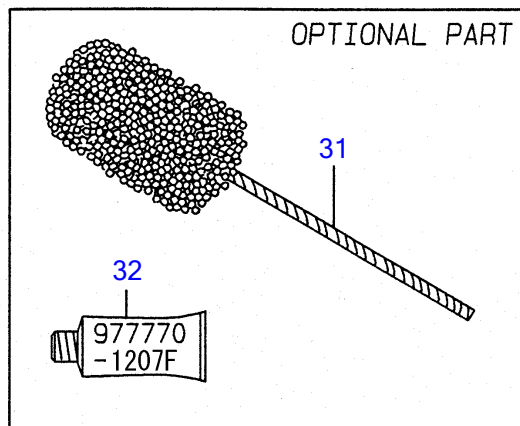
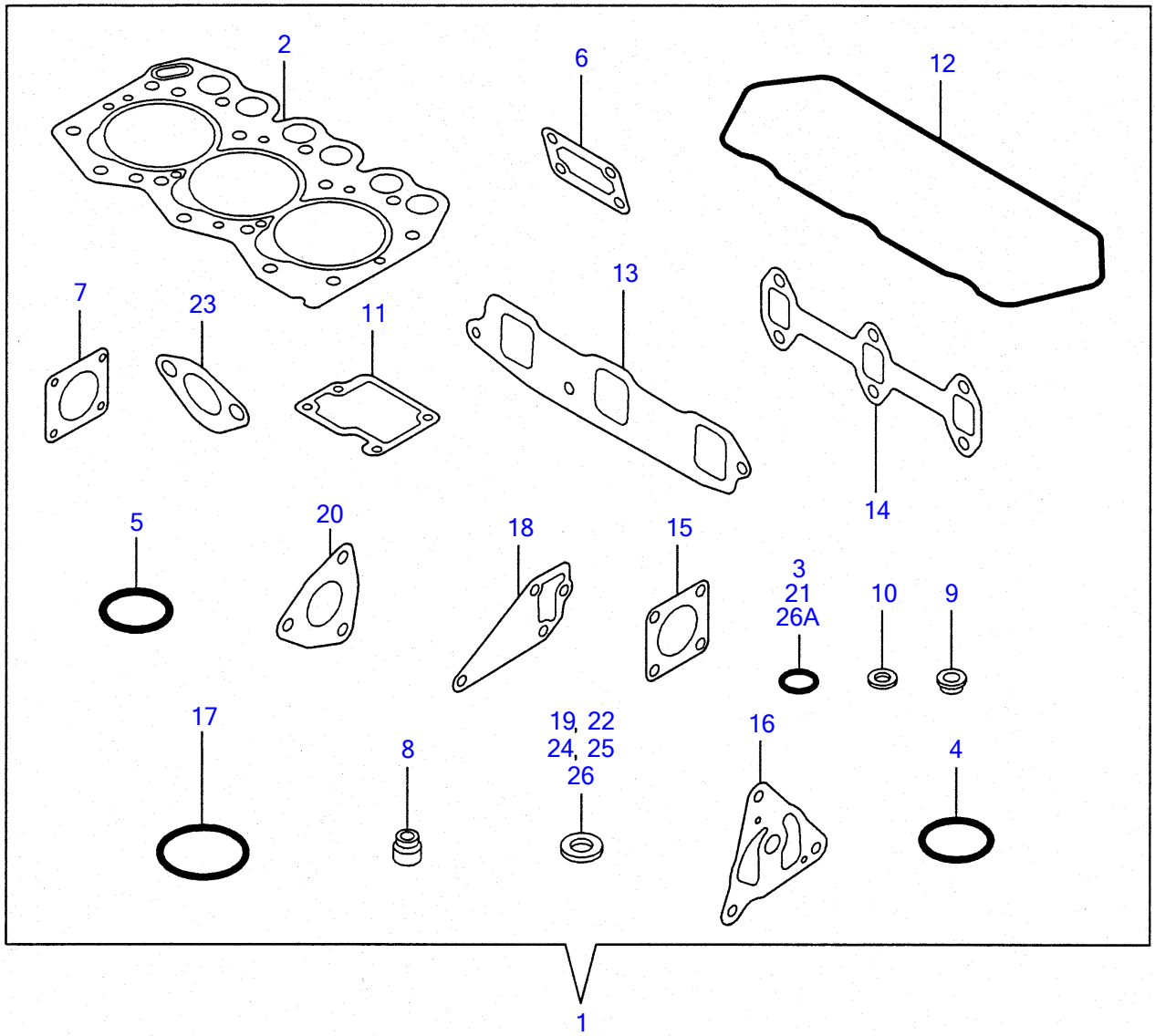
1/4P'EÚ-À GENERATOR

REF NO.	PARTS NO.	Description	Q'ty	I	R	"õ
1	Y129150-77202	GENERATOR	1			
2	YXM219230000	• WASHER, SPRING	1			
3	YXM329830000	• COLLAR	1			
4	YXM860250000	• WASHER 10	1			
5	YXM863720000	• NUT	1			
6	Y129150-77210	• PLATE ASSY	1			
7	YXM069000000	• CLAMP	1			
8	YXM081780000	• STATOR	1			
9	YXM178780000	• COUPLER	1			
10	YXYSPTS400800	• SCREW	1			
11	YXYSPTS402400	• SCREW	2			
14	Y129150-77230	• FLYWHEEL ASSY	1			
15	Y119232-77330	ADJUSTER, V-BELT	1			
16	Y26106-100402	BOLT M10X40 PLATED	1			
17	Y26014-080252	BOLT M8X25	1			
18	Y26106-080202	BOLT M8X20 PLATED	1			
19	Y119653-77710	LIMITTER, CORRENT	1			
20	Y129155-77810	RESISTOR	1			
21	Y119632-77920	TIMER	1			

Engine for TB014, TB016 3TNE68-TB1, ETB1  
**GASKET SET**

Y00D6701  
 3TNE68- (E) TB1

17 パッキンセット  
 GASKET SET



ÊËÄ·Ý¾ÄÄ GASKET SET

REF NO.	PARTS NO.	Description	Q'ty			
1	Y719260-92600	GASKET SET, (NON-ASB.)	1		(1)	µÍß¼@Ý ÌÞËÝÄÞ½D3TNE68-TB1
I 1-1	Y719260-92601	GASKET SET, (NON-ASB.)	1	N	(1)	µÍß¼@Ý ÌÞËÝÄÞ½D
2	Y119265-01341	GASKET, CYL. HEAD	1			
I 3-1	Y24311-000120	O-RING 1A P 12.0	4			3TNE68-TB1
	Y24311-000120	O-RING 1A P 12.0	2	K		
4	Y24311-000320	O-RING 1A P-32.0	2			
5	Y24341-000240	O-RING 1A S-24.0	1			
6	Y119660-01562	GASKET, (NON-ASB.)	1			
7	Y124240-01883	GASKET, (NON-ASB.)	1			
8	Y119260-11340	SEAL, VALVE STEM	6			
9	Y119600-11450	PROTECTOR, NOZZLE	3			
10	Y119600-11460	GASKET, NOZZLE	6			
11	Y119260-03031	GASKET, (NON-ASB.)	1			
12	Y119260-11310	GASKET, BONNET	1			
13	Y119270-12110	GASKET, SUC. MANIFOLD	1			
14	Y119260-13110	GASKET, EXH. MANIFOLD	1			
15	Y124701-11911	GASKET, (NON-ASB.)	2			
16	Y119660-32020	GASKET, L. O. PUMP	1			
I 17-1	Y24321-000350	O-RING 1A G-35.0	1			3TNE68-TB1
	Y119209-42140	O-RING, COVER THERMOS.	1	N		
18	Y119260-42020	GASKET, C. W. PUMP	1			3TNE68-TB1
I 18-1	Y119260-42021	GASKET, C. W.	1	N		
19	Y124465-44950	GASKET 16	1			
20	Y103954-13201	GASKET, SILENCER	1			
21	Y119209-35030	O-RING	1			
22	Y23414-140000	GASKET 14, ROUND	3			3TNE68-TB1
I 22-1	Y22190-140002	SEAL WASHER 14S	3	N		
23	Y121520-01851	GASKET, (NON-ASB.)	1			
24	Y104200-59170	GASKET 12	2			3TNE68-TB1
I 24-1	Y22190-120002	SEAL WASHER 12	2	N		
25	Y23414-080012	GASKET 8	2			3TNE68-TB1
I 25-1	Y22190-080002	SEAL WASHER 8S	2	N		
26	129150-49360	GASKET 10	1			
I 26A	119624-32040	O-RING P-12.0	2	W		
27	Y104200-92350	DRIVER, SCREW	1			
28	Y119332-92751	WRENCH, FILTER	1			
29	Y28110-100120	WRENCH 10X12	1			
30	Y28110-140170	WRENCH 14X17	1			
31	Y129400-92400	FLEX HORN	1			(1) µÍß¼@Ý ÌÞËÝÄÞ½D
32	Y977770-1207F	GASKET, LIQUID	1			(1) µÍß¼@Ý ÌÞËÝÄÞ½D