

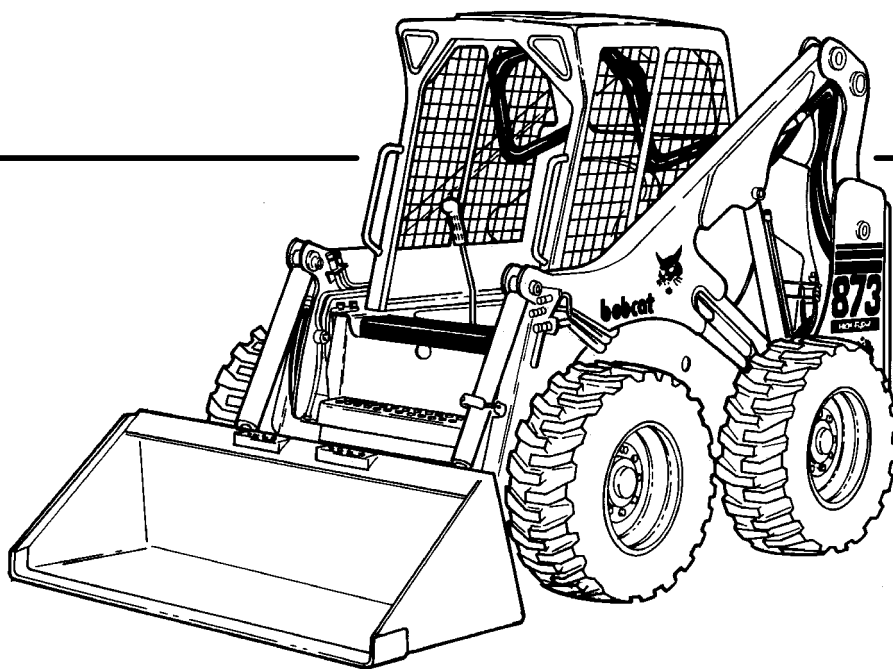
**873**



**Bobcat®**

**G-Series  
Parts  
Manual**

**S/N 5141 40001 & Above  
S/N 5142 40001 & Above  
S/N 5179 11001 & Above**



# HIGH MAINTENANCE ITEMS

## MODEL 873

PART NO.	DESCRIPTION	PAGE #
6665603	ENGINE OIL FILTER (6 PACK) .....	186
6667352	FUEL FILTER ELEMENT .....	32
6666375	AIR CLEANER, OUTER .....	196
6666376	AIR CLEANER, INNER .....	196
6661248	HYDROSTATIC FILTER, # 3 MEDIA .....	124
6665427	BATTERY .....	130
	( HYDRAULIC RESERVOIR CAPACITY ) .....	21 QTS. (19,9 L)
	( HYDRAULIC/HYDROSTATIC SYSTEM ) .....	13 GALS. (49,3 L)
	( CHAINCASE RESERVOIR ) .....	10 GALS. (37,9 L)
6563328	BLACK GOLD Hydraulic/Hydrostatic Fluid - 5 Gallons ...	316
6563330	BLACK GOLD 55 Gallon Drum .....	316
	( ENGINE LUBRICATION/COOLING SYSTEM ) .....	16 QTS. (15,1 L)
	( ENGINE OIL W/FILTER CAPACITY ) .....	10 QTS. (23,7 L)
6657299	MOTOR OIL 15W40 CE/SG -1 Qt. ....	316
6724558	MOTOR OIL 15W40 CE/SG -1 Gal. ....	316
6674204	MOTOR OIL 15W40 CE/SG -2.5 Gal. ....	316
6657301	MOTOR OIL 10W30 CE/SG -1 Qt. ....	316
6724557	MOTOR OIL 10W30 CE/SG -1 Gal. ....	316
6674205	MOTOR OIL 10W30 CE/SG -2.5 Gal. ....	316
6657303	MOTOR OIL 30 CE/SG -1 Qt. ....	316
6724559	MOTOR OIL 30 CE/SG -1 Gal. ....	316
6674206	MOTOR OIL 30 CE/SG -2.5 Gal. ....	316

# GENERAL INFORMATION

When using the machine serial number, use the complete number.

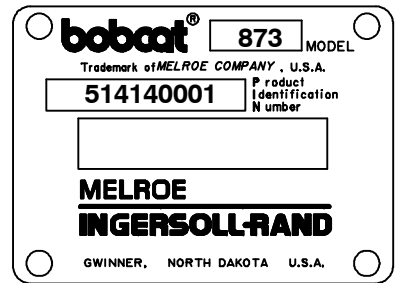
Some Serial Number breaks are not available at time of printing. These are listed as & Below or & Above.

The number shown in the quantity column in this manual is the number of parts needed for the illustration on the page. For some parts an "x" will be shown in the quantity column. This "x" indicates that the quantity to be used is "As Needed".

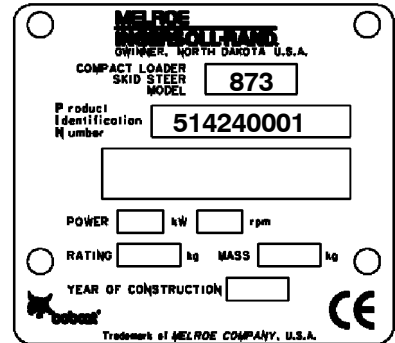
When references L.H. and R.H. are used in this manual, it is done from the operator's seat in the forward operating position.

To find the size and kind of bolt use the Bobcat Standard Microfiche (P/N 6566077).

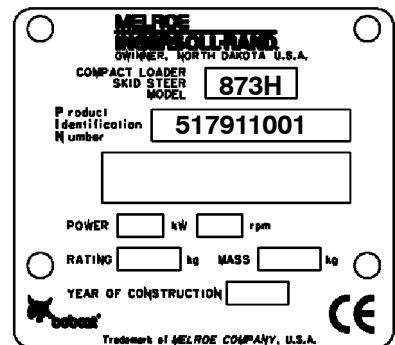
Some of the illustrations and information found in this parts manual were supplied to Bobcat/Ingersoll-Rand by machine component companies.



DOMESTIC



EXPORT



H.H. EXPORT

## ABBREVIATIONS & SYMBOLS

- SALES = Order from Gwinner Sales Department
- NSS = Not Serviced Separately
- NAP = Not Available as Parts
- \* = Changed or Added Sections, Pages or Part Numbers

### Disposition Code Definition (Found in the Remarks Column)

- [A] = Use Up
- [B] = Use Up on Other Application (See PNI)
- [C] = File PDR Report With Bobcat Parts Sales
- [D] = Part Number Error

Explications en francais	Grid Nb	A3
Erklärungen auf deutsch	Grid Nb	A4
Spiegazioni in italiano	Grid Nb	A5
Explicaciones en espanol	Grid Nb	A6
Verklaring in het Nederlands	Grid Nb	A7

# NOTE D'INFORMATION

Pour toute référence au numéro de série de l'engin, toujours donner le numéro complet.

Le chiffré apparaissant dans la colonne des quantités de ce manuel représentent le nombre de pièces nécessaires pour l'illustration reprise sur la page. Dans certains cas, on lira un "x" dans la colonne des quantités. Cet "x" indique que la quantité nécessaire est "selon besoin".

Pour toute référence vers la GAUCHE ou la DROITE dans ce manuel, considérer que la personne se trouve assise dans le siège de l'opérateur, en position de fonctionnement en marche avant.

Certaines illustrations et informations reprises dans ce manuel de pièces de rechange ont été fournies à Bobcat/Ingersoll-Rand, par des fabricants de composants.

## ABREVIATIONS & SYMBOLES

<b>SALES</b>	= Commander au Service Ventes à Bruxelles
<b>NSS</b>	= Pas vendu séparément
<b>NAP</b>	= Non disponible comme pièce de rechange
<b>*</b>	= Chapitre, page ou numéro de pièce modifié ou supplémentaire
<b>BTI</b>	= Bobcat Technical Information Bulletin : voir à la fin de la microfiche du modèle concerné ou la microfiche générale reprenant l'ensemble des "BTI".
<b>was 6535403</b>	= était avant 6535403
<b>adj. (adjustment)</b>	= réglage
<b>Assembly</b>	= ensemble
<b>available W/Ref.</b>	= disponible avec réf.
<b>bulk/sold per foot</b>	= en vrac/vendu par pied
<b>does not include</b>	= ne comprend pas
<b>included with</b>	= compris dans
<b>I.D.</b>	= D.I. (diamètre intérieur)
<b>O.D.</b>	= D.E. (diamètre extérieur)
<b>not in kit</b>	= pas en kit
<b>W/ - WO/</b>	= inclus/ - non inclus/
<b>Qty</b>	= quantité requise
<b>see page/ref.</b>	= voir page/réf.
<b>used with ref/</b>	= utilisé avec réf.
<b>0,05 inch thickness</b>	= 0,05 pouce d'épaisseur (un pouce = 25.4 mm)
<b>weld on</b>	= à souder

# ALLGEMEINE INFORMATIONEN

Bei Angabe der Maschinen-Seriennummer stets die komplette Nummer angeben.

Bei der in der Mengenspalte (Anzahl) in diesem Handbuch angegebenen Zahl handelt es sich um die Anzahl von Teilen, die für die Abbildung auf der betreffenden Seite benötigt werden. Bei manchen Teilen in der Mengenspalte ist ein "x" angegeben. Dieses "x" weist darauf hin, dass sich die Anzahl der verwendeten Teile auf den "Bedarf" bezieht.

Bei Verwendung der Seitenangaben links und rechts in diesem Handbuch gelten diese für die Blickrichtung vom Fahrersitz aus, und zwar in Vorwärts-Betriebsrichtung.

Einige der in diesem Ersatzteillandbuch aufgeführten Abbildungen und Informationen wurden der Bobcat/Ingersoll-Rand, von den Herstellern von Maschinenbauteilen zur Verfügung gestellt.

## ABKÜRZUNGEN UND SYMBOLE

<b>SALES</b>	= Bestellung bei der Verkaufsabteilung in Brüssel
<b>NSS</b>	= Nicht einzeln erhältlich
<b>NAP</b>	= Nicht als Ersatzteil erhältlich
<b>*</b>	= Geänderte oder hinzugefügte Abschnitte, Seiten oder Teilenummern
<b>BTI</b>	= Bobcat Technical Information Bulletin : Siehe am Ende der Mikrokarte des jeweiligen Modells oder der allgemeinen Mikrokarte der BTI.
<b>was 6535403</b>	= War 6535403
<b>adj.</b>	= Einstellung
<b>Assembly</b>	= Baugruppe
<b>available W/Ref.</b>	= erhältlich mit der Referenz
<b>bulk/sold per foot</b>	= Mengenabnahme / Verkauf pro Fuss
<b>does not include</b>	= beinhaltet nicht
<b>included with</b>	= enthalten in
<b>I.D.</b>	= Innendurchmesser
<b>O.D.</b>	= Aussendurchmesser
<b>not in kit</b>	= nicht in Bausatz
<b>W/ - WO/</b>	= mit/ - ohne/
<b>Qty</b>	= Anzahl
<b>see page/ref.</b>	= Siehe Seite / Referenz
<b>used with ref.</b>	= verwendet mit Referenz
<b>0.05 inch thickness</b>	= Dicke : 0.05 Zoll (ein Zoll = 25.4 mm)
<b>weld on</b>	= anschweißen

# INFORMAZIONI GENERALI

Quando si usa il numero di serie della macchina usare il numero completo.

Il numero mostrato nella colonna della quantità di questo manuale corrisponde al numero di componenti necessari per l'illustrazione della pagina. Per alcuni componenti appare "X" nella colonna delle quantità. Questa "X" indica che la quantità da usare è "come necessario".

See in questo manuale si fa riferimento alla parte destra o sinistra, si intende dal sedile dell'operatore nella posizione in avanti di funzionamento.

Alcune delle illustrazioni e informazioni trovate in questo manuale di componenti sono state fornite alla Bobcat/Ingersoll-Rand, da società di componenti di macchine.

## SIMBOLI E ABBREVIAZIONI

<b>SALES</b>	= Ordinare al servizio vendite di Bruxelles
<b>NSS</b>	= Non vendute separatamente
<b>NAP</b>	= Non disponibile come componente
<b>*</b>	= Sezioni, pagine o numeri di componente cambiati o aggiunti
<b>BTI</b>	= (Bobcat Technical information) Ved. al termine del microfiche del modello relativo oppure microfiche generale
<b>was 6535403</b>	= era 6535403
<b>adj. (adjustment)</b>	= regol. (regolazione)
<b>Assembly</b>	= Complessivo
<b>available W/Ref.</b>	= disponibile con rif.
<b>bulk/sold per foot</b>	= alla rinfusa/venduto al piede
<b>does not include</b>	= non comprende
<b>Included with</b>	= compreso con
<b>I.D.</b>	= d. i.
<b>O.D.</b>	= d. e.
<b>not in kit</b>	= non fa parte del kit
<b>W/ - WO/</b>	= con - senza
<b>Qty</b>	= Qtà
<b>see page/ref</b>	= ved. pagina/rif.
<b>used with ref.</b>	= usato con il rif.
<b>0,05 inch thickness</b>	= spessore 0,05 pollici (un pollice = 25,4 mm)
<b>weld on</b>	= a saldare

# INFORMACION GENERAL

Al utilizar el número de serie de la máquina, debe emplearse el número completo.

El número que figura en la columna de “Unidades” en este manual es el número de piezas que se necesitan para la ilustración que consta en la página. En algunas piezas aparece una “x” en la columna de “Unidades”. Esta “x” indica que las unidades a utilizar son “según sea necesario”.

Cuando se empleen las referencias izq. y dcha., éstas se entienden mirando desde el asiento del conductor, en posición de marcha adelante.

Algunas de las ilustraciones y la información que figuran en este manual de piezas han sido facilitadas a Bobcat/Ingersoll-Rand, por empresas de componentes de máquinas.

## ABREVIATURAS Y SIMBOLOS

<b>VENTAS</b>	= Pedido al Departamento de Ventas de Bruselas
<b>NSS</b>	= No se vende por separado
<b>NAP</b>	= No disponible como pieza de repuesto
<b>*</b>	= Secciones, páginas o referencias modificadas o añadidas
<b>BTI</b>	= (Bobcat Technical Information) Ver al final de la microficha del modelo afectado o en la microficha general “Boletín de Información Técnica Bobcat”.
<b>was 6535403</b>	= era anteriormente el 6535403
<b>adj. (adjustment)</b>	= ajuste
<b>assembly</b>	= conjunto
<b>available W/Ref.</b>	= disponible con la ref.
<b>bulk/sold per foot</b>	= a granel/vendido por pies
<b>does not include</b>	= no incluye
<b>included with</b>	= incluido en
<b>I.D.</b>	= diámetro interior
<b>O.D.</b>	= diámetro exterior
<b>not in kit</b>	= no en el kit
<b>W/ - WO/</b>	= con/ - sin
<b>Qty</b>	= Unidades
<b>see page /ref.</b>	= ver página/ref.
<b>used with ref.</b>	= empleado con la ref.
<b>0,05 inch thickness</b>	= 0,05 pulgadas de espesor (1 pulgada = 25,4 mm)
<b>weld on</b>	= debe ser soldado

# ALGEMENE INFORMATIE

Als u het serienummer van de machine gebruikt, geef dan het gehele serienummer.

Het cijfer dat voorkomt in de kolom "Aantal", in deze handleiding, is het aantal onderdelen dat nodig is van de illustratie op de pagina. Voor sommige onderdelen staat er een "x" in de kolom "Aantal". Deze "x" betekent dat er een aantal "zoals nodig" vereist is.

Wanneer er in deze handleiding naar "links" en naar "rechts" gerefereerd wordt, moet dit verstaan worden voor een bestuurder die in de bestuurdersstoel zit in de voorwaartse bedrijfsstand.

Sommige van de illustraties en informatie in deze onderdelen-handleiding werden door firma's van machine-componenten geleverd aan Bobcat/Ingersoll-Rand.

## AFKORTINGEN EN SYMBOLEN

<b>SALES</b>	= Bestellen bij de Verkoopafdeling te Brussel
<b>NSS</b>	= Niet afzonderlijk te verkrijgen
<b>NAP</b>	= Niet beschikbaar als onderdeel
<b>*</b>	= Gewijzigde of toegevoegde paragrafen, pagina's of onderdeelnummers
<b>BTI</b>	= Bobcat Technical Information Bulletin : Zie einde van de microfiche van het desbetreffende model of einde van de algemene microfiche die het geheel van alle "BTI" herneemt.
<b>was 6535403</b>	= was vroeger 6535403
<b>adj. (adjustment)</b>	= afstelling
<b>Assembly</b>	= geheel
<b>available W/Ref.</b>	= beschikbaar met ref.
<b>bulk/sold per foot</b>	= bulk/aan de meter verkocht
<b>does not include</b>	= bevat niet
<b>includes with</b>	= is bevat in
<b>I.D.</b>	= $\phi$ inw. (inwendige diameter)
<b>O.D.</b>	= $\phi$ uitw. (uitwendige diameter)
<b>not in kit</b>	= niet in de kit
<b>W/ - WO/</b>	= met/ - zonder/
<b>Qty</b>	= vereiste aantal
<b>see page/ref.</b>	= zie pagina/ref.
<b>used with ref/</b>	= gebruikt met ref.
<b>0,05 inch thickness</b>	= 0.05 inch dik (een inch = 25.4 mm)
<b>weld on</b>	= te lassen



# 873 G-SERIES ALPHABETICAL INDEX

ADHESIVE .....	298	INJECTOR NOZZLES .....	182
AIR CLEANER .....	152, 186	INJECTORS .....	182
ALTERNATOR .....	142, 158	LATCH, REAR DOOR .....	22
ANTI-FREEZE .....	298	LEVER, PINTLE .....	94
AUXILIARY HYDRAULICS .....	52	LIFT ARM .....	24
AXLE .....	39	LIGHT KIT .....	265
BACK UP ALARM .....	192	LIGHTS, FLASHER .....	240
BELT, COOLING FAN .....	148	LOCK, REAR DOOR .....	280
BELT, MAIN DRIVE .....	158	LUBRICANT .....	298
BELT, PUMP DRIVE .....	156	MAIN FRAME .....	12
BELT, TIMING .....	172	MANIFOLD .....	167
BLACK GOLD .....	298	MOTOR, HYDRO. ....	84
BLOCK HEATER .....	194	MOUNT, ENGINE .....	158
BLOCK, ENGINE .....	176	MOUNT, HYDRO. PUMP .....	160
BOB-TACH .....	28	MUFFLER .....	152
BOOT, RUBBER .....	30	OIL COOLER .....	88
BUCKET POS. KIT .....	198	OIL PAN .....	176
CAB DOOR .....	202, 206	OIL .....	298
CAB ENCLOSURE .....	213	PAINT .....	298
CAB .....	14, 16	PANEL, INSTRUMENT .....	124, 126
CAMSHAFT .....	172	PEDALS, CONTROL .....	62
CAP, FUEL .....	32	PISTON .....	180
CAP, HYD. OIL .....	84	POLISH .....	298
CHAINCASE .....	12	PUMP, GEAR .....	117
COOLING FAN DRIVE ASSY. ....	164	PUMP, HYDRO .....	102, 106
CRANKSHAFT .....	180	PUMP, OIL .....	185
CYLINDER HEAD .....	170	PURIFIER .....	275
CYLINDER, BOBTACH .....	269	RADIATOR .....	150
CYLINDER, LIFT .....	59	REAR AUXILIARY KIT .....	278
CYLINDER, TILT .....	42, 46, 56, 58	RIM .....	294
DECALS .....	220	SEALANT .....	298
DIPSTICK, ENG. OIL .....	176	SEAT BELT .....	283, 288
DISC BRAKE .....	38	SEAT .....	19, 20
DOOR, CAB .....	202, 206	SENDER, FUEL .....	32
DOOR, REAR .....	22	SHOCK CONTROLS .....	94
DRIVE MOUNT ASSY .....	36	SPROCKET, AXLE .....	39
ENGINE .....	156, 158	STARTER .....	146
EXTERNAL REMOVAL R. WIN KIT	214	STOP, LIFT ARM .....	26
FAN .....	148	STROBE LIGHT .....	293
FILTER, AIR .....	186	SWITCH, IGNITION .....	124, 126
FILTER, ENG. OIL .....	176	TANK, FUEL .....	32
FILTER, FUEL .....	32	TANK, HYDRO .....	84
FILTER, HYD. OIL .....	88	THROTTLE .....	162
FIRE EXTINGUISHER .....	238	TIRE .....	294
FLASHER LIGHTS .....	240	TOOL HOLDER .....	22
FUEL SYSTEM .....	32	TURBOCHARGER .....	176
GAS SPRING .....	14, 202, 206	VALVE STEM .....	294
GASKET KITS, ENG. ....	166	VALVE, BKT. POS. ....	74
H-FRAME .....	24	VALVE, ENGINE .....	170
HARNESS, CAB .....	124, 126	VALVE, HYD. CONTROL .....	64, 70
HARNESS, LIGHTS .....	265	WINDOW, REAR .....	216, 224
HEATER .....	250, 254, 256	WINDOW, SIDE .....	216
HORN .....	261	WIPER, WINDSHIELD .....	202
HUB, AXLE .....	39		

# 873 G-SERIES CONTENTS

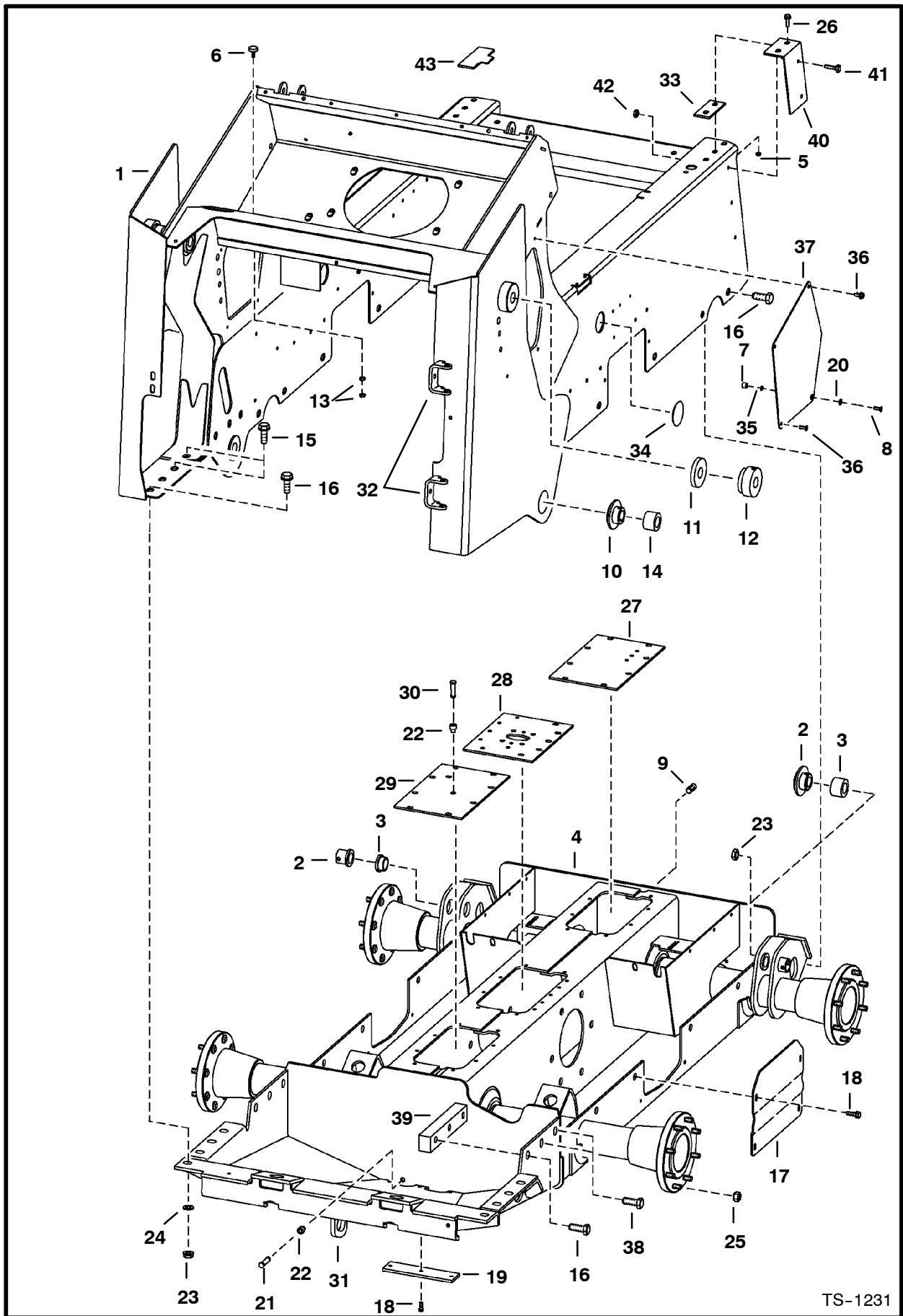
<b>MAIN FRAME</b> .....	<b>11-34</b>
MAIN FRAME .....	11
OPERATOR CAB .....	13, 15
SEAT & SEAT BAR .....	17
SEAT .....	19, 20
REAR DOOR .....	21
LIFT ARMS & BOBTACH .....	23
BOB-TACH .....	27
PANELS .....	29
FUEL SYSTEM .....	31
<b>DRIVE TRAIN</b> .....	<b>35-40</b>
DRIVE TRAIN .....	35
MOTOR CARRIER .....	36
DISC BRAKE .....	37
AXLE .....	39
<b>HYDRAULIC SYSTEM</b> .....	<b>41-74</b>
HYDRAULIC CIRCUITRY .....	41-48
LIFT & TILT CONTROL CIRCUITRY .....	49
AUXILIARY HYDRAULICS .....	51
TILT CYLINDER .....	55, 57
LIFT CYLINDER .....	59
MANUAL LIFT RELEASE VALVE .....	60
CONTROL PEDALS .....	61
HYDRAULIC CONTROL VALVE .....	63-72
BUCKET POSITIONING VALVE .....	73
<b>HIGH HORSEPOWER HYDRAULICS</b> .....	<b>75-82</b>
<b>HYDROSTATIC SYSTEM</b> .....	<b>83-122</b>
HYDROSTATIC CIRCUITRY .....	83-92
HAND CONTROLS .....	93
HYDROSTATIC MOTOR .....	95
HYDROSTATIC MOTOR & BRAKE .....	97
HYDROSTATIC PUMP .....	101-116
GEAR PUMP .....	117, 118
2-SPEED VALVE .....	119
HYDROSTATIC OIL FILTER .....	121, 122
<b>ELECTRICAL SYSTEM</b> .....	<b>123-146</b>
CAB ELECTRICAL CIRCUITRY .....	123-126
ENGINE ELECTRICAL .....	127
ELECTRICAL CONTROLS .....	131-140
ALTERNATOR .....	141, 143
STARTER .....	145
<b>POWER UNIT</b> .....	<b>147-186</b>
COOLING SYSTEM .....	147-150
ENGINE & ATTACHING PARTS .....	151-160
THROTTLE .....	161
COOLING FAN DRIVE ASSY .....	163
ENGINE & GASKET KITS .....	165
OIL PUMP .....	185
AIR CLEANER .....	186

## 873 G-SERIES CONTENTS (Cont'd)

### ACCESSORIES & OPTIONS

ACCESS COVER .....	189
BACK-UP ALARM KIT .....	191
BEACON .....	193
BLOCK HEATER .....	194, 195, 196
BUCKET POSITIONING KIT .....	197
BUCKET SHIELD KIT .....	199
CAB DOOR .....	201-207
CAB ENCLOSURE .....	209-213
CAB WINDOWS .....	214, 215
COUNTERWEIGHT KIT .....	217
DEBRIS EJECTOR KIT .....	218
DECALS .....	219, 221
DELUXE CAB .....	223
ELECTRICAL CONTROLS KIT .....	226-230
EUROPEAN ACCESSORIES .....	231-236
FIRE EXTINGUISHER .....	238
FLASHER LIGHTS .....	239
F.O.P.S. KIT .....	241
GAS SPRING KIT .....	242
HAND CONTROL KIT .....	243
HEATER & A/C .....	248-260
HORN KIT .....	261
LIFT KIT .....	262
LIFT ARM KIT .....	263
LIGHT KIT .....	265
POWER BOB-TACH KIT .....	267
POWER BOB-TACH CYLINDER .....	269
POWER BOB-TACH .....	271-274
PURIFIER .....	275
REAR AUXILIARY HYDRAULICS .....	277
REAR AUXILIARY VALVE .....	279
REAR DOOR LOCK .....	280
REAR WIPER .....	281
SEAT .....	282
SEAT BELT .....	286, 287, 288
SEVEN PIN CONNECTOR KIT .....	289
SOUND OPTION .....	291
STROBE LIGHT .....	293
TIRES & RIMS .....	294-296
<b>BULK ITEMS .....</b>	<b>297</b>
<b>NUMERICAL INDEX .....</b>	<b>299</b>

# MAIN FRAME

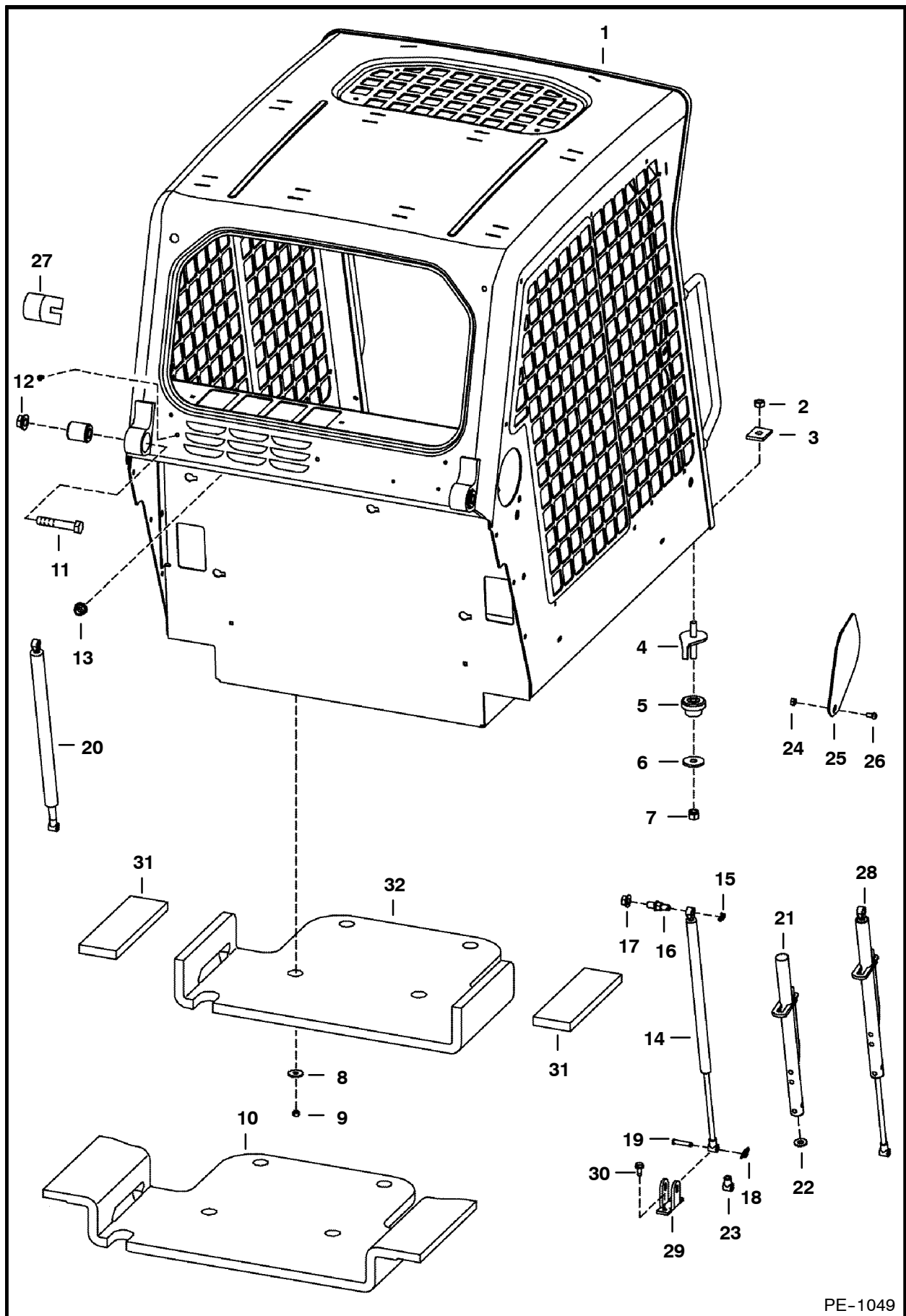


TS-1231

## MAIN FRAME (Cont'd)

Ref. No.	Part Number	Description	Remarks	Serial Number	Qty.
1*	6728479	MAIN FRAME	Was 6717837 [A]		1
2	6716532	BUSHING	weld-on		2
3	6716533	BUSHING	weld-on		2
4		CHAINCASE	See Page 35 - frame only		1
5	83D-8	NUT			4
6	6655399	BUMPER			4
7	97D-5	NUT			2
8	25G-514	BOLT			1
9	11F-12	PLUG	chaincase fill		1
10	6706712	BUSHING	inside upright weld-on		2
11	6717826	BUSHING	inside upright weld-on		2
12	6717831	BUSHING	outside upright weld-on		2
13	61D-5	NUT			4
14	6709857	BUSHING	outside upright weld-on		2
15	31C-1236	BOLT			4
16	31C-1228	BOLT			18
17	6719168	COVER	Was 6719201 [A]		2
18	84G-3712	BOLT			8
19	6700182	COVER	drain		1
20	25E-15	WASHER			2
21	6599645	PLUG	chaincase drain		1
22	6553411	BUSHING			2
23	53D-12	NUT	83D-12 [A]		20
24	6701097	WASHER			4
25	6564669	NUT	wheel - See Page 41		32
26	35C-824	BOLT	used W/metal guide		4
	35C-832	BOLT	used W/plastic guide		4
27		COVER	See Page 37		1
28		COVER	See Page 37		1
29		COVER	See Page 37		1
30		BREATHER	See Page 37		1
31	6706485	HOOK	tie down - weld-on		2
32	6708987	HINGE	weld-on		2
33	6709900	SPACER	guide - used W/metal guide		4
	6709900	SPACER	guide - used W/plastic guide		6
34	6718796	PLUG	Was 6660646 [A]		1
35	6564535	WASHER			2
36	84G-3112	BOLT			4
37	6706730	COVER			2
38	17C-1228	BOLT			4
39	6706857	BLOCK	threaded		2
40	NAP	GUIDE	metal - Order 6718512 (2) also		
			Order 6709900 (2) spacer, 25E-14 (4) washer, 35C-832 (4) bolt & 53C-516 (4) bolt - Was 6709950 [A]		2
41	6718512	GUIDE	plastic		2
	17C-516	BOLT	used W/metal guide		4
	53C-516	BOLT	used W/plastic guide		4
42	83D-5	NUT			4
43	6707515	PLATE	weld-on		2
44	25E-14	WASHER	used W/plastic guide		4

# OPERATOR CAB

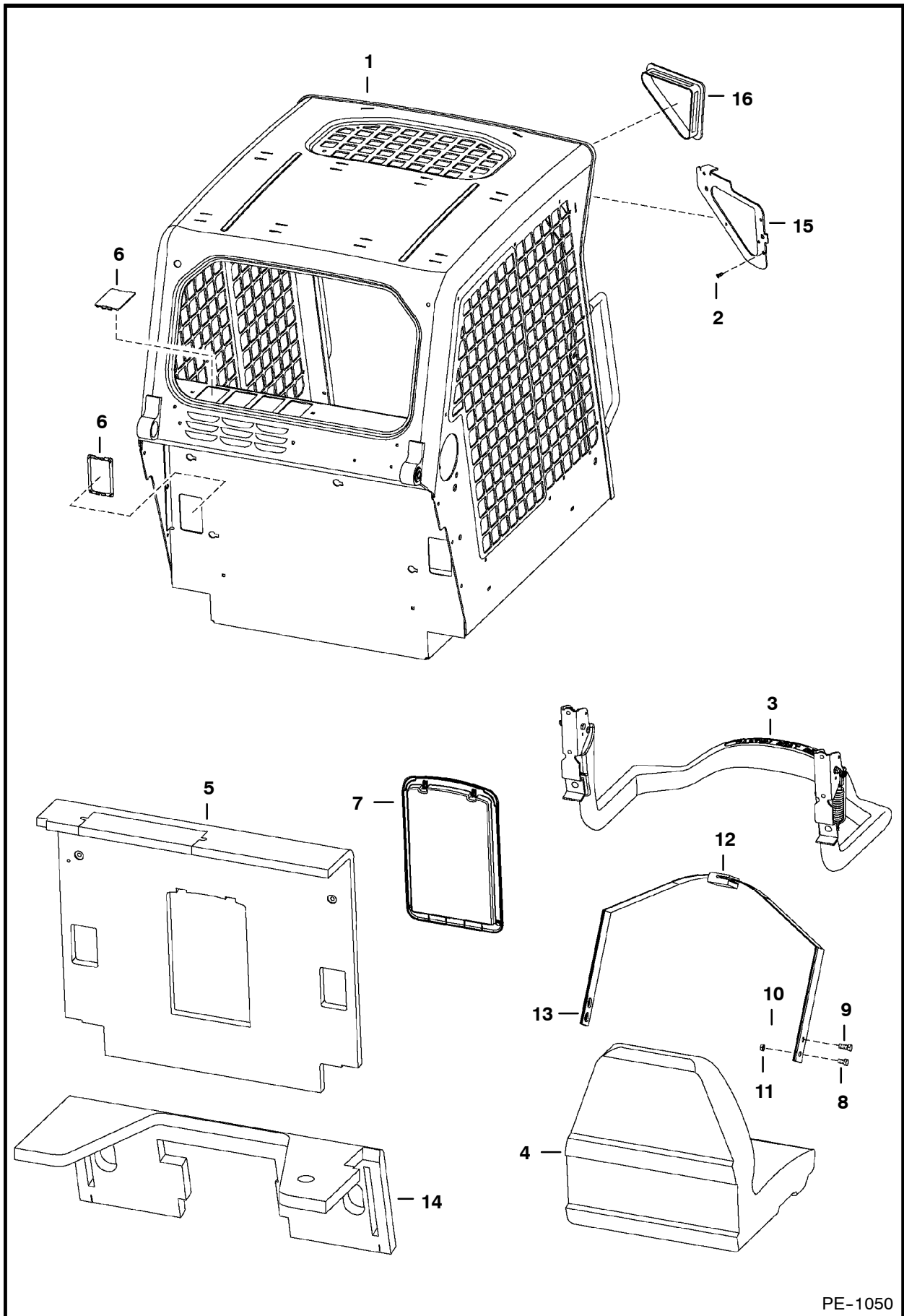


PE-1049

**OPERATOR CAB (Cont'd)**

Ref. No.	Part Number	Description	Remarks	Serial Number	Qty.
1		OPERATOR CAB	includes cab decals		1
2	59D-8	NUT			2
3	6553709	WASHER	rectangular		2
4	6702971	BOLT			2
5	6560633	DAMPENER			2
6	6515817	WASHER			2
7	85D-8	NUT			2
8	619021	WASHER			4
9	59D-5	NUT			4
10*	NAP	INSULATION	seat pan - Order Ref. 32 & 31 (2) Was 6719360 [A]		1
11	17C-1056	BOLT			2
12	53D-10	NUT			2
13	53D-6	NUT			4
14	6675135	GAS SPRING	R.H.		1
15	6675140	SNAP RING			2
16	6719064	MOUNT			2
17	83D-8	NUT			2
18	6631418	PIN	ring		2
19	6567743	PIN			2
20	6675137	GAS SPRING	L.H.		1
	6675139	GAS SPRING	L.H. - for cab W/ enclosure		1
21	6708189	TUBE	stop - R.H.		1
22	6701174	WASHER			1
23	6675258	CLEVIS			1
24	95D-5	NUT			2
25	6718784	COVER			2
26	25G-510	BOLT			2
27	6579613	STOP			2
28	NAP	GAS SPRING	R.H. - W/latch - Order Ref. 14 & 21-23 - Was 6719078 [A]		1
29*	6706349	MOUNT	gas spring		2
30*	84G-3112	BOLT			4
31*	6729012	INSULATION	seat pan		2
32*	6729013	INSULATION	seat pan		1

# OPERATOR CAB



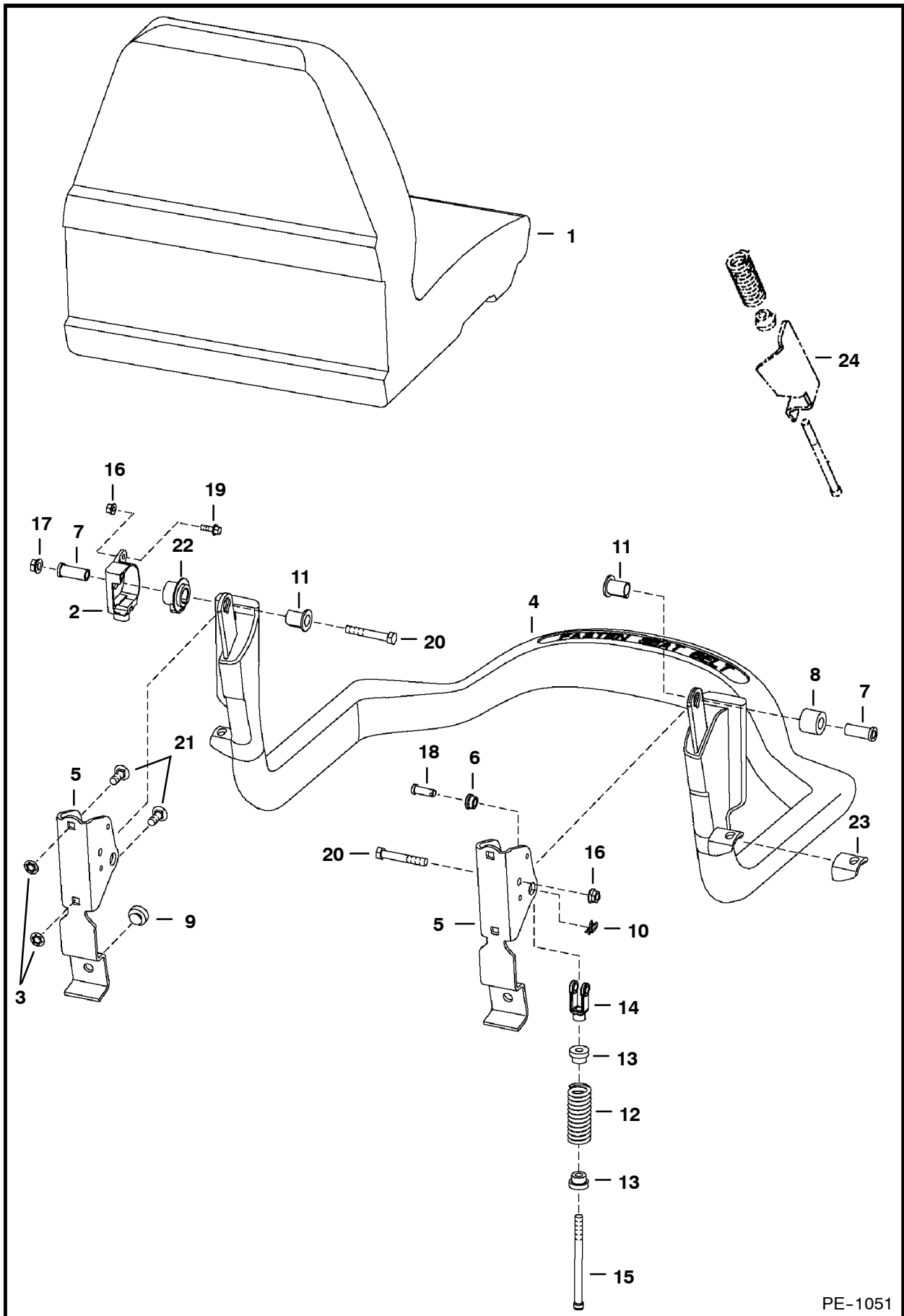
PE-1050



## OPERATOR CAB (Cont'd)

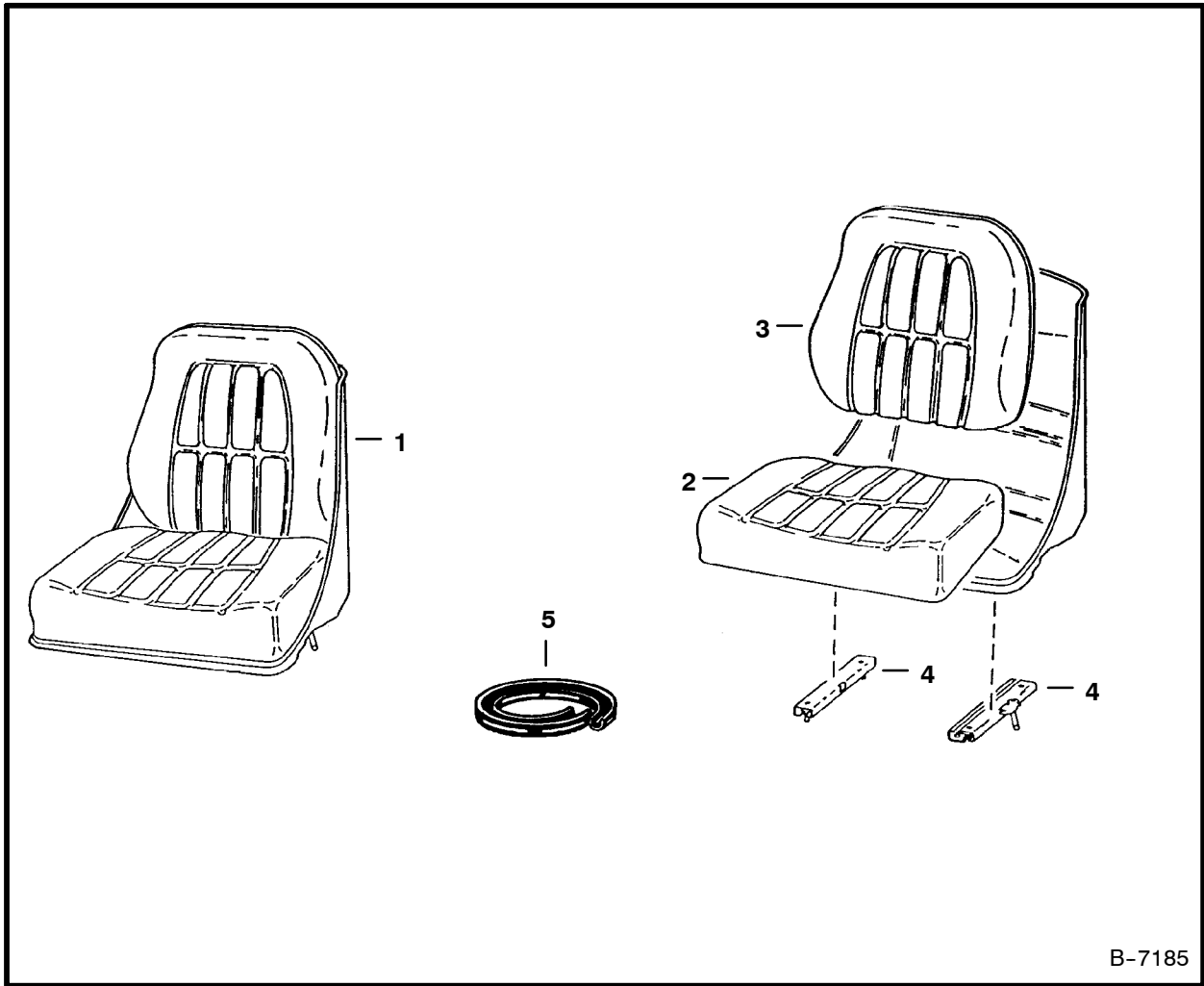
Ref. No.	Part Number	Description	Remarks	Serial Number	Qty.
1		OPERATOR CAB	includes cab decals		1
2	6675033	INSERT			6
3		SEAT BAR	See Page 17		1
4		SEAT	See Page 19, 20 & 301		1
5	6717516	INSULATION			1
6	6718101	COVER			6
7	6719503	CONTAINER	manuals		1
	6675524	CLIP			2
	6725301	COVER			1
	6725303	FRAME			1
8	17C-612	BOLT			2
9	17C-716	BOLT			2
10	85D-7	NUT			2
11	85D-6	NUT			2
12	NAP	SEAT BELT	Order 6675074 seat belt & 6725373 (2) spring plate - Was 6667875 [A]		1
*	NAP	SEAT BELT	W/spring plates - Order 6675074 seat belt & Ref. 13 (2) (6725373 spring plate) - Was 6725403 [A]		1
*	6675074	SEAT BELT	W/O spring plates		1
13	NAP	GUIDE	Order 6711908 spring plate, 6565355 guide & 6630207 (2) rivet - Was 6711907 [A]		2
	6711908	SPRING PLATE	use W/Ref. 12 (NAP/6667875 seat belt)		2
*	6725373	SEAT BELT	use W/Ref. 12 (6675074 seat belt)		2
14	6719406	INSULATION			1
15	NSS	FRAME	L.H. - weld-on		1
	NSS	FRAME	R.H. - weld-on		1
16	6674403	COVER	no lights		2

# SEAT & SEAT BAR



PE-1051

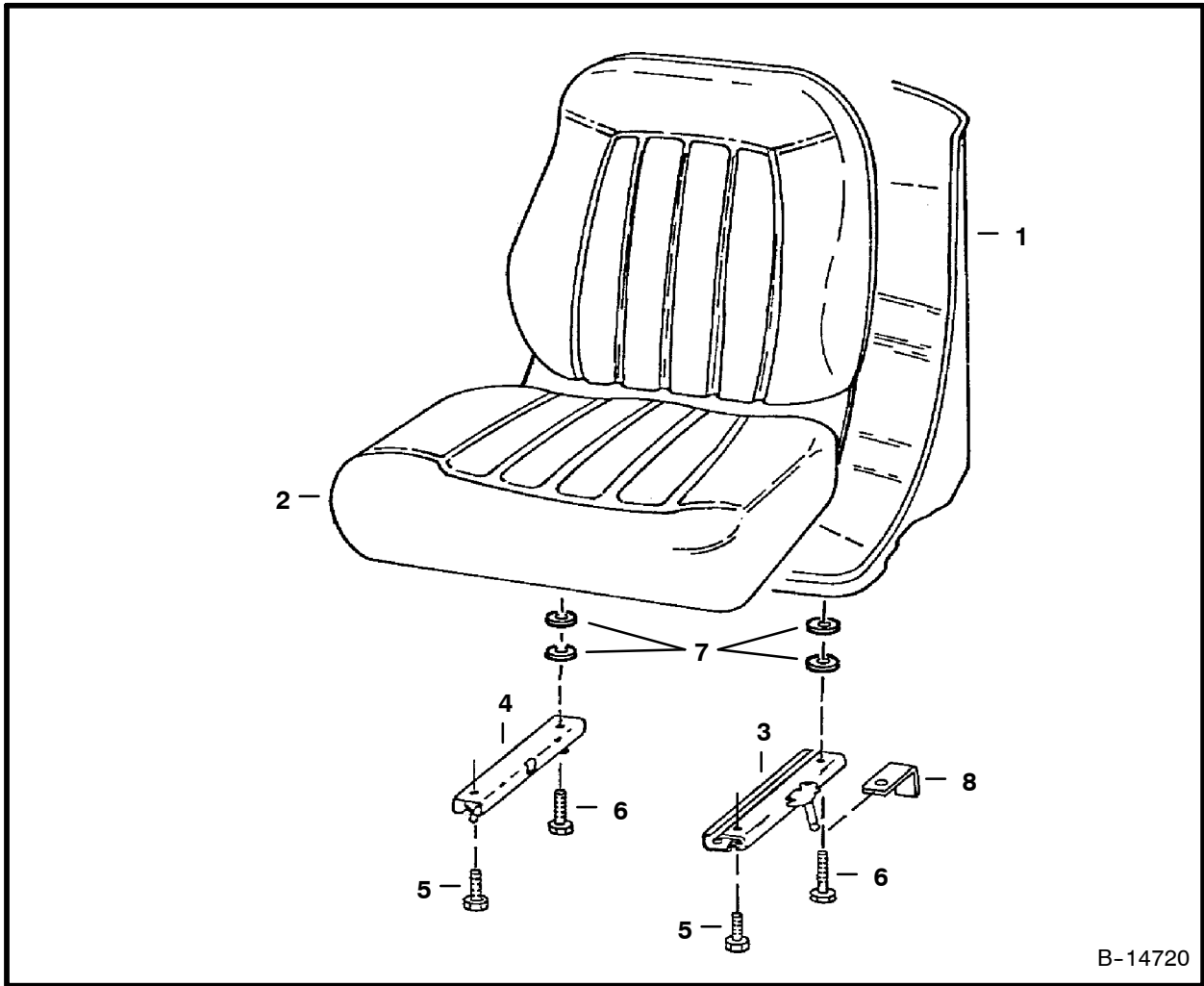




B-7185

**SEAT**

Ref. No.	Part Number	Description	Remarks	Serial Number	Qty.
1	6665401	SEAT	seat - black		1
2	6630468	CUSHION	seat - black		1
3	6630465	CUSHION	back - black		1
4	6630469	TRACK	W/Latch		1
	6599780	TRACK	WO/Latch		1
5	6652935	EDGING	96" (2,4 m) - For Ref. 2 & 3		x
	6665656	CLIP	splice		1

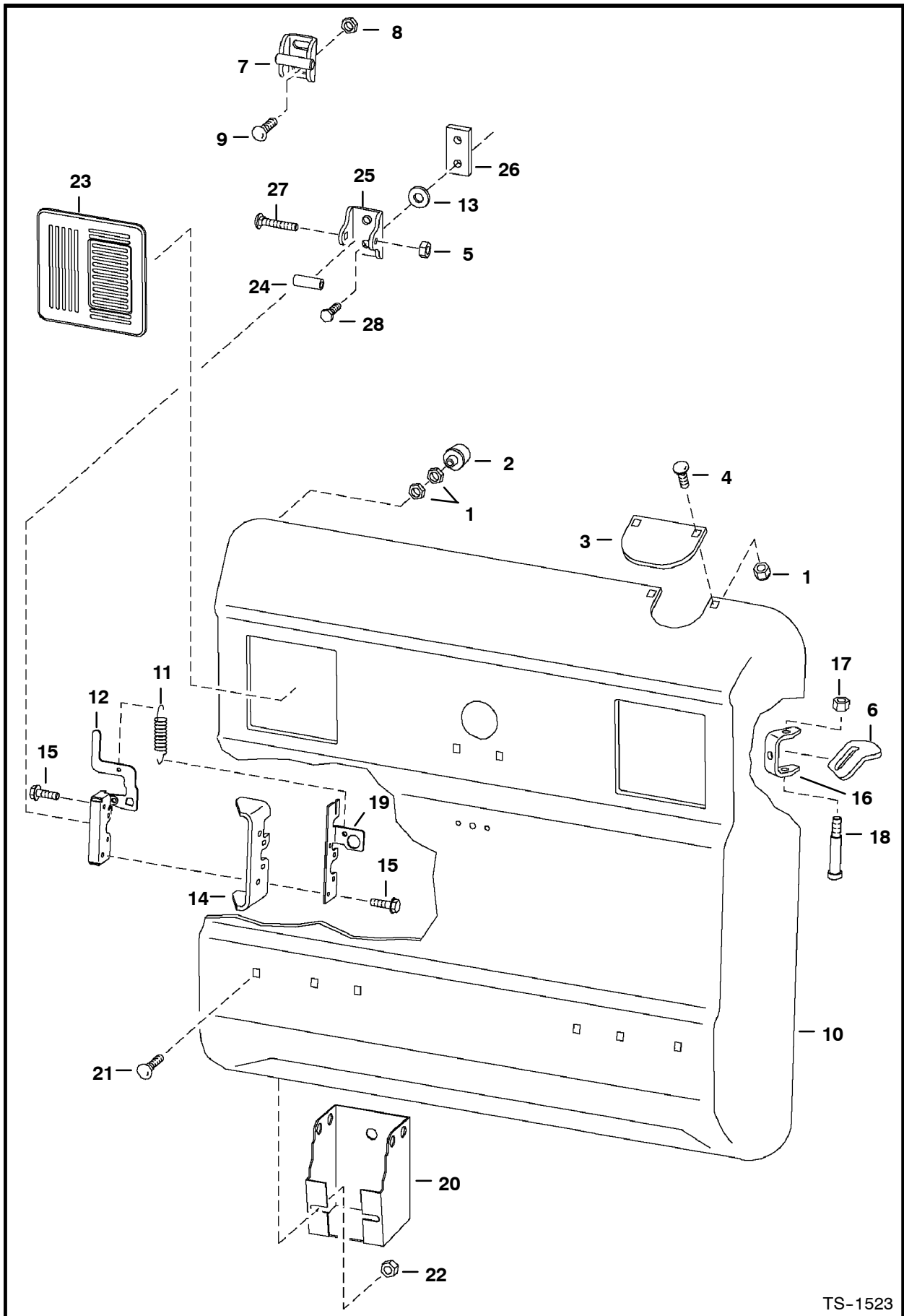


B-14720

**SEAT  
(Michigan)**

Ref. No.	Part Number	Description	Remarks	Serial Number	Qty.
1	6669135	SEAT	W/Ref. 2-7		1
2	6670160	CUSHION	W/edging, clip & (2) grommets		1
	NSS	EDGING			1
	NSS	CLIP			1
3	6674013	TRACK	L.H. - W/8" (203,2mm) latch		1
4	6669089	TRACK	R.H. - W/O Latch		1
5	25G-512	BOLT	6669135 seat uses (2) bolts		4
6	25G-520	BOLT			2
7	7000010	SPACER			4

# REAR DOOR

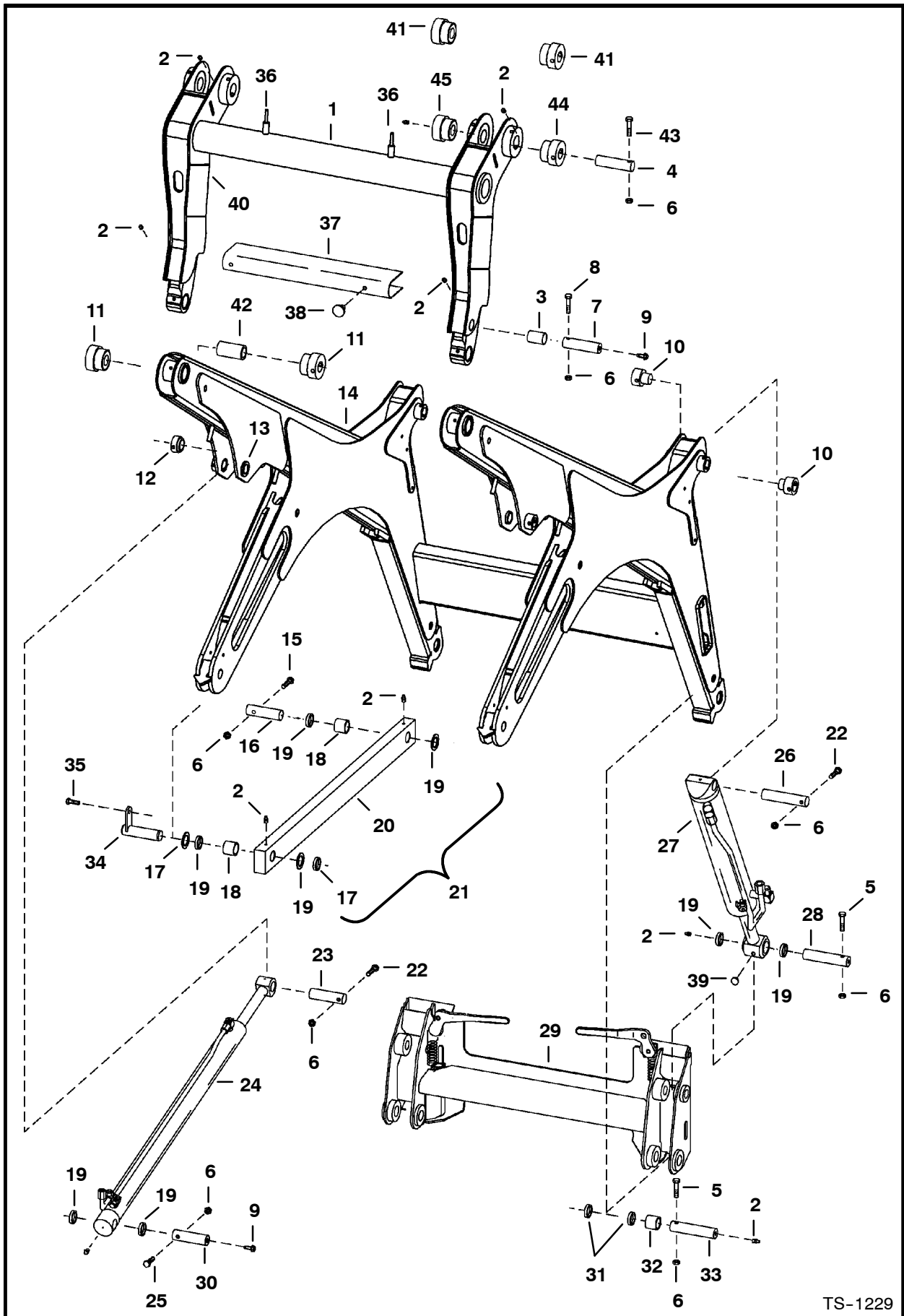


TS-1523

## REAR DOOR (Cont'd)

Ref. No.	Part Number	Description	Remarks	Serial Number	Qty.
1	61D-5	NUT			6
2	6655399	BUMPER	Was 6714454 [B,D] exhaust		2
3	6714509	COVER			1
4	37C-512	BOLT			2
5	61D-6	NUT			2
6	6714126	DOOR STOP			1
7	6715157	STRIKER ASSY.			1
8	83D-8	NUT			2
9	37C-820	BOLT	carriage		2
	25G-820	BOLT	hex socket		2
10	6711524	REAR DOOR			1
11	6714210	SPRING			1
12	6670867	LATCH			1
13	6675273	WASHER	lock - Was 6675263 [B,D]		2
14	6711527	LATCH PLATE	weld-on		1
15	31C-420	BOLT			4
16	6711526	HINGE	weld-on		2
17	59D-6	NUT			2
18	38C-856	BOLT			2
19	6711664	GUIDE	latch		1
20	6715318	TOOL HOLDER			1
21	37C-612	BOLT			2
22	55D-6	NUT			2
23	6670287	COVER			2
24	6719550	TUBE	striker		1
25	6719524	STRIKER			1
26	6719525	BAR	threaded striker		1
27	37C-644	BOLT	carriage		1
28*	25G-820	BOLT	Was 17C-820 [B]		2
29	6719766	STOP			1

# LIFT ARMS & BOBTACH



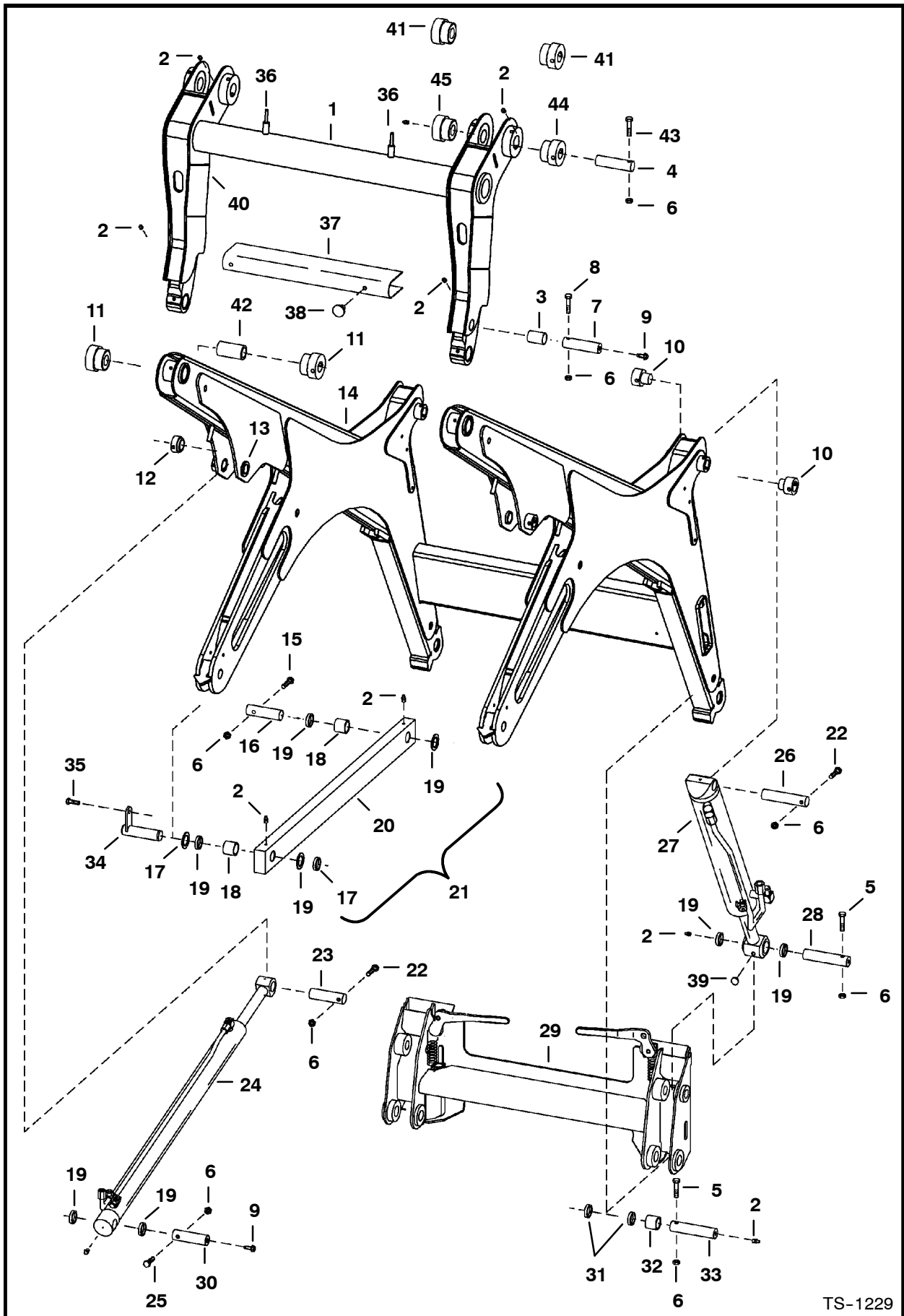
TS-1229



## LIFT ARMS & BOBTACH (Cont'd)

Ref. No.	Part Number	Description	Remarks	Serial Number	Qty.
1	NAP	FRAME LINK	H-Frame - Order 6727742, also Order 6727748 (2) pin & 6728970 (4) spacer -		
			Was 6718378 [A]	5141 44606 & Bel. 5142 40100 & Bel. 5179 11033 & Bel.	1 1 1
	6727742	FRAME LINK	H-Frame	5141 44607 & Abv. 5142 40101 & Abv. 5179 11034 & Abv.	1 1 1
2	10H-25	GREASE ZERK			10
3	6718329	BUSHING			4
4	6725550	PIN	Was 6718294 [A]	5141 44606 & Bel.	2
				5142 40100 & Bel. 5179 11033 & Bel.	2 2
	6727748	PIN		5141 44607 & Abv.	2
				5142 40101 & Abv. 5179 11034 & Abv.	2 2
5	17C-656	BOLT			4
6	85D-6	NUT			16
7	6725551	PIN	Was 6718306 [A]		2
8	17C-680	BOLT			2
9	17C-812	BOLT			4
10	6706606	BUSHING	weld-on		4
11	6670762	BUSHING			4
12	6555987	BUSHING	weld-on	& Bel.	2
*	6729456	BUSHING	weld-on	& Abv.	2
13	6703616	BUSHING	weld-on	& Bel.	2
*	6729457	BUSHING	weld-on	& Abv.	2
14	NAP	LIFT ARM	Order 6729527, also Order 6727742 H-frame, 6727748 (2) pin, 6553709 washer & 6728023 clamp - Was 6717765 [A]		
				5141 44606 & Bel. 5142 40100 & Bel.	1 1
*	6729527	LIFT ARM	Was 6727747 [A]	5179 11033 & Bel. 5141 44607 & Abv. 5142 40101 & Abv.	1 1 1
				5179 11034 & Abv.	1
15	17C-636	BOLT			2
16	6702452	PIN			2
17	6716792	SHIM			4
18	6716539	BUSHING	wear - for 6716537		4
19	225855	SEAL		5141 44606 & Bel.	20
				5142 40100 & Bel. 5179 11033 & Bel.	20 20
	225855	SEAL		5141 44607 & Abv.	12
				5142 40101 & Abv. 5179 11034 & Abv.	12 12
20	NAP	ROD LINK	Order 6716537 & 6716792 (4) shims		2
21	6716537	LINK ASSY	1" x 2.25" - Ref. 2 & 18-20		2
22	17C-640	BOLT			4
23	6547593	PIN			2

# LIFT ARMS & BOBTACH (Cont'd)

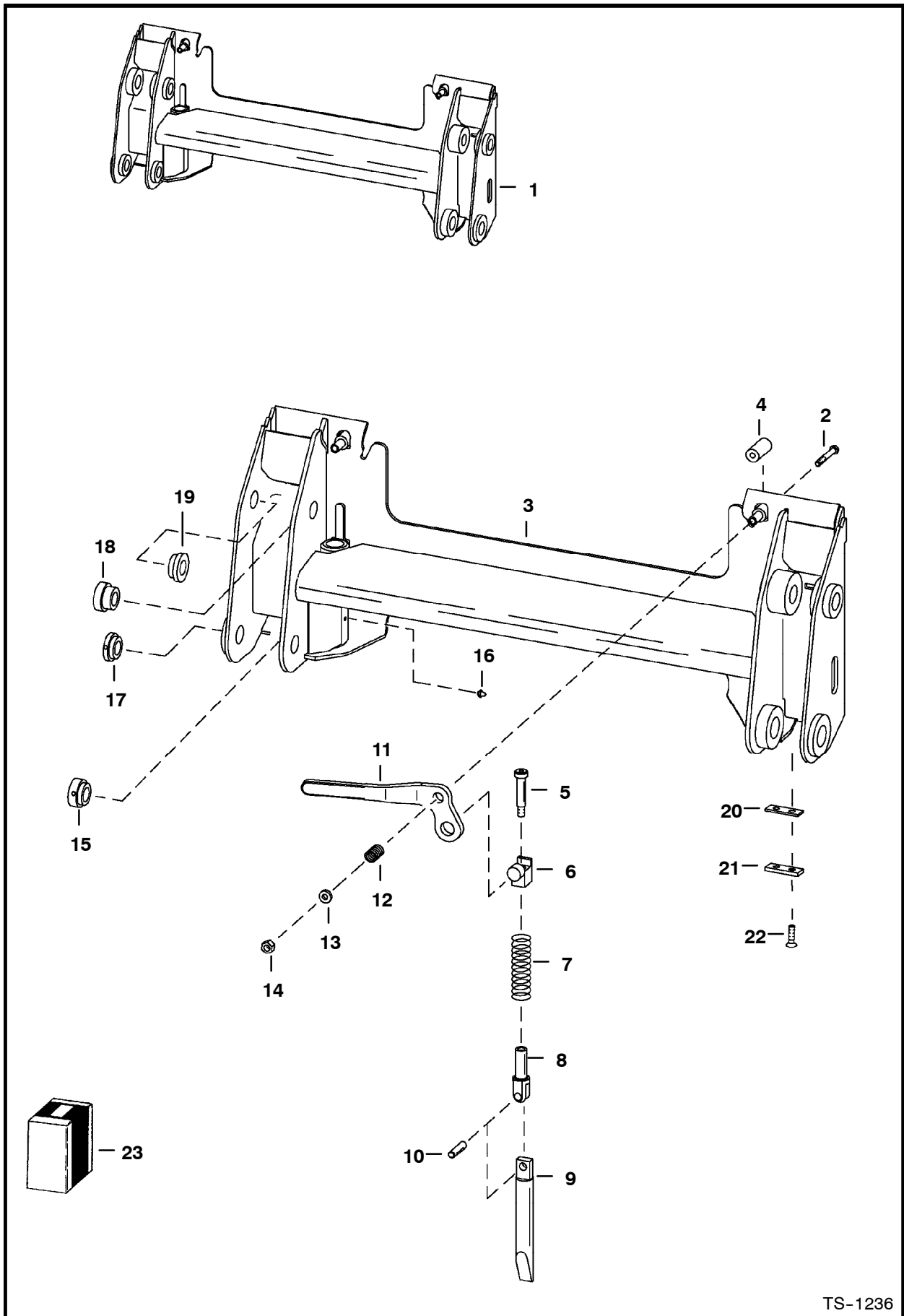


TS-1229

## LIFT ARMS & BOBTACH (Cont'd)

Ref. No.	Part Number	Description	Remarks	Serial Number	Qty.
24		CYLINDER	lift - See Page 61		2
25	17C-664	BOLT			2
26	6702935	PIN			2
27		CYLINDER	R.H - tilt - See Page 57		1
		CYLINDER	L.H - tilt - See Page 59		1
28	6710234	PIN			2
29	SALES	BOB-TACH	See Page 27		1
30	6706287	PIN			2
31	6631067	SEAL			4
32	6708517	BUSHING	wear		2
33	6711334	PIN			2
34	6706292	PIN			2
35	84G-3712	BOLT			5
36	6718447		weld-on		2
37	6708645	STOP	lift arm		1
38	6675358	KNOB	Was 6647668 [B]		2
39	16F-2	PLUG			2
40	11H-25	GREASE ZERK	45 degree		2
41	6717788	BUSHING	weld-on	5141 44606 & Bel.	4
				5142 40100 & Bel.	4
				5179 11033 & Bel.	4
42	6717771	BUSHING	weld-on	5141 44606 & Bel.	2
				5142 40100 & Bel.	2
				5179 11033 & Bel.	2
	6727746	BUSHING	weld-on	5141 44607 & Abv.	2
				5142 40101 & Abv.	2
				5179 11034 & Abv.	2
43	17C-672	BOLT			2
44	6727525	BUSHING	weld-on	5141 44607 & Abv.	2
				5142 40101 & Abv.	2
				5179 11034 & Abv.	2
45	6727832	BUSHING	weld-on	5141 44607 & Abv.	2
				5142 40101 & Abv.	2
				5179 11034 & Abv.	2

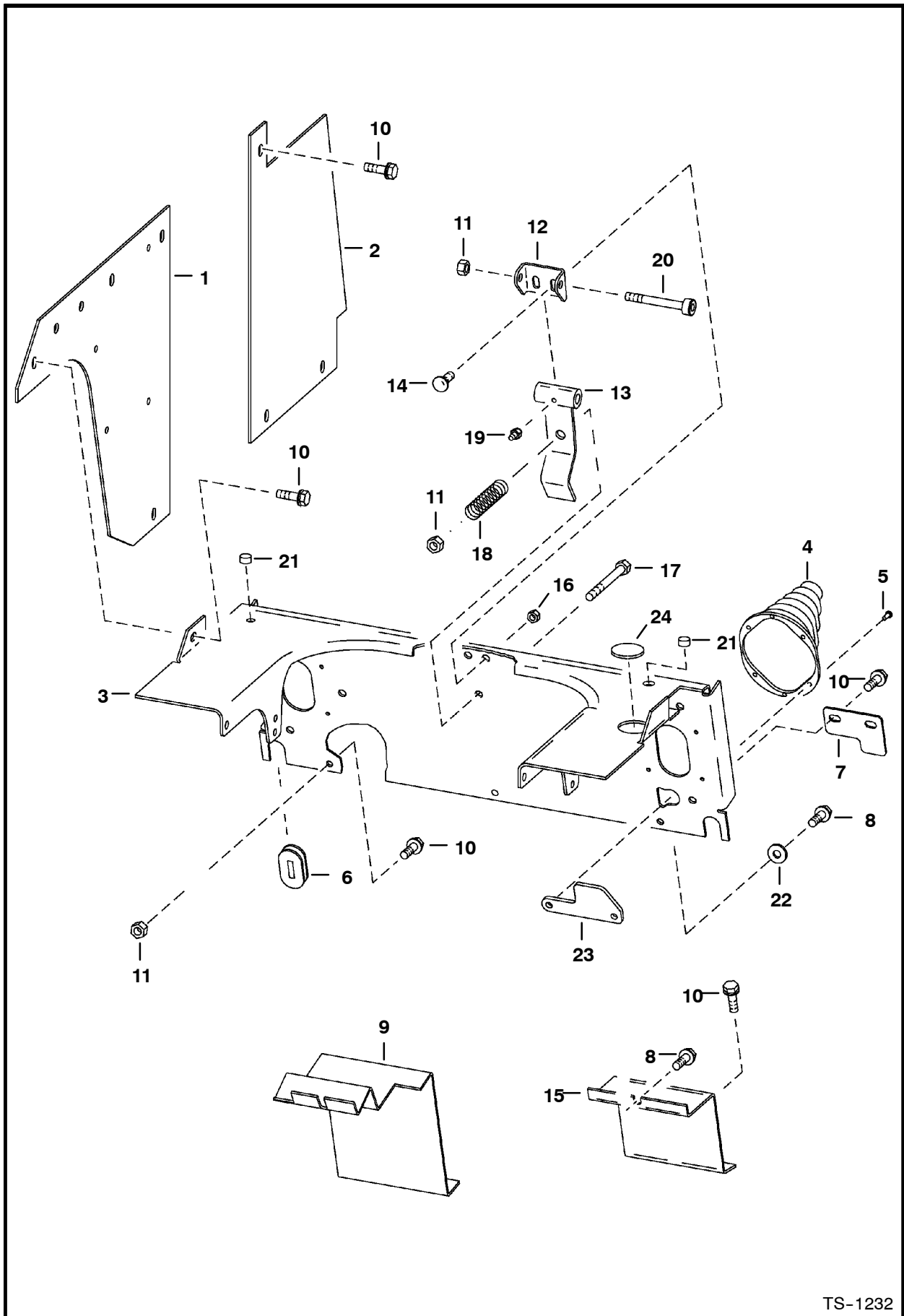
# BOB-TACH



TS-1236



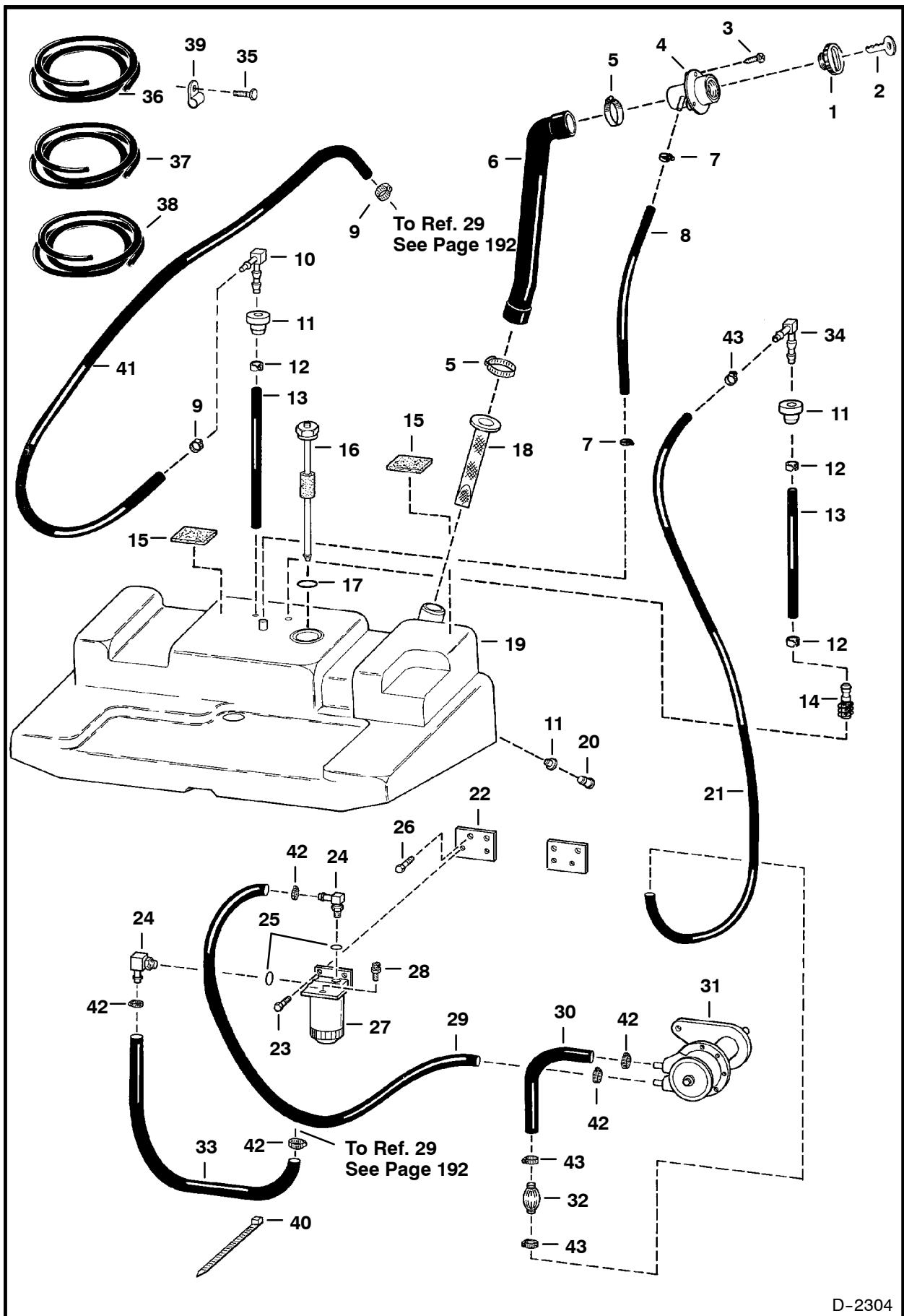
# PANELS



TS-1232



# FUEL SYSTEM



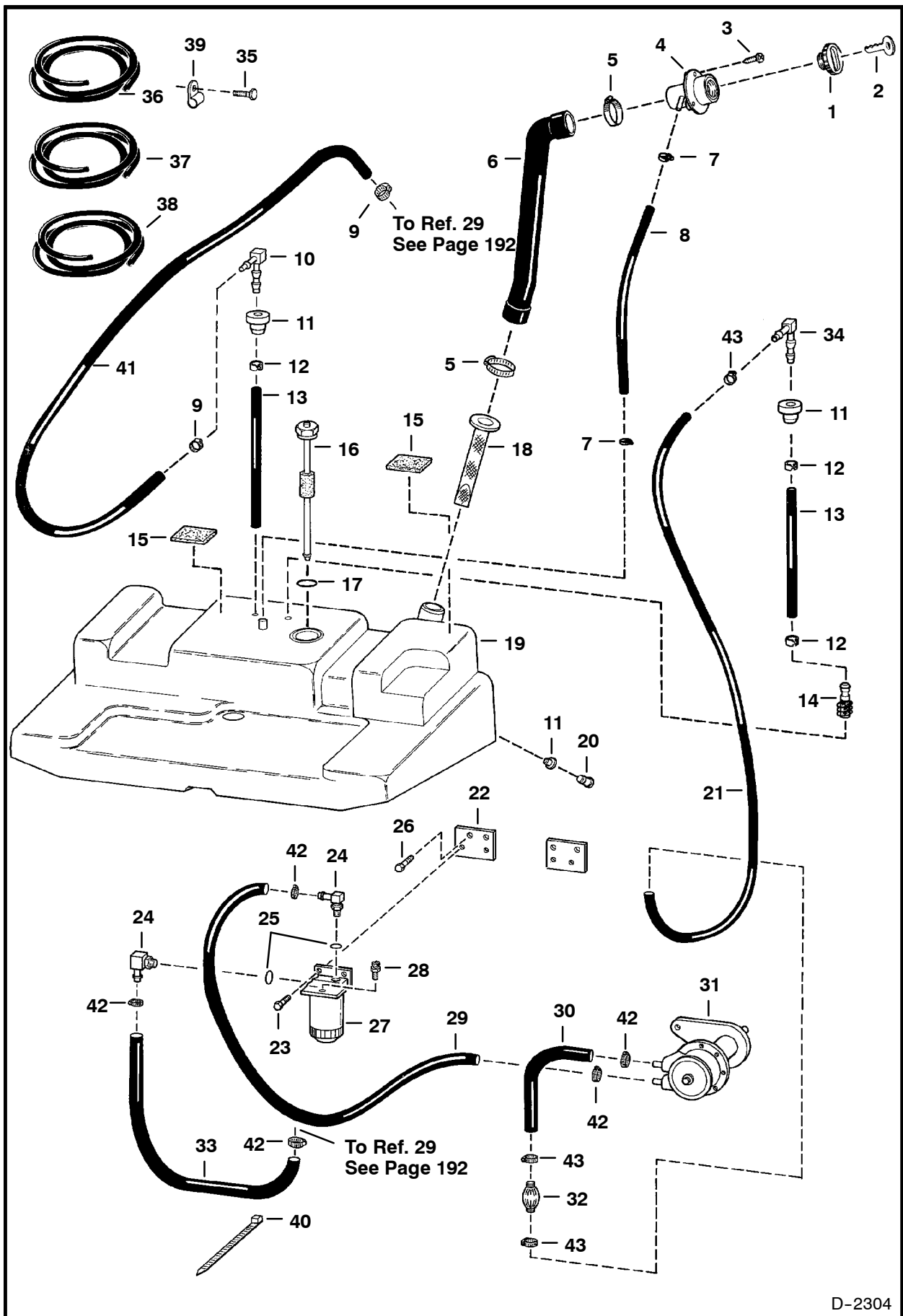
D-2304



## FUEL SYSTEM (Cont'd)

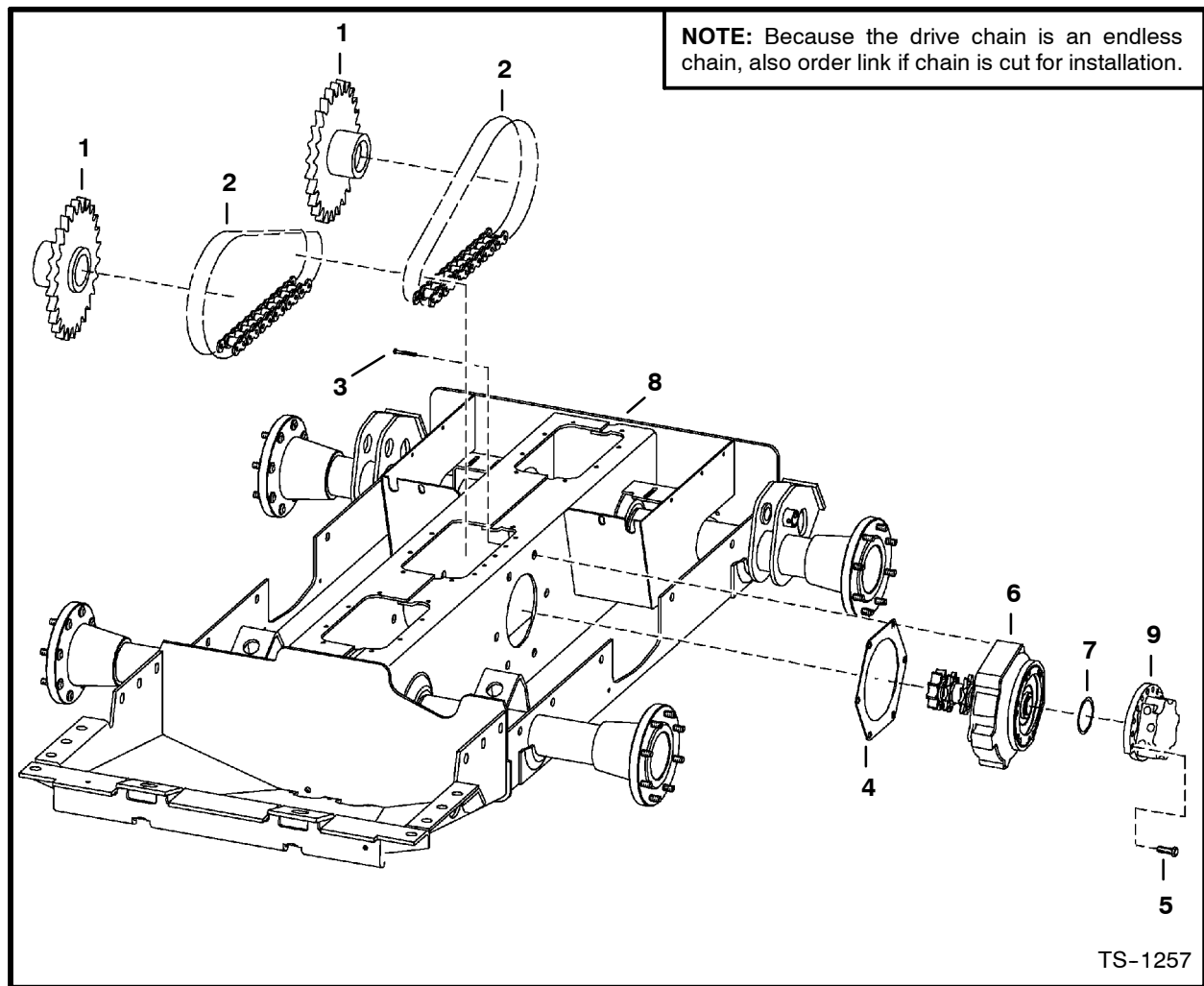
Ref. No.	Part Number	Description	Remarks	Serial Number	Qty.
1	6661114	CAP	green fuel fill		1
	6661696	CAP	locking - W/Ref. 2 - Code PK510		1
2	6587458	KEY	Code PK510		1
3	6706517	SCREW			3
4	6701449	FILLER TUBE			1
5	42H-24	CLAMP			2
6	6717451	HOSE			1
7	6666864	CLAMP			2
8	NAP	HOSE	38" (965,2 mm) long - Order Ref. 36		1
9	5HM-13	CLAMP	Was 6515575 [B]		10
10	6598908	ELBOW			1
11	6553411	BUSHING	.37" (9,4mm) ID		3
	6717402	BUSHING	.54" (13,7mm) ID		1
12	6661213	CLAMP			3
13	6579554	HOSE			2
14	6650239	SCREEN			1
15	6578278	PAD	self adhesive one side		2
16	NAP	SENSOR	fuel - W/79K-14 O-ring - Order		
			6674209 sensor - See Page 130		1
	6674209	SENSOR	- Was 6669642 [A]		
			fuel - W/6717579 gasket		1
17	79K-14	O-RING			1
	6717579	GASKET			1
18	6569219	SCREEN			1
19	6708527	TANK			1
20	6599645	PLUG	.5" shoulder		1
	6717401	PLUG	.75" shoulder		1
21	NAP	HOSE	30" (762 mm) long - Order Ref. 37		1
22	6710488	MOUNT			1
23	53CM-830	BOLT			2
24	6657083	ELBOW	W/Ref. 25 - flat boss face		2
	6715183	ELBOW	W/Ref. 25 - tapered boss face		2
25	79K-5	O-RING	for flat boss face		2
	99K-5	O-RING	for tapered boss face		2
26	43C-512	BOLT			2
27	6667353	FILTER ASSY			1
	6667352	ELEMENT			1
	72F-1	DRAIN COCK			1
28	6658180	BREATHER	plug		1
29	NAP	HOSE	14" (353,6 mm) long - Order Ref. 37		1
30	NAP	HOSE	9.5" (241,3 mm) long - Order Ref. 37		1
31		FUEL PUMP	See Page 192		1
32	6667170	PUMP	hand primer		1
33	NAP	HOSE	21.5" (546 mm) long - Order Ref. 37		1
34	6726567	ELBOW	Was 6666302 [B]		1
35	1CM-816	BOLT			1
36	6578172	HOSE	bulk - Sold Per Foot		x
37	6577822	HOSE	.375 I.D. - bulk - Sold Per Foot		x
38	6577821	HOSE	.25" I.D. - bulk - Sold Per Foot		x
39	30H-30	CLAMP			1
40	6610510	TIE			1

# FUEL SYSTEM (Cont'd)



D-2304

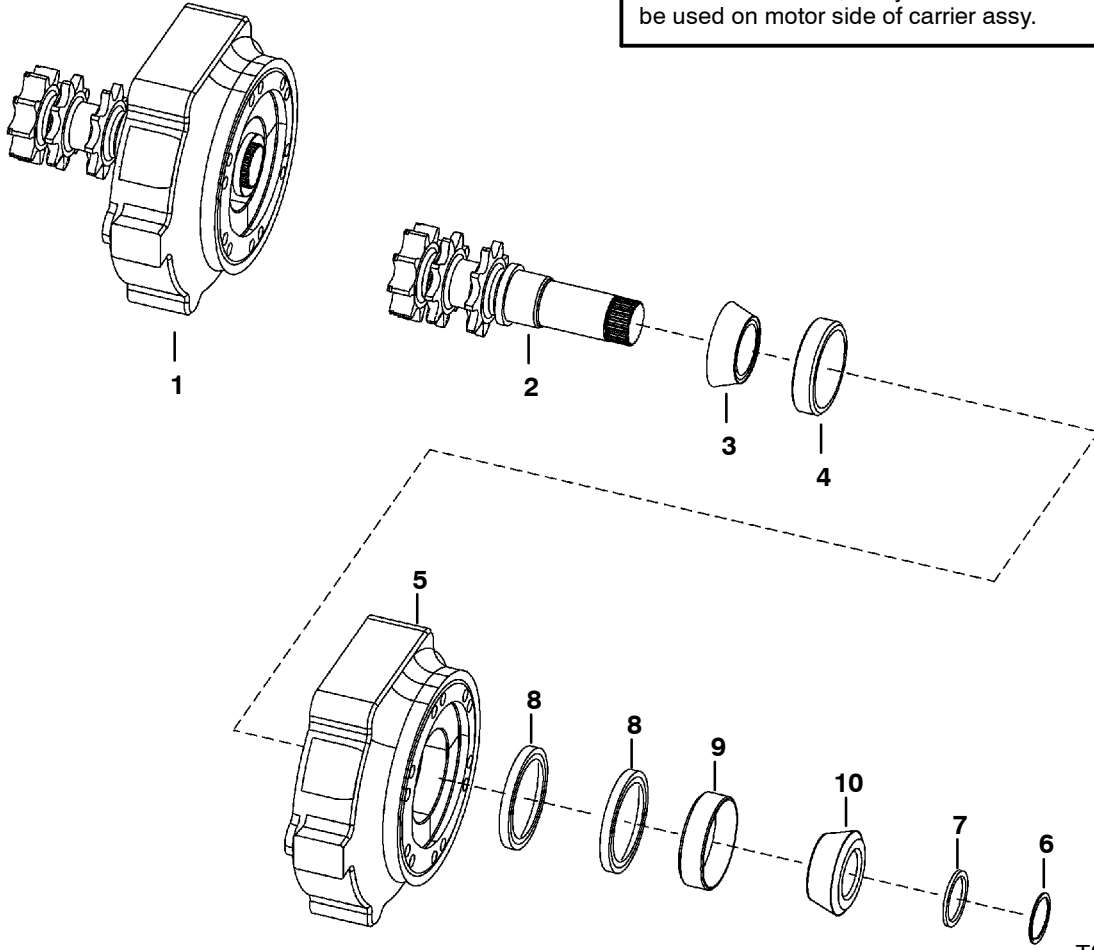




### DRIVE TRAIN

Ref. No.	Part Number	Description	Remarks	Serial Number	Qty.
1	6568918	SPROCKET	See Page 37		4
2	NAP	CHAIN	endless - 58 pitches - hour glass shaped links - Order 6675328 -		4
	6675328	CHAIN	Was 6705987 [A] endless - 58 pitches - oval shaped links		4
	6591030	LINK	connecting - Tsubaki		x
	6510614	LINK	connecting - Diamond - hour glass shaped		x
	6675333	LINK	conn. - Diamond - oval shaped		x
3	6673642	BOLT			12
4	6704879	GASKET			2
5	6717806	BOLT			20
6	6717296	MOUNT ASSY	drive motor - See Page 36		2
7	25K-30812	O-RING			2
8	6719158	CHAINCASE	frame only		1
9		MOTOR	See Page 97 or 99		2

**NOTE:** Ref. 8 Seal, W/synthetic outer case, must be used on motor side of carrier assy.

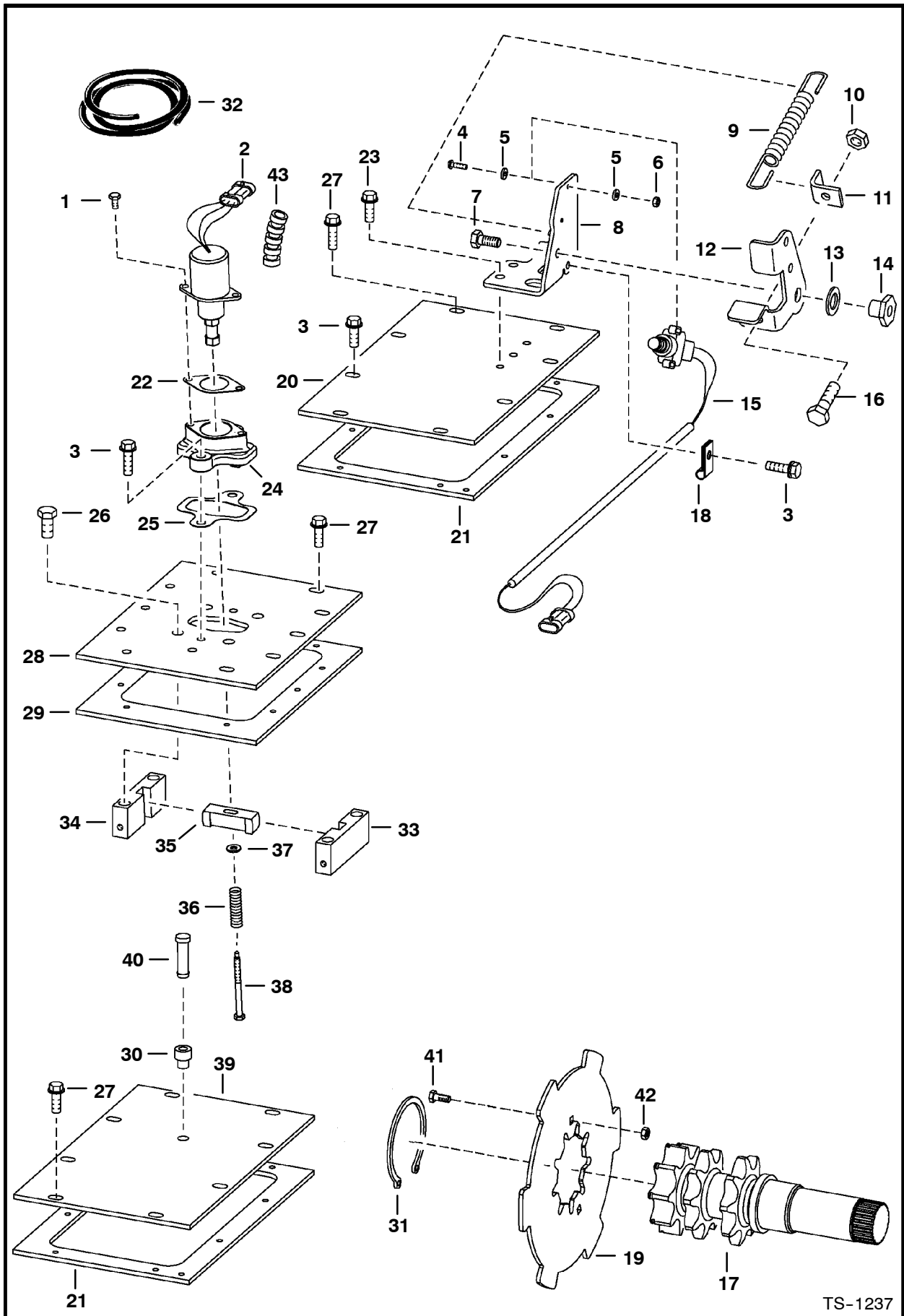


TS-1227

**MOTOR CARRIER  
(Drive Motor Mount Assy.)**

Ref. No.	Part Number	Description	Remarks	Serial Number	Qty.
1	6717296	MOUNT ASSY	drive motor - Ref. 2 - 10		1
2	6706805	SHAFT	W/snap ring groove		1
3	6664845	BEARING			2
4	6650120	RACE			2
5	6717242	HOUSING			1
6	6664848	SNAP RING	.118" (3,0 mm) thickness		1
7	6706817	SPACER	.152"(3,86 mm) thickness		1
	6715427	SPACER	.164"(4,16 mm) thickness		1
8	6665755	SEAL	SEE NOTE		2
9	6664847	RACE			1
10	6664846	BEARING			1

**DISC BRAKE**  
(S/N 5141 45999, 5142 45999, 5179 11999 & Below)

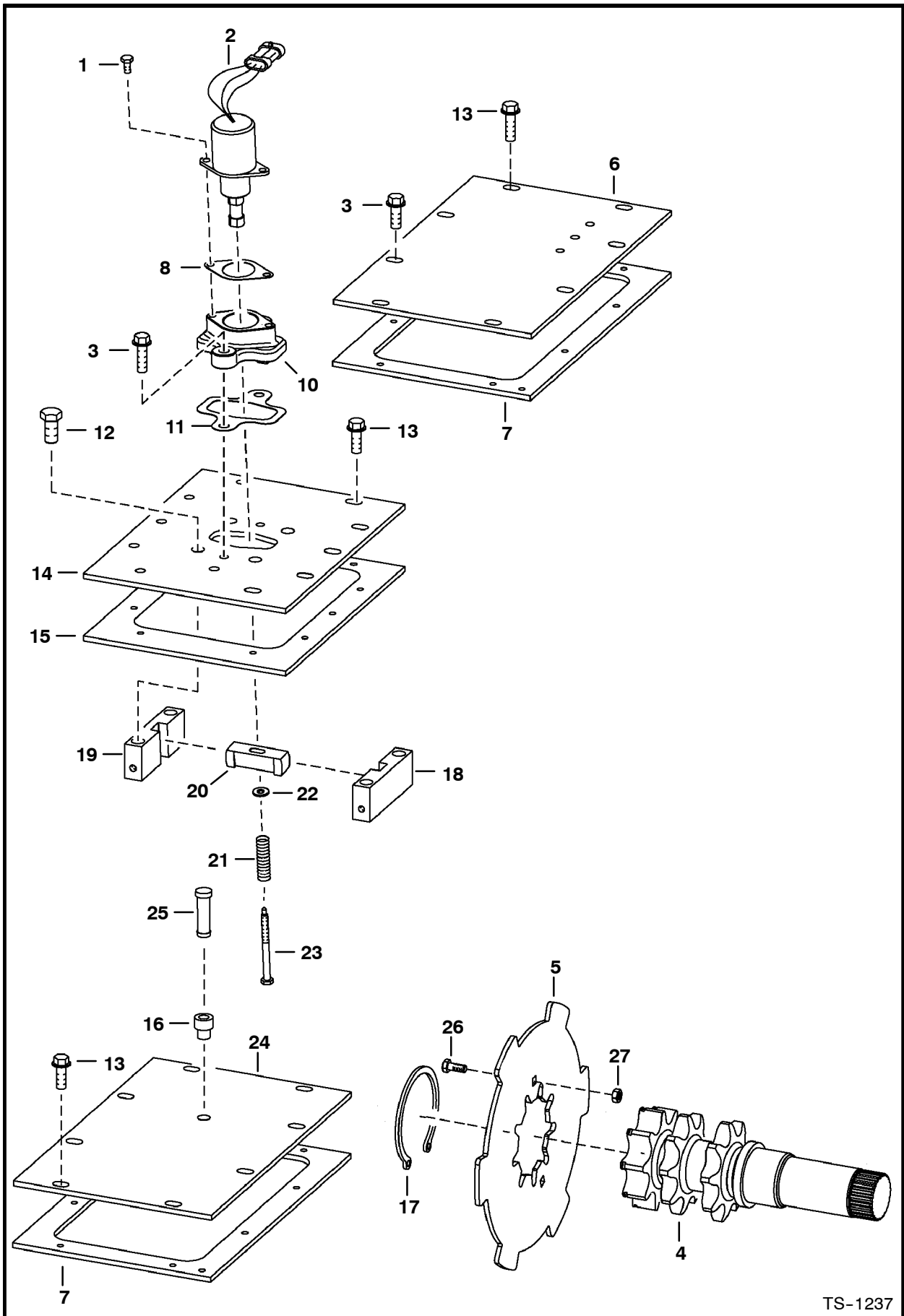


TS-1237

**DISC BRAKE (Cont'd)**  
**(S/N 5141 45999, 5142 45999, 5179 11999 & Below)**

Ref. No.	Part Number	Description	Remarks	Serial Number	Qty.
1	17C-412	BOLT			2
2	6667992	SOLENOID	W/Ref. 43		1
3	84G-3712	BOLT			18
4	23G-812	SCREW			2
5	25E-8	WASHER			2
6	12D-8	NUT			2
7	17C-610	BOLT			1
8	6707313	PEDAL MOUNT			1
9	6585860	SPRING			1
10	91D-6	NUT			1
11	6707315	ANGLE			1
12	6707314	PEDAL	brake		1
13	6700170	WASHER	plastic		2
14	6559479	NUT			1
15	6707337	SWITCH	W/cover and connector		1
	6664880	SWITCH			1
16	17C-620	BOLT			1
17	6706805	SHAFT	See Page 36		2
18	30H-23	CLAMP			1
19	6715630	BRAKE	disc - W/Ref. 32 welded to it		2
20	6578505	COVER	See Page 11		1
21	6703097	GASKET			2
22	6706737	GASKET			1
23	84G-3720	BOLT			2
24	6706718	MOUNT			1
25	6708016	GASKET			1
26	47C-820	BOLT			4
27	84G-3716	BOLT			18
28	6706683	COVER	See Page 11		1
	6725496	COVER	2-speed - See Page 11		1
29	6708070	GASKET			1
30	6553411	BUSHING			1
31	6662298	SNAP RING			2
32	6584978	CONDUIT	bulk - Sold Per Foot		x
33	6719056	BLOCK	guide - R.H.		1
34	6719057	BLOCK	guide - L.H.		1
35	6714278	GUIDE	for brake disc		1
36	6708018	SPRING			1
37	25E-13	WASHER			2
38	6708267	BOLT			2
39	6700330	COVER	See Page 11		1
40	6670627	BREATHER	See Page 11		1
41	37C-512	BOLT	carriage		4
42	59D-5	NUT			4
43	NAP	CONDUIT	5" (127 mm) long - Order Ref. 32		1

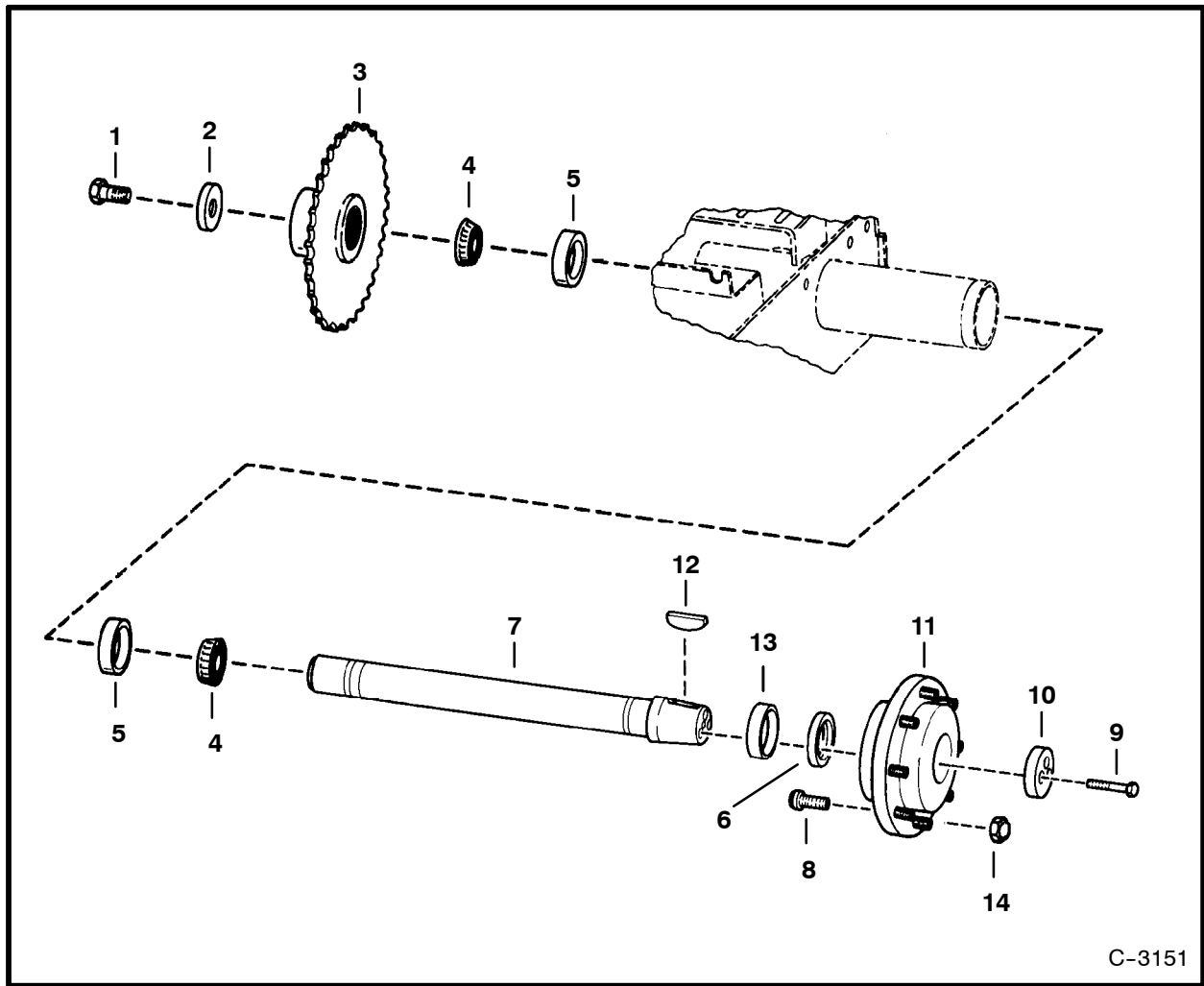
**DISC BRAKE**  
(S/N 5141 46001, 5142 41001, 5179 12001 & Above)



TS-1237





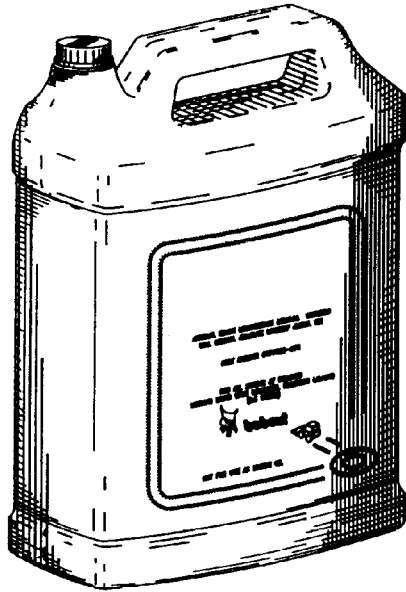


C-3151

### AXLE

Ref. No.	Part Number	Description	Remarks	Serial Number	Qty.
1	2C-1626	BOLT			1
2	6558694	WASHER			1
3	6568918	SPROCKET			1
4	1321608	BEARING			2
5	1321607	RACE			2
6	6671138	SEAL	use W/6709757		1
7	6658229	SEAL	use W/Ref. 13		1
7	6709757	AXLE	W/O wear ring		1
8	6709170	STUD	wheel		8
9	17C-1024	BOLT			3
10	6565947	WASHER	recessed		1
11	6578857	HUB	W/Ref. 8		1
12	6J-1664	WOODRUFF KEY			1
13	6558693	RING	wear - service part only		1
14	6564669	NUT	wheel		8

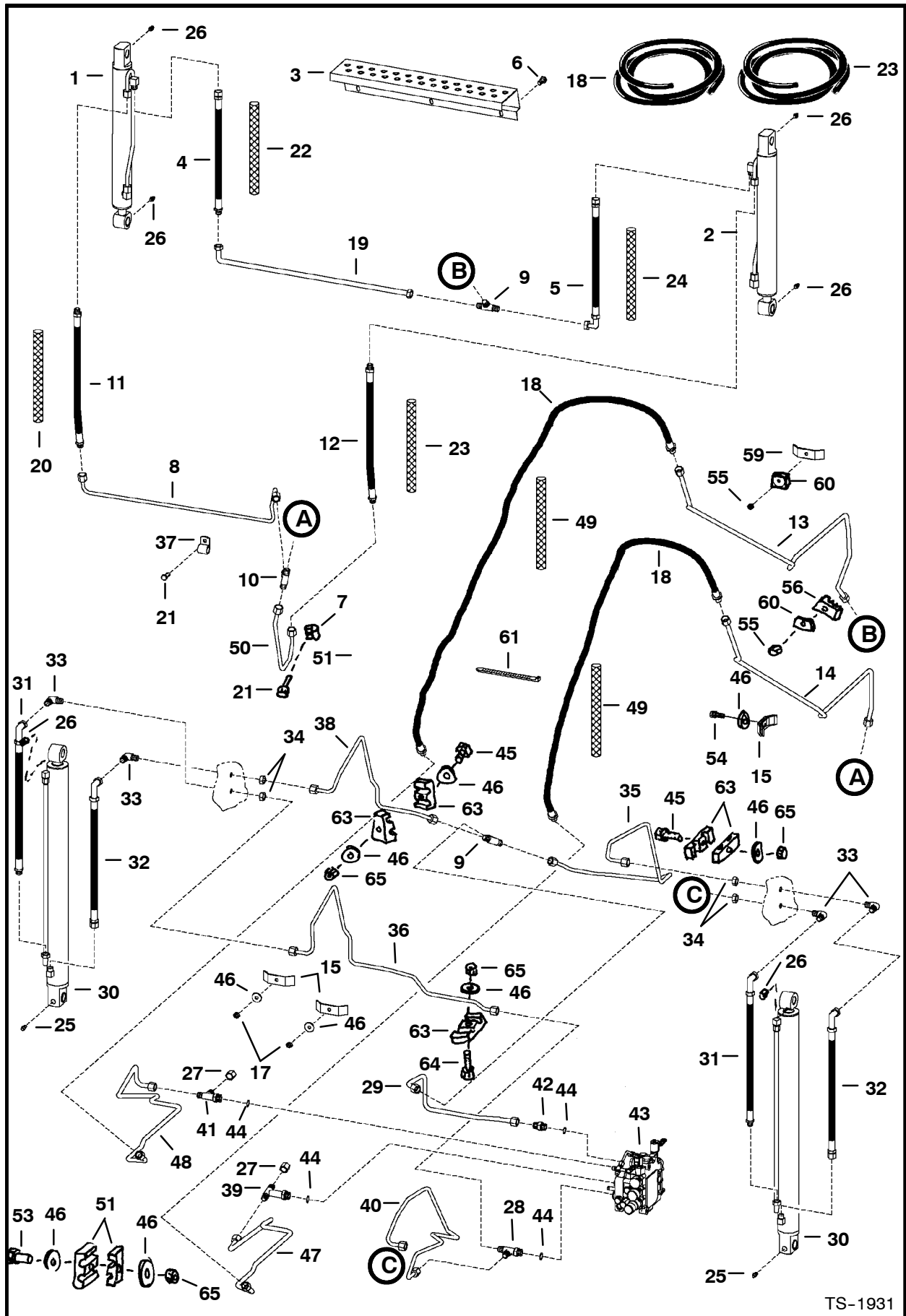
**Bobcat Hydraulic/Hydrostatic Fluid  
is blended to our specifications  
to meet or exceed requirements of our components.**



**Available from Bobcat Parts.**



# HYDRAULIC CIRCUITRY (W/O Bucket Positioning Valve)

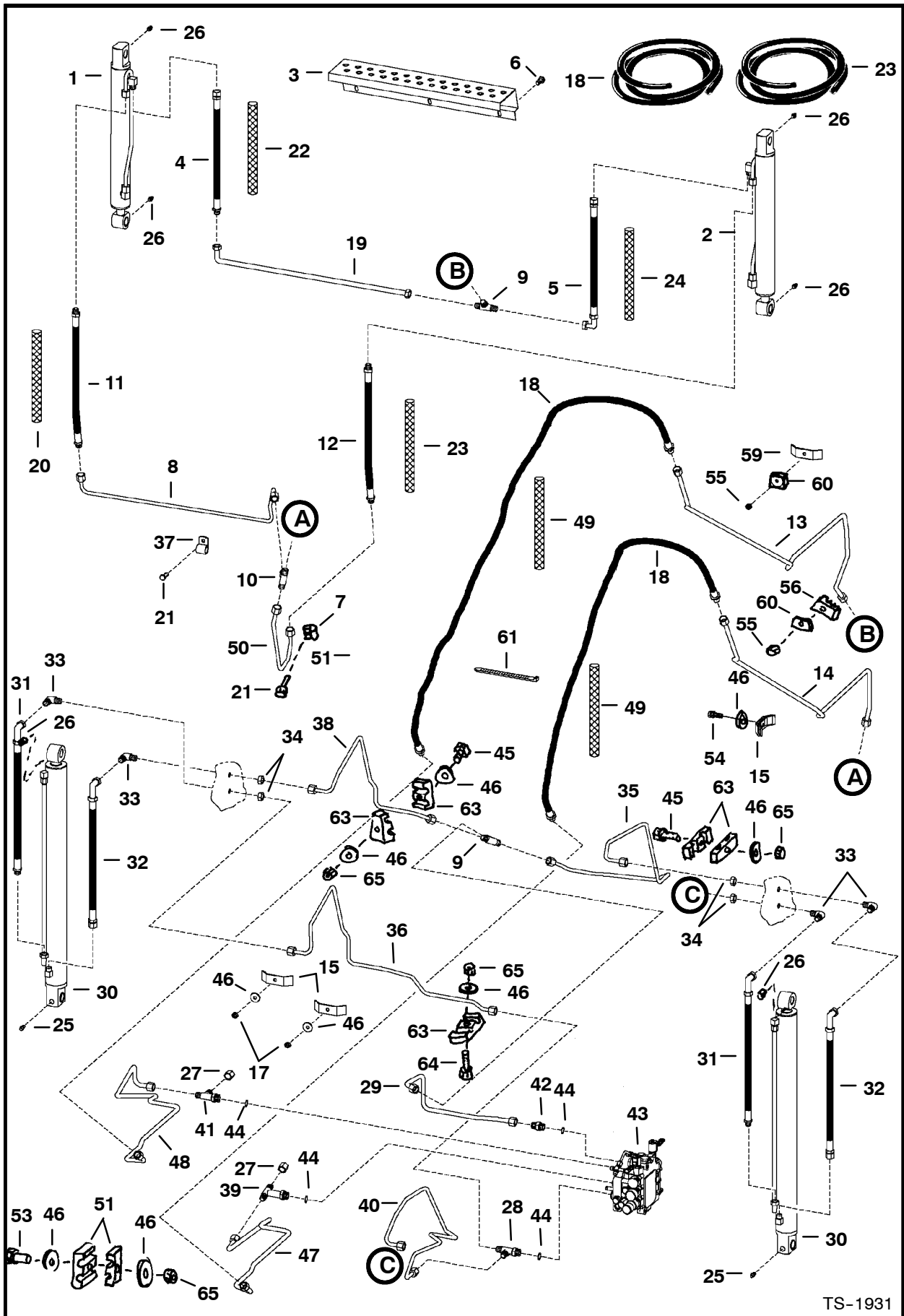


TS-1931

**HYDRAULIC CIRCUITRY (Cont'd)**  
**(W/O Bucket Positioning Valve)**

Ref. No.	Part Number	Description	Remarks	Serial Number	Qty.
1		CYLINDER	L.H. tilt - See Page 59		1
2		CYLINDER	R.H tilt - See Page 57		1
3	6710491	SHIELD	boom step		1
4	6711811	HOSE			1
5	6710642	HOSE			1
6	84G-3712	BOLT			3
7	30H-30	CLAMP			2
8	6718352	TUBELINE			1
9	6716061	TEE			2
10	97K-8	O-RING	flared end		x
	97K-10	O-RING	flared end		x
	6569146	TEE			1
11	6718817	HOSE			1
12	6718818	HOSE			1
13	6718476	TUBELINE			1
14	6718477	TUBELINE			1
15	6502203	CLAMP			5
16	84G-3724	BOLT			2
17	95D-6	NUT			4
18	6718854	HOSE		& Abv.	2
19	6710629	TUBELINE			1
20	NAP	SHIELD	13" (330,2 mm) long - .75" (19mm) ID - Order Ref. 11		1
21	84G-3112	BOLT			2
22	NAP	SHIELD	14" (356 mm) long - .75" (19mm) ID - Order Ref. 4		1
23	NAP	SHIELD	17.5" (444,5 mm) long - .75"(19mm) ID - Order Ref. 12		1
24	NAP	SHIELD	16.5" (419 mm)long - .75"(19mm) ID - Order Ref. 5		1
25	12H-15	GREASE ZERK			2
26	10H-25	GREASE ZERK			6
27	36K-7	CAP			2
28	6715187	TEE	W/Ref. 44		1
	97K-8	O-RING	flared end		x
29	6715075	TUBELINE			1
30		CYLINDER	lift - See Page 61		2
31	6708922	HOSE			2
32	6708923	HOSE			2
33	88FN-6	ELBOW			4
*	97K-8	O-RING	flared end		x
34	86F-6	NUT			4
35	6719537	TUBELINE			1
36	6719540	TUBELINE			1
37	31H-26	CLIP			1
38	6719539	TUBELINE			1
39	6715294	TEE	W/Ref. 44		1
40	97K-10	O-RING	flared end		x
	6719538	TUBELINE			1
41	21KN-7	TEE	W/Ref. 44		1

# HYDRAULIC CIRCUITRY (Cont'd) (W/O Bucket Positioning Valve)

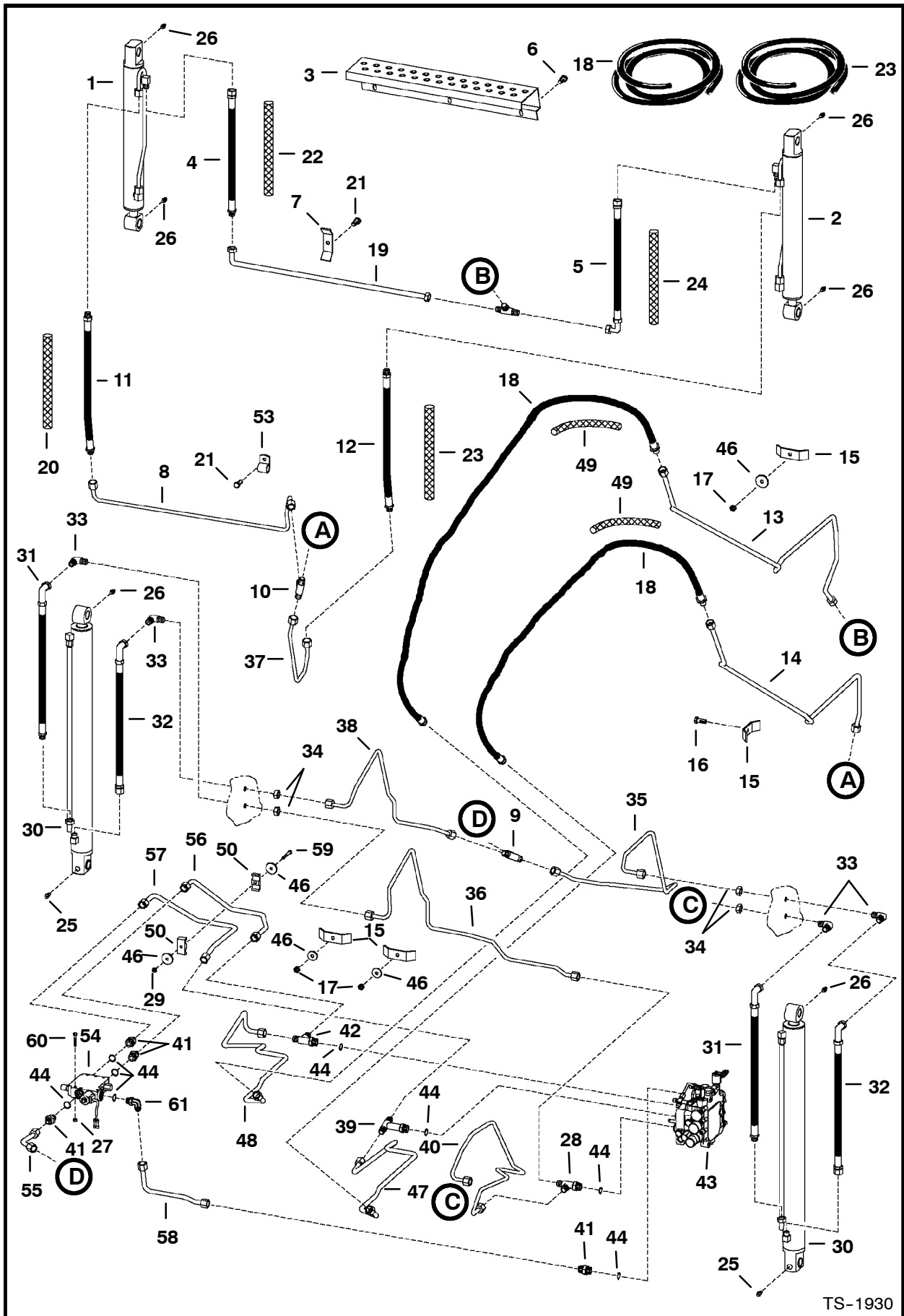


TS-1931

**HYDRAULIC CIRCUITRY (Cont'd)**  
**(W/O Bucket Positioning Valve)**

Ref. No.	Part Number	Description	Remarks	Serial Number	Qty.
42	15KV-7	ADAPTER	W/Ref. 44 - tapered boss face		1
	97K-10	O-RING	flared end		1
43		VALVE	See Page 65 or 71		1
44	99K-10	O-RING	tapered boss face		x
45	35C-528	BOLT			2
46	872229	WASHER			8
47	6718693	TUBELINE			1
48	6718694	TUBELINE			1
49	NAP	SHIELD	20.25" (514,4 mm) long - 1.31" (33.3 mm) ID - Order Ref. 57		2
50	6718475	TUBELINE			1
51	6701893	CLAMP			2
52	6728023	CLAMP		5141 44607 & Abv. 5142 40101 & Abv. 5179 11034 & Abv.	1 1 1
53	35C-536	BOLT			1
54	84G-3728	BOLT			1
55	59D-8	NUT			2
56	6717933	CLAMP		5141 44606 & Bel. 5142 40100 & Bel. 5179 11033 & Bel.	2 2 2
	6717933	CLAMP		5141 44607 & Abv. 5142 40101 & Abv. 5179 11034 & Abv.	1 1 1
57					
58	6675734	TIE STRAP			1
59	6728023	CLAMP			1
60	6553709	WASHER	rectangular		1
61	6624289	TIE STRAP			3
62	36K-8	CAP			2
63	6701892	CLAMP			6
64	17C-532	BOLT			1
65	83D-5	NUT			4

# HYDRAULIC CIRCUITRY (W/ Bucket Positioning Valve)



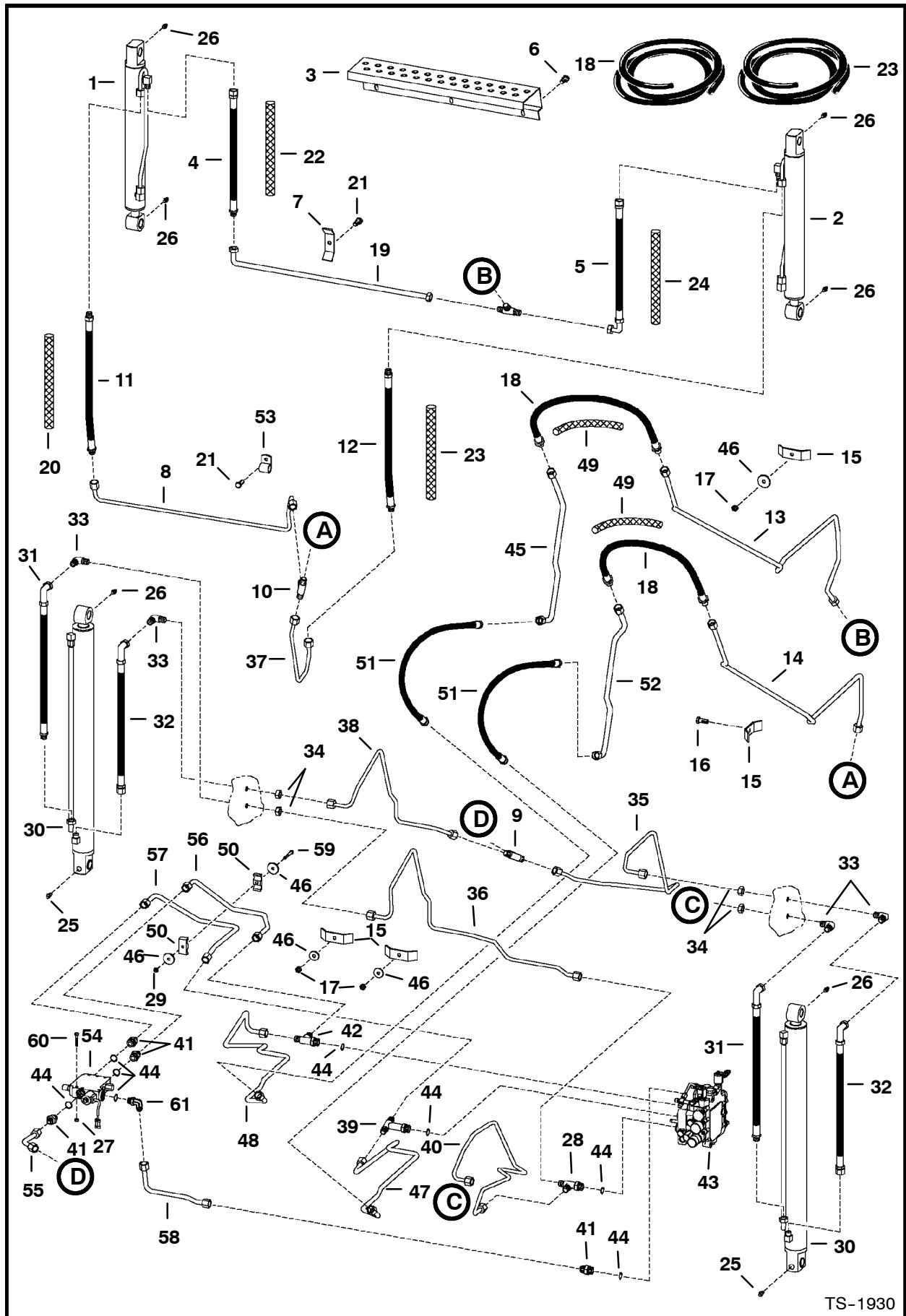
TS-1930



**HYDRAULIC CIRCUITRY (Cont'd)**  
**(W/ Bucket Positioning Valve)**

Ref. No.	Part Number	Description	Remarks	Serial Number	Qty.
1		CYLINDER	L.H. tilt - See Page 59		1
2		CYLINDER	R.H tilt - See Page 57		1
3	6710491	SHIELD	boom step		1
4	6711811	HOSE			1
5	6710642	HOSE			1
6	84G-3712	BOLT			3
7	30H-30	CLAMP			2
8	6718352	TUBELINE			1
9	6716061	TEE			2
10	97K-8	O-RING	flared end		x
	97K-10	O-RING	flared end		x
	6569146	TEE			1
11	6718817	HOSE			1
12	6718818	HOSE			1
13	6718476	TUBELINE			1
14	6718477	TUBELINE			1
15	6502203	CLAMP			5
16	84G-3724	BOLT			2
17	95D-6	NUT			4
18	6670120	HOSE			2
19	6710629	TUBELINE			1
20	NAP	SHIELD	13" (330,2 mm) long - .75" (19mm) ID - Order Ref. 11		1
21	84G-3112	BOLT			2
22	NAP	SHIELD	14" (356 mm) long - .75" (19mm) ID - Order Ref. 4		1
23	NAP	SHIELD	17.5" (445 mm) long - .75" (19mm) ID - Order Ref. 12		1
24	NAP	SHIELD	16.5" (419mm) long - .75" (19mm) ID - Order Ref. 5		1
25	12H-15	GREASE ZERK			2
26	10H-25	GREASE ZERK			6
27	83D-5	NUT			2
28	6715187	TEE	W/Ref. 44		1
29	97K-8	O-RING	flared end		x
	85D-6	NUT		& Bel.	1
30		CYLINDER	lift - See Page 61		2
31	6708922	HOSE			2
32	6708923	HOSE			2
33	88FN-6	ELBOW			4
34	97K-8	O-RING	flared end		x
	86F-6	NUT			4
35	6719537	TUBELINE			1
36	6719540	TUBELINE			1
37	6718475	TUBELINE			1
38	6719539	TUBELINE			1
39	6715294	TEE	W/Ref. 44		1
	97K-10	O-RING	flared end		x

# HYDRAULIC CIRCUITRY (Cont'd) (W/ Bucket Positioning Valve)

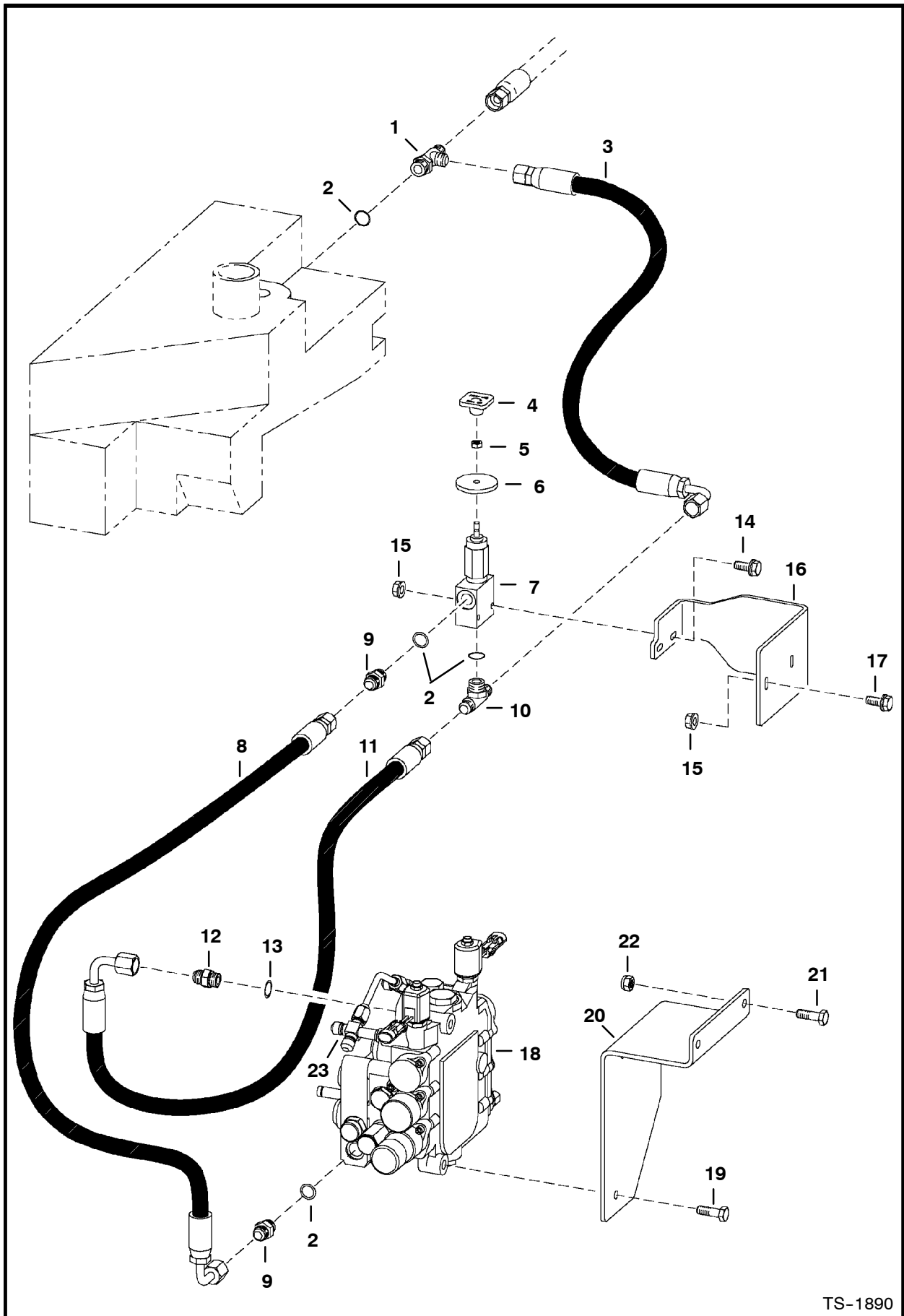


TS-1930

**HYDRAULIC CIRCUITRY (Cont'd)**  
**(W/ Bucket Positioning Valve)**

Ref. No.	Part Number	Description	Remarks	Serial Number	Qty.
40	6719538	TUBELINE			1
41	15KV-7	ADAPTER	W/Ref. 44 - tapered boss face	S/N & Below	4
	15KV-7	ADAPTER	W/Ref. 44 - tapered boss face	S/N & Above	2
42	97K-10	O-RING	flared end		x
43	21KN-7	TEE VALVE	W/Ref. 44 See Page 65 or 71		1
44	99K-10	O-RING	tapered boss face		x
45	6714775	TUBELINE			1
46	872229	WASHER		S/N & Below	8
	872229	WASHER		S/N & Above	7
47	6718693	TUBELINE			1
48	6718694	TUBELINE			1
49	NAP	SHIELD	20.25" (514,4 mm) long - 1.31" (33.3 mm) ID - Order Ref. 18		2
50	6701893	CLAMP		S/N & Below	2
51	6717109	HOSE			2
52	6714774	TUBELINE			1
53	31H-26	CLIP			1
54		VALVE	BPV - See Page 75		1
55	6715076	TUBELINE			1
56	6715077	TUBELINE		S/N & Below	1
	6725953	TUBELINE		S/N & Above	1
57	6715078	TUBELINE		S/N & Below	1
	6725954	TUBELINE		S/N & Above	1
58	6715281	TUBELINE			1
59	17C-632	BOLT		S/N & Below	1
60	35C-540	BOLT			2
61	17KV-7	ELBOW		S/N & Below	1
	17KV-7	ELBOW		S/N & Above	3
	97K-10	O-RING	flared end		x
62	35C-536	BOLT			1
63	84G-3728	BOLT			1
64	59D-8	NUT			2
65	6717933	CLAMP			2
66	6718854	HOSE			2
67	6675734	TIE STRAP			1

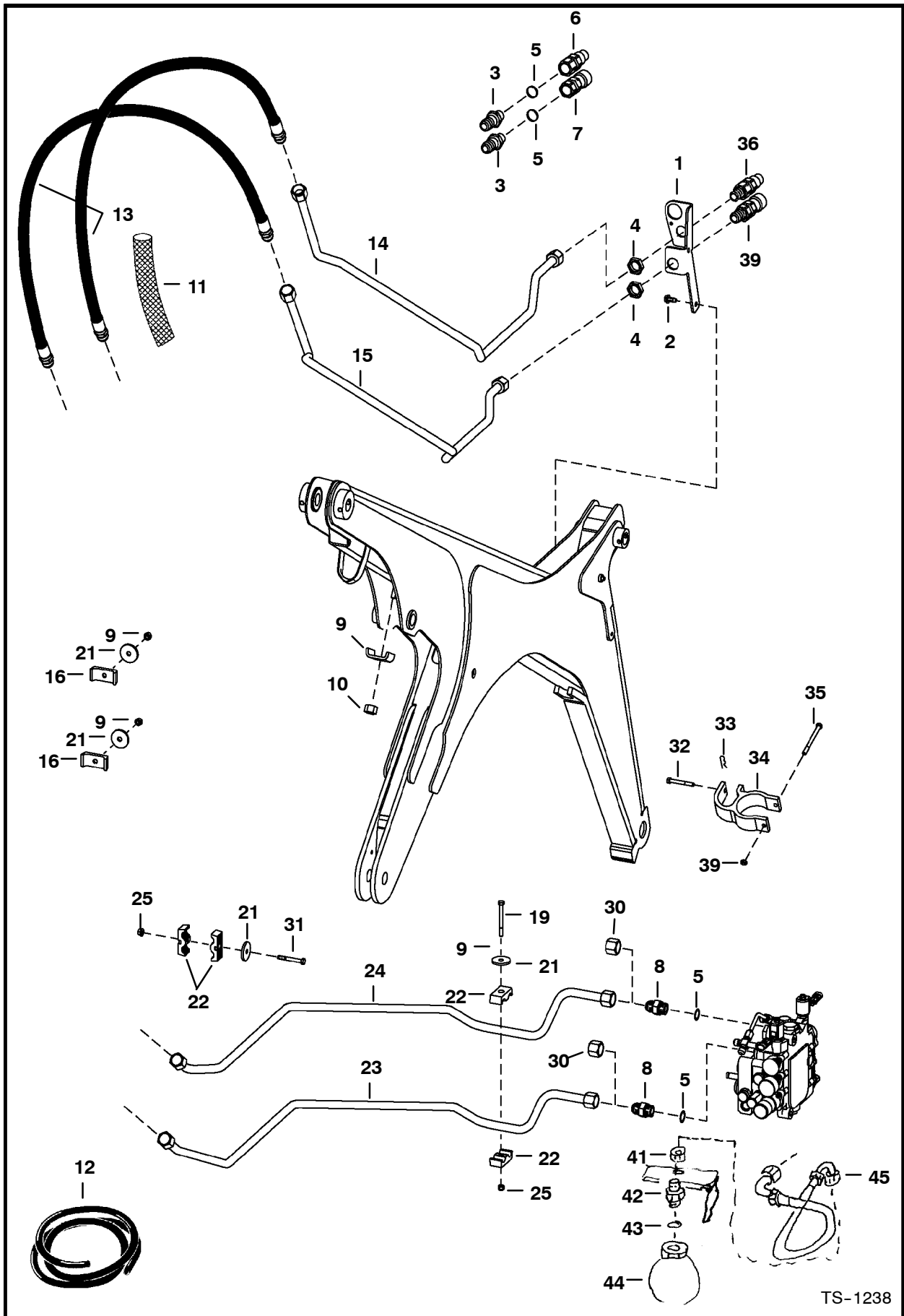
# LIFT & TILT CONTROL CIRCUITRY



TS-1890



# AUXILIARY HYDRAULICS

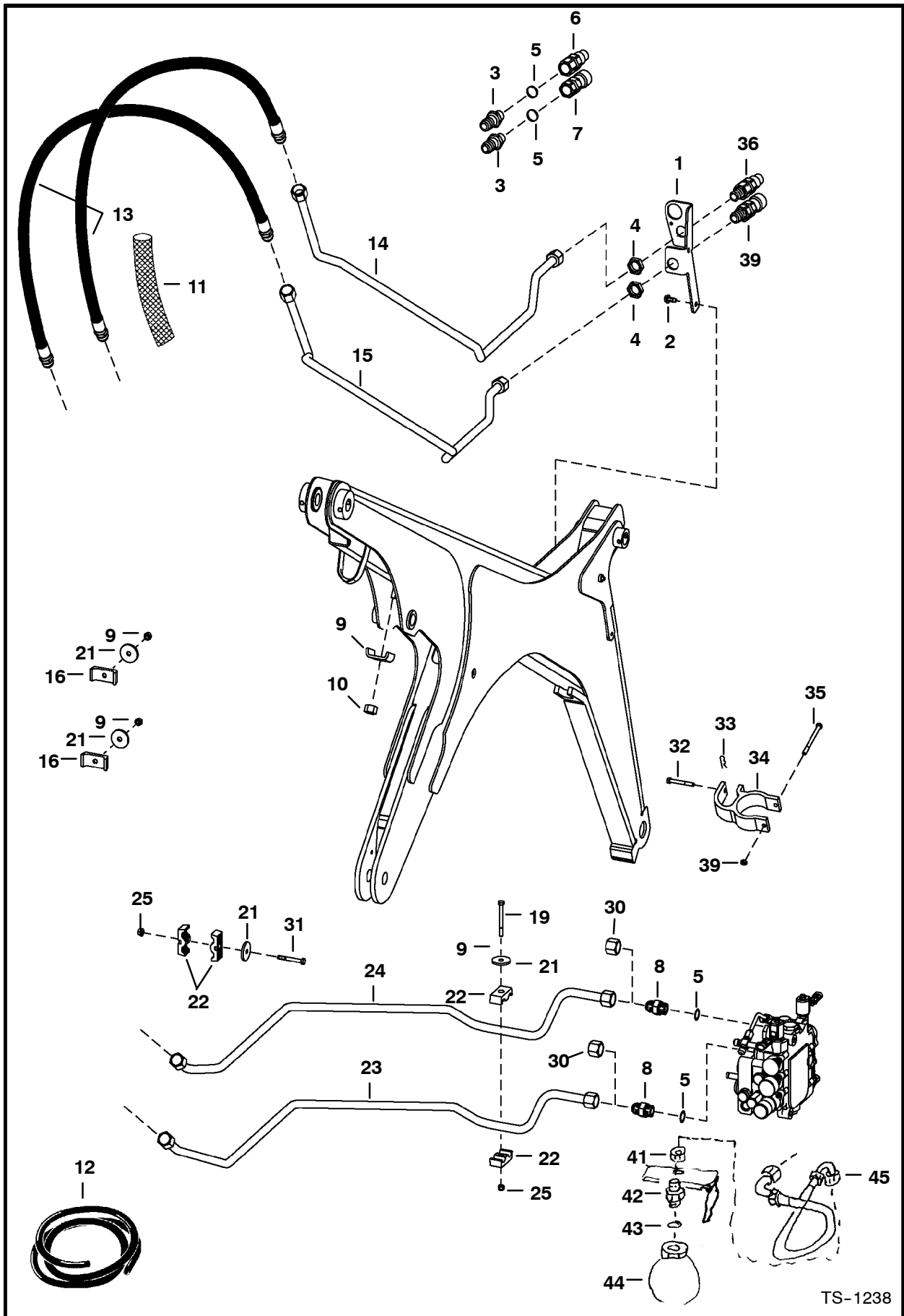


TS-1238

**AUXILIARY HYDRAULICS (Cont'd)**

Ref. No.	Part Number	Description	Remarks	Serial Number	Qty.
1	6716808	BRACKET			1
2	84G-3712	BOLT			2
3	6716090	ADAPTER	W/Ref. 5 - tapered boss face		2
	97K-12	O-RING	flared end		2
4	86F-8	NUT			2
5	99K-12	O-RING	tapered boss face		2
6	NAP	COUPLER	male - Order Ref. 36 - Was 6667808 [B]		1
	6672026	O-RING			1
7	NAP	COUPLER	female - Order Ref. 39 - Was 6672960 [B]		1
8	15KN-8	ADAPTER	W/Ref. 5		2
	97K-12	O-RING	flared end		x
9	6718754	CLAMP	Was 6502203 [A]		5
10	95D-6	NUT			4
11	NAP	SHIELD	70.75" (1797,1 mm) long - Order Ref. 12		1
12	6651436	SHIELD	bulk - 2.38" (60,5 mm) ID - Sold Per Foot		x
13	6718855	HOSE			1
14	6718056	TUBELINE			1
15	6718057	TUBELINE			1
16	95D-6	NUT			1
17	25E-17	WASHER			2
18	17C-612	BOLT			1
19	17C-552	BOLT			1
20	6519187	ELBOW	W/Ref. 26		2
21	872229	WASHER			5
22	6592506	CLAMP			4
23	6718687	TUBELINE			1
24	6718688	TUBELINE			1
25	85D-5	NUT			2
26	79K-12	O-RING			2
27	6800262	CLAMP		5141 44606 & Bel. 5142 40100 & Bel. 5179 11033 & Bel.	2 2 2
	6800262	CLAMP		5141 44607 & Abv. 5142 40101 & Abv. 5179 11034 & Abv.	1 1 1
28	59D-8	NUT			2
29	6806680	ELBOW			1
30	36K-8	CAP			2
31	35C-540	BOLT			1
32	6541981	PIN	clevis		1
33	1306637	COTTER PIN			1
34	6713937	CLAMP			1
35	17C-560	BOLT			1
36	6676445	COUPLER	male	5141 45625 & Abv.	1
				5142 41005 & Abv. 5179 12014 & Abv.	1 1
	6672026	O-RING			1

# AUXILIARY HYDRAULICS (Cont'd)

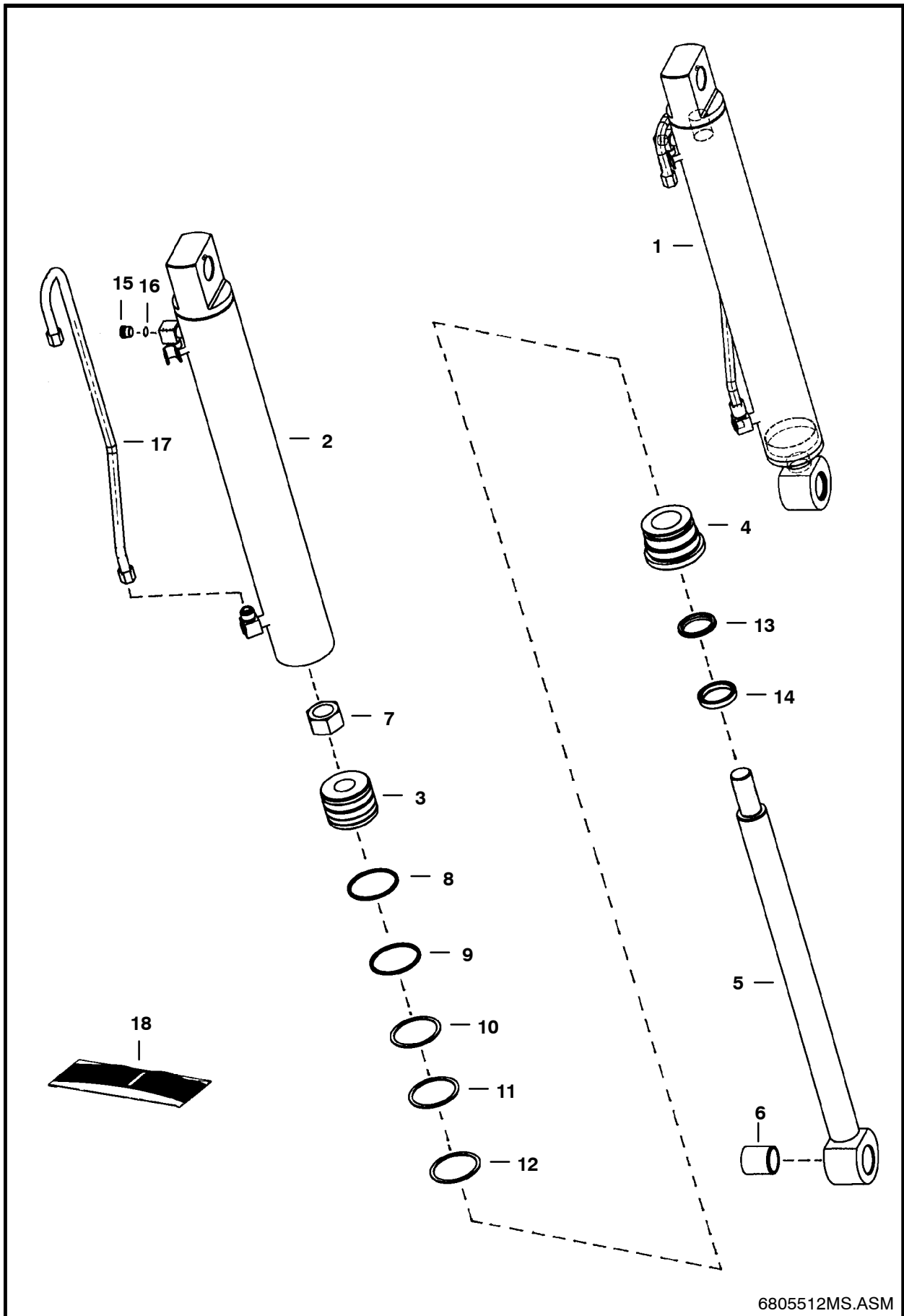


TS-1238



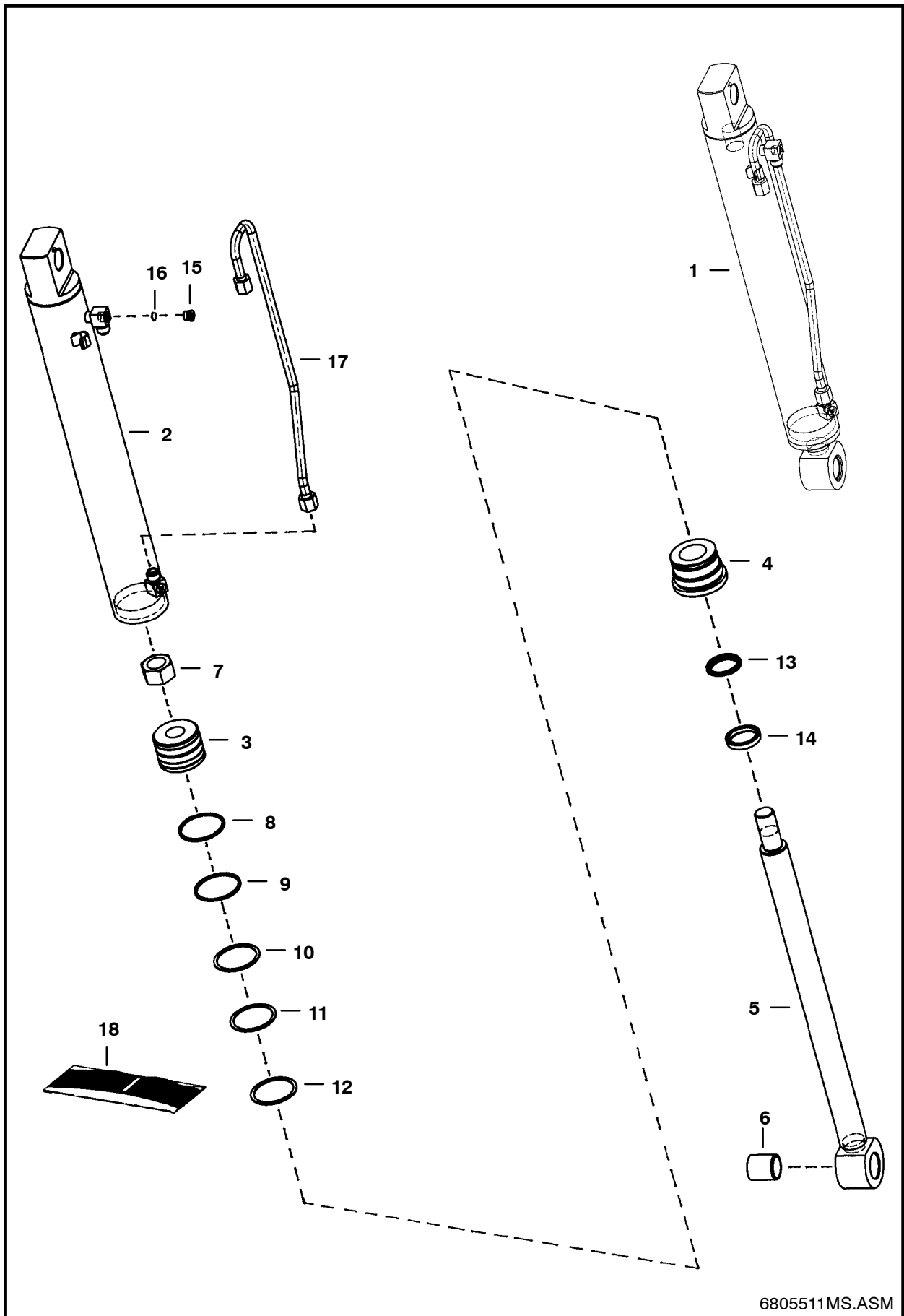


TILT CYLINDER  
(R.H.)



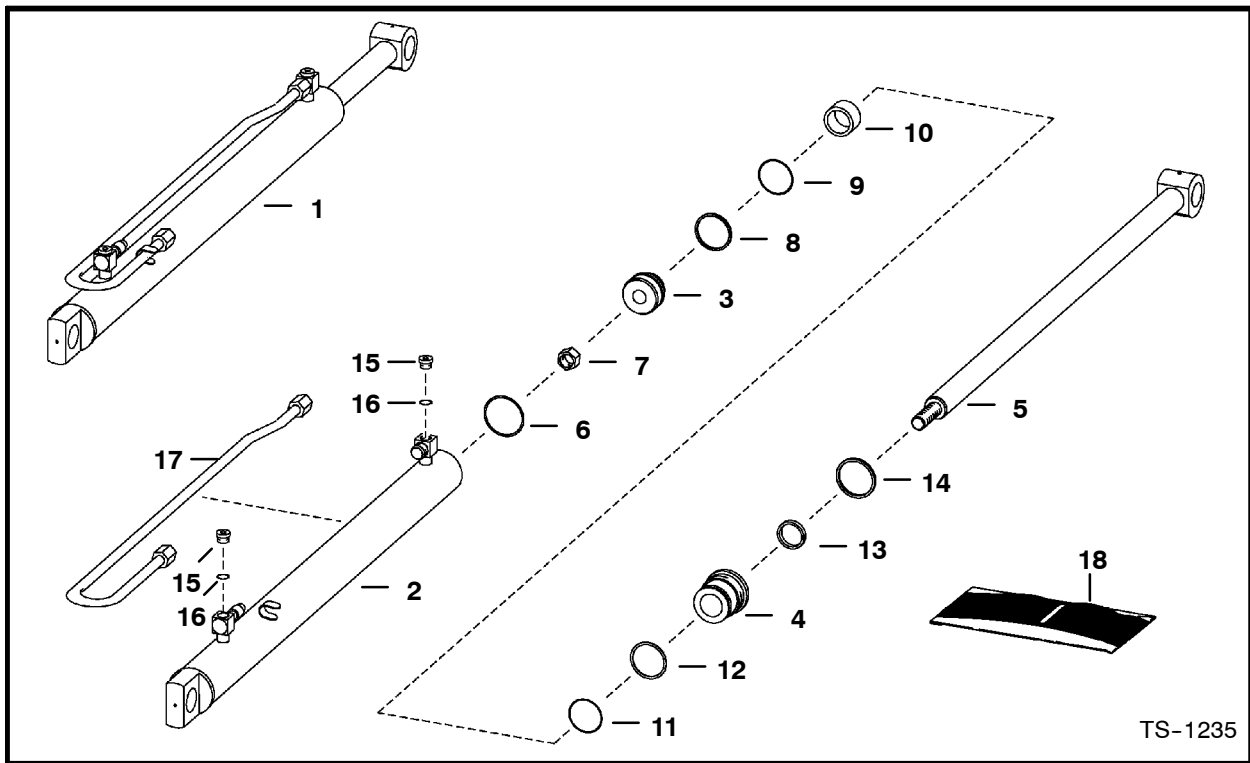


# TILT CYLINDER (L.H.)



6805511MS.ASM

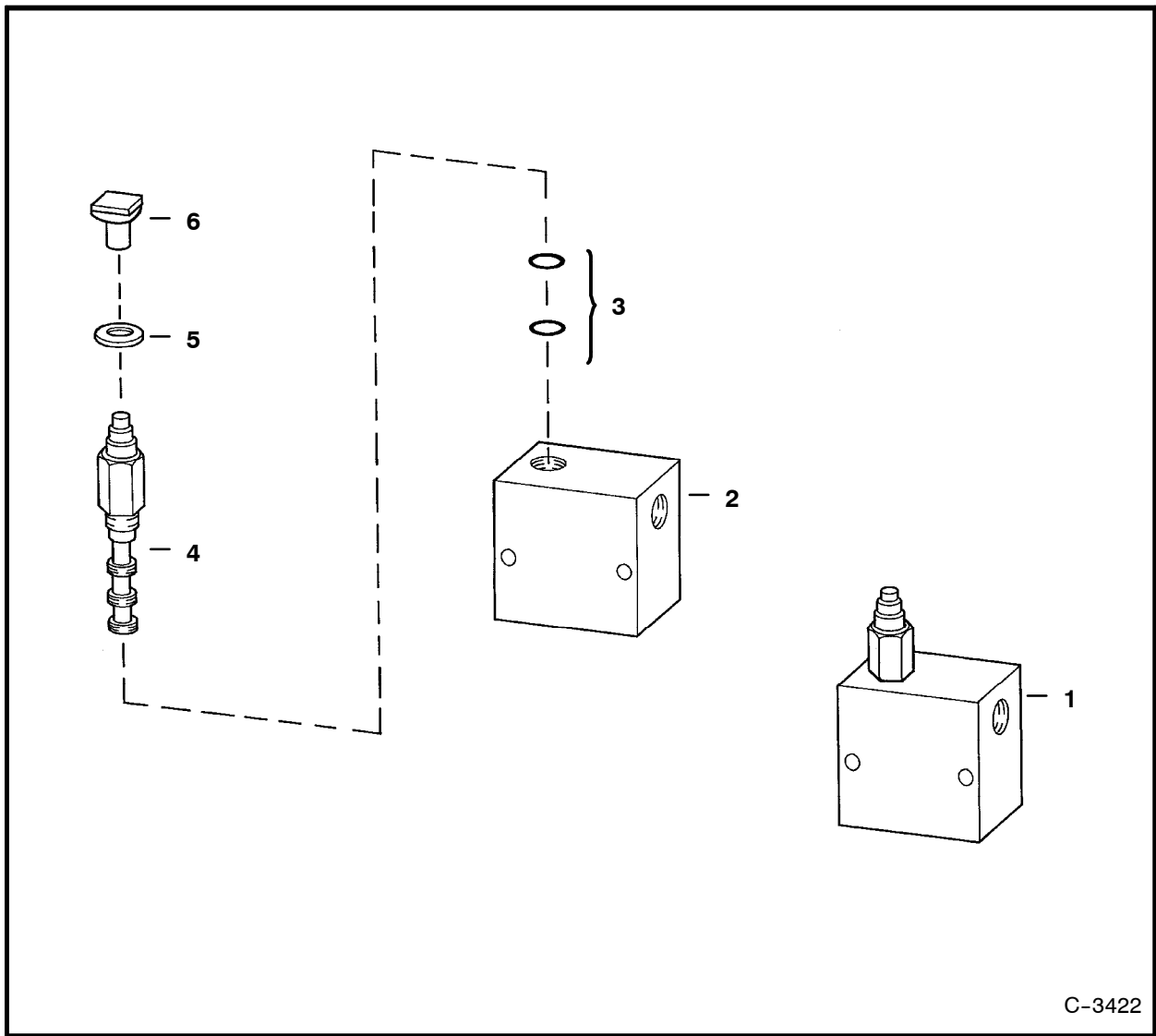




TS-1235

### LIFT CYLINDER

Ref. Part No.	Part Number	Description	Remarks	Serial Number	Qty.
1*	6809763	CYLINDER	Ref. 2-6 - Was 6589198 [A]		1
2	6589338	CASE			1
3	6666286	PISTON	black - W/Ref. 8&9 -		
*	6676977	PISTON	W/Non-Replaceable wear sleeves green - W/Ref. 8&9 -		1
4	6586718	HEAD	W/Non-Replaceable wear sleeves		1
5	6589339	ROD			1
6	54K-40224	O-RING			1
7	6804592	NUT			1
8	6516229	O-RING			1
9	54K-30210	O-RING			1
10	6589199	SPACER			1
11	54K-60212	O-RING			1
12	80K-332	WASHER	back-up rod		1
13	6667326	SEAL			1
14	6665086	SEAL	wiper		1
15	90KV-5	PLUG	W/Ref. 16		2
16	95K-6	O-RING			2
17	6589271	TUBE			1
18	6804609	SEAL KIT	Ref. 7 - 14		1

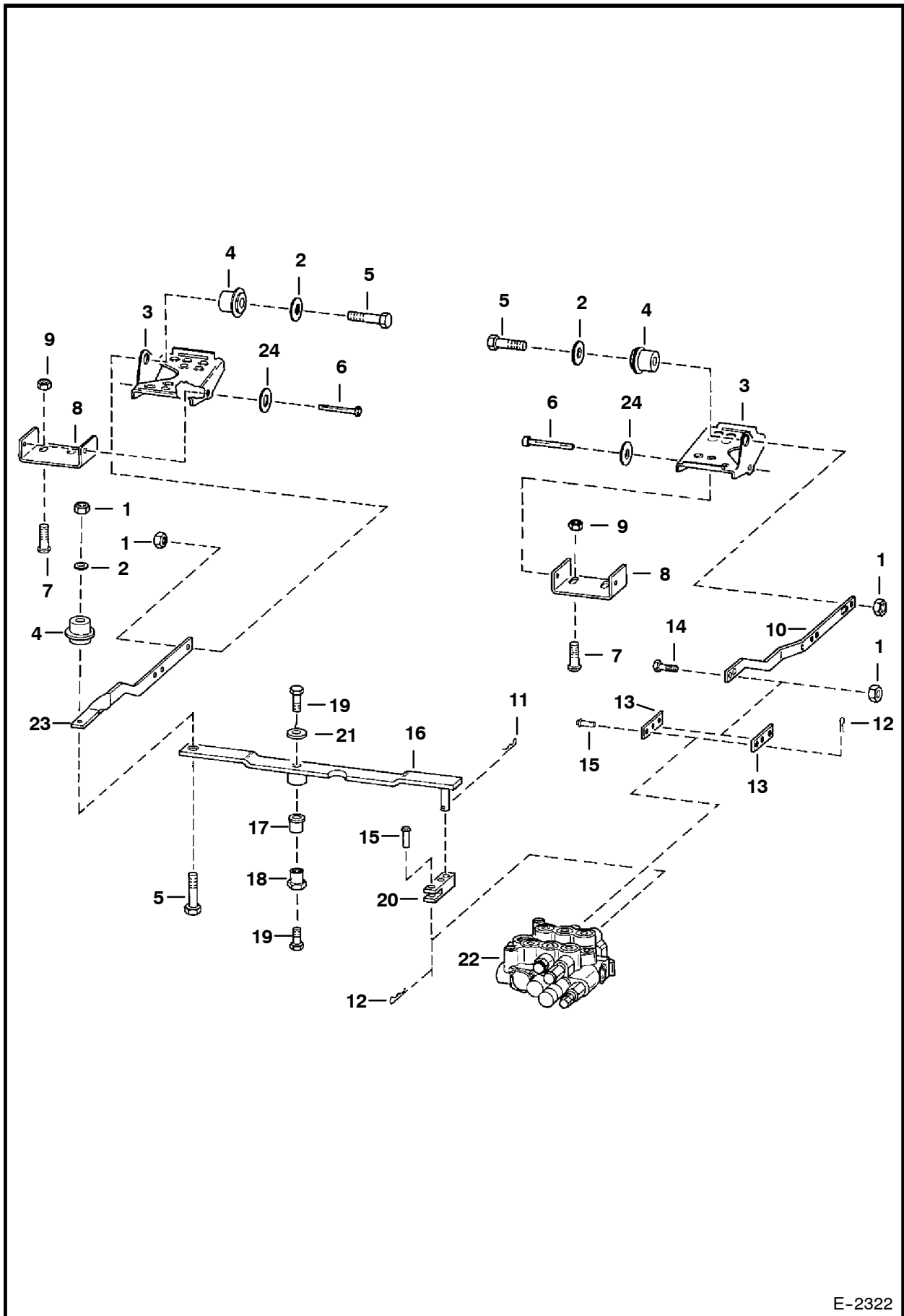


C-3422

### MANUAL LIFT RELEASE VALVE

Ref. Part No.	Part Number	Description	Remarks	Serial Number	Qty.
1	6667844	VALVE ASSY	Ref. 2 - 4		1
2	NSS	BLOCK			1
3	6669087	SEAL KIT			1
4	6669085	VALVE			1
5	6707101	SEAL	neoprene		1
6	6668913	KNOB	red square		1

# CONTROL PEDALS



E-2322

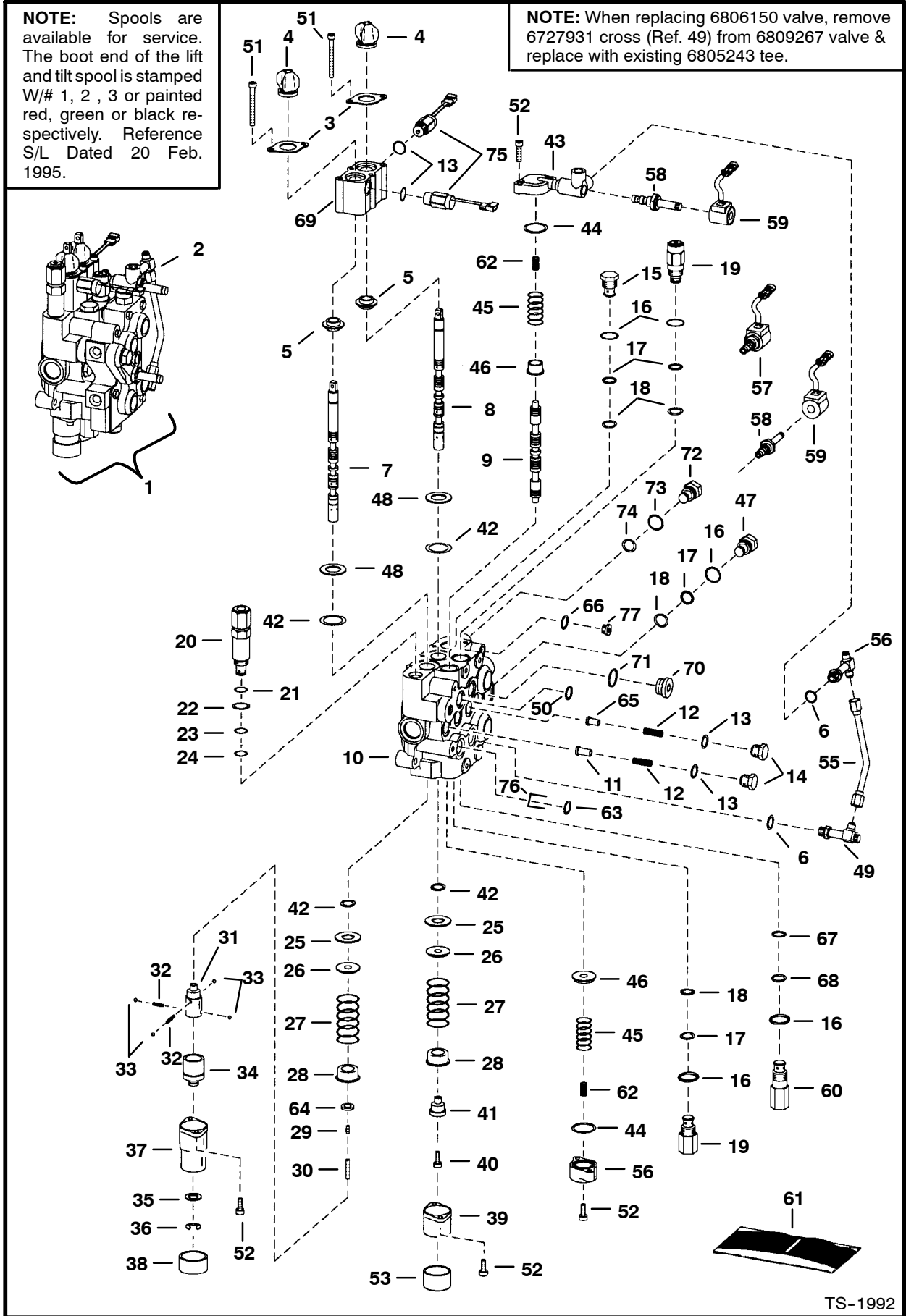




# HYDRAULIC CONTROL VALVE (Spool Lock) (W/ BICS Control Valve)

**NOTE:** Spools are available for service. The boot end of the lift and tilt spool is stamped W/# 1, 2, 3 or painted red, green or black respectively. Reference S/L Dated 20 Feb. 1995.

**NOTE:** When replacing 6806150 valve, remove 6727931 cross (Ref. 49) from 6809267 valve & replace with existing 6805243 tee.



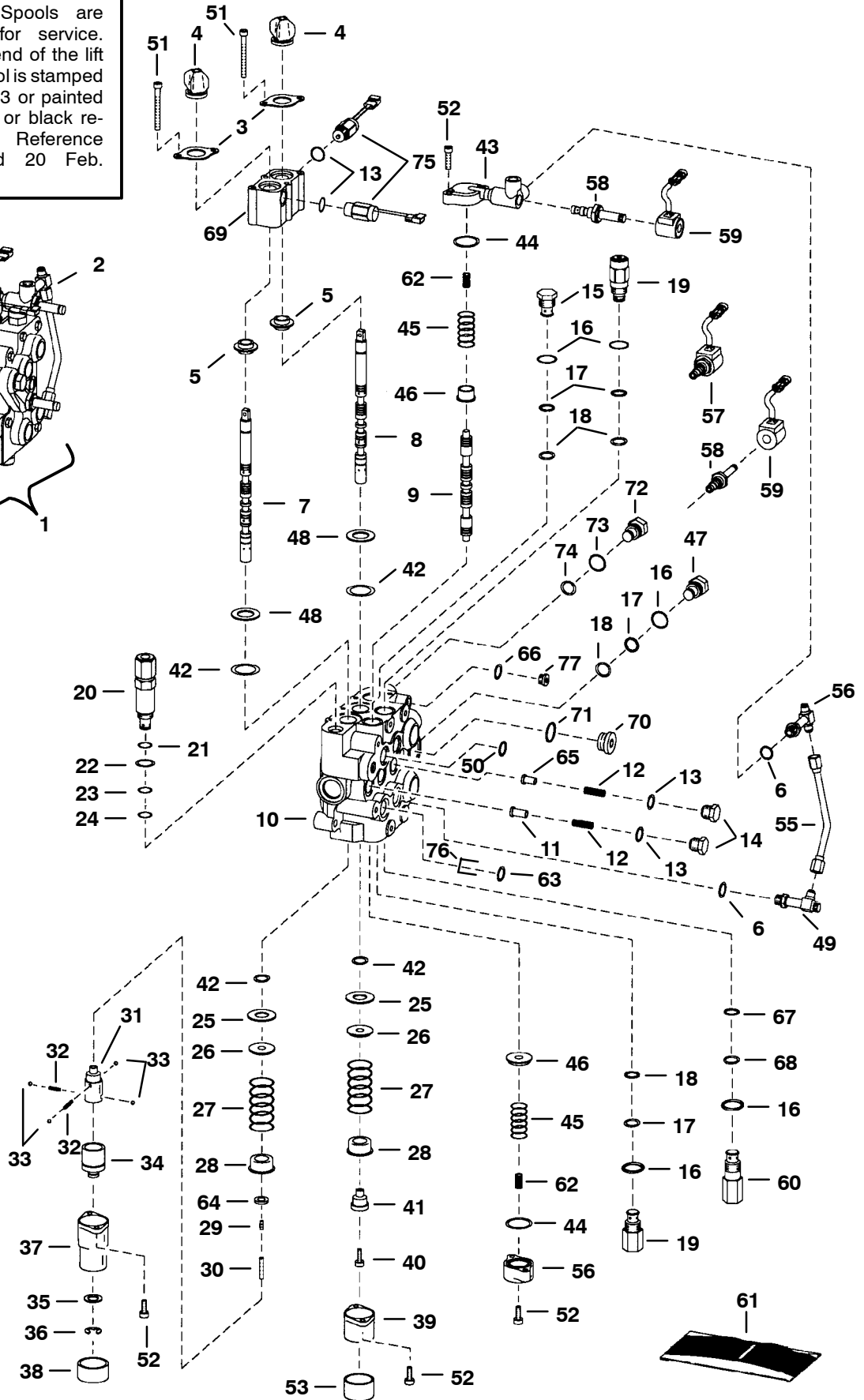
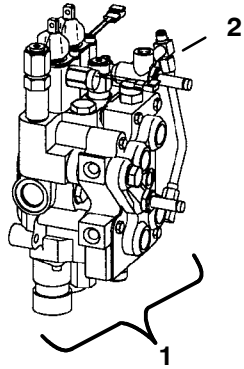
TS-1992

**HYDRAULIC CONTROL VALVE (Cont'd)  
(Spool Lock) (W/ BICS Control Valve)**

Ref. No.	Part Number	Description	Remarks	Serial Number	Qty.
1*	NAP	VALVE	W/Fittings - Ref. 2-76 - Order 6809267 - SEE NOTE - Was 6806150 [A]		1
*	6809267	VALVE	W/Fittings - Ref. 2-76		1
2	6628571	VALVE ASSY	BICS control - See Page 70		1
3	6589564	RETAINER			2
4	6587763	BOOT			2
5	6805102	BUSHING	alignment		2
6	99K-6	O-RING			x
7	6674808	SPOOL	lift - # 1 or Red - SEE NOTE		1
	6674809	SPOOL	lift - # 2 or Green-SEE NOTE		1
	6674810	SPOOL	lift - # 3 or Black - SEE NOTE		1
8	6674814	SPOOL	tilt - # 1 or Red - SEE NOTE		1
	6674815	SPOOL	tilt - # 2 or Green - SEE NOTE		1
	6674816	SPOOL	tilt - # 3 or Black - SEE NOTE		1
9	6588074	SPOOL	auxiliary - SEE NOTE		3
10	NSS	BODY			1
11	6592115	SEAT	load check		2
12	6592117	SPRING			3
13	79K-8	O-RING			3
14	6592116	NUT	load check		3
15	6667549	VALVE	anti-cavity check -W/Ref. 16-18		1
16	79K-10	O-RING			2
17	80K-14	RING	back-up		5
18	58K-14	O-RING	back-up washer required		5
*	6677106	O-RING	back-up washer not required		5
19	6673184	VALVE	port relief - W/Ref. 16-18		2
20	6676198	VALVE	main relief - W/Ref. 21-24 - Was 6665626 [A]		1
21	58K-17	O-RING			1
22	6665569	WASHER	back-up		1
23	25K-20016	O-RING			1
24	6665570	RING	glide		1
25	6595663	BUSHING			2
26	6587523	WASHER			2
27	6587580	SPRING			2
28	6592100	COLLAR			2
29	6596807	PLUG			1
30	6586918	SCREW			1
31	6587575	ADAPTER			1
32	6592107	SPRING			2
33	6592105	BALL			4
34	6531270	SLEEVE			1
35	6592098	WASHER			1
36	799119	SNAP RING			1
37	6589226	BONNET	.625" flange		1
38	6660644	CAP			1
39	6587633	BONNET			1
40	30G-416	BOLT			1
41	6592109	ADAPTER			1
42	6665846	SEAL			4

# HYDRAULIC CONTROL VALVE (Cont'd) (Spool Lock) (W/ BICS Control Valve)

**NOTE:** Spools are available for service. The boot end of the lift and tilt spool is stamped W/# 1, 2, 3 or painted red, green or black respectively. Reference S/L Dated 20 Feb. 1995.

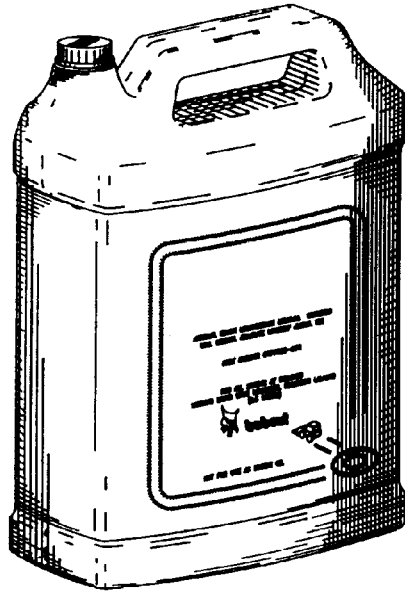


TS-1992

**HYDRAULIC CONTROL VALVE (Cont'd)  
(Spool Lock) (W/ BICS Control Valve)**

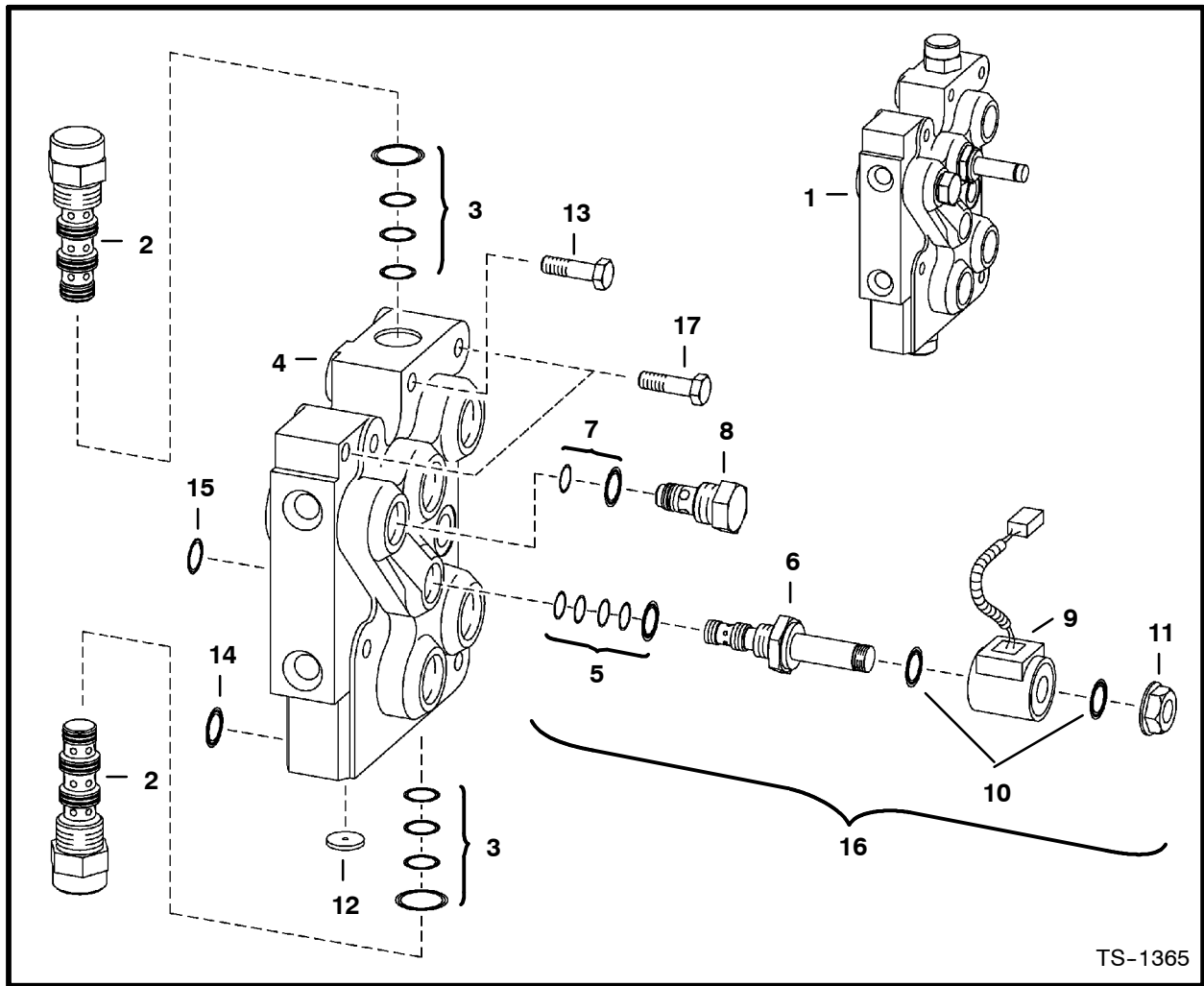
Ref. No.	Part Number	Description	Remarks	Serial Number	Qty.
43	6805651	BLOCK	aux		2
44	58K-124	O-RING			2
45	6596332	SPRING			2
46	6595951	SLEEVE			2
47	6592720	PLUG	W/Ref. 16-18		1
48	58K-127	O-RING			2
49	6805243	TEE	W/Ref. 6 - for 6806150 valve		1
*	6727931	CROSS	W/Ref. 6 - for 6809267 valve		1
50	55K-204	O-RING			1
51	29G-444	SCREW			4
52	29G-416	SCREW	1" long		8
53	6662848	CAP			1
54	6805696	TEE	W/Ref. 6 - tapered boss face flared end		2
	97K-6	O-RING			x
55	6806496	TUBELINE			1
56	6588781	END CAP			1
57	6677201	SOLENOID	W/Ref. 58 & 59 - Was 6665084 [B]		2
58	6676249	STEM	Was 6666616 [B]		2
	6586459	SEAL KIT			x
59	6717706	COIL	W/ nut - 10 volt - pwm		2
60	6671632	VALVE	port relief & anti-cav. - W/Ref. 16		
			- 3500 PSI - use in tilt cylinder base end port		1
	6673904	SEAL KIT	W/Ref. 16, 67 & 68		
61	6806941	SEAL KIT	two spool - Ref. 4, 42 & 51		x
*	6809448	SEAL KIT	complete - Ref. 4, 13, 16-18, 21-24, 42, 44, 50 & 53 -		
	6661328	SEAL KIT	Was 6628835 [A]		x
*	6809425	SEAL KIT	main relief - Ref. 21-24 upper deck - Ref. 13 & 16-18 -		x
62	6595131	SPRING	Was 6586461 [A]		x
63	55K-212	O-RING	.72" O.D.		2
64	54K-20002	O-RING			4
65	6596569	SEAT	load check		1
66	95K-6	O-RING			2
67	NSS	O-RING	Order Ref. 60 kit		x
68	NSS	O-RING	Order Ref. 60 kit		x
69	6805657	BLOCK	lift and tilt lock		1
70	90KV-8	PLUG	W/Ref. 71		1
71	95K-12	O-RING			x
72	6805651	PLUG	aux lock - W/Ref. 73 & 74		1
73	79K-7	O-RING			x
74	58K-12	O-RING			x
75	6674786	SOLENOID	spool lock - W/Ref. 13 -		
*	6677383	SOLENOID	3"(76,2mm) wire - Order 6677383		2
			spool lock - W/Ref. 13 - 5"(127mm) wire		2
76	6668791	ORIFICE	.185		1
77	90KV-5	PLUG	W/Ref. 66		1

**Bobcat Hydraulic/Hydrostatic Fluid  
is blended to our specifications  
to meet or exceed requirements of our components.**



**Available from Bobcat Parts.**





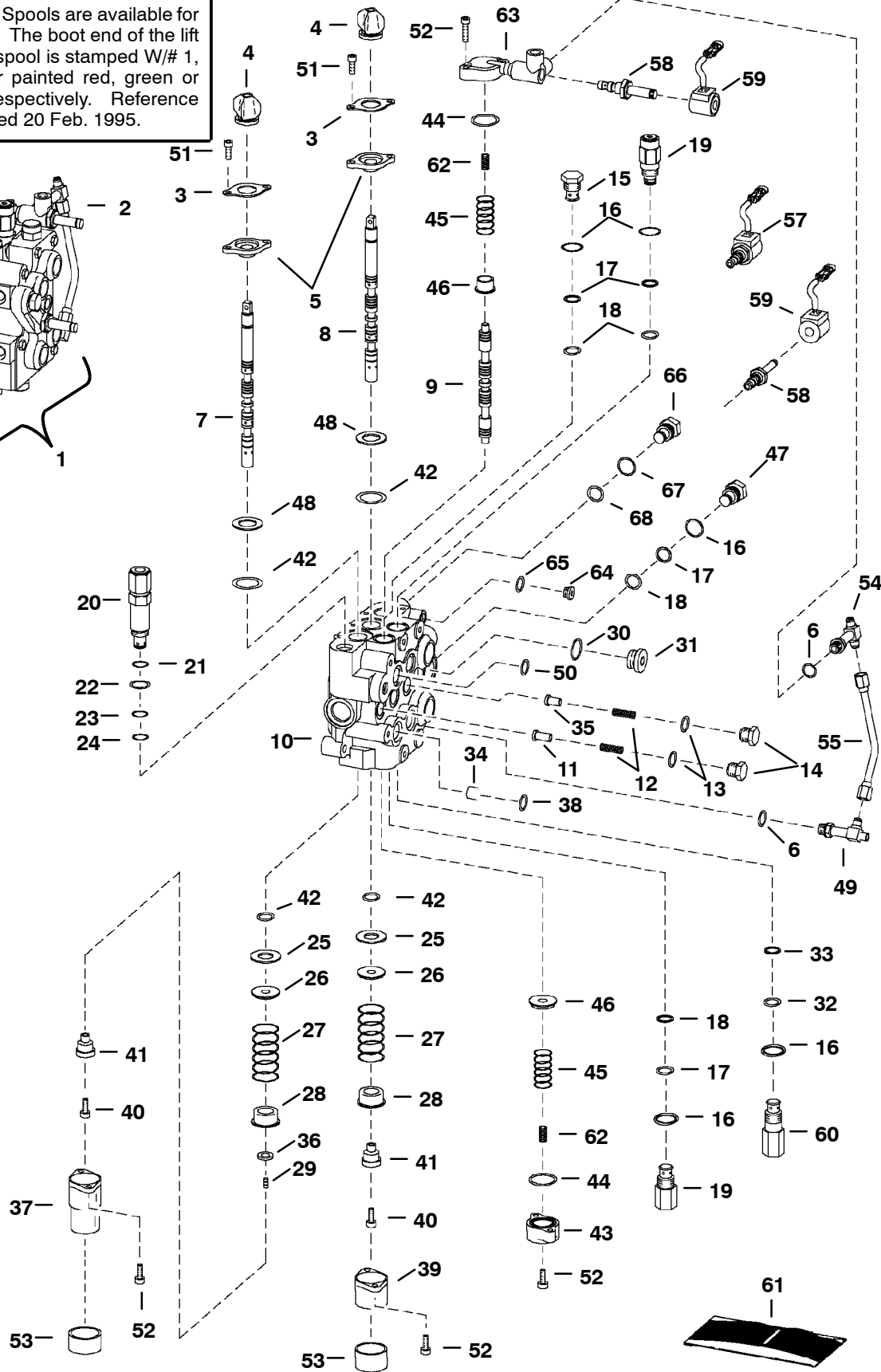
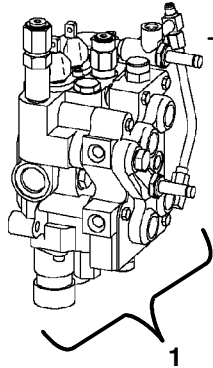
TS-1365

### BICS CONTROL VALVE

Ref. No.	Part Number	Description	Remarks	Serial Number	Qty.
1	6628571	VALVE ASSY	Ref. 2 - 8		1
2	6668765	VALVE	pilot operated		2
3	6669734	SEAL KIT			x
4	NSS	BODY			1
5	6669732	SEAL KIT			x
6	6665004	STEM	solenoid valve		1
7	6669733	SEAL KIT			x
8	6669057	CHECK VALVE	filter		1
9	6671025	COIL			1
10	54K-20028	O-RING			2
11	6668820	NUT			1
12	6668791	ORIFICE			1
13	43C-532	BOLT			4
14	55K-212	O-RING			4
15	55K-204	O-RING			1
16	6672456	VALVE	assy. - Ref. 5, 6 & 9-11		1
17	43C-524	BOLT			2

# HYDRAULIC CONTROL VALVE (Advanced Hand Control System) (Spool Lock)

**NOTE:** Spools are available for service. The boot end of the lift and tilt spool is stamped W/# 1, 2, 3 or painted red, green or black respectively. Reference S/L Dated 20 Feb. 1995.



**NOTE:** When replacing 6806150 valve, remove 6727931 cross (Ref. 49) from 6809267 valve & replace with existing 6805243 tee.

TS-1993

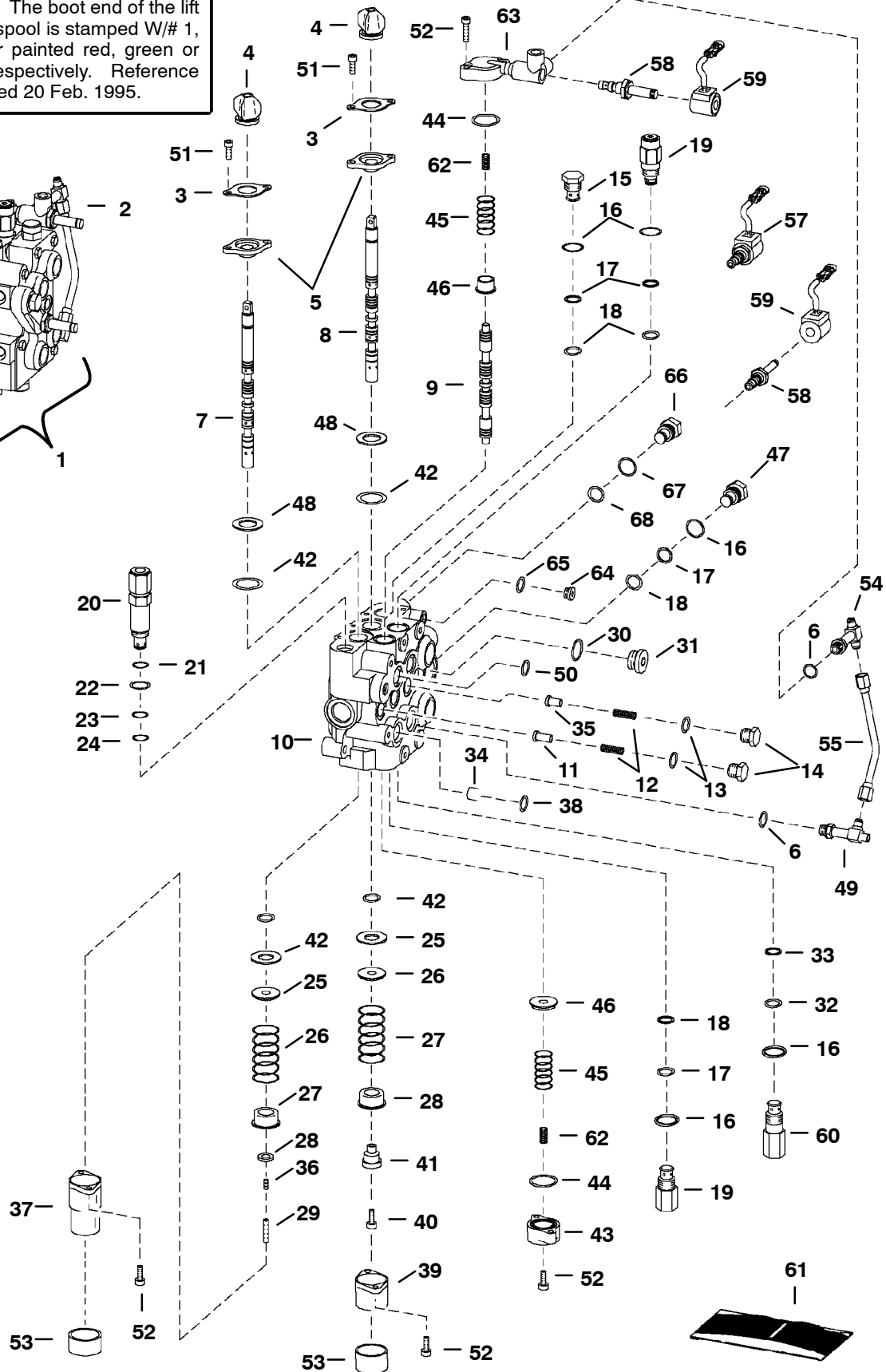
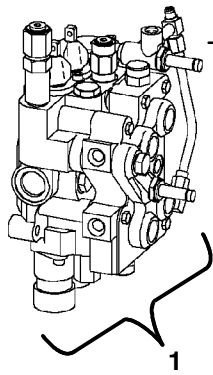


**HYDRAULIC CONTROL VALVE (Cont'd)**  
**(Advanced Hand Control System) (Spool Lock)**

Ref. No.	Part Number	Description	Remarks	Serial Number	Qty.
1*	NAP	VALVE	W/Fittings - Ref. 2-56 - Order 6809107 - SEE NOTE - Was 6805931 [A]		1
2	* 6809107 6628571	VALVE VALVE ASSY	W/Fittings - Ref. 2-56 AHC - BICS control - See Page 70		1
3	6589564	RETAINER			2
4	6587763	BOOT			2
5	6589565	BUSHING			2
6	99K-6	O-RING	tapered boss face		x
7	6674297 6674298	SPOOL SPOOL	lift - # 1 or Red - SEE NOTE lift - # 2 or Green-SEE NOTE		1 1
8	6674299 6674300 6674301	SPOOL SPOOL SPOOL	lift - # 3 or Black - SEE NOTE tilt - # 1 or Red - SEE NOTE tilt - # 2 or Green - SEE NOTE		1 1 1
9	6674302 6588074	SPOOL SPOOL	tilt - # 3 or Black - SEE NOTE auxiliary - SEE NOTE		1 3
10	NSS	BODY			1
11	6592115	SEAT	load check		2
12	6592117	SPRING			3
13	79K-8	O-RING			3
14	6592116	NUT	load check - W/Ref. 13		3
15	6667549	VALVE	anti-cavity check -W/Ref. 16-18		1
16	79K-10	O-RING			2
17	80K-14	RING	back-up		5
18	58K-14	O-RING	back-up washer required		5
	* 6677106	O-RING	back-up washer not required		5
19	6673184	VALVE	port relief - W/Ref. 16-18		2
20	6676198	VALVE	main relief - W/Ref. 21-24 - Was 6665626 [A]		1
21	58K-17	O-RING			1
22	6665569	WASHER	back-up		1
23	25K-20016	O-RING			1
24	6665570	RING	glide		1
25	6595663	BUSHING			2
26	6587523	WASHER			2
27	6587580	SPRING			2
28	6592100	COLLAR			2
29	6801167	PLUG	Spool		1
30	95K-12	O-RING			1
31	90KV-8	PLUG	W/Ref. 30 - socket head		1
32	NSS	O-RING	Order Ref. 60 - kit		1
33	NSS	O-RING	Order Ref. 60 - kit		1
34	6800124	RESTRICTOR	.183/.187		1
35	6596569	SEAT			1
36	54K-20002	O-RING			1
37	6803092	BONNET	.625 flange		1
38	55K-212	O-RING			4
39	6587633	BONNET			1
40	30G-416	BOLT			2
41	6592109	ADAPTER			1

# HYDRAULIC CONTROL VALVE (Cont'd) (Advanced Hand Control System) (Spool Lock)

**NOTE:** Spools are available for service. The boot end of the lift and tilt spool is stamped W/# 1, 2, 3 or painted red, green or black respectively. Reference S/L Dated 20 Feb. 1995.

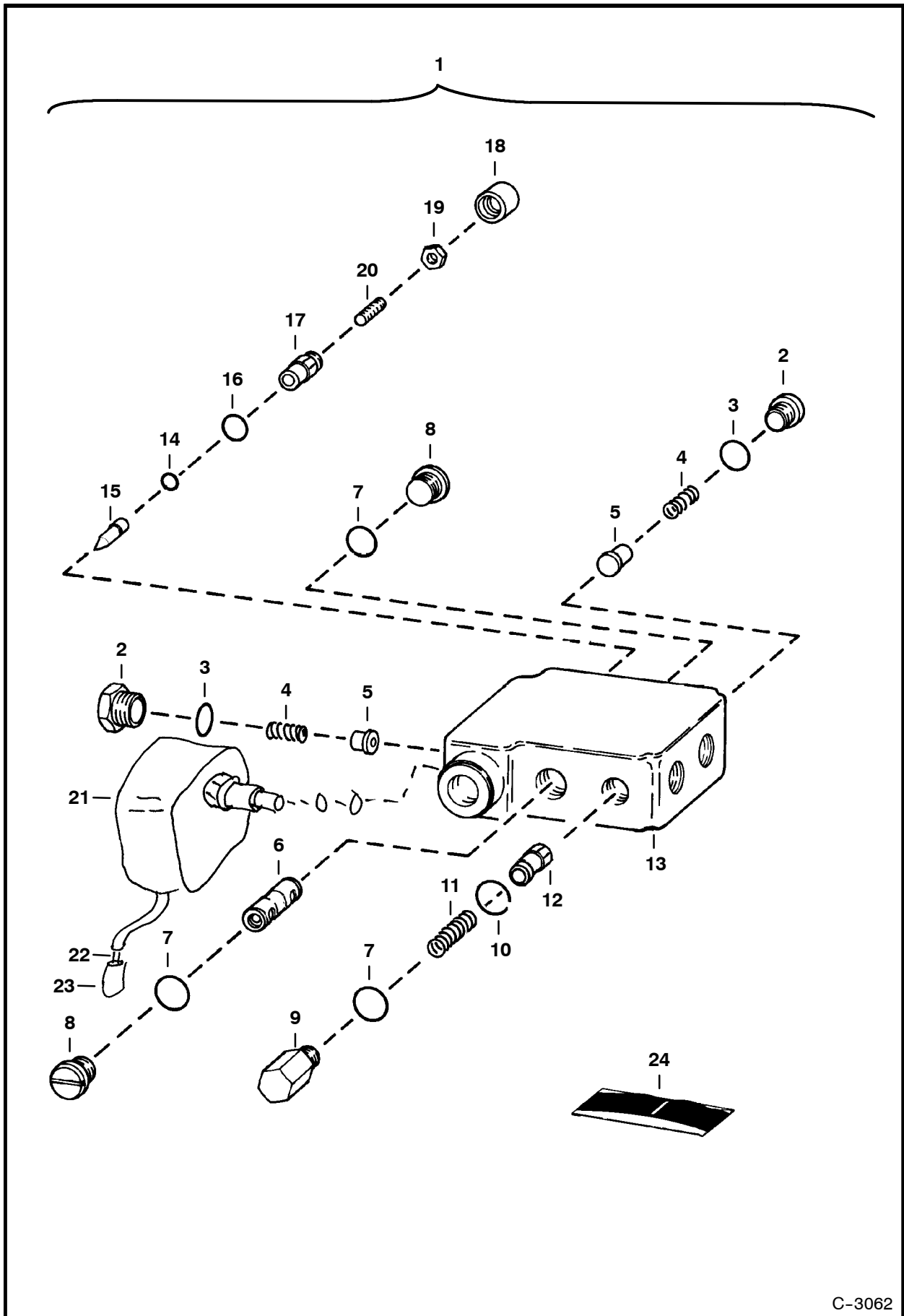


TS-1993

**HYDRAULIC CONTROL VALVE (Cont'd)**  
**(Advanced Hand Control System) (Spool Lock)**

Ref. No.	Part Number	Description	Remarks	Serial Number	Qty.
42	6665846	SEAL	lip		4
43	6588781	END CAP	.87" thick		2
44	58K-124	O-RING			2
45	6596332	SPRING			2
46	6595951	SLEEVE			2
47	6592720	PLUG	W/Ref. 16-18		1
48	58K-127	O-RING			2
49	6805243	TEE	W/Ref. 6 - for 6805931 valve		1
*	6727931	CROSS	W/Ref. 6 - for 6809107 valve		1
	97K-6	O-RING	flared end		x
50	55K-204	O-RING			1
51	29G-412	SCREW			4
52	29G-416	SCREW	1" long		8
53	6662848	CAP			2
54	6805696	TEE	W/Ref. 6		2
	97K-6	O-RING	flared end		x
55	6806496	TUBELINE			1
56	6800124	RESTRICTOR	.183/.187		1
57	6677201	SOLENOID	W/Ref. 58 & 59 - Was 6665084 [B]		2
58	6676249	STEM	Was 6666616 [B]		2
	6586459	SEAL KIT			x
59	6717706	COIL	W/ nut - pwm - 10 volt		2
60	6671632	VALVE	port relief & anti-cav.-W/Ref. 16, 32 & 33 - 2500 PSI - use in tilt		
			cylinder base end port		1
	6673904	SEAL KIT	W/Ref. 16, 32 & 33		1
61	6803605	SEAL KIT	one spool - Ref. 4, 42 & 51		x
*	6809448	SEAL KIT	complete - Ref. 4, 13, 16-18, 21-24, 42, 44, 50 & 63 - Was 6628835 [A]		x
	6661328	SEAL KIT	main relief - Ref. 21-24		x
*	6809425	SEAL KIT	Ref. 13 & 16-18 - Was 6586461 [A]		x
	6586459	SEAL KIT	W/Ref. 16, 32, 33		1
62	6595131	SPRING	.72" O.D.		2
63	6805651	BLOCK	aux		1
64	90KV-5	PLUG	W/Ref. 65		2
65	95K-6	O-RING			2
66	6806561	PLUG	W/Ref. 67-68		1
67	79K-7	O-RING			1
68	58K-12	O-RING			1

# BUCKET POSITIONING VALVE

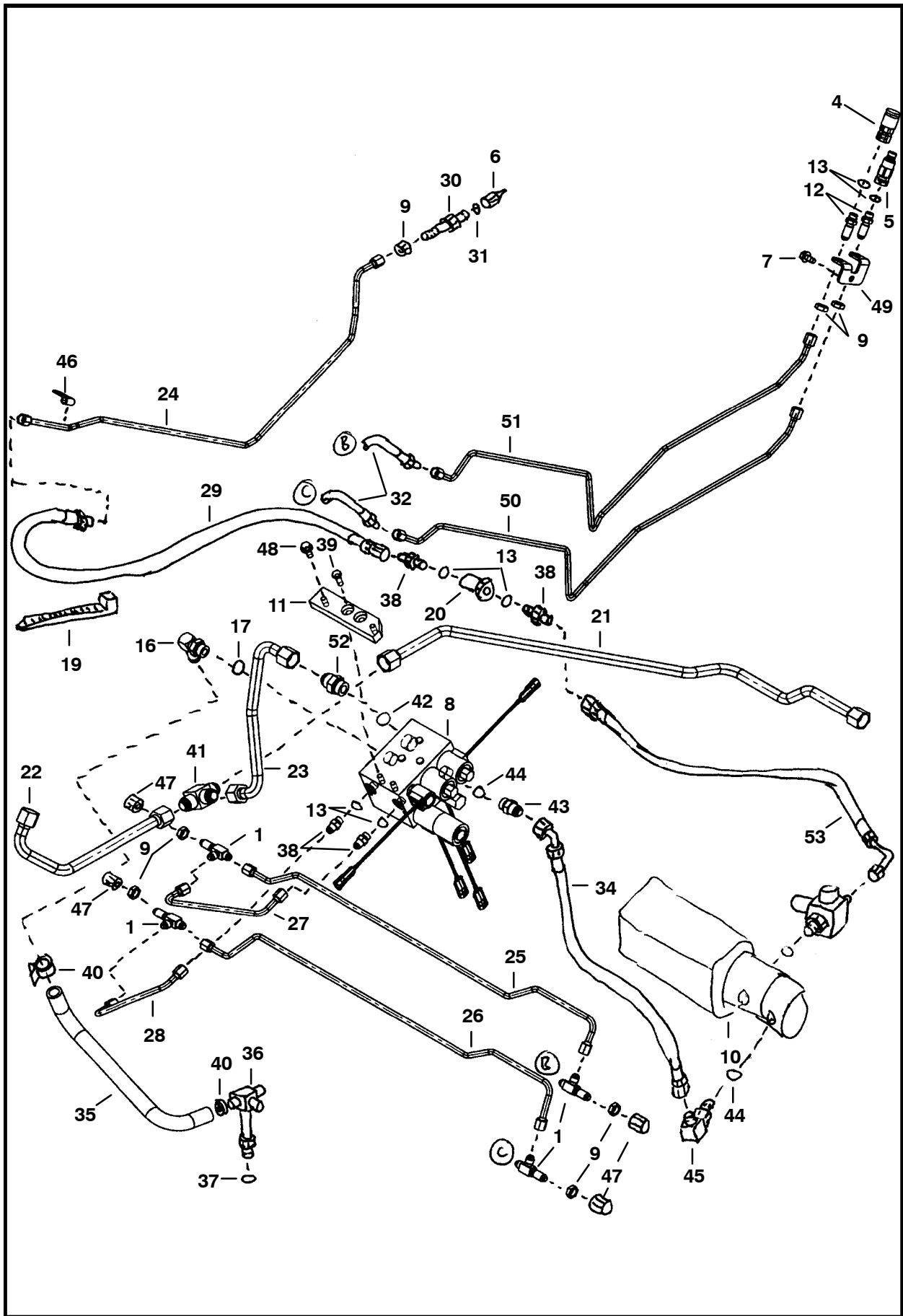


C-3062

## BUCKET POSITIONING VALVE (Cont'd)

Ref. No.	Part Number	Description	Remarks	Serial Number	Qty.
1	NAP	VALVE	yellow - Ref. 2-20 - Order 6675669 - Was 6666598 [A]		1
	6675669	VALVE	primer red - Ref. 2-21		1
2	6647784	PLUG	W/Ref. 3		2
3	79K-8	O-RING			2
4	6647785	SPRING			2
5	6647783	LOAD CHECK			2
6	NSS	SPOOL			1
7*	58K-116	O-RING	Was 6667679 [A]		3
8	6647780	PLUG	W/Ref. 7 - for 6666598		2
	6676543	PLUG	W/Ref. 7 - for 6675669		2
9	6667176	PLUG	W/Ref. 7		1
10	6667680	SNAP RING			1
11	6648294	SPRING	for 6666598		1
	6676544	SPRING	for 6675669		1
12	NSS	SPOOL			1
13	NSS	BODY			1
14	6667677	O-RING			1
15	6647777	PIN			1
16	6634874	O-RING			1
17	6647778	CAP	for 6666598		1
	6676542	CAP	for 6675669		1
18	6667676	COVER			1
19	6631561	NUT			1
20	6648293	SCREW			1
21	6672863	SOLENOID	for 6675669		1
	6708271	SOLENOID	for 6666598		1
	6671527	NUT			1
	6670634	SEAL KIT			1
	6674331	COIL			1
	6676545	CARTRIDGE			1
22	6641180	LOCK	2-pin		1
23	6641179	CONNECTOR	2-pin		1
24	6667185	SEAL KIT	Ref. 3, 7, 14, 16 & 18		1

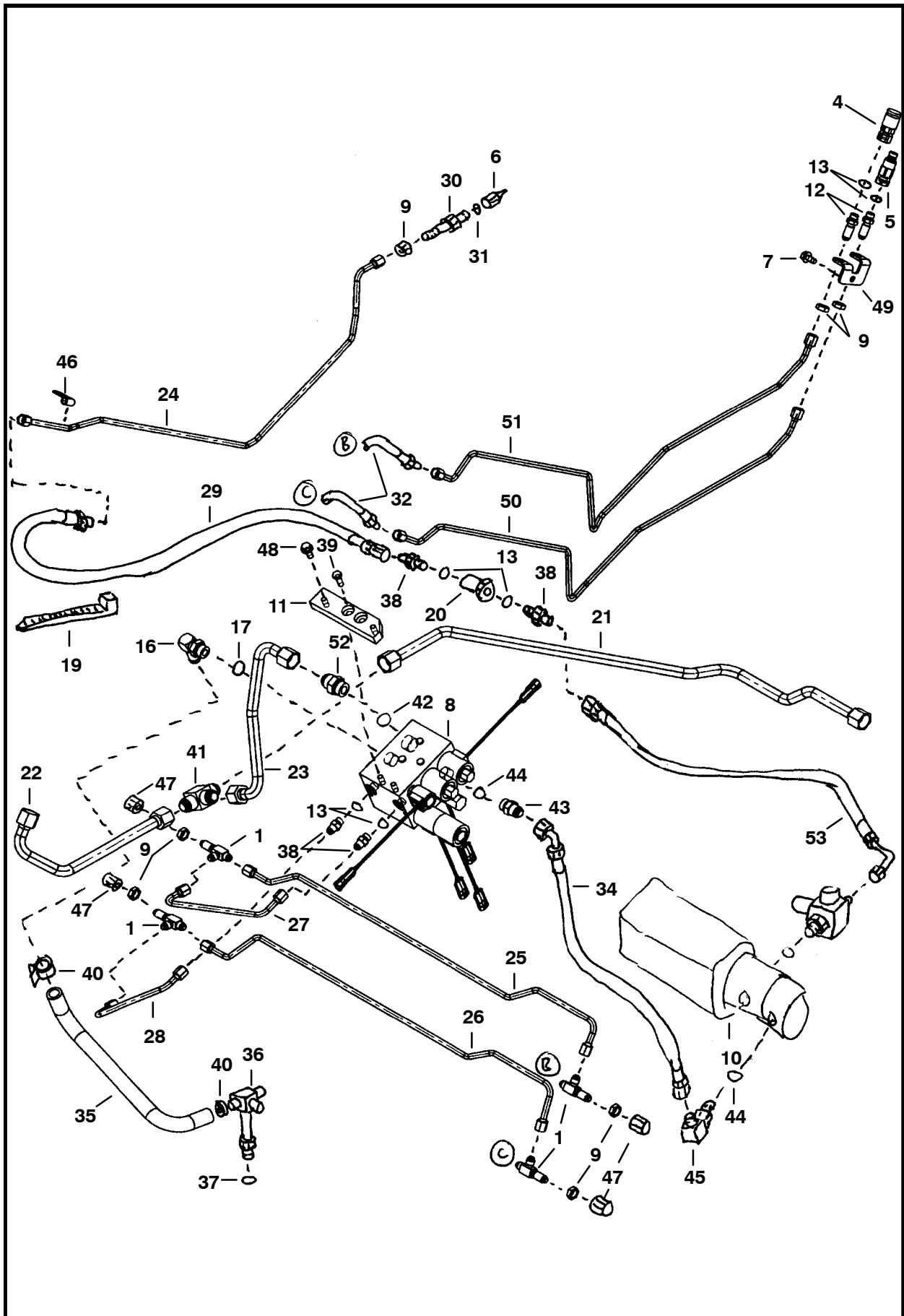
\* HIGH HORSEPOWER HYDRAULICS



**\* HIGH HORSEPOWER HYDRAULICS (Cont'd)**

Ref. No.	Part Number	Description	Remarks	Serial Number	Qty.
1	6719298	TEE			4
	97K-6	O-RING	flared end		x
2	59D-8	NUT			2
3	6659459	CHECK VALVE			1
4	6667803	COUPLER	female		1
5	6667804	COUPLER	male		1
6	6667806	COUPLER	male		1
7	84G-3712	BOLT			1
8	6669203	VALVE	See Page 83		1
9	86F-5	NUT			5
10		PUMP	See Page 103, 107, 111 & 115		1
11	6705471	MOUNT	valve		1
12	6716089	ADAPTER	bulkhead - W/Ref. 13		2
	97K-6	O-RING	flared end		x
13	99K-6	O-RING	tapered boss face		x
14	6719431	KIT	attachment controls - See Page 239		1
15	6718645	HARNESS			1
16	6717885	ELBOW	W/Ref. 17		1
17	79K-10	O-RING			x
18					
19	6610510	TIE STRAP			3
20	6661022	FILTER	in-line		1
21	6718384	TUBELINE			1
22	6718385	TUBELINE			1
23	6718386	TUBELINE			1
24	6718436	TUBELINE			1
25	6718552	TUBELINE			1
26	6718553	TUBELINE			1
27	6718554	TUBELINE			1
28	6718555	TUBELINE			1
29	6725435	HOSE			1
30	6726479	ADAPTER	bulkhead - W/Ref. 31		1
	97K-6	O-RING	flared end		x
31	99K-8	O-RING	tapered boss face		x
32	6718853	HOSE			2
33	6725436	HOSE			1
34	6718856	HOSE			1
35	6718857	HOSE			1
36	6719133	TEE	W/Ref. 37		1
37	97K-16	O-RING			x
38	15KV-5	ADAPTER	W/Ref. 13		4
	97K-6	O-RING	flared end		x
39	17C-616	BOLT			2
40	5HM-29	CLAMP			2
41	10KN-8	TEE	W/Ref. 42		1
	97K-12	O-RING	flared end		x
42	99K-12	O-RING	tapered boss face		x
43	15KN-7	ADAPTER	W/Ref. 44		1
	97K-10	O-RING	flared end		x
44	99K-10	O-RING	tapered boss face		x

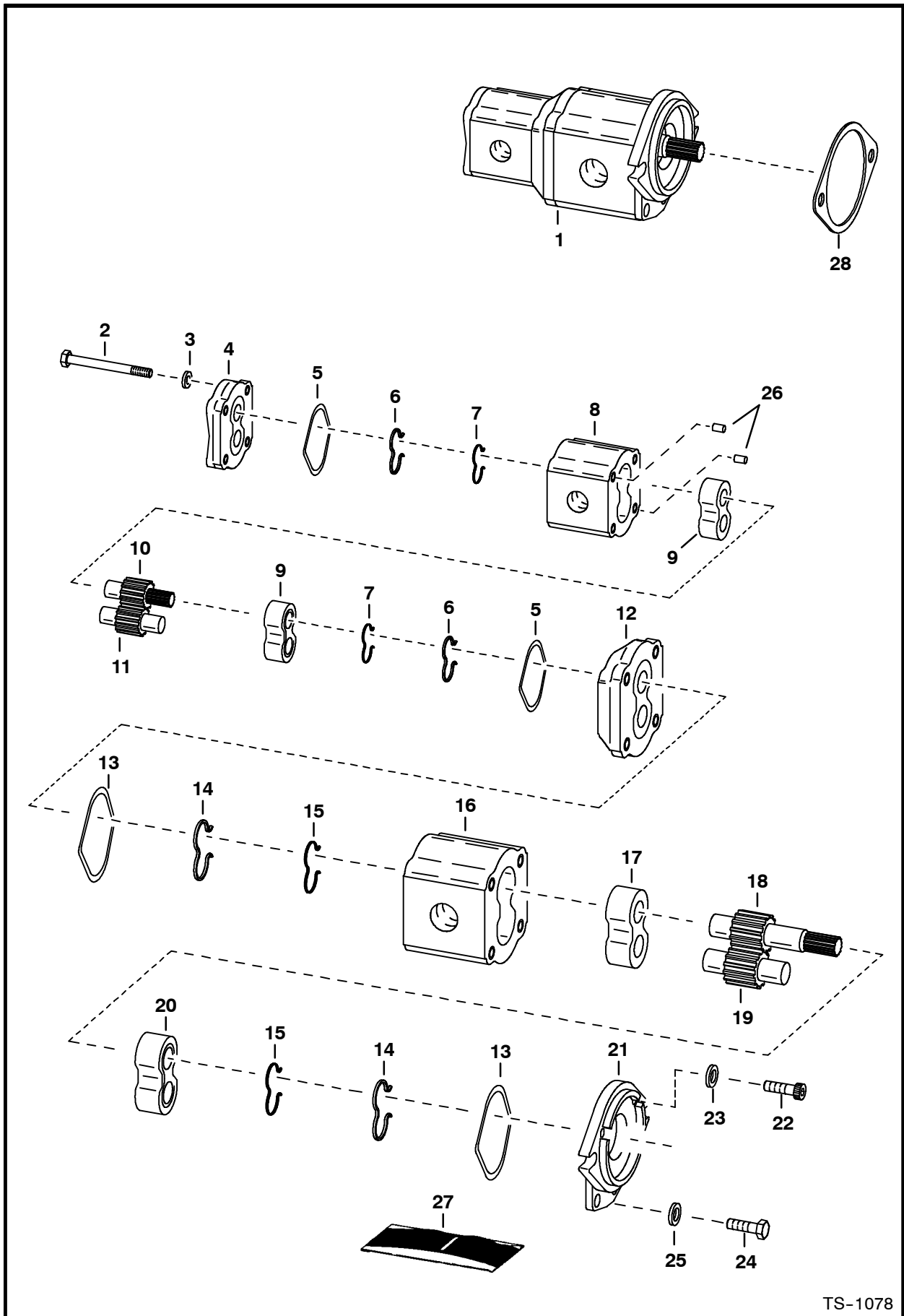
\* HIGH HORSEPOWER HYDRAULICS (Cont'd)





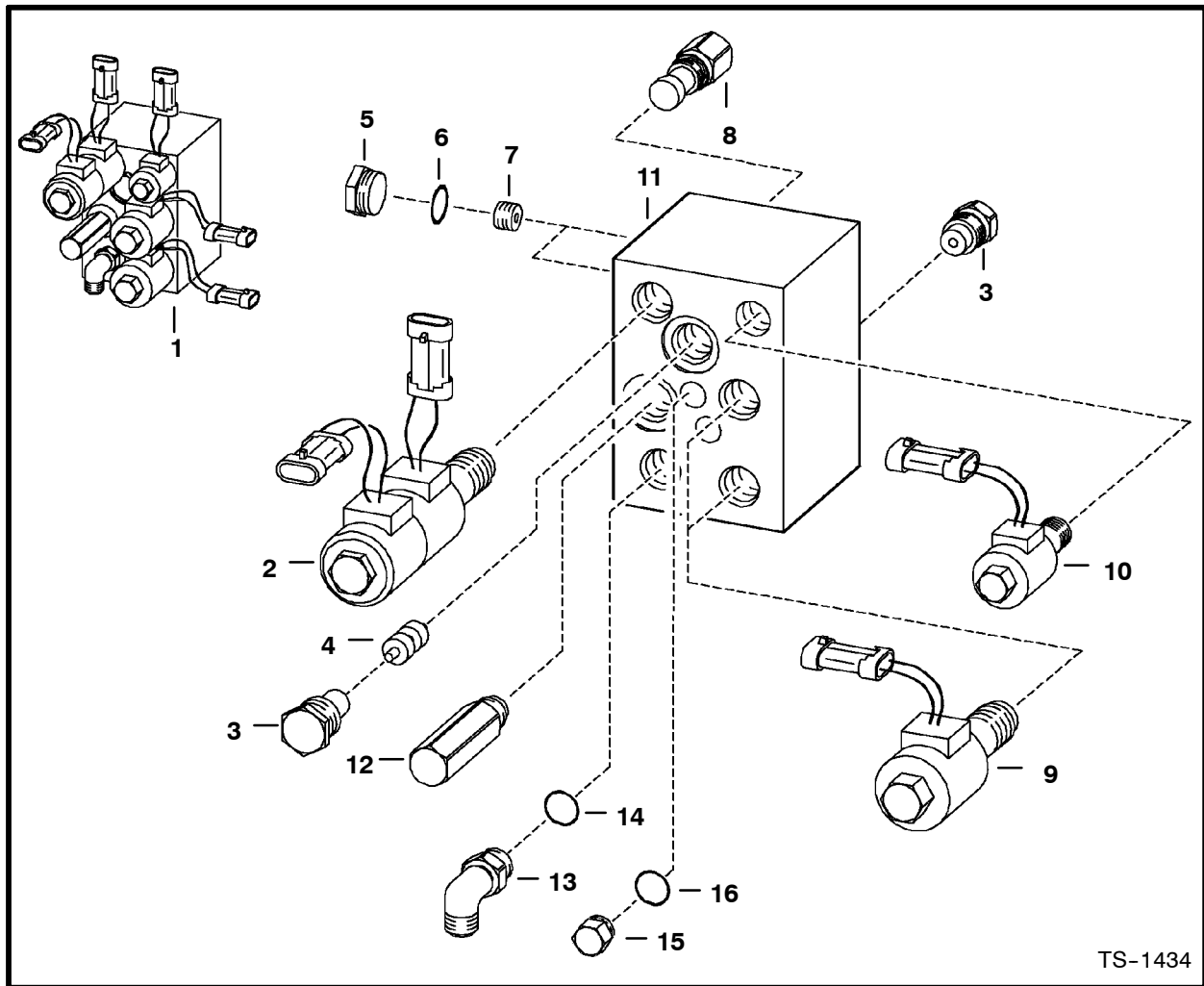


# HIGH HORSEPOWER HYDRAULICS (Double Gear Pump)



TS-1078





### HIGH HORSEPOWER HYDRAULICS (Control Valve)

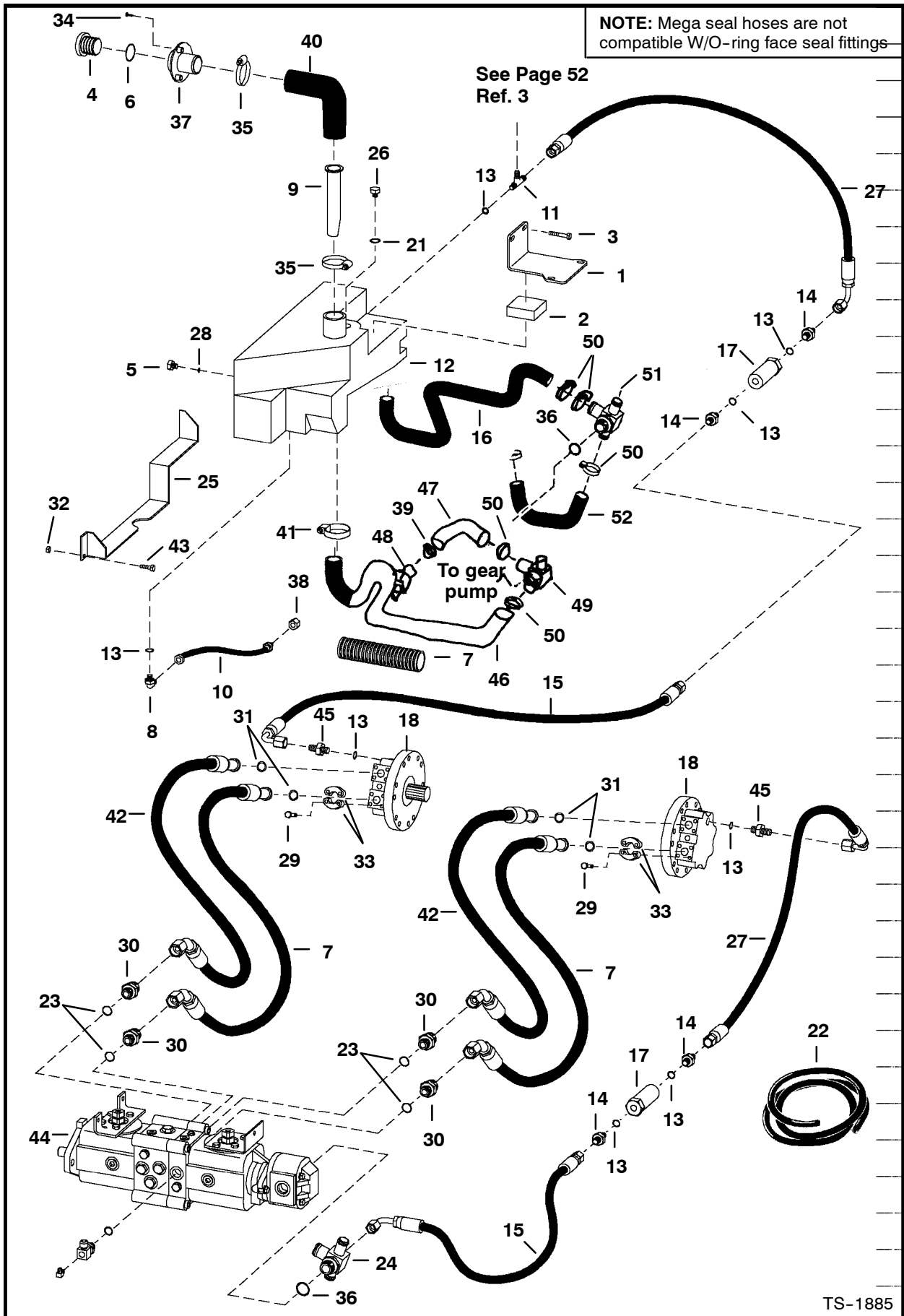
Ref. No.	Part Number	Description	Remarks	Serial Number	Qty.
1	6669203	VALVE	Ref. 2 - 14		1
2	6672450	VALVE ASSY.	solenoid		1
	6664025	STEM			1
	6671026	COIL	W/Connector		2
	6671628	NUT			1
	6661448	SEAL KIT			1
3	6669728	CHECK VALVE			2
4	6673990	PISTON	Was 6664028 [A]		1
5	6665719	PLUG			10
6	79K-5	O-RING			x
7	6669615	ORIFICE	.020		2
8	6669729	SHUTTLE VALVE			1
	6669736	SEAL KIT			1
9	6672449	VALVE ASSY.	solenoid		2
	6664024	STEM			2
	6671026	COIL	W/Connector		2
	6671629	NUT			2
	6664032	SEAL KIT			2



# HYDROSTATIC CIRCUITRY (W/Motors)

**NOTE:** Mega seal hoses are not compatible W/O-ring face seal fittings

See Page 52  
Ref. 3



TS-1885

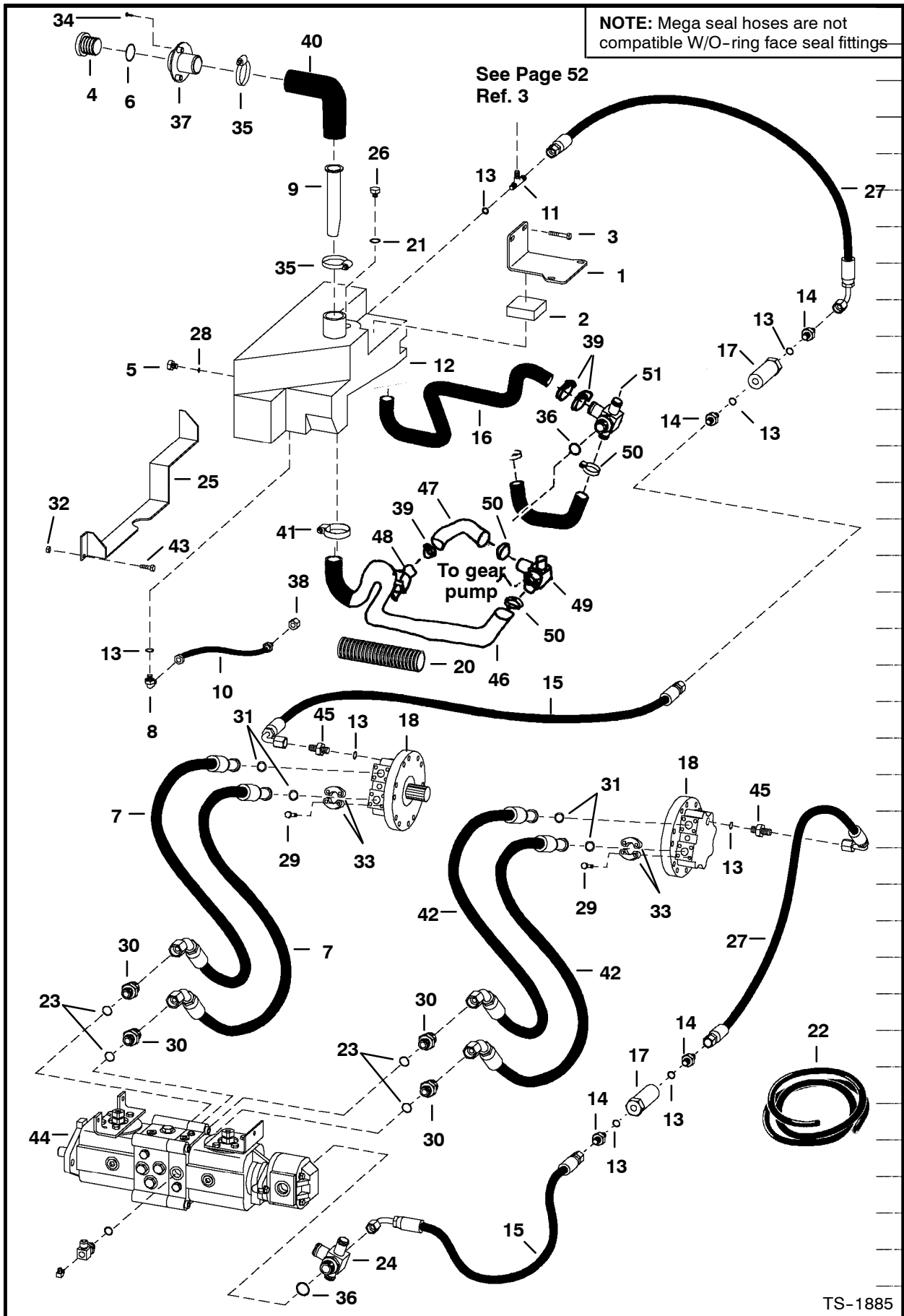
**HYDROSTATIC CIRCUITRY (Cont'd)**  
**(W/Motors)**

Ref. No.	Part Number	Description	Remarks	Serial Number	Qty.
1	6715079	BRACKET			1
2	6716449	FOAM			2
3	84G-3716	BOLT			2
4*	6727475	CAP	breather & fill - Also Order Ref. 6 - Was 6577785 [A]		1
5	6665915	GUAGE	sight - W/Ref. 28		1
6	6700631	GASKET			2
7	6673940	HOSE	mega seal - SEE NOTE		3
8	18KV-5	ELBOW	W/Ref. 13 - tapered boss face		2
	97K-6	O-RING	flared end		2
9	6569219	SCREEN			1
10	6708560	HOSE			1
11	21KV-5	TEE	W/Ref. 13 - tapered boss face		1
	97K-6	O-RING	flared end		1
12	NAP	TANK	hydraulic - W/ 9/16" port - Order 6725423 & 6727175 tee - Was 6715818 [A]		1
13	6725423	TANK	hydraulic - W/ 3/4" port		1
	99K-6	O-RING	tapered boss face		x
14	15KV-5	ADAPTER	W/Ref. 13 - tapered boss face		4
	97K-6	O-RING	flared end		4
15	6717214	HOSE		S/N & Below	2
16	6713977	HOSE			1
17	6661022	FILTER	in-line - 90 micron - See Page 123		2
18		MOTOR	See Page 97		2
19	55K-21	O-RING			8
20	NAP	SHIELD	Order Ref. 22		1
21	79K-16	O-RING			x
22	6705749	SHIELD	bulk - sold by the foot		x
23	79K-12	O-RING			4
24	6716468	TEE	W/Ref. 36		1
	97K-16	O-RING	flared end		x
25	6707921	BRACKET			1
26	47K-10	PLUG	W/Ref. 21 - for flushing hole		
27*	6728079	HOSE	in tank Was 6717332 [A]		1
28	99K-6	O-RING	flat boss face		2
					1
29	17C-728	BOLT			16
30	6715878	CONNECTOR	W/Ref. 23		4
31	55K-219	O-RING	Was 58K-219 [B]		x
32	83D-5	NUT	Was 61D-5 [B]		2
33	20J-16	CLAMP			8
34	6706517	SCREW			3
35	6513595	CLAMP			2
36	99K-16	O-RING	tapered boss face		x
37	6706354	INLET			1
38	36K-5	CAP			2
39	5HM-42	CLAMP	constant tension		2
40	6706445	HOSE			1

# HYDROSTATIC CIRCUITRY (Cont'd) (W/Motors)

**NOTE:** Mega seal hoses are not compatible W/O-ring face seal fittings

See Page 52  
Ref. 3

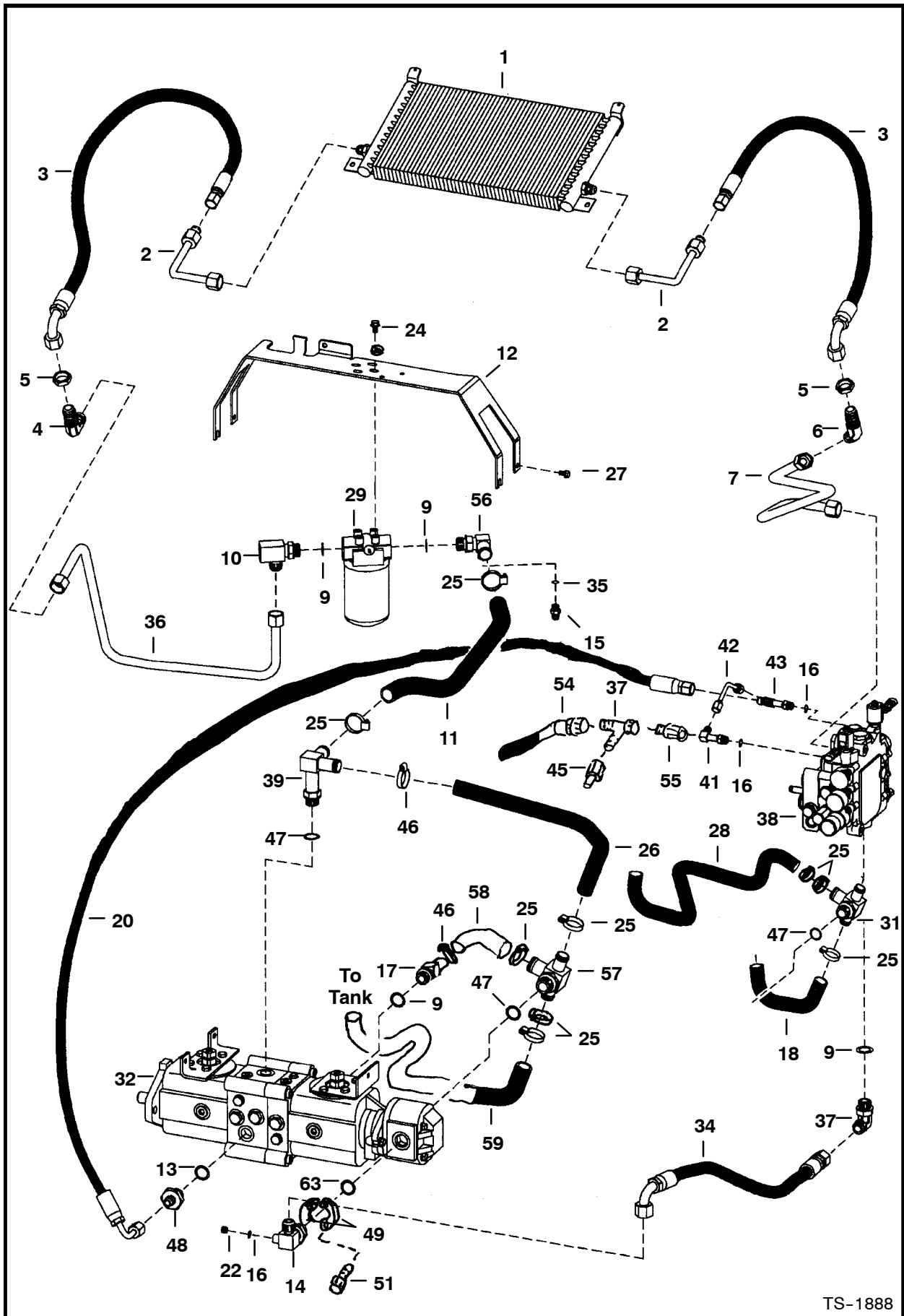


TS-1885





# HYDROSTATIC CIRCUITRY (W/Cooler)

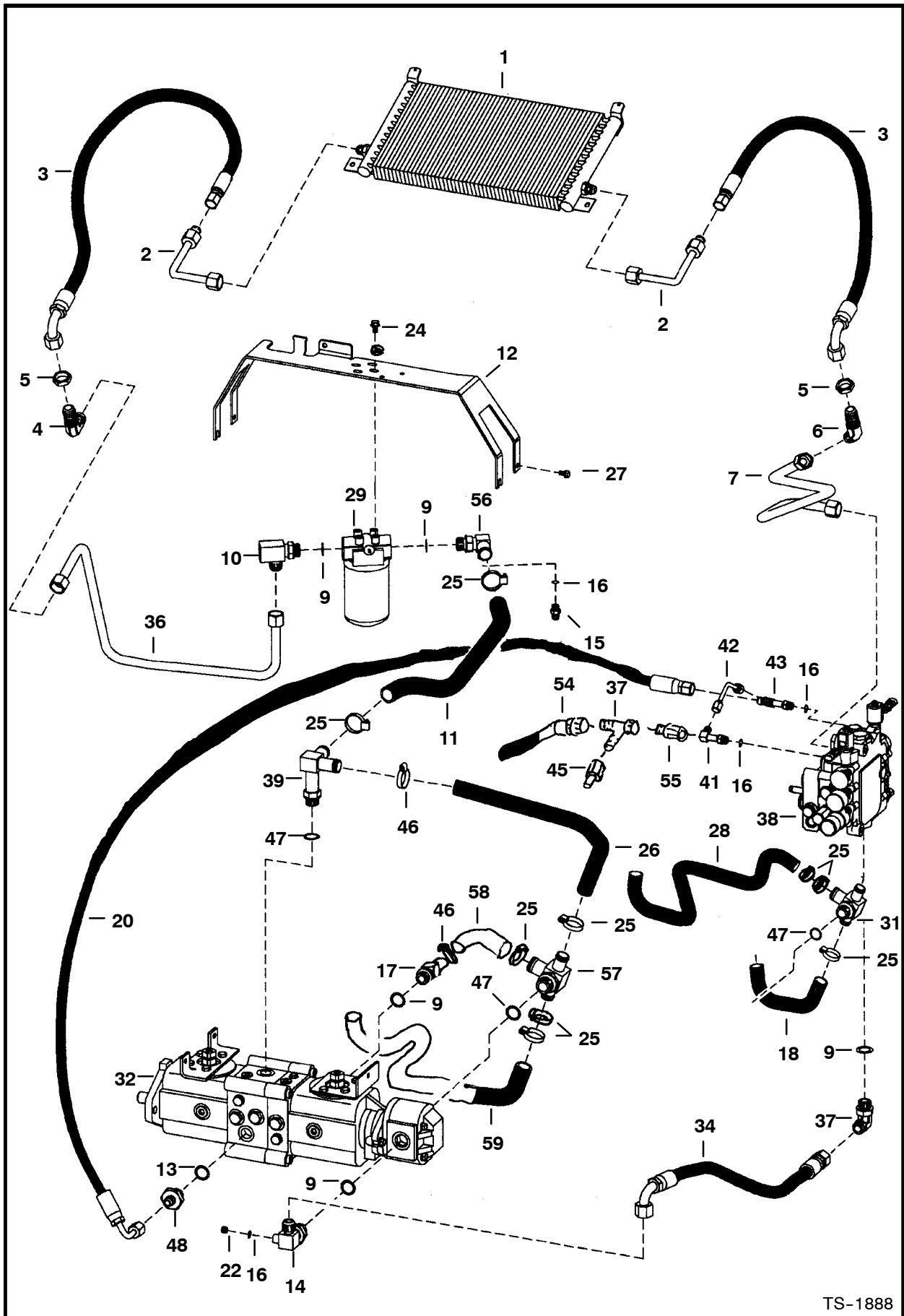


TS-1888

**HYDROSTATIC CIRCUITRY (Cont'd)**  
**(W/Cooler)**

Ref. No.	Part Number	Description	Remarks	Serial Number	Qty.
1	6667896	COOLER	oil		1
2	11KN-8	ELBOW			2
3	6531336	HOSE			2
4	88FN-8	ELBOW		& Bel.	1
	6725964	ELBOW		& Abv.	1
	97K-12	O-RING	flared end		1
5	86F-8	NUT			2
6	46KN-8	ELBOW	tapered boss face		1
	97K-12	O-RING	flared end		1
7	6717227	TUBELINE			1
8	17KV-7	ELBOW	W/Ref. 13 - tapered boss face		1
	97K-10	O-RING	flared end		x
9	99K-12	O-RING			x
10	6700599	ADAPTER	W/Ref. 9 - Was 6715714 [B,D]		1
	6706365	ADAPTER	W/Ref. 9		1
11	6719319	HOSE			1
12	6719446	MOUNT			1
13	99K-10	O-RING	tapered boss face		x
14	6717662	TEE	split flange		1
15	90KV-5	PLUG	W/Ref. 35 - Was 6630168 [B]		1
16	99K-6	O-RING	tapered boss face		x
17	6715718	ELBOW	W/Ref. 9 - tapered boss face		1
18	6716175	HOSE		& Bel.	1
19	83F-3	ELBOW			1
20	6725090	HOSE	Was 6717216 [A]		1
21	85F-3	ELBOW			1
22	24KN-5	PLUG	for rear aux. - tapered boss face		1
23	6674316	SENSOR	Hydrostatic charge pressure - See Page 129		1
24	35C-610	BOLT			4
25	5HM-35	CLAMP	constant tension		4
26	6716176	HOSE			1
27	84G-3712	BOLT			2
28	6717215	HOSE		& Bel.	1
29	6661247	FILTER ASSY	See Page 124		2
	6661248	ELEMENT			2
	6661334	FILTER ASSY	See Page 124		2
	6661248	ELEMENT			2
30	6716154	HOSE			1
31	6716468	TEE	W/Ref. 47	& Bel.	1
	97K-6	O-RING	flared end		x
32		PUMP	See Page 103, 107, 111 & 115		1
33	79K-20	O-RING			x
34	6716125	HOSE			1
35	95K-6	O-RING	tapered boss face		x
36	NAP	TUBELINE	Order 6725973 & 6725964 elbow - Was 6719318 [A]	& Bel.	1
	6725973	TUBELINE		& Abv.	1
37	6718660	ELBOW	tapered boss face		1
	97K-6	O-RING	flared end		x
38		VALVE	W/Ref. 41-43 - See Page 65		1

# HYDROSTATIC CIRCUITRY (Cont'd) (W/Cooler)



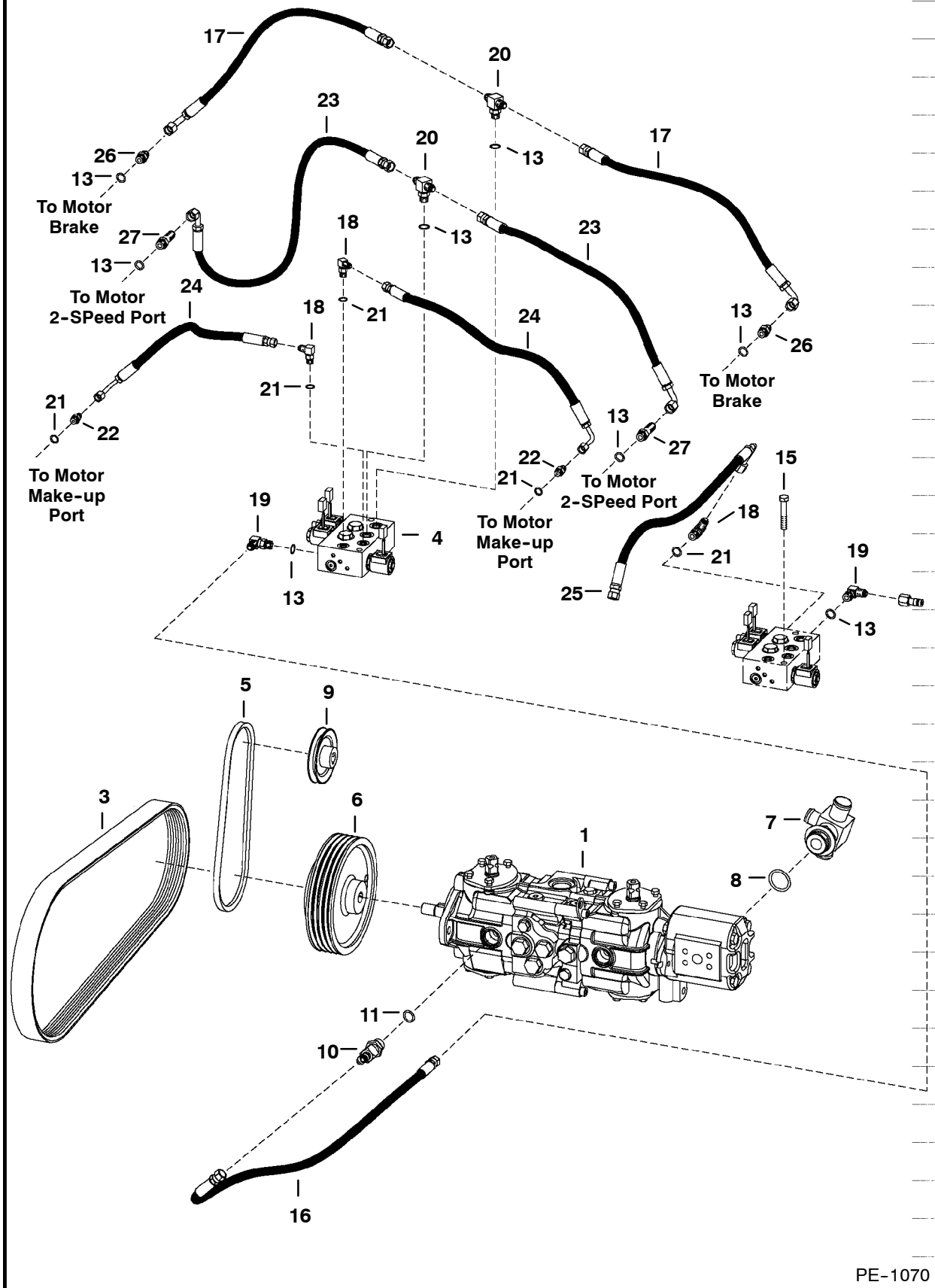
TS-1888

**HYDROSTATIC CIRCUITRY (Cont'd)**  
**(W/Cooler)**

Ref. No.	Part Number	Description	Remarks	Serial Number	Qty.
39	6717186	CROSS	W/Ref. 47		1
40	17KV-8	ELBOW	W/Ref. 9 - tapered boss face		1
	97K-12	O-RING	flared end		1
41	6715188	ELBOW	W/Ref. 16 - See Page 65	& Bel.	1
	97K-6	O-RING	flared end		1
	6805243	TEE	W/Ref. 64	& Abv.	1
42	6577690	TUBE	See Page 65		1
43	6804360	TEE	W/Ref. 16 - See Page 65		1
44	75K-6	O-RING			1
45	6718948	SNUBBER	W/Filter		1
	NSS	FILTER			1
46	5HM-42	CLAMP			2
47	99K-16	O-RING			x
48	6717173	ADAPTER	W/Ref. 13		1
	97K-6	O-RING	flared end		x
49	19J-12	CLAMP			2
50	58K-214	O-RING			1
51	17C-620	BOLT			4
52	15KN-8	ADAPTER	W/Ref. 9		1
	97K-12	O-RING			x
53	30H-64	CLAMP			1
54	6716391	HOSE	auxiliary spool		1
55	6672766	CHECK VALVE			1
56	6725032	ELBOW	W/Ref.		1
57	6718882	TEE	W/Ref. 47	5141 - 46035	1
				5142 - 40999	1
				5179 - 11999	1
*	6719378	TEE	W/Ref. 47	5141 46036 & Abv.	1
				5142 41001 & Abv.	1
				5179 12001 & Abv.	1
	97K-6	O-RING	flared end		x
58	6718885	HOSE		S/N & Abv.	1
59	6725127	HOSE		S/N & Abv.	1
60	6E-6	WASHER			1
61	6725497	CROSS			1
62	36K-5	CAP			1
63*	55K-214	O-RING			1
64*	79K-6	O-RING			x

# HYDROSTATIC CIRCUITRY (2-Speed Option)

**NOTE:** Option also includes vinyl suspension seat 6718868 & threee point seat belt 6725168.

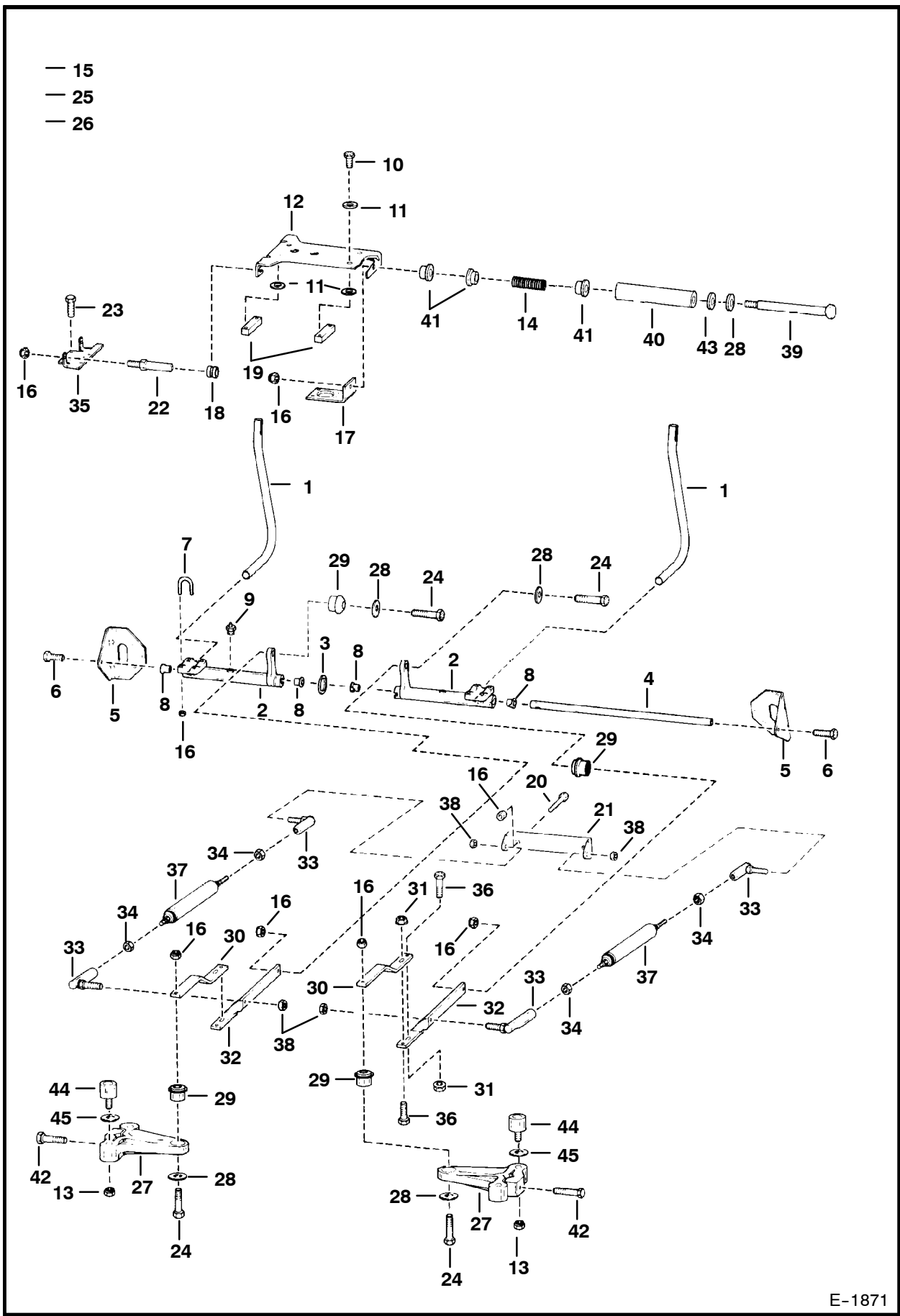


PE-1070

**HYDROSTATIC CIRCUITRY (Cont'd)**  
**(2-Speed Option)**

Ref. No.	Part Number	Description	Remarks	Serial Number	Qty.
1		PUMP	See Page 111		1
2		MOTOR	See Page 99		2
3	6662855	BELT	drive		1
4*	6676417	VALVE	2-speed - See Page 121 - Was 6675334 [A]		1
5	6725186	BELT	fan	5141	1
	6707648	BELT	fan	5142 & 5179	1
6	6713287	PULLEY	pump		1
7	6719378	TEE	W/Ref. 8		1
	97K-6	O-RING	flared end		x
8	79K-20	O-RING			x
9	6725130	PULLEY	fan	5141	1
	6712971	PULLEY	fan	5142 & 5179	1
	6717503	TEE	W/Ref. 11		1
	97K-6	O-RING	flared end		x
11	99K-10	O-RING			x
12					
13	99K-6	O-RING			x
14	6725496	COVER	chaincase		1
15	17C-636	BOLT			2
16	6628613	HOSE			1
17	6716391	HOSE			2
18	17KV-3	ELBOW	W/Ref. 21		2
	97K-4	O-RING	flared end		x
19	17KV-5	ELBOW	W/Ref. 13		3
	97K-6	O-RING	flared end		x
20	19KV-5	TEE	W/Ref. 13		2
	97K-6	O-RING	flared end		x
21	99K-4	O-RING			x
22	15KN-3	ADAPTER	W/Ref. 21		2
	97K-4	O-RING	flared end		x
23	6725899	HOSE	2-speed port		2
24	6725900	HOSE	make-up		2
25	6725901	HOSE			1
26	15KV-5	ADAPTER	W/Ref. 13		2
	97K-6	O-RING	flared end		x
27	16KN-5	ADAPTER	W/Ref. 13		2
	97K-6	O-RING	flared end		x
28	6803932	DECAL	2-speed valve		1
29	31C-1228	BOLT			1
30	83D-12	NUT			1
31	6661753	PLUG	diagnostic		1

# HAND CONTROLS



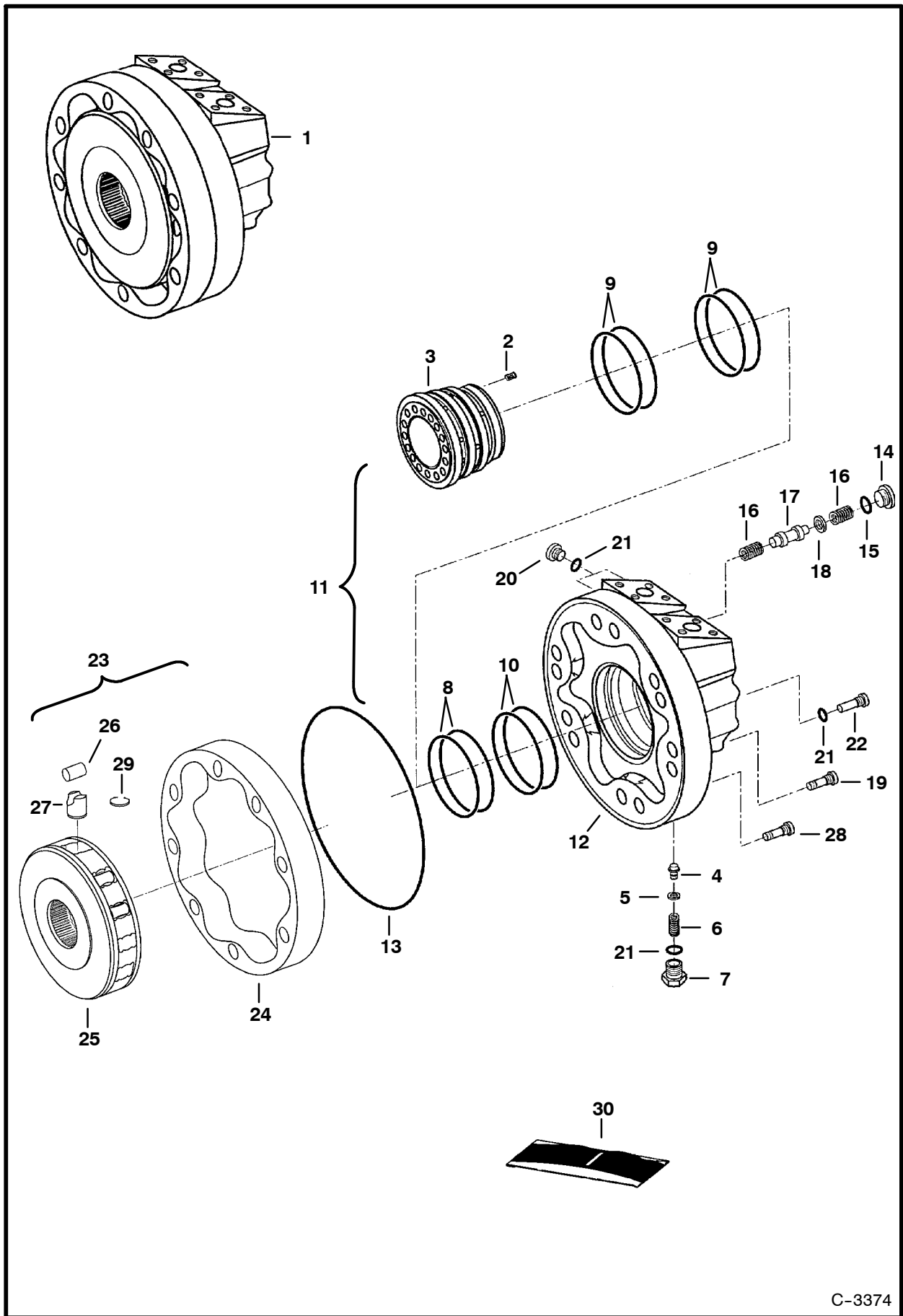
E-1871



## HAND CONTROLS (Cont'd)

Ref. No.	Part Number	Description	Remarks	Serial Number	Qty.
1	6702543	LEVER			2
2	6716977	BELLCRANK			2
3	6599741	WASHER	wave		1
4	6716545	ROD			1
5	6577230	MOUNT			2
6	45C-620	BOLT			2
7	6700768	U-BOLT			4
8	6673710	BEARING			4
9	6518200	GREASE ZERK			2
10	8C-616	BOLT			4
11	6557831	WASHER			8
12	6716116	MOUNT			1
13	98D-6	NUT			4
14	6701535	SPRING			1
15	6716916	WASHER			4
16	95D-6	NUT			18
17	6576196	MOUNT			1
18	6706098	GUIDE			2
19	6702716	BLOCK			2
20	17C-612	BOLT			2
21	6706106	MOUNT			1
22	6577058	PIN			2
23	1CM-820	BOLT			8
24	17C-626	BOLT			6
25	6708043	FLANGE			1
26	37C-616	BOLT	carriage		2
27	6711644	LEVER			2
28	6563914	WASHER			5
29	6665701	BUSHING	neoprene		4
30	6713111	LINK			2
31	83D-6	NUT			4
32	6714025	LINK			2
33	6599744	BALL JOINT			4
34	8D-6	NUT			4
35	6706096	MOUNT			1
36	17C-620	BOLT			4
37	6649551	SHOCK			2
38	96D-6	NUT			2
39	17C-680	BOLT			1
40	6715164	SLEEVE			1
41	6715163	BUSHING			3
42	35C-624	BOLT			2
43	25E-24	WASHER	for AHC		1
44	6673789	WEAR CAM			4
45	25E-17	WASHER			4

# HYDROSTATIC MOTOR

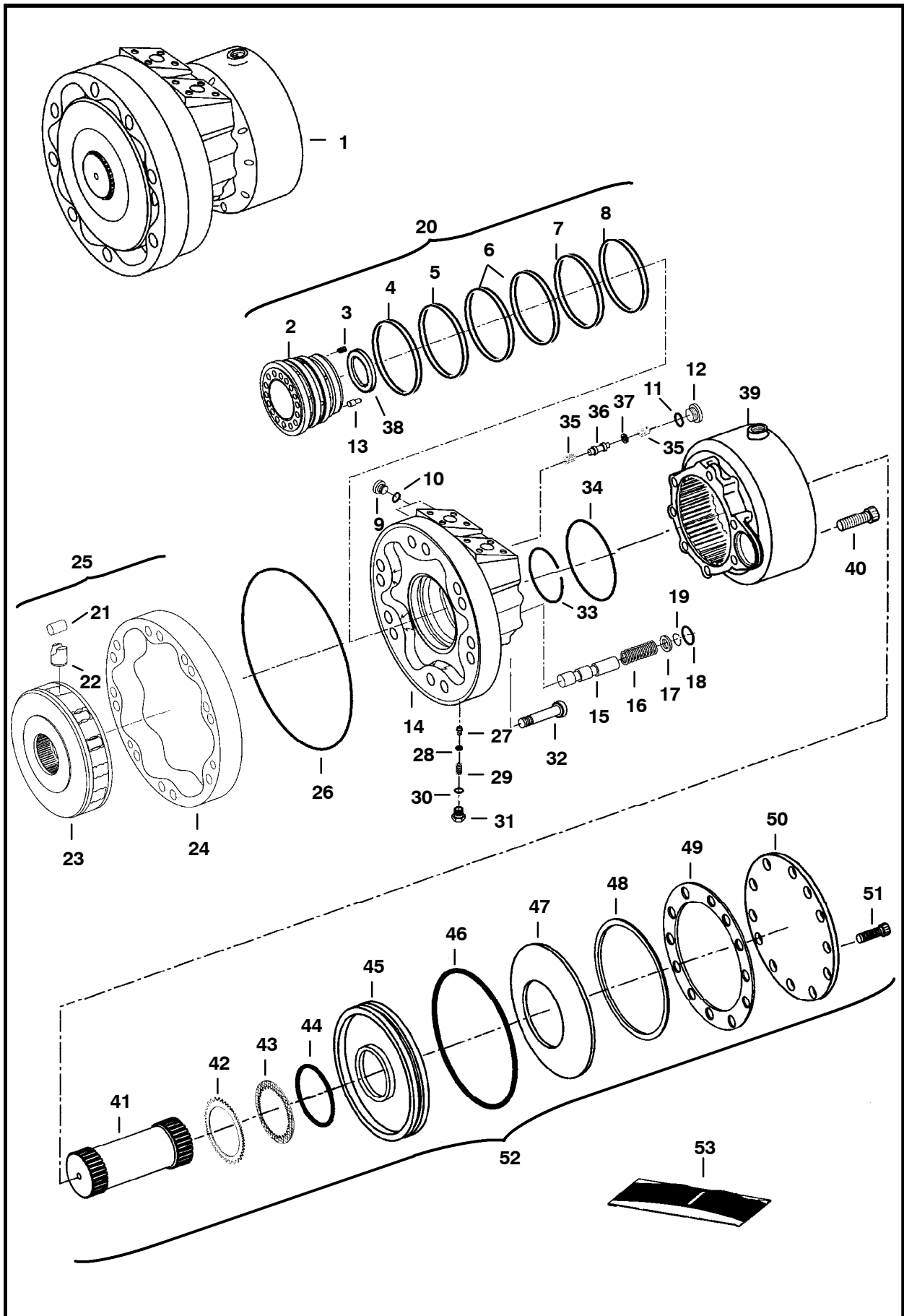


C-3374

## HYDROSTATIC MOTOR (Cont'd)

Ref. No.	Part Number	Description	Remarks	Serial Number	Qty.
1	6672825	MOTOR	Ref. 2-28		1
2	6674037	SPRING			9
3	6674184	DISTRIBUTOR			1
4	6675868	POPPET	Was 6674342 [B]		1
5	6674343	SHIM			1
6	6674344	SPRING			1
7	6674345	PLUG			1
8	6675227	SEAL	W/ O-ring - Was 6674038 [B]		1
9	6675228	SEAL	W/ O-ring - Was 6674336 [B]		2
10	6676022	SEAL	W/ O-ring - Was 6674040 [B]		1
11	6674335	HOUSING ASSY	rear - Ref. 2-10, 14-18 & 20-22		1
12	6674341	HOUSING	rear		1
13	6674029	O-RING			1
14	6671845	PLUG	W/Ref. 15 - Was 6671759 [B]		1
15	6676023	O-RING	Was 6671749 [B]		1
16	6674339	SPRING			2
17	6674337	SPOOL			1
18	6674338	WASHER			1
19	6675021	BOLT	Was 6674030 [B]		2
20	6676024	PLUG	W/Ref. 21 - Was 6671783 [B]		1
21	6675869	O-RING	Was 6671784 [B]		3
22	6674340	PIN	locating		1
23	6674390	ROTARY GROUP	Ref. 24-27		1
24	6675091	CAM	Was 6674034 [B]		1
25	6674219	BLOCK			1
26*	NSS	ROLLER	Order Ref. 23 - Was 6675973 [A]		8
27*	NSS	PISTON	Order Ref. 23 - Was 6660026 [A]		8
28	6675020	BOLT	Was 6717806 [B]		3
29	NSS	RING	keeper		8
30	6676021	SEAL KIT	Ref. 8-10, 13, 15 & 21 -		
			Was 6674201 [B]		1

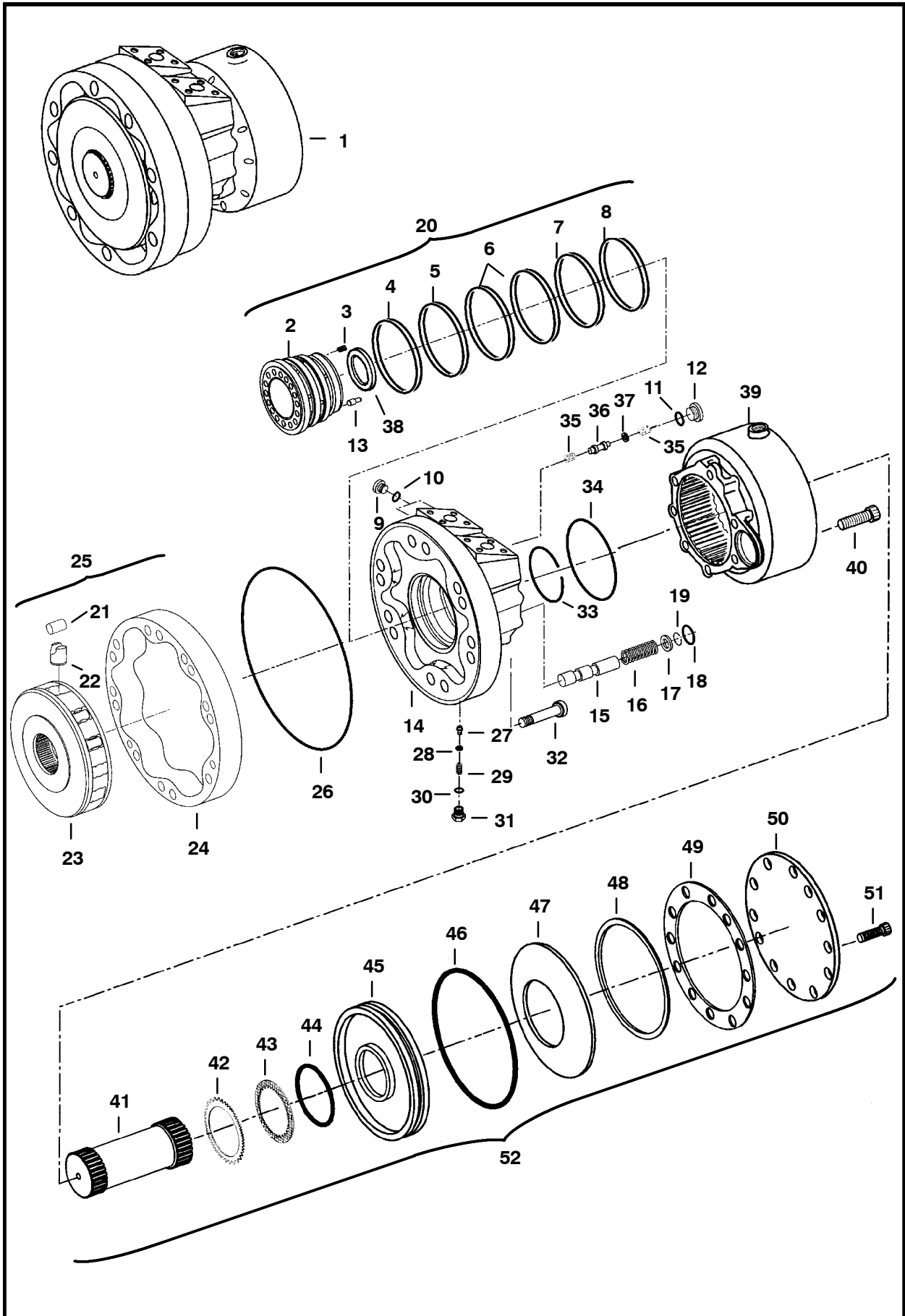
# HYDROSTATIC MOTOR & BRAKE (2-Speed Option)



**HYDROSTATIC MOTOR & BRAKE (Cont'd)**  
**(2-Speed Option)**

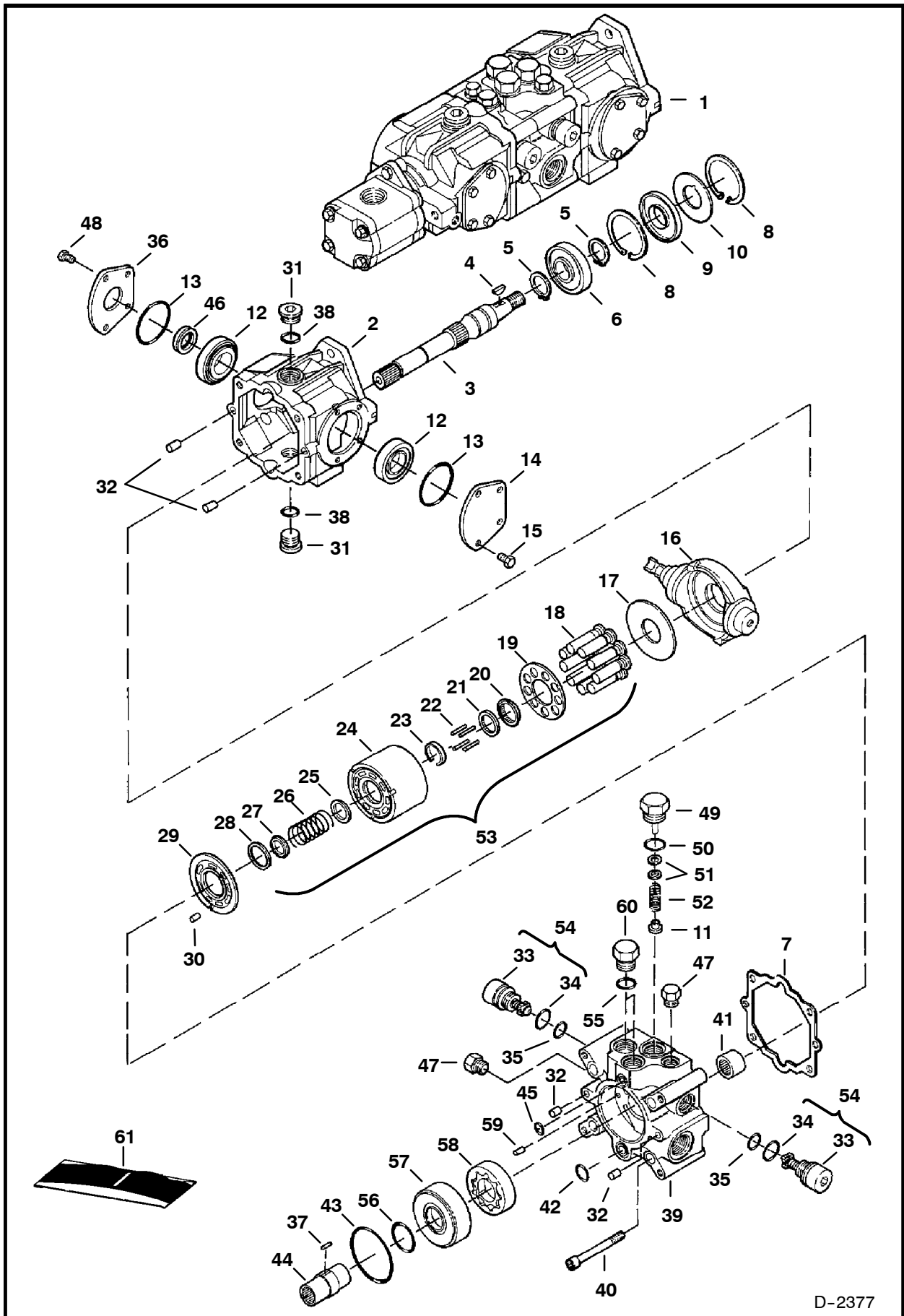
Ref. No.	Part Number	Description	Remarks	Serial Number	Qty.
1	6674738	MOTOR	5830-003-138 - Ref. 2-52		1
2	6675876	DISTRIBUTOR			1
3	6674037	SPRING			12
4	6675877	SEAL			1
5	6675878	SEAL			1
6	6675879	SEAL			2
7	6675880	SEAL			1
8	6675881	SEAL			1
9	90KV-3	PLUG	W/Ref. 10 - Was 6671783 [B]		2
10	95K-4	O-RING	Was 6671784 [B]		2
11	95K-6	O-RING	Was 6671749 [B]		1
12	90KV-5	PLUG	W/Ref. 11 - Was 6671759 [B]		1
13	6675189	PIN			1
14	6675875	HOUSING	rear		1
15	6675882	SPOOL			1
16	6676643	SPRING	red		1
	6676644	SPRING	yellow		1
	6676645	SPRING	green		1
17	6676646	SPRING	blue		1
	6676709	WASHER	2,14mm - for red spring		1
	6676710	WASHER	2,38mm - for yellow spring		1
	6676711	WASHER	2,62mm - for green spring		1
	6676712	WASHER	2,86mm - for blue spring		1
18	6675886	QUAD RING			1
19	6675885	SNAP RING			1
20	6675861	REAR HOUSING	assy. - Ref. 2-19		1
21	NSS	ROLLER	Order Ref. 25 - Was 6675872 [A]		8
22	NSS	PISTON	Order Ref. 25 - Was 6675873 [A]		8
23	NSS	BLOCK	Order Ref. 25 - Was 6675871 [A]		1
24	6675874	CAM			1
25	6675860	ROTARY GROUP	Ref. 21-24		1
26	6675864	QUAD RING			1
27	6675868	POPPET	1,5mm orifice		1
28	6674343	SHIM	0,6mm		1
29	6674344	SPRING			1
30	6675869	O-RING			1
31	6674345	PLUG			1
32	6675021	BOLT	holds rotary group to the brake		2
33	6675865	SNAP RING			1
34	6675863	QUAD RING			1
35	6674841	SPRING			2
36	6675866	SPOOL			1
37	6675867	WASHER			1
38	6675898	BUSHING			1
39	6675887	HOUSING			1
40	6675896	BOLT			8
41	6675888	SHAFT			1
42	6674192	BRAKE DISC	outer		14
43	6674193	BRAKE DISC	inner		13
44	6675894	SEAL			1
45	6675889	PISTON	brake		1

# HYDROSTATIC MOTOR & BRAKE (Cont'd) (2-Speed Option)





**HYDROSTATIC PUMP**  
 (Left Half) (5141 46035, 5142 40999, 5179 11999 & Below)



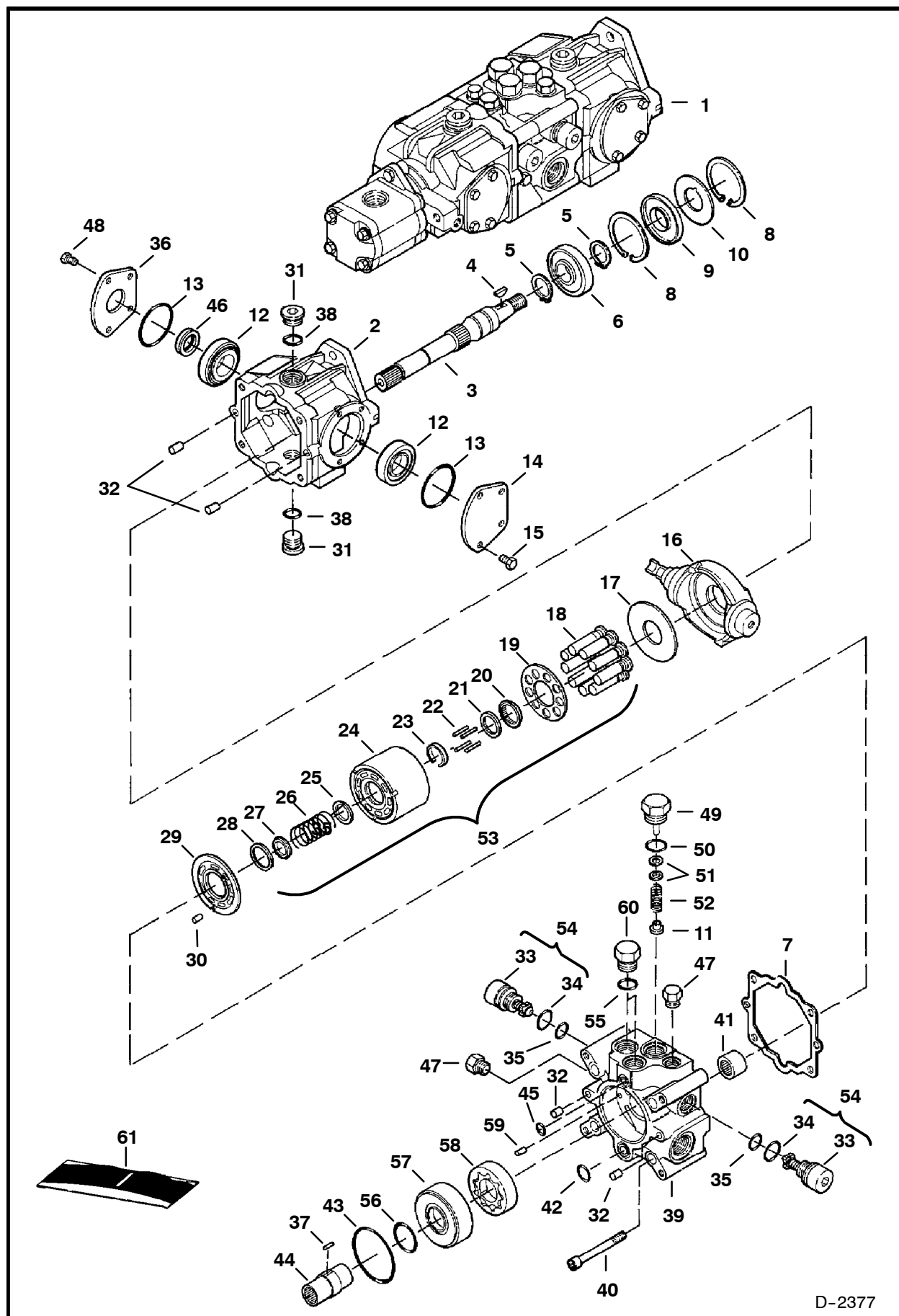
D-2377



**HYDROSTATIC PUMP (Cont'd)**  
**(Left Half) (5141 46035, 5142 40999, 5179 11999 & Below)**

Ref. No.	Part Number	Description	Remarks	Serial Number	Qty.
1	6673910	PUMP	complete W/gear pump - model 4445060 - standard flow		1
	6673912	PUMP	complete W/gear pump - model 4445061 - high flow		
2	6669402	HOUSING			1
3	6669408	SHAFT			1
4	6J-807	KEY			1
5	658128	SNAP RING			2
6	654299	BEARING			1
7	6650634	GASKET			1
8	669863	SNAP RING			2
9	6645090	SEAL			1
10	6669409	WASHER			1
11	6650652	POPPET	charge relief		1
12	6669411	BEARING			2
13	6660814	O-RING			2
14	6657068	PLATE			2
15	6650668	BOLT			4
16	6671513	SWASH PLATE			1
17	6650627	WEAR PLATE			1
18	NAP	PISTON ASSY	Order Ref. 53		1
19	NAP	RETAINER	Order Ref. 53		1
20	NAP	RETAINER	guide - Order Ref. 53		1
21	6666338	WASHER			1
22	6650629	PIN			4
23	6650630	RETAINER			1
24	NAP	BLOCK	Order Ref. 53		1
25	NAP	WASHER	Order Ref. 53		1
26	NAP	SPRING	Order Ref. 53		1
27	NAP	WASHER	Order Ref. 53		1
28	NAP	WASHER	Order Ref. 53		1
29	6671515	VALVE PLATE			1
30	6650636	PIN			1
31	47K-8	PLUG	W/Ref. 38		2
32	6518460	PIN			4
33	NAP	PLUG	Order Ref. 54		2
34	6657028	O-RING			2
35	79K-8	O-RING			2
36	6657067	COVER			1
37	6673885	PIN			1
38	79K-12	O-RING			2
39	6673878	END PLATE			1
40	6673886	BOLT			4
41	6650635	BEARING			1
42	6650647	O-RING			1
43	6673884	O-RING			1
44	6673877	COUPLER			1
45	6650646	O-RING			1
46	6673881	SEAL			1
47	6645086	PLUG			2
48	6671518	BOLT			4

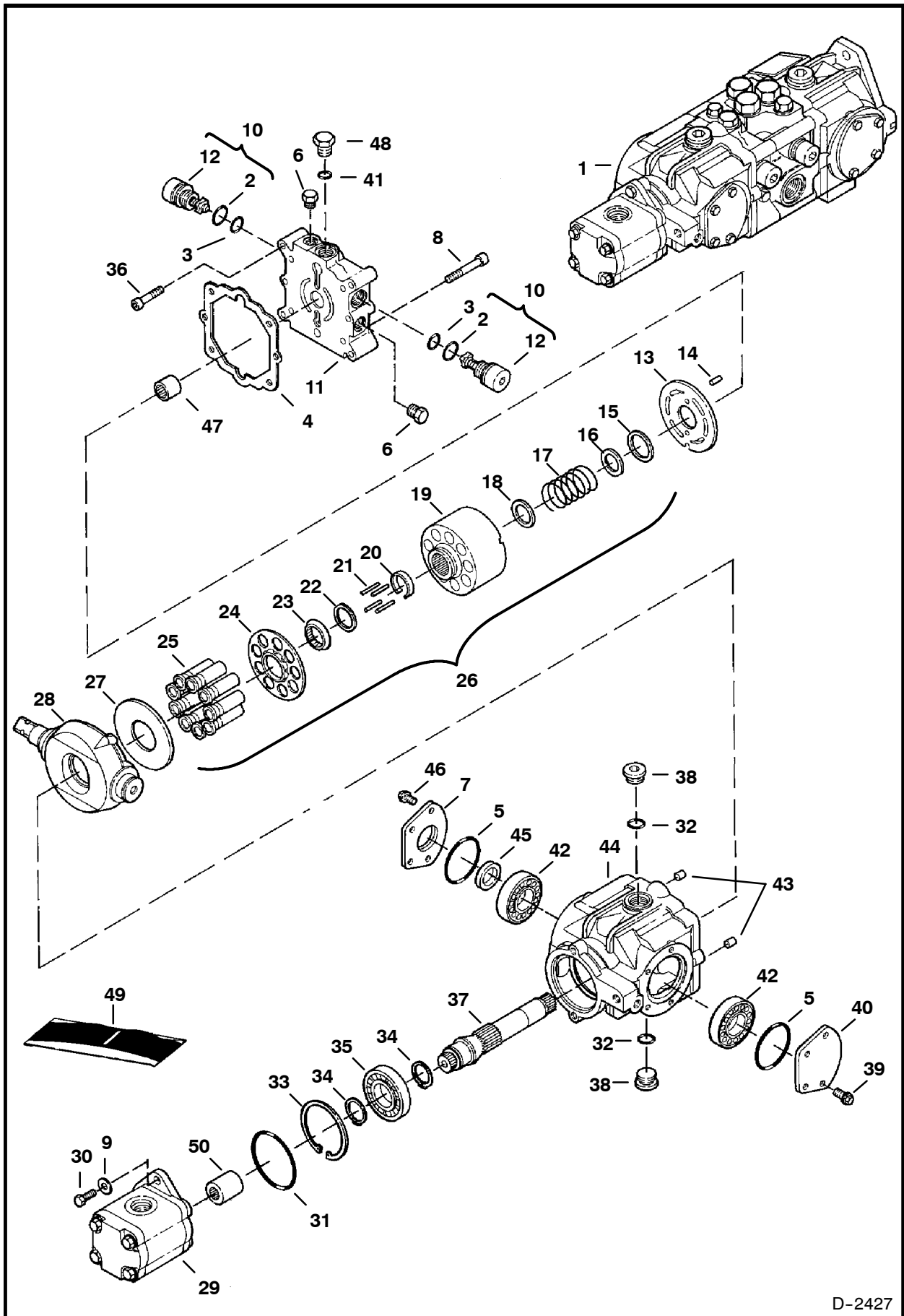
**HYDROSTATIC PUMP (Cont'd)**  
**(Left Half) (5141 46035, 5142 40999, 5179 11999 & Below)**



D-2377



**HYDROSTATIC PUMP**  
**(Right Half) (5141 46035, 5142 40999, 5179 11999 & Below)**

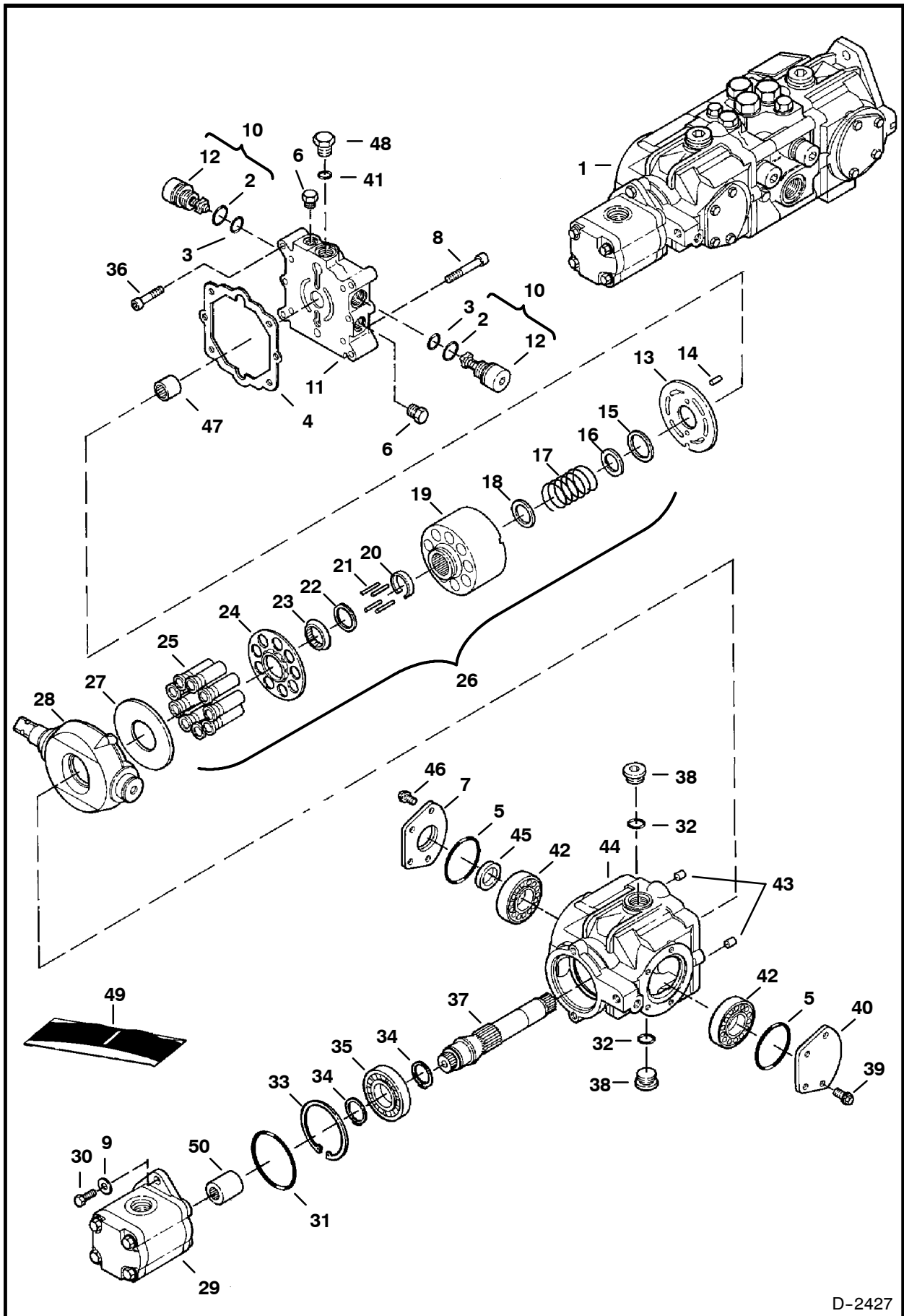


D-2427

**HYDROSTATIC PUMP (Cont'd)**  
**(Right Half) (5141 46035, 5142 40999, 5179 11999 & Below)**

Ref. No.	Part Number	Description	Remarks	Serial Number	Qty.
1	6673910	PUMP	complete W/gear pump - model 4445060 - standard flow		1
	6673912	PUMP	complete W/gear pump - model 4445061 - high flow		1
2	6657028	O-RING			2
3	79K-8	O-RING			2
4	6650634	GASKET			1
5	6660814	O-RING			2
6	6645086	PLUG			4
7	6657067	COVER			1
8	6650637	BOLT			2
9	6518483	WASHER			2
10	6672535	RELIEF VALVE	4712 PSI (325 bar)		1
11	6669405	END CAP			1
12	NAP	PLUG	Order Ref. 10		2
13	6671514	VALVE PLATE			1
14	6650636	PIN			2
15	NAP	RETAINER	Order Ref. 26		1
16	NAP	WASHER	Order Ref. 26		1
17	NAP	SPRING	Order Ref. 26		1
18	NAP	WASHER	Order Ref. 26		1
19	NAP	BLOCK	Order Ref. 26		1
20	6650630	RETAINER			1
21	6650629	PIN			4
22	6666338	WASHER			1
23	NAP	RETAINER	Order Ref. 26		1
24	NAP	RETAINER	Order Ref. 26		1
25	NAP	PISTON ASSY	Order Ref. 26		1
26	6671512	BLOCK ASSY	Ref. 15 - 25		1
27	6650627	PLATE			1
28	6671513	SWASH PLATE			1
29		GEAR PUMP	standard flow - See Page 119		1
		GEAR PUMP	high flow - See Page 81		1
30	17C-620	BOLT			2
31	6645080	O-RING			1
32	79K-12	O-RING			1
33	669863	SNAP RING			1
34	658128	SNAP RING			2
35	654299	BEARING			1
36	6652018	BOLT			4
37	6669407	SHAFT			1
38	47K-8	PLUG	W/Ref. 32		1
39	6650668	BOLT			4
40	6657068	PLATE			1
41	79K-14	O-RING			2
42	6669411	BEARING			2
43	6518460	PIN			2
44	6669403	HOUSING			1
45	6673881	SEAL			1
46	1CM-820	BOLT			4
47	6650635	BEARING			1

**HYDROSTATIC PUMP (Cont'd)**  
**(Right Half) (5141 46035, 5142 40999, 5179 11999 & Below)**

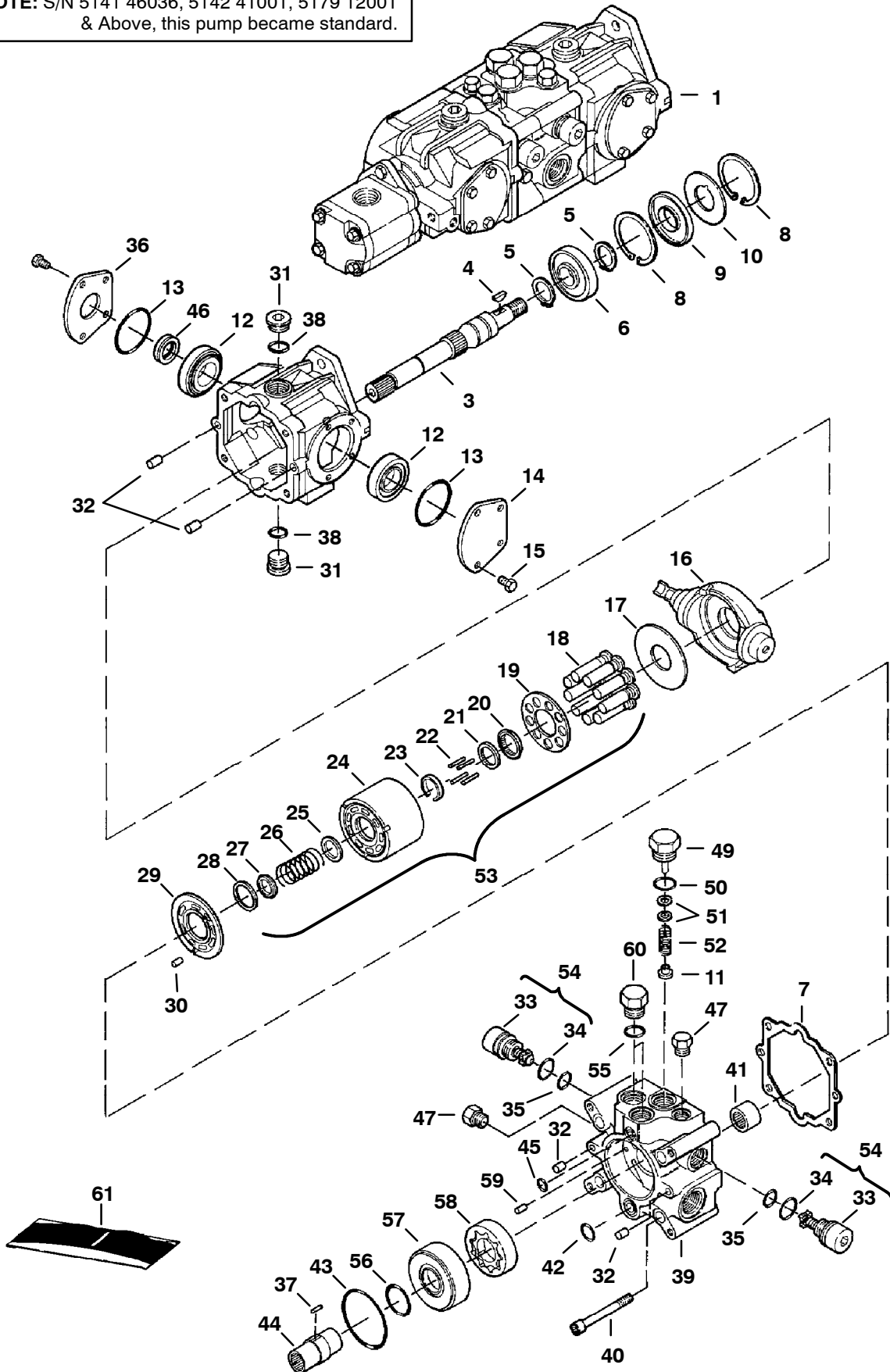


D-2427



# HYDROSTATIC PUMP (2-Speed) (Left Half)

**NOTE:** S/N 5141 46036, 5142 41001, 5179 12001 & Above, this pump became standard.



D-2377

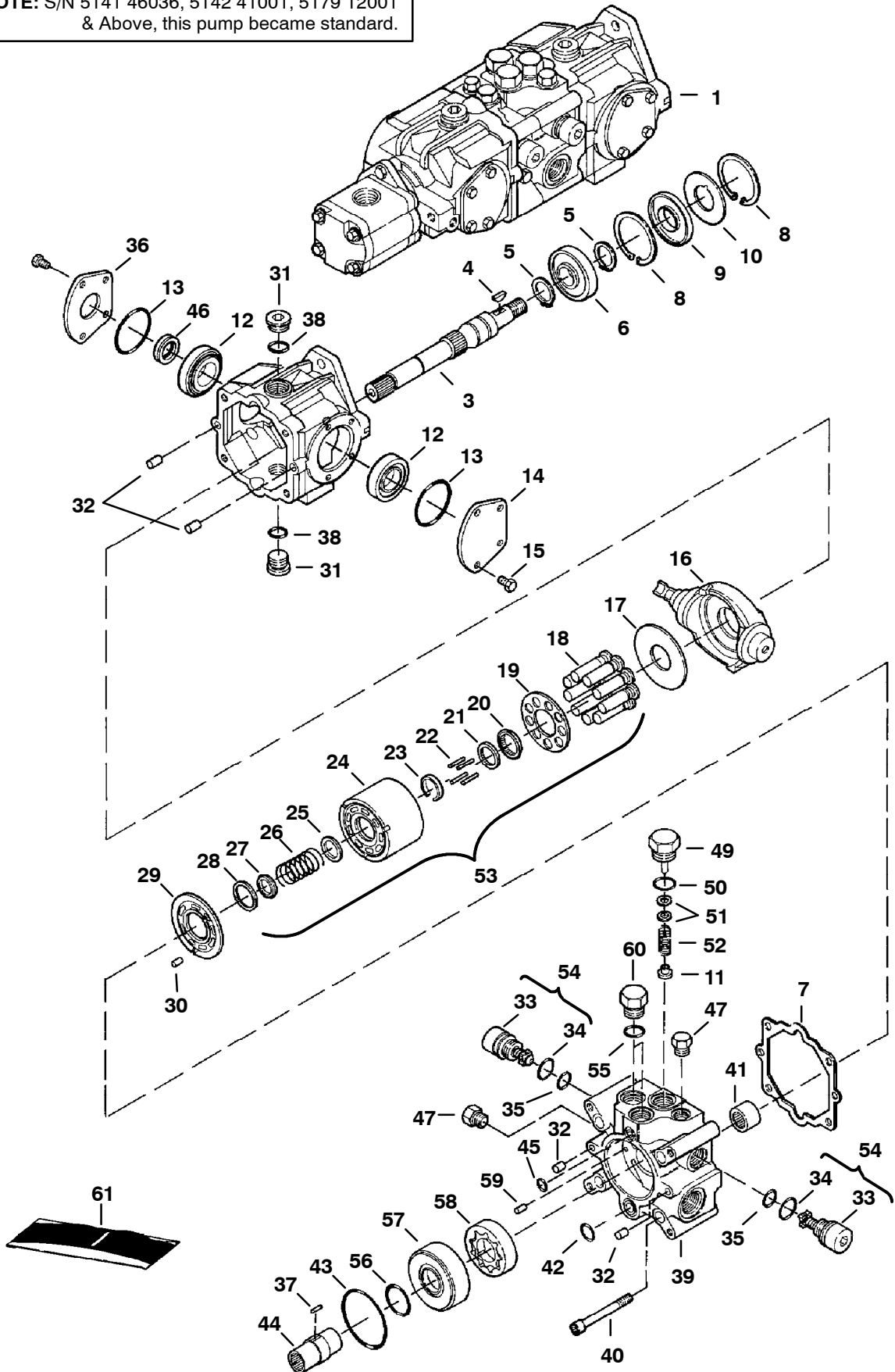


**HYDROSTATIC PUMP (Cont'd)**  
**(2-Speed) (Left Half)**

Ref. No.	Part Number	Description	Remarks	Serial Number	Qty.
1	6674692	PUMP	complete W/4-bolt flange gear pump - Model 4445066 - standard flow	SEE NOTE	1
	6674693	PUMP	complete W/4-bolt flange gear pump - Model 4445067 - high flow	SEE NOTE	1
2	6669402	HOUSING			1
3	6669408	SHAFT			1
4	6J-807	KEY			1
5	658128	SNAP RING			2
6	654299	BEARING			1
7	6650634	GASKET			1
8	669863	SNAP RING			2
9	6645090	SEAL			1
10	6669409	WASHER			1
11	6650652	POPPET	charge relief		1
12	6669411	BEARING			2
13	6660814	O-RING			2
14	6657068	PLATE			2
15	6650668	BOLT			4
16	6671513	SWASH PLATE			1
17	6650627	WEAR PLATE			1
18	NAP	PISTON ASSY.	Order Ref. 53		1
19	NAP	RETAINER	Order Ref. 53		1
20	NAP	RETAINER	guide - Order Ref. 53		1
21	6666338	WASHER			1
22	6650629	PIN			4
23	6650630	RETAINER			1
24	NAP	BLOCK	Order Ref. 53		1
25	NAP	WASHER	Order Ref. 53		1
26	NAP	SPRING	Order Ref. 53		1
27	NAP	WASHER	Order Ref. 53		1
28	NAP	WASHER	Order Ref. 53		1
29	6676147	VALVE PLATE			1
30	6650636	PIN			1
31	47K-8	PLUG	W/Ref. 38		2
32	6675342	PIN			4
33	NAP	PLUG	Order Ref. 54		2
34	6657028	O-RING			2
35	79K-8	O-RING			2
36	6657067	COVER			1
37	6673885	PIN			1
38	79K-12	O-RING			2
39	6673878	END PLATE			1
40	6673886	BOLT			4
41	6650635	BEARING			1
42	6650647	O-RING			1
43	6673884	O-RING			1
44	6673877	COUPLER			1
45	6650646	O-RING			1
46	6673881	SEAL			1

# HYDROSTATIC PUMP (Cont'd) (2-Speed) (Left Half)

**NOTE:** S/N 5141 46036, 5142 41001, 5179 12001 & Above, this pump became standard.

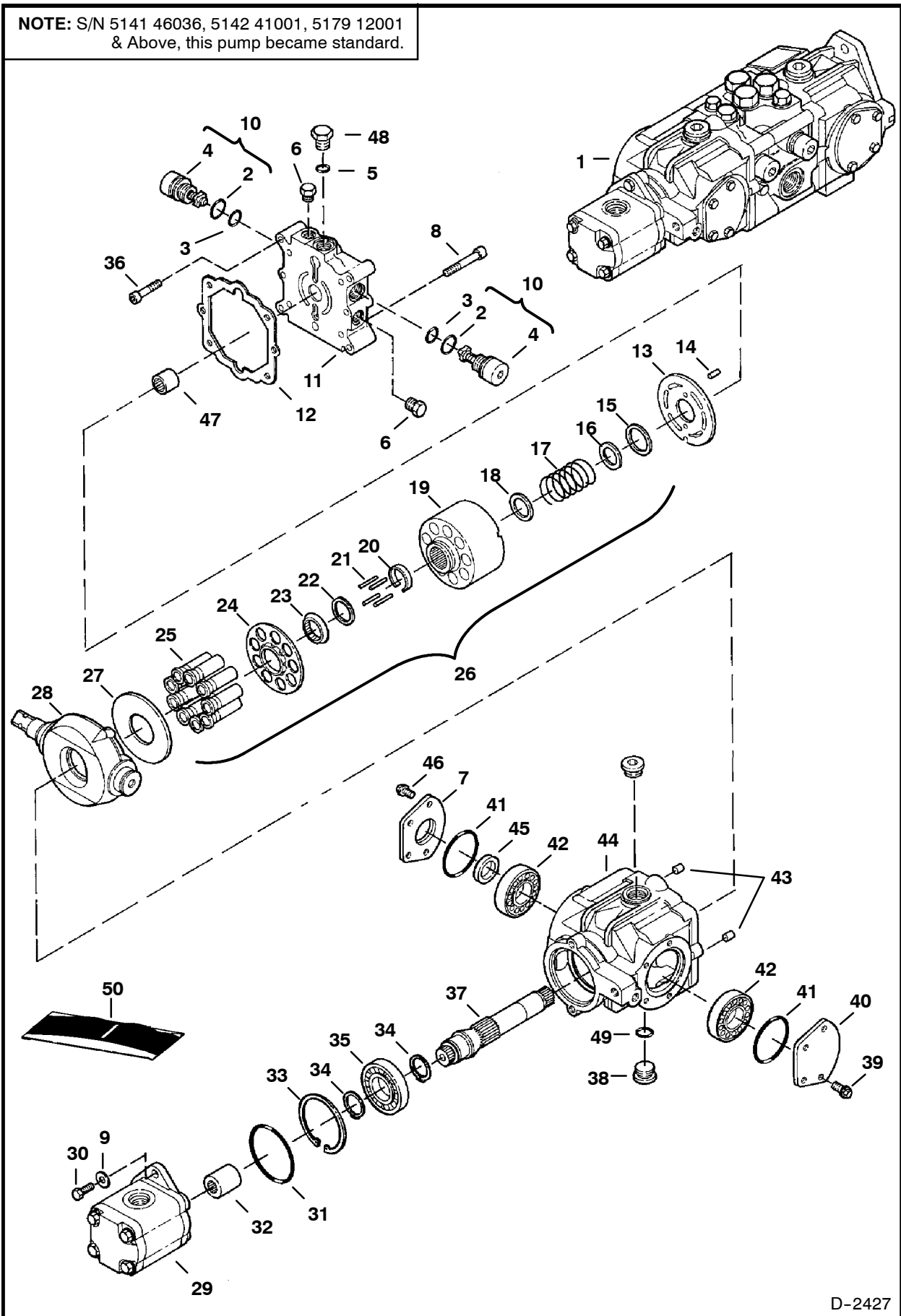


D-2377



# HYDROSTATIC PUMP (2-Speed) (Right Half)

NOTE: S/N 5141 46036, 5142 41001, 5179 12001  
& Above, this pump became standard.



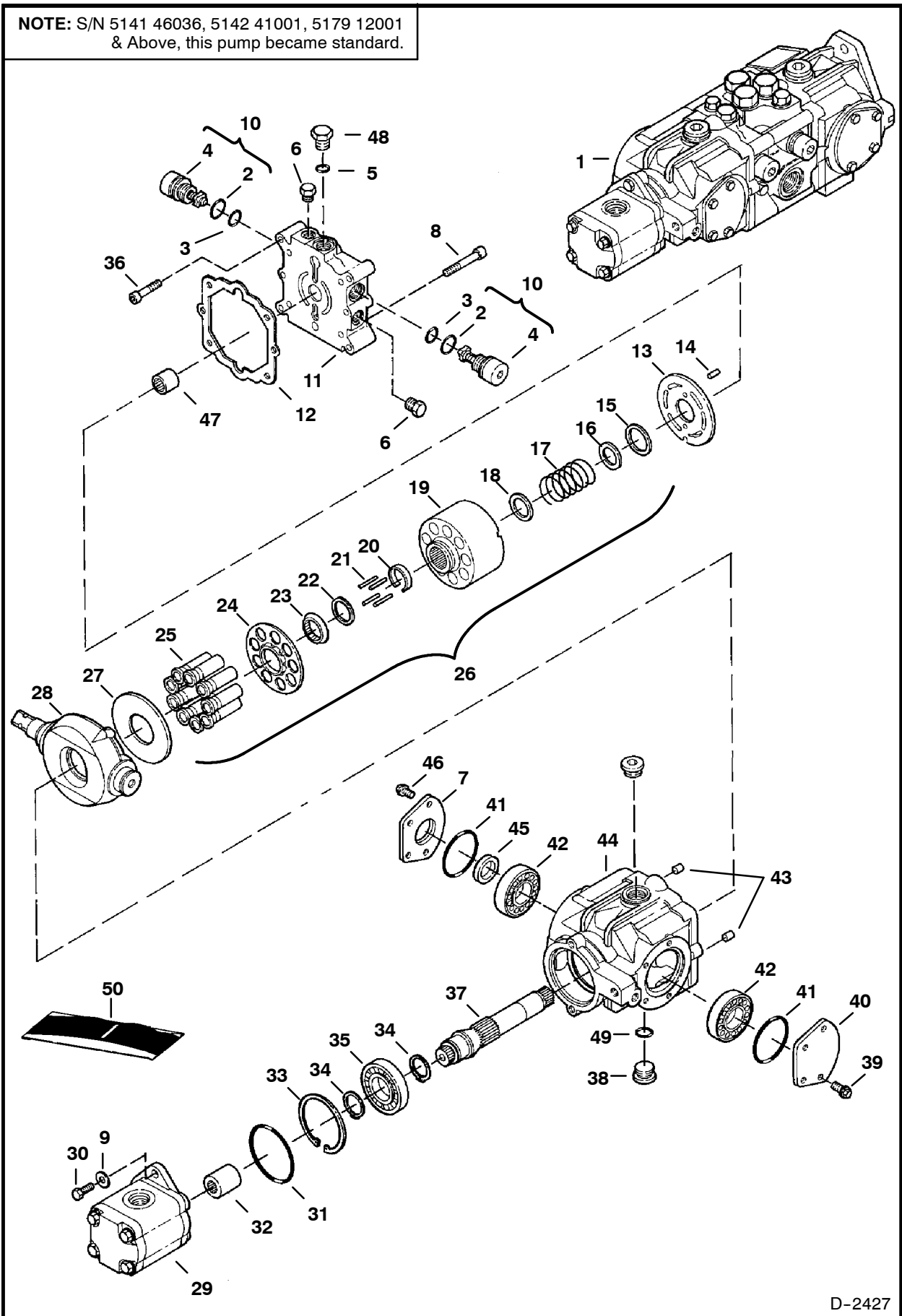
D-2427

**HYDROSTATIC PUMP (Cont'd)  
(2-Speed) (Right Half)**

Ref. No.	Part Number	Description	Remarks	Serial Number	Qty.
1	6674692	PUMP	complete W/4-bolt flange gear pump - model 4445066 - standard flow	SEE NOTE	1
	6674693	PUMP	complete W/4-bolt flange gear pump - model 4445067 - high flow	SEE NOTE	1
2	6657028	O-RING			2
3	79K-8	O-RING			2
4	NAP	PLUG	Order Ref. 10		2
5	79K-14	O-RING			2
6	6645086	PLUG			4
7	6657067	COVER			1
8	6650674	BOLT			2
9	6518483	WASHER			2
10	6670685	RELIEF VALVE	5000 PSI (345 bar)		2
11	6669405	END CAP			1
12	6650634	GASKET			1
13	6676148	VALVE PLATE			1
14	6650636	PIN			2
15	NAP	RETAINER	Order Ref. 26		1
16	NAP	WASHER	Order Ref. 26		1
17	NAP	SPRING	Order Ref. 26		1
18	NAP	WASHER	Order Ref. 26		1
19	NAP	BLOCK	Order Ref. 26		1
20	6650630	RETAINER			1
21	6650629	PIN			4
22	6666338	WASHER			1
23	NAP	RETAINER	Order Ref. 26		1
24	NAP	RETAINER	Order Ref. 26		1
25	NAP	PISTON ASSY.	Order Ref. 26		1
26	6675341	BLOCK ASSY.	Ref. 15 - 25		1
27	6650627	PLATE			1
28	6671513	SWASH PLATE			1
29		GEAR PUMP	See Page 120		1
30	17C-620	BOLT			2
31	6645080	O-RING			1
32	6676146	COUPLING			1
33	669863	SNAP RING			1
34	658128	SNAP RING			2
35	654299	BEARING			1
36	6652018	BOLT			4
37	6669407	SHAFT			1
38	47K-8	PLUG	W/Ref. 49		1
39	6650668	BOLT			4
40	6657068	PLATE			1
41	6660814	O-RING			2
42	6669411	BEARING			2
43	6675342	PIN			2
44	6669403	HOUSING			1
45	6673881	SEAL			1
46	1CM-820	BOLT			4

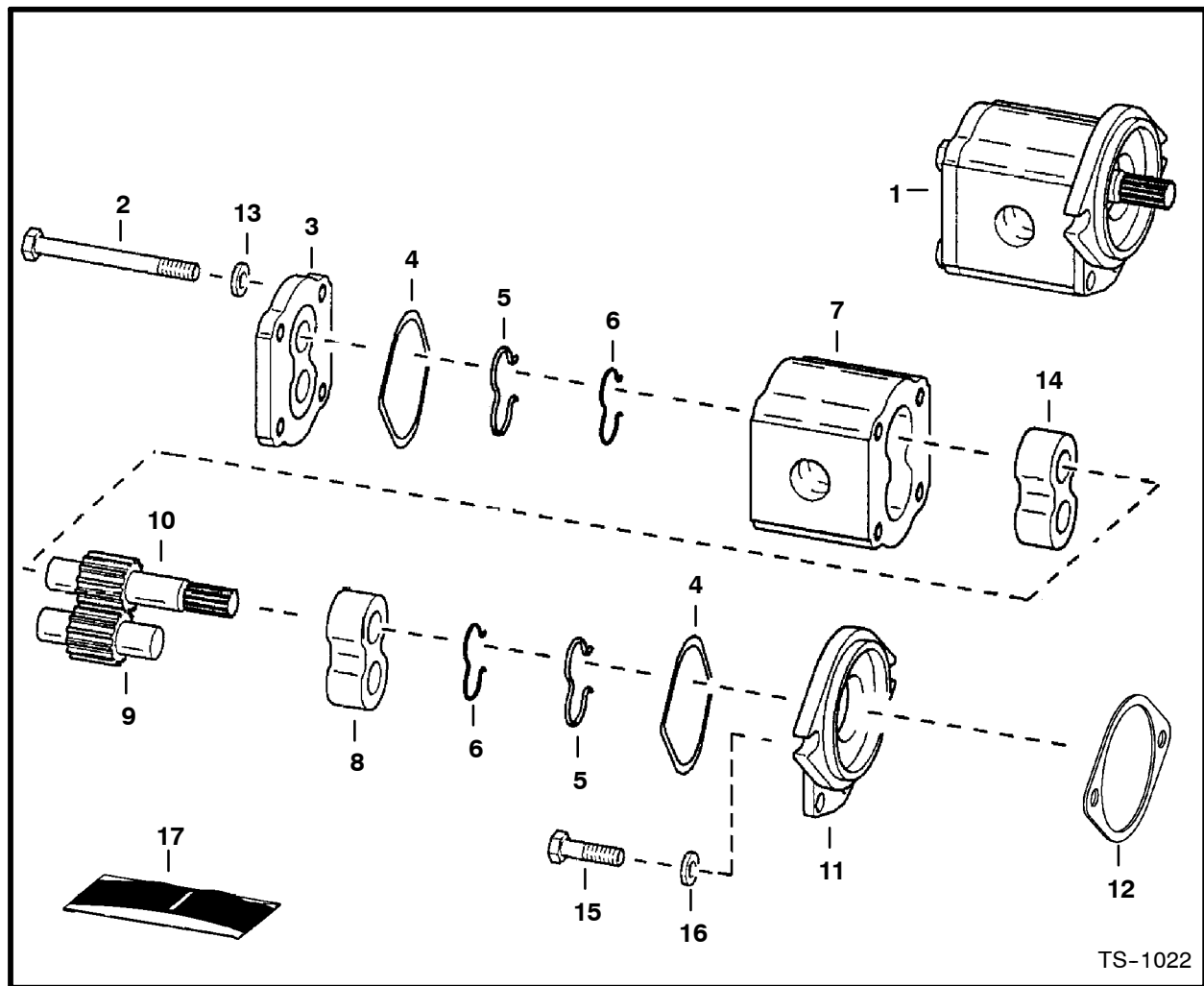
# HYDROSTATIC PUMP (Cont'd) (2-Speed) (Right Half)

**NOTE:** S/N 5141 46036, 5142 41001, 5179 12001 & Above, this pump became standard.



D-2427





TS-1022

**GEAR PUMP**  
**(S/N 5141 46035, 5142 40999, 5179 11999 & Below)**

Ref. Part No.	Part Number	Description	Remarks	Serial Number	Qty.
1	6673911	PUMP	W/Ref. 2-14 - B5501-37255 - for model 4445060		1
2	NSS	BOLT			4
3	6658123	COVER			1
4	NSS	O-RING	seal		2
5	NSS	SEAL			2
6	NSS	RING			2
7	NSS	BODY			1
8	NSS	BEARING			1
9	NSS	GEAR	idler		1
10	NSS	GEAR	drive		1
11	6658122	COVER			1
12	6660339	GASKET			1
13	NSS	WASHER			4
14	NSS	BEARING			2
15	6645088	BOLT			2
16	6518483	WASHER			2
17	6674371	SEAL KIT	Ref. 4-6		1

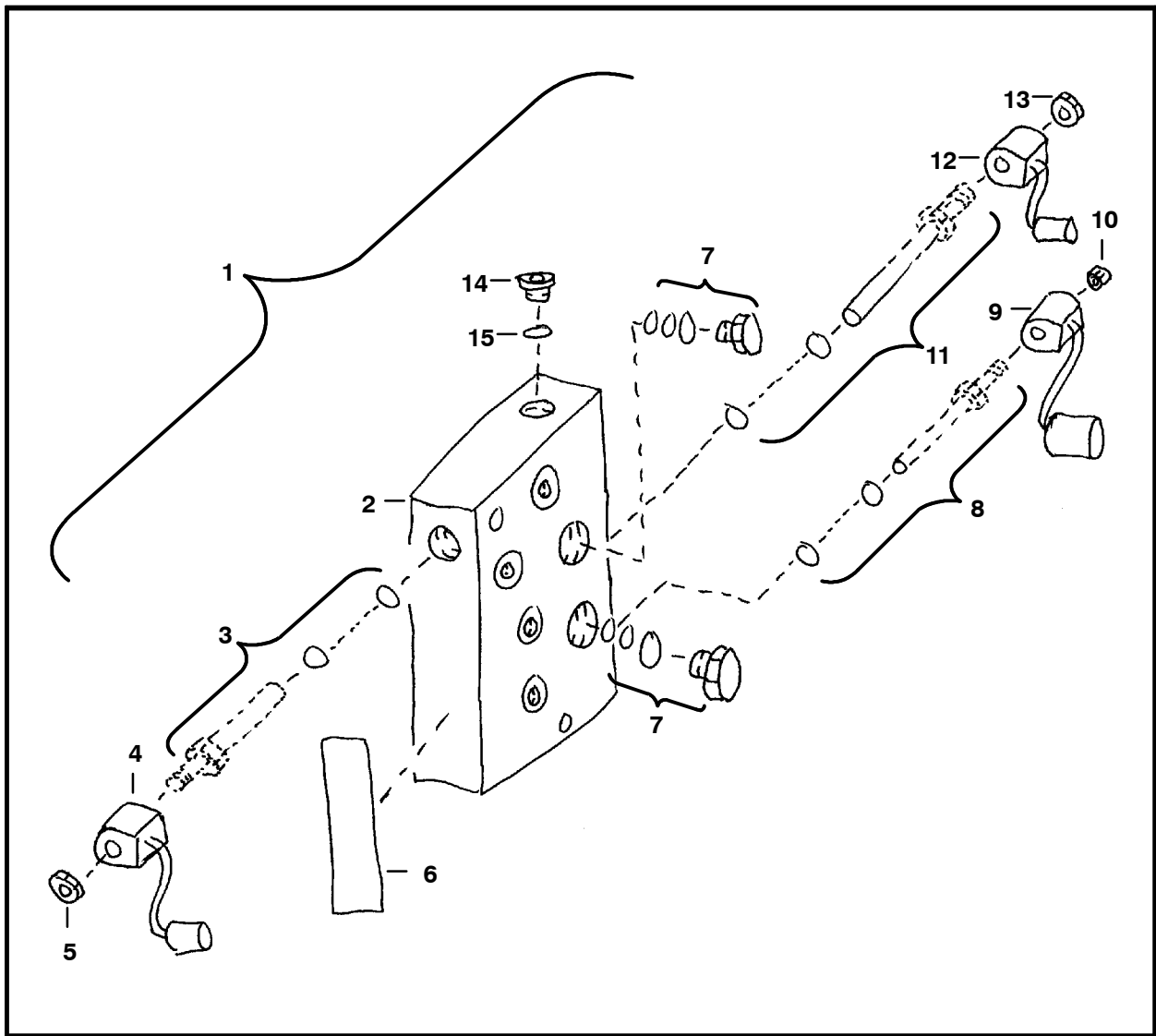


**NOTE:** At S/N 5141 46036, 5142 41001, 5179 12001 & Above  
this gear pump became standard.

**DRAWING NOT AVAILABLE AT TIME OF PRINTING**

**GEAR PUMP  
(2-Speed Option)**

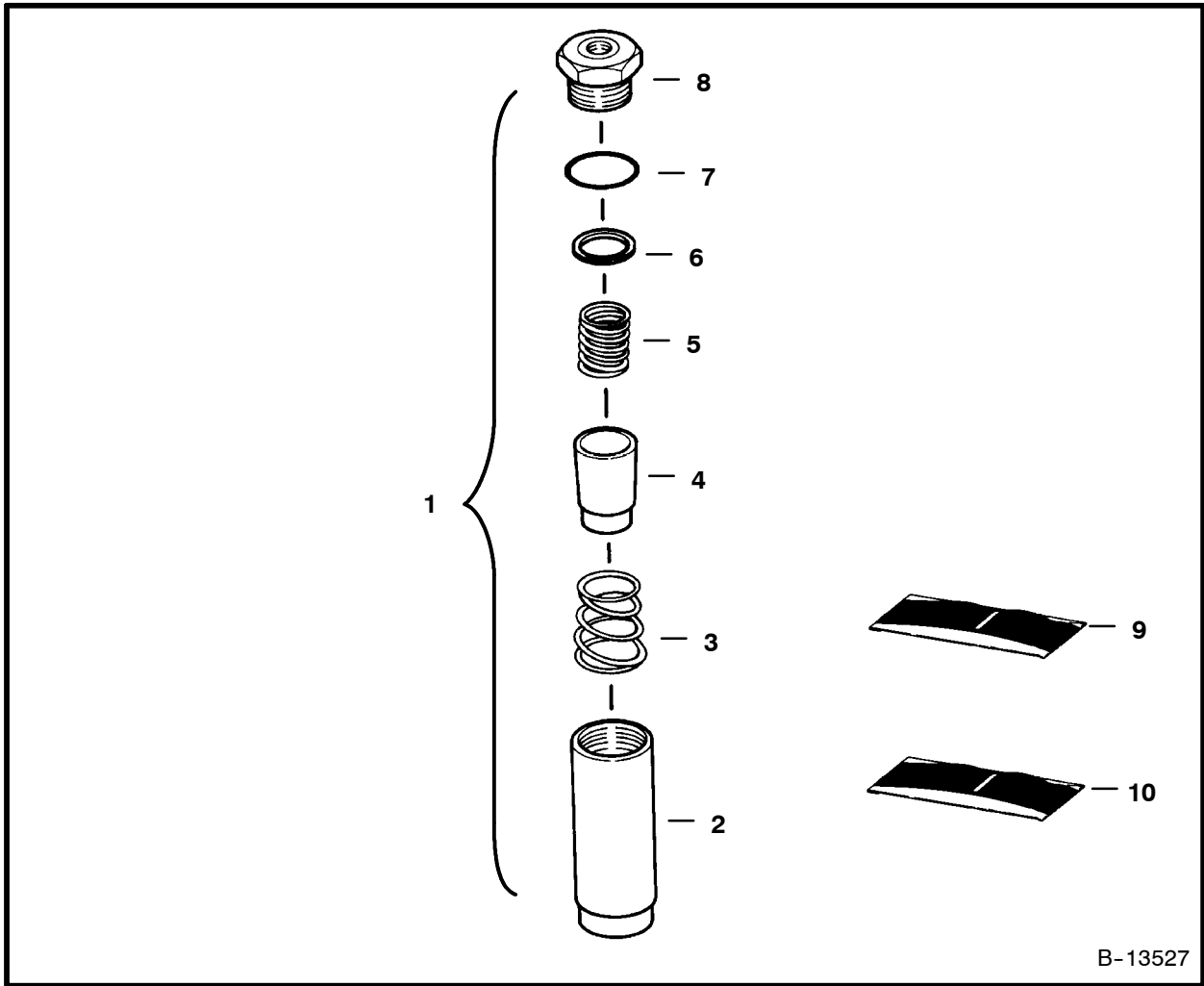
Ref. Part No.	Part Number	Description	Remarks	Serial Number	Qty.
1	6675660	GEAR PUMP	standard flow - B5501-37525	SEE NOTE	1
	6675661	GEAR PUMP	high flow - B5501-37820	SEE NOTE	1



### 2-SPEED VALVE

Ref. No.	Part Number	Description	Remarks	Serial Number	Qty.
1	6676417	VALVE	assy. - Was 6675334 [A]		1
2	NSS	BLOCK	Order Ref. 1		1
3	6676241	CARTRIDGE			1
	6672756	SEAL KIT			x
4	6676243	COIL			1
5	6676246	NUT			1
6	6673185	DECAL	warning		1
7	6675265	CHECK VALVE			2
	6669087	SEAL KIT			x
8	6676240	CARTRIDGE			1
	6673188	SEAL KIT			x
9	6676242	COIL			1
10	6675663	NUT			1
11	6676239	CARTRIDGE			1
	6676205	SEAL KIT			x

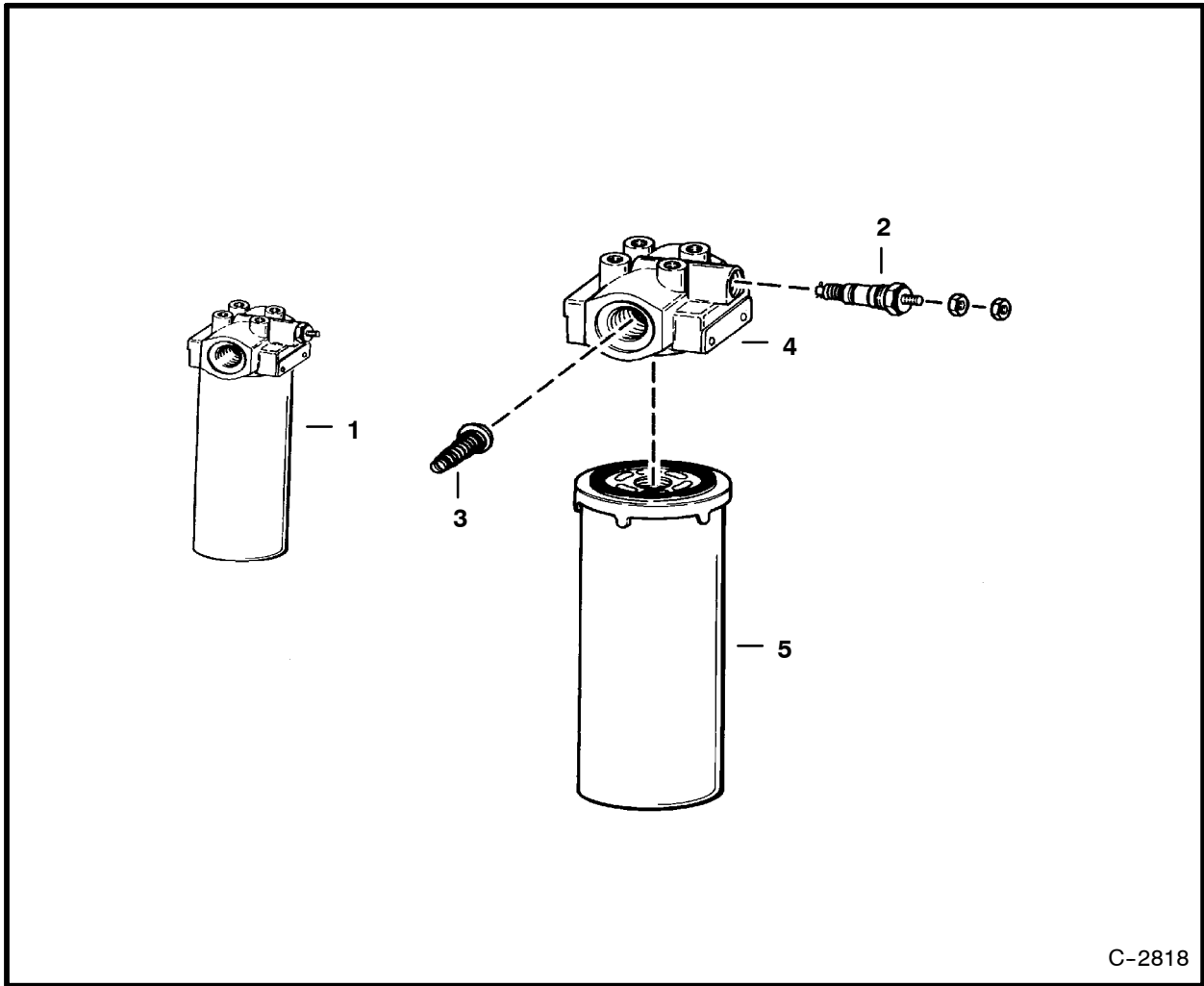




B-13527

**HYDROSTATIC OIL FILTER  
(In-Line)**

Ref. No.	Part Number	Description	Remarks	Serial Number	Qty.
1	6661022	FILTER HOUSING	Ref. 2 - 8		1
2	NSS	HOUSING			1
3	NSS	SPRING			1
4	NSS	ELEMENT			1
5	NSS	SPRING			1
6	NSS	GASKET			1
7	NSS	O-RING			1
8	NSS	PLUG			1
9	6661807	KIT	element - Ref. 4, 6 & 7		1
10	6661808	KIT	spring - Ref. 3 & 5		1

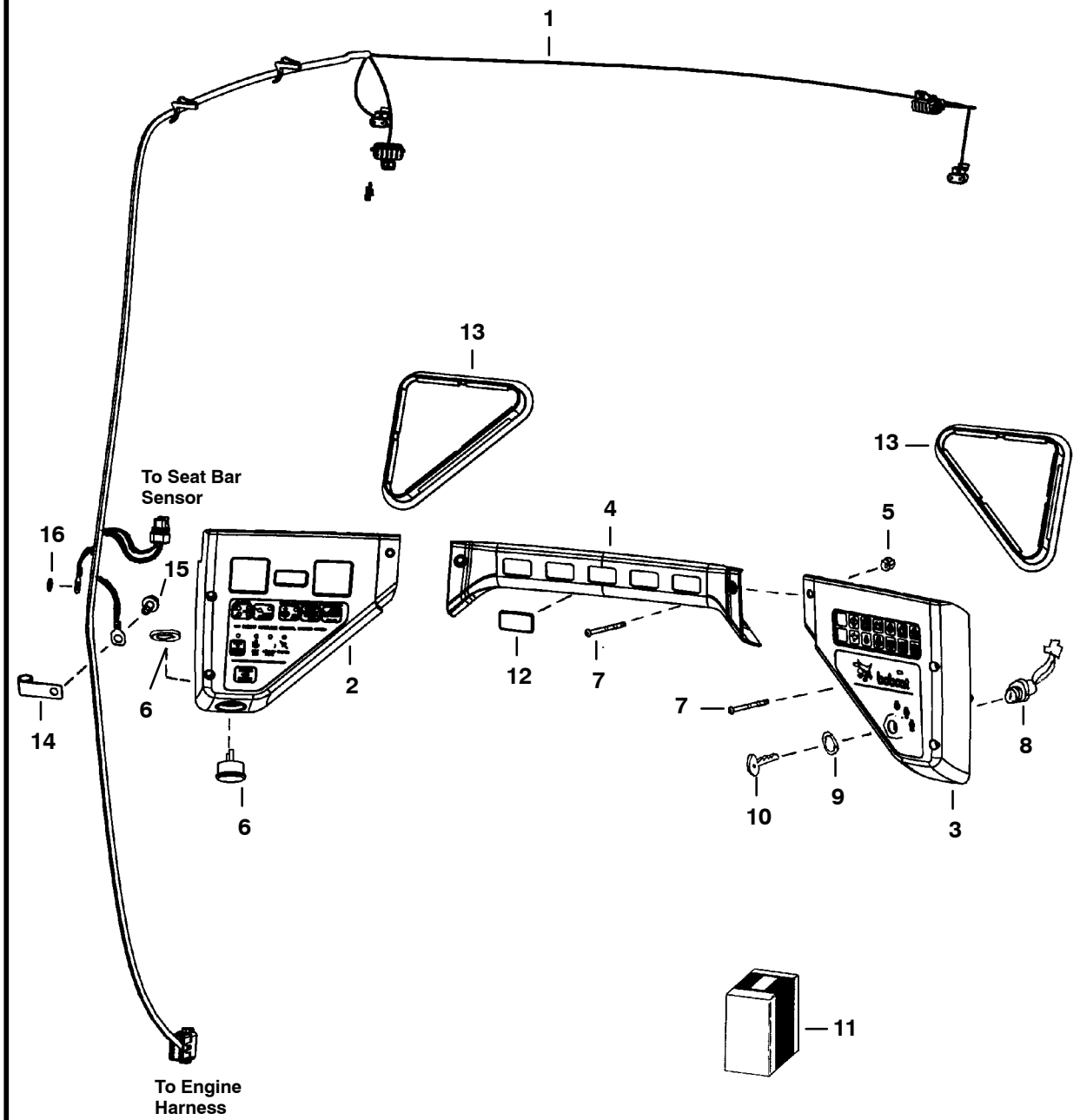


### HYDROSTATIC OIL FILTER

Ref. No.	Part Number	Description	Remarks	Serial Number	Qty.
1	6661247	FILTER ASSY	W/Ref. 2-5 - 50 PSI by-pass & switch		1
2	6660260	SWITCH	pressure - Normally closed		1
3	6599365	KIT	Nut, washer & O-rings for switch		1
3	NAP	VALVE	by-pass - 50 PSI - Order Ref. 1		1
4	NSS	HEAD	Order Ref. 1 Filter Assy.		1
5	6661248	ELEMENT			1

**CAB ELECTRICAL CIRCUITRY**  
**(S/N 5141 40001-45999, 5142 40001-40999, 5179 11001-11999)**

**NOTE:** Front & Rear Light Kit located on Page 283



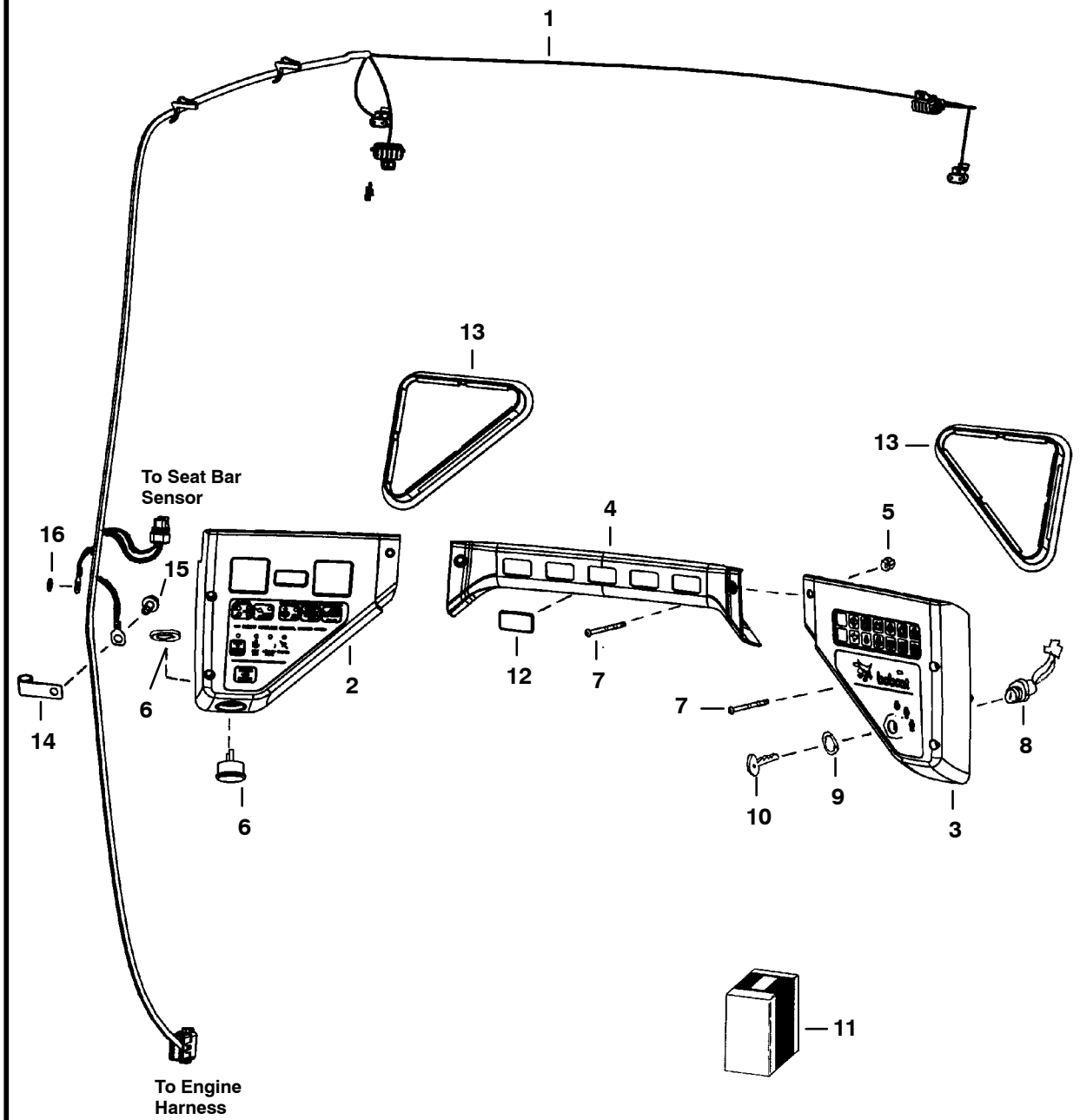
PE-1039



# CAB ELECTRICAL CIRCUITRY

(S/N 5141 46001 & Above, 5142 41001 & Above, 5179 12001 & Above)

**NOTE:** Front & Rear Light Kit located on Page 283

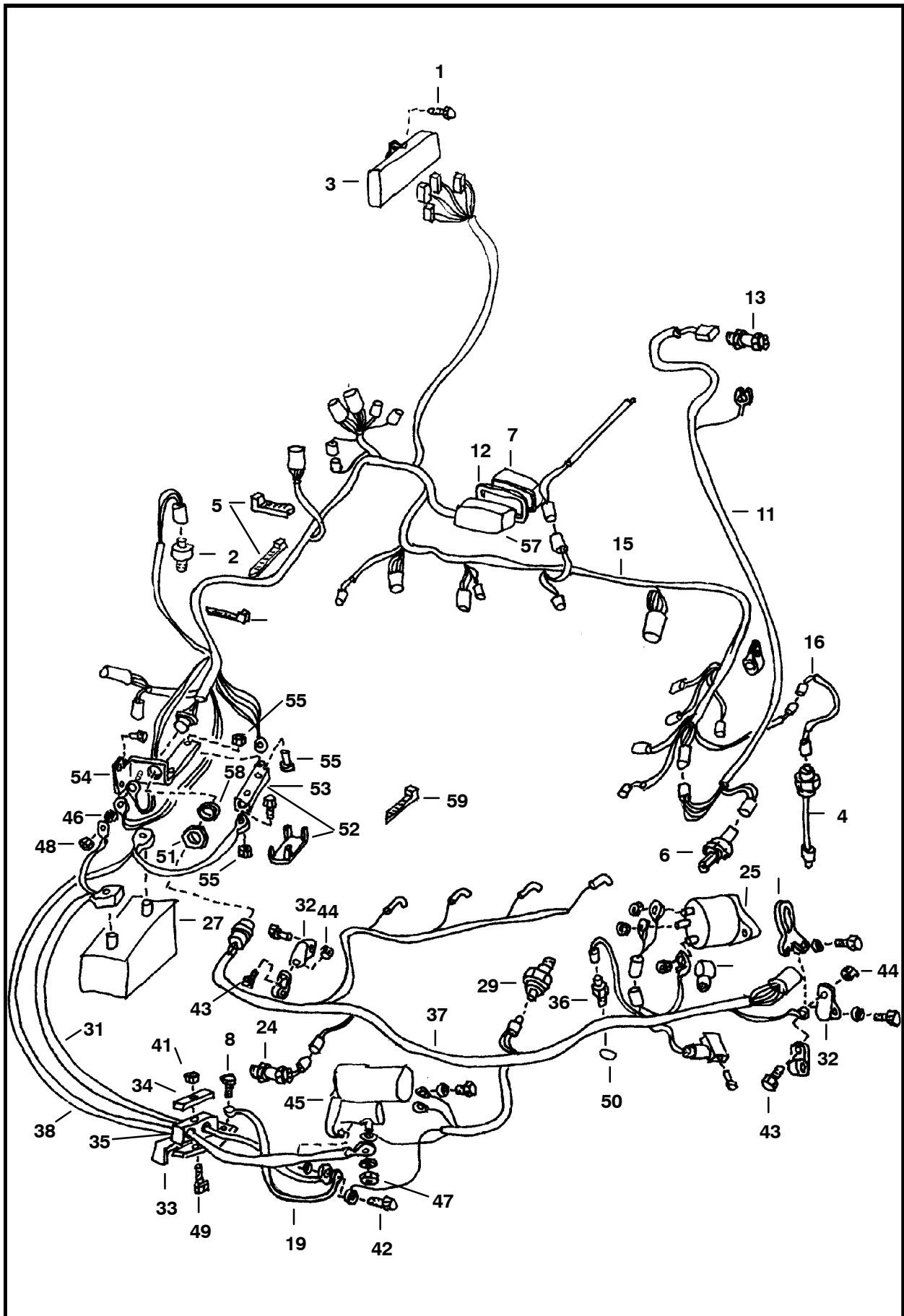


6718062MS.ASM





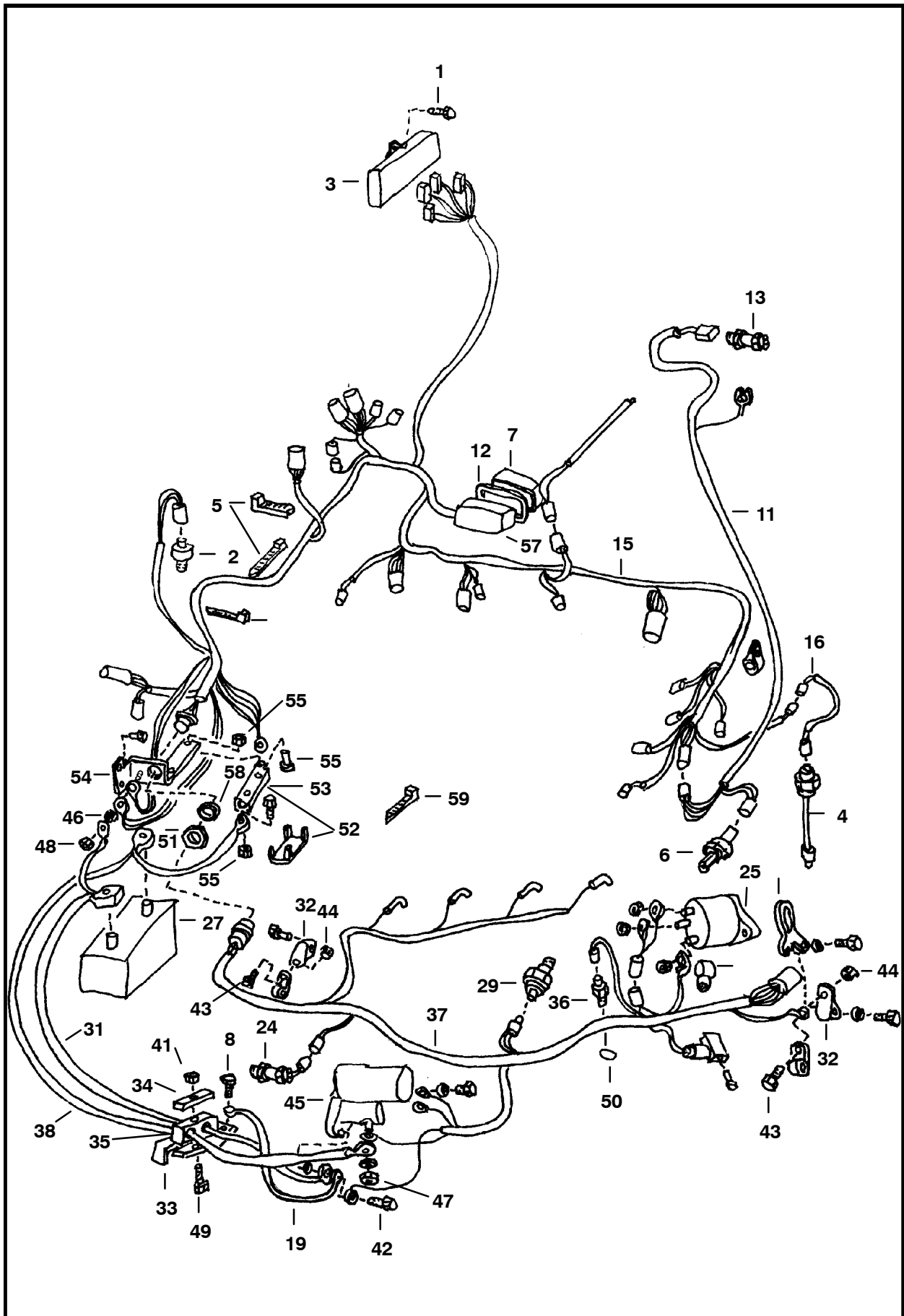
# ENGINE ELECTRICAL



**ENGINE ELECTRICAL (Cont'd)**

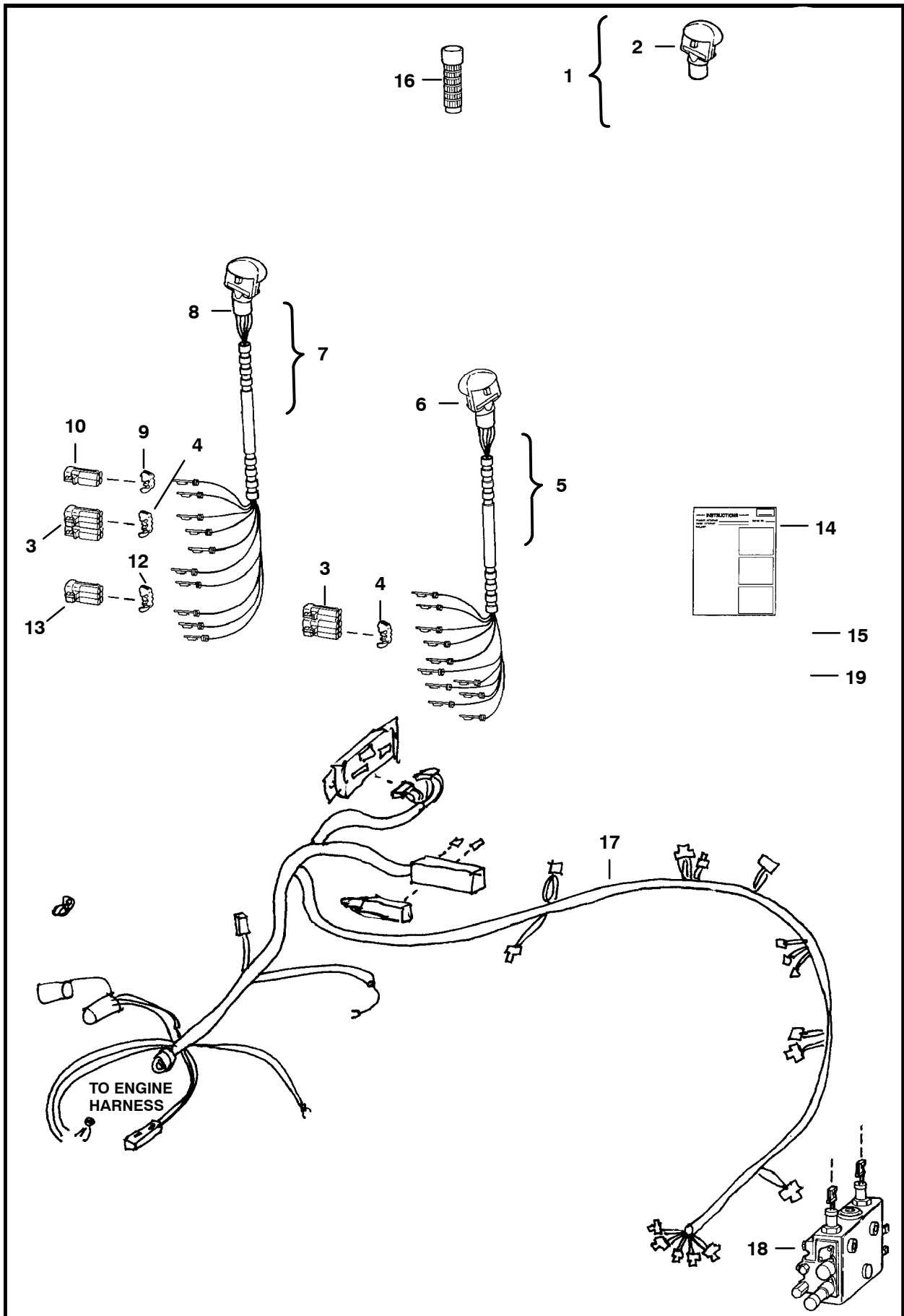
Ref. No.	Part Number	Description	Remarks	Serial Number	Qty.
1	43C-616	BOLT			3
2	6665371	SWITCH	vacuum		1
3	6676553	CONTROLLER	Was 6672349 [A]		1
4	6674209	SENSOR	fuel - W/gasket		1
	6717579	GASKET			1
5	6624289	STA-STRAP			3
6	6674316	SENSOR	hyd. charge pressure		1
7	6716621	COVER	fuse box		1
8	84G-3712	BOLT			3
9	NAP	DECAL	fuse/relay - 2.10" x 9.4" (53,3mm x 238,8mm) - Order 6718774		1
	6718774	DECAL	fuse/relay - 2" x 7" (50,8mm x 177,8mm)		1
10	35C-616	BOLT			1
11	6717247	HARNESS	filter		1
12	6725302	GASKET	fuse cover		1
13	6718417	SENDER	hyd temp		1
14	6718948	SNUBBER			1
	6675278	FILTER			1
15	6719112	HARNESS	main frame - W/Ref. 46 & 51-58		1
*	6719113	HARNESS	AHC	5141 45999 & Bel. 5142 40999 & Bel. 5179 11999 & Bel.	1 1 1
*	6729057	HARNESS	loader	5141 46001 & Abv. 5142 41001 & Abv. 5179 12001 & Abv.	1 1 1
16	6719422	HARNESS	fuel sender		1
17	85D-6	NUT			2
18	6560172	COVER	terminal		1
19	6565170	CABLE	negative		1
20	6569203	CLAMP	battery		1
21	6576280	BOLT	battery hold down		2
22	6579989	BRACKET			1
23	6610510	STA-STRAP			2
24	6658260	SENSOR	rpm		1
25		ALTERNATOR	See Page 149 or 151		1
26	6718796	PLUG	horn		2
27	6665427	BATTERY			1
28	6670287	PLUG	light		2
29	6674315	SENSOR	engine pressure		1
30	6708580	ADAPTER			1
31	6713670	CABLE	negative		1
32	6714979	BRACKET	harness		2
33	6715131	BRACE			1
34	6715132	RETAINER			1
35	6715197	CLAMP			1
36	6718416	SENDER	engine temp		1
37	6719082	HARNESS	engine - W/Ref. 32, 43 & 44	5141 45999 & Bel. 5142 40999 & Bel. 5179 11999 & Bel.	1 1 1

# ENGINE ELECTRICAL (Cont'd)



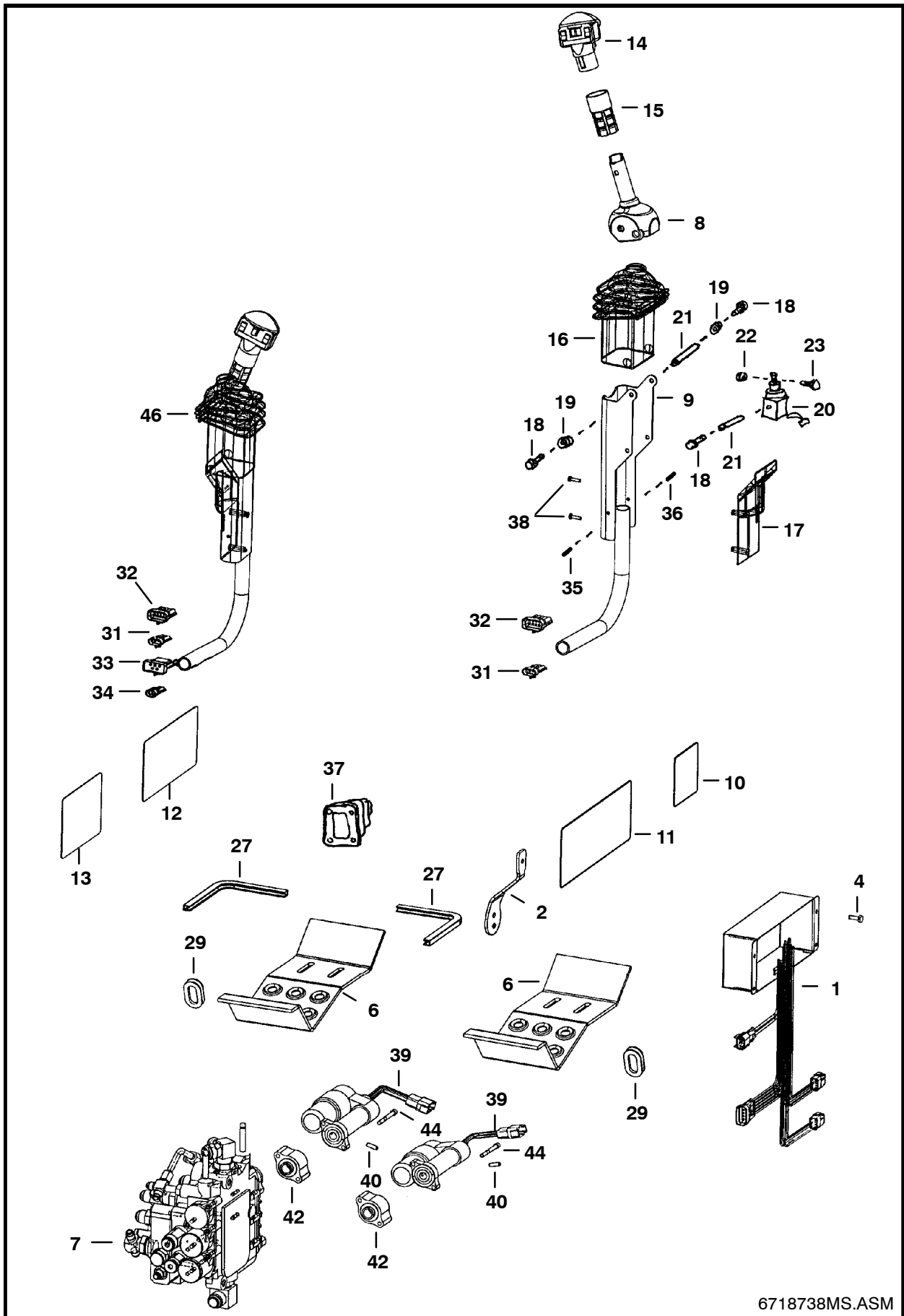


# ELECTRICAL CONTROLS





# ELECTRICAL CONTROLS (Advanced Hand Controls Option - W/O Push Button Float)



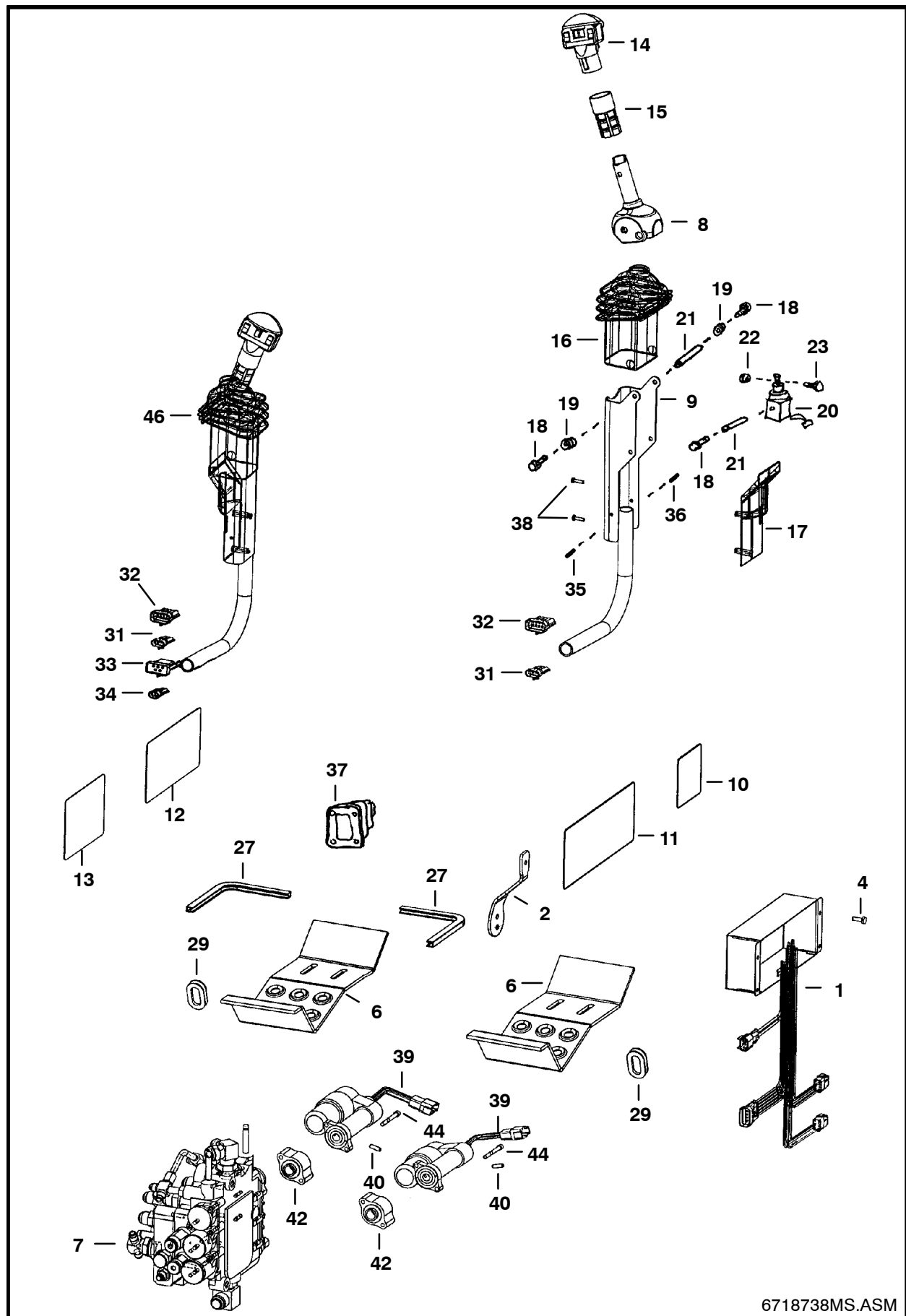
6718738MS.ASM



**ELECTRICAL CONTROLS (Cont'd)**  
**(Advanced Hand Controls Option - W/O Push Button Float)**

Ref. No.	Part Number	Description	Remarks	Serial Number	Qty.
1	6674804	CONTROLLER			1
2	6717393	LEVER	throttle		1
3	6670707	CONNECTOR	3-way		2
	6670710	LOCK	3-way		2
4	17C-412	BOLT			4
5	6646582	PLUG			10
6	6712365	STEP			2
7		VALVE	AHC - See Page 71		1
8	6597774	HANDLE	R.H. - tilt		1
	6717163	HANDLE	L.H. - lift		1
9	6597775	LEVER	R.H. - tilt - "S" shaped		1
	6597776	LEVER	L.H. - lift - "S" shaped		1
10	6718706	DECAL	warning		1
11	6718699	DECAL	warning		1
12	6718702	DECAL	operation		1
13	6718704	DECAL	operation		1
14	6675469	HANDLE ASSY	R.H. - tilt		1
	6640690	PIN			11
	6670715	SOCKET			3
	6641176	SEAL			11
	6675250	HANDLE ASSY	L.H. - lift		1
	6640690	PIN			16
	6670715	SOCKET			3
	6641176	SEAL			16
*	6677370	DECAL			1
15	6713349	GRIP			2
16	6713898	COVER			2
17	6715957	COVER			2
18	25GT-410	BOLT			8
19	6702990	BUSHING			4
20	6712398	CONTROL	R.H. - tilt		4
	6712397	CONTROL	L.H. - lift		1
21	6713043	SPACER			4
22	12D-10	NUT			2
23	6716826	BOLT			2
24	58K-120	O-RING			2
25	6670711	LOCK			2
26	25E-24	WASHER			1
27	NAP	MOULDING	10.5" (266 mm) long -		
			Order Ref. 28		2
28	6654139	MOULDING	bulk - Sold Per Foot		x
29	6714726	PLUG			2
30	6665000	CLIP			2
31	6640699	CONNECTOR			1
	6640700	LOCK			2
32	6640692	CONNECTOR			2
	6640694	LOCK			2
33	6667144	CONNECTOR			1
	6667145	LOCK			1
34	6641179	CONNECTOR			1
	6641180	LOCK			1

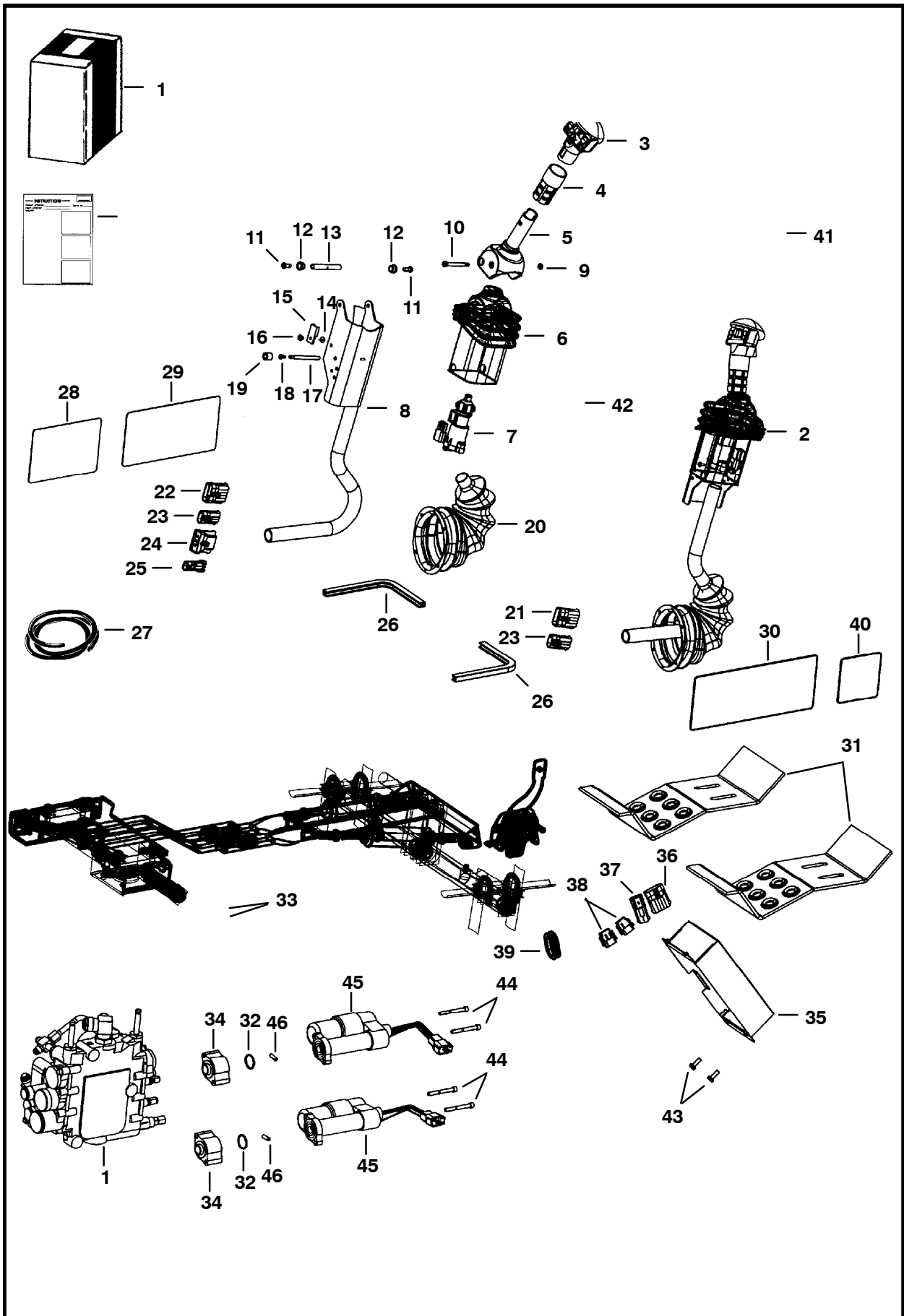
**ELECTRICAL CONTROLS (Cont'd)**  
**(Advanced Hand Controls Option - W/O Push Button Float)**



6718738MS.ASM



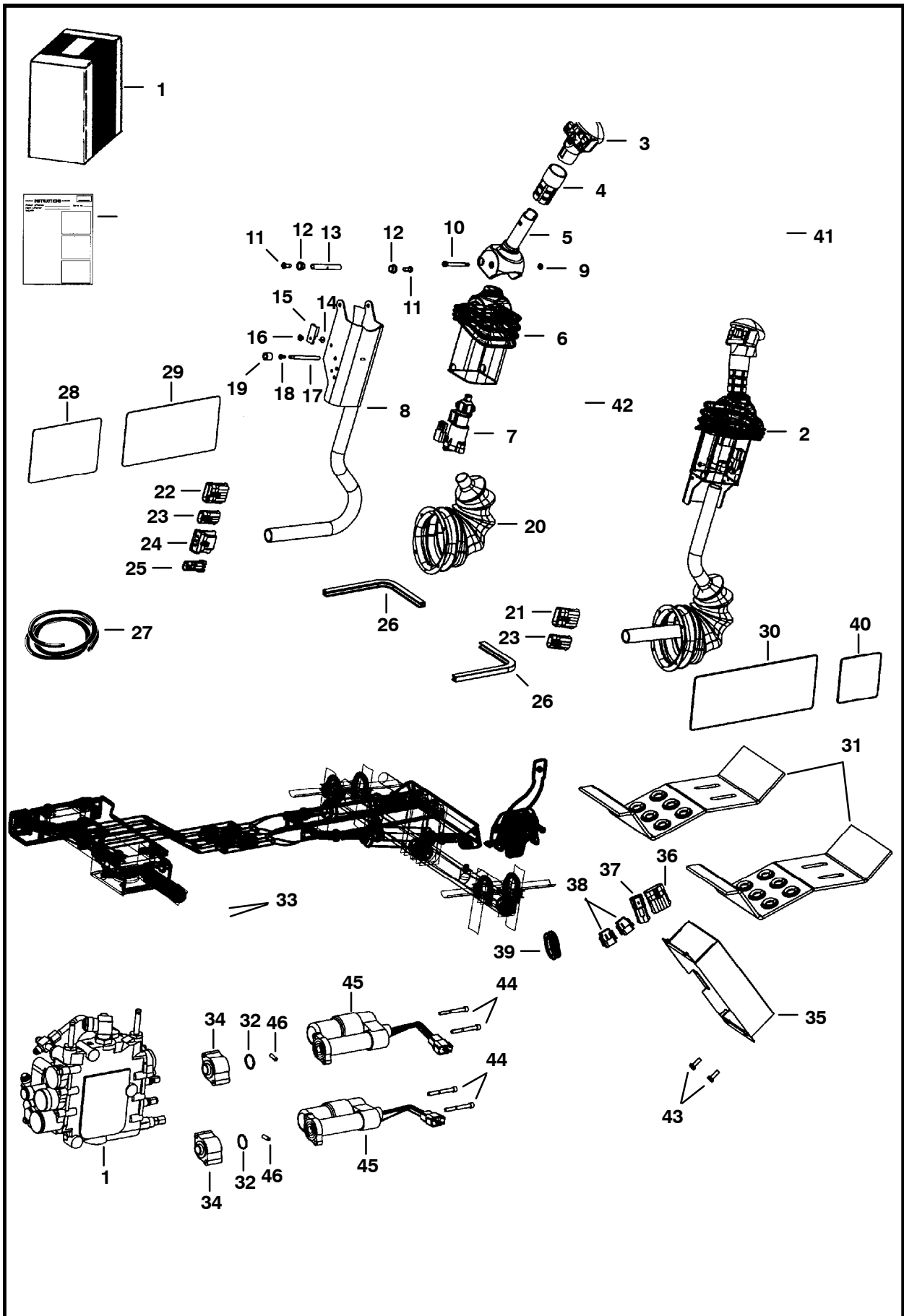
# ELECTRICAL CONTROLS (Advanced Hand Control Option - W/ Push Button Float)



**ELECTRICAL CONTROLS (Cont'd)**  
**(Advanced Hand Control Option - W/ Push Button Float)**

Ref. No.	Part Number	Description	Remarks	Serial Number	Qty.
1		VALVE	See Page 71		1
2	6675742	LEVER	tilt - R.H.		1
	6675750	LEVER	lift - L.H.		1
3	6675469	HANDLE	lift - R.H.		1
	6675749	HANDLE	lift - L.H.		1
4	6713349	GRIP			2
5	6597774	HANDLE	R.H.		1
	6717163	HANDLE	L.H.		1
6	6713898	COVER			2
7	6675741	SENSOR			2
	6670706	CONNECTOR	3-pin		1
	6670715	PIN			3
8	6670710	LOCK			1
	6719712	CHANNEL	R.H.		1
	6719711	CHANNEL	L.H.		1
9	12D-10	NUT			2
10	6716826	BOLT			2
11	25GT-410	BOLT			8
12	6702990	BUSHING			4
13	6713043	SPACER			4
14	6665321	RIVET	male		2
15	6665000	CLIP			2
16	6665322	RIVET	female		2
17	6719834	SPACER	threaded		2
18	6727065	BOLT			4
19	6719835	SLEEVE			4
20	6532127	BOOT			2
21	6640692	CONNECTOR	10-pin		1
	6640690	PIN			8
	6640694	CAP			1
22	6641176	SEAL			8
	6646582	PLUG	cavity		1
	6640692	CONNECTOR	10-pin		1
	6640690	PIN			6
	6640694	CAP			1
	6641176	SEAL			6
23	6646582	PLUG	cavity		4
	6640699	CONNECTOR	3-pin		2
	6640690	PIN			3
24	6641176	SEAL			3
	6640700	LOCK			3
	6667144	CONNECTOR	5-pin		2
	6640690	PIN			3
	6641176	SEAL			3
	6646582	PLUG	cavity		1
25	6667145	LOCK			1
	6641179	CONNECTOR	2-pin		1
	6640690	PIN			2
26	6641176	SEAL			2
	6641180	LOCK			1
	NAP	MOULDING	10.5"(267mm)long - Order Ref. 27		2

**ELECTRICAL CONTROLS (Cont'd)**  
**(Advanced Hand Control Option - W/ Push Button Float)**



**ELECTRICAL CONTROLS (Cont'd)**  
**(Advanced Hand Control Option - W/ Push Button Float)**

Ref. No.	Part Number	Description	Remarks	Serial Number	Qty.
27	6654139	MOULDING	bulk - Sold Per Foot		x
28	6718704	DECAL			1
29	6727155	DECAL		5141 45999 & Bel.	1
				5142 40999 & Bel.	1
				5179 11999 & Bel.	1
*	6728328	DECAL	operation	5141 46001 & Abv.	1
				5142 41001 & Abv.	1
				5179 12001 & Abv.	1
30	6718699	DECAL			1
31	6712365	STEP			2
32	58K-120	O-RING			2
33	25E-22	WASHER			8
34	6725128	ADAPTER			2
35	6676153	CONTROLLER			1
36	6640692	CONNECTOR	10-pin		1
	6640690	PIN			9
	6640694	CAP			1
	6641176	SEAL			9
	6646582	PLUG	cavity		1
37	6648307	CONNECTOR	2-pin		1
38	6670709	CONNECTOR	8-pin		2
39	6714726	PLUG			1
40	6718706	DECAL			1
41	6727131	HARNESS		5141 45999 & Bel.	1
				5142 40999 & Bel.	1
				5179 11999 & Bel.	1
*	6726925	HARNESS		5141 46001 & Abv.	1
				5142 41001 & Abv.	1
				5179 12001 & Abv.	1
42	6670707	CONNECTOR	3-pin		1
	6670715	PIN			3
	6670711	LOCK			1
43	17C-412	BOLT			4
44	69G-436	BOLT			4
45	6674838	ACTUATOR			2
46	6718506	PIN			2
47	6728742	HARNESS	W/ capacitor		1
48*	6717393	LEVER	throttle		1
49*	6728742	HARNESS	jumper - to enhance boom lift		1
50*	6729054	HARNESS	W/ capacitor (Oct 16 - ACS)	5141 46001-	1
				5142 41001-	1
				5179 12001-	1

**\* CONTROLS ELECTRICAL**  
**(Advanced Hand & Foot Control Option)**

DRAWING NOT AVAILABLE AT TIME OF PRINTING



**\* CONTROLS ELECTRICAL (Cont'd)**  
**(Advanced Hand & Foot Control Option)**

Ref. No.	Part Number	Description	Remarks	Serial Number	Qty.
1*	6676333	LEVER	tilt - R.H.		1
*	6676497	LEVER	lift - L.H.		1
2*	6675745	SPRING			1
3*	6675469	HANDLE	lift - R.H.		1
*	6675749	HANDLE	lift - L.H.		1
4*	6713349	GRIP			2
5*	6597774	HANDLE	R.H.		1
*	6717163	HANDLE	L.H.		1
6*	6713898	COVER			2
7*	6675741	SENSOR			2
*	6670706	CONNECTOR	3-pin		1
*	6670714	PIN			3
*	6670710	LOCK			1
8*	6719712	CHANNEL	R.H.		1
*	6719711	CHANNEL	L.H.		1
9*	12D-10	NUT			2
10*	6716826	BOLT			2
11*	25GT-410	BOLT			8
12*	6702990	BUSHING			4
13*	6713043	SPACER			4
14*	6665321	RIVET	male		2
15*	6665000	CLIP			2
16*	6665322	RIVET	female		2
17*	6719834	SPACER	threaded		2
18*	6727065	BOLT			4
19*	6719835	SLEEVE			4
20*	6532127	BOOT			2
21*	6640692	CONNECTOR	10-pin		1
*	6640690	PIN			8
*	6640694	CAP			1
*	6641176	SEAL			8
*	6646582	PLUG	cavity		2
22*	6640692	CONNECTOR	10-pin		1
*	6640690	PIN			6
*	6640694	CAP			1
*	6641176	SEAL			6
*	6646582	PLUG	cavity		4
23*	6640699	CONNECTOR	3-pin		2
*	6640690	PIN			3
*	6641176	SEAL			3
*	6640700	LOCK			3
24*	6667144	CONNECTOR	5-pin		1
*	6640690	PIN			3
*	6641176	SEAL			3
*	6646582	PLUG	cavity		1
*	6667145	LOCK			1
25*	6641179	CONNECTOR	2-pin		1
*	6640690	PIN			2
*	6641176	SEAL			2
*	6641180	LOCK			1
26*	6727941	DECAL			1

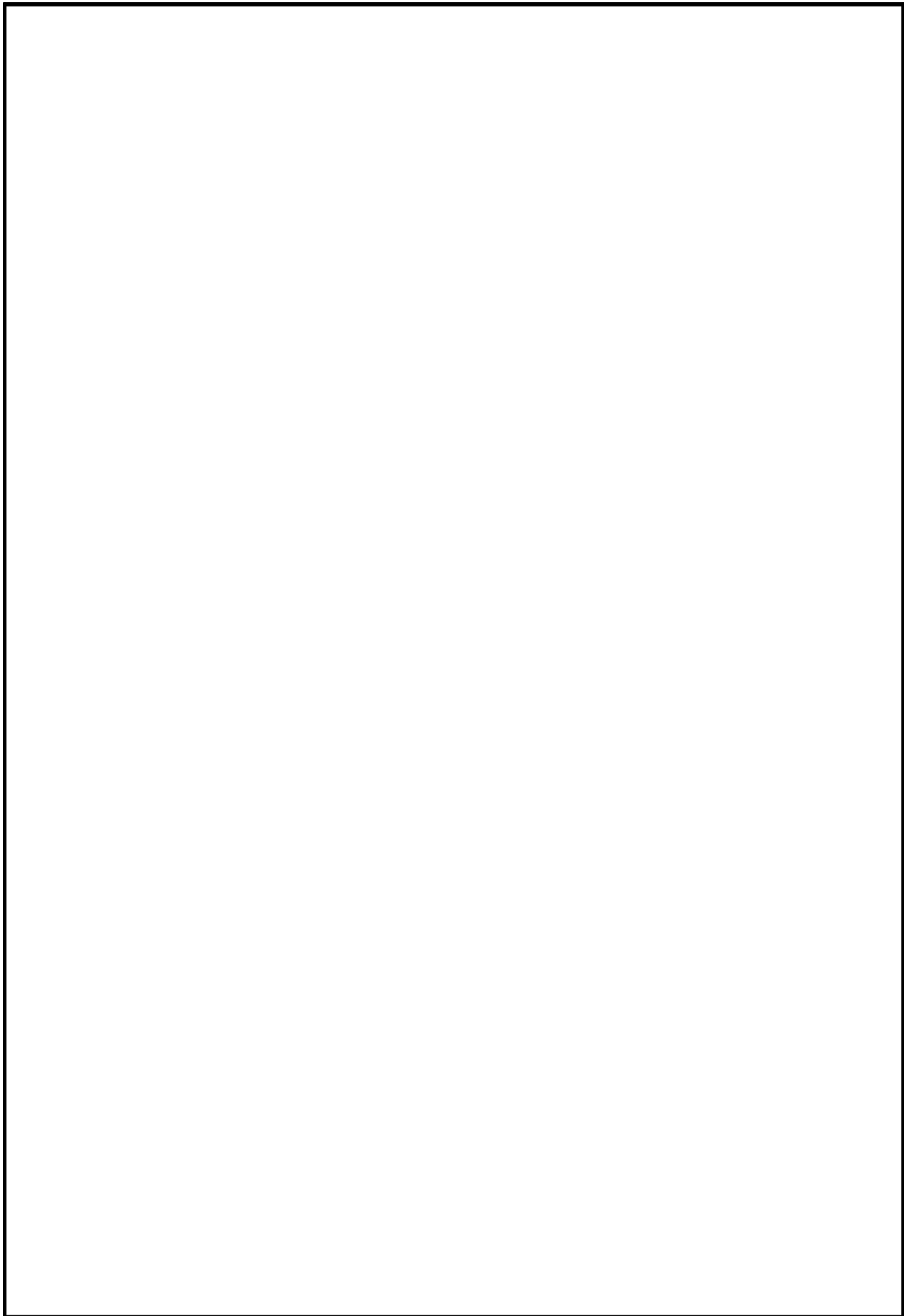
**\* CONTROLS ELECTRICAL (Cont'd)**  
**(Advanced Hand & Foot Control Option)**

DRAWING NOT AVAILABLE AT TIME OF PRINTING

**\* CONTROLS ELECTRICAL (Cont'd)**  
**(Advanced Hand & Foot Control Option)**

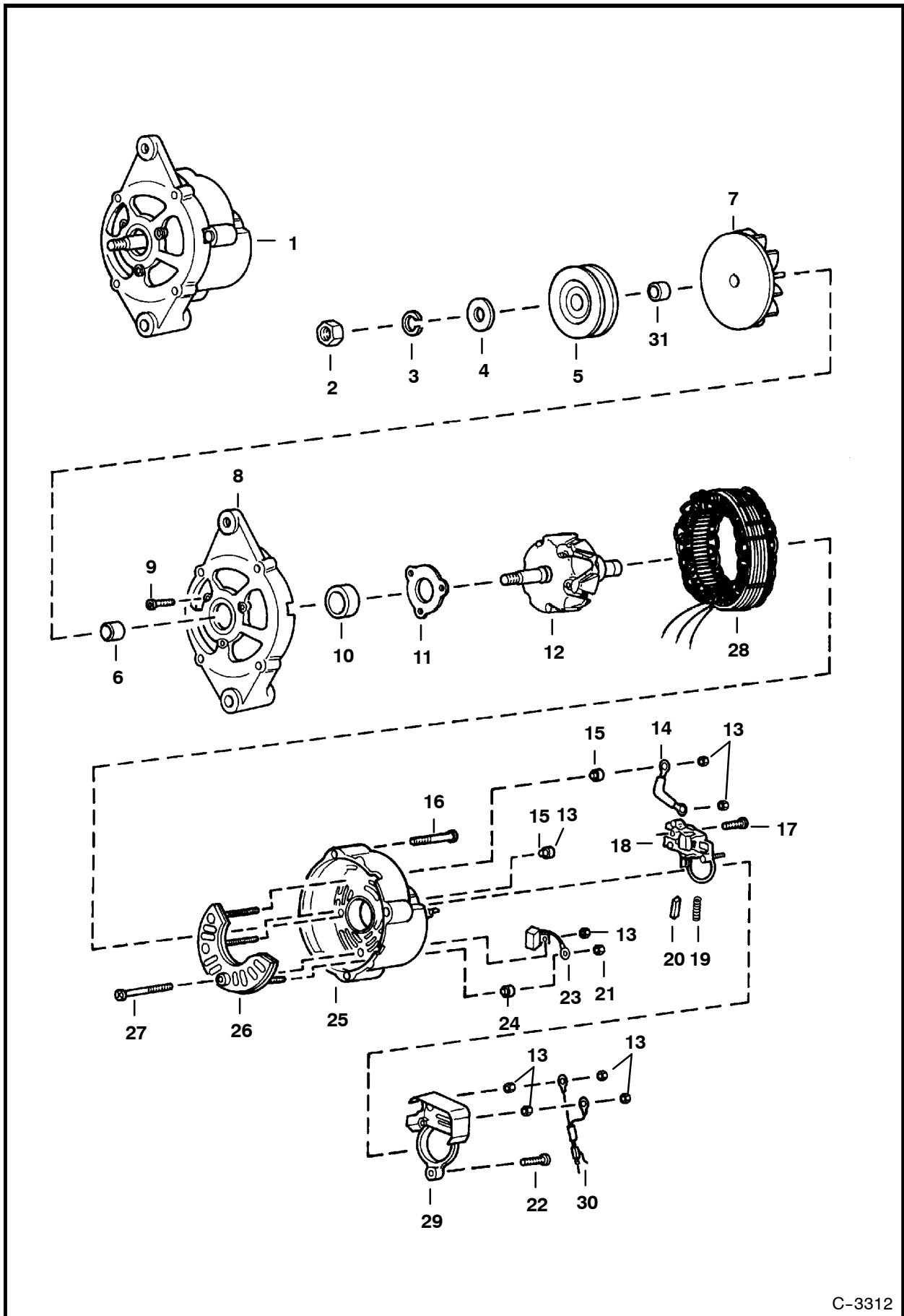
Ref. No.	Part Number	Description	Remarks	Serial Number	Qty.
27*	6676337	CONTROLLER			1
28*	6718706	DECAL			1
29*	6727926	DECAL			1
30*	6726925	HARNESS			1
*	6676870	CONNECTOR	3-pin		1
31*	6670707	CONNECTOR	3-pin		1
*	6670715	PIN			3
*	6670711	LOCK			1
32*	6640692	CONNECTOR	10-pin		1
*	6640690	PIN			9
*	6640694	CAP			1
*	6641176	SEAL			9
*	6646582	PLUG	cavity		1
33*	6648307	CONNECTOR	2-pin		1
34*	6670709	CONNECTOR	8-pin		2
35*	25E-13	WASHER			2
36*	6719715	STRAP			1
37*	6676029	SOLENOID			2
38*	6674838	ACTUATOR ASSY			2
39*	6676640	PLUG			2
40*	6719716	MOUNT	solenoid		2
41*	6726573	BRACKET			2
42*		SENSOR ASSY	foot pedal - R.H.		1
*		SENSOR ASSY	foot pedal - L.H.		1
43*	6726681	LINK			2
44*	6727285	SHIELD	R.H.		1
45*	6727286	SHIELD	L.H.		1
46*	6727496	PIN			2
47*	6676537	SWITCH			2
48*	43C-608	BOLT			4
49*	38C-604	BOLT			2
50*	95D-5	NUT			2
51*	6673710	BEARING	needle		4
52*	6673789	BEARING	needle		
53*	NAP	MOULDING	10.5" (266 mm) long - Order Ref. 54		2
54*	6654139	MOULDING	bulk - Sold Per Foot		x
55*	6714726	PLUG			2
56*					
57*					
58*	6725128	ADAPTER			2
59*	17C-616	BOLT			2
60*	25E-22	WASHER			8
61*	58K-120	O-RING			2
62*	69G-436	BOLT			4
63*					
64*		VALVE			1
65*	6726680	PEDAL			2
66*	6726679	MOUNT			2
67*	7C-620	BOLT			4
68*	6718506	PIN			2

**\* CONTROLS ELECTRICAL (Cont'd)**  
**(Advanced Hand & Foot Control Option)**





# ALTERNATOR (Melroe)

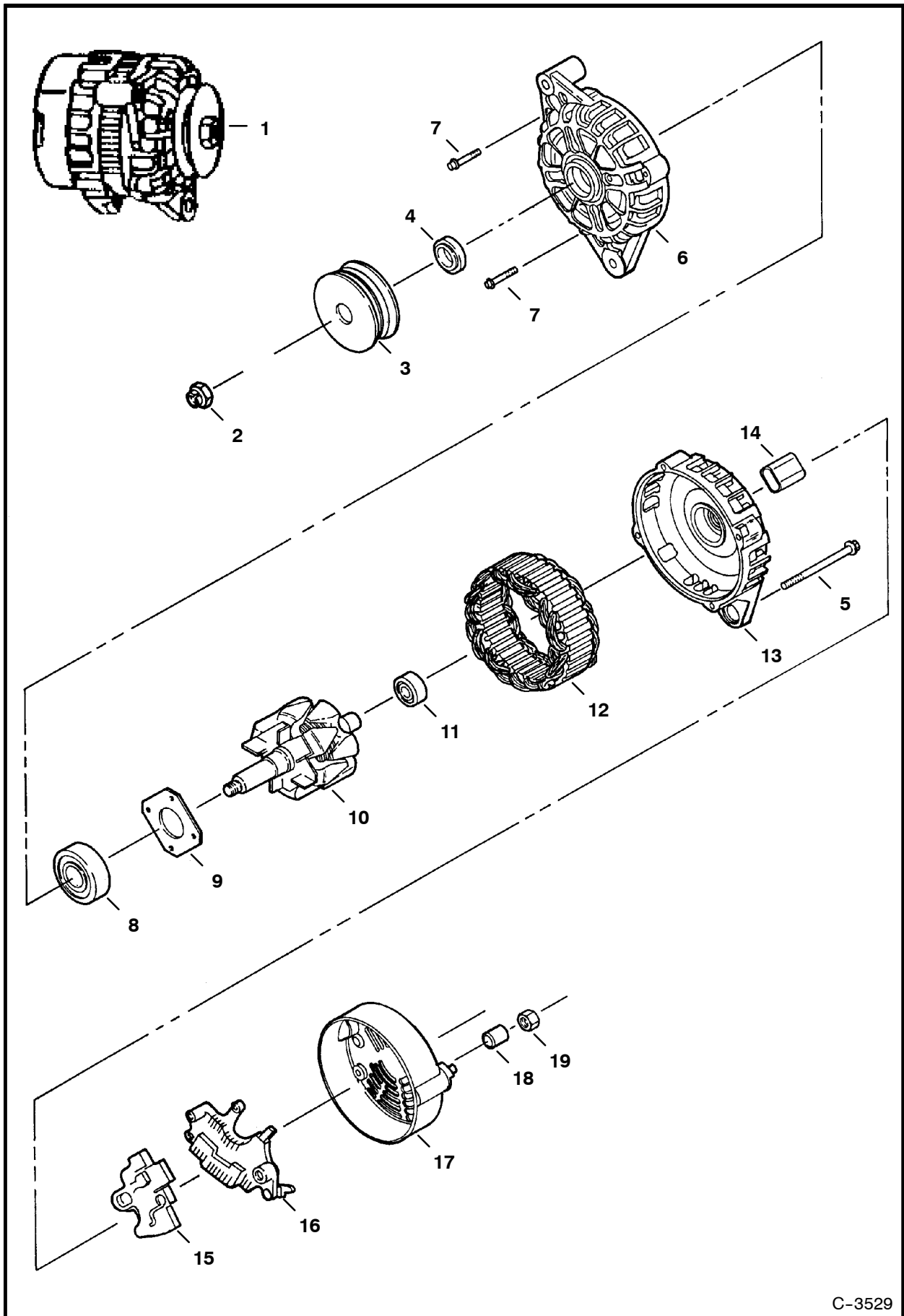


C-3312

**ALTERNATOR (Cont'd)**  
**(Melroe)**

Ref. No.	Part Number	Description	Remarks	Serial Number	Qty.
1	6661611	ALTERNATOR	Less Fan & Pulley		1
2	6659371	NUT			1
3	6659372	WASHER			1
4	6632323	WASHER			1
5	6659373	PULLEY			1
6	6659374	SPACER			2
7	6659375	FAN			1
8	6659376	BRACKET	W/Ref. 9 - 11		1
9	6659378	BOLT			3
10	6659379	BEARING			1
11	6632228	RETAINER			1
12	6659380	ROTOR			1
13	6659387	NUT			7
14	6659397	TERMINAL			1
15	6659386	HOLDER			2
16	6659392	BOLT			3
17	6659396	SCREW			2
18	6659393	REGULATOR	W.Ref. 19 & 20		1
19	6659395	SPRING			2
20	6659394	BRUSH			2
21	6659391	NUT			1
22	6659399	SCREW			1
23	6659388	CONDENSER			1
24	6659390	HOLDER			1
25	6659382	BRACKET	rear - W/Ref. 13, 15, 21 & 23 - 27		1
26	6659384	RECTIFIER			1
27	6659385	SCREW			1
28	6659381	STATOR			1
29	6659398	COVER			1
30	6659400	CONNECTOR	assy.		1
31	6571554	BUSHING			1

# ALTERNATOR

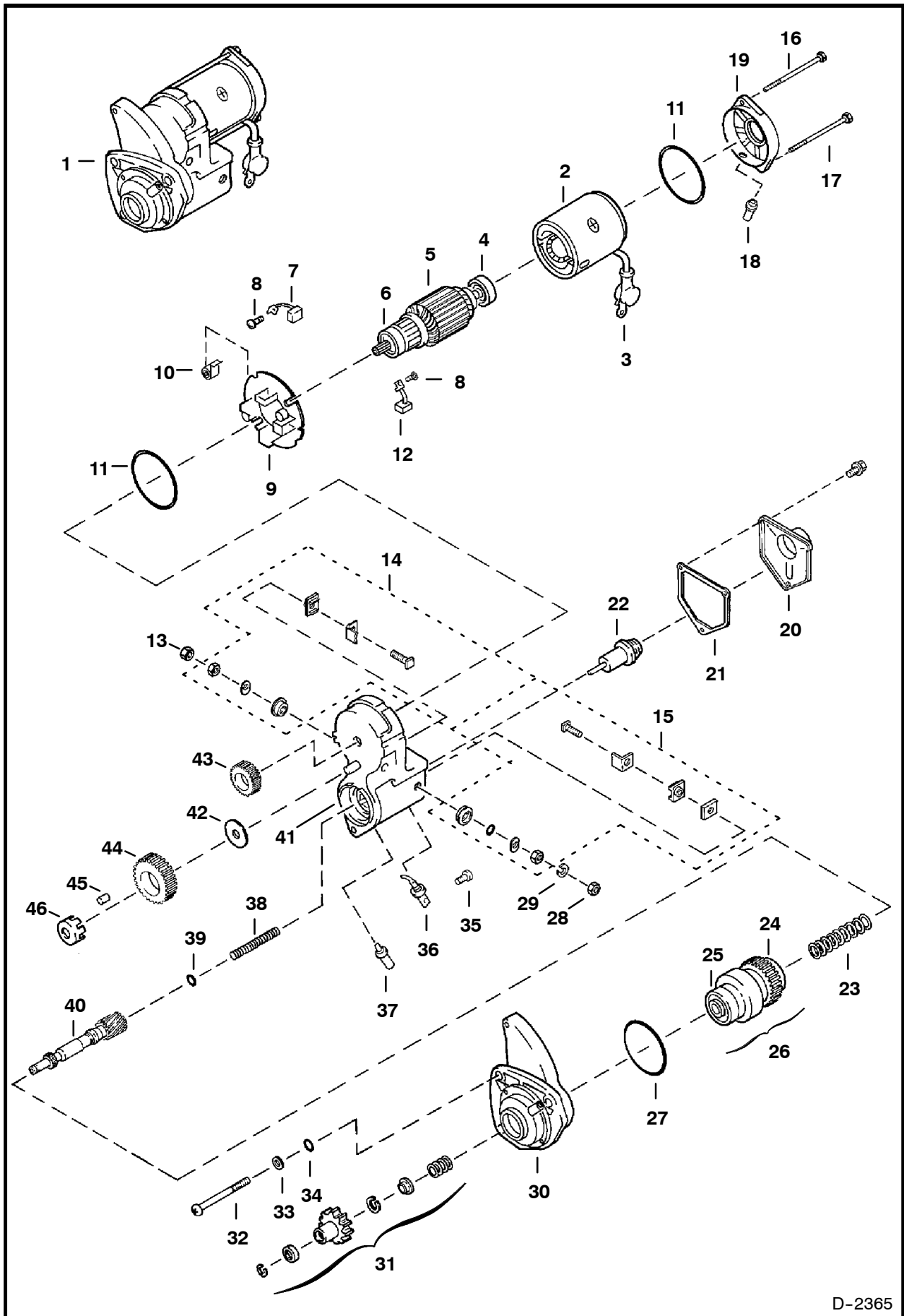


C-3529





# STARTER



D-2365

## STARTER (Cont'd)

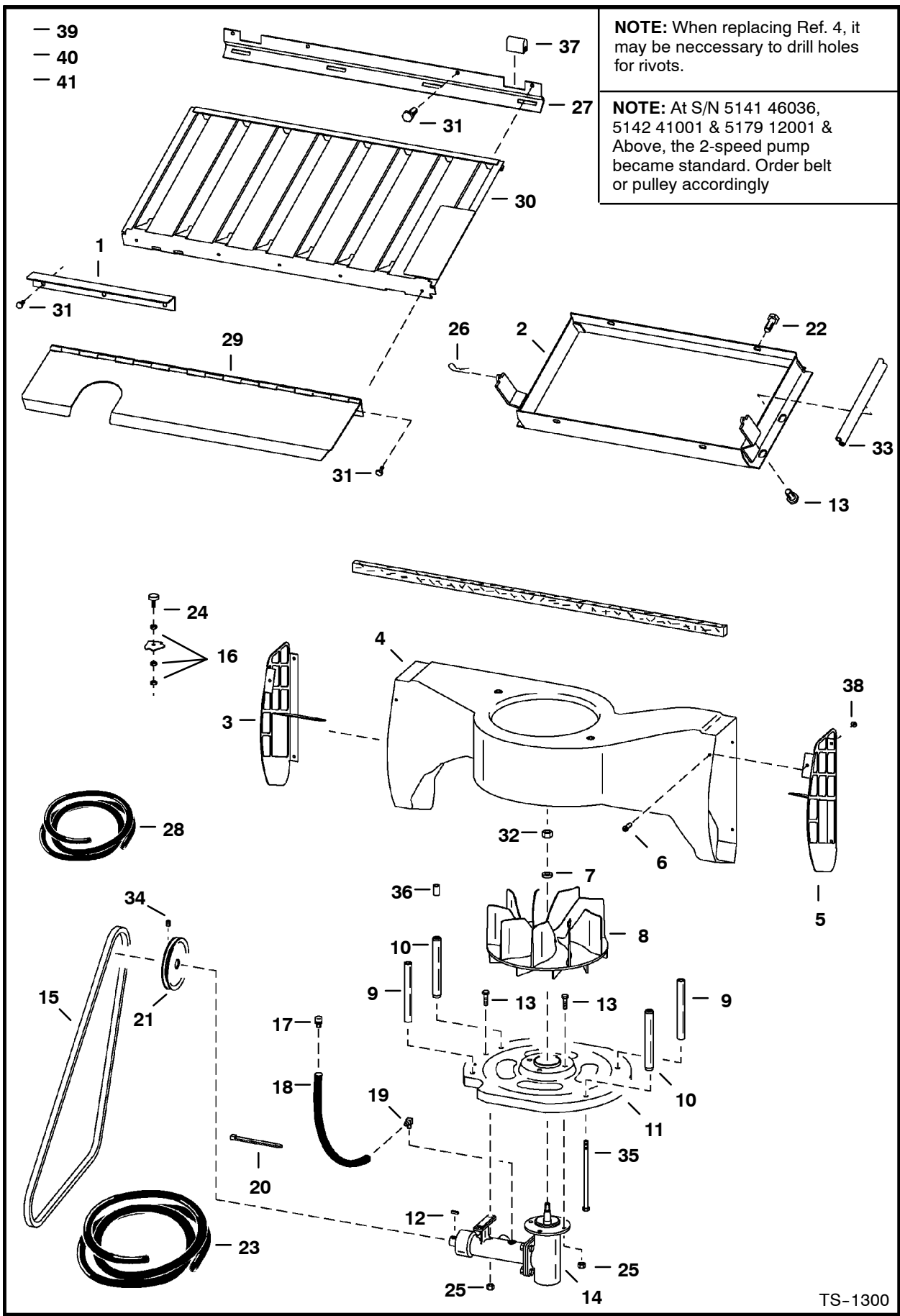
Ref. No.	Part Number	Description	Remarks	Serial Number	Qty.
1	6667825	STARTER			1
2	6669345	YOKE			1
3	6669365	BOOT			1
4	6669349	BEARING			1
5	6669346	ARMATURE ASSY			1
6	6669347	BEARING			1
7	6669348	BEARING			1
8	6669371	BRUSHES			2
8	6666634	BOLT	W/washer		4
9	6669361	HOLDER	brush - W/Ref. 10		1
10	6669362	SPRING	brush		4
11	6669368	O-RING			2
12	6669370	BRUSHES			2
13	6666637	NUT			1
14	6669358	KIT	starter		1
15	6669357	KIT	starter		1
16	6669367	BOLT			1
17	6669366	BOLT			1
18	6669372	COVER			1
19	6669363	FRAME	end		1
20	6632434	COVER	solenoid		1
21	6632433	GASKET	switch		1
22	6632432	PLUNGER			1
23	6632441	SPRING	compression		1
24	NAP	BEARING	Order Ref. 26		1
25	NAP	BEARING	Order Ref. 26		1
26	6666622	CLUTCH	Ref. 23-25, 31 & 40		1
27	6666632	O-RING			1
28	6666628	NUT			1
29	6666630	WASHER			1
30	6669355	HOUSING			1
31	6669350	KIT	starter		1
32	6666633	BOLT			3
33	6666629	WASHER			3
34	6666631	O-RING			3
35	6666635	BOLT	W/washer		1
36	6669359	BOLT			1
37	6669360	BUSHING	drain		1
38	6632436	SPRING	compression oil		1
39	6632435	BALL	steel		1
40	6669354	SHAFT			1
41	6669356	SWITCH ASSY	magnetic		1
42	6666624	SNAP RING			1
43	6669369	PINION			1
44	6669364	PINION			1
45	6632430	ROLLER	clutch		5
46	6632429	RETAINER			1

# COOLING SYSTEM

- 39
- 40
- 41

**NOTE:** When replacing Ref. 4, it may be necessary to drill holes for rivots.

**NOTE:** At S/N 5141 46036, 5142 41001 & 5179 12001 & Above, the 2-speed pump became standard. Order belt or pulley accordingly



TS-1300

**COOLING SYSTEM (Cont'd)**

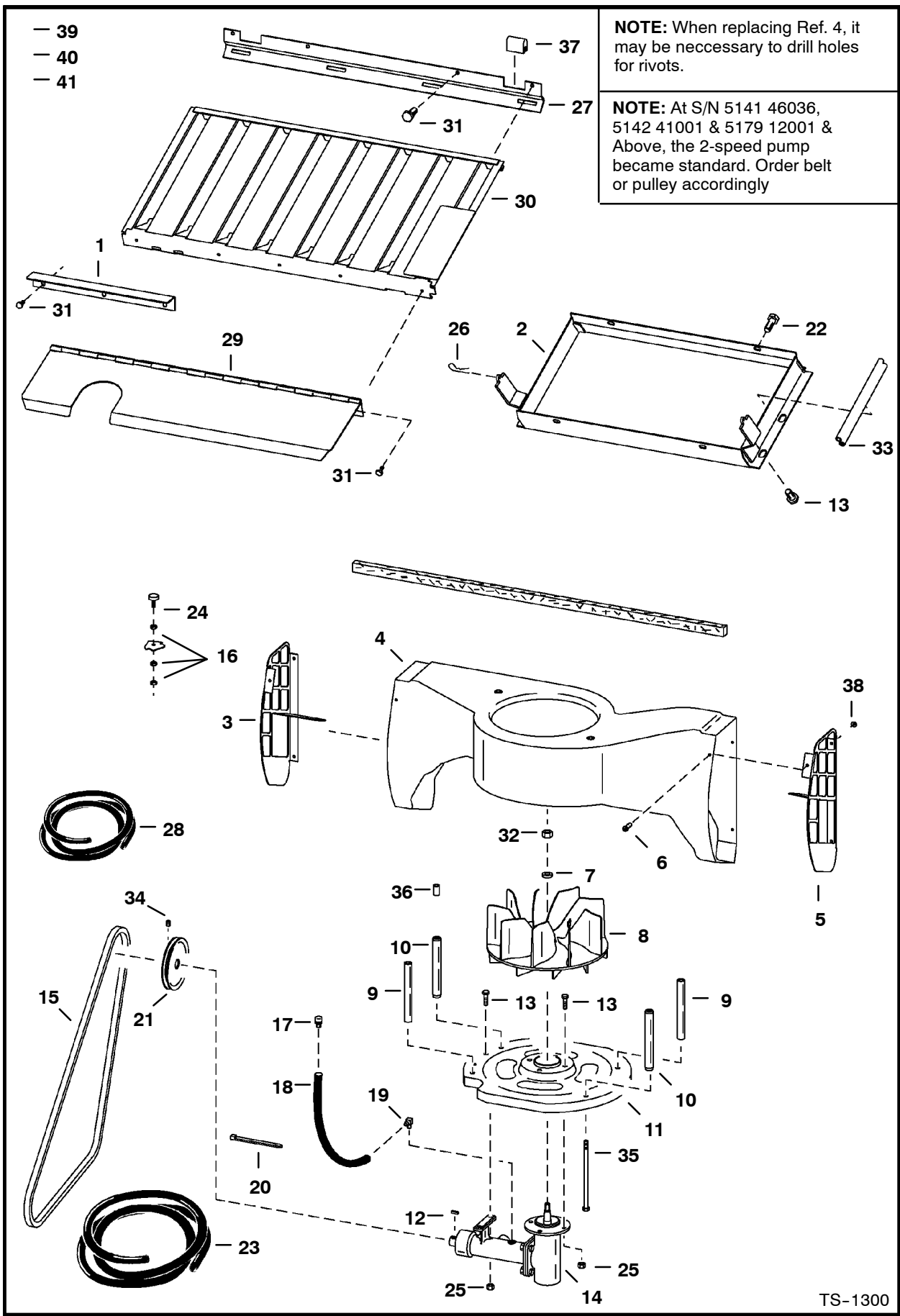
Ref. No.	Part Number	Description	Remarks	Serial Number	Qty.
1	6709448	BRACE			1
2	6718757	HOUSING	plenum		1
3	6716574	LOUVER	L.H. - plastic		1
4	6717636	HOUSING			1
5	6716572	LOUVER	R.H. - plastic		1
6	6661209	RIVET	use W/steel louvers		6
7	6706517	SCREW			8
8	6701097	WASHER	Was 6803867 [A]		1
8	6715142	FAN			1
9	6577382	SPACER			2
10	6704907	SPACER			2
11	6717478	INLET	4 slot		1
12	7J-2208	KEY			1
13	17C-616	BOLT			10
14	6707519	HOUSING ASSY	See Page 173		1
15	6713385	BELT	cooling fan drive - 43" (1092mm)	5141 46035 & Bel.	1
	6725186	BELT	SEE NOTE - cooling fan drive - 41.625" (1057mm) - 2-speed	5141, 5142 & 5179	1
	6707648	BELT	SEE NOTE - cooling fan drive - 43.75" (1111mm) - standard & 2-speed	5142 40999 & Bel.	1
				5179 11999 & Bel.	1
16	61D-5	NUT			4
17	6670627	BREATHER			1
18	NAP	HOSE	19.5" (495mm) long - Order Ref. 23		1
19	6657376	ELBOW			1
20	6610510	TIE			1
21	6712970	PULLEY	4.75"(121mm) O.D.	5141 46035 & Bel.	1
	6725130	PULLEY	SEE NOTE - 4.00"(101,6mm) O.D.		
			- 2-speed	5141 46035 & Bel.	1
	6703483	PULLEY	5.25"(133mm) O.D.	5142 40999 & Bel.	1
				5179 11999 & Bel.	1
	6712971	PULLEY	SEE NOTE - 5.00" (127 mm) O.D. - 2-speed	5142 & 5179	1
22	35C-612	BOLT			4
23	6577822	HOSE	bulk - Sold Per Foot		x
24	6655399	BUMPER			4
25	61D-6	NUT			10
26	1318565	HAIR PIN			2
27	6713816	BRACKET			1
28	6513152	SEAL	bulk - Sold Per Foot		x
29	6717738	SHIELD			1
30	6711520	GRILL			1
31	84G-3112	BOLT			10
32	96D-8	NUT			1
33	NAP	SEAL	14.5"(368mm) long - Order Ref. 28		2
34	6715143	SET SCREW			1
35	17C-6116	BOLT			4
36	6674894	WASHER			4

# COOLING SYSTEM (Cont'd)

- 39
- 40
- 41

**NOTE:** When replacing Ref. 4, it may be necessary to drill holes for rivots.

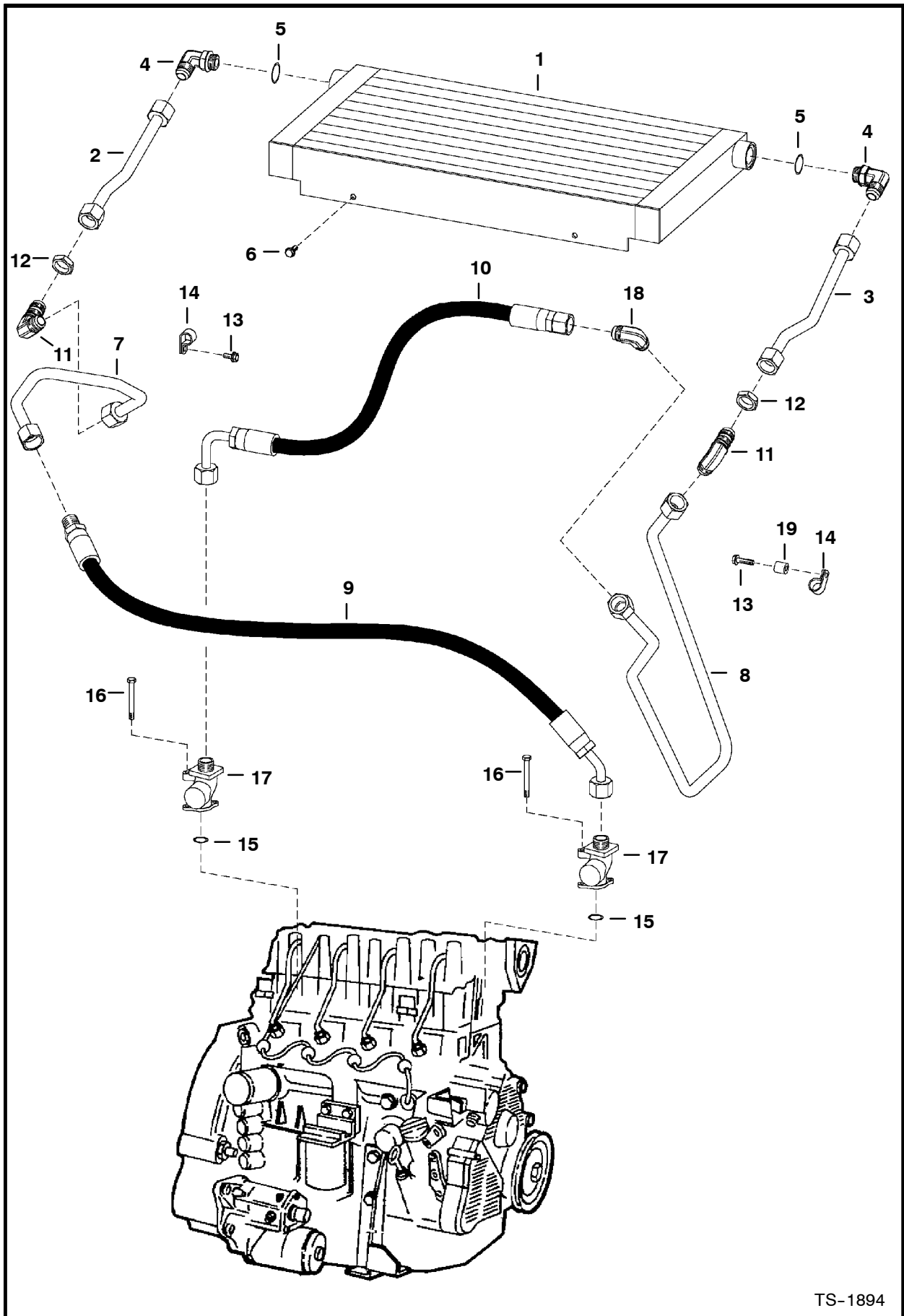
**NOTE:** At S/N 5141 46036, 5142 41001 & 5179 12001 & Above, the 2-speed pump became standard. Order belt or pulley accordingly



TS-1300



# COOLING SYSTEM

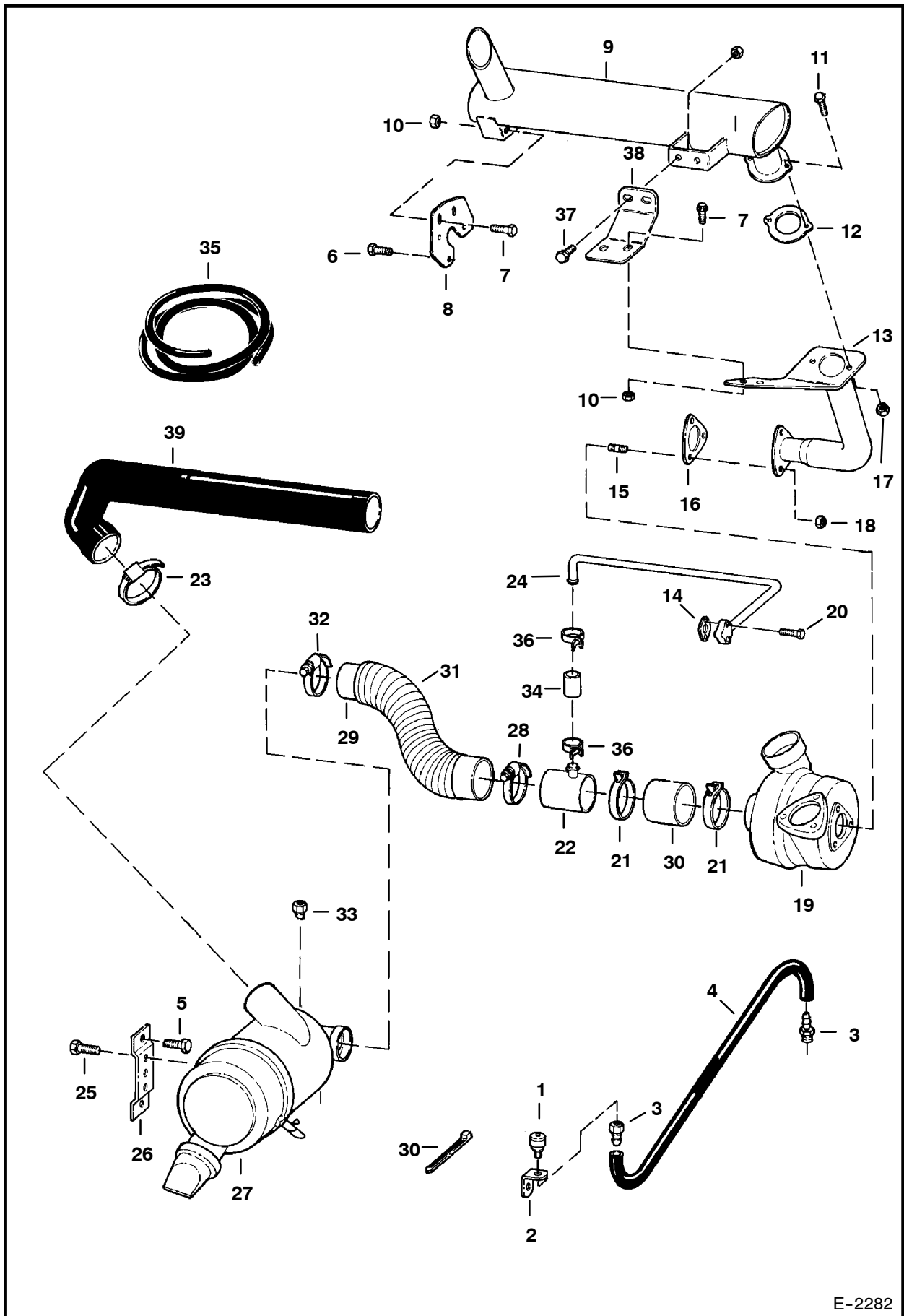


TS-1894





# ENGINE & ATTACHING PARTS (Air Cleaner, Muffler)

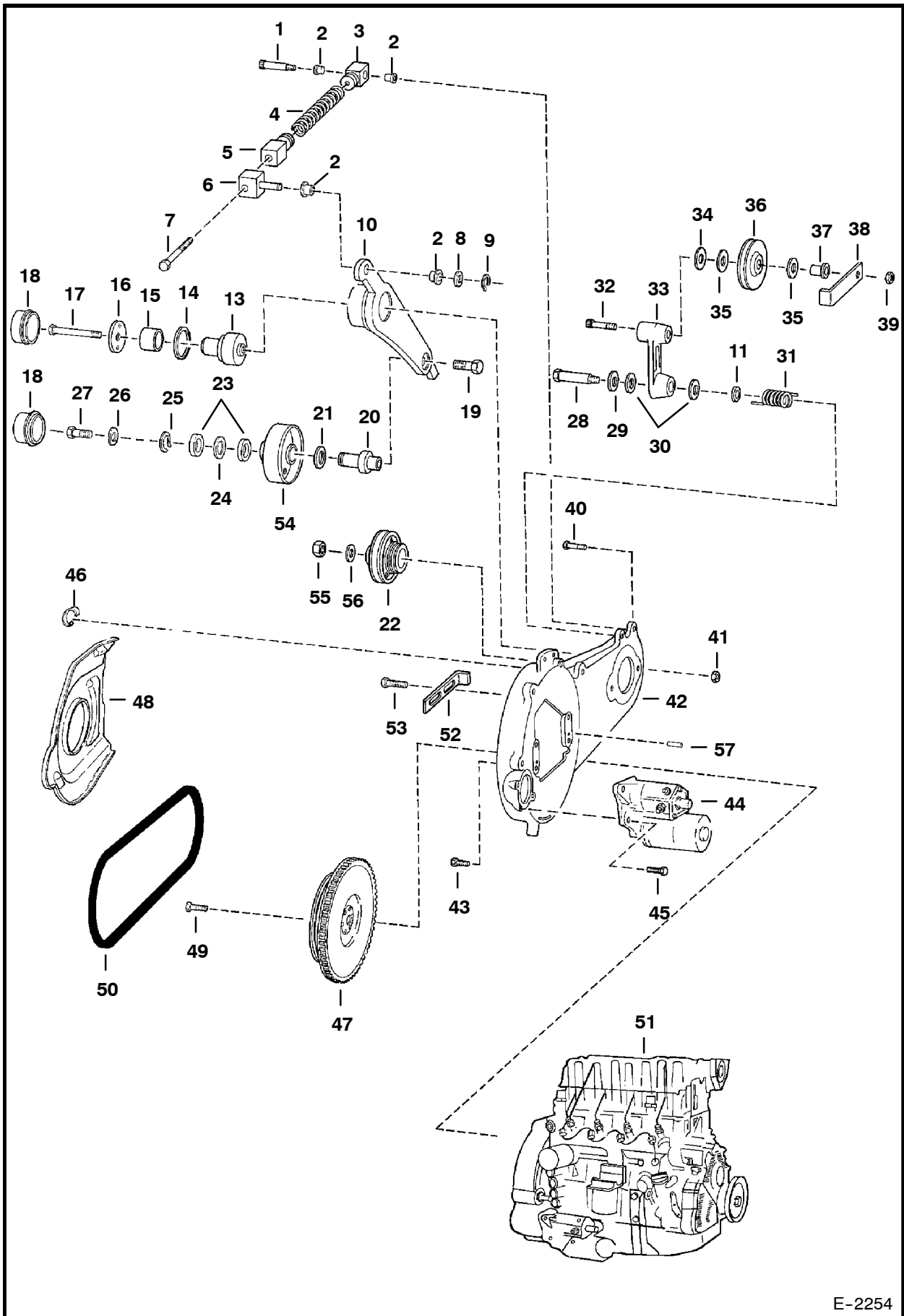


E-2282

**ENGINE & ATTACHING PARTS (Cont'd)**  
**(Air Cleaner, Muffler)**

Ref. No.	Part Number	Description	Remarks	Serial Number	Qty.
1	6515007	INDICATOR	dust	S/N & Below	1
2	6704823	BRACKET		S/N & Below	1
3	6505813	ADAPTER	barbed	S/N & Below	2
4	NAP	HOSE	18" (457,2 mm) long - Order Ref. 35	S/N & Below	1
5	84G-3712	BOLT			2
6	55CM-825	BOLT			3
7	45C-620	BOLT			2
8	6717351	SHIELD	muffler		1
9	6675324	MUFFLER	double insulated		1
10	83D-6	NUT			6
11	17C-616	BOLT			2
12	6713653	GASKET	exhaust		1
13	6717352	TUBE	exhaust		1
14	6672885	GASKET			1
15	6666407	STUD			3
16	6665910	GASKET			1
17	85D-6	NUT			3
18	6666398	NUT			3
19	6673173	TURBOCHARGER			1
20	6672887	BOLT			2
21	6666419	CLAMP			2
22	6673966	TEE			1
23	42H-52	CLAMP			1
24	6671625	TUBELINE			1
25	55CM-816	BOLT	Was 53CM-816 [B]		2
26	6707582	BRACKET			1
27		AIR CLEANER	See Page 196		1
28	42HC-300	CLAMP			1
29	6717495	HOSE			1
30	6673964	HOSE			1
31	6717498	HOSE			1
32	42HC-350	CLAMP			1
33	25F-1	ELBOW		& Abv.	1
34	6673962	HOSE			1
35	6557720	HOSE	bulk - Sold Per Foot	& Bel.	x
36	6673963	CLAMP			2
37	45C-616	BOLT			2
38	6713787	BRACKET			1
39	6710531	HOSE			1

# ENGINE & ATTACHING PARTS (Belt Drive System)

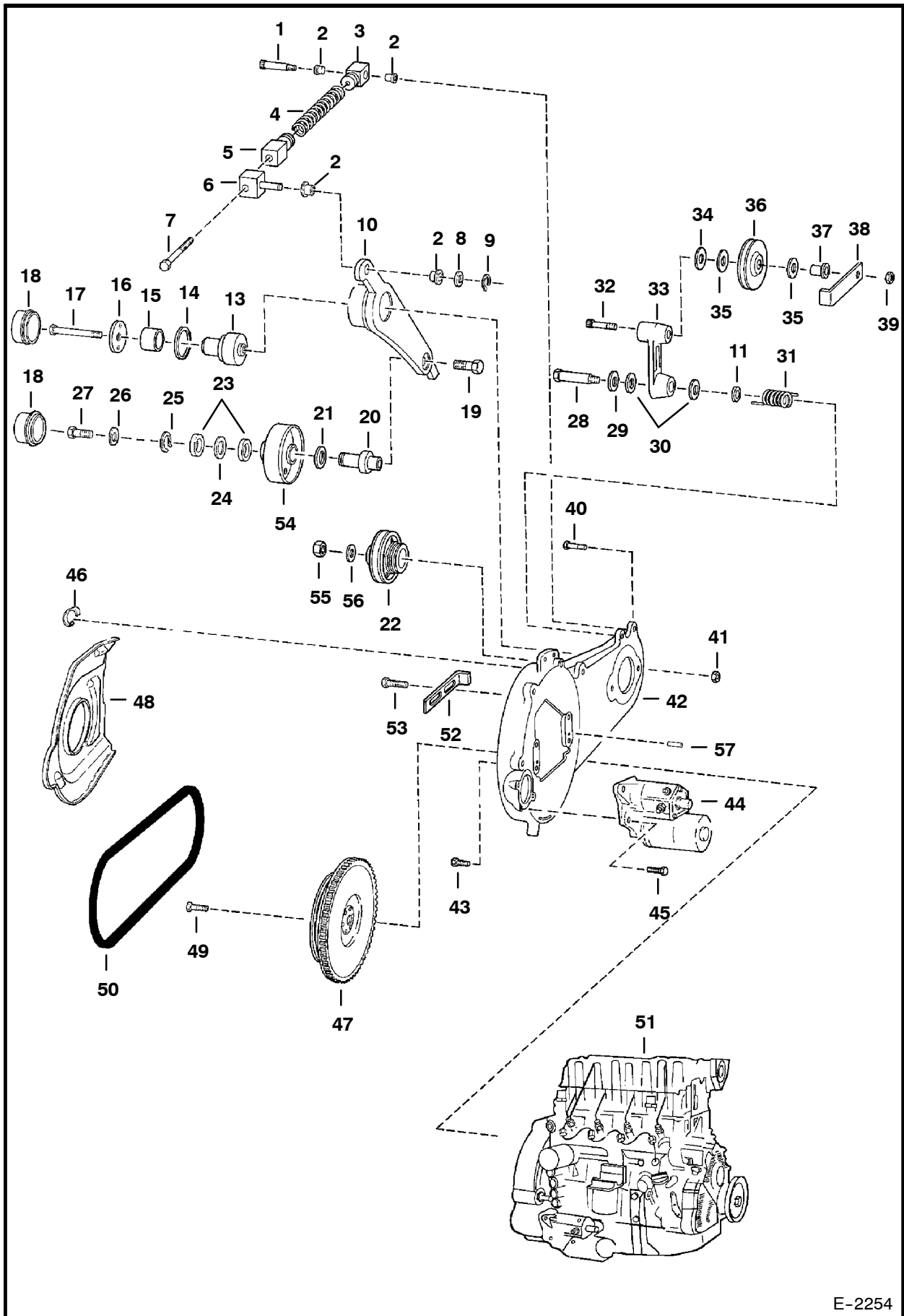


E-2254

**ENGINE & ATTACHING PARTS (Cont'd)**  
**(Belt Drive System)**

Ref. No.	Part Number	Description	Remarks	Serial Number	Qty.
1	38C-828	BOLT	shoulder		1
2	1313116	BUSHING			4
3	6568424	ADAPTER			1
4	6569498	SPRING ASSY			1
5	6568425	ADAPTER			1
6	6587182	SWIVEL PIN			1
7	6586710	BOLT			1
8	25E-21	WASHER			1
9	6518955	SNAP RING			1
10	6707607	IDLER			1
11	NAP 6670682	BEARING BEARING	bronze nylon		1 1
12	83D-8	NUT			2
13	6707699	PIVOT			1
14	6661377	SEAL			1
15	6587765	BUSHING			1
16	6707698	WASHER			1
17	17C-872	BOLT			1
18	6660967	CAP	grease		2
19	17C-816	BOLT			1
20	6707654	SPINDLE			1
21	6665307	SEAL			1
22	6713342	PULLEY	pump	5141 46035 & Bel. 5142 40999 & Bel.	1 1
*	6713287	PULLEY	pump	5179 11999 & Bel. 5141 46036 & Abv. 5142 41001 & Abv.	1 1 1
				5179 12001 & Abv.	1
23	6661229	BEARING			2
24	6701159	SHIM			1
25	6665308	SNAP RING			1
26	6707697	WASHER			1
27	17C-612	BOLT			1
28	38C-820	BOLT			1
29	6655781	BEARING	thrust		1
30	6704820	O-RING			2
31	6700115	SPRING			1
32	73G-656	BOLT			1
33	6725212	ARM	W/ Ref. 11 - Was 6707637 [A]		1
34	6704444	WASHER			1
35	6660995	GREASE RING			2
36	6662997	PULLEY			1
37	6704443	BUSHING			1
38	6702474	RETAINER			1
39	61D-6	NUT			1
40	17C-832	BOLT			2
41	85D-8	NUT			2
42	6715380	MOUNT	See Page 167		1
43	53CM-1230	BOLT			6
44		STARTER	See Page 153		1
45	45C-620	BOLT			3

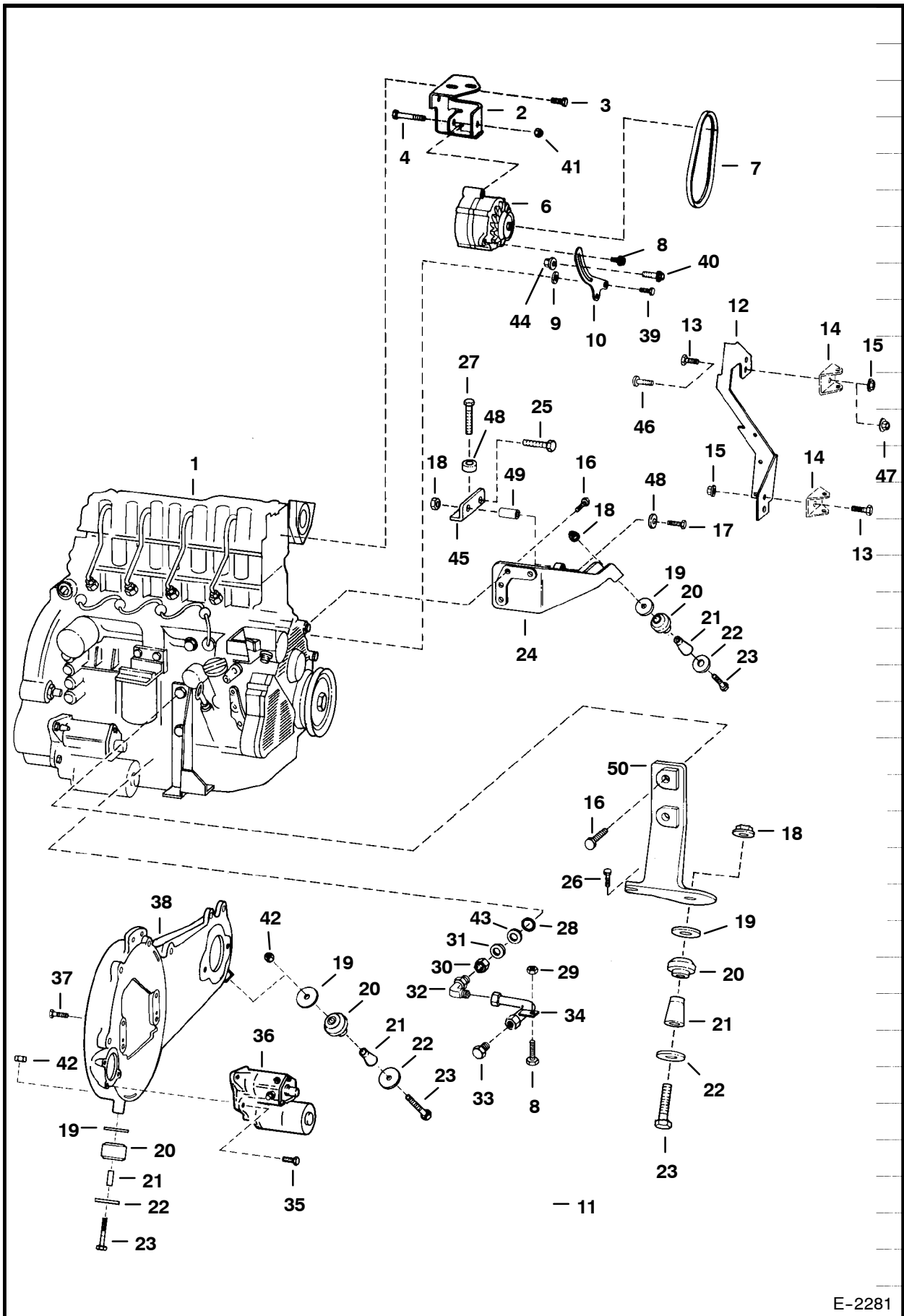
**ENGINE & ATTACHING PARTS (Cont'd)  
(Belt Drive System)**



E-2254



# ENGINE & ATTACHING PARTS (Engine Mounts)



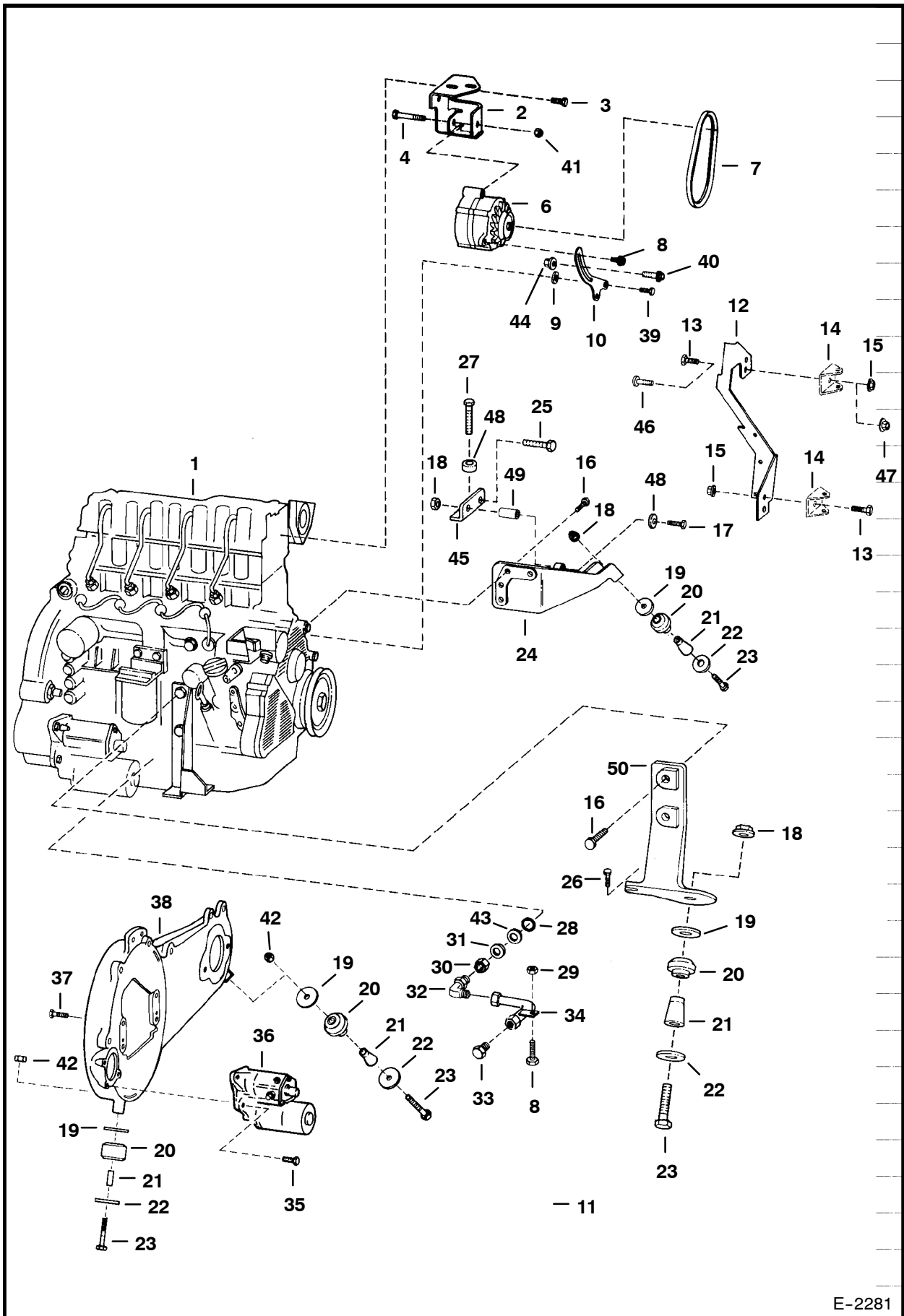
E-2281



**ENGINE & ATTACHING PARTS (Cont'd)**  
**(Engine Mounts)**

Ref. No.	Part Number	Description	Remarks	Serial Number	Qty.
1		ENGINE	See Page 175		1
2	6713893	MOUNT			1
	6725429	MOUNT	90 amp alternator		1
3	55CM-816	BOLT			4
	55CM-825	BOLT	90 amp alternator		4
4	17C-648	BOLT			1
	1CM-8100	BOLT	90 amp alternator		1
5	81D-6	NUT			1
6		ALTERNATOR	See Page 149 or 151		1
7	6713901	BELT			1
	6675839	BELT	90 amp alternator		1
8	35C-512	BOLT			2
9	25E-17	WASHER			2
10	6713843	BRACKET			1
	6726485	BRACKET	90 amp alternator		1
11	1CM-1020	BOLT			1
12	6710652	SHIELD			1
13	35C-612	BOLT			2
14	6577394	HINGE	weld on - for rear door		2
15	83D-6	NUT			2
16	53CM-1440	BOLT			6
17	17C-864	BOLT			1
18	83D-8	NUT			2
19	6705106	WASHER			4
20	6668104	MOUNT			4
21	6715287	SPACER			4
22	6661787	WASHER			4
23	43C-852	BOLT			4
24	6707757	MOUNT			1
25	17C-820	BOLT			1
26	17C-516	BOLT			1
27	17C-824	BOLT			1
28	58K-114	O-RING			x
29	97D-5	NUT			1
30					
31*	NSS	WASHER	Was 6669067 [A]		1
32	6709168	ELBOW	W/Ref. 28, 31 & 43		1
33	6518121	PLUG			1
34	6714500	TUBE			1
35	35C-620	BOLT			3
36		STARTER	See Page 153		1
37	17C-828	BOLT	hyd. pump mount		2
38	6715380	MOUNT			1
39	1CM-1030	BOLT			2
40	35C-516	BOLT			1
41	85D-6	NUT			1
*	53DM-8	NUT	90 amp alternator - Was 54DM-8 [B]		1
42	6652918	NUT			2
43	6669066	SEAL RING			1
44	57D-5	NUT			1

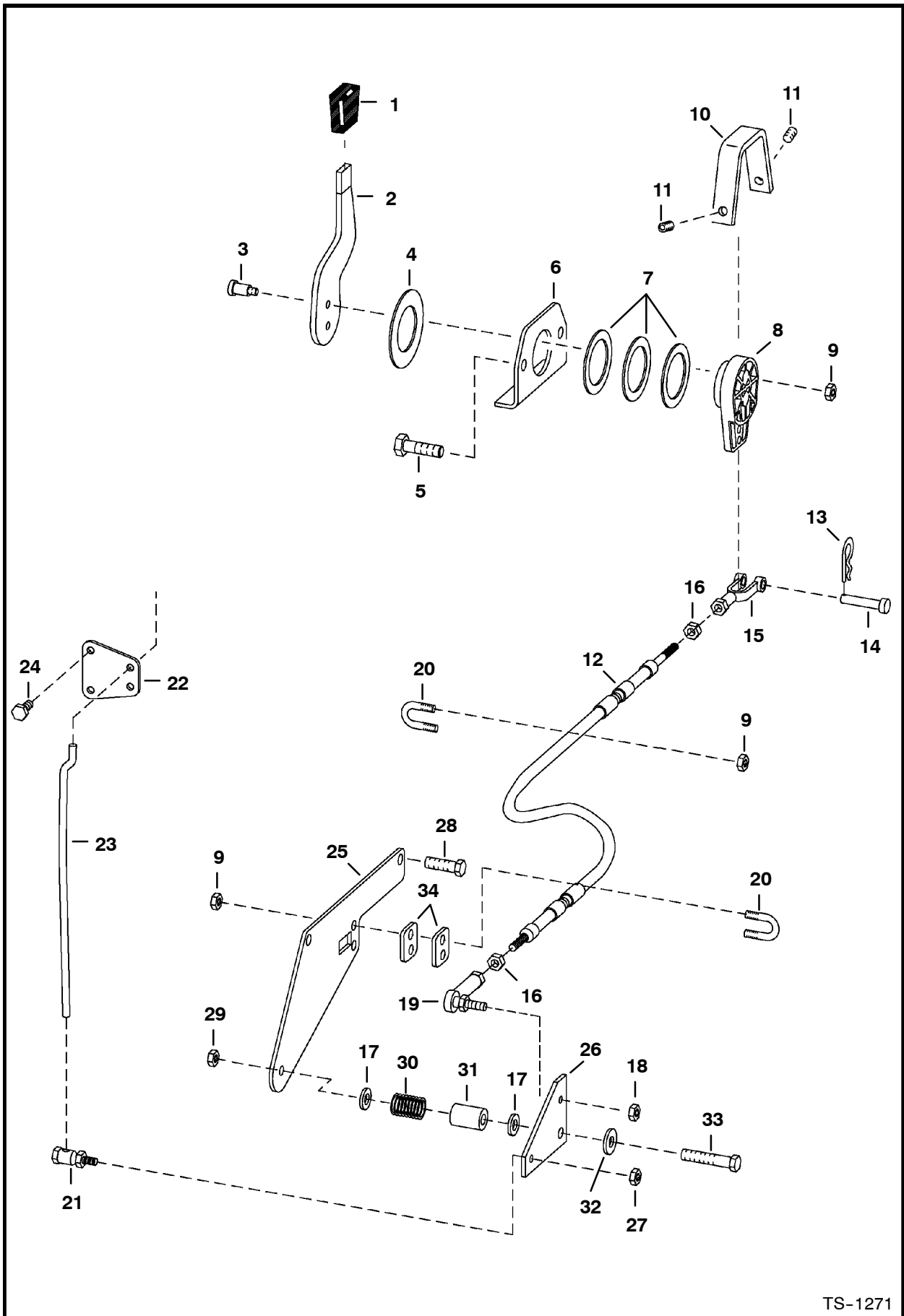
**ENGINE & ATTACHING PARTS (Cont'd)  
(Engine Mounts)**



E-2281



# THROTTLE

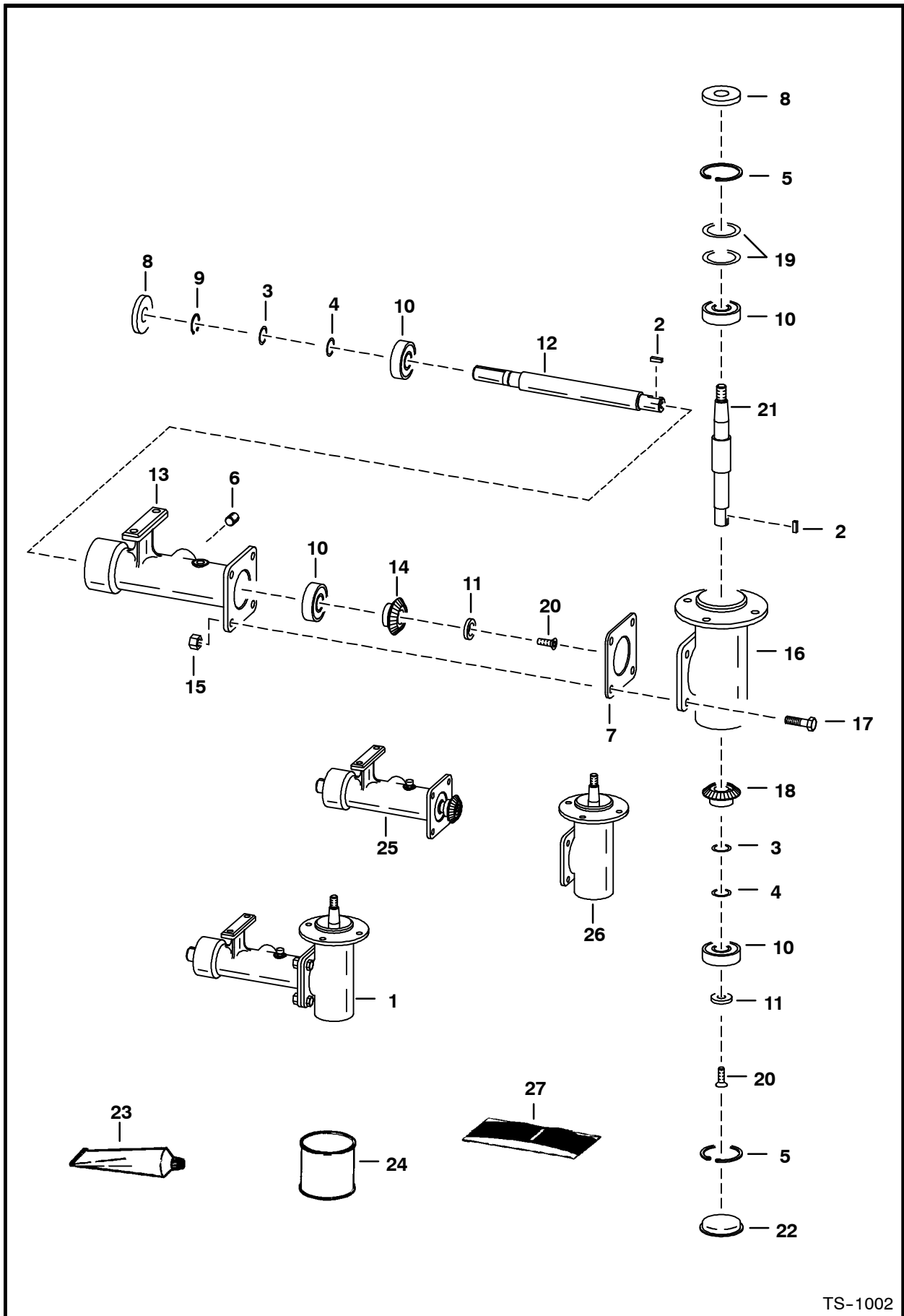


TS-1271

**THROTTLE (Cont'd)**

Ref. No.	Part Number	Description	Remarks	Serial Number	Qty.
1	6564452	GRIP			1
2	6705452	LEVER			1
3	38C-610	BOLT	shoulder		2
4	6567962	WASHER			1
5	84G-3724	BOLT			2
6	6576262	MOUNT			1
7	6630945	WASHER			3
8	6709022	LEVER			1
9	85D-5	NUT			6
10	6576261	COVER			1
11	6706572	SET SCREW			2
12	6709959	CABLE			1
13	6513495	COTTER PIN			1
14	2F-4051	PIN			1
15	2J-4200	ROD END			1
16	8D-4	NUT			2
17	6700170	WASHER	plastic		2
18	86D-4	NUT			1
19	6631036	BALL JOINT			1
20	6592766	U-BOLT			2
21	6557291	BALL JOINT			1
22	6707903	LEVER			1
23	6707904	ROD			1
24	53CM-616	BOLT			2
25	6709052	MOUNT			1
26	6701187	BELLCRANK			1
27	85D-4	NUT			1
28	53CM-820	BOLT			2
29	85D-6	NUT			1
30	6704453	SPRING			1
31	6708314	BUSHING			1
32	25E-18	WASHER			1
33	84G-3728	BOLT			1
34	6713920	SHIM	.0528" (1,34mm) thick		2

# COOLING FAN DRIVE ASSY

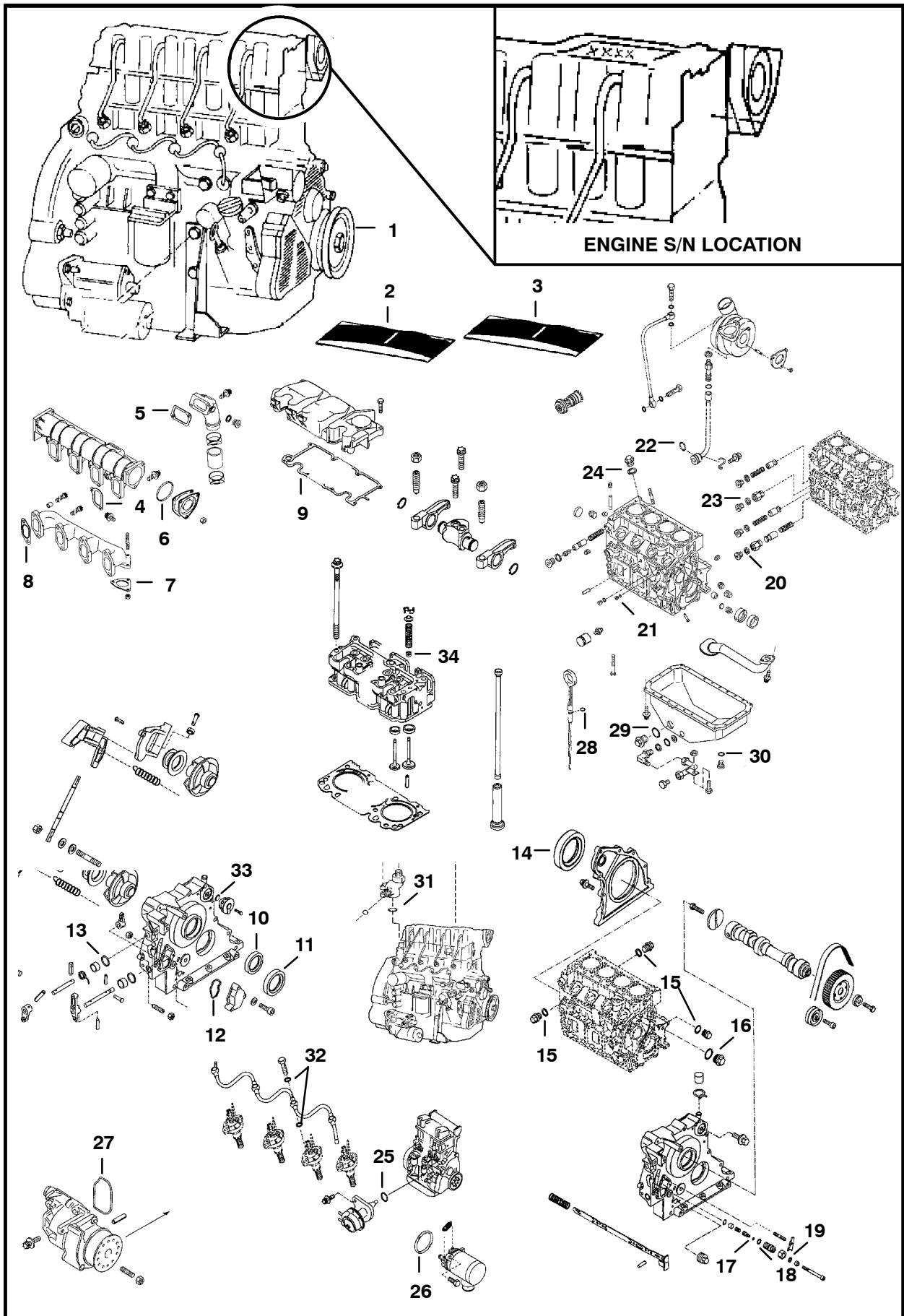


TS-1002

**COOLING FAN DRIVE ASSY. (Cont'd)**

Ref. No.	Part Number	Description	Remarks	Serial Number	Qty.
1	6707519	HOUSING ASSY	Ref. 2 - 22		1
2	7J-2010	KEY			2
3	6702165	SHIM	.002" (0,05 mm) thickness -		
4	6701159	SHIM	1" (25,4 mm) O.D. .005" (0,13 mm) thickness - 1" (25,4 mm) O.D.		x
5	6653758	SNAP RING			2
6	16F-8	PLUG			1
7	6578284	SHIM	.003" (0,08 mm) thickness		x
8	6653702	SEAL			2
9	6653757	SNAP RING			1
10	6646627	BEARING			4
11	6702140	WASHER	countersink		2
12	6707518	SHAFT	keyed		1
13	6579641	HOUSING			1
14	6702103	GEAR	keyed		1
15	95D-6	NUT			4
16	NSS	HOUSING	Order 6702138 Housing or Ref. 26		1
17	17C-620	BOLT			4
18	6702102	GEAR	keyed		1
19	6702166	SHIM	.002" (0,05 mm) thickness -		
	6702144	SHIM	2" (50,8 mm) O.D. .005" (0,13 mm) thickness - 2" (50,8 mm) O.D.		x
					x
20	9G-512	SCREW			2
21	6702135	SHAFT	keyed		1
22	6700782	CAP	grease		1
23	6672486	SEALANT	polyurethane - Use W/Ref. 7 & 22		x
24	6634393	LUBRICANT	gear - 1 pint		x
25	6708642	HOUSING ASSY	half		1
26	6707077	HOUSING ASSY	half		1
27	6669384	SPEEDY SLEAVE	repair kit		1

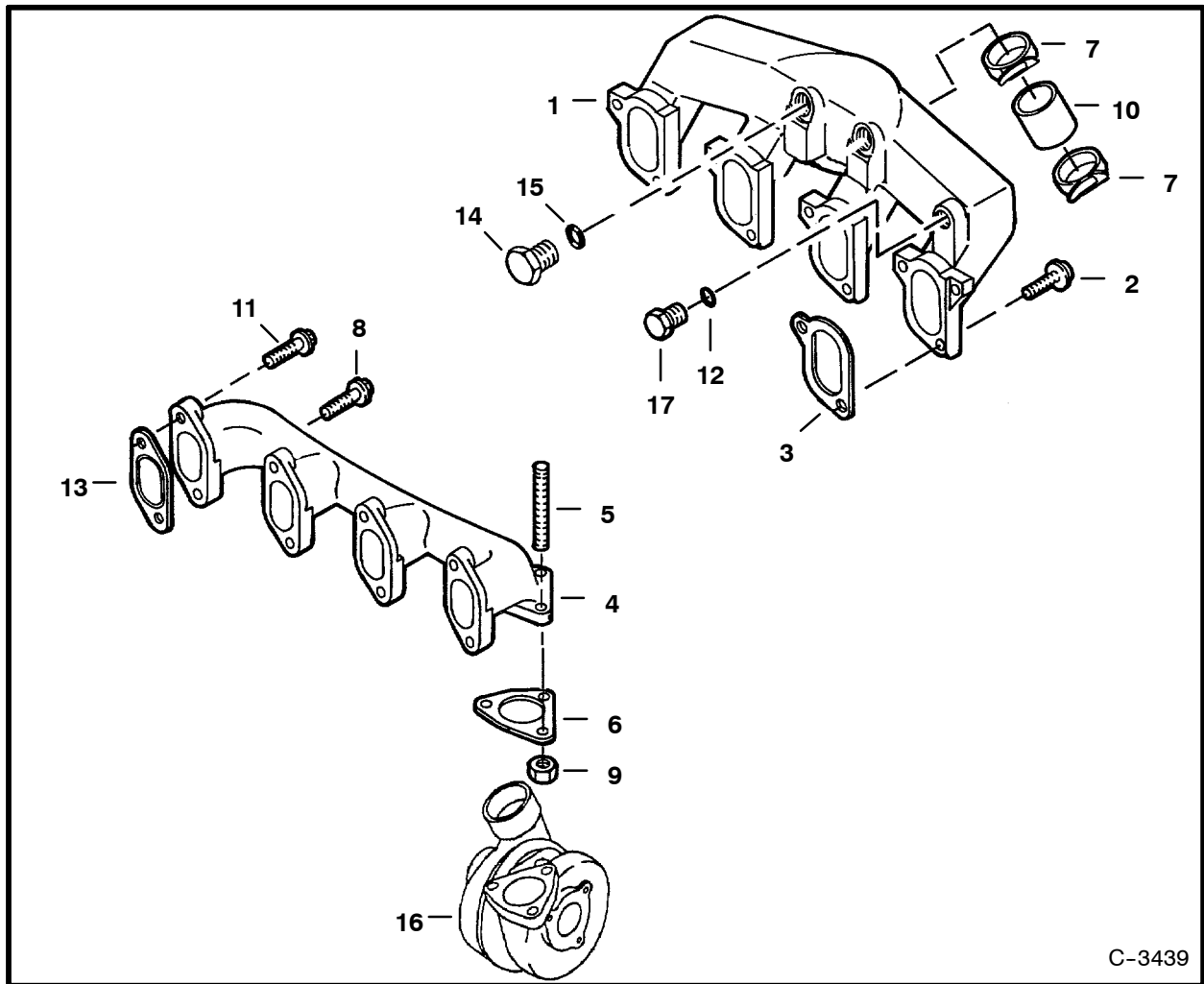
# ENGINE & GASKET KITS





## ENGINE & GASKET KITS (Cont'd)

Ref. No.	Part Number	Description	Remarks	Serial Number	Qty.
1	6672128	ENGINE	does not include starter, alternator, flywheel or flywheel housing		1
2	6668898	GASKET KIT	upper - Ref. 4 - 9 - See Page 179 for ordering correct head gasket - not included in kit		1
3	6668899	GASKET KIT	lower - Ref. 10 - 33		1
4	6666478	GASKET			4
5	6666479	GASKET			1
6	6666425	O-RING			1
7	6666473	GASKET			1
8	6666472	GASKET			4
9	6672489	GASKET			1
10	6666731	SEAL	front main		1
11	6666730	SEAL	front main		1
12	6666753	WASHER			1
13	6666714	O-RING			2
14	6666490	SEAL	lip - rear main		1
15	6666393	SEAL RING			3
16	6666394	SEAL RING			1
17	6666410	O-RING			1
18	6666408	O-RING			1
19	6666426	SEAL RING			1
20	6668887	O-RING			2
21	6666699	SEAL RING			1
22	6666401	O-RING			1
23	6666395	SEAL RING			4
24	6666393	SEAL RING			3
25	6666420	O-RING			1
26	6666409	O-RING			1
27	6666760	SEAL RING			1
28	6666439	O-RING			2
29	6668694	SEAL			1
30	6666394	SEAL RING			3
31	6666712	O-RING			2
32	6668935	SEAL RING			8
33	6669643	O-RING			1
34	6666460	SEAL			8

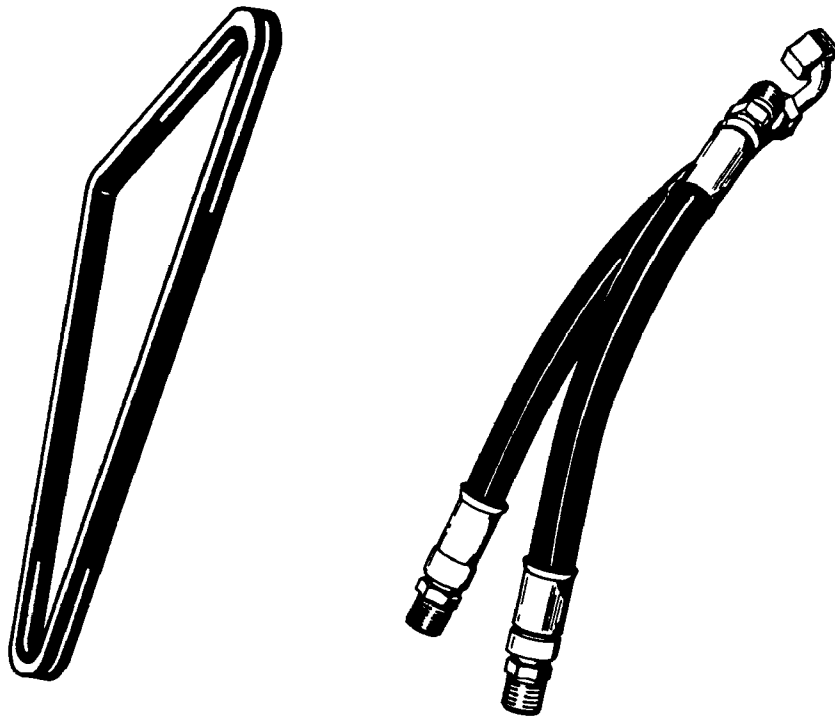


C-3439

### MANIFOLDS

Ref. No.	Part Number	Description	Remarks	Serial Number	Qty.
1	6670316	MANIFOLD	intake		1
2	6670313	BOLT			8
3	6670315	GASKET			4
4	6673170	MANIFOLD	exhaust		1
5	6672947	STUD			3
6	6666473	GASKET			1
7	6666419	CLAMP			2
8	6673172	BOLT			1
9	6672948	NUT			3
10	6670314	HOSE	3.25" (82,6 mm) long		1
11	6673171	BOLT			7
12	6672939	O-RING			1
13	6666472	GASKET			4
14	6666397	PLUG			1
15	6668888	O-RING			1
16		TURBOCHARGER	See Page 185		1
17	6672938	PLUG			1

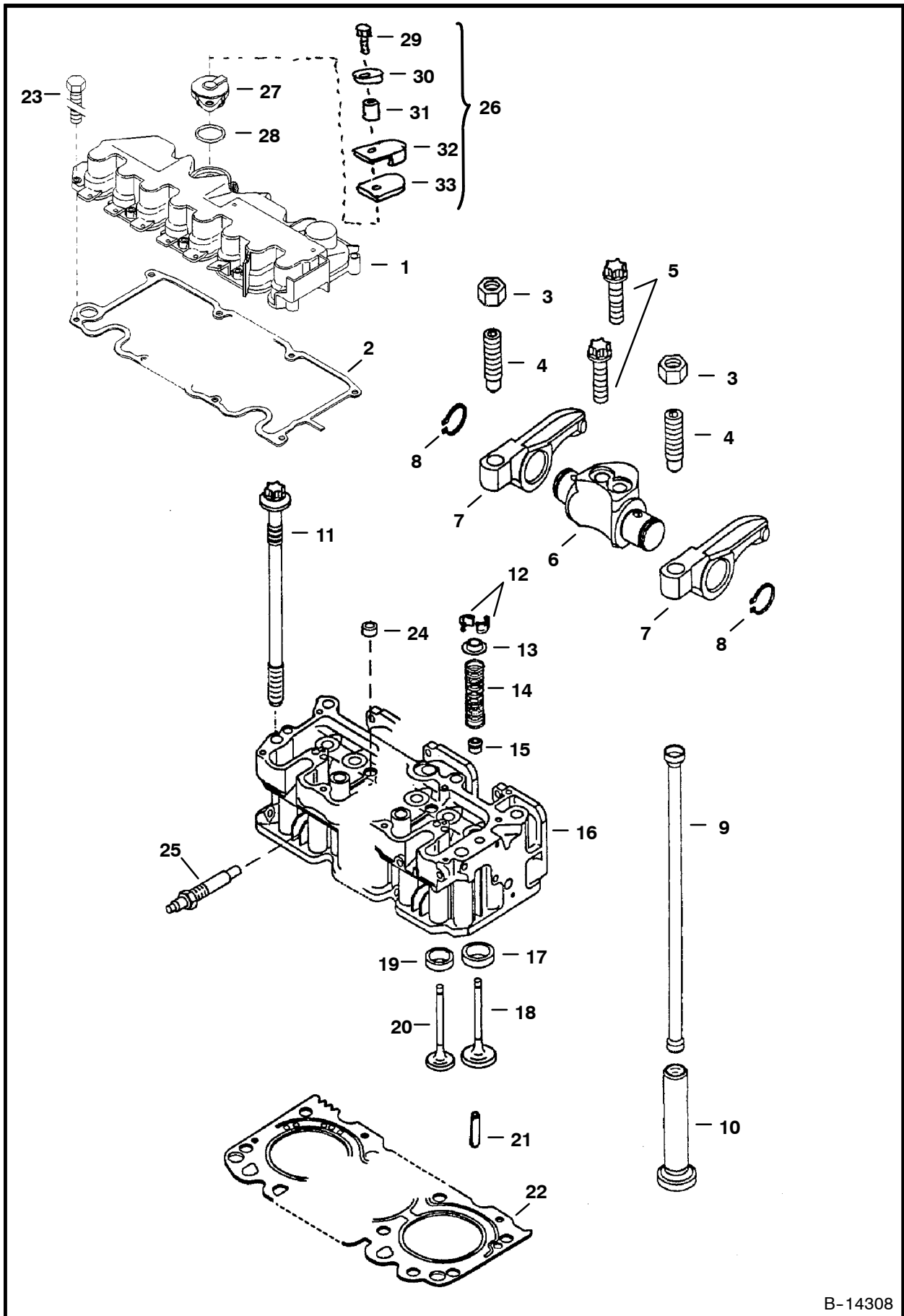
**Use only Bobcat belts and hoses to maintain maximum service life.**



**Available from Bobcat Parts.**



# CYLINDER HEAD & COVER

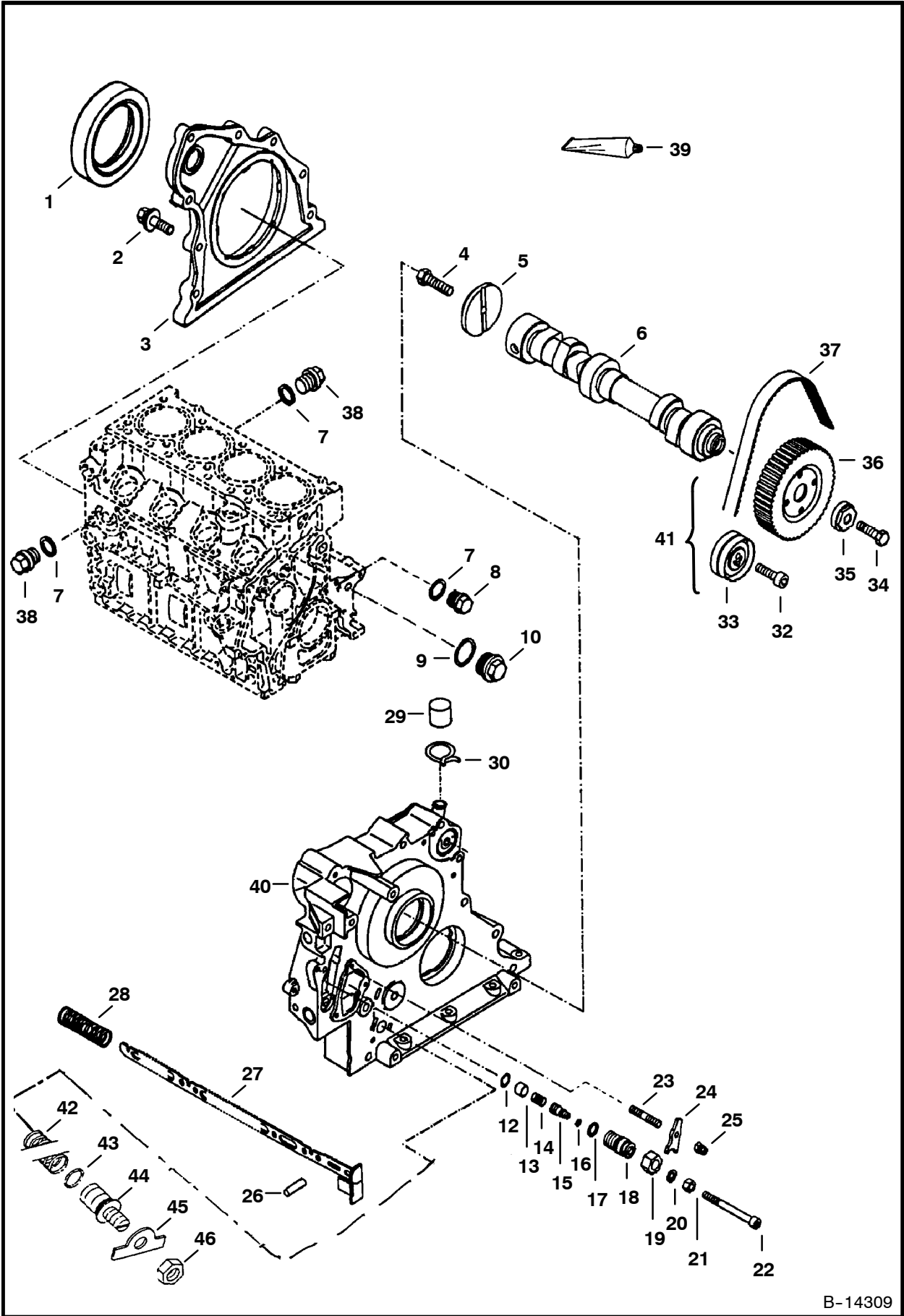


B-14308

**CYLINDER HEAD & COVER (Cont'd)**

Ref. No.	Part Number	Description	Remarks	Serial Number	Qty.
1	6672770	COVER			1
2	6672489	GASKET			1
3	6666450	NUT			8
4	6666449	SCREW	adjusting		8
5	6672900	BOLT			8
6	6666474	ARM	rocker - W/Ref. 3, 4, 7 & 8		4
7	6666448	ARM	rocker		8
8	6666388	SNAP RING			8
9	6666447	PUSH ROD			8
10	6666504	TAPPET			8
11	6670820	BOLT	fully threaded		10
12	6666443	COLLAR			16
13	6668940	CAP	spring		8
14	6668944	SPRING			8
15	6666460	SEAL			8
16	6672714	HEAD	cylinder - W/Ref. 12-20	S/N 462225 & Bel.	1
	6676567	HEAD	cylinder - W/Ref. 12-20	S/N 465575 & Abv.	1
17	6666505	INSERT	valve seat - intake		4
18	6666526	VALVE	intake		4
19	6666481	INSERT	valve seat - exhaust		4
20	6666466	VALVE	exhaust		4
21	6666519	PIN			2
22	6666754	GASKET	head - 1 notch	S/N 462225 & Bel.	1
	6676568	GASKET	head - 1 notch	S/N 465575 & Abv.	1
	6666755	GASKET	head - 2 notch	S/N 462225 & Bel.	1
	6676571	GASKET	head - 2 notch	S/N 465575 & Abv.	1
	6672713	GASKET	head - 3 notch	S/N 462225 & Bel.	1
	6676572	GASKET	head - 3 notch	S/N 465575 & Abv.	1
23	6672771	BOLT			10
24	6666697	PLUG	soft		3
25	6670989	GLOW PLUG			4
26	6673967	KIT	Ref. 29-33		1
27	6666749	BREATHER	W/Ref. 28		1
28	6669643	O-RING			1
29	NSS	BOLT	Order Ref. 26		1
30	NSS	WASHER	Order Ref. 26		1
31	NSS	SPACER	Order Ref. 26		1
32	NSS	SHIELD	Order Ref. 26		1
33	NSS	INSULATION	Order Ref. 26		1

CAMSHAFT

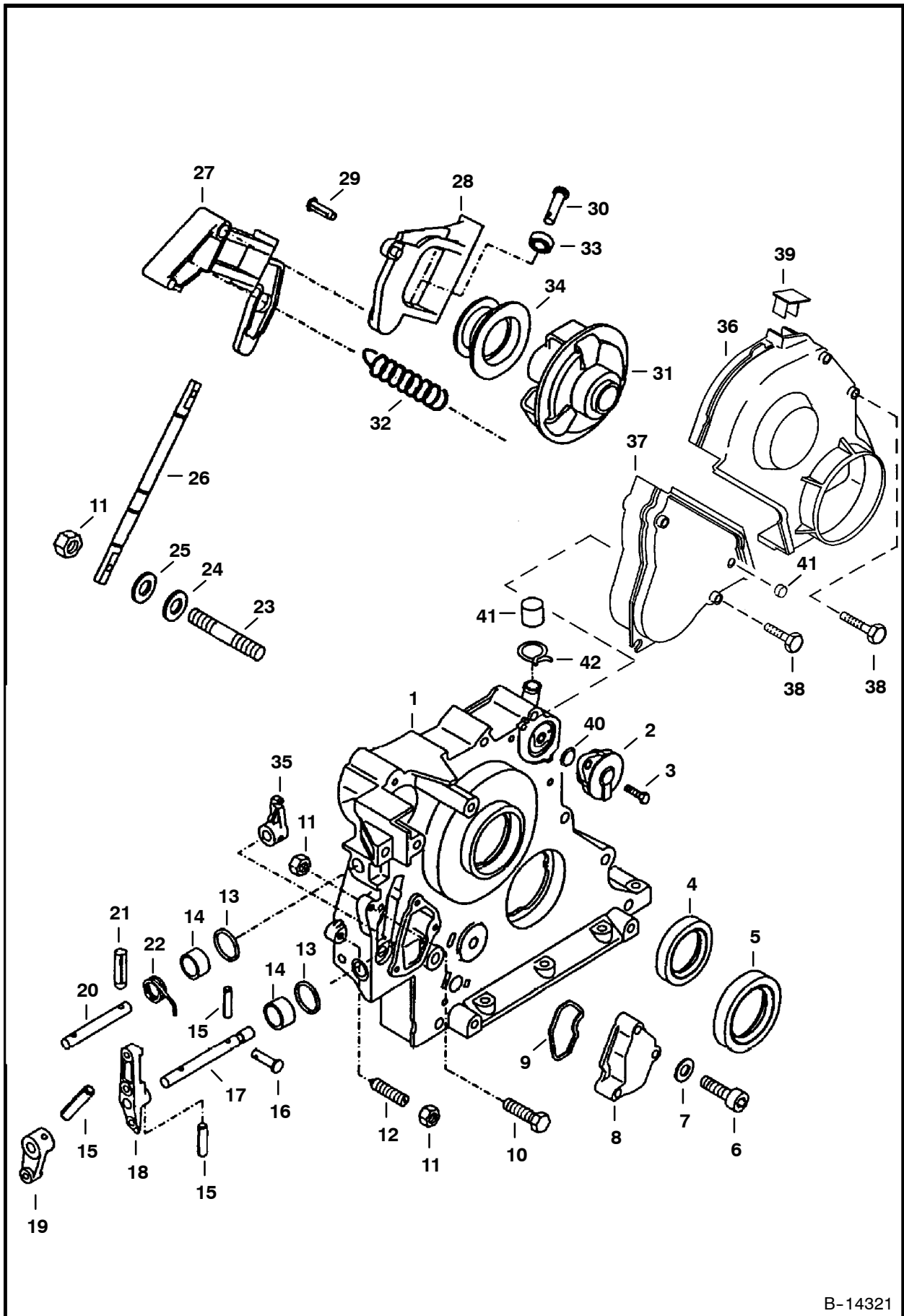


B-14309

## CAMSHAFT (Cont'd)

Ref. No.	Part Number	Description	Remarks	Serial Number	Qty.
1	6666490	SEAL	lip - rear main		1
2	6666412	BOLT			8
3	6666491	COVER	rear - Use W/Ref. 39		1
4	6666402	BOLT			1
5	6666469	WASHER	thrust		1
6	6673154	CAMSHAFT			1
7	6666393	SEAL RING	brass - 10 mm x 16 mm		3
8	1KM-10	PLUG			1
9	6666394	SEAL RING	brass - 18mm x 24 mm		1
10	6666399	PLUG			1
11	6673166	WASHER			1
12	6666389	CIR CLIP			1
13	6666476	STOP	limit		1
14	6666483	SPRING			1
15	6666489	SCREW			1
16	6666410	O-RING	7 mm I.D. x 1,5 mm thickness		1
17	6666408	O-RING	16 mm I.D. x 2 mm thickness		1
18	6666480	SCREW	adjusting		1
19	6666450	NUT			1
20	6666426	SEAL RING	brass- 9mm I.D. x 1 mm thickness		1
21	6673162	NUT			1
22	6672942	SET SCREW			1
23	6666406	STUD			1
24	6666475	CLAW			1
25	6513908	NUT			1
26	6666496	PIN	locating		1
27	6673163	ROD			1
28	6666465	SPRING			1
29	6672886	CAP			1
30	6666701	CLAMP			1
31	6513908	NUT			1
32	6666715	BOLT			1
33	NAP	PULLEY	tension - Order Ref. 41		1
34	6666711	BOLT			1
35	6666720	WASHER			1
36	6666725	PULLEY			1
37	NAP	BELT	Order Ref. 41		1
38	6666690	PLUG			2
39	6632823	GASKET	liquid - Use between Ref. 3 & block - Use between Ref. 40 & block		1
40	6666748	COVER	front - See Page 183		1
41	6670555	REPAIR KIT	Ref. 32, 33 & 37		1
42	6673167	SPRING			1
43	6673165	O-RING			1
44	6673164	CAPSULE			1

# FRONT COVER



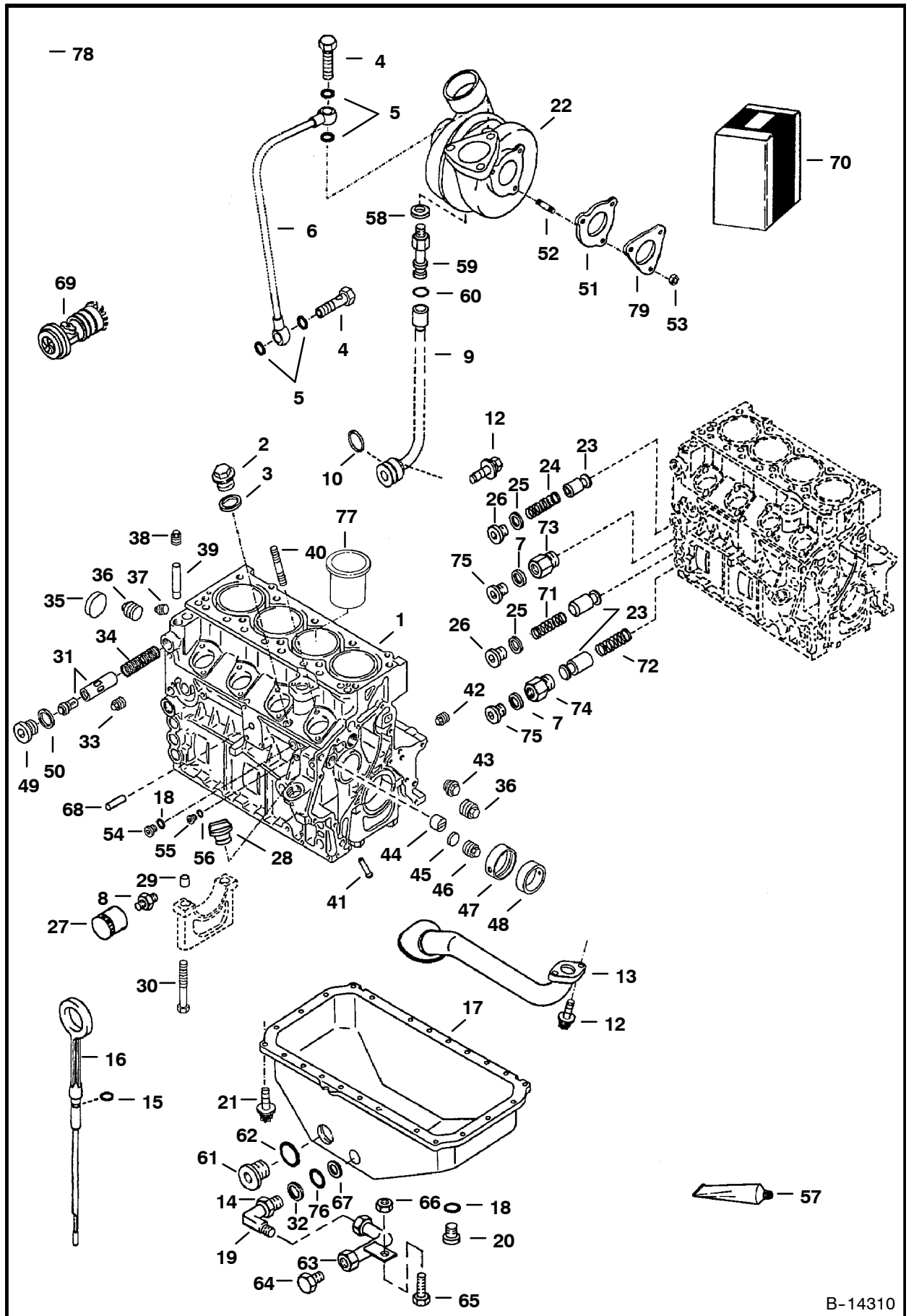
B-14321



**FRONT COVER (Cont'd)**

<b>Ref. No.</b>	<b>Part Number</b>	<b>Description</b>	<b>Remarks</b>	<b>Serial Number</b>	<b>Qty.</b>
1	6666748	COVER	front		1
2	6666749	BREATHER	vent - W/Ref. 40		1
3	6666695	BOLT			1
4	6666731	SEAL	front main		1
5	6666730	SEAL	front main		1
6	6666710	SCREW			3
7	6672943	WASHER			3
8	6666757	COVER			1
9	6666753	SEAL			1
10	6666684	BOLT			1
11	1DM-6	NUT	short stroke		4
12	6666698	SET SCREW			1
13	6666714	O-RING			2
14	6666732	SLEEVE			2
15	6666688	PIN			3
16	6666694	PIN	clevis		1
17	6666729	SHAFT	lever		1
18	6672945	ARM	lever		1
19	6666721	LEVER	shut-off		1
20	6666726	SHAFT	lever		1
21	6666686	PIN	notched		1
22	6666727	SPRING			1
23	6666700	STUD			2
24	6666717	WASHER			2
25	6666723	WASHER			3
26	6666740	SHAFT			1
27	6672946	ARM	lever		1
28	6666745	LEVER	roller - W/Ref. 29 - 33		1
29	6666687	NAIL	notched		1
30	6666713	PIN			2
31	6666736	METER			1
32	6673168	SPRING			1
33	6666692	BEARING	ball		2
34	6666744	SLEEVE			1
35	6666733	ARM	lever		1
36	6668763	SHIELD			1
37	6673153	SHIELD	W/Ref. 41		1
38	6666691	BOLT			4
	6672898	BOLT			1
39	6668904	CAP			1
40	6669643	O-RING			1
41	6672899	PLUG			1

# CRANKCASE & OIL PAN



B-14310

**CRANKCASE & OIL PAN (Cont'd)**

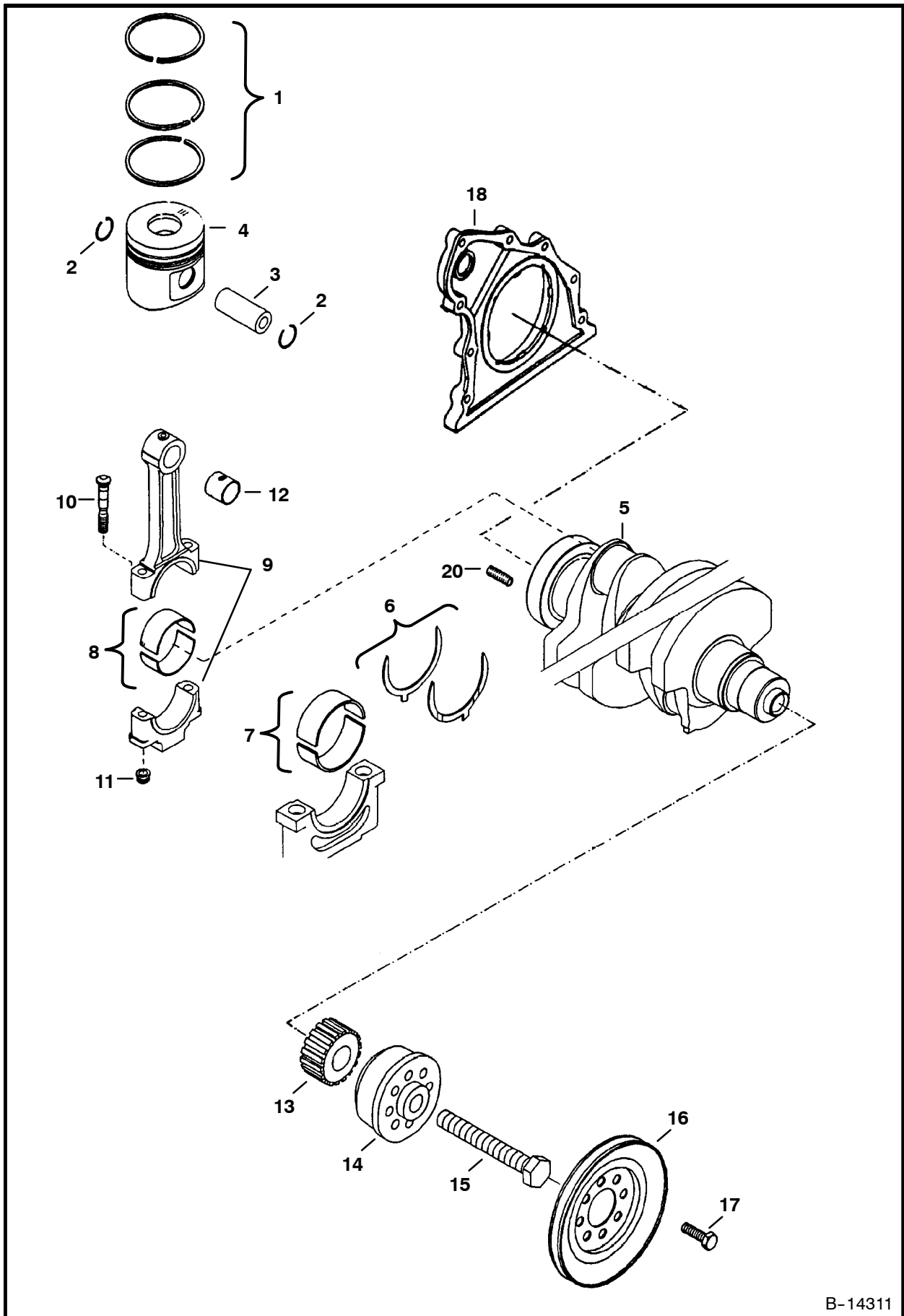
Ref. No.	Part Number	Description	Remarks	Serial Number	Qty.
1	NAP	BLOCK	Order complete engine - See Page 175 - Was 6672800 [A]		1
2	6666690	PLUG			1
3	6666393	SEAL RING	brass - 10mm x 16mm		1
4	6666396	SCREW			2
5	2FM-12155	SEAL RING			4
6	6668948	TUBE	oil lubricating		1
7	6668887	SEAL RING	brass - 18 mm x 22 mm		2
8	6668897	ADAPTER			1
9	6668106	TUBE	oil return		1
10	6666401	O-RING	green		1
11	6673169	FLANGE			1
12	6668938	BOLT			3
13	6666508	TUBE	oil suction		1
14	NSS	NUT			1
15	25K-30012	O-RING	.55"(14 mm) O.D.		2
16	6669531	DIPSTICK	W/ .55"(14 mm) O.D. O-Ring		1
17	6670866	OIL PAN	W/Ref. 18, 20, 61 & 62	00505302 & Bel.	1
18	6666394	SEAL RING	brass - 18 mm x 24 mm		1
19	6709168	ELBOW	W/Ref. 14, 32, 67 & 76		1
20	6666400	PLUG			1
21	6666434	BOLT			26
22*	NAP	TURBOCHARGER	Order 6677575, also Order Ref. 79-81 - Was 6673173 [A]	00526322 & Bel.	1
*	6677575	TURBOCHARGER		00526323 & Abv.	1
23	6666510	VALVE			3
24	6668941	SPRING	yellow - .047" (1.2mm) dia. & 3.15" (80mm) long		1
25	6666395	SEAL RING			2
26	6666387	PLUG			4
27	6665603	OIL FILTER	engine		1
28	6666530	CAP	oil fill		1
29	6666722	DOWEL			10
30	6666719	BOLT			10
31	6668945	THERMOSTAT	eng. oil temp.		1
32	6669067	WASHER			1
33	6666703	PLUG			1
34	6668941	SPRING			1
35	6666716	PLUG	soft		1
36	6672873	PLUG			2
37	6672874	PLUG			1
38	6666702	PLUG			1
39	6666741	TUBE			1
40	6666709	STUD			8
41	6666746	NOZZLE	piston cooling		8
42	6672872	PLUG			1
43	6666751	PLUG			1
44	6666718	SLEEVE	guide		2
45	6666697	PLUG	soft		1
46	6672878	PLUG			1
47	6666738	BEARING	wrapped bushing		2



**CRANKCASE & OIL PAN (Cont'd)**

Ref. No.	Part Number	Description	Remarks	Serial Number	Qty.
48	6666737	BEARING	wrapped bushing		3
49	6672877	PLUG			1
50	6666395	SEAL RING			1
51	6665910	GASKET			1
52	6666407	STUD			3
53	6666398	NUT			3
54	6666689	PLUG			1
55	6666690	PLUG			1
56	6666699	SEAL RING	brass - 10 mm x 15 mm		1
57	6632823	GASKET	liquid - use between Ref. 17 & block, use between Ref. 13 & block		x
58	6668108	WASHER		00526322 & Bel.	1
59	6668107	ADAPTER		00526322 & Bel.	1
60	6668109	O-RING			1
61	6668693	PLUG		00505302 & Bel.	1
* 62	6666397 6668694	PLUG SEAL	metal W/moulded insert - 59 mm O.D.	00505303 & Abv. 00505302 & Bel.	1 1
* 63*	2FM-22270 6714500	SEAL TUBE	oil drain - Was 6709822 [D]	00505303 & Abv.	1 1
64	6518121	PLUG	oil drain		1
65	35C-512	BOLT			1
66	97D-5	NUT			1
67	58K-114	O-RING			1
68	6668905	PIN			1
69	NAP	CORE	turbocharger - Order Ref. 22		1
70	6668895	REPAIR KIT	turbocharger - includes		
71	6668903	SPRING	(2) O-rings, (2) bolts & (2) washers red - .055" (1.4mm) dia wire &		1
72	6668902	SPRING	3.07" (78mm) long blue - .039" (1mm) dia wire & 2.44" (62mm) long		1
73	6668900	ADAPTER			1
74	6668901	ADAPTER			1
75	6668889	PLUG			2
76	6669066	SEAL RING			1
77	6672879	LINER	cylinder		4
78	6666509	RETAINER	Was 6673155 [A]		1
79*	6677576	FLANGE		00526323 & Abv.	1
80*	6677577	GASKET		00526323 & Abv.	1
81*	6677578	BOLT		00526323 & Abv.	2

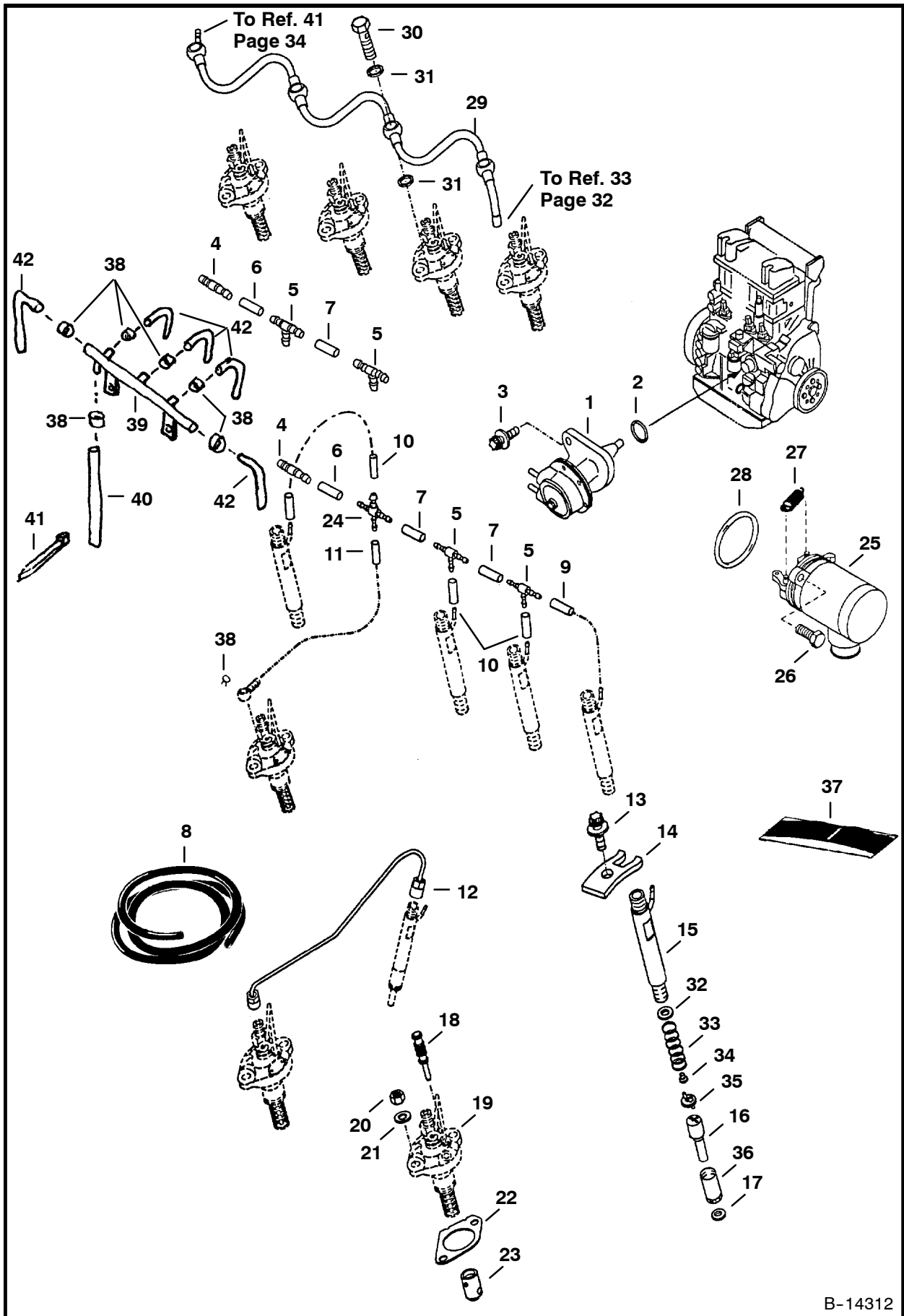
# PISTON & CRANKSHAFT



B-14311



# FUEL INJECTION SYSTEM



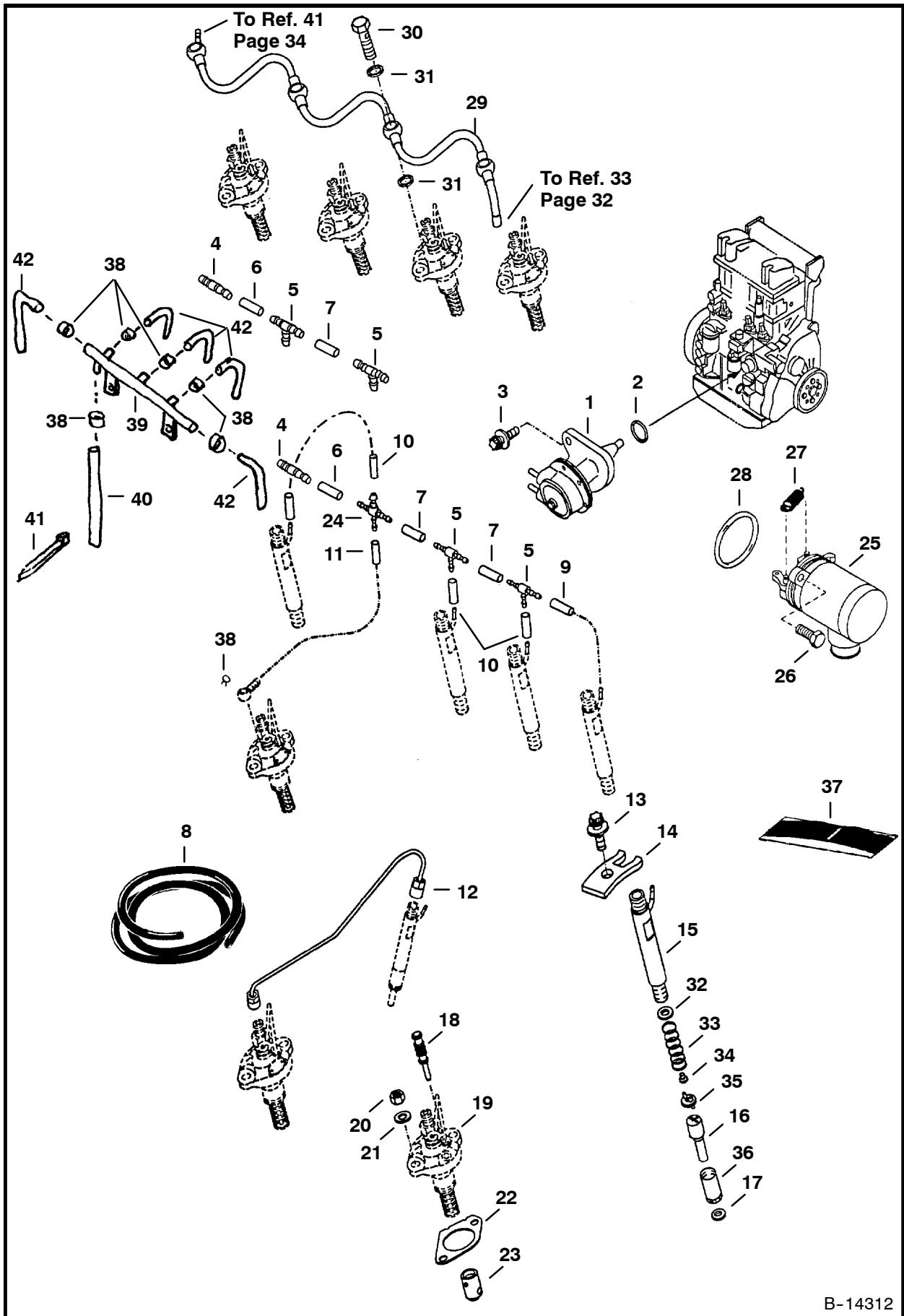
B-14312



## FUEL INJECTION SYSTEM (Cont'd)

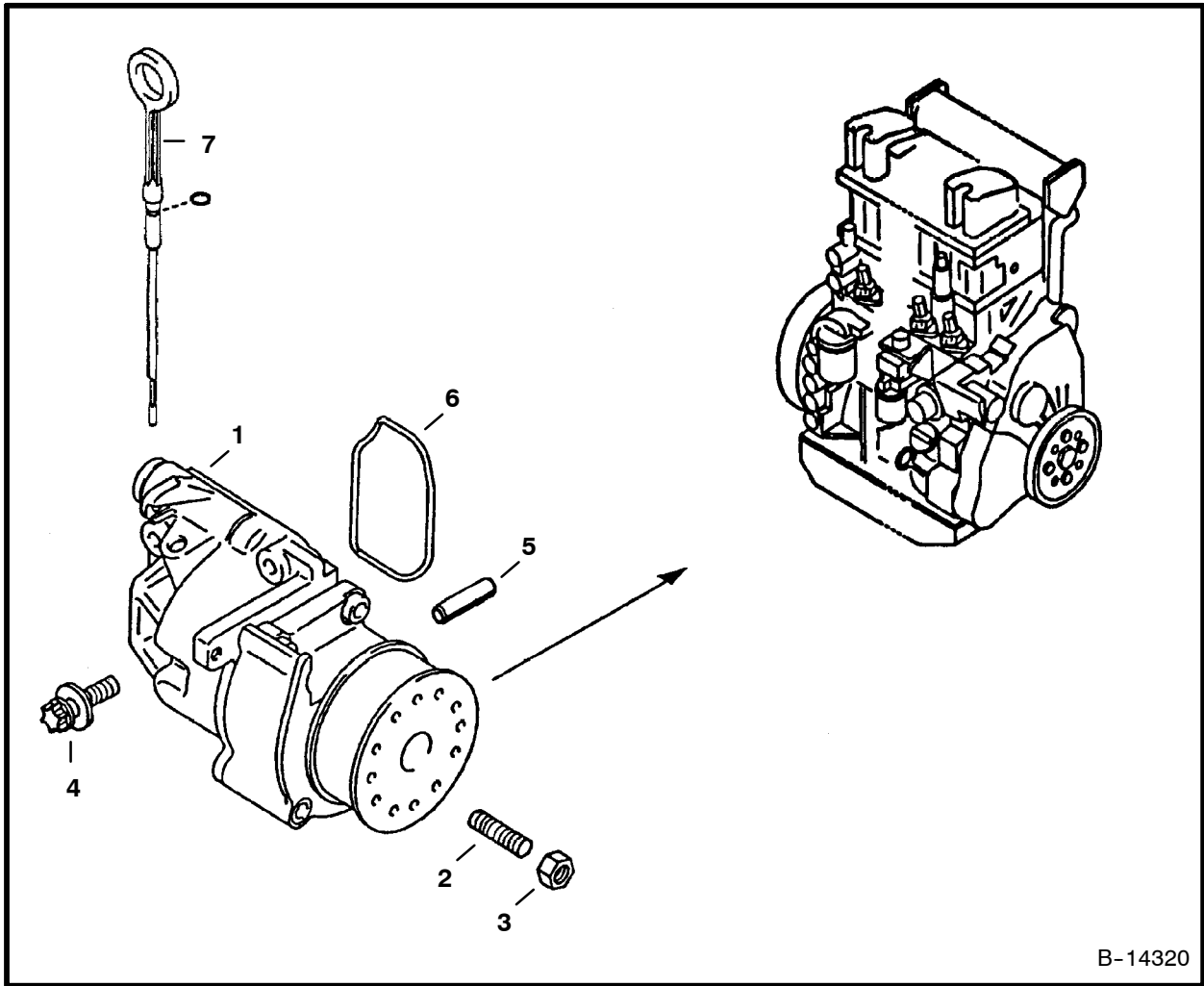
Ref. No.	Part Number	Description	Remarks	Serial Number	Qty.
1	6666522	PUMP	fuel	00561530 & Bel.	1
*		PUMP	fuel	00561531 & Abv.	1
2	6666420	O-RING	30 mm x 3 mm thickness		1
3	6673159	BOLT			2
4	NAP	ADAPTER	Order Ref. 39 - Was 6666418 [A]		1
5	NAP	TEE	Order Ref. 39 - Was 6666422 [A]		4
6	NAP	HOSE	Order Ref. 8		1
7	NAP	HOSE	Order Ref. 8		2
8	6666416	HOSE	1 meter long (39")		1
9	NAP	HOSE	Order Ref. 8		1
10	NAP	HOSE	Order Ref. 8		3
11	NAP	HOSE	Order Ref. 8		1
12	6666531	TUBE			4
13	6672902	BOLT			4
14	6666501	CLAMP			4
15	6673157	INJECTOR	includes Ref. 16 & 32-36		4
16	6673158	NOZZLE			4
17	6666492	SEAL RING			4
18	6666527	ADAPTER			4
19	6673156	INJECTOR	pump		4
20	1DM-8	NUT			8
21	6666453	WASHER			8
22	6666512	SHIM	.2 mm		x
	6666513	SHIM	.3 mm		x
	6666514	SHIM	.4 mm		x
	6666515	SHIM	.5 mm		x
	6666516	SHIM	.6 mm		x
	6666517	SHIM	.7 mm		x
	6666518	SHIM	.8 mm		x
23	6666493	TAPPET			4
24	NAP	CONNECTOR	cross - Order Ref. 39 - Was 6670681 [A]		1
25	6666403	BOLT			2
26	6668950	SOLENOID	fuel shut-off - W/Ref. 27		1
27	6666495	SPRING			1
28	6666409	O-RING	44 mm I.D. x 3mm thickness		1
29	6666763	FUEL LINE			1
30	6514745	SCREW	hollow		4
31	6672933	SEAL RING	brass		8
32	6668890	SHIM			x
33	6668891	SPRING			1
34	6668892	BOLT	thrust		1
35	6668893	SPACER			1
36	6668894	NUT	nozzle cap		1
37	6668906	REPAIR KIT	fuel pump - screen, O-ring & screw		1
38	6673160	CLAMP			6
39	6675461	FUEL LINE	metal - assy. - Ref. 38 & 40-42	5141 40118 & Abv. 5142 40001 & Abv.	1 1
40	6675460	HOSE		5179 11002 & Abv. 5141 40118 & Abv. 5142 40001 & Abv.	1 1 1
				5179 11002 & Abv.	1

# FUEL INJECTION SYSTEM (Cont'd)



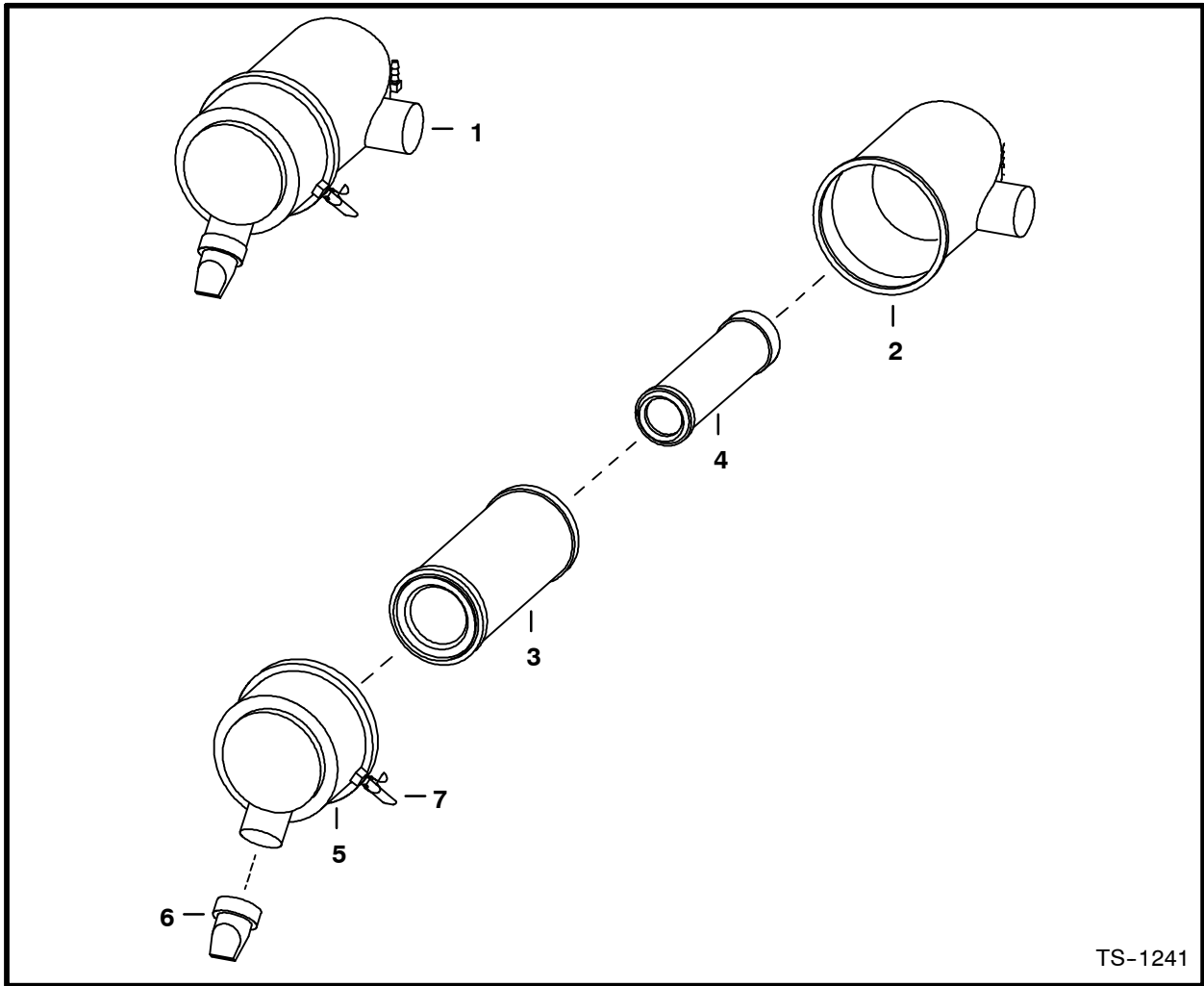
B-14312





### OIL PUMP

Ref. No.	Part Number	Description	Remarks	Serial Number	Qty.
1	6669530	PUMP	oil -W/Ref. 2 & 3		1
2	6668936	SET SCREW			1
3	1DM-6	NUT			1
4	6666708	BOLT			4
5	6666750	PIN			2
6	6666760	SEAL RING			1
7	6669531	DIPSTICK			1



TS-1241

**AIR CLEANER**

Ref. No.	Part Number	Description	Remarks	Serial Number	Qty.
1	6674837	AIR CLEANER			1
2	NAP	TANK	Order 6674837		1
3	6666375	CARTRIDGE	outer		1
4	6666376	CARTRIDGE	inner		1
5	6666377	COVER	W/Ref. 7		1
6	6666378	VALVE	evacuator - 2" I.D.		1
7	6670298	CLIP			3

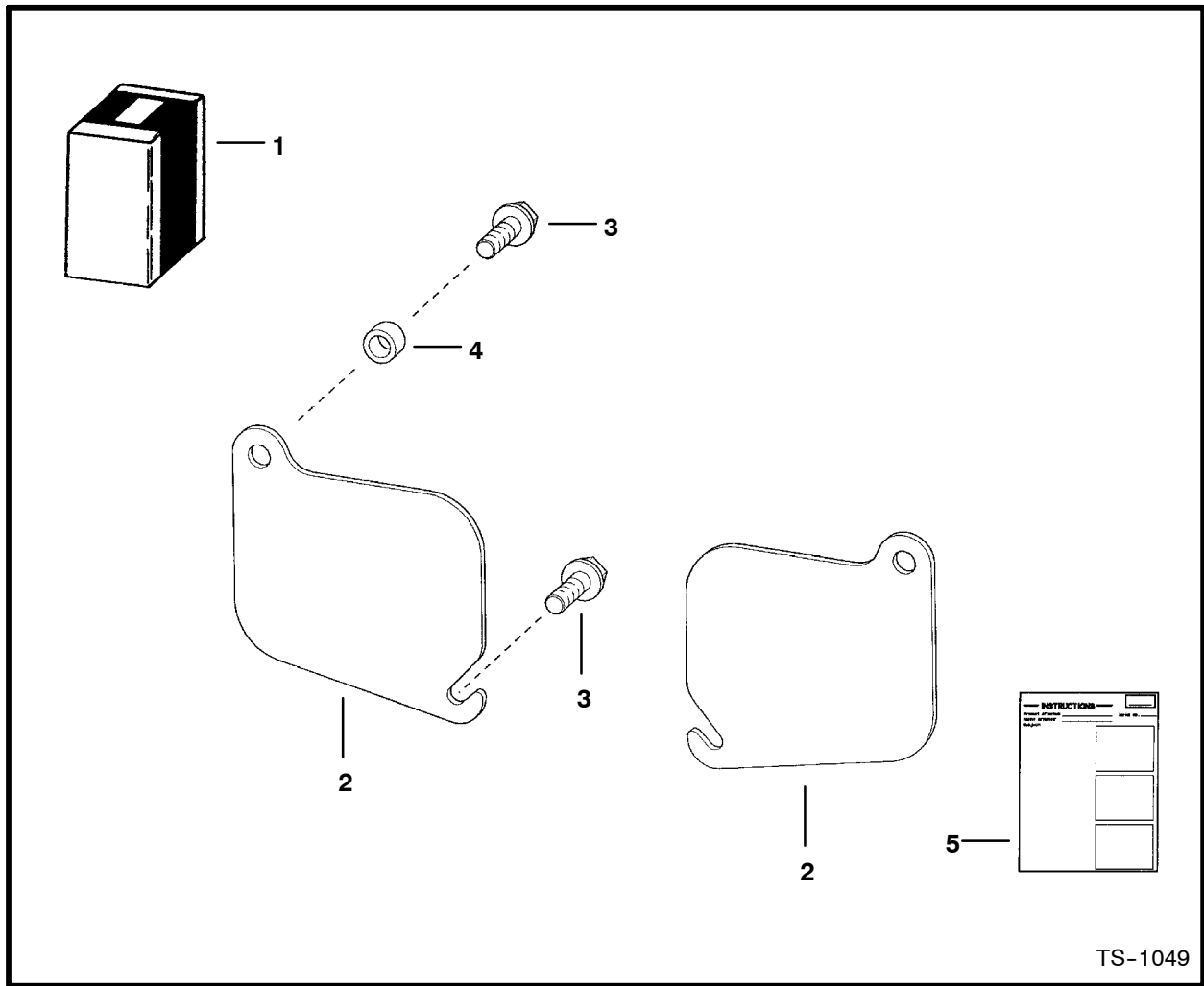
# 873 G-SERIES CONTENTS

<b>MAIN FRAME</b> .....	<b>11-34</b>
MAIN FRAME .....	11
OPERATOR CAB .....	13, 15
SEAT & SEAT BAR .....	17
SEAT .....	19, 20
REAR DOOR .....	21
LIFT ARMS & BOBTACH .....	23
BOB-TACH .....	27
PANELS .....	29
FUEL SYSTEM .....	31
<b>DRIVE TRAIN</b> .....	<b>35-40</b>
DRIVE TRAIN .....	35
MOTOR CARRIER .....	36
DISC BRAKE .....	37
AXLE .....	39
<b>HYDRAULIC SYSTEM</b> .....	<b>41-74</b>
HYDRAULIC CIRCUITRY .....	41-48
LIFT & TILT CONTROL CIRCUITRY .....	49
AUXILIARY HYDRAULICS .....	51
TILT CYLINDER .....	55, 57
LIFT CYLINDER .....	59
MANUAL LIFT RELEASE VALVE .....	60
CONTROL PEDALS .....	61
HYDRAULIC CONTROL VALVE .....	63-72
BUCKET POSITIONING VALVE .....	73
<b>HIGH HORSEPOWER HYDRAULICS</b> .....	<b>75-82</b>
<b>HYDROSTATIC SYSTEM</b> .....	<b>83-122</b>
HYDROSTATIC CIRCUITRY .....	83-92
HAND CONTROLS .....	93
HYDROSTATIC MOTOR .....	95
HYDROSTATIC MOTOR & BRAKE .....	97
HYDROSTATIC PUMP .....	101-116
GEAR PUMP .....	117, 118
2-SPEED VALVE .....	119
HYDROSTATIC OIL FILTER .....	121, 122
<b>ELECTRICAL SYSTEM</b> .....	<b>123-146</b>
CAB ELECTRICAL CIRCUITRY .....	123-126
ENGINE ELECTRICAL .....	127
ELECTRICAL CONTROLS .....	131-140
ALTERNATOR .....	141, 143
STARTER .....	145
<b>POWER UNIT</b> .....	<b>147-186</b>
COOLING SYSTEM .....	147-150
ENGINE & ATTACHING PARTS .....	151-160
THROTTLE .....	161
COOLING FAN DRIVE ASSY .....	163
ENGINE & GASKET KITS .....	165
OIL PUMP .....	185
AIR CLEANER .....	186

## 873 G-SERIES CONTENTS (Cont'd)

### ACCESSORIES & OPTIONS

ACCESS COVER .....	189
BACK-UP ALARM KIT .....	191
BEACON .....	193
BLOCK HEATER .....	194, 195, 196
BUCKET POSITIONING KIT .....	197
BUCKET SHIELD KIT .....	199
CAB DOOR .....	201-207
CAB ENCLOSURE .....	209-213
CAB WINDOWS .....	214, 215
COUNTERWEIGHT KIT .....	217
DEBRIS EJECTOR KIT .....	218
DECALS .....	219, 221
DELUXE CAB .....	223
ELECTRICAL CONTROLS KIT .....	226-230
EUROPEAN ACCESSORIES .....	231-236
FIRE EXTINGUISHER .....	238
FLASHER LIGHTS .....	239
F.O.P.S. KIT .....	241
GAS SPRING KIT .....	242
HAND CONTROL KIT .....	243
HEATER & A/C .....	248-260
HORN KIT .....	261
LIFT KIT .....	262
LIFT ARM KIT .....	263
LIGHT KIT .....	265
POWER BOB-TACH KIT .....	267
POWER BOB-TACH CYLINDER .....	269
POWER BOB-TACH .....	271-274
PURIFIER .....	275
REAR AUXILIARY HYDRAULICS .....	277
REAR AUXILIARY VALVE .....	279
REAR DOOR LOCK .....	280
REAR WIPER .....	281
SEAT .....	282
SEAT BELT .....	286, 287, 288
SEVEN PIN CONNECTOR KIT .....	289
SOUND OPTION .....	291
STROBE LIGHT .....	293
TIRES & RIMS .....	294-296
<b>BULK ITEMS .....</b>	<b>297</b>
<b>NUMERICAL INDEX .....</b>	<b>299</b>



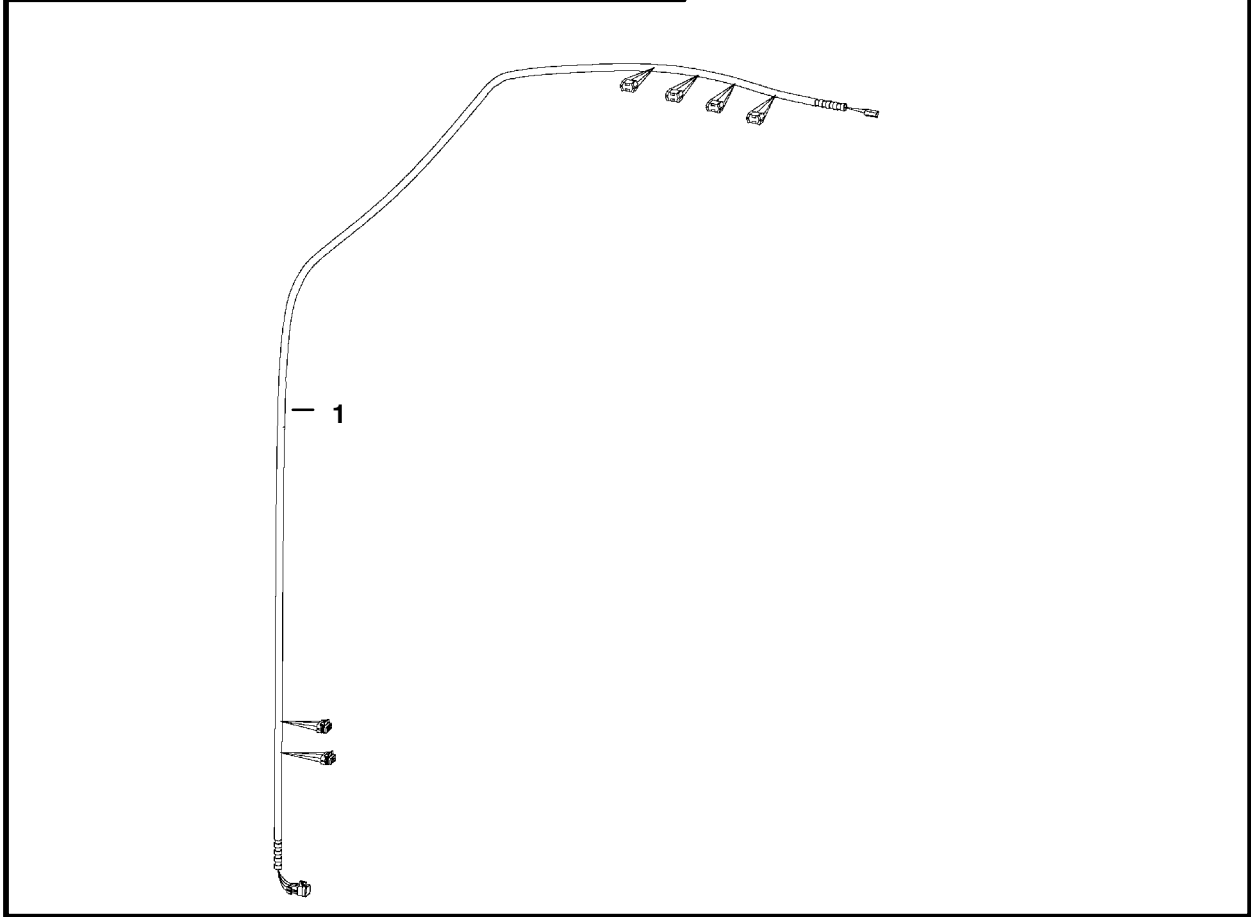
TS-1049

**ACCESS COVER  
(Cleanout - Lower Front of Chaincase)**

Ref. No.	Part Number	Description	Remarks	Serial Number	Qty.
1	6577880	KIT	Ref. 2-5		1
2	6577812	COVER			2
3	84G-3720	BOLT			4
4	6562619	BUSHING			2
5	6570931	INSTRUCTIONS			1



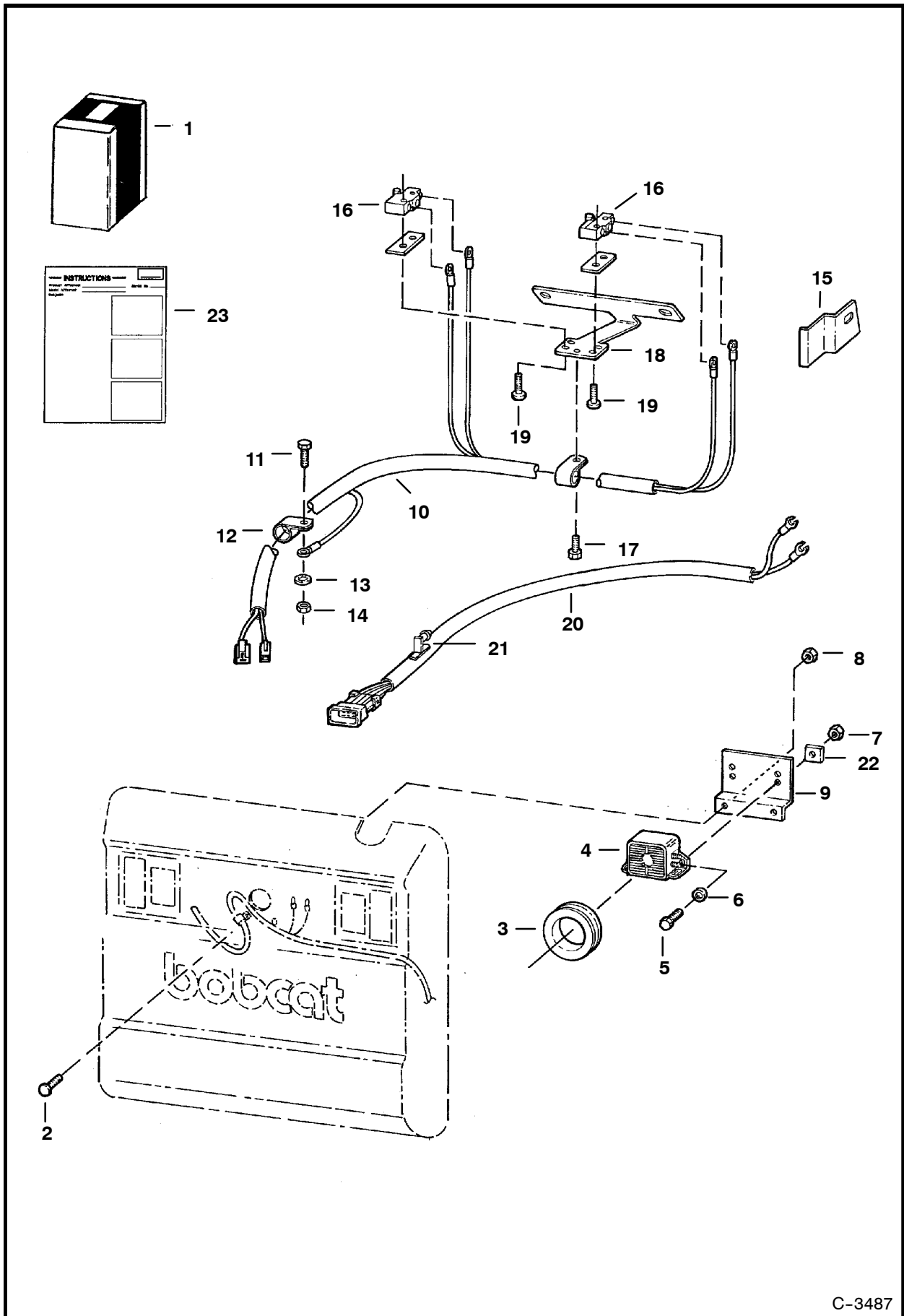
**NOTE:** If loader is not equipped with Deluxe Cab Option, this harness must be used to run Flasher Lights, Turn Indicators, Hazard Lights, Rotating Beacon and/or Strobe Lights.



**\* ACCESSORIES HARNESS  
(Standard - Non Deluxe Cab)**

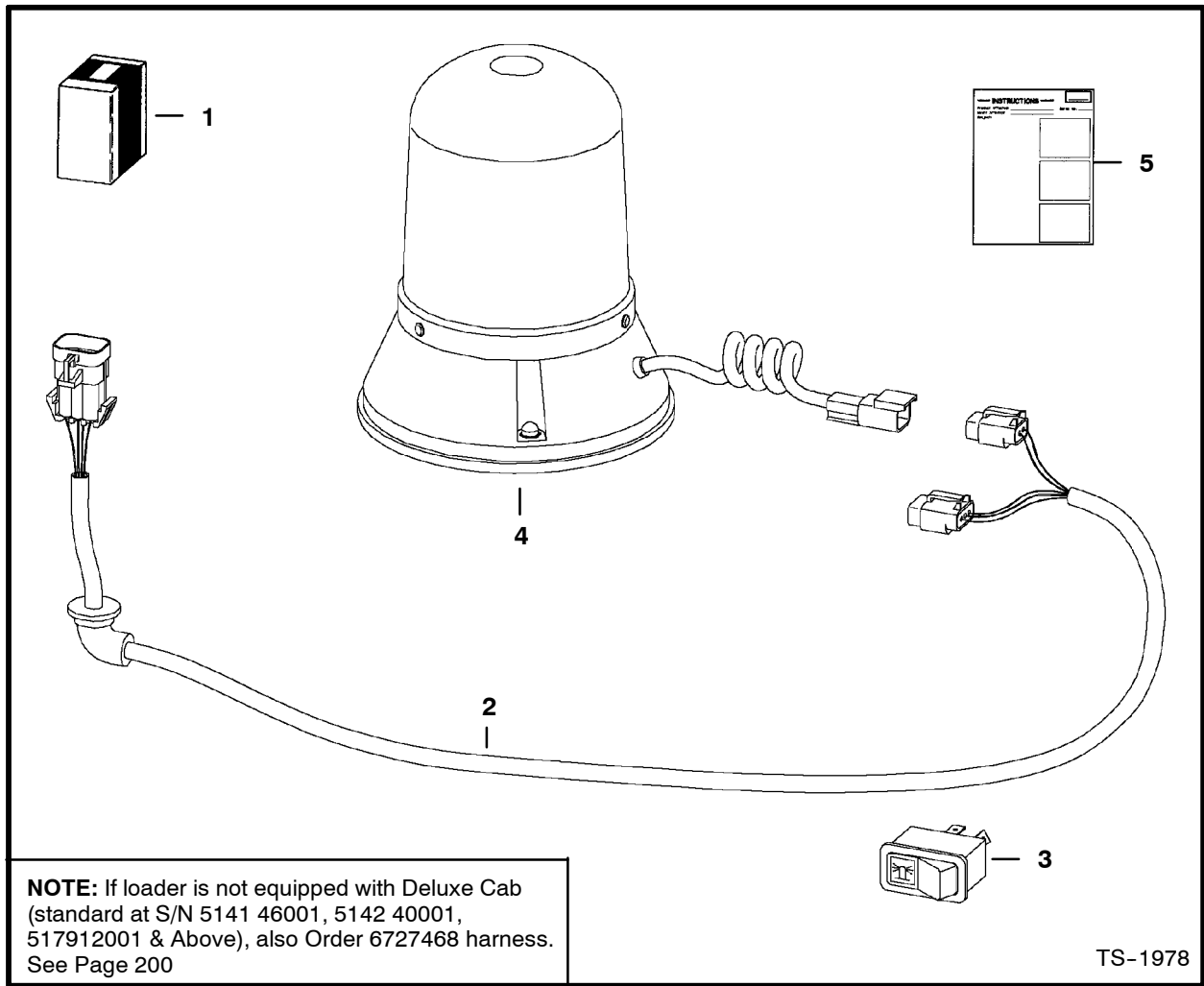
Ref. Part No.	Part Number	Description	Remarks	Serial Number	Qty.
1*	6727468	HARNESS	SEE NOTE		1

# BACK-UP ALARM KIT



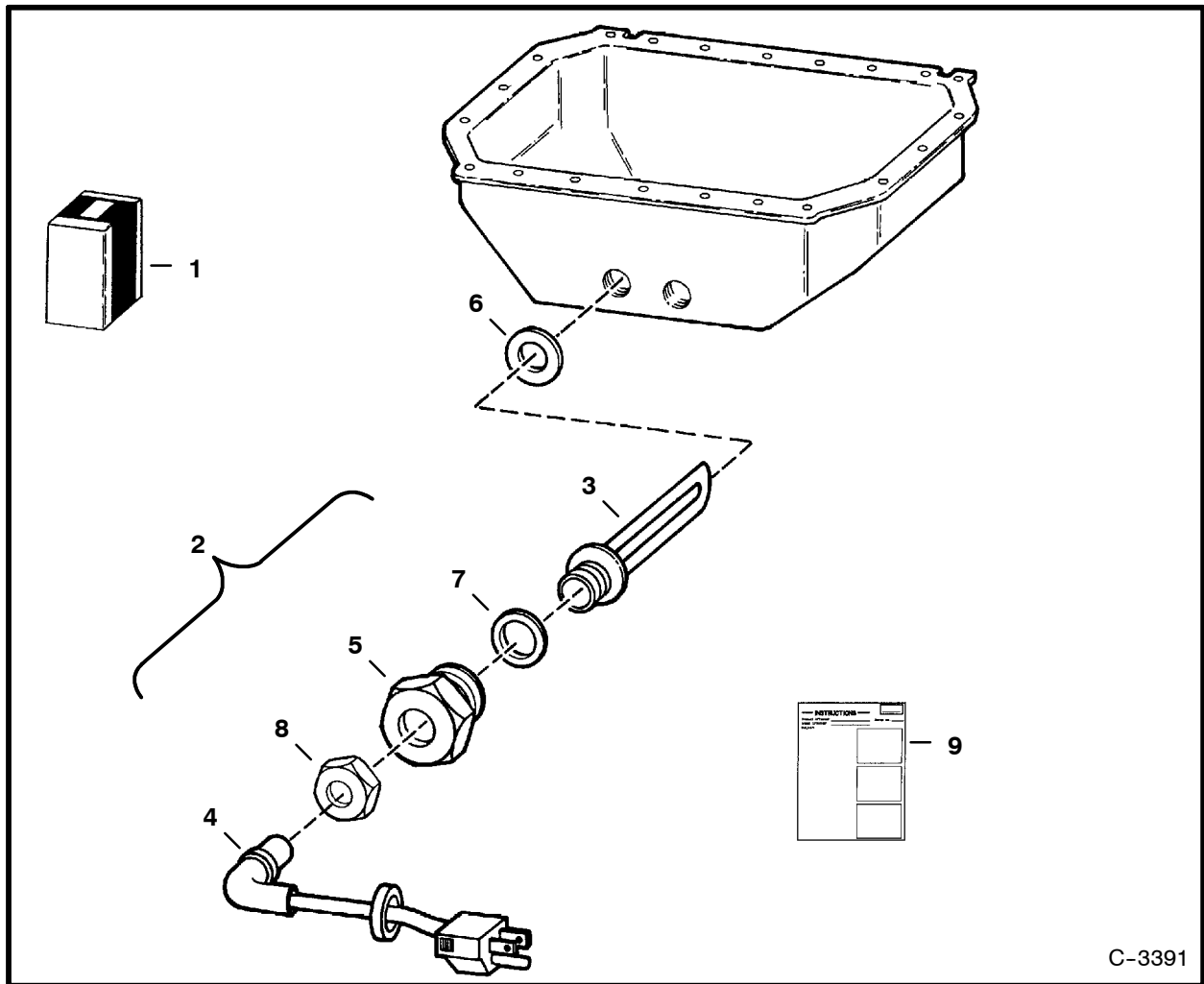
C-3487





## BEACON

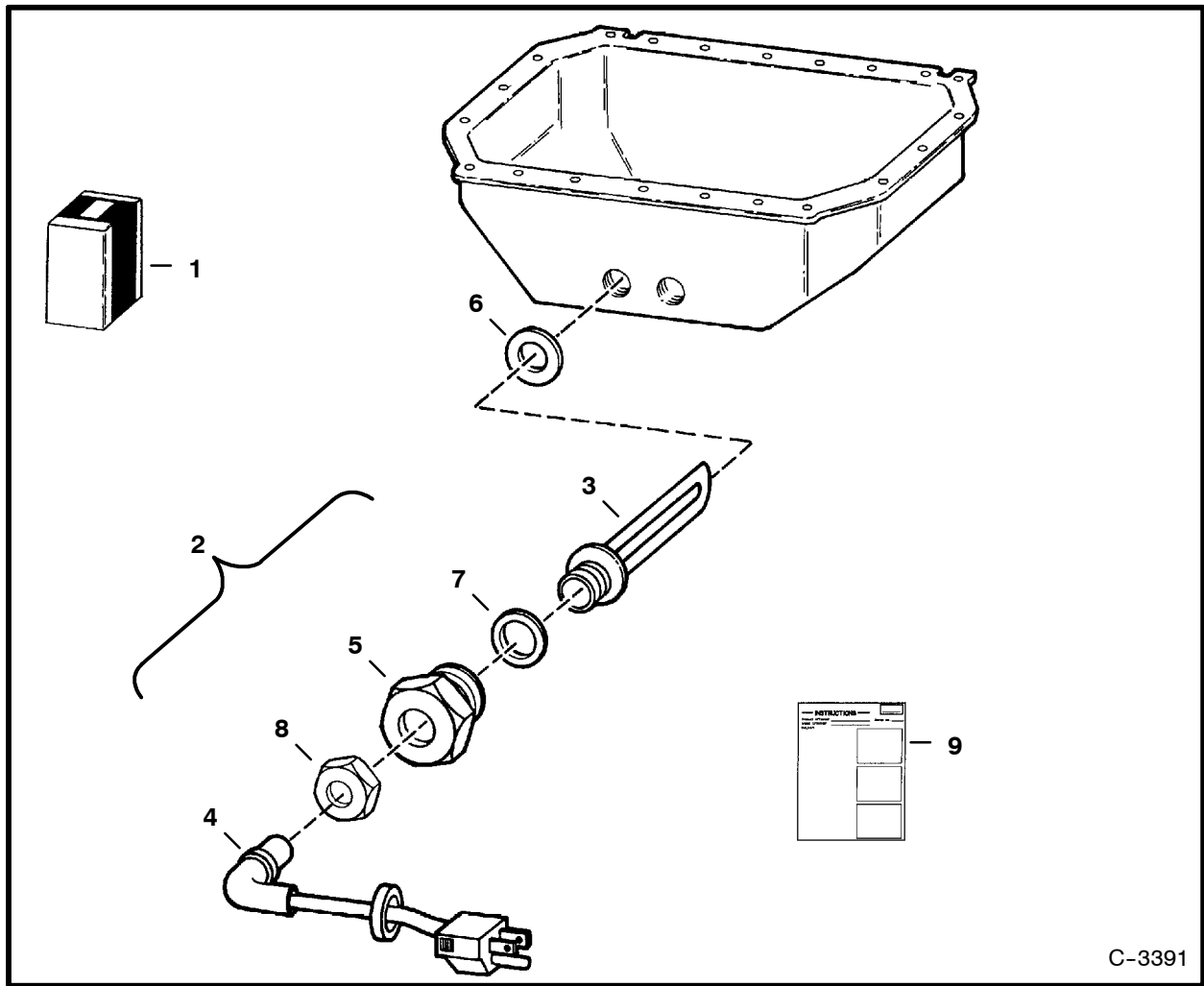
Ref. No.	Part Number	Description	Remarks	Serial Number	Qty.
1	6719854	KIT	rotating beacon		1
2	6718872	HARNESS			1
3	6665317	SWITCH	horizontal		1
*	6668816	SWITCH	vertical		1
4	6675523	BEACON			1
	6666571	BULB			1
5	6900991	INSTRUCTIONS			1



C-3391

**BLOCK HEATER**  
**(Oil Pan Installed) (120 Volt) (Engine S/N 502302 & Below)**

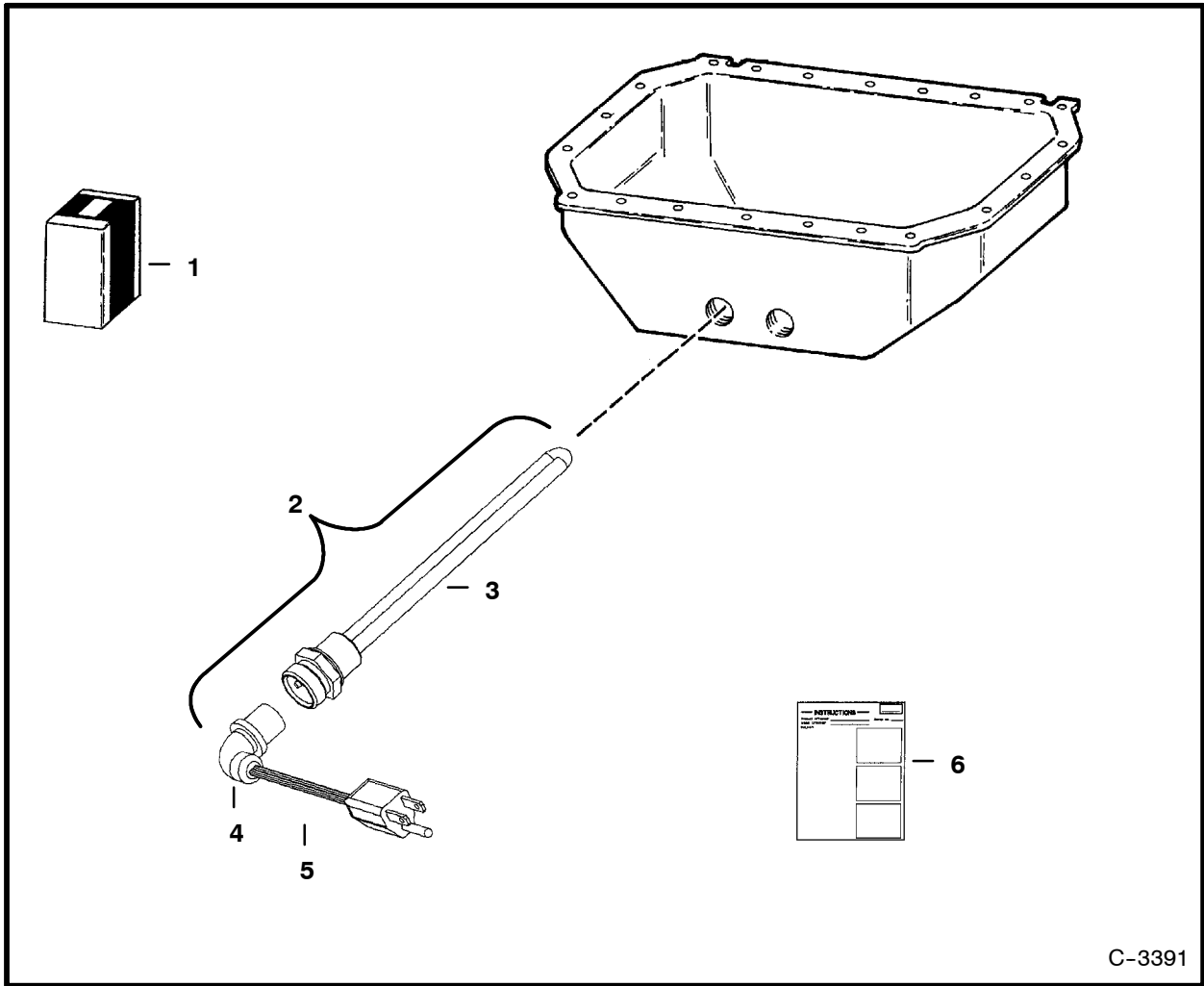
Ref. No.	Part Number	Description	Remarks	Serial Number	Qty.
1	6710192	KIT	Ref. 2 & 9		1
2	6709514	HEATER ASSY	Ref. 3 - 8		1
3	6709508	ELEMENT			1
4	6709509	CORD SET			1
5	6709510	ADAPTER	48mm threads		1
6	6709511	WASHER	sealing		1
7	6709513	GASKET			1
8	6709840	NUT			1
9	6724397	INSTRUCTIONS			1



C-3391

**BLOCK HEATER**  
**(Oil Pan Installed) (240 Volt) (Engine S/N 502302 & Below)**

Ref. No.	Part Number	Description	Remarks	Serial Number	Qty.
1	6711873	KIT	Ref. 2 & 9		1
2	6711721	HEATER ASSY	Ref. 3 - 8		1
3	6711718	ELEMENT			1
4	6711720	CORD SET	European stlye outlet		1
5	6709510	ADAPTER	48mm threads		1
6	6709511	WASHER	sealing		1
7	6709513	GASKET			1
8	6709840	NUT			1
9	6724515	INSTRUCTIONS			1

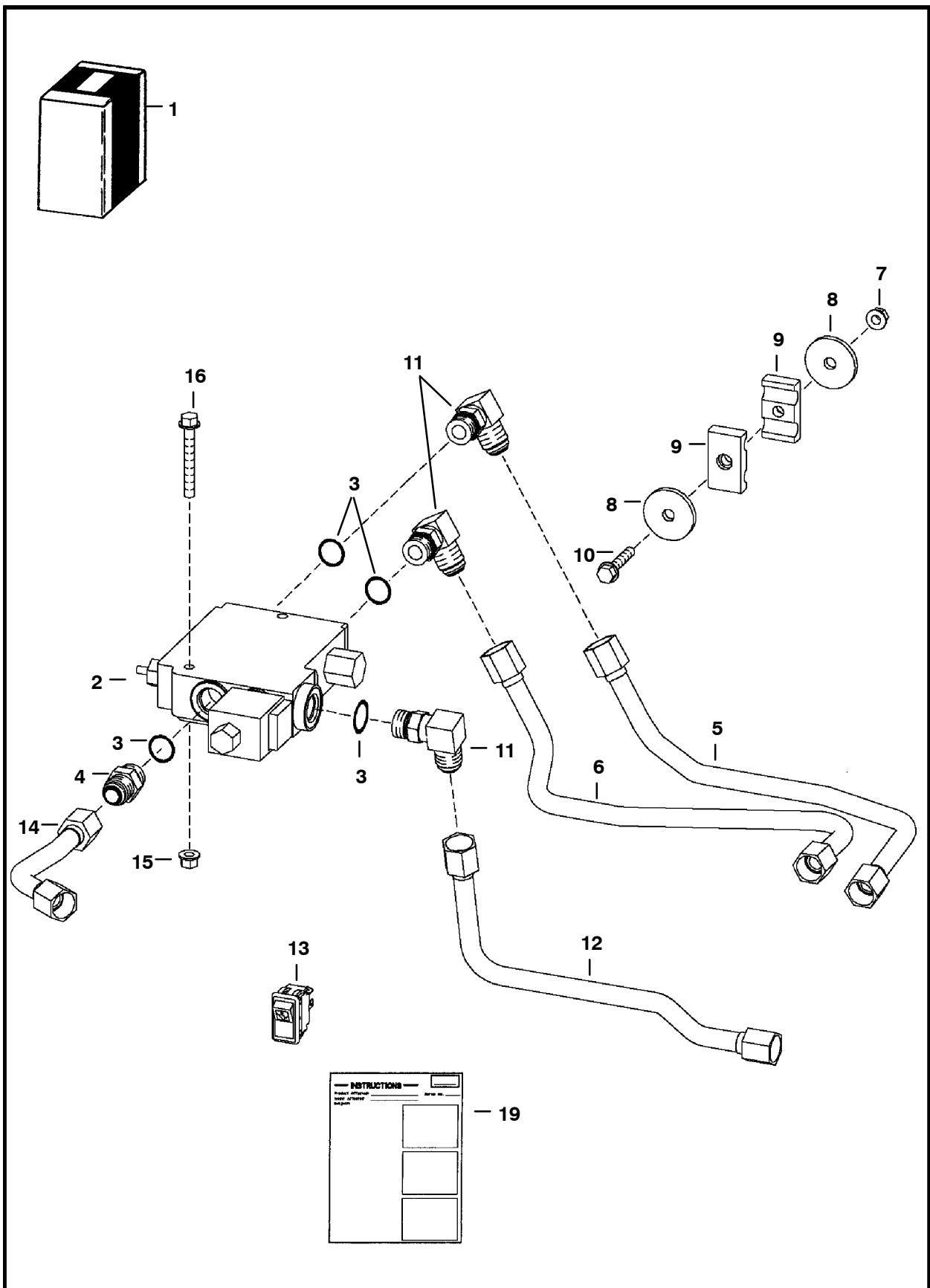


C-3391

**BLOCK HEATER**  
**(Oil Pan Installed) (120 Volt) (Engine S/N 502303 & Above)**

Ref. No.	Part Number	Description	Remarks	Serial Number	Qty.
1	6725971	KIT	Ref. 2-6		1
2	6675695	HEATER ASSY	Ref. 3 & 4		1
3	6675708	ELEMENT	W/22mm thread		1
4	6709509	CORD	W/Ref. 5		1
5*	NSS	NUT			1
6	6724397	INSTRUCTIONS			1

# BUCKET POSITIONING KIT

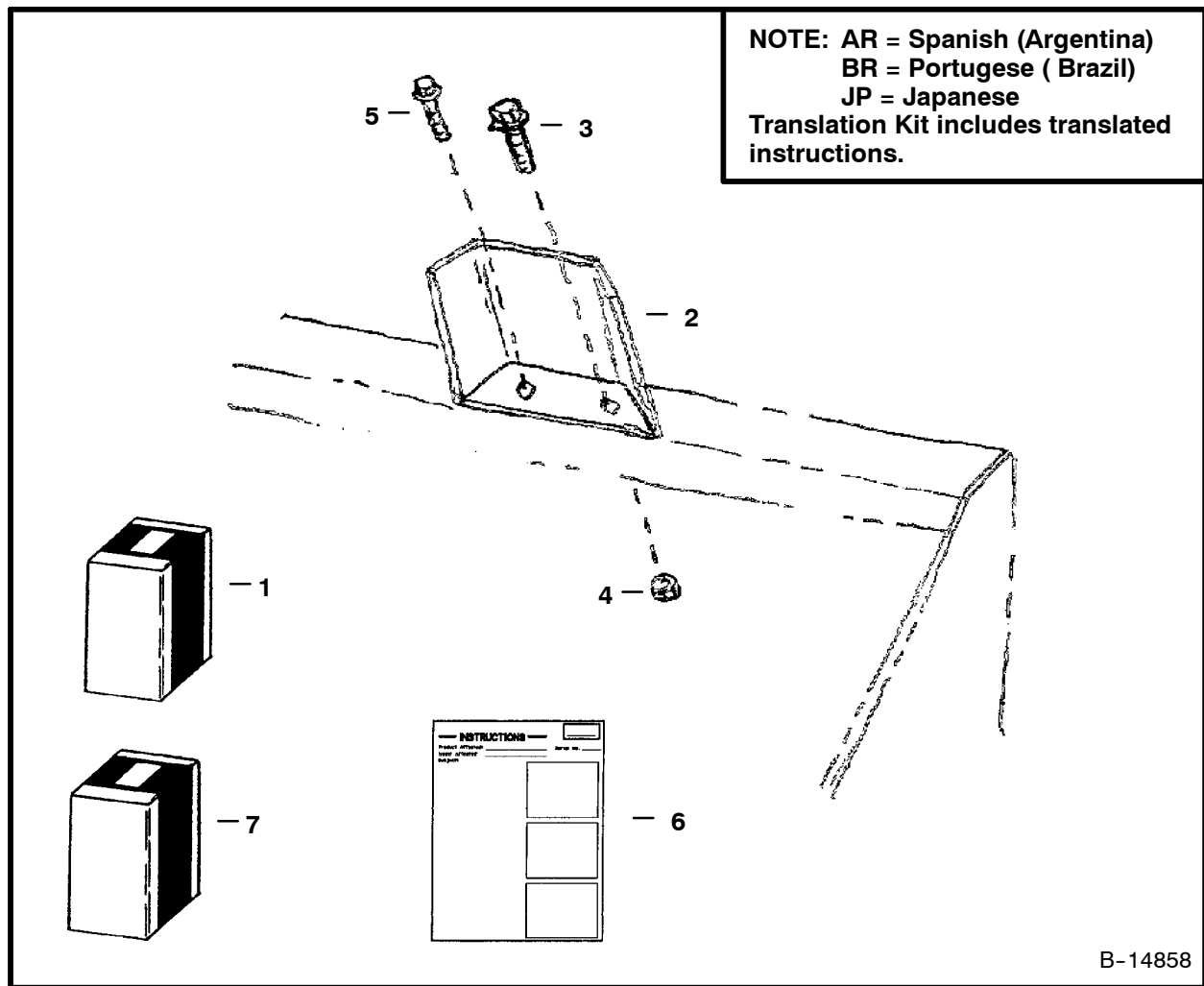


**NOTE:** For S/N & Below, the fittings (Ref. 11) connecting tubelines 5 & 6 to the BPV, were 15KV-7 (Ref. 4). See 873 (prior to G-series) parts manual.

TS-1689



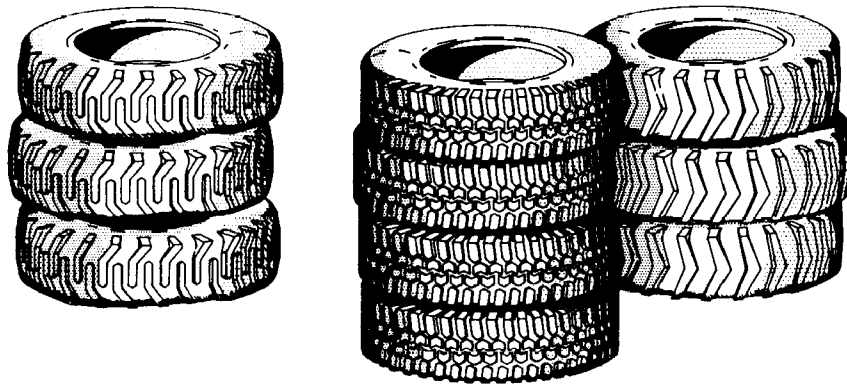




**BUCKET SHIELD KIT**

Ref. No.	Part Number	Description	Remarks	Serial Number	Qty.
1	6713152	KIT	W/Ref. 2 - 6		1
2	6711158	SHIELD			2
3	35C-820	BOLT			2
4	57D-8	NUT			2
5	84G-3716	BOLT			2
6	6724649	INSTRUCTIONS			1
7	6724649AR	INSTRUCTIONS	Translated - See Note		1
	6724649BR	INSTRUCTIONS	Translated - See Note		1
	6719006AR	KIT	Translation - See Note		1
	6719006BR	KIT	Translation - See Note		1

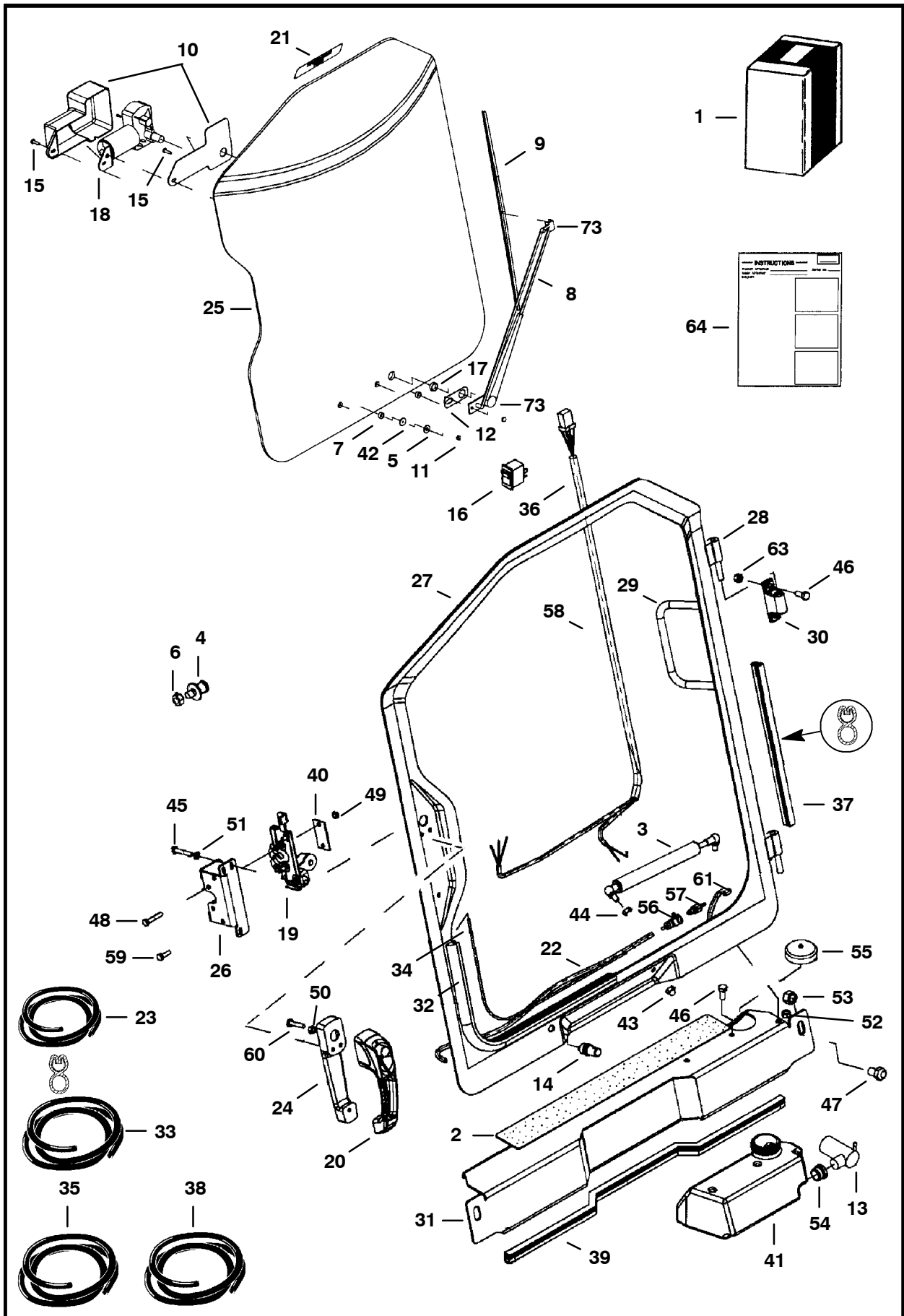
**Use Bobcat replacement  
tires to maintain  
designed performance specifications.**



**Available from Bobcat Parts.**



# CAB DOOR



## CAB DOOR (Cont'd)

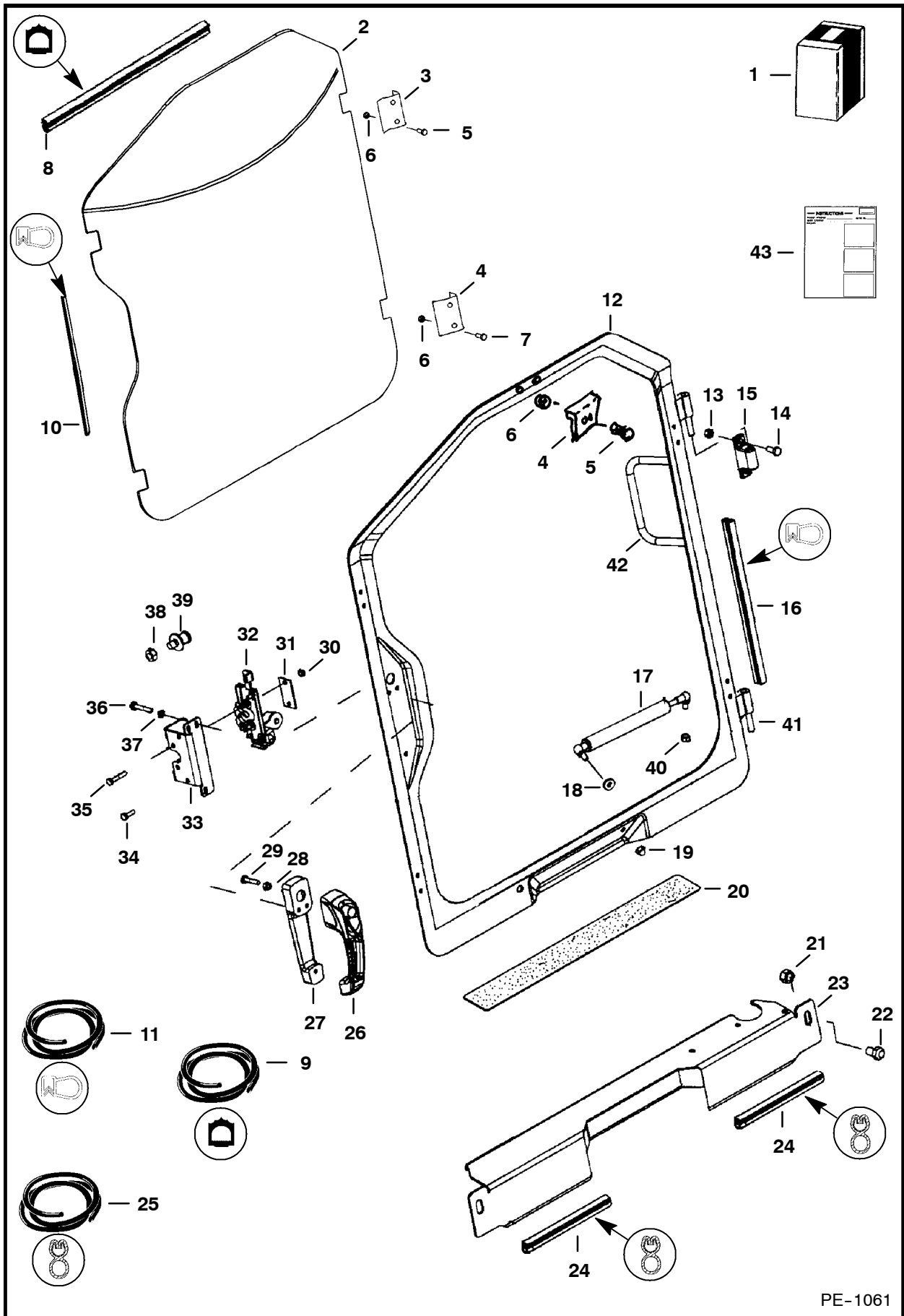
Ref. No.	Part Number	Description	Remarks	Serial Number	Qty.
1	6718807	KIT	door - Was SALES [D]		1
2	6542731	SAFETY TREAD			1
3	6674938	GAS SPRING			1
4	6654170	STRIKER BOLT			1
5	6664065	WASHER	nylon		1
6	91D-7	NUT			1
7	6664085	BUSHING	nylon		2
8	6664095	ARM	wiper		1
9	6664096	BLADE	wiper		1
10	6664097	COVER	wiper		1
11	6664103	NUT	acorn		2
12	6664178	GASKET	panto adapter		1
13	6664554	PUMP	washer bottle		1
14	6664555	NOZZLE	washer		1
15	6664566	SCREW			2
16	6665707	SWITCH	front wiper		1
17	6667201	SPACER	nylon		1
18	6668137	MOTOR	wiper		1
*	6631928	SHAFT			1
*	6631927	GEAR			1
*	6670164	LINK			1
*	961528	HARDWARE			1
19	6674666	LATCH			1
20	6674667	HANDLE			1
21	6709527	KEY	ignition, front & rear doors		1
22	6707852	DECAL	exit		1
23	NAP	HOSE	washer - 25.25" (641,4 mm)		
23	6676003	HOSE	long - Order Ref. 23 bulk - Sold Per Foot - .109" I.D. - Was 6708310 [A]		1 x
24	6717146	SPACER	handle		1
25	6717360	WINDOW	.25" thick glass		1
26	6717369	BRACKET	latch		1
27	NAP	DOOR	.5" taller than 6726435 door - Was 6717590 [A]		1
	6726435	DOOR	.5" shorter than NAP		
28	6718376	HINGE	(6717590) door		1
29	6718521	HANDLE	door grab		2 1
30	6717593	HINGE	base		2
31	NAP	SHIELD	Was 6718179 [A]		1
	6725171	SHIELD			1
32	NAP	SEAL	window - 113.3" (2877,8 mm) long - Order Ref. 33		1
33	6665568	SEAL	bulk - Sold Per Foot		x
34	NAP	CORD	window - 113.3" (2877,8 mm) long -		
35	6554149	CORD	Order Ref. 35		1
36	6718295	HARNESS	bulk - Sold Per Foot wiper		x 1



## CAB DOOR (Cont'd)

Ref. No.	Part Number	Description	Remarks	Serial Number	Qty.
37	NAP	SEAL	127.3" (3233,4 mm) - Order Ref. 38		1
38	6675558	SEAL	bulk - Sold Per Foot -		
39	NAP	SEAL	Was 6669390 [A] threshold - 32" (812,8 mm) - Used W/Ref. 31 (NAP/6718179		x
	NAP	SEAL	Shield) - Order Ref. 38 threshold - 36" (914,4 mm) - Used W/Ref. 31 (6725171 Shield)		1
40	6718520	COVER	- Order Ref. 62		1
41	6725201	TANK	latch washer - Was 6718627 [A]		1
42	6801059	WASHER	neoprene		1
43	46D-5	NUT	acorn		1
44	25E-16	WASHER			1
45	1CM-640	BOLT			3
46	17C-512	BOLT			6
47	17C-612	BOLT	Was 17C-812 [B]		2
48	1CM-635	BOLT			2
49	4DM-6	NUT			2
50	61D-4	NUT			1
51	6EM-60	WASHER			3
52	61D-5	NUT			5
53	61D-6	NUT	Was 61D-8 [B]		2
54	6666766	GROMMET			1
55	6674993	CAP	vented		1
56	6675298	COUPLER	body		1
57	6675299	COUPLER	insert		1
58	6675378	CLIP	use W/door mounted nozzle		2
	6675378	CLIP	use W/wiper arm mounted nozzle		1
59	1CM-620	BOLT			2
60	17C-420	BOLT			1
61	NAP	HOSE	4.25" (107,9mm) long -		
62	6513152	SEAL	Order Ref. 23		1
63	59D-5	NUT	bulk - Sold Per Foot		x
64	NAP	HOSE	18.25" (463,6mm) long - Order Ref. 71		1
65	6676499	GROMMET	wiper		1
66	6676500	ELBOW			1
67	6676498	NOZZLE	wiper arm mounted		1
68	6676501	CLIP			1
69	NAP	HOSE	10.25" (260,4mm) long - Order Ref. 71		1
70	6676917	ELBOW			1
71	6676918	HOSE	bulk - sold per foot - .125" I.D.		x
72	6901013	INSTRUCTIONS	Was 6900854 [A]		1
73*	6670288	END	plastic		2

# CAB DOOR (Special Applications)

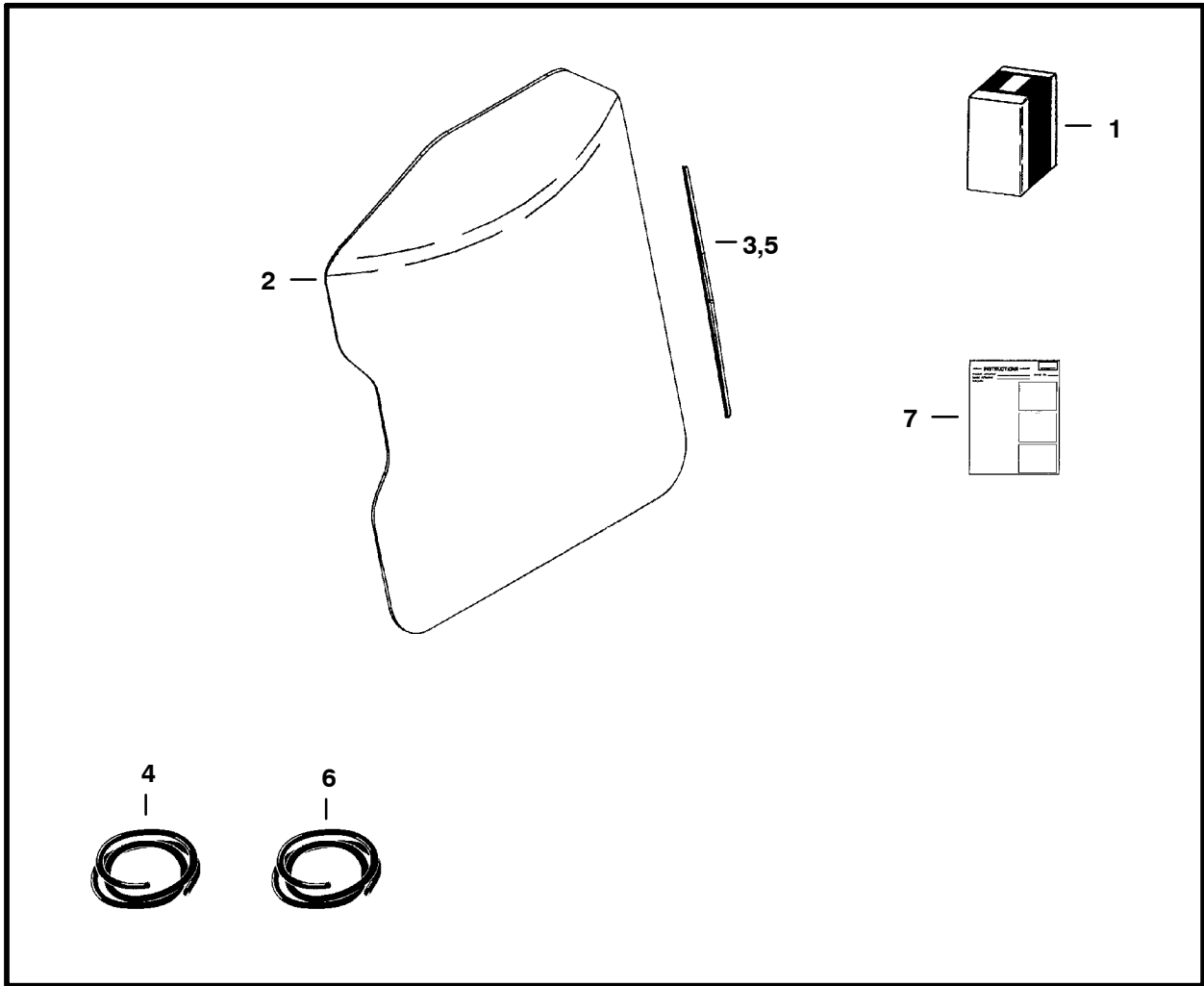


PE-1061



**CAB DOOR (Cont'd)  
(Special Applications)**

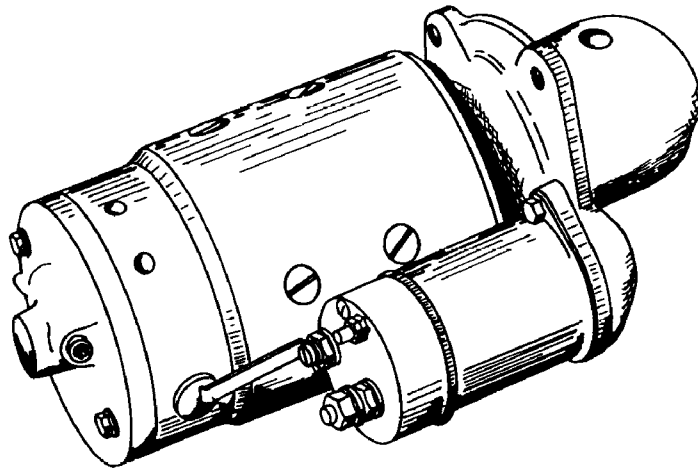
Ref. No.	Part Number	Description	Remarks	Serial Number	Qty.
1	6725941	KIT	door		1
2	NAP	WINDOW	.5" thick polycarbonate W/O top notch - Order 6725935 window		
	6725935	WINDOW	Ref. 4 & (2) each of Ref. 5 & 6 - Was 6725935 [A] .5" thick polycarbonate W/top notch		1
3	6725938	CLAMP			1
4	6725937	CLAMP			2
5	17C-628	BOLT			3
6	95D-6	NUT			6
7	17C-624	BOLT			10
8	NAP	SEAL	12"(304,8mm) long - Order Ref. 9 - used W/Ref. 2 - W/O top notch		1
9	6670759	SEAL	bulk - Sold Per Foot		x
10	NAP	SEAL	115"(2921mm) long -Order Ref. 11		1
11	6675558	SEAL	bulk - Sold Per Foot		x
12	6726932	DOOR	W/Ref. 41 & 42		1
13	59D-5	NUT			4
14	17C-512	BOLT			6
15	6717593	HINGE	base		2
16	NAP	SEAL	127.3"(3233,4mm) long - Order Ref. 11		1
17	6674938	GAS SPRING			1
18	25E-16	WASHER			1
19	46D-5	NUT	acorn		1
20	6542731	SAFETY TREAD			1
21	55D-6	NUT			4
22	17C-612	BOLT			2
23	6725042	SHIELD			1
24	NAP	SEAL	11"(279,4mm) long -Order Ref. 25		2
25	6513152	SEAL	bulk - Sold Per Foot		x
26	6674667	HANDLE			1
27	6709527	KEY	ign. & rear door		1
28	6717146	SPACER	handle		1
29	61D-4	NUT			1
30	17C-420	BOLT			1
31	4DM-6	NUT			2
32	6718520	COVER	latch		1
33	6674666	LATCH			1
34	6717369	BRACKET	latch		1
35	1CM-620	BOLT			2
36	1CM-635	BOLT			2
37	1CM-640	BOLT			3
38	6EM-60	WASHER			3
39	91D-7	NUT			1
40	6654170	STRIKER BOLT			1
41	61D-5	NUT			5
42	6718376	HINGE	door		2
43	6718521	HANDLE	grab		1
44	6901013	INSTRUCTIONS			1



**CAB DOOR  
(Lexan Window)**

Ref. No.	Part Number	Description	Remarks	Serial Number	Qty.
1	6726427	KIT	Ref. 2-7		1
2	6675215	WINDOW	lexan		1
3	NAP	SEAL	113.3"(2877,8 mm) long -		
4	6665568	SEAL	Order Ref. 4 bulk - Sold Per Foot		1 x
5	NAP	CORD	113.3"(2877,8 mm) long -		
6	6554149	CORD	Order Ref. 6 bulk - Sold Per Foot		1 x
7	6901036	INSTRUCTIONS			1

**Both new and rebuilt starters  
are available from Bobcat.**

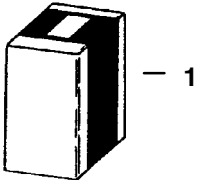


**Available from Bobcat Parts.**

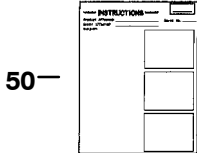


**CAB ENCLOSURE**

**NOTE:** For Cab Enclosure Kit Order from Gwinner SALES # 6719668.  
For Special Applications Kit Order from Gwinner SALES # 6719326.



**NO DRAWING AT TIME OF PRINTING**

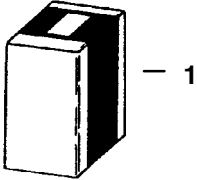


**CAB ENCLOSURE (Cont'd)**

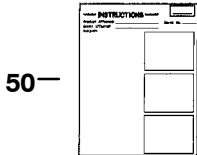
Ref. No.	Part Number	Description	Remarks	Serial Number	Qty.
1	SALES SALES	KIT KIT	cab enclosure - SEE NOTE special applications - SEE NOTE		1 1
2	6725360	WINDOW	top - Was 6675214 [A]		1
3	6674741	KNOB			4
4	6717360	WINDOW	for standard door -		
	NAP	WINDOW	.25" thick glass for special applications door - .5" thick polycarbonate -		1
			Order 6725935		1
5	35C-516	BOLT			1
6	61D-5	NUT			1
7	1CM-640	BOLT			3
8	6717593	HINGE			2
9	61D-8	NUT			6
10	6726435	DOOR	standard - Was 6717590 [A]		1
	6726932	DOOR	special applications		1
11	NAP	SHIELD	Was 6718179 [A]		1
	6725171	SHIELD			1
12	NAP	SEAL	rear window - 76.5"(1943 mm) long - Order Ref. 49		1
	NAP	CORD	rear window - 81.5"(2070 mm) long - Order Ref. 27		1
13	6717369	BRACKET			1
14	6718520	COVER	cover		1
15	6674666	LATCH	rotary		1
16	17C-512	BOLT			6
17	25E-16	WASHER			1
18	6719413	WINDOW	.25" thick poly carbonate - rear		1
19	6559515	EXIT TAG			1
20	17C-612	BOLT	Was 17C-812 [B]		2
21	1CM-635	BOLT			3
22	6717146	SPACER			1
23	6542731	SAFETY TREAD			1
24	6707852	DECAL			1
25	NAP	SEAL	front window - 115"(2921 mm) long - Order Ref. 27 front window - 115"(2921 mm) long - Order Ref. 27		1 1
26	NAP	SEAL	127.3"(3233,4mm) long - Order Ref. 28		1
27	6665568	SEAL	bulk - Sold Per Foot		x
	6554149	CORD	bulk - Sold Per Foot		x
28	6675558	SEAL	bulk - Sold Per Foot - Was 6669390 [A]		x
29	6674938	GAS SPRING			1
30	46D-5	NUT	acorn		2
31	6725200	SHIELD	plate		1
32	6EM-60	WASHER			3
33	35C-620	BOLT			2
34	6654170	BOLT	striker		1

**CAB ENCLOSURE (Cont'd)**

**NOTE:** For Cab Enclosure Kit Order from Gwinner SALES # 6719668.  
For Special Applications Kit Order from Gwinner SALES # 6719326.

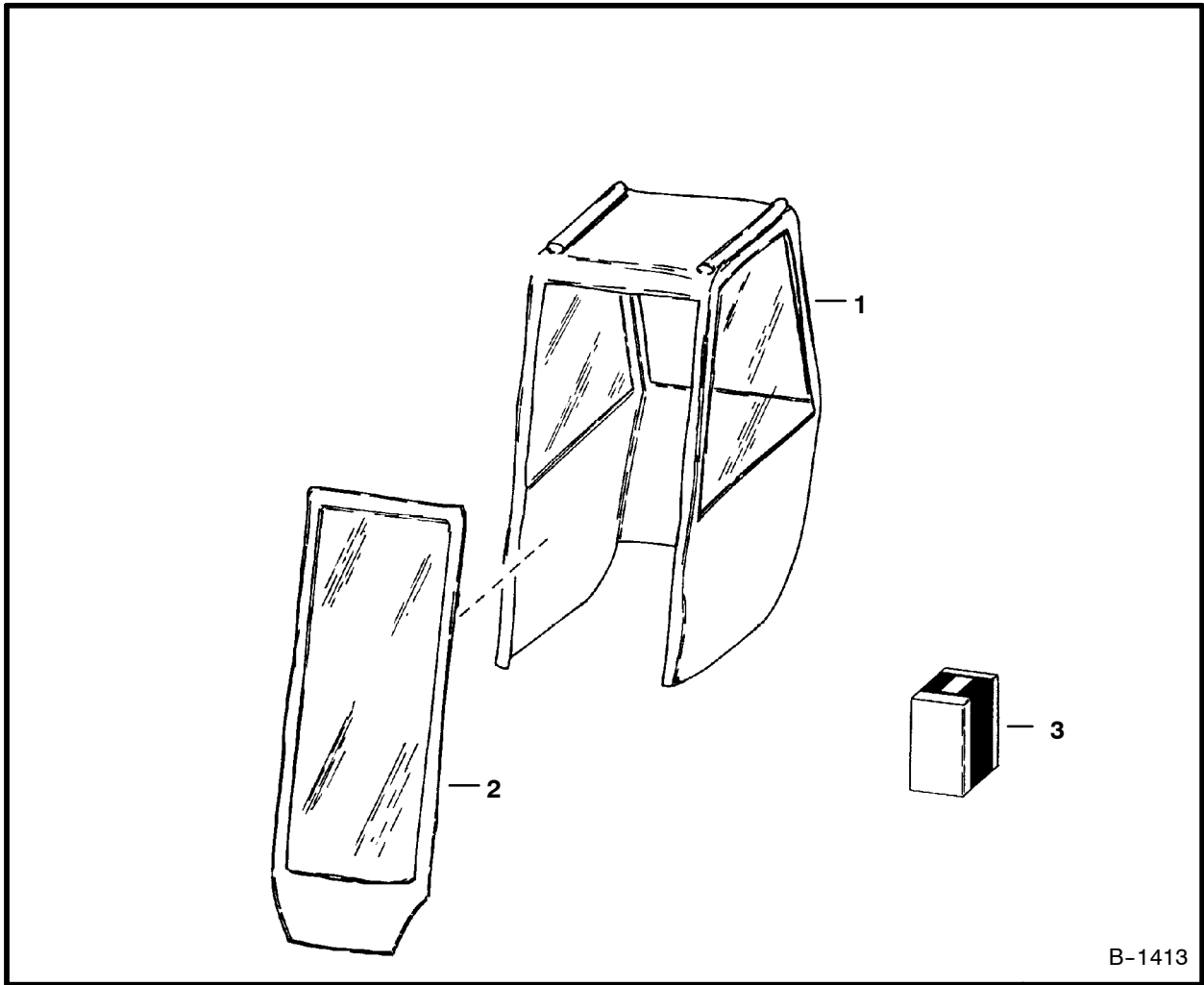


**NO DRAWING AT TIME OF PRINTING**



**CAB ENCLOSURE (Cont'd)**

<b>Ref. No.</b>	<b>Part Number</b>	<b>Description</b>	<b>Remarks</b>	<b>Serial Number</b>	<b>Qty.</b>
35	55D-6	NUT			2
36	6674667 6709527	DOOR HANDLE KEY	ignition & front-rear doors		1
37	NAP	SEAL	used W/NAP 6718179 shield - 30" (762 mm) long - Order Ref. 28		1
	NAP	SEAL	used W/6725171 shield - 40" (1016mm) long - Order Ref. 48		1
38	59D-5	NUT			4
39	6513152	SEAL	Bulk - sold per foot		x
40	17C-420	BOLT			1
41	6718376	HINGE	door		2
42	6718521	HANDLE	grab		1
43	1CM-620	BOLT			2
44	4DM-6	NUT			2
45	61D-4	NUT			1
46	91D-7	NUT			1
47	83D-5	NUT			1
48	6555351	SEAL	Bulk - sold per foot		x
49	6675387	SEAL	Bulk - sold per foot		x
50	NAP	SEAL	11" (280mm) long - Order Ref. 39		x
51	NAP	SEAL	24" (609,6mm) long - Order Ref. 48 - cab to fender		2
52	NAP	SEAL	12" (304,8mm) long - Order Ref. 53		1
53	6670759	SEAL	bulk - sold per foot		x
54	6725937	CLAMP			2
55	6725938	CLAMP			2
56	17C-642	BOLT			4
57	95D-6	NUT			8
58	17C-628	BOLT			4
59	6901013	INSTRUCTIONS	Was 6900854 [A]		1

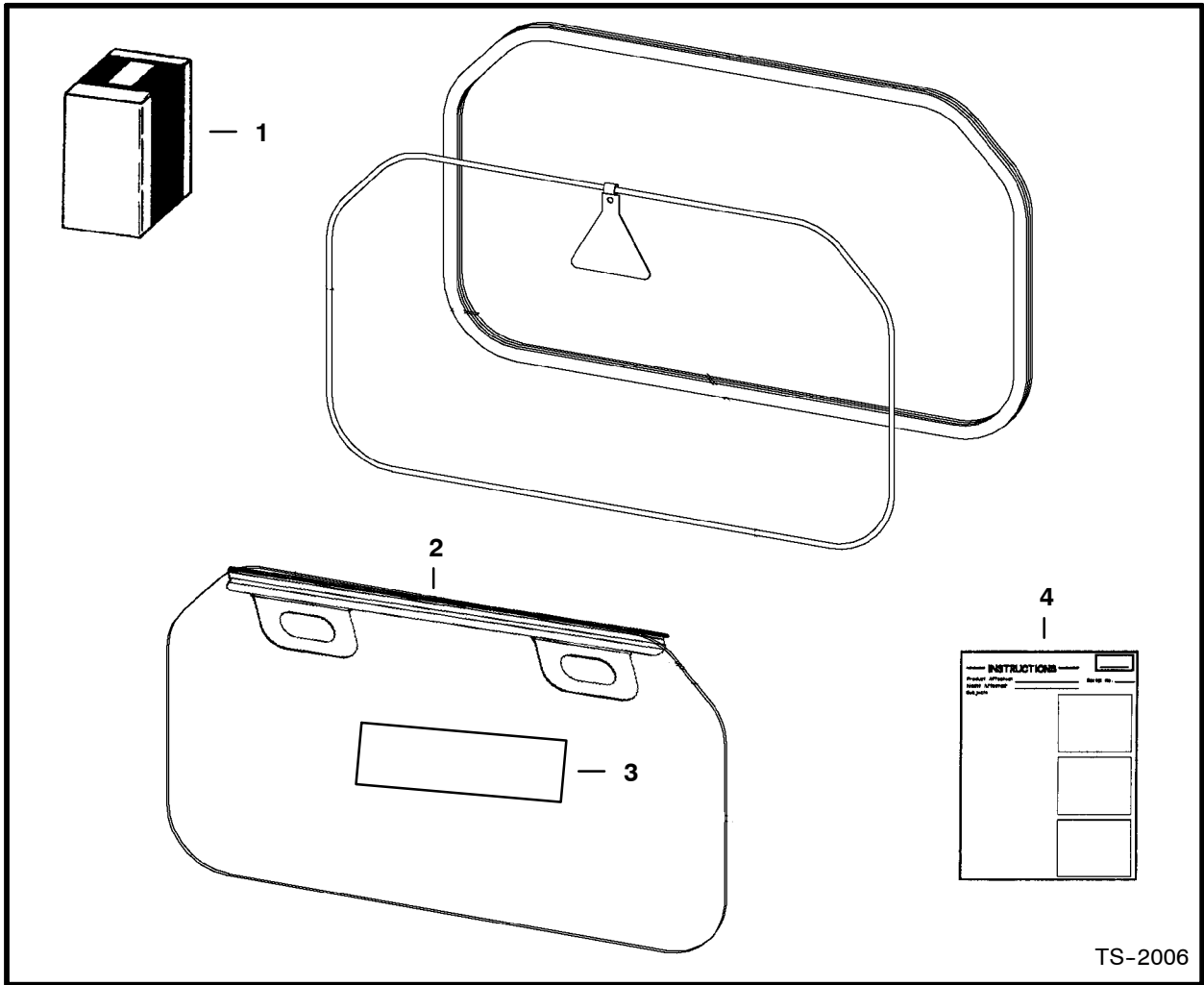


B-1413

**CAB ENCLOSURE  
(Envelope)**

Ref. No.	Part Number	Description	Remarks	Serial Number	Qty.
1	6675544	CANVAS CAB	fits over cab - W/Ref. 2 & 3 vinyl		1
2	6675590	DOOR			1
3	6675591	HINGE KIT			1





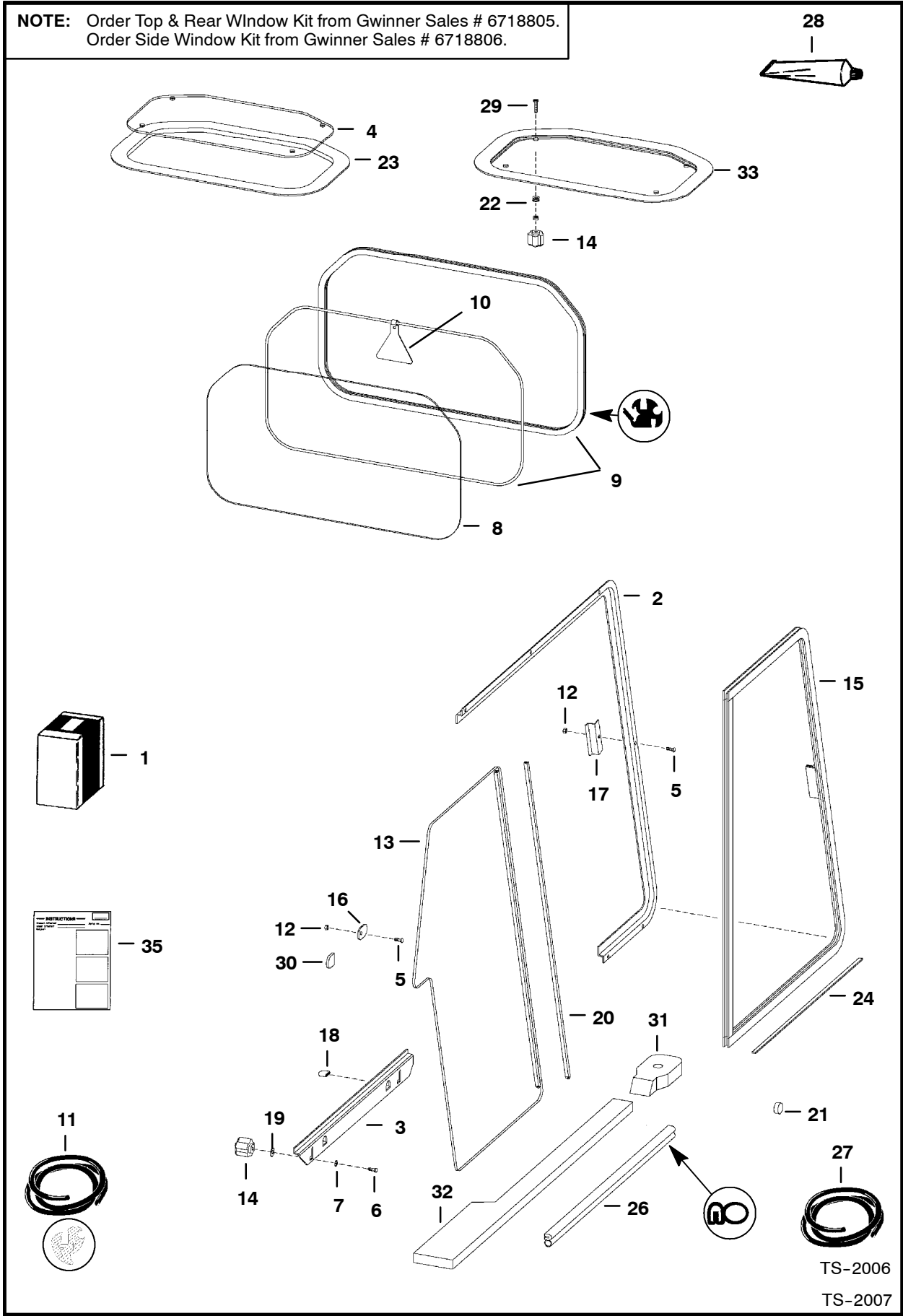
TS-2006

**CAB WINDOWS  
(External Window Removal Kit)**

Ref. No.	Part Number	Description	Remarks	Serial Number	Qty.
1	6725946	KIT	Ref. 2 - 4		1
2	6725421	HANDLE			1
3	6726303	DECAL			1
4	6901029	INSTRUCTIONS			1

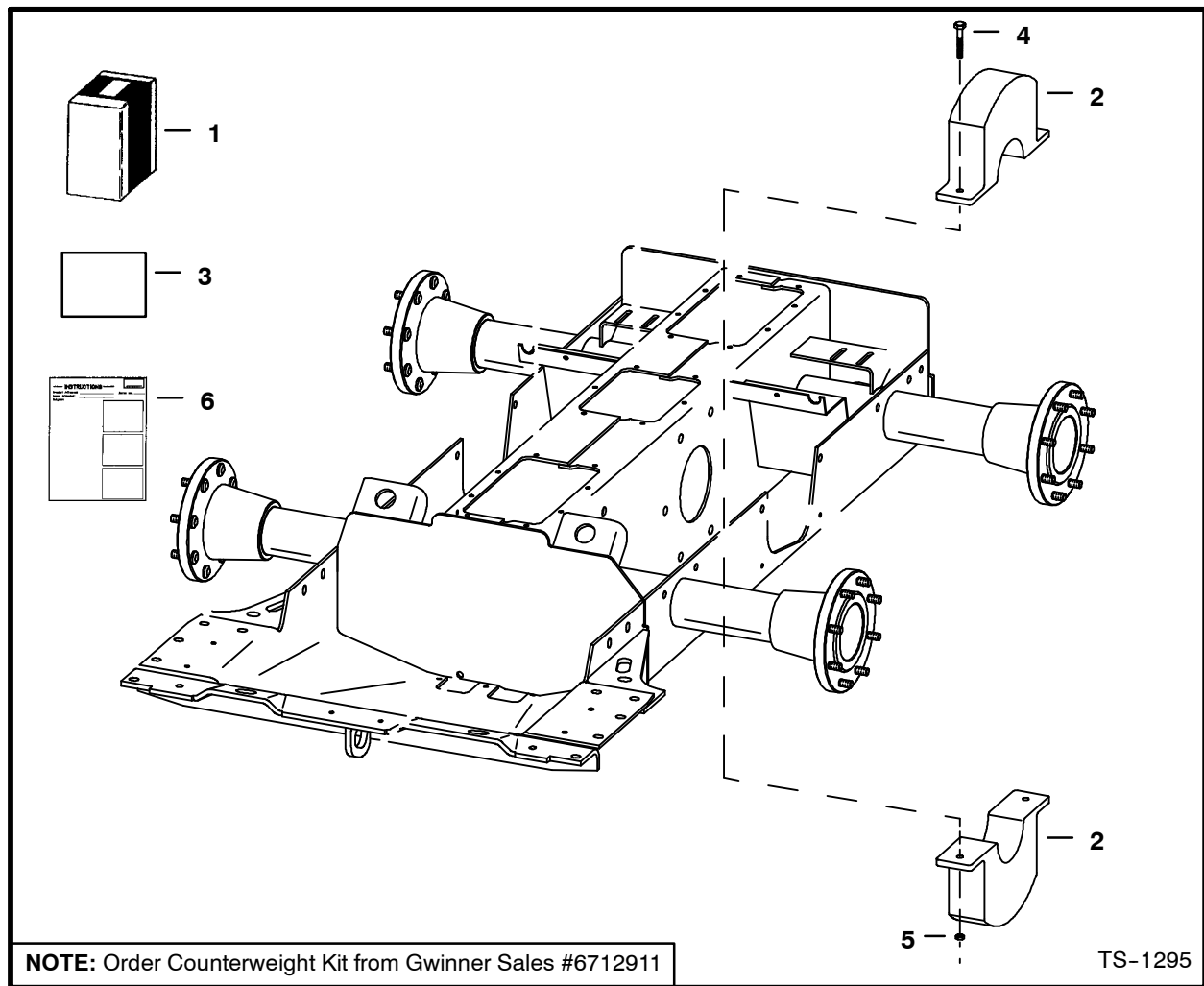
# CAB WINDOWS (Top, Rear & Side)

**NOTE:** Order Top & Rear Window Kit from Gwinner Sales # 6718805.  
Order Side Window Kit from Gwinner Sales # 6718806.



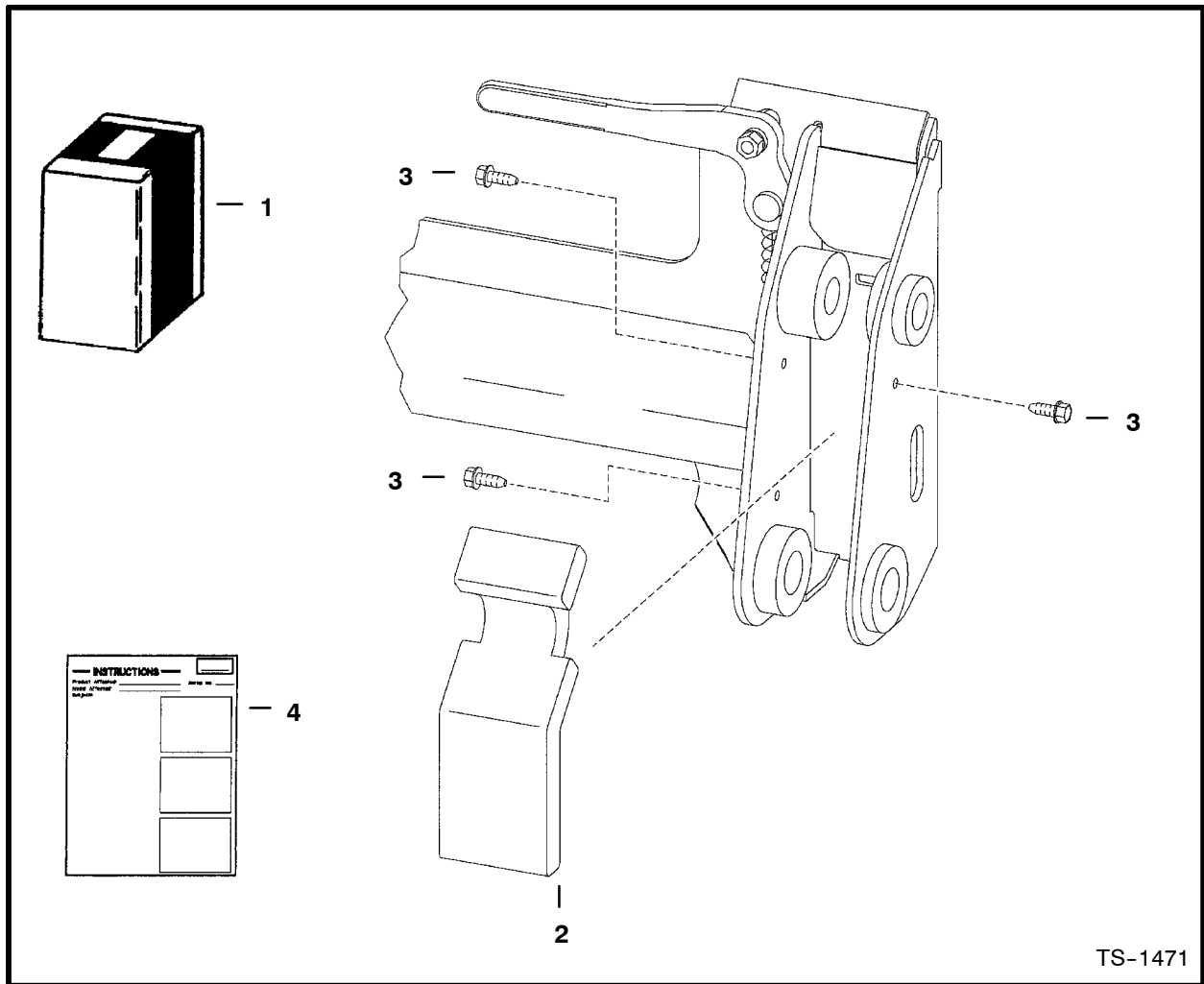
**CAB WINDOWS (Cont'd)**  
**(Top, Rear & Side)**

Ref. No.	Part Number	Description	Remarks	Serial Number	Qty.
1	SALES	KIT	top & rear window		1
	SALES	KIT	side windows		1
2	6717870	FRAME	L.H. side		1
	6717872	FRAME	R.H. side		1
3	6717871	FRAME	L.H. bottom		1
	6717873	FRAME	R.H. bottom		1
4*	NAP	WINDOW	top - Order Ref. 33 - Was 6725360 [A]		1
5	10C-410	BOLT			18
6	10C-416	BOLT			4
7	25E-14	WASHER			4
8	6717874	WINDOW	rear		1
9	NAP	EXTRUSION	75.75" (1924 mm) long - Order Ref. 11		1
10	NAP	CORD	75.75" (1924 mm) long - Order Ref. 11		1
	6559515	EXIT TAG			1
11	6675387	EXTRUSION	Bulk - Sold Per Foot		x
	6554149	CORD	Bulk - Sold Per Foot		x
12	59D-4	NUT			18
13	6674520	WINDOW	L.H. rear - W/Ref. 24		1
	6674522	WINDOW	R.H. rear - W/Ref. 24		1
14	6674741	KNOB			8
15	6674519	WINDOW	L.H. front		1
	6674521	WINDOW	R.H. front		1
16	6719063	STOP	window		2
17	6719037	STRIKER			2
18	6719065	COVER TAB			4
19	6675212	RETAINER	tab bolt		4
20	6675833	SEAL	rear window - dual wiper W/tape		2
21	6657719	PLUG	for .75" dia. hole		2
22	6675545	GROMMET			4
23*	NAP	SEAL	Order Ref. 33 - Was 6675546 [A]		1
24	6676927	FELT STRIP	20.38" (517,7mm) long		2
25	NAP	SEAL	55.25" (1403,4mm) long - Order Ref. 23		1
26	NAP	SEAL	24" (609,6mm) long - Order Ref. 27	& Bel.	2
27	6555351	SEAL	bulk - sold per foot		x
28*	NAP	ADHESIVE	1 oz. - top window seal - Ref. 23 - Was 6675694 [A]		1
29	91G-416	BOLT			4
30*	6677198	TAB	cab		2
31*	6729011	SEAL	cab mount	& Abv.	2
32*	6729010	SEAL	cab - main frame - L.H. - foam	& Abv.	1
*	6729009	SEAL	cab - main frame - R.H. - foam	& Abv.	1
33*	6728629	WINDOW	assy. - W/seal & grommets		1
34*	6664085	SPACER	nylon		4
35	6901013	INSTRUCTIONS	top & rear windows - Was 6900852 [A]		1
	6900853	INSTRUCTIONS	side windows		1



**COUNTERWEIGHT KIT  
(2000/2500 lb. Rear Axle)**

Ref. No.	Part Number	Description	Remarks	Serial Number	Qty.
1	SALES	KIT	counterweight		1
2	6714362	WEIGHT	rear axle - 42.8 lbs (19,4 kg) - 4.5" (114,3 mm) wide		4
3	6717232	DECAL	2500 lb load - 873		1
	6712912	DECAL	2000 lb load - 863		1
4	17C-640	BOLT			4
5	61D-6	NUT			4
6	6900366	INSTRUCTIONS			1

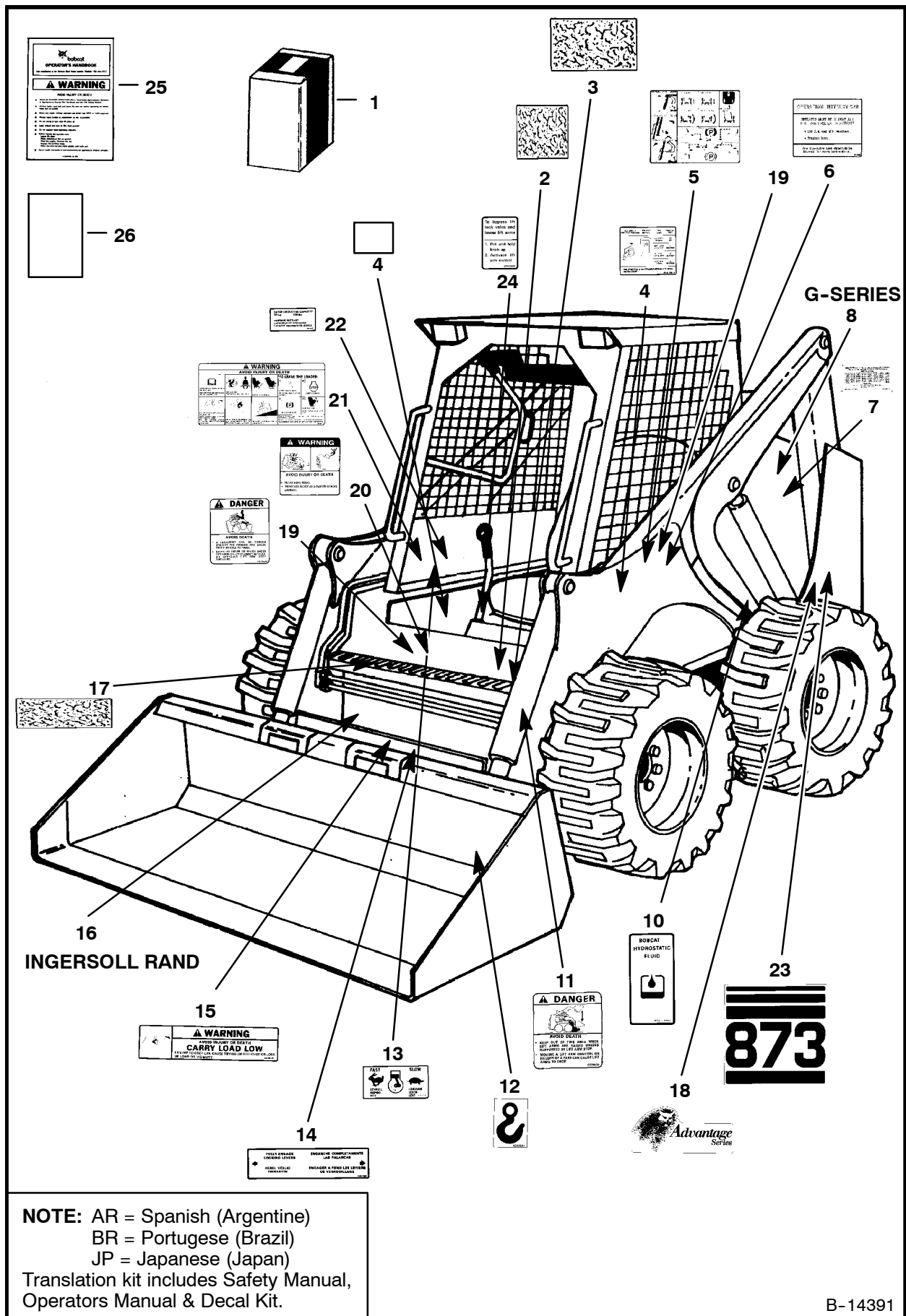


TS-1471

### DEBRIS EJECTOR KIT

Ref. No.	Part Number	Description	Remarks	Serial Number	Qty.
1	6712988	KIT	Ref. 2 - 4		1
2	6712415	DEBRIS EJECTOR			2
3	84G-3716	BOLT			6
4	6724593	INSTRUCTIONS			1

# DECALS



B-14391

**DECALS (Cont'd)**

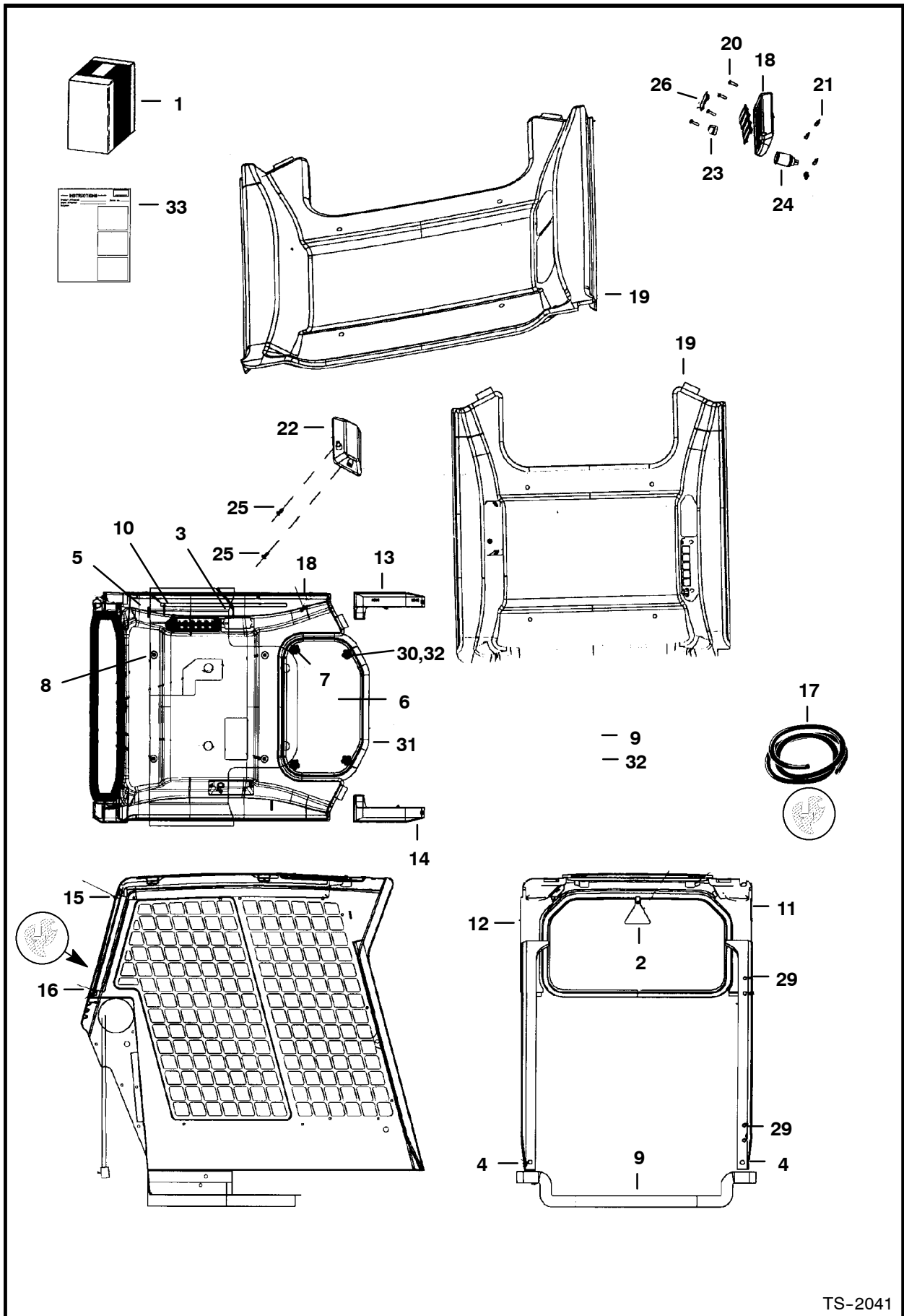
Ref. No.	Part Number	Description	Remarks	Serial Number	Qty.
1	6725035	KIT	decal		1
	6725036AR	KIT	translation - SEE NOTE		1
	6725036BR	KIT	translation - SEE NOTE		1
	6725035AR	KIT	decal - SEE NOTE		1
	6725035BR	KIT	decal - SEE NOTE		1
	6725035JP	KIT	decal - SEE NOTE		1
2	6553976	SAFETY TREAD	5"x8"(127 mm x 203,2 mm)		1
3	6554100	SAFETY TREAD	6" x 6" (152,4 mm x 152,4 mm )		3
4	6717343	DECAL	danger		2
5*	6728327	DECAL	operation - Was 6718701 [A]		1
6	6718703	DECAL	seat & seat bar operating		1
7	6557224	DECAL	patent		1
8	6717907	DECAL	G-Series		1
9	6715428	DECAL	dynamic noise level - Europe		1
10	6565990	DECAL	hyd. fill		1
11	6579639	DECAL	danger		1
12	6595014	DECAL	toe hook - See Page 232		2
13	6557565	DECAL	throttle		1
14	6561383	DECAL	Bob-tach		1
15	6579528	DECAL	carry load low		1
16*	6728125	DECAL	Ingersoll Rand - white lettering -		
			Was 6711328 [A]		1
17	6712791	SAFETY TREAD	25.3" x 13"(642,6 mm x 330,2 mm) - W/corners (2) cut		1
18	6718271	DECAL	advantage series - L.H.		1
19	6579509	DECAL	danger		1
20	6710358	DECAL	warning		1
21	6718698	DECAL	warning		1
22	6709452	DECAL	rated operating capacity - 2400 lbs.		1
23	6714538	DECAL	model number		2
24	6711840	DECAL	manual lift release		1
25	6719563	KIT	handbook - W/Wire Rope		1
	6558309	WIRE ROPE	33" (838,2 mm) long - Bulk - Sold Per Foot - Also Order (2) of 6558310		x
26	6558310	SLEEVE	wire rope		2
	6900791	MANUAL	operator		1







# DELUXE CAB

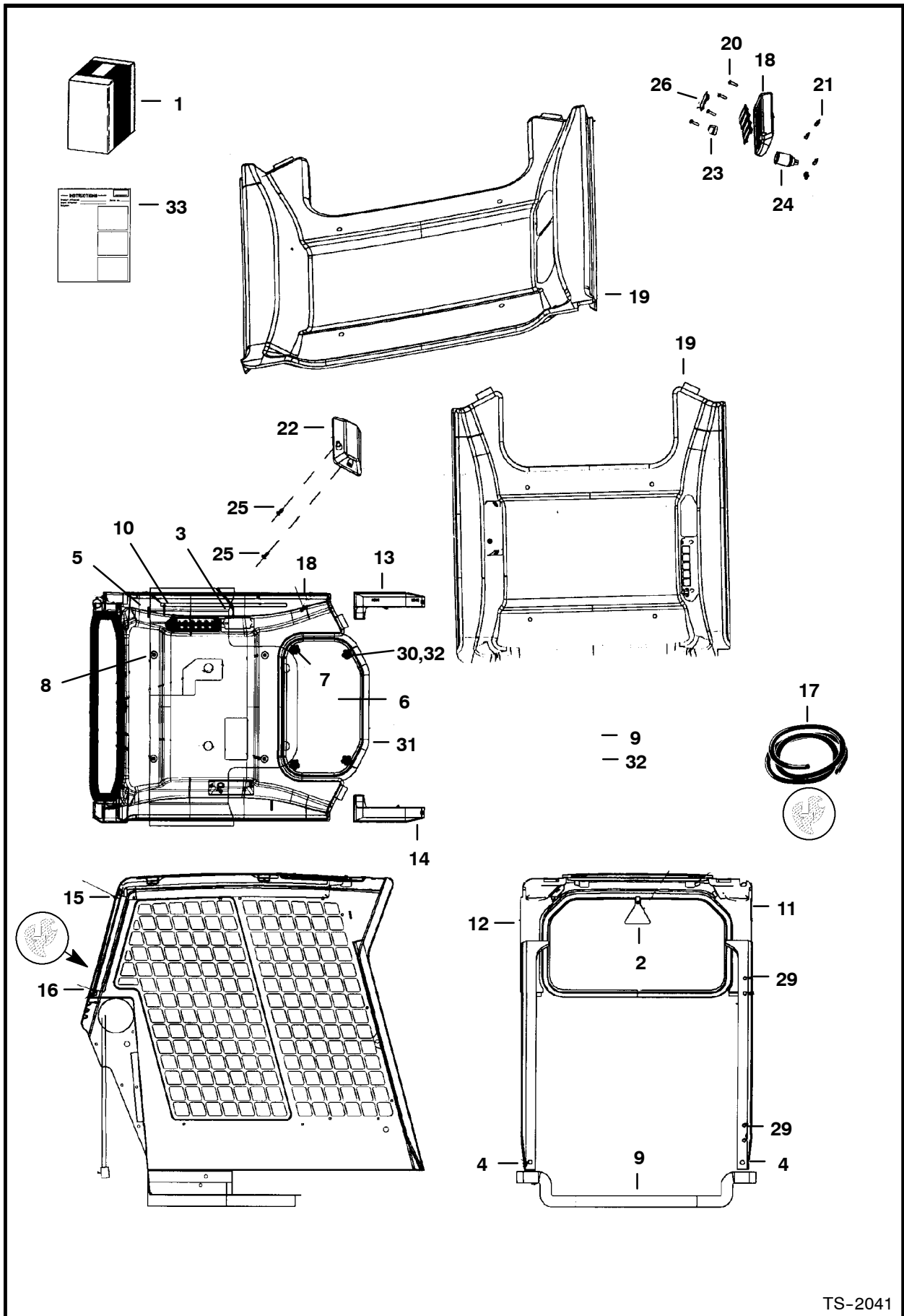


TS-2041

**DELUXE CAB (Cont'd)**

Ref. No.	Part Number	Description	Remarks	Serial Number	Qty.
1	6718804	KIT		5141 45999 & Bel. 5142 40999 & Bel. 5179 11999 & Bel.	1 1 1
*	6729233	KIT	deluxe cab	5141 46001 & Abv. 5142 41001 & Abv. 5179 12001 & Abv.	1 1 1
2	6559515	EXIT TAG			1
3	6610510	TIE			6
4	6649949	PLUG			2
5	6657719	PLUG			1
6	6725360	WINDOW	top		1
7	6674741	KNOB			4
8	6674895	RETAINER	snap in		4
9	6727299	INSULATION	cab back		1
10	NAP	HARNESS	Order 6725273 & 6725275 -		
	6725273	HARNESS	Was 6715366 [A] in kit 6718804	& Bel. 5141 -45999 5142 -40999 5179 -11999	1 1 1
	6727190	HARNESS	deluxe accessories - in kit 6729233	5141 46001 & Abv.	1
	6715365	HARNESS	accessories - export - not in kit	5142 41001 & Abv. 5179 12001 & Abv.	1 1
11	6717517	INSULATION			1
12	6717518	INSULATION			1
13	6717519	INSULATION			1
14	6717520	INSULATION			1
15	6717874	WINDOW	rear		1
16	NAP	EXTRUSION	75.75"(1924 mm) long -		
	NAP	CORD	Order Ref. 6 75.75"(1924 mm) long - Order Ref. 6		x x
17	6675387	SEAL	bulk - Sold Per Foot		x
	6554149	CORD	bulk - Sold Per Foot		x
18	6718580	PANEL			1
19	6717515	INSULATION	headliner		1
20	6669224	BOLT			4
21	6669091	CLIP			4
22	6664368	LIGHT	dome		1
	6665367	BULB			1
23	6664224	CAP			1
24	6664223	OUTLET			1
25	6664221	RETAINER	snap in		2
26	6719038	PLUG			5
27	6672348	PANEL	R.H. - deluxe - keyless - not in kit		1
28					
29	5289686	PLUG	black		1
30	6675545	GROMMET			4
31*	NAP	SEAL	Order Ref. 34 - Was 6675546 [A]		1

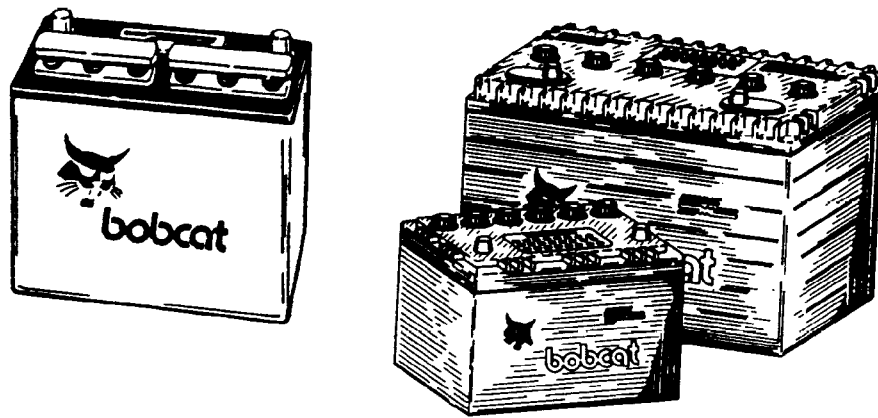
# DELUXE CAB (Cont'd)



TS-2041

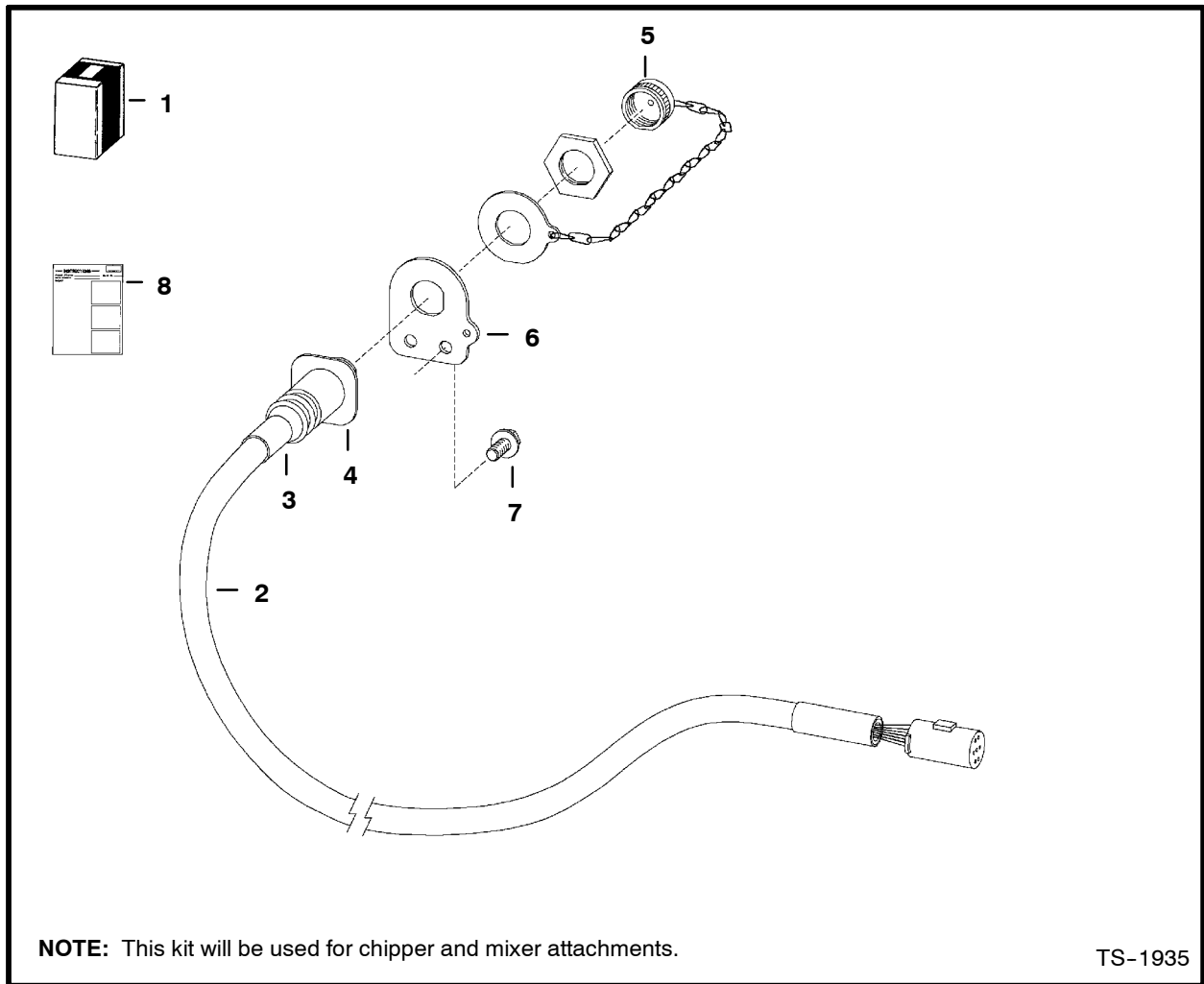


**Bobcat batteries are designed  
to meet the needs of your machine.**



**Available from Bobcat Parts.**

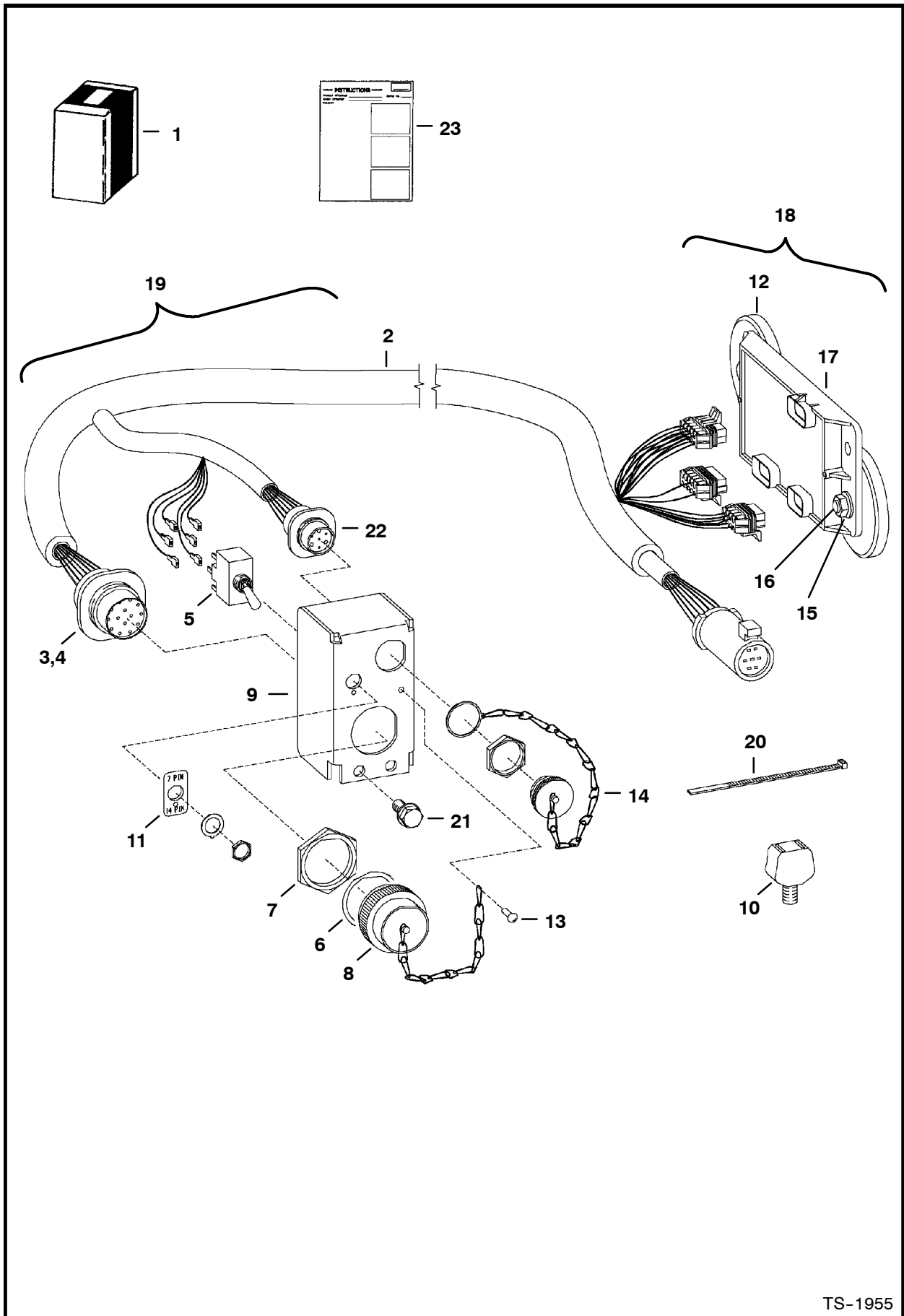




### ELECTRICAL CONTROLS KIT (Electronic Attachments)

Ref. Part No.	Part Number	Description	Remarks	Serial Number	Qty.
1	6718812	KIT	Ref. 2 - 8		1
2	6718426	HARNESS			1
3	6674799	ADAPTER	heat shrink		1
4	6674802	CONNECTOR	7-pin - See Page 308		1
	6669549	SOCKET	small		4
	6677136	SOCKET	large - 12 ga.		3
5	6675026	CAP			1
6	6718750	MOUNT			1
7	84G-3112	BOLT			2
8	6900855	INSTRUCTIONS			1

# ELECTRICAL CONTROLS KIT (To Run "G" Series Attachments & Old Attachments) (W/Toggle Switch)

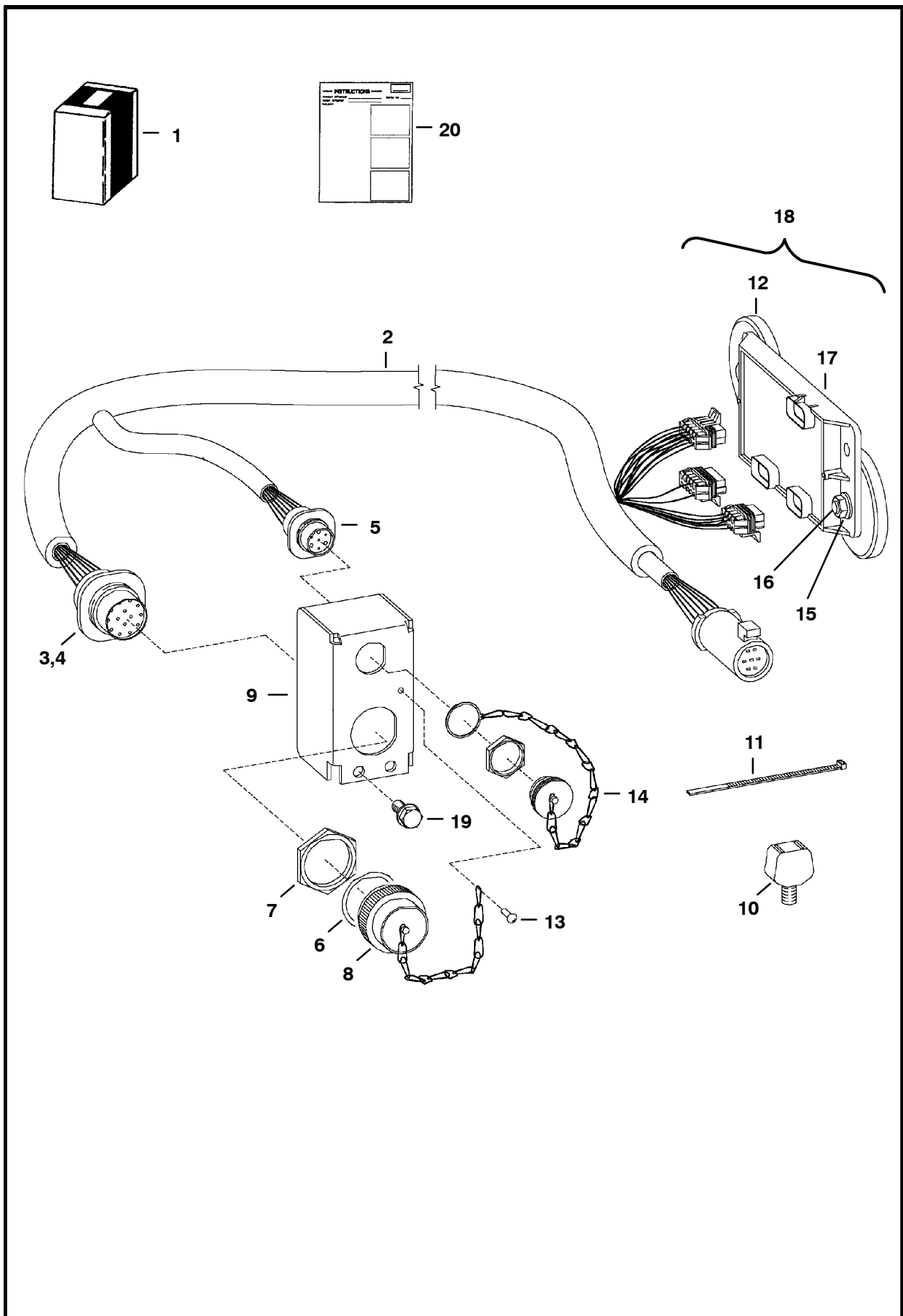


TS-1955



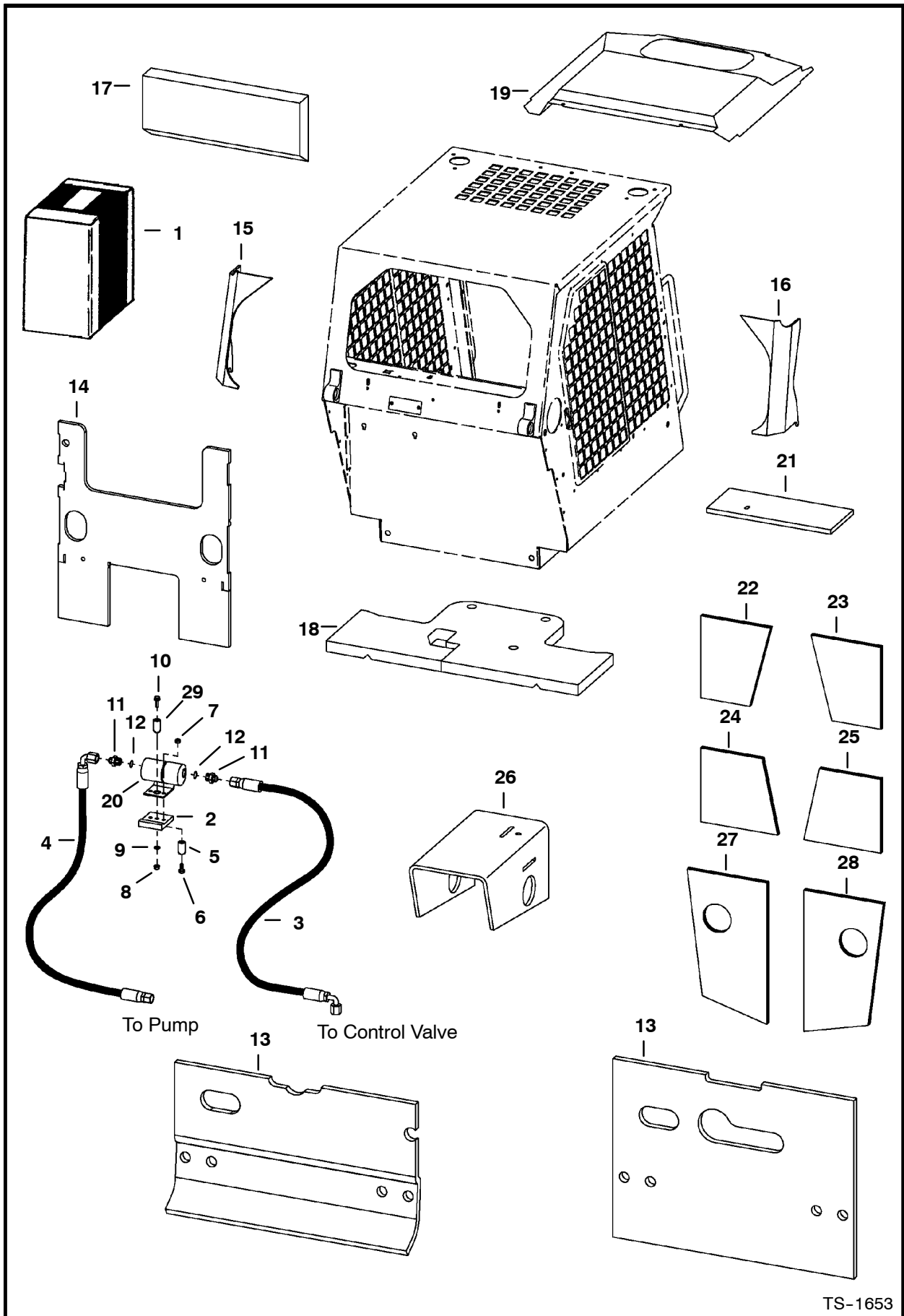


# ELECTRICAL CONTROLS KIT (To Run "G" Series Attachments & Old Attachments) (W/O Toggle Switch)





# EUROPEAN ACCESSORIES (Sound Option)

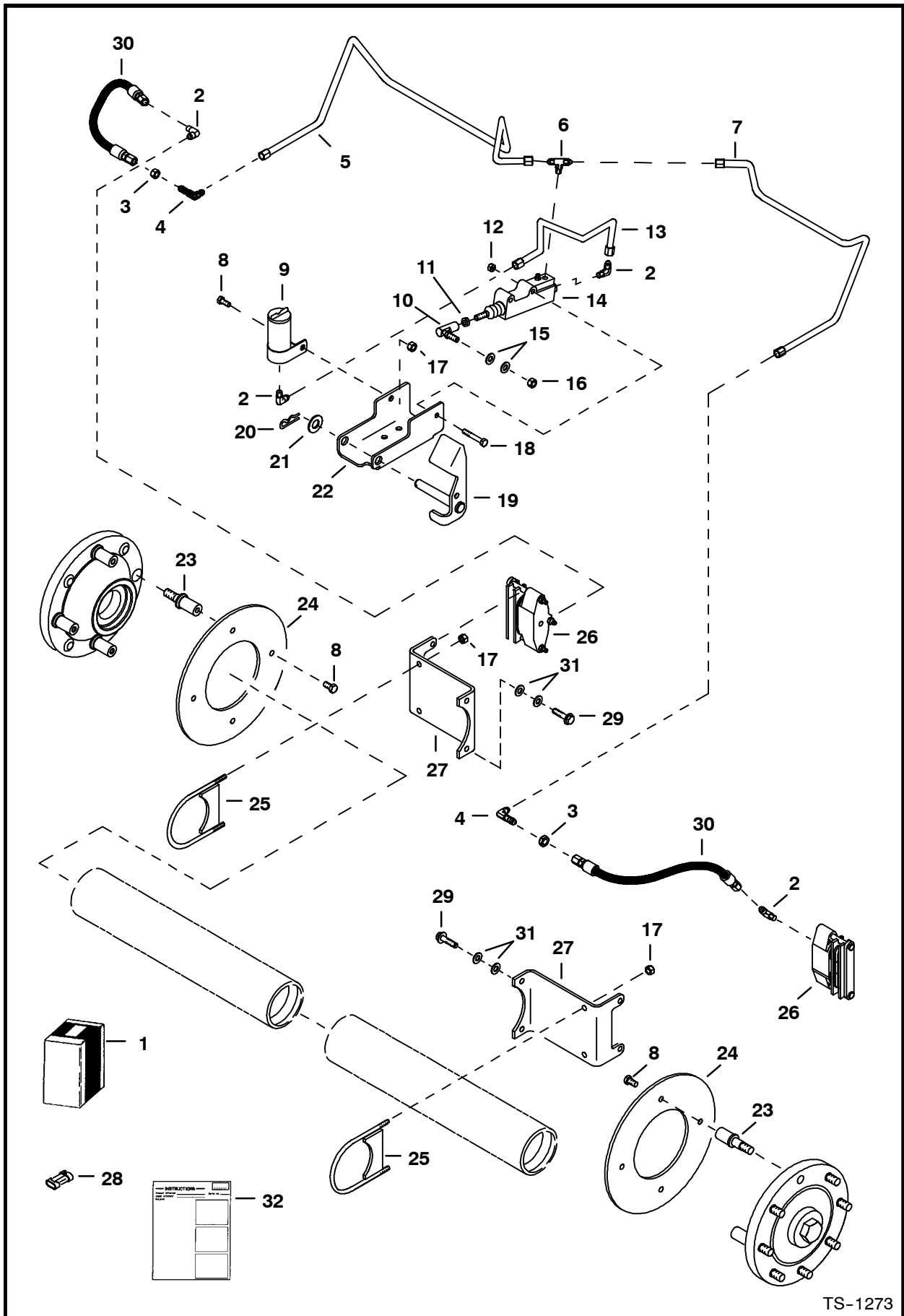


TS-1653

**EUROPEAN ACCESSORIES (Cont'd)**  
**(Sound Option)**

<b>Ref. No.</b>	<b>Part Number</b>	<b>Description</b>	<b>Remarks</b>	<b>Serial Number</b>	<b>Qty.</b>
1	NAP	KIT	Ref. 2-28 - Order individual parts		1
2	6705333	MOUNT			1
3	6714806	HOSE			1
4	6714977	HOSE			1
5	6562619	BUSHING			2
6	35C-616	BOLT			2
7	85D-6	NUT			2
8	83D-6	NUT			1
9	619021	WASHER			1
10	37C-624	BOLT			1
11	15KN-8	ADAPTER	W/Ref. 12		2
	96K-12	O-RING			2
12	98K-12	O-RING			2
13	6715106	INSULATION	rear door		1
14	6719449	INSULATION	steering panel		1
15	6703967	INSULATION	fender		2
16	6709829	INSULATION	air inlet		1
17	6715096	INSULATION	cab back		1
18	6719333	INSULATION	blower housing		1
19	6719332	INSULATION	blower housing		1
20	6659982	MUFFLER	hydraulic		1
21	6719478	INSULATION			1
22	6719486	INSULATION			1
23	6719487	INSULATION			1
24	6719488	INSULATION			1
25	6719489	INSULATION			1
26	6715443	INSULATION			1
27	6715456	INSULATION			1
28	6715457	INSULATION			1
29	6715744	BUSHING			1
30	6719479	INSULATION			1
31	6703968	INSULATION	transmission		2
32	6719058	INSULATION	crossmember		1

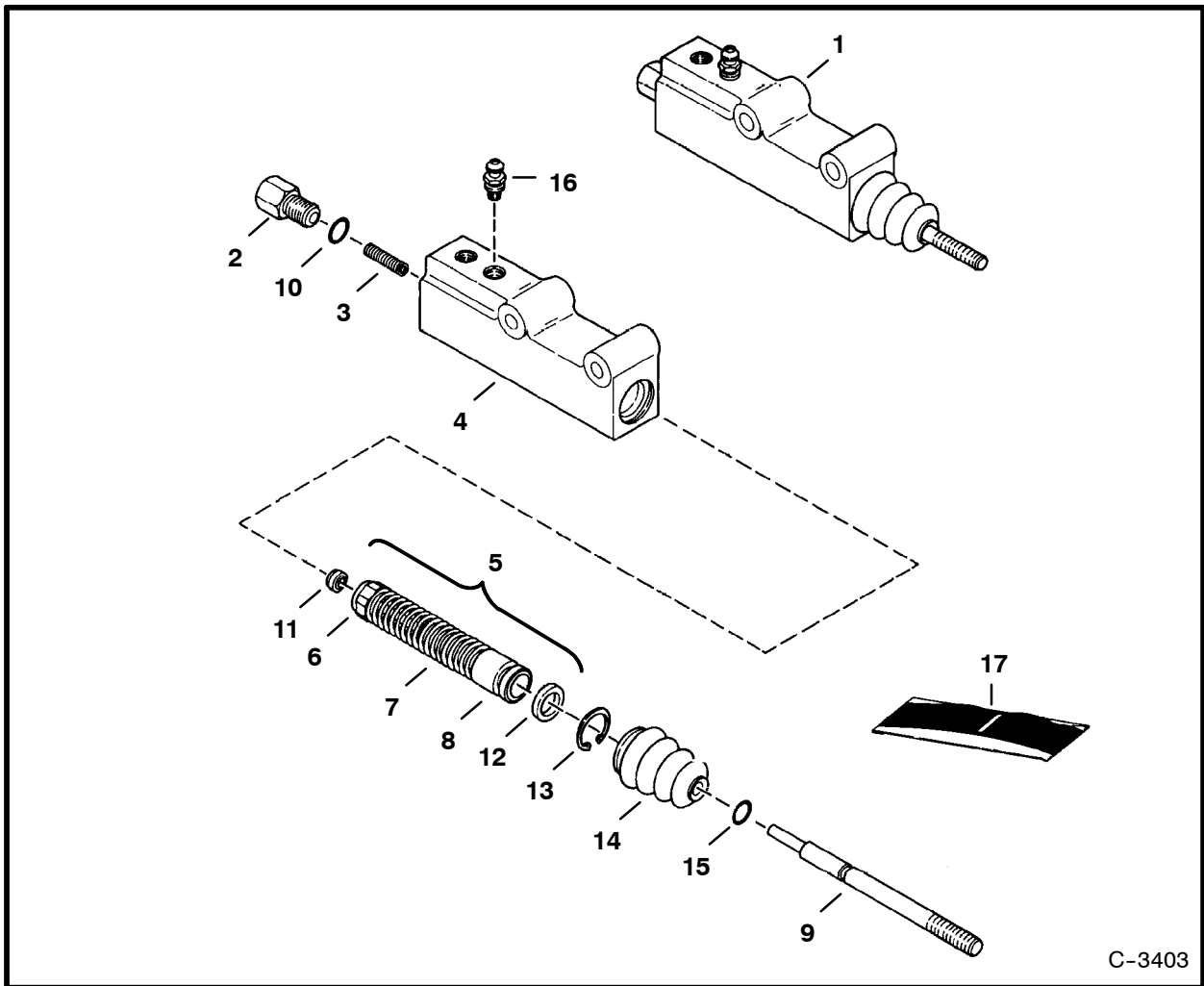
# EUROPEAN ACCESSORIES (Caliper Brake Kit)



TS-1273

**EUROPEAN ACCESSORIES (Cont'd)**  
**(Caliper Brake Kit)**

Ref. No.	Part Number	Description	Remarks	Serial Number	Qty.
1	NAP	KIT	Ref. 2 - 32 - Was 6718032 [A]		1
2	83F-3	ELBOW			4
	83FN-3	ELBOW			4
3	86F-3	ELBOW			2
4	88F-3	ELBOW	W/O O-rings		2
	88FN-3	ELBOW	W/O-rings		2
	97K-4	O-RING			x
5	6710421	TUBE			1
6	98F-3	TEE			1
7	6710420	TUBE			1
8	17C-612	BOLT			9
9	6661117	TANK			1
10	6599744	BALL JOINT			1
11	8D-6	NUT			1
12	91D-5	NUT			2
13	6709400	TUBE			1
14	6666933	MASTER CYL.	See Page 247		1
15	25E-17	WASHER			1
16	62D-6	NUT			1
17	95D-6	NUT			9
18	17C-532	BOLT			2
19	6709239	PEDAL			1
20	1318565	HAIR PIN			1
21	25E-25	WASHER			1
22	6709236	MOUNT	pedal		1
23	6709229	BOLT			8
24	6709234	DISC			2
25	6709361	CLAMP			2
26	6666932	BRAKE ASSY.	See Page 248		2
27	6716901	MOUNT	caliper		2
28	6667139	CAP			1
29	17C-620	BOLT			4
30	6710415	HOSE			2
31	27E-6	WASHER			8
32	6724380	INSTRUCTIONS			1

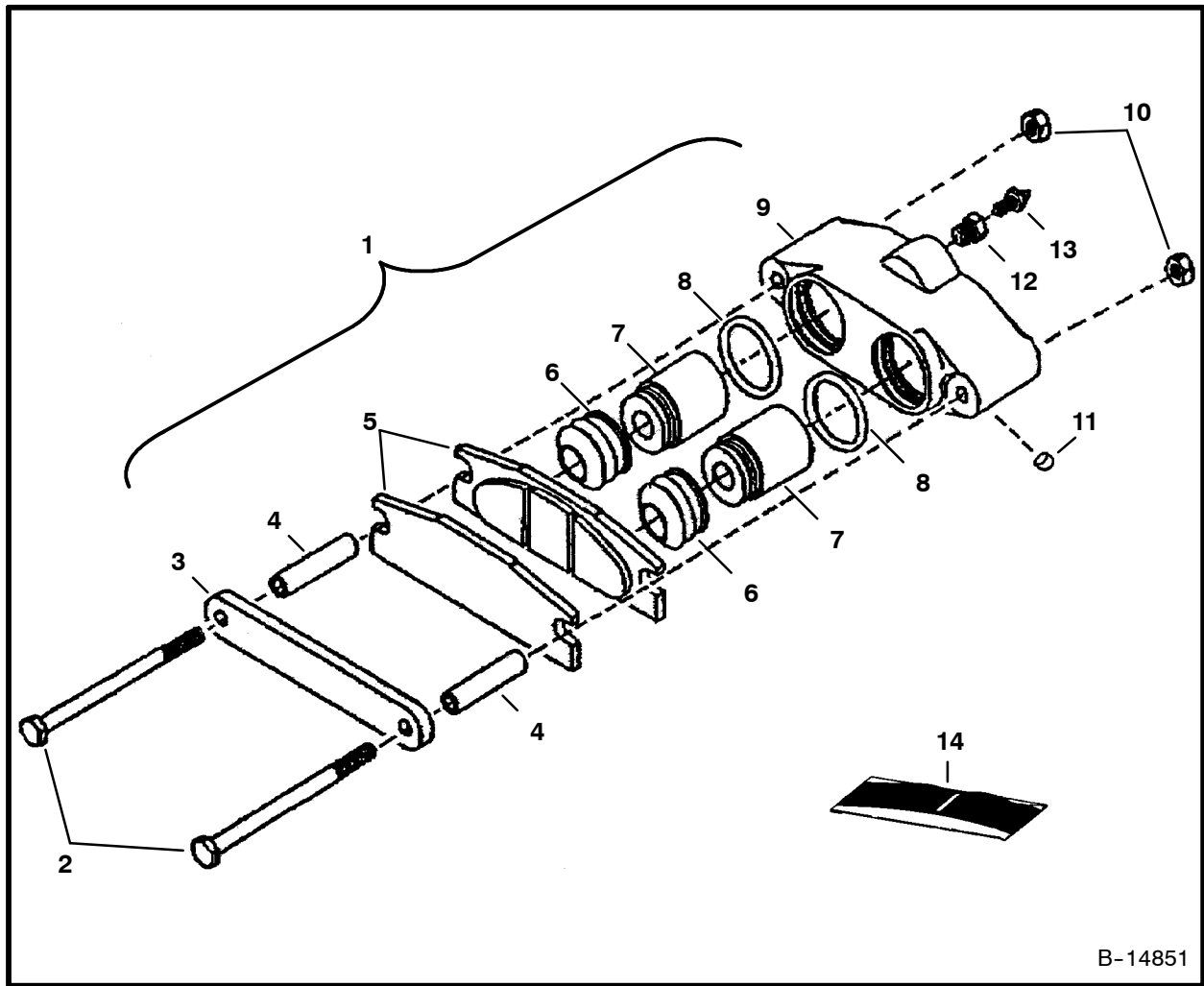


C-3403

**EUROPEAN ACCESSORIES  
(Master Cylinder - Caliper Brakes)**

Ref. No.	Part Number	Description	Remarks	Serial Number	Qty.
1	6666933	CYLINDER	master brake - Ref. 2-16		1
2	NSS	ADAPTER			1
3	NSS	SPRING			1
4	NSS	BODY			1
5	NSS	SPRING ASSY.	Ref. 6-8 & 11		1
6	NSS	RETAINER			1
7	NSS	SPRING			1
8	NSS	PISTON			1
9	NSS	PUSH ROD			1
10	NSS	O-RING			1
11	NSS	SEAT			1
12	NSS	CUP			1
13	NSS	SNAP RING			1
14	NSS	BOOT			1
15	NSS	O-RING			1
16	6668097	SCREW	bleeder		1
17	6661608	SEAL KIT	Ref. 10-15		1



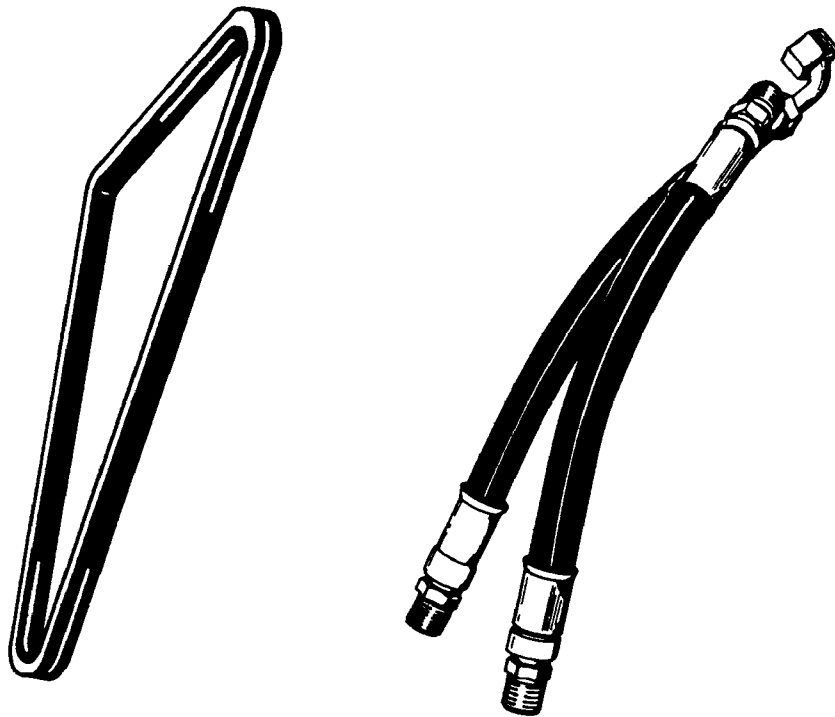


B-14851

**EUROPEAN ACCESSORIES  
(Brake)**

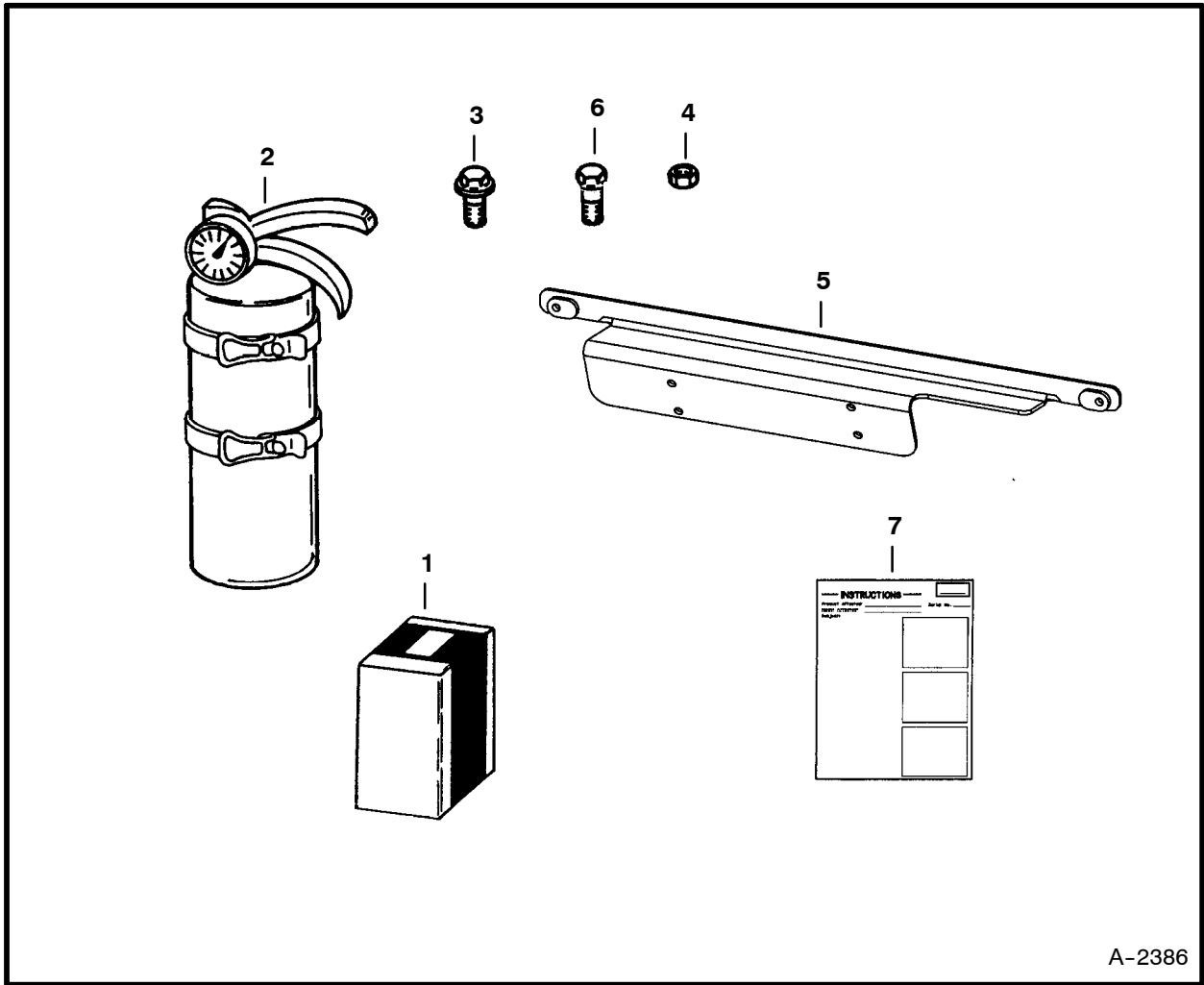
Ref. No.	Part Number	Description	Remarks	Serial Number	Qty.
1	6666932	BRAKE ASSY.	W/Ref. 2 - 13		1
2	6669154	BOLT			2
3	6669155	PLATE			1
4	6669156	SPACER			2
5	6669184	STATOR ASSY.			1
6	NSS	BOOT	Order Ref. 14		2
7	6669159	PISTON			2
8	NSS	O-RING	Order Ref. 14		2
9	NSS	HOUSING	Order Ref. 1		1
10	6669162	NUT			2
11	6669163	PLUG			1
12	6669164	ADAPTER			1
13	6669165	SCREW	bleeder		1
14	6669185	SEAL KIT	W/Ref. 6 & 8		1

**Use only Bobcat belts and hoses to maintain maximum service life.**



**Available from Bobcat Parts.**



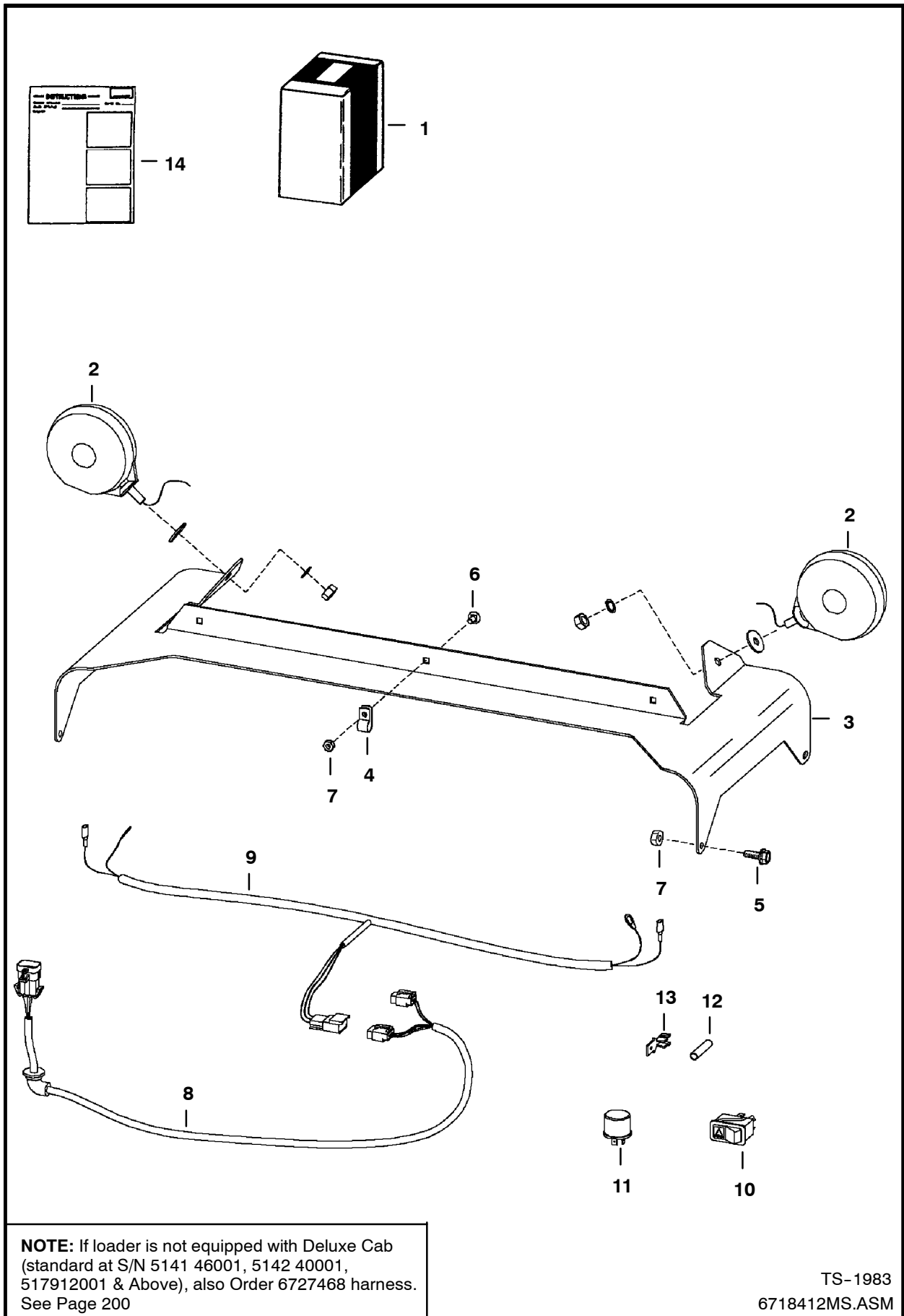


A-2386

**FIRE EXTINGUISHER**

Ref. No.	Part Number	Description	Remarks	Serial Number	Qty.
1	6725898	KIT	fire extinguisher - Ref. 2-7		1
2	6675581	EXTINGUISHER			1
3	45G-1006	BOLT			4
4	12D-10	NUT			4
5	6725906	BRACKET			1
6	31C-410	BOLT			2
7	6901025	INSTRUCTIONS			1

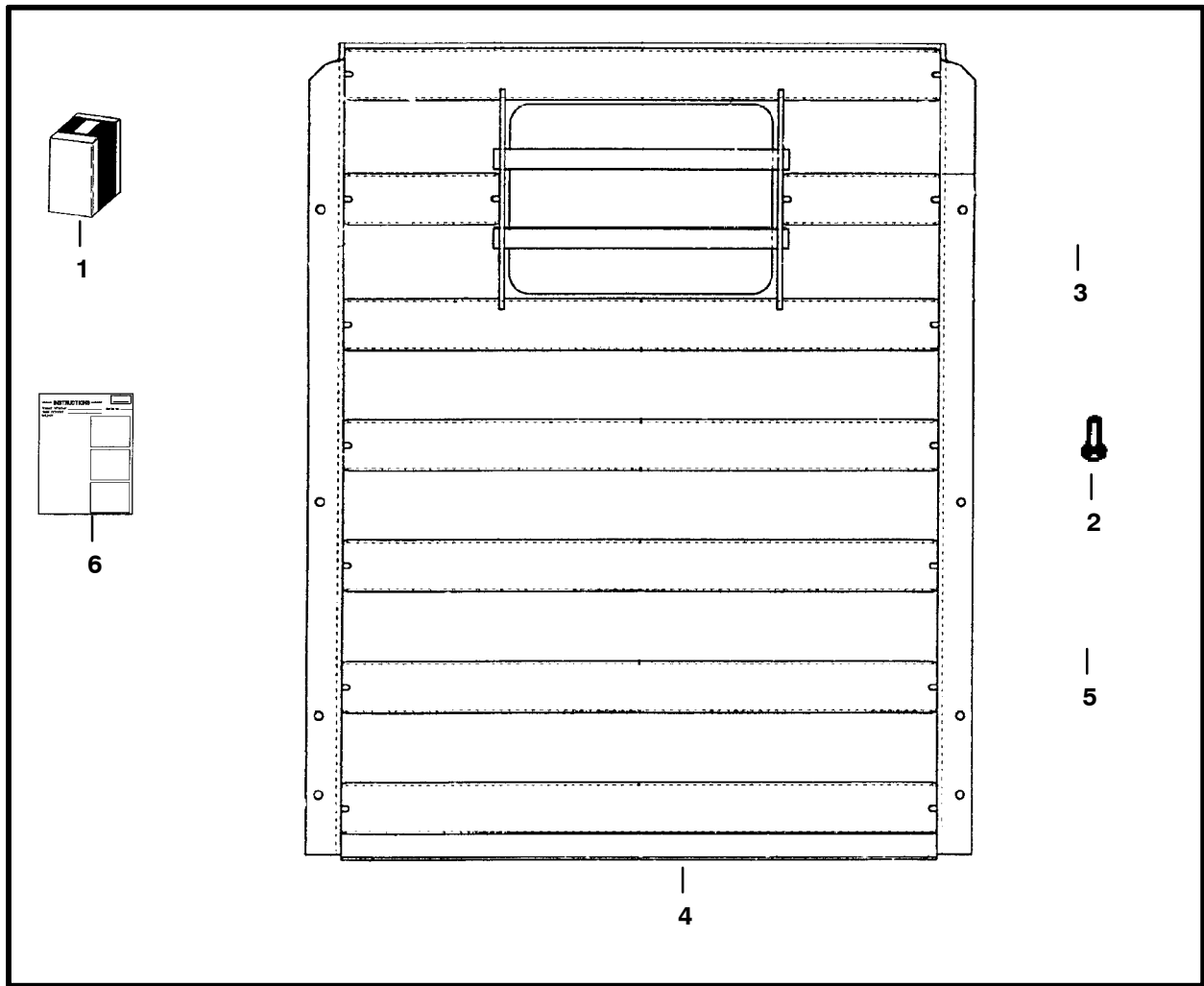
# FLASHER LIGHTS (4-Way) (Turn Indicators)



**NOTE:** If loader is not equipped with Deluxe Cab (standard at S/N 5141 46001, 5142 40001, 517912001 & Above), also Order 6727468 harness. See Page 200

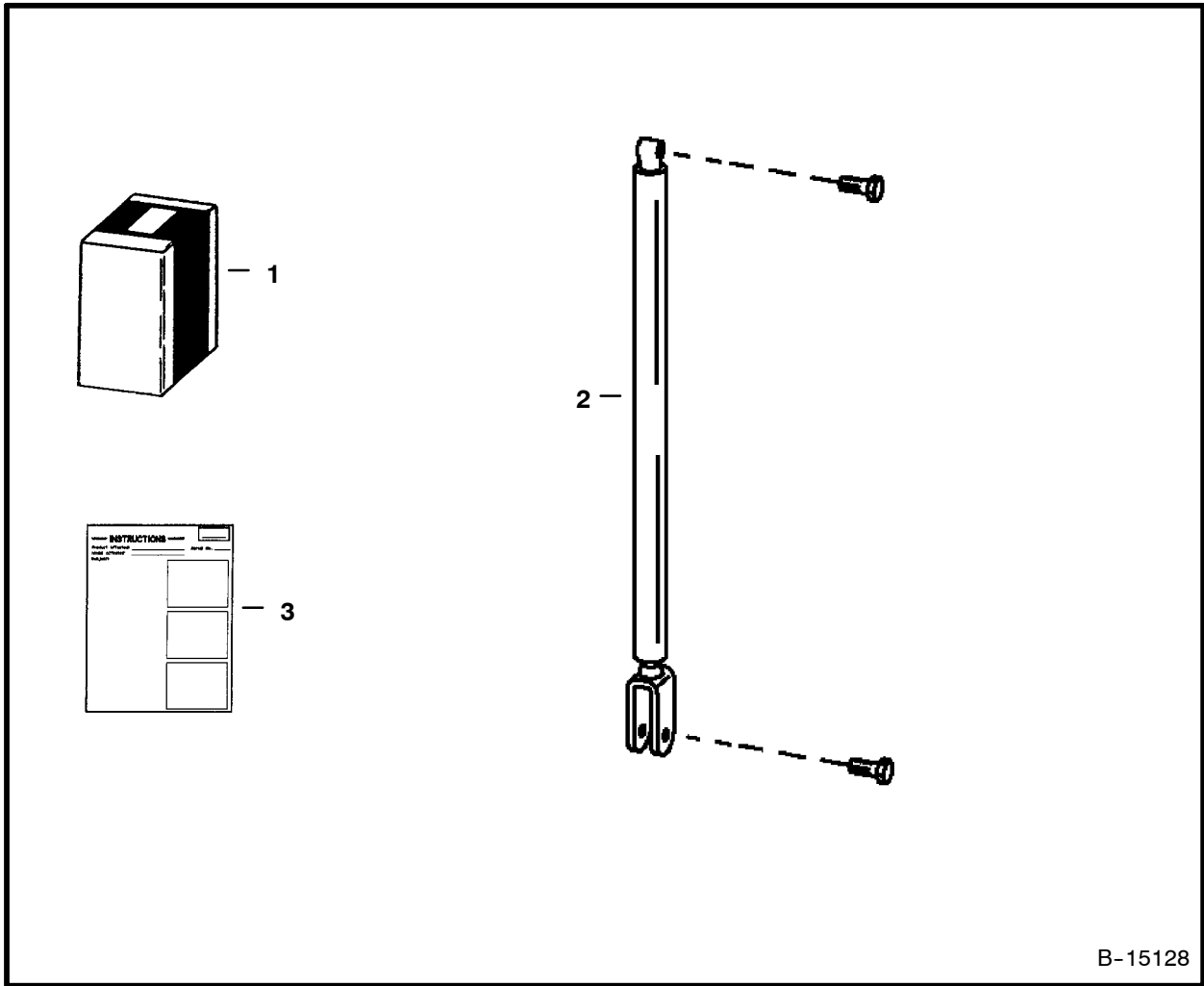
TS-1983  
6718412MS.ASM





**F.O.P.S. KIT**

Ref. No.	Part Number	Description	Remarks	Serial Number	Qty.
1	6718924	KIT	Ref. 2 - 6		1
2	17C-616	BOLT			14
3	83D-6	NUT			14
4	6702402	SHIELD			1
5	6718833	BRACKET	L.H.		1
	6718834	BRACKET	R.H.		1
6	6720592	INSTRUCTIONS			1

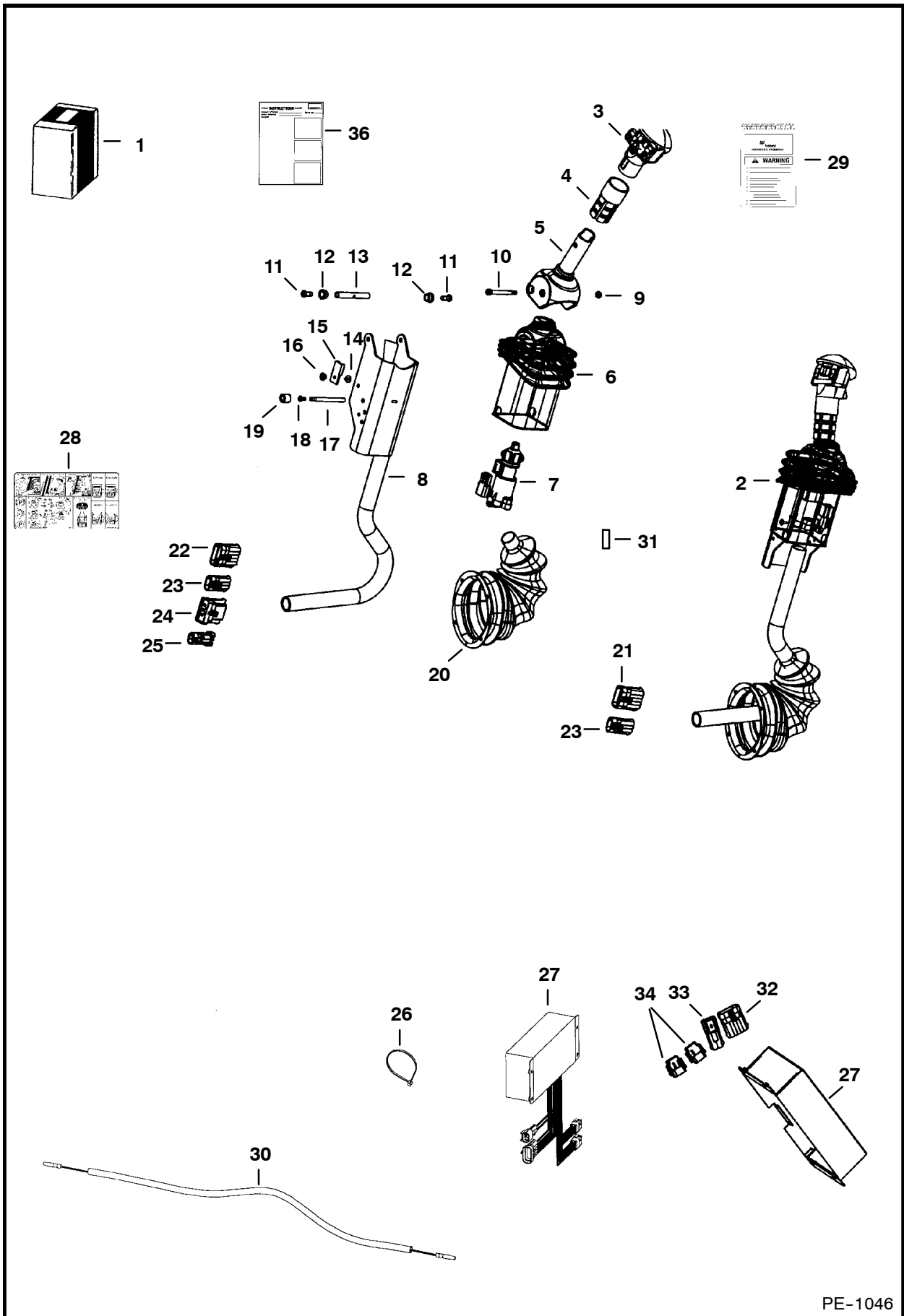


B-15128

**GAS SPRING KIT**

Ref. No.	Part Number	Description	Remarks	Serial Number	Qty.
1	NAP	KIT	Ref. 2-3		1
2	6675139	GAS SPRING	Also Order Ref. 3		1
3	6900531	INSTRUCTIONS			1

# HAND CONTROL KIT (W/Push Button Float)



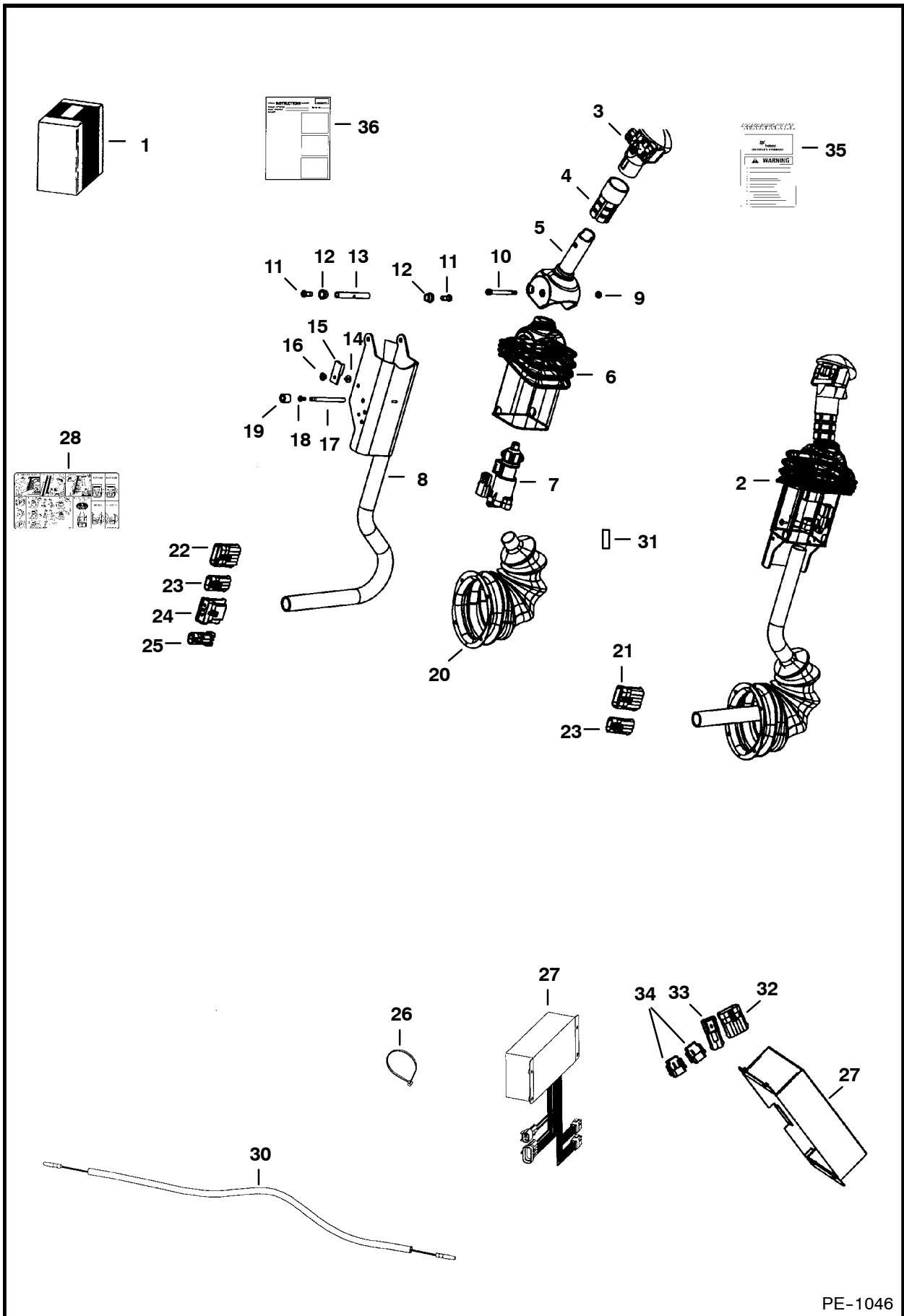
PE-1046



**HAND CONTROL KIT (Cont'd)**  
**(W/Push Button Float)**

Ref. No.	Part Number	Description	Remarks	Serial Number	Qty.
1	6727298	KIT			1
2	6675742	LEVER	tilt - R.H.		1
	6675750	LEVER	lift - L.H.		1
3	6675469	HANDLE	lift - R.H.		1
	6675749	HANDLE	lift - L.H.		1
4	6713349	GRIP			2
5	6597774	HANDLE	R.H.		1
	6717163	HANDLE	L.H.		1
6	6713898	COVER			2
7	6675741	SENSOR			2
	6670706	CONNECTOR	3-pin		1
	6670714	PIN			3
8	6670710	LOCK			1
	6719712	CHANNEL	R.H.		1
	6719711	CHANNEL	L.H.		1
9	12D-10	NUT			2
10	6716826	BOLT			2
11	25GT-410	BOLT			8
12	6702990	BUSHING			4
13	6713043	SPACER			4
14	6665321	RIVET	male		2
15	6665000	CLIP			2
16	6665322	RIVET	female		2
17	6719834	SPACER	threaded		2
18	6727065	BOLT			4
19	6719835	SLEEVE			4
20	6532127	BOOT			2
21	6640692	CONNECTOR	10-pin		1
	6640690	PIN			8
	6640694	CAP			1
	6641176	SEAL			8
	6646582	PLUG	cavity		2
22	6640692	CONNECTOR	10-pin		1
	6640690	PIN			6
	6640694	CAP			1
	6641176	SEAL			6
	6646582	PLUG	cavity		4
23	6640699	CONNECTOR	3-pin		2
	6640690	PIN			3
	6641176	SEAL			3
	6640700	LOCK			3
24	6667144	CONNECTOR	5-pin		1
	6640690	PIN			3
	6641176	SEAL			3
	6646582	PLUG	cavity		1
	6667145	LOCK			1
25	6641179	CONNECTOR	2-pin		1
	6640690	PIN			2
	6641176	SEAL			2
	6641180	LOCK			1
26	6610510	TIE			11

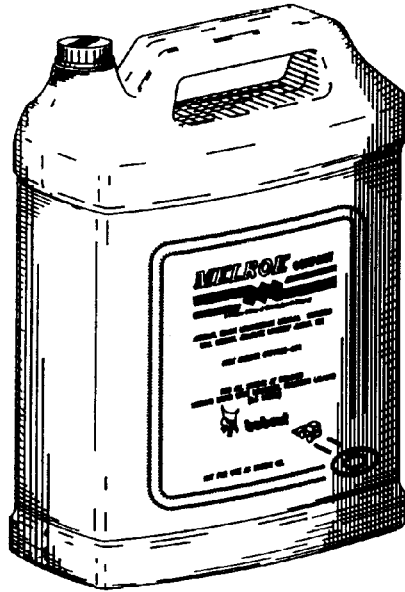
# HAND CONTROL KIT (Cont'd) (W/Push Button Float)



PE-1046



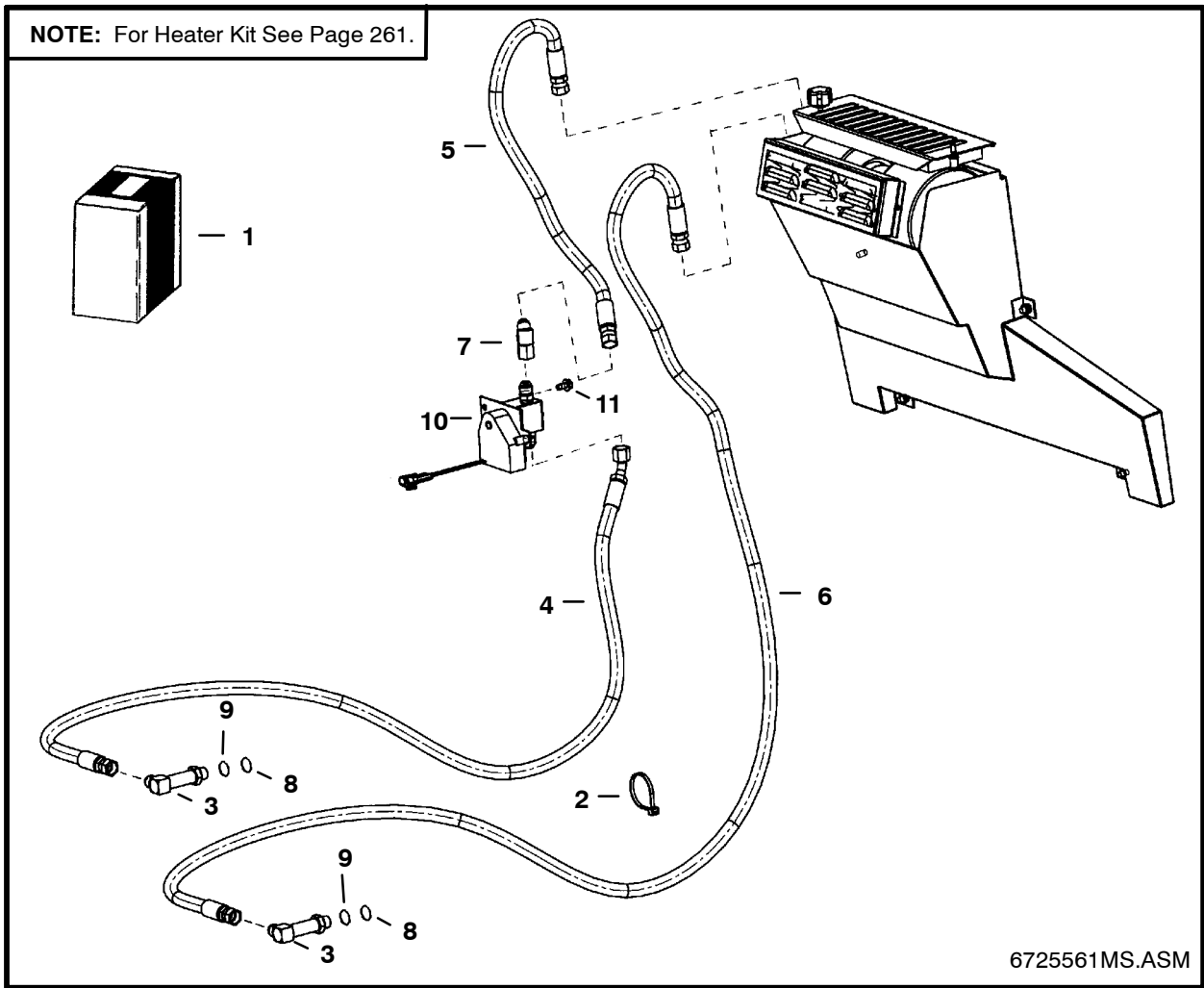
**Bobcat Hydraulic/Hydrostatic Fluid  
is blended to our specifications  
to meet or exceed requirements of our components.**



**Available from Bobcat Parts.**



**NOTE:** For Heater Kit See Page 261.



6725561MS.ASM

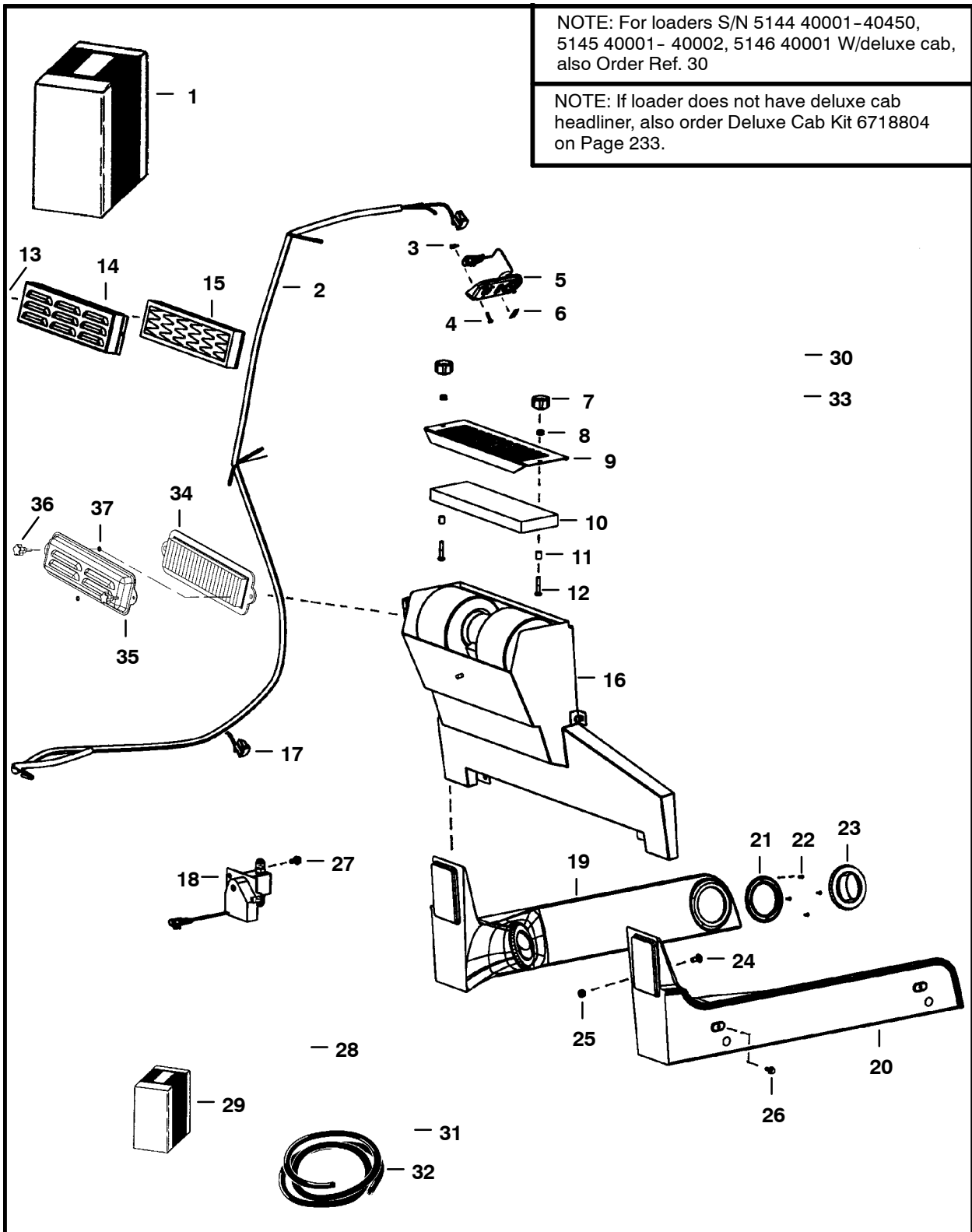
### HEATER & A/C (Heater Plumbing Kit)

Ref. No.	Part Number	Description	Remarks	Serial Number	Qty.
1	6718810	KIT	Ref. 2 - 7		1
2	6624289	TIE			3
3	6719395	CONNECTOR	W/Ref. 8 & 9		2
4	6719914	HOSE	Was 6719533 [A]		1
5	6719514	HOSE	Was 6719534 [A]		1
6	6719515	HOSE	Was 6719535 [A]		1
7	12KN-6	ELBOW			1
8	6676540	O-RING			x
9	NSS	BACK-UP RING			x
10		VALVE	heater - not in kit - See Page 261		1
11	84G-3110	BOLT	not in kit		2

# HEATER & A/C (Heater Kit)

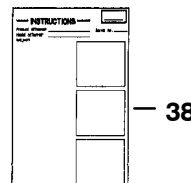
NOTE: For loaders S/N 5144 40001-40450, 5145 40001- 40002, 5146 40001 W/deluxe cab, also Order Ref. 30

NOTE: If loader does not have deluxe cab headliner, also order Deluxe Cab Kit 6718804 on Page 233.



When installing this kit in a machine with the Michigan suspension seat the back angle adjusting knob may have to be replaced with 6674263.

When installing this kit in a machine with Advanced Hand Controls the throttle lever may have to be replaced with 6717393.



PE-1034

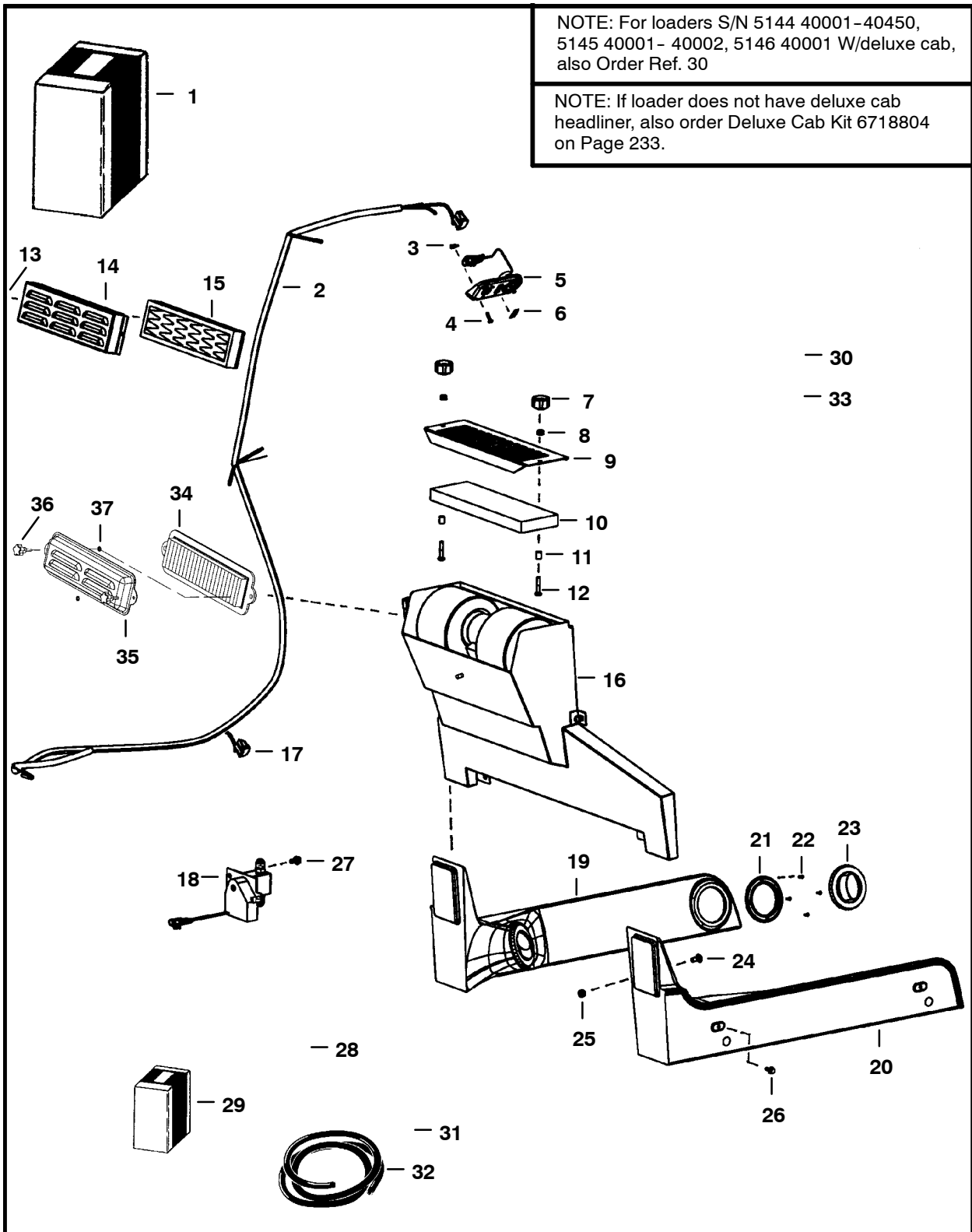
**HEATER & A/C (Cont'd)  
(Heater Kit)**

Ref. No.	Part Number	Description	Remarks	Serial Number	Qty.
1	6718803	HEATER KIT	Ref. 2-28 & 38 - SEE NOTE		1
2	NAP	HARNESS	hvac - Order 6725933 Harness - Was 6725275 [A]	& Bel	1
	6725933	HARNESS	hvac-W/Ref. 17-Was 6717877 [A]	& Abv	1
	6725273	HARNESS	AHC		1
3	6669091	CLIP	retainer		3
4	6669224	BOLT			3
5	6674228	PANEL	control		1
	6640699	CONNECTOR			1
	6718579	DECAL			1
	6718887	PANEL			1
	6675176	SWITCH	blower		1
	6675177	KNOB			1
	6675846	POTENTIOMETER	Was 6675178 [A]		1
6	6675181	PLUG	switch hole		1
7	6674741	KNOB			2
8	83D-4	NUT			2
9	6718175	SCREEN	filter		1
10	6674229	FILTER	recirculation		1
11	6718837	SPACER			2
12	37C-424	BOLT			2
13	87G-1008	SCREW			2
14	NAP	COVER	filter - Order Ref. 34, 35 & (2) ea. of Ref. 36 & 37 -Was 6674236 [A]	5141 44309 & Bel.	1
				5142 40096 & Bel.	1
15	NAP	FILTER	Order Ref. 34, 35 & (2) ea. of Ref. 36 & 37 - Was 6674230 [A]	5179 11029 & Bel.	1
				5141 44309 & Bel.	1
				5142 40096 & Bel.	1
				5179 11029 & Bel.	1
16	6674933	HEATER	See Page 265		1
17	6670312	SOLENOID	relay		1
18	NAP	VALVE	Order 6675684 Valve - Was 6674227 [A]		1
	6675684	VALVE			1
	6640699	CONNECTOR	for 6674227 valve		1
	6675175	BRACKET			1
	6675172	BRACKET			1
	6675173	ACTUATOR			1
	6675174	BODY			1
19	6717644	DUCT	L.H.		1
20	6717643	DUCT	R.H.		1
21	6675179	FLANGE			4
22	57G-608	SCREW			16
23	6674231	VENT	round - W/Ref. 21 & 22		4
	6675180	VENT			4
24	37C-512	BOLT			4
25	59D-5	NUT			4
26	35C-410	BOLT			4
27	84G-3110	BOLT			2
28	774220	NUT	spring		2

## HEATER & A/C (Cont'd) (Heater Kit)

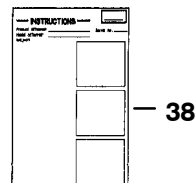
NOTE: For loaders S/N 5144 40001-40450, 5145 40001- 40002, 5146 40001 W/deluxe cab, also Order Ref. 30

NOTE: If loader does not have deluxe cab headliner, also order Deluxe Cab Kit 6718804 on Page 233.



When installing this kit in a machine with the Michigan suspension seat the back angle adjusting knob may have to be replaced with 6674263.

When installing this kit in a machine with Advanced Hand Controls the throttle lever may have to be replaced with 6717393.

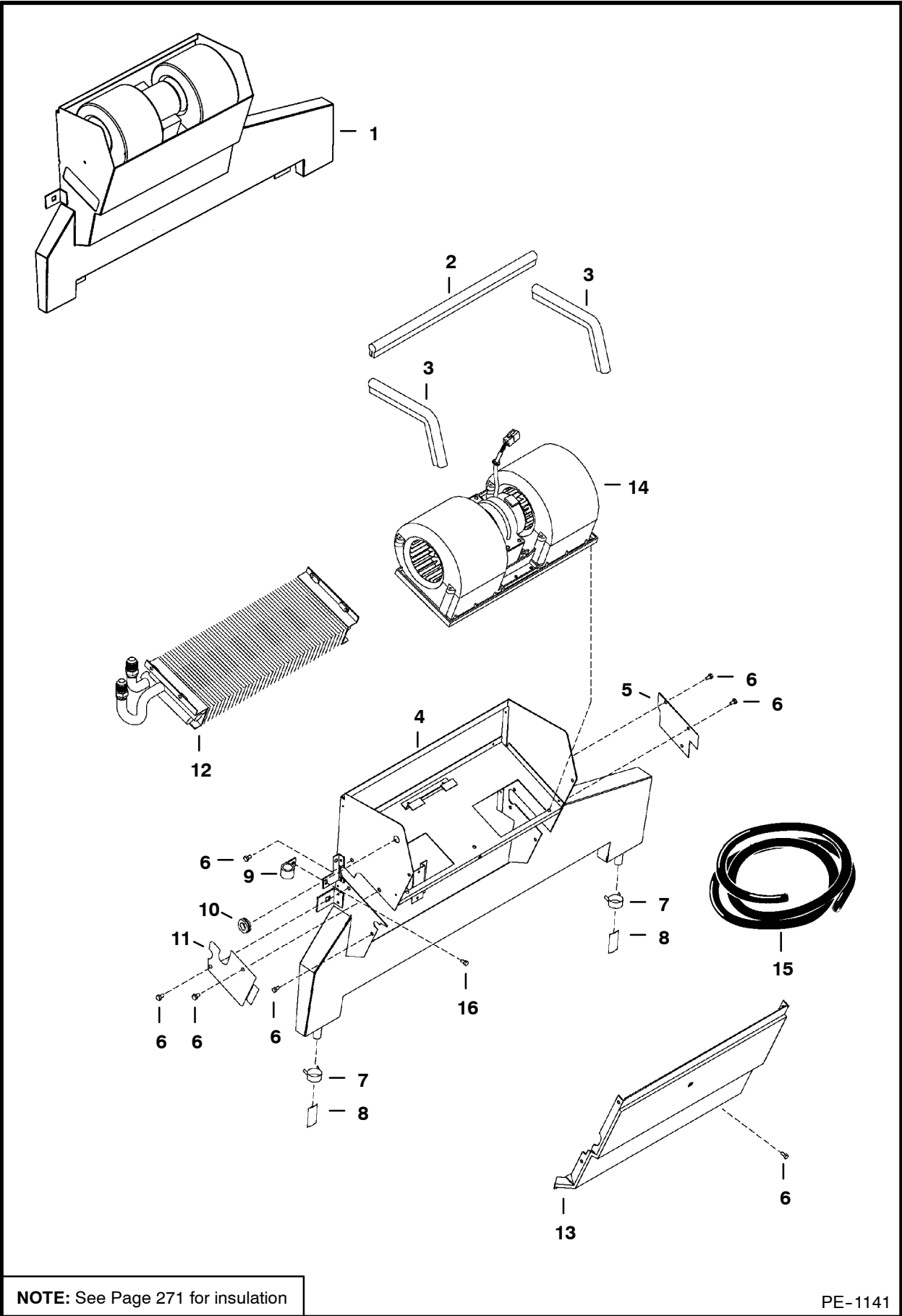


PE-1034





**HEATER & A/C  
(Heater Assembly) (S/N & Below)**

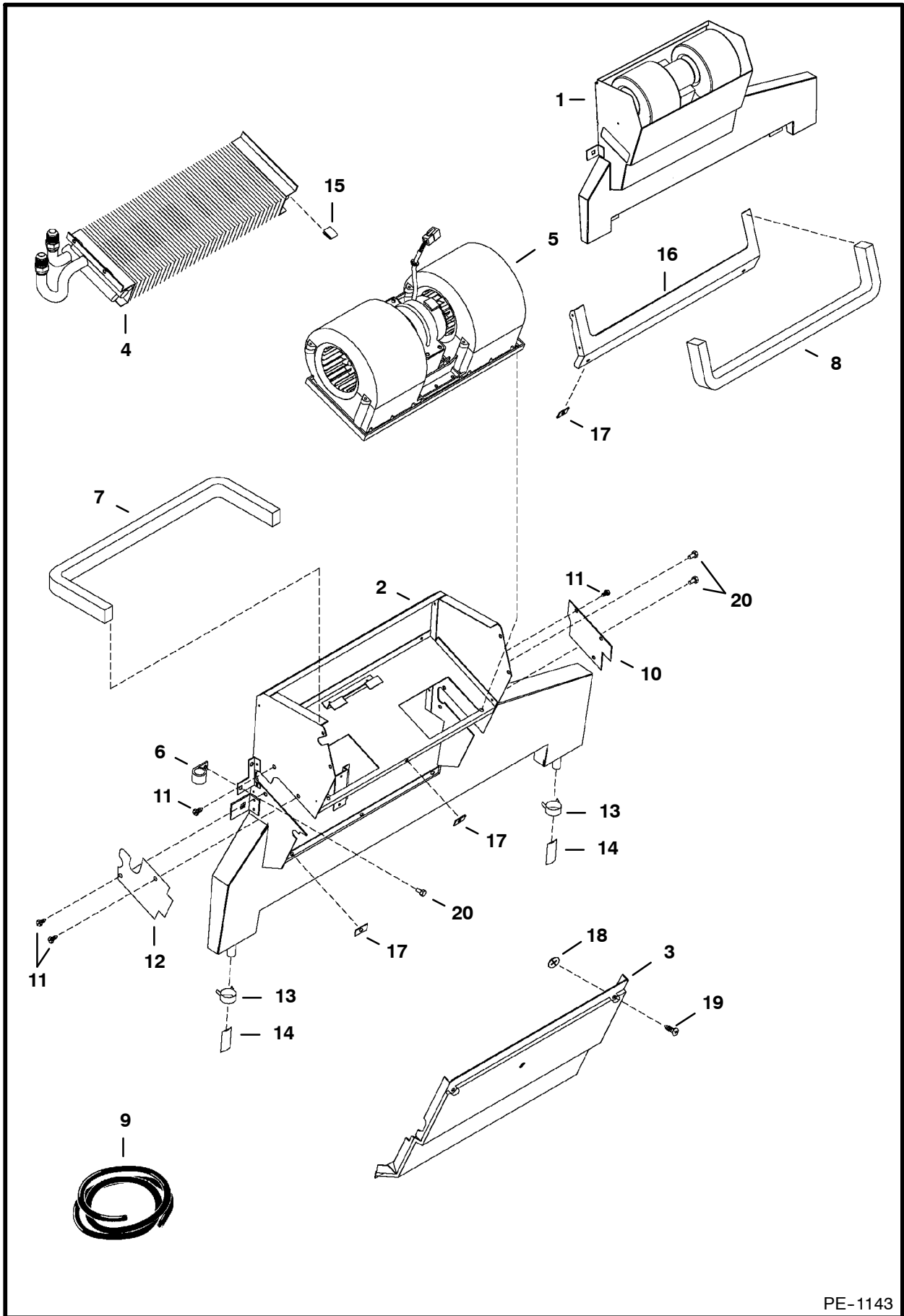


**NOTE:** See Page 271 for insulation

PE-1141

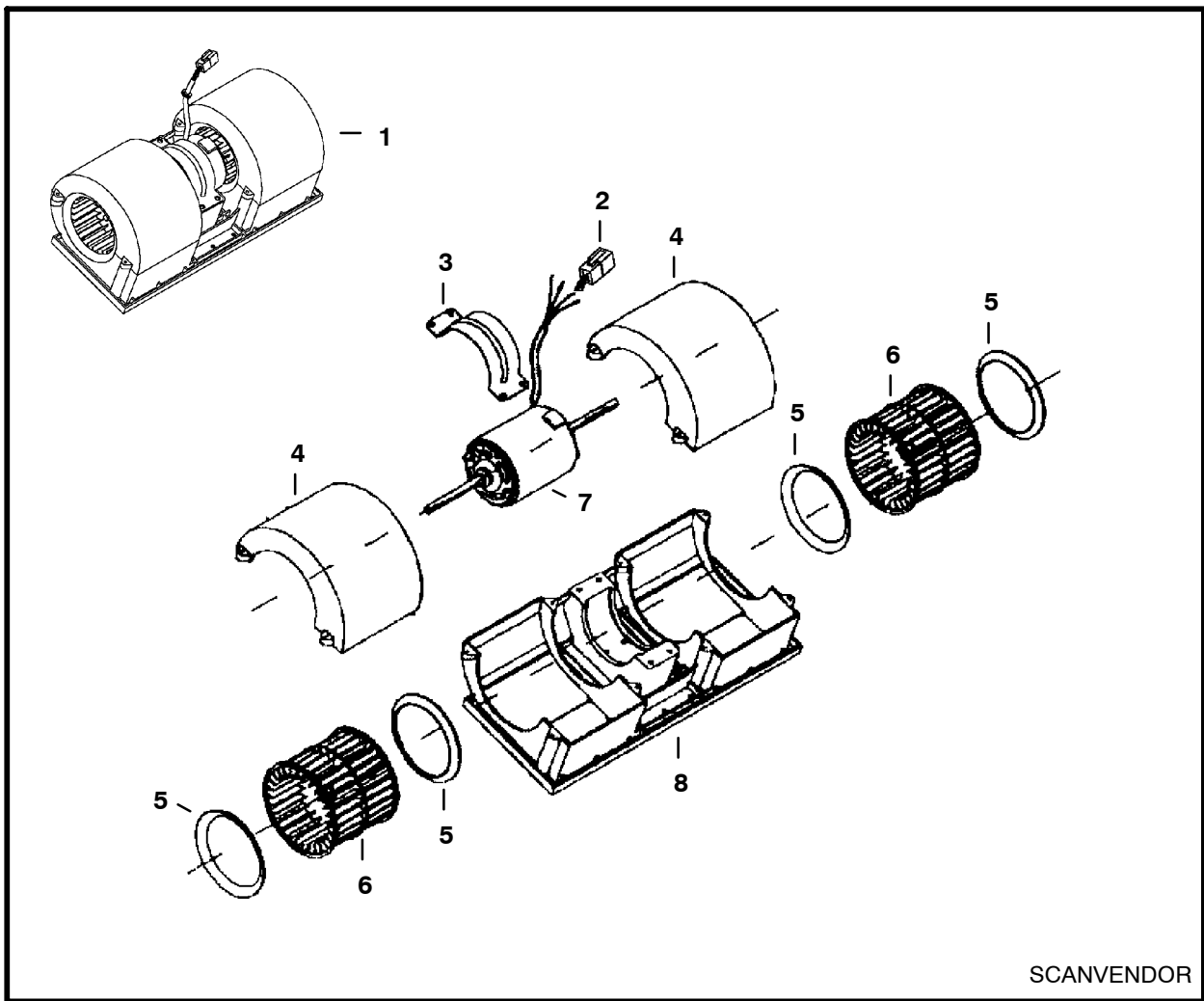


**\* HEATER & A/C  
(Heater Assembly) (S/N & Above)**



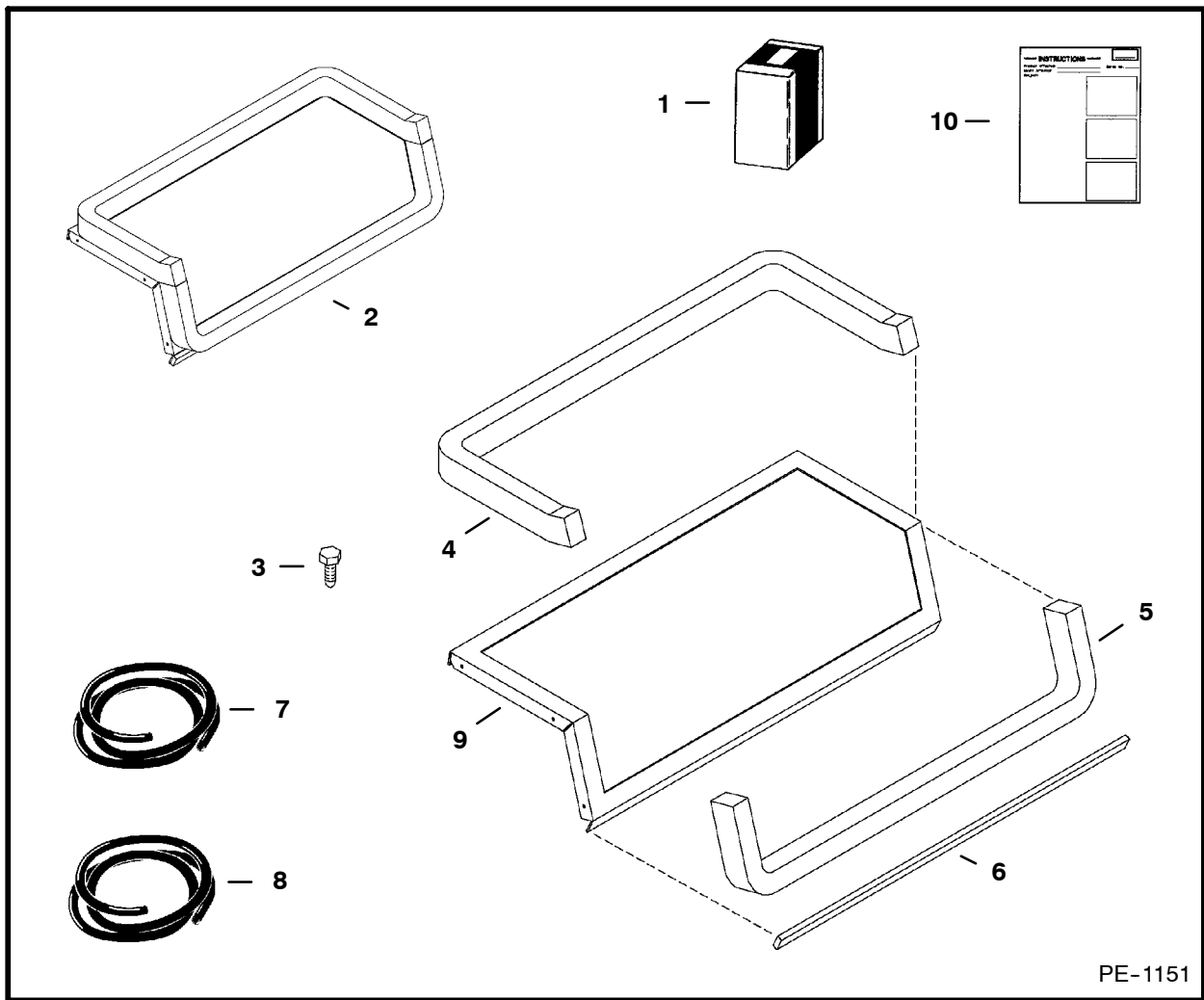
PE-1143





**HEATER & A/C  
(Blower Assembly)**

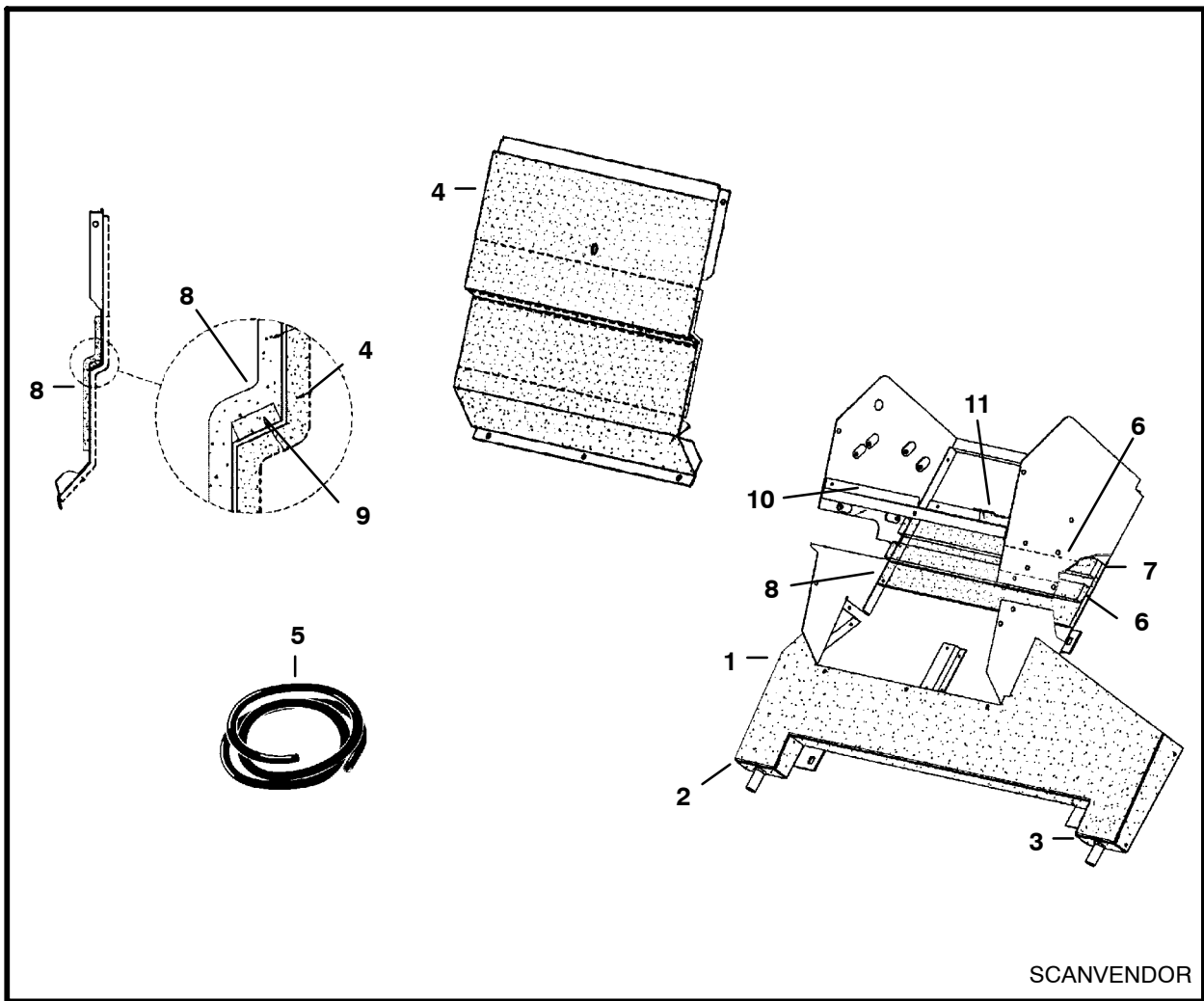
Ref. Part No.	Part Number	Description	Remarks	Serial Number	Qty.
1	6675497	BLOWER CONNECTOR LOCK	Ref. 2-8		1
2	6728567	CONNECTOR	6 pin		1
	6662252	LOCK	6 pin		1
	6662257	PIN			4
	6665370	PLUG			2
3	6675506	MOUNT			1
4	6675507	COVER			2
5	6675504	RING			4
6	6675505	BLOWER WHEEL			2
7	6675509	MOTOR HOUSING	W/Ref. 2		1
8	6675503	HOUSING			1



PE-1151

**\* HEATER & A/C  
(Blower Seal Kit)**

Ref. No.	Part Number	Description	Remarks	Serial Number	Qty.
1*	6728567	KIT	blower seal - W/Ref. 2, 3 & 10		1
2*	NSS	FLANGE SEAL	assy - Ref. 4, 5, 6 & 9 - Order Ref. 1		1
3*	6726621	SCREW			7
4*	NAP	SEAL	27" (686mm) long - Order Ref. 8		1
5*	NAP	SEAL	21" (534mm) long - Order Ref. 8		1
6*	NAP	SEAL	15" (384mm) long - Order Ref. 7		1
7*	6675611	SEAL	bulk - Sold Per Foot		x
8*	6677111	SEAL	bulk - Sold Per Foot		x
9*	NSS	FLANGE	Order Ref. 1		1
10*	6901213	INSTRUCTIONS			1

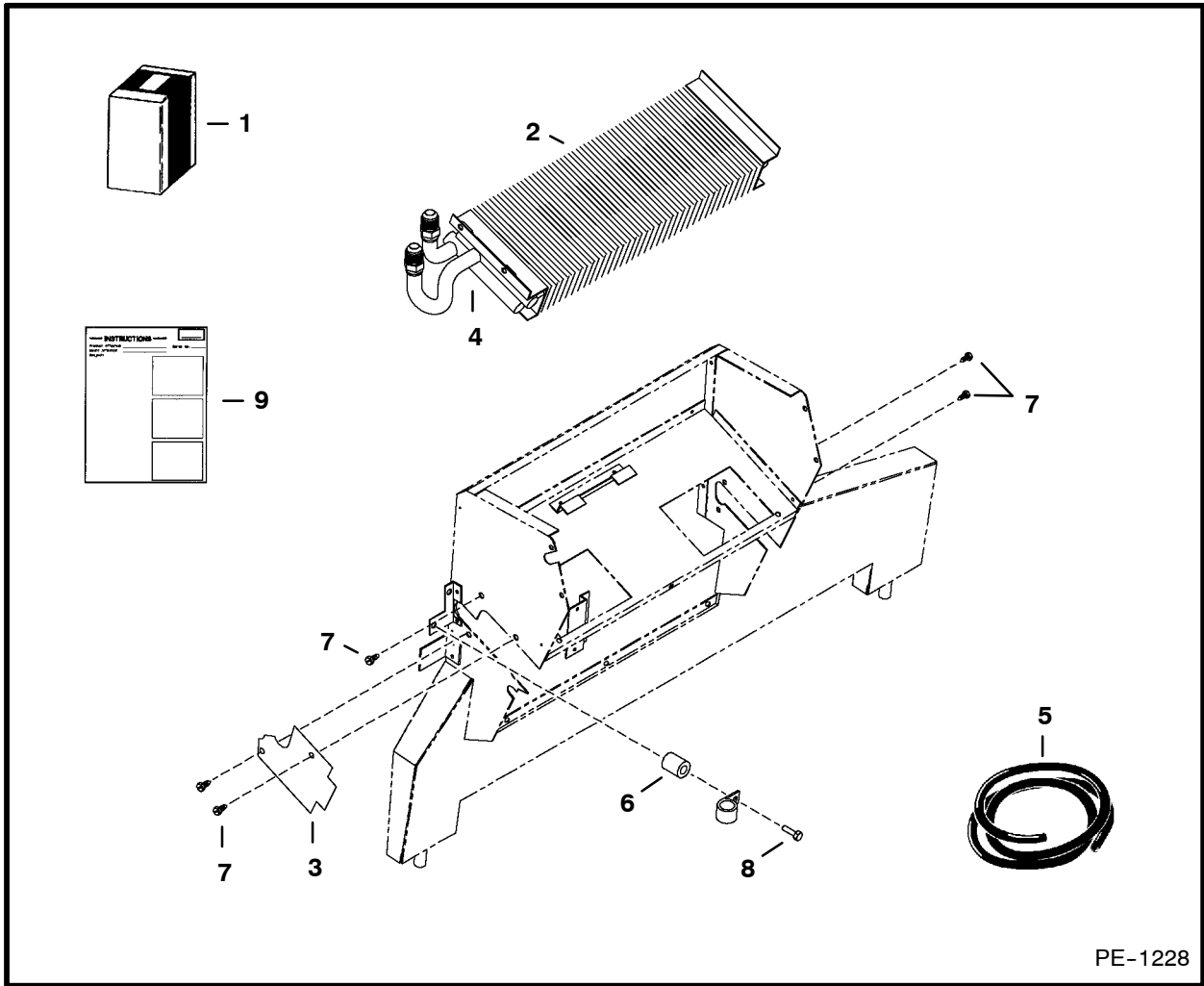


SCANVENDOR

**HEATER & A/C  
(Insulation)**

Ref. No.	Part Number	Description	Remarks	Serial Number	Qty.
1	6675607	INSULATION			1
2	6675608	INSULATION			1
3	6675609	INSULATION			1
4	6675610	INSULATION			1
5	6675611	SEAL	bulk - Sold Per Foot		x
6	6675612	INSULATION			2
7	6675613	INSULATION			1
8	6675614	INSULATION			2
9*	NAP	SEAL	15" (381mm) long - Order Ref. 5		1
10*	NAP	SEAL	5.5" (140mm) long - Order Ref. 5		1
11*	NAP	SEAL	4" (101,6mm) long - Order Ref. 5		1





PE-1228

**\* HEATER & A/C  
(Heater Coil Kit)**

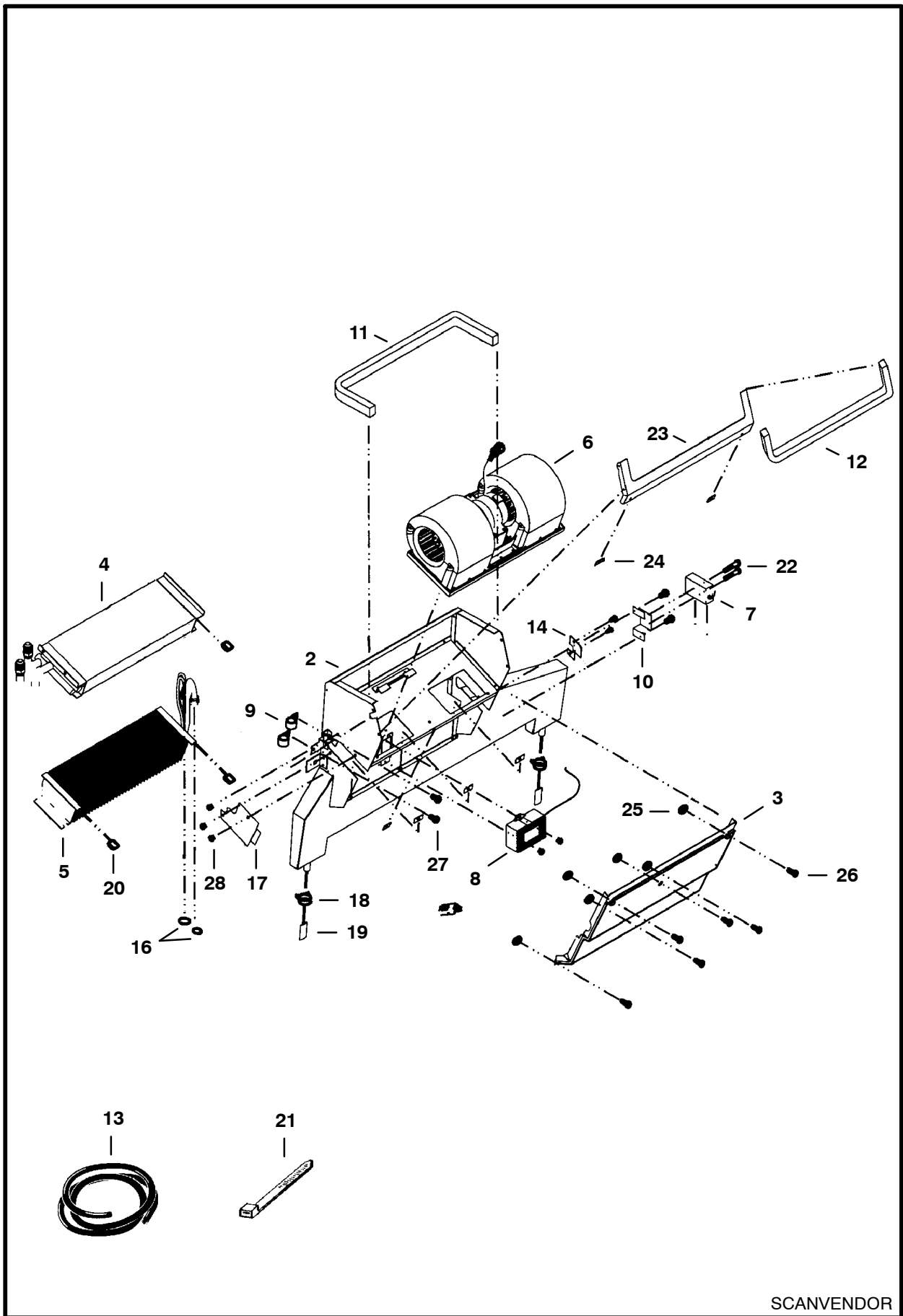
Ref. No.	Part Number	Description	Remarks	Serial Number	Qty.
1*	6727786	KIT	heater coil - W/Ref. 2-9		1
2*	NAP	HEATER COIL	Order 6728990 - Was 6677394 [A]		1
3*	6676604	COVER	.279" (7,1mm) thickness		1
4*	NAP	INSULATION	6" (152.4mm) long - Order Ref. 5		1
5*	6676538	INSULATION	bulk - Sold Per Foot		x
6*	6676606	SPACER			1
7*	6677579	SCREW			4
8*	6676653	SCREW			1
9*	6901120	INSTRUCTIONS			1



**HEATER & A/C (Cont'd)**  
**(HVAC Assembly) (S/N & Below)**

Ref. No.	Part Number	Description	Remarks	Serial Number	Qty.
1	NAP	HEATER/AC	Ref. 2-22 - Order 6676561 - Was 6674226 [A]		1
2	6675508	HARNESS			1
3	6675506	MOUNT			1
4	6675507	COVER			2
5	6675504	RING			4
6	6675505	BLOWER WHEEL			2
7	6675509	MOTOR			1
8	6675503	HOUSING			1
9	NAP	SEAL	14.75"(375mm)long - Order Ref. 22		1
10	NAP	SEAL	8.5"(215mm)long - Order Ref. 22		2
11	6675499	HOUSING			1
12*	6677105	PLATE	cover - Was 6675537 [A]		1
13		BOLT			x
14	6675510	CLAMP			2
15	6675511	DRAIN VALVE			2
16	6675512	CLAMP			2
17	6675513	GROMMET			2
18	6675501	PLATE	cover		1
19*	NAP	COIL	See Page 272 - Was 6675498 [A]		1
20	6675500	COVER			1
21	6675497	BLOWER	assy. - Ref. 2-8		1
22	6675514	SEAL	bulk - Sold Per Foot - See Page 271		x
23	6675533	COIL	evaporator		1
24*	6676984	BRACKET	valve support - Was 6675536 [A]		1
25	6675534	BLOCK VALVE			1
26	6675790	THERMOSTAT	Was 6675535 [A]		1
27	6675539	HOSE	1/4" OD - 20" long		1
28	6675538	O-RING			2
29	6662246	CONNECTOR	6 pin		1
	6662252	LOCK	6 pin		1
	6662257	PIN			4
	6665370	PLUG			2
30*	6728567	KIT	See Page 271		1

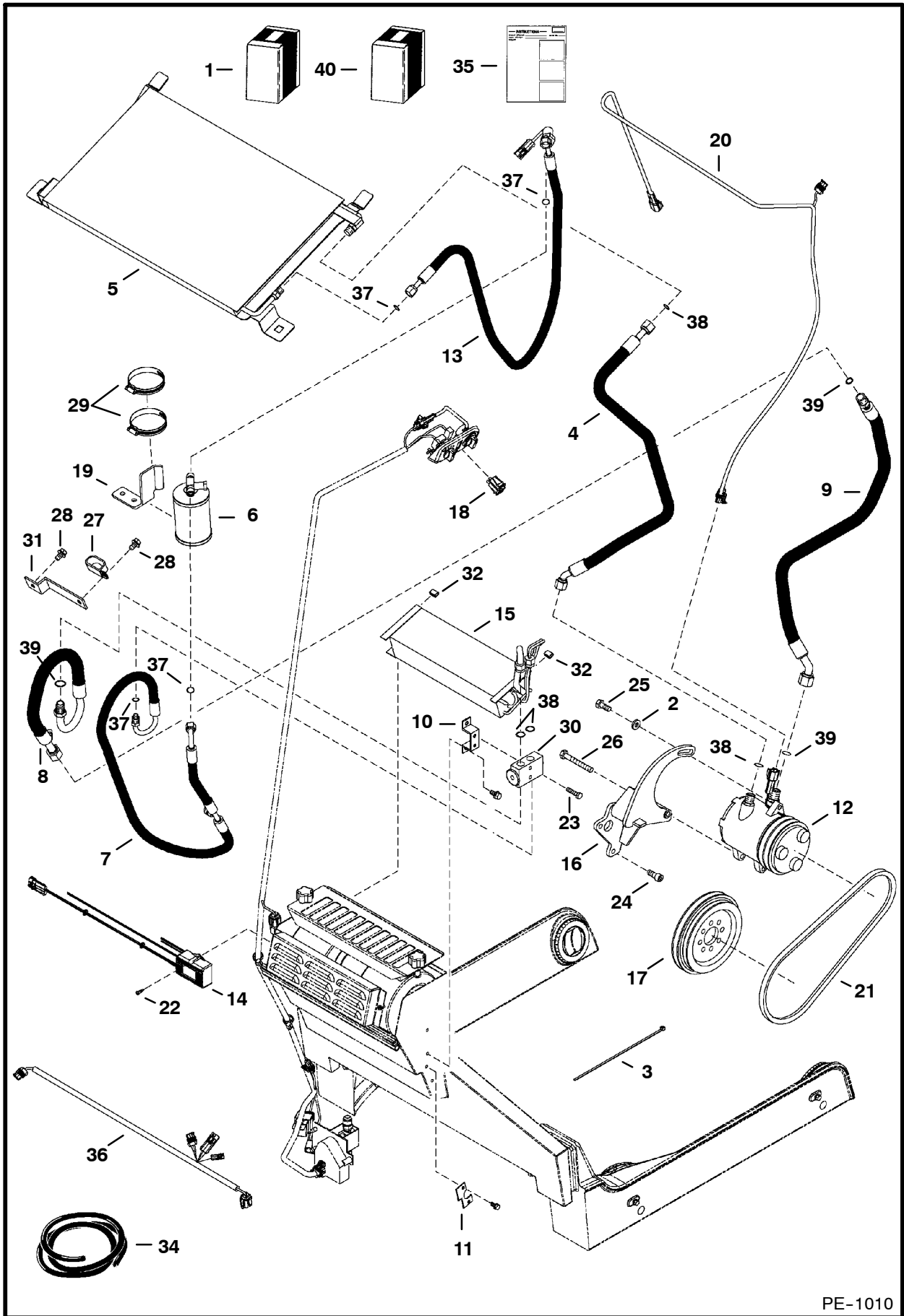
**HEATER & A/C  
(HVAC Assembly) (S/N & Above)**



SCANVENDOR



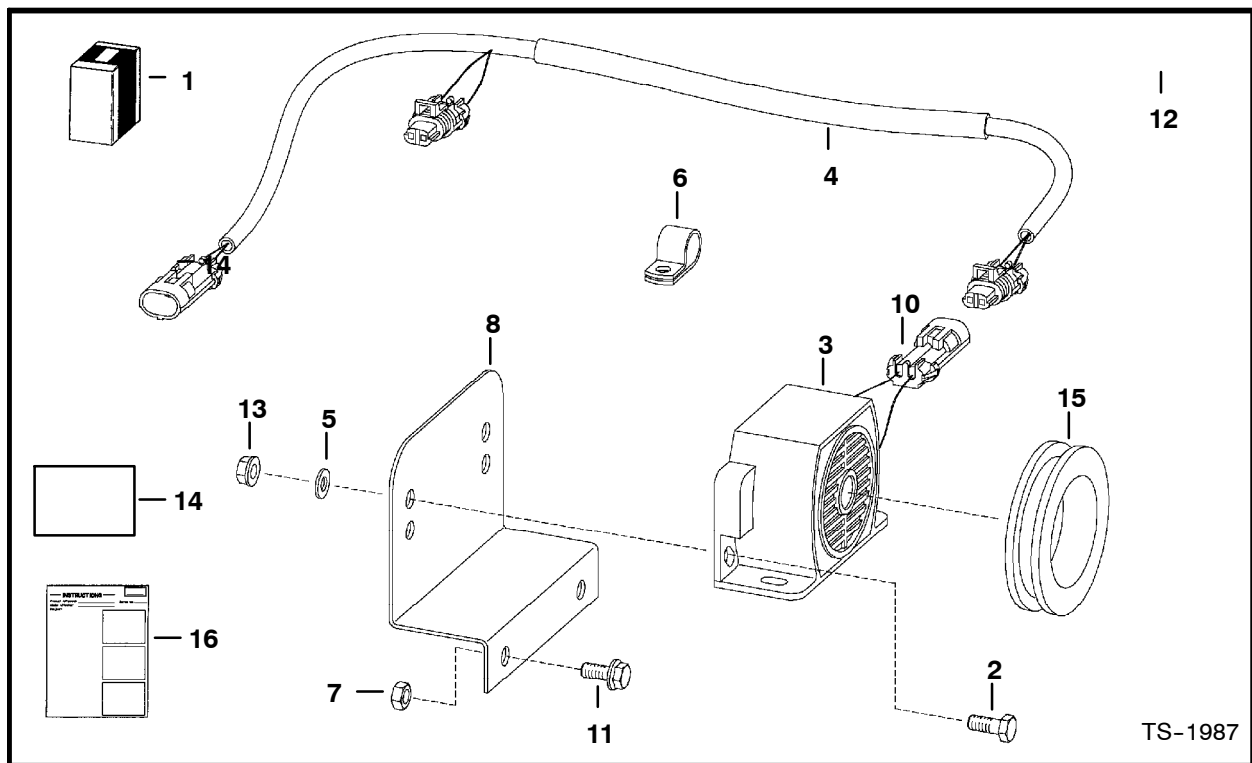
# HEATER & A/C (A/C Kit)



PE-1010

**HEATER & A/C (Cont'd)**  
**(A/C Kit)**

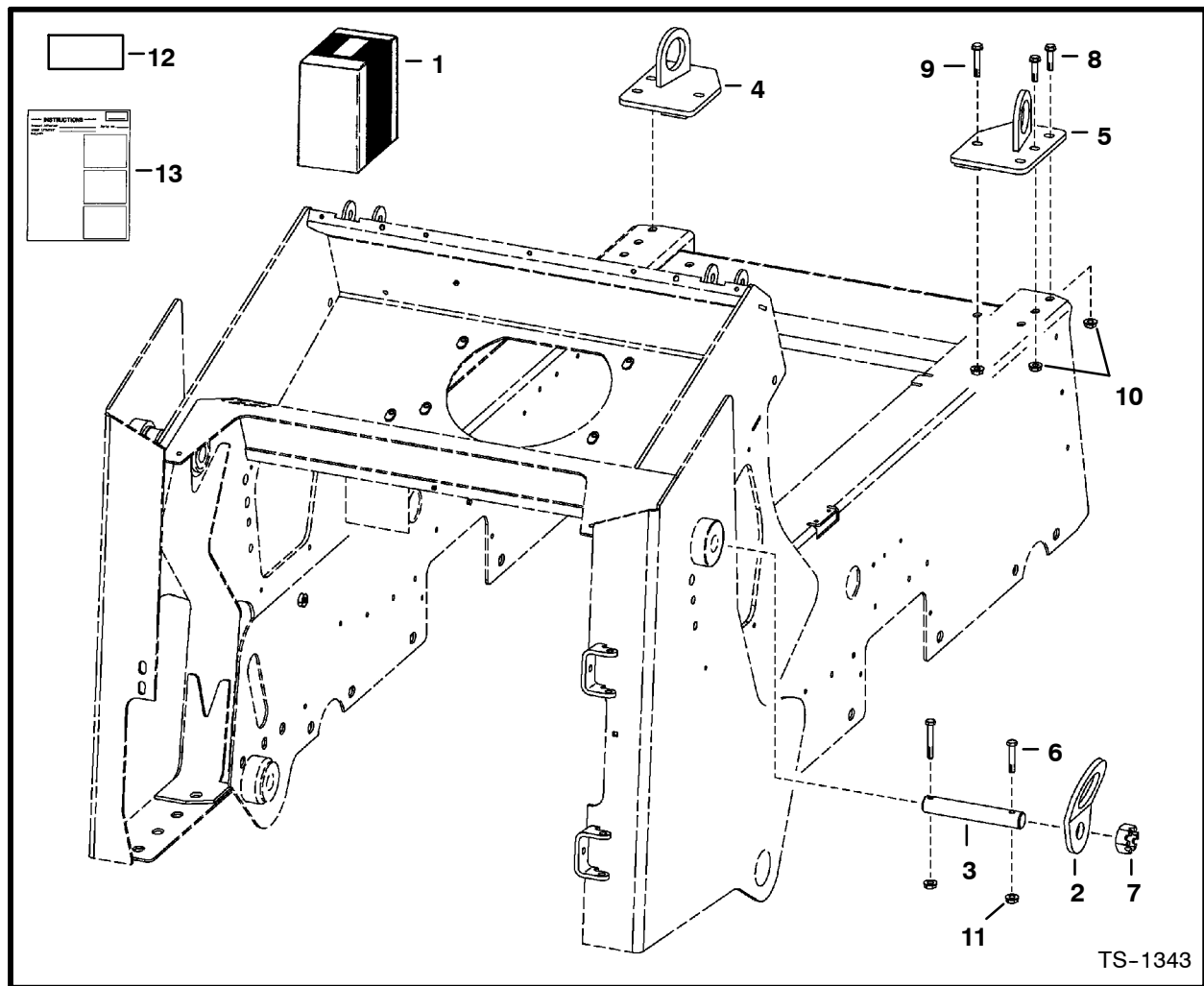
Ref. No.	Part Number	Description	Remarks	Serial Number	Qty.
1	6726490	KIT	Ref. 2 - 35		1
2	6557831	WASHER			1
3	6624289	STA STRAP			1
4	6674232	HOSE	ac - W/Ref. 38		1
5	6674234	CONDENSER			1
6	6674235	DRIER	reciever		1
7	6676062	VALVE	relief		1
	6675075	HOSE	ac - W/Ref. 37		1
	6677122	CAP			1
8	6675076	HOSE	ac - W/Ref. 39		1
	6677121	CAP			1
9	6675270	HOSE	ac - W/Ref. 39		1
10*	6676984	MOUNT	valve - Was 6675536 [A]		1
11*	6677105	COVER	plate - Was 6675537 [A]		1
12	6675667	COMPRESSOR			1
	6675828	CLUTCH			1
13	6675685	HOSE	ac - W/Ref. 37		1
	6675779	PRESS. SWITCH	W/harness		1
14	6676399	VALVE CORE			1
	6675790	THERMOSTAT			1
15	6675533	COIL	evaporator		1
16	6717375	MOUNT	compressor		1
17	6718310	PULLEY	engine		1
18	6719176	SWITCH	rocker		1
19	6719459	MOUNT	reciever drier		1
20	6719630	HARNESS	ac		1
21	6725943	BELT	compressor		1
22	6726621	SCREW			2
23	1CM-635	BOLT			2
24	3GM-1025	BOLT			3
25	5CM-1025	SCREW			1
26	5CM-1080	SCREW			1
27*	31H-46	CLAMP	Was 31H-42 [B]		1
28	84G-3710	SCREW			2
29	6515576	CLAMP			2
30	6675534	BLOCK VALVE			1
31	6727326	MOUNT	clamp		1
32	6676539	CLIP			2
33	NAP	INSULATION	tape - 6" (152,4mm) long -		
			Order Ref. 34		1
34	6676538	INSULATION	bulk - sold per foot		x
35	6901039	INSTRUCTIONS			1
36	6726357	HARNESS	hvac jumper - connects the hvac harness (6725275 or 6717877) to the ac harness (6719630) and	5141 41357 & Bel.	1
			the new thermostat (6675790)	5142 40033 & Bel.	1
				5179 11002 & Bel.	1
37	6675824	O-RING	#6		x
38	6675538	O-RING	#8		x
39	6675825	O-RING	#10		x
40	6676063	KIT	fitting caps		1



### HORN KIT

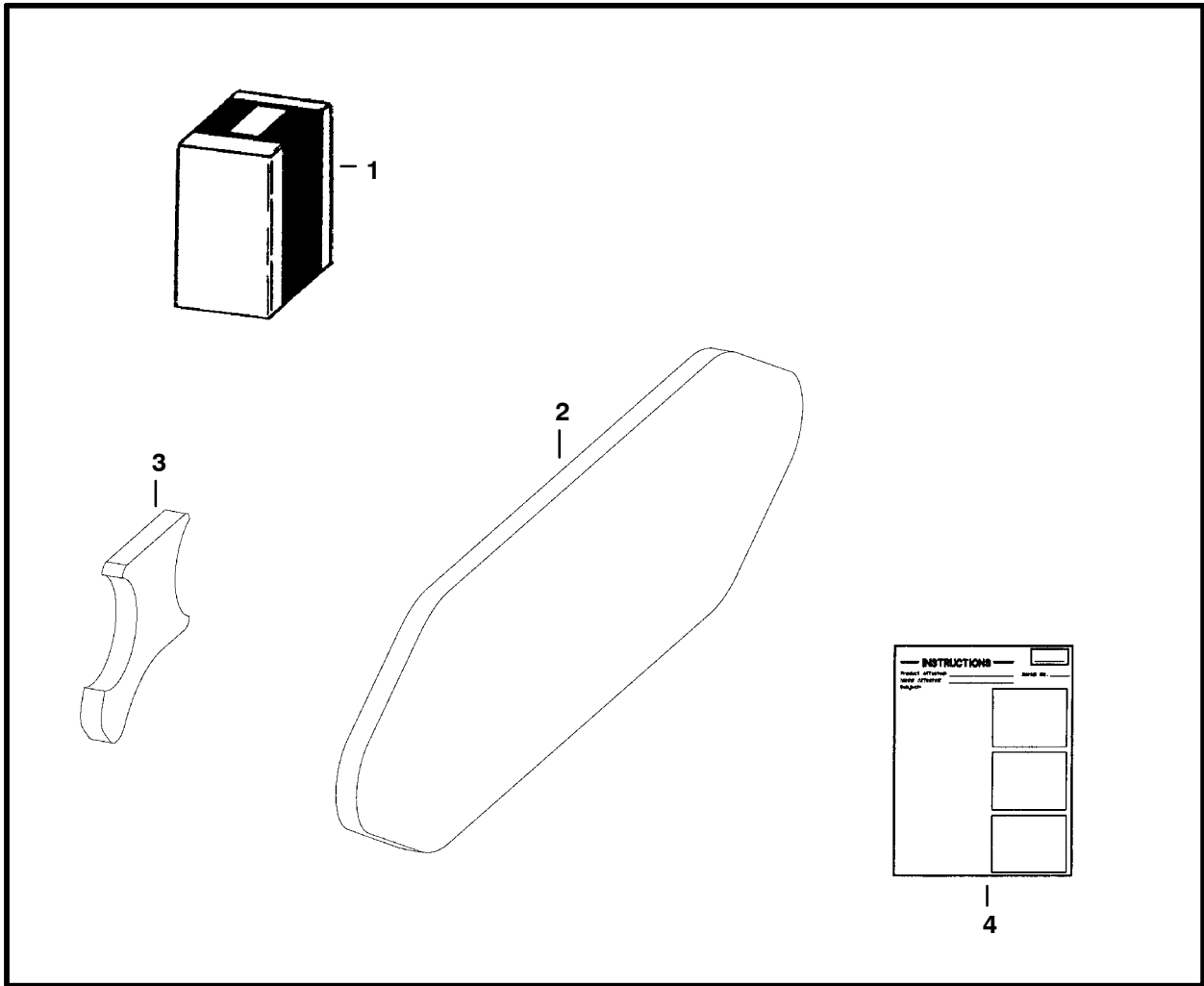
Ref. Part No.	Part Number	Description	Remarks	Serial Number	Qty.
1*	NAP	HORN KIT	Ref. 2-16 - Was 6719043 [A]		1
*	6727995	HORN KIT	Ref. 2-16		1
2	17C-410	BOLT			2
3	6675099	HORN			1
4	6719151	HARNESS	W/metal tube - for kit 6719043		1
*	6727498	HARNESS	for kit 6727995		1
5	25E-13	WASHER			1
6	30H-23	CLAMP			1
7	83D-5	NUT			2
8	6707726	MOUNT			1
9	6641180	LOCK	2 - pin		2
	6640700	LOCK	3 - pin		2
10	6641179	CONNECTOR	2 - pin		2
	6640699	CONNECTOR	3 - pin		2
11	35C-512	BOLT			2
12	6705921	HANDLE ASSY			1
	6640690	PIN			5
	6641176	SEAL			5
13	83D-4	NUT			2
14	6703727	DECAL			1
15	6577545	GROMMET			1
16*	6901146	INSTRUCTIONS	Was 6900913 [A]		1





**LIFT KIT  
(Four Point)**

Ref. No.	Part Number	Description	Remarks	Serial Number	Qty.
1	6726717	KIT	lift - Ref. 4 - 13		1
2	6726908	LIFT EYE			2
3	6726907	PIN			2
4	6726716	BRACKET	L.H.		1
5	6726715	BRACKET	R.H.		1
6	17C-652	BOLT			2
7	4D-28	NUT			2
8	35C-824	BOLT			2
9	35C-832	BOLT			2
10	83D-8	NUT			4
11	87D-5	NUT			2
12	6726423	DECAL			1
13	6724488	INSTRUCTIONS			1



**LIFT ARM KIT**

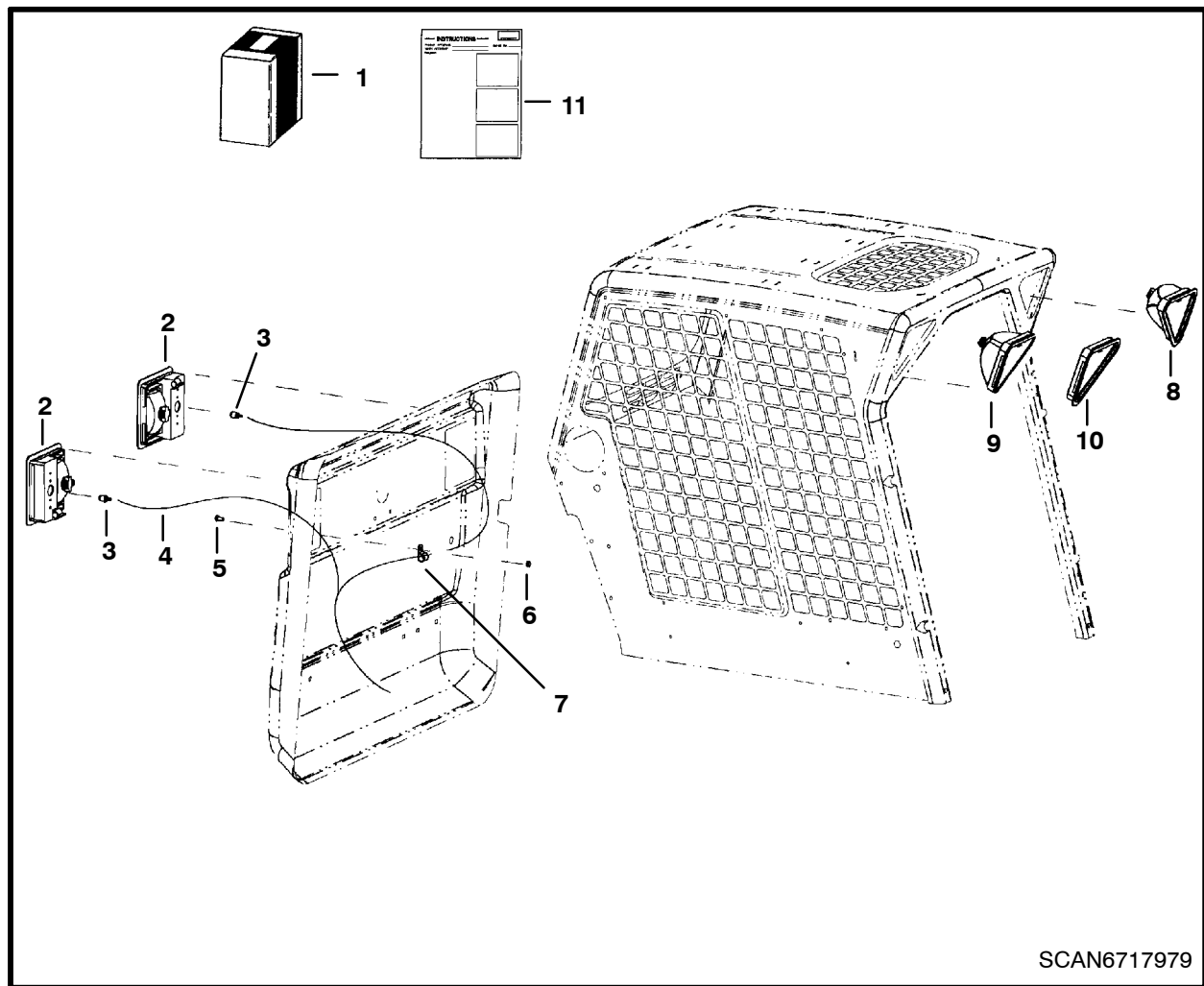
Ref. No.	Part Number	Description	Remarks	Serial Number	Qty.
1	6728039	KIT	Ref. 2-4		1
2	6727884	PLATE	boom		4
3	6727885	PLATE	H-frame		4
4	6901202	INSTRUCTIONS			1

**Use Bobcat branded tires for longer service life and increased sidewall protection.**



**Available from Bobcat Parts.**



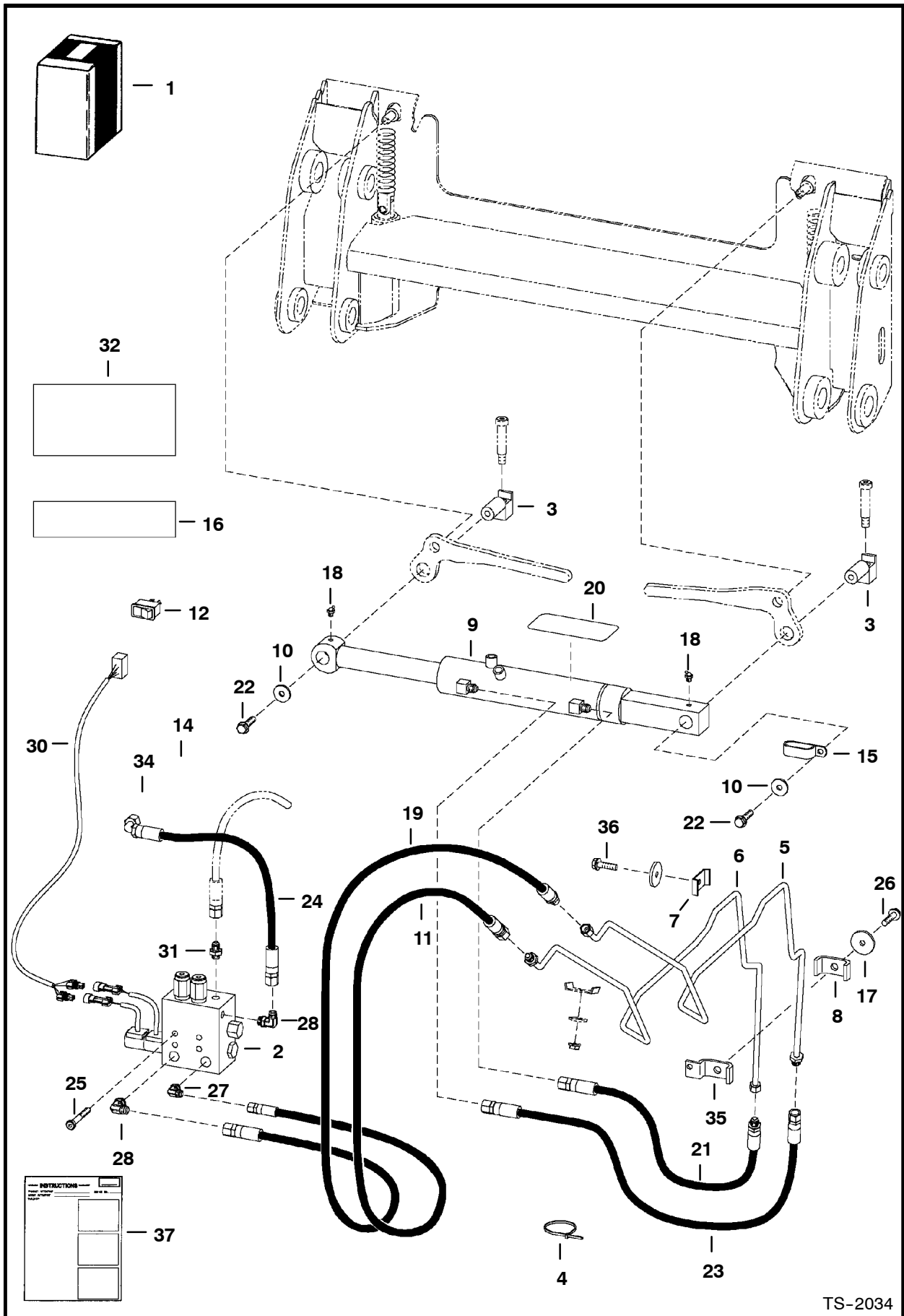


### LIGHT KIT

Ref. No.	Part Number	Description	Remarks	Serial Number	Qty.
1	NAP	KIT	Order components		1
2	6670284	LIGHT ASSY	rear		2
	6672273	SCREW			2
	6672276	LENS	red		2
	6672275	GASKET			2
	6672277	BRACKET			2
	6672279	MOUNT	rubber		2
	6672272	WASHER			4
	6672274	SCREW			4
	6661353	LIGHT ASSY	W/bulb - white		2
	898731	BULB			2
3	6649481	BULB			2
4	6716419	HARNESS			1
5	37C-512	BOLT			1
6	85D-5	NUT			1
7	30H-42	CLAMP			1
8	NAP	LIGHT ASSY	R.H. - Ref. 9 & 10		1
	NAP	LIGHT ASSY	L.H. - Ref. 9 & 10		1



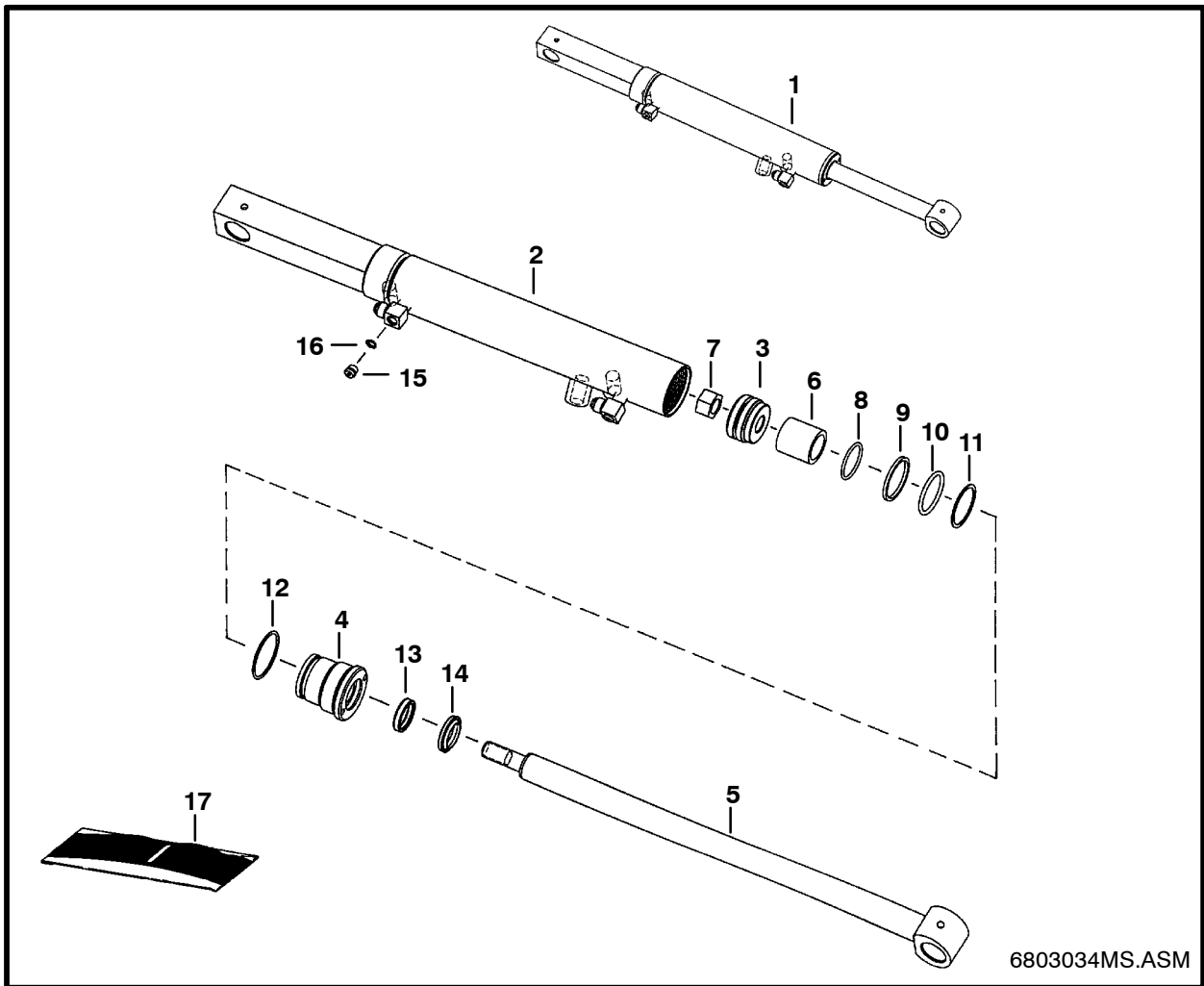
# POWER BOB-TACH KIT (Hydraulic Assisted)



TS-2034

**POWER BOB-TACH KIT (Cont'd)**  
**(Hydraulic Assisted)**

Ref. No.	Part Number	Description	Remarks	Serial Number	Qty.
1	6719842	KIT	Ref. 2-37		1
2		MANIFOLD	See Page 289		1
3	6714576	PIVOT			2
4	6624289	TIE			4
5	6718478	TUBELINE			1
6	6718479	TUBELINE			1
7	6502203	CLAMP			1
8	6800262	CLAMP			2
9	6805158	CYLINDER	See Page 287		1
10	619021	WASHER			2
11	6719451	HOSE			1
12	6674585	SWITCH	horizontal		1
*	6676732	SWITCH	vertical		1
13	99K-6	O-RING			x
14	99K-12	O-RING			x
15	31H-42	CLAMP			2
16	6719888	DECAL			1
17*	6563914	WASHER	Was 872229 [B]		1
18	11H-15	GREASE ZERK			2
19	6718358	HOSE			1
20	6554100	TREAD	safety		1
21	6719602	HOSE			1
22	35C-616	BOLT			2
23	6719603	HOSE			1
24	6719605	HOSE			1
25	73G-656	BOLT			4
26*	84G-3728	BOLT	Was 35C-632 [B]		1
27	17KV-3	ELBOW	W/Ref. 29		1
	97K-4	O-RING	flared end		x
28	17KV-5	ELBOW	W/Ref. 13		2
	97K-6	O-RING	flared end		x
29	99K-4	O-RING			x
30	6718652	HARNESS			3
31	15KV-8	ADAPTER	W/Ref. 14		1
	97K-12	O-RING	flared end		3
32	6725907	DECAL			1
33	14KN-5	TEE	for standard machine W/rear aux.		1
34*	6715186	ADAPTER	W/Ref. 14		1
*	97K-6	O-RING	flared end		x
35*	6726930	CLAMP			1
36*	17C-640	BOLT			1
37	6900952	INSTRUCTIONS			1

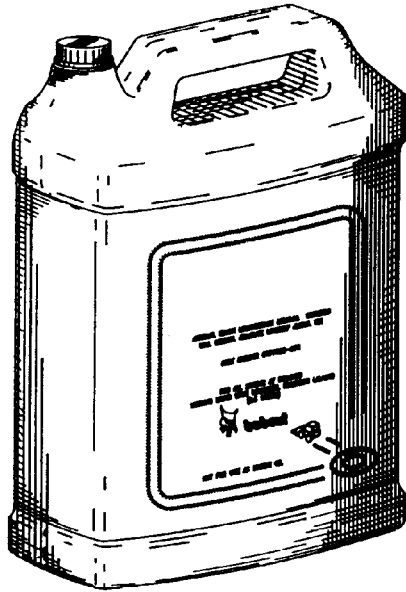


### POWER BOB-TACH CYLINDER

Ref. No.	Part Number	Description	Remarks	Serial Number	Qty.
1	6805158	CYLINDER	Ref. 2 - 16		1
2	6805160	CASE	1.75" (45 mm) I.D.		1
3	6586543	PISTON			1
4	6586542	HEAD			1
5	6807508	SHAFT	1" (25.4 mm) O.D.		1
6	6807092	SPACER			1
7	92D-10	NUT			1
8	54K-30110	O-RING			1
9	6532453	RING			1
10	54K-40116	O-RING			1
11	73K-222	WASHER	back-up		1
12	58K-132	O-RING			1
13	6667323	SEAL	rod		1
14	6666542	SEAL	wiper		1
15	90KV-2	PLUG	W/Ref. 16		2
16	79K-3	O-RING			2
17	6803473	SEAL KIT	Ref. 7 - 14		1



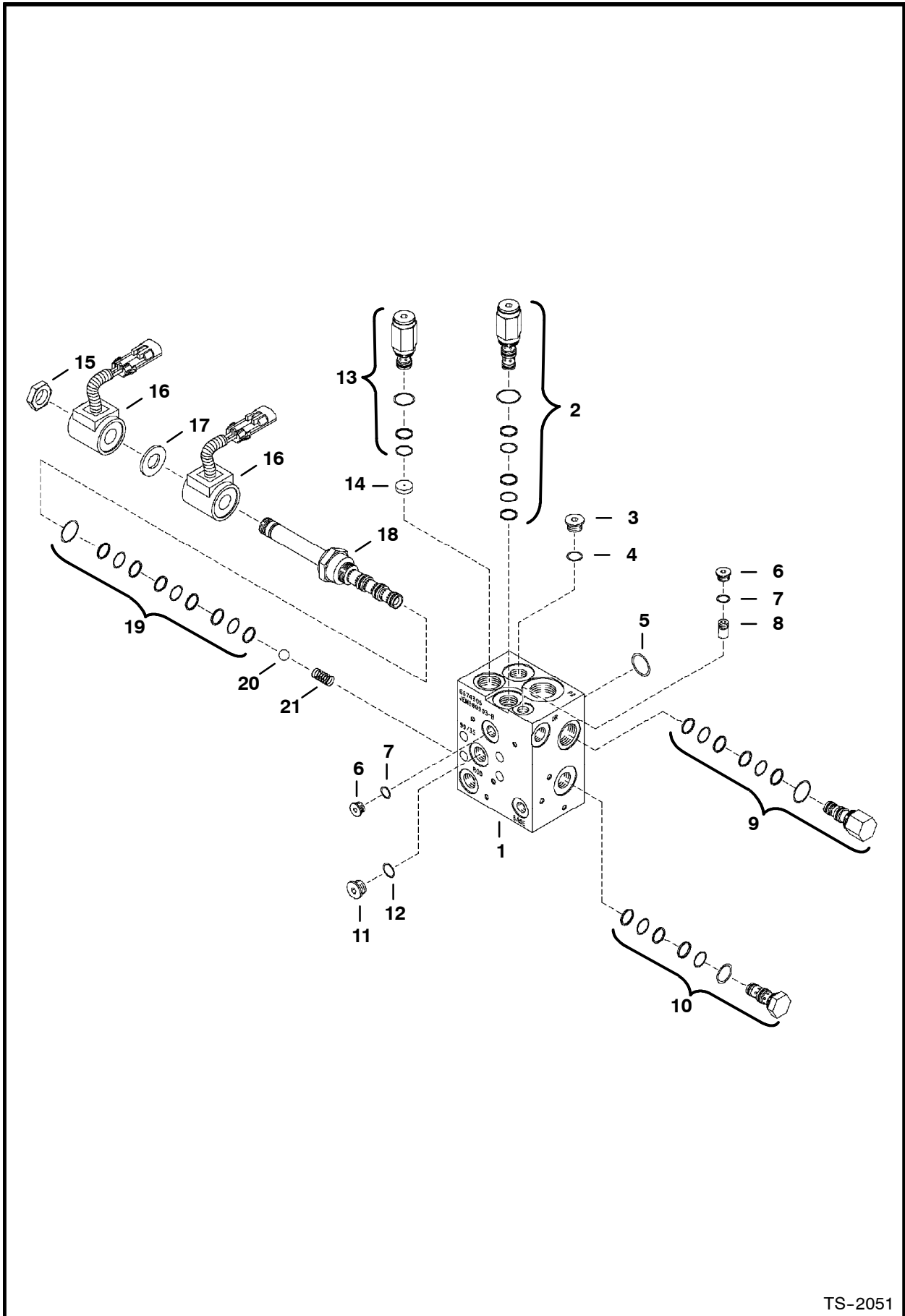
**Bobcat Hydraulic/Hydrostatic Fluid  
is blended to our specifications  
to meet or exceed requirements of our components.**



**Available from Bobcat Parts.**



**POWER BOB-TACH  
(Valve Assembly)**

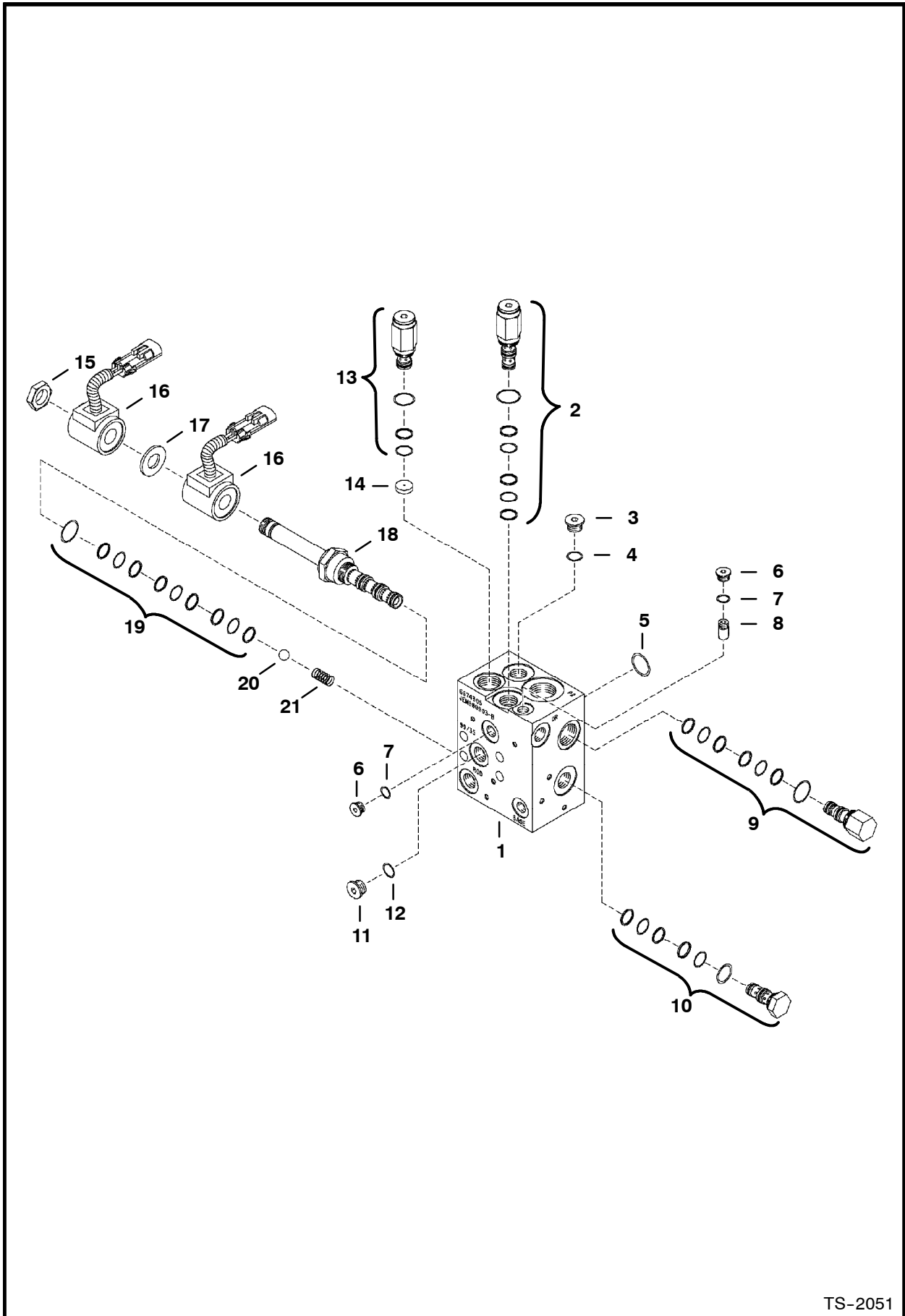


TS-2051

**POWER BOB-TACH (Cont'd)**  
**(Valve Assembly)**

<b>Ref. No.</b>	<b>Part Number</b>	<b>Description</b>	<b>Remarks</b>	<b>Serial Number</b>	<b>Qty.</b>
1	NAP	VALVE	Ref. 2-21 - Order 6676547 - See Page 291 - Was 6674305 [A]		1
2	6676073	RELIEF VALVE			1
3	6676074	SEAL KIT	W/Ref. 4		1
3	6674548	PLUG			1
4	79K-8	O-RING			x
5	6676071	O-RING	W/Ref. 7		1
6	6665719	PLUG			2
7	99K-5	O-RING			x
8	6676347	ORIFICE	screw in plug W/screen - Was 6669615 [A]		1
9	6676064	VALVE			1
10	6676065	SEAL KIT			1
	6669616	CHECK VALVE			1
	6669622	SEAL KIT			1
11	90KV-5	PLUG	W/Ref. 12		1
12	95K-6	O-RING			x
13	6676068	VALVE			1
14	6676069	SEAL KIT			1
	6676070	ORIFICE			1
	7D-8	NUT			1
16	6671025	COIL	W/Ref. 19		2
17	6674445	SPACER			1
18	6661443	STEM			1
19	6667180	SEAL KIT			1
20	6676066	BALL			1
21	6676067	SPRING			1

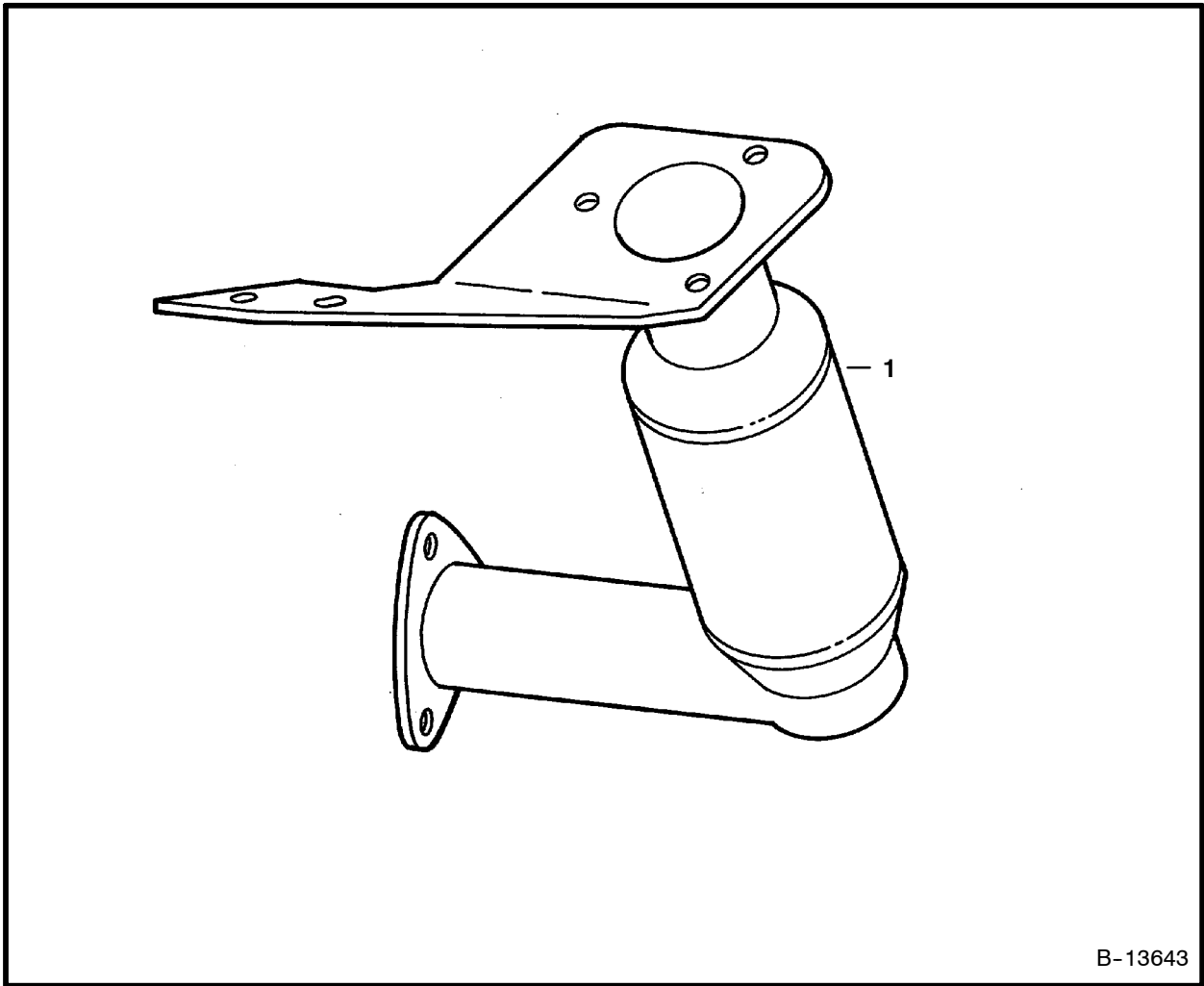
**POWER BOB-TACH  
(Valve Assembly)**



TS-2051

**POWER BOB-TACH (Cont'd)  
(Valve Assembly)**

<b>Ref. No.</b>	<b>Part Number</b>	<b>Description</b>	<b>Remarks</b>	<b>Serial Number</b>	<b>Qty.</b>
1	6676547	VALVE	Ref. 2 - 21		1
2	6677147	RELIEF VALVE			1
	6677148	SEAL KIT			1
3	6677158	PLUG	W/Ref. 4		1
4	79K-8	O-RING			x
5	6677157	O-RING			1
6	6677159	PLUG	W/Ref. 7		2
7	99K-5	O-RING			x
8	6676347	ORIFICE	screw in plug W/screen		1
9	6677155	VALVE			1
	6677156	SEAL KIT			1
10	6677149	CHECK VALVE			1
	6677150	SEAL KIT			1
11	90KV-5	PLUG	W/Ref. 12		1
12	95K-6	O-RING			x
13	6677151	VALVE			1
	6677152	SEAL KIT			1
14	6676070	ORIFICE			1
15	7D-8	NUT			1
16	6671025	COIL			2
17	6674445	SPACER			1
18	6677153	STEM	W/Ref. 19		1
19	6672756	SEAL KIT			1
20	6676066	BALL			1
21	6676067	SPRING			1

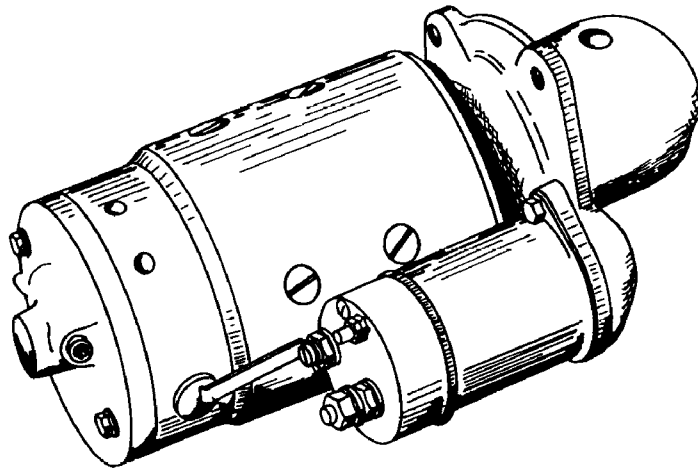


B-13643

**PURIFIER**

Ref. No.	Part Number	Description	Remarks	Serial Number	Qty.
1	6673826	PURIFIER	2 hole mounting - replaces exhaust tube - uses existing hardware & gasket		1

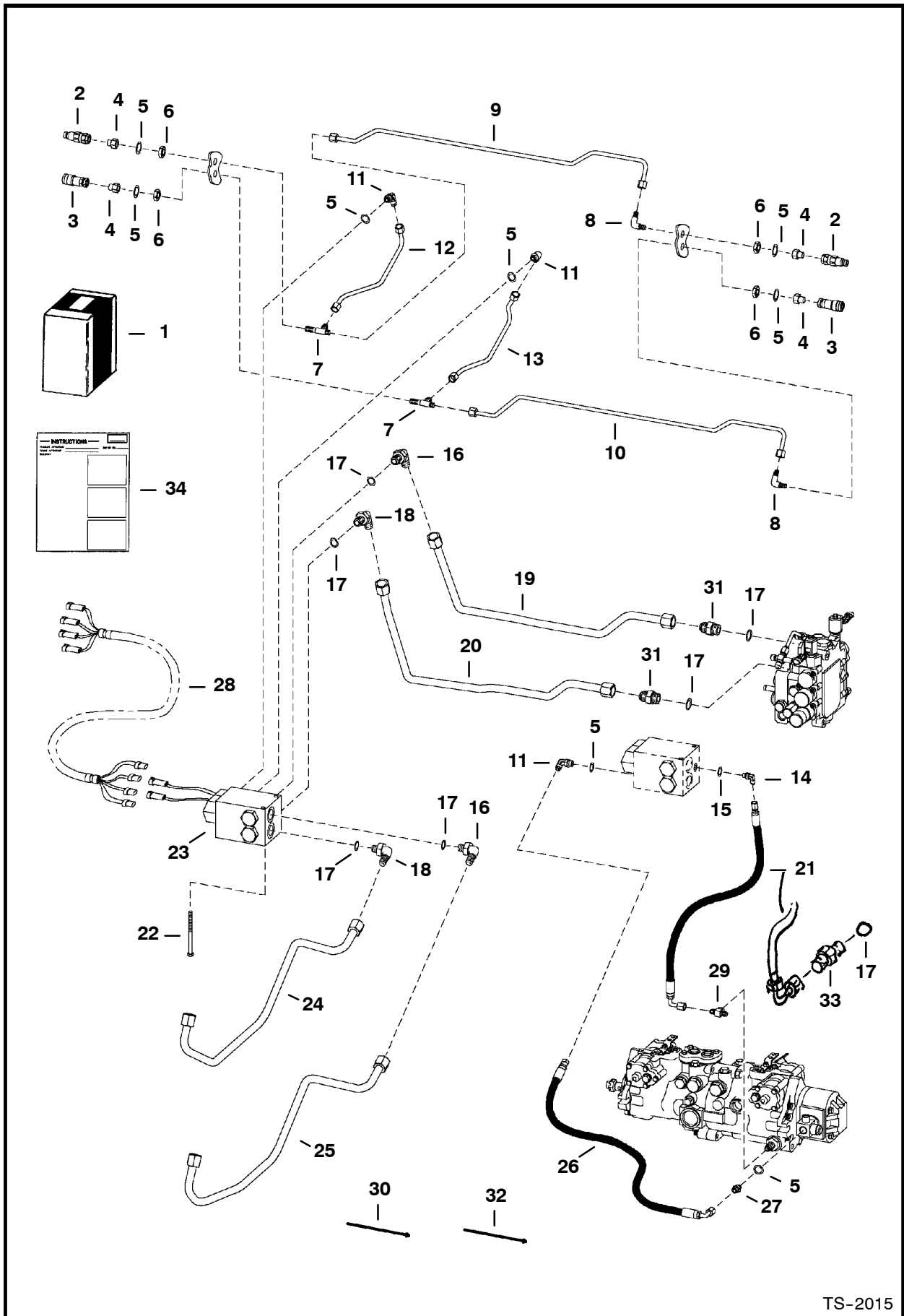
**Both new and rebuilt starters  
are available from Bobcat.**



**Available from Bobcat Parts.**



# REAR AUXILIARY HYDRAULICS

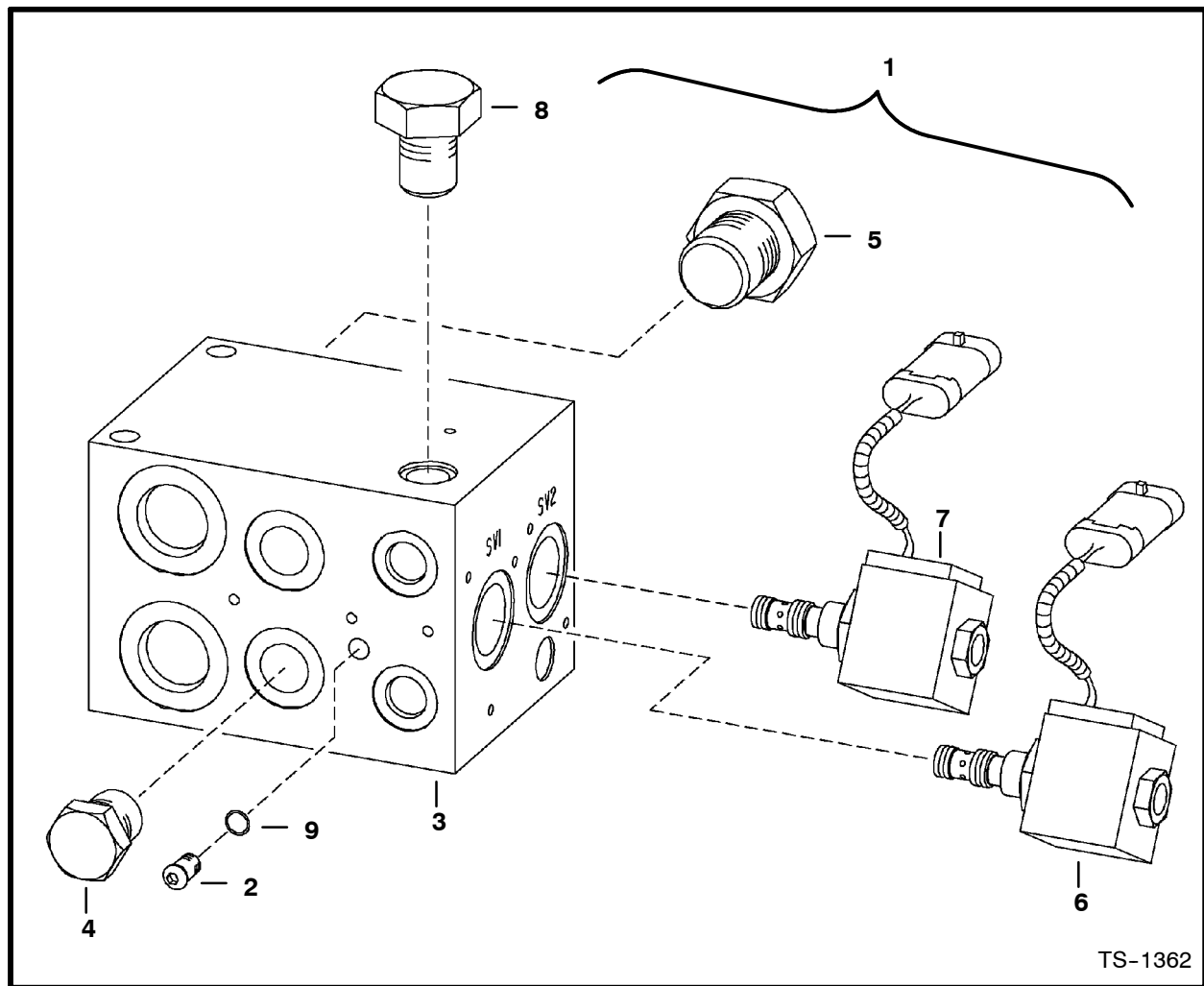


TS-2015



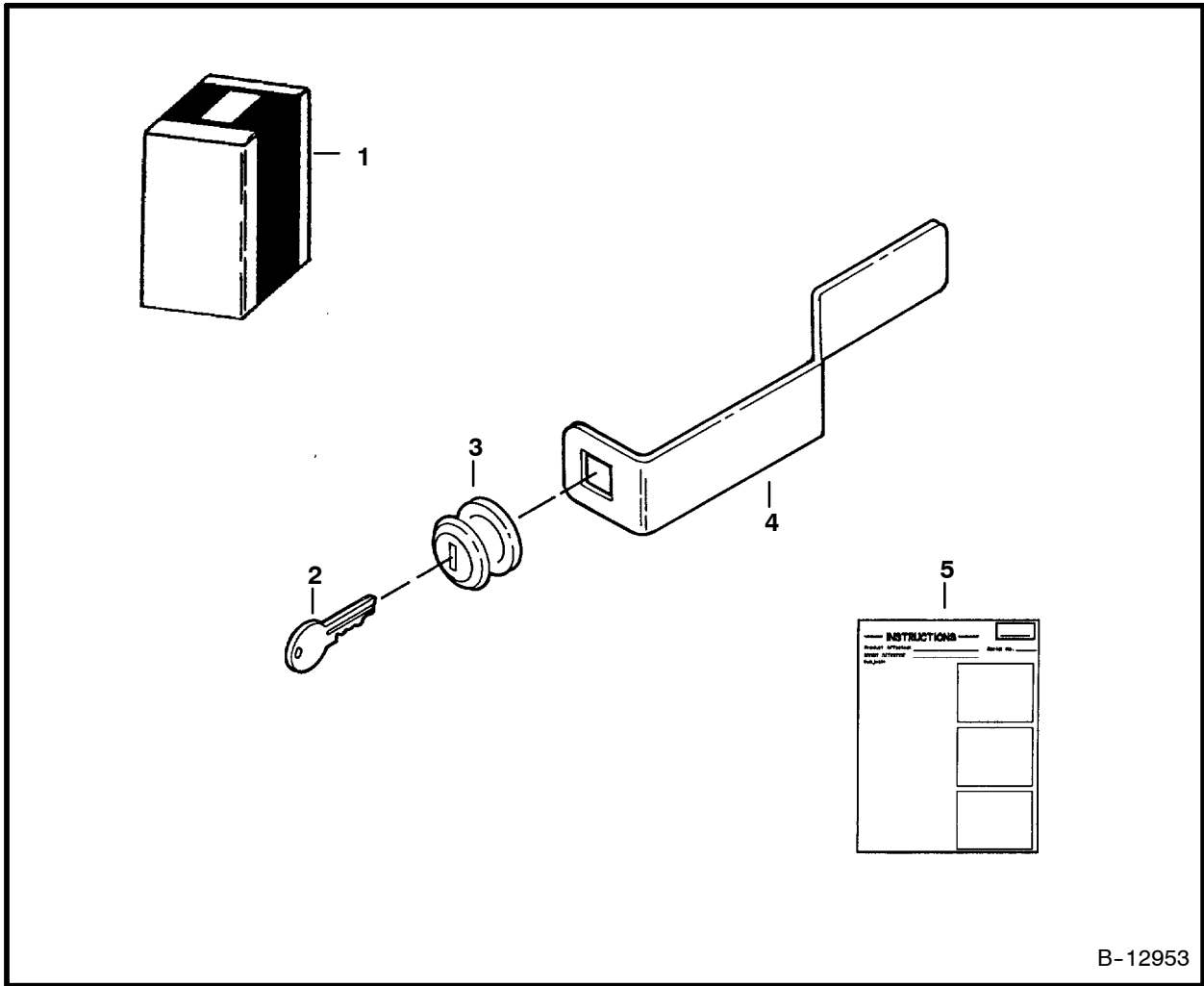
**REAR AUXILIARY HYDRAULICS (Cont'd)**

Ref. No.	Part Number	Description	Remarks	Serial Number	Qty.
1	SALES	KIT	Ref. 2 - 34 - Order 6725267 from SALES		1
2	6667803	COUPLER	female		2
3	6667804	COUPLER	male		2
4	6706633	CONNECTOR	W/Ref. 5 - flat boss face		4
5	99K-6	O-RING			x
6	86F-5	NUT			4
7	6719298	TEE			2
	97K-6	O-RING	flared end		x
8	88FN-5	ELBOW			2
9	6718852	TUBELINE			1
10	6718853	TUBELINE			1
11	17KV-5	ELBOW	W/Ref. 5 - tapered boss face		3
	97K-6	O-RING	flared end		x
12	6719793	TUBELINE			1
13	6719794	TUBELINE			1
14	17KV-3	ELBOW	W/Ref. 15 - tapered boss face		1
	96K-4	O-RING	flared end		x
15	79K-4	O-RING			x
16	6716443	ELBOW	W/Ref. 17		2
	97K-12	O-RING	flared end		x
17	99K-12	O-RING	tappered boss face		x
18	17KV-8	ELBOW	W/Ref. 17 - tappered boss face		2
	97K-12	O-RING	flared end		x
19	6719789	TUBELINE			1
20	6719790	TUBELINE			1
21	6714875	HOSE			1
22	17C-672	BOLT			2
23	6665572	VALVE	See Page 297		1
24	6719791	TUBELINE			1
25	6719792	TUBELINE			1
26	6714808	HOSE			1
27	15KV-5	ADAPTER	W/Ref. 5		1
28	6718645	HARNESS			1
29	14KN-5	TEE			1
	96K-6	O-RING	flared end		x
30	6624289	TIE STRAP			2
31	15K-8	ADAPTER	W/Ref. 17 - flat boss face - not in kit		2
32	6610510	TIE STRAP			5
33	6715186	ADAPTER	W/Ref. 17	5141 43126 & Abv. 5142 40078 & Abv. 5179 11016 & Abv.	1 1 1
34	97K-12 6900980	O-RING INSTRUCTIONS	flared end		x 1



### REAR AUXILIARY VALVE

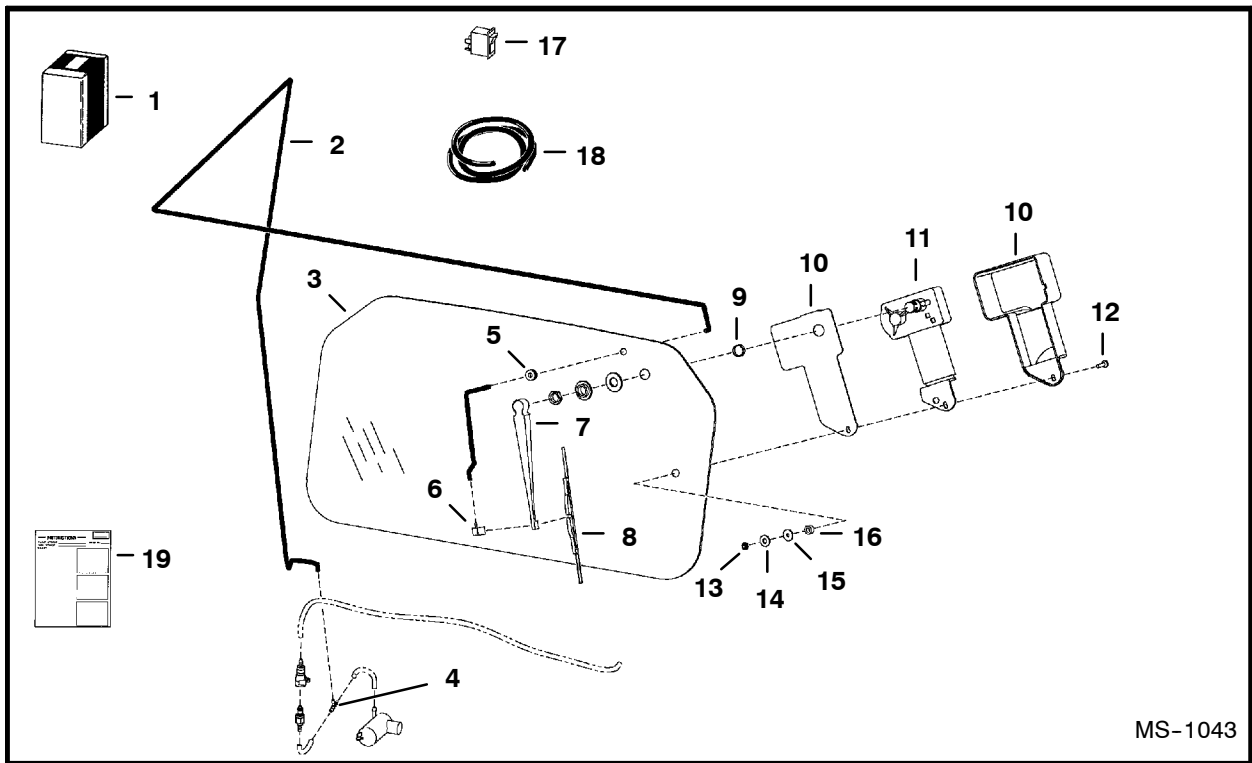
Ref. No.	Part Number	Description	Remarks	Serial Number	Qty.
1	6665572	VALVE	diverter		1
2	6676152	PLUG	W/Ref. 9 - Was 6653490 [A]		18
3	NSS	BODY			1
4	6664212	CHECK VALVE			2
	6653487	SEAL KIT			2
5	6653484	VALVE			2
	6653485	SEAL KIT			2
6	6669218	VALVE	solenoid - W/Connector - SV2 port		1
	6669190	COIL			1
	6669188	STEM			1
	6669217	SEAL KIT			1
7	6669219	VALVE	solenoid - W/Connector - SV1 port		1
	6669190	COIL			1
	6669189	STEM			1
	6669216	SEAL KIT			1
8	6669187	VALVE			1
	6653487	SEAL KIT			1
9	79K-2	O-RING			x



B-12953

**REAR DOOR LOCK**

Ref. No.	Part Number	Description	Remarks	Serial Number	Qty.
1	6714973	KIT	lock - Ref. 3-5		1
2	6672345	KEY	not in kit - for earlier locks		1
	6709527	KEY	ignition		1
3	6670726	LOCK			1
4	6714037	LATCH			1
5	6570762	INSTRUCTIONS			1

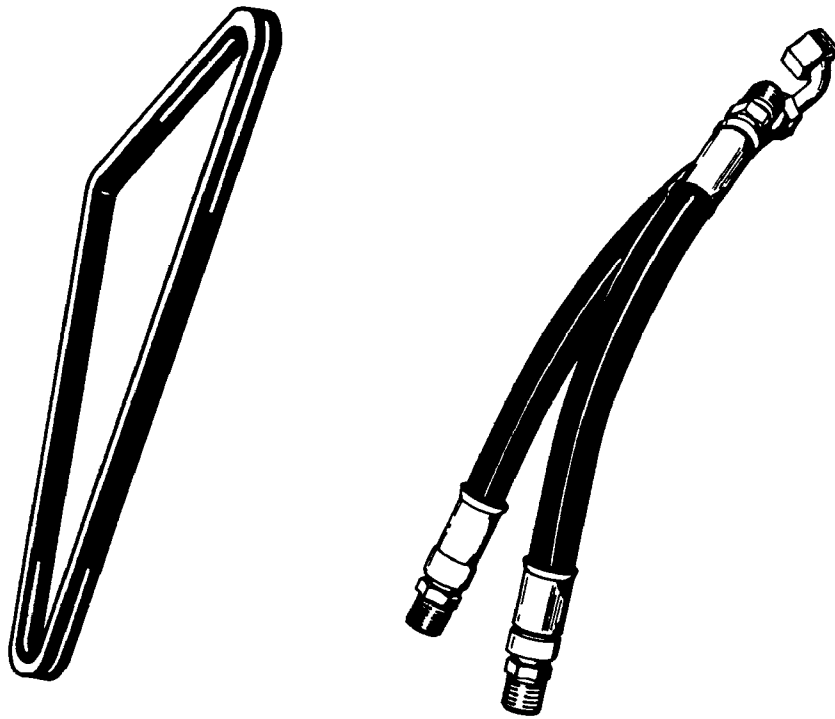


MS-1043

### REAR WIPER

Ref. No.	Part Number	Description	Remarks	Serial Number	Qty.
1	6726655	KIT	rear wiper		1
2	NAP	HOSE	96" (2438,4 mm) long - Order Ref. 18		1
3	6719317	WINDOW			1
4	6676000	TEE			1
5	6557493	GROMMET			1
6	6676028	NOZZLE			1
7	6676001	ARM			1
8	6676002	BLADE			1
9	6667201	SPACER	nylon		1
10	6664097	COVER	wiper		1
11	6665602	MOTOR			1
12	6664566	BOLT			1
13	6664103	NUT			1
14	6664065	WASHER	nylon		1
15	6801059	WASHER	neoprene		1
16	6664085	BUSHING	nylon		1
17	6675999	SWITCH			1
18	6676003	HOSE	bulk - Sold Per Foot		x
19	6901061	INSTRUCTIONS			1

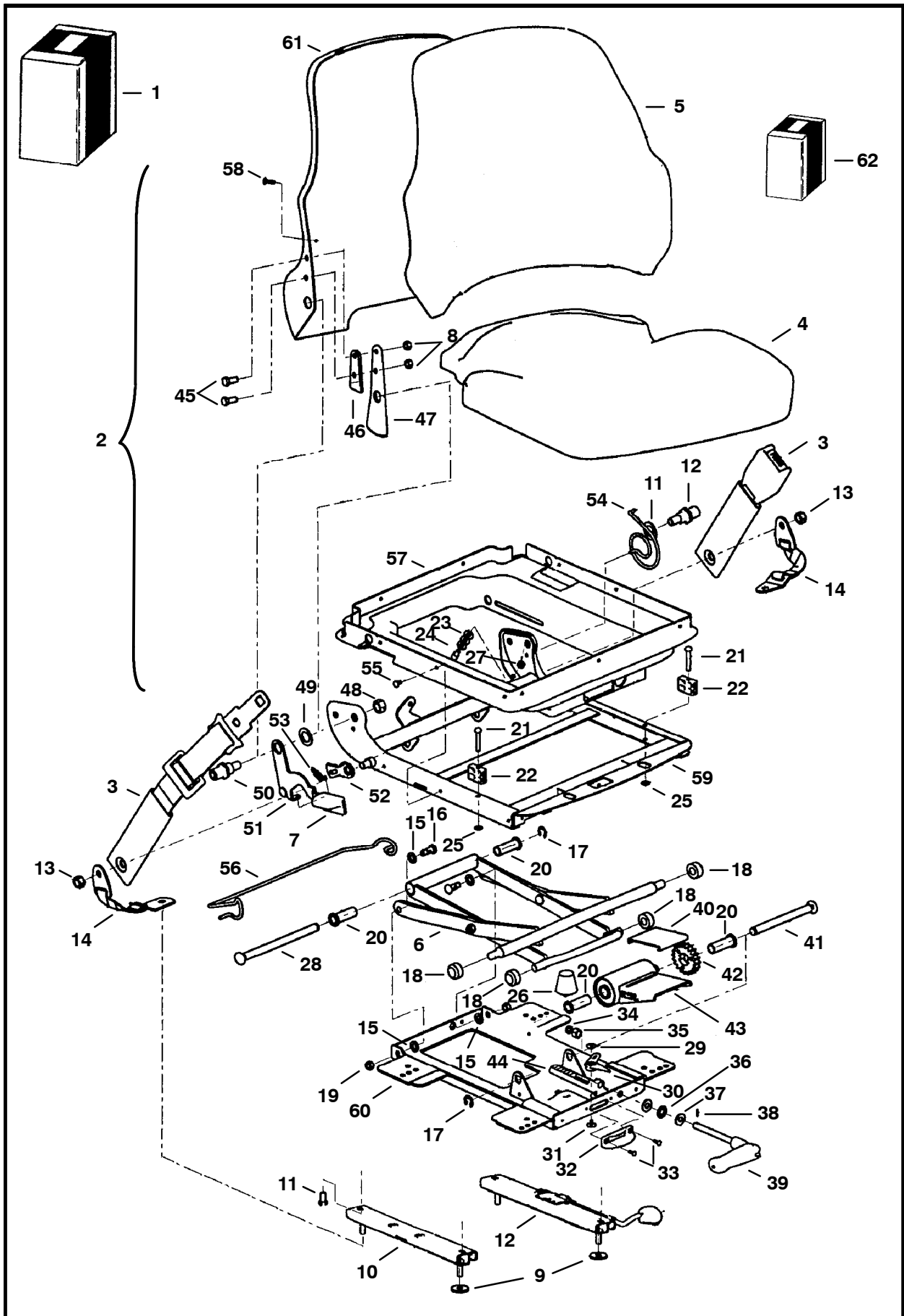
**Use only Bobcat belts and hoses  
to maintain maximum service life.**



**Available from Bobcat Parts.**



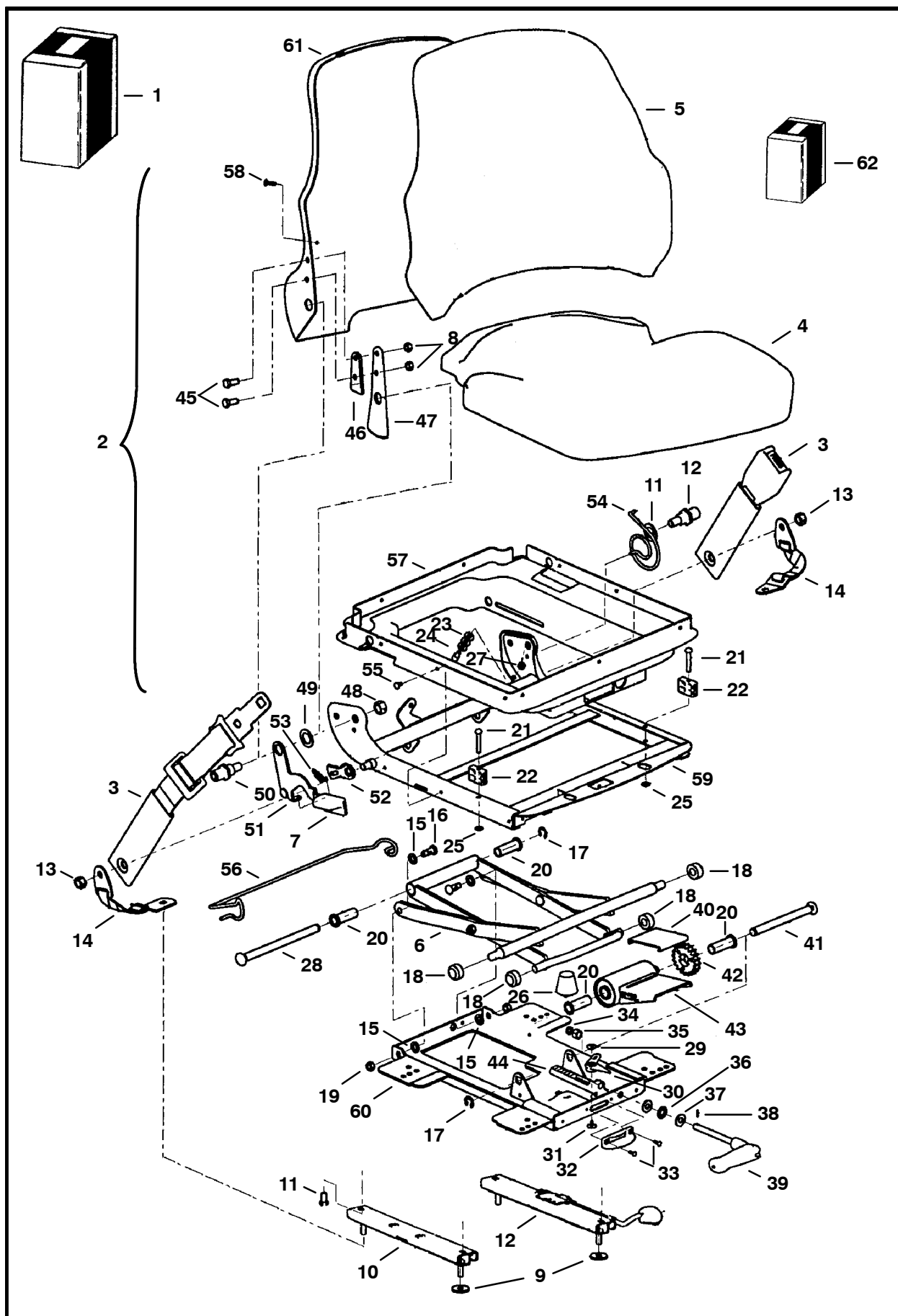
# SEAT (Suspension - Sears)



**SEAT (Cont'd)**  
**(Suspension - Sears)**

Ref. No.	Part Number	Description	Remarks	Serial Number	Qty.
1	NAP	KIT	vinyl seat - Order Ref. 2, 3 & 64 - Was 6718868 [A]		1
	NAP	KIT	fabric seat - Order Ref. 2, 3 & 64 - Was 6718869 [A]		
2	NAP	SEAT	vinyl - R.H. recliner lever - Order 6675595 seat - Was 6674896 [A]		1
	6675595 NAP	SEAT SEAT	vinyl - L.H. recliner lever fabric - R.H. recliner lever - Order 6675596 seat -		1
	6675596	SEAT	Was 6674404 [A]		1
3	6675170	SEAT BELT	fabric - L.H. recliner lever lap		1
4	6675320	SEAT	seat - fabric		1
	6675322	SEAT	seat - vinyl		1
5	6675319	SEAT	backrest - fabric - W/Ref. 58		1
	6675321	SEAT	backrest - vinyl - W/Ref. 58		1
6	6675317	SCISSORS			1
7	6675323	KNOB	recliner		1
8	NSS	NUT			6
9	619021	WASHER			4
10	NSS	SLIDE	slave		1
11	NSS	BOLT			4
12	NSS	SLIDE	locking		1
13	NSS	NUT			2
14	NSS	BELT	tether		2
15	NSS	WASHER	cross pivot		4
16	NSS	BOLT	pivot		2
17	NSS	RING	retaining		2
18	NSS	ROLLER			4
19	NSS	NUT			2
20	NSS	BUSHING	wt adjustment		4
21	NSS	RIVET			2
22	NSS	BLOCK	up stop		2
23	NSS	WASHER			3
24	NSS	STOP	armrest		1
25	NSS	PUSHNUT			2
26	NSS	BUMPER			1
27	NSS	NUT			1
28	NSS	SHAFT	bearing		1
29	NSS	RIVET	female snap		1
30	NSS	INDICATOR	weight		1
31	NSS	RIVET	male snap		1
32	NSS	DIAL	weight indicator		1
33	NSS	POP RIVET			2
34	NSS	SPACER			1
35	NSS	NUT			1
36	NSS	BEARING	thrust		1
37	NSS	RACE	thrust		2
38	NSS	SHEAR PIN			1
39	NSS	HANDLE	weight adjustment		1
40	NSS	PLATE	wear		1

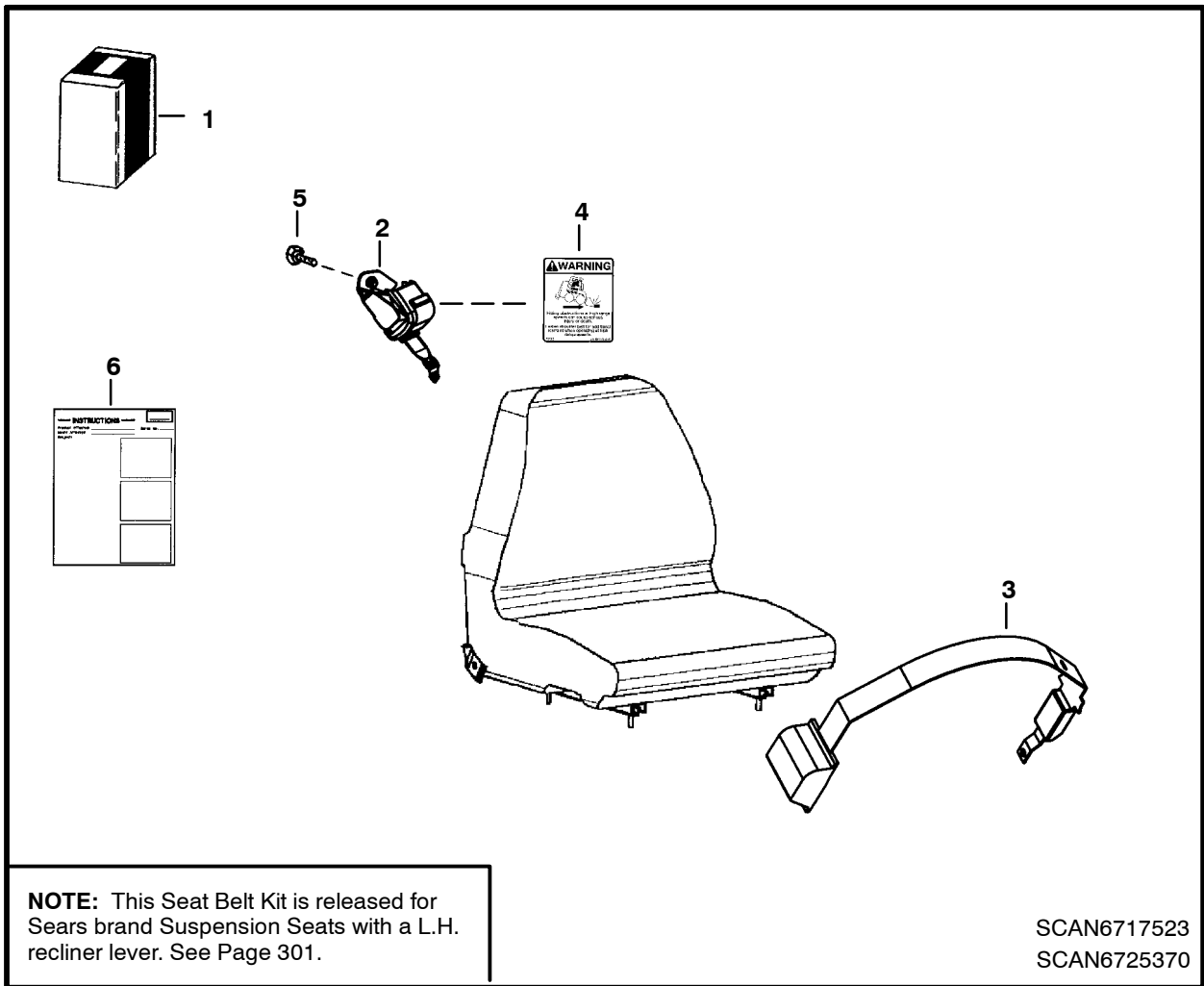
SEAT (Cont'd)  
(Suspension - Sears)





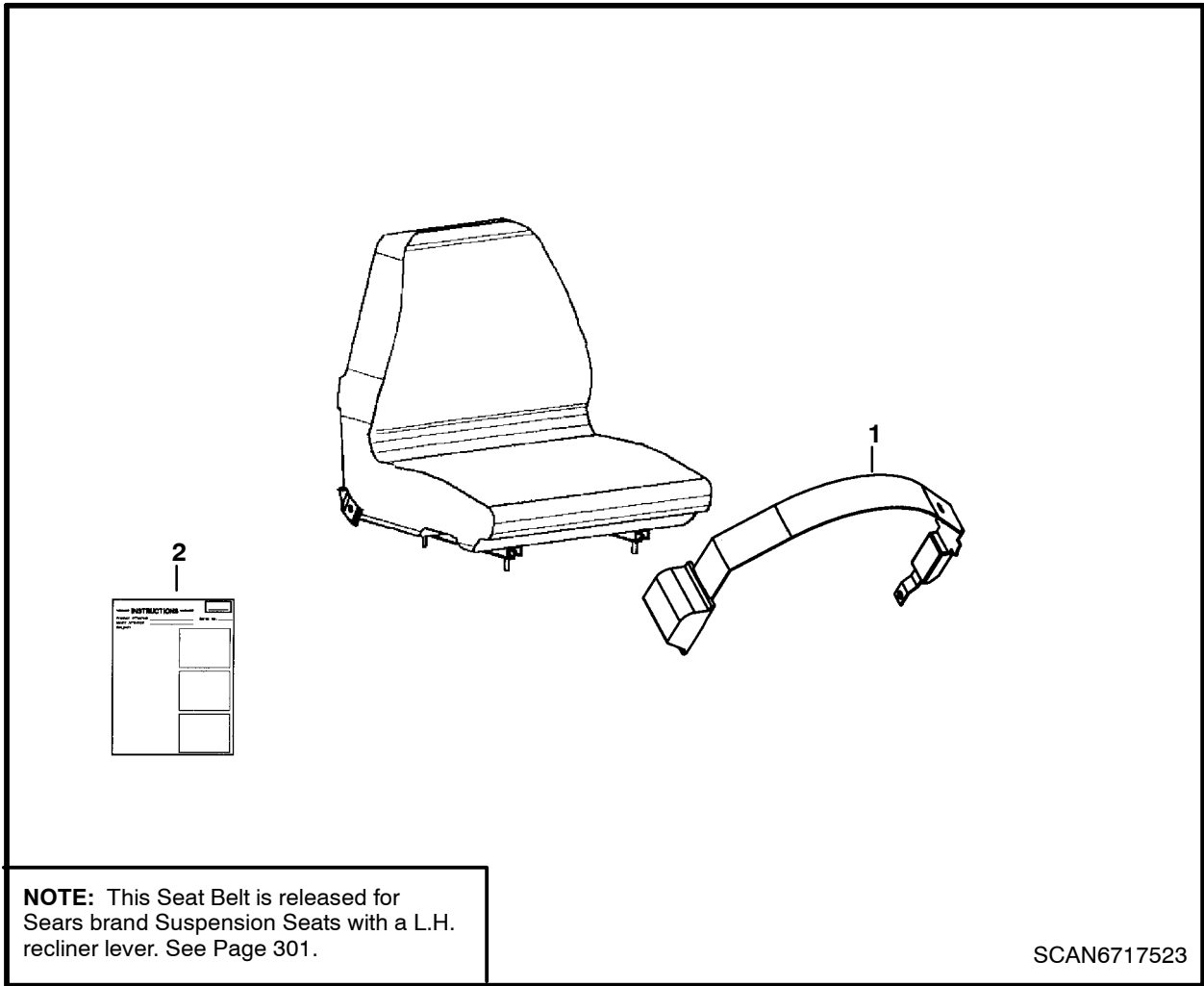
**SEAT (Cont'd)**  
**(Suspension - Sears)**

Ref. No.	Part Number	Description	Remarks	Serial Number	Qty.
41	NSS	SHAFT	torsion		1
42	NSS	DRIVE GEAR			1
43	NSS	BUSHING	torsion		1
44	NSS	RACK	wt adjustment		1
45	NSS	BOLT			2
46	NSS	SPACER	recliner		1
47	NSS	BRACKET	back tilt		1
48	NSS	NUT			2
49	NSS	WASHER	plastic		2
50	NSS	BOSS	back pan pivot		2
51	NSS	HANDLE	recliner (RH)		1
52	NSS	LATCH	recliner		1
53	NSS	SPRING	extension		1
54	NSS	SPRING	tilt latch		1
55	NSS	CLIP			6
56	NSS	WIRE	boot support		1
57	NSS	SUSPENSION	boot		1
58	NSS	SCREW			2
59	NSS	HOUSING	upper		1
60	NSS	HOUSING	lower		1
61	NSS	BACK PAN			1
62	6675309	KIT	slides - W/Ref. 8-12		1
	6675310	KIT	tether belt - W/Ref. 9, 13 & 14		1
	6675311	KIT	suspension rollers & bearings -		
	6675312	KIT	W/Ref. 15-20 suspension bumpers & stops - W/Ref. 21-27		1
	6675313	KIT	rear tube - W/Ref. 17, 20 & 28		1
	6675314	KIT	weight adj. indicator - W/Ref. 29-33		1
	6675315	KIT	weight adj. handle - W/Ref. 34-39		1
	6675316	KIT	weight adj. - W/Ref. 17, 20 & 40-44		1
	6675318	KIT	R.H. recliner - W/Ref. 7,8 & 45-54		1
	6676034	KIT	L.H. recliner - W/Ref. 7,8 & 45-54		1
	6675308	KIT	susp. boot - W/Ref. 55-57		1
63	6676338	GAS SPRING			1
64	6900861	INSTRUCTIONS			1



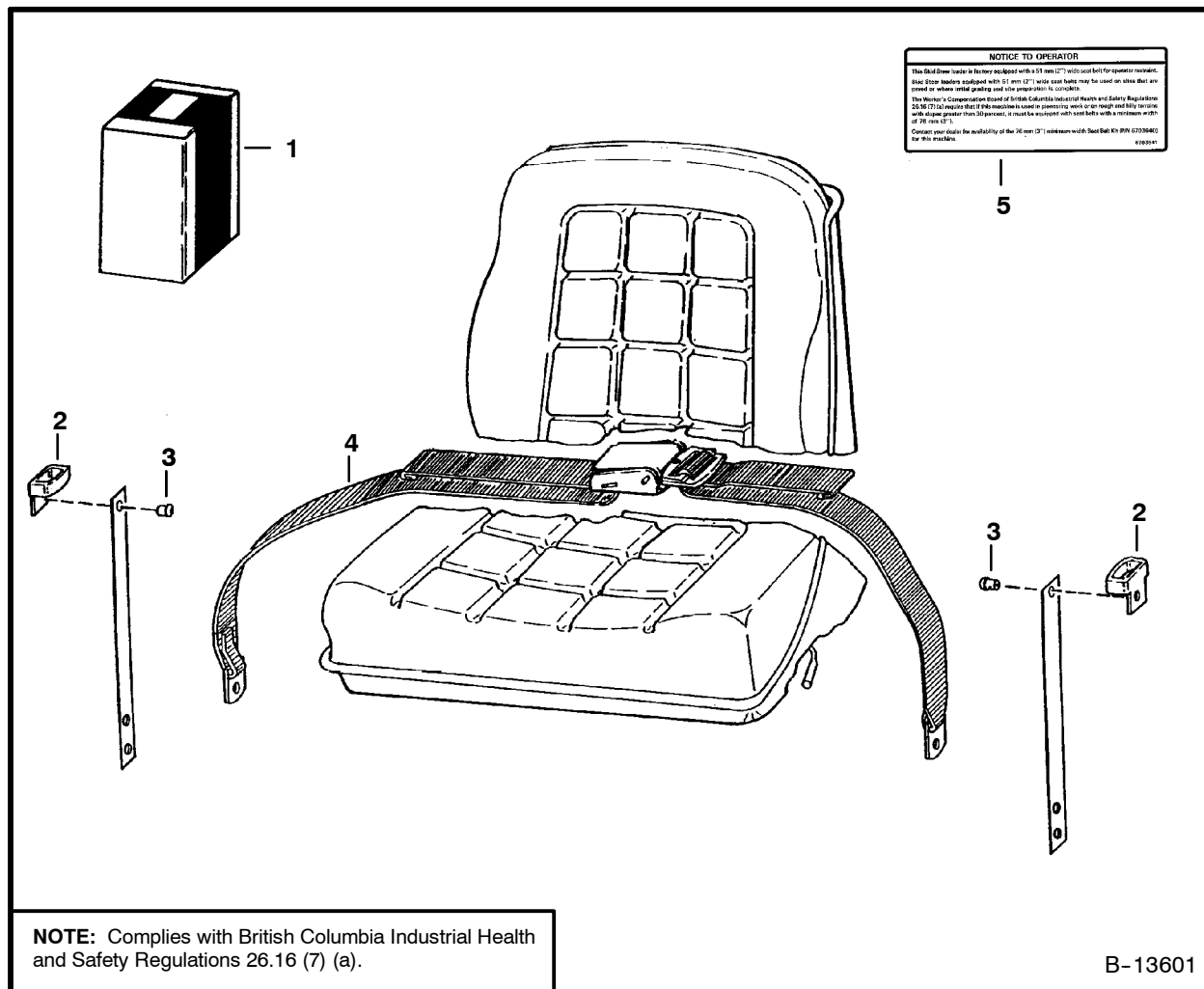
**SEAT BELT  
(Three Point Retractable)**

Ref. No.	Part Number	Description	Remarks	Serial Number	Qty.
1	6725168	KIT	three point retractable seat belt		1
2	6674407	SHOULDER BELT			1
3	6674408	SEAT BELT			1
4	6725370	DECAL			1
5	35C-612	BOLT			1
6	6901010	INSTRUCTIONS			1



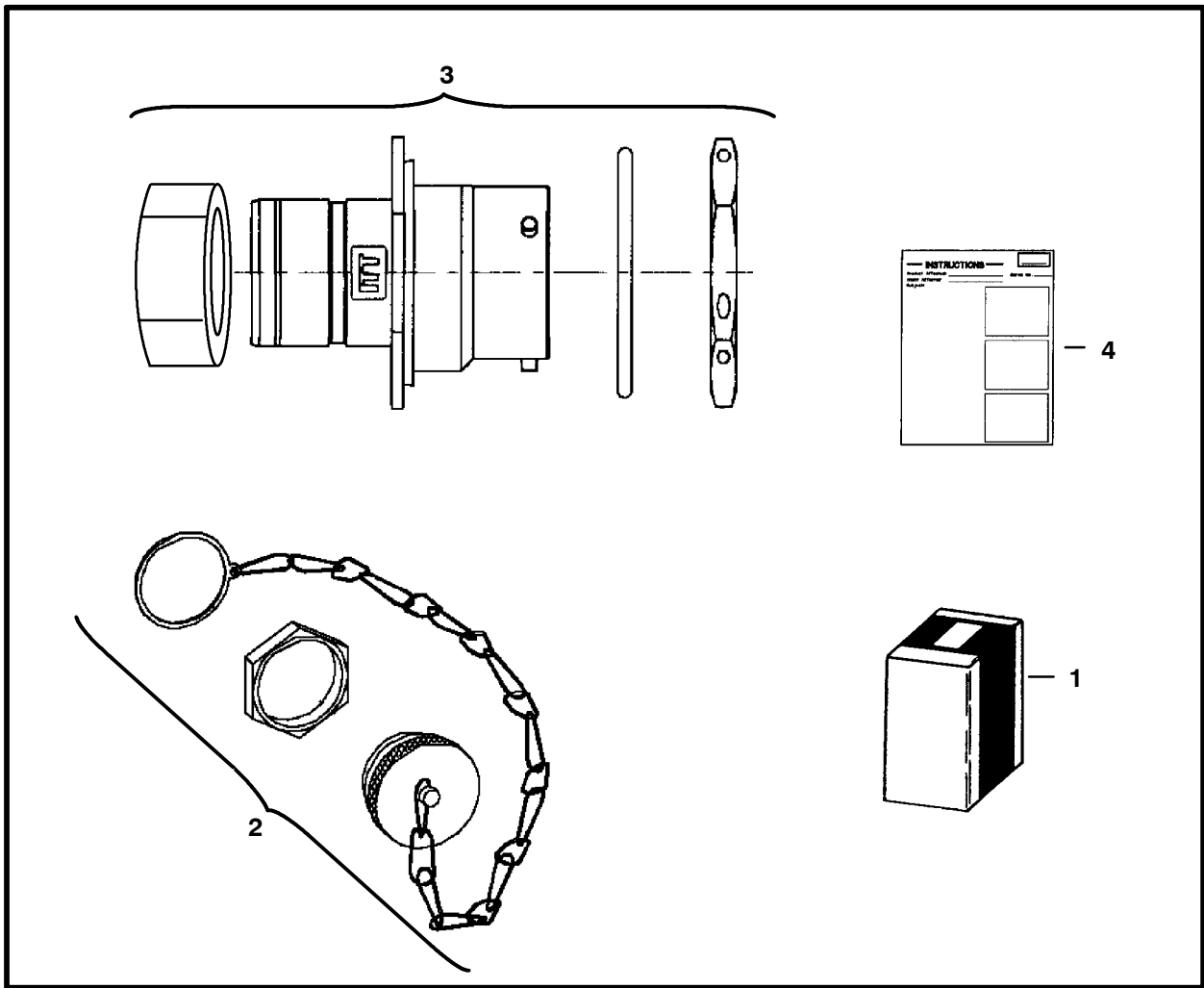
**SEAT BELT  
( 3" Wide Retractable)**

Ref. No.	Part Number	Description	Remarks	Serial Number	Qty.
1	6675562	SEAT BELT	3" wide retractable		1
2	6901011	INSTRUCTIONS			1



### SEAT BELT ( 3" Wide)

Ref. Part No.	Part Number	Description	Remarks	Serial Number	Qty.
1	6703640	KIT	W/Ref. 2-5		1
2	6703703	GUIDE			2
3	6512797	RIVET			4
4	6659999	BELT			1
5	6703641	DECAL			



**SEVEN PIN CONNECTOR KIT**

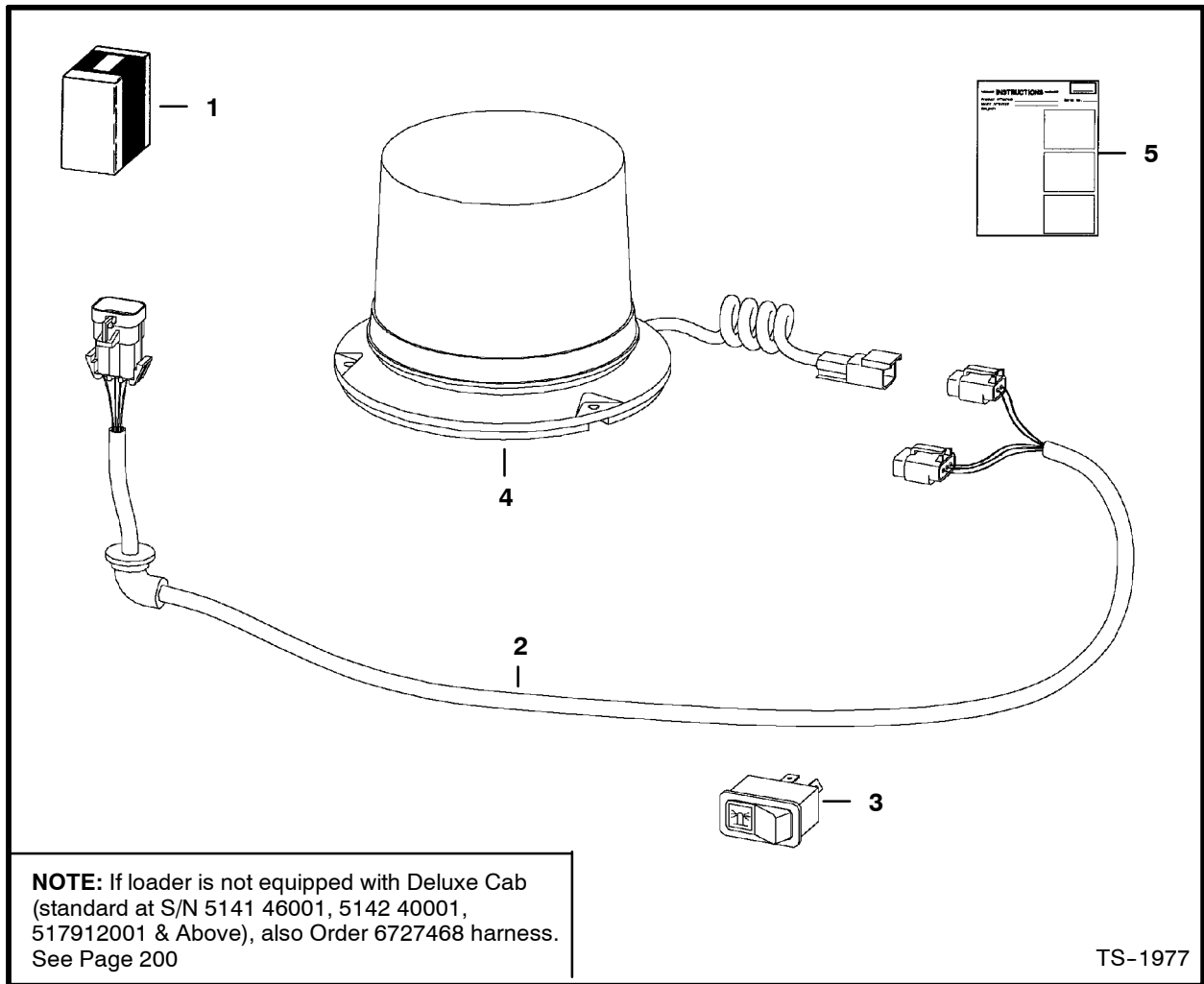
Ref. No.	Part Number	Description	Remarks	Serial Number	Qty.
1	6727176	KIT	Ref. 2-4		1
2	6675026	CAP			1
3	6674802	CONNECTOR	7-pin		1
4	6901076	INSTRUCTIONS			1

**SOUND OPTION  
(Domestic) (85 db)**

**DRAWING NOT AVAILABLE AT TIME OF PRINTING**

**SOUND OPTION (Cont'd)**  
**(Domestic) (85 db)**

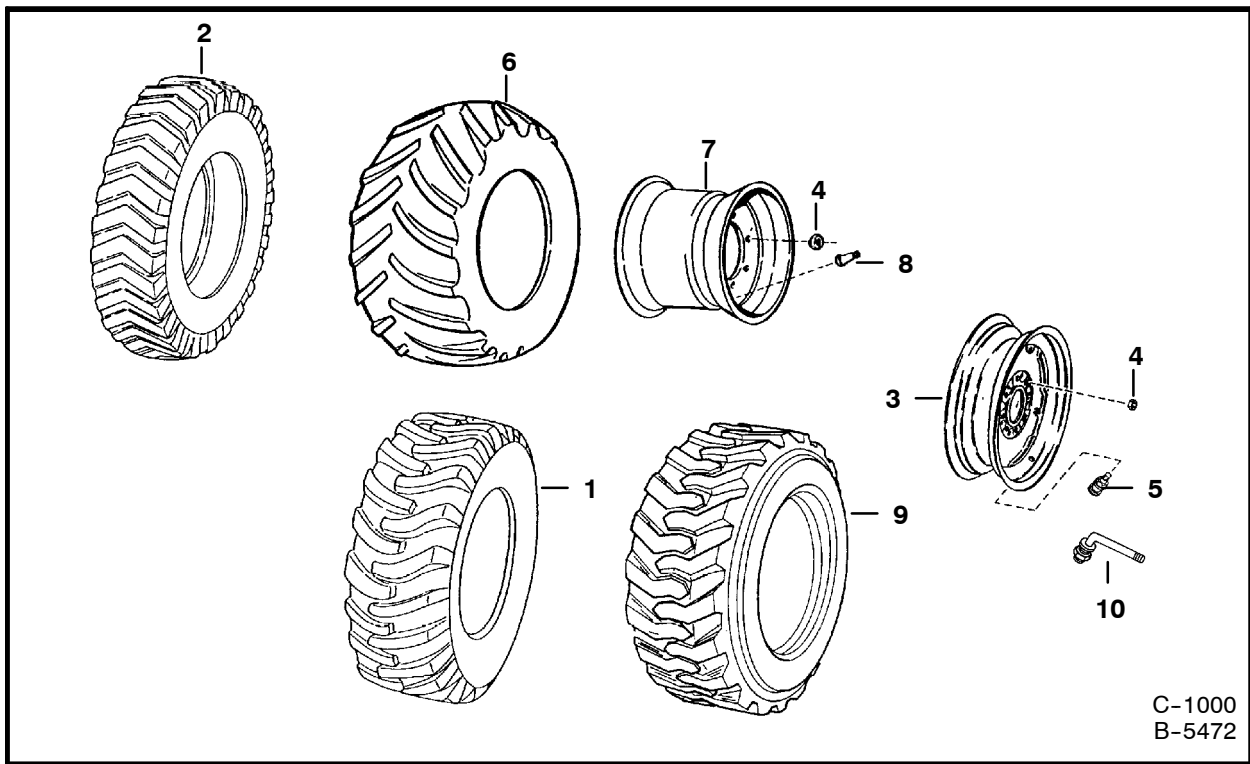
Ref. No.	Part Number	Description	Remarks	Serial Number	Qty.
1	6562619	BUSHING	throttle		2
2	6579385	DECAL	noise warning		1
3	6579404	DECAL			1
4	6712971	PULLEY	fan		1
5	6715428	DECAL	dynamic noise level		1
6	6707648	BELT	fan		1
7	6659982	MUFFLER			1
8	6705333	MOUNT			1
9	6715744	SPACER			1
10	6714977	HOSE			1
11	619021	WASHER			1
12	15KV-8	ADAPTER			2
13	97K-12	O-RING	flared end		x
14	35C-616	BOLT			2
15	83D-6	NUT			1
16	37C-624	BOLT			1
17	85D-6	NUT			2
18	6715456	INSULATION	panel shield		1
19	6719488	INSULATION	panel shield		1
20	6719332	INSULATION	blower housing		1
21	6709829	INSULATION	air inlet		1
22	6719058	INSULATION	crossmember		1
23	6719479	INSULATION	pedal shield		1
24	6703967	INSULATION	fender		2
25	6703968	INSULATION	transmission		2
26	6719489	INSULATION	panel shield		1
27	6719449	INSULATION	steering panel		1
28	6719333	INSULATION	blower housing		1
29	6715106	INSULATION	rear door		1
30	6719478	INSULATION	pedal shield		2
31	6715443	INSULATION	transmission		1
32	6715457	INSULATION	panel shield		1
33	6719486	INSULATION	panel shield		1
	6719487	INSULATION	panel shield		1



### STROBE LIGHT

Ref. No.	Part Number	Description	Remarks	Serial Number	Qty.
1	6719857	KIT	strobe light		1
2	6718872	HARNESS			1
3	6665317	SWITCH	horizontal		1
*	6668816	SWITCH	vertical		1
4	6675522	STROBE			1
	6675858	FLASH TUBES			1
5	6900992	INSTRUCTIONS			1

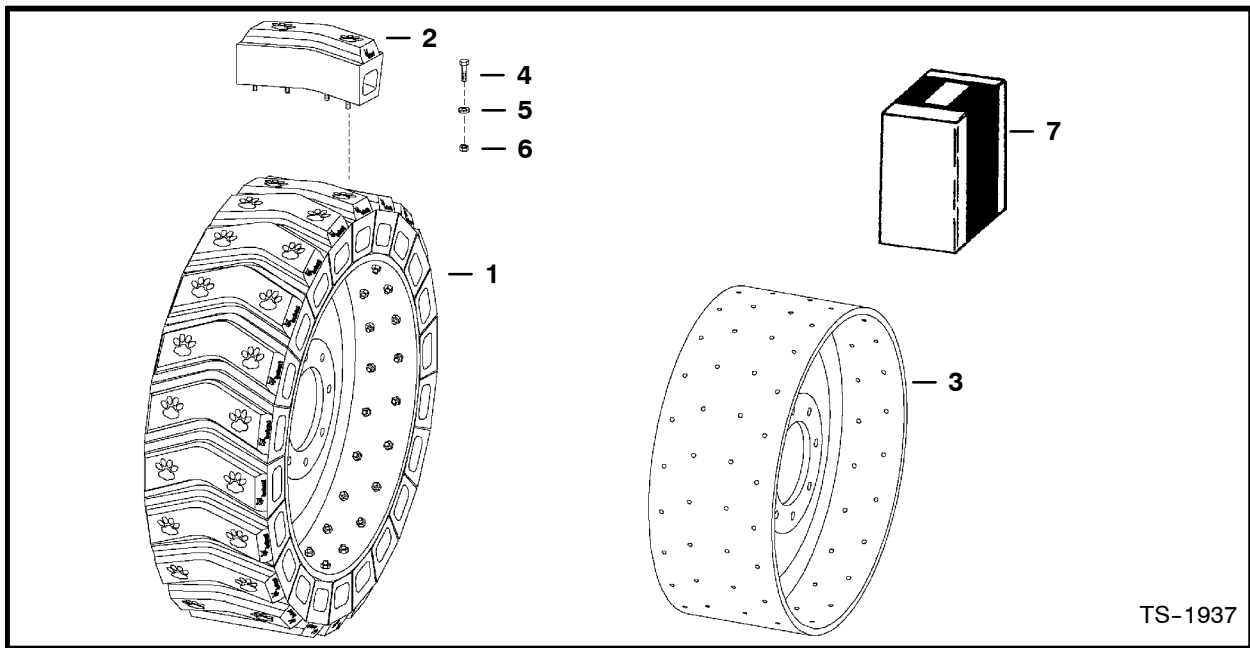




C-1000  
B-5472

### TIRES & RIMS

Ref. Part No.	Part Number	Description	Remarks	Serial Number	Qty.
1	6519249	TIRE	12 x 16.5 6 Ply Rating - Goodyear		4
	6670145	TIRE	12 x 16.5, 8 Ply Rating - Firestone		4
	6590832	TIRE	12 x 16.5, 8 Ply Rating - Goodyear		4
2	6662754	TIRE	12 x 16.5, 8 Ply - Trac 2 - Dico		
	6665725	TIRE	8.25 x 15, 6 Ply Rating IDT (Industrial Deep Tread) - Dico		4
3	6565240	RIM	Used W/Ref. NO TAG & 9		4
	6562498	RIM	Used W/Ref. 2		4
	6669060	RIM	Used W/Ref. 9 - for 67" wide -		
4	6564669	NUT	inverted - also Order Ref. 10 wheel		4
5	1614765	STEM	valve - used on 6565240 rim		4
6	6513971	TIRE	31 x 15.5, 8 Ply Terra Grip		4
	6667892	TIRE	31 x 15.5, 8 Ply Terra Grip - Dico		
	6666668	TIRE	31 x 15.5, 8 Ply Ultra Grip -		
7*	6561095	RIM	Goodyear Use W/Ref. 6 - Was 6658846 [B]		4
8	6591447	STEM	valve - Use W/Ref. 7		4
9	6661601	TIRE	12x16.5, 10 Ply Rating - Bobcat		4
	6667888	TIRE	heavy duty - 12x16.5, 10 Ply Rating - Dico		4
10	6669244	STEM	valve - use W/6669060		4
11*	6677674	TIRE	33x15.5x16.5, 14 ply - Bulky Hulk - Galaxy		4
*	6677675	TIRE	33x15.5x16.5, 12 ply - Hippo - Galaxy		4
12*	6728991	RIM	used W/Ref. 11		4

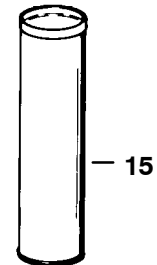
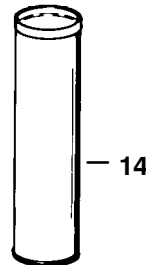
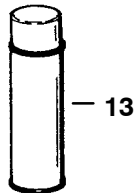
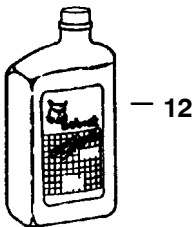
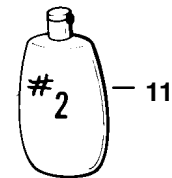
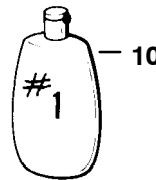
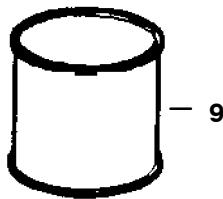
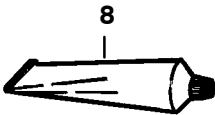
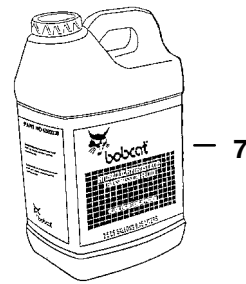
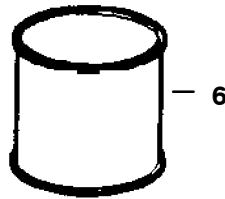
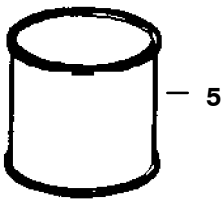
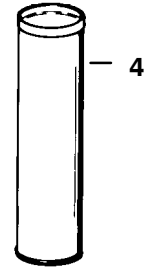
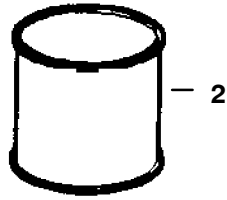
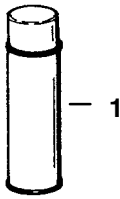


**TIRES & RIMS  
(Solid Tire - Iatco)**

Ref. No.	Part Number	Description	Remarks	Serial Number	Qty.
1	6664990	TIRE & RIM	Assy. - R.H. - 8.25 x 15		2
	6664991	TIRE & RIM	Assy. - L.H. - 8.25 x 15		2
	6674009	TIRE & RIM	Assy. - R.H. - 12 x 16.5		2
2	6674008	TIRE & RIM KIT	Assy. - L.H. - 12 x 16.5 Box of ( ) segments - 8.25 x 15 W/Ref. 4 - 6 - ( ) segments/tire		2 x
	6674012	KIT	Box of (11) segments - 12 x 16.5 W/Ref. 4 - 6 - (22) segments/tire		x
3	NAP	RIM	R.H. - 8.25 x 15 - Order Ref. 1		2
	NAP	RIM	L.H. - 8.25 x 15 - Order Ref. 1		2
	NAP	RIM	R.H. - 12 x 16.5 - Order Ref. 1		2
	NAP	RIM	L.H. - 12 x 16.5 - Order Ref. 1		2
4	1CM-830	BOLT			x
5	25E-15	WASHER			x
6	40DM-8	NUT			x
7	6707173	KIT	wheel - Set of (4) 8.25 x 15 Tire & Rim Assys. - Ref. 1 - (2) R.H. & (2) L.H.		1
8	6718304	KIT	wheel - Set of (4) 12 x 16.5 Tire & Rim Assys. - Ref. 1 - (2) R.H. & (2) L.H.		1



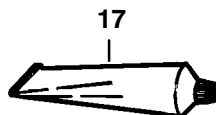
**BULK ITEMS**  
(See Note)



**NOTE:** Some of these bulk items may not be used on this particular model Bobcat.

**NOTE:** See Merchandising catalog for more products & information.

**NOTE:** Paint spray cans are packaged 6 per box. Motor oil quarts are packaged 12 per box. Motor oil 5 qt. jugs are packaged 4 per box.



**BULK ITEMS (Cont'd)**  
**(See Note)**

Ref. No.	Part Number	Description	Remarks	Serial Number	Qty.
1	6722783	PAINT	orange - Spray Can - See Note		X
	6722786	PAINT	charcoal - Spray Can - See Note		X
	6722789	PAINT	white - Spray Can - See Note		X
2	6722781	PAINT	orange - Gallon - Also Order Ref. 5		X
	6722782	PAINT	orange - Qt. - Also Order Ref. 5		X
	6722784	PAINT	charcoal - Gallon - Also Order Ref. 5		X
	6722785	PAINT	charcoal - Qt. - Also Order Ref. 5		X
	6722787	PAINT	white - Gallon - Also Order Ref. 5		X
3	6722788	PAINT	white - Qt. Also Order Ref. 5		X
	6724094	ANTI-FREEZE	gallon - PG - premixed		X
	6724354	ANTI-FREEZE	gallon - PG - concentrate		X
4	6633583	SEALANT	chaincase covers		X
5	6653517	REDUCER	gallon		X
6	6653518	PRIMER	gallon		X
7	6653519	PRIMER	Qt.		X
	6563328	BLACK GOLD	Hydraulic/Hydrostatic Transmission Fluid - 5 Gallons -		
	6722344	BLACK GOLD	2 - 2 1/2 Gallon Containers Hydraulic/Hydrostatic Transmission Fluid - 5 Gallons		X
	NAP	BLACK GOLD	Container		X
	6563330	BLACK GOLD	30 Gallon Drum		X
			55 Gallon Drum		X
8	6599360	SEALANT	electrical - 3 oz. tube		X
9	6634393	LUBRICANT	90 wt. gear - pint - For use in cooling fan drive assy.		X
10	6630188	POLISH	window-1 (8 oz.)		X
11	6630189	POLISH	window-2 (8 oz.) - scratch remover		X
12	6657303	OIL	30 CE/SG - 1 Qt. - See Note		X
	6657301	OIL	10W30 CE/SG - 1 Qt. - See Note		X
	6657299	OIL	15W40 CE/SG - 1 Qt. - See Note		X
	6724557	OIL	SAE 10W30 - 1 Gallon		X
	6724558	OIL	SAE 15W40 - 1 Gallon		X
	6724559	OIL	SAE 30 - 1 Gallon		X
	6674204	OIL	15W-40 - 2.5 Gallon		X
	6674205	OIL	10W-30 - 2.5 Gallon		X
	6674206	OIL	30W - 2.5 Gallon		X
13	6675380	ADHESIVE	insulation - spray can		X
14	6658266	GREASE	general purpose		X
15	6599719	GREASE	14.5 oz. cartridge - For fan idler		
16	6650407	ADHESIVE	bearing		X
			1 oz. tube		X
17	6650388	SEALANT	flange		X

## NUMERICAL INDEX

Part No.	Description	Was	Code	Page
225855	SEAL			24
* 614142	SLEEVE			240
616783	PLUG			30
* 619021	WASHER			292
619021	WASHER			14, 28, 62, 232, 268, 283
654299	BEARING			102, 106, 110, 114
658128	SNAP RING			102, 106, 110, 114
669863	SNAP RING			102, 106, 110, 114
742640	WASHER			160
774220	NUT			192, 250
799119	SNAP RING			64
872229	WASHER			44, 48, 52, 198, 268
898731	BULB			265
1306637	COTTER PIN			52, 62
1313116	BUSHING			154
1318565	HAIR PIN			148, 234
1321607	RACE			39
1321608	BEARING			39
1614765	STEM			294
* 3974795	PIN			112
3974795	PIN			104
5289686	PLUG			224
* 6502203	CLAMP			268
6502203	CLAMP			42, 46
6505082	SPRING			30
6505813	ADAPTER			152
6510614	LINK			35
6512026	BUSHING			62
* 6512797	RIVET			288
* 6513152	SEAL			204, 206
6513152	SEAL			148, 212, 252
6513495	COTTER PIN			62, 162
6513595	CLAMP			84
6513908	NUT			172
6513971	TIRE			294
6514745	SCREW			182
6515007	INDICATOR			152
* 6515131	TERMINAL			240
* 6515576	CLAMP			260
6515817	WASHER			14
6516229	O-RING			56, 58, 59
6517516	LIGHT			240
6518121	PLUG			158, 178
6518200	GREASE ZERK			94
6518460	PIN			106
6518483	WASHER			106, 114, 117
6518955	SNAP RING			154
6519178	BUMPER			18
6519187	ELBOW			52
6519249	TIRE			294
6529464	BUSHING			150

Code for disposition of old part number  
 A — Use up  
 B — Use on other application (See PNI)

C — File PDR Report with Melroe Parts Sales  
 D — Part Number Error

## NUMERICAL INDEX (Cont'd)

Part No.	Description	Was	Code	Page
6531270	SLEEVE			64
6531336	HOSE			88
* 6532127	BOOT			138, 244
6532127	BOOT			30, 136
6532453	RING SEAL			269
6533363	HOSE			50
6541981	PIN			52
* 6542731	SAFETY TREAD			206, 210
6542731	SAFETY TREAD			202
6547593	PIN			24
6553411	BUSHING			12, 32, 38
* 6553709	WASHER			44, 54
6553709	WASHER			14
6553976	SAFETY TREAD			220
6554100	SAFETY TREAD			220, 268
* 6554149	CORD			207
6554149	CORD			202, 210, 216, 224
* 6555351	SEAL			216
6555351	SEAL			212
6555987	BUSHING			24
6557224	DECAL			220
6557291	BALL JOINT			162
* 6557493	GROMMET			281
6557565	DECAL			220
6557720	HOSE			152
* 6557831	WASHER			260
6557831	WASHER			94
6557904	FLASHER			240
6558309	WIRE ROPE			220
6558310	SLEEVE			220
6558693	RING			39
6558694	WASHER			39
6559479	NUT			38
6559515	EXIT TAG			210, 216, 224
* 6560172	COVER			128
6560633	DAMPENER			14
6561383	DECAL			220
6562018	SPRING			28
6562498	RIM			294
* 6562619	BUSHING			292
6562619	BUSHING			189, 232
6563328	BLACK GOLD			298
6563330	BLACK GOLD			, 298
6563914	WASHER			62, 94
6564452	GRIP			162
6564535	WASHER			12
6564654	PIN			62
6564657	PIN			62
6564669	NUT			12, 39, 294
* 6565170	CABLE			128
* 6565200	DECAL			222

Code for disposition of old part number  
 A — Use up  
 B — Use on other application (See PNI)

C — File PDR Report with Melroe Parts Sales  
 D — Part Number Error

## NUMERICAL INDEX (Cont'd)

Part No.	Description	Was	Code	Page
6565240	RIM			294
6565947	WASHER			39
6565990	DECAL			220
6567743	PIN			14
6567962	WASHER			162
6568424	ADAPTER			154
6568425	ADAPTER			154
6568918	SPROCKET			35, 39
6569146	TEE			42, 46
* 6569203	CLAMP			128
6569219	SCREEN			32, 84
6569498	SPRING ASSY			154
6570762	INSTRUCTIONS			280
6570931	INSTRUCTIONS			189
6571554	BUSHING			142
6576033	WASHER			156
6576196	MOUNT			94
6576261	COVER			162
6576262	MOUNT			162
* 6576280	BOLT			128
6577058	PIN			94
6577230	MOUNT			94
6577382	SPACER			148
6577394	HINGE			158
6577545	GROMMET			192, 261
6577690	TUBE			90
6577754	DECAL			222
6577785	CAP			84
6577812	COVER			189
6577821	HOSE			32
6577822	HOSE			32, 148
6577880	KIT			189
6577961	GROMMET			30
6578172	HOSE			32
6578278	PAD			32
6578284	SHIM			164
6578368	DECAL			222
6578505	COVER			38
6578857	HUB			39
6579104	STOP			28
6579106	SHIM			28
* 6579385	DECAL			292
* 6579404	DECAL			292
6579509	DECAL			220
6579528	DECAL			220
6579554	HOSE			32
* 6579613	STOP			14
6579613	STOP			148
6579639	DECAL			220
6579641	HOUSING			164
* 6579989	BRACKET			128

Code for disposition of old part number  
A — Use up  
B — Use on other application (See PNI)

C — File PDR Report with Melroe Parts Sales  
D — Part Number Error



## NUMERICAL INDEX (Cont'd)

Part No.	Description	Was	Code	Page
6584978	CONDUIT			38
6585860	SPRING			38
6586459	SEAL KIT			66, 72
6586461	SEAL KIT			66, 72
6586542	HEAD			269
6586543	PISTON			269
6586710	BOLT			154
6586718	HEAD			59
6586918	SCREW			64
6587182	SWIVEL PIN			154
6587458	KEY			32
6587523	WASHER			64, 70
6587575	ADAPTER			64
6587580	SPRING			64, 70
6587633	BONNET			64, 70
6587763	BOOT			64, 70
6587765	BUSHING			154
6588074	SPOOL			64, 70
6588781	END CAP			66, 70
6589198	CYLINDER			59
6589199	SPACER			59
6589226	BONNET			64
6589271	TUBE			59
6589338	CASE			59
6589339	ROD			59
6589475	CYLINDER			42, 46
6589564	WASHER			64, 70
6589565	BUSHING			70
6590832	TIRE			294
6591030	LINK			35
6591447	STEM			294
6592098	WASHER			64
6592100	COLLAR			64, 70
6592105	BALL			64
6592107	SPRING			64
6592109	ADAPTER			64, 70
6592115	SEAT			64, 70
6592116	NUT			64, 70
6592117	SPRING			64, 70
6592506	CLAMP			52
6592720	PLUG			66, 72
6592766	U-BOLT			162
6595014	DECAL			220, 222
6595131	SPRING			66, 72
6595663	BUSHING			64, 70
6595951	SLEEVE			64, 72
6596332	SPRING			64, 70
6596569	SEAT			66, 70
6596807	PLUG			64
* 6597774	HANDLE			138, 244
6597774	HANDLE			134

Code for disposition of old part number  
 A — Use up  
 B — Use on other application (See PNI)

C — File PDR Report with Melroe Parts Sales  
 D — Part Number Error

## NUMERICAL INDEX (Cont'd)

Part No.	Description	Was	Code	Page
6597775	LEVER			134
6597776	LEVER			134
6598908	ELBOW			32
6599360	SEALANT			298
6599365	KIT			122
6599645	PLUG			12, 32
6599719	GREASE			298
6599741	WASHER			94
6599744	BALL JOINT			94, 234
6599780	TRACK			19
6599931	ALARM			192
* 6610510	TIE			76, 278
6610510	TIE			32, 128, 148, 224, 244
6617871	FRAME			216
* 6624289	TIE			44, 128, 230, 248
6624289	TIE			228, 260, 268, 278
6626631	CLAMP			148
6628031	HEAD			56, 58
6628571	VALVE ASSY			64, 68, 70
* 6628613	HOSE			92
6628835	SEAL KIT			66, 72
6630188	POLISH			298
6630189	POLISH			298
6630207	RIVET			30
6630465	CUSHION			19
6630468	CUSHION			19
6630469	TRACK			19
6630945	WASHER			162
6631036	BALL JOINT			162
6631067	SEAL			26
6631418	PIN			14, 18
6631561	NUT			74
6632228	RETAINER			142
6632323	WASHER			142
6632429	RETAINER			146
6632430	ROLLER			146
6632432	PLUNGER			146
6632433	GASKET			146
6632434	COVER			146
6632435	BALL			146
6632436	SPRING			146
6632441	SPRING			146
6632823	GASKET			172, 178, 180
6633583	SEALANT			298
6634393	LUBRICANT			164, 298
6634874	O-RING			74
* 6640690	PIN			138, 140, 244, 246
6640690	PIN			132, 134, 261
* 6640692	CONNECTOR			138, 140, 244, 246
6640692	CONNECTOR			132, 134
* 6640694	CAP			138, 140, 244, 246

Code for disposition of old part number  
A — Use up  
B — Use on other application (See PNI)

C — File PDR Report with Melroe Parts Sales  
D — Part Number Error

## NUMERICAL INDEX (Cont'd)

Part No.	Description	Was	Code	Page
6640694	LOCK			132, 134
* 6640699	CONNECTOR			138, 244
6640699	CONNECTOR			134, 250, 261
* 6640700	LOCK			138, 244
6640700	LOCK			134, 261
* 6641176	SEAL			138, 140, 244, 246
6641176	SEAL			132, 134, 261
* 6641179	CONNECTOR			138, 244
6641179	CONNECTOR			74, 132, 134, 261
* 6641180	LOCK			138, 244
6641180	LOCK			74, 132, 134, 261
6645080	O-RING			106, 114
6645086	PLUG			102, 106, 110, 114
6645088	BOLT			117
6645090	SEAL			102, 110
* 6646582	PLUG			132, 138, 140, 244, 246
6646582	PLUG			134
6646627	BEARING			164
6646781	SWITCH			192
6647777	PIN			74
6647778	CAP			74
6647780	PLUG			74
6647783	LOAD CHECK			74
6647784	PLUG			74
6647785	SPRING			74
6648293	SCREW			74
6648294	SPRING			74
* 6648307	CONNECTOR			140, 246
6649481	BULB			265
6649551	SHOCK			94
6649949	PLUG			30, 224
6650120	RACE			36
6650239	SCREEN			32
6650388	SEALANT			298
6650407	ADHESIVE			298
6650627	PLATE			102, 106, 110, 114
6650629	PIN			102, 106, 110, 114
6650630	RETAINER			102, 106, 110, 114
6650634	GASKET			102, 106, 110, 114
6650635	BEARING			102, 106, 110, 114
6650636	PIN			102, 106, 110, 114
6650637	BOLT			106
6650646	O-RING			102, 110
6650647	O-RING			102, 110
6650648	PLUG ASSY			104, 112
6650652	POPPET			102, 110
6650668	BOLT			102, 106, 110, 114
* 6650674	BOLT			114
6651436	SHIELD			52
6652018	BOLT			106, 114
6652918	NUT			158

Code for disposition of old part number  
A — Use up  
B — Use on other application (See PNI)

C — File PDR Report with Melroe Parts Sales  
D — Part Number Error

## NUMERICAL INDEX (Cont'd)

Part No.	Description	Was	Code	Page
6652935	EDGING			19
6653484	VALVE			279
6653485	SEAL KIT			279
6653487	SEAL KIT			279
6653517	REDUCER			298
6653518	PRIMER			298
6653519	PRIMER			298
6653702	SEAL			164
6653757	SNAP RING			164
6653758	SNAP RING			164
* 6654139	MOULDING			140, 246
6654139	MOULDING			134
* 6654170	BOLT			206, 210
6654170	STRIKER BOLT			202
* 6654806	FUSE			130
6654806	FUSE			136
* 6655399	BUMPER	6714454	B	22
6655399	BUMPER			12, 148
6655781	BEARING			154
6657028	O-RING			102, 106, 110, 114
6657067	COVER			102, 106, 110, 114
6657068	PLATE			102, 106, 110, 114
6657083	ELBOW			32
6657299	OIL			298
6657301	OIL			298
6657303	OIL			298
6657376	ELBOW			148
* 6657719	PLUG			216
6657719	PLUG			224
6658122	COVER			117
6658123	COVER			117
6658180	BREATHER			32
* 6658260	SENSOR			128
6658266	GREASE			298
6658460	PIN			102
6658846	RIM			294
6659371	NUT			142
6659372	WASHER			142
6659373	PULLEY			142
6659374	SPACER			142
6659375	FAN			142
6659376	BRACKET			142
6659378	BOLT			142
6659379	BEARING			142
6659380	ROTOR			142
6659381	STATOR			142
6659382	BRACKET			142
6659384	RECTIFIER			142
6659385	SCREW			142
6659386	HOLDER			142
6659387	NUT			142

Code for disposition of old part number  
A — Use up  
B — Use on other application (See PNI)

C — File PDR Report with Melroe Parts Sales  
D — Part Number Error

## NUMERICAL INDEX (Cont'd)

Part No.	Description	Was	Code	Page
6659388	CONDENSER			142
6659390	HOLDER			142
6659391	NUT			142
6659392	BOLT			142
6659393	REGULATOR			142
6659394	BRUSH			142
6659395	SPRING			142
6659396	SCREW			142
6659397	TERMINAL			142
6659398	COVER			142
6659399	SCREW			142
6659400	CONNECTOR			142
* 6659459	CHECK VALVE			76
* 6659982	MUFFLER			292
6659982	MUFFLER			232
* 6659999	BELT			288
6660026	PISTON			96
6660260	SWITCH			122
6660339	GASKET			80, 117
6660644	CAP			64
6660814	O-RING			102, 106, 110, 114
6660967	CAP			154
6660995	GREASE RING			154
* 6661022	FILTER			76
6661022	FILTER			84, 121
6661114	CAP			32
6661117	TANK			234
6661209	RIVET			148
6661213	CLAMP			32
6661229	BEARING			154
6661247	FILTER ASSY			88, 122
6661248	ELEMENT			88, 122
6661328	SEAL KIT			66, 72
6661334	FILTER ASSY			88
6661353	LIGHT ASSY			265
6661377	SEAL			154
6661443	STEM			272
6661448	SEAL KIT			81
6661601	TIRE			294
6661608	SEAL KIT			235
6661611	ALTERNATOR			142
6661696	CAP			32
* 6661753	PLUG			92
6661787	WASHER			158
6661807	KIT			121
6661808	KIT			121
* 6662246	CONNECTOR			254, 256
* 6662252	LOCK			254, 256
* 6662257	PIN			254, 256
6662298	SNAP RING			38
6662754	TIRE			294

Code for disposition of old part number  
A — Use up  
B — Use on other application (See PNI)

C — File PDR Report with Melroe Parts Sales  
D — Part Number Error

## NUMERICAL INDEX (Cont'd)

Part No.	Description	Was	Code	Page
6662848	CAP			66, 72
* 6662855	BELT			92
6662997	PULLEY			154
6664024	STEM			81
6664025	STEM			81
6664032	SEAL KIT			81
6664033	SEAL KIT			82
* 6664035	CAP			228, 230
* 6664036	NUT			230
6664036	NUT			228
* 6664037	WASHER			230
6664037	WASHER			228
* 6664040	PIN			230
6664040	PIN			228
* 6664065	WASHER			281
6664065	WASHER			202
* 6664085	BUSHING			281
6664085	BUSHING			202
6664095	ARM			202
6664096	BLADE			202
* 6664097	COVER			281
6664097	COVER			202
* 6664103	NUT			281
6664103	NUT			202
6664178	GASKET			202
6664212	CHECK VALVE			279
6664221	RETAINER			224
6664223	OUTLET			224
6664224	CAP			224
6664368	LIGHT			224
6664554	PUMP			202
6664555	NOZZLE			202
* 6664566	BOLT			281
6664566	SCREW			202
6664845	BEARING			36
6664846	BEARING			36
6664847	RACE			36
6664848	SNAP RING			36
6664880	SWITCH			38
6664882	BUSHING			18
* 6664971	WASHER			130
* 6664972	NUT			130
6664990	TIRE & RIM			295
6664991	TIRE & RIM			295
* 6665000	CLIP			138, 244
6665000	CLIP			134
6665004	STEM			68
6665086	SEAL			59
6665222	RING GEAR			154
6665307	SEAL			154
6665308	SNAP RING			154

Code for disposition of old part number  
A — Use up  
B — Use on other application (See PNI)

C — File PDR Report with Melroe Parts Sales  
D — Part Number Error

## NUMERICAL INDEX (Cont'd)

Part No.	Description	Was	Code	Page
6665316	SWITCH			240
6665317	SWITCH			193, 293
* 6665321	RIVET			138, 244
6665321	RIVET			136
* 6665322	RIVET			138, 244
6665322	RIVET			134
* 6665367	BULB			224
* 6665370	PLUG			254, 256
* 6665371	SWITCH			128
6665401	SEAT			19
* 6665427	BATTERY			128
* 6665568	SEAL			207
6665568	SEAL			202, 210
6665569	WASHER			64, 70
6665570	RING			64, 70
6665572	VALVE			278, 279
* 6665602	MOTOR			281
6665603	OIL FILTER			176
6665656	CLIP			19
6665701	BUSHING			62, 94
6665702	STEM			82
6665707	SWITCH			202
6665719	PLUG			81, 82, 272
6665725	TIRE			294
6665755	SEAL			36
6665846	SEAL			64, 70
6665910	GASKET			152, 178
6665915	GUAGE			84
6666286	PISTON			59
6666338	WASHER			102, 106, 110, 114
6666375	CARTRIDGE			186
6666376	CARTRIDGE			186
6666377	COVER			186
6666378	VALVE			186
6666387	PLUG			176
6666388	SNAP RING			170
6666389	CIR CLIP			172
6666393	SEAL RING			166, 172, 176
6666394	SEAL RING			166, 172, 176
6666395	SEAL RING			166, 176, 178
6666396	SCREW			176
6666397	PLUG			167
6666398	NUT			152, 178
6666399	PLUG			172
6666400	PLUG			176
6666401	O-RING			166, 176
6666402	BOLT			172
6666403	BOLT			182
6666404	SNAP RING			180
6666406	STUD			172
6666407	STUD			152, 178

Code for disposition of old part number  
A — Use up  
B — Use on other application (See PNI)

C — File PDR Report with Melroe Parts Sales  
D — Part Number Error

## NUMERICAL INDEX (Cont'd)

Part No.	Description	Was	Code	Page
6666408	O-RING			166, 172
6666409	O-RING			166, 182
6666410	O-RING			166, 172
6666412	BOLT			172
6666416	HOSE			182
6666419	CLAMP			152, 167
6666420	O-RING			166, 182
6666425	O-RING			166
6666426	SEAL RING			166, 172
6666433	BOLT			180
6666434	BOLT			176
6666439	O-RING			166
6666442	NUT			180
6666443	COLLAR			170
6666444	BOLT			180
6666446	PULLEY			180
6666447	PUSH ROD			170
6666448	ARM			170
6666449	SCREW			170
6666450	NUT			170, 172
6666452	BOLT			154
6666453	WASHER			182
6666456	WASHER			180
6666458	BEARING			180
6666459	BEARING			180
6666460	SEAL			166, 170
6666463	BUSHING			180
6666465	SPRING			172
6666466	VALVE			170
6666469	WASHER			172
6666470	PIN			180
6666471	PULLEY			180
6666472	GASKET			166, 167
6666473	GASKET			166, 167
6666474	ARM			170
6666475	CLAW			172
6666476	STOP			172
6666478	GASKET			166
6666479	GASKET			166
6666480	SCREW			172
6666481	INSERT			170
6666482	FLANGE			180
6666483	SPRING			172
6666489	SCREW			172
6666490	SEAL			166, 172
6666491	COVER			172, 180
6666492	SEAL RING			182
6666493	TAPPET			182
6666495	SPRING			182
6666496	PIN			172
6666501	CLAMP			182

Code for disposition of old part number  
 A — Use up  
 B — Use on other application (See PNI)

C — File PDR Report with Melroe Parts Sales  
 D — Part Number Error



## NUMERICAL INDEX (Cont'd)

Part No.	Description	Was	Code	Page
6666504	TAPPET			170
6666505	INSERT			170
6666508	TUBE			176
* 6666509	RETAINER	6673155	A	178
6666510	VALVE			176
6666512	SHIM			182
6666513	SHIM			182
6666514	SHIM			182
6666515	SHIM			182
6666516	SHIM			182
6666517	SHIM			182
6666518	SHIM			182
6666519	PIN			170
6666522	FUEL PUMP			32, 182
6666526	VALVE			170
6666527	ADAPTER			182
6666530	CAP			176
6666531	TUBE			182
6666542	SEAL			269
* 6666571	BULB			193
6666622	CLUTCH			146
6666624	SNAP RING			146
6666628	NUT			146
6666629	WASHER			146
6666630	WASHER			146
6666631	O-RING			146
6666632	O-RING			146
6666633	BOLT			146
6666634	BOLT			146
6666635	BOLT			146
6666637	NUT			146
6666668	TIRE			294
6666684	BOLT			174
6666686	PIN			174
6666687	NAIL			174
6666688	PIN			174
6666689	PLUG			178
6666690	PLUG			172, 176, 178
6666691	BOLT			174
6666692	BEARING			174
6666694	PIN			174
6666695	BOLT			174
6666696	BOLT			150
6666697	PLUG			170, 176
6666698	SET SCREW			174
6666699	SEAL RING			166, 178
6666700	STUD			174
6666701	CLAMP			172
6666702	PLUG			176
6666703	PLUG			176
6666708	BOLT			185

Code for disposition of old part number  
 A — Use up  
 B — Use on other application (See PNI)

C — File PDR Report with Melroe Parts Sales  
 D — Part Number Error

## NUMERICAL INDEX (Cont'd)

Part No.	Description	Was	Code	Page
6666709	STUD			176
6666710	SCREW			174
6666711	BOLT			172
6666712	O-RING			150, 166
6666713	PIN			174
6666714	O-RING			166, 174
6666715	BOLT			172
6666716	PLUG			176
6666717	WASHER			174
6666718	SLEEVE			176
6666719	BOLT			176
6666720	WASHER			172
6666721	LEVER			174
6666722	DOWEL			176
6666723	WASHER			174
6666725	PULLEY			172
6666726	SHAFT			174
6666727	SPRING			174
6666729	SHAFT			174
6666730	SEAL			166, 174
6666731	SEAL			166, 174
6666732	SLEEVE			174
6666733	ARM			174
6666736	METER			174
6666737	BEARING			176
6666738	BEARING			176
6666740	SHAFT			174
6666741	TUBE			176
6666744	SLEEVE			174
6666745	LEVER			174
6666746	NOZZLE			176
6666748	COVER			172, 174
6666749	BREATHER			170, 174
6666750	PIN			185
6666751	PLUG			176
6666753	WASHER			166, 174
6666754	GASKET			170
6666755	GASKET			170
6666757	COVER			174
6666760	SEAL RING			166, 185
6666762	ADAPTER			150
6666763	FUEL LINE			182
6666766	GROMMET			204
6666864	CLAMP			32
6666932	BRAKE ASSY			234, 236
6666933	MASTER CYLINDER			234, 235
6667139	CAP			234
* 6667144	CONNECTOR			138, 244
6667144	CONNECTOR			132, 134
* 6667145	LOCK			138, 244
6667145	LOCK			132, 134

Code for disposition of old part number  
A — Use up  
B — Use on other application (See PNI)

C — File PDR Report with Melroe Parts Sales  
D — Part Number Error

## NUMERICAL INDEX (Cont'd)

Part No.	Description	Was	Code	Page
6667170	PUMP			32
6667176	PLUG			74
6667180	SEAL KIT			272
6667185	SEAL KIT			74
* 6667201	SPACER			281
6667201	SPACER			202
6667323	SEAL			269
6667326	SEAL			59
6667352	ELEMENT			32
6667353	FILTER ASSY			32
6667549	VALVE			64, 70
* 6667569	CONNECTOR			230
6667569	CONNECTOR			228
6667676	COVER			74
6667677	O-RING			74
6667679	O-RING			74
6667680	SNAP RING			74
* 6667803	COUPLER			76
6667803	COUPLER			278
* 6667804	COUPLER			76
6667804	COUPLER			278
* 6667806	COUPLER			76
6667825	STARTER			146
6667844	VALVE ASSY			50, 60
6667888	TIRE			294
6667892	TIRE			294
6667896	COOLER			88
6667992	SOLENOID			38
6668097	SCREW			235
6668104	MOUNT			158
6668106	TUBE			176
6668107	ADAPTER			178
6668108	WASHER			178
6668109	O-RING			178
6668137	MOTOR			202
6668693	PLUG			178
6668694	SEAL			166, 178
6668763	SHIELD			174
6668765	VALVE			68
6668791	ORIFICE			66, 68
6668814	SWITCH			198
6668820	NUT			68
6668879	DECAL			192
6668887	O-RING			166, 176
6668888	O-RING			167
6668889	PLUG			178
6668890	SHIM			182
6668891	SPRING			182
6668892	BOLT			182
6668893	SPACER			182
6668894	NUT			182

Code for disposition of old part number  
 A — Use up  
 B — Use on other application (See PNI)

C — File PDR Report with Melroe Parts Sales  
 D — Part Number Error

## NUMERICAL INDEX (Cont'd)

Part No.	Description	Was	Code	Page
6668895	REPAIR KIT			178
6668897	ADAPTER			176
6668898	GASKET KIT			166
6668899	GASKET KIT			166
6668900	ADAPTER			178
6668901	ADAPTER			178
6668902	SPRING			178
6668903	SPRING			178
6668904	CAP			174
6668905	PIN			178
6668906	REPAIR KIT			182
6668913	KNOB			50, 60
6668935	SEAL RING			166
6668936	SET SCREW			185
6668938	BOLT			176
6668940	CAP			170
6668941	SPRING			176
6668942	BOLT			180
6668943	ROD			180
6668944	SPRING			170
6668945	THERMOSTAT			176
6668948	TUBE			176
6668950	SOLENOID			182
6669057	CHECK VALVE			68
6669060	RIM			294
6669066	SEAL RING			158, 178
6669067	WASHER			158, 176
6669085	VALVE			60
* 6669087	SEAL KIT			119
6669087	SEAL KIT			60
6669089	TRACK			20
6669091	CLIP			224, 250
6669135	SEAT			20
6669154	BOLT			236
6669155	PLATE			236
6669156	SPACER			236
6669159	PISTON			236
6669162	NUT			236
6669163	PLUG			236
6669164	ADAPTER			236
6669165	SCREW			236
6669184	STATOR ASSY			236
6669185	SEAL KIT			236
6669187	VALVE			279
6669188	STEM			279
6669189	STEM			279
6669190	COIL			279
* 6669203	VALVE			76
6669203	VALVE			81
6669216	SEAL KIT			279
6669217	SEAL KIT			279

Code for disposition of old part number  
A — Use up  
B — Use on other application (See PNI)

C — File PDR Report with Melroe Parts Sales  
D — Part Number Error

## NUMERICAL INDEX (Cont'd)

Part No.	Description	Was	Code	Page
6669218	VALVE			279
6669219	VALVE			279
6669224	BOLT			136, 224, 250
6669244	STEM			294
6669267	SEAL			56, 58
6669268	SEAL			56, 58
6669345	YOKE			146
6669346	ARMATURE			146
6669347	BEARING			146
6669348	BEARING			146
6669349	BEARING			146
6669350	KIT			146
6669354	SHAFT			146
6669355	HOUSING			146
6669356	SWITCH ASSY			146
6669357	KIT			146
6669358	KIT			146
6669359	BOLT			146
6669360	BUSHING			146
6669361	HOLDER			146
6669362	SPRING			146
6669363	FRAME			146
6669364	PINION			146
6669365	BOOT			146
6669366	BOLT			146
6669367	BOLT			146
6669368	O-RING			146
6669369	PINION			146
6669370	BRUSHES			146
6669371	BRUSHES			146
6669372	COVER			146
6669384	SPEEDY SLEAVE			164
6669395	MAIN BEARING			180
6669396	MAIN BEARING			180
6669397	MAIN BEARING			180
6669402	HOUSING			102, 110
6669403	HOUSING			106, 114
6669405	END CAP			106, 114
6669407	SHAFT			106, 114
6669408	SHAFT			102, 110
6669409	WASHER			102, 110
6669410	SHIM KIT			104, 112
6669411	BEARING			102, 106, 110, 114
6669530	PUMP			185
6669531	DIPSTICK			176, 185
* 6669549	SOCKET			230
6669549	SOCKET			226, 228
6669615	ORIFICE			81
6669616	CHECK VALVE			272
6669622	SEAL KIT			272
6669643	O-RING			166, 170, 174

Code for disposition of old part number  
A — Use up  
B — Use on other application (See PNI)

C — File PDR Report with Melroe Parts Sales  
D — Part Number Error

## NUMERICAL INDEX (Cont'd)

Part No.	Description	Was	Code	Page
6669728	CHECK VALVE			81
6669729	SHUTTLE VALVE			81
6669732	SEAL KIT			68
6669733	SEAL KIT			68
6669734	SEAL KIT			68
6669736	SEAL KIT			81
6669737	SEAL KIT			82
6670120	HOSE			42, 46
6670145	TIRE			294
6670160	CUSHION			20
6670284	LIGHT ASSY			265
* 6670287	PLUG			128
6670287	COVER			22
6670298	CLIP			186
* 6670312	SOLENOID			250
6670313	BOLT			167
6670314	HOSE			167
6670315	GASKET			167
6670316	MANIFOLD			167
6670555	REPAIR KIT			172
6670627	BREATHER			38, 148
* 6670634	SEAL KIT			74
6670682	BEARING			154
* 6670685	RELIEF VALVE			112, 114
6670690	BELT			156
* 6670706	CONNECTOR			138, 244
* 6670707	CONNECTOR			136, 140, 246
6670707	CONNECTOR			134
* 6670709	CONNECTOR			140, 246
* 6670710	LOCK			138, 244
6670710	LOCK			134
* 6670711	LOCK			136, 140, 246
6670711	LOCK			134
* 6670714	PIN			244
* 6670715	PIN			138, 140, 246
6670715	SOCKET			134
6670726	LOCK			280
* 6670759	SEAL			206, 212
6670762	BUSHING			24
6670820	BOLT			170
6670866	OIL PAN			176
6670867	LATCH			22
6670989	GLOW PLUG			170
6671025	COIL			68, 82, 272, 274
6671026	COIL			81
6671138	SEAL			39
6671509	COUPLING			108
6671512	BLOCK ASSY			104, 106
6671513	SWASH PLATE			102, 106, 110, 114
6671514	VALVE PLATE			106
6671515	VALVE PLATE			102

Code for disposition of old part number  
 A — Use up  
 B — Use on other application (See PNI)

C — File PDR Report with Melroe Parts Sales  
 D — Part Number Error

## NUMERICAL INDEX (Cont'd)

Part No.	Description	Was	Code	Page
6671516	SEAL KIT			104, 108, 112, 116
6671518	BOLT			102, 112
* 6671527	NUT			74
6671625	TUBELINE			152
6671628	NUT			81, 82
6671629	NUT			81
6671632	VALVE			66, 72
* 6671845	PLUG	6671759	B	96
6672026	O-RING			52
6672128	ENGINE			166
6672272	WASHER			265
6672273	SCREW			265
6672274	SCREW			265
6672275	GASKET			265
6672276	LENS			265
6672277	BRACKET			265
6672279	MOUNT			265
6672281	CLAMP			84
6672345	KEY			280
6672346	PANEL			124, 126
6672347	PANEL			124, 126
6672348	PANEL			124, 126, 224
6672448	VALVE ASSY			82
6672449	VALVE ASSY			81
6672450	VALVE ASSY			81
6672456	SOLENOID			68
6672486	SEALANT			164
6672489	GASKET			166, 170
6672492	RETAINER			192
6672535	RELIEF VALVE			104, 106
6672713	GASKET			170
6672714	HEAD			170
* 6672756	SEAL KIT			119, 274
* 6672762	PLUG			120
* 6672766	CHECK VALVE			90
6672770	COVER			170
6672771	BOLT			170
6672825	MOTOR			96
* 6672863	SOLENOID			74
6672872	PLUG			176
6672873	PLUG			176
6672874	PLUG			176
6672877	PLUG			176
6672878	PLUG			176
6672879	LINER			178
6672885	GASKET			152
6672886	CAP			172
6672887	BOLT			152
6672889	BEARING			180
6672890	INSERT			180
6672896	RING SET			180

Code for disposition of old part number  
A — Use up  
B — Use on other application (See PNI)

C — File PDR Report with Melroe Parts Sales  
D — Part Number Error

## NUMERICAL INDEX (Cont'd)

Part No.	Description	Was	Code	Page
6672898	BOLT			174
6672899	PLUG			174
6672900	BOLT			170
6672902	BOLT			182
6672933	SEAL RING			182
* 6672934	STA-STRAP			184
6672938	PLUG			167
6672939	O-RING			167
6672942	SET SCREW			172
6672943	WASHER			174
6672945	ARM			174
6672946	ARM			174
6672947	STUD			167
6672948	NUT			167
6673150	CRANKSHAFT			180
6673152	PISTON			180
6673153	SHIELD			174
6673154	CAMSHAFT			172
6673156	INJECTOR			182
6673157	INJECTOR			182
6673158	NOZZLE			182
6673159	BOLT			182
6673160	CLAMP			182
6673162	NUT			172
6673163	ROD			172
6673164	CAPSULE			172
6673165	O-RING			172
6673166	WASHER			172
6673167	SPRING			172
6673168	SPRING			174
6673169	FLANGE			176
6673170	MANIFOLD			167
6673171	BOLT			167
6673172	BOLT			167
6673173	TURBOCHARGER			152, 176
6673184	VALVE			64, 70
* 6673185	DECAL			119
* 6673188	SEAL KIT			119
6673642	BOLT			35
6673710	BEARING			94
6673789	WEAR CAM			94
6673826	PURIFIER			275
6673877	COUPLER			102, 110
6673878	END PLATE			102, 110
6673879	SPACER			104
6673880	O-RING			104, 112
6673881	SEAL			102, 106, 110, 114
6673882	SPRING			104, 112
6673883	GEROTOR			104
6673884	O-RING			102, 110
6673885	PIN			102, 110

Code for disposition of old part number  
A — Use up  
B — Use on other application (See PNI)

C — File PDR Report with Melroe Parts Sales  
D — Part Number Error



## NUMERICAL INDEX (Cont'd)

Part No.	Description	Was	Code	Page
6673886	BOLT			102, 110
6673904	SEAL KIT			66
6673910	PUMP			102, 106
6673911	PUMP			117
6673912	PUMP			102, 106
6673913	PUMP			80
6673939	HOSE			86
6673940	HOSE			84
6673962	HOSE			152
6673963	CLAMP			152
6673964	HOSE			152
6673966	TEE			152
6673967	KIT			170
* 6673990	PISTON	6664028	A	81
6674000	CLAMP			132
6674008	TIRE & RIM			295
6674009	TIRE & RIM			295
6674012	KIT			295
6674013	TRACK			20
6674029	O-RING			96
6674037	SPRING			96, 98
6674184	DISTRIBUTOR			96
6674192	BRAKE DISC			98
6674193	BRAKE DISC			98
6674202	NUT			124, 126
6674204	OIL			298
6674205	OIL			298
6674206	OIL			298
* 6674209	SENSOR			32, 128
6674219	BLOCK			96
6674228	PANEL			250
6674229	FILTER			250
6674231	VENT			250
* 6674232	HOSE			260
* 6674234	CONDENSER			260
* 6674235	DRIER			260
6674297	SPOOL			70
6674298	SPOOL			70
6674299	SPOOL			70
6674300	SPOOL			70
6674301	SPOOL			70
6674302	SPOOL			70
* 6674315	SENSOR			128
* 6674316	SENSOR			88, 128
6674317	CROSSMEMBER			124
* 6674331	COIL			74
6674335	HOUSING ASSY			96
6674337	SPOOL			96
6674338	WASHER			96
6674339	SPRING			96
6674340	PIN			96

Code for disposition of old part number  
 A — Use up  
 B — Use on other application (See PNI)

C — File PDR Report with Melroe Parts Sales  
 D — Part Number Error

## NUMERICAL INDEX (Cont'd)

Part No.	Description	Was	Code	Page
6674341	HOUSING			96
6674343	SHIM			96, 98
6674344	SPRING			96, 98
6674345	PLUG			96, 98
6674370	SEAL KIT			80
6674371	SEAL KIT			117
* 6674376	RELAY			130
6674390	ROTARY GROUP			96
6674400	HOUSING			266
6674401	HOUSING			266
6674402	MOUNT			266
* 6674403	COVER			16
6674403	COVER			124, 126
6674405	BUSHING			18
6674406	SENSOR			18
* 6674407	SHOULDER BELT			286
* 6674408	SEAT BELT			286
6674445	SPACER			272, 274
6674450	HANDLE ASSY			132
6674519	WINDOW ASSY			216
6674520	WINDOW			216
6674521	WINDOW ASSY			216
6674522	WINDOW			216
6674548	PLUG			272
6674585	SWITCH			268
* 6674666	LATCH			206
6674666	LATCH			202, 210
* 6674667	HANDLE			206, 212
6674667	HANDLE			202
* 6674692	PUMP			110, 114
* 6674693	PUMP			110, 114
6674738	MOTOR			98
6674741	KNOB			210, 216, 224, 250
6674786	SOLENOID			66
6674799	ADAPTER			226
* 6674802	CONNECTOR			230, 289
6674802	CONNECTOR			226, 228
6674804	CONTROLLER			134
6674808	SPOOL			64
6674809	SPOOL			64
6674810	SPOOL			64
6674814	SPOOL			64
6674815	SPOOL			64
6674816	SPOOL			64
6674837	AIR CLEANER			186
* 6674838	ACTUATOR			140
6674838	ACTUATOR ASSY			136
6674841	SPRING			98
6674894	NUT			18
6674895	REATAINER			224
6674933	HEATER			250, 254

Code for disposition of old part number  
 A — Use up  
 B — Use on other application (See PNI)

C — File PDR Report with Melroe Parts Sales  
 D — Part Number Error

## NUMERICAL INDEX (Cont'd)

Part No.	Description	Was	Code	Page
* 6674938	GAS SPRING			206
6674938	GAS SPRING			202, 210
* 6674943	CONTROLLER			228
6674993	CAP			204
* 6675020	BOLT	6717806	B	96
* 6675021	BOLT	6674030	B	96
6675021	BOLT			98
* 6675026	CAP			230, 289
6675026	CAP			226, 228
6675033	INSERT			16, 124, 126
* 6675075	HOSE			260
* 6675076	HOSE			260
* 6675091	CAM	6674034	B	96
6675099	HORN			261
6675135	GAS SPRING			14
6675137	GAS SPRING			14
6675139	GAS SPRING			14, 242
6675140	SNAP RING			14
* 6675154	HOLDER			130
* 6675155	FUSE			130
6675170	SEAT BELT			283
6675171	CLAMP			124, 126
6675172	BRACKET			250
6675173	ACTUATOR			250
6675174	BODY			250
6675175	BRACKET			250
6675176	SWITCH			250
6675177	KNOB			250
6675179	FLANGE			250
6675180	VENT			250
6675181	PLUG			250
6675189	PIN			98
6675212	RETAINER			216
* 6675215	WINDOW			207
* 6675227	SEAL	6674038	B	96
* 6675228	SEAL	6674336	B	96
6675250	HANDLE ASSY			134
6675258	CLEVIS			14
* 6675265	CHECK VALVE			119
* 6675270	HOSE			260
* 6675273	WASHER	6675263	B	22
* 6675278	FILTER			128
* 6675281	MOUNT			228, 230
* 6675292	ALTERNATOR			144
6675298	COUPLER			204
6675299	COUPLER			204
6675308	KIT			285
6675309	KIT			285
6675310	KIT			285
6675311	KIT			285
6675312	KIT			285

Code for disposition of old part number  
A — Use up  
B — Use on other application (See PNI)

C — File PDR Report with Melroe Parts Sales  
D — Part Number Error

## NUMERICAL INDEX (Cont'd)

Part No.	Description	Was	Code	Page
6675313	KIT			285
6675314	KIT			285
6675315	KIT			285
6675316	KIT			285
6675317	SCISSORS			283
6675318	KIT			285
6675319	SEAT			283
6675320	SEAT			283
6675321	SEAT			283
6675322	SEAT			283
6675323	KNOB			283
6675324	MUFFLER			152
6675328	CHAIN			35
6675333	LINK			35
* 6675334	VALVE			92
6675336	BULB			266
6675337	BULB			124, 126
* 6675341	BLOCK ASSY			112, 114
* 6675342	PIN			110, 114
* 6675358	KNOB	6647668	B	26
6675378	CLIP			204
6675380	ADHESIVE			298
* 6675387	SEAL			216
6675387	SEAL			212, 224
* 6675389	SWITCH			228
6675390	ALARM			124, 126
* 6675460	HOSE			182
* 6675461	FUEL LINE			182
6675468	HANDLE ASSY			132
* 6675469	HANDLE			138, 244
6675469	HANDLE ASSY			134
6675470	SWITCH			124, 126
* 6675495	CONTROLLER			228
6675497	BLOWER ASSY			254, 256, 258
6675498	COIL			254, 256
6675499	HOUSING			254, 256
6675500	COVER			254, 256
6675501	PLATE			254, 256
6675502	PLATE			254
6675503	HOUSING			254, 256
6675504	RING			254, 256
6675505	BLOWER WHEEL			254, 256
6675506	MOUNT			254, 256
6675507	COVER			254, 256
6675508	HARNESS			254, 256
6675509	MOTOR			254, 256
6675510	CLAMP			254, 256, 258
6675511	DRAIN VALVE			254, 256, 258
6675512	CLAMP			254, 256, 258
6675513	GROMMET			254, 256, 258
6675514	SEAL			254, 256

Code for disposition of old part number  
A — Use up  
B — Use on other application (See PNI)

C — File PDR Report with Melroe Parts Sales  
D — Part Number Error

## NUMERICAL INDEX (Cont'd)

Part No.	Description	Was	Code	Page
6675522	STROBE			293
6675523	BEACON			193
6675524	CLIP			16
* 6675533	COIL			260
6675533	COIL			256, 258
* 6675534	BLOCK VALVE			260
6675534	BLOCK VALVE			256, 258
* 6675536	MOUNT			260
6675536	BRACKET			256
* 6675537	COVER			260
6675537	PLATE			256
* 6675538	O-RING			260
6675538	O-RING			256, 258
6675539	HOSE			256
6675544	CANVAS CAB			213
* 6675545	GROMMET			216, 224
* 6675546	SEAL			216, 224
* 6675558	SEAL			206
* 6675558	SEAL	6669390	A	202, 210
* 6675562	SEAT BELT			287
* 6675581	EXTINGUISHER			238
6675590	DOOR			213
6675591	HINGE KIT			213
* 6675595	SEAT			283
* 6675596	SEAT			283
6675607	INSULATION			254
6675608	INSULATION			254
6675609	INSULATION			254
6675610	INSULATION			254
6675611	INSULATION			254
6675612	INSULATION			254
6675613	INSULATION			254
6675614	INSULATION			254
* 6675660	GEAR PUMP			118
* 6675661	GEAR PUMP			118
* 6675663	NUT			119
* 6675667	COMPRESSOR			260
* 6675669	VALVE			74
* 6675684	VALVE			250
6675684	VALVE			250
* 6675685	HOSE			260
* 6675694	ADHESIVE			216
* 6675695	HEATER ASSY			196
* 6675708	ELEMENT			196
* 6675734	TIE			44, 48, 130
* 6675741	SENSOR			138, 244
* 6675742	LEVER			138, 244
* 6675749	HANDLE			138, 244
* 6675750	LEVER			138, 244
* 6675779	PRESSURE SWITCH			260
* 6675790	THERMOSTAT			260

Code for disposition of old part number  
 A — Use up  
 B — Use on other application (See PNI)

C — File PDR Report with Melroe Parts Sales  
 D — Part Number Error

## NUMERICAL INDEX (Cont'd)

Part No.	Description	Was	Code	Page
* 6675790	THERMOSTAT	6675535	A	256
6675790	THERMOSTAT			258
* 6675824	O-RING			260
* 6675825	O-RING			260
* 6675828	CLUTCH			260
* 6675833	SEAL			216
* 6675839	BELT			158
6675846	POTENTIOMETER	6675178	A	250
6675858	FLASH TUBES			293
6675860	ROTARY GROUP			98
6675861	REAR HOUSING			98
6675862	BRAKE			100
* 6675863	QUAD RING			98
6675864	QUAD RING			98
6675865	SNAP RING			98
6675866	SPOOL			98
6675867	WASHER			98
* 6675868	POPPET	6674342	B	96
6675868	POPPET			98
* 6675869	O-RING	6671784	B	96
6675869	O-RING			98
6675870	SEAL KIT			100
6675874	CAM			98
6675875	HOUSING			98
6675876	DISTRIBUTOR			98
6675877	SEAL			98
6675878	SEAL			98
6675879	SEAL			98
6675880	SEAL			98
6675881	SEAL			98
6675882	SPOOL			98
* 6675883	WASHER			98
6675885	SNAP RING			98
6675886	QUAD RING			98
6675887	HOUSING			98
6675888	SHAFT			98
6675889	PISTON			98
6675890	COVER			100
6675892	GASKET			100
6675893	O-RING			100
6675894	SEAL			98
6675895	BOLT			100
6675896	BOLT			98
6675897	WASHER			100
6675898	BUSHING			98
* 6675973	ROLLER	6666358	B	96
* 6675982	PLUG			124, 126
* 6675999	SWITCH			281
* 6676000	TEE			281
* 6676001	ARM			281
* 6676002	BLADE			281

Code for disposition of old part number  
A — Use up  
B — Use on other application (See PNI)

C — File PDR Report with Melroe Parts Sales  
D — Part Number Error

## NUMERICAL INDEX (Cont'd)

Part No.	Description	Was	Code	Page
* 6676003	HOSE			281
* 6676003	HOSE	6708310	A	202
* 6676021	SEAL KIT	6674201	B	96
* 6676022	SEAL	6674040	B	96
* 6676023	O-RING	6671749	B	96
* 6676024	PLUG	6671783	B	96
* 6676028	NOZZLE			281
6676034	KIT			285
* 6676062	VALVE			260
* 6676063	KIT			260
* 6676064	VALVE			272
* 6676065	SEAL KIT			272
* 6676066	BALL			272, 274
* 6676067	SPRING			272, 274
* 6676068	VALVE			272
* 6676069	SEAL KIT			272
* 6676070	ORIFICE			272, 274
* 6676071	O-RING			272
* 6676073	RELIEF VALVE			272
* 6676074	SEAL KIT			272
* 6676144	GEROTOR			112
* 6676145	SPACER			112
* 6676146	COUPLING			114
* 6676147	VALVE PLATE			110
* 6676148	VALVE PLATE			114
* 6676152	PLUG	6653490	A	279
* 6676153	CONTROLLER			140
* 6676155	RELIEF VALVE			82
* 6676172	WASHER			130
* 6676198	VALVE	6665626	A	64, 70
* 6676205	SEAL KIT			119
* 6676239	CARTRIDGE			119
* 6676240	CARTRIDGE			119
* 6676241	CARTRIDGE			119
* 6676242	COIL			119
* 6676243	COIL			119
* 6676244	COIL			120
* 6676245	PLUG			120
* 6676246	NUT			119
* 6676247	NUT			120
* 6676249	STEM	6666616	B	66, 72
* 6676338	GAS SPRING			285
* 6676347	ORIFICE			274
* 6676347	ORIFICE	6669615	A	272
* 6676399	VALVE CORE			260
* 6676417	VALVE	6675334	A	119
* 6676445	COUPLER			52
* 6676447	COUPLER			54
* 6676498	NOZZLE			204
* 6676499	GROMMET			204
* 6676500	ELBOW			204

Code for disposition of old part number  
A — Use up  
B — Use on other application (See PNI)

C — File PDR Report with Melroe Parts Sales  
D — Part Number Error

## NUMERICAL INDEX (Cont'd)

Part No.	Description	Was	Code	Page
* 6676501	CLIP			204
* 6676514	CONTROLLER			230
* 6676515	CONTROLLER			230
* 6676516	NUT			252
* 6676536	SWITCH			126
* 6676538	INSULATION			260
* 6676539	CLIP			260
6676539	CLIP			258
* 6676540	O-RING			248
* 6676542	CAP			74
* 6676543	PLUG			74
* 6676544	SPRING			74
* 6676545	CARTRIDGE			74
* 6676547	VALVE			274
* 6676553	CONTROLLER	6672349	A	128
* 6676561	HVAC ASSEMBLY			258
* 6676562	HEATER			254
* 6676567	HEAD			170
* 6676568	GASKET			170
* 6676571	GASKET			170
* 6676572	GASKET			170
* 6676603	HEATER COIL			258
6676604	COVER			258
* 6676643	SPRING			98
* 6676644	SPRING			98
* 6676645	SPRING			98
* 6676646	SPRING			98
* 6676647	WASHER			100
* 6676648	WASHER			100
* 6676649	WASHER			100
* 6676650	WASHER			100
* 6676651	WASHER			100
* 6676652	WASHER			100
* 6676710	WASHER			98
* 6676711	WASHER			98
* 6676712	WASHER			98
* 6676723	CROSSMEMBER			126
* 6676917	ELBOW			204
* 6676918	HOSE			204
* 6676927	FELT STRIP			216
* 6676984	BRACKET			258
* 6677105	COVER			258
* 6677108	HOUSING			258
* 6677109	COVER			258
* 6677111	SEAL			258
* 6677113	TIE			258
* 6677114	SEAL			258
* 6677115	RECEPTACLE			258
* 6677116	RETAINER			258
* 6677117	SCREW			258
* 6677118	SCREW			258

Code for disposition of old part number  
A — Use up  
B — Use on other application (See PNI)

C — File PDR Report with Melroe Parts Sales  
D — Part Number Error



## NUMERICAL INDEX (Cont'd)

Part No.	Description	Was	Code	Page
* 6677119	SCREW			258
* 6677121	CAP			260
* 6677122	CAP			260
* 6677136	SOCKET			230
6677136	SOCKET			226, 228
* 6677147	RELIEF VALVE			274
* 6677148	SEAL KIT			274
* 6677149	CHECK VALVE			274
* 6677150	SEAL KIT			274
* 6677151	VALVE			274
* 6677152	SEAL KIT			274
* 6677153	STEM			274
* 6677155	VALVE			274
* 6677156	SEAL KIT			274
* 6677157	O-RING			274
* 6677158	PLUG			274
* 6677159	PLUG			274
* 6677177	PLUG			120
* 6677201	SOLENOID	6665084	B	66, 72
* 6678229	SEAL			39
6700115	SPRING			154
6700170	WASHER			38, 162
6700182	COVER			12
6700330	COVER			38
* 6700599	ADAPTER	6715714	B	88
6700631	GASKET			84
6700768	U-BOLT			94
6700782	CAP			164
* 6701097	WASHER	6803867	A	148
6701097	WASHER			12
6701159	SHIM			154, 164
6701160	CLIP			154
6701174	WASHER			14
6701187	BELLCRANK			162
6701449	FILLER TUBE			32
6701535	SPRING			18, 94
* 6701892	CLAMP			44
* 6701893	CLAMP			44
6701893	CLAMP			48, 198
6701950	SPRING PLATE			30
6701951	MOUNT			30
6702102	GEAR			164
6702103	GEAR			164
6702135	SHAFT			164
6702140	WASHER			164
6702144	SHIM			164
6702165	SHIM			164
6702166	SHIM			164
* 6702402	SHIELD			241
* 6702444	FUSE			130
6702444	FUSE			136

Code for disposition of old part number  
A — Use up  
B — Use on other application (See PNI)

C — File PDR Report with Melroe Parts Sales  
D — Part Number Error

## NUMERICAL INDEX (Cont'd)

Part No.	Description	Was	Code	Page
6702452	PIN			24
6702474	RETAINER			154
6702543	LEVER			94
6702621	GRIP			132
6702716	BLOCK			94
6702826	DECAL			222
6702827	DECAL			222
6702903	LEVER			28
6702904	LEVER			28
6702935	PIN			26
6702958	BUSHING			28
6702971	BOLT			14
* 6702990	BUSHING			138, 244
6702990	BUSHING			134
6703097	GASKET			38
6703349	GRIP			134
6703483	PULLEY			148
6703616	BUSHING			24
* 6703640	KIT			288
* 6703641	DECAL			288
6703666	BOB-TACH			28
* 6703703	GUIDE			288
6703727	DECAL			261
* 6703967	INSULATION			232, 292
* 6703968	INSULATION			292
6703968	INSULATION			232
6704169	TIRE & RIM			296
6704170	TIRE & RIM			296
6704240	PIVOT ASSY			28
6704242	WEDGE			28
6704248	PIVOT			28
6704443	BUSHING			154
6704444	WASHER			154
6704453	SPRING			162
6704820	O-RING			154
6704823	BRACKET			152
6704879	GASKET			35
* 6704892	RIVET			228, 230
6704907	SPACER			148
6705106	WASHER			158
* 6705333	MOUNT			292
6705333	MOUNT			232
6705452	LEVER			162
* 6705471	MOUNT			76
6705733	TUBE			84
6705749	SHIELD			84
6705920	HANDLE			132
6705921	HANDLE ASSY			261
6706096	MOUNT			94
6706098	GUIDE			94
6706105	YOKE			62

Code for disposition of old part number  
 A — Use up  
 B — Use on other application (See PNI)

C — File PDR Report with Melroe Parts Sales  
 D — Part Number Error

## NUMERICAL INDEX (Cont'd)

Part No.	Description	Was	Code	Page
6706106	MOUNT			94
6706287	PIN			26
6706292	PIN			26
6706330	PANEL			30
6706331	PANEL			30
6706354	INLET			84
6706365	ADAPTER			88
6706445	HOSE			84
6706485	HOOK			12
6706517	SCREW			32, 84, 148
6706565	KIT			132
6706572	SET SCREW			162
6706606	BUSHING			24
6706633	CONNECTOR			278
6706683	COVER			38
6706712	BUSHING			12
6706718	MOUNT			38
6706730	COVER			12
6706737	GASKET			38
6706805	SHAFT			36, 38
6706817	SPACER			36
6706857	BLOCK			12
6707077	HOUSING ASSY			164
6707101	SEAL			50, 60
6707173	KIT			295
6707313	PEDAL MOUNT			38
6707314	PEDAL			38
6707315	ANGLE			38
6707337	SWITCH			38
6707344	LEVER			30
6707515	PLATE			12
6707518	SHAFT			164
6707519	HOUSING ASSY			148, 164
6707582	BRACKET			152
6707607	IDLER			154
6707642	FLYWHEEL ASSY			154
* 6707648	BELT			92, 292
6707648	BELT			148
6707654	SPINDLE			154
6707674	PLUG			30
6707697	WASHER			154
6707698	WASHER			154
6707699	PIVOT			154
6707714	STOP			156
6707726	MOUNT			192, 261
6707757	MOUNT			158
6707852	DECAL			202, 210
6707867	DECAL			222
6707903	LEVER			162
6707904	ROD			162
6708009	LINK			62

Code for disposition of old part number  
 A — Use up  
 B — Use on other application (See PNI)

C — File PDR Report with Melroe Parts Sales  
 D — Part Number Error

## NUMERICAL INDEX (Cont'd)

Part No.	Description	Was	Code	Page
6708016	GASKET			38
6708018	SPRING			38
6708043	FLANGE			94
6708070	GASKET			38
6708189	TUBE			14
6708267	BOLT			38
* 6708271	SOLENOID			74
6708314	BUSHING			162
6708402	BUSHING			28
6708403	BUSHING			28
6708404	BUSHING			28
6708405	BUSHING			28
6708445	PULLEY			156
6708517	BUSHING			26
6708527	TANK			32
6708560	HOSE			84
* 6708580	ADAPTER			128
6708642	HOUSING ASSY			164
6708645	STOP			26
6708820	DECAL			222
6708922	HOSE			42, 46
6708923	HOSE			42, 46
6708934	SAFETY TREAD			220
6708937	DECAL			222
6708941	DECAL			222
6708987	HINGE			12
6709022	LEVER			162
6709052	MOUNT			162
6709168	ELBOW			158, 176
6709170	STUD			39
6709229	BOLT			234
6709234	DISC			234
6709236	MOUNT			234
6709239	PEDAL			234
6709361	CLAMP			234
6709400	TUBE			234
6709448	BRACE			148
* 6709452	DECAL			220
6709508	ELEMENT			194
* 6709509	CORD			196
6709509	CORD SET			194
6709510	ADAPTER			194, 195
6709511	WASHER			194, 195
6709513	GASKET			194, 195
6709514	HEATER ASSY			194
* 6709527	KEY			202, 206, 212
6709527	KEY			124, 126, 280
6709757	AXLE			39
6709822	TUBE			178
* 6709829	INSULATION			292
6709829	INSULATION			232

Code for disposition of old part number  
 A — Use up  
 B — Use on other application (See PNI)

C — File PDR Report with Melroe Parts Sales  
 D — Part Number Error

## NUMERICAL INDEX (Cont'd)

Part No.	Description	Was	Code	Page
6709840	NUT			194, 195
6709857	BUSHING			12
6709900	SPACER			12
6709921	SHIELD			154
6709959	CABLE			162
6710192	KIT			194
6710234	PIN			26
6710358	DECAL			220
6710415	HOSE			234
6710420	TUBE			234
6710421	TUBE			234
6710488	MOUNT			32
6710491	SHIELD			42, 46
6710531	HOSE			152
6710629	TUBELINE			42, 46
6710642	HOSE			42, 46
6710652	SHIELD			158
6710659	BUSHING			18
6710791	COOLER			150
6711158	SHIELD			199
6711328	DECAL			220
6711334	PIN			26
6711520	GRILL			148
6711524	REAR DOOR			22
6711526	HINGE			22
6711527	LATCH PLATE			22
6711644	LEVER			94
6711664	GUIDE			22
6711718	ELEMENT			195
6711720	CORD SET			195
6711721	HEATER ASSY			195
6711811	HOSE			42, 46
* 6711840	DECAL			220
6711873	KIT			195
* 6711908	SPRING PLATE			16
6712143	HOSE			150
6712144	HOSE			150
* 6712365	STEP			140
6712365	STEP			134
6712397	CONTROL			134
6712398	CONTROL			134
6712415	DEBRIS EJECTOR			218
* 6712536	PAN			128
6712912	DECAL			217
6712970	PULLEY			148
* 6712971	PULLEY			92, 148, 292
6712988	KIT			218
6713040	SPRING			28
* 6713043	SPACER			138, 244
6713043	SPACER			134
6713111	LINK			94

Code for disposition of old part number  
 A — Use up  
 B — Use on other application (See PNI)

C — File PDR Report with Melroe Parts Sales  
 D — Part Number Error

## NUMERICAL INDEX (Cont'd)

Part No.	Description	Was	Code	Page
6713152	KIT			199
* 6713287	PULLEY			92
6713342	PULLEY			154
* 6713349	GRIP			138, 244
6713385	BELT			148
6713589	CLEVIS			18
6713653	GASKET			152
* 6713670	CABLE			128
6713787	BRACKET			152
6713792	MOUNT			192
6713793	BRACKET			192
6713816	BRACKET			148
6713843	BRACKET			158
6713887	BOLT			18
6713893	MOUNT			158
* 6713898	COVER			138, 244
6713898	COVER			134
6713901	BELT			158
6713920	SHIM			162
6713937	CLAMP			52
6713977	HOSE			84
6714025	LINK			94
6714037	LATCH			280
6714126	DOOR STOP			22
6714210	SPRING			22
6714242	DECAL			222
6714278	GUIDE			38
6714362	WEIGHT			217
6714500	TUBE			158
6714509	COVER			22
6714534	DECAL			222
* 6714538	DECAL			220
6714538	DECAL			222
6714576	PIVOT			268
* 6714726	PLUG			140
6714726	PLUG			134
6714774	TUBELINE			44, 48
6714775	TUBELINE			44, 48
6714806	HOSE			232
6714808	HOSE			278
6714823	MOUNT			50
6714875	HOSE			278
6714973	KIT			280
* 6714977	HOSE			292
6714977	HOSE			232
* 6714979	BRACKET			128
6715072	TUBELINE			44
6715075	TUBELINE			42
6715076	TUBELINE			48, 198
6715077	TUBELINE			48, 198
6715078	TUBELINE			48, 198

Code for disposition of old part number  
 A — Use up  
 B — Use on other application (See PNI)

C — File PDR Report with Melroe Parts Sales  
 D — Part Number Error

## NUMERICAL INDEX (Cont'd)

Part No.	Description	Was	Code	Page
6715079	BRACKET			84
6715096	INSULATION			232
* 6715106	INSULATION			292
6715106	INSULATION			232
* 6715131	BRACE			128
* 6715132	RETAINER			128
6715142	FAN			148
6715143	SET SCREW			148
6715157	STRIKER ASSY			22
6715163	BUSHING			94
6715164	SLEEVE			94
6715174	TUBELINE			44
6715183	ELBOW			32
* 6715186	ADAPTER			278
6715187	TEE			42, 46
6715188	ELBOW			90
* 6715197	CLAMP			128
6715281	TUBELINE			48, 198
6715287	SPACER			158
6715294	TEE			42, 46
6715318	TOOL HOLDER			22
6715365	HARNES			132, 224
6715380	MOUNT			154, 158
6715427	SPACER			36
* 6715428	DECAL			292
6715428	DECAL			220
* 6715443	INSULATION			292
6715443	INSULATION			232
* 6715456	INSULATION			292
6715456	INSULATION			232
* 6715457	INSULATION			292
6715457	INSULATION			232
6715630	BRAKE			38
6715659	HARNES			192
* 6715718	ELBOW			86
6715718	ELBOW			88
* 6715744	SPACER			292
6715744	BUSHING			232
6715860	SEAT BAR			18
6715863	BRACKET			18
6715864	BUSHING			18
6715865	BUSHING			18
6715866	BUSHING			18
6715878	CONNECTOR			84
6715957	COVER			134
6715991	DECAL			222
6716061	TEE			42, 46
* 6716089	ADAPTER			76
6716090	ADAPTER			52
6716116	MOUNT			94
6716124	HOSE			50

Code for disposition of old part number  
A — Use up  
B — Use on other application (See PNI)

C — File PDR Report with Melroe Parts Sales  
D — Part Number Error

## NUMERICAL INDEX (Cont'd)

Part No.	Description	Was	Code	Page
6716125	HOSE			88
6716154	HOSE			88
* 6716175	HOSE			86
6716175	HOSE			88
6716176	HOSE			88
6716225	SPACER			160
6716226	BRACKET			158
6716282	KIT			198
* 6716337	HOSE	6716123	A	50
* 6716391	HOSE			90, 92
6716408	SPACER			160
6716419	HARNES			265
6716443	ELBOW			278
6716449	FOAM			84
* 6716468	TEE			86
6716468	TEE			84, 88
6716532	BUSHING			12
6716533	BUSHING			12
6716537	LINK ASSY			24
6716539	BUSHING			24
6716545	ROD			94
6716572	LOUVER			148
6716574	LOUVER			148
* 6716621	COVER			128
6716792	SHIM			24
6716808	BRACKET			52
* 6716826	BOLT			138, 244
6716826	BOLT			134
6716901	MOUNT			234
6716916	WASHER			94
6716977	BELLCRANK			94
6717109	HOSE			44, 48
6717137	TUBELINE			150
* 6717146	SPACER			206
6717146	SPACER			202, 210
* 6717163	HANDLE			138, 244
6717163	HANDLE			134
6717173	ADAPTER			90
6717186	CROSS			88
6717214	HOSE			84
6717215	HOSE			88
6717227	HOSE			88
6717232	DECAL			217
6717242	HOUSING			36
* 6717247	HARNES			128
6717296	MOUNT ASSY			35, 36
6717306	ADAPTER			86
6717332	HOSE			84
6717343	DECAL			220
6717351	SHIELD			152
6717352	TUBE			152

Code for disposition of old part number  
A — Use up  
B — Use on other application (See PNI)

C — File PDR Report with Melroe Parts Sales  
D — Part Number Error



## NUMERICAL INDEX (Cont'd)

Part No.	Description	Was	Code	Page
* 6717360	WINDOW			210
6717360	WINDOW			202
* 6717369	BRACKET			206
6717369	BRACKET			202, 210
* 6717375	MOUNT			260
6717378	BOLT			50
6717393	LEVER			134
6717401	PLUG			32
6717402	BUSHING			32
6717451	HOSE			32
6717478	INLET			148
6717495	HOSE			152
6717498	HOSE			152
* 6717503	TEE			92
6717515	INSULATION			224
6717516	INSULATION			16
6717517	INSULATION			224
6717518	INSULATION			224
6717519	INSULATION			224
6717520	INSULATION			224
* 6717579	GASKET			32, 128
6717590	DOOR			210
* 6717593	HINGE			206
6717593	HINGE			202, 210
6717636	HOUSING			148
6717643	DUCT			250
6717644	DUCT			250
6717662	TEE			88
6717706	COIL			66, 72
6717738	SHIELD			148
6717771	BUSHING			26
6717788	BUSHING			26
6717806	BOLT			35
6717826	BUSHING			12
6717831	BUSHING			12
6717837	MAIN FRAME			12
6717858	MOUNT			160
6717870	FRAME			216
6717872	FRAME			216
6717873	FRAME			216
6717874	WINDOW			216, 224
* 6717885	ELBOW			76
* 6717907	DECAL			220
* 6717933	CLAMP			76
6717933	CLAMP			44, 48
* 6718034	FUSE			130
6718034	FUSE			136
6718056	TUBELINE			52
6718057	TUBELINE			52
6718101	COVER			16
6718175	SCREEN			250

Code for disposition of old part number  
A — Use up  
B — Use on other application (See PNI)

C — File PDR Report with Melroe Parts Sales  
D — Part Number Error

## NUMERICAL INDEX (Cont'd)

Part No.	Description	Was	Code	Page
6718187	PANEL			30
6718188	PANEL			30
* 6718201	LEVER ASSY			136
* 6718202	LEVER ASSY			136
* 6718271	DECAL			220
* 6718272	DECAL			222
6718283	RETAINING NUT			62
6718285	LEVER			62
6718292	BAR			62
6718293	BAR			62
6718295	HARNESS			202
6718304	KIT			295
* 6718310	PULLEY			260
6718326	MOUNT			240
6718329	BUSHING			24
6718352	TUBELINE			42, 46
* 6718358	HOSE			268
* 6718376	HINGE			206
6718376	HINGE			202, 212
* 6718384	TUBELINE			76
* 6718385	TUBELINE			76
* 6718386	TUBELINE			76
* 6718398	DECAL			222
6718411	KIT			240
* 6718416	SENDER			128
* 6718417	SENDER			128
6718426	HARNESS			226
* 6718436	TUBELINE			76
6718447	STUD			26
6718475	TUBELINE			44, 46
6718476	TUBELINE			42, 46
6718477	TUBELINE			42, 46
* 6718478	TUBELINE			268
* 6718479	TUBELINE			268
* 6718506	PIN			140
6718506	PIN			136
* 6718511	BRACKET			78
* 6718512	GUIDE			12
* 6718520	COVER			206
6718520	COVER			204, 210
* 6718521	HANDLE			206
6718521	HANDLE			202, 212
* 6718552	TUBELINE			76
* 6718553	TUBELINE			76
* 6718554	TUBELINE			76
* 6718555	TUBELINE			76
6718579	DECAL			250
6718580	PANEL			224
* 6718645	HARNESS			76, 278
6718652	HARNESS			268
* 6718659	HOUSING			130

Code for disposition of old part number  
 A — Use up  
 B — Use on other application (See PNI)

C — File PDR Report with Melroe Parts Sales  
 D — Part Number Error

## NUMERICAL INDEX (Cont'd)

Part No.	Description	Was	Code	Page
6718660	ELBOW			88
6718687	TUBELINE			52
6718688	TUBELINE			52
6718693	TUBELINE			48
6718694	TUBELINE			48
* 6718698	DECAL			220
* 6718699	DECAL			140
6718699	DECAL			134
* 6718701	DECAL			220
6718702	DECAL			134
* 6718703	DECAL			220
* 6718704	DECAL			140
6718704	DECAL			134
* 6718706	DECAL			140
6718706	DECAL			134
6718750	MOUNT			226
* 6718754	CLAMP	6502203	A	52
6718757	HOUSING			148
* 6718774	DECAL			128
* 6718784	COVER			14
* 6718796	PLUG			128
* 6718796	PLUG	6660646	A	12
6718803	KIT			250
6718804	KIT			224, 249, 251
6718807	KIT	SALES	D	202
6718810	KIT			248
6718812	KIT			226
6718817	HOSE			42, 46
6718818	HOSE			42, 46
6718820	HARNESS			192
6718822	BACKUP ALARM KIT			192
* 6718833	BRACKET			241
* 6718834	BRACKET			241
6718837	SPACER			250
* 6718852	HOSE			78
6718852	TUBELINE			278
* 6718853	HOSE			76
6718853	TUBELINE			278
6718854	HOSE			44, 48
6718855	HOSE			52
* 6718856	HOSE			76
* 6718857	HOSE			76
6718870	HARNESS			124
6718872	HARNESS			193, 240, 293
6718873	HARNESS			240
* 6718882	TEE			86, 90
* 6718885	HOSE			86, 90
6718887	PANEL			250
* 6718924	KIT			241
* 6718948	SNUBBER			128
* 6718948	SNUBBER	6563922	B	90

Code for disposition of old part number  
A — Use up  
B — Use on other application (See PNI)

C — File PDR Report with Melroe Parts Sales  
D — Part Number Error

## NUMERICAL INDEX (Cont'd)

Part No.	Description	Was	Code	Page
6719006AR	KIT			199
6719006BR	KIT			199
6719037	STRIKER			216
6719038	PLUG			124, 224
6719043	HORN KIT			261
6719056	BLOCK			38
6719057	BLOCK			38
* 6719058	INSULATION			292
6719058	INSULATION			232
6719063	STOP			216
6719064	MOUNT			14
6719065	COVER TAB			216
* 6719082	HARNESS			128
6719084	BOLT			124, 126
* 6719112	HARNESS			128
* 6719112	HARNESS	6718912	B	132
6719113	HARNESS			136
6719132	PANEL			30
* 6719133	TEE			76
* 6719141	CABLE			128
6719151	HARNESS			261
6719158	CHAINCASE			35
* 6719168	COVER	6719201	A	12
* 6719176	SWITCH			260
6719208	TUBELINE			150
6719209	TUBELINE			150
6719278	LEVER			30
* 6719298	TEE			76, 278
* 6719317	WINDOW			281
6719319	HOSE			88
* 6719332	INSULATION			232, 292
* 6719333	INSULATION			232, 292
6719360	INSULATION			14
* 6719378	TEE			92
* 6719395	CONNECTOR			248
6719406	INSULATION			16
6719413	WINDOW			210
* 6719422	HARNESS			128
6719429	SHIELD			148
* 6719431	KIT			76
6719434	HARNESS			228
6719441	DECAL			228
6719442	MOUNT			228
6719446	MOUNT			88
* 6719448	MAGNET			230
6719448	MAGNET			228
* 6719449	INSULATION			292
6719449	INSULATION			232
6719451	HOSE			268
* 6719459	MOUNT			260
* 6719478	INSULATION			292

Code for disposition of old part number  
A — Use up  
B — Use on other application (See PNI)

C — File PDR Report with Melroe Parts Sales  
D — Part Number Error

## NUMERICAL INDEX (Cont'd)

Part No.	Description	Was	Code	Page
6719478	INSULATION			232
* 6719479	INSULATION			292
6719479	INSULATION			232
* 6719486	INSULATION			292
6719486	INSULATION			232
* 6719487	INSULATION			292
6719487	INSULATION			232
* 6719488	INSULATION			292
6719488	INSULATION			232
* 6719489	INSULATION			292
6719489	INSULATION			232
6719503	CONTAINER			16
* 6719514	HOSE	6719534	A	248
* 6719515	HOSE	6719535	A	248
6719524	STRIKER			22
6719525	BAR			22
6719537	TUBELINE			42, 46
6719538	TUBELINE			42, 46
6719539	TUBELINE			42, 46
6719540	TUBELINE			42, 46
6719550	TUBE			22
6719560	TUBELINE			150
* 6719563	KIT			220
6719563	KIT			246
* 6719602	HOSE			268
* 6719603	HOSE			268
* 6719605	HOSE			268
* 6719630	HARNES			260
* 6719711	CHANNEL			138, 244
* 6719712	CHANNEL			138, 244
* 6719766	STOP			22
* 6719789	TUBELINE			278
* 6719790	TUBELINE			278
* 6719791	TUBELINE			278
* 6719792	TUBELINE			278
* 6719793	TUBELINE			278
* 6719794	TUBELINE			278
* 6719834	SPACER			138, 244
* 6719835	SLEEVE			138, 244
* 6719842	KIT			268
6719854	KIT			193
6719857	KIT			293
* 6719888	DECAL			268
* 6719914	HOSE	6719533	A	248
* 6719936	BRACKET	6714840	A	50
* 6720592	INSTRUCTIONS			241
6722151	TIRE & RIM			296
6722152	TIRE & RIM			296
6722344	BLACK GOLD			298
6722759	INSTRUCTIONS			132
6722781	PAINT			298

Code for disposition of old part number  
A — Use up  
B — Use on other application (See PNI)

C — File PDR Report with Melroe Parts Sales  
D — Part Number Error

## NUMERICAL INDEX (Cont'd)

Part No.	Description	Was	Code	Page
6722782	PAINT			298
6722783	PAINT			298
6722784	PAINT			298
6722785	PAINT			298
6722786	PAINT			298
6722787	PAINT			298
6722788	PAINT			298
6722789	PAINT			298
6724094	ANTI-FREEZE			298
6724354	ANTI-FREEZE			298
6724380	INSTRUCTIONS			234
* 6724397	INSTRUCTIONS			196
6724397	INSTUCTIONS			194
6724488	INSTRUCTIONS			262
6724515	INSTUCTIONS			195
6724557	OIL			298
6724558	OIL			298
6724559	OIL			298
6724593	INSTRUCTIONS			218
6724649	INSTRUCTIONS			199
6724649AR	INSTRUCTIONS			199
6724649BR	INSTRUCTIONS			199
6724775	LEVER KIT			28
6724776	LEVER KIT			28
* 6725032	ELBOW			90
* 6725035	KIT			220
* 6725035AR	KIT			220
6725035AR	KIT			222
* 6725035BR	KIT			220
6725035BR	KIT			222
* 6725035JP	KIT			220
6725035JP	KIT			222
* 6725036AR	KIT			220
6725036AR	KIT			222
* 6725036BR	KIT			220
6725036BR	KIT			222
* 6725042	SHIELD			206
* 6725090	HOSE	6717216	A	88
* 6725127	HOSE			86, 90
* 6725128	ADAPTER			140
6725128	ADAPTER			136
* 6725130	PULLEY			92, 148
* 6725168	KIT			286
* 6725171	SHIELD			202
6725171	SHIELD			210
* 6725186	BELT			92, 148
6725200	SHIELD			210
* 6725201	TANK	6718627	A	204
* 6725212	ARM	6707637	A	154
6725246	PLATE			136
6725257	ADAPTER			136

Code for disposition of old part number  
A — Use up  
B — Use on other application (See PNI)

C — File PDR Report with Melroe Parts Sales  
D — Part Number Error

## NUMERICAL INDEX (Cont'd)

Part No.	Description	Was	Code	Page
* 6725273	HARNESS			224
6725273	HARNESS			250
6725301	COVER			16
* 6725302	GASKET			128
6725303	FRAME			16
* 6725360	WINDOW			216
* 6725360	WINDOW	6675214	A	210
6725360	WINDOW			224
* 6725370	DECAL			286
6725390	HARNESS			250
* 6725403	SEAT BELT			16
* 6725421	HANDLE			214
* 6725423	TANK			84
* 6725429	MOUNT			158
* 6725435	HOSE			76
* 6725436	HOSE			76
* 6725496	COVER			38, 92
* 6725497	CROSS			90
6725513	PACKAGE			250
* 6725550	PIN	6718294	A	24
* 6725551	PIN	6718306	A	24
* 6725898	KIT			238
* 6725899	HOSE			92
* 6725900	HOSE			92
* 6725901	HOSE			92
* 6725906	BRACKET			238
6725907	DECAL			268
6725933	HARNESS			250
6725933	HARNESS	6717877	A	250
* 6725934	HARNESS			252
* 6725935	WINDOW			206
* 6725936	HARNESS			252
* 6725937	CLAMP			206, 212
* 6725938	CLAMP			206, 212
* 6725941	KIT			206
* 6725943	BELT			260
* 6725946	KIT			214
* 6725953	TUBELINE			48
6725953	TUBELINE			198
* 6725954	TUBELINE			48
6725954	TUBELINE			198
* 6725959	BRACKET			78
* 6725962	TUBELINE			78
* 6725963	TUBELINE			78
* 6725964	ELBOW			88
* 6725971	KIT			196
* 6725973	TUBELINE			88
* 6726303	DECAL			214
* 6726357	HARNESS			260
* 6726386	KNOB			252
* 6726423	DECAL			262

Code for disposition of old part number  
 A — Use up  
 B — Use on other application (See PNI)

C — File PDR Report with Melroe Parts Sales  
 D — Part Number Error

## NUMERICAL INDEX (Cont'd)

Part No.	Description	Was	Code	Page
* 6726427	KIT			207
* 6726435	DOOR			202
* 6726479	ADAPTER			76
* 6726485	BRACKET			158
* 6726490	KIT			260
* 6726504	BRACKET			128, 130
* 6726567	ELBOW	6666302	B	32
* 6726608	COVER			252
* 6726621	SCREW			260
* 6726655	KIT			281
* 6726679	BRACKET	6564658	A	62
* 6726680	PEDAL	6564656	A	62
* 6726715	BRACKET			262
* 6726716	BRACKET			262
* 6726717	KIT			262
* 6726907	PIN			262
* 6726908	LIFT EYE			262
* 6726932	DOOR			206, 210
* 6726945	MOUNT			230
* 6727065	BOLT			138, 244
* 6727131	HARNESS			140
* 6727140	FILTER			252
* 6727155	DECAL			140, 246
* 6727176	KIT			289
* 6727177	HARNESS			230
* 6727178	HARNESS			126
* 6727190	HARNESS			224
* 6727298	KIT			244
* 6727299	INSULATION			224
* 6727311	DECAL			222
* 6727326	MOUNT			260
* 6727328	HARNESS			246
* 6727468	HARNESS			224
* 6727525	BUSHING			26
* 6727739	KIT			230
* 6727742	FRAME LINK			24
* 6727746	BUSHING			26
* 6727747	LIFT ARM			24
* 6727832	BUSHING			26
* 6727884	PLATE			263
* 6727885	PLATE			263
* 6727912	DECAL			222
* 6728023	CLAMP			44
* 6728039	KIT			263
* 6800124	RESTRICTOR			70
6800124	RESTRICTOR			72
6800262	CLAMP			52, 268
6800684	PISTON			56, 58
* 6801059	WASHER			281
6801059	WASHER			204
6801167	PLUG			70

Code for disposition of old part number  
 A — Use up  
 B — Use on other application (See PNI)

C — File PDR Report with Melroe Parts Sales  
 D — Part Number Error



## NUMERICAL INDEX (Cont'd)

Part No.	Description	Was	Code	Page
6802752	BUSHING			56, 58
6803092	BONNET			70
6803473	SEAL KIT			269
6803605	SEAL KIT			72
* 6803932	DECAL			92
6804360	TEE			90
6804391	ROD			56, 58
6804592	NUT			56, 58, 59
6804609	SEAL KIT			59
6804616	SEAL KIT			56, 58
6805102	BUSHING			64
6805158	CYLINDER			268, 269
6805160	CASE			269
* 6805243	TEE			66
6805243	TEE			72
6805511	CYLINDER			58
6805512	CYLINDER			56
6805514	CASE			58
6805515	CASE			56
6805651	BLOCK			64, 66, 72
6805657	BLOCK			66
6805696	TEE			66, 72
6805931	VALVE			70
6806150	VALVE			64
6806496	TUBELINE			66, 72
6806561	PLUG			72
6806680	ELBOW			52
6806941	SEAL KIT			66
6807092	SPACER			269
6807508	SHAFT			269
* 6807730	PLUG			126
* 6809085	TUBELINE	6806918	A	56, 58
6900366	INSTRUCTIONS			217
6900505	KIT			222
6900531	INSTRUCTIONS			242
6900573	INSTRUCTIONS			198
* 6900791	MANUAL			220
6900848	INSTRUCTIONS			240
6900850	INSTRUCTIONS			252
6900851	INSTRUCTIONS			224
6900853	INSTRUCTIONS			216
6900855	INSTRUCTIONS			226
6900857	INSTRUCTIONS			192
6900861	INSTRUCTIONS			285
6900913	INSTRUCTIONS			261
6900921	INSTRUCTIONS			228
* 6900952	INSTRUCTIONS			268
* 6900980	INSTRUCTIONS			278
6900991	INSTRUCTIONS			193
6900992	INSTRUCTIONS			293
* 6901010	INSTRUCTIONS			286

Code for disposition of old part number  
A — Use up  
B — Use on other application (See PNI)

C — File PDR Report with Melroe Parts Sales  
D — Part Number Error



## NUMERICAL INDEX (Cont'd)

Part No.	Description	Was	Code	Page
1CM-620	BOLT			204, 206, 212
1CM-635	BOLT			204, 206, 210, 258, 260
1CM-640	BOLT			204, 206, 210
1CM-816	BOLT			32
1CM-820	BOLT			94, 106, 114
1CM-830	BOLT			295
1CM-1020	BOLT			158
1CM-1030	BOLT			158
1CM-8100	BOLT			158
1DM-6	NUT			174, 185
1DM-8	NUT			182
1KM-10	PLUG			172
2C-1626	BOLT			39
2F-4051	PIN			162
2FM-12155	SEAL RING			176
2J-4200	ROD END			162
3GM-1025	BOLT			260
4D-28	NUT			262
4DM-5	NUT			130
4DM-6	NUT			204, 206, 212
4F-6106	PIN			18
4JM-1216	ROLL PIN			156
5CM-1025	SCREW			260
5CM-1080	SCREW			260
5HM-13	CLAMP	6515575	B	32
5HM-14	CLAMP			34
5HM-15	CLAMP			34
5HM-29	CLAMP			76
5HM-35	CLAMP			86, 88
5HM-42	CLAMP			84, 90
6E-4	WASHER			192
6E-5	WASHER			124, 126
6E-6	WASHER			90
6EM-60	WASHER			204, 206, 210
6J-807	KEY			102, 110
6J-1664	WOODRUFF KEY			39
7C-620	BOLT	6704349	B	62
7D-4	NUT			50
7D-8	NUT			272, 274
7J-2010	KEY			164
7J-2204	KEY			148
7J-2208	KEY			148
8C-616	BOLT			94
8D-4	NUT			162
8D-6	NUT			94, 234
9G-512	SCREW			164
9G-620	BOLT			28
10C-410	BOLT			216
10C-416	BOLT			216
10C-512	BOLT			30
10C-516	BOLT			160

Code for disposition of old part number  
A — Use up  
B — Use on other application (See PNI)

C — File PDR Report with Melroe Parts Sales  
D — Part Number Error

## NUMERICAL INDEX (Cont'd)

Part No.	Description	Was	Code	Page
10C-616	BOLT			18
10H-25	GREASE ZERK			24, 30, 42, 46
10KN-8	TEE			76
11F-12	PLUG			12
11H-15	GREASE ZERK			268
11H-25	GREASE ZERK			26
11K-8	ELBOW			88
12D-8	NUT			38
12D-10	NUT			134, 138, 238, 244
12H-15	GREASE ZERK			26, 28
12H-25	GREASE ZERK			42, 46
12KN-6	ELBOW			248
14J-5032	PIN			28
14KN-5	TEE			268, 278
15K-8	ADAPTER			278
15KN-3	ADAPTER			92
15KN-7	ADAPTER			76
15KN-8	ADAPTER			52, 78, 90, 232
15KV-5	ADAPTER			50, 76, 84, 92, 278
15KV-7	ADAPTER			42, 46, 198
15KV-8	ADAPTER			268, 292
16F-2	PLUG			26
16F-8	PLUG			164
16KN-5	ADAPTER			92
17C-410	BOLT			192, 261
17C-412	BOLT			38, 134, 140, 192
17C-420	BOLT			204, 206, 212
17C-512	BOLT			128, 204, 206, 210
17C-516	BOLT			12, 158
17C-532	BOLT			44, 234
17C-540	BOLT			130
17C-552	BOLT			52
17C-560	BOLT			52
17C-610	BOLT			38
17C-612	BOLT			16, 52, 62, 94, 154, 206, 234
17C-612	BOLT	17C-812	B	204, 210
17C-616	BOLT			50, 76, 148, 152, 241
17C-620	BOLT			38, 62, 90, 94, 106, 114, 164, 234
17C-624	BOLT			62, 206
17C-626	BOLT			94
17C-628	BOLT			206, 212
17C-632	BOLT			48, 198
17C-636	BOLT			24, 92
17C-640	BOLT			18, 24, 217
17C-642	BOLT			212
17C-648	BOLT			158
17C-652	BOLT			262
17C-656	BOLT			24
17C-660	BOLT			28
17C-664	BOLT			24, 30
17C-672	BOLT			26, 278

Code for disposition of old part number  
A — Use up  
B — Use on other application (See PNI)

C — File PDR Report with Melroe Parts Sales  
D — Part Number Error

## NUMERICAL INDEX (Cont'd)

Part No.	Description	Was	Code	Page
17C-680	BOLT			24, 94
17C-716	BOLT			16
17C-728	BOLT			84
17C-812	BOLT			24
17C-816	BOLT			154
17C-820	BOLT			22, 158
17C-824	BOLT			158
17C-828	BOLT			158
17C-832	BOLT			154
17C-864	BOLT			158
17C-872	BOLT			154
17C-1024	BOLT			39
17C-1056	BOLT			14
17C-1228	BOLT			12
17C-6116	BOLT			148
17KV-3	ELBOW			92, 268, 278
17KV-5	ELBOW			92, 268, 278
17KV-7	ELBOW			48, 78, 82, 88, 198
17KV-8	ELBOW			90, 150, 278
18KV-5	ELBOW			84
19J-12	CLAMP			90
19KN-5	TEE			50
19KV-5	TEE			92
20J-16	CLAMP			84
21KN-7	TEE			42, 48
21KV-5	TEE			50, 84
23G-812	SCREW			38
24K-7	PLUG			104, 108, 112, 116
24KN-5	PLUG			88
25E-8	WASHER			38
25E-10	WASHER			148
25E-13	WASHER			38, 192, 261
25E-14	WASHER			12, 216
25E-15	WASHER			12, 295
25E-16	WASHER			204, 206, 210
25E-17	WASHER			52, 94, 158, 234
25E-18	WASHER			162
25E-21	WASHER			62, 154
25E-22	WASHER			140
25E-24	WASHER			94, 134
25E-25	WASHER			234
25F-1	ELBOW			152
25G-410	BOLT			130
25G-510	BOLT			14
25G-512	BOLT			20
25G-514	BOLT			12
25G-520	BOLT			20
25G-612	BOLT			228, 230
25G-820	BOLT			22
25GT-410	BOLT			134, 138, 244
25K-20016	O-RING			64, 70

Code for disposition of old part number  
 A — Use up  
 B — Use on other application (See PNI)

C — File PDR Report with Melroe Parts Sales  
 D — Part Number Error

## NUMERICAL INDEX (Cont'd)

Part No.	Description	Was	Code	Page
25K-30012	O-RING			176
25K-30812	O-RING			35
27E-6	WASHER			234
29G-412	SCREW			72
29G-416	SCREW			66, 72
29G-444	SCREW			66
30G-416	BOLT			64, 70
30H-19	CLIP			192
30H-21	CLAMP			240
30H-23	CLAMP			38, 261
30H-30	CLAMP			32, 42, 46
30H-31	CLAMP			52
30H-42	CLAMP			265
30H-44	CLAMP	30H-42	B	150
30H-62	CLIP			78
30H-64	CLAMP			90
31C-410	BOLT			238
31C-420	BOLT			22
31C-1228	BOLT			12, 92
31C-1236	BOLT			12
31H-26	CLIP			42, 48
31H-42	CLAMP			260, 268
35C-410	BOLT			250
35C-412	BOLT			18, 240
35C-416	BOLT			50
35C-428	BOLT	17C-428	B	50
35C-512	BOLT			86, 158, 178, 261
35C-516	BOLT			158, 210
35C-528	BOLT			44
35C-536	BOLT			44, 48
35C-540	BOLT			48, 52, 198
35C-610	BOLT			88
35C-612	BOLT			148, 150, 156, 158, 286
35C-614	BOLT			78
35C-616	BOLT			128, 232, 268, 292
35C-620	BOLT			128, 158, 210
35C-624	BOLT			94
35C-632	BOLT			268
35C-820	BOLT			199
35C-824	BOLT			12, 262
35C-832	BOLT			12, 262
36K-5	CAP			50, 78, 84, 90
36K-7	CAP			42
36K-8	CAP			44, 52
37C-412	BOLT			240
37C-424	BOLT			250
37C-512	BOLT			22, 38, 192, 250, 265
37C-612	BOLT			22
37C-616	BOLT			94
37C-624	BOLT			232, 292
37C-644	BOLT			22

Code for disposition of old part number  
A — Use up  
B — Use on other application (See PNI)

C — File PDR Report with Melroe Parts Sales  
D — Part Number Error

## NUMERICAL INDEX (Cont'd)

Part No.	Description	Was	Code	Page
37C-820	BOLT			22
38C-610	BOLT			162
38C-820	BOLT			154
38C-836	BOLT			30
38C-838	BOLT			154
38C-856	BOLT			22
38C-1036	BOLT			28
40DM-8	NUT			295
42H-24	CLAMP			32
42H-52	CLAMP			152
42HC-300	CLAMP			152
42HC-350	CLAMP			152
43C-512	BOLT			32
43C-524	BOLT			68
43C-532	BOLT			68
43C-616	BOLT			128
43C-852	BOLT			158
45C-616	BOLT			152
45C-620	BOLT			94, 152, 154
45G-1006	BOLT			238
46D-5	NUT			204, 206, 210
46KN-8	ELBOW			88
47C-820	BOLT			38
47K-8	PLUG			102, 106, 110, 114
47K-10	PLUG			84
53CM-616	BOLT			162
53CM-820	BOLT			162
53CM-830	BOLT			32
53CM-1230	BOLT			154
53CM-1440	BOLT	1CM-1440	B	158
53D-6	NUT			14, 18, 130
53D-10	NUT			14
54DM-8	NUT			158
54K-20002	O-RING			66, 70
54K-20028	O-RING			68
54K-30110	O-RING			269
54K-30210	O-RING			56, 58, 59
54K-40116	O-RING			269
54K-40224	O-RING			56, 58, 59
54K-60212	O-RING			56, 58, 59
55C-825	BOLT			152
55CM-816	BOLT			158
55CM-825	BOLT			158
55CM-825	BOLT	53CM-825	B	152
55D-6	NUT			22, 206, 212
55K-21	O-RING			84
55K-204	O-RING			66, 68, 72
55K-212	O-RING			66, 68, 70
55K-219	O-RING			84
57D-5	NUT			158
57D-6	NUT			62

Code for disposition of old part number  
A — Use up  
B — Use on other application (See PNI)

C — File PDR Report with Melroe Parts Sales  
D — Part Number Error

## NUMERICAL INDEX (Cont'd)

Part No.	Description	Was	Code	Page
57D-8	NUT			199
57G-608	SCREW			250
58K-12	O-RING			66, 72
58K-14	O-RING			64, 70
58K-17	O-RING			64, 70
58K-114	O-RING			158, 178
58K-120	O-RING			134, 140
58K-124	O-RING			64, 70
58K-127	O-RING			66, 72
58K-132	O-RING			269
58K-214	O-RING			90
59D-4	NUT			130, 216, 240
59D-5	NUT			14, 30, 38, 204, 206, 212, 250
59D-6	NUT			22, 130
59D-8	NUT			14, 44, 48, 52, 76
59G-616	BOLT			192
61D-4	NUT			192, 204, 206, 212
61D-5	NUT			12, 22, 84, 148, 192, 204, 206, 210
61D-6	NUT			22, 148, 154, 217
61D-6	NUT	61D-8	B	204
61D-8	NUT			210
62D-6	NUT			234
69G-436	BOLT			136, 140
72F-1	DRAIN COCK			32
73G-656	BOLT			154, 268
73K-222	WASHER			269
75K-4	O-RING			120
75K-6	O-RING			90
77FN-8	ELBOW			150
79K-2	O-RING			279
79K-3	O-RING			269
79K-4	O-RING			278
79K-5	O-RING			32, 81
79K-6	O-RING			56, 58
79K-7	O-RING			66, 72
79K-8	O-RING			64, 70, 74, 102, 106, 110, 114, 272, 274
79K-10	O-RING			64, 70, 76, 104, 112
79K-12	O-RING			52, 84, 102, 106, 110, 116
79K-14	O-RING			32, 104, 106, 112, 114
79K-16	O-RING			84
79K-20	O-RING			88, 92
80K-14	RING			64, 70
80K-332	WASHER			56, 58, 59
81D-6	NUT			158
83D-4	NUT			18, 50, 192, 250, 261
83D-5	NUT			12, 44, 46, 160, 198, 212, 261
83D-6	NUT			94, 152, 158, 228, 230, 232, 241, 292
83D-8	NUT			12, 14, 22, 154, 158, 262
83D-12	NUT			12, 92
83F-3	ELBOW			88, 234
83FN-3	ELBOW			234

Code for disposition of old part number  
A — Use up  
B — Use on other application (See PNI)

C — File PDR Report with Melroe Parts Sales  
D — Part Number Error



## NUMERICAL INDEX (Cont'd)

Part No.	Description	Was	Code	Page
84G-3110	BOLT			248, 250
84G-3112	BOLT			12, 42, 46, 148, 192, 226, 228, 230
84G-3124	BOLT			148
84G-3710	SCREW			260
84G-3712	BOLT			12, 26, 30, 38, 42, 46, 52, 76, 88, 124, 126, 128, 150, 152
84G-3716	BOLT			30, 38, 84, 199, 218
84G-3720	BOLT			38, 189
84G-3724	BOLT			42, 46, 162
84G-3728	BOLT			44, 48, 162
85D-4	NUT			162
85D-5	NUT			52, 128, 162, 265
85D-6	NUT			16, 24, 28, 46, 50, 128, 152, 158, 162, 198, 232, 292
85D-7	NUT			16
85D-8	NUT			14, 154
85F-3	ELBOW			88
86D-4	NUT			162
86F-3	ELBOW			234
86F-5	NUT			76, 278
86F-6	NUT			42, 46
86F-8	NUT			52, 88, 150
87D-5	NUT			262
87G-1008	SCREW			250
88F-3	ELBOW			234
88FN-3	ELBOW			234
88FN-5	ELBOW			278
88FN-6	ELBOW			42, 46
88FN-8	ELBOW			88, 150
90KV-2	PLUG			269
90KV-3	PLUG	6671783	B	98
90KV-5	PLUG			56, 58, 59, 66, 72, 272, 274
90KV-5	PLUG	6630168	B	88
90KV-5	PLUG	6671759	B	98
90KV-8	PLUG			50, 66, 70
91D-5	NUT			234
91D-6	NUT			30, 38, 62
91D-7	NUT			202, 206, 212
91G-416	BOLT			216, 224
92D-10	NUT			269
92D-12	NUT			156
95D-5	NUT			14, 52, 128
95D-6	NUT			42, 46, 52, 94, 164, 206, 212, 234
95K-4	O-RING	6671784	B	98
95K-6	O-RING			56, 58, 59, 66, 72, 88, 272, 274
95K-6	O-RING	6671749	B	98
95K-12	O-RING			66, 70
95K-12	O-RING	99K-12	B	50
96D-6	NUT			94
96D-8	NUT			148
96K-4	O-RING			278

Code for disposition of old part number  
A — Use up  
B — Use on other application (See PNI)

C — File PDR Report with Melroe Parts Sales  
D — Part Number Error

## NUMERICAL INDEX (Cont'd)

Part No.	Description	Was	Code	Page
96K-6	O-RING			278
96K-12	O-RING			232
97D-5	NUT			12, 158, 178
97K-4	O-RING			92, 234, 268
97K-6	O-RING			50, 66, 72, 76, 84, 86, 88, 90, 92, 268, 278
97K-8	O-RING			42, 46
97K-10	O-RING			42, 46, 48, 76, 78, 82, 88, 198
97K-12	O-RING			50, 52, 76, 88, 90, 150, 268, 278, 292
97K-16	O-RING			76, 84
98D-6	NUT			94
98F-3	TEE			234
98K-12	O-RING			232
99K-4	O-RING			92, 268
99K-5	O-RING			32, 82, 272, 274
99K-6	O-RING			50, 64, 70, 76, 84, 88, 92, 268, 278
99K-8	O-RING			76
99K-10	O-RING			44, 48, 76, 82, 88, 92, 198
99K-12	O-RING			52, 76, 88, 150, 268, 278
99K-16	O-RING			84, 90
* NAP	ADAPTER	6666418	A	182
* NAP	BLOCK	6672800	A	176
* NAP	CONNECTOR	6670681	A	182
* NAP	CONTROL	6725269	A	228
* NAP	COUPLER	6667808	B	52
* NAP	COUPLER	6672960	B	52
* NAP	COVER	6674236	A	250
* NAP	DOOR	6717590	A	202
* NAP	FILTER	6674230	A	250
* NAP	FRAME LINK	6718378	A	24
* NAP	GUIDE	6709950	A	12
* NAP	GUIDE	6711907	A	16
* NAP	HARNESS	6715366	A	224
* NAP	HARNESS	6725275	A	250
* NAP	HEATER	6674226	A	256
* NAP	LEVER ASSY	6718194	A	136
* NAP	LEVER ASSY	6718195	A	136
* NAP	LIFT ARM	6717765	A	24
* NAP	RELIEF VALVE	6672451	A	82
* NAP	SEAT	6674404	A	283
* NAP	SEAT	6674896	A	283
* NAP	SEAT BELT	6667875	A	16
* NAP	SENDER	6669642	A	32
* NAP	SHIELD	6718179	A	202, 210
* NAP	TANK	6715818	A	84
* NAP	TEE	6666422	A	182
* NAP	TUBELINE	6718480	A	78

Code for disposition of old part number  
A — Use up  
B — Use on other application (See PNI)

C — File PDR Report with Melroe Parts Sales  
D — Part Number Error



# Numbers

1CM-1020, BOLT, 158  
1CM-1030, BOLT, 158  
1CM-620, BOLT, 204, 206, 212  
1CM-635, BOLT, 204, 206, 210, 258, 260  
1CM-640, BOLT, 204, 206, 210  
1CM-8100, BOLT, 158  
1CM-816, BOLT, 32  
1CM-820, BOLT, 94, 106, 114  
1CM-830, BOLT, 295  
1DM-6, NUT, 174, 185  
1DM-8, NUT, 182  
1KM-10, PLUG, 172  
225855, SEAL, 24  
2C-1626, BOLT, 39  
2F-4051, PIN, 162  
2FM-12155, SEAL RING, 176  
2J-4200, ROD END, 162  
3GM-1025, BOLT, 260  
4D-28, NUT, 262  
4DM-5, NUT, 130  
4DM-6, NUT, 204, 206, 212  
4F-6106, PIN, 18  
4JM-1216, ROLL PIN, 156  
5CM-1025, SCREW, 260  
5CM-1080, SCREW, 260  
5HM-13, CLAMP, 6515575, B, 32  
5HM-14, CLAMP, 34  
5HM-15, CLAMP, 34  
5HM-29, CLAMP, 76  
5HM-35, CLAMP, 86, 88  
5HM-42, CLAMP, 84, 90  
614142, SLEEVE, 240  
616783, PLUG, 30  
619021, WASHER, 14, 28, 62, 232, 268, 283, 292  
654299, BEARING, 102, 106, 110, 114  
658128, SNAP RING, 102, 106, 110, 114  
669863, SNAP RING, 102, 106, 110, 114  
6E-4, WASHER, 192  
6E-5, WASHER, 124, 126  
6E-6, WASHER, 90  
6EM-60, WASHER, 204, 206, 210  
6J-1664, WOODRUFF KEY, 39  
6J-807, KEY, 102, 110  
742640, WASHER, 160  
774220, NUT, 192, 250  
799119, SNAP RING, 64  
7C-620, BOLT, 6704349, B, 62  
7D-4, NUT, 50  
7D-8, NUT, 272, 274  
7J-2010, KEY, 164  
7J-2204, KEY, 148  
7J-2208, KEY, 148  
872229, WASHER, 44, 48, 52, 198, 268  
898731, BULB, 265  
8C-616, BOLT, 94  
8D-4, NUT, 162  
8D-6, NUT, 94, 234  
9G-512, SCREW, 164  
9G-620, BOLT, 28  
10C-410, BOLT, 216  
10C-416, BOLT, 216  
10C-512, BOLT, 30  
10C-516, BOLT, 160  
10C-616, BOLT, 18  
10H-25, GREASE ZERK, 24, 30, 42, 46  
10KN-8, TEE, 76  
11F-12, PLUG, 12  
11H-15, GREASE ZERK, 268  
11H-25, GREASE ZERK, 26  
11K-8, ELBOW, 88  
12D-10, NUT, 134, 138, 238, 244  
12D-8, NUT, 38  
12H-15, GREASE ZERK, 26, 28  
12H-25, GREASE ZERK, 42, 46  
12KN-6, ELBOW, 248  
1306637, COTTER PIN, 52, 62  
1313116, BUSHING, 154  
1318565, HAIR PIN, 148, 234  
1321607, RACE, 39  
1321608, BEARING, 39  
14J-5032, PIN, 28  
14KN-5, TEE, 268, 278  
15K-8, ADAPTER, 278  
15KN-3, ADAPTER, 92  
15KN-7, ADAPTER, 76  
15KN-8, ADAPTER, 52, 78, 90, 232  
15KV-5, ADAPTER, 50, 76, 84, 92, 278  
15KV-7, ADAPTER, 42, 46, 198  
15KV-8, ADAPTER, 268, 292  
1614765, STEM, 294  
16F-2, PLUG, 26  
16F-8, PLUG, 164  
16KN-5, ADAPTER, 92  
17C-1024, BOLT, 39  
17C-1056, BOLT, 14  
17C-1228, BOLT, 12

17C-410, BOLT, 192, 261  
17C-412, BOLT, 38, 134, 140, 192  
17C-420, BOLT, 204, 206, 212  
17C-512, BOLT, 128, 204, 206, 210  
17C-516, BOLT, 12, 158  
17C-532, BOLT, 44, 234  
17C-540, BOLT, 130  
17C-552, BOLT, 52  
17C-560, BOLT, 52  
17C-610, BOLT, 38  
17C-6116, BOLT, 148  
17C-612, BOLT, 16, 52, 62, 94, 154, 206, 234  
17C-812, B, 204, 210  
17C-616, BOLT, 50, 76, 148, 152, 241  
17C-620, BOLT, 38, 62, 90, 94, 106, 114, 164, 234  
17C-624, BOLT, 62, 206  
17C-626, BOLT, 94  
17C-628, BOLT, 206, 212  
17C-632, BOLT, 48, 198  
17C-636, BOLT, 24, 92  
17C-640, BOLT, 18, 24, 217  
17C-642, BOLT, 212  
17C-648, BOLT, 158  
17C-652, BOLT, 262  
17C-656, BOLT, 24  
17C-660, BOLT, 28  
17C-664, BOLT, 24, 30  
17C-672, BOLT, 26, 278  
17C-680, BOLT, 24, 94  
17C-716, BOLT, 16  
17C-728, BOLT, 84  
17C-812, BOLT, 24  
17C-816, BOLT, 154  
17C-820, BOLT, 22, 158  
17C-824, BOLT, 158  
17C-828, BOLT, 158  
17C-832, BOLT, 154  
17C-864, BOLT, 158  
17C-872, BOLT, 154  
17KV-3, ELBOW, 92, 268, 278  
17KV-5, ELBOW, 92, 268, 278  
17KV-7, ELBOW, 48, 78, 82, 88, 198  
17KV-8, ELBOW, 90, 150, 278  
18KV-5, ELBOW, 84  
19J-12, CLAMP, 90  
19KN-5, TEE, 50  
19KV-5, TEE, 92  
20J-16, CLAMP, 84  
21KN-7, TEE, 42, 48  
21KV-5, TEE, 50, 84  
23G-812, SCREW, 38  
24K-7, PLUG, 104, 108, 112, 116  
24KN-5, PLUG, 88  
25E-10, WASHER, 148  
25E-13, WASHER, 38, 192, 261  
25E-14, WASHER, 12, 216  
25E-15, WASHER, 12, 295  
25E-16, WASHER, 204, 206, 210  
25E-17, WASHER, 52, 94, 158, 234  
25E-18, WASHER, 162  
25E-21, WASHER, 62, 154  
25E-22, WASHER, 140  
25E-24, WASHER, 94, 134  
25E-25, WASHER, 234  
25E-8, WASHER, 38  
25F-1, ELBOW, 152  
25G-410, BOLT, 130  
25G-510, BOLT, 14  
25G-512, BOLT, 20  
25G-514, BOLT, 12  
25G-520, BOLT, 20  
25G-612, BOLT, 228, 230  
25G-820, BOLT, 22  
25GT-410, BOLT, 134, 138, 244  
25K-20016, O-RING, 64, 70  
25K-30012, O-RING, 176  
25K-30812, O-RING, 35  
27E-6, WASHER, 234  
29G-412, SCREW, 72  
29G-416, SCREW, 66, 72  
29G-444, SCREW, 66  
30G-416, BOLT, 64, 70  
30H-19, CLIP, 192  
30H-21, CLAMP, 240  
30H-23, CLAMP, 38, 261  
30H-30, CLAMP, 32, 42, 46  
30H-31, CLAMP, 52  
30H-42, CLAMP, 265  
30H-44, CLAMP, 30H-42, B, 150  
30H-62, CLIP, 78  
30H-64, CLAMP, 90  
31C-1228, BOLT, 12, 92  
31C-1236, BOLT, 12  
31C-410, BOLT, 238  
31C-420, BOLT, 22  
31H-26, CLIP, 42, 48  
31H-42, CLAMP, 260, 268  
35C-410, BOLT, 250

35C-412, BOLT, 18, 240  
35C-416, BOLT, 50  
35C-428, BOLT, 17C-428, B, 50  
35C-512, BOLT, 86, 158, 178, 261  
35C-516, BOLT, 158, 210  
35C-528, BOLT, 44  
35C-536, BOLT, 44, 48  
35C-540, BOLT, 48, 52, 198  
35C-610, BOLT, 88  
35C-612, BOLT, 148, 150, 156, 158, 286  
35C-614, BOLT, 78  
35C-616, BOLT, 128, 232, 268, 292  
35C-620, BOLT, 128, 158, 210  
35C-624, BOLT, 94  
35C-632, BOLT, 268  
35C-820, BOLT, 199  
35C-824, BOLT, 12, 262  
35C-832, BOLT, 12, 262  
36K-5, CAP, 50, 78, 84, 90  
36K-7, CAP, 42  
36K-8, CAP, 44, 52  
37C-412, BOLT, 240  
37C-424, BOLT, 250  
37C-512, BOLT, 22, 38, 192, 250, 265  
37C-612, BOLT, 22  
37C-616, BOLT, 94  
37C-624, BOLT, 232, 292  
37C-644, BOLT, 22  
37C-820, BOLT, 22  
38C-1036, BOLT, 28  
38C-610, BOLT, 162  
38C-820, BOLT, 154  
38C-836, BOLT, 30  
38C-838, BOLT, 154  
38C-856, BOLT, 22  
3974795, PIN, 104, 112  
40DM-8, NUT, 295  
42H-24, CLAMP, 32  
42H-52, CLAMP, 152  
42HC-300, CLAMP, 152  
42HC-350, CLAMP, 152  
43C-512, BOLT, 32  
43C-524, BOLT, 68  
43C-532, BOLT, 68  
43C-616, BOLT, 128  
43C-852, BOLT, 158  
45C-616, BOLT, 152  
45C-620, BOLT, 94, 152, 154  
45G-1006, BOLT, 238  
46D-5, NUT, 204, 206, 210  
46KN-8, ELBOW, 88  
47C-820, BOLT, 38  
47K-10, PLUG, 84  
47K-8, PLUG, 102, 106, 110, 114  
5289686, PLUG, 224  
53C-516, BOLT, 12  
53CM-1230, BOLT, 154  
53CM-1440, BOLT, 1CM-1440, B, 158  
53CM-616, BOLT, 162  
53CM-820, BOLT, 162  
53CM-830, BOLT, 32  
53D-10, NUT, 14  
53D-6, NUT, 14, 18, 130  
54DM-8, NUT, 158  
54K-20002, O-RING, 66, 70  
54K-20028, O-RING, 68  
54K-30110, O-RING, 269  
54K-30210, O-RING, 56, 58, 59  
54K-40116, O-RING, 269  
54K-40224, O-RING, 56, 58, 59  
54K-60212, O-RING, 56, 58, 59  
55C-825, BOLT, 152  
55CM-816, BOLT, 158  
55CM-825, BOLT, 158  
53CM-825, B, 152  
55D-6, NUT, 22, 206, 212  
55K-204, O-RING, 66, 68, 72  
55K-21, O-RING, 84  
55K-212, O-RING, 66, 68, 70  
55K-219, O-RING, 84  
57D-5, NUT, 158  
57D-6, NUT, 62  
57D-8, NUT, 199  
57G-608, SCREW, 250  
58K-114, O-RING, 158, 178  
58K-12, O-RING, 66, 72  
58K-120, O-RING, 134, 140  
58K-124, O-RING, 64, 70  
58K-127, O-RING, 66, 72  
58K-132, O-RING, 269  
58K-14, O-RING, 64, 70  
58K-17, O-RING, 64, 70  
58K-214, O-RING, 90  
59D-4, NUT, 130, 216, 240  
59D-5, NUT, 14, 30, 38, 204, 206, 212, 250  
59D-6, NUT, 22, 130  
59D-8, NUT, 14, 44, 48, 52, 76  
59G-616, BOLT, 192

61D-4, NUT, 192, 204, 206, 212  
61D-5, NUT, 12, 22, 84, 148, 192, 204, 206, 210  
61D-6, NUT, 22, 148, 154, 217  
61D-8, B, 204  
61D-8, NUT, 210  
62D-6, NUT, 234  
6502203, CLAMP, 42, 46, 268  
6505082, SPRING, 30  
6505813, ADAPTER, 152  
6510614, LINK, 35  
6512026, BUSHING, 62  
6512797, RIVET, 288  
6513152, SEAL, 148, 204, 206, 212, 252  
6513495, COTTER PIN, 62, 162  
6513595, CLAMP, 84  
6513908, NUT, 172  
6513971, TIRE, 294  
6514745, SCREW, 182  
6515007, INDICATOR, 152  
6515131, TERMINAL, 240  
6515576, CLAMP, 260  
6515817, WASHER, 14  
6516229, O-RING, 56, 58, 59  
6517516, LIGHT, 240  
6518121, PLUG, 158, 178  
6518200, GREASE ZERK, 94  
6518460, PIN, 106  
6518483, WASHER, 106, 114, 117  
6518955, SNAP RING, 154  
6519178, BUMPER, 18  
6519187, ELBOW, 52  
6519249, TIRE, 294  
6529464, BUSHING, 150  
6531270, SLEEVE, 64  
6531336, HOSE, 88  
6532127, BOOT, 30, 136, 138, 244  
6532453, RING SEAL, 269  
6533363, HOSE, 50  
6541981, PIN, 52  
6542731, SAFETY TREAD, 202, 206, 210  
6547593, PIN, 24  
6553411, BUSHING, 12, 32, 38  
6553709, WASHER, 14, 44, 54  
6553976, SAFETY TREAD, 220  
6554100, SAFETY TREAD, 220, 268  
6554149, CORD, 202, 207, 210, 216, 224  
6555351, SEAL, 212, 216  
6555987, BUSHING, 24  
6557224, DECAL, 220

6557291, BALL JOINT, 162  
6557493, GROMMET, 281  
6557565, DECAL, 220  
6557720, HOSE, 152  
6557831, WASHER, 94, 260  
6557904, FLASHER, 240  
6558309, WIRE ROPE, 220  
6558310, SLEEVE, 220  
6558693, RING, 39  
6558694, WASHER, 39  
6559479, NUT, 38  
6559515, EXIT TAG, 210, 216, 224  
6560172, COVER, 128  
6560633, DAMPENER, 14  
6561383, DECAL, 220  
6562018, SPRING, 28  
6562498, RIM, 294  
6562619, BUSHING, 189, 232, 292  
6563328, BLACK GOLD, , , 298  
6563330, BLACK GOLD, , 298  
6563914, WASHER, 62, 94  
6564452, GRIP, 162  
6564535, WASHER, 12  
6564654, PIN, 62  
6564657, PIN, 62  
6564669, NUT, 12, 39, 294  
6565170, CABLE, 128  
6565200, DECAL, 222  
6565240, RIM, 294  
6565947, WASHER, 39  
6565990, DECAL, 220  
6567743, PIN, 14  
6567962, WASHER, 162  
6568424, ADAPTER, 154  
6568425, ADAPTER, 154  
6568918, SPROCKET, 35, 39  
6569146, TEE, 42, 46  
6569203, CLAMP, 128  
6569219, SCREEN, 32, 84  
6569498, SPRING ASSY, 154  
6570762, INSTRUCTIONS, 280  
6570931, INSTRUCTIONS, 189  
6571554, BUSHING, 142  
6576033, WASHER, 156  
6576196, MOUNT, 94  
6576261, COVER, 162  
6576262, MOUNT, 162  
6576280, BOLT, 128  
6577058, PIN, 94

6577230, MOUNT, 94  
6577382, SPACER, 148  
6577394, HINGE, 158  
6577545, GROMMET, 192, 261  
6577690, TUBE, 90  
6577754, DECAL, 222  
6577785, CAP, 84  
6577812, COVER, 189  
6577821, HOSE, 32  
6577822, HOSE, 32, 148  
6577880, KIT, 189  
6577961, GROMMET, 30  
6578172, HOSE, 32  
6578278, PAD, 32  
6578284, SHIM, 164  
6578368, DECAL, 222  
6578505, COVER, 38  
6578857, HUB, 39  
6579104, STOP, 28  
6579106, SHIM, 28  
6579385, DECAL, 292  
6579404, DECAL, 292  
6579509, DECAL, 220  
6579528, DECAL, 220  
6579554, HOSE, 32  
6579613, STOP, 14, 148  
6579639, DECAL, 220  
6579641, HOUSING, 164  
6579989, BRACKET, 128  
6584978, CONDUIT, 38  
6585860, SPRING, 38  
6586459, SEAL KIT, 66, 72  
6586461, SEAL KIT, 66, 72  
6586542, HEAD, 269  
6586543, PISTON, 269  
6586710, BOLT, 154  
6586718, HEAD, 59  
6586918, SCREW, 64  
6587182, SWIVEL PIN, 154  
6587458, KEY, 32  
6587523, WASHER, 64, 70  
6587575, ADAPTER, 64  
6587580, SPRING, 64, 70  
6587633, BONNET, 64, 70  
6587763, BOOT, 64, 70  
6587765, BUSHING, 154  
6588074, SPOOL, 64, 70  
6588781, END CAP, 66, 70  
6589198, CYLINDER, 59

6589199, SPACER, 59  
6589226, BONNET, 64  
6589271, TUBE, 59  
6589338, CASE, 59  
6589339, ROD, 59  
6589475, CYLINDER, 42, 46  
6589564, WASHER, 64, 70  
6589565, BUSHING, 70  
6590832, TIRE, 294  
6591030, LINK, 35  
6591447, STEM, 294  
6592098, WASHER, 64  
6592100, COLLAR, 64, 70  
6592105, BALL, 64  
6592107, SPRING, 64  
6592109, ADAPTER, 64, 70  
6592115, SEAT, 64, 70  
6592116, NUT, 64, 70  
6592117, SPRING, 64, 70  
6592506, CLAMP, 52  
6592720, PLUG, 66, 72  
6592766, U-BOLT, 162  
6595014, DECAL, 220, 222  
6595131, SPRING, 66, 72  
6595663, BUSHING, 64, 70  
6595951, SLEEVE, 64, 72  
6596332, SPRING, 64, 70  
6596569, SEAT, 66, 70  
6596807, PLUG, 64  
6597774, HANDLE, 134, 138, 244  
6597775, LEVER, 134  
6597776, LEVER, 134  
6597884, HOSE, 50  
6598908, ELBOW, 32  
6599360, SEALANT, , , 298  
6599365, KIT, 122  
6599645, PLUG, 12, 32  
6599719, GREASE, 298  
6599741, WASHER, 94  
6599744, BALL JOINT, 94, 234  
6599780, TRACK, 19  
6599931, ALARM, 192  
6610510, TIE, 32, 76, 128, 148, 224, 244, 278  
6617871, FRAME, 216  
6624289, TIE, 44, 128, 228, 230, 248, 260, 268,  
278  
6626631, CLAMP, 148  
6628031, HEAD, 56, 58  
6628571, VALVE ASSY, 64, 68, 70



6628613, HOSE, 92  
6628835, SEAL KIT, 66, 72  
6630188, POLISH, , , 298  
6630189, POLISH, , , 298  
6630207, RIVET, 30  
6630465, CUSHION, 19  
6630468, CUSHION, 19  
6630469, TRACK, 19  
6630945, WASHER, 162  
6631036, BALL JOINT, 162  
6631067, SEAL, 26  
6631418, PIN, 14, 18  
6631561, NUT, 74  
6632228, RETAINER, 142  
6632323, WASHER, 142  
6632429, RETAINER, 146  
6632430, ROLLER, 146  
6632432, PLUNGER, 146  
6632433, GASKET, 146  
6632434, COVER, 146  
6632435, BALL, 146  
6632436, SPRING, 146  
6632441, SPRING, 146  
6632823, GASKET, 172, 178, 180  
6633583, SEALANT, 298  
6634393, LUBRICANT, 164, 298  
6634874, O-RING, 74  
6640690, PIN, 132, 134, 138, 140, 244, 246, 261  
6640692, CONNECTOR, 132, 134, 138, 140, 244,  
246  
6640694  
CAP, 138, 140, 244, 246  
LOCK, 132, 134  
6640699, CONNECTOR, 134, 138, 244, 250, 261  
6640700, LOCK, 134, 138, 244, 261  
6641176, SEAL, 132, 134, 138, 140, 244, 246, 261  
6641179, CONNECTOR, 74, 132, 134, 138, 244,  
261  
6641180, LOCK, 74, 132, 134, 138, 244, 261  
6645080, O-RING, 106, 114  
6645086, PLUG, 102, 106, 110, 114  
6645088, BOLT, 117  
6645090, SEAL, 102, 110  
6646582, PLUG, 132, 134, 138, 140, 244, 246  
6646627, BEARING, 164  
6646781, SWITCH, 192  
6647777, PIN, 74  
6647778, CAP, 74  
6647780, PLUG, 74

6647783, LOAD CHECK, 74  
6647784, PLUG, 74  
6647785, SPRING, 74  
6648293, SCREW, 74  
6648294, SPRING, 74  
6648307, CONNECTOR, 140, 246  
6649481, BULB, 265  
6649551, SHOCK, 94  
6649949, PLUG, 30, 224  
6650120, RACE, 36  
6650239, SCREEN, 32  
6650388, SEALANT, 298  
6650407, ADHESIVE, 298  
6650627, PLATE, 102, 106, 110, 114  
6650629, PIN, 102, 106, 110, 114  
6650630, RETAINER, 102, 106, 110, 114  
6650634, GASKET, 102, 106, 110, 114  
6650635, BEARING, 102, 106, 110, 114  
6650636, PIN, 102, 106, 110, 114  
6650637, BOLT, 106  
6650646, O-RING, 102, 110  
6650647, O-RING, 102, 110  
6650648, PLUG ASSY, 104, 112  
6650652, POPPET, 102, 110  
6650668, BOLT, 102, 106, 110, 114  
6650674, BOLT, 114  
6651436, SHIELD, 52  
6652018, BOLT, 106, 114  
6652918, NUT, 158  
6652935, EDGING, 19  
6653484, VALVE, 279  
6653485, SEAL KIT, 279  
6653487, SEAL KIT, 279  
6653517, REDUCER, 298  
6653518, PRIMER, 298  
6653519, PRIMER, 298  
6653702, SEAL, 164  
6653757, SNAP RING, 164  
6653758, SNAP RING, 164  
6654139, MOULDING, 134, 140, 246  
\*6654170, BOLT, 210  
6654170  
BOLT, 206  
STRIKER BOLT, 202  
6654806, FUSE, 130, 136  
6655399, BUMPER, 12, 148  
6714454, B, 22  
6655781, BEARING, 154  
6657028, O-RING, 102, 106, 110, 114

6657067, COVER, 102, 106, 110, 114  
6657068, PLATE, 102, 106, 110, 114  
6657083, ELBOW, 32  
6657299, OIL, 298  
6657301, OIL, 298  
6657303, OIL, 298  
6657376, ELBOW, 148  
6657719, PLUG, 216, 224  
6658122, COVER, 117  
6658123, COVER, 117  
6658180, BREATHER, 32  
6658260, SENSOR, 128  
6658266, GREASE, 298  
6658460, PIN, 102  
6658846, RIM, 294  
6659371, NUT, 142  
6659372, WASHER, 142  
6659373, PULLEY, 142  
6659374, SPACER, 142  
6659375, FAN, 142  
6659376, BRACKET, 142  
6659378, BOLT, 142  
6659379, BEARING, 142  
6659380, ROTOR, 142  
6659381, STATOR, 142  
6659382, BRACKET, 142  
6659384, RECTIFIER, 142  
6659385, SCREW, 142  
6659386, HOLDER, 142  
6659387, NUT, 142  
6659388, CONDENSER, 142  
6659390, HOLDER, 142  
6659391, NUT, 142  
6659392, BOLT, 142  
6659393, REGULATOR, 142  
6659394, BRUSH, 142  
6659395, SPRING, 142  
6659396, SCREW, 142  
6659397, TERMINAL, 142  
6659398, COVER, 142  
6659399, SCREW, 142  
6659400, CONNECTOR, 142  
6659459, CHECK VALVE, 76  
6659982, MUFFLER, 232, 292  
6659999, BELT, 288  
6660026, PISTON, 96  
6660260, SWITCH, 122  
6660339, GASKET, 80, 117  
6660644, CAP, 64

6660814, O-RING, 102, 106, 110, 114  
6660967, CAP, 154  
6660995, GREASE RING, 154  
6661022, FILTER, 76, 84, 121  
6661114, CAP, 32  
6661117, TANK, 234  
6661209, RIVET, 148  
6661213, CLAMP, 32  
6661229, BEARING, 154  
6661247, FILTER ASSY, 88, 122  
6661248, ELEMENT, 88, 122  
6661328, SEAL KIT, 66, 72  
6661334, FILTER ASSY, 88  
6661353, LIGHT ASSY, 265  
6661377, SEAL, 154  
6661443, STEM, 272  
6661448, SEAL KIT, 81  
6661601, TIRE, 294  
6661608, SEAL KIT, 235  
6661611, ALTERNATOR, 142  
6661696, CAP, 32  
6661753, PLUG, 92  
6661787, WASHER, 158  
6661807, KIT, 121  
6661808, KIT, 121  
6662246, CONNECTOR, 254, 256  
6662252, LOCK, 254, 256  
6662257, PIN, 254, 256  
6662298, SNAP RING, 38  
6662754, TIRE, 294  
6662848, CAP, 66, 72  
6662855, BELT, 92  
6662997, PULLEY, 154  
6664024, STEM, 81  
6664025, STEM, 81  
6664032, SEAL KIT, 81  
6664033, SEAL KIT, 82  
6664035, CAP, 228, 230  
6664036, NUT, 228, 230  
6664037, WASHER, 228, 230  
6664040, PIN, 228, 230  
6664065, WASHER, 202, 281  
6664085, BUSHING, 202, 281  
6664095, ARM, 202  
6664096, BLADE, 202  
6664097, COVER, 202, 281  
6664103, NUT, 202, 281  
6664178, GASKET, 202  
6664212, CHECK VALVE, 279

6664221, RETAINER, 224  
6664223, OUTLET, 224  
6664224, CAP, 224  
6664368, LIGHT, 224  
6664554, PUMP, 202  
6664555, NOZZLE, 202  
6664566  
BOLT, 281  
SCREW, 202  
6664845, BEARING, 36  
6664846, BEARING, 36  
6664847, RACE, 36  
6664848, SNAP RING, 36  
6664880, SWITCH, 38  
6664882, BUSHING, 18  
6664971, WASHER, 130  
6664972, NUT, 130  
6664990, TIRE & RIM, 295  
6664991, TIRE & RIM, 295  
6665000, CLIP, 134, 138, 244  
6665004, STEM, 68  
6665086, SEAL, 59  
6665222, RING GEAR, 154  
6665307, SEAL, 154  
6665308, SNAP RING, 154  
6665316, SWITCH, 240  
6665317, SWITCH, 193, 293  
6665321, RIVET, 136, 138, 244  
6665322, RIVET, 134, 138, 244  
6665367, BULB, 224  
6665370, PLUG, 254, 256  
6665371, SWITCH, 128  
6665401, SEAT, 19  
6665427, BATTERY, 128  
6665568, SEAL, 202, 207, 210  
6665569, WASHER, 64, 70  
6665570, RING, 64, 70  
6665572, VALVE, 278, 279  
6665602, MOTOR, 281  
6665603, OIL FILTER, 176  
6665656, CLIP, 19  
6665701, BUSHING, 62, 94  
6665702, STEM, 82  
6665707, SWITCH, 202  
6665719, PLUG, 81, 82, 272  
6665725, TIRE, 294  
6665755, SEAL, 36  
6665846, SEAL, 64, 70  
6665910, GASKET, 152, 178

6665915, GUAGE, 84  
6666286, PISTON, 59  
6666338, WASHER, 102, 106, 110, 114  
6666375, CARTRIDGE, 186  
6666376, CARTRIDGE, 186  
6666377, COVER, 186  
6666378, VALVE, 186  
6666387, PLUG, 176  
6666388, SNAP RING, 170  
6666389, CIR CLIP, 172  
6666393, SEAL RING, 166, 172, 176  
6666394, SEAL RING, 166, 172, 176  
6666395, SEAL RING, 166, 176, 178  
6666396, SCREW, 176  
6666397, PLUG, 167  
6666398, NUT, 152, 178  
6666399, PLUG, 172  
6666400, PLUG, 176  
6666401, O-RING, 166, 176  
6666402, BOLT, 172  
6666403, BOLT, 182  
6666404, SNAP RING, 180  
6666406, STUD, 172  
6666407, STUD, 152, 178  
6666408, O-RING, 166, 172  
6666409, O-RING, 166, 182  
6666410, O-RING, 166, 172  
6666412, BOLT, 172  
6666416, HOSE, 182  
6666419, CLAMP, 152, 167  
6666420, O-RING, 166, 182  
6666425, O-RING, 166  
6666426, SEAL RING, 166, 172  
6666433, BOLT, 180  
6666434, BOLT, 176  
6666439, O-RING, 166  
6666442, NUT, 180  
6666443, COLLAR, 170  
6666444, BOLT, 180  
6666446, PULLEY, 180  
6666447, PUSH ROD, 170  
6666448, ARM, 170  
6666449, SCREW, 170  
6666450, NUT, 170, 172  
6666452, BOLT, 154  
6666453, WASHER, 182  
6666456, WASHER, 180  
6666458, BEARING, 180  
6666459, BEARING, 180

6666460, SEAL, 166, 170  
6666463, BUSHING, 180  
6666465, SPRING, 172  
6666466, VALVE, 170  
6666469, WASHER, 172  
6666470, PIN, 180  
6666471, PULLEY, 180  
6666472, GASKET, 166, 167  
6666473, GASKET, 166, 167  
6666474, ARM, 170  
6666475, CLAW, 172  
6666476, STOP, 172  
6666478, GASKET, 166  
6666479, GASKET, 166  
6666480, SCREW, 172  
6666481, INSERT, 170  
6666482, FLANGE, 180  
6666483, SPRING, 172  
6666489, SCREW, 172  
6666490, SEAL, 166, 172  
6666491, COVER, 172, 180  
6666492, SEAL RING, 182  
6666493, TAPPET, 182  
6666495, SPRING, 182  
6666496, PIN, 172  
6666501, CLAMP, 182  
6666504, TAPPET, 170  
6666505, INSERT, 170  
6666508, TUBE, 176  
6666509, RETAINER, 6673155, A, 178  
6666510, VALVE, 176  
6666512, SHIM, 182  
6666513, SHIM, 182  
6666514, SHIM, 182  
6666515, SHIM, 182  
6666516, SHIM, 182  
6666517, SHIM, 182  
6666518, SHIM, 182  
6666519, PIN, 170  
6666522, FUEL PUMP, 32, 182  
6666526, VALVE, 170  
6666527, ADAPTER, 182  
6666530, CAP, 176  
6666531, TUBE, 182  
6666542, SEAL, 269  
6666571, BULB, 193  
6666622, CLUTCH, 146  
6666624, SNAP RING, 146  
6666628, NUT, 146

6666629, WASHER, 146  
6666630, WASHER, 146  
6666631, O-RING, 146  
6666632, O-RING, 146  
6666633, BOLT, 146  
6666634, BOLT, 146  
6666635, BOLT, 146  
6666637, NUT, 146  
6666668, TIRE, 294  
6666684, BOLT, 174  
6666686, PIN, 174  
6666687, NAIL, 174  
6666688, PIN, 174  
6666689, PLUG, 178  
6666690, PLUG, 172, 176, 178  
6666691, BOLT, 174  
6666692, BEARING, 174  
6666694, PIN, 174  
6666695, BOLT, 174  
6666696, BOLT, 150  
6666697, PLUG, 170, 176  
6666698, SET SCREW, 174  
6666699, SEAL RING, 166, 178  
6666700, STUD, 174  
6666701, CLAMP, 172  
6666702, PLUG, 176  
6666703, PLUG, 176  
6666708, BOLT, 185  
6666709, STUD, 176  
6666710, SCREW, 174  
6666711, BOLT, 172  
6666712, O-RING, 150, 166  
6666713, PIN, 174  
6666714, O-RING, 166, 174  
6666715, BOLT, 172  
6666716, PLUG, 176  
6666717, WASHER, 174  
6666718, SLEEVE, 176  
6666719, BOLT, 176  
6666720, WASHER, 172  
6666721, LEVER, 174  
6666722, DOWEL, 176  
6666723, WASHER, 174  
6666725, PULLEY, 172  
6666726, SHAFT, 174  
6666727, SPRING, 174  
6666729, SHAFT, 174  
6666730, SEAL, 166, 174  
6666731, SEAL, 166, 174

6666732, SLEEVE, 174  
6666733, ARM, 174  
6666736, METER, 174  
6666737, BEARING, 176  
6666738, BEARING, 176  
6666740, SHAFT, 174  
6666741, TUBE, 176  
6666744, SLEEVE, 174  
6666745, LEVER, 174  
6666746, NOZZLE, 176  
6666748, COVER, 172, 174  
6666749, BREATHER, 170, 174  
6666750, PIN, 185  
6666751, PLUG, 176  
6666753, WASHER, 166, 174  
6666754, GASKET, 170  
6666755, GASKET, 170  
6666757, COVER, 174  
6666760, SEAL RING, 166, 185  
6666762, ADAPTER, 150  
6666763, FUEL LINE, 182  
6666766, GROMMET, 204  
6666864, CLAMP, 32  
6666932, BRAKE ASSY, 234, 236  
6666933, MASTER CYLINDER, 234, 235  
6667139, CAP, 234  
6667144, CONNECTOR, 132, 134, 138, 244  
6667145, LOCK, 132, 134, 138, 244  
6667170, PUMP, 32  
6667176, PLUG, 74  
6667180, SEAL KIT, 272  
6667185, SEAL KIT, 74  
6667201, SPACER, 202, 281  
6667323, SEAL, 269  
6667326, SEAL, 59  
6667352, ELEMENT, 32  
6667353, FILTER ASSY, 32  
6667549, VALVE, 64, 70  
6667569, CONNECTOR, 228, 230  
6667676, COVER, 74  
6667677, O-RING, 74  
6667679, O-RING, 74  
6667680, SNAP RING, 74  
6667803, COUPLER, 76, 278  
6667804, COUPLER, 76, 278  
6667806, COUPLER, 76  
6667825, STARTER, 146  
6667844, VALVE ASSY, 50, 60  
6667888, TIRE, 294  
6667892, TIRE, 294  
6667896, COOLER, 88  
6667992, SOLENOID, 38  
6668097, SCREW, 235  
6668104, MOUNT, 158  
6668106, TUBE, 176  
6668107, ADAPTER, 178  
6668108, WASHER, 178  
6668109, O-RING, 178  
6668137, MOTOR, 202  
6668693, PLUG, 178  
6668694, SEAL, 166, 178  
6668763, SHIELD, 174  
6668765, VALVE, 68  
6668791, ORIFICE, 66, 68  
6668814, SWITCH, 198  
6668820, NUT, 68  
6668879, DECAL, 192  
6668887, O-RING, 166, 176  
6668888, O-RING, 167  
6668889, PLUG, 178  
6668890, SHIM, 182  
6668891, SPRING, 182  
6668892, BOLT, 182  
6668893, SPACER, 182  
6668894, NUT, 182  
6668895, REPAIR KIT, 178  
6668897, ADAPTER, 176  
6668898, GASKET KIT, 166  
6668899, GASKET KIT, 166  
6668900, ADAPTER, 178  
6668901, ADAPTER, 178  
6668902, SPRING, 178  
6668903, SPRING, 178  
6668904, CAP, 174  
6668905, PIN, 178  
6668906, REPAIR KIT, 182  
6668913, KNOB, 50, 60  
6668935, SEAL RING, 166  
6668936, SET SCREW, 185  
6668938, BOLT, 176  
6668940, CAP, 170  
6668941, SPRING, 176  
6668942, BOLT, 180  
6668943, ROD, 180  
6668944, SPRING, 170  
6668945, THERMOSTAT, 176  
6668948, TUBE, 176  
6668950, SOLENOID, 182

6669057, CHECK VALVE, 68  
6669060, RIM, 294  
6669066, SEAL RING, 158, 178  
6669067, WASHER, 158, 176  
6669085, VALVE, 60  
6669087, SEAL KIT, 60, 119  
6669089, TRACK, 20  
6669091, CLIP, 224, 250  
6669135, SEAT, 20  
6669154, BOLT, 236  
6669155, PLATE, 236  
6669156, SPACER, 236  
6669159, PISTON, 236  
6669162, NUT, 236  
6669163, PLUG, 236  
6669164, ADAPTER, 236  
6669165, SCREW, 236  
6669184, STATOR ASSY, 236  
6669185, SEAL KIT, 236  
6669187, VALVE, 279  
6669188, STEM, 279  
6669189, STEM, 279  
6669190, COIL, 279  
6669203, VALVE, 76, 81  
6669216, SEAL KIT, 279  
6669217, SEAL KIT, 279  
6669218, VALVE, 279  
6669219, VALVE, 279  
6669224, BOLT, 136, 224, 250  
6669244, STEM, 294  
6669267, SEAL, 56, 58  
6669268, SEAL, 56, 58  
6669345, YOKE, 146  
6669346, ARMATURE, 146  
6669347, BEARING, 146  
6669348, BEARING, 146  
6669349, BEARING, 146  
6669350, KIT, 146  
6669354, SHAFT, 146  
6669355, HOUSING, 146  
6669356, SWITCH ASSY, 146  
6669357, KIT, 146  
6669358, KIT, 146  
6669359, BOLT, 146  
6669360, BUSHING, 146  
6669361, HOLDER, 146  
6669362, SPRING, 146  
6669363, FRAME, 146  
6669364, PINION, 146

6669365, BOOT, 146  
6669366, BOLT, 146  
6669367, BOLT, 146  
6669368, O-RING, 146  
6669369, PINION, 146  
6669370, BRUSHES, 146  
6669371, BRUSHES, 146  
6669372, COVER, 146  
6669384, SPEEDY SLEEVE, 164  
6669395, MAIN BEARING, 180  
6669396, MAIN BEARING, 180  
6669397, MAIN BEARING, 180  
6669402, HOUSING, 102, 110  
6669403, HOUSING, 106, 114  
6669405, END CAP, 106, 114  
6669407, SHAFT, 106, 114  
6669408, SHAFT, 102, 110  
6669409, WASHER, 102, 110  
6669410, SHIM KIT, 104, 112  
6669411, BEARING, 102, 106, 110, 114  
6669530, PUMP, 185  
6669531, DIPSTICK, 176, 185  
6669549, SOCKET, 226, 228, 230  
6669615, ORIFICE, 81  
6669616, CHECK VALVE, 272  
6669622, SEAL KIT, 272  
6669643, O-RING, 166, 170, 174  
6669728, CHECK VALVE, 81  
6669729, SHUTTLE VALVE, 81  
6669732, SEAL KIT, 68  
6669733, SEAL KIT, 68  
6669734, SEAL KIT, 68  
6669736, SEAL KIT, 81  
6669737, SEAL KIT, 82  
6670120, HOSE, 42, 46  
6670145, TIRE, 294  
6670160, CUSHION, 20  
6670284, LIGHT ASSY, 265  
6670287

COVER, 22

PLUG, 128

6670298, CLIP, 186  
6670312, SOLENOID, 250  
6670313, BOLT, 167  
6670314, HOSE, 167  
6670315, GASKET, 167  
6670316, MANIFOLD, 167  
6670555, REPAIR KIT, 172  
6670627, BREATHER, 38, 148

6670634, SEAL KIT, 74  
6670682, BEARING, 154  
6670685, RELIEF VALVE, 112, 114  
6670690, BELT, 156  
6670706, CONNECTOR, 138, 244  
6670707, CONNECTOR, 134, 136, 140, 246  
6670709, CONNECTOR, 140, 246  
6670710, LOCK, 134, 138, 244  
6670711, LOCK, 134, 136, 140, 246  
6670714, PIN, 244  
6670715  
    PIN, 138, 140, 246  
    SOCKET, 134  
6670726, LOCK, 280  
6670759, SEAL, 206, 212  
6670762, BUSHING, 24  
6670820, BOLT, 170  
6670866, OIL PAN, 176  
6670867, LATCH, 22  
6670989, GLOW PLUG, 170  
6671025, COIL, 68, 82, 272, 274  
6671026, COIL, 81  
6671138, SEAL, 39  
6671509, COUPLING, 108  
6671512, BLOCK ASSY, 104, 106  
6671513, SWASH PLATE, 102, 106, 110, 114  
6671514, VALVE PLATE, 106  
6671515, VALVE PLATE, 102  
6671516, SEAL KIT, 104, 108, 112, 116  
6671518, BOLT, 102, 112  
6671527, NUT, 74  
6671625, TUBELINE, 152  
6671628, NUT, 81, 82  
6671629, NUT, 81  
6671632, VALVE, 66, 72  
6671845, PLUG, 6671759, B, 96  
6672026, O-RING, 52  
6672128, ENGINE, 166  
6672272, WASHER, 265  
6672273, SCREW, 265  
6672274, SCREW, 265  
6672275, GASKET, 265  
6672276, LENS, 265  
6672277, BRACKET, 265  
6672279, MOUNT, 265  
6672281, CLAMP, 84  
6672345, KEY, 280  
6672346, PANEL, 124, 126  
6672347, PANEL, 124, 126  
6672348, PANEL, 124, 126, 224  
6672448, VALVE ASSY, 82  
6672449, VALVE ASSY, 81  
6672450, VALVE ASSY, 81  
6672456, SOLENOID, 68  
6672486, SEALANT, 164  
6672489, GASKET, 166, 170  
6672492, RETAINER, 192  
6672535, RELIEF VALVE, 104, 106  
6672713, GASKET, 170  
6672714, HEAD, 170  
6672756, SEAL KIT, 119, 274  
6672762, PLUG, 120  
6672766, CHECK VALVE, 90  
6672770, COVER, 170  
6672771, BOLT, 170  
6672825, MOTOR, 96  
6672863, SOLENOID, 74  
6672872, PLUG, 176  
6672873, PLUG, 176  
6672874, PLUG, 176  
6672877, PLUG, 176  
6672878, PLUG, 176  
6672879, LINER, 178  
6672885, GASKET, 152  
6672886, CAP, 172  
6672887, BOLT, 152  
6672889, BEARING, 180  
6672890, INSERT, 180  
6672896, RING SET, 180  
6672898, BOLT, 174  
6672899, PLUG, 174  
6672900, BOLT, 170  
6672902, BOLT, 182  
6672933, SEAL RING, 182  
6672934, STA-STRAP, 184  
6672938, PLUG, 167  
6672939, O-RING, 167  
6672942, SET SCREW, 172  
6672943, WASHER, 174  
6672945, ARM, 174  
6672946, ARM, 174  
6672947, STUD, 167  
6672948, NUT, 167  
6673150, CRANKSHAFT, 180  
6673152, PISTON, 180  
6673153, SHIELD, 174  
6673154, CAMSHAFT, 172  
6673156, INJECTOR, 182

6673157, INJECTOR, 182  
6673158, NOZZLE, 182  
6673159, BOLT, 182  
6673160, CLAMP, 182  
6673162, NUT, 172  
6673163, ROD, 172  
6673164, CAPSULE, 172  
6673165, O-RING, 172  
6673166, WASHER, 172  
6673167, SPRING, 172  
6673168, SPRING, 174  
6673169, FLANGE, 176  
6673170, MANIFOLD, 167  
6673171, BOLT, 167  
6673172, BOLT, 167  
6673173, TURBOCHARGER, 152, 176  
6673184, VALVE, 64, 70  
6673185, DECAL, 119  
6673188, SEAL KIT, 119  
6673642, BOLT, 35  
6673710, BEARING, 94  
6673789, WEAR CAM, 94  
6673826, PURIFIER, 275  
6673877, COUPLER, 102, 110  
6673878, END PLATE, 102, 110  
6673879, SPACER, 104  
6673880, O-RING, 104, 112  
6673881, SEAL, 102, 106, 110, 114  
6673882, SPRING, 104, 112  
6673883, GEROTOR, 104  
6673884, O-RING, 102, 110  
6673885, PIN, 102, 110  
6673886, BOLT, 102, 110  
6673904, SEAL KIT, 66  
6673910, PUMP, 102, 106  
6673911, PUMP, 117  
6673912, PUMP, 102, 106  
6673913, PUMP, 80  
6673939, HOSE, 86  
6673940, HOSE, 84  
6673962, HOSE, 152  
6673963, CLAMP, 152  
6673964, HOSE, 152  
6673966, TEE, 152  
6673967, KIT, 170  
6673990, PISTON, 6664028, A, 81  
6674000, CLAMP, 132  
6674008, TIRE & RIM, 295  
6674009, TIRE & RIM, 295

6674012, KIT, 295  
6674013, TRACK, 20  
6674029, O-RING, 96  
6674037, SPRING, 96, 98  
6674184, DISTRIBUTOR, 96  
6674192, BRAKE DISC, 98  
6674193, BRAKE DISC, 98  
6674202, NUT, 124, 126  
6674204, OIL, 298  
6674205, OIL, 298  
6674206, OIL, 298  
6674209, SENSOR, 32, 128  
6674219, BLOCK, 96  
6674228, PANEL, 250  
6674229, FILTER, 250  
6674231, VENT, 250  
6674232, HOSE, 260  
6674234, CONDENSER, 260  
6674235, DRIER, 260  
6674297, SPOOL, 70  
6674298, SPOOL, 70  
6674299, SPOOL, 70  
6674300, SPOOL, 70  
6674301, SPOOL, 70  
6674302, SPOOL, 70  
6674315, SENSOR, 128  
6674316, SENSOR, 88, 128  
6674317, CROSSMEMBER, 124  
6674331, COIL, 74  
6674335, HOUSING ASSY, 96  
6674337, SPOOL, 96  
6674338, WASHER, 96  
6674339, SPRING, 96  
6674340, PIN, 96  
6674341, HOUSING, 96  
6674343, SHIM, 96, 98  
6674344, SPRING, 96, 98  
6674345, PLUG, 96, 98  
6674370, SEAL KIT, 80  
6674371, SEAL KIT, 117  
6674376, RELAY, 130  
6674390, ROTARY GROUP, 96  
6674400, HOUSING, 266  
6674401, HOUSING, 266  
6674402, MOUNT, 266  
6674403, COVER, 16, 124, 126  
6674405, BUSHING, 18  
6674406, SENSOR, 18  
6674407, SHOULDER BELT, 286



6674408, SEAT BELT, 286  
6674445, SPACER, 272, 274  
6674450, HANDLE ASSY, 132  
6674519, WINDOW ASSY, 216  
6674520, WINDOW, 216  
6674521, WINDOW ASSY, 216  
6674522, WINDOW, 216  
6674548, PLUG, 272  
6674585, SWITCH, 268  
6674666, LATCH, 202, 206, 210  
6674667, HANDLE, 202, 206, 212  
6674692, PUMP, 110, 114  
6674693, PUMP, 110, 114  
6674738, MOTOR, 98  
6674741, KNOB, 210, 216, 224, 250  
6674786, SOLENOID, 66  
6674799, ADAPTER, 226  
6674802, CONNECTOR, 226, 228, 230, 289  
6674804, CONTROLLER, 134  
6674808, SPOOL, 64  
6674809, SPOOL, 64  
6674810, SPOOL, 64  
6674814, SPOOL, 64  
6674815, SPOOL, 64  
6674816, SPOOL, 64  
6674837, AIR CLEANER, 186  
6674838

ACTUATOR, 140

ACTUATOR ASSY, 136

6674841, SPRING, 98  
6674894, NUT, 18  
6674895, RETAINER, 224  
6674933, HEATER, 250  
6674938, GAS SPRING, 202, 206, 210  
6674943, CONTROLLER, 228  
6674993, CAP, 204  
6675020, BOLT, 6717806, B, 96  
6675021, BOLT, 98

6674030, B, 96

6675026, CAP, 226, 228, 230, 289  
6675033, INSERT, 16, 124, 126  
6675075, HOSE, 260  
6675076, HOSE, 260  
6675091, CAM, 6674034, B, 96  
6675099, HORN, 261  
6675135, GAS SPRING, 14  
6675137, GAS SPRING, 14  
6675139, GAS SPRING, 14, 242  
6675140, SNAP RING, 14

6675154, HOLDER, 130  
6675155, FUSE, 130  
6675170, SEAT BELT, 283  
6675171, CLAMP, 124, 126  
6675172, BRACKET, 250  
6675173, ACTUATOR, 250  
6675174, BODY, 250  
6675175, BRACKET, 250  
6675176, SWITCH, 250  
6675177, KNOB, 250  
6675179, FLANGE, 250  
6675180, VENT, 250  
6675181, PLUG, 250  
6675189, PIN, 98  
6675212, RETAINER, 216  
6675215, WINDOW, 207  
6675227, SEAL, 6674038, B, 96  
6675228, SEAL, 6674336, B, 96  
6675250, HANDLE ASSY, 134  
6675258, CLEVIS, 14  
6675265, CHECK VALVE, 119  
6675270, HOSE, 260  
6675273, WASHER, 6675263, B, 22  
6675278, FILTER, 128  
6675281, MOUNT, 228, 230  
6675292, ALTERNATOR, 144  
6675298, COUPLER, 204  
6675299, COUPLER, 204  
6675308, KIT, 285  
6675309, KIT, 285  
6675310, KIT, 285  
6675311, KIT, 285  
6675312, KIT, 285  
6675313, KIT, 285  
6675314, KIT, 285  
6675315, KIT, 285  
6675316, KIT, 285  
6675317, SCISSORS, 283  
6675318, KIT, 285  
6675319, SEAT, 283  
6675320, SEAT, 283  
6675321, SEAT, 283  
6675322, SEAT, 283  
6675323, KNOB, 283  
6675324, MUFFLER, 152  
6675328, CHAIN, 35  
6675333, LINK, 35  
6675334, VALVE, 92  
6675336, BULB, 266

6675337, BULB, 124, 126  
6675341, BLOCK ASSY, 112, 114  
6675342, PIN, 110, 114  
6675358, KNOB, 6647668, B, 26  
6675378, CLIP, 204  
6675380, ADHESIVE, 298  
6675387, SEAL, 212, 216, 224  
6675389, SWITCH, 228  
6675390, ALARM, 124, 126  
6675460, HOSE, 182  
6675461, FUEL LINE, 182  
6675468, HANDLE ASSY, 132  
6675469  
    HANDLE, 138, 244  
    HANDLE ASSY, 134  
6675470, SWITCH, 124, 126  
6675495, CONTROLLER, 228  
6675497, BLOWER ASSY, 254, 256, 258  
6675498, COIL, 254, 256  
6675499, HOUSING, 254, 256  
6675500, COVER, 254, 256  
6675501, PLATE, 254, 256  
6675502, PLATE, 254  
6675503, HOUSING, 254, 256  
6675504, RING, 254, 256  
6675505, BLOWER WHEEL, 254, 256  
6675506, MOUNT, 254, 256  
6675507, COVER, 254, 256  
6675508, HARNESS, 254, 256  
6675509, MOTOR, 254, 256  
6675510, CLAMP, 254, 256, 258  
6675511, DRAIN VALVE, 254, 256, 258  
6675512, CLAMP, 254, 256, 258  
6675513, GROMMET, 254, 256, 258  
6675514, SEAL, 254, 256  
6675522, STROBE, 293  
6675523, BEACON, 193  
6675524, CLIP, 16  
6675533, COIL, 256, 258, 260  
6675534, BLOCK VALVE, 256, 258, 260  
6675536  
    BRACKET, 256  
    MOUNT, 260  
6675537  
    COVER, 260  
    PLATE, 256  
6675538, O-RING, 256, 258, 260  
6675539, HOSE, 256  
6675544, CANVAS CAB, 213  
6675545, GROMMET, 216, 224

6675546, SEAL, 216, 224  
6675558, SEAL, 206  
    6669390, A, 202, 210  
6675562, SEAT BELT, 287  
6675581, EXTINGUISHER, 238  
6675590, DOOR, 213  
6675591, HINGE KIT, 213  
6675595, SEAT, 283  
6675596, SEAT, 283  
6675607, INSULATION, 254  
6675608, INSULATION, 254  
6675609, INSULATION, 254  
6675610, INSULATION, 254  
6675611, INSULATION, 254  
6675612, INSULATION, 254  
6675613, INSULATION, 254  
6675614, INSULATION, 254  
6675660, GEAR PUMP, 118  
6675661, GEAR PUMP, 118  
6675663, NUT, 119  
6675667, COMPRESSOR, 260  
6675669, VALVE, 74, 198  
6675684, VALVE, 250  
6675685, HOSE, 260  
6675694, ADHESIVE, 216  
6675695, HEATER ASSY, 196  
6675708, ELEMENT, 196  
6675734, TIE, 44, 48, 130  
6675741, SENSOR, 138, 244  
6675742, LEVER, 138, 244  
6675749, HANDLE, 138, 244  
6675750, LEVER, 138, 244  
6675779, PRESSURE SWITCH, 260  
6675790, THERMOSTAT, 258, 260  
    6675535, A, 256  
6675824, O-RING, 260  
6675825, O-RING, 260  
6675828, CLUTCH, 260  
6675833, SEAL, 216  
6675839, BELT, 158  
6675846, POTENTIOMETER, 6675178, A, 250  
6675858, FLASH TUBES, 293  
6675860, ROTARY GROUP, 98  
6675861, REAR HOUSING, 98  
6675862, BRAKE, 100  
6675863, QUAD RING, 98  
6675864, QUAD RING, 98  
6675865, SNAP RING, 98  
6675866, SPOOL, 98

6675867, WASHER, 98  
6675868, POPPET, 98  
6674342, B, 96  
6675869, O-RING, 98  
6671784, B, 96  
6675870, SEAL KIT, 100  
6675874, CAM, 98  
6675875, HOUSING, 98  
6675876, DISTRIBUTOR, 98  
6675877, SEAL, 98  
6675878, SEAL, 98  
6675879, SEAL, 98  
6675880, SEAL, 98  
6675881, SEAL, 98  
6675882, SPOOL, 98  
6675885, SNAP RING, 98  
6675886, QUAD RING, 98  
6675887, HOUSING, 98  
6675888, SHAFT, 98  
6675889, PISTON, 98  
6675890, COVER, 100  
6675892, GASKET, 100  
6675893, O-RING, 100  
6675894, SEAL, 98  
6675895, BOLT, 100  
6675896, BOLT, 98  
6675897, WASHER, 100  
6675898, BUSHING, 98  
6675973, ROLLER, 6666358, B, 96  
6675982, PLUG, 124, 126  
6675999, SWITCH, 281  
6676000, TEE, 281  
6676001, ARM, 281  
6676002, BLADE, 281  
6676003, HOSE, 281  
6708310, A, 202  
6676021, SEAL KIT, 6674201, B, 96  
6676022, SEAL, 6674040, B, 96  
6676023, O-RING, 6671749, B, 96  
6676024, PLUG, 6671783, B, 96  
6676028, NOZZLE, 281  
6676034, KIT, 285  
6676062, VALVE, 260  
6676063, KIT, 260  
6676064, VALVE, 272  
6676065, SEAL KIT, 272  
6676066, BALL, 272, 274  
6676067, SPRING, 272, 274  
6676068, VALVE, 272

6676069, SEAL KIT, 272  
6676070, ORIFICE, 272, 274  
6676071, O-RING, 272  
6676073, RELIEF VALVE, 272  
6676074, SEAL KIT, 272  
6676144, GEROTOR, 112  
6676145, SPACER, 112  
6676146, COUPLING, 114  
6676147, VALVE PLATE, 110  
6676148, VALVE PLATE, 114  
6676152, PLUG, 6653490, A, 279  
6676153, CONTROLLER, 140  
6676155, RELIEF VALVE, 82  
6676172, WASHER, 130  
6676198, VALVE, 6665626, A, 64, 70  
6676205, SEAL KIT, 119  
6676239, CARTRIDGE, 119  
6676240, CARTRIDGE, 119  
6676241, CARTRIDGE, 119  
6676242, COIL, 119  
6676243, COIL, 119  
6676244, COIL, 120  
6676245, PLUG, 120  
6676246, NUT, 119  
6676247, NUT, 120  
6676249, STEM, 6666616, B, 66, 72  
6676338, GAS SPRING, 285  
6676347, ORIFICE, 274  
6669615, A, 272  
6676399, VALVE CORE, 260  
6676417, VALVE, 6675334, A, 119  
6676445, COUPLER, 52  
6676447, COUPLER, 54  
6676498, NOZZLE, 204  
6676499, GROMMET, 204  
6676500, ELBOW, 204  
6676501, CLIP, 204  
6676514, CONTROLLER, 230  
6676515, CONTROLLER, 230  
6676516, NUT, 252  
6676536, SWITCH, 126  
6676538, INSULATION, 260  
6676539, CLIP, 258, 260  
6676540, O-RING, 248  
6676542, CAP, 74  
6676543, PLUG, 74  
6676544, SPRING, 74  
6676545, CARTRIDGE, 74  
6676547, VALVE, 274

6676553, CONTROLLER, 6672349, A, 128  
6676561, HVAC ASSEMBLY, 258  
6676562, HEATER, 254  
6676567, HEAD, 170  
6676568, GASKET, 170  
6676571, GASKET, 170  
6676572, GASKET, 170  
6676603, HEATER COIL, 258  
6676604, COVER, 258  
6676643, SPRING, 98  
6676644, SPRING, 98  
6676645, SPRING, 98  
6676646, SPRING, 98  
6676647, WASHER, 100  
6676648, WASHER, 100  
6676649, WASHER, 100  
6676650, WASHER, 100  
6676651, WASHER, 100  
6676652, WASHER, 100  
6676709, WASHER, 98  
6676710, WASHER, 98  
6676711, WASHER, 98  
6676712, WASHER, 98  
6676723, CROSSMEMBER, 126  
6676917, ELBOW, 204  
6676918, HOSE, 204  
6676927, FELT STRIP, 216  
6676984, BRACKET, 258  
6677105, COVER, 258  
6677108, HOUSING, 258  
6677109, COVER, 258  
6677111, SEAL, 258  
6677113, TIE, 258  
6677114, SEAL, 258  
6677115, RECEPTACLE, 258  
6677116, RETAINER, 258  
6677117, SCREW, 258  
6677118, SCREW, 258  
6677119, SCREW, 258  
6677121, CAP, 260  
6677122, CAP, 260  
6677136, SOCKET, 226, 228, 230  
6677147, RELIEF VALVE, 274  
6677148, SEAL KIT, 274  
6677149, CHECK VALVE, 274  
6677150, SEAL KIT, 274  
6677151, VALVE, 274  
6677152, SEAL KIT, 274  
6677153, STEM, 274  
6677155, VALVE, 274  
6677156, SEAL KIT, 274  
6677157, O-RING, 274  
6677158, PLUG, 274  
6677159, PLUG, 274  
6677177, PLUG, 120  
6677201, SOLENOID, 6665084, B, 66, 72  
6678229, SEAL, 39  
6700115, SPRING, 154  
6700170, WASHER, 38, 162  
6700182, COVER, 12  
6700330, COVER, 38  
6700599, ADAPTER, 6715714, B, 88  
6700631, GASKET, 84  
6700768, U-BOLT, 94  
6700782, CAP, 164  
6701097, WASHER, 12  
6803867, A, 148  
6701159, SHIM, 154, 164  
6701160, CLIP, 154  
6701174, WASHER, 14  
6701187, BELLCRANK, 162  
6701449, FILLER TUBE, 32  
6701535, SPRING, 18, 94  
6701892, CLAMP, 44  
6701893, CLAMP, 44, 48, 198  
6701950, SPRING PLATE, 30  
6701951, MOUNT, 30  
6702102, GEAR, 164  
6702103, GEAR, 164  
6702135, SHAFT, 164  
6702140, WASHER, 164  
6702144, SHIM, 164  
6702165, SHIM, 164  
6702166, SHIM, 164  
6702402, SHIELD, 241  
6702444, FUSE, 130, 136  
6702452, PIN, 24  
6702474, RETAINER, 154  
6702543, LEVER, 94  
6702621, GRIP, 132  
6702716, BLOCK, 94  
6702826, DECAL, 222  
6702827, DECAL, 222  
6702903, LEVER, 28  
6702904, LEVER, 28  
6702935, PIN, 26  
6702958, BUSHING, 28  
6702971, BOLT, 14

6702990, BUSHING, 134, 138, 244  
6703097, GASKET, 38  
6703349, GRIP, 134  
6703483, PULLEY, 148  
6703616, BUSHING, 24  
6703640, KIT, 288  
6703641, DECAL, 288  
6703666, BOB-TACH, 28  
6703703, GUIDE, 288  
6703727, DECAL, 261  
6703967, INSULATION, 232, 292  
6703968, INSULATION, 232, 292  
6704169, TIRE & RIM, 296  
6704170, TIRE & RIM, 296  
6704240, PIVOT ASSY, 28  
6704242, WEDGE, 28  
6704248, PIVOT, 28  
6704443, BUSHING, 154  
6704444, WASHER, 154  
6704453, SPRING, 162  
6704820, O-RING, 154  
6704823, BRACKET, 152  
6704879, GASKET, 35  
6704892, RIVET, 228, 230  
6704907, SPACER, 148  
6705106, WASHER, 158  
6705333, MOUNT, 232, 292  
6705452, LEVER, 162  
6705471, MOUNT, 76  
6705733, TUBE, 84  
6705749, SHIELD, 84  
6705920, HANDLE, 132  
6705921, HANDLE ASSY, 261  
6706096, MOUNT, 94  
6706098, GUIDE, 94  
6706105, YOKE, 62  
6706106, MOUNT, 94  
6706287, PIN, 26  
6706292, PIN, 26  
6706330, PANEL, 30  
6706331, PANEL, 30  
6706354, INLET, 84  
6706365, ADAPTER, 88  
6706445, HOSE, 84  
6706485, HOOK, 12  
6706517, SCREW, 32, 84, 148  
6706565, KIT, 132  
6706572, SET SCREW, 162  
6706606, BUSHING, 24  
6706633, CONNECTOR, 278  
6706683, COVER, 38  
6706712, BUSHING, 12  
6706718, MOUNT, 38  
6706730, COVER, 12  
6706737, GASKET, 38  
6706805, SHAFT, 36, 38  
6706817, SPACER, 36  
6706857, BLOCK, 12  
6707077, HOUSING ASSY, 164  
6707101, SEAL, 50, 60  
6707173, KIT, 295  
6707313, PEDAL MOUNT, 38  
6707314, PEDAL, 38  
6707315, ANGLE, 38  
6707337, SWITCH, 38  
6707344, LEVER, 30  
6707515, PLATE, 12  
6707518, SHAFT, 164  
6707519, HOUSING ASSY, 148, 164  
6707582, BRACKET, 152  
6707607, IDLER, 154  
6707642, FLYWHEEL ASSY, 154  
6707648, BELT, 92, 148, 292  
6707654, SPINDLE, 154  
6707674, PLUG, 30  
6707697, WASHER, 154  
6707698, WASHER, 154  
6707699, PIVOT, 154  
6707714, STOP, 156  
6707726, MOUNT, 192, 261  
6707757, MOUNT, 158  
6707852, DECAL, 202, 210  
6707867, DECAL, 222  
6707903, LEVER, 162  
6707904, ROD, 162  
6708009, LINK, 62  
6708016, GASKET, 38  
6708018, SPRING, 38  
6708043, FLANGE, 94  
6708070, GASKET, 38  
6708189, TUBE, 14  
6708267, BOLT, 38  
6708271, SOLENOID, 74  
6708314, BUSHING, 162  
6708402, BUSHING, 28  
6708403, BUSHING, 28  
6708404, BUSHING, 28  
6708405, BUSHING, 28

6708445, PULLEY, 156  
6708517, BUSHING, 26  
6708527, TANK, 32  
6708560, HOSE, 84  
6708580, ADAPTER, 128  
6708642, HOUSING ASSY, 164  
6708645, STOP, 26  
6708820, DECAL, 222  
6708922, HOSE, 42, 46  
6708923, HOSE, 42, 46  
6708937, DECAL, 222  
6708941, DECAL, 222  
6708987, HINGE, 12  
6709022, LEVER, 162  
6709052, MOUNT, 162  
6709168, ELBOW, 158, 176  
6709170, STUD, 39  
6709229, BOLT, 234  
6709234, DISC, 234  
6709236, MOUNT, 234  
6709239, PEDAL, 234  
6709361, CLAMP, 234  
6709400, TUBE, 234  
6709448, BRACE, 148  
6709452, DECAL, 220  
6709508, ELEMENT, 194  
6709509  
    CORD, 196  
    CORD SET, 194  
6709510, ADAPTER, 194, 195  
6709511, WASHER, 194, 195  
6709513, GASKET, 194, 195  
6709514, HEATER ASSY, 194  
6709527, KEY, 124, 126, 202, 206, 212, 280  
6709757, AXLE, 39  
6709822, TUBE, 178  
6709829, INSULATION, 232, 292  
6709840, NUT, 194, 195  
6709857, BUSHING, 12  
6709900, SPACER, 12  
6709921, SHIELD, 154  
6709959, CABLE, 162  
6710192, KIT, 194  
6710234, PIN, 26  
6710358, DECAL, 220  
6710415, HOSE, 234  
6710420, TUBE, 234  
6710421, TUBE, 234  
6710488, MOUNT, 32

6710491, SHIELD, 42, 46  
6710531, HOSE, 152  
6710629, TUBELINE, 42, 46  
6710642, HOSE, 42, 46  
6710652, SHIELD, 158  
6710659, BUSHING, 18  
6710791, COOLER, 150  
6711158, SHIELD, 199  
6711328, DECAL, 220  
6711334, PIN, 26  
6711520, GRILL, 148  
6711524, REAR DOOR, 22  
6711526, HINGE, 22  
6711527, LATCH PLATE, 22  
6711644, LEVER, 94  
6711664, GUIDE, 22  
6711718, ELEMENT, 195  
6711720, CORD SET, 195  
6711721, HEATER ASSY, 195  
6711811, HOSE, 42, 46  
6711840, DECAL, 220  
6711873, KIT, 195  
6711908, SPRING PLATE, 16  
6712143, HOSE, 150  
6712144, HOSE, 150  
6712365, STEP, 134, 140  
6712397, CONTROL, 134  
6712398, CONTROL, 134  
6712415, DEBRIS EJECTOR, 218  
6712536, PAN, 128  
6712791, SAFETY TREAD, 220  
6712912, DECAL, 217  
6712970, PULLEY, 148  
6712971, PULLEY, 92, 148, 292  
6712988, KIT, 218  
6713040, SPRING, 28  
6713043, SPACER, 134, 138, 244  
6713111, LINK, 94  
6713152, KIT, 199  
6713287, PULLEY, 92  
6713342, PULLEY, 154  
6713349, GRIP, 138, 244  
6713385, BELT, 148  
6713589, CLEVIS, 18  
6713653, GASKET, 152  
6713670, CABLE, 128  
6713787, BRACKET, 152  
6713792, MOUNT, 192  
6713793, BRACKET, 192

6713816, BRACKET, 148  
6713843, BRACKET, 158  
6713887, BOLT, 18  
6713893, MOUNT, 158  
6713898, COVER, 134, 138, 244  
6713901, BELT, 158  
6713920, SHIM, 162  
6713937, CLAMP, 52  
6713977, HOSE, 84  
6714025, LINK, 94  
6714037, LATCH, 280  
6714126, DOOR STOP, 22  
6714210, SPRING, 22  
6714242, DECAL, 222  
6714278, GUIDE, 38  
6714362, WEIGHT, 217  
6714500, TUBE, 158  
6714509, COVER, 22  
6714534, DECAL, 222  
6714538, DECAL, 220, 222  
6714576, PIVOT, 268  
6714726, PLUG, 134, 140  
6714774, TUBELINE, 44, 48  
6714775, TUBELINE, 44, 48  
6714806, HOSE, 232  
6714808, HOSE, 278  
6714823, MOUNT, 50  
6714875, HOSE, 278  
6714973, KIT, 280  
6714977, HOSE, 232, 292  
6714979, BRACKET, 128  
6715072, TUBELINE, 44  
6715075, TUBELINE, 42  
6715076, TUBELINE, 48, 198  
6715077, TUBELINE, 48, 198  
6715078, TUBELINE, 48, 198  
6715079, BRACKET, 84  
6715096, INSULATION, 232  
6715106, INSULATION, 232, 292  
6715131, BRACE, 128  
6715132, RETAINER, 128  
6715142, FAN, 148  
6715143, SET SCREW, 148  
6715157, STRIKER ASSY, 22  
6715163, BUSHING, 94  
6715164, SLEEVE, 94  
6715174, TUBELINE, 44  
6715183, ELBOW, 32  
6715186, ADAPTER, 278

6715187, TEE, 42, 46  
6715188, ELBOW, 90  
6715197, CLAMP, 128  
6715281, TUBELINE, 48, 198  
6715287, SPACER, 158  
6715294, TEE, 42, 46  
6715318, TOOL HOLDER, 22  
6715365, HARNESS, 132, 224  
6715380, MOUNT, 154, 158  
6715427, SPACER, 36  
6715428, DECAL, 220, 292  
6715443, INSULATION, 232, 292  
6715456, INSULATION, 232, 292  
6715457, INSULATION, 232, 292  
6715630, BRAKE, 38  
6715659, HARNESS, 192  
6715718, ELBOW, 86, 88  
6715744  
    BUSHING, 232  
    SPACER, 292  
6715860, SEAT BAR, 18  
6715863, BRACKET, 18  
6715864, BUSHING, 18  
6715865, BUSHING, 18  
6715866, BUSHING, 18  
6715878, CONNECTOR, 84  
6715957, COVER, 134  
6715991, DECAL, 222  
6716061, TEE, 42, 46  
6716089, ADAPTER, 76  
6716090, ADAPTER, 52  
6716116, MOUNT, 94  
6716124, HOSE, 50  
6716125, HOSE, 88  
6716154, HOSE, 88  
6716175, HOSE, 86, 88  
6716176, HOSE, 88  
6716225, SPACER, 160  
6716226, BRACKET, 158  
6716282, KIT, 198  
6716337, HOSE, 6716123, A, 50  
6716391, HOSE, 90, 92  
6716408, SPACER, 160  
6716419, HARNESS, 265  
6716443, ELBOW, 278  
6716449, FOAM, 84  
6716468, TEE, 84, 86, 88  
6716532, BUSHING, 12  
6716533, BUSHING, 12

6716537, LINK ASSY, 24  
6716539, BUSHING, 24  
6716545, ROD, 94  
6716572, LOUVER, 148  
6716574, LOUVER, 148  
6716621, COVER, 128  
6716792, SHIM, 24  
6716808, BRACKET, 52  
6716826, BOLT, 134, 138, 244  
6716901, MOUNT, 234  
6716916, WASHER, 94  
6716977, BELLCRANK, 94  
6717109, HOSE, 44, 48  
6717137, TUBELINE, 150  
6717146, SPACER, 202, 206, 210  
6717163, HANDLE, 134, 138, 244  
6717173, ADAPTER, 90  
6717186, CROSS, 88  
6717214, HOSE, 84  
6717215, HOSE, 88  
6717227, HOSE, 88  
6717232, DECAL, 217  
6717242, HOUSING, 36  
6717247, HARNESS, 128  
6717296, MOUNT ASSY, 35, 36  
6717306, ADAPTER, 86  
6717332, HOSE, 84  
6717343, DECAL, 220  
6717351, SHIELD, 152  
6717352, TUBE, 152  
6717360, WINDOW, 202, 210  
6717369, BRACKET, 202, 206, 210  
6717375, MOUNT, 260  
6717378, BOLT, 50  
6717393, LEVER, 134  
6717401, PLUG, 32  
6717402, BUSHING, 32  
6717451, HOSE, 32  
6717478, INLET, 148  
6717495, HOSE, 152  
6717498, HOSE, 152  
6717503, TEE, 92  
6717515, INSULATION, 224  
6717516, INSULATION, 16  
6717517, INSULATION, 224  
6717518, INSULATION, 224  
6717519, INSULATION, 224  
6717520, INSULATION, 224  
6717579, GASKET, 32, 128

6717590, DOOR, 210  
6717593, HINGE, 202, 206, 210  
6717636, HOUSING, 148  
6717643, DUCT, 250  
6717644, DUCT, 250  
6717662, TEE, 88  
6717706, COIL, 66, 72  
6717738, SHIELD, 148  
6717771, BUSHING, 26  
6717788, BUSHING, 26  
6717806, BOLT, 35  
6717826, BUSHING, 12  
6717831, BUSHING, 12  
6717858, MOUNT, 160  
6717870, FRAME, 216  
6717872, FRAME, 216  
6717873, FRAME, 216  
6717874, WINDOW, 216, 224  
6717885, ELBOW, 76  
6717907, DECAL, 220  
6717933, CLAMP, 44, 48, 76  
6718034, FUSE, 130, 136  
6718056, TUBELINE, 52  
6718057, TUBELINE, 52  
6718101, COVER, 16  
6718175, SCREEN, 250  
6718187, PANEL, 30  
6718188, PANEL, 30  
6718201, LEVER ASSY, 136  
6718202, LEVER ASSY, 136  
6718271, DECAL, 220  
6718272, DECAL, 222  
6718283, RETAINING NUT, 62  
6718285, LEVER, 62  
6718292, BAR, 62  
6718293, BAR, 62  
6718295, HARNESS, 202  
6718304, KIT, 295  
6718310, PULLEY, 260  
6718326, MOUNT, 240  
6718329, BUSHING, 24  
6718352, TUBELINE, 42, 46  
6718358, HOSE, 268  
6718376, HINGE, 202, 206, 212  
6718384, TUBELINE, 76  
6718385, TUBELINE, 76  
6718386, TUBELINE, 76  
6718398, DECAL, 222  
6718411, KIT, 240



6718416, SENDER, 128  
6718417, SENDER, 128  
6718426, HARNESS, 226  
6718436, TUBELINE, 76  
6718447, STUD, 26  
6718475, TUBELINE, 44, 46  
6718476, TUBELINE, 42, 46  
6718477, TUBELINE, 42, 46  
6718478, TUBELINE, 268  
6718479, TUBELINE, 268  
6718506, PIN, 136, 140  
6718511, BRACKET, 78  
6718512, GUIDE, 12  
6718520, COVER, 204, 206, 210  
6718521, HANDLE, 202, 206, 212  
6718552, TUBELINE, 76  
6718553, TUBELINE, 76  
6718554, TUBELINE, 76  
6718555, TUBELINE, 76  
6718579, DECAL, 250  
6718580, PANEL, 224  
6718645, HARNESS, 76, 278  
6718652, HARNESS, 268  
6718659, HOUSING, 130  
6718660, ELBOW, 88  
6718687, TUBELINE, 52  
6718688, TUBELINE, 52  
6718693, TUBELINE, 48  
6718694, TUBELINE, 48  
6718698, DECAL, 220  
6718699, DECAL, 134, 140  
6718701, DECAL, 220  
6718702, DECAL, 134  
6718703, DECAL, 220  
6718704, DECAL, 134, 140  
6718706, DECAL, 134, 140  
6718750, MOUNT, 226  
6718754, CLAMP, 6502203, A, 52  
6718757, HOUSING, 148  
6718774, DECAL, 128  
6718784, COVER, 14  
6718796, PLUG, 128  
6660646, A, 12  
6718803, KIT, 250  
6718804, KIT, 224, 249, 251  
6718807, KIT, SALES, D, 202  
6718810, KIT, 248  
6718812, KIT, 226  
6718817, HOSE, 42, 46

6718818, HOSE, 42, 46  
6718820, HARNESS, 192  
6718822, BACKUP ALARM KIT, 192  
6718833, BRACKET, 241  
6718834, BRACKET, 241  
6718837, SPACER, 250  
6718852  
HOSE, 78  
TUBELINE, 278  
6718853  
HOSE, 76  
TUBELINE, 278  
6718854, HOSE, 44, 48  
6718855, HOSE, 52  
6718856, HOSE, 76  
6718857, HOSE, 76  
6718870, HARNESS, 124  
6718872, HARNESS, 193, 240, 293  
6718873, HARNESS, 240  
6718882, TEE, 86, 90  
6718885, HOSE, 86, 90  
6718887, PANEL, 250  
6718924, KIT, 241  
6718948, SNUBBER, 128  
6563922, B, 90  
6719006AR, KIT, 199  
6719006BR, KIT, 199  
6719037, STRIKER, 216  
6719038, PLUG, 124, 224  
6719043, HORN KIT, 261  
6719056, BLOCK, 38  
6719057, BLOCK, 38  
6719058, INSULATION, 232, 292  
6719063, STOP, 216  
6719064, MOUNT, 14  
6719065, COVER TAB, 216  
6719082, HARNESS, 128  
6719084, BOLT, 124, 126  
6719112, HARNESS, 128  
6718912, B, 132  
6719113, HARNESS, 136  
6719132, PANEL, 30  
6719133, TEE, 76  
6719141, CABLE, 128  
6719151, HARNESS, 261  
6719158, CHAINCASE, 35  
6719168, COVER, 6719201, A, 12  
6719176, SWITCH, 260  
6719208, TUBELINE, 150

6719209, TUBELINE, 150  
6719278, LEVER, 30  
6719298, TEE, 76, 278  
6719317, WINDOW, 281  
6719319, HOSE, 88  
6719332, INSULATION, 232, 292  
6719333, INSULATION, 232, 292  
6719360, INSULATION, 14  
6719378, TEE, 92  
6719395, CONNECTOR, 248  
6719406, INSULATION, 16  
6719413, WINDOW, 210  
6719422, HARNESS, 128  
6719429, SHIELD, 148  
6719431, KIT, 76  
6719434, HARNESS, 228  
6719441, DECAL, 228  
6719442, MOUNT, 228  
6719446, MOUNT, 88  
6719448, MAGNET, 228, 230  
6719449, INSULATION, 232, 292  
6719451, HOSE, 268  
6719459, MOUNT, 260  
6719478, INSULATION, 232, 292  
6719479, INSULATION, 232, 292  
6719486, INSULATION, 232, 292  
6719487, INSULATION, 232, 292  
6719488, INSULATION, 232, 292  
6719489, INSULATION, 232, 292  
6719503, CONTAINER, 16  
6719514, HOSE, 6719534, A, 248  
6719515, HOSE, 6719535, A, 248  
6719524, STRIKER, 22  
6719525, BAR, 22  
6719537, TUBELINE, 42, 46  
6719538, TUBELINE, 42, 46  
6719539, TUBELINE, 42, 46  
6719540, TUBELINE, 42, 46  
6719550, TUBE, 22  
6719560, TUBELINE, 150  
6719563, KIT, 220, 246  
6719602, HOSE, 268  
6719603, HOSE, 268  
6719605, HOSE, 268  
6719630, HARNESS, 260  
6719711, CHANNEL, 138, 244  
6719712, CHANNEL, 138, 244  
6719766, STOP, 22  
6719789, TUBELINE, 278

6719790, TUBELINE, 278  
6719791, TUBELINE, 278  
6719792, TUBELINE, 278  
6719793, TUBELINE, 278  
6719794, TUBELINE, 278  
6719834, SPACER, 138, 244  
6719835, SLEEVE, 138, 244  
6719842, KIT, 268  
6719854, KIT, 193  
6719857, KIT, 293  
6719888, DECAL, 268  
6719914, HOSE, 6719533, A, 248  
6719936, BRACKET, 6714840, A, 50  
6720592, INSTRUCTIONS, 241  
6722151, TIRE & RIM, 296  
6722152, TIRE & RIM, 296  
6722344, BLACK GOLD, 298  
6722759, INSTRUCTIONS, 132  
6722781, PAINT, 298  
6722782, PAINT, 298  
6722783, PAINT, 298  
6722784, PAINT, 298  
6722785, PAINT, 298  
6722786, PAINT, 298  
6722787, PAINT, 298  
6722788, PAINT, 298  
6722789, PAINT, 298  
6724094, ANTI-FREEZE, 298  
6724354, ANTI-FREEZE, 298  
6724380, INSTRUCTIONS, 234  
6724397  
INSTRUCTIONS, 196  
INSTUCTIONS, 194  
6724488, INSTRUCTIONS, 262  
6724515, INSTUCTIONS, 195  
6724557, OIL, 298  
6724558, OIL, 298  
6724559, OIL, 298  
6724593, INSTRUCTIONS, 218  
6724649, INSTRUCTIONS, 199  
6724649AR, INSTRUCTIONS, 199  
6724649BR, INSTRUCTIONS, 199  
6724775, LEVER KIT, 28  
6724776, LEVER KIT, 28  
6725032, ELBOW, 90  
6725035, KIT, 220  
6725035AR, KIT, 220, 222  
6725035BR, KIT, 220, 222  
6725035JP, KIT, 220, 222

6725036AR, KIT, 220, 222  
6725036BR, KIT, 220, 222  
6725042, SHIELD, 206  
6725090, HOSE, 6717216, A, 88  
6725127, HOSE, 86, 90  
6725128, ADAPTER, 136, 140  
6725130, PULLEY, 92, 148  
6725168, KIT, 286  
6725171, SHIELD, 202, 210  
6725182, CROSS, 50  
6725186, BELT, 92, 148  
6725200, SHIELD, 210  
6725201, TANK, 6718627, A, 204  
6725212, ARM, 6707637, A, 154  
6725246, PLATE, 136  
6725257, ADAPTER, 136  
6725273, HARNESS, 224, 250  
6725301, COVER, 16  
6725302, GASKET, 128  
6725303, FRAME, 16  
6725360, WINDOW, 216, 224

6675214, A, 210

6725370, DECAL, 286  
6725390, HARNESS, 250  
6725403, SEAT BELT, 16  
6725421, HANDLE, 214  
6725423, TANK, 84  
6725429, MOUNT, 158  
6725435, HOSE, 76  
6725436, HOSE, 76  
6725496, COVER, 38, 92  
6725497, CROSS, 90  
6725513, PACKAGE, 250  
6725550, PIN, 6718294, A, 24  
6725551, PIN, 6718306, A, 24  
6725898, KIT, 238  
6725899, HOSE, 92  
6725900, HOSE, 92  
6725901, HOSE, 92  
6725906, BRACKET, 238  
6725907, DECAL, 268  
6725933, HARNESS, 250

6717877, A, 250

6725934, HARNESS, 252  
6725935, WINDOW, 206  
6725936, HARNESS, 252  
6725937, CLAMP, 206, 212  
6725938, CLAMP, 206, 212  
6725941, KIT, 206

6725943, BELT, 260  
6725946, KIT, 214  
6725953, TUBELINE, 48, 198  
6725954, TUBELINE, 48, 198  
6725959, BRACKET, 78  
6725962, TUBELINE, 78  
6725963, TUBELINE, 78  
6725964, ELBOW, 88  
6725971, KIT, 196  
6725973, TUBELINE, 88  
6726303, DECAL, 214  
6726357, HARNESS, 260  
6726386, KNOB, 252  
6726423, DECAL, 262  
6726427, KIT, 207  
6726435, DOOR, 202  
6726479, ADAPTER, 76  
6726485, BRACKET, 158  
6726490, KIT, 260  
6726504, BRACKET, 128, 130  
6726567, ELBOW, 6666302, B, 32  
6726608, COVER, 252  
6726621, SCREW, 260  
6726655, KIT, 281  
6726679, BRACKET, 6564658, A, 62  
6726680, PEDAL, 6564656, A, 62  
6726715, BRACKET, 262  
6726716, BRACKET, 262  
6726717, KIT, 262  
6726907, PIN, 262  
6726908, LIFT EYE, 262  
6726932, DOOR, 206, 210  
6726945, MOUNT, 230  
6727065, BOLT, 138, 244  
6727131, HARNESS, 140  
6727140, FILTER, 252  
6727155, DECAL, 140, 246  
6727176, KIT, 289  
6727177, HARNESS, 230  
6727178, HARNESS, 126  
6727190, HARNESS, 224  
6727298, KIT, 244  
6727299, INSULATION, 224  
6727311, DECAL, 222  
6727326, MOUNT, 260  
6727328, HARNESS, 246  
6727468, HARNESS, 224  
6727525, BUSHING, 26  
6727739, KIT, 230

6727742, FRAME LINK, 24  
 6727746, BUSHING, 26  
 6727747, LIFT ARM, 24  
 6727748, PIN, 24  
 6727832, BUSHING, 26  
 6727884, PLATE, 263  
 6727885, PLATE, 263  
 6727912, DECAL, 222  
 6728023, CLAMP, 44  
 6728039, KIT, 263  
 \*6728479, MAIN FRAME, 6717837, A, 12  
 6728742, HARNESS, 140, 246  
 6800124, RESTRICTOR, 70, 72  
 6800262, CLAMP, 52, 268  
 6800684, PISTON, 56, 58  
 6801059, WASHER, 204, 281  
 6801167, PLUG, 70  
 6802752, BUSHING, 56, 58  
 6803092, BONNET, 70  
 6803473, SEAL KIT, 269  
 6803605, SEAL KIT, 72  
 6803932, DECAL, 92  
 6804360, TEE, 90  
 6804391, ROD, 56, 58  
 6804592, NUT, 56, 58, 59  
 6804609, SEAL KIT, 59  
 6804616, SEAL KIT, 56, 58  
 6805102, BUSHING, 64  
 6805158, CYLINDER, 268, 269  
 6805160, CASE, 269  
 6805243  
     ELBOW, 90  
     TEE, 66, 72  
 6805511, CYLINDER, 58  
 6805512, CYLINDER, 56  
 6805514, CASE, 58  
 6805515, CASE, 56  
 6805651, BLOCK, 64, 66, 72  
 6805657, BLOCK, 66  
 6805696, TEE, 66, 72  
 6805931, VALVE, 70  
 6806150, VALVE, 64  
 6806496, TUBELINE, 66, 72  
 6806561, PLUG, 72  
 6806680, ELBOW, 52  
 6806941, SEAL KIT, 66  
 6807092, SPACER, 269  
 6807508, SHAFT, 269  
 6807730, PLUG, 126  
 6809085, TUBELINE, 6806918, A, 56, 58  
 6900366, INSTRUCTIONS, 217  
 6900505, KIT, 222  
 6900531, INSTRUCTIONS, 242  
 6900573, INSTRUCTIONS, 198  
 6900791, MANUAL, 220  
 6900848, INSTRUCTIONS, 240  
 6900850, INSTRUCTIONS, 252  
 6900851, INSTRUCTIONS, 224  
 6900853, INSTRUCTIONS, 216  
 6900855, INSTRUCTIONS, 226  
 6900857, INSTRUCTIONS, 192  
 6900861, INSTRUCTIONS, 285  
 6900913, INSTRUCTIONS, 261  
 6900921, INSTRUCTIONS, 228  
 6900952, INSTRUCTIONS, 268  
 6900980, INSTRUCTIONS, 278  
 6900991, INSTRUCTIONS, 193  
 6900992, INSTRUCTIONS, 293  
 6901010, INSTRUCTIONS, 286  
 6901011, INSTRUCTIONS, 287  
 6901013, INSTRUCTIONS, 206  
     6900852, A, 216  
     6900854, A, 204, 212  
 6901025, INSTRUCTIONS, 238  
 6901029, INSTRUCTIONS, 214  
 6901036, INSTRUCTIONS, 207  
 6901039, INSTRUCTIONS, 260  
 6901061, INSTRUCTIONS, 281  
 6901076, INSTRUCTIONS, 289  
 6901100, INSTRUCTIONS, 246  
 6901116, INSTRUCTIONS, 230  
 6901202, INSTRUCTIONS, 263  
 69G-436, BOLT, 136, 140  
 7000010, SPACER, 20  
 72F-1, DRAIN COCK, 32  
 73G-656, BOLT, 154, 268  
 73K-222, WASHER, 269  
 75K-4, O-RING, 120  
 75K-6, O-RING, 90  
 77FN-8, ELBOW, 150  
 79K-10, O-RING, 64, 70, 76, 104, 112  
 79K-12, O-RING, 52, 84, 102, 106, 110, 116  
 79K-14, O-RING, 32, 104, 106, 112, 114  
 79K-16, O-RING, 84  
 79K-2, O-RING, 279  
 79K-20, O-RING, 88, 92  
 79K-3, O-RING, 269  
 79K-4, O-RING, 278

79K-5, O-RING, 32, 81  
79K-6, O-RING, 56, 58  
79K-7, O-RING, 66, 72  
79K-8, O-RING, 64, 70, 74, 102, 106, 110, 114,  
272, 274  
80K-14, RING, 64, 70  
80K-332, WASHER, 56, 58, 59  
81D-6, NUT, 158  
83D-12, NUT, 12, 92  
83D-4, NUT, 18, 50, 192, 250, 261  
83D-5, NUT, 12, 44, 46, 160, 198, 212, 261  
83D-6, NUT, 94, 152, 158, 228, 230, 232, 241, 292  
83D-8, NUT, 12, 14, 22, 154, 158, 262  
83F-3, ELBOW, 88, 234  
83FN-3, ELBOW, 234  
84G-3110, BOLT, 248, 250  
84G-3112, BOLT, 12, 42, 46, 148, 192, 226, 228,  
230  
84G-3124, BOLT, 148  
84G-3710, SCREW, 260  
84G-3712, BOLT, 12, 26, 30, 38, 42, 46, 52, 76, 88,  
124, 126, 128, 150, 152  
84G-3716, BOLT, 30, 38, 84, 199, 218  
84G-3720, BOLT, 38, 189  
84G-3724, BOLT, 42, 46, 162  
84G-3728, BOLT, 44, 48, 162  
85D-4, NUT, 162  
85D-5, NUT, 52, 128, 162, 265  
85D-6, NUT, 16, 24, 28, 46, 50, 128, 152, 158, 162,  
198, 232, 292  
85D-7, NUT, 16  
85D-8, NUT, 14, 154  
85F-3, ELBOW, 88  
86D-4, NUT, 162  
86F-3, ELBOW, 234  
86F-5, NUT, 76, 278  
86F-6, NUT, 42, 46  
86F-8, NUT, 52, 88, 150  
873, 242  
87D-5, NUT, 262  
87G-1008, SCREW, 250  
88F-3, ELBOW, 234  
88FN-3, ELBOW, 234  
88FN-5, ELBOW, 278  
88FN-6, ELBOW, 42, 46  
88FN-8, ELBOW, 88, 150  
90KV-2, PLUG, 269  
90KV-3, PLUG, 6671783, B, 98

90KV-5, PLUG, 56, 58, 59, 66, 72, 272, 274  
6630168, B, 88  
6671759, B, 98  
90KV-8, PLUG, 50, 66, 70  
91D-5, NUT, 234  
91D-6, NUT, 30, 38, 62  
91D-7, NUT, 202, 206, 212  
91G-416, BOLT, 216, 224  
92D-10, NUT, 269  
92D-12, NUT, 156  
95D-5, NUT, 14, 52, 128  
95D-6, NUT, 42, 46, 52, 94, 164, 206, 212, 234  
95K-12, O-RING, 66, 70  
99K-12, B, 50  
95K-4, O-RING, 6671784, B, 98  
95K-6, O-RING, 56, 58, 59, 66, 72, 88, 272, 274  
6671749, B, 98  
96D-6, NUT, 94  
96D-8, NUT, 148  
96K-12, O-RING, 232  
96K-4, O-RING, 278  
96K-6, O-RING, 278  
97D-5, NUT, 12, 158, 178  
97K-10, O-RING, 42, 46, 48, 76, 78, 82, 88, 198  
97K-12, O-RING, 50, 52, 76, 88, 90, 150, 268,  
278, 292  
97K-16, O-RING, 76, 84  
97K-4, O-RING, 92, 234, 268  
97K-6, O-RING, 50, 66, 72, 76, 84, 86, 88, 90, 92,  
268, 278  
97K-8, O-RING, 42, 46  
98D-6, NUT, 94  
98F-3, TEE, 234  
98K-12, O-RING, 232  
99K-10, O-RING, 44, 48, 76, 82, 88, 92, 198  
99K-12, O-RING, 52, 76, 88, 150, 268, 278  
99K-16, O-RING, 84, 90  
99K-4, O-RING, 92, 268  
99K-5, O-RING, 32, 82, 272, 274  
99K-6, O-RING, 50, 64, 70, 76, 84, 88, 92, 268,  
278  
99K-8, O-RING, 76

## A

A2386/, 853C, 238  
ADHESIVE/, 298  
AIR CLEANER/, 152, 186

ALTERNATOR/, 142, 158  
ANTI-FREEZE/, 298  
AUXILIARY HYDRAULICS/,, 52  
AXLE, 39

## B

B1413/, 853C, 213  
B1785/, 873, 19  
B5472/, 853C, 294  
B12953/, 873, 280  
B13527/, 873, 121  
B13601/, 763G, 288  
B13643/, 873, 275  
B13714/, 853C, 248  
B14307/, 873, 167  
B14308/, 873, 169  
B14309/, 873, 171  
B14310/, 873, 175  
B14311/, 873, 179  
B14312/, 873, 181  
B14320/, 873, 185  
B14321/, 873, 173  
B14391/, 873, 219, 277  
B14392/, 873, 221  
B14720/, 873, 20  
B14851/, 873, 236  
BACK UP ALARM/,, 192  
BELT, COOLING FAN/,, 148  
BELT, MAIN DRIVE/, 158  
BELT, PUMP DRIVE/, 156  
BELT, TIMING/, 172  
BLACK GOLD/, 298  
BLOCK HEATER/, 194  
BLOCK, ENG/, 176  
BOB-TACH/, 28  
BOOT, RUBBER/, 30  
BUCKET POS. KIT/, 198

## C

C1000/, 853C, 294  
C2818/, 873, 122  
C3062/, 873, 73  
C3151/, 853C, 39  
C3312/, 873, 141, 143  
C3374/, 873, 95  
C3403/, 773, 235

C3422/, 873, 60  
CAB DOOR/, 202, 206  
CAB ENCLOSURE/, 213  
CAB/, 14, 16  
CAMSHAFT/, 172  
CAP, FUEL/, 32  
CAP, HYD. OIL/, 84  
CHAINCASE/, 12  
COOLING FAN DRIVE ASSY./, 164  
CRANKSHAFT/, 180  
CYLINDER HEAD/, 170  
CYLINDER, BOBTACH/, 269  
CYLINDER, LIFT/, 59  
CYLINDER, TILT/, 42, 46, 56, 58

## D

D2186/, 773, 191  
D2296/, 773G, 131  
D2297/, 873, 145  
D2304/, 873, 31  
D2376/, 773, 105, 113  
D2377/, 873, 101, 109  
DECALS/, 220  
DIPSTICK, ENG. OIL/, 176  
DISC BRAKE/, 38  
DOOR, CAB/, 202, 206  
DOOR, REAR/, 22  
DRIVE MOUNT ASSY./, 36

## E

E1871/, 763, 93  
E2046/, 773G, 215  
E2221/, 773G, 123, 125  
E2254/, 873, 153  
E2275, 953, 257  
E2281/, 873, 157  
E2282/, 873, 151  
E2322/, 873, 61  
ENGINE, 156  
ENGINE/, 158  
EXT RMVL R WIN KIT, 214

## F

FAN/, 148  
FILTER, AIR/, 186  
FILTER, ENG. OIL/, 176

FILTER, FUEL/, 32  
FILTER, HYD. OIL/, 88  
FIRE EXTINGUISHER/, 238  
FLASHER LIGHTS/, 240  
FUEL SYSTEM/, 32

## G

GAS SPRING/, 14, 202, 206  
GASKET KITS, ENG./, 166

## H

HARNESS, CAB/, 124, 126  
HARNESS, LIGHTS/, 265  
HEATER/, 250, 254, 256  
HORN/, 261  
HUB, AXLE/, 39

## I

INJECTOR NOZZLES/, 182  
INJECTORS/, 182

## L

LATCH, REAR DOOR/, 22  
LEVER, PINTLE/, 94  
LIFT ARM/, 24  
LIGHT KIT/, 265  
LIGHTS, FLASHER/, 240  
LOCK, REAR DOOR/, 280  
LUBRICANT/, 298

## M

MAIN FRAME/, 12  
MANIFOLD/, 167  
MOTOR, HYDRO./, 84  
MOUNT, ENGINE/, 158  
MOUNT, HYDRO. PUMP/, 160  
MS1043/, 773G, 281  
MS6718738MS.ASM/, 773G, 133  
MUFFLER/, 152

## N

### NAP

ADAPTER, 6666418, A, 182  
BEARING, 154  
BLOCK, 6672800, A, 176  
CHAIN, 6705987, A, 35  
CONNECTOR, 6670681, A, 182  
CONTROL, 6725269, A, 228  
COUPLER  
    6667808, B, 52  
    6672960, B, 52  
COVER, 6674236, A, 250  
DOOR, 6717590, A, 202  
FILTER, 6674230, A, 250  
FRAME LINK, 6718378, A, 24  
GUIDE  
    6709950, A, 12  
    6711907, A, 16  
HARNESS  
    6715366, A, 224  
    6725275, A, 250  
HEATER  
    6674226, A, 256  
    6674933, A, 254  
KIT  
    6718032, A, 234  
    6718868, A, 283  
    6718869, A, 283  
    6719431, A, 228  
LEVER ASSY  
    6718194, A, 136  
    6718195, A, 136  
LIFT ARM, 6717765, A, 24  
RELIEF VALVE, 6672451, A, 82  
SEAT  
    6674404, A, 283  
    6674896, A, 283  
SEAT BELT, 6667875, A, 16  
SENDER, 6669642, A, 32  
SHIELD, 6718179, A, 202, 210  
TANK, 6715818, A, 84  
TEE, 6666422, A, 182  
TUBELINE  
    6718480, A, 78  
    6718481, A, 78  
    6719318, A, 88  
VALVE  
    6666598, A, 74, 198  
    6674227, A, 250  
    6674305, A, 272

### NSS

BLOCK, 6675871, A, 98  
PISTON, 6675873, A, 98

ROLLER, 6675872, A, 98

## O

OIL COOLER/, 88  
OIL PAN, 176  
OIL/, 298

## P

PAINT/, 298  
PANEL, INSTRUMENT/, 124, 126  
PEDALS, CONTROL/, 62  
PISTON/, 180  
POLISH/, 298  
PUMP, GEAR/, 117  
PUMP, HYDRO/, 102, 106  
PUMP, OIL/, 185  
PURIFIER/, 275

## R

RADIATOR/, 150  
REAR AUXILIARY KIT, 278  
RIM/, 294

## S

SEALANT/, 298  
SEAT BELT/, 283, 288  
SEAT/, 19, 20  
SENDER, FUEL/, 32  
SHOCK CONTROLS/, 94  
SPROCKET, AXLE/, 39  
STARTER/, 146  
STOP, LIFT ARM/, 26  
STROBE LIGHT, 293  
SWITCH, IGNITION/, 124, 126

## T

TANK, FUEL/, 32  
TANK, HYDRO/, 84  
THROTTLE/, 162  
TIRE/, 294  
TOOL HOLDER/, 22  
TS, 873, 231  
TS-1471, 873, 218

TS1002/, 873, 163  
TS1022/, 873, 117  
TS1049/, 873, 189  
TS1062/, 773G, 267  
TS1078/, 863, 79  
TS1082/, 853C, 295  
TS1086/, 853C, 296  
TS1112/, 773G, 223  
TS1218/, 773G, 13, 15  
TS1227/, 873, 36  
TS1229/, 873, 23  
TS1230/, 873, 21  
TS1231/, 873, 11  
TS1232/, 873, 29  
TS1235/, 873, 59  
TS1236/, 873, 27  
TS1237/, 873, 37  
TS1241/, 873, 186  
TS1243/, 773G, 201  
TS1257/, 873, 35  
TS1260/, 853C, 63  
TS1271/, 873, 161  
TS1273/, 873, 233  
TS1295/, 873, 217  
TS1300/, 873, 147  
TS1336/, 873, 41, 45  
TS1343/, 873, 262  
TS1362/, 873, 279  
TS1377/, 873, 55  
TS1378/, 873, 57  
TS1382/, 873, 87  
TS1386/, 873, 209  
TS1434/, 863, 81  
TS1689, 873, 197  
TS1841/, 963, 69  
TS1894/, 873, 149  
TS1935/, 773G, 226  
TS1955/, 773G, 227  
TS1977/, 963G, 293  
TS1978/, 773G, 193  
TS1983/, 763G, 239  
TS1987/, 763G, 261  
TS2006/, 963G, 214  
TURBOCHARGER/, 176

## V

VALVE STEM/, 294  
VALVE, BKT. POS./, 74



**VALVE, ENG./, 170**

**VALVE, HYD. CONTROL/, 64, 70**

## **W**

**WINDOW, REAR/, 216, 224**

**WINDOW, SIDE/, 216**

**WIPER, WINDSHIELD/, 202**