

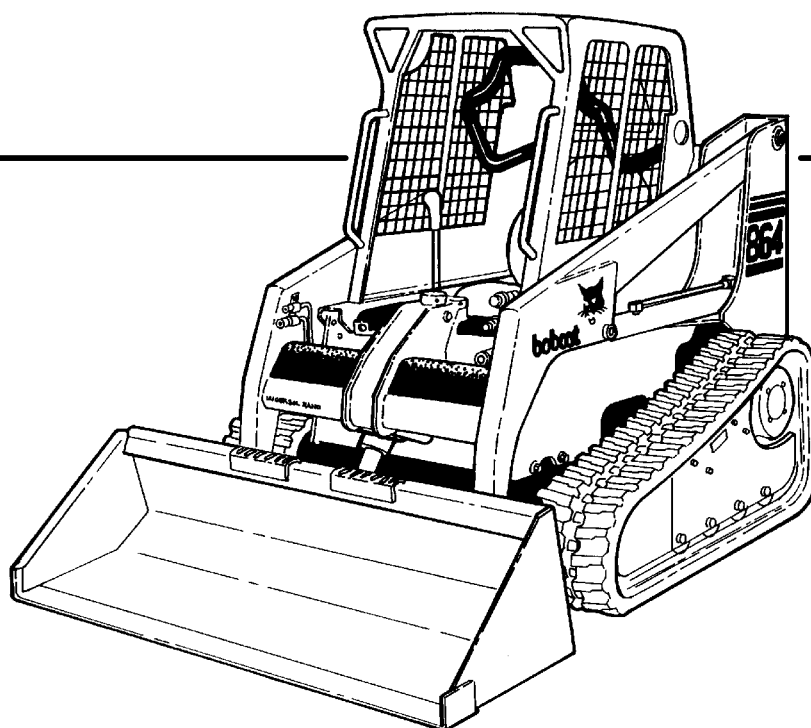
864



Bobcat®

G-Series Parts Manual

S/N 5189 11001 & Above
S/N 5168 11001 & Above
S/N 5175 11001 & Above



**EQUIPPED WITH
BOBCAT INTERLOCK
CONTROL SYSTEM (BICSTM)**



MAINTENANCE ITEMS

MODEL 864

PART NO.	DESCRIPTION	PAGE #
1	6665603 ENGINE OIL FILTER	166
2	6667352 FUEL FILTER	32
3	6666375 AIR CLEANER, OUTER	174
4	6666376 AIR CLEANER, INNER	174
5	6661248 HYDROSTATIC FILTER, # 3 MEDIA	108
6	6661807 HYDROSTATIC FILTER, INLINE	107
	(HYDRAULIC RESERVOIR CAPACITY)	16 QTS. (15,1 L.)
	(HYDRAULIC / HYDROSTATIC SYSTEM)	40 QTS. (38 L.)
7	6563328 BLACK GOLD Hyd./Hydro. Fluid - 2 2/12 Gallons (5 Gal.)	276
8	6563330 BLACK GOLD 55 Gallon Drum	276
	(ENGINE / COOLING OIL W/FILTER CAPACITY)	16 QTS. (15,1 L.)
9	6657301 MOTOR OIL 10W30 CE/SG -1 Qt.	276
10	6724557 MOTOR OIL SAE 10W30 - 1 Gallon	276
11	6724205 MOTOR OIL 10W-30 CE/SG - 2.5 Gallon	276
12	6657299 MOTOR OIL 15W40 CE/SG -1 Qt.	276
13	6724558 MOTOR OIL SAE 15W40 - 1 Gallon	276
14	6674204 MOTOR OIL 15W40 CE/SG - 2.5 Gallon	276
15	6657303 MOTOR OIL 30 CE/SG -1 Qt.	276
16	6724559 MOTOR OIL SAE 30 - 1 Gallon	276
17	6674206 MOTOR OIL SAE 30W CE/SG - 2.5 Gallon	276

GENERAL INFORMATION

When using the machine serial number, use the complete number.

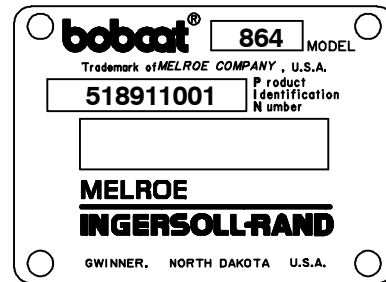
Some Serial Number breaks are not available at time of printing. These are listed as & Below or & Above.

The number shown in the quantity column in this manual is the number of parts needed for the illustration on the page. For some parts an "x" will be shown in the quantity column. This "x" indicates that the quantity to be used is "As Needed".

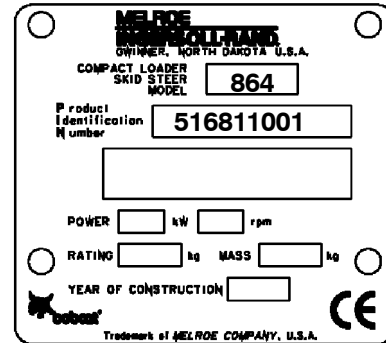
When references L.H. and R.H. are used in this manual, it is done from the operator's seat in the forward operating position.

To find the size and kind of bolt use the Bobcat Standard Microfiche (P/N 6566077).

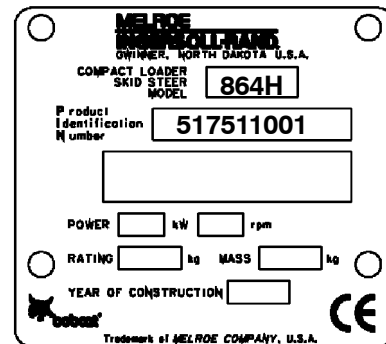
Some of the illustrations and information found in this parts manual were supplied to Bobcat by machine component companies.



DOMESTIC



EXPORT



H.H. EXPORT

ABBREVIATIONS & SYMBOLS

SALES = Order from Gwinner Sales Department

NSS = Not Serviced Separately

NAP = Not Available as Parts

***** = Changed or Added Sections, Pages or Part Numbers

Disposition Code Definition (Found in the Remarks Column)

[A] = Use Up

[B] = Use Up on Other Application (See PNI)

[C] = File PDR Report With Bobcat Parts Sales

[D] = Part Number Error

Explications en francais	Grid Nb	3
Erklärungen auf deutsch	Grid Nb	4
Spiegazioni in italiano	Grid Nb	5
Explicaciones en espanol	Grid Nb	6
Verklaring in het Nederlands	Grid Nb	7

NOTE D'INFORMATION

Pour toute référence au numéro de série de l'engin, toujours donner le numéro complet.

Le chiffré apparaissant dans la colonne des quantités de ce manuel représentent le nombre de pièces nécessaires pour l'illustration reprise sur la page. Dans certains cas, on lira un "x" dans la colonne des quantités. Cet "x" indique que la quantité nécessaire est "selon besoin".

Pour toute référence vers la GAUCHE ou la DROITE dans ce manuel, considérer que la personne se trouve assise dans le siège de l'opérateur, en position de fonctionnement en marche avant.

Certaines illustrations et informations reprises dans ce manuel de pièces de rechange ont été fournies à Bobcat, par des fabricants de composants.

ABREVIATIONS & SYMBOLES

SALES	= Commander au Service Ventes à Bruxelles
NSS	= Pas vendu séparément
NAP	= Non disponible comme pièce de rechange
*	= Chapitre, page ou numéro de pièce modifié ou supplémentaire
BTI	= Bobcat Technical Information Bulletin : voir à la fin de la microfiché du modèle concerné ou la microfiche générale reprenant l'ensemble des "BTI".
was 6535403	= était avant 6535403
adj. (adjustment)	= réglage
Assembly	= ensemble
available W/Ref.	= disponible avec réf.
bulk/sold per foot	= en vrac/vendu par pied
does not include	= ne comprend pas
included with	= compris dans
I.D.	= D.I. (diamètre intérieur)
O.D.	= D.E. (diamètre extérieur)
not in kit	= pas en kit
W/ - WO/	= inclus/ - non inclus/
Qty	= quantité requise
see page/ref.	= voir page/réf.
used with ref/	= utilisé avec réf.
0,05 inch thickness	= 0,05 pouce d'épaisseur (un pouce = 25.4 mm)
weld on	= à souder

ALLGEMEINE INFORMATIONEN

Bei Angabe der Maschinen-Seriennummer stets die komplette Nummer angeben.

Bei der in der Mengenspalte (Anzahl) in diesem Handbuch angegebenen Zahl handelt es sich um die Anzahl von Teilen, die für die Abbildung auf der betreffenden Seite benötigt werden. Bei manchen Teilen in der Mengenspalte ist ein "x" angegeben. Dieses "x" weist darauf hin, dass sich die Anzahl der verwendeten Teile auf den "Bedarf" bezieht.

Bei Verwendung der Seitenangaben links und rechts in diesem Handbuch gelten diese für die Blickrichtung vom Fahrersitz aus, und zwar in Vorwärts-Betriebsrichtung.

Einige der in diesem Ersatzteihandbuch aufgeführten Abbildungen und Informationen wurden der Bobcat, von den Herstellern von Maschinenbauteilen zur Verfügung gestellt.

ABKÜRZUNGEN UND SYMBOLE

SALES	= Bestellung bei der Verkaufsabteilung in Brüssel
NSS	= Nicht einzeln erhältlich
NAP	= Nicht als Ersatzteil erhältlich
*	= Geänderte oder hinzugefügte Abschnitte, Seiten oder Teilenummern
BTI	= Bobcat Technical Information Bulletin : Siehe am Ende der Mikrokarte des jeweiligen Modells oder der allgemeinen Mikrokarte der BTI.
was 6535403	= War 6535403
adj.	= Einstellung
Assembly	= Baugruppe
available W/Ref.	= erhältlich mit der Referenz
bulk/sold per foot	= Mengenabnahme / Verkauf pro Fuss
does not include	= beinhaltet nicht
included with	= enthalten in
I.D.	= Innendurchmesser
O.D.	= Aussendurchmesser
not in kit	= nicht in Bausatz
W/ - WO/	= mit/ - ohne/
Qty	= Anzahl
see page/ref.	= Siehe Seite / Referenz
used with ref.	= verwendet mit Referenz
0.05 inch thickness	= Dicke : 0.05 Zoll (ein Zoll = 25.4 mm)
weld on	= anschweißen

INFORMAZIONI GENERALI

Quando si usa il numero di serie della macchina usare il numero completo.

Il numero mostrato nella colonna della quantità di questo manuale corrisponde al numero di componenti necessari per l'illustrazione della pagina. Per alcuni componenti appare "X" nella colonna delle quantità. Questa "X" indica che la quantità da usare è "come necessario".

See in questo manuale si fa riferimento alla parte destra o sinistra, si intende dal sedile dell'operatore nella posizione in avanti di funzionamento.

Alcune delle illustrazioni e informazioni trovate in questo manuale di componenti sono state fornite alla Bobcat, da società di componenti di macchine.

SIMBOLI E ABBREVIAZIONI

SALES	= Ordinare al servizio vendite di Bruxelles
NSS	= Non vendute separatamente
NAP	= Non disponibile come componente
*	= Sezioni, pagine o numeri di componente cambiati o aggiunti
BTI	= (Bobcat Technical information) Ved. al termine del microfiche del modello relativo oppure microfiche generale
was 6535403	= era 6535403
adj. (adjustment)	= regol. (regolazione)
Assembly	= Complessivo
available W/ref.	= disponibile con rif.
bulk/sold per foot	= alla rinfusa/venduto al piede
does not include	= non comprende
Included with	= compreso con
I.D.	= d. i.
O.D.	= d. e.
not in kit	= non fa parte del kit
W/ - WO/	= con - senza
Qty	= Qtà
see page/ref	= ved. pagina/rif.
used with ref.	= usato con il rif.
0,05 inch thickness	= spessore 0,05 pollici (un pollice = 25,4 mm)
weld on	= a saldare

INFORMACION GENERAL

Al utilizar el número de serie de la máquina, debe emplearse el número completo.

El número que figura en la columna de “Unidades” en este manual es el número de piezas que se necesitan para la ilustración que consta en la página. En algunas piezas aparece una “x” en la columna de “Unidades”. Esta “x” indica que las unidades a utilizar son “según sea necesario”.

Cuando se empleen las referencias izq. y dcha., éstas se entienden mirando desde el asiento del conductor, en posición de marcha adelante.

Algunas de las ilustraciones y la información que figuran en este manual de piezas han sido facilitadas a Bobcat, por empresas de componentes de máquinas.

ABREVIATURAS Y SIMBOLOS

VENTAS	= Pedido al Departamento de Ventas de Bruselas
NSS	= No se vende por separado
NAP	= No disponible como pieza de repuesto
*	= Secciones, páginas o referencias modificadas o añadidas
BTI	= (Bobcat Technical Information) Ver al final de la microficha del modelo afectado o en la microficha general “Boletín de Información Técnica Bobcat”.
was 6535403	= era anteriormente el 6535403
adj. (adjustment)	= ajuste
assembly	= conjunto
available W/Ref.	= disponible con la ref.
bulk/sold per foot	= a granel/vendido por pies
does not include	= no incluye
included with	= incluido en
I.D.	= diámetro interior
O.D.	= diámetro exterior
not in kit	= no en el kit
W/ - WO/	= con/ - sin
Qty	= Unidades
see page /ref.	= ver página/ref.
used with ref.	= empleado con la ref.
0,05 inch thickness	= 0,05 pulgadas de espesor (1 pulgada = 25,4 mm)
weld on	= debe ser soldado

ALGEMENE INFORMATIE

Als u het serienummer van de machine gebruikt, geef dan het gehele serienummer.

Het cijfer dat voorkomt in de kolom "Aantal", in deze handleiding, is het aantal onderdelen dat nodig is van de illustratie op de pagina. Voor sommige onderdelen staat er een "x" in de kolom "Aantal". Deze "x" betekent dat er een aantal "zoals nodig" vereist is.

Wanneer er in deze handleiding naar "links" en naar "rechts" gerefereerd wordt, moet dit verstaan worden voor een bestuurder die in de bestuurdersstoel zit in de voorwaartse bedrijfsstand.

Sommige van de illustraties en informatie in deze onderdelen-handleiding werden door firma's van machine-componenten geleverd aan Bobcat.

AFKORTINGEN EN SYMBOLEN

SALES	= Bestellen bij de Verkoopafdeling te Brussel
NSS	= Niet afzonderlijk te verkrijgen
NAP	= Niet beschikbaar als onderdeel
*	= Gewijzigde of toegevoegde paragrafen, pagina's of onderdeelnummers
BTI	= Bobcat Technical Information Bulletin : Zie einde van de microfiche van het desbetreffende model of einde van de algemene microfiche die het geheel van alle "BTI" herneemt.
was 6535403	= was vroeger 6535403
adj. (adjustment)	= afstelling
Assembly	= geheel
available W/Ref.	= beschikbaar met ref.
bulk/sold per foot	= bulk/aan de meter verkocht
does not include	= bevat niet
includes with	= is bevat in
I.D.	= ϕ inw. (inwendige diameter)
O.D.	= ϕ uitw. (uitwendige diameter)
not in kit	= niet in de kit
W/ - WO/	= met/ - zonder/
Qty	= vereiste aantal
see page/ref.	= zie pagina/ref.
used with ref/	= gebruikt met ref.
0,05 inch thickness	= 0.05 inch dik (een inch = 25.4 mm)
weld on	= te lassen

864 ALPHABETICAL INDEX

ADHESIVE	271	LIFT ARM	26
AIR CLEANER	142	LIFT CYLINDER	26, 42, 44
ALTERNATOR	130, 148	LIFT KITS	240
ANTI-FREEZE	271	LIGHT KIT	241
BELT, TIMING	162	LIGHTS, FLASHER	214
BLACK GOLD	271	LOCK, REAR DOOR	260
BOB-TACH	26, 28	LUBRICANT	271
BOOT, RUBBER	30	MAIN FRAME	12
CAB DOOR	190	MODULE, AUX. CONTROL	116
CAB ENCLOSURE	193	MOTOR	34
CAB	14, 16	MOUNT, HYDRO. PUMP	148
CAMSHAFT	162	OIL PAN	166
CAP, FUEL	32	OIL	271
CONTROL VALVE	48, 74	PAINT	271
CONTROLLER	72	PANEL, INSTRUMENT	112, 114
COOLING FAN DRIVE ASSY.	154	PEDALS, CONTROL	56
CRANKSHAFT	170	PISTON	170
CYLINDER, BOBTACH	248	POLISH	271
CYLINDER, LIFT	53	QUICK COUPLERS	50
CYLINDER, TILT	26, 52	SEALANT	271
DRIVECASE	12	SEAT BELT	20, 264
ENGINE	148	SENDER, FUEL	32
EXT. REMOVAL R. WINDOW KIT	194	SHOCK CONTROLS	92
FAN	136	STARTER	134, 144, 148
FILTER, FUEL	32	STOP, LIFT ARM	26
FIRE EXTINGUISHER	211	STROBE LIGHT	269
FLASHER LIGHTS	214	SWITCH, IGNITION	112, 114
FUEL SYSTEM	32	TANK, FUEL	32
GAS SPRING	14, 190	THROTTLE	152
GASKET KITS, ENG.	156	TILT CYLINDER	26, 42, 44
HARNESS, CAB	112, 114, 116	TOOL HOLDER	24
HARNESS, LIGHTS	241	TURBOCHARGER	166
HEAD, CYLINDER	160	VALVE COVER	160
HEATER	224, 228, 230	VALVE, BRAKE	48, 110
HORN	236	VALVE, BUCKET POSITIONING ..	68
INJECTOR PUMP	172	VALVE, HYD. CONTROL	58, 62
LATCH, REAR DOOR	24	WINDOW, REAR	196, 200
LEVER, PINTLE	90	WINDOW, SIDE	196

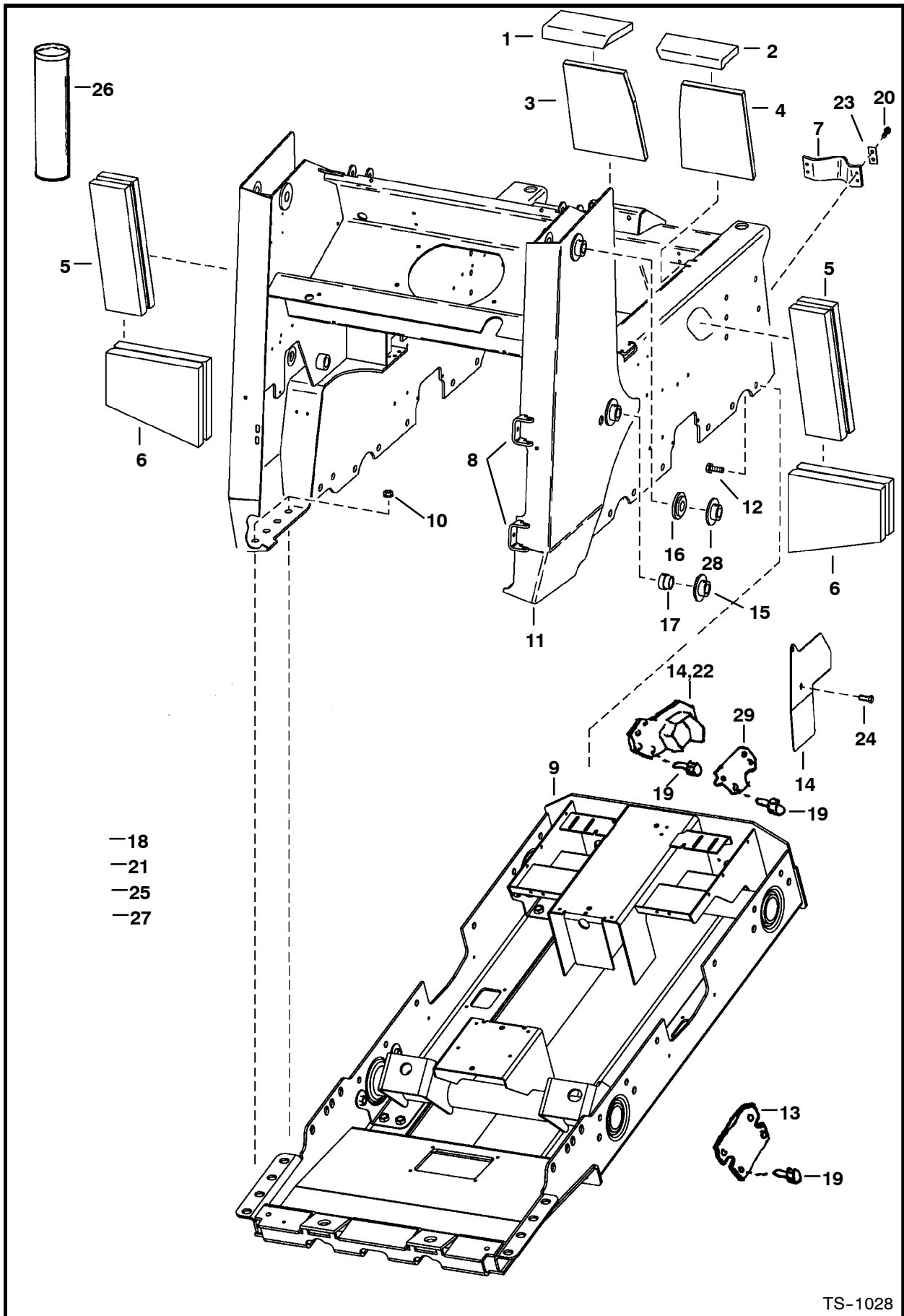
864 G-SERIES CONTENTS

MAIN FRAME	11-32
MAIN FRAME	11
OPERATOR CAB	13, 15
SEAT & SEAT BAR	17
SEAT	19
REAR DOOR	23
LIFT ARM & BOB-TACH	25
BOB-TACH	27
PANELS	29
FUEL SYSTEM	31
DRIVE SYSTEM	33-40
DRIVE TRAIN	33
BRAKE	36
TRACK TENSIONER	37
FRONT IDLER	38
REAR IDLER	39
TRACK ROLLER	40
HYDRAULIC SYSTEM	41-68
HYDRAULIC CIRCUITRY	41-46
MANUAL LIFT RELEASE SYSTEM	47
AUXILIARY HYDRAULICS	49
TILT CYLINDER	51
LIFT CYLINDER	53
MANUAL LIFT RELEASE VALVE	54
CONTROL PEDALS	55
HYDRAULIC CONTROL VALVE	57, 61
BICS CONTROL VALVE	66
BUCKET POSITIONING VALVE	67
HIGH HORSEPOWER HYDRAULICS	69-78
HYDROSTATIC SYSTEM	79-110
HYDROSTATIC CIRCUITRY	79-88
HAND CONTROLS	89
HYDROSTATIC MOTOR & BRAKE	93
HYDROSTATIC PUMP	97, 101
GEAR PUMP	105
HYDROSTATIC OIL FILTER	107, 108
BRAKE VALVE	110
ELECTRICAL SYSTEM	111-134
CAB ELECTRICAL CIRCUITRY	111-114
ELECTRICAL CONTROLS	115-124
ENGINE ELECTRICAL	125
ALTERNATOR	129, 131
STARTER	133
POWER UNIT	135-174
COOLING SYSTEM	135-140
ENGINE & ATTACHING PARTS	141-150
THROTTLE	151
COOLING FAN DRIVE ASSY.	153
ENGINE & GASKET KITS	155
OIL PUMP	173
AIR CLEANER	174

864 G-SERIES CONTENTS (Cont'd)

ACCESSORIES & OPTIONS	177-270
BACK-UP ALARM	177
BEACON	179
BLOCK HEATER	180, 181, 182
BOB-TACH LEVERS	183
BUCKET POSITIONING KIT	184
CAB DOOR	185-191
CAB ENCLOSURE	192, 193
* CAB WINDOWS	194, 195
CLOSED ALTERNATOR	197
DELUXE CAB	199
ELECTRICAL CONTROLS KIT	202-206
EUROPEAN ACCESSORIES	207
FIRE EXTINGUISHER	211
* FLASHER LIGHTS	213
* F.O.P.S. KIT	215
* HAND CONTROL KIT	217
HEATER & A/C	222-235
* HORN KIT	236
LIFT KIT	238, 239
LIGHT KIT	241
* MOTOR BRACE KIT	244
POWER BOB-TACH KIT	245
POWER BOB-TACH CYLINDER	248
* POWER BOB-TACH VALVE	249, 251
PURIFIER	254
* REAR AUXILIARY HYDRAULICS KIT	255, 257
REAR AUXILIARY VALVE	259
REAR DOOR LOCK	260
* REAR WIPER	261
* SEAT BELT	262, 263, 264
* SEVEN PIN CONNECTOR KIT	266
* SOUND OPTION	267
STROBE LIGHT	270
BULK ITEM	271
NUMERICAL INDEX	273

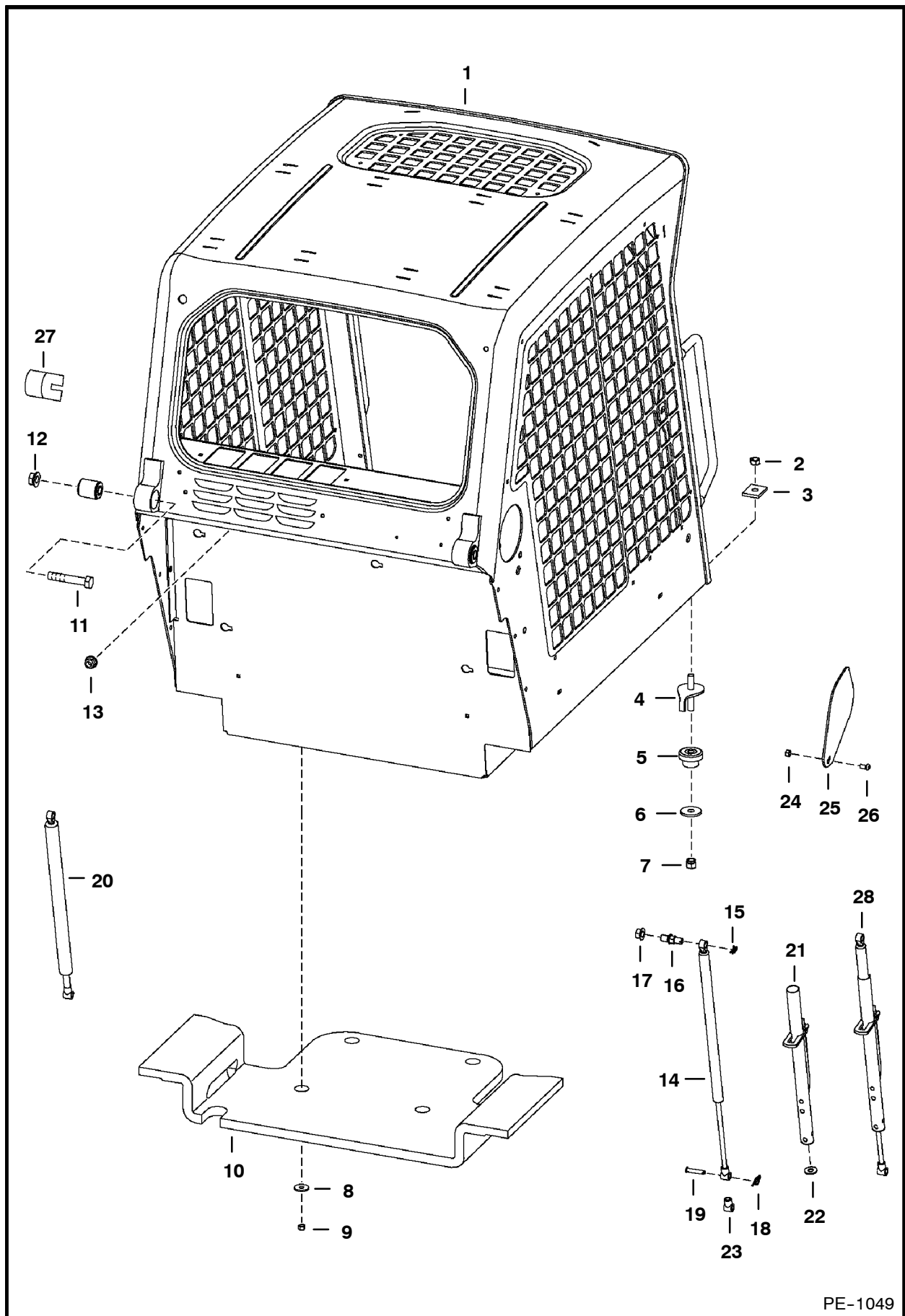
MAIN FRAME



MAIN FRAME (Cont'd)

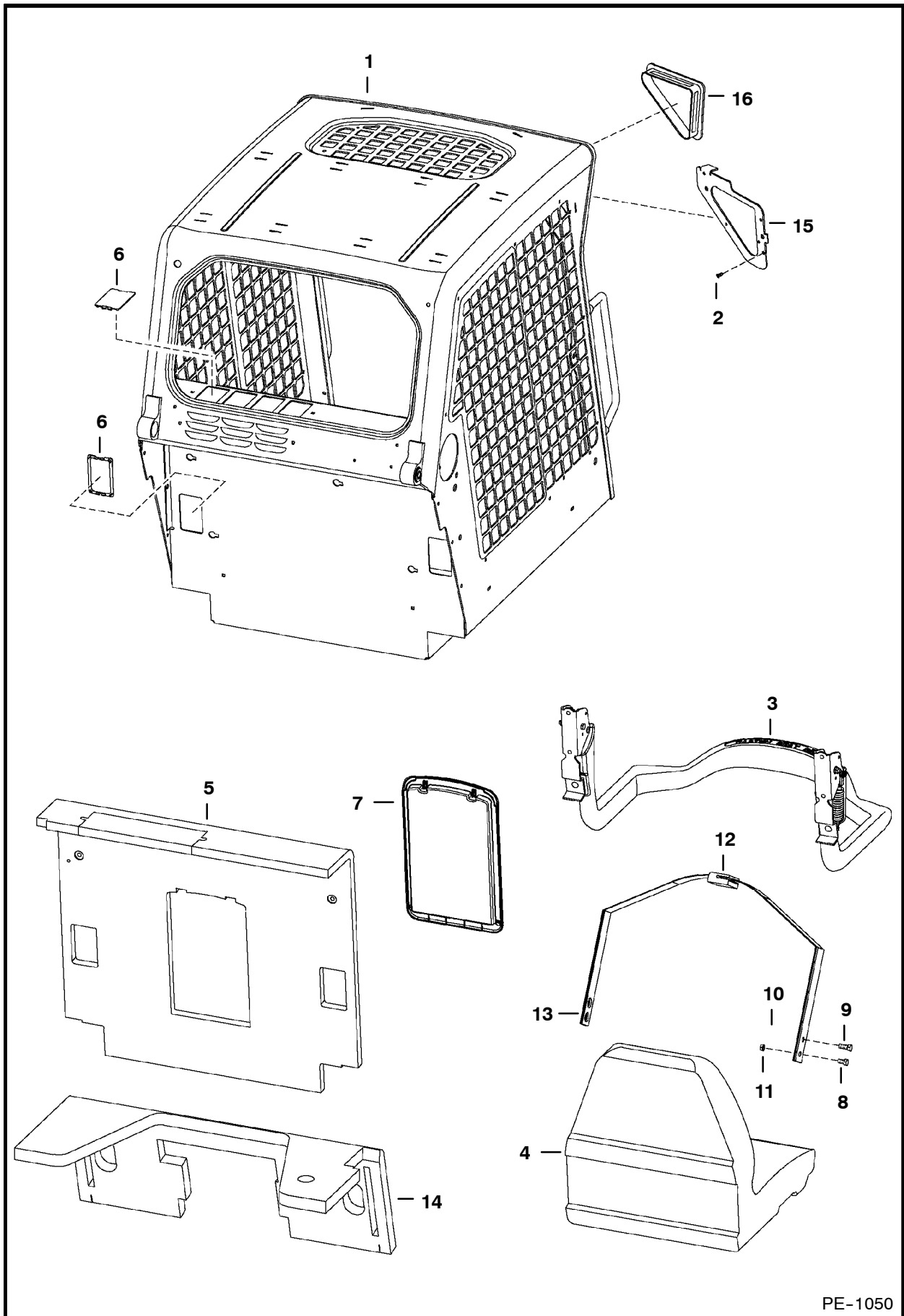
Ref. No.	Part Number	Description	Remarks	Serial Number	Qty.
1	6703963	INSULATION	crossmember		1
2	6703964	INSULATION	crossmember		1
3	6703965	INSULATION	crossmember		1
4	6703969	INSULATION	crossmember		1
5	6703967	INSULATION	fender		2
6*	NAP	INSULATION	transmission - Order 6727353 (2)		
*	6727353	INSULATION	- Was 6719589 [A] transmission		1
7	6702164	SPACER	flexible		2
8	6708987	HINGE	weld-on		2
9	6719359	DRIVECASE	See Page 33 - Was 6716862 [B,D]		1
10*	53D-12	NUT	Was 83D-12 [B]		18
11	6718303	MAIN FRAME	Was 6709924 [B,D]		1
12	31C-1228	BOLT			20
13	6719201	COVER	motor		2
14	6717686	SHIELD	L.H.		1
15	6705047	BUSHING	weld-on		2
16	6718544	BUSHING	weld-on		2
17	6713823	BUSHING	weld-on		2
18	57D-8	NUT			9
19	84G-3712	BOLT			24
20	84G-3716	BOLT			8
21	6706857	BLOCK			2
22	6717682	SHIELD	R.H.		1
23	6579106	SHIM			4
24	84G-3112	BOLT			1
25	37C-628	BOLT			3
26	6633583	SEALANT	drivecase cover		x
27	31C-1232	BOLT			4
28	6718545	BUSHING	weld-on		2
29	6719055	COVER	motor		2
30	6719522	INSULATION	transmission		1
31*	6660646	PLUG	right fender & front crossmember		2
32*	6719332	INSULATION	blower housing		1
33*	6719333	INSULATION	blower housing		1
34*	6718796	PLUG			2
35*	6716010	COVER	fuel & hyd.		1

OPERATOR CAB



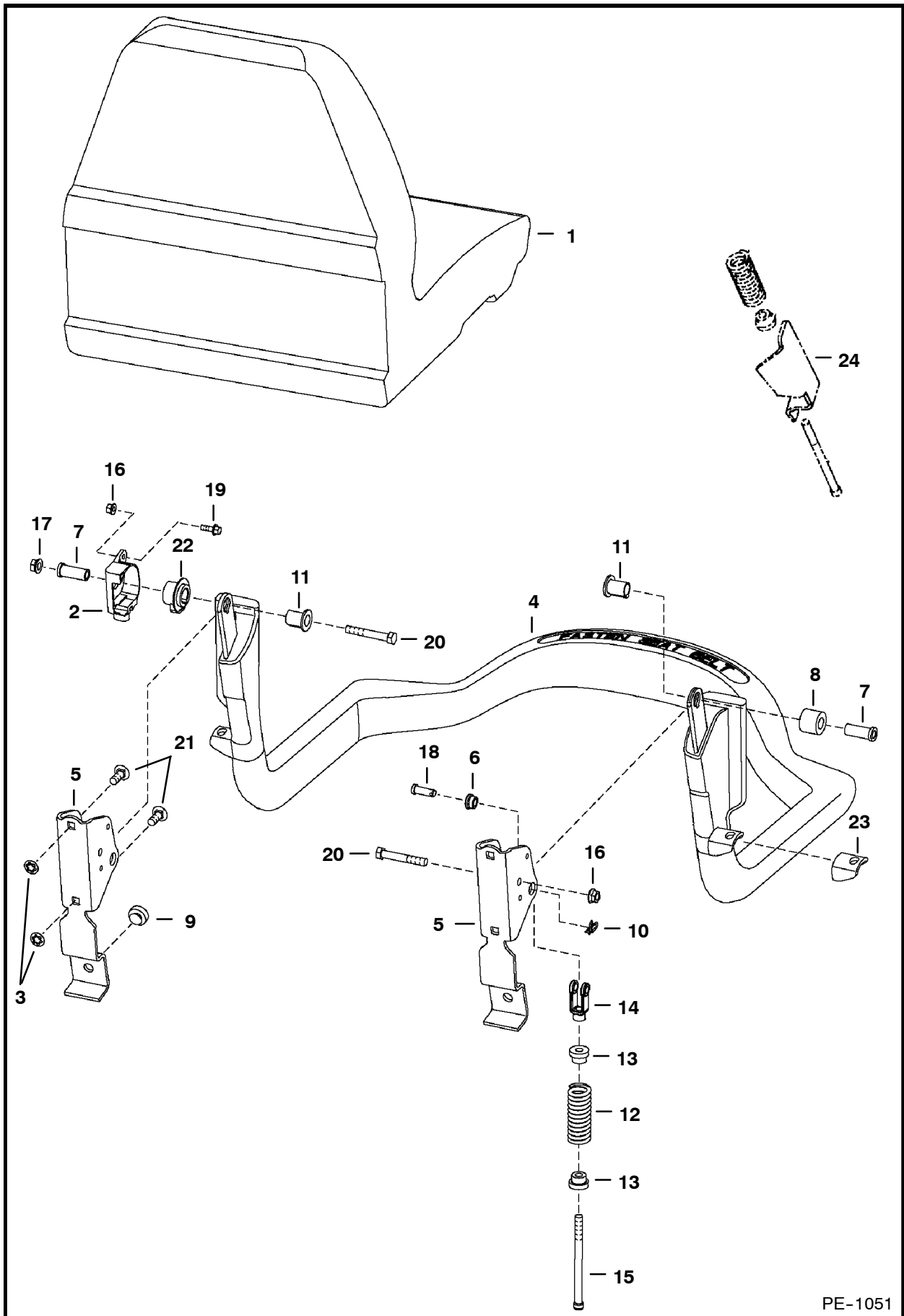
PE-1049

OPERATOR CAB



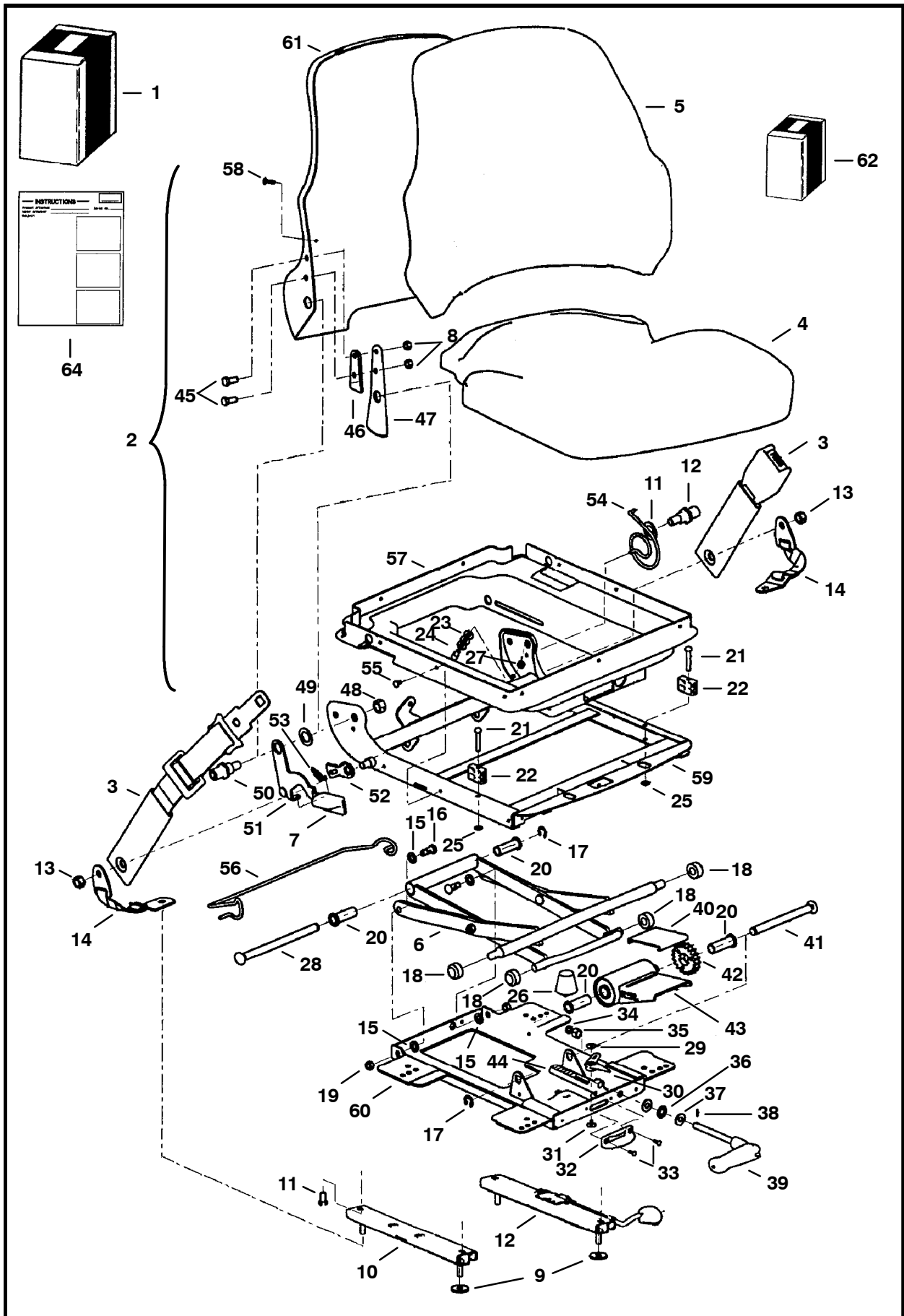
PE-1050

SEAT & SEAT BAR



PE-1051

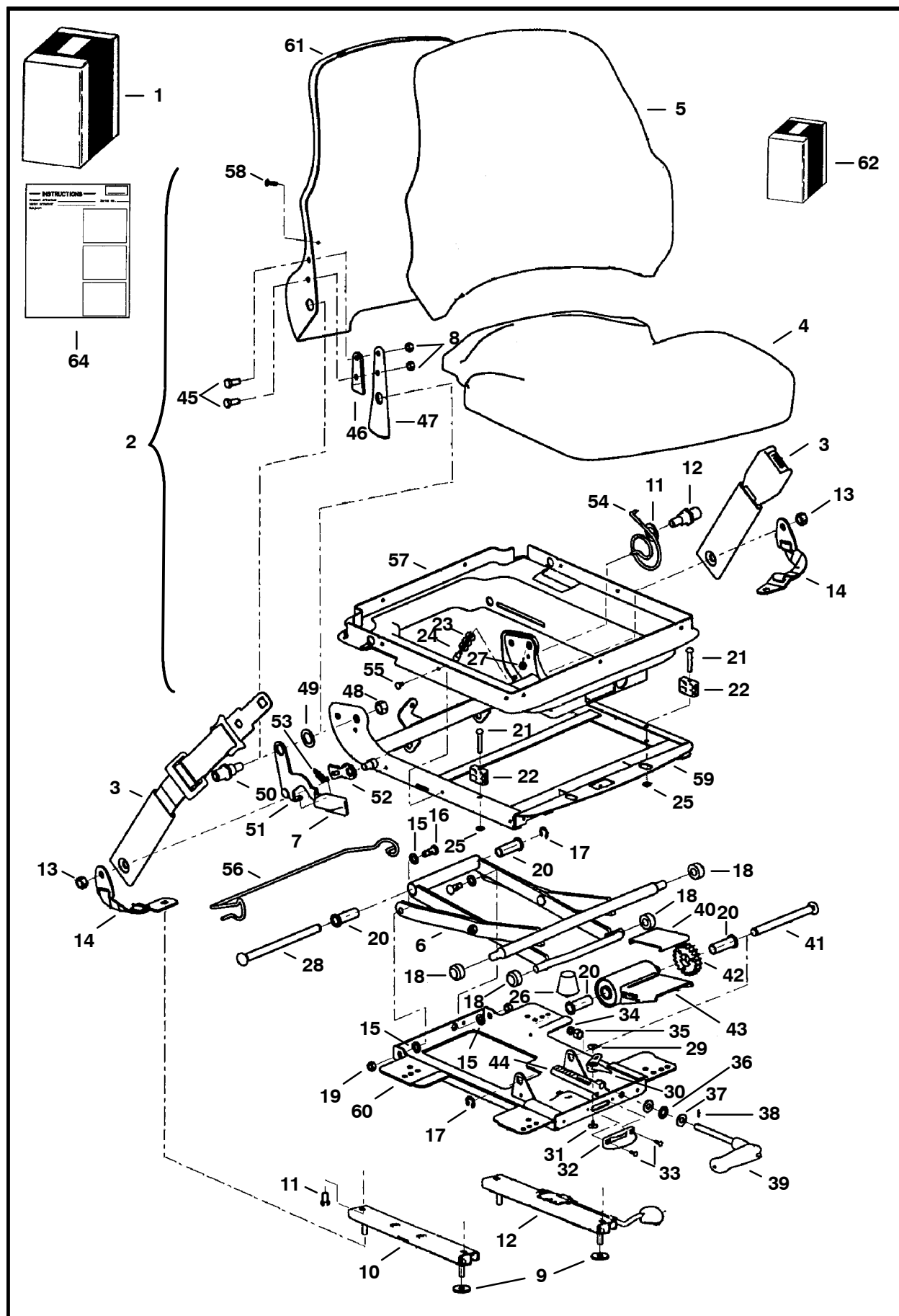
SEAT (Suspension - Sears)



SEAT (Cont'd)
(Suspension - Sears)

Ref. No.	Part Number	Description	Remarks	Serial Number	Qty.
1	NAP	KIT	vinyl seat - Order Ref. 2, 3 & 64 - Was 6718868 [A]		1
	NAP	KIT	fabric seat - Order Ref. 2, 3 & 64 - Was 6718869 [A]		1
2*	NAP	SEAT	vinyl - R.H. recliner lever - Order 6675595 seat - Was 6674896 [A]		1
*	6675595	SEAT	vinyl - L.H. recliner lever		1
*	NAP	SEAT	fabric - R.H. recliner lever - Order 6675596 seat - Was 6674404 [A]		1
*	6675596	SEAT	fabric - L.H. recliner lever		1
3	6675170	SEAT BELT	lap		1
4	6675320	SEAT	seat - fabric		1
	6675322	SEAT	seat - vinyl		1
5	6675319	SEAT	backrest - fabric - W/Ref. 58		1
	6675321	SEAT	backrest - vinyl - W/Ref. 58		1
6	6675317	SCISSORS			1
7	6675323	KNOB	recliner		1
8	NSS	NUT			6
9	619021	WASHER			4
10	NSS	SLIDE	slave		1
11	NSS	BOLT			4
12	NSS	SLIDE	locking		1
13	NSS	NUT			2
14	NSS	BELT	tether		2
15	NSS	WASHER	cross pivot		4
16	NSS	BOLT	pivot		2
17	NSS	RING	retaining		2
18	NSS	ROLLER			4
19	NSS	NUT			2
20	NSS	BUSHING	wt adjustment		4
21	NSS	RIVET			2
22	NSS	BLOCK	up stop		2
23	NSS	WASHER			3
24	NSS	STOP	armrest		1
25	NSS	PUSHNUT			2
26	NSS	BUMPER			1
27	NSS	NUT			1
28	NSS	SHAFT	bearing		1
29	NSS	RIVET	female snap		1
30	NSS	INDICATOR	weight		1
31	NSS	RIVET	male snap		1
32	NSS	DIAL	weight indicator		1
33	NSS	POP RIVET			2
34	NSS	SPACER			1
35	NSS	NUT			1
36	NSS	BEARING	thrust		1
37	NSS	RACE	thrust		2
38	NSS	SHEAR PIN			1
39	NSS	HANDLE	weight adjustment		1
40	NSS	PLATE	wear		1
41	NSS	SHAFT	torsion		1

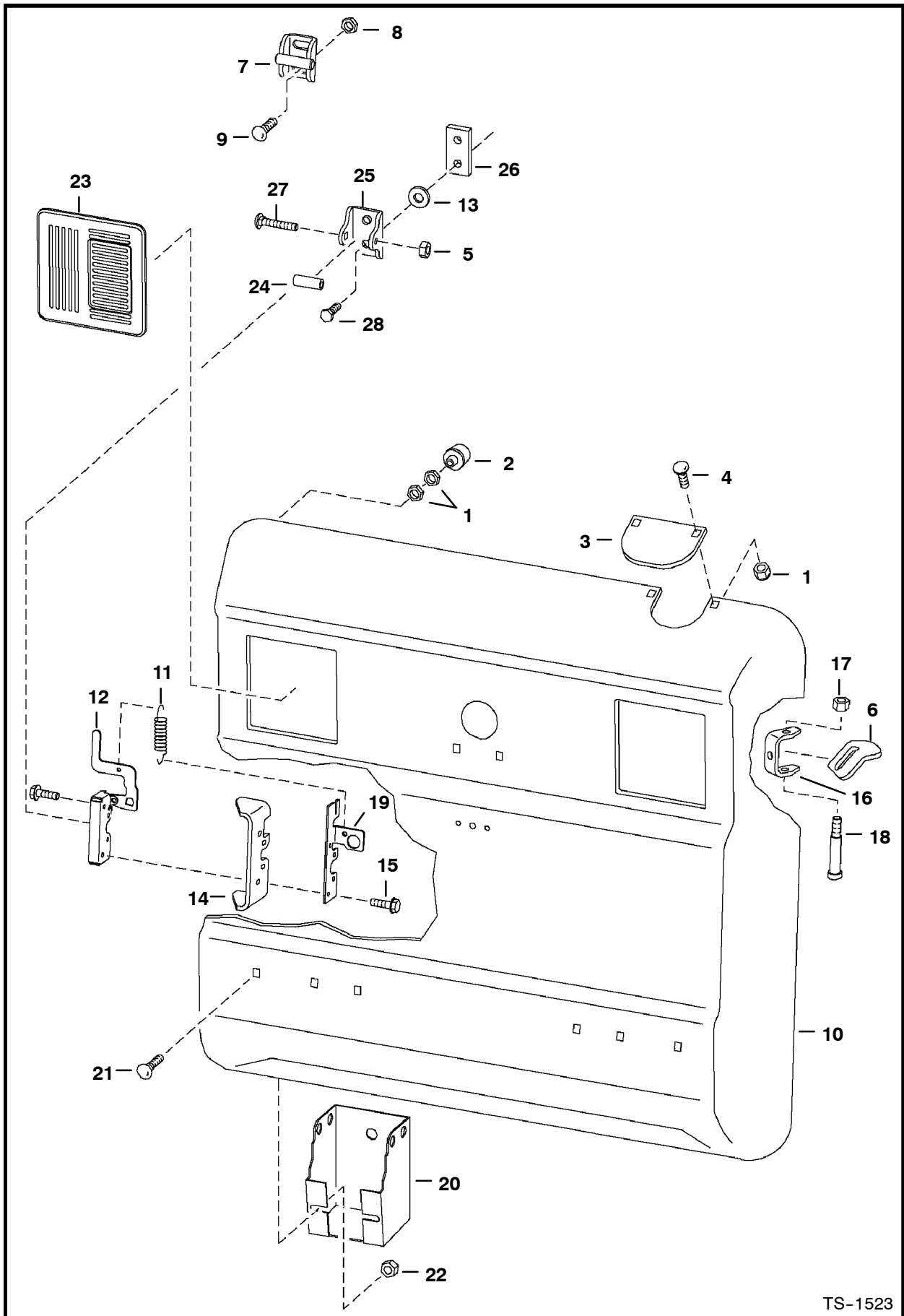
SEAT (Cont'd) (Suspension - Sears)



SEAT (Cont'd)
(Suspension - Sears)

Ref. No.	Part Number	Description	Remarks	Serial Number	Qty.
42	NSS	DRIVE GEAR			1
43	NSS	BUSHING	torsion		1
44	NSS	RACK	wt adjustment		1
45	NSS	BOLT			2
46	NSS	SPACER	recliner		1
47	NSS	BRACKET	back tilt		1
48	NSS	NUT			2
49	NSS	WASHER	plastic		2
50	NSS	BOSS	back pan pivot		2
51	NSS	HANDLE	recliner (RH)		1
52	NSS	LATCH	recliner		1
53	NSS	SPRING	extension		1
54	NSS	SPRING	tilt latch		1
55	NSS	CLIP			6
56	NSS	WIRE	boot support		1
57	NSS	SUSPENSION	boot		1
58	NSS	SCREW			2
59	NSS	HOUSING	upper		1
60	NSS	HOUSING	lower		1
61	NSS	BACK PAN			1
62	6675309	KIT	slides - W/Ref. 8-12		1
	6675310	KIT	tether belt - W/Ref. 9, 13 & 14		1
	6675311	KIT	suspension rollers & bearings - W/Ref. 15-20		1
	6675312	KIT	suspension bumpers & stops - W/Ref. 21-27		1
	6675313	KIT	rear tube - W/Ref. 17, 20 & 28		1
	6675314	KIT	weight adj. indicator - W/Ref. 29-33		1
	6675315	KIT	weight adj. handle - W/Ref. 34-39		1
	6675316	KIT	weight adj. - W/Ref. 17, 20 & 40-44		1
	6675318	KIT	R.H. recliner - W/Ref. 7, 8 & 45-54		1
*	6676034	KIT	L.H. recliner - W/Ref. 7, 8 & 45-54		1
	6675308	KIT	susp. boot - W/Ref. 55-57		1
63*	6676338	GAS SPRING			1
64	6900861	INSTRUCTIONS			1

REAR DOOR

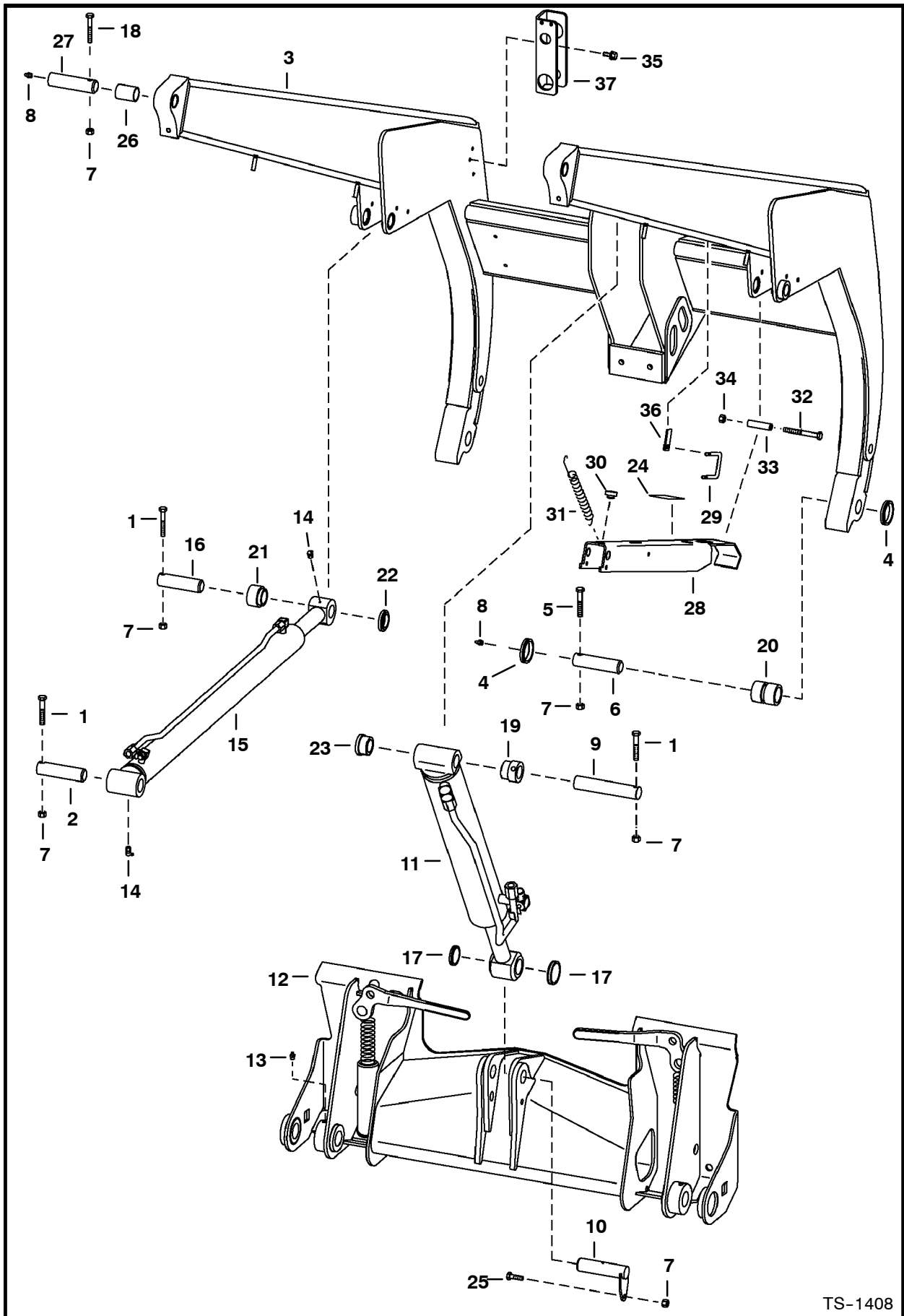


TS-1523

REAR DOOR (Cont'd)

Ref. No.	Part Number	Description	Remarks	Serial Number	Qty.
1	61D-5	NUT			6
2*	6655399	BUMPER	Was 6714454 [B,D] exhaust		2
3	6714509	COVER			1
4	37C-512	BOLT			2
5	61D-6	NUT			2
6	6714126	DOOR STOP			1
7	6715157	STRIKER ASSY.			1
8	83D-8	NUT			2
9	37C-820	BOLT	carriage		2
	25G-820	BOLT	hex socket		2
10	6711524	REAR DOOR			1
11	6714210	SPRING			1
12	6670867	LATCH			1
13*	6675273	WASHER	lock		2
14	6711527	LATCH PLATE	weld-on		1
15	31C-420	BOLT			4
16	6711526	HINGE	weld-on		2
17	59D-6	NUT			2
18	38C-856	BOLT			2
19	6711664	GUIDE	latch		1
20	6715318	TOOL HOLDER			1
21	37C-612	BOLT			2
22	55D-6	NUT			2
23	6670287	COVER			2
24	6719550	TUBE	striker		1
25	6719524	STRIKER			1
26	6719525	BAR	threaded striker		1
27	37C-644	BOLT	carriage		1
28	17C-820	BOLT			2
29*	6719766	STOP			1

LIFT ARM & BOB-TACH

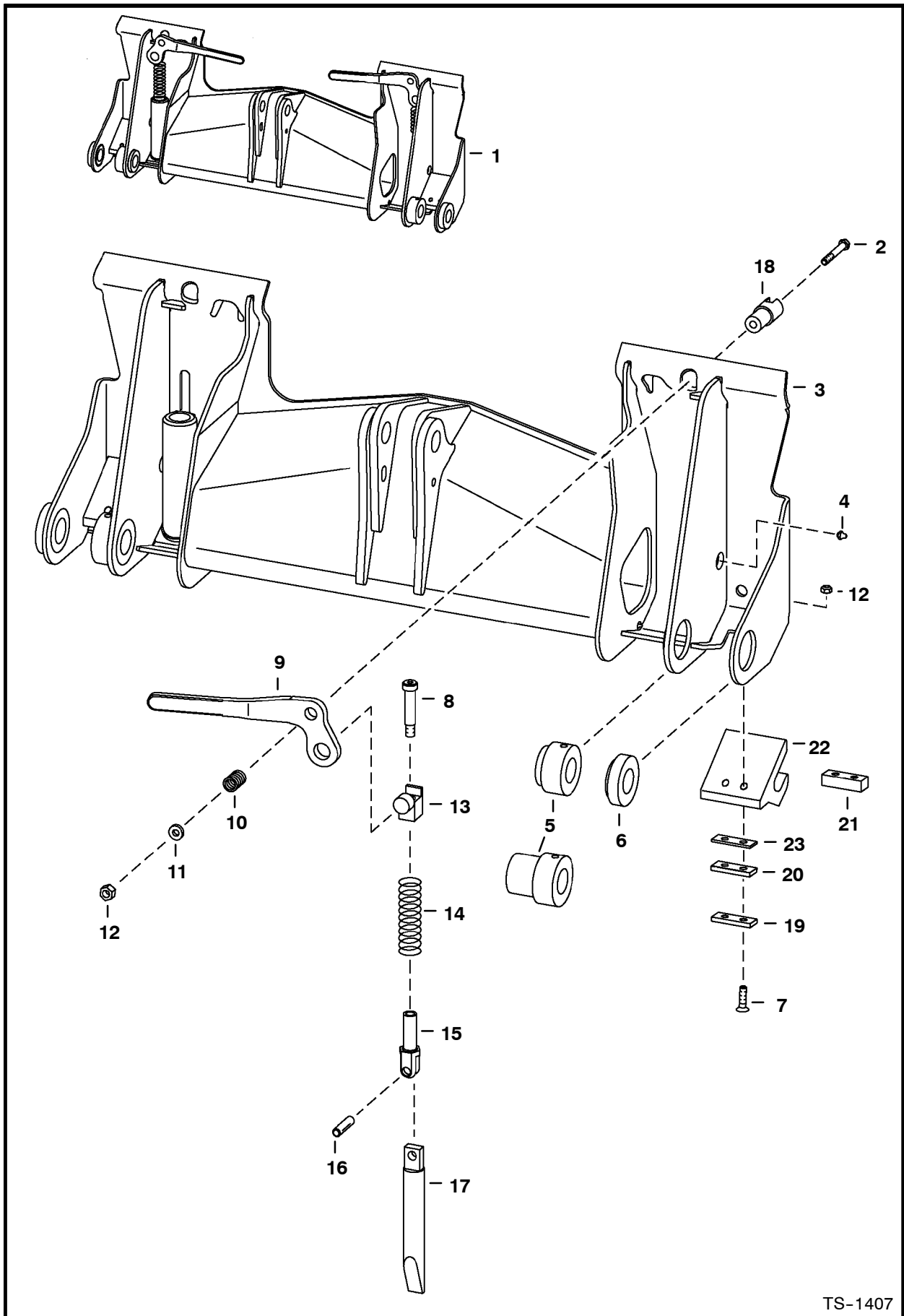


TS-1408

LIFT ARM & BOB-TACH (Cont'd)

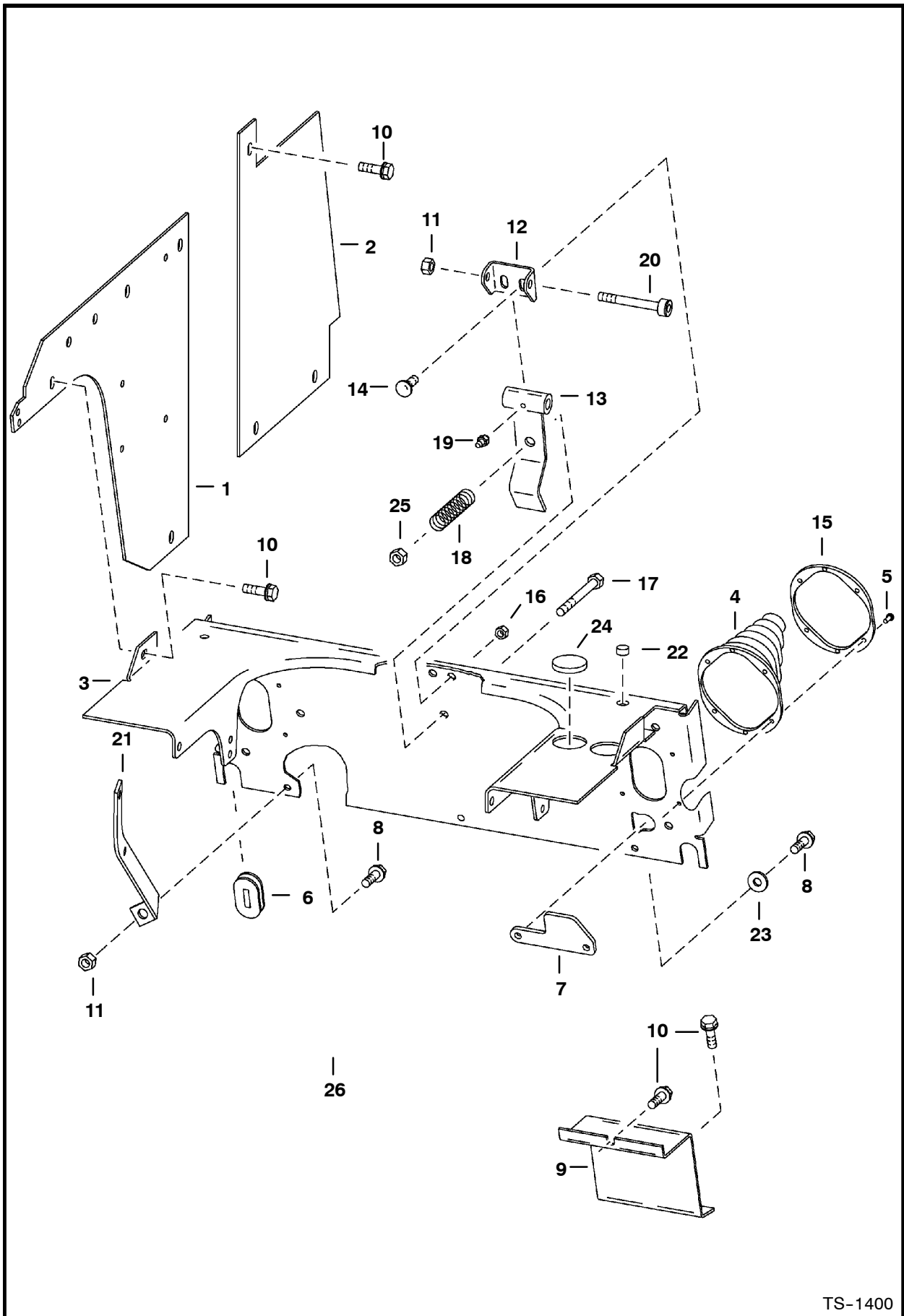
Ref. No.	Part Number	Description	Remarks	Serial Number	Qty.
1	17C-640	BOLT			5
2	6702935	PIN			2
3	6719265	LIFT ARM	Was 6709984 [B,D]		1
4	6631067	SEAL			4
5	17C-656	BOLT			2
6	6711334	PIN			2
7	85D-6	NUT			10
8	10H-25	GREASE ZERK			4
9	6704288	PIN			1
10	6716601	PIN	w/o grease zerk hole		1
11		CYLINDER	tilt - See Page 51		1
12		BOB-TACH	See Page 27		1
13	743332	GREASE ZERK			2
14	11H-15	GREASE ZERK			4
15		CYLINDER	lift - See Page 53		2
16	6547593	PIN			2
17	225855	SEAL			2
18	17C-652	BOLT			2
19	6704287	BUSHING	weld on		1
20	6708517	BUSHING	wear		2
21	6555987	BUSHING	weld on		2
22	6558991	BUSHING	weld on		2
23	6703363	BUSHING	weld on		1
24	6704436	PAD	rubber - self adhesive		1
25	17C-620	BOLT			1
26	6718538	BUSHING			2
27*	6725597	PIN	Was 6718539 [A]		2
28	6710166	LIFT ARM STOP	assy		1
29	6714810	PIN	retainer		1
30	6519178	BUMPER			3
31	6579072	SPRING			1
32	17C-660	BOLT			1
33	6700533	SPACER			1
34	61D-6	NUT			1
35*	84G-3716	BOLT	Was 84G-3712 [B]		2
36	6705091	TAB	weld on		1
37	6714665	MOUNT	See Page 49		1
38	6719304	GUSSET			2
39	6719215	BRACE	L.H.		1
40	6719216	BRACE	R.H.		1
41	6719231	PLATE	boom		1

BOB-TACH



TS-1407

PANELS

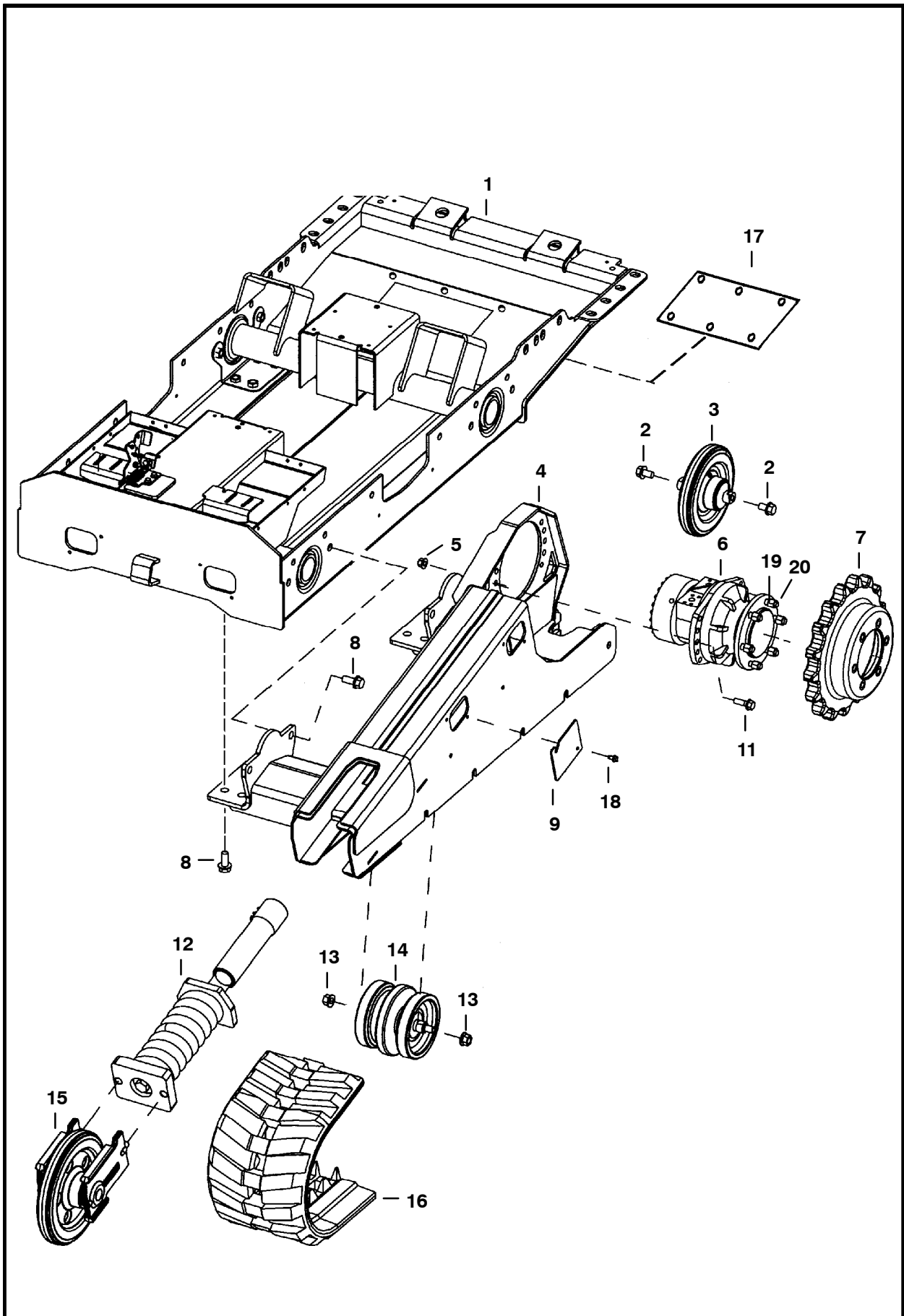


TS-1400

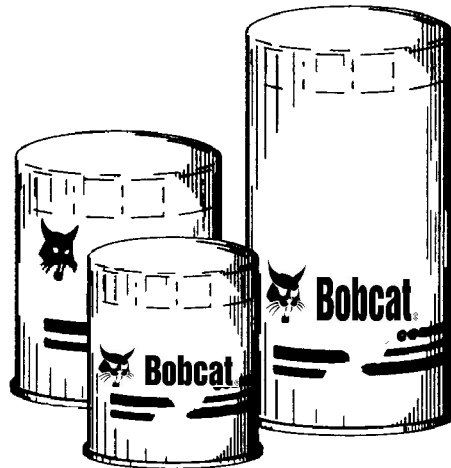
FUEL SYSTEM (Cont'd)

Ref. No.	Part Number	Description	Remarks	Serial Number	Qty.
1	6661114	CAP	green fuel fill - W/Ref. 2		1
	6661696	CAP	locking -W/Ref. 2 -Code PK510		1
2	6587458	KEY	Code PK510		1
3	6706517	SCREW			3
4	6701449	FILLER TUBE			1
5*	5HM-58	CLAMP	Was 42H-24 [B]		2
6*	6717339	HOSE	Was 6710277 [A]		1
7*	5HM-24	CLAMP	Was 42H-10 [B]		2
8	NAP	HOSE	40" (1016mm) long - Order		
9*	5HM-13	CLAMP	Ref. 36		1
10	6598908	ELBOW	Was 6515575 [B]		2
11	6717402	BUSHING	.54" dia. hole		1
12	6661213	CLAMP			3
13	6579554	HOSE			2
14	6650239	SCREEN			1
15	6578278	PAD	self adhesive one side		2
16*	6674209	SENSOR	fuel - W/Ref. 17 - See Page 125 -		
17	6717579	GASKET	Was 6669642 [A]		1
18	6569219	SCREEN	rubber		1
19	6719423	TANK			1
20	6717401	PLUG	.75" (19mm) shoulder		1
21	NAP	HOSE	30" (762 mm) long - Order Ref. 37		1
22	6710488	MOUNT			1
23	53CM-830	BOLT			2
24	6715183	ELBOW	W/Ref. 25 - tapered boss face		2
25	99K-5	O-RING	tapered boss face		2
26	43C-512	BOLT			2
27	6667353	FILTER ASSY.			1
	6667352	ELEMENT			1
	72F-1	DRAIN COCK			1
28	6658180	BREATHER	plug		1
29	NAP	HOSE	14" (356mm) long - Order Ref. 37		1
30	NAP	HOSE	9.5" (241mm) long - Order Ref. 37		1
31	6666522	FUEL PUMP	See Page 171		1
32	6667170	PUMP	hand primer		1
33	NAP	HOSE	21.5" (546mm) long -Order Ref. 37		1
34*	6726567	ELBOW	Was 6666302 [B]		1
35	1CM-816	BOLT			1
36	6578172	HOSE	bulk - Sold Per Foot		x
37	6577822	HOSE	.375 I.D. - bulk - Sold Per Foot		x
38	6577821	HOSE	.25" I.D. - bulk - Sold Per Foot		x
39	30H-30	CLAMP			1
40	NAP	HOSE	29.5" (749mm) long - Order Ref. 38		1
41	6610510	TIE			1
42*	5HM-14	CLAMP			5
43*	5HM-15	CLAMP			3

DRIVE TRAIN

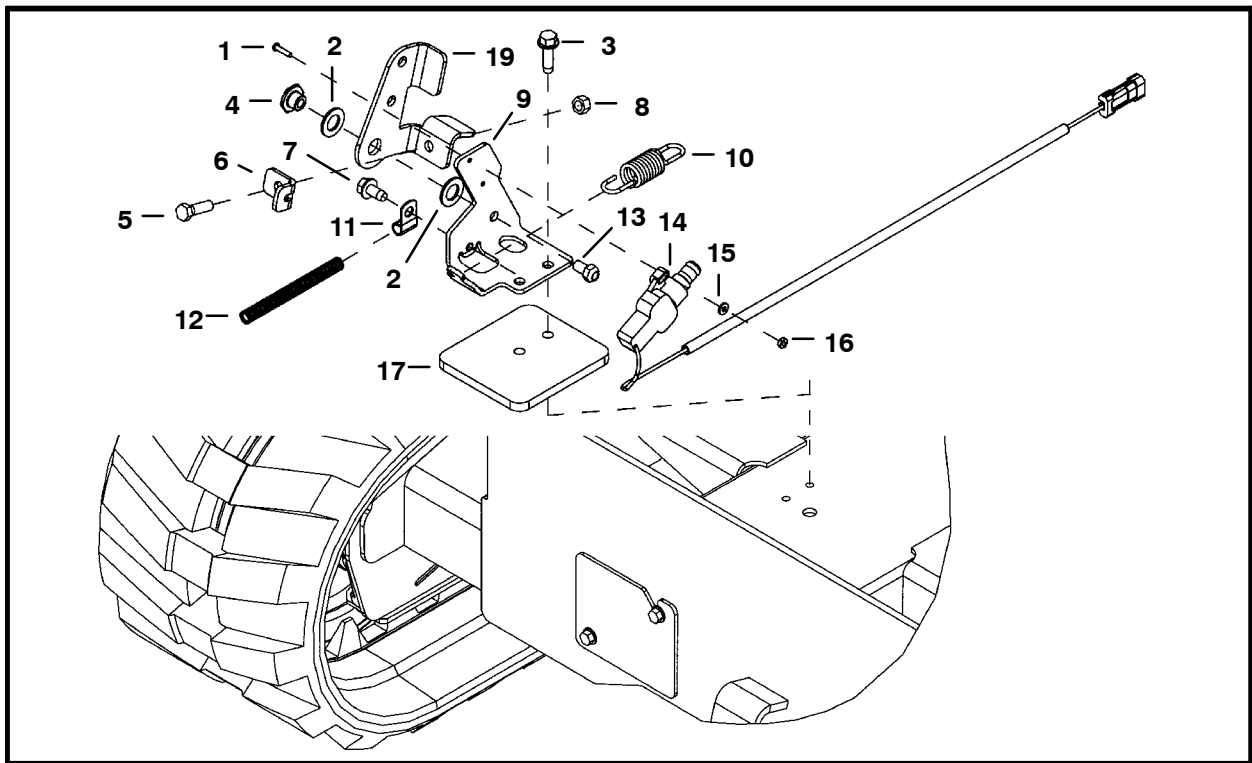


**Bobcat oil filters
are designed specifically to meet
the demands of your equipment.**



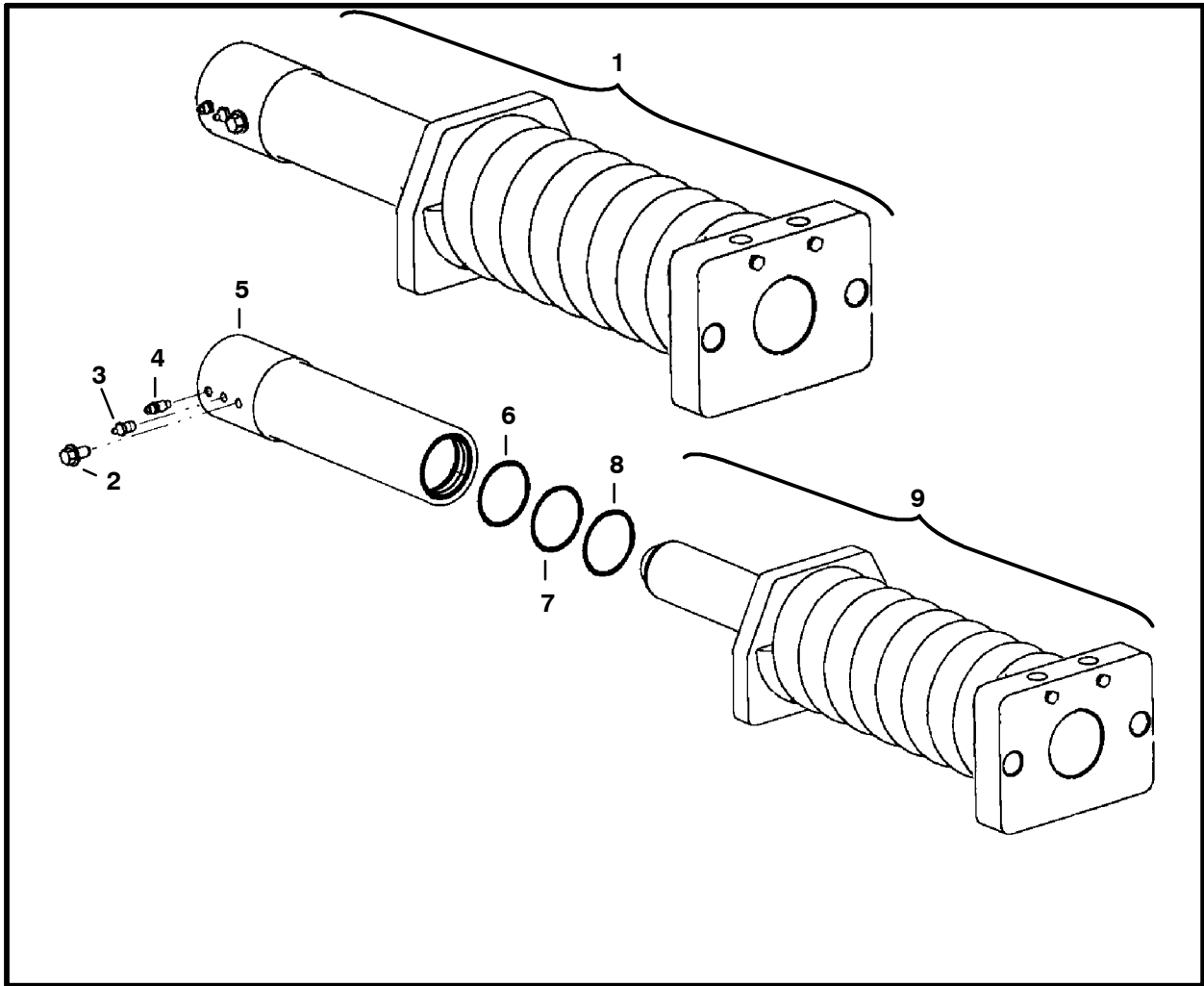
Available from Bobcat Parts.





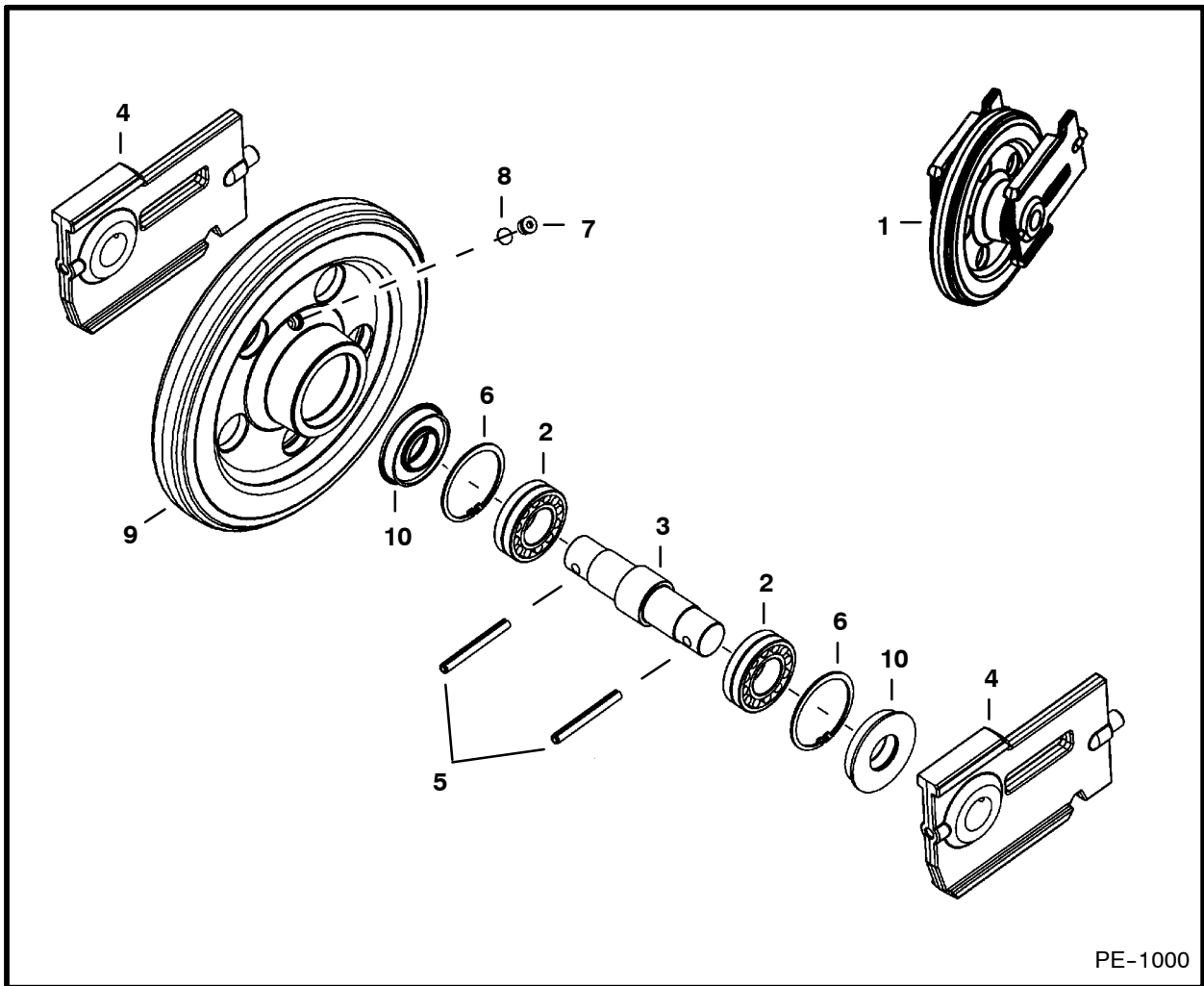
BRAKE

Ref. Part No.	Part Number	Description	Remarks	Serial Number	Qty.
1	23G-812	BOLT			2
2	6700170	WASHER			2
3	84G-3720	BOLT			2
4	6559479	NUT	retaining		1
5	17C-620	BOLT			1
6	6707315	BRACKET			1
7	84G-3712	BOLT			1
8	91D-6	NUT			1
9	6707313	MOUNT			1
10	6585860	SPRING			1
11	30H-23	CLAMP			1
12	NAP	CONDUIT	5" long - Order Ref. 18		1
13	17C-610	BOLT			1
14	6707337	SWITCH			1
15	25E-8	WASHER			2
16	12D-8	NUT			2
17	6716858	SPACER			1
18	6584978	CONDUIT	Bulk - Order Per Foot		x
19	6707314	PEDAL LOCK	traction		x



TRACK TENSIONER

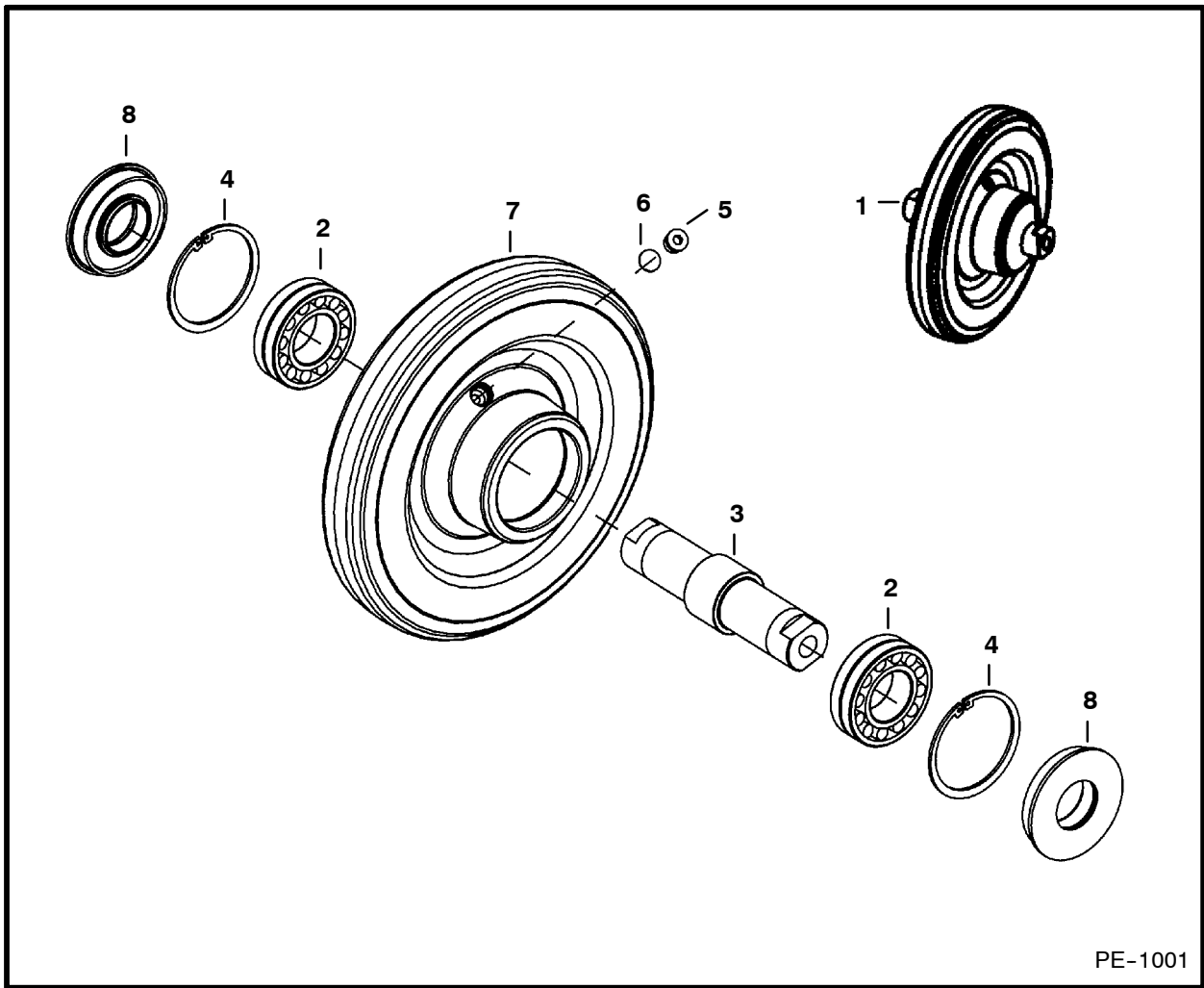
Ref. No.	Part Number	Description	Remarks	Serial Number	Qty.
1	6718337	TRACK TENSIONER	Ref. 2-9		1
2	26GM-10020	BOLT			1
3	6655752	GREASE ZERK	Must be rated 10,000 psi - Do not substitute!		1
4	6645812	BLEEDER			1
5	6716011	TUBE			1
6	6672338	O-RING			1
7	6672342	WASHER	back-up		1
8	6668004	SEAL	wiper		1
9	NSS	COIL SPRING ASSY	Order Ref. 1		1



PE-1000

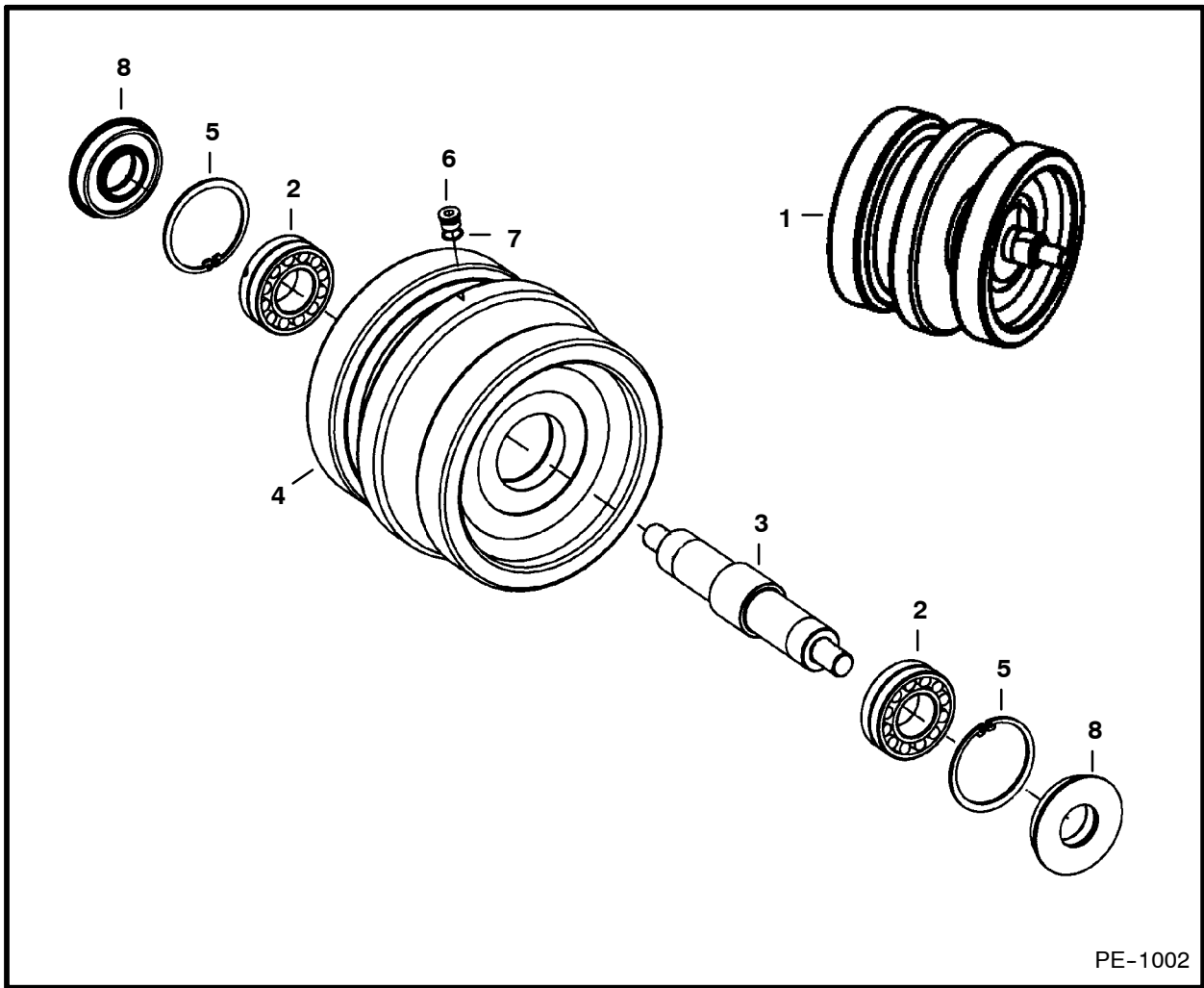
FRONT IDLER

Ref. No.	Part Number	Description	Remarks	Serial Number	Qty.
1	6715764	IDLER ASSY	front - Ref. 2-10		1
2	6672952	BEARING			2
3	6715749	AXLE	shaft		1
4	6715759	BRACKET			2
5	2JM-1090	ROLL PIN			2
6	7JM-80	SNAP RING			2
7	90KV-5	PLUG	W/Ref. 8		1
8	95K-6	O-RING			x
9	6717694	IDLER			1
10	6717811	SEAL			2



REAR IDLER

Ref. No.	Part Number	Description	Remarks	Serial Number	Qty.
1	6715765	IDLER ASSY	rear - W/Ref. 2-8		1
2	6672952	BEARING			2
3	6715748	AXLE	shaft		1
4	7JM-80	SNAP RING			2
5	90KV-5	PLUG	W/Ref. 8		1
6	95K-6	O-RING			x
7	6717728	IDLER			1
8	6717811	SEAL			2

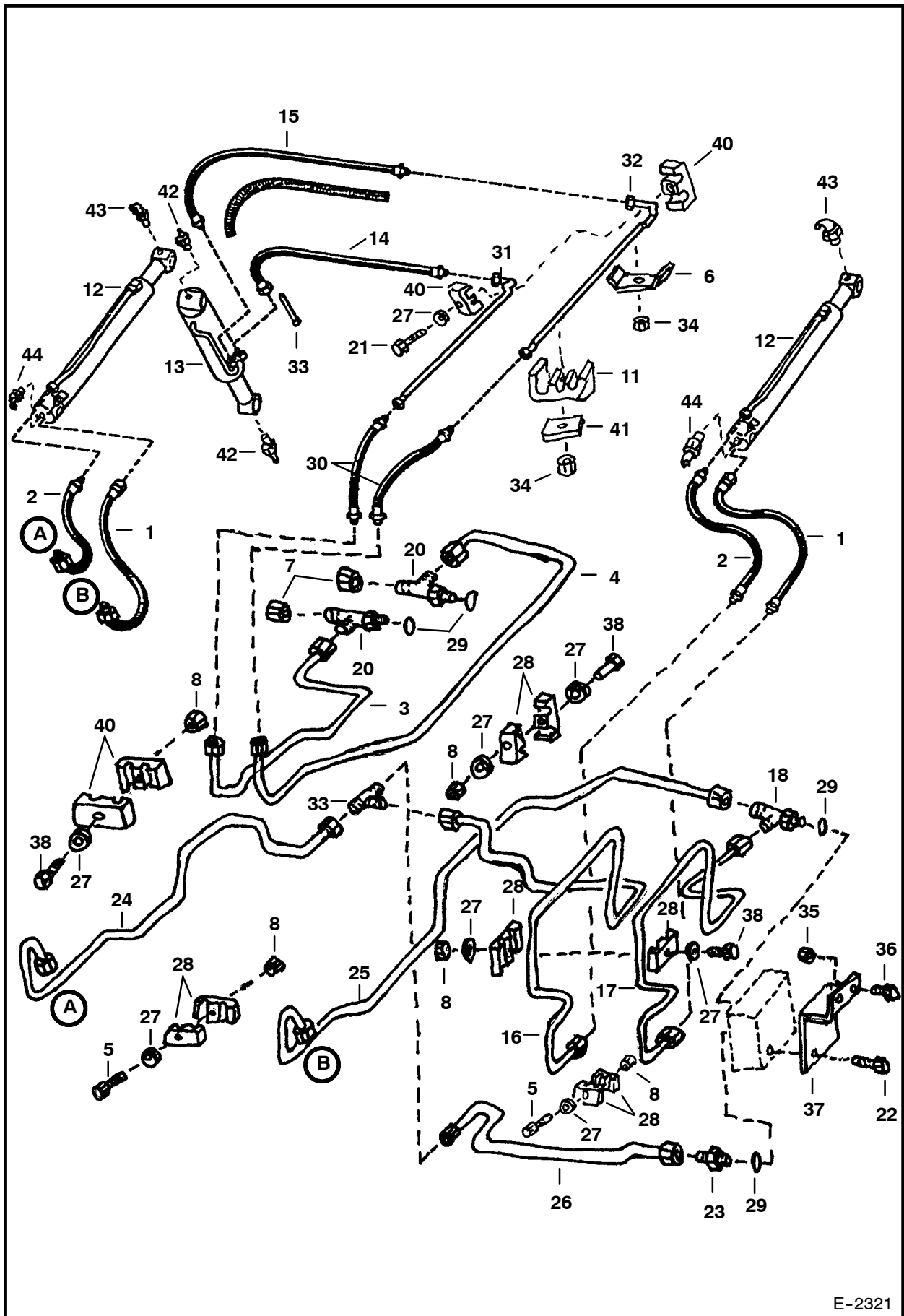


PE-1002

TRACK ROLLER

Ref. No.	Part Number	Description	Remarks	Serial Number	Qty.
1	6715766	ROLLER ASSY	W/Ref. 2-8		1
2	6673212	BEARING			2
3	6715750	AXLE	shaft		1
4	6717691	ROLLER			1
5	7JM-72	SNAP RING			2
6	90KV-5	PLUG	W/Ref. 7		1
7	95K-6	O-RING			x
8	6717802	SEAL			2

HYDRAULIC CIRCUITRY (W/O Bucket Positioning Valve)

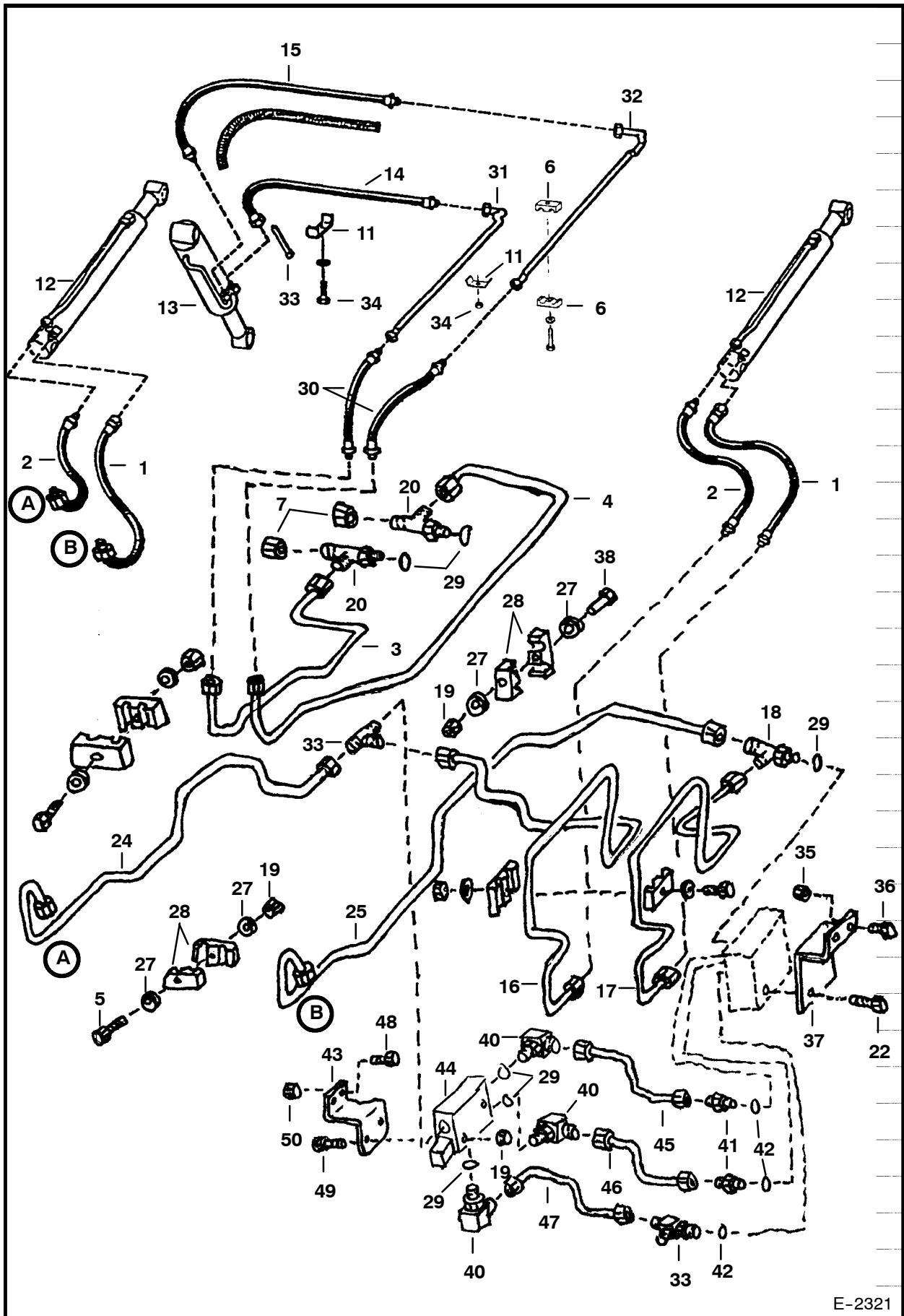


E-2321

HYDRAULIC CIRCUITRY (Cont'd)
(W/O Bucket Positioning Valve)

Ref. No.	Part Number	Description	Remarks	Serial Number	Qty.
1	6669460	HOSE			1
2	6669461	HOSE			1
3	6719027	TUBE			1
4	6719354	TUBE			1
5	10C-528	BOLT			2
6	6701893	CLAMP			1
7	36K-7	CAP			2
8	85D-5	NUT			5
9	30H-46	CLAMP			1
10	17C-532	BOLT			1
11	6717933	CLAMP			1
12		CYLINDER	lift - See Page 53		2
13		CYLINDER	tilt - See Page 51		1
14	6578773	HOSE			1
15	6578774	HOSE			1
16	6718971	TUBE			1
17	6718167	TUBE			1
18	6715187	TEE	W/Ref. 29 - tapered boss face		1
19	97K-8	O-RING	flared end		1
20	83D-5	NUT			2
20	21KN-7	TEE	W/Ref. 29		2
21	97K-10	O-RING	flared end		x
21	84G-3728	BOLT			1
22*	17C-620	BOLT	Was 6717378 [B]		2
23	15KV-7	ADAPTER	W/Ref. 29 - tapered boss face		2
	97K-10	O-RING	flared end		x
24	6718946	TUBE			1
25	6718947	TUBE			1
26	6718878	TUBE			1
27	872229	WASHER			8
28	6701892	CLAMP			8
29	99K-10	O-RING	tapered boss face		x
30	6669674	HOSE			2
31	6718161	TUBE			1
32	6718162	TUBE			1
33	6718911	TEE			1
	97K-8	O-RING	flared end		1
	97K-10	O-RING	flared end		x
34	59D-6	NUT			1
35	85D-6	NUT			2
36	17C-616	BOLT			2
37	6710301	BRACKET			1
38	17C-528	BOLT			3
39	17C-544	BOLT			1
40*	6701893	CLAMP			4
41*	6553709	WASHER	rectangular		1
42*	10H-25	GREASE ZERK			2
43*	12H-15	GREASE ZERK			2
44*	11H-15	GREASE ZERK			2

HYDRAULIC CIRCUITRY (W/Bucket Positioning Valve)

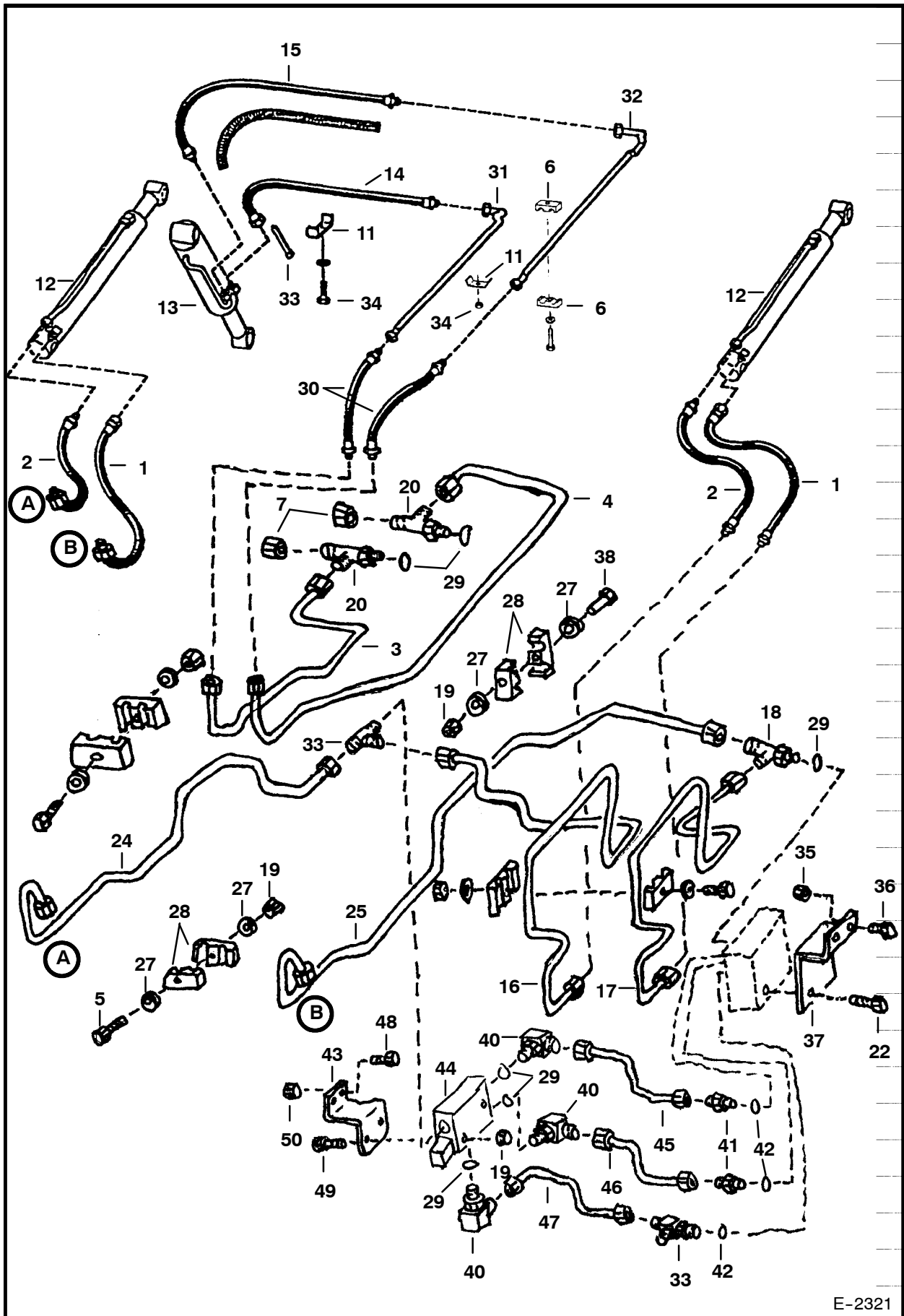


E-2321

HYDRAULIC CIRCUITRY (Cont'd)
(W/Bucket Positioning Valve)

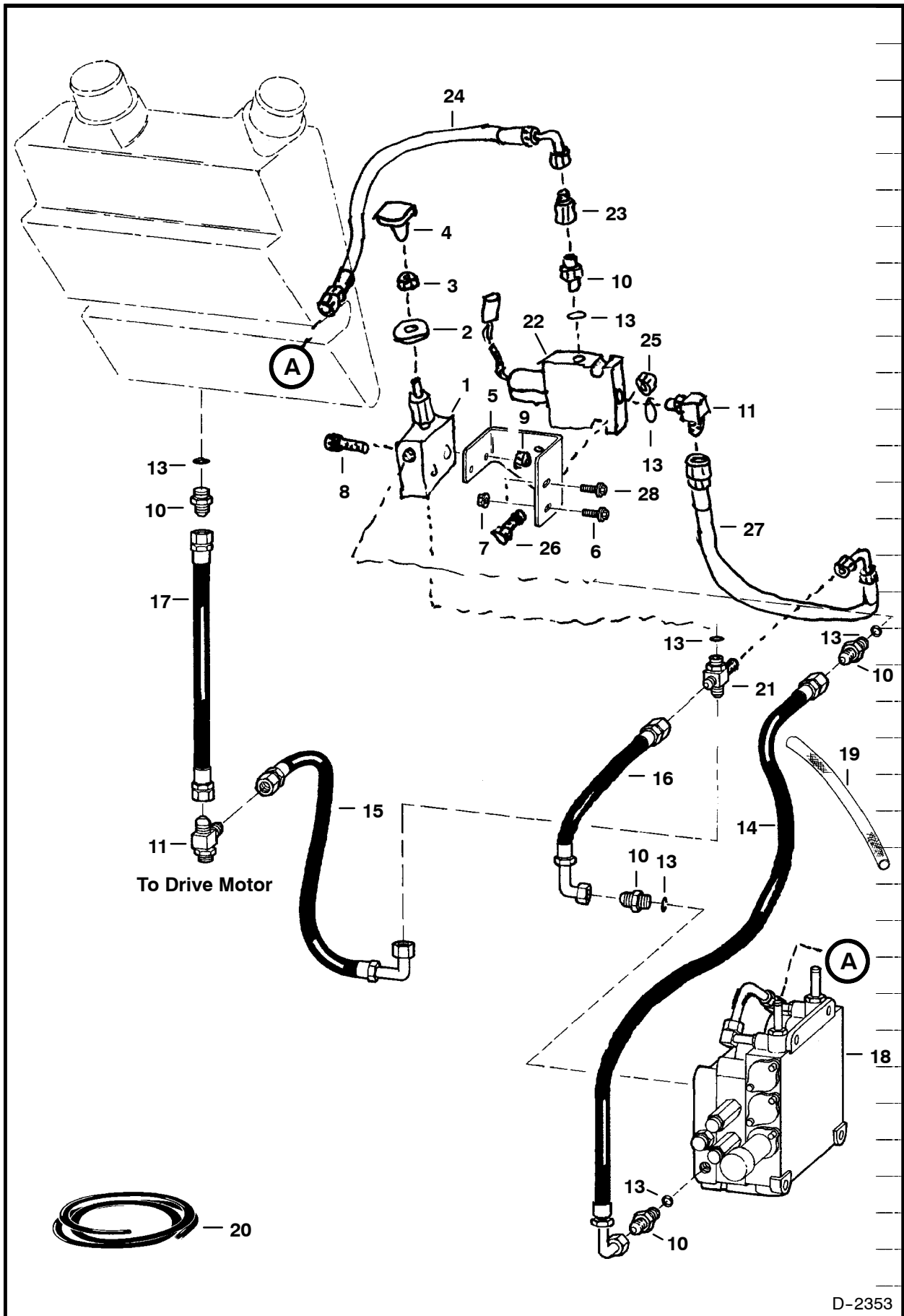
Ref. No.	Part Number	Description	Remarks	Serial Number	Qty.
1	6669460	HOSE			1
2	6669461	HOSE			1
3	6719027	TUBE			1
4	6719354	TUBE			1
5	10C-528	BOLT			1
6	6701893	CLAMP			4
7	36K-7	CAP			2
8	85D-5	NUT			5
9	30H-46	CLAMP			1
10	17C-532	BOLT			1
11	6717933	CLAMP			1
12		CYLINDER	lift - See Page 53		2
13		CYLINDER	tilt - See Page 51		1
14	6578773	HOSE			1
15	6578774	HOSE			1
16	6718971	TUBE			1
17	6718167	TUBE			1
18	6715187	TEE	W/Ref. 29 - tapered boss face		1
19	97K-8	O-RING	flared end		1
20	83D-5	NUT			4
20	21KN-7	TEE	W/Ref. 29		2
21	97K-10	O-RING	flared end		x
21	84G-3728	BOLT			1
22	6717378	BOLT			2
23	15KV-7	ADAPTER	W/Ref. 29 - tapered boss face		2
23	97K-10	O-RING	flared end		x
24	6718946	TUBE			1
25	6718947	TUBE			1
26	6718878	TUBE			1
27	872229	WASHER			4
28	6701892	CLAMP			2
29	99K-10	O-RING	tapered boss face		x
30	6669674	HOSE			2
31	6718161	TUBE			1
32	6718162	TUBE			1
33	6715187	TEE	W/Ref. 42		2
34	97K-8	O-RING	flared end		1
34	97K-10	O-RING	flared end		x
34	59D-6	NUT			1
35	85D-6	NUT			2
36	17C-616	BOLT			2
37	6710301	BRACKET			1
38	17C-528	BOLT			1
39	17C-544	BOLT			1
40*	17KV-7	ELBOW	W/Ref. 29		3
*	97K-10	O-RING	flared end		x
41*	15KN-8	ADAPTER	W/Ref. 42		2
*	97K-12	O-RING	flared end		x
42*	99K-12	O-RING	tapered boss face		x
43*	6718726	MOUNT			1
44*		VALVE	bucket positioning - See Page 67		1

HYDRAULIC CIRCUITRY (Cont'd)
(W/Bucket Positioning Valve)



E-2321

MANUAL LIFT RELEASE SYSTEM

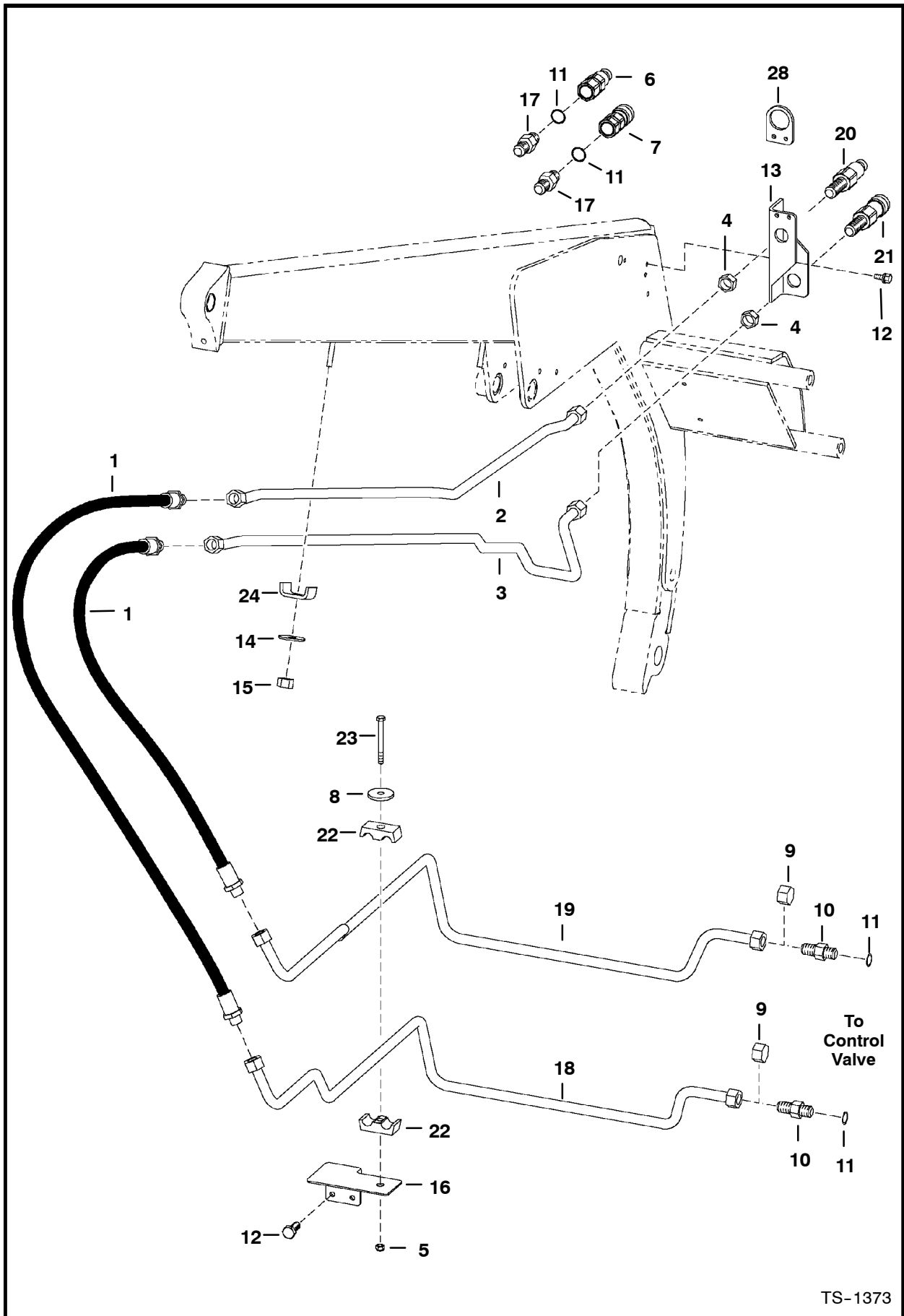


D-2353

MANUAL LIFT RELEASE SYSTEM (Cont'd)

Ref. No.	Part Number	Description	Remarks	Serial Number	Qty.
1	6667844	VALVE ASSY.	manual lift - See Page 54		1
2	6707101	SEAL	neoprene		1
3	7D-4	NUT	for 6664858		1
4	6668913	KNOB			1
5	6718881	MOUNT			1
6*	35C-624	BOLT	Was 35C-620 [B]		1
7	83D-6	NUT			2
8	17C-428	BOLT			2
9	83D-4	NUT			4
10	15KV-5	ADAPTER	W/Ref. 13 - tapered boss face		5
	97K-6	O-RING	flared end		x
11	21KV-5	TEE	W/Ref. 13 - tapered boss face		2
	97K-6	O-RING	flared end		x
12					
13	99K-6	O-RING	tapered boss face		x
14	6714856	HOSE	21" (533,4mm) long		1
15	6718145	HOSE			1
16	6706790	HOSE			1
17	6716000	HOSE			1
18		CONTROL VALVE	See Page 57		1
19	NAP	SHIELD	21" (533,4 mm) long -		
			Order Ref. 20		1
20	6650108	SHIELD	bulk - 1.35 " (33,5 mm) I.D. - Sold Per foot		x
21	6805241	CROSS			1
22		VALVE ASSY	brake - See Page 110		1
23	6672766	CHECK VALVE			1
24	6719461	HOSE			1
25	83D-4	NUT			2
26	17C-432	BOLT			2
27	6716463	HOSE			1
28*	35C-616	BOLT			1

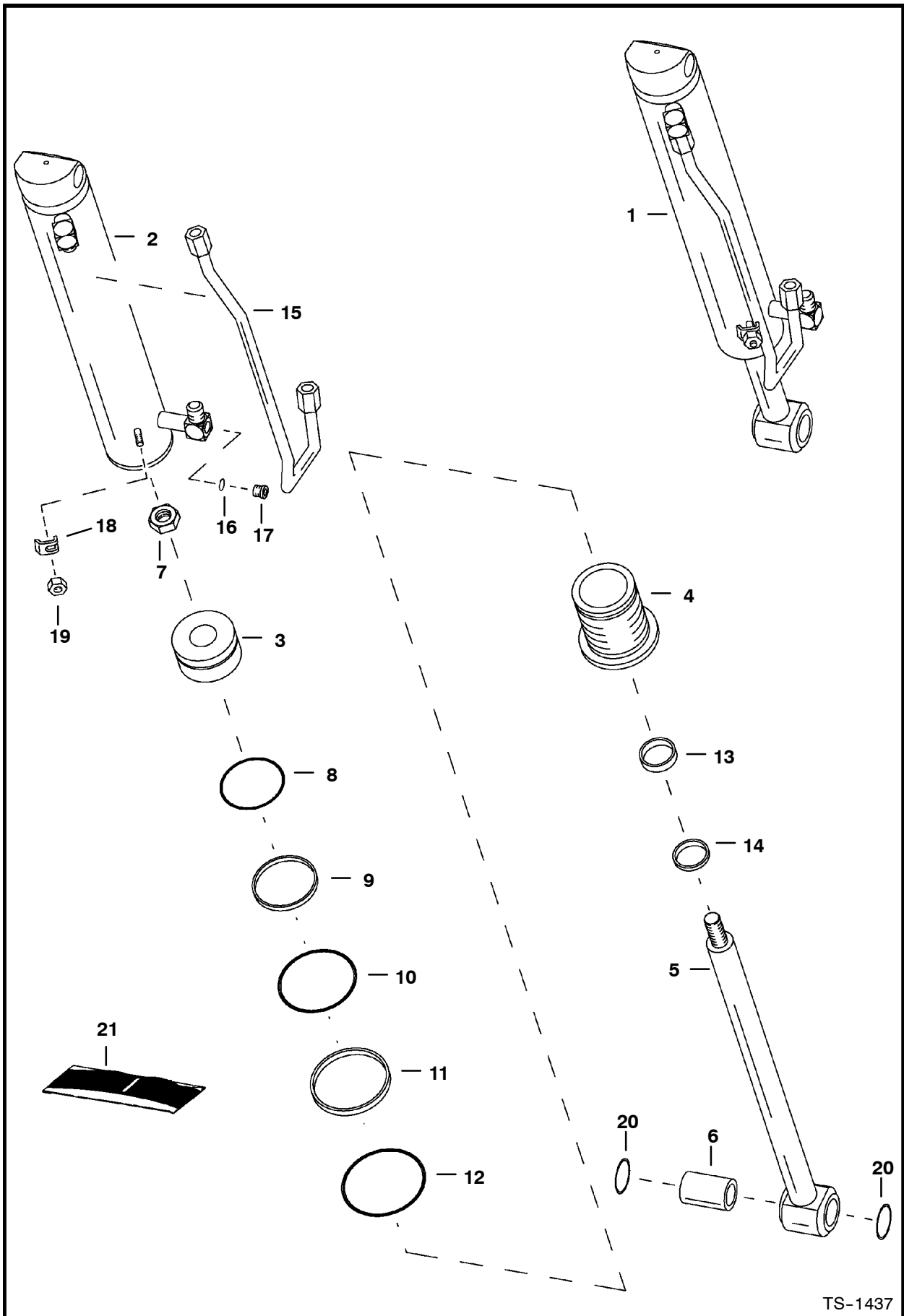
AUXILIARY HYDRAULICS



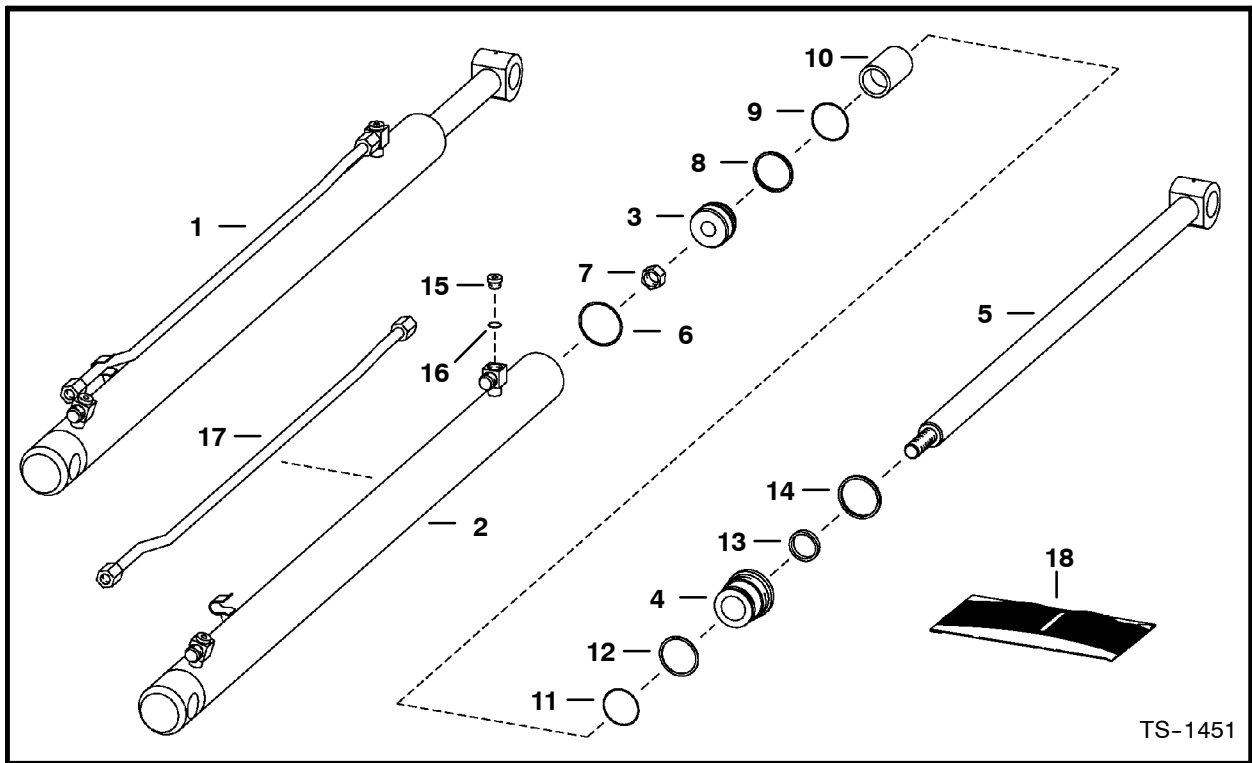
AUXILIARY HYDRAULICS (Cont'd)

Ref. No.	Part Number	Description	Remarks	Serial Number	Qty.
1	6714542	HOSE			2
2	6718158	TUBELINE			1
3	6718159	TUBELINE			1
4	86F-8	NUT			4
5	85D-6	NUT			1
6*	NAP	COUPLER	male - Order Ref. 20 -		
			Was 6667808 [B]		1
7*	6672026 NAP	SEAL KIT COUPLER	female - Order Ref. 21 -		1
			Was 6672960 [B]		1
8	872229	WASHER			1
9	36K-8	CAP	W/O front aux. option		2
10	15KN-8	ADAPTER	W/Ref. 11 - tapered boss face		2
	97K-12	O-RING	flared end		2
11	99K-12	O-RING	tapered boss face		x
12*	84G-3716	BOLT	Was 84G-3712 [B]		4
13	6714665	MOUNT			1
14	6553709	WASHER			2
15	59D-6	NUT			2
16	6712599	BRACKET			1
17	6716090	ADAPTER	tapered boss face		2
	97K-12	O-RING	flared end		2
18	6718792	TUBELINE			1
19	6718793	TUBELINE			1
20*	6676445	COUPLER	male		1
21*	6676447	COUPLER	female		1
22	6592506	CLAMP			2
23	17C-640	BOLT			1
24*	6717933	CLAMP	4 tubes - Was 6717951 [B]		2
25*	6714999	MOUNT			1

TILT CYLINDER (1.625" Rod)



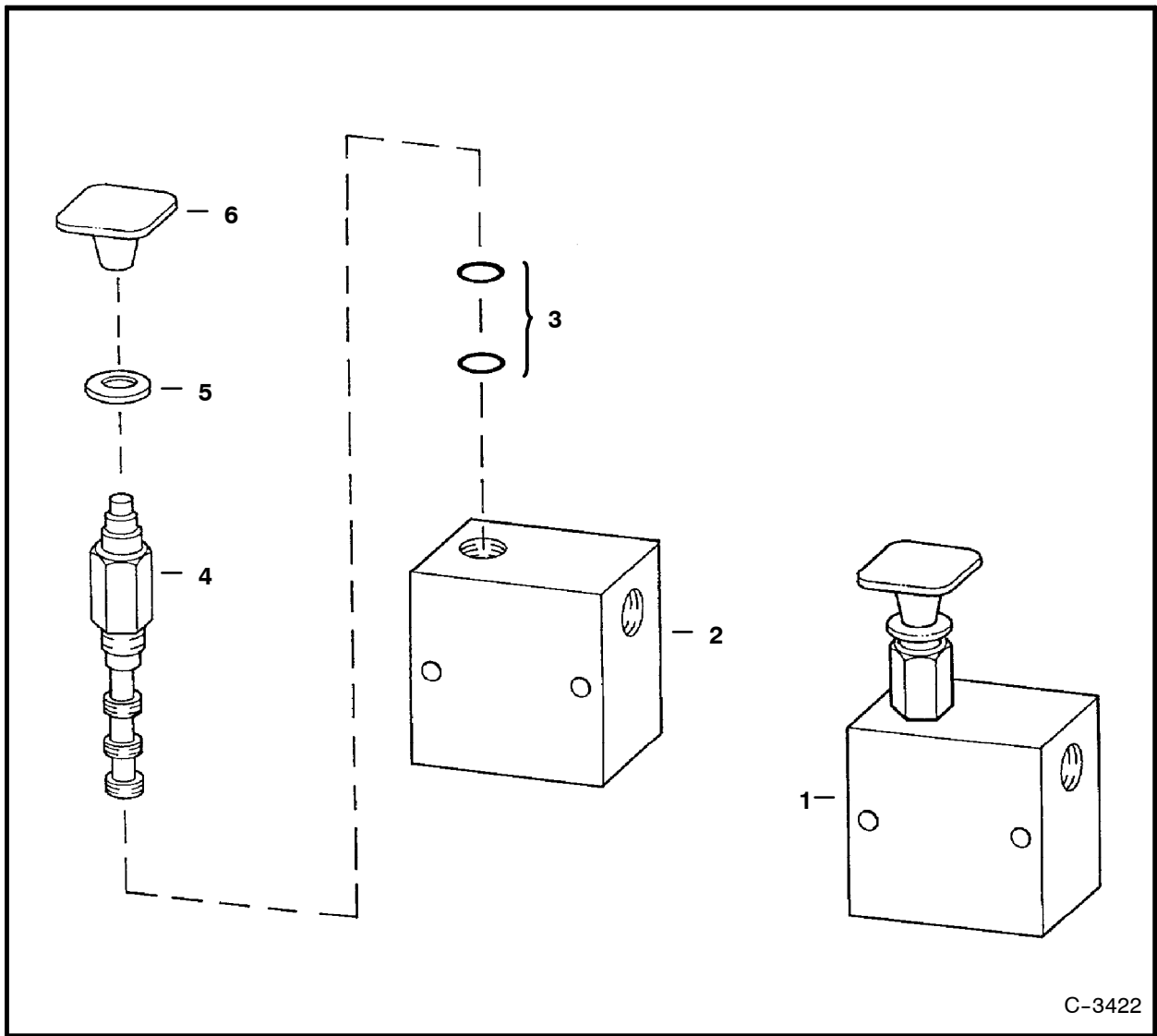
TS-1437



TS-1451

LIFT CYLINDER

Ref. No.	Part Number	Description	Remarks	Serial Number	Qty.
1	6800973	CYLINDER	Ref. 2-6		1
2	6800975	CASE			1
3	6667291	PISTON	W/Ref. 8&9 - W/Non-Replaceable wear sleeves		1
4	6597009	HEAD			1
5	6597015	ROD			1
6	58K-230	O-RING			1
7	92D-16	NUT			1
8	1522534	RING			1
9	54K-30202	O-RING			1
10	6592776	SPACER			1
11	54K-40208	O-RING			1
12	80K-228	WASHER	back-up rod		1
13	6667327	SEAL	rod		1
14	6666544	SEAL	wiper		1
15	90KV-5	PLUG	W/Ref. 16 - tapered boss face		2
16	95K-6	O-RING	tapered boss face		2
17	6800974	TUBE			1
18	6803312	SEAL KIT	Ref. 7 - 14		1

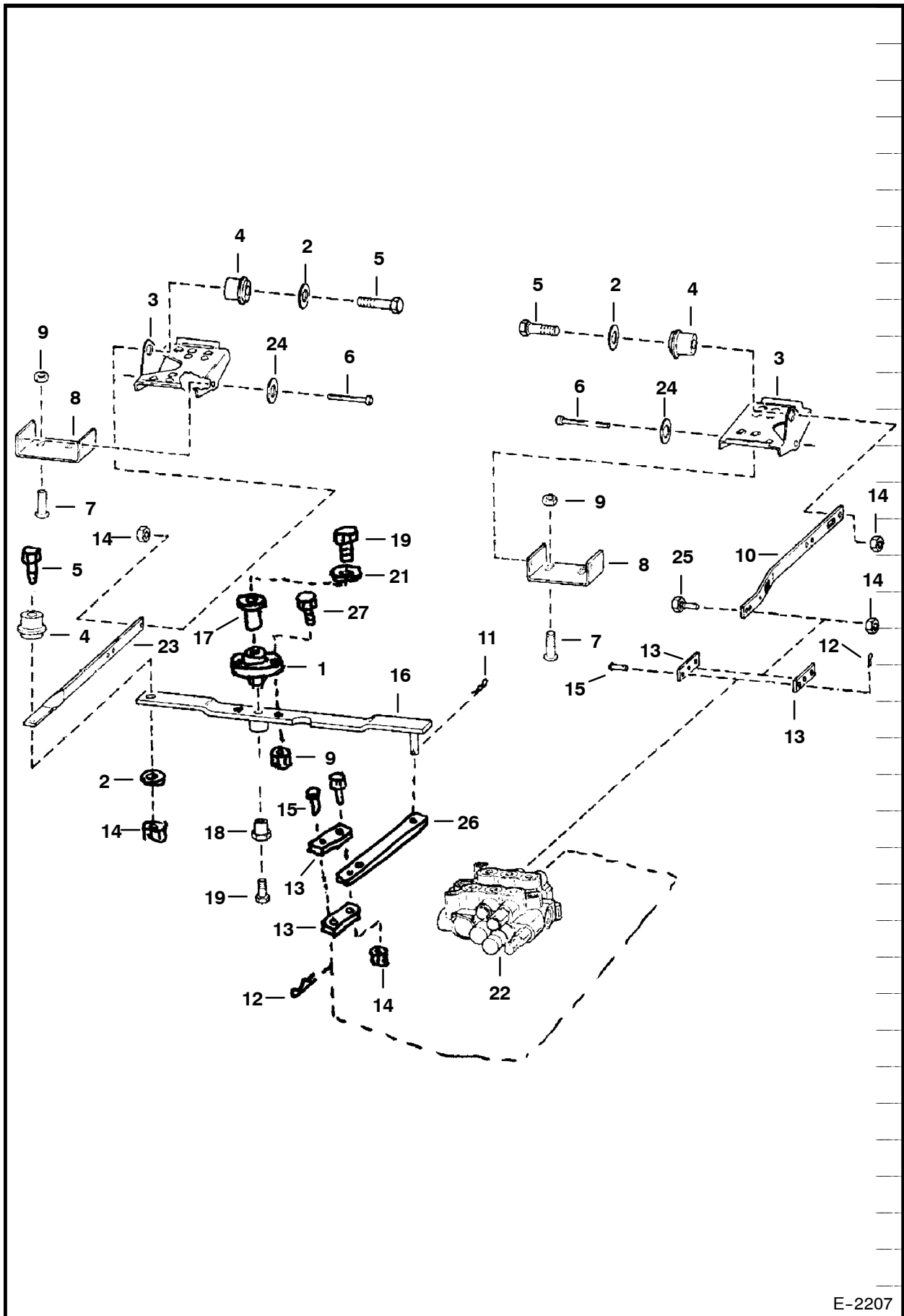


C-3422

MANUAL LIFT RELEASE VALVE

Ref. Part No.	Part Number	Description	Remarks	Serial Number	Qty.
1	6667844	VALVE ASSY	Ref. 2 - 4		1
2	NSS	BLOCK			1
3	6669087	SEAL KIT			1
4	6669085	VALVE			1
5	6707101	SEAL	neoprene		1
6	6668913	KNOB	red		1

CONTROL PEDALS



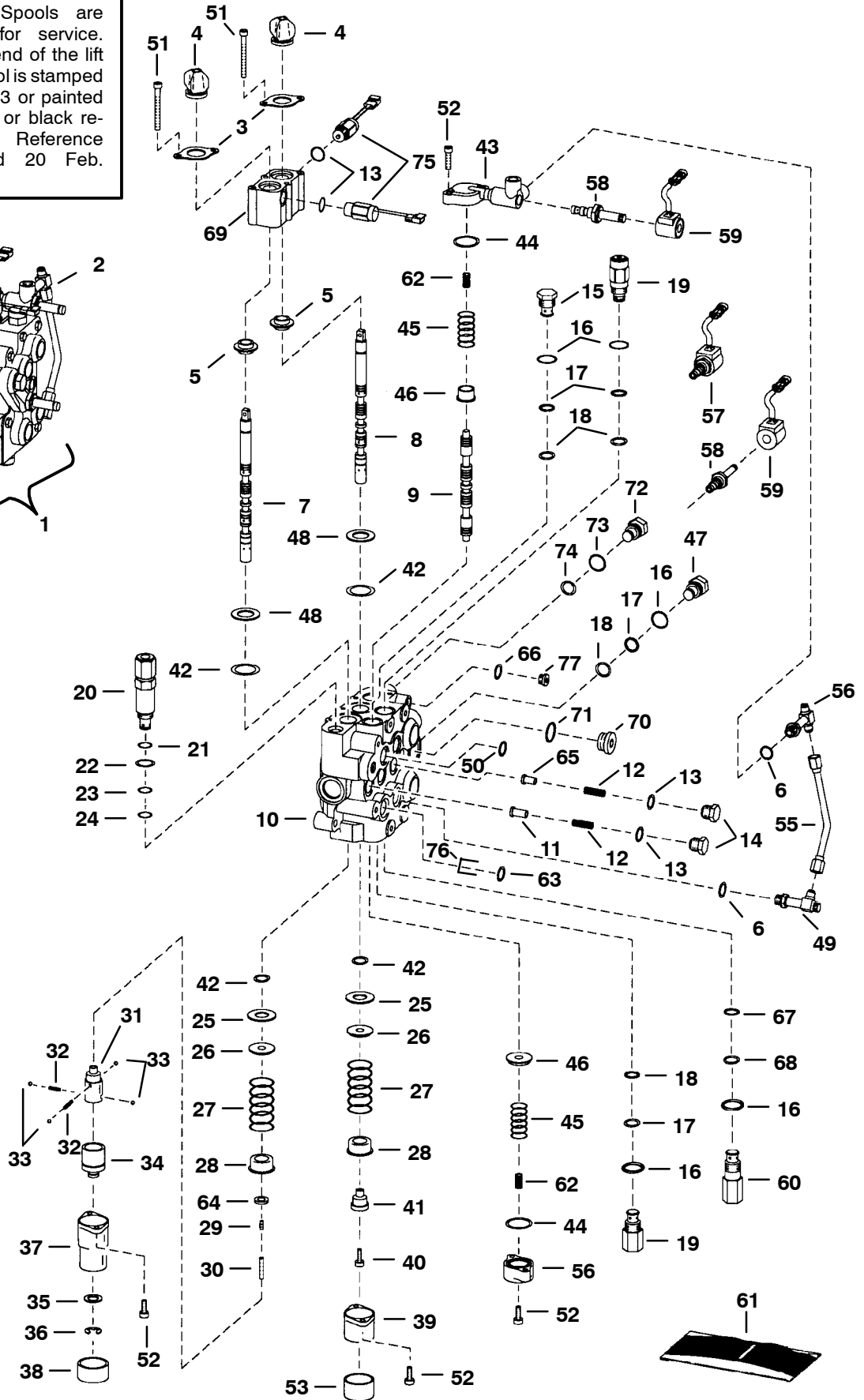
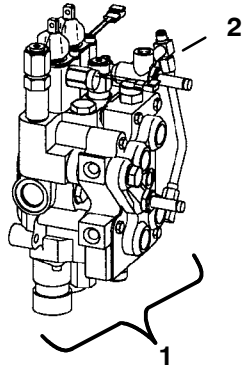
E-2207

CONTROL PEDALS (Cont'd)

Ref. No.	Part Number	Description	Remarks	Serial Number	Qty.
1	6708043	BUSHING			1
2	6563914	WASHER			5
3*	6726680	PEDAL	Was 6564656 [B]		2
4	6665701	BUSHING			3
5	17C-624	BOLT			3
6	6564657	PIN			2
7*	7C-620	BOLT	Was 6704349 [B]		4
8*	6726679	BRACKET	Was 6564658 [A]		2
9	57D-6	NUT			6
10	6717823	BAR	Was 6710329 [B,D]		1
11	1306637	COTTER PIN			1
12	6513495	COTTER PIN			2
13	6708009	LINK			4
14	95D-6	NUT			4
15	6564654	PIN			2
16	6719397	LEVER	Was 6706108 [B,D]		1
17	6512026	BUSHING			1
18	6718283	RETAINING NUT	Was 6706104 [B,D]		1
19	17C-612	BOLT			2
20	6706105	YOKE			1
21	619021	WASHER			1
22		VALVE	See Page 57		1
23	6719398	BAR	Was 6710328 [B,D]		1
24	25E-21	WASHER	Used if serrations on pins are too long		2
25	17C-620	BOLT			1
26	6719381	LINK			1
27	37C-620	BOLT			2

HYDRAULIC CONTROL VALVE (Spool Lock) (W/ BICS Control Valve)

NOTE: Spools are available for service. The boot end of the lift and tilt spool is stamped W/# 1, 2, 3 or painted red, green or black respectively. Reference S/L Dated 20 Feb. 1995.



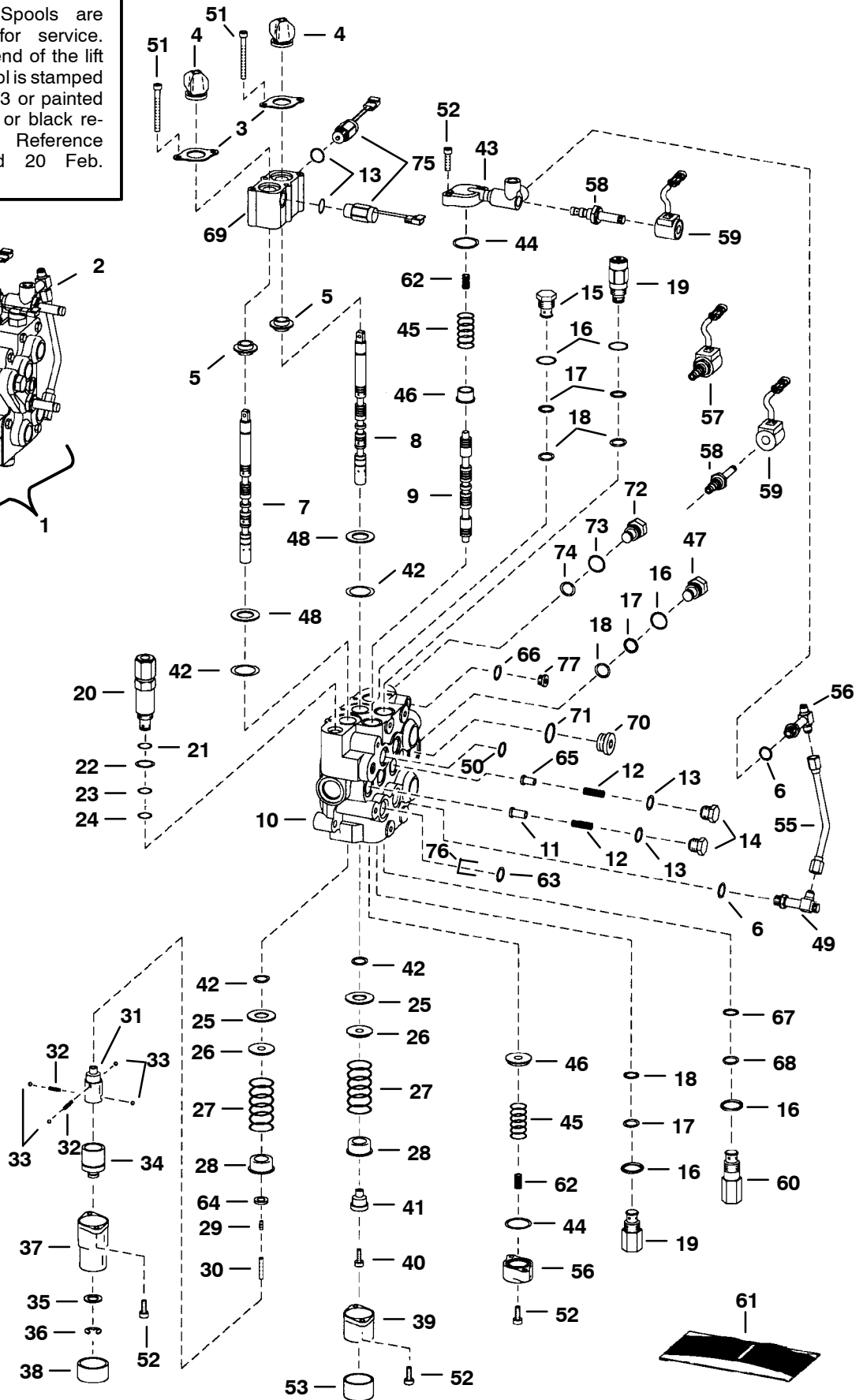
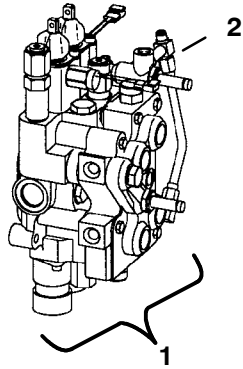
TS-1992

**HYDRAULIC CONTROL VALVE (Cont'd)
(Spool Lock) (W/ BICS Control Valve)**

Ref. No.	Part Number	Description	Remarks	Serial Number	Qty.
1	6806150	VALVE	W/Fittings - Ref. 2 - 76		1
2	6628571	VALVE ASSY	BICS control - See Page 66		1
3	6589564	RETAINER			2
4	6587763	BOOT			2
5	6805102	BUSHING	alignment		2
6	99K-6	O-RING			x
7	6674808	SPOOL	lift - # 1 or Red - SEE NOTE		1
	6674809	SPOOL	lift - # 2 or Green-SEE NOTE		1
	6674810	SPOOL	lift - # 3 or Black - SEE NOTE		1
8	6674814	SPOOL	tilt - # 1 or Red - SEE NOTE		1
	6674815	SPOOL	tilt - # 2 or Green - SEE NOTE		1
	6674816	SPOOL	tilt - # 3 or Black - SEE NOTE		1
9	6588074	SPOOL	auxiliary - SEE NOTE		3
10	NSS	BODY			1
11	6592115	SEAT	load check		2
12	6592117	SPRING			3
13	79K-8	O-RING			3
14	6592116	NUT	load check		3
15	6667549	VALVE	anti-cavity check -W/Ref. 16-18		1
16	79K-10	O-RING			2
17	80K-14	RING	back-up		5
18	58K-14	O-RING			5
19	6673184	VALVE	port relief - W/Ref. 16-18		2
20*	6676198	VALVE	main relief - W/Ref. 21-24 -		
			Was 6665626 [A]		1
21	58K-17	O-RING			1
22	6665569	WASHER	back-up		1
23	25K-20016	O-RING			1
24	6665570	RING	glide		1
25	6595663	BUSHING			2
26	6587523	WASHER			2
27	6587580	SPRING			2
28	6592100	COLLAR			2
29	6596807	PLUG			1
30	6586918	SCREW			1
31	6587575	ADAPTER			1
32	6592107	SPRING			2
33	6592105	BALL			4
34	6531270	SLEEVE			1
35	6592098	WASHER			1
36	799119	SNAP RING			1
37	6589226	BONNET	.625" flange		1
38	6660644	CAP			1
39	6587633	BONNET			1
40	30G-416	BOLT			1
41	6592109	ADAPTER			1
42	6665846	SEAL			4
43	6805651	BLOCK	aux		2
44	58K-124	O-RING			2
45	6596332	SPRING			2
46	6595951	SLEEVE			2

HYDRAULIC CONTROL VALVE (Cont'd) (Spool Lock) (W/ BICS Control Valve)

NOTE: Spools are available for service. The boot end of the lift and tilt spool is stamped W/# 1, 2, 3 or painted red, green or black respectively. Reference S/L Dated 20 Feb. 1995.



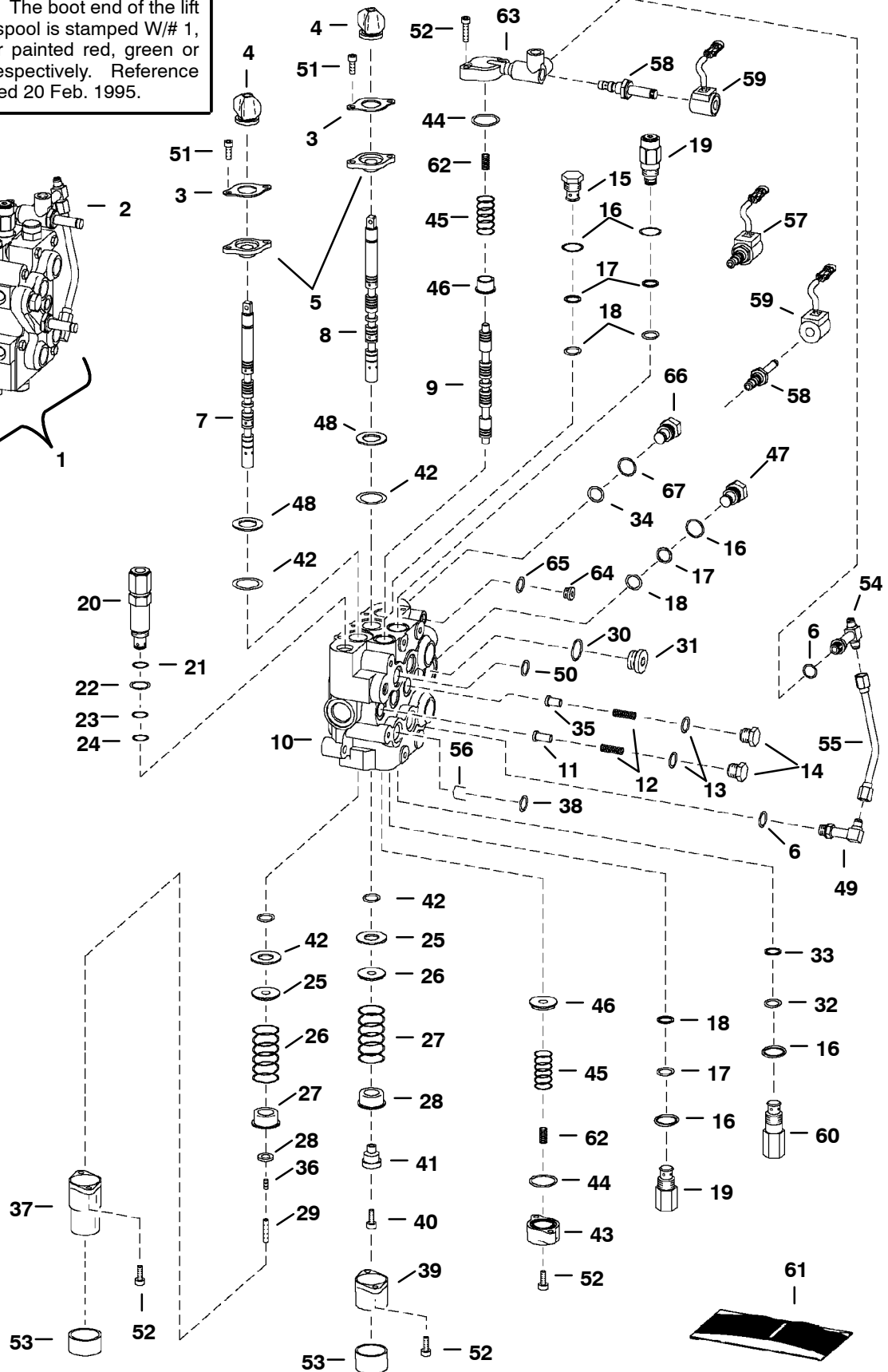
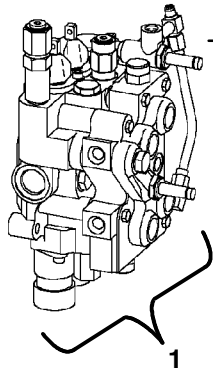
TS-1992

**HYDRAULIC CONTROL VALVE (Cont'd)
(Spool Lock) (W/ BICS Control Valve)**

Ref. No.	Part Number	Description	Remarks	Serial Number	Qty.
47	6592720	PLUG	W/Ref. 16-18		1
48	58K-127	O-RING			2
49	6805243	TEE	W/Ref. 6		1
50	55K-204	O-RING			1
51	29G-444	SCREW			4
52	29G-416	SCREW	1" long		8
53	6662848	CAP			1
54	6805696	TEE	W/Ref. 6 - tapered boss face		2
	97K-6	O-RING	flared end		x
55	6806496	TUBELINE			1
56	6588781	END CAP			1
57*	6677201	SOLENOID	W/Ref. 58 & 59 - Was 6665084 [B]		2
58*	6676249	STEM	Was 6666616 [B]		2
	6586459	SEAL KIT			x
59	6717706	COIL	10 volt - pwm		2
60	6671632	VALVE	port relief & anti-cav. - W/Ref. 16 - 3500 PSI - use in tilt cylinder base end port		1
61	6673904	SEAL KIT	W/Ref. 16, 67 & 68		x
	6806941	SEAL KIT	two spool - Ref. 4, 42 & 51		x
	6628835	SEAL KIT	complete - Ref. 4, 13, 16-18, 21-24, 42, 44, 50 & 53		x
	6661328	SEAL KIT	main relief - Ref. 21-24		x
	6586461	SEAL KIT	upper deck - Ref. 13 & 16-18		x
62	6595131	SPRING	.72" O.D.		2
63	55K-212	O-RING			4
64	54K-20002	O-RING			1
65	6596569	SEAT	load check		1
66	95K-6	O-RING			2
67	NSS	O-RING	Order Ref. 60 kit		x
68	NSS	O-RING	Order Ref. 60 kit		x
69	6805657	BLOCK	lift and tilt lock		1
70	90KV-8	PLUG	W/Ref. 71		1
71	95K-12	O-RING			x
72*	6806561	PLUG	aux lock - W/Ref. 73 & 74		1
73	79K-7	O-RING			x
74	58K-12	O-RING			x
75*	NAP	SOLENOID	spool lock - W/Ref. 66 - 3" (76,2mm) wire - Order 6674786		2
*	6674786	SOLENOID	spool lock - W/Ref. 66 - 4" (127mm) wire		2
76	6668791	ORIFICE	.185		1
77	90KV-5	PLUG	W/Ref. 66		1

HYDRAULIC CONTROL VALVE (Advanced Hand Control System) (Spool Lock)

NOTE: Spools are available for service. The boot end of the lift and tilt spool is stamped W/# 1, 2, 3 or painted red, green or black respectively. Reference S/L Dated 20 Feb. 1995.



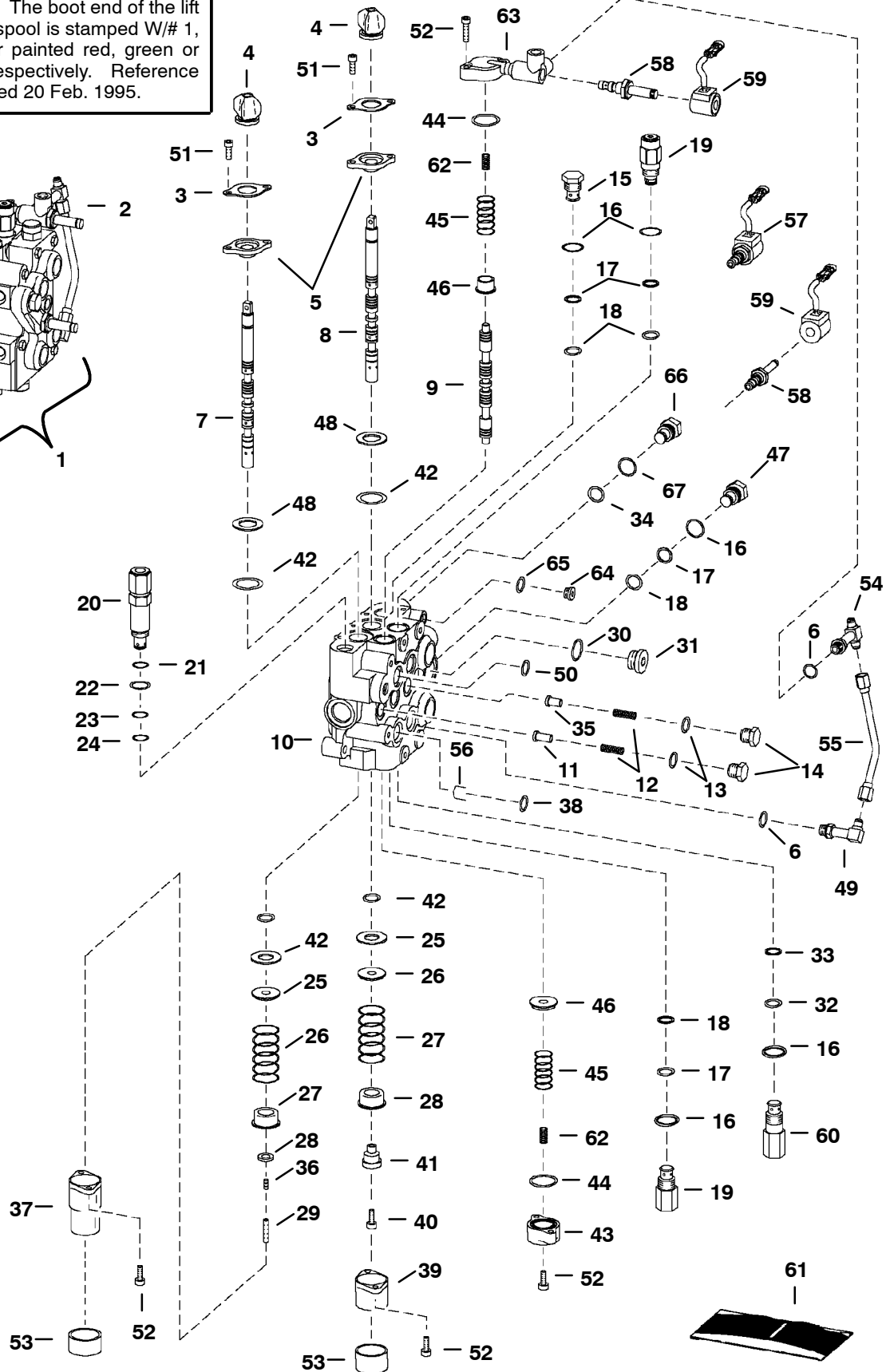
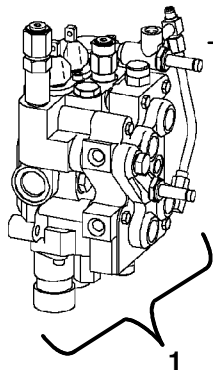
TS-1993

HYDRAULIC CONTROL VALVE (Cont'd)
(Advanced Hand Control System) (Spool Lock)

Ref. No.	Part Number	Description	Remarks	Serial Number	Qty.
1	6805931	VALVE	W/Fittings - Ref. 2 - 56		1
2	6628571	VALVE ASSY	AHCS - BICS control - See Page 66		1
3	6589564	RETAINER			2
4	6587763	BOOT			2
5	6589565	BUSHING			2
6	99K-6	O-RING	tapered boss face		x
7	6674297	SPOOL	lift - # 1 or Red - SEE NOTE		1
	6674298	SPOOL	lift - # 2 or Green-SEE NOTE		1
	6674299	SPOOL	lift - # 3 or Black - SEE NOTE		1
8	6674300	SPOOL	tilt - # 1 or Red - SEE NOTE		1
	6674301	SPOOL	tilt - # 2 or Green - SEE NOTE		1
	6674302	SPOOL	tilt - # 3 or Black - SEE NOTE		1
9	6588074	SPOOL	auxiliary - SEE NOTE		3
10	NSS	BODY			1
11	6592115	SEAT	load check		2
12	6592117	SPRING			3
13	79K-8	O-RING			3
14	6592116	NUT	load check - W/Ref. 13		3
15	6667549	VALVE	anti-cavity check -W/Ref. 16-18		1
16	79K-10	O-RING			2
17	80K-14	RING	back-up		5
18	58K-14	O-RING			5
19	6673184	VALVE	port relief - W/Ref. 16-18		2
20*	6676198	VALVE	main relief - W/Ref. 21-24 - Was 6665626 [A]		1
21	58K-17	O-RING			1
22	6665569	WASHER	back-up		1
23	25K-20016	O-RING			1
24	6665570	RING	glide		1
25	6595663	BUSHING			2
26	6587523	WASHER			2
27	6587580	SPRING			2
28	6592100	COLLAR			2
29	6801167	PLUG	Spool		1
30	95K-12	O-RING			1
31	90KV-8	PLUG	W/Ref. 30 - socket head		1
32	NSS	O-RING	Order Ref. 60 - kit		1
33	NSS	O-RING	Order Ref. 60 - kit		1
34	58K-12	O-RING			1
35	6596569	SEAT			1
36	54K-20002	O-RING			1
37	6803092	BONNET	.625 flange		1
38	55K-212	O-RING			4
39	6587633	BONNET			1
40	30G-416	BOLT			2
41	6592109	ADAPTER			1
42	6665846	SEAL	lip		4
43	6588781	END CAP	.87" thick		2
44	58K-124	O-RING			2
45	6596332	SPRING			2

HYDRAULIC CONTROL VALVE (Cont'd) (Advanced Hand Control System) (Spool Lock)

NOTE: Spools are available for service. The boot end of the lift and tilt spool is stamped W/# 1, 2, 3 or painted red, green or black respectively. Reference S/L Dated 20 Feb. 1995.

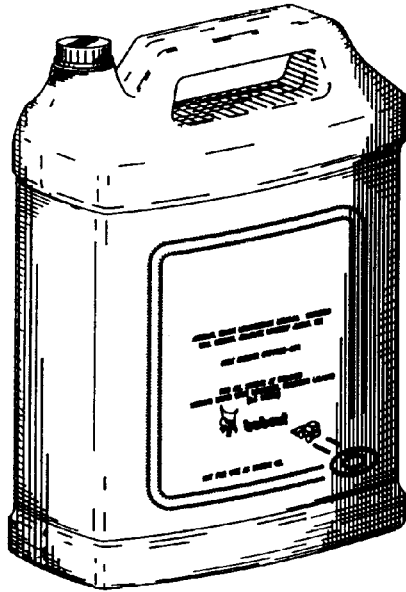


TS-1993

HYDRAULIC CONTROL VALVE (Cont'd)
(Advanced Hand Control System) (Spool Lock)

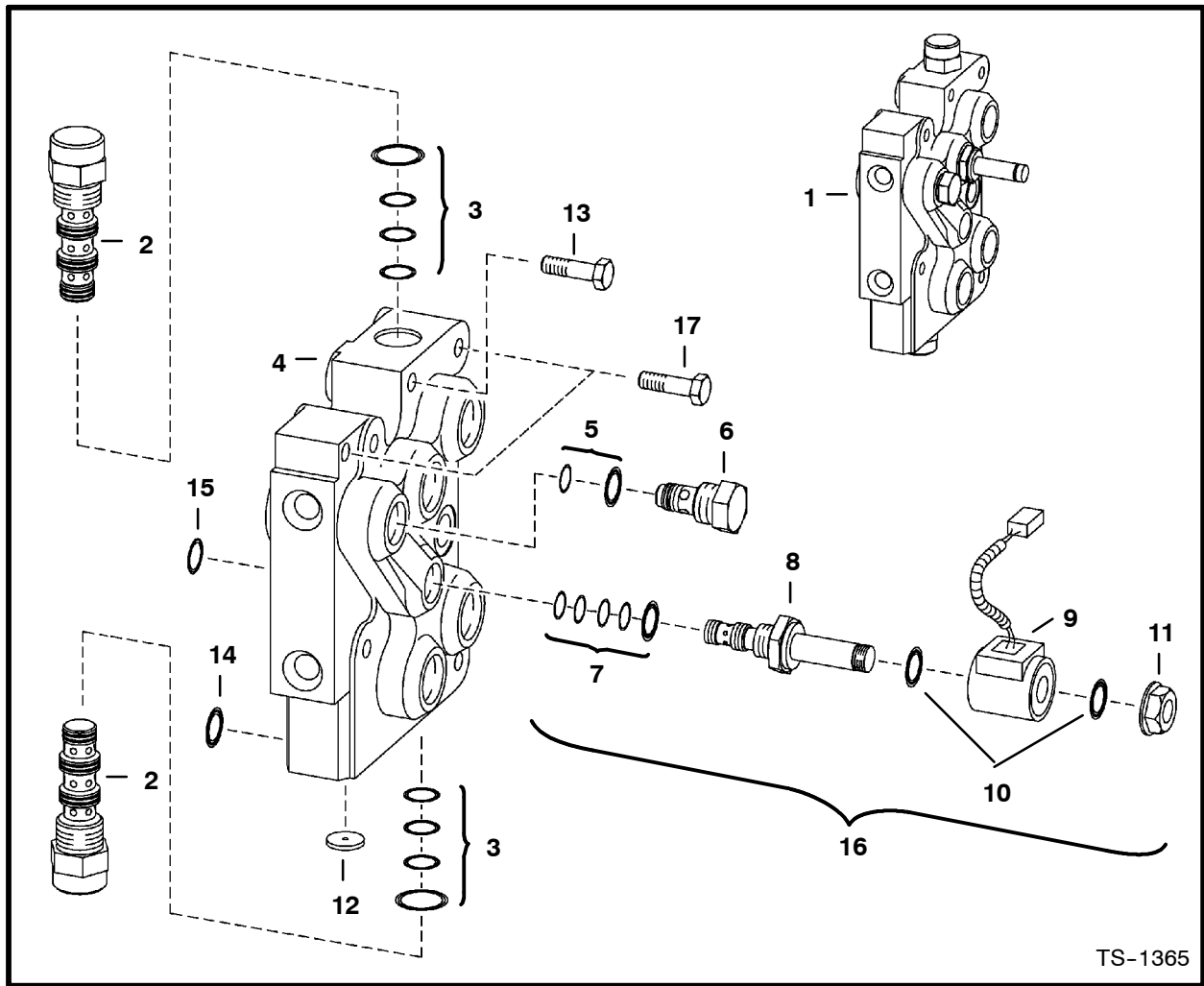
Ref. No.	Part Number	Description	Remarks	Serial Number	Qty.
46	6595951	SLEEVE			2
47	6592720	PLUG	W/Ref. 16-18		1
48	58K-127	O-RING			2
49	6805243	TEE	W/Ref. 6		1
	97K-6	O-RING	flared end		x
50	55K-204	O-RING			1
51	29G-412	SCREW			4
52	29G-416	SCREW	1" long		8
53	6662848	CAP			2
54	6805696	TEE	W/Ref. 6		2
	97K-6	O-RING	flared end		x
55	6806496	TUBELINE			1
56	6800124	RESTRICTOR	.183/.187		1
57*	6677201	SOLENOID	W/Ref. 58 & 59 - Was 6665084 [B]		2
58*	6676249	STEM	Was 6666616 [B]		2
	6586459	SEAL KIT			x
59	6717706	COIL	pwm - 10 volt		2
60	6671632	VALVE	port relief & anti-cav.-W/Ref. 16,		
			32, 33 - 2500 PSI - use in tilt		1
	6673904	SEAL KIT	cylinder base end port		1
			W/Ref. 16, 32 & 33		
61	6803605	SEAL KIT	one spool - Ref. 4, 42 & 51		x
	6628835	SEAL KIT	complete - Ref. 4, 13, 16-18,		
			21-24, 42, 44, 50 & 63		x
	6661328	SEAL KIT	main relief - Ref. 21-24		x
	6586461	SEAL KIT	Ref. 13 & 16-18		x
	6586459	SEAL KIT	W/Ref. 16, 32, 33		1
62	6595131	SPRING	.72" O.D.		2
63*	6806561	PLUG	aux		1
64	90KV-5	PLUG	W/Ref. 65		2
65	95K-6	O-RING			2
66	6806561	PLUG	W/Ref. 67 - 34		1
67	79K-7	O-RING			1

**Bobcat Hydraulic/Hydrostatic Fluid
is blended to our specifications
to meet or exceed requirements of our components.**



Available from Bobcat Parts.



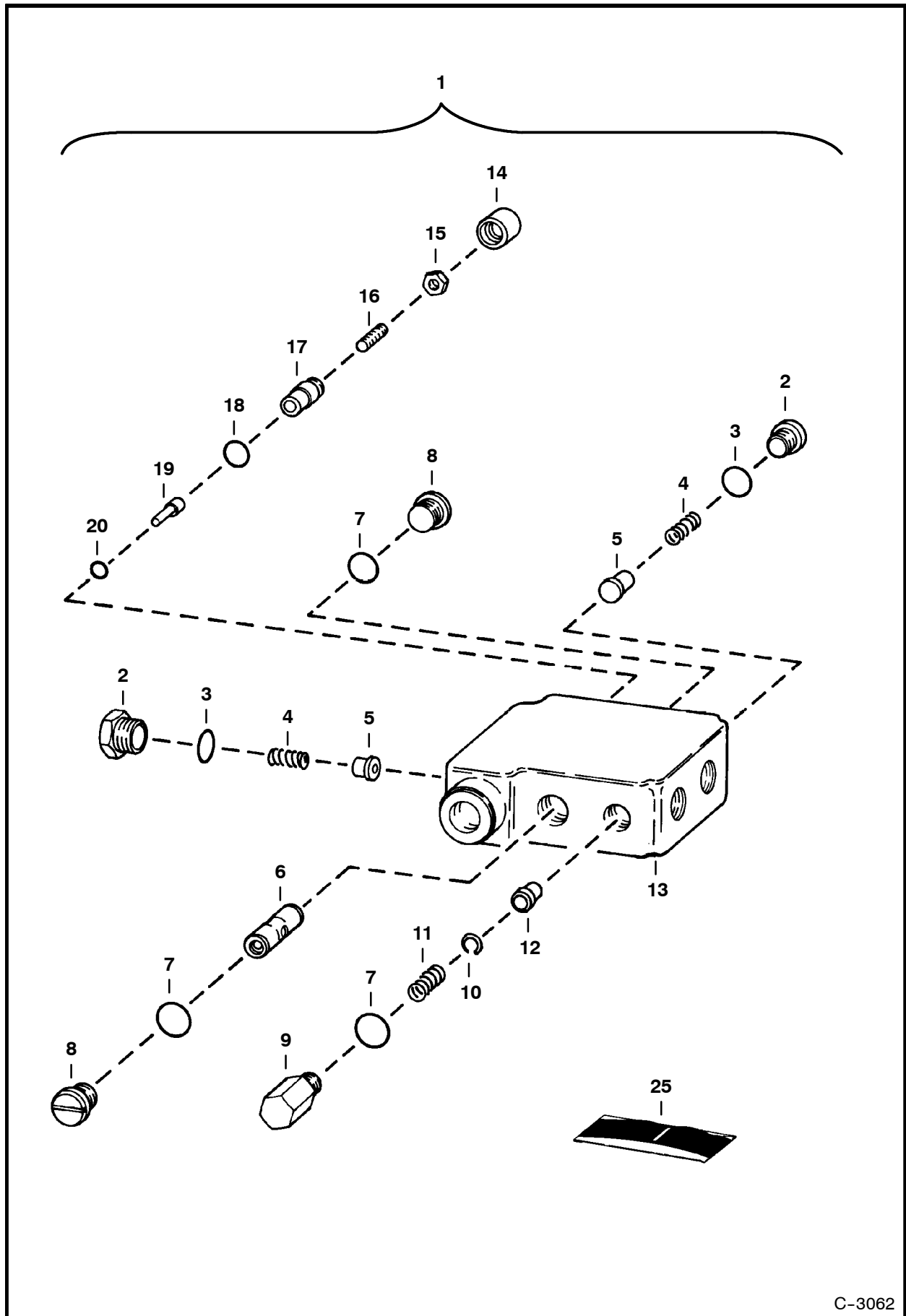


TS-1365

BICS CONTROL VALVE

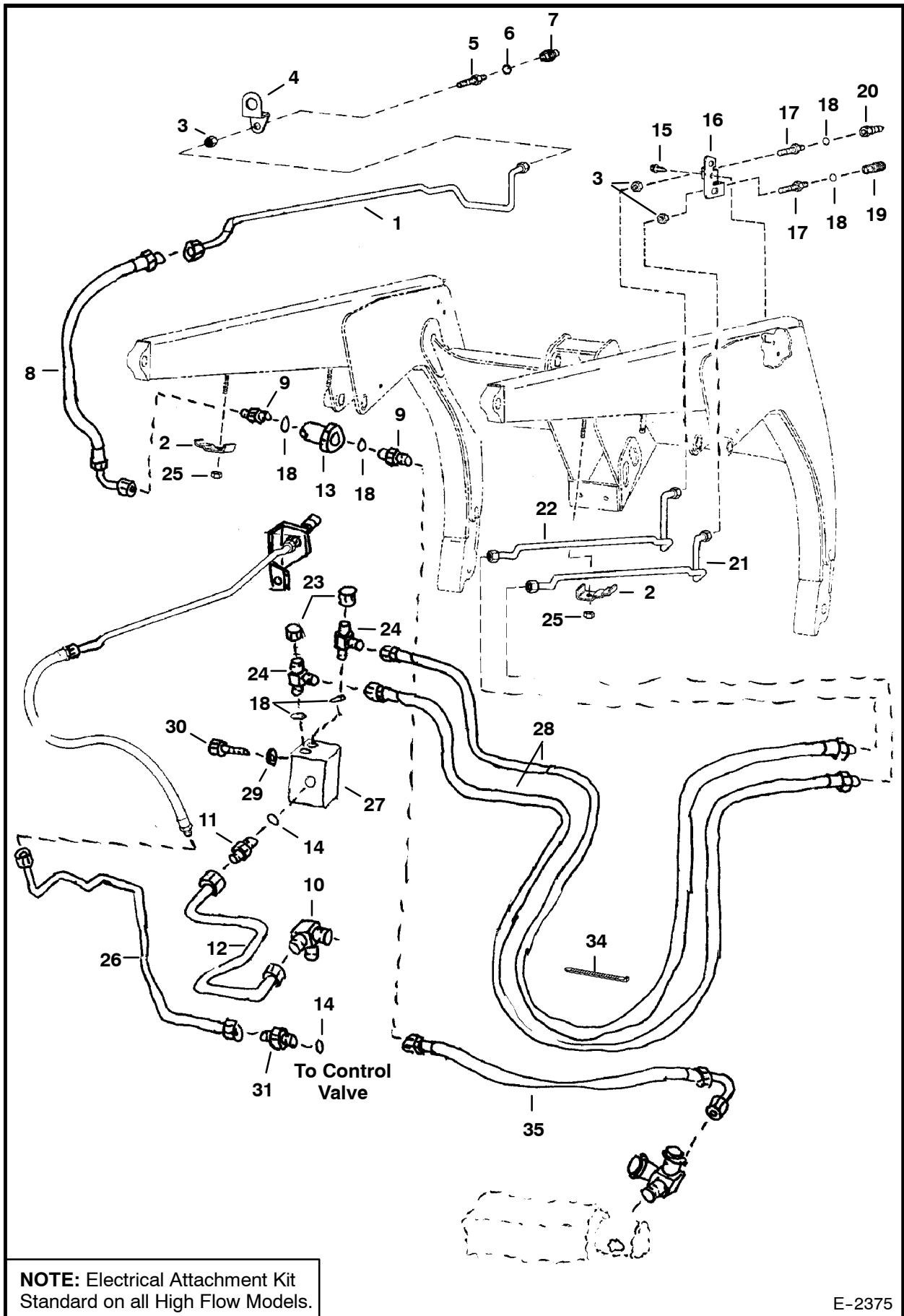
Ref. No.	Part Number	Description	Remarks	Serial Number	Qty.
1	6628571	VALVE ASSY	Ref. 2 - 8		1
2	6668765	VALVE	pilot operated		2
3	6669734	SEAL KIT			x
4	NSS	BODY			1
5	6669733	SEAL KIT			x
6	6669057	CHECK VALVE	filter		1
7	6669732	SEAL KIT			x
8	6667687	STEM	solenoid valve		1
9	6671025	COIL			1
10	54K-20028	O-RING			2
11	6668820	NUT			1
12	6668791	ORIFICE			1
13	43C-532	BOLT			4
14	55K-212	O-RING			4
15	55K-204	O-RING			1
16	6672471	VALVE	assy. - Ref. 7-11		1
17	43C-524	BOLT			2

BUCKET POSITIONING VALVE



C-3062

HIGH HORSEPOWER HYDRAULICS (Auxiliary Hydraulics)



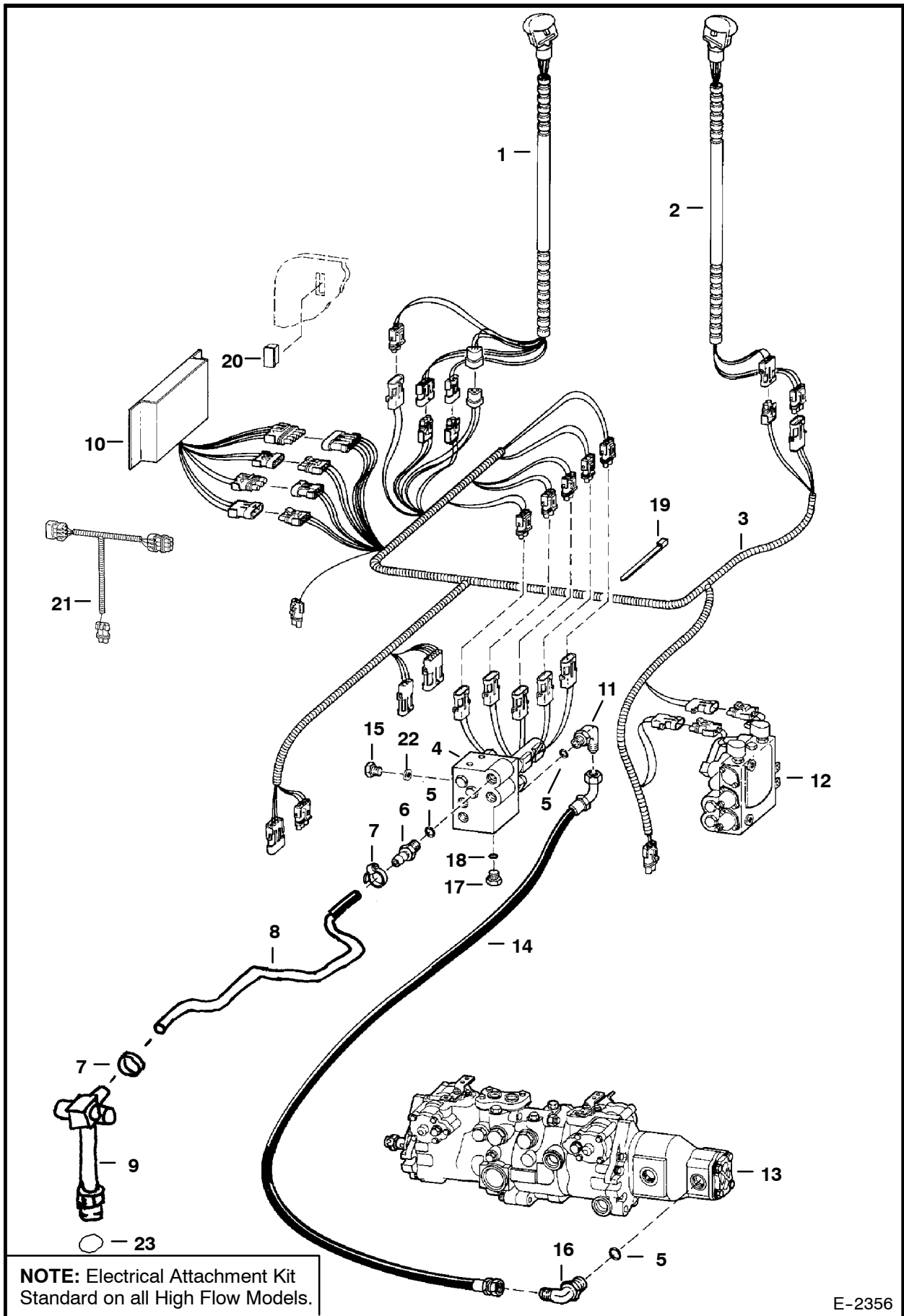
NOTE: Electrical Attachment Kit
Standard on all High Flow Models.

E-2375

HIGH HORSEPOWER HYDRAULICS (Cont'd)
(Auxiliary Hydraulics)

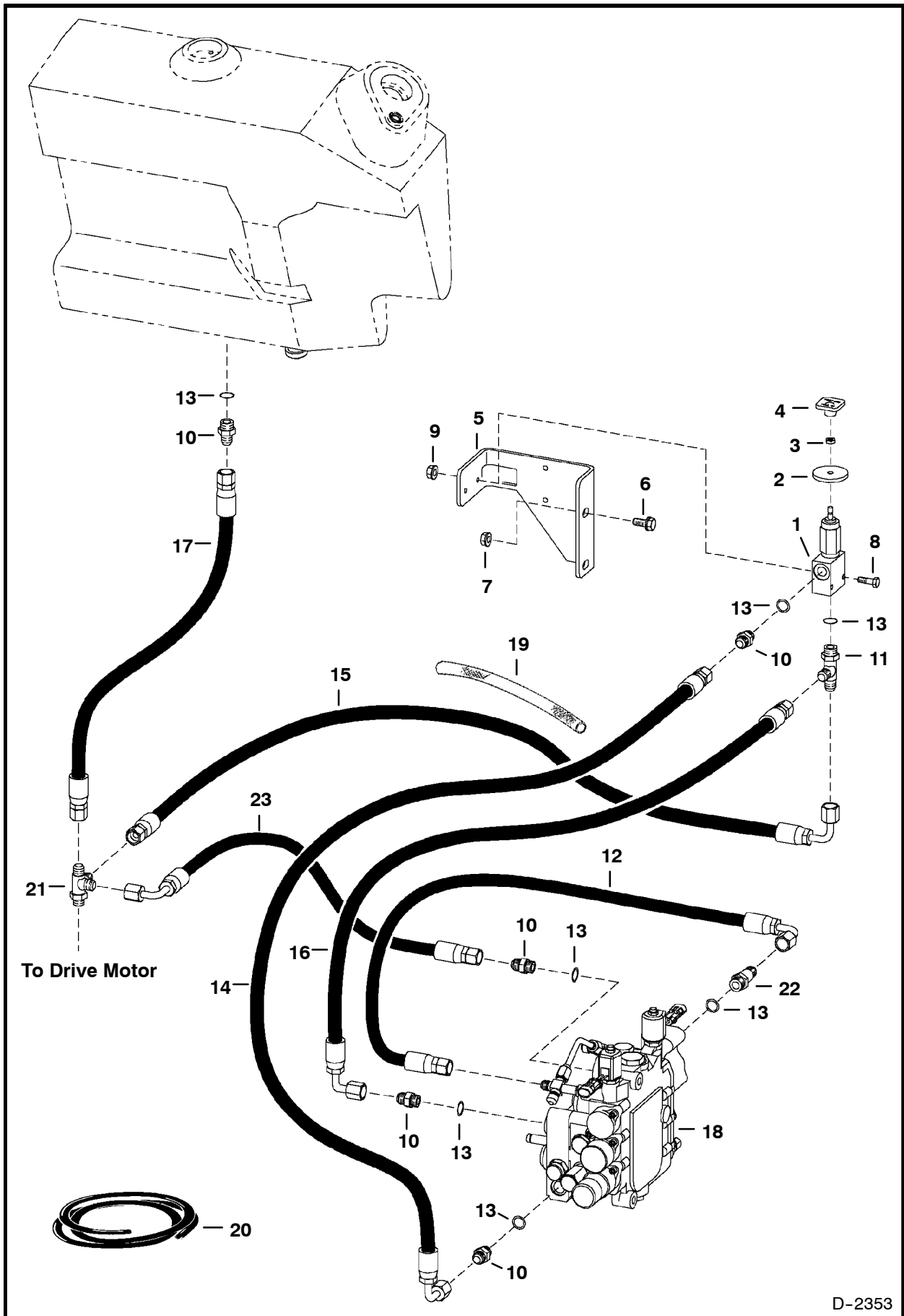
Ref. No.	Part Number	Description	Remarks	Serial Number	Qty.
1	6718253	TUBELINE			1
2	6703216	CLAMP			4
3	86F-5	NUT			3
4	6711913	BRACKET			1
5	6711628	ADAPTER	W/Ref. 6 - flat boss face		1
*	6726479	ADAPTER	W/Ref. 6 - tapered boss face		1
*	97K-6	O-RING	flared end		x
6	79K-8	O-RING	flat boss face		x
*	99K-8	O-RING	tapered boss face		x
7	6667806	QUICK COUPLER	male - F.F.		1
	6669659	SEAL KIT			1
8	6719531	HOSE		& Bel.	1
*	6725424	HOSE		& Abv.	1
9*	15KV-5	ADAPTER	W/Ref. 18		2
*	97K-6	O-RING	flared end		x
10	6719053	TEE	flat boss face - W/Ref. 33		1
	97K-10	O-RING	flared end		x
11*	6655572	VALVE	inline check - W/Ref. 14		1
12	6719069	TUBELINE			1
13*	6661022	FILTER	in-line - See Page 107		1
14	99K-12	O-RING	tapered boss face		x
15	84G-3716	BOLT			2
16	6711674	BRACKET			1
17	6716089	ADAPTER	tapered boss face - W/ Ref. 18		2
	97K-6	O-RING	flared end		2
18	99K-6	O-RING	tapered boss face		x
19	6667803	QUICK COUPLER	female		1
20	6667804	QUICK COUPLER	male		1
	6669657	SEAL KIT			1
21	6719165	TUBELINE			1
22	6719166	TUBELINE			1
23	36K-5	CAP			2
24	21KV-5	TEE	W/Ref. 18 - tapered boss face		2
	97K-6	O-RING	flared end		x
25	59D-6	NUT			x
26	6719067	TUBELINE			1
27	6669203	VALVE	Control - See Page 77		1
28	6719266	HOSE			2
29*	25E-17	WASHER			2
30	17C-612	BOLT			2
31		VALVE	See Page 57		1
32	15KN-8	ADAPTER	W/Ref. 14 - tapered boss face		1
	97K-12	O-RING	flared end		1
33*	79K-10	O-RING			x
34*	6624289	TIE STRAP			4
35*	6702079	HOSE			1

HIGH HORSEPOWER HYDRAULICS



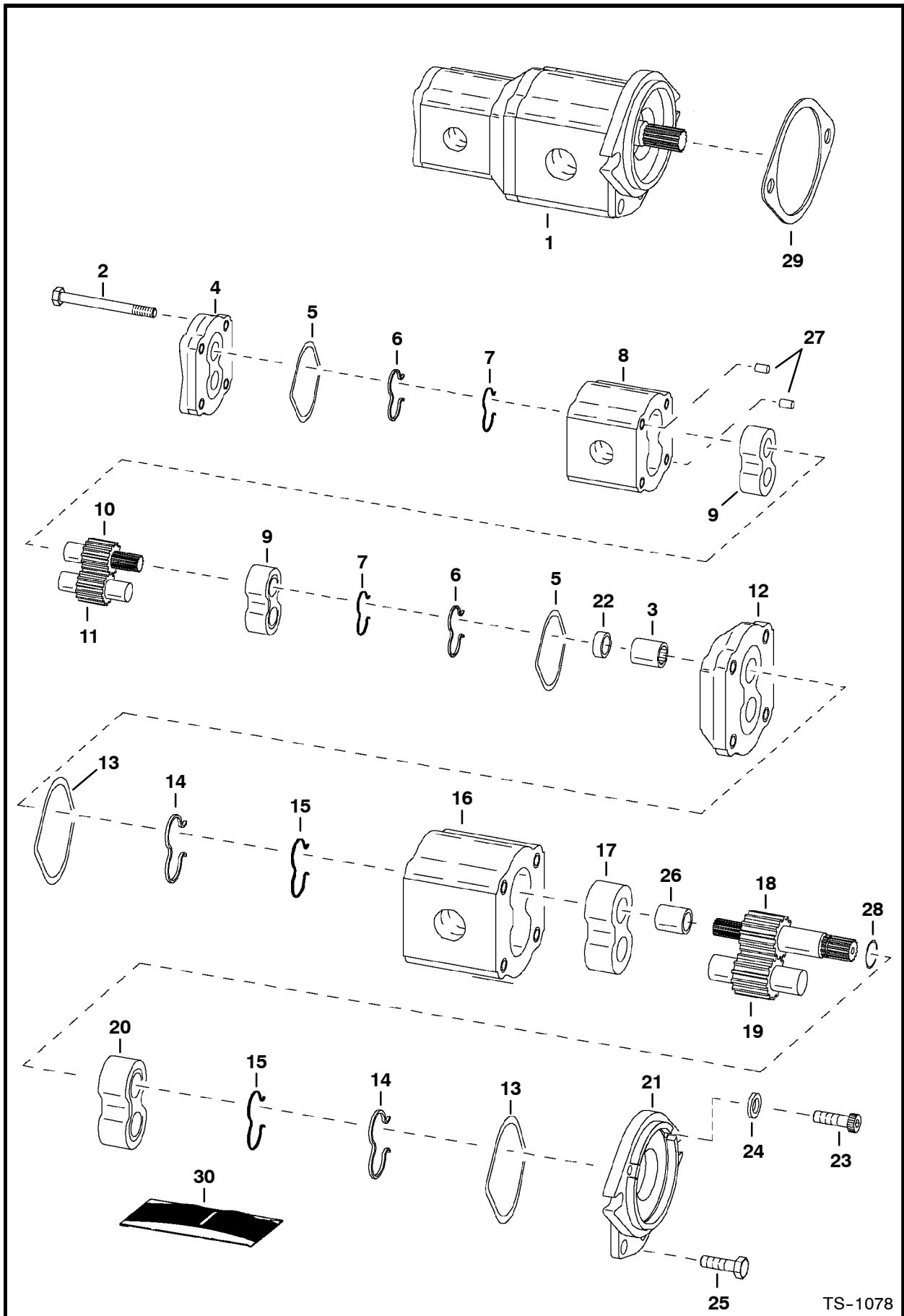
E-2356

HIGH HORSEPOWER HYDRAULICS (Manual Lift Release System)



D-2353

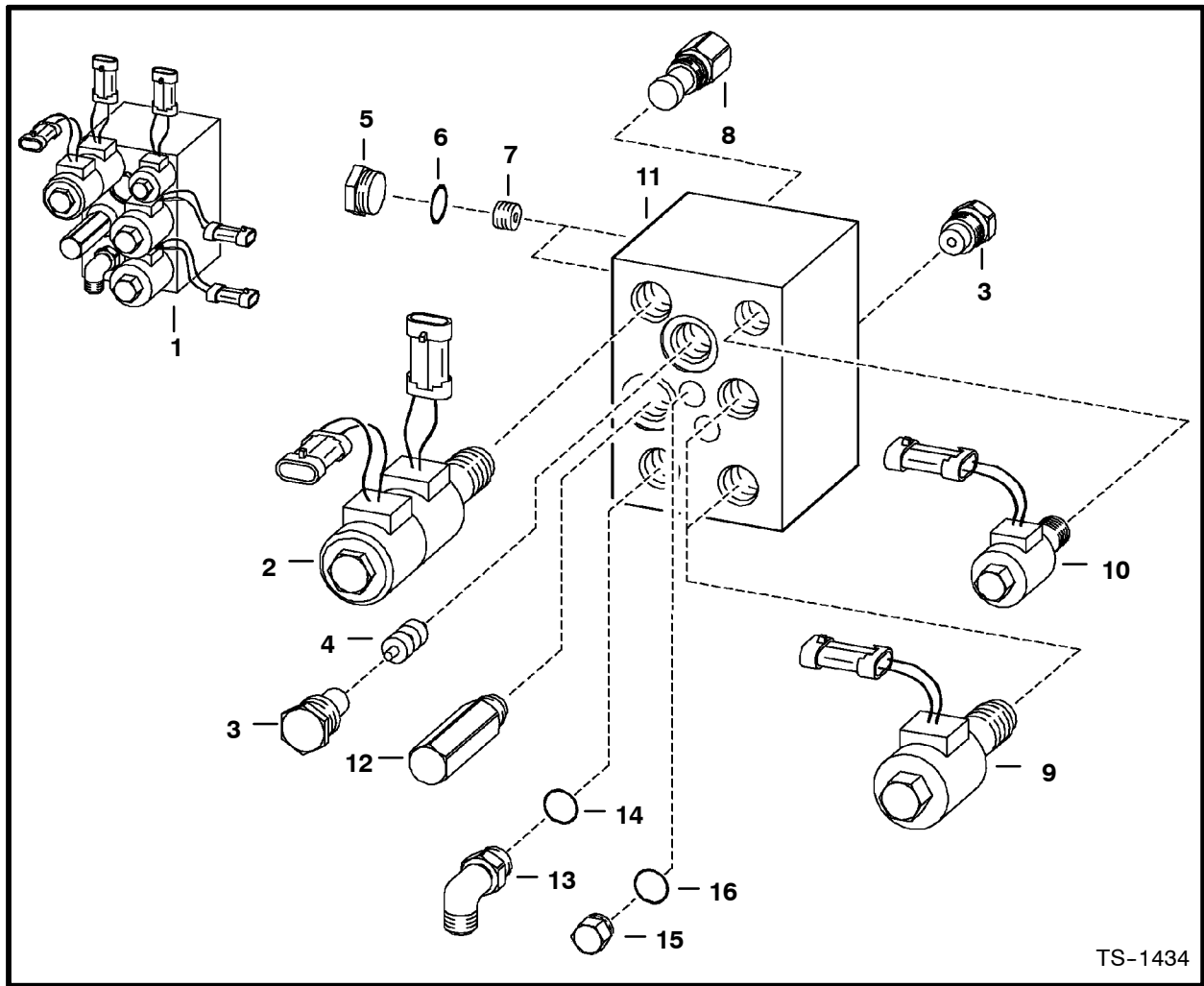
HIGH HORSEPOWER HYDRAULICS (Double Gear Pump)



TS-1078

HIGH HORSEPOWER HYDRAULICS (Cont'd)
(Double Gear Pump)

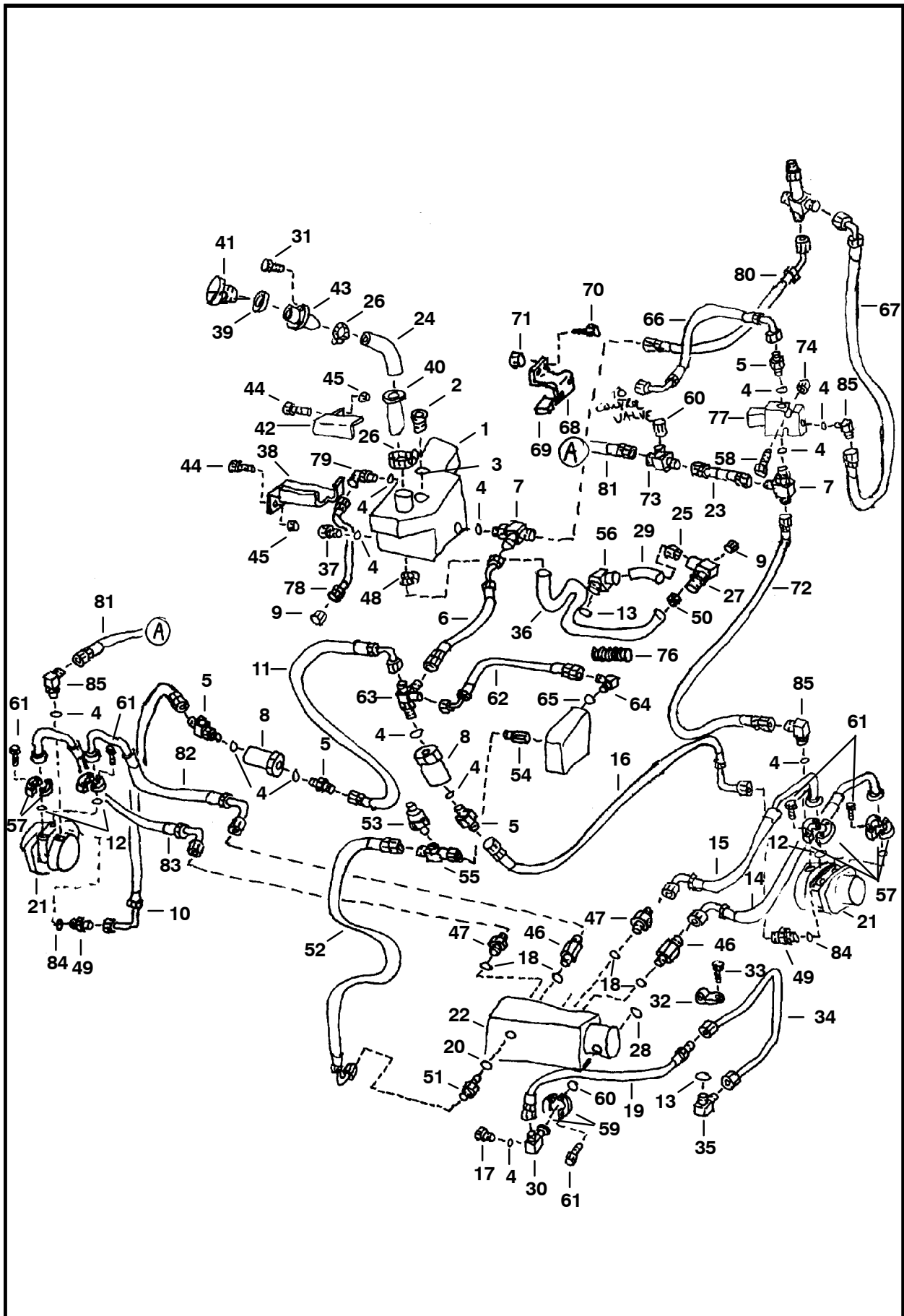
Ref. No.	Part Number	Description	Remarks	Serial Number	Qty.
1	6673913	PUMP	4-bolt flange		1
2	NSS	BOLT			4
3*	NSS	COUPLER			1
4	NSS	COVER			1
5	NSS	O-RING	seal		2
6	NSS	SEAL			2
7	NSS	RING			2
8	NSS	BODY			1
9	NSS	BEARING			2
10	NSS	GEAR	drive		1
11	NSS	GEAR			1
12	NSS	COVER			1
13	NSS	O-RING	seal		2
14	NSS	SEAL			2
15	NSS	RING			2
16	NSS	BODY			1
17	NSS	BEARING			1
18	NSS	GEAR	drive		1
19	NSS	GEAR	idler		1
20	NSS	BEARING			1
21	NSS	COVER			1
22*	NSS	BUSHING			1
23	NSS	BOLT			2
24	NSS	SEAL			2
25	NSS	BOLT			2
26*	NSS	SPACER			1
27	NSS	DOWEL			2
28*	NSS	RING	retaining		1
29	6660339	GASKET			1
30	6674370	SEAL KIT	Ref. 5-7, 13-15, 24 & 28		1



HIGH HORSEPOWER HYDRAULICS (Control Valve)

Ref. No.	Part Number	Description	Remarks	Serial Number	Qty.
1	6669203	VALVE	Ref. 2 - 14		1
2	6672450	VALVE ASSY.	solenoid		1
	6664025	STEM			1
	6671026	COIL	W/Connector		2
	6671628	NUT			1
	6661448	SEAL KIT			1
3	6669728	CHECK VALVE			2
4*	6673990	PISTON	Was 6664028 [A]		1
5	6665719	PLUG			10
6	79K-5	O-RING			x
7	6669615	ORIFICE	.020		2
8	6669729	SHUTTLE VALVE			1
	6669736	SEAL KIT			1
9	6672449	VALVE ASSY.	solenoid		1
	6664024	STEM			2
	6671026	COIL	W/Connector		2
	6671629	NUT			2
	6664032	SEAL KIT			2

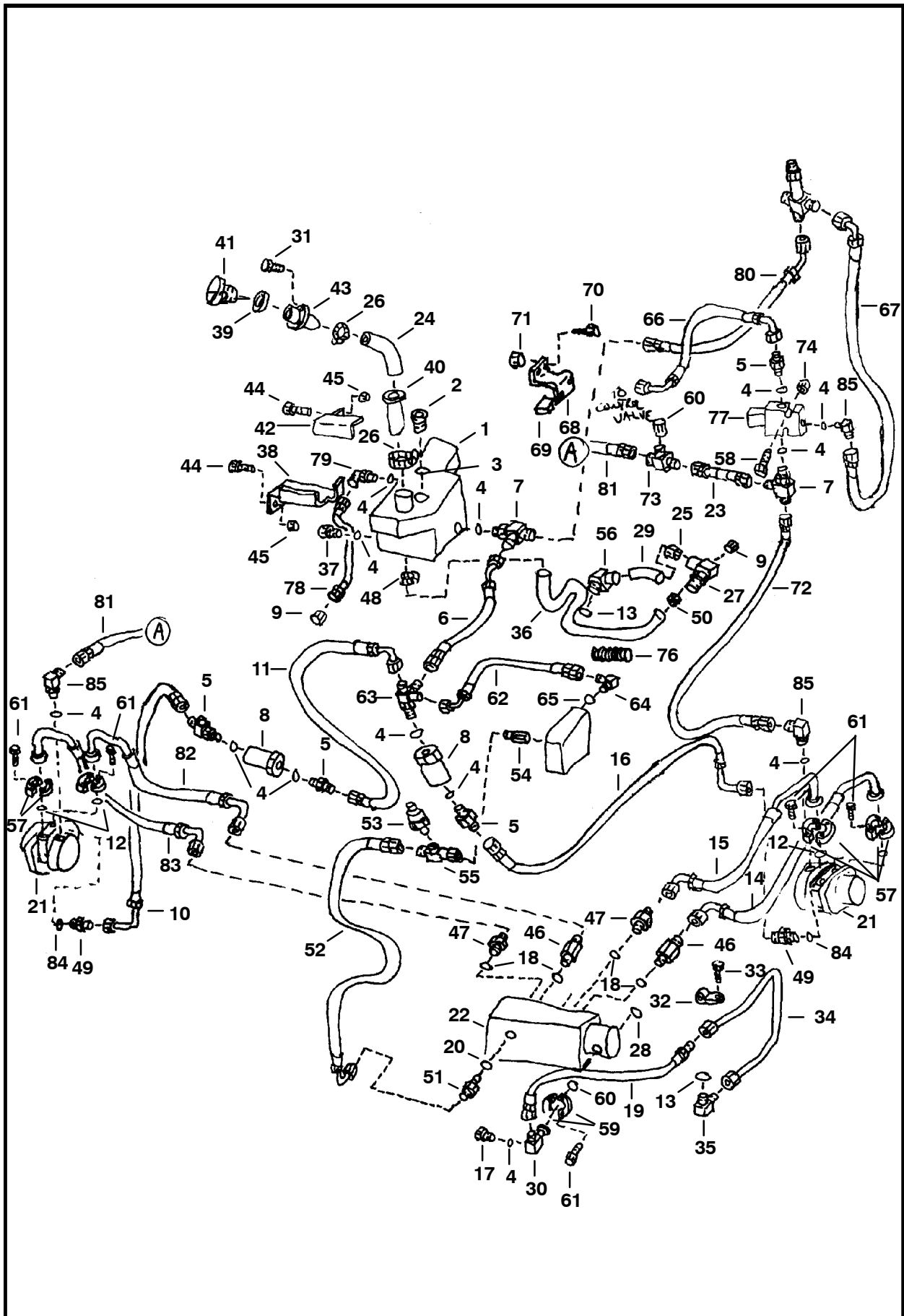
HYDROSTATIC CIRCUITRY
(S/N 5189 11353, 5168 11036, 5175 11032 & Below)



HYDROSTATIC CIRCUITRY (Cont'd)
(S/N 5189 11353, 5168 11036, 5175 11032 & Below)

Ref. No.	Part Number	Description	Remarks	Serial Number	Qty.
1*	NAP	TANK	hydraulic oil - Order 6727265 tank & 6727175 tee, also Order 6727475 cap, 6727354 inlet, 6727318 hose, 6727313 fitting, 5HM-15(2) clamp & 23" of 6586251 hose - Was 6718502 [A]		1
2	47K-10	PLUG	W/Ref. 3		1
3	79K-16	O-RING			1
4	99K-6	O-RING	tapered boss face		x
5	15KV-5	ADAPTER	W/Ref. 4 - tapered boss face		6
	97K-6	O-RING	flared end		6
6	6715251	HOSE			1
7	21KV-5	TEE	W/Ref. 4 - tapered boss face		2
	97K-6	O-RING	flared end		2
8	6661022	FILTER	in-line - See Page 107		2
9	36K-5	CAP			2
10*	6717493	HOSE			1
11	6719555	HOSE			1
12*	55K-214	O-RING	Was 55K-219 [B]		5
13	99K-12	O-RING	tapered boss face		x
14*	6718780	HOSE	Was 6673954 [A]		1
15*	6718781	HOSE	Was 6673955 [A]		1
16*	6718146	HOSE			1
17	24KN-5	PLUG	W/Ref. 4 - tapered boss face		1
18	75K-12	O-RING			x
19	6725425	HOSE	Was 6716551 [A]		x
20	75K-10	O-RING			2
21		MOTOR	See Page 94		2
22		PUMP	See Page 98		1
23*	6704630	HOSE			1
24	6718576	HOSE			1
25	5HM-35	CLAMP			3
26*	6513595	CLAMP	Was 6713595 [D]		2
27	6718882	TEE	W/Ref. 28		1
28	75K-16	O-RING			x
29	6718885	HOSE			1
30	6717662	TEE	W/Ref. NO TAG - 4-bolt flange		1
	97K-12	O-RING	flared end		1
31	6706517	SCREW			3
32	30H-46	CLAMP			1
33	84G-3712	BOLT			1
34	6716506	TUBELINE			1
35	17KV-8	ELBOW	W/Ref. 13 - tapered boss face		1
	97K-12	O-RING	flared end		1
36	6718503	HOSE			1
37	6665915	GAUGE	sight - W/Ref. 4		1
38	6718850	BRACKET	rear		1
39	6700631	GASKET			1
40	6569219	SCREEN			1
41*	6727475	CAP	breather & fill - also Order Ref. 39 - Was 6577785 [A]		1

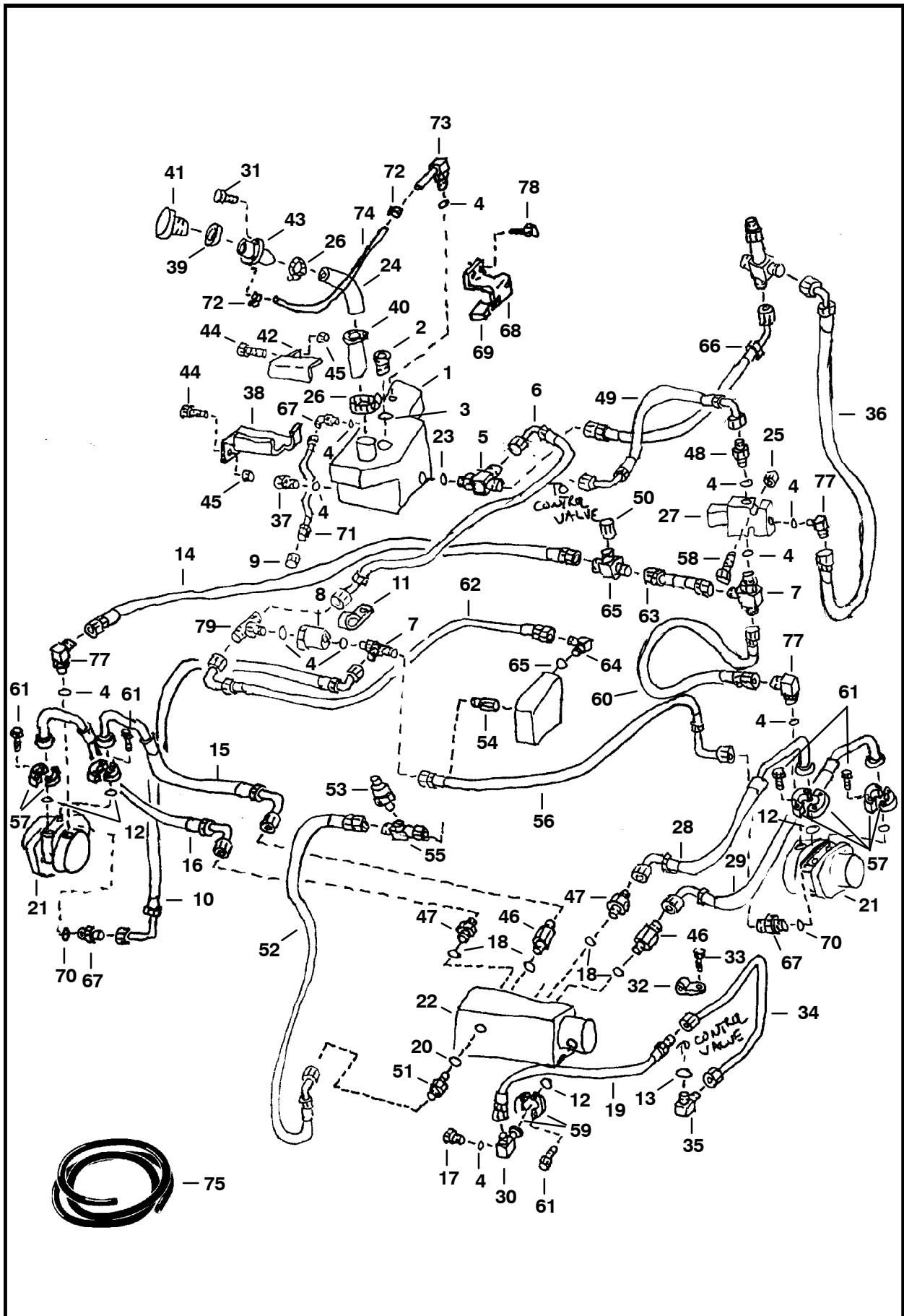
HYDROSTATIC CIRCUITRY (Cont'd)
(S/N 5189 11353, 5168 11036, 5175 11032 & Below)



HYDROSTATIC CIRCUITRY (Cont'd)
(S/N 5189 11353, 5168 11036, 5175 11032 & Below)

Ref. No.	Part Number	Description	Remarks	Serial Number	Qty.
42	6718851	BRACKET	front		1
43	6706354	INLET			1
44*	35C-616	BOLT	Was 35C-512 [B]		4
45*	83D-5	NUT	Was 61D-5 [B]		4
46	6716243	CONNECTOR	W/Ref. 18		2
47	6715878	CONNECTOR	W/Ref. 18 - tapered boss		2
48	6672281	CLAMP	constant tension		4
49*	743108	ADAPTER	W/Ref. 84 - Was 6717306 [B]		2
50	5HM-42	CLAMP			3
51	6717173	REDUCER	W/Ref. 20		1
52*	6725090	HOSE	Was 6801931 [A]		1
53	6718948	SNUBBER	assy - W/filter		1
	6675278	FILTER			1
54	6672766	CHECK VALVE			1
55	6718660	TEE			1
*	97K-6	O-RING	flared end		x
56	6715718	ELBOW			1
57	20J-12	CLAMP			8
58	17C-432	BOLT			2
59	19J-12	CLAMP			2
60*	6661753	PLUG	diagnostic		1
61	17C-620	BOLT			4
62	6707758	HOSE			1
63	6718031	CROSS	W/Ref. 4		1
	97K-6	O-RING	flared end		x
64	6806680	ELBOW	W/Ref. 65		1
	97K-6	O-RING	flared end		x
65	79K-6	O-RING			1
66	6719461	HOSE			1
67	6716463	HOSE			1
68	6718726	MOUNT			1
69	6716449	BUMPER			1
70	17C-632	BOLT			2
71	83D-6	NUT			2
72	6719460	HOSE			1
73	10KN-5	TEE			1
	97K-6	O-RING	flared end		x
74	83D-4	NUT			2
75	6705749	SHIELD	bulk - sold by the foot		x
76	NAP	SHIELD	Order Ref. 75 - 10"(254mm) long		1
77		VALVE	See Page 110		1
78	6530859	HOSE	tank drain		1
79	18KN-5	ELBOW	45 degree - W/Ref. 4		1
80*	6712885	HOSE			1
81*	6719107	HOSE	suction		1
82*	6718782	HOSE			1
83*	6718783	HOSE			1
84*	79K-8	O-RING			x
85*	17KV-5	ELBOW	W/Ref. 4		2
*	97K-6	O-RING	flared end		x

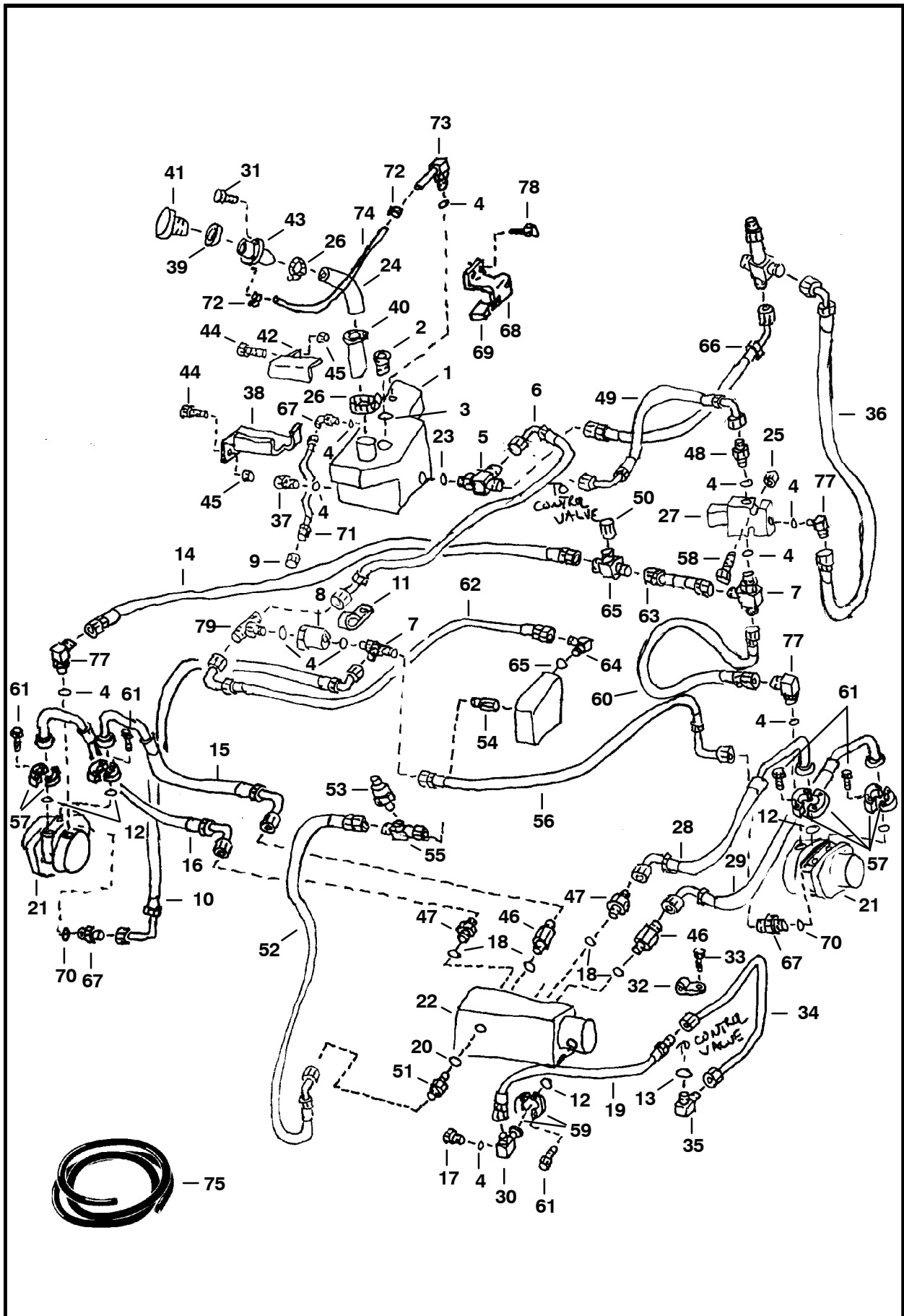
*** HYDROSTATIC CIRCUITRY**
(S/N 5189 11354, 5168 11037, 5175 11033 & Above)



*** HYDROSTATIC CIRCUITRY (Cont'd)**
(S/N 5189 11354, 5168 11037, 5175 11033 & Above)

Ref. No.	Part Number	Description	Remarks	Serial Number	Qty.
1*	NAP	TANK	hydraulic oil - Order 6727265 tank & 6727175 tee, also Order 6727475 cap, 6727354 inlet,		
			6727318 hose, 6727313 fitting, 5HM-15 (2) clamp & 23" of 6586251 hose - Was 6718502 [A]	& Below	1
* 2* 3*	6727265 47K-10 79K-16	TANK PLUG O-RING	hydraulic oil W/Ref. 3	& Above	1 1 1
4* 5* *	99K-6 21KN-6 97K-8	O-RING ADAPTER O-RING	tapered boss face W/Ref. 23 - tapered boss face flared end		x 6 6
6* 7* *	6726453 21KV-5 97K-6	HOSE TEE O-RING	W/Ref. 4 - tapered boss face flared end		1 2 2
8* 9* 10*	6661022 36K-5 6726682	FILTER CAP HOSE	in-line - See Page 107		2 2 1
11* 12* 13*	30H-60 55K-214 99K-12	CLAMP O-RING O-RING	tapered boss face		1 4 x
14* 15* 16*	6719107 6718782 6718783	HOSE HOSE HOSE			1 1 1
17* 18* 19*	90KV-5 75K-12 6725425	PLUG O-RING HOSE	W/Ref. 4 - tapered boss face Was 6716551 [A]		1 x x
20* 21* 22*	99K-10	O-RING MOTOR PUMP	See Page 94 See Page 98		2 2 1
23* 24* *	99K-8 6718576 6727318	O-RING HOSE HOSE		& Bel. & Abv.	x 1 1
25* 26* 27*	83D-4 6713595	NUT CLAMP VALVE	brake - See Page 110		2 2 1
28* 29* 30*	6718781 6718780 6717662	HOSE HOSE TEE	W/Ref. NO TAG - 4-bolt flange		1 1 1
* 31* 32*	97K-12 6706517 30H-46	O-RING SCREW CLAMP	flared end		1 3 1
33* 34* 35*	84G-3712 6716506 17KV-8	BOLT TUBELINE ELBOW	W/Ref. 13 - tapered boss face		1 1 1
* 36* 37*	97K-12 6716463 6665915	O-RING HOSE GAUGE	flared end sight - W/Ref. 4		1 1 1
38* 39* 40*	6718850 6700631 6569219	BRACKET GASKET SCREEN	rear		1 1 1

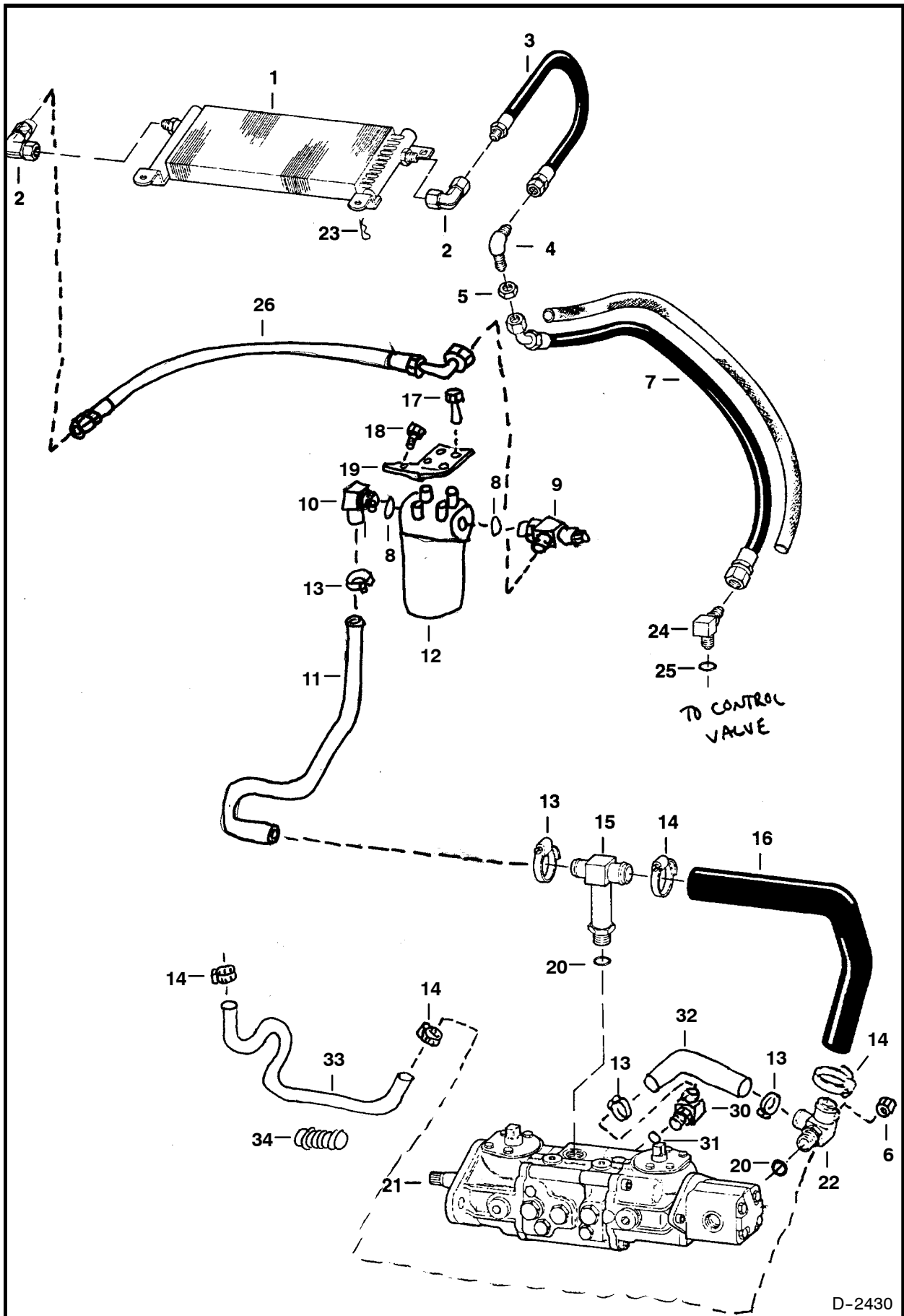
*** HYDROSTATIC CIRCUITRY (Cont'd)**
(S/N 5189 11354, 5168 11037, 5175 11033 & Above)



*** HYDROSTATIC CIRCUITRY (Cont'd)**
(S/N 5189 11354, 5168 11037, 5175 11033 & Above)

Ref. No.	Part Number	Description	Remarks	Serial Number	Qty.
41*	6727475	CAP	breather & fill - also Order Ref. 39 - Was 6577785 [A]		1
42*	6718851	BRACKET	front		1
43*	6706354	INLET		& Bel.	1
*	6727354	INLET	W/nipple	& Abv.	1
44*	17C-516	BOLT			2
45*	61D-5	NUT			4
46*	6716243	CONNECTOR	W/Ref. 18		2
47*	6715878	CONNECTOR	W/Ref. 18 - tapered boss		2
48*	15KV-5	ADAPTER	W/Ref. 4		1
*	97K-6	O-RING	flared end		x
49*	6719461	HOSE			1
50*	6661753	PLUG	diagnostic		1
51*	6717173	REDUCER	W/Ref. 20		1
*	97K-10	O-RING	flared end		1
52*	6725090	HOSE			1
53*	6718948	SNUBBER	assy - W/filter		1
*	6675278	FILTER			1
54*	6672766	CHECK VALVE			1
55*	6718660	TEE			1
*	97K-6	O-RING	flared end		x
56*	6725442	HOSE			1
57*	20J-12	CLAMP			8
58*	17C-432	BOLT			2
59*	19J-12	CLAMP			2
60*	6719460	HOSE			1
61*	17C-620	BOLT			4
62*	6725431	HOSE			1
63*	6704630	CROSS	W/Ref. 4		1
64*	6806680	ELBOW	W/Ref. 65		1
*	97K-6	O-RING	flared end		x
65*	79K-6	O-RING			1
66*	6725430	HOSE			1
67*	743108	ADAPTER	W/Ref. 70		1
68*	6718726	MOUNT			1
69*	6716449	BUMPER			1
70*	79K-8	O-RING			1
71*	6530859	HOSE	tank drain		1
72*	5HM-15	CLAMP		& Abv.	2
73*	6727313	ELBOW	W/Ref. 4	& Abv.	2
74*	NAP	HOSE	23" (584mm) long -Order Ref. 75	& Abv.	1
75*	6586251	HOSE	bulk - sold by the foot	& Abv.	x
76*	10KN-5	TEE	W/Ref. 65		1
*	97K-6	O-RING	flared end		x
77*	17KV-5	ELBOW	W/Ref. 4		3
*	97K-6	O-RING	flared end		x
78*	84G-3716	BOLT			2
79*	18KV-5	TEE	W/Ref. 4		1
*	97K-6	O-RING	flared end		x

HYDROSTATIC CIRCUITRY



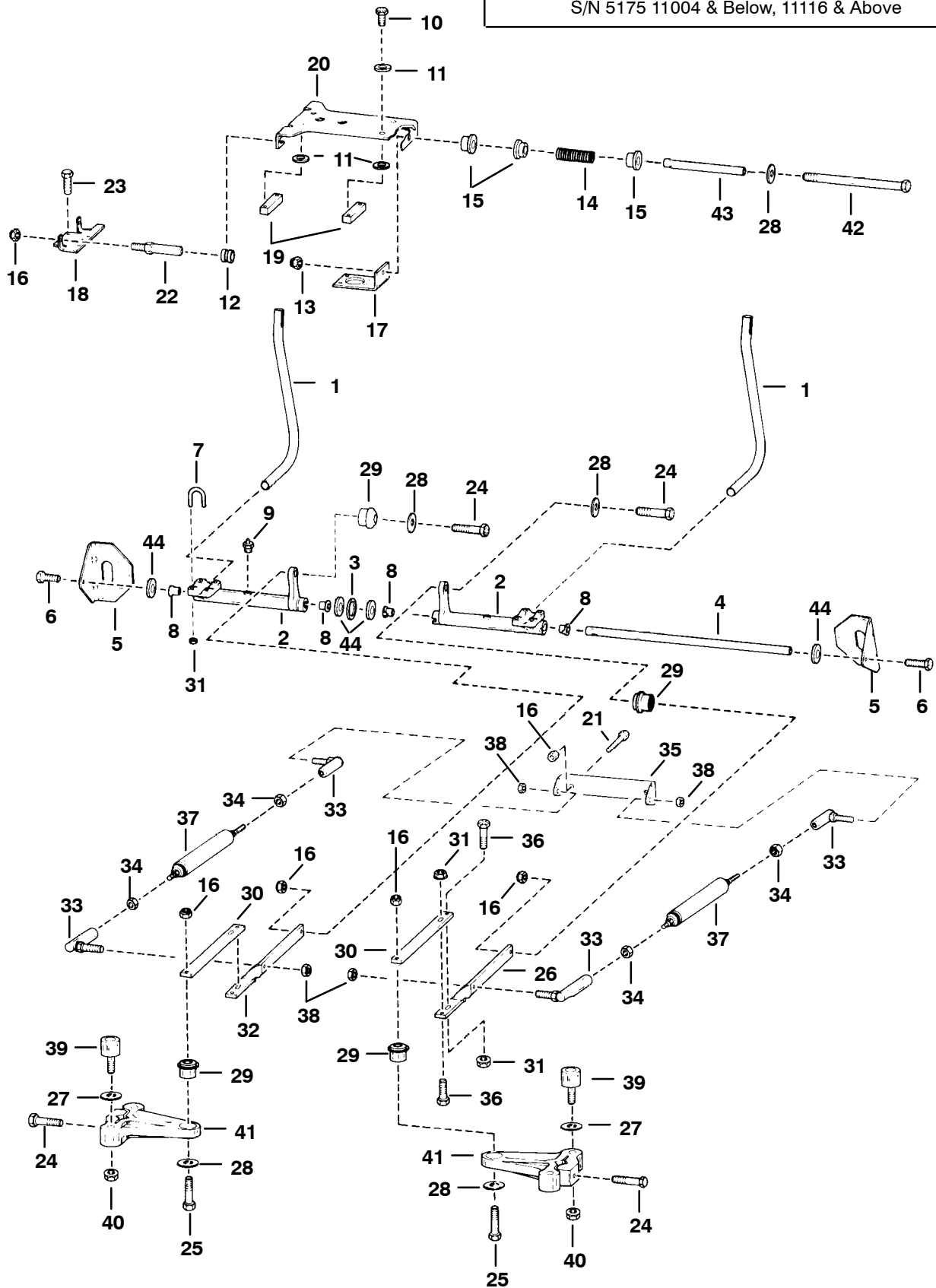
D-2430

HYDROSTATIC CIRCUITRY (Cont'd)

Ref. No.	Part Number	Description	Remarks	Serial Number	Qty.
1	6667896	COOLER			1
2	11KN-8	ELBOW			2
3	6719267	HOSE			2
4	88FN-8	ELBOW			2
5	86F-8	NUT			2
6	36K-5	CAP			1
7	6719286	TUBELINE			1
8	79K-12	O-RING			x
9*	6700599	TEE	W/Ref. 8 - Was 6715714 [B,D]		1
10*	6725032	ELBOW	Was 6715718 [B]		1
11	6718773	HOSE			1
12	6661247	FILTER ASSY.			1
	6661248	ELEMENT			1
13	5HM-35	CLAMP			4
14	5HM-42	CLAMP			3
15	6716471	TEE	W/Ref. 20		1
16	6716176	HOSE			1
17	35C-612	BOLT			4
18	84G-3716	BOLT			2
19	6719446	MOUNT			1
20	99K-16	O-RING			x
21		PUMP			2
22	6718882	TEE	W/Ref. 20		1
	97K-6	O-RING	flared end		x
23	1318565	PIN			1
24	15KN-8	ADAPTER	W/Ref. 25		1
25	79K-12	O-RING			1
26*	6719268	HOSE			1
27*	6E-6	WASHER			1
28*	90KV-5	PLUG	W/Ref. 29		1
29*	95K-6	O-RING			x
30*	6715718	ELBOW	W/Ref. 31		1
31*	99K-12	O-RING			x
32*	6718885	HOSE			1
33*	6718503	HOSE			1
34*	6711217	SHIELD			1

HAND CONTROLS

NOTE A: S/N 5189 11284 & Below, 12001 & Above
 S/N 5168 11001, 11130 & Above
 S/N 5175 11004 & Below, 11116 & Above

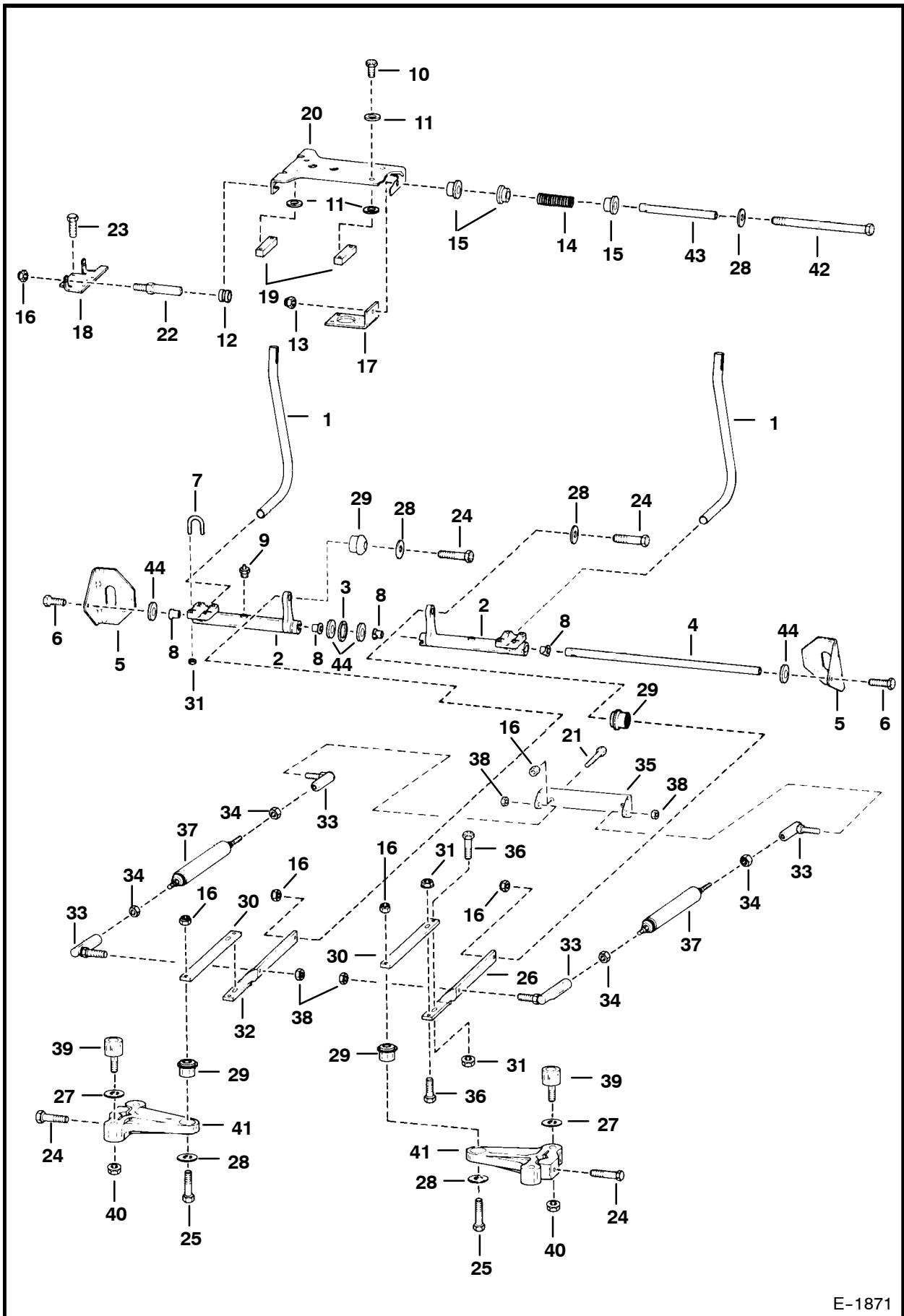


E-1871

HAND CONTROLS (Cont'd)

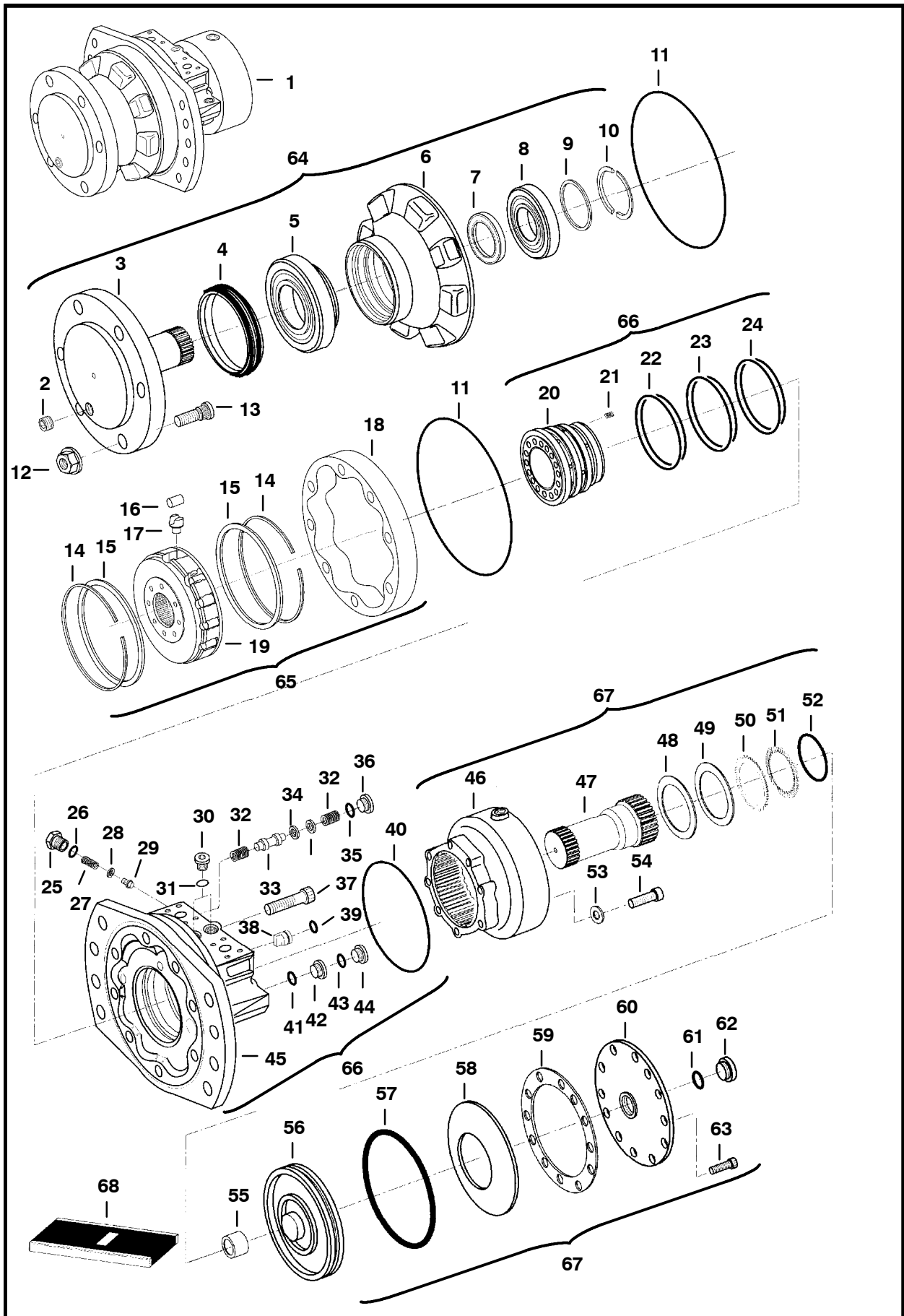
Ref. No.	Part Number	Description	Remarks	Serial Number	Qty.
1	6702543	LEVER			2
2	6716977	BELLCRANK		5189 11284 & Bel. 5168 11001	2 2
*	NAP	BELLCRANK	W/2 holes - Order 6716117 link	5175 11004 & Bel. 5189 11285-12000 5168 11002-11129	2 2 2
*	6725304	BELLCRANK		5175 11005-11115 5189 12001 & Abv. 5168 11130 & Abv.	2 2 2
3	6599741	WASHER	wave	5175 11116 & Abv.	2
4	6716545	ROD			1
5	6577230	MOUNT			2
6	45C-620	BOLT			2
7	6700768	U-BOLT			4
8	6673710	BEARING	needle		4
9	6518200	GREASE ZERK			2
10	8C-616	BOLT			4
11	6557831	WASHER			8
12	6706098	GUIDE			2
13	57D-6	NUT			2
14	6701535	SPRING			1
15	6715163	BUSHING			3
16	95D-6	NUT			21
17	6576196	BRACKET			1
18	6706096	BRACKET			1
19	6702716	BLOCK			2
20	6716116	MOUNT			1
21	17C-612	BOLT			2
22	6577058	PIN			2
23	1CM-820	BOLT			8
24	35C-624	BOLT			8
25	17C-626	BOLT			4
26*	NAP	LINK	Order 6716117 link - Was 6716231 [A]		1
27	25E-17	WASHER			8
28	6563914	WASHER			4
29	6665701	BUSHING	neoprene		4
30	6716286	LINK			2
31	83D-6	NUT			8
32	6716117	LINK		5189 12000 & Bel. 5168 11129 & Bel.	1 1
*	6716117	LINK		5175 11115 & Bel. 5189 12001 & Abv. 5168 11130 & Abv.	1 2 2
33	6599744	BALL JOINT		5175 11116 & Abv.	2
34	8D-6	NUT		SEE NOTE A	4
*	8D-6	NUT		5189 11285-12000 5168 11002-11129 5175 11005-11115	6 6 6

HAND CONTROLS (Cont'd)



E-1871

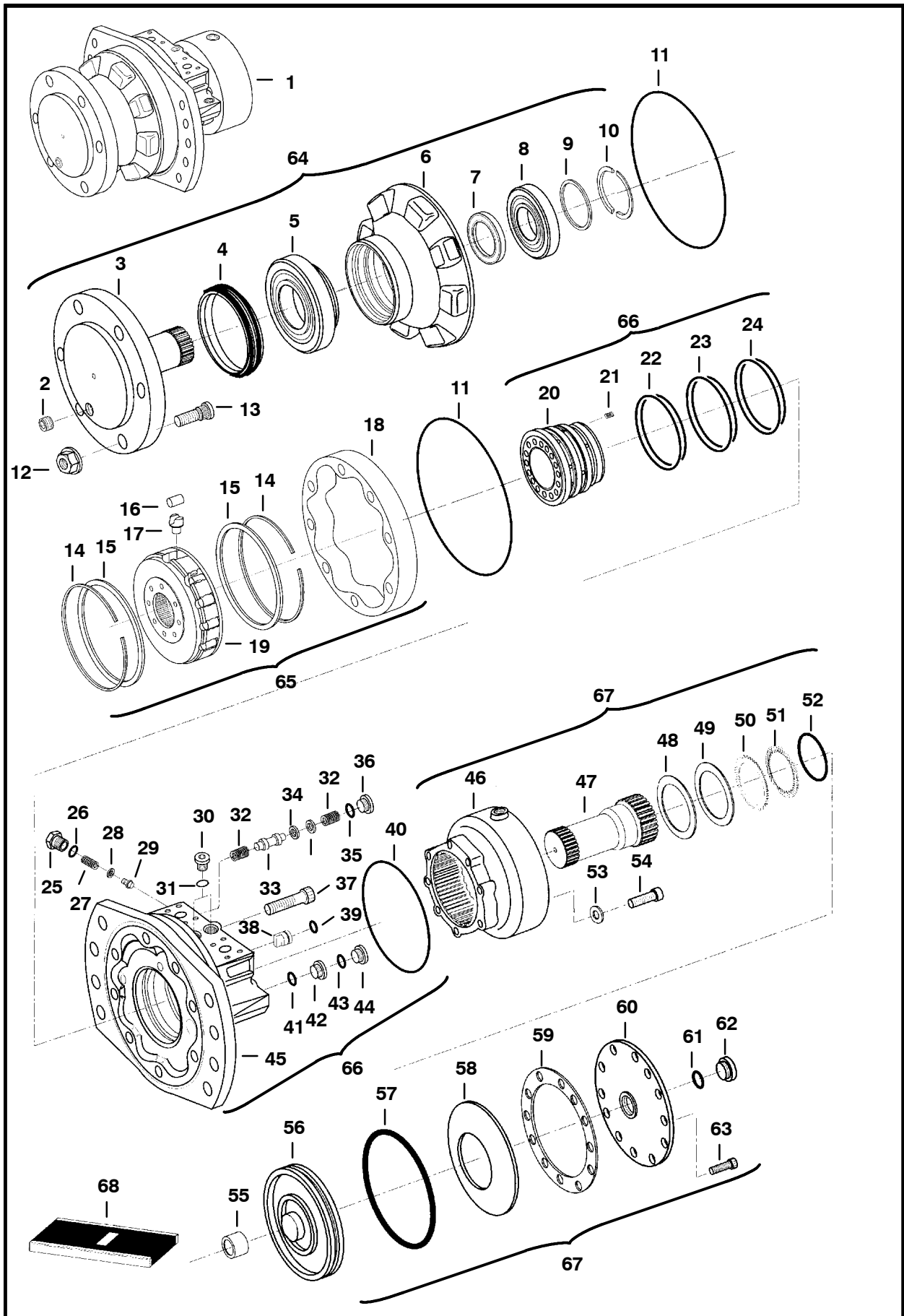
HYDROSTATIC MOTOR & BRAKE



HYDROSTATIC MOTOR & BRAKE (Cont'd)

Ref. No.	Part Number	Description	Remarks	Serial Number	Qty.
1*	NAP	MOTOR	model 5840-003-063 - Order 6675586 - Was 6674888 [A]	5189 11900 & Bel. 5168 11120 & Bel.	1 1
*	6675586	MOTOR	model 5840-003-065 - W/twin distributor seals	5175 11117 & Bel. 5189 11901 & Abv.	1 1
				5168 11121 & Abv. 5189 11118 & Abv.	1 1
2	6674063	PLUG			1
3	6674709	SHAFT			1
4	6674727	SEAL			1
5	6674725	BEARING			1
6	6674717	HOUSING			1
7	6674056	SEAL			1
8	6660018	BEARING			1
9	6674057	WASHER	preload - .025" (1,9mm) thick		1
	6674058	WASHER	preload - .083" (2,1mm) thick		1
	6674059	WASHER	preload - .091" (2,3mm) thick		1
	6674060	WASHER	preload - .098" (2,5mm) thick		1
	6674061	WASHER	preload - .108" (2,75mm) thick		1
*	NAP	WASHER	preload - .157" (4,0mm) thick - Was 6674062 [A]		1
10	6660016	RINGS			1
11*	6676597	O-RING	Was 6660044 [A]		2
12	6674724	NUT			6
13	6674706	STUD			6
14*	NSS	SNAP RING	Order Ref. 19 - Was 6675233 [A]		2
15*	NSS	RETAINER	Order Ref. 19 - Was 6675377 [A]		2
16*	NSS	ROLLER	Order Ref. 19 - Was 6674031 [A]		10
17*	NSS	PISTON	Order Ref. 19 - Was 6674032 [A]		10
18	6675234	CAM			1
19*	6676907	BLOCK	W/Ref. 14-17 - Was 6675376 [A]		1
20*	6674855	DISTRIBUTOR	for model 5840-003-063 - Was 6663061 [A]		1
*	6676909	DISTRIBUTOR	for model 5840-003-065		1
21	6660033	SPRING			12
22*	6674848	SEAL	Was 6674731 [A]		1
23*	6674847	SEAL	for model 5840-003-063 - Was 6660035 [A]		1
*	6676910	SEAL	for model 5840-003-065		1
24*	6674846	SEAL	Was 6674730 [A]		1
25	6674345	PLUG			1
26	6674851	O-RING			1
27	6674344	SPRING			1
28	6674343	SHIM	.024" (0,6mm) thick		1
29	6674853	POPPET			1
30	6674839	PLUG	W/Ref. 31		2
31	NSS	O-RING			2
32	6674841	SPRING			2
33	6674337	SPOOL	for model 5840-003-063		1
*	6675866	SPOOL	for model 5840-003-065		1

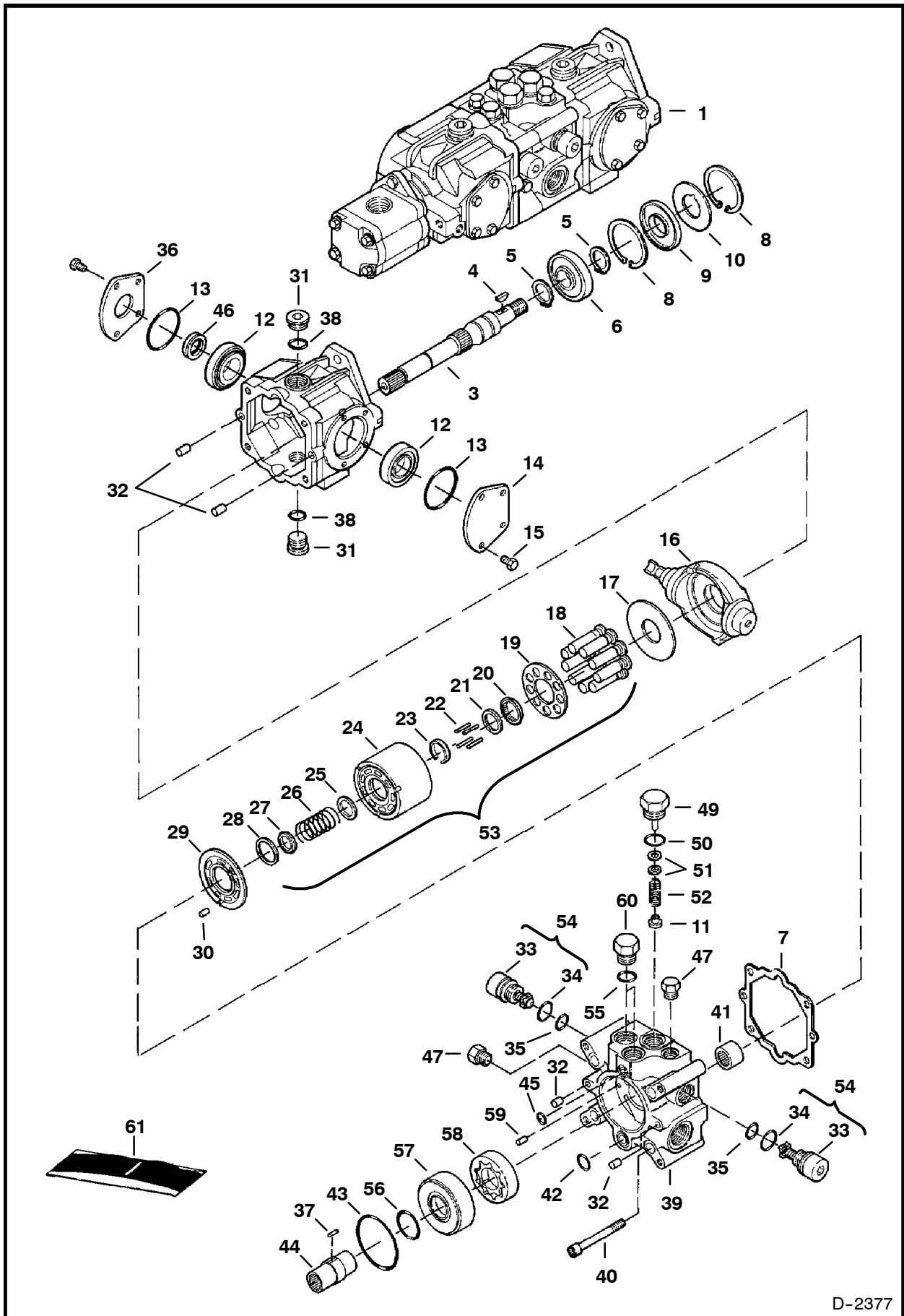
HYDROSTATIC MOTOR & BRAKE (Cont'd)



HYDROSTATIC MOTOR & BRAKE (Cont'd)

Ref. No.	Part Number	Description	Remarks	Serial Number	Qty.
34	6674338	WASHER	for model 5840-003-063		1
*	6675867	WASHER	for model 5840-003-065		1
35	6671749	O-RING			2
36	6674852	PLUG	W/Ref. 35		1
37*	6674849	WASHER			1
38	6660032	PIN			1
39	6674850	O-RING			1
40	6674066	SEAL			1
41	6671758	O-RING			2
42	6666364	PLUG	W/Ref. 41		2
43	NSS	O-RING	Order Ref. 44		1
44	6674017	PLUG	W/Ref. 43		1
45	6674842	HOUSING	for model 5840-003-063		1
*	6676908	HOUSING	for model 5840-003-065		1
46	6674721	HOUSING			1
47	6674718	SHAFT			1
48	6674722	SHIM	.004" (0,1mm) thick		1
49	6674723	SHIM	.012" (0,3mm) thick		1
50	6674714	DISC	outer brake		20
51	6674713	DISC	inner brake		14
52	6674715	O-RING			1
53	6674708	WASHER			8
54	6674703	BOLT			8
55	6674734	BUSHING			1
56	6674712	PISTON	brake		1
57	6674728	SEAL			1
58	6674726	WASHER			1
59	6674720	GASKET			1
60	6674716	COVER			1
61	6674705	O-RING			1
62	6674707	PLUG			1
63	6674702	BOLT			24
64	6674733	HOUSING ASSY	front - Ref. 2-10		1
65	6675375	ROTATING GROUP	Ref. 14-19		1
66*	6674844	HOUSING ASSY	rear - Ref. 20-45 - for model 5840-003-063 - Was 6660029 [A]		1
*	6676905	HOUSING ASSY	rear - Ref. 20-45 - for model 5840-003-065		1
67	6674735	BRAKE ASSY	Ref. 46-63		1
68*	6674845	SEAL KIT	W/Ref. 7, 11, 22-24, 26, 30, 34, 35, 39-41, 52, 57 & 59 - for model 5840-003-063 -		
*	6676906	SEAL KIT	Was 6674736 [A] W/Ref. 7, 11, 22-24, 26, 30, 34, 35, 39-41, 52, 57 & 59 -		1
69	6674704	BOLT	for model 5840-003-065		1 8

HYDROSTATIC PUMP (Left Half)

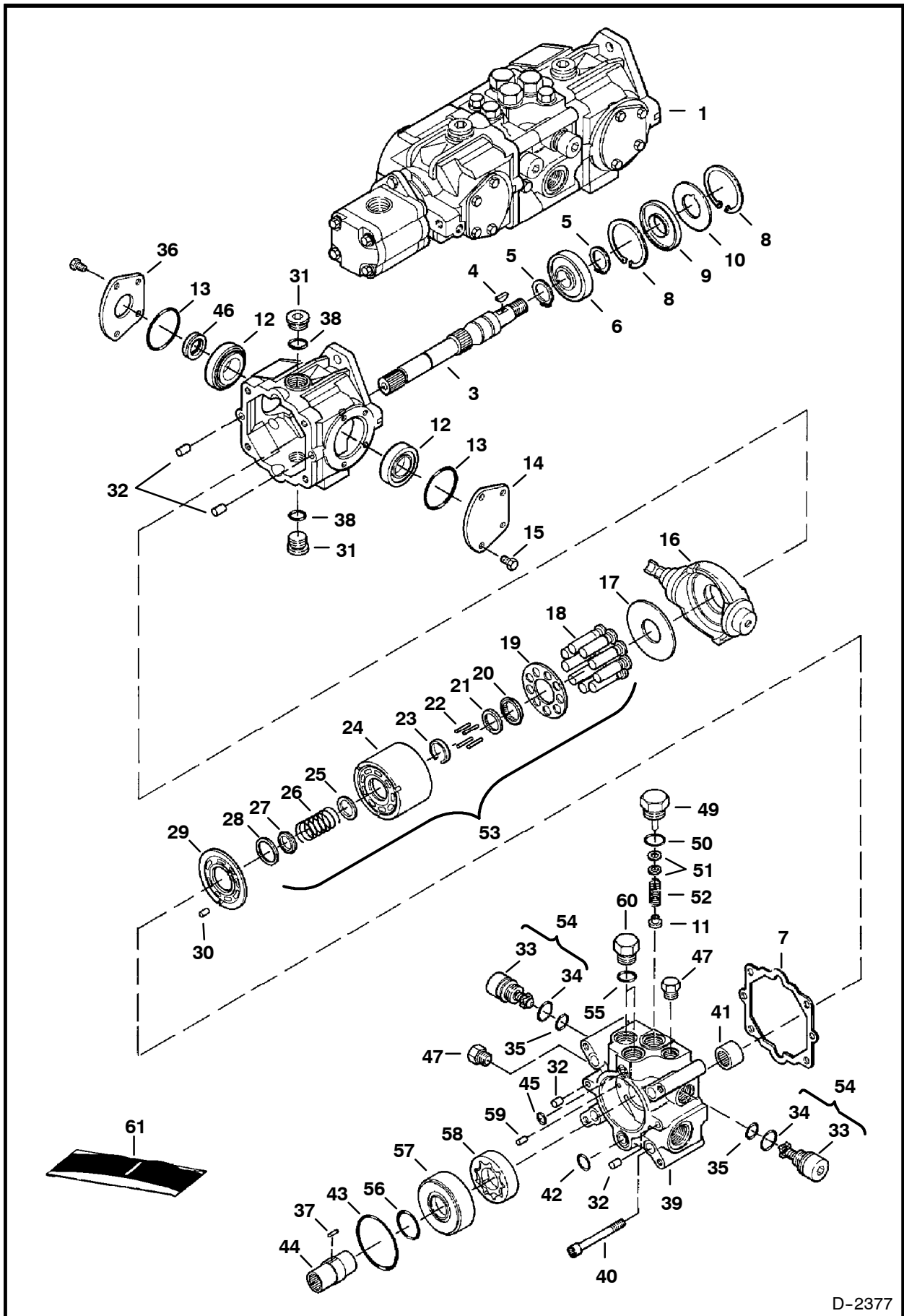


D-2377

HYDROSTATIC PUMP (Cont'd)
(Left Half)

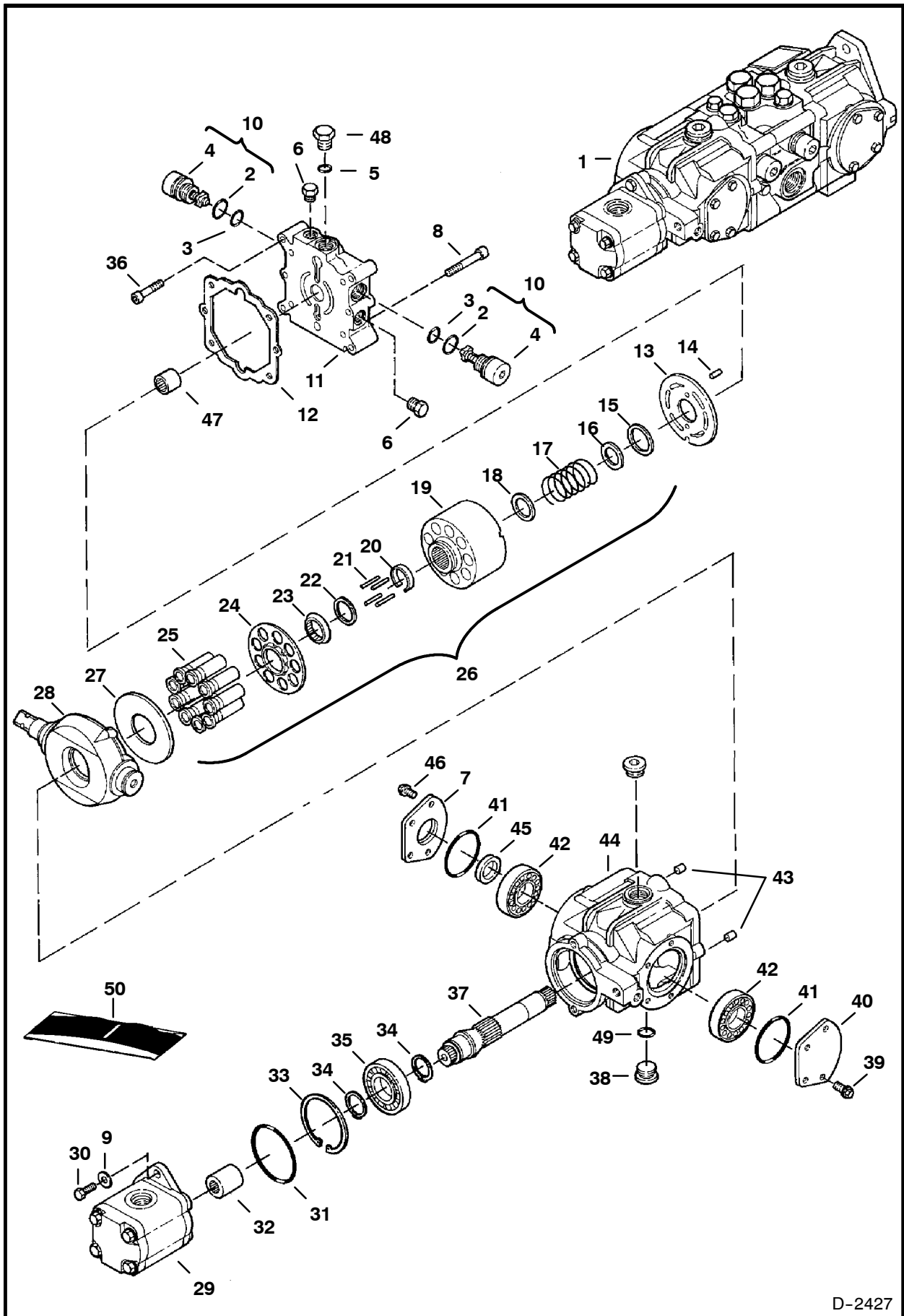
Ref. No.	Part Number	Description	Remarks	Serial Number	Qty.
1	6673910	PUMP	complete W/4-bolt flange gear pump - Model 4445060 - standard flow		1
	6673912	PUMP	complete W/4-bolt flange gear pump - Model 4445061 - high flow		1
2	6669402	HOUSING			1
3	6669408	SHAFT			1
4	6J-807	KEY			1
5	658128	SNAP RING			2
6	654299	BEARING			1
7	6650634	GASKET			1
8	669863	SNAP RING			2
9	6645090	SEAL			1
10	6669409	WASHER			1
11	6650652	POPPET	charge relief		1
12	6669411	BEARING			2
13	6660814	O-RING			2
14	6657068	PLATE			2
15	6650668	BOLT			4
16	6671513	SWASH PLATE			1
17	6650627	WEAR PLATE			1
18	NAP	PISTON ASSY.	Order Ref. 53		1
19	NAP	RETAINER	Order Ref. 53		1
20	NAP	RETAINER	guide - Order Ref. 53		1
21	6666338	WASHER			1
22	6650629	PIN			4
23	6650630	RETAINER			1
24	NAP	BLOCK	Order Ref. 53		1
25	NAP	WASHER	Order Ref. 53		1
26	NAP	SPRING	Order Ref. 53		1
27	NAP	WASHER	Order Ref. 53		1
28	NAP	WASHER	Order Ref. 53		1
29	6671515	VALVE PLATE			1
30	6650636	PIN			1
31	47K-8	PLUG	W/Ref. 38		2
32	6518460	PIN			4
33	NAP	PLUG	Order Ref. 54		2
34	6657028	O-RING			2
35	79K-8	O-RING			2
36	6657067	COVER			1
37	6673885	PIN			1
38	79K-12	O-RING			2
39	6673878	END PLATE			1
40	6673886	BOLT			4
41	6650635	BEARING			1
42	6650647	O-RING			1
43	6673884	O-RING			1
44	6673877	COUPLER			1
45	6650646	O-RING			1
46	6673881	SEAL			1

HYDROSTATIC PUMP (Cont'd) (Left Half)



D-2377

HYDROSTATIC PUMP (Right Half)

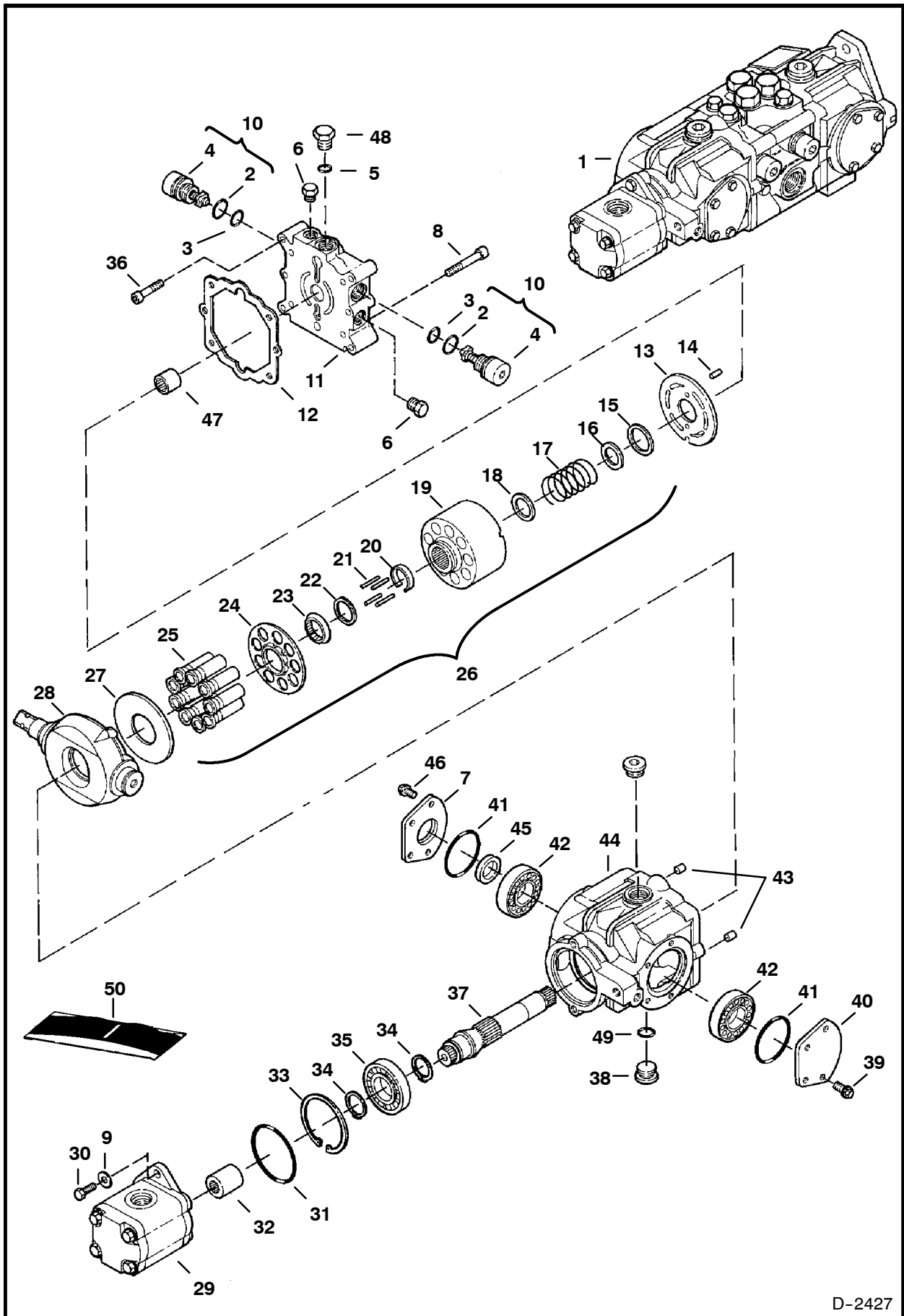


D-2427

**HYDROSTATIC PUMP (Cont'd)
(Right Half)**

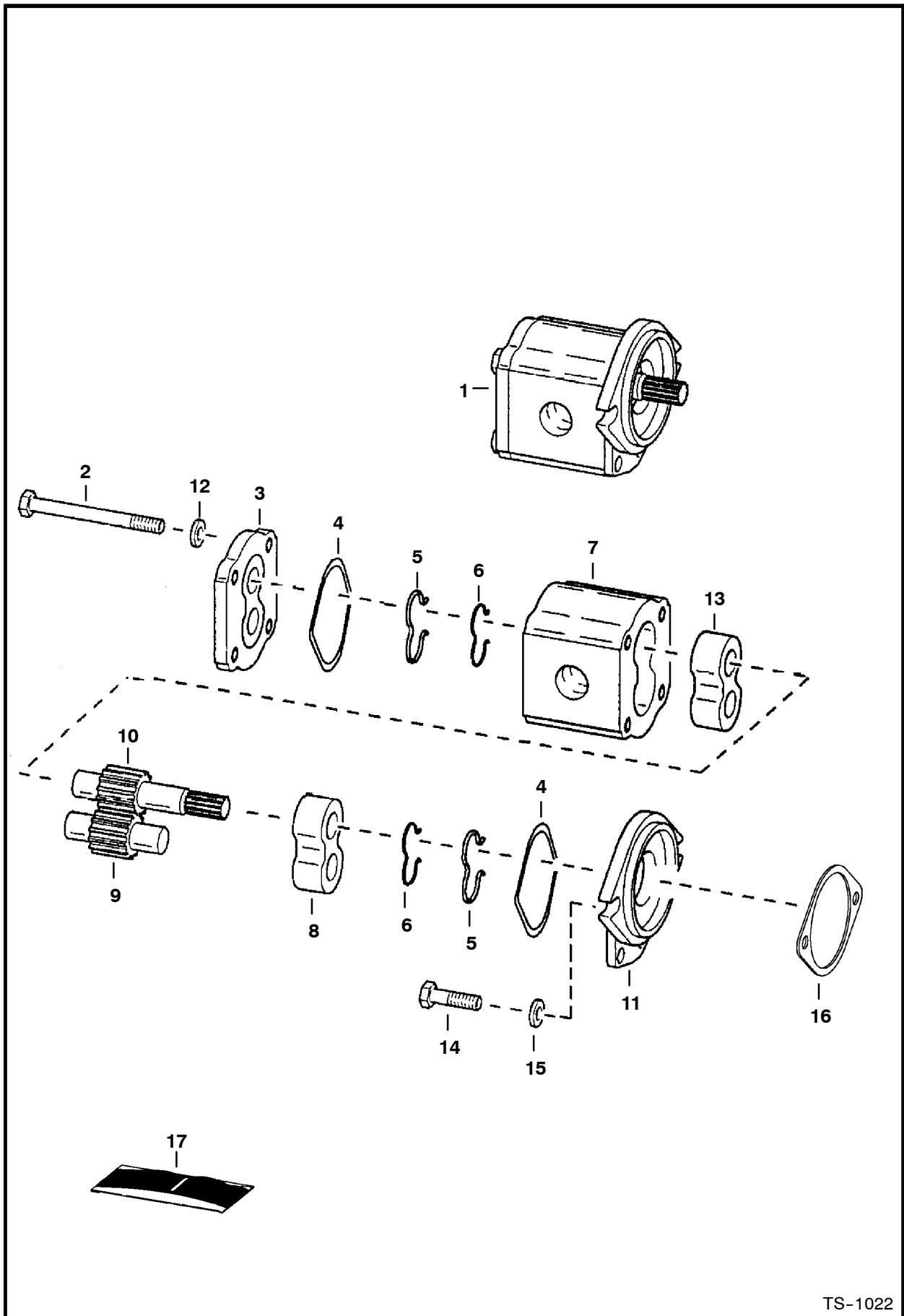
Ref. No.	Part Number	Description	Remarks	Serial Number	Qty.
1	6673910	PUMP	complete W/4-bolt flange gear pump - model 4445060 - standard flow		1
	6673912	PUMP	complete W/4-bolt flange gear pump - model 4445061 - high flow		1
2	6657028	O-RING			2
3	79K-8	O-RING			2
4	NAP	PLUG	Order Ref. 10		2
5	79K-14	O-RING			2
6	6645086	PLUG			4
7	6657067	COVER			1
8	6650637	BOLT			2
9	6518483	WASHER			2
10	6672535	RELIEF VALVE	4712 PSI (325 bar)		2
11	6669405	END CAP			1
12	6650634	GASKET			1
13	6671514	VALVE PLATE			1
14	6650636	PIN			2
15	NAP	RETAINER	Order Ref. 26		1
16	NAP	WASHER	Order Ref. 26		1
17	NAP	SPRING	Order Ref. 26		1
18	NAP	WASHER	Order Ref. 26		1
19	NAP	BLOCK	Order Ref. 26		1
20	6650630	RETAINER			1
21	6650629	PIN			4
22	6666338	WASHER			1
23	NAP	RETAINER	Order Ref. 26		1
24	NAP	RETAINER	Order Ref. 26		1
25	NAP	PISTON ASSY.	Order Ref. 26		1
26	6671512	BLOCK ASSY.	Ref. 15 - 25		1
27	6650627	PLATE			1
28	6671513	SWASH PLATE			1
29		GEAR PUMP	See Page 106 for standard flow		1
		GEAR PUMP	See Page 75 for high flow option		1
30	17C-620	BOLT			2
31	6645080	O-RING			1
32	6671509	COUPLING			1
33	669863	SNAP RING			1
34	658128	SNAP RING			2
35	654299	BEARING			1
36	6652018	BOLT			4
37	6669407	SHAFT			1
38	47K-8	PLUG	W/Ref. 49		1
39	6650668	BOLT			4
40	6657068	PLATE			1
41	6660814	O-RING			2
42	6669411	BEARING			2
43	6518460	PIN			2
44	6669403	HOUSING			1
45	6673881	SEAL			1

HYDROSTATIC PUMP (Cont'd) (Right Half)

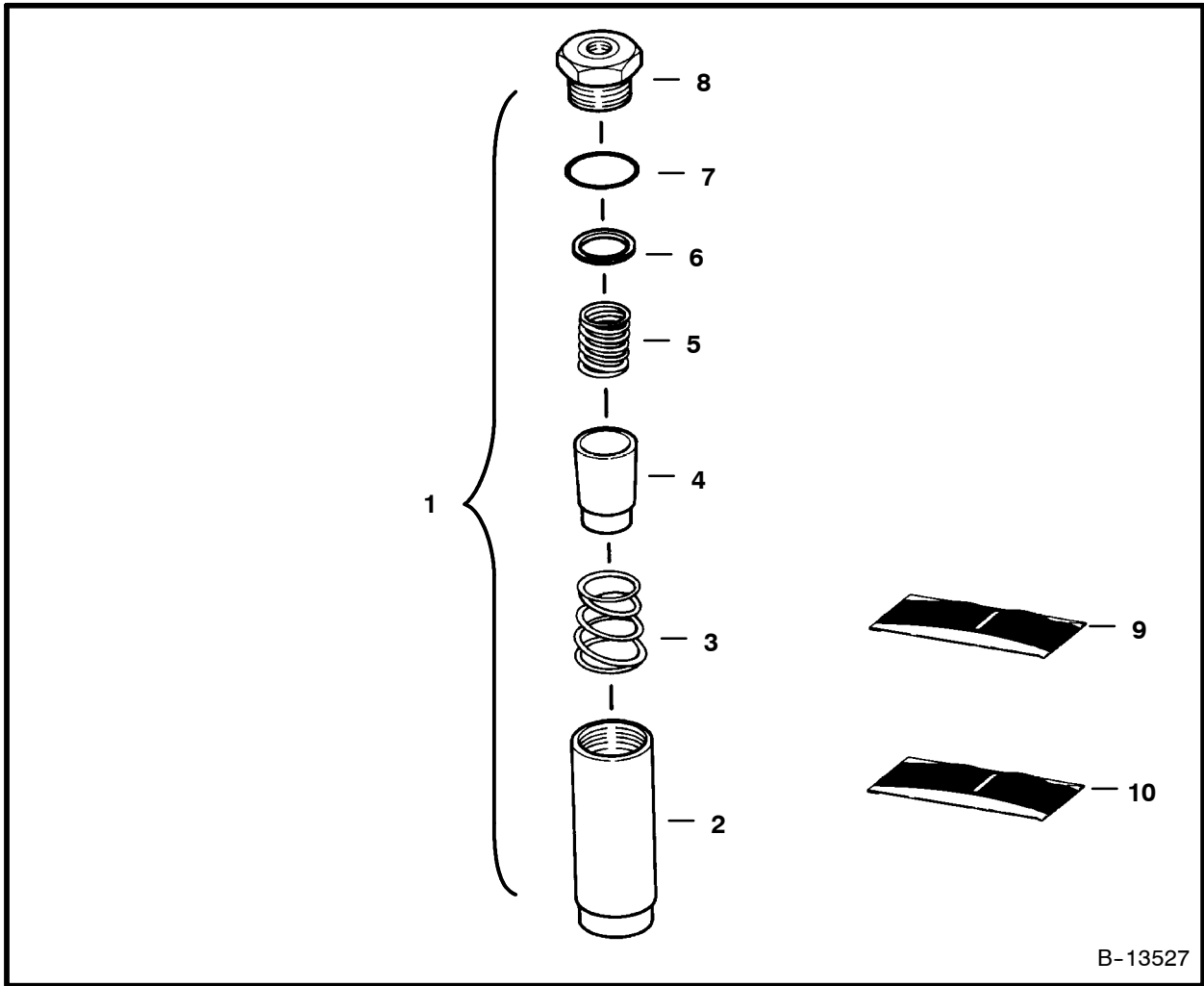


D-2427

GEAR PUMP

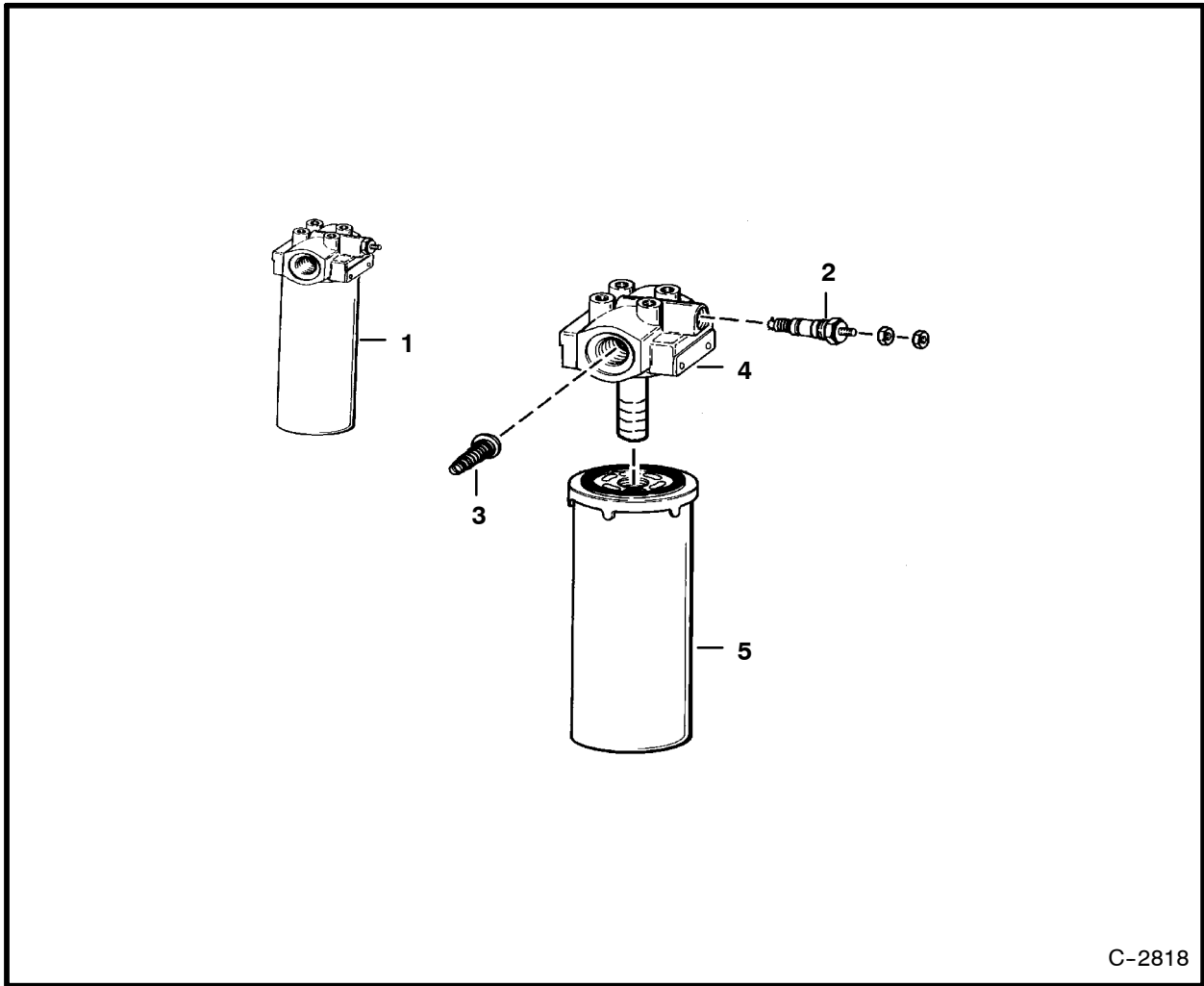


TS-1022



**HYDROSTATIC OIL FILTER
(In-Line)**

Ref. No.	Part Number	Description	Remarks	Serial Number	Qty.
1	6661022	FILTER	Ref. 2 - 8		1
2	NSS	HOUSING			1
3	NSS	SPRING			1
4	NSS	ELEMENT			1
5	NSS	SPRING GASKET			1
6	NSS	GASKET			1
7	NSS	O-RING			1
8	NSS	PLUG			1
9	6661807	KIT	element - Ref. 4, 6 & 7		1
10	6661808	KIT	spring - Ref. 3 & 5		1

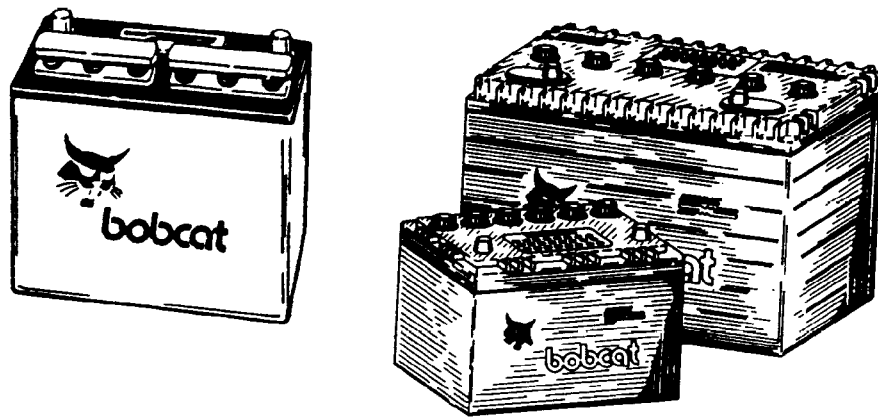


C-2818

HYDROSTATIC OIL FILTER

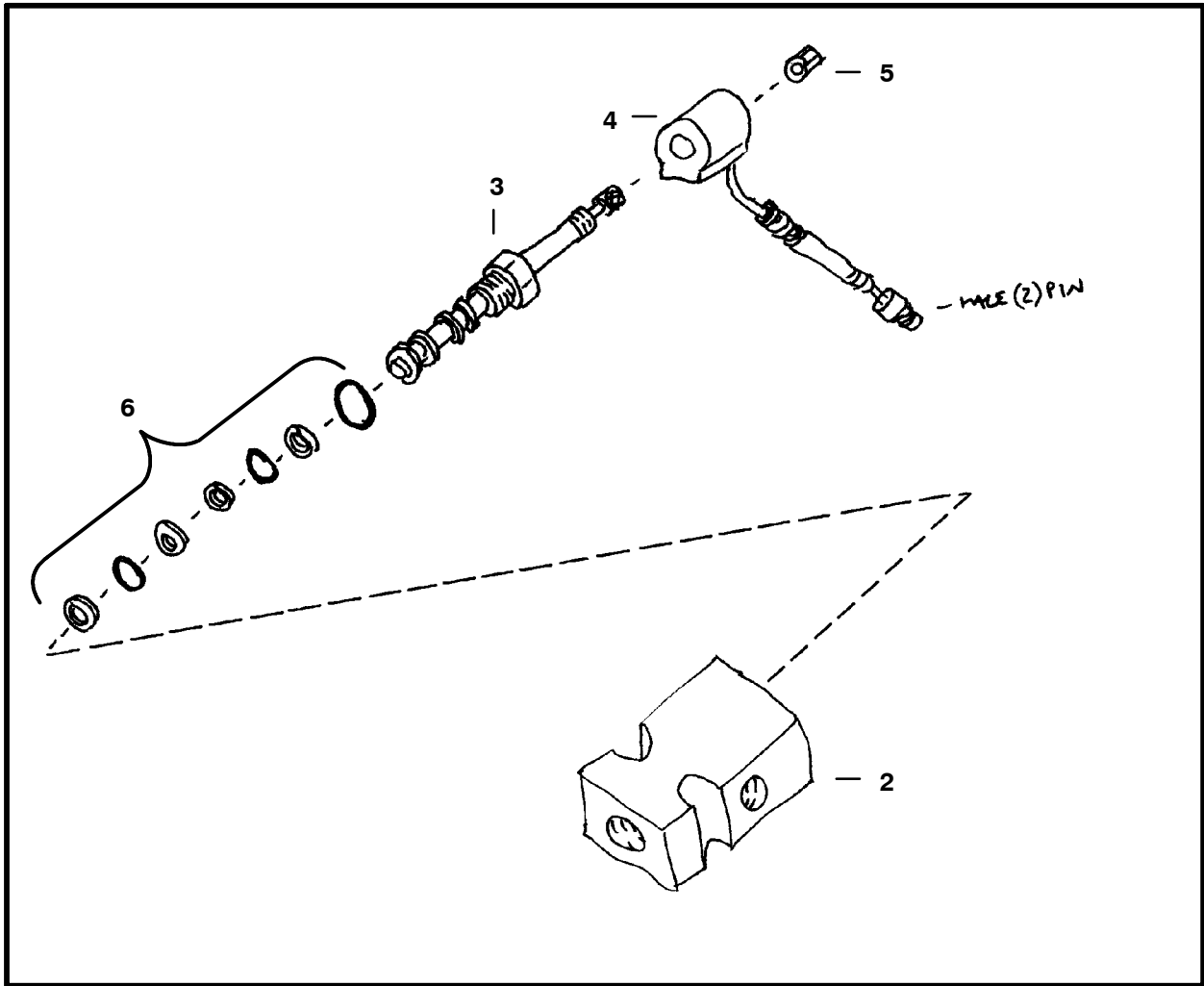
Ref. No.	Part Number	Description	Remarks	Serial Number	Qty.
1	6661247	FILTER ASSY	W/Ref. 2-5 (50 PSI by-pass & switch)		1
2	6660260	SWITCH	pressure - Normally closed		1
3	6599365	KIT	Nut, washer & O-rings for switch		1
3	NSS	VALVE	by-pass (50 PSI - Order Ref. 1)		1
4	NSS	HEAD	W/Internal check valve "Check Valve" printed on head - Order 6661282 Filter Assy.		1
5	6661248	ELEMENT			1

**Bobcat batteries are designed
to meet the needs of your machine.**



Available from Bobcat Parts.



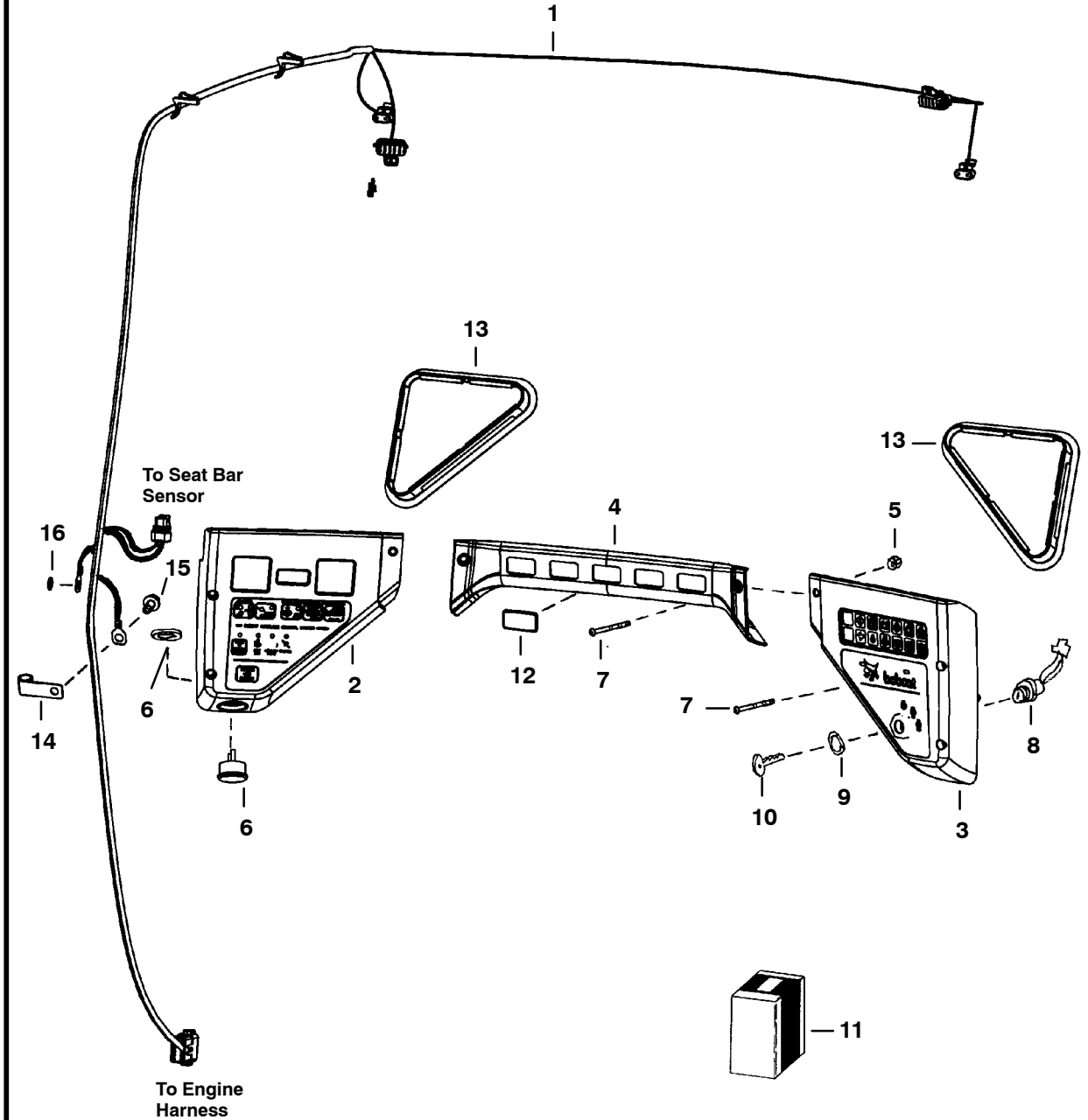


BRAKE VALVE

Ref. No.	Part Number	Description	Remarks	Serial Number	Qty.
1*	6676495	VALVE ASSY	Ref. 2-6 - Was 6672965 [A]		1
2	NSS	BLOCK	Order Ref. 1		1
3*	6676509	STEM	W/Ref. 5 - Was 6675069 [A]		1
4*	6675731	COIL	Was 6675071 [A]		1
5*	6675663	NUT	Was 6671628 [A]		1
6*	6669736	SEAL KIT	(3) o-rings & (4) back-up rings - Was 6675072 [A]		1

CAB ELECTRICAL CIRCUITRY (S/N 5189 11001-12999, 5168 11001-11999, 5175 11001-11999)

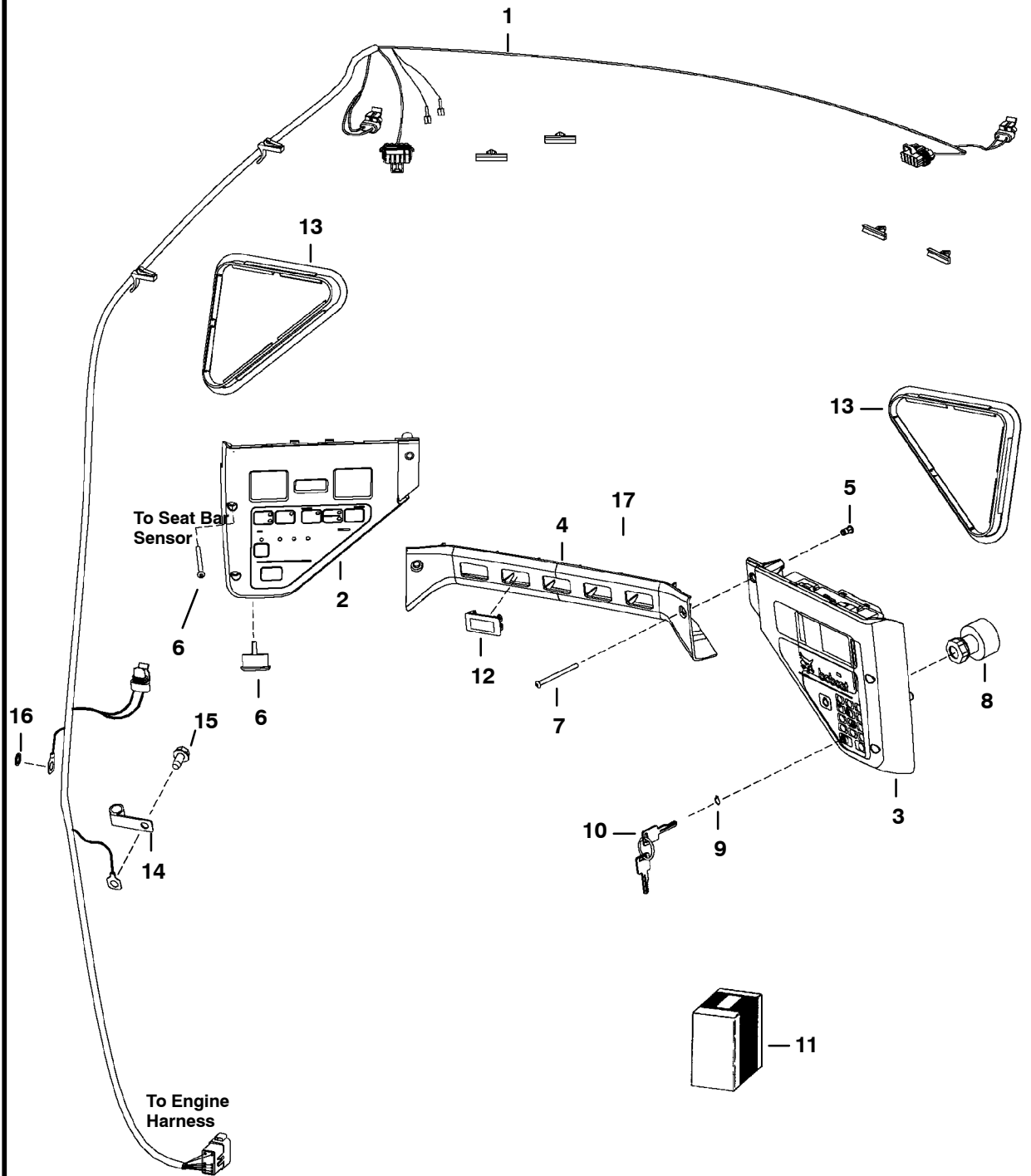
NOTE: Front & Rear Light Kit located on Page 245



PE-1039

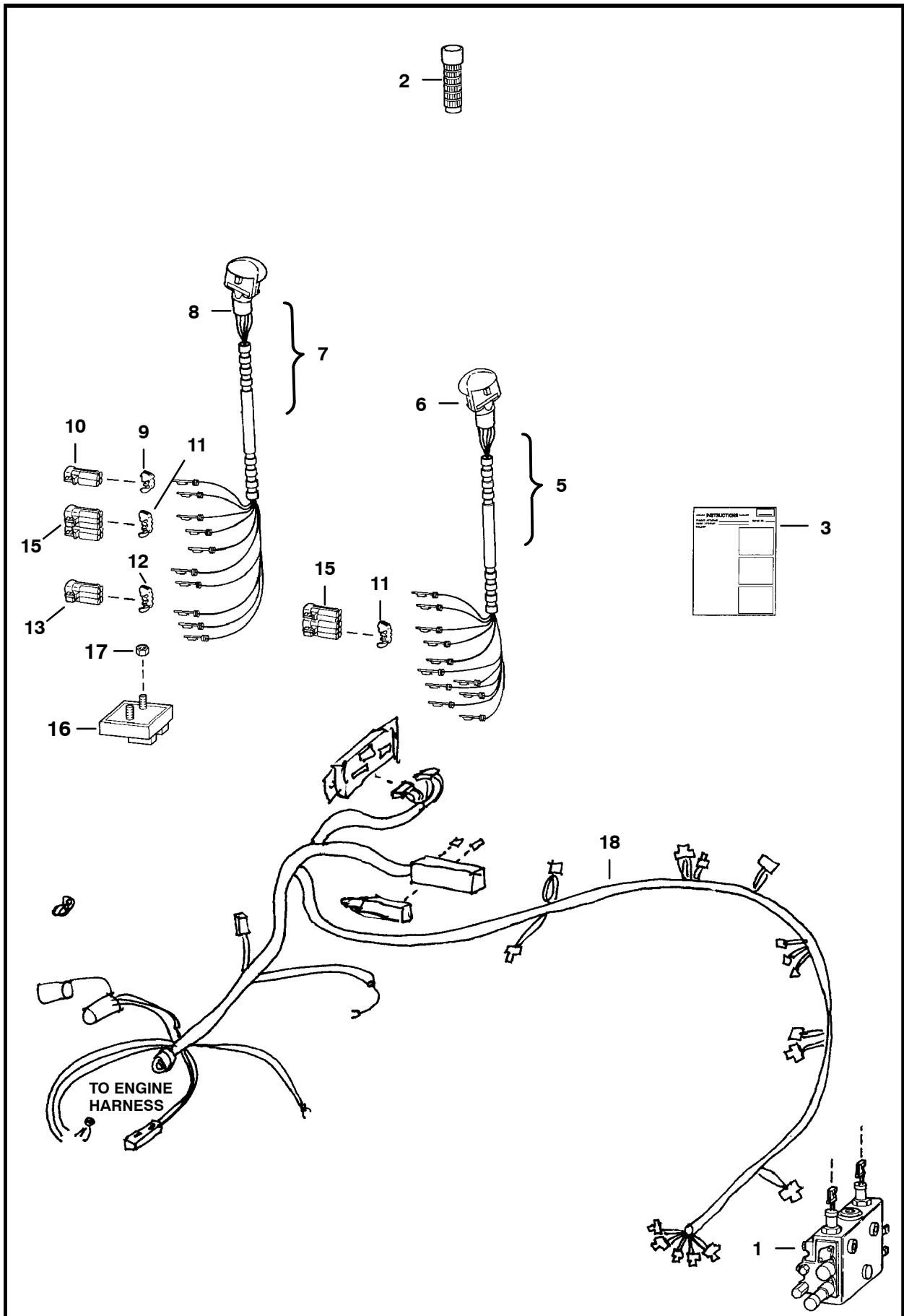
*** CAB ELECTRICAL CIRCUITRY
(S/N 5189 13001, 5168 12001, 5175 12001 & Above)**

NOTE: Front & Rear Light Kit located on Page 245

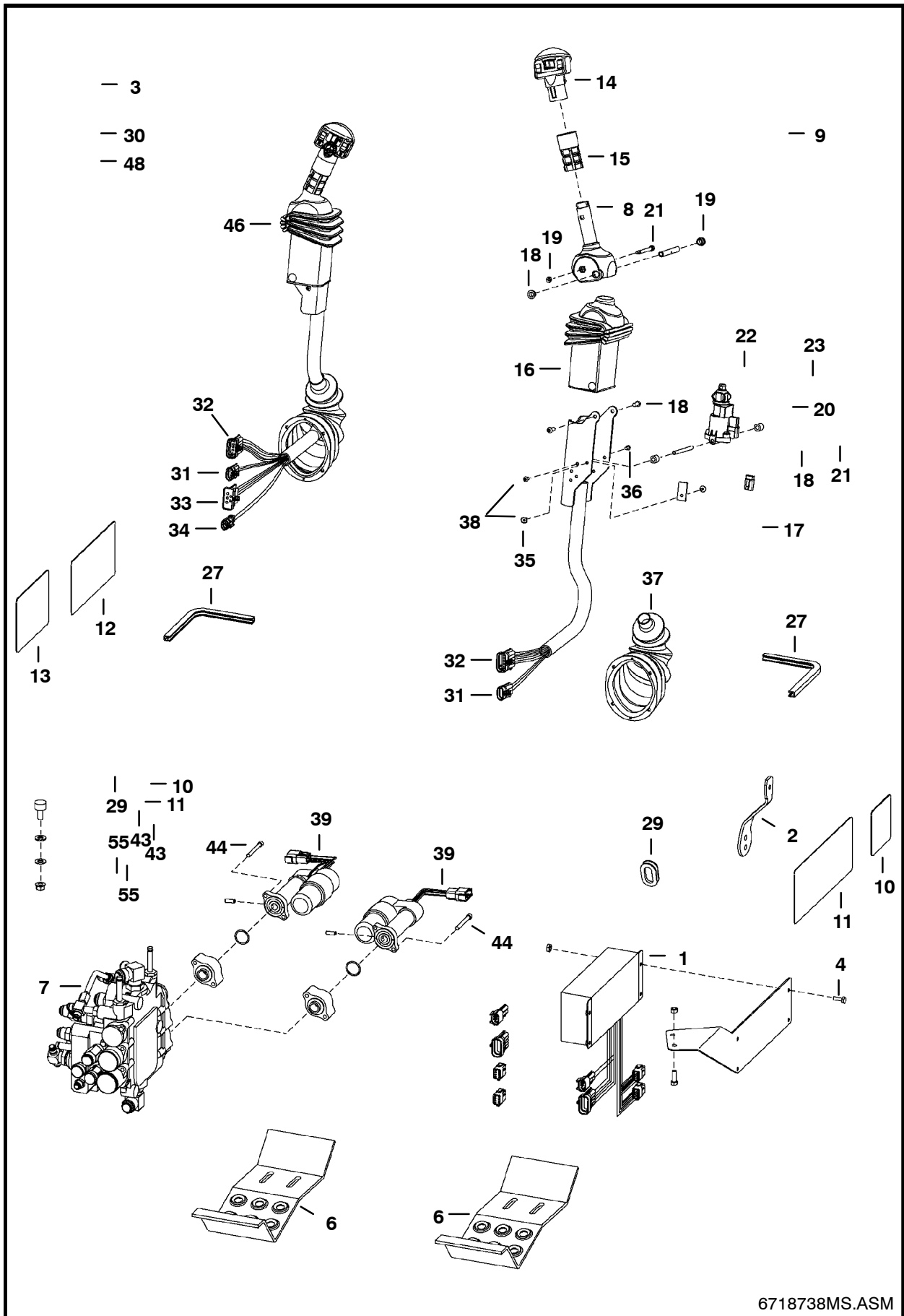


PE-1139

ELECTRICAL CONTROLS



ELECTRICAL CONTROLS (Advanced Hand Controls Option - W/O Push Button Float)

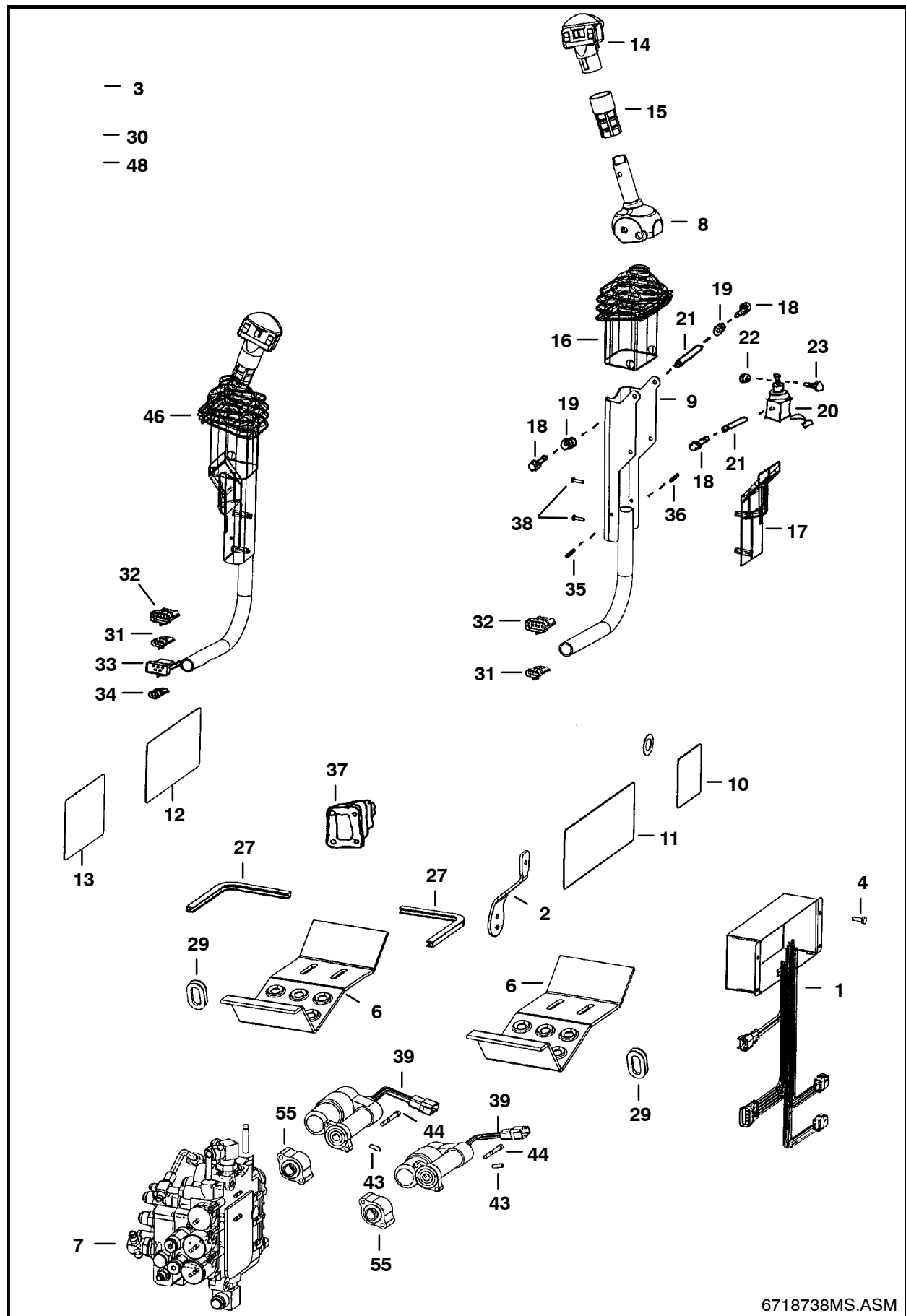


6718738MS.ASM

ELECTRICAL CONTROLS (Cont'd)
(Advanced Hand Controls Option - W/O Push Button Float)

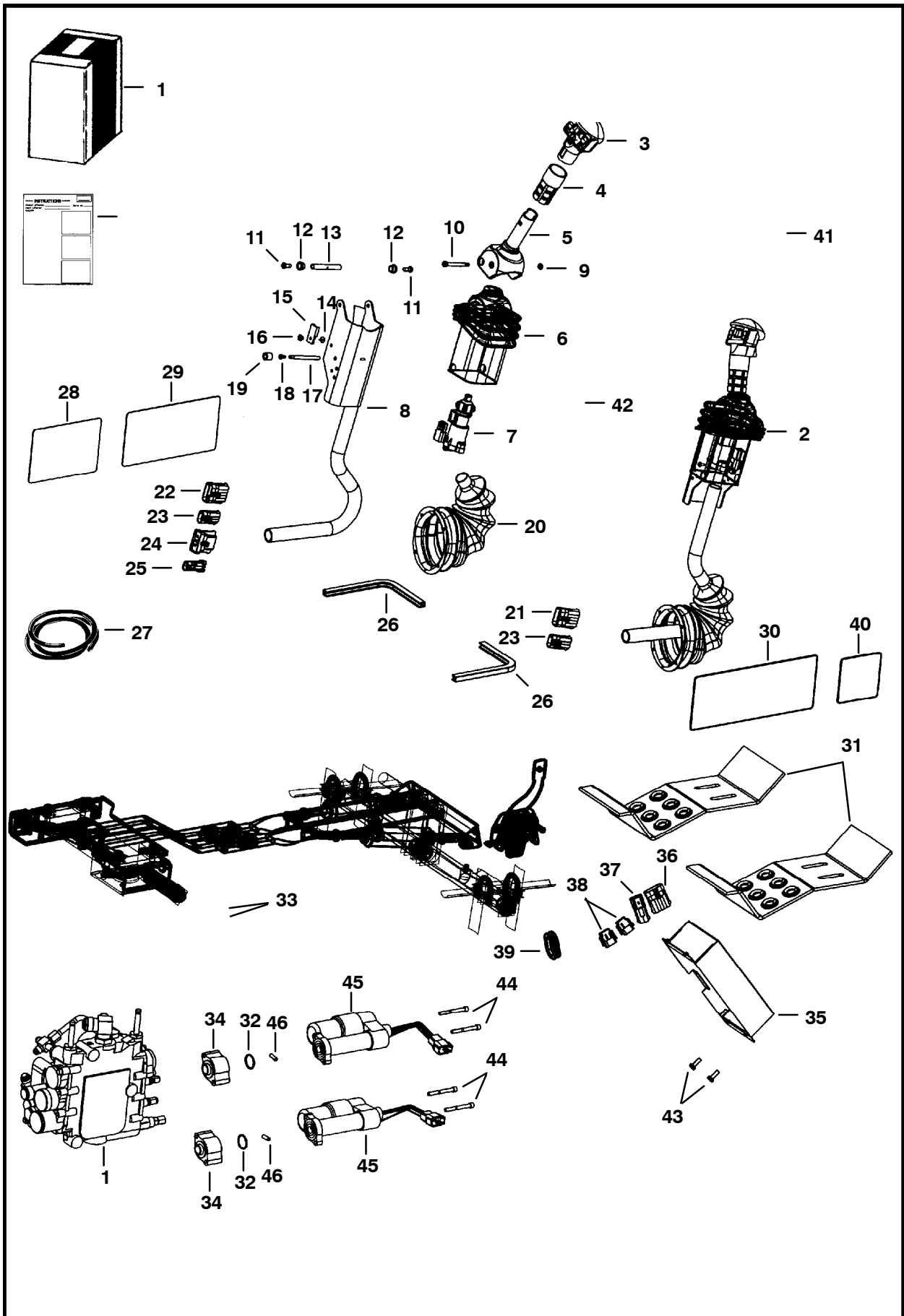
Ref. No.	Part Number	Description	Remarks	Serial Number	Qty.
1	6674804	CONTROLLER			1
2	6717393	LEVER	throttle		1
3	6670707	CONNECTOR	3-way		2
	6670710	LOCK	3-way		2
4	17C-412	BOLT			4
5	6646582	PLUG			4
6	6712365	STEP			2
7		VALVE	AHC - See Page 61		1
8	6597774	HANDLE	R.H. - tilt		1
	6717163	HANDLE	L.H. - lift		1
9	6597775	LEVER	R.H. - tilt		1
	6597776	LEVER	L.H. - lift		1
10	6718389	DECAL	warning		1
11	6718397	DECAL			1
12	6718395	DECAL	operation		1
13	6718704	DECAL	opeation		1
14	6675249	HANDLE ASSY	R.H. - tilt		1
	6640690	PIN			11
	6670715	SOCKET			3
	6641176	SEAL			11
	6675250	HANDLE ASSY	L.H. - lift		1
	6640690	PIN			13
	6670715	SOCKET			3
	6641176	SEAL			13
*	6677370	DECAL			1
15	6713349	GRIP			2
16	6713898	COVER			2
17	6715957	COVER			2
18	25GT-410	BOLT			8
19	6702990	BUSHING			4
20	6712398	CONTROL	R.H. - tilt		4
	6712397	CONTROL	L.H. - lift		1
21	6713043	SPACER			4
22	12D-10	NUT			2
23	6716826	BOLT			2
24	58K-120	O-RING			2
25	17C-620	BOLT			3
26	25E-24	WASHER			1
27	NAP	MOULDING	10.5"(266 mm) long -		
			Order Ref. 28		2
28	6654139	MOULDING	bulk - Sold Per Foot		x
29	6714726	PLUG			2
30	6665000	CLIP			2
31	6640699	CONNECTOR			1
	6640700	LOCK			1
32	6640692	CONNECTOR			2
	6640694	LOCK			2
33	6667144	CONNECTOR			1
	6667145	LOCK			1
34	6641179	CONNECTOR			1
	6641180	LOCK			1

ELECTRICAL CONTROLS (Cont'd)
(Advanced Hand Controls Option - W/O Push Button Float)



6718738MS.ASM

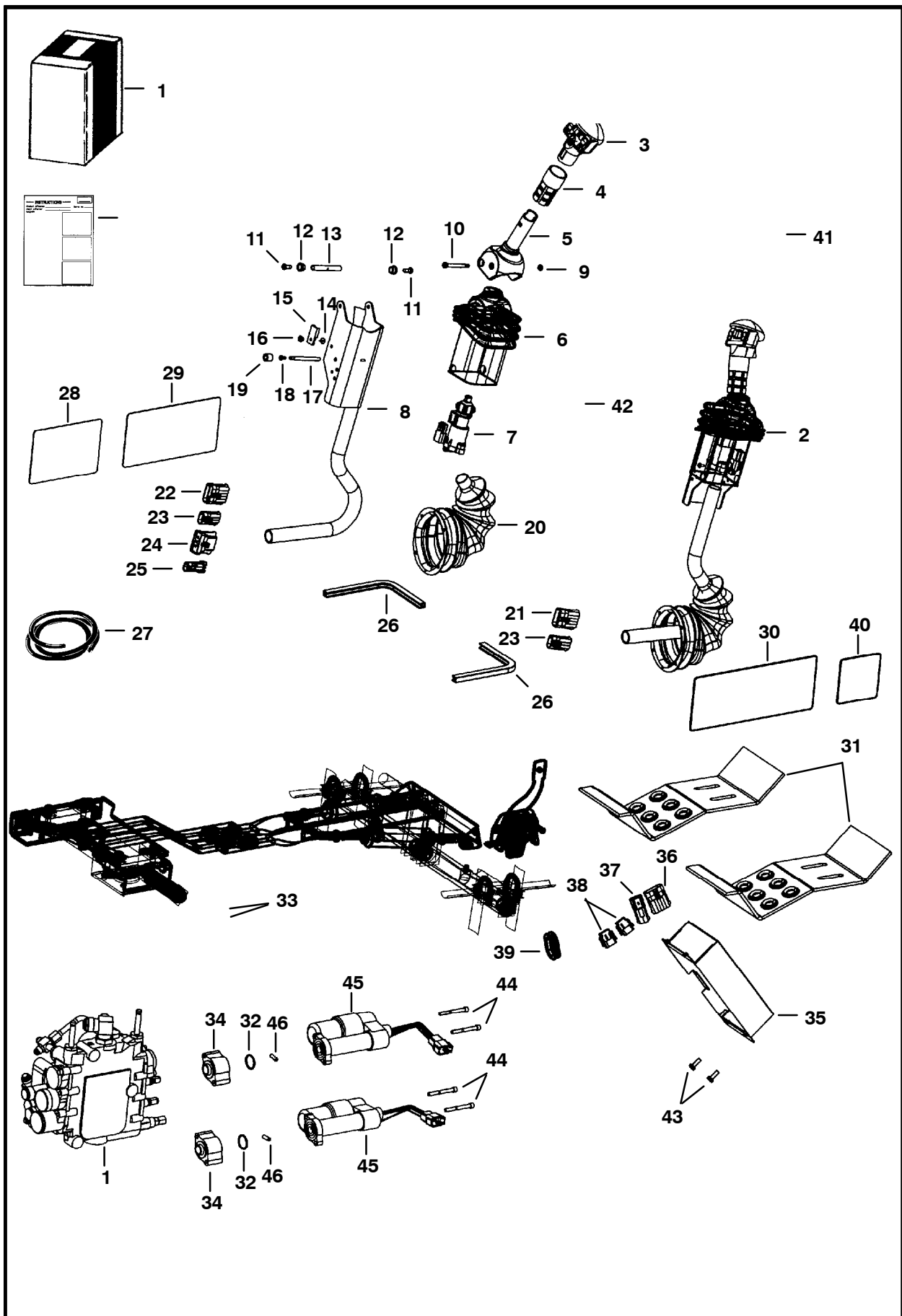
*** ELECTRICAL CONTROLS**
(Advanced Hand Control Option - W/ Push Button Float)



*** ELECTRICAL CONTROLS (Cont'd)**
(Advanced Hand Control Option - W/ Push Button Float)

Ref. No.	Part Number	Description	Remarks	Serial Number	Qty.
1*		VALVE	See Page 61		1
2*	6675742	LEVER	tilt - R.H.		1
*	6675750	LEVER	lift - L.H.		1
3*	6675469	HANDLE	lift - R.H.		1
*	6675749	HANDLE	lift - L.H.		1
4*	6713349	GRIP			2
5*	6597774	HANDLE	R.H.		1
*	6717163	HANDLE	L.H.		1
6*	6713898	COVER			2
7*	6675741	SENSOR			2
*	6670706	CONNECTOR	3-pin		1
*	6670715	PIN			3
*	6670710	LOCK			1
8*	6719712	CHANNEL	R.H.		1
*	6719711	CHANNEL	L.H.		1
9*	12D-10	NUT			2
10*	6716826	BOLT			2
11*	25GT-410	BOLT			8
12*	6702990	BUSHING			4
13*	6713043	SPACER			4
14*	6665321	RIVET	male		2
15*	6665000	CLIP			2
16*	6665322	RIVET	female		2
17*	6719834	SPACER	threaded		2
18*	6727065	BOLT			4
19*	6719835	SLEEVE			4
20*	6532127	BOOT			2
21*	6640692	CONNECTOR	10-pin		1
*	6640690	PIN			8
*	6640694	CAP			1
*	6641176	SEAL			8
*	6646582	PLUG	cavity		1
22*	6640692	CONNECTOR	10-pin		1
*	6640690	PIN			6
*	6640694	CAP			1
*	6641176	SEAL			6
*	6646582	PLUG	cavity		4
23*	6640699	CONNECTOR	3-pin		2
*	6640690	PIN			3
*	6641176	SEAL			3
*	6640700	LOCK			3
24*	6667144	CONNECTOR	5-pin		2
*	6640690	PIN			3
*	6641176	SEAL			3
*	6646582	PLUG	cavity		1
*	6667145	LOCK			1
25*	6641179	CONNECTOR	2-pin		1
*	6640690	PIN			2
*	6641176	SEAL			2
*	6641180	LOCK			1
26*	NAP	MOULDING	10.5"(267mm)long - Order Ref. 27		2

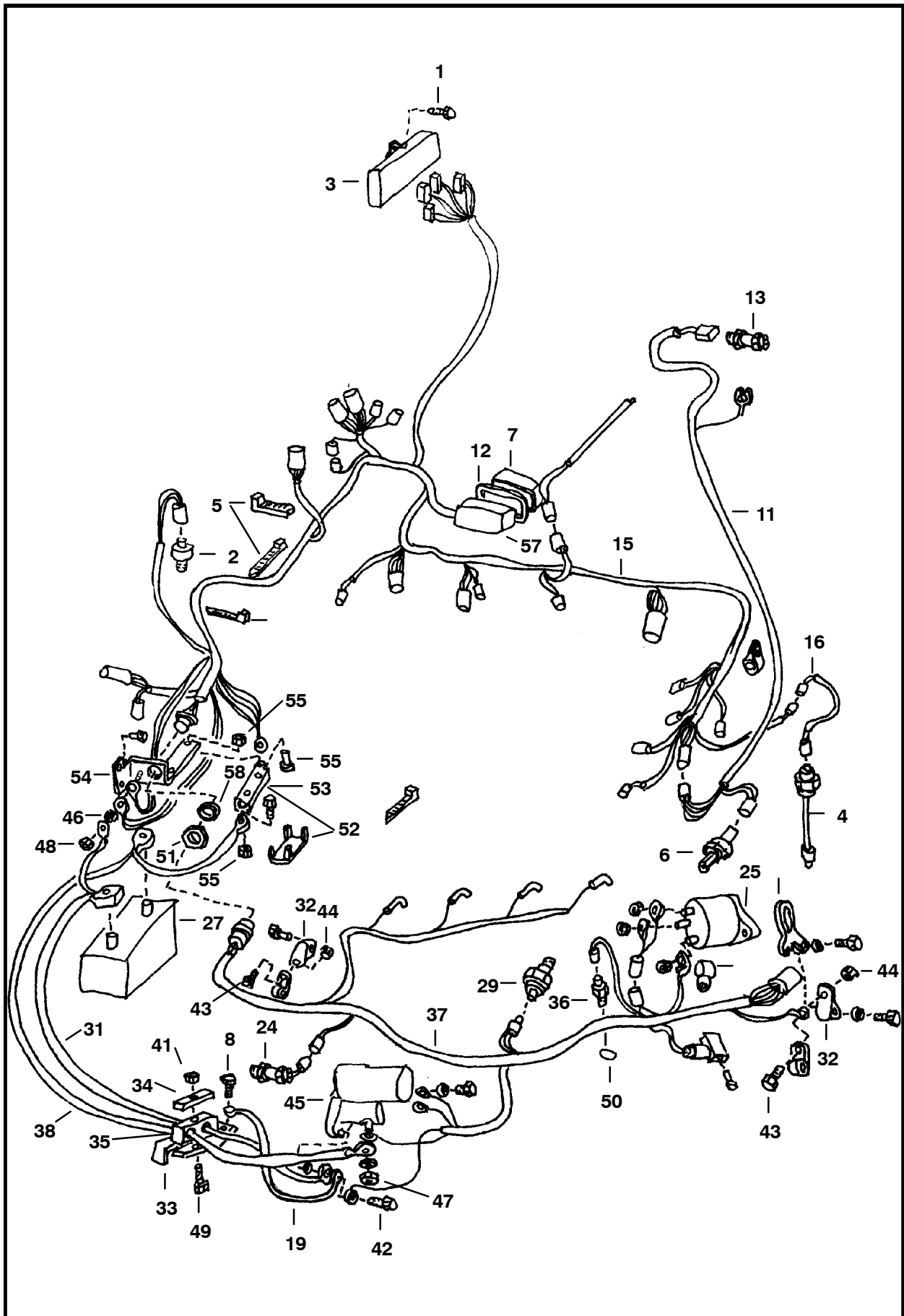
*** ELECTRICAL CONTROLS (Cont'd)**
(Advanced Hand Control Option - W/ Push Button Float)



*** ELECTRICAL CONTROLS (Cont'd)**
(Advanced Hand Control Option - W/ Push Button Float)

Ref. No.	Part Number	Description	Remarks	Serial Number	Qty.
27*	6654139	MOULDING	bulk - Sold Per Foot		x
28*	6718704	DECAL			1
29*	6727243	DECAL			1
30*	6718389	DECAL			1
31*	6712365	STEP			2
32*	58K-120	O-RING			2
33*	25E-22	WASHER			8
34*	6725128	ADAPTER			2
35*	6676153	CONTROLLER			1
36*	6640692	CONNECTOR	10-pin		1
*	6640690	PIN			9
*	6640694	CAP			1
*	6641176	SEAL			9
*	6646582	PLUG	cavity		1
37*	6648307	CONNECTOR	2-pin		1
38*	6670709	CONNECTOR	8-pin		2
39*	6714726	PLUG			1
40*	6718397	DECAL			1
41*	6727131	HARNESS			1
42*	6670707	CONNECTOR	3-pin		1
*	6670715	PIN			3
*	6670711	LOCK			1
43*	17C-412	BOLT			4
44*	69G-436	BOLT			4
45*	6674838	ACTUATOR			2
46*	6718506	PIN			2
47*	6728742	HARNESS	W/ capacitor		1

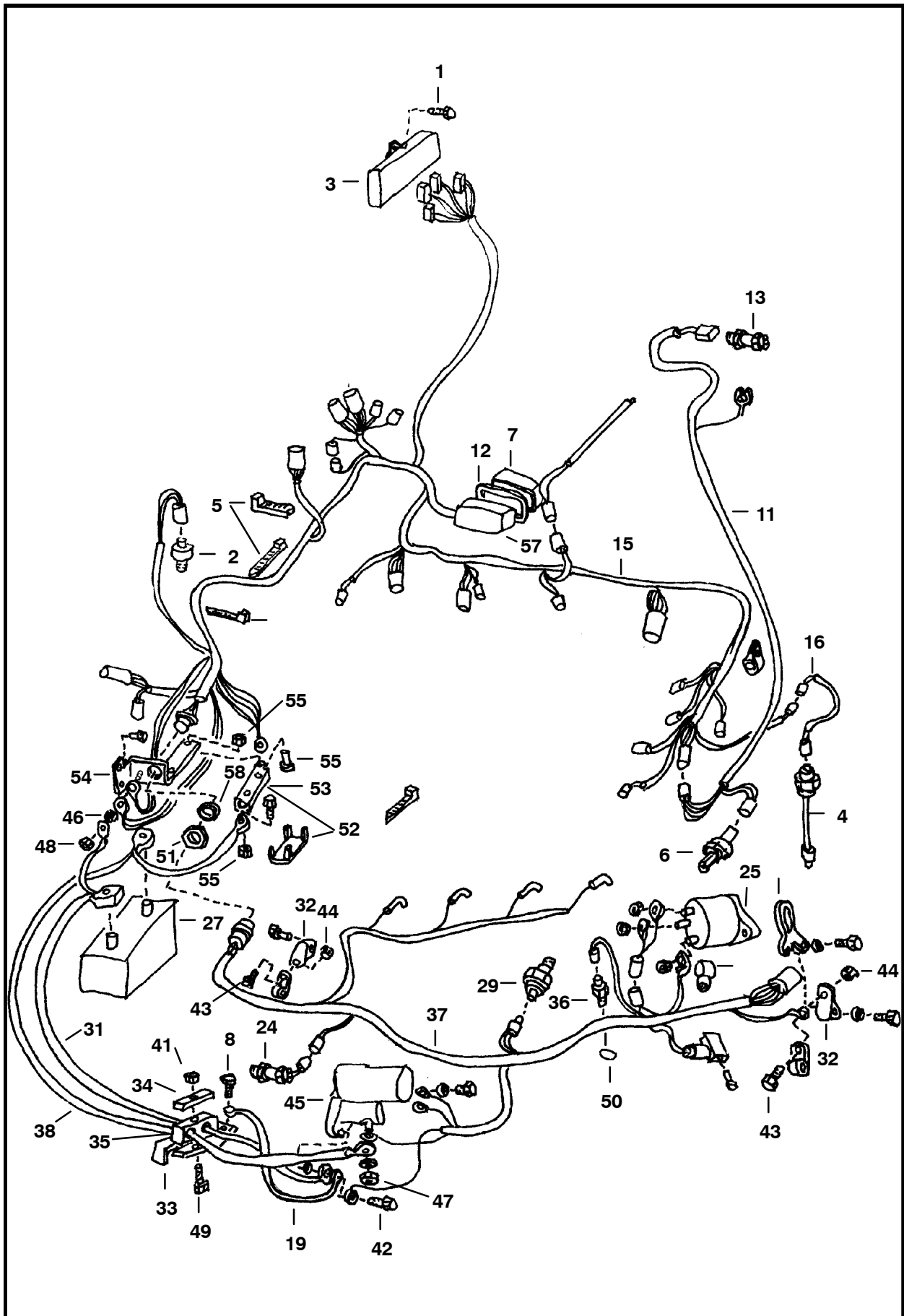
ENGINE ELECTRICAL



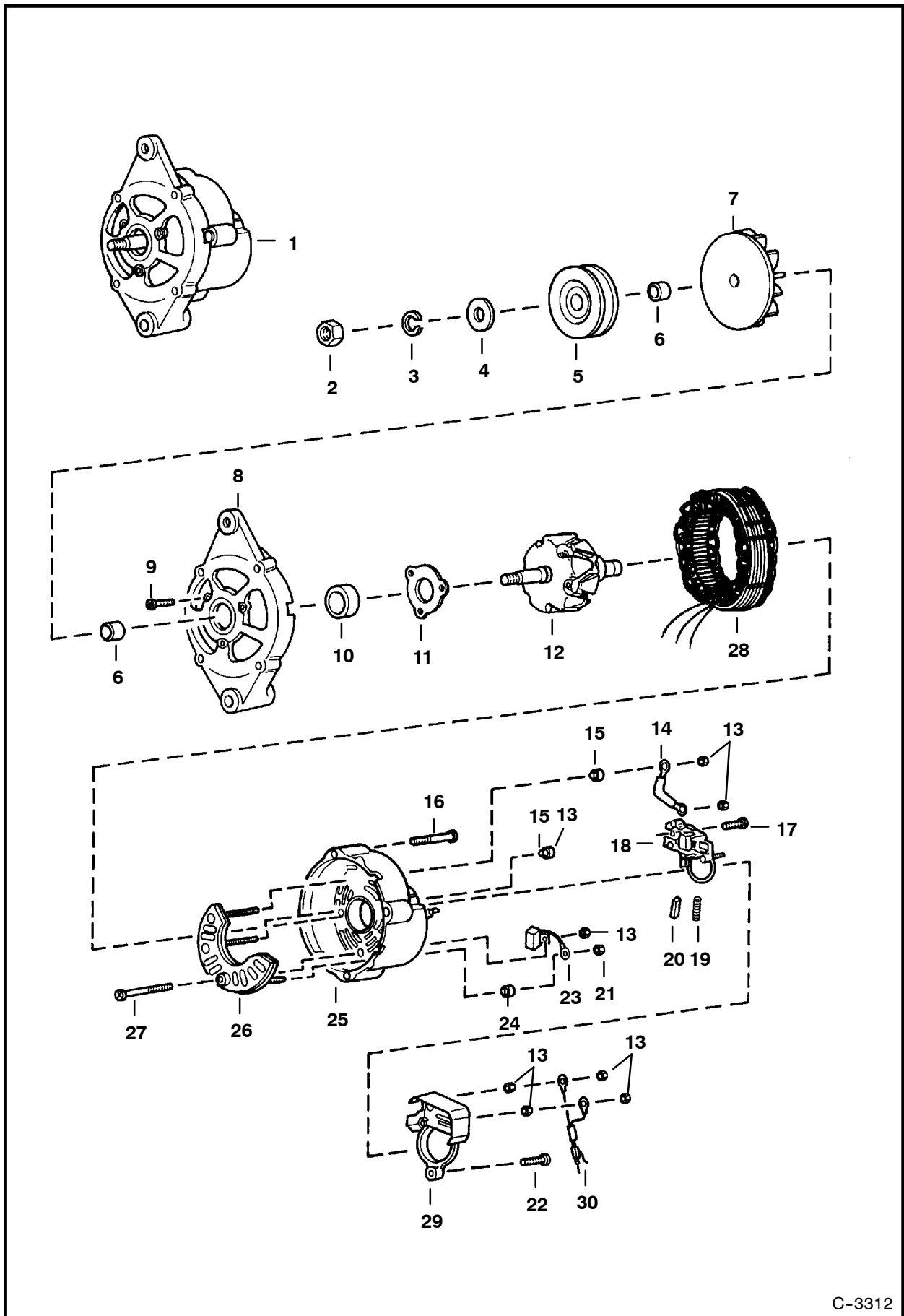
ENGINE ELECTRICAL (Cont'd)

Ref. No.	Part Number	Description	Remarks	Serial Number	Qty.
1	43C-616	BOLT			3
2	6665371	SWITCH	vacuum		1
3*	6676553	CONTROLLER	Was 6672349 [A]		1
4	6674209	SENSOR	fuel - W/gasket		1
	6717579	GASKET			1
5	6624289	STA-STRAP			3
6	6674316	SENSOR	hyd. charge pressure		1
7	6716621	COVER	fuse box		1
8	84G-3712	BOLT			2
9*	NAP	DECAL	fuse/relay - 2.10" x 9.4" (53,3mm x 238,8mm) - Order 6718774 decal		1
*	6718774	DECAL	fuse/relay - 2" x 7" (50,8mm x 177,8mm)		1
10	35C-616	BOLT			1
11	6717247	HARNESS	filter		1
12*	6725302	GASKET	fuse cover		1
13	6718417	SENDER	hyd temp		1
14	6718948	SNUBBER			1
	6675278	FILTER			1
15	6719112	HARNESS	main frame - W/Ref. 46 & 51-58		1
16	6719422	HARNESS	fuel sender		1
17	85D-6	NUT			2
18	6560172	COVER	terminal		1
19	6565170	CABLE	negative		1
20	6569203	CLAMP	battery		1
21	6576280	BOLT	battery hold down		2
22	6579989	BRACKET			1
23	6610510	STA-STRAP			2
24	6658260	SENSOR	rpm		1
25		ALTERNATOR	See Page 129		1
26	6718796	PLUG	horn		2
27	6665427	BATTERY			1
28	6670287	PLUG	light		2
29	6674315	SENSOR	engine pressure		1
30	6708580	ADAPTER			1
31	6713670	CABLE	negative		1
32	6714979	BRACKET	harness		2
33	6715131	BRACE			1
34	6715132	RETAINER			1
35	6715197	CLAMP			1
36	6718416	SENDER	engine temp		1
37	6719082	HARNESS	engine - W/Ref. 32, 43 & 44		1
38	6719141	CABLE	positive		1
39	6712536	PAN	battery		1
40*	6726504	BRACKET	harness		1
41*	95D-5	NUT			1
42*	35C-620	BOLT	battery pan		1
43*	17C-512	BOLT			2
44*	85D-5	NUT			2
45*		STARTER	See Page 133		1

ENGINE ELECTRICAL (Cont'd)



ALTERNATOR (Melroe)



C-3312

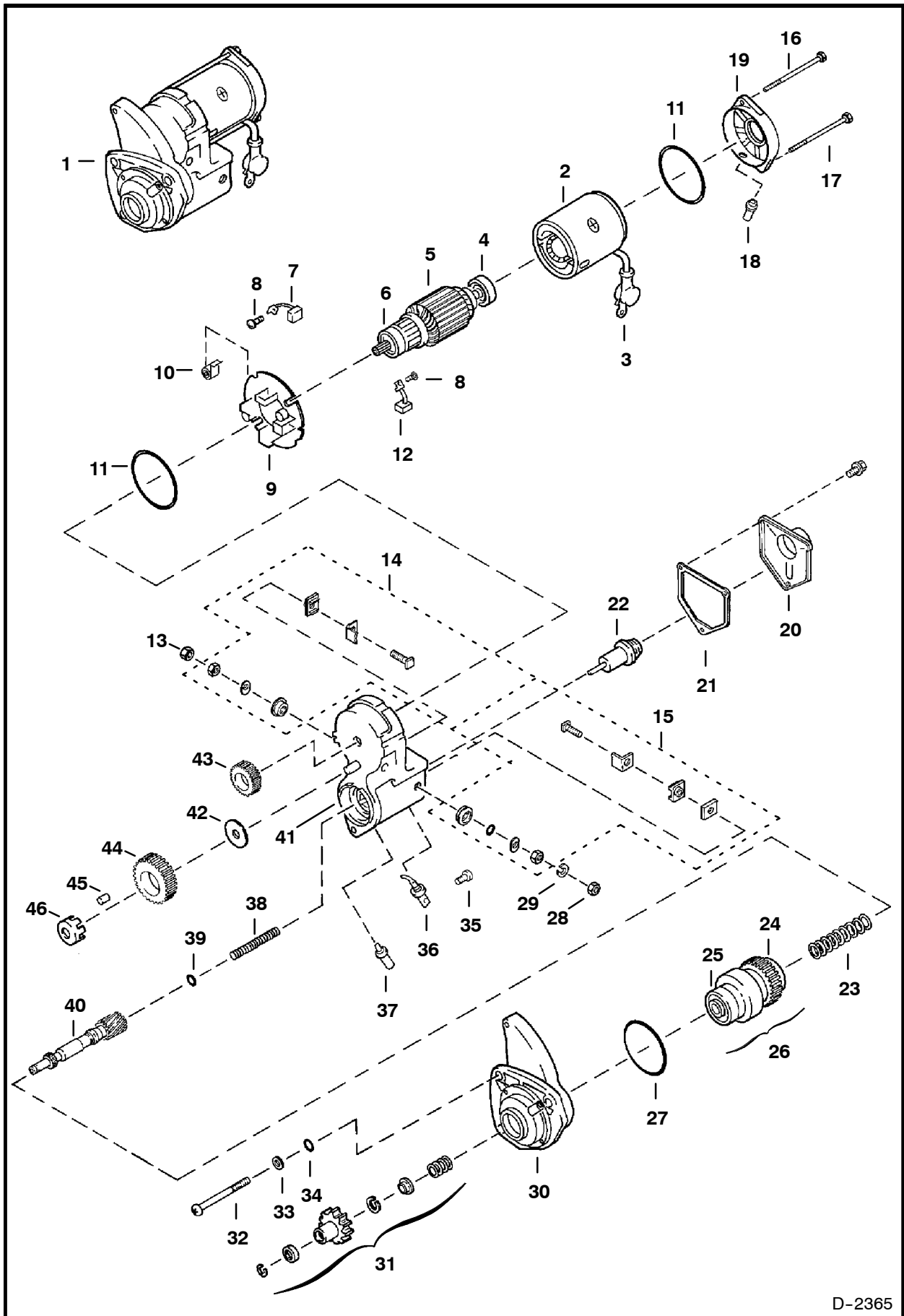
ALTERNATOR (Cont'd)
(Melroe)

Ref. No.	Part Number	Description	Remarks	Serial Number	Qty.
1	6661611	ALTERNATOR	Less Fan & Pulley		1
2	6659371	NUT			1
3	6659372	WASHER			1
4	6632323	WASHER			1
5	6571536	PULLEY			1
6	6659374	SPACER			2
7	6659375	FAN			1
8	6659376	BRACKET	W/Ref. 9 - 11		1
9	6659378	BOLT			3
10	6659379	BEARING			1
11	6632228	RETAINER			1
12	6659380	ROTOR			1
13	6659387	NUT			7
14	6659397	TERMINAL			1
15	6659386	HOLDER			2
16	6659392	BOLT			3
17	6659396	SCREW			2
18	6659393	REGULATOR	W/Ref. 19 & 20		1
19	6659395	SPRING			2
20	6659394	BRUSH			2
21	6659391	NUT			1
22	6659399	SCREW			1
23	6659388	CONDENSER			1
24	6659390	HOLDER			1
25	6659382	BRACKET	rear - W/Ref. 13, 15, 21 & 23 - 27		1
26	6659384	RECTIFIER			1
27	6659385	SCREW			1
28	6659381	STATOR			1
29	6659398	COVER			1
30	6659400	CONNECTOR	assy.		1

ALTERNATOR

DRAWING NOT AVAILABLE AT TIME OF PRINTING

STARTER (Nippondenso)

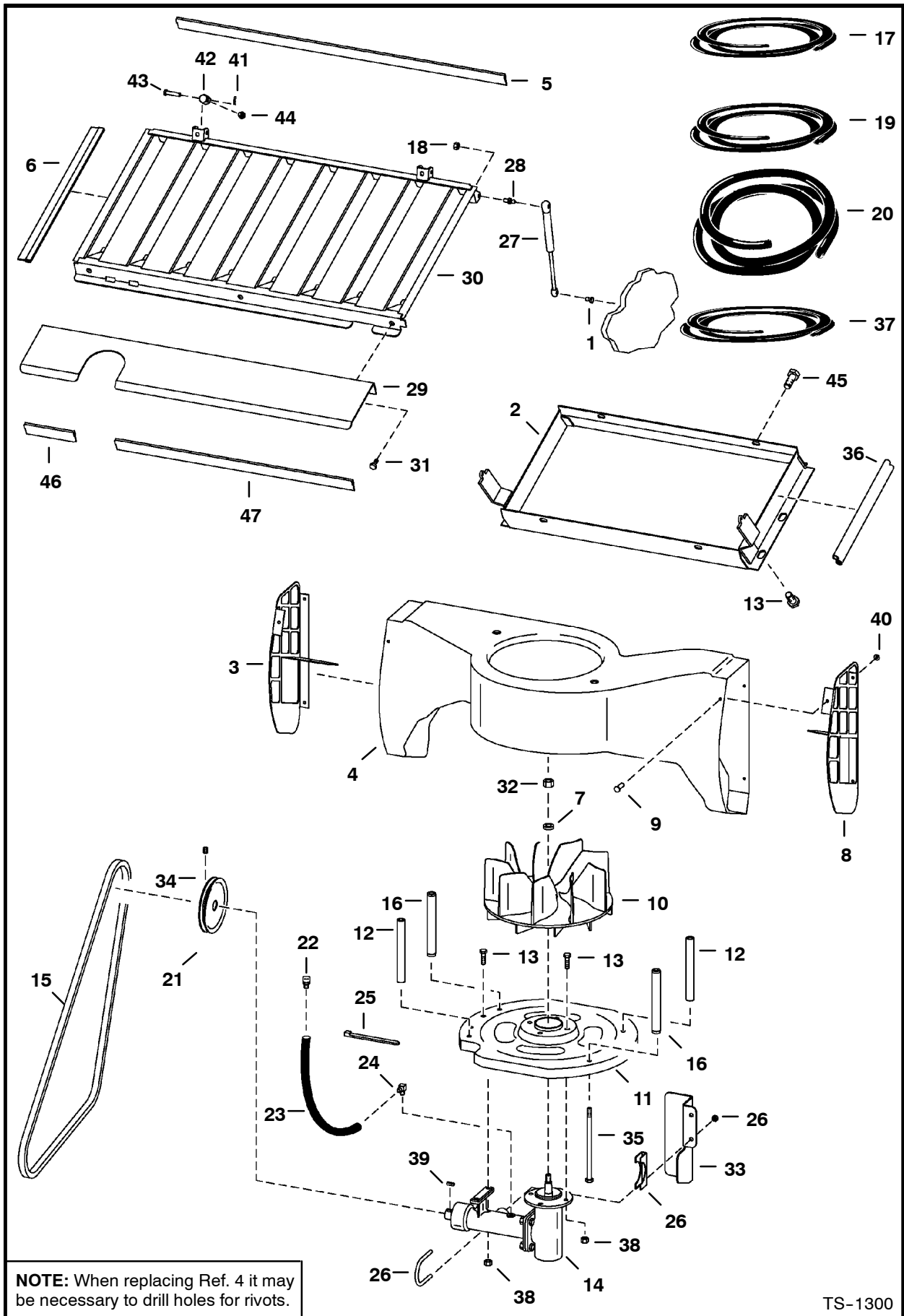


D-2365

STARTER (Cont'd)
(Nippondenso)

Ref. No.	Part Number	Description	Remarks	Serial Number	Qty.
1	6667825	STARTER			1
2	6669345	YOKE			1
3	6669365	BOOT			1
4	6669349	BEARING			1
5	6669346	ARMATURE ASSY.	W/Ref. 4 & 6		1
6	6669347	BEARING			1
7	6669348	BEARING			1
8	6669371	BRUSHES			2
8	6666634	SCREW	W/washer		4
9	6669361	HOLDER	brush - W/Ref. 10		1
10	6669362	SPRING	brush		4
11	6669368	O-RING			2
12	6669370	BRUSHES			2
13	6666637	NUT			1
14	6669358	KIT	starter		1
15	6669357	KIT	starter		1
16	6669367	BOLT			1
17	6669366	BOLT			1
18	6669372	COVER			1
19	6669363	FRAME	end		1
20	6632434	COVER	solenoid		1
21	6632433	GASKET	switch		1
22	6632432	PLUNGER			1
23	6632441	SPRING	compression		1
24	NAP	BEARING	Order Ref. 26		1
25	NAP	BEARING	Order Ref. 26		1
26	6666622	CLUTCH	Ref. 23-25, 31 & 40		1
27	6666632	O-RING			1
28	6666628	NUT			1
29	6666630	WASHER			1
30	6669355	HOUSING			1
31	6669350	KIT	starter		1
32	6666633	BOLT			3
33	6666629	WASHER			3
34	6666631	O-RING			3
35	6666635	SCREW	W/washer		1
36	6669359	BOLT			1
37	6669360	BUSHING	drain		1
38	6632436	SPRING	compression oil		1
39	6632435	BALL	steel		1
40	6669354	SHAFT			1
41	6669356	SWITCH ASSY.	magnetic		1
42	6666624	SNAP RING			1
43	6669369	PINION			1
44	6669364	PINION			1
45	6632430	ROLLER	clutch		5
46	6632429	RETAINER			1

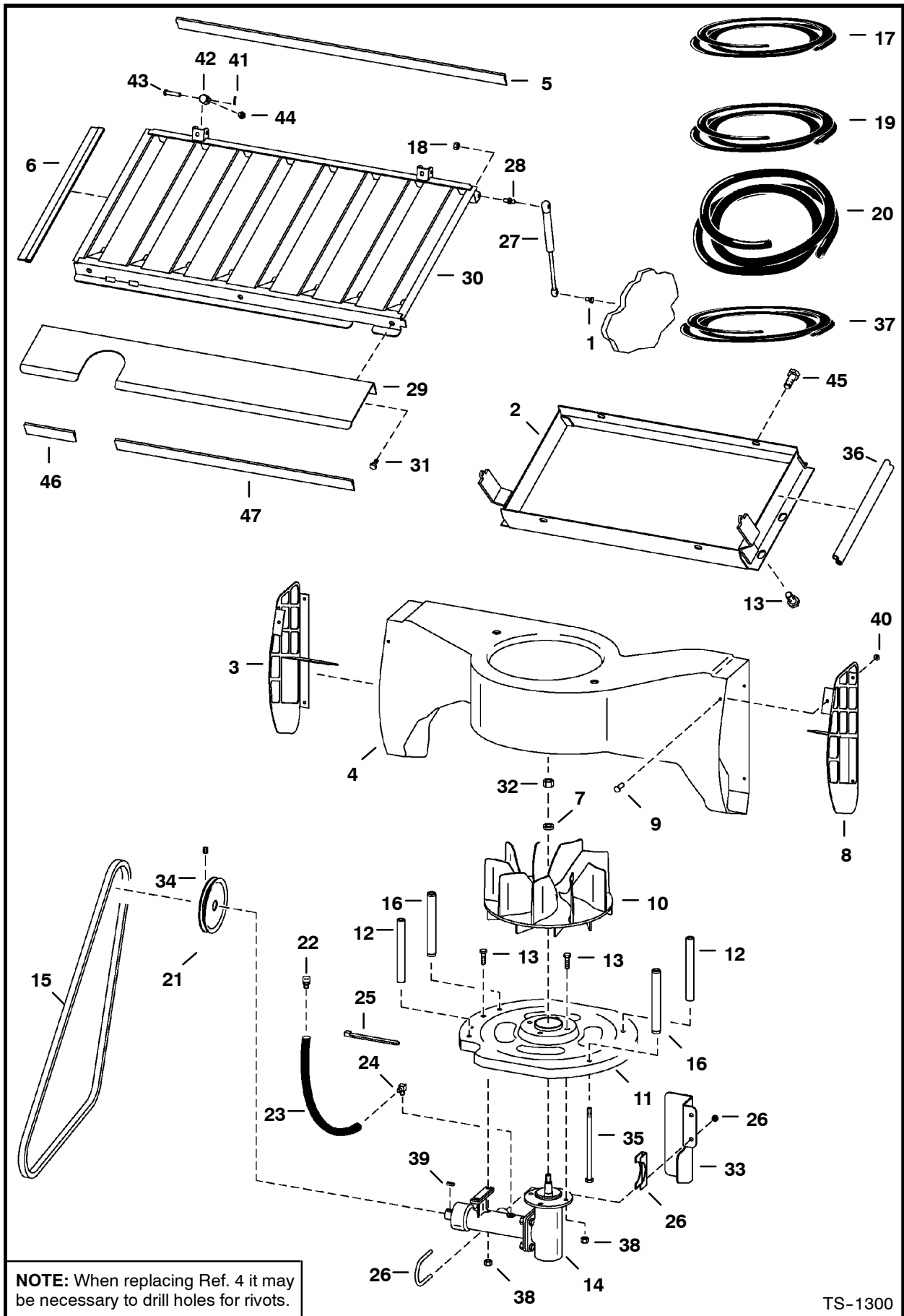
COOLING SYSTEM



COOLING SYSTEM (Cont'd)

Ref. No.	Part Number	Description	Remarks	Serial Number	Qty.
1	6705052	BALL STUD	weld-on		1
2*	6718757	HOUSING	plenum - Was 6711630 [A]		1
3	6716574	LOUVER	L.H. - plastic		1
4	6718562	HOUSING			1
5	NAP	MOULDING	34.5" (876mm) long - Order Ref. 19		1
6	NAP	MOULDING	19" (483mm) long - Order Ref. 17		2
7*	6701097	WASHER	Was 6803867 [A]		1
8	6716572	LOUVER	R.H. - plastic		1
9	6706517	SCREW			8
10	6715142	FAN			1
11	6717478	INLET	4 Slot		1
12	6577382	SPACER			2
13	17C-616	BOLT			10
14	6707519	HOUSING ASSY.	See Page 153		1
15	6713382	BELT	44.75" (1137mm) long	S/N 5189	1
*	6725905	BELT	46.5" (1181mm) long - Was 6715546 [B,D]	S/N 5168 & 5175	1
16	6704907	SPACER			2
17	6646705	MOULDING	bulk - Sold Per Foot		x
18	61D-5	NUT			1
19	6511855	MOULDING	bulk - Sold Per Foot		x
20	6577822	HOSE	bulk - Sold Per Foot		x
21	6712970	PULLEY	4.75" (120,7 mm) O.D.	S/N 5189	1
*	6579541	PULLEY	5.75" (146mm) O.D. - Was 6703483 [B,D]	S/N 5168 & 5175	1
22	6670627	BREATHER			1
23	NAP	HOSE	19.5" (495mm) long - Order Ref. 20		1
24	6657376	ELBOW			1
25	6610510	TIE			1
26	6626631	CLAMP			1
27	6674285	GAS SPRING			1
28	6649244	BALL STUD			1
29	6717731	SHIELD			1
30	6717730	GRILL			1
31	84G-3112	BOLT			3
32	96D-8	NUT			1
33	6719429	SHIELD	belt		1
34	6715143	SET SCREW			2
35	17C-6116	BOLT			4
36	NAP	SEAL	14.5" (368mm) long - Order Ref. 37		2
37	6513152	SEAL	bulk - Sold Per Foot		x
38	61D-6	NUT			6
39	7J-2208	KEY			1
40	25E-10	WASHER	use W/steel louvers		6
41	6631418	PIN			2
42	6579326	MOUNT			2
43	6567743	PIN			2
44	17C-608	BOLT			2
45	35C-612	BOLT			4

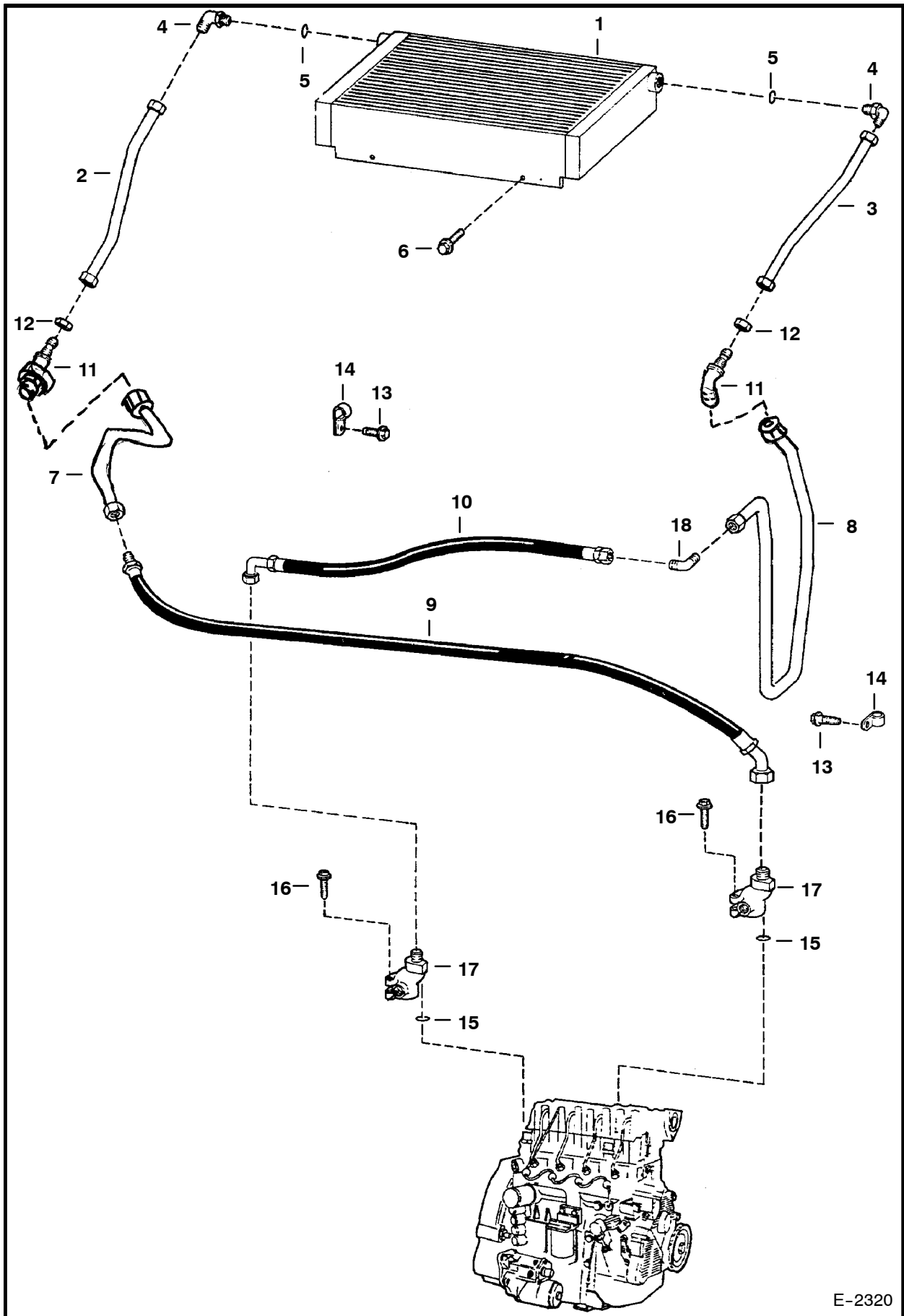
COOLING SYSTEM (Cont'd)



NOTE: When replacing Ref. 4 it may be necessary to drill holes for rivots.

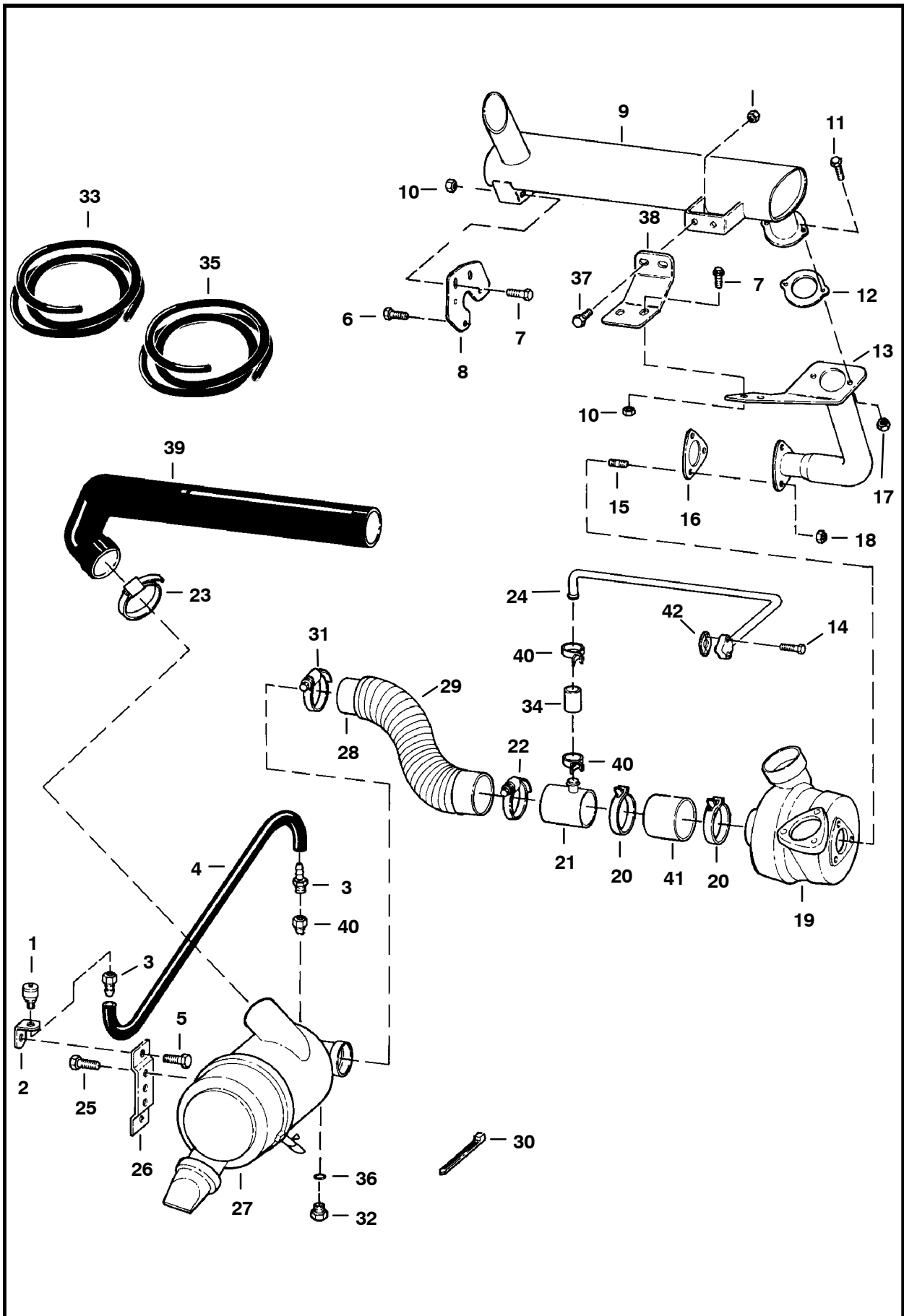
TS-1300

COOLING SYSTEM



E-2320

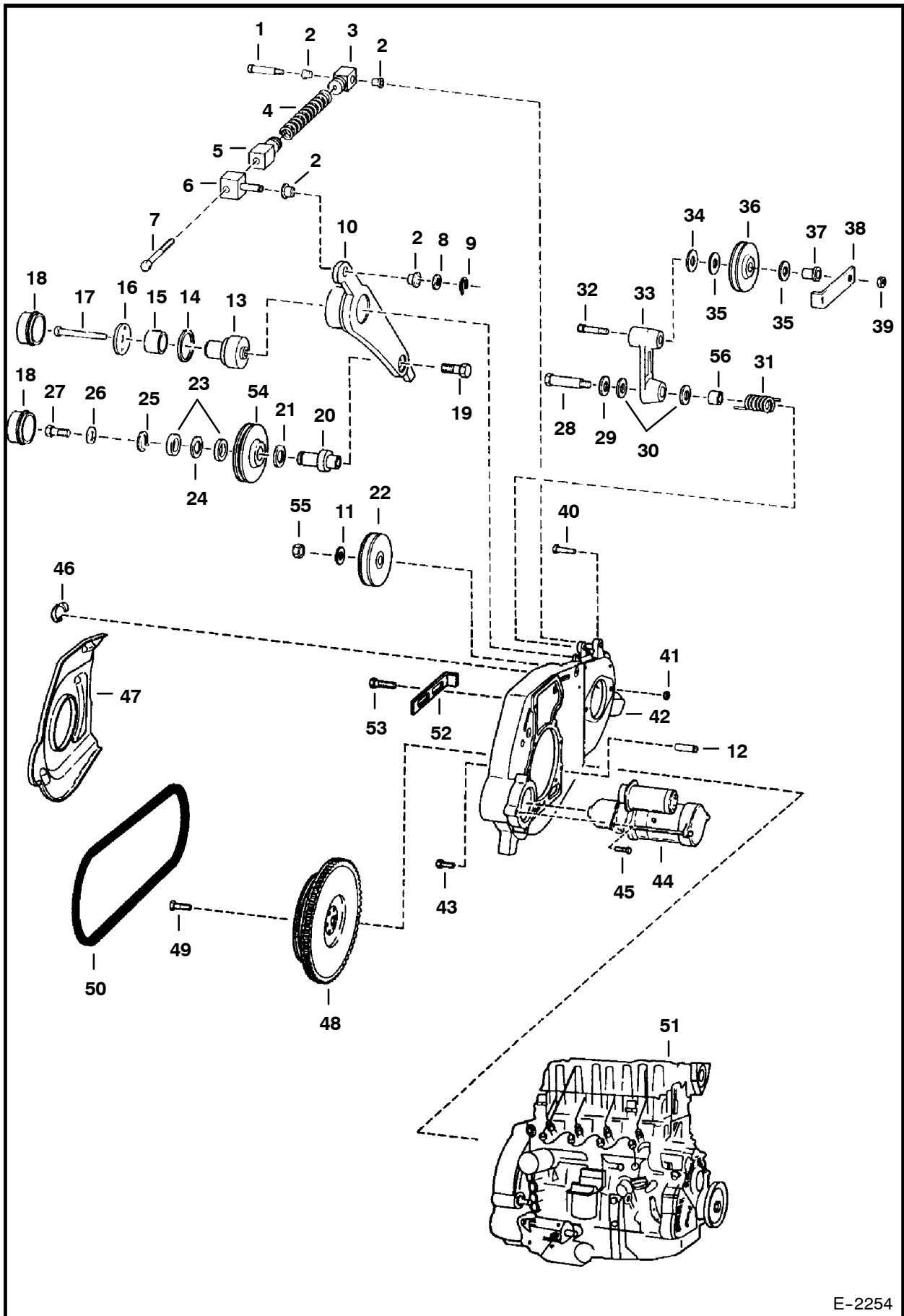
**ENGINE & ATTACHING PARTS
(Air Cleaner, Muffler)**



ENGINE & ATTACHING PARTS (Cont'd)
(Air Cleaner, Muffler)

Ref. No.	Part Number	Description	Remarks	Serial Number	Qty.
1	6515007	INDICATOR	dust - W/O boss option	& Bel.	1
2	6704823	BRACKET	W/O boss option	& Bel.	1
3	6505813	ADAPTER	barbed - W/O boss option	& Bel.	2
4	NAP	HOSE	W/O boss option - 18" (457,2 mm) long - Order Ref. 35	& Bel.	1
5	84G-3712	BOLT			2
6	55CM-825	BOLT			3
7	45C-620	BOLT			2
8	6717351	SHIELD	muffler		1
9	6674937	MUFFLER			1
10	83D-6	NUT			6
11	17C-616	BOLT			2
12	6713653	GASKET	exhaust		1
13	6717352	TUBE	exhaust		1
14	6672887	BOLT			2
15	6666407	STUD			3
16	6665910	GASKET			1
17	85D-6	NUT			3
18	6666398	NUT			3
19	6673173	TURBOCHARGER	See Page 165		1
20	6666419	CLAMP			2
21	6673966	TEE			1
22	42HC-300	CLAMP			1
23	42H-52	CLAMP			1
24	6671625	TUBELINE			1
25*	55CM-816	BOLT	Was 53CM-816 [A]		2
26	6707582	BRACKET			1
27		AIR CLEANER	See Page 174		1
28	6717495	HOSE			1
29	6717498	HOSE			1
30	6610510	TIE			2
31	42HC-350	CLAMP			1
32	24KN-5	PLUG	W/Ref. 36 - tapered boss face		1
33*	25F-1	ELBOW		& Abv.	1
34	6673962	HOSE			1
35	6557720	HOSE	bulk - Sold Per Foot	& Bel.	x
36	99K-6	O-RING	tapered boss face		x
37	45C-616	BOLT			4
38	6713787	BRACKET			1
39	6709958	HOSE			1
40	6673963	CLAMP			2
41	6673964	HOSE			1
42	6672885	GASKET			1

ENGINE & ATTACHING PARTS (Belt Drive System)

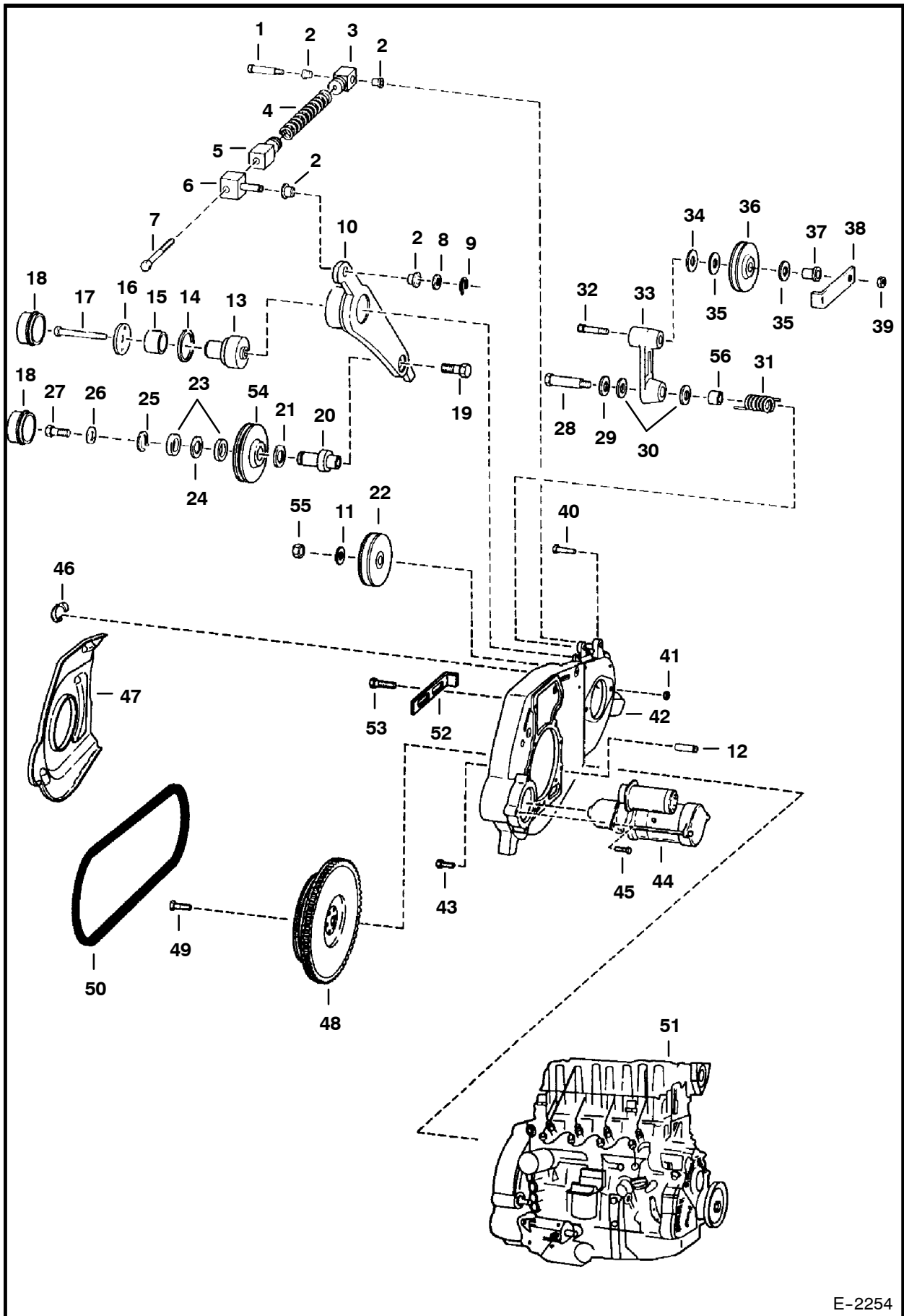


E-2254

ENGINE & ATTACHING PARTS (Cont'd)
(Belt Drive System)

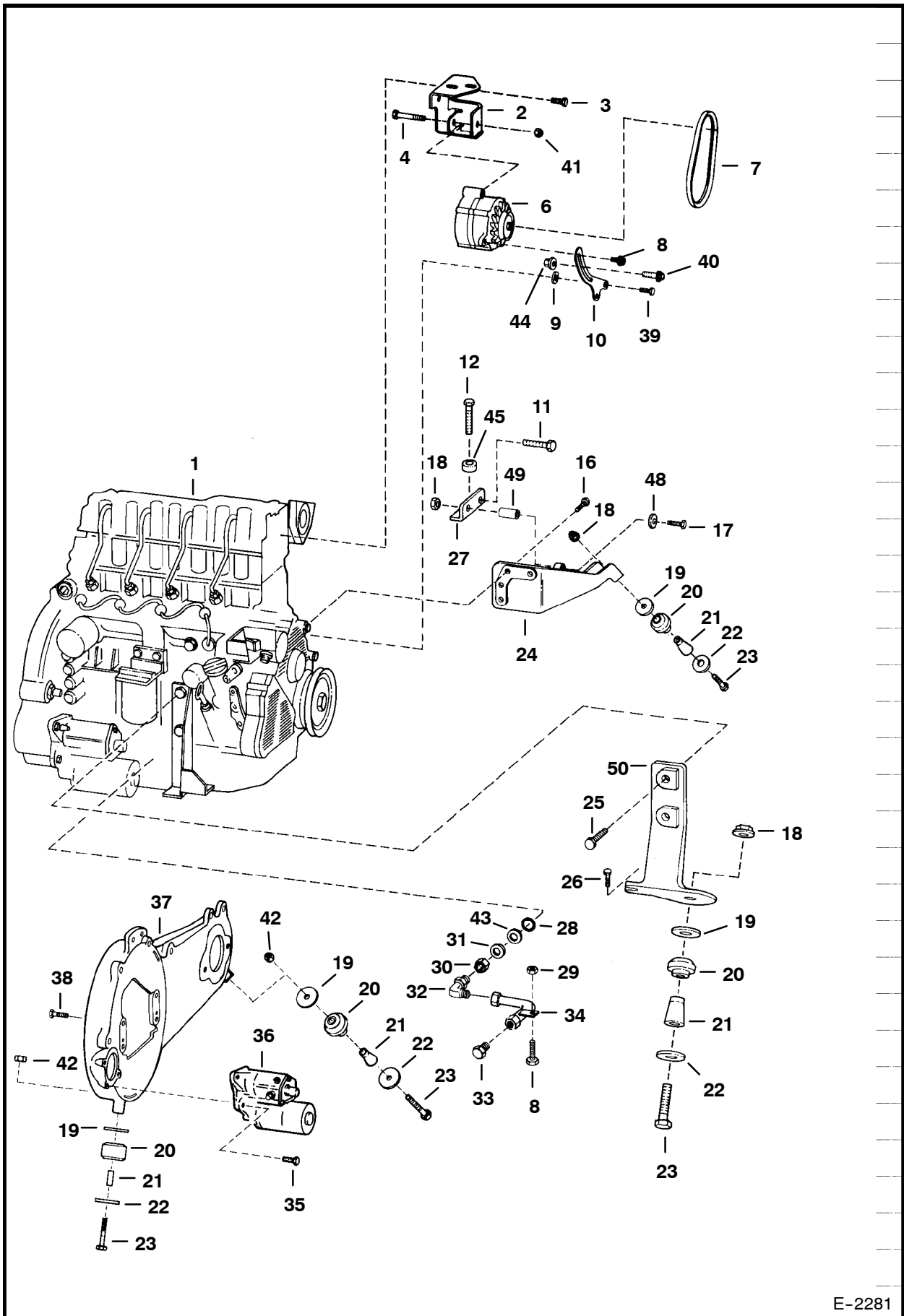
Ref. No.	Part Number	Description	Remarks	Serial Number	Qty.
1	38C-828	BOLT	shoulder		1
2	1313116	BUSHING			4
3	6568424	ADAPTER			1
4	6569498	SPRING ASSY.			1
5	6568425	ADAPTER			1
6	6587182	SWIVEL PIN			1
7	6586710	BOLT			1
8	25E-21	WASHER			1
9	6518955	SNAP RING			1
10	6707607	IDLER			1
11	6576033	WASHER			1
12	4JM-1216	ROLL PIN			2
13	6707699	PIVOT			1
14	6661377	SEAL			1
15	6587765	BUSHING			1
16	6707698	WASHER			1
17	17C-872	BOLT			1
18	6660967	CAP	grease		2
19	17C-816	BOLT			1
20	6707654	SPINDLE			1
21	6665307	SEAL			1
22	6713342	PULLEY	pump		1
23	6661229	BEARING			2
24	6701159	SHIM			1
25	6665308	SNAP RING			1
26	6707697	WASHER			1
27	17C-612	BOLT			1
28	38C-820	BOLT			1
29	6655781	BEARING	thrust		1
30	6704820	O-RING			2
31	6700115	SPRING			1
32	73G-656	BOLT			1
33	6725212	ARM	W/Ref. 56		1
34	6704444	WASHER			1
35	6660995	GREASE RING			2
36	6662997	PULLEY	cooling fan idler		1
37	6704443	BUSHING			1
38	6702474	RETAINER			1
39	61D-6	NUT			1
40	17C-832	BOLT	hydrostatic pump mounting		2
41	85D-8	NUT	hydrostatic pump mounting		2
42	6715380	MOUNT	See Page 147		1
43	53CM-1230	BOLT			6
44		STARTER	See Page 133		1
45	35C-620	BOLT			3
46	6701160	CLIP			3
47	6709921	SHIELD			1
48	6715216	FLYWHEEL ASSY.	W/ring gear		1
49	6665222	RING GEAR			1
49	6666452	BOLT			6
50	6672152	BELT	pump drive		1

ENGINE & ATTACHING PARTS (Cont'd)
(Belt Drive System)



E-2254

ENGINE & ATTACHING PARTS (Engine Mounts)

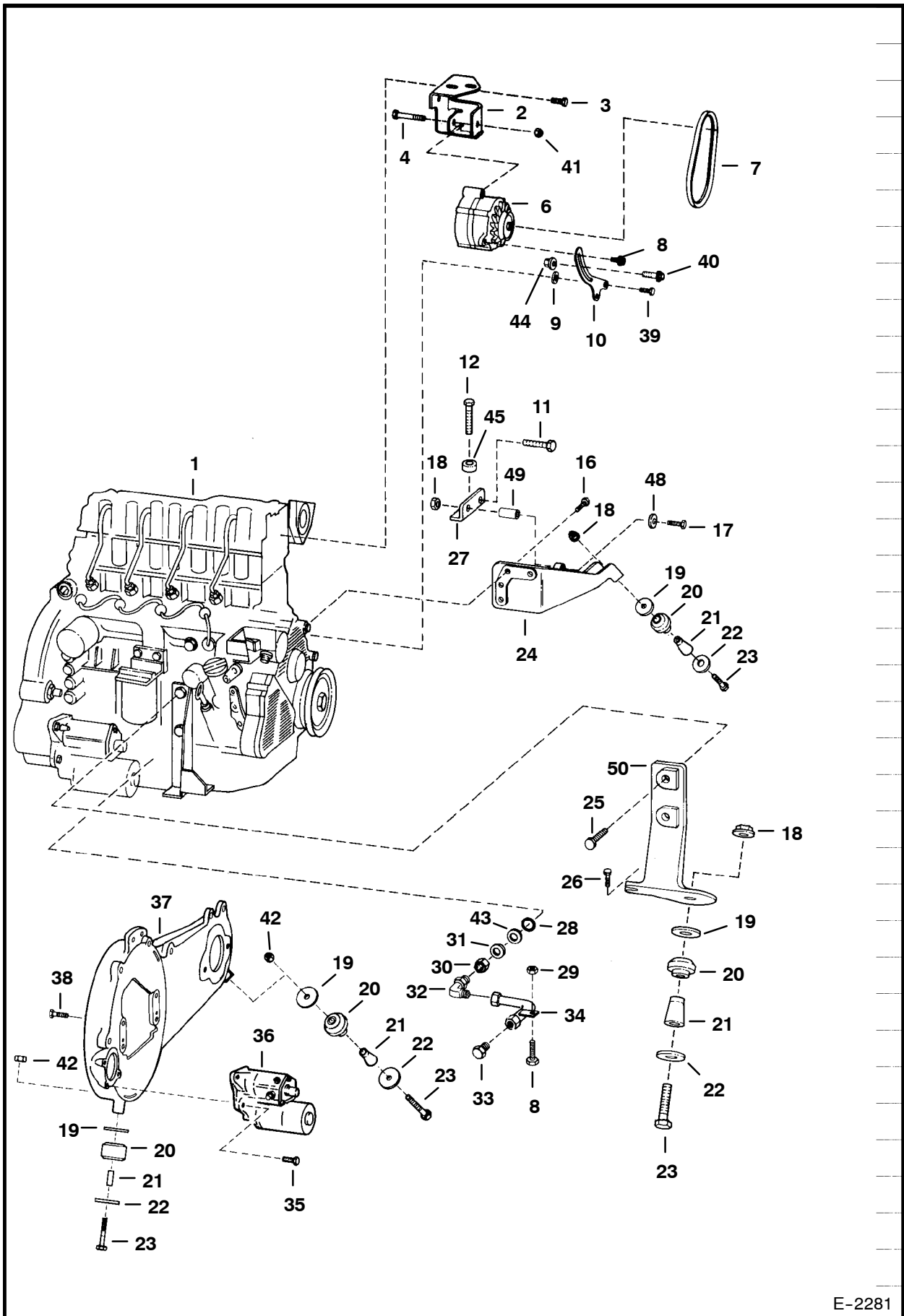


E-2281

ENGINE & ATTACHING PARTS (Cont'd)
(Engine Mounts)

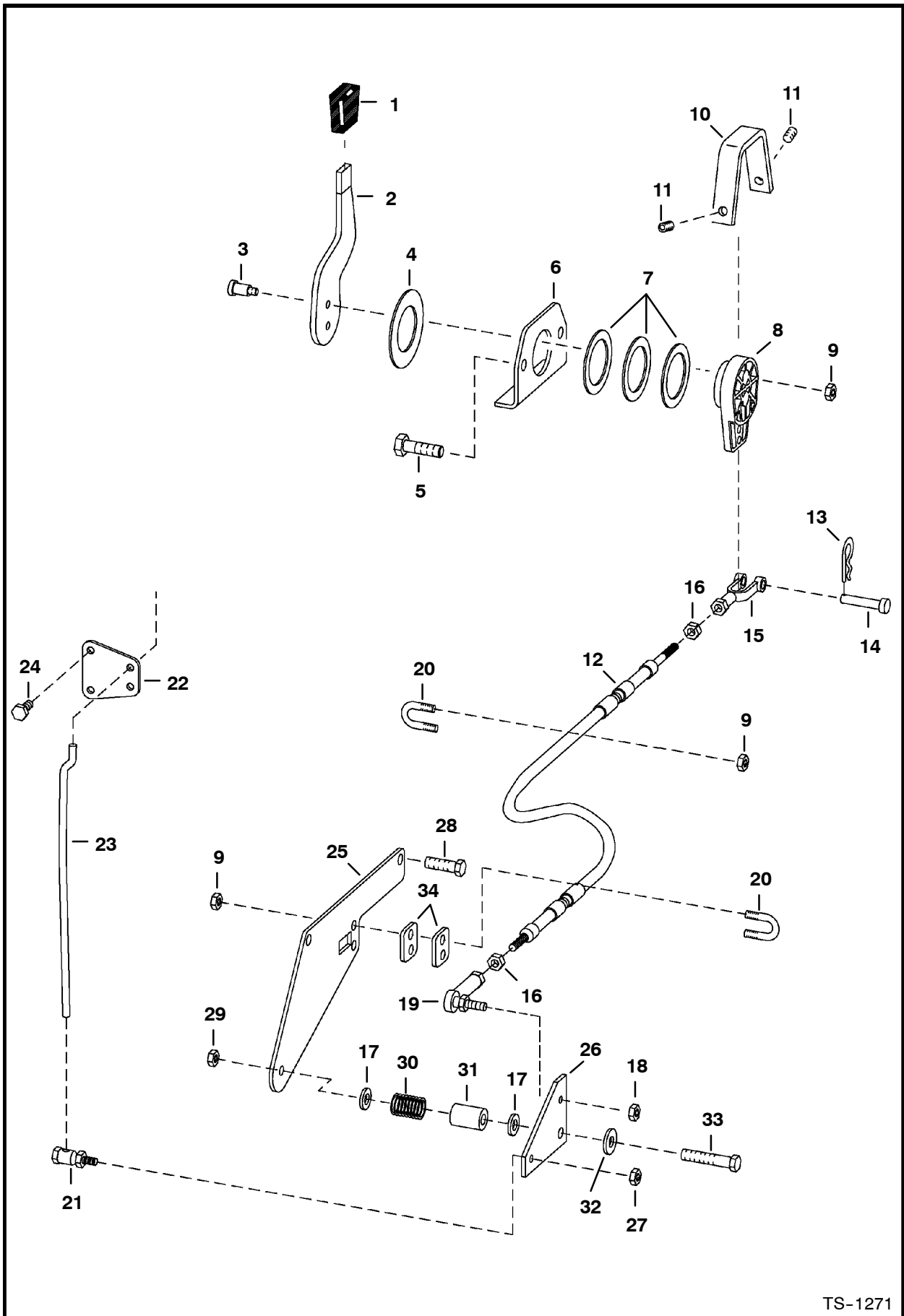
Ref. No.	Part Number	Description	Remarks	Serial Number	Qty.
1		ENGINE	See Page 155		1
2	6713893	MOUNT			1
*	6725429	MOUNT	90 amp alternator		1
3	55CM-816	BOLT			4
*	55CM-825	BOLT	90 amp alternator		4
4	17C-652	BOLT			1
*	1CM-8100	BOLT	90 amp alternator		1
5	81D-6	NUT			1
6	6661611	ALTERNATOR	See Page 129		1
7*	6534779	BELT	alternator - Was 6713901 [A]		1
*	6675839	BELT	alternator - 90 amp alternator		1
8	35C-512	BOLT			2
9	25E-17	WASHER			2
10	6713843	BRACKET			1
*	6726485	BRACKET	90 amp alternator		1
11	17C-820	BOLT			1
12	17C-824	BOLT			1
13	35C-612	BOLT			2
14	6577394	HINGE	weld on - for rear door		2
15	83D-6	NUT			2
16	53CM-1440	BOLT			4
17	17C-864	BOLT	hyd. pump mounting		1
18	83D-8	NUT			2
19	6705106	WASHER			4
20	6668104	MOUNT			4
21	6715287	BUSHING	tapered		4
22	6661787	WASHER			4
23	43C-852	BOLT			4
24	6707757	MOUNT			1
25	53CM-1440	BOLT			2
26	17C-516	BOLT			1
27	6716226	BRACKET			1
28	58K-114	O-RING			x
29	97D-5	NUT			1
30	NSS	NUT			1
31	6669067	WASHER			1
32	6709168	ELBOW	W/Ref. 28 & 43-30		1
33	6518121	PLUG			1
34	6714500	TUBE			1
35	35C-620	BOLT			3
36		STARTER	See Page 133		1
37	6715380	MOUNT	See Page 143		1
38	17C-828	BOLT	hyd. pump mount		2
39	1CM-1030	BOLT			2
40	35C-516	BOLT			1
41	85D-6	NUT			1
*	53DM-8	NUT	90 amp alternator		1
42	6652918	NUT			2
43	6669066	SEAL RING			1
44	57D-5	NUT			1
45	6716408	SPACER			1

**ENGINE & ATTACHING PARTS (Cont'd)
(Engine Mounts)**



E-2281

THROTTLE

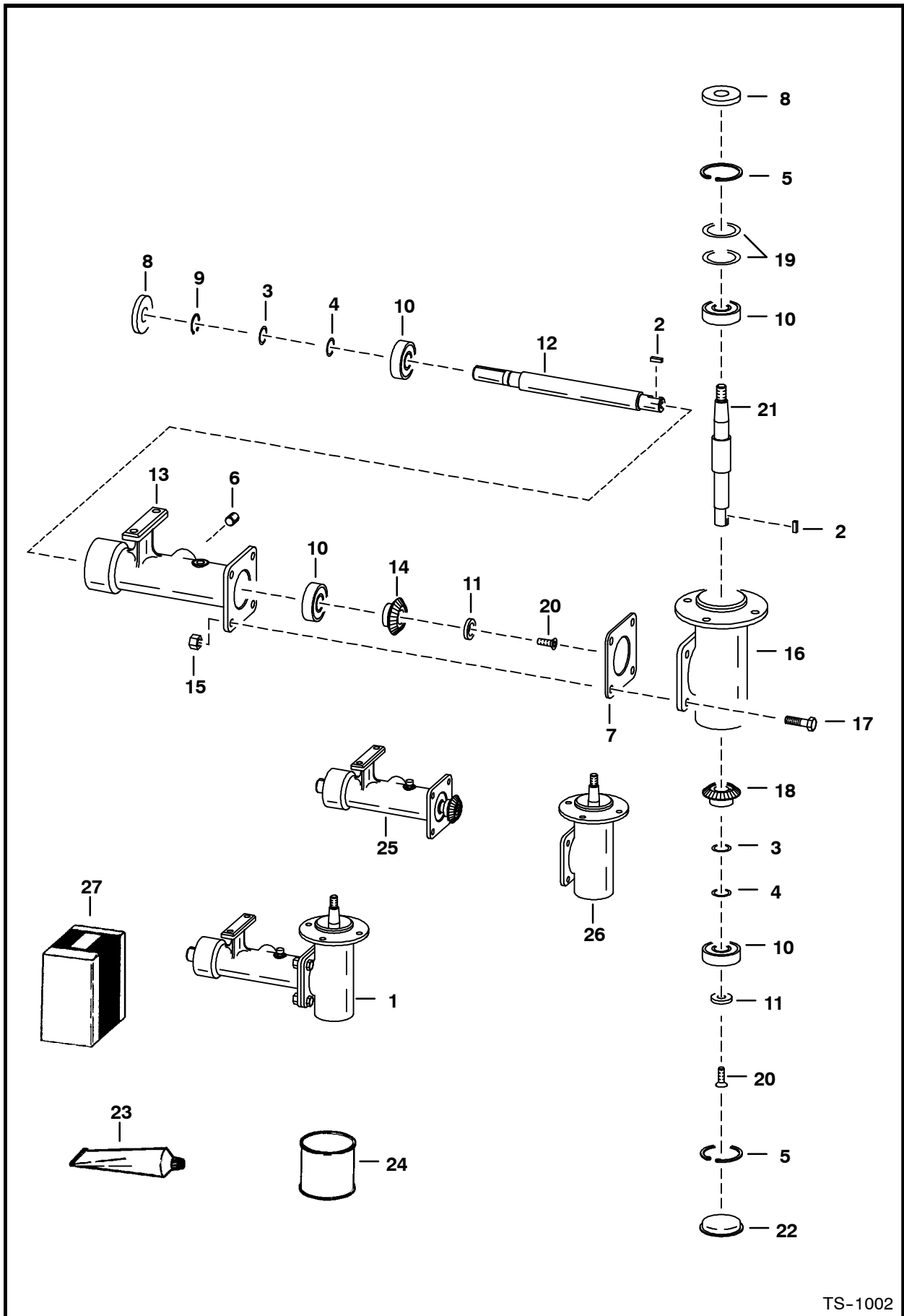


TS-1271

THROTTLE (Cont'd)

Ref. No.	Part Number	Description	Remarks	Serial Number	Qty.
1	6564452	GRIP			1
2	6705452	LEVER			1
3	38C-610	BOLT	shoulder		2
4	6567962	WASHER			1
5	84G-3724	BOLT			2
6	6576262	MOUNT			1
7	6630945	WASHER			3
8	6709022	LEVER			1
9	85D-5	NUT			6
10	6576261	COVER			1
11	6706572	SET SCREW			2
12	6709959	CABLE			1
13	6513495	COTTER PIN			1
14	2F-4051	PIN			1
15	2J-4200	ROD END			1
16	8D-4	NUT			2
17	6700170	WASHER	plastic		2
18	86D-4	NUT			1
19	6631036	BALL JOINT			1
20	6592766	U-BOLT			2
21	6557291	BALL JOINT			1
22	6707903	LEVER			1
23	6707904	ROD			1
24	53CM-616	BOLT			2
25	6709052	MOUNT			1
26	6701187	BELLCRANK			1
27	85D-4	NUT			1
28	53CM-820	BOLT			2
29	85D-6	NUT			1
30	6704453	SPRING			1
31	6708314	BUSHING			1
32	25E-18	WASHER			1
33	84G-3728	BOLT			1
34	6713920	SHIM	.0528" thick		2

COOLING FAN DRIVE ASSY.

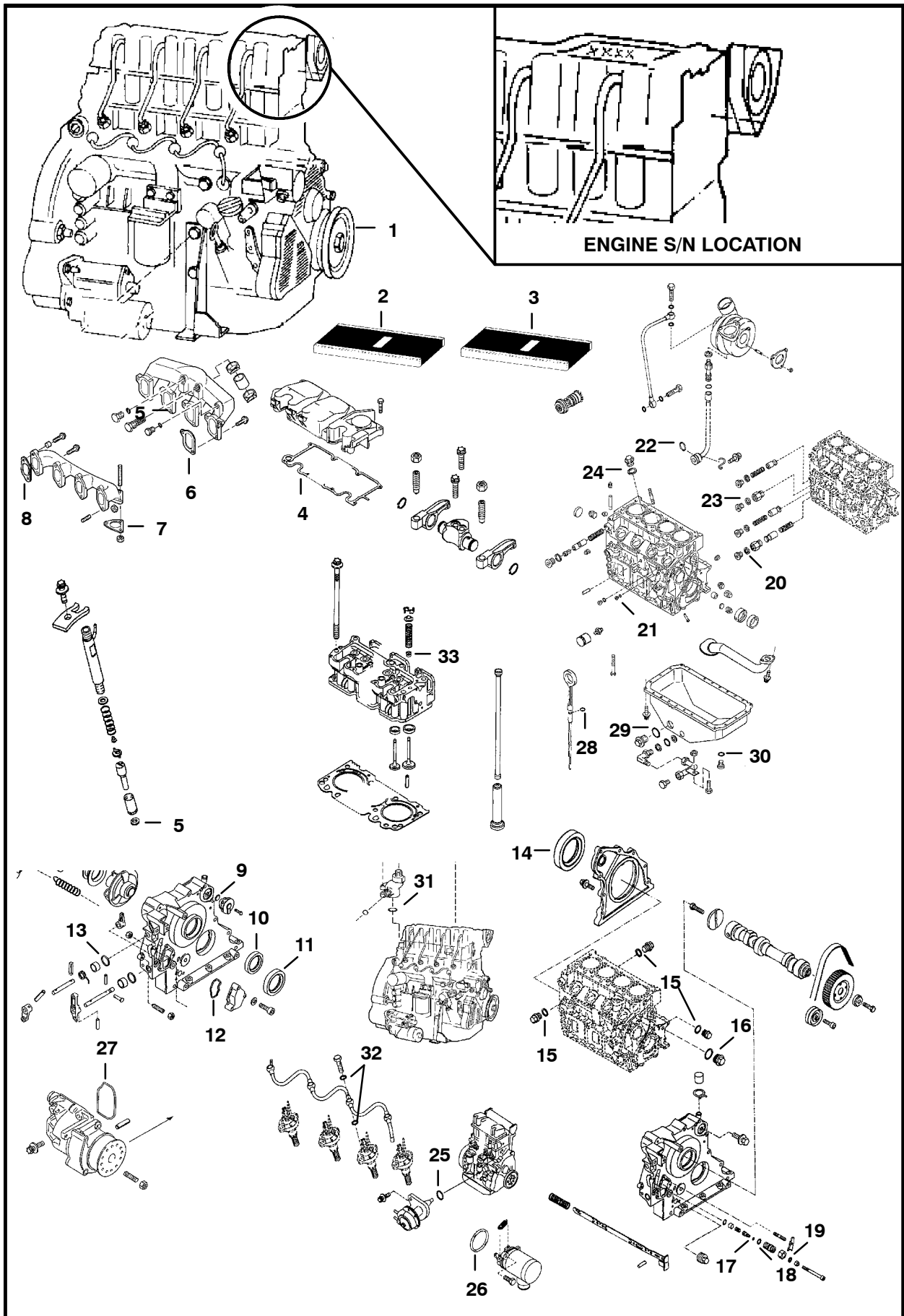


TS-1002

COOLING FAN DRIVE ASSY. (Cont'd)

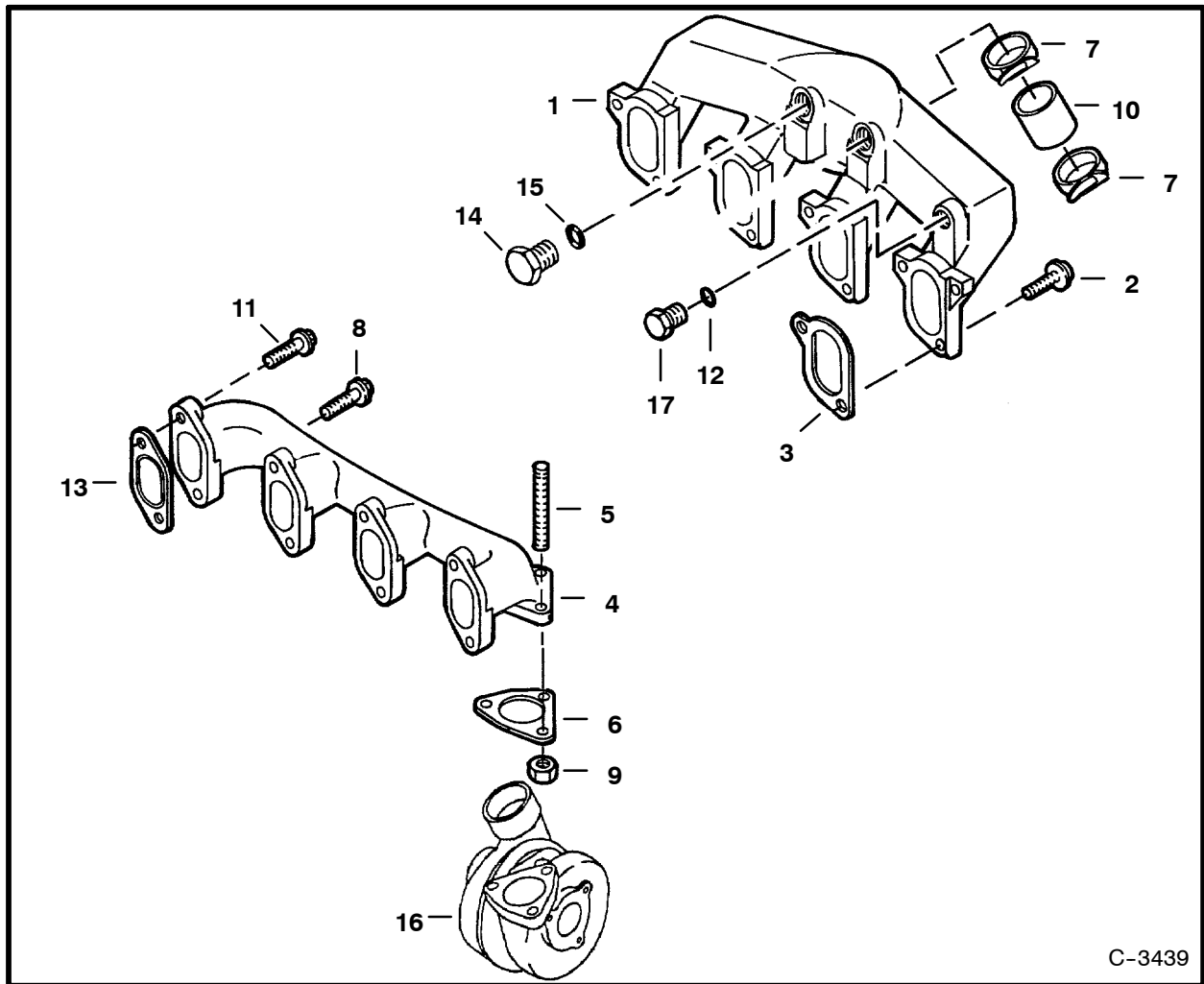
Ref. No.	Part Number	Description	Remarks	Serial Number	Qty.
1	6707519	HOUSING ASSY.	Ref. 2 - 22		1
2	7J-2010	KEY			2
3	6702165	SHIM	.002" (0,05 mm) thickness -		
4	6701159	SHIM	1" (25,4 mm) O.D. .005" (0,13 mm) thickness - 1" (25,4 mm) O.D.		x
5	6653758	SNAP RING			2
6	16F-8	PLUG			1
7	6578284	SHIM	.003" (0,08 mm) thickness		x
8	6653702	SEAL			2
9	6653757	SNAP RING			1
10	6646627	BEARING			4
11	6702140	WASHER	countersink		2
12	6707518	SHAFT	keyed		1
13	6579641	HOUSING			1
14	6702103	GEAR	keyed		1
15	95D-6	NUT			4
16	NSS	HOUSING	Order 6702138 housing or Ref. 26		1
17	17C-620	BOLT			4
18	6702102	GEAR	keyed		1
19	6702166	SHIM	.002" (0,05 mm) thickness -		
	6702144	SHIM	2" (50,8 mm) O.D. .005" (0,13 mm) thickness - 2" (50,8 mm) O.D.		x
					x
20	9G-512	SCREW			2
21	6702135	SHAFT	keyed		1
22	6700782	CAP	grease		1
23	6672486	SEALANT	polyurethane - Use W/Ref. 7 & 22		x
24	6634393	LUBRICANT	gear - 1 pint		x
25	6708642	HOUSING ASSY.	half		1
26	6707077	HOUSING ASSY.	half		1
27	6669384	SPEEDY SLEEVE	repair kit		1

ENGINE & GASKET KITS



ENGINE & GASKET KITS (Cont'd)

Ref. No.	Part Number	Description	Remarks	Serial Number	Qty.
1	6672128	ENGINE	Does not include starter, alternator, flywheel, or flywheel housing		1
2	6668898	GASKET KIT	upper - Ref. 4-9 - does not include head gasket		1
3	6668899	GASKET KIT	lower - Ref. 10-33		1
4	6672489	GASKET	See Page 159		1
5	6666492	SEAL RING			1
6	6670315	GASKET	See Page 157		1
7	6666473	GASKET	See Page 157		1
8	6666472	GASKET	See Page 157		4
9	6669643	O-RING	See Page 163		1
10	6666731	SEAL	front main - See Page 163		1
11	6666730	SEAL	front main - See Page 163		1
12	6666753	WASHER	See Page 163		1
13	6666714	O-RING	See Page 163		2
14	6666490	SEAL	lip - rear main - See Page 161		1
15	6666393	SEAL RING	See Page 159		3
16	6666394	SEAL RING	See Page 161		1
17	6666410	O-RING	See Page 161		1
18	6666408	O-RING	See Page 161		1
19	6666426	SEAL RING	See Page 161		1
20	6668887	O-RING			2
21	6666699	SEAL RING			1
22	6666401	O-RING			1
23	6666395	SEAL RING			4
24	6666393	SEAL RING			3
25	6666420	O-RING			1
26	6666409	O-RING			1
27	6666760	SEAL RING			1
28	6666439	O-RING			2
29	6668694	SEAL			1
30	6666394	SEAL RING			3
31	6666712	O-RING			2
32	6668935	SEAL RING			8
33	6666460	SEAL			8

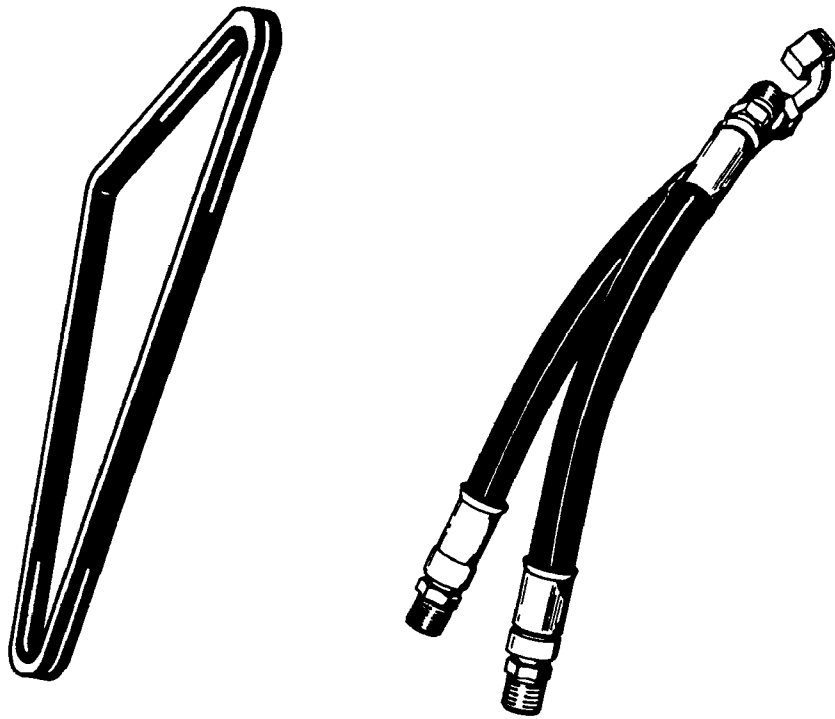


C-3439

MANIFOLDS

Ref. No.	Part Number	Description	Remarks	Serial Number	Qty.
1	6670316	MANIFOLD	intake		1
2	6670313	BOLT			8
3	6670315	GASKET			4
4	6673170	MANIFOLD	exhaust		1
5	6672947	STUD			3
6	6666473	GASKET			1
7	6666419	CLAMP			2
8	6673172	BOLT			1
9	6672948	NUT			3
10	6670314	HOSE	3.25" (82,6 mm) long		7
11	6673171	BOLT			7
12	6672939	O-RING			1
13	6666472	GASKET			4
14	6666397	PLUG			1
15	6668888	O-RING			1
16	6673173	TURBOCHARGER	See Page 165		1
17	6672938	PLUG			1

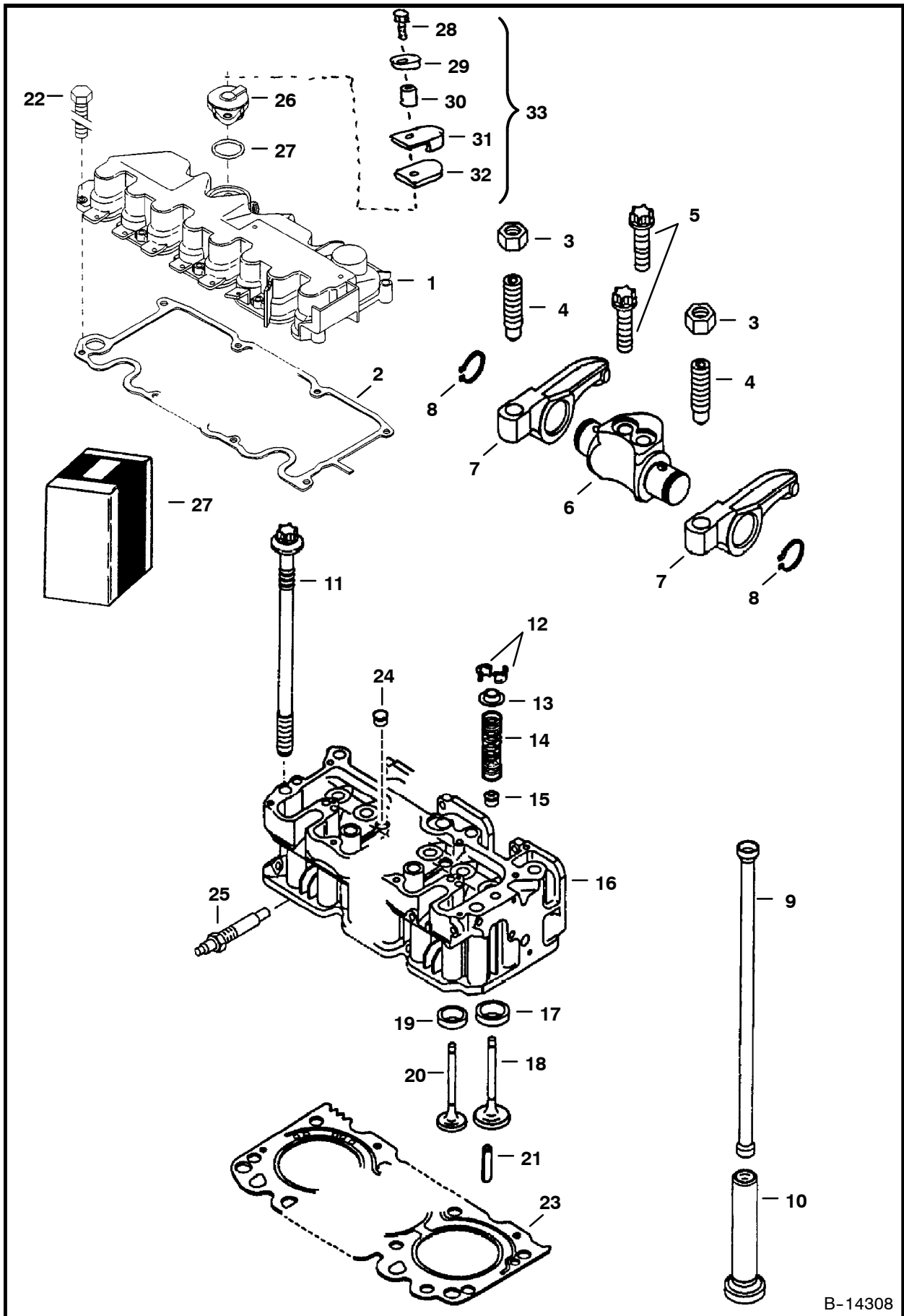
**Use only Bobcat belts and hoses
to maintain maximum service life.**



Available from Bobcat Parts.



CYLINDER HEAD & COVER

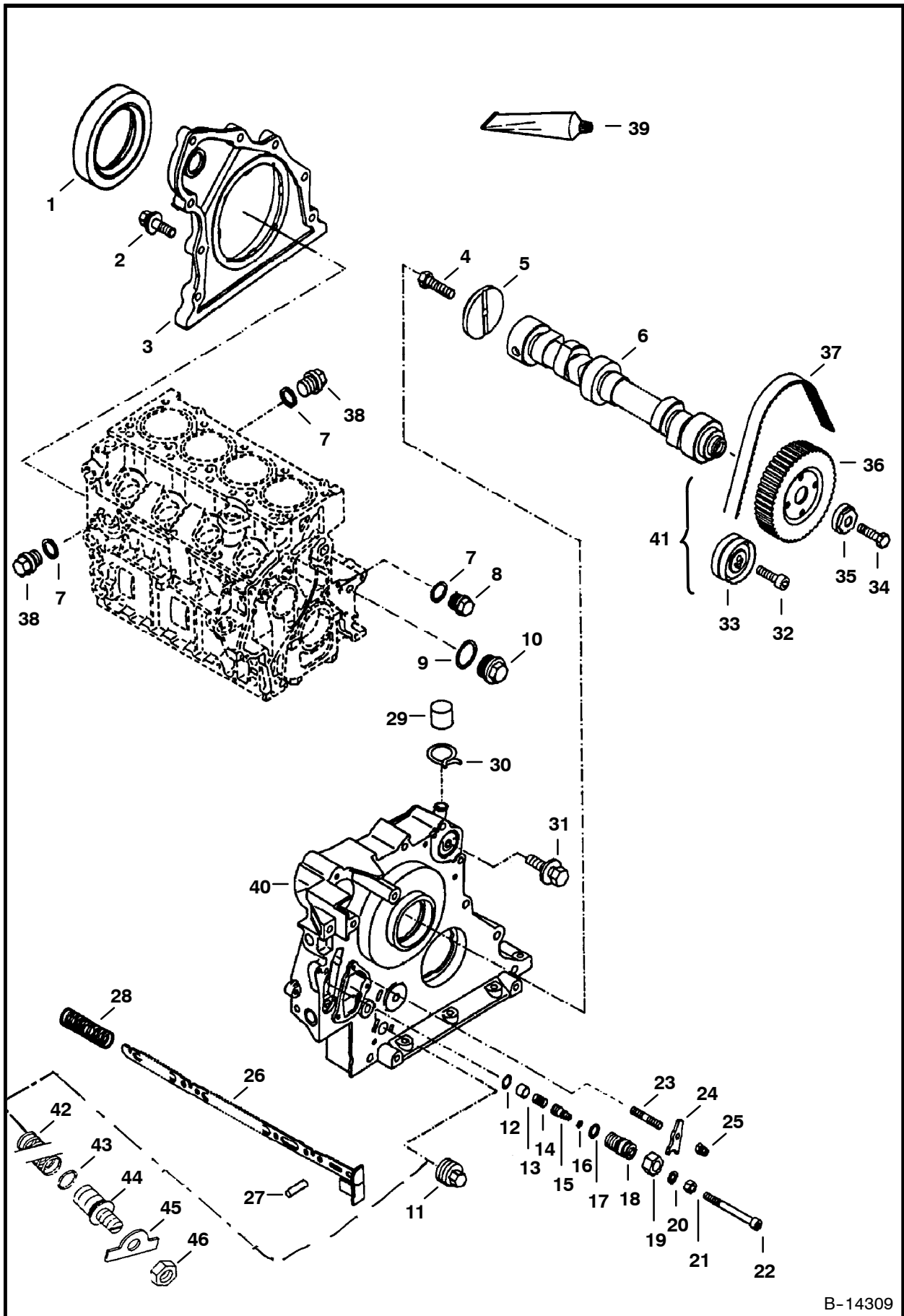


B-14308

CYLINDER HEAD & COVER (Cont'd)

Ref. No.	Part Number	Description	Remarks	Serial Number	Qty.
1	6672770	COVER			1
2	6672489	GASKET			1
3	6666450	NUT			8
4	6666449	SCREW	adjusting		8
5	6672900	BOLT			8
6	6666474	ARM	rocker - W/Ref. 3, 4, 7 & 8		4
7	6666448	ARM	rocker		8
8	6666388	SNAP RING			8
9	6666447	PUSH ROD			8
10	6666504	TAPPET			8
11	6670820	BOLT	fully threaded		10
12	6666443	COLLAR			16
13	6668940	CAP	spring		8
14	6668944	SPRING			8
15	6666460	SEAL			8
16	6672714	HEAD	cylinder - W/Ref. 12-20	S/N 462225 & Bel.	1
*	6676567	HEAD	cylinder - W/Ref. 12-20	S/N 465575 & Abv.	1
17	6666505	INSERT	valve seat - intake		4
18	6666526	VALVE	intake		4
19	6666481	INSERT	valve seat - exhaust		4
20	6666466	VALVE	exhaust		4
21	6666519	PIN			2
22	6672771	BOLT			10
23	6666754	GASKET	1 notch	S/N 462225 & Bel.	1
*	6676568	GASKET	1 notch	S/N 465575 & Abv.	1
	6666755	GASKET	2 notch	S/N 462225 & Bel.	1
*	6676571	GASKET	2 notch	S/N 465575 & Abv.	1
	6672713	GASKET	3 notch	S/N 462225 & Bel.	1
*	6676572	GASKET	3 notch	S/N 465575 & Abv.	1
24	6666697	PLUG	soft		3
25	6670989	GLOW PLUG			4
26	6666749	BREATHER			1
27	6669643	O-RING			1
28	6666695	BOLT			1
	NSS	BOLT	Order Ref. 33		1
29	NSS	WASHER	Order Ref. 33		1
30	NSS	SPACER	Order Ref. 33		1
31	NSS	SHIELD	Order Ref. 33		1
32	NSS	INSULATION	Order Ref. 33		1
33	6673967	KIT	Ref. 28-32		1

CAMSHAFT



B-14309

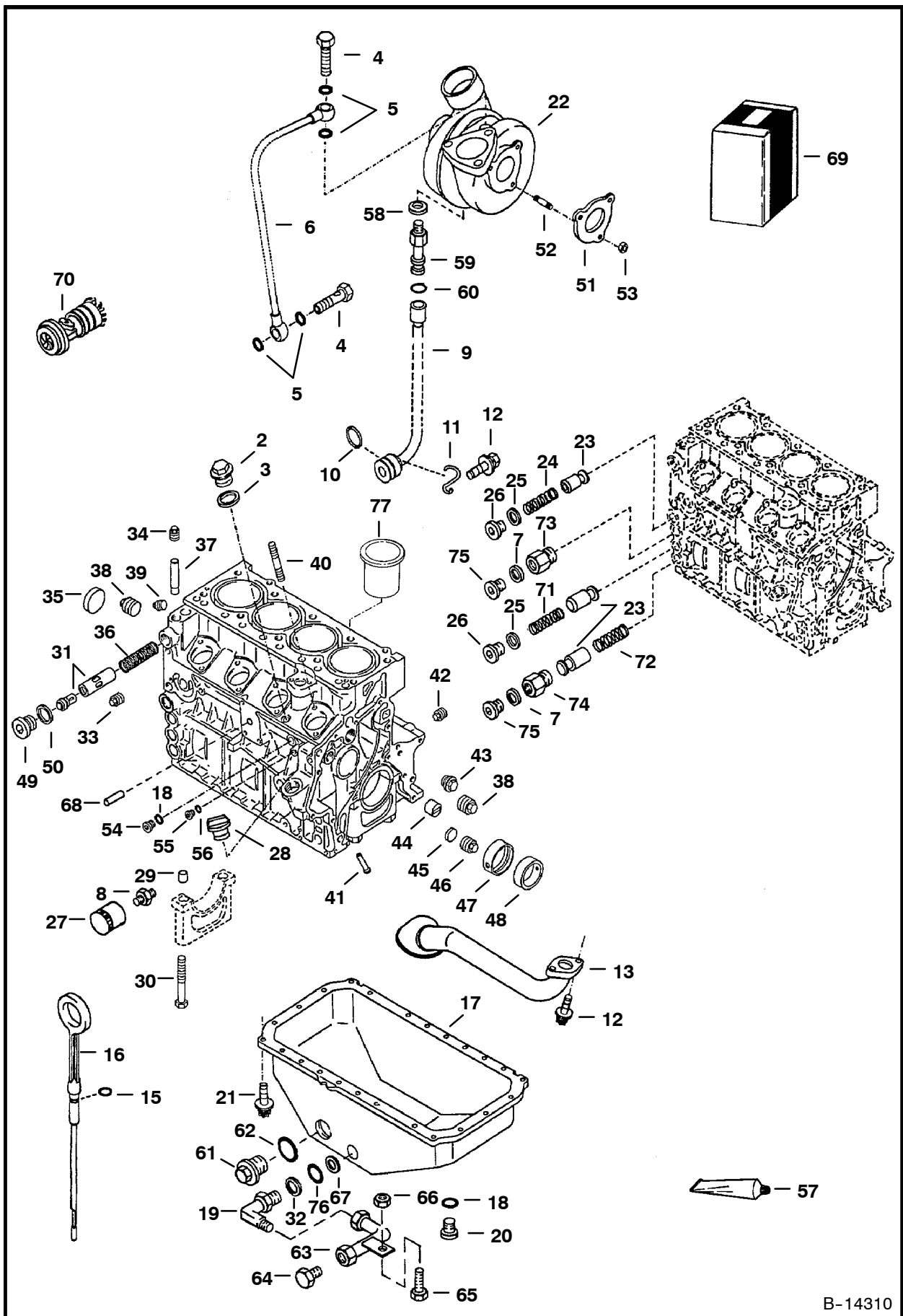
163CAMSHAFT (Cont'd)

Ref. No.	Part Number	Description	Remarks	Serial Number	Qty.
1	6666490	SEAL	lip - rear main		1
2	6666412	BOLT			8
3	6666491	COVER	rear - use W/Ref. 39		1
4	6666402	BOLT			1
5	6666469	WASHER	thrust		1
6	6673154	CAMSHAFT			1
7	6666393	SEAL RING			3
8	1KM-10	PLUG			1
9	6666394	SEAL RING			1
10					
11	6666421	PLUG			1
12	6666389	CIR CLIP			1
13	6666476	STOP	limit		1
14	6666483	SPRING			1
15	6666489	SCREW			1
16	6666410	O-RING			1
17	6666408	O-RING			1
18	6666480	SCREW	adjusting		1
19	6666450	NUT			1
20	6666426	SEAL RING			1
21	6673162	NUT			1
22	6672942	SET SCREW			1
23	6666406	STUD			1
24	6666475	CLAW			1
25	6513908	NUT			1
26	6673163	ROD			1
27	6666496	PIN	locating		1
28	6666465	SPRING			1
29	6666761	CAP			1
30	6666701	CLAMP			1
31	6666707	BOLT			11
32	6666715	BOLT			1
33	NAP	PULLEY	tension - Order Ref. 41		1
34	6666711	BOLT			1
35	6666720	WASHER			1
36	6666725	PULLEY			1
37	NAP	BELT	Order Ref. 41		1
38	6666690	PLUG			2
39	6632823	GASKET	liquid - between Ref. 3 & block also between Ref. 40 & block		
40	6666748	COVER	front - See Page 163		x
41	6670555	REPAIR KIT	Ref. 32, 33 & 37		1
42	6673167	SPRING			1
43	6673165	O-RING			1
44	6673164	CAPSULE			1
45	6673166	WASHER			1
46	6513908	NUT			1

FRONT COVER (Cont'd)

Ref. No.	Part Number	Description	Remarks	Serial Number	Qty.
1	6666748	COVER	front		1
2	6666749	BREATHER	vent - W/Ref. 40		1
3	6666695	BOLT			1
4	6666731	SEAL	front main		1
5	6666730	SEAL	front main		1
6	6666710	SCREW			3
7	6672943	WASHER			3
8	6666757	COVER			1
9	6666753	WASHER			1
10	6666684	BOLT			1
11					
12	6666698	SET SCREW			1
13	6666714	O-RING			2
14	6666732	SLEEVE			2
15	6666688	PIN			3
16	6666694	PIN	clevis		1
17	6666729	SHAFT	lever		1
18	6672945	ARM	lever		1
19	6666721	LEVER	shut-off		1
20	6666726	SHAFT	lever		1
21	6666686	PIN	notched		1
22	6666727	SPRING			1
23	6666700	STUD			2
24	6666717	WASHER			2
25	6666723	WASHER			3
26	6666740	SHAFT			1
27	6672946	ARM	lever		1
28	6666745	LEVER	roller - W/Ref. 29 - 33		1
29	6666687	NAIL	notched		1
30	6666713	PIN			2
31	6673168	SPRING			1
32	6666744	SLEEVE			1
33	6666692	BEARING	ball		2
34	6672705	METER	unit		1
35	6666733	ARM	lever		1
36	6668763	SHIELD			1
37	6673153	SHIELD	W/Ref. 43		1
38	6672898	BOLT			4
39	6668904	CAP			1
40	6669643	O-RING			1
41	6672886	CAP			1
42	6666701	CLAMP			1
43	6672899	PLUG			1

CRANKCASE & OIL PAN

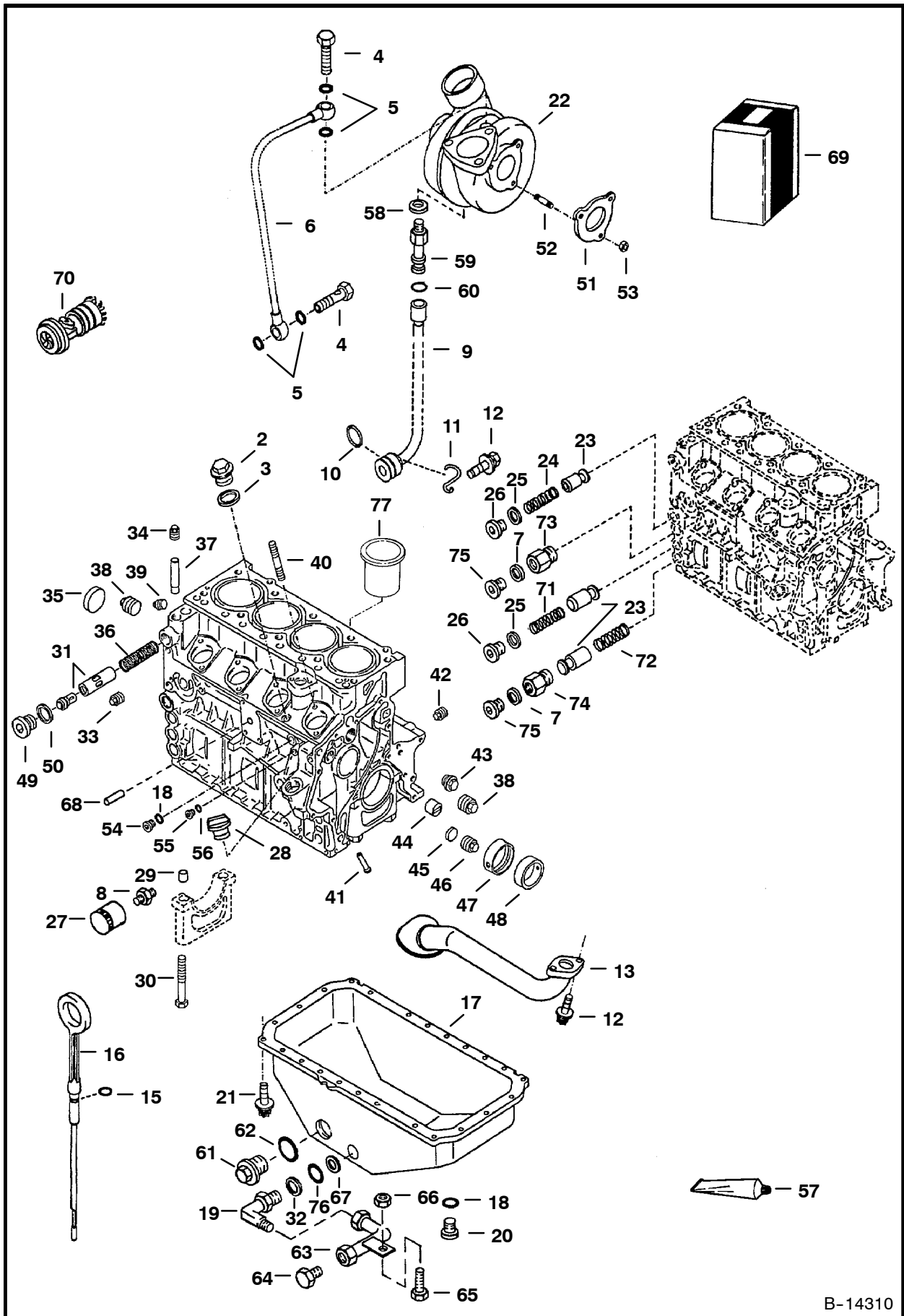


B-14310

CRANKCASE & OIL PAN (Cont'd)

Ref. No.	Part Number	Description	Remarks	Serial Number	Qty.
1*	NAP	BLOCK	Order complete engine - See Page 155 - Was 6672880 [A]		1
2	6666690	PLUG			1
3	6666393	SEAL RING			1
4	6666396	SCREW			2
5	2FM-12155	SEAL RING			4
6	6668948	TUBE	oil lubricating		1
7	6668887	O-RING			2
8	6668897	ADAPTER			1
9	6668106	TUBE	oil return		1
10	6666401	O-RING			1
11	6673169	FLANGE			1
12	6668938	BOLT			3
13	6666508	TUBE	oil suction		1
14	NSS	NUT			1
15	6666439	O-RING	.315"(8mm) O.D.		2
	25K-30012	O-RING	.55" (14mm) O.D.		2
16	6666528	DIPSTICK	W/.315"(8mm) O.D. O-ring		1
	6669531	DIPSTICK	W/.55"(14mm) O.D. O-ring		1
17	6670866	OIL PAN	W/Ref. 18, 20, 61-62		
18	6666394	SEAL RING			3
19	6709168	ELBOW	W/Ref. 67 & 76-14		1
20	6666400	PLUG			1
21	6666434	BOLT			26
22	6673173	TURBOCHARGER			1
23	6666510	VALVE			3
24	6668941	SPRING	Yellow - .047" (1.2mm) dia. wire 3.15" (80mm) long		1
25	6666395	SEAL RING			2
26	6666387	PLUG			4
27	6665603	OIL FILTER	engine		1
28	6666530	CAP	oil fill		1
29	6666722	DOWEL			10
30	6666719	BOLT			10
31	6668945	THERMOSTAT	eng. oil temp.		1
32	6669067	WASHER			1
33	6666703	PLUG			1
34	6666702	PLUG			1
35	6666716	PLUG	soft		1
36	6668941	SPRING			1
37	6666741	TUBE			1
38	6672873	PLUG			2
39	6672874	PLUG			1
40	6666709	STUD			8
41	6666746	NOZZLE	piston cooling		8
42	6672872	PLUG			1
43	6666751	PLUG			1
44	6666718	SLEEVE	guide		2
45	6666697	PLUG	soft		1
46	6672878	PLUG			1
47	6666738	BEARING	wrapped bushing		2

CRANKCASE & OIL PAN (Cont'd)

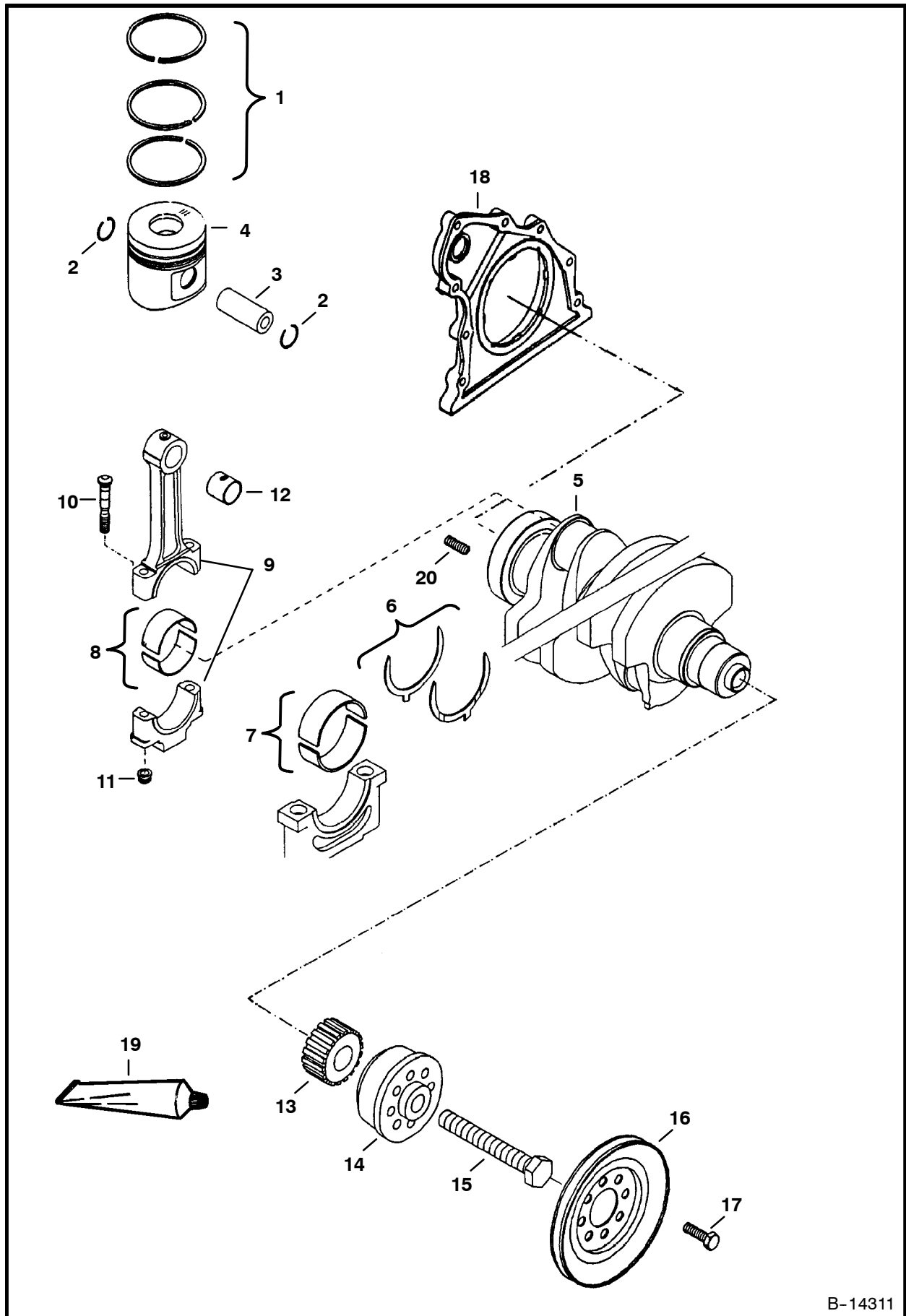


B-14310

CRANKCASE & OIL PAN (Cont'd)

Ref. No.	Part Number	Description	Remarks	Serial Number	Qty.
48	6666737	BEARING	wrapped bushing		3
49	6672877	PLUG			1
50	6666395	SEAL RING			1
51	6665910	GASKET			1
52	6666407	STUD			3
53	6666398	NUT			3
54	6666689	PLUG			1
55	6666690	PLUG			1
56	6666699	SEAL RING			1
57	6632823	GASKET	liquid - use between Ref. 17 & block also between Ref. 13 & block		x
58	6668108	WASHER			1
59	6668107	ADAPTER			1
60	6668109	O-RING			1
61	6668693	PLUG			1
62	6668694	SEAL			1
63	6714500	TUBE	oil drain		1
64	6518121	PLUG	oil drain		1
65	35C-512	BOLT			1
66	97D-5	NUT			1
67	58K-114	O-RING			1
68	6668905	PIN			1
69	6668895	REPAIR KIT	turbocharger - includes clip, O-ring, (3) bolts & bracket		1
70	NAP	CORE	turbocharger - Order Ref. 22		1
71	6668903	SPRING	Red - .055" (1.4mm) dia. wire 3.07 (78mm) long		1
72	6668902	SPRING	Blue - .039" (1.0mm) dia. wire 2.44" (62mm) long		1
73	6668900	ADAPTER			1
74	6668901	ADAPTER			1
75	6668889	PLUG			2
76	6669066	SEAL RING			1
77	6672879	LINER	for blocks W/liners		1
78*	6666509	RETAINER	Was 6673155 [A]		1

PISTON & CRANKSHAFT

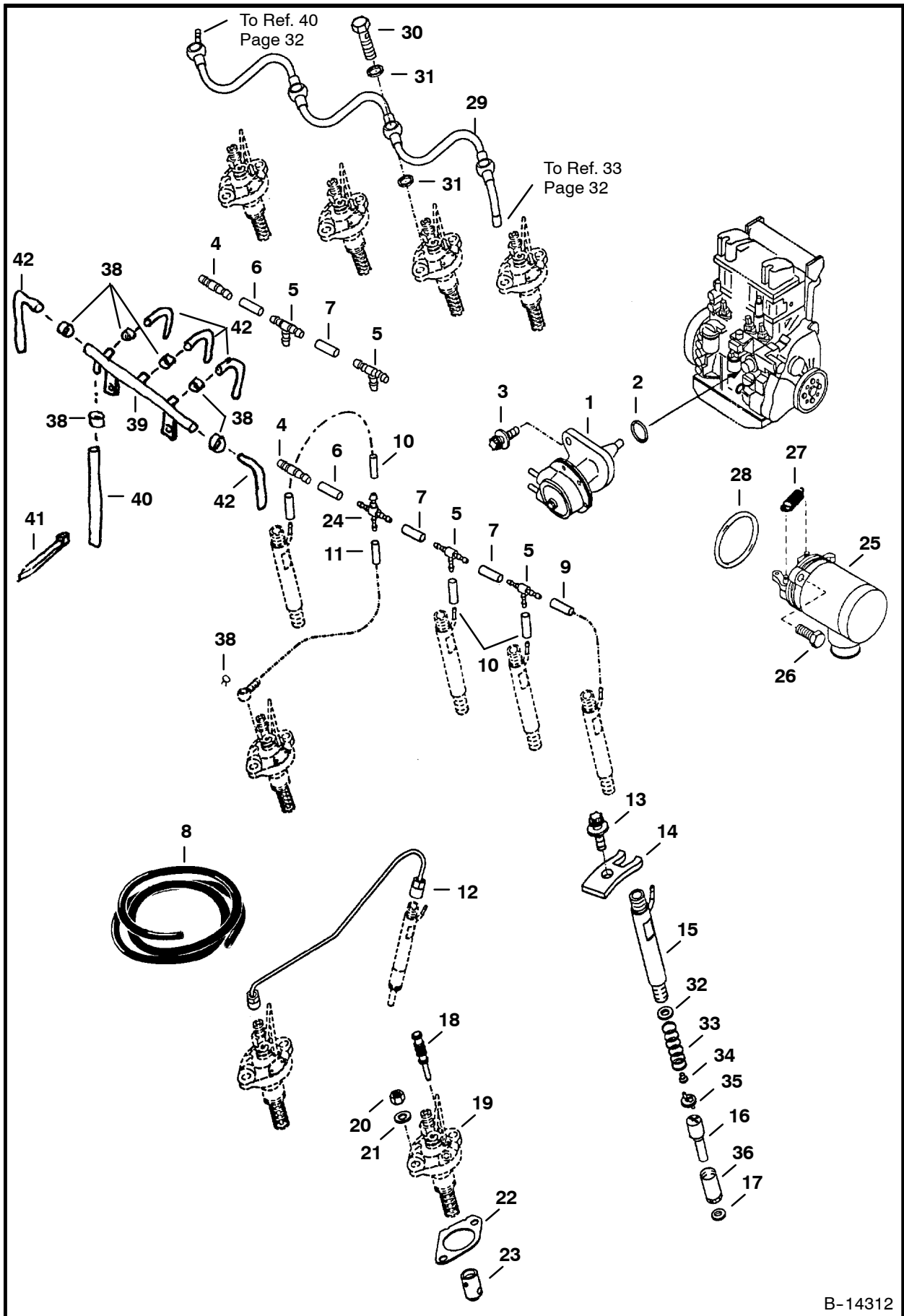


B-14311

PISTON & CRANKSHAFT (Cont'd)

Ref. No.	Part Number	Description	Remarks	Serial Number	Qty.
1	6672896	RING SET			4
2	6666404	SNAP RING			8
3	6666470	PIN			4
4	6673152	PISTON	W/Ref. 1 - 3		4
5	6673150	CRANKSHAFT			1
6	6666456	WASHER			1
7	6669395	MAIN BEARING	2.7559" (70,00mm)		5
	6669396	MAIN BEARING	1st undersized - 2.7657" (70,25mm)		4
	6669397	MAIN BEARING	2nd undersized - 2.7755" (70,50mm)		4
8	6672889	BEARING	1.9685" (50,00mm)		4
	6666458	BEARING	1st undersized - 1.9783" (50,25mm)		4
	6666459	BEARING	2nd undersized - 1.9881" (50,50mm)		4
9	6668943	ROD	connecting - W/Ref. 10 - 12		4
10	6668942	BOLT			8
11	6666442	NUT			8
12	6666463	BUSHING			4
13	6666471	PULLEY			1
14	6666482	FLANGE			1
15	6666444	BOLT			1
16	6666446	PULLEY			1
17	6666433	BOLT			4
18	6666491	COVER	rear		x
19	6632823	GASKET	liquid - use between Ref. 18 & block		x
20	6672890	INSERT			1

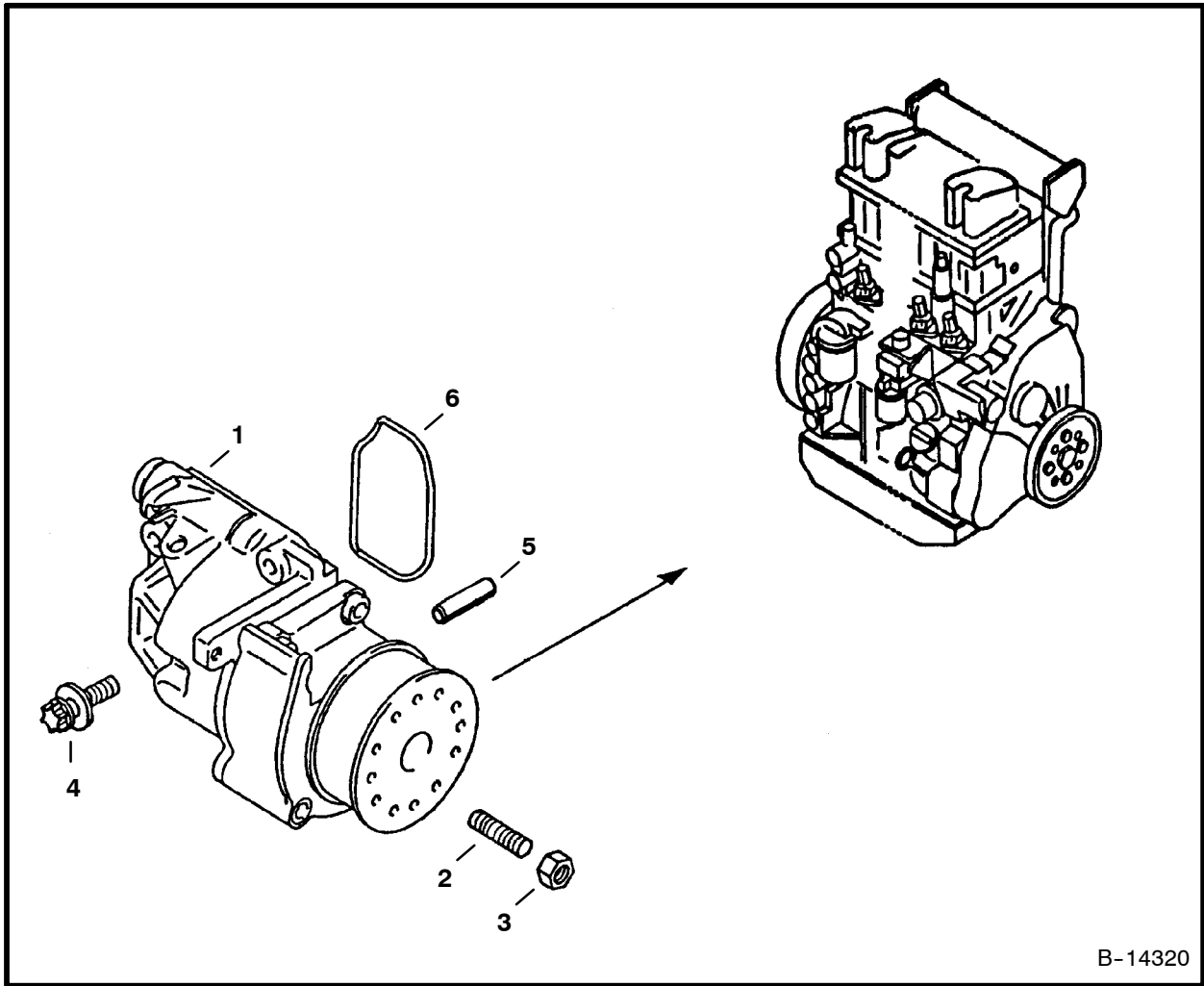
FUEL INJECTION SYSTEM



B-14312

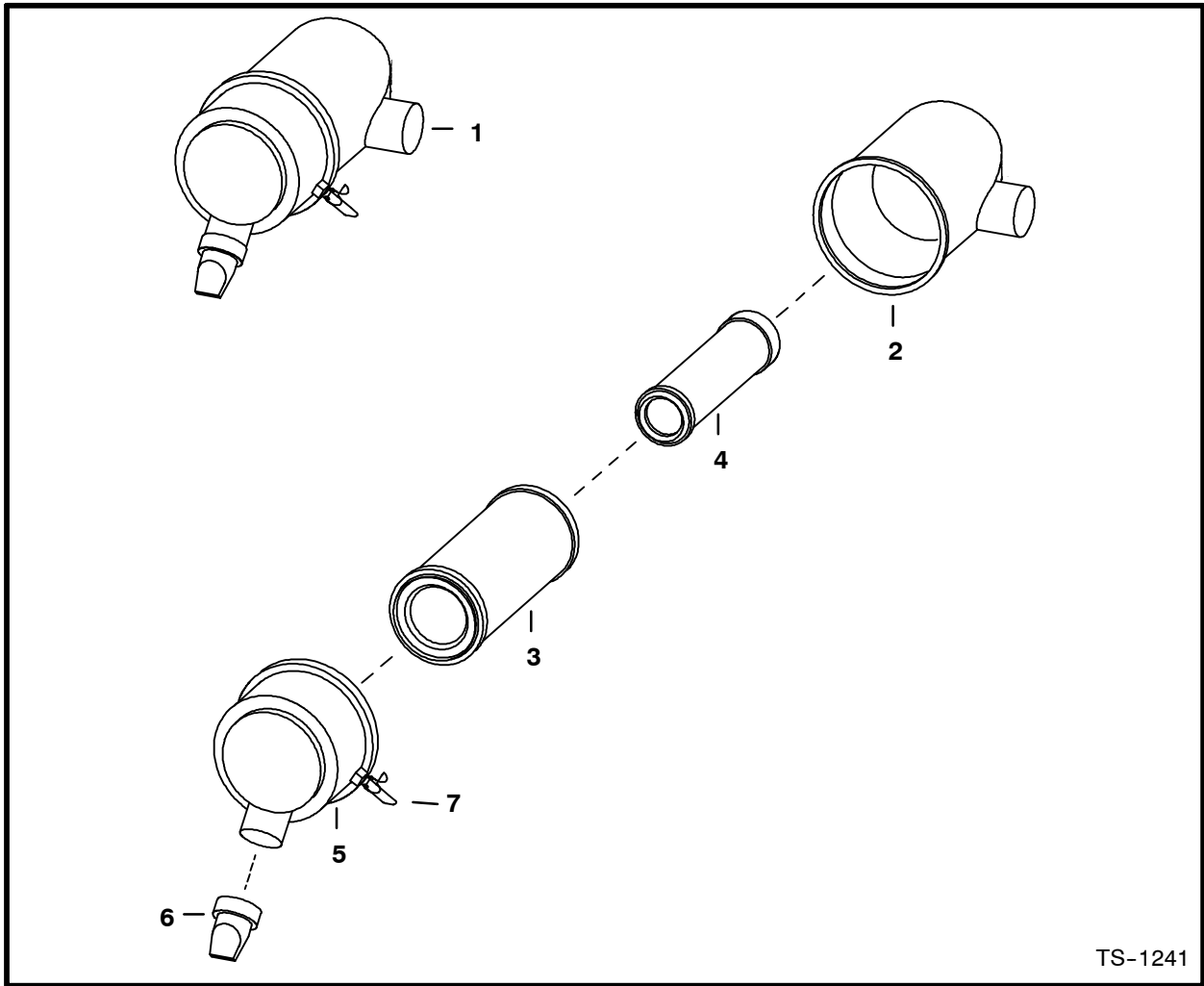
FUEL INJECTION SYSTEM (Cont'd)

Ref. No.	Part Number	Description	Remarks	Serial Number	Qty.
1	6666522	PUMP	fuel		1
	6668906	REPAIR KIT	fuel pump - screen, o-ring, screw		1
2	6666420	O-RING			1
3	6673159	BOLT			2
4*	NAP	ADAPTER	Order Ref. 39 - Was 6666418 [A]		1
5*	NAP	TEE	Order Ref. 39 - Was 6666422 [A]		4
6	NAP	HOSE	Order Ref. 8		1
7	NAP	HOSE	Order Ref. 8		2
8	6666416	HOSE	1 meter long (39")		1
9	NAP	HOSE	Order Ref. 8		1
10	NAP	HOSE	Order Ref. 8		3
11	NAP	HOSE	Order Ref. 8		1
12	6666531	TUBE			4
13	6672902	BOLT			4
14	6666501	CLAMP			4
15	6673157	INJECTOR	includes Ref. 16, 17 & 32 - 36		4
16	6673158	NOZZLE			4
17	6666492	GASKET			4
18	6666527	ADAPTER			4
19	6673156	INJECTOR	pump		4
20	1DM-8	NUT			8
21	6666453	WASHER			8
22	6666512	SHIM	.2 mm		x
	6666513	SHIM	.3 mm		x
	6666514	SHIM	.4 mm		x
	6666515	SHIM	.5 mm		x
	6666516	SHIM	.6 mm		x
	6666517	SHIM	.7 mm		x
	6666518	SHIM	.8 mm		x
23	6666493	TAPPET			4
24*	NAP	CONNECTOR	cross - Order Ref. 39 - Was 6670681 [A]		4
25	6668950	SOLENOID	shut-off - W/Ref. 27		1
26	6666403	BOLT			2
27	6666495	SPRING			1
28	6666409	O-RING			1
29	6666763	FUEL LINE			1
30	6514745	SCREW	hollow		4
31	6672933	SEAL RING	brass		8
32	6668890	SHIM			x
33	6668891	SPRING			1
34	6668892	BOLT	thrust		1
35	6668893	SPACER			1
36	6668894	NUT	nozzle cap		1
37					
38	6673160	CLAMP			6
39	6675461	FUEL LINE	assy. - Ref. 38 & 40-42	5189 11014 & Abv.	1
40	6675460	HOSE		5189 11014 & Abv.	1
41	6672934	STA-STRAP		5189 11014 & Abv.	1
42	NSS	HOSE	Order Ref. 8	5189 11014 & Abv.	5



OIL PUMP

Ref. No.	Part Number	Description	Remarks	Serial Number	Qty.
1	6669530	PUMP	oil - W/.55"(14mm) dipstick hole I.D. - W/Ref. 2 & 3		1
2	6668936	SET SCREW			1
3	1DM-6	NUT			1
4	6666708	BOLT			4
5	6666750	PIN			2
6	6666760	SEAL RING			1
7		DIPSTICK	See Page 165		1



TS-1241

AIR CLEANER

Ref. No.	Part Number	Description	Remarks	Serial Number	Qty.
1	6674837	AIR CLEANER			1
2	NSS	TANK	Order Ref. 1		1
3	6666375	CARTRIDGE	outer		1
4	6666376	CARTRIDGE	inner		1
5	6666377	COVER	W/Ref. 7		1
6	6666378	VALVE	evacuator - 2" I.D.		1
7	6670298	CLIP			3

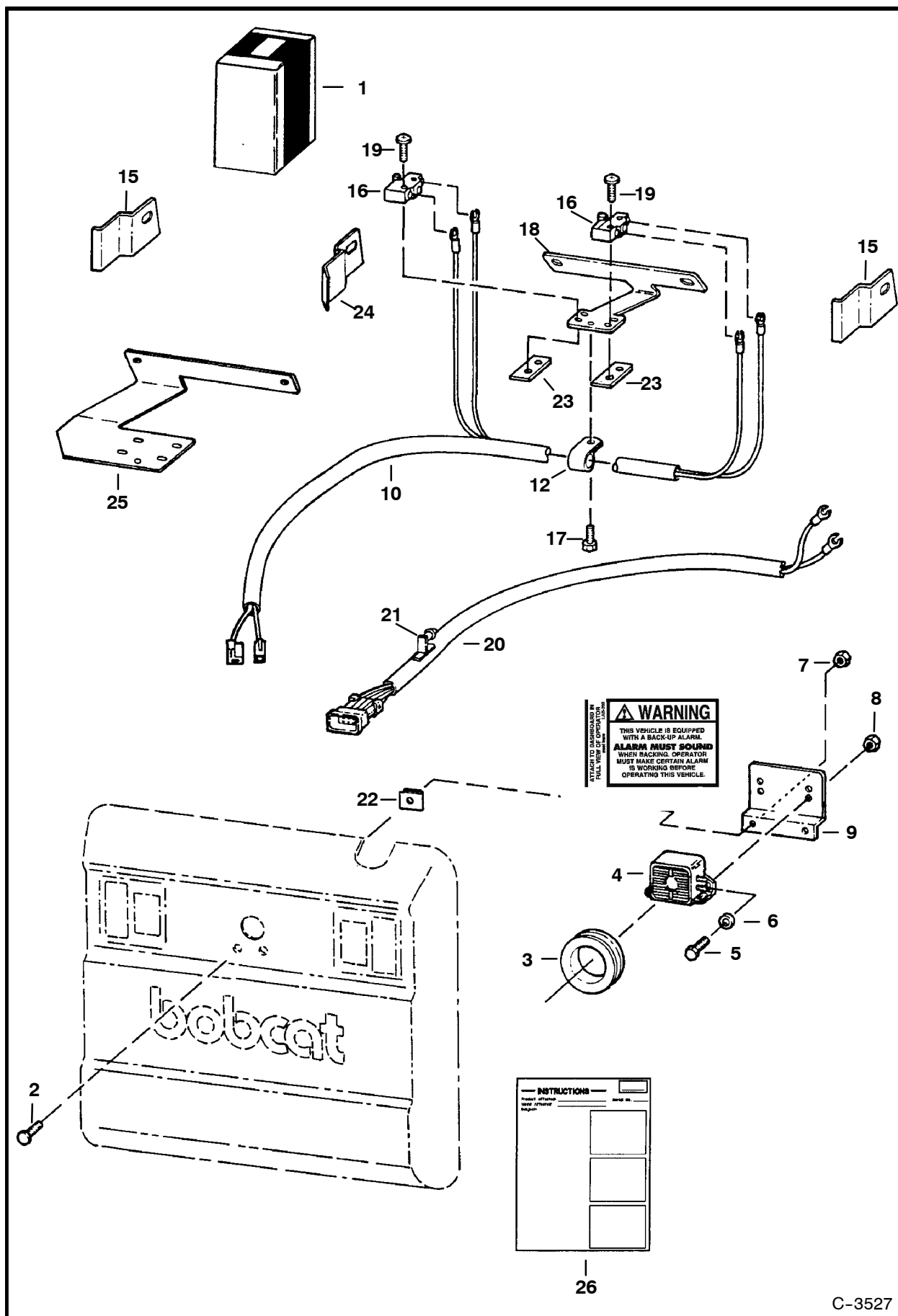
864 G-SERIES CONTENTS

MAIN FRAME	11-32
MAIN FRAME	11
OPERATOR CAB	13, 15
SEAT & SEAT BAR	17
SEAT	19
REAR DOOR	23
LIFT ARM & BOB-TACH	25
BOB-TACH	27
PANELS	29
FUEL SYSTEM	31
DRIVE SYSTEM	33-40
DRIVE TRAIN	33
BRAKE	36
TRACK TENSIONER	37
FRONT IDLER	38
REAR IDLER	39
TRACK ROLLER	40
HYDRAULIC SYSTEM	41-68
HYDRAULIC CIRCUITRY	41-46
MANUAL LIFT RELEASE SYSTEM	47
AUXILIARY HYDRAULICS	49
TILT CYLINDER	51
LIFT CYLINDER	53
MANUAL LIFT RELEASE VALVE	54
CONTROL PEDALS	55
HYDRAULIC CONTROL VALVE	57, 61
BICS CONTROL VALVE	66
BUCKET POSITIONING VALVE	67
HIGH HORSEPOWER HYDRAULICS	69-78
HYDROSTATIC SYSTEM	79-110
HYDROSTATIC CIRCUITRY	79-88
HAND CONTROLS	89
HYDROSTATIC MOTOR & BRAKE	93
HYDROSTATIC PUMP	97, 101
GEAR PUMP	105
HYDROSTATIC OIL FILTER	107, 108
BRAKE VALVE	110
ELECTRICAL SYSTEM	111-134
CAB ELECTRICAL CIRCUITRY	111-114
ELECTRICAL CONTROLS	115-124
ENGINE ELECTRICAL	125
ALTERNATOR	129, 131
STARTER	133
POWER UNIT	135-174
COOLING SYSTEM	135-140
ENGINE & ATTACHING PARTS	141-150
THROTTLE	151
COOLING FAN DRIVE ASSY.	153
ENGINE & GASKET KITS	155
OIL PUMP	173
AIR CLEANER	174

864 G-SERIES CONTENTS (Cont'd)

ACCESSORIES & OPTIONS	177-270
BACK-UP ALARM	177
BEACON	179
BLOCK HEATER	180, 181, 182
BOB-TACH LEVERS	183
BUCKET POSITIONING KIT	184
CAB DOOR	185-191
CAB ENCLOSURE	192, 193
* CAB WINDOWS	194, 195
CLOSED ALTERNATOR	197
DELUXE CAB	199
ELECTRICAL CONTROLS KIT	202-206
EUROPEAN ACCESSORIES	207
FIRE EXTINGUISHER	211
* FLASHER LIGHTS	213
* F.O.P.S. KIT	215
* HAND CONTROL KIT	217
HEATER & A/C	222-235
* HORN KIT	236
LIFT KIT	238, 239
LIGHT KIT	241
* MOTOR BRACE KIT	244
POWER BOB-TACH KIT	245
POWER BOB-TACH CYLINDER	248
* POWER BOB-TACH VALVE	249, 251
PURIFIER	254
* REAR AUXILIARY HYDRAULICS KIT	255, 257
REAR AUXILIARY VALVE	259
REAR DOOR LOCK	260
* REAR WIPER	261
* SEAT BELT	262, 263, 264
* SEVEN PIN CONNECTOR KIT	266
* SOUND OPTION	267
STROBE LIGHT	270
BULK ITEM	271
NUMERICAL INDEX	273

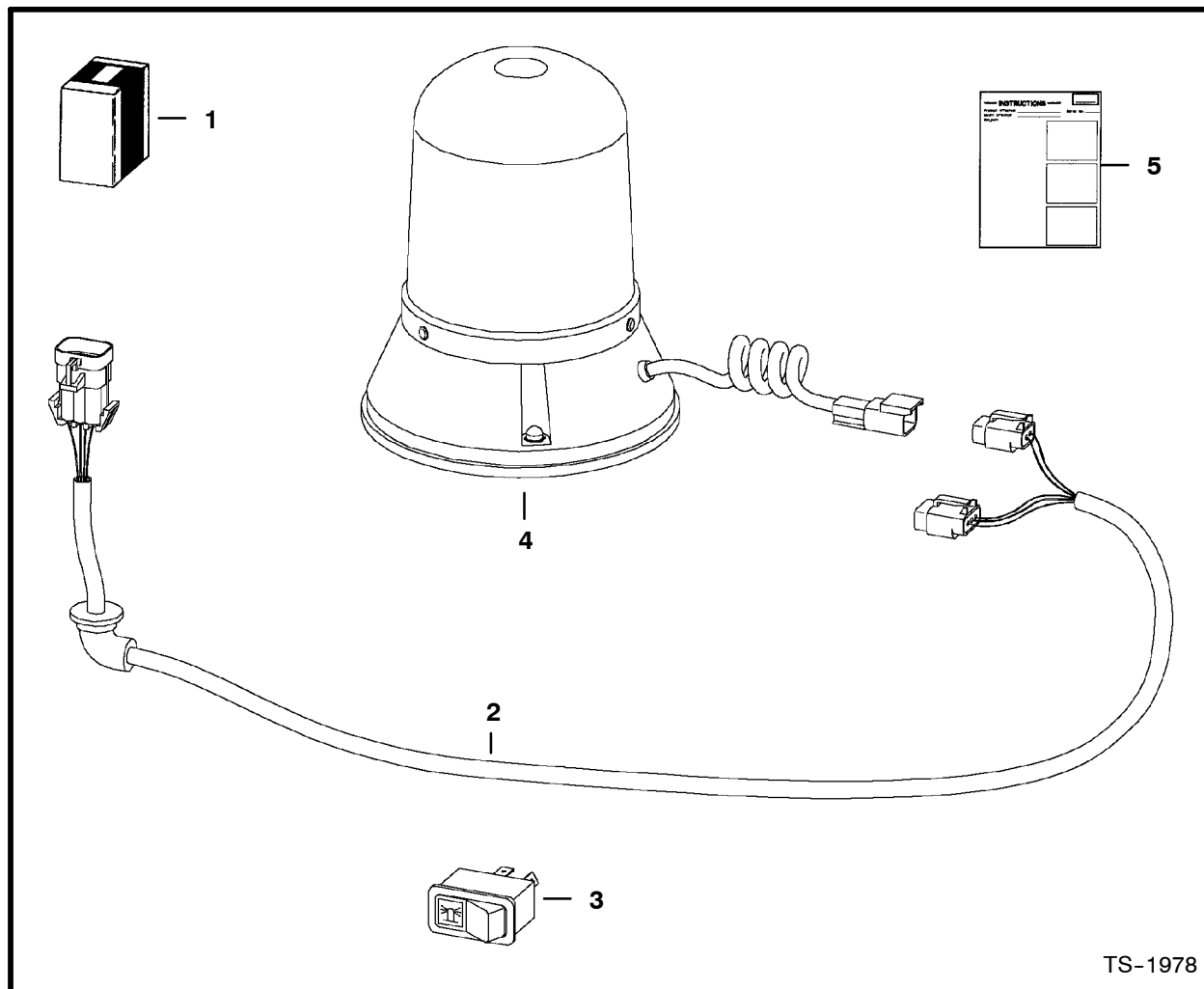
BACK-UP ALARM



C-3527

BACK-UP ALARM (Cont'd)

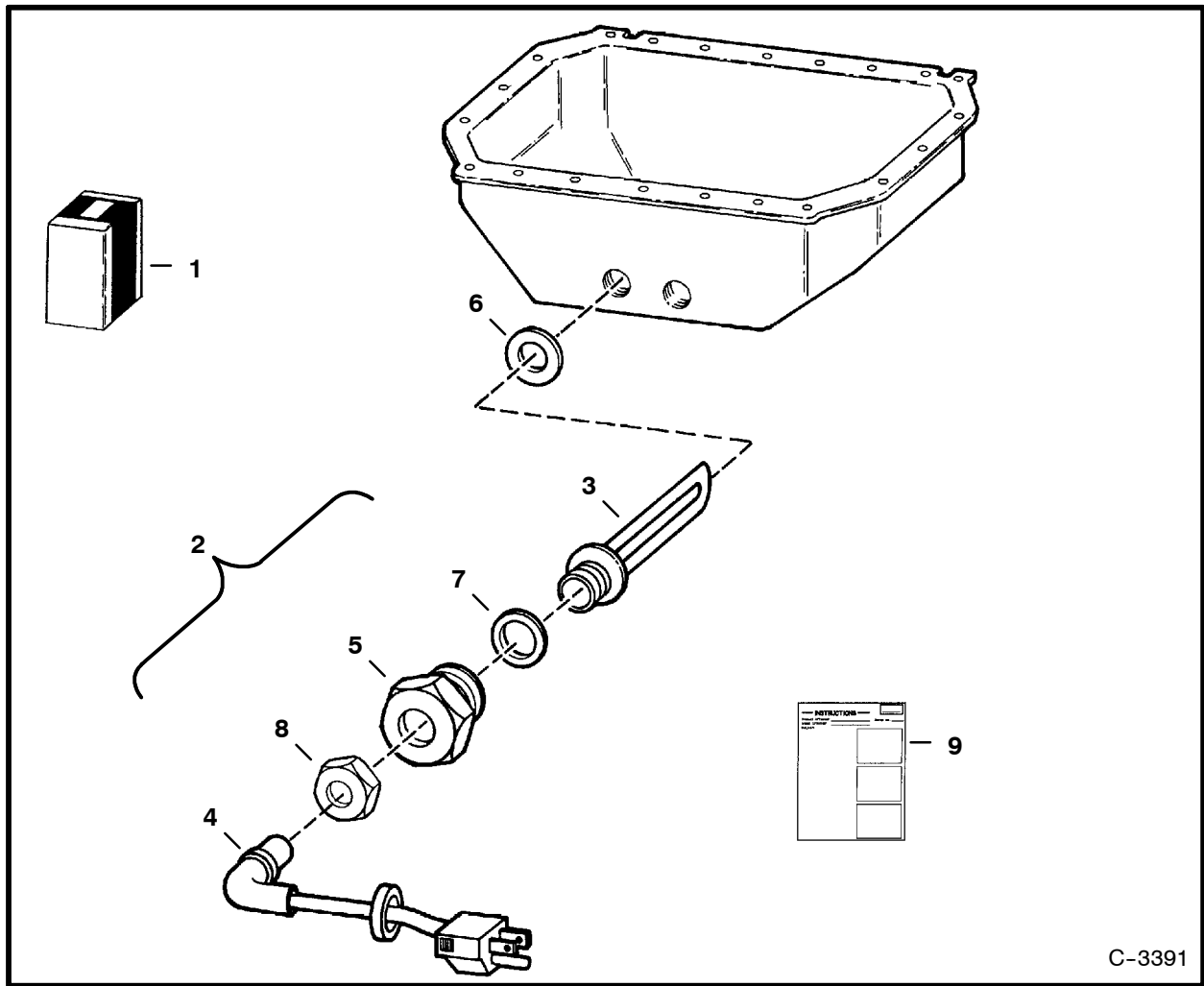
Ref. No.	Part Number	Description	Remarks	Serial Number	Qty.
1*	6725504	KIT	backup alarm - Ref. 2 - 26		1
2	37C-512	BOLT			2
3	6577545	GROMMET			1
4	6599931	ALARM	backup		1
	6668879	DECAL			1
5	17C-410	BOLT			2
6	25E-13	WASHER			2
7	61D-5	NUT			2
8	83D-4	NUT			2
9	6707726	MOUNT			1
10	6718820	HARNESS			1
11	17C-412	BOLT			1
12*	30H-19	CLAMP	insulated		2
13	6E-4	WASHER			1
14	61D-4	NUT			1
15	6713793	BRACKET	switch		2
16	6646781	SWITCH	alarm		2
17	84G-3112	BOLT			1
18	6713792	MOUNT	switch		1
19	59G-616	BOLT			4
20	6715659	HARNESS	Used on loaders W/O rear lights - comes W/Ref. 21		1
21	6672492	RETAINER			1
22	774220	NUT			2
23	6702593	SPACER			2
24*	6725402	BRACKET	switch		1
25*	6725401	MOUNT			1
26*	6901008	INSTRUCTIONS			1



TS-1978

BEACON

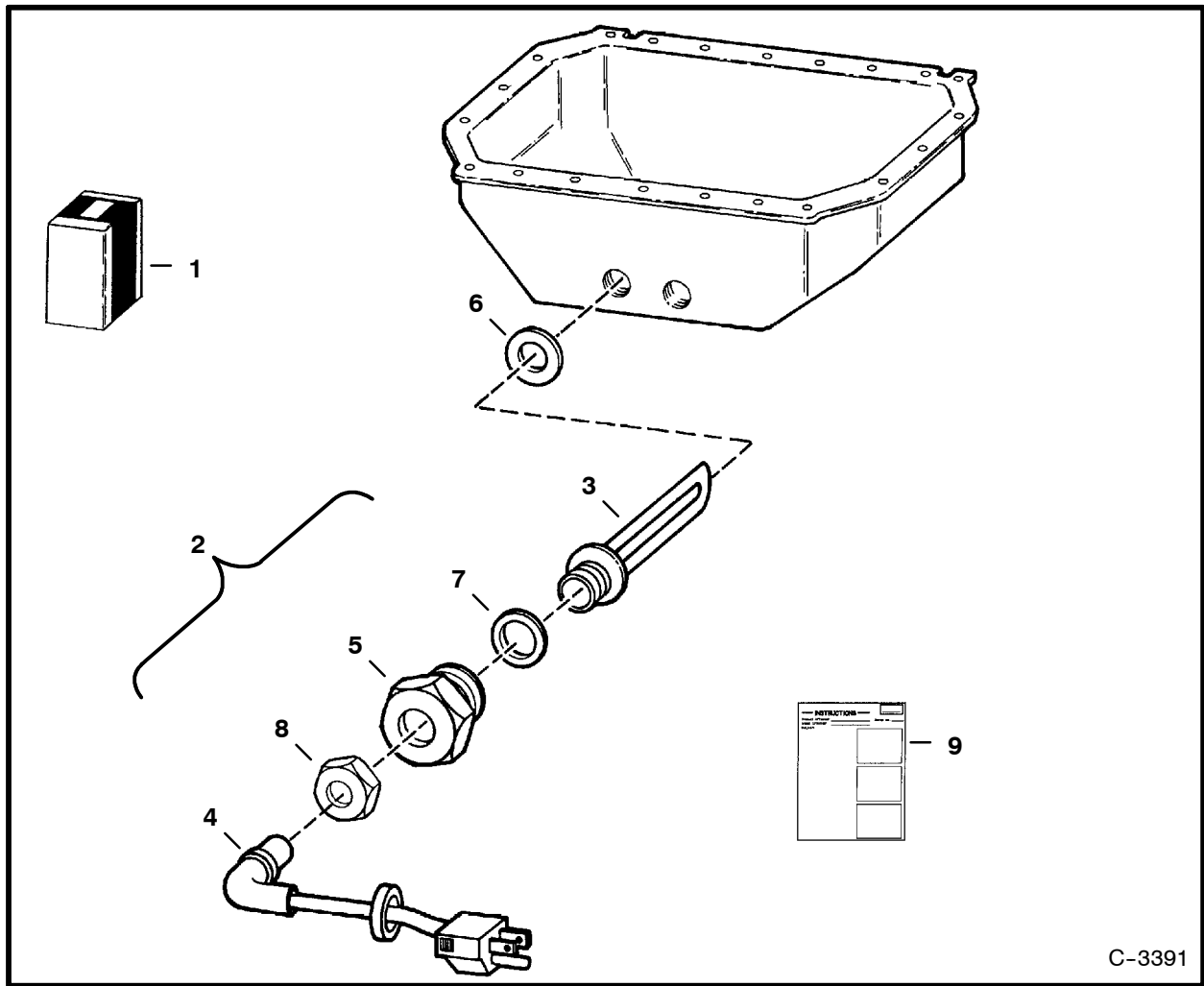
Ref. No.	Part Number	Description	Remarks	Serial Number	Qty.
1	6719854	KIT	rotating beacon		1
2	6718872	HARNESS			1
3	6665317	SWITCH			1
4	6675523	BEACON			1
*	6666571	BULB			1
5	6900991	INSTRUCTIONS			1



C-3391

BLOCK HEATER
(Oil Pan Installed) (120 Volt) (Engine S/N 502302 & Below)

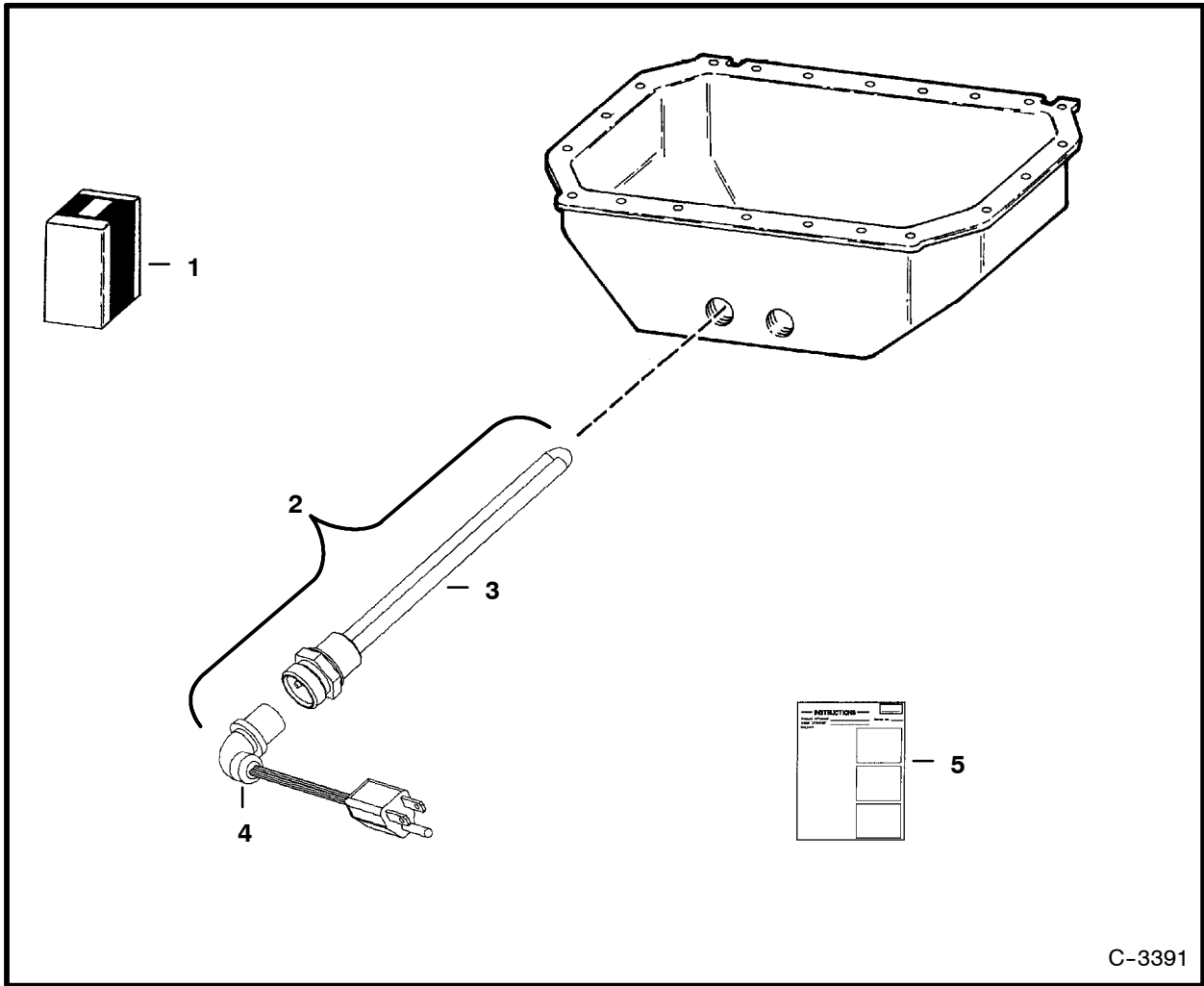
Ref. No.	Part Number	Description	Remarks	Serial Number	Qty.
1	6710192	KIT	Ref. 2 & 9		1
2	6709514	HEATER ASSY.	Ref. 3 - 8		1
3	6709508	ELEMENT	150 Watts		1
4	6709509	CORD SET			1
5	6709510	ADAPTER	48mm thread		1
6	6709511	WASHER	sealing		1
7	6709513	GASKET			1
8	6709840	NUT			1
9	6724397	INSTRUCTIONS			1



C-3391

BLOCK HEATER
(Oil Pan Installed) (240 Volt) (Engine S/N 502302 & Below)

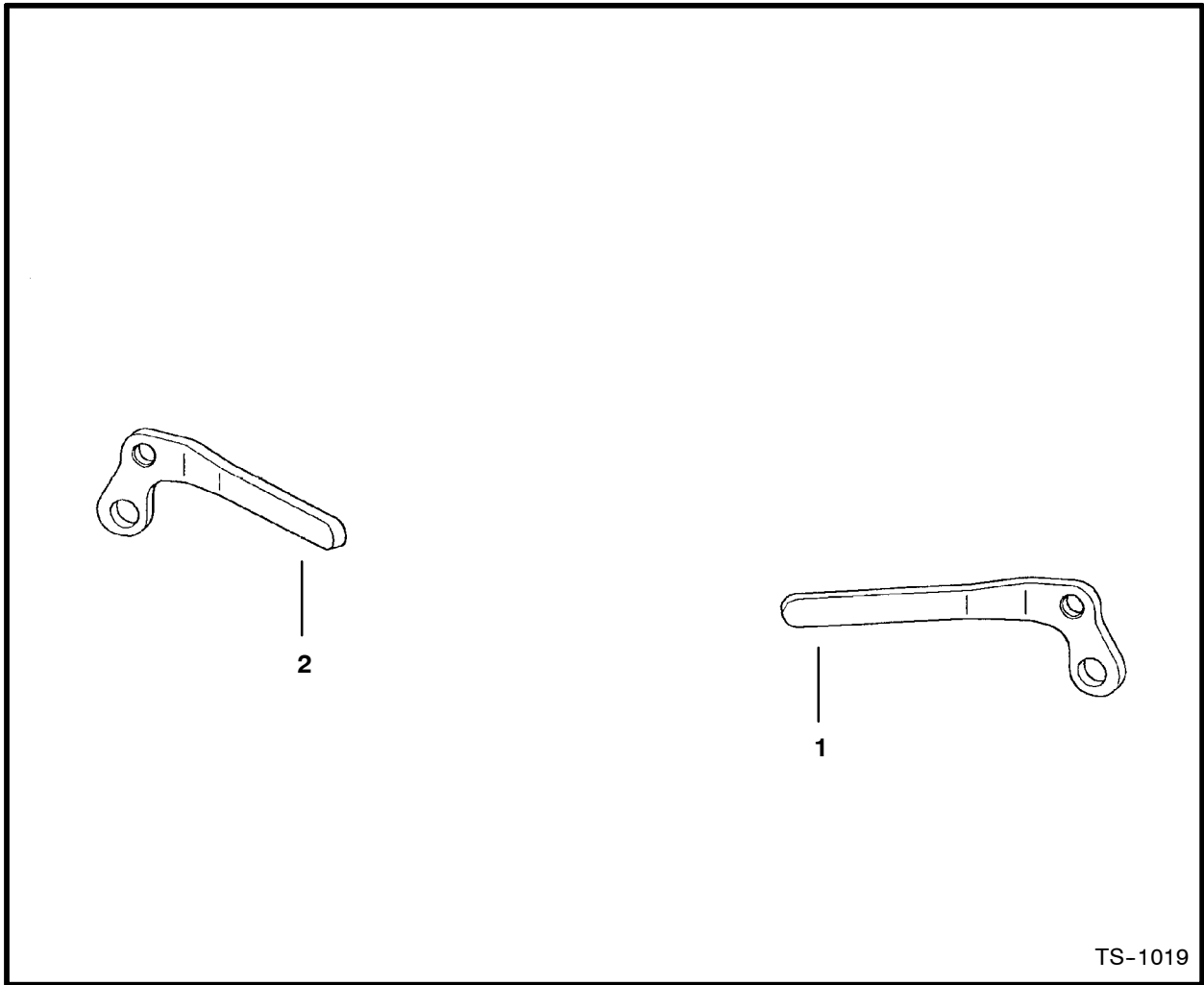
Ref. No.	Part Number	Description	Remarks	Serial Number	Qty.
1	6711873	KIT	Ref. 2 & 9		1
2	6711721	HEATER ASSY.	Ref. 3 - 8		1
3	6711718	ELEMENT	150 Watts		1
4	6711720	CORD SET	European stlye outlet		1
5	6709510	ADAPTER	48mm thread		1
6	6709511	WASHER	sealing		1
7	6709513	GASKET			1
8	6709840	NUT			1
9	6724515	INSTRUCTIONS			1



C-3391

*** BLOCK HEATER
(Oil Pan Installed) (120 Volt) (Engine S/N 502303 & Above)**

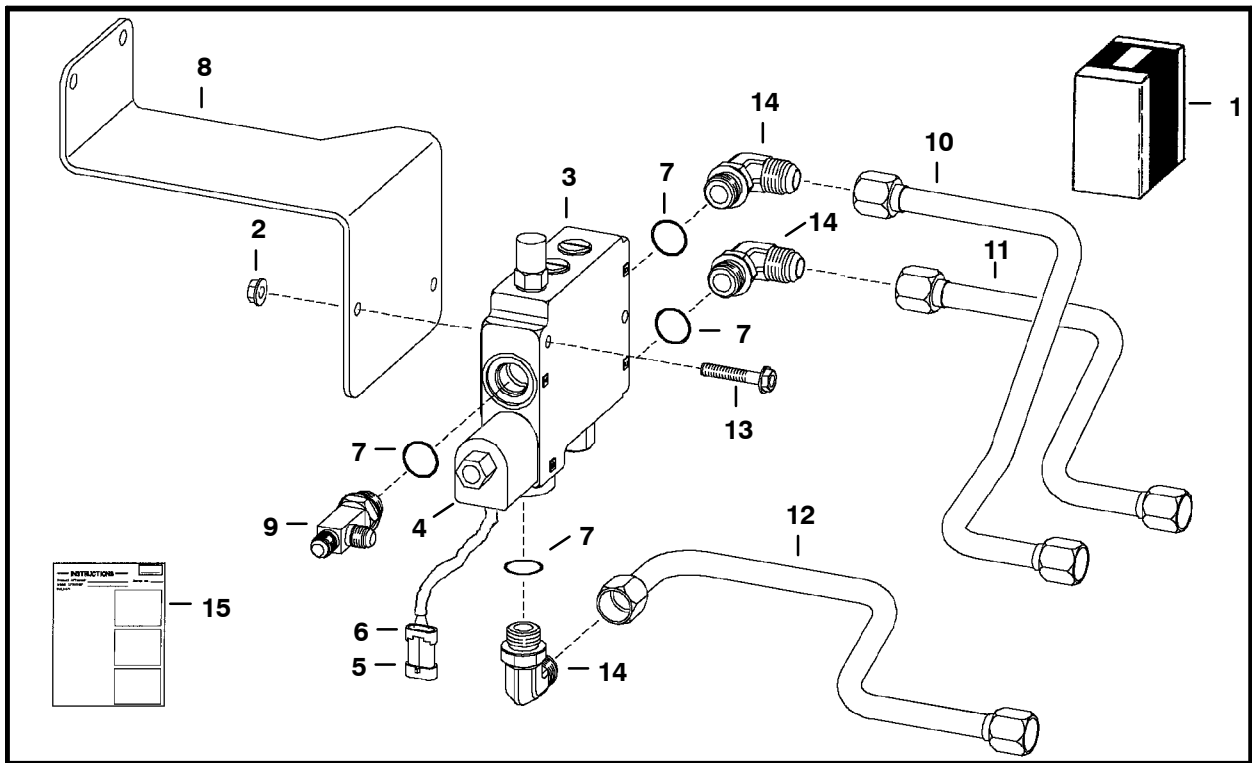
Ref. No.	Part Number	Description	Remarks	Serial Number	Qty.
1*	6725971	KIT	Ref. 2-5		1
2*	6675695	HEATER ASSY			1
3*	6675708	ELEMENT	22mm thread		1
4*	6709509	CORD			1
5*	6724397	INSTRUCTIONS			1



TS-1019

**BOB-TACH LEVERS
(For Use W/Industrial Grapple Fork)**

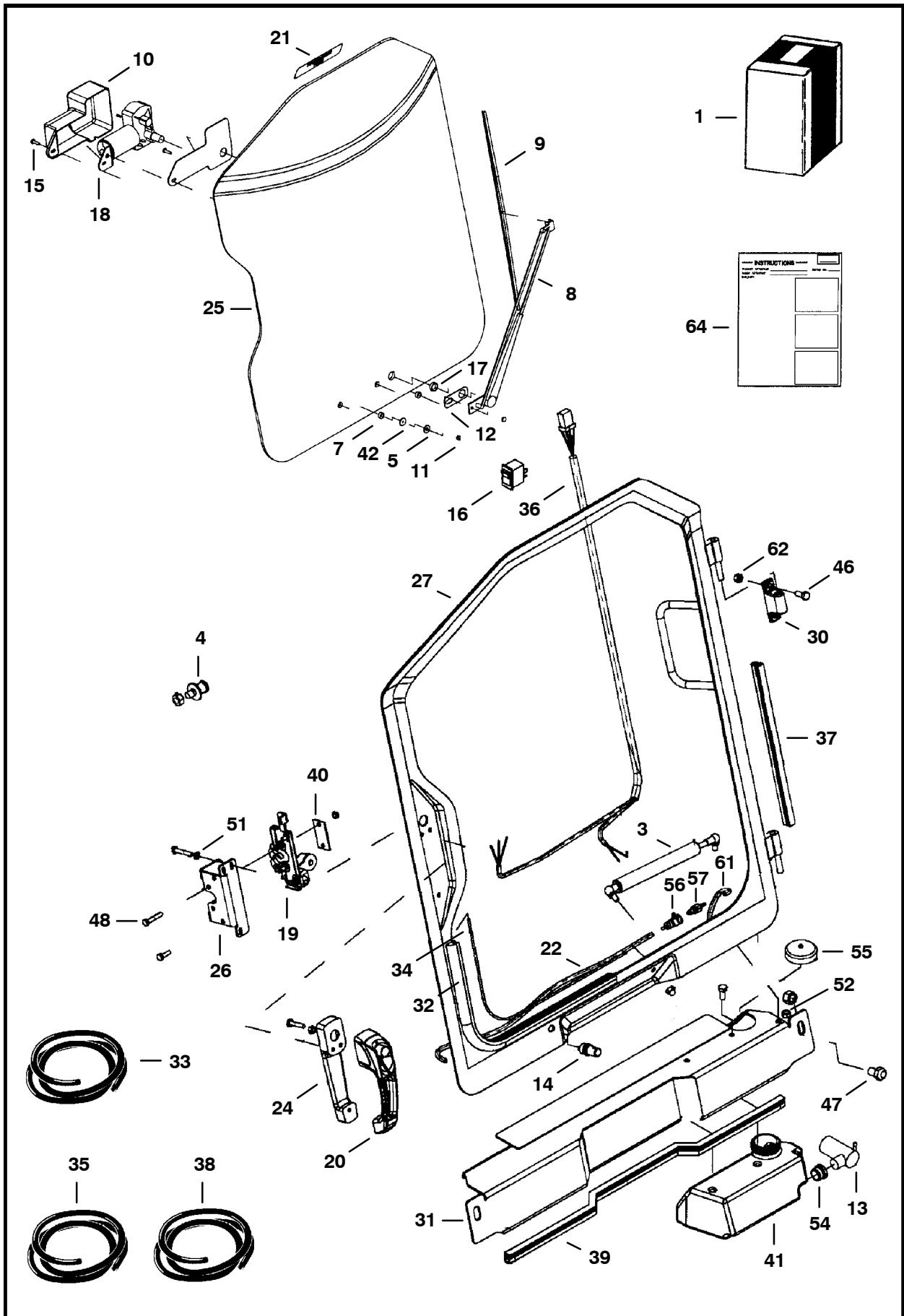
Ref. No.	Part Number	Description	Remarks	Serial Number	Qty.
1	6578139	LEVER	R.H.		1
2	6578140	LEVER	L.H.		1



BUCKET POSITIONING KIT

Ref. Part No.	Part Number	Description	Remarks	Serial Number	Qty.
1*	6718993	KIT	Ref. 2-4 & 9-15		1
2*	83D-5	NUT			2
3*	6666341	VALVE	BPV - See Page 67		1
4*	6672863	SOLENOID	W/Ref. 5 & 6		1
	* 6671527	NUT			1
	* 6670634	SEAL KIT			1
5*	6641179	CONNECTOR	2-pin		1
6*	6641180	LOCK	2-pin		1
7*	99K-10	O-RING			x
8*	6718726	MOUNT	BPV - not in kit		1
9*	6715187	TEE	W/Ref. 7		1
	* 97K-10	O-RING	flared end		x
10*	6718831	TUBELINE			1
11*	6718832	TUBELINE			1
12*	6718877	TUBELINE			1
13*	17C-540	BOLT			2
14*	17KV-7	ELBOW	90 degree		3
	* 97K-10	O-RING	flared end		x
15*	6900880	INSTRUCTION			1

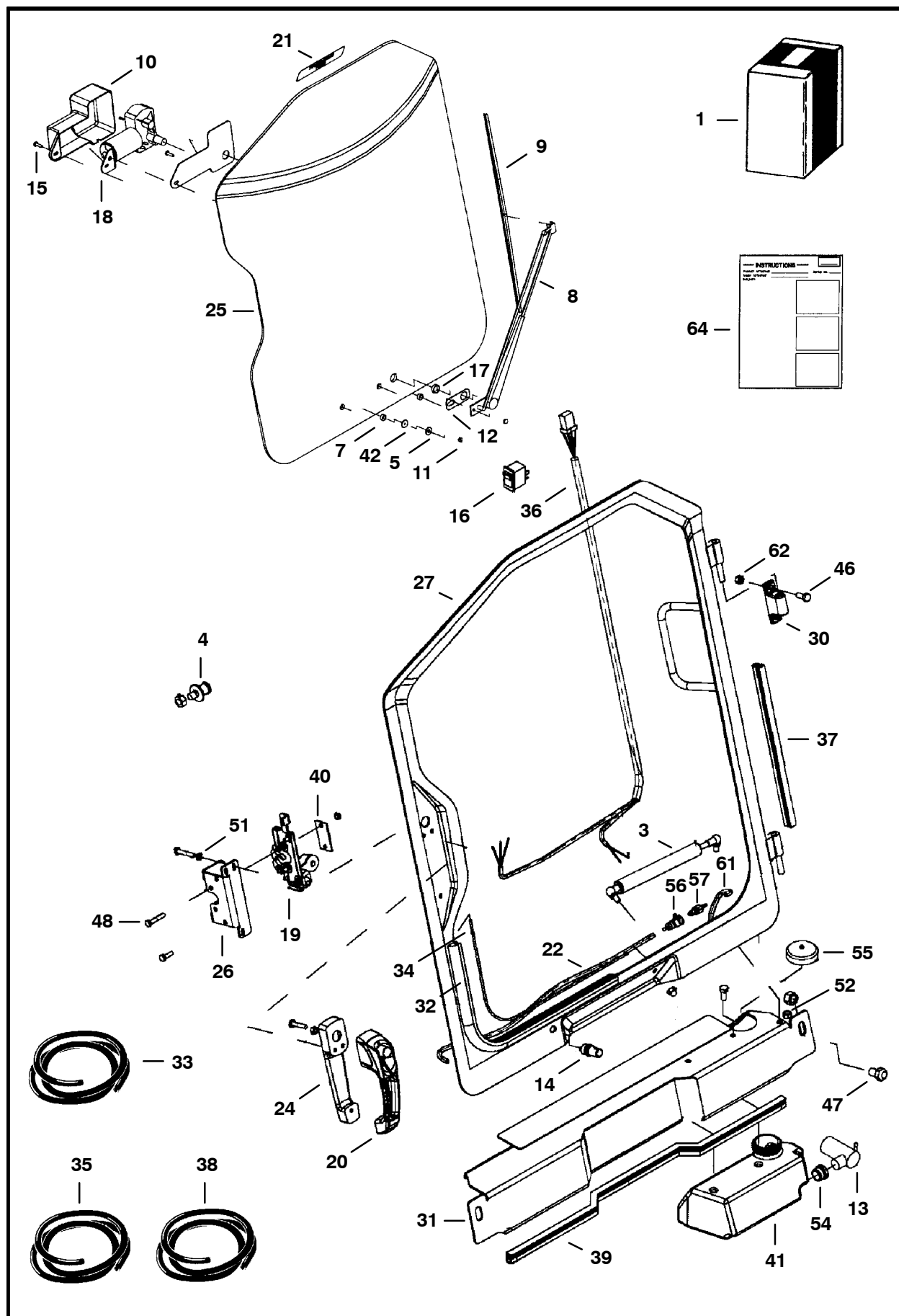
CAB DOOR (Single Tilt)



CAB DOOR (Cont'd)
(Single Tilt)

Ref. No.	Part Number	Description	Remarks	Serial Number	Qty.
1	6718808	KIT	door		1
2	6542731	SAFETY TREAD			1
3	6674938	GAS SPRING			1
4	6654170	BOLT STRIKER			1
5	6664065	WASHER	nylon		2
6	97D-6	NUT			1
7	6664085	BUSHING	nylon		2
8	6664095	ARM	wiper		1
9	6664096	BLADE	wiper		1
10	6664097	COVER	wiper		1
11	6664103	NUT	acorn		2
12	6664178	GASKET	panto adaptor		1
13	6664554	PUMP	washer bottle		1
14	6664555	NOZZLE	washer		1
15	6664566	SCREW			1
16	6665707	SWITCH	front wiper		1
17	6667201	SPACER	nylon		1
18	6668137	MOTOR	wiper		1
19	6674666	LATCH			1
20	6674667	HANDLE			1
*	6709527	KEY	ignition & rear door		1
21	6707852	DECAL	exit		1
22	NAP	HOSE	washer - 25" (635mm) long - Order Ref. 23		1
23*	6676003	HOSE	Bulk - Sold Per Foot - .109" ID - Was 6708310 [A]		x
24	6717146	SPACER	handle		1
25	6717360	WINDOW	.25" thick glass		1
26	6717369	BRACKET	latch		1
27*	NAP	DOOR	.5" longer than 6726435 door -		1
*	6726435	DOOR	Was 6717590 [A] .5" shorter than 6717590 door		1
28	6718376	HINGE	door		2
29	6718521	HANDLE	grab		1
30	6717593	HINGE	base		2
31	NAP	SHIELD	Order 6725042 & 40"(1016mm) of Ref. 68 - Was 6718179 [A]		1
32	6725042 NAP	SHIELD SEAL	window - 113.3" (2878mm) long - Order Ref. 33		1
33	6665568	SEAL	Bulk - Sold Per Foot		x
34	NAP	CORD	window - 113.3" (2877,8mm) long - Order Ref. 35		1
35	6554149	CORD	Bulk - Sold Per Foot		x
36	6718295	HARNESS	wiper		1
37	NAP	SEAL	127.3" (3233mm) long -		1
38*	6675558	SEAL	Order Ref. 38 Bulk - Sold Per Foot - Was 6669390 [A]		x

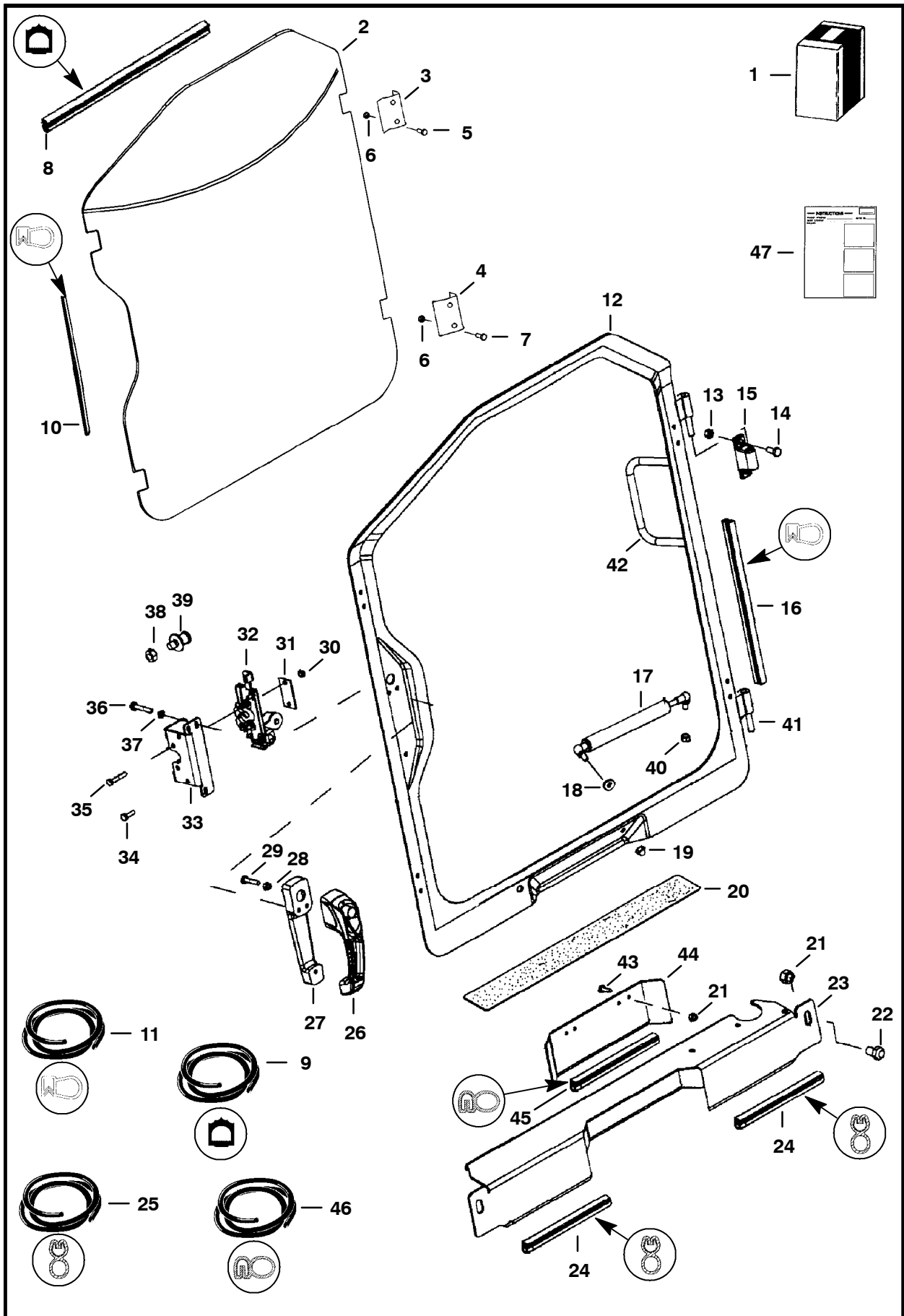
CAB DOOR (Cont'd) (Single Tilt)



**CAB DOOR (Cont'd)
(Single Tilt)**

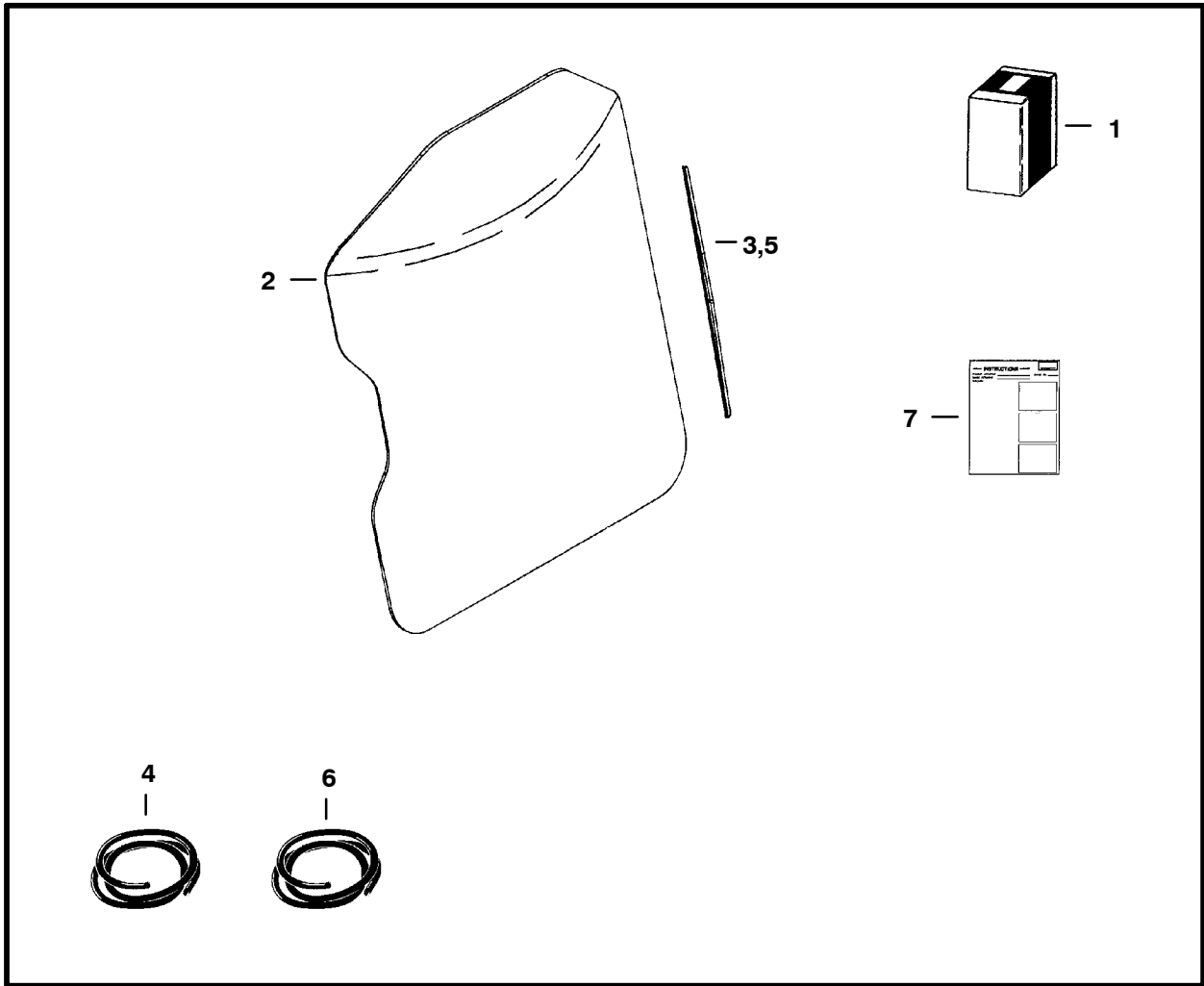
Ref. No.	Part Number	Description	Remarks	Serial Number	Qty.
39	NAP	SEAL	threshold - use W/6718313 shield - 32" (812,8mm) long - Order Ref. 38		1
	NAP	SEAL	threshold - use W/6725042 shield - 40" (1016mm) long - Order Ref. 68		
40	6718520	COVER	latch		1
41	6725201	TANK	washer - Was 6718627 [A]		1
42	6801059	WASHER	neoprene		1
43	6801188	SCREW			1
44	6803202	SCREW			1
45	17C-508	BOLT			3
46	17C-512	BOLT			6
47*	17C-612	BOLT	Was 17C-812 [B]		2
48	1CM-635	BOLT			3
49	4DM-6	NUT			2
50	61D-4	NUT			1
51	6EM-60	WASHER			3
52	61D-5	NUT			1
53	61D-8	NUT			2
54	6666766	GROMMET			1
55	6674993	CAP	vented		1
56	6675298	COUPLER	body		1
57	6675299	COUPLER	insert		1
58	6675378	CLIP	used W/door mounted nozzle		2
*	6675378	CLIP	used W/wiper arm mounted nozzle		1
59	1CM-620	BOLT			2
60	17C-420	BOLT			1
61	NAP	HOSE	4.25" (108mm) long - Order Ref. 23		1
62	59D-5	NUT			4
63	35C-620	BOLT			2
64	55D-6	NUT			2
65	6725200	SHIELD			1
66	6555351	SEAL	bulk - sold per foot		x
67	NAP	SEAL	threshold - 11" (280mm) long - Order Ref. 68		2
68	6513152	SEAL	bulk - sold per foot		x
69*	NAP	HOSE	18.25" (463,6mm) long - Order Ref. 23		1
70*	6676499	GROMMET	wiper		1
71*	6676500	ELBOW			1
72*	6676498	NOZZLE	wiper arm mounted		1
73*	6676501	CLIP			1
74*	NAP	HOSE	10.25" (260,4mm) long - Order Ref. 76		1
75*	6676917	ELBOW			1
76*	6676918	HOSE	bulk - sold per foot		x
77*	6901013	INSTRUCTIONS	Was 6900854 [A]		1

*** CAB DOOR
(Special Applications)**



*** CAB DOOR (Cont'd)
(Special Applications)**

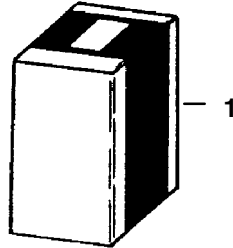
Ref. No.	Part Number	Description	Remarks	Serial Number	Qty.
1*	6725941	KIT	door		1
2*	6725935	WINDOW	.5" thick polycarbonate		1
3*	6725938	CLAMP			2
4*	6725937	CLAMP			2
5*	17C-628	BOLT			4
6*	95D-6	NUT			8
7*	17C-624	BOLT			4
8*	NAP	SEAL	12"(304,8 mm) long - Order Ref. 9		1
9*	6670759	SEAL	bulk - Sold Per Foot		x
10*	NAP	SEAL	115"(2921 mm) long -Order Ref. 11		1
11*	6675558	SEAL	bulk - Sold Per Foot		x
12*	6726932	DOOR	W/Ref. 41 & 42		1
13*	59D-5	NUT			4
14*	17C-512	BOLT			6
15*	6717593	HINGE	base		2
16*	NAP	SEAL	127.3"(3233,4 mm) long - Order Ref. 11		1
17*	6674938	GAS SPRING			1
18*	25E-16	WASHER			1
19*	46D-5	NUT	acorn		1
20*	6542731	SAFETY TREAD			1
21*	55D-6	NUT			4
22*	17C-612	BOLT			2
23*	6725042	SHIELD			1
24*	NAP	SEAL	11"(279,4 mm) long -Order Ref. 25		2
25*	6513152	SEAL	bulk - Sold Per Foot		x
26*	6674667	HANDLE			1
*	6709527	KEY	ign. & rear door		1
27*	6717146	SPACER	handle		1
28*	61D-4	NUT			1
29*	17C-420	BOLT			1
30*	4DM-6	NUT			2
31*	6718520	COVER	latch		1
32*	6674666	LATCH			1
33*	6717369	BRACKET	latch		1
34*	1CM-620	BOLT			2
35*	1CM-635	BOLT			2
36*	1CM-640	BOLT			3
37*	6EM-60	WASHER			3
38*	91D-7	NUT			1
39*	6654170	STRIKER BOLT			1
40*	61D-5	NUT			5
41*	6718376	HINGE	door		2
42*	6718521	HANDLE	grab		1
43*	35C-620	BOLT			2
44*	6725200	SHIELD			1
45*	NAP	SEAL	40"(1016 mm) long - Order Ref. 46		1
46*	6555351	SEAL	bulk - Sold Per Foot		x
47*	6901013	INSTRUCTIONS			1



*** CAB DOOR
(Lexan Window Kit)**

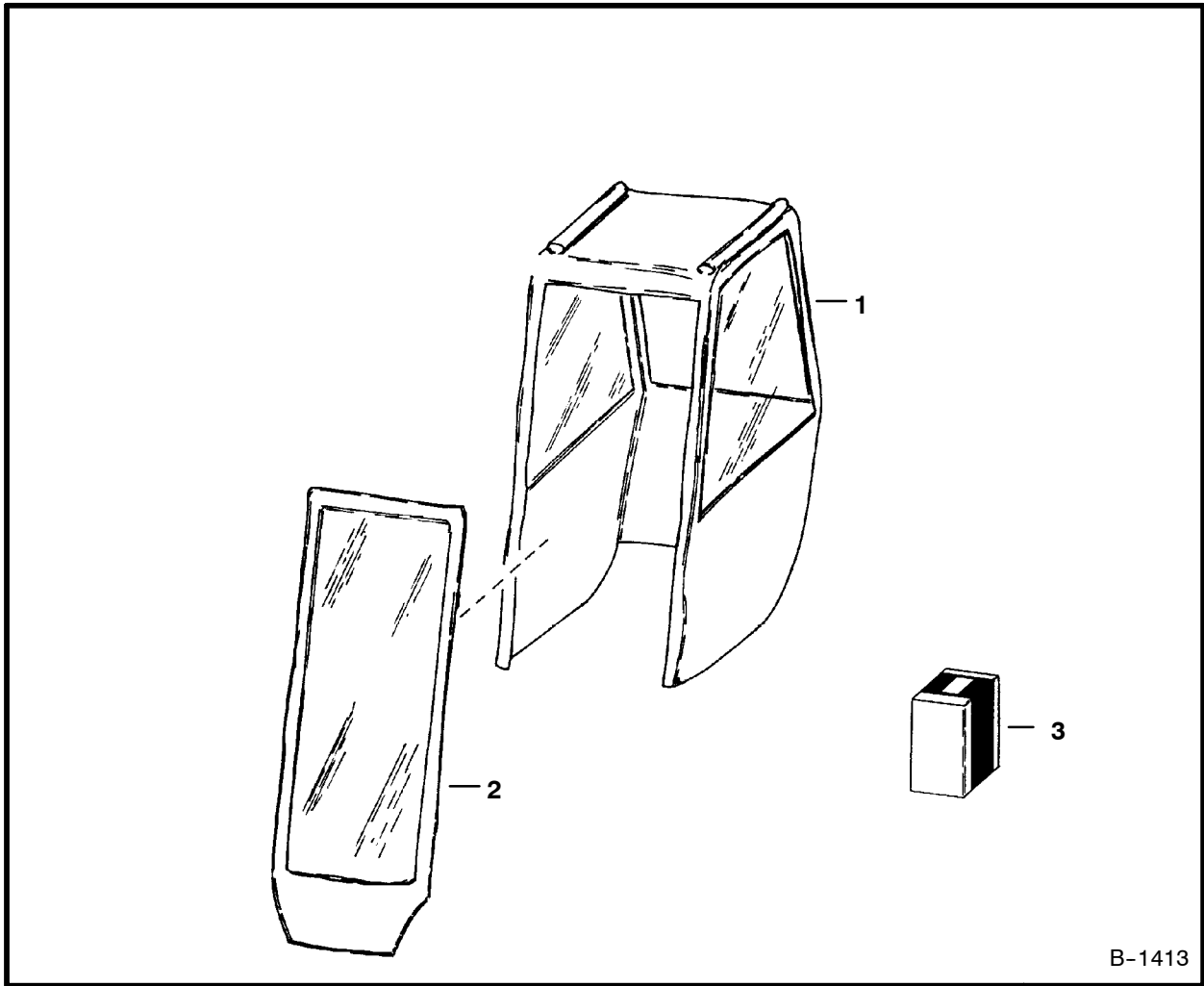
Ref. No.	Part Number	Description	Remarks	Serial Number	Qty.
1*	6726427	KIT	Ref.		1
2*	6675215	WINDOW	lexan		1
3*	NAP	SEAL	113.3" (2877,8 mm) long -		
4*	6665568	SEAL	Order Ref. 4 bulk - Sold Per Foot		1 x
5*	NAP	CORD	113.3" (2877,8 mm) long -		
6*	6554149	CORD	Order Ref. 6 bulk - Sold Per Foot		1 x
7*	6901036	INSTRUCTIONS			1

NOTE: For Cab Enclosure Kit Order from Gwinner SALES # 6719667.
 For Special Applications Kit Order from Gwinner SALES # 6719390.



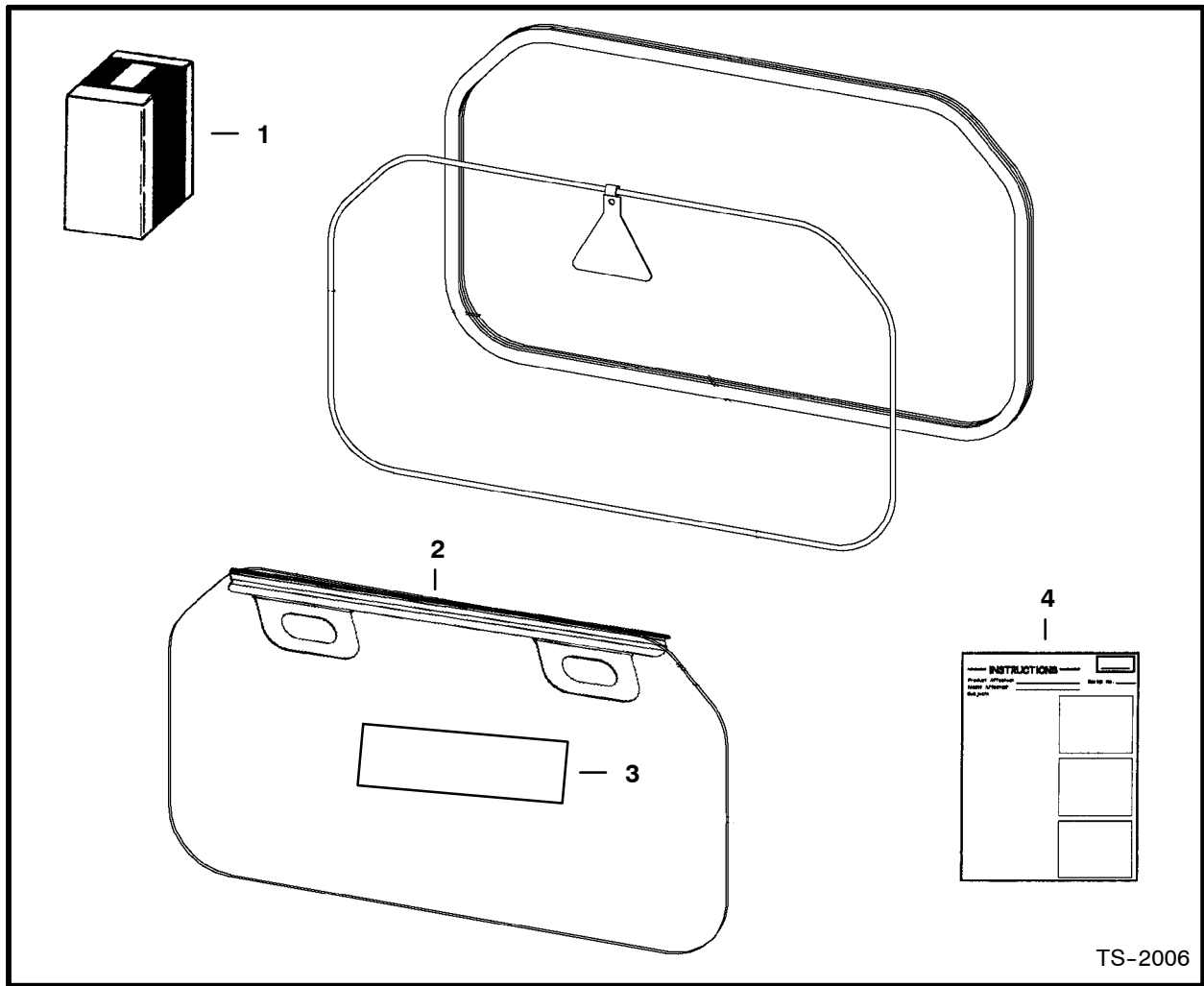
CAB ENCLOSURE

Ref. No.	Part Number	Description	Remarks	Serial Number	Qty.
1	SALES	KIT	cab enclosure - SEE NOTE - includes items on Page 185 & 195		1
	SALES	KIT	special applications cab enclosure- SEE NOTE - includes items on Page 189 & 195		1



*** CAB ENCLOSURE
(Envelope)**

Ref. No.	Part Number	Description	Remarks	Serial Number	Qty.
1*	6675544	CANVAS CAB	fits over cab - W/Ref. 2 & 3 vinyl		1
2*	6675590	DOOR			1
3*	6675591	HINGE KIT			1



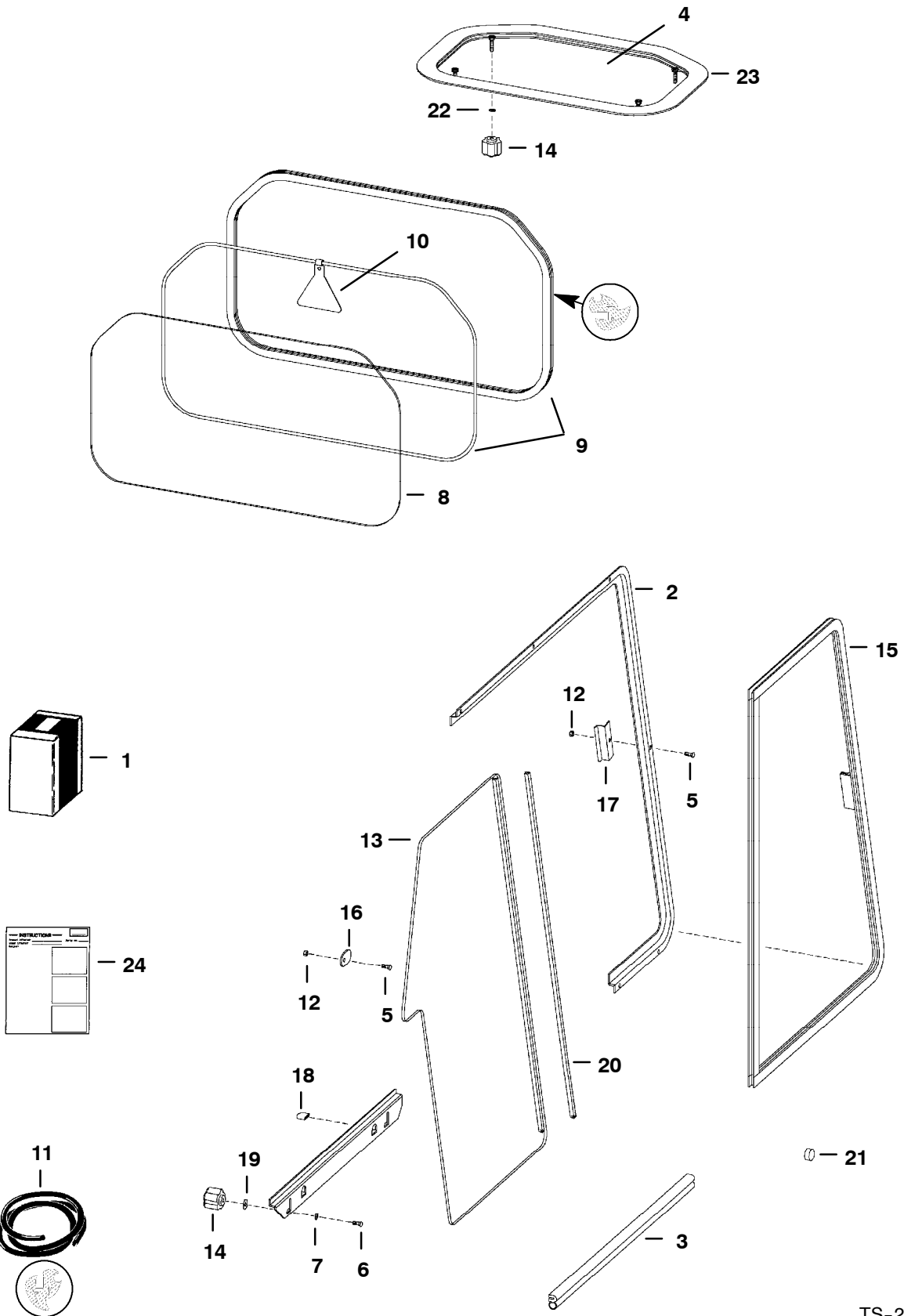
TS-2006

*** CAB WINDOWS
(External Window Removal Kit)**

Ref. No.	Part Number	Description	Remarks	Serial Number	Qty.
1*	6725946	KIT	Ref. 2 - 4		1
2*	6725421	HANDLE			1
3*	6726303	DECAL			1
4*	6901029	INSTRUCTIONS			1

CAB WINDOWS (Top, Rear & Side)

NOTE: Order Top & Rear Window Kit from Gwinner Sales # 6718805.
Order Side Window Kit from Gwinner Sales # 6718806.

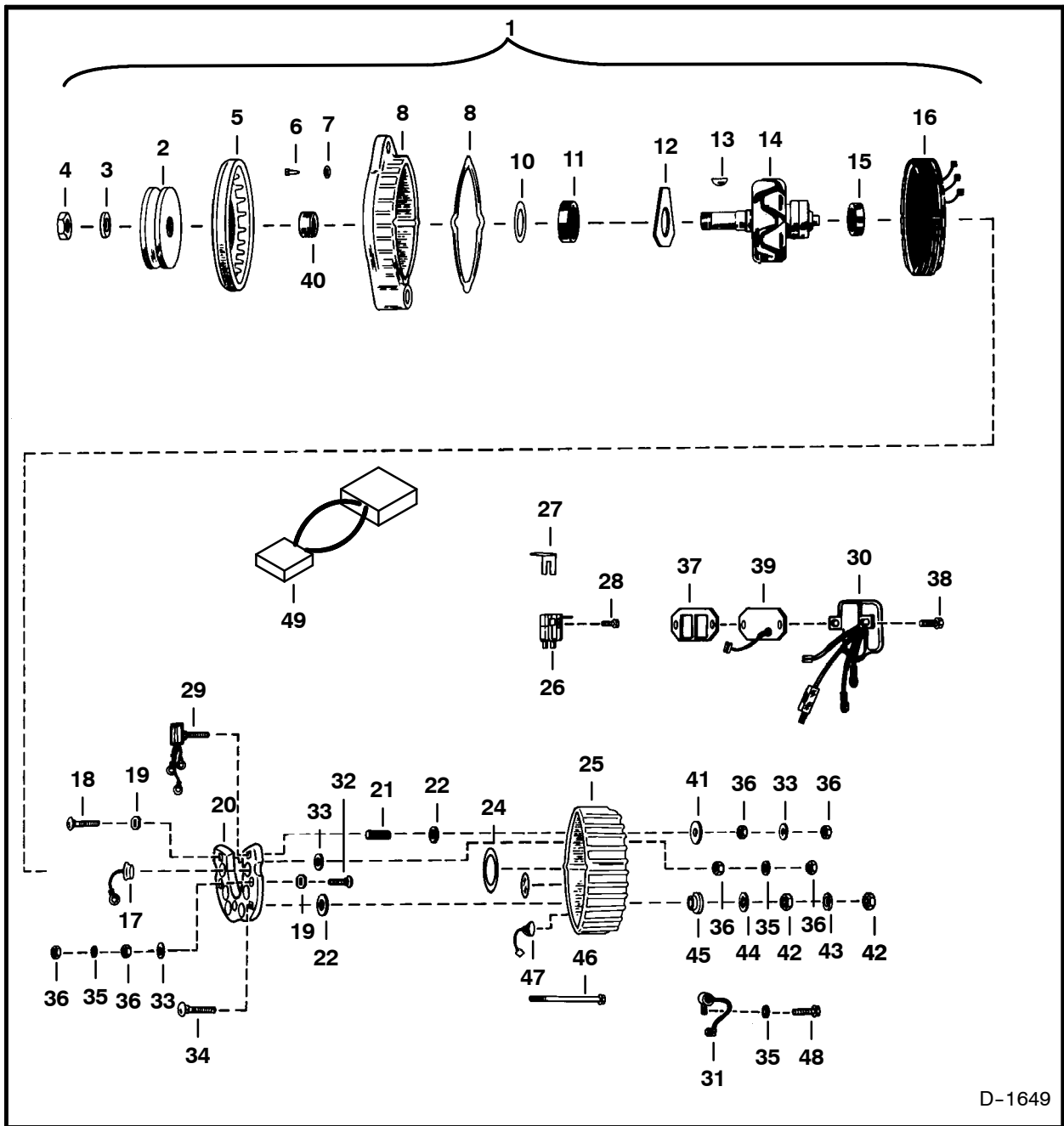


TS-2006

TS-2007

CAB WINDOWS (Cont'd)
(Top, Rear & Side)

Ref. No.	Part Number	Description	Remarks	Serial Number	Qty.
1	SALES	KIT	Top & Rear Window - SEE NOTE		1
	SALES	KIT	Side Window - SEE NOTE		1
2	6717870	TRACK	L.H. side		1
	6717872	TRACK	R.H. side		1
3	6717871	TRACK	L.H. bottom		1
	6717873	TRACK	R.H. bottom		1
4*	6725360	WINDOW	top - Was 6675214 [A]		1
5	10C-410	BOLT	carriage		18
6	10C-416	BOLT	carriage		4
7	25E-14	WASHER			4
8	6717874	WINDOW	rear		1
9	NAP	EXTRUSION	75.75"(1924 mm) long -		
	NAP	CORD	Order Ref. 11 75.75"(1924 mm) long - Order Ref. 11		x
					x
10	6559515	EXIT TAG			1
11*	6675387	EXTRUSION	bulk - Sold Per Foot - Was 6674524 [A]		x
	6554149	CORD	bulk - Sold Per Foot		x
12	59D-4	NUT			18
13	6674520	WINDOW	L.H. rear - W/Ref. 30		1
	6674522	WINDOW	R.H. rear - W/Ref. 30		1
14	6674741	KNOB			8
15	6674519	WINDOW	L.H. front		1
	6674521	WINDOW	R.H. front		1
16	6719063	STOP			2
17	6719037	STRIKER			2
18	6719065	COVER	tab		4
19	6675212	RETAINER	bolt		4
20*	6675833	SEAL	rear window dual wiper W/tape		2
21*	6657719	PLUG	for .75" dia. hole		2
22*	6675545	GROMMET			4
23*	6675546	SEAL	bulk - Sold Per Foot		x
24*	6900852	INSTRUCTIONS	Top & Rear Window		1
	* 6900853	INSTRUCTIONS	Side Windows		1
25*	6675694	ADHESIVE	1 oz. - top window		1
26*	91G-416	BOLT			4
27*	NAP	SEAL	55.25" (1403,4mm) long - Order Ref. 29		1
28*	NAP	SEAL	24" (609,6mm) long - Order Ref. 29		2
29*	6555351	SEAL	bulk - sold per foot		x
30*	6676927	FELT STRIP	20.38" (517,7mm) long		2



D-1649

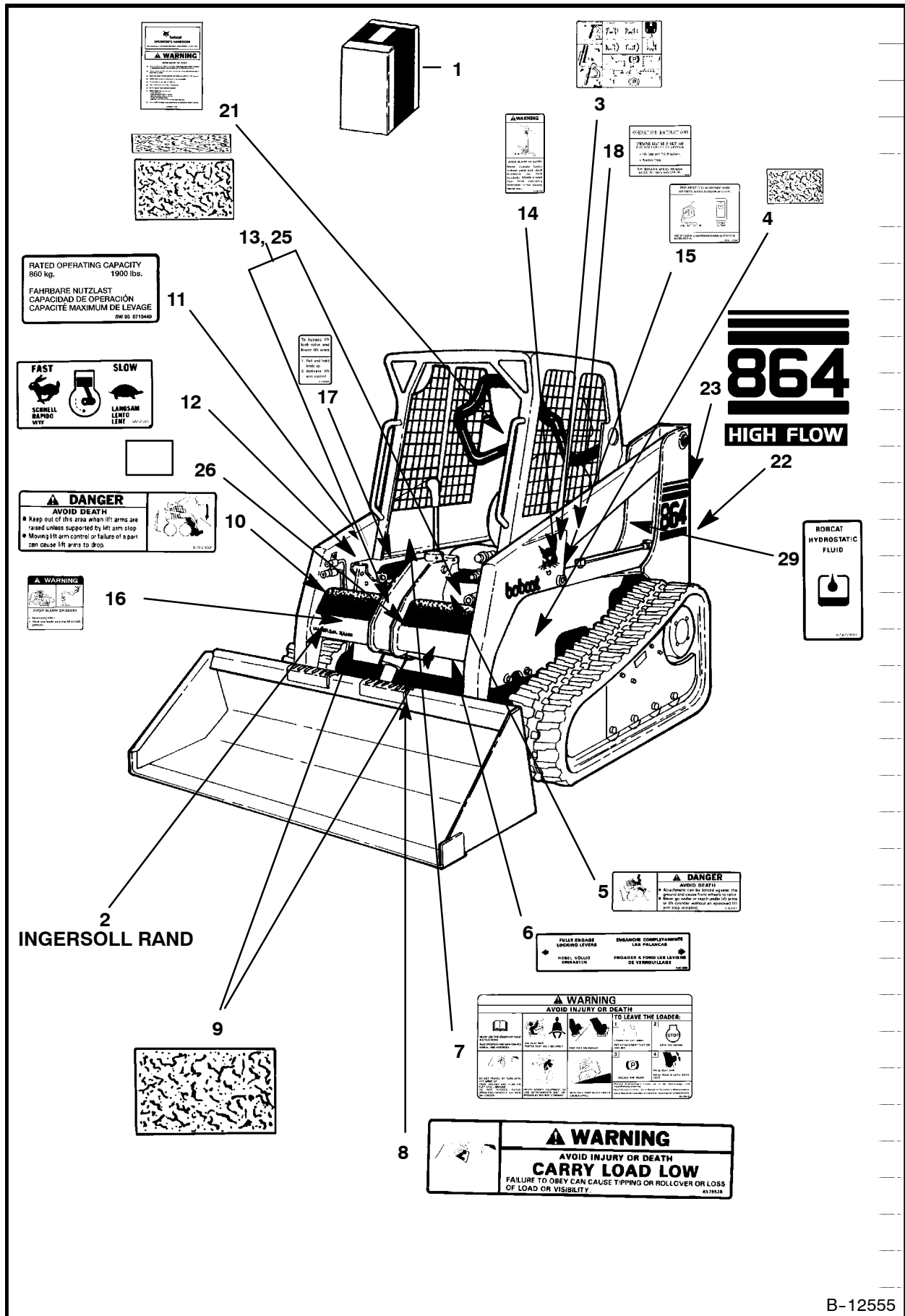
**CLOSED ALTERNATOR
(30 Amp. Motorola or Prestolite)**

Ref. Part No.	Part Number	Description	Remarks	Serial Number	Qty.
1	NAP	ALTERNATOR	Ref. 3-29 & 31-48 - Order 6630098 alternator - See BTI 212		
2	6630164	PULLEY			1
3	6635557	WASHER			1
4	896979	NUT			1
5	899157	FAN			1
6	41G-806	SCREW			3
7	17E-8	WASHER			3
8	6630340	HOUSING			1

CLOSED ALTERNATOR (Cont'd)
(30 Amp. Motorola or Prestolite)

Ref. No.	Part Number	Description	Remarks	Serial Number	Qty.
9	6630345	GASKET			1
10	899374	SEAL			1
11	889163	BEARING			1
12	6630343	RETAINER			1
13	6J-405	KEY			1
14	899163	ROTOR			1
15	1991038	BEARING			1
16	6630341	STATOR			1
17	899375	DIODE			3
18	7C-322	BOLT			1
19	897245	INSULATOR			4
20	899167	SINK	heat		1
21	897239	SLEEVE			1
22	899376	WASHER			2
23	899165	INSULATOR			3
24	896992	RETAINER			1
25	6630342	HOUSING			1
26	6630344	BRUSH ASSY.			1
27	899169	INSULATOR			1
28	84G-1608	BOLT			2
29	6630350	DIODE	field		1
30	6630349	REGULATOR	voltage		1
31	6630348	CAPACITOR			1
32	7C-312	BOLT			3
33	896996	WASHER			5
34	899377	BOLT			1
35	17E-10	WASHER			5
36	12D-10	NUT			10
37	899170	GASKET			1
38	84G-1910	BOLT			2
39	6630346	COVER			1
40	6649459	SPACER			1
41	896990	WASHER			1
42	62D-4	NUT			2
43	4E-4	WASHER			1
44	897732	WASHER			1
45	897719	INSULATOR			1
46	896984	BOLT	thru		4
47	899378	DIODE			3
48	84G-1906	BOLT			1
49	6713803	HARNESS			1

*** DECALS**

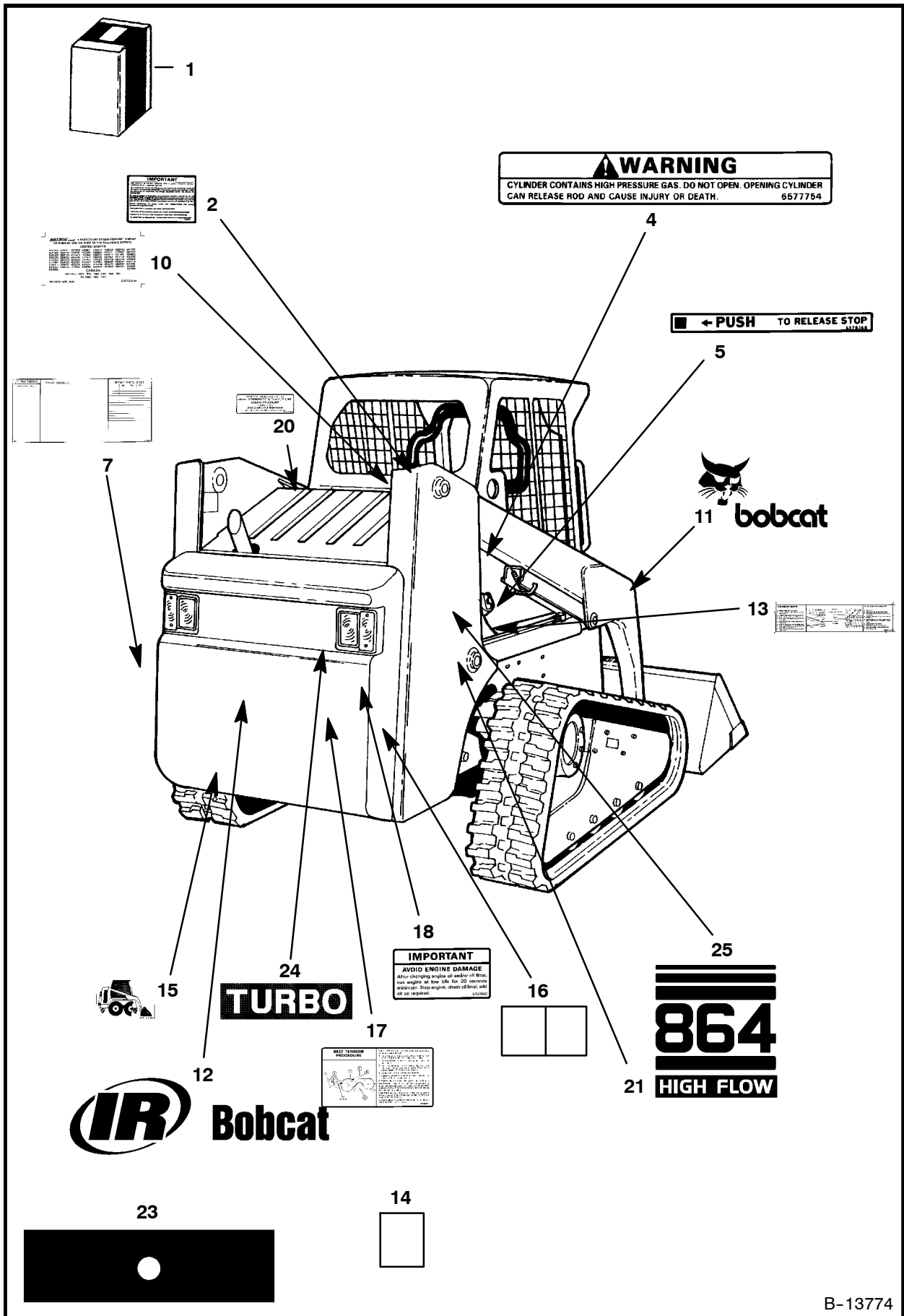


B-12555

*** DECALS (Cont'd)**

Ref. No.	Part Number	Description	Remarks	Serial Number	Qty.
1*	6725034	KIT	decal - Ref. 2-18 on this page & Ref. 2-16 on Page 202		1
*	6725187AR	KIT	translation - SEE NOTE		1
*	6725187BR	KIT	translation - SEE NOTE		1
*	6725034AR	KIT	decal - SEE NOTE		1
*	6725034BR	KIT	decal - SEE NOTE		1
*	6725034JP	KIT	decal - SEE NOTE		1
2*	6727310	DECAL	Ingersoll Rand		1
3*	6728325	DECAL	operating		1
4*	6554100	SAFETY TREAD	6" x 6" (152,4 mm x 152,4 mm)		4
5*	6718392	DECAL	danger		1
6*	6561383	DECAL	Bob-tach		1
7*	6718390	DECAL	warning		1
8*	6718391	DECAL	carry load low		1
9*	6577947	SAFETY TREAD	7.5" x 15" (190,5 mm x 381,0 mm)		2
10*	6718393	DECAL	danger		1
11*	6717799	DECAL	capacity - 1900 lbs.		1
12*	6557565	DECAL	throttle		1
13*	6577949	SAFETY TREAD	6.8" x 8.75" - (172,7 mm x 222,3 mm)		2
14*	6705720	DECAL	lock shield		1
15*	6713715	DECAL	pre heat		1
16*	6718396	DECAL	warning		1
17*	6711840	DECAL	lift lock		1
18*	6718703	DECAL	seat & seat bar operating		1
*	6717639	DECAL	seat & seat bar operating - AHC - W/O seat sensor		1
19*	6718271	DECAL	advantage series - L.H. - not in Kit		1
20*	6718275	DECAL	Bobcat advantage		1
21*	6728607	KIT	handbook - W/Wire Rope		1
*	6558309	WIRE ROPE	33" (838,2 mm) long - Bulk - Sold Per Foot - Also Order (2) of		
	6558310	SLEEVE	6558310 Sleeve		x
22*	6727913	DECAL	wire rope high flow - Not in kit		2
23*	6717233	DECAL	model no. 864		2
24*	6803932	DECAL	warning - lift lock valve		1
25*	6710746	SAFETY TREAD	1.5" x 15" (38,1mm x 381 mm)		2
26*	6718399	DECAL	danger		2
27*	6534739	DECAL	warning		2
28*	6804114	DECAL	grease		2
29*	6565990	DECAL	hydraulic fluid		1

* DECALS

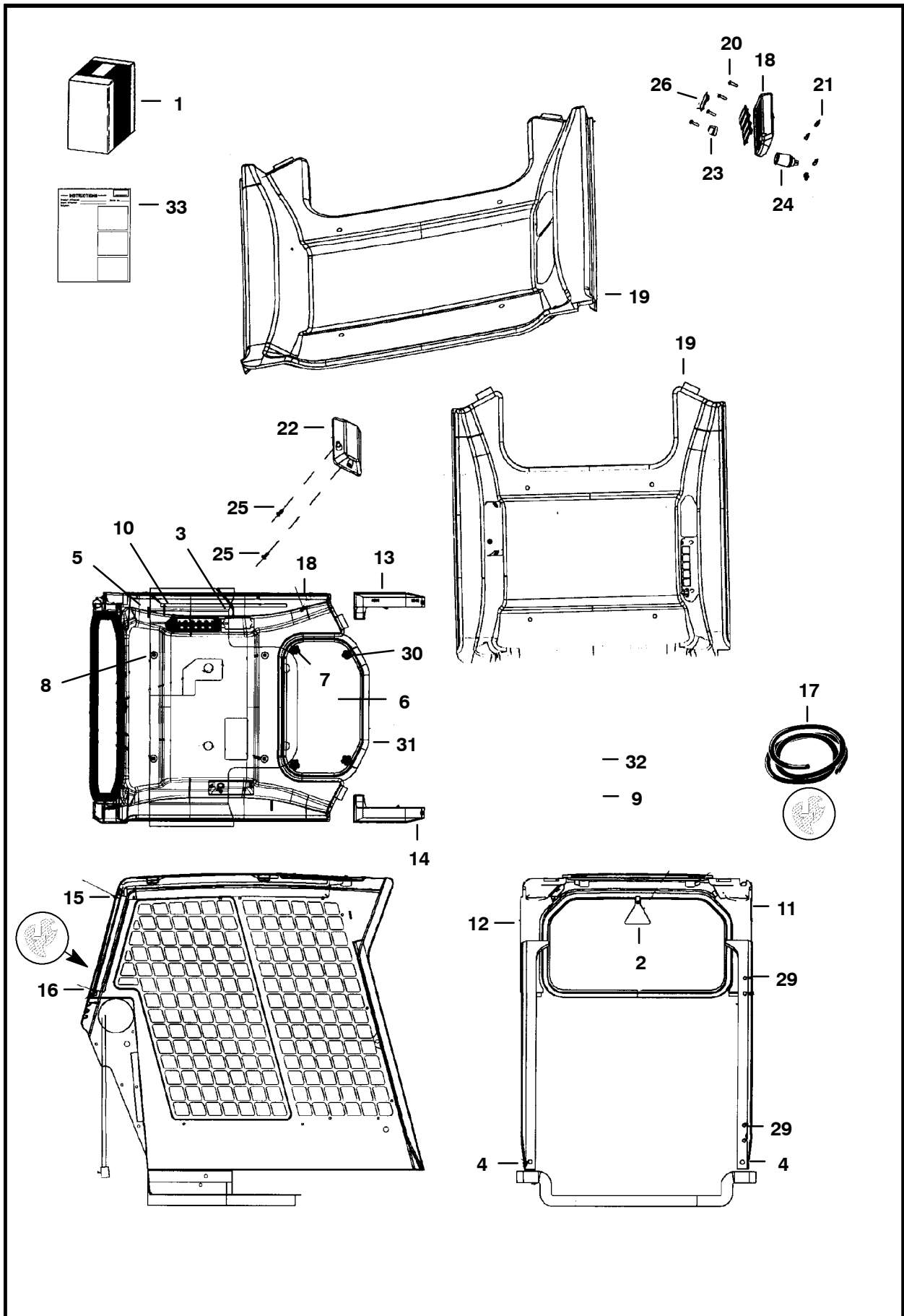


B-13774

*** DECALS (Cont'd)**

Ref. No.	Part Number	Description	Remarks	Serial Number	Qty.
1*	6725034	KIT	decal - Ref. 2-16 on this page & Ref. 2-18 on Page 200		1
*	6725187AR	KIT	translation - SEE NOTE		1
*	6725187BR	KIT	translation - SEE NOTE		1
*	6725034AR	KIT	decal - SEE NOTE		1
*	6725034BR	KIT	decal - SEE NOTE		1
*	6725034JP	KIT	decal - SEE NOTE		1
2*	6708937	DECAL	spark arrestor		1
3*					
4*	6577754	DECAL	warning		2
5*	6578368	DECAL	push		1
6*	6717679	DECAL	check oil		1
7*	6718398	DECAL	service/warning/filters		1
8*					
9*					
10*	6557224	DECAL	patent		1
11*	6727309	DECAL	R.H. - Bobcat head		1
*	6727308	DECAL	L.H. - Bobcat head		1
12*	6727311	DECAL	Bobcat Logo		1
13*	6706558	DECAL	boom stop		1
14*	6565200	DECAL	oil filter		1
15*	6718401	DECAL	tow hook		1
16*	6715991	DECAL	fuse		1
17*	6705221	DECAL	belt tension		1
18*	6702942	DECAL	warning - See Page		1
19*	6803932	DECAL	warning		1
20*					
21*	6727913	DECAL	high-flow - Not in Kit		2
22*	6717907	DECAL	"G" series		1
23*	6714242	DECAL	tailgate - for one piece door		1
24*	6727912	DECAL	turbo - for one piece door		1
25*	6717233	DECAL	model no.		2
26*	6718272	DECAL	advantage seies - R.H. -		
			Not in Kit		1
27*	6804790	DECAL	capacity		1
28*	6804114	DECAL	grease		2

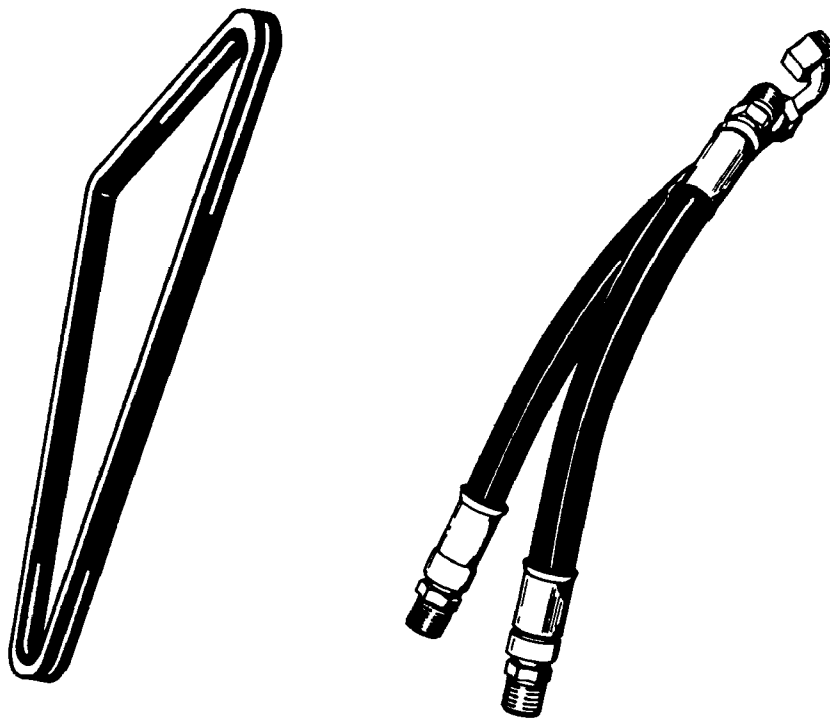
DELUXE CAB



DELUXE CAB (Cont'd)

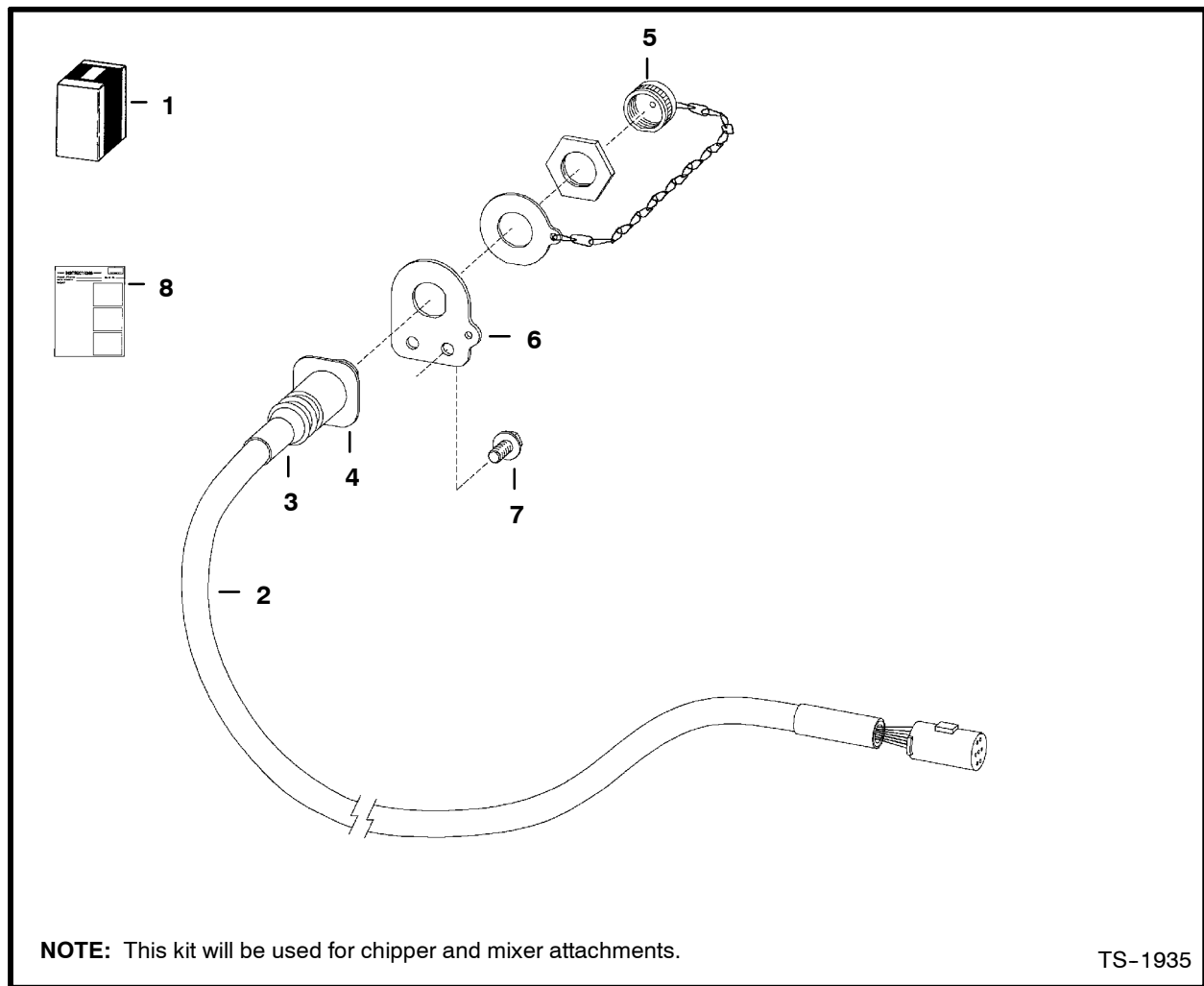
Ref. No.	Part Number	Description	Remarks	Serial Number	Qty.
1	6718804	KIT	deluxe cab - Ref. 2-26 & 29-33		1
2	6559515	EXIT TAG			1
3	6610510	TIE			6
4	6649949	PLUG			2
5	6657719	PLUG			1
6	6725360	WINDOW	top		1
7	6674741	KNOB			4
8	6674895	RETAINER	snap in		4
9*	6727299	INSULATION			1
10	NAP	HARNESS	Order 6725273 & 6725275 - Was 6715366 [A]	& Bel. 5189 - 12999	1
	6725273	HARNESS		5168 - 11999 5175 - 11999	1
				5189 13001 & Abv.	1
*	6727468	HARNESS	standard accessories	5168 12001 & Abv. 5175 12001 & Abv.	1
				5189 13001 & Abv.	1
*	6727190	HARNESS	deluxe accessories	5168 12001 & Abv. 5175 12001 & Abv.	1
				5189 13001 & Abv.	1
11	6717517	INSULATION			1
12	6717518	INSULATION			1
13	6717519	INSULATION			1
14	6717520	INSULATION			1
15	6717874	WINDOW	rear		1
16	NAP	EXTRUSION	75.75"(1924 mm) long - Order Ref. 6		x
	NAP	CORD	75.75"(1924 mm) long - Order Ref. 6		x
17	6675387	SEAL	bulk - Sold Per Foot		x
	6554149	CORD	bulk - Sold Per Foot		x
18	6718580	PANEL			1
19	6717515	INSULATION	headliner		1
20	6669224	BOLT			4
21	6669091	CLIP			4
22	6664368	LIGHT	dome		1
*	6665367	BULB			1
23	6664224	CAP			1
24	6664223	OUTLET			1
25	6664221	RETAINER	snap in		2
26	6719038	PLUG			5
27	6672348	PANEL	R.H. - deluxe - keyless - not in kit		1
28	6715365	HARNESS	accessories - not in kit		1
29	5289686	PLUG	black		1
30	6675545	GROMMET			4
31	6675546	SEAL			1
32*	91G-416	BOLT			4
33	6900851	INSTRUCTIONS			1

Use only Bobcat belts and hoses to maintain maximum service life.



Available from Bobcat Parts.

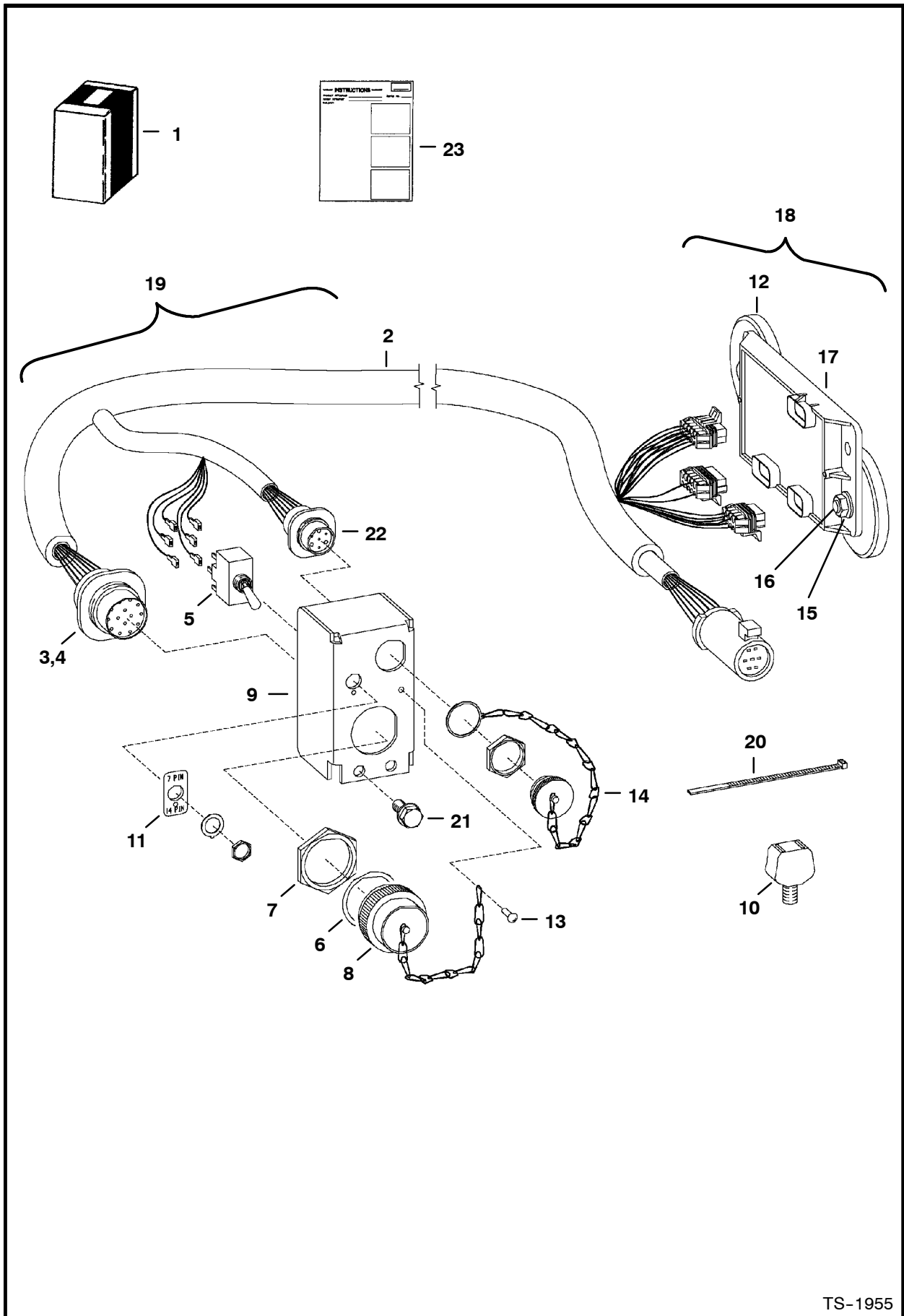




ELECTRICAL CONTROLS KIT (Electronic Attachments)

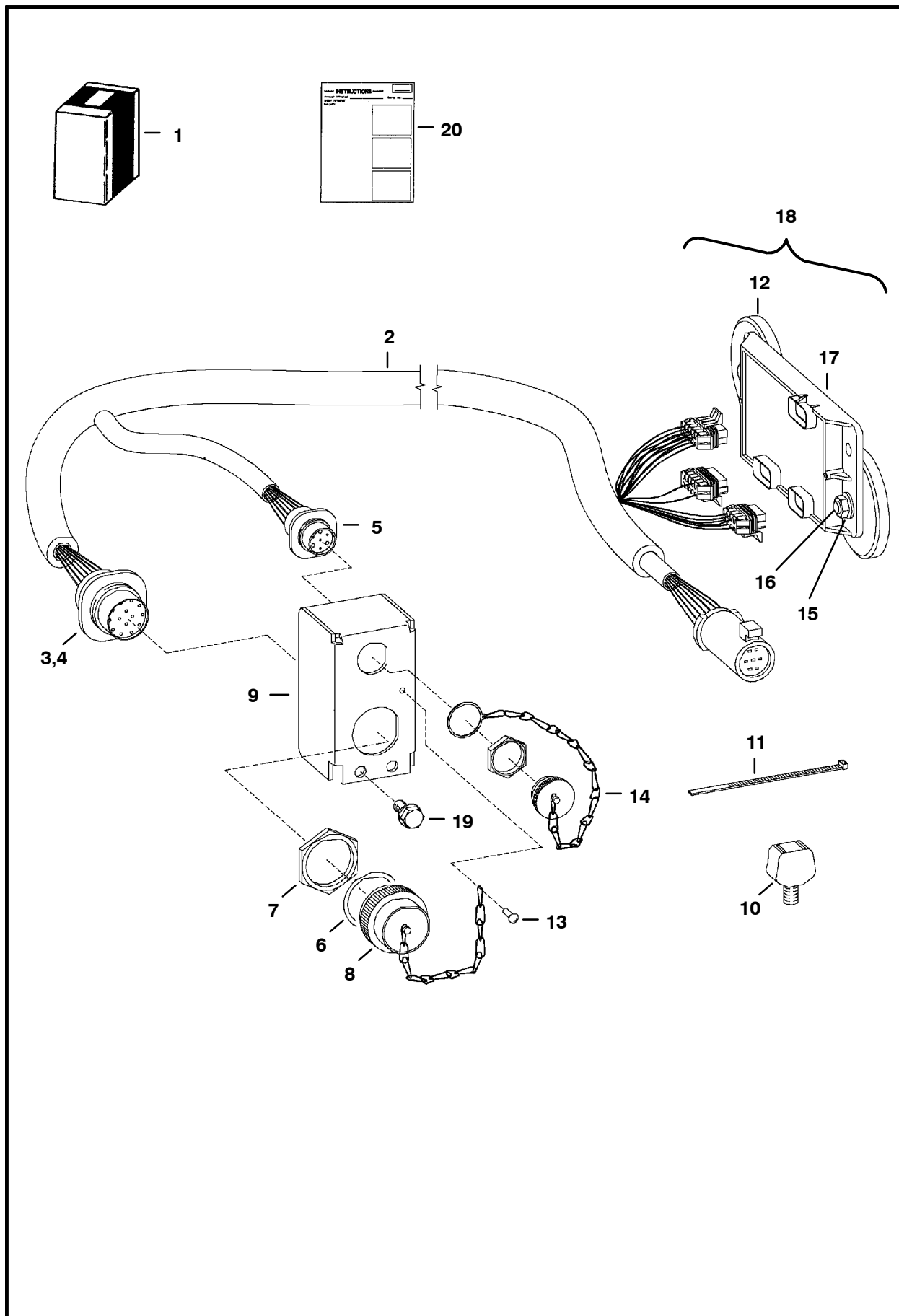
Ref. Part No.	Part Number	Description	Remarks	Serial Number	Qty.
1	6718812	KIT	Ref. 2 - 8		1
2	6718426	HARNESS			1
3	6674799	ADAPTER	heat shrink		1
4	6674802	CONNECTOR	7-pin - See Page 270		1
*	6669549	SOCKET	small		4
*	6677136	SOCKET	large - 12 ga.		3
5	6675026	CAP			1
6	6718750	MOUNT			1
7	84G-3112	BOLT			2
8	6900855	INSTRUCTIONS			1

*** ELECTRICAL CONTROLS KIT**
(To Run "G" Series Attachments & Old Attachments) (W/Toggle Switch)

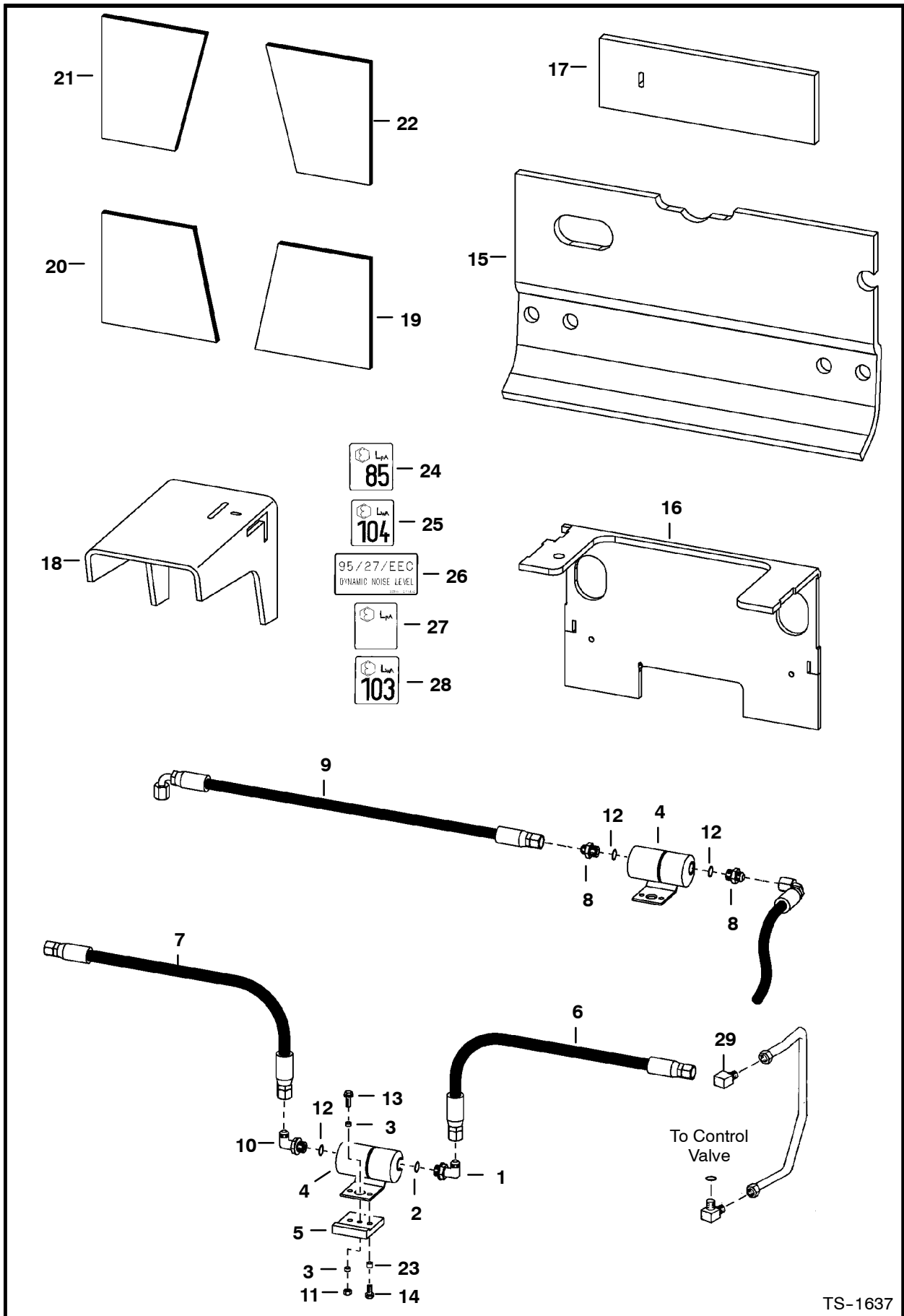


TS-1955

*** ELECTRICAL CONTROLS KIT**
(To Run "G" Series Attachments & Old Attachments) (W/O Toggle Switch)



EUROPEAN ACCESSORIES (Insulation & Hydraulic Muffler)

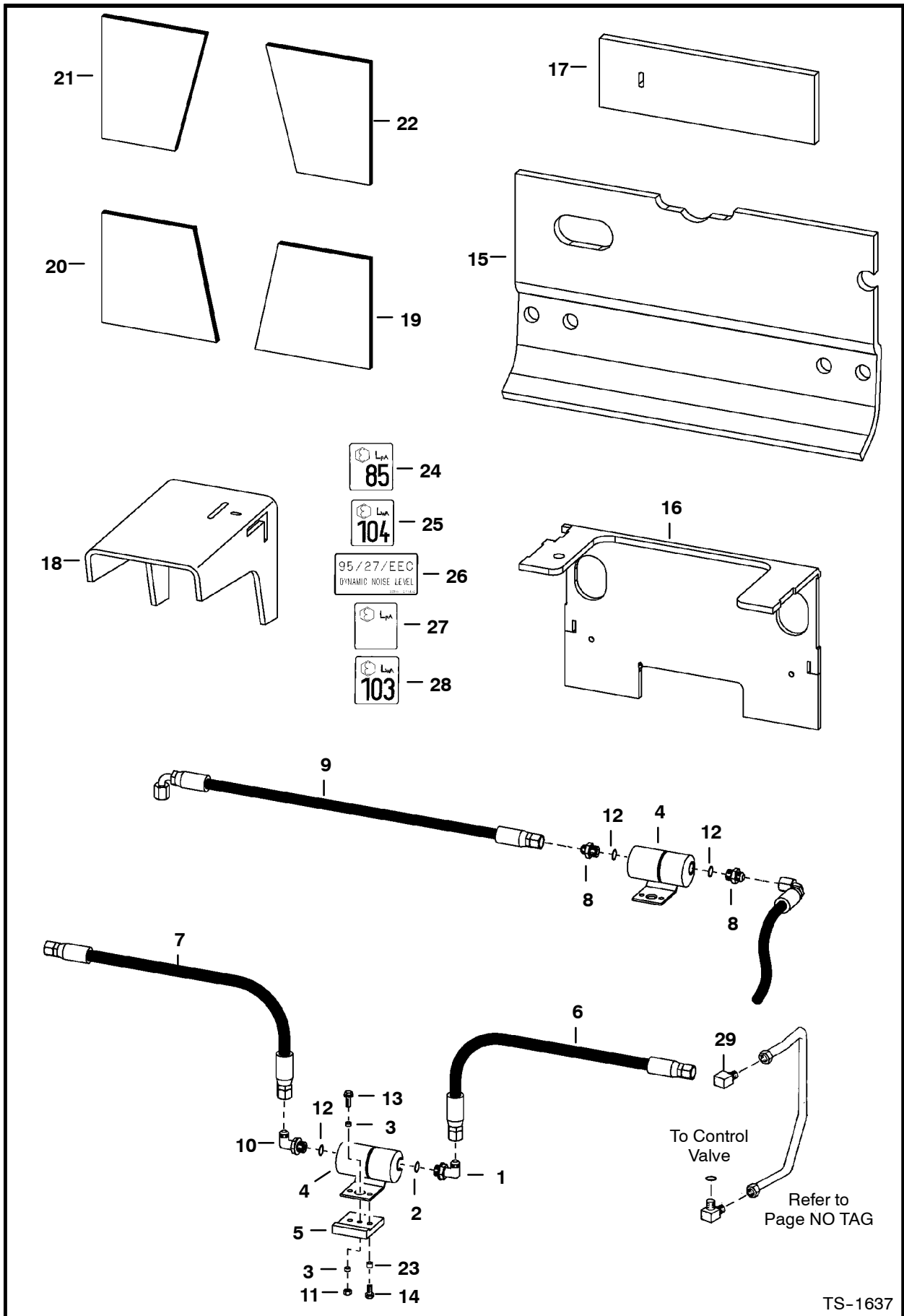


TS-1637

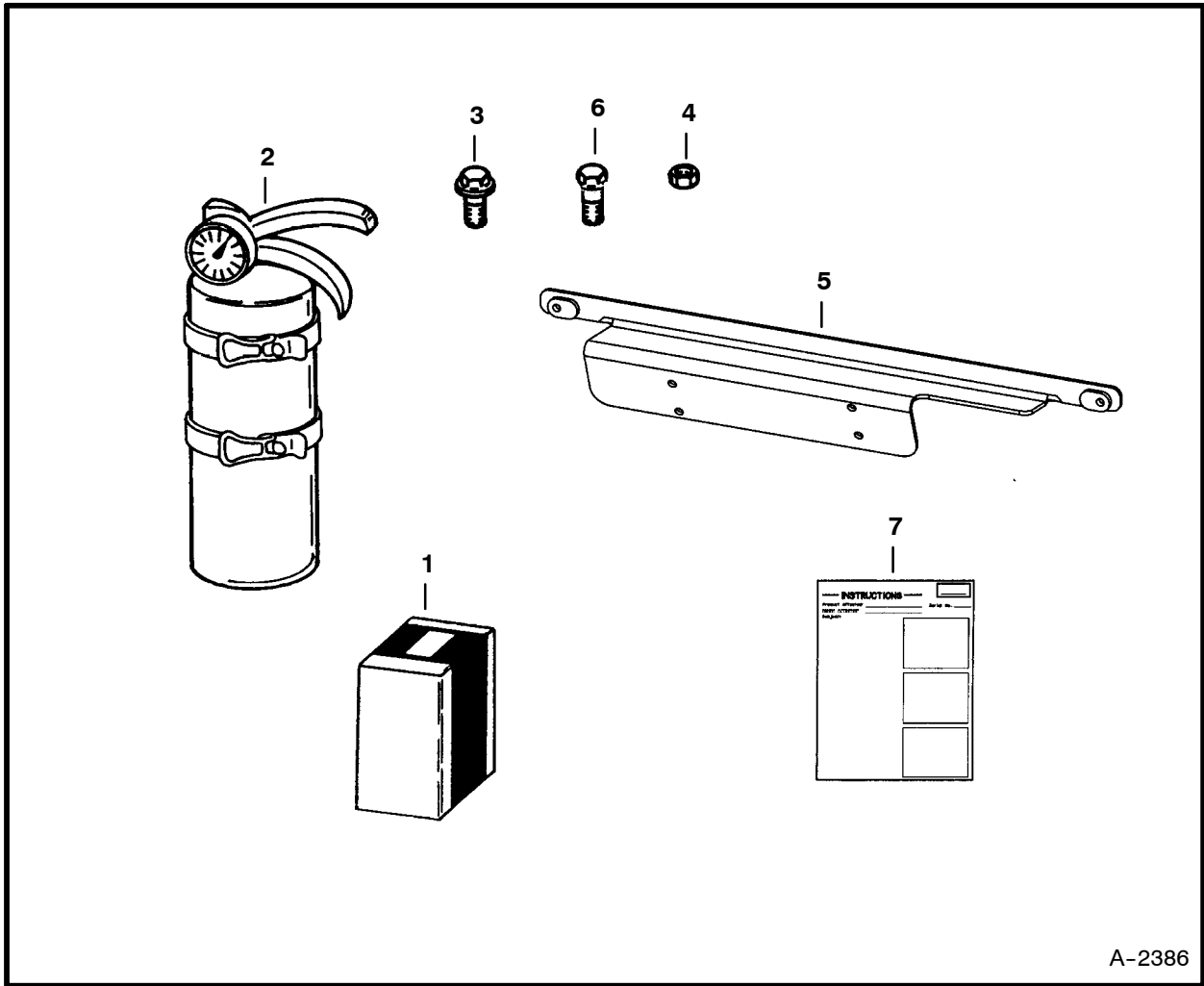
EUROPEAN ACCESSORIES (Cont'd)
(Insulation & Hydraulic Muffler)

Ref. No.	Part Number	Description	Remarks	Serial Number	Qty.
1	6715651	ELBOW	W/Ref. 12 - high flow		2
	97K-10	O-RING	flared end		x
2	91F-8	O-RING			x
3	6562619	BUSHING	throttle - standard flow		2
	6562619	BUSHING	throttle - high flow		4
4	6659982	MUFFLER	standard flow		1
	6659982	MUFFLER	high flow		2
5	6705333	MOUNT	standard flow		1
	6705333	MOUNT	high flow		2
6	6718073	HOSE			1
7	6718072	HOSE			1
8	6715717	ADAPTER	W/Ref. 12 - tapered boss face		2
	97K-10	O-RING	flared end		x
9	6715436	HOSE			1
10	17KN-8	ELBOW	W/Ref. 12 - tapered boss face		2
	97K-12	O-RING	flared end		x
11	85D-6	NUT	standard flow		3
	85D-6	NUT	high flow		6
12	99K-12	O-RING	tapered boss face		x
13	35C-616	BOLT	standard flow		2
	35C-616	BOLT	high flow		4
14	84G-3724	BOLT	standard flow		1
	84G-3724	BOLT	high flow		2
15	6715106	INSULATION	rear door		1
16	6715195	INSULATION	steering		1
17	6719521	INSULATION	pedal		2
18	6719522	INSULATION	trans		1
19	6715391	INSULATION	panel		1
20	6715393	INSULATION	panel		1
21	6715434	INSULATION	panel		1
22	6715435	INSULATION	panel		1
23	6715744	BUSHING	standard flow		1
	6715744	BUSHING	high flow		2
24	6579385	DECAL	noise level - Europe		1
25	6579404	DECAL	noise level - Europe		1
26	6715428	DECAL	dynamic noise level - Europe		1
27*	6579385	DECAL	noise level - Europe		1
*	6579399	DECAL	noise level - Europe - high flow		1
28*	6579406	DECAL	noise level - Europe -		
			Was 6579403 [A]		1
29	77FN-8	ELBOW	W/Ref. 12 - tapered boss face		1
	97K-12	O-RING	flared end		x
30	6719480	HOSE			1
31*	6725270	HOSE	Was 6719481 [A]		1
32	6719482	HOSE	high flow		1
33	84G-3720	BOLT			2
34	6719513	MOUNT			1
35	6719551	INSULATION	panel		1
36	6719552	INSULATION	panel		1
37*	6719332	INSULATION	blower housing - Was 6703453 [A]		1
38*	NAP	INSULATION	blower housing - Was 6703454 [A]		1

EUROPEAN ACCESSORIES (Cont'd)
(Insulation & Hydraulic Muffler)



TS-1637

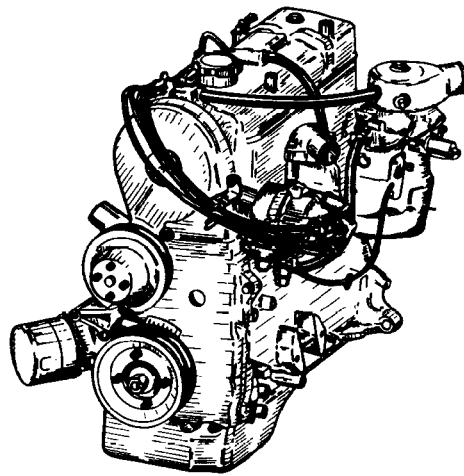


A-2386

FIRE EXTINGUISHER

Ref. No.	Part Number	Description	Remarks	Serial Number	Qty.
1*	6725898	KIT	fire extinguisher - Ref. 2-7		1
2*	6675581	EXTINGUISHER			1
3	45G-1006	BOLT			4
4	12D-10	NUT			4
5*	6725906	BRACKET			1
6*	31C-410	BOLT			2
7*	6901025	INSTRUCTIONS			1

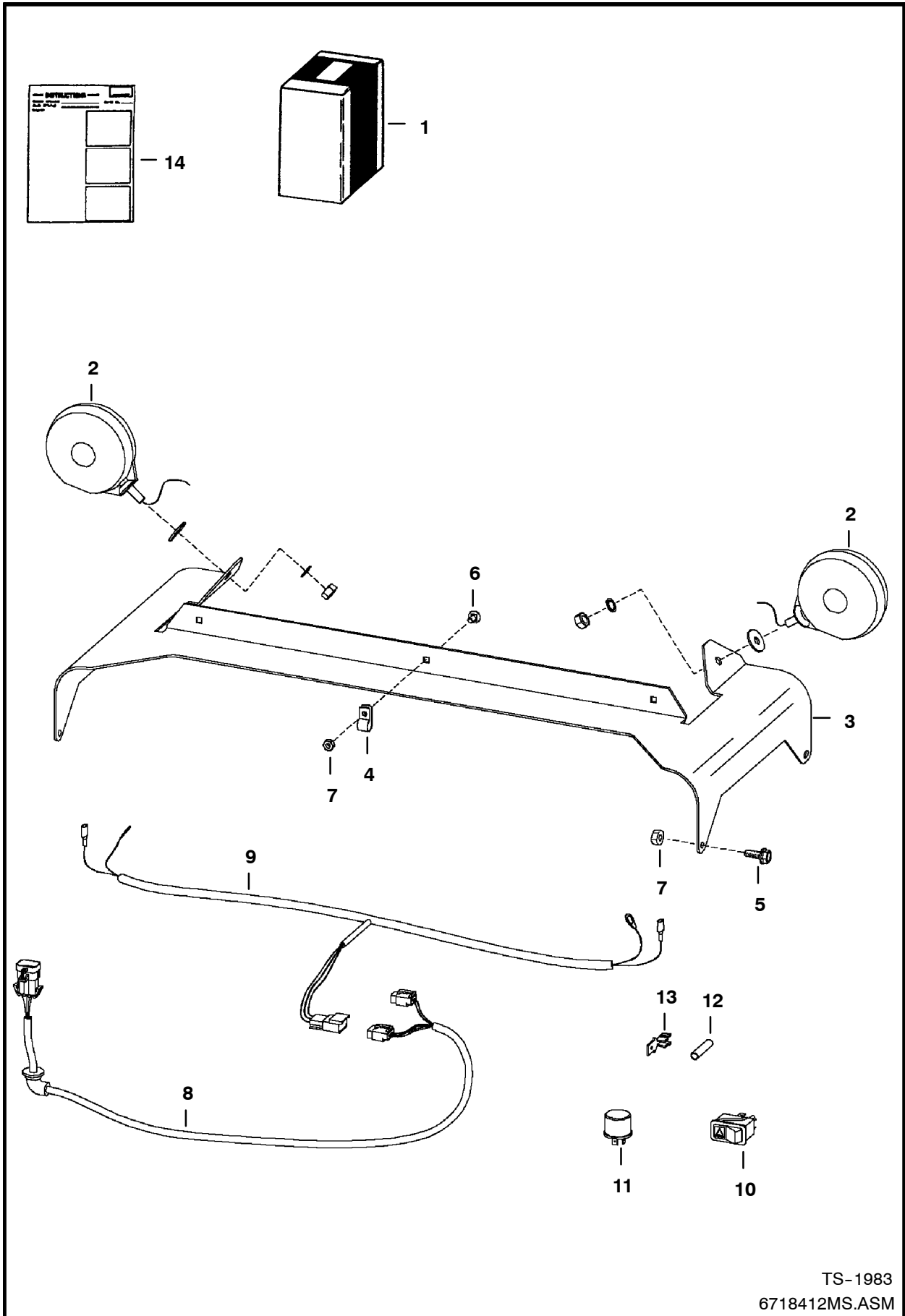
**Both new and rebuilt
engines are available from Bobcat.**



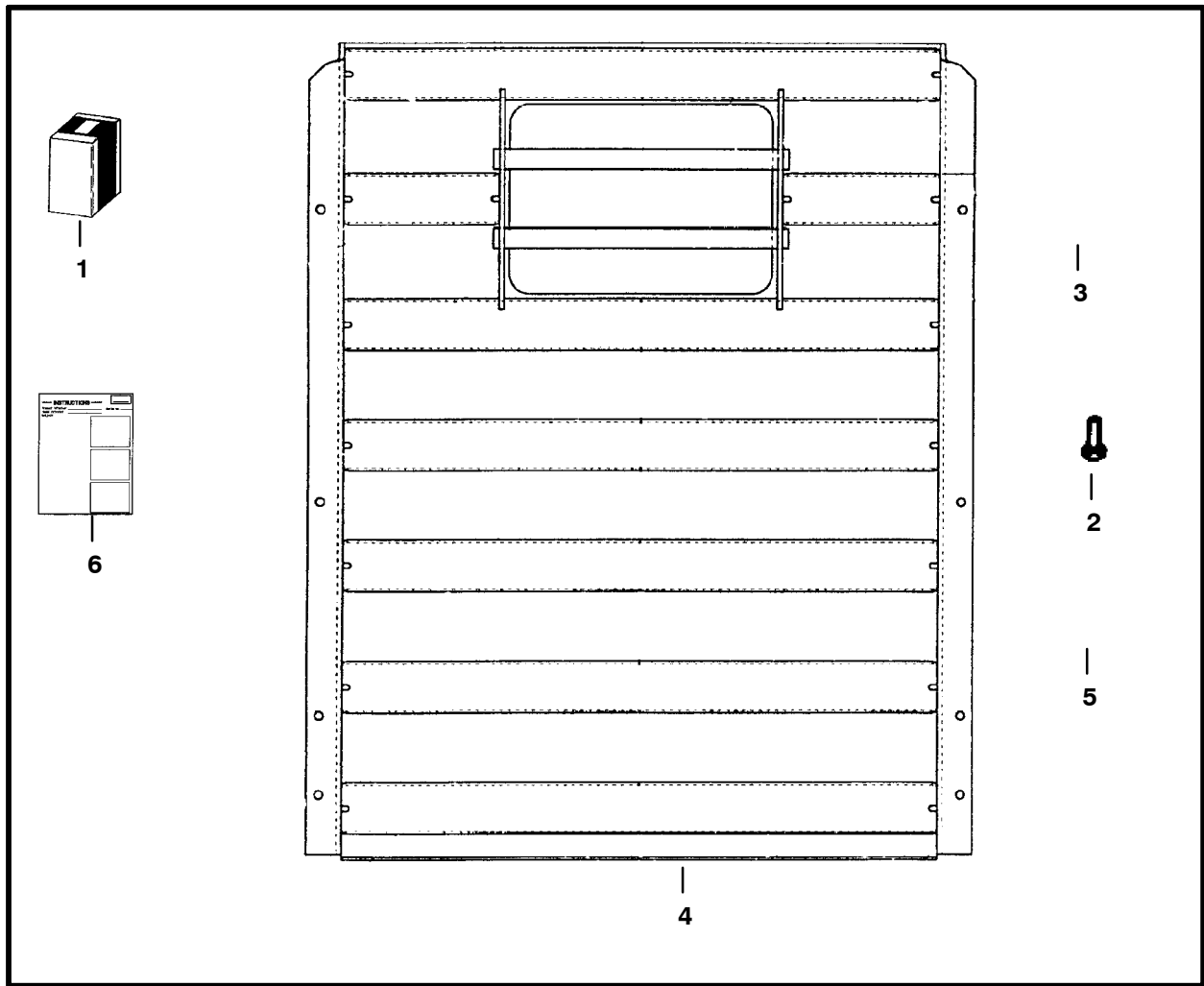
Available from Bobcat Parts.



*** FLASHER LIGHTS
(4-Way / Turn Indicators)**



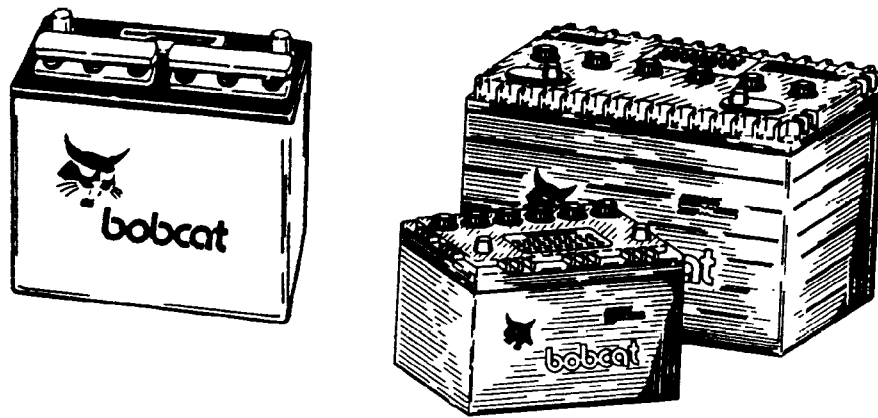
TS-1983
6718412MS.ASM



*** F.O.P.S. KIT**

Ref. No.	Part Number	Description	Remarks	Serial Number	Qty.
1*	6718924	KIT	Ref. 2 - 6		1
2*	17C-616	BOLT			14
3*	83D-6	NUT			14
4*	6702402	SHIELD			1
5*	6718833	BRACKET	L.H.		1
*	6718834	BRACKET	R.H.		1
6*	6720592	INSTRUCTIONS			1

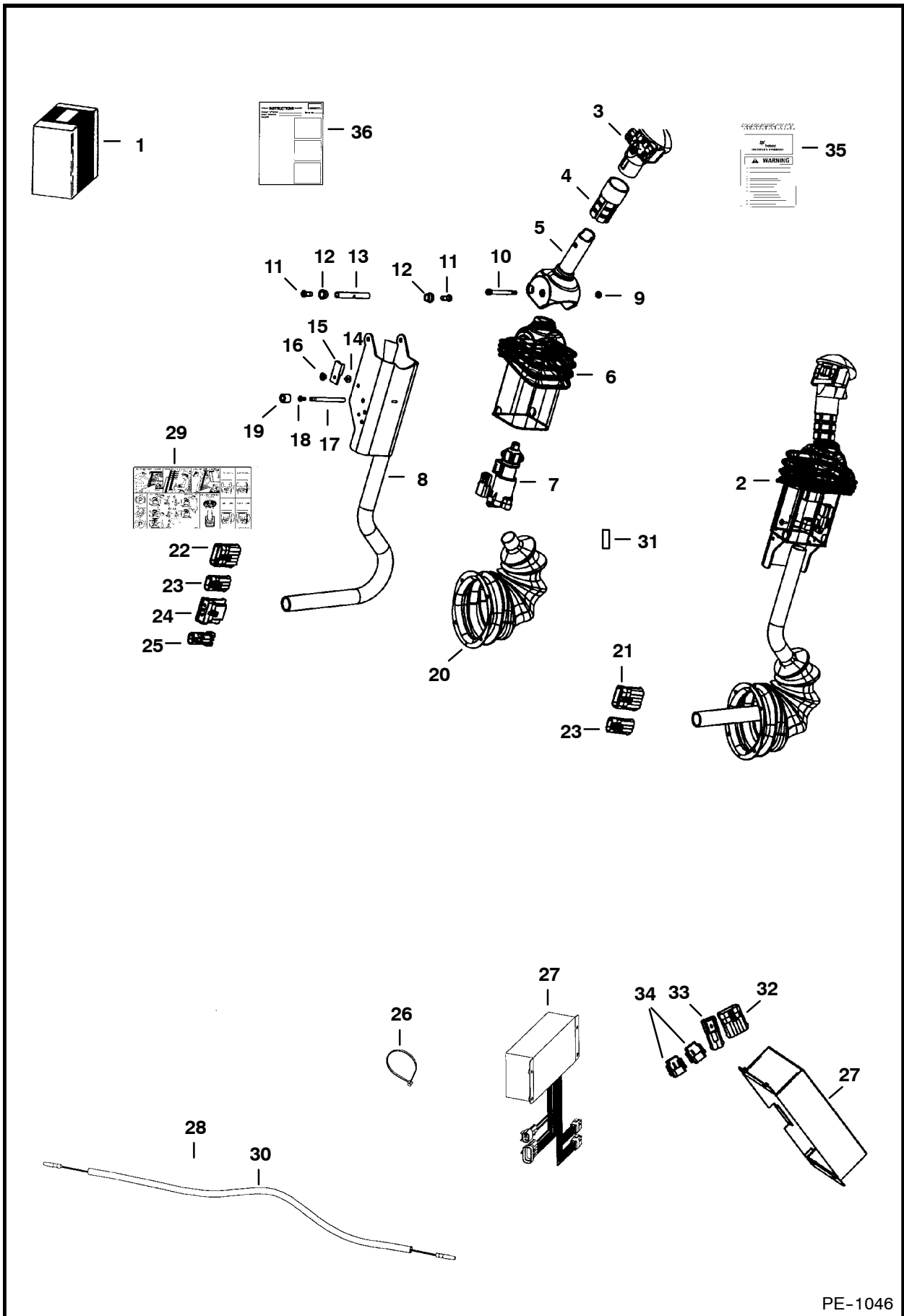
**Bobcat batteries are designed
to meet the needs of your machine.**



Available from Bobcat Parts.



*** HAND CONTROL KIT
(W/Push Button Float)**

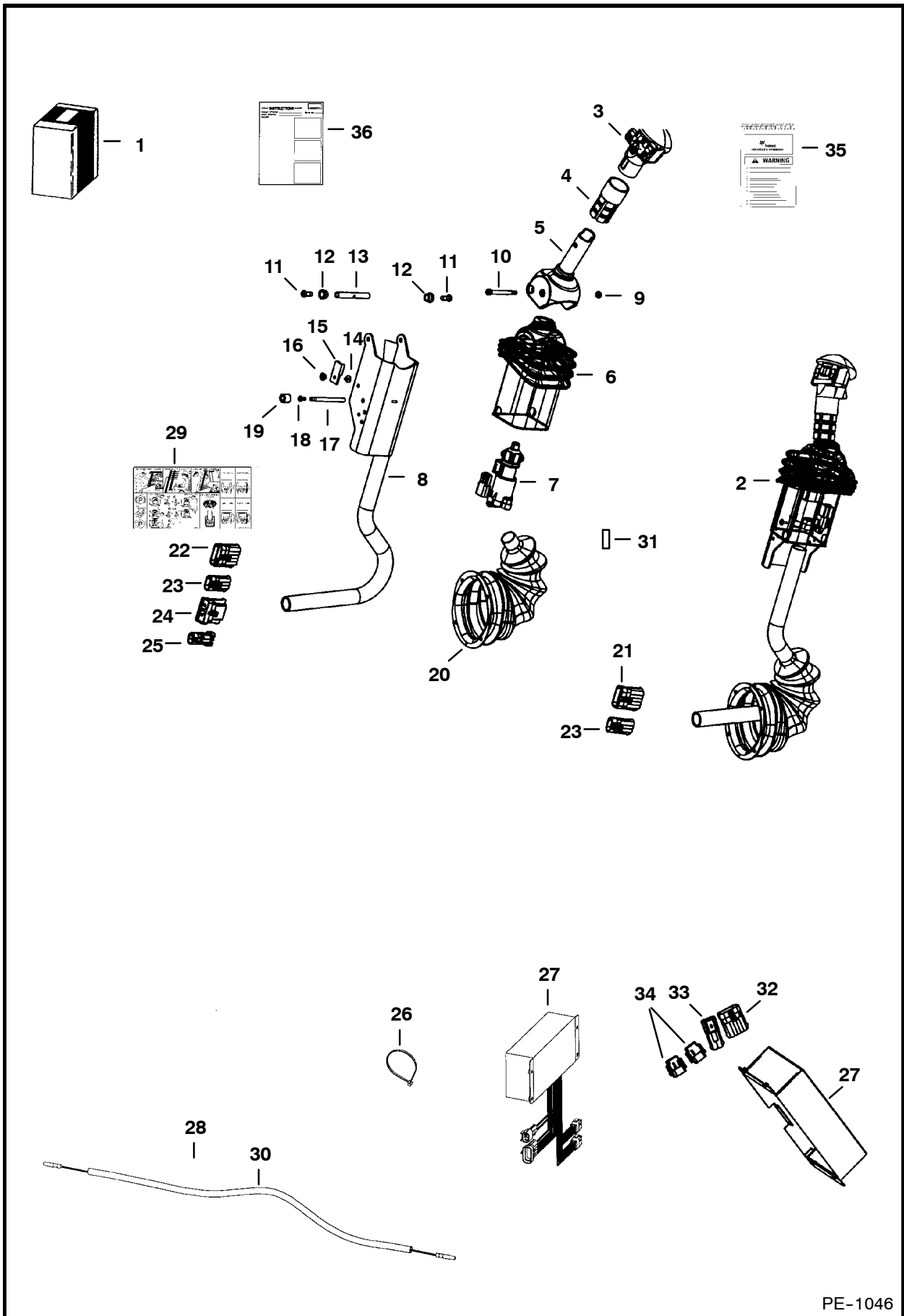


PE-1046

*** HAND CONTROL KIT (Cont'd)**
(W/Push Button Float)

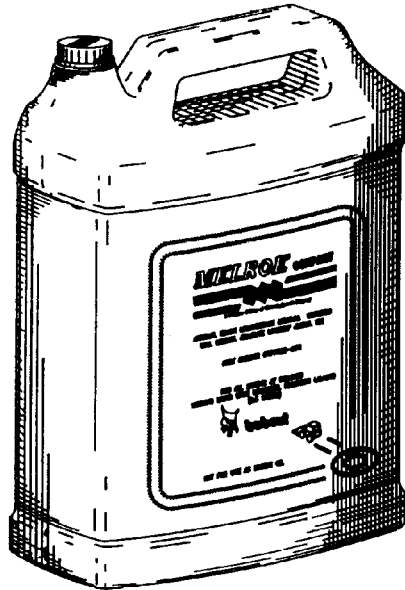
Ref. No.	Part Number	Description	Remarks	Serial Number	Qty.
1*	6728610	KIT			1
2*	6675742	LEVER	tilt - R.H.		1
*	6675750	LEVER	lift - L.H.		1
3*	6675469	HANDLE	lift - R.H.		1
*	6675749	HANDLE	lift - L.H.		1
4*	6713349	GRIP			2
5*	6597774	HANDLE	R.H.		1
*	6717163	HANDLE	L.H.		1
6*	6713898	COVER			2
7*	6675741	SENSOR			2
*	6670706	CONNECTOR	3-pin		1
*	6670714	PIN			3
*	6670710	LOCK			1
8*	6719712	CHANNEL	R.H.		1
*	6719711	CHANNEL	L.H.		1
9*	12D-10	NUT			2
10*	6716826	BOLT			2
11*	25GT-410	BOLT			8
12*	6702990	BUSHING			4
13*	6713043	SPACER			4
14*	6665321	RIVET	male		2
15*	6665000	CLIP			2
16*	6665322	RIVET	female		2
17*	6719834	SPACER	threaded		2
18*	6727065	BOLT			4
19*	6719835	SLEEVE			4
20*	6532127	BOOT			2
21*	6640692	CONNECTOR	10-pin		1
*	6640690	PIN			8
*	6640694	CAP			1
*	6641176	SEAL			8
*	6646582	PLUG	cavity		2
22*	6640692	CONNECTOR	10-pin		1
*	6640690	PIN			6
*	6640694	CAP			1
*	6641176	SEAL			6
*	6646582	PLUG	cavity		4
23*	6640699	CONNECTOR	3-pin		2
*	6640690	PIN			3
*	6641176	SEAL			3
*	6640700	LOCK			3
24*	6667144	CONNECTOR	5-pin		1
*	6640690	PIN			3
*	6641176	SEAL			3
*	6646582	PLUG	cavity		1
*	6667145	LOCK			1
25*	6641179	CONNECTOR	2-pin		1
*	6640690	PIN			2
*	6641176	SEAL			2
*	6641180	LOCK			1
26*	6610510	TIE			11

*** HAND CONTROL KIT (Cont'd)
(W/Push Button Float)**



PE-1046

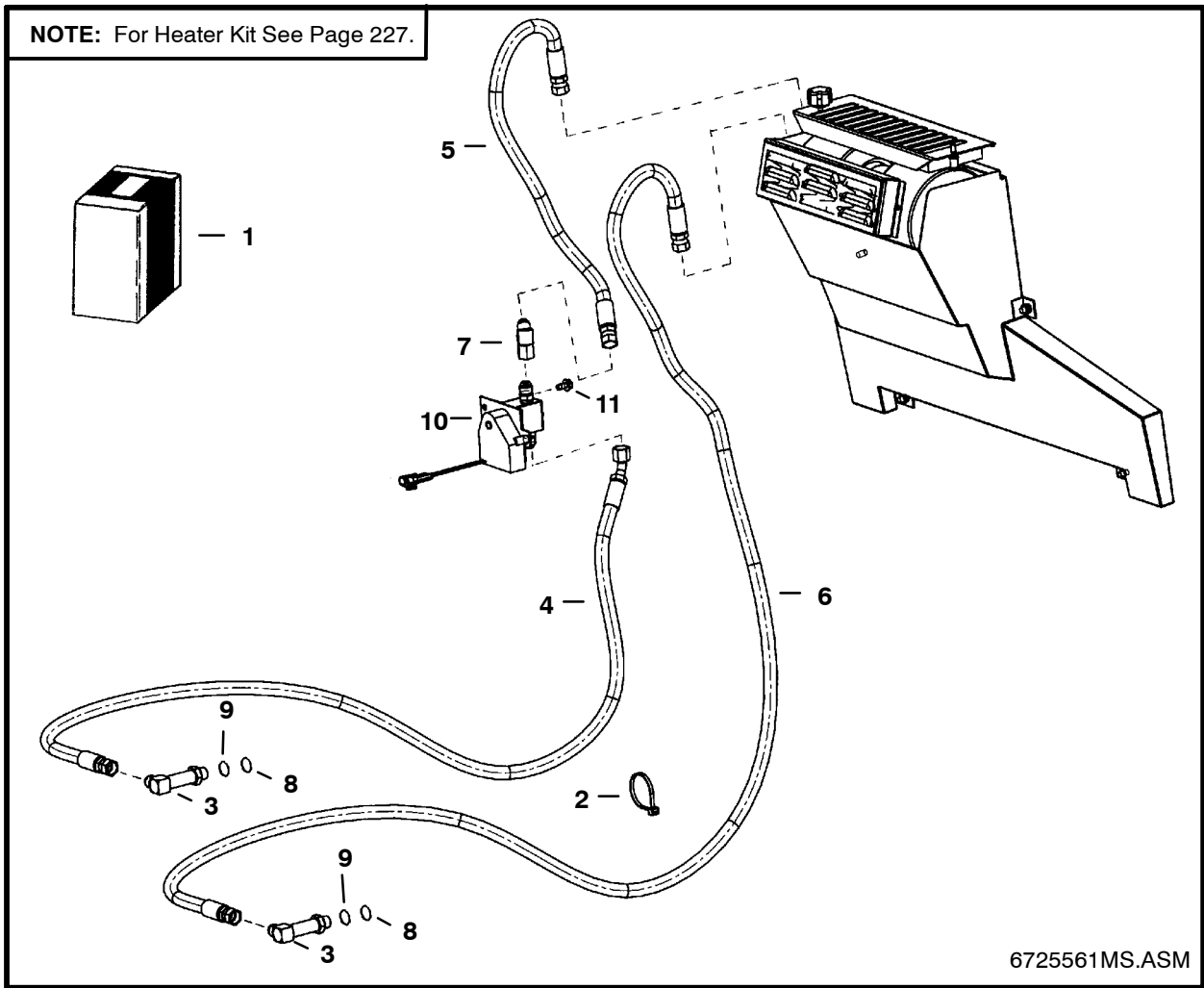
**Bobcat Hydraulic/Hydrostatic Fluid
is blended to our specifications
to meet or exceed requirements of our components.**



Available from Bobcat Parts.



NOTE: For Heater Kit See Page 227.



6725561MS.ASM

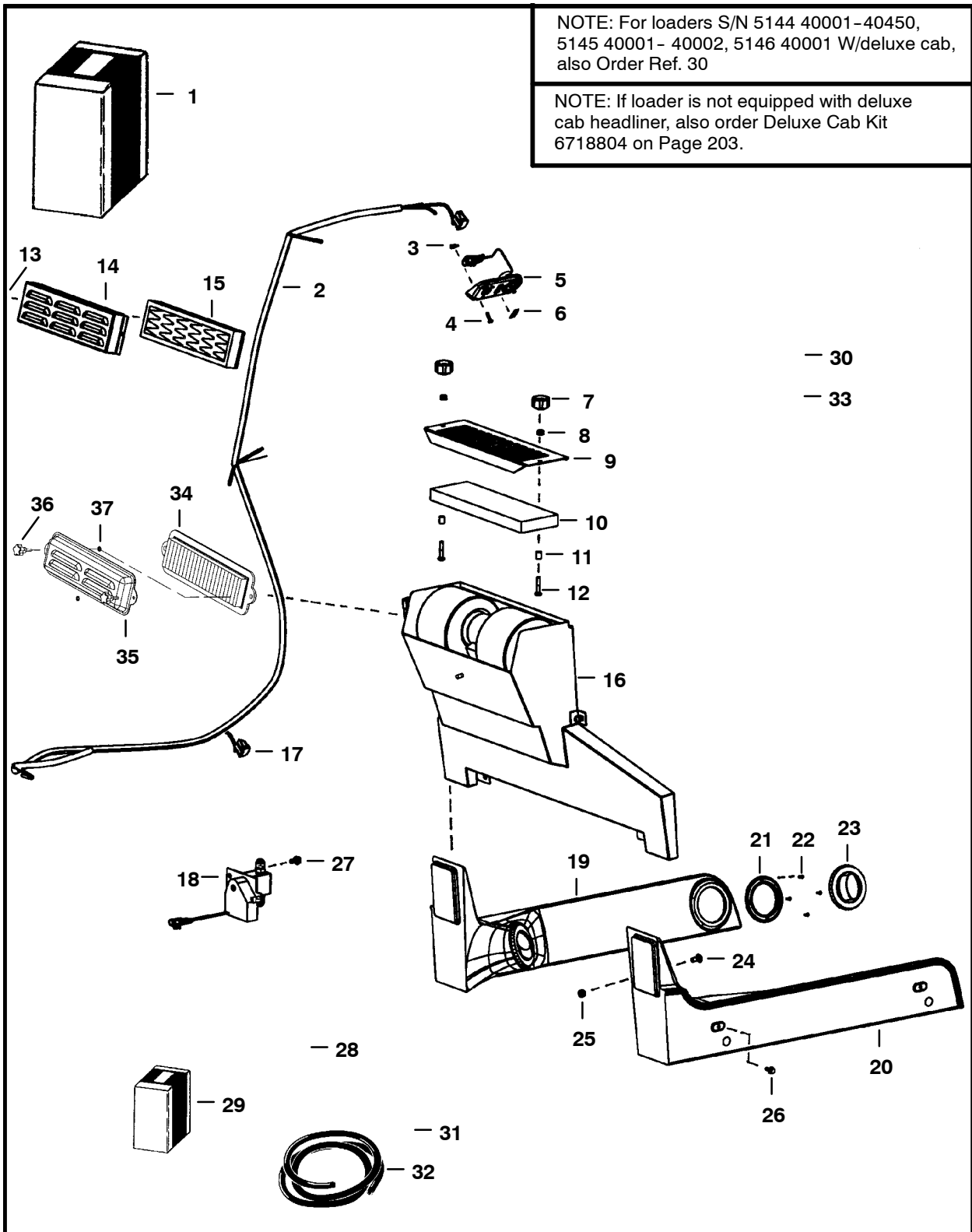
HEATER & A/C (Heater Plumbing Kit)

Ref. Part No.	Part Number	Description	Remarks	Serial Number	Qty.
1	6718810	KIT	Ref. 2 - 7		1
2	6624289	TIE			3
3	6719395	CONNECTOR	W/Ref. 8 & 9		2
4*	6719914	HOSE	Was 6719533 [A]		1
5*	6719514	HOSE	Was 6719534 [A]		1
6*	6719515	HOSE	Was 6719535 [A]		1
7	12KN-6	ELBOW			1
8*	6676540	O-RING			x
9*	NSS	BACK-UP RING			x
10*		VALVE	heater - not in kit - See Page 231		1
11*	84G-3110	BOLT	not in kit		2

HEATER & A/C (Heater Kit)

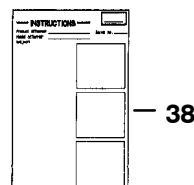
NOTE: For loaders S/N 5144 40001-40450, 5145 40001- 40002, 5146 40001 W/deluxe cab, also Order Ref. 30

NOTE: If loader is not equipped with deluxe cab headliner, also order Deluxe Cab Kit 6718804 on Page 203.



When installing this kit in a machine with the Michigan suspension seat the back angle adjusting knob may have to be replaced with 6674263.

When installing this kit in a machine with Advanced Hand Controls the throttle lever may have to be replaced with 6717393.



PE-1034

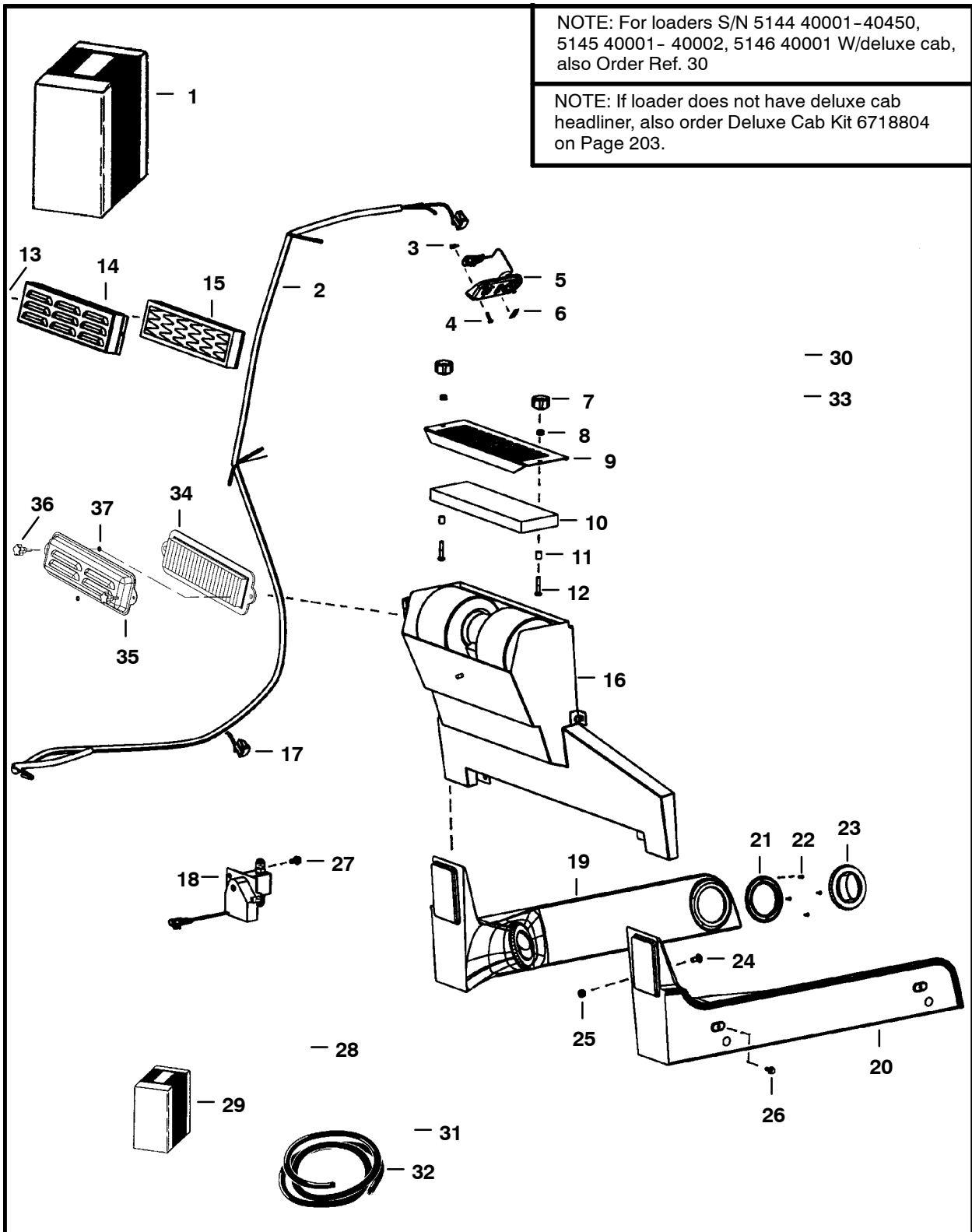
**HEATER & A/C (Cont'd)
(Heater Kit)**

Ref. No.	Part Number	Description	Remarks	Serial Number	Qty.
1	6718803	HEATER KIT	Ref. 2-28 & 38 - SEE NOTE		1
2*	NAP	HARNESS	hvac - Order 6725933 Harness - Was 6725275 [A]	& Bel	1
	6725933	HARNESS	hvac - W/Ref. 17 - Was 6717877 [A]	& Abv	1
	6725273	HARNESS	AHC		1
3	6669091	CLIP	retainer		3
4	6669224	BOLT			3
5	6674228	PANEL	control		1
	6640699	CONNECTOR			1
	6718579	DECAL			1
	6718887	PANEL			1
	6675176	SWITCH	blower		1
	6675177	KNOB			1
	6675846	POTENTIOMETER	Was 6675178 [A]		1
6	6675181	PLUG	switch hole		1
7	6674741	KNOB			2
8	83D-4	NUT			2
9	6718175	SCREEN	filter		1
10	6674229	FILTER	recirculation		1
11	6718837	SPACER			2
12	37C-424	BOLT			2
13	87G-1008	SCREW			2
14*	NAP	COVER	filter - Order Ref. 34, 35 &		
			(2) ea. of Ref. 36 & 37 - Was 6674236 [A]		
15*	NAP	FILTER	Order Ref. 34, 35 & (2) ea. of		1
			Ref. 36 & 37 - Was 6674230 [A]		
16		HEATER	See Page 231		1
17*	6670312	SOLENOID	relay		1
18*	NAP	VALVE	Order 6675684 Valve & 6725936 harness - Was 6674227 [A]		1
*	6675684	VALVE			1
	6640699	CONNECTOR	for 6674227 valve		1
	6675175	BRACKET			1
	6675172	BRACKET			1
	6675173	ACTUATOR			1
	6675174	BODY			1
19	6717644	DUCT	L.H.		1
20	6717643	DUCT	R.H.		1
21	6675179	FLANGE			4
22	57G-608	SCREW			16
23	6674231	VENT	round - W/Ref. 21 & 22		4
	6675180	VENT			4
24	37C-512	BOLT			4
25	59D-5	NUT			4
26	35C-410	BOLT			4
27	84G-3110	BOLT			2
28	774220	NUT	spring		2
29	6725513	PACKAGE	decals		1
30	6725390	HARNESS	jumper - SEE NOTE		1

HEATER & A/C (Cont'd) (Heater Kit)

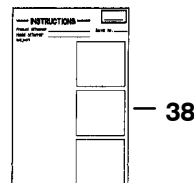
NOTE: For loaders S/N 5144 40001-40450, 5145 40001- 40002, 5146 40001 W/deluxe cab, also Order Ref. 30

NOTE: If loader does not have deluxe cab headliner, also order Deluxe Cab Kit 6718804 on Page 203.



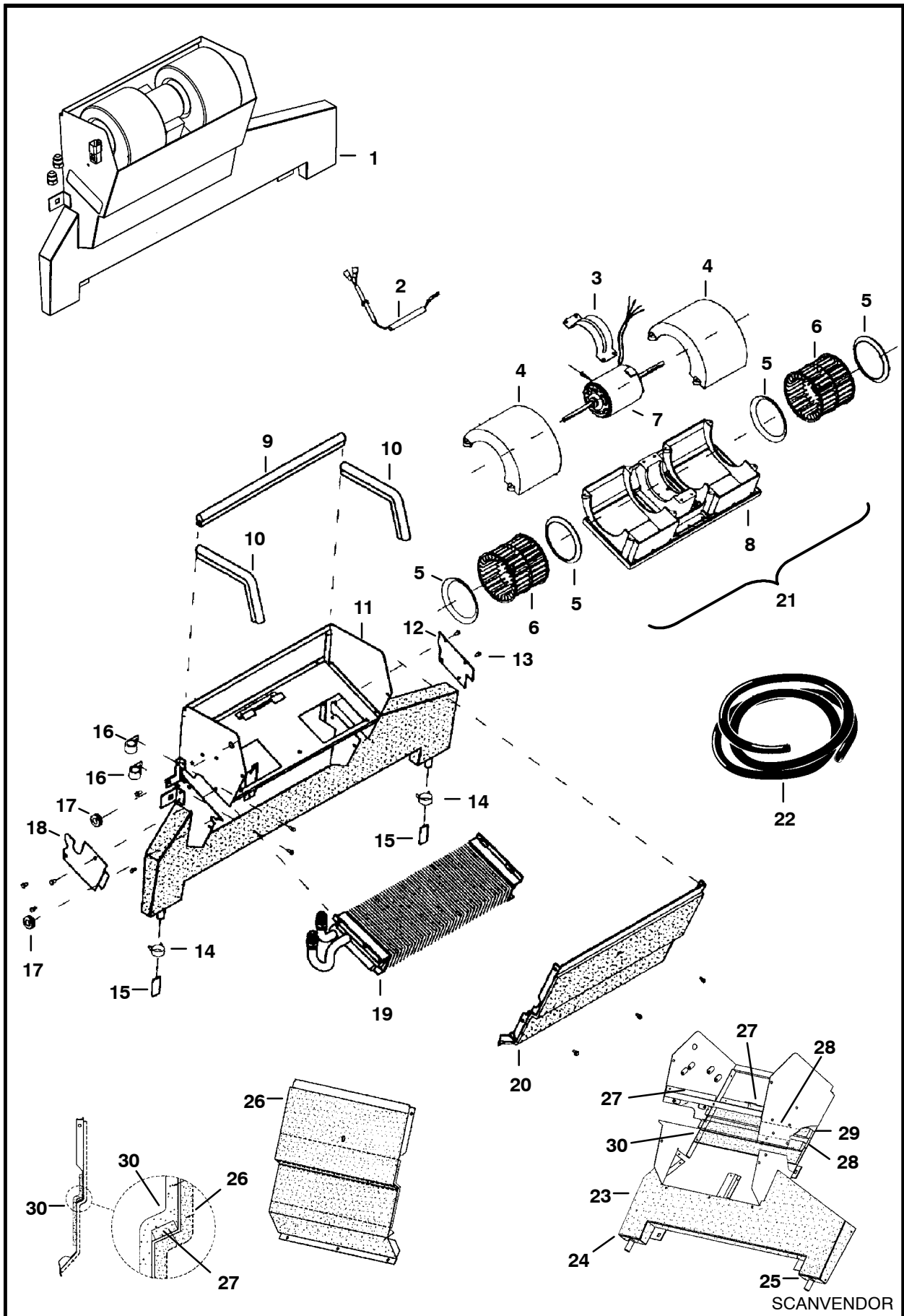
When installing this kit in a machine with the Michigan suspension seat the back angle adjusting knob may have to be replaced with 6674263.

When installing this kit in a machine with Advanced Hand Controls the throttle lever may have to be replaced with 6717393.



PE-1034

HEATER & A/C (Heater)

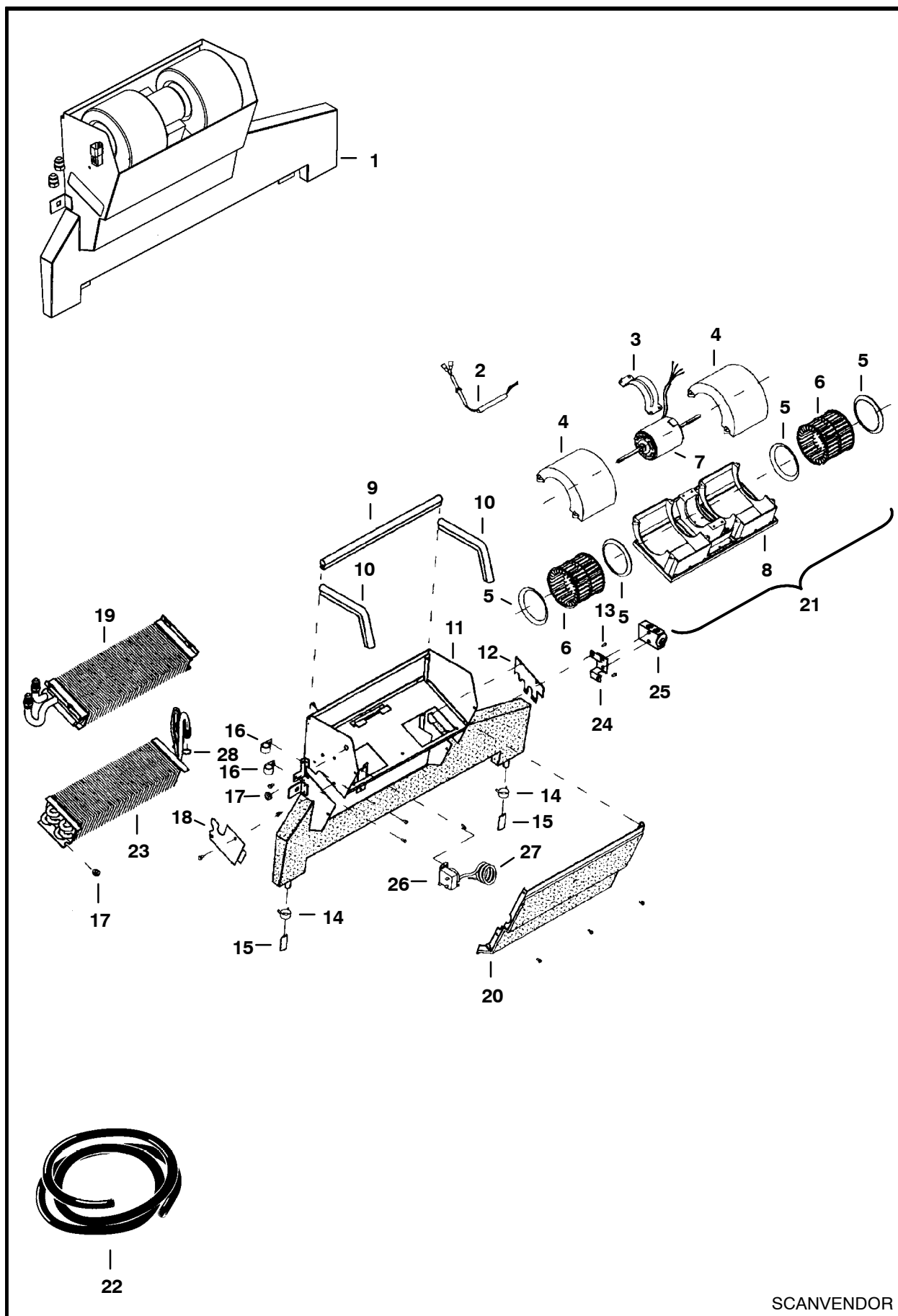


SCANVENDOR

**HEATER & A/C (Cont'd)
(Heater)**

Ref. No.	Part Number	Description	Remarks	Serial Number	Qty.
1*	NAP	HEATER	Ref. 2-22 - Order 6676562 - Was 6674933 [A]	& Bel.	1
*	6676562	HEATER		& Abv.	1
2	6675508	HARNESS			1
3	6675506	MOUNT			1
4	6675507	COVER			2
5	6675504	RING			4
6	6675505	BLOWER WHEEL			2
7	6675509	MOTOR			1
8	6675503	HOUSING			1
9	NAP	SEAL	14.75" (375mm) long - Order Ref. 22		1
10	NAP	SEAL	8.5" (215mm) long - Order Ref. 22		2
11	6675499	HOUSING	W/Ref. 23-25 & 27-30		1
12	6675502	PLATE	cover		1
13		BOLT			x
14	6675510	CLAMP			2
15	6675511	DRAIN VALVE			2
16	6675512	CLAMP			2
17	6675513	GROMMET			2
18	6675501	PLATE	cover		1
19	6675498	COIL			1
20	6675500	COVER	W/Ref. 26, 27 & 30		1
21	6675497	BLOWER	assy. - Ref. 2-8 & 31		1
22	6675514	SEAL	bulk - Sold Per Foot - See blower seal kit Page 239		x
23	6675607	INSULATION			1
24	6675608	INSULATION			1
25	6675609	INSULATION			1
26	6675610	INSULATION			1
27	6675611	SEAL	bulk - sold per foot		x
28	6675612	INSULATION			2
29	6675613	INSULATION			1
30	6675614	INSULATION			2
31*	6662246	CONNECTOR	6 pin		1
*	6662252	LOCK	6 pin		1
*	6662257	PIN			4
*	6665370	PLUG			2
32*	NAP	SEAL	15" (381mm) long - Order Ref. 27		1
33*	NAP	SEAL	5.5" (140mm) long - Order Ref. 27		1
34*	NAP	SEAL	4" (101,6mm) long - Order Ref. 27		1

HEATER & A/C (HVAC Assembly) (S/N & Below)

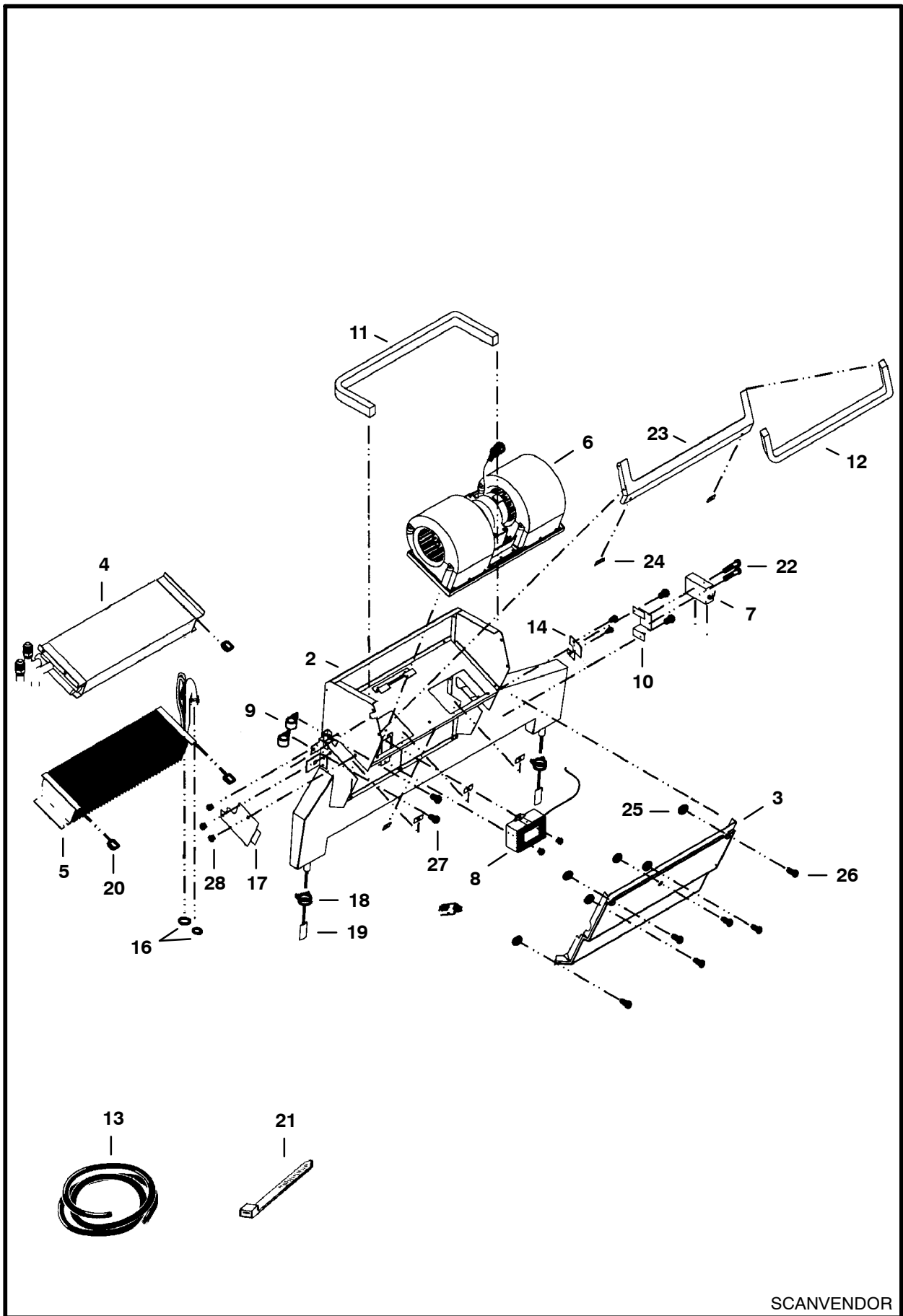


SCANVENDOR

HEATER & A/C (Cont'd)
(HVAC Assembly) (S/N & Below)

Ref. No.	Part Number	Description	Remarks	Serial Number	Qty.
1*	NAP	HEATER/AC	Ref. 2-22 - Order 6676561 - See Page 235 - Was 6674226 [A]		1
2	6675508	HARNESS			1
3	6675506	MOUNT			1
4	6675507	COVER			2
5	6675504	RING			4
6	6675505	BLOWER WHEEL			2
7	6675509	MOTOR			1
8	6675503	HOUSING			1
9	NAP	SEAL	14.75"(375mm)long - Order Ref. 22		1
10	NAP	SEAL	8.5"(215mm)long - Order Ref. 22		2
11	6675499	HOUSING			1
12	6675537	PLATE	cover		1
13		BOLT			x
14	6675510	CLAMP			2
15	6675511	DRAIN VALVE			2
16	6675512	CLAMP			2
17	6675513	GROMMET			2
18	6675501	PLATE	cover		1
19	6675498	COIL			1
20	6675500	COVER			1
21	6675497	BLOWER	assy. - Ref. 2-8		1
22	6675514	SEAL	bulk - Sold Per Foot		x
23	6675533	COIL	evaporator		1
24	6675536	BRACKET	valve support		1
25	6675534	BLOCK VALVE			1
26*	6675790	THERMOSTAT	Was 6675535 [A]		1
27	6675539	HOSE	1/4" OD - 20" long		1
28	6675538	O-RING			2
29*	6662246	CONNECTOR	6 pin		1
*	6662252	LOCK	6 pin		1
*	6662257	PIN			4
*	6665370	PLUG			2

HEATER & A/C
(HVAC Assembly) (S/N & Above)



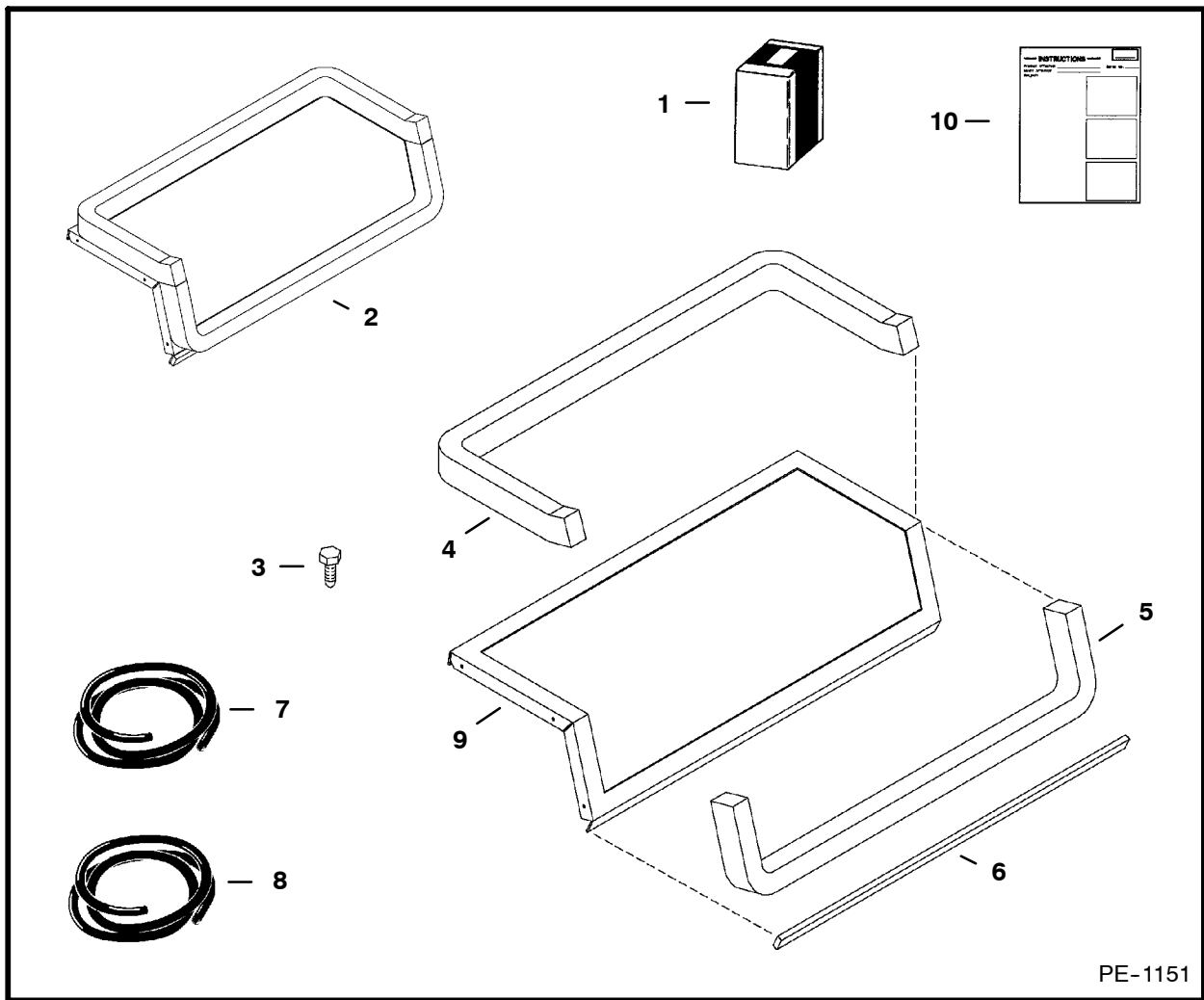
SCANVENDOR

HEATER & A/C (Cont'd)
(HVAC Assembly) (S/N & Above)

Ref. No.	Part Number	Description	Remarks	Serial Number	Qty.
1*	6676561	HVAC	assy - Ref. 2-28		1
2*	6677108	HOUSING			1
3*	6677109	COVER			1
4*	6676603	COIL	heater		1
5	6675533	COIL	evaporator		1
6	6675497	BLOWER	assy - See Page 233		1
7	6675534	BLOCK VALVE			1
8	6675790	THERMOSTAT			1
9	6675512	CLAMP	hose		2
10*	6676984	BRACKET	valve		1
11*	NAP	SEAL	25" (635mm) long - Order Ref. 13		1
12*	NAP	SEAL	22.6" (575mm) long - Order Ref. 13		1
13*	6677111	SEAL	bulk - Sold Per Foot		x
14*	6677105	COVER			1
15	6675513	GROMMET			1
16	6675538	O-RING			2
17	6676604	COVER			1
18	6675510	CLAMP	drain hose		2
19	6675511	DRAIN VALVE			2
20	6676539	CLIP			3
21*	6677113	TIE	6"		1
22	1CM-635	BOLT			2
23*	6677114	SEAL			1
24*	6677115	RECEPTACLE			6
25*	6677116	RETAINER			6
26*	6677117	SCREW	captive		6
27*	6677118	SCREW	w/washer		4
28*	6677119	SCREW	sheetmetal		7

*** HEATER & A/C (Cont'd)**
(A/C Kit)

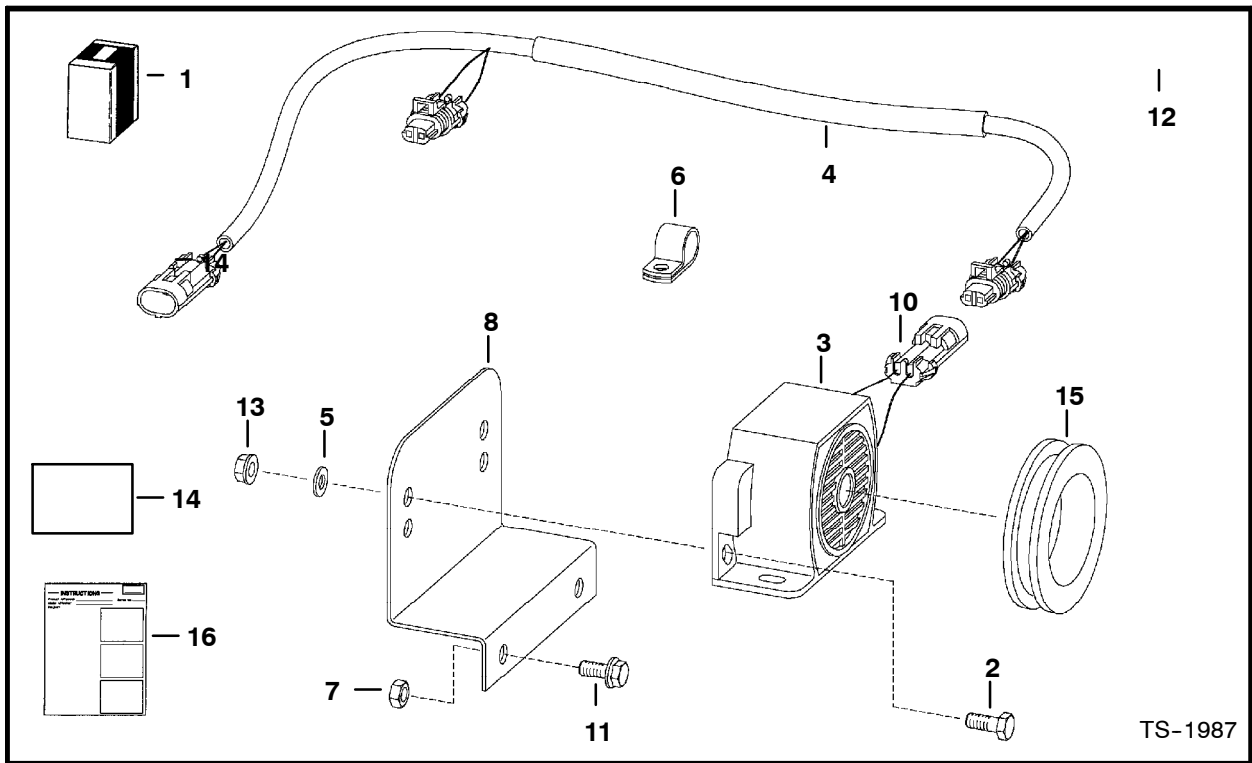
Ref. No.	Part Number	Description	Remarks	Serial Number	Qty.
1*	6726490	KIT	Ref. 2 - 35		1
2*	6557831	WASHER			1
3*	6624289	STA STRAP			1
4*	6674232	HOSE	ac - W/Ref. 38		1
5*	6674234	CONDENSER			1
6*	6674235	DRIER	reciever		1
*	6676062	VALVE	relief		1
7*	6675075	HOSE	ac - W/Ref. 37		1
*	6677122	CAP			1
8*	6675076	HOSE	ac - W/Ref. 39		1
*	6677121	CAP			1
9*	6675270	HOSE	ac - W/Ref. 39		1
10*	6675536	MOUNT	valve		1
11*	6675537	COVER	plate		1
12*	6675667	COMPRESSOR			1
*	6675828	CLUTCH			1
13*	6675685	HOSE	ac - W/Ref. 37		1
*	6675779	PRESS. SWITCH	W/harness		1
*	6676399	VALVE CORE			1
14*	6675790	THERMOSTAT			1
15*	6675533	COIL	evaporator		1
16*	6717375	MOUNT	compressor		1
17*	6718310	PULLEY	engine		1
18*	6719176	SWITCH	rocker		1
19*	6719459	MOUNT	reciever drier		1
20*	6719630	HARNESS	ac		1
21*	6725943	BELT	compressor		1
22*	6726621	SCREW			2
23*	1CM-635	BOLT			2
24*	3GM-1025	BOLT			3
25*	5CM-1025	SCREW			1
26*	5CM-1080	SCREW			1
27*	31H-42	CLAMP			1
28*	84G-3710	SCREW			2
29*	6515576	CLAMP			2
30*	6675534	BLOCK VALVE			1
31*	6727326	MOUNT	clamp		1
32*	6676539	CLIP			2
33*	NAP	INSULATION	tape - 6" (152,4mm) long -		
34*	6676538	INSULATION	Order Ref. 34		1
35*	6901039	INSTRUCTIONS	bulk - sold per foot		x
36*	6726357	HARNESS	hvac jumper - connects the hvac harness (6725275 or 6717877) to the ac harness (6719630) and	5141 41357 & Bel.	1
			the new thermostat (6675790)	5142 40033 & Bel.	1
				5179 11002 & Bel.	1
37*	6675824	O-RING	#6		x
38*	6675538	O-RING	#8		x
39*	6675825	O-RING	#10		x
40*	6676063	KIT	fitting caps		1



PE-1151

*** HEATER & A/C
(Blower Seal Kit)**

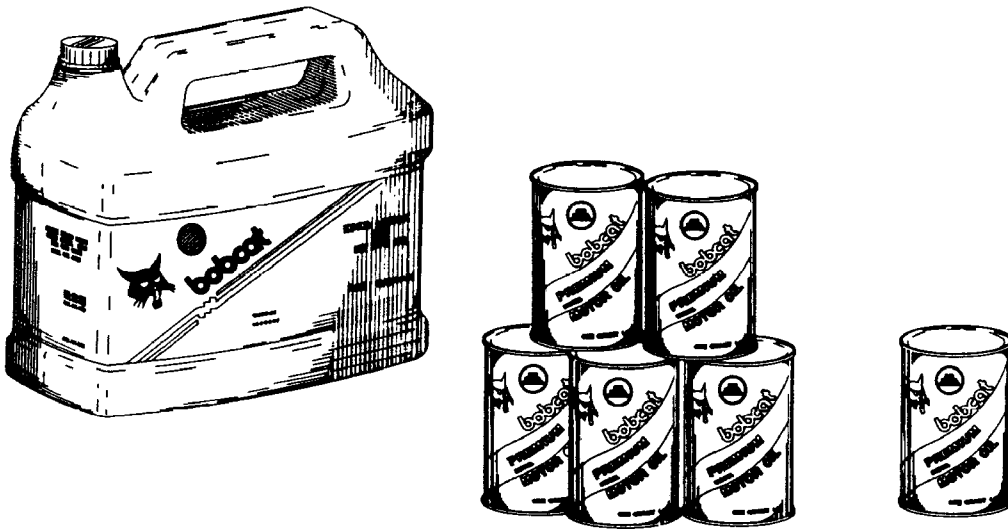
Ref. No.	Part Number	Description	Remarks	Serial Number	Qty.
1*	6728567	KIT	blower seal - W/Ref. 2, 3 & 10		1
2*	NSS	FLANGE SEAL	assy - Ref. 4, 5, 6 & 9 - Order Ref. 1		1
3*	6726621	SCREW			7
4*	NAP	SEAL	27" (686mm) long - Order Ref. 8		1
5*	NAP	SEAL	21" (534mm) long - Order Ref. 8		1
6*	NAP	SEAL	15" (384mm) long - Order Ref. 7		1
7*	6675611	SEAL	bulk - Sold Per Foot		x
8*	6677111	SEAL	bulk - Sold Per Foot		x
9*	NSS	FLANGE	Order Ref. 1		1
10*	6901213	INSTRUCTIONS			1



*** HORN KIT**

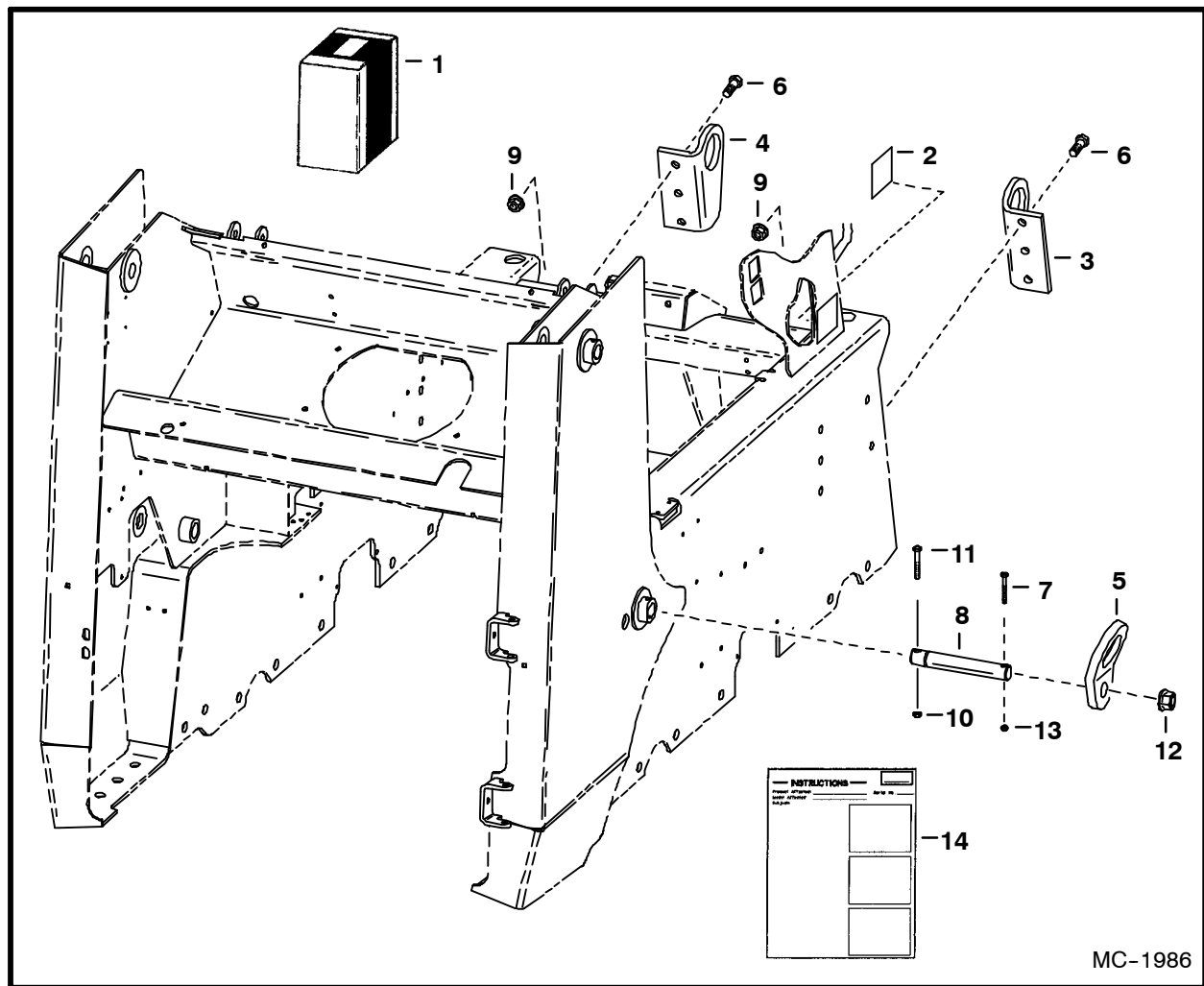
Ref. No.	Part Number	Description	Remarks	Serial Number	Qty.
1*	6719043	HORN KIT	Ref. 2 - 16		1
2*	17C-410	BOLT			2
3*	6675099	HORN			1
4*	6719151	HARNESS	113" (2870,2 mm) long		1
5*	25E-13	WASHER			1
6*	30H-23	CLAMP			1
7*	83D-5	NUT			2
8*	6707726	MOUNT			1
9*	6641180	LOCK	2 - pin		2
*	6640700	LOCK	3 - pin		2
10*	6641179	CONNECTOR	2 - pin		2
*	6640699	CONNECTOR	3 - pin		2
11*	35C-512	BOLT			2
12*	6705921	HANDLE			1
*	6640690	PIN			5
*	6641176	SEAL			5
13*	83D-4	NUT			2
14*	6703727	DECAL			1
15*	6577545	GROMMET			1
16*	6900913	INSTRUCTIONS			1

**Bobcat has engine oil
blended to our specifications
which meet or exceed the highest
demands of your engine.**



Available from Bobcat Parts.

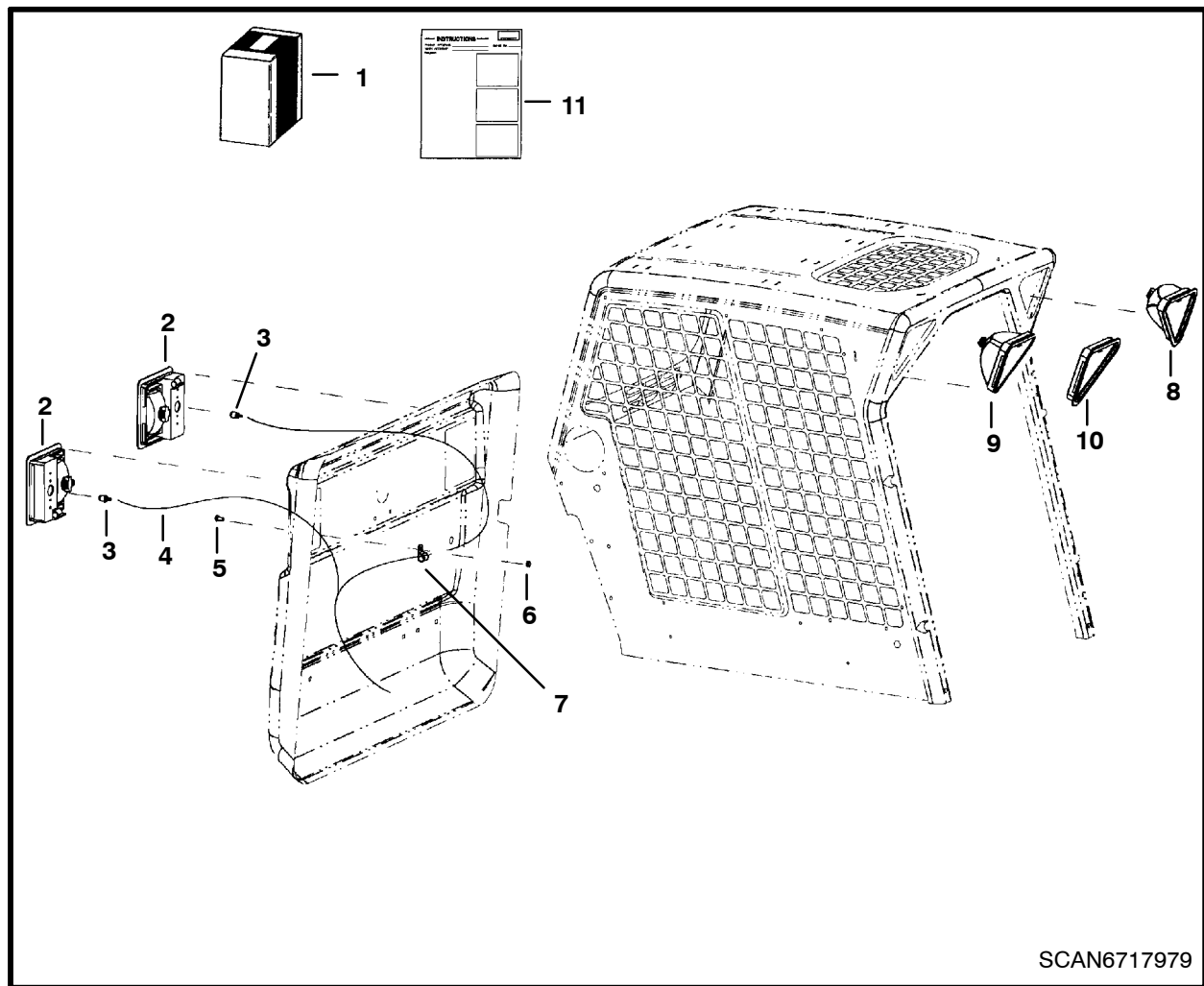




MC-1986

LIFT KIT
(Four Point - .75" Thick Lift Eyes)

Ref. No.	Part Number	Description	Remarks	Serial Number	Qty.
1	6707002	KIT	Ref. 2 - 9 & 12 - 14		1
2*	6726423	DECAL	Was 6702916 [A]		2
3	6701573	LIFT EYE	front - R.H.		1
4	6701574	LIFT EYE	front - L.H.		1
5	6706825	LIFT EYE	rear		2
6	17C-1028	BOLT			6
7	17C-540	BOLT			2
8	6706807	PIN			2
9	83D-10	NUT			6
10	85D-6	NUT	Not in Kit		2
11	17C-640	BOLT	Not in Kit		2
12	4D-20	NUT			2
13	87D-5	NUT			2
14	6722873	INSTRUCTIONS			1

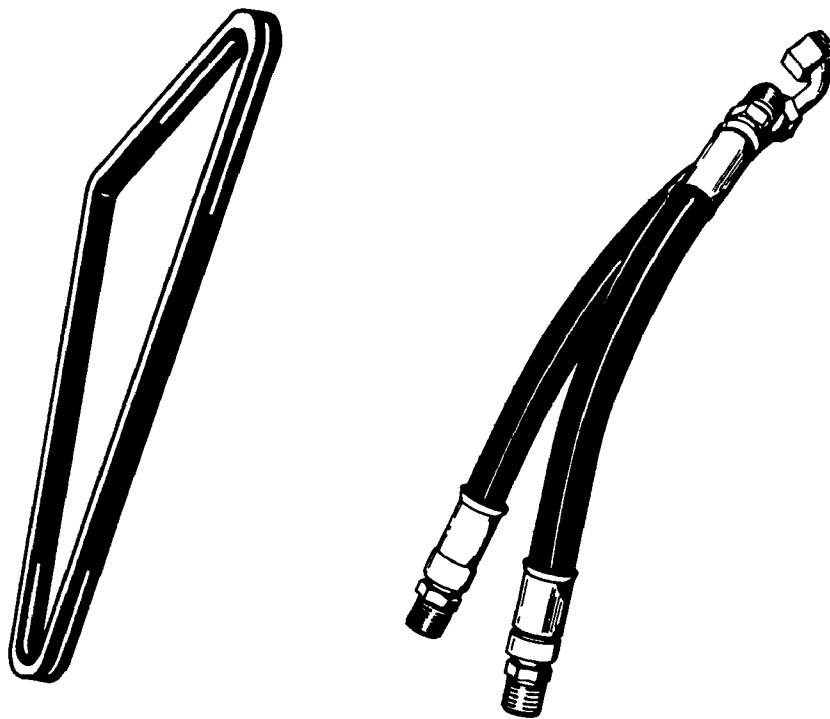


SCAN6717979

LIGHT KIT

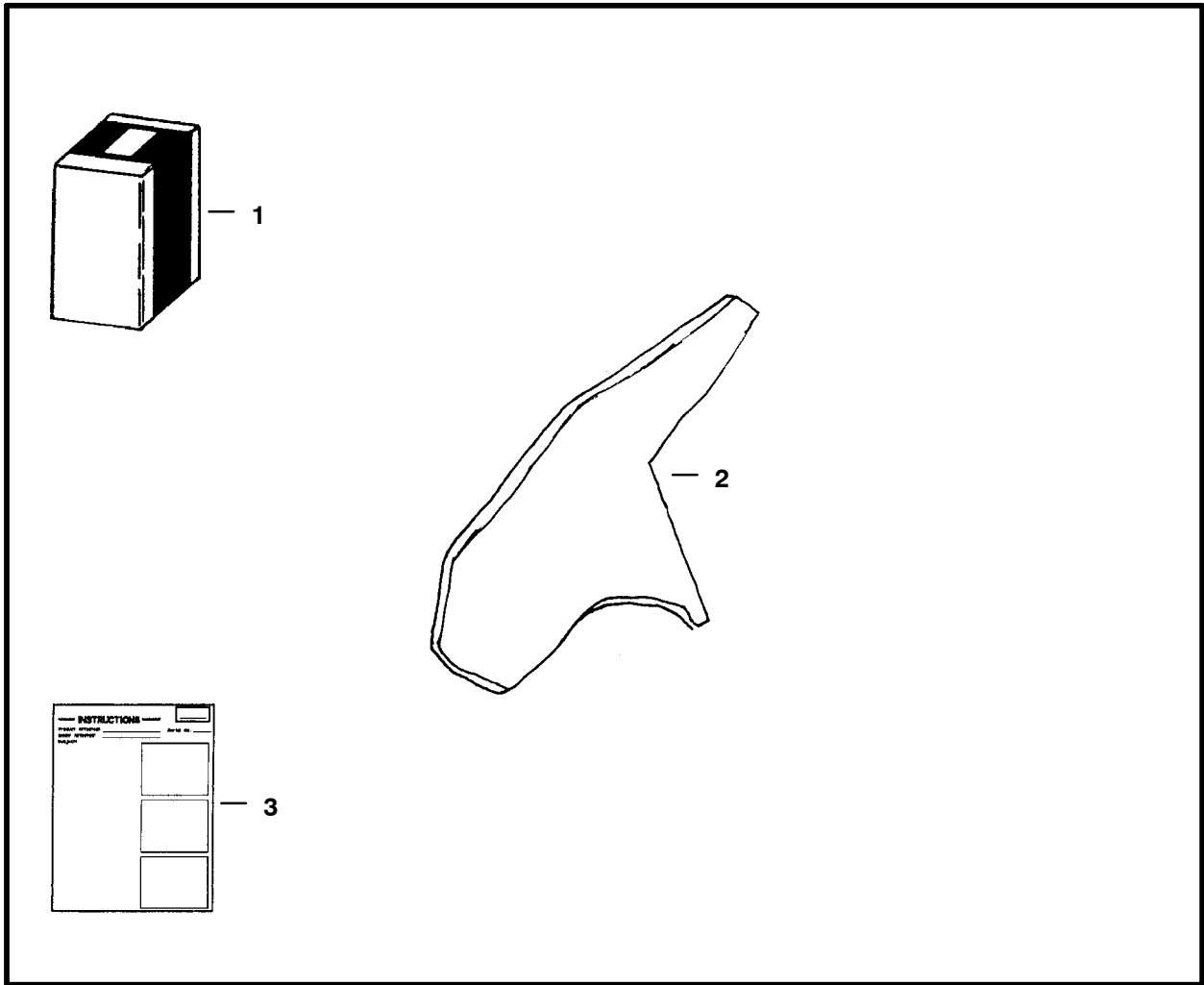
Ref. No.	Part Number	Description	Remarks	Serial Number	Qty.
1	NAP	KIT	Order components		1
2	6670284	LIGHT SCREW	rear		2
	6672273	LENS GASKET	red		2
	6672276	GASKET BRACKET			2
	6672275				2
	6672277				2
	6672279	MOUNT WASHER	rubber		2
	6672272	WASHER			4
	6672274	SCREW			4
	6661353	LIGHT ASSY	W/bulb - white		2
	898731	BULB			2
3	6649481	BULB			2
4	6716419	HARNESS			1
5	37C-512	BOLT			1
6	85D-5	NUT			1
7	30H-42	CLAMP			1
8	NAP	LIGHT ASSY	R.H. - Ref. 9 & 10		1
	NAP	LIGHT ASSY	L.H. - Ref. 9 & 10		1

**Use only Bobcat belts and hoses
to maintain maximum service life.**



Available from Bobcat Parts.

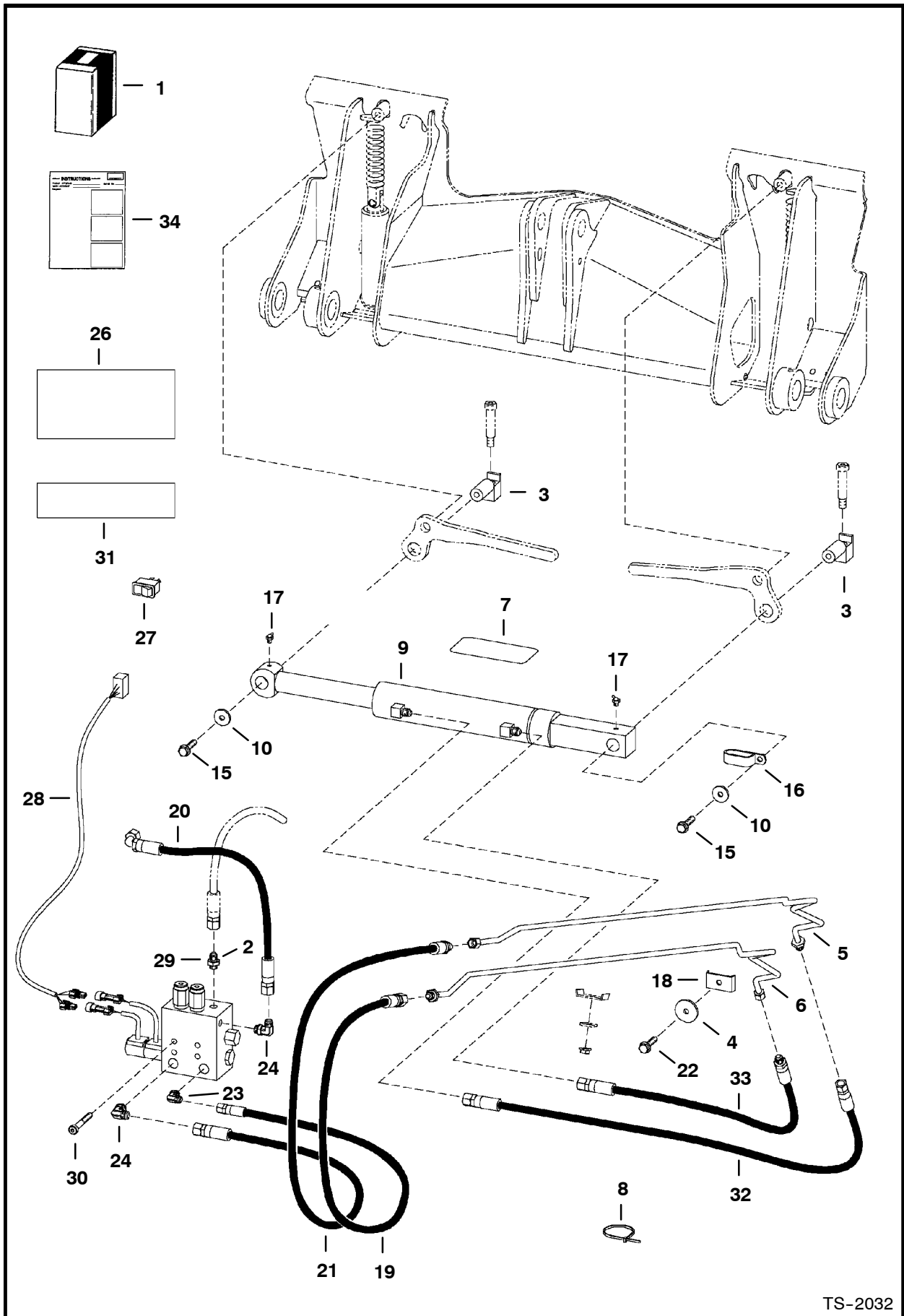




*** MOTOR BRACE KIT**
(S/N 5189 11561, 5168 11071, 5175 11078 & Below)

Ref. Part No.	Part Number	Description	Remarks	Serial Number	Qty.
1*	6727494	KIT	Ref. 2 & 3		1
2*	6726575	BRACE			1
3*	6901101	INSTRUCTIONS			1

POWER BOB-TACH KIT (Hydraulic Assisted)

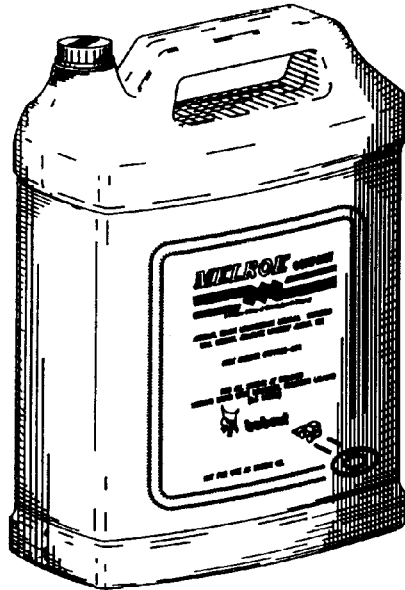


TS-2032

POWER BOB-TACH KIT (Cont'd)
(Hydraulic Assisted)

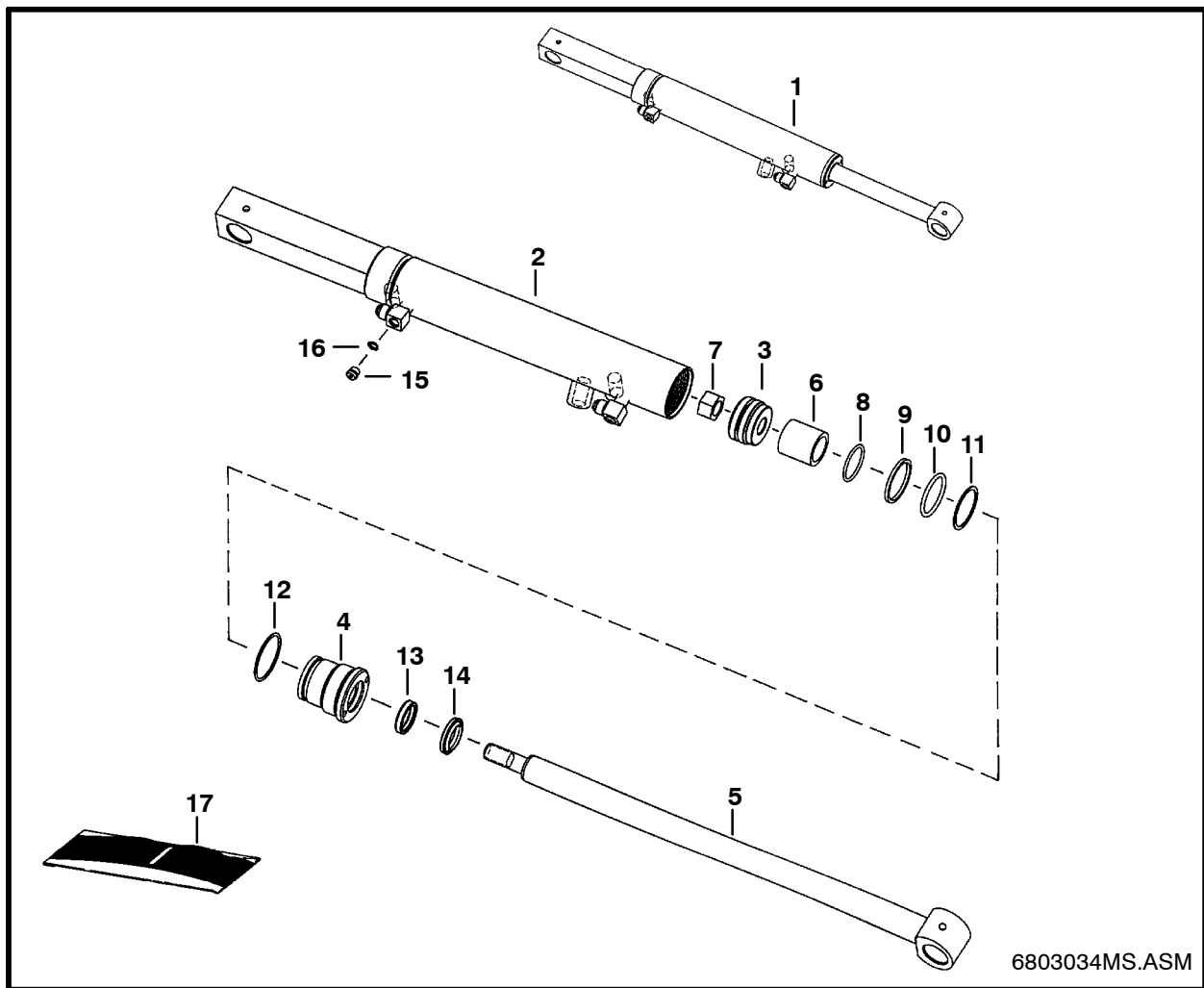
Ref. No.	Part Number	Description	Remarks	Serial Number	Qty.
1	6719841	KIT	Ref. 2-34		1
2		MANIFOLD	See Page 253		1
3	6714576	PIVOT			2
4	872229	WASHER			1
5	6719164	TUBE			1
6	6719167	TUBE			1
7	6554100	SAFETY TREAD			1
8	6624289	TIE			3
9	6805158	CYLINDER	See Page 252		1
10	619021	WASHER			2
11	NAP	COVER	32" (813 mm) long - Order Ref. 12		1
12	6656155	COVER	1.25" I.D. - bulk - Sold Per Foot		x
13	99K-6	O-RING			x
14	99K-12	O-RING			x
15	35C-616	BOLT			2
16	31H-42	CLAMP			1
17	11H-15	GREASE ZERK			2
18	6502203	CLAMP			1
19*	6726987	HOSE	Was 6719629 [A]		1
20	6719605	HOSE			1
21*	6726986	HOSE	Was 6719628 [A]		1
22	84G-3724	BOLT			1
23	17KV-3	ELBOW	W/Ref. 25		1
	97K-4	O-RING	flared end		x
24	17KV-5	ELBOW	W/Ref. 13		2
	97K-6	O-RING	flared end		x
25	99K-4	O-RING			x
26	6717842	DECAL			1
27	6674585	SWITCH			1
28	6718652	HARNESS			1
29	15KV-8	ADAPTER	W/Ref. 14		1
	97K-12	O-RING	flared end		3
30	73G-656	BOLT			4
31	6719888	DECAL	power bob-tach		1
32	6725198	HOSE			1
33	6725199	HOSE			1
34	6900951	INSTRUCTIONS			1

**Bobcat Hydraulic/Hydrostatic Fluid
is blended to our specifications
to meet or exceed requirements of our components.**



Available from Bobcat Parts.

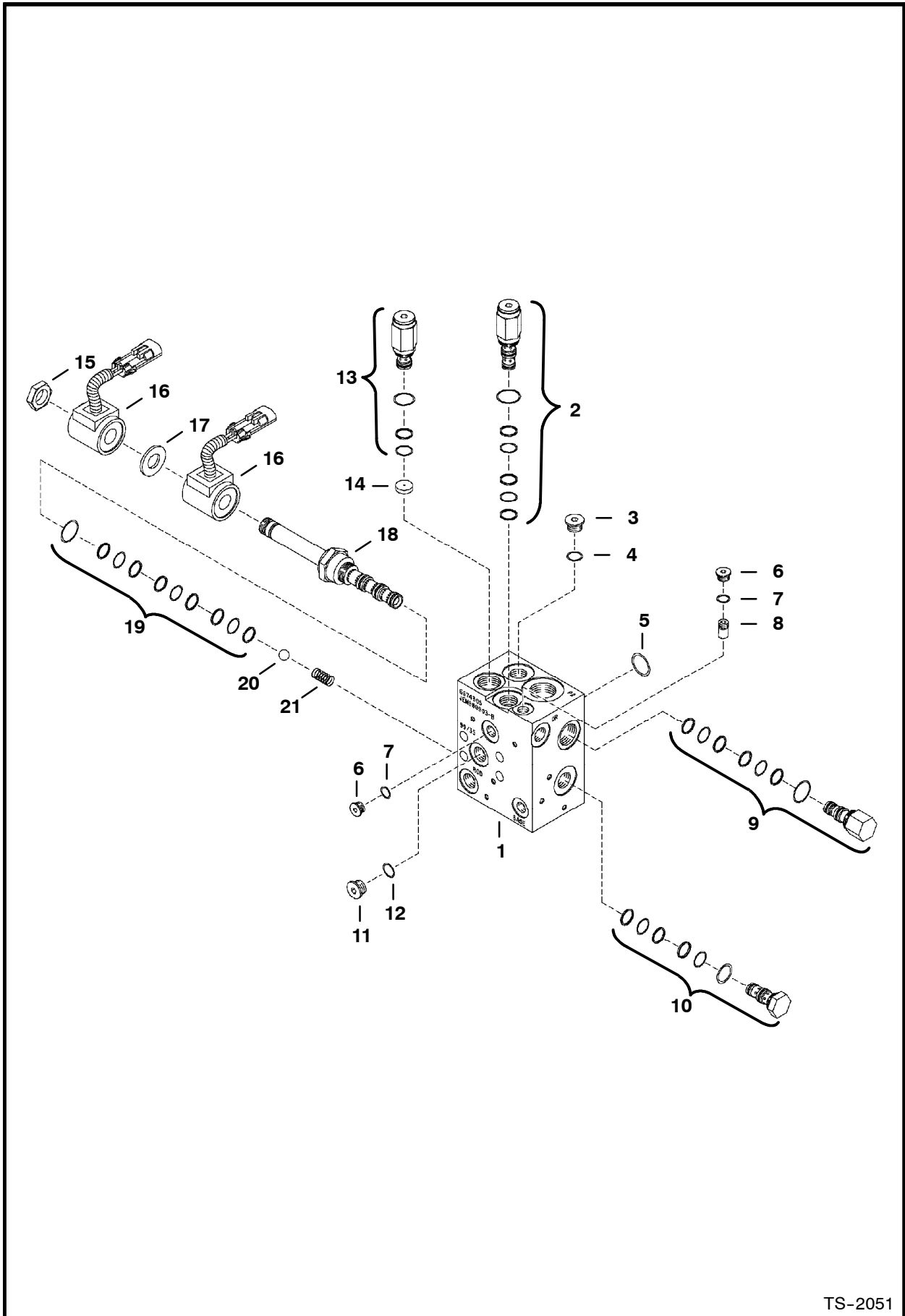




POWER BOB-TACH CYLINDER

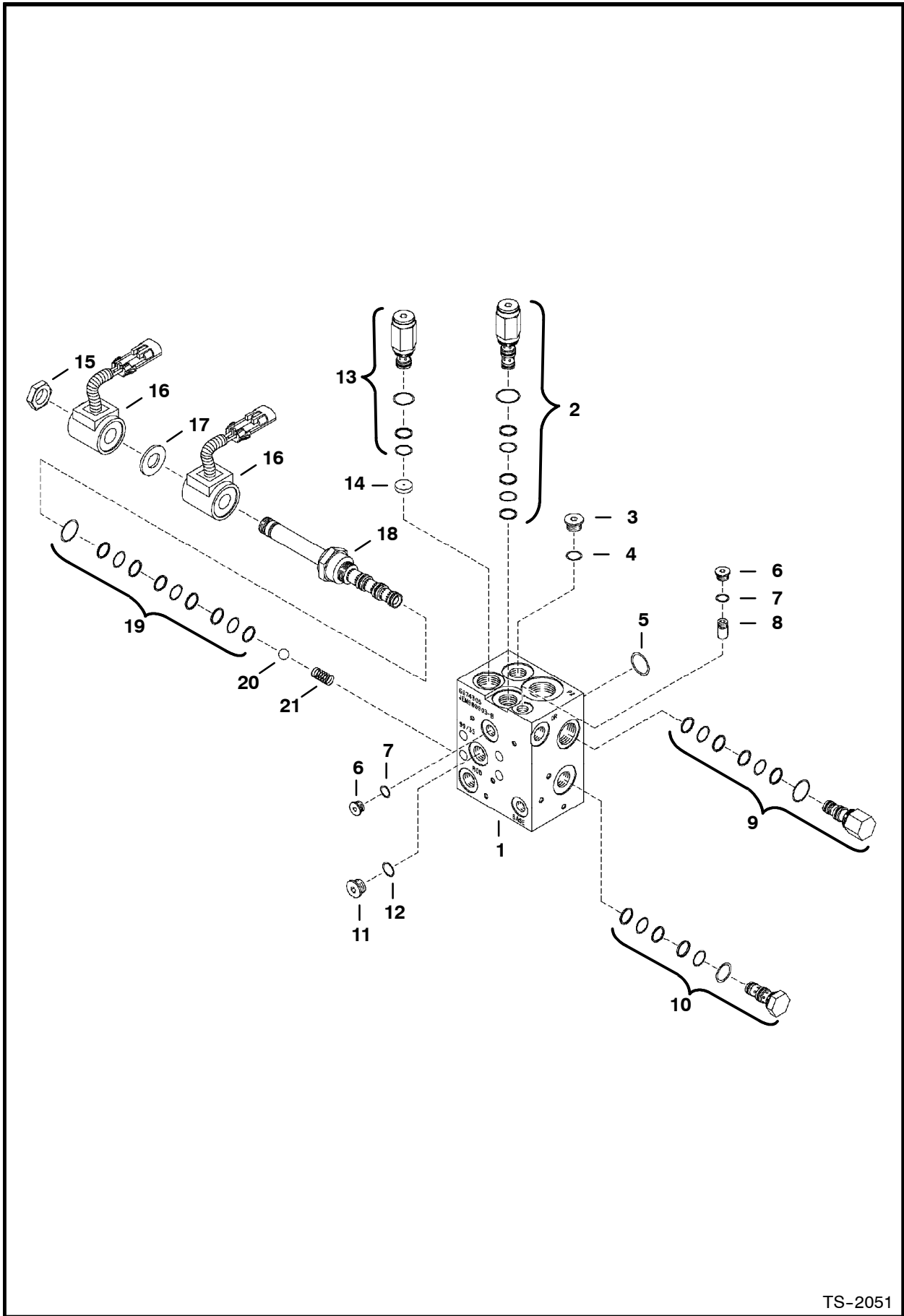
Ref. No.	Part Number	Description	Remarks	Serial Number	Qty.
1	6805158	CYLINDER	Ref. 2 - 16		1
2	6805160	CASE	1.75" (45 mm) I.D.		1
3	6586543	PISTON			1
4	6586542	HEAD			1
5	6807508	SHAFT	1" (25.4 mm) O.D.		1
6	6807092	SPACER			1
7	92D-10	NUT			1
8	54K-30110	O-RING			1
9	6532453	RING			1
10	54K-40116	O-RING			1
11	73K-222	WASHER	back-up		1
12	58K-132	O-RING			1
13	6667323	SEAL	rod		1
14	6666542	SEAL	wiper		1
15	90KV-2	PLUG	W/Ref. 16		2
16	79K-3	O-RING			2
17	6803473	SEAL KIT	Ref. 7 - 14		1

*** POWER BOB-TACH
(Valve Assembly)**



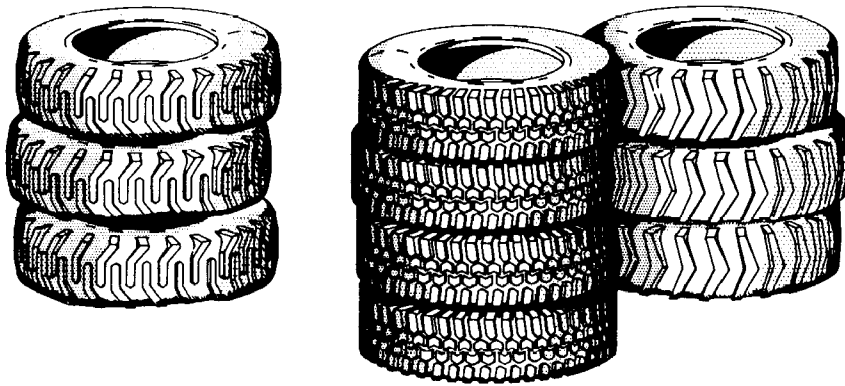
TS-2051

*** POWER BOB-TACH
(Valve Assembly)**



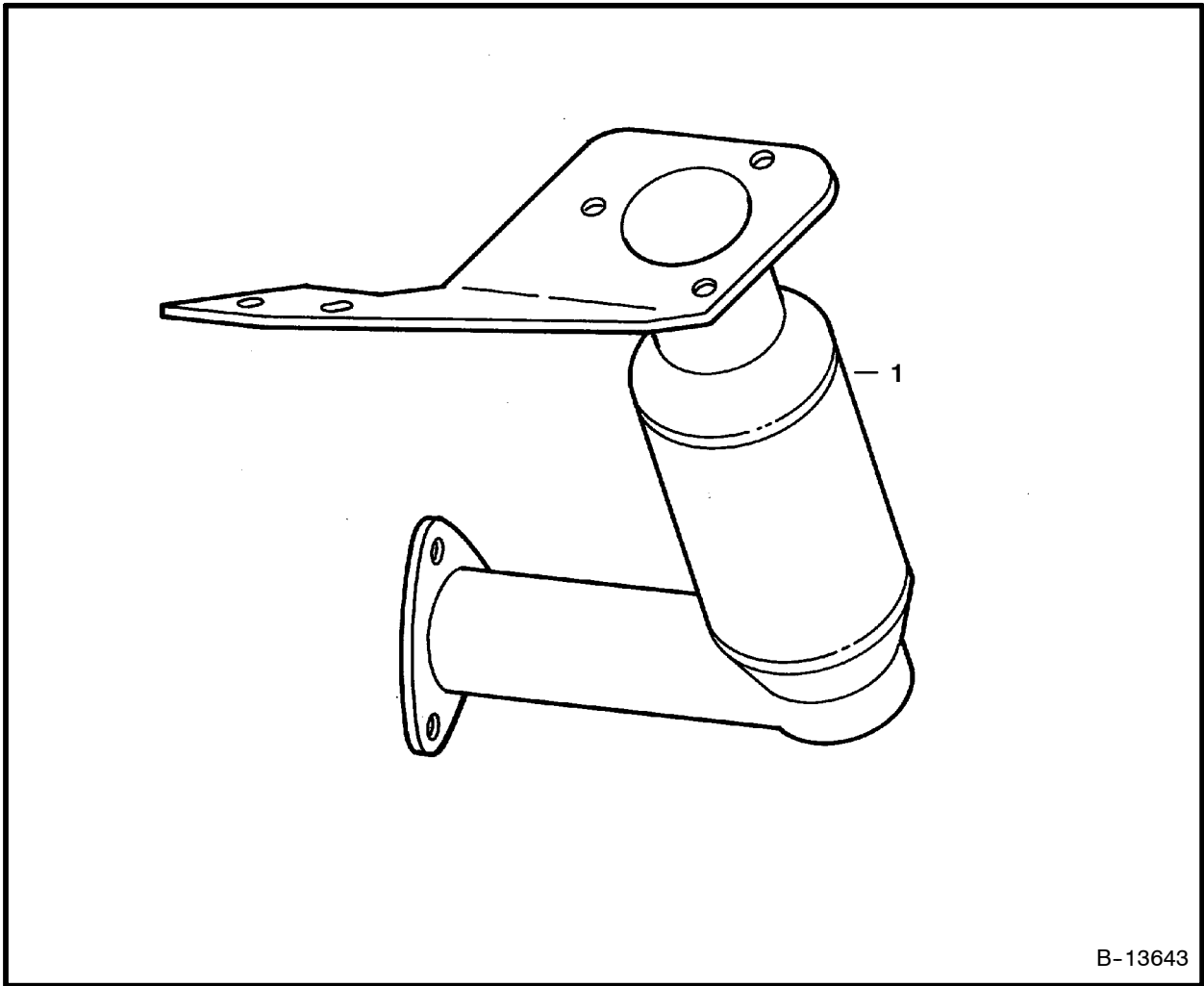
TS-2051

**Use Bobcat replacement
tires to maintain
designed performance specifications.**



Available from Bobcat Parts.



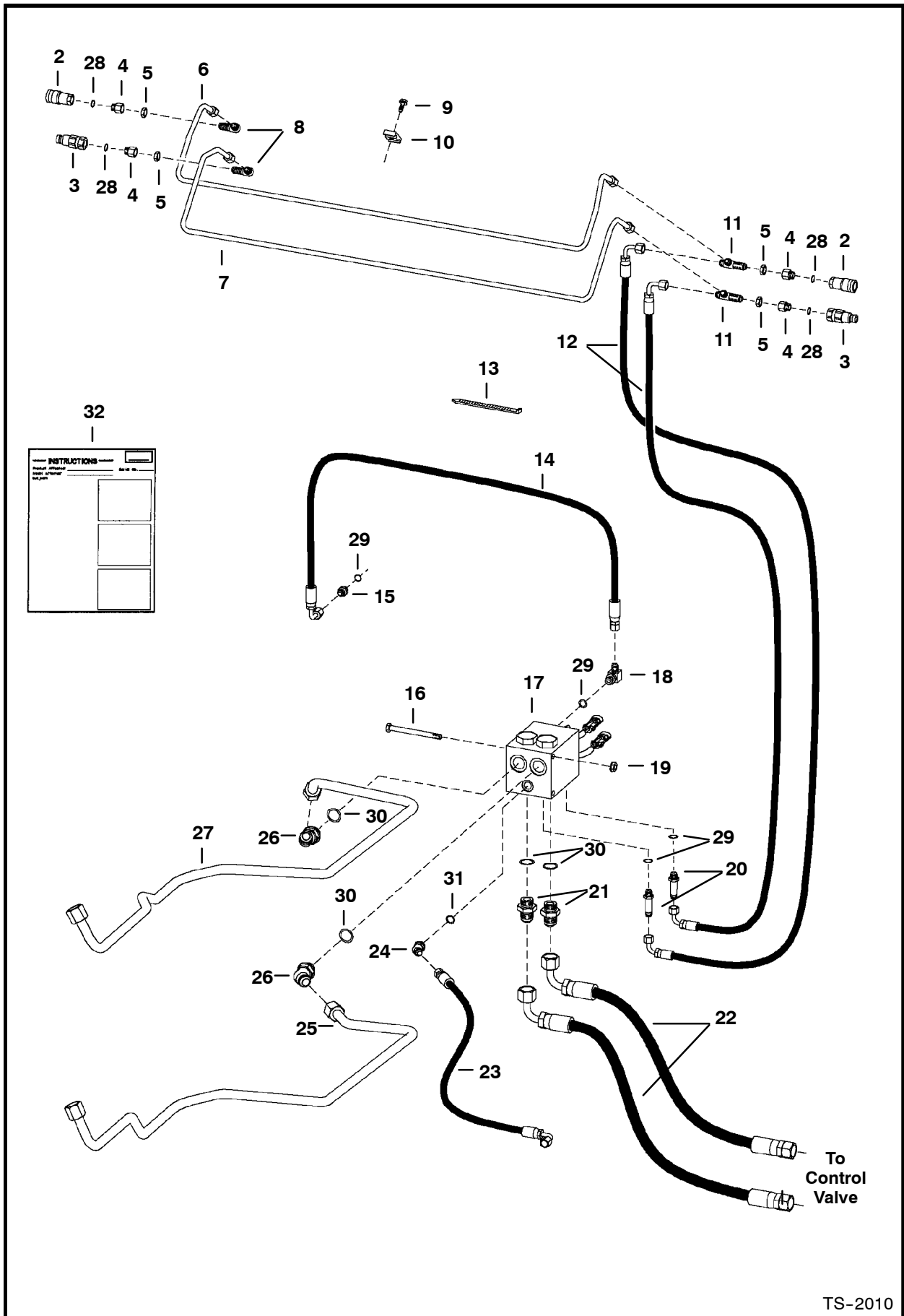


B-13643

PURIFIER

Ref. Part No.	Part Number	Description	Remarks	Serial Number	Qty.
1	6673826	PURIFIER	2 hole mounting - replaces exhaust tube - uses existing hardware & gasket		1

*** REAR AUXILIARY HYDRAULICS KIT**

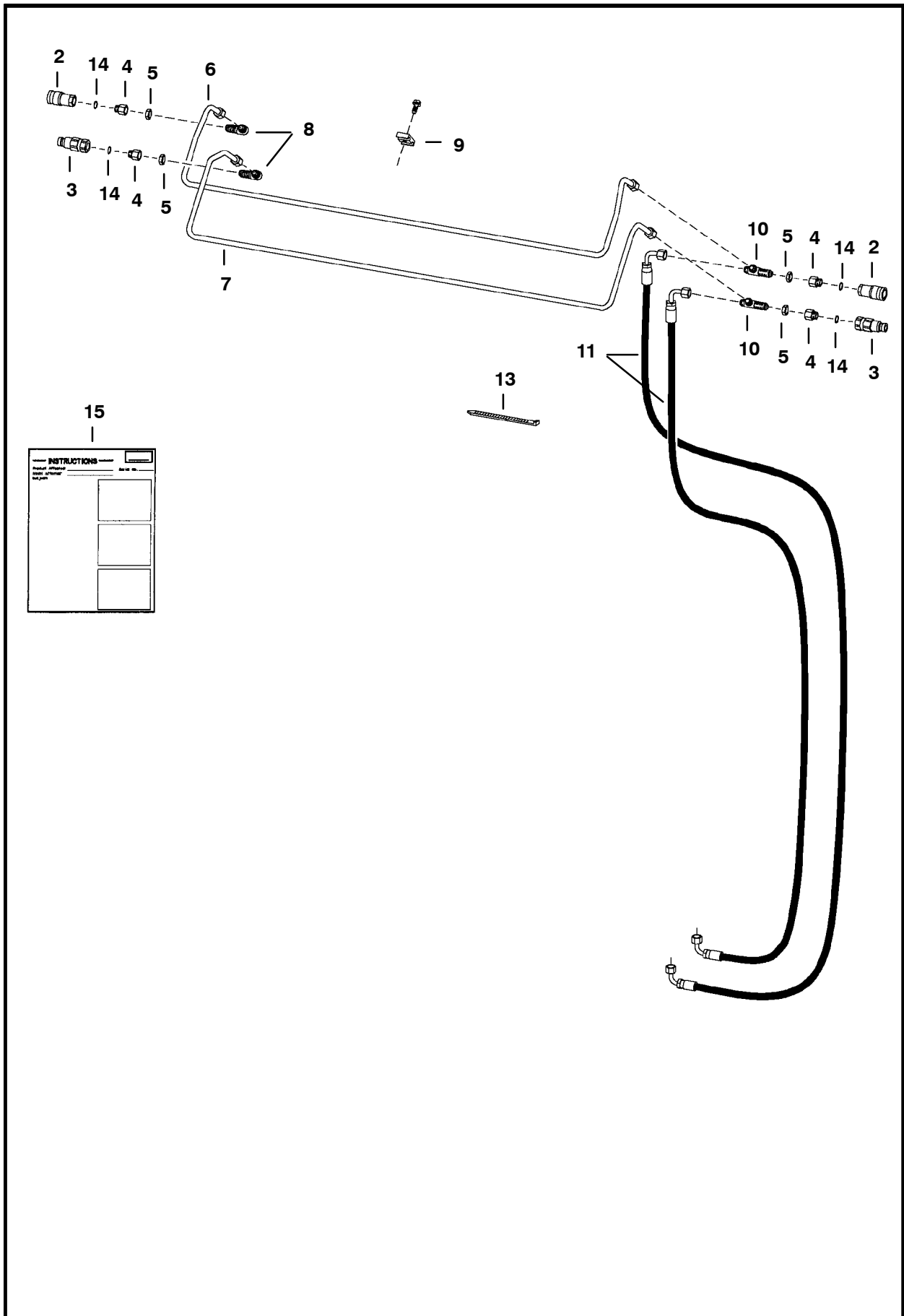


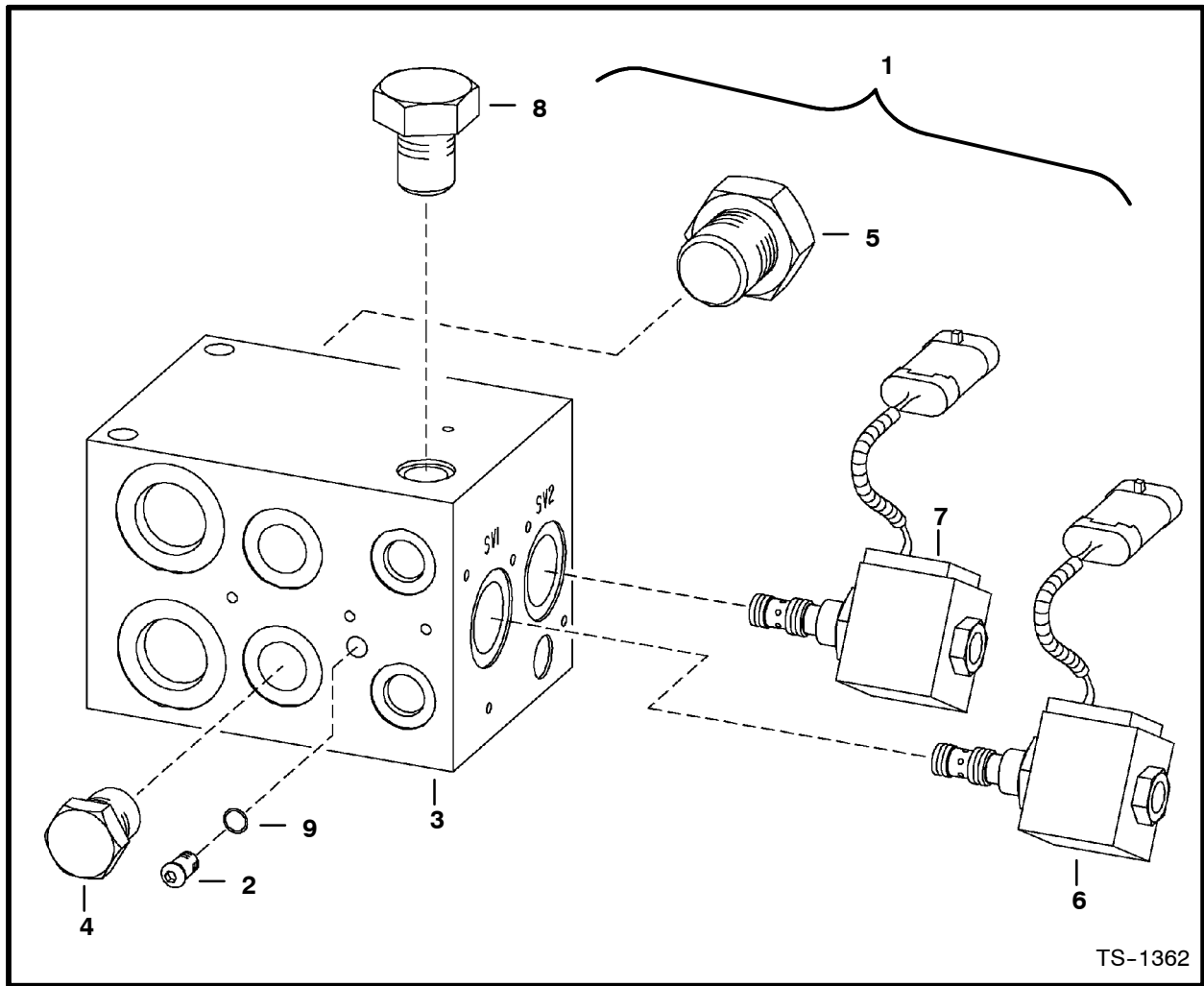
TS-2010

*** REAR AUXILIARY HYDRAULICS KIT (Cont'd)**

Ref. No.	Part Number	Description	Remarks	Serial Number	Qty.
1*	6719601	KIT	Ref. 2-27 & 32		1
2*	6667803	COUPLER	female		1
3*	6667804	COUPLER	male		1
4*	6706633	CONNECTOR	W/Ref. 28		4
5*	86F-5	NUT			4
6*	6719296	TUBELINE			1
7*	6719297	TUBELINE			1
8*	88FN-5	ELBOW			2
*	97K-6	O-RING	flared end		x
9*	84G-3716	BOLT			1
10*	6500989	CLAMP			1
11*	6719298	TEE			2
*	97K-6	O-RING	flared end		x
12*	6719847	HOSE			2
13*	6610510	TIE			2
14*	6537283	HOSE			1
15*	15KV-5	ADAPTER	W/Ref. 29		1
*	97K-6	O-RING	flared end		x
16*	17C-680	BOLT			2
17*		DIVERTER VALVE	See Page 263		1
18*	17KV-5	ELBOW	W/Ref. 29		1
*	97K-6	O-RING	flared end		x
19*	83D-6	NUT			2
20*	16KN-5	ADAPTER	W/Ref. 29		2
*	97K-6	O-RING	flared end		x
21*	15KN-8	ADAPTER	W/Ref. 30		2
*	97K-12	O-RING	flared end		x
22*	6725311	HOSE			2
23*	6587291	HOSE			1
24*	18KN-3	ELBOW	45° - W/Ref. 31		1
*	97K-4	O-RING	flared end		x
25*	6719849	TUBELINE			1
26*	18KN-8	ELBOW	45° - W/Ref. 30		2
*	97K-12	O-RING	flared end		x
27*	6719850	TUBELINE			1
28*	79K-6	O-RING			x
29*	99K-6	O-RING			x
30*	99K-12	O-RING			x
31*	99K-4	O-RING			x
32*	6900935	INSTRUCTIONS			1

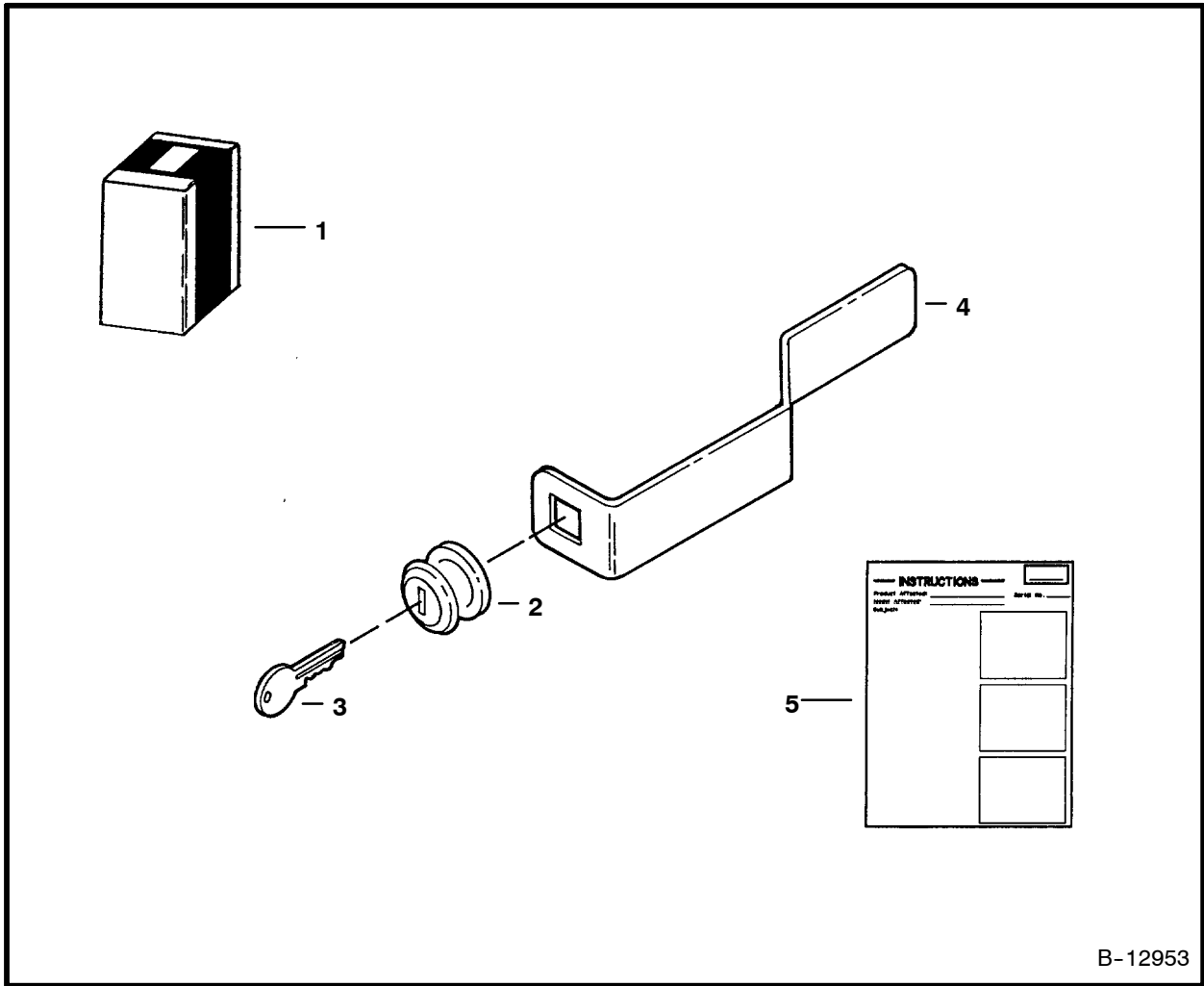
*** REAR AUXILIARY HYDRAULICS KIT
(High Horsepower)**





REAR AUXILIARY VALVE

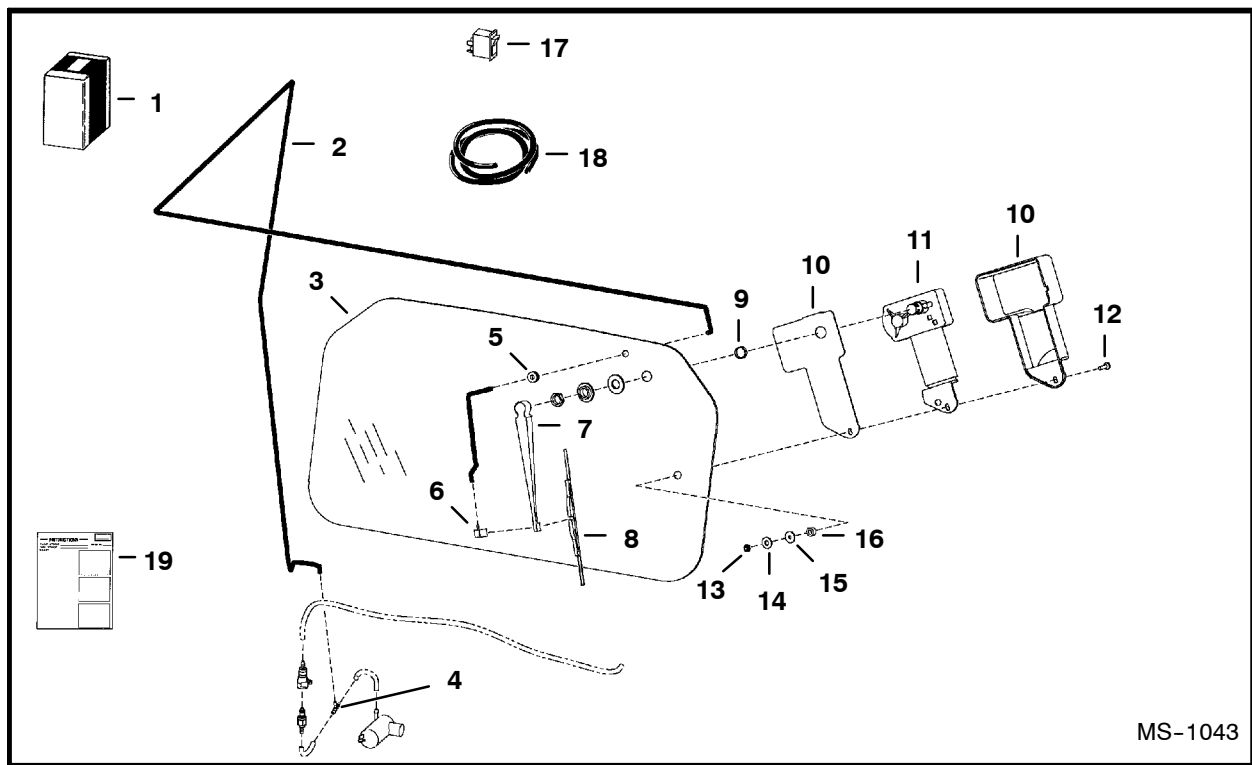
Ref. No.	Part Number	Description	Remarks	Serial Number	Qty.
1	6665572	VALVE	diverter		1
2*	6676152	PLUG	W/Ref. 9 - Was 6653490 [A]		18
3	NSS	BODY			1
4	6664212	CHECK VALVE			2
	6653487	SEAL KIT			2
5	6653484	VALVE			2
	6653485	SEAL KIT			2
6	6669218	VALVE	solenoid - W/Connector - SV2 port		1
	6669190	COIL			1
	6669188	STEM			1
	6669217	SEAL KIT			1
7	6669219	VALVE	solenoid - W/Connector - SV1 port		1
	6669190	COIL			1
	6669189	STEM			1
	6669216	SEAL KIT			1
8	6669187	VALVE			1
	6653487	SEAL KIT			1
9	79K-2	O-RING			x



B-12953

REAR DOOR LOCK

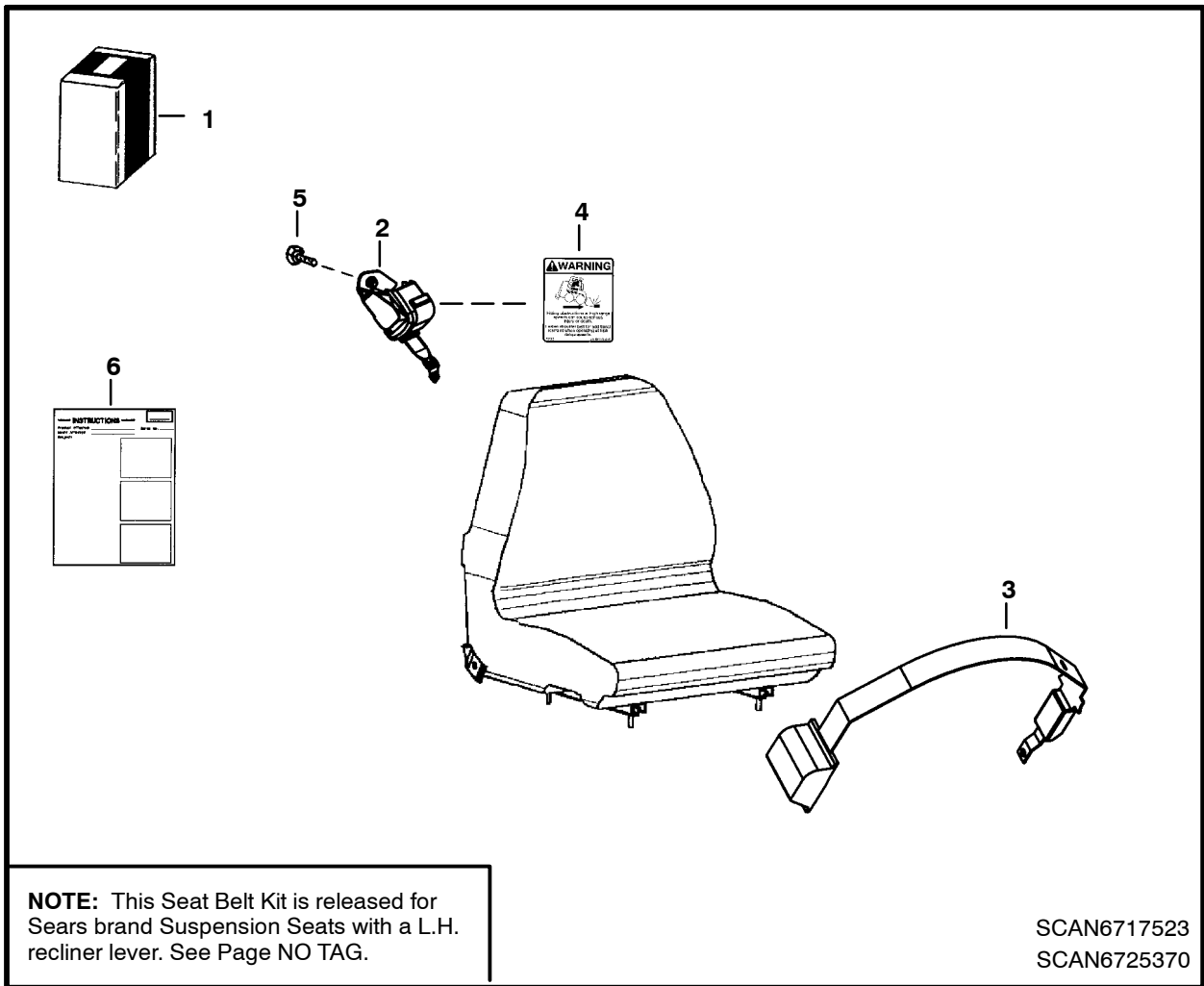
Ref. No.	Part Number	Description	Remarks	Serial Number	Qty.
1	6714973	KIT	lock - Ref. 2-5		1
2	6670726	LOCK			1
3	6672345	KEY			1
4	6714037	LATCH			1
5	6570762	INSTRUCTIONS			1



MS-1043

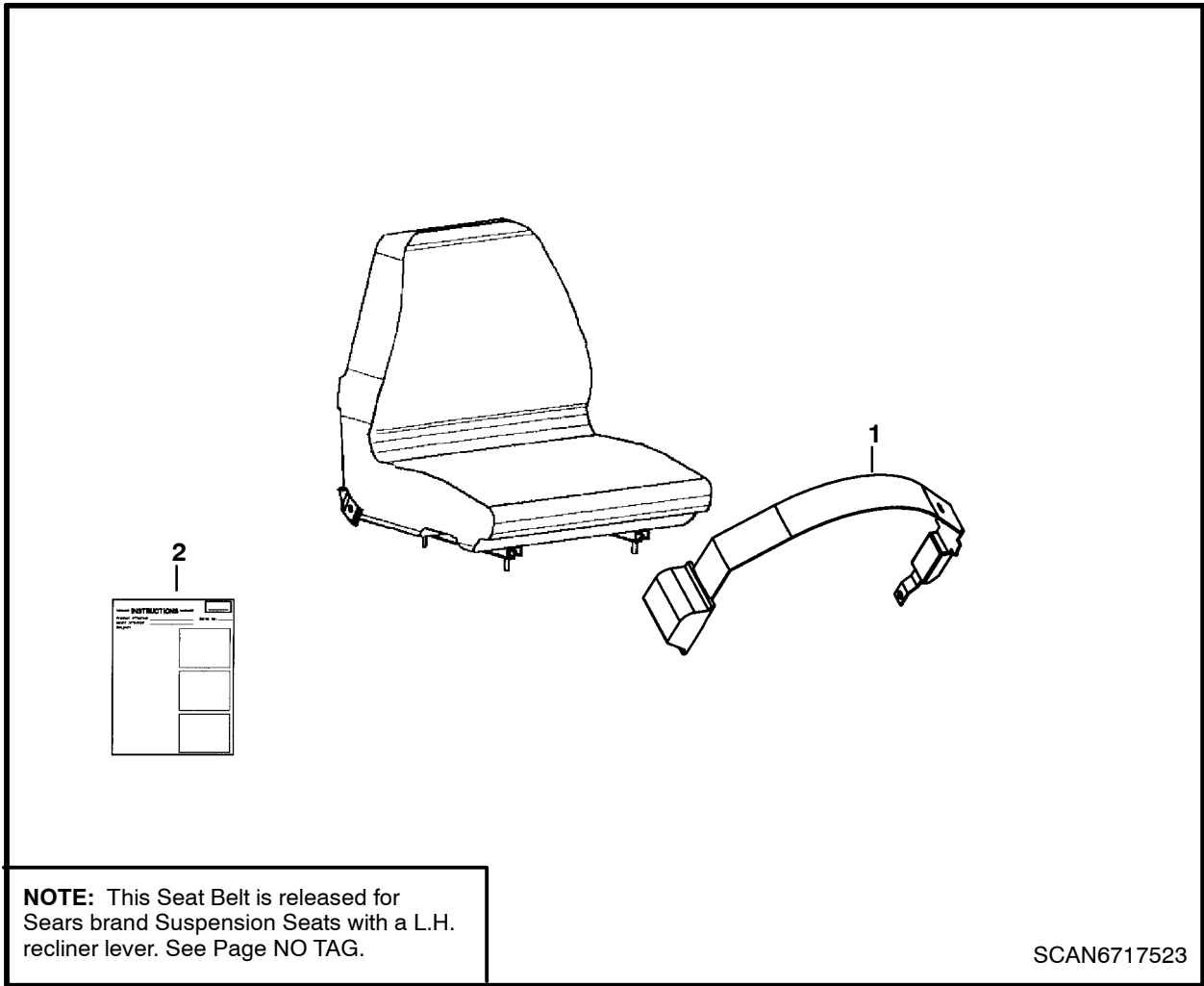
*** REAR WIPER**

Ref. Part No.	Part Number	Description	Remarks	Serial Number	Qty.
1*	6726655	KIT	rear wiper		1
2*	NAP	HOSE	96" (2438,4mm) long - Order Ref. 18		1
3*	6719317	WINDOW			1
4*	6676000	TEE			1
5*	6557493	GROMMET			1
6*	6676028	NOZZLE			1
7*	6676001	ARM			1
8*	6676002	BLADE			1
9*	6667201	SPACER	nylon		1
10*	6664097	COVER	wiper		1
11*	6665602	MOTOR			1
12*	6664566	BOLT			1
13*	6664103	NUT			1
14*	6664065	WASHER	nylon		1
15*	6801059	WASHER	neoprene		1
16*	6664085	BUSHING	nylon		1
17*	6675999	SWITCH			1
18*	6676003	HOSE	bulk - Sold Per Foot		x
19*	6901061	INSTRUCTIONS			1



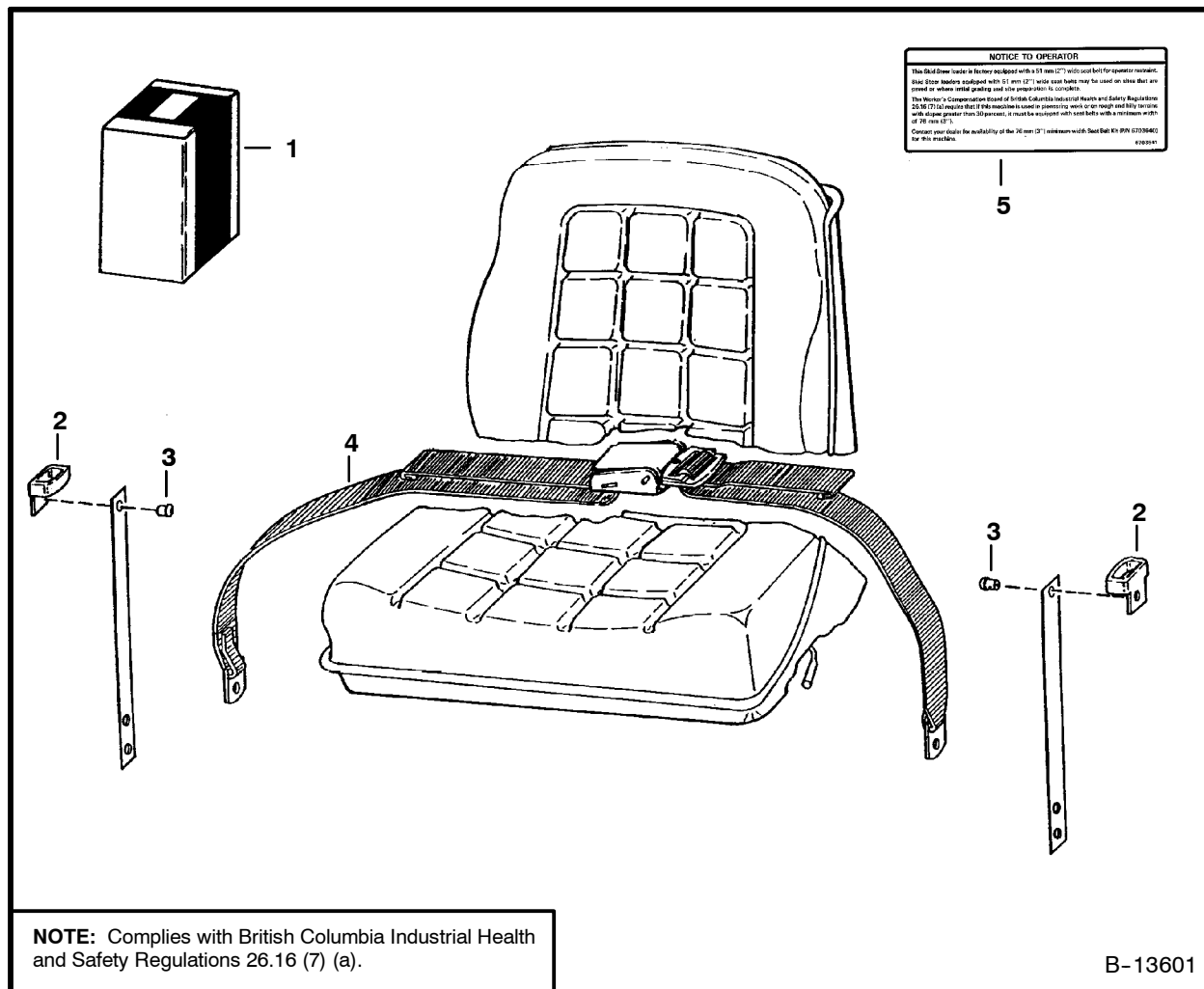
*** SEAT BELT
(Three Point Retractable)**

Ref. No.	Part Number	Description	Remarks	Serial Number	Qty.
1*	6725168	KIT	three point retractable seat belt		1
2*	6674407	SHOULDER BELT			1
3*	6674408	SEAT BELT			1
4*	6725370	DECAL			1
5*	35C-612	BOLT			1
6*	6901010	INSTRUCTIONS			1



*** SEAT BELT
(3" Wide Retractable)**

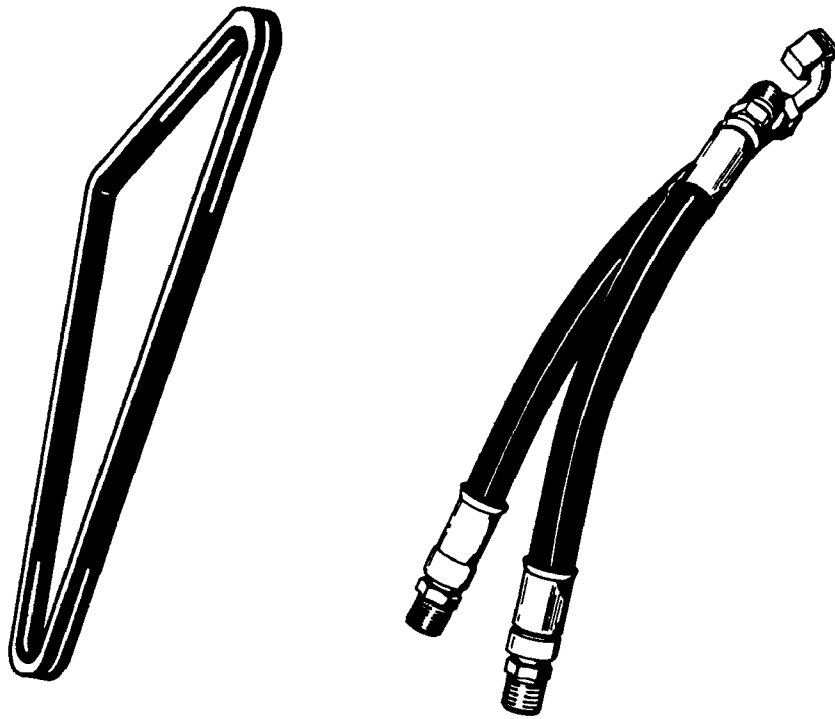
Ref. Part No.	Part Number	Description	Remarks	Serial Number	Qty.
1*	6675562	SEAT BELT	3" wide retractable		1
2*	6901011	INSTRUCTIONS			1



*** SEAT BELT
(3" Wide)**

Ref. Part No.	Number	Description	Remarks	Serial Number	Qty.
1*	6703640	KIT	W/Ref. 2-5		1
2*	6703703	GUIDE			2
3*	6512797	RIVET			4
4*	6659999	BELT			1
5*	6703641	DECAL			

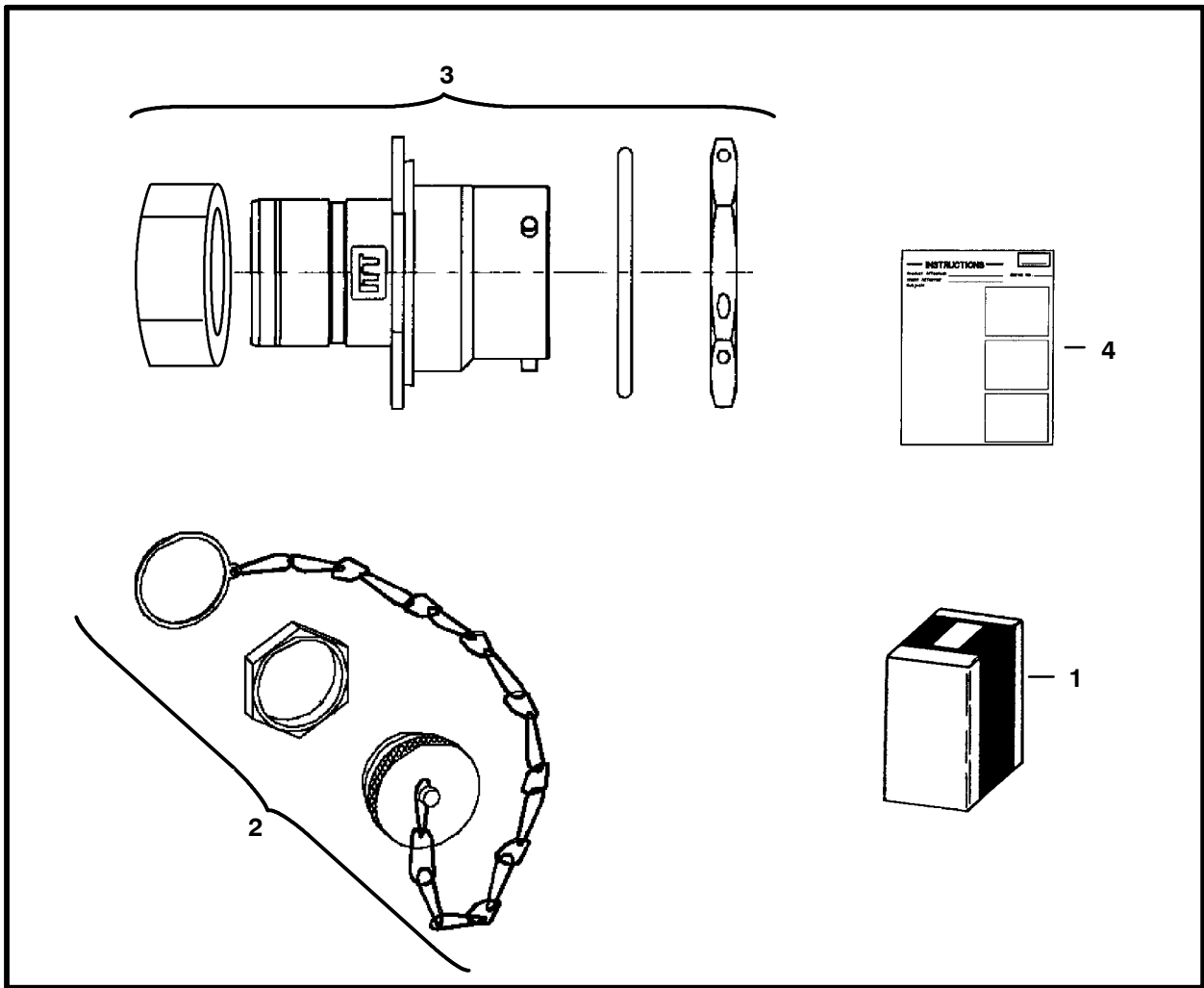
**Use only Bobcat belts and hoses
to maintain maximum service life.**



Available from Bobcat Parts.

BOBCAT

INGERSOLL-RAND



*** SEVEN PIN CONNECTOR KIT**

Ref. No.	Part Number	Description	Remarks	Serial Number	Qty.
1*	6727176	KIT	Ref. 2-4		1
2*	6675026	CAP			1
3*	6674802	CONNECTOR	7-pin		1
4*	6901076	INSTRUCTIONS			1

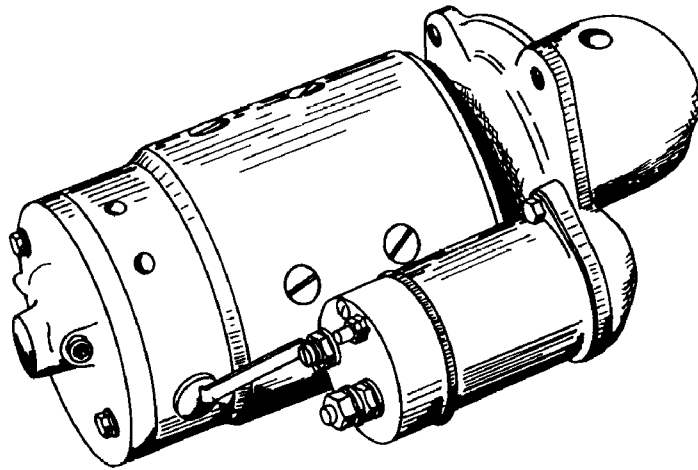
*** SOUND OPTION
(Domestic) (85 db)**

DRAWING NOT AVAILABLE AT TIME OF PRINTING

*** SOUND OPTION (Cont'd)**
(Domestic) (85 db)

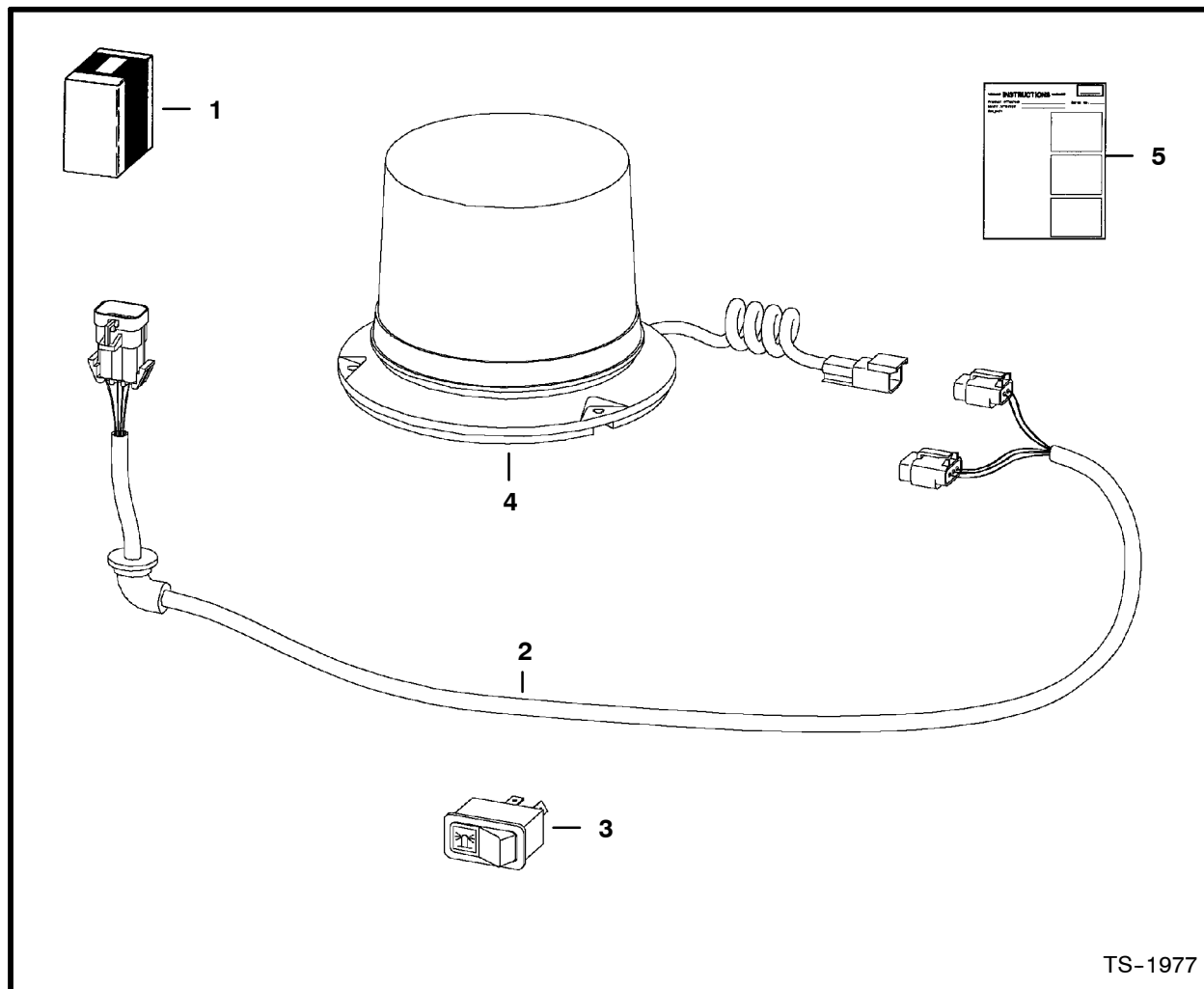
Ref. No.	Part Number	Description	Remarks	Serial Number	Qty.
1*	6562619	BUSHING	throttle		2
*	6562619	BUSHING	throttle - high flow		4
2*	6579399	DECAL	noise warning		1
3*	6579403	DECAL			1
4*	6579541	PULLEY	fan		1
5*	6715428	DECAL	dynamic noise level		1
6*	6725905	BELT	fan		1
7*	6659982	MUFFLER			1
*	6659982	MUFFLER	high flow		2
8*	6705333	MOUNT			1
*	6705333	MOUNT	high flow		2
9*	6715744	SPACER			1
*	6715744	SPACER			2
10*	6719480	HOSE			1
11*	6725270	HOSE			1
12*	17KV-8	ELBOW			2
*	97K-12	O-RING	flared end		x
13*	35C-616	BOLT			2
*	35C-616	BOLT	high flow		4
14*	77FN-8	ELBOW			1
15*	84G-3720	NUT			2
16*	85D-6	NUT			3
*	85D-6	NUT	high flow		6
17*	6715651	ELBOW	high flow		2
18*	6719482	HOSE	high flow		1
19*	6719332	INSULATION	blower housing		1
20*	6703963	INSULATION	crossmember		1
21*	6703964	INSULATION	crossmember		1
22*	6703965	INSULATION	crossmember		1
23*	6703967	INSULATION	fender		2
24*	6709829	INSULATION	air inlet		1
25*	6703969	INSULATION	crossmember		1
26*	6715195	INSULATION	steering panel		1
27*	6719333	INSULATION	blower housing		1
28*	6715106	INSULATION	rear door		1
29*	6719521	INSULATION	pedal shield		2
30*	6719522	INSULATION	transmission		1
31*	6715391	INSULATION	panel shield		1
32*	6715393	INSULATION	panel shield		1
33*	6715434	INSULATION	panel shield		1
34*	6715435	INSULATION	panel shield		1
35*	6719513	MOUNT			1
36*	35C-620	BOLT			1
*	35C-620	BOLT	high flow		2
37*	6719551	INSULATION	panel shield		1
38*	6719552	INSULATION	panel shield		1
39*	6727353	INSULATION	transmission		1
40*	6579385	DECAL	noise warning - high flow		1
41*	6579404	DECAL	noise warning - high flow		1

**Both new and rebuilt starters
are available from Bobcat.**



Available from Bobcat Parts.



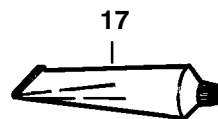
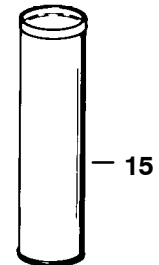
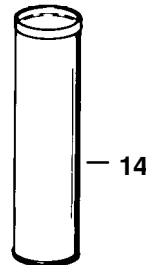
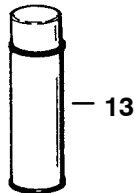
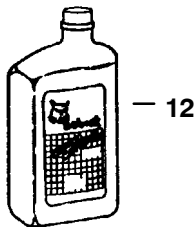
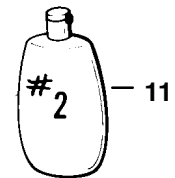
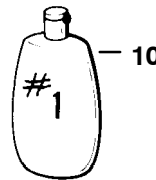
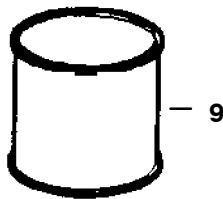
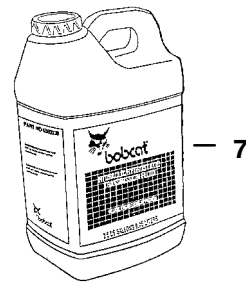
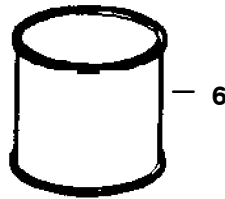
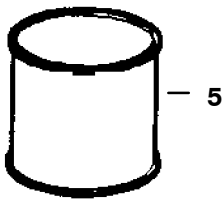
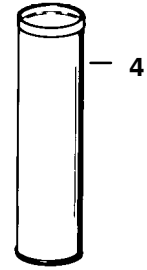
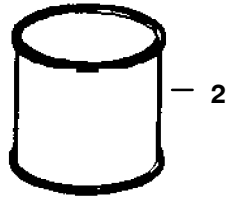
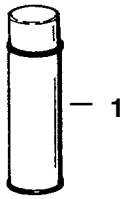


TS-1977

STROBE LIGHT

Ref. No.	Part Number	Description	Remarks	Serial Number	Qty.
1	6719857	KIT	strobe light		1
2	6718872	HARNESS			1
3	6665317	SWITCH			1
4	6675522	STROBE			1
*	6675858	FLASH TUBE			1
5	6900992	INSTRUCTIONS			1

BULK ITEMS
(See Note)



NOTE: Some of these bulk items may not be used on this particular model Bobcat.

NOTE: See Merchandising catalog for more products & information.

NOTE: Paint spray cans are packaged 6 per box. Motor oil quarts are packaged 12 per box. Motor oil 5 gal. jugs are packaged 4 per box.

BULK ITEMS (Cont'd)
(See Note)

Ref. No.	Part Number	Description	Remarks	Serial Number	Qty.
1	6722783	PAINT	orange - Spray Can - See Note		x
	6722786	PAINT	charcoal - Spray Can - See Note		x
	6722789	PAINT	white - Spray Can - See Note		x
2	6722790	PAINT	red - spray can - See Note		x
	6722781	PAINT	orange - Gallon - Also Order Ref. 5		x
	6722782	PAINT	orange - Qt. - Also Order Ref. 5		x
	6722784	PAINT	charcoal - Gallon - Also Order Ref. 5		x
	6722785	PAINT	charcoal - Qt. - Also Order Ref. 5		x
	6722787	PAINT	white - Gallon - Also Order Ref. 5		x
3	6722788	PAINT	white - Qt. Also Order Ref. 5		x
	6724094	ANTI-FREEZE	gallon - PG - premixed		x
	6724354	ANTI-FREEZE	gallon - PG - concentrate		x
4	6633583	SEALANT	chaincase covers		x
5	6653517	REDUCER	gallon		x
6	6653518	PRIMER	gallon		x
7	6657743	PRIMER	spray can		x
	6563328	BLACK GOLD	Hydraulic/Hydrostatic Transmission Fluid - 5 Gallons -		
	6722344	BLACK GOLD	2 - 2 1/2 Gallon Containers Hydraulic/Hydrostatic Transmission Fluid - 5 Gallons		x
	NAP	BLACK GOLD	Container		x
	6563330	BLACK GOLD	30 Gallon Drum		x
			55 Gallon Drum		x
8	6599360	SEALANT	electrical - 3 oz. tube		x
9	6634393	LUBRICANT	90 wt. gear - pint - For use in cooling fan drive assy.		x
10	6630188	POLISH	window-1 (8 oz.)		x
	NAP	POLISH	window-1 (64 oz.)		x
11	6630189	POLISH	window-2 (8 oz.) - scratch		
	NAP	POLISH	remover		x
			window-2 (64 oz.) - scratch		
			remover		x
12	6657303	OIL	30 CE/SG - 1 Qt. - See Note		x
	6657301	OIL	10W30 CE/SG - 1 Qt. - See Note		x
	6657299	OIL	15W40 CE/SG - 1 Qt. - See Note		x
	6724557	OIL	SAE 10W30 - 1 Gallon		x
	6724558	OIL	SAE 15W40 - 1 Gallon		x
	6724559	OIL	SAE 30 - 1 Gallon		x
	6674204	OIL	15W-40 - 2.5 Gallon		x
	6674205	OIL	10W-30 - 2.5 Gallon		x
	6674206	OIL	30W - 2.5 Gallon		x
13	6652818	ADHESIVE	insulation - spray can		x
14	6658266	GREASE	general purpose		x
15	6599719	GREASE	14.5 oz. cartridge - For fan idler		
			bearing		x
16	6650407	ADHESIVE	1 oz. tube		x
17	6650388	SEALANT	flange		x

NUMERICAL INDEX

Part No.	Description	Was	Code	Page
225855	SEAL			26, 52
* 614142	SLEEVE			214
616783	WASHER			30
* 619021	WASHER			20
619021	WASHER			14, 28, 56, 246
654299	BEARING			98, 102
658128	SNAP RING			98, 102
669863	SNAP RING			98, 102
742640	WASHER			150
* 743108	ADAPTER			86
743332	GREASE ZERK			26
774220	NUT			178, 224
799119	SNAP RING			58
872229	WASHER			42, 44, 50, 246
889163	BEARING			198
896979	NUT			197
896984	BOLT			198
896990	WASHER			198
896992	RETAINER			198
896996	WASHER			198
897239	SLEEVE			198
897245	INSULATOR			198
897719	INSULATOR			198
897732	WASHER			198
898731	BULB			241
899157	FAN			197
899163	ROTOR			198
899165	INSULATOR			198
899167	SINK			198
899169	INSULATOR			198
899170	GASKET			198
899374	SEAL			198
899375	DIODE			198
899376	WASHER			198
899377	BOLT			198
899378	DIODE			198
1306637	COTTER PIN			56
1313116	BUSHING			144
1316263	ADAPTER			72
1318565	COTTER PIN			88
1320075	COTTER PIN			240
1522534	RING			53
1530265	SEAL			52
1991038	BEARING			198
5289686	PLUG			200
* 6500989	CLAMP			256, 258
6502203	CLAMP			246
6505082	SPRING			30
6505813	ADAPTER			142
6511855	MOULDING			136
6512026	BUSHING			56

Code for disposition of old part number
 A — Use up
 B — Use on other application (See PNI)

C — File PDR Report with Melroe Parts Sales
 D — Part Number Error

NUMERICAL INDEX (Cont'd)

Part No.	Description	Was	Code	Page
* 6512797	RIVET			264
* 6513152	SEAL			190
6513152	SEAL			136, 188, 226
6513495	COTTER PIN			56, 152
6513908	NUT			162
6514745	SCREW			172
6515007	INDICATOR			142
* 6515131	TERMINAL			214
* 6515576	CLAMP			234
6515817	WASHER			14
6517516	LIGHT			214
6518121	PLUG			148, 168
6518200	GREASE ZERK			90
6518460	PIN			102
6518483	WASHER			102, 106
6518955	SNAP RING			144
6519178	BUMPER			18, 26
* 6530859	HOSE			86
6530859	HOSE			82
6531270	SLEEVE			58
* 6532127	BOOT			122, 218
6532127	BOOT			30, 120
6532453	RING SEAL			248
6532590	TUBE			52
6533898	DECAL			240
* 6537283	HOSE			256
* 6542731	SAFETY TREAD			190
6542731	SAFETY TREAD			186
6547593	PIN			26
* 6553709	WASHER			42
6553709	WASHER			14, 50
6554100	SAFETY TREAD			246
* 6554149	CORD			191
6554149	CORD			186, 196, 200
* 6555351	SEAL			190, 196
6555351	SEAL			188
6555987	BUSHING			26
6557291	BALL JOINT			152
* 6557493	GROMMET			261
6557720	HOSE			142
* 6557831	WASHER			234
6557831	WASHER			90
6557904	FLASHER			214
6558991	BUSHING			26
6559479	NUT			36
6559515	EXIT TAG			196, 200
* 6560172	COVER			126
6560633	DAMPENER			14
6562018	SPRING			28
6562266	CLAMP			52
* 6562619	BUSHING			268

Code for disposition of old part number
A — Use up
B — Use on other application (See PNI)

C — File PDR Report with Melroe Parts Sales
D — Part Number Error

NUMERICAL INDEX (Cont'd)

Part No.	Description	Was	Code	Page
6562619	BUSHING			208
6563328	BLACK GOLD			271
6563330	BLACK GOLD			, 271
6563914	WASHER			56, 90
6564452	GRIP			152
6564654	PIN			56
6564657	PIN			56
* 6565170	CABLE			126
6567146	TEE			82
6567743	PIN			14, 136
6567827	ANGLE			240
6567838	PIN			240
6567962	WASHER			152
6568424	ADAPTER			144
6568425	ADAPTER			144
* 6569203	CLAMP			126
6569219	SCREEN			32, 80, 84
6569498	SPRING ASSY			144
6570762	INSTRUCTIONS			260
6571536	PULLEY			130
6576033	WASHER			144
6576196	BRACKET			90
6576261	COVER			152
6576262	MOUNT			152
* 6576280	BOLT			126
6577058	PIN			90
6577230	MOUNT			90
6577382	SPACER			136
6577394	HINGE			148
6577545	GROMMET			178, 236
6577785	CAP			80, 86
6577821	HOSE			32
6577822	HOSE			32, 136
6577961	GROMMET			30
6578139	LEVER			183
6578140	LEVER			183
6578172	HOSE			32
6578278	PAD			32, 82
6578284	SHIM			154
6578327	HOSE			82
6578773	HOSE			42, 44
6578774	HOSE			42, 44
6579072	SPRING			26
6579104	STOP			28
6579106	SHIM			12, 28
6579326	MOUNT			136
* 6579385	DECAL			268
6579385	DECAL			208
* 6579399	DECAL			268
6579399	DECAL			208
* 6579403	DECAL			268

Code for disposition of old part number
A — Use up
B — Use on other application (See PNI)

C — File PDR Report with Melroe Parts Sales
D — Part Number Error

NUMERICAL INDEX (Cont'd)

Part No.	Description	Was	Code	Page
* 6579404	DECAL			268
6579404	DECAL			208
* 6579406	DECAL	6579403	A	208
* 6579541	PULLEY			268
6579554	HOSE			32
* 6579613	STOP			14, 138
6579641	HOUSING			154
* 6579989	BRACKET			126
6584978	CONDUIT			36
6585860	SPRING			36
* 6586251	HOSE			86
6586459	SEAL KIT			60, 64
6586461	SEAL KIT			60, 64
6586542	HEAD			248
6586543	PISTON			248
6586710	BOLT			144
6586918	SCREW			58
6587182	SWIVEL PIN			144
* 6587291	HOSE			256
6587458	KEY			32
6587523	WASHER			58, 62
6587575	ADAPTER			58
6587580	SPRING			58, 62
6587633	BONNET			58, 62
6587763	BOOT			58, 62
6587765	BUSHING			144
6588074	SPOOL			58, 62
6588781	END CAP			60, 62
6589226	BONNET			58
6589564	WASHER			58, 62
6589565	BUSHING			62
6592098	WASHER			58
6592100	COLLAR			58, 62
6592105	BALL			58
6592107	SPRING			58
6592109	ADAPTER			58, 62
6592115	SEAT			58, 62
6592116	NUT			58, 62
6592117	SPRING			58, 62
6592506	CLAMP			50
6592720	PLUG			60, 64
6592766	U-BOLT			152
6592776	SPACER			53
6595131	SPRING			60, 64
6595663	BUSHING			58, 62
6595951	SLEEVE			58, 64
6596332	SPRING			58, 62
6596569	SEAT			60, 62
6596807	PLUG			58
6596974	CASE			52
6597009	HEAD			53

Code for disposition of old part number
A — Use up
B — Use on other application (See PNI)

C — File PDR Report with Melroe Parts Sales
D — Part Number Error

NUMERICAL INDEX (Cont'd)

Part No.	Description	Was	Code	Page
6597015	ROD			53
* 6597774	HANDLE			122, 218
6597774	HANDLE			118
6597775	LEVER			118
6597776	LEVER			118
6598908	ELBOW			32
6599360	SEALANT			271
6599365	KIT			108
6599719	GREASE			271
6599741	WASHER			90
6599744	BALL JOINT			90
6599931	ALARM			178
* 6610510	TIE			204, 256
6610510	TIE			32, 126, 136, 142, 200, 218
* 6624289	TIE			70, 126, 206, 222, 258
6624289	TIE			234, 246
6626631	CLAMP			136
6628571	VALVE ASSY			58, 62, 66
6628835	SEAL KIT			60, 64
6630164	PULLEY			197
6630188	POLISH			271
6630189	POLISH			271
6630207	RIVET			30
6630340	HOUSING			197
6630341	STATOR			198
6630342	HOUSING			198
6630343	RETAINER			198
6630344	BRUSH ASSY			198
6630345	GASKET			198
6630346	COVER			198
6630348	CAPICITOR			198
6630349	REGULATOR			198
6630350	DIODE			198
6630945	WASHER			152
6631036	BALL JOINT			152
6631067	SEAL			26
6631418	PIN			14, 18, 136
6631561	NUT			68
6632228	RETAINER			130
6632323	WASHER			130
6632429	RETAINER			134
6632430	ROLLER			134
6632432	PLUNGER			134
6632433	GASKET			134
6632434	COVER			134
6632435	BALL			134
6632436	SPRING			134
6632441	SPRING			134
6632823	GASKET			162, 168, 170
6633583	SEALANT			12, 271
6634393	LUBRICANT			154, 271

Code for disposition of old part number
A — Use up
B — Use on other application (See PNI)

C — File PDR Report with Melroe Parts Sales
D — Part Number Error

NUMERICAL INDEX (Cont'd)

Part No.	Description	Was	Code	Page
6634874	O-RING			68
6635557	WASHER			197
* 6640690	PIN			122, 124, 218, 220
6640690	PIN			116, 118, 236
* 6640692	CONNECTOR			122, 124, 218, 220
6640692	CONNECTOR			116, 118
* 6640694	CAP			122, 124, 218, 220
6640694	LOCK			116, 118
* 6640699	CONNECTOR			122, 218
6640699	CONNECTOR			118, 224, 236
* 6640700	LOCK			122, 218
6640700	LOCK			118, 236
* 6641176	SEAL			122, 124, 218, 220
6641176	SEAL			116, 118, 236
* 6641179	CONNECTOR			122, 184, 218
6641179	CONNECTOR			116, 118, 236
* 6641180	LOCK			122, 184, 218
6641180	LOCK			116, 118, 236
6645080	O-RING			102
6645086	PLUG			100, 102
6645088	BOLT			106
6645090	SEAL			98
6645812	BLEEDER			37
* 6646582	PLUG			122, 124, 218, 220
6646582	PLUG			118
6646627	BEARING			154
6646705	MOULDING			136
6646781	SWITCH			178
6647777	PIN			68
6647778	CAP			68
6647780	PLUG			68
6647783	LOAD CHECK			68
6647784	PLUG			68
6647785	SPRING			68
6647786	SEAL KIT			68
6648293	SCREW			68
6648294	SPRING			68
* 6648307	CONNECTOR			124, 220
6649244	BALL STUD			136
6649459	SPACER			198
6649481	BULB			241
6649551	SHOCK			92
6649949	PLUG			30, 200
6650108	SHIELD			48, 74
6650239	SCREEN			32
6650388	SEALANT			271
6650407	ADHESIVE			271
6650627	PLATE			98, 102
6650629	PIN			98, 102
6650630	RETAINER			98, 102
6650634	GASKET			98, 102

Code for disposition of old part number
A — Use up
B — Use on other application (See PNI)

C — File PDR Report with Melroe Parts Sales
D — Part Number Error

NUMERICAL INDEX (Cont'd)

Part No.	Description	Was	Code	Page
6650635	BEARING			98, 104
6650636	PIN			98, 102
6650637	BOLT			102
6650646	O-RING			98
6650647	O-RING			98
6650648	PLUG ASSY			100
6650652	POPPET			98
6650668	BOLT			98, 102
6652018	BOLT			102
6652818	ADHESIVE			271
6652918	NUT			148
6653484	VALVE			259
6653485	SEAL KIT			259
6653487	SEAL KIT			259
6653517	REDUCER			271
6653518	PRIMER			271
6653702	SEAL			154
6653757	SNAP RING			154
6653758	SNAP RING			154
* 6654139	MOULDING			124, 220
6654139	MOULDING			118
* 6654170	BOLT			190
6654170	BOLT STRIKER			186
* 6654806	FUSE			128
6654806	FUSE			120
* 6655399	BUMPER	6714454	B	24
* 6655572	VALVE			70
6655752	GREASE ZERK			37
6655781	BEARING			144
6656155	COVER			246
6657028	O-RING			98, 102
6657067	COVER			98, 102
6657068	PLATE			98, 102
6657299	OIL			271
6657301	OIL			271
6657303	OIL			271
6657376	ELBOW			136
* 6657719	PLUG			196
6657719	PLUG			200
6657743	PRIMER			271
6658122	COVER			106
6658123	COVER			106
6658180	BREATHER			32
* 6658260	SENSOR			126
6658266	GREASE			271
6658460	PIN			98
6659371	NUT			130
6659372	WASHER			130
6659374	SPACER			130
6659375	FAN			130
6659376	BRACKET			130

Code for disposition of old part number
A — Use up
B — Use on other application (See PNI)

C — File PDR Report with Melroe Parts Sales
D — Part Number Error

NUMERICAL INDEX (Cont'd)

Part No.	Description	Was	Code	Page
6659378	BOLT			130
6659379	BEARING			130
6659380	ROTOR			130
6659381	STATOR			130
6659382	BRACKET			130
6659384	RECTIFIER			130
6659385	SCREW			130
6659386	HOLDER			130
6659387	NUT			130
6659388	CONDENSER			130
6659390	HOLDER			130
6659391	NUT			130
6659392	BOLT			130
6659393	REGULATOR			130
6659394	BRUSH			130
6659395	SPRING			130
6659396	SCREW			130
6659397	TERMINAL			130
6659398	COVER			130
6659399	SCREW			130
6659400	CONNECTOR			130
* 6659982	MUFFLER			268
6659982	MUFFLER			208
* 6659999	BELT			264
6660016	RINGS			94
6660018	BEARING			94
6660032	PIN			96
6660033	SPRING			94
6660260	SWITCH			108
6660339	GASKET			76, 106
6660644	CAP			58
* 6660646	PLUG			12
6660814	O-RING			98, 102
6660967	CAP			144
6660995	GREASE RING			144
* 6661022	FILTER			70
6661022	FILTER			80, 84, 107
6661114	CAP			32
6661213	CLAMP			32
6661229	BEARING			144
6661247	FILTER ASSY			88, 108
6661248	ELEMENT			88, 108
6661328	SEAL KIT			60, 64
6661353	LIGHT ASSY			241
6661377	SEAL			144
6661443	STEM			250
6661448	SEAL KIT			77
6661611	ALTERNATOR			130, 148
6661696	CAP			32
* 6661753	PLUG			86
6661787	WASHER			148

Code for disposition of old part number
A — Use up
B — Use on other application (See PNI)

C — File PDR Report with Melroe Parts Sales
D — Part Number Error

NUMERICAL INDEX (Cont'd)

Part No.	Description	Was	Code	Page
6661807	FILTER			107
6661808	KIT			107
* 6662246	CONNECTOR			228, 230
* 6662252	LOCK			228, 230
* 6662257	PIN			228, 230
6662848	CAP			60, 64
6662997	PULLEY			144
6664024	STEM			77
6664025	STEM			77
6664032	SEAL KIT			77
6664033	SEAL KIT			78
* 6664035	CAP			204, 206
6664035	CAP			72
* 6664036	NUT			206
6664036	NUT			204
* 6664037	WASHER			206
6664037	WASHER			204
* 6664040	PIN			206
6664040	PIN			204
* 6664065	WASHER			261
6664065	WASHER			186
* 6664085	BUSHING			261
6664085	BUSHING			186
6664095	ARM			186
6664096	BLADE			186
* 6664097	COVER			261
6664097	COVER			186
* 6664103	NUT			261
6664103	NUT			186
6664178	GASKET			186
6664212	CHECK VALVE			259
6664221	RETAINER			200
6664223	OUTLET			200
6664224	CAP			200
6664368	LIGHT			200
6664554	PUMP			186
6664555	NOZZLE			186
* 6664566	BOLT			261
6664566	SCREW			186
6664882	BUSHING			18
* 6664971	WASHER			128
* 6664972	NUT			128
* 6665000	CLIP			122, 218
6665000	CLIP			118
6665222	RING GEAR			144
6665307	SEAL			144
6665308	SNAP RING			144
6665316	SWITCH			214
6665317	SWITCH			179, 269
* 6665321	RIVET			122, 218
6665321	RIVET			120

Code for disposition of old part number
 A — Use up
 B — Use on other application (See PNI)

C — File PDR Report with Melroe Parts Sales
 D — Part Number Error

NUMERICAL INDEX (Cont'd)

Part No.	Description	Was	Code	Page
* 6665322	RIVET			122, 218
6665322	RIVET			120
* 6665367	BULB			200
* 6665370	PLUG			228, 230
* 6665371	SWITCH			126
* 6665427	BATTERY			126
* 6665568	SEAL			191
6665568	SEAL			186
6665569	WASHER			58, 62
6665570	RING			58, 62
6665572	VALVE			259
* 6665602	MOTOR			261
6665603	OIL FILTER			166
6665701	BUSHING			56, 90
6665702	STEM			78
6665707	SWITCH			186
6665719	PLUG			77, 78, 250
6665846	SEAL			58, 62
6665910	GASKET			142, 168
6665915	GAUGE			80, 84
6666338	WASHER			98, 102
6666341	VALVE			68, 184
6666364	PLUG			96
6666375	CARTRIDGE			174
6666376	CARTRIDGE			174
6666377	COVER			174
6666378	VALVE			174
6666387	PLUG			166
6666388	SNAP RING			160
6666389	CIR CLIP			162
6666393	SEAL RING			156, 162, 166
6666394	SEAL RING			156, 162, 166
6666395	SEAL RING			156, 166, 168
6666396	SCREW			166
6666397	PLUG			157
6666398	NUT			142, 168
6666400	PLUG			166
6666401	O-RING			156, 166
6666402	BOLT			162
6666403	BOLT			172
6666404	SNAP RING			170
6666406	STUD			162
6666407	STUD			142, 168
6666408	O-RING			156, 162
6666409	O-RING			156, 172
6666410	O-RING			156, 162
6666412	BOLT			162
6666416	HOSE			172
6666419	CLAMP			142, 157
6666420	O-RING			156, 172
6666421	PLUG			162

Code for disposition of old part number
A — Use up
B — Use on other application (See PNI)

C — File PDR Report with Melroe Parts Sales
D — Part Number Error

NUMERICAL INDEX (Cont'd)

Part No.	Description	Was	Code	Page
6666426	SEAL RING			156, 162
6666433	BOLT			170
6666434	BOLT			166
6666439	O-RING			156, 166
6666442	NUT			170
6666443	COLLAR			160
6666444	BOLT			170
6666446	PULLEY			170
6666447	PUSH ROD			160
6666448	ARM			160
6666449	SCREW			160
6666450	NUT			160, 162
6666452	BOLT			144
6666453	WASHER			172
6666456	WASHER			170
6666458	BEARING			170
6666459	BEARING			170
6666460	SEAL			156, 160
6666463	BUSHING			170
6666465	SPRING			162
6666466	VALVE			160
6666469	WASHER			162
6666470	PIN			170
6666471	PULLEY			170
6666472	GASKET			156, 157
6666473	GASKET			156, 157
6666474	ARM			160
6666475	CLAW			162
6666476	STOP			162
6666480	SCREW			162
6666481	INSERT			160
6666482	FLANGE			170
6666483	SPRING			162
6666489	SCREW			162
6666490	SEAL			156, 162
6666491	COVER			162, 170
6666492	GASKET			156, 172
6666493	TAPPET			172
6666495	SPRING			172
6666496	PIN			162
6666501	CLAMP			172
6666504	TAPPET			160
6666505	INSERT			160
6666508	TUBE			166
* 6666509	RETAINER	6673155	A	168
6666510	VALVE			166
6666512	SHIM			172
6666513	SHIM			172
6666514	SHIM			172
6666515	SHIM			172
6666516	SHIM			172

Code for disposition of old part number
A — Use up
B — Use on other application (See PNI)

C — File PDR Report with Melroe Parts Sales
D — Part Number Error

NUMERICAL INDEX (Cont'd)

Part No.	Description	Was	Code	Page
6666517	SHIM			172
6666518	SHIM			172
6666519	PIN			160
6666522	FUEL PUMP			32, 172
6666526	VALVE			160
6666527	ADAPTER			172
6666528	DIPSTICK			166
6666530	CAP			166
6666531	TUBE			172
6666542	SEAL			248
6666544	SEAL			53
* 6666571	BULB			179
6666622	CLUTCH			134
6666624	SNAP RING			134
6666628	NUT			134
6666629	WASHER			134
6666630	WASHER			134
6666631	O-RING			134
6666632	O-RING			134
6666633	BOLT			134
6666634	SCREW			134
6666635	SCREW			134
6666637	NUT			134
6666684	BOLT			164
6666686	PIN			164
6666687	NAIL			164
6666688	PIN			164
6666689	PLUG			168
6666690	PLUG			162, 166, 168
6666692	BEARING			164
6666694	PIN			164
6666695	BOLT			160, 164
6666696	BOLT			140
6666697	PLUG			160, 166
6666698	SET SCREW			164
6666699	SEAL RING			156, 168
6666700	STUD			164
6666701	CLAMP			162, 164
6666702	PLUG			166
6666703	PLUG			166
6666707	BOLT			162
6666708	BOLT			173
6666709	STUD			166
6666710	SCREW			164
6666711	BOLT			162
6666712	O-RING			140, 156
6666713	PIN			164
6666714	O-RING			156, 164
6666715	BOLT			162
6666716	PLUG			166
6666717	WASHER			164

Code for disposition of old part number
A — Use up
B — Use on other application (See PNI)

C — File PDR Report with Melroe Parts Sales
D — Part Number Error

NUMERICAL INDEX (Cont'd)

Part No.	Description	Was	Code	Page
6666718	SLEEVE			166
6666719	BOLT			166
6666720	WASHER			162
6666721	LEVER			164
6666722	DOWEL			166
6666723	WASHER			164
6666725	PULLEY			162
6666726	SHAFT			164
6666727	SPRING			164
6666729	SHAFT			164
6666730	SEAL			156, 164
6666731	SEAL			156, 164
6666732	SLEEVE			164
6666733	ARM			164
6666737	BEARING			168
6666738	BEARING			166
6666740	SHAFT			164
6666741	TUBE			166
6666744	SLEEVE			164
6666745	LEVER			164
6666746	NOZZLE			166
6666748	COVER			162, 164
6666749	BREATHER			160, 164
6666750	PIN			173
6666751	PLUG			166
6666753	WASHER			156, 164
6666754	GASKET			160
6666755	GASKET			160
6666757	COVER			164
6666760	SEAL RING			156, 173
6666761	CAP			162
6666762	ADAPTER			140
6666763	FUEL LINE			172
6666766	GROMMET			188
* 6667144	CONNECTOR			122, 218
6667144	CONNECTOR			116, 118
* 6667145	LOCK			122, 218
6667145	LOCK			116, 118
6667170	PUMP			32
6667176	PLUG			68
6667180	SEAL KIT			250
* 6667201	SPACER			261
6667201	SPACER			186
6667291	PISTON			53
6667323	SEAL			248
6667327	SEAL			53
6667352	ELEMENT			32
6667353	FILTER ASSY			32
6667549	VALVE			58, 62
* 6667569	CONNECTOR			206
6667569	CONNECTOR			204

Code for disposition of old part number
 A — Use up
 B — Use on other application (See PNI)

C — File PDR Report with Melroe Parts Sales
 D — Part Number Error

NUMERICAL INDEX (Cont'd)

Part No.	Description	Was	Code	Page
6667676	COVER			68
6667677	O-RING			68
6667680	SNAP RING			68
6667687	VALVE			66
* 6667803	COUPLER			256, 258
6667803	COUPLER			70
* 6667804	COUPLER			256, 258
6667804	COUPLER			70
6667806	COUPLER			70
6667825	STARTER			134
6667844	VALVE ASSY			48, 54, 74
6667896	COOLER			88
6668004	SEAL			37
6668104	MOUNT			148
6668106	TUBE			166
6668107	ADAPTER			168
6668108	WASHER			168
6668109	O-RING			168
6668137	MOTOR			186
6668693	PLUG			168
6668694	SEAL			156, 168
6668763	SHIELD			164
6668765	VALVE			66
6668791	ORIFICE			60, 66
6668820	NUT			66
6668879	DECAL			178
6668887	O-RING			156, 166
6668888	O-RING			157
6668889	PLUG			168
6668890	SHIM			172
6668891	SPRING			172
6668892	BOLT			172
6668893	SPACER			172
6668894	NUT			172
6668895	REPAIR KIT			168
6668897	ADAPTER			166
6668898	GASKET KIT			156
6668899	GASKET KIT			156
6668900	ADAPTER			168
6668901	ADAPTER			168
6668902	SPRING			168
6668903	SPRING			168
6668904	CAP			164
6668905	PIN			168
6668906	REPAIR KIT			172
6668913	KNOB			48, 54, 74
6668935	SEAL RING			156
6668936	SET SCREW			173
6668938	BOLT			166
6668940	CAP			160
6668941	SPRING			166

Code for disposition of old part number
A — Use up
B — Use on other application (See PNI)

C — File PDR Report with Melroe Parts Sales
D — Part Number Error

NUMERICAL INDEX (Cont'd)

Part No.	Description	Was	Code	Page
6668942	BOLT			170
6668943	ROD			170
6668944	SPRING			160
6668945	THERMOSTAT			166
6668948	TUBE			166
6668950	SOLENOID			172
6669057	CHECK VALVE			66
6669066	SEAL RING			148, 168
6669067	WASHER			148, 166
6669085	VALVE			54
6669087	SEAL KIT			54
6669091	CLIP			200, 224
6669187	VALVE			259
6669188	STEM			259
6669189	STEM			259
6669190	COIL			259
6669203	VALVE			70, 77
6669216	SEAL KIT			259
6669217	SEAL KIT			259
6669218	VALVE			259
6669219	VALVE			259
6669224	BOLT			120, 200, 224
6669267	SEAL			52
6669268	SEAL			52
6669345	YOKE			134
6669346	ARMATURE			134
6669347	BEARING			134
6669348	BEARING			134
6669349	BEARING			134
6669350	KIT			134
6669354	SHAFT			134
6669355	HOUSING			134
6669356	SWITCH ASSY			134
6669357	KIT			134
6669358	KIT			134
6669359	BOLT			134
6669360	BUSHING			134
6669361	HOLDER			134
6669362	SPRING			134
6669363	FRAME			134
6669364	PINION			134
6669365	BOOT			134
6669366	BOLT			134
6669367	BOLT			134
6669368	O-RING			134
6669369	PINION			134
6669370	BRUSHES			134
6669371	BRUSHES			134
6669372	COVER			134
6669384	SPEEDY SLEEVE			154
6669395	MAIN BEARING			170

Code for disposition of old part number
A — Use up
B — Use on other application (See PNI)

C — File PDR Report with Melroe Parts Sales
D — Part Number Error

NUMERICAL INDEX (Cont'd)

Part No.	Description	Was	Code	Page
6669396	MAIN BEARING			170
6669397	MAIN BEARING			170
6669402	HOUSING			98
6669403	HOUSING			102
6669405	END CAP			102
6669407	SHAFT			102
6669408	SHAFT			98
6669409	WASHER			98
6669410	SHIM KIT			100
6669411	BEARING			98, 102
6669460	HOSE			42, 44
6669461	HOSE			42, 44
6669530	PUMP			173
6669531	DIPSTICK			166
* 6669549	SOCKET			206
6669549	SOCKET			204
6669615	ORIFICE			77
6669616	CHECK VALVE			250
6669622	SEAL KIT			250
6669643	O-RING			156, 160, 164
6669657	SEAL KIT			70
6669659	SEAL KIT			70
6669674	HOSE			42, 44
6669728	CHECK VALVE			77
6669729	SHUTTLE VALVE			77
6669732	SEAL KIT			66
6669733	SEAL KIT			66
6669734	SEAL KIT			66
* 6669736	SEAL KIT	6675072	A	110
6669736	SEAL KIT			77
6669737	SEAL KIT			78
6670284	LIGHT			241
* 6670287	PLUG			126
6670287	COVER			24
6670298	CLIP			174
* 6670312	SOLENOID			224
6670313	BOLT			157
6670314	SLEEVE			157
6670315	GASKET			156, 157
6670316	MANIFOLD			157
6670555	REPAIR KIT			162
6670627	BREATHER			136
6670634	SEAL KIT			184
6670682	BEARING			146
* 6670706	CONNECTOR			122, 218
* 6670707	CONNECTOR			124, 220
6670707	CONNECTOR			118, 120
* 6670709	CONNECTOR			124, 220
* 6670710	LOCK			122, 218
6670710	LOCK			118
* 6670711	LOCK			124, 220

Code for disposition of old part number
A — Use up
B — Use on other application (See PNI)

C — File PDR Report with Melroe Parts Sales
D — Part Number Error

NUMERICAL INDEX (Cont'd)

Part No.	Description	Was	Code	Page
6670711	LOCK			120
* 6670714	PIN			218
* 6670715	PIN			122, 124, 220
6670715	SOCKET			118
6670726	LOCK			260
* 6670759	SEAL			190
6670820	BOLT			160
6670866	OIL PAN			166
6670867	LATCH			24
6670989	GLOW PLUG			160
6671025	COIL			66, 78, 250, 252
6671026	COIL			77
6671509	COUPLING			102
6671512	BLOCK ASSY			100, 102
6671513	SWASH PLATE			98, 102
6671514	VALVE PLATE			102
6671515	VALVE PLATE			98
6671516	SEAL KIT			100, 104
6671518	BOLT			100
6671527	NUT			184
6671625	TUBELINE			142
6671628	NUT			77, 78
6671629	NUT			77
6671632	VALVE			60, 64
6671669	MODULE			116
6671749	O-RING			96
6671758	O-RING			96
6672026	SEAL KIT			50
6672128	ENGINE			156
6672152	BELT			144
6672173	GASKET			160
6672272	WASHER			241
6672273	SCREW			241
6672274	SCREW			241
6672275	GASKET			241
6672276	LENS			241
6672277	BRACKET			241
6672279	MOUNT			241
6672281	CLAMP			82
6672338	O-RING			37
6672342	WASHER			37
6672345	KEY			260
6672346	PANEL			112, 114
6672347	PANEL			112, 114
6672348	PANEL			112, 114, 200
6672448	VALVE ASSY			78
6672449	VALVE ASSY			77
6672450	VALVE ASSY			77
6672471	VALVE			66
6672486	SEALANT			154
6672489	GASKET			156, 160

Code for disposition of old part number
A — Use up
B — Use on other application (See PNI)

C — File PDR Report with Melroe Parts Sales
D — Part Number Error

NUMERICAL INDEX (Cont'd)

Part No.	Description	Was	Code	Page
6672492	RETAINER			178
6672535	RELIEF VALVE			100, 102
6672583	TRACK			34
6672705	METER			164
6672714	HEAD			160
* 6672756	SEAL KIT			252
6672757	CONTROLLER			72
6672766	CHECK VALVE			48, 82, 86
6672770	COVER			160
6672771	BOLT			160
6672863	SOLENOID			184
6672872	PLUG			166
6672873	PLUG			166
6672874	PLUG			166
6672877	PLUG			168
6672878	PLUG			166
6672879	LINER			168
6672880	BLOCK			166
6672885	GASKET			142
6672886	CAP			164
6672887	BOLT			142
6672889	BEARING			170
6672890	INSERT			170
6672896	RING SET			170
6672898	BOLT			164
6672899	PLUG			164
6672900	BOLT			160
6672902	BOLT			172
6672933	SEAL RING			172
6672934	STA-STRAP			172
6672938	PLUG			157
6672939	O-RING			157
6672942	SET SCREW			162
6672943	WASHER			164
6672945	ARM			164
6672946	ARM			164
6672947	STUD			157
6672948	NUT			157
6672952	BEARING			38, 39
6673150	CRANKSHAFT			170
6673152	PISTON			170
6673153	SHIELD			164
6673154	CAMSHAFT			162
6673156	INJECTOR			172
6673157	INJECTOR			172
6673158	NOZZLE			172
6673159	BOLT			172
6673160	CLAMP			172
6673162	NUT			162
6673163	ROD			162
6673164	CAPSULE			162

Code for disposition of old part number
 A — Use up
 B — Use on other application (See PNI)

C — File PDR Report with Melroe Parts Sales
 D — Part Number Error

NUMERICAL INDEX (Cont'd)

Part No.	Description	Was	Code	Page
6673165	O-RING			162
6673166	WASHER			162
6673167	SPRING			162
6673168	SPRING			164
6673169	FLANGE			166
6673170	MANIFOLD			157
6673171	BOLT			157
6673172	BOLT			157
6673173	TURBOCHARGER			142, 157, 166
6673184	VALVE			58, 62
6673212	BEARING			40
6673789	CAM			92
6673826	PURIFIER			254
6673877	COUPLER			98
6673878	END PLATE			98
6673879	SPACER			100
6673880	O-RING			100
6673881	SEAL			98, 102
6673882	SPRING			100
6673883	GEROTOR			100
6673884	O-RING			98
6673885	PIN			98
6673886	BOLT			98
6673904	SEAL KIT			60
6673910	PUMP			98, 102
6673911	PUMP			106
6673912	PUMP			98, 102
6673913	PUMP			76
6673962	HOSE			142
6673963	CLAMP			142
6673964	HOSE			142
6673966	TEE			142
6673967	KIT			160
* 6673990	PISTON	6664028	A	77
6674000	CLAMP			116
6674017	PLUG			96
6674056	SEAL			94
6674057	WASHER			94
6674058	WASHER			94
6674059	WASHER			94
6674060	WASHER			94
6674061	WASHER			94
6674063	PLUG			94
6674066	SEAL			96
6674138	TRACK			34
6674202	NUT			112, 114
6674204	OIL			271
6674205	OIL			271
6674206	OIL			271
* 6674209	SENSOR			126
* 6674209	SENSOR	6669642	A	32

Code for disposition of old part number
A — Use up
B — Use on other application (See PNI)

C — File PDR Report with Melroe Parts Sales
D — Part Number Error

NUMERICAL INDEX (Cont'd)

Part No.	Description	Was	Code	Page
6674228	PANEL			224
6674229	FILTER			224
6674231	VENT			224
* 6674232	HOSE			234
* 6674234	CONDENSER			234
* 6674235	DRIER			234
6674285	GAS SPRING			136
6674297	SPOOL			62
6674298	SPOOL			62
6674299	SPOOL			62
6674300	SPOOL			62
6674301	SPOOL			62
6674302	SPOOL			62
* 6674315	SENSOR			126
* 6674316	SENSOR			126
6674317	CROSSMEMBER			112
6674337	SPOOL			94
* 6674338	WASHER			96
6674343	SHIM			94
6674344	SPRING			94
6674345	PLUG			94
6674370	SEAL KIT			76
6674371	SEAL KIT			106
* 6674376	RELAY			128
6674400	HOUSING			242
6674401	HOUSING			242
6674402	MOUNT			242
* 6674403	COVER			16
6674403	COVER			112, 114
6674405	BUSHING			18
6674406	SENSOR			18
* 6674407	SHOULDER BELT			262
* 6674408	SEAT BELT			262
6674445	SPACER			250, 252
6674450	HANDLE ASSY			116
6674519	WINDOW			196
6674520	WINDOW			196
6674521	WINDOW			196
6674522	WINDOW			196
6674548	PLUG			250
6674585	SWITCH			246
* 6674666	LATCH			190
6674666	LATCH			186
* 6674667	HANDLE			190
6674667	HANDLE			186
6674702	BOLT			96
6674703	BOLT			96
6674704	BOLT			96
6674705	O-RING			96
* 6674706	STUD			34
6674706	STUD			94

Code for disposition of old part number
 A — Use up
 B — Use on other application (See PNI)

C — File PDR Report with Melroe Parts Sales
 D — Part Number Error

NUMERICAL INDEX (Cont'd)

Part No.	Description	Was	Code	Page
6674707	PLUG			96
6674708	WASHER			96
6674709	SHAFT			94
6674712	PISTON			96
6674713	DISC			96
6674714	DISC			96
6674715	O-RING			96
6674716	COVER			96
6674717	HOUSING			94
6674718	SHAFT			96
6674720	GASKET			96
6674721	HOUSING			96
6674722	SHIM			96
6674723	SHIM			96
* 6674724	NUT			34
6674724	NUT			94
6674725	BEARING			94
6674726	WASHER			96
6674727	SEAL			94
6674728	SEAL			96
6674733	HOUSING ASSY			96
6674734	BUSHING			96
6674735	BRAKE ASSY			96
6674741	KNOB			196, 200, 224
6674786	SOLENOID			60
6674799	ADAPTER			202
* 6674802	CONNECTOR			206, 266
6674802	CONNECTOR			202, 204
6674804	CONTROLLER			118
6674808	SPOOL			58
6674809	SPOOL			58
6674810	SPOOL			58
6674814	SPOOL			58
6674815	SPOOL			58
6674816	SPOOL			58
6674837	AIR CLEANER			174
* 6674838	ACTUATOR			124
6674838	ACTUATOR ASSY			120
6674839	PLUG			94
6674841	SPRING			94
6674842	HOUSING			96
* 6674844	HOUSING ASSY	6660029	A	96
* 6674845	SEAL KIT	6674736	A	96
* 6674846	SEAL	6674730	A	94
* 6674847	SEAL	6660035	A	94
* 6674848	SEAL	6674731	A	94
* 6674849	WASHER			96
6674850	O-RING			96
6674851	O-RING			94
6674852	PLUG			96
6674853	POPPET			94

Code for disposition of old part number
A — Use up
B — Use on other application (See PNI)

C — File PDR Report with Melroe Parts Sales
D — Part Number Error

NUMERICAL INDEX (Cont'd)

Part No.	Description	Was	Code	Page
* 6674855	DISTRIBUTOR	6663061	A	94
6674894	NUT			18
6674895	REATAINER			200
6674933	HEATER			228
6674937	MUFFLER			142
* 6674938	GAS SPRING			190
6674938	GAS SPRING			186
* 6674943	CONTROLLER			204
6674993	CAP			188
* 6675026	CAP			206, 266
6675026	CAP			202, 204
6675033	INSERT			16, 112, 114
* 6675075	HOSE			234
* 6675076	HOSE			234
6675099	HORN			236
6675134	GAS SPRING			14
6675135	GAS SPRING			14
6675136	GAS SPRING			14
6675140	SNAP RING			14
* 6675154	HOLDER			128
* 6675155	FUSE			128
6675170	SEAT BELT			20
6675171	CLAMP			112, 114
6675172	BRACKET			224
6675173	ACTUATOR			224
6675174	BODY			224
6675175	BRACKET			224
6675176	SWITCH			224
6675177	KNOB			224
6675179	FLANGE			224
6675180	VENT			224
6675181	PLUG			224
6675212	RETAINER			196
* 6675215	WINDOW			191
6675234	CAM			94
6675249	HANDLE ASSY			118
6675250	HANDLE ASSY			118
6675257	BUSHING			14
* 6675270	HOSE			234
* 6675273	WASHER			24
* 6675278	FILTER			86, 126
6675278	FILTER			82
* 6675281	MOUNT			204, 206
* 6675292	ALTERNATOR			132
6675298	COUPLER			188
6675299	COUPLER			188
6675308	KIT			22
6675309	KIT			22
6675310	KIT			22
6675311	KIT			22
6675312	KIT			22

Code for disposition of old part number
A — Use up
B — Use on other application (See PNI)

C — File PDR Report with Melroe Parts Sales
D — Part Number Error

NUMERICAL INDEX (Cont'd)

Part No.	Description	Was	Code	Page
6675313	KIT			22
6675314	KIT			22
6675315	KIT			22
6675316	KIT			22
6675317	SCISSORS			20
6675318	KIT			22
6675319	SEAT			20
6675320	SEAT			20
6675321	SEAT			20
6675322	SEAT			20
6675323	KNOB			20
6675336	BULB			242
6675337	BULB			112, 114
6675375	ROTATING GROUP			96
6675378	CLIP			188
* 6675387	EXTRUSION	6674524	A	196
6675387	SEAL			200
* 6675389	SWITCH	6675246	A	204
6675390	ALARM			112, 114
6675460	HOSE			172
6675461	FUEL LINE			172
6675468	HANDLE ASSY			116
* 6675469	HANDLE			122, 218
6675470	SWITCH			112, 114
* 6675495	CONTROLLER			204
6675497	BLOWER ASSY			228, 230, 232
6675498	COIL			228, 230
6675499	HOUSING			228, 230
6675500	COVER			228, 230
6675501	PLATE			228, 230
6675502	PLATE			228
6675503	HOUSING			228, 230
6675504	RING			228, 230
6675505	BLOWER WHEEL			228, 230
6675506	MOUNT			228, 230
6675507	COVER			228, 230
6675508	HARNESS			228, 230
6675509	MOTOR			228, 230
6675510	CLAMP			228, 230, 232
6675511	DRAIN VALVE			228, 230, 232
6675512	CLAMP			228, 230, 232
6675513	GROMMET			228, 230, 232
6675514	SEAL			228, 230
6675522	STROBE			269
6675523	BEACON			179
6675524	CLIP			16
* 6675533	COIL			234
6675533	COIL			230, 232
* 6675534	BLOCK VALVE			234
6675534	BLOCK VALVE			230, 232
* 6675536	MOUNT			234

Code for disposition of old part number
A — Use up
B — Use on other application (See PNI)

C — File PDR Report with Melroe Parts Sales
D — Part Number Error

NUMERICAL INDEX (Cont'd)

Part No.	Description	Was	Code	Page
6675536	BRACKET			230
* 6675537	COVER			234
6675537	PLATE			230
* 6675538	O-RING			234
6675538	O-RING			230, 232
6675539	HOSE			230
* 6675544	CANVAS CAB			193
* 6675545	GROMMET			196
6675545	GROMMET			200
* 6675546	SEAL			196
6675546	SEAL			200
* 6675558	SEAL			190
* 6675558	SEAL	6669390	A	186
* 6675562	SEAT BELT			263
* 6675581	EXTINGUISHER			211
* 6675586	MOTOR			94
* 6675590	DOOR			193
* 6675591	HINGE KIT			193
* 6675595	SEAT			20
* 6675596	SEAT			20
6675607	INSULATION			228
6675608	INSULATION			228
6675609	INSULATION			228
6675610	INSULATION			228
6675611	SEAL			228, 235
6675612	INSULATION			228
6675613	INSULATION			228
6675614	INSULATION			228
* 6675663	NUT	6671628	A	110
* 6675667	COMPRESSOR			234
* 6675684	VALVE			224
6675684	VALVE			224
* 6675685	HOSE			234
* 6675694	ADHESIVE			196
* 6675695	HEATER ASSY			182
* 6675708	ELEMENT			182
* 6675731	COIL	6675071	A	110
* 6675734	TIE			128
* 6675741	SENSOR			122, 218
* 6675742	LEVER			122, 218
* 6675749	HANDLE			122, 218
* 6675750	LEVER			122, 218
* 6675779	PRESSURE SWITCH			234
* 6675790	THERMOSTAT			234
* 6675790	THERMOSTAT	6675535	A	230
6675790	THERMOSTAT			232
* 6675824	O-RING			234
* 6675825	O-RING			234
* 6675828	CLUTCH			234
* 6675833	SEAL			196
* 6675839	BELT			148

Code for disposition of old part number
 A — Use up
 B — Use on other application (See PNI)

C — File PDR Report with Melroe Parts Sales
 D — Part Number Error

NUMERICAL INDEX (Cont'd)

Part No.	Description	Was	Code	Page
6675846	POTENTIOMETER	6675178	A	224
* 6675858	FLASH TUBE			269
* 6675866	SPOOL			94
* 6675867	WASHER			96
* 6675982	PLUG			112, 114
* 6675999	SWITCH			261
* 6676000	TEE			261
* 6676001	ARM			261
* 6676002	BLADE			261
* 6676003	HOSE			261
* 6676003	HOSE	6708310	A	186
* 6676028	NOZZLE			261
* 6676034	KIT			22
* 6676062	VALVE			234
* 6676063	KIT			234
* 6676064	VALVE			250
* 6676065	SEAL KIT			250
* 6676066	BALL			250, 252
* 6676067	SPRING			250, 252
* 6676068	VALVE			250
* 6676069	SEAL KIT			250
* 6676070	ORIFICE			250, 252
* 6676071	O-RING			250
* 6676073	RELIEF VALVE			250
* 6676074	SEAL KIT			250
* 6676152	PLUG	6653490	A	259
* 6676153	CONTROLLER			124
* 6676155	RELIEF VALVE			78
* 6676172	WASHER			128
* 6676198	VALVE	6665626	A	58, 62
* 6676249	STEM	6666616	B	60, 64
* 6676338	GAS SPRING			22
* 6676347	ORIFICE			252
* 6676347	ORIFICE	6669615	A	250
* 6676399	VALVE CORE			234
* 6676445	COUPLER			50
* 6676447	COUPLER			50
* 6676495	VALVE ASSY	6672965	A	110
* 6676498	NOZZLE			188
* 6676499	GROMMET			188
* 6676500	ELBOW			188
* 6676501	CLIP			188
* 6676509	STEM	6675069	A	110
* 6676514	CONTROLLER			206
* 6676515	CONTROLLER			206
* 6676516	NUT			226
* 6676536	SWITCH			114
* 6676538	INSULATION			234
* 6676539	CLIP			234
6676539	CLIP			232
* 6676540	O-RING			222

Code for disposition of old part number
 A — Use up
 B — Use on other application (See PNI)

C — File PDR Report with Melroe Parts Sales
 D — Part Number Error

NUMERICAL INDEX (Cont'd)

Part No.	Description	Was	Code	Page
* 6676547	VALVE			252
* 6676553	CONTROLLER	6672349	A	126
* 6676561	HVAC ASSEMBLY			232
* 6676562	HEATER			228
* 6676567	HEAD			160
* 6676568	GASKET			160
* 6676571	GASKET			160
* 6676572	GASKET			160
* 6676597	O-RING	6660044	A	94
* 6676603	HEATER COIL			232
6676604	COVER			232
* 6676723	CROSSMEMBER			114
* 6676905	HOUSING ASSY			96
* 6676906	SEAL KIT			96
* 6676907	BLOCK	6675376	A	94
* 6676908	HOUSING			96
* 6676909	DISTRIBUTOR			94
* 6676910	SEAL			94
* 6676917	ELBOW			188
* 6676918	HOSE			188
* 6676927	FELT STRIP			196
* 6676984	BRACKET			232
* 6677105	COVER			232
* 6677108	HOUSING			232
* 6677109	COVER			232
* 6677111	SEAL			232
6677111	SEAL			235
* 6677113	TIE			232
* 6677114	SEAL			232
* 6677115	RECEPTACLE			232
* 6677116	RETAINER			232
* 6677117	SCREW			232
* 6677118	SCREW			232
* 6677119	SCREW			232
* 6677121	CAP			234
* 6677122	CAP			234
* 6677136	SOCKET			206
6677136	SOCKET			204
* 6677147	RELIEF VALVE			252
* 6677148	SEAL KIT			252
* 6677149	CHECK VALVE			252
* 6677150	SEAL KIT			252
* 6677151	VALVE			252
* 6677152	SEAL KIT			252
* 6677153	STEM			252
* 6677155	VALVE			252
* 6677156	SEAL KIT			252
* 6677157	O-RING			252
* 6677158	PLUG			252
* 6677159	PLUG			252
* 6677201	SOLENOID	6665084	B	60, 64

Code for disposition of old part number
A — Use up
B — Use on other application (See PNI)

C — File PDR Report with Melroe Parts Sales
D — Part Number Error

NUMERICAL INDEX (Cont'd)

Part No.	Description	Was	Code	Page
* 6677370	DECAL			116, 118
6700115	SPRING			144
6700170	WASHER			36, 152
6700533	SPACER			26
* 6700599	TEE	6515714	B	88
6700631	GASKET			80, 84
6700768	U-BOLT			90
6700772	PANEL			30
6700782	CAP			154
* 6701097	WASHER	6803867	A	136
6701159	SHIM			144, 154
6701160	CLIP			144
6701174	WASHER			14
6701187	BELLCRANK			152
6701449	FILLER TUBE			32
6701535	SPRING			18, 90
6701573	LIFT EYE			238
6701574	LIFT EYE			238
6701892	CLAMP			42, 44
* 6701893	CLAMP			42
6701893	CLAMP			42, 44
6701950	SPRING PLATE			30
6701951	MOUNT			30
* 6702079	HOSE			70
6702102	GEAR			154
6702103	GEAR			154
6702135	SHAFT			154
6702140	WASHER			154
6702144	SHIM			154
6702164	SPACER			12
6702165	SHIM			154
6702166	SHIM			154
* 6702402	SHIELD			215
* 6702444	FUSE			128
* 6702444	FUSE	6674892	D	120
6702474	RETAINER			144
6702543	LEVER			90
6702593	SPACER			178
6702621	GRIP			116
6702716	BLOCK			90
6702903	LEVER			28
6702904	LEVER			28
6702935	PIN			26
6702958	BUSHING			28
6702971	BOLT			14
* 6702990	BUSHING			122, 218
6702990	BUSHING			118
6703216	CLAMP			70
6703349	GRIP			118
6703363	BUSHING			26
6703483	PULLEY			136

Code for disposition of old part number
A — Use up
B — Use on other application (See PNI)

C — File PDR Report with Melroe Parts Sales
D — Part Number Error

NUMERICAL INDEX (Cont'd)

Part No.	Description	Was	Code	Page
6703551	BRACE			30
* 6703640	KIT			264
* 6703641	DECAL			264
* 6703703	GUIDE			264
6703727	DECAL			236
6703879	BUSHING			90
6703880	BELLCRANK			90
* 6703963	INSULATION			268
6703963	INSULATION			12
* 6703964	INSULATION			268
6703964	INSULATION			12
* 6703965	INSULATION			268
6703965	INSULATION			12
* 6703967	INSULATION			268
6703967	INSULATION			12
* 6703969	INSULATION			268
6703969	INSULATION			12
6704146	BRACKET			240
6704147	BRACKET			240
6704240	PIVOT ASSY			28
6704242	WEDGE			28
6704248	PIVOT			28
6704287	BUSHING			26
6704288	PIN			26
6704436	PAD			26
6704443	BUSHING			144
6704444	WASHER			144
6704453	SPRING			152
6704630	HOSE			86
6704786	DECAL			240
6704820	O-RING			144
6704823	BRACKET			142
* 6704892	RIVET			206
* 6704892	RIVET	84G-1908	B	204
6704907	SPACER			136
6705047	BUSHING			12
6705052	BALL STUD			136
6705091	TAB			26
6705106	WASHER			148
* 6705333	MOUNT			268
6705333	MOUNT			208
6705452	LEVER			152
6705749	SHIELD			82
6705921	HANDLE ASSY			236
6706096	BRACKET			90
6706098	GUIDE			90
6706105	YOKE			56
6706106	MOUNT			92
6706354	INLET			82, 86
6706517	SCREW			32, 80, 84, 136
6706568	KIT			72

Code for disposition of old part number
A — Use up
B — Use on other application (See PNI)

C — File PDR Report with Melroe Parts Sales
D — Part Number Error

NUMERICAL INDEX (Cont'd)

Part No.	Description	Was	Code	Page
6706572	SET SCREW			152
* 6706633	CONNECTOR			256, 258
6706735	KIT			72
6706790	HOSE			48, 74
6706807	PIN			238
6706825	LIFT EYE			238
6706857	BLOCK			12
* 6706982	INSULATION			14
6707002	KIT			238
6707077	HOUSING ASSY			154
6707101	SEAL			48, 54, 74
6707313	MOUNT			36
6707314	PEDAL LOCK			36
6707315	BRACKET			36
6707337	SWITCH			36
6707514	SHIM			28
6707518	SHAFT			154
6707519	HOUSING ASSY			136, 154
6707582	BRACKET			142
6707607	IDLER			144
6707654	SPINDLE			144
6707674	PLUG			30
6707697	WASHER			144
6707698	WASHER			144
6707699	PIVOT			144
6707714	STOP			146
6707726	MOUNT			178, 236
6707757	MOUNT			148
6707758	HOSE			82
6707852	DECAL			186
6707903	LEVER			152
6707904	ROD			152
6708009	LINK			56
6708043	BUSHING			56
6708189	TUBE			14
6708314	BUSHING			152
6708445	PULLEY			146
6708517	BUSHING			26
* 6708580	ADAPTER			126
6708642	HOUSING ASSY			154
6708831	HOSE			82
6708987	HINGE			12
6709022	LEVER			152
6709052	MOUNT			152
6709168	ELBOW			148, 166
6709508	ELEMENT			180
* 6709509	CORD			182
6709509	CORD SET			180
6709510	ADAPTER			180, 181
6709511	WASHER			180, 181
6709513	GASKET			180, 181

Code for disposition of old part number
 A — Use up
 B — Use on other application (See PNI)

C — File PDR Report with Melroe Parts Sales
 D — Part Number Error

NUMERICAL INDEX (Cont'd)

Part No.	Description	Was	Code	Page
6709514	HEATER ASSY			180
* 6709527	KEY			186, 190
6709527	KEY			112, 114
6709822	TUBE			168
* 6709829	INSULATION			268
6709829	INSULATION			210
6709840	NUT			180, 181
6709914	TUBELINE			140
6709921	SHIELD			144
6709958	HOSE			142
6709959	CABLE			152
6710166	BOOM STOP			26
6710192	KIT			180
6710301	BRACKET			42, 44
6710435	HARNESS			72
6710488	MOUNT			32
6710659	BUSHING			18
6710791	COOLER			140
* 6711217	SHIELD			88
6711334	PIN			26
6711404	BUSHING			28
6711516	STOP			28
6711524	REAR DOOR			24
6711526	HINGE			24
6711527	LATCH PLATE			24
6711628	ADAPTER			70
6711644	LEVER			92
6711664	GUIDE			24
6711674	BRACKET			70
6711718	ELEMENT			181
6711720	CORD SET			181
6711721	HEATER ASSY			181
6711873	KIT			181
* 6711908	SPRING PLATE			16
6711913	BRACKET			70
6712143	HOSE			140
6712144	HOSE			140
* 6712365	STEP			124
6712365	STEP			118
6712397	CONTROL			118
6712398	CONTROL			118
6712524	HARNESS			72
* 6712536	PAN			126
6712599	BRACKET			50
* 6712885	HOSE			82
6712970	PULLEY			136
6713040	SPRING			28
* 6713043	SPACER			122, 218
6713043	SPACER			118
6713156	BUSHING			28
6713342	PULLEY			144

Code for disposition of old part number
A — Use up
B — Use on other application (See PNI)

C — File PDR Report with Melroe Parts Sales
D — Part Number Error

NUMERICAL INDEX (Cont'd)

Part No.	Description	Was	Code	Page
* 6713349	GRIP			122, 218
* 6713382	BELT			136
6713526	STOP			28
6713589	CLEVIS			18
* 6713595	CLAMP	6513595	D	80
6713595	CLAMP			84
6713653	GASKET			142
* 6713670	CABLE			126
6713787	BRACKET			142
6713792	MOUNT			178
6713793	BRACKET			178
6713803	HARNESS			198
6713823	BUSHING			12
6713843	BRACKET			148
6713887	BOLT			18
6713893	MOUNT			148
* 6713898	COVER			122, 218
6713898	COVER			118
6713901	BELT			148
6713920	SHIM			152
6714037	LATCH			260
6714126	DOOR STOP			24
6714134	ELBOW			72
6714210	SPRING			24
6714500	TUBE			148, 168
6714509	COVER			24
6714542	HOSE			50
6714576	PIVOT			246
6714665	MOUNT			26, 50
* 6714726	PLUG			124
6714726	PLUG			118
6714810	PIN			26
6714856	HOSE			48
6714856	HOSE	6713084	A	74
6714973	KIT			260
* 6714979	BRACKET			126
* 6714999	MOUNT			50
* 6715096	INSULATION			210
* 6715106	INSULATION			268
6715106	INSULATION			208
* 6715131	BRACE			126
* 6715132	RETAINER			126
6715142	FAN			136
6715143	SET SCREW			136
6715157	STRIKER ASSY			24
6715163	BUSHING			90
6715164	SLEEVE			92
6715183	ELBOW			32
* 6715187	TEE			184
6715187	TEE			42, 44
* 6715195	INSULATION			268

Code for disposition of old part number
 A — Use up
 B — Use on other application (See PNI)

C — File PDR Report with Melroe Parts Sales
 D — Part Number Error

NUMERICAL INDEX (Cont'd)

Part No.	Description	Was	Code	Page
6715195	INSULATION			208
* 6715197	CLAMP			126
6715216	FLYWHEEL ASSY			144
6715251	HOSE			80
6715287	BUSHING			148
6715318	TOOL HOLDER			24
6715365	HARNES			116, 200
6715380	MOUNT			144, 148
* 6715391	INSULATION			268
6715391	INSULATION			208
* 6715393	INSULATION			268
6715393	INSULATION			208
* 6715428	DECAL			268
6715428	DECAL			208
* 6715434	INSULATION			268
6715434	INSULATION			208
* 6715435	INSULATION			268
6715435	INSULATION			208
6715436	HOSE			208
6715459	HOSE			72
* 6715651	ELBOW			208, 268
6715659	HARNES			178
6715717	ADAPTER			208
* 6715718	ELBOW			88
6715718	ELBOW			82
* 6715744	SPACER			268
6715744	BUSHING			208
6715748	AXLE			39
6715749	AXLE			38
6715750	AXLE			40
6715759	BRACKET			38
6715764	IDLER ASSY			34, 38
6715765	IDLER ASSY			34, 39
6715766	ROLLER ASSY			34, 40
6715821	SPROCKET			34
6715860	SEAT BAR			18
6715863	BRACKET			18
6715864	BUSHING			18
6715865	BUSHING			18
6715866	BUSHING			18
6715878	CONNECTOR			82, 86
6715957	COVER			118
6715972	FRAME			34
6716000	HOSE			48, 74
6716007	FRAME			34
* 6716010	COVER			12
6716010	COVER			34
6716011	TUBE			37
6716089	ADAPTER			70
6716090	ADAPTER			50
6716116	MOUNT			90

Code for disposition of old part number
A — Use up
B — Use on other application (See PNI)

C — File PDR Report with Melroe Parts Sales
D — Part Number Error

NUMERICAL INDEX (Cont'd)

Part No.	Description	Was	Code	Page
6716117	LINK			90
6716176	HOSE			88
6716225	SPACER			150
6716226	BRACKET			148
6716243	CONNECTOR			82, 86
6716286	LINK			90
6716408	SPACER			148
6716419	HARNESS			241
* 6716449	BUMPER			86
6716449	BUMPER			82
6716463	HOSE			48, 84
6716464	HOSE			74
6716471	TEE			88
6716506	TUBELINE			80, 84
6716545	ROD			90
6716572	LOUVER			136
6716574	LOUVER			136
6716601	PIN			26
* 6716621	COVER			126
* 6716826	BOLT			122, 218
6716826	BOLT			118
6716858	SPACER			36
6716916	WASHER			92
6716987	COVER			34
* 6717146	SPACER			190
6717146	SPACER			186
* 6717163	HANDLE			122, 218
6717163	HANDLE			118
6717173	REDUCER			82, 86
* 6717247	HARNESS			126
6717306	ADAPTER			82
* 6717339	HOSE	6710277	A	32
6717351	SHIELD			142
6717352	TUBE			142
6717360	WINDOW			186
* 6717369	BRACKET			190
6717369	BRACKET			186
6717370	HOSE			80
* 6717375	MOUNT			234
6717378	BOLT			44, 120
6717393	LEVER			118
6717401	PLUG			32
6717402	BUSHING			32
6717478	INLET			136
6717495	HOSE			142
6717498	HOSE			142
6717515	INSULATION			200
6717516	INSULATION			16
6717517	INSULATION			200
6717518	INSULATION			200
6717519	INSULATION			200

Code for disposition of old part number
A — Use up
B — Use on other application (See PNI)

C — File PDR Report with Melroe Parts Sales
D — Part Number Error

NUMERICAL INDEX (Cont'd)

Part No.	Description	Was	Code	Page
6717520	INSULATION			200
* 6717579	GASKET			126
6717579	GASKET			32
* 6717593	HINGE			190
6717593	HINGE			186
6717643	DUCT			224
6717644	DUCT			224
6717662	TEE			80, 84
6717682	SHIELD			12
6717686	SHIELD			12
6717691	ROLLER			40
6717694	IDLER			38
6717706	COIL			60, 64
6717728	IDLER			39
6717730	GRILL			136
6717731	SHIELD			136
6717802	SEAL			40
6717811	SEAL			38, 39
6717823	BAR	6710329	B,D	56
6717842	DECAL			246
6717858	MOUNT			150
6717870	TRACK			196
6717871	TRACK			196
6717872	TRACK			196
6717873	TRACK			196
6717874	WINDOW			196, 200
6717933	CLAMP			42, 44
6717933	CLAMP	6717951	B	50
* 6718031	CROSS			82
6718031	CROSS			74
* 6718034	FUSE			128
* 6718034	FUSE	6674893	D	120
* 6718072	HOSE			208
* 6718073	HOSE			208
6718101	COVER			16
6718145	HOSE			48
6718158	TUBELINE			50
6718159	TUBELINE			50
6718161	TUBE			42, 44
6718162	TUBE			42, 44
6718167	TUBE			42, 44
6718175	SCREEN			224
6718201	LEVER ASSY			120
6718202	LEVER ASSY			120
6718253	TUBELINE			70
6718283	RETAINING NUT	6706104	B,D	56
6718295	HARNESS			186
6718303	MAIN FRAME	6709924	B,D	12
6718305	PANEL	6716681	B,D	30
* 6718310	PULLEY			234
6718326	MOUNT			214

Code for disposition of old part number
A — Use up
B — Use on other application (See PNI)

C — File PDR Report with Melroe Parts Sales
D — Part Number Error

NUMERICAL INDEX (Cont'd)

Part No.	Description	Was	Code	Page
6718337	TRACK TENSIONER			34, 37
* 6718376	HINGE			190
6718376	HINGE			186
* 6718389	DECAL			124
6718389	DECAL			118
6718395	DECAL			118
* 6718397	DECAL			124
6718397	DECAL			118
6718411	KIT			214
* 6718416	SENDER			126
* 6718417	SENDER			126
6718426	HARNESS			202
6718487	PANEL	6710647	B,D	30
* 6718503	HOSE			88
6718503	HOSE			80
* 6718506	PIN			124
6718506	PIN			120
* 6718520	COVER			190
6718520	COVER			188
* 6718521	HANDLE			190
6718521	HANDLE			186
6718538	BUSHING			26
6718544	BUSHING			12
6718545	BUSHING			12
* 6718555	HOSE			82
6718562	HOUSING			136
6718576	HOSE			80, 84
6718579	DECAL			224
6718580	PANEL			200
6718652	HARNESS			246
* 6718659	HOUSING			128
6718660	TEE			82, 86
* 6718704	DECAL			124
6718704	DECAL			118
* 6718726	MOUNT			86, 184
6718726	MOUNT			44, 82
6718750	MOUNT			202
6718752	BOB-TACH			28
* 6718757	HOUSING	6711630	A	136
6718773	HOSE			88
* 6718774	DECAL			126
* 6718780	HOSE			84
* 6718780	HOSE	6673954	A	80
* 6718781	HOSE			84
* 6718781	HOSE	6673955	A	80
* 6718782	HOSE			82, 84
* 6718783	HOSE			82, 84
* 6718784	COVER			14
6718792	TUBELINE			50
6718793	TUBELINE			50
* 6718796	PLUG			12, 126

Code for disposition of old part number
A — Use up
B — Use on other application (See PNI)

C — File PDR Report with Melroe Parts Sales
D — Part Number Error

NUMERICAL INDEX (Cont'd)

Part No.	Description	Was	Code	Page
6718803	KIT			224
6718804	KIT			200, 223, 225
6718808	KIT			186
6718810	KIT			222
6718812	KIT			202
6718820	HARNESS			178
* 6718831	TUBELINE			184
6718831	TUBELINE			46
* 6718832	TUBELINE			184
6718832	TUBELINE			46
* 6718833	BRACKET			215
* 6718834	BRACKET			215
6718837	SPACER			224
6718850	BRACKET			80, 84
6718851	BRACKET			80, 86
6718870	HARNESS			112
6718872	HARNESS			179, 214, 269
6718873	HARNESS			214
* 6718877	TUBELINE			184
6718877	TUBELINE			46
6718878	TUBE			42, 44
6718881	MOUNT			48, 74
6718882	TEE			80, 88
* 6718885	HOSE			88
6718885	HOSE			80
6718887	PANEL			224
6718911	TEE			42
6718915	PANEL	6716865	B,D	30
* 6718924	KIT			215
6718946	TUBE			42, 44
6718947	TUBE			42, 44
* 6718948	SNUBBER			126
6718948	SNUBBER			82, 86
6718949	TEE			72
6718971	TUBE			42, 44
6718993	KIT			184
6719027	TUBE			42, 44
6719037	STRIKER			196
6719038	PLUG			112, 200
6719043	HORN KIT			236
6719053	TEE			70
6719054	ELBOW			72
6719055	COVER			12
6719063	STOP			196
6719064	MOUNT			14
6719065	COVER			196
* 6719067	TUBELINE			70
6719069	TUBELINE			70
* 6719082	HARNESS			126
6719084	BOLT			112, 114
6719103	HOSE			72

Code for disposition of old part number
A — Use up
B — Use on other application (See PNI)

C — File PDR Report with Melroe Parts Sales
D — Part Number Error

NUMERICAL INDEX (Cont'd)

Part No.	Description	Was	Code	Page
* 6719107	HOSE			84
* 6719112	HARNESS			126
* 6719112	HARNESS	6718912	A	116
6719113	HARNESS			120
* 6719141	CABLE			126
6719151	HARNESS			236
6719164	TUBE			246
6719165	TUBELINE			70
6719166	TUBELINE			70
6719167	TUBE			246
* 6719176	SWITCH			234
6719184	BRACKET			240
6719185	BRACKET			240
6719201	COVER			12
6719206	TUBE			140
6719207	TUBE			140
6719215	BRACE			26
6719216	BRACE			26
6719231	PLATE			26
6719265	LIFT ARM	6709984	B,D	26
6719266	HOSE			70
6719267	HOSE			88
6719268	HOSE			88
6719286	TUBELINE			88
* 6719296	TUBELINE			256, 258
* 6719297	TUBELINE			256, 258
* 6719298	TEE			256, 258
6719304	GUSSET			26
* 6719317	WINDOW			261
* 6719331	INSULATION	6709831	A	210
* 6719332	INSULATION			12, 268
* 6719332	INSULATION	6703453	A	208
* 6719333	INSULATION			12, 268
* 6719333	INSULATION	6709832	A	210
6719354	TUBE			42, 44
* 6719359	DRIVECASE			34
6719359	DRIVECASE	6716862	B,D	12
6719376	PANEL	6701345	B,D	30
6719381	LINK			56
6719394	TUBELINE			140
* 6719395	CONNECTOR			222
6719397	LEVER	6706108	B,D	56
6719398	BAR	6710328	B,D	56
* 6719422	HARNESS			126
6719423	TANK			32
* 6719425	INSULATION			210
6719429	SHIELD			136
6719434	HARNESS			204
6719441	DECAL			204
6719442	MOUNT			204
6719446	MOUNT			88

Code for disposition of old part number
A — Use up
B — Use on other application (See PNI)

C — File PDR Report with Melroe Parts Sales
D — Part Number Error

NUMERICAL INDEX (Cont'd)

Part No.	Description	Was	Code	Page
* 6719448	MAGNET			206
6719448	MAGNET			204
* 6719459	MOUNT			234
6719460	HOSE			82, 86
* 6719461	HOSE			86
6719461	HOSE			48
* 6719480	HOSE			268
6719480	HOSE			208
* 6719482	HOSE			268
6719482	HOSE			208
6719484	BRACKET			240
6719485	BRACKET			240
6719503	CONTAINER	6718508	A	16
* 6719513	MOUNT			268
6719513	MOUNT			208
* 6719514	HOSE	6719534	A	222
* 6719515	HOSE	6719535	A	222
* 6719521	INSULATION			268
6719521	INSULATION			208
* 6719522	INSULATION			268
6719522	INSULATION			12, 208
6719524	STRIKER			24
6719525	BAR			24
6719531	HOSE			70
6719550	TUBE			24
* 6719551	INSULATION			268
6719551	INSULATION			208
* 6719552	INSULATION			268
6719552	INSULATION			208
6719555	HOSE			80
* 6719601	KIT			256
6719605	HOSE			246
* 6719630	HARNES			234
6719664	KIT			240
* 6719672	OPERATOR CAB			14
* 6719711	CHANNEL			122, 218
* 6719712	CHANNEL			122, 218
* 6719766	STOP			24
* 6719834	SPACER			122, 218
* 6719835	SLEEVE			122, 218
6719841	KIT			246
* 6719847	HOSE			256, 258
* 6719849	TUBELINE			256
* 6719850	TUBELINE			256
6719854	KIT			179
6719857	KIT			269
6719888	DECAL			246
* 6719914	HOSE	6719533	A	222
* 6720592	INSTRUCTIONS			215
6722344	BLACK GOLD			271
6722759	INSTRUCTIONS			116

Code for disposition of old part number
A — Use up
B — Use on other application (See PNI)

C — File PDR Report with Melroe Parts Sales
D — Part Number Error

NUMERICAL INDEX (Cont'd)

Part No.	Description	Was	Code	Page
6722781	PAINT			271
6722782	PAINT			271
6722783	PAINT			271
6722784	PAINT			271
6722785	PAINT			271
6722786	PAINT			271
6722787	PAINT			271
6722788	PAINT			271
6722789	PAINT			271
6722790	PAINT			271
6722873	INSTRUCTIONS			238
6724094	ANTI-FREEZE			271
6724354	ANTI-FREEZE			271
* 6724397	INSTRUCTIONS			182
6724397	INSTUCTIONS			180
6724515	INSTUCTIONS			181
6724557	OIL			271
6724558	OIL			271
6724559	OIL			271
* 6725032	ELBOW	6715718	B	88
* 6725042	SHIELD			190
6725042	SHIELD			186
* 6725090	HOSE			86
* 6725090	HOSE	6801931	A	82
* 6725128	ADAPTER			124
6725128	ADAPTER			120
* 6725168	KIT			262
6725198	HOSE			246
6725199	HOSE			246
* 6725200	SHIELD			190
6725200	SHIELD			188
6725201	TANK	6718627	A	188
6725212	ARM			144
6725246	PLATE			120
6725257	ADAPTER			120
* 6725270	HOSE			268
* 6725270	HOSE	6719481	A	208
6725273	HARNESS			200, 224
6725301	COVER			16
* 6725302	GASKET			126
6725303	FRAME			16
* 6725311	HOSE			256
* 6725360	WINDOW	6675214	A	196
6725360	WINDOW			200
* 6725370	DECAL			262
6725390	HARNESS			224
* 6725401	MOUNT			178
* 6725402	BRACKET			178
* 6725403	SEAT BELT			16
* 6725421	HANDLE			194
* 6725424	HOSE			70

Code for disposition of old part number
A — Use up
B — Use on other application (See PNI)

C — File PDR Report with Melroe Parts Sales
D — Part Number Error

NUMERICAL INDEX (Cont'd)

Part No.	Description	Was	Code	Page
* 6725425	HOSE	6716551	A	84
6725425	HOSE	6716551	A	80
* 6725429	MOUNT			148
6725430	HOSE			86
6725431	HOSE			86
6725442	HOSE			86
* 6725504	KIT			178
6725513	PACKAGE			224
* 6725597	PIN	6718539	A	26
* 6725898	KIT			211
* 6725905	BELT			268
* 6725905	BELT	6715546	B	136
* 6725906	BRACKET			211
6725933	HARNESS			224
6725933	HARNESS	6717877	A	224
* 6725934	HARNESS			226
* 6725935	WINDOW			190
* 6725936	HARNESS			226
* 6725937	CLAMP			190
* 6725938	CLAMP			190
* 6725941	KIT			190
* 6725943	BELT			234
* 6725946	KIT			194
* 6725971	KIT			182
* 6726303	DECAL			194
* 6726357	HARNESS			234
* 6726386	KNOB			226
* 6726423	DECAL	6702916	A	238
* 6726427	KIT			191
* 6726453	HOSE			84
* 6726479	ADAPTER			70
* 6726485	BRACKET			148
* 6726490	KIT			234
* 6726504	BRACKET			126, 128
* 6726567	ELBOW	6666302	B	32
* 6726575	BRACE			244
* 6726608	COVER			226
* 6726621	SCREW			234
6726621	SCREW			235
* 6726655	KIT			261
* 6726679	BRACKET	6564658	A	56
* 6726680	PEDAL	6564656	B	56
* 6726682	HOSE			84
* 6726932	DOOR			190
* 6726945	MOUNT			206
* 6726986	HOSE	6719628	A	246
* 6726987	HOSE	6719629	A	246
* 6727065	BOLT			122, 218
* 6727131	HARNESS			124
* 6727140	FILTER			226
* 6727176	KIT			266

Code for disposition of old part number
A — Use up
B — Use on other application (See PNI)

C — File PDR Report with Melroe Parts Sales
D — Part Number Error

NUMERICAL INDEX (Cont'd)

Part No.	Description	Was	Code	Page
* 6727177	HARNESS			206
* 6727178	HARNESS			114
* 6727190	HARNESS			200
* 6727243	DECAL			124, 220
* 6727265	TANK			84
* 6727299	INSULATION			200
* 6727299	INSULATION	6719406	A	16
* 6727313	ELBOW			86
* 6727318	HOSE			84
* 6727326	MOUNT			234
* 6727328	HARNESS			220
* 6727353	INSULATION			12, 268
* 6727354	INLET			86
* 6727468	HARNESS			200
* 6727475	CAP			86
* 6727494	KIT			244
* 6727739	KIT			206
* 6728079	HOSE	6717332	A	80
* 6728567	KIT			235
* 6728607	KIT			220
* 6728610	KIT			218
* 6728742	HARNESS			220
6800124	RESTRICTOR			64
6800468	PISTON			52
6800469	HEAD			52
6800973	CYLINDER			53
6800974	TUBE			53
6800975	CASE			53
* 6801059	WASHER			261
6801059	WASHER			188
6801167	PLUG			62
6801188	SCREW			188
6801712	HOSE			74
6802851	HOSE			74
6803092	BONNET			62
6803202	SCREW			188
6803312	SEAL KIT			53
6803473	SEAL KIT			248
6803605	SEAL KIT			64
* 6804114	DECAL			34
6804592	NUT			52
6804615	SEAL KIT			52
6804674	CYLINDER			52
6804678	ROD			52
6805102	BUSHING			58
6805150	BUSHING			52
6805158	CYLINDER			246, 248
6805160	CASE			248
6805241	CROSS			48
* 6805243	TEE			60
6805243	TEE			64

Code for disposition of old part number
A — Use up
B — Use on other application (See PNI)

C — File PDR Report with Melroe Parts Sales
D — Part Number Error

NUMERICAL INDEX (Cont'd)

Part No.	Description	Was	Code	Page
6805578	SPACER			248
6805651	BLOCK			58
6805657	BLOCK			60
6805696	TEE			60, 64
6805931	VALVE			62
6806150	VALVE			58
6806496	TUBELINE			60, 64
6806561	PLUG			60, 64
6806680	ELBOW			82, 86
6806941	SEAL KIT			60
6807508	SHAFT			248
* 6807730	PLUG			114
6900848	INSTRUCTIONS			214
6900850	INSTRUCTIONS			226
6900851	INSTRUCTIONS			200
* 6900852	INSTRUCTIONS			196
* 6900853	INSTRUCTIONS			196
6900855	INSTRUCTIONS			202
6900861	INSTRUCTIONS			22
* 6900880	INSTRUCTION			184
6900888	INSTRUCTIONS			240
6900913	INSTRUCTIONS			236
6900921	INSTRUCTIONS			204
* 6900935	INSTRUCTIONS			256
* 6900941	INSTRUCTIONS			258
6900951	INSTRUCTIONS			246
6900991	INSTRUCTIONS			179
6900992	INSTRUCTIONS			269
* 6901008	INSTRUCTIONS			178
* 6901010	INSTRUCTIONS			262
* 6901011	INSTRUCTIONS			263
* 6901013	INSTRUCTIONS			190
* 6901013	INSTRUCTIONS	6900854	A	188
* 6901025	INSTRUCTIONS			211
* 6901029	INSTRUCTIONS			194
* 6901036	INSTRUCTIONS			191
* 6901039	INSTRUCTIONS			234
* 6901061	INSTRUCTIONS			261
* 6901076	INSTRUCTIONS			266
* 6901100	INSTRUCTIONS			220
* 6901101	INSTRUCTIONS			244
* 6901116	INSTRUCTIONS			206
* 6901213	INSTRUCTIONS			235

Code for disposition of old part number
A — Use up
B — Use on other application (See PNI)

C — File PDR Report with Melroe Parts Sales
D — Part Number Error

NUMERICAL INDEX (Cont'd)

Part No.	Description	Was	Code	Page
1CM-620	BOLT			188, 190
1CM-635	BOLT			188, 190, 232, 234
1CM-640	BOLT			190
1CM-816	BOLT			32
1CM-820	BOLT			90, 104
1CM-1030	BOLT			148
1CM-8100	BOLT			148
1DM-6	NUT			173
1DM-8	NUT			172
1KM-10	PLUG			162
2F-4051	PIN			152
2FM-12155	SEAL RING			166
2J-4200	ROD END			152
2JM-1090	ROLL PIN			38
3GM-1025	BOLT			234
4D-20	NUT			238
4DM-5	NUT			128
4DM-6	NUT			188, 190
4E-4	WASHER			198
4F-6106	PIN			18
4JM-1216	ROLL PIN			144
5CM-1025	SCREW			234
5CM-1080	SCREW			234
5HM-13	CLAMP	6515575	B	32
5HM-14	CLAMP			32
5HM-15	CLAMP			32, 86
5HM-24	CLAMP	42H-10	B	32
5HM-27	CLAMP	5HM-29	B	72
5HM-35	CLAMP			80, 88
5HM-42	CLAMP			82, 88
5HM-58	CLAMP	42H-24	B	32
6E-4	WASHER			178
6E-5	WASHER			112, 114
6E-6	WASHER			88
6EM-60	WASHER			188, 190
6J-405	KEY			198
6J-807	KEY			98
7C-312	BOLT			198
7C-322	BOLT			198
7C-620	BOLT	6704349	B	56
7D-4	NUT			48, 74
7D-8	NUT			250, 252
7J-2010	KEY			154
7J-2208	KEY			136
7JM-72	SNAP RING			40
7JM-80	SNAP RING			38, 39
8C-616	BOLT			90
8D-4	NUT			152
8D-6	NUT			90
9G-512	SCREW			154
9G-620	BOLT			28

Code for disposition of old part number
A — Use up
B — Use on other application (See PNI)

C — File PDR Report with Melroe Parts Sales
D — Part Number Error

NUMERICAL INDEX (Cont'd)

Part No.	Description	Was	Code	Page
10C-410	BOLT			196
10C-416	BOLT			196
10C-512	BOLT			30
10C-516	BOLT			150
10C-528	BOLT			42, 44
10C-616	BOLT			18
10H-25	GREASE ZERK			26, 30, 42
10H-35	GREASE ZERK			28, 52
10KN-5	TEE			82, 86
11H-15	GREASE ZERK			26, 42, 246
11KN-8	ELBOW			88
12D-8	NUT			36
12D-10	NUT			118, 122, 198, 211, 218
12H-15	GREASE ZERK			42
12KN-6	ELBOW			222
14J-5032	PIN			28
15KN-8	ADAPTER			44, 50, 70, 88, 256
15KV-5	ADAPTER			48, 70, 74, 80, 86, 256
15KV-7	ADAPTER			42, 44
15KV-8	ADAPTER			246
16F-8	PLUG			154
16KN-5	ADAPTER			74, 256
17C-410	BOLT			178, 236
17C-412	BOLT			118, 124, 178
17C-420	BOLT			188, 190
17C-428	BOLT			48, 74
17C-432	BOLT			48, 86
17C-508	BOLT			188
17C-512	BOLT			126, 188, 190
17C-516	BOLT			86, 148
17C-528	BOLT			42, 44
17C-532	BOLT			42, 44
17C-540	BOLT			46, 128, 184, 238
17C-544	BOLT			42, 44
17C-608	BOLT			136
17C-610	BOLT			36
17C-6116	BOLT			136
17C-612	BOLT			16, 56, 70, 72, 90, 144, 190
17C-612	BOLT	17C-812	B	188
17C-616	BOLT			42, 44, 136, 142, 215
17C-620	BOLT			26, 36, 56, 82, 86, 92, 102, 118, 154
17C-620	BOLT	6717378	B	42
17C-624	BOLT			56, 190
17C-626	BOLT			90
17C-628	BOLT			190
17C-632	BOLT			46, 82, 240
17C-640	BOLT			18, 26, 50, 238
17C-652	BOLT			26, 148
17C-656	BOLT			26
17C-660	BOLT			26, 28
17C-664	BOLT			30

Code for disposition of old part number
A — Use up
B — Use on other application (See PNI)

C — File PDR Report with Melroe Parts Sales
D — Part Number Error

NUMERICAL INDEX (Cont'd)

Part No.	Description	Was	Code	Page
17C-680	BOLT			92, 256
17C-716	BOLT			16
17C-728	BOLT			82
17C-816	BOLT			144
17C-820	BOLT			24, 148
17C-824	BOLT			148, 240
17C-828	BOLT			148
17C-832	BOLT			144
17C-864	BOLT			148
17C-872	BOLT			144
17C-1028	BOLT			238
17C-1056	BOLT			14
17E-8	WASHER			197
17E-10	WASHER			198
17KN-8	ELBOW			208
17KV-3	ELBOW			246
17KV-5	ELBOW			86, 246, 256
17KV-7	ELBOW			44, 78, 184
17KV-8	ELBOW			80, 84, 140, 268
18KN-3	ELBOW			256
18KN-5	ELBOW			82
18KN-8	ELBOW			256
19J-12	CLAMP			82, 86
20J-12	CLAMP			86
20J-16	CLAMP			82
21KN-6	ADAPTER			84
21KN-7	TEE			42, 44
21KV-5	TEE			48, 70, 74, 80, 84
23G-812	BOLT			36
24K-7	PLUG			100, 104
24KN-5	PLUG			80, 142
25E-8	WASHER			36
25E-10	WASHER			136
25E-13	WASHER			178, 236
25E-14	WASHER			196
25E-16	WASHER			190
25E-17	WASHER			70, 72, 90, 148
25E-18	WASHER			152
25E-21	WASHER			56, 144
25E-22	WASHER			124
25E-24	WASHER			118
25F-1	ELBOW			142
25G-410	BOLT			128
25G-510	BOLT			14
25G-612	BOLT			204, 206
25G-820	BOLT			24
25GT-410	BOLT			118, 122, 218
25K-20016	O-RING			58, 62
25K-30012	O-RING			166
26GM-10020	BOLT			37
29G-412	SCREW			64

Code for disposition of old part number
A — Use up
B — Use on other application (See PNI)

C — File PDR Report with Melroe Parts Sales
D — Part Number Error

NUMERICAL INDEX (Cont'd)

Part No.	Description	Was	Code	Page
29G-416	SCREW			60, 64
29G-444	SCREW			60
30G-416	BOLT			58, 62
30H-19	CLAMP			178
30H-21	CLAMP			214
30H-23	CLAMP			36, 236
30H-30	CLAMP			32
30H-42	CLAMP			241
30H-44	CLAMP	30H-42	B	140
30H-46	CLAMP			42, 44, 80, 84
30H-60	CLAMP			84
31C-410	BOLT			211
31C-420	BOLT			24
31C-824	BOLT			240
31C-832	BOLT			240
31C-1032	BOLT			34
31C-1220	BOLT			34
31C-1228	BOLT			12, 34
31C-1232	BOLT			12
31H-42	CLAMP			234, 246
35C-410	BOLT			224
35C-412	BOLT			18, 214
35C-512	BOLT			148, 168, 236
35C-516	BOLT			148
35C-612	BOLT			88, 136, 140, 146, 148
35C-616	BOLT			48, 126, 208, 246, 268
35C-616	BOLT	35C-512	B	82
35C-620	BOLT			74, 126, 144, 148, 188, 190, 210, 268
35C-624	BOLT			90
35C-624	BOLT	35C-620	B	48
36K-5	CAP			70, 80, 84, 88
36K-7	CAP			42, 44
36K-8	CAP			50
37C-412	BOLT			214
37C-424	BOLT			224
37C-512	BOLT			24, 178, 224, 241
37C-612	BOLT			24
37C-620	BOLT			56
37C-628	BOLT			12
37C-644	BOLT			24
37C-820	BOLT			24
38C-610	BOLT			152
38C-820	BOLT			144
38C-828	BOLT			144
38C-836	BOLT			30
38C-856	BOLT			24
38C-1036	BOLT			28
41G-806	SCREW			197
42H-52	CLAMP			142
42HC-300	CLAMP			142
42HC-350	CLAMP			142

Code for disposition of old part number
A — Use up
B — Use on other application (See PNI)

C — File PDR Report with Melroe Parts Sales
D — Part Number Error

NUMERICAL INDEX (Cont'd)

Part No.	Description	Was	Code	Page
43C-512	BOLT			32
43C-524	BOLT			66
43C-532	BOLT			66
43C-616	BOLT			126
43C-852	BOLT			148
45C-616	BOLT			142
45C-620	BOLT			90, 142
45G-1006	BOLT			211
46D-5	NUT			190
47K-8	PLUG			98, 102
47K-10	PLUG			80, 84
53CM-616	BOLT			152
53CM-820	BOLT			152
53CM-830	BOLT			32
53CM-1230	BOLT			144
53CM-1440	BOLT			148
53D-6	NUT			14, 18, 128
53D-10	NUT			14
53D-12	NUT	83D-12	B	12
53DM-8	NUT			148
54K-20002	O-RING			60, 62
54K-20028	O-RING			66
54K-30110	O-RING			248
54K-30202	RING			53
54K-30300	O-RING			52
54K-40116	O-RING			248
54K-40208	O-RING			53
54K-60304	O-RING			52
55CM-816	BOLT			148
55CM-816	BOLT	53CM-816	A	142
55CM-825	BOLT			142, 148
55D-6	NUT			24, 188, 190
55K-204	O-RING			60, 64, 66
55K-212	O-RING			60, 62, 66
55K-214	O-RING			84
55K-214	O-RING	55K-219	B	80
57D-5	NUT			148
57D-6	NUT			56, 90, 240
57D-8	NUT			12, 240
57G-608	SCREW			224
58K-12	O-RING			60, 62
58K-14	O-RING			58, 62
58K-17	O-RING			58, 62
58K-114	O-RING			148, 168
58K-120	O-RING			118, 124
58K-124	O-RING			58, 62
58K-127	O-RING			60, 64
58K-132	O-RING			248
58K-230	O-RING			53
58K-238	O-RING			52
59D-4	NUT			128, 196, 214

Code for disposition of old part number
A — Use up
B — Use on other application (See PNI)

C — File PDR Report with Melroe Parts Sales
D — Part Number Error

NUMERICAL INDEX (Cont'd)

Part No.	Description	Was	Code	Page
59D-5	NUT			14, 30, 188, 190, 224
59D-6	NUT			24, 30, 42, 44, 50, 70, 128
59D-8	NUT			14
59G-616	BOLT			178
61D-4	NUT			178, 188, 190
61D-5	NUT			24, 86, 136, 178, 188, 190
61D-6	NUT			24, 26, 136, 144
61D-8	NUT			188
62D-4	NUT			198
69G-436	BOLT			120, 124
72F-1	DRAIN COCK			32
73G-656	BOLT			144, 246
73K-222	WASHER			248
73K-338	WASHER			52
75K-10	O-RING			80
75K-12	O-RING			80, 84
75K-16	O-RING			80
77F-8	ELBOW			140
77FN-8	ELBOW			208, 268
79K-2	O-RING			259
79K-3	O-RING			248
79K-5	O-RING			77
79K-6	O-RING			82, 86, 256, 258
79K-7	O-RING			60, 64
79K-8	O-RING			58, 62, 68, 70, 86, 98, 102, 250, 252
79K-10	O-RING			58, 62, 70, 72, 100
79K-12	O-RING			88, 98, 104
79K-14	O-RING			100, 102
79K-16	O-RING			80, 84
80K-14	RING			58, 62
80K-116	WASHER			68
80K-228	WASHER			53
81D-6	NUT			148
83D-4	NUT			18, 48, 74, 84, 178, 224, 236
83D-5	NUT			42, 44, 150, 184, 236
83D-5	NUT	61D-5	B	82
83D-6	NUT			46, 48, 74, 82, 90, 142, 148, 204, 206, 215, 256
83D-8	NUT			14, 24, 148
83D-10	NUT			34, 238
83D-12	NUT			34
84G-1608	BOLT			198
84G-1906	BOLT			198
84G-1910	BOLT			198
84G-3110	BOLT			222, 224
84G-3112	BOLT			12, 136, 178, 202, 204, 206
84G-3116	BOLT			258
84G-3710	SCREW			234
84G-3712	BOLT			12, 30, 34, 36, 50, 80, 84, 112, 114, 126, 140, 142
84G-3716	BOLT			12, 30, 34, 70, 86, 88, 256

Code for disposition of old part number
A — Use up
B — Use on other application (See PNI)

C — File PDR Report with Melroe Parts Sales
D — Part Number Error

NUMERICAL INDEX (Cont'd)

Part No.	Description	Was	Code	Page
84G-3716	BOLT	84G-3712	B	26
84G-3720	BOLT			36, 208, 268
84G-3724	BOLT			152, 208, 246
84G-3728	BOLT			152
85D-4	NUT			116, 152
85D-5	NUT			42, 44, 126, 152, 241
85D-6	NUT			16, 26, 28, 42, 44, 50, 126, 142, 148, 152, 208, 238, 268
85D-7	NUT			16
85D-8	NUT			14, 144
86D-4	NUT			152
86F-5	NUT			70, 256, 258
86F-8	NUT			50, 88, 140
87D-5	NUT			238
87G-1008	SCREW			224
87G-3728	BOLT			42, 44
88FN-5	ELBOW			256, 258
88FN-8	ELBOW			88, 140
90KV-2	PLUG			248
90KV-5	PLUG			38, 39, 40, 52, 53, 60, 64, 84, 88, 250, 252
90KV-5	PLUG	24KN-5	B	72
90KV-8	PLUG			60, 62
91D-6	NUT			36, 90
91D-7	NUT			190
91F-8	O-RING			208
91G-416	BOLT			196, 200
92D-10	NUT			248
92D-12	NUT			146
92D-16	NUT			53
95D-5	NUT			14, 126
95D-6	NUT			30, 52, 56, 154, 190
95K-6	O-RING			38, 39, 40, 52, 53, 60, 64, 88, 250, 252
95K-12	O-RING			60, 62
96D-6	NUT			92
96D-8	NUT			136
97D-5	NUT			148, 168
97D-6	NUT			186
97K-4	O-RING			246, 256
97K-6	O-RING			48, 60, 64, 70, 74, 80, 82, 84, 86, 88, 246, 256, 258
97K-8	O-RING			42, 44
97K-10	O-RING			42, 44, 70, 72, 86, 184, 208
97K-10	O-RING	99K-10	B,D	78
97K-12	O-RING			44, 50, 70, 80, 84, 140, 208, 246, 256, 268
98D-6	NUT			92
99K-4	O-RING			246, 256
99K-5	O-RING			32, 78, 250, 252
99K-6	O-RING			48, 58, 62, 70, 72, 74, 80, 84, 142, 246, 256

Code for disposition of old part number
A — Use up
B — Use on other application (See PNI)

C — File PDR Report with Melroe Parts Sales
D — Part Number Error

NUMERICAL INDEX (Cont'd)

Part No.	Description	Was	Code	Page
99K-8	O-RING			70, 80, 84
99K-10	O-RING			42, 44, 78, 84, 184
99K-12	O-RING			44, 50, 70, 80, 84, 88,
				140, 208, 246, 256
99K-16	O-RING			72, 88
<hr/>				
* NAP	ADAPTER	6666418	A	172
* NAP	CONNECTOR	6670681	A	172
* NAP	CONTROL	6725269	A	204
* NAP	COUPLER	6667808	B	50
* NAP	COUPLER	6672960	B	50
* NAP	COVER	6674236	A	224
* NAP	DOOR	6717590	A	186
* NAP	FILTER	6674230	A	224
* NAP	GAS SPRING	6719078	A	14
* NAP	GUIDE	6711907	A	16
* NAP	HARNESS	6725275	A	224
* NAP	HEATER	6674226	A	230
* NAP	INSULATION	6703454	A	208
* NAP	INSULATION	6719589	A	12
* NAP	KIT	6718868	A	20
* NAP	KIT	6718869	A	20
* NAP	KIT	6719431	A	204
* NAP	LINK	6716231	A	90
* NAP	MOTOR	6674888	A	94
* NAP	RELIEF VALVE	6672451	A	78
* NAP	SEAT	6674404	A	20
* NAP	SEAT	6674896	A	20
* NAP	SEAT BELT	6667875	A	16
* NAP	TANK	6718502	A	80, 84
* NAP	TEE	6666422	A	172
* NAP	VALVE	6674227	A	224
* NAP	VALVE	6674305	A	250
* NAP	WASHER	6674062	A	94
NAP	HARNESS	6715366	A	200
NAP	SHIELD	6718313	A	186
* NSS	PISTON	6674032	A	94
* NSS	RETAINER	6675377	A	94
* NSS	ROLLER	6674031	A	94
* NSS	SNAP RING	6675233	A	94
<hr/>				
<hr/>				

Code for disposition of old part number
 A — Use up
 B — Use on other application (See PNI)

C — File PDR Report with Melroe Parts Sales
 D — Part Number Error