

**BACKHOES
REAR
STABILIZERS**



Bobcat®

VOLUME 1

Attachments

**Parts
Manual**



VOLUME INDEX

<p>VOLUME 1 Contains</p> <p>BACKHOES REAR STABILIZERS</p> <p>(P/N 6901457)</p>	<p>VOLUME 7 Contains</p> <p>CHIPPER, CONCRETE MIXER & PUMP SNOW BLOWERS, SNOW & DOZER BLADE UTILITY BLADE, SCRAPER, ATTACHMENT CONTROL KITS, DEMO KITS</p> <p>(P/N 6901469)</p>
<p>VOLUME 2 Contains</p> <p>AUGERS BREAKERS CUTTER CRUSHER</p> <p>(P/N 6901459)</p>	<p>VOLUME 8 Contains</p> <p>BOX BLADE, BRUSHCAT, DISC, LANDPLANE LANDSCAPE RAKE, POWER RAKE, SOIL CONDITIONER, SOD LAYER, STUMP GRINDER, TILLER, TREE SPADE, TREE VIB, 3-PT HITCHES, SCARIFIER, TRACKS</p> <p>(P/N 6901471)</p>
<p>VOLUME 3 Contains</p> <p>ANGLE BROOMS, SWEEPERS GUTTER BRUSH, WHISKER BROOM GRADERS, WATER KITS</p> <p>(P/N 6901461)</p>	<p>VOLUME 9 Contains</p>
<p>VOLUME 4 Contains</p> <p>PLANERS WHEEL SAWS</p> <p>(P/N 6901463)</p>	<p>VOLUME 10 Contains</p> <p>VERSAHANDLER ATTACHMENTS: AUGER, BROOM, BUCKETS, GRAPPLES, PALLET FORKS & BOOM TRUSS</p> <p>(P/N 6901407)</p>
<p>VOLUME 5 Contains</p> <p>BUCKETS, COMBO BUCKETS, BUCKET BITE & RAKE, DIGGERS, DUMPING HOPPER, EJECTOR BUCKET, GRAPPLES UTILITY FORKS, PALLET FORKS, TILT- TATCH, UTILITY FRAMES, WEIGHLOG</p> <p>(P/N 6901465)</p>	
<p>VOLUME 6 Contains</p> <p>TRENCHERS TRENCH COMPACTORS VIBRATORY ROLLER</p> <p>(P/N 6901467)</p>	

GENERAL INFORMATION

When using the machine serial number, use the complete number.

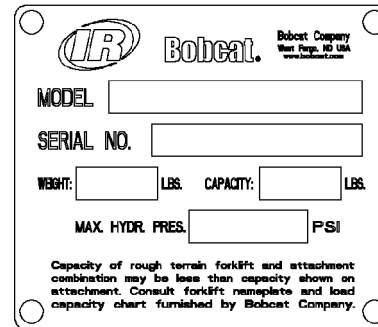
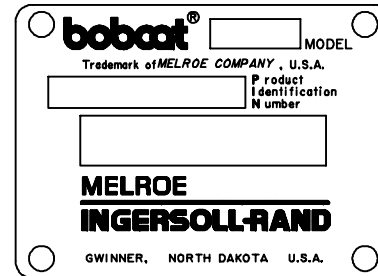
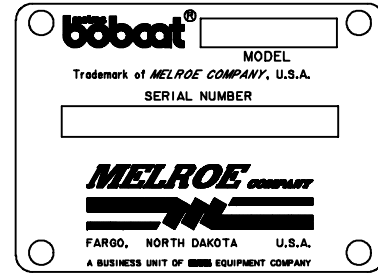
Some Serial Number breaks are not available at time of printing. These are listed as & Below or & Above.

The number shown in the quantity column in this manual is the number of parts needed for the illustration on the page. For some parts an "x" will be shown in the quantity column. This "x" indicates that the quantity to be used is "As Needed".

When references L.H. and R.H. are used in this manual, it is done from the operator's seat in the forward operating position.

To find the size and kind of bolt use the Bobcat Standard Microfiche (P/N 6566077).

Some of the illustrations and information found in this parts manual were supplied to Bobcat Company by machine component companies.



ABBREVIATIONS & SYMBOLS

SALES = Order from Gwinner Sales Department

NSS = Not Serviced Separately

NAP = Not Available as Parts

* = Changed or Added Sections, Pages or Part Numbers

Disposition Code Definition (Found in the Remarks Column)

[A] = Use Up

[B] = Use Up on Other Applications (See PNI)

[C] = File PDR Report With Bobcat Parts Sales

[D] = Part Number Error

Explications en francais	Grid Nb	3
Erklärungen auf deutsch	Grid Nb	4
Spiegazioni in italiano	Grid Nb	5
Explicaciones en espanol	Grid Nb	6
Verklaring in het Nederlands	Grid Nb	7

NOTE D'INFORMATION

Pour toute référence au numéro de série de l'engin, toujours donner le numéro complet.

Le chiffré apparaissant dans la colonne des quantités de ce manuel représentent le nombre de pièces nécessaires pour l'illustration reprise sur la page. Dans certains cas, on lira un "x" dans la colonne des quantités. Cet "x" indique que la quantité nécessaire est "selon besoin".

Pour toute référence vers la GAUCHE ou la DROITE dans ce manuel, considérer que la personne se trouve assise dans le siège de l'opérateur, en position de fonctionnement en marche avant.

Certaines illustrations et informations reprises dans ce manuel de pièces de rechange ont été fournies à Bobcat Company, par des fabricants de composants.

ABREVIATIONS & SYMBOLES

SALES	= Commander au Service Ventes à Bruxelles
NSS	= Pas vendu séparément
NAP	= Non disponible comme pièce de rechange
*	= Chapitre, page ou numéro de pièce modifié ou supplémentaire
BTI	= Bobcat Technical Information Bulletin : voir à la fin de la microfiche du modèle concerné ou la microfiche générale reprenant l'ensemble des "BTI".
was 6535403	= était avant 6535403
adj. (adjustment)	= réglage
Assembly	= ensemble
available W/Ref.	= disponible avec réf.
bulk/sold per foot	= en vrac/vendu par pied
does not include	= ne comprend pas
included with	= compris dans
I.D.	= D.I. (diamètre intérieur)
O.D.	= D.E. (diamètre extérieur)
not in kit	= pas en kit
W/ - WO/	= inclus/ - non inclus/
Qty	= quantité requise
see page/ref.	= voir page/réf.
used with ref/	= utilisé avec réf.
0,05 inch thickness	= 0,05 pouce d'épaisseur (un pouce = 25.4 mm)
weld on	= à souder

ALLGEMEINE INFORMATIONEN

Bei Angabe der Maschinen-Seriennummer stets die komplette Nummer angeben.

Bei der in der Mengenspalte (Anzahl) in diesem Handbuch angegebenen Zahl handelt es sich um die Anzahl von Teilen, die für die Abbildung auf der betreffenden Seite benötigt werden. Bei manchen Teilen in der Mengenspalte ist ein "x" angegeben. Dieses "x" weist darauf hin, dass sich die Anzahl der verwendeten Teile auf den "Bedarf" bezieht.

Bei Verwendung der Seitenangaben links und rechts in diesem Handbuch gelten diese für die Blickrichtung vom Fahrersitz aus, und zwar in Vorwärts-Betriebsrichtung.

Einige der in diesem Ersatzteillandbuch aufgeführten Abbildungen und Informationen wurden der Bobcat Company, von den Herstellern von Maschinenbauteilen zur Verfügung gestellt.

ABKÜRZUNGEN UND SYMBOLE

SALES	= Bestellung bei der Verkaufsabteilung in Brüssel
NSS	= Nicht einzeln erhältlich
NAP	= Nicht als Ersatzteil erhältlich
*	= Geänderte oder hinzugefügte Abschnitte, Seiten oder Teilenummern
BTI	= Bobcat Technical Information Bulletin : Siehe am Ende der Mikrokarte des jeweiligen Modells oder der allgemeinen Mikrokarte der BTI.
was 6535403	= War 6535403
adj.	= Einstellung
Assembly	= Baugruppe
available W/Ref.	= erhältlich mit der Referenz
bulk/sold per foot	= Mengenabnahme / Verkauf pro Fuss
does not include	= beinhaltet nicht
included with	= enthalten in
I.D.	= Innendurchmesser
O.D.	= Aussendurchmesser
not in kit	= nicht in Bausatz
W/ - WO/	= mit/ - ohne/
Qty	= Anzahl
see page/ref.	= Siehe Seite / Referenz
used with ref.	= verwendet mit Referenz
0.05 inch thickness	= Dicke : 0.05 Zoll (ein Zoll = 25.4 mm)
weld on	= anschweißen

INFORMAZIONI GENERALI

Quando si usa il numero di serie della macchina usare il numero completo.

Il numero mostrato nella colonna della quantità di questo manuale corrisponde al numero di componenti necessari per l'illustrazione della pagina. Per alcuni componenti appare "X" nella colonna delle quantità. Questa "X" indica che la quantità da usare è "come necessario".

See in questo manuale si fa riferimento alla parte destra o sinistra, si intende dal sedile dell'operatore nella posizione in avanti di funzionamento.

Alcune delle illustrazioni e informazioni trovate in questo manuale di componenti sono state fornite alla Bobcat Company, da società di componenti di macchine.

SIMBOLI E ABBREVIAZIONI

SALES	= Ordinare al servizio vendite di Bruxelles
NSS	= Non vendute separatamente
NAP	= Non disponibile come componente
*	= Sezioni, pagine o numeri di componente cambiati o aggiunti
BTI	= (Bobcat Technical information) Ved. al termine del microfiche del modello relativo oppure microfiche generale
was 6535403	= era 6535403
adj. (adjustment)	= regol. (regolazione)
Assembly	= Complessivo
available W/ref.	= disponibile con rif.
bulk/sold per foot	= alla rinfusa/venduto al piede
does not include	= non comprende
Included with	= compreso con
I.D.	= d. i.
O.D.	= d. e.
not in kit	= non fa parte del kit
W/ - WO/	= con - senza
Qty	= Qtà
see page/ref	= ved. pagina/rif.
used with ref.	= usato con il rif.
0,05 inch thickness	= spessore 0,05 pollici (un pollice = 25,4 mm)
weld on	= a saldare

INFORMACION GENERAL

Al utilizar el número de serie de la máquina, debe emplearse el número completo.

El número que figura en la columna de "Unidades" en este manual es el número de piezas que se necesitan para la ilustración que consta en la página. En algunas piezas aparece una "x" en la columna de "Unidades". Esta "x" indica que las unidades a utilizar son "según sea necesario".

Cuando se empleen las referencias izq. y dcha., éstas se entienden mirando desde el asiento del conductor, en posición de marcha adelante.

Algunas de las ilustraciones y la información que figuran en este manual de piezas han sido facilitadas a Bobcat Company, por empresas de componentes de máquinas.

ABREVIATURAS Y SIMBOLOS

VENTAS	= Pedido al Departamento de Ventas de Bruselas
NSS	= No se vende por separado
NAP	= No disponible como pieza de repuesto
*	= Secciones, páginas o referencias modificadas o añadidas
BTI	= (Bobcat Technical Information) Ver al final de la microficha del modelo afectado o en la microficha general "Boletín de Información Técnica Bobcat".
was 6535403	= era anteriormente el 6535403
adj. (adjustment)	= ajuste
assembly	= conjunto
available W/Ref.	= disponible con la ref.
bulk/sold per foot	= a granel/vendido por pies
does not include	= no incluye
included with	= incluido en
I.D.	= diámetro interior
O.D.	= diámetro exterior
not in kit	= no en el kit
W/ - WO/	= con/ - sin
Qty	= Unidades
see page /ref.	= ver página/ref.
used with ref.	= empleado con la ref.
0,05 inch thickness	= 0,05 pulgadas de espesor (1 pulgada = 25,4 mm)
weld on	= debe ser soldado

ALGEMENE INFORMATIE

Als u het serienummer van de machine gebruikt, geef dan het gehele serienummer.

Het cijfer dat voorkomt in de kolom "Aantal", in deze handleiding, is het aantal onderdelen dat nodig is van de illustratie op de pagina. Voor sommige onderdelen staat er een "x" in de kolom "Aantal". Deze "x" betekent dat er een aantal "zoals nodig" vereist is.

Wanneer er in deze handleiding naar "links" en naar "rechts" gerefereerd wordt, moet dit verstaan worden voor een bestuurder die in de bestuurdersstoel zit in de voorwaartse bedrijfsstand.

Sommige van de illustraties en informatie in deze onderdelen-handleiding werden door firma's van machine-componenten geleverd aan Bobcat Company.

AFKORTINGEN EN SYMBOLEN

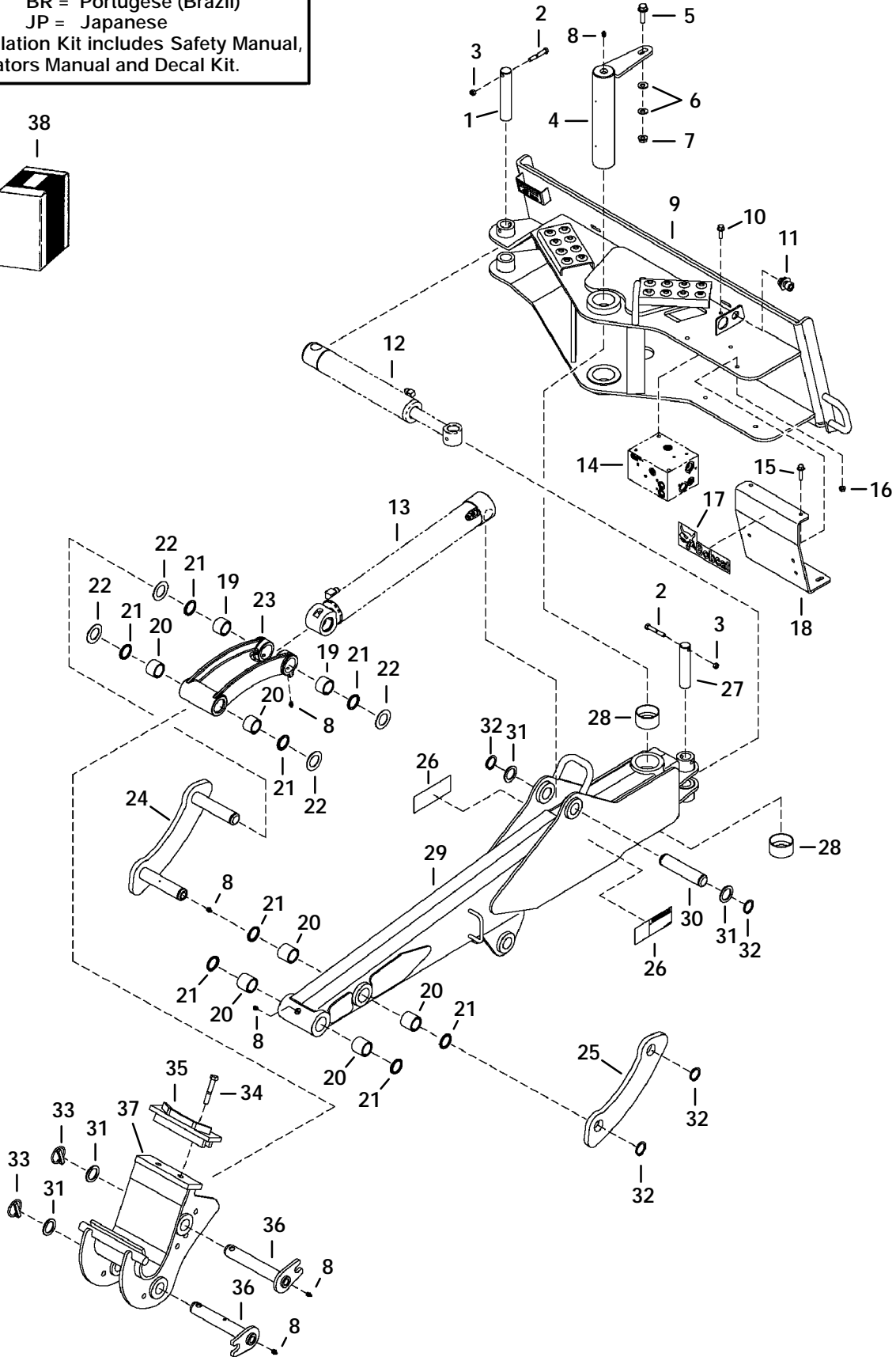
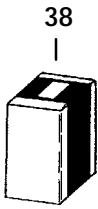
SALES	= Bestellen bij de Verkoopafdeling te Brussel
NSS	= Niet afzonderlijk te verkrijgen
NAP	= Niet beschikbaar als onderdeel
*	= Gewijzigde of toegevoegde paragrafen, pagina's of onderdeelnummers
BTI	= Bobcat Technical Information Bulletin : Zie einde van de microfiche van het desbetreffende model of einde van de algemene microfiche die het geheel van alle "BTI" herneemt.
was 6535403	= was vroeger 6535403
adj. (adjustment)	= afstelling
Assembly	= geheel
available W/Ref.	= beschikbaar met ref.
bulk/sold per foot	= bulk/aan de meter verkocht
does not include	= bevat niet
includes with	= is bevat in
I.D.	= ϕ inw. (inwendige diameter)
O.D.	= ϕ uitw. (uitwendige diameter)
not in kit	= niet in de kit
W/ - WO/	= met/ - zonder/
Qty	= vereiste aantal
see page/ref.	= zie pagina/ref.
used with ref/	= gebruikt met ref.
0,05 inch thickness	= 0.05 inch dik (een inch = 25.4 mm)
weld on	= te lassen

VOLUME 1 CONTENTS - Backhoes & Rear Stabilizers

BOBTACH BACKHOE	1-26
406 & 506 BACKHOE	27-52
905 BACKHOE	53-86
908 BACKHOE	87-130
607 BACKHOE	131-166
709 BACKHOE	167-216
907 BACKHOE	217-260
908A & 908B BACKHOE	261-302
909 BACKHOE	303-348
811 & 8811 BACKHOE	349-396
910 BACKHOE	397-440
911 BACKHOE	441-484
8709 BACKHOE	485-518
914 & 914A	519-592
911C BACKHOE	593-634
913 BACKHOE	635-700
911B & 914B BACKHOE	701-808
REAR STABILIZERS	809-918

BOBTACH MOUNTED BACKHOE Frame & Boom

NOTE: AR = Spanish (Argentina)
 BR = Portugese (Brazil)
 JP = Japanese
 Translation Kit includes Safety Manual,
 Operators Manual and Decal Kit.

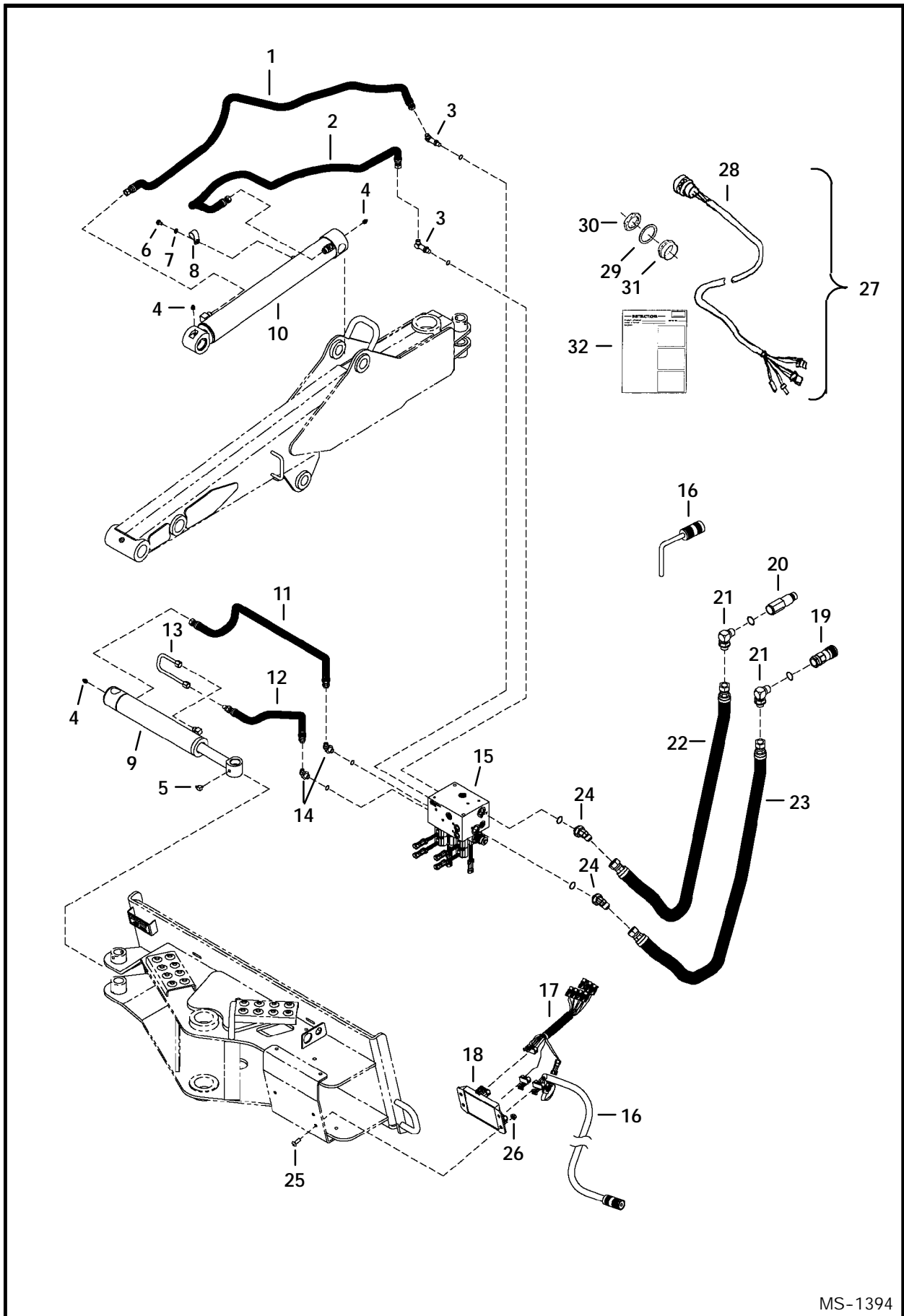


MS-1393

BOBTACH MOUNTED BACKHOE (Cont'd)
Frame & Boom

Ref. No.	Part Number	Description	Remarks	Serial Number	Qty.
1	6906604	PIN			1
2	17C-640	BOLT			2
3	59D-6	NUT			2
4	6906760	PIN			1
5	35C-828	BOLT			1
6	25E-21	WASHER			2
7	55D-8	NUT			1
8	10H-25	GREASE ZERK			8
9	6906742	BOBTACH			1
10	35C-620	BOLT			2
11	6675128	RECEPTICAL			1
12		CYLINDER	swing - see page 15		1
13		CYLINDER	bucket - see page 17		1
14		VALVE	see page 13		1
15	35C-624	BOLT			4
16	55D-6	NUT			4
17	6727324	DECAL			1
18	6906901	GUARD			1
19	6803309	BUSHING			2
20	6803213	BUSHING			6
21	6652915	SEAL			10
22	6535313	WASHER			4
23	6805374	LINK ASSY	W/Ref. 8 & 19-21		1
24	6589900	LINK			1
25	6595175	LINK			1
26	6958217	DECAL	warning		2
27	6906765	PIN			1
28	6906750	BUSHING			2
29	6906736	BOOM	W/Ref. 20 & 28		1
30	6595660	PIN			1
31	6534111	WASHER			4
32	6534154	RETAINING RING			4
33	6560382	PIN			2
34	35C-848	BOLT			2
35	6804485	PLATE			1
36	6806971	PIN			2
37	6812423	BRACKET	X-Change		1
38	6958159AR	TRANSLATION KIT			1
	6958159BR	TRANSLATION KIT			1
	6958234AR	DECAL KIT			1
	6958234BR	DECAL KIT			1
	6958234JP	DECAL KIT			1

BOBTACH MOUNTED BACKHOE Hydraulic & Electrical

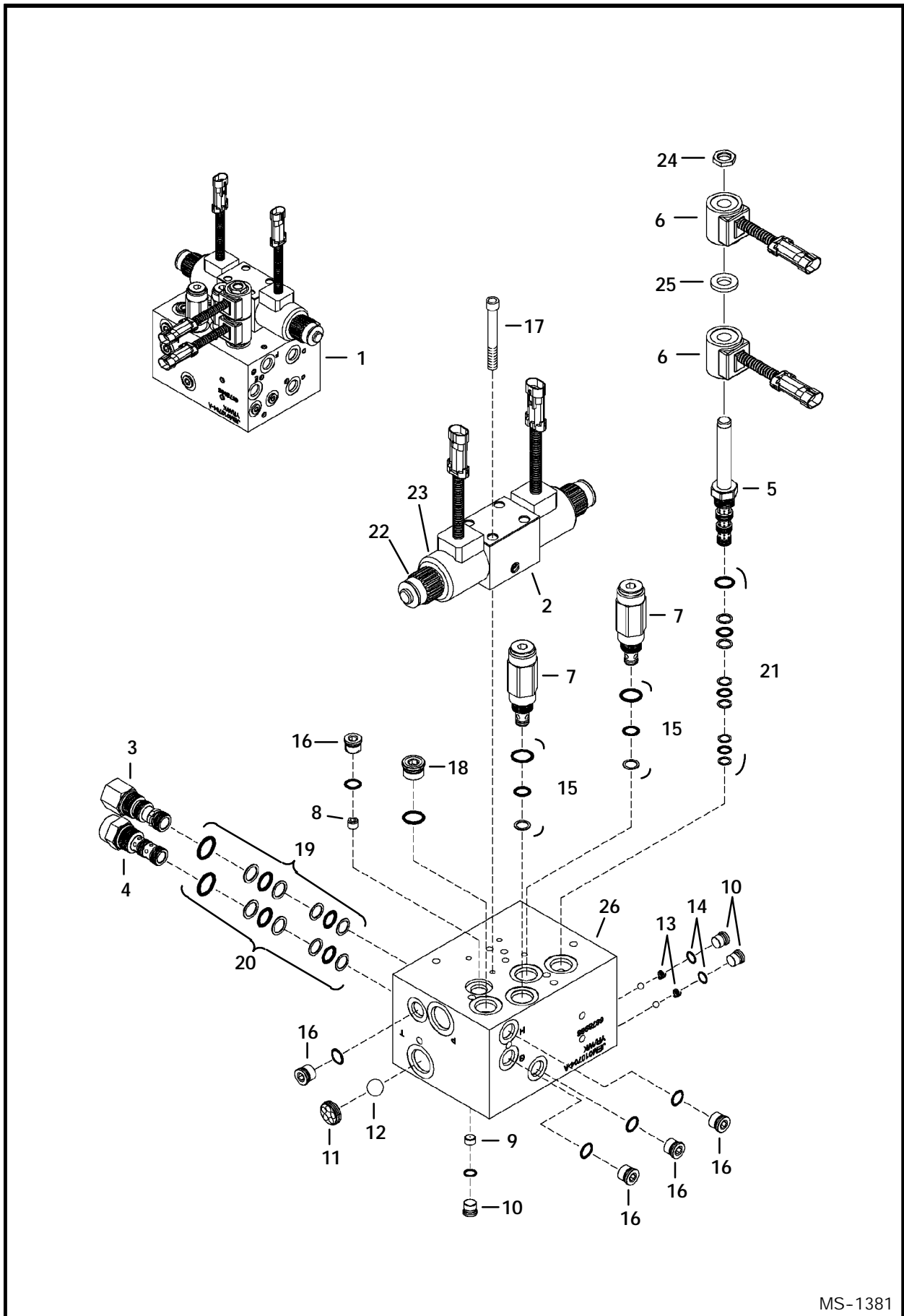


MS-1394

BOBTACH MOUNTED BACKHOE (Cont'd)
Hydraulic & Electrical

Ref. No.	Part Number	Description	Remarks	Serial Number	Qty.
1	6906935	HOSE			1
2	6906936	HOSE			1
3	6715188	ELBOW			2
4	10H-25	GREASE ZERK			3
5	12H-25	GREASE ZERK			1
6	35C-508	BOLT			1
7	4E-5	WASHER			1
8	30H-46	CLAMP			1
9		CYLINDER	swing - see page 15		1
10		CYLINDER	bucket - see page 17		1
11	6906934	HOSE			1
12	6906933	HOSE			1
13	6906907	TUBE			1
14	18KN-5	ELBOW			2
15		VALVE	see page 13		1
16	6725385	HARNESS	7-pin - to loader		1
17	6906939	HARNESS	controller to valve		1
18	6678675	CONTROLLER			1
19	6672960	COUPLER	female FF		1
20	6674688	COUPLER	male FF		1
21	17KN-8	ELBOW			2
22	6906937	HOSE			1
23	6906938	HOSE			1
24	18KN-7	ELBOW			2
25	25G-616	BOLT			4
26	55D-6	NUT			4
27*	6725381	KIT	14-pin harness conversion - converts 7-pin Bobtach Backhoe to be used with 14-pin loader - W/Ref. 28 - 32		1
28*	6725352	HARNESS	14-pin conversion		1
29*	6664037	WASHER			1
30*	6664036	NUT			1
31*	6673680	RECEPTICAL			1
32*	6901005	INSTRUCTIONS			1

BOBTACH MOUNTED BACKHOE Control Valve



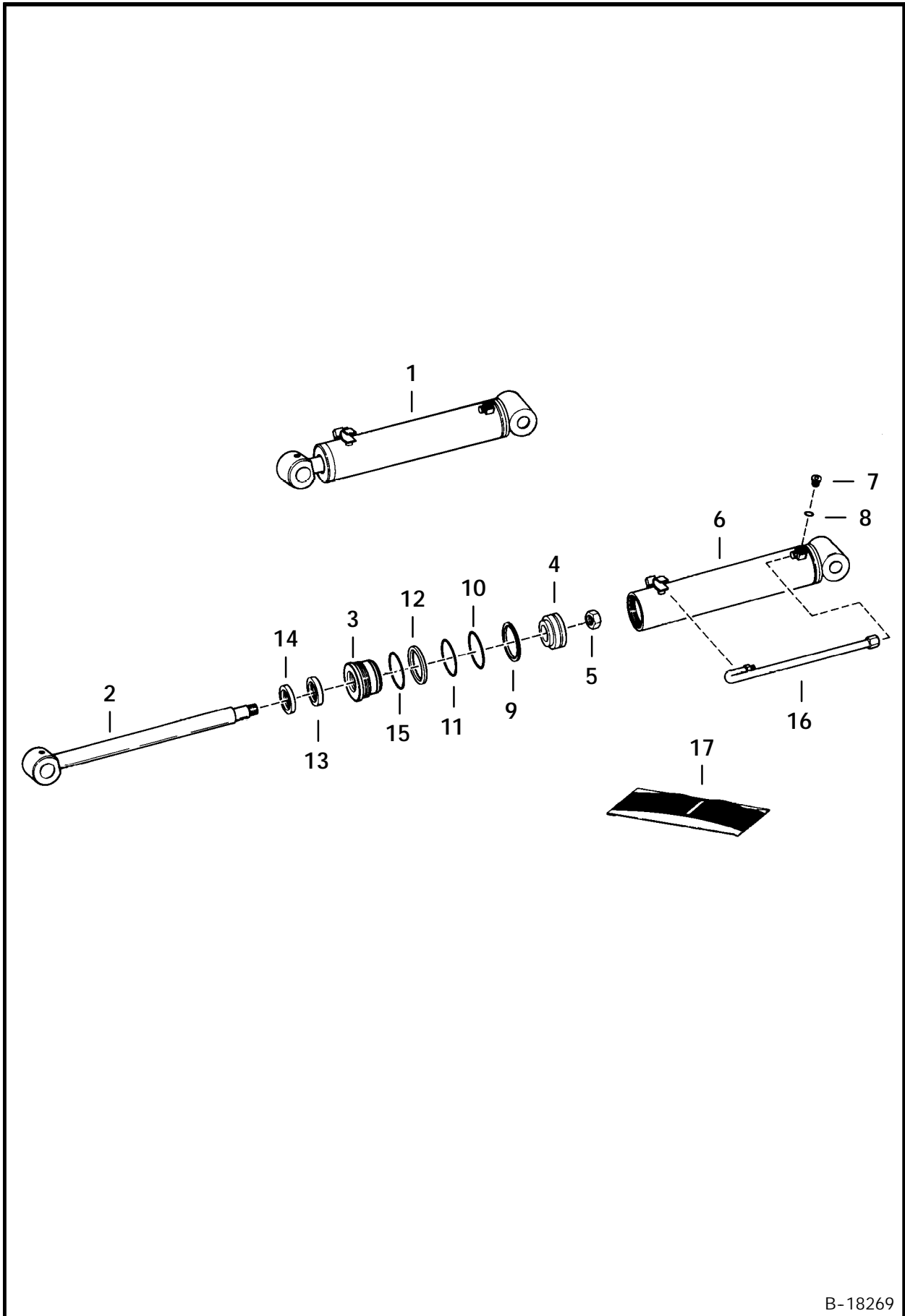
MS-1381

BOBTACH MOUNTED BACKHOE (Cont'd)

Control Valve

Ref. No.	Part Number	Description	Remarks	Serial Number	Qty.
1	6678968	VALVE ASSY	W/Ref. 2 - 26		1
2	6680329	VALVE	control		1
	6676319	SEAL KIT			1
3	6680330	SPOOL	piloted		1
4	6678565	VALVE	flow regulator		1
5	6677153	VALVE	control		1
6	6671025	COIL			2
7	6678838	VALVE	relief		2
8	6680331	ORIFICE			1
9	6669615	ORIFICE			1
10	6665719	PLUG			3
11	6680332	RETAINER			1
12	6680333	BALL			1
13	6678705	BALL			2
14	6680334	SPRING			2
15	6672515	SEAL KIT			2
16	6669620	PLUG			6
17	6674545	BOLT			4
18	6674548	PLUG			1
19	6667181	SEAL KIT			1
20	6678566	SEAL KIT			1
21	6672756	SEAL KIT			1
22	6676320	CAP			2
23	6676321	COIL			2
24	6676246	NUT			1
25	6678711	WASHER			1
26	6680328	BLOCK			1

SWING CYLINDER Bobtach Mounted Backhoe

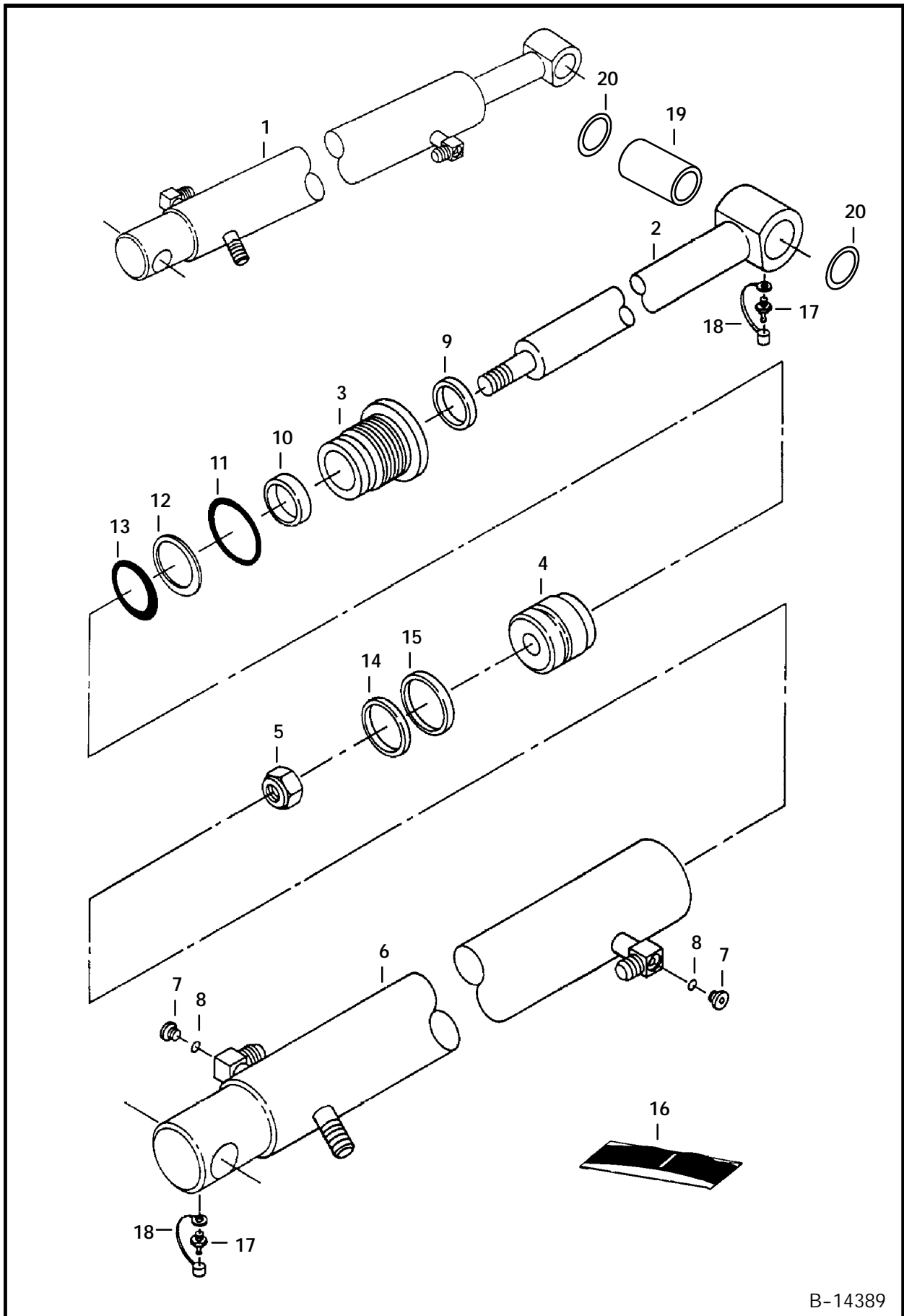


B-18269

**SWING CYLINDER (Cont'd)
Bobtach Mounted Backhoe**

Ref. No.	Part Number	Description	Remarks	Serial Number	Qty.
1	6810490	CYLINDER	Ref. 2 - 15		1
2	6810491	ROD	1.25" dia.		1
3	6537162	HEAD			1
4	6808611	PISTON			1
5	92D-14	NUT			1
6	6808780	CASE			1
7	90KV-2	PLUG			2
8	95K-3	O-RING			2
9	6519328	SEAL			1
10	54K-30126	O-RING			1
11	54K-60128	O-RING			1
12	73K-328	WASHER	back-up		1
13	6667324	SEAL			1
14	6665208	SEAL			1
15	58K-140	O-RING			1
16	6808806	TUBE			1
17	6808805	SEAL KIT	Ref. 5 & 9 - 15		1

BUCKET CYLINDER Bobtach Mounted Backhoe

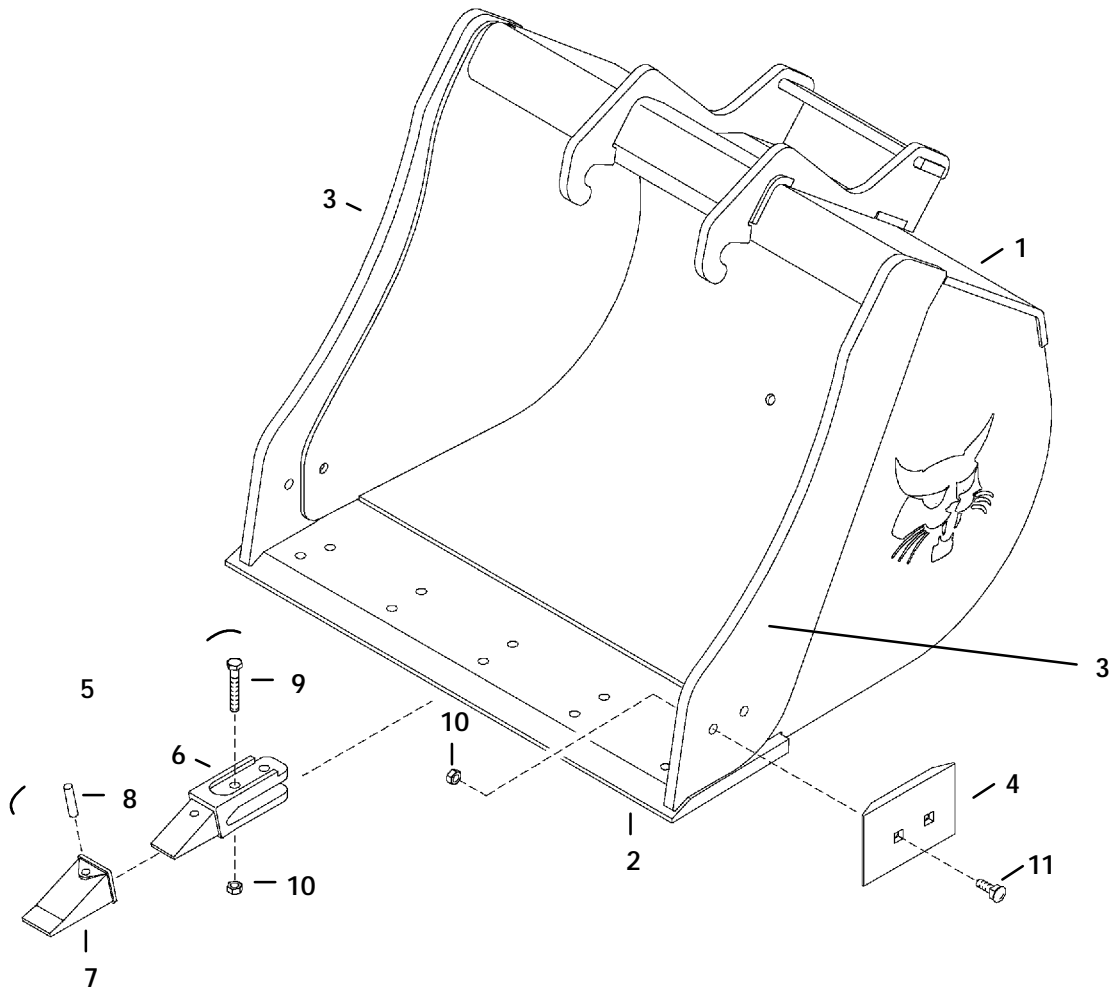


B-14389

BUCKET CYLINDER (Cont'd)
Bobtach Mounted Backhoe

Ref. No.	Part Number	Description	Remarks	Serial Number	Qty.
1	6808617	CYLINDER	W/Ref. 2 - 15 - Also order Ref. 19 & (2) of Ref. 20		1
2	6808618	ROD	Also order Ref. 19 & (2) of Ref. 20		1
3	6806040	HEAD			1
4	6806375	PISTON			1
5	6804592	NUT			1
6	6808628	HOUSING			1
7	90KV-5	PLUG	W/Ref. 8		2
8		O-RING			2
9	6666543	SEAL	Wiper		1
10	6667325	SEAL			1
11	58K-230	O-RING			1
12	54K-40208	RING	Back-up		1
13	73K-228	O-RING			1
14	54K-30202	O-RING			1
15	1522534	RING			1
16	6806862	SEAL KIT	W/Ref. 5 & 9 - 15		x
17	10H-25	GREASE FITTING			2
18	6652943	COVER	Grease Fitting		2
19	6808246	BUSHING			1
20	6652915	SEAL	Dust		2

BUCKETS
(X-Change™ Mounted) - Bobtach Mounted Backhoe



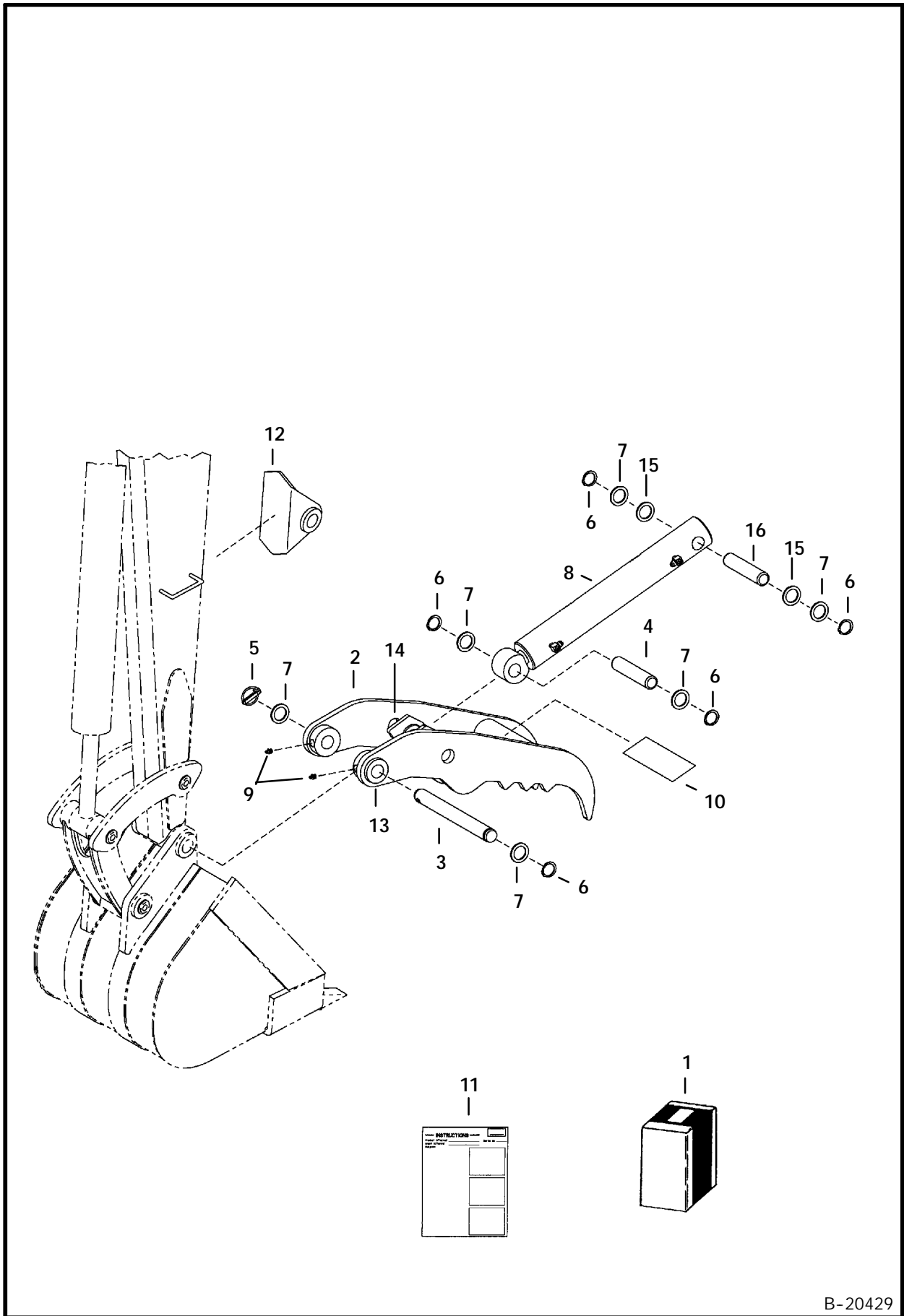
MS-1378

BUCKETS (Cont'd)
(X-Change™ Mounted) - Bobtach Mounted Backhoe

Ref. No.	Part Number	Description	Remarks	Serial Number	Qty.
1	SALES	BUCKET	13" (330mm) - uses 3 teeth - SALES #6715505		x
	SALES	BUCKET	16" (406mm) - uses 4 teeth - SALES #6715506		x
	SALES	BUCKET	20" (508mm) - uses 4 teeth - SALES #6715507		x
2	6805433	CUTTING EDGE	13" (330mm)		1
	6805434	CUTTING EDGE	16" (406mm)		1
	6805435	CUTTING EDGE	20" (508mm)		1
3	6805771	CUTTING EDGE			2
4	6805464	CUTTER SIDE			2
5	6808523	TOOTH ASSY	W/Ref. 6 - 8		x
6	NAP	SHANK	bolt-on - order Ref. 5 - Was 6715836 [A]		x
7	6716001	TOOTH			x
8	14J-3732	PIN			x
9	47C-832	BOLT	(2) per tooth		x
10	63D-8	NUT	(2) per tooth		x
11	39C-828	BOLT			4

CLAMP KIT

Bobtach Mounted Backhoe

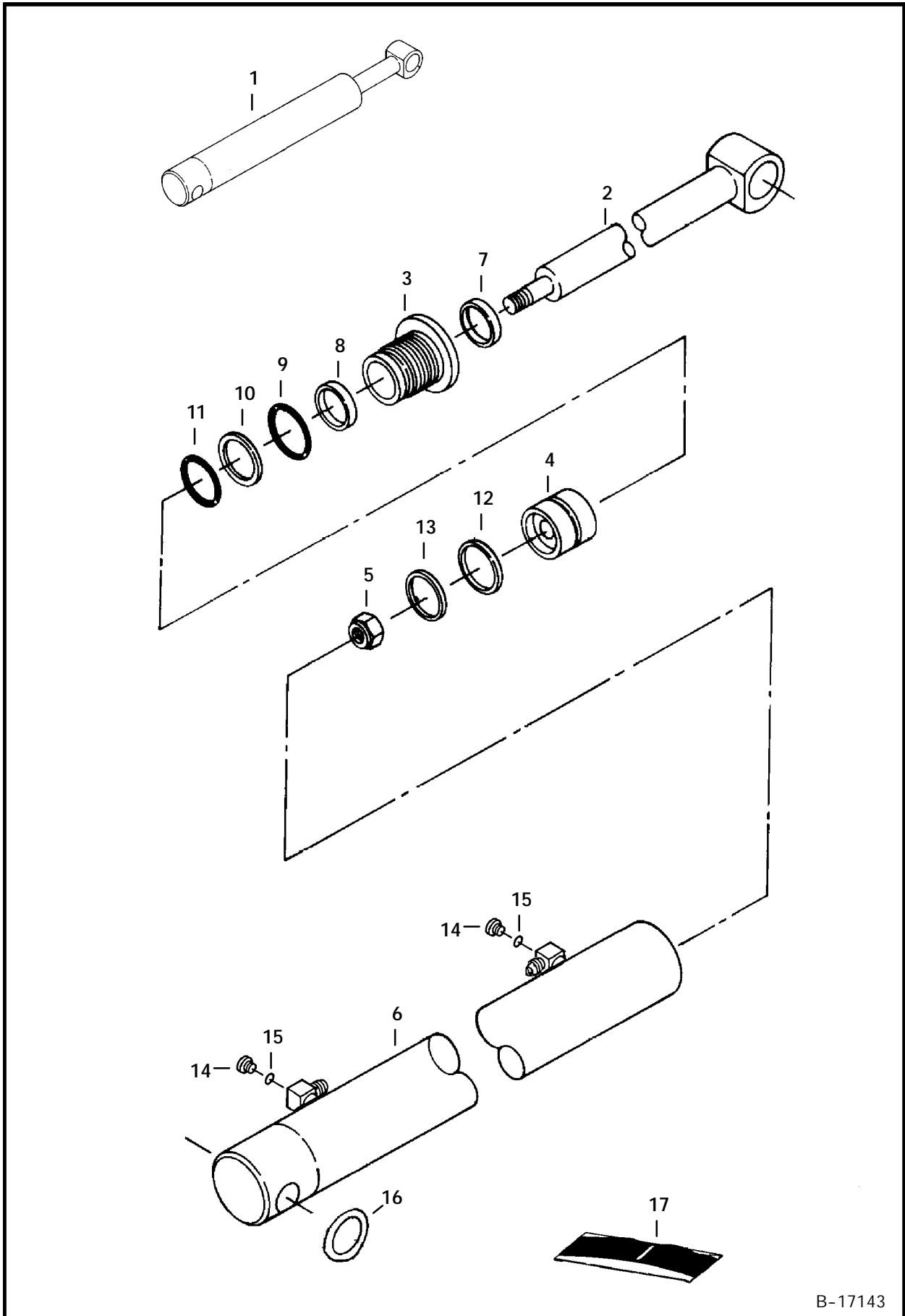


B-20429

CLAMP KIT (Cont'd) Bobtach Mounted Backhoe

Ref. No.	Part Number	Description	Remarks	Serial Number	Qty.
1	SALES	KIT	Clamp - W/Refs. 2-16 - SALES # is 6714449		1
2	6713831	CLAMP			1
3	6713824	PIN			1
4	6595660	PIN			1
5	6560382	RETAINING PIN	Lock Ring		1
6	6534154	SNAP RING			5
7	6534111	WASHER			6
8	6802235	CYLINDER	Clamp - See Page 23		1
9	10H-25	GREASE FITTING			2
10	6727324	DECAL			1
11	6900367	INSTRUCTIONS			1
12	6713832	MOUNT	Clamp Cylinder - not in kit		1
13	6713827	BUSHING	weld-on		2
14	6713828	BUSHING	weld-on		2
15	6806111	SPACER	used with cylinder 6805607		2
16	6806894	PIN			2

CLAMP CYLINDER Bobtach Mounted Backhoe

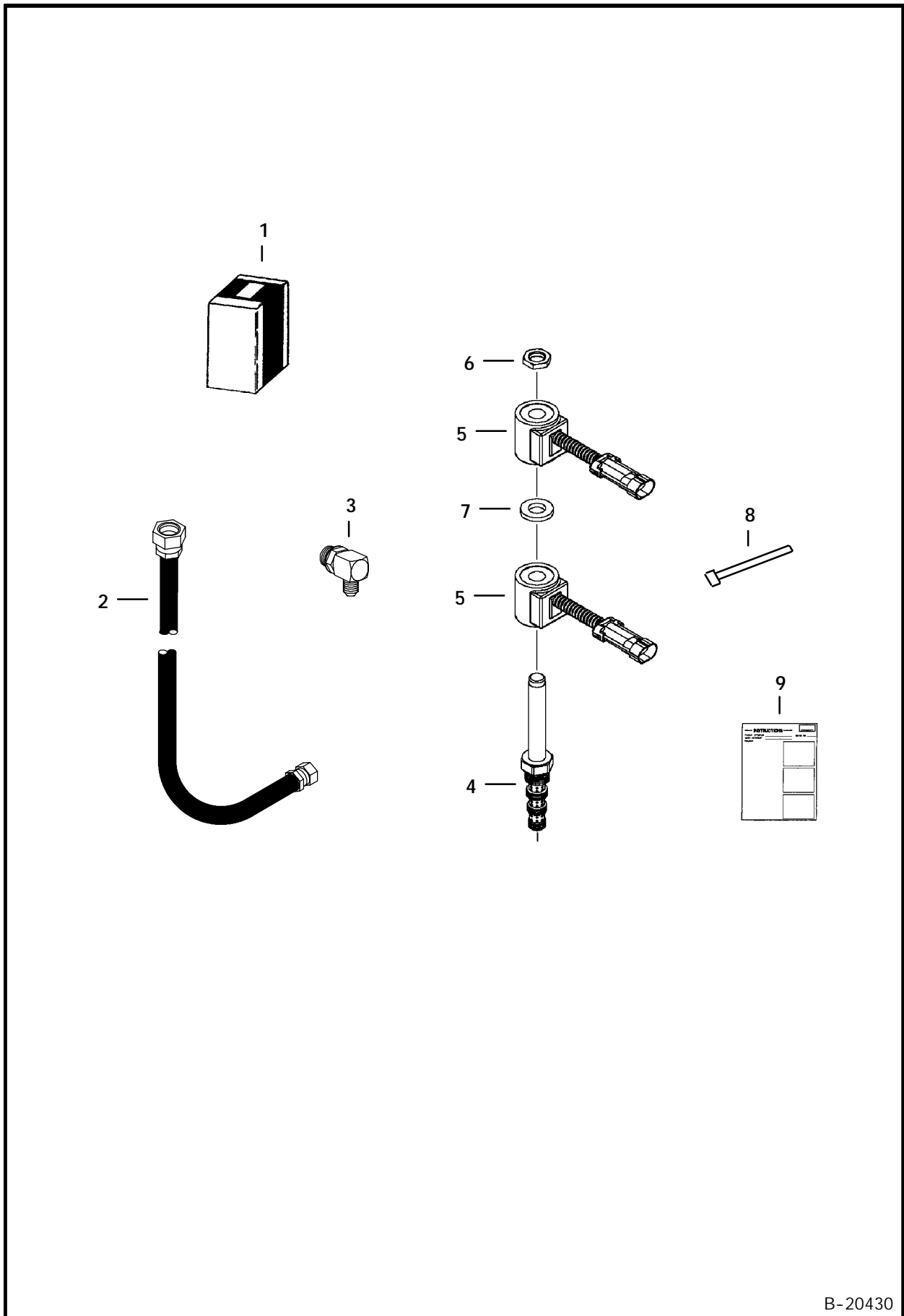


B-17143

**CLAMP CYLINDER (Cont'd)
Bobtach Mounted Backhoe**

Ref. No.	Part Number	Description	Remarks	Serial Number	Qty.
1	6805607	CYLINDER	Ref. 2 - 15		1
2	6802237	ROD			1
3	6539236	HEAD			1
4	6806356	PISTON			1
5	6804592	NUT			1
6	6805709	HOUSING			1
7	6665086	SEAL	Wiper		1
8	6538141	SEAL			1
9	58K-140	O-RING			1
10	80K-328	RING	Back-up		1
11	54K-60128	O-RING			1
12	6519328	RING			2
13	54K-30126	O-RING	W/Ref. 15		1
14	90KV-2	PLUG			2
15	95K-3	O-RING			2
16	6806111	SPACER	W/Refs. 5 & 7 - 13		x
17	6806075	SEAL KIT			1

AUXILIARY HYDRAULIC KIT FOR CLAMP Bobtach Mounted Backhoe



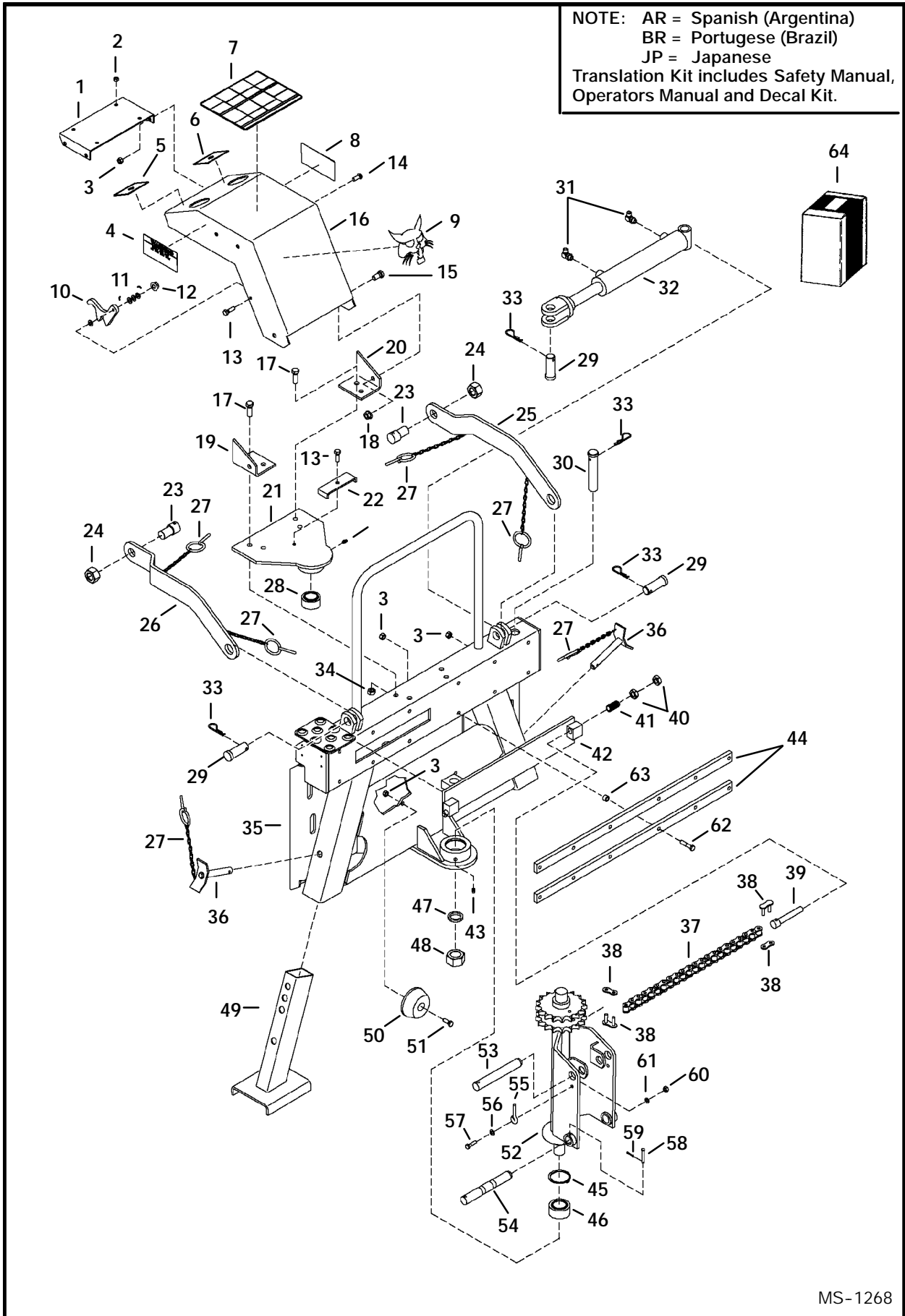
B-20430

AUXILIARY HYDRAULIC KIT FOR CLAMP (Cont'd)
Bobtach Mounted Backhoe

Ref. No.	Part Number	Description	Remarks	Serial Number	Qty.
1	SALES	KIT	W/Ref. 2 - 9 - Sales #6958160- used with 6714449 clamp kit		1
2	6958187	HOSE			2
3	17KV-5	ELBOW			2
4	6677153	VALVE	control		1
	6672756	SEAL KIT	FOR 6677153 valve		1
5	6671025	COIL			2
6	6676246	NUT			1
7	6678711	WASHER			1
8	6624289	NYLON TIE			4
9	6901745	INSTRUCTIONS			1

* 406 & 506 BACKHOE
Main Frame

NOTE: AR = Spanish (Argentina)
BR = Portuguese (Brazil)
JP = Japanese
Translation Kit includes Safety Manual,
Operators Manual and Decal Kit.



MS-1268

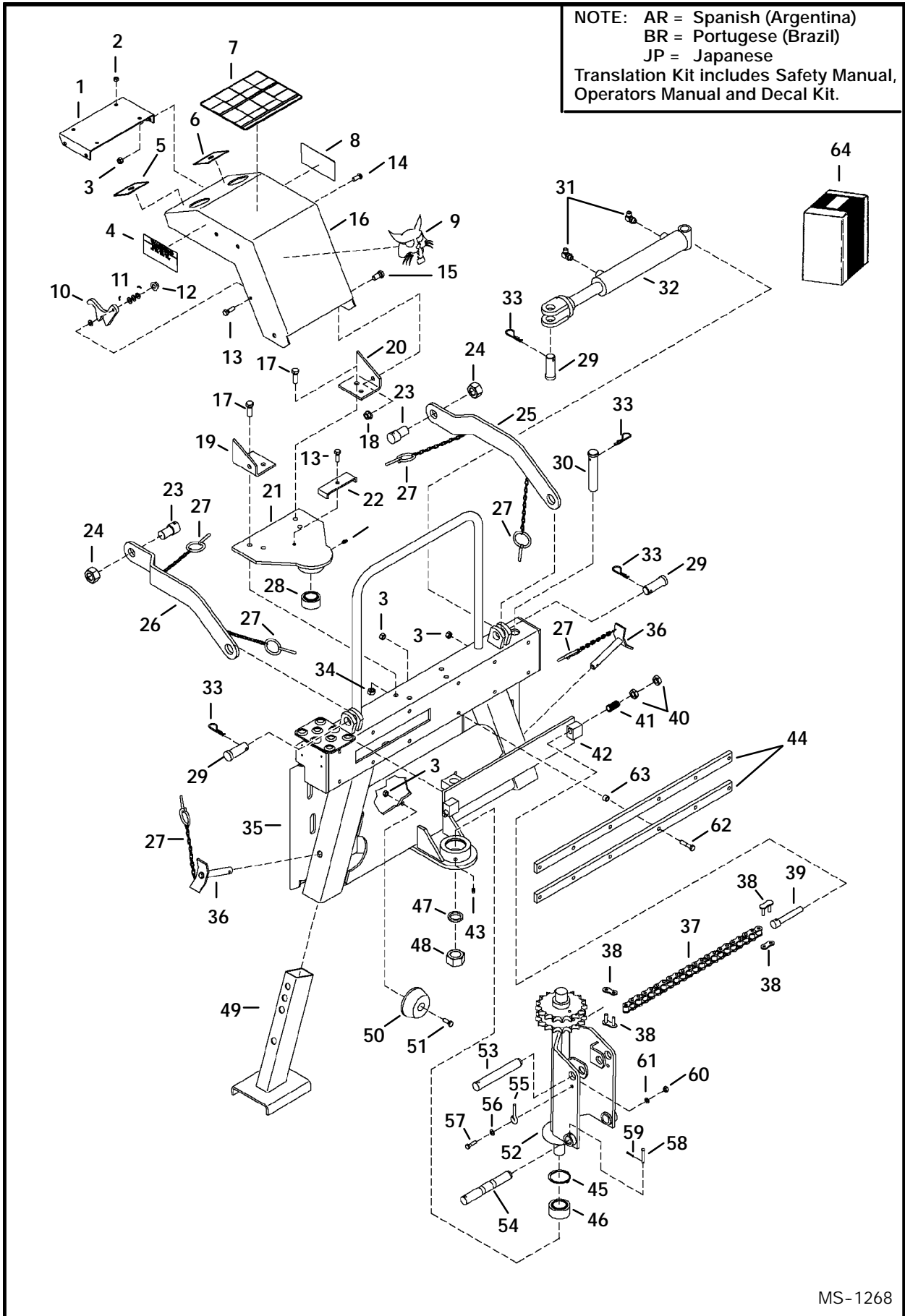
* 406 & 506 BACKHOE (Cont'd)

Main Frame

Ref. No.	Part Number	Description	Remarks	Serial Number	Qty.
1*	6906688	COVER			1
2*	85D-5	NUT			7
3*	85D-6	NUT			18
4*	6594488	DECAL	enter/exit		1
5*	6558050	DECAL	operation		1
6*	6558049	DECAL	operation		1
7*	6906682	DECAL	mounting		1
8*	6701391	DECAL	do not enter/exit		1
9*	6700191	DECAL			1
10*	6906730	LATCH			1
11*	25E-35	WASHER			3
12*	83D-5	NUT			1
13*	17C-620	BOLT			4
14*	25G-616	BOLT			4
15*	17C-816	BOLT			2
16*	6906694	COVER			1
17*	17C-824	BOLT			4
18*	83D-8	NUT			2
19*	6554401	BRACKET			1
20*	6554402	BRACKET			1
21*	6906922	PLATE			1
22*	6594098	CLAMP			1
23*	6557887	PIN			2
24*	61D-16	NUT			2
25*	6906311	BAR	lockout		1
26*	6906312	BAR	lockout		1
27*	6649496	SNAP RING	w/chain		6
28*	1307537	BEARING			1
29*	6557920	PIN			3
30*	6514638	PIN			1
31*	17KV-5	ELBOW			2
32*		CYLINDER	swing - See page 37		1
33*	1320075	PIN			3
34*	85D-8	NUT			4
35*	6906618	MAIN FRAME	406		1
*	6906877	MAIN FRAME	506 - see page 49 & 51 for 506 mounting kits		1
36*	6557821	PIN			2
37*	6906702	CHAIN			2
38*	6906703	LINK	connector		4
39*	6906717	BOLT			2
40*	7D-10	JAM NUT			4
41*	6704453	SPRING			2
42*	6906729	MOUNT			1
43*	10H-25	GREASE ZERK			7
44*	6554409	SLIDE BAR			2
45*	711406	SNAP RING			1
46*	713418	BEARING			1
47*	6554411	WASHER			1
48*	86D-20	NUT			1
49*	6557894	STABILIZER			2

* 406 & 506 BACKHOE (Cont'd)
Main Frame

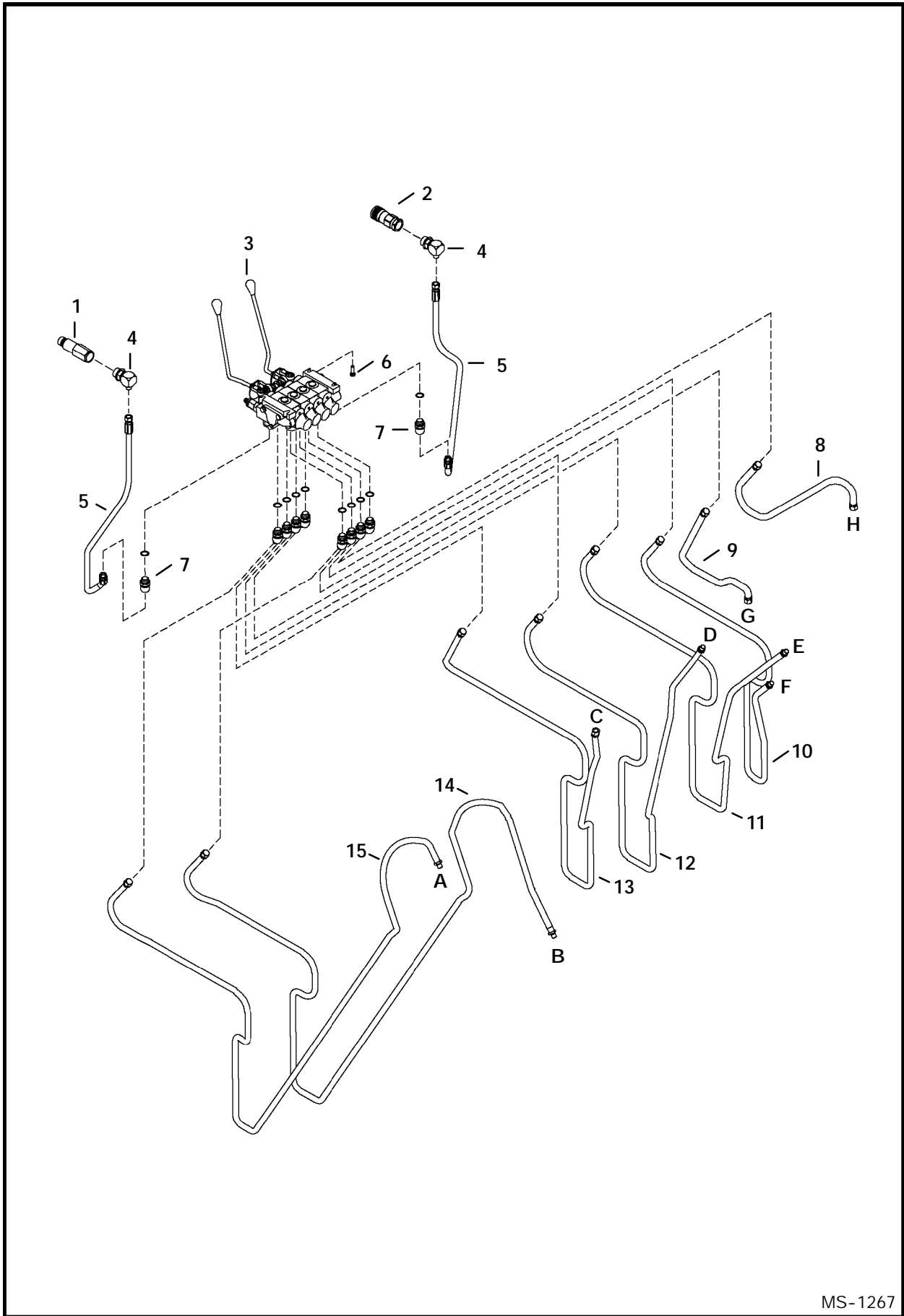
NOTE: AR = Spanish (Argentina)
BR = Portuguese (Brazil)
JP = Japanese
Translation Kit includes Safety Manual,
Operators Manual and Decal Kit.



* 406 & 506 BACKHOE (Cont'd)
Main Frame

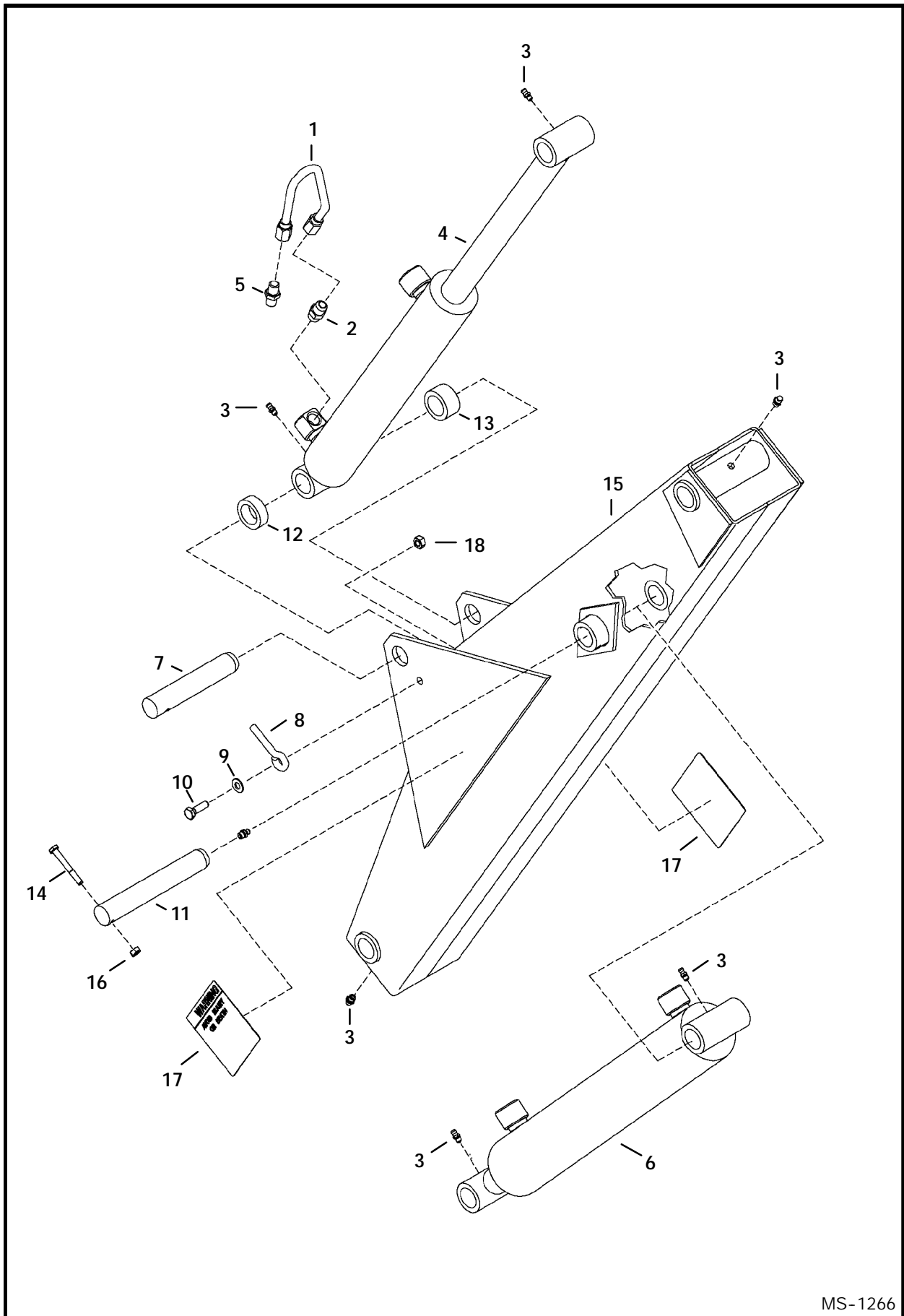
Ref. No.	Part Number	Description	Remarks	Serial Number	Qty.
50*	6562109	STOP			2
51*	17C-616	BOLT			2
52*	6906610	SWING FRAME			1
53*	6554413	PIN			1
54*	6554412	PIN			1
55*	6554414	PIN			x
56*	25E-15	WASHER			x
57*	17C-520	BOLT			x
58*	6512353	PIN	clevis		2
59*	1F-308	PIN	cotter		2
60*	61D-5	NUT			1
61*	4E-5	WASHER			1
62*	17C-628	BOLT			12
63*	6512358	SPACER			12
64*	6906686AR	KIT	translation - see note		1
*	6906686BR	KIT	translation - see note		1
*	6906687AR	KIT	decal - see note		1
*	6906687BR	KIT	decal - see note		1
*	6906687JP	KIT	decal - see note		1

* 406 & 506 BACKHOE
Hydraulic Circuitry



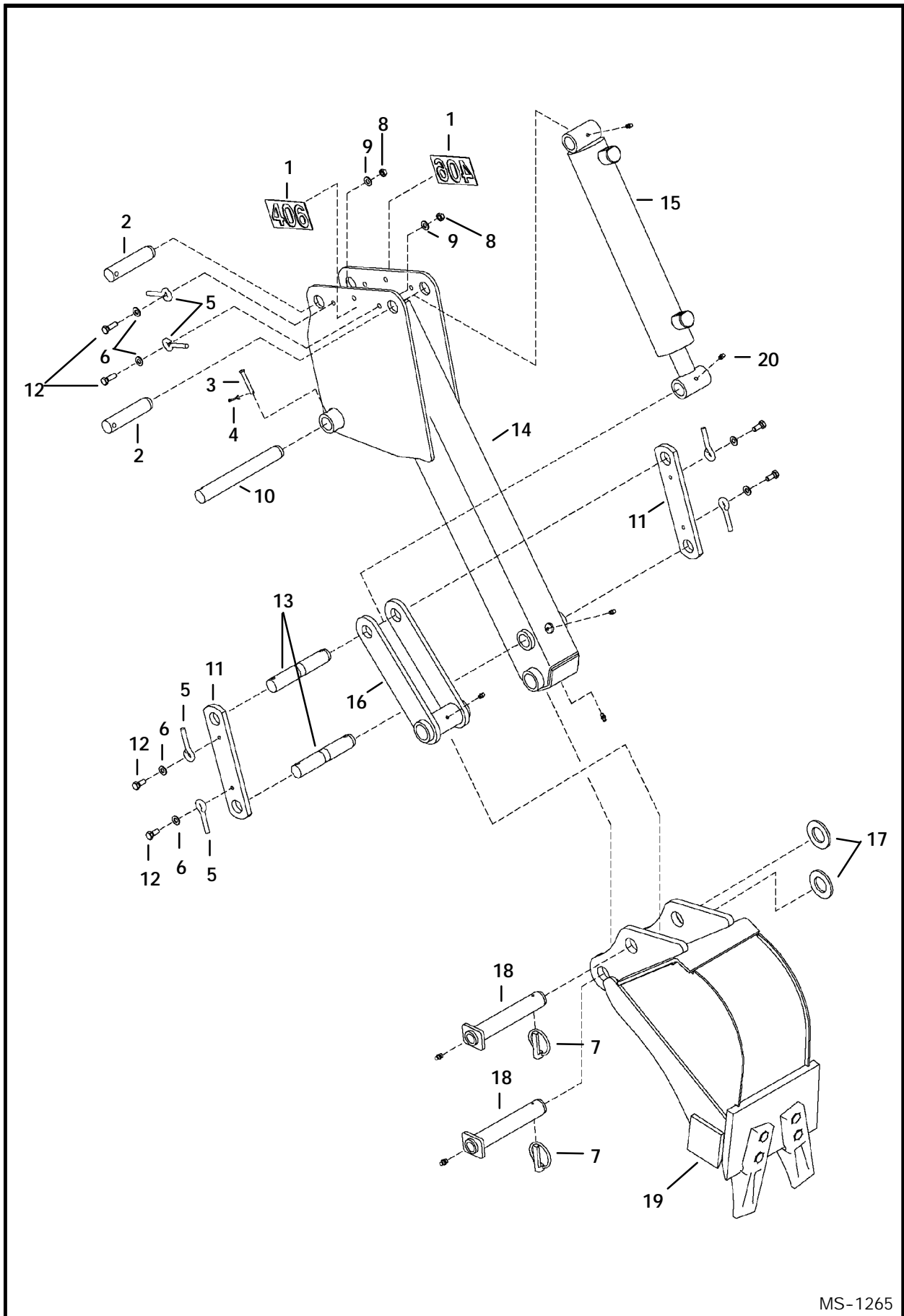
MS-1267

* 406 & 506 BACKHOE
Boom Group



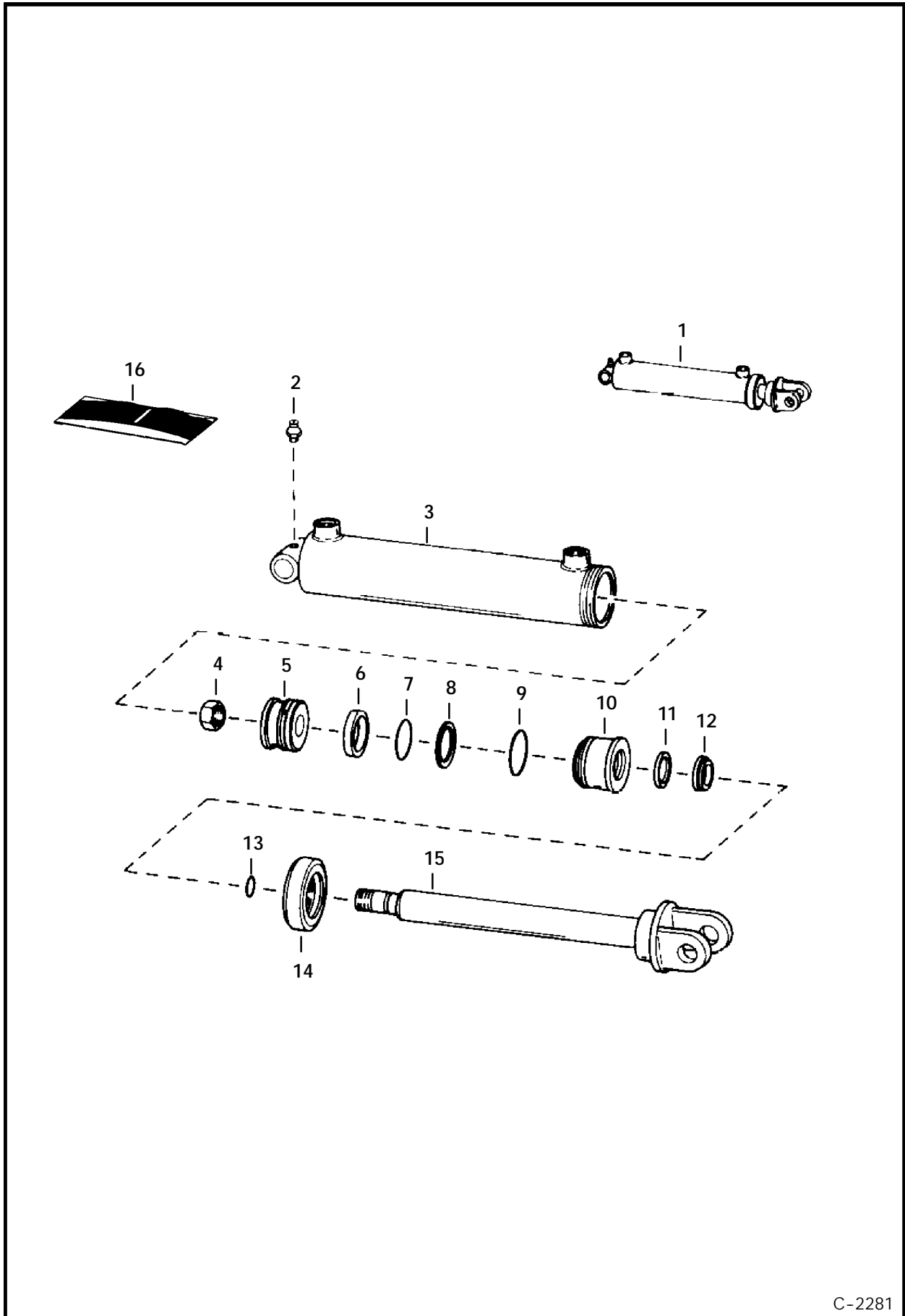
MS-1266

* 406 & 506 BACKHOE
Dipper Group



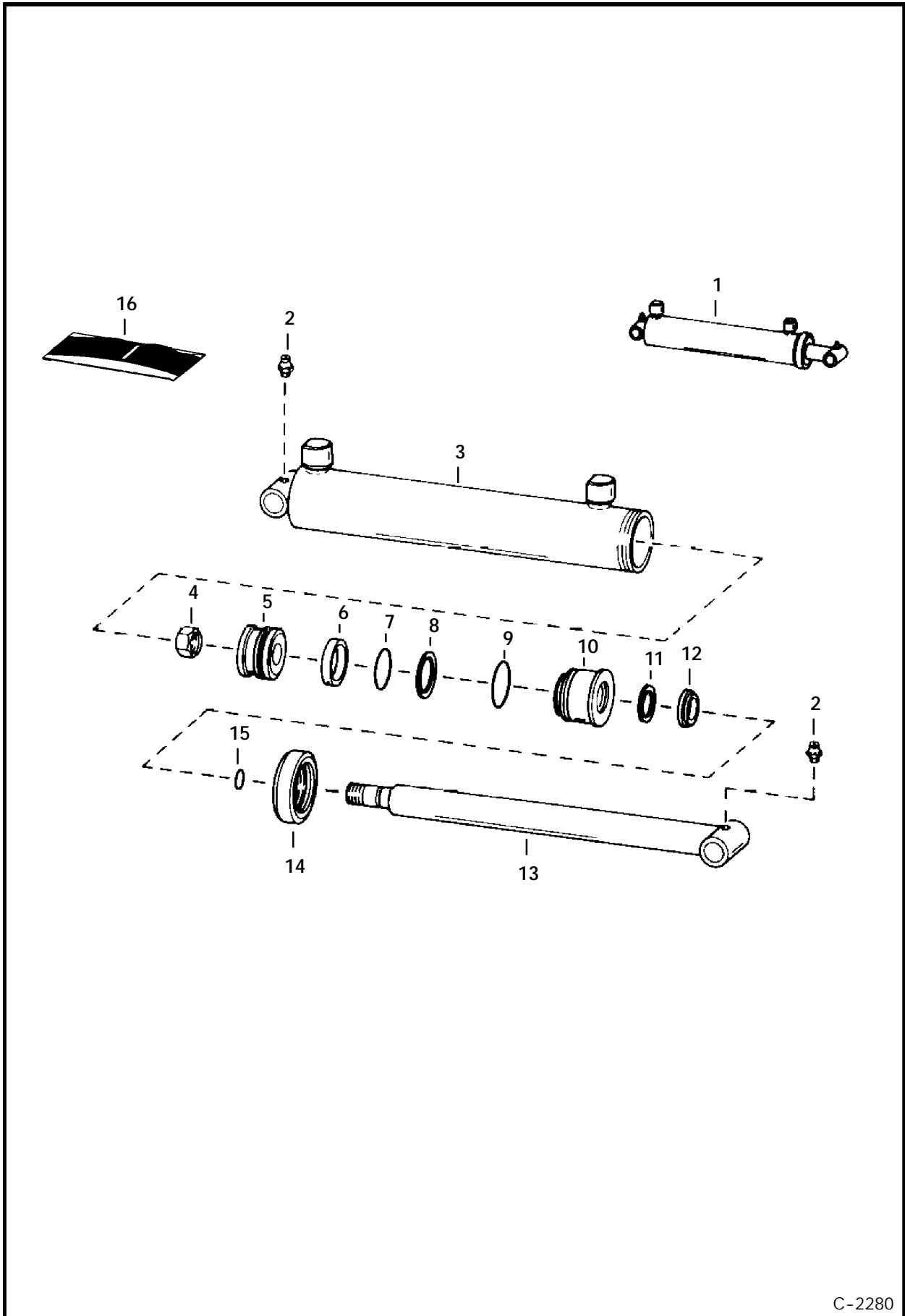
MS-1265

* 406 & 506 BACKHOE
Swing Cylinder



C-2281

* 406 & 506 BACKHOE
Boom Cylinder

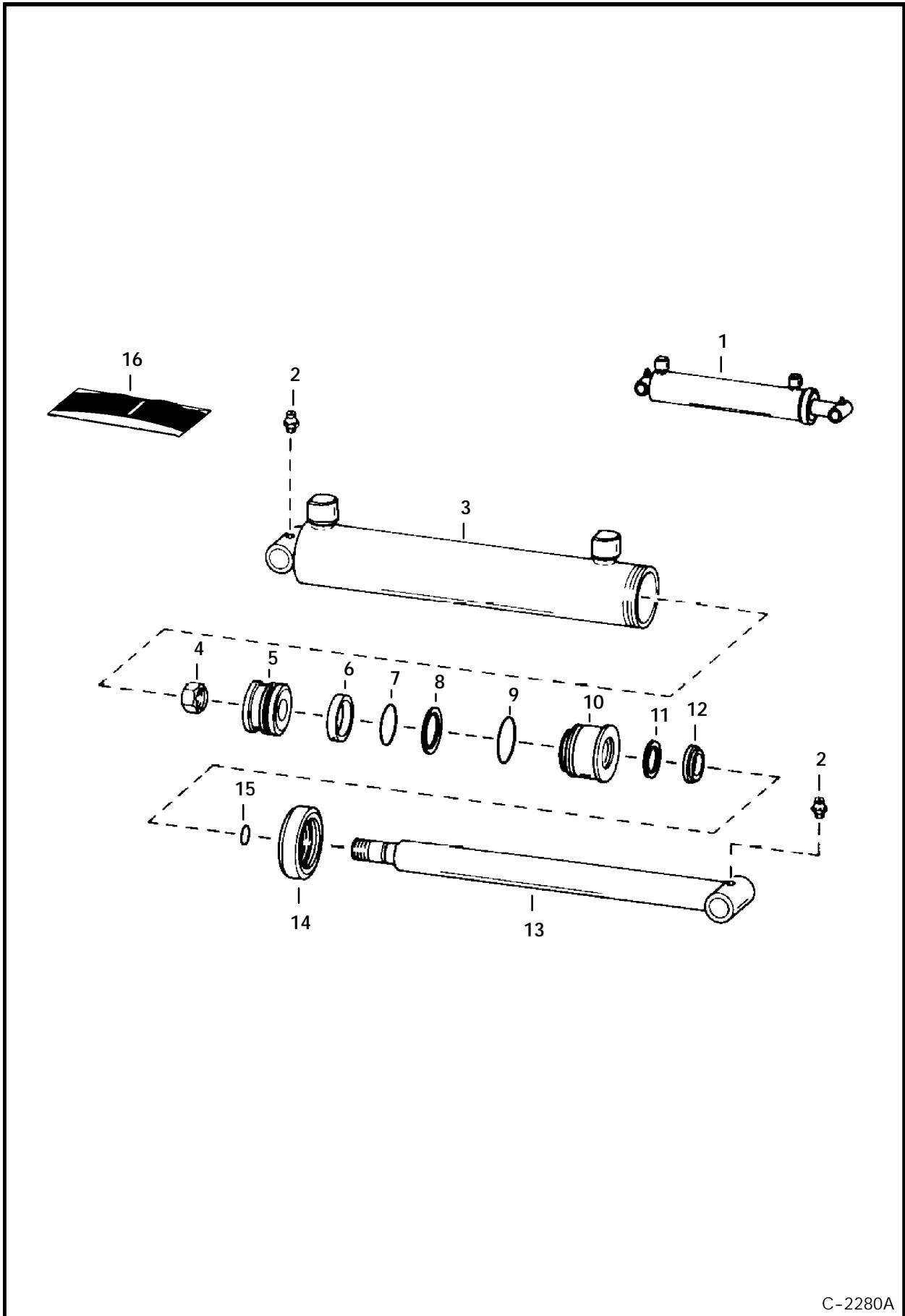


C-2280

* 406 & 506 BACKHOE (Cont'd)
 Boom Cylinder

Ref. No.	Part Number	Description	Remarks	Serial Number	Qty.
1*	6554898	CYLINDER			1
2*	10H-35	GREASE ZERK			2
3*	NAP	CASE			1
4*	NAP	NUT	buy locally		1
5*	6513454	PISTON			1
6*	NSS	RING	wear		1
7*	NSS	SEAL	piston		1
8*	NSS	SEAL	slipper		1
9*	NSS	SEAL	gland static		1
10*	6513456	GLAND			1
11*	NSS	SEAL	rod		1
12*	NSS	WIPER	rod		1
13*	6513458	ROD			1
14*	6513461	COLLAR			1
15*	NSS	SEAL	Rod static		1
16*	6554899	SEAL KIT	W/Ref. 6 - 9, 11, 12 & 15		1

* 406 & 506 BACKHOE
Dipper Cylinder

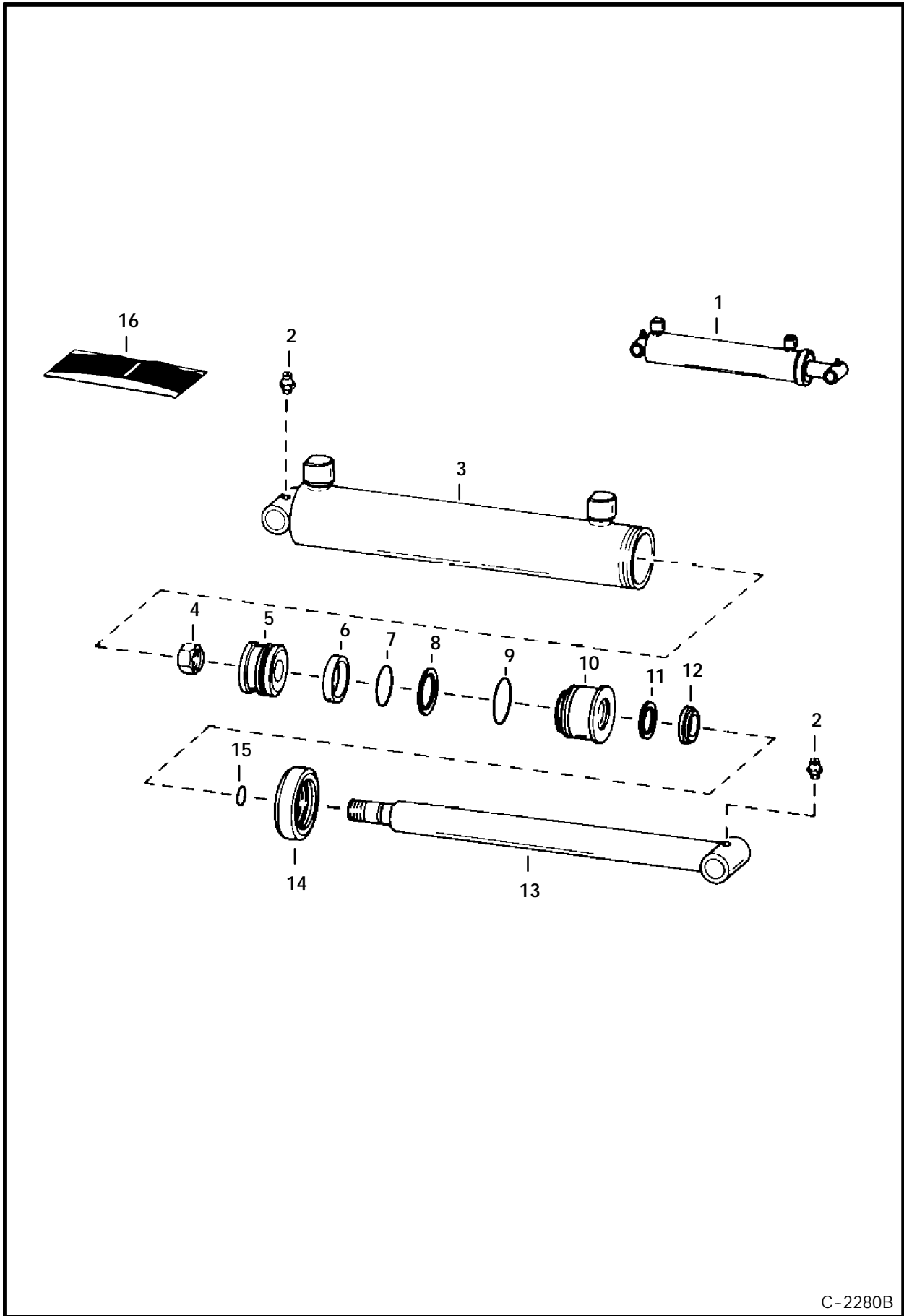


C-2280A

* 406 & 506 BACKHOE (Cont'd)
Dipper Cylinder

Ref. No.	Part Number	Description	Remarks	Serial Number	Qty.
1*	6554896	CYLINDER			1
2*	10H-35	GREASE ZERK			2
3*	NAP	CASE			1
4*	NAP	NUT	buy locally		1
5*	6513453	PISTON			1
6*	NSS	RING	wear		1
7*	NSS	SEAL	piston		1
8*	NSS	SEAL	slipper		1
9*	NSS	SEAL	gland static		1
10*	6513455	GLAND			1
11*	NSS	SEAL	rod		1
12*	NSS	SEAL	wiper		1
13*	6513459	ROD			1
14*	6513460	COLLAR			1
15*	NSS	SEAL	Rod static		1
16*	6641366	SEAL KIT	W/Ref. 6 - 9, 11, 12 & 15		1

* 406 & 506 BACKHOE
Bucket Cylinder

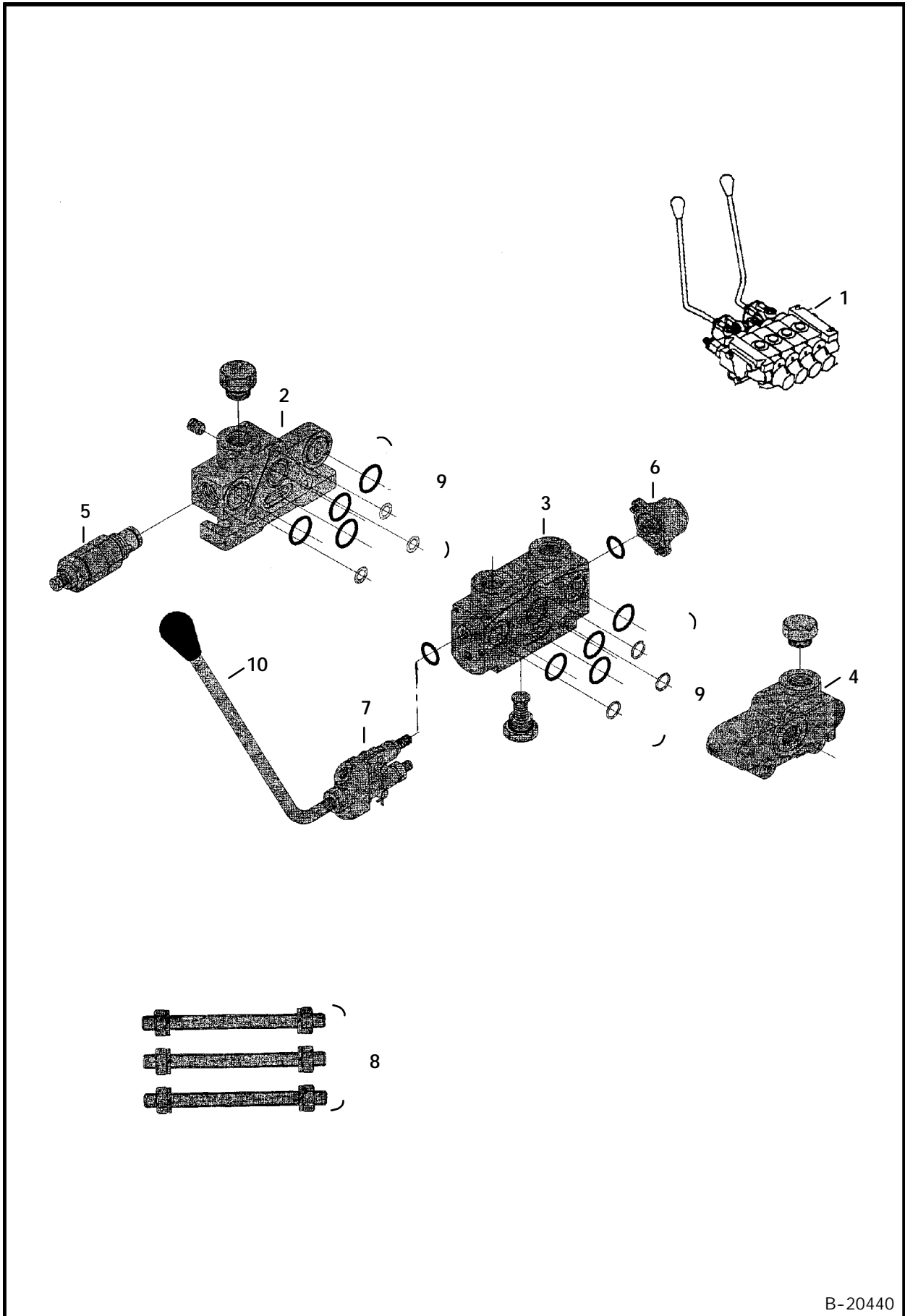


C-2280B

* 406 & 506 BACKHOE (Cont'd)
 Bucket Cylinder

Ref. No.	Part Number	Description	Remarks	Serial Number	Qty.
1*	6554904	CYLINDER			1
2*	10H-35	GREASE ZERK			2
3*	NAP	CASE			1
4*	NAP	NUT	buy locally		1
5*	6513454	PISTON			1
6*	NSS	RING	wear		1
7*	NSS	SEAL	piston		1
8*	NSS	SEAL	slipper		1
9*	NSS	SEAL	gland static		1
10*	6513456	GLAND			1
11*	NSS	SEAL	Rod		1
12*	NSS	WIPER	Rod		1
13*	6513459	ROD			1
14*	6513461	COLLAR			1
15*	NSS	SEAL	Rod static		1
16*	6554899	SEAL KIT	W/Ref. 6 - 9, 11, 12 & 15		1

* 406 & 506 BACKHOE
Control Valve

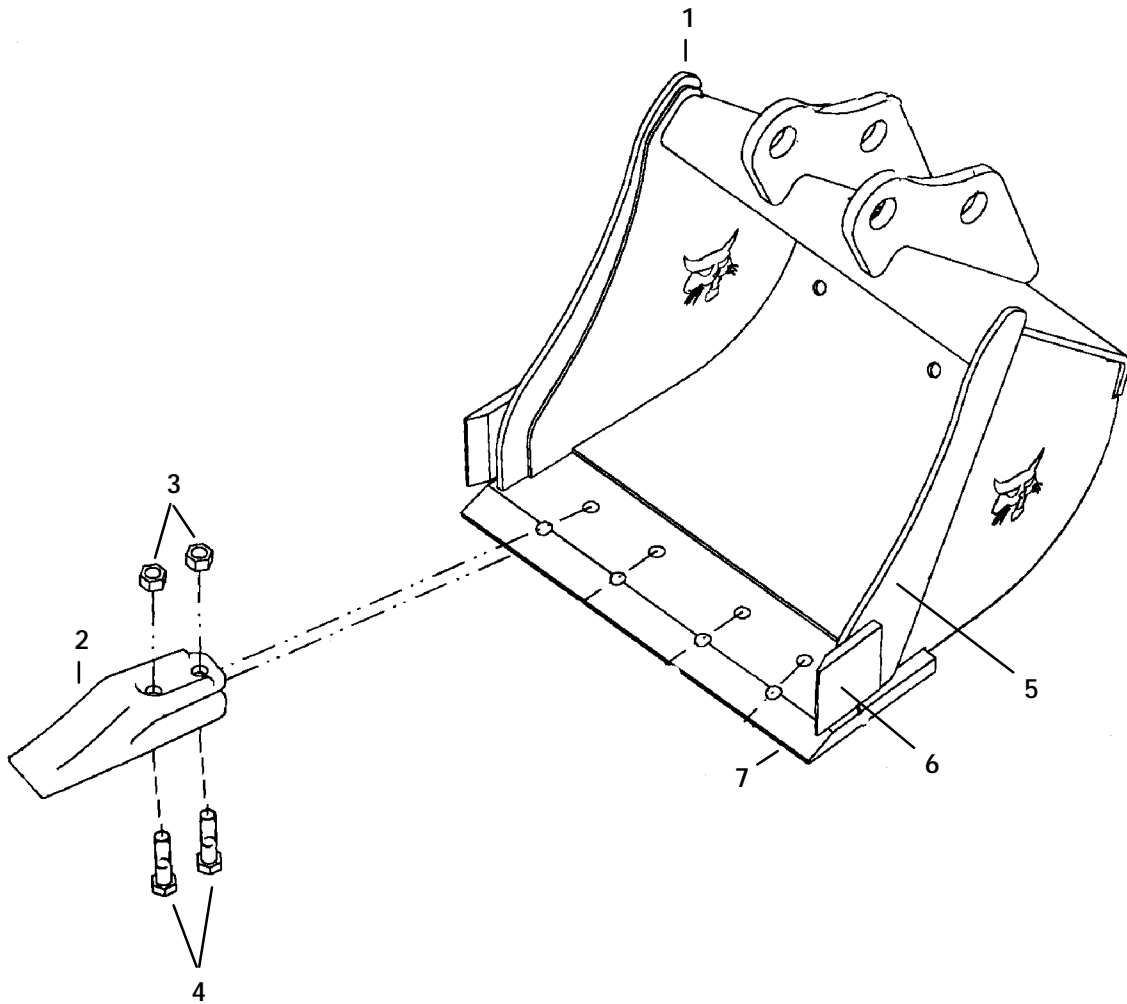


B-20440

* 406 & 506 BACKHOE (Cont'd)
Control Valve

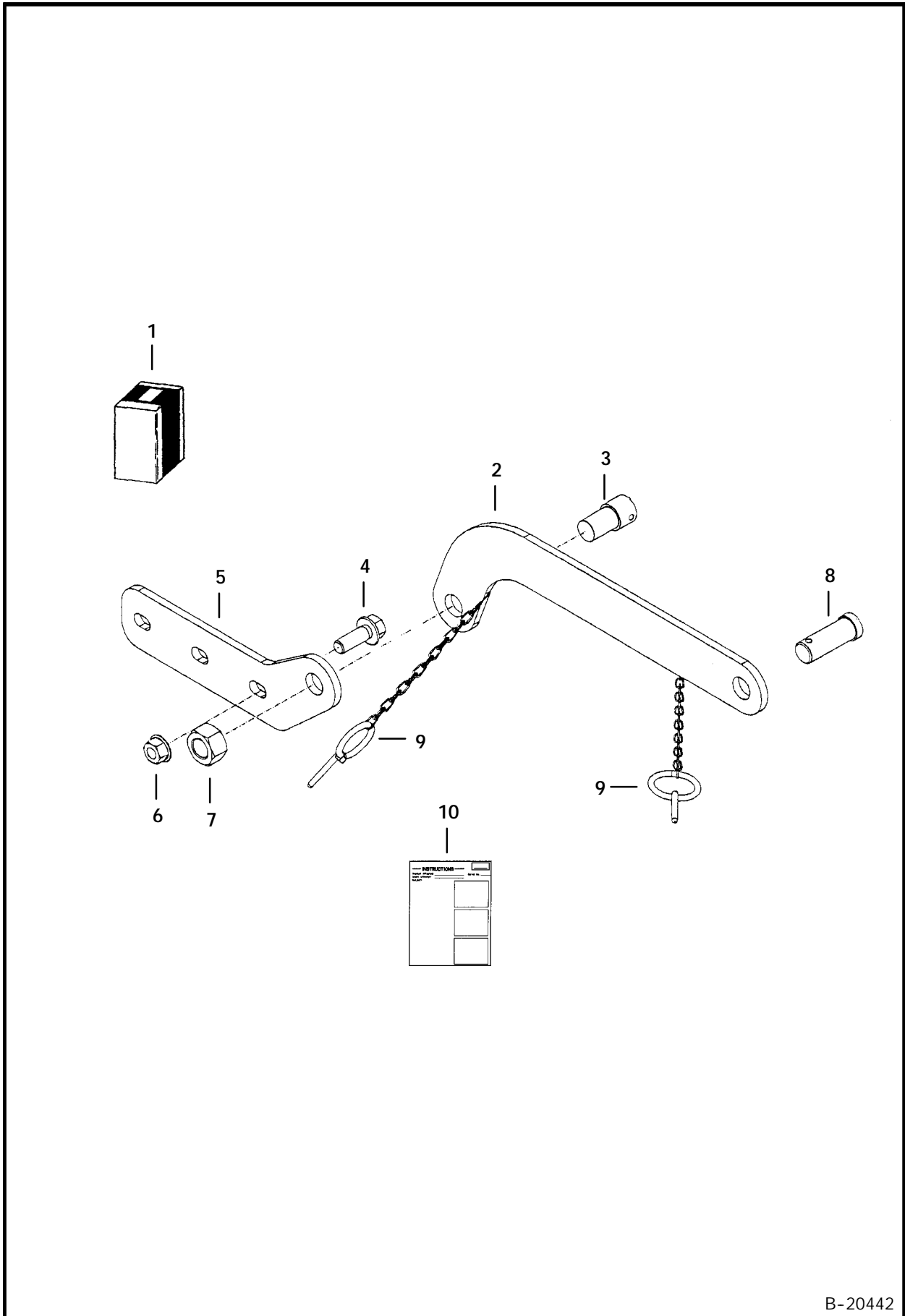
Ref. No.	Part Number	Description	Remarks	Serial Number	Qty.
1*	6678154	VALVE ASSY	W/Ref. 2 - 10		1
2*	6679584	INLET SECTION			1
3*	6679585	WORK SECTION			4
4*	6679589	OUTLET SECTION			1
5*	6679591	RELIEF VALVE			1
6*	6679587	KIT	spring centering		4
7*	6679588	JOYSTICK ASSY			2
8*	6679590	TIE ROD	set of 3		1
9*	6679586	SEAL KIT			5
10*	6679736	HANDLE ASSY	R. H. handle W/rubber tip		1
*	6679737	HANDLE ASSY	L. H. handle W/rubber tip		1

406 & 506 BACKHOE
Bucket - Pin-On



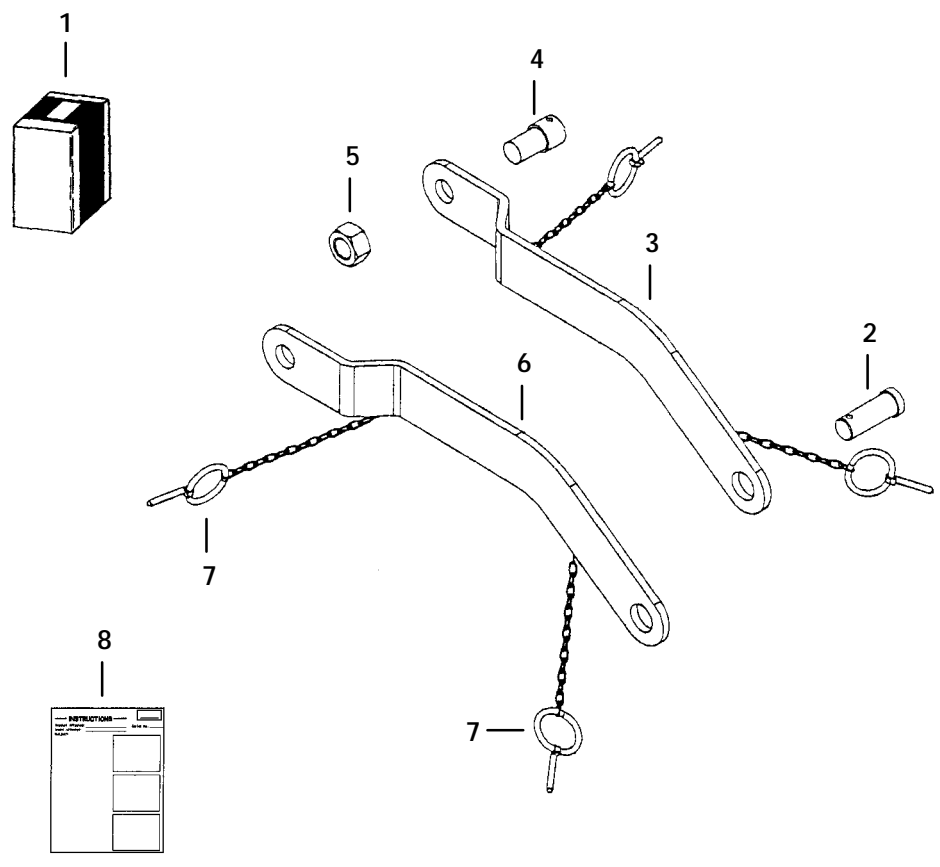
B-20441

***BACKHOE MOUNTING KIT**
506 Backhoe to 500 Series Loader



B-20442

*BACKHOE MOUNTING KIT
506 Backhoe to 463 Series Loader

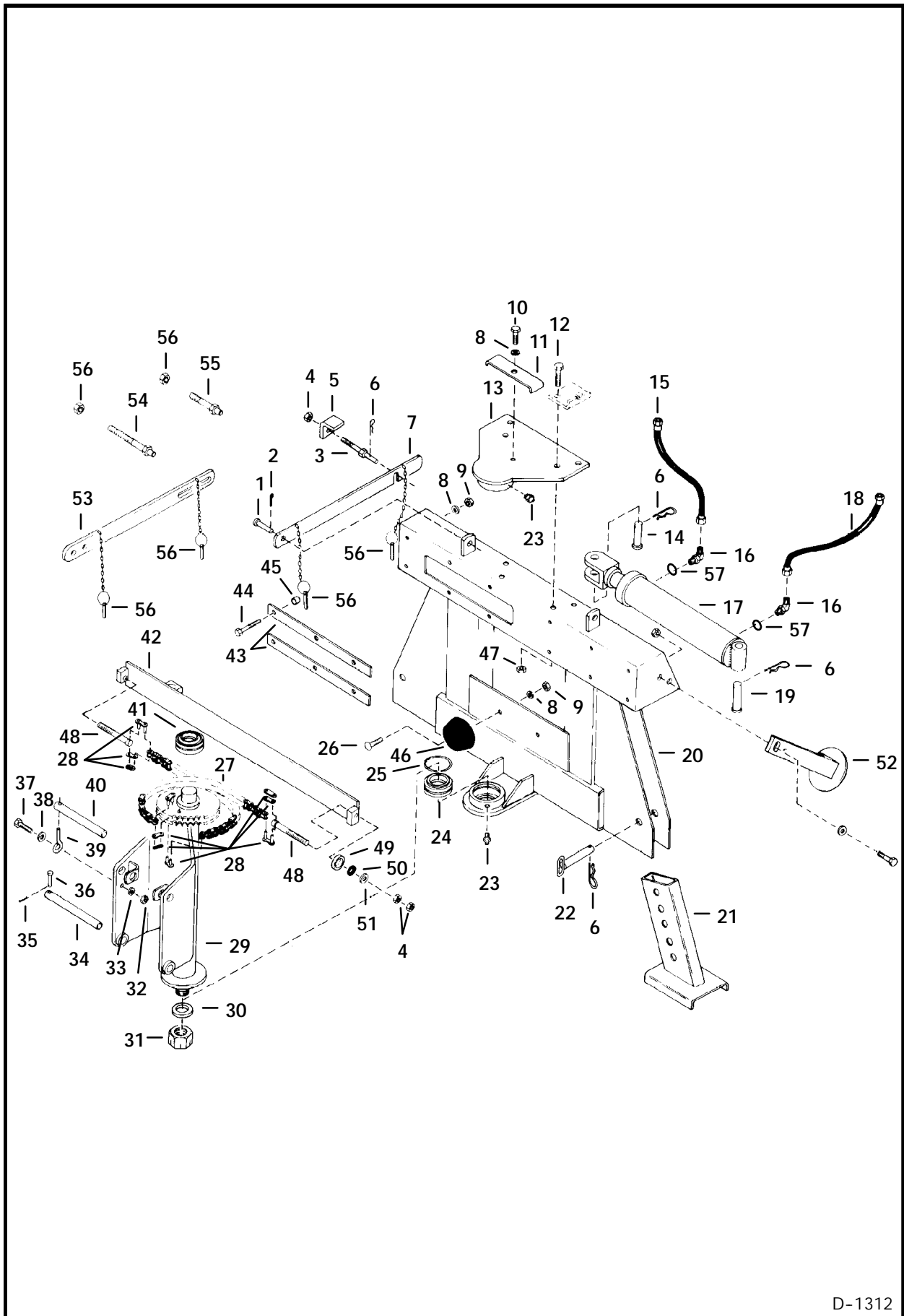


B-20443

MAIN FRAME & SWING ASSEMBLY (Cont'd)
905 Backhoe

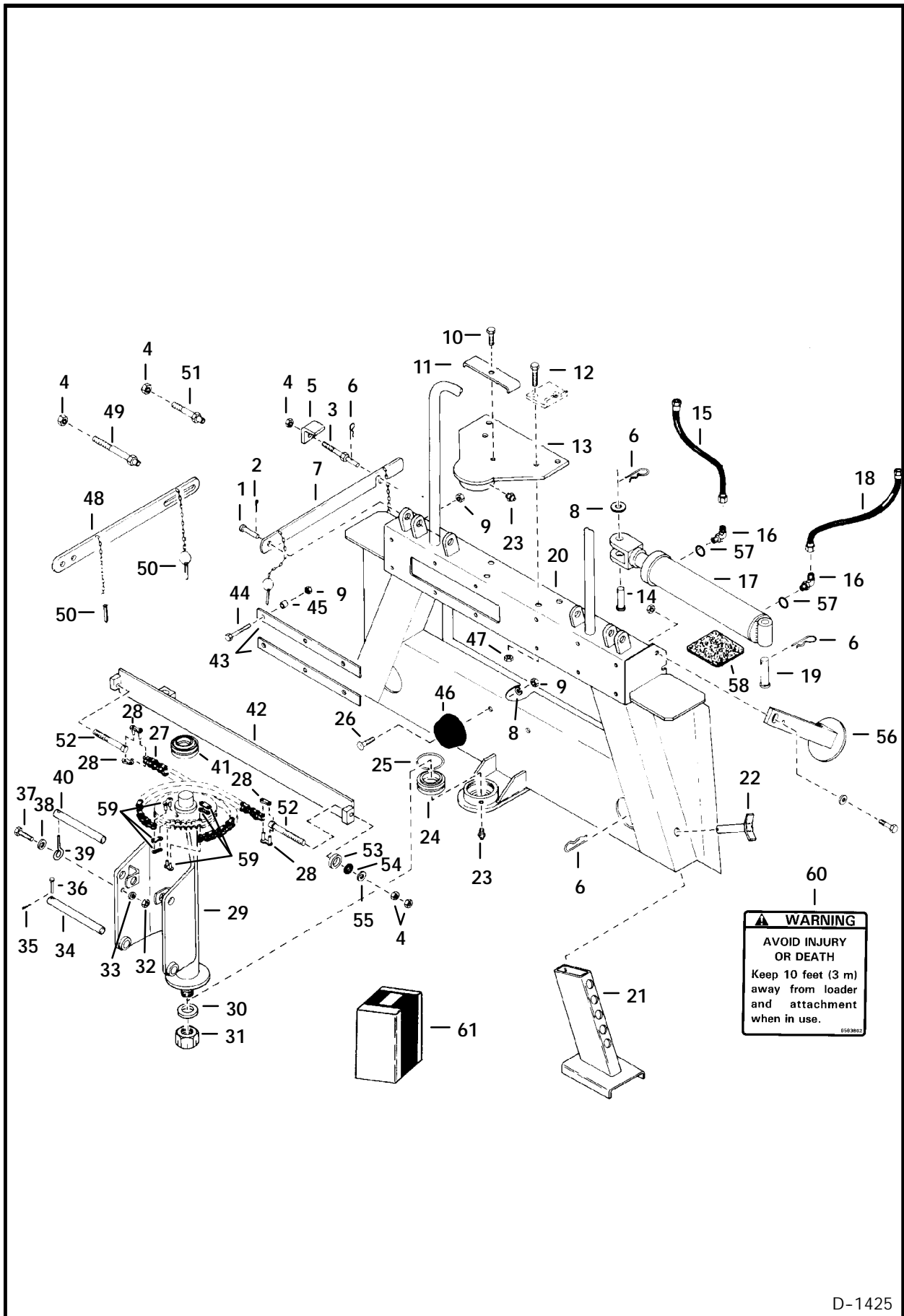
Ref. No.	Part Number	Description	Remarks	Serial Number	Qty.
1	6512359	PIN			2
2	1F-520	COTTER PIN			4
3	6554418	BOLT			8
4	7D-10	NUT	Was 7D-5 [B]		16
5	6554417	BRACKET			2
6	1318565	HAIR PIN			6
7	6513693	BAR ASSY.			2
	6554416	BAR			2
8	4E-6	WASHER			15
9	61D-6	NUT			14
10	17C-620	BOLT			1
11	6512350	CLAMP			1
12	17C-820	BOLT			4
13	6906922	MOUNT	swing post - Was 6554405 [A]		1
14	6557920	PIN	Was 6512352 [A]		1
15	17K-5	ELBOW	W/Ref. 57		2
16	6530884	HOSE	Was 6554388 [A]		1
17	6554890	CYLINDER	swing - See Page 68		
18	6530892	HOSE	Was 6554396 [A]		1
19	6514638	CLEVIS PIN	Was 6512351 [A]		1
20	NAP	FRAME	mounting - Use 1-6594095, 1-6557894 & 1-6557821		1
21	NAP	STABILIZER	Was 6554406 [A]		2
22	6554415	PIN			2
23	10H-35	GREASE ZERK			5
24	713418	BEARING			1
25	711406	RING			1
26	6514537	BOLT			2
27	6512900	CHAIN			2
28	6515191	LINK			4
29	6554404	POST	swing		1
30	6554411	WASHER			1
31*	86D-20	NUT	Was 6554892 [A]		1
32	61D-5	NUT			3
33	4E-5	WASHER			3
34	6554412	PIN			1
35	1F-308	COTTER PIN			2
36	6512353	CLEVIS PIN			2
37	17C-520	BOLT			1
38	25E-15	WASHER			3
39	6554414	PIN	eye		2
40	6554413	PIN			1
41	1307537	BEARING			1
42	6554407	SLIDE			1
43	6554409	BAR			2
44	17C-628	BOLT			12
45	6512358	SPACER			12
46*	6562109	BUMPER	Was 6554410 [A]		2
47	81D-8	NUT			4
48	6594097	BOLT	shoulder - Was 6512899 [A]		2
49	6594041	CUP			2

MAIN FRAME & SWING ASSEMBLY (Cont'd)
905 Backhoe



D-1312

MAIN FRAME & SWING ASSEMBLY 905A & 905B Backhoe

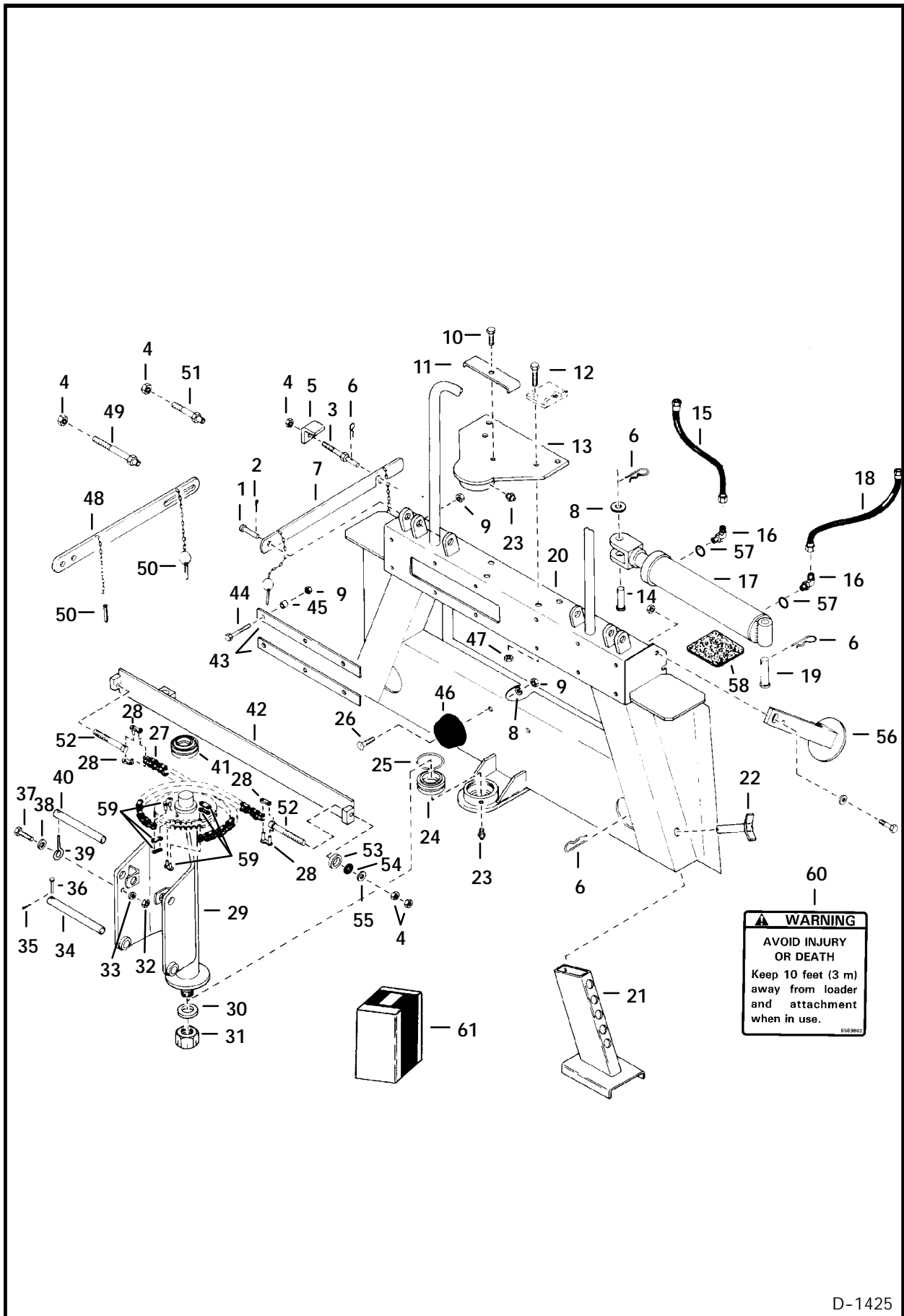


D-1425

MAIN FRAME & SWING ASSEMBLY (Cont'd)
905A & 905B Backhoe

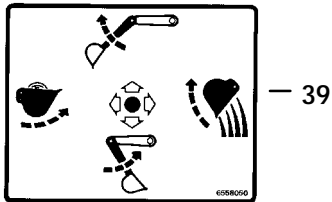
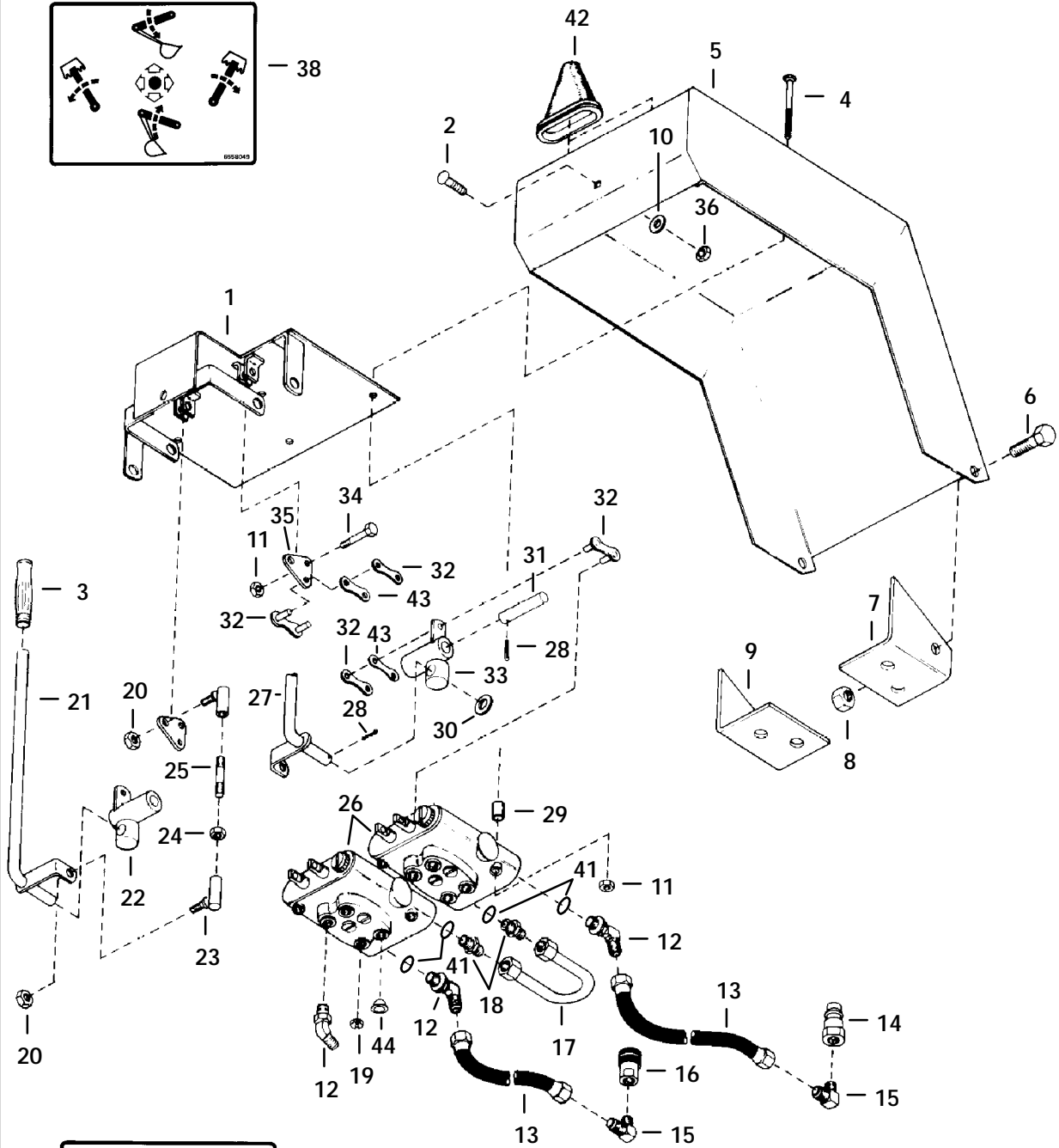
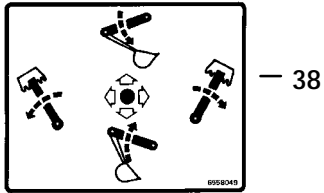
Ref. No.	Part Number	Description	Remarks	Serial Number	Qty.
1	6512359	PIN			2
2	1F-520	COTTER PIN			4
3	6554418	BOLT			4
4	7D-10	NUT	Was 7D-5 [B]		16
5	6554417	BRACKET			2
6	1320075	HAIR PIN			6
7	6513693	BAR ASSY.			2
	6554416	BAR			2
8	25E-31	WASHER			1
9	85D-6	NUT			14
10	17C-620	BOLT			1
11	6594098	CLAMP			1
12	17C-820	BOLT			4
13	6906922	MOUNT	swing post - Was 6554405 [A]		1
14	6557920	PIN			1
15	6530884	HOSE	Was 6554388 [A]		1
16	17K-5	ELBOW	W/Ref. 57		2
17	6554890	CYLINDER	swing - See Page 68		1
18	6530892	HOSE	Was 6554396 [A]		1
19	6514638	CLEVIS PIN			1
20	6594095	FRAME	mounting		1
21	6557894	STABILIZER			2
22	6557821	PIN			2
23	10H-25	GREASE ZERK			2
24	713418	BEARING			1
25	711406	RING			1
26	17C-616	BOLT			2
27	6512900	CHAIN			2
28	6515191	LINK	press fit		2
29	6554404	POST	swing		1
30	6554411	WASHER			1
31	86D-20	NUT			1
32	61D-5	NUT			3
33	4E-5	WASHER			3
34	6554412	PIN			1
35	1F-308	COTTER PIN			2
36	6512353	CLEVIS PIN			2
37	17C-520	BOLT			1
38	25E-15	WASHER			3
39	6554414	PIN	eye		1
40	6554413	PIN			1
41	1307537	BEARING			1
42	6554407	SLIDE			1
43	6554409	BAR			2
44	17C-628	BOLT			12
45	6512358	SPACER			12
46	6562109	STOP			2
47	85D-8	NUT			4
48	6513696	BAR ASSY.			2
	6558006	BAR	support		2
49	6558074	BOLT	pin		2

MAIN FRAME & SWING ASSEMBLY (Cont'd)
905A & 905B Backhoe



D-1425

CONTROL LINKAGE 905/905A/905B Backhoe

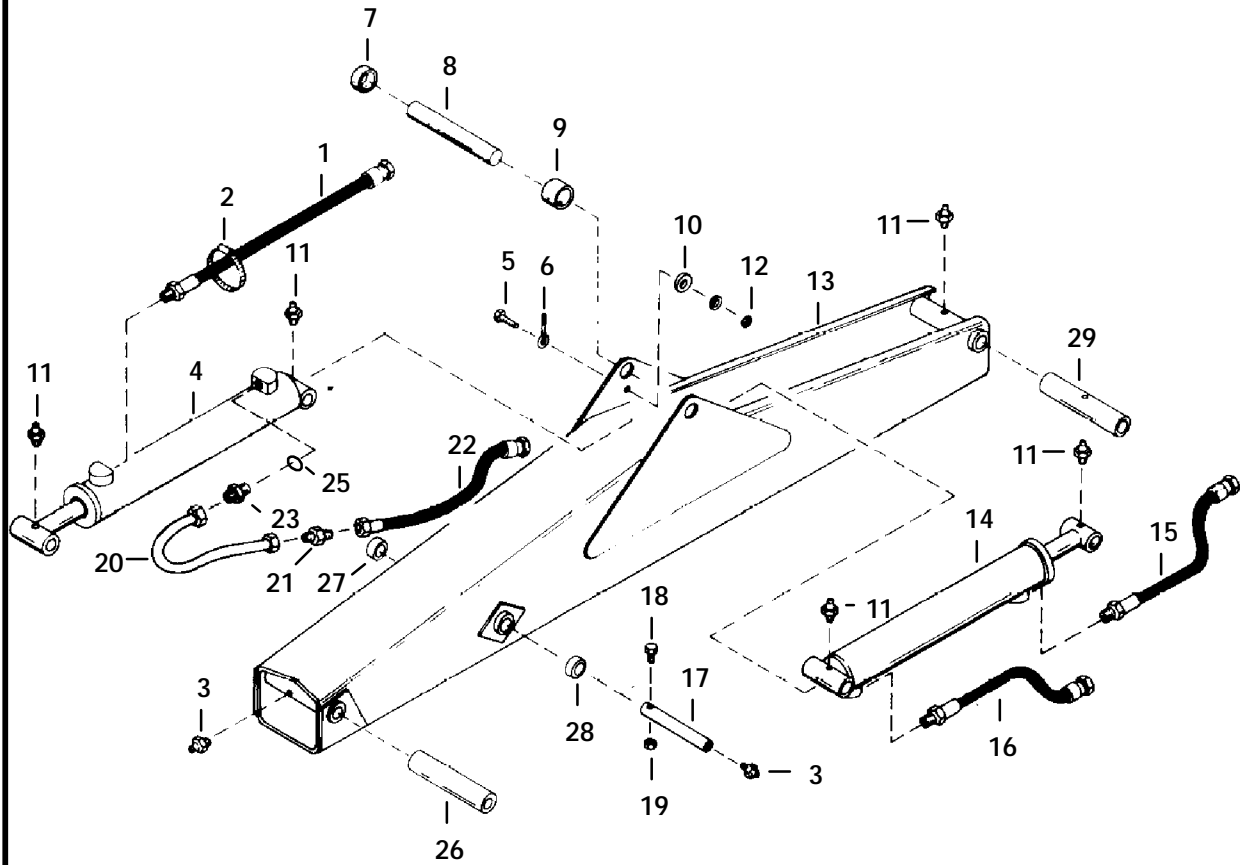


D-1309

CONTROL LINKAGE (Cont'd)
905/905A/905B Backhoe

Ref. No.	Part Number	Description	Remarks	Serial Number	Qty.
1	6554420	MOUNT	valve		1
2	7C-512	BOLT			1
3	6512354	HANDLE	grip		2
4	17C-448	BOLT	Was 7C-448 [B]		4
5	6554419	COVER			1
6	17C-816	BOLT			2
7	6554402	BRACKET			1
8	85D-8	NUT			2
9	6554401	BRACKET			1
10	25E-15	WASHER			1
11	85D-4	NUT			4
12	18K-5	ELBOW	W/Ref. 41		10
13	6530891	HOSE	Was 6554395 [A]		2
14	6519318	QUICK COUPLER	Male		1
15	669499	ELBOW			2
16	6519317	QUICK COUPLER	Female		1
	58K-116	O-RING			1
17	6554400	TUBE			1
18	15K-5	ADAPTER	W/Ref. 41		3
19	6512234	ORIFICE			1
20	82D-5	NUT			4
21	6554421	LEVER	L.H.		1
22	6554423	PIVOT			1
23	6512356	SWIVEL	ball		4
24	62D-5	NUT			2
25	6532193	STUD	Was 1538150 [B]		2
26		VALVE	hydraulic - See Page 84 & 86		2
27	6554422	LEVER	R.H.		1
28	1F-416	COTTER PIN			4
29	791979	SPACER			4
30	25E-21	WASHER			2
31	6554398	PIN			2
32	6599644	LINK			2
33	6554424	PIVOT			1
34	17C-416	BOLT			2
35	6554399	BELLCRANK			2
36	85D-5	NUT			2
37	6727324	DECAL	Bobcat logo - Was 6569071 [A]		1
38	6558049	DECAL	operator		1
39	6558050	DECAL	operator		1
40	6565812	DECAL	mounting & dismounting		1
41	79K-6	O-RING	Was 91F-5 [A]		x
42	NAP	BOOT			2
43	6631967	SPACER			4
44	6655091	ORIFICE	.031 - See Serviceletter 12-11-89		1

BOOM ASSEMBLY
905/905A/905B Backhoe

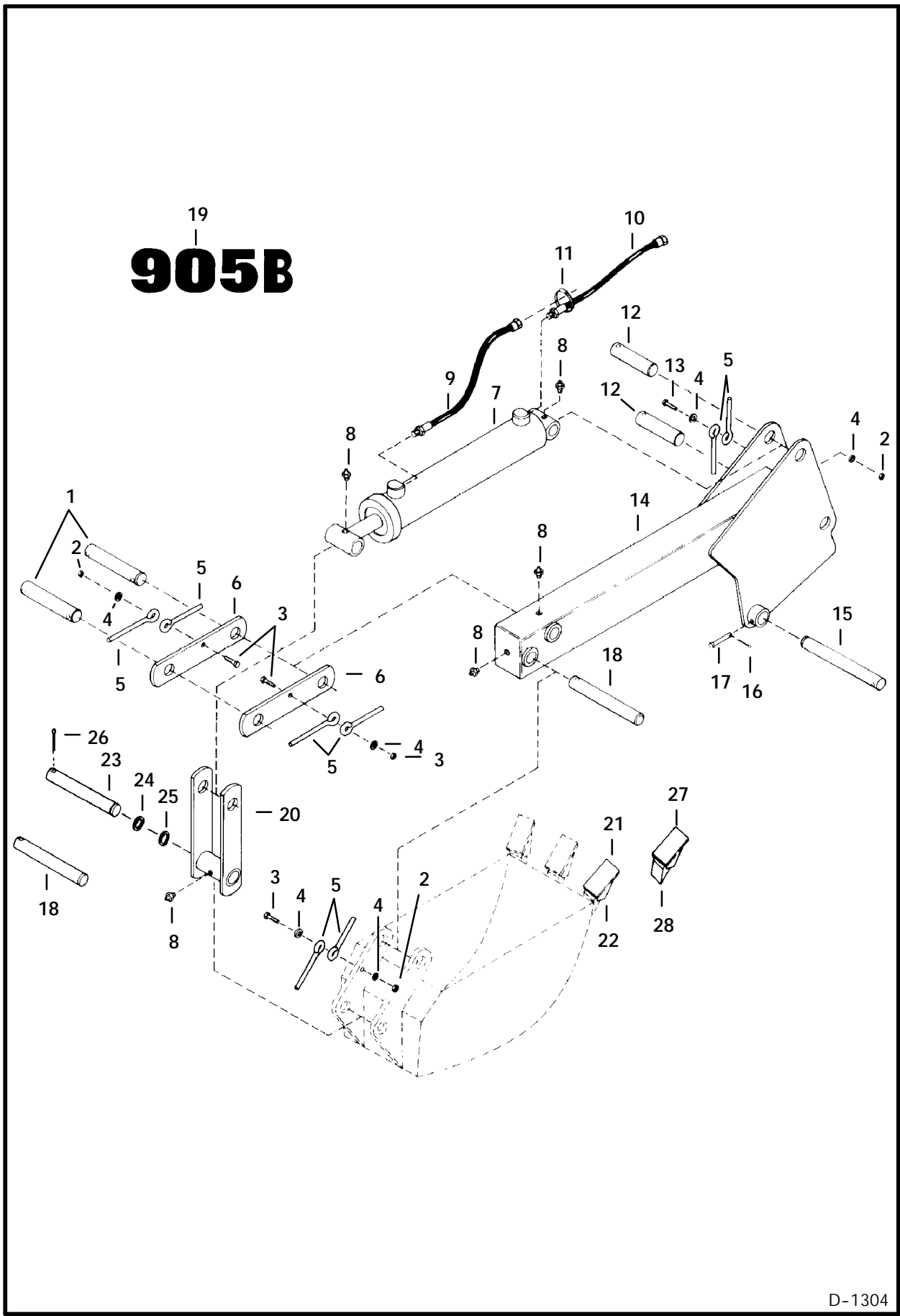


C-2081

BOOM ASSEMBLY (Cont'd)
905/905A/905B Backhoe

Ref. No.	Part Number	Description	Remarks	Serial Number	Qty.
1	6530890	HOSE	Was 6554394 [A]		1
2	42H-56	CLAMP			1
3	10H-25	GREASE ZERK			3
4	6554896	CYLINDER	crowd - See Page 74		1
5	17C-516	BOLT			1
6	6554414	PIN			1
7	6594096	SPACER			1
8	6554894	PIN			1
9	6594013	SPACER			1
10	25E-15	WASHER			1
11	10H-35	GREASE ZERK			4
12	85D-5	NUT			1
13	6554891	BOOM			1
14	6554898	CYLINDER	boom - See Page 70		1
15	6530887	HOSE	Was 6554391 [A]		1
16	6530888	HOSE	Was 6554392 [A]		1
17	6554893	PIN			1
18	17C-432	BOLT	Was 6512353 [A]		1
19	85D-4	NUT	Was 1F-308 [A]		1
20	6554895	TUBE			1
21	87F-5	UNION			1
22	6530889	HOSE	Was 6554393 [A]		1
23	15K-5	ADAPTER	W/Ref. 25		1
24	6560986	DECAL	Logo - L.H.		1
	6560987	DECAL	Logo - R.H.		1
25	79K-6	O-RING	Was 91F-5 [A]		x
26	6594016	BUSHING	weld-on		1
27	6594017	BUSHING	weld-on		1
28	6594018	BUSHING	weld-on		1
29	6594015	BUSHING	weld-on		1

DIPPERSTICK ASSEMBLY
905/905A/905B Backhoe

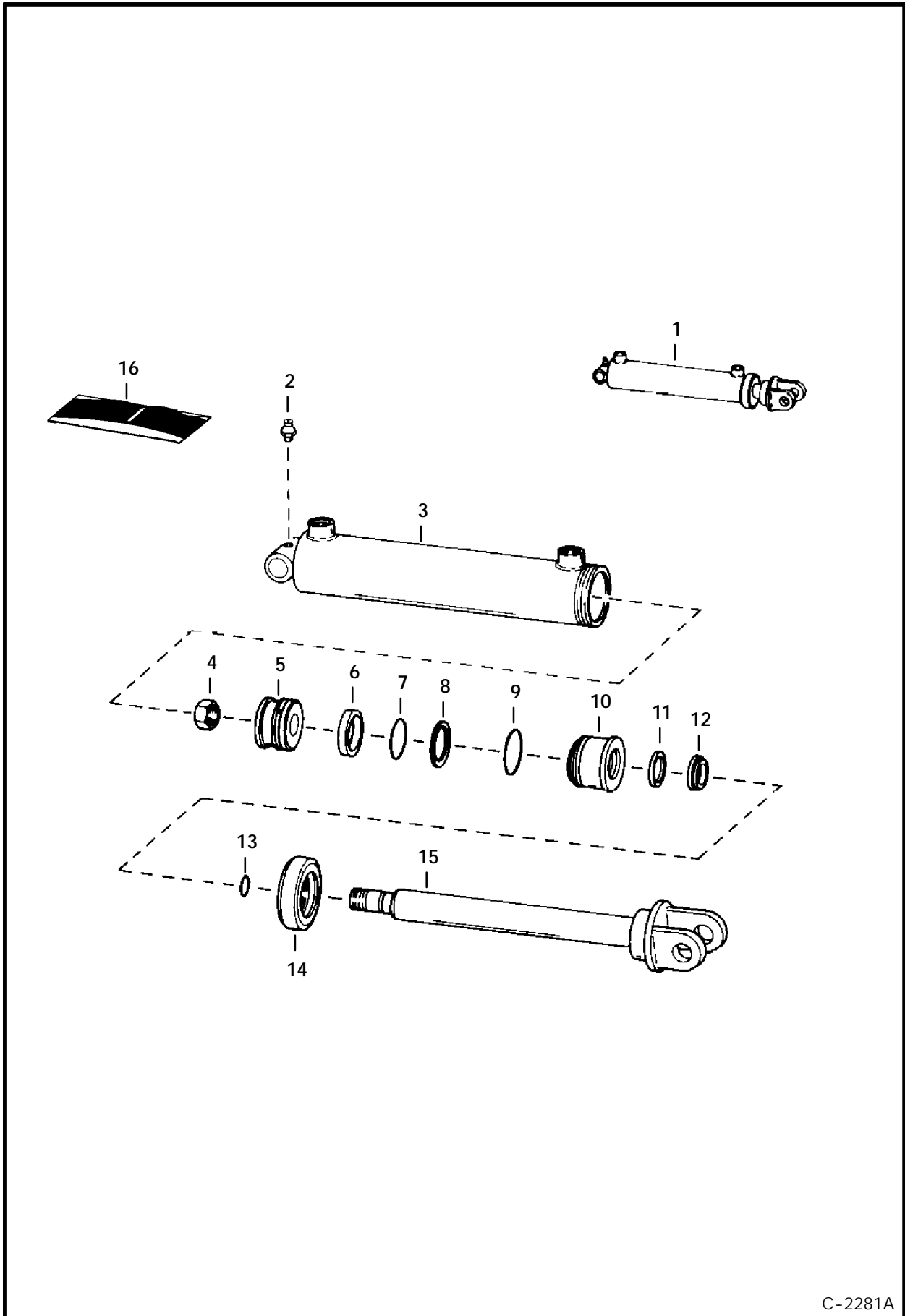


D-1304

DIPPERSTICK ASSEMBLY (Cont'd)
905/905A/905B Backhoe

Ref. No.	Part Number	Description	Remarks	Serial Number	Qty.
1	6554906	PIN			2
2	85D-5	NUT			4
3	17C-512	BOLT			4
4	25E-15	WASHER			4
5	6554414	PIN	retainer		8
6	6554908	BAR	slide		2
7	6554904	CYLINDER	bucket - See Page 72		1
8	10H-35	GREASE ZERK			5
9	6530885	HOSE	Was 6554389 [A]		1
10	6530886	HOSE	Was 6554390 [A]		1
11	42H-10	CLAMP			1
12	6554902	PIN			2
13	17C-516	BOLT			1
14	6554901	DIPPERSTICK			1
15	6594094	PIN	Was 6554412 [A]		1
16	1F-308	COTTER PIN			1
17	6594094	CLEVIS PIN			1
18	NAP	PIN	Order Ref. 23 - 26 - Was 6554905 [A]		2
19	6593411	DECAL			2
20	6554909	LINKAGE			1
21	6509290	TOOTH			3
22	6509291	SHANK	W/Tooth		3
23	6539085	PIN			2
24	25E-31	WASHER			4
25	1320431	SNAP RING			2
26	6645236	SNAP PIN			2
27	6509290	TOOTH	For bucket with snap ring pin - Ref. 23 - Was 6660313 [A]		3
28	6509291	SHANK & TOOTH	For bucket with snap ring pin - Ref. 23 - Was 6660314 [A]		3

SWING CYLINDER
905/905A/905B Backhoe

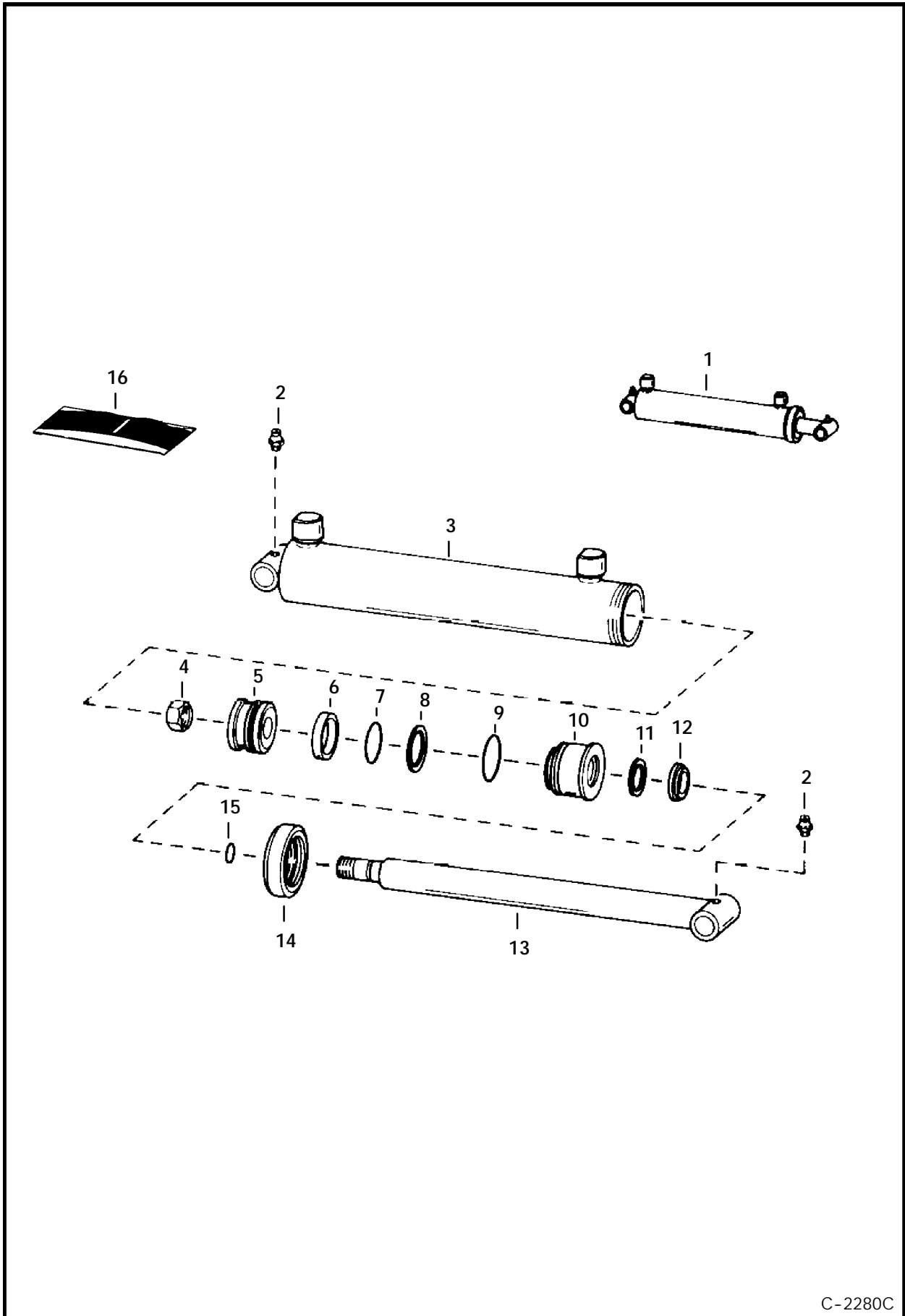


C-2281A

SWING CYLINDER (Cont'd)
905/905A/905B Backhoe

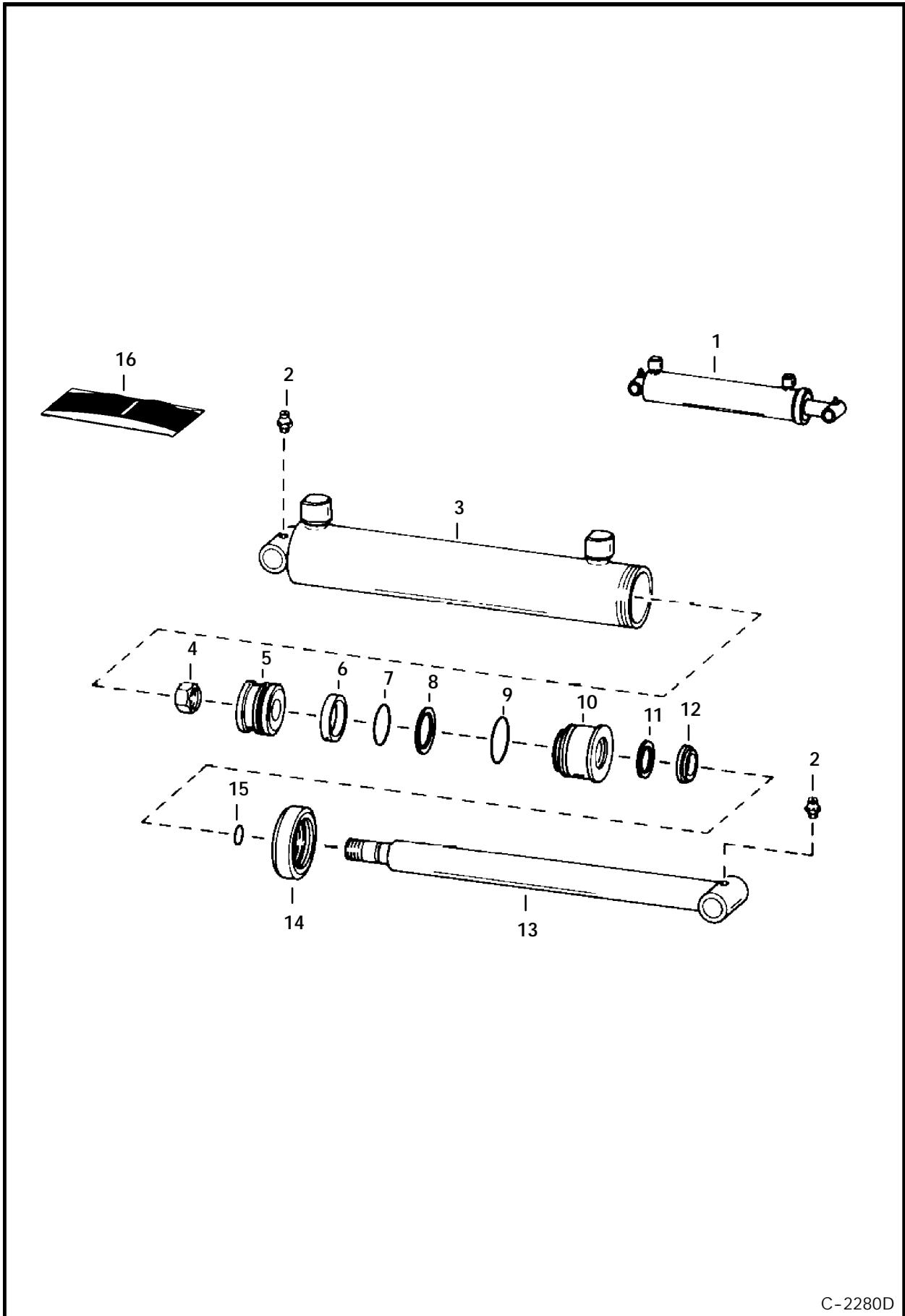
Ref. No.	Part Number	Description	Remarks	Serial Number	Qty.
1	6554890	CYLINDER			1
2	10H-35	GREASE ZERK			1
3	NAP	CASE			1
4	NAP	NUT	buy locally - Was 6513452 [A]		1
5	6513453	PISTON			1
6	NSS	RING	wear		1
7	NSS	SEAL	piston		1
8	NSS	SEAL	slipper		1
9	NSS	SEAL	gland static		1
10	6513455	GLAND			1
11	NSS	SEAL	rod		1
12	NSS	WIPER	rod		1
13	NSS	SEAL	Rod static		1
14	6513460	COLLAR			1
15	6513457	ROD			1
16	6641366	SEAL KIT	W/Ref. 6 - 9 & 11 - 13 - Was 6554897 [A]		1

BOOM CYLINDER
905/905A/905B Backhoe



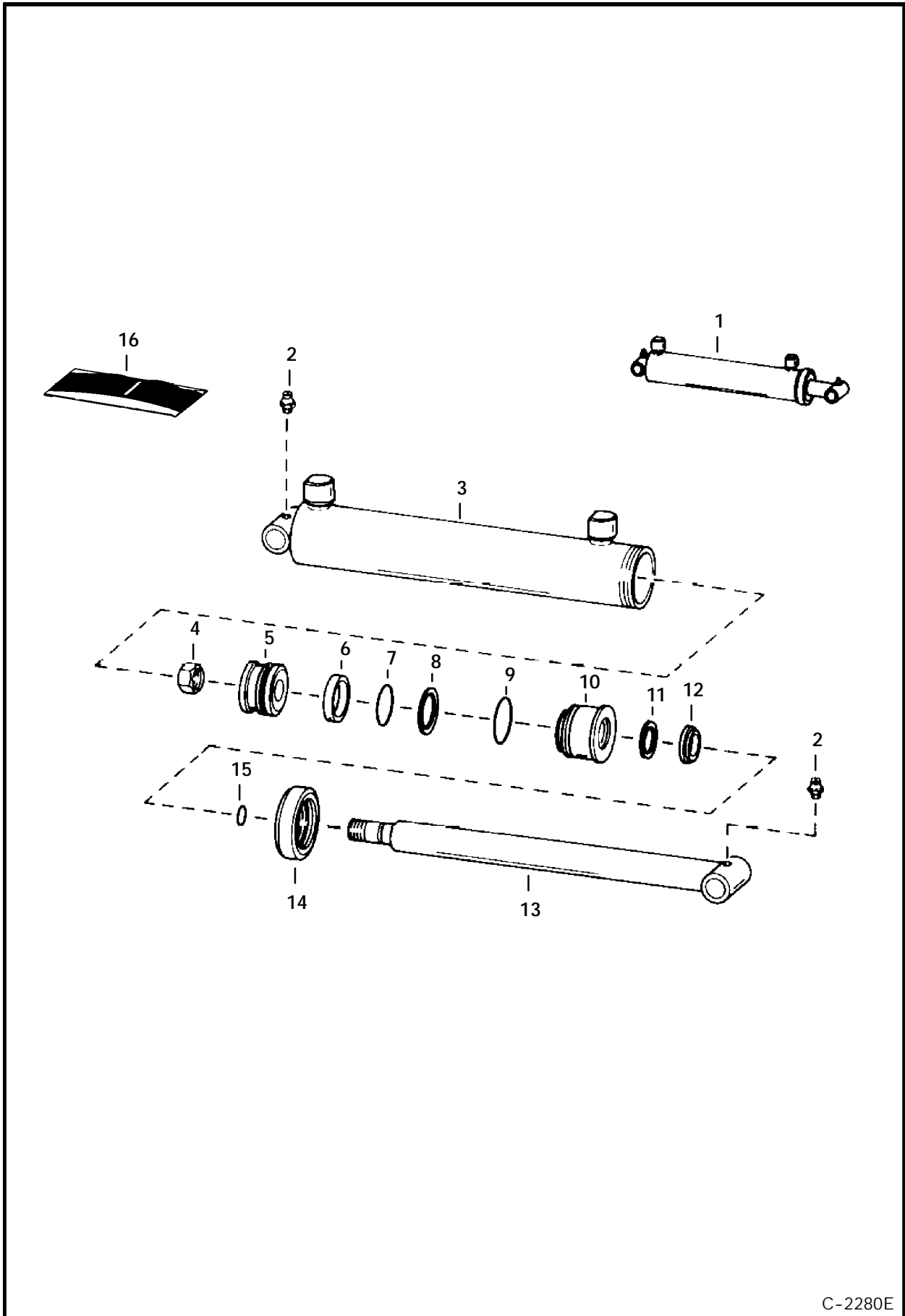
C-2280C

BUCKET CYLINDER
905/905A/905B Backhoe



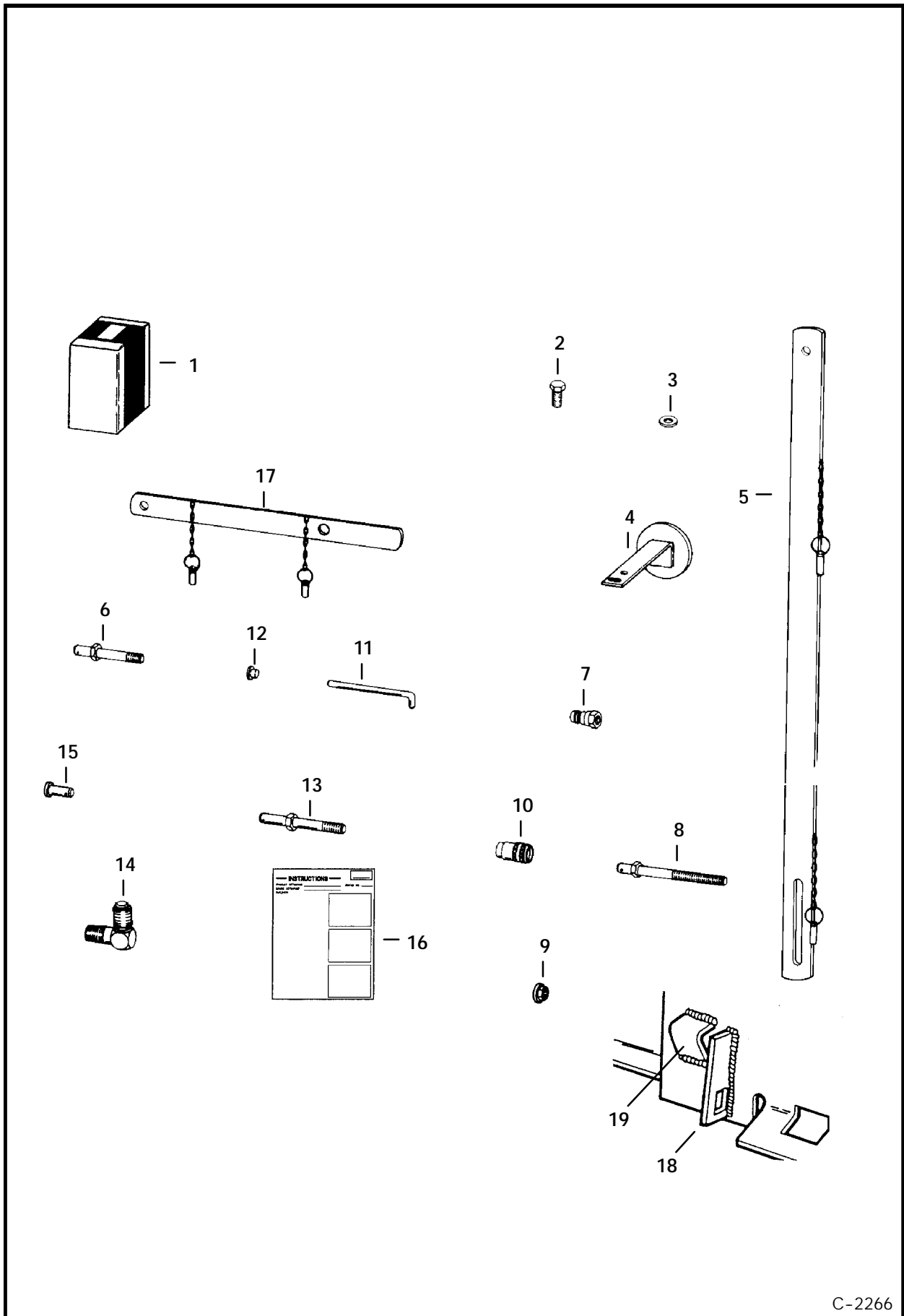
C-2280D

CROWD CYLINDER
905/905A/905B Backhoe



C-2280E

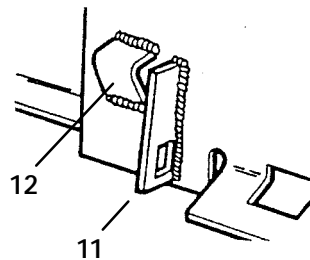
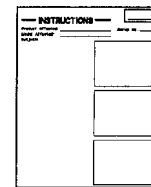
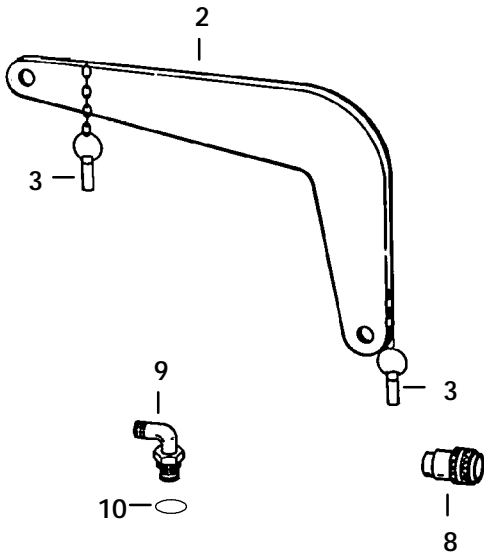
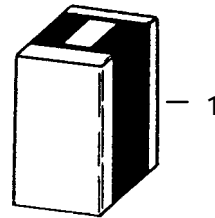
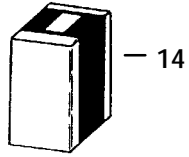
BACKHOE MOUNTING KIT 905A/905B to 300 Series



C-2266

BACKHOE MOUNTING KIT 905B to 400 Series

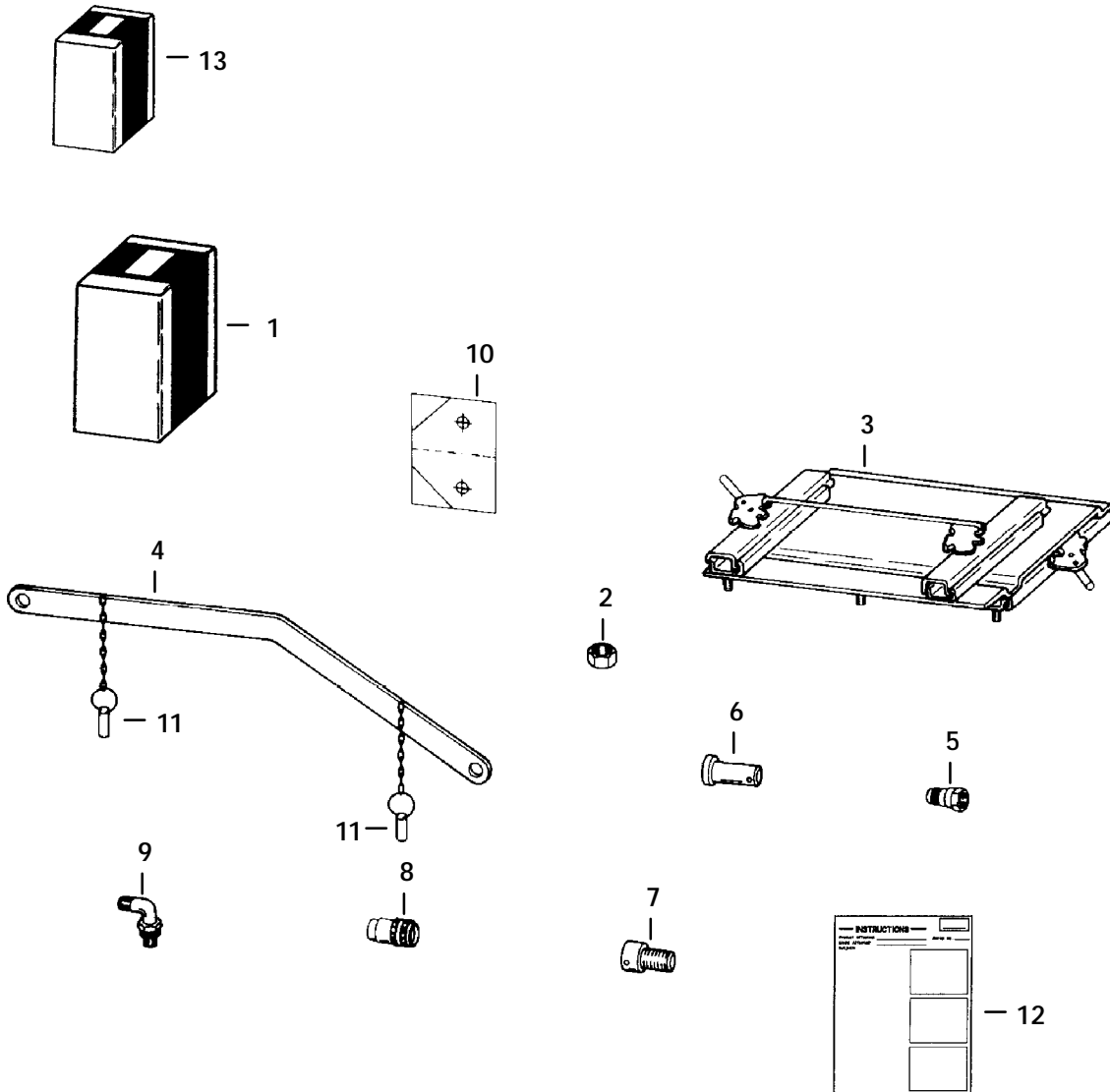
NOTE: AR = Spanish (Argentina)
BR = Portugese (Brazil)
JP = Japanese
Translation Kit includes Safety Manual,
Operators Manual and Decal Kit.



B-6613

BACKHOE MOUNTING KIT 905B to 500 Series

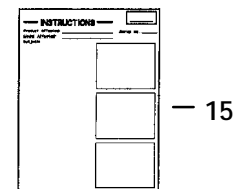
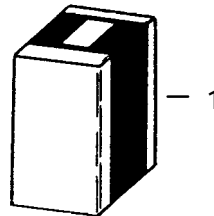
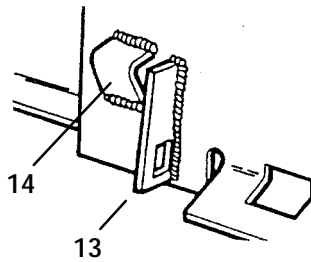
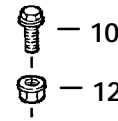
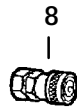
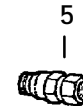
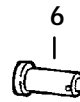
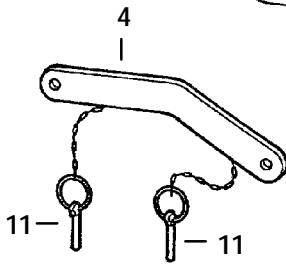
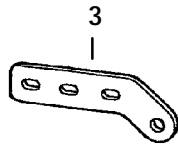
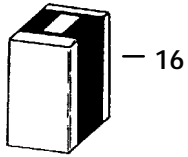
NOTE: AR = Spanish (Argentina)
BR = Portugese (Brazil)
JP = Japanese
Translation Kit includes Safety Manual,
Operators Manual and Decal Kit.



C-2268

BACKHOE MOUNTING KIT 905B to 553

NOTE: AR = Spanish (Argentina)
BR = Portugese (Brazil)
JP = Japanese
Translation Kit includes Safety Manual,
Operators Manual and Decal Kit.

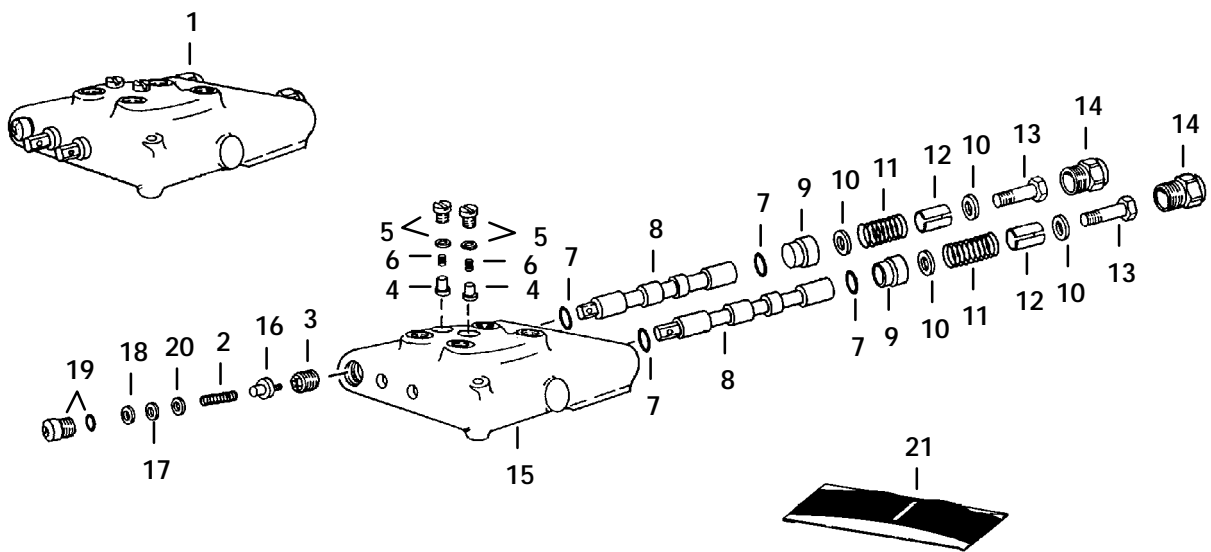


B-20445

BACKHOE MOUNTING KIT (Cont'd)
905B to 553

Ref. No.	Part Number	Description	Remarks	Serial Number	Qty.
1	SALES	KIT	backhoe mtg. - Ref. 2 - 15 - Sales #6712092		1
2	61D-16	NUT	Was 61D-6 [D]		2
3	6596558	PLATE	pivot		2
4	6596559	BAR	lockout - Tilt		2
5	6513634	QUICK COUPLER	male - poppet		1
	6674688	QUICK COUPLER	male - flush face - Was 6667808 [A]		1
	6672026	O-RING			1
6	6557920	PIN			2
7	6557887	PIN	threaded		2
8	6512159	QUICK COUPLER	female - poppet		1
	6672960	QUICK COUPLER	female - flush face - Was 6667807 [A]		1
	58K-211	O-RING	used with poppet coupler		1
9	1300059	ELBOW	used with poppet couplers		2
	6589193	ELBOW	used with flush face couplers		2
10	31C-1028	BOLT			6
11	6649496	PIN	Was 6513692 [A]		2
12	53D-10	NUT			6
13	6594048	PLATE	required when backhoe is used on 450 series, but must be removed for 553F - See Serviceletter of 2 April 1998		2
14	6594049	ANGLE	required when backhoe is used on 450 series, but must be removed for 553F - See Serviceletter of 2 April 1998		2
15	6566553	INSTRUCTIONS			1
16	6718710AR	KIT	translation - see note		1
	6718710BR	KIT	translation - see note		1

HYDRAULIC VALVE
905/905A/905B Backhoe - Cessna 30922-AJ



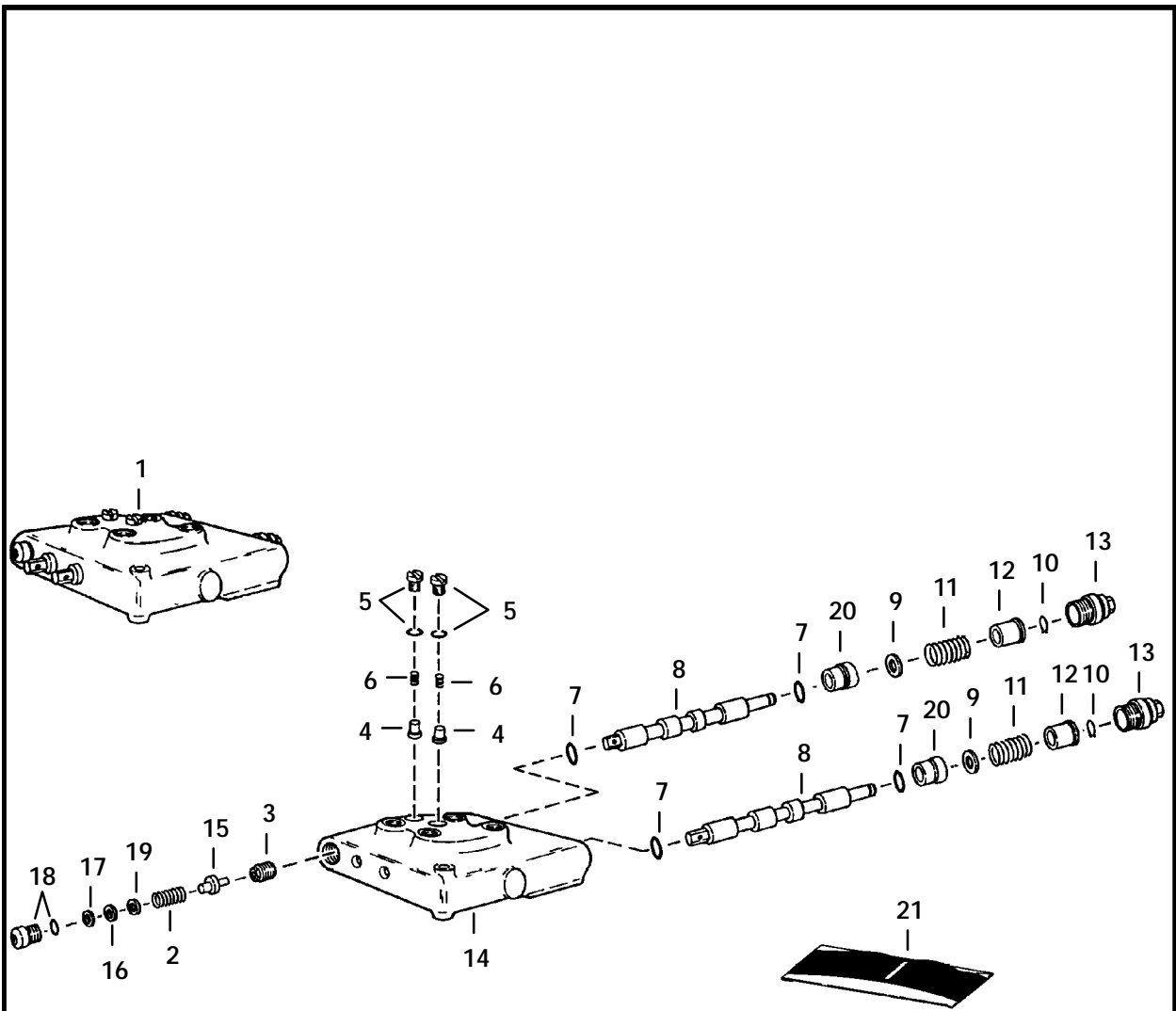
NOTE: Check spool caps before ordering parts. This valve has caps with round ends.

B-2291

HYDRAULIC VALVE (Cont'd)
905/905A/905B Backhoe - Cessna 30922-AJ

Ref. No.	Part Number	Description	Remarks	Serial Number	Qty.	
1	NAP	VALVE	Order 6632097 - See Page 86		1	
2	6512235	SPRING			1	
3	896066	SEAT			1	
4	994793	PLUNGER	lift check		2	
5	996202	PLUG			2	
6	6510047	SPRING	lift check		2	
7	NSS	O-RING			4	
8	NAP	SPOOL			2	
9	NAP	BUSHING			2	
10	NAP	WASHER			4	
11	994787	SPRING			2	
12	NAP	SPACER			2	
13	NAP	BOLT	spool		2	
14	994789	CAP			2	
15	NAP	HOUSING			1	
16	996350	POPPET			1	
17	6510043	SHIM			.035	1
18	894211	SHIM			.10	1
19	996349	PLUG			1	
20	896069	SHIM			.015	1
21	996352	SEAL KIT			1	

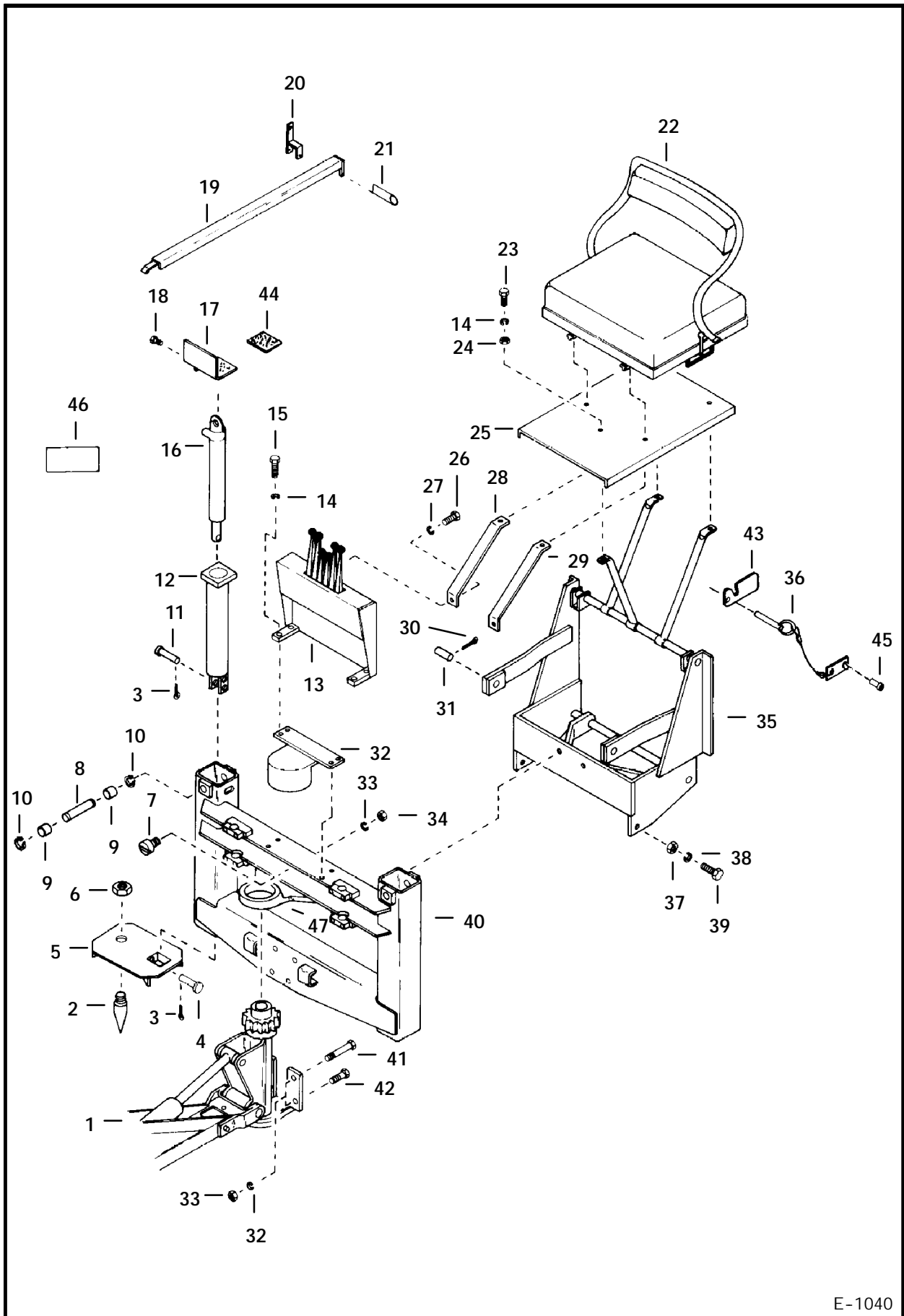
HYDRAULIC VALVE
905/905A/905B Backhoe - Cessna 30922-CCG



NOTE: Check spool caps before ordering parts. This valve has caps with hex ends.

B-9303

908 BACKHOE MAIN FRAME Stationary Seat

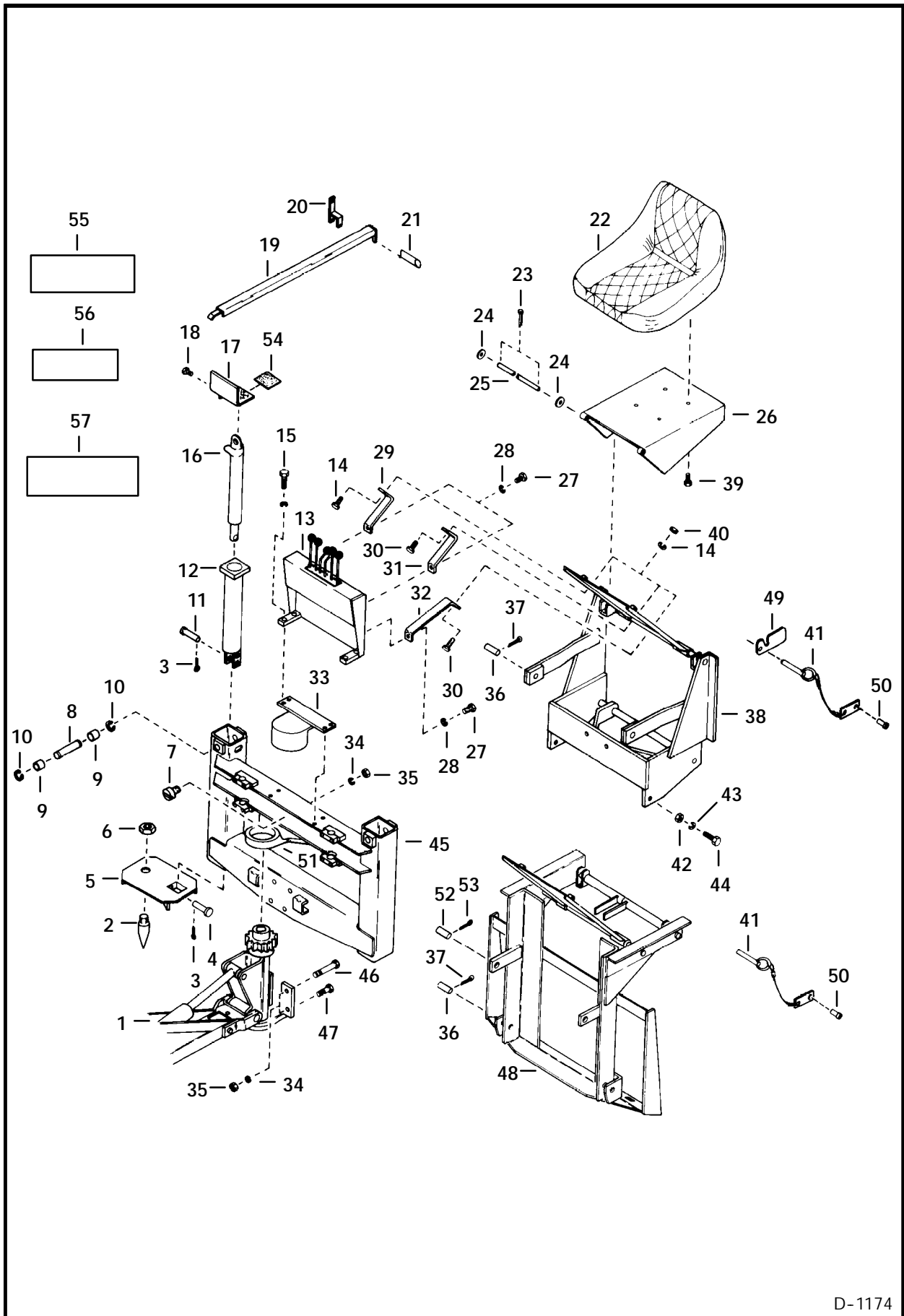


E-1040

908 BACKHOE MAIN FRAME (Cont'd)
Stationary Seat

Ref. No.	Part Number	Description	Remarks	Serial Number	Qty.
1		BOOM	See Page 94		1
2	6502468	SPIKE			2
3	1F-420	COTTER PIN			4
4	6517955	PIN			2
5	6517954	PAD	stabilizer - L.H.		1
	6518553	PAD	stabilizer - R.H.		1
6	62D-20	NUT			2
7	6517978	GUIDE	rack		1
8	6517953	PIN			2
9	NAP	SPACER	Was 6517952 [A]		4
10	710822	SNAP RING			4
11	6517982	PIN			2
12	6517983	STABILIZER			2
13		CONTROL ASSY.	See Page 96		1
14	4E-6	WASHER			5
15	17C-620	BOLT			4
16		CYLINDER	stabilizer - See Page 122 & 126		2
17	6517981	REST	foot		1
18	84G-3112	SCREW	Was 14G-512 [D]		8
19		STOP	lift arm - See Page 130		2
20	6504729	BRACKET			2
21	6515499	PIN	safety		2
22	NAP	SEAT	Complete - Was 6515586 [A]		1
	NAP	CUSHION	seat - Was 6515200 [A]		1
	NAP	CUSHION	backrest - Was 6515201 [A]		1
23	17C-612	BOLT			1
24	61D-6	NUT			1
25	6502412	BRACKET			1
26	17C-716	BOLT			3
27	4E-7	WASHER			3
28	6502410	BRACE	R.H.		1
29	6502411	BRACE	L.H.		1
30	1F-820	COTTER PIN			2
31	6502401	PIN			2
32	6517979	COVER			1
33	4E-10	WASHER			5
34	61D-10	NUT			5
35	NAP	FRAME	mounting		1
36	6513633	PIN	W/Cable		2
37	61D-12	NUT			2
38	4E-12	WASHER			2
39	17C-1244	BOLT			2
40	NAP	MAIN FRAME	Was 6517950 [A]		1
41	15C-10104	BOLT			2
42	17C-1024	BOLT			2
43	6502400	HOOK	mounting - Weld On		4
44	6558039	SAFETY TREAD			2
45	6557836	RIVET			2
46	6502750	DECAL	caution		2
47	6518997	HOUSING	bearing - Weld On		1

908 BACKHOE MAIN FRAME Tip Up Seat



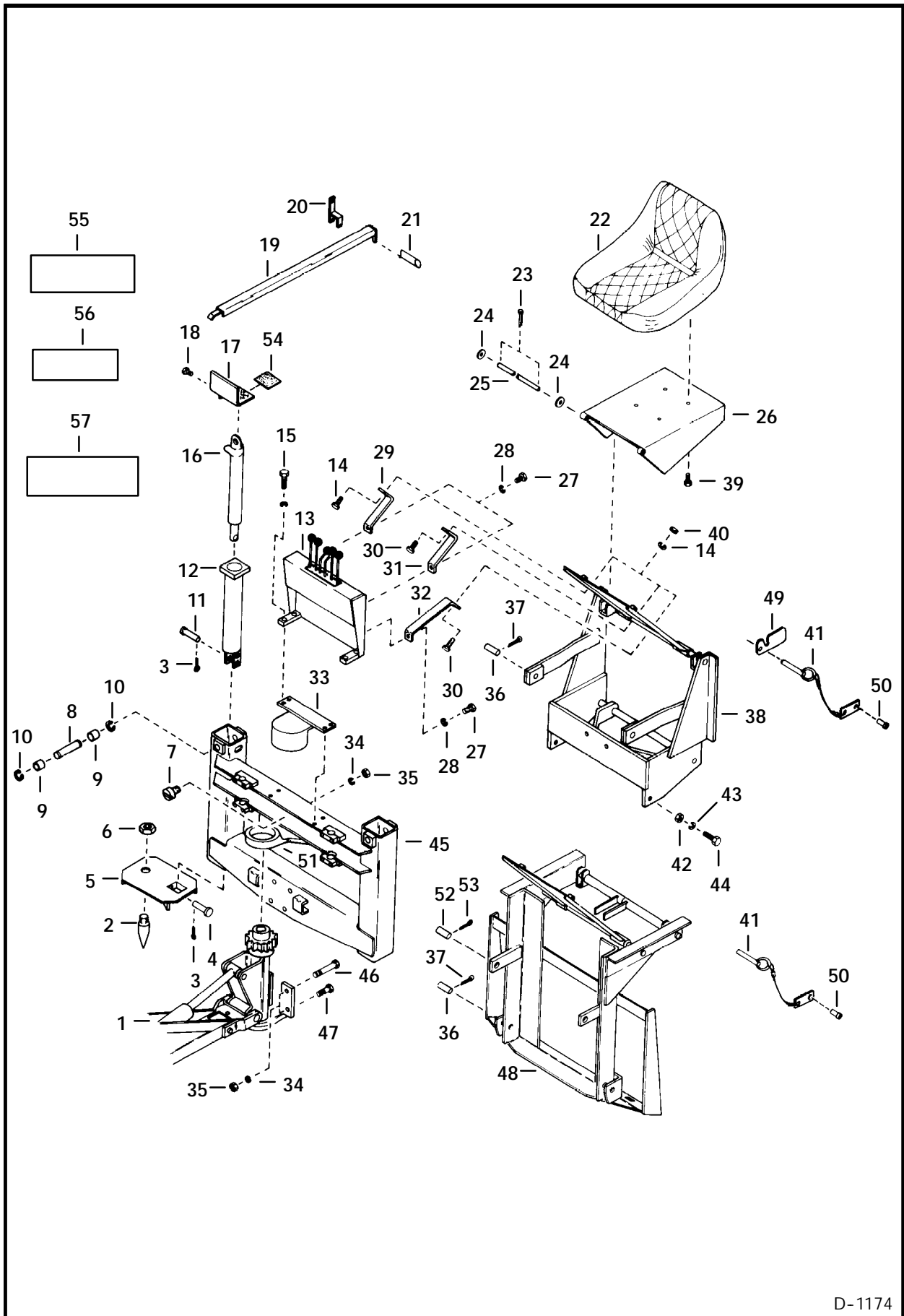
D-1174

908 BACKHOE MAIN FRAME (Cont'd)

Tip Up Seat

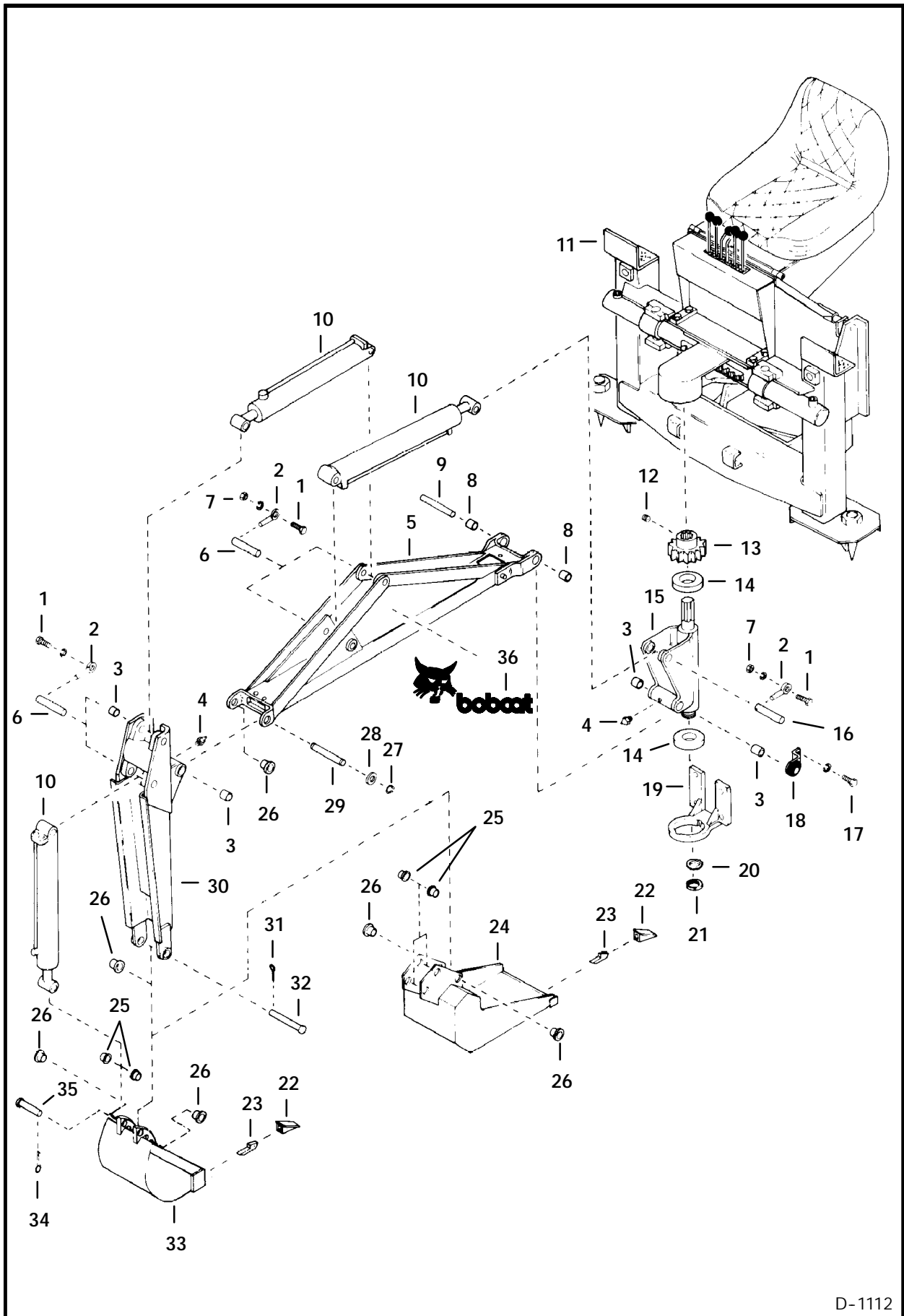
Ref. No.	Part Number	Description	Remarks	Serial Number	Qty.
1		BOOM	See Page 94		1
2	6502468	SPIKE			2
3	1F-420	COTTER PIN			4
4	6517955	PIN			2
5	6517954	PAD	stabilizer - L.H.		1
	6518553	PAD	stabilizer - R.H.		1
6	62D-20	NUT			2
7	6517978	GUIDE	rack		1
8	6517953	PIN			2
9	NAP	SPACER	Was 6517952 [A]		4
10	710822	SNAP RING			4
11	6517982	PIN			2
12	6517983	STABILIZER			2
13		CONTROL ASSY.	See Page 98		1
14	4E-6	WASHER			7
15	17C-620	BOLT			4
16		CYLINDER	stabilizer - See Page 122		2
17	6517981	REST	foot		1
18	84G-3112	SCREW	Was 14G-512 [D]		4
19		STOP	lift arm - See Page 130		2
20	6504729	BRACKET			2
21	6515499	PIN	safety		2
22	6500774	SEAT			1
23	1F-416	COTTER PIN	Was 1F-412 [A]		2
24	25E-18	WASHER			2
25	6504391	PIN			2
26	6540283	BRACKET			1
27	17C-716	BOLT			3
28	4E-7	WASHER			3
29	6540286	BRACE			1
30	17C-624	BOLT			3
31	6540287	BRACE			1
32	6540288	BRACE			1
33	6517979	COVER			1
34	4E-10	WASHER			5
35	61D-10	NUT			2
36	6502401	PIN			2
37	1F-820	COTTER PIN			2
38	NAP	FRAME	mounting - Order Ref. 48		1
39	17C-512	BOLT			4
40	61D-6	NUT			3
41	6513633	PIN			2
42	61D-12	NUT			2
43	4E-12	WASHER			2
44	17C-1244	BOLT			2
45	NAP	FRAME	Was 6517950 [A]		1
46	15C-10104	BOLT			2
47	17C-1024	BOLT			2
48	6546983	FRAME	Bob-Tach mounted		1
49	6502400	HOOK	mounting - Weld On		4
50	6557836	RIVET			2

908 BACKHOE MAIN FRAME (Cont'd)
Tip Up Seat



D-1174

BOOM, BUCKET & DIPPERSTICK 908 Backhoe



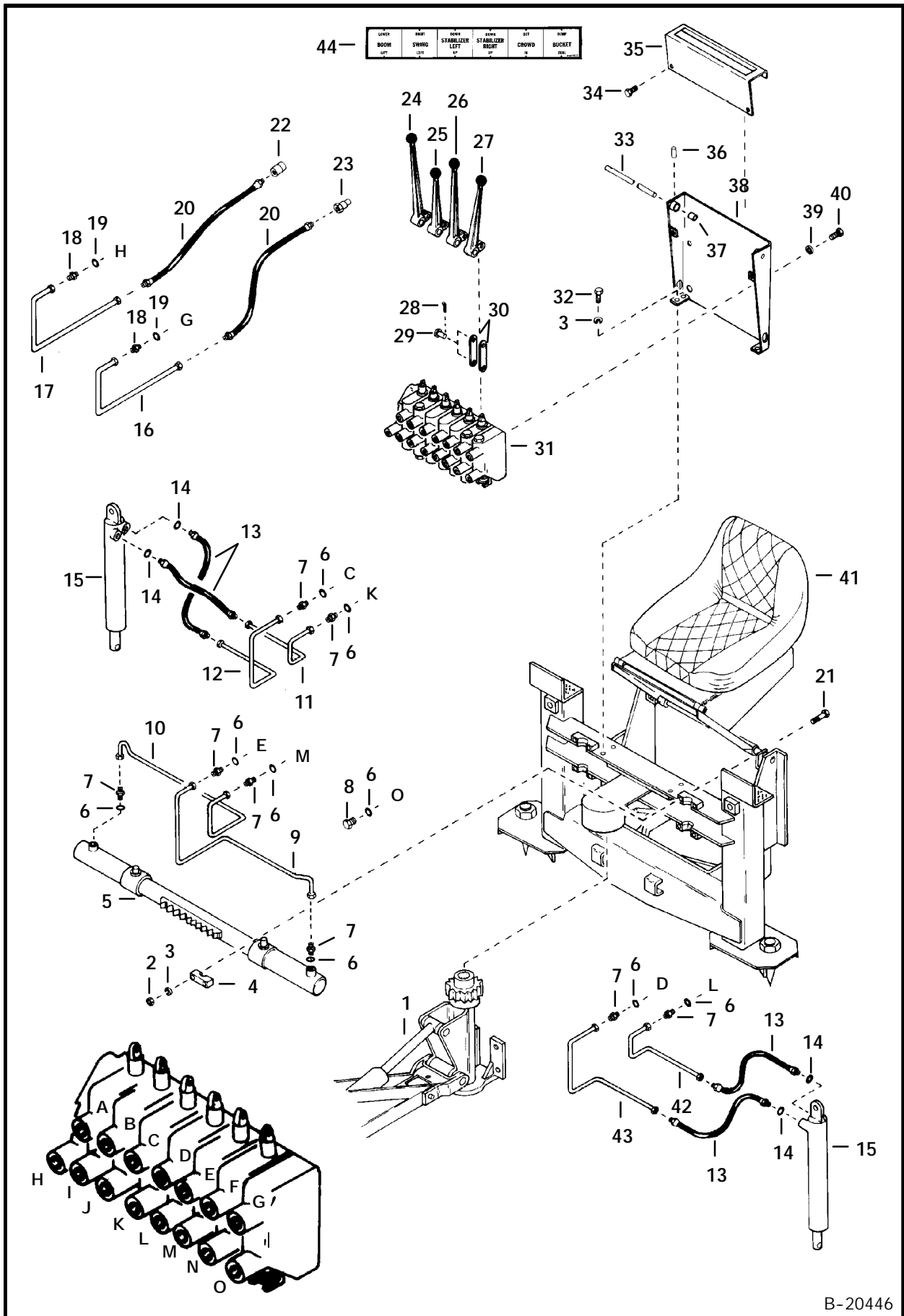
D-1112

BOOM, BUCKET & DIPPERSTICK (Cont'd)
908 Backhoe

Ref. No.	Part Number	Description	Remarks	Serial Number	Qty.
1	17C-624	BOLT			5
2	6517976	RETAINER			5
3	6517959	BUSHING			6
4	10H-35	GREASE ZERK			2
5	6517965	BOOM	W/Ref. 8 & 26		1
6	6517975	PIN			4
7	61D-6	NUT			1
8	6517964	BUSHING			2
9	6517977	PIN			1
10		CYLINDER	boom - See Page 108 - 120		3
11		MAIN FRAME	See Page 88 - 90		1
12	15G-608	SET SCREW	Was 15G-608 [A]		1
13	6517956	GEAR	swing		1
14	6517957	BEARING			2
15	6517958	POST	swing - W/Ref. 3 & 4		1
16	6518551	PIN			1
17	17C-816	BOLT			4
18	6517960	BUMPER			2
19	6517961	HOUSING			1
20	6517963	WASHER			1
21	6517962	NUT	spanner		1
22	1550017	TOOTH			x
23	6515119	SHANK			x
24	SALES	BUCKET	bell hole - See Page 128		1
25	6517985	BUSHING			2
26	6517966	BUSHING			3
27	710822	SNAP RING	Was 659764 [B]		1
28	6517968	WASHER			1
29	6517967	PIN			1
30	6517969	CROWD	W/Ref. 3 & 4		1
31	1F-1232	COTTER PIN			1
32	6517970	PIN			1
33	SALES	BUCKET	std. - See Page 128		1
34	1F-828	COTTER PIN			1
35	6517971	PIN			1
36	6560986	DECAL	logo - L.H.		1
	6560987	DECAL	logo - R.H.		1

MAIN FRAME HYDRAULICS

D-15 S/N 500 & Above



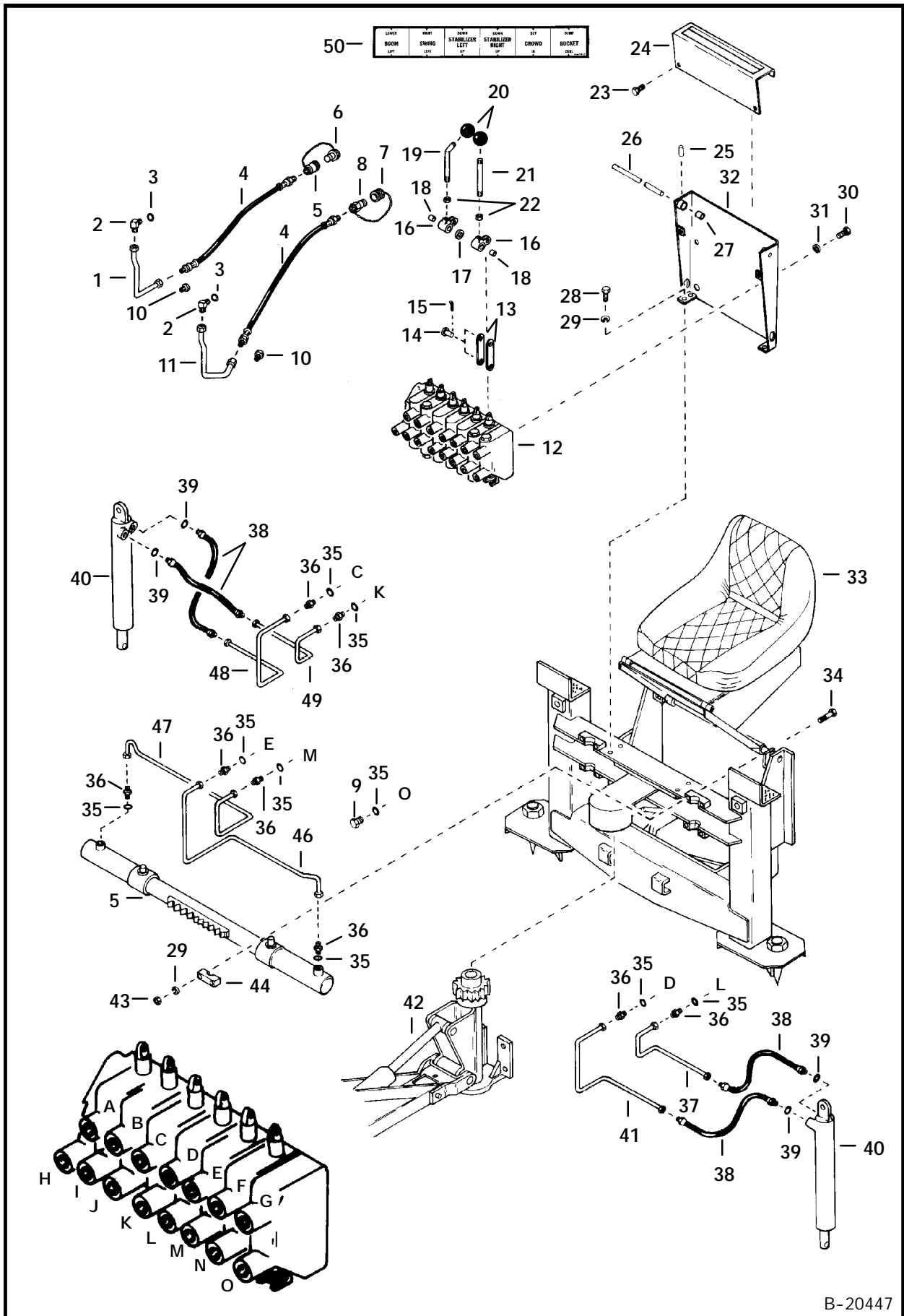
B-20446

MAIN FRAME HYDRAULICS (Cont'd)
D-15 S/N 500 & Above

Ref. No.	Part Number	Description	Remarks	Serial Number	Qty.
1		BOOM	W/bucket & dipperstick - See Page 94		1
2	61D-6	NUT			1
3	4E-6	WASHER			12
4	6518969	RETAINER			4
5	6518012	CYLINDER	See Page 124		1
6	79K-8	O-RING	Was 91F-6 [A]		9
7	6518436	ADAPTER	W/Ref. 6		8
8	24K-6	PLUG	W/Ref. 6		1
9	6518015	TUBE			1
10	6518011	TUBE			1
11	6518016	TUBE			1
12	6518017	TUBE			1
13	6515449	HOSE			4
14	79K-6	O-RING	Was 91F-5 [A]		4
15		CYLINDER	stabilizer - See Page 122		2
16	NAP	TUBE	Order Ref. 2, 3, 10 & 11 - See Page 98		1
17	NAP	TUBE	Order Ref. 1 - 3 & 10 - See Page 98		1
18	6518008	ADAPTER	W/Ref. 19		2
19	79K-10	O-RING	Was 91F-7 [A]		2
20	6504514	HOSE			2
21	17C-644	BOLT			8
22	6598756	QUICK COUPLER	Female		1
	25K-40026	O-RING			1
23	6598755	QUICK COUPLER	Male		1
24	6515461	LEVER	bucket		1
25	NAP	LEVER	stabilizer - Order Ref. 13, 16, 20 - 22 from Page 98 -		
26	6515444	LEVER	Was 6515445 [A] swing & crowd		2
27	6515460	LEVER	boom		1
28	1F-208	COTTER PIN			12
29	6518002	HINGE PIN			12
30	6518003	LINK			12
31	NAP	VALVE	See Page 106 - Was 6518006 [A]		1
32	17C-620	BOLT			4
33	6518000	SHAFT			1
34	84G-3112	SCREW	Was 14G-512 [D]		4
35	6518005	COVER			1
36	6517999	PIN			1
37	NAP	SPACER	Was 6518001 [A]		2
38	6518004	BRACKET			1
39	4E-7	WASHER			3
40	17C-716	BOLT			3
41		MAIN FRAME	See Page 88		1
42	6518014	TUBE			1
43	6518013	TUBE			1
44	6561627	DECAL	levers		1

MAIN FRAME HYDRAULICS

P-15 - Spec. No. P15SDV02 & Above

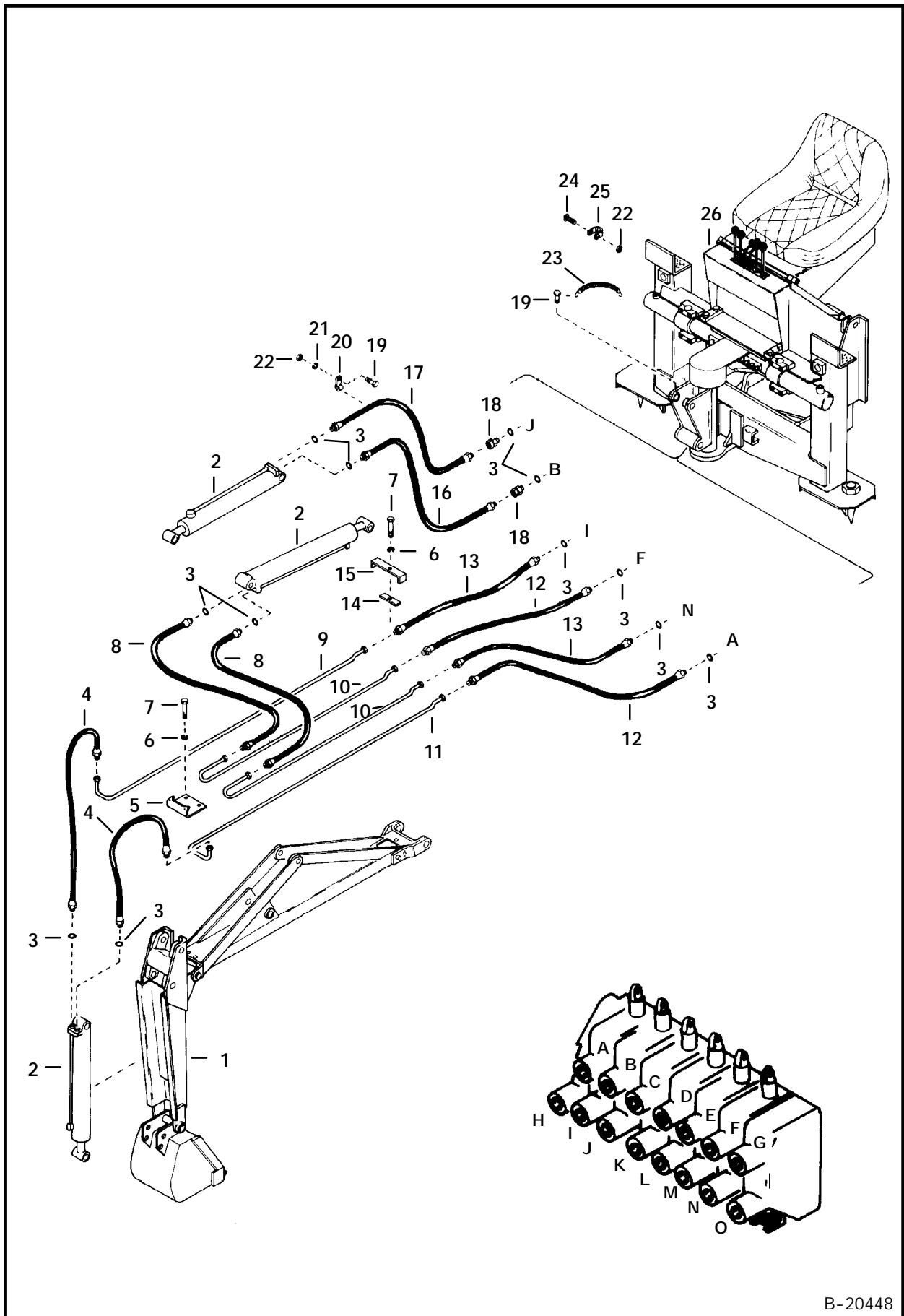


MAIN FRAME HYDRAULICS (Cont'd)
P-15 - Spec. No. P15SDV02 & Above

Ref. No.	Part Number	Description	Remarks	Serial Number	Qty.
1	6519819	TUBE			1
2	17K-7	ELBOW	W/Ref. 3		2
3	79K-10	O-RING	Was 91F-7 [A]		2
4	6504514	HOSE			2
5	6598756	QUICK COUPLER	Female		1
	25K-40026	O-RING			1
6	6515167	PLUG	W/Chain		1
7	6515168	CAP	W/Chain		1
8	6598755	QUICK COUPLER	Male		1
9	24K-6	PLUG	W/Ref. 35		1
10	93F-7	ADAPTER			2
11	6519820	TUBE			1
12	NAP	VALVE	See Page 106 - Was 6518006 [A]		1
13	6510131	LINK			12
14	6518002	HINGE PIN			6
15	1F-208	COTTER PIN			12
16	6510132	CASTING	lever - W/Bushings		6
17*	NAP	SPACER	Was 6510317 [A]		5
18	6510315	BUSHING			12
19	6510129	LEVER	control		2
20	6510130	KNOB			6
21	6510128	LEVER	control		4
22	7D-6	NUT			6
23	84G-3112	SCREW	Was 14G-512 [D]		4
24	6518005	COVER			1
25	659648	ROLL PIN	Was 654724 [A]		1
26	6518000	SHAFT			1
27	NAP	SPACER	Was 6518001 [A]		2
28	17C-620	BOLT			4
29	4E-6	WASHER			12
30	17C-716	BOLT			3
31	4E-7	WASHER			3
32	6518004	BRACKET			1
33		MAIN FRAME	See Page 88		1
34	17C-644	BOLT			8
35	79K-8	O-RING	Was 91F-6 [A]		6
36	15K-6	ADAPTER	W/Ref. 35		8
37	6510138	TUBE			1
38	6510199	HOSE			4
39	79K-6	O-RING	Was 91F-5 [A]		4
40		CYLINDER	stabilizer - See Page 122		2
41	6510140	TUBE			1
42		BOOM	See Page 94		1
43	61D-6	NUT			8
44	6518969	RETAINER			4
45	6518012	CYLINDER	See Page 124		1
46	6510136	TUBE			1
47	6510137	TUBE			1
48	6510141	TUBE			1
49	6510139	TUBE			1
50	6561627	DECAL	levers		1

BOOM & DIPPERSTICK HYDRAULICS

D-15 S/N 500 & Above



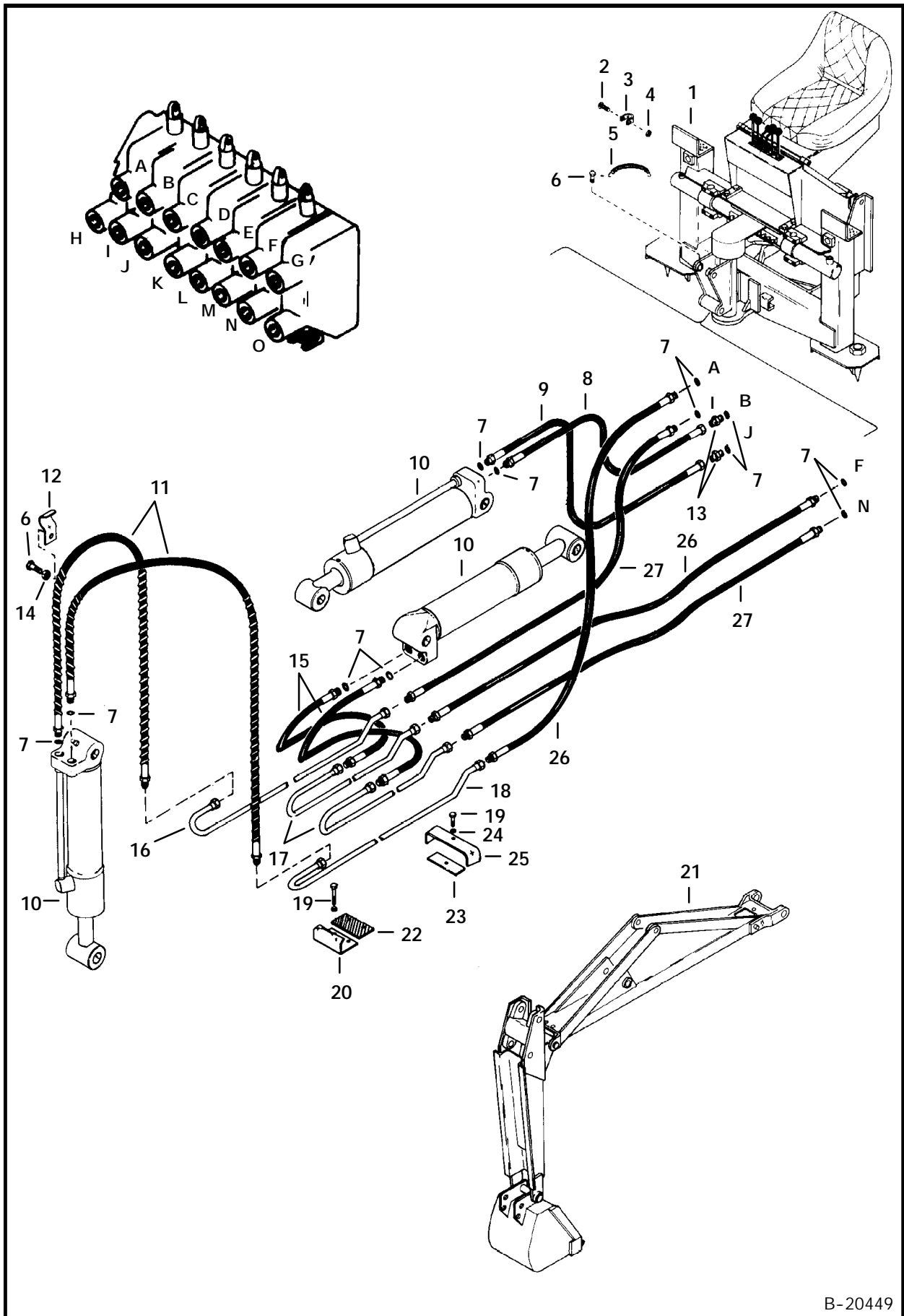
B-20448

BOOM & DIPPERSTICK HYDRAULICS (Cont'd)

D-15 S/N 500 & Above

Ref. No.	Part Number	Description	Remarks	Serial Number	Qty.
1		BOOM	W/buckets & dippersticks - See Page 94		1
2		CYLINDER	boom, bucket & dipperstick - See Page 108 - 120		3
3	79K-8	O-RING	Was 91F-6 [A]		12
4	6515450	HOSE			2
5	6518022	CLAMP			1
6	4E-5	WASHER			3
7	17C-532	BOLT			3
8	6515451	HOSE			2
9	6518024	TUBE			1
10	6518021	TUBE			2
11	6518023	TUBE			1
12	6515448	HOSE			2
13	6518018	HOSE			2
14	6518025	CLAMP			1
15	6518026	CLAMP			1
16	6515447	HOSE			1
17	6515446	HOSE	W/Ref. 3		1
18	6518028	ADAPTER			2
19	17C-412	BOLT			2
20	6518027	CLAMP			4
21	4E-4	WASHER			2
22	61D-4	NUT			3
23	6518019	SPRING	hose retainer		2
24	89G-424	SCREW			1
25	6518020	CLAMP			1
26		MAIN FRAME	See Page 88		2

BOOM & DIPPERSTICK HYDRAULICS
P-15 - Spec. No. P15DV02 & Above



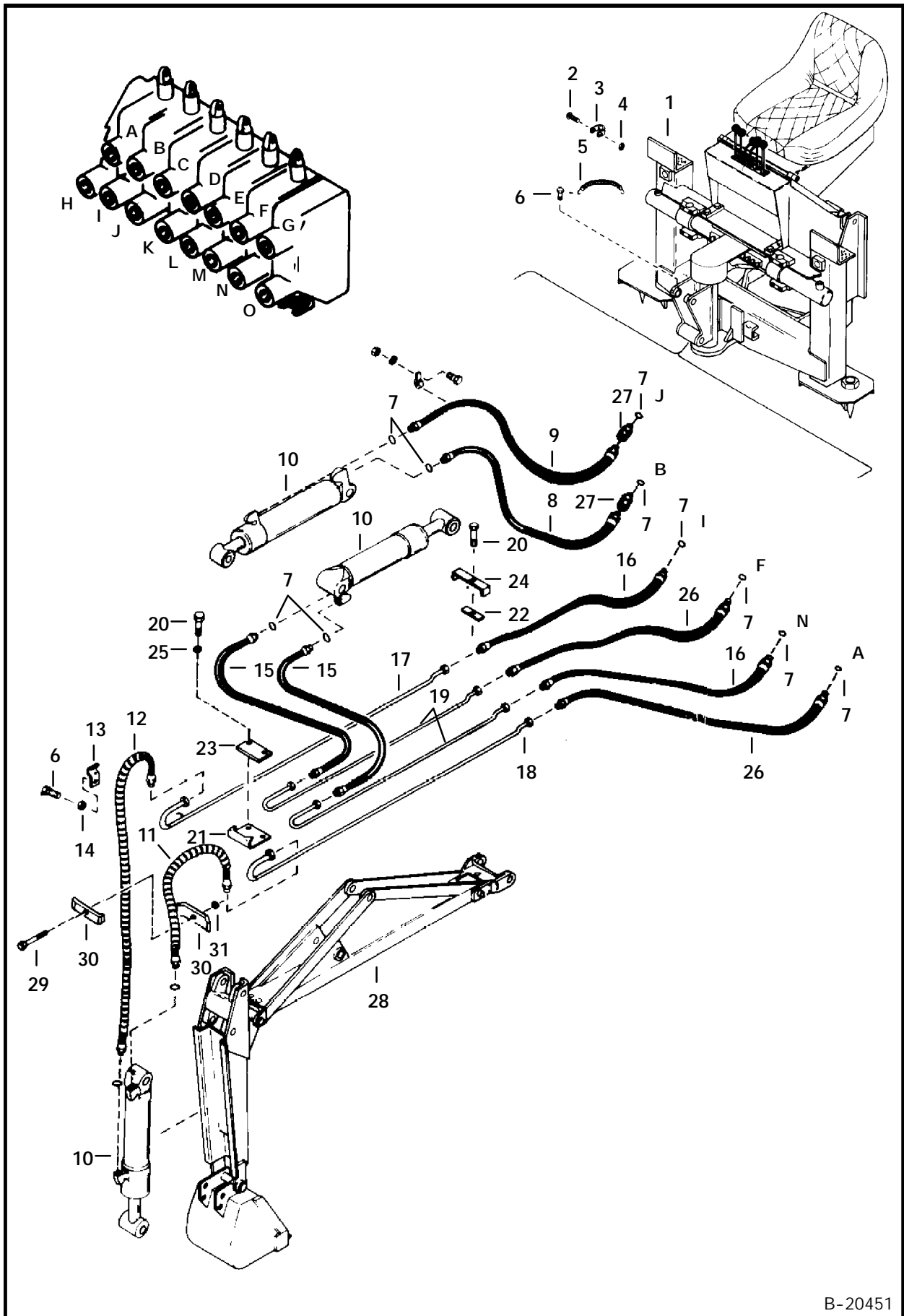
B-20449

BOOM & DIPPERSTICK HYDRAULICS (Cont'd)

P-15 - Spec. No. P15DV02 & Above

Ref. No.	Part Number	Description	Remarks	Serial Number	Qty.
1		MAIN FRAME	See Page 88		1
2	89G-424	SCREW			2
3	6518020	CLAMP			2
4	61D-4	NUT			1
5	6518019	SPRING	hose retainer		2
6	17C-412	BOLT			6
7	79K-8	O-RING	Was 91F-6 [A]		12
8	6510198	HOSE			1
9	6510197	HOSE			1
10		CYLINDER	boom, bucket & dipperstick - See Page 108 - 120		3
11	6510181	HOSE			2
12	6518027	CLAMP			4
13	15K-6	ADAPTER	W/Ref. 7		4
14	81D-4	NUT			4
15	6510195	HOSE			2
16	6510134	TUBE			1
17	6510135	TUBE			2
18	6510133	TUBE			1
19	17C-532	BOLT			3
20	6518022	CLAMP			1
21		BOOM	W/buckets & dipperstick - See Page 94		1
22	6510318	CUSHION	tube		1
23	6518025	CLAMP			1
24	4E-5	WASHER			3
25	6518026	CLAMP			1
26	6510200	HOSE			2
27	6510196	HOSE			2

BOOM & DIPPERSTICK HYDRAULICS 908 W/New Cylinders

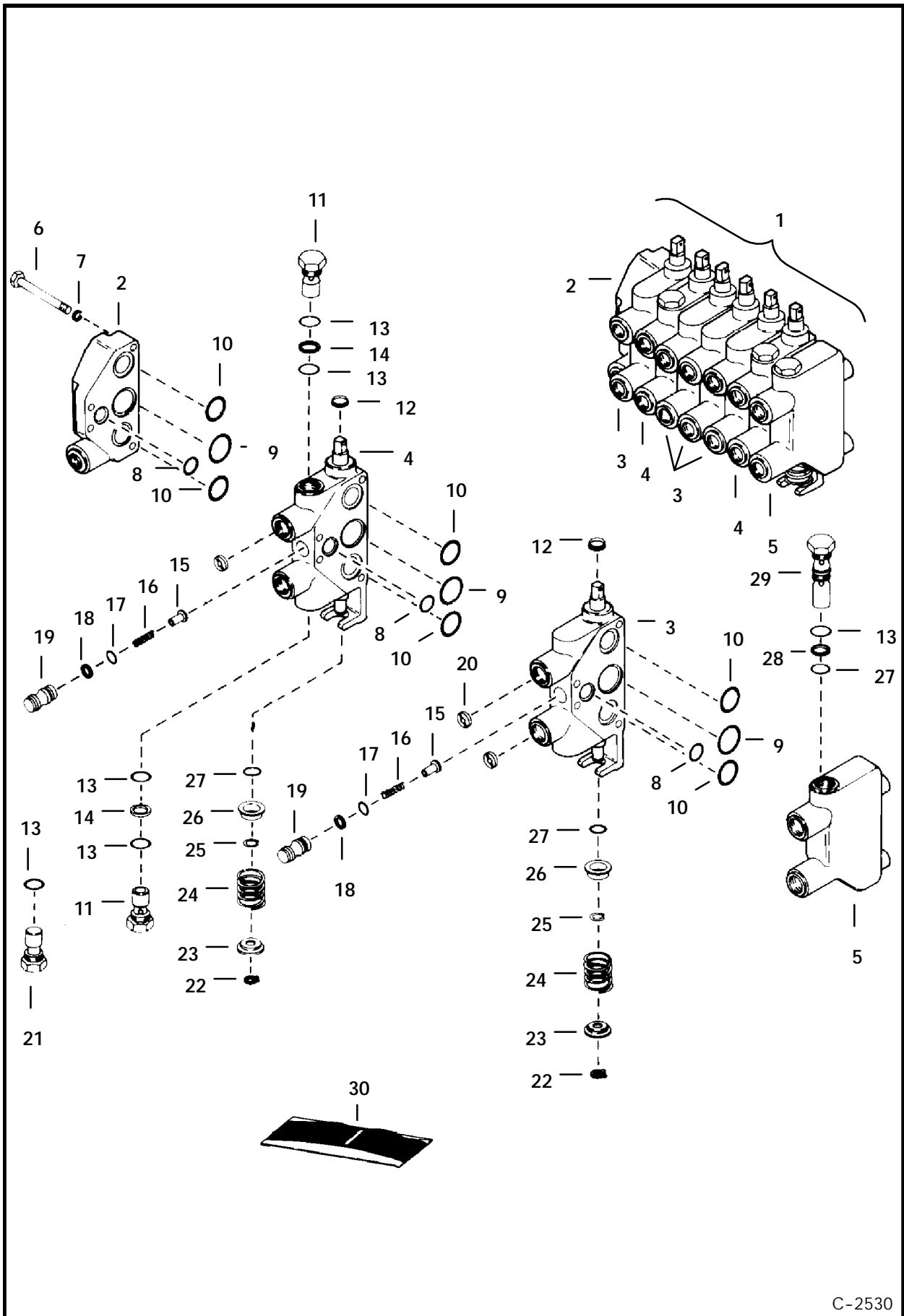


B-20451

BOOM & DIPPERSTICK HYDRAULICS (Cont'd)
908 W/New Cylinders

Ref. No.	Part Number	Description	Remarks	Serial Number	Qty.
1		MAIN FRAME	See Page 88		1
2	89G-424	SCREW			2
3	6518020	CLAMP			2
4	61D-4	NUT			2
5	6518019	SPRING			2
6	17C-412	BOLT			6
7	79K-8	O-RING	Was 91F-6 [A]		12
8	6510198	HOSE			1
9	6513769	HOSE			1
10	6513695	CYLINDER	See Page 120		3
11	6510181	HOSE			2
12	6513784	HOSE			1
13	6518027	CLAMP			4
14	81D-4	NUT			4
15	6510195	HOSE			2
16	6510196	HOSE			3
17	6510134	TUBE			1
18	6510133	TUBE			1
19	6510135	TUBE			2
20	17C-532	BOLT			3
21	6518022	CLAMP			1
22	6518025	CLAMP			1
23	6510318	CUSHION			1
24	6518026	CLAMP			1
25	23E-5	WASHER			3
26	6510200	HOSE			2
27	15K-6	ADAPTER	W/Ref. 7		2
28		BOOM	W/bucket & dipperstick - See Page 94		1
29	17C-620	BOLT			2
30	6502773	CLAMP			4
31	85D-6	NUT			2

VALVE BANK 908 Backhoe

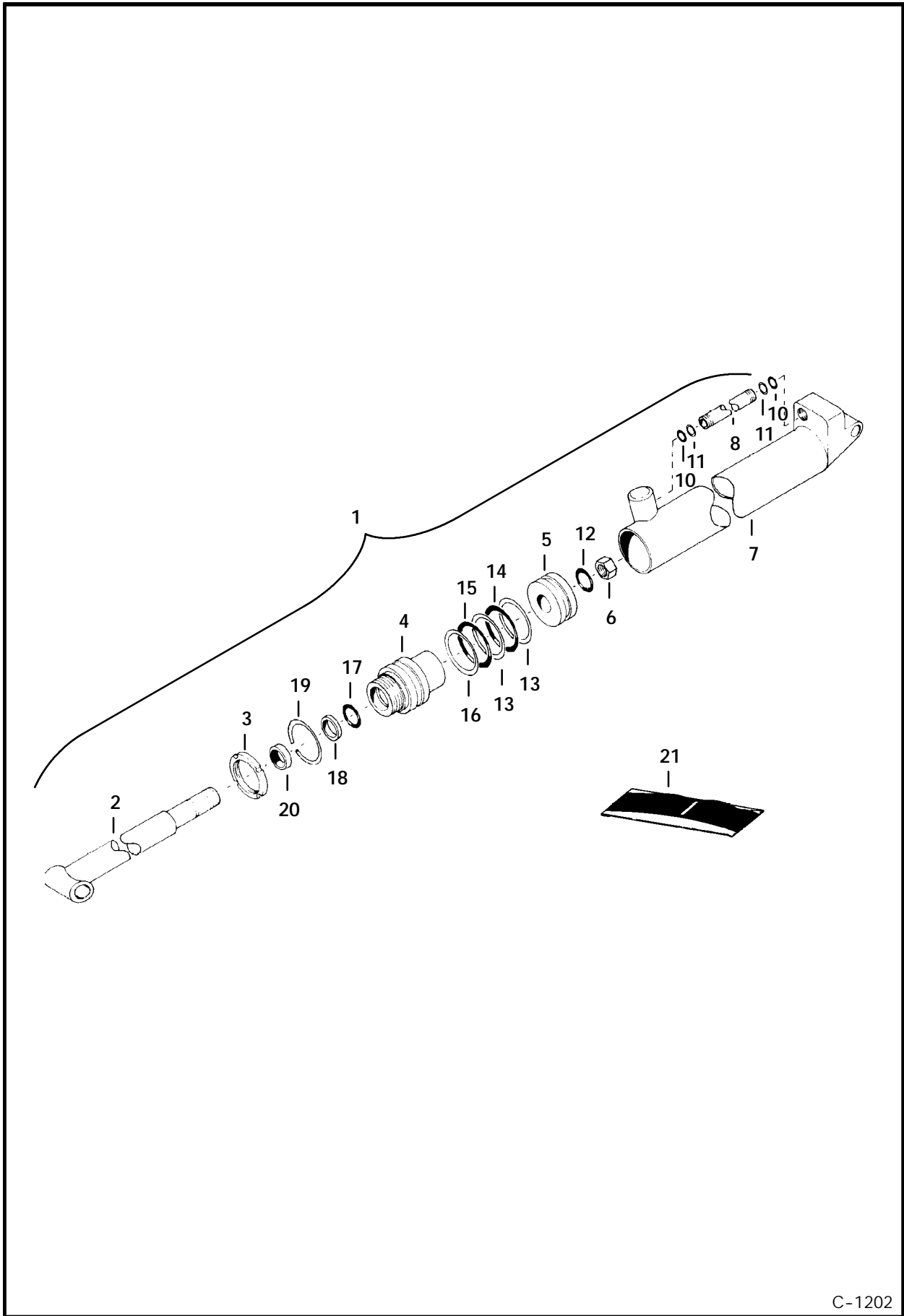


C-2530

VALVE BANK (Cont'd)
908 Backhoe

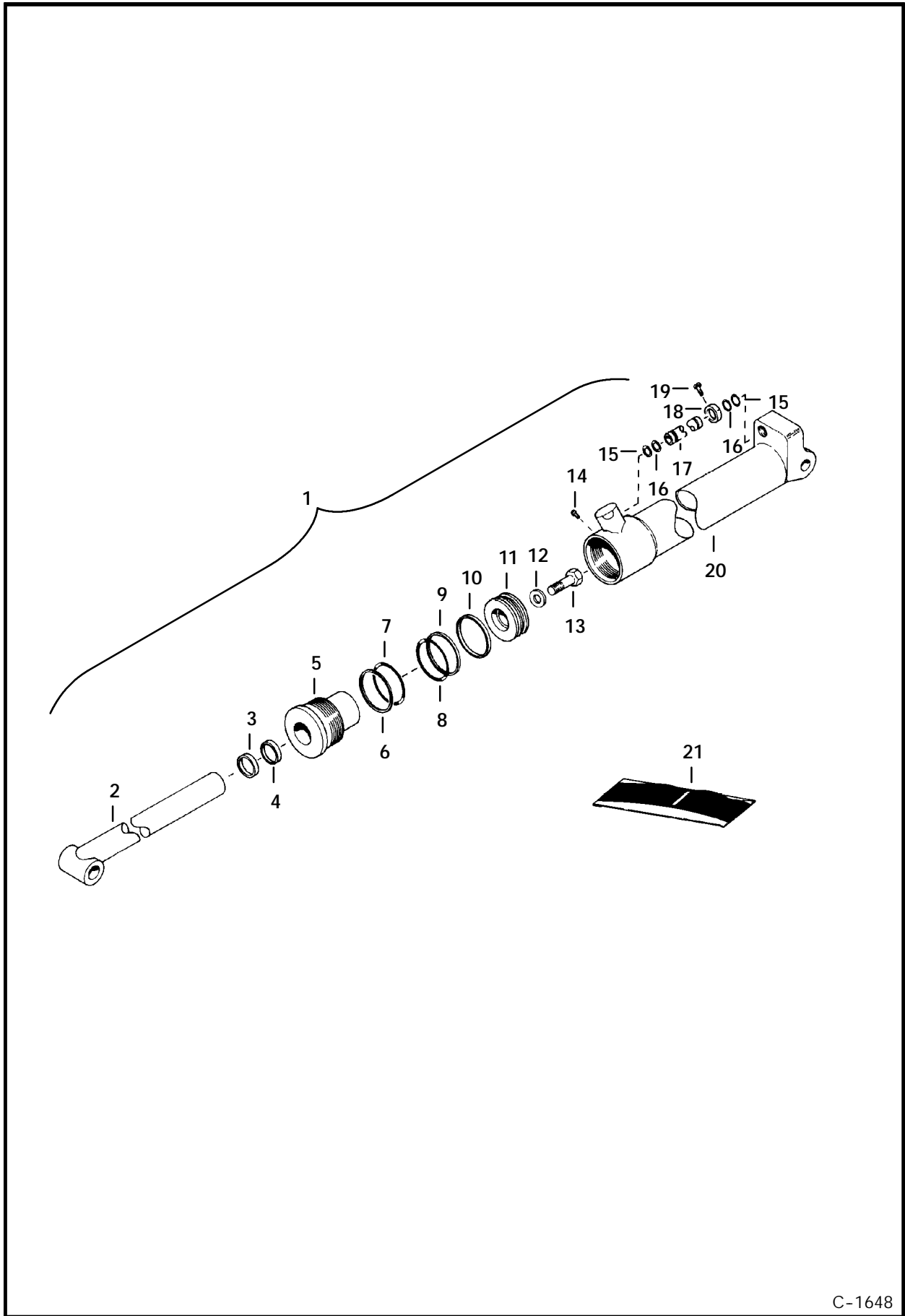
Ref. No.	Part Number	Description	Remarks	Serial Number	Qty.
1	NAP	VALVE	Was 6518006 [A]		1
2	4149056	PLATE	end		1
3	4149060	SECTION	valve - Bucket, Stabilizer &		
4	4149058	SECTION	Swing Sections valve - Boom & Dipperstick Sections		4 2
5	4149057	PLATE	port		1
6	17C-6174	BOLT	section retaining		4
7	4E-6	WASHER			4
8	NSS	O-RING			7
9	NSS	O-RING			7
10	NSS	O-RING			14
11	6512602	RELIEF VALVE	W/Ref. 13 & 14 - Was 6510055 [A]		2
12	NSS	SEAL	spool		6
13	NSS	O-RING			8
14	NSS	WASHER	back-up		2
15	4149071	PLUNGER	lift check		1
16	1550482	SPRING			1
17	NSS	O-RING			2
18	NSS	WASHER	back-up		1
19	4149069	BODY	lift check		1
20	NSS	ORIFICE	upper boom section - Was 6518042 [A]		1
	6518998	ORIFICE	upper swing section		2
21	6518043	PLUG	W/Ref. 13		1
22	743609	RING	retainer		1
23	4149067	WASHER	shallow		1
24	4149068	SPRING	spool		1
25	4149072	SPACER	wire		1
26	4149070	WASHER	deep		1
27	NSS	O-RING			1
28	NSS	WASHER	back-up		1
29	6518052	RELIEF VALVE	W/Ref. 13, 27 & 28		1
30	6515455	SEAL KIT	Between Sections - Ref. 8 - 10		x
	6510058	SEAL KIT	Stabilizer & Swing Sections - Ref. 12, 17 & 27		x
	6510059	SEAL KIT	Boom or Crowd Sections - Ref. 12, 14, 17, 18 & 27		x
	5294158	SEAL KIT	relief valve - Ref. 13, 14, 27 & 28		x
	6515454	SEAL KIT	major - Ref. 6515455, 6510058, 6510059 & 5294158		x

BOOM, BUCKET & DIPPERSTICK CYLINDER
Cessna - 908 Backhoe



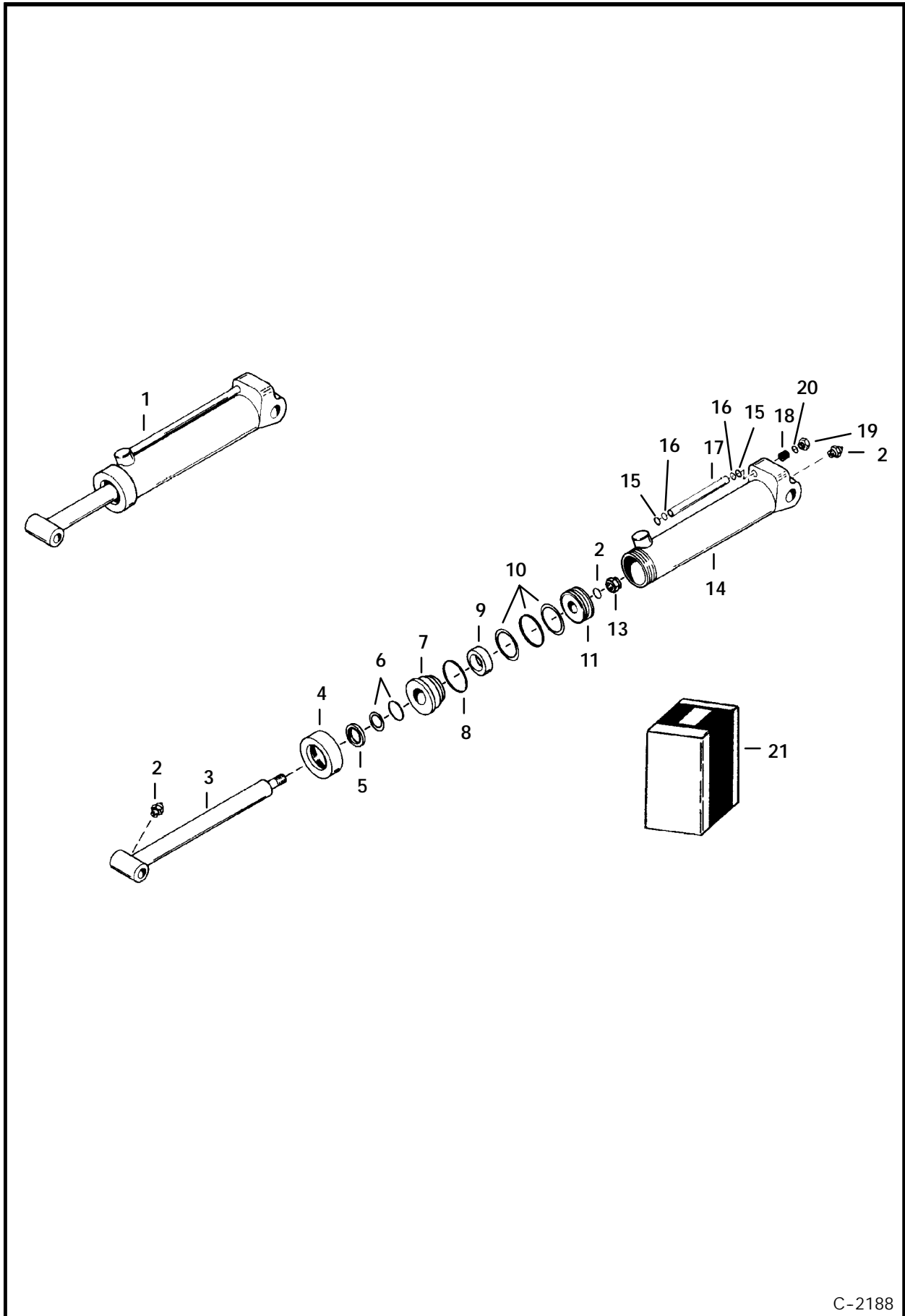
C-1202

BOOM, BUCKET & DIPPERSTICK CYLINDER
J.I. Case - 908 Backhoe



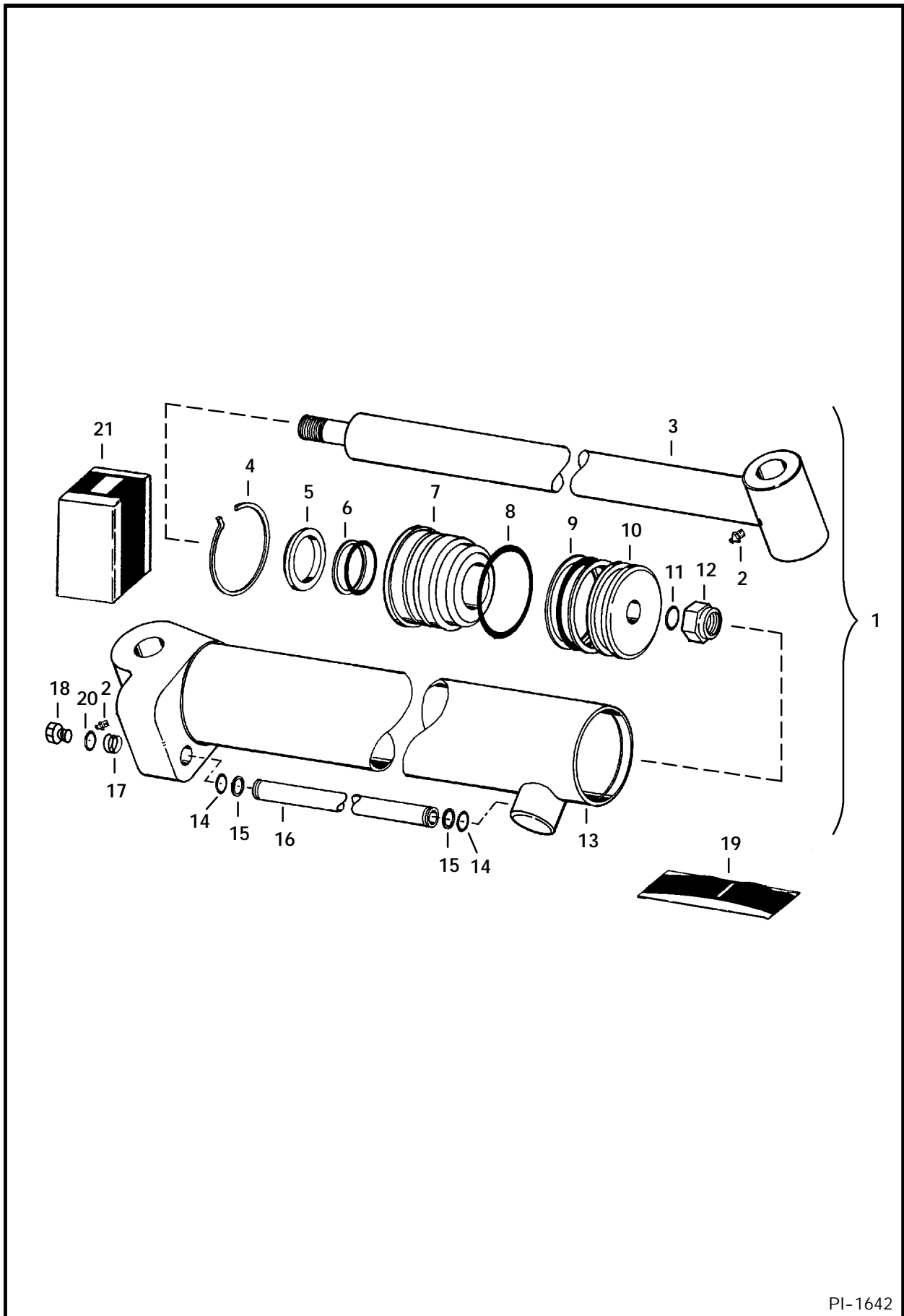
C-1648

BOOM, BUCKET & DIPPERSTICK CYLINDER
Lantex - Old - 908 Backhoe



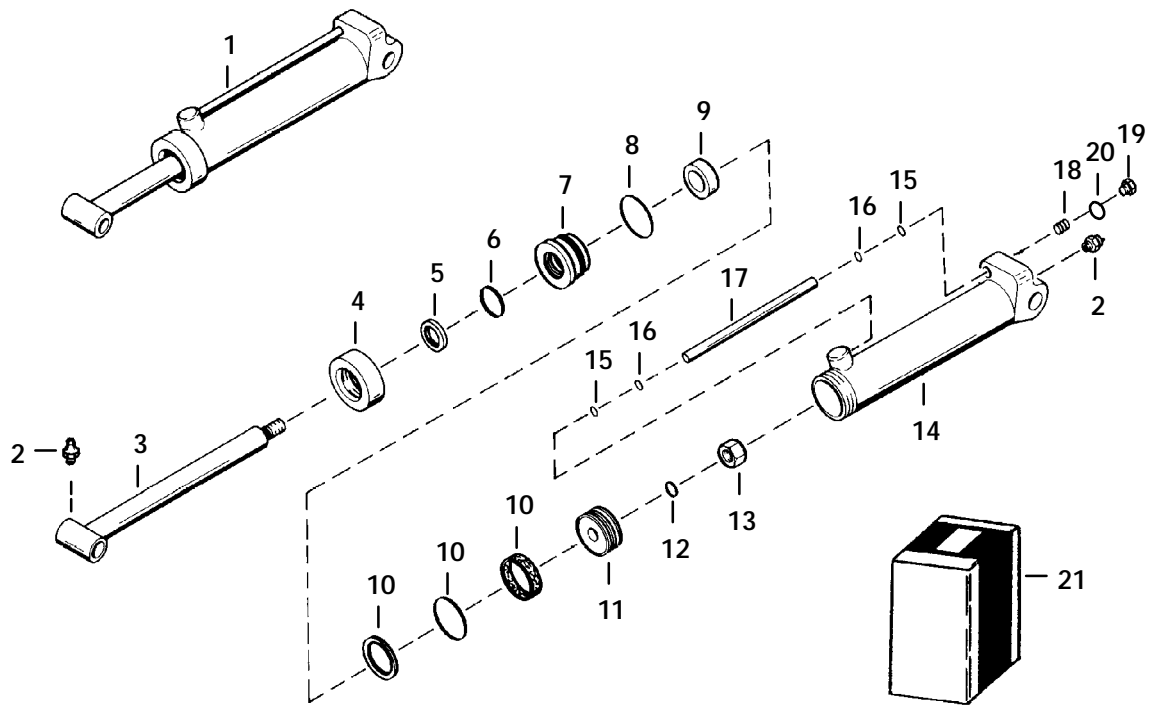
C-2188

BOOM, BUCKET & DIPPERSTICK CYLINDER
Lantex - Q1531647 & Above - 908 Backhoe



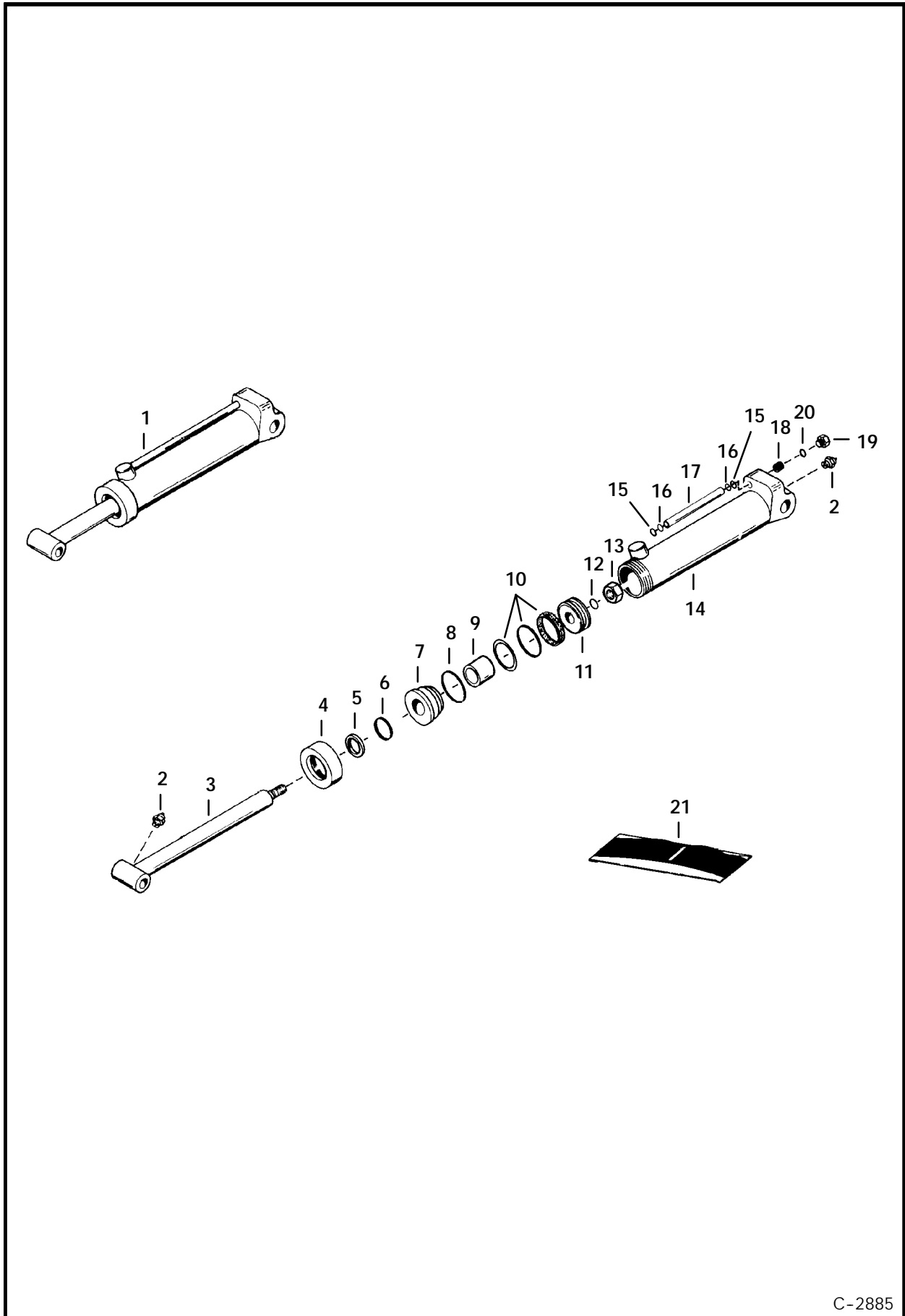
PI-1642

BOOM, BUCKET & DIPPERSTICK CYLINDER
Lantex - Rebuilt H-621029 - 908 Backhoe



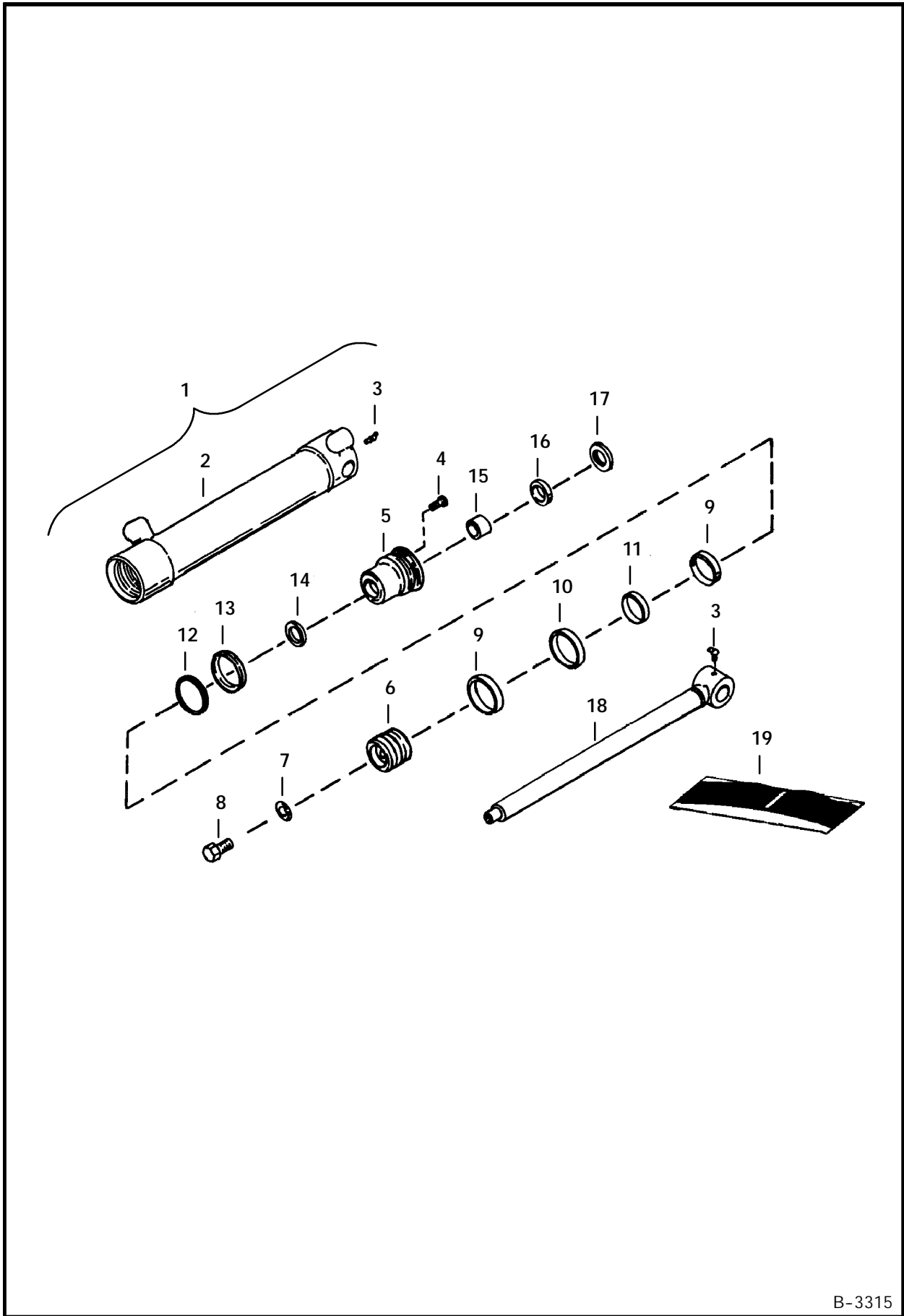
C-2884

BOOM, BUCKET & DIPPERSTICK CYLINDER
Lantex - 908 Backhoe



C-2885

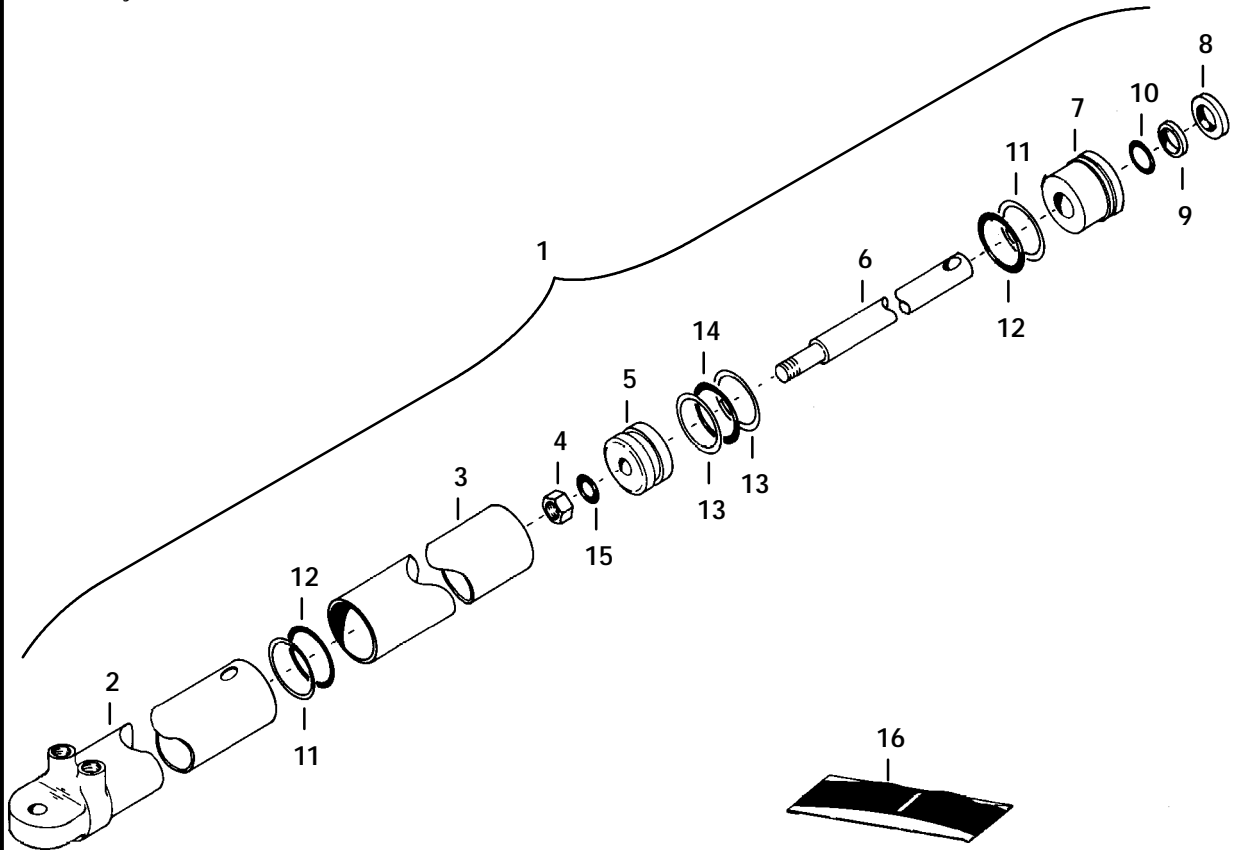
BOOM, BUCKET & DIPPERSTICK CYLINDER
908 Backhoe



B-3315

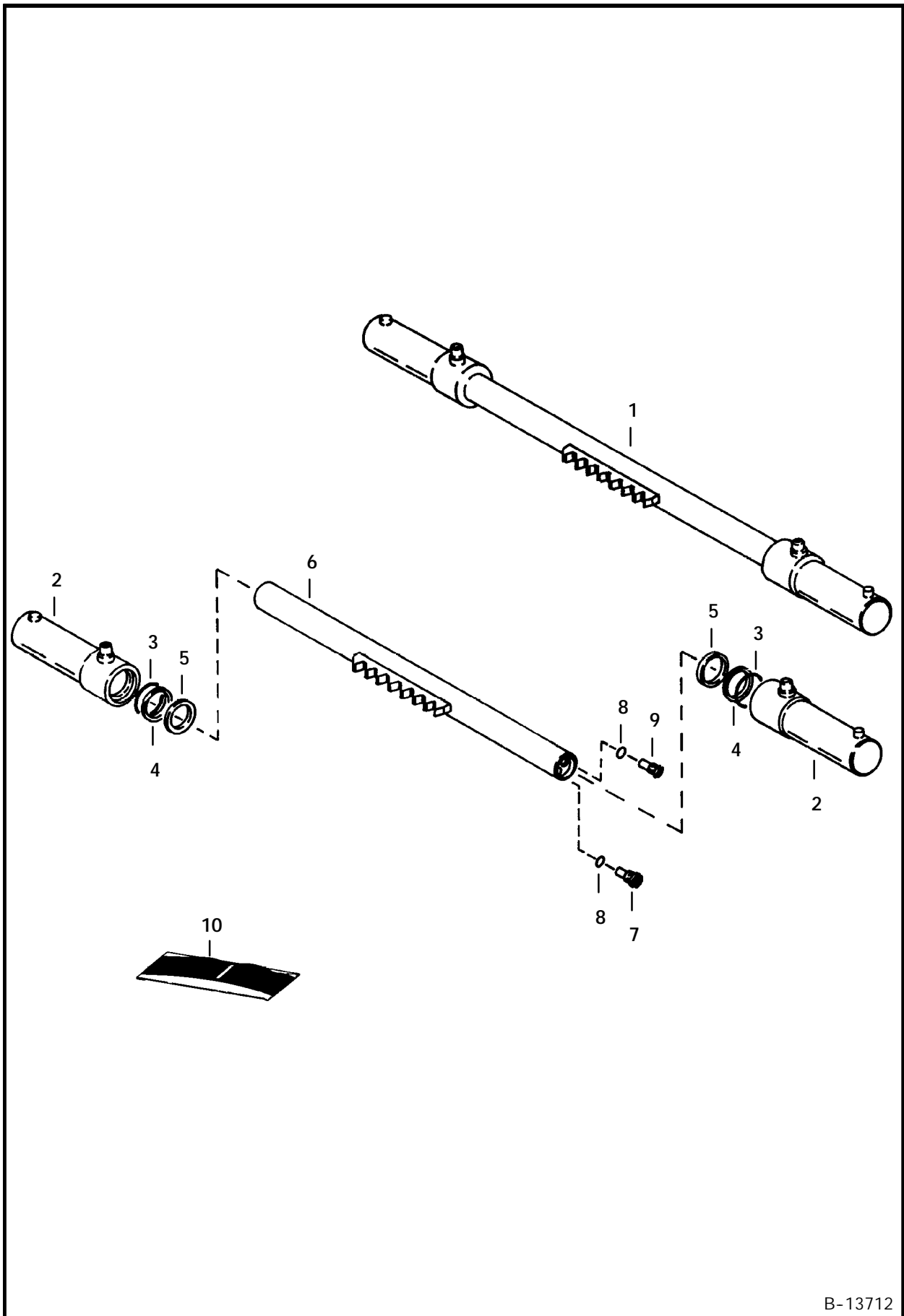
STABILIZER CYLINDER 908 Backhoe

NOTE: Cylinder head has flat sides for wrench



C-1203

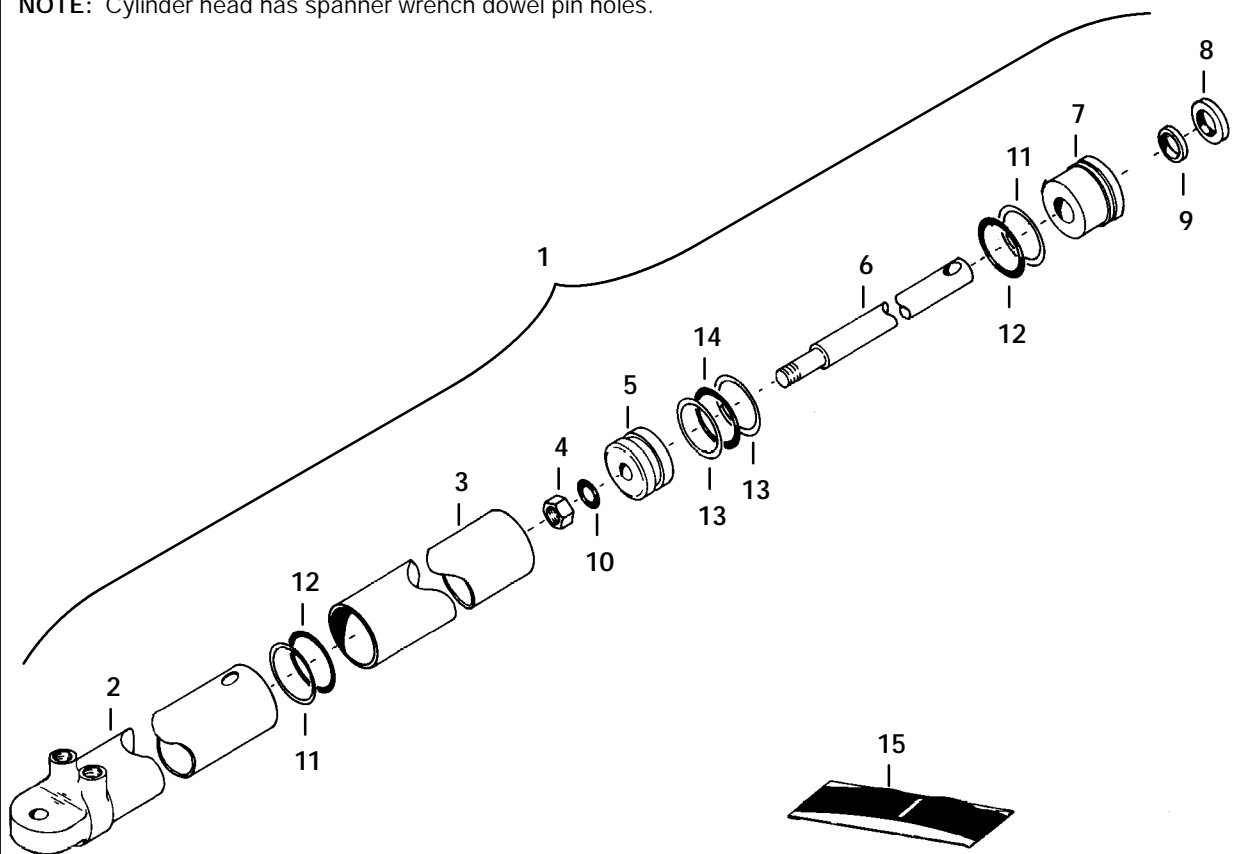
SWING CYLINDER
908 Backhoe



B-13712

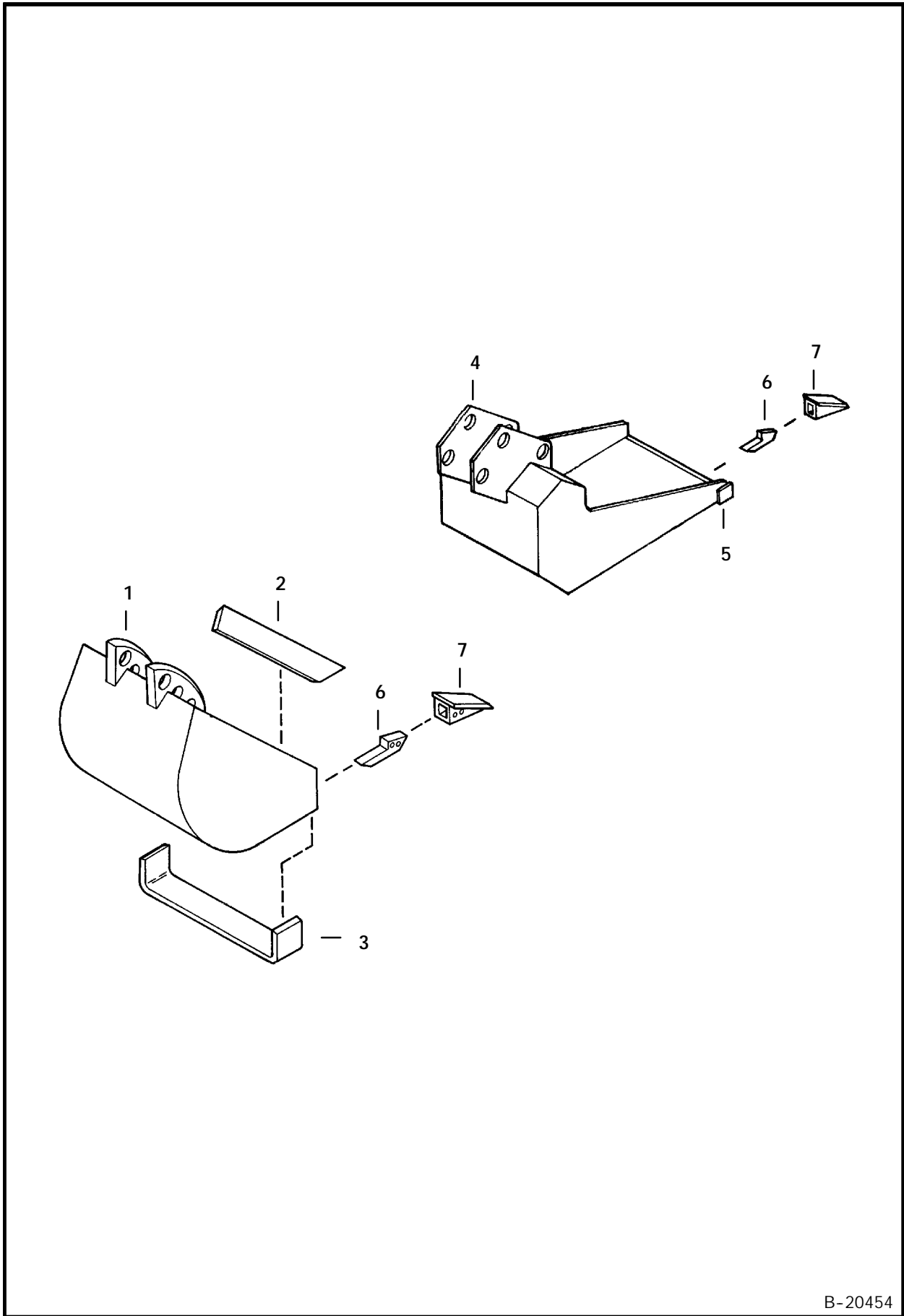
STABILIZER CYLINDER 907, 908A, 908B & 909 - Bobcat

NOTE: Cylinder head has spanner wrench dowel pin holes.



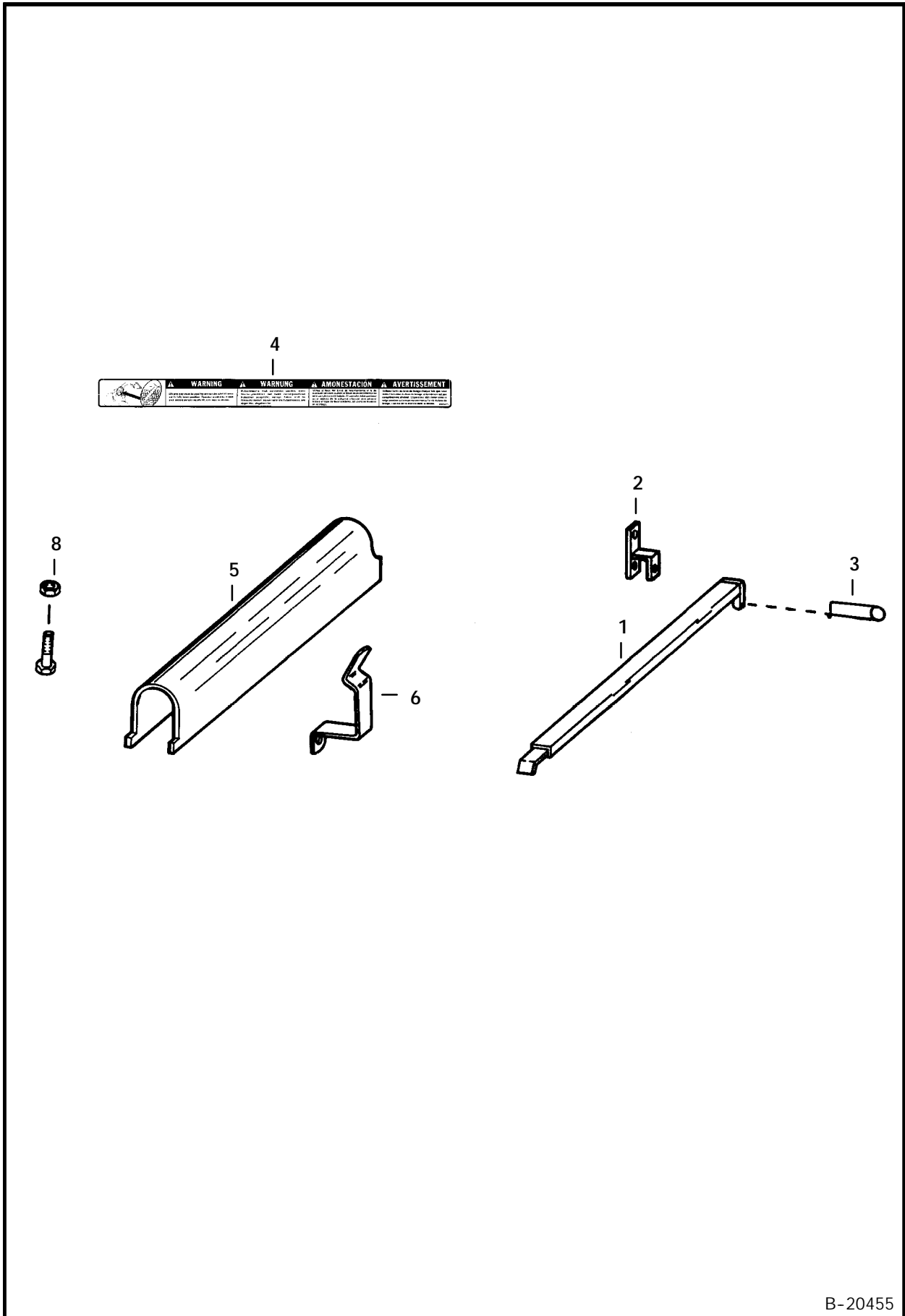
B-20476

BACKHOE BUCKETS
908 Backhoe



B-20454

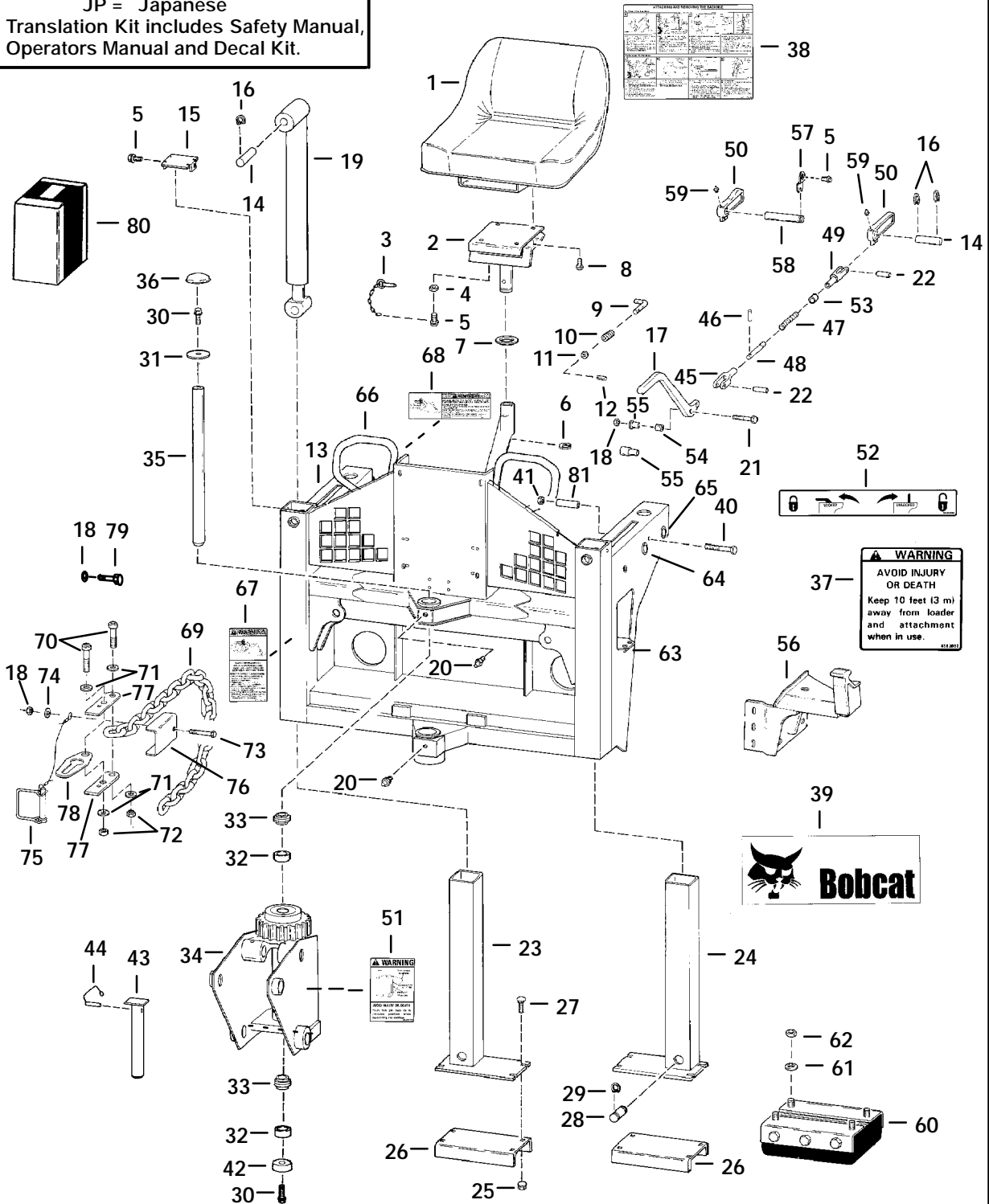
LIFT ARM STOPS 908 Backhoe



B-20455

MAIN FRAME 607 Backhoe

NOTE: AR = Spanish (Argentina)
BR = Portuguese (Brazil)
JP = Japanese
Translation Kit includes Safety Manual,
Operators Manual and Decal Kit.



WARNING: BACKHOE FRAME CAN ROTATE BACKWARD AND TRAP OPERATOR CAUSING SERIOUS INJURY OR DEATH.

BEFORE OPERATING BACKHOE: Fully engage both Bob-tach locking levers so wedges extend through mounting frame holes. Tighten and fasten safety chain around Bob-Tach and mounting frame. Repair or replace safety chain if damaged. Use only approved .375 inch Grade 70 Transport Chain. See "ATTACHING AND REMOVING THE BACKHOE" Decal on backhoe seat and Backhoe Operation & Maintenance Manual for more instructions.

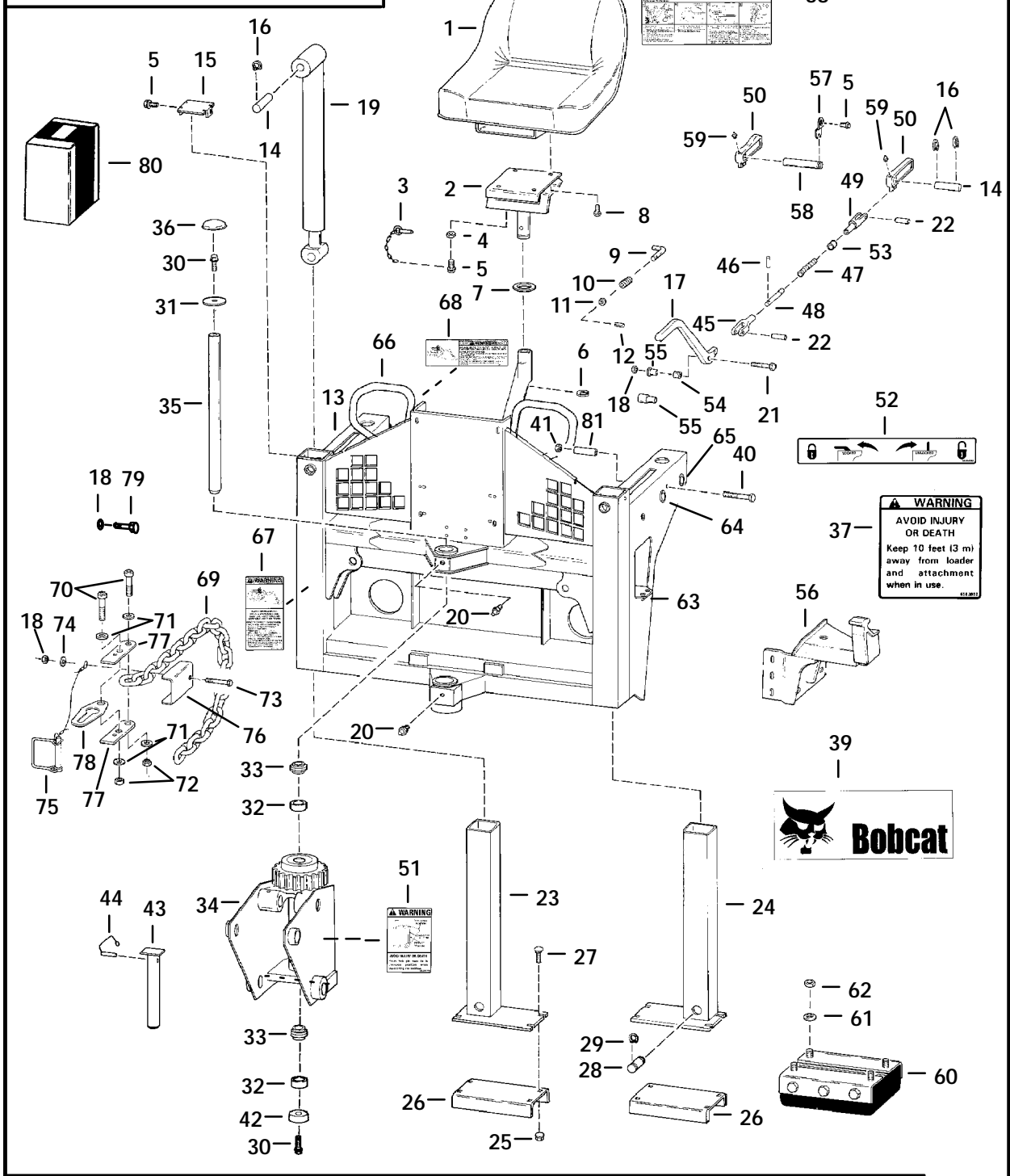
E-2034

MAIN FRAME (Cont'd)
607 Backhoe

Ref. No.	Part Number	Description	Remarks	Serial Number	Qty.
1	NAP	SEAT	Also Order Ref. 38 - W/Adj. Track - Order 6643253 - Was 6653421 [A]		1
	6643253	SEAT	W/O Adj. Track		1
	NAP	TRACK	W/adj. - Was 6660436 [A]		1
	NAP	TRACK	W/O adj. - Was 6660437 [A]		1
2	6587384	MOUNT	Was 6534341 [A]		1
3	6511880	PIN			1
4	7D-6	NUT			1
5	84G-3712	BOLT			9
6	6538285	SNAP RING			1
7	6558680	SPACER			1
8	17C-512	BOLT	Was 17C-516 [B]		4
9	6592836	PIN			1
10	6610082	SPRING			1
11	25E-15	WASHER			1
12	1F-308	COTTER PIN			1
13	NAP	MAIN FRAME	Call Parts - Was 6538695 [A]	01439 & Below	1
	6538675	MAIN FRAME		01440 & Above	1
14	6533178	PIN	1.00" x 4.00" (25.4mm x 101.2mm)		2
15	6533029	COVER			2
16	662770	SNAP RING			4
17	6805822	LEVER	Was 6533163 [A]		2
18	85D-6	NUT			4
19		CYLINDER	stabilizer - See Page 148 & 150		2
20	10H-25	GREASE ZERK			4
21	17C-660	BOLT		464 & Below	2
	17C-680	BOLT		465 & Above	2
22	14J-5032	ROLL PIN			4
23	6532680	STABILIZER	R.H.		1
24	6533011	STABILIZER	L.H.		1
25	55D-8	NUT			8
26	6531990	CLEAT			2
27	6529377	BOLT			8
28	6560669	PIN			2
29	6538286	SNAP RING			4
30	49C-1228	BOLT	Was 31C-1228 [B]		2
31	6534555	WASHER			1
32	6513682	RACE	Was 6534351 [B]		2
33	6519337	BEARING			2
34	6711793	FRAME	swing		1
35	6536333	SHAFT		01439 & Below	1
	6532635	SHAFT		01440 & Above	1
36	6598371	CAP			1
37	6583862	DECAL	warning		4
38	6714915	DECAL	mounting instructions - Was 6536325 [A]		1
39	6727324	DECAL	Bobcat - Was 6714353 [A]		1
40	17C-868	BOLT		& Below	2
41	85D-8	NUT		& Below	2
42	6532631	WASHER			1

MAIN FRAME (Cont'd) 607 Backhoe

NOTE: AR = Spanish (Argentina)
BR = Portugese (Brazil)
JP = Japanese
Translation Kit includes Safety Manual,
Operators Manual and Decal Kit.



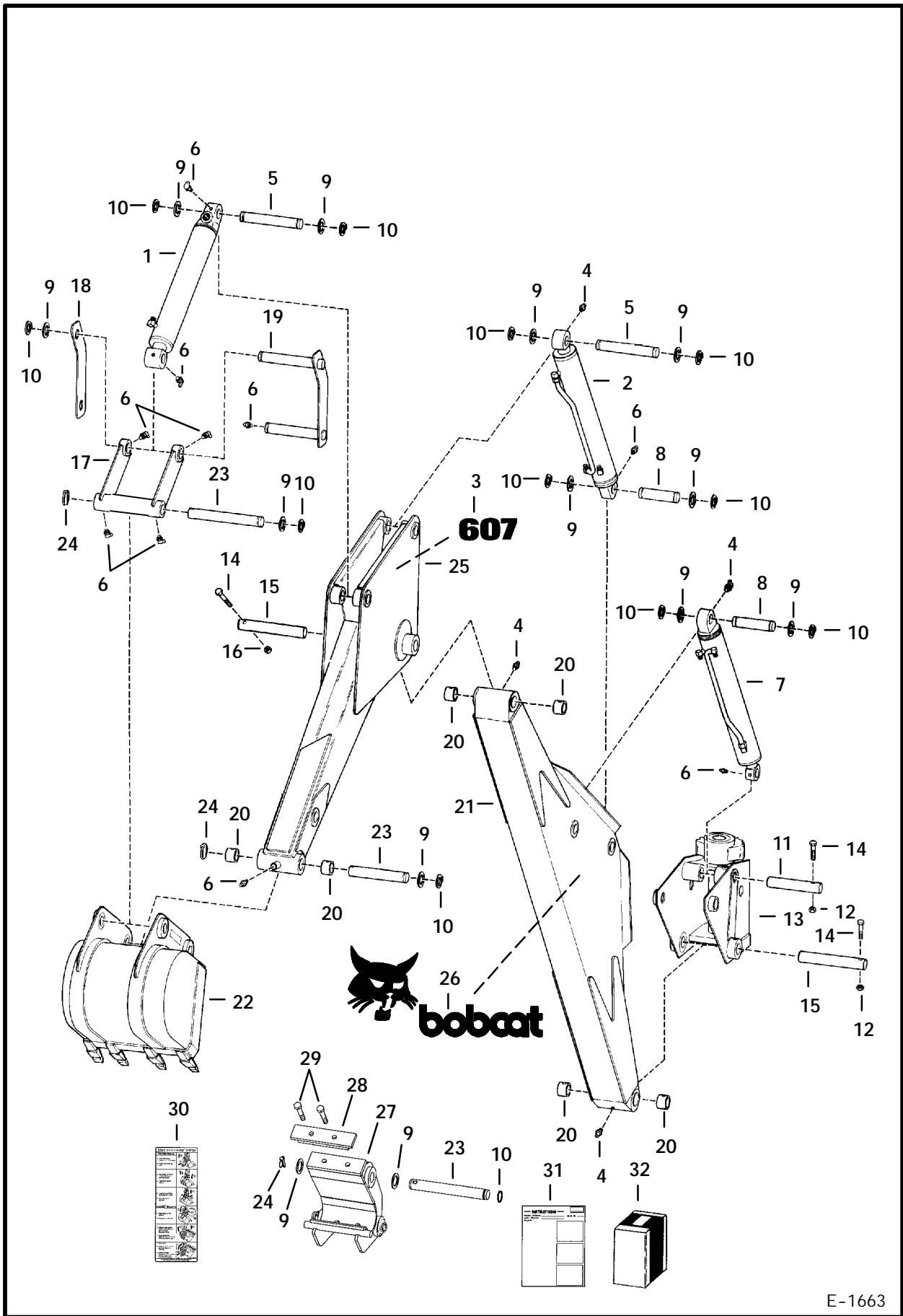
WARNING: BACKHOE FRAME CAN ROTATE BACKWARD AND TRAP OPERATOR CAUSING SERIOUS INJURY OR DEATH.
BEFORE OPERATING BACKHOE: Fully engage both Bob-tach locking levers so wedges extend through mounting frame holes. Tighten and fasten safety chain around Bob-Tach and mounting frame. Repair or replace safety chain if damaged. Use only approved .375 inch Grade 70 Transport Chain. See "ATTACHING AND REMOVING THE BACKHOE" Decal on backhoe seat and Backhoe Operation & Maintenance Manual for more instructions.

E-2034

MAIN FRAME (Cont'd)
607 Backhoe

Ref. No.	Part Number	Description	Remarks	Serial Number	Qty.
43*	6713970	PIN	Boom Lock - Was 6536368 [A]		1
44	6510020	PIN	Was 6656009 [B]		1
45	6533159	CLEVIS			2
46	14J-2520	ROLL PIN			2
47	6578253	SPRING			2
48	6533158	ROD			2
49	6704248	PIVOT	Was 6576454 [A]		2
50	6586377	STOP	Was 6533115 [A]		2
51	6535259	DECAL			2
52	6535896	DECAL	R.H.		1
	6535897	DECAL	L.H.		1
53	6533160	BUSHING			2
54	6704453	SPRING	Was 6578252 [A]		2
55	6575636	PIVOT		464 & Below	2
	6586315	PIVOT		465 & Above	2
56		MOUNT	See Page 166		1
57	6586307	RETAINER			4
58	6586308	PIN	1.00"(25.4mm) x 4.60"(116.8mm)		4
59	10H-25	GREASE ZERK			2
60	6660164	PAD	street		2
61	25E-22	WASHER			8
62	61D-8	NUT			8
63	6534336	STEP			1
64	6533176	BUSHING			4
65	6533177	BUSHING			4
66	6805233	HANDRAIL	weld on - Was 6560876 [A]		2
67	6714920	DECAL	Warning		1
68	6714911	DECAL	Warning		1
69	6714867	SAFETY CHAIN	49"(1245mm) long - chain only - Use only approved .375 inch grade 70 transport chain		1
70	38C-820	BOLT			2
71	27E-8	WASHER			4
72	53D-6	NUT			2
73	17C-636	BOLT			1
74	27E-6	WASHER			1
75	6661838	HITCH PIN			1
76	6714839	CHAIN GUIDE			1
77	6714869	LATCH			2
78	6714868	BRACKET			1
79	17C-612	BOLT			1
80	6713630AR	KIT	decal - see note		1
	6713630BR	KIT	decal - see note		1
	6713630JP	KIT	decal - see note		1
	6713631AR	KIT	translation - see note		1
	6713631BR	KIT	translation - see note		1
81*	6534351	BUSHING			2

BOOM & DIPPERSTICK 607 Backhoe



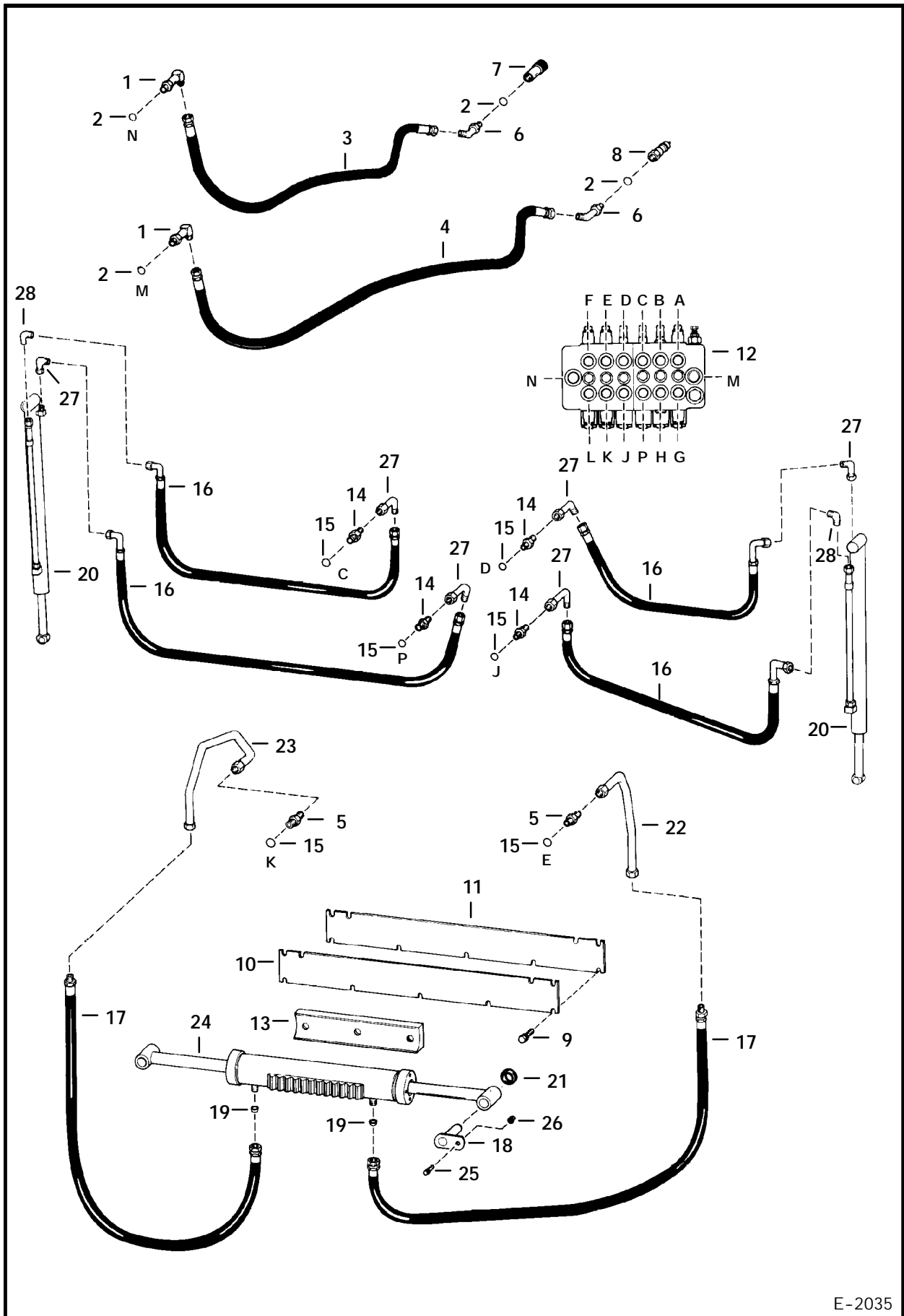
E-1663

BOOM & DIPPERSTICK (Cont'd)
607 Backhoe

Ref. No.	Part Number	Description	Remarks	Serial Number	Qty.
1		CYLINDER	bucket - See Page 158 & 160		1
2		CYLINDER	dipper - See Page 154 & 156		1
3	6537228	DECAL	607		2
4	12H-15	GREASE ZERK			4
5	6532518	PIN			2
6	10H-25	GREASE ZERK			9
7		CYLINDER	boom - See Page 152		1
8	6532517	PIN			2
9	6532519	WASHER			4
10	6538287	SNAP RING			4
11	6532568	PIN			1
12	81D-6	NUT			2
13		FRAME	swing - See Page 131		1
14	17C-648	BOLT			2
15	6532522	PIN			2
16	85D-6	NUT			1
17	6535852	LINK			1
18	6538405	LINK			1
19	6535855	LINK			1
20	6651171	BUSHING			6
21	6535826	BOOM			1
22		BUCKET	See Page 162 & 163		1
23	6537226	PIN			2
24	6560382	PIN	ring lock		2
25	6535817	DIPPERSTICK			1
26	6557412	DECAL	Bobcat - R.H.		1
	6557413	DECAL	Bobcat - L.H.		1
27	6714924	FRAME	X-Change		1
28	6804485	PLATE			1
29	17C-1052	BOLT			2
30	6806121	DECAL	bolt-on X-Change		1
31*	6900862	INSTRUCTIONS			1
32*	SALES	KIT	bolt-on X-change - W/Ref. 27-31		
			Sales #6807915		1

MAIN FRAME HYDRAULICS

607 Backhoe

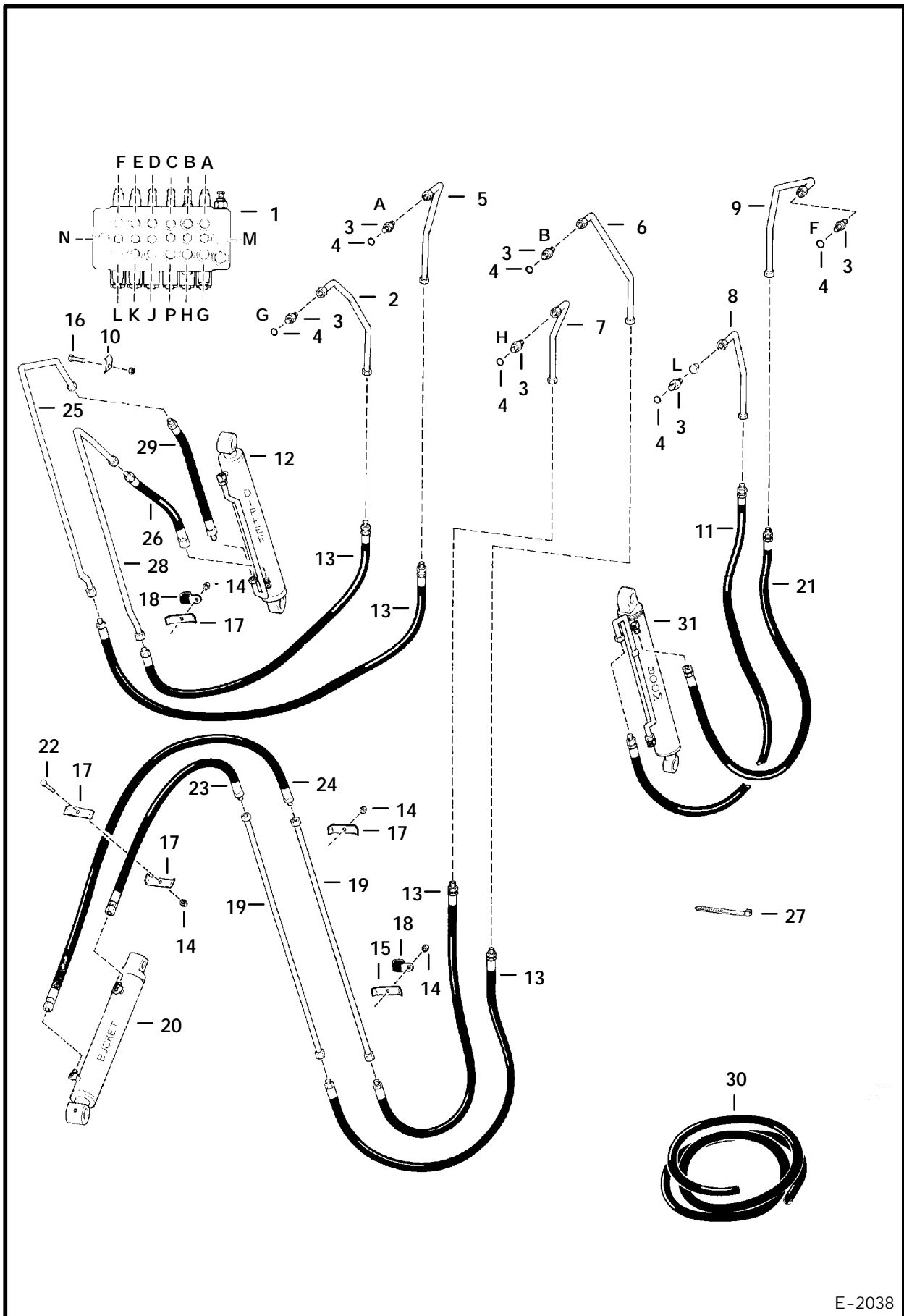


E-2035

MAIN FRAME HYDRAULICS (Cont'd)
607 Backhoe

Ref. No.	Part Number	Description	Remarks	Serial Number	Qty.
1	6519195	ELBOW	W/Ref. 2		2
2	79K-10	O-RING	used with poppet couplers		2
	79K-12	O-RING	used with flush face couplers		2
3	6534346	HOSE			1
4	6534347	HOSE			1
5	15K-6	ADAPTER	W/Ref. 15 - flat boss face		2
	15KN-6	ADAPTER	W/Ref. 15 - tapered boss face		2
	97K-8	O-RING	for flared end		2
6	17K-7	ELBOW	used with poppet couplers		2
	1302104	ELBOW	used with flush face couplers		2
7	6598758	QUICK COUPLER	Female - poppet		1
	6672960	QUICK COUPLER	female FF - Was 6667807 [A]		1
	48K-16	O-RING	for poppet coupler		1
8	6598757	QUICK COUPLER	Male - poppet		1
	6667808	QUICK COUPLER	male - flush face		1
	6672026	O-RING			1
9	84G-3110	BOLT			6
10	6532860	WEAR PLATE			2
11	6532861	SHIM			x
12		VALVE	See Page 185		1
13	6537116	WEAR BAR		01439 & Below	1
	6532859	WEAR BAR		01440 & Above	1
14	743108	ADAPTER	W/Ref. 15		4
15	79K-8	O-RING	for flat boss face		x
	99K-8	O-RING	for tapered boss face		x
16	NAP	HOSE	Order 6640724 & Ref. 27 - Was 6532952 [A]		4
	6640724	HOSE			4
17	6533046	HOSE			2
18	6532869	PIN			2
19	6587339	ORIFICE	.077" (1,96mm) Dia. - 0.42" O.D.	01439 & Below	2
	6592864	ORIFICE	.077" (1,96mm) Dia. - 0.55" O.D.	01439 & Below	2
	6587338	ORIFICE	.090"(2.29mm) dia - 0.42" O.D.	01440 & Above	2
	6592853	ORIFICE	.090"(2.29mm) dia - 0.55" O.D.	01440 & Above	2
20		CYLINDER	Stabilizer - See Page 148 - 150		2
21	6528927	WASHER			x
22	6532957	TUBE			1
23	6532959	TUBE			1
24		CYLINDER	swing - See Page 144 - 146		1
25	84G-3720	BOLT			2
26	55D-6	NUT			2
27	11K-5	ELBOW			6
	11KN-5	ELBOW	with O-ring on flared end		6
	97K-6	O-RING	for flared end		6
28	77F-5	ELBOW			2

BOOM HYDRAULIC CIRCUITRY 607 Backhoe

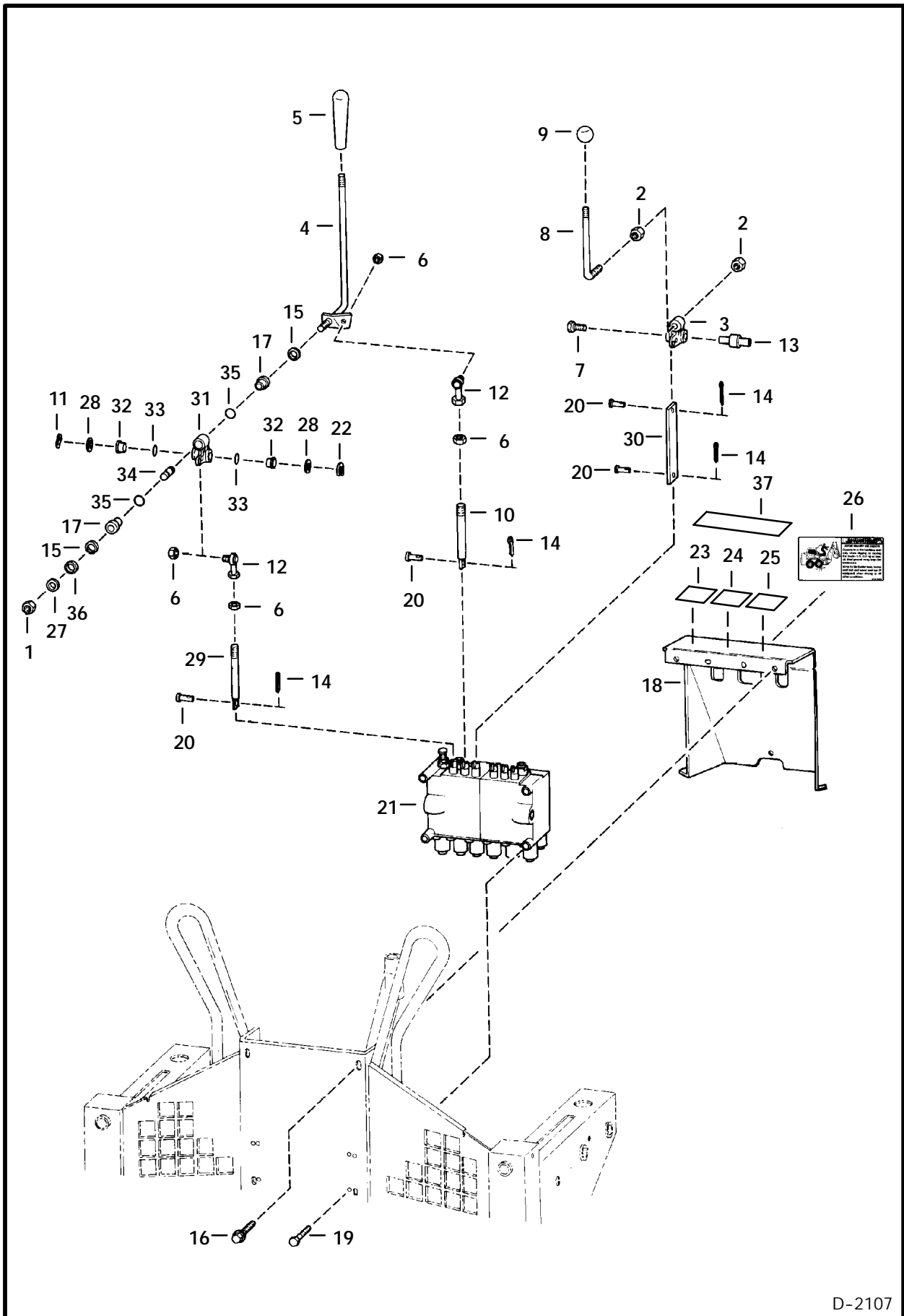


E-2038

BOOM HYDRAULIC CIRCUITRY (Cont'd)
607 Backhoe

Ref. No.	Part Number	Description	Remarks	Serial Number	Qty.
1		VALVE	See Page 185		1
2	6532963	TUBE			1
3	15K-6	ADAPTER	W/Ref. 4 - flat boss face		6
	15KN-6	ADAPTER	W/Ref. 4 - tapered boss face		6
	97K-8	O-RING	for flared end		2
4	79K-8	O-RING	for flat boss face		x
	99K-8	O-RING	for tapered boss face		x
5	6532962	TUBE			1
6	6532961	TUBE			1
7	6532960	TUBE			1
8	6532956	TUBE			1
9	6532958	TUBE			1
10	6562266	CLAMP			2
11	6538292	HOSE			1
12		CYLINDER	dipper - See Page 154 - 156		1
13	6538295	HOSE			4
14	81D-6	NUT			10
15	6537761	CLAMP			1
16	84G-3724	BOLT			2
17	6502426	CLAMP			3
18	30H-38	CLAMP			2
19	6536622	TUBE			2
20		CYLINDER	bucket - See Page 158 - 160		1
21	6533050	HOSE			1
22	17C-624	BOLT			3
23	6538438	HOSE			1
24	6536609	HOSE			1
25	6536623	TUBE			1
26	6534348	HOSE			1
27	6610510	STA-STRAP	Was 1715312 [A]		16
28	6536624	TUBE			1
29	6534349	HOSE			1
30	6649389	HOSE COVER	bulk - Sold Per Foot		x
31		CYLINDER	boom - See Page 152		1

CONTROL LEVERS 607 Backhoe

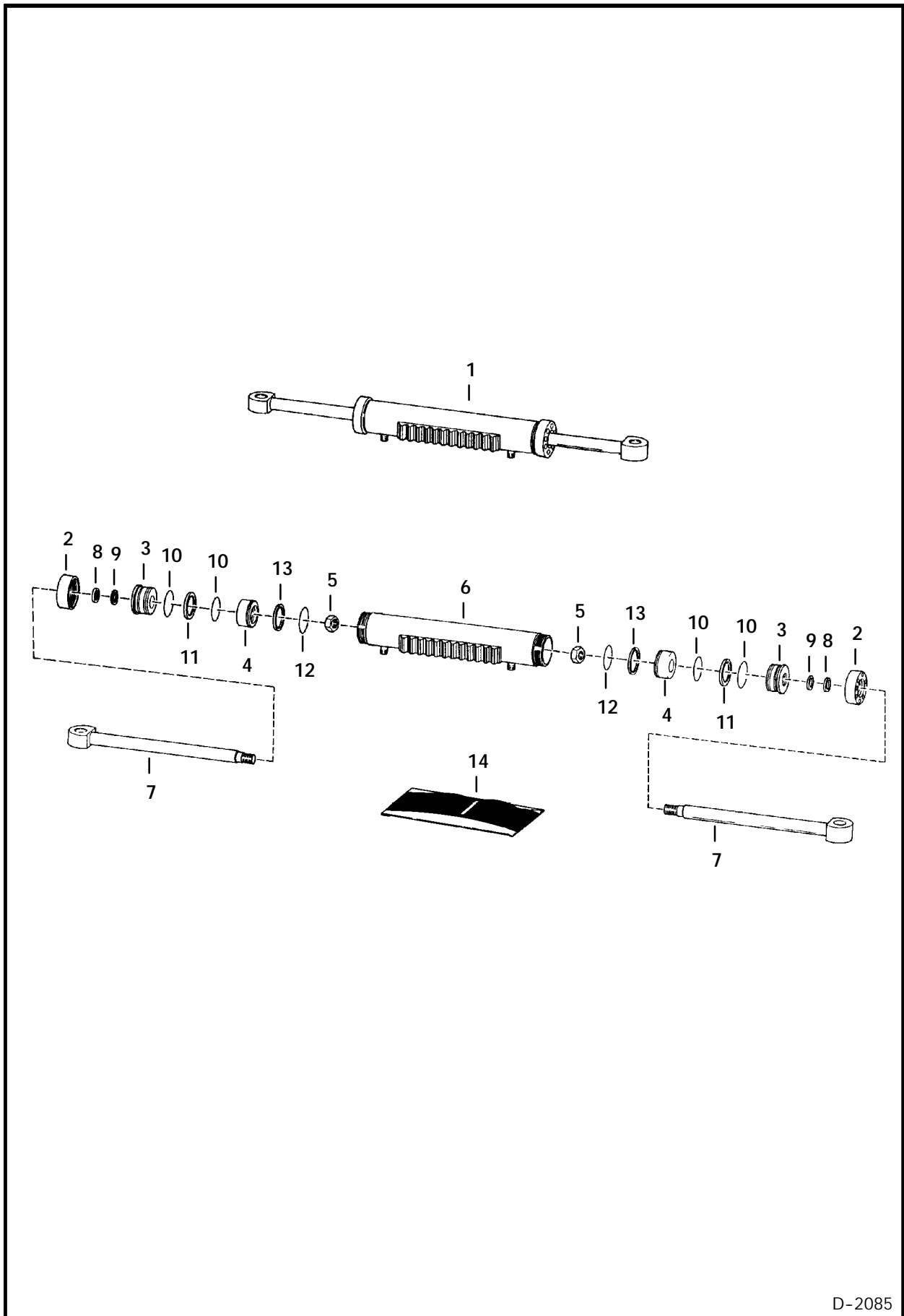


D-2107

CONTROL LEVERS (Cont'd)
607 Backhoe

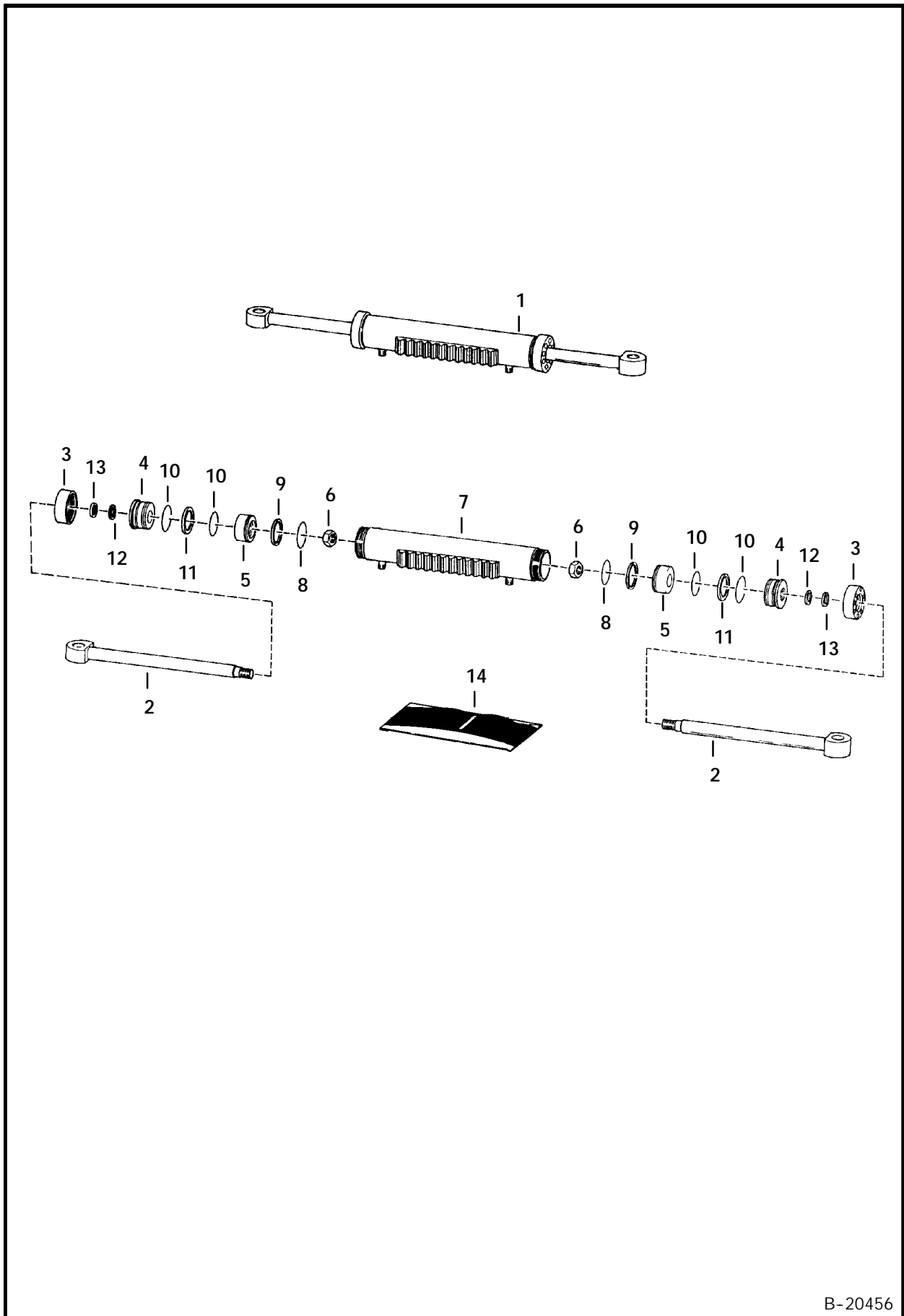
Ref. No.	Part Number	Description	Remarks	Serial Number	Qty.
1	85D-8	NUT			2
2	7D-8	NUT			4
3	6586081	BLOCK			2
4	6534659	LEVER	R.H.		2
5	6510093	KNOB			2
6	62D-6	NUT			8
7	17C-510	BOLT			2
8	6532947	LEVER			2
9	6515888	KNOB			2
10	6532949	ROD			2
11	6536803	WASHER			2
12	6599744	BALL JOINT			4
13	6561538	PIN	spacer		1
14	1F-208	COTTER PIN			8
15	6537831	SHIM			4
16	84G-3712	BOLT			4
17	6537832	BUSHING			4
18	6533111	COVER	Was 6534628 [A]		1
19	18C-512	BOLT			3
20	4F-4051	PIN			8
21		VALVE	See Page 185		1
22	6651530	SNAP RING			2
23	6558050	DECAL			1
24	6561397	DECAL			1
25	6558049	DECAL			1
26	6596591	DECAL	warning - Was 6562925 [A]		1
27	25E-21	WASHER			2
28	6536802	WASHER			2
29	6537833	ROD			2
30	6532948	LINK			2
31	6537814	PIVOT			2
32	6536801	BUSHING			4
33	58K-15	O-RING			4
34	6537829	BUSHING			2
35	58K-17	O-RING			4
36	6537830	WASHER			2
37	6805603	DECAL	controls		1

SWING CYLINDER
607 Backhoe - S/N 01439 & Below



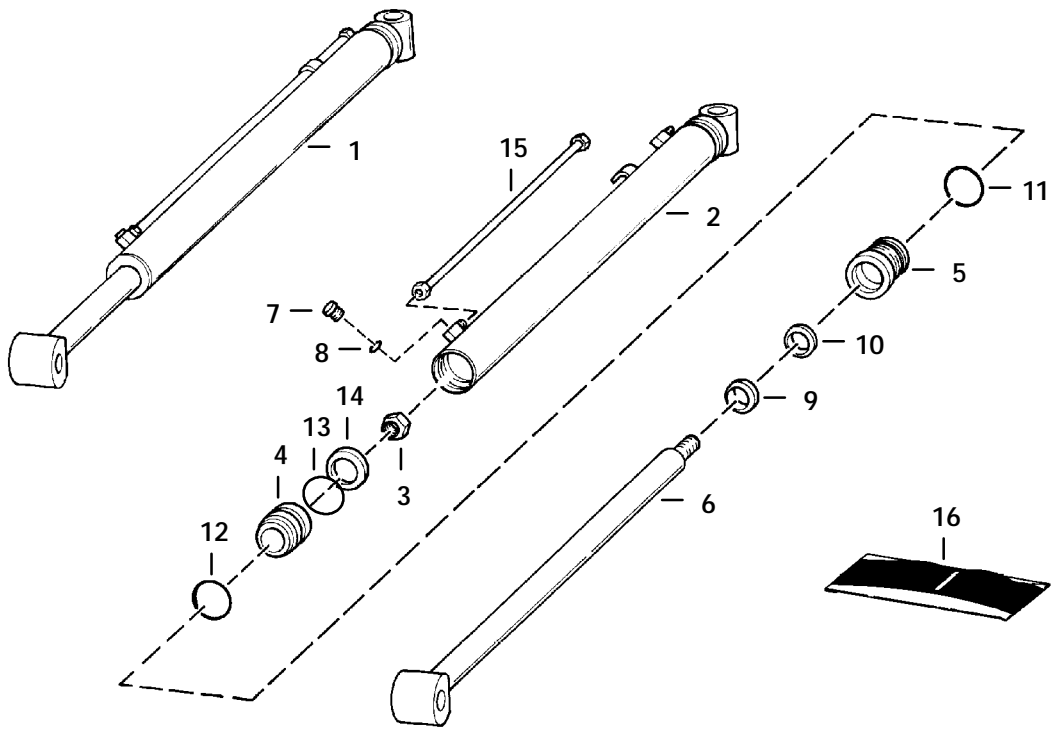
D-2085

SWING CYLINDER
607 Backhoe - S/N 01440 & Above



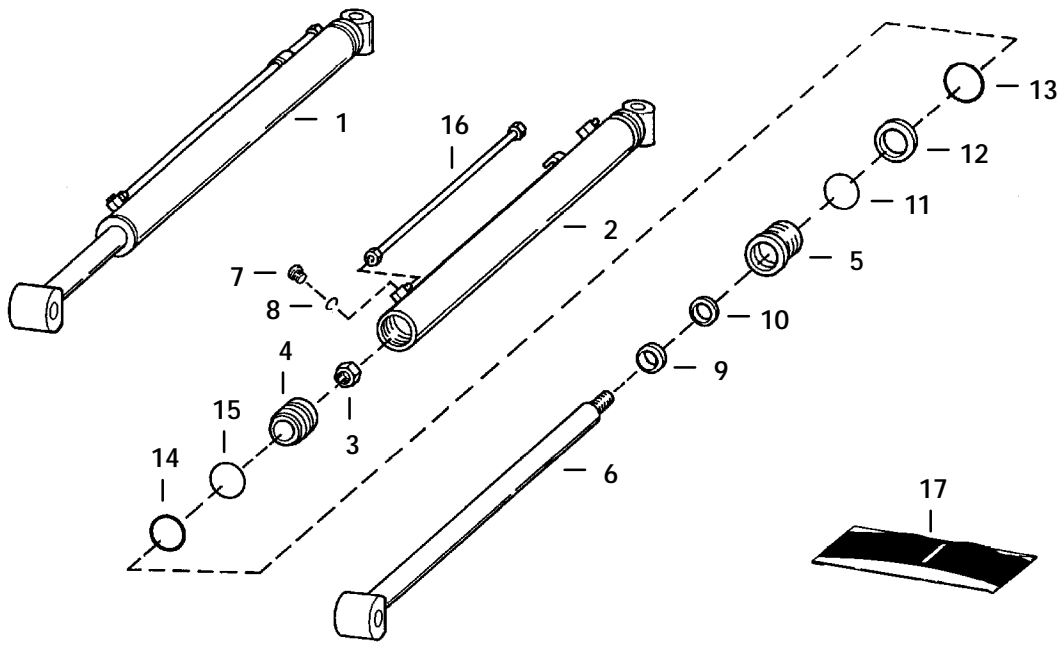
B-20456

STABILIZER CYLINDER
607 Backhoe



C-3227

STABILIZER CYLINDER
607 Backhoe

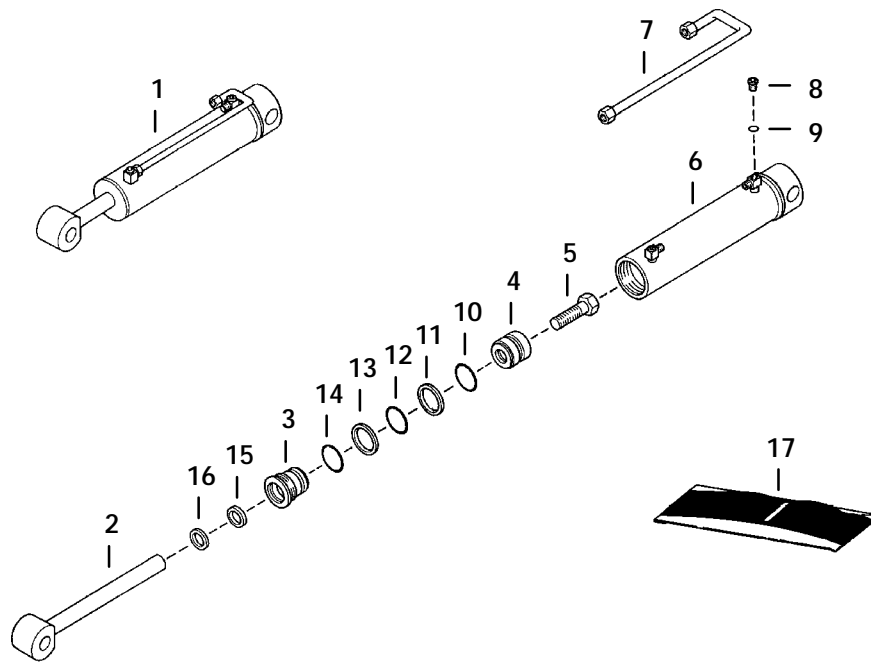


C-3388

STABILIZER CYLINDER (Cont'd)
607 Backhoe

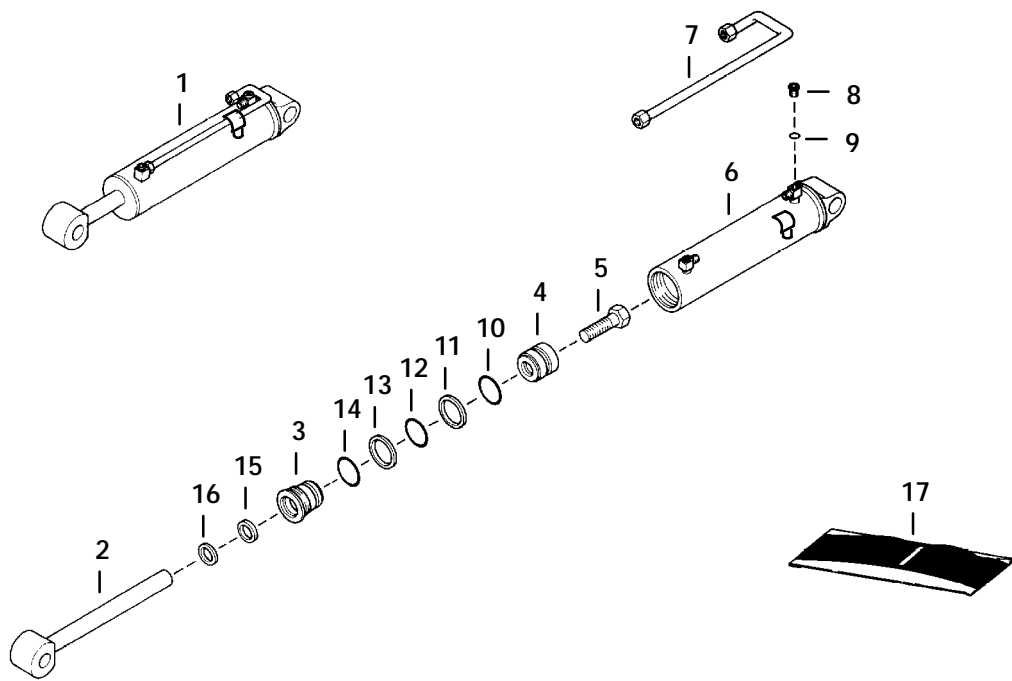
Ref. No.	Part Number	Description	Remarks	Serial Number	Qty.
1	6589431	CYLINDER	Ref. 2 - 16		1
2	6589432	CASE			1
3	92D-12	NUT			1
4	6661694	PISTON	W/Ref. 14 & 15 - W/Non-Replaceable Wear Sleeves		1
5	6538595	HEAD			1
6	6532707	ROD			1
7	NAP	PLUG	W/Ref. 8 - flat boss face - Was 47K-2 [A]		2
8	90KV-2	PLUG	W/Ref. 8 - tapered boss face		2
	79K-3	O-RING	for flat boss face		2
	95K-3	O-RING	for tapered boss face		2
9	6666542	SEAL	Was NSS		1
10	6667323	SEAL	Was 6704232 [A]		1
11	58K-136	O-RING	Was NSS		1
12	73K-224	BACKUP RING	Was NSS		1
13	54K-40124	O-RING	Was 25K-40124 [A]		1
14	54K-30118	O-RING	Was 25K-30118 [A]		1
15	6516231	SEAL	Was NSS		1
16	6537076	TUBE			1
17	6803482	SEAL KIT	Ref. 9 - 15 - Was 6589436 [A]		1

BOOM CYLINDER
607 Backhoe



C-3241

DIPPER CYLINDER
607 Backhoe

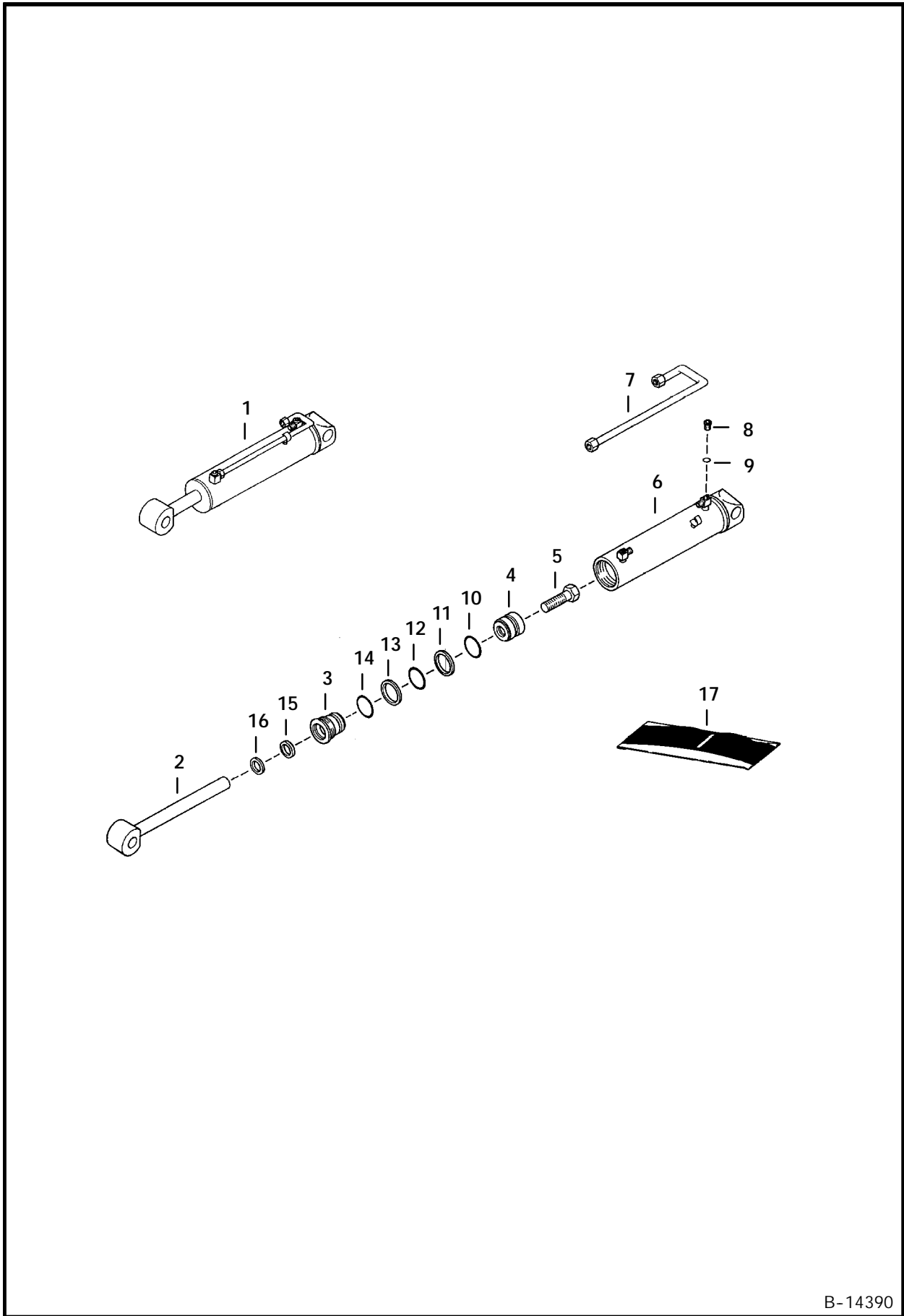


C-3240

DIPPER CYLINDER (Cont'd)
607 Backhoe

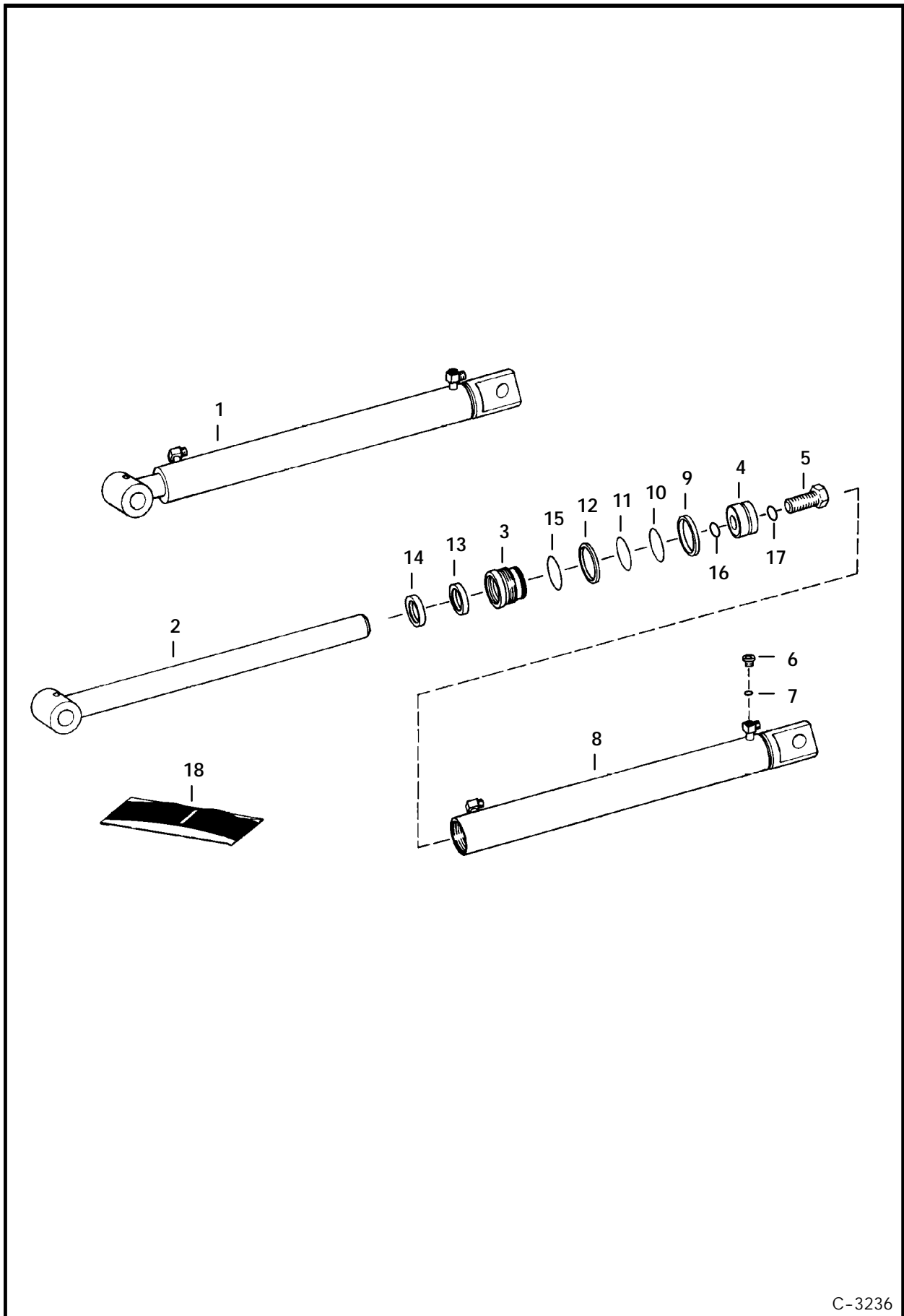
Ref. No.	Part Number	Description	Remarks	Serial Number	Qty.
1	NAP	CYLINDER	Ref. 2 - 16 - Order 6589342 - Was 6537119 [A]		1
2	6537124	ROD			1
3	6588912	HEAD	Was 6531649 [A]		1
4	6537114	PISTON			1
5	6536391	BOLT			1
6	NAP	CASE	Order 6589342 - Was 6538333 [A]		1
7	6537120	TUBE			1
8	NAP	PLUG	flat boss face - Was 47K-5 [A]		2
9	90KV-5	PLUG	tapered boss face		2
	79K-6	O-RING	for flat boss face		2
	95K-6	O-RING	for tapered boss face		2
10	54K-30218	O-RING	Was 25K-30218 [A]		1
11	947088	SEAL	Was NSS		1
12	54K-40224	O-RING	Was 25K-40224 [A]		1
13	80K-232	WASHER	back-up - Was 73K-232 [A]		1
14	54K-40300	O-RING	Was 25K-40300 [A]		1
15	6667326	SEAL	Was 6538141 [A]		1
16	6665086	SEAL	Was NSS		1
17	6804604	SEAL KIT	Ref. 10 - 16 - Was 6803272 [A]		1

DIPPER CYLINDER
607 Backhoe



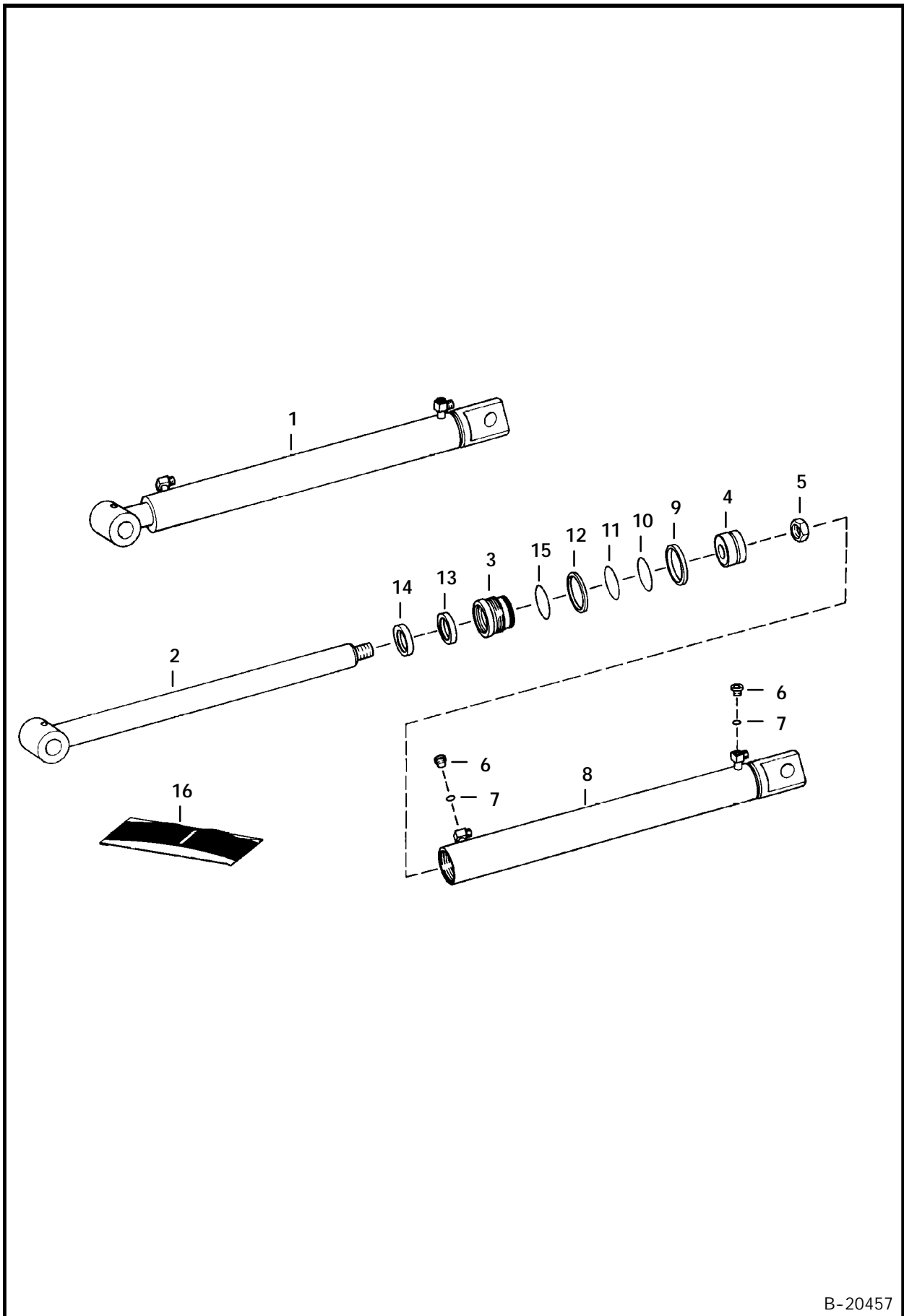
B-14390

BUCKET CYLINDER
607 Backhoe - S/N 267 & Below



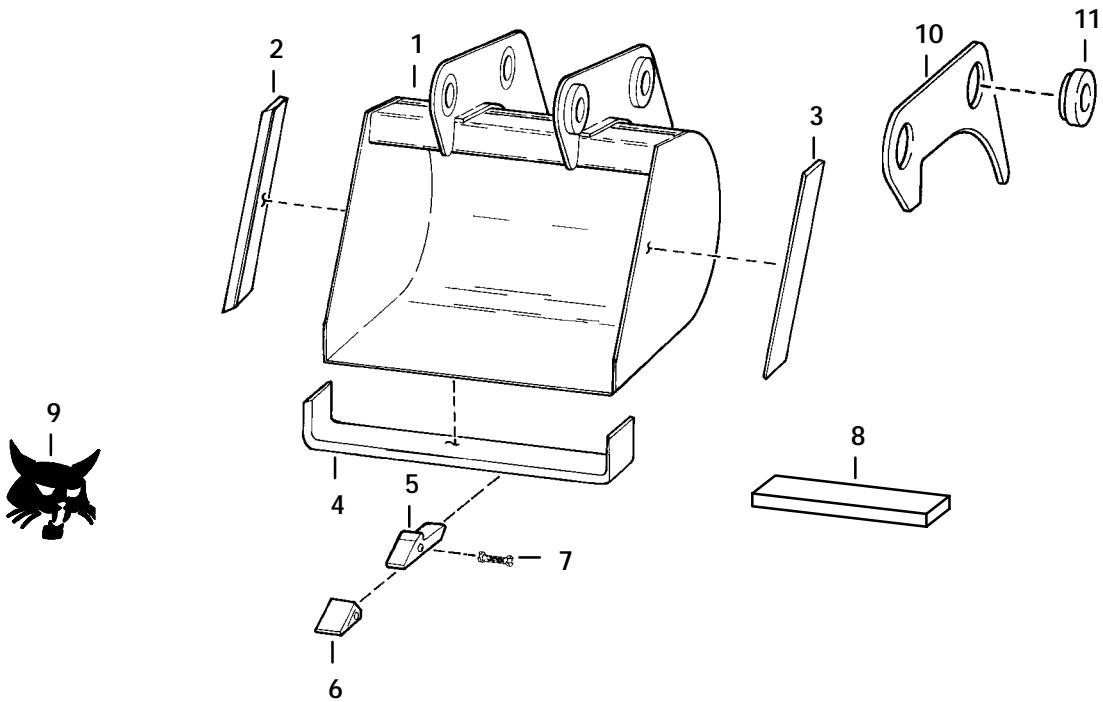
C-3236

BUCKET CYLINDER
607 Backhoe - S/N 268 & Above



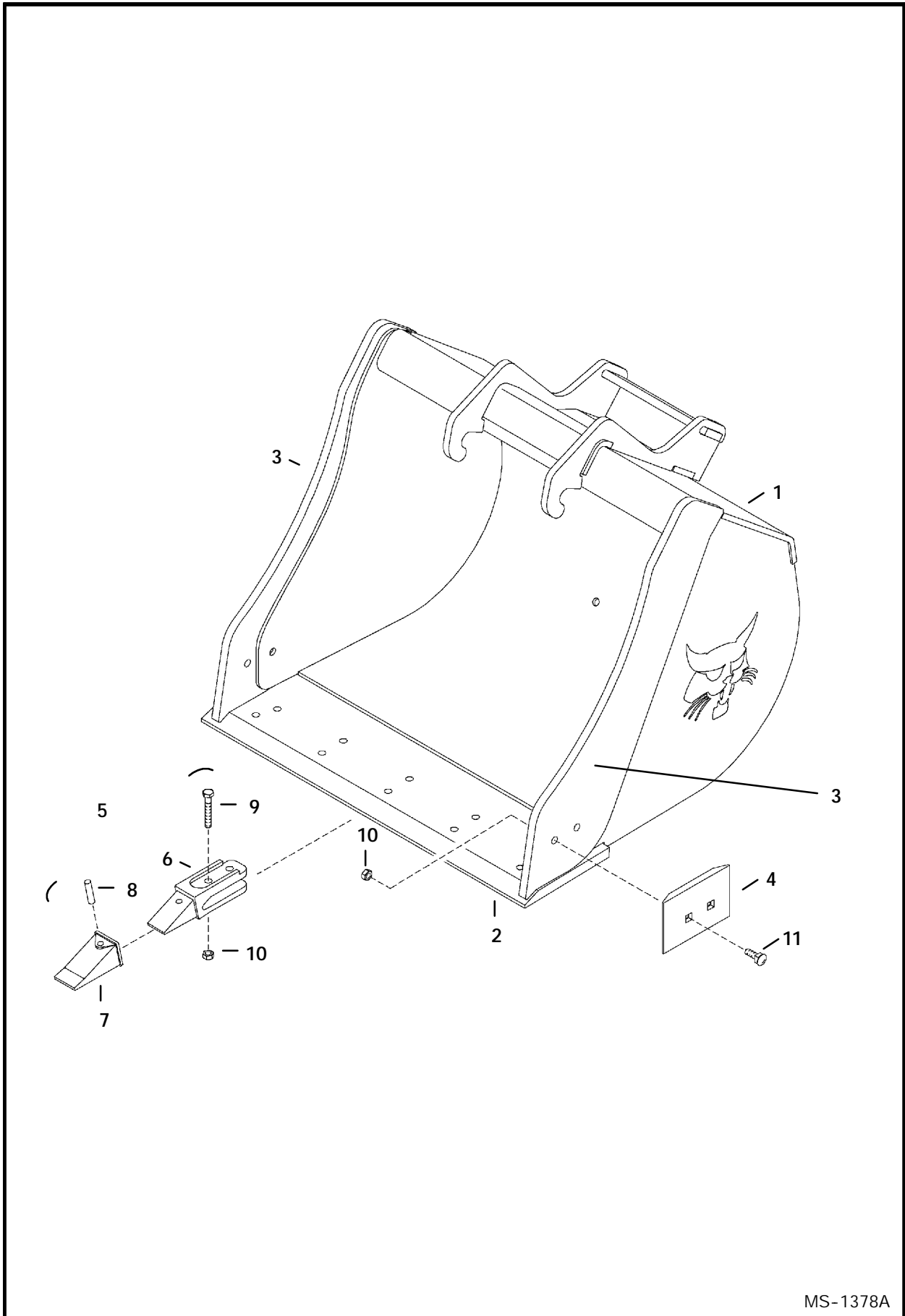
B-20457

BACKHOE BUCKETS
607 Backhoe



C-2910

BUCKETS
X-Change™ Mounted - 607 Backhoe

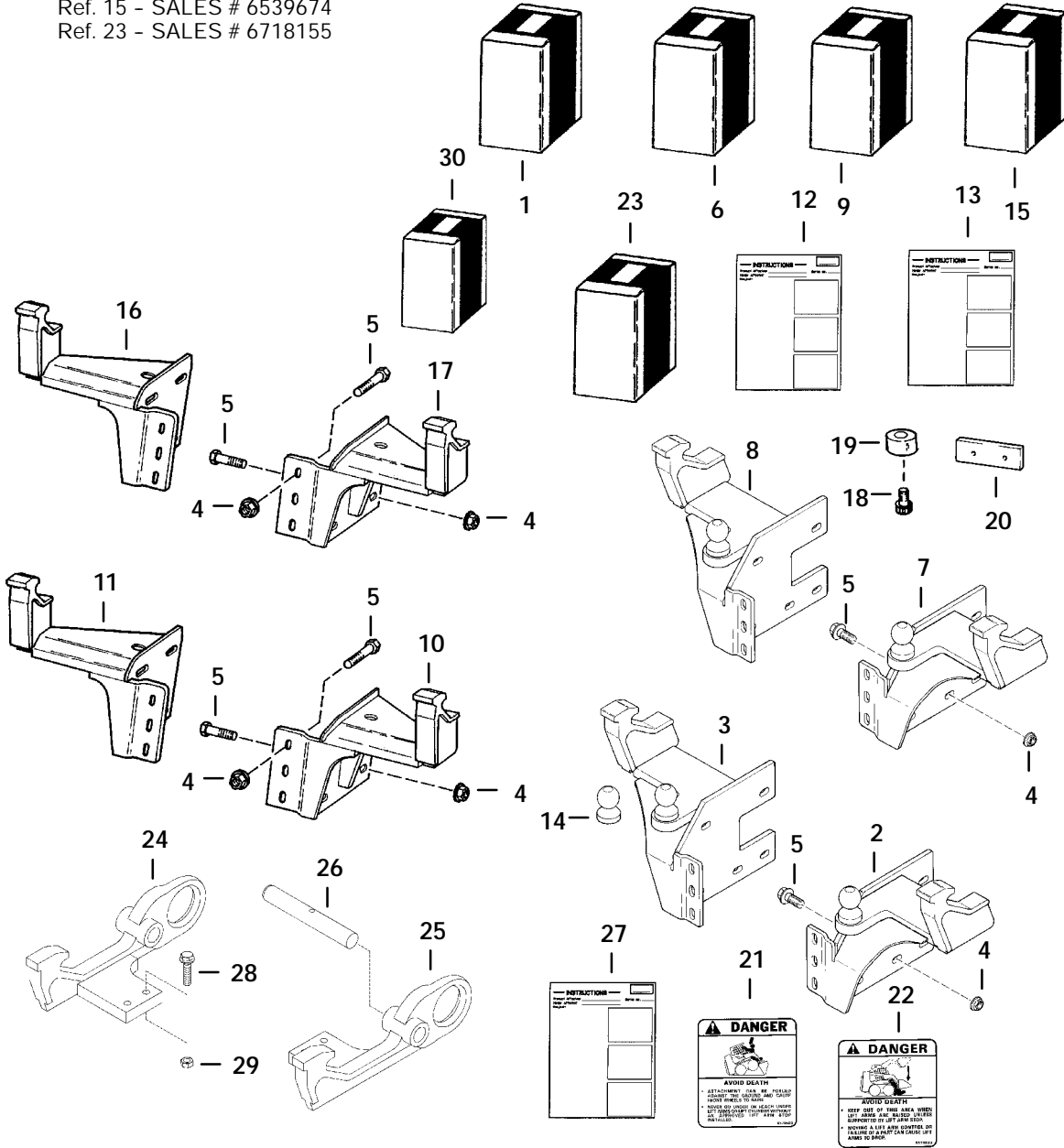


MS-1378A

MOUNTING KITS 607 Backhoe

NOTE: AR = Spanish (Argentina)
BR = Portugese (Brazil)
JP = Japanese
Translation Kit includes Safety Manual,
Operators Manual and Decal Kit.

NOTE: Order Mounting Kits from Gwinner Sales.
Ref. 1 - SALES # 6586939
Ref. 9 - SALES # 6538707
Ref. 15 - SALES # 6539674
Ref. 23 - SALES # 6718155



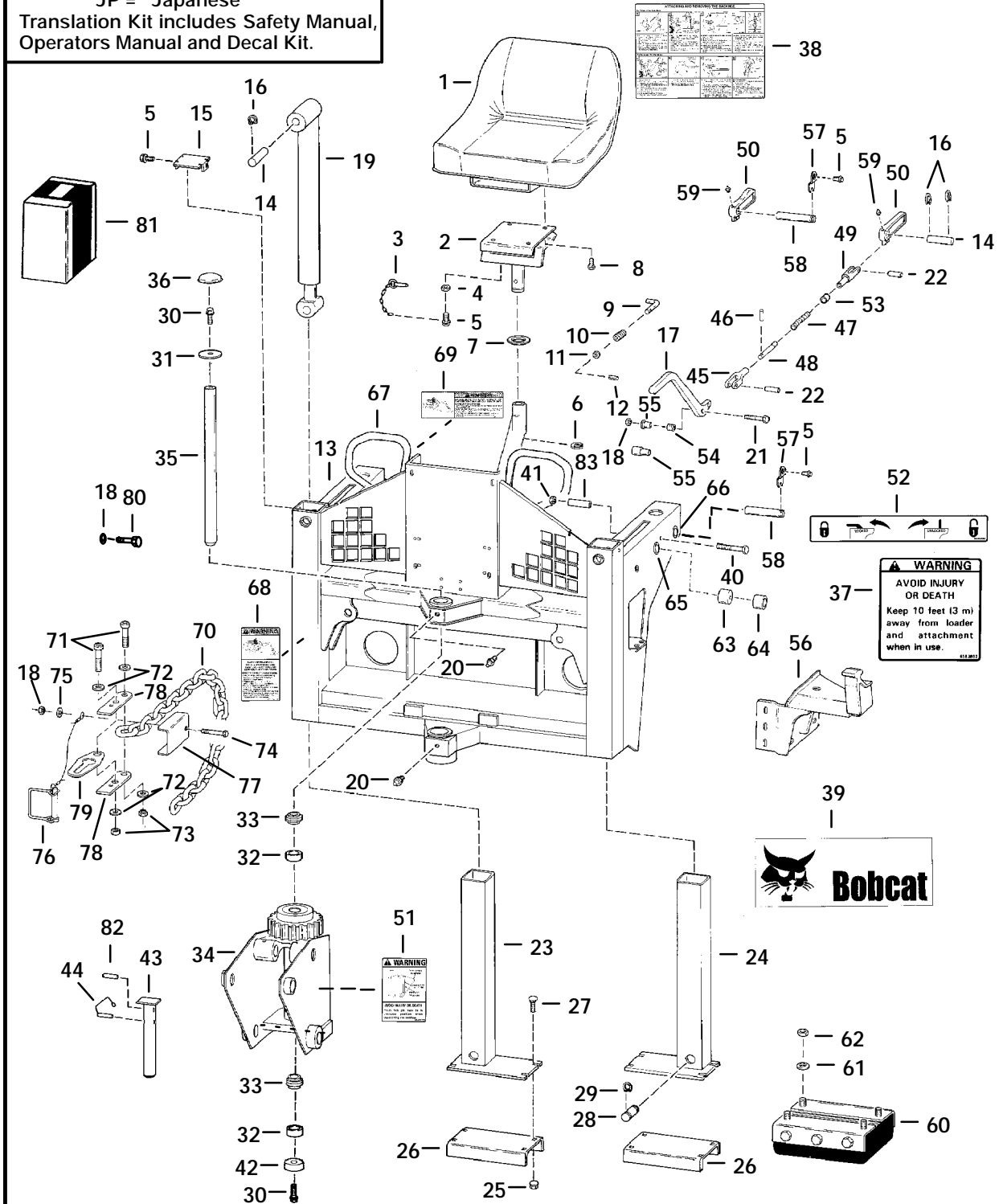
B-20458

MOUNTING KITS (Cont'd)
607 Backhoe

Ref. No.	Part Number	Description	Remarks	Serial Number	Qty.
1	NAP	KIT	Order Ref. 2-5,12 & 20-22 -		1
2	NAP	MOUNT	640 Series - Was Sales		
			L.H. (640 Series) Order 6586940		
			& 6586942 - Was 6538705 [A]		1
3	6586940 NAP	MOUNT MOUNT	L.H. - 640 Series		1
			R.H. (640 Series) Order 6586942		
			& 6586940 - Was 6538706 [A]		1
4	6586942 53D-10	MOUNT NUT	R.H. - 640 Series		1
			Was 83D-10 [B]		16
5	31C-1028	BOLT			16
6	6586933	KIT	740 Series - Ref. 4, 5, 7, 8, 12 & 20 - Was Sales		1
7	NAP	MOUNT	L.H. (740 Series) Order 6586934		1
	6586934	MOUNT	& 6586937 - Was 6538661 [A]		1
			L.H. - 740 Series		
8	NAP	MOUNT	R.H. (740 Series) Order 6586934		1
	6586937	MOUNT	& 6586937 - Was 6538673 [A]		1
			R.H. - 740 Series		
9	SALES	KIT	753 & 753L- Ref. 4, 5, 10, 11, 13 & 18 - 20		1
10	6538554	MOUNT	L.H. - 753		1
11	6538553	MOUNT	R.H. - 753		1
12	6720596	INSTRUCTIONS	For Ref. 1 & 6		1
13	6720391	INSTRUCTIONS	753, 7753 & 773 - For Ref. 9 & 15		1
14	6539094	BALL			1
15	SALES	KIT	7753 & 773 - Ref. 4, 5, 13, 16 & 17		1
16	6539675	MOUNT	R.H. - 7753 & 773		1
17	6539678	MOUNT	L.H. - 7753 & 773		1
18	73G-620	SCREW	753		2
19	6586470	STOP	boom - 753		2
20	6587074	SPACER			1
21	6579509	DECAL	warning		1
22	6579639	DECAL	warning		1
23	SALES	KIT	773G - Ref. 24 - 29		1
24	6717293	MOUNT	R. H.		1
25	6718122	MOUNT	L. H.		1
26	6717707	PIN			2
27	6900827	INSTRUCTIONS	for Ref. 23		1
28	31C-836	BOLT			4
29	61D-8	NUT			4
30	6718718AR	KIT	trans. -see note - for Ref. 9 & 15		1
	6718718BR	KIT	trans. -see note - for Ref. 9 & 15		1
	6718717AR	KIT	decal - see note - for Ref. 9 & 15		1
	6718717BR	KIT	decal - see note - for Ref. 9 & 15		1
	6718717JP	KIT	decal - see note - for Ref. 9 & 15		1
	6720391AR	INSTRUCTIONS	trans. -see note - for Ref. 9 & 15		1
	6720391BR	INSTRUCTIONS	trans. -see note - for Ref. 9 & 15		1

MAIN FRAME 709 Backhoe

NOTE: AR = Spanish (Argentina)
BR = Portugese (Brazil)
JP = Japanese
Translation Kit includes Safety Manual,
Operators Manual and Decal Kit.



⚠ WARNING: BACKHOE FRAME CAN ROTATE BACKWARD AND TRAP OPERATOR CAUSING SERIOUS INJURY OR DEATH.
BEFORE OPERATING BACKHOE: Fully engage both Bob-tach locking levers so wedges extend through mounting frame holes. Tighten and fasten safety chain around Bob-Tach and mounting frame. Repair or replace safety chain if damaged. Use only approved .375 inch Grade 70 Transport Chain. See "ATTACHING AND REMOVING THE BACKHOE" Decal on backhoe seat and Backhoe Operation & Maintenance Manual for more instructions.

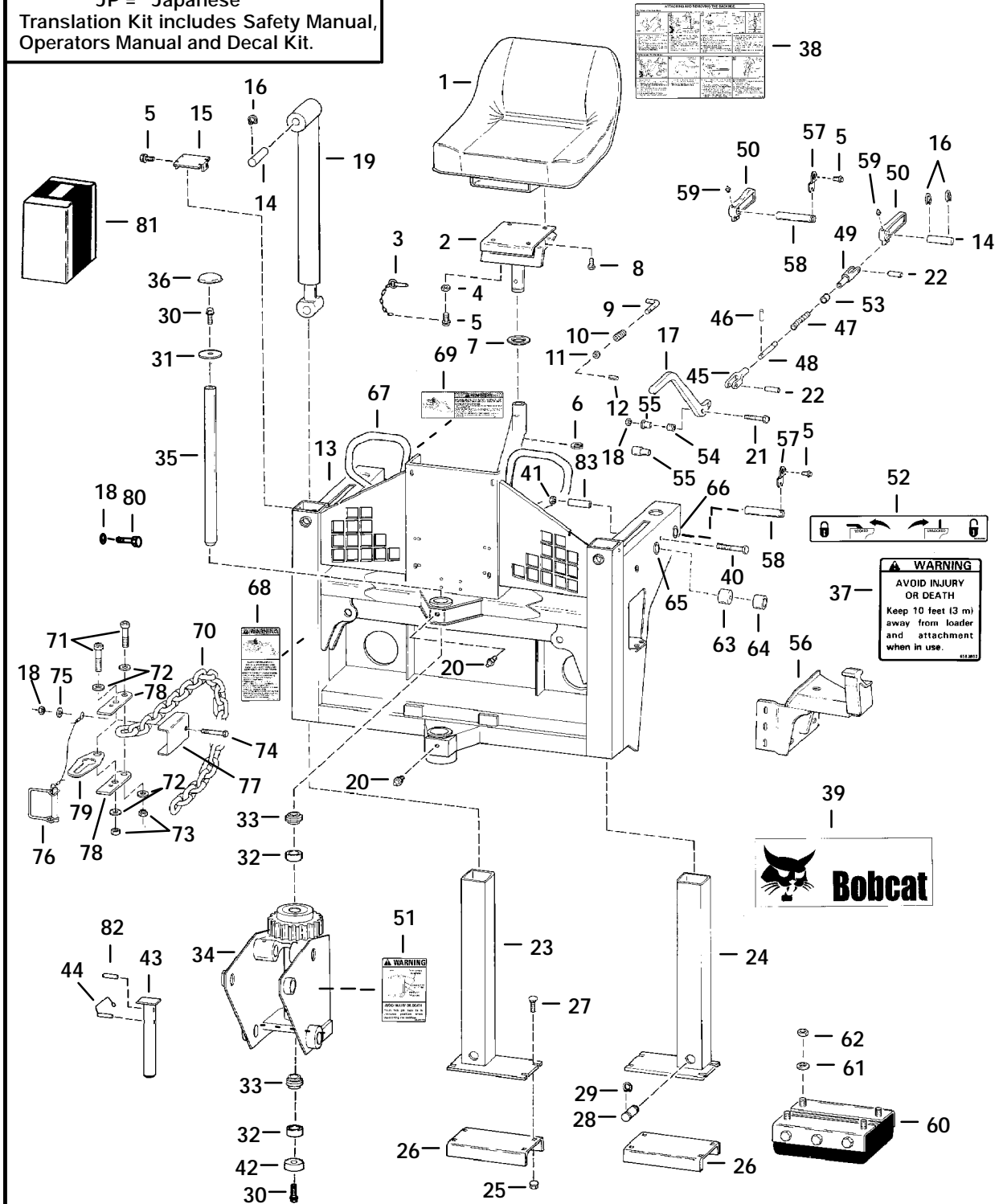
B-20459

MAIN FRAME (Cont'd)
(709 Backhoe)

Ref. No.	Part Number	Description	Remarks	Serial Number	Qty.
1	NAP	SEAT	Also Order Ref. 38 - W/Adj. Track - Order 6643253 - Was 6653421 [A]		1
	6643253	SEAT	W/O Adj. Track - 7.25" x 7.00" (184 x 178mm) hole spacing		1
	NAP	TRACK	W/adj. - Was 6660436 [A]		1
2	NAP	TRACK	W/O adj. - Was 6660437 [A]		1
3	6587384	MOUNT	Was 6534341 [A]		1
4	6511880	PIN			1
5	7D-6	NUT			1
6	84G-3712	BOLT			9
7	6538285	SNAP RING			1
8	6558680	SPACER			1
9	17C-512	BOLT	Was 17C-516 [B]		4
10	6592836	PIN			1
11	6610082	SPRING			1
12	25E-15	WASHER			1
13	1F-308	COTTER PIN			1
14	6538675	MAIN FRAME	Was 6532834 [A]		1
15	6533178	PIN	1.00"(25.4mm) dia x 4.00"(101.2mm)long		2
16	6533029	COVER			2
17*	662770	SNAP RING			4
18	6805822	LEVER	Was 6533163 [A]		2
19	85D-6	NUT			4
20		CYLINDER	stabilizer - See Page 196 & 198		2
21	10H-25	GREASE ZERK			4
22	17C-660	BOLT		582 & Below	2
23	17C-680	BOLT		583 & Above	2
24	14J-5032	ROLL PIN			4
25	6532680	STABILIZER	R.H.		1
26	6533011	STABILIZER	L.H.		1
27	55D-8	NUT			8
28	6531990	CLEAT			2
29	6560578	BOLT			8
30	6560669	PIN			2
31	6538286	SNAP RING			4
32	49C-1228	BOLT	Was 31C-1228 [B]		2
33	6534555	WASHER			1
34	6513682	RACE			2
35	6519337	BEARING			2
36	6712763	FRAME	swing - Was 6532793 [A]		1
37	6532635	SHAFT			1
38	6598371	CAP			1
39	6583862	DECAL	warning		4
40	6714915	DECAL	mounting instructions - Was 6536325 [A]		1
41	6727324	DECAL	Bobcat - Was 6714353 [A]		1
42	17C-868	BOLT		582 & Below	2
43	85D-8	NUT		582 & Below	2
44	6532631	WASHER			1

MAIN FRAME (Cont'd) 709 Backhoe

NOTE: AR = Spanish (Argentina)
BR = Portugese (Brazil)
JP = Japanese
Translation Kit includes Safety Manual,
Operators Manual and Decal Kit.



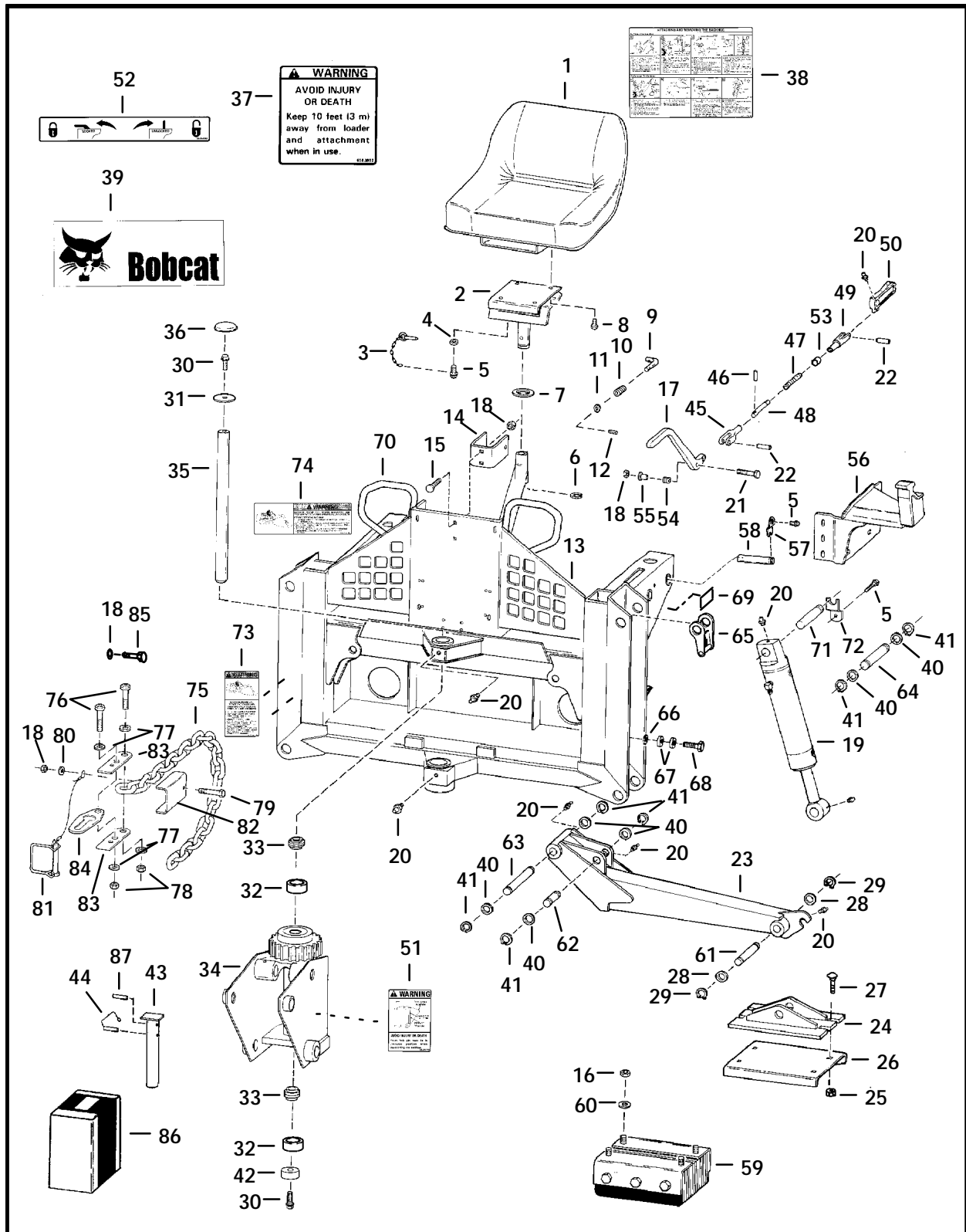
⚠ WARNING: BACKHOE FRAME CAN ROTATE BACKWARD AND TRAP OPERATOR CAUSING SERIOUS INJURY OR DEATH.
BEFORE OPERATING BACKHOE: Fully engage both Bob-tach locking levers so wedges extend through mounting frame holes. Tighten and fasten safety chain around Bob-Tach and mounting frame. Repair or replace safety chain if damaged. Use only approved .375 inch Grade 70 Transport Chain. See "ATTACHING AND REMOVING THE BACKHOE" Decal on backhoe seat and Backhoe Operation & Maintenance Manual for more instructions.

B-20459

MAIN FRAME (Cont'd)
709 Backhoe

Ref. No.	Part Number	Description	Remarks	Serial Number	Qty.
43*	6593895	PIN	Boom Lock - Was 6531439 [A]		1
44	6510020	PIN			1
45	6533159	CLEVIS			2
46	14J-2520	ROLL PIN			2
47	6578253	SPRING			2
48	6533158	ROD			2
49	6704248	PIVOT	Was 6576454 [A]		2
50	6586377	STOP	Was 6533115 [A]		2
51	6535259	DECAL			2
52	6535896	DECAL	R.H.		1
	6535897	DECAL	L.H.		1
53	6533160	BUSHING			2
54	6704453	SPRING	Was 6578252 [A]		2
55	6575636	PIVOT		582 & Below	2
	6586315	PIVOT		583 & Above	2
56		MOUNT	See Page 211		1
57	6586307	RETAINER			4
58	6586308	PIN	1.00"(25.4mm) dia x 4.60"(101.2mm)long		4
59	10H-25	GREASE ZERK			2
60	6660164	PAD	street		2
61	25E-22	WASHER			8
62	61D-8	NUT			8
63	6586316	BUSHING			2
64	6586323	BUSHING			2
65	6533176	BUSHING			4
66	6533177	BUSHING			4
67	6805233	HANDRAIL	weld on - Was 6560876 [A]		2
68	6714920	DECAL	Warning		1
69	6714911	DECAL	Warning		1
70	6714867	SAFETY CHAIN	49"(1245mm) long - chain only - Use only approved .375 inch grade 70 transport chain		1
71	38C-820	BOLT			2
72	27E-8	WASHER			4
73	53D-6	NUT			2
74	17C-636	BOLT			1
75	27E-6	WASHER			1
76	6661838	HITCH PIN			1
77	6714839	CHAIN GUIDE			1
78	6714869	LATCH			2
79	6714868	BRACKET			1
80	17C-612	BOLT			1
81	6713630AR	KIT	decal - see note		1
	6713630BR	KIT	decal - see note		1
	6713630JP	KIT	decal - see note		1
	6713631AR	KIT	translation - see note		1
	6713631BR	KIT	translation - see note		1
82*	14J-3740	PIN			1
83*	6534351	BUSHING			2

MAIN FRAME 709FDS Backhoe

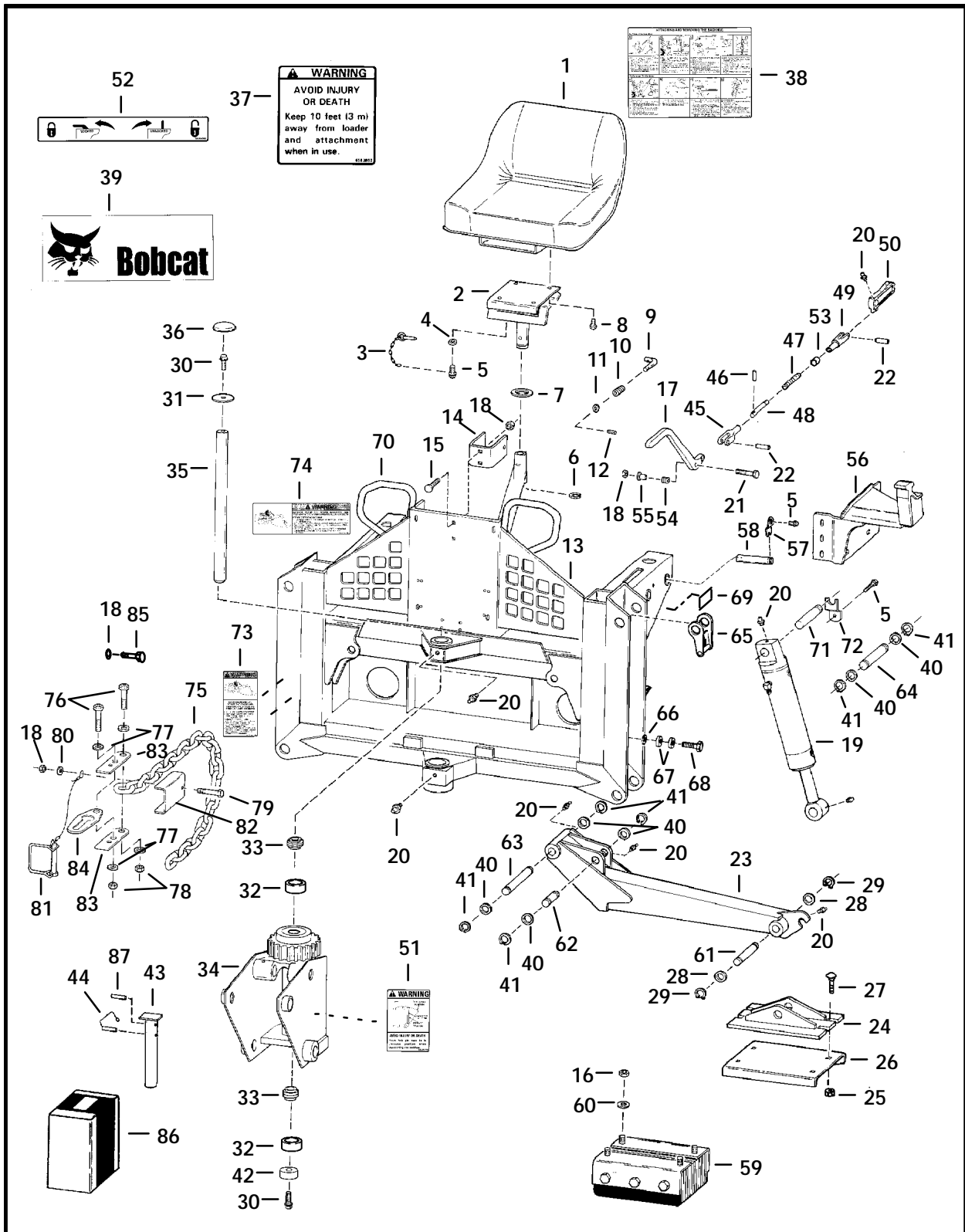


E-2268

MAIN FRAME (Cont'd)
(709FDS Backhoe)

Ref. No.	Part Number	Description	Remarks	Serial Number	Qty.
1	NAP	SEAT	Also Order Ref. 38 - W/Adj. Track - Order 6643253 - Was 6653421 [A]		1
	6643253	SEAT	W/O Adj. Track		1
	NAP	TRACK	W/adj. - Was 6660436 [A]		1
	NAP	TRACK	W/O adj. - Was 6660437 [A]		1
2	6587384	MOUNT			1
3	6511880	PIN			1
4	7D-6	NUT			1
5	84G-3712	BOLT			7
6	6538285	SNAP RING			1
7	6558680	SPACER			1
8	17C-512	BOLT			4
9	6592836	PIN			1
10	6610082	SPRING			1
11	25E-15	WASHER			1
12	1F-308	COTTER PIN			1
13	6595844	MAIN FRAME			1
14	6561537	BRACKET			1
15	37C-612	BOLT	Carriage		2
16	61D-8	NUT			8
17*	6805822	LEVER	Was 6533163 [A]		2
18	85D-6	NUT			7
19		CYLINDER	stabilizer - See Page 200		2
20	10H-25	GREASE ZERK			10
21	17C-672	BOLT	Was 17C-664 [B]		2
22	14J-5032	ROLL PIN			4
23	6587644	STABILIZER			2
24	6587676	PAD			2
25	55D-8	NUT			8
26	6531990	CLEAT			2
27	6529377	BOLT			8
28	6573567	WASHER			4
29	6538286	SNAP RING			4
30	49C-1228	BOLT	Was 31C-1228 [B]		2
31	6534555	WASHER			1
32	6513682	RACE			2
33	6519337	BEARING			2
34	6712763	FRAME	swing - Was 6532793 [A]		1
35	6532635	SHAFT			1
36	6598371	CAP			1
37	6583862	DECAL	warning		4
38	6714915	DECAL	mounting instructions - Was 6536325 [A]		1
39	6727324	DECAL	Bobcat - Was 6714353 [A]		1
40	6532519	WASHER			12
41	6538287	SNAP RING			12
42	6532631	WASHER			1
43*	6593895	PIN	Boom Lock - Was 6531439 [A]		1
44	6510020	PIN			1
45	6533159	CLEVIS			2

MAIN FRAME (Cont'd) 709FDS Backhoe



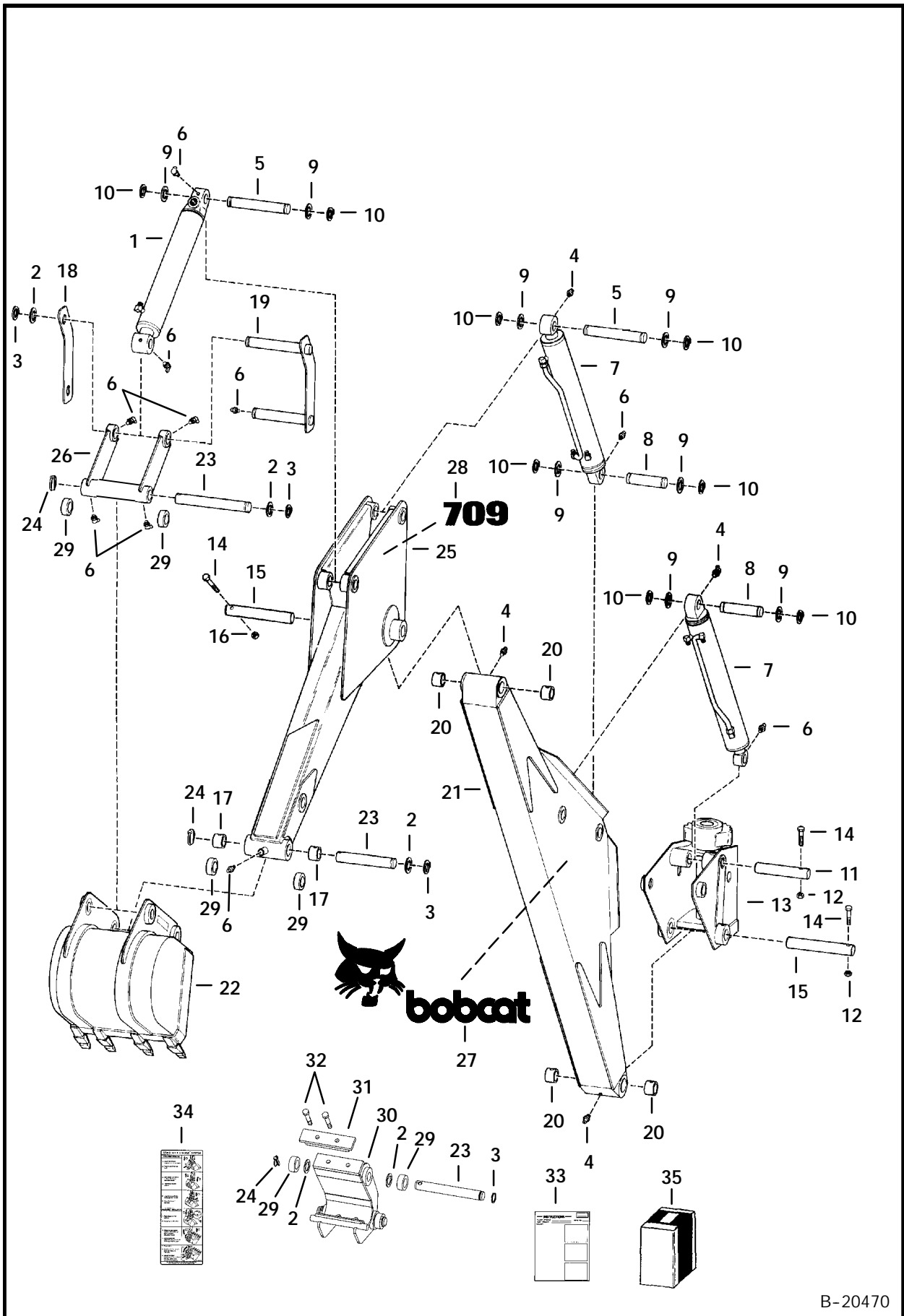
WARNING: BACKHOE FRAME CAN ROTATE BACKWARD AND TRAP OPERATOR CAUSING SERIOUS INJURY OR DEATH
BEFORE OPERATING BACKHOE: Fully engage both Bob-tach locking levers so wedges extend through mounting frame holes. Tighten and fasten safety chain around Bob-Tach and mounting frame. Repair or replace safety chain if damaged. Use only approved .375 inch Grade 70 Transport Chain. See "ATTACHING AND REMOVING THE BACKHOE" Decal on backhoe seat and Backhoe Operation & Maintenance Manual for more instructions.

E-2268

MAIN FRAME (Cont'd)
709FDS Backhoe

Ref. No.	Part Number	Description	Remarks	Serial Number	Qty.
46	14J-2520	ROLL PIN			2
47	6578253	SPRING			2
48	6533158	ROD			2
49	6704248	PIVOT			2
50	6586377	STOP			2
51	6535259	DECAL			2
52	6535896	DECAL	R.H.		1
	6535897	DECAL	L.H.		1
53	6533160	BUSHING			2
54	6704453	SPRING			2
55	6586315	PIVOT			2
56		MOUNT	See Page 211		1
57	6586307	RETAINER			4
58	6586308	PIN	Was 6588846 [D]		4
59	6660164	PAD	street		2
60	25E-22	WASHER			8
61	6587700	PIN			2
62	6587702	PIN			2
63	6588848	PIN			2
64	6588991	PIN	used with Ref. 40 & 41		2
65	6596214	LOCK			2
66	6587681	SHIM			2
67	6584652	BUMPER			4
68	84G-3728	BOLT			2
69	6596513	DECAL			2
70*	6805233	HANDRAIL	weld on - Was 6560876 [A]		2
71	6713882	PIN	used with Ref. 5 & 72		2
72	6713881	RETAINER			2
73	6714920	DECAL	Warning		1
74	6714911	DECAL	Warning		1
75	6714867	SAFETY CHAIN	49"(1245mm) long - chain only - Use only approved .375 inch grade 70 transport chain		1
76	38C-820	BOLT			2
77	27E-8	WASHER			4
78	53D-6	NUT			2
79	17C-636	BOLT			1
80	27E-6	WASHER			1
81	6661838	HITCH PIN			1
82	6714839	CHAIN GUIDE			1
83	6714869	LATCH			2
84	6714868	BRACKET			1
85	17C-612	BOLT			1
86	6713632AR	KIT	decal		1
	6713632BR	KIT	decal		1
	6713632JP	KIT	decal		1
	6713633AR	KIT	translation		1
	6713633BR	KIT	translation		1
87*	14J-3740	PIN			1

**BOOM & DIPPERSTICK
(709 & 709FDS Backhoe)**



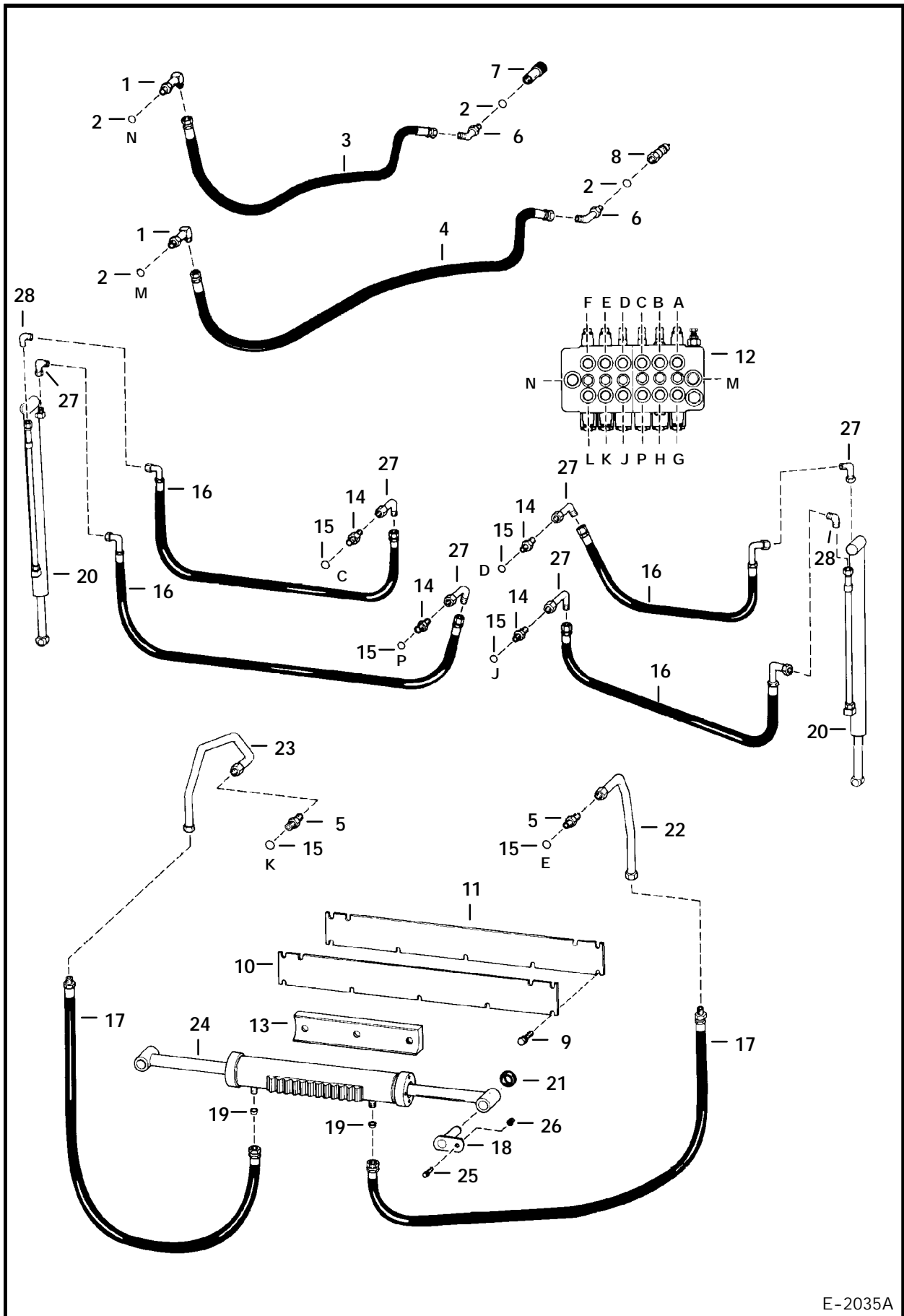
B-20470

BOOM & DIPPERSTICK (Cont'd)
709 & 709FDS Backhoe

Ref. No.	Part Number	Description	Remarks	Serial Number	Qty.
1		CYLINDER	bucket - See Page 206		1
2	6584872	WASHER			8
3	6538285	SNAP RING			8
4	12H-15	GREASE ZERK			4
5	6532518	PIN			2
6	10H-25	GREASE ZERK			9
7		CYLINDER	boom & dipper - See Page 202		2
8	6532517	PIN			2
9	6532519	WASHER			4
10	6538287	SNAP RING			4
11	6532568	PIN			1
12	81D-6	NUT			1
13		FRAME	swing - See Page 167		1
14	17C-648	BOLT			2
15	6532522	PIN			2
16	85D-6	NUT			1
17	6560334	BUSHING	press-in		2
18	6716262	LINK	Was 6532530 [A]		1
19	6716263	LINK	Was 6532528 [A]		1
20	6651171	BUSHING			4
21	6532491	BOOM			1
22		BUCKET	See Page 208 & 209		1
23	6560401	PIN			2
24	6560382	PIN	ring lock		2
25	6716256	DIPPERSTICK	also order (2) of Ref. 29 if using a standard bucket - Was 6532583 [A]		1
26	6716264	LINK	also order (2) of Ref. 29 if using a standard bucket - Was 6537182 [A]		1
27	6557412	DECAL	Bobcat - R.H.		1
	6557413	DECAL	Bobcat - L.H.		1
28	6535260	DECAL	709		2
29	6716402	SPACER			4
30	6714921	FRAME	X-Change		1
31	6804485	PLATE			1
32	17C-1052	BOLT			2
33	6900862	INSTRUCTIONS			1
34	6806121	DECAL	bolt-on X-Change		1
35	SALES	KIT	bolt-on X-Change adapter - W/Ref. 30-34 - Sales #6806079		1

MAIN FRAME HYDRAULICS

709 Backhoe

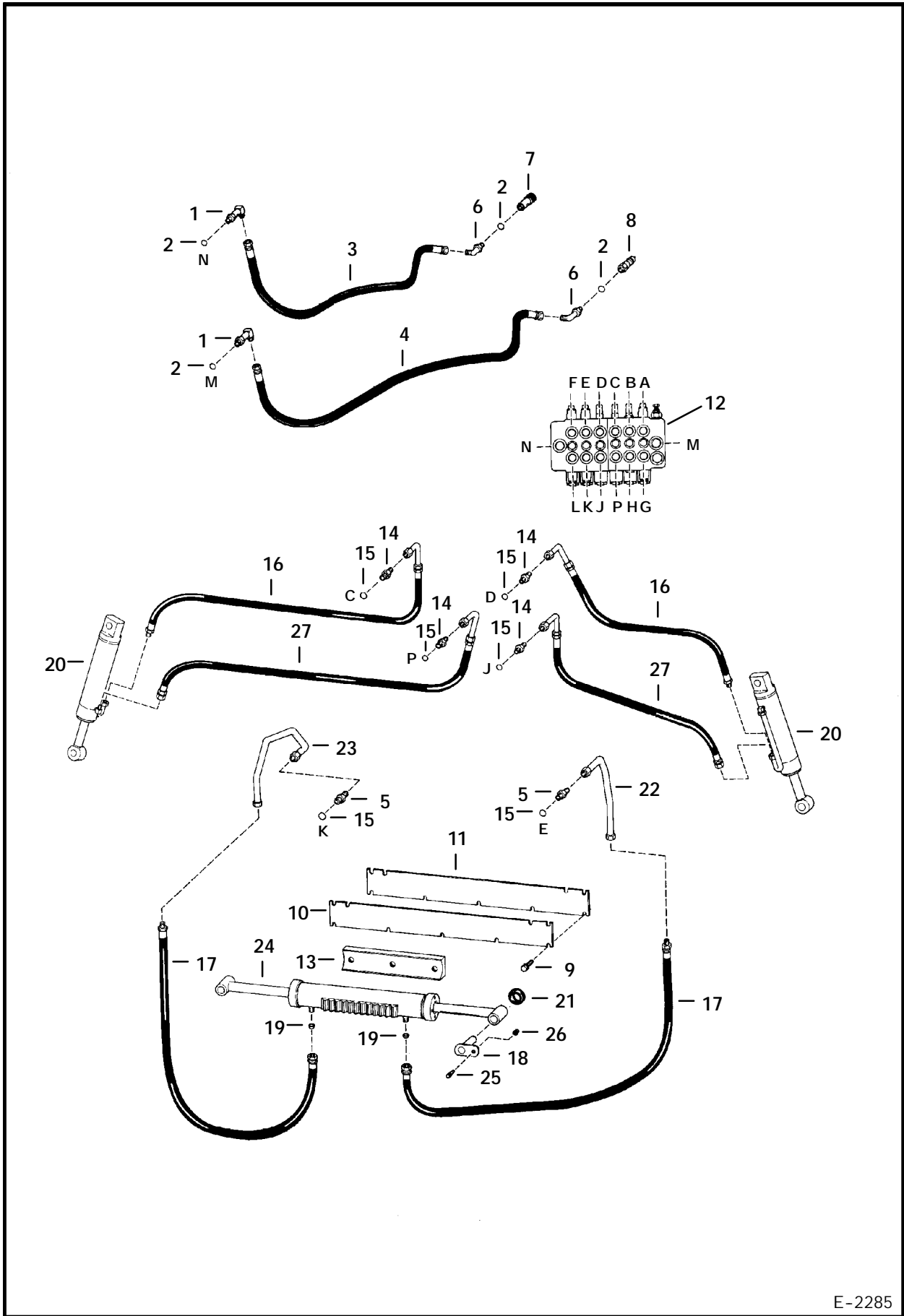


E-2035A

MAIN FRAME HYDRAULICS (Cont'd)
709 Backhoe

Ref. No.	Part Number	Description	Remarks	Serial Number	Qty.
1	6519195	ELBOW	W/Ref. 2		2
2	79K-10	O-RING	used with poppet couplers		2
	79K-12	O-RING	used with flush face couplers		2
3	6534346	HOSE			1
4	6534347	HOSE			1
5	15K-6	ADAPTER	W/Ref. 15 - flat boss face		2
	15KN-6	ADAPTER	W/Ref. 15 - tapered boss face		2
	97K-8	O-RING	for flared end		2
6	17K-7	ELBOW	used with poppet couplers		2
	1302104	ELBOW	used with flush face couplers		2
7	6598758	QUICK COUPLER	Female - poppet		1
	6672960	QUICK COUPLER	female FF - Was 6667807 [A]		1
	48K-16	O-RING	for poppet coupler		1
8	6598757	QUICK COUPLER	Male - poppet		1
	6667808	QUICK COUPLER	male - flush face		1
	6672026	O-RING			1
9	84G-3110	BOLT			6
10	6532860	WEAR PLATE			2
11	6532861	SHIM			x
12		VALVE	See Page 185		1
13	6532859	WEAR BAR			1
14	743108	ADAPTER	W/Ref. 15		4
15	79K-8	O-RING	for flat boss face		x
	99K-8	O-RING	for tapered boss face		x
16	NAP	HOSE	Order 6640724 & Ref 27 - Was 6532952 [A]		4
	6640724	HOSE			4
17	6533046	HOSE			2
18	6532869	PIN			2
19	6587338	ORIFICE	.090" (2,29mm) Dia - 0.42"		2
	6592853	ORIFICE	(10.67mm) O.D. .090" (2,29mm) Dia - 0.55" (13,97mm) O.D.		2
20		CYLINDER	Stabilizer - See Page 196 & 198		2
21	6528927	WASHER			x
22	6532957	TUBE			1
23	6532959	TUBE			1
24		CYLINDER	swing - See Page 194		1
25	84G-3720	BOLT			2
26	55D-6	NUT			2
27	11K-5	ELBOW			6
	11KN-5	ELBOW	with O-ring on flared end		6
	97K-6	O-RING	for flared end		6
28	77F-5	ELBOW			2

MAIN FRAME HYDRAULICS 709FDS Backhoe

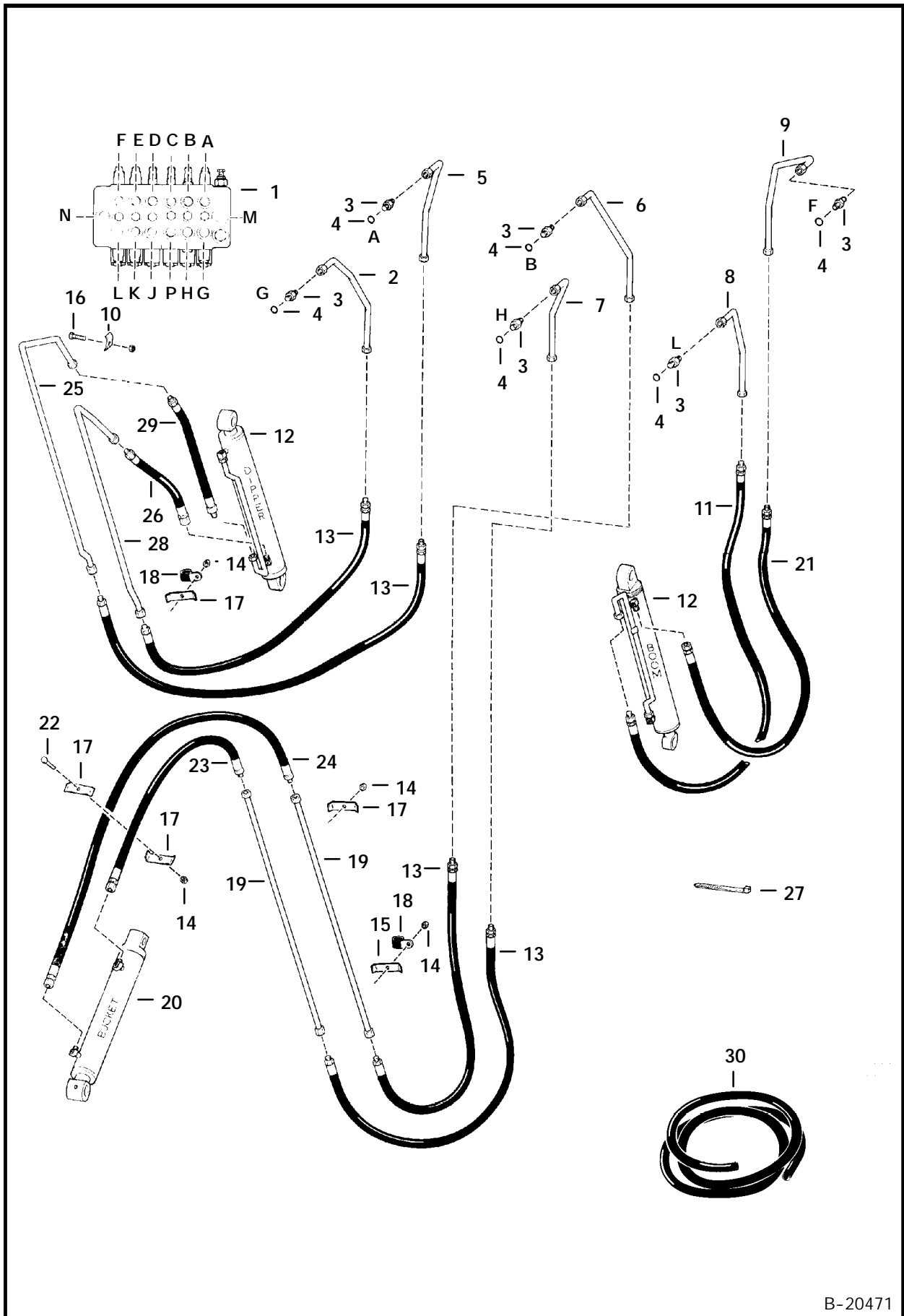


E-2285

MAIN FRAME HYDRAULICS (Cont'd)
709FDS Backhoe

Ref. No.	Part Number	Description	Remarks	Serial Number	Qty.
1	6519195	ELBOW	W/Ref. 2		2
2	79K-10	O-RING	used with poppet couplers		2
	79K-12	O-RING	used with flush face couplers		2
3	6534346	HOSE			1
4	6534347	HOSE			1
5	15K-6	ADAPTER	W/Ref. 15 - flat boss face		2
	15KN-6	ADAPTER	W/Ref. 15 - tapered boss face		2
	97K-8	O-RING	for flared end		2
6	17K-7	ELBOW	used with poppet couplers		2
	1302104	ELBOW	used with flush face couplers		2
7	6598758	QUICK COUPLER	Female - poppet		1
	6672960	QUICK COUPLER	female FF - Was 6667807 [A]		1
	48K-16	O-RING	for poppet coupler		1
8	6598757	QUICK COUPLER	Male - poppet		1
	6667808	QUICK COUPLER	male - flush face		1
	6672026	O-RING			1
9	84G-3110	BOLT			6
10	6532860	WEAR PLATE			2
11	6532861	SHIM			x
12		VALVE	See Page 185		1
13	6532859	WEAR BAR			1
14	743108	ADAPTER	W/Ref. 15		4
15	79K-8	O-RING	for flat boss face		x
	99K-8	O-RING	for tapered boss face		x
16	6596802	HOSE			2
17	6533046	HOSE			2
18	6532869	PIN			2
19	6587338	ORIFICE	.090" (2,29mm) Dia - 0.42" (10.67mm) O.D.		2
	6592853	ORIFICE	.090" (2,29mm) Dia - 0.55" (13,97mm) O.D.		2
20		CYLINDER	Stabilizer - See Page 200		2
21	6528927	WASHER			x
22	6532957	TUBE			1
23	6532959	TUBE			1
24		CYLINDER	swing - See Page 194		1
25	84G-3720	BOLT			2
26	55D-6	NUT			2
27	6596801	HOSE			2

BOOM HYDRAULIC CIRCUITRY 709 & 709FDS Backhoe

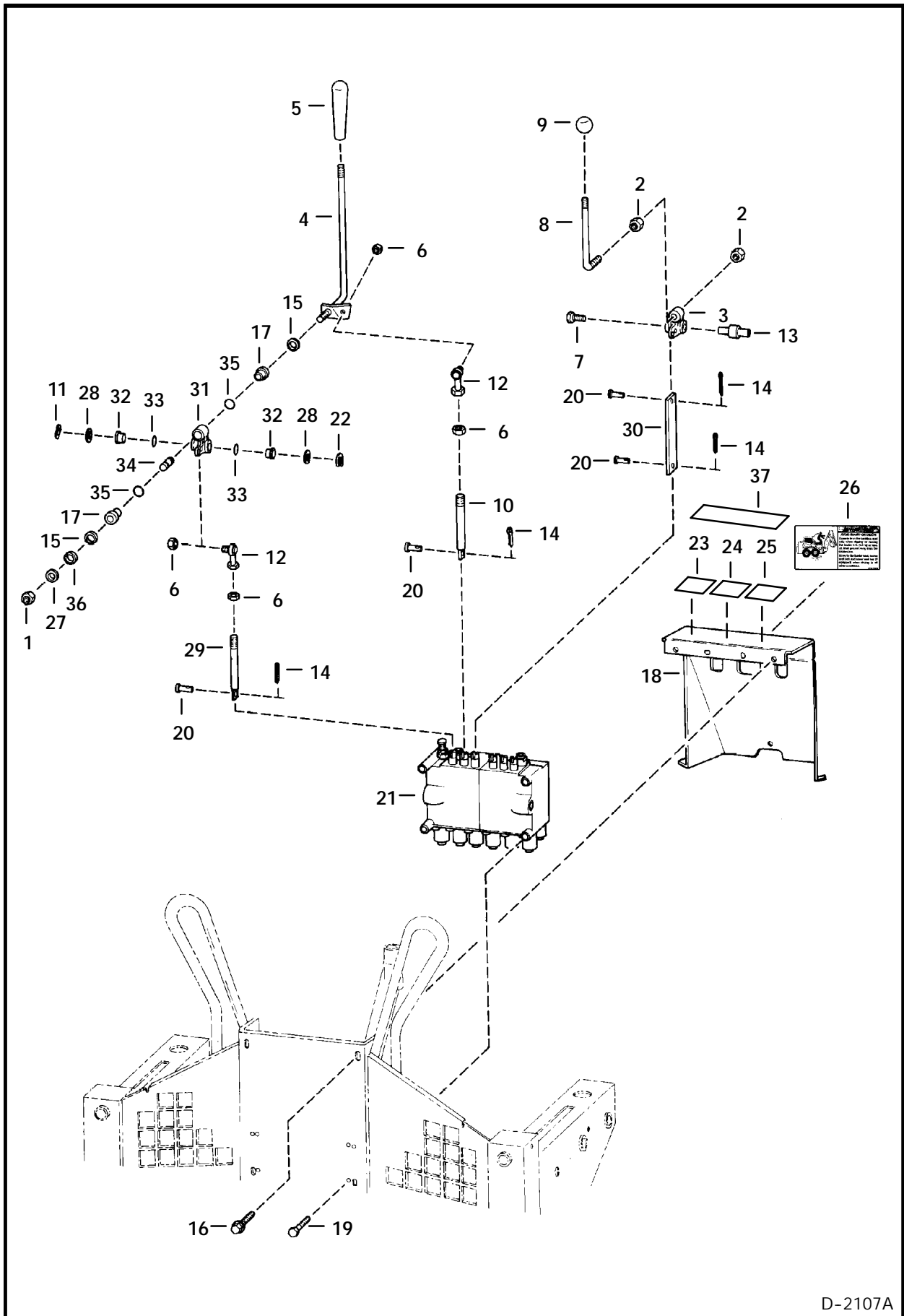


B-20471

BOOM HYDRAULIC CIRCUITRY (Cont'd)
709 & 709FDS Backhoe

Ref. No.	Part Number	Description	Remarks	Serial Number	Qty.
1		VALVE	See Page 185		1
2	6532963	TUBE			1
3	15K-6	ADAPTER	W/Ref. 4 - flat boss face		6
	15KN-6	ADAPTER	W/Ref. 4 - tapered boss face		6
	97K-8	O-RING	for flared end		6
4	79K-8	O-RING	for flat boss face		x
	99K-8	O-RING	for tapered boss face		x
5	6532962	TUBE			1
6	6532961	TUBE			1
7	6532960	TUBE			1
8	6532956	TUBE			1
9	6532958	TUBE			1
10	6562266	CLAMP			2
11	6533039	HOSE			1
12		CYLINDER	boom & dipper - See Page 202		2
13	6536610	HOSE			4
14	81D-6	NUT			10
15	6537761	CLAMP			1
16	84G-3724	BOLT			2
17	6502426	CLAMP			5
18	30H-38	CLAMP			2
19	6532975	TUBE			2
20		CYLINDER	bucket - See Page 206		1
21	6532977	HOSE			1
22	17C-624	BOLT			1
23	6538438	HOSE	Was 6532978 [A]		1
24	6538437	HOSE	Was 6536609 [A]		1
25	6532973	TUBE			1
26	6534348	HOSE			1
27	6610510	STA-STRAP	Was 1715312 [A]		16
28	6532974	TUBE			1
29	6534349	HOSE			1
30	6649389	HOSE COVER	1"(25,4mm) bulk - Sold Per Foot		x

CONTROL LEVERS 709 & 709FDS Backhoe



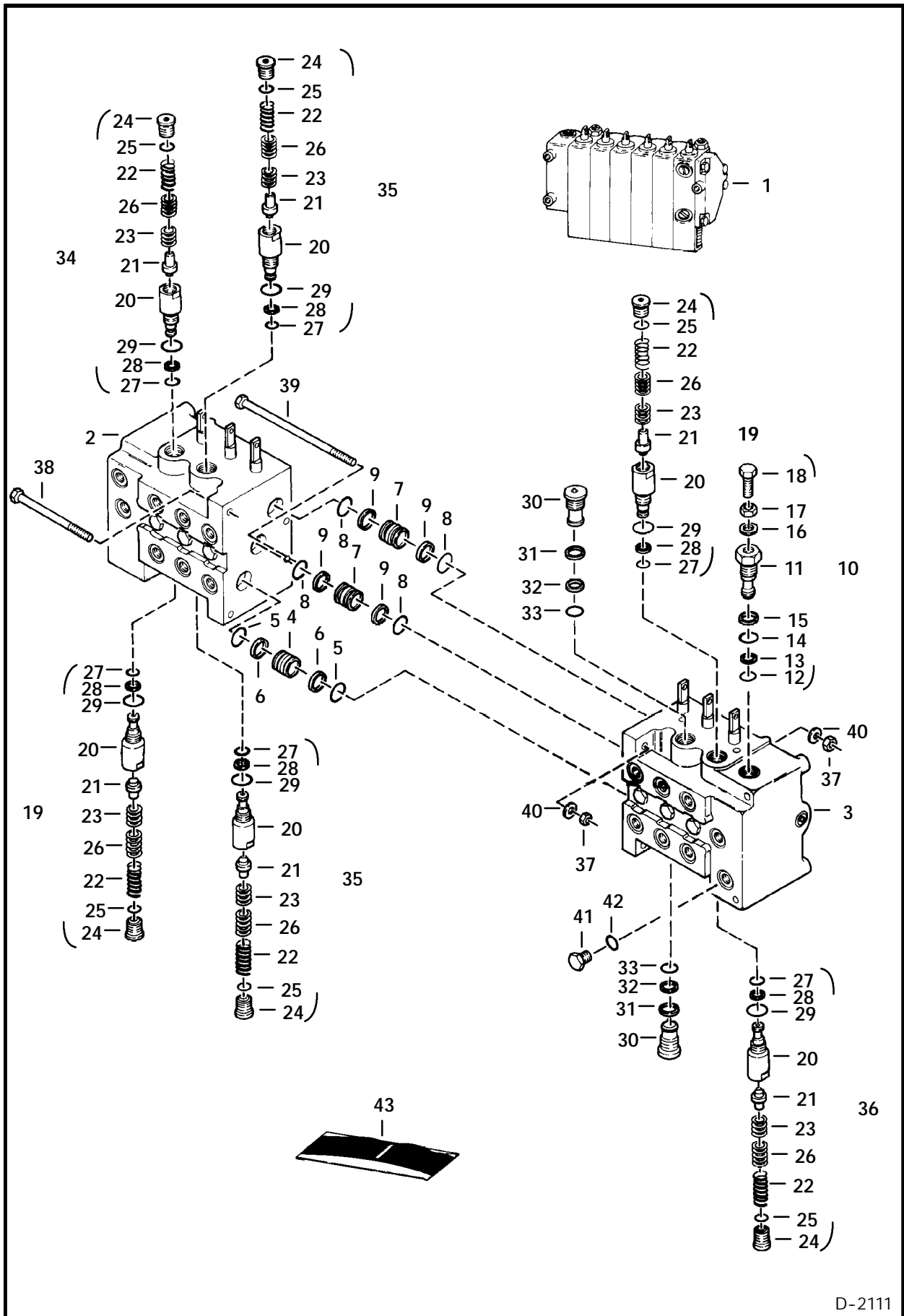
D-2107A

CONTROL LEVERS (Cont'd)
709 & 709FDS Backhoe

Ref. No.	Part Number	Description	Remarks	Serial Number	Qty.
1	85D-8	NUT			2
2	7D-8	NUT			4
3	6586081	BLOCK			2
4	6534659	LEVER	R.H.		2
5	6510093	KNOB			2
6	62D-6	NUT			8
7	17C-510	BOLT			2
8	6532947	LEVER			2
9	6515888	KNOB			2
10	6532949	ROD			2
11	6536803	WASHER			2
12	6599744	BALL JOINT			4
13	6561538	PIN	spacer		1
14	1F-208	COTTER PIN			8
15	6537831	SHIM			4
16	84G-3712	BOLT			4
17	6537832	BUSHING			4
18	6533111	COVER	Was 6534628 [A]		1
19	18C-512	BOLT			3
20	4F-4051	PIN			8
21		VALVE	See Page 185		1
22	6651530	SNAP RING			2
23	6558050	DECAL			1
24	6561397	DECAL	Used with 709		1
	6561396	DECAL	Used with 709FDS		1
25	6558049	DECAL			1
26	6596591	DECAL	warning - Was 6562925 [A]		1
27	25E-21	WASHER			2
28	6536802	WASHER			2
29	6537833	ROD			2
30	6532948	LINK			2
31	6537814	PIVOT			2
32	6536801	BUSHING			4
33	58K-15	O-RING			4
34	6537829	BUSHING			2
35	58K-17	O-RING			4
36	6537830	WASHER			2
37	6805603	DECAL	used with 709		1
	6805604	DECAL	used with 709FDS		1

CONTROL VALVE ASSEMBLY

607, 709 & 709FDS Backhoe

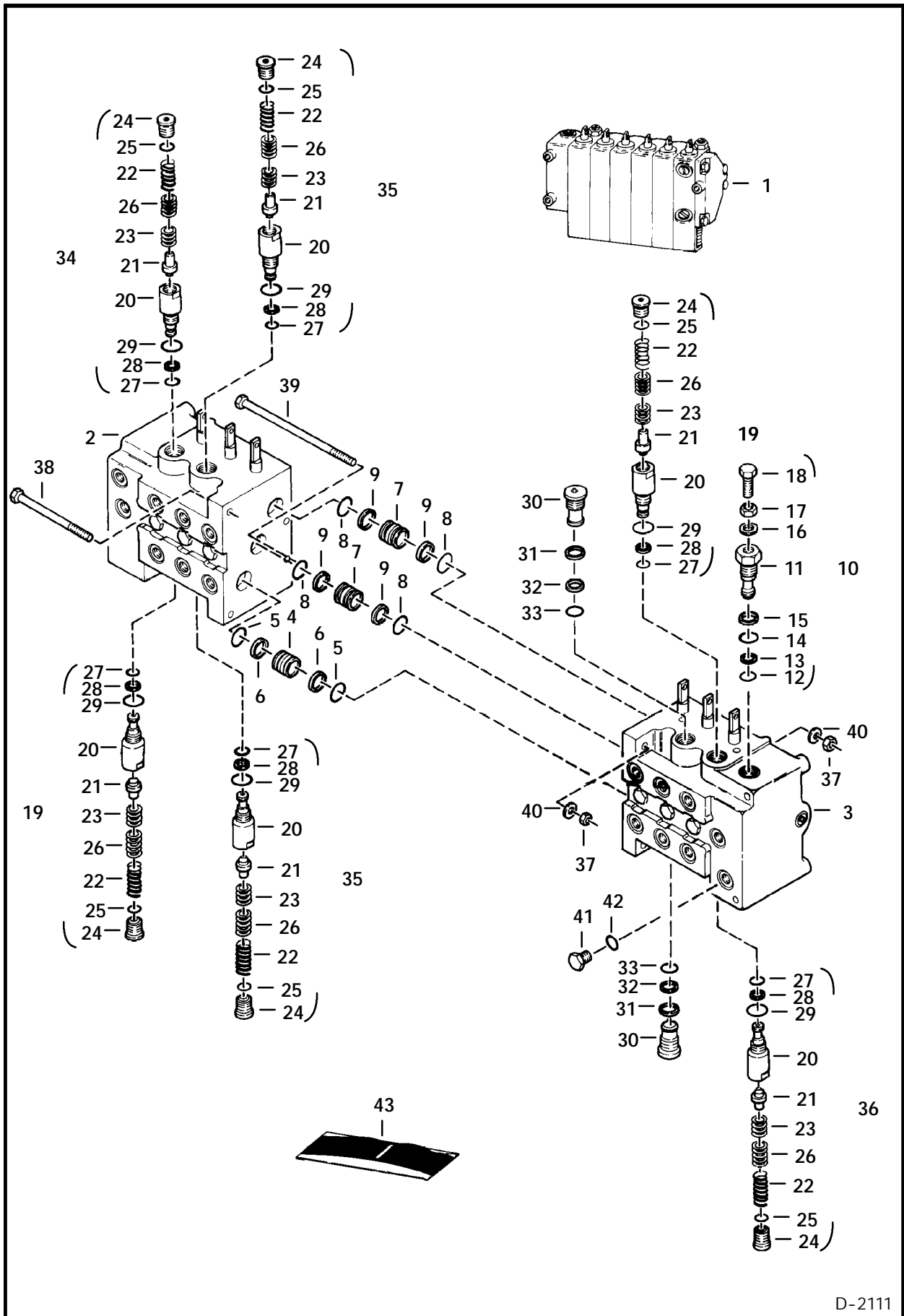


D-2111

CONTROL VALVE ASSEMBLY (Cont'd)
607, 709 & 709FDS Backhoe

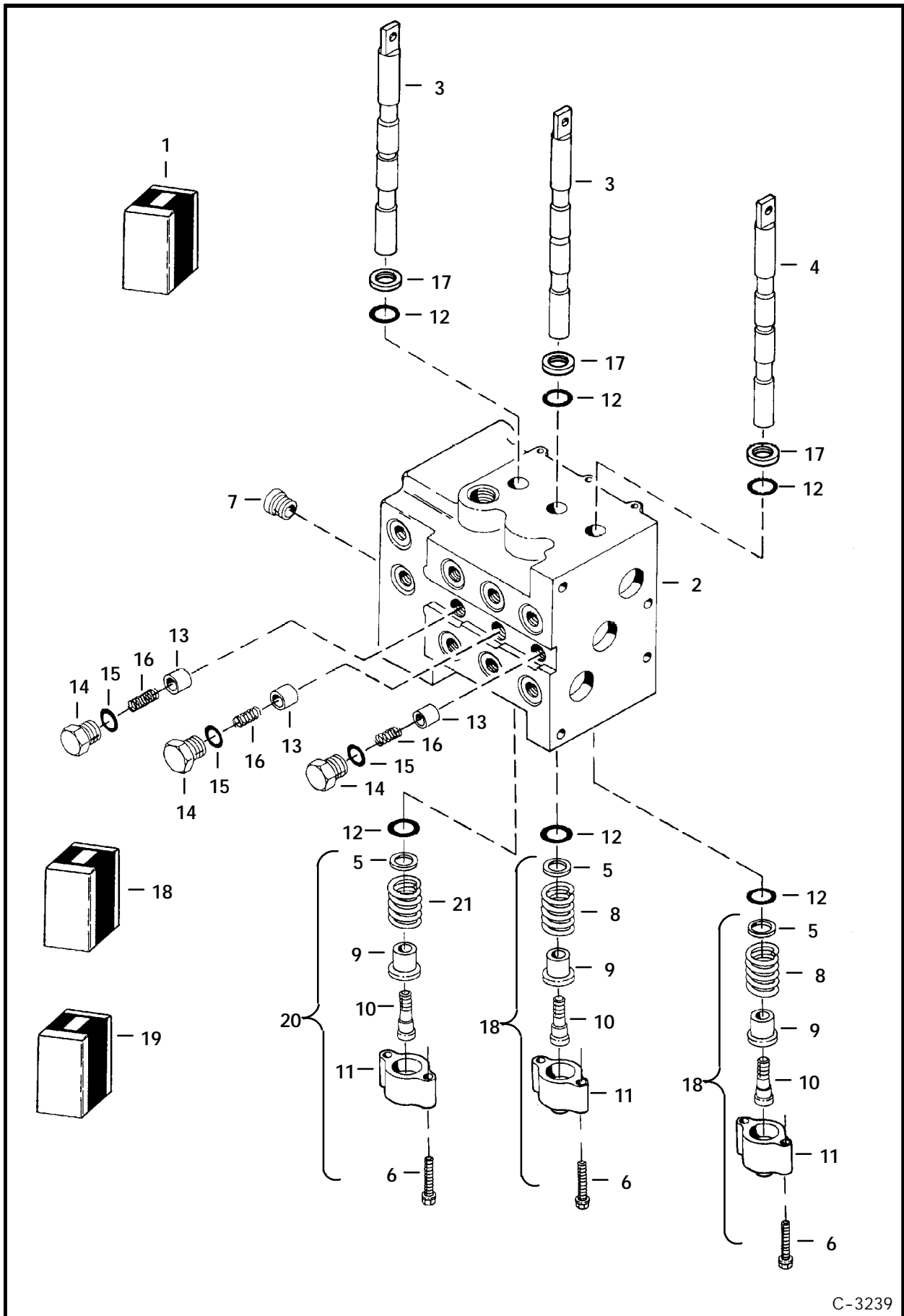
Ref. No.	Part Number	Description	Remarks	Serial Number	Qty.
1	NAP	VALVE	assy. - Danfoss 1681-6-BB - order 6674307 valve & 6805603 decal for 607 & 709, or 6805604		
	6674307	VALVE	decal for 709FDS Was 6651514 [A] assy. - Danfoss 156B2348		1 1
2		VALVE SECTION	See Page 189		1
3		VALVE SECTION	See Page 191		1
4	6656294	TUBE	W/Ref. 5 & 6		1
5	6656441	O-RING			4
6	6656440	BACK-UP RING			4
7	6656293	TUBE	W/Ref. 8 & 9		2
8	6656443	O-RING			8
9	6656442	BACK-UP RING			8
10	6658416	RELIEF VALVE	2300-2400 PSI		1
11	NSS	HOUSING			2
12	NSS	O-RING			2
13	NSS	BACK-UP RING			2
14	NSS	O-RING			2
15	NSS	BACK-UP RING			2
16	NSS	RING			2
17	NSS	NUT			2
18	NSS	BOLT			2
19	6658445	RELIEF VALVE	3000-3100 PSI		2
20	NSS	HOUSING			4
21	NSS	POPPET			4
22	NSS	SPRING			4
23	NSS	SHIM	.021" (0,53mm)		16
24	6656446	PLUG	W/Ref. 25		4
25	6656432	O-RING			4
26	NSS	SHIM	.0035" (0,09mm)		x
27	NSS	O-RING			4
28	NSS	BACK-UP RING			4
29	NSS	O-RING			4
30	6656439	RELIEF PLUG	assy. - W/Ref. 31 - 33		2
31	6656437	O-RING			2
32	6656436	BACK-UP RING			2
33	6656438	O-RING			2
34	6658443	RELIEF VALVE	2300-2400 PSI		1
35	6658444	RELIEF VALVE	2200-2300 PSI		2
36	6658440	RELIEF VALVE	2800-2900 PSI		1
37	6656288	NUT			4
38	6658441	BOLT			2
39	6658442	BOLT			2
40	6656286	WASHER			4
41	24K-7	PLUG	W/Ref. 42 - flat boss face		1
	24KN-7	PLUG	W/Ref. 42 - tapered boss face		1
	97K-10	O-RING	for flared end		2
42	79K-10	O-RING	for flat boss face		1
	99K-10	O-RING	for tapered boss face		1

CONTROL VALVE ASSEMBLY (Cont'd)
607, 709 & 709FDS Backhoe



D-2111

VALVE SECTION
607, 709 & 709FDS Backhoe

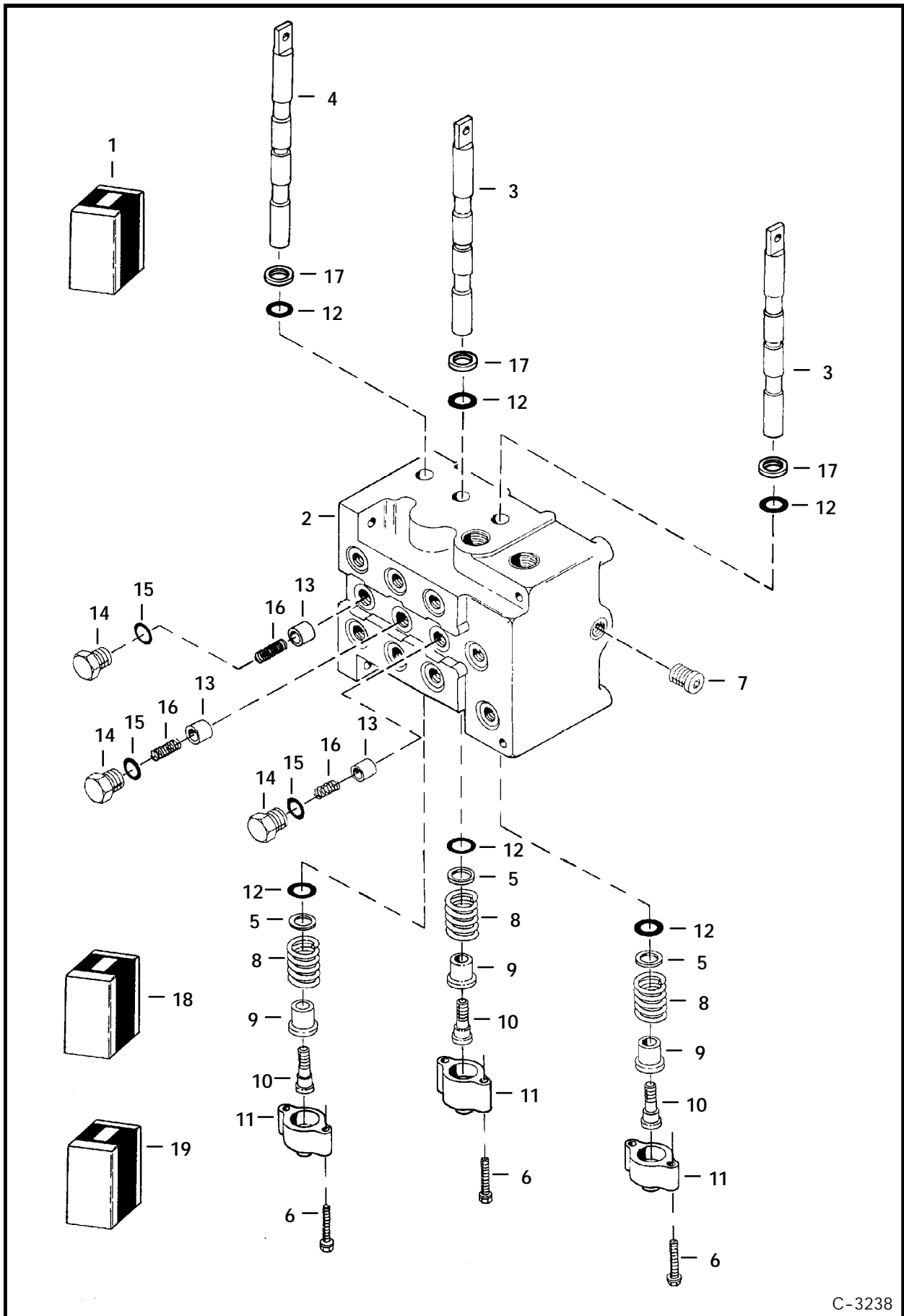


C-3239

VALVE SECTION (Cont'd)
607, 709 & 709FDS Backhoe

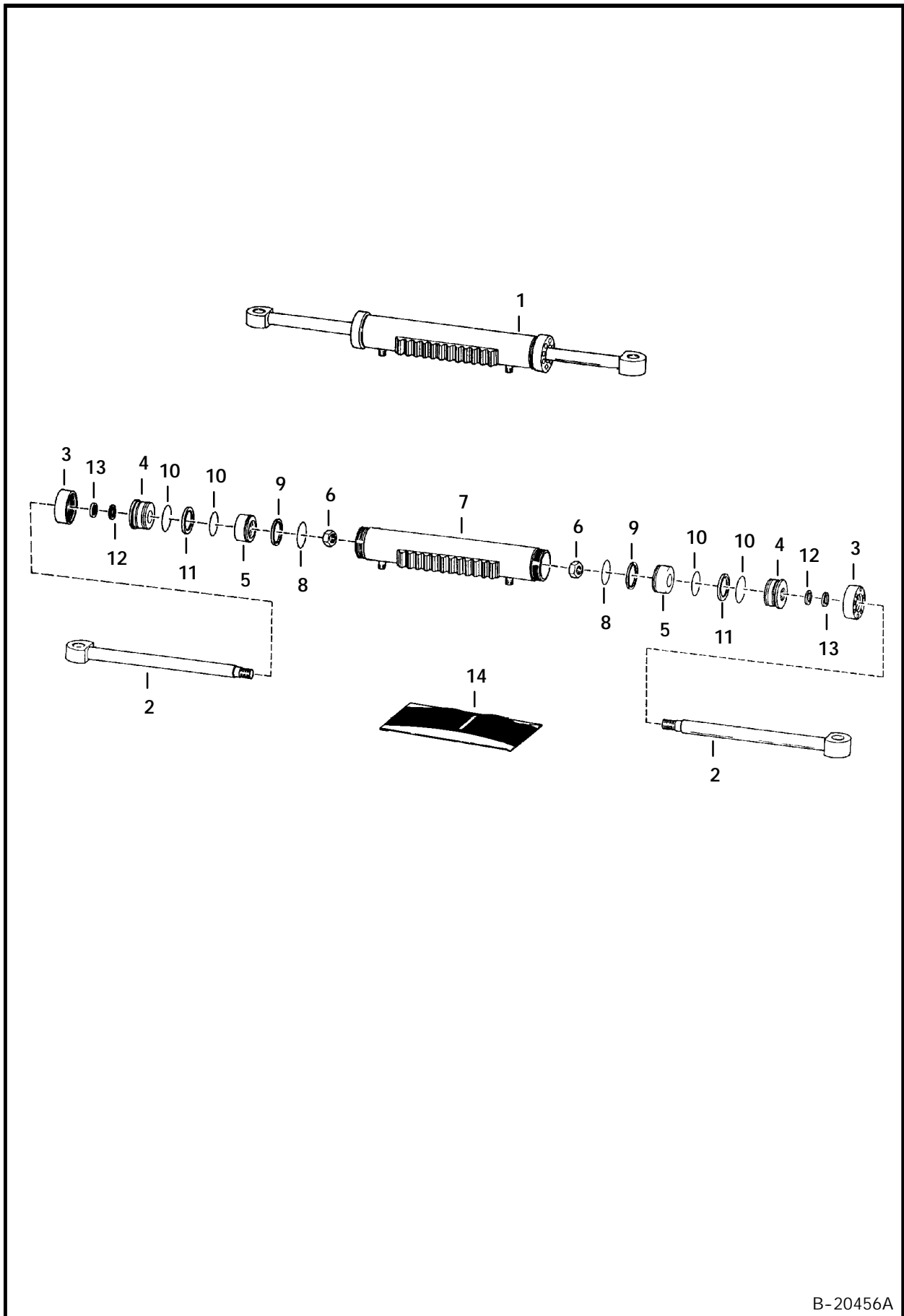
Ref. No.	Part Number	Description	Remarks	Serial Number	Qty.
1	NAP NAP	VALVE SECTION VALVE SECTION	W/Ref. 2 - 16 - Was 6658437 [A] order 6675082 valve & 6805603 decal for 607 & 709, or 6805604		1
	6675082	VALVE SECTION	decal for 709FDS - Was 6665555 [A] W/float - W/Ref. 2 - 17 & 21		1 1
2	NSS	HOUSING	Order Ref. 1		1
3	NSS	SPOOL	Order Ref. 1		2
4	NSS	SPOOL	Order Ref. 1		1
5	NSS	WASHER	Order Ref. 18		3
6	NSS	BOLT	Order Ref. 18		6
7	6675080	PLUG	Was 6656422 [A]		1
8	NSS	SPRING	Order Ref. 18		3
9	NSS	SPACER	Order Ref. 18		3
10	NSS	BOLT	Order Ref. 18		3
11	NSS	END CAP	Order Ref. 18		3
12	6656431	O-RING			6
13	6656428	POPPET VALVE			3
14	6656429	PLUG	W/Ref. 15		3
15	6656432	O-RING			3
16	6599472	SPRING	Was 6656430 [A]		3
17	6658398	SEAL	wiper		3
18	6656434	KIT	spring centering - W/Ref. 5, 6 & 8 - 11		3
19	6656433	KIT	load check - W/Ref. 13 - 16		3
20	6656434	KIT	centering spring without float - used with Danfoss 1681-6-BB		
	6675081	KIT	valve centering spring with float -used with Danfoss 156B2348 valve		1 1
21	6675363	SPRING	centering		1

VALVE SECTION 607, 709 & 709FDS Backhoe



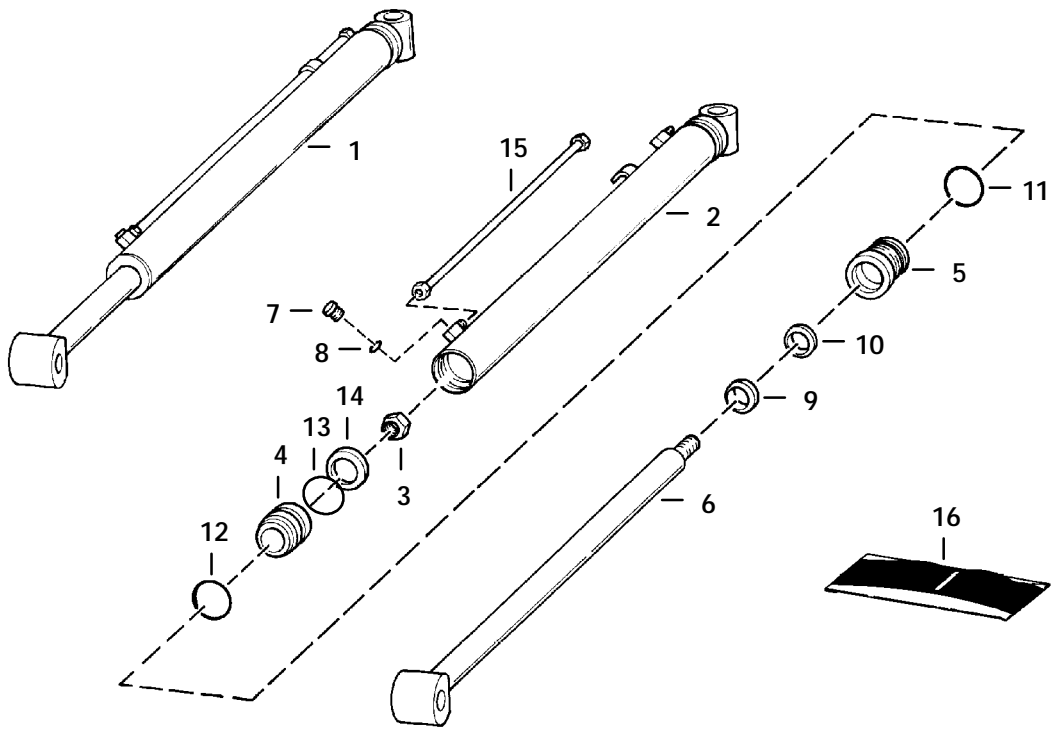
C-3238

SWING CYLINDER
709 & 709FDS Backhoe



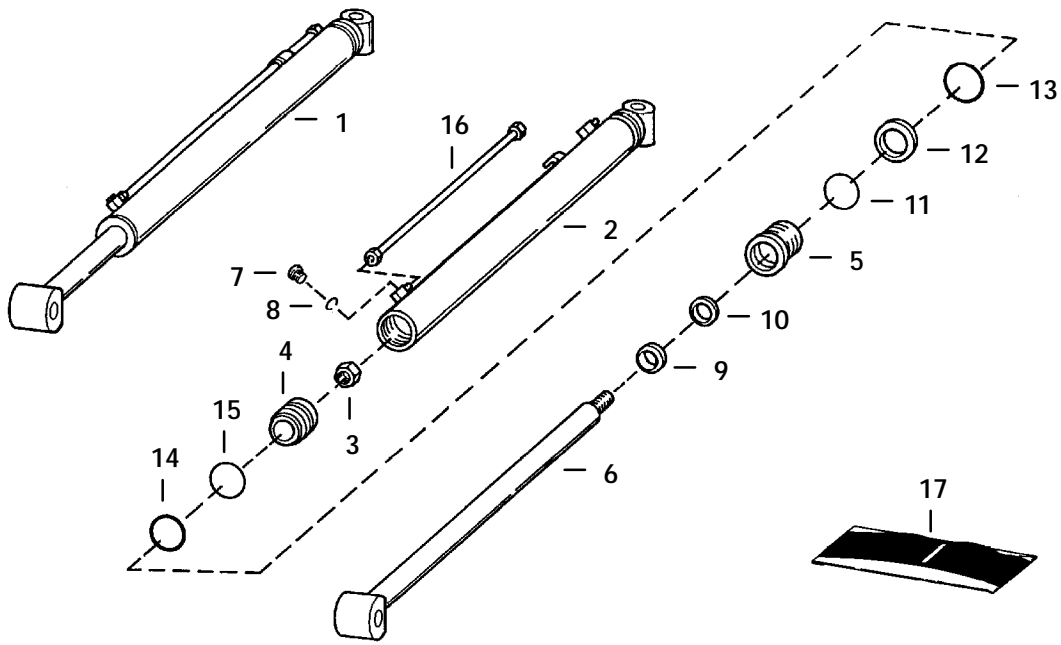
B-20456A

STABILIZER CYLINDER
709 Backhoe



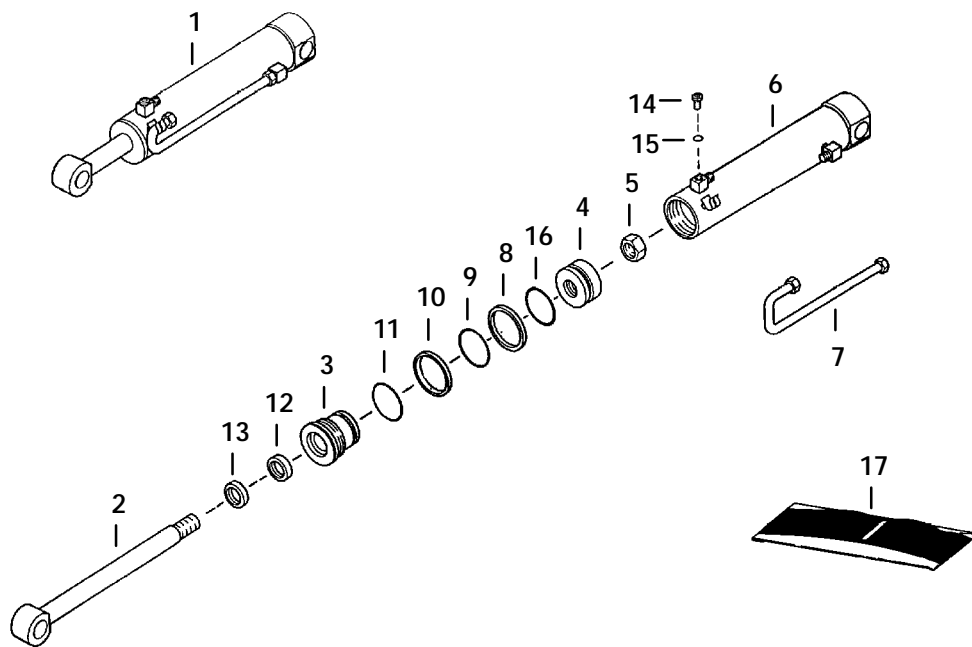
C-3227A

STABILIZER CYLINDER
709 Backhoe



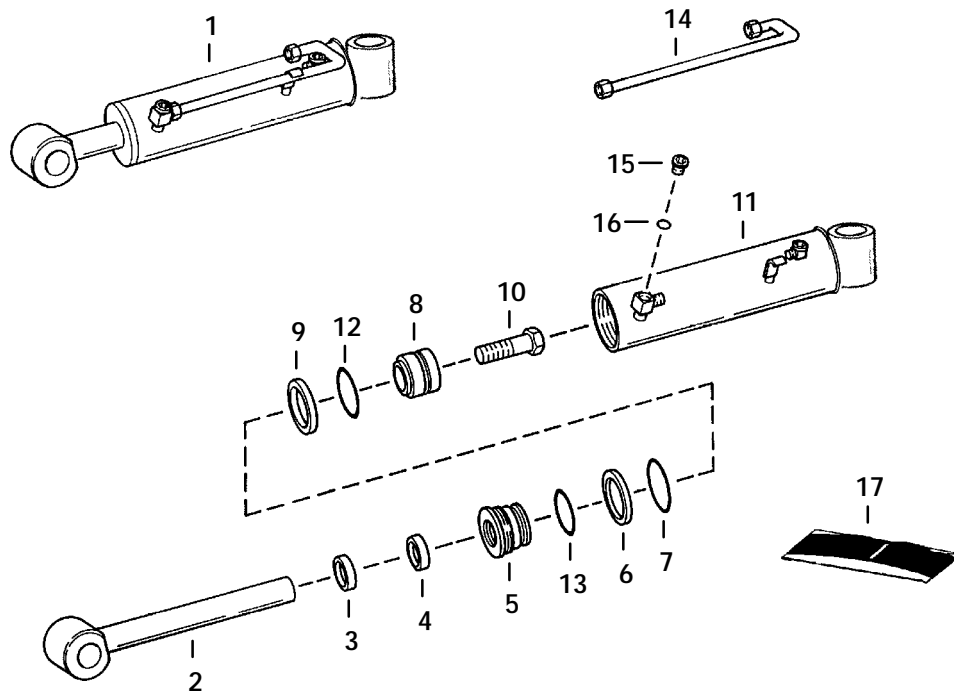
C-3388A

STABILIZER CYLINDER
709FDS Backhoe



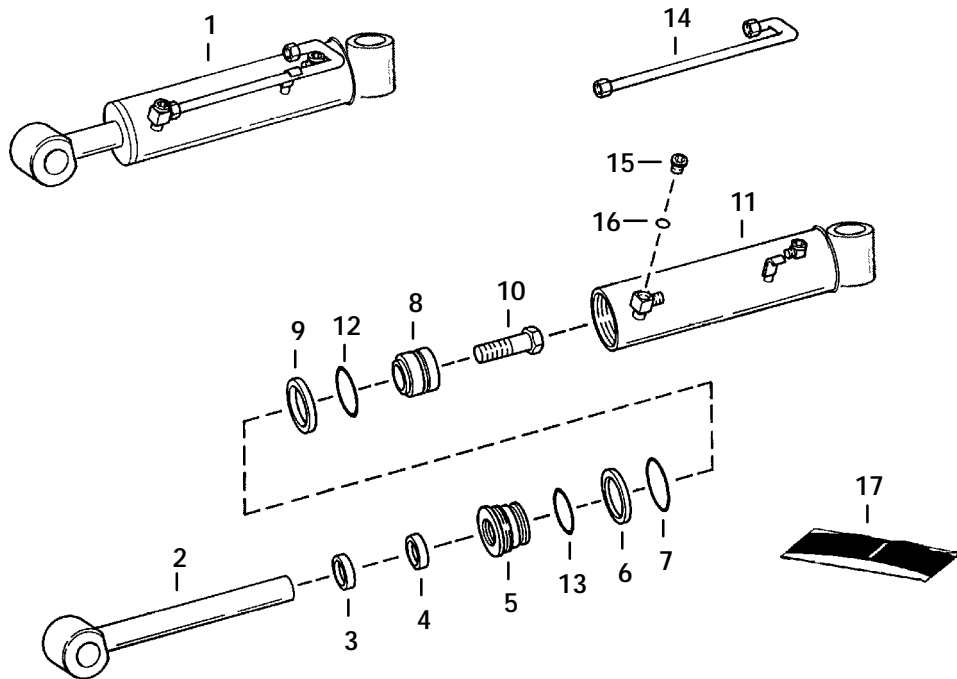
C-3381

BOOM & DIPPERSTICK CYLINDER
709 Backhoe



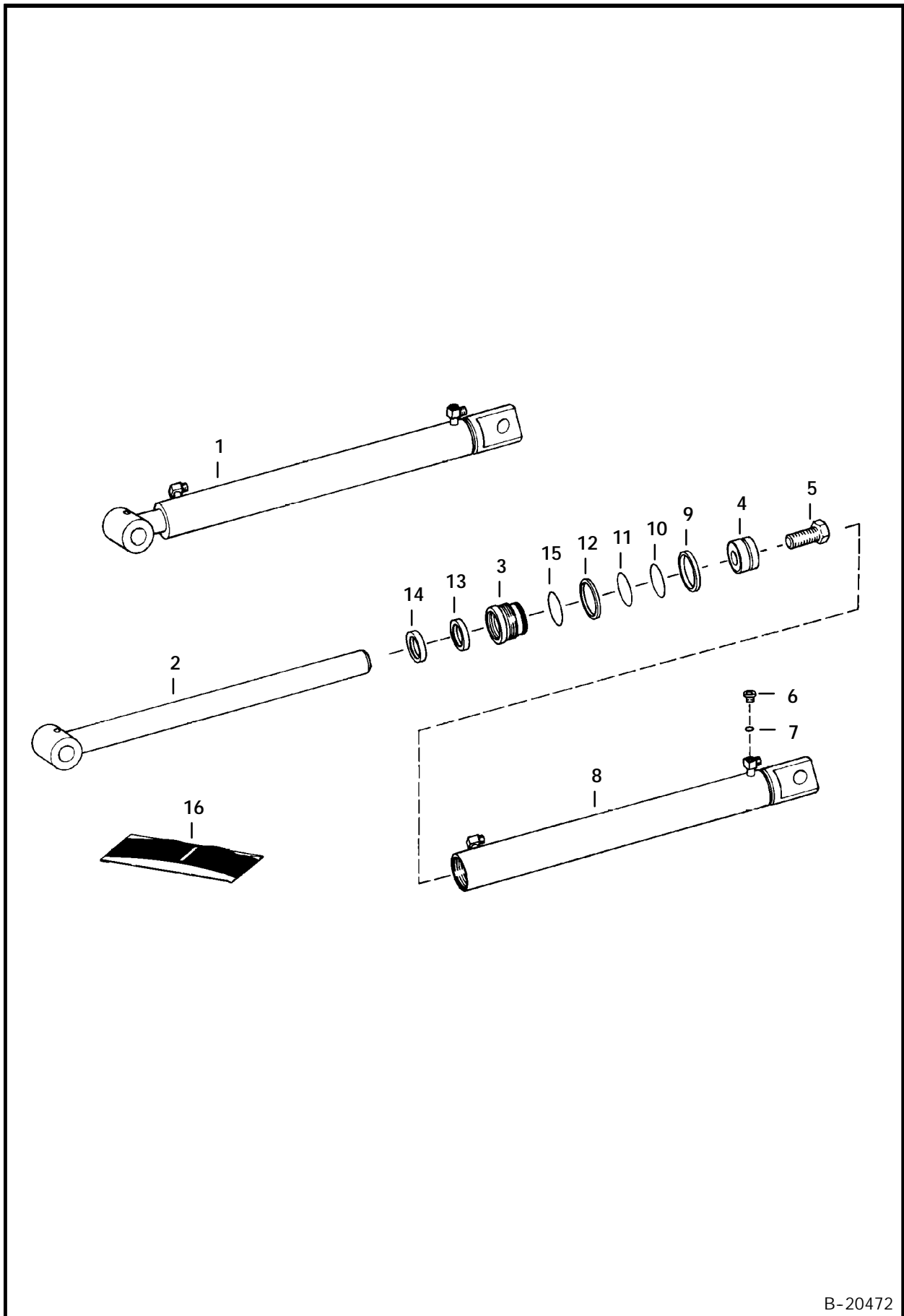
C-3347

BOOM & DIPPERSTICK CYLINDER
709 & 709 FDS Backhoe



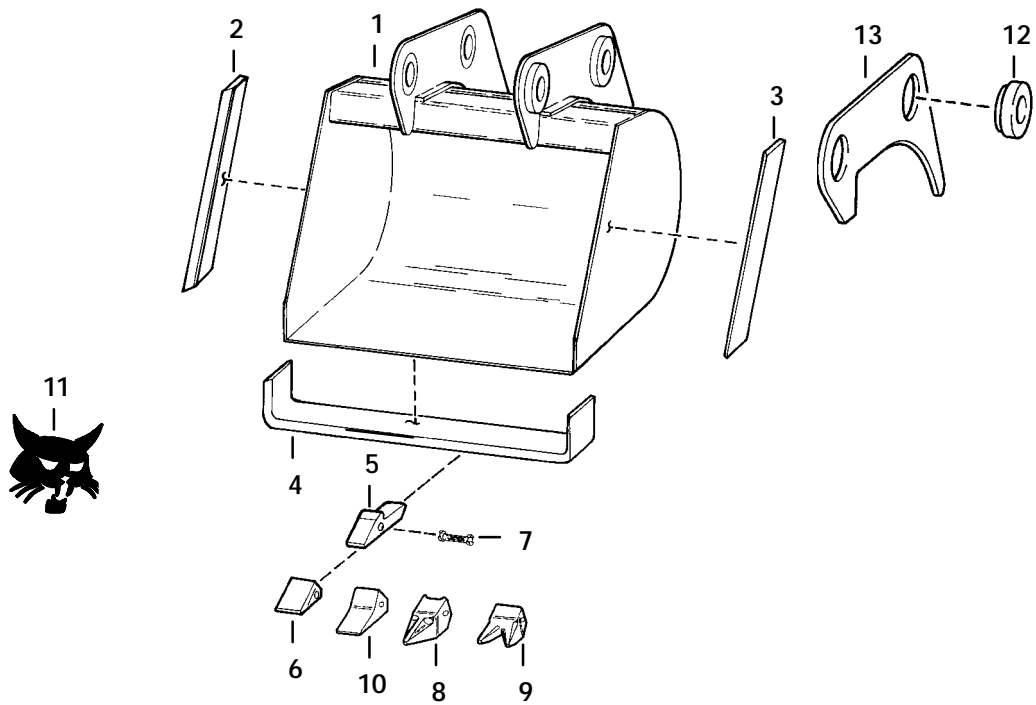
C-3347A

BUCKET CYLINDER
709 & 709FDS Backhoe



B-20472

BACKHOE BUCKETS
709 & 709FDS Backhoe

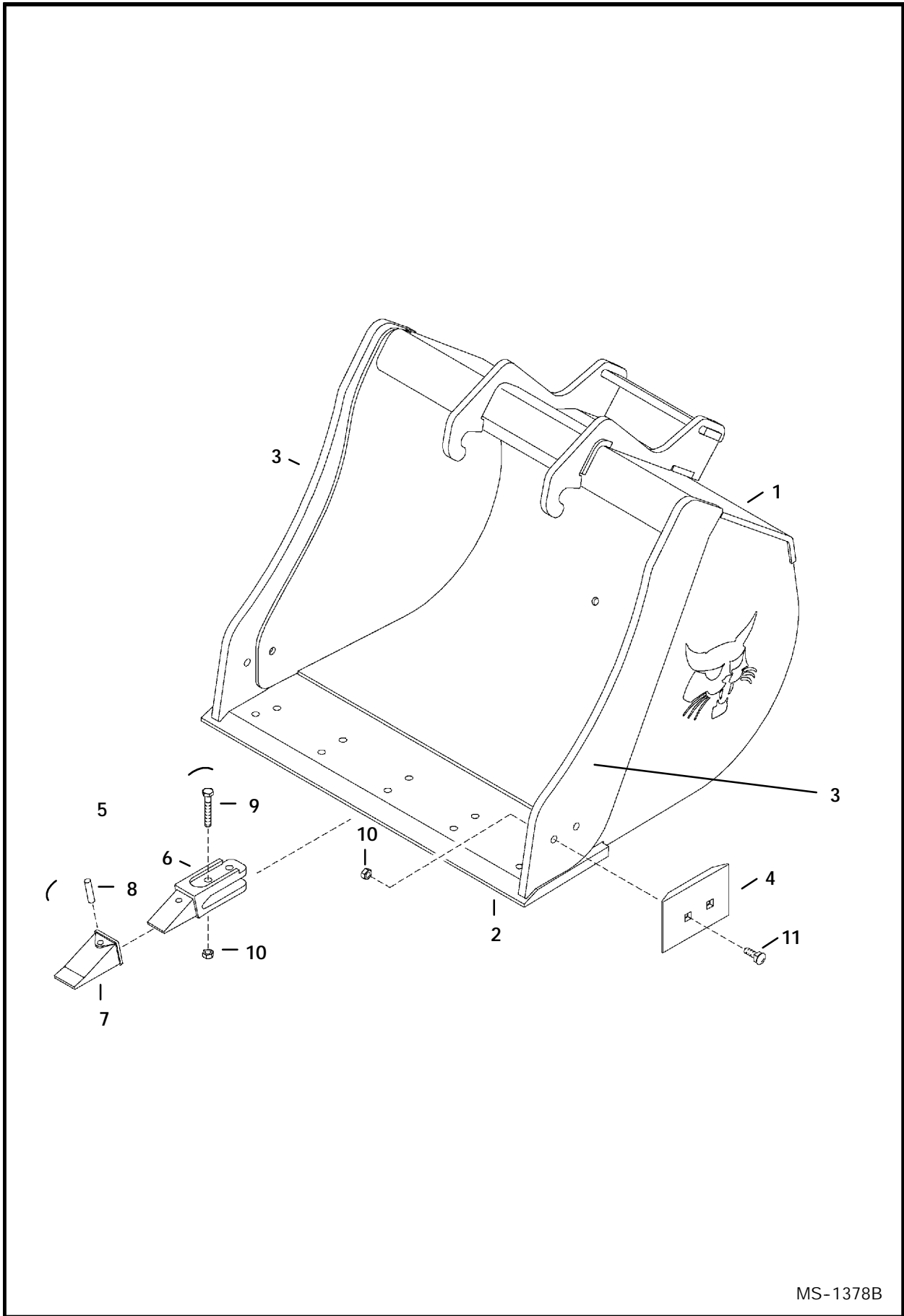


B-20473

BACKHOE BUCKETS (Cont'd)
709 & 709FDS Backhoe

Ref. No.	Part Number	Description	Remarks	Serial Number	Qty.
1	SALES	BUCKET	Trenching - 12" (304,8mm)		1
	SALES	BUCKET	Trenching - 16" (406,4mm)		1
	SALES	BUCKET	Trenching - 20" (508mm)		1
2	SALES	BUCKET	Trenching - 24" (609,6mm)		1
	SALES	BUCKET	Trenching - 30" (762mm)		1
	6532921	CUTTING EDGE	12" (304,8mm) Bucket		1
3	6532779	CUTTING EDGE	16" (406,4mm), 20" (508mm), 24" (609,6mm), 30" (762mm) Buckets		1
	6532920	CUTTING EDGE	12" (304,8mm) Bucket		1
	6532780	CUTTING EDGE	16" (406,4mm), 20" (508mm), 24" (609,6mm), 30" (762mm) Buckets		1
4	6593139	CUTTING EDGE	12" (304,8mm) Bucket		1
	6536696	CUTTING EDGE	16" (406,4mm) Bucket		1
	6533034	CUTTING EDGE	20" (508mm) Bucket		1
5	6532887	CUTTING EDGE	24" (609,6mm) Bucket		1
	6536932	CUTTING EDGE	30" (762mm) Bucket		1
	6518120	SHANK	Weld On		x
6	6630424	TOOTH			x
7	6567620	PIN			x
8	6657328	TOOTH	Single Penetrator		x
9	6657329	TOOTH	Twin Penetrator		x
10	6657330	TOOTH	Heavy Duty Cast		1
11	6700191	DECAL	R.H.		1
	6700192	DECAL	L.H.		1
12	6560596	BUSHING			4
13	6532781	BRACKET			2

BUCKETS
X-Change™ Mounted - 709 & 709FDS Backhoe



MS-1378B

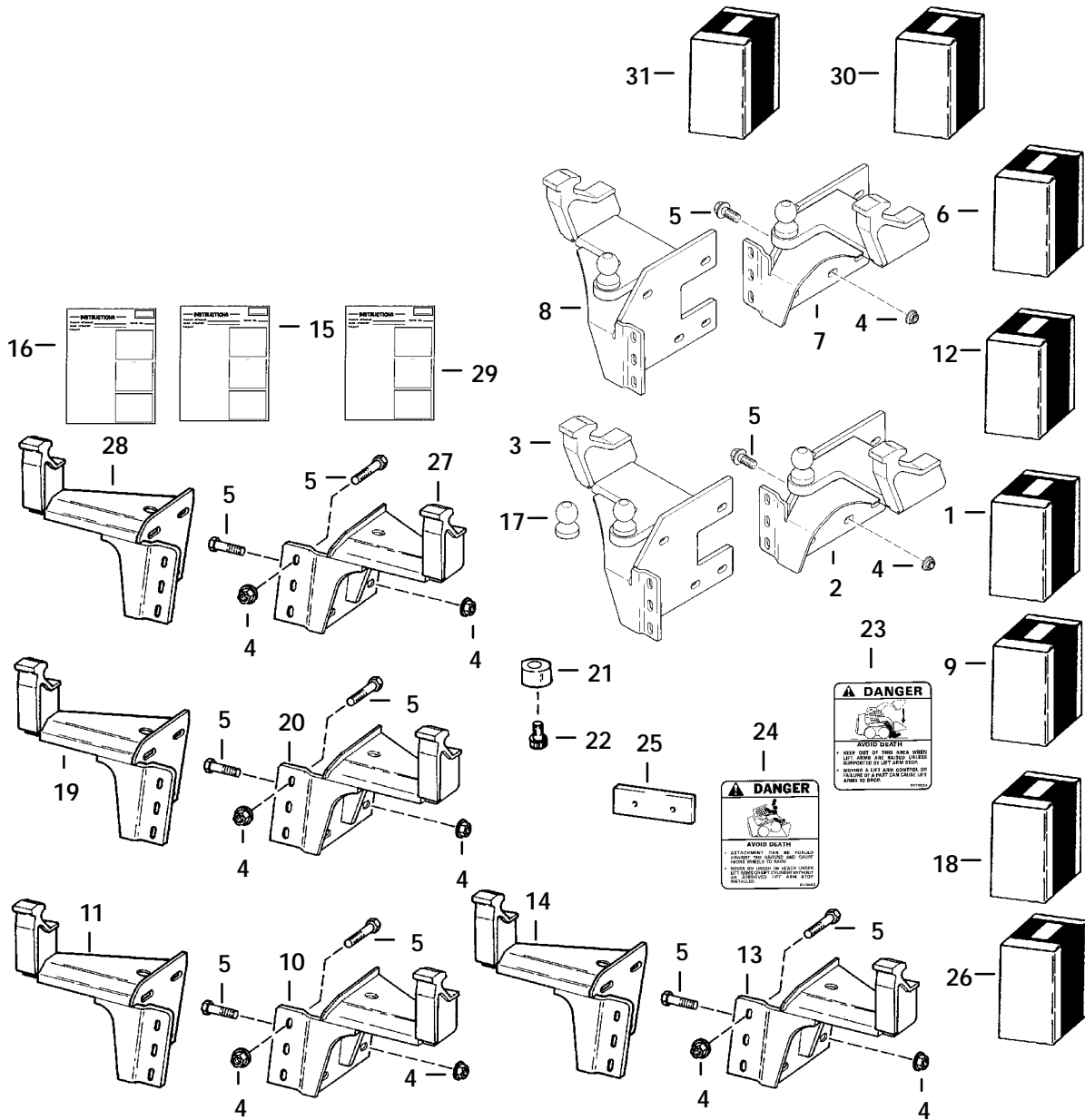
BUCKETS (Cont'd)
X-Change™ Mounted - 709 & 709FDS Backhoe

Ref. No.	Part Number	Description	Remarks	Serial Number	Qty.
1	SALES	BUCKET	13" (330mm) - uses 3 teeth - SALES #6715500		x
	SALES	BUCKET	16" (406mm) - uses 4 teeth - SALES #6715501		x
*	SALES	BUCKET	18"(457mm) - uses 4 teeth - SALES #6807530		x
	SALES	BUCKET	20" (508mm) - uses 4 teeth - SALES #6715502		x
	SALES	BUCKET	24" (609mm) - uses 5 teeth - SALES #6715503		x
	SALES	BUCKET	30" (762mm) - uses 5 teeth - SALES #6715504		x
	SALES	BUCKET	36" (914mm) - uses 6 teeth - SALES #6715558		x
	SALES	BUCKET	39" (990mm) - does not use teeth - SALES #6715550		x
2	6805433	CUTTING EDGE	13" (330mm)		1
	6805434	CUTTING EDGE	16" (406mm)		1
*	6807535	CUTTING EDGE	18"(457mm)		1
	6805435	CUTTING EDGE	20" (508mm)		1
	6805436	CUTTING EDGE	24" (609mm)		1
	6805437	CUTTING EDGE	30" (762mm)		1
	6805438	CUTTING EDGE	36" (914mm)		1
	6805815	CUTTING EDGE	39" (990mm)		1
3	6805429	CUTTING EDGE	for 13"(330mm), 16"(406mm), 18"(457mm), 20"(508mm), 24"(609mm), 30"(762mm) & 36"(914mm)		2
	6805771	CUTTING EDGE	for 39"(990mm) bucket		2
4	6805464	CUTTER			2
5	6716002	TOOTH ASSY	W/Ref. 6 - 8		x
6*	NAP	SHANK	bolt-on - order ref. 5 - Was 6715836 [A]		x
7	6716001	TOOTH			x
8	14J-3732	PIN			x
9*	47C-828	BOLT	qty. 2 per tooth-Was 17C-828 [B]		x
10*	63D-8	NUT	qty. 2 per tooth-Was 95D-8 [B]		x
11	39C-828	BOLT			4

MOUNTING KITS 709 Backhoe

NOTE: AR = Spanish (Argentina)
BR = Portugese (Brazil)
JP = Japanese
Translation Kit includes Safety Manual,
Operators Manual and Decal Kit.

NOTE: Order Mounting Kits from Gwinner Sales.
Ref. 1 - SALES # 6538067
Ref. 9 - SALES # 6533179
Ref. 12 - SALES # 6538707
Ref. 18 - SALES # 6539674
Ref. 26 - SALES # 6587606



B-20474

MOUNTING KITS (Cont'd)
709 Backhoe

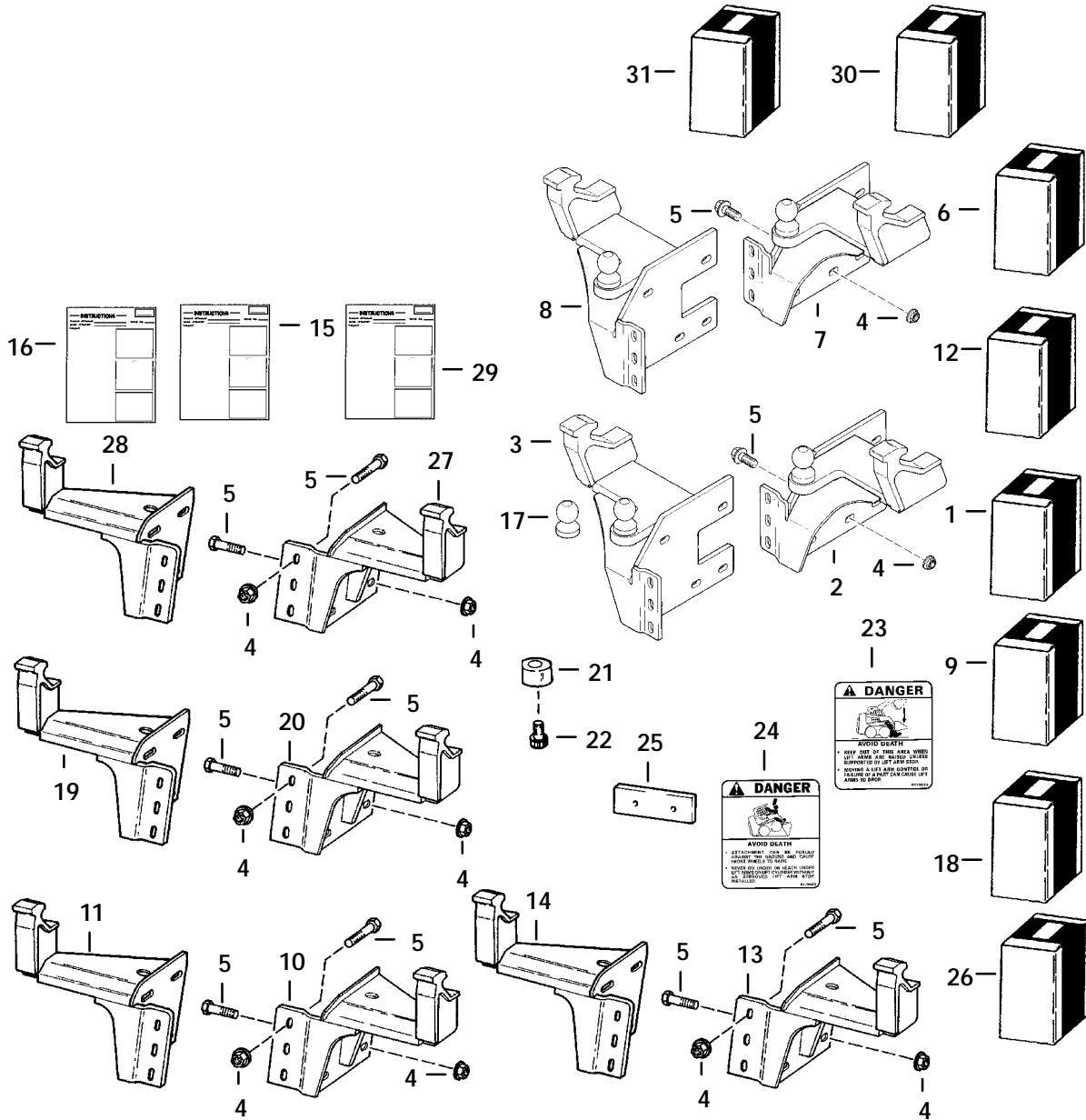
Ref. No.	Part Number	Description	Remarks	Serial Number	Qty.
1	6586933	KIT	740 Series - Ref. 2 - 5 & 15 - Was Sales	299 & Below	1
2	NAP	MOUNT	L.H. - 740 Series - Order		
3	NAP	MOUNT	6586934 & 6586937 - Was 6538068 [A] R.H. - 740 Series - Order	299 & Below	1
4	53D-10	NUT	6586934 & 6586937 - Was 6538070 [A] Was 83D-10 [B]	299 & Below	1 16
5	31C-1028	BOLT			16
6	6586933	KIT	740 Series - Ref. 4, 5, 7, 8 & 15 Was Sales	300 & Above	1
7	NAP	MOUNT	L.H. (740 Series) Order 6586934 & 6586937 - Was 6538661 [A]	299 & Below	1
	6586934	MOUNT	L.H. - 740 Series	300 & Above	1
8	NAP	MOUNT	R.H. (740 Series) Order 6586934 & 6586937 - Was 6538673 [A]	299 & Below	1
	6586937	MOUNT	R.H. - 740 Series	300 & Above	1
9	SALES	KIT	753 - Ref. 4, 5, 10, 11 & 16	299 & Below	1
10	NAP	MOUNT	L.H. - 753 - Order 6538554 & 6538553 - Was 6532964 [A]	299 & Below	1
11	NAP	MOUNT	R.H. - 753 - Order 6538544 & 6538553 - Was 6532980 [A]	299 & Below	1
12	SALES	KIT	753 - Ref. 4, 5, 13, 14, 16, 21 - 25	300 & Above	1
13	6538554	MOUNT	L.H. - 753	300 & Above	1
14	6538553	MOUNT	R.H. - 753	300 & Above	1
15	6720596	INSTRUCTIONS	740 Series		1
16	6720391	INSTRUCTIONS	753, 7753 & 773		1
17	6539094	BALL			1
18	SALES	KIT	7753 - Ref. 4, 5, 16, 19 & 20		1
19	6539675	MOUNT	R.H. - 7753 & 773		1
20	6539678	MOUNT	L.H. - 7753 & 773		1
21	6586470	STOP	boom - 753		2
22	73G-620	SCREW	753		2
23	6579639	DECAL	753		1
24	6579509	DECAL	753		1
25	6587074	SPACER	753		1
26	SALES	KIT	853 & 863 - W/Ref 4, 5 & 27 - 29		1
27	6587607	MOUNT	L.H. - 853 & 863		1
28	6587608	MOUNT	R.H. - 853 & 863		1
29	6720806	INSTRUCTIONS	853 & 863		1
	6720806AR	INSTRUCTIONS	translated - see note-for Ref. 26		1
	6720806BR	INSTRUCTIONS	translated - see note-for Ref. 26		1
30	6718713AR	KIT	translation-see note-for Ref. 26		1
	6718713BR	KIT	translation-see note-for Ref. 26		1
31	6718718AR	KIT	trans-see note - for Ref. 12 & 18		1
	6718718AR	KIT	trans-see note - for Ref. 12 & 18		1
	6718717AR	KIT	decal-see note - for Ref. 12 & 18		1
	6718717BR	KIT	decal-see note - for Ref. 12 & 18		1
	6718717JP	KIT	decal-see note - for Ref. 12 & 18		1

MOUNTING KITS (Cont'd)

709 Backhoe

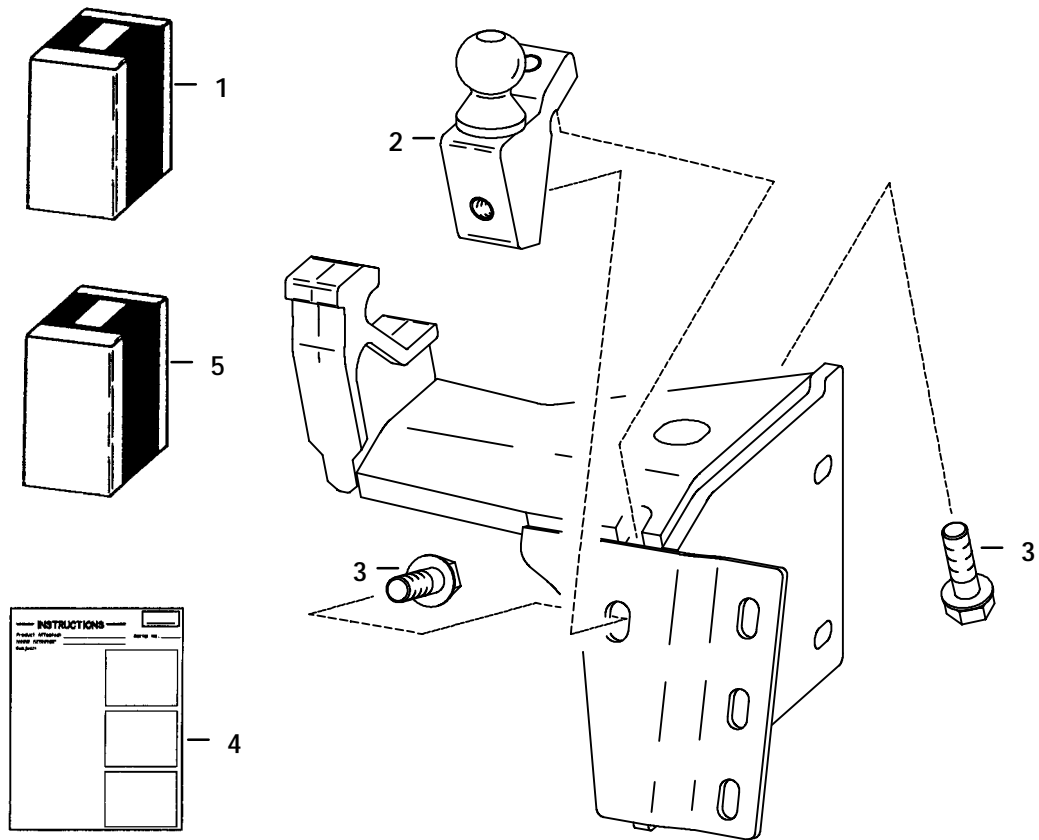
NOTE: AR = Spanish (Argentina)
 BR = Portugese (Brazil)
 JP = Japanese
 Translation Kit includes Safety Manual,
 Operators Manual and Decal Kit.

NOTE: Order Mounting Kits from Gwinner Sales.
 Ref. 1 - SALES # 6538067
 Ref. 9 - SALES # 6533179
 Ref. 12 - SALES # 6538707
 Ref. 18 - SALES # 6539674
 Ref. 26 - SALES # 6587606



B-20474

MOUNTING BALL CONVERSION KIT

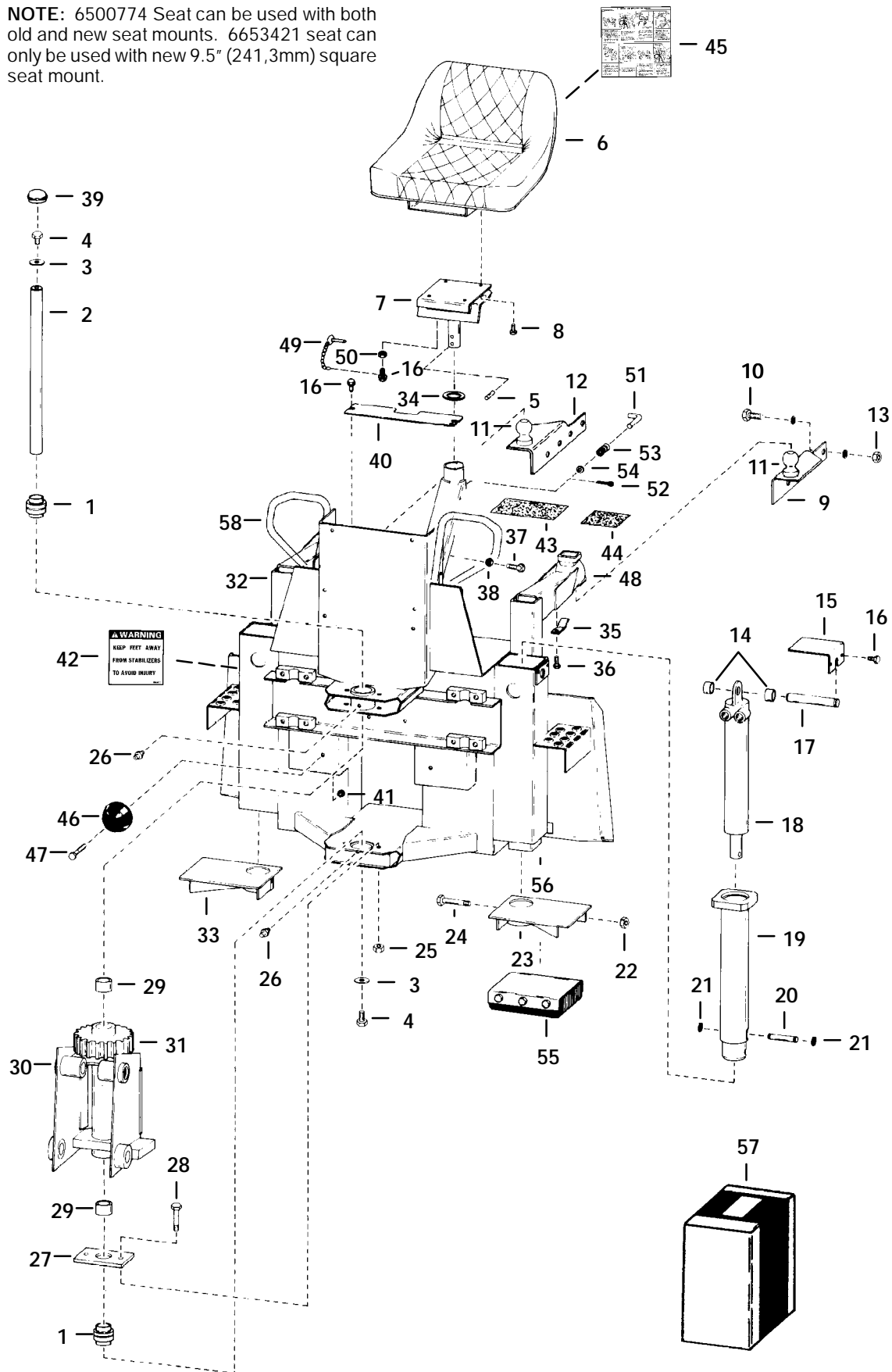


NOTE: This kit can be added to the 709 Backhoe mounting kit 6538707 (753 Loader) for mounting a 907 or 909 Backhoe.

TS-1069

MAIN FRAME 907 Backhoe

NOTE: 6500774 Seat can be used with both old and new seat mounts. 6653421 seat can only be used with new 9.5" (241,3mm) square seat mount.



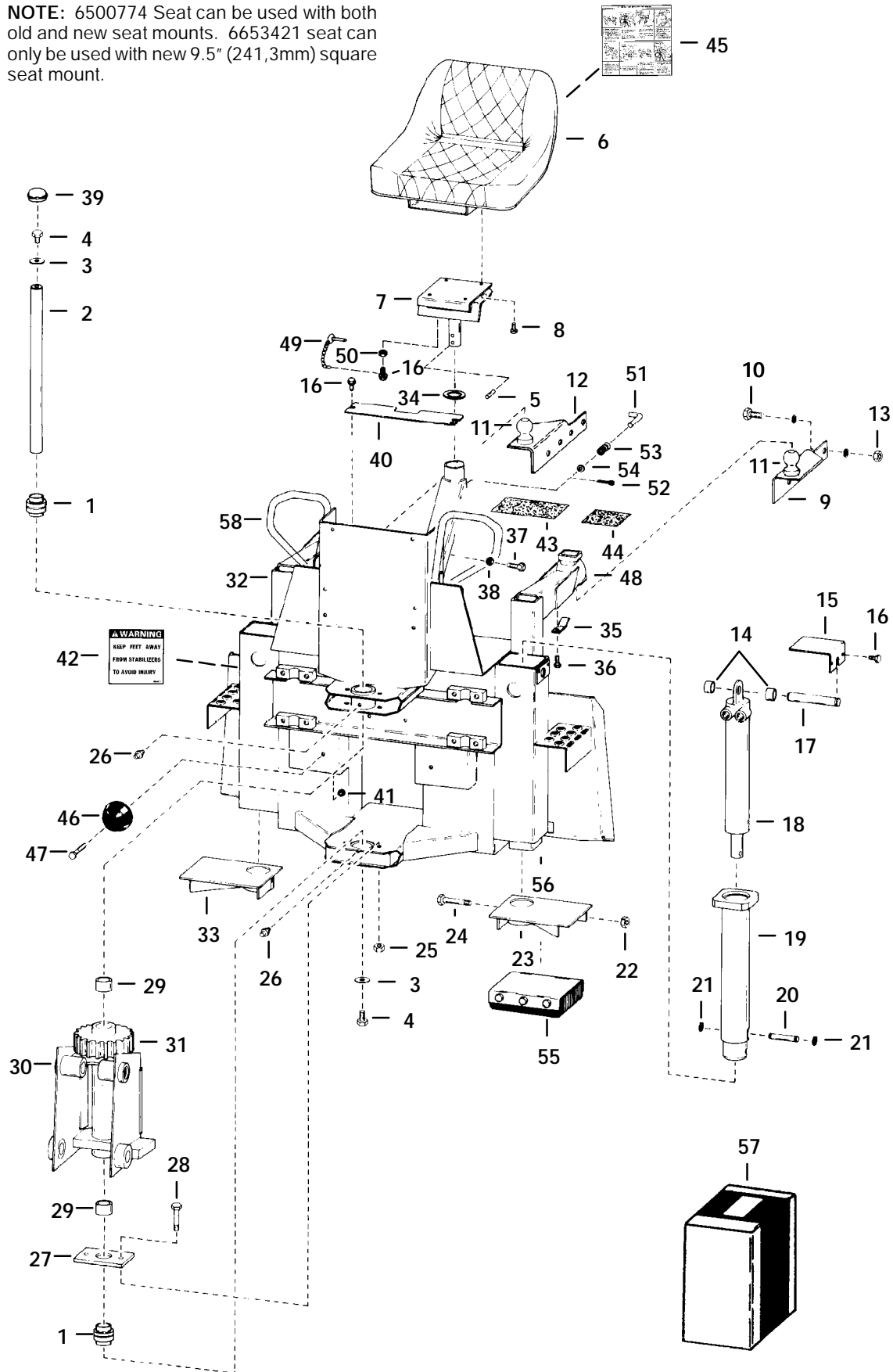
E-1316

MAIN FRAME (Cont'd)
907 Backhoe

Ref. No.	Part Number	Description	Remarks	Serial Number	Qty.
1	6519337	BEARING			2
2	6592348	SHAFT			1
3	6560416	WASHER			2
4	31C-1024	BOLT			2
5	14J-3740	ROLL PIN			1
6	6500774	SEAT	Will fit both seat mounts - Also		
			Order Ref. 45		1
	6660148	LOWER SLIDE			1
	6660149	UPPER SLIDE			1
	NAP	SEAT	Will fit only 9.5" x 9.5" (241,3mm x 241,3mm) seat mount - Also Order Ref. 45 -		
	NAP	TRACK	Was 6653421 [A]		1
	NAP	TRACK	W/adj. - Was 6660436 [A]		1
	NAP	TRACK	W/O adj. - Was 6660437 [A]		1
7	NAP	MOUNT	6.5" x 7.5" (165,1mm x 190,5mm) mounting plate		1
	6532792	MOUNT	9.5" x 9.5" (241,3mm x 241,3mm) mounting plate		
8	17C-516	BOLT	Use W/6500774 Seat		1
	85D-5	NUT	Use W/6653421 Seat		4
9	6561942	MOUNT	L.H. W/Ball - See Ref. 57		4
10	31C-1028	BOLT			1
11	6539094	BALL	Was 6561941 [A]		8
12	6561943	MOUNT	R.H. W/Ball - See Ref. 57		2
13	83D-10	NUT			1
14	6562482	SPACER			8
15	6561829	COVER			4
16	84G-3712	BOLT			2
17	6562092	PIN			7
18		CYLINDER	stab. - See Page 244 & 246		2
19	6593080	GUIDE	stabilizer - See BTI 221		2
20	6562093	PIN			2
21	1315207	SNAP RING			4
22	85D-10	NUT			2
23	6563535	PAD	When used with Ref. 55 Street Pad - See BTI 235		
24	17C-1072	BOLT			1
25	61D-8	NUT			2
26	10H-35	GREASE ZERK			2
27	6560427	BAR	retainer		1
28	17C-844	BOLT			2
29	6513682	RACE			2
30	6561898	FRAME	swing - W/Ref. 29 & 31		1
31	NSS	GEAR			1
32	6592866	MAIN FRAME			1
33	6563534	PAD	When used with Ref. 55 Street Pad - See BTI 235		
34	6558680	SPACER			1
35	6562596	GUIDE			2
36	17C-812	BOLT			2

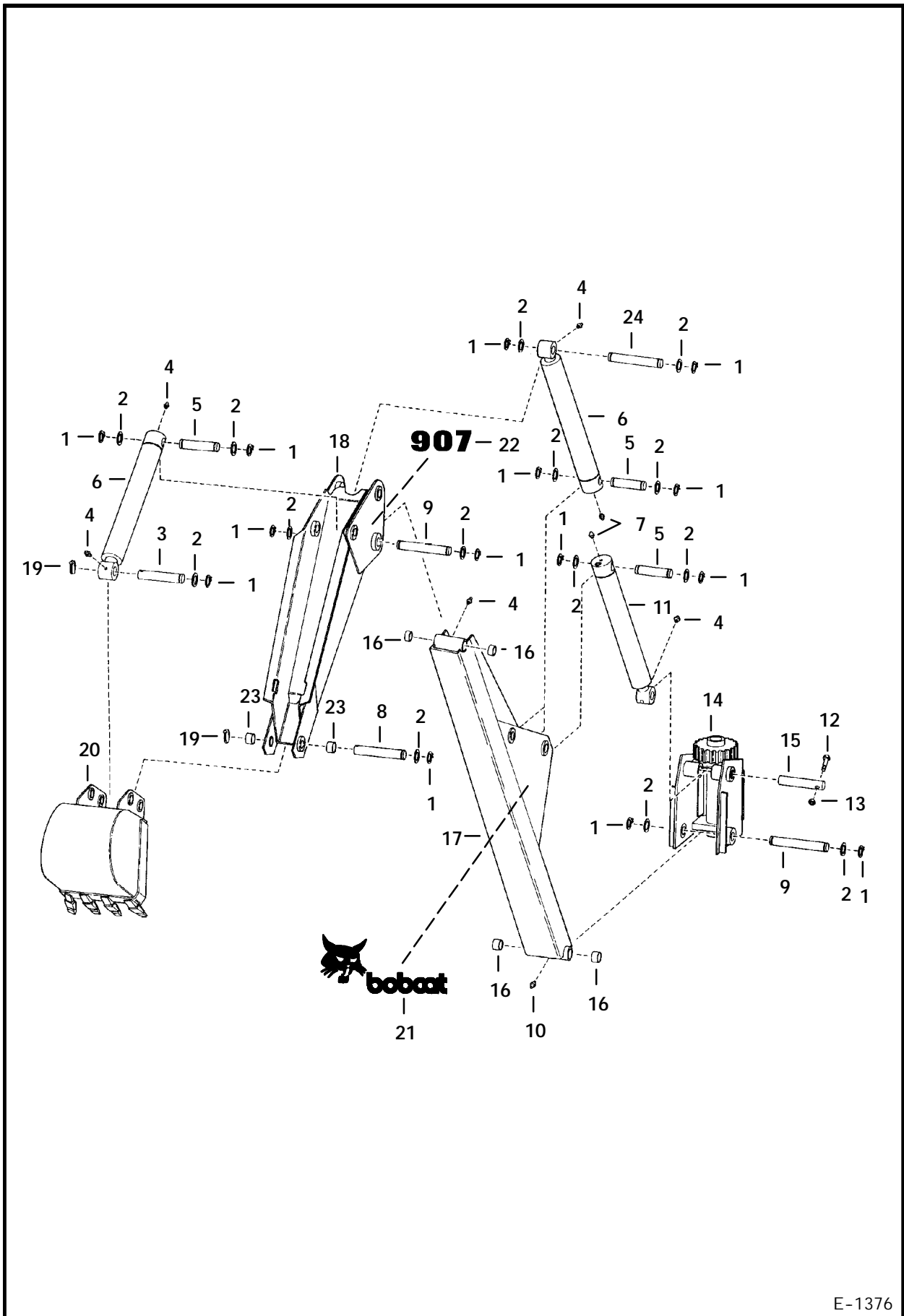
MAIN FRAME (Cont'd) 907 Backhoe

NOTE: 6500774 Seat can be used with both old and new seat mounts. 6653421 seat can only be used with new 9.5" (241,3mm) square seat mount.



E-1316

BOOM & DIPPERSTICK 907 Backhoe

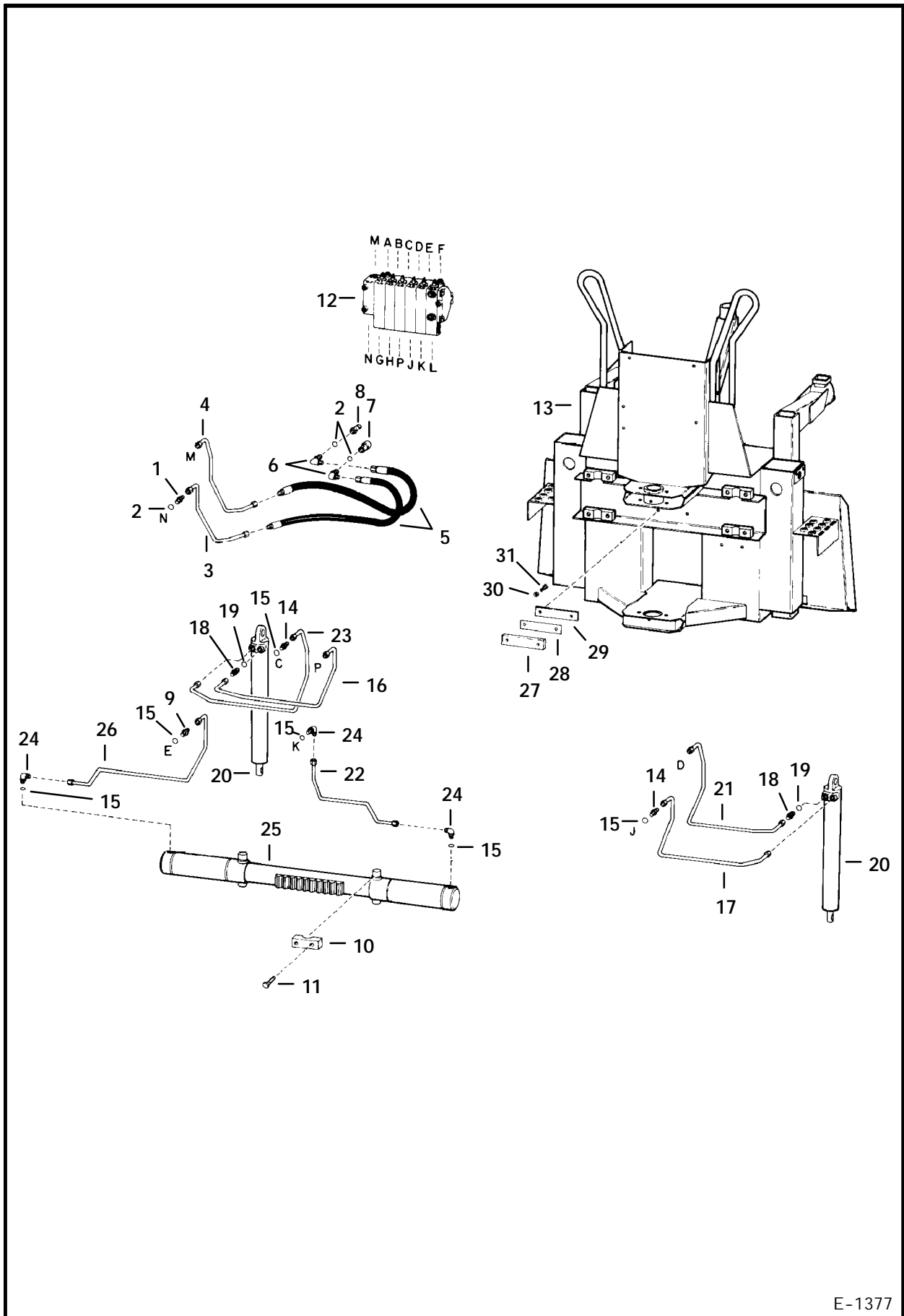


BOOM & DIPPERSTICK (Cont'd)
907 Backhoe

Ref. No.	Part Number	Description	Remarks	Serial Number	Qty.
1	6531366	RING	retainer - Was 1321168 [A]		16
2	6531365	WASHER	.125" (3,18mm) thick - Was 742053 [A]		16
3	6561846	PIN			1
4	10H-25	GREASE ZERK			12
5	6561850	PIN			3
6	6591927	CYLINDER	See Page 250		2
7	11H-15	GREASE ZERK			2
8	6561845	PIN			1
9	6561848	PIN			2
10	12H-15	GREASE ZERK			2
11	6592180	CYLINDER	See Page 248		1
12	17C-644	BOLT			1
13	85D-6	NUT			1
14		FRAME	swing - See Page 217		1
15	6561847	PIN			1
16	6561911	BUSHING			4
17	6561896	BOOM	W/Ref. 16		1
18	6561869	DIPPERSTICK	W/Ref. 23		1
19	6560382	PIN	ring lock		2
20	SALES	BUCKET	See Page 252 & 254		x
21	6560987	DECAL	Bobcat - R.H.		1
	6560986	DECAL	Bobcat - L.H.		1
22	6593412	DECAL			2
23	6541143	BUSHING			2
24	6561849	PIN			2

MAIN FRAME HYDRAULICS

907 Backhoe W/Cessna Valve - S/N 1425 & Below



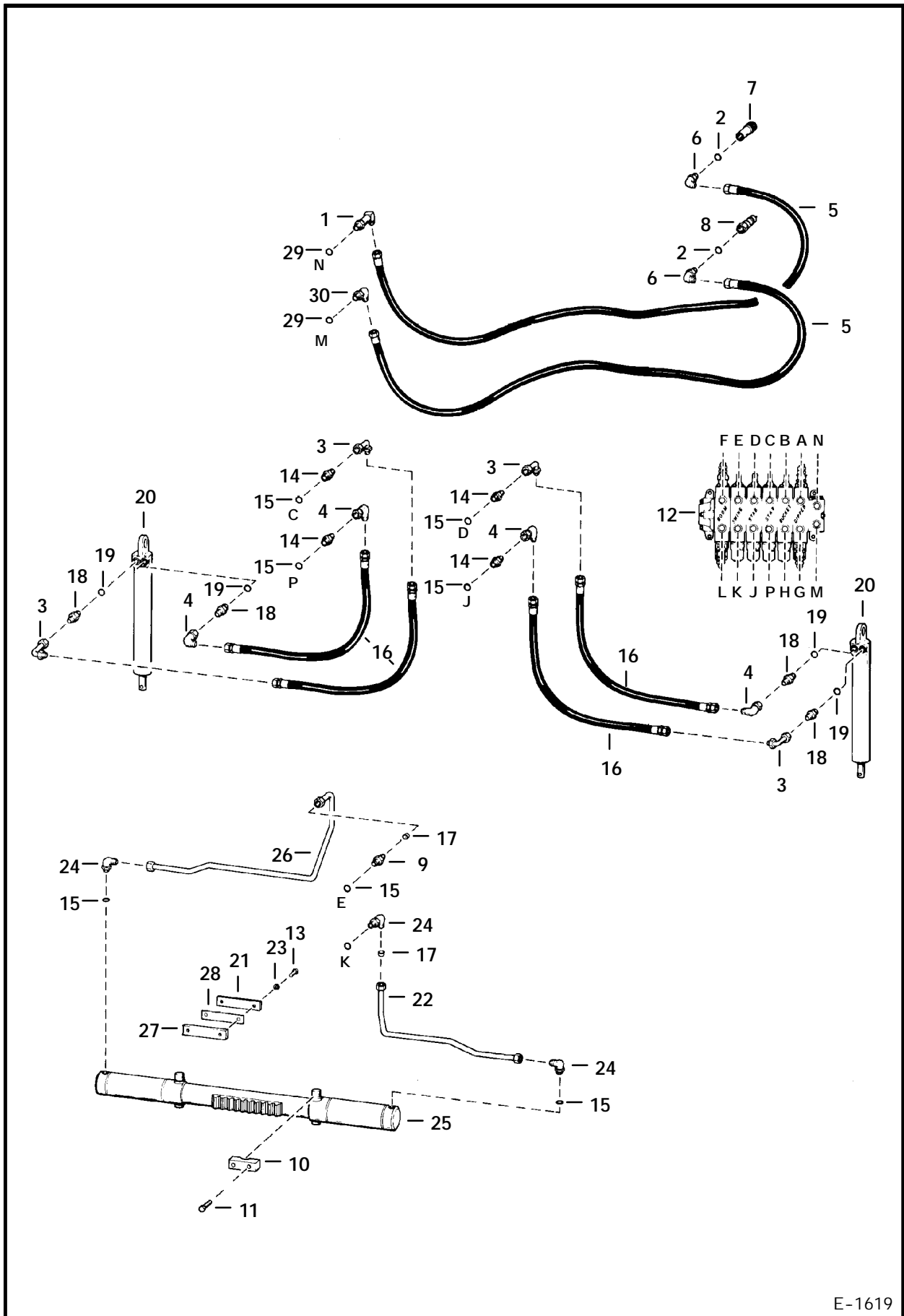
E-1377

MAIN FRAME HYDRAULICS (Cont'd)
907 Backhoe W/Cessna Valve - S/N 1425 & Below

Ref. No.	Part Number	Description	Remarks	Serial Number	Qty.
1	15K-7	ADAPTER	W/Ref. 2		2
2	79K-10	O-RING	used with poppet couplers		2
	79K-12	O-RING	used with flush face couplers		2
3	6561695	TUBE			1
4	6561694	TUBE			1
5	6560786	HOSE			2
6	17K-7	ELBOW	used with poppet couplers		2
	1302104	ELBOW	used with flush face couplers		2
7	6598758	QUICK COUPLER	Female - poppet		1
	6672960	QUICK COUPLER	female FF - Was 6667807 [A]		1
	48K-16	O-RING	for poppet coupler		1
8	6598757	QUICK COUPLER	Male - poppet		1
	6667808	QUICK COUPLER	male - flush face		1
	6672026	O-RING			1
9	15K-6	ADAPTER	W/Ref. 15		1
10	6560428	BLOCK			4
11	17C-840	BOLT			8
12		VALVE	See Page 236		1
13		MAIN FRAME	See Page 217		1
14	743108	ADAPTER	W/Ref. 15		4
15	79K-8	O-RING			8
16	6562054	TUBE			1
17	6562055	TUBE			1
18	15K-5	ADAPTER	W/Ref. 19		4
19	79K-6	O-RING			4
20		CYLINDER	stab. - See Page 244 & 246		2
21	6562053	TUBE			1
22	6562057	TUBE			1
23	6562052	TUBE			1
24	17K-6	ELBOW	W/Ref. 15		3
25		CYLINDER	swing - See Page 242		1
26	6562056	TUBE			1
27	6562539	BAR	wear		1
28	6562540	BAR	spacer		1
29	6562524	SHIM			x
30	25E-15	WASHER			2
31	17C-516	BOLT			2

MAIN FRAME HYDRAULICS

907 Backhoe W/Husco Valve - S/N 1426 & Above

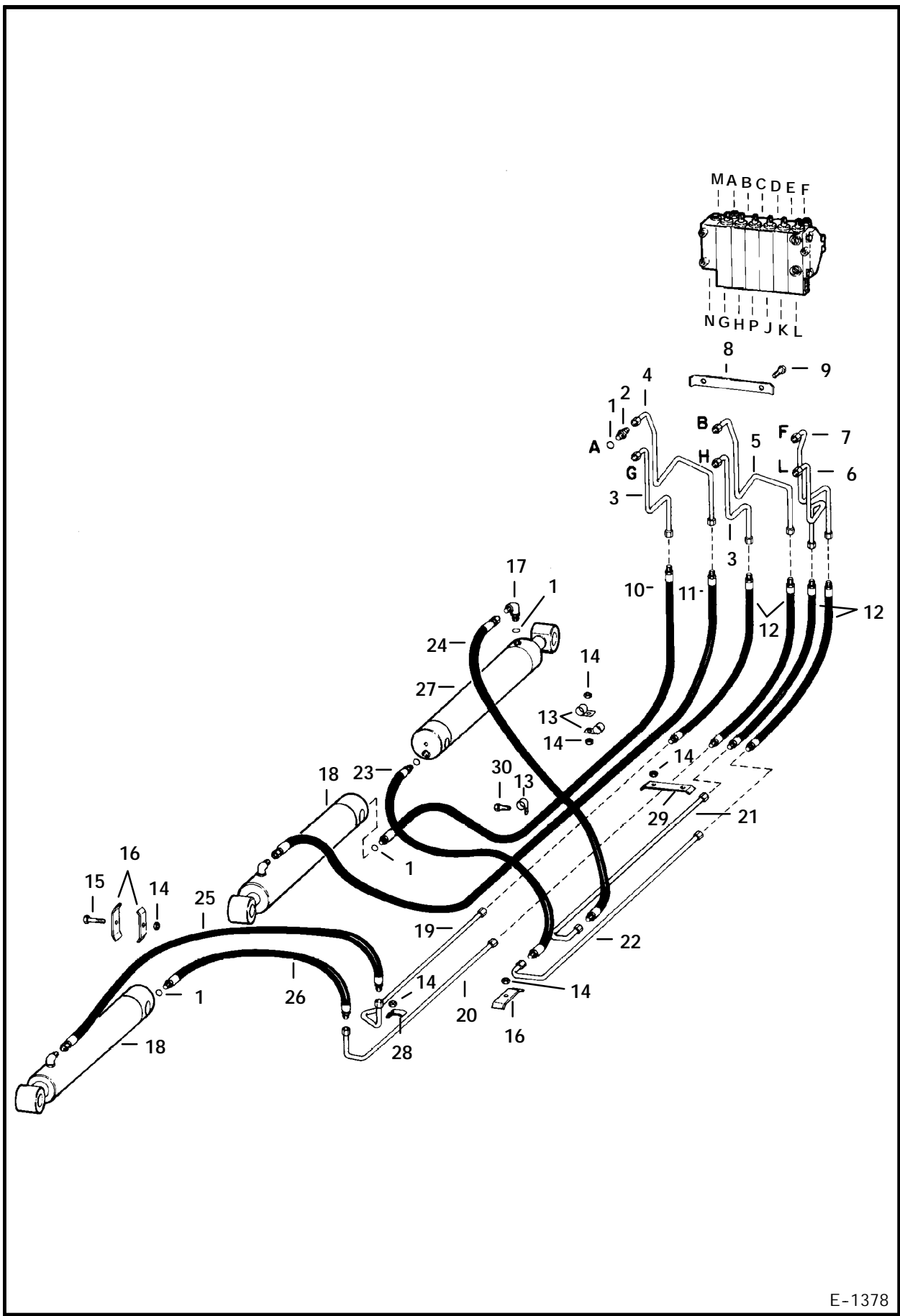


E-1619

MAIN FRAME HYDRAULICS (Cont'd)
907 Backhoe W/Husco Valve - S/N 1426 & Above

Ref. No.	Part Number	Description	Remarks	Serial Number	Qty.
1	6519195	ELBOW	W/Ref. 2		1
2	79K-10	O-RING	used with poppet couplers		2
	79K-12	O-RING	used with flush face couplers		2
3	6630814	ELBOW			4
4	11K-5	ELBOW			1
5	672554	HOSE			2
6	17K-7	ELBOW	used with poppet couplers		2
	1302104	ELBOW	used with flush face couplers		2
7	6598758	QUICK COUPLER	Female - poppet		1
	6672960	QUICK COUPLER	female FF - Was 6667807 [A]		1
	48K-16	O-RING	used with poppet coupler		1
8	6598757	QUICK COUPLER	Male - poppet		1
	6667808	QUICK COUPLER	male - flush face		1
	6672026	O-RING			1
9	15K-6	ADAPTER	W/Ref. 15		1
10	6560428	BLOCK			4
11	17C-840	BOLT			8
12		VALVE	See Page 239		1
13	17C-516	BOLT			2
14	743108	ADAPTER	W/Ref. 15		4
15	79K-8	O-RING			8
16	6593148	HOSE			4
17	6592864	ORIFICE	.077" (1,96mm) Dia.		2
18	15K-5	ADAPTER	W/Ref. 19		4
19	79K-6	O-RING			4
20		CYLINDER	stab. - See Page 244 & 246		2
21	6562524	SHIM			x
22	6592863	TUBE			1
23	25E-15	WASHER			2
24	17K-6	ELBOW	W/Ref. 15		3
25		CYLINDER	swing - See Page 242		1
26	6592862	TUBE			1
27	6562539	BAR	wear		1
28	6562540	BAR	spacer		1
29	79K-10	O-RING			2
30	17K-7	ELBOW			1

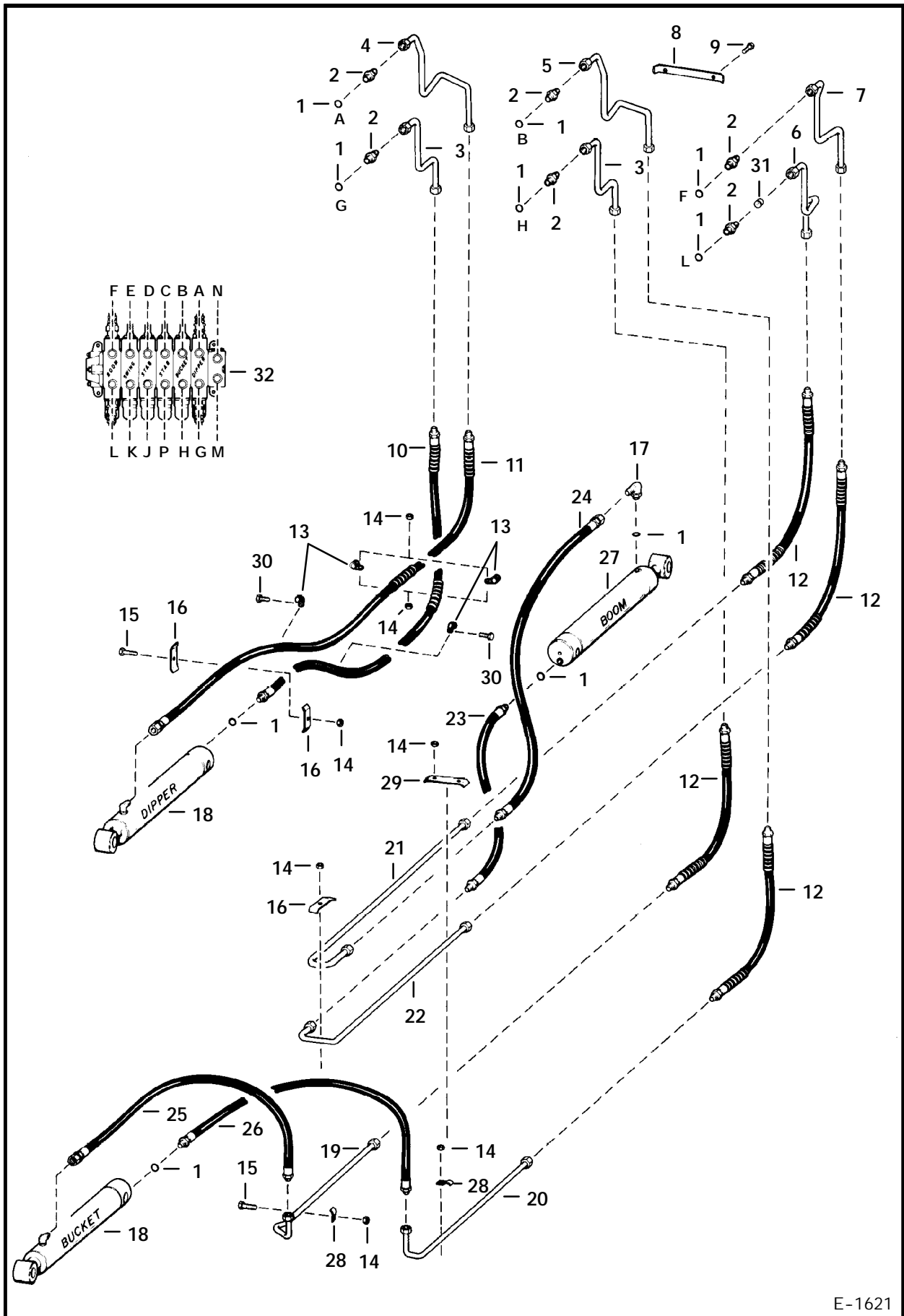
BOOM HYDRAULIC CIRCUITRY
907 Backhoe W/Cessna Valve - S/N 1425 & Below



E-1378

BOOM HYDRAULIC CIRCUITRY

907 Backhoe W/Huscoco Valve - S/N 1426 & Above



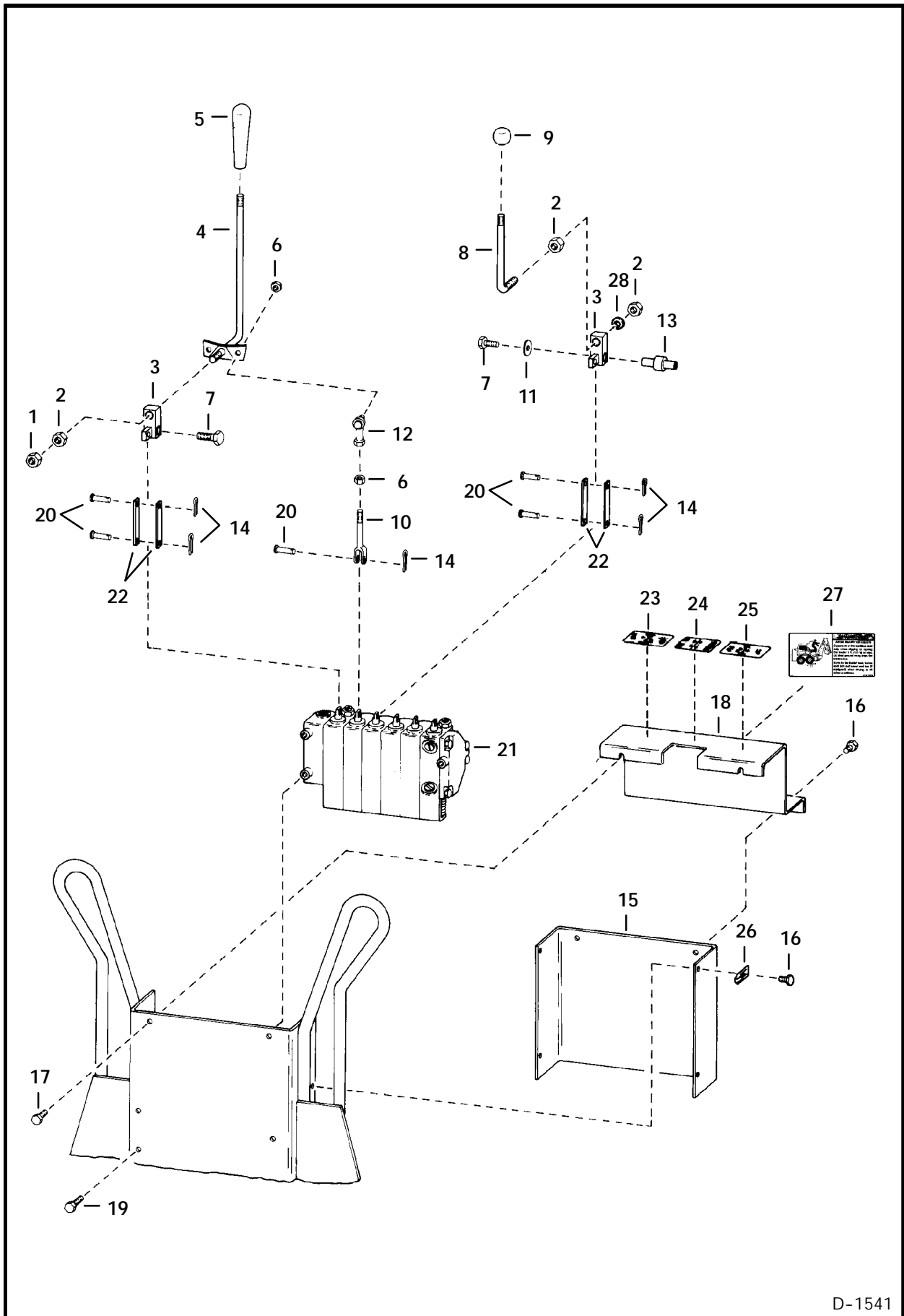
E-1621

BOOM HYDRAULIC CIRCUITRY (Cont'd)
907 Backhoe W/Husco Valve - S/N 1426 & Above

Ref. No.	Part Number	Description	Remarks	Serial Number	Qty.
1	79K-8	O-RING			x
2	15K-6	ADAPTER	W/Ref. 1		6
3	6592843	TUBE			2
4	6592847	TUBE			1
5	6592846	TUBE			1
6	6592845	TUBE			1
7	6592844	TUBE			1
8	6560554	CLAMP			1
9	84G-3724	BOLT			4
10	6563261	HOSE			1
11	6563262	HOSE			1
12	6563260	HOSE			4
13	30H-46	CLAMP			4
14	85D-6	NUT			10
15	17C-628	BOLT			2
16	6502426	CLAMP			4
17	17K-6	ELBOW	W/Ref. 1		1
18	6591927	CYLINDER	See Page 250		2
19	6562009	TUBE			1
20	6561915	TUBE			1
21	6561914	TUBE			1
22	6561913	TUBE			1
23	6591938	HOSE			1
24	713246	HOSE			1
25	6563443	HOSE			1
26	6563444	HOSE			1
27	6592180	CYLINDER	See Page 248		1
28	6562266	CLAMP			2
29	6562267	CLAMP			1
30	84G-3110	BOLT			2
31	6592865	ORIFICE	.1375" (3,49mm) Dia.		1
32		VALVE	See Page 239		1

CONTROL LEVERS

907 Backhoe W/Cessna Valve - S/N 1425 & Below



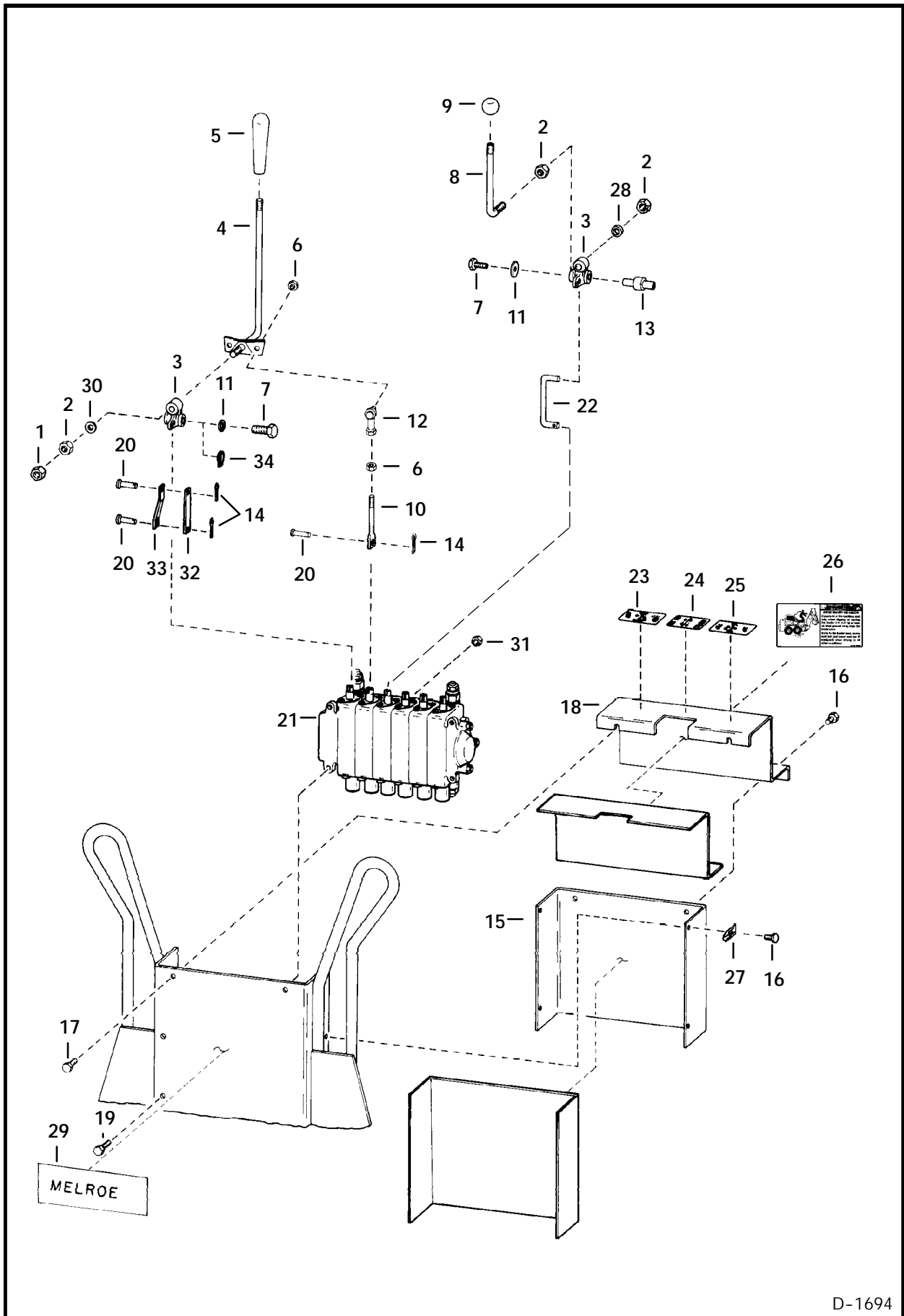
D-1541

CONTROL LEVERS (Cont'd)
907 Backhoe W/Cessna Valve - S/N 1425 & Below

Ref. No.	Part Number	Description	Remarks	Serial Number	Qty.
1	85D-8	NUT			2
2	61D-8	NUT			6
3	NAP	BLOCK	steel - Order 6591949 Ref. 28		4
	6591949	BLOCK	cast - Aluminum		4
4	6592559	LEVER			1
5	6510093	KNOB			2
6	62D-5	NUT			4
7	17C-510	BOLT			2
8	6560871	LEVER			2
9	6515888	KNOB			2
10	6560058	YOKE			2
11	25E-16	WASHER			2
12	6512356	BALL JOINT			2
13	6561538	PIN	spacer		1
14	1F-308	COTTER PIN			10
15	6560877	PANEL			1
16	17C-408	BOLT			2
17	6557283	BOLT			6
18	6560878	COVER			1
19	17C-712	BOLT			3
20	6560872	PIN			10
21		VALVE	See Page 236		1
22	6561553	LINK			8
23	6558050	DECAL			1
24	6561397	DECAL			1
25	6558049	DECAL			1
26	6513992	RETAINER			6
27	6596591	DECAL	Was 6562925 [A]		1
28	6599359	WASHER			2

CONTROL LEVERS

907 Backhoe W/Husco Valve - S/N 1426 & Above



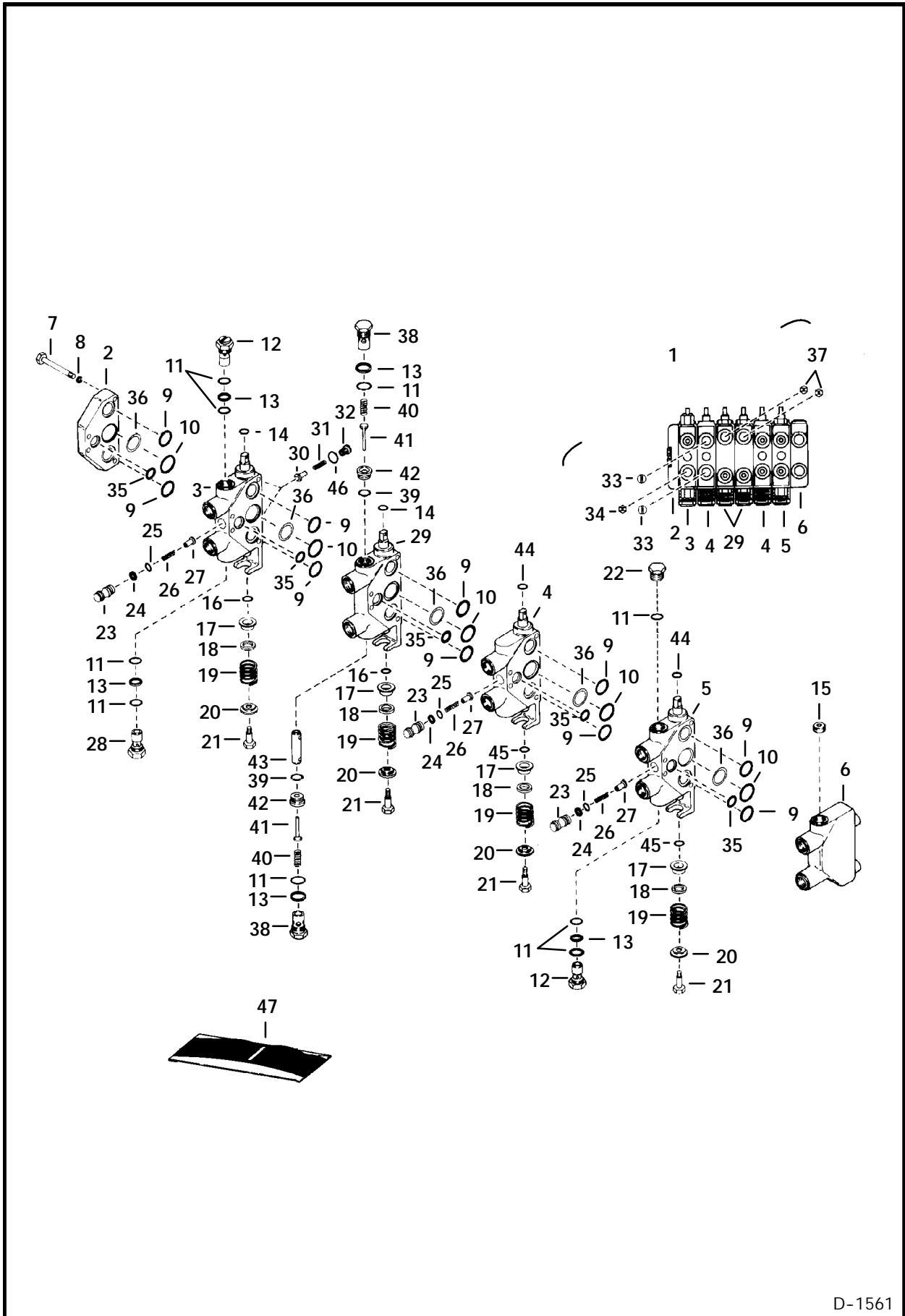
D-1694

CONTROL LEVERS (Cont'd)
907 Backhoe W/Husco Valve - S/N 1426 & Above

Ref. No.	Part Number	Description	Remarks	Serial Number	Qty.
1	85D-8	NUT			2
2	7D-8	NUT			6
3	6591949	BLOCK	cast - Aluminum		4
4	6592559	LEVER			2
5	6510093	KNOB			2
6	62D-5	NUT			4
7	17C-510	BOLT			2
8	6560871	LEVER			2
9	6515888	KNOB			2
10	6592810	ROD			2
11	25E-16	WASHER			2
12	6512356	BALL JOINT			2
13	6561538	PIN	spacer		1
14	1F-208	COTTER PIN			6
15	6560877	PANEL			1
16	17C-412	BOLT			2
17	84G-3112	BOLT	Was 6557283 [B]		6
18	6560878	COVER			1
19	17C-620	BOLT			4
20	6592812	PIN			6
21		VALVE	See Page 239		1
22	6529533	LINK			2
23	6558050	DECAL			1
24	6561397	DECAL			1
25	6558049	DECAL			1
26	6596591	DECAL	warning - Was 6562925 [A]		1
27	6513992	RETAINER			6
28	6599359	WASHER			2
29	6569849	DECAL			1
30	25E-21	WASHER			2
31	85D-6	NUT			4
32	6592808	LINK			2
33	6592809	LINK			2
34	1315207	SNAP RING		2886 & Above	2

CESSNA VALVE

907 Backhoe - S/N 1425 & Below

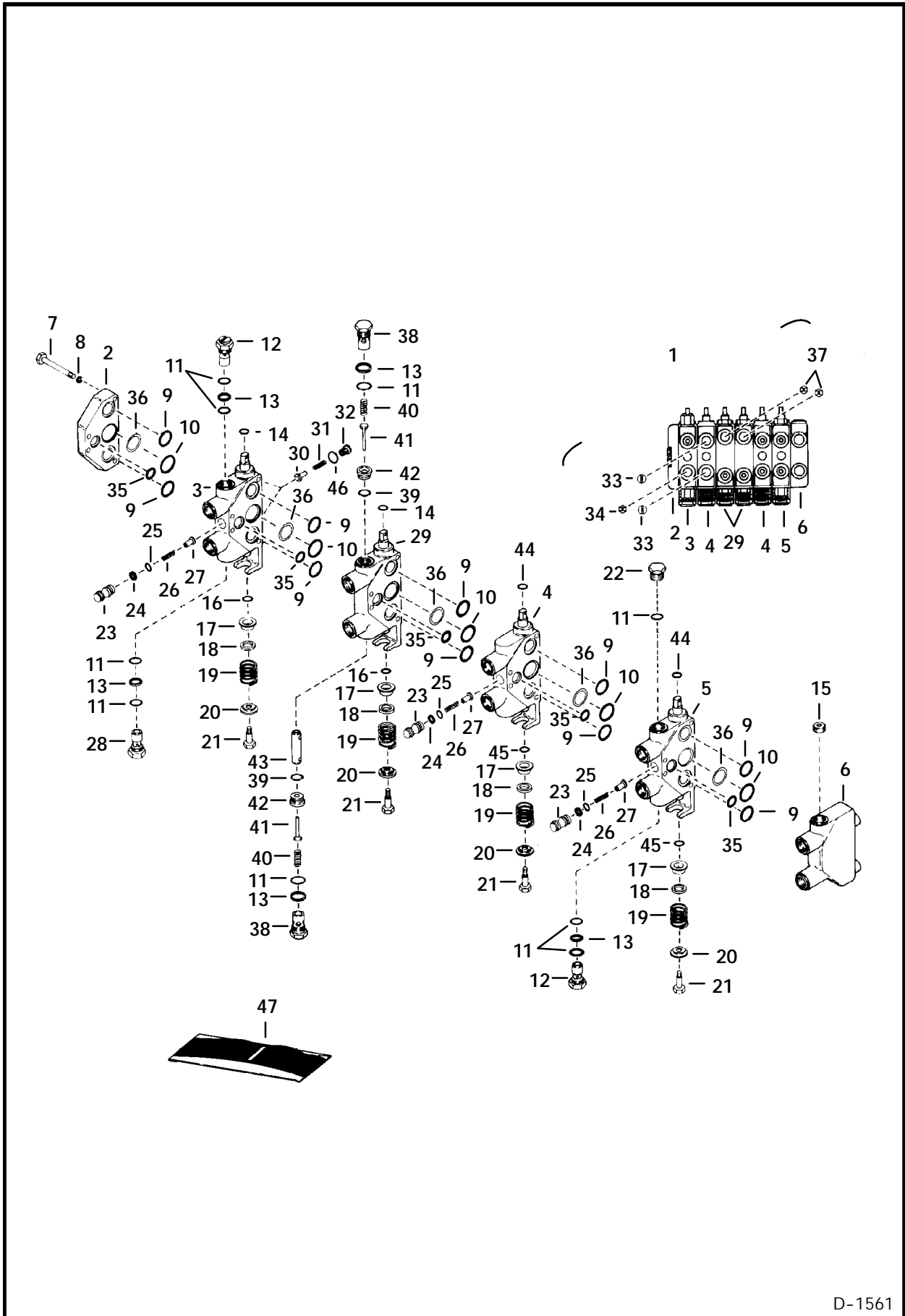


D-1561

CESSNA VALVE (Cont'd)
907 Backhoe - S/N 1425 & Below

Ref. No.	Part Number	Description	Remarks	Serial Number	Qty.
1	NAP	VALVE	control - Less Ref. 22 - Was 6592447 [A]		1
2	6510041	PLATE	end		1
3	NSS	SECTION	valve (Boom) - Order Ref. 1 - Was 6598345 [A]		1
4	NSS	SECTION	valve (Bucket & Swing) - Order Ref. 1 - Was 6598201 [A]		2
5	NSS	SECTION	valve (Crowd) - Was 6513626 [A]		1
6	6510042	PLATE	port		1
7	17C-6174	BOLT			4
8	25E-6	WASHER			4
9	NSS	O-RING			14
10	NSS	O-RING			7
11	NSS	O-RING			8
12	6512603	RELIEF VALVE			1
13	NSS	WASHER	back-up		4
14	NSS	O-RING			6
15	6510063	PLUG			1
16	NSS	O-RING			x
17	4149070	WASHER	deep		6
18	4149072	SPACER	wire		6
19	6510048	SPRING			6
20	4149067	WASHER	shallow		6
21	947750	BOLT			6
22	6518043	PLUG			1
23	4149069	BODY	lift check		6
24	NSS	WASHER	back-up		6
25	NSS	O-RING			6
26	1550482	SPRING			6
27	4149071	PLUNGER	lift check		6
28	6512602	RELIEF VALVE			2
29	6599493	SECTION	valve - Stabilizer		2
30	994793	PLUNGER			2
31	6510047	SPRING			2
32	6598346	PLUG			2
33	6598437	ORIFICE	.075" (1,91mm) Dia.		2
34	NSS	ORIFICE	.138" (3,51mm) Dia. - Was 6518042 [A]		1
35	NSS	O-RING			7
36	NSS	WASHER			7
37	6598752	ORIFICE	.081" (2,06mm) Dia.		2
38	6598783	PLUG	W/Ref. 11 & 13		4
39	NSS	O-RING			6
40	6598779	SPRING			4
41	6598780	POPPET	Was 6599494 [A]		4
42	6598782	SEAT			4
43	6598781	PLUNGER			4
44	NSS	O-RING			3
45	NSS	O-RING			3
46	58K-110	O-RING			1

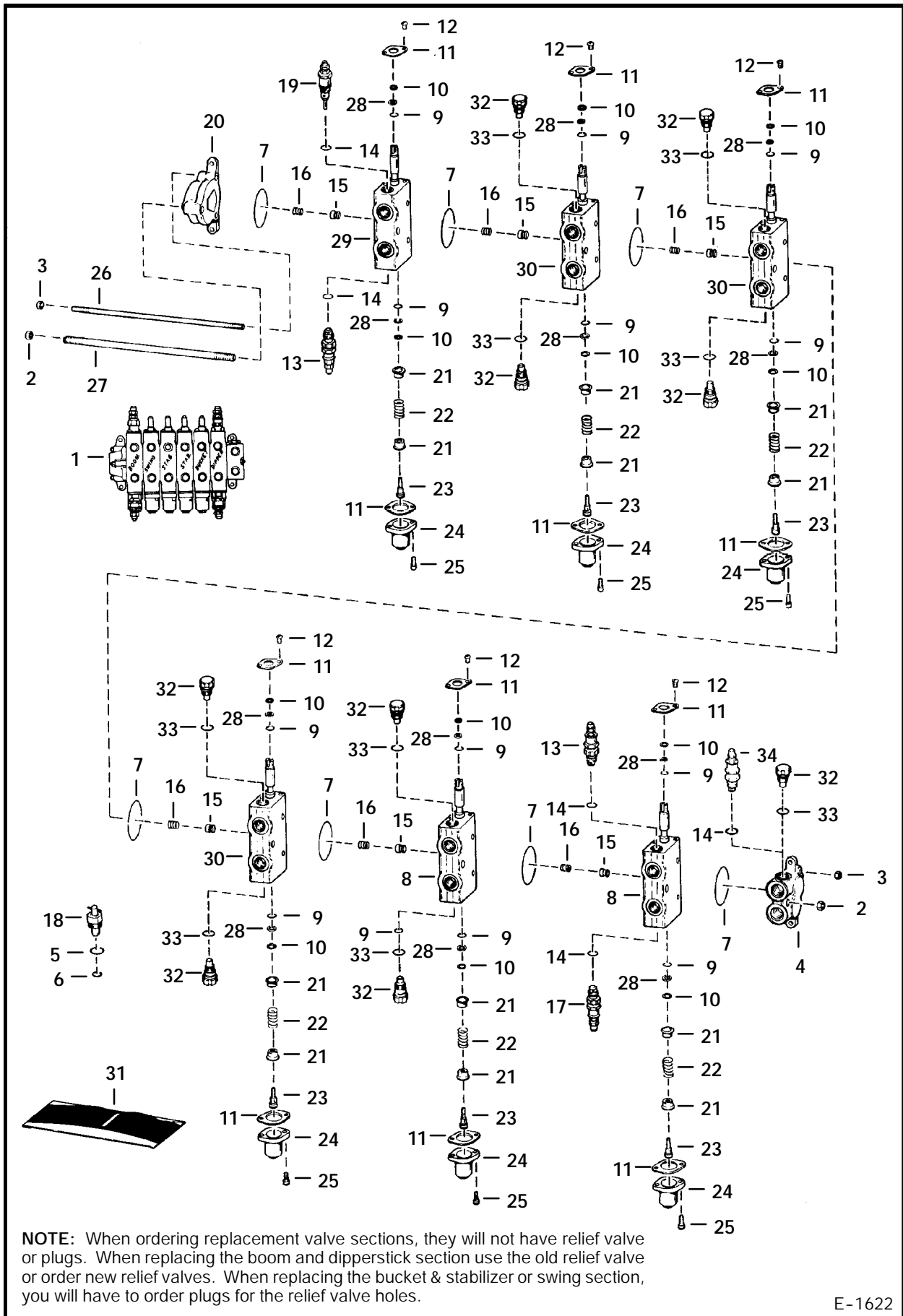
CESSNA VALVE (Cont'd)
 907 Backhoe - S/N 1425 & Below



D-1561

HUSCO VALVE

907 Backhoe - S/N 1426 & Above

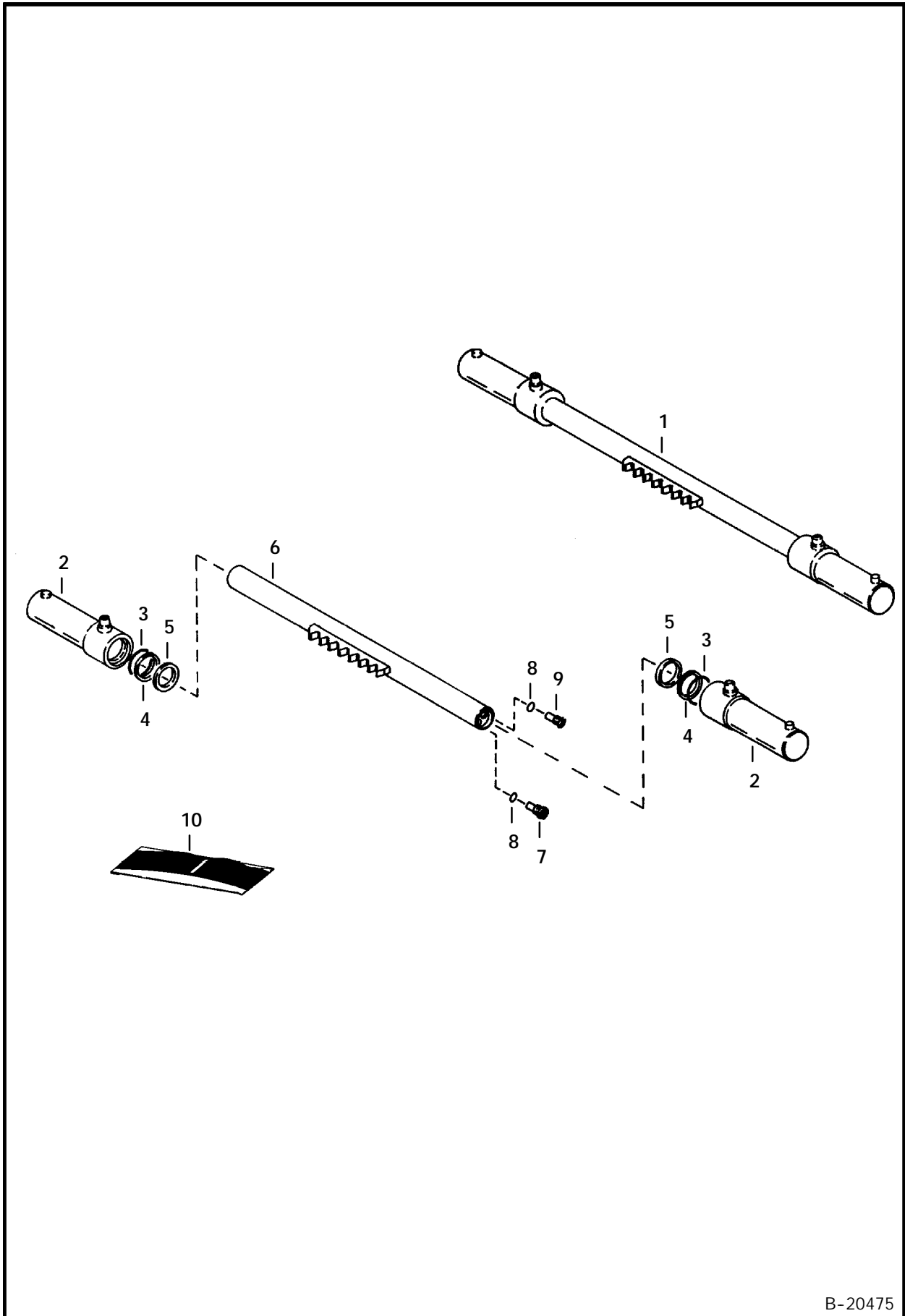


E-1622

HUSCO VALVE (Cont'd)
907 Backhoe - S/N 1426 & Above

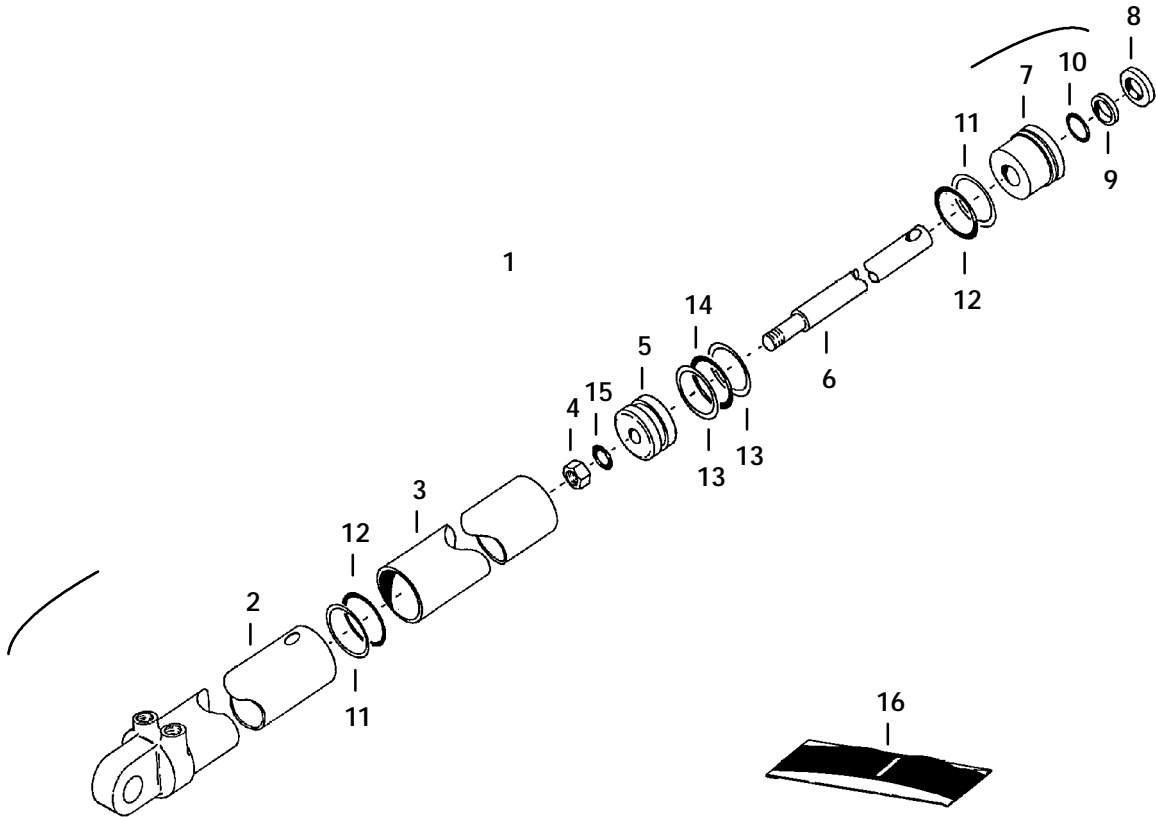
Ref. No.	Part Number	Description	Remarks	Serial Number	Qty.
1	6655020	VALVE	Was 6651860 [A]		1
2	62D-6	NUT			2
3	61D-5	NUT			4
4	6651869	SECTION	inlet - W/Ref. 7-Was 6646686 [A]		1
5	79K-10	O-RING			7
6	58K-110	O-RING			x
7	6646691	O-RING	Was 25K-40208 [A]		7
8	6646689	SECTION	bucket dipper - W/O Ref. 13 & 17 W/Ref. 7, 9 - 12, 15, 16, 21 - 25 & 29 - See Note-Was 6630959 [A]		2
9	NSS	O-RING	Was 25K-30018 [A]		6
10	NSS	WIPER	Was 948021 [A]		12
11	948016	PLATE			12
12	93G-406	SCREW	Was 89G-406 [A]		12
13	6646679	RELIEF VALVE	Was 966133 [A]		2
14	961240	O-RING			5
15	6630965	POPPET			6
16	6630966	SPRING			6
17	6646701	RELIEF VALVE	Was 966132 [A]		1
18	945193	PLUG	W/Ref. 5 & 6 - Was 966134 [A]		x
19	6517503	RELIEF VALVE			1
20	948010	CAP	end		1
21	948017	SEAT	spring		12
22	948018	SPRING			6
23	948191	SCREW			6
24	948192	CAP			6
25	73G-412	SCREW	Was 11G-412 [A]		12
26	6514391	BOLT	tie		2
27	6514392	BOLT	tie		1
28	NSS	WASHER			12
29	6646688	SECTION	boom - W/Ref. 7, 9 - 12, 15, 16, 21 - 25 & 29 - W/O Ref. 13 & 19		1
30	6646687	SECTION	swing stab. - W/Ref. 7, 9 - 12, 15, 16, 21 - 25 & 29		3
31	6630136	SEAL KIT	O-Rings & Back-Up Rings for Ref. 19		1
	6646695	SEAL KIT	O-Rings & Back-Up Ring for Ref. 13 & 17 - Was 6630962 [A]		1
	6646698	SEAL KIT	spool - W/Ref. 9, 10 & 28		x
	6661236	SEAL KIT	complete - Includes 6646695, 6646698, 6630136 & Ref. 7 - Was 6652871 [A]		x
32	6652869	PLUG	W/Ref. 33 - Now Reusable Plug - Was 6649667 [A]		x
33	NSS	SEAL	Was 6649668 [A]		x
34	6651867	RELIEF VALVE	2150 PSI		1

SWING CYLINDER
907 Backhoe



B-20475

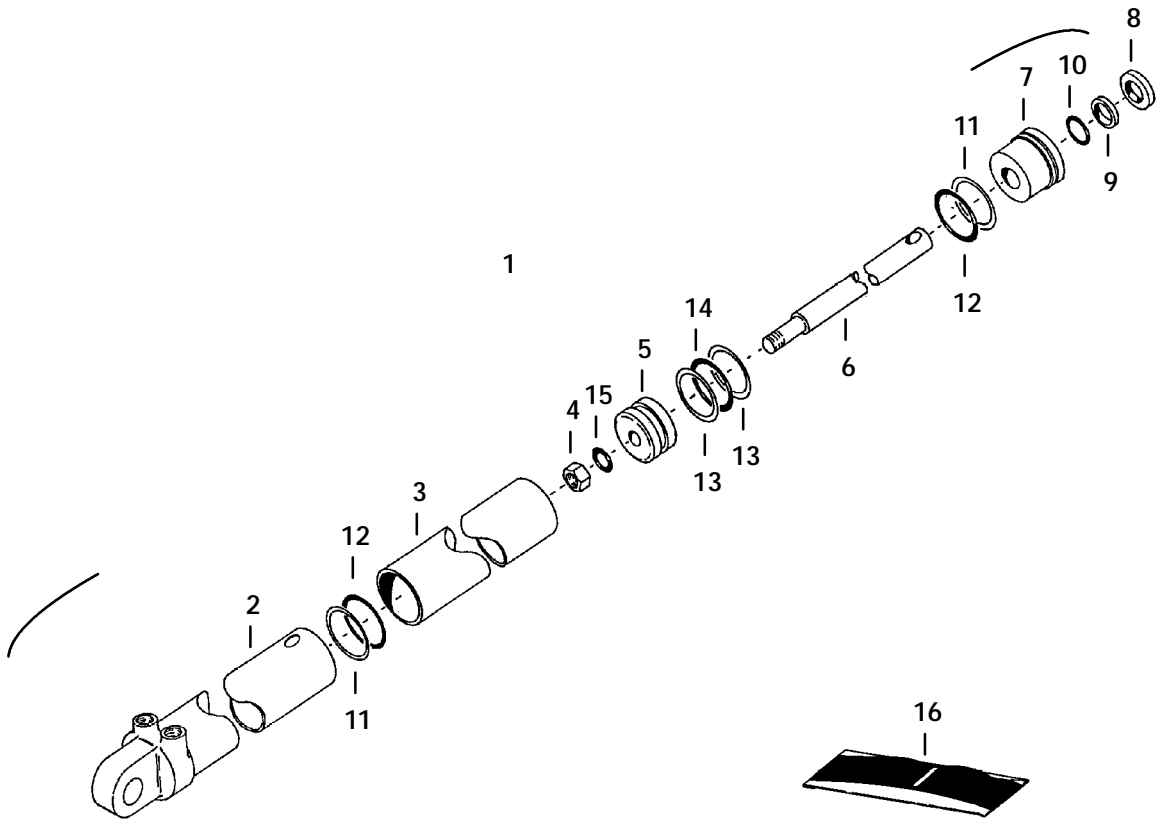
STABILIZER CYLINDER 907 - Cessna



NOTE: Cylinder head has flat sides for wrench.

C-1203A

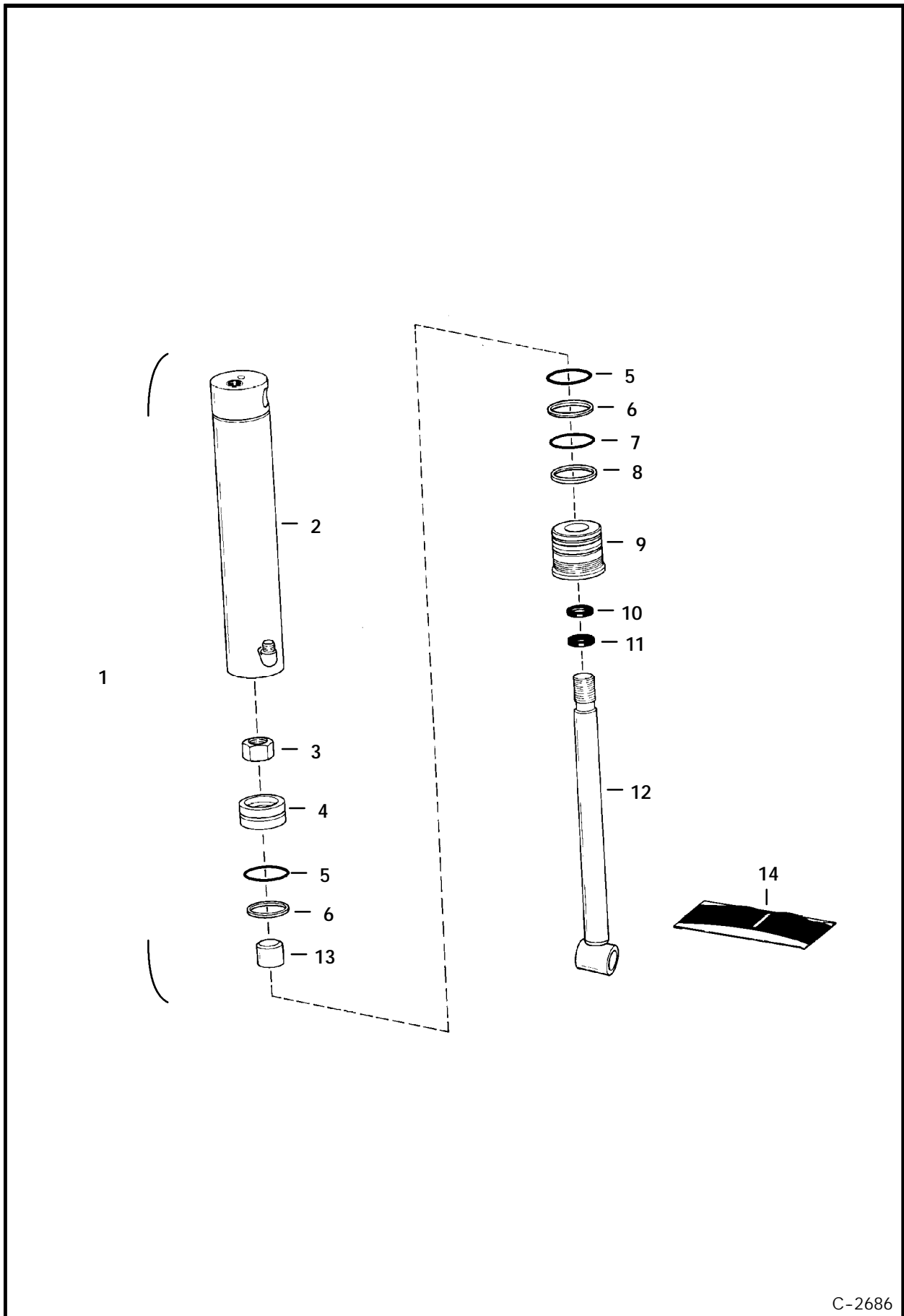
STABILIZER CYLINDER 907 - Bobcat



NOTE: Cylinder head has spanner wrench dowel pin holes.

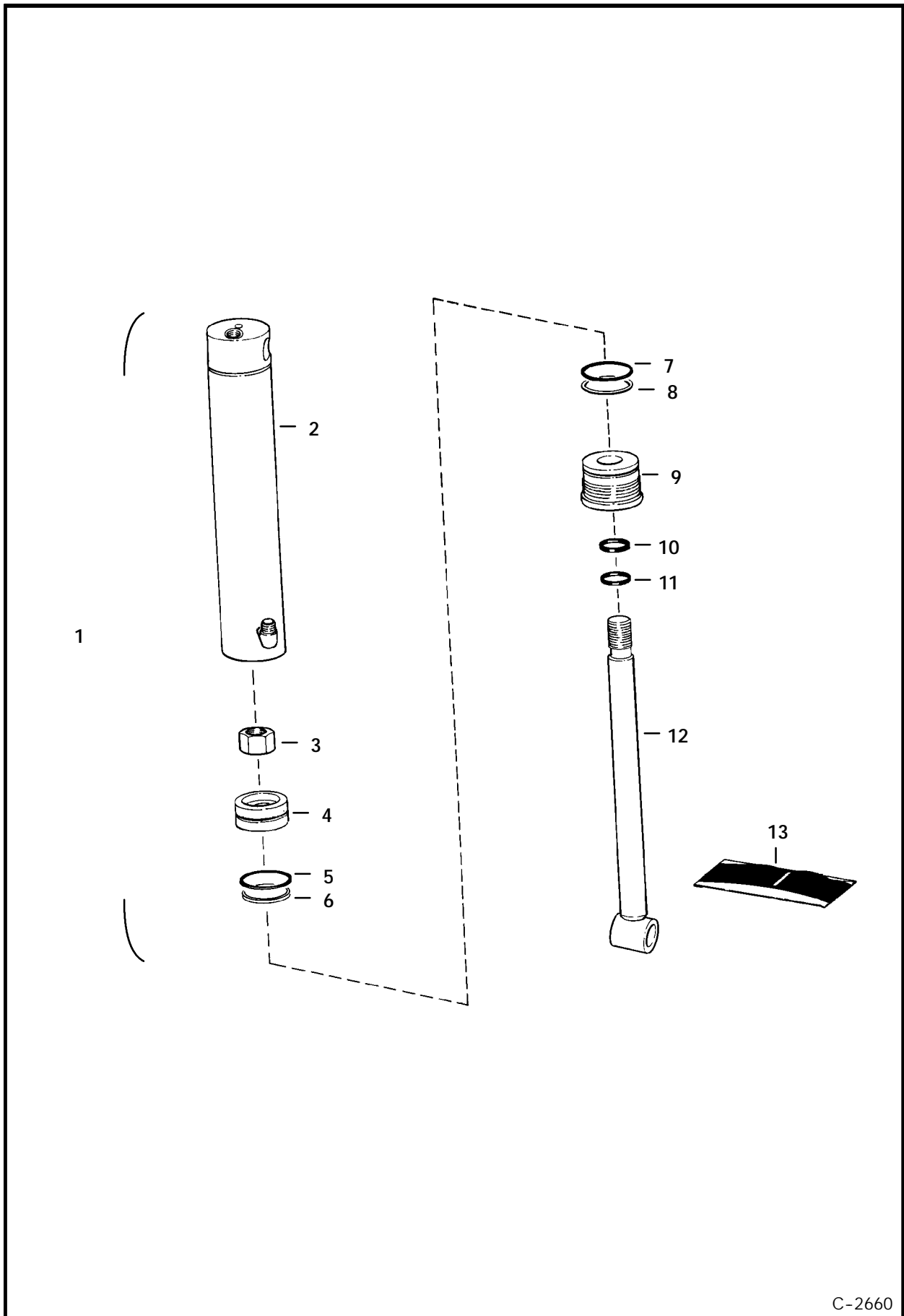
B-20477

BOOM CYLINDER
907 Backhoe



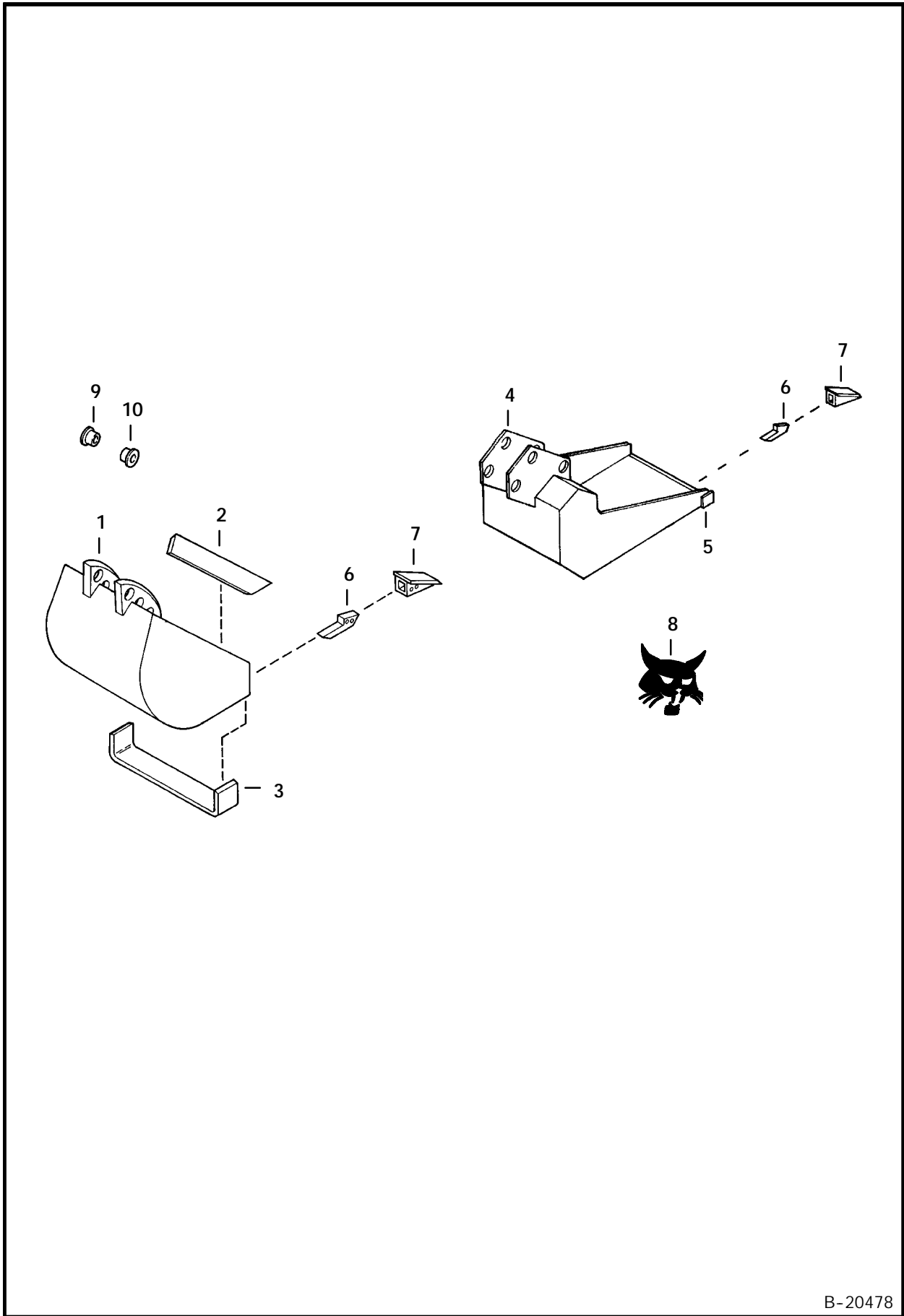
C-2686

BUCKET & DIPPERSTICK CYLINDER
907 Backhoe



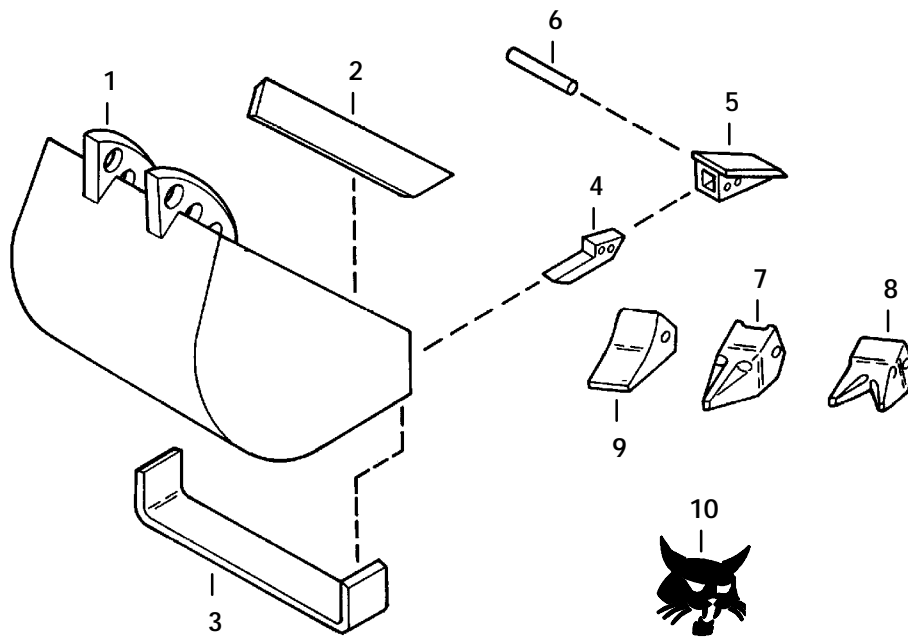
C-2660

BACKHOE BUCKETS
W/4" (101,6mm) Cutting Edge - 907



B-20478

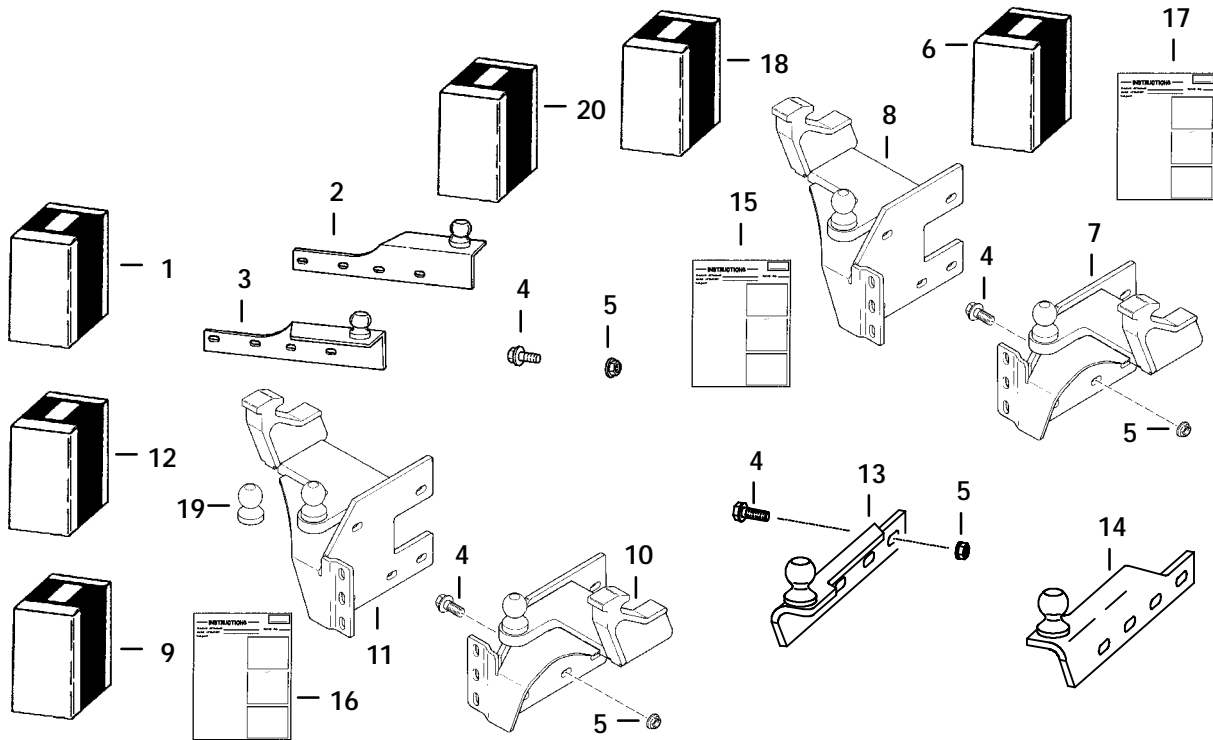
BACKHOE BUCKETS
W/6" (152,4mm) Cutting Edge - 907



B-13654

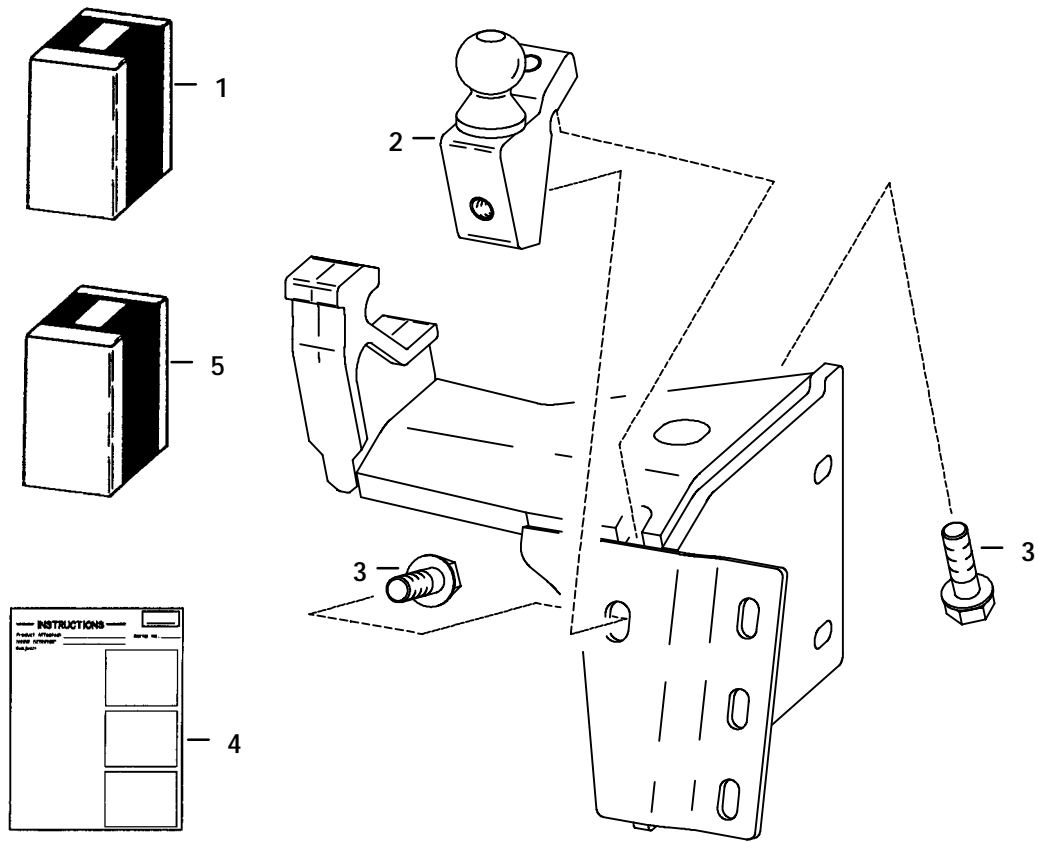
MOUNTING KITS 907 Backhoe

NOTE: Order Mounting Kits from Gwinner Sales.
Ref. 6 - SALES # 6538130
Ref. 9 - SALES # 6538674
Ref. 12 - SALES # 6534612



B-20479

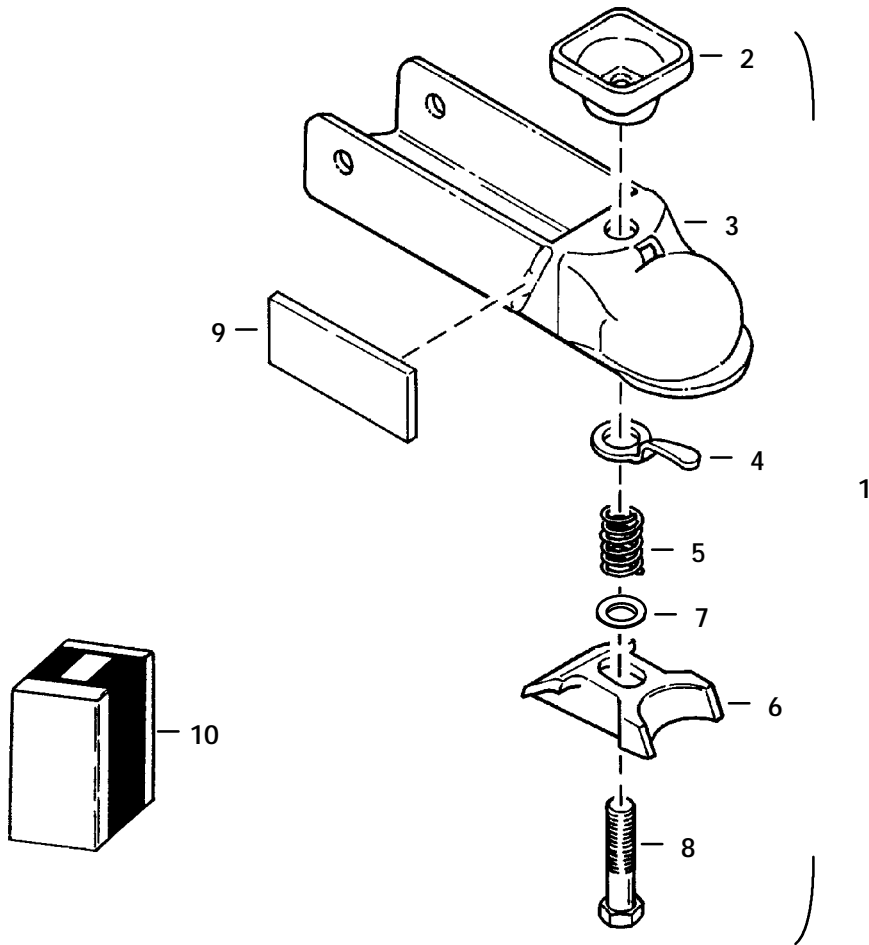
MOUNTING BALL CONVERSION KIT



NOTE: This kit can be added to the 709 Backhoe mounting kit 6538707 (753 Loader) for mounting a 907 or 909 Backhoe.

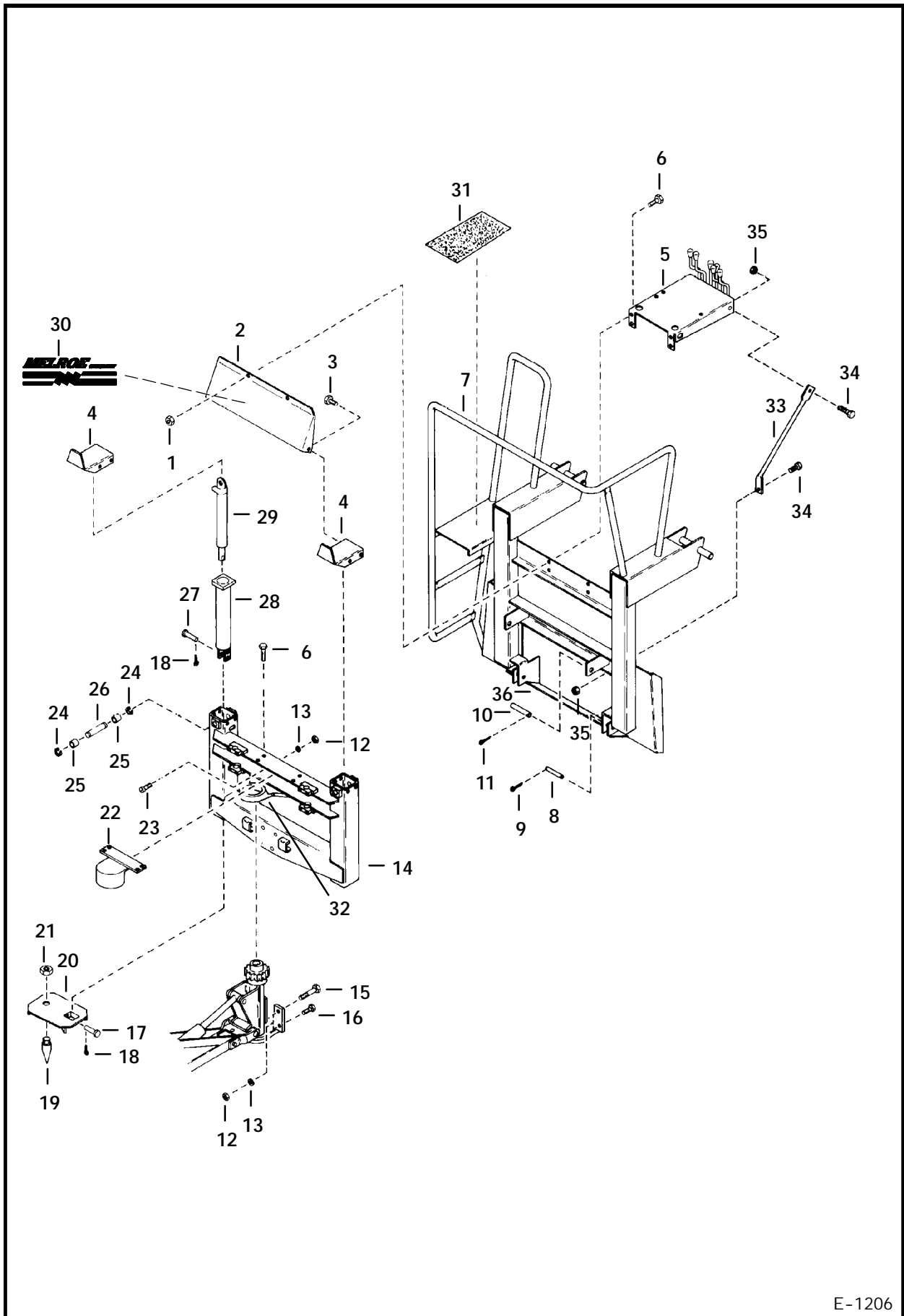
TS-1069A

COUPLER ASSEMBLY
907 Backhoe



B-4293

MAIN FRAME 908A

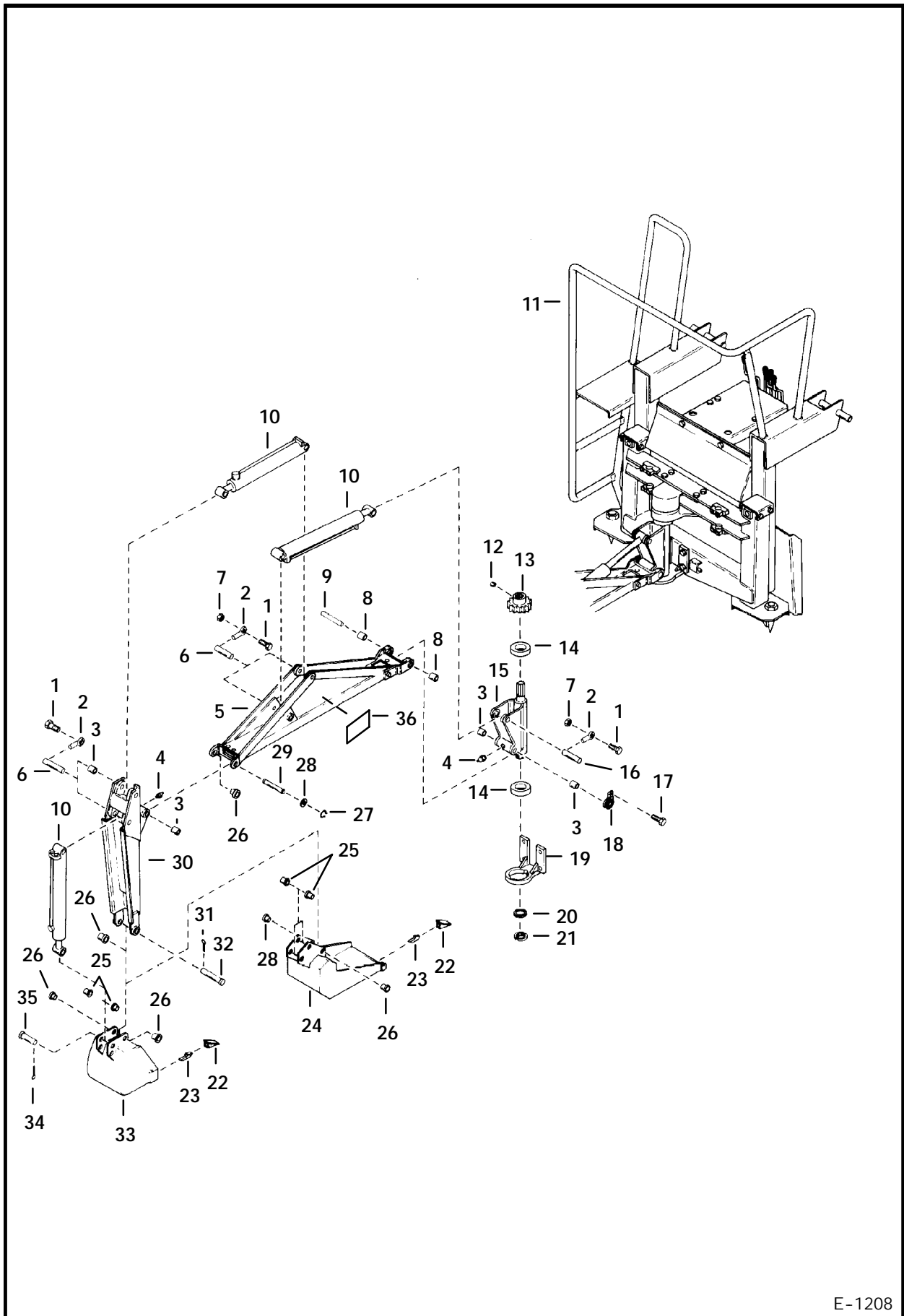


E-1206

MAIN FRAME (Cont'd)
908A

Ref. No.	Part Number	Description	Remarks	Serial Number	Qty.
1	81D-6	NUT			4
2	6558060	COVER			1
3	14G-512	BOLT			x
4	6517981	COVER	See Page 265		1
5		CONTROL ASSY.			1
6	17C-620	BOLT			4
7	6557803	MAIN FRAME			1
8	6546986	PIN			2
9	1F-620	COTTER PIN			4
10	6502401	PIN			2
11	1F-820	COTTER PIN			2
12	61D-10	NUT			5
13	4E-10	WASHER	Was 6517950 [A]		5
14	NAP	FRAME			1
15	15C-10104	BOLT			2
16	17C-1024	BOLT			2
17	6517955	HINGE PIN			2
18	1F-420	COTTER PIN			2
19	6502468	SPIKE	L.H. R.H.		2
20	6517954	PAD			1
	6518553	PAD			1
21	62D-20	NUT			2
22	6517979	COVER			1
23	6517978	GUIDE			1
24	710822	RETAINER			2
25	6517952	SPACER			2
26	6517953	PIN			1
27	6517982	PIN	See Page 292 & 294		2
28	6517983	STABILIZER			2
29		CYLINDER			2
30	6569849	DECAL	Melroe		1
31	6557902	SAFETY TREAD			1
32	6518997	HOUSING			1
33	6560970	BRACE			2
34	17C-612	BOLT			4
35	61D-6	NUT			4
36	6561746	CROSSMEMBER			1

BOOM & DIPPERSTICK 908A

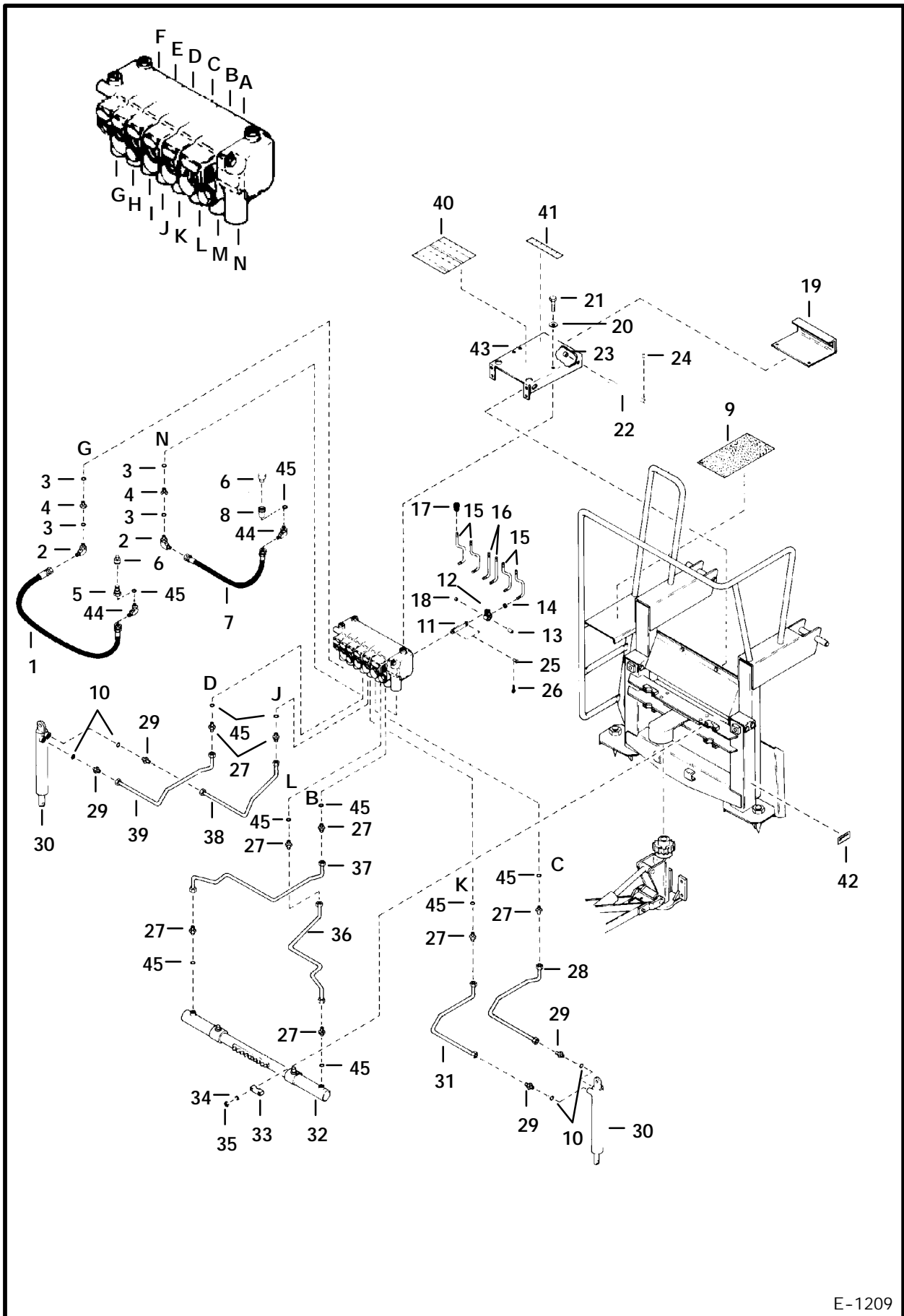


E-1208

BOOM & DIPPERSTICK (Cont'd)
908A

Ref. No.	Part Number	Description	Remarks	Serial Number	Qty.
1	17C-624	BOLT			5
2	6517976	RETAINER			5
3	6517959	BUSHING			6
4	10H-35	GREASE ZERK			2
5	6517965	BOOM	W/Ref. 8 & 26		1
6	6517975	PIN			4
7	61D-6	NUT			3
8	6517964	BUSHING			2
9	6517977	PIN			1
10		CYLINDER	boom - See Page 296 & 298		3
11		MAIN FRAME	See Page 261		1
12*	NAP	SET SCREW	Was 15G-608 [A]		1
13	6517956	GEAR	swing		1
14	6517957	BEARING			1
15	6517958	POST	swing - W/Ref. 3 & 4		1
16	6518551	PIN			1
17	17C-816	BOLT			1
18	6517960	BUMPER			2
19	6517961	HOUSING			1
20	6517963	WASHER			1
21	6517962	NUT	spanner		1
22	1550017	TOOTH			x
23	6515119	SHANK			x
24	SALES	BUCKET	bell hole - See Page 300		1
25	6517985	BUSHING			2
26	6517966	BUSHING			3
27	659764	SNAP RING			1
28	6517968	WASHER			1
29	6517967	PIN			1
30	6517969	CROWD	W/Ref. 3 & 4		1
31	1F-1232	COTTER PIN			1
32	6517970	PIN			1
33	SALES	BUCKET	standard - See Page 300 & 302		1
34	1F-828	COTTER PIN			1
35	6517971	PIN			1
36	6560986	DECAL	logo - L.H.		1
	6560987	DECAL	logo - R.H.		1

MAIN FRAME HYDRAULICS 908A

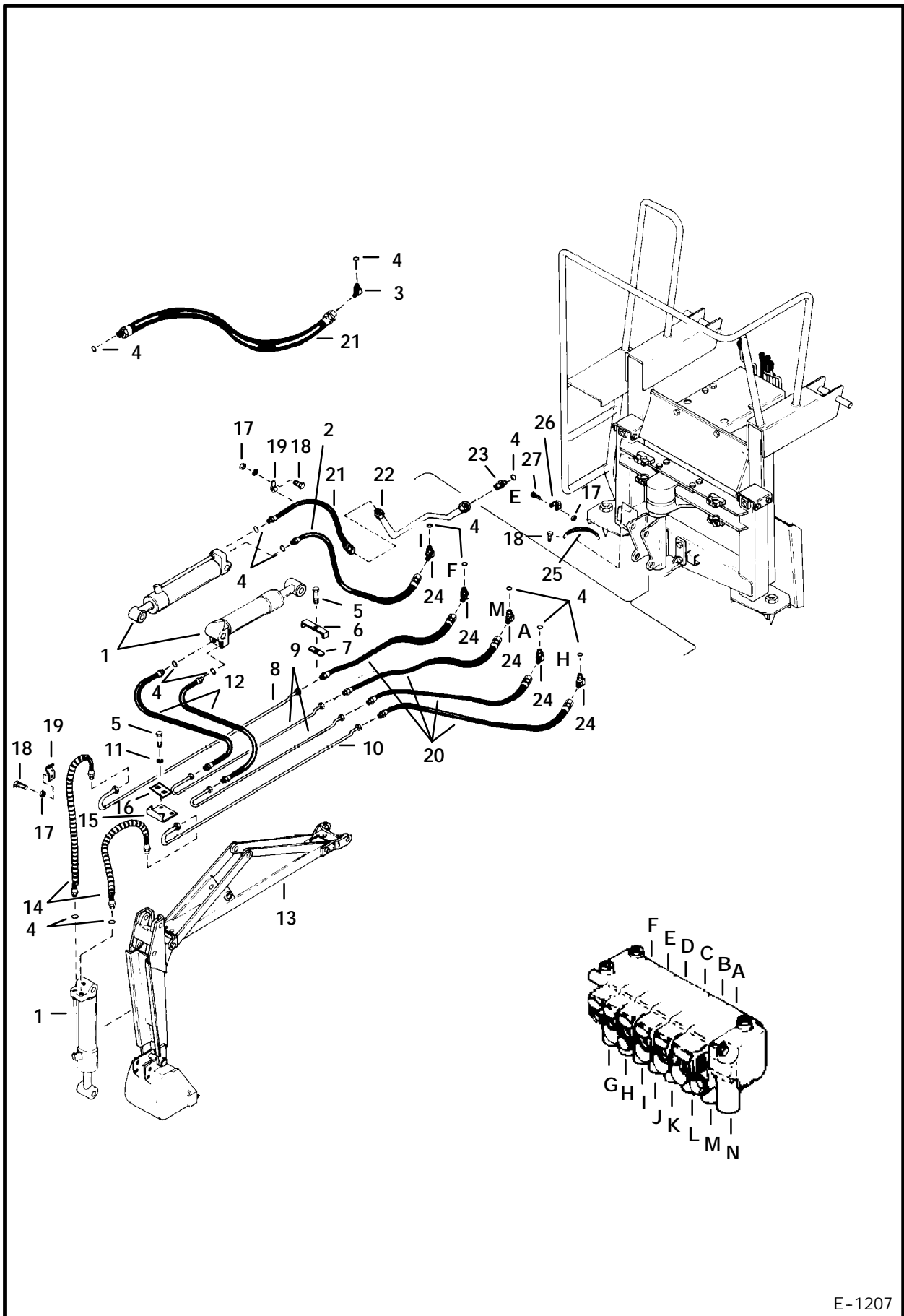


E-1209

MAIN FRAME HYDRAULICS (Cont'd)
908A

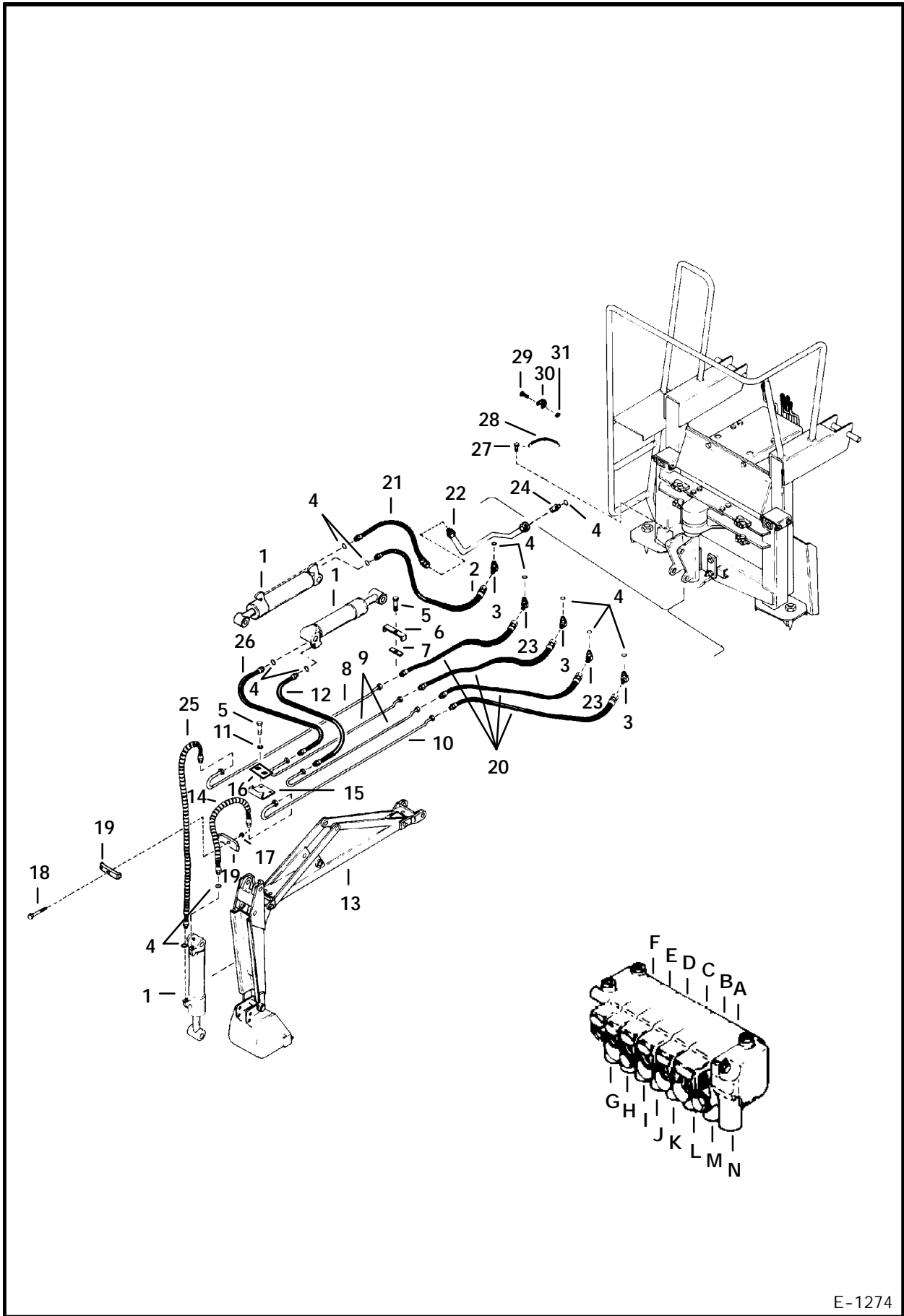
Ref. No.	Part Number	Description	Remarks	Serial Number	Qty.
1	6560315	HOSE			1
2	17K-7	ELBOW	W/Ref. 3		2
3	79K-10	O-RING			x
4	93F-7	ADAPTER	W/Ref. 3		1
5	6513634	QUICK COUPLER	male - poppet		1
	6667806	QUICK COUPLER	male - flush face		1
6	6669659	O-RING			1
	6513709	CAP & PLUG	assy. - Rubber		1
	6515168	CAP	Steel		1
7	6515167	PLUG	Steel		1
	6560316	HOSE			1
8	6512159	QUICK COUPLER	female - poppet		1
	6667805	QUICK COUPLER	female - flush face		1
	58K-211	O-RING	used with poppet coupler		1
9	6557902	SAFETY TREAD			1
10	79K-6	O-RING			x
11	6510131	LINK			12
12	6510132	PIVOT			6
13	6510315	BUSHING			12
14	7D-6	NUT			6
15	6557857	LEVER			4
16	6557858	LEVER			2
17	6510130	KNOB			6
18	NAP	SPACER	Was 6510317 [A]		5
19	6518005	COVER			1
20	25E-20	WASHER			3
21	17C-712	BOLT			3
22	6518000	SHAFT			1
23	6518001	BUSHING			2
24	659648	ROLL PIN	Was 654724 [A]		1
25	6518002	PIN			12
26	1F-208	COTTER PIN			12
27	15K-6	ADAPTER	W/Ref. 45		8
28	NAP	TUBE	Was 6557851 [A]		1
29	755056	ADAPTER	W/Ref. 10		4
30		CYLINDER	stab. - See Page 292 & 294		2
31	NAP	TUBE	Was 6557852 [A]		1
32	6518012	CYLINDER	swing - See Page 290		1
33	6518969	RETAINER			4
34	4E-6	WASHER			8
35	61D-6	NUT			8
36	NAP	TUBE	Was 6557854 [A]		1
37	6557855	TUBE			1
38	NAP	TUBE	Was 6557856 [A]		1
39	NAP	TUBE	Was 6557853 [A]		1
40	6558291	DECAL	mtg. instructions		1
41	6561627	DECAL	levers		1
42	6558051	DECAL	caution		2
43	6518004	BRACKET	valve mtg.		1
44	17K-6	ELBOW	W/Ref. 45		2
45	79K-8	O-RING			x

BOOM HYDRAULIC CIRCUITRY 908A W/Old Cylinder



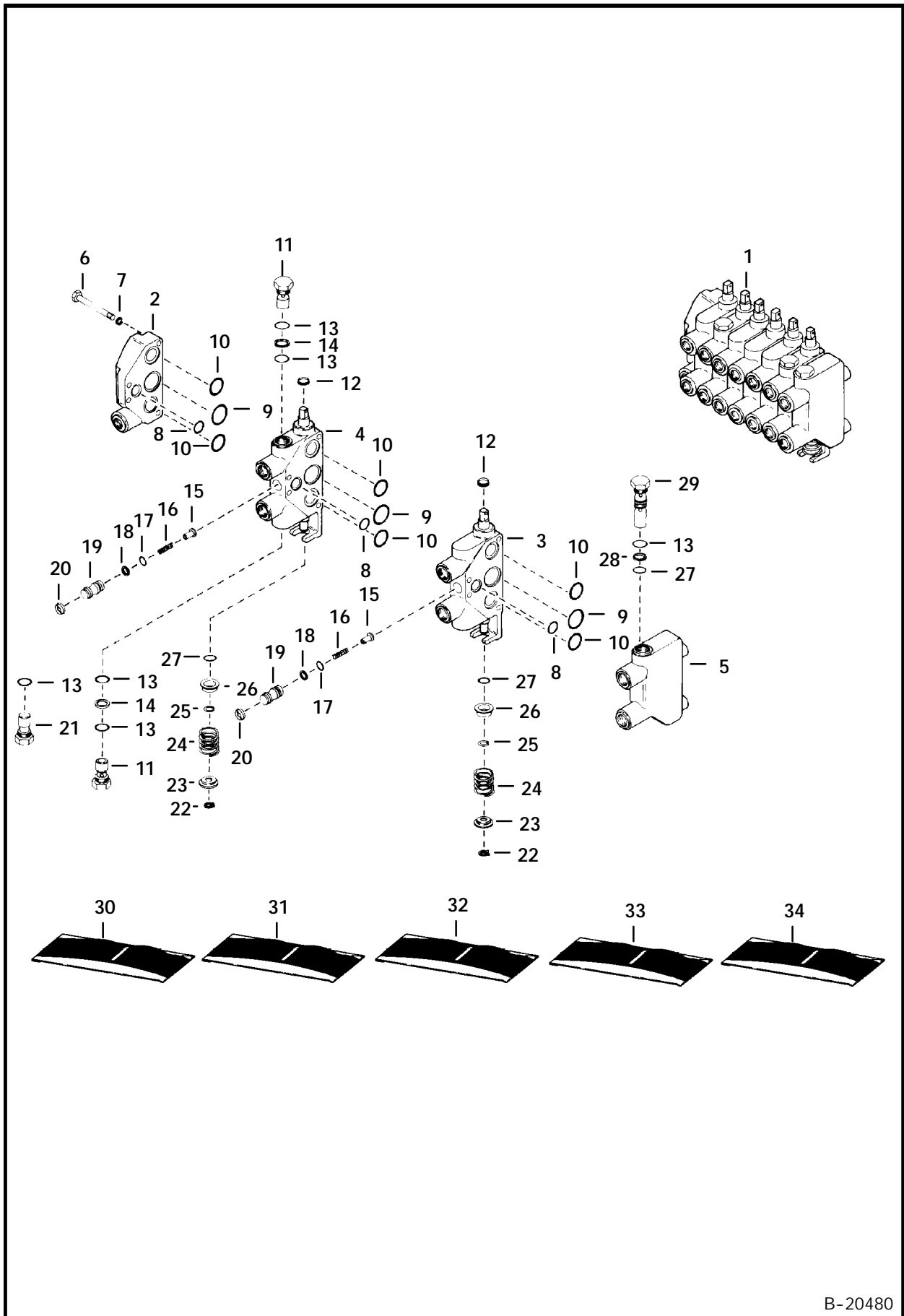
E-1207

BOOM HYDRAULIC CIRCUITRY 908A W/New Cylinder



E-1274

CESSNA VALVE 908A

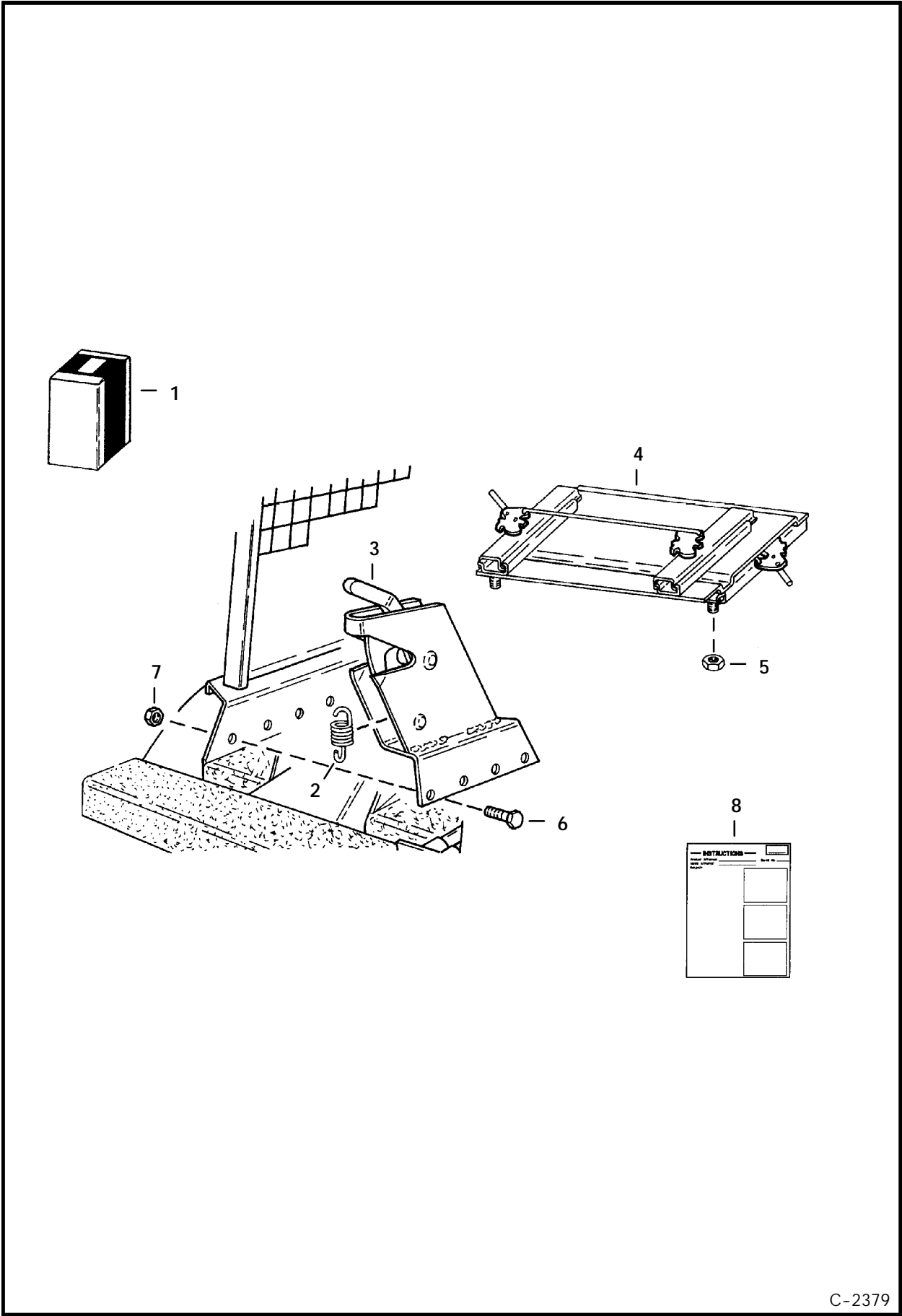


B-20480

CESSNA VALVE (Cont'd)
908A

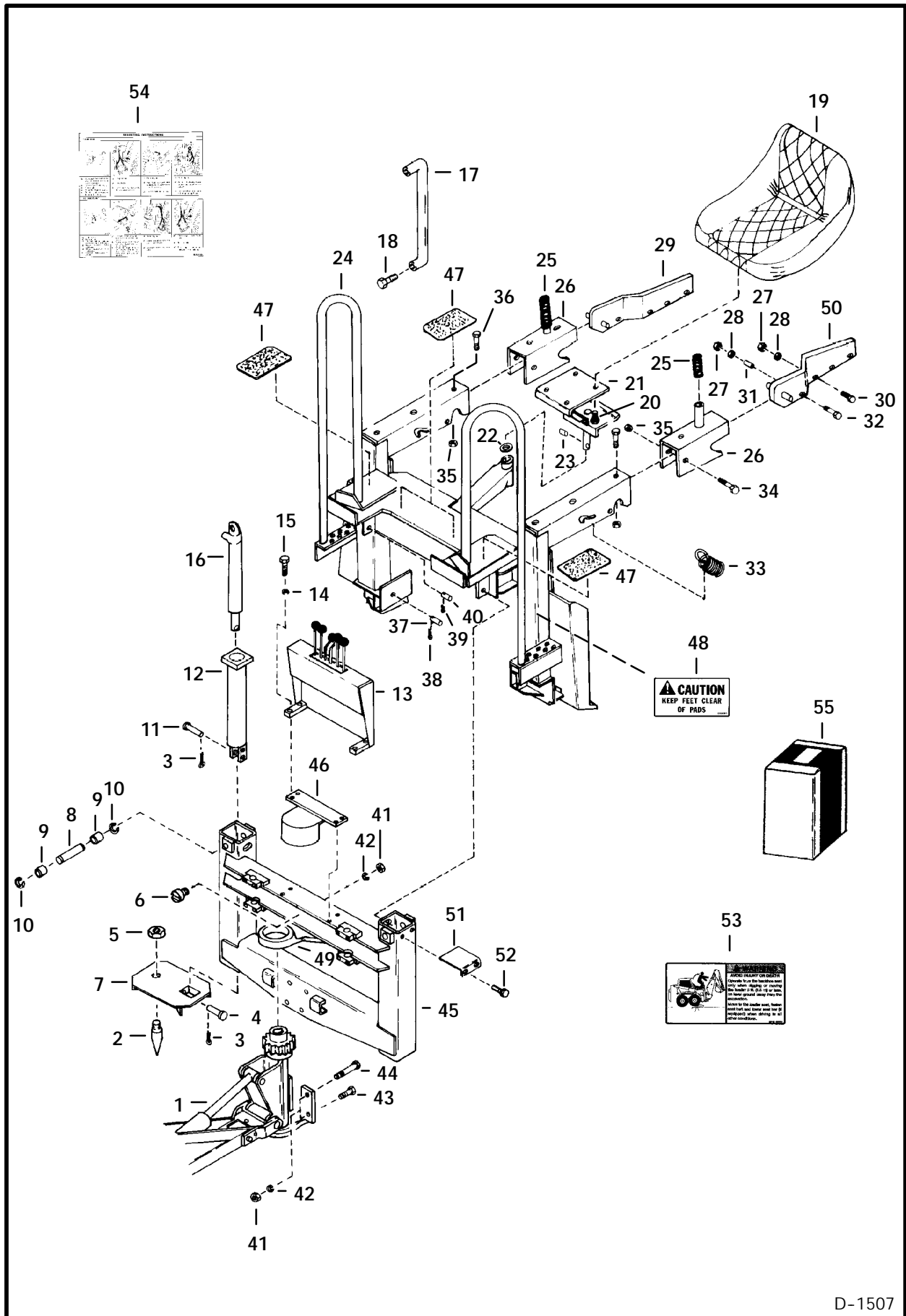
Ref. No.	Part Number	Description	Remarks	Serial Number	Qty.
1	NAP	VALVE	Was 6558054 [A]		1
2	4149056	PLATE	end		1
3	4149060	SECTION	valve - Bucket, Stabilizer &		
4	4149058	SECTION	Swing Sections		4
5	4149057	PLATE	valve - Boom Crowd Sections port		2
6	17C-6174	BOLT			1
7	4E-6	WASHER			4
8	NSS	O-RING			7
9	NSS	O-RING			7
10	NSS	O-RING			14
11	6512606	RELIEF VALVE	W/Ref. 13 - Was 6510055 [A]		2
12	NSS	SEAL	spool		6
13	NSS	O-RING			8
14	NSS	WASHER	back-up		2
15	4149071	PLUNGER	lift check		1
16	1550482	SPRING			1
17	NSS	O-RING			2
18	NSS	WASHER	back-up		1
19	4149069	BODY	lift check		1
20	NSS	ORIFICE	upper boom section - .138"		
	6518998	ORIFICE	(3.49mm) Dia. - Was 6518042 [A]		1
			swing section - .109" (2,77mm) Dia		2
21	6518043	PLUG	W/Ref. 13		1
22	743609	RING	retainer		1
23	4149067	WASHER	shallow		1
24	4149068	SPRING	spool		1
25	4149072	SPACER	wire		1
26	4149070	WASHER	deep		1
27	NSS	O-RING			1
28	NSS	WASHER	back-up		1
29	6518052	RELIEF VALVE	W/Ref. 13, 27 & 28		1
30	6515455	SEAL KIT	Between Sections - Ref. 8 - 10		x
31	6510058	SEAL KIT	Stabilizer Swing Section - Ref. 12, 17 & 27		x
32	6510059	SEAL KIT	Boom or Crowd Sections - Ref. 12 - 14, 17, 18 & 27		x
33	5294158	SEAL KIT	relief valve - W/Ref. 13, 27 & 28		
34	6515454	SEAL KIT	Was 6515458 [A]		x
			major - Ref. 30 - 33		x

BACKHOE MOUNTING
908A



C-2379

MAIN FRAME 908B

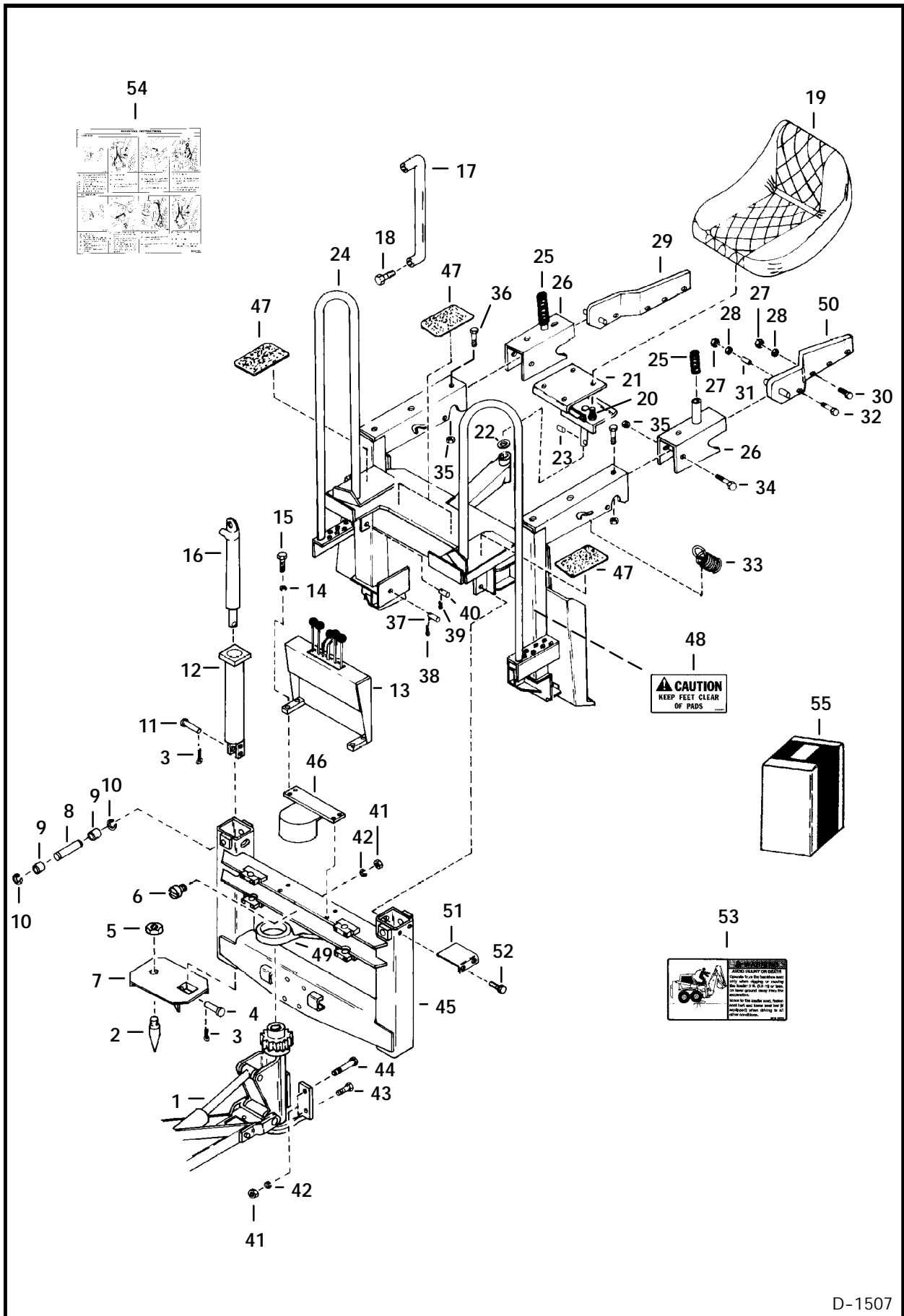


D-1507

MAIN FRAME (Cont'd)
908B

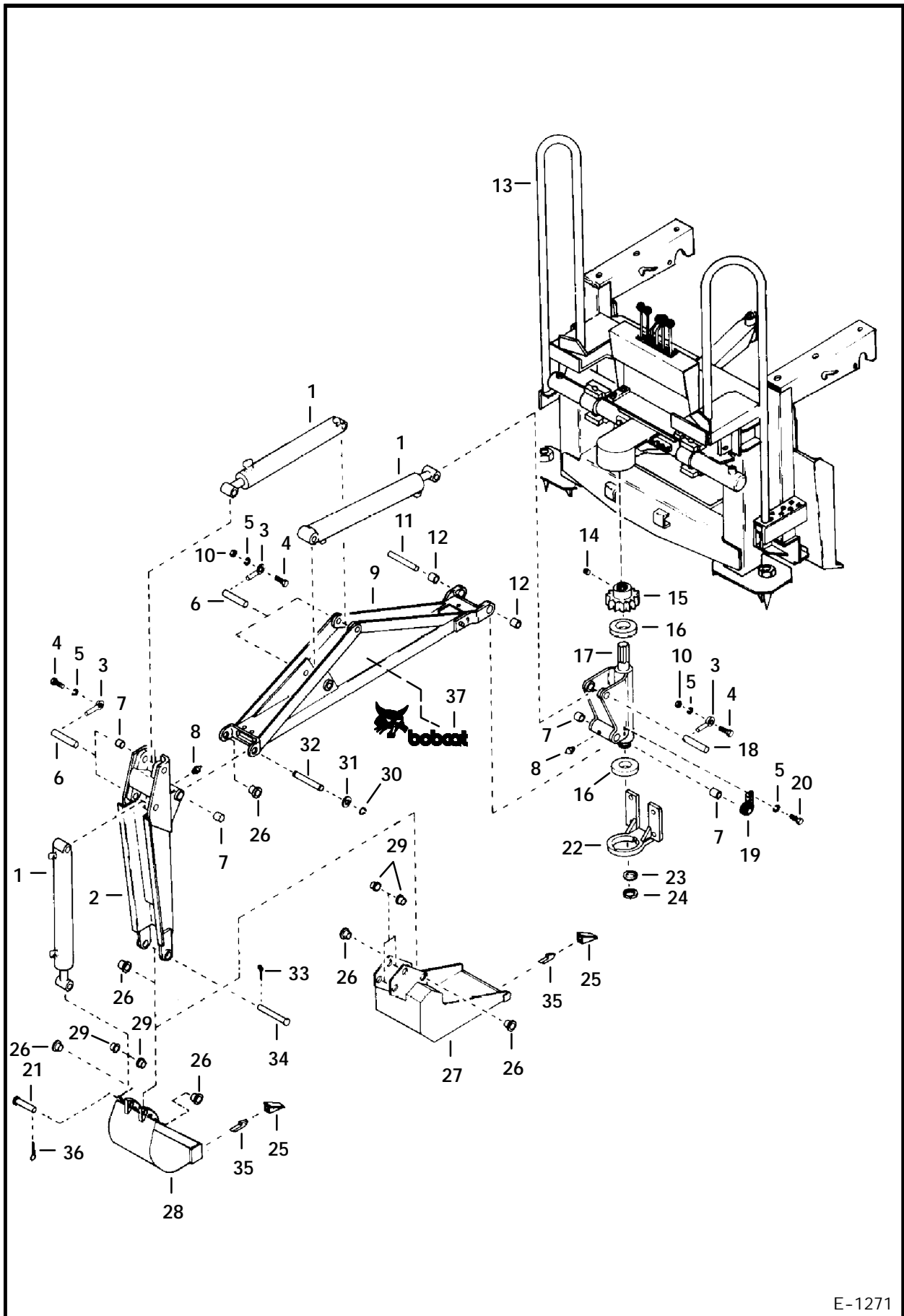
Ref. No.	Part Number	Description	Remarks	Serial Number	Qty.
1		BOOM	See Page 279		1
2	6502468	SPIKE			2
3	1F-420	COTTER PIN			4
4	6517955	HINGE PIN			2
5	62D-20	NUT			2
6	6517978	GUIDE			1
7	6518553	PAD	stabilizer - R.H.		1
	6517954	PAD	stabilizer - L.H.		1
8	6517953	PIN			2
9	NAP	SPACER	Was 6517952 [A]		4
10	710822	RETAINER			4
11	6517982	PIN			2
12	6517983	STABILIZER			2
13		CONTROL ASSY.	See Page 281		1
14	4E-6	WASHER			7
15	17C-620	BOLT			4
16		CYLINDER	See Page 292 & 294		2
17	6558504	HANDLE	grab		2
18	17C-512	BOLT			4
19	6500774	SEAT	Also Order Ref. 54		1
	6660148	LOWER SLIDE			1
	6660149	UPPER SLIDE			1
20	17C-516	BOLT			4
21	6532792	MOUNT	seat - Was 6592837 [A]		1
22	6558680	SPACER			1
23	14J-3740	ROLL PIN			1
24	NSS	FRAME	mounting - Order 6560745 Kit - Was 6560692 [A]		1
25	6513963	GRIP			2
26	6560270	BRACKET			2
27	83D-8	NUT			8
28	27E-8	WASHER			8
29	6560283	MOUNT	R.H.		1
30	17C-824	BOLT			6
31	6560585	SPACER			2
32	17C-848	BOLT			2
33	6560602	SPRING			2
34	17C-656	BOLT			2
35	85D-6	NUT			4
36	17C-612	BOLT			2
37	6546986	PIN			2
38	1F-620	COTTER PIN			4
39	1318566	PIN			2
40	6502401	PIN			2
41	61D-10	NUT			5
42	4E-10	WASHER			5
43	17C-1024	BOLT			2
44	15C-10104	BOLT			2
45	NAP	FRAME	backhoe - Was 6517950 [A]		1
46	6517979	COVER			1
47	6558039	SAFETY TREAD			6

MAIN FRAME (Cont'd) 908B



D-1507

BOOM & DIPPERSTICK 908B

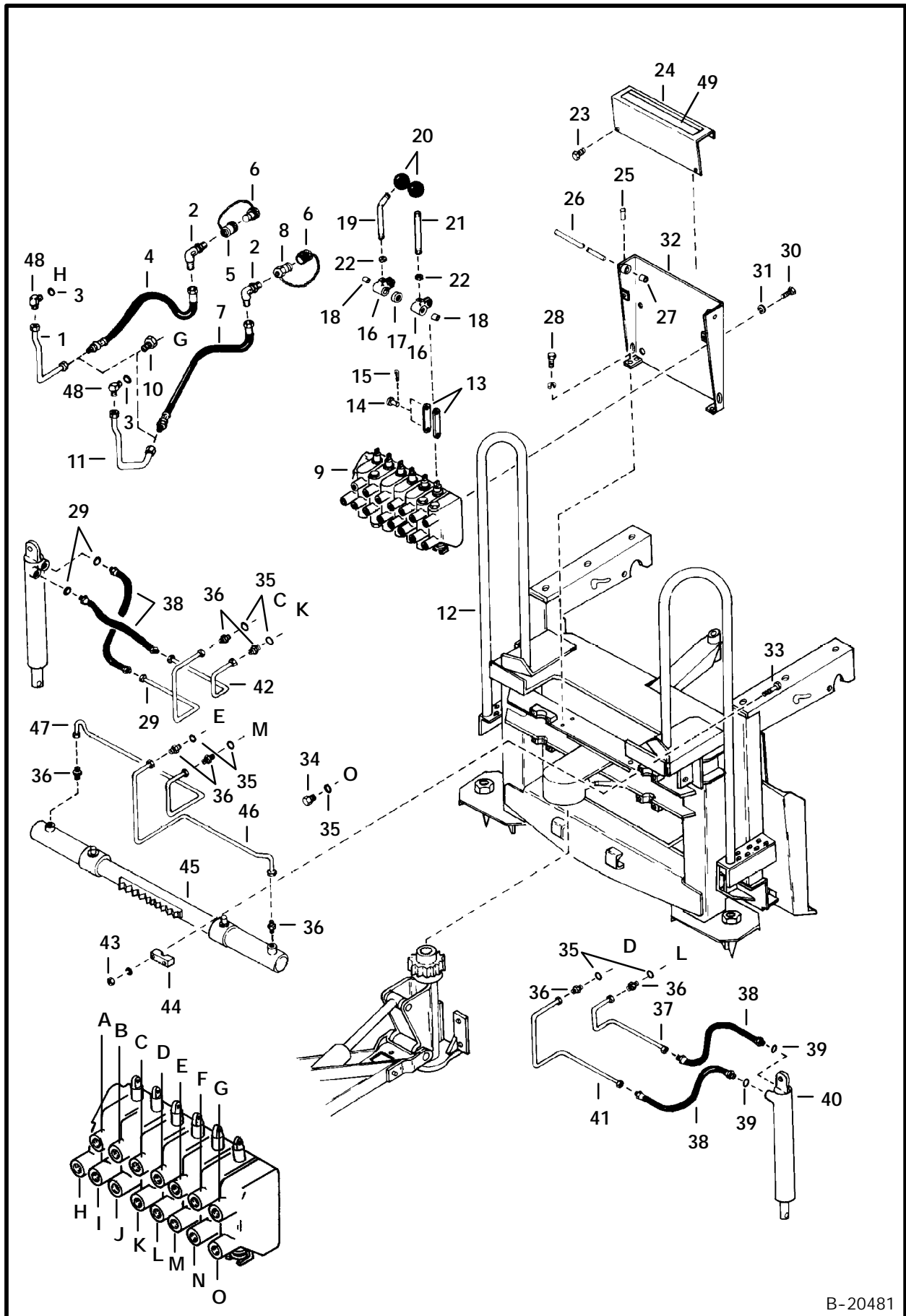


E-1271

BOOM & DIPPERSTICK (Cont'd)
908B

Ref. No.	Part Number	Description	Remarks	Serial Number	Qty.
1	6513695	CYLINDER	See Page 298		3
2	6517969	CROWD	W/Ref. 7 & 8		1
3	6517976	RETAINER			4
4	17C-624	BOLT			5
5	4E-6	WASHER			5
6	6517975	PIN			5
7	6517959	BUSHING			6
8	10H-35	GREASE ZERK			2
9	6517965	BOOM	W/Ref. 12 & 26		1
10	61D-6	NUT			3
11	6517977	PIN			1
12	6517964	BUSHING			2
13		MAIN FRAME	See Page 275		1
14*	NAP	SET SCREW	Was 15G-608		1
15	6517956	GEAR	swing		1
16	6517957	BEARING			2
17	6517958	POST	swing - W/Ref. 7 & 8		1
18	6518551	PIN			1
19	6517960	BUMPER	rubber		2
20	17C-816	BOLT			4
21	6517971	PIN			1
22	6517961	HOUSING	lower		1
23	6517963	WASHER			1
24	6517962	NUT	spanner		1
25	1550017	TOOTH			x
26	6517966	BUSHING			x
27	SALES	BUCKET	bell hole - See Page 300		1
28	SALES	BUCKET	standard - See Page 300 & 302		1
29	6517985	BUSHING			x
30	710822	RETAINER			2
31	6517968	WASHER			2
32	6517967	PIN			1
33	1F-1232	COTTER PIN			1
34	6517970	PIN			1
35	6515119	SHANK	tooth		x
36	1F-828	COTTER PIN			1
37	6560986	DECAL	logo - L.H.		1
	6560987	DECAL	logo - R.H.		1

MAIN FRAME HYDRAULICS 908B

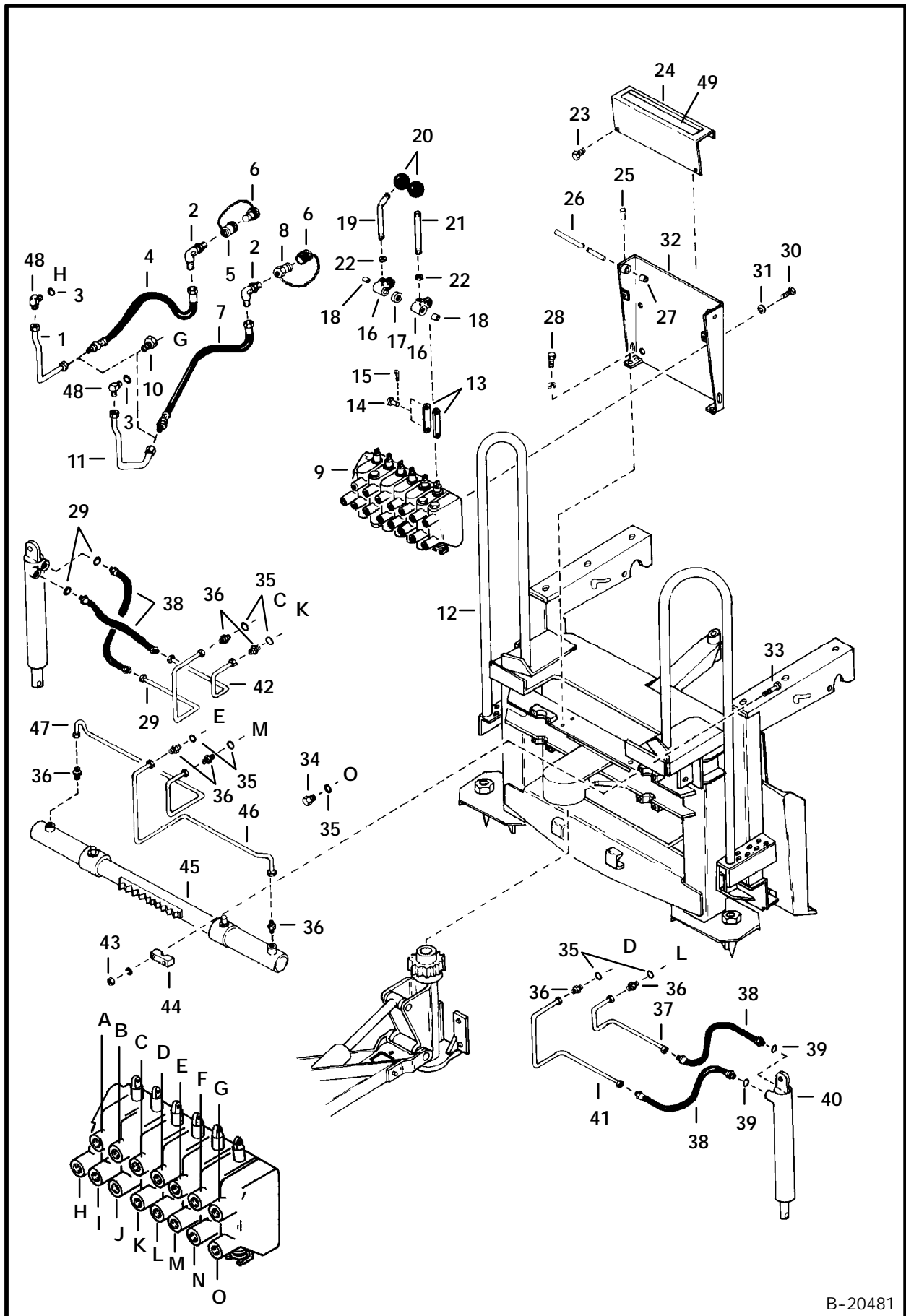


B-20481

MAIN FRAME HYDRAULICS (Cont'd)
908B

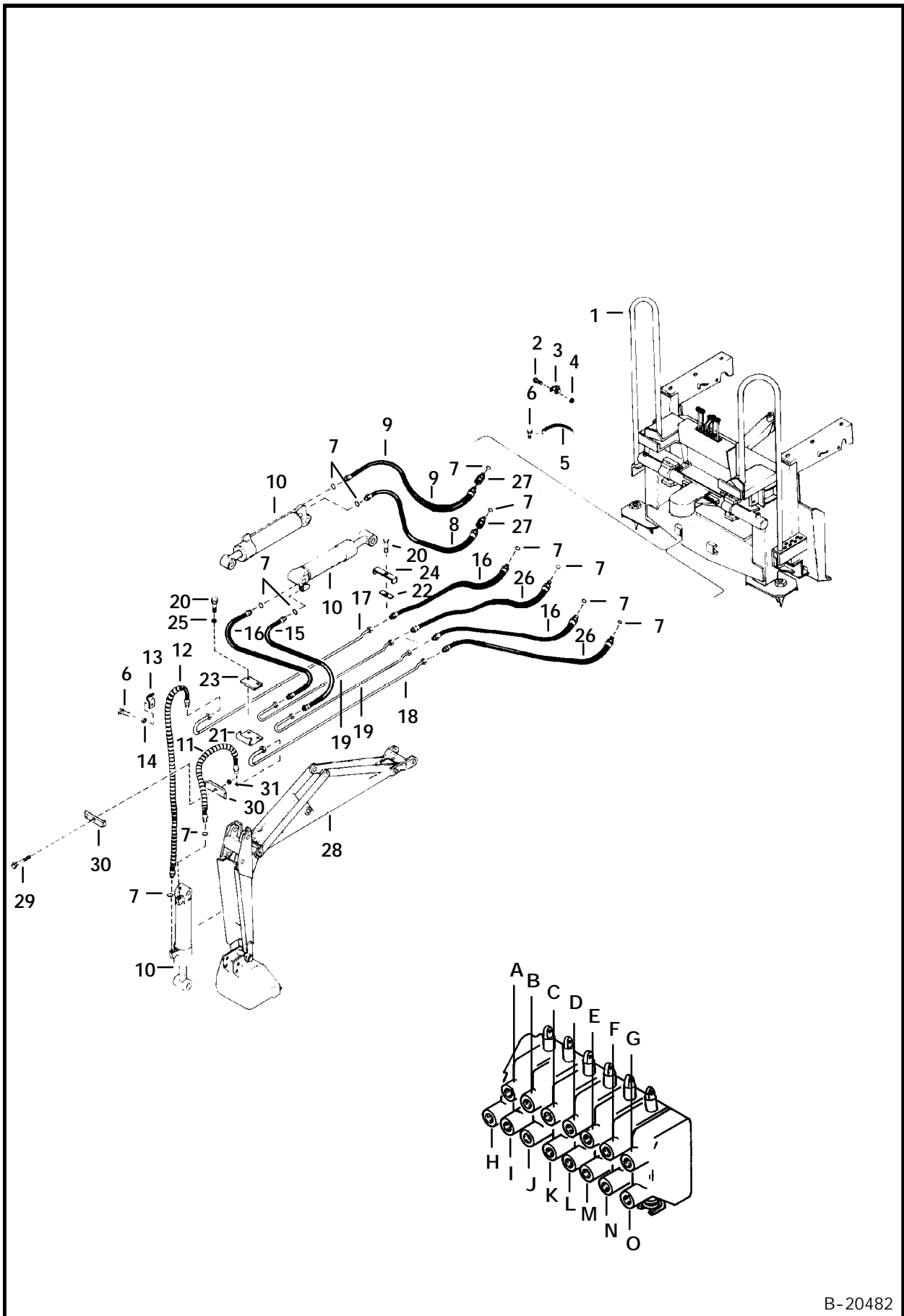
Ref. No.	Part Number	Description	Remarks	Serial Number	Qty.
1	6519819	TUBE			1
2	17K-7	ELBOW	used with poppet couplers		2
	1302104	ELBOW	used with flush face couplers		2
3	79K-10	O-RING	used with poppet couplers		2
	79K-12	O-RING	used with flush face couplers		2
4	6560787	HOSE			1
5	6598758	QUICK COUPLER	female - poppet		1
	6672960	QUICK COUPLER	female FF - Was 6667807 [A]		1
	48K-16	O-RING	for poppet coupler		1
6	6513709	CAP & PLUG	assy. - Rubber		1
	6515168	CAP	Steel		1
	6515167	PLUG	Steel		1
7	6560786	HOSE			1
8	6598757	QUICK COUPLER	male - poppet		1
	6667808	QUICK COUPLER	male - flush face		1
	6672026	O-RING			1
9	6518006	VALVE	See Page 288		2
10	93F-7	ADAPTER			2
11	6519820	TUBE			1
12		MAIN FRAME	See Page 275		1
13	6510131	LINK			12
14	6518002	PIN			6
	6510316	PIN			6
15	1F-208	COTTER PIN			12
16	6510132	PIVOT			6
17	NAP	SPACER	Was 6510317 [A]		5
18	6510315	BUSHING			12
19	6510129	LEVER			2
20	6510130	KNOB			6
21	6510128	LEVER			4
22	7D-6	NUT			6
23	14G-512	BOLT			4
24	6518005	COVER			1
25	659648	ROLL PIN	Was 654724 [A]		1
26	6518000	SHAFT			1
27	6518001	BUSHING			2
28	17C-620	BOLT			4
29	6510141	TUBE			1
30	17C-716	BOLT			3
31	4E-7	WASHER			3
32	6518004	BRACKET	valve mtg.		1
33	17C-644	BOLT			8
34	24K-6	PLUG			1
35	79K-8	O-RING			6
36	15K-6	ADAPTER	W/Ref. 35		8
37	6510138	TUBE			1
38	6510199	HOSE			4
39	79K-6	O-RING			4
40		CYLINDER	stab. - See Page 292 & 294		2
41	6510140	TUBE			1
42	6510139	TUBE			1

MAIN FRAME HYDRAULICS (Cont'd)
908B



B-20481

BOOM HYDRAULIC CIRCUITRY 908B

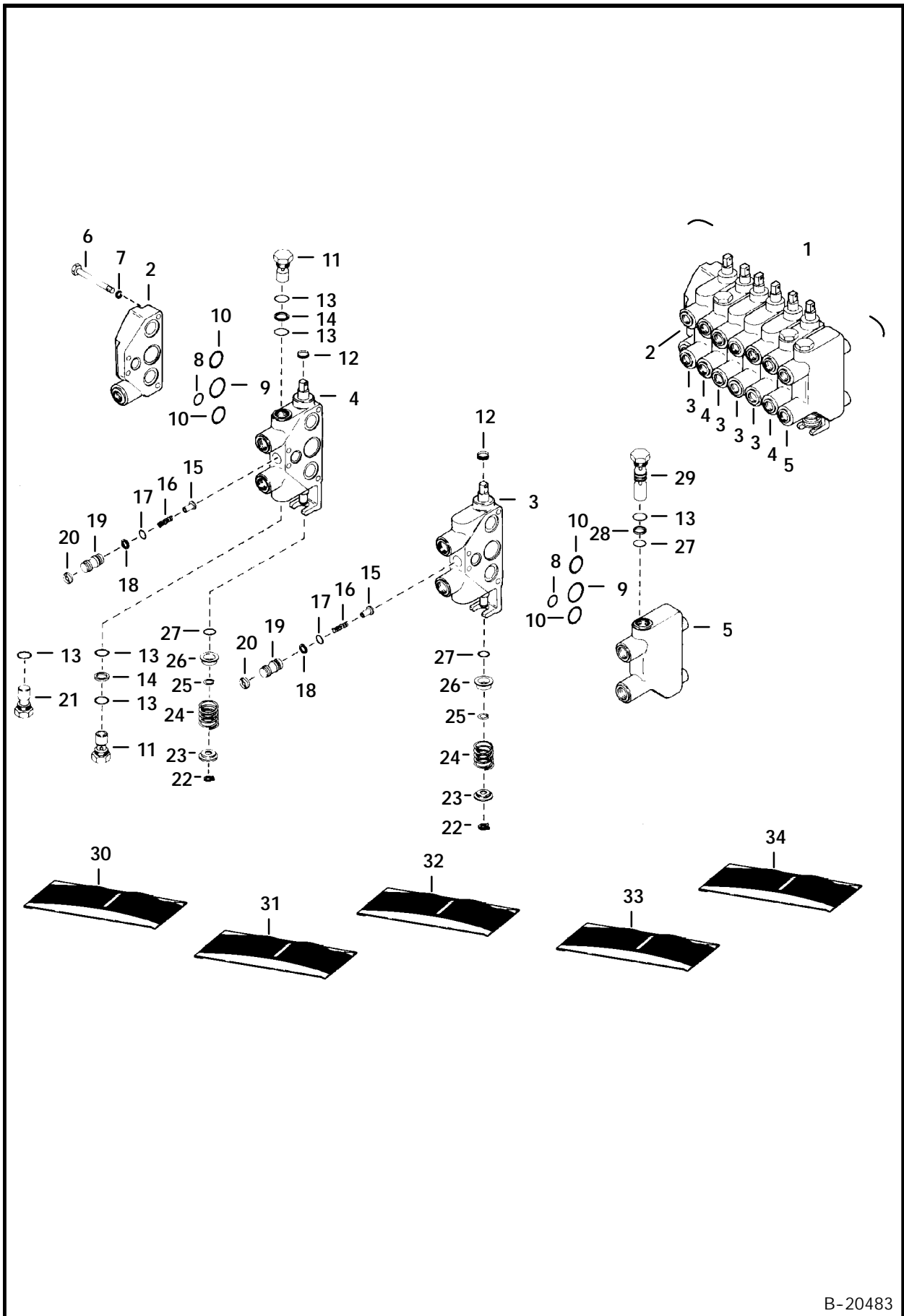


B-20482

BOOM HYDRAULIC CIRCUITRY (Cont'd)
908B

Ref. No.	Part Number	Description	Remarks	Serial Number	Qty.
1		MAIN FRAME	See Page 275		1
2	89G-424	SCREW	machine		2
3	6518020	CLAMP			2
4	61D-4	NUT			2
5	6518019	SPRING			2
6	17C-412	BOLT			6
7	79K-8	O-RING			12
8	6510198	HOSE			1
9	6513769	HOSE			1
10	6513695	CYLINDER	See Page 298		3
11	6510181	HOSE			2
12	6513784	HOSE			1
13	6518027	CLAMP			4
14	6515305	NUT			4
15	6510195	HOSE			2
16	6510196	HOSE			3
17	6510134	TUBE			1
18	6510133	TUBE			1
19	6510135	TUBE			2
20	17C-532	BOLT			3
21	6518022	CLAMP			1
22	6518025	CLAMP			1
23	6510318	CUSHION			1
24	6518026	CLAMP			1
25	23E-5	WASHER			3
26	6510200	HOSE			2
27	15K-6	ADAPTER	W/Ref. 7		2
28		BOOM	W/bucket & dipperstick - See Page 279		1
29	17C-620	BOLT			2
30	6502773	CLAMP			4
31	85D-6	NUT			2

CESSNA VALVE 908B

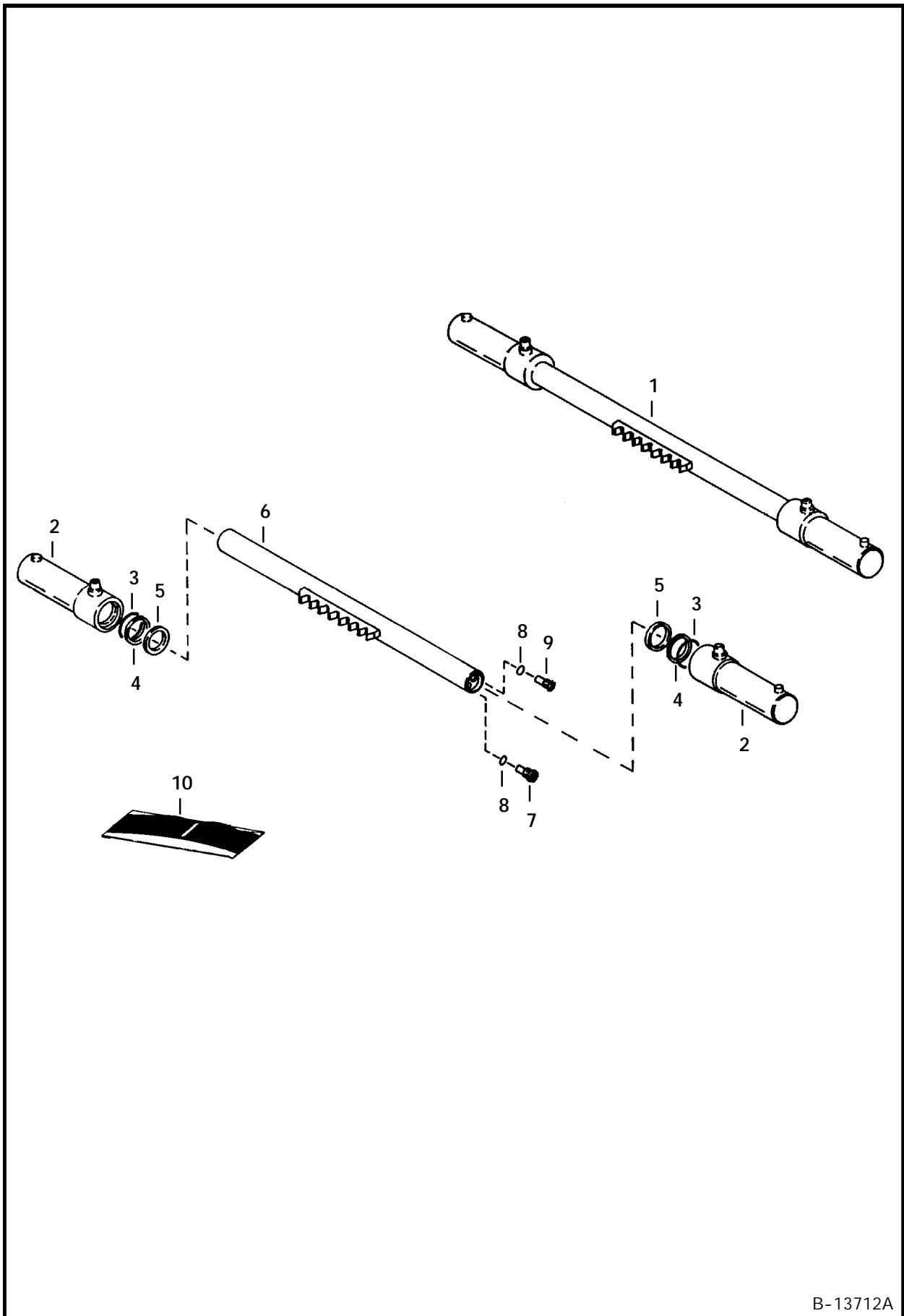


B-20483

CESSNA VALVE (Cont'd)
908B

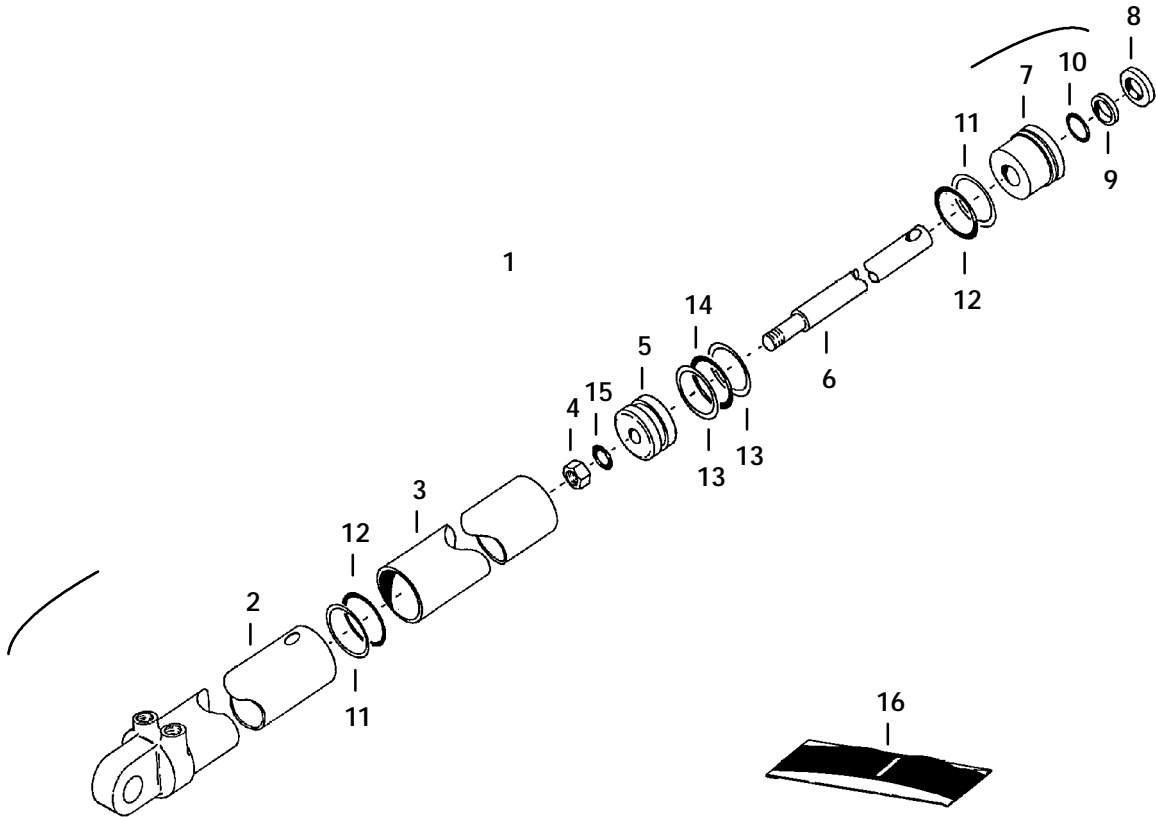
Ref. No.	Part Number	Description	Remarks	Serial Number	Qty.
1	6518006	VALVE			1
2	4149056	PLATE	end		1
3	4149060	SECTION	valve - Bucket, Stabilizer &		
			Swing Sections		4
4	4149058	SECTION	valve - Boom & Crowd Sections		2
5	4149057	PLATE	port		1
6	17C-6174	BOLT	section retaining		4
7	4E-6	WASHER			4
8	NSS	O-RING			7
9	NSS	O-RING			7
10	NSS	O-RING			14
11	6512606	RELIEF VALVE	W/Ref. 13 - Was 6510055 [A]		2
12	NSS	SEAL	spool		6
13	NSS	O-RING			8
14	NSS	WASHER	back-up		2
15	4149071	PLUNGER	lift check		1
16	1550482	SPRING			1
17	NSS	O-RING			2
18	NSS	WASHER	back-up		1
19	4149069	BODY	lift check		1
20	NSS	ORIFICE	boom section - Top Port - .138"		
			(3,49mm) Dia. - Was 6518042 [A]		1
	6518998	ORIFICE	swing section - Both Ports -		
			.109" (2,77mm) Dia.		2
21	6518043	PLUG	W/Ref. 13		1
22	743609	RING	retainer		1
23	4149067	WASHER	shallow		1
24	4149068	SPRING	spool		1
25	4149072	SPACER	wire		1
26	4149070	WASHER	deep		1
27	NSS	O-RING			1
28	NSS	WASHER	back-up		1
29	6518052	RELIEF VALVE	W/Ref. 13, 27 & 28		1
30	6515455	SEAL KIT	Between Sections - Ref. 8 - 10		x
31	6510058	SEAL KIT	Stabilizer & Swing Sections -		
			Ref. 12, 17 & 27		x
32	6510059	SEAL KIT	Boom or Crowd Sections -		
			Ref. 12 - 14, 17, 18 & 27		x
33*	5294158	SEAL KIT	relief valve - Ref. 13, 27 & 28 -		
			Was 6515458 [A]		x
34	6515454	SEAL KIT	major - Ref. 30 - 33		x

SWING CYLINDER
908A & 908B



B-13712A

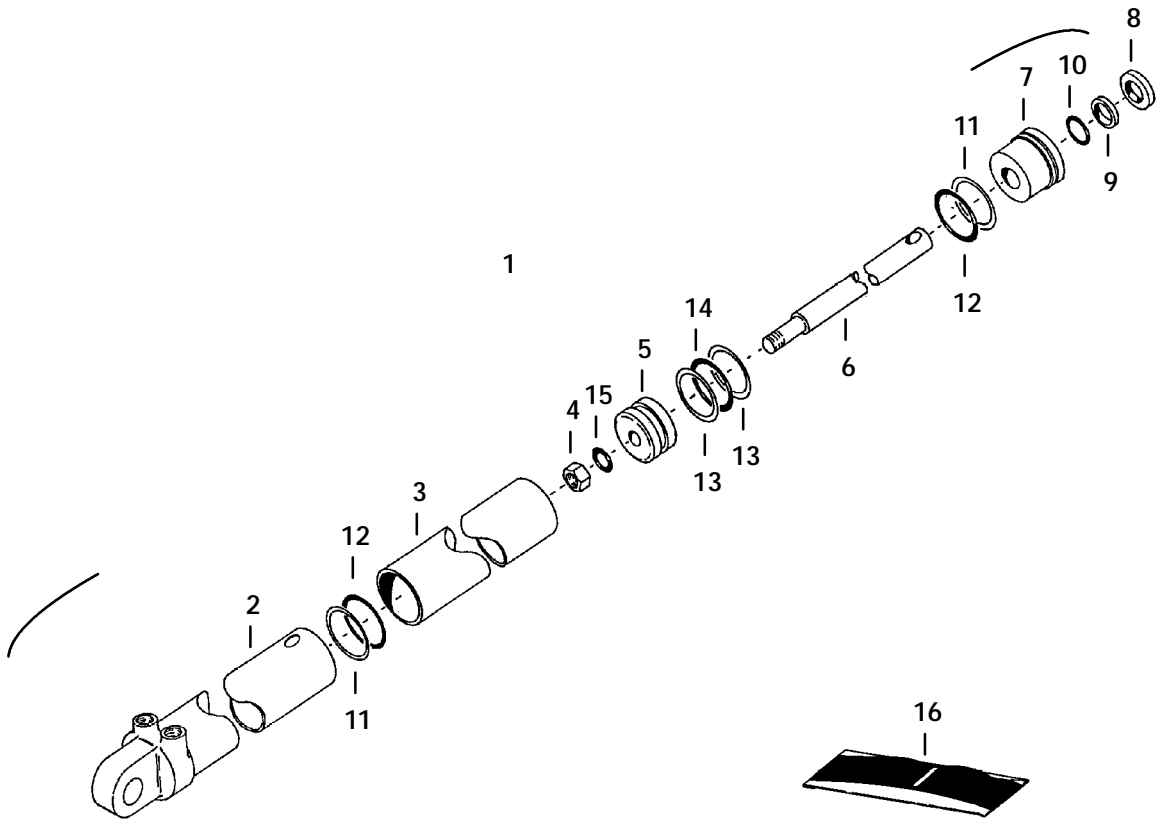
STABILIZER CYLINDER
908A & 908B - Cessna



NOTE: Cylinder head has flat sides for wrench.

C-1203B

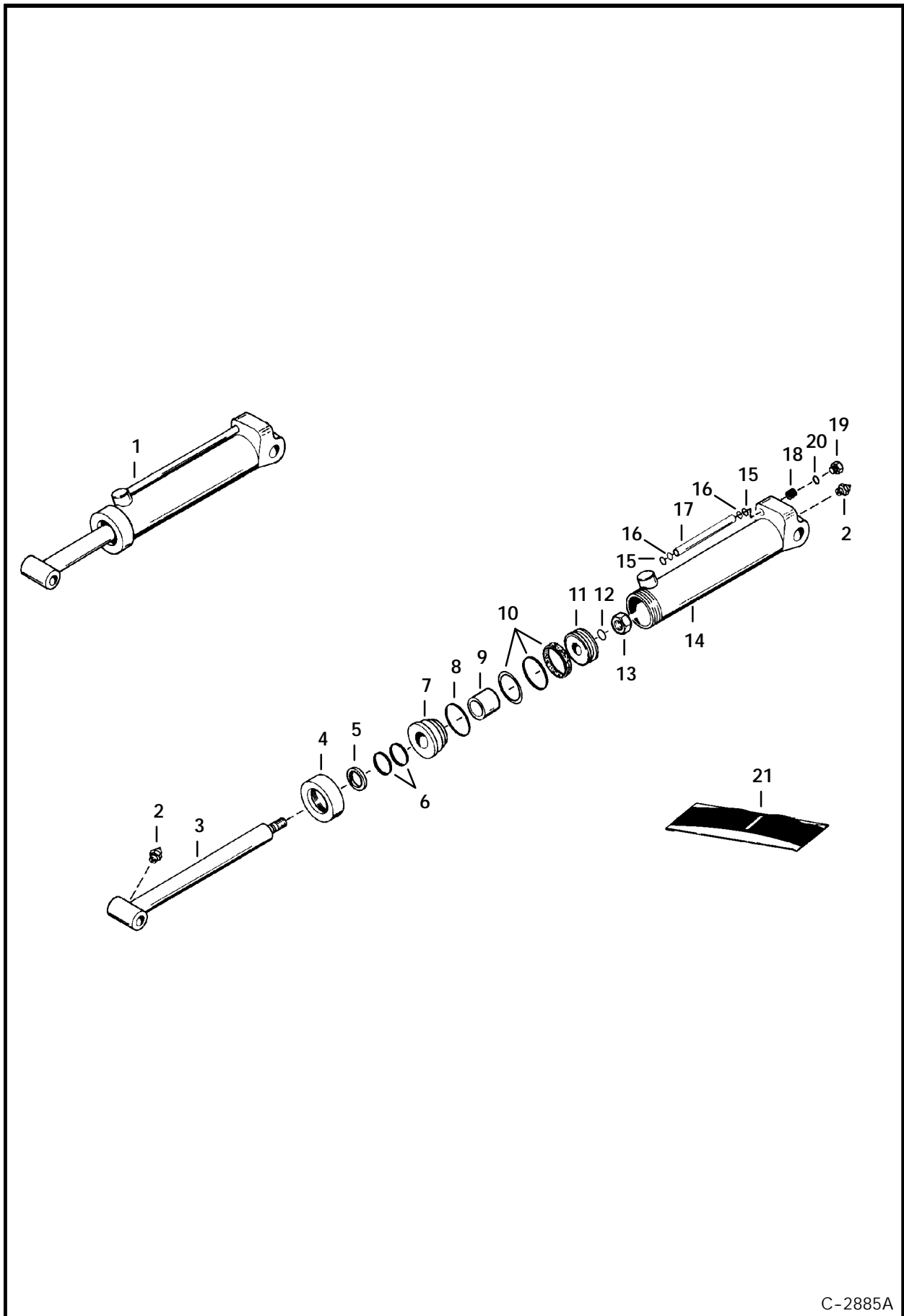
STABILIZER CYLINDER 908A & 908B - Bobcat



NOTE: Cylinder head has spanner wrench dowel pin holes.

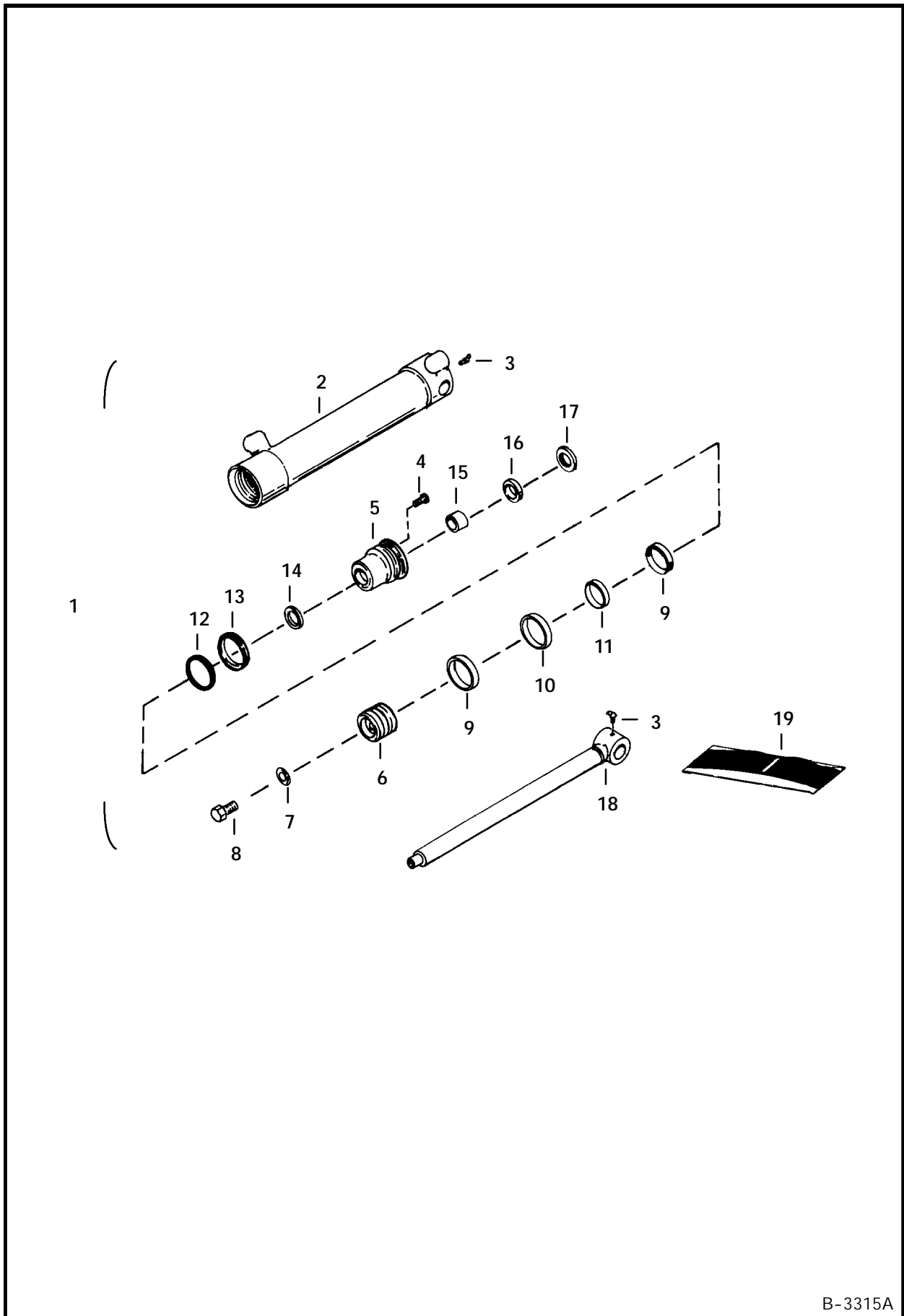
B-20477A

BOOM, BUCKET & DIPPERSTICK CYLINDER
908A



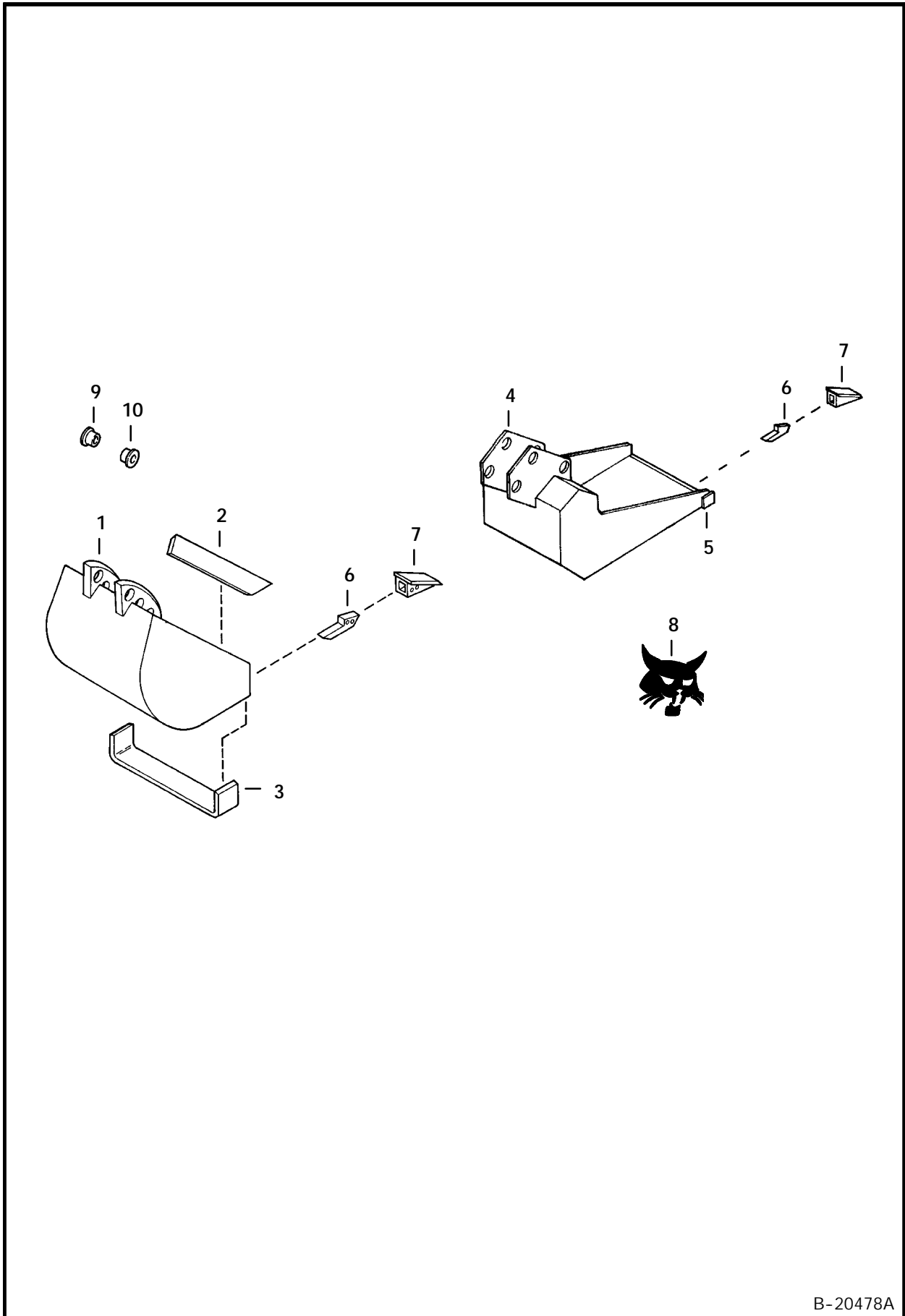
C-2885A

BOOM, BUCKET & DIPPERSTICK CYLINDER
908A & 908B



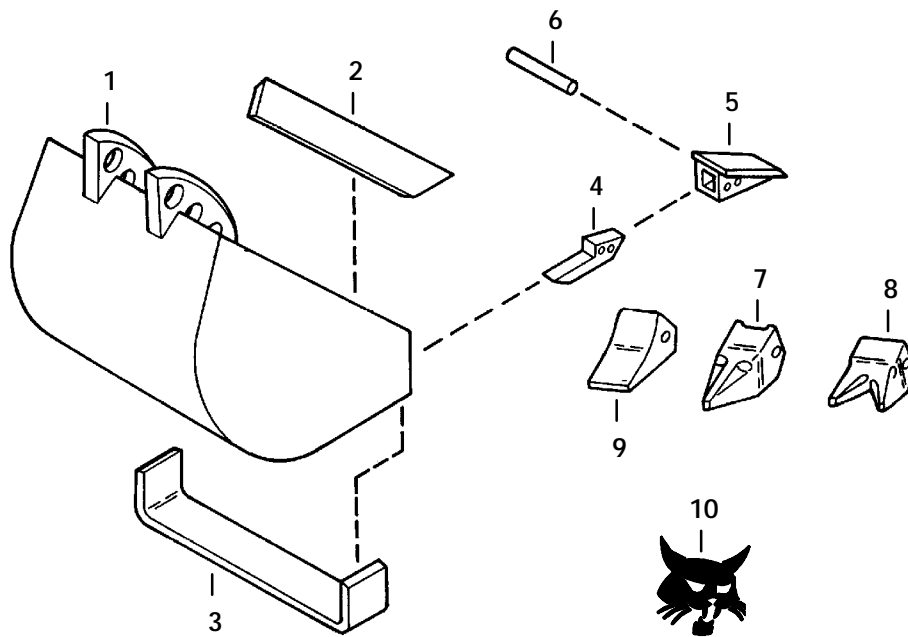
B-3315A

BACKHOE BUCKETS
W/4" (101,6mm) Cutting Edge - 908A & 908B



B-20478A

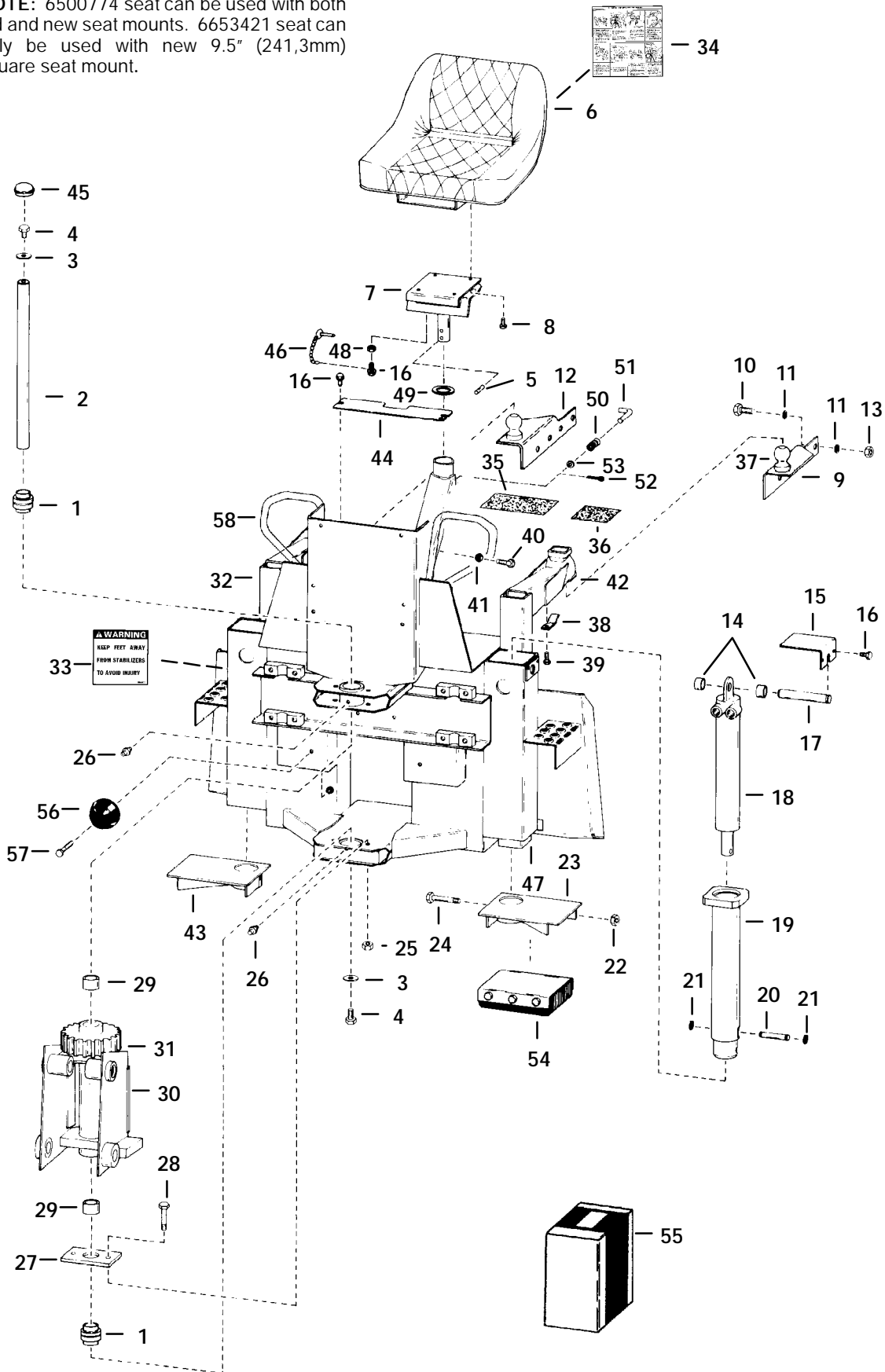
BACKHOE BUCKETS
W/6" (152,4mm) Cutting Edge - 908A & 908B



B-13654A

MAIN FRAME 909 Backhoe

NOTE: 6500774 seat can be used with both old and new seat mounts. 6653421 seat can only be used with new 9.5" (241,3mm) square seat mount.



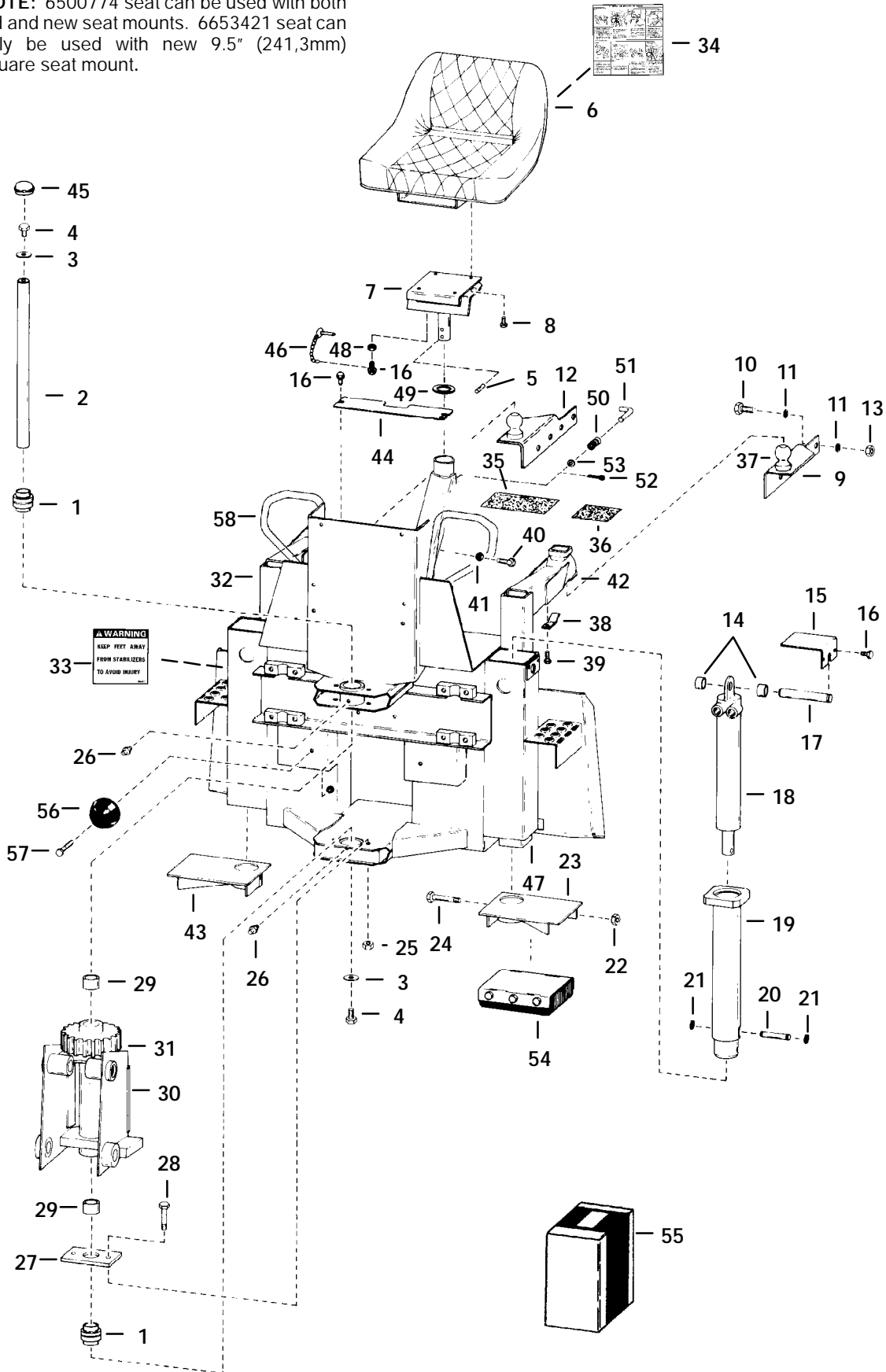
B-20484

MAIN FRAME (Cont'd)
909 Backhoe

Ref. No.	Part Number	Description	Remarks	Serial Number	Qty.
1	6519337	BEARING			2
2	6592349	SHAFT			1
3	6560416	WASHER			2
4	31C-1024	BOLT			2
5	14J-3740	ROLL PIN			1
6	6500774	SEAT	will fit both seat mounts - Also		
			Order Ref. 34		1
	6660148	LOWER SLIDE			1
	6660149	UPPER SLIDE			1
	NAP	SEAT	will fit only 9.5" x 9.5" (241,3mm x 241,3mm) seat mount - Also Order Ref. 34 - Was 6653421 [A]		1
	NAP	TRACK	W/adj. - Was 6660436 [A]		1
	NAP	TRACK	W/O Adj. - Was 6660437 [A]		1
7	NAP	MOUNT	6.5" x 7.5" (165,1mm x 190,5mm)		
			mounting plate		1
	6532792	MOUNT	9.5" x 9.5" (241,3mm x 241,3mm)		1
			mounting plate		1
8	85D-5	NUT	use W/6653421		4
	17C-516	BOLT	use W/6500774		4
9	6561942	MOUNT	L.H. - W/Ball - See Ref. 55		1
10	31C-1028	BOLT			8
11	27E-10	WASHER			16
12	6561943	MOUNT	R.H. - W/Ball - See Ref. 55		1
13	83D-10	NUT			8
14	6562482	SPACER			4
15	6561829	COVER			2
16	84G-3712	BOLT			7
17	6562092	PIN			2
18		CYLINDER	stab. - See Page 332 & 334		2
19	6593080	GUIDE	stabilizer - See BTI 221		2
20	6562093	PIN			2
21	1315207	SNAP RING			4
22	85D-10	NUT			2
23	6563535	PAD			1
24	17C-1072	BOLT			2
25	61D-8	NUT			2
26	10H-25	GREASE ZERK			2
27	6560427	BAR	retainer		1
28	17C-844	BOLT			2
29	6513682	RACE			2
30	6560845	FRAME	swing - W/Ref. 29 & 31		1
31	6559944	GEAR	weld on		1
32	NAP	MAIN FRAME	Was 6592855 [A]		1
33	6562922	DECAL	warning		2
34	6593685	DECAL	mounting instructions		1
35	6553976	SAFETY TREAD	5" x 8" (127mm x 203,2mm)		2
36	6557935	SAFETY TREAD	4.5" x 4.5" (114,3 x 114,3mm)		2
37	6539094	BALL	latch - Was 6561941 [A]		2
38	6562596	GUIDE			2
39	17C-812	BOLT			2

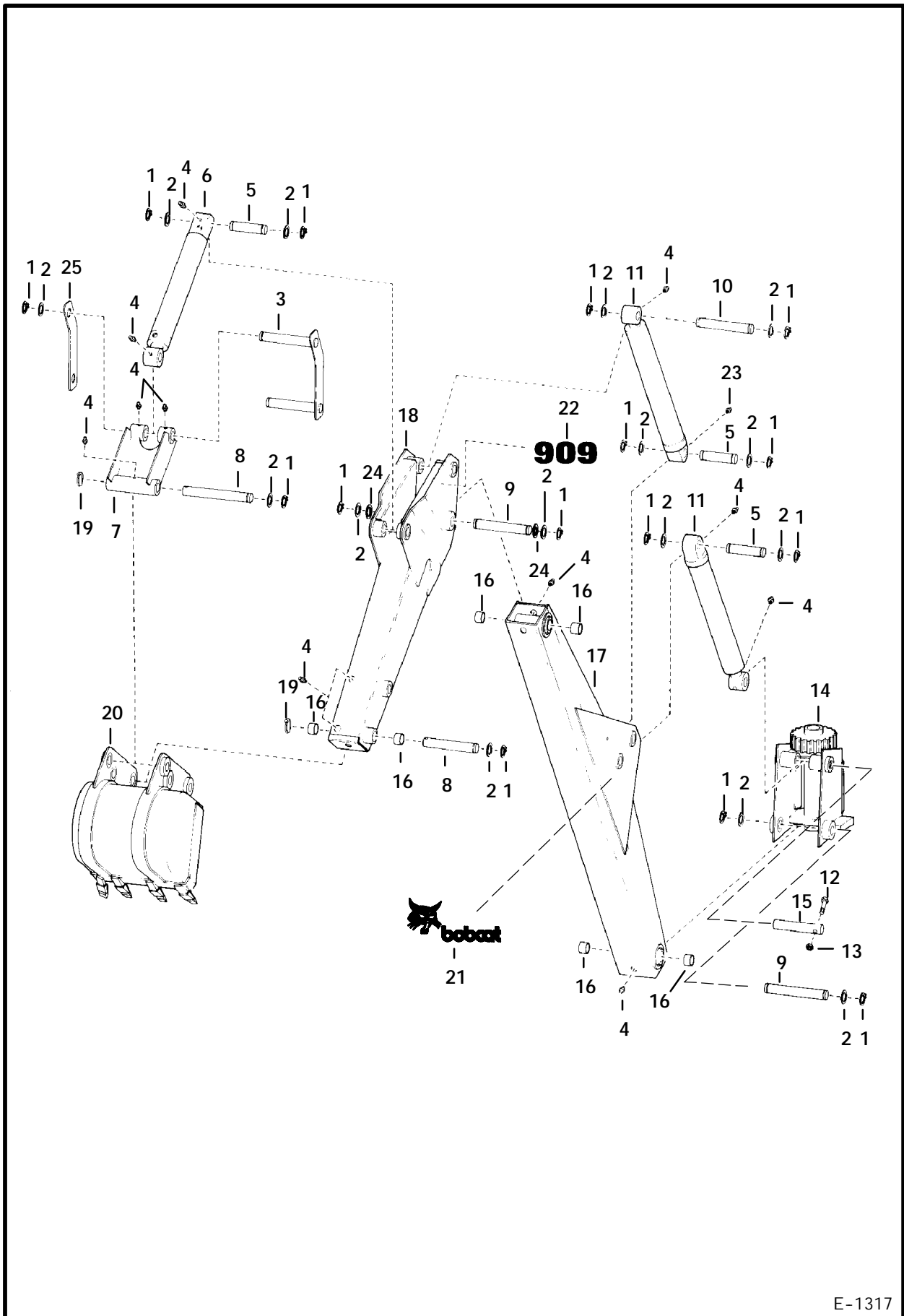
MAIN FRAME (Cont'd) 909 Backhoe

NOTE: 6500774 seat can be used with both old and new seat mounts. 6653421 seat can only be used with new 9.5" (241,3mm) square seat mount.



B-20484

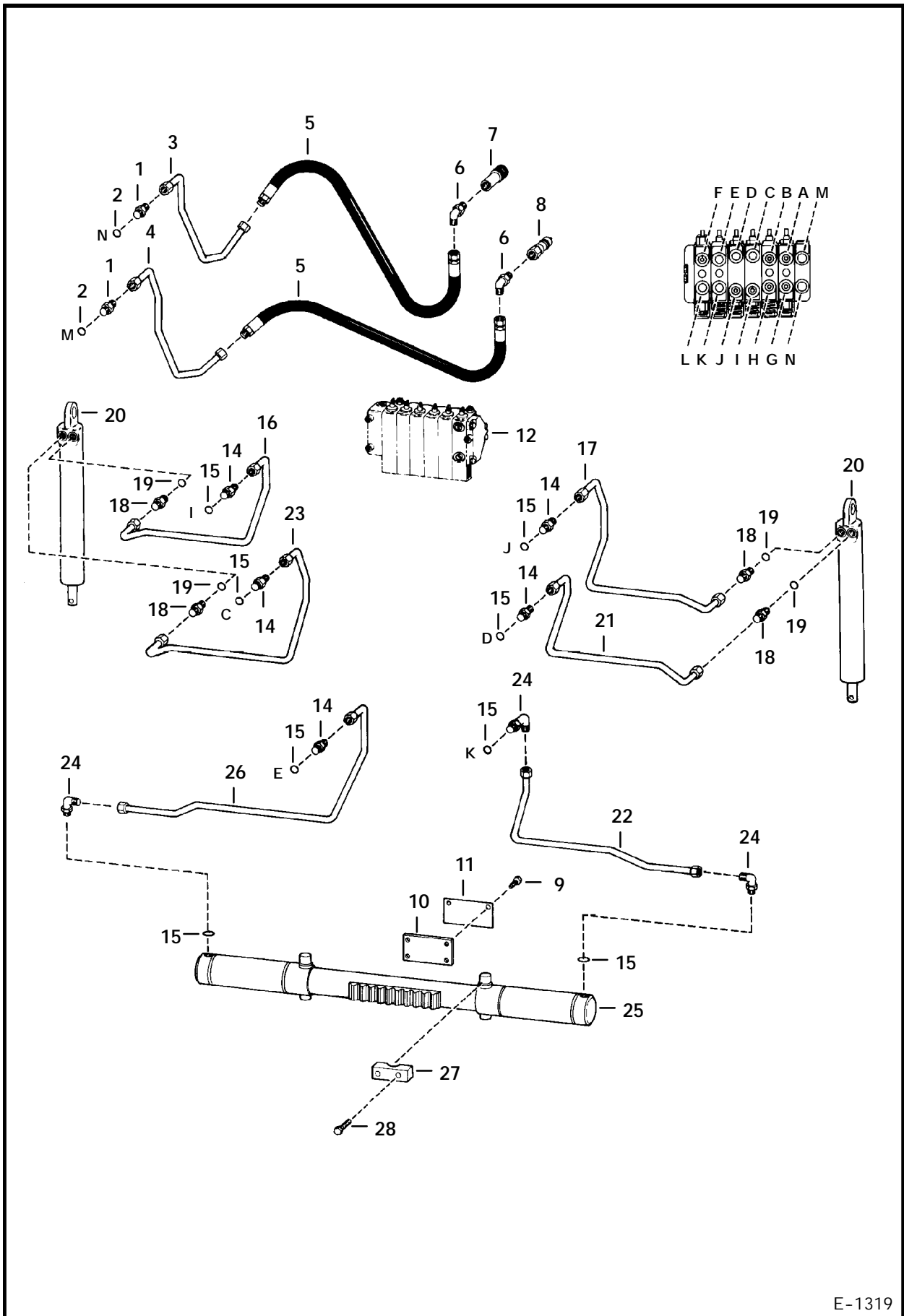
BOOM & DIPPERSTICK 909 Backhoe



E-1317

MAIN FRAME HYDRAULICS

909 Backhoe W/Cessna Valve - S/N 2036 & Below



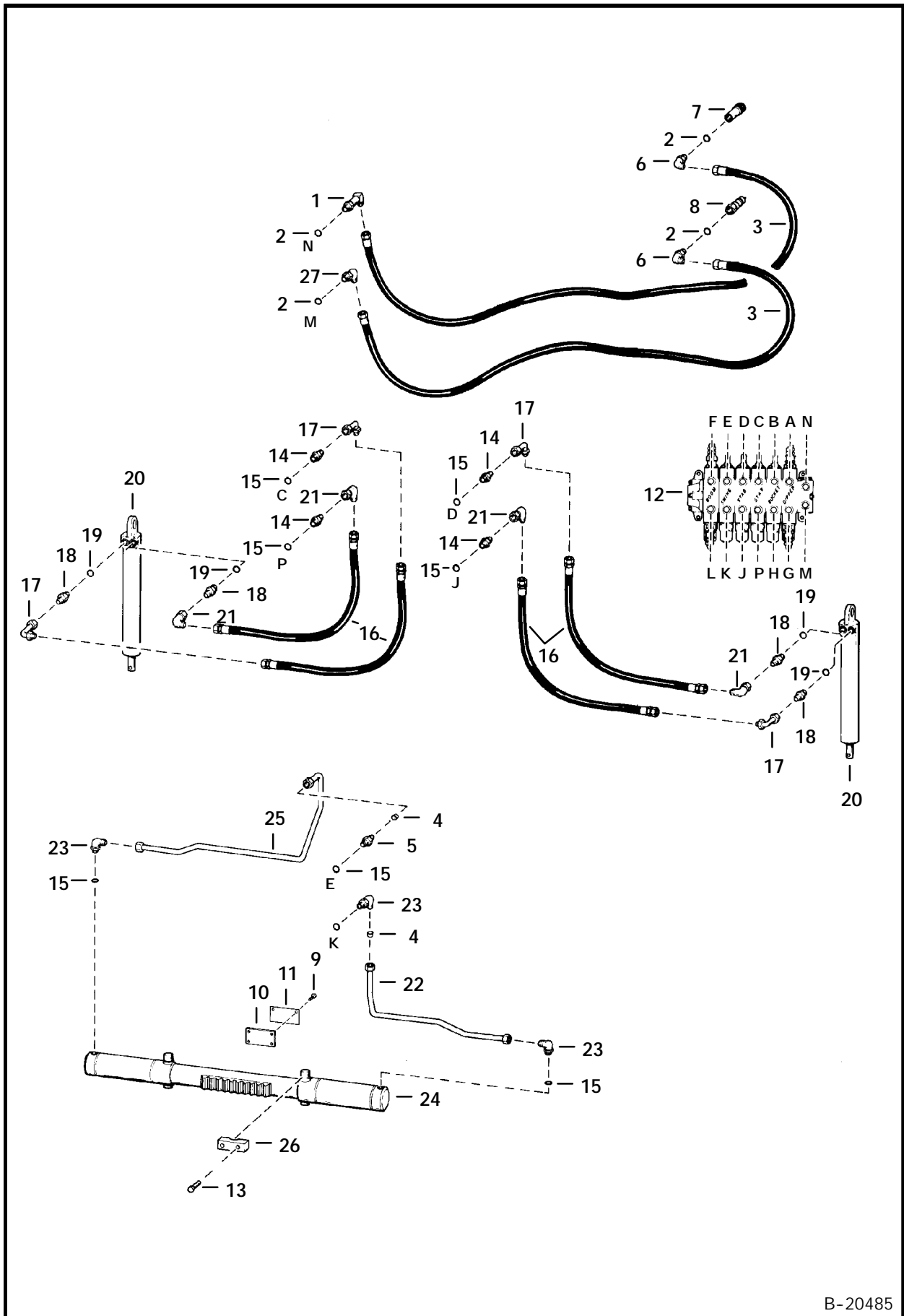
E-1319

MAIN FRAME HYDRAULICS (Cont'd)
909 Backhoe W/Cessna Valve - S/N 2036 & Below

Ref. No.	Part Number	Description	Remarks	Serial Number	Qty.
1	15K-7	ADAPTER	W/Ref. 2		2
2	79K-10	O-RING	used with poppet couplers		2
	79K-12	O-RING	used with flush face couplers		2
3	6561695	TUBE			1
4	6561694	TUBE			1
5	6560786	HOSE			2
6	17K-7	ELBOW	W/Ref. 2 - used with poppet couplers		2
	1302104	ELBOW	W/Ref. 2 - used with flush face couplers		2
7	6598758	QUICK COUPLER	Female - poppet		1
	6672960	QUICK COUPLER	female FF - Was 6667807 [A]		1
8	48K-16	O-RING			1
	6598757	QUICK COUPLER	Male - poppet		1
	6667808	QUICK COUPLER	male - flush face		1
	6672026	O-RING			1
9	84G-3712	BOLT	Was 6559091 [A]		2
10	6560604	WEAR PLATE			2
11	6562822	SHIM			x
12		VALVE	See Page 322 - 323		1
13		MAIN FRAME	See Page 303		1
14	743108	ADAPTER	W/Ref. 15		4
15	79K-8	O-RING			7
16	6563571	TUBE			1
17	6563573	TUBE			1
18	15K-5	ADAPTER	W/Ref. 19		4
19	79K-6	O-RING			4
20		CYLINDER	stab. - See Page 332 & 334		2
21	6563572	TUBE			1
22	6561249	TUBE			1
23	6563570	TUBE			1
24	17K-6	ELBOW	W/Ref. 15		3
25		CYLINDER	swing - See Page 330		1
26	6561248	TUBE			1
27	6560428	BLOCK			4
28	17C-840	BOLT			8

MAIN FRAME HYDRAULICS

909 Backhoe W/Husco Valve - S/N 2037 & Above



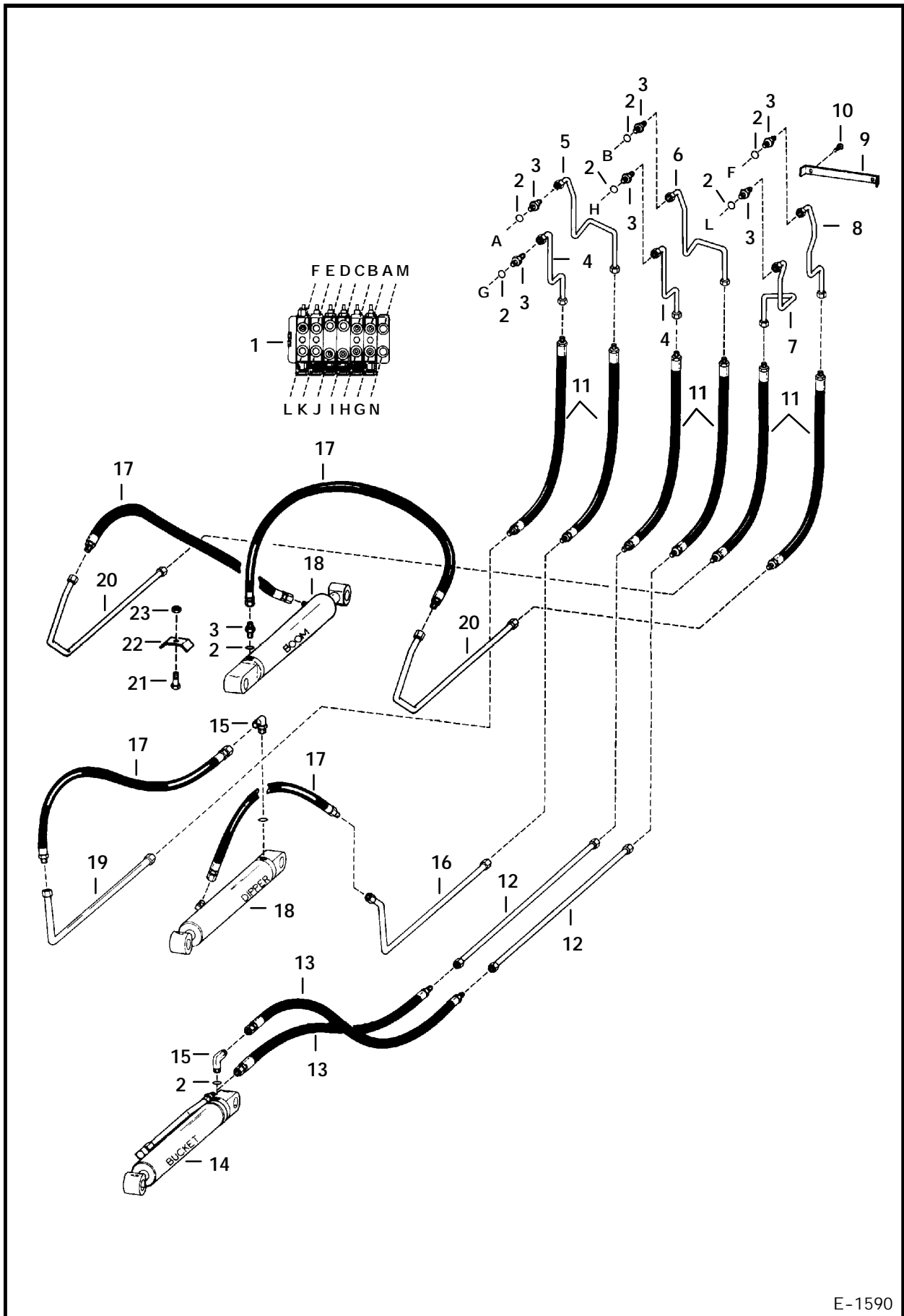
B-20485

MAIN FRAME HYDRAULICS (Cont'd)
909 Backhoe W/Husco Valve - S/N 2037 & Above

Ref. No.	Part Number	Description	Remarks	Serial Number	Qty.
1	6519195	ELBOW	W/Ref. 2		1
2	79K-10	O-RING	used with poppet couplers		2
	79K-12	O-RING	used with flush face couplers		2
3	672554	HOSE			2
4	6592853	ORIFICE	.09 (2,29mm) Dia.		2
5	15K-6	ADAPTER	W/Ref. 15		1
6	17K-7	ELBOW	W/Ref. 2 - used with poppet couplers		2
	1302104	ELBOW	W/Ref. 2 - used with flush face couplers		2
7	6598758	QUICK COUPLER	Female - poppet		1
	6672960	QUICK COUPLER	female FF - Was 6667807 [A]		1
8	48K-16	O-RING	used with poppet coupler		1
	6598757	QUICK COUPLER	Male - poppet		1
	6667808	QUICK COUPLER	male - flush face		1
	6672026	O-RING			1
9	84G-3712	BOLT			2
10	6560604	WEAR PLATE			2
11	6562822	SHIM			x
12		VALVE	See Page 327		1
13		MAIN FRAME	See Page 303		1
14	743108	ADAPTER	W/Ref. 15		4
15	79K-8	O-RING			x
16	6593148	HOSE			4
17	6630814	ELBOW			4
18	15K-5	ADAPTER	W/Ref. 19		4
19	79K-6	O-RING			4
20		CYLINDER	stab. - See Page 332 & 334		2
21	11K-5	ELBOW			4
22	6592842	TUBE			1
23	17K-6	ELBOW	W/Ref. 15		3
24		CYLINDER	swing - See Page 330		1
25	6592841	TUBE			1
26	6560428	BLOCK			4
27	17K-7	ELBOW			1

BOOM HYDRAULIC CIRCUITRY

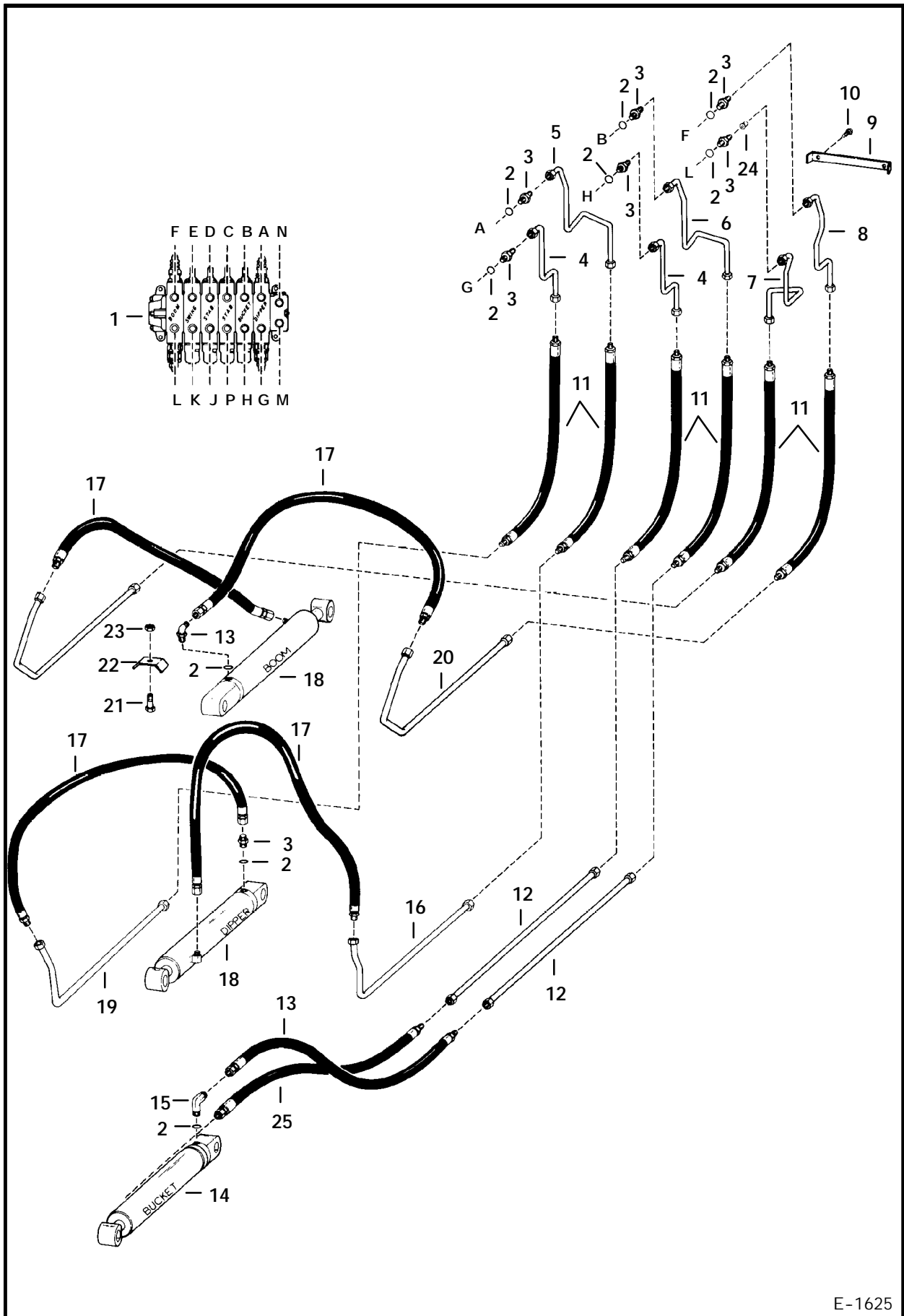
909 Backhoe W/Cessna Valve - S/N 2036 & Below



E-1590

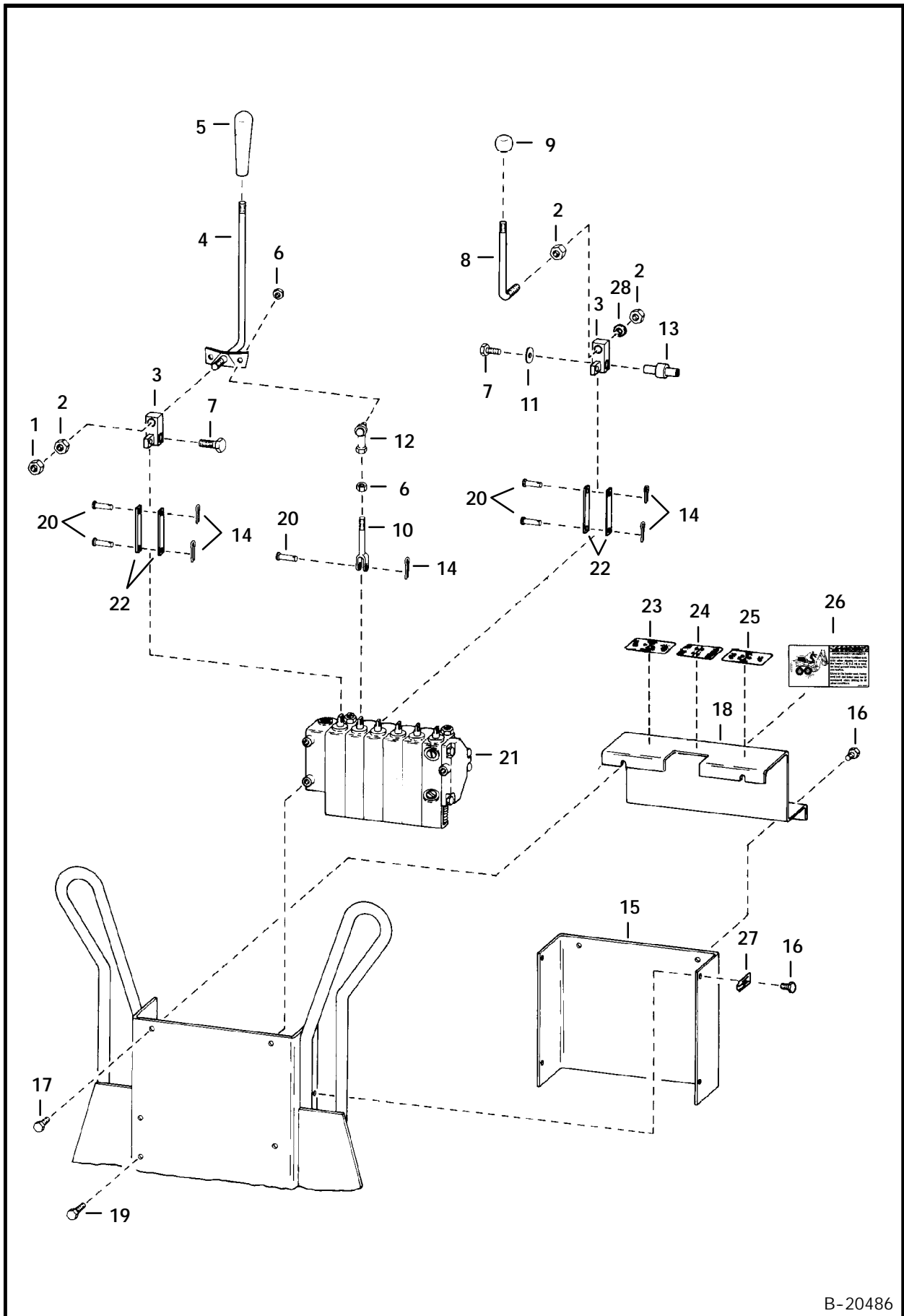
BOOM HYDRAULIC CIRCUITRY

909 Backhoe W/Husco Valve - S/N 2037 & Above



E-1625

CONTROL LEVERS
909 Backhoe W/Cessna Valve - S/N 2036 & Below



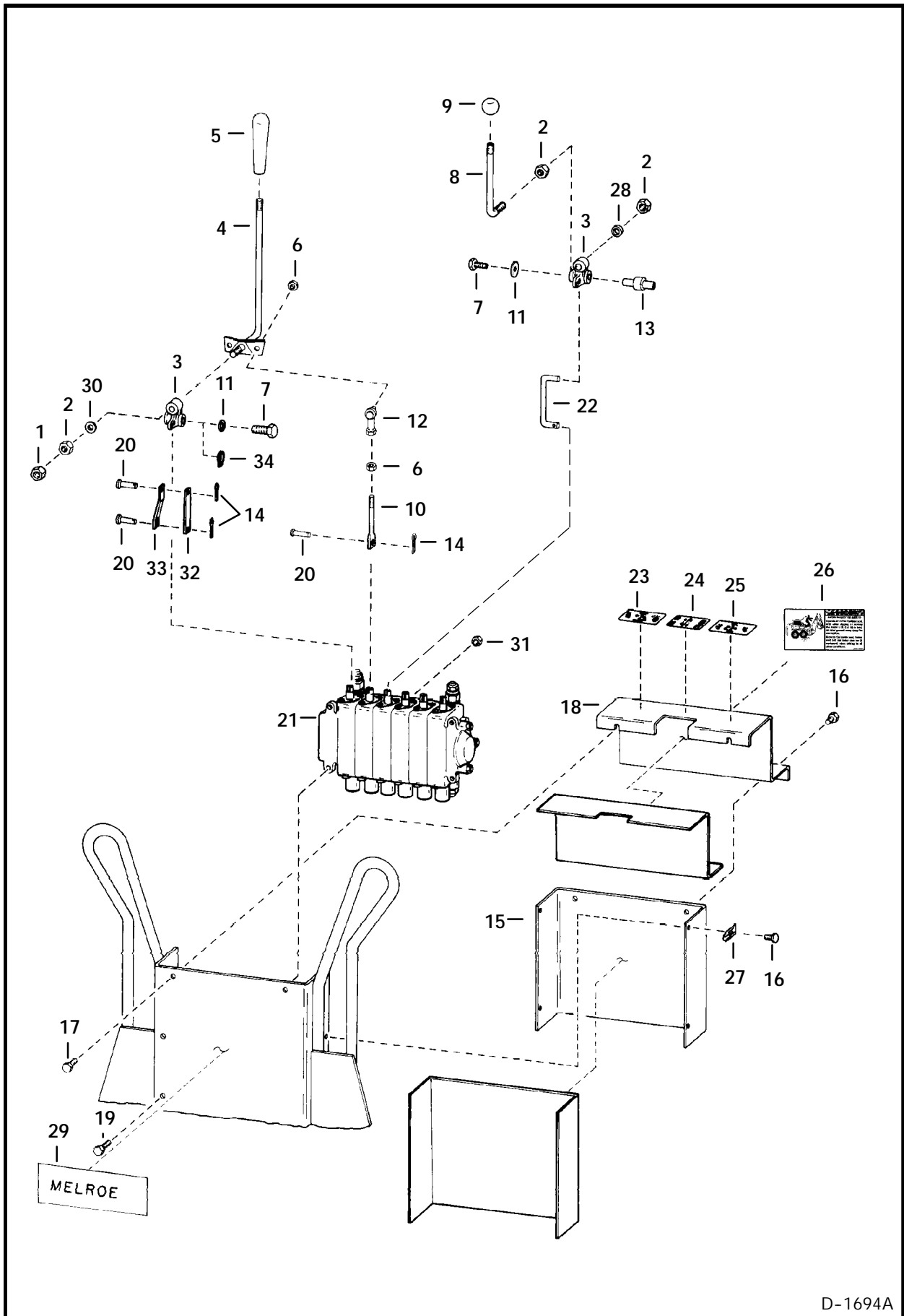
B-20486

CONTROL LEVERS (Cont'd)
909 Backhoe W/Cessna Valve - S/N 2036 & Below

Ref. No.	Part Number	Description	Remarks	Serial Number	Qty.
1	85D-8	NUT			2
2	61D-8	NUT			6
3	NAP	BLOCK	steel - Order 6591949 & Ref. 28		4
	6591949	BLOCK	cast - Aluminum		4
4	6592559	LEVER			1
5	6510093	KNOB			2
6	62D-5	NUT			4
7	17C-510	BOLT			4
8	6560871	LEVER			2
9	6515888	KNOB			2
10	6560058	YOKE			2
11	25E-16	WASHER			4
12	6512356	BALL JOINT			2
13	6561538	PIN	spacer		1
14	1F-308	COTTER PIN			10
15	6560877	PANEL			1
16	17C-408	BOLT			2
17	6557283	BOLT			6
18	6560878	COVER			1
19	17C-712	BOLT			3
20	6560872	PIN			10
21		VALVE	See Page 322 - 323		1
22	6561553	LINK			8
23	6558050	DECAL			1
24	6561397	DECAL			1
25	6558049	DECAL			1
26	6596591	DECAL	warning - Was 6562925 [A]		1
27	6513992	RETAINER			6
28	6599359	WASHER			2

CONTROL LEVERS

909 Backhoe W/Husco Valve - S/N 2037 & Above

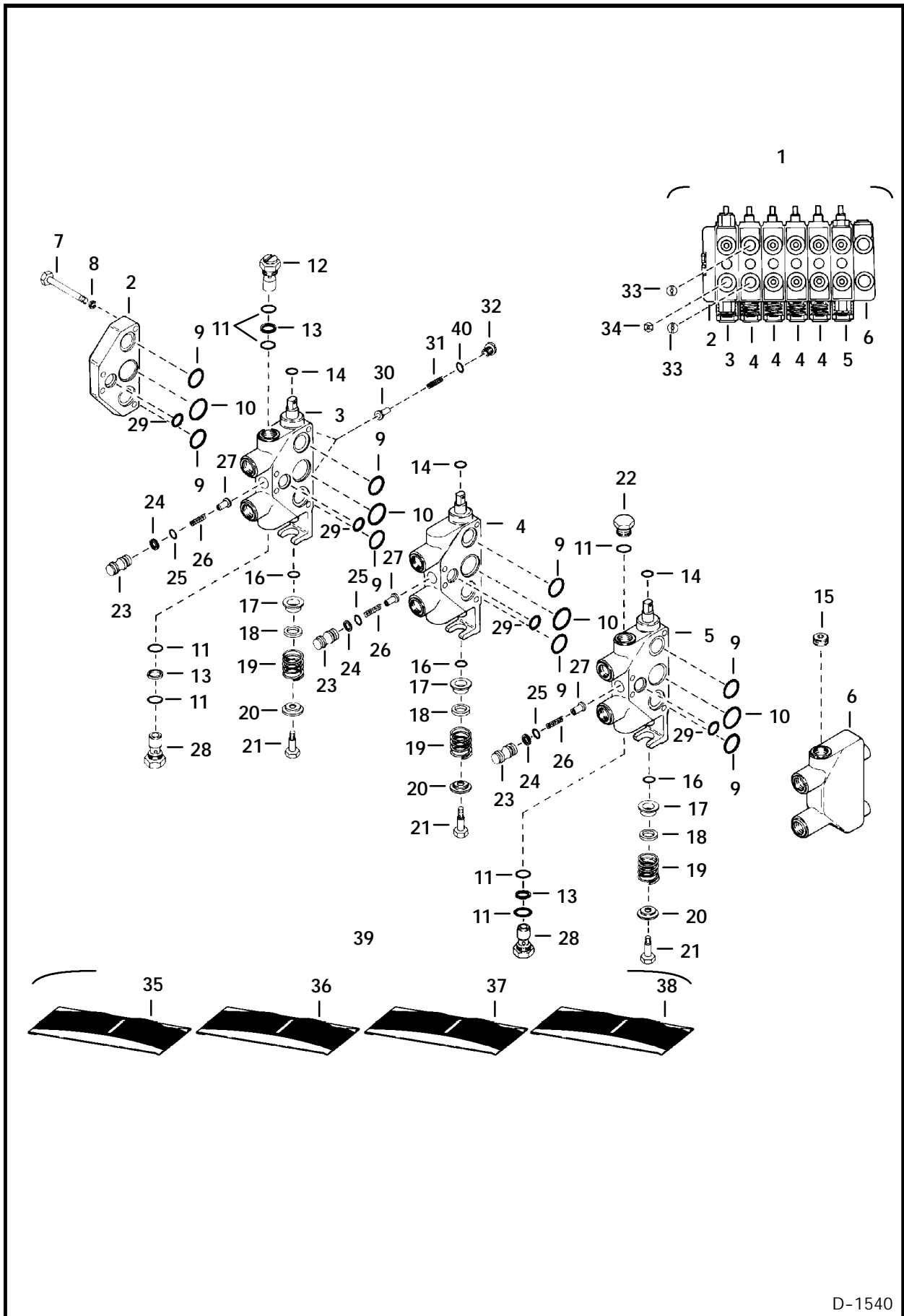


D-1694A

CONTROL LEVERS (Cont'd)
909 Backhoe W/Husco Valve - S/N 2037 & Above

Ref. No.	Part Number	Description	Remarks	Serial Number	Qty.
1	85D-8	NUT			2
2	7D-8	NUT			6
3	6591949	BLOCK	cast - Aluminum		4
4	6592559	LEVER			2
5	6510093	KNOB			2
6	62D-5	NUT			4
7	17C-510	BOLT			2
8	6560871	LEVER			2
9	6515888	KNOB			2
10	6592810	ROD			2
11	25E-16	WASHER			2
12	6512356	BALL JOINT			2
13	6561538	PIN	spacer		1
14	1F-208	COTTER PIN			6
15	6560877	PANEL			1
16	17C-412	BOLT			2
17	84G-3112	BOLT	Was 6557283 [A]		6
18	6560878	COVER			1
19	17C-620	BOLT			4
20	6592812	PIN			6
21		VALVE	See Page 327		1
22	6529533	LINK			2
23	6558050	DECAL			1
24	6561397	DECAL			1
25	6558049	DECAL			1
26	6596591	DECAL	warning - Was 6562925 [A]		1
27	6513992	RETAINER			6
28	6599359	WASHER			2
29	6569849	DECAL			1
30	25E-21	WASHER			2
31	85D-6	NUT			4
32	6592808	LINK			2
33	6592809	LINK			2
34	1315207	SNAP RING		4997 & Above	2

CESSNA VALVE (909 Backhoe - S/N 1403 & Below)

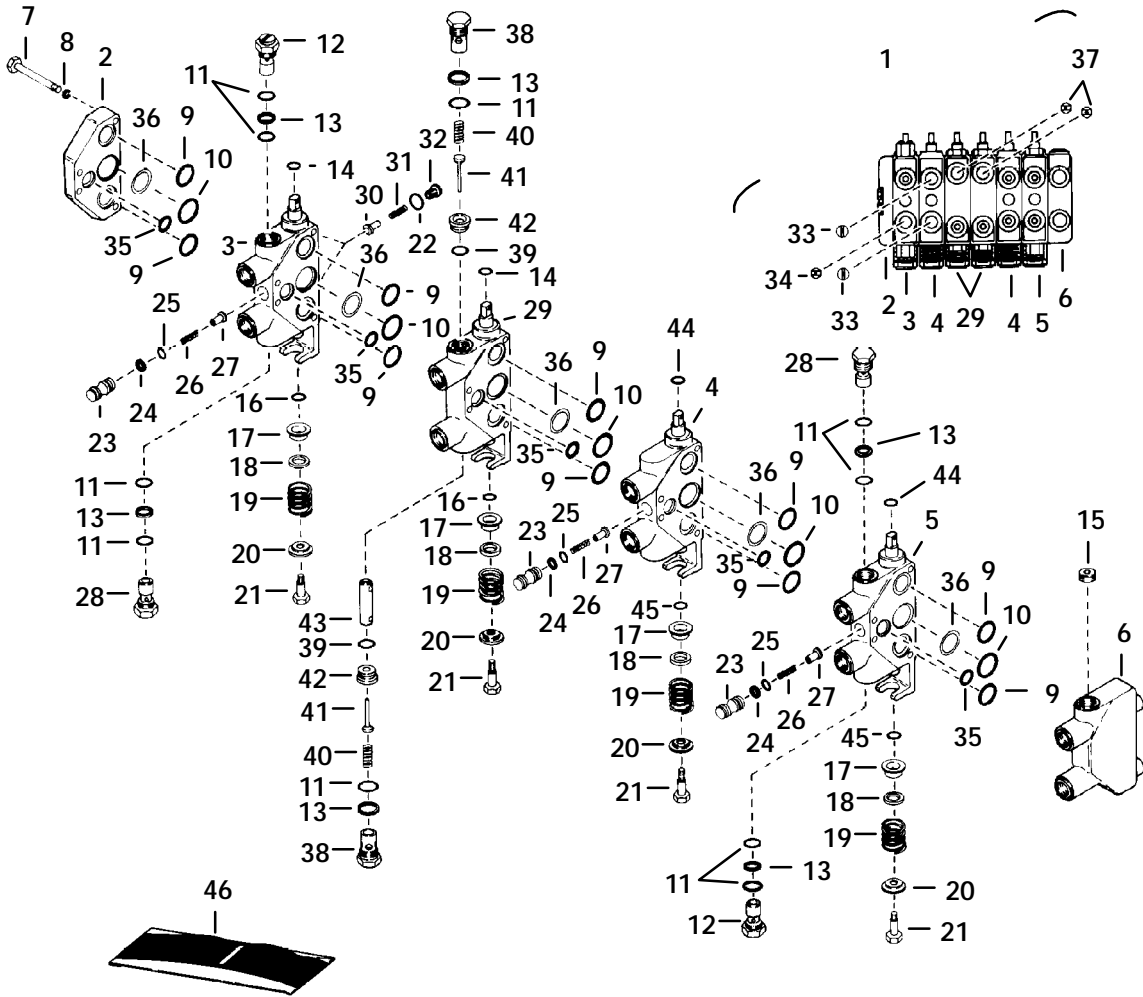


D-1540

CESSNA VALVE (Cont'd)
(909 Backhoe - S/N 1403 & Below)

Ref. No.	Part Number	Description	Remarks	Serial Number	Qty.
1	NAP	VALVE	Order 6592447 & 6512602		1
2	6510041	PLATE	end		1
3	NSS	SECTION	valve (Boom) - Order Ref. 1 -		
4	NSS	SECTION	Was 6598345 [A] valve - bucket, stab. & swing Order Ref. 1 - Was 6598201 [A]		1
5	NSS	SECTION	valve (Crowd) - Was 6513626 [A]		1
6	6510042	PLATE	port		1
7	17C-6174	BOLT			4
8	25E-6	WASHER			4
9	NSS	O-RING			8
10	NSS	O-RING			5
11	NSS	O-RING			8
12	6512603	RELIEF VALVE			1
13	NSS	WASHER	back-up		4
14	NSS	SEAL	spool		6
15	6510063	PLUG			1
16	NSS	O-RING			x
17	4149070	WASHER	deep		6
18	4149072	SPACER	wire		6
19	6510048	SPRING			6
20	4149067	WASHER	shallow		6
21	947750	BOLT			6
22	6518043	PLUG			1
23	4149069	BODY	lift check		6
24	NSS	WASHER	back-up		6
25	NSS	O-RING			6
26	1550482	SPRING			6
27	4149071	PLUNGER	lift check		6
28	6512602	RELIEF VALVE			2
29	NSS	O-RING			7
30	994793	PLUNGER			2
31	6510047	SPRING			2
32	6598346	PLUG			2
33	6598363	ORIFICE	.079" (2,01mm)		2
34	6598364	ORIFICE	.187" (4,75mm)		1
35	6510064	SEAL KIT	Between Sect. - Ref. 9, 10 & 29		x
36	6510058	SEAL KIT	Stabilizer & Swing Sections Ref. 14, 16 & 25		x
37	6510059	SEAL KIT	Crowd Section - Ref. 11, 13, 14, 16, 24 & 25		x
38	6598443	SEAL KIT	Boom Section - Ref. 11, 13, 14, 16, 24 & 25		x
39	6598203	SEAL KIT	Major - Ref. 35 - 38		x
40	58K-110	O-RING			1

CESSNA CONTROL VALVE
909 Backhoe - S/N 1404 thru 2036



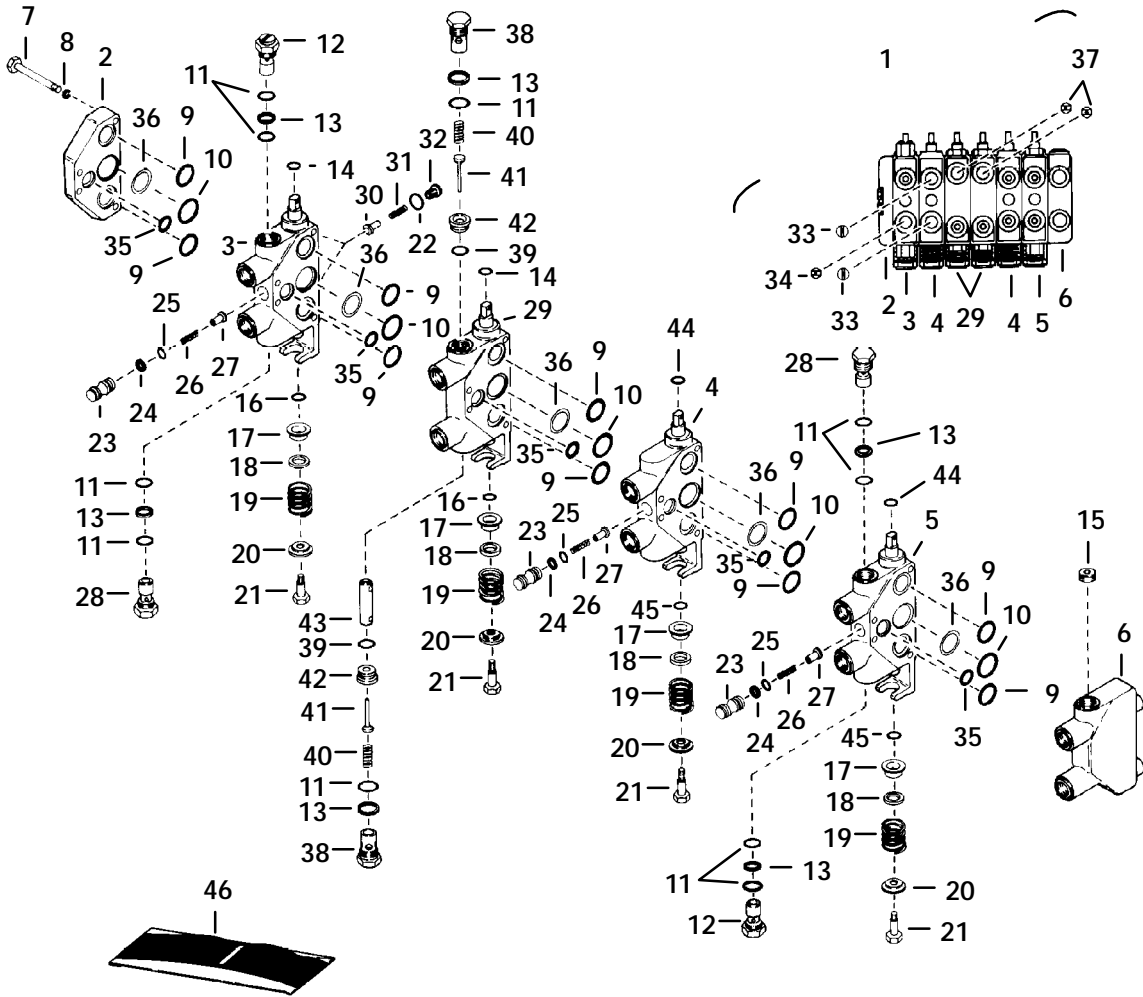
NOTE: When replacing valve, if old valve does not have relief valve in top of crowd section you must also order 6512602 relief valve.

B-20487

CESSNA CONTROL VALVE (Cont'd)
909 Backhoe - S/N 1404 thru 2036

Ref. No.	Part Number	Description	Remarks	Serial Number	Qty.
1	NAP	VALVE	Less Ref. 28 in Ref. 5 - See Note		1
2	6510041	PLATE	Was 6592447 [A] end		1
3	NSS	SECTION	valve (Boom) - Order Ref. 1 -		1
4	NSS	SECTION	Was 6598345 [A] valve (Bucket & Swing) - Order		
5	6513626	SECTION	Ref. 1 - Was 6598201 [A]		2
6	6510042	PLATE	valve - Crowd port		1
7	17C-6174	BOLT			4
8	25E-6	WASHER			4
9	NSS	O-RING			8
10	NSS	O-RING			5
11	NSS	O-RING			8
12	6512603	RELIEF VALVE			1
13	NSS	WASHER	back-up		4
14	NSS	O-RING			3
15	6510063	PLUG			1
16	NSS	O-RING			3
17	4149070	WASHER	deep		6
18	4149072	SPACER	wire		6
19	6510048	SPRING			6
20	4149067	WASHER	shallow		6
21	947750	BOLT			6
22	58K-110	O-RING			1
23	4149069	BODY	lift check		6
24	NSS	WASHER	back-up		6
25	NSS	O-RING			6
26	1550482	SPRING			6
27	4149071	PLUNGER	lift check		6
28	6512602	RELIEF VALVE			2
29	6599493	SECTION	valve - Stabilizer		2
30	994793	PLUNGER			2
31	6510047	SPRING			2
32	6598346	PLUG			2
33	6598437	ORIFICE	.074" (1,88mm) Dia.		2
34	NSS	ORIFICE	.138" (3,51mm) Dia. - Was 6518042 [A]		1
35	NSS	O-RING			7
36	NSS	WASHER			7
37	6598752	ORIFICE	.081"(2.06mm)		2
38	6598783	PLUG	W/Ref. 11 & 13		4
39	NSS	O-RING			6
40	6598779	SPRING			4
41	6598780	POPPET	Was 6599494 [A]		4
42	6598782	SEAT			4
43	6598781	PLUNGER			4
44	NSS	O-RING			3
45	NSS	O-RING			3

CESSNA CONTROL VALVE (Cont'd)
 909 Backhoe - S/N 1404 thru 2036

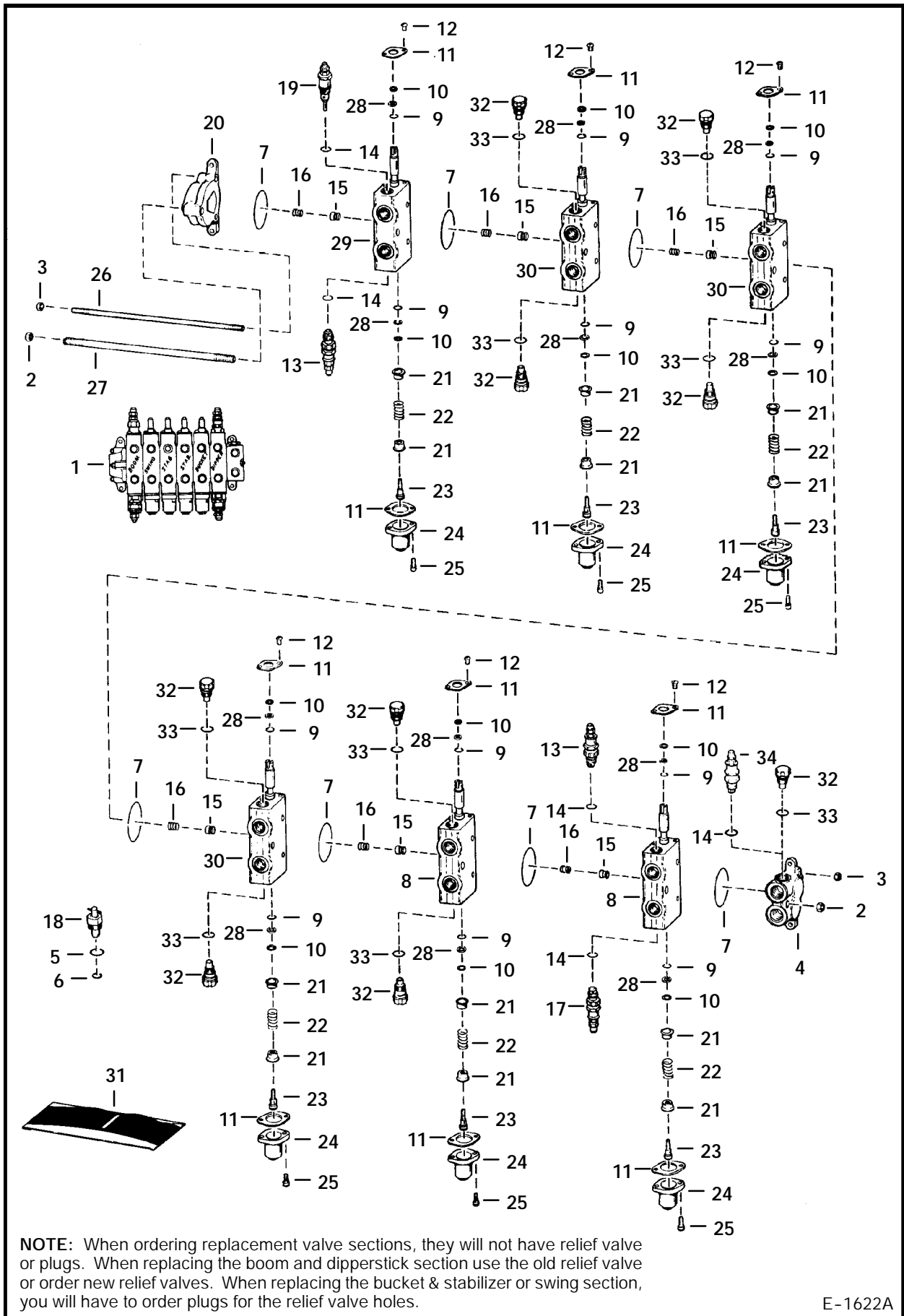


NOTE: When replacing valve, if old valve does not have relief valve in top of crowd section you must also order 6512602 relief valve.

B-20487

HUSCO VALVE

909 Backhoe - S/N 2037 & Above



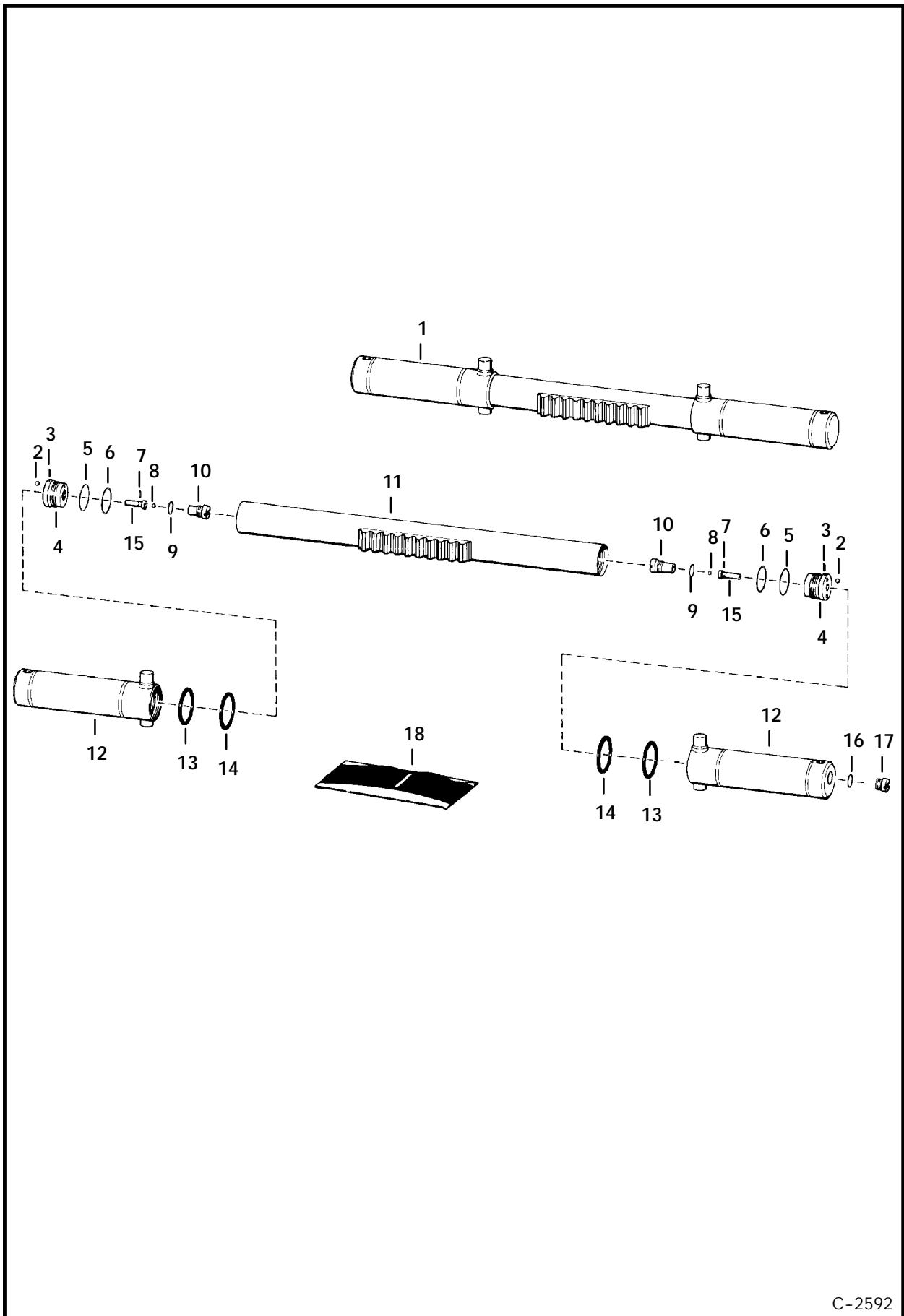
NOTE: When ordering replacement valve sections, they will not have relief valve or plugs. When replacing the boom and dipperstick section use the old relief valve or order new relief valves. When replacing the bucket & stabilizer or swing section, you will have to order plugs for the relief valve holes.

E-1622A

HUSCO VALVE (Cont'd)
909 Backhoe - S/N 2037 & Above

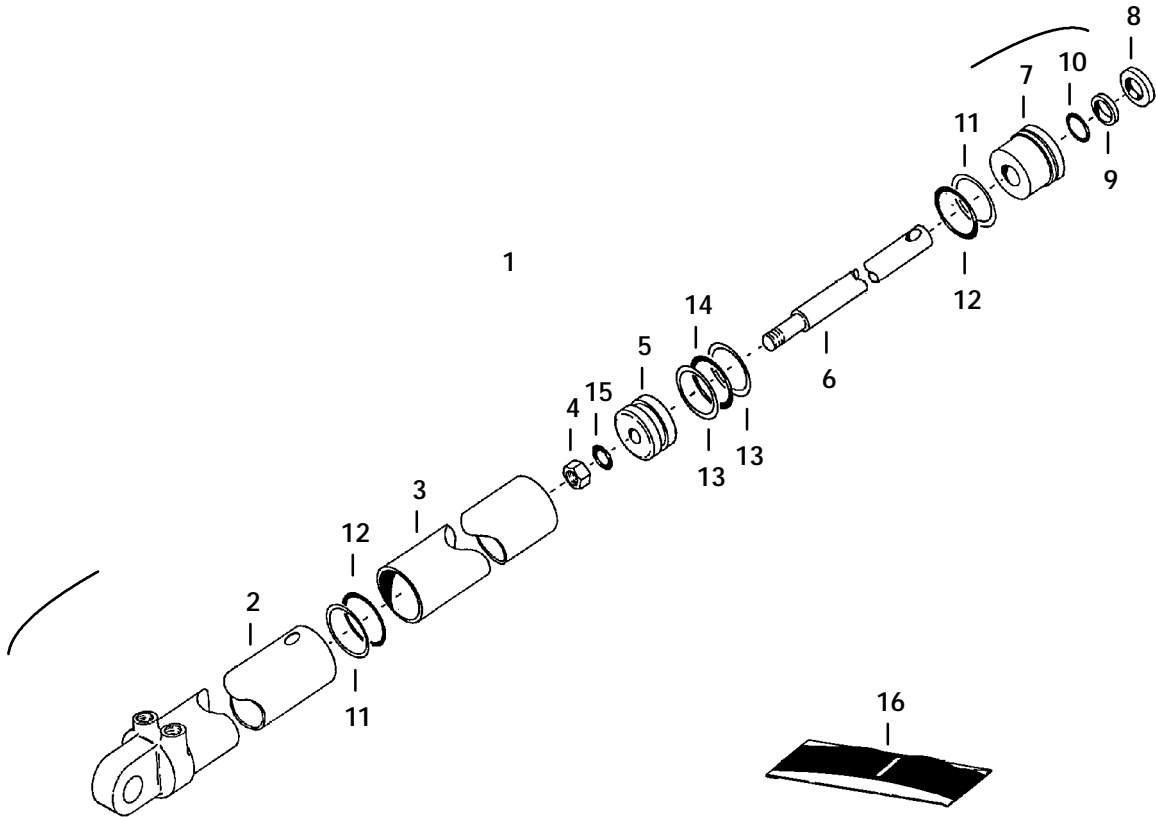
Ref. No.	Part Number	Description	Remarks	Serial Number	Qty.
1	6655020	VALVE	Was 6651860 [A]		1
2	62D-6	NUT			2
3	61D-5	NUT			4
4	6651869	SECTION	inlet-W/Ref. 7 - Was 6646686 [A]		1
5	79K-10	O-RING			7
6	58K-110	O-RING			x
7	6646691	O-RING	Was 25K-40208 [A]		7
8	6646689	SECTION	bucket dipper - W/O Ref. 13 & 17 - W/Ref. 7, 9 - 12, 15, 16, 21 - 25 & 29 - See Note on Page 327 - Was 6630959 [A] Was 25K-30018 [A]		2 12
9	NSS	O-RING			12
10	NSS	WIPER	Was 948021 [A]		12
11	948016	PLATE			12
12	93G-406	SCREW	Was 89G-406 [A]		12
13	6646679	RELIEF VALVE	Was 966133 [A]		2
14	961240	O-RING			5
15	6630965	POPPET			6
16	6630966	SPRING			6
17	6646701	RELIEF VALVE	Was 966132 [A]		1
18	945193	PLUG	W/Ref. 5 & 6		x
19	6517503	RELIEF VALVE			1
20	948010	CAP	end		1
21	948017	SEAT	spring		12
22	948018	SPRING			6
23	948191	SCREW			6
24	948192	CAP			6
25	73G-412	BOLT	Was 11G-412 [A]		12
26	6514391	BOLT	tie		2
27	6514392	BOLT	tie		1
28	NSS	WASHER			12
29	6646688	SECTION	boom - W/Ref. 7, 9 - 12, 15, 16, 21 - 25 & 29 - W/O Ref. 13 & 19		1
30	6646687	SECTION	swing stab. - W/Ref. 7, 9 - 12, 15, 16, 21 - 25 & 29		3
31	6630136	SEAL KIT	O-Rings & Back-Up Rings for Ref. 19		1
	6646695	SEAL KIT	O-Rings & Back-Up Rings for Ref. 13 & 17 - Was 6630962 [A]		1
	6646698	SEAL KIT	spool - W/Ref. 9, 10 & 28 - For all six sections		1
	6651569	SEAL KIT	spool - For 1 section Ref. 9, 10 & 28		x
*	6661236	SEAL KIT	complete - Includes 6646695, 6646698, 6630136, & Ref. 7 -		
32	6652869	PLUG	Was 6652871 [A] W/Ref. 33 - Non Replaceable Plug - Was 6649667 [A]		1 x
33	NSS	SEAL	Was 6649668 [A]		x
34	6651867	RELIEF VALVE			1

SWING CYLINDER 909 Backhoe



C-2592

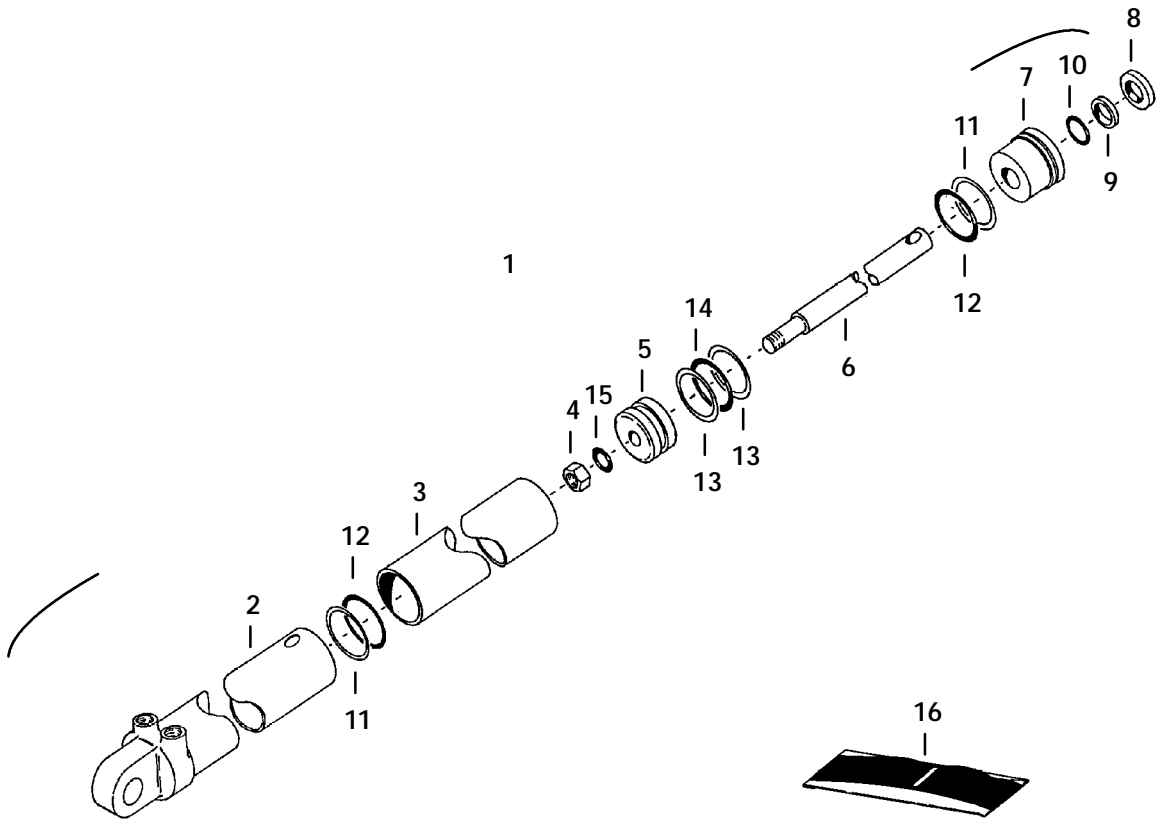
STABILIZER CYLINDER
909 - Cessna



NOTE: Cylinder head has flat sides for wrench.

C-1203C

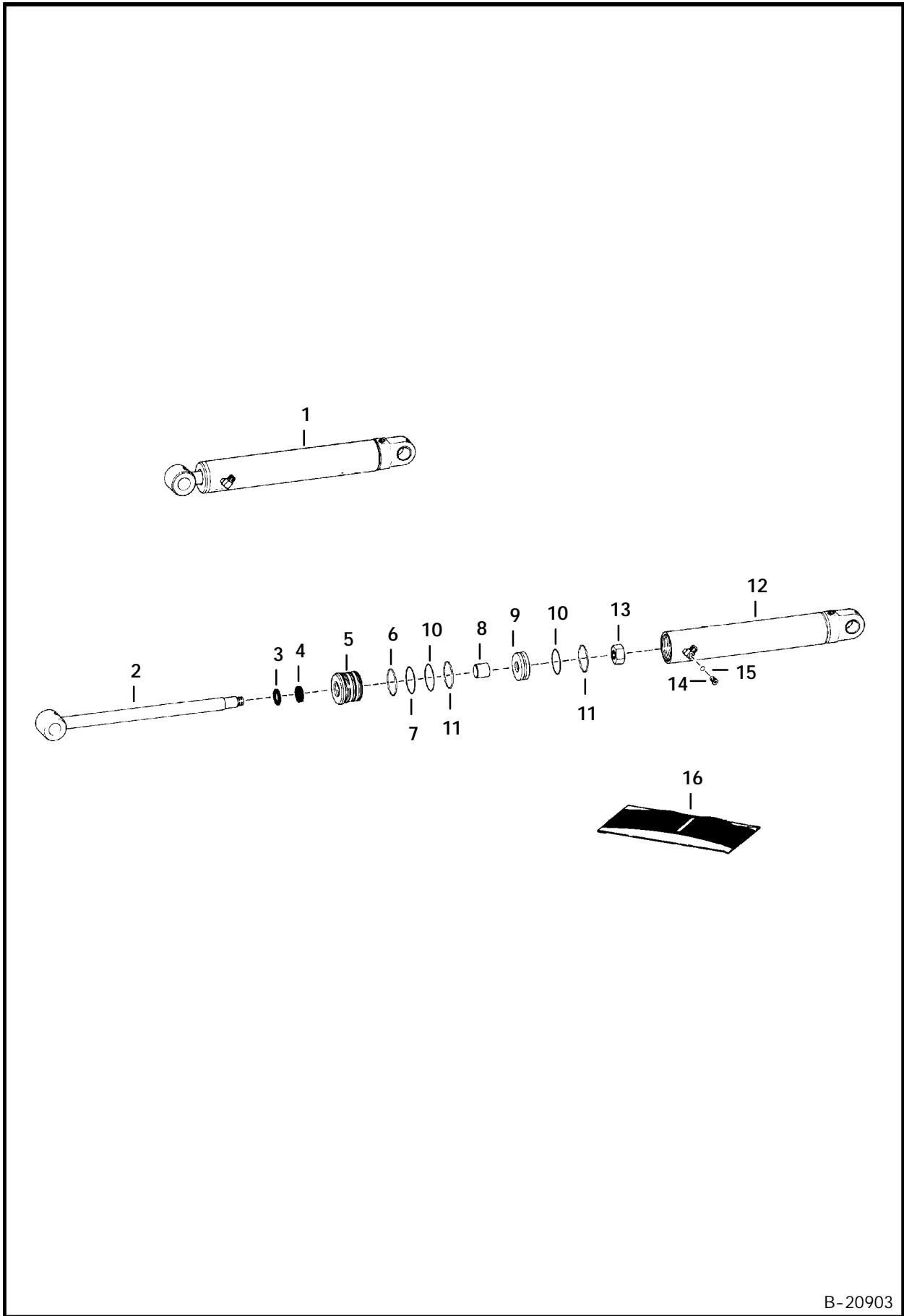
STABILIZER CYLINDER 909 - Bobcat



NOTE: Cylinder head has spanner wrench dowel pin holes.

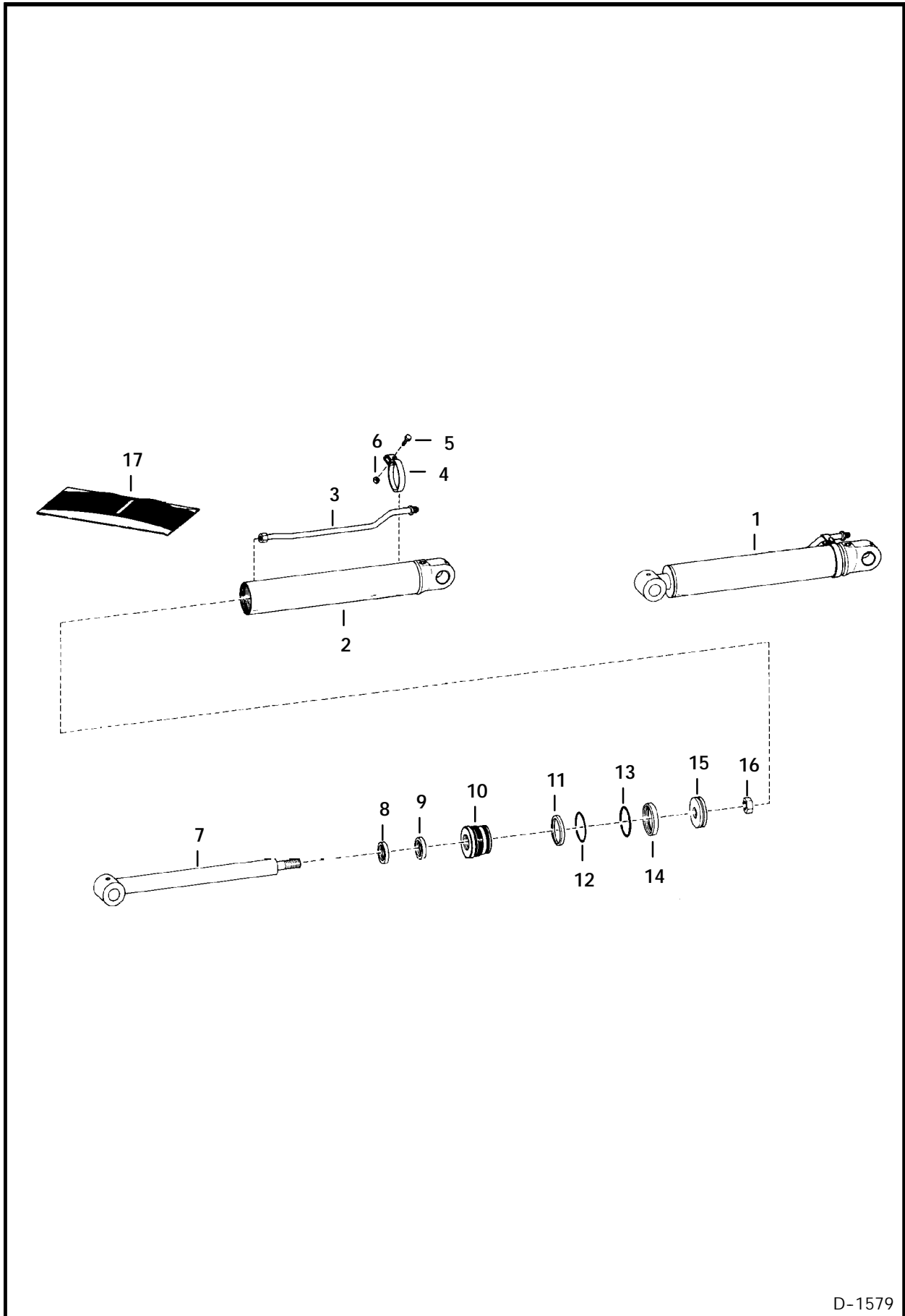
B-20477B

BOOM & DIPPERSTICK CYLINDER
909 Backhoe



B-20903

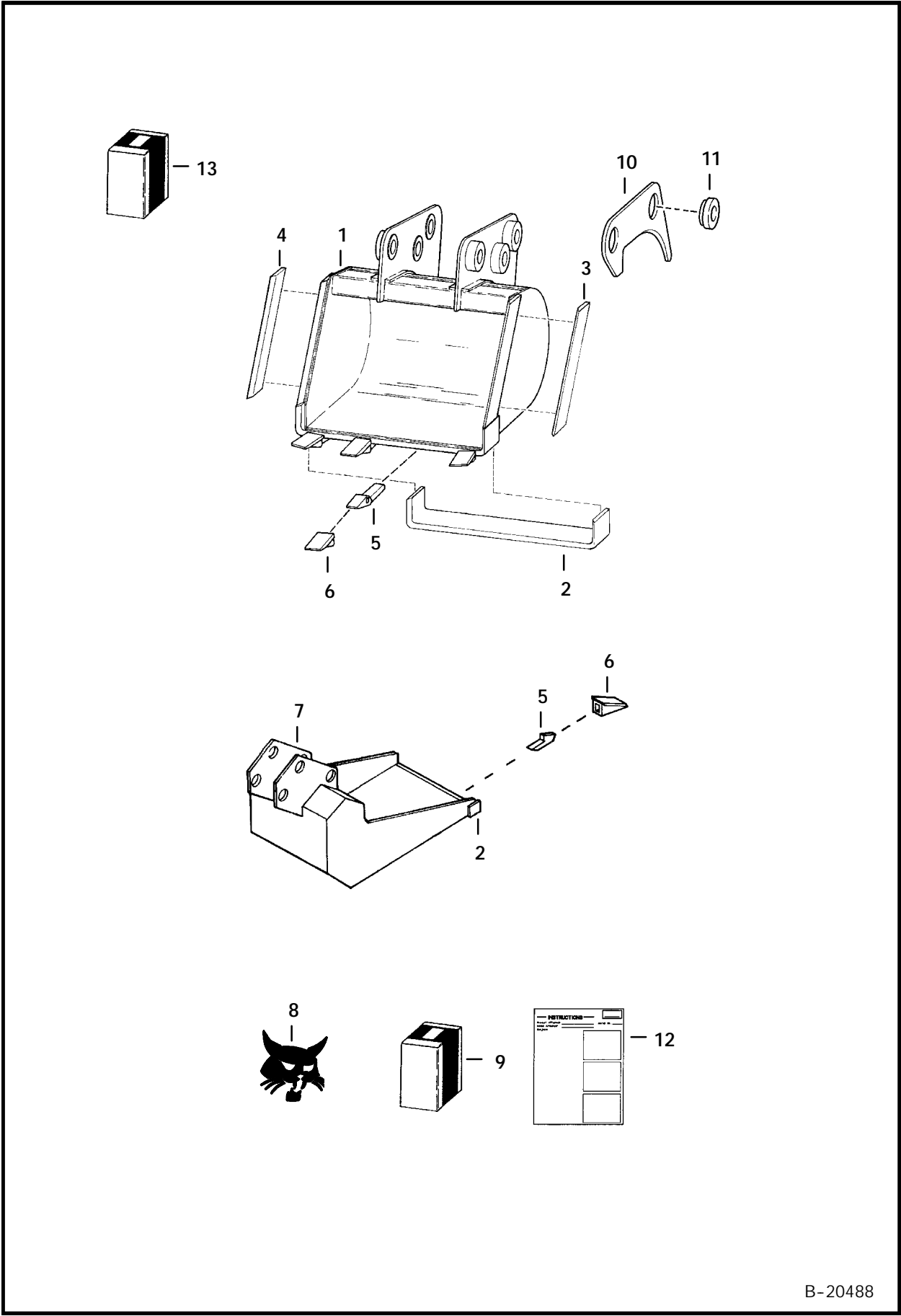
BUCKET CYLINDER
909 Backhoe



D-1579

BACKHOE BUCKETS

W/4" (101,6mm) Cutting Edge - 909 Backhoe

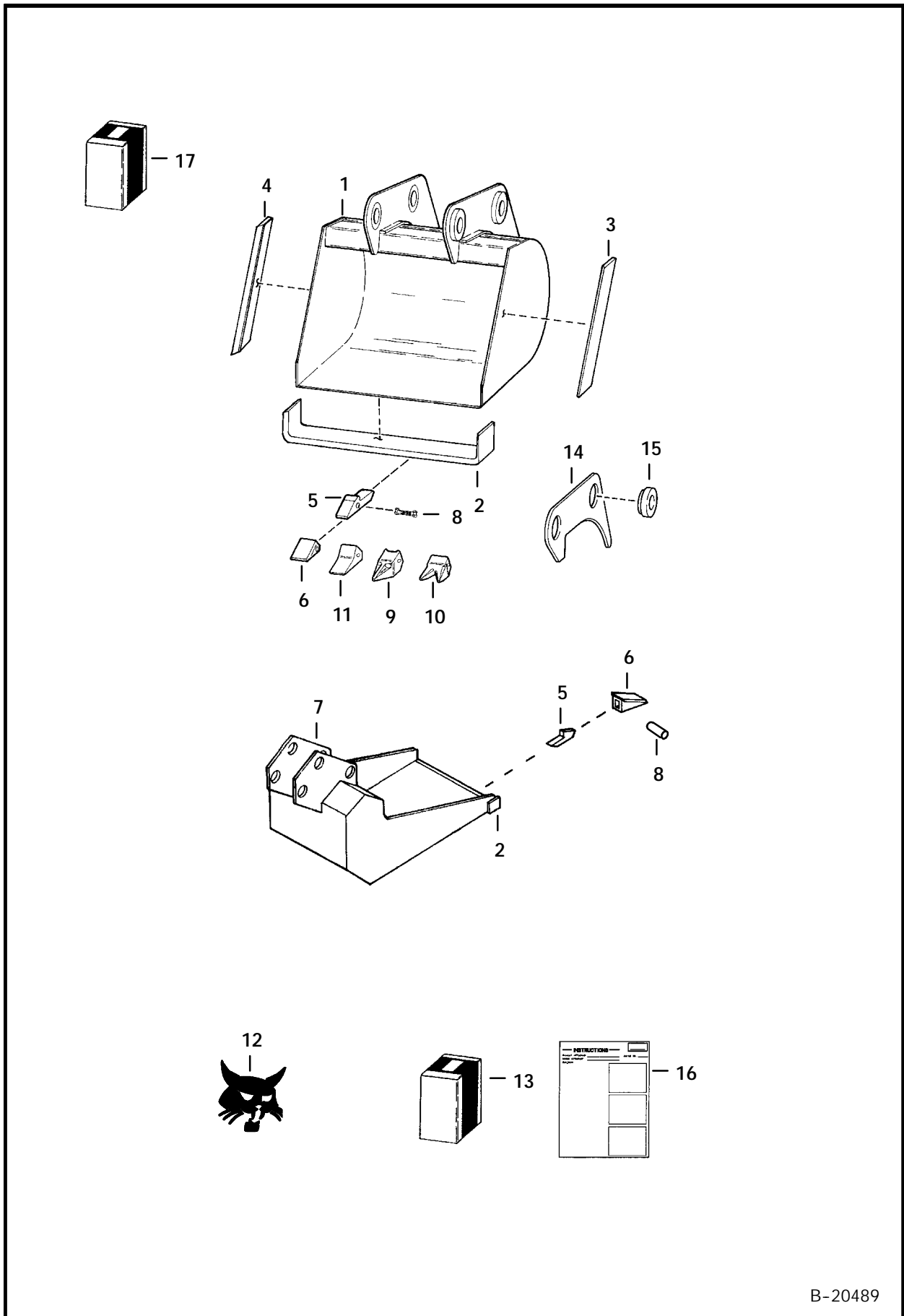


B-20488

BACKHOE BUCKETS (Cont'd)
W/4" (101,6mm) Cutting Edge - 909 Backhoe

Ref. No.	Part Number	Description	Remarks	Serial Number	Qty.
1	SALES	BUCKET	standard - 12" (304,8mm)		1
	SALES	BUCKET	standard - 16" (406,4mm)		1
	SALES	BUCKET	standard - 20" (508mm)		1
2	SALES	BUCKET	standard - 24" (609,6mm)		1
	SALES	BUCKET	standard - 30" (762mm)		1
	6592051	CUTTING EDGE	12" (304,8mm)		1
	6592053	CUTTING EDGE	16" (406,4mm)		1
	6592213	CUTTING EDGE	20" (508mm)		1
	6592214	CUTTING EDGE	24" (609,6mm)		1
3	6592215	CUTTING EDGE	30" (762mm)		1
	6542987	CUTTING EDGE	L.H. - 12" (304,8mm), 16" (406,4mm)		1
4	6561167	CUTTING EDGE	L.H. - 20" (508mm), 24" (609,6mm), 30" (762mm)		1
	6542986	CUTTING EDGE	R.H. - 12" (304,8mm), 16" (406,4mm)		1
	6561166	CUTTING EDGE	R.H. - 20" (508mm), 24" (609,6mm), 30" (762mm)		1
5	6515119	SHANK			x
6	1550017	TOOTH			x
7	SALES	BUCKET	open side - 12" (304,8mm)		1
8	SALES	BUCKET	open side - 16" (406,4mm)		1
	6700191	DECAL	R.H.		1
	6700192	DECAL	L.H.		1
9	6586756	MOUNTING KIT	To convert 909 Buckets to 709 Buckets - W/Ref. 10 - 12		1
10	6586757	PLATE			2
11	6560596	BUSHING			10
12	6722243	INSTRUCTIONS			1
	6722243AR	INSTRUCTIONS	translated - for Ref. 9		1
13	6722243BR	INSTRUCTIONS	translated - for Ref. 9		1
	6718778AR	KIT	translation - for Ref. 9		1
	6718778BR	KIT	translation - for Ref. 9		1

BACKHOE BUCKETS
W/6" (152,4mm) Cutting Edge - 909 Backhoe



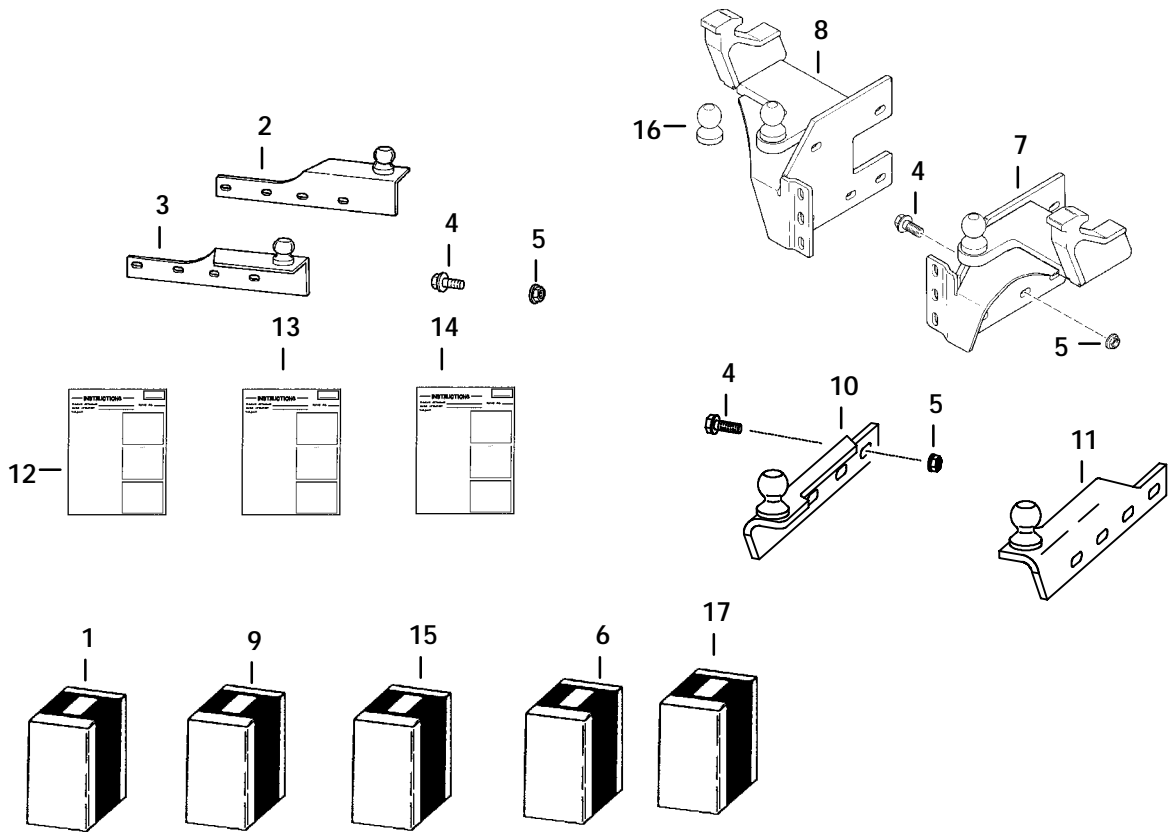
B-20489

BACKHOE BUCKETS (Cont'd)
W/6" (152,4mm) Cutting Edge - 909 Backhoe

Ref. No.	Part Number	Description	Remarks	Serial Number	Qty.
1	SALES	BUCKET	trenching - 12" (304,8mm)		1
	SALES	BUCKET	trenching - 16" (406,4mm)		1
	SALES	BUCKET	trenching - 20" (508mm)		1
2	SALES	BUCKET	trenching - 24" (609,6mm)		1
	SALES	BUCKET	trenching - 30" (762mm)		1
	6593139	CUTTING EDGE	12" (304,8mm)		1
	6593067	CUTTING EDGE	16" (406,4mm)		1
	6593115	CUTTING EDGE	20" (508mm)		1
	6593121	CUTTING EDGE	24" (609,6mm)		1
3	6593127	CUTTING EDGE	30" (762mm)		1
	6593062	CUTTING EDGE	L.H.		1
	6593063	CUTTING EDGE	R.H.		1
5	6518120	SHANK			x
6	6630424	TOOTH	Was 1553699 [A]		x
7	SALES	BUCKET	open side - 16" (406,4mm)		1
8	6567620	PIN	Was 562660 [A]		x
9	6657328	TOOTH	Single Penetrator		x
10	6657329	TOOTH	Twin Penetrator		x
11	6657330	TOOTH	Heavy Dust Cast		x
12	6700191	DECAL	R.H.		1
	6700192	DECAL	L.H.		1
13	6586756	MOUNTING KIT	To convert 909 Buckets to 709 Buckets - W/Ref. 14 - 16		1
14	6586757	PLATE			2
15	6560596	BUSHING			10
16	6722243	INSTRUCTIONS			1
	6722243AR	INSTRUCTIONS	translated - for Ref. 13		1
17	6722243BR	INSTRUCTIONS	translated - for Ref. 13		1
	6718778AR	KIT	translation - for Ref. 13		1
	6718778BR	KIT	translation - for Ref. 13		1

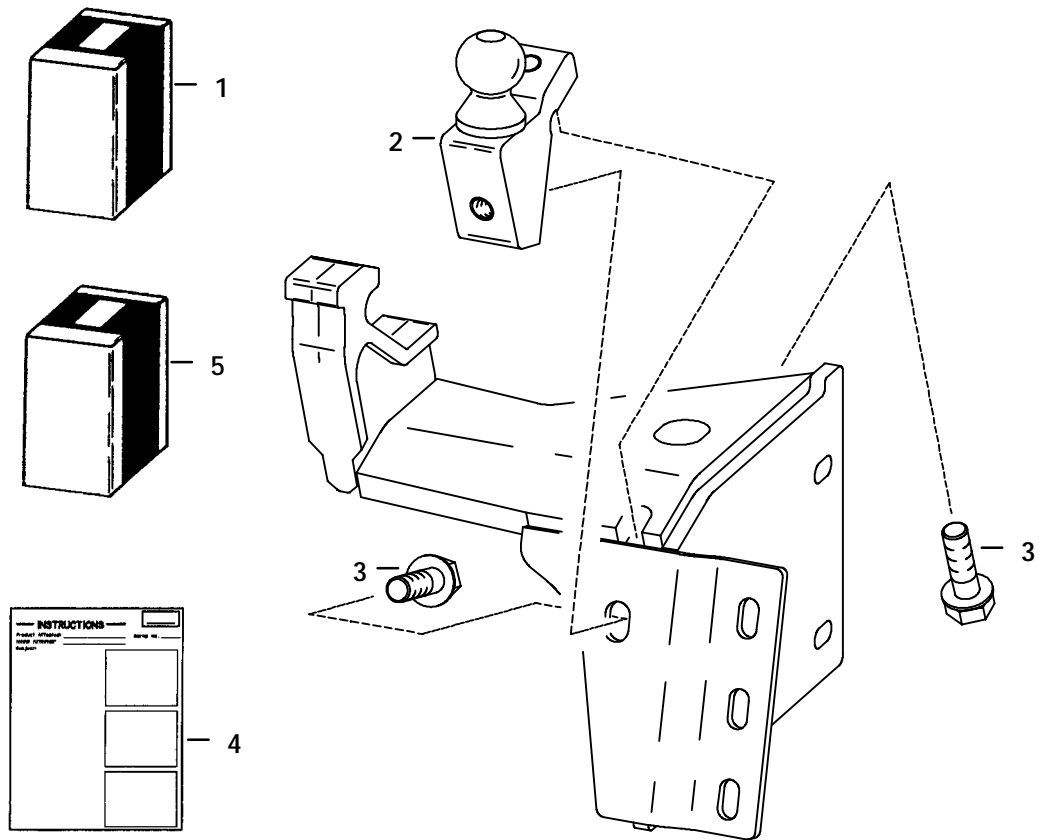
MOUNTING KITS 909 Backhoe

NOTE: Order Mounting Kits from Gwinner Sales.
Ref. 1 - SALES # 6562446
Ref. 6 - SALES # 6538674
Ref. 9 - SALES # 6534612



B-20500

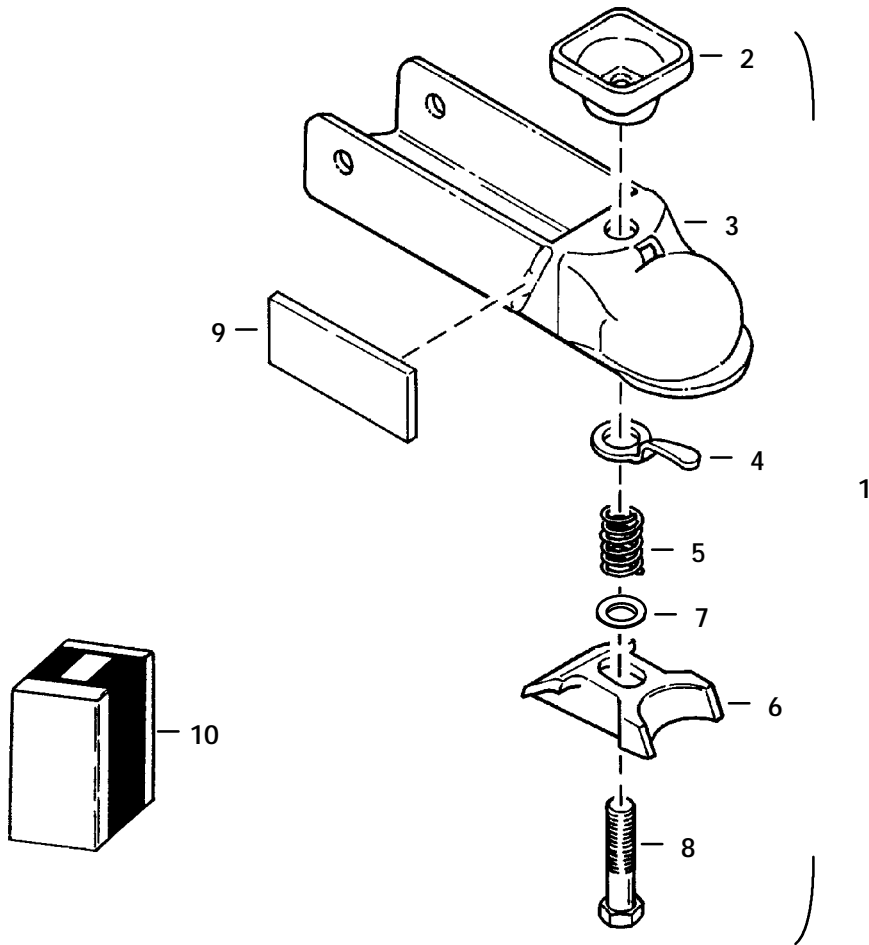
MOUNTING BALL CONVERSION KIT



NOTE: This kit can be added to the 709 Backhoe mounting kit 6538707 (753 Loader) for mounting a 907 or 909 Backhoe.

TS-1069B

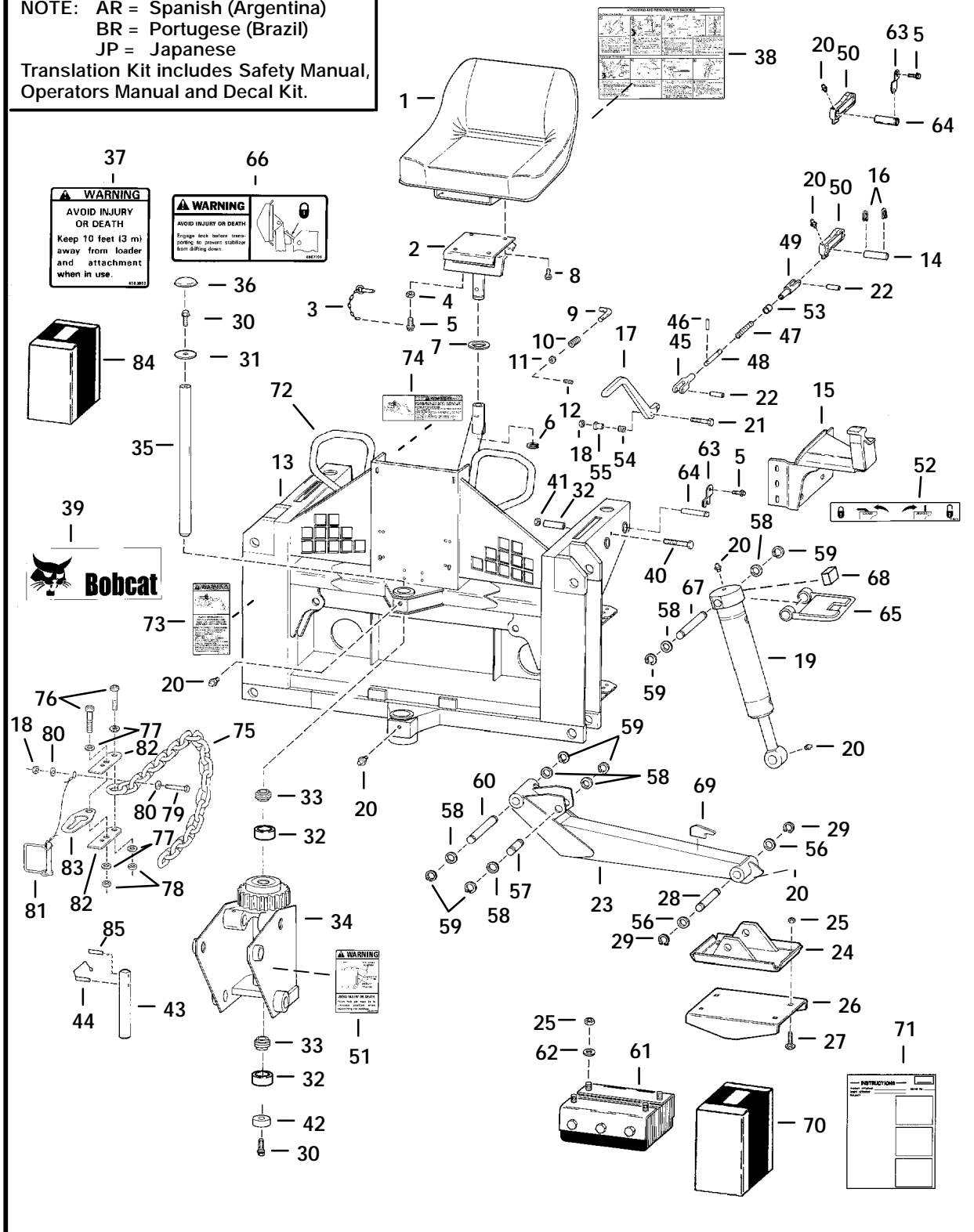
COUPLER ASSEMBLY
909 Backhoe



B-4293A

MAIN FRAME 811 Backhoe

NOTE: AR = Spanish (Argentina)
BR = Portugese (Brazil)
JP = Japanese
Translation Kit includes Safety Manual,
Operators Manual and Decal Kit.



WARNING: BACKHOE FRAME CAN ROTATE BACKWARD AND TRAP OPERATOR CAUSING SERIOUS INJURY OR DEATH.
BEFORE OPERATING BACKHOE: Fully engage both Bob-tach locking levers so wedges extend through mounting frame holes. Tighten and fasten safety chain around Bob-Tach and mounting frame. Repair or replace safety chain if damaged. Use only approved .375 inch Grade 70 Transport Chain. See "ATTACHING AND REMOVING THE BACKHOE" Decal on backhoe seat and Backhoe Operation & Maintenance Manual for more instructions.

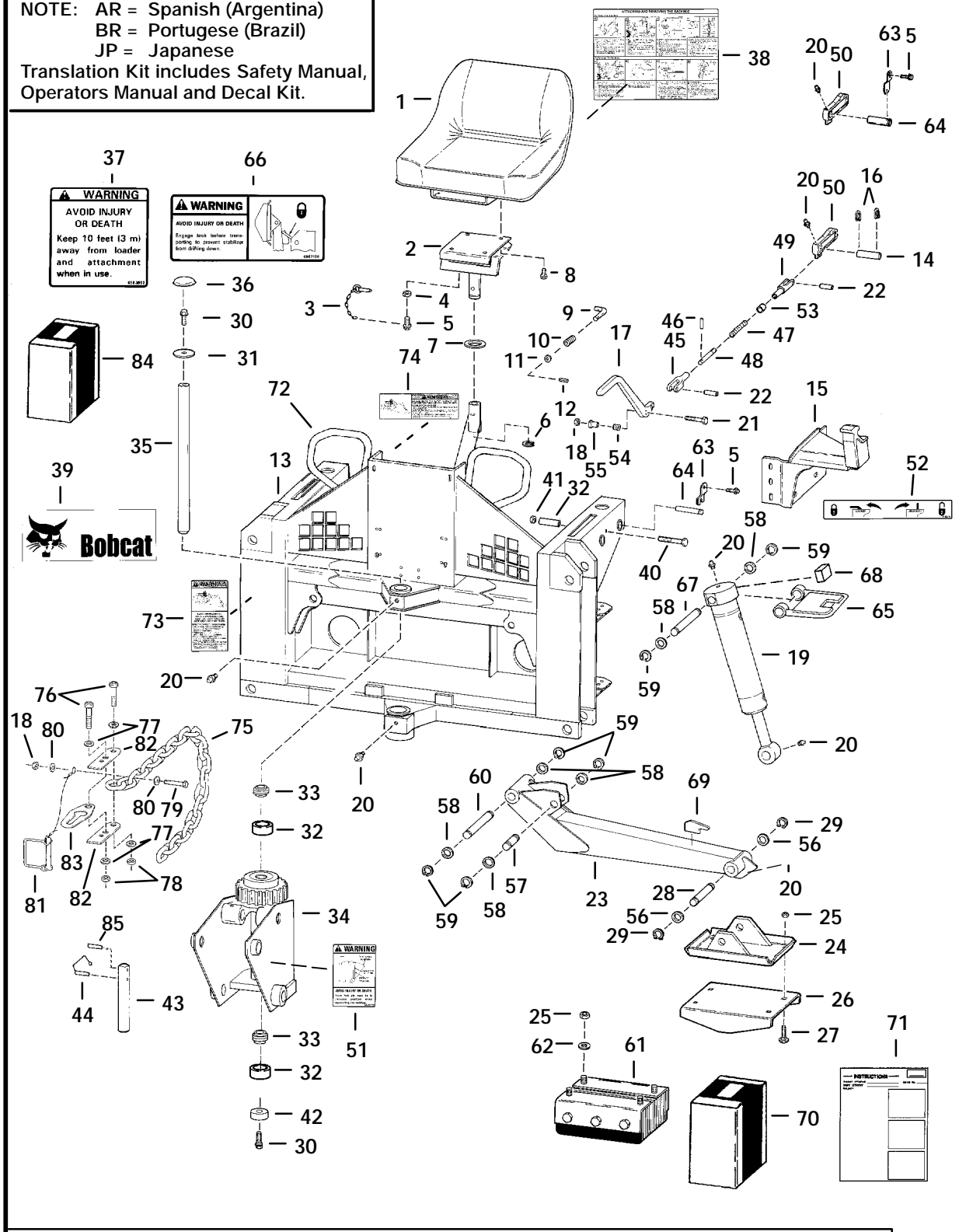
E-2055

MAIN FRAME (Cont'd)
811 Backhoe

Ref. No.	Part Number	Description	Remarks	Serial Number	Qty.
1	NAP	SEAT	Also Order Ref. 38 - W/Adj. Track - Order 6643253 - Was 6653421 [A]		1
	6643253	SEAT	Also Order Ref. 38 - W/O Adj. track - Was 6591598 [A]		1
	NAP	TRACK	W/adj. - Was 6660436 [A]		1
2	NAP	TRACK	W/O adj. - Was 6660437 [A]		1
3	6587384	MOUNT	Was 6534341 [A]		1
4	6511880	PIN			1
5	7D-6	NUT			1
6	84G-3712	BOLT			5
7	6538285	SNAP RING	Was 1305943 [A]		1
8	6558680	SPACER			1
9	17C-512	BOLT	Was 17C-516 [B]		4
10	6592836	PIN			1
11	6610082	SPRING			1
12	25E-15	WASHER			1
13	1F-308	COTTER PIN			1
14	6533226	MAIN FRAME			1
15	6533178	PIN		281 & Below	4
16	6533226	MOUNT	See Page 392		2
17	662770	SNAP RING		281 & Below	8
18	6805822	LEVER	Was 6533163 [A]		2
19	85D-6	NUT			3
20		CYLINDER	stabilizer - See Page 374 & 376		2
21	10H-25	GREASE ZERK			8
22	17C-660	BOLT		281 & Below	2
23	17C-680	BOLT		282 & Above	2
24	14J-5032	ROLL PIN			4
25	6586820	STABILIZER	Also Order 57 & 60 - Was 6534649 [A]		2
26	6534650	PAD			2
27	61D-8	NUT			8
28	6560890	CLEAT			2
29	37C-820	BOLT	Was 6560578 [A]		8
30	6532841	PIN			2
31	1320431	SNAP RING	Was 6538286 [A]		4
32	31C-1228	BOLT			2
33	6532862	WASHER			1
34	6656253	RACE	Was 6534351 [A]		2
35	6656252	BEARING			2
36*	6806093	FRAME	swing - Was 6533297 [A]		1
37	6533318	SHAFT			1
38	6656492	CAP			1
39	6583862	DECAL	warning		2
40	6714915	DECAL	mounting instr.-Was 6536325 [A]		1
41	6727324	DECAL	Bobcat - Was 6714353 [A]		1
42	17C-868	BOLT		281 & Below	2
43	85D-8	NUT		281 & Below	2
44	6532631	WASHER			1
45*	6593895	PIN	Boom Lock - Was 6531439 [A]		1

MAIN FRAME (Cont'd) 811 Backhoe

NOTE: AR = Spanish (Argentina)
BR = Portugese (Brazil)
JP = Japanese
Translation Kit includes Safety Manual,
Operators Manual and Decal Kit.



⚠ WARNING: BACKHOE FRAME CAN ROTATE BACKWARD AND TRAP OPERATOR CAUSING SERIOUS INJURY OR DEATH.
BEFORE OPERATING BACKHOE: Fully engage both Bob-tach locking levers so wedges extend through mounting frame holes. Tighten and fasten safety chain around Bob-Tach and mounting frame. Repair or replace safety chain if damaged. Use only approved .375 inch Grade 70 Transport Chain. See "ATTACHING AND REMOVING THE BACKHOE" Decal on backhoe seat and Backhoe Operation & Maintenance Manual for more instructions.

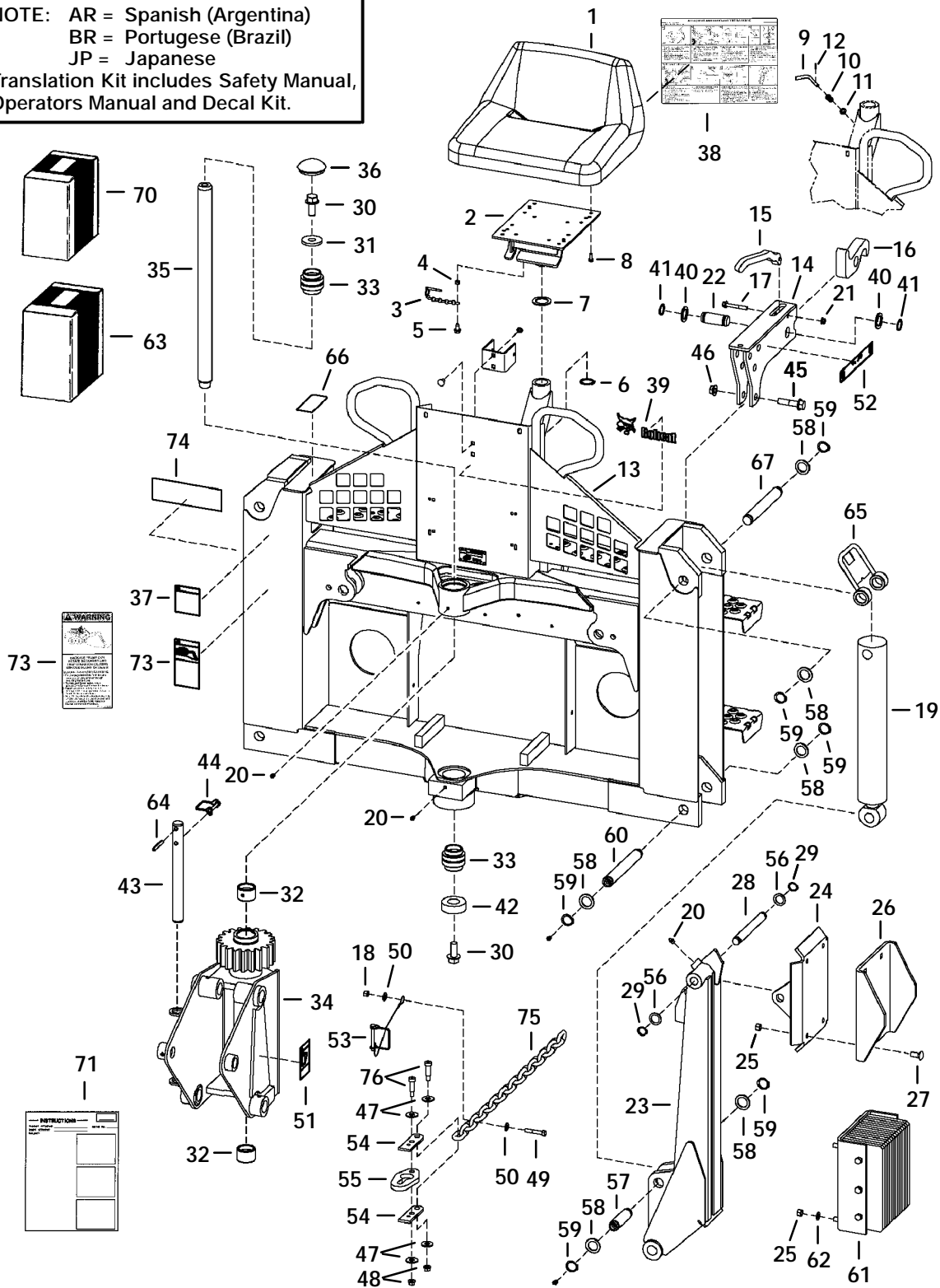
E-2055

MAIN FRAME (Cont'd)
811 Backhoe

Ref. No.	Part Number	Description	Remarks	Serial Number	Qty.
44	6510020	PIN			1
45	6533159	CLEVIS			2
46	14J-2520	ROLL PIN			2
47	6578253	SPRING			2
48	6533158	ROD			2
49	6704248	PIVOT	Was 6576454 [A]		2
50	6586377	STOP	Was 6533115 [A]		2
51	6535259	DECAL			2
52	6535896	DECAL	L.H.		1
	6535897	DECAL	R.H.		1
53	6533160	BUSHING			2
54	6704453	SPRING	Was 6578252 [A]		2
55	6575636	PIVOT		281 & Below	2
	6586315	PIVOT		282 & Above	2
56	6573567	WASHER			4
57	6587520	PIN	Was 6534954 [A]		2
58	6532519	WASHER			12
59	6650680	SNAP RING			12
60	6587521	PIN	Was 6536985 [A]		2
61	6632445	PAD	Street		2
62	25E-21	WASHER			8
63	6586307	RETAINER		282 & Above	4
64	6586308	PIN		282 & Above	4
65	6586789	LOCK			2
66	6587106	DECAL			2
67	6536985	PIN			2
68	6586499	STOP			2
69	6586792	HOOK			2
70	6722159	KIT	stab. hook - W/Ref 65 - 69 & 71		1
71	6722160	INSTRUCTIONS	for Ref. 70		1
72	6805233	TUBE	handrail - Was 6560876 [A]		2
73	6714920	DECAL	Warning		1
74	6714911	DECAL	Warning		1
75	6714935	SAFETY CHAIN	55"(1397mm) long - chain only - Use only approved .375 inch grade 70 transport chain		1
76	38C-820	BOLT			2
77	27E-8	WASHER			4
78	53D-6	NUT			2
79	17C-636	BOLT			1
80	27E-6	WASHER			1
81	6661838	HITCH PIN			1
82	6714869	LATCH			2
83	6714868	BRACKET			1
84	6713634AR	KIT	decal - see note		1
	6713634BR	KIT	decal - see note		1
	6713634JP	KIT	decal - see note		1
	6713635AR	KIT	translation - see note		1
	6713635BR	KIT	translation - see note		1
85*	14J-3740	PIN			1

MAIN FRAME 8811 Backhoe

NOTE: AR = Spanish (Argentina)
BR = Portugese (Brazil)
JP = Japanese
Translation Kit includes Safety Manual,
Operators Manual and Decal Kit.



WARNING: BACKHOE FRAME CAN ROTATE BACKWARD AND TRAP OPERATOR CAUSING SERIOUS INJURY OR DEATH.
BEFORE OPERATING BACKHOE: Fully engage both Bob-tach locking levers so wedges extend through mounting frame holes. Tighten and fasten safety chain around Bob-Tach and mounting frame. Repair or replace safety chain if damaged. Use only approved .375 inch Grade 70 Transport Chain. See "ATTACHING AND REMOVING THE BACKHOE" Decal on backhoe seat and Backhoe Operation & Maintenance Manual for more instructions.

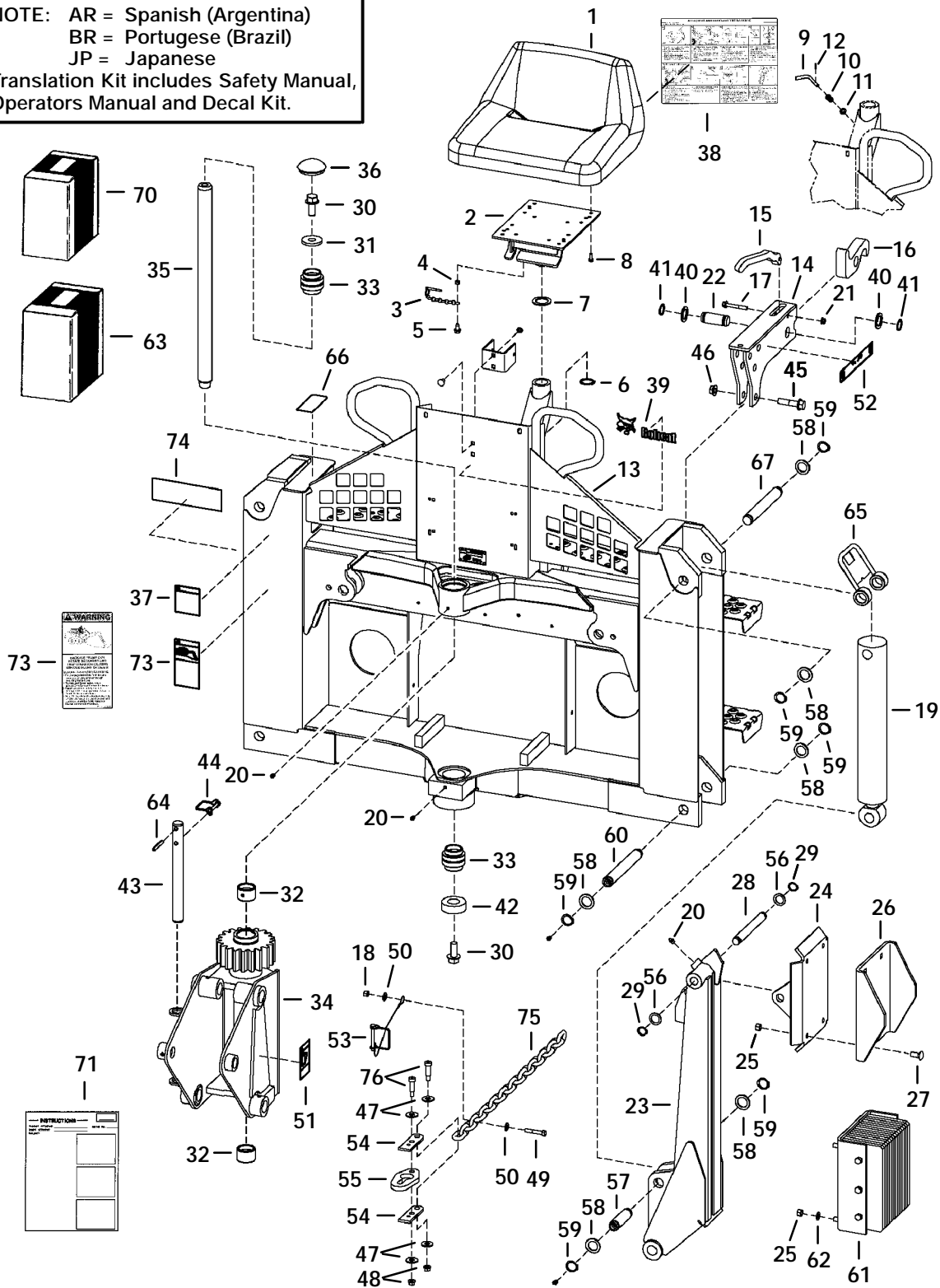
PE-1601

MAIN FRAME (Cont'd)
8811 Backhoe

Ref. No.	Part Number	Description	Remarks	Serial Number	Qty.
1	6643253	SEAT	Also Order Ref. 38 Was 6534341 [A]		1
2	6587384	MOUNT			1
3	6511880	PIN			1
4	7D-6	NUT			1
5	84G-3712	BOLT			1
6	6538285	SNAP RING			1
7	6558680	SPACER			1
8	17C-512	BOLT			4
9	6592836	PIN			1
10	6610082	SPRING			1
11	25E-15	WASHER			1
12	1F-308	COTTER PIN			1
13	6812606	MAIN FRAME			1
14	6814206	LATCH ASSY			2
15	6812623	HANDLE	L.H.		1
	6813050	HANDLE	R.H.		1
16	6812622	LATCH			2
17	31C-644	BOLT			2
18	85D-6	NUT	stabilizer - See Page 374 & 376		1
19		CYLINDER			2
20	10H-25	GREASE ZERK			6
21	57D-6	NUT			2
22	6812834	PIN			2
23	6586820	STABILIZER			2
24	6534650	PAD			2
25	61D-8	NUT			8
26	6560890	CLEAT			2
27	37C-820	BOLT			8
28	6532841	PIN			2
29	1320431	SNAP RING			4
30	31C-1228	BOLT			2
31	6532862	WASHER			1
32	6656253	RACE			2
33	6656252	BEARING			2
34	6806093	FRAME	swing		1
35	6533318	SHAFT			1
36	6656492	CAP			1
37	6583862	DECAL	warning		2
38	6812678	DECAL	mounting instructions		1
39	6727324	DECAL	Bobcat		1
40	6532519	WASHER			4
41	6538287	SNAP RING			4
42	6532631	WASHER			1
43	6593895	PIN	Boom Lock		1
44	6510020	PIN			1
45	17C-1244	BOLT			8
46	85D-12	NUT			8
47	27E-8	WASHER			4
48	53D-6	NUT			2
49	17C-636	BOLT			1
50	27E-6	WASHER			1

MAIN FRAME (Cont'd) 8811 Backhoe

NOTE: AR = Spanish (Argentina)
BR = Portugese (Brazil)
JP = Japanese
Translation Kit includes Safety Manual,
Operators Manual and Decal Kit.



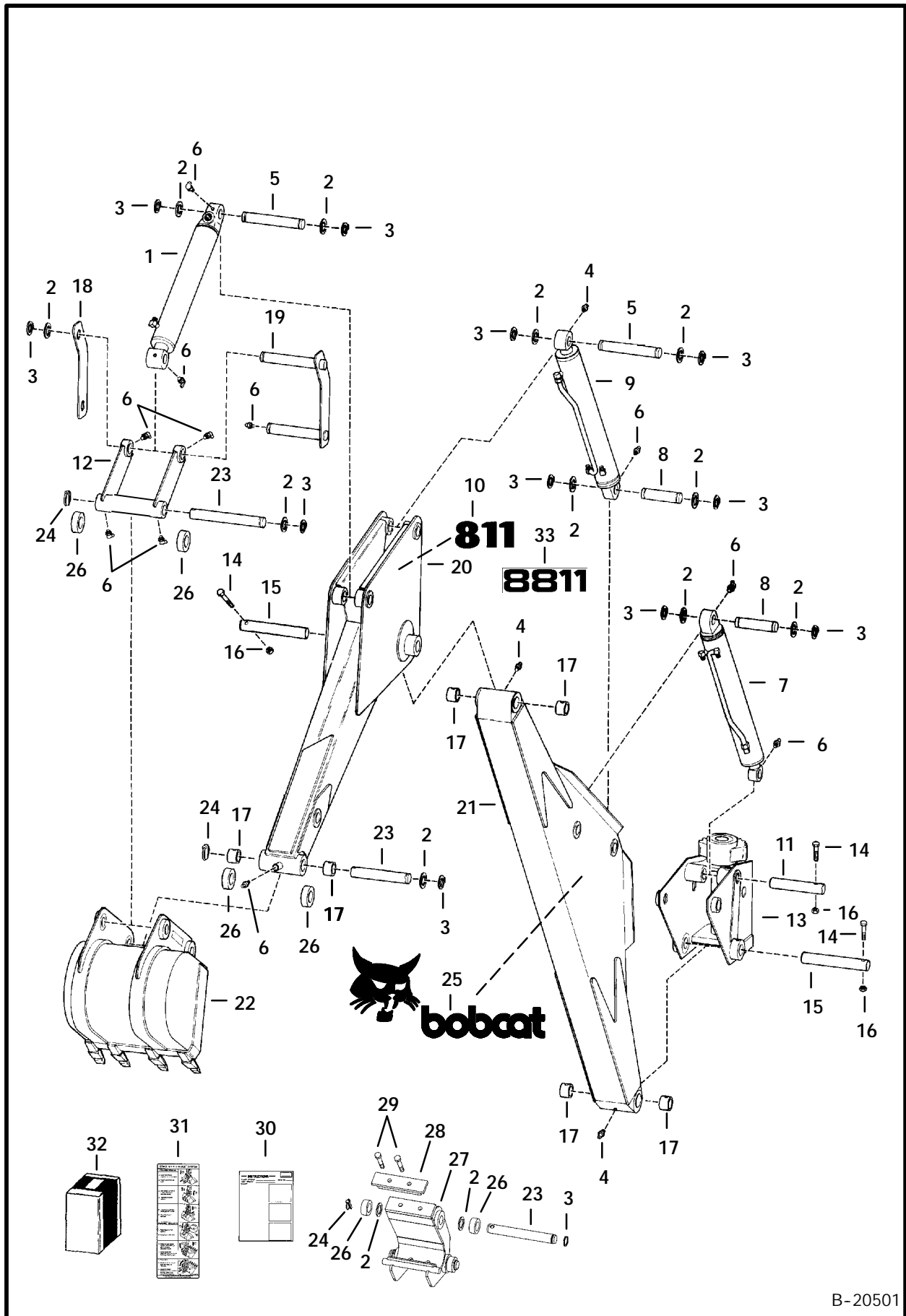
⚠ WARNING: BACKHOE FRAME CAN ROTATE BACKWARD AND TRAP OPERATOR CAUSING SERIOUS INJURY OR DEATH.
BEFORE OPERATING BACKHOE: Fully engage both Bob-tach locking levers so wedges extend through mounting frame holes. Tighten and fasten safety chain around Bob-Tach and mounting frame. Repair or replace safety chain if damaged. Use only approved .375 inch Grade 70 Transport Chain. See "ATTACHING AND REMOVING THE BACKHOE" Decal on backhoe seat and Backhoe Operation & Maintenance Manual for more instructions.

PE-1601

MAIN FRAME (Cont'd)
8811 Backhoe

Ref. No.	Part Number	Description	Remarks	Serial Number	Qty.
51	6535259	DECAL			2
52	6812676	DECAL	L.H.		1
	6812677	DECAL	R.H.		1
53	6661838	HITCH PIN			1
54	6714869	LATCH			2
55	6714868	BRACKET			1
56	6573567	WASHER			4
57	6587520	PIN			2
58	6532519	WASHER			12
59	6650680	SNAP RING			12
60	6587521	PIN			2
61	6632445	PAD	Street		2
62	25E-21	WASHER			8
63	6813057AR	KIT	decal - see note		1
	6813057BR	KIT	decal - see note		1
	6813057JP	KIT	decal - see note		1
	6813056AR	KIT	translation - see note		1
	6813056BR	KIT	translation - see note		1
64*	14J-3740	PIN			1
65	6586789	LOCK			2
66	6587106	DECAL			2
67	6536985	PIN			2
68	6586499	STOP			2
69	6586792	HOOK			2
70	6722159	KIT	stab. hook - W/Ref 65 - 69 & 71		1
71	6722160	INSTRUCTIONS	for Ref. 70		1
72	6805233	TUBE	handrail		2
73	6714920	DECAL	Warning		1
74	6714911	DECAL	Warning		1
75	6714935	SAFETY CHAIN	55"(1397mm) long - chain only -		
			Use only approved .375 inch		1
76	38C-820	BOLT	grade 70 transport chain		2

BOOM & DIPPERSTICK 811 & 8811 Backhoe



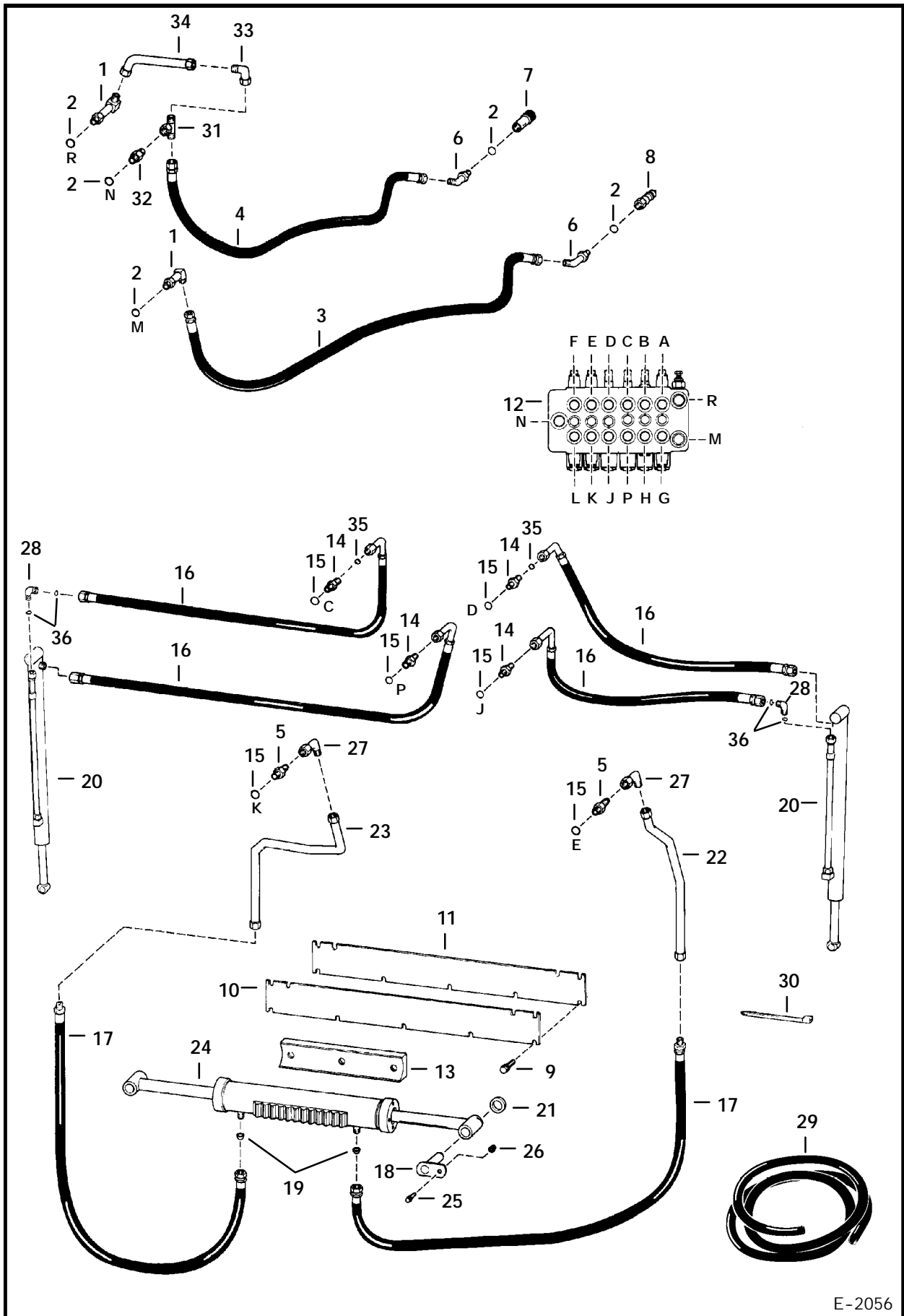
B-20501

BOOM & DIPPERSTICK (Cont'd)
811 & 8811 Backhoe

Ref. No.	Part Number	Description	Remarks	Serial Number	Qty.
1		CYLINDER	bucket - See Page 386		1
2	6584872	WASHER			12
3	6538285	SNAP RING	Was 1305943 [A]		12
4	12H-15	GREASE ZERK			5
5	6560349	PIN			2
6	10H-25	GREASE ZERK			10
7		CYLINDER	boom - See Page 378 & 380		1
8	6560350	PIN			2
9		CYLINDER	dipper - See Page 382 & 384		1
10	6535261	DECAL	811		2
11	6560351	PIN			1
12	6716264	LINK	also order qty. 2 of Ref. 26 if		
			using standard buckets - Was		1
13		FRAME	6537182 [A] swing - See Page 350		1
14	17C-648	BOLT			2
15	6533340	PIN			2
16	85D-6	NUT			3
17	6560334	BUSHING	press-in		6
18	6716262	LINK	Was 6532530 [A]		1
19	6716263	LINK	Was 6532528 [A]		1
20	6716257	DIPPERSTICK	also order qty. 2 of Ref. 26 if using standard buckets - Was		1
			6533346 [A]		
21	6533283	BOOM			1
22		BUCKET	See Page 388 - 390		1
23	6560401	PIN			2
24	6560382	PIN	ring lock - 1.625" (41,3mm) Dia.		2
	6631038	PIN	ring lock - 1.875" (47,6mm) Dia.		2
25	6557412	DECAL	Bobcat - R.H.		1
	6557413	DECAL	Bobcat - L.H.		1
26	6716402	SPACER			4
27*	6714921	FRAME	X-Change		1
28*	6804485	PLATE			1
29*	17C-1052	BOLT			2
30*	6900862	INSTRUCTIONS			1
31*	6806121	DECAL	bolt-on X-Change		1
32*	SALES	KIT	bolt-on X-Change adapter - W/Ref. 27-31 - Sales #6806079		1
33*	6812675	DECAL	8811		2

MAIN FRAME HYDRAULICS

811 & 8811 Backhoe

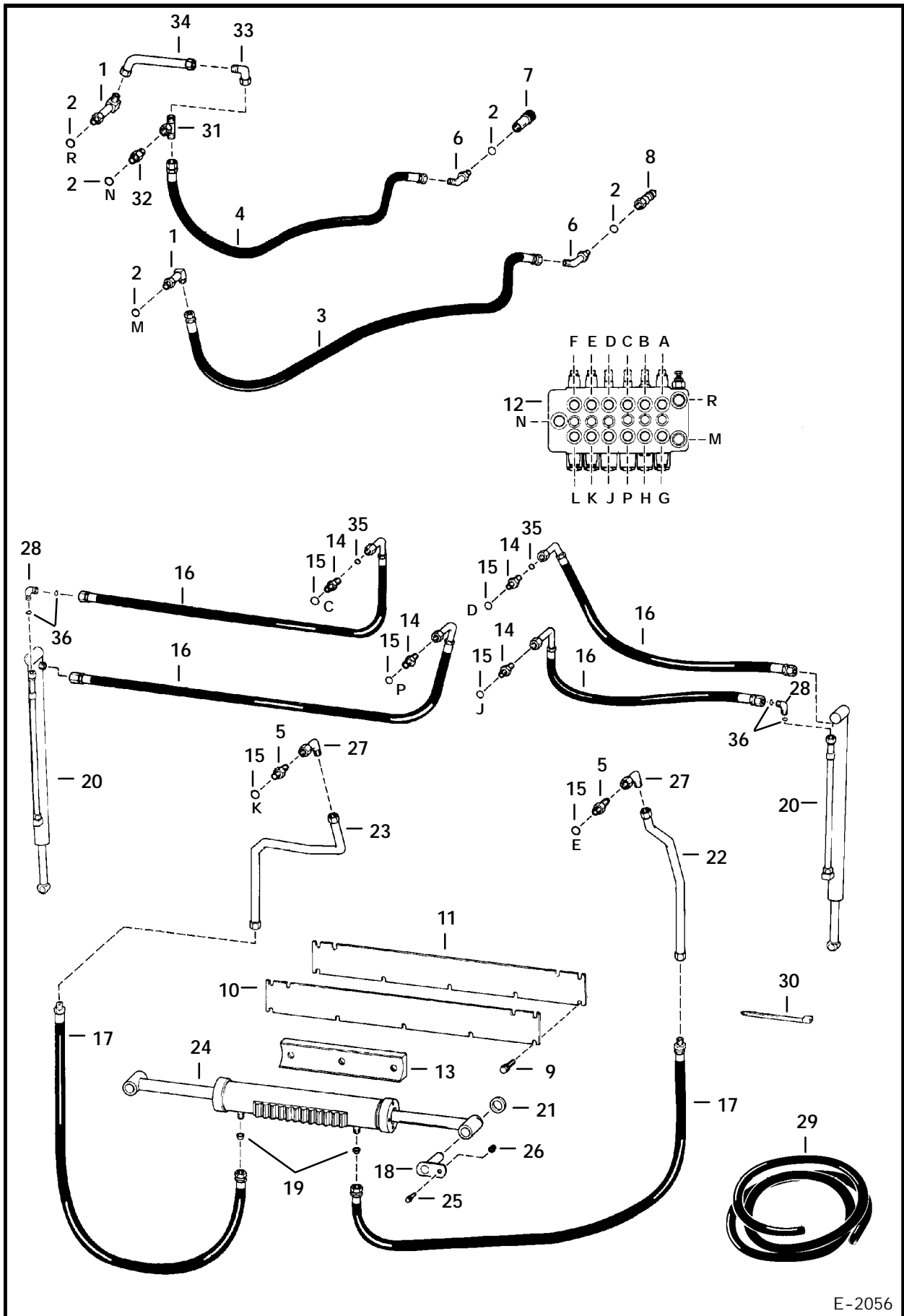


E-2056

MAIN FRAME HYDRAULICS (Cont'd)
811 & 8811 Backhoe

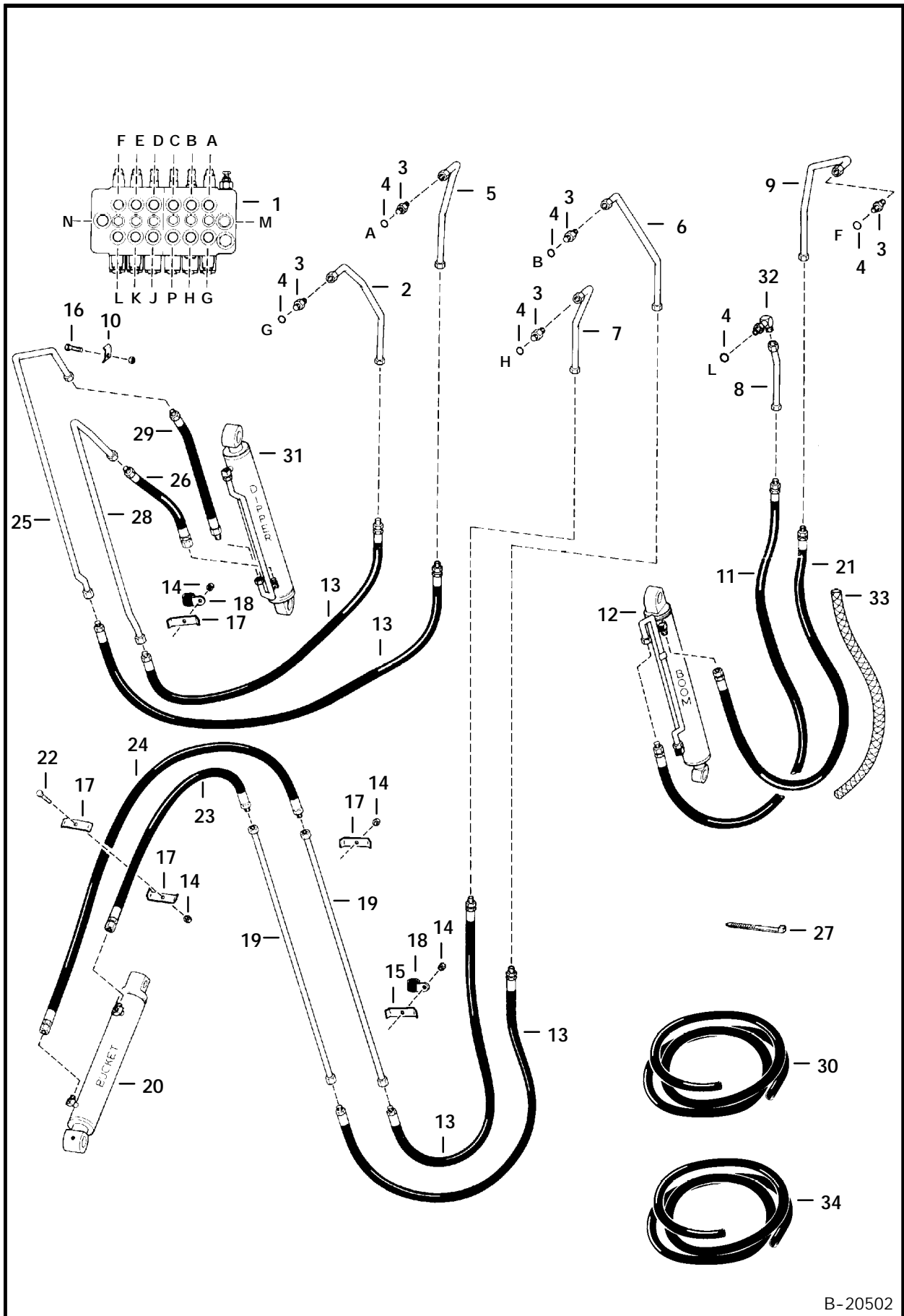
Ref. No.	Part Number	Description	Remarks	Serial Number	Qty.
1	6519195	ELBOW	W/Ref. 2		2
2	79K-10	O-RING	used with poppet couplers		2
	79K-12	O-RING	used with flush face couplers		2
3	6534346	HOSE	inlet		1
4	6534347	HOSE	outlet		1
5	731794	ADAPTER	W/Ref. 2		2
6	17K-7	ELBOW	W/Ref. 2 - used with poppet couplers		2
	1302104	ELBOW	W/Ref. 2 - used with flush face couplers		2
7	6598758	QUICK COUPLER	Female - poppet		1
	6672960	QUICK COUPLER	female FF - Was 6667807 [A]		1
8	48K-16	O-RING	used with poppet coupler		1
	6598757	QUICK COUPLER	Male - poppet		1
	6667808	QUICK COUPLER	male - flush face		1
9	6672026	O-RING			1
9	84G-3110	BOLT			6
10	6532860	WEAR PLATE			1
11	6532861	SHIM			x
12		VALVE	See Page 368		1
13	6533319	WEAR BAR			1
14	743108	ADAPTER	W/Ref. 15		4
15	79K-8	O-RING			x
16	6640724	HOSE			4
17	6533046	HOSE			2
18	6532869	PIN			2
19	6569312	ORIFICE	.1075" (2.73mm) Dia. - 0.42"		
	6592824	ORIFICE	(10.67mm) O.D. - Was 6592824 [B] .1075" (2.73mm) Dia. - 0.55" (13.97mm) O.D.		2
					2
20		CYLINDER	Stabilizer - See Page 374 & 376		2
21	6528927	WASHER			x
22	6534677	TUBE			1
23	6534678	TUBE			1
24		CYLINDER	swing - See Page 372		1
25	84G-3720	BOLT			2
26	55D-6	NUT			2
27	11K-6	ELBOW	flat boss face		2
	11KN-6	ELBOW	tapered boss face		2
28	97K-8	O-RING	for flared end		2
	77F-5	ELBOW			2
	77FN-5	ELBOW	W/Ref. 36		2
29	6649389	HOSE COVER	bulk - Sold Per Foot - For Ref. 17 Hose		x
30	6610510	STA-STRAP	Was 1715312 [A]		4
31	14K-7	TEE	flat boss face		1
	14KN-7	TEE	tapered boss face		1
	97K-10	O-RING	for flare end		1
32	15K-7	ADAPTER	flat boss face		1
	15KN-7	ADAPTER	tapered boss face		1
	97K-10	O-RING	for flare end		1

MAIN FRAME HYDRAULICS (Cont'd)
811 & 8811 Backhoe



E-2056

BOOM HYDRAULIC CIRCUITRY 811 & 8811 Backhoe

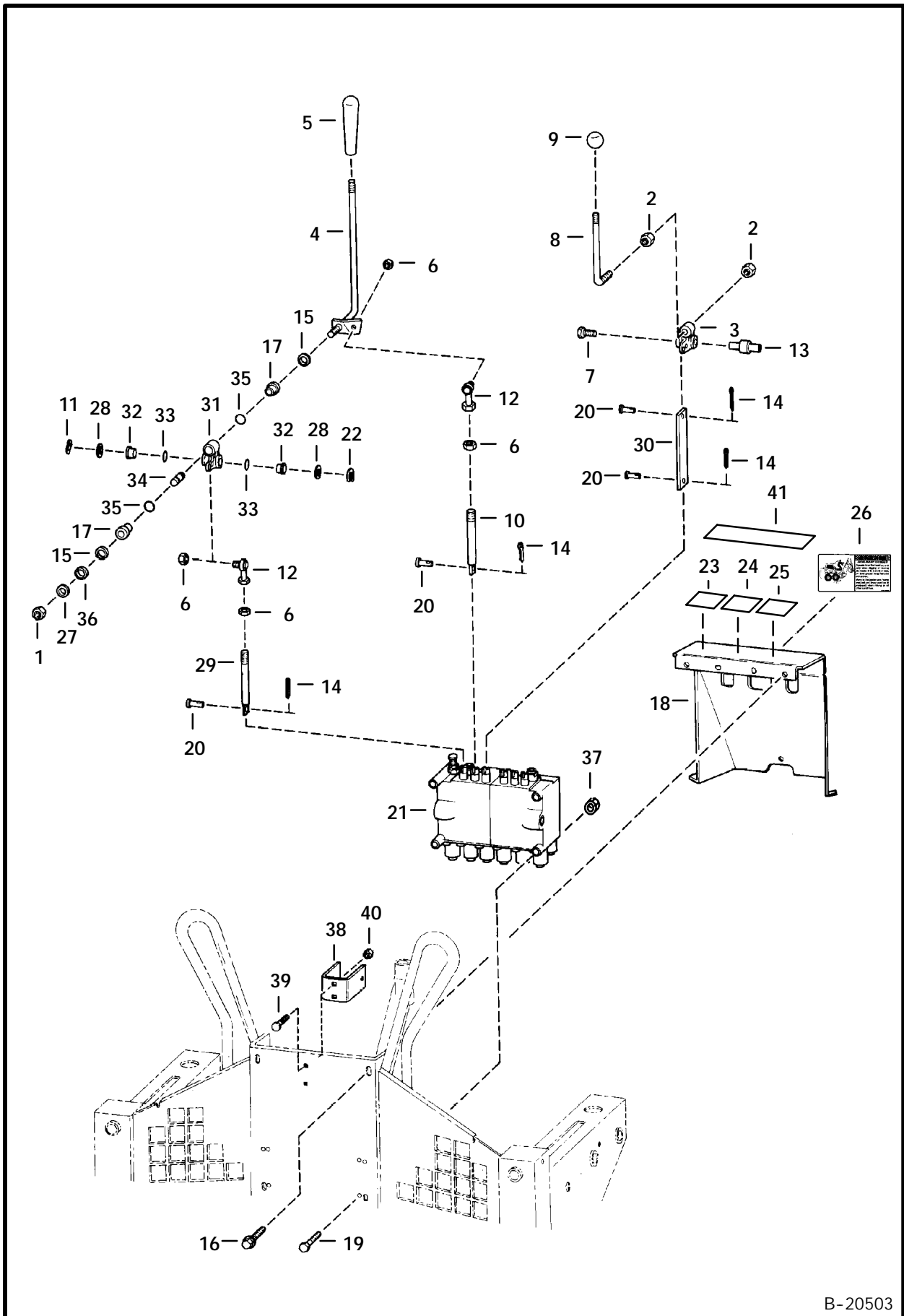


B-20502

BOOM HYDRAULIC CIRCUITRY (Cont'd)
811 & 8811 Backhoe

Ref. No.	Part Number	Description	Remarks	Serial Number	Qty.
1		VALVE	See Page 368		1
2	6534675	TUBE			1
3	15K-7	ADAPTER	W/Ref. 4 - flat boss face		5
	15KN-7	ADAPTER	W/Ref. 4 - tapered boss face		5
	97K-10	O-RING	for flare end		1
4	79K-10	O-RING	for flat boss face		x
	99K-10	O-RING	for tapered boss face		x
5	6534676	TUBE			1
6	6534673	TUBE			1
7	6534674	TUBE			1
8	6534672	TUBE			1
9	6534671	TUBE			1
10	6562266	CLAMP			2
11	6534680	HOSE			1
12		CYLINDER	boom - See Page 378 & 380		1
13	6539418	HOSE	Was 6534684 [A]		4
14	85D-6	NUT			10
15	6537761	CLAMP			1
16	84G-3728	BOLT			4
17	6502426	CLAMP			5
18	30H-46	CLAMP			2
19	6533294	TUBE			2
20		CYLINDER	bucket - See Page 386		1
21	6534681	HOSE			1
22	17C-632	BOLT			1
23	6533210	HOSE			1
24	6534685	HOSE			1
25	6533292	TUBE			1
26	6704336	HOSE	Was 6539419 [A]		1
27	6610510	STA-STRAP	Was 1715312 [A]		12
28	6533293	TUBE			1
29	6539420	HOSE	Was 6534679 [A]		1
30	6650108	HOSE COVER	bulk - Sold Per Foot		x
31		CYLINDER	dipper - See Page 382 & 384		1
32	17K-7	ELBOW	W/Ref. 4 - flat boss face		1
	17KN-7	ELBOW	W/Ref. 4 - tapered boss face		1
	97K-10	O-RING	for flare end		1
33	NAP	COVER	28" (711,2mm) long - Order Ref. 34		2
34	6651436	HOSE COVER	bulk - Sold Per Foot		x

CONTROL LEVERS 811 & 8811 Backhoe

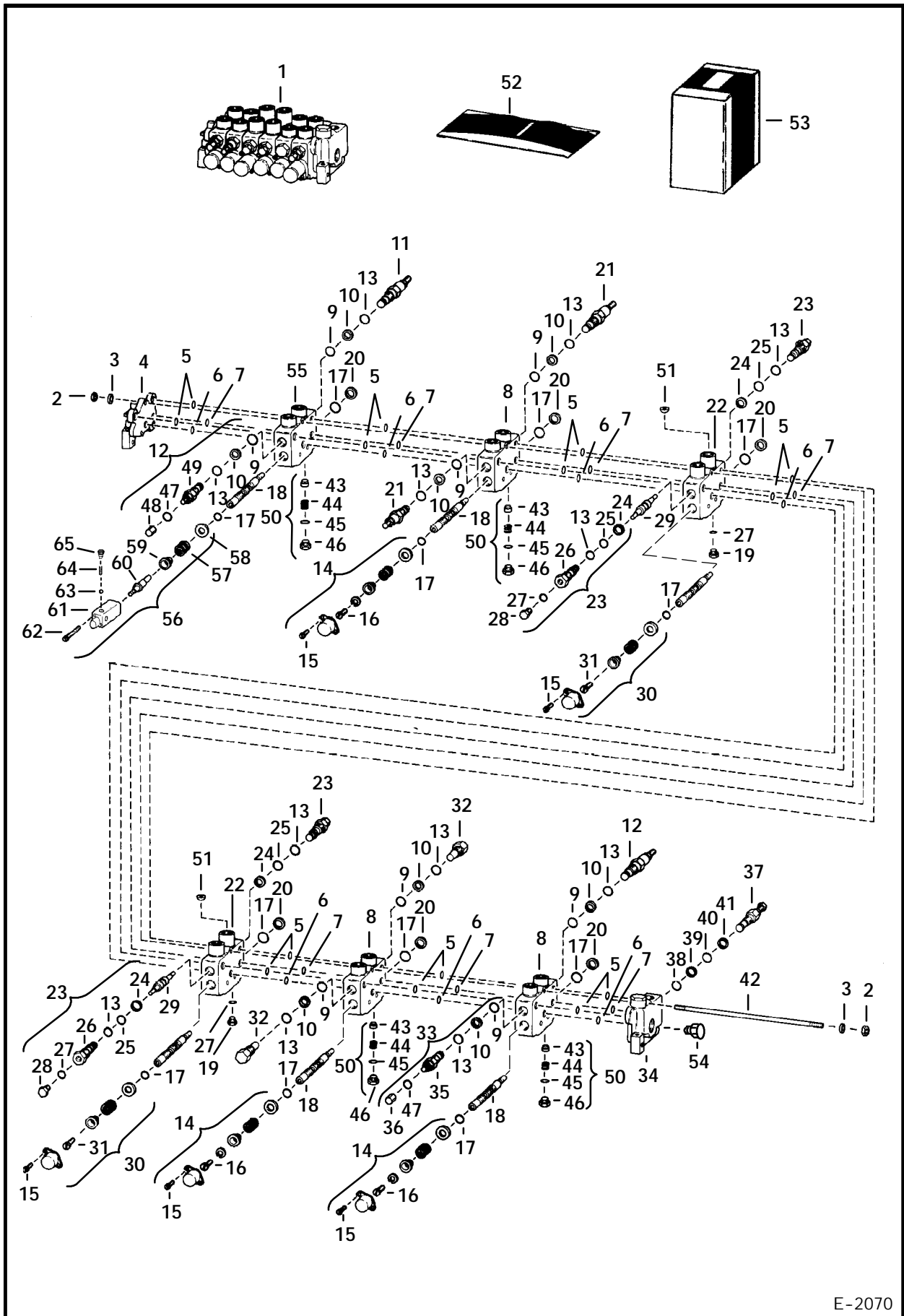


B-20503

CONTROL LEVERS (Cont'd)
811 & 8811 Backhoe

Ref. No.	Part Number	Description	Remarks	Serial Number	Qty.
1	85D-8	NUT			2
2	7D-8	NUT			4
3	6586081	BLOCK			2
4	6534659	LEVER	R.H.		2
5	6510093	KNOB			2
6	62D-6	NUT			8
7	17C-510	BOLT			2
8	6532947	LEVER			2
9	6515888	KNOB			2
10	6532949	ROD			2
11	6536803	WASHER			2
12	6599744	BALL JOINT			4
13	6561538	PIN	spacer		1
14	1F-208	COTTER PIN			8
15	6537831	SHIM			4
16	84G-3712	BOLT			4
17	6537832	BUSHING			4
18	6533111	COVER	Was 6534628 [A]		1
19	17C-424	BOLT			3
20	4F-4051	PIN			8
21		VALVE	See Page 368		1
22	6651530	SNAP RING			2
23	6558050	DECAL			1
24	6561396	DECAL			1
25	6558049	DECAL			1
26	6596591	DECAL	warning - Was 6562925 [A]		1
27	25E-21	WASHER			2
28	6536802	WASHER			2
29	6537833	ROD			2
30	6532948	LINK			2
31	6537814	PIVOT			2
32	6536801	BUSHING			4
33	58K-15	O-RING			4
34	6537829	BUSHING			2
35	58K-17	O-RING			4
36	6537830	WASHER			2
37	85D-4	NUT			3
38	6561537	BRACKET			1
39	37C-612	BOLT	carriage		2
40	85D-6	NUT			2
41	6805604	DECAL			1

DUKES CONTROL VALVE 811 & 8811 Backhoe

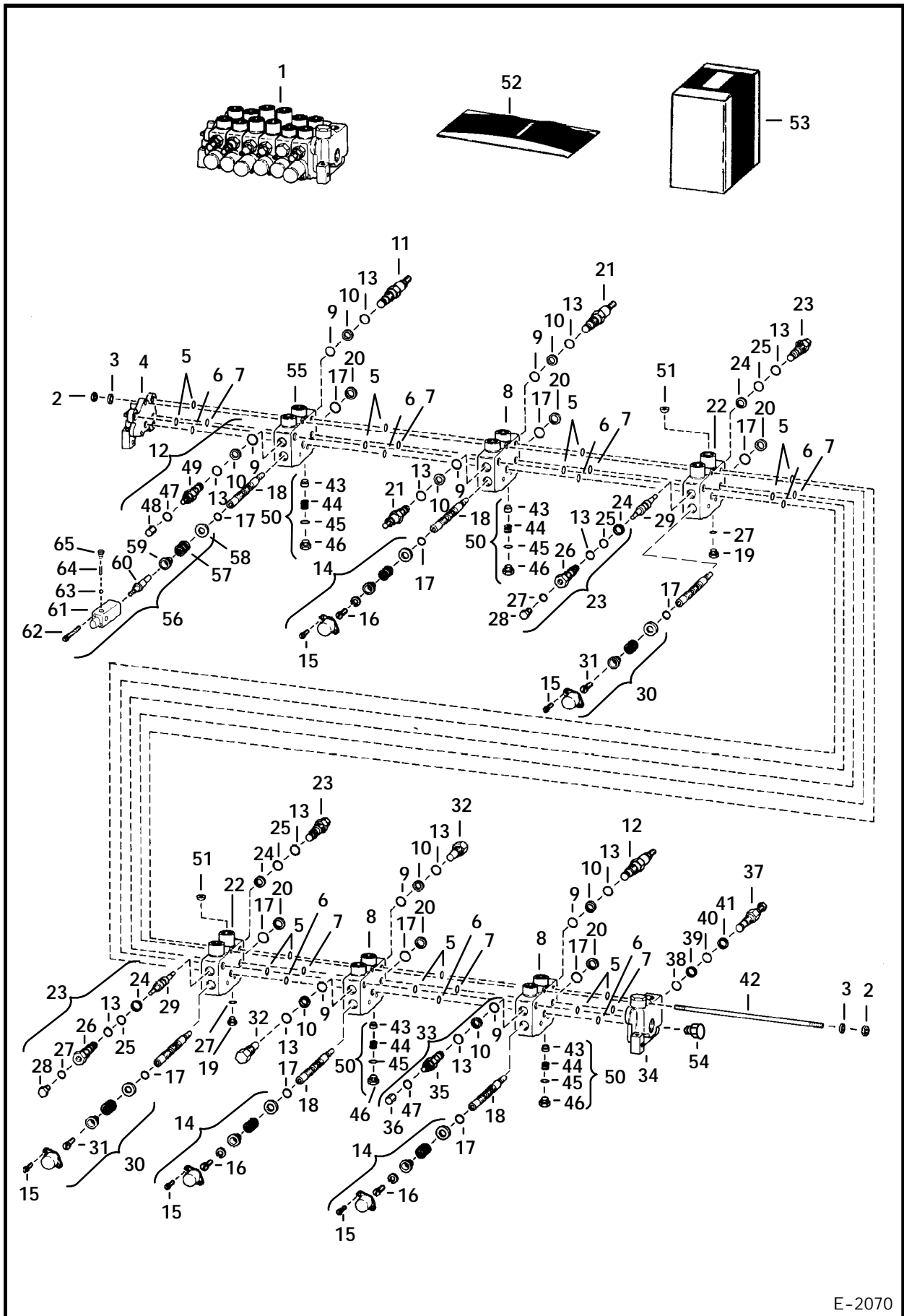


E-2070

DUKES CONTROL VALVE (Cont'd)
811 & 8811 Backhoe

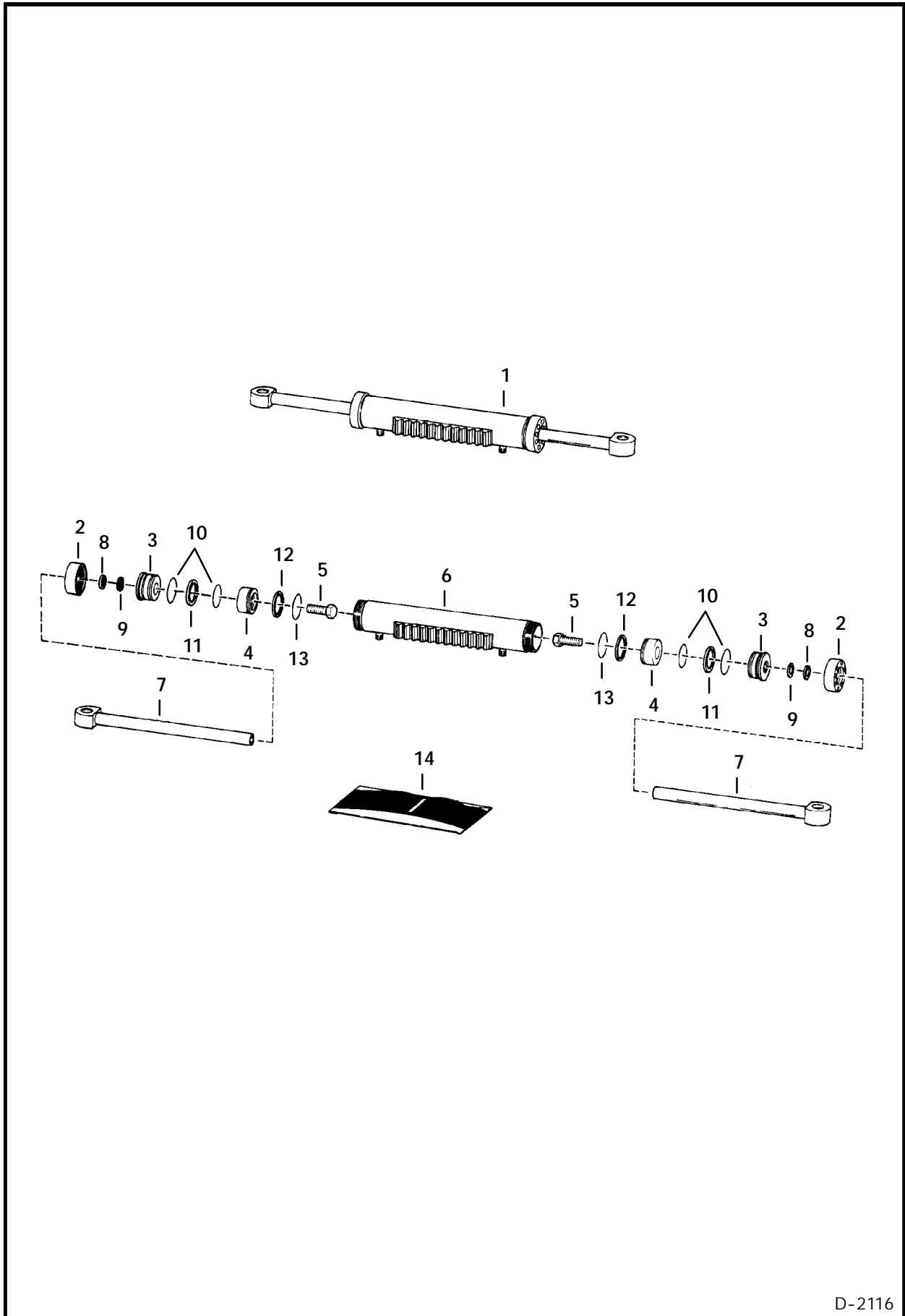
Ref. No.	Part Number	Description	Remarks	Serial Number	Qty.
1	NAP	VALVE	Danfoss 1325-6L-AU - Order 6674308 & 6805604 decal - Was 6651515 [A]	630002836 & Bel	1
2	6674308	VALVE	Danfoss 156B2349	630002837 & Abv	1
3	6658322	NUT			6
3	6658320	WASHER			6
4	6660048	VALVE COVER			1
5	25K-30100	O-RING	Was NSS		14
6	25K-30024	O-RING	Was NSS		7
7	25K-30016	O-RING	Was NSS		7
8	6660046	SECTION			4
9	NSS	O-RING			8
10	NSS	WASHER	back-up		8
11	6660052	RELIEF VALVE	W/Ref. 9, 10 & 13		1
12	6660050	RELIEF VALVE	W/Ref. 9, 10, 13 & 47 - 49		2
13	NSS	O-RING			11
14	6660062	BONNET KIT			4
15	6660060	SCREW			12
16	6660221	SCREW			4
17	NSS	O-RING			12
18	NSS	SPOOL			4
19	6656429	PLUG	W/Ref. 27		2
20	NSS	WASHER	back-up		6
21	6660053	RELIEF VALVE	W/Ref. 9, 10 & 13		2
22	6660047	SECTION			2
23	6660820	CHECK VALVE	W/Ref. 13 & 24 - 28 - Was 6660058 [A]		4
24	NSS	WASHER	back-up		4
25	NSS	O-RING			4
26	NSS	HOUSING			4
27	NSS	O-RING			6
28	NSS	PLUG			4
29	NSS	PISTON	Was 6660059 [A]		2
30	6660057	BONNET			2
31	6660214	SCREW			2
32	6660055	PLUG	W/Ref. 9, 10 & 13		2
33	6660051	RELIEF VALVE	W/Ref. 9, 10, 13, 35, 36 & 47		1
34	6660054	VALVE COVER			1
35	NSS	CARTRIDGE			1
36	NSS	CAP			1
37	6658416	RELIEF VALVE	W/Ref. 38 - 41		1
38	NSS	O-RING			1
39	NSS	WASHER	back-up		1
40	NSS	O-RING			1
41	NSS	WASHER	back-up		1
42	6660049	ROD			3
43	6660223	POPPET			4
44	6656430	SPRING			4
45	NSS	O-RING			4
46	NSS	PLUG			4
47	NSS	O-RING			2

DUKES CONTROL VALVE (Cont'd)
811 & 8811 Backhoe



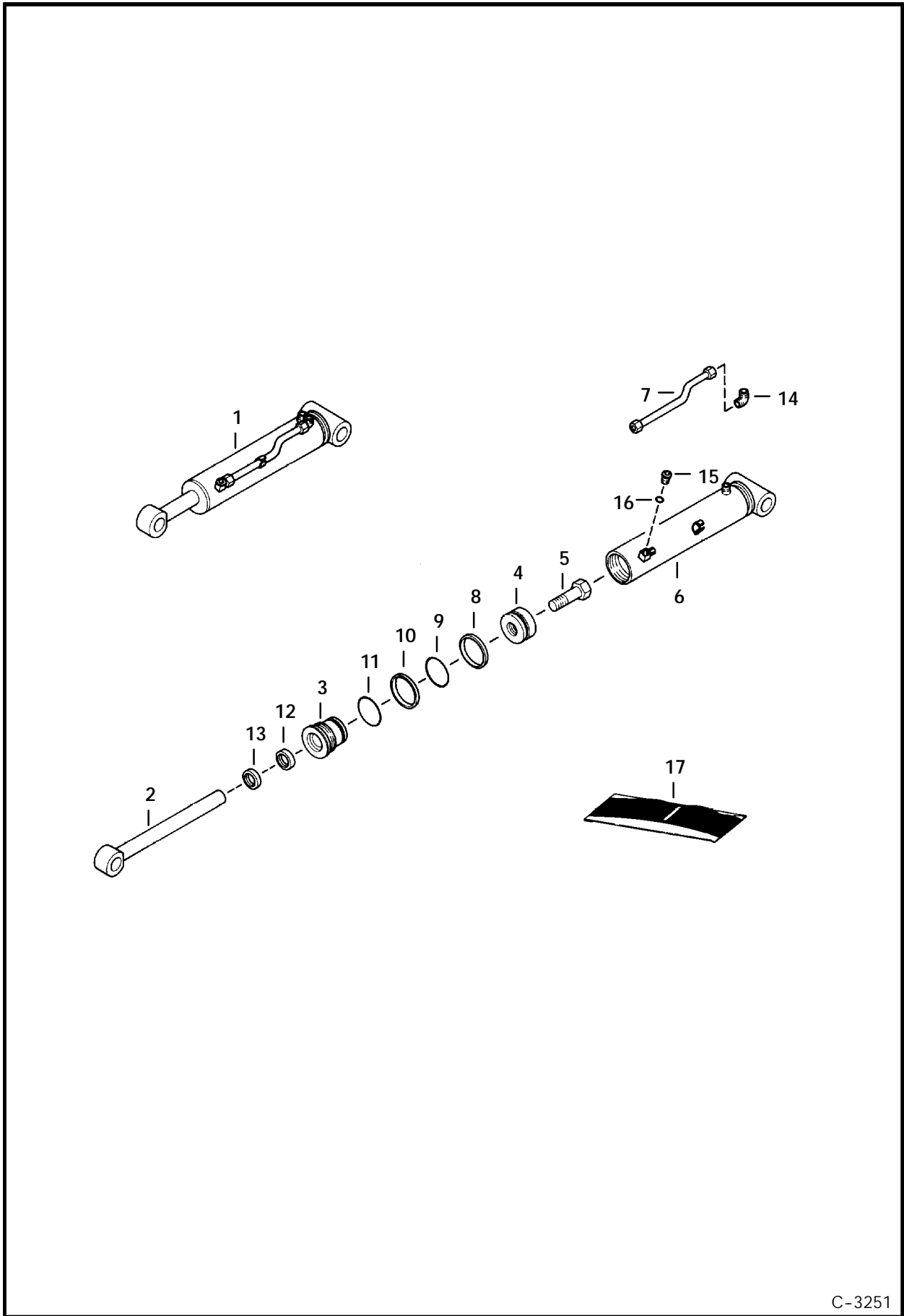
E-2070

SWING CYLINDER
811 & 8811 Backhoe



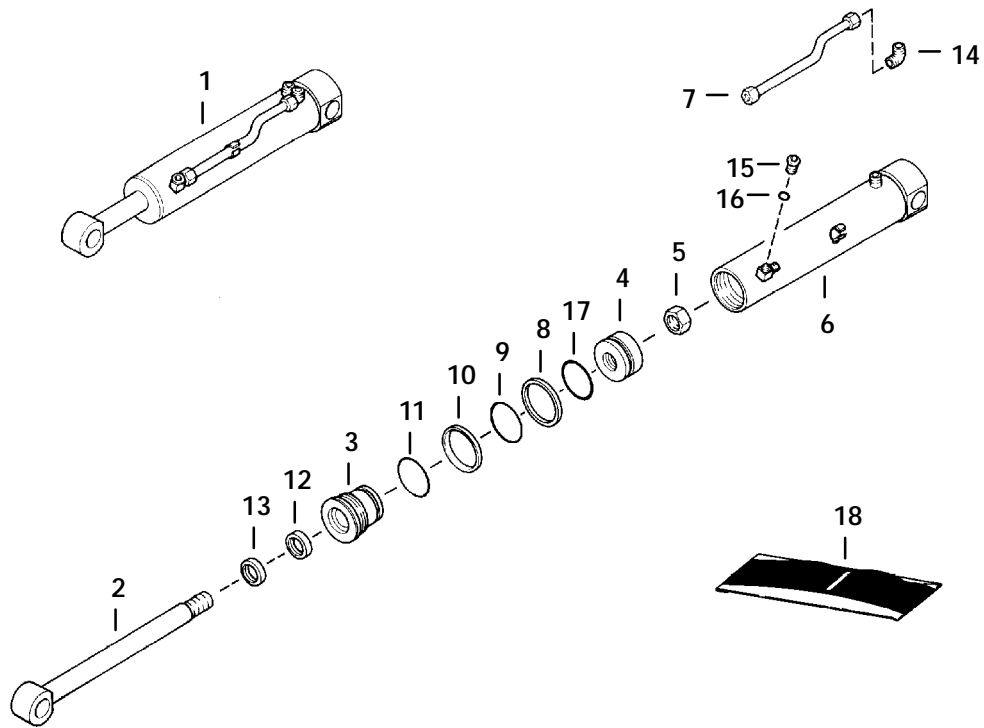
D-2116

STABILIZER CYLINDER
811 & 8811 Backhoe



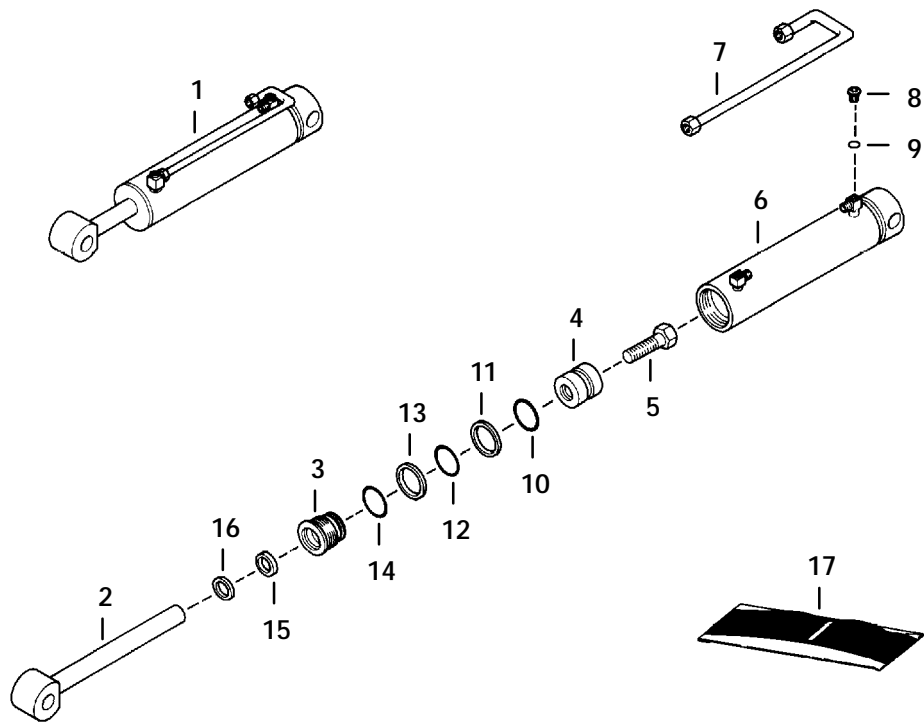
C-3251

STABILIZER CYLINDER
811 & 8811 Backhoe



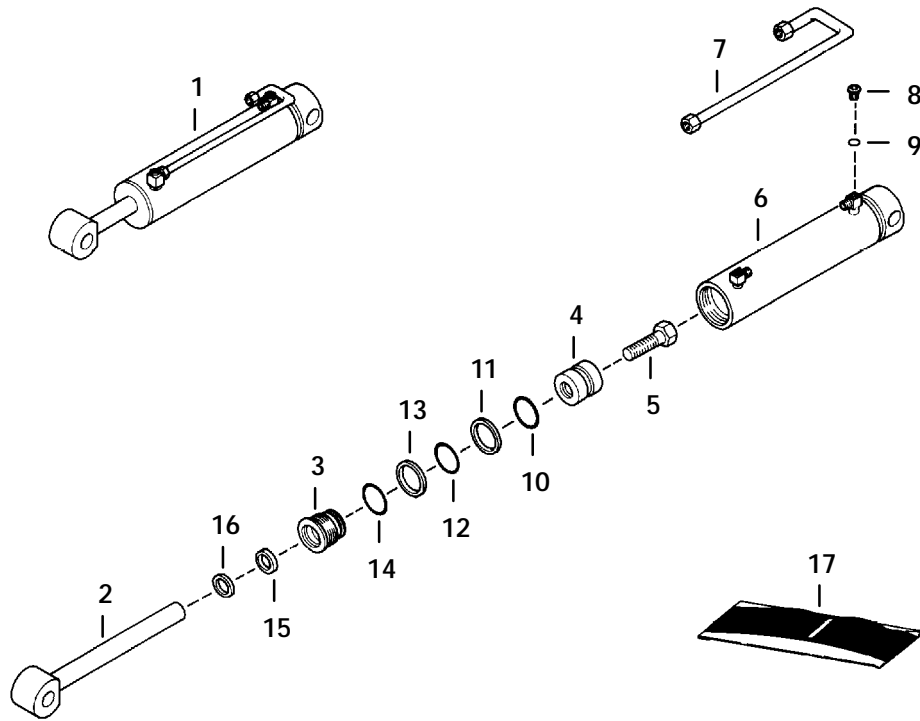
C-3320

BOOM CYLINDER
811 & 8811 Backhoe



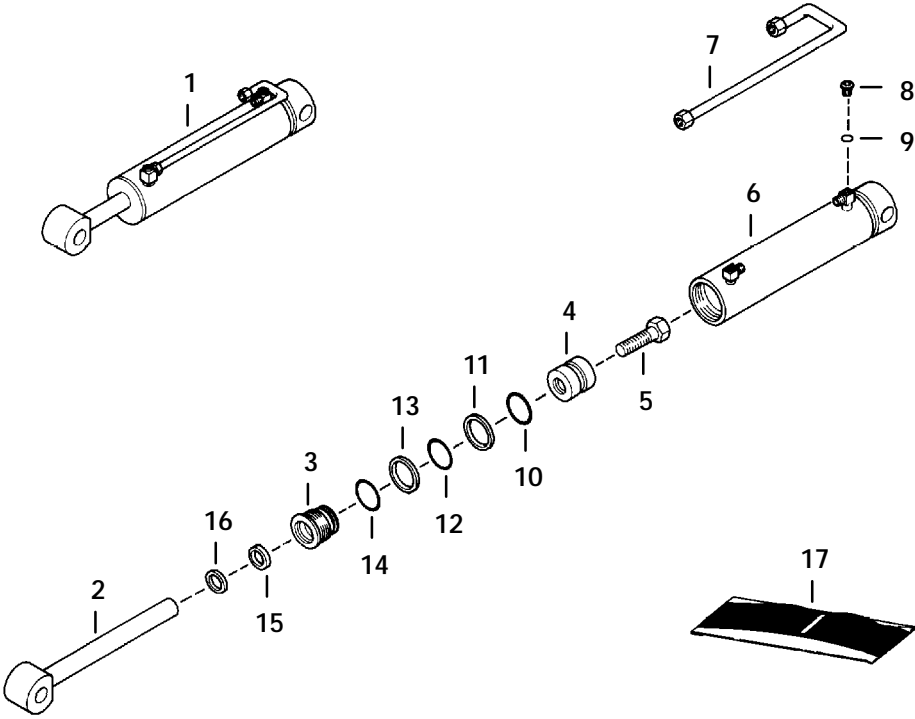
C-3247

BOOM CYLINDER
811 & 8811 Backhoe



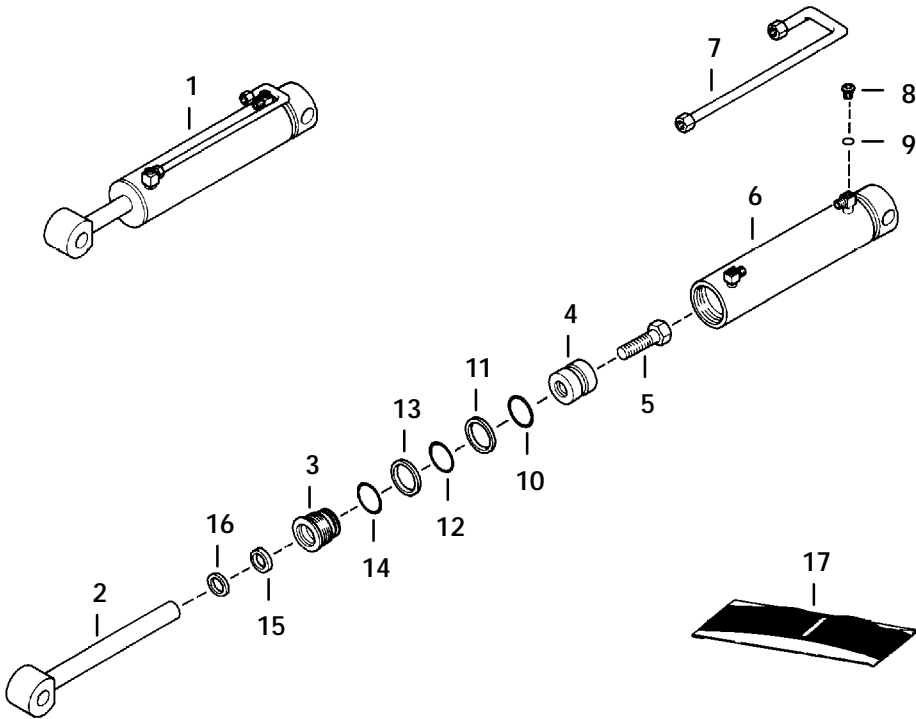
C-3247A

DIPPER CYLINDER
811 & 8811 Backhoe



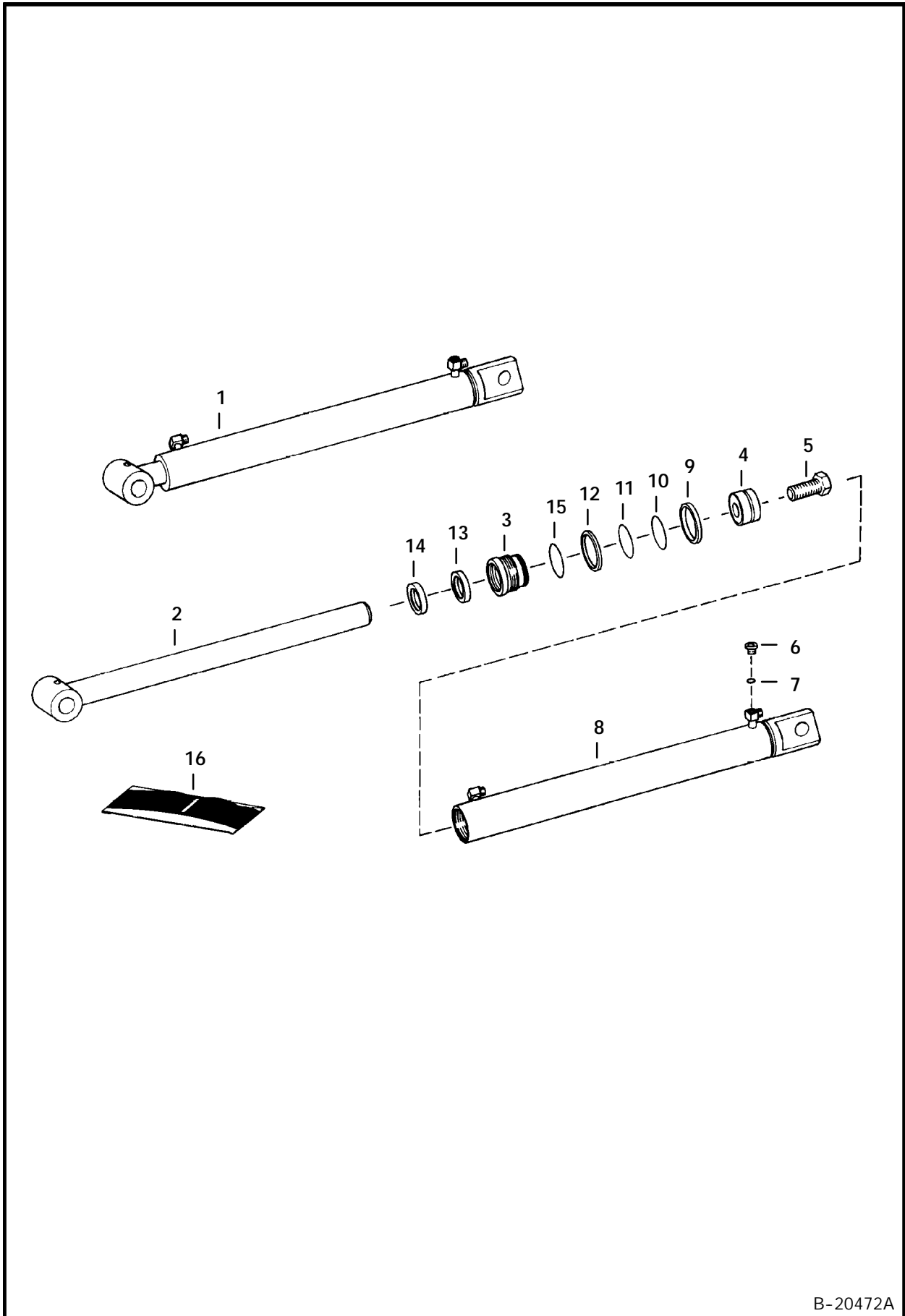
C-3247B

DIPPER CYLINDER
811 & 8811 Backhoe



C-3247C

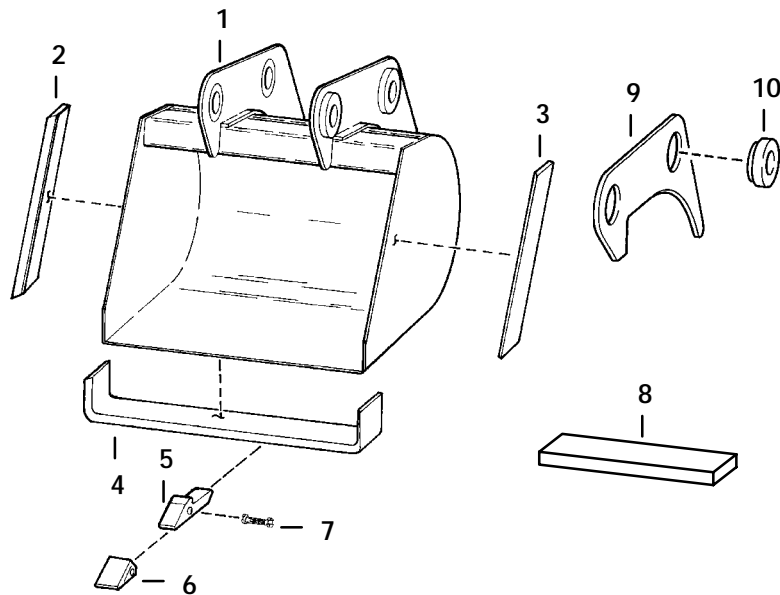
BUCKET CYLINDER
811 & 8811 Backhoe



B-20472A

BACKHOE BUCKETS

811 & 8811 Backhoe



Order Buckets from Gwinner Sales

12" Bucket - Sales # 6532918

16" Bucket - Sales # 6536694

20" Bucket - Sales # 6533031

24" Bucket - Sales # 6532776

30" Bucket - Sales # 6536930

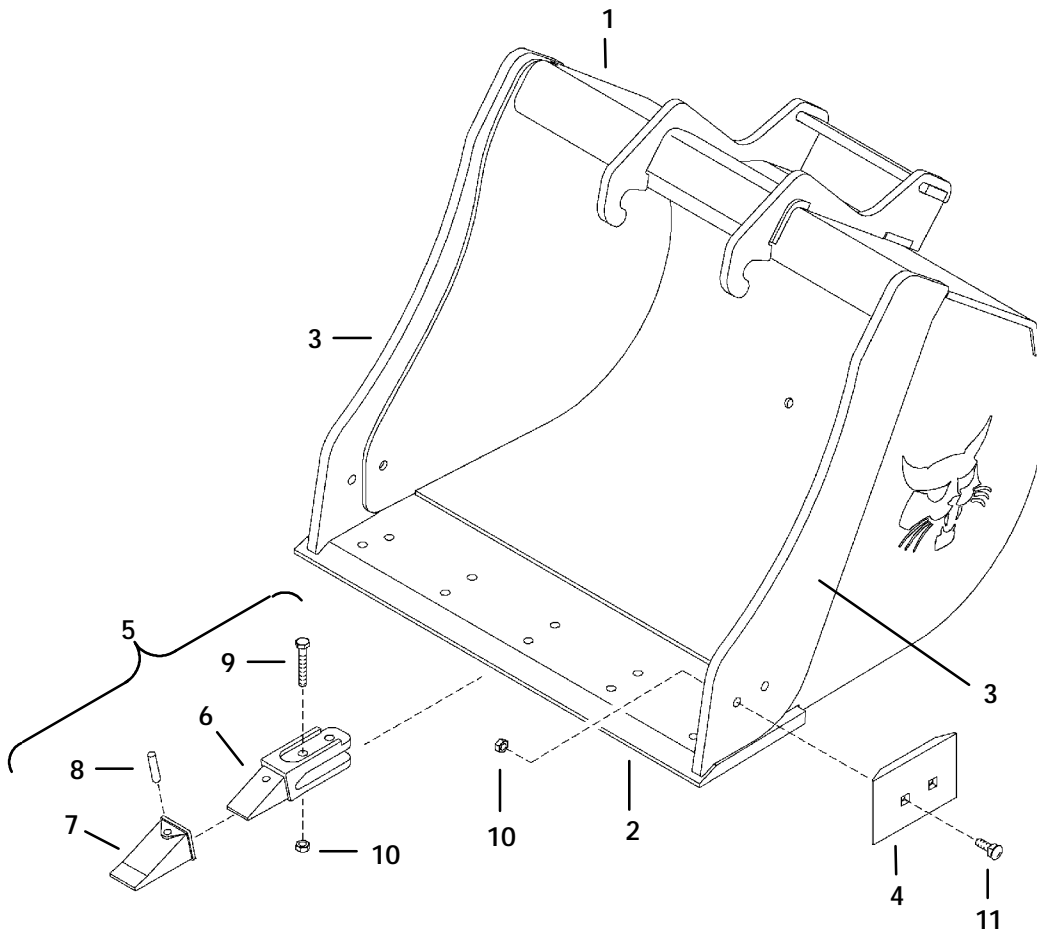
36" Bucket - Sales # 6536934

B-20504

BACKHOE BUCKETS (Cont'd)
811 & 8811 Backhoe

Ref. No.	Part Number	Description	Remarks	Serial Number	Qty.
1	SALES	BUCKET	Trenching - 12" (304,8mm), 16" (406,4mm), 20" (508mm), 24" (609,6mm), 30" (762mm) & 36" (914,4mm)		
2	NAP	CUTTING EDGE	12" (304,8mm) Bucket - 19" (482,6mm) Long - Order Ref. 8		1
	NAP	CUTTING EDGE	16" (406,4mm), 20" (508mm), 24" (609,6mm), 30" (762mm), 36" (914,4mm) Buckets - 20" (508mm) Long - Order Ref. 8		1
3	NAP	CUTTING EDGE	12" (304,8mm) Bucket - 19" (482,6mm) Long - Order Ref. 8		1
	NAP	CUTTING EDGE	16" (406,4mm), 20" (508mm), 24" (609,6mm), 30" (762mm) & 36" (914,4mm) Buckets - 20" (508mm) Long - Order Ref. 8		1
4	6593139	CUTTING EDGE	12" (304,8mm) Bucket		1
	6536696	CUTTING EDGE	16" (406,4mm) Bucket		1
	6533034	CUTTING EDGE	20" (508mm) Bucket		1
	6532887	CUTTING EDGE	24" (609,6mm) Bucket		1
	6536932	CUTTING EDGE	30" (762mm) Bucket		1
	6536937	CUTTING EDGE	36" (914,4mm) Bucket		1
5	6518120	SHANK	Weld On		x
6	6630424	TOOTH			x
7	6567620	PIN			x
8	6701005	CUTTING EDGE	Bulk - .50" (12,7mm) x 4" (101,6mm) x 66.5" (1689,1mm)		x
9	6532781	BRACKET			2
10	6560596	BUSHING			4

BUCKETS
X-Change™ Mounted - 811 & 8811 Backhoe



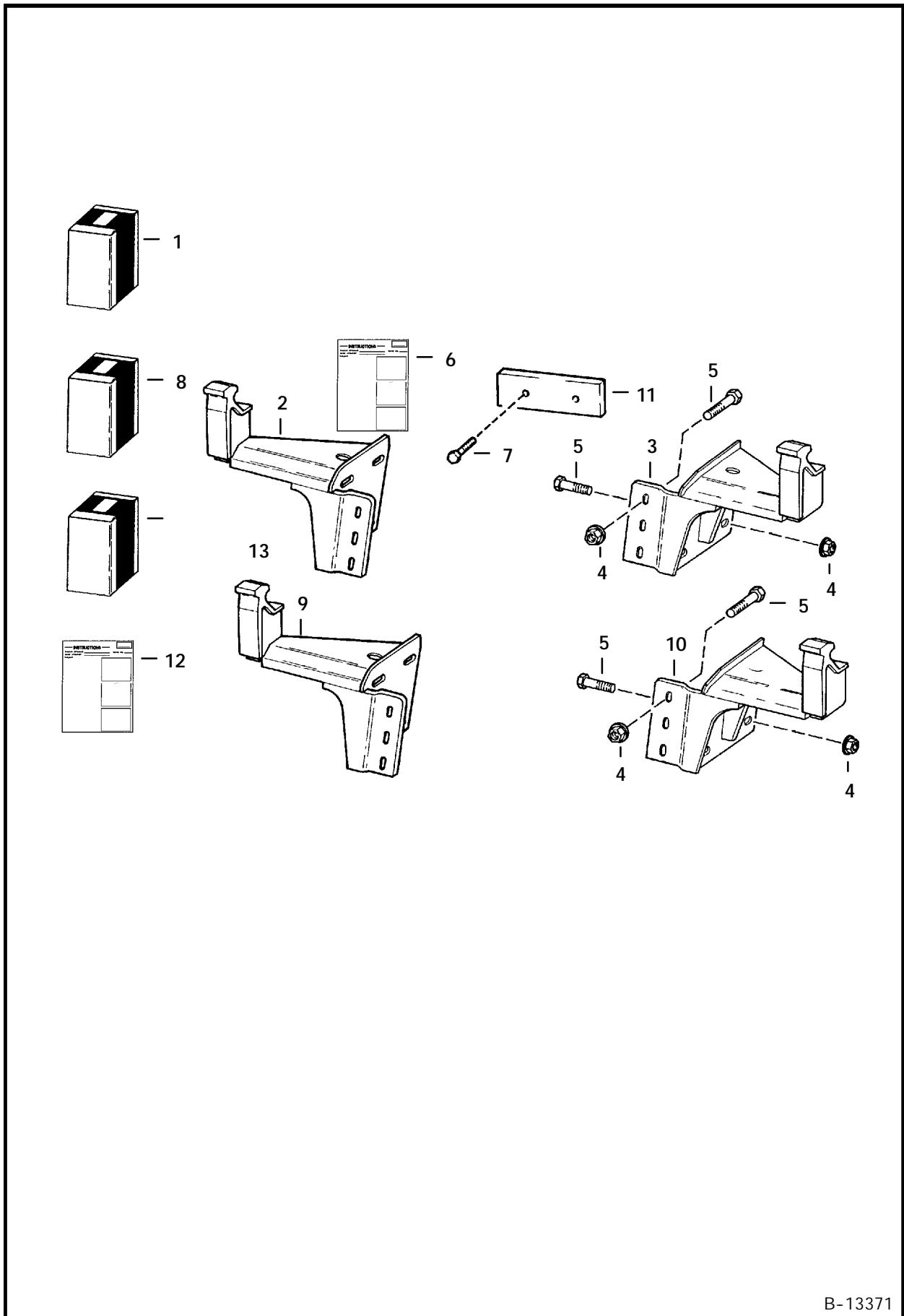
MS-1378C

BUCKETS (Cont'd)
X-Change™ Mounted - 811 & 8811 Backhoe

Ref. No.	Part Number	Description	Remarks	Serial Number	Qty.
1	SALES	BUCKET	13" (330mm) - uses 3 teeth - SALES #6715500		x
	SALES	BUCKET	16" (406mm) - uses 4 teeth - SALES #6715501		x
	SALES	BUCKET	20" (508mm) - uses 4 teeth - SALES #6715502		x
	SALES	BUCKET	24" (609mm) - uses 5 teeth - SALES #6715503		x
	SALES	BUCKET	30" (762mm) - uses 5 teeth - SALES #6715504		x
	SALES	BUCKET	36" (914mm) - uses 6 teeth - SALES #6715558		x
	SALES	BUCKET	39" (990mm) - does not use teeth - SALES #6715550		x
2	6805433	CUTTING EDGE	13" (330mm)		1
	6805434	CUTTING EDGE	16" (406mm)		1
	6805435	CUTTING EDGE	20" (508mm)		1
	6805436	CUTTING EDGE	24" (609mm)		1
	6805437	CUTTING EDGE	30" (762mm)		1
	6805438	CUTTING EDGE	36" (914mm)		1
	6805815	CUTTING EDGE	39" (990mm)		1
3	6805429	CUTTING EDGE	for 13"(330mm), 16"(406mm), 20"(508mm), 24"(609mm), 30"(762mm) & 36"(914mm)		2
	6805771	CUTTING EDGE	for 39"(990mm) bucket		2
4	6805464	CUTTER			2
5	6716002	TOOTH ASSY	W/Ref. 6 - 8		x
6*	NAP	SHANK	bolt-on - order Ref. 5 - Was 6715836 [A]		x
7	6716001	TOOTH			x
8	14J-3732	PIN			x
9	17C-828	BOLT	qty. 2 per tooth		x
10	95D-8	NUT	qty. 2 per tooth		x
11	39C-828	BOLT			4

MOUNTING KITS

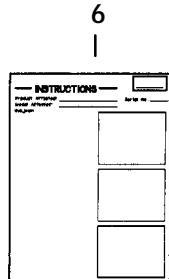
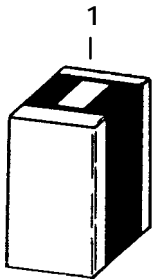
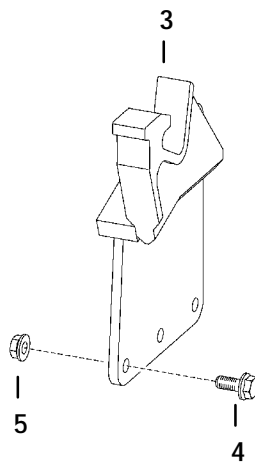
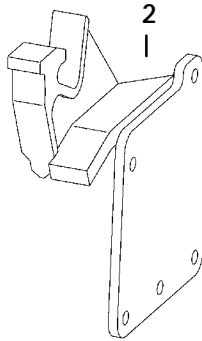
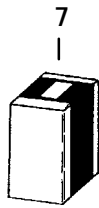
811 Backhoe



B-13371

MOUNTING KIT 811 Backhoe to 963

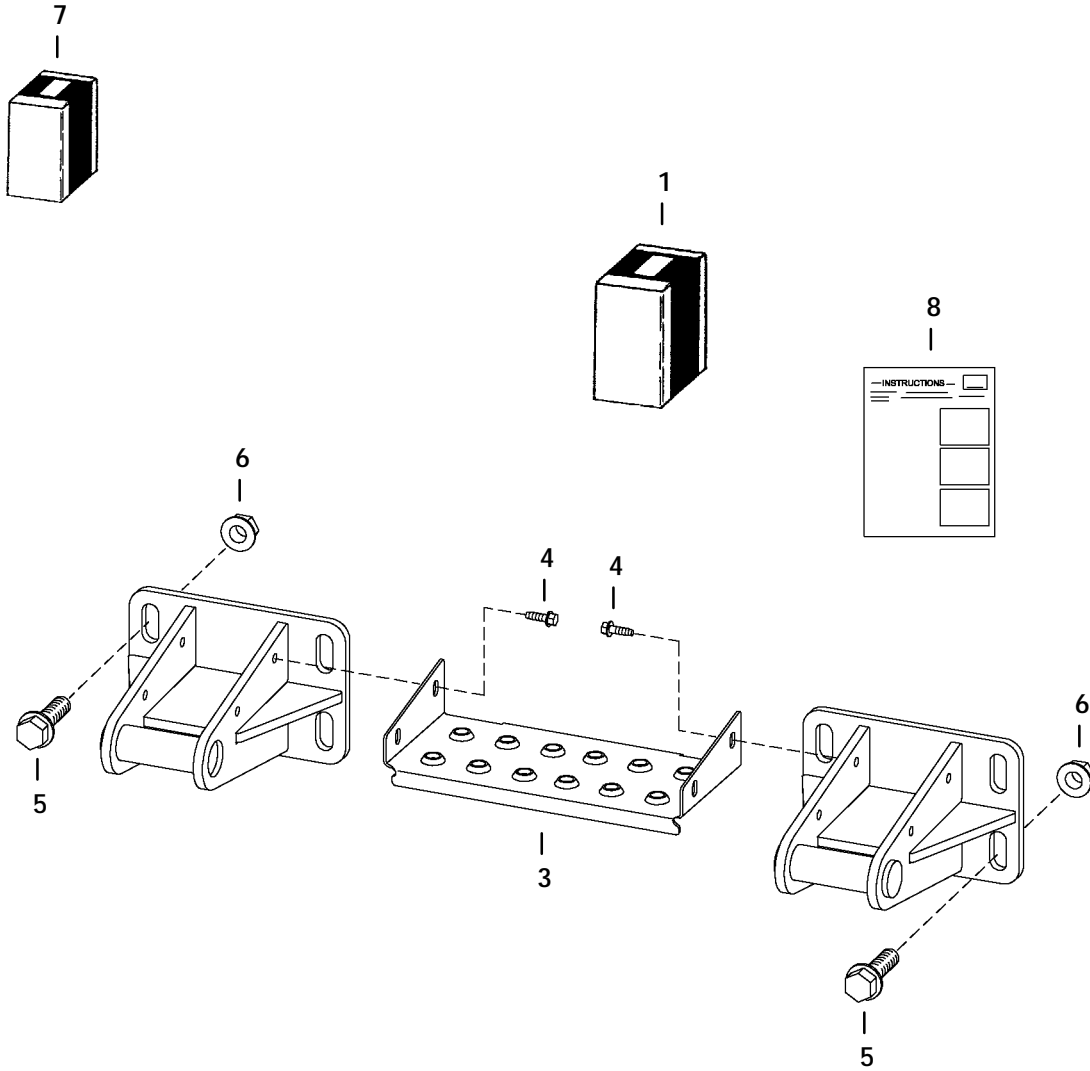
NOTE: AR = Spanish (Argentina)
BR = Portugese (Brazil)
JP = Japanese
Translation Kit includes Safety Manual,
Operators Manual and Decal Kit.



TS-1519

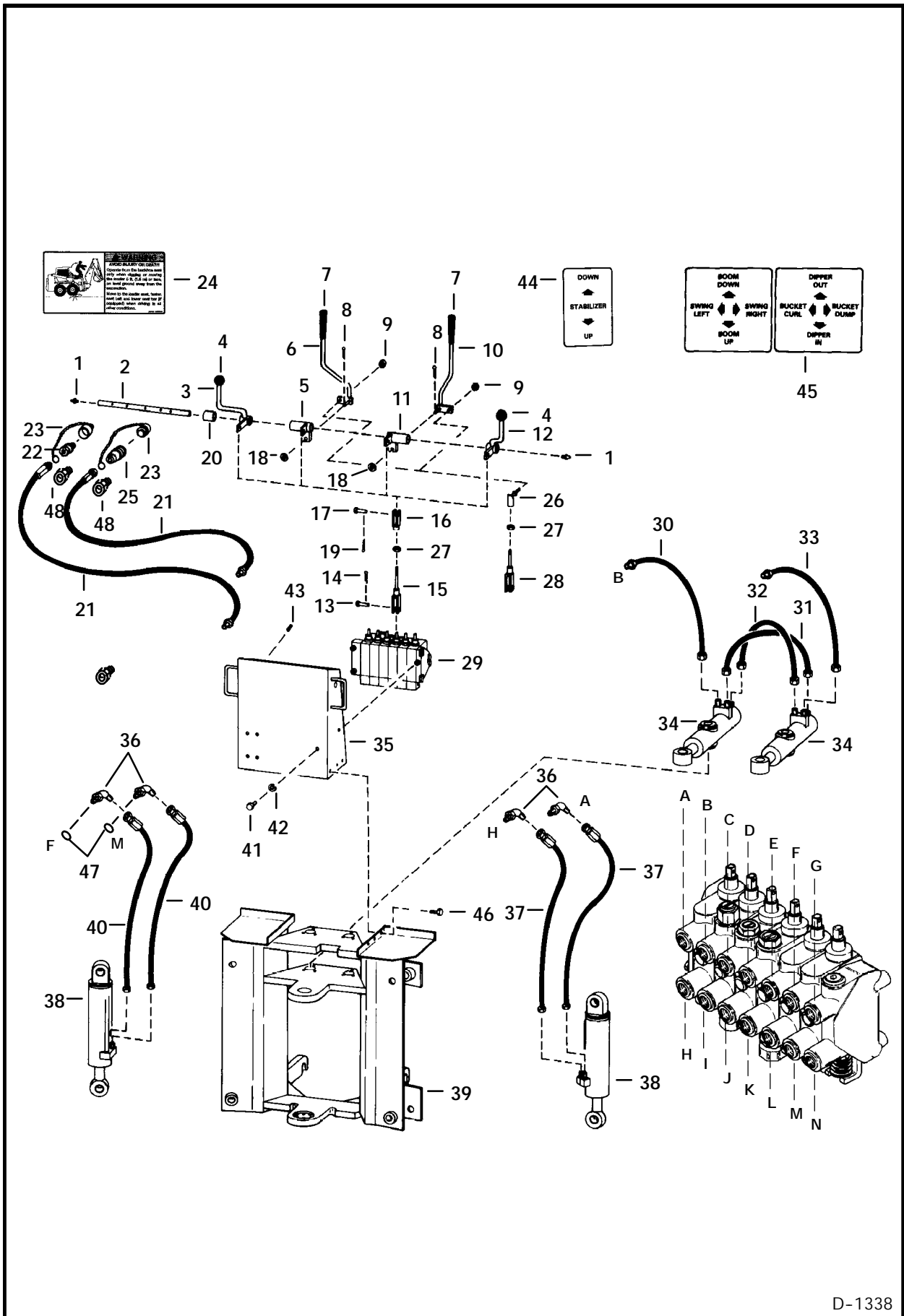
MOUNTING KIT 8811 Backhoe

NOTE: AR = Spanish (Argentina)
BR = Portugese (Brazil)
JP = Japanese
Translation Kit includes Safety Manual,
Operators Manual and Decal Kit.



MS-1396

MAIN FRAME HYDRAULICS 910 Backhoe - 825 Only



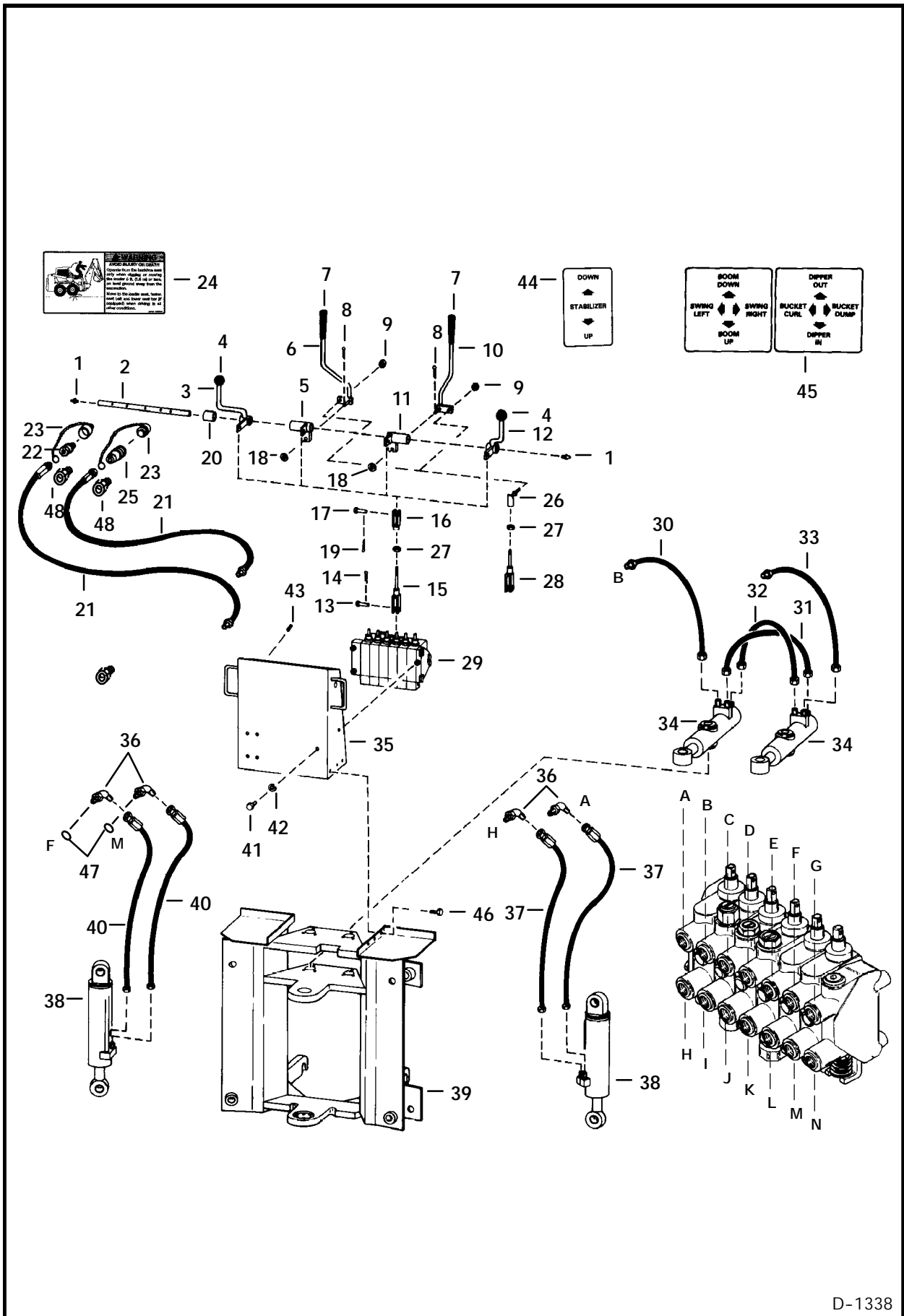
D-1338

MAIN FRAME HYDRAULICS (Cont'd)
910 Backhoe - 825 Only

Ref. No.	Part Number	Description	Remarks	Serial Number	Qty.
1	36H-25	GREASE ZERK			2
2	6544805	ROD	control		1
3	6544828	LEVER	stabilizer - R.H.		1
4	6515888	KNOB			2
5	6544822	PIVOT	R.H.		1
	639991	BUSHING			1
6	6544816	LEVER	control - R.H.		1
7	6510093	KNOB			2
8	1F-316	COTTER PIN			2
9	82D-6	NUT			2
10	6544815	LEVER	control - L.H.		1
11	6544821	PIVOT	L.H.		1
	639991	BUSHING			1
12	6544827	LEVER	stabilizer - L.H.		1
13	6560872	PIN			6
14	1F-308	COTTER PIN			6
15	6544835	CLEVIS			4
16	2J-6208	CLEVIS			4
17	4F-6106	CLEVIS PIN			4
18	25E-24	WASHER			2
19	1F-316	COTTER PIN			20
20	6544831	BUSHING			1
21	6544702	HOSE			2
22	6598755	QUICK COUPLER	Male - poppet		1
	6667808	QUICK COUPLER	male - flush face		1
	6672026	O-RING			1
23	6513709	CAP & PLUG	assy. - Rubber		1
	6515168	CAP	Steel		1
	6515167	PLUG	Steel		1
24	6596591	DECAL	warning - Was 6562925 [A]		1
25	6598756	QUICK COUPLER	Female - poppet		1
	6672960	QUICK COUPLER	female FF - Was 6667807 [A]		1
	25K-40026	O-RING	used with poppet coupler		1
26	1314990	JOINT	ball		2
27	8D-6	NUT			6
28	6544834	CLEVIS			2
29		VALVE	control - See Page 428 - 436		1
30	6544698	HOSE			1
31	6544697	HOSE			1
32	6544703	HOSE			1
33	6544699	HOSE			1
34		CYLINDER	swing - See Page 408 & 410		2
35	6544806	MOUNT	control		1
36	18K-7	ELBOW	W/Ref. 47		2
37	660758	HOSE			2
38		CYLINDER	stab. - See Page 424 & 426		2
39	6553532	MAIN FRAME			1
40	6544696	HOSE			2
41	17C-716	BOLT			3
42	4E-7	WASHER			3
43	15G-404	SET SCREW			2

MAIN FRAME HYDRAULICS (Cont'd)

910 Backhoe - 825 Only

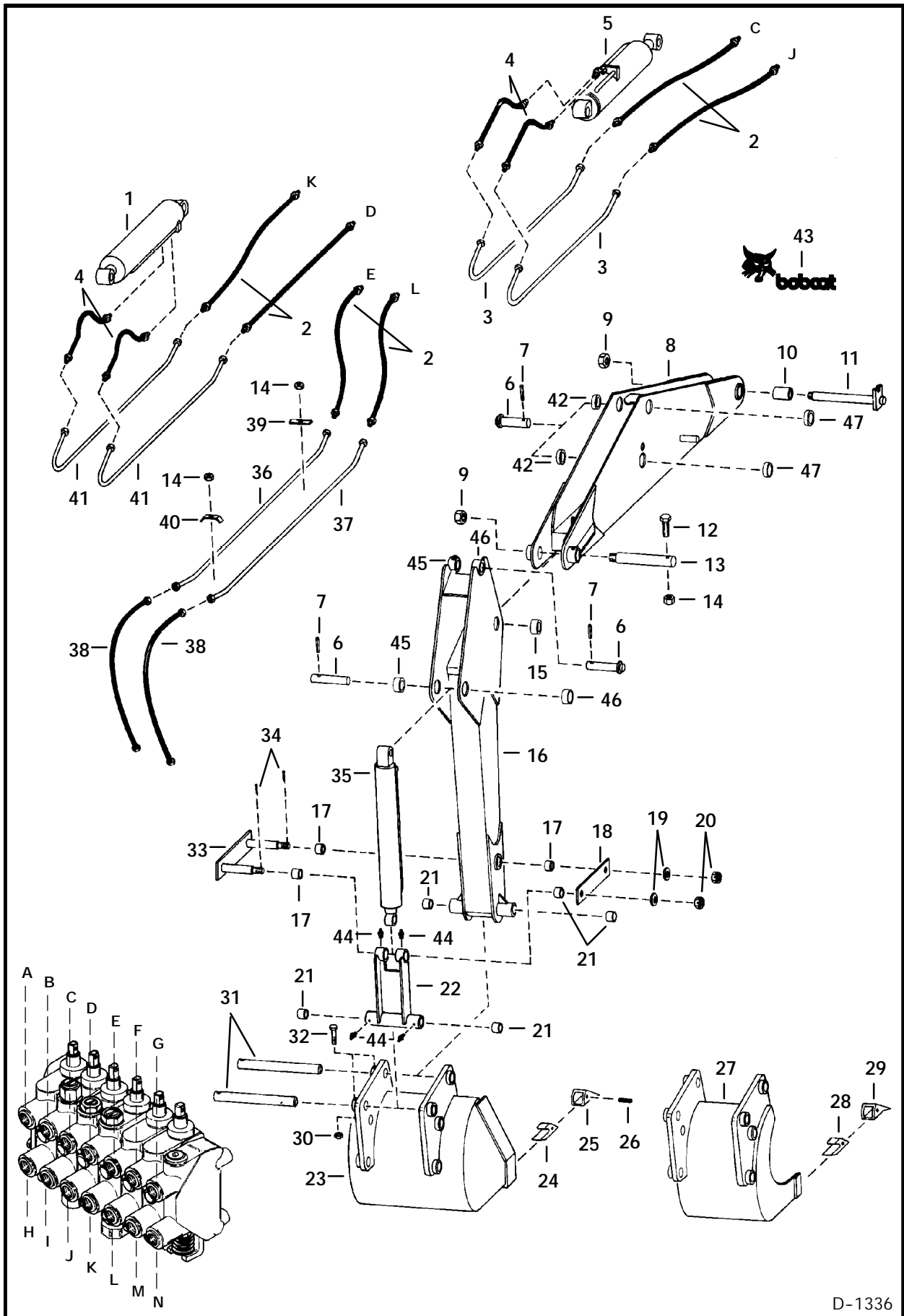


D-1338

MAIN FRAME HYDRAULICS (Cont'd)
910 Backhoe - 825 Only

Ref. No.	Part Number	Description	Remarks	Serial Number	Qty.
44	6506176	DECAL	stabilizer		2
45	6506175	DECAL	operate		2
46	17C-612	BOLT			2
47	79K-10	O-RING			x
48	6669284	ADAPTER	used to convert to flush face couplers		2

BOOM, DIPPERSTICK & BUCKET HYDRAULICS
910 Backhoe - 825 Only



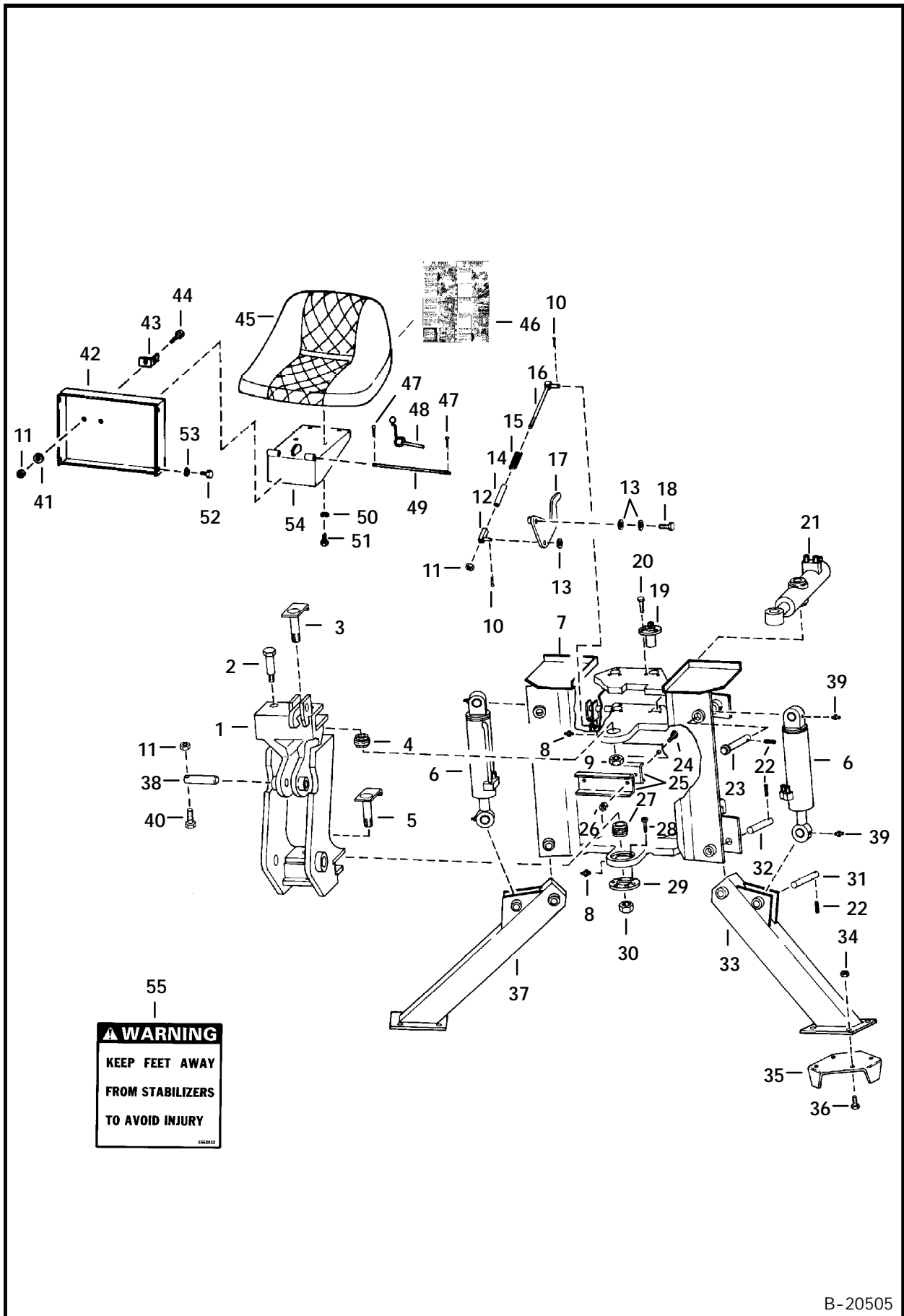
D-1336

BOOM, DIPPERSTICK & BUCKET HYDRAULICS (Cont'd)
910 Backhoe - 825 Only

Ref. No.	Part Number	Description	Remarks	Serial Number	Qty.
1		CYLINDER	dipperstick - See Page 416 & 418		1
2	6544700	HOSE			6
3	6546051	TUBE			2
4	6546052	HOSE			4
5		CYLINDER	boom - See Page 412 & 414		1
6	6544607	PIN			4
7	106023	ROLL PIN			2
8	6544849	BOOM			1
9	66D-20	NUT			2
10	6508236	BUSHING			2
11	6544619	PIN			1
12	17C-648	BOLT			1
13	6544605	PIN			1
14	81D-6	NUT			4
15	6508234	BUSHING			2
16	6544865	DIPPERSTICK			1
17	6544613	BUSHING			2
18	6544881	LINK			1
19	25E-31	WASHER			2
20	6D-16	NUT			2
21	6508235	BUSHING			6
22	6591430	LINK			1
23		BUCKET	ribbed - See Page 438		1
24	6518120	SHANK			x
25	6630424	TOOTH	Was 1553699 [A]		x
26	562660	PIN	flex		1
27		BUCKET	bell hole - See Page 438		1
		BUCKET	standard - See Page 438		1
28	6515119	SHANK			x
29	1550017	TOOTH			x
30	82D-6	NUT			2
31	6515875	PIN			2
32	18C-640	BOLT			2
33	6544614	LINK			1
34	1F-632	COTTER PIN			2
35		CYLINDER	bucket - See Page 420 & 422		1
36	6544848	TUBE			1
37	6544847	TUBE			1
38	6544694	HOSE			2
39	6544845	CLAMP			2
40	6502203	CLAMP			1
41	6591412	TUBE			2
42	6544863	COLLAR			2
43	6557412	DECAL	Bobcat		1
	6557413	DECAL	Bobcat		1
44	36H-35	GREASE ZERK			4
45	6544747	COLLAR			2
46	6544748	COLLAR			2
47	6544862	COLLAR			2

MAIN FRAME

910 Backhoe - 825 Only

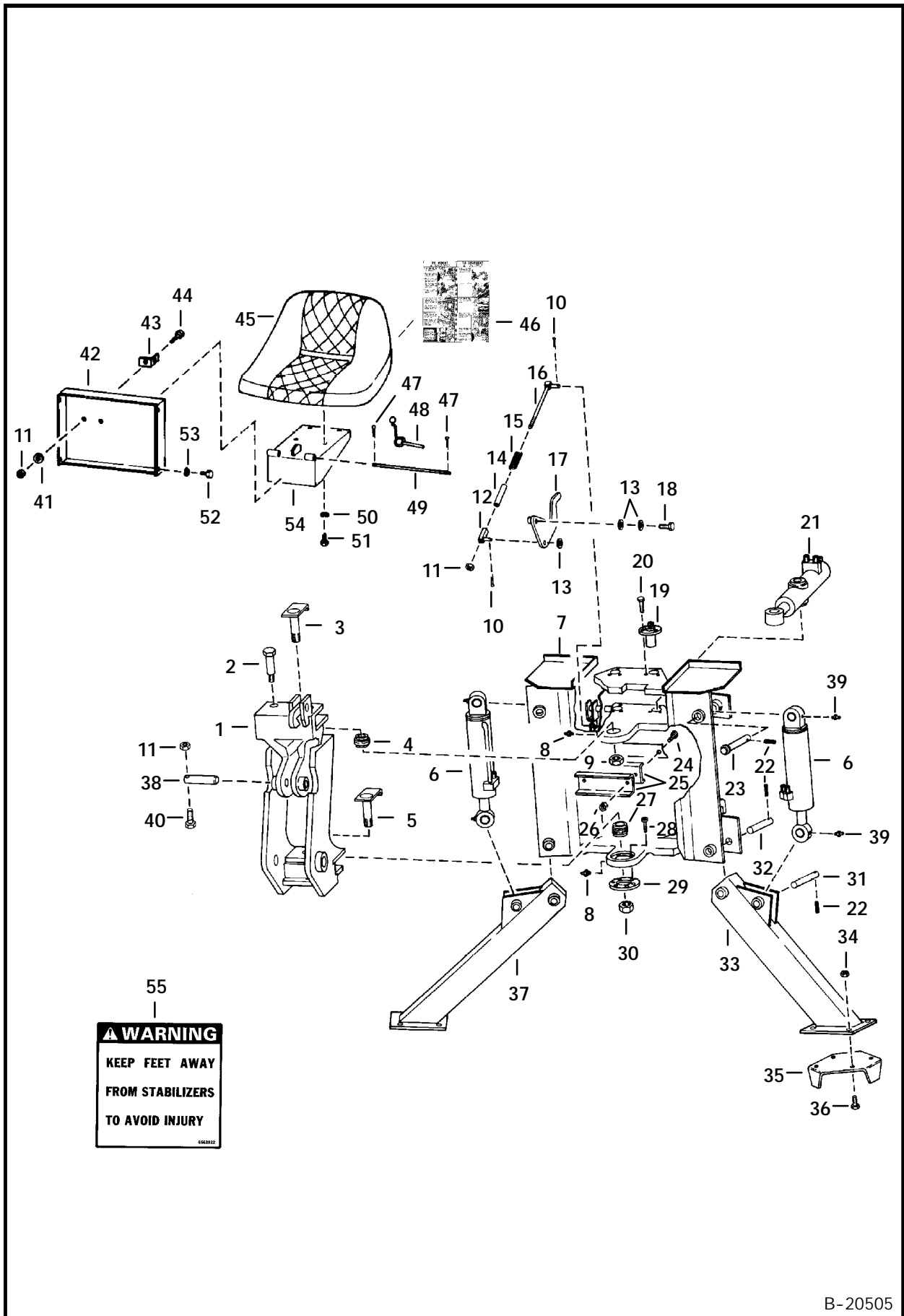


B-20505

MAIN FRAME (Cont'd)
910 Backhoe - 825 Only

Ref. No.	Part Number	Description	Remarks	Serial Number	Qty.
1	6544789	FRAME	swing		1
2	6590603	PIN			2
3	6544590	PIN			1
4	6519336	BEARING			1
5	6544594	PIN			1
6		CYLINDER	stabilizer - See Page 424 & 426		2
7	6553532	MAIN FRAME			1
8	36H-35	GREASE ZERK			10
9	6544593	NUT			1
10	1F-416	COTTER PIN			4
11	81D-6	NUT			2
12	6544782	PIVOT			2
13	25E-18	WASHER			4
14	6553503	TUBE			2
15	6553500	SPRING			2
16	6591134	ROD			2
	228686	WASHER			2
17	6553514	ARM	R.H.		1
	6553515	ARM	L.H.		1
18	17C-608	BOLT			2
19	6544598	PIN	swing cylinder		4
20	17C-816	BOLT			12
21		CYLINDER	swing - See Page 408 & 410		2
22	106023	ROLL PIN			6
23	6544607	PIN			2
24	17C-832	BOLT			2
25	6590855	CHANNEL			2
26	81D-8	NUT			2
27	6519337	BEARING			1
28	73G-624	BOLT	cap - Was 11G-624 [A]		6
29	6544842	RETAINER			1
30	6544597	NUT			1
31	6546387	PIN			2
32	6544611	PIN			2
33	6546391	STABILIZER	L.H.		1
34	61D-6	NUT			8
35	6548585	PLATE			2
36	7C-820	BOLT			8
37	6546392	STABILIZER	R.H.		1
38	6544604	PIN			1
39	36H-25	GREASE ZERK			4
40	17C-640	BOLT			1
41	25E-17	WASHER			2
42	6544810	SUPPORT	seat		1
43	6590669	BRACKET			2
44	17C-614	BOLT			2
45	6500774	SEAT	Also Order Ref. 46		1
	6660148	LOWER SLIDE			1
	6660149	UPPER SLIDE			1
46	6555540	DECAL	mounting instructions		1
47	1F-316	COTTER PIN			2

MAIN FRAME (Cont'd) 910 Backhoe - 825 Only

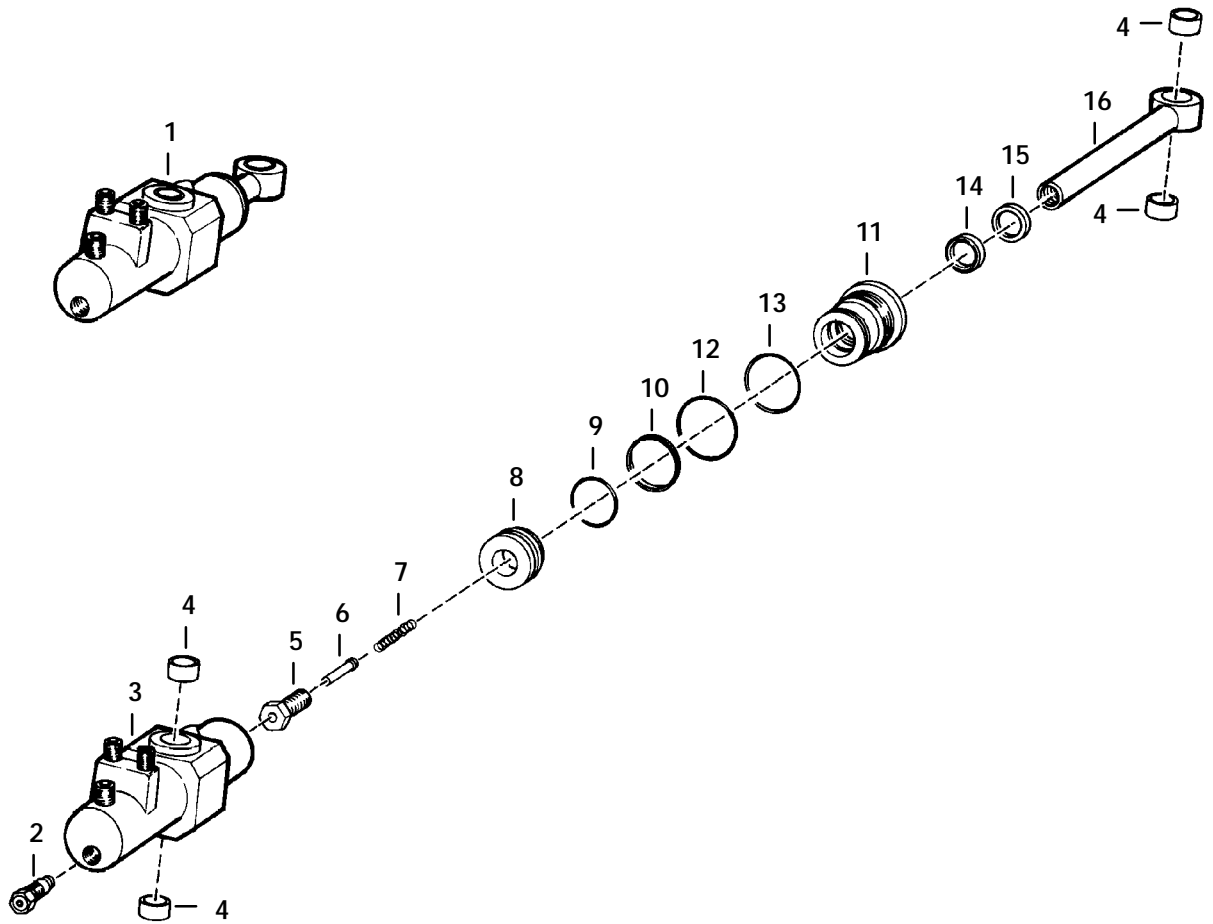


B-20505

SWING CYLINDER

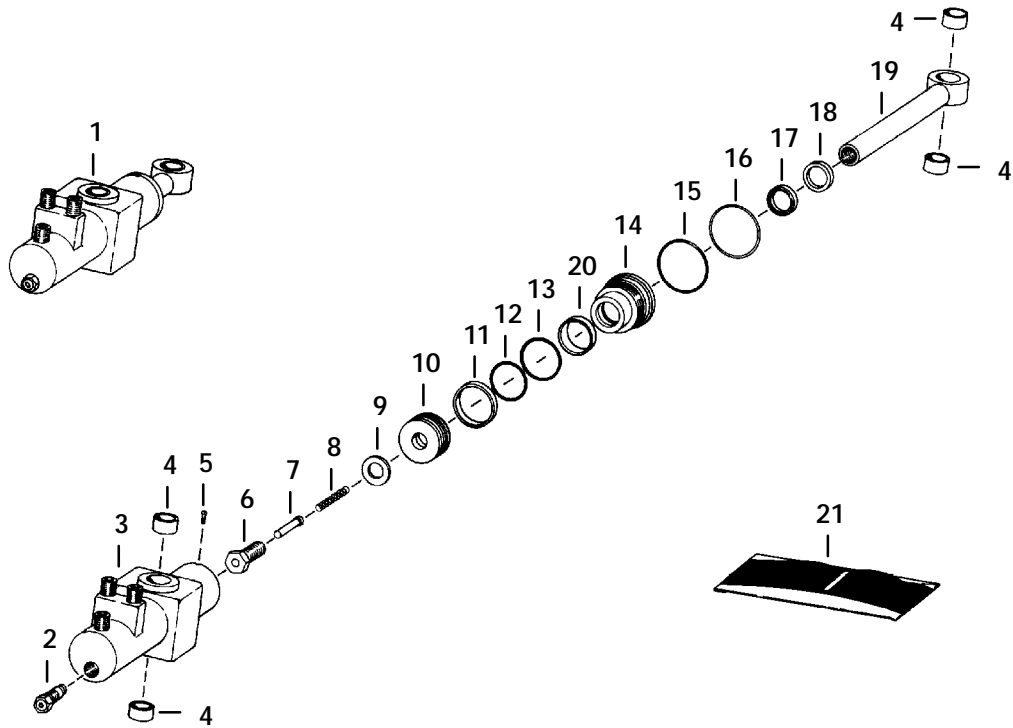
910 Backhoe - 825 Only - Rodgers

NOTE: Part Number 198878 stamped on Rodgers cylinder near rear port.



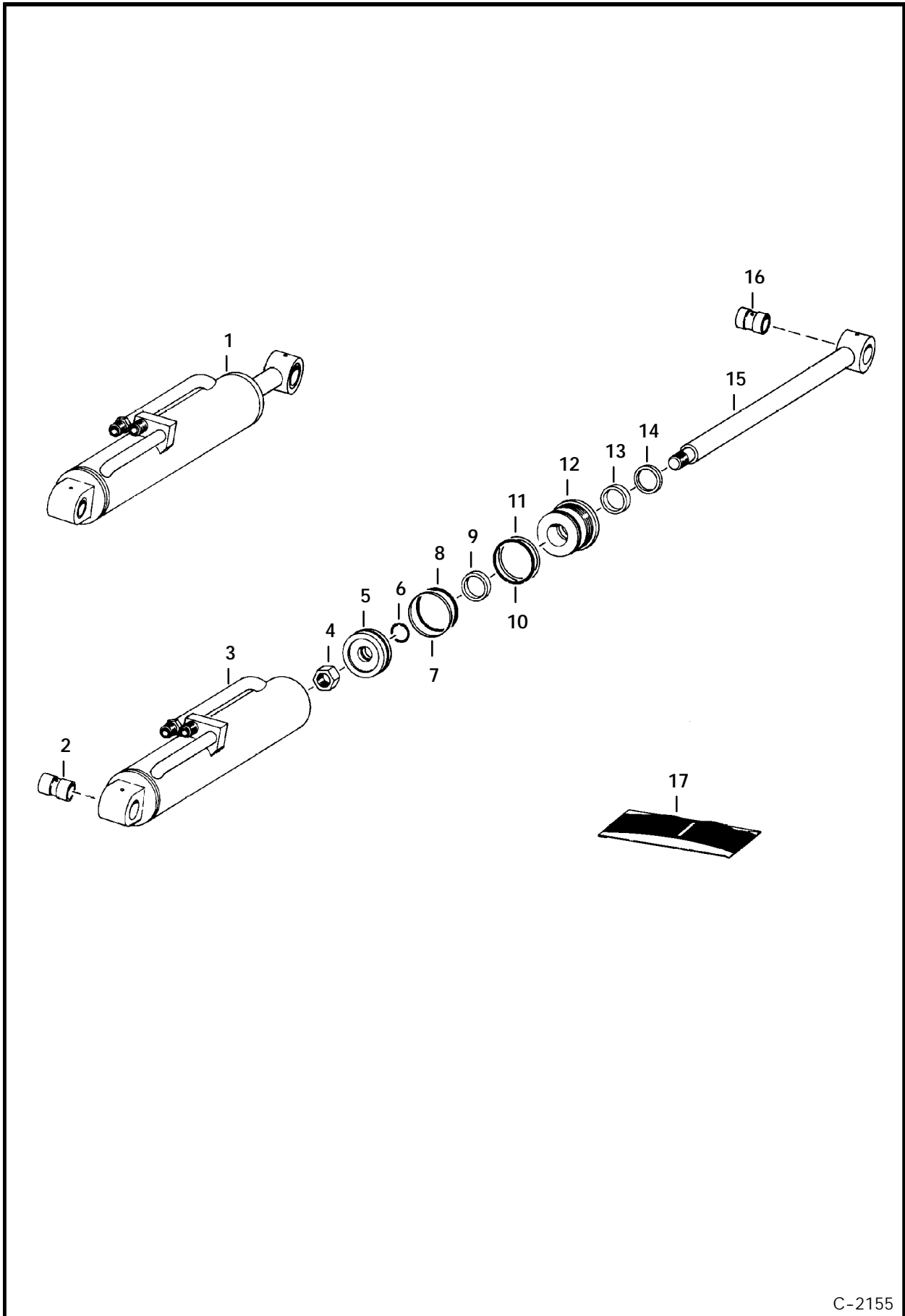
C-2656

SWING CYLINDER
910 Backhoe - 825 Only - J. I. Case



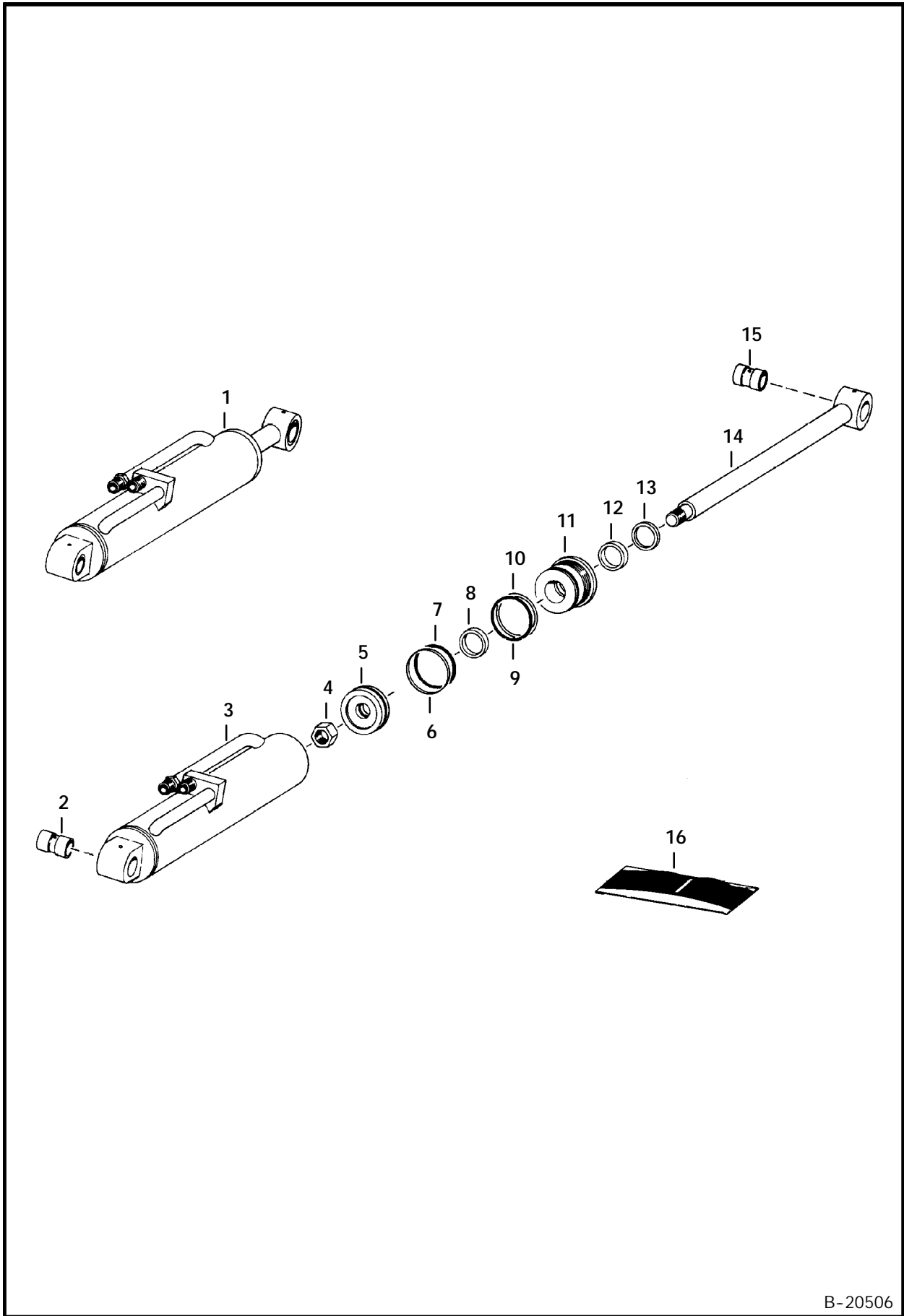
C-2157

BOOM CYLINDER
910 Backhoe - 825 Only - Rodgers or Sierra



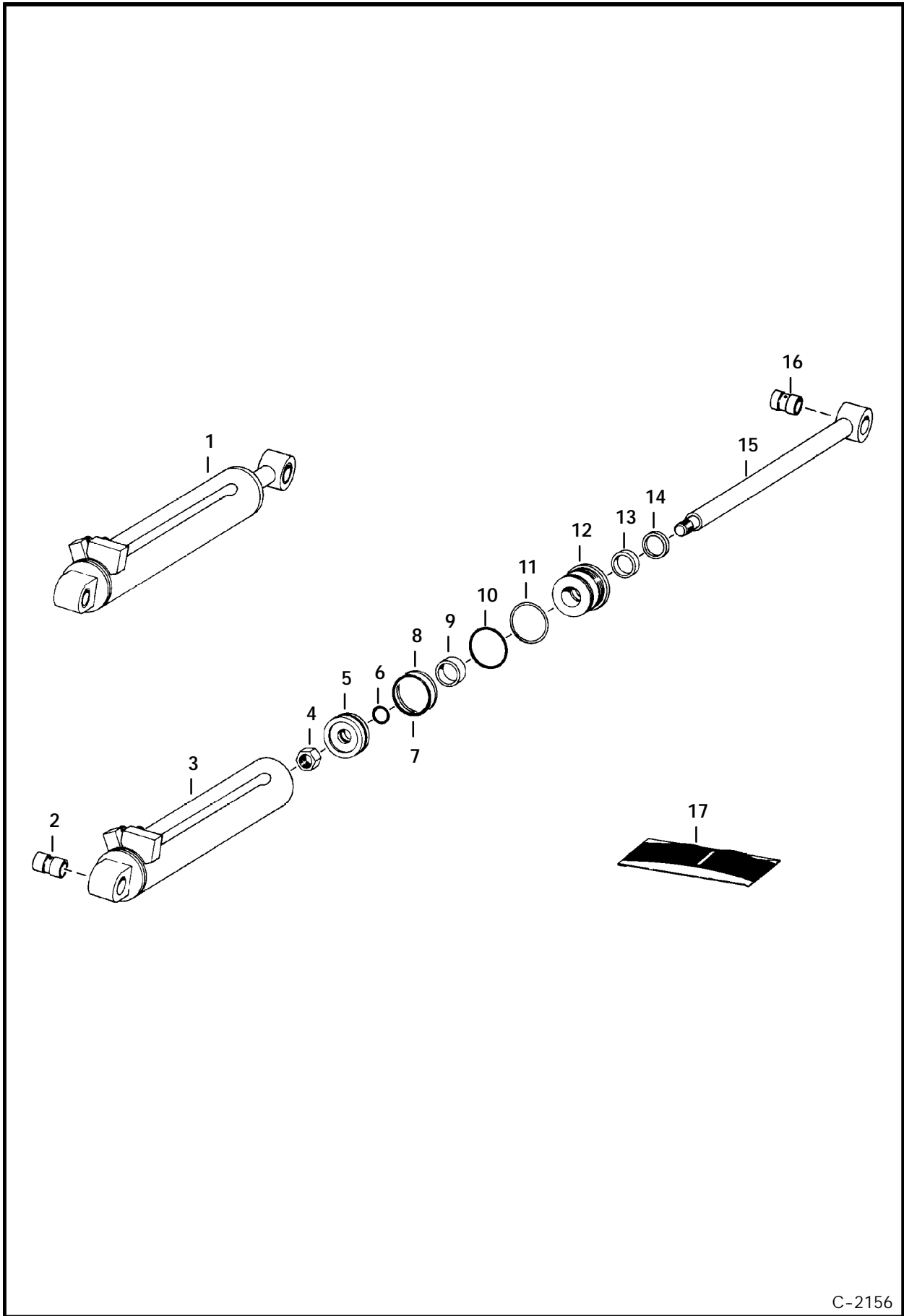
C-2155

BOOM CYLINDER
910 Backhoe - 825 Only - Iowa Ind.



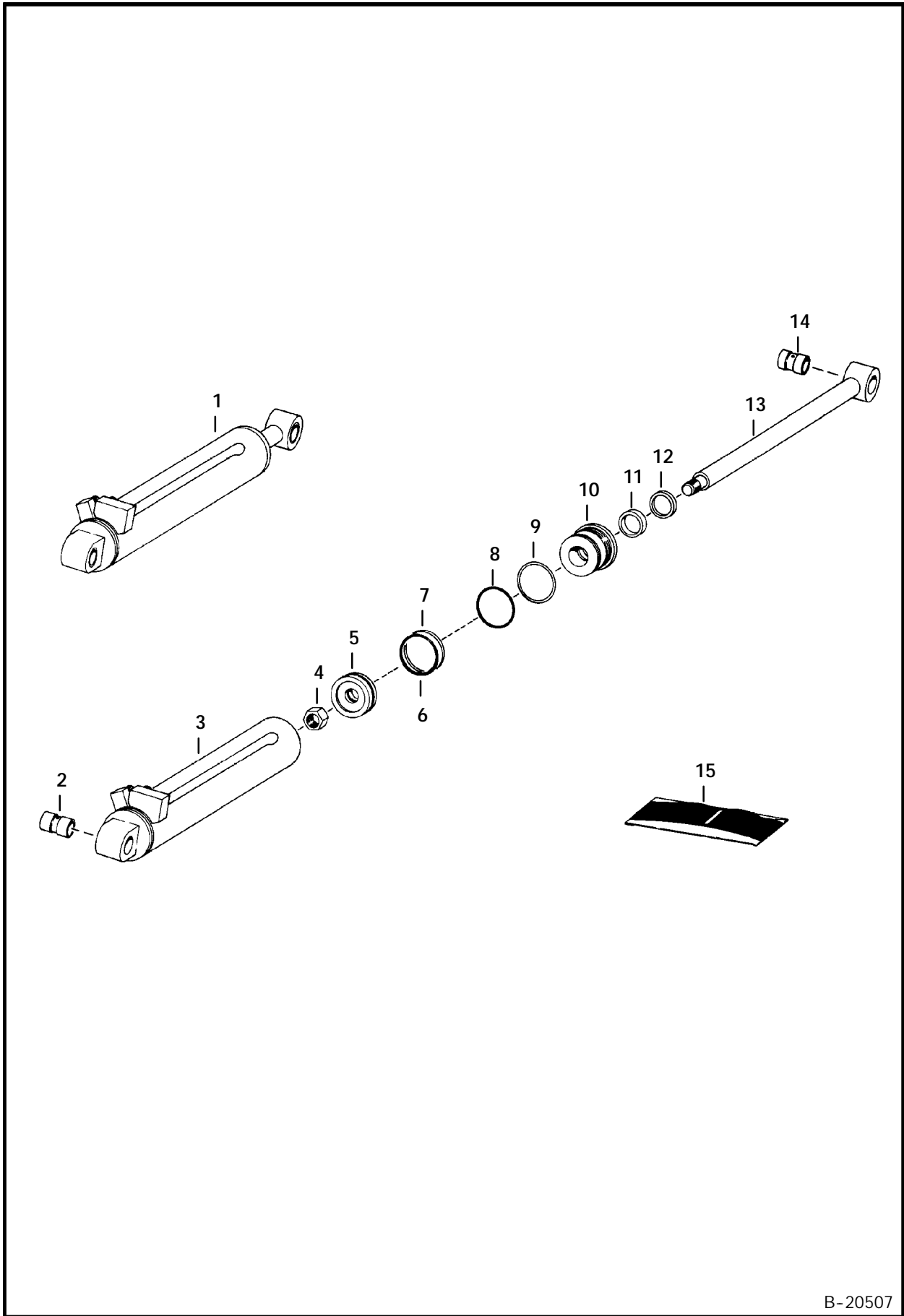
B-20506

DIPPERSTICK CYLINDER
910 Backhoe - 825 Only - Rodgers or Sierra



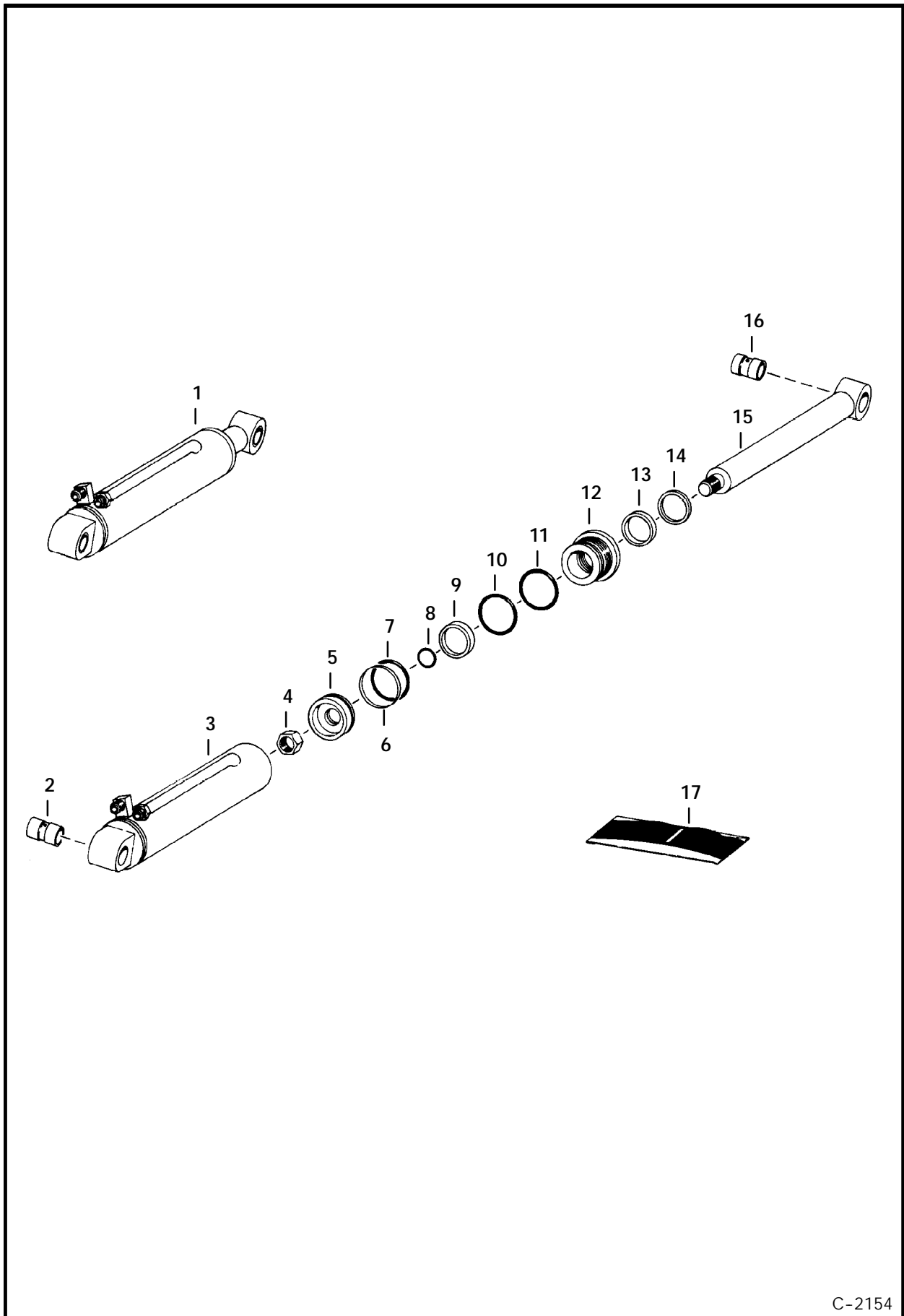
C-2156

DIPPERSTICK CYLINDER
910 Backhoe - 825 Only - Iowa Ind.



B-20507

BUCKET CYLINDER
910 Backhoe - 825 Only - Rodgers or Sierra

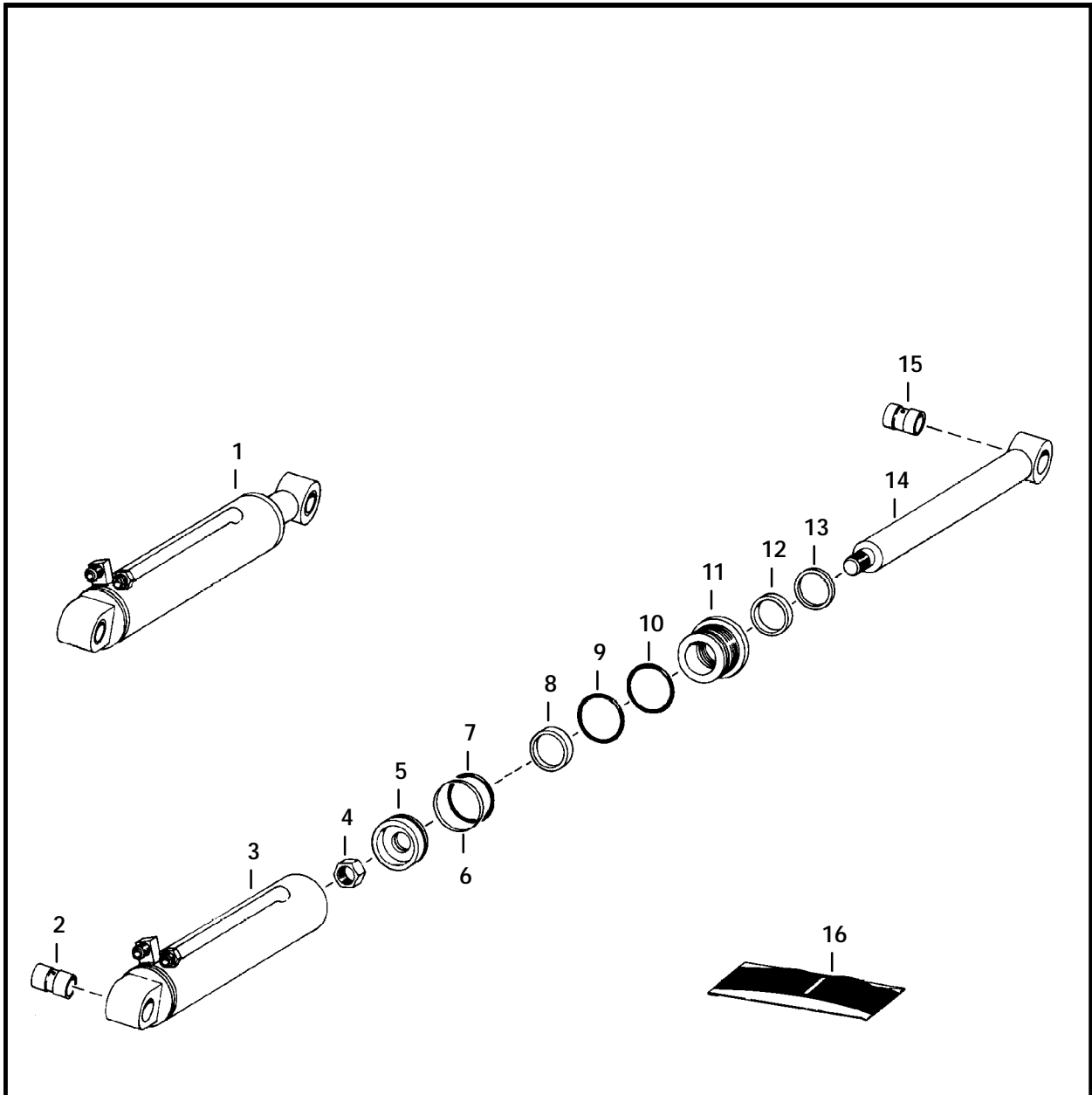


C-2154

BUCKET CYLINDER (Cont'd)
910 Backhoe - 825 Only - Rodgers or Sierra

Ref. No.	Part Number	Description	Remarks	Serial Number	Qty.
1	6544548	CYLINDER	W/Ref. 2-16		1
2	6546514	BUSHING			1
3	NAP	CASE			1
4	6804592	NUT	Was 92D-18 [B]		1
5	6803870	PISTON	Was 6553912 [A]		1
6	947088	WEAR RING			1
7	54K-30218	O-RING	Was 25K-30218 [A]		1
8	58K-216	O-RING	Not used in latest cylinder		1
9	6546513	SPACER			1
10	54K-40224	O-RING	Was 58K-232 [A]		1
11	80K-232	BACKUP RING			1
12	6533386	HEAD	Was 6546508 [A]		1
13	6667328	SEAL	Was 6538277 [A]		1
14	6666545	WIPER	rod - Was 1657090 [A]		1
15	6546482	ROD	cylinder		1
16	6546515	BUSHING			1
17	6804611	SEAL KIT	Ref. 6-8, 10, 11, 13 & 14 - Was 6587994 [A]		1

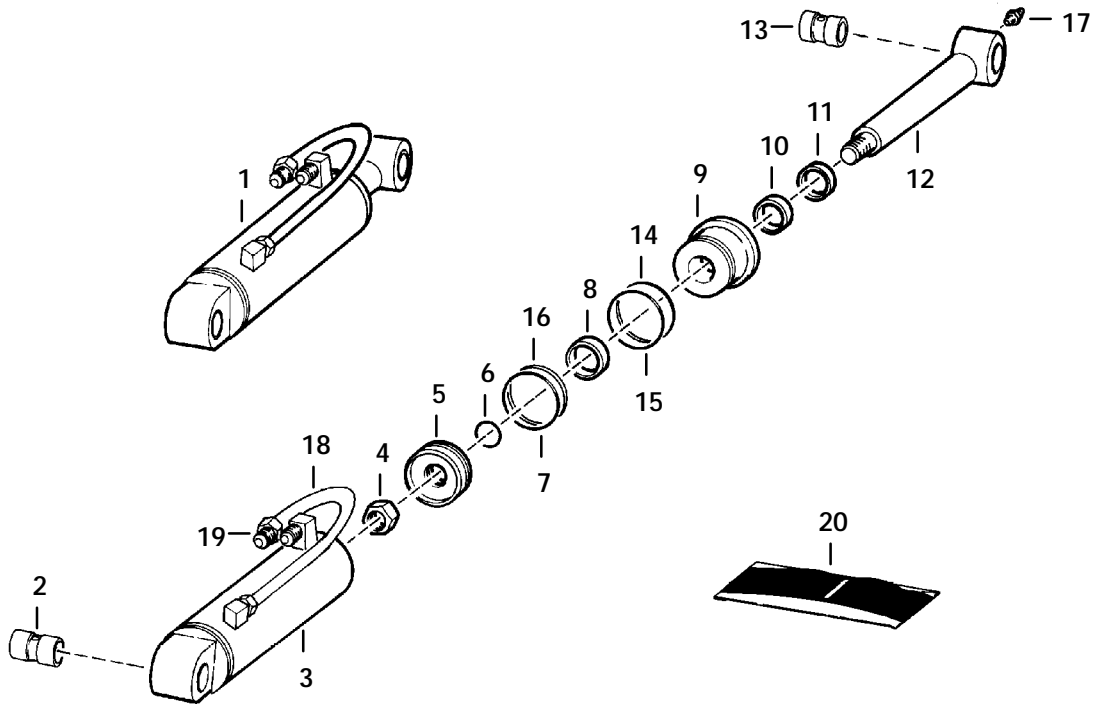
BUCKET CYLINDER
910 Backhoe - 825 Only - Iowa Ind.



NOTE: Iowa has a tag on cylinder, Rodgers does not.

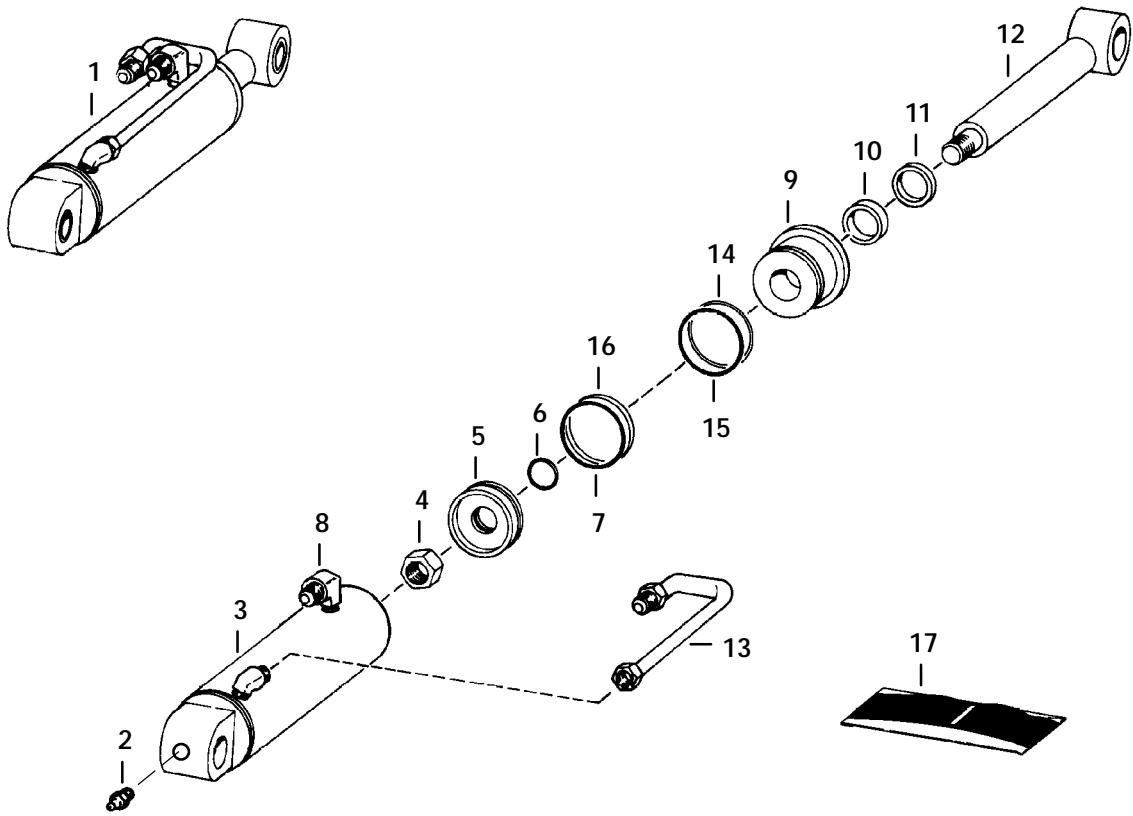
B-20508

STABILIZER CYLINDER
910 Backhoe - 825 Only



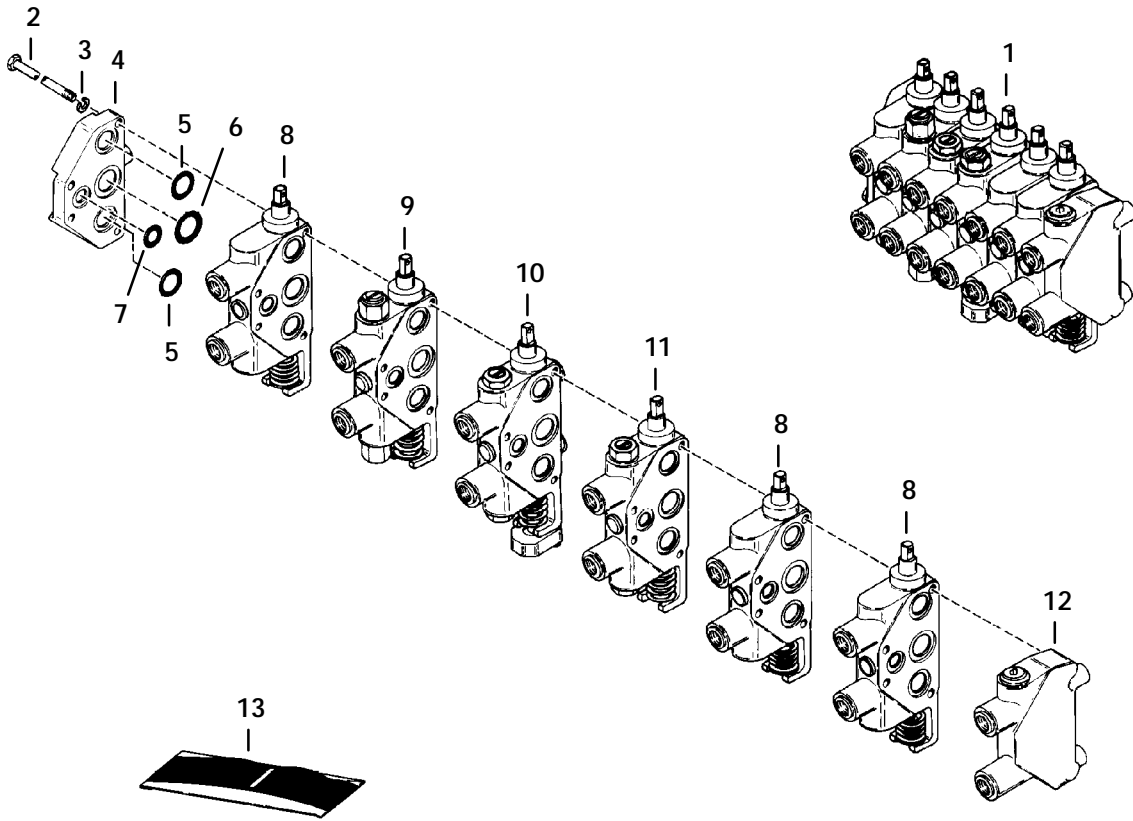
C-2655

STABILIZER CYLINDER
910 Backhoe - 825 Only



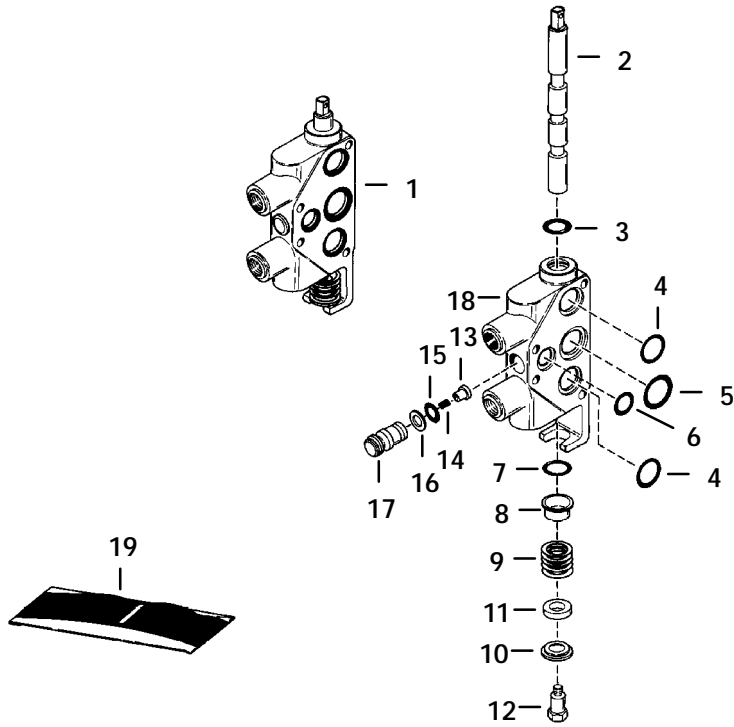
C-2153

CONTROL VALVE
910 Backhoe - 825 Only



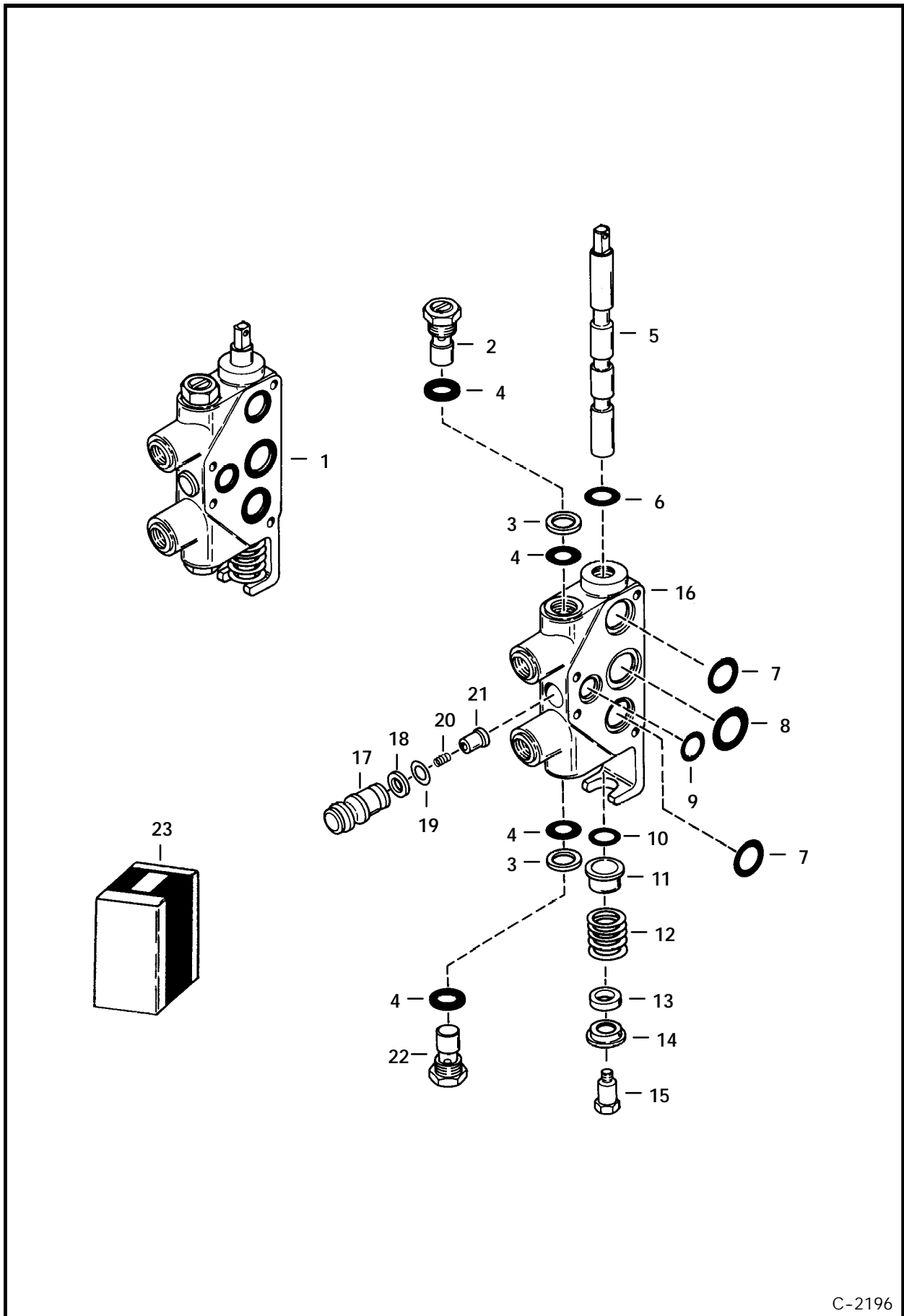
D-1359

STABILIZER & BUCKET CONTROL SECTION
910 Backhoe - 825 Only



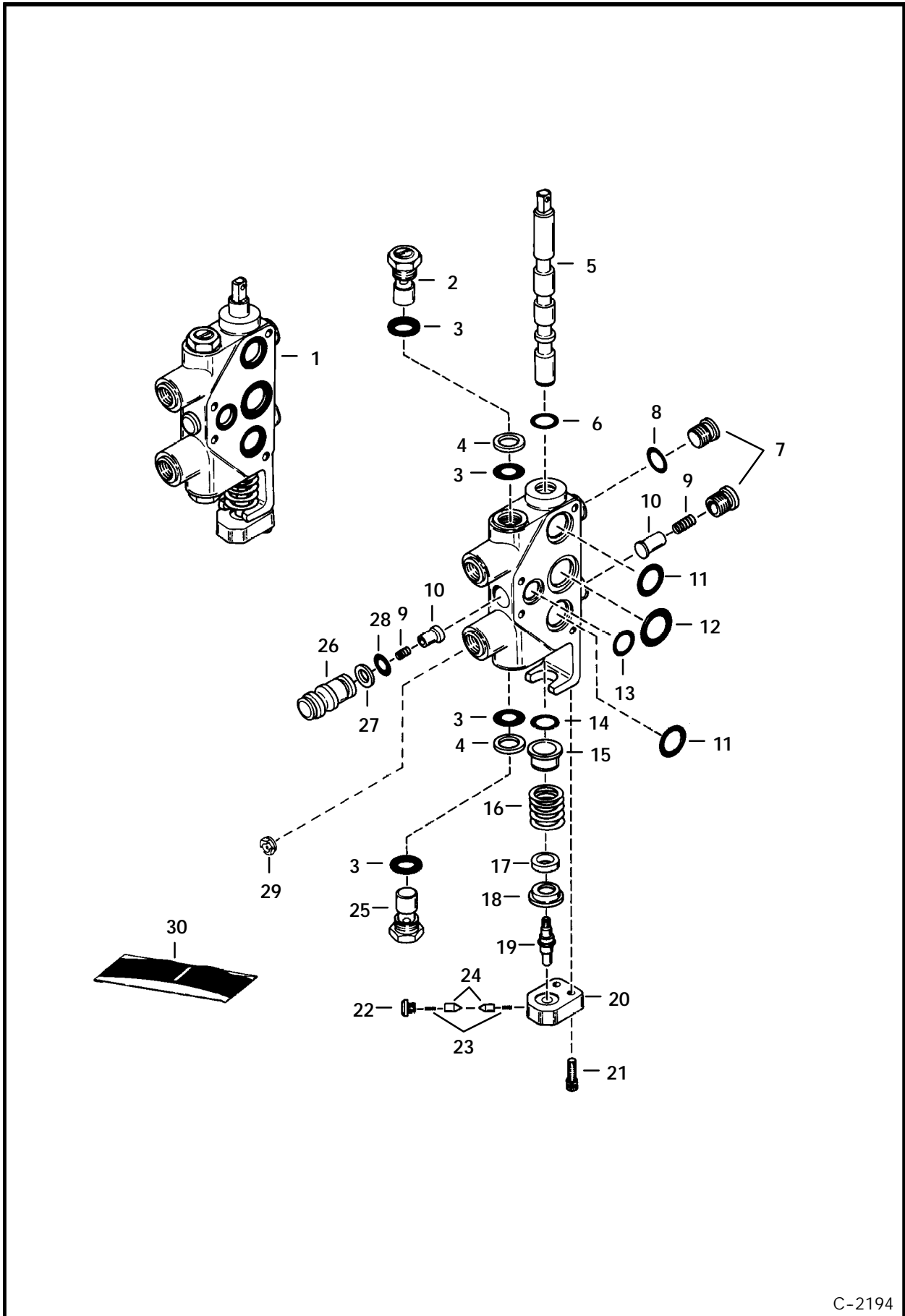
C-2192

DIPPERSTICK CONTROL SECTION
910 Backhoe - 825 Only



C-2196

BOOM SECTION
910 Backhoe - 825 Only

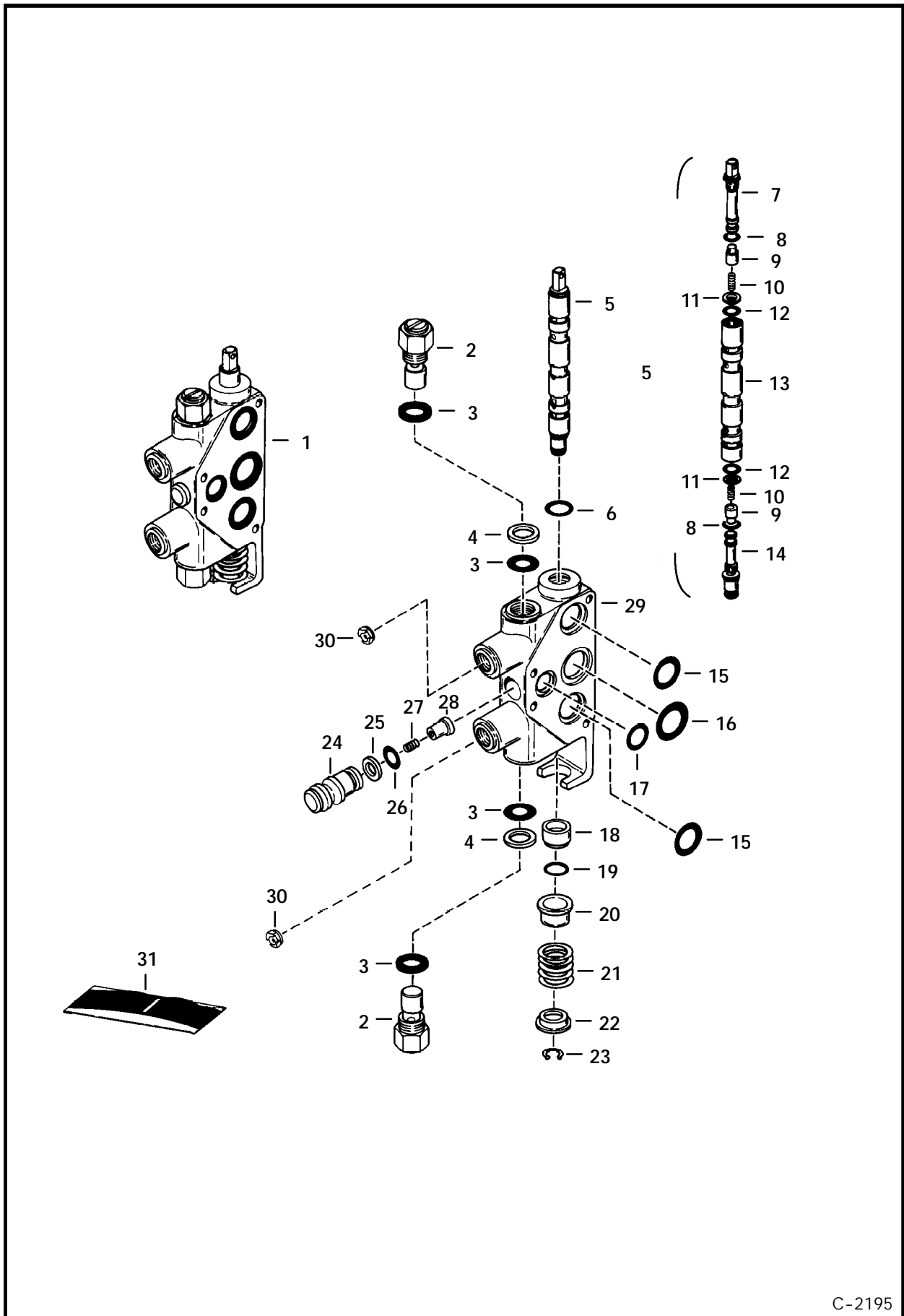


C-2194

BOOM SECTION (Cont'd)
910 Backhoe - 825 Only

Ref. No.	Part Number	Description	Remarks	Serial Number	Qty.
1	NAP	VALVE SECTION	Ref. 5 - 24 & 26 - 28 - Was 6510049 [A]		1
2	6512603	RELIEF VALVE	2750 PSI - Not included in valve section		1
3	NSS	O-RING			4
4	NSS	WASHER	back-up		2
5	NAP	SPOOL			1
6	NSS	O-RING			1
7	6632473	PLUG	lift check - Was 947754 [A]		2
8	NSS	O-RING			2
9	1550482	SPRING	lift check		2
10	4149071	PLUNGER	lift check		2
11	NSS	O-RING			2
12	NSS	O-RING			1
13	NSS	O-RING			1
14	NSS	O-RING			1
15	6519735	WASHER	deep		1
16	4149068	SPRING	spool		1
17	6510054	WASHER			1
18	4149067	WASHER	shallow		1
19	NSS	BOLT	detent - Was 6510051 [A]		1
20	6510052	BLOCK	detent		1
21	11G-416	SCREW	cap		2
22	6519736	PLUG	detent pawl		1
23	6510053	SPRING	detent pawl		2
24	6510050	PAWL	detent		2
25	6512602	RELIEF VALVE	3000 PSI - Not included in valve section		1
26	4149069	BODY	lift check		1
27	NSS	WASHER	back-up		1
28	NSS	O-RING			1
29	6511196	ORIFICE	.1875 - Not included in valve section		1
30	6510060 6510064	SEAL KIT SEAL KIT	Ref. 3, 4, 6, 8, 14, 27 & 28 Between sections - Ref. 11 - 13		1 1

SWING CONTROL SECTION
910 Backhoe - 825 Only

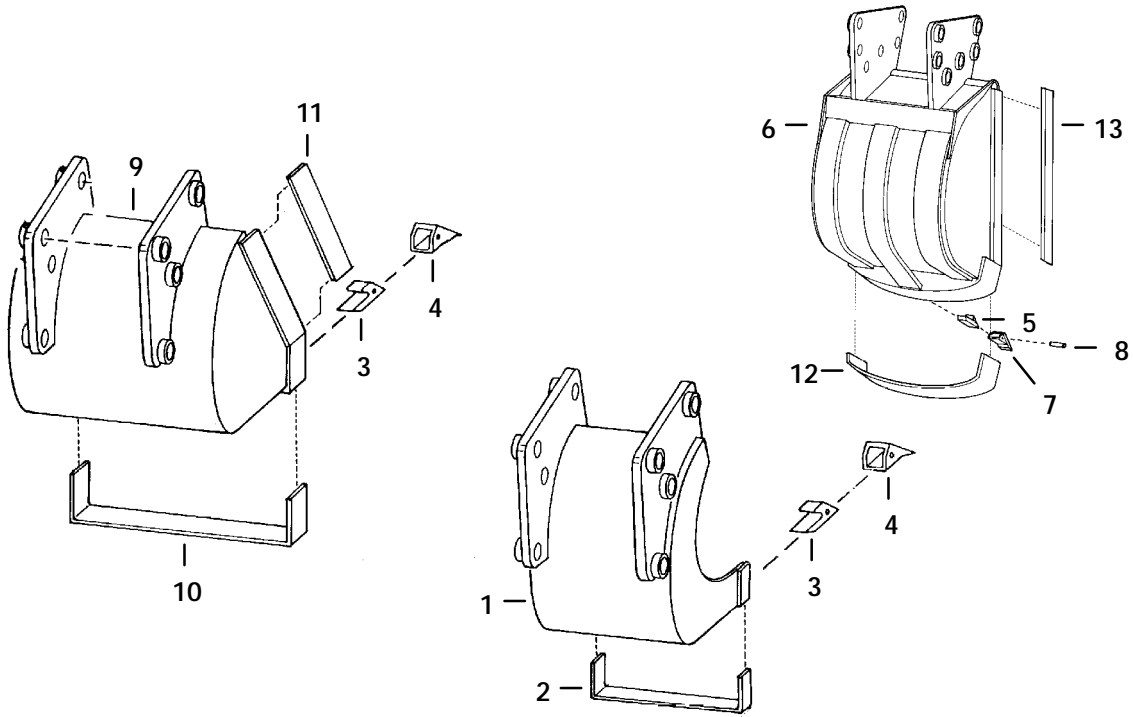


C-2195

SWING CONTROL SECTION (Cont'd)
910 Backhoe - 825 Only

Ref. No.	Part Number	Description	Remarks	Serial Number	Qty.
1	NAP	VALVE SECTION	Ref. 5 - 29 - Was 6510044 [A]		1
2	NSS	RELIEF VALVE	1875 PSI - Order Ref 1 - Was 6510056 [A]		2
3	NSS	O-RING			4
4	NSS	WASHER	back-up		2
5	NAP	SPOOL			1
6	NSS	O-RING			1
7	NSS	SPOOL	end		1
8	25K-20012	O-RING			2
9	NSS	PLUNGER			2
10	NSS	SPRING			2
11	80K-10	BACK-UP RING			2
12	25K-20008	O-RING			2
13	NAP	SPOOL	body		1
14	NSS	SPOOL	end		1
15	NSS	O-RING			14
16	NSS	O-RING			7
17	NSS	O-RING			7
18	NSS	SLEEVE	Was 6510045 [A]		1
19	NSS	O-RING			1
20	4149075	WASHER	deep		1
21	4149068	SPRING	spool		1
22	4149067	WASHER	shallow		1
23	NSS	SNAP RING			1
24	4149069	BODY	lift check		1
25	NSS	WASHER	back-up		1
26	NSS	O-RING			1
27	1550482	SPRING	lift check		1
28	4149071	PLUNGER	lift check		1
29	NAP	BODY	section		1
30	1550933	ORIFICE	.125" (3,18mm)		2
31	6511441	SEAL KIT	Ref. 3, 4, 6, 19, 23, 25 & 26		1
	6510064	SEAL KIT	Ref. 15 - 17		1

BUCKETS
910 Backhoe - 825 Only

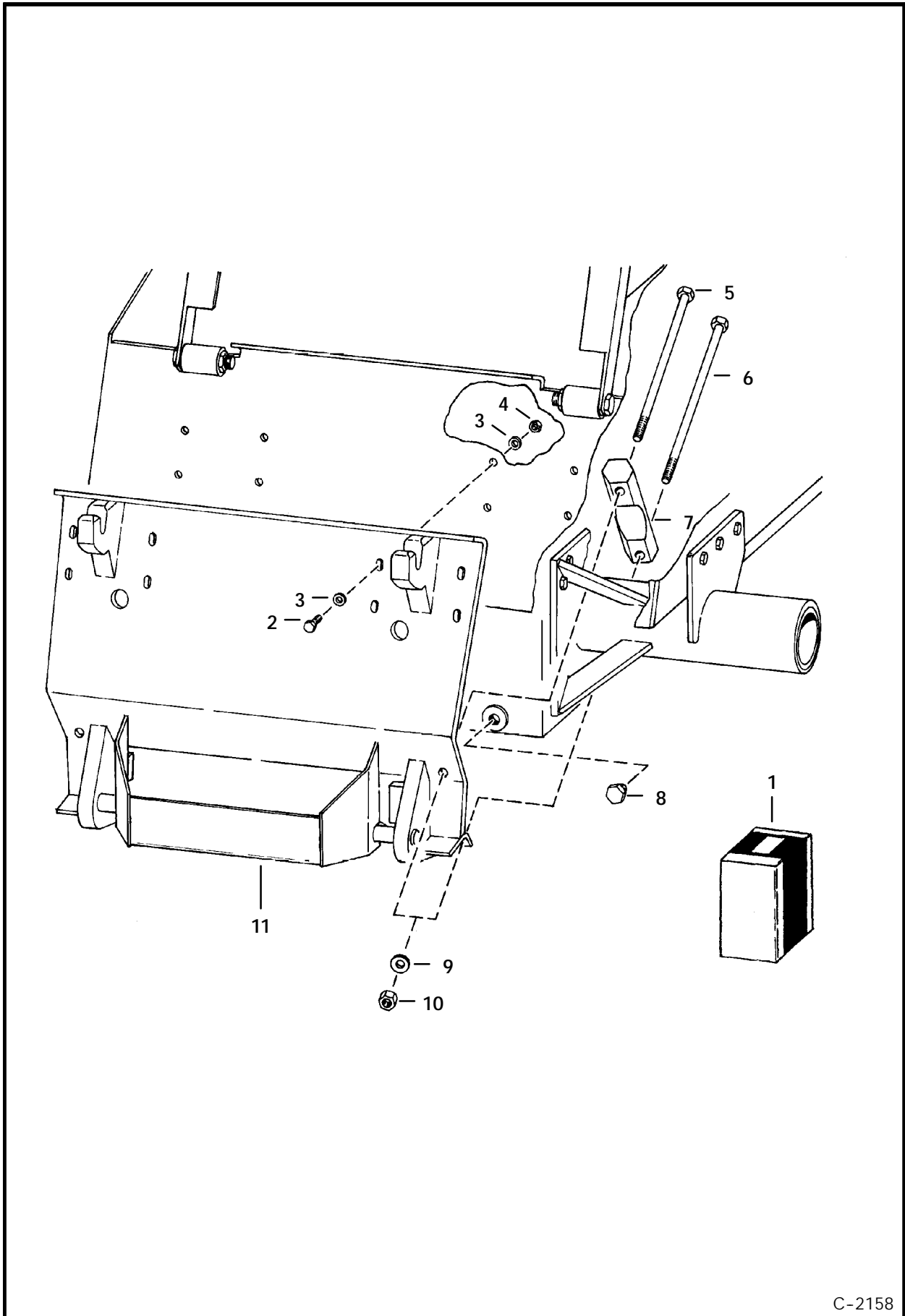


B-20509

BUCKETS (Cont'd)
910 Backhoe - 825 Only

Ref. No.	Part Number	Description	Remarks	Serial Number	Qty.
1	NAP	BUCKET	bellhole - 12" (304,8mm)		1
	SALES	BUCKET	open side - 14" (355,6mm)		1
	SALES	BUCKET	open side - 16" (406,4mm)		1
2	6592052	CUTTING EDGE	12" (304,8mm) bellhole & 14" (355,6mm) open side - buckets		1
	6592053	CUTTING EDGE	16" (406,4mm)		1
3	6515119	SHANK			x
4	1550017	TOOTH			x
5	6518120	SHANK			x
6	SALES	BUCKET	ribbed - 20" (508mm)		1
	SALES	BUCKET	ribbed - 24" (609,6mm)		1
	7	6630424	TOOTH	Was 1553699 [A]	
8	562660	PIN			x
9	SALES	BUCKET	std. - 16" (406,4mm)		1
	SALES	BUCKET	std. - 30" (762mm)		1
10	SALES	BUCKET	std. - 36" (914,4mm)		1
	6592053	CUTTING EDGE	16" (406,4mm)		1
	6592054	CUTTING EDGE	30" (762mm)		1
11	6592055	CUTTING EDGE	36" (914,4mm)		1
	6542986	CUTTING EDGE	R.H.		1
	6542987	CUTTING EDGE	L.H.		1
12	6592216	CUTTING EDGE	20"		1
	6592217	CUTTING EDGE	24"		1
13	6544634	CUTTING EDGE	R.H.		1
	6544633	CUTTING EDGE	L.H.		1

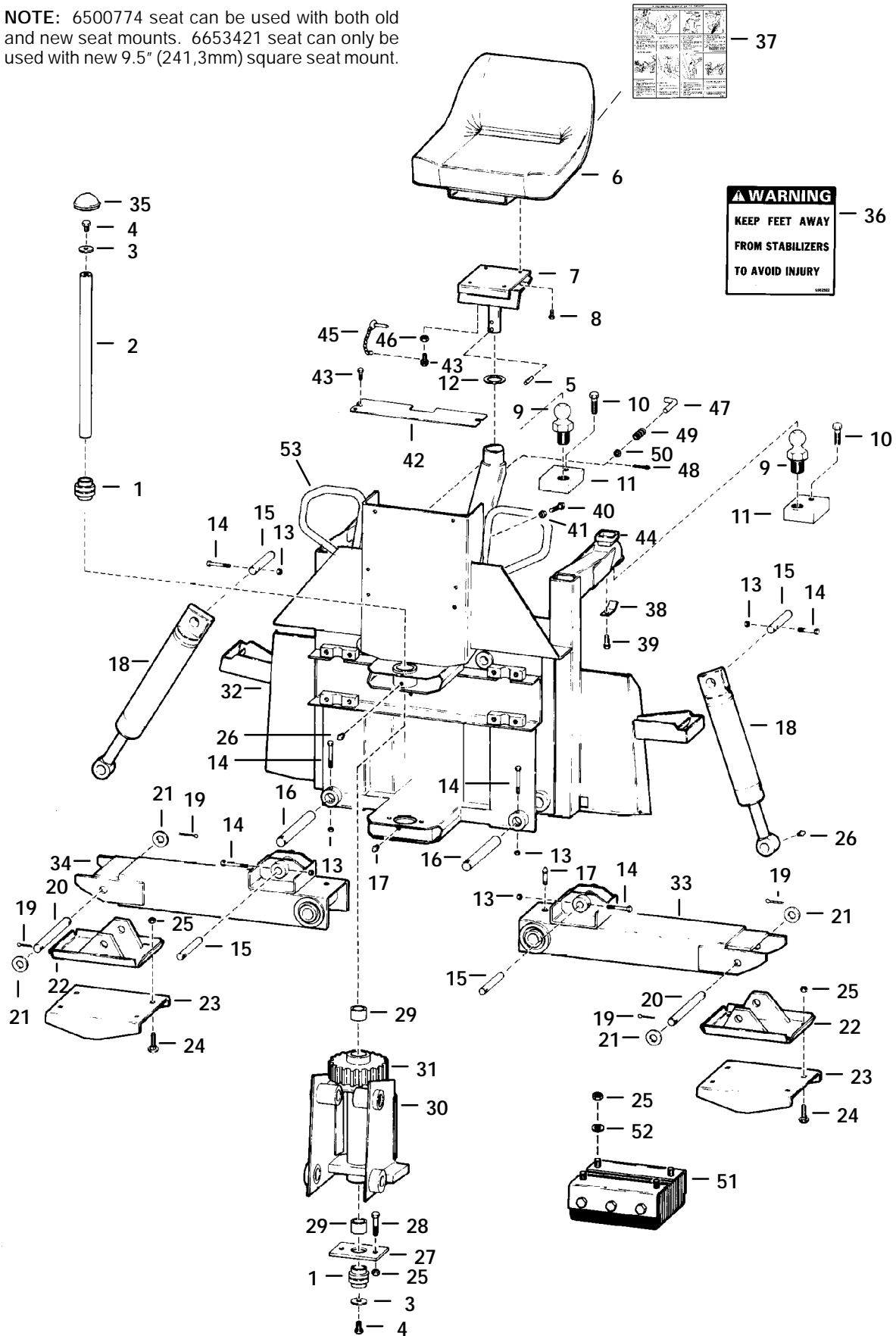
MOUNTING KIT
(910 Backhoe - 825 Only)



C-2158

MAIN FRAME 911 Backhoe

NOTE: 6500774 seat can be used with both old and new seat mounts. 6653421 seat can only be used with new 9.5" (241,3mm) square seat mount.

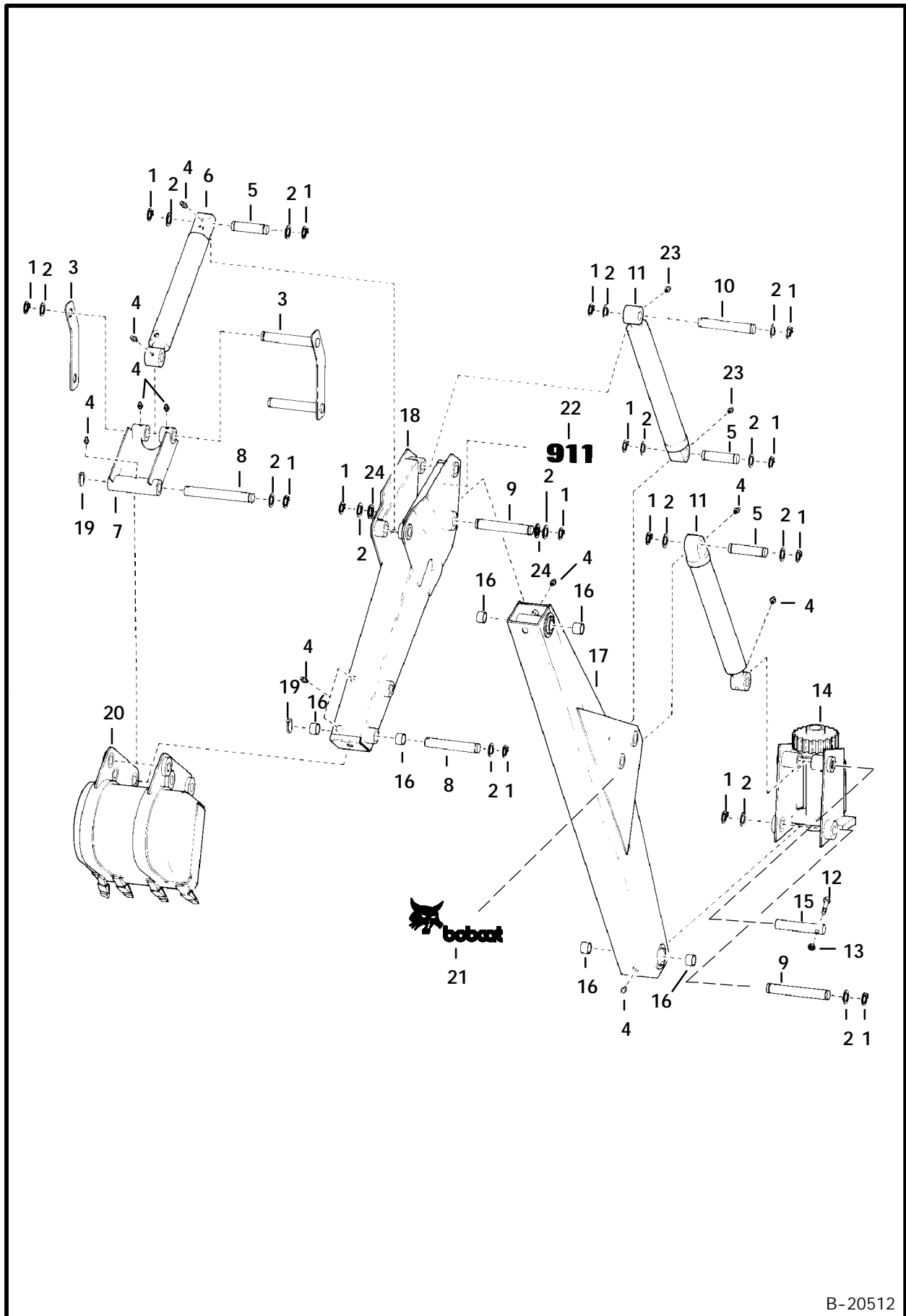


E-1348

MAIN FRAME (Cont'd)
911 Backhoe

Ref. No.	Part Number	Description	Remarks	Serial Number	Qty.
1	6519337	BEARING			2
2	6592350	SHAFT			1
3	6560416	WASHER			2
4	31C-1024	BOLT			2
5	14J-3740	ROLL PIN			1
6	6500774	SEAT	will fit both seat mounts - Also		
	6660148	LOWER SLIDE	Order Ref. 36		1
	6660149	UPPER SLIDE			1
	NAP	SEAT	will fit only 9.5" (241,3mm) x 9.5" (241,3mm) mount - Also Order Ref. 36 - Was 6653421 [A]		1
	NAP	TRACK	W/adj. - Was 6660436 [A]		1
	NAP	TRACK	W/O adj. - Was 6660437 [A]		1
7	NAP	MOUNT	6.5" (165,1mm) x 7.5" (190,5mm)		
	6532792	MOUNT	mounting plate 9.5" (241,3mm) x 9.5" (241,3mm) mounting plate	1932 & Below 1933 & Above	1 1
8	17C-516	BOLT	used W/6500774 Seat		4
	85D-5	NUT	used W/6653421 Seat		4
9	6562203	BALL	latch		2
10	31C-1028	BOLT			2
11	6538986	BLOCK	See Page 482 - Was 6562204 [A]		2
12	6558680	SPACER			1
13	61D-6	NUT			8
14	17C-648	BOLT			4
15	6544607	PIN			4
16	6560440	PIN			2
17	743218	GREASE ZERK			2
18		CYLINDER	stab. - See Page 472 - 476		2
19	1F-828	COTTER PIN			4
20	6562576	PIN			4
21	25E-31	WASHER			4
22	6562580	PAD			2
23	6560890	CLEAT			2
24	37C-820	BOLT	Was 6560578 [A]		8
25	61D-8	NUT			2
26	10H-25	GREASE ZERK			2
27	6560427	BAR	retainer		1
28	17C-856	BOLT			2
29	6513682	RACE	bearing		2
30	6560417	FRAME	swing - W/Ref. 29 & 31		1
31	6562470	GEAR			1
32	6592829	MAIN FRAME			1
33	6560436	STABILIZER	L.H.		1
34	6560432	STABILIZER	R.H.		1
35	6598371	CAP			1
36	6562922	DECAL	warning		2
37	6563211	DECAL	mounting instructions		1
38	6562596	GUIDE			2
39	17C-812	BOLT			2

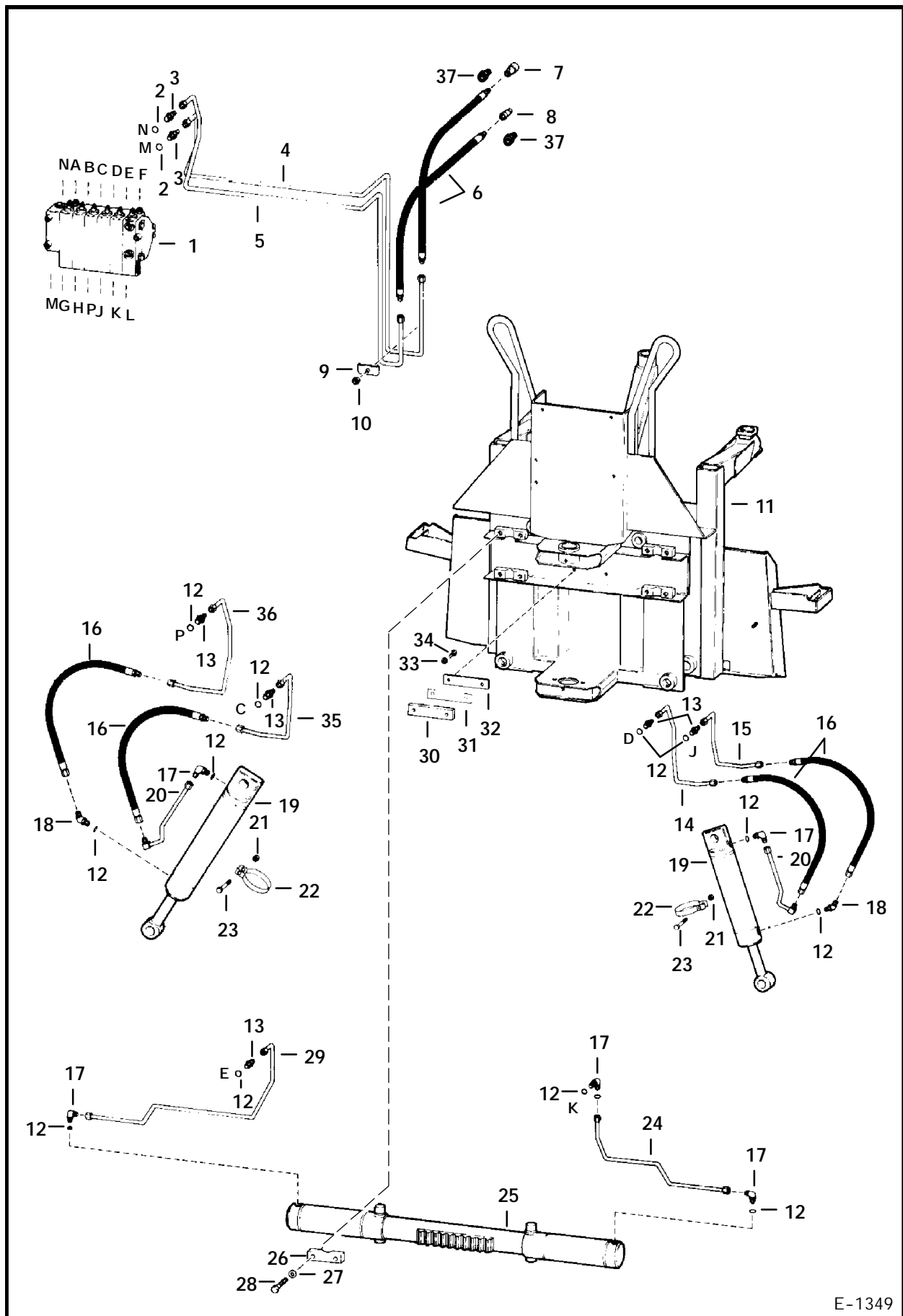
BOOM & DIPPERSTICK 911 Backhoe



B-20512

MAIN FRAME HYDRAULICS

911 Backhoe - W/Cessna Valve - 843 Only



E-1349

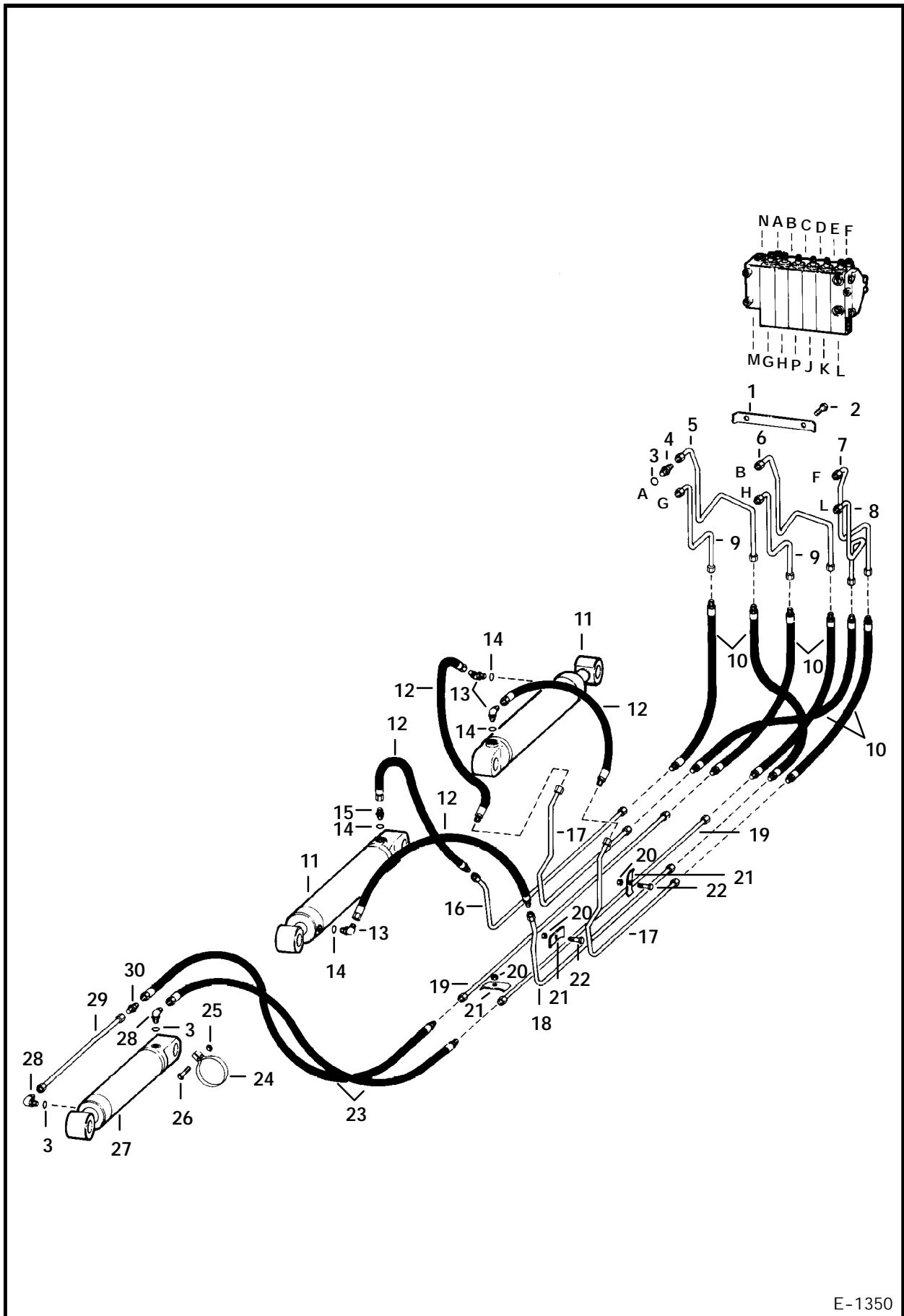
MAIN FRAME HYDRAULICS (Cont'd)
911 Backhoe - W/Cessna Valve - 843 Only

Ref. No.	Part Number	Description	Remarks	Serial Number	Qty.
1		VALVE	See Page 460		1
2	79K-10	O-RING			2
3	15K-7	ADAPTER	W/Ref. 2		2
4	6560910	TUBE			1
5	6560911	TUBE			1
6	6562129	HOSE			2
7	6598758	QUICK COUPLER	Female - poppet		1
	6672960	QUICK COUPLER	female FF - Was 6667807 [A]		1
	25K-40026	O-RING	used with poppet coupler		1
8	6598757	QUICK COUPLER	Male - poppet		1
	6667808	QUICK COUPLER	male - flush face		1
	6672026	O-RING			1
9	6502426	CLAMP			1
10	85D-6	NUT			1
11		MAIN FRAME	See Page 442		1
12	79K-8	O-RING			x
13	15K-6	ADAPTER	W/Ref. 12		4
14	6560912	TUBE			1
15	6560917	TUBE			1
16	6562128	HOSE			4
17	17K-6	ELBOW	W/Ref. 12		5
18	18K-6	ELBOW	W/Ref. 12		2
19		CYLINDER	stab. - See Page 472 - 476		2
20	6561999	TUBE			2
21	85D-5	NUT			2
22	6561995	CLAMP			2
23	17C-520	BOLT			2
24	6560908	TUBE			1
25		CYLINDER	swing - See Page 470		1
26	6560428	RETAINER			4
27	27E-8	WASHER			8
28	17C-840	BOLT			8
29	6560907	TUBE			1
30	6562505	BAR	wear		1
31	6562504	PLATE			1
32	6562524	SHIM			x
33	25E-15	WASHER			2
34	17C-514	BOLT			2
35	6560913	TUBE			1
36	6560918	TUBE			1
37	6668096	ADAPTER	used to convert to flush face couplers		2

MAIN FRAME HYDRAULICS (Cont'd)
911 Backhoe - W/Husco Valve

Ref. No.	Part Number	Description	Remarks	Serial Number	Qty.
1	6655020	VALVE	See Page 464		1
2	79K-10	O-RING	used with poppet couplers		2
	79K-12	O-RING	used with flush face couplers		2
3	15K-7	ADAPTER	W/Ref. 2 - used with poppet couplers		2
	755055	ADAPTER	W/Ref. 2 - used with flush face couplers		2
4	6519195	ELBOW	W/Ref. 2		1
5	17K-7	ELBOW	W/Ref. 2		1
6	672554	HOSE			2
7	6598758	QUICK COUPLER	Female - poppet		1
	6672960	QUICK COUPLER	female FF - Was 6667807 [A]		1
8	48K-16	O-RING	used with poppet coupler		1
	6598757	QUICK COUPLER	Male - poppet		1
	6667808	QUICK COUPLER	male - flush face		1
	6672026	O-RING			1
9	6592821	TUBE			1
10	6592816	TUBE			1
11	6592824	ORIFICE	.108" (2,74mm) Dia.		2
12	79K-8	O-RING			x
13	15K-6	ADAPTER	W/Ref. 12		4
14	6592820	TUBE			1
15	6592815	TUBE			1
16	6562128	HOSE			4
17	17K-6	ELBOW	W/Ref. 12		5
18	18K-6	ELBOW	W/Ref. 12		2
19		CYLINDER	stab. - See Page 472 - 476		2
20	6561999	TUBE			2
21	85D-5	NUT			2
22	6561995	CLAMP			2
23	17C-520	BOLT			2
24	6592813	TUBE			1
25		CYLINDER	swing - See Page 470		1
26	6560428	RETAINER			4
27	27E-8	WASHER			8
28	17C-840	BOLT			8
29	6592823	TUBE			1
30	6562505	BAR	wear		1
31	6562504	PLATE			1
32	6562524	SHIM			x
33	25E-15	WASHER			2
34	17C-514	BOLT			2
35	79K-10	O-RING			2

BOOM HYDRAULIC CIRCUITRY 911 Backhoe



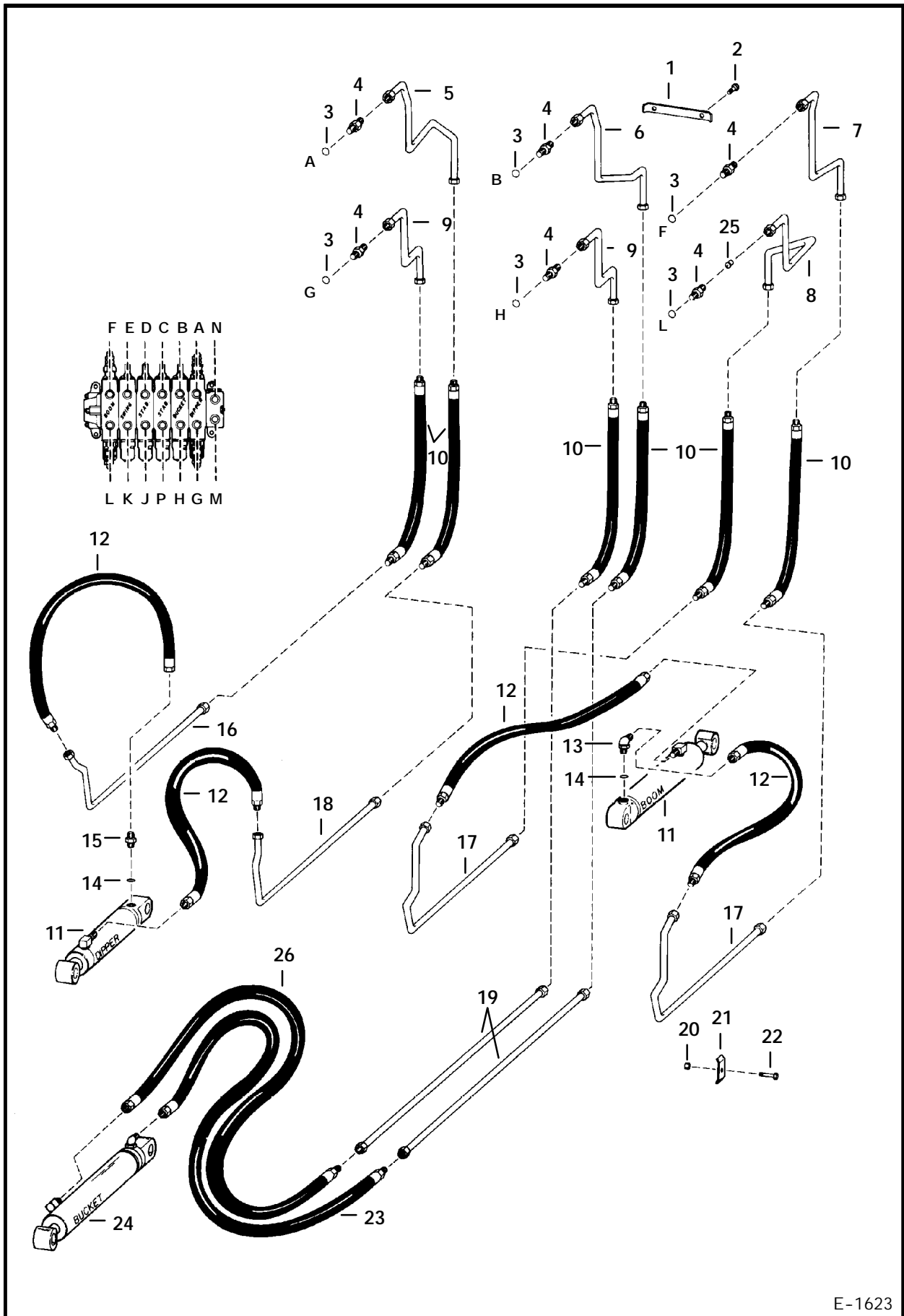
E-1350

BOOM HYDRAULIC CIRCUITRY (Cont'd)
911 Backhoe

Ref. No.	Part Number	Description	Remarks	Serial Number	Qty.
1	6560554	CLAMP			1
2	84G-3724	BOLT			2
3	79K-8	O-RING			x
4	731793	ADAPTER	W/Ref. 3		6
5	6560915	TUBE			1
6	6560914	TUBE			1
7	6560916	TUBE			1
8	6560909	TUBE			1
9	6560919	TUBE			2
10	6562130	HOSE			6
11		CYLINDER	boom & dipperstick - See Page 478		2
12	6560363	HOSE			4
13	17K-7	ELBOW	W/Ref. 14		3
14	79K-10	O-RING			x
15	15K-7	ADAPTER	W/Ref. 14		1
16	6560365	TUBE			1
17	6560364	TUBE			2
18	6560644	TUBE			1
19	6560366	TUBE			2
20	85D-6	NUT			6
21	6502426	CLAMP			6
22	84G-3728	BOLT			4
23	6561444	HOSE			2
24	6591976	CLAMP			1
25	85D-5	NUT			1
26	17C-520	BOLT			1
27		CYLINDER	bucket - See Page 480		1
28	17K-6	ELBOW	W/Ref. 3		2
29	6591973	TUBE			1
30	87F-6	ADAPTER			1

BOOM HYDRAULIC CIRCUITRY

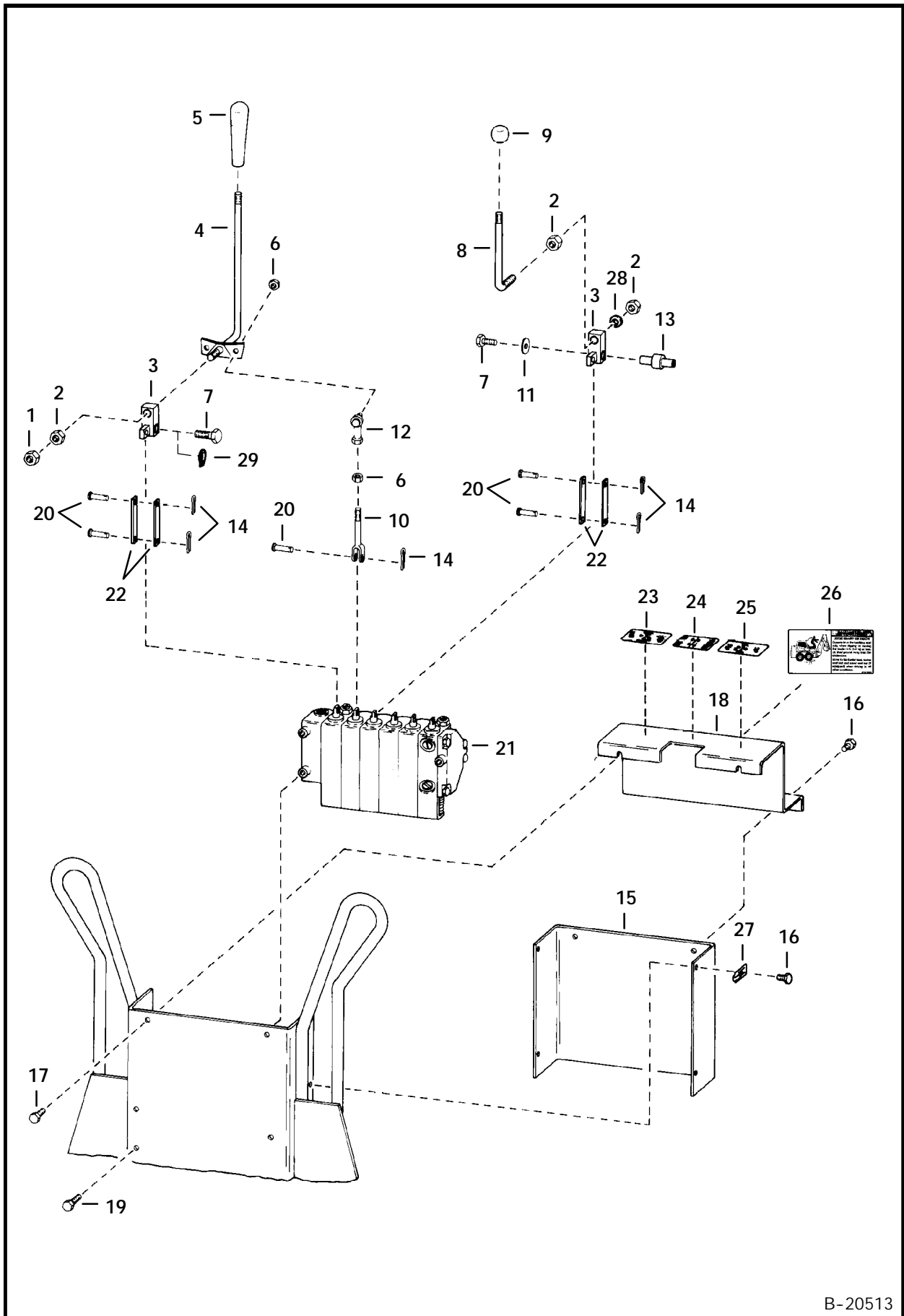
911 Backhoe - W/Husco Valve



E-1623

CONTROL LEVERS

911 Backhoe - W/Cessna Valve



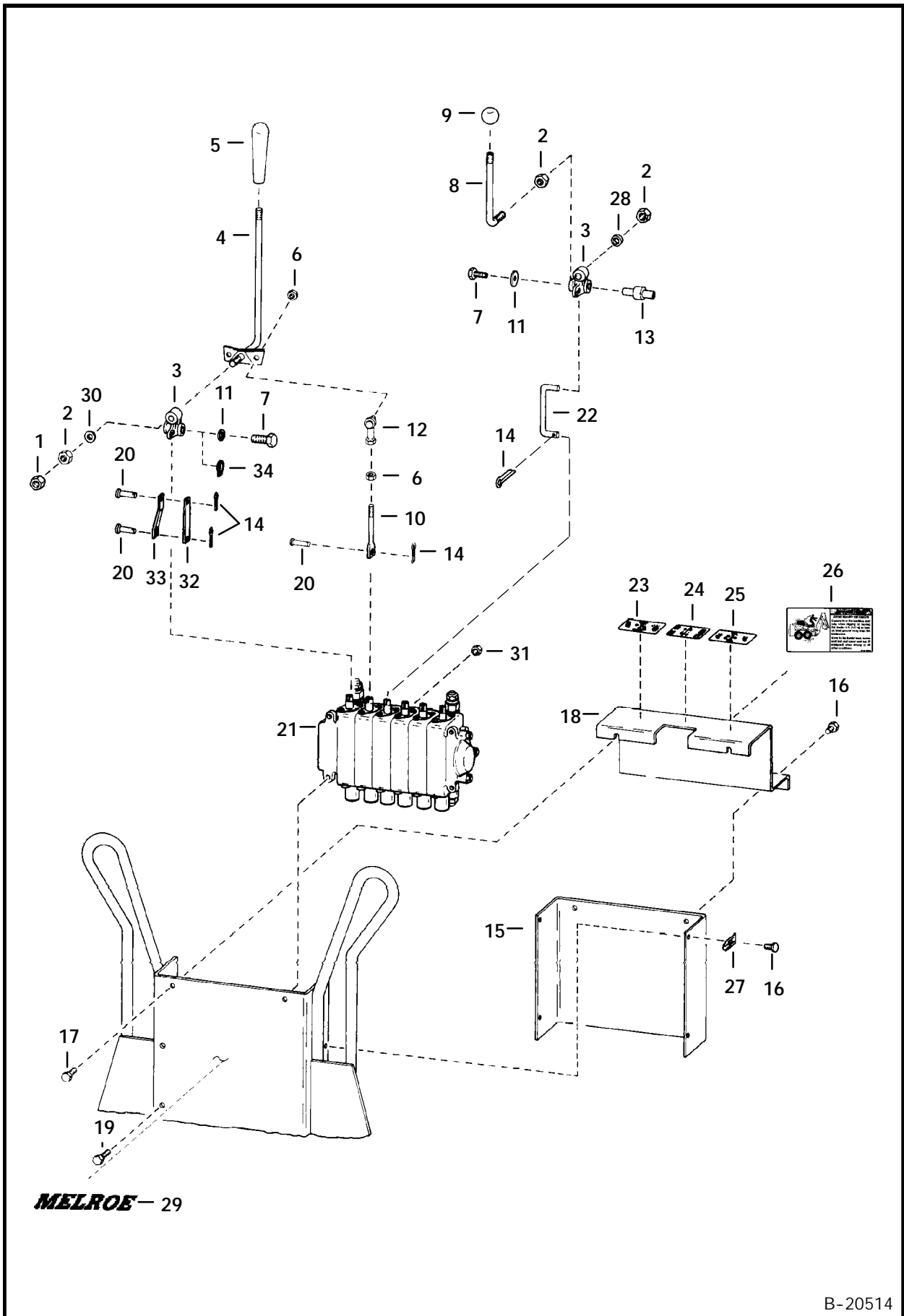
B-20513

CONTROL LEVERS (Cont'd)
911 Backhoe - W/Cessna Valve

Ref. No.	Part Number	Description	Remarks	Serial Number	Qty.
1	85D-8	NUT			2
2	61D-8	NUT			6
3	NAP	BLOCK	steel - Order 6591949 & Ref. 28		4
	6591949	BLOCK	cast - Aluminum		4
4	6592559	LEVER			1
5	6510093	KNOB			2
6	62D-5	NUT			4
7	17C-510	BOLT			4
8	6560871	LEVER			2
9	6515888	KNOB			2
10	6560058	YOKE			2
11	25E-16	WASHER			4
12	6512356	BALL JOINT			2
13	6561538	PIN	spacer		1
14	1F-308	COTTER PIN			10
15	6560877	PANEL			1
16	17C-408	BOLT			2
17	6557283	BOLT			6
18	6560878	COVER			1
19	17C-712	BOLT			3
20	6560872	PIN			10
21		VALVE	See Page 460		1
22	6561553	LINK			8
23	6558050	DECAL			1
24	6561396	DECAL			1
25	6558049	DECAL			1
26	6596591	DECAL	warning - Was 6562925 [A]		1
27	6513992	RETAINER			6
28	6599359	WASHER			2
29	1315207	SNAP RING		1697 & Above	2

CONTROL LEVERS

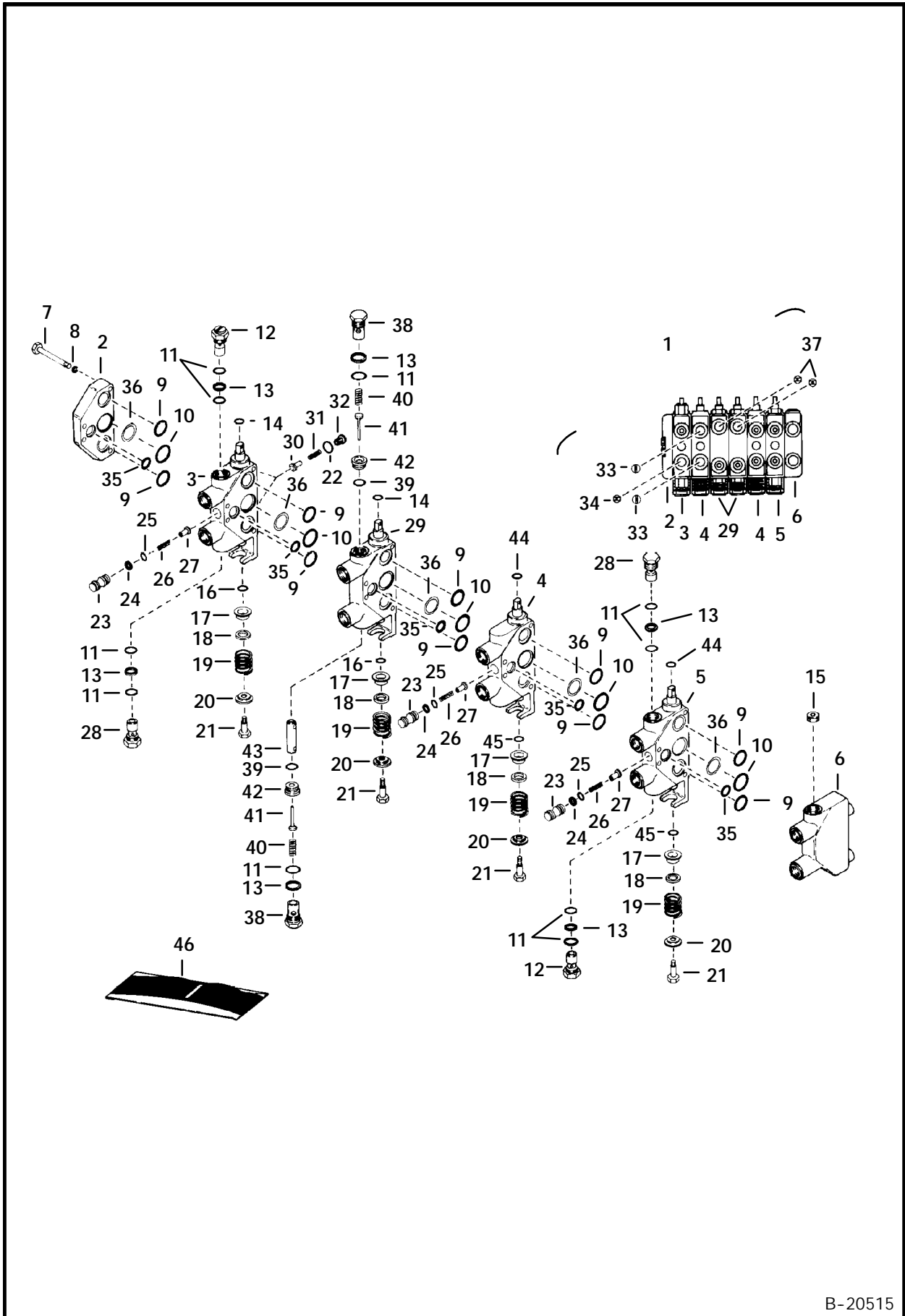
911 Backhoe - W/Huscoco Valve



CONTROL LEVERS (Cont'd)
911 Backhoe - W/Husco Valve

Ref. No.	Part Number	Description	Remarks	Serial Number	Qty.
1	85D-8	NUT			2
2	7D-8	NUT			6
3	6591949	BLOCK	cast - Aluminum		4
4	6592559	LEVER			2
5	6510093	KNOB			2
6	62D-5	NUT			4
7	17C-510	BOLT			2
8	6560871	LEVER			2
9	6515888	KNOB			2
10	6592810	ROD			2
11	25E-16	WASHER			2
12	6512356	BALL JOINT			2
13	6561538	PIN	spacer		1
14	1F-208	COTTER PIN			6
15	6560877	PANEL			1
16	17C-412	BOLT			2
17	84G-3112	BOLT			6
18	6560878	COVER			1
19	17C-620	BOLT			4
20	6592812	PIN			6
21		VALVE	See Page 464		1
22	6529533	LINK	stablizer only		2
23	6558050	DECAL			1
24	6561396	DECAL			1
25	6558049	DECAL			1
26	6596591	DECAL	warning - Was 6562925 [A]		1
27	6513992	RETAINER			6
28	6599359	WASHER			2
29	6569849	DECAL			1
30	25E-21	WASHER			2
31	85D-6	NUT			4
32	6592808	LINK			2
33	6592809	LINK			2
34	1315207	SNAP RING		1697 & Above	2

CESSNA CONTROL VALVE
911 Backhoe - S/N 361 & Below

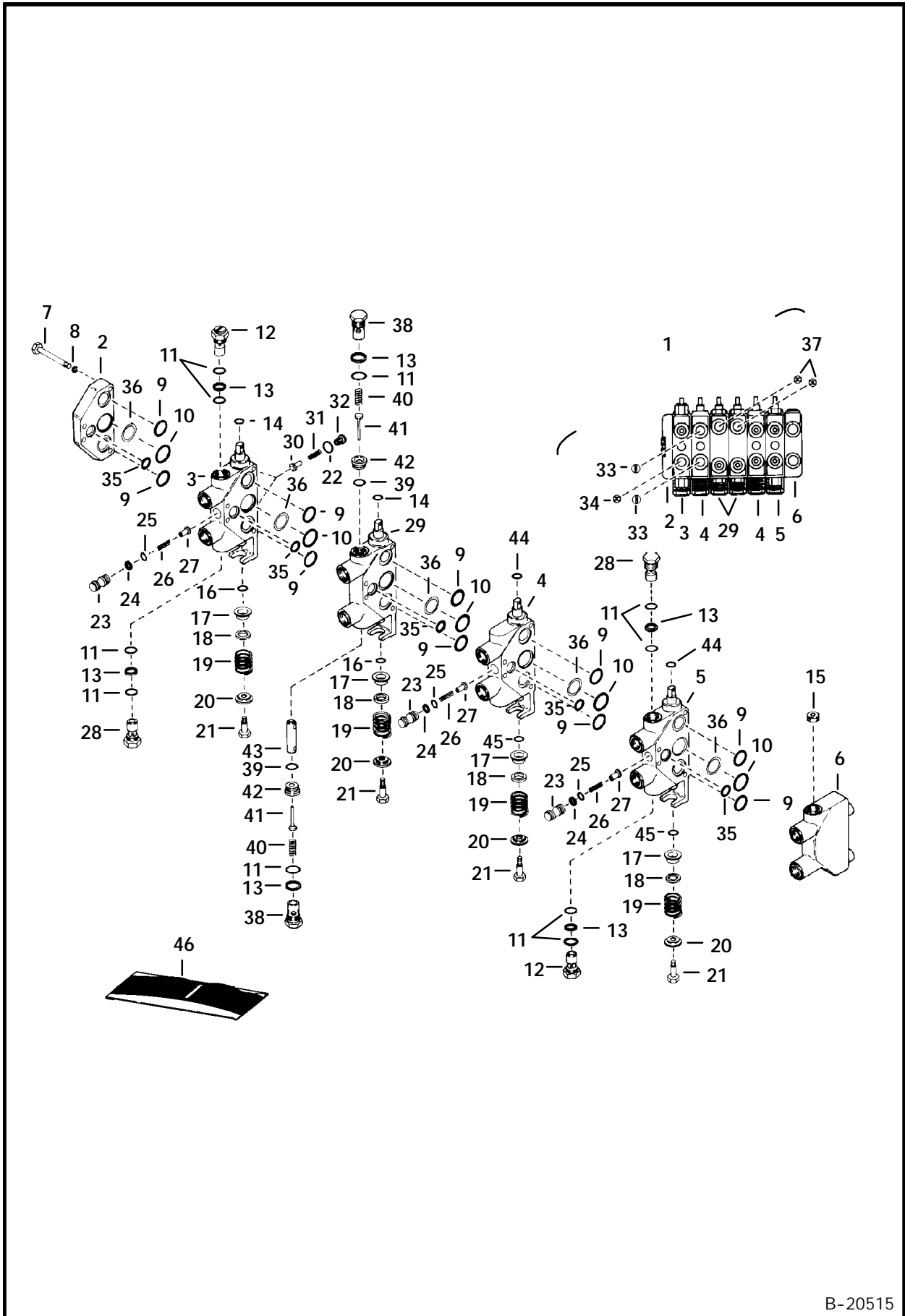


B-20515

CESSNA CONTROL VALVE (Cont'd)
911 Backhoe - S/N 361 & Below

Ref. No.	Part Number	Description	Remarks	Serial Number	Qty.
1	NAP	VALVE	Less Ref. 28 in Ref. 5 - Was 6592447 [A]		1
2	6510041	PLATE	end		1
3	NSS	SECTION	valve - Boom - Order Ref. 1 - Was 6598345 [A]		1
4	NSS	SECTION	valve - Bucket & Swing - Order		
5	6513626	SECTION	Ref. 1 - Was 6598201 [A]		2
6	6510042	PLATE	valve - Crowd port		1
7	17C-6174	BOLT			4
8	25E-6	WASHER			4
9	NSS	O-RING			8
10	NSS	O-RING			5
11	NSS	O-RING			8
12	6512603	RELIEF VALVE			1
13	NSS	WASHER	back-up		4
14	NSS	O-RING			3
15	6510063	PLUG			1
16	NSS	O-RING			3
17	4149070	WASHER	deep		6
18	4149072	WASHER			6
19	6510048	SPRING			6
20	4149067	WASHER	shallow		6
21	947750	BOLT			6
22	58K-110	O-RING			1
23	4149069	BODY	lift check		6
24	NSS	WASHER	back-up		6
25	NSS	O-RING			6
26	1550482	SPRING			6
27	4149071	PLUNGER	lift check		6
28	6512602	RELIEF VALVE			2
29	6599493	SECTION	valve - Stabilizer		2
30	994793	PLUNGER			2
31	6510047	SPRING			2
32	6598346	PLUG			2
33	6598487	ORIFICE	.1085" (2,76mm)		2
34	6598364	ORIFICE	.1875" (4,76mm)		1
35	NSS	O-RING			7
36	NSS	WASHER			7
37	6598752	ORIFICE	.081"(2.06mm) dia.		2
38	6598783	PLUG	W/Ref. 11 & 13		4
39	NSS	O-RING			6
40	6598779	SPRING			4
41	6598780	POPPET	Was 6599494 [A]		4
42	6598782	SEAT			4
43	6598781	PLUNGER			4
44	NSS	O-RING			3
45	NSS	O-RING			3

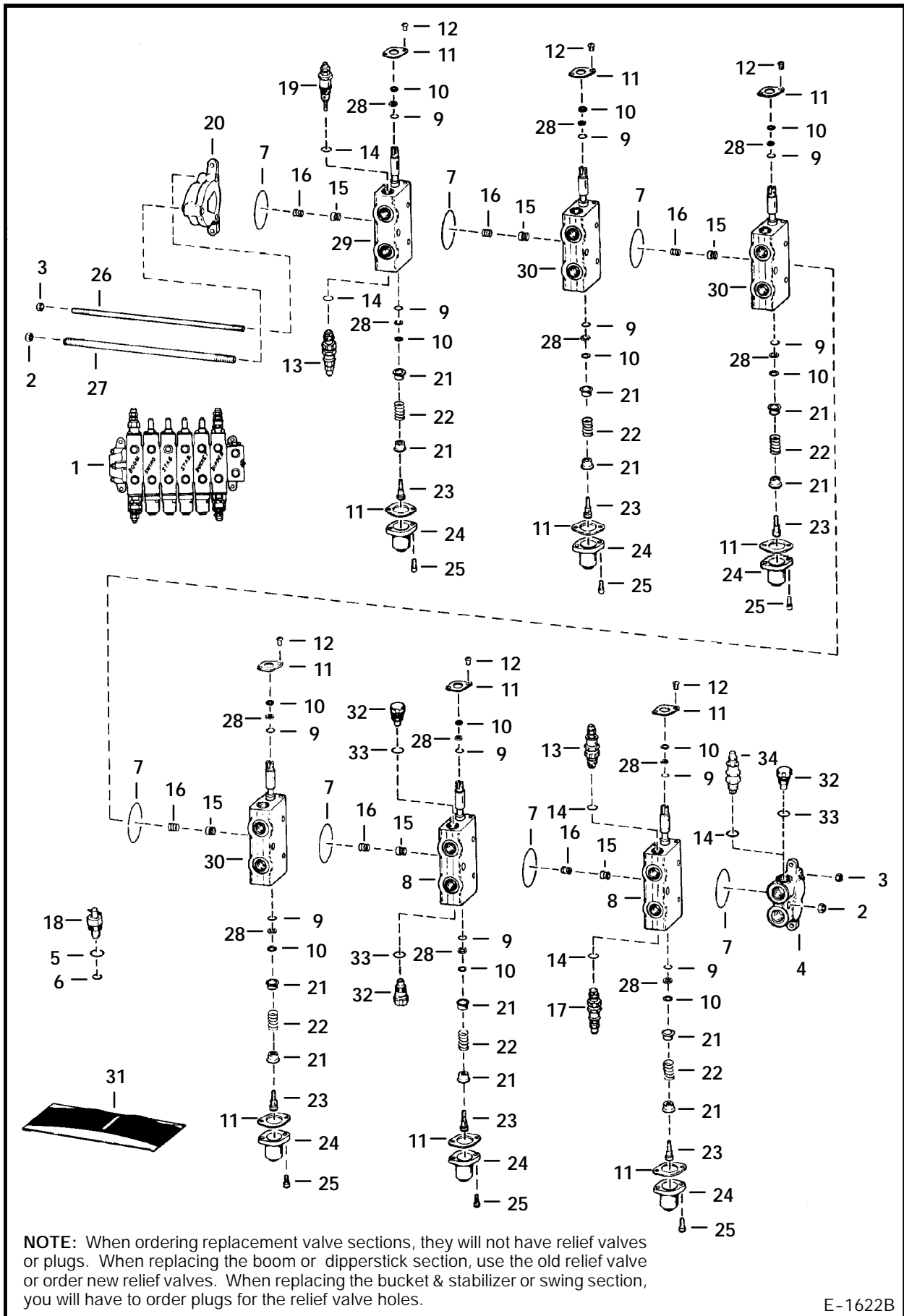
CESSNA CONTROL VALVE (Cont'd)
911 Backhoe - S/N 361 & Below



B-20515

HUSCO VALVE

911 Backhoe - S/N 362 & Above



E-1622B

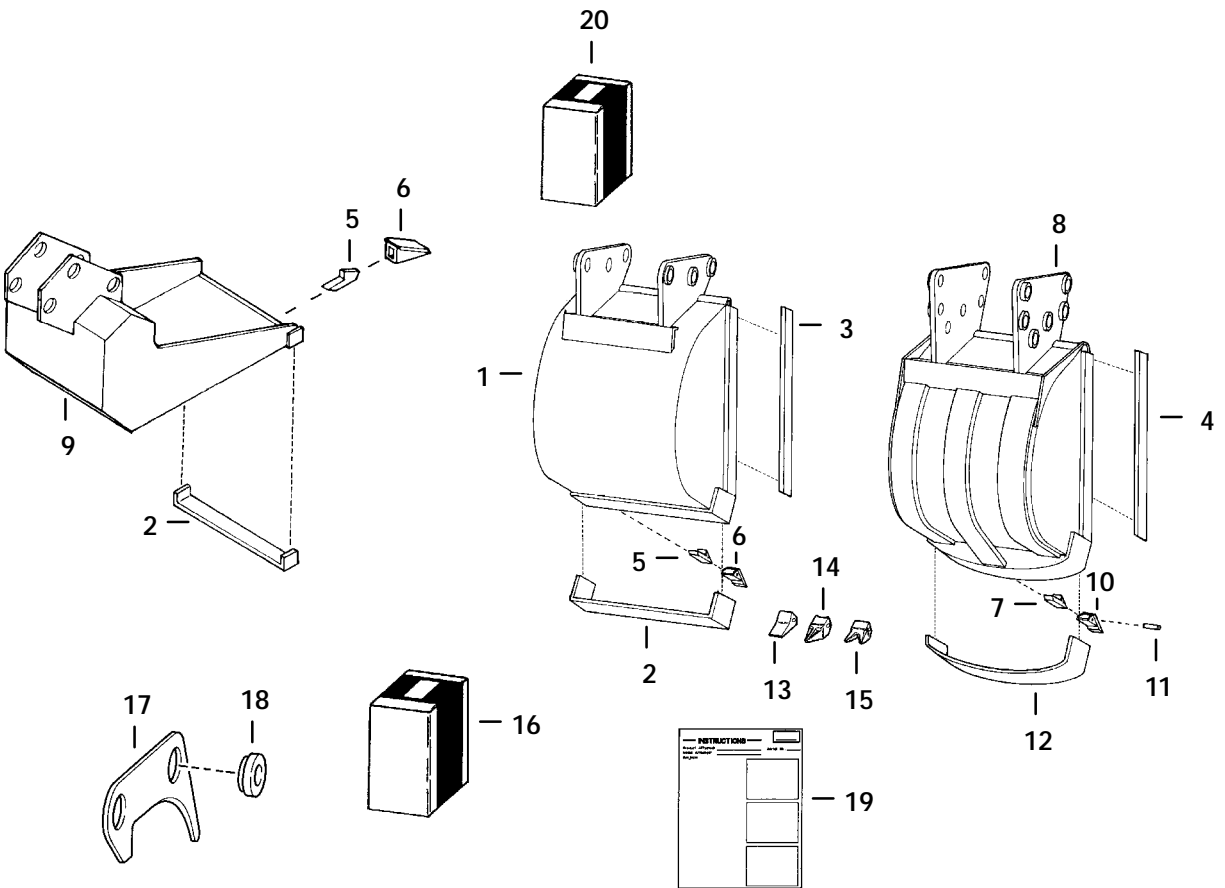
HUSCO VALVE (Cont'd)
911 Backhoe - S/N 362 & Above

Ref. No.	Part Number	Description	Remarks	Serial Number	Qty.
1	6655020	VALVE	Was 6651860 [A]		1
2	62D-6	NUT			2
3	61D-5	NUT			4
4	6651869	SECTION	inlet - W/Ref. 7 - Was 6646686 [A]		1
5	79K-10	O-RING			7
6	58K-110	O-RING	Was NSS		x
7	6646691	O-RING	Was 25K-40208 [A]		7
8	6646689	SECTION	bucket dipper - W/O Ref. 13 & 17 - W/Ref. 7, 9 - 12, 15, 16,		
			21 - 25 & 29 - See Note - Was 6630959 [A] Was 25K-30018 [A]		2 12
9	NSS	O-RING			
10	NSS	WIPER	Was 948021 [A]		12
11	948016	PLATE			12
12	93G-406	SCREW	Was 89G-406 [A]		12
13	6646679	RELIEF VALVE	Was 966133 [A]		2
14	961240	O-RING			5
15	6630965	POPPET			6
16	6630966	SPRING			6
17	6646701	RELIEF VALVE	Was 966132 [A]		1
18	945193	PLUG	W/Ref. 5 & 6		x
19	6517503	RELIEF VALVE	W/Anti-Cav.		1
20	948010	CAP	end		1
21	948017	SEAT	spring		12
22	948018	SPRING			6
23	948191	SCREW			6
24	948192	CAP			6
25	73G-412	BOLT	Was 11G-412 [A]		12
26	6514391	BOLT	tie		2
27	6514392	BOLT	tie		1
28	NSS	WASHER			12
29	6646688	SECTION	boom - W/Ref. 7, 9 - 12, 15, 16, 21 - 25 & 29 - W/O Ref. 13 & 19		1
30	6646687	SECTION	swing stab. - W/Ref. 7, 9 - 12, 15, 16, 21 - 25 & 29		3
31	6630136	SEAL KIT	O-Rings & Back-Up Rings for		
			Ref. 19		1
	6646695	SEAL KIT	O-Rings & Back-Up Rings for Ref. 13 & 17 - Was 6630962 [A]		1
	6646698	SEAL KIT	spool - W/Ref. 9, 10 & 28 - For all six sections		1
	6651569	SEAL KIT	spool - For 1 section Ref. 9, 10 &		
			28		x
	6661236	SEAL KIT	complete - Includes 6646695, 6646698, 6630136 & 6646691 -		
32	6652869	PLUG	Was 6652871 [A] W/Ref. 33 - Non Replaceable Plug - Was 6649667 [A]		1 x
33	NSS	SEAL	Was 6649668 [A]		x
34	6651867	RELIEF VALVE	2150 PSI		1

BACKHOE BUCKETS

911 Backhoe - W/4" (101,6mm) Cutting Edge

NOTE: AR = Spanish (Argentina)
BR = Portugese (Brazil)
JP = Japanese
Translation Kit includes Safety Manual,
Operators Manual and Decal Kit.



B-20516

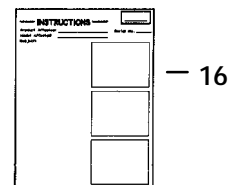
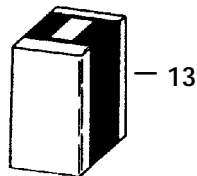
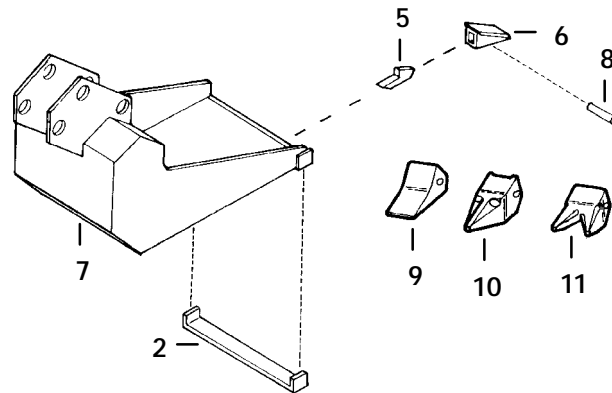
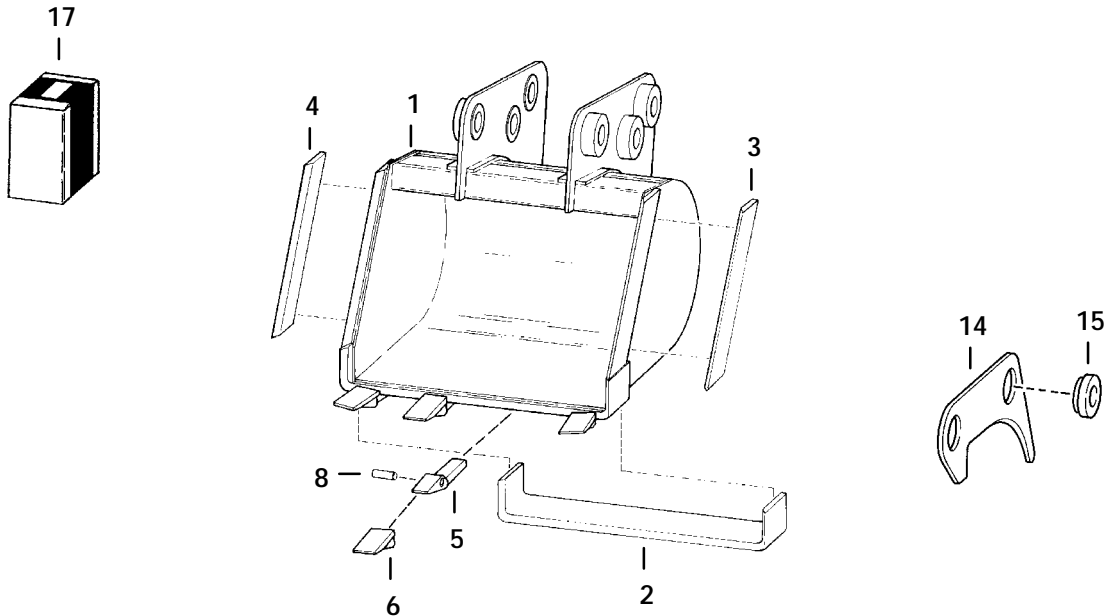
BACKHOE BUCKETS (Cont'd)
911 Backhoe - W/4" (101,6mm) Cutting Edge

Ref. No.	Part Number	Description	Remarks	Serial Number	Qty.
1	SALES	BUCKET	standard - 12" (304,8mm)		1
	SALES	BUCKET	standard - 16" (406,4mm)		1
	SALES	BUCKET	standard - 30" (762mm)		1
2	SALES	BUCKET	standard - 36" (914,4mm)		1
	6592051	CUTTING EDGE	12" (304,8mm)		1
	6592053	CUTTING EDGE	16" (406,4mm)		1
	6592054	CUTTING EDGE	30" (762mm)		1
	6592055	CUTTING EDGE	36" (914,4mm)		1
3	6542987	CUTTING EDGE	L.H. - 12" (304,8mm), 16" (406,4mm), 30" (762mm), 36" (914,4mm)		1
	6542986	CUTTING EDGE	R.H. - 12" (304,8mm), 16" (406,4mm), 30" (762mm), 36" (914,4mm)		1
4	6544633	CUTTING EDGE	L.H.		1
	6544634	CUTTING EDGE	R.H.		1
5	6515119	SHANK			x
6	1550017	TOOTH			x
7	6518120	SHANK			x
8	SALES	BUCKET	ribbed - 20" (508mm)		1
	SALES	BUCKET	ribbed - 24" (609,6mm)		1
9	SALES	BUCKET	open side - 12" (304,8mm)		1
	SALES	BUCKET	open side - 16" (406,4mm)		1
10	6630424	TOOTH	Was 1553699 [A]		x
11	562660	PIN			x
12	6592216	CUTTING EDGE	20" (508mm)		1
	6592217	CUTTING EDGE	24" (609,6mm)		1
13	6657330	TOOTH	Used W/Ref. 7		x
14	6657328	TOOTH	Used W/Ref. 7		x
15	6657329	TOOTH	Used W/Ref. 7		x
16	6586756	MOUNTING KIT	To Convert 911 Buckets to 811 Buckets - W/Ref. 17 - 19		1
17	6586757	PLATE			2
18	6560596	BUSHING			4
19	6722243	INSTRUCTIONS			1
*	6722243AR	INSTRUCTIONS	translated-see note - for Ref. 16		1
*	6722243BR	INSTRUCTIONS	translated-see note - for Ref. 16		1
20*	6718778AR	KIT	translation-see note- for Ref. 16		1
*	6718778BR	KIT	translation-see note- for Ref. 16		1

BACKHOE BUCKETS

911 Backhoe - With 6" (152mm) Cutting Edges

NOTE: AR = Spanish (Argentina)
 BR = Portugese (Brazil)
 JP = Japanese
 Translation Kit includes Safety Manual,
 Operators Manual and Decal Kit.



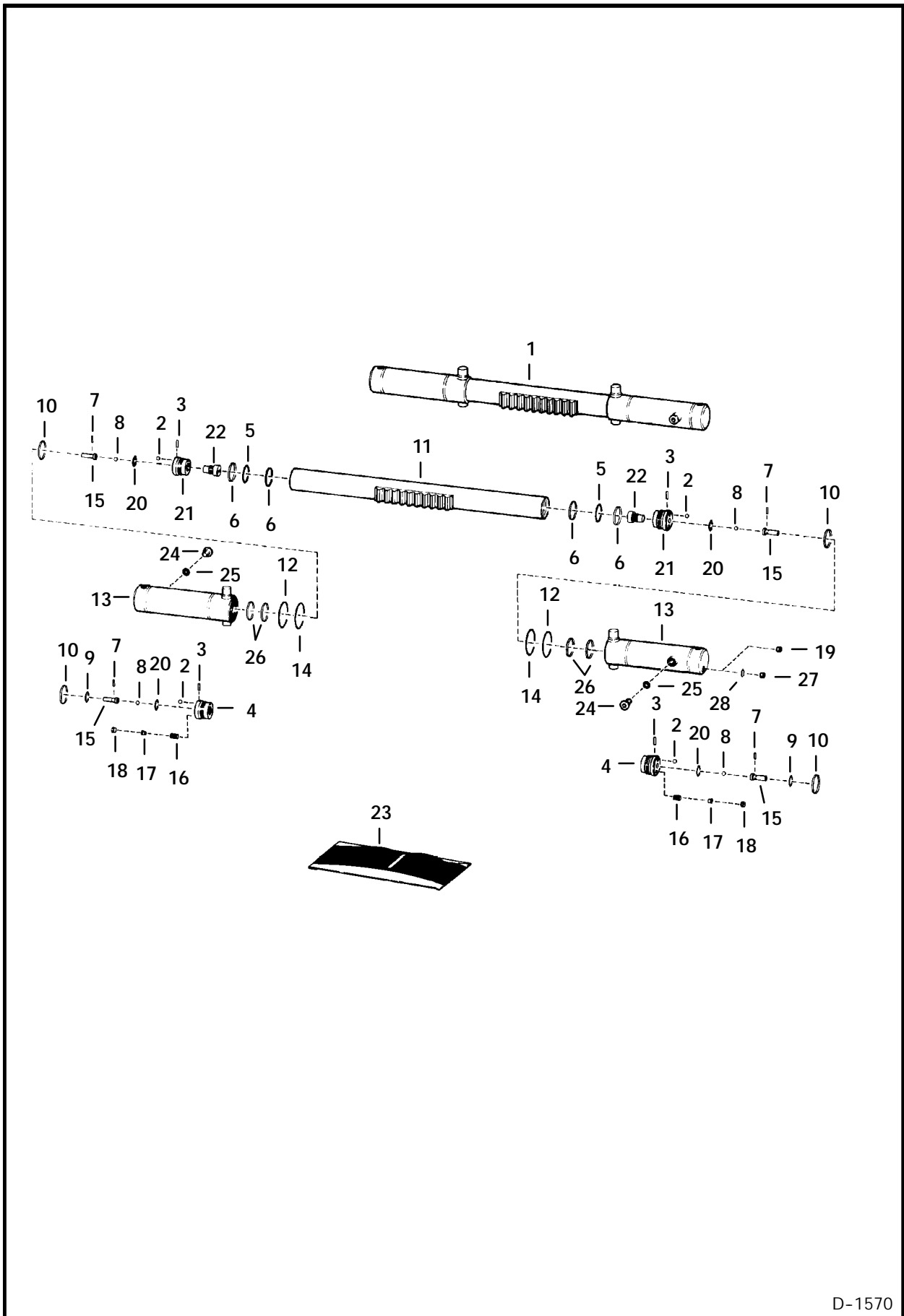
Order Buckets from Gwinner Sales
 12" Bucket - Sales # 6532918
 16" Bucket - Sales # 6536694
 20" Bucket - Sales # 6533031
 24" Bucket - Sales # 6532776
 30" Bucket - Sales # 6536930
 36" Bucket - Sales # 6536934

B-20517

BACKHOE BUCKETS (Cont'd)
911 Backhoe - With 6"(152mm) Cutting Edges

Ref. No.	Part Number	Description	Remarks	Serial Number	Qty.
1	SALES	BUCKET	trenching - 12" (304,8mm), 16" (406,4mm), 20" (508mm), 24" (609,6mm), 30" (762mm) & 36" (914,4mm)		
2	6593139	CUTTING EDGE	12" (304,8mm)		1
	6593067	CUTTING EDGE	16" (406,4mm)		1
	6593115	CUTTING EDGE	20" (508mm)		1
	6593121	CUTTING EDGE	24" (609,6mm)		1
	6593127	CUTTING EDGE	30" (762mm)		1
3	6593133	CUTTING EDGE	36" (914,4mm)		1
4	6593062	CUTTING EDGE	L.H.		1
4	6593063	CUTTING EDGE	R.H.		1
5	6518120	SHANK			x
6	6630424	TOOTH	Was 1553699 [A]		x
7	SALES	BUCKET	open side - 12" (304,8mm) & 16" (406,4mm)		
8	562660	PIN			x
9	6657330	TOOTH			x
10	6657328	TOOTH			x
11	6657329	TOOTH			x
12	6700191	DECAL			1
13	6700192	DECAL			1
	6586756	MOUNTING KIT	To Convert 911 Buckets to 811 Buckets - W/Ref. 14 - 16		1
14	6586757	PLATE			2
15	6560596	BUSHING			4
16	6722243	INSTRUCTIONS			1
*	6722243AR	INSTRUCTIONS	translated-see note - for Ref. 13		1
*	6722243BR	INSTRUCTIONS	translated-see note - for Ref. 13		1
17*	6718778AR	KIT	translation-see note- for Ref. 13		1
*	6718778BR	KIT	translation-see note- for Ref. 13		1

SWING CYLINDER 911 Backhoe

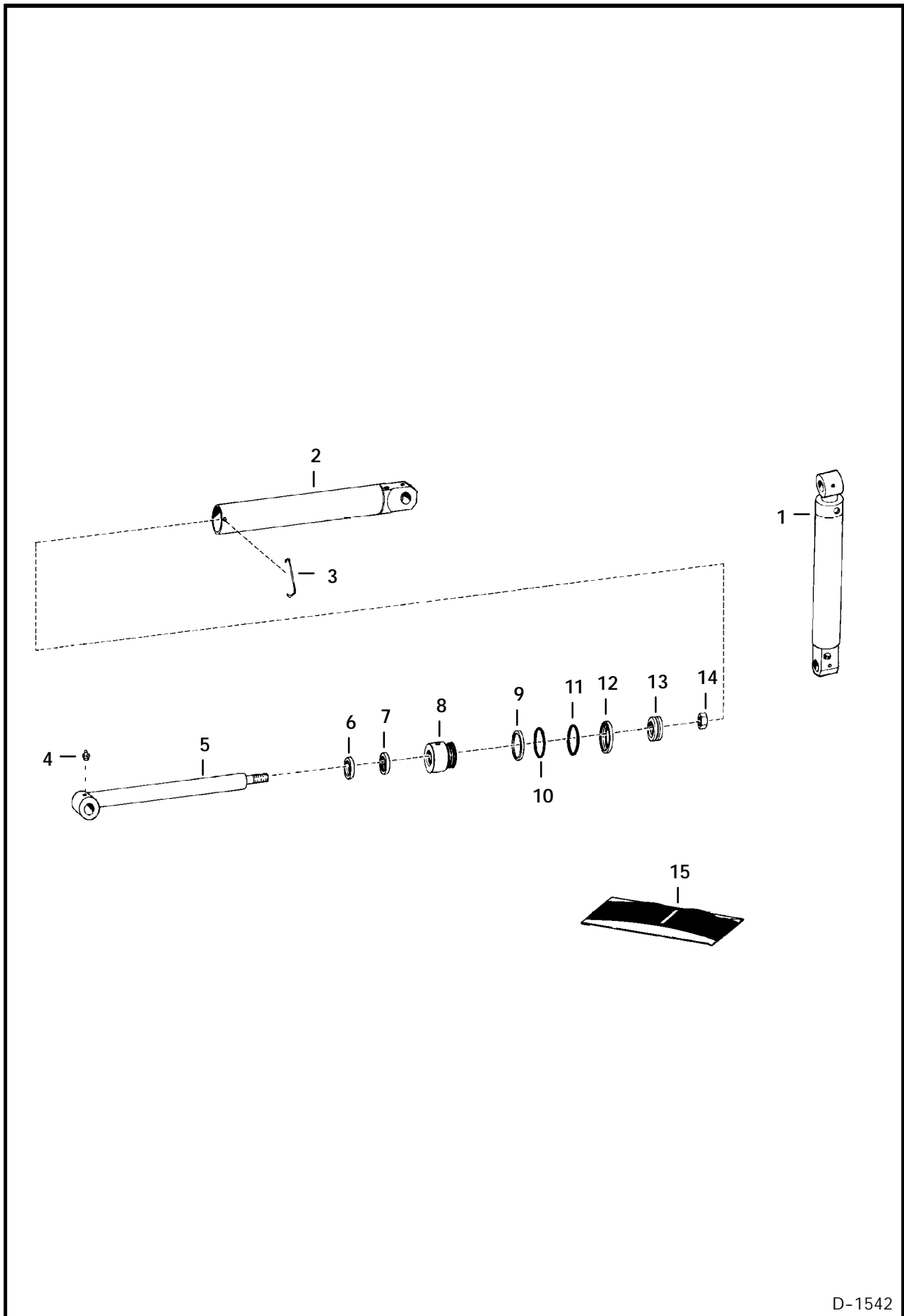


D-1570

**SWING CYLINDER (Cont'd)
911 Backhoe**

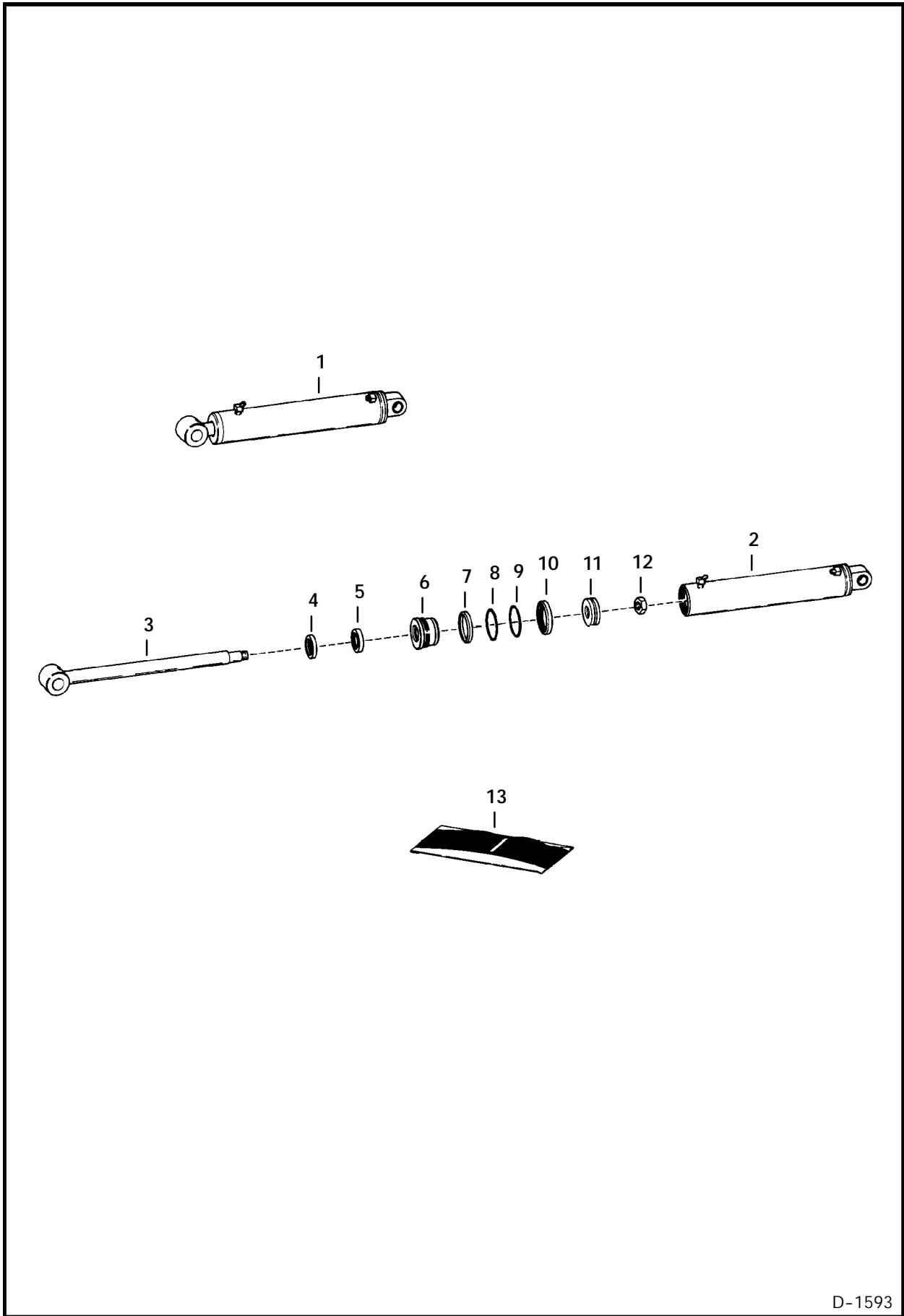
Ref. No.	Part Number	Description	Remarks	Serial Number	Qty.
1	NAP	CYLINDER	swing - Order Ref. 2, 3, 7, 8, 15 - 13, 19 & 21-24 - Was 6592876 [A]		1
2	10J-10	BALL			2
3	1306397	ROLL PIN			2
4	NAP	HEAD	W/Ref. 16-18 - Order Ref. 2, 3, 7, 8, 15, 21 & 22		2
5	NSS	O-RING			2
6	NSS	WASHER	back-up		4
7	301923	ROLL PIN			2
8	10J-8	BALL			2
9	NSS	RING	retaining - used W/Ref. 4 only - Order Ref. 2, 3, 7, 8, 15, 21 & 22		2
10	6647467	RING	retaining - Was NSS		2
11	6598331	ROD	Was NAP [A]		1
12	NSS	SEAL	u-cup		2
13	NAP	CASE	Order (1) 6589222 - W/Ref. 19 & 24 - Was 6598329 [A]		2
	6589222	CASE	W/Ref. 24, 26 & 27		2
14	NSS	SEAL	wiper		2
15	NSS	PIN	dampening - W/Ref. 7-9 & 20 - - used W/Ref. 4 only - Order		
			Ref. 2, 3, 7, 8, 15, 21 & 22 - Was 6598915 [A]		2
	6598913	PIN	dampening - used W/Ref. 21		2
16	NSS	SPRING	W/Ref. 4 only - Order Ref. 2, 3, 7, 8, 15, 21 & 22		2
17	NSS	POPPET	W/Ref. 4 only - Order Ref. 2, 3, 7, 8, 15, 21 & 22		2
18	NSS	SEAT	W/Ref. 4 only - Order Ref. 2, 3, 7, 8, 15, 21 & 22		2
19	NSS	PLUG	Was 6598335 [A]		2
20	NSS	O-RING			2
21	6630492	HEAD			2
22	6598204	RELIEF VALVE			2
23	6589223	SEAL KIT	Ref. 5, 6, 10, 12, 14, 20 & 26 - Was 6598336 [A]		1
24	47K-8	PLUG	W/Ref. 25		2
25	79K-12	O-RING			2
26	6664805	WEAR RING			4
27	6632473	PLUG	W/Ref. 28		1
28	58K-112	O-RING			1

STABILIZER CYLINDER
911 Backhoe - S/N 0167 & Below



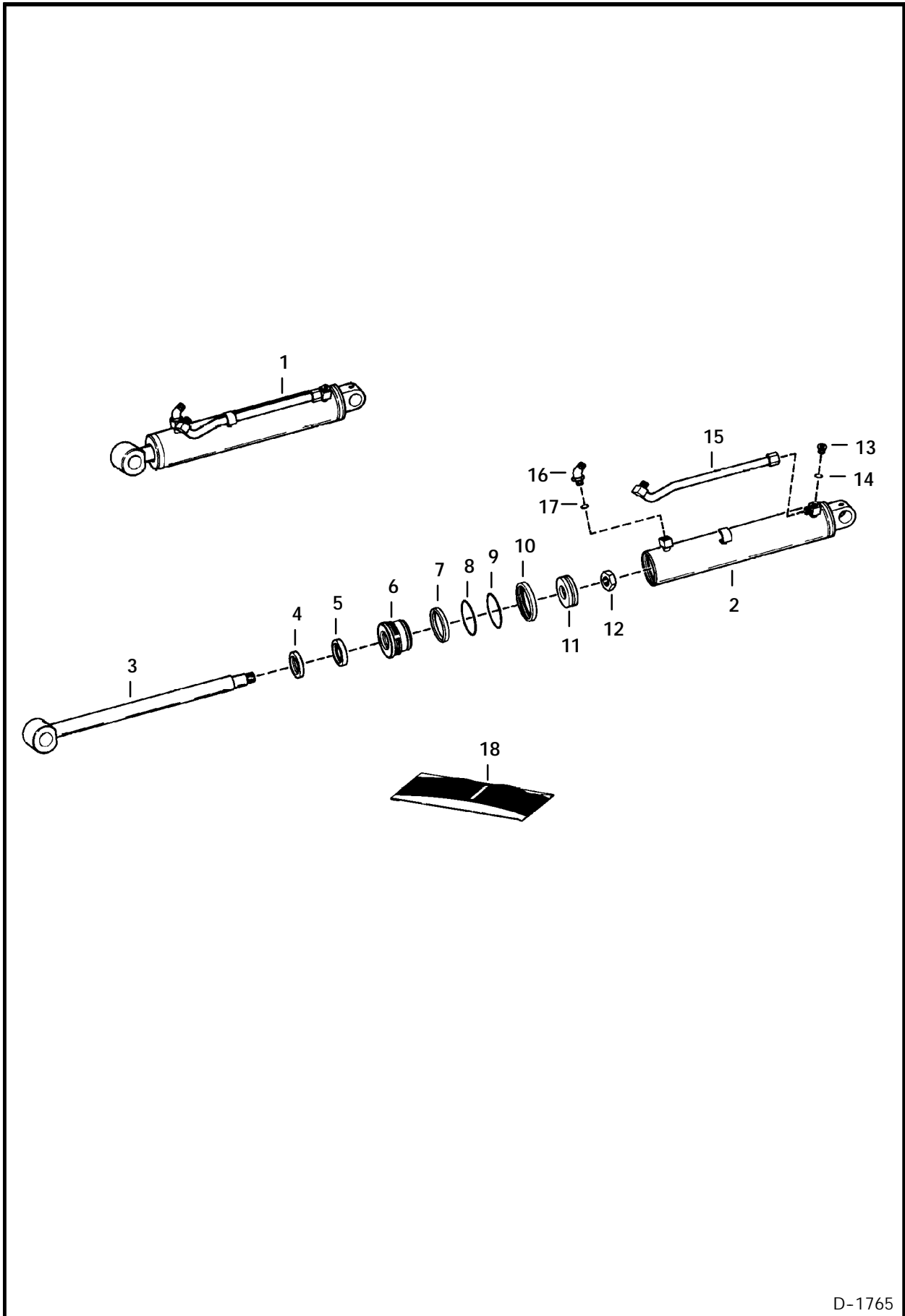
D-1542

STABILIZER CYLINDER
911 Backhoe - 843 Only - S/N 0168 & Above



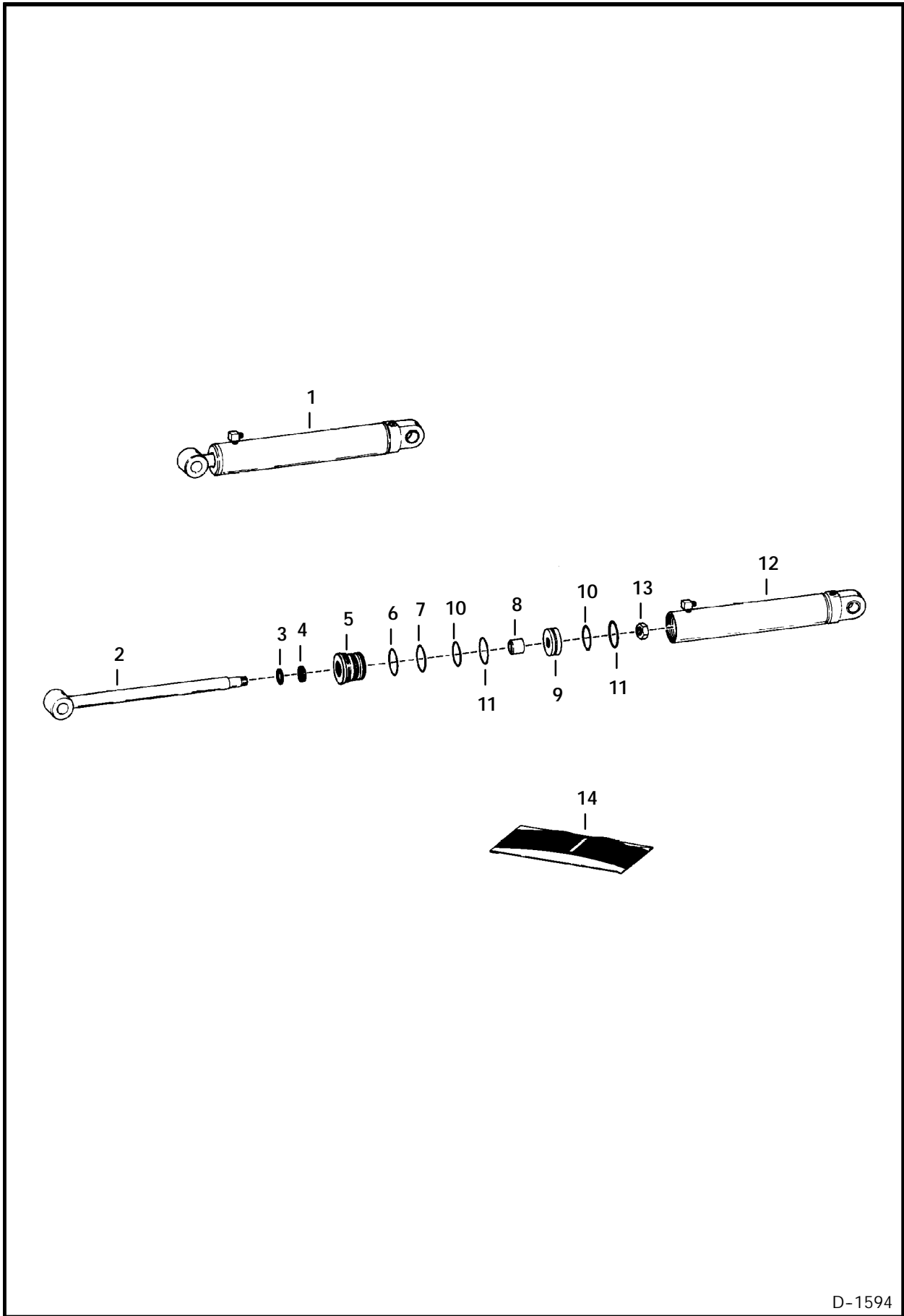
D-1593

STABILIZER CYLINDER
911 Backhoe - 843 Only



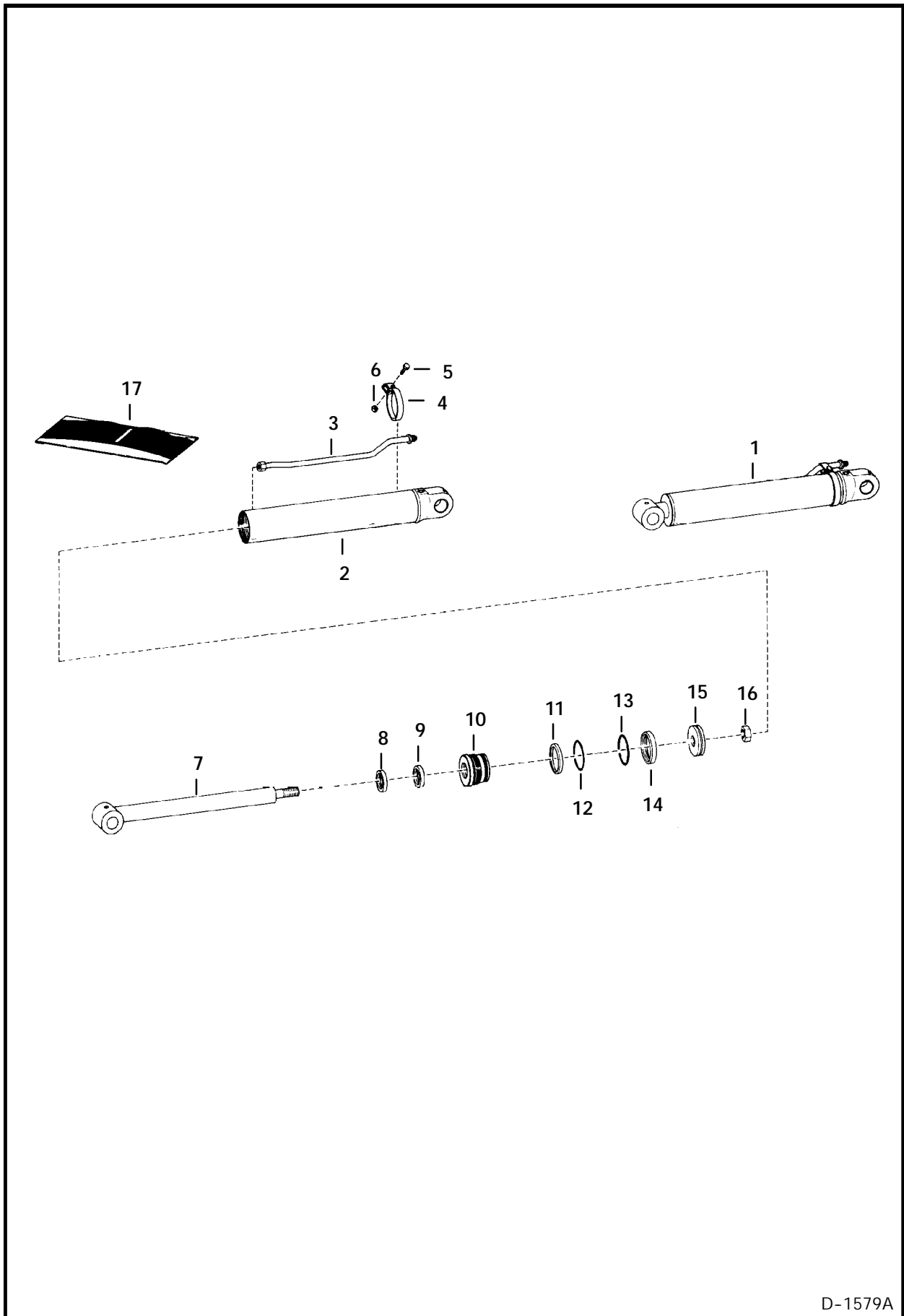
D-1765

BOOM & DIPPERSTICK CYLINDER
911 Backhoe



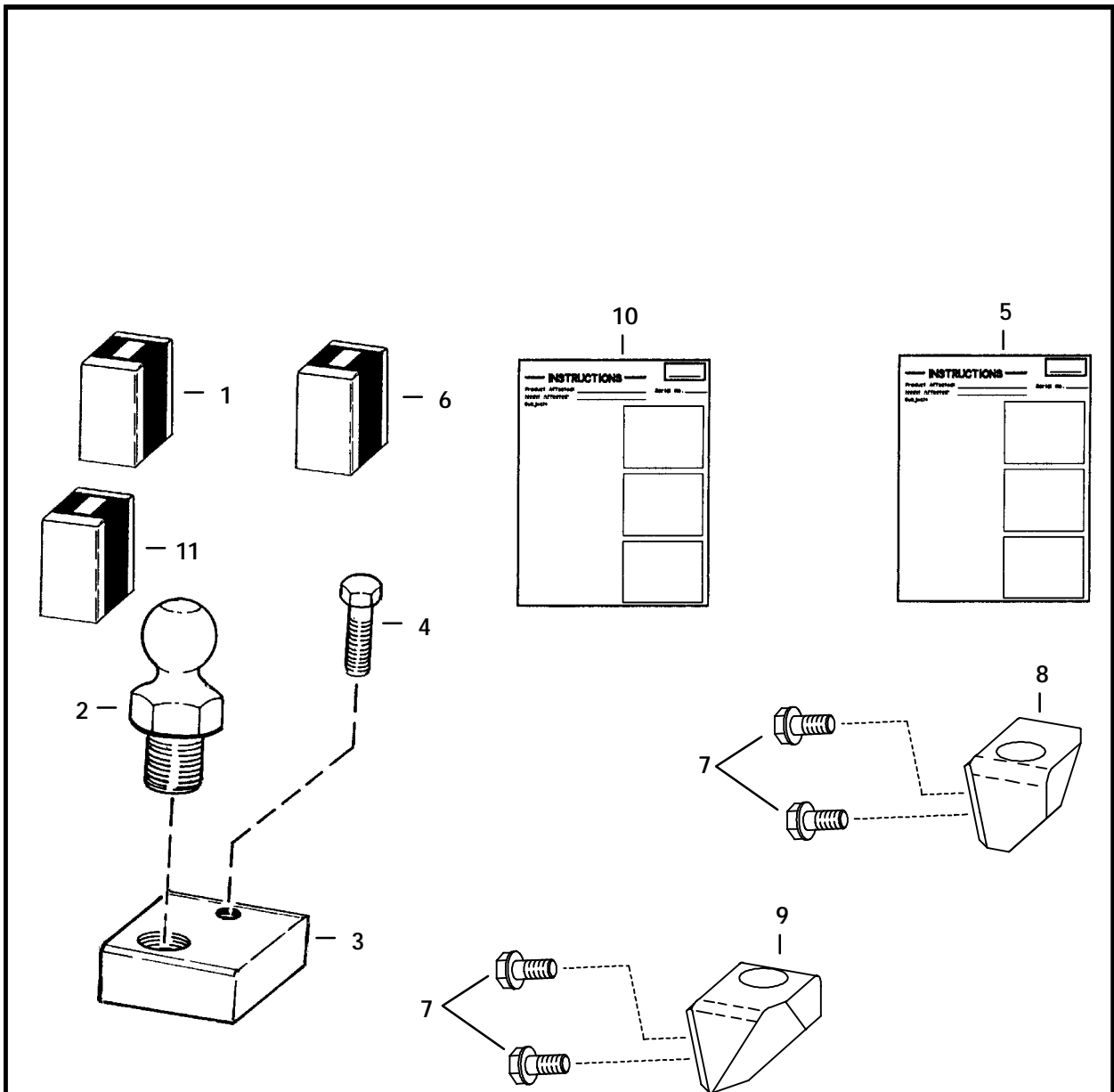
D-1594

BUCKET CYLINDER 911 Backhoe



D-1579A

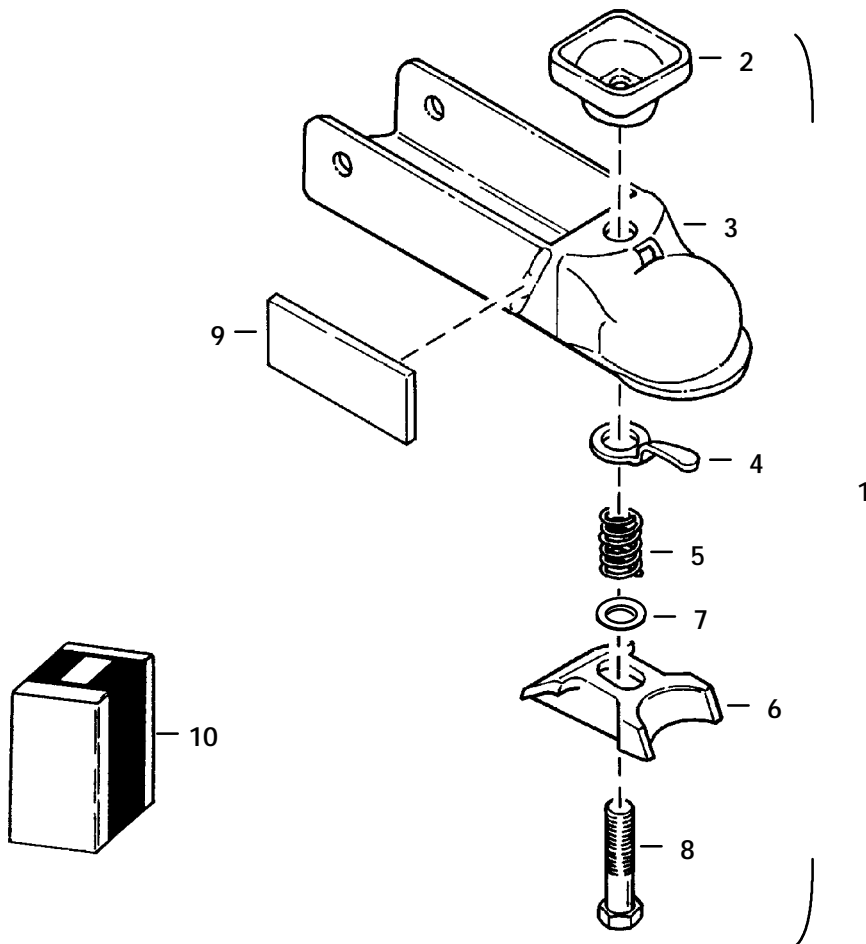
MOUNTING KIT 911 Backhoe



NOTE: Order Mounting Kit from Gwinner Sales.
Ref. 1 - NAP # 6538990 - Used on 843 - Order Ref. 2 - 5
Ref. 6 - SALES # 6586378 - Used on 853 & 863.

B-13590

COUPLER ASSEMBLY
911 Backhoe

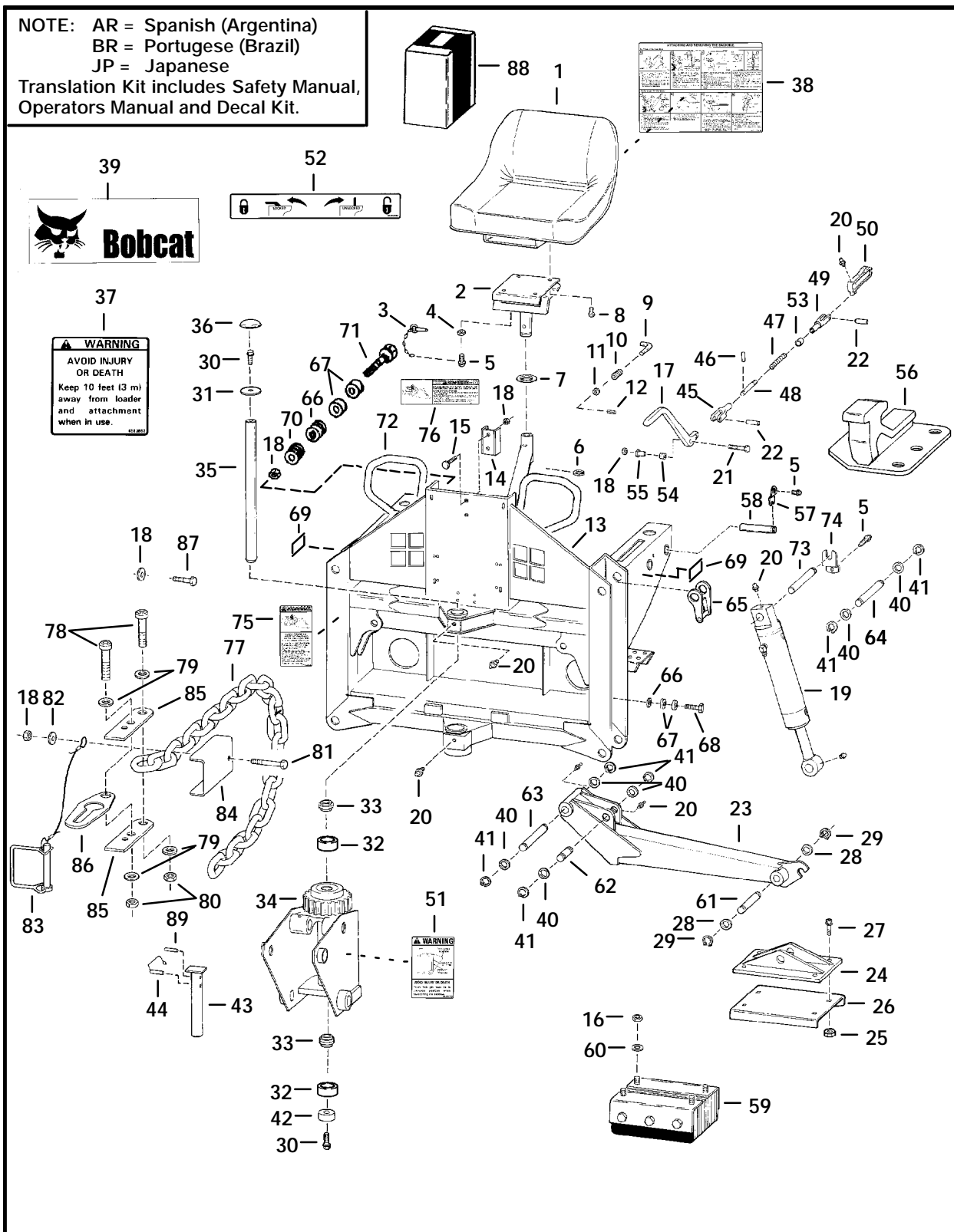


B-4293B

MAIN FRAME

8709 Backhoe - 873 Only

NOTE: AR = Spanish (Argentina)
 BR = Portuguese (Brazil)
 JP = Japanese
 Translation Kit includes Safety Manual,
 Operators Manual and Decal Kit.



WARNING: BACKHOE FRAME CAN ROTATE BACKWARD AND TRAP OPERATOR CAUSING SERIOUS INJURY OR DEATH.
BEFORE OPERATING BACKHOE: Fully engage both Bob-tach locking levers so wedges extend through mounting frame holes. Tighten and fasten safety chain around Bob-Tach and mounting frame. Repair or replace safety chain if damaged. Use only approved .375 inch Grade 70 Transport Chain. See "ATTACHING AND REMOVING THE BACKHOE" Decal on backhoe seat and Backhoe Operation & Maintenance Manual for more instructions.

E-2264

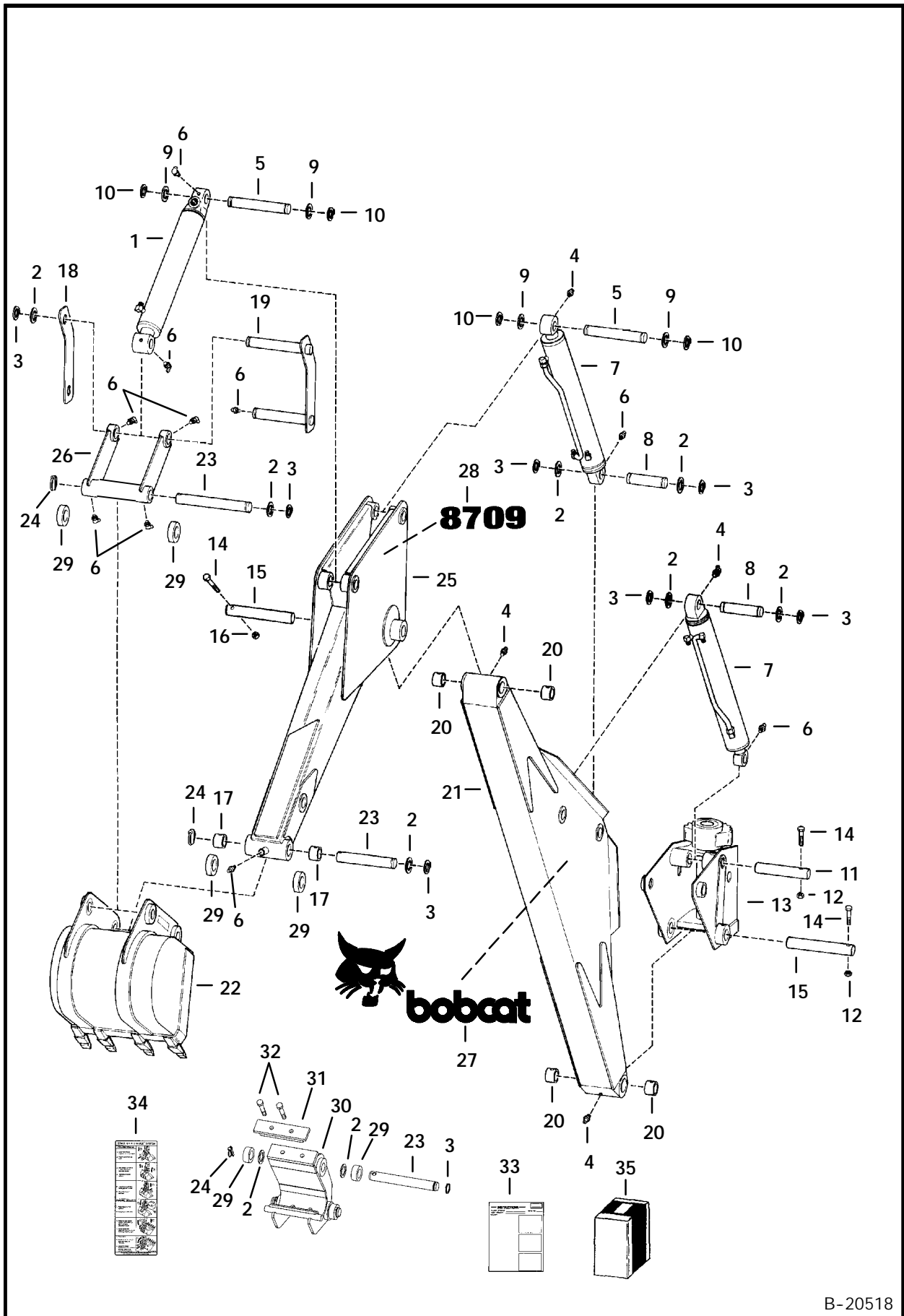
MAIN FRAME (Cont'd)
8709 Backhoe - 873 Only

Ref. No.	Part Number	Description	Remarks	Serial Number	Qty.
1	NAP	SEAT	Also Order Ref. 38 - W/Adj. Track - Order 6643253 - Was 6653421 [A]		1
	6643253	SEAT	W/O Adj. Track		1
	NAP	TRACK	W/adj. - Was 6660436 [A]		1
	NAP	TRACK	W/O adj. - Was 6660437 [A]		1
2	6587384	MOUNT			1
3	6511880	PIN			1
4	7D-6	NUT			1
5	84G-3712	BOLT			7
6	6538285	SNAP RING			1
7	6558680	SPACER			1
8	17C-512	BOLT			4
9	6592836	PIN			1
10	6610082	SPRING			1
11	25E-15	WASHER			1
12	1F-308	COTTER PIN			1
13	6588810	MAIN FRAME			1
14	6561537	BRACKET			1
15	37C-612	BOLT	Carriage		2
16	61D-8	NUT			8
17	6805822	LEVER	Was 6533163 [A]		2
18	85D-6	NUT			7
19		CYLINDER	stabilizer - See Page 508		2
20	10H-25	GREASE ZERK			10
21	17C-672	BOLT	Was 17C-664 [B]		2
22	14J-5032	ROLL PIN			4
23	6587644	STABILIZER			2
24	6587676	PAD			2
25	55D-8	NUT			8
26	6531990	CLEAT			2
27	6529377	BOLT			8
28	6573567	WASHER			4
29	6538286	SNAP RING			4
30	49C-1228	BOLT	Was 31C-1228 [B]		2
31	6534555	WASHER			1
32	6513682	RACE			2
33	6519337	BEARING			2
34	6712763	FRAME	swing - Was 6532793 [A]		1
35	6532635	SHAFT			1
36	6598371	CAP			1
37	6583862	DECAL	warning		4
38	6714916	DECAL	mounting instructions - Was 6596385 [C]		1
39	6727324	DECAL	Melroe - Was 6714353 [A]		1
40	6532519	WASHER			12
41	6538287	SNAP RING			12
42	6532631	WASHER			1
43*	6593895	PIN	Boom Lock - Was 6531439 [A]		1
44	6510020	PIN			1
45	6533159	CLEVIS			2

MAIN FRAME (Cont'd)
8709 Backhoe - 873 Only

Ref. No.	Part Number	Description	Remarks	Serial Number	Qty.
46	14J-2520	ROLL PIN			2
47	6578253	SPRING			2
48	6533158	ROD			2
49	6704248	PIVOT			2
50	6586377	STOP			2
51	6535259	DECAL			2
52	6535896	DECAL	L.H.		1
	6535897	DECAL	R.H.		1
53	6533160	BUSHING			2
54	6704453	SPRING			2
55	6586315	PIVOT			2
56		MOUNT	See Page 514		1
57	6586307	RETAINER			4
58	6588846	PIN			4
59	6660164	PAD	street		2
60	25E-22	WASHER			8
61	6587700	PIN			2
62	6587702	PIN			2
63	6588848	PIN			2
64	6588991	PIN	use W/Ref. 40 & 41		2
65	6596214	LOCK			2
66	6587681	SHIM			8
67	6584652	BUMPER			6
68	84G-3728	BOLT			2
69	6596513	DECAL			2
70	616789	WASHER			4
71	17C-640	BOLT			1
72	6805233	TUBE	handrail - Was 6560876 [A]		2
73	6713882	PIN	Used W/Ref. 5 & 74		2
74	6713881	RETAINER			2
75	6714920	DECAL	Warning		1
76	6714911	DECAL	Warning		1
77	6714867	SAFETY CHAIN	49"(1245mm) long - chain only - Use only approved .375 inch grade 70 transport chain		1
78	38C-820	BOLT			2
79	27E-8	WASHER			4
80	53D-6	NUT			2
81	17C-636	BOLT			1
82	27E-6	WASHER			1
83	6661838	HITCH PIN			1
84	6714839	CHAIN GUIDE			1
85	6714869	LATCH			2
86	6714868	BRACKET			1
87	17C-612	BOLT			1
88	6713636AR	KIT	decals - see note		1
	6713636BR	KIT	decals - see note		1
	6713636JP	KIT	decals - see note		1
	6713637AR	KIT	translation - see note		1
	6713637BR	KIT	translation - see note		1
89*	14J-3740	PIN			1

BOOM & DIPPERSTICK
8709 Backhoe - 873 Only



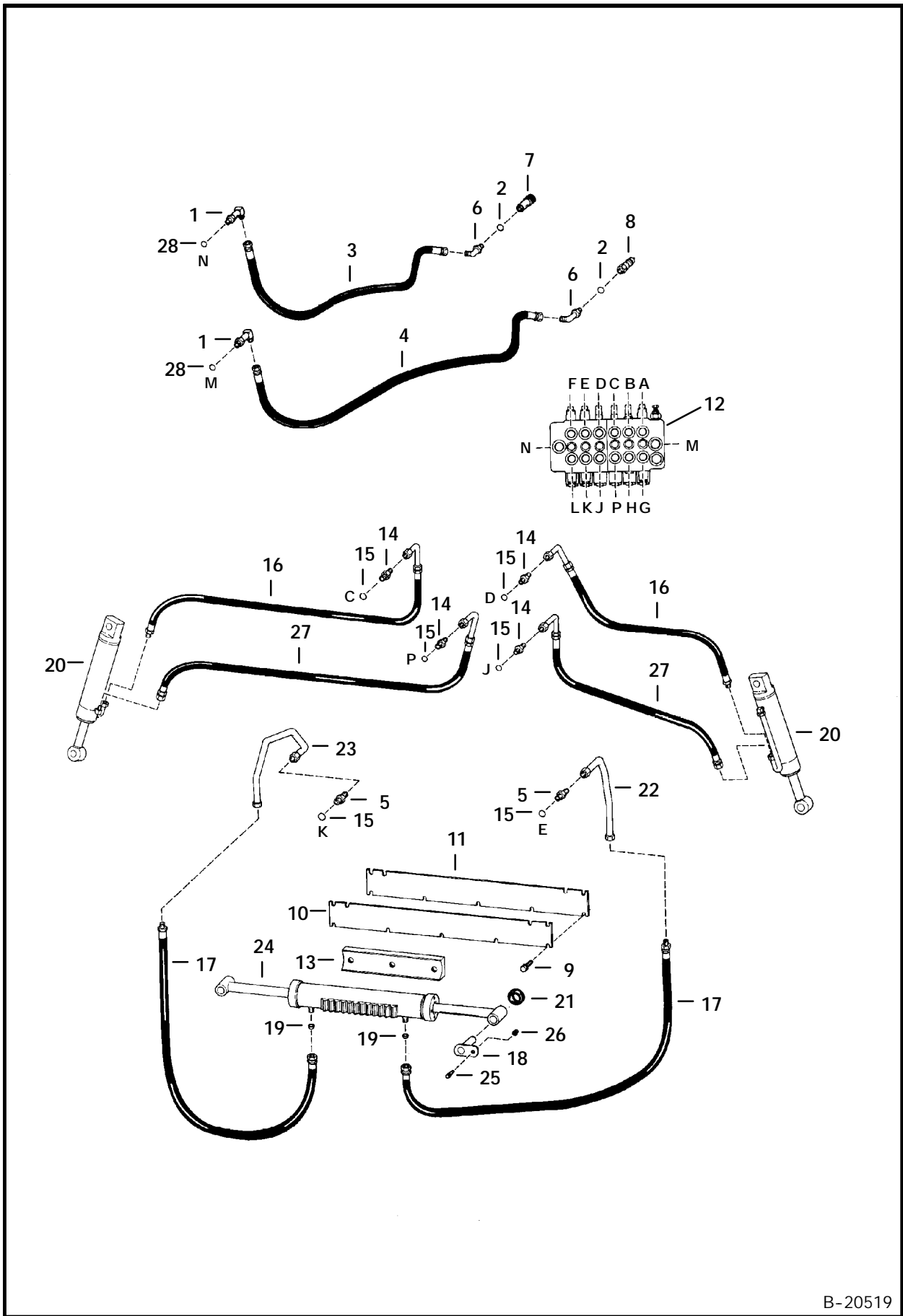
B-20518

BOOM & DIPPERSTICK (Cont'd)
8709 Backhoe - 873 Only

Ref. No.	Part Number	Description	Remarks	Serial Number	Qty.
1		CYLINDER	bucket - See Page 512		1
2	6584872	WASHER			8
3	6538285	SNAP RING			8
4	12H-15	GREASE ZERK			4
5	6532518	PIN			2
6	10H-25	GREASE ZERK			9
7		CYLINDER	boom & dipper - See Page 510		2
8	6532517	PIN			2
9	6532519	WASHER			4
10	6538287	SNAP RING			4
11	6532568	PIN			1
12	81D-6	NUT			1
13		FRAME	swing - See Page 486		1
14	17C-648	BOLT			2
15	6532522	PIN			2
16	85D-6	NUT			1
17	6560334	BUSHING	press-in		2
18	6716262	LINK	Was 6532530 [A]		1
19	6716263	LINK	Was 6532528 [A]		1
20	6651171	BUSHING			4
21	6532491	BOOM			1
22		BUCKET	See Page 516 - 518		1
23	6560401	PIN			2
24	6560382	PIN	ring lock		2
25	6716256	DIPPERSTICK	also order qty. 2 of Ref. 29 if using standard buckets - Was 6532583 [A]		1
26	6716264	LINK	also order qty. 2 of Ref. 29 if using standard buckets - Was 6537182 [A]		2
27	6557412	DECAL	Bobcat - R.H.		1
	6557413	DECAL	Bobcat - L.H.		1
28	6589137	DECAL	8709		2
29	6716402	SPACER			4
30*	6714921	FRAME	X-Change		1
31*	6804485	PLATE			1
32*	17C-1052	BOLT			2
33*	6900862	INSTRUCTIONS			1
34*	6806121	DECAL	bolt-on X-Change		1
35*	SALES	KIT	bolt-on X-Change adapter - W/Ref. 30-34 - Sales #6806079		1

MAIN FRAME HYDRAULICS

8709 Backhoe - 873 Only

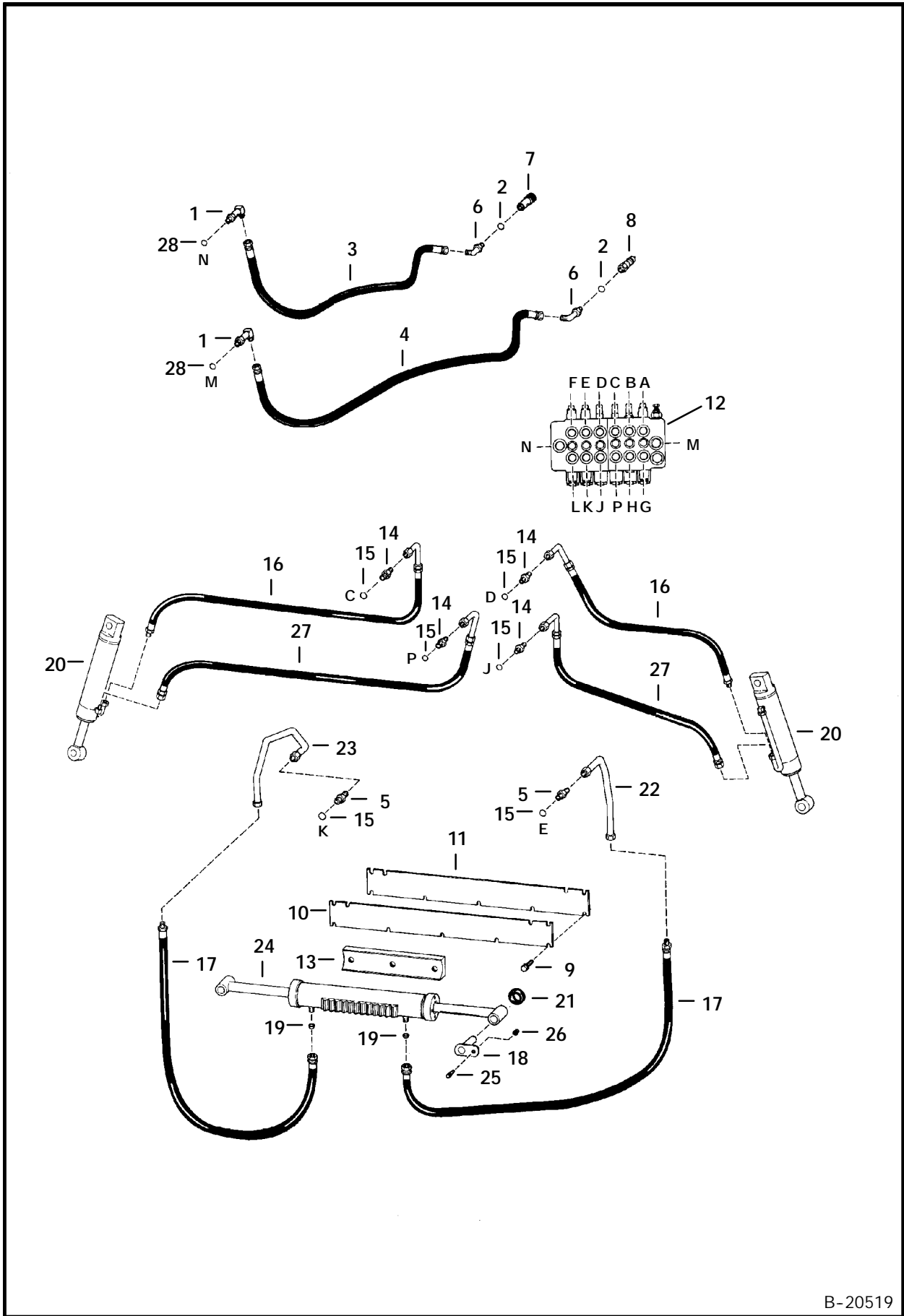


B-20519

MAIN FRAME HYDRAULICS (Cont'd)
8709 Backhoe - 873 Only

Ref. No.	Part Number	Description	Remarks	Serial Number	Qty.
1	6519195	ELBOW	W/Ref. 2		2
2	79K-10	O-RING	used with poppet couplers		2
	79K-12	O-RING	used with flush face couplers -		
	99K-12	O-RING	flat boss face		2
			used with flush face couplers -		
			tapered boss face		2
3	6534346	HOSE	.875" threads on quick coupler		
			end - used with 90° elbows		1
	6715168	HOSE	1.06" threads on quick coupler		
			end - used with 45° elbows		1
4	6534347	HOSE	.875" threads on quick coupler		
			end - used with 90° elbows		1
	6715169	HOSE	1.06" threads on quick coupler		
			end - used with 45° elbows		1
5	15K-6	ADAPTER	W/Ref. 15 - flat boss face		2
	15KN-6	ADAPTER	W/Ref. 15 - tapered boss face		2
	97K-8	O-RING	flared end		2
6	17K-7	ELBOW	90° - W/Ref. 2 - used with		
			poppet couplers - flat boss face		2
	1302104	ELBOW	90° - W/Ref. 2 - used with flush		
			face couplers - flat boss face		2
	18KV-8	ELBOW	45° - W/Ref. 2 - used with flush		
			face couplers-tapered boss face		2
	97K-12	O-RING	for tapered end		2
7	6598758	QUICK COUPLER	Female poppet		1
	6672960	QUICK COUPLER	female FF - Was 6667807 [A]		1
	48K-16	O-RING	used with poppet coupler		1
8	6598757	QUICK COUPLER	Male poppet		1
	6667808	QUICK COUPLER	male flush face - See BTI 302		1
	6672026	O-RING			1
9	84G-3110	BOLT			6
10	6532860	WEAR PLATE			2
11	6532861	SHIM			x
12		VALVE	See Page 500		1
13	6532859	WEAR BAR			1
14	743108	ADAPTER	W/Ref. 15		4
15	79K-8	O-RING	for flat boss face		x
	99K-8	O-RING	for tapered boss face		x
16	6596802	HOSE			2
17	6533046	HOSE			2
18	6532869	PIN			2
19	6587338	ORIFICE	.090" (2,29mm) Dia - 0.42"		
			(10.67mm) O.D.		2
	6592853	ORIFICE	.090" (2,29mm) Dia - 0.55"		
			(13,97mm) O.D.		2
20		CYLINDER	Stabilizer - See Page 508		2
21	6528927	WASHER			x
22	6532957	TUBE			1
23	6532959	TUBE			1
24		CYLINDER	swing - See Page 506		1
25	84G-3720	BOLT			2

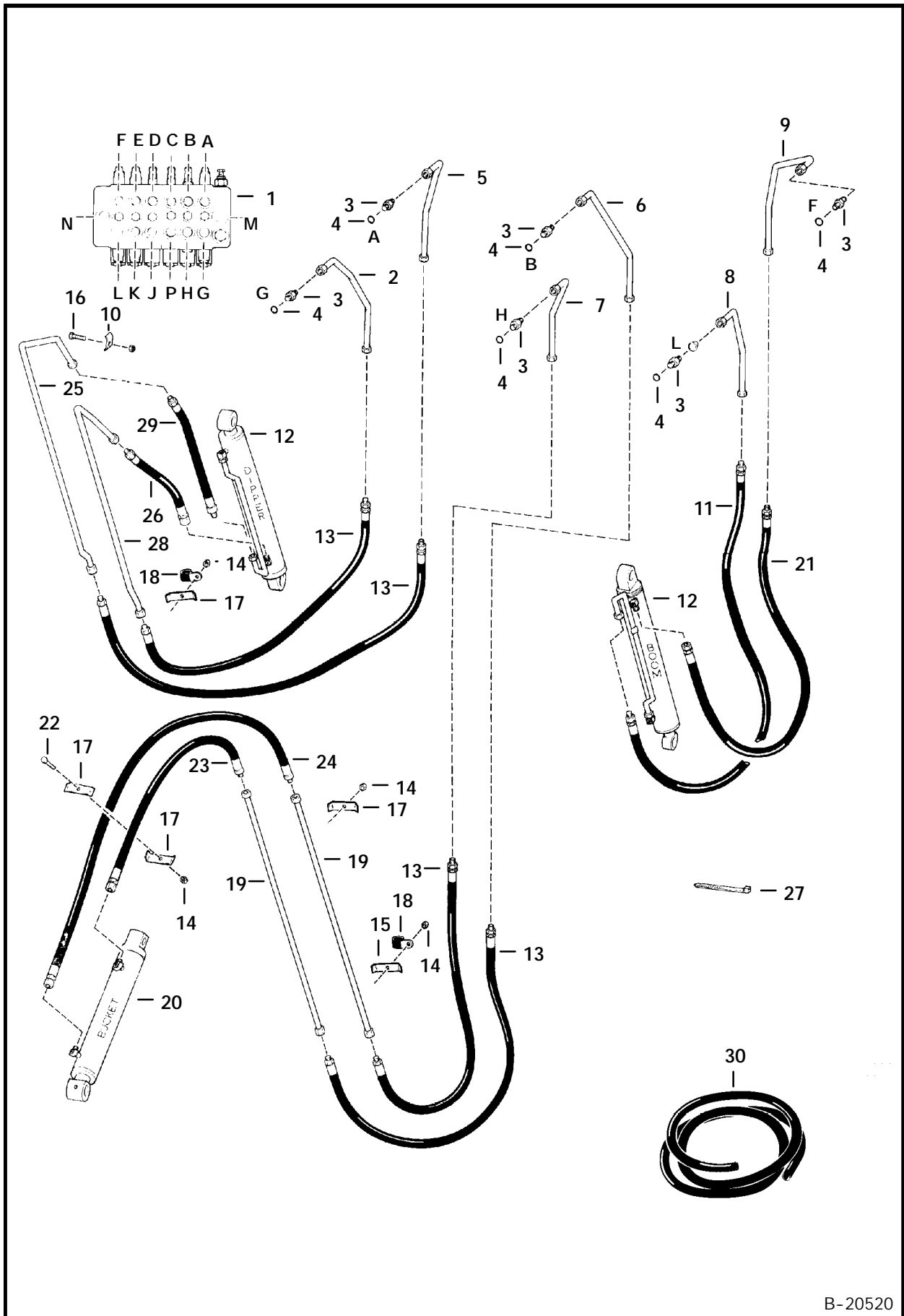
MAIN FRAME HYDRAULICS (Cont'd)
8709 Backhoe - 873 Only



B-20519

BOOM HYDRAULIC CIRCUITRY

8709 Backhoe - 873 Only



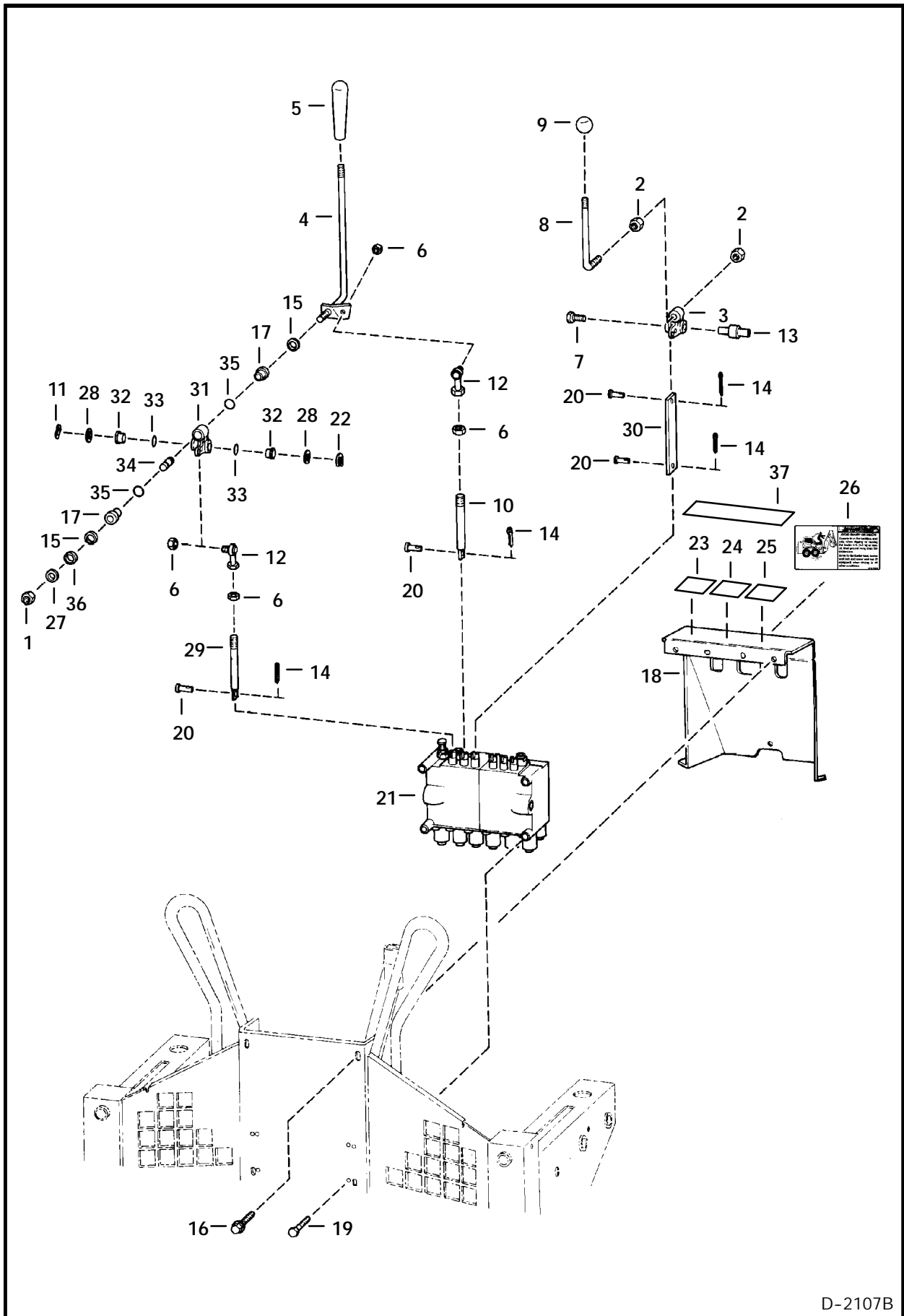
B-20520

BOOM HYDRAULIC CIRCUITRY (Cont'd)
8709 Backhoe - 873 Only

Ref. No.	Part Number	Description	Remarks	Serial Number	Qty.
1		VALVE	See Page 500		1
2	6532963	TUBE			1
3	15K-6	ADAPTER	W/Ref. 4 - flat boss face		6
	15KN-6	ADAPTER	W/Ref. 4 - tapered boss face		6
	97K-8	O-RING	flared end		6
4	79K-8	O-RING	flat boss face		x
	99K-8	O-RING	for tapered boss face		x
5	6532962	TUBE			1
6	6532961	TUBE			1
7	6532960	TUBE			1
8	6532956	TUBE			1
9	6532958	TUBE			1
10	6562266	CLAMP			2
11	6533039	HOSE			1
12		CYLINDER	boom & dipper - See Page 510		2
13	6536610	HOSE			4
14	81D-6	NUT			10
15	6537761	CLAMP			1
16	84G-3724	BOLT			2
17	6502426	CLAMP			5
18	30H-38	CLAMP			2
19	6532975	TUBE			2
20		CYLINDER	bucket - See Page 512		1
21	6532977	HOSE			1
22	17C-624	BOLT			1
23	6538438	HOSE			1
24	6538437	HOSE			1
25	6532973	TUBE			1
26	6534348	HOSE			1
27	6610510	STA-STRAP			16
28	6532974	TUBE			1
29	6534349	HOSE			1
30	6649389	HOSE COVER	1" (25,4mm) bulk - Sold Per Foot		x

CONTROL LEVERS

8709 Backhoe - 873 Only



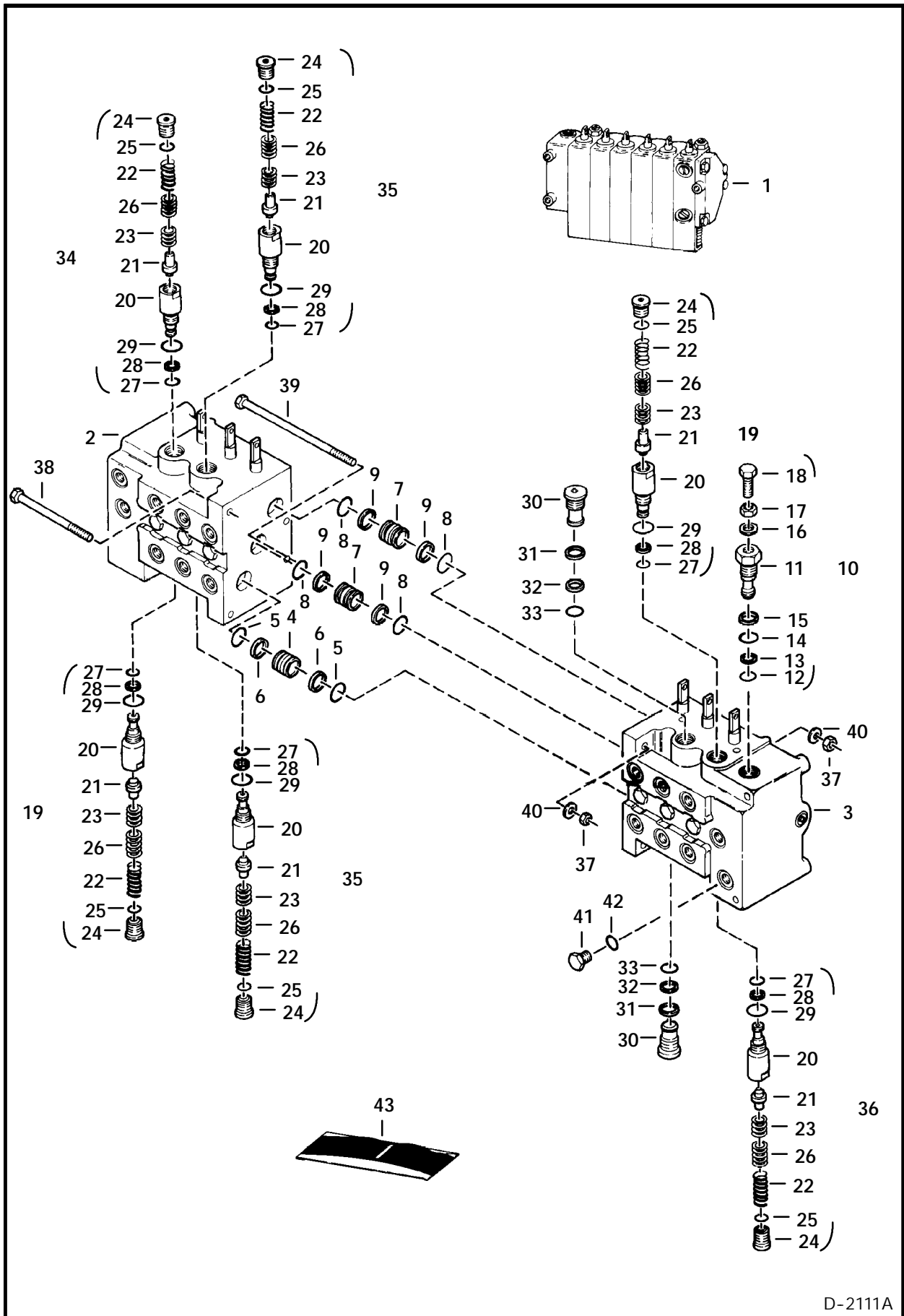
D-2107B

CONTROL LEVERS (Cont'd)
8709 Backhoe - 873 Only

Ref. No.	Part Number	Description	Remarks	Serial Number	Qty.
1	85D-8	NUT			2
2	7D-8	NUT			4
3	6586081	BLOCK			2
4	6534659	LEVER	R.H.		2
5	6510093	KNOB			2
6	62D-6	NUT			8
7	17C-510	BOLT			2
8	6532947	LEVER			2
9	6515888	KNOB			2
10	6532949	ROD			2
11	6536803	WASHER			2
12	6599744	BALL JOINT			4
13	6561538	PIN	spacer		1
14	1F-208	COTTER PIN			8
15	6537831	SHIM			4
16	84G-3712	BOLT			4
17	6537832	BUSHING			4
18	6588992	COVER			1
19	18C-512	BOLT			3
20	4F-4051	PIN			8
21		VALVE	See Page 500		1
22	6651530	SNAP RING			2
23	6558050	DECAL			1
24	6561396	DECAL			1
25	6558049	DECAL			1
26	6596591	DECAL	warning		1
27	25E-21	WASHER			2
28	6536802	WASHER			2
29	6537833	ROD			2
30	6532948	LINK			2
31	6537814	PIVOT			2
32	6536801	BUSHING			4
33	58K-15	O-RING			4
34	6537829	BUSHING			2
35	58K-17	O-RING			4
36	6537830	WASHER			2
37	6805604	DECAL	controls		1

CONTROL VALVE ASSEMBLY

8709 Backhoe - 873 Only

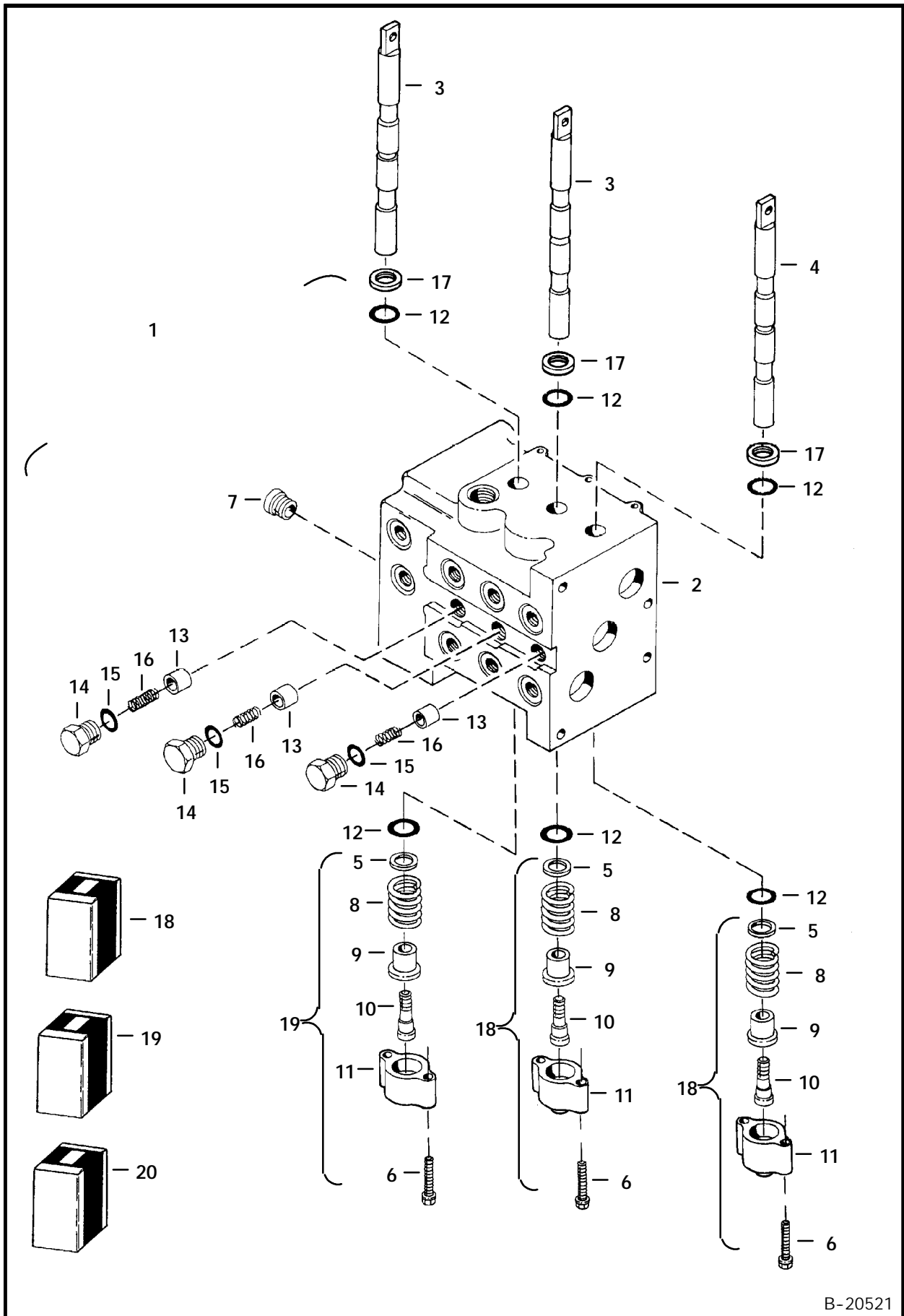


D-2111A

CONTROL VALVE ASSEMBLY (Cont'd)
8709 Backhoe - 873 Only

Ref. No.	Part Number	Description	Remarks	Serial Number	Qty.
1	NAP	VALVE	assy. - Danfoss 1681-6-BB - order 6674307 & 6805604 decal-Was 6651514 [A]	880000438 & Bel	1
2	6674307	VALVE	assy. - Danfoss 156B2348	880000439 & Abv	1
3		VALVE SECTION	See Page 502		1
3		VALVE SECTION	See Page 504		1
4	6656294	TUBE	W/Ref. 5 & 6		1
5	6656441	O-RING			4
6	6656440	BACK-UP RING			4
7	6656293	TUBE	W/Ref. 8 & 9		2
8	6656443	O-RING			8
9	6656442	BACK-UP RING			8
10	6658416	RELIEF VALVE	2300-2400 PSI		1
11	NSS	HOUSING			2
12	NSS	O-RING			2
13	NSS	BACK-UP RING			2
14	NSS	O-RING			2
15	NSS	BACK-UP RING			2
16	NSS	RING			2
17	NSS	NUT			2
18	NSS	BOLT			2
19	6658445	RELIEF VALVE	3000-3100 PSI		2
20	NSS	HOUSING			4
21	NSS	POPPET			4
22	NSS	SPRING			4
23	NSS	SHIM	.021" (0,53mm)		16
24	6656446	PLUG	W/Ref. 25		4
25	6656432	O-RING			4
26	NSS	SHIM	.0035" (0,09mm)		x
27	NSS	O-RING			4
28	NSS	BACK-UP RING			4
29	NSS	O-RING			4
30	6656439	RELIEF PLUG	assy. - W/Ref. 31 - 33		2
31	6656437	O-RING			2
32	6656436	BACK-UP RING			2
33	6656438	O-RING			2
34	6658443	RELIEF VALVE	2300-2400 PSI		1
35	6658444	RELIEF VALVE	2200-2300 PSI		2
36	6658440	RELIEF VALVE	2800-2900 PSI		1
37	6656288	NUT			4
38	6658441	BOLT			2
39	6658442	BOLT			2
40	6656286	WASHER			4
41	24K-7	PLUG	W/Ref. 42 - flat boss face		1
41	24KN-7	PLUG	W/Ref. 42 - tapered boss face		1
42	79K-10	O-RING	for flat boss face		1
42	99K-10	O-RING	for tapered boss face		1
43	6656281	SEAL KIT	Ref. 12 - 18		1
	6656283	SEAL KIT	Ref. 25 - 29		5
	6658439	SEAL KIT	Ref. 5, 6, 8, 9 & Ref. 12, 15 & 17 on Page 502 & 504		1

VALVE SECTION 8709 Backhoe - 873 Only

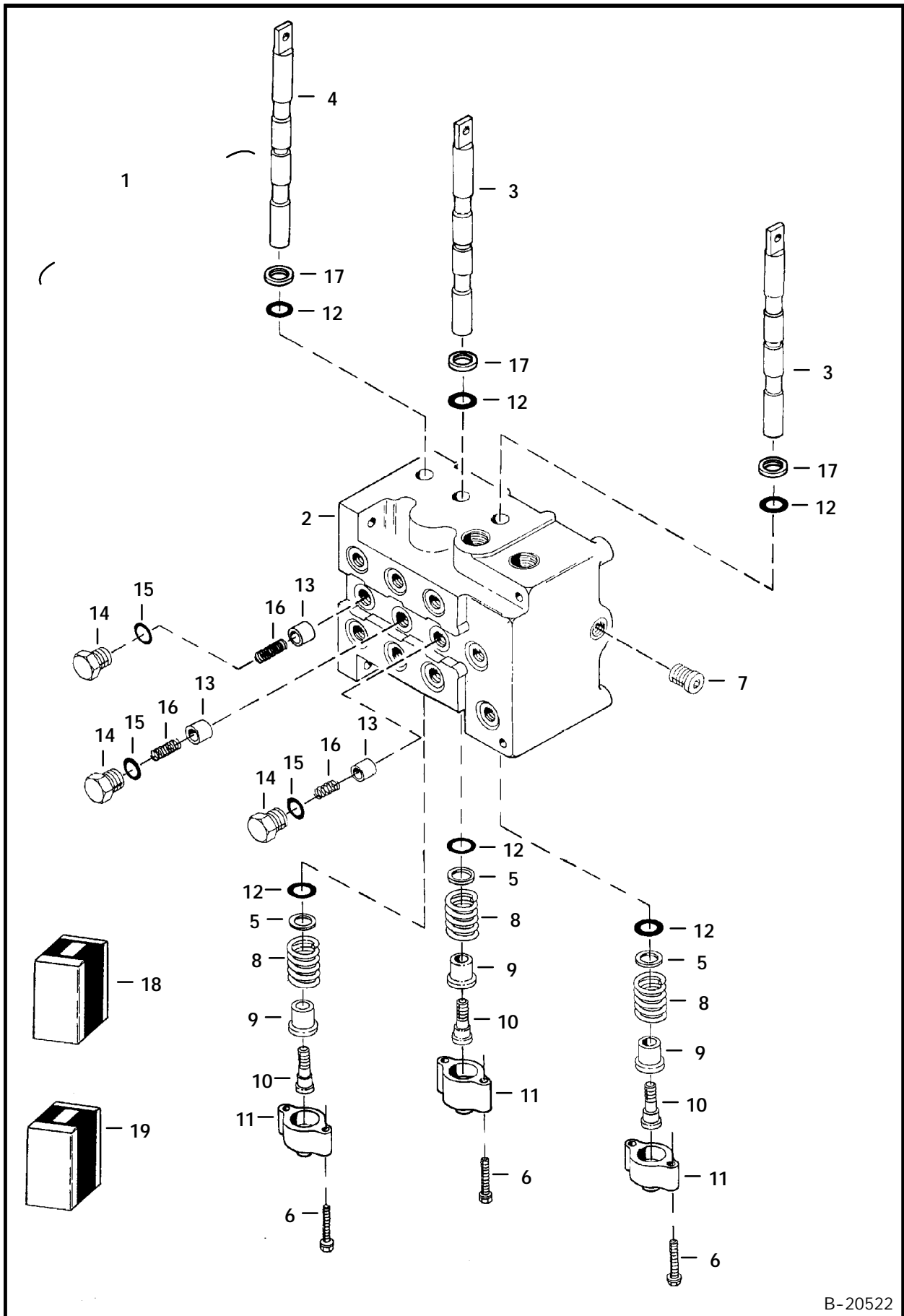


B-20521

VALVE SECTION (Cont'd)
8709 Backhoe - 873 Only

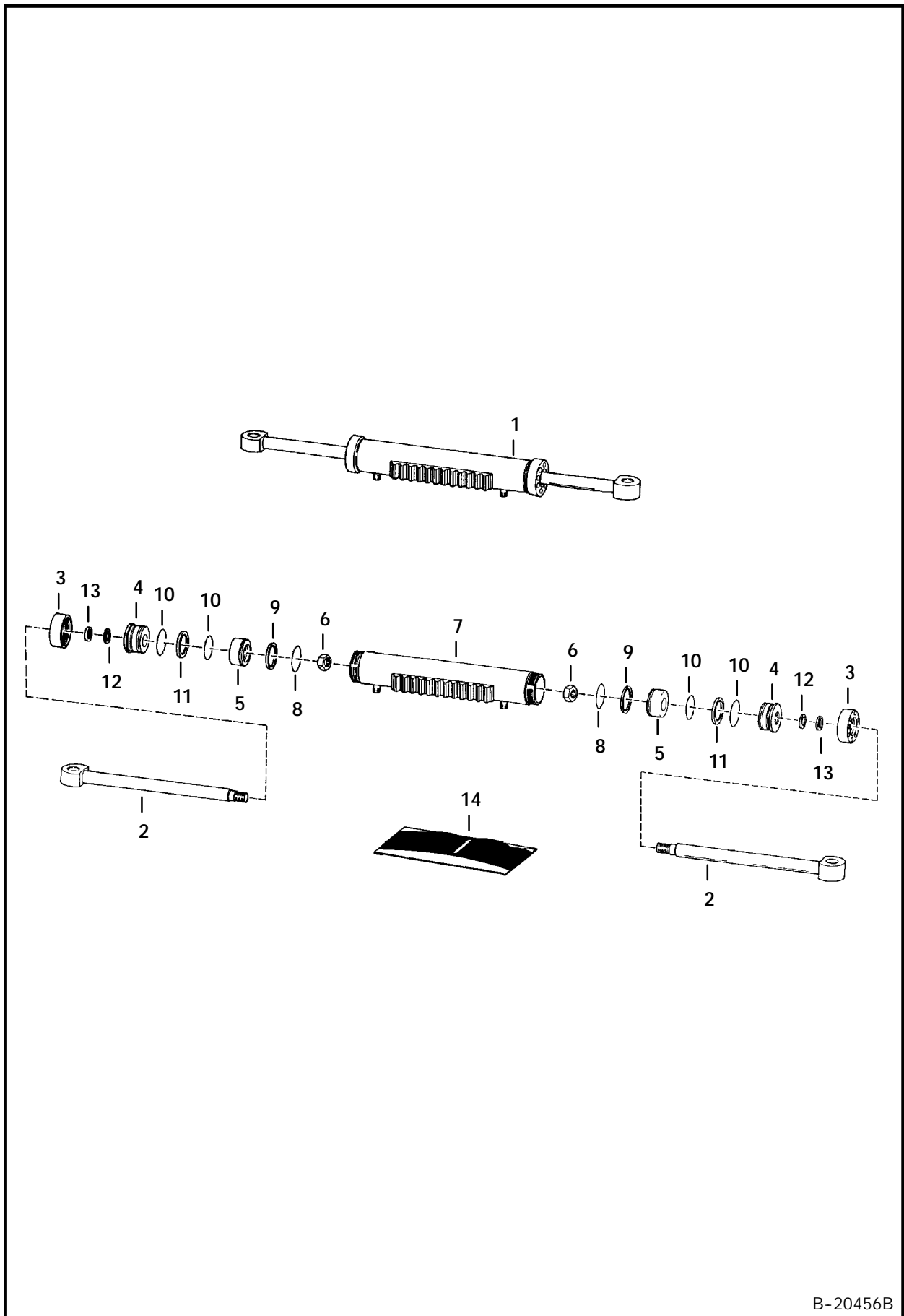
Ref. No.	Part Number	Description	Remarks	Serial Number	Qty.
1	NAP	VALVE SECTION	W/Ref. 2 - 16 - Order 6675082 & 6805604 decal - Was 6658437 [A]		1
	NAP	VALVE SECTION	W/Ref. 2 - 16 - Order 6675082 & 6805604 decal - Was 6665555 [A]		1
	6675082	VALVE SECTION	W/Ref. 2 - 16 - with float in boom section		1
2	NSS	HOUSING	Order Ref. 1		1
3	NSS	SPOOL	Order Ref. 1		2
4	NSS	SPOOL	Order Ref. 1		1
5	NSS	WASHER	Order Ref. 18		3
6	NSS	BOLT	Order Ref. 18		6
7	6675080	PLUG	Was 6656422 [B]		1
8	NSS	SPRING	Order Ref. 18		3
9	NSS	SPACER	Order Ref. 18		3
10	NSS	BOLT	Order Ref. 18		3
11	NSS	END CAP	Order Ref. 18		3
12	6656431	O-RING			6
13	6656428	POPPET VALVE			3
14	6656429	PLUG	W/Ref. 15		3
15	6656432	O-RING			3
16	6599472	SPRING			3
17	6658398	SEAL	wiper		3
18	6656434	KIT	spring centering - W/Ref. 5, 6 & 8 - 11		3
19	6656434	KIT	spring centering without float - used with Danfoss #1681-6-BB valve	880000438 & Bel	1
20	6656433	KIT	with Danfoss #156B2348 valve load check - W/Ref. 13 - 16	880000439 & Abv.	1 2

VALVE SECTION
8709 Backhoe - 873 Only



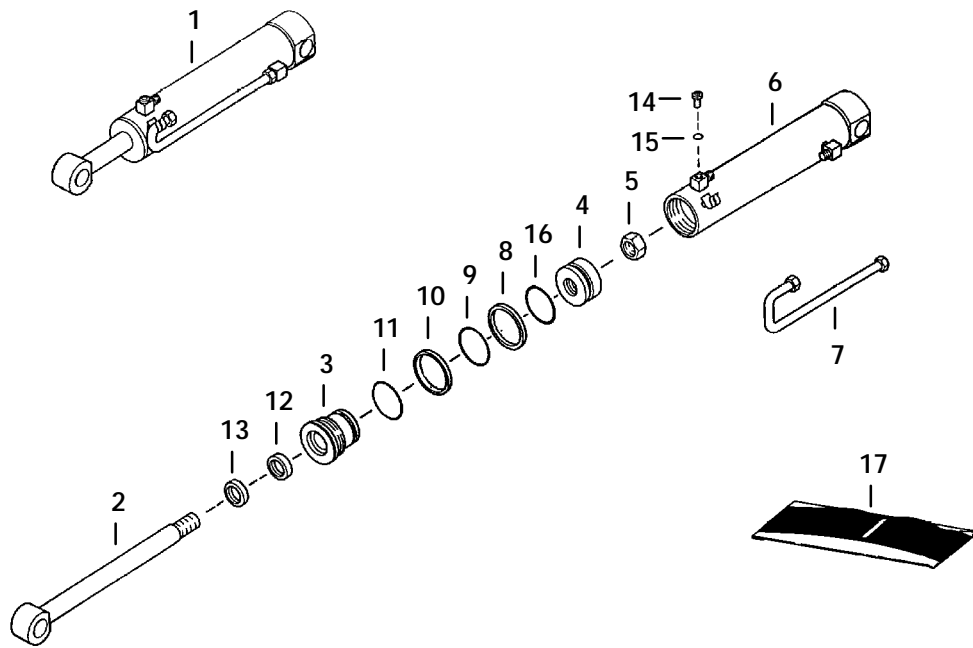
B-20522

SWING CYLINDER
8709 Backhoe - 873 Only



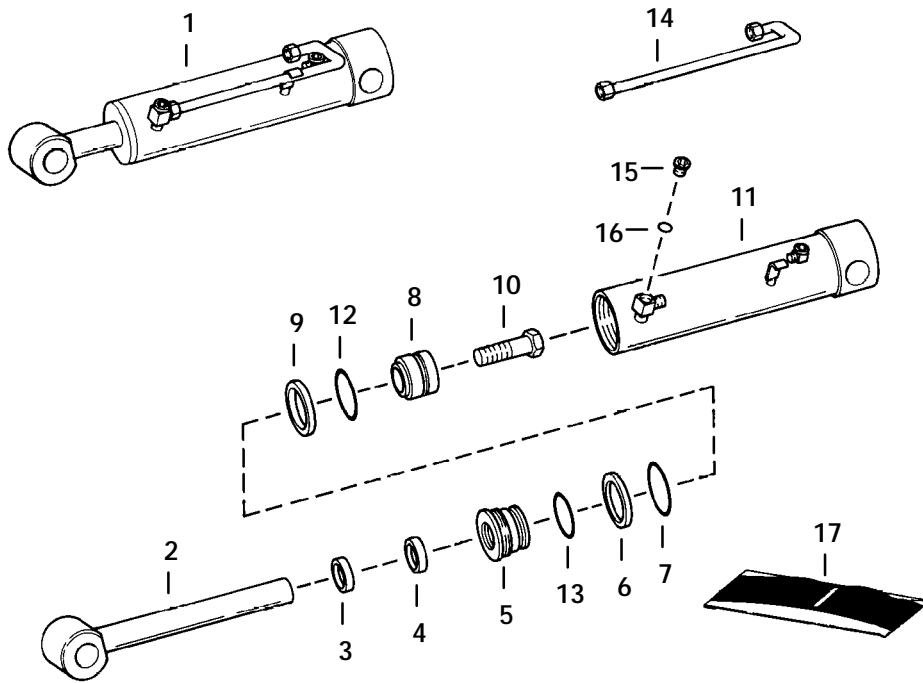
B-20456B

STABILIZER CYLINDER
8709 Backhoe - 873 Only



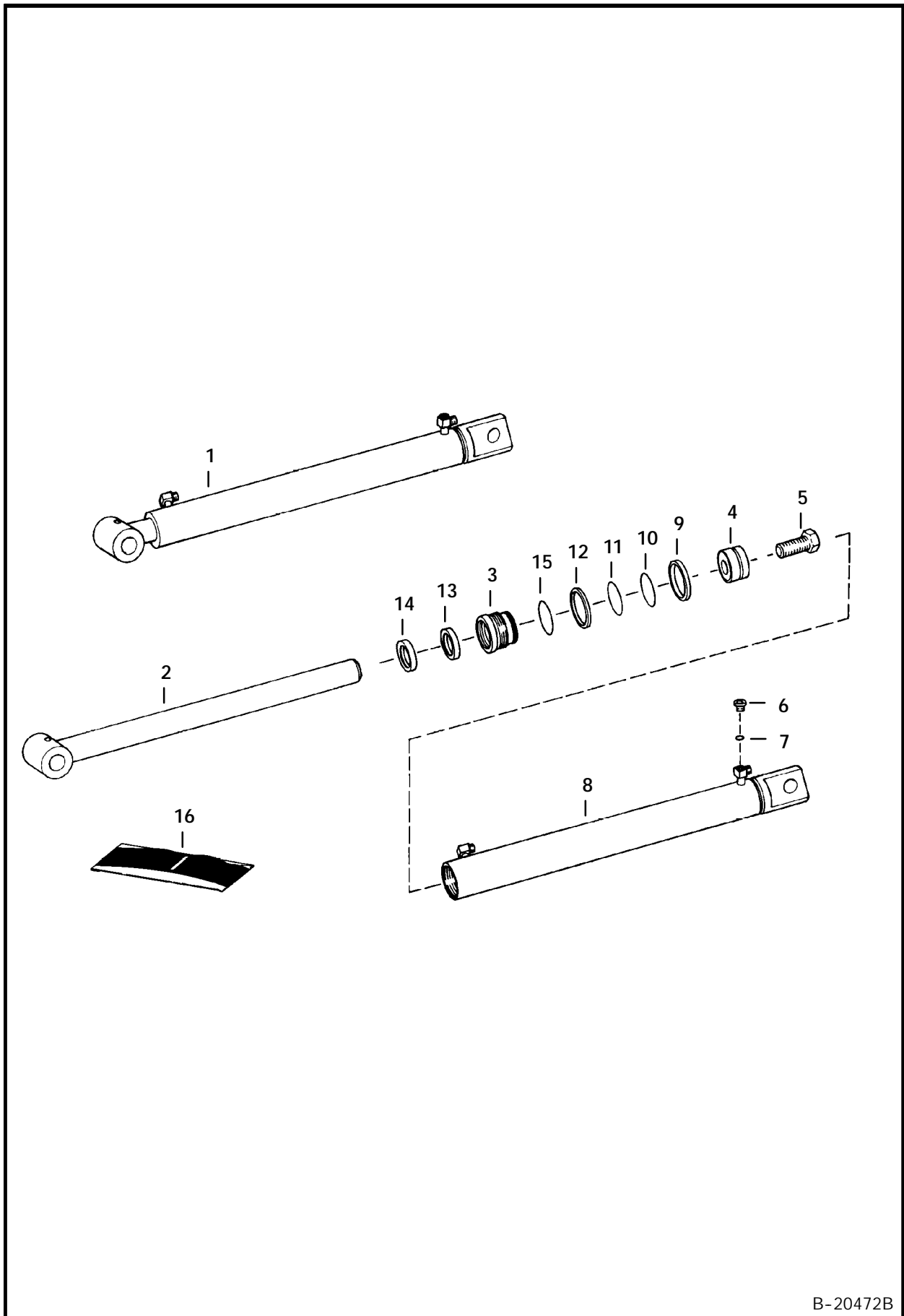
C-3381A

BOOM & DIPPERSTICK CYLINDER
8709 Backhoe - 873 Only



C-3347B

BUCKET CYLINDER
8709 Backhoe - 873 Only

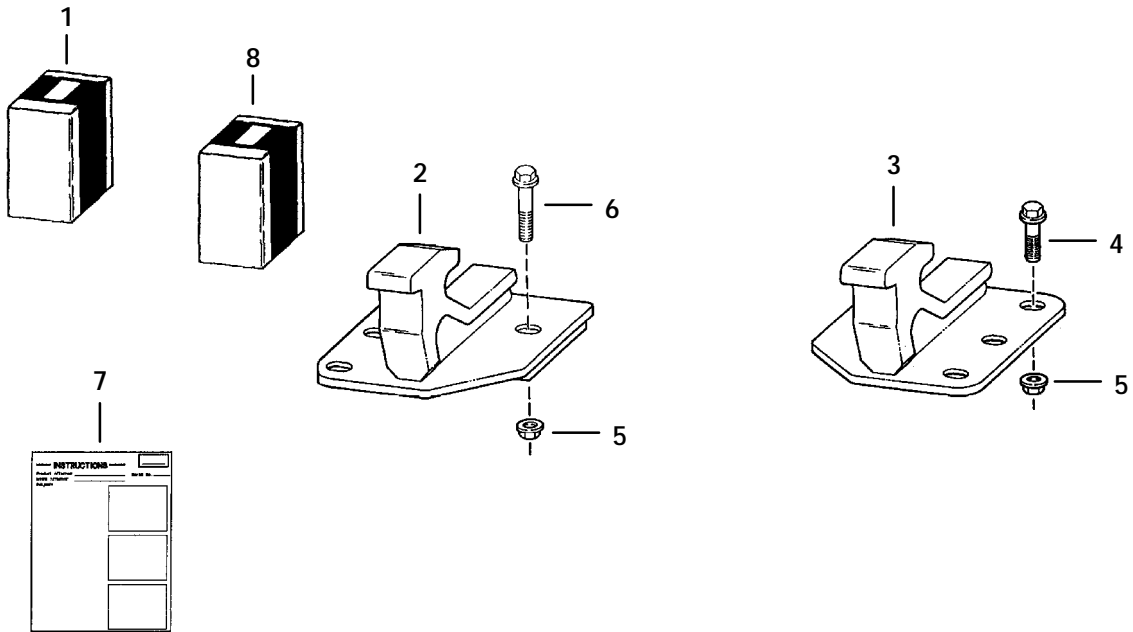


B-20472B

MOUNTING KIT

8709 Backhoe - 873 Only

NOTE: AR = Spanish (Argentina)
BR = Portugese (Brazil)
JP = Japanese
Translation Kit includes Safety Manual,
Operators Manual and Decal Kit.

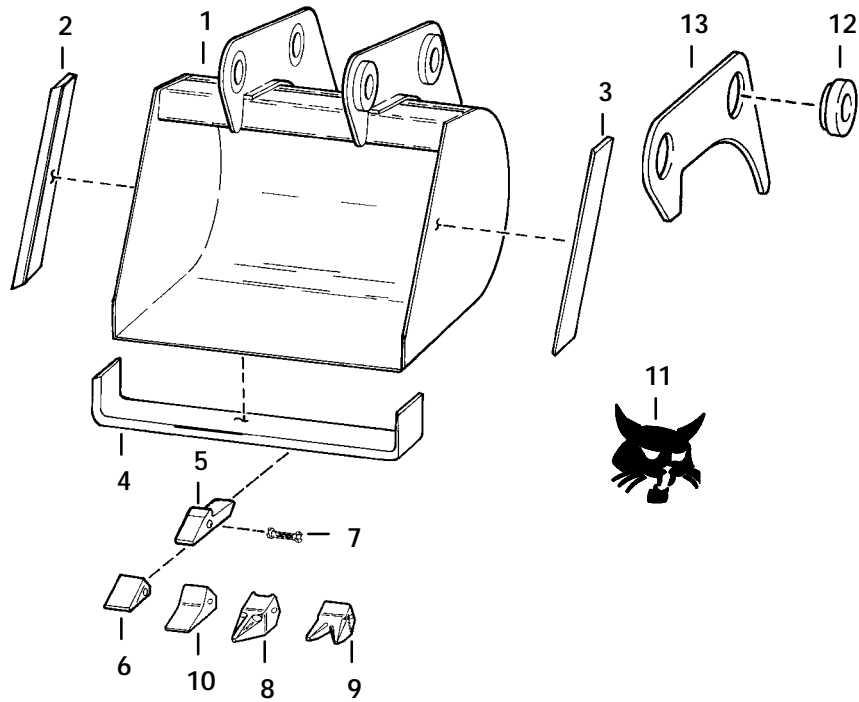


B-14365

BACKHOE BUCKETS

8709 Backhoe - 873 Only

Order Buckets from Gwinner Sales
12" Bucket - Sales # 6532918
16" Bucket - Sales # 6536694
20" Bucket - Sales # 6533031
24" Bucket - Sales # 6532776
30" Bucket - Sales # 6536930

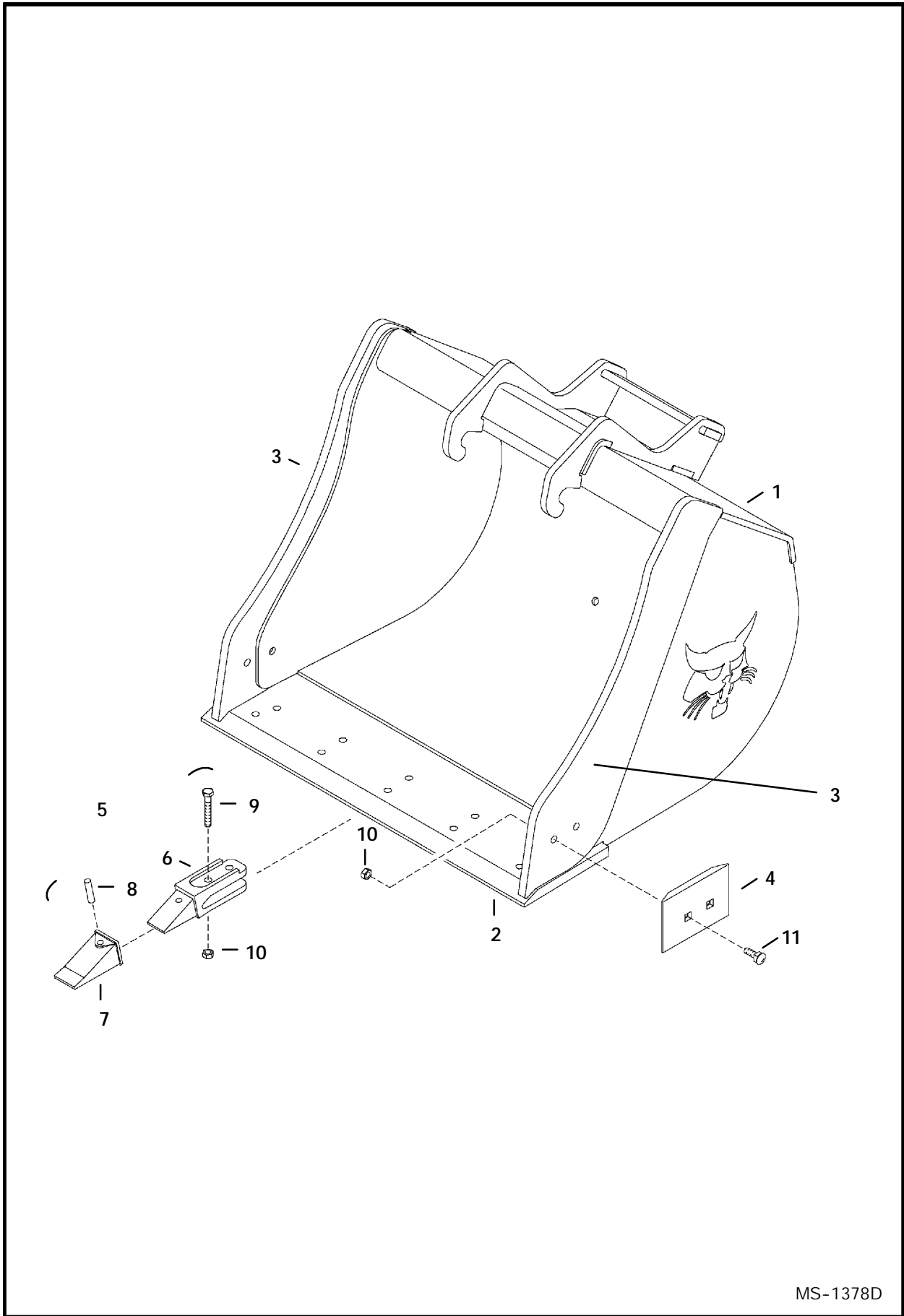


B-20523

BACKHOE BUCKETS (Cont'd)
8709 Backhoe - 873 Only

Ref. No.	Part Number	Description	Remarks	Serial Number	Qty.
1	SALES	BUCKET	Trenching - 12" (304,8mm)		1
	SALES	BUCKET	Trenching - 16" (406,4mm)		1
	SALES	BUCKET	Trenching - 20" (508mm)		1
2	SALES	BUCKET	Trenching - 24" (609,6mm)		1
	SALES	BUCKET	Trenching - 30" (762mm)		1
	6532921	CUTTING EDGE	12" (304,8mm) Bucket		1
3	6532779	CUTTING EDGE	16" (406,4mm), 20" (508mm), 24" (609,6mm), 30" (762mm) Buckets		1
	6532920	CUTTING EDGE	12" (304,8mm) Bucket		1
	6532780	CUTTING EDGE	16" (406,4mm), 20" (508mm), 24" (609,6mm), 30" (762mm) Buckets		1
4	6593139	CUTTING EDGE	12" (304,8mm) Bucket		1
	6536696	CUTTING EDGE	16" (406,4mm) Bucket		1
	6533034	CUTTING EDGE	20" (508mm) Bucket		1
5	6532887	CUTTING EDGE	24" (609,6mm) Bucket		1
	6536932	CUTTING EDGE	30" (762mm) Bucket		1
	6518120	SHANK	Weld On		x
6	6630424	TOOTH			x
7	6567620	PIN			x
8	6657328	TOOTH	Single Penetrator		x
9	6657329	TOOTH	Twin Penetrator		x
10	6657330	TOOTH	Heavy Duty Cast		1
11	6700191	DECAL	R.H.		1
	6700192	DECAL	L.H.		1
12	6560596	BUSHING			4
13	6532781	BRACKET			2

***BUCKETS**
X-Change™ Mounted - 8709 Backhoe

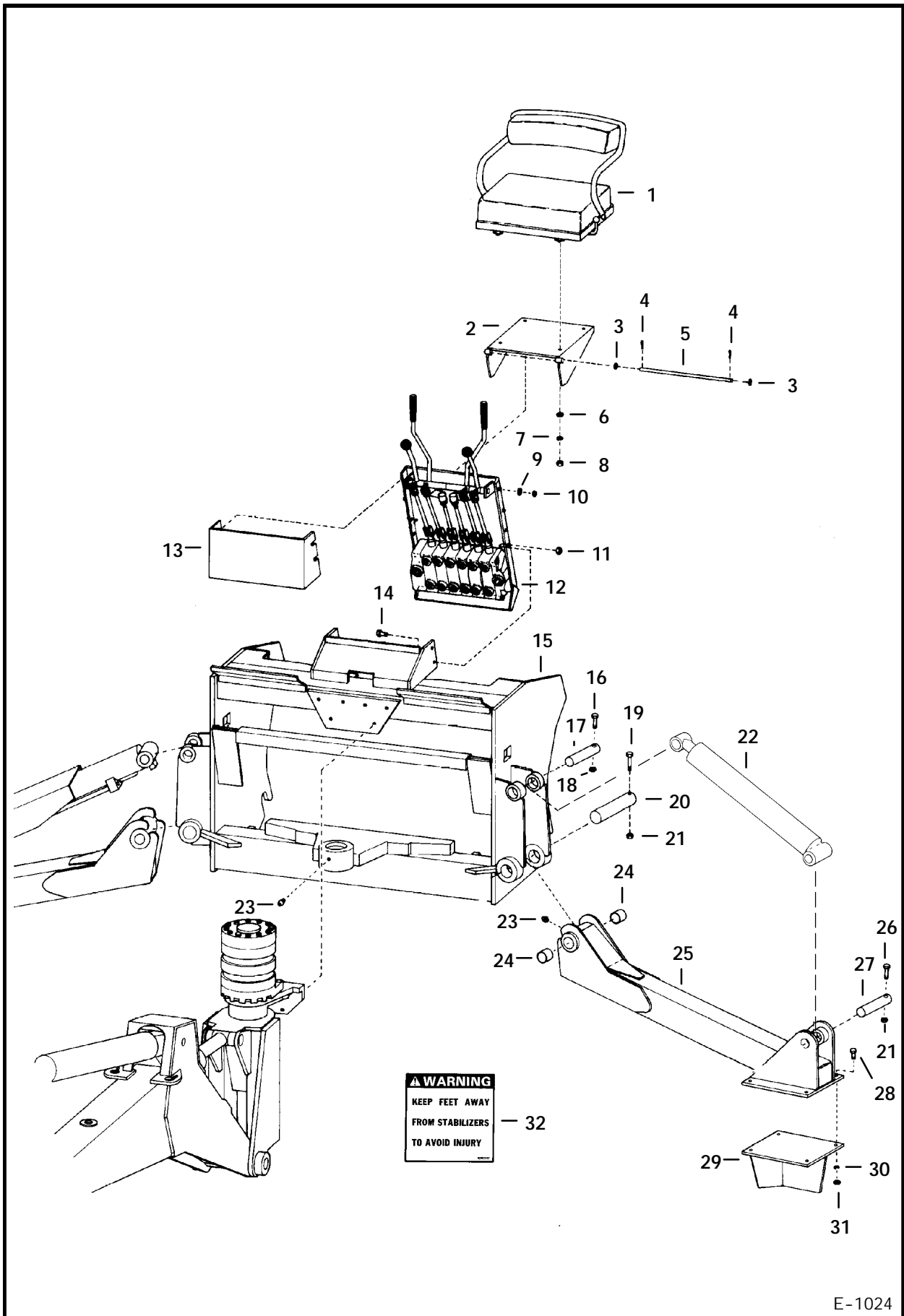


MS-1378D

***BUCKETS (Cont'd)**
X-Change™ Mounted - 8709 Backhoe

Ref. No.	Part Number	Description	Remarks	Serial Number	Qty.
1*	SALES	BUCKET	13" (330mm) - uses 3 teeth - SALES #6715500		x
*	SALES	BUCKET	16" (406mm) - uses 4 teeth - SALES #6715501		x
*	SALES	BUCKET	20" (508mm) - uses 4 teeth - SALES #6715502		x
*	SALES	BUCKET	24" (609mm) - uses 5 teeth - SALES #6715503		x
*	SALES	BUCKET	30" (762mm) - uses 5 teeth - SALES #6715504		x
*	SALES	BUCKET	36" (914mm) - uses 6 teeth - SALES #6715558		x
*	SALES	BUCKET	39" (990mm) - does not use teeth - SALES #6715550		x
2*	6805433	CUTTING EDGE	13" (330mm)		1
*	6805434	CUTTING EDGE	16" (406mm)		1
*	6805435	CUTTING EDGE	20" (508mm)		1
*	6805436	CUTTING EDGE	24" (609mm)		1
*	6805437	CUTTING EDGE	30" (762mm)		1
*	6805438	CUTTING EDGE	36" (914mm)		1
*	6805815	CUTTING EDGE	39" (990mm)		1
3*	6805429	CUTTING EDGE	for 13"(330mm), 16"(406mm), 20"(508mm), 24"(609mm), 30"(762mm) & 36"(914mm)		2
*	6805771	CUTTING EDGE	for 39"(990mm) bucket		2
4*	6805464	CUTTING EDGE			2
5*	6716002	TOOTH ASSY	W/Ref. 6 - 8		x
6*	NAP	SHANK	bolt-on - order Ref. 5 - Was 6715836 [A]		x
7*	6716001	TOOTH			x
8*	14J-3732	PIN			x
9*	17C-828	BOLT	qty. 2 per tooth		x
10*	95D-8	NUT	qty. 2 per tooth		x
11*	39C-828	BOLT			4

MAIN FRAME (Old Style 914 Backhoe)

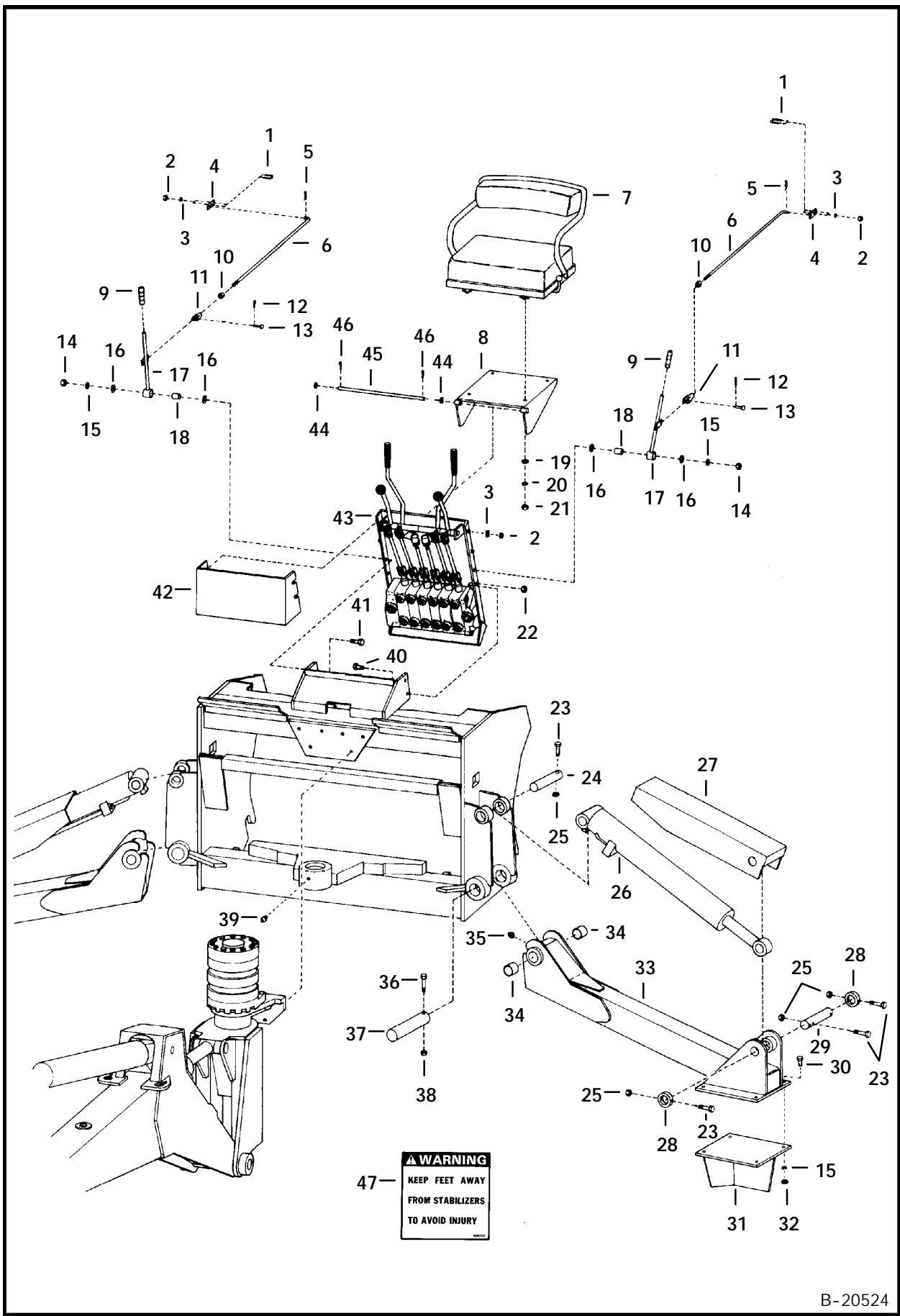


E-1024

MAIN FRAME (Cont'd)
(Old Style 914 Backhoe)

Ref. No.	Part Number	Description	Remarks	Serial Number	Qty.
1	NAP	SEAT	complete - Was 6515586 [A]		1
	6515201	CUSHION	back		1
	6515200	CUSHION	seat		1
2	6501961	PLATE	seat mounting		1
3	784469	WASHER			2
4	1F-416	COTTER PIN			2
5	6504391	PIN	hinge		1
6	25E-15	WASHER			4
7	4E-5	WASHER			4
8	62D-5	NUT			4
9	25E-13	WASHER			4
10	61D-4	NUT			4
11	81D-8	NUT			4
12		HAND CONTROLS	See Page 534		1
13	6504365	GUARD	hand controls		1
14	17C-816	BOLT			4
15	NAP	FRAME	main		1
16	18C-648	BOLT			2
17	947670	PIN	hinge		2
18	82D-6	NUT			2
19	18C-872	BOLT			2
20	947669	PIN	hinge		2
21	82D-8	NUT			4
22		CYLINDER	stabilizer - See Page 582 & 584		2
23	10H-25	GREASE ZERK			3
24	947539	BUSHING			4
25	6515821	LEG	stabilizer - W/Ref. 23 & 24		2
26	18C-848	BOLT			2
27	947571	PIN	hinge		2
28	18C-824	BOLT			8
29	6515823	SPADE	stabilizer		2
30	4E-8	WASHER			8
31	62D-8	NUT			8
32	6562922	DECAL			1

BACKHOE MAIN FRAME (New Style 914 Backhoe)

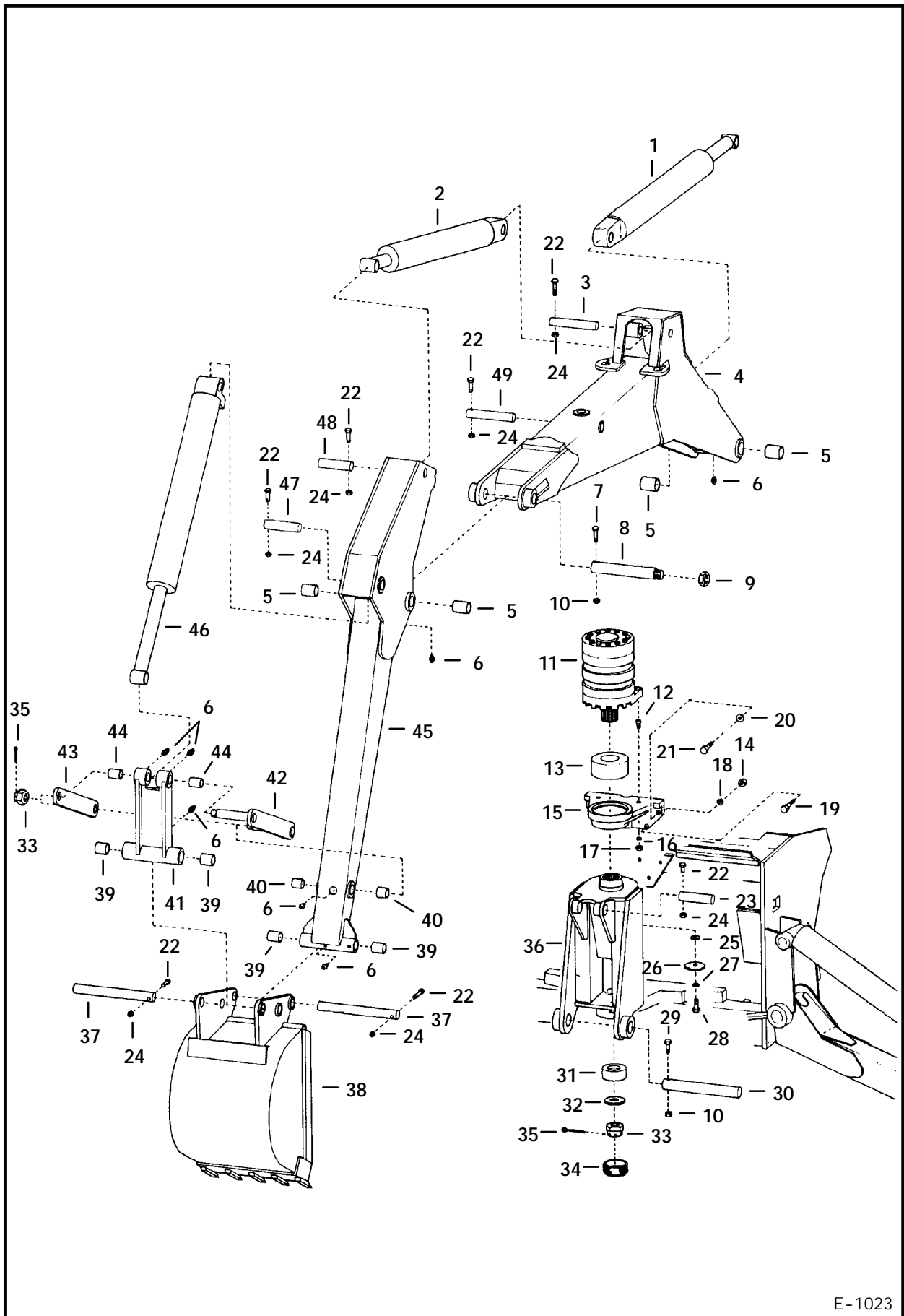


B-20524

BACKHOE MAIN FRAME (Cont'd)
(New Style 914 Backhoe)

Ref. No.	Part Number	Description	Remarks	Serial Number	Qty.
1	799674	U-BOLT			2
2	62D-4	NUT			4
3	4E-4	WASHER			4
4	6508441	MOUNT			2
5	1318565	COTTER PIN			2
6	6592805	ROD	extended steering - Was		
7	NAP 6515200	SEAT CUSHION	6508440 [A] complete - Was 6515586 [A] seat		2 1 1
8	6515201	CUSHION	back		1
9	6501961	PLATE			1
9	6515109	GRIP			2
10	8D-6	NUT			2
11	6508041	CLEVIS			2
12	1F-312	COTTER PIN			2
13	663350	PIN	hinge		2
14	61D-8	NUT			2
15	4E-8	WASHER			10
16	25E-21	WASHER			4
17	6592803	LEVER	auxiliary steering		2
18	6508444	BUSHING			2
19	25E-15	WASHER			4
20	4E-5	WASHER			4
21	62D-5	NUT			4
22	81D-8	NUT			2
23	18C-648	BOLT			2
24	947670	PIN	hinge		2
25	82D-6	NUT			2
26		CYLINDER	stabilizer - See Page 582 & 584		2
27	6508367	SHIELD			2
28	6508372	COLLAR	locking		2
29	6508370	PIN	hinge		2
30	18C-824	BOLT			8
31	6515823	SPADE	stabilizer		2
32	62D-8	NUT			8
33	6508545	LEG	stabilizer - W/Ref. 34 & 35		2
34	6508233	BUSHING			4
35	10H-35	GREASE ZERK			7
36	18C-872	BOLT			2
37	947669	PIN	hinge		2
38	82D-8	NUT			2
39	10H-25	GREASE ZERK			1
40	17C-816	BOLT			2
41	17C-1276	BOLT			2
42	6504365	GUARD	hand controls		1
43		HAND CONTROLS	See Page 534		1
44	784469	WASHER			2
45	6504391	PIN	hinge		1
46	1F-416	COTTER PIN			2
47	6562922	DECAL			1

BOOM, DIPPERSTICK & SWING FRAME
(Old Style 914 Backhoe)

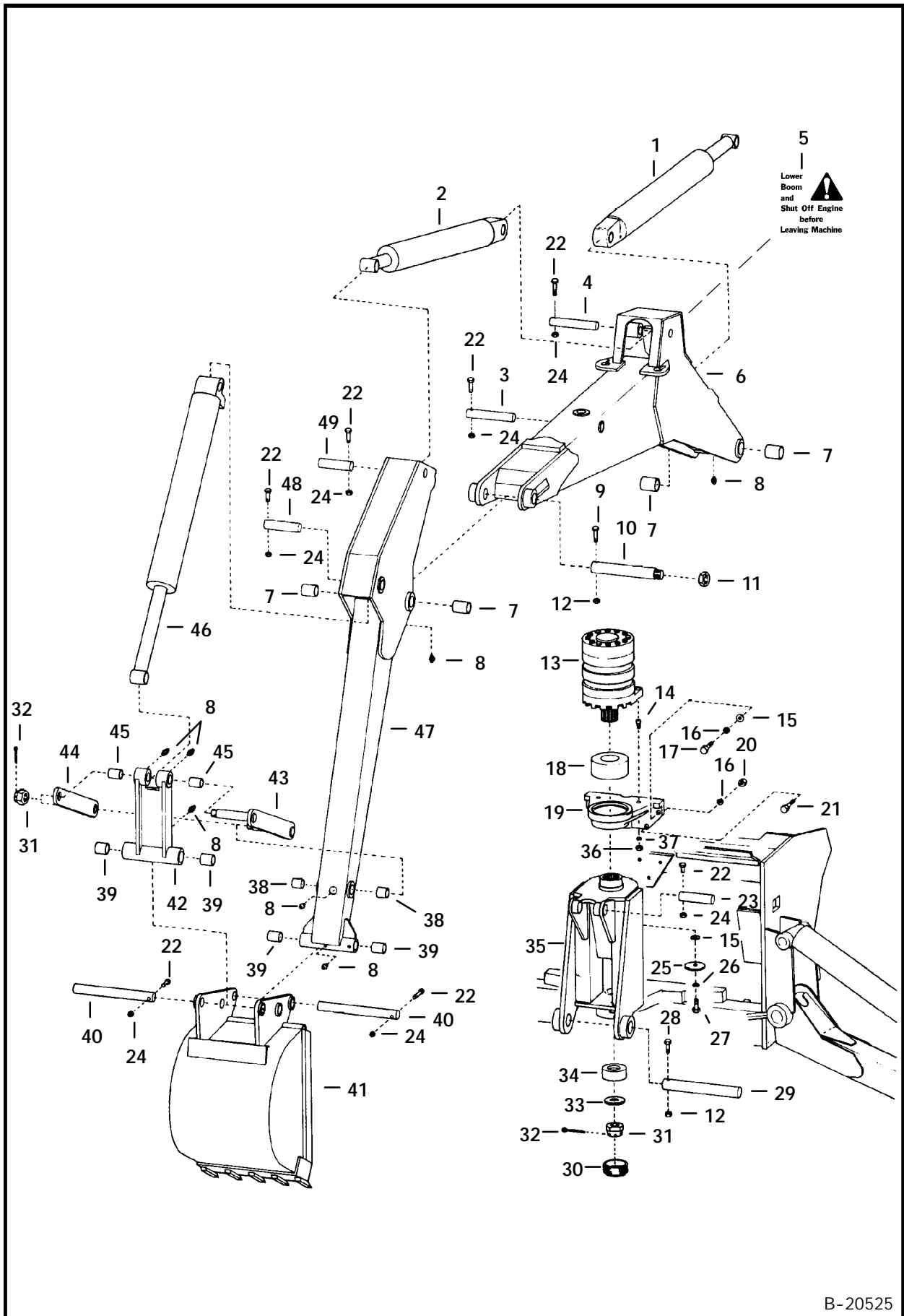


E-1023

BOOM, DIPPERSTICK & SWING FRAME (Cont'd)
(Old Style 914 Backhoe)

Ref. No.	Part Number	Description	Remarks	Serial Number	Qty.
1		CYLINDER	boom - See Page 570 & 572		1
2		CYLINDER	dipperstick - See Page 578, 580		1
3	6515867	PIN	hinge		1
4	6515829	BOOM	backhoe - W/Ref. 5 & 6		1
5	947539	BUSHING			4
6	10H-25	GREASE ZERK			7
7	18C-864	BOLT			1
8	6515871	PIN	hinge		1
9	6515819	NUT			1
10	82D-8	NUT			2
11	6515826	CYLINDER	swing - See Page 586		1
12	6519149	ANCHOR	swing cylinder - Was6515864 [A]		2
	6519149	ANCHOR	swing cylinder - W/Plug		2
	40K-6	PLUG			2
13	6515827	BEARING			1
14	62D-12	NUT			2
15	6515865	PIVOT			1
16	4E-16	WASHER			2
17	8D-16	NUT			2
18	4E-12	WASHER			6
19	18C-1248	BOLT			2
20	25E-27	WASHER			4
21	18C-1232	BOLT			4
22	18C-648	BOLT			6
23	6515873	PIN	hinge		1
24	82D-6	NUT			6
25	25E-21	WASHER			x
26	6515812	WASHER	cylinder retainer		1
27	4E-8	WASHER			1
28	18C-820	BOLT			6
29	18C-872	BOLT			1
30	6515869	PIN	hinge		1
31	6515839	BEARING			1
32	6515870	WASHER			1
33	6D-16	NUT	castle		2
34	6515872	CAP	bearing		1
35	1F-632	COTTER PIN			1
36	6515825	FRAME	swing		1
37	6515875	PIN	hinge		2
38		BUCKET	See Page 590		1
39	947567	BUSHING			4
40	947542	BUSHING			2
41	6508549	LINK	W/Ref. 6, 39 & 45		1
42	6515837	LINK			1
43	6507916	LINK			1
44	947533	BUSHING			2
45	6515835	DIPPERSTICK	W/Ref. 5, 6, 39 & 40		1
46		CYLINDER	bucket - See Page 574 & 576		1
47	6515874	PIN	hinge		1
48	947697	PIN	hinge		1
49	6515866	PIN	hinge		1

BOOM, DIPPERSTICK & SWING FRAME (New Style 914 Backhoe)



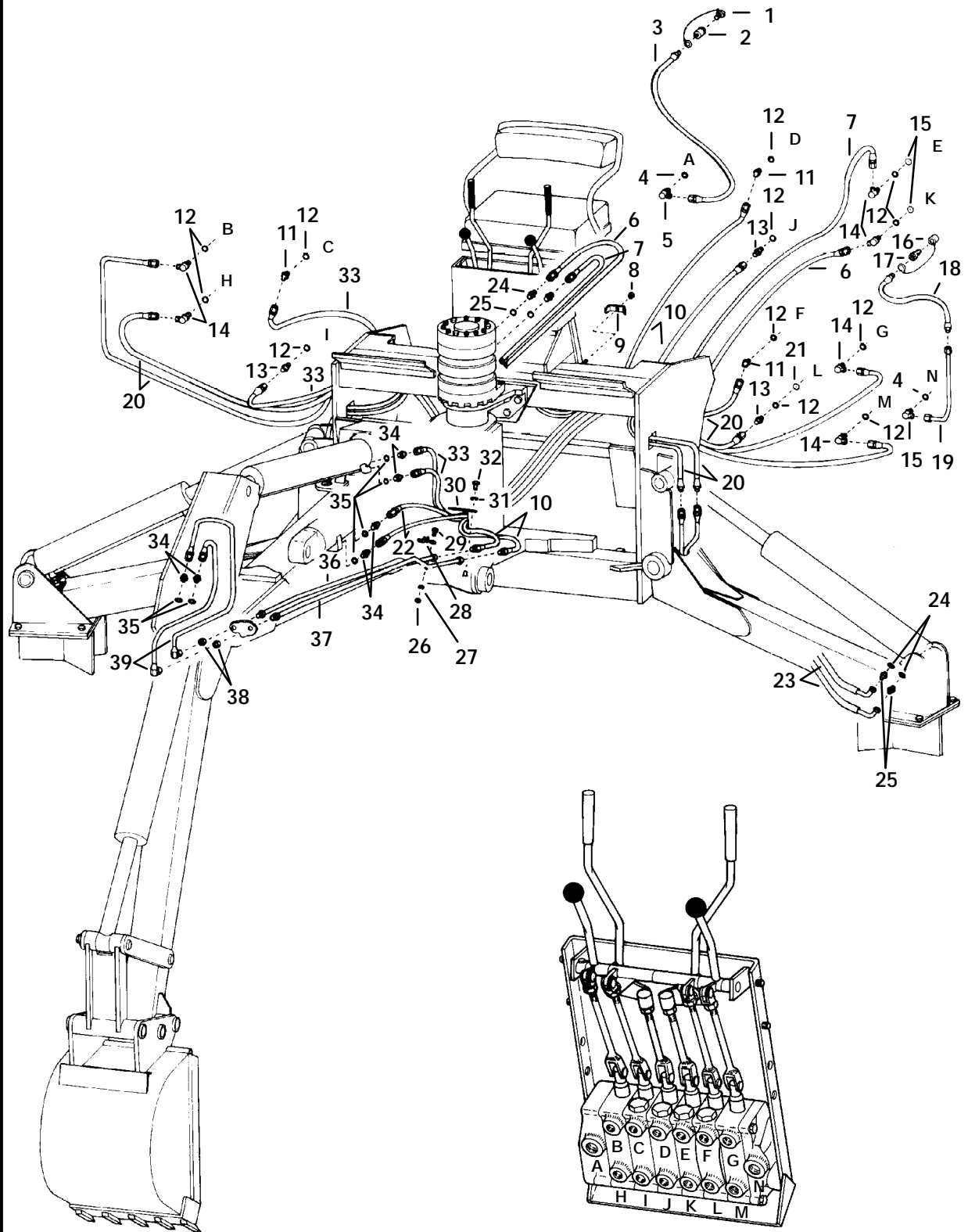
B-20525

BOOM, DIPPERSTICK & SWING FRAME (Cont'd)
(New Style 914 Backhoe)

Ref. No.	Part Number	Description	Remarks	Serial Number	Qty.
1		CYLINDER	boom - See Page 570 & 572		1
2		CYLINDER	dipperstick - See Page 578, 580		1
3	6515866	PIN	Was 6515868 [B]		1
4	6515867	PIN	hinge		1
5	6505511	DECAL	warning		1
6	6508267	BOOM	W/Ref. 7 & 8		1
7	6508233	BUSHING			4
8	10H-35	GREASE ZERK			7
9	18C-864	BOLT			1
10	6515871	PIN	hinge		1
11	6515819	NUT			1
12	82D-8	NUT			2
13	6515826	CYLINDER	swing - See Page 586		1
14	6519149	ANCHOR	swing cylinder - Was 6515264 [A]		2
	6519149	ANCHOR	swing cyl. - Wedge Type		2
	40K-6	PLUG			2
15	25E-27	WASHER			x
16	4E-12	WASHER			6
17	18C-1232	BOLT			4
18	6515827	BEARING			1
19	6515865	PIVOT			1
20	62D-12	NUT			2
21	18C-1248	BOLT			2
22	18C-648	BOLT			6
23	6515873	PIN	hinge		1
24	82D-6	NUT			6
25	6515812	WASHER			1
26	4E-8	WASHER			1
27	18C-820	BOLT			1
28	18C-872	BOLT			1
29	6515869	PIN	hinge		1
30	6515872	CAP	bearing		1
31	6D-16	NUT	castle		3
32	1F-632	COTTER PIN			3
33	6515870	WASHER			1
34	6515839	BEARING			1
35	6515825	FRAME	swing		1
36	8D-16	NUT			2
37	4E-16	WASHER			2
38	6508234	BUSHING			2
39	6508235	BUSHING			4
40	6515875	PIN	hinge		2
41		BUCKET	See Page 590		1
42	6508549	LINK	W/Ref. 8, 39 & 45		1
43	6515837	LINK			1
44	6507916	LINK			1
45	6508234	BUSHING			2
46		CYLINDER	bucket - See Page 574 & 576		1
47	6515835	DIPPERSTICK	W/Ref. 7, 8, 38 & 39		1
48	6515874	PIN	hinge		1
49	947697	PIN	hinge		1

HYDRAULIC CIRCUITRY (Old Style 914 Backhoe)

NOTE: The Letter listed on the valve bank ports at the left correspond to the letters listed on the hose ends above.

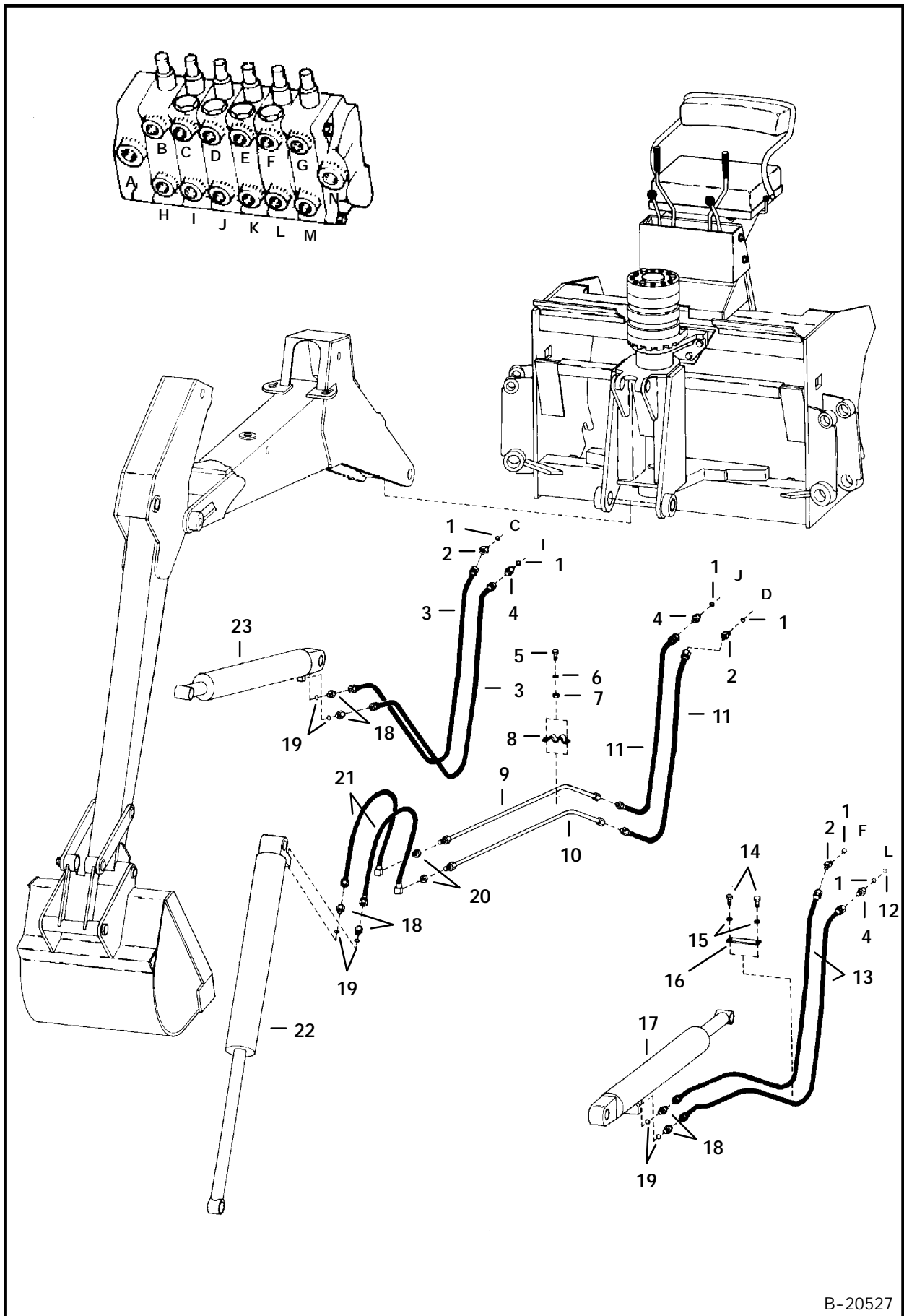


B-20526

HYDRAULIC CIRCUITRY (Cont'd)
(Old Style 914 Backhoe)

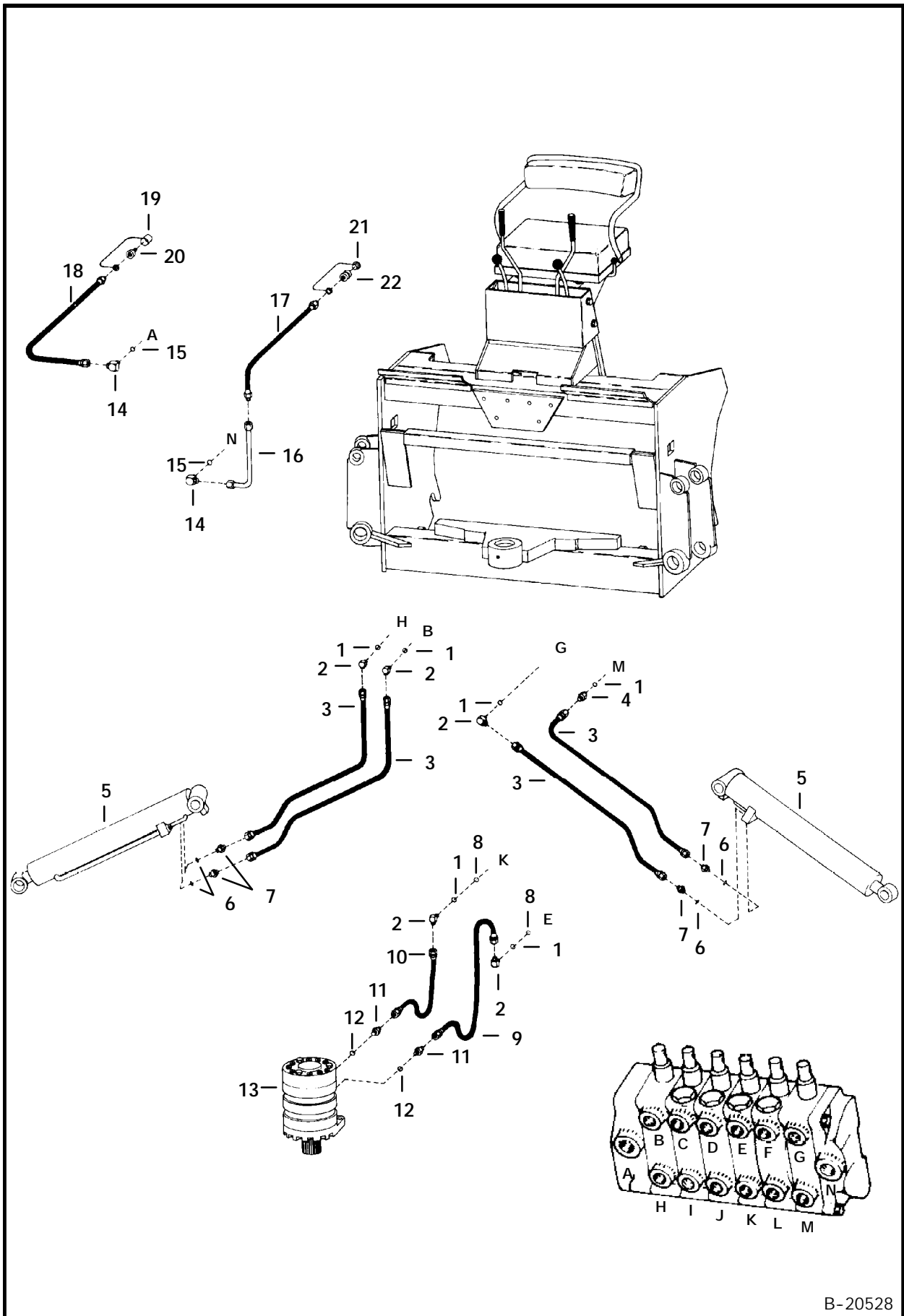
Ref. No.	Part Number	Description	Remarks	Serial Number	Qty.
1	6515598	PLUG			1
2	6515596	QUICK COUPLER	Female		1
	25K-40110	O-RING			1
	73K-219	BACK-UP RING			1
3	6501971	HOSE			1
4	79K-16	O-RING	Was 91F-10 [A]		2
5	731016	ELBOW	W/Ref. 4		2
6	6501989	HOSE			1
7	6501988	HOSE			1
8	81D-6	NUT			1
9	6502773	CLAMP			1
10	1318914	HOSE			2
11	2324539	ELBOW	W/Ref. 12		3
12	79K-12	O-RING	Was 91F-8 [A]		12
13	755055	CONNECTOR	W/Ref. 12		3
14	1308474	ELBOW	W/Ref. 12		6
15	948323	ORIFICE	Swing Ports		2
16	6515599	CAP			1
17	6515597	QUICK COUPLER	Male		1
18	6501972	HOSE			1
19	6501990	TUBE	return Port		1
20	6501970	HOSE			3
21	947695	ORIFICE	Boom Return Port		1
22	1318912	HOSE			2
23	6515807	HOSE			4
24	79K-8	O-RING	Was 91F-6 [A]		4
25	15K-6	CONNECTOR	W/Ref. 24		4
26	61D-4	NUT			2
27	4E-4	WASHER			2
28	6515813	CLAMP			1
29	17C-424	BOLT			2
30	6515885	CLAMP			1
31	4E-5	WASHER			2
32	17C-516	BOLT			2
33	1318912	HOSE			2
34	15K-7	CONNECTOR	W/Ref. 35		6
35	79K-10	O-RING	Was 91F-7 [A]		6
36	6515832	TUBE	bucket cylinder - R.H.		1
37	6515833	TUBE	bucket cylinder - L.H.		1
38	8D-14	NUT			2
39	947589	HOSE			2

BOOM HYDRAULIC CIRCUITRY (New Style 914 Backhoe)



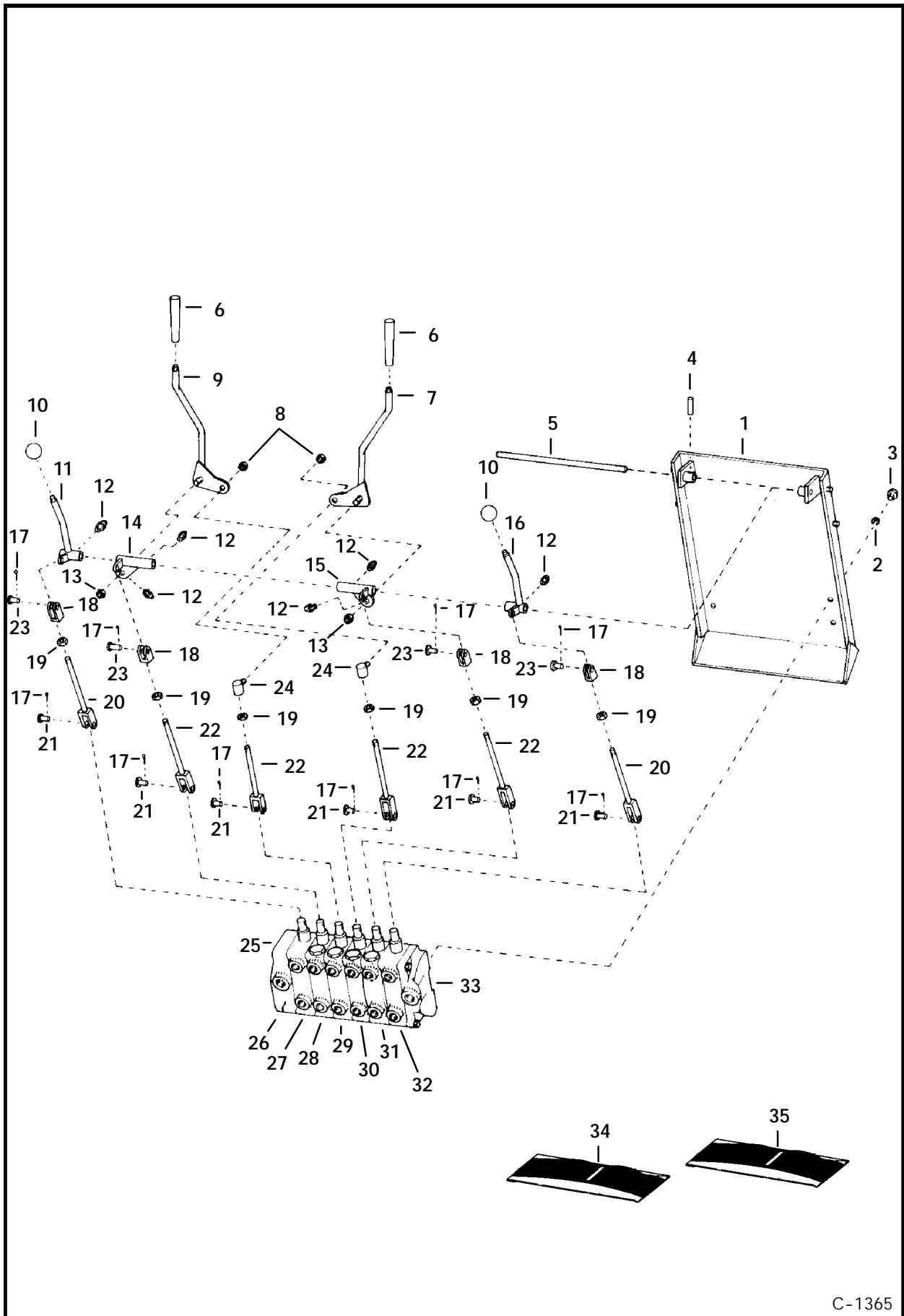
B-20527

STABILIZER HYDRAULIC CIRCUITRY (New Style 914 Backhoe)



B-20528

HAND CONTROL LINKAGE (914 Backhoe)

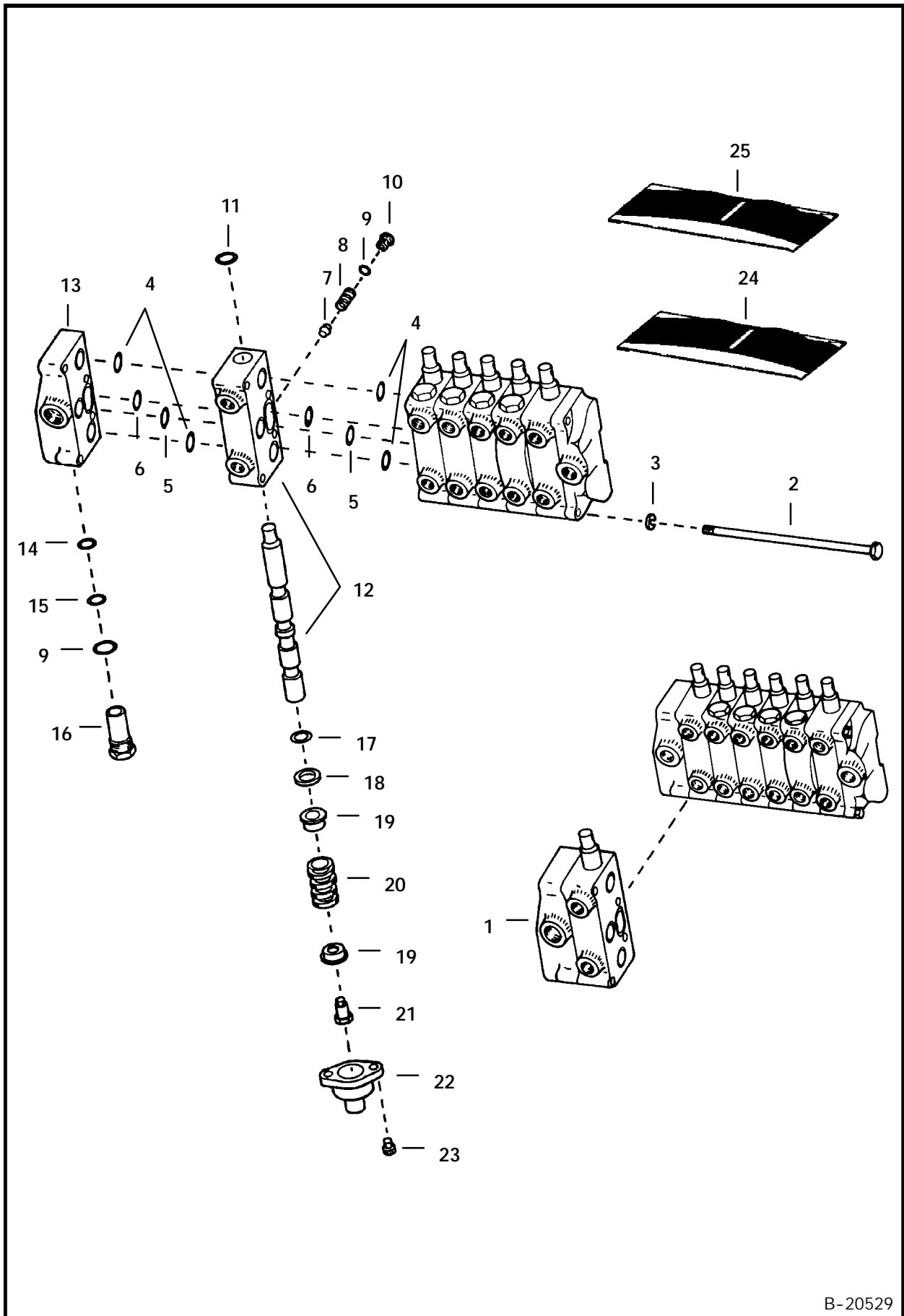


C-1365

HAND CONTROL LINKAGE (Cont'd)
(914 Backhoe)

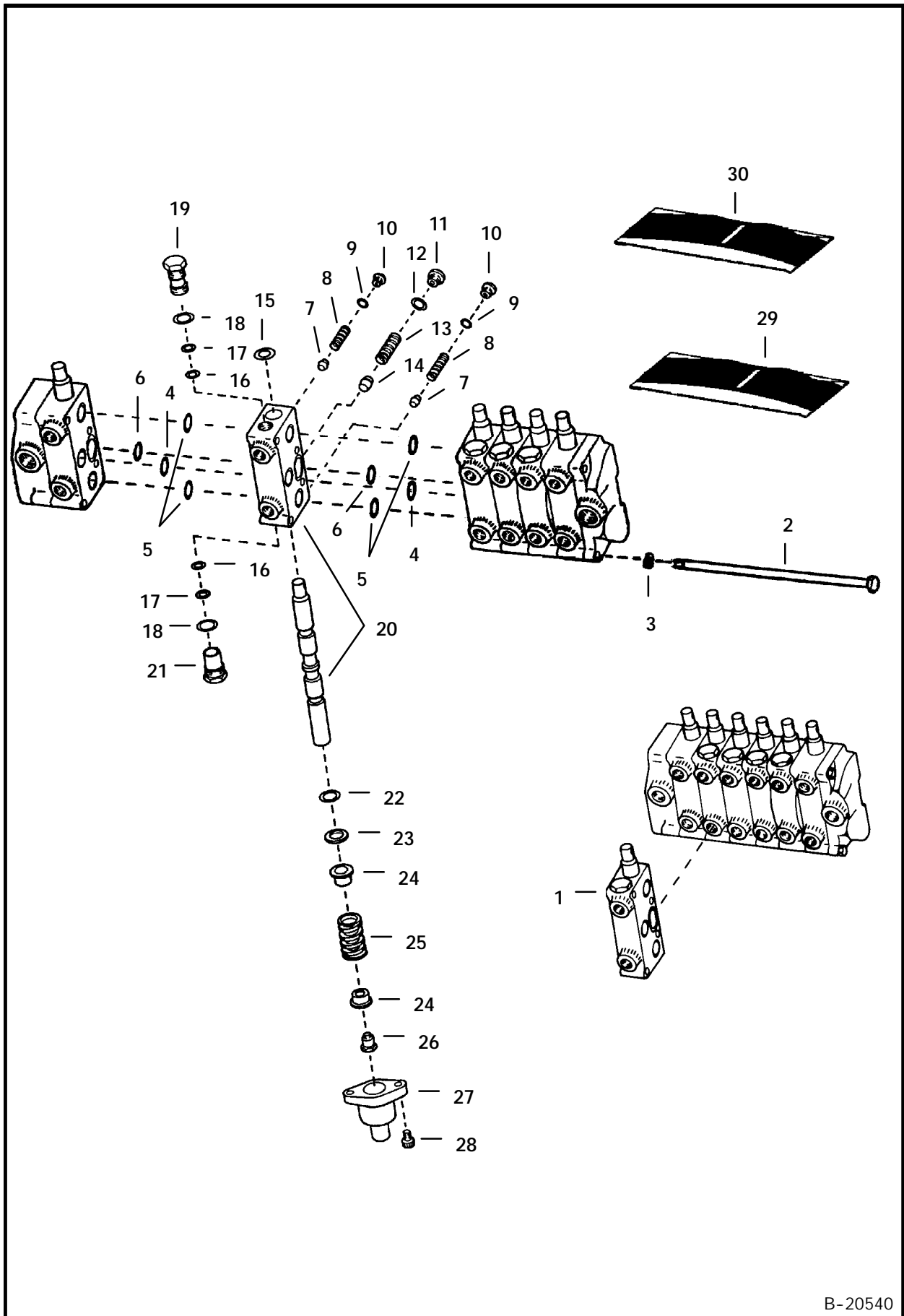
Ref. No.	Part Number	Description	Remarks	Serial Number	Qty.
1	NAP	PLATE	valve mounting - Was 6501960 [A]		1
2	4E-8	WASHER			3
3	17C-816	BOLT			3
4	633157	ROLL PIN			1
5	947677	ROD			1
6	1524497	KNOB			2
7	947678	LEVER	boom and swing - L.H.		1
8	62D-6	NUT			2
9	947679	LEVER	bucket and dipperstick - R.H.		1
10	947681	KNOB			2
11	947676	LEVER	stabilizer - R.H.		1
12	6518200	GREASE ZERK			6
13	62D-10	NUT			2
14	NAP	PIVOT	R.H. - Was 947675 [A]		1
15	NAP	PIVOT	L.H. - Was 947674 [A]		1
16	947673	LEVER	stabilizer - L.H.		1
17	1F-416	COTTER PIN			10
18	2J-6208	CLEVIS			4
19	8D-6	NUT			6
20	NAP	ROD	Was 6515820 [A]		2
21	6507785	PIN			6
22	6505096	ROD			4
23	221461	PIN			4
24	1314990	SWIVEL	ball joint		2
25	NAP	VALVE BANK	Was 947709 [A]		1
26		PLATE	port - See Page 536		1
27		SECTION	Right stabilizer - See Page 536		1
28		SECTION	dipperstick - See Page 538		1
29		SECTION	bucket - See Page 540		1
30		SECTION	swing - See Page 542		1
31		SECTION	boom - See Page 544		1
32		SECTION	left stabilizer - See Page 546		1
33		PLATE	left end - See Page 546		1
34	948312	KIT	major seal - 1 Kit per Valve Bank		1
35	6508074	KIT	dust seal - Used on Valve Bank		1
			Rods		6

RIGHT STABILIZER SECTION & PORT PLATE
(914 Backhoe)



B-20529

DIPPERSTICK SECTION (914 Backhoe)

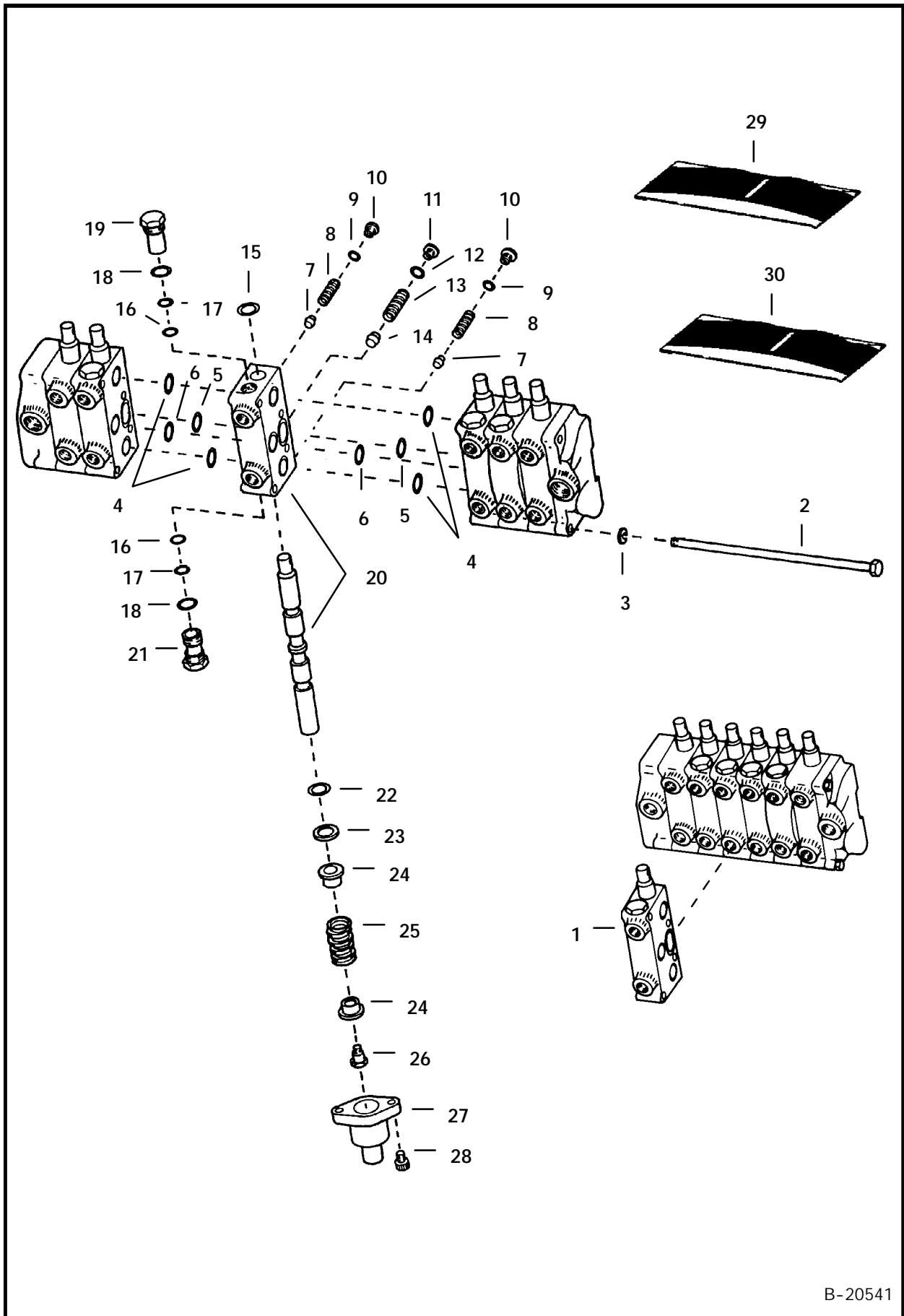


B-20540

DIPPERSTICK SECTION (Cont'd)
(914 Backhoe)

Ref. No.	Part Number	Description	Remarks	Serial Number	Qty.
1	947633	SECTION	Ref. 7 - 15, 20 & 22 - 28		1
2	947743	BOLT			4
3	4E-6	WASHER			4
4	58K-28	O-RING			2
5	25K-20104	O-RING			4
6	58K-24	O-RING			2
7	947718	PLUNGER			2
8	1550482	SPRING			2
9	25K-30016	O-RING			2
10	6632473	PLUG	W/Ref. 9 - Was 947754 [A] W/Ref. 12		1
11	947759	PLUG			1
12	25K-30028	O-RING			1
13	947737	SPRING			1
14	947717	PLUNGER			1
15	25K-40024	O-RING			1
16	25K-30018	O-RING	back-up - Was 947755 [A]		2
17	80K-113	WASHER			2
18	25K-30026	O-RING			2
19	947751	PLUG	W/Ref. 18		1
20	NSS	BODY & SPOOL			1
21	NSS	RELIEF VALVE			W/Ref. 18 - Was 947638 [A]
22	25K-30024	O-RING			1
23	947745	RETAINER			1
24	947749	WASHER			2
25	947738	SPRING			1
26	947750	SCREW			1
27	947710	CAP			1
28	6631988	SCREW	Ref. 12, 15 - 15 & 22 between sections - Ref. 4 - 6 - One Kit per Valve Bank		2
29	948308	SEAL KIT			1
30	948311	SEAL KIT			1

BUCKET SECTION (914 Backhoe)

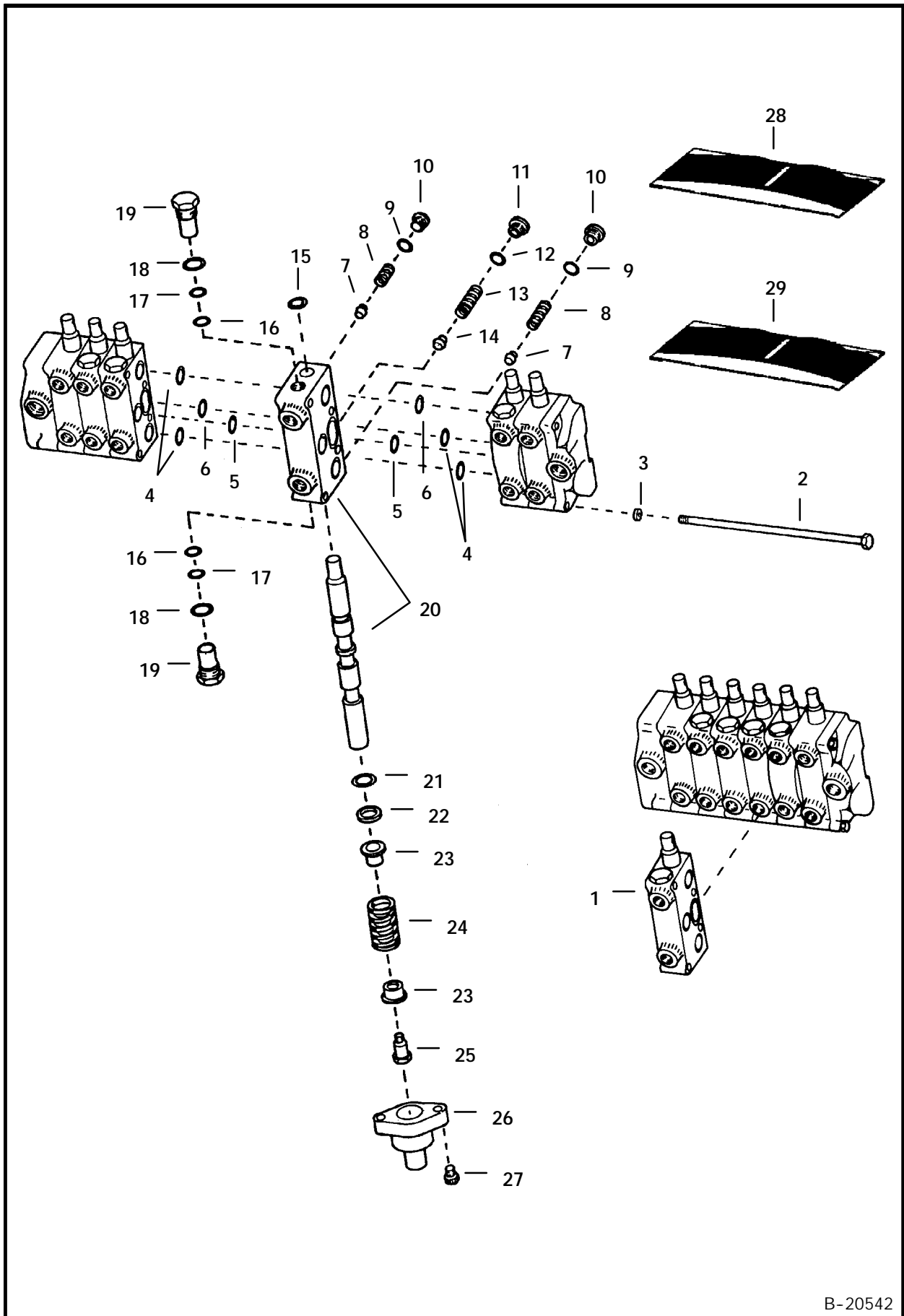


B-20541

BUCKET SECTION (Cont'd)
(914 Backhoe)

Ref. No.	Part Number	Description	Remarks	Serial Number	Qty.
1	947633	SECTION	Ref. 7 - 15, 20 & 22 - 28		1
2	947743	BOLT			4
3	4E-6	WASHER			4
4	25K-20104	O-RING			4
5	58K-24	O-RING			1
6	58K-28	O-RING			1
7	947718	PLUNGER			2
8	1550482	SPRING			1
9	25K-30016	O-RING			2
10	6632473	PLUG	W/Ref. 9 - Was 947754 [A]		2
11	947759	PLUG	W/Ref. 12		1
12	25K-30028	O-RING			1
13	947737	SPRING			1
14	947717	PLUNGER			1
15	25K-40024	O-RING			1
16	25K-30018	O-RING			1
17	80K-113	WASHER	back-up - Was 947755 [A]		2
18	25K-30026	O-RING			2
19	947751	PLUG	W/Ref. 18		1
20	NSS	BODY & SPOOL			1
21	NSS	RELIEF VALVE	W/Ref. 18 - Was 947638 [A]		1
22	25K-30024	O-RING			1
23	947745	RETAINER			1
24	947749	WASHER			2
25	947738	SPRING			1
26	947750	SCREW			1
27	947710	CAP			1
28	6631988	SCREW			2
29	948308	SEAL KIT	Ref. 12, 15 - 18 & 22		1
30	948311	SEAL KIT	between sections - Ref. 4 - 6		1
			- One Kit per Valve Bank		1

SWING SECTION (914 Backhoe)

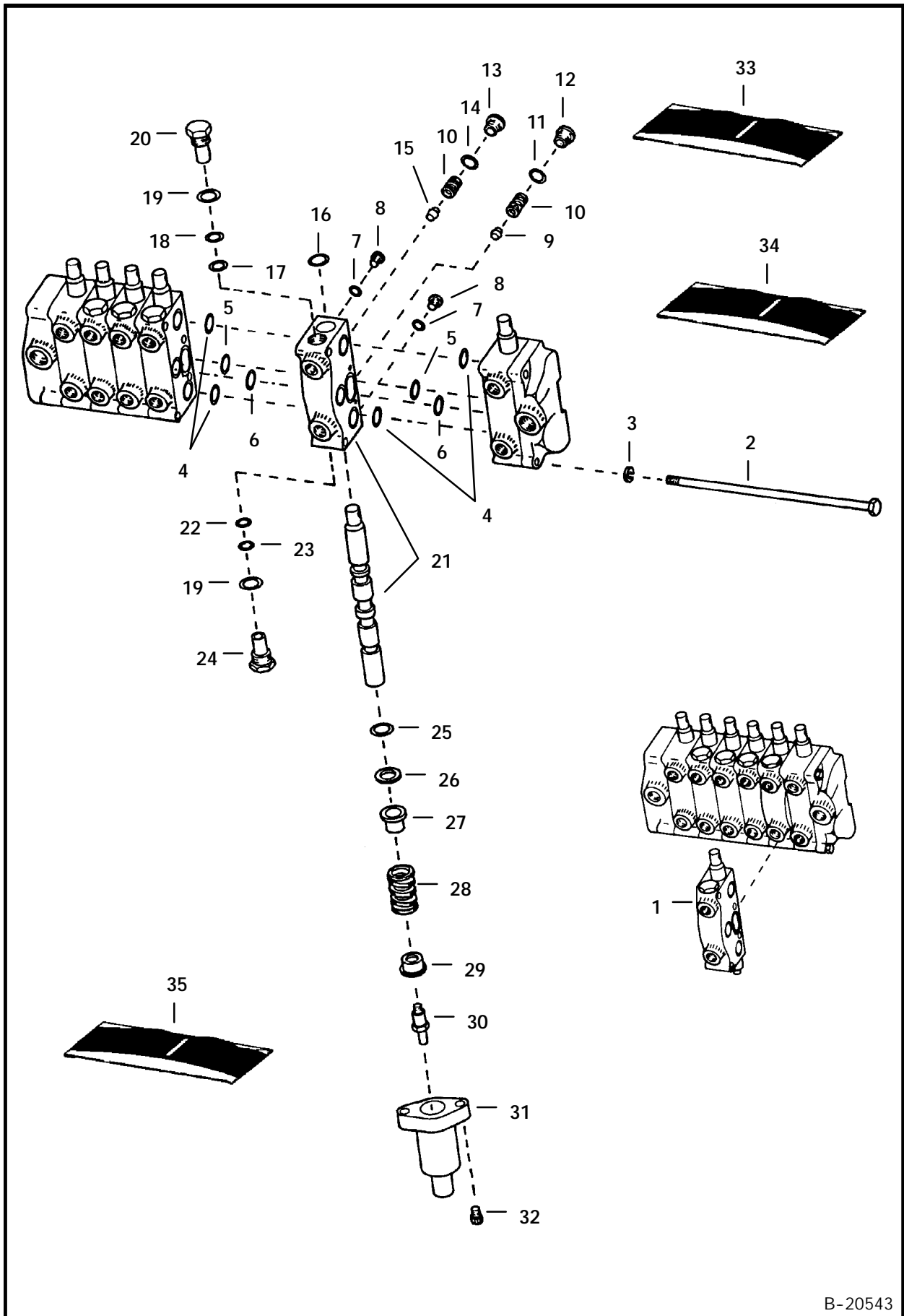


B-20542

SWING SECTION (Cont'd)
(914 Backhoe)

Ref. No.	Part Number	Description	Remarks	Serial Number	Qty.
1	NAP	SECTION	Ref. 7 - 15 & 20 - 27 - Was 947634 [A]		1
2	947743	BOLT			4
3	4E-6	WASHER			4
4	25K-20104	O-RING			4
5	58K-28	O-RING			2
6	58K-24	O-RING			2
7	947718	PLUNGER			2
8	1550482	SPRING			2
9	25K-30016	O-RING			2
10	6632473	PLUG	W/Ref. 9 - Was 947754 [A]		2
11	947759	PLUG	W/Ref. 12		1
12	25K-30028	O-RING			1
13	947737	SPRING			1
14	947717	PLUNGER			1
15	25K-40024	O-RING			1
16	25K-30018	O-RING			2
17	80K-113	WASHER	back-up - Was 947755 [A]		2
18	25K-30026	O-RING			2
19	NSS	RELIEF VALVE	W/Ref. 18 - Was 947638 [A]		2
20	NSS	BODY & SPOOL			1
21	25K-30024	O-RING			1
22	947745	RETAINER			1
23	947749	WASHER			2
24	947738	SPRING			1
25	947750	SCREW			1
26	947710	CAP			1
27	6631988	SCREW			1
28	948308	SEAL KIT	Ref. 12, 15 -18 & 21		1
29	948311	SEAL KIT	between sections - Ref. 4 - 6		1
			- One Kit per Valve Bank		1

BOOM SECTION (914 Backhoe)

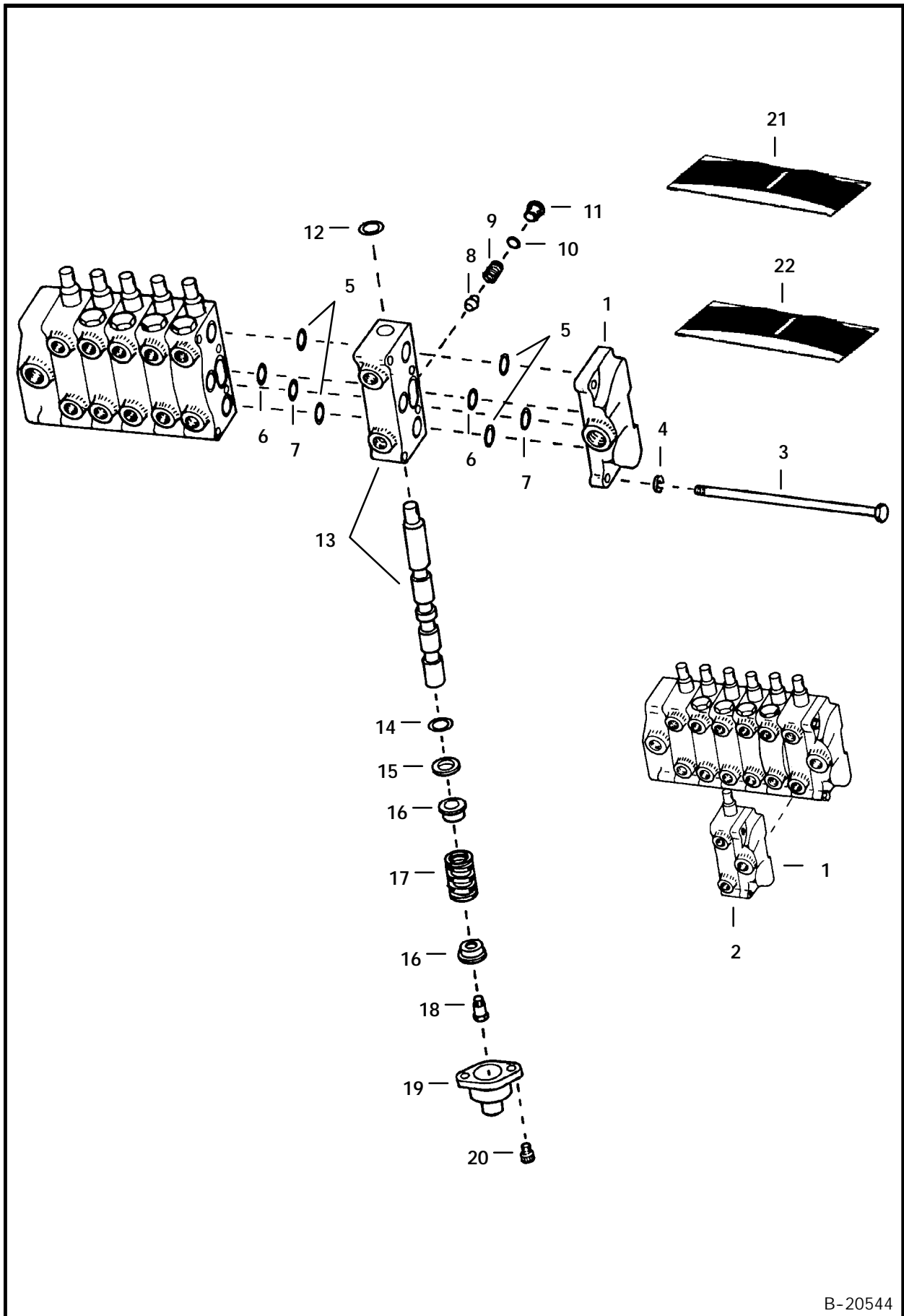


B-20543

BOOM SECTION (Cont'd)
(914 Backhoe)

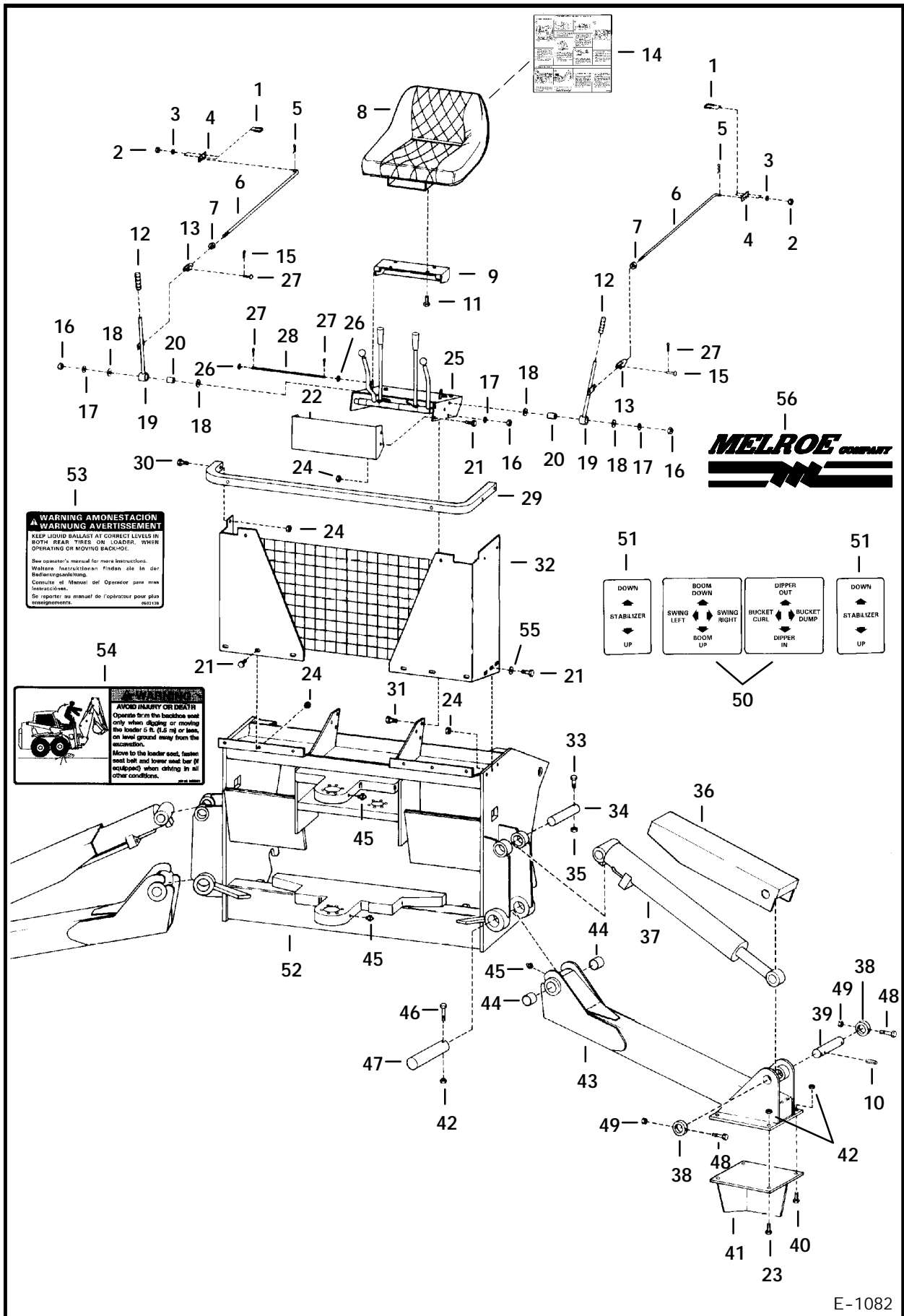
Ref. No.	Part Number	Description	Remarks	Serial Number	Qty.
1	NAP	SECTION	Ref. 7 - 16, 21, 25 - 32 - Order 947709 - Was 947635 [A]		1
2	947743	BOLT			4
3	4E-6	WASHER			4
4	25K-20104	O-RING			2
5	58K-24	O-RING			1
6	58K-28	O-RING			1
7	25K-30016	O-RING			2
8	6632473	PLUG	W/Ref. 7 - Was 947754 [A]		2
9	947719	PLUNGER			1
10	947737	SPRING			2
11	25K-30028	O-RING			1
12	947759	PLUG	W/Ref. 11		1
13	947753	PLUG	W/Ref. 14		1
14	25K-30030	O-RING			1
15	947717	PLUNGER			1
16	25K-40024	O-RING			1
17*	NAP	O-RING	See Ref. 35 - Was 25K-20024 [A]		1
18*	NAP	WASHER	back-up See Ref. 35 - Was 946651 [A]		1
19*	NAP	O-RING	See Ref. 35 - Was 25K-30026 [A]		2
20	6665480	RELIEF VALVE	W/Ref. 19 - Was 6664959 [A]		1
21	NSS	BODY & SPOOL			1
22	25K-30018	O-RING			1
23	80K-113	WASHER	back-up - Was 947755 [A]		1
24	NSS	RELIEF VALVE	W/Ref. 19 - Was 947638 [A]		1
25	25K-30024	O-RING			1
26	947745	RETAINER			1
27	947748	WASHER			1
28	947738	SPRING			1
29	947749	WASHER			1
30	947747	SCREW			1
31	947711	CAP			1
32	6631988	SCREW			2
33	948310	SEAL KIT	boom section - Ref. 11, 14, 16 - 19, 22, 23 & 26		1
34	948311	SEAL KIT	between sections - Ref. 4 - 6 - One Kit per Valve Bank		1
35*	6657100	SEAL KIT	W/Ref. 17 - 19 -used W/Ref. 20		
*	6669653	SEAL KIT	W/ 32041LA marked on end of relief valve W/Ref. 17 - 19 -used W/Ref. 20		x
			W/ 32041LA or 32041LA3 marked on end of relief valve		x

LEFT STABILIZER SECTION & END PLATE
(914 Backhoe)



B-20544

MAIN FRAME (914A Backhoe)

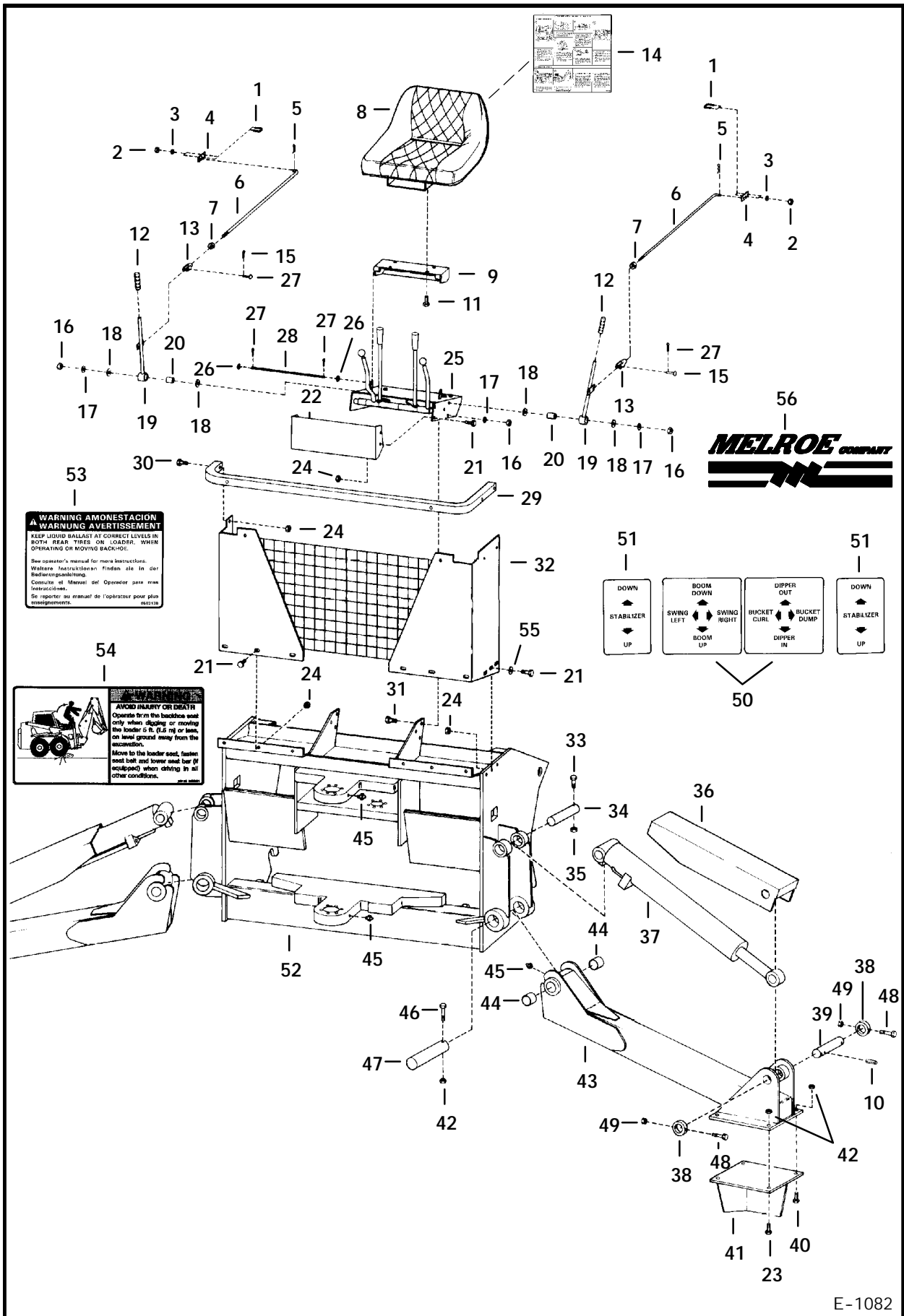


E-1082

MAIN FRAME (Cont'd)
(914A Backhoe)

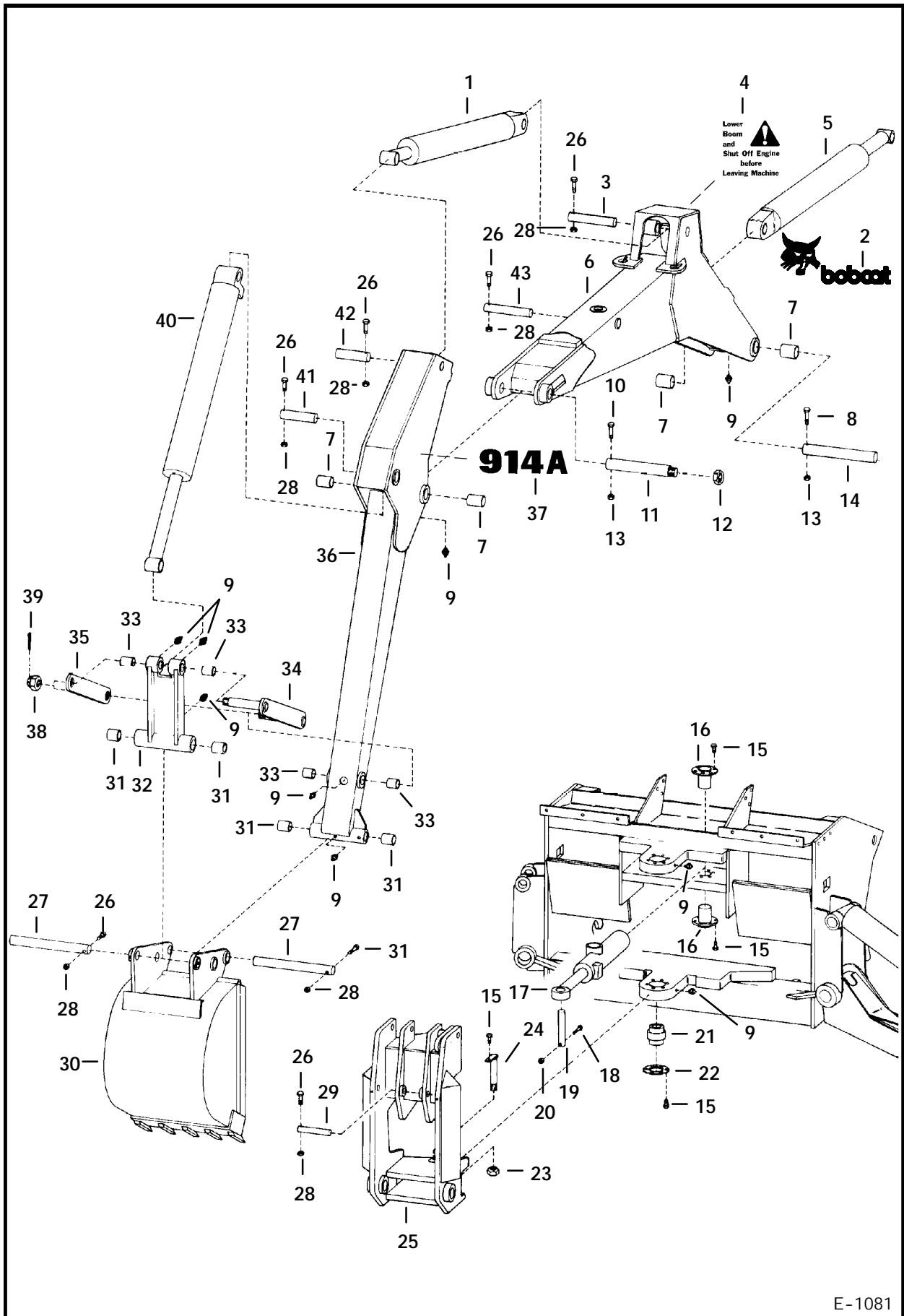
Ref. No.	Part Number	Description	Remarks	Serial Number	Qty.
1	799674	U-BOLT			2
2	62D-4	NUT			4
3	4E-4	WASHER			4
4	6508441	MOUNT	control lever		2
5	1318565	COTTER PIN			2
6	6592805	ROD	extended steering		2
7	8D-6	NUT			2
8	6500774	SEAT			1
	6660148	LOWER SLIDE			1
	6660149	UPPER SLIDE			1
9	6542128	PLATE	seat		1
10	658455	ROLL PIN			2
11	17C-512	BOLT			4
12	6515109	GRIP			2
13	2J-6208	CLEVIS	adjustable		2
14	6593351	DECAL	mounting instructions		1
15	663350	PIN	hinge		2
16	61D-8	NUT			6
17	4E-8	WASHER			6
18	25E-21	WASHER			4
19	6592803	LEVER	auxiliary steering		2
20	6508444	BUSHING			2
21	17C-614	BOLT			4
22	6542125	GUARD	hand controls		1
23	18C-844	BOLT			2
24	61D-6	NUT			15
25		HAND CONTROL	linkage - See Page 558		1
26	784469	WASHER			2
27	1F-316	COTTER PIN			4
28	6542124	PIN	hinge		1
29	6542286	BAR			1
30	17C-628	BOLT			6
31	17C-820	BOLT			6
32	6542802	SCREEN			1
33	17C-652	BOLT			2
34	947670	PIN	hinge		2
35	81D-6	NUT			4
36	6508367	SHIELD			2
37	6508540	CYLINDER	stabilizer - See Page 584		2
38	6508372	COLLAR	locking		4
39	6508370	PIN	hinge		2
40	18C-824	BOLT			6
41	6515823	SPADE	stabilizer		2
42	62D-8	NUT			8
43	6508545	LEG	stabilizer - W/Ref. 44 & 45		2
44	6508233	BUSHING			4
45	10H-35	GREASE ZERK			4
46	18C-872	BOLT			4
47	947669	PIN	hinge		2
48	18C-648	BOLT			4
49	82D-6	NUT			4

MAIN FRAME (Cont'd) (914A Backhoe)



E-1082

BOOM, DIPPERSTICK & SWING FRAME (914A Backhoe)

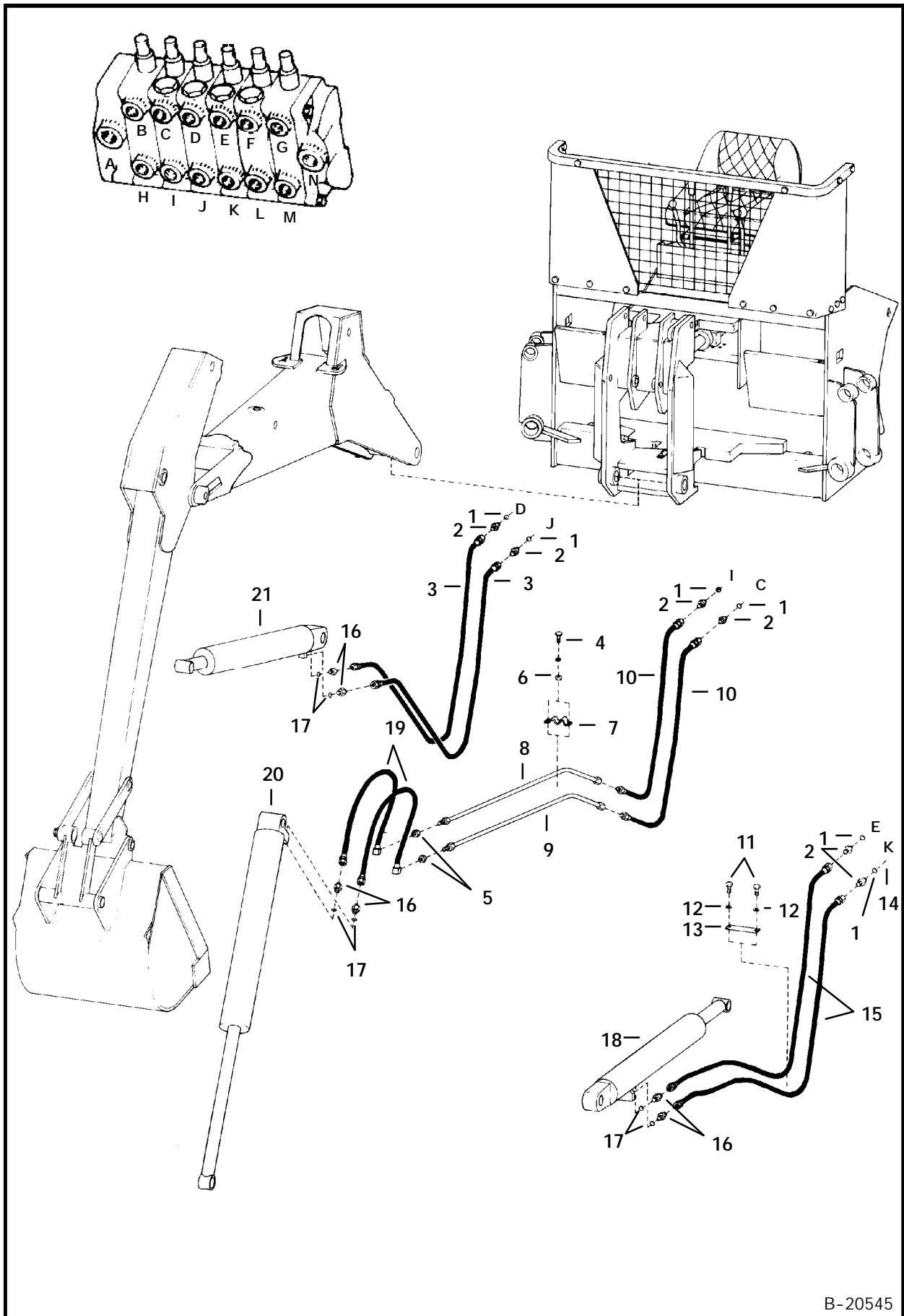


E-1081

BOOM, DIPPERSTICK & SWING FRAME (Cont'd)
(914A Backhoe)

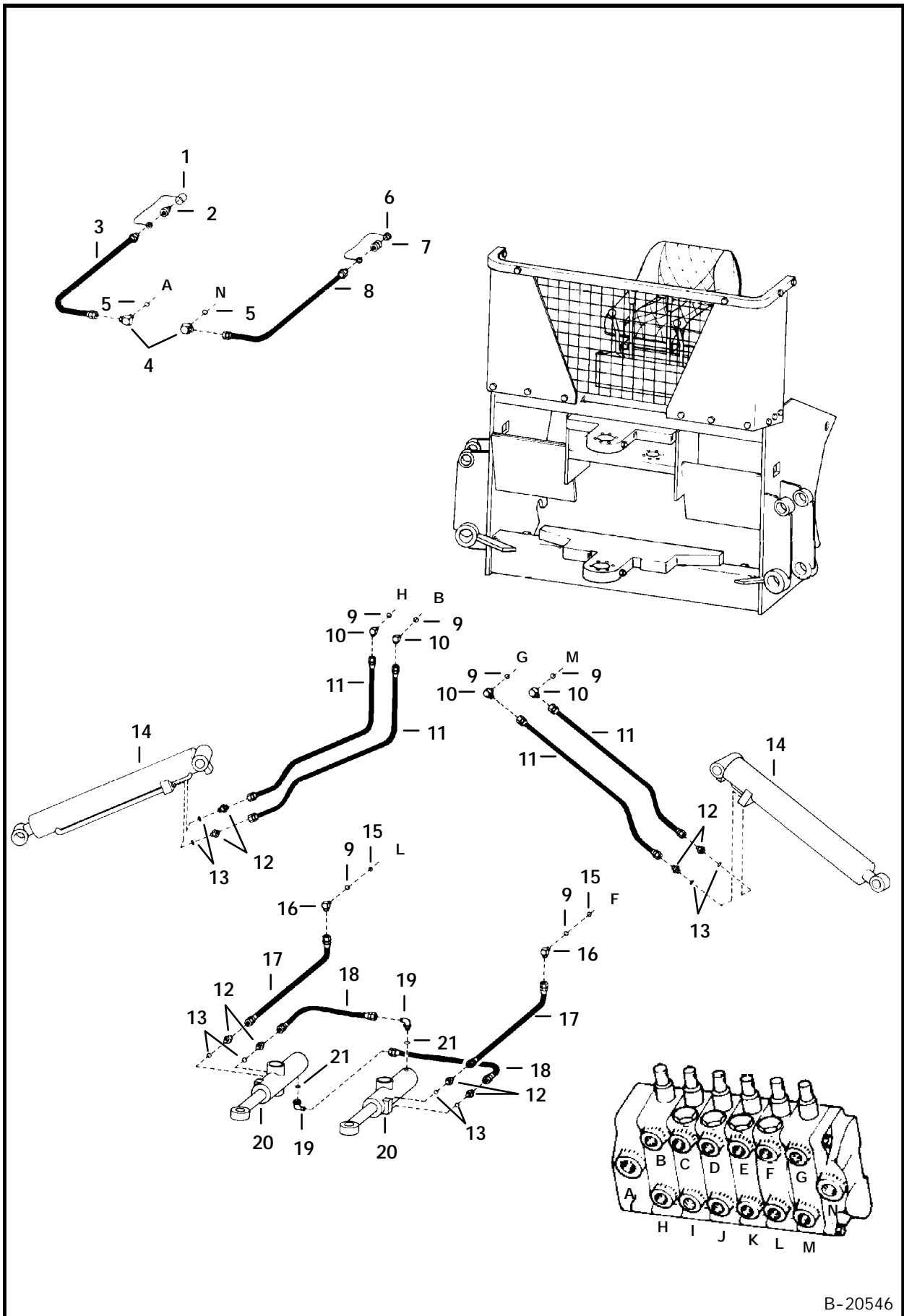
Ref. No.	Part Number	Description	Remarks	Serial Number	Qty.
1	6508538	CYLINDER	dipperstick - See Page 580		1
2	6557412	DECAL			1
	6557413	DECAL			1
3	6515867	PIN	hinge		1
4	6505511	DECAL	warning		1
5	6508537	CYLINDER	boom - See Page 570 & 572		1
6	6542533	BOOM	backhoe - W/Ref. 7 & 9		1
7	6508233	BUSHING			4
8	18C-872	BOLT			1
9	10H-35	GREASE ZERK			7
10	18C-864	BOLT			1
11	6515871	PIN	hinge		1
12	66D-24	NUT			1
13	82D-8	NUT			2
14	6542171	PIN	hinge		1
15	17C-820	BOLT			32
16	6542117	PIVOT	swing cylinder		4
17	NAP	CYLINDER	swing - See Page 588 -		
			Was 6519574 [A]		2
18	17C-1056	BOLT			2
19	6542116	PIN	pivot		2
20	81D-10	NUT			2
21	6511242	BEARING			2
22	6542114	RETAINER	bearing		1
23	6542113	NUT			2
24	6542120	PIN	pivot		2
25	6542089	FRAME	swing		1
26	18C-648	BOLT			6
27	6515875	PIN	hinge		2
28	82D-6	NUT			7
29	6515873	PIN	hinge		1
30		BUCKET	See Page 590		1
31	6508235	BUSHING			4
32	6508549	LINK	bucket actuating - W/Ref. 9, 31 & 33		1
33	6508234	BUSHING			4
34	6515837	LINK			1
35	6507916	LINK			1
36	6515835	DIPPERSTICK	W/Ref. 7, 9, 31 & 33		1
37	6593415	DECAL			2
38	6D-16	NUT	castle		2
39	1F-632	COTTER PIN			2
40	6508539	CYLINDER	bucket - See Page 574 & 576		1
41	947697	PIN	hinge		1
42	6515874	PIN	hinge		1
43	6515866	PIN	hinge		1

BOOM HYDRAULIC CIRCUITRY (914A Backhoe)



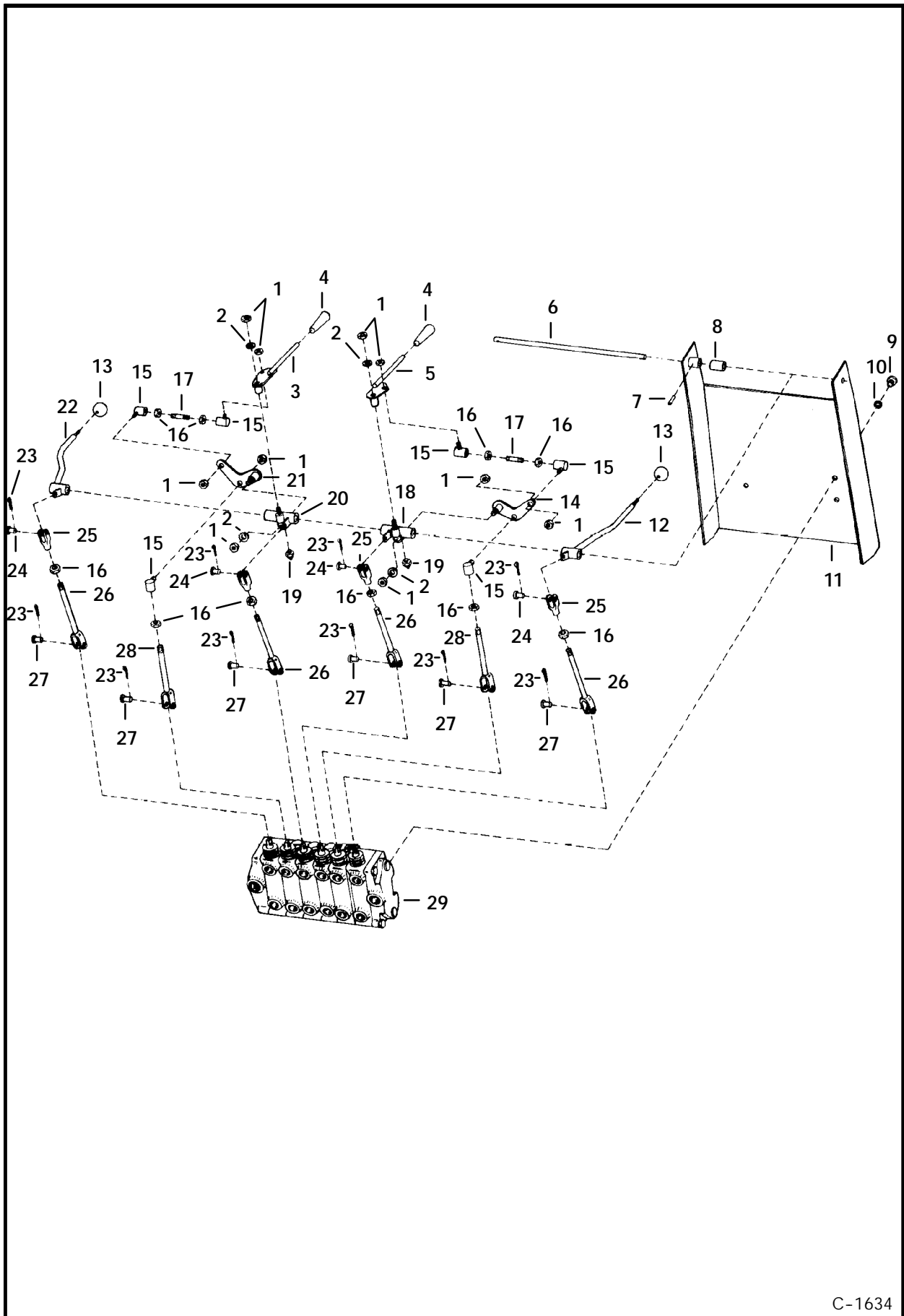
B-20545

STABILIZER HYDRAULIC CIRCUITRY (914A Backhoe)



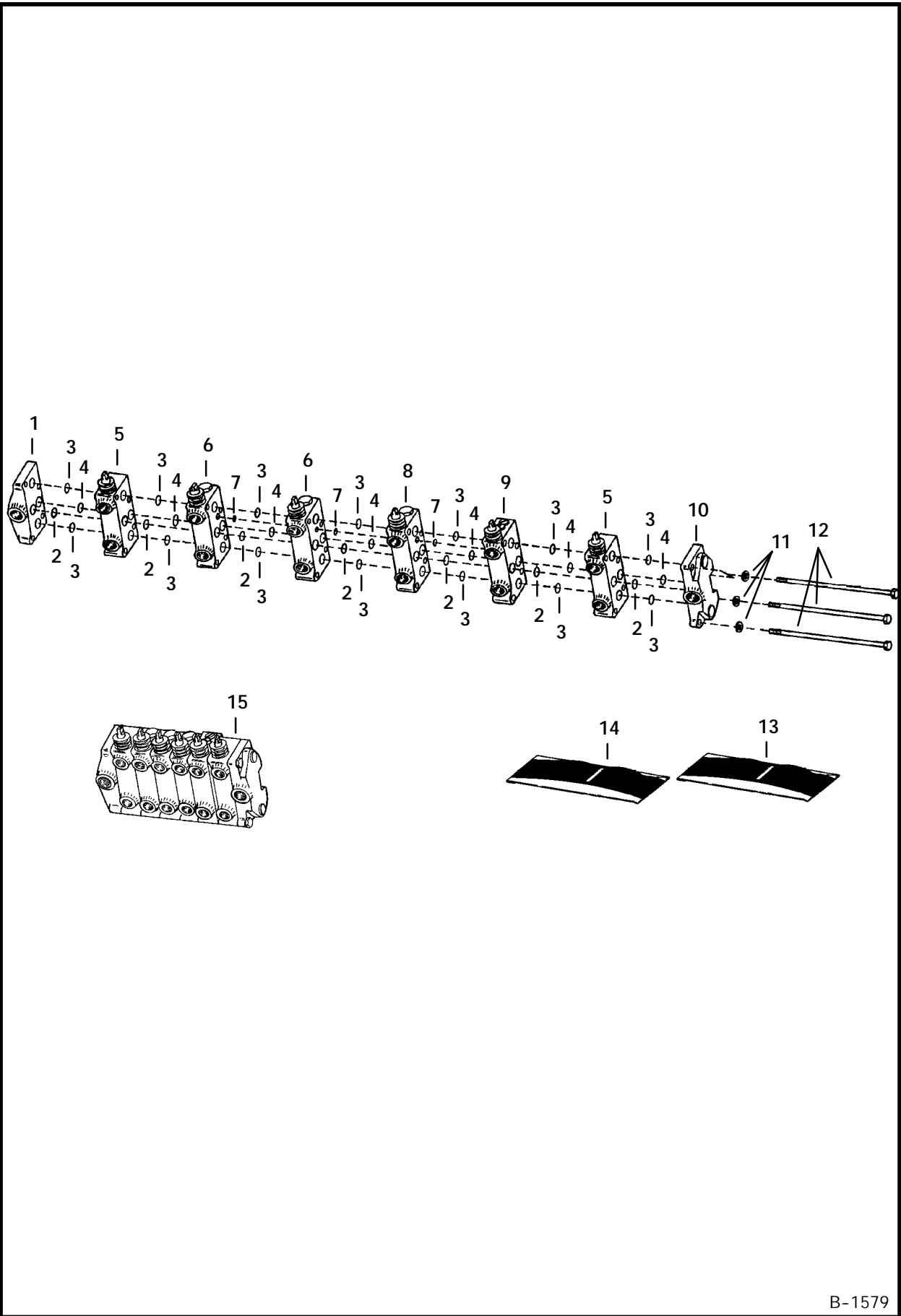
B-20546

HAND CONTROL LINKAGE
(914A Backhoe)



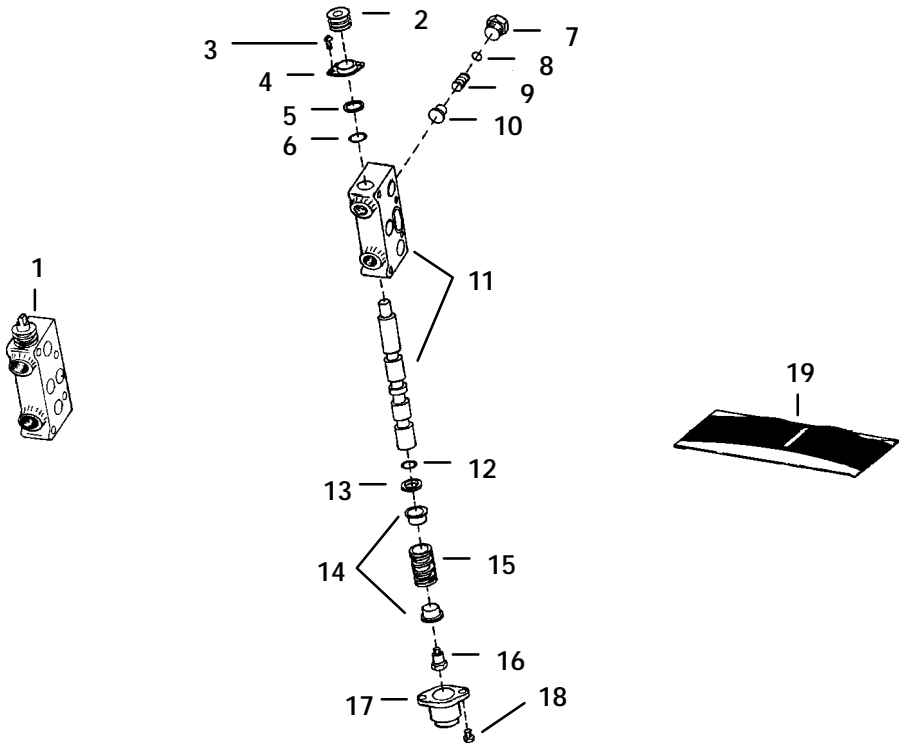
C-1634

VALVE ASSEMBLY (914A Backhoe)



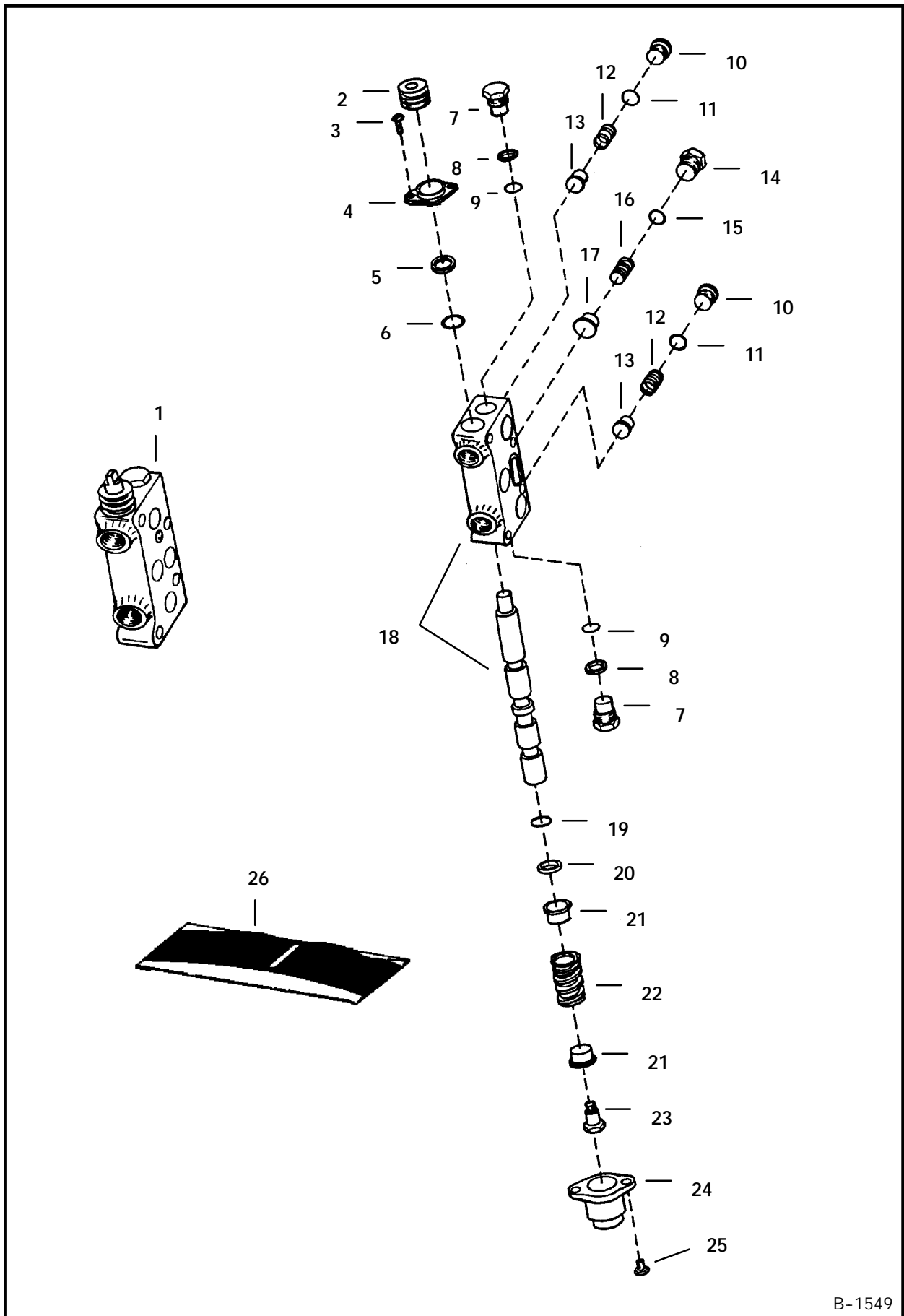
B-1579

VALVE SECTION - STABILIZER
(914A Backhoe)



B-1548

VALVE SECTION - BUCKET & DIPPERSTICK (914A Backhoe)

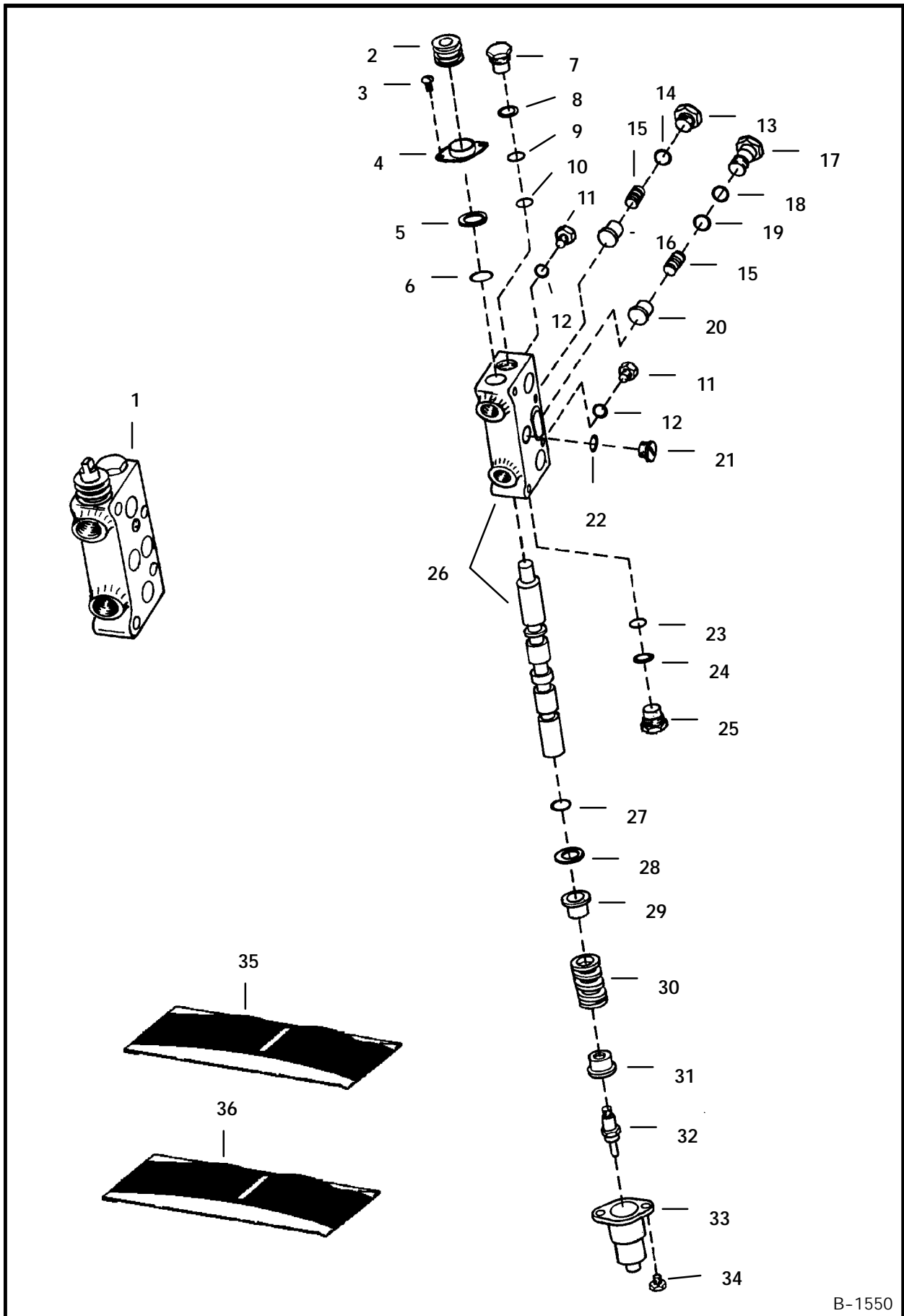


B-1549

VALVE SECTION - BUCKET & DIPPERSTICK (Cont'd)
(914A Backhoe)

Ref. No.	Part Number	Description	Remarks	Serial Number	Qty.
1	6519601	SECTION	bucket & dipp. - Ref. 2 - 25 dust		1
2	947744	COVER			1
3	92G-406	SCREW			2
4	947752	RETAINER	dust cover		1
5	947746	SEAL			1
6	NSS	O-RING			1
7	NSS	RELIEF VALVE	Was 947638 [A] back-up		2
8	NSS	WASHER			2
9	NSS	O-RING			2
10	6632473	PLUG	Was 947754 [A]		2
11	NSS	O-RING			2
12	1550482	SPRING			2
13	947718	PLUNGER	lift check		1
14	6519632	PLUG			1
15	NSS	O-RING			1
16	947737	SPRING	lift check		1
17	947717	PLUNGER			1
18	NSS	BODY & SPOOL			1
19	NSS	O-RING			1
20	947745	RETAINER			1
21	947749	WASHER			1
22	947738	SPRING			1
23	947750	SCREW			1
24	947710	CAP			1
25	6631988	SCREW	W/Ref. 6, 8, 9, 11, 15 & 19		2
26	948308	SEAL KIT			1

VALVE SECTION - BOOM
(914A Backhoe)

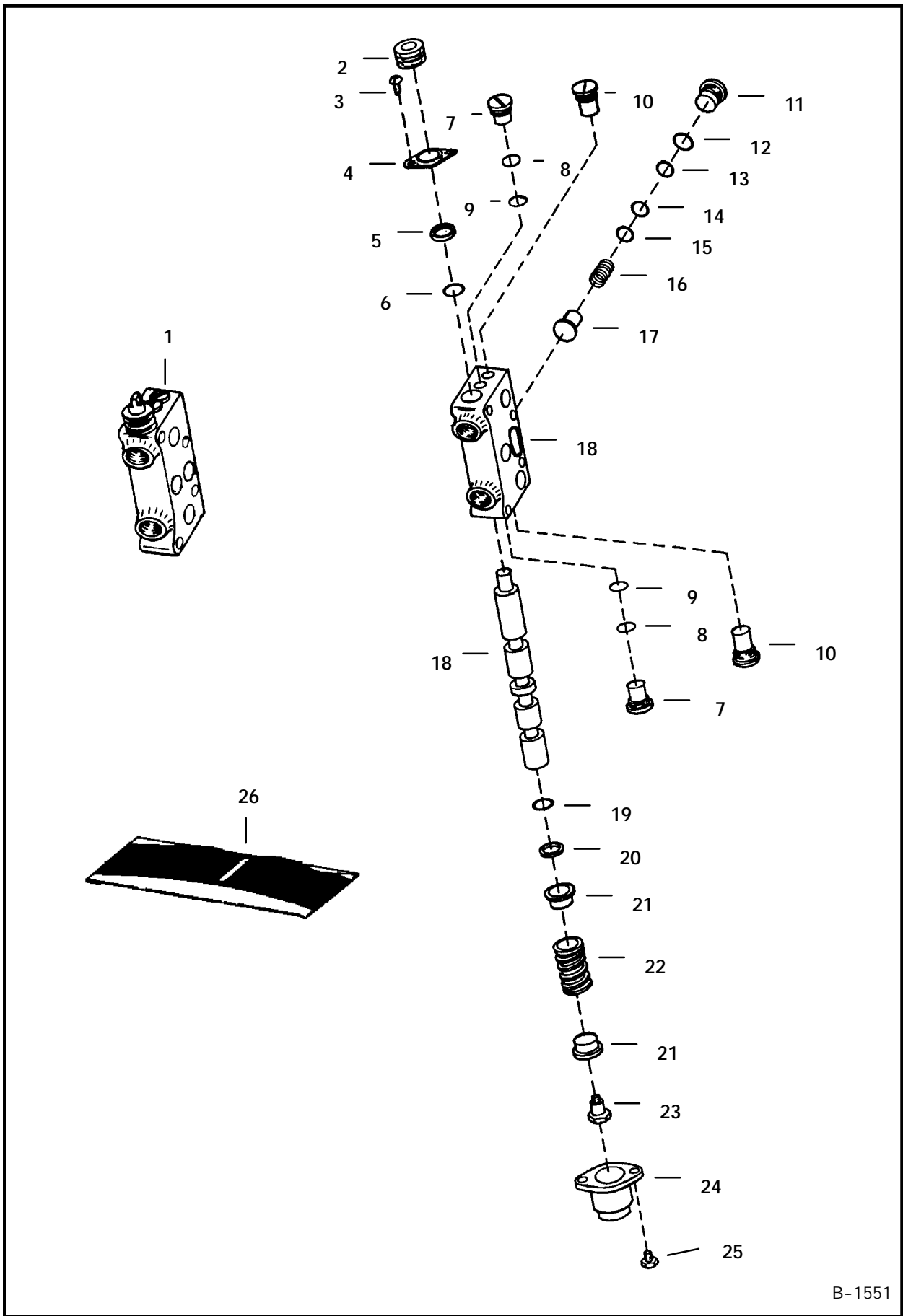


B-1550

VALVE SECTION - BOOM (Cont'd)
(914A Backhoe)

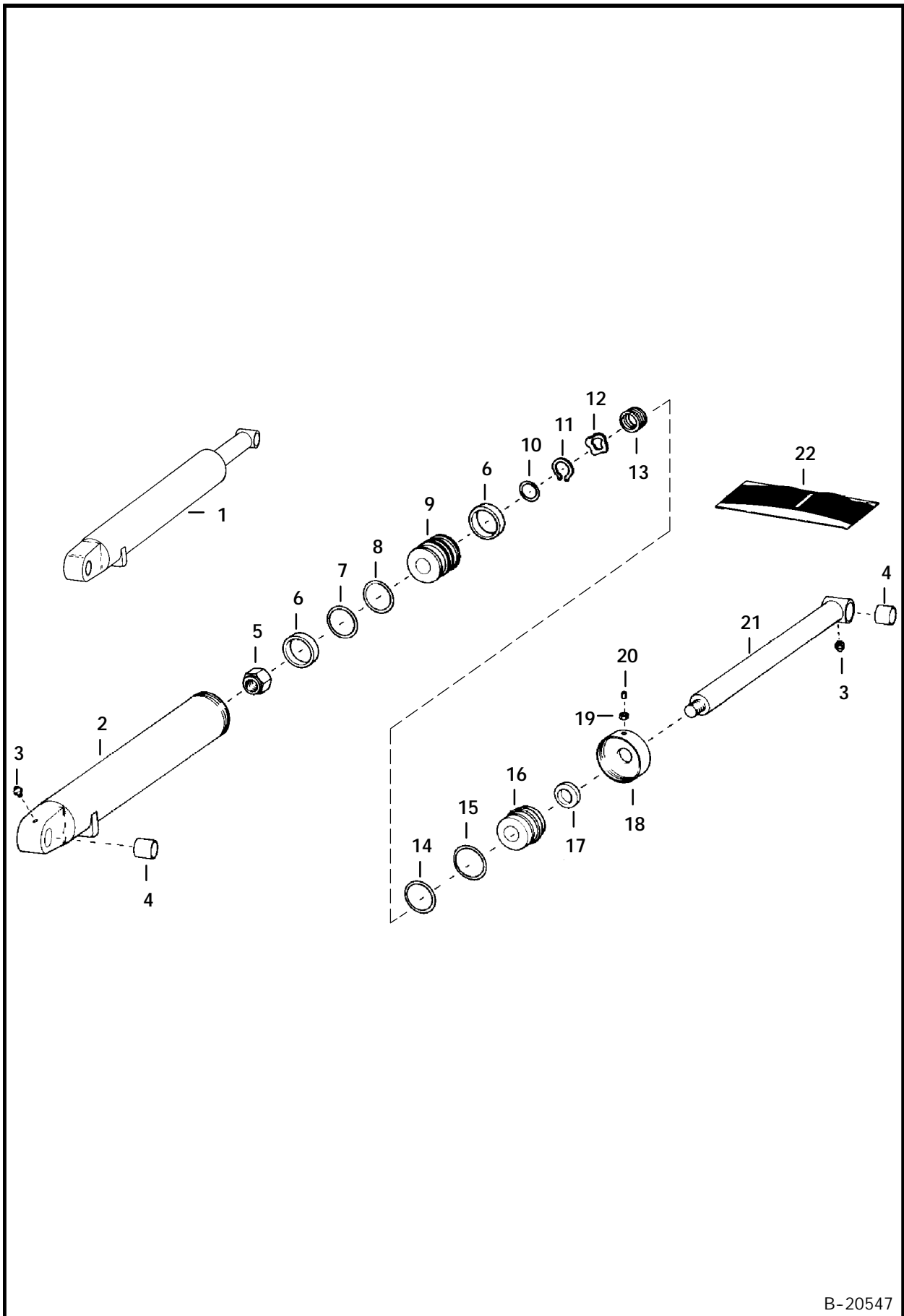
Ref. No.	Part Number	Description	Remarks	Serial Number	Qty.
1	6519603	SECTION	boom - Ref. 2 - 34		1
2	947744	COVER			1
3	92G-406	SCREW			2
4	947752	RETAINER	dust cover		1
5	947746	SEAL			1
6	NSS	O-RING			1
7	6665480	RELIEF VALVE	Was 6664959 [A]		1
8	NSS	O-RING	See Ref. 36		1
9	NSS	WASHER	back-up - See Ref. 36		1
10	NSS	O-RING	See Ref. 36		1
11	6632473	PLUG	Was 947754 [A]		2
12	NSS	O-RING			2
13	6519631	PLUG			1
14	893264	O-RING			1
15	947737	SPRING			2
16	947719	PLUNGER	lift check		1
17	947753	PLUG			1
18	NSS	WASHER	back-up		1
19	NSS	O-RING			1
20	947717	PLUNGER	lift check		1
21	6519630	PLUG			1
22	NSS	O-RING			1
23	NSS	O-RING			1
24	NSS	WASHER	back-up		1
25	NSS	RELIEF VALVE	Was 947638 [A]		1
26	NSS	BODY & SPOOL			1
27	NSS	O-RING			1
28	947745	RETAINER			1
29	947748	WASHER			1
30	947738	SPRING			1
31	947749	WASHER			1
32	947747	SCREW			1
33	6519605	CAP			1
34	6631988	SCREW			2
35	948310	SEAL KIT	W/Ref. 6, 8 - 10, 12, 14, 18, 19, 22 - 24 & 27		1
36*	6657100	SEAL KIT	W/Ref. 8 - 10 - used W/Ref. 7 W/ 32041LA marked on end of relief valve		x
*	6669653	SEAL KIT	W/Ref. 8 - 10 - used W/Ref. 7 W/ 32041LA or 32041LA3 marked on end of relief valve		x

VALVE SECTION - SWING
(914A Backhoe)



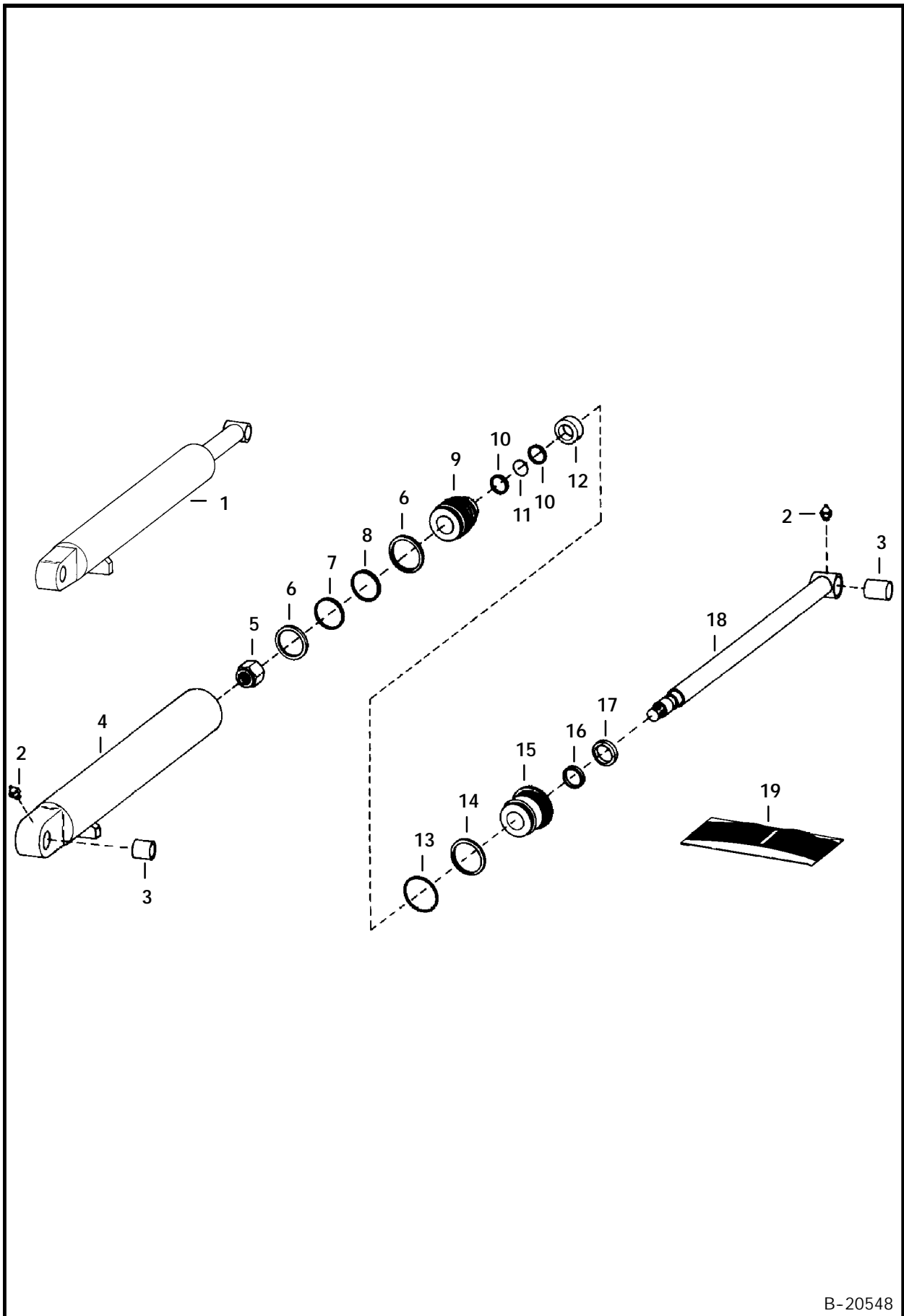
B-1551

BOOM CYLINDER
(Old Style 914A Backhoe)



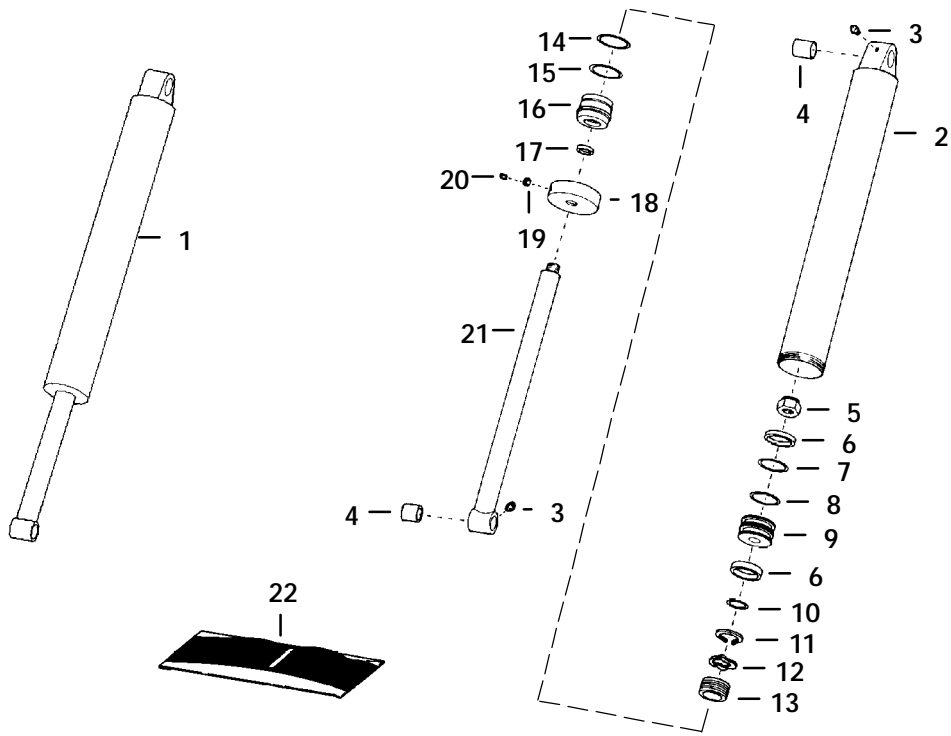
B-20547

BOOM CYLINDER



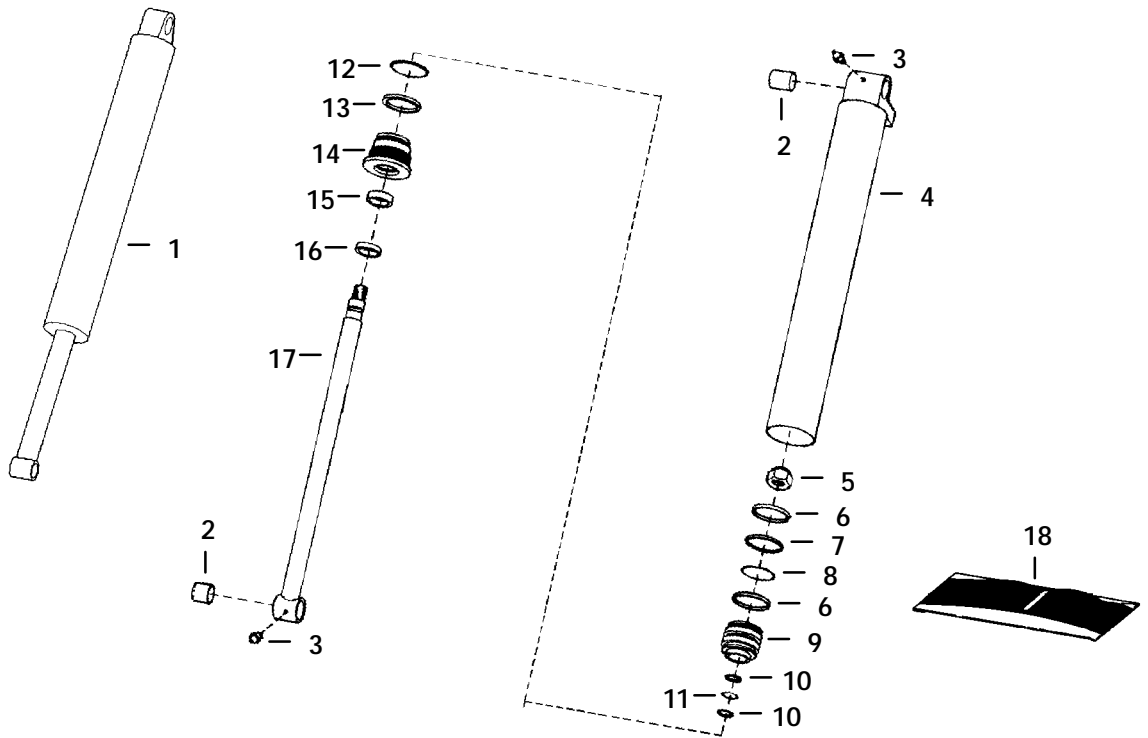
B-20548

BUCKET CYLINDER (Old Style 914 Backhoe)



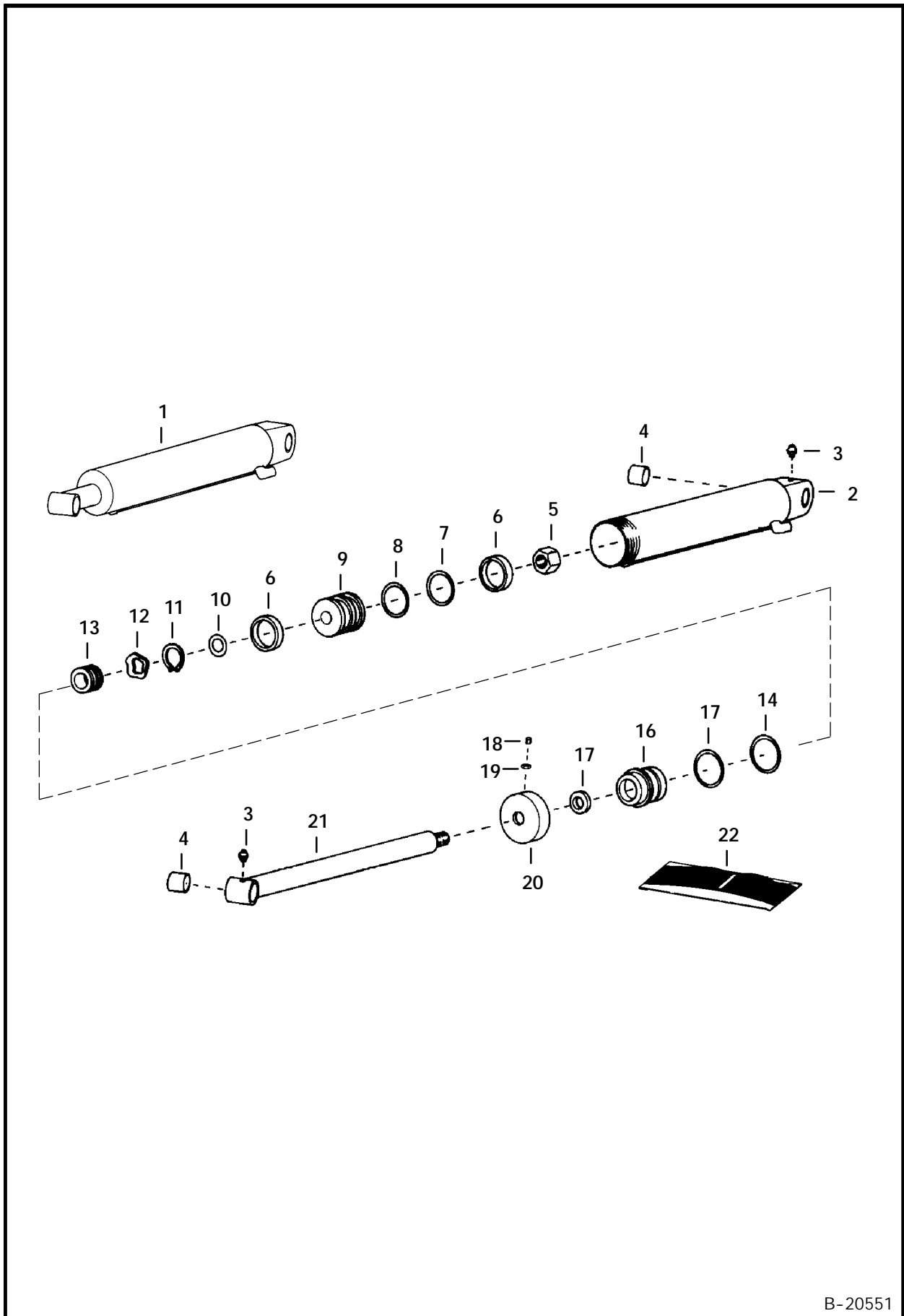
B-20549

BUCKET CYLINDER
(914 & 914A Backhoe)



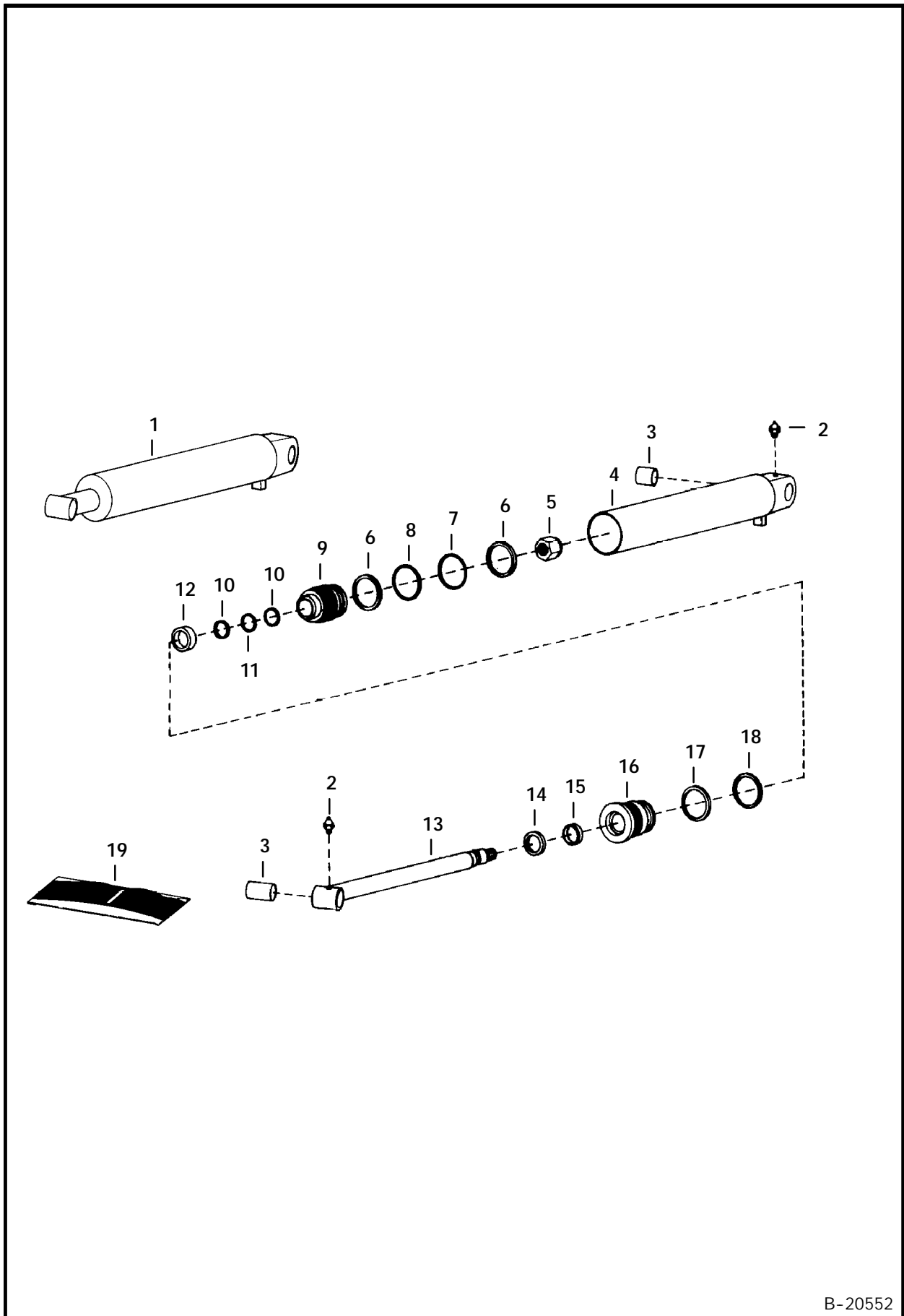
B-20550

DIPPERSTICK CYLINDER
(Old Style 914 Backhoe)



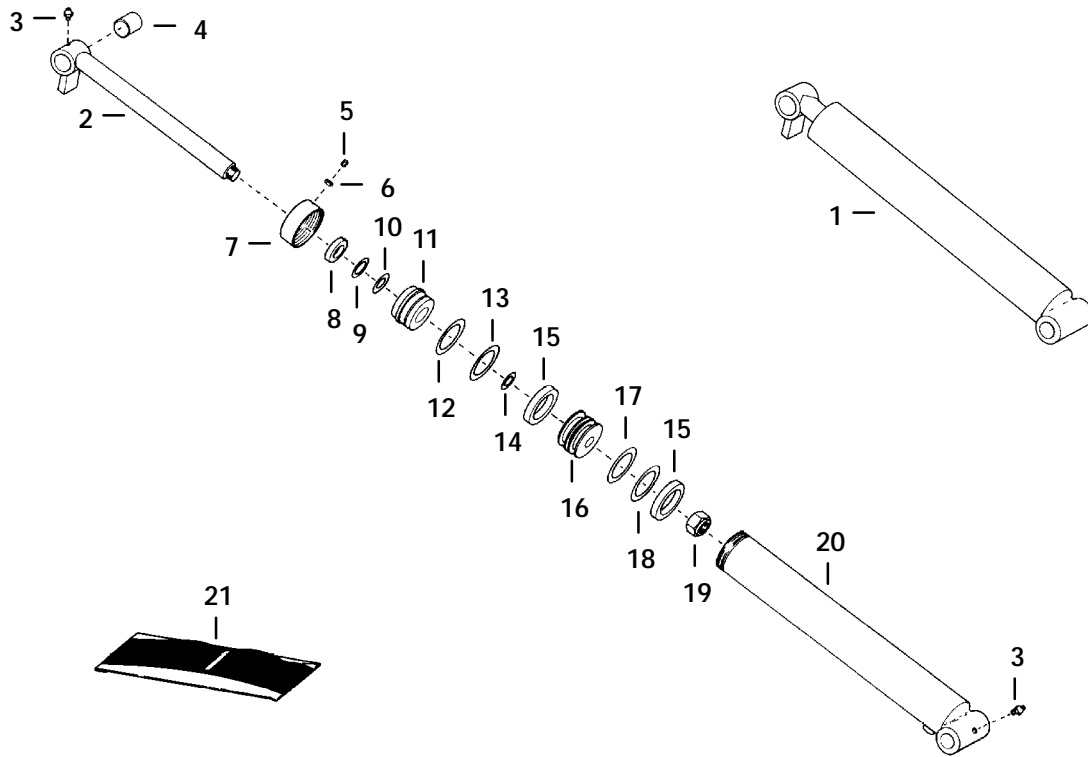
B-20551

DIPPERSTICK CYLINDER



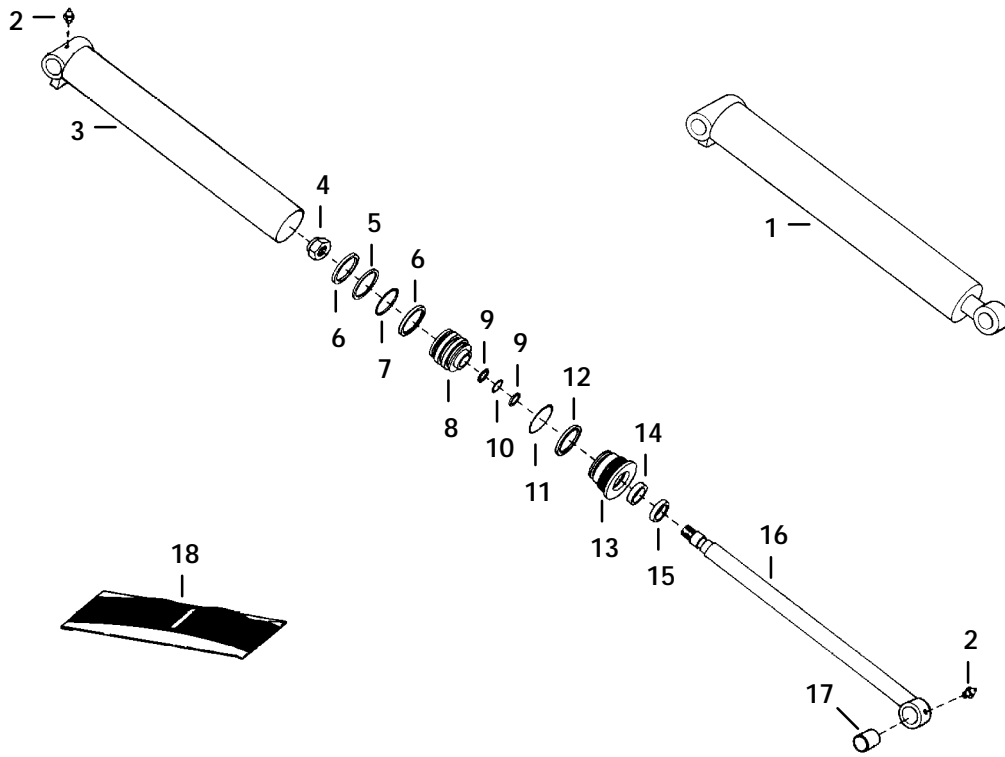
B-20552

STABILIZER CYLINDER (Old Style 914 Backhoe)



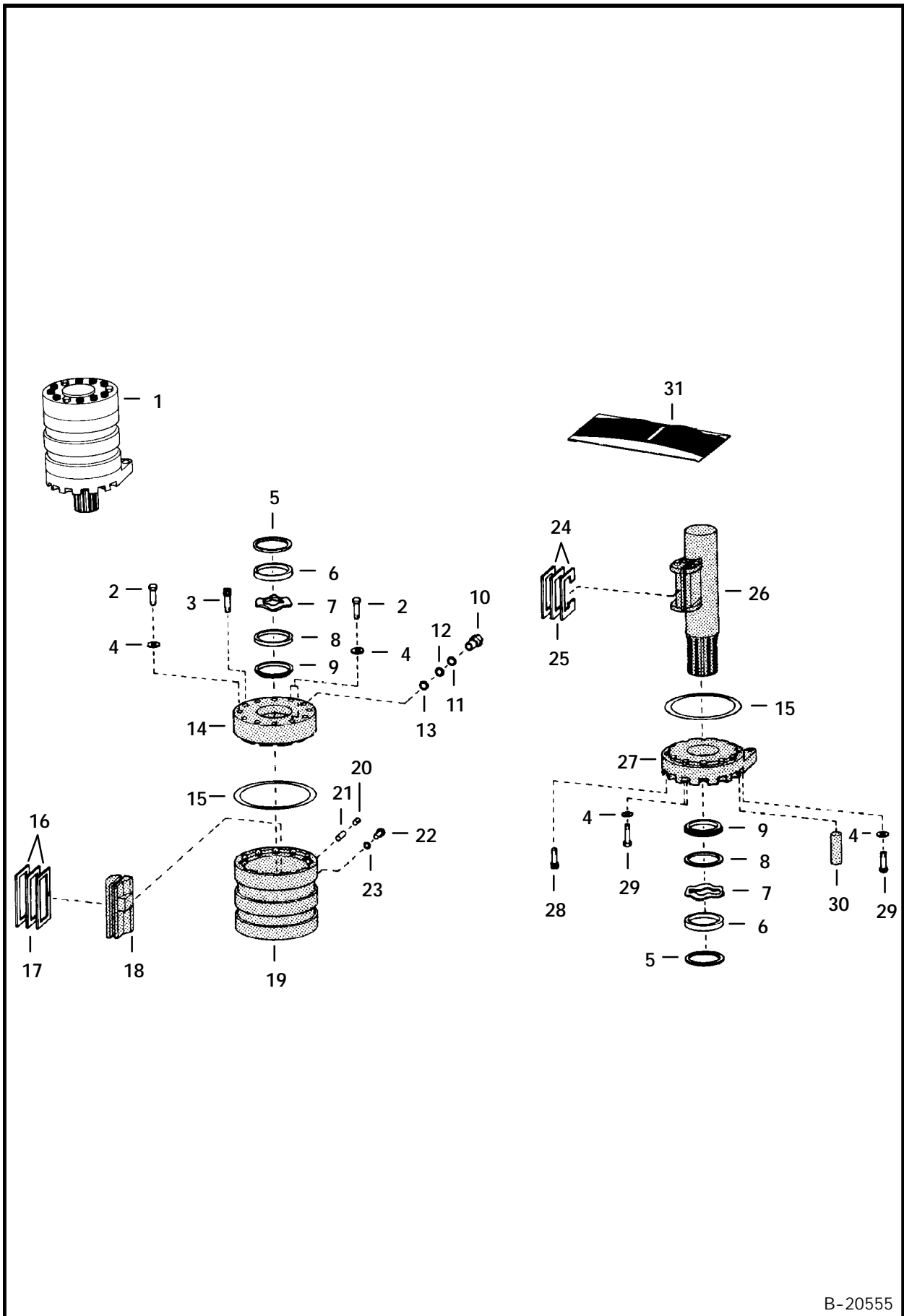
B-20553

STABILIZER CYLINDER (914 & 914A Backhoe)



B-20554

SWING CYLINDER (914 Backhoe)

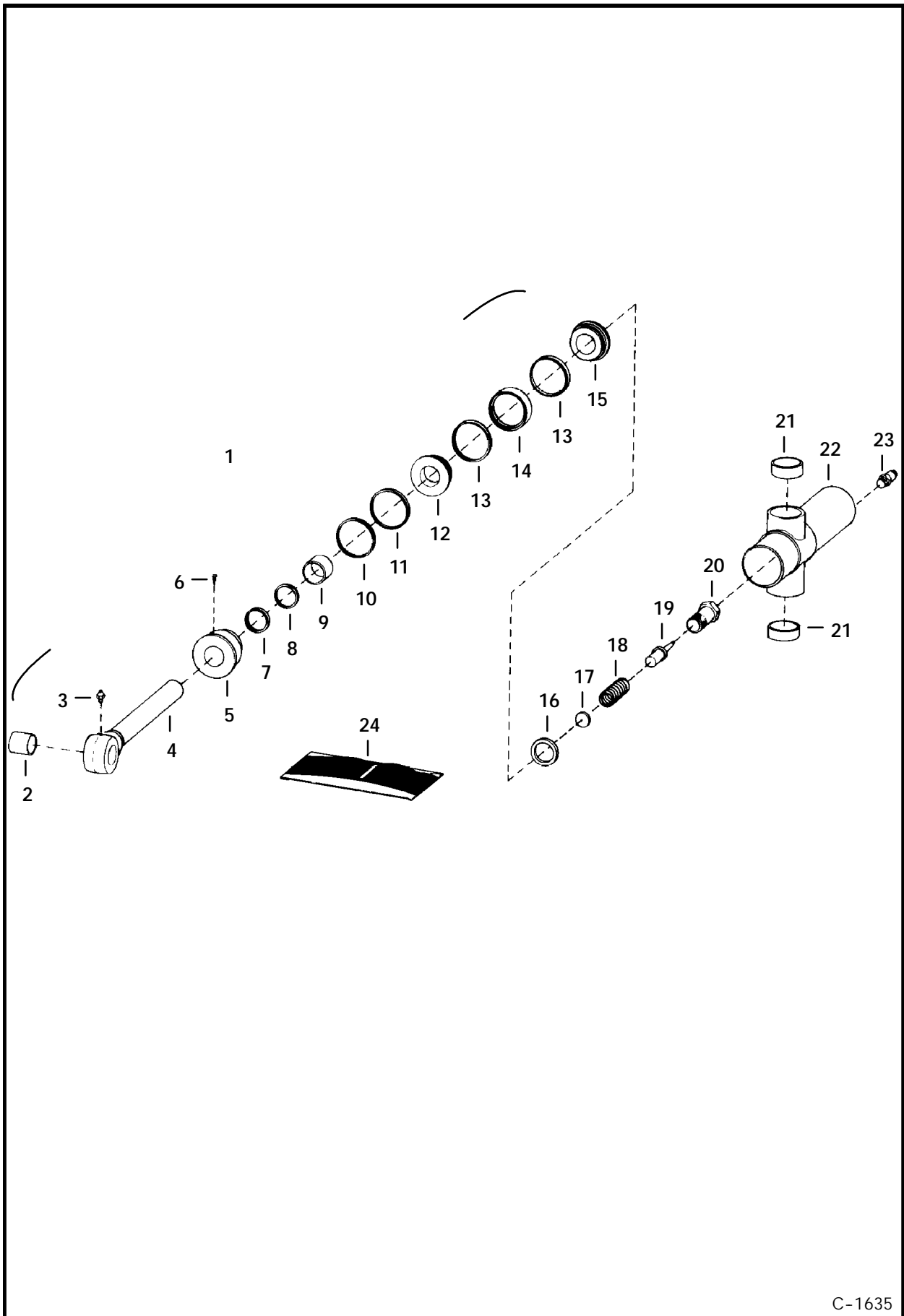


B-20555

SWING CYLINDER (Cont'd)
(914 Backhoe)

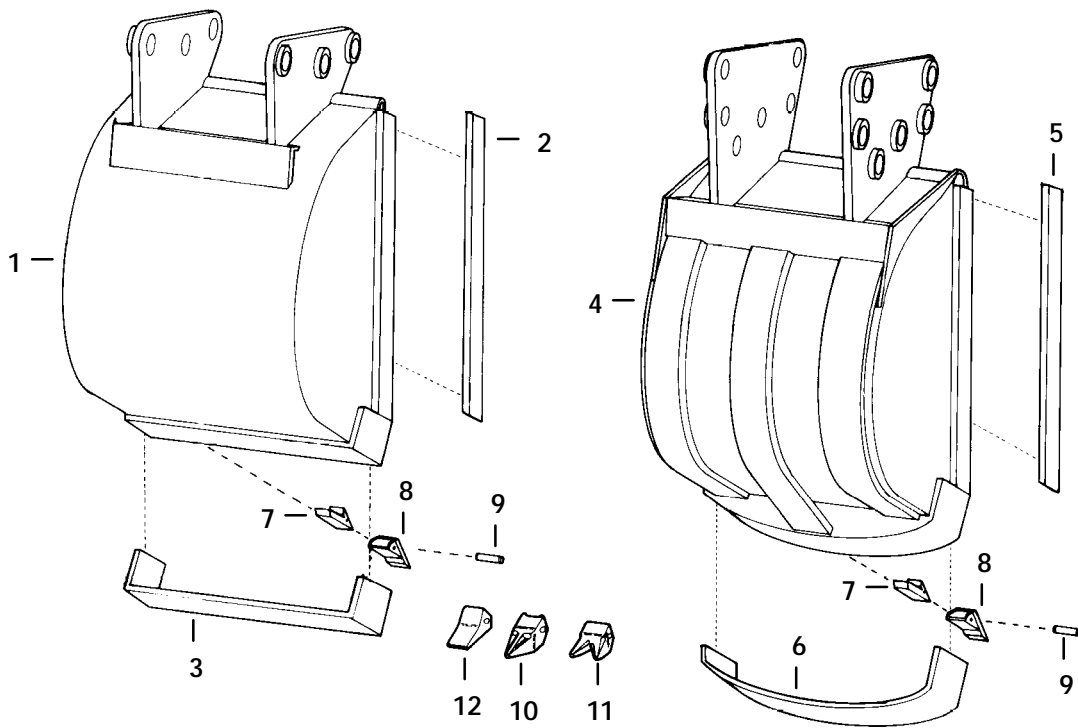
Ref. No.	Part Number	Description	Remarks	Serial Number	Qty.
1	6515826	CYLINDER	swing		1
2	17C-852	BOLT			3
3	73G-1052	SCREW			9
4	6515811	WASHER			6
5	6515808	WASHER			2
6	6515882	SEAL			2
7	6515816	WASHER	wave		2
8	1318936	RING	retaining		2
9	6515881	SEAL	wedge		2
10	6515842	VALVE	relief - W/Ref. 11		2
11	25K-30028	O-RING			2
12	80K-118	WASHER	back-up - Was 946403 [A]		2
13	25K-30030	O-RING			2
14	NSS	END PLATE	top - Was 6515880 [A]		1
15	25K-40808	O-RING			2
16	6515810	WASHER	back-up		2
17	6515884	SEAL			1
18	NSS	VANE	stationary		1
19	6515840	BARREL ASSY.			1
20	16F-4	PLUG			6
21	1318916	PIN	dowel		6
22	73G-832	SCREW	Was 11G-832 [A]		6
23	NSS	WASHER	Dyna-Seal - Was 6515814 [A]		6
24	6515809	WASHER	back-up		2
25	6515883	SEAL			1
26	NAP	SHAFT	Was 6515841 [A]		1
27	6515879	END PLATE	bottom		1
28	73G-1044	SCREW			9
29	17C-844	BOLT			3
30	6515815	PIN	dowel		1
31	6505836	SEAL KIT	Ref. 5 - 9, 15 - 17, 23 - 25		1

SWING CYLINDER (914A Backhoe)



C-1635

BACKHOE BUCKETS
(914 & 914A Backhoe)

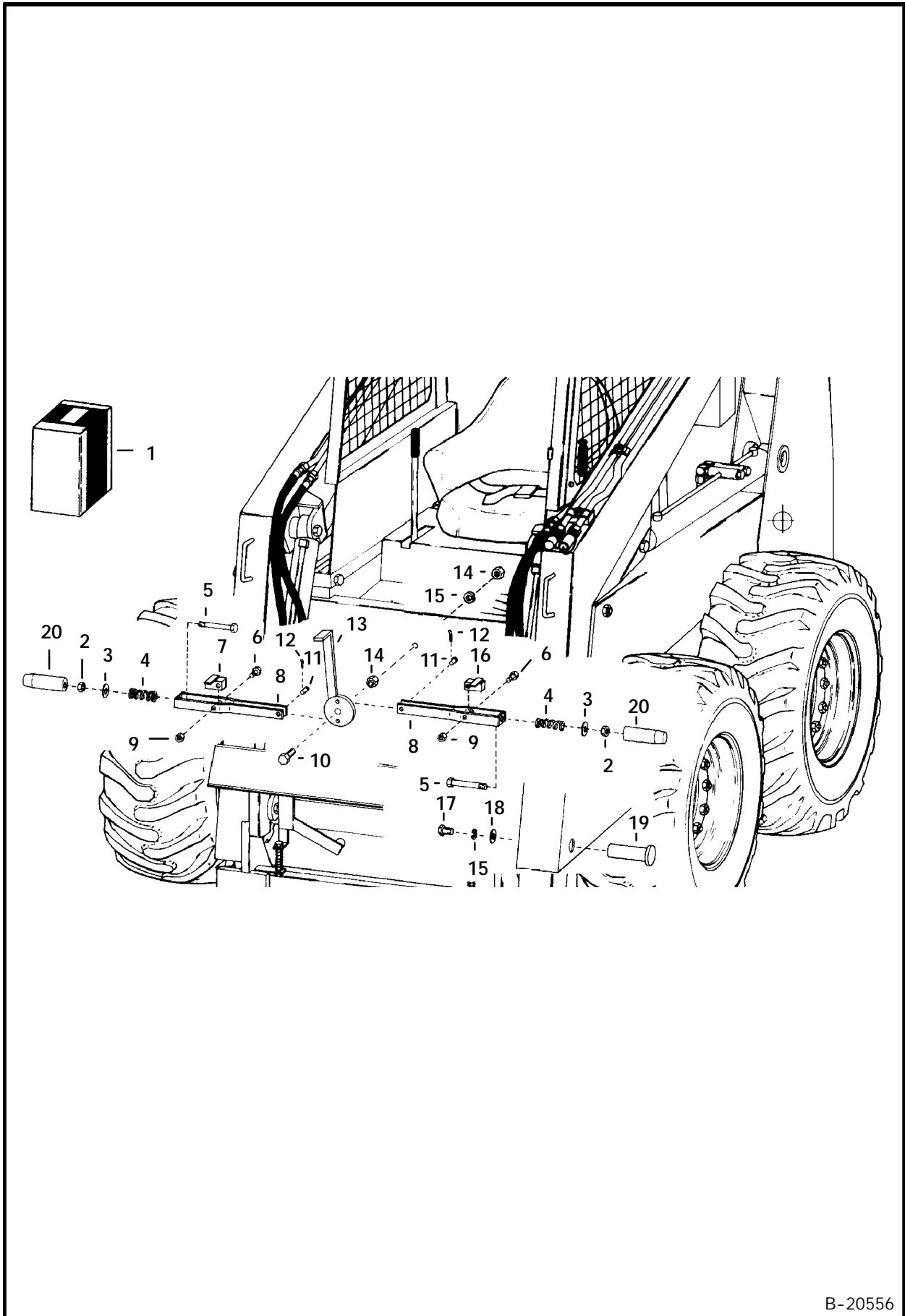


C-1366

BACKHOE BUCKETS (Cont'd)
(914 & 914A Backhoe)

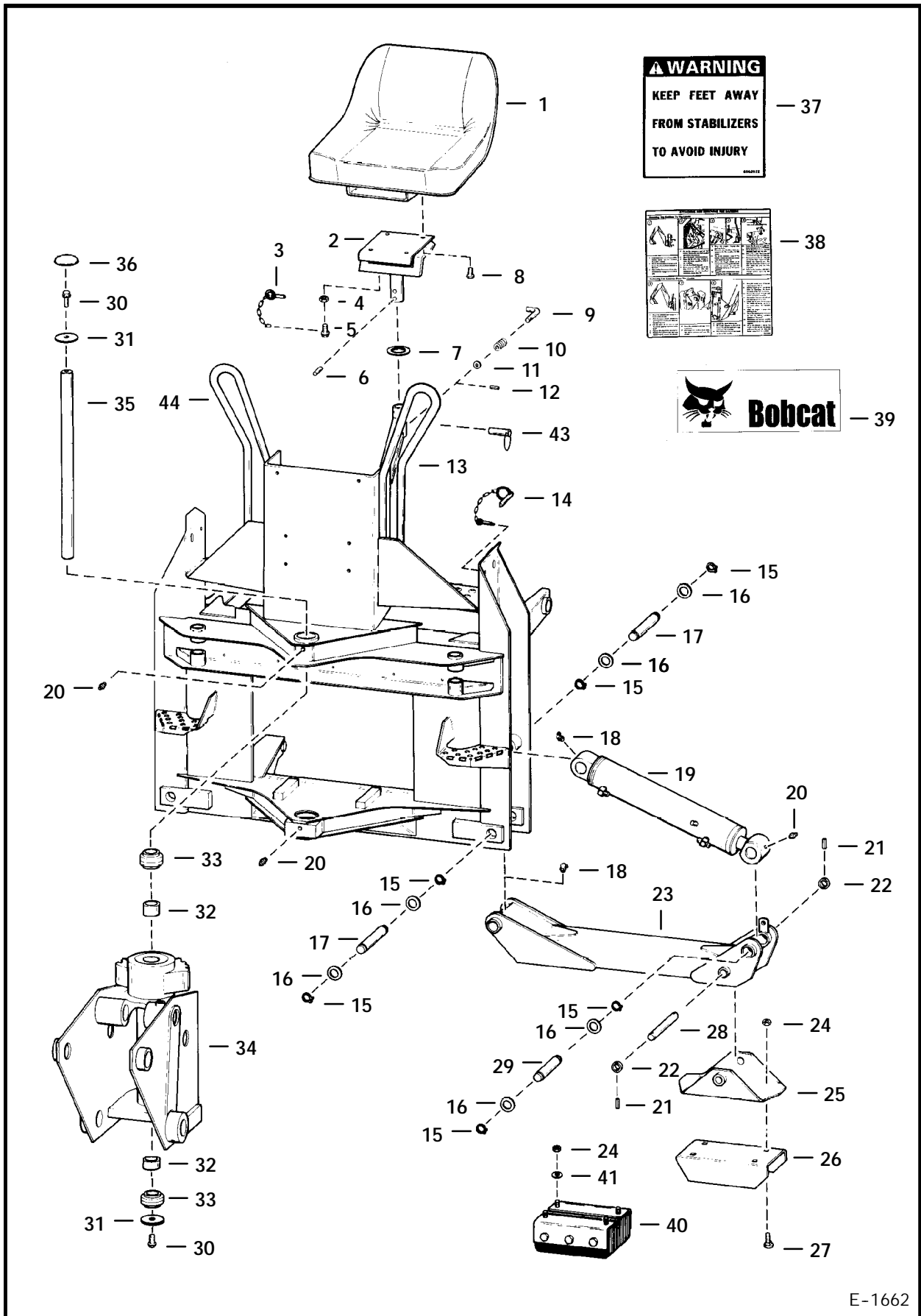
Ref. No.	Part Number	Description	Remarks	Serial Number	Qty.
1	SALES	BUCKET	standard - 7 teeth		1
2	6507376	CUTTING EDGE	R.H.		1
	6507377	CUTTING EDGE	L.H.		1
3	6592218	CUTTING EDGE	14" (355,6mm)		1
	6592222	CUTTING EDGE	36" (914,4mm)		1
4	SALES	BUCKET	18" (457,2mm) ribbed rock -		
			4 teeth		1
	SALES	BUCKET	24" (609,6mm) ribbed rock -		
			5 teeth		1
	SALES	BUCKET	30" (762mm) ribbed rock -		
			6 teeth		1
5	6507342	CUTTING EDGE	R.H.		1
	6507338	CUTTING EDGE	L.H.		1
6	6592219	CUTTING EDGE	18" (355,6mm)		1
	6592220	CUTTING EDGE	24" (609,6mm)		1
	6592221	CUTTING EDGE	30" (762mm)		1
7	6518120	SHANK	weld-on		x
8	6630424	TOOTH	Was 1553699 [A]		x
9	6567620	PIN	flex - W/Molded Rubber -		
			Was 562660 [A]		x
10	6657328	TOOTH			x
11	6657329	TOOTH			x
12	6657330	TOOTH			x

QUICK DISCONNECT
(914 & 914A Backhoe)



B-20556

MAIN FRAME 911C Backhoe

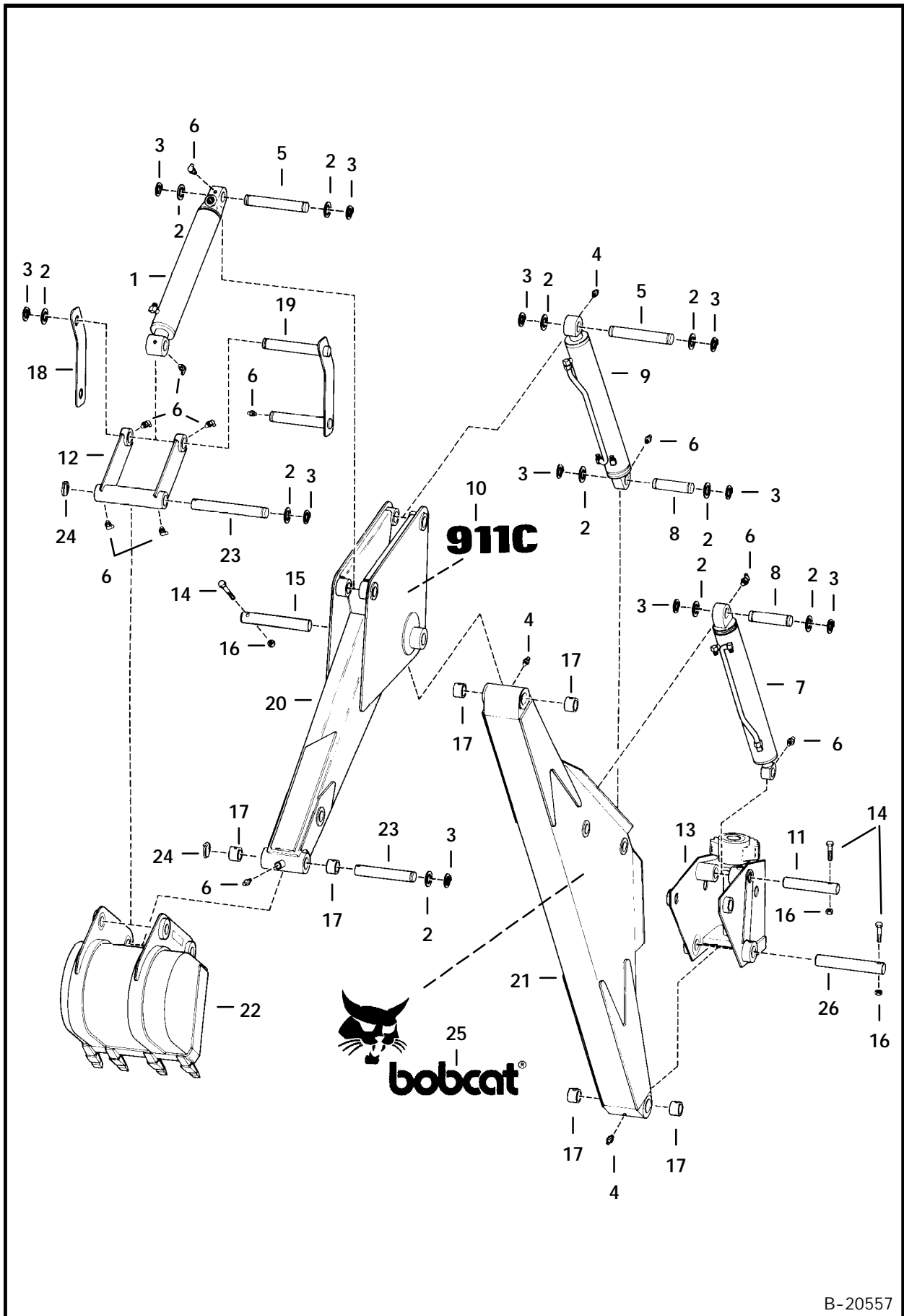


E-1662

MAIN FRAME (Cont'd)
911C Backhoe

Ref. No.	Part Number	Description	Remarks	Serial Number	Qty.
1*	NAP	SEAT	Was 6653421 [A]		1
	6643253	SEAT	Use W/6587384 - Ref. 2		1
*	NAP	TRACK	W/Adj. - Was 6660436 [A]		1
* 2	NAP	TRACK	W/O Adj. - Was 6660437 [A]		1
	6532792	MOUNT	9-1/2" x 9-1/2" mounting plate		1
	6587384	MOUNT	Use W/6643253 Seat - Ref. 1		1
3	6511880	PIN			1
4	7D-6	NUT			1
5	84G-3712	SCREW			1
6	14J-3740	PIN	Use W/6532792 Mount		1
7	6558680	SPACER			1
8	85D-5	NUT			4
9	6592836	PIN			1
10	6610082	SPRING			1
11	25E-15	WASHER			1
12	1F-308	PIN			1
13	6588144	MAIN FRAME			1
14	6631038	PIN	W/Chain		2
15	6538285	SNAP RING			12
16	6584872	WASHER			12
17	6560349	PIN			4
18	12H-15	GREASE ZERK			4
19		CYLINDER	stabilizer - See Page 626		2
20	10H-25	GREASE ZERK			4
21	14J-3724	PIN			4
22	6593949	BUSHING			4
23	6594150	STABILIZER			2
24	85D-8	NUT			8
25	6593909	PAD			2
26*	NAP	CLEAT	Was 6593912 [A]		2
27	37C-820	BOLT	Was 6560578 [A]		8
28	6593908	PIN			2
29	6560352	PIN			2
30	31C-1228	BOLT			2
31	6593892	WASHER			1
32	225683	BUSHING			2
33	6511242	BEARING			2
34	6587745	FRAME	swing - W/Ref. 32		1
35	6587952	SHAFT			1
36	6648801	CAP			1
37	6562922	DECAL	warning		4
38	6593804	DECAL	mounting instructions		1
39*	6714353	DECAL	Melroe/IR - Was 6569071 [A]		1
40	6632445	PAD	street		2
41	25E-21	WASHER			8
42	6532631	WASHER			1
43	6538285	SNAP RING			1
44	6560876	TUBE	handrail - weld on		2

BOOM & DIPPERSTICK 911C Backhoe

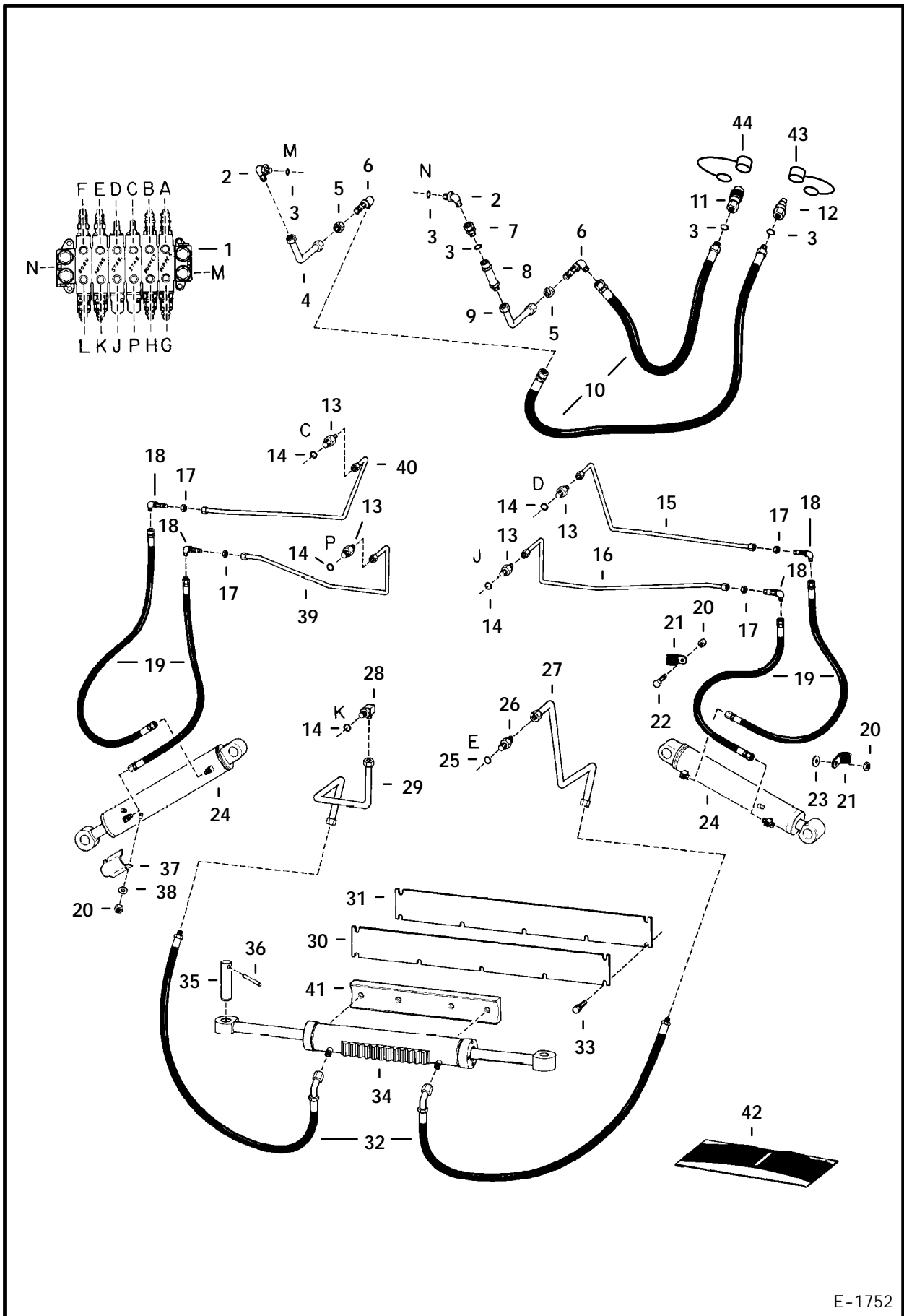


B-20557

BOOM & DIPPERSTICK (Cont'd)
911C Backhoe

Ref. No.	Part Number	Description	Remarks	Serial Number	Qty.
1		CYLINDER	bucket - See Page 624		1
2	6584872	WASHER			12
3	6538285	SNAP RING			12
4	12H-15	GREASE ZERK			5
5	6560349	PIN			2
6	10H-25	GREASE ZERK			10
7		CYLINDER	boom - See Page 616		1
8	6560350	PIN			2
9		CYLINDER	dipper - See Page 620		1
10	6587954	DECAL	911C		2
11	6560351	PIN			1
12	6537182	LINK			2
13		FRAME	swing - See Page 594		1
14	17C-648	BOLT			2
15	6533340	PIN			1
16	85D-6	NUT			3
17	6560334	BUSHING			6
18	6532530	LINK			1
19	6532528	LINK			1
20	6533346	DIPPERSTICK			1
21	6533283	BOOM			1
22		BUCKET	See Page 634		1
23	6560401	PIN			2
24	6560382	PIN	ring lock - 1.625" (41,3mm) Dia.		2
	6631038	PIN	ring lock - 1.875" (47,6mm) Dia.		2
25	6557412	DECAL	Bobcat - R.H.		1
	6557413	DECAL	Bobcat - L.H.		1
26	6588127	PIN			1

MAIN FRAME HYDRAULICS 911C Backhoe



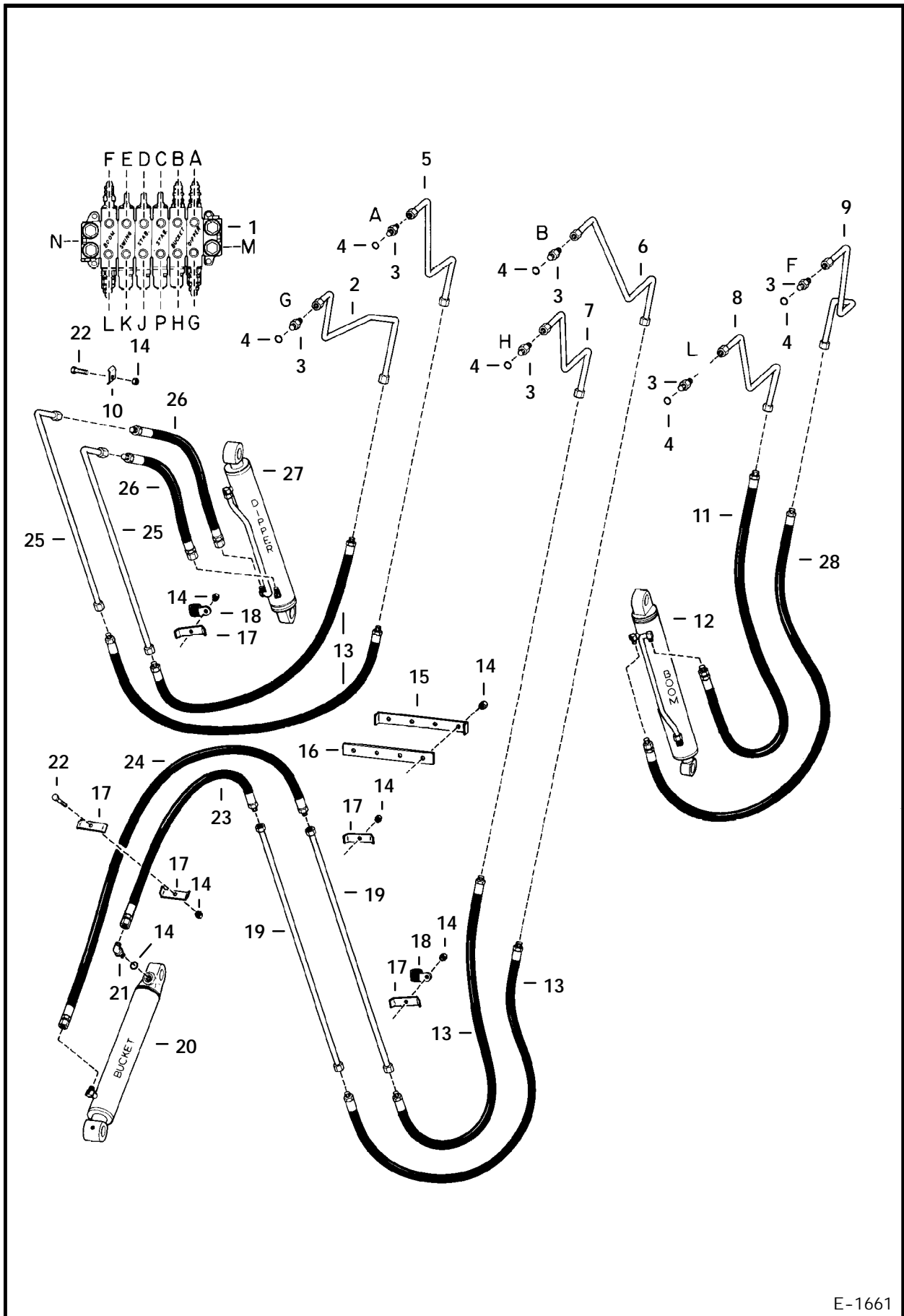
E-1752

MAIN FRAME HYDRAULICS (Cont'd)
911C Backhoe

Ref. No.	Part Number	Description	Remarks	Serial Number	Qty.
1		VALVE	See Page 604		1
2	17K-8	ELBOW	W/Ref. 3		3
3	79K-12	O-RING			x
4	6530958	TUBE			1
5	86F-8	NUT			2
6	88F-8	ELBOW			2
7	2505198	ADAPTER			1
8	6647878	VALVE	check		1
9	6530959	TUBE			1
10	6593798	HOSE			2
11	6641359	QUICK COUPLER	Female		1
12	6641358	QUICK COUPLER	Male		1
13	731795	ADAPTER	W/Ref. 14		4
14	79K-8	O-RING			x
15	6530948	TUBE			1
16	6530949	TUBE			1
17	86F-5	NUT			4
18	88F-5	ELBOW			4
19	6530775	HOSE			4
20	81D-6	NUT			8
21	30H-35	CLAMP			5
22	17C-614	BOLT			2
23	25E-22	WASHER			2
24		CYLINDER	stabilizer - See Page 626		2
25	79K-10	O-RING			x
26	731794	ADAPTER	W/Ref. 25		1
27	6530947	TUBE			1
28	784568	ELBOW	W/Ref. 14		1
29	6530945	TUBE			1
30	6593896	PLATE			1
31	6593890	SHIM			x
32	6588169	HOSE			2
33	84G-3110	BOLT			7
34		CYLINDER	swing - See Page 628		1
35	6560351	PIN			2
36	14J-3740	ROLL PIN			2
37	6593914	GUARD			2
38	25E-17	WASHER			4
39	6530950	TUBE			1
40	6530951	TUBE			1
41	6593965	BAR	wear		1
42	6648561	SEAL KIT	For Both Ref. 11 & 12		1
43	6645231	DUST CAP			1
44	6645232	DUST CAP			1

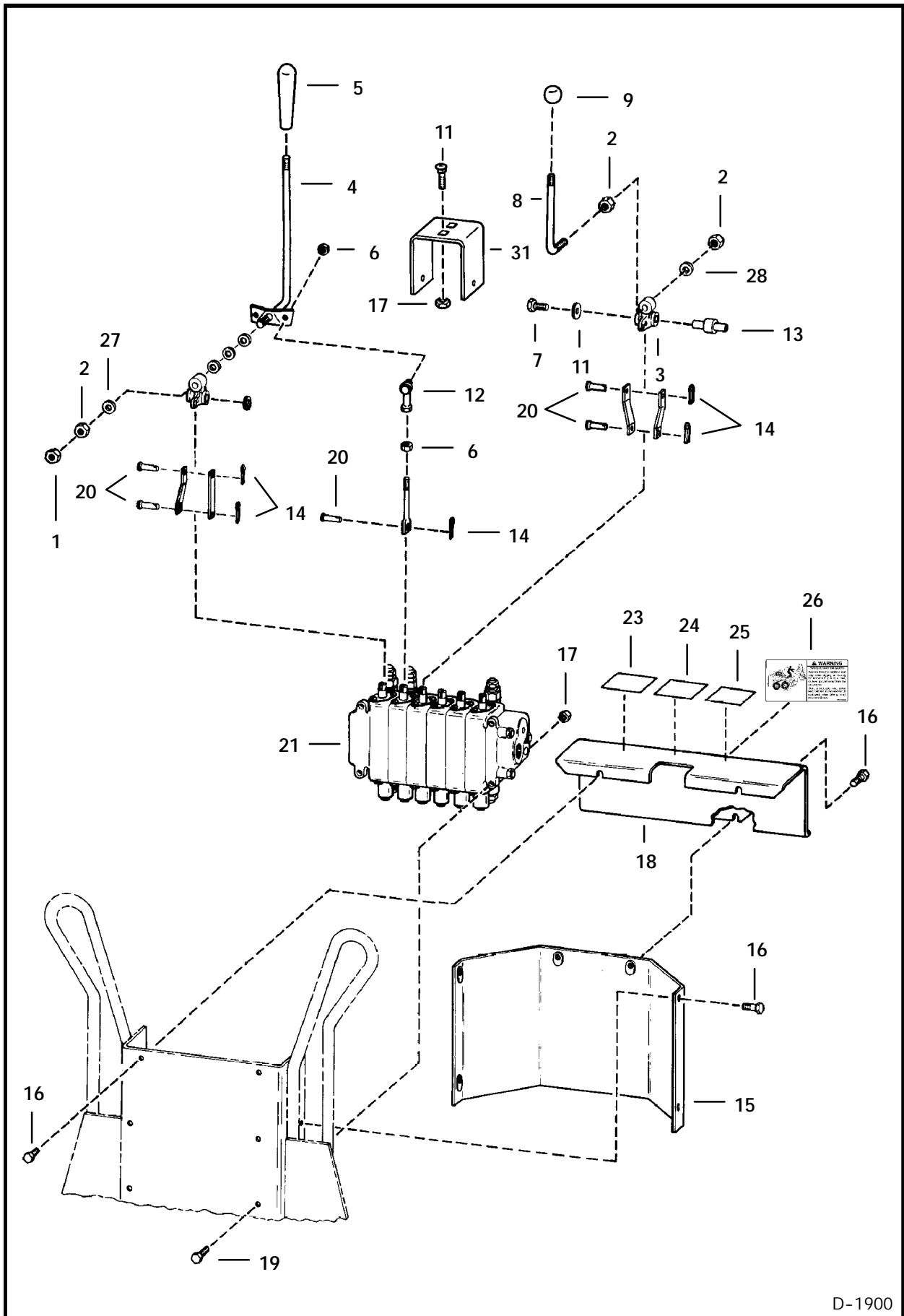
BOOM HYDRAULIC CIRCUITRY

911C Backhoe



E-1661

CONTROL LEVERS 911C Backhoe

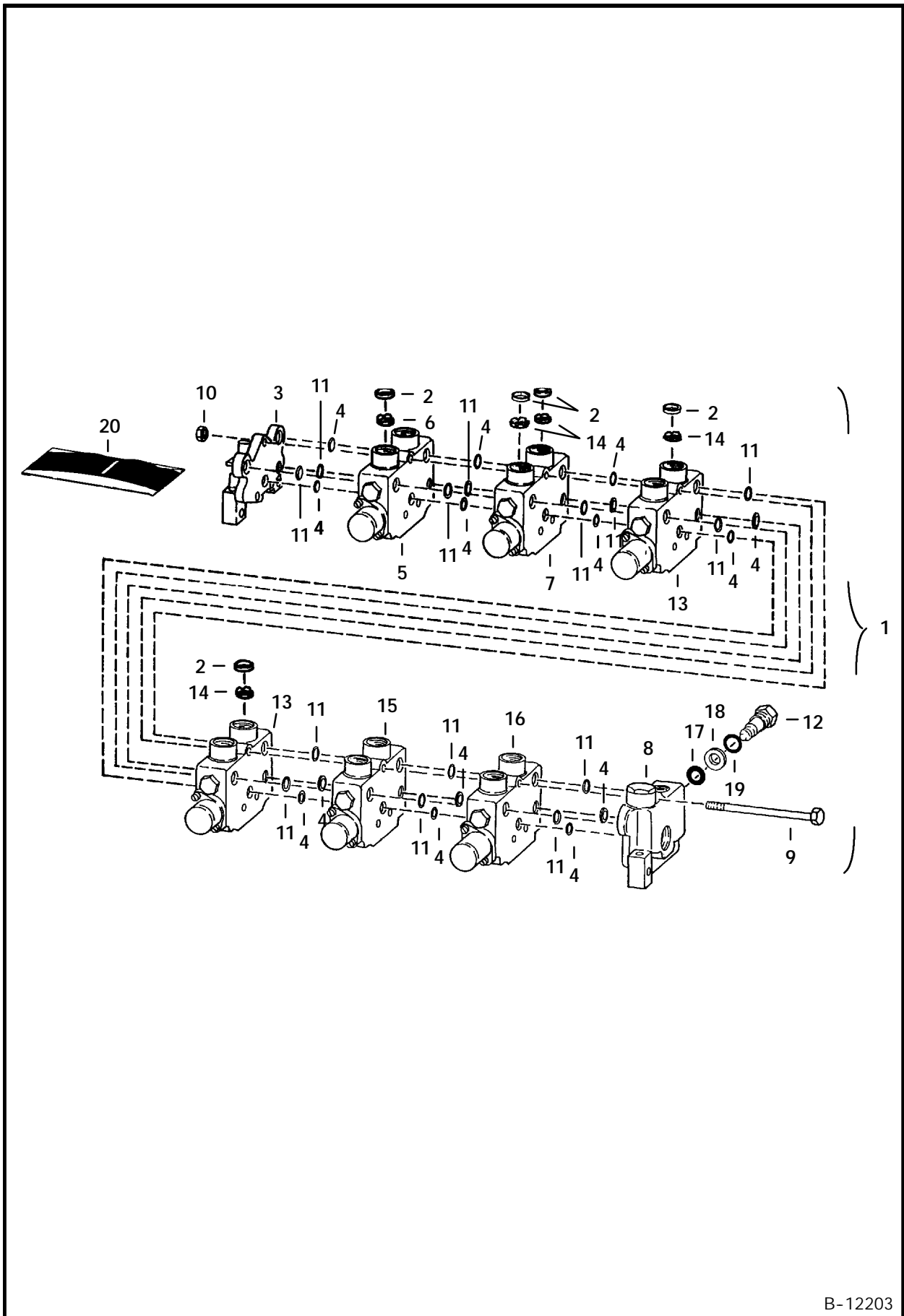


D-1900

CONTROL LEVERS (Cont'd)
911C Backhoe

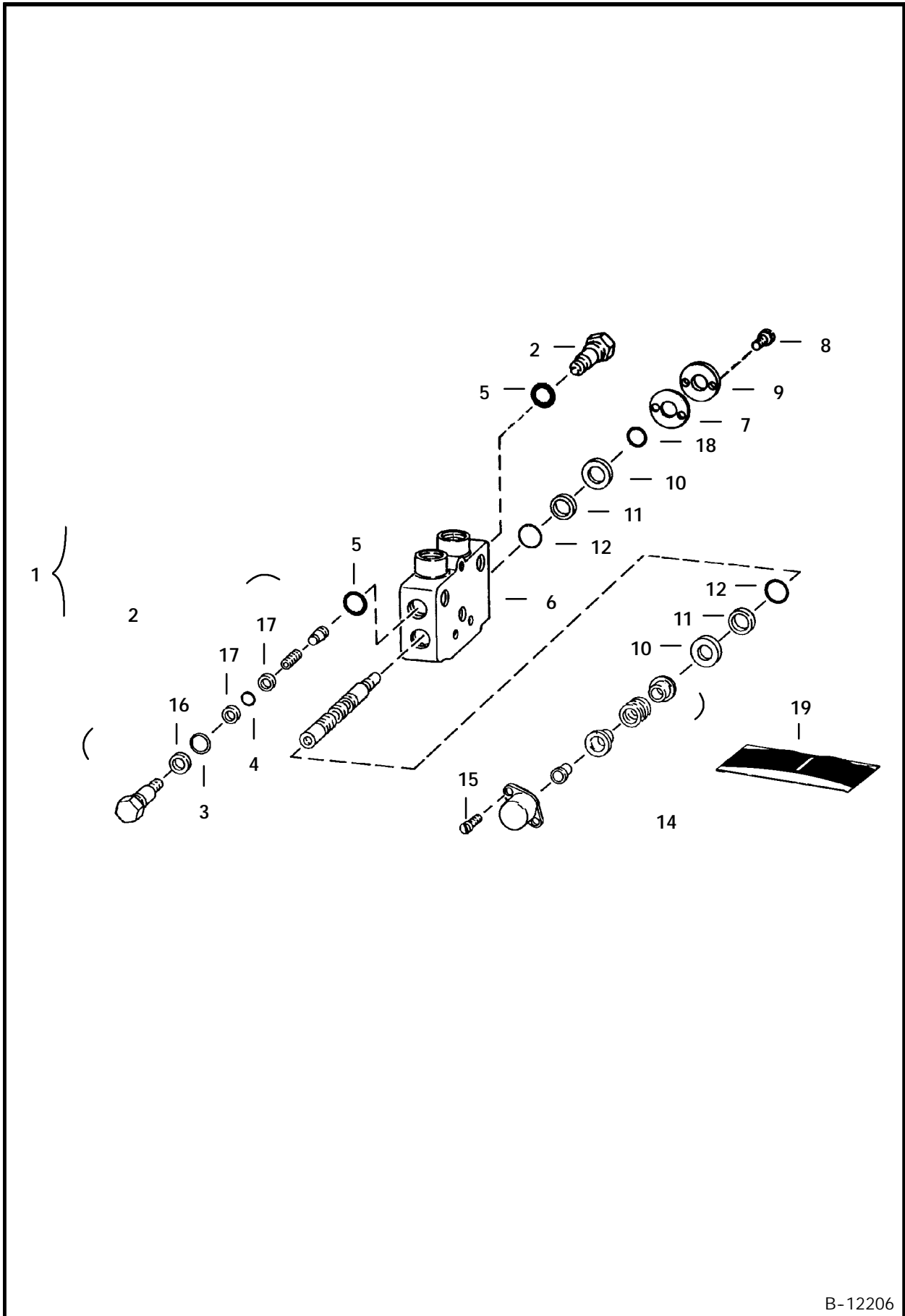
Ref. No.	Part Number	Description	Remarks	Serial Number	Qty.
1	85D-8	NUT			2
2	7D-8	NUT			6
3	6586081	BLOCK			4
4	6530937	LEVER	R.H.		1
	6530942	LEVER	L.H.		1
5	6510093	KNOB			2
6	8D-6	NUT			4
7	17C-510	BOLT			2
8	6560871	LEVER			2
9	6515888	KNOB			2
10	6530940	ROD			2
11	37C-612	BOLT			2
12	6599744	BALL JOINT			2
13	6561538	PIN	spacer		1
14	1F-208	COTTER PIN			10
15	6593808	PANEL			1
16	35C-508	BOLT	Was 17C-512 [B]		12
17	85D-6	NUT			6
	61D-5	NUT	Gresen Valve		3
18	6593807	COVER			1
19	17C-620	BOLT			4
	17C-540	BOLT	Gresen Valve		3
20	227395	PIN			10
21		VALVE	See Page 604		1
22	1315207	SNAP RING			2
23	6558050	DECAL			1
24	6561396	DECAL			1
25	6558049	DECAL			1
26	6596591	DECAL	warning - Was 6562925 [A]		1
27	25E-21	WASHER			8
28	6599359	WASHER			2
29	6530941	LINK			6
30	6530939	LINK			2
31	6561537	BRACKET			1

CONTROL VALVE 911C Backhoe



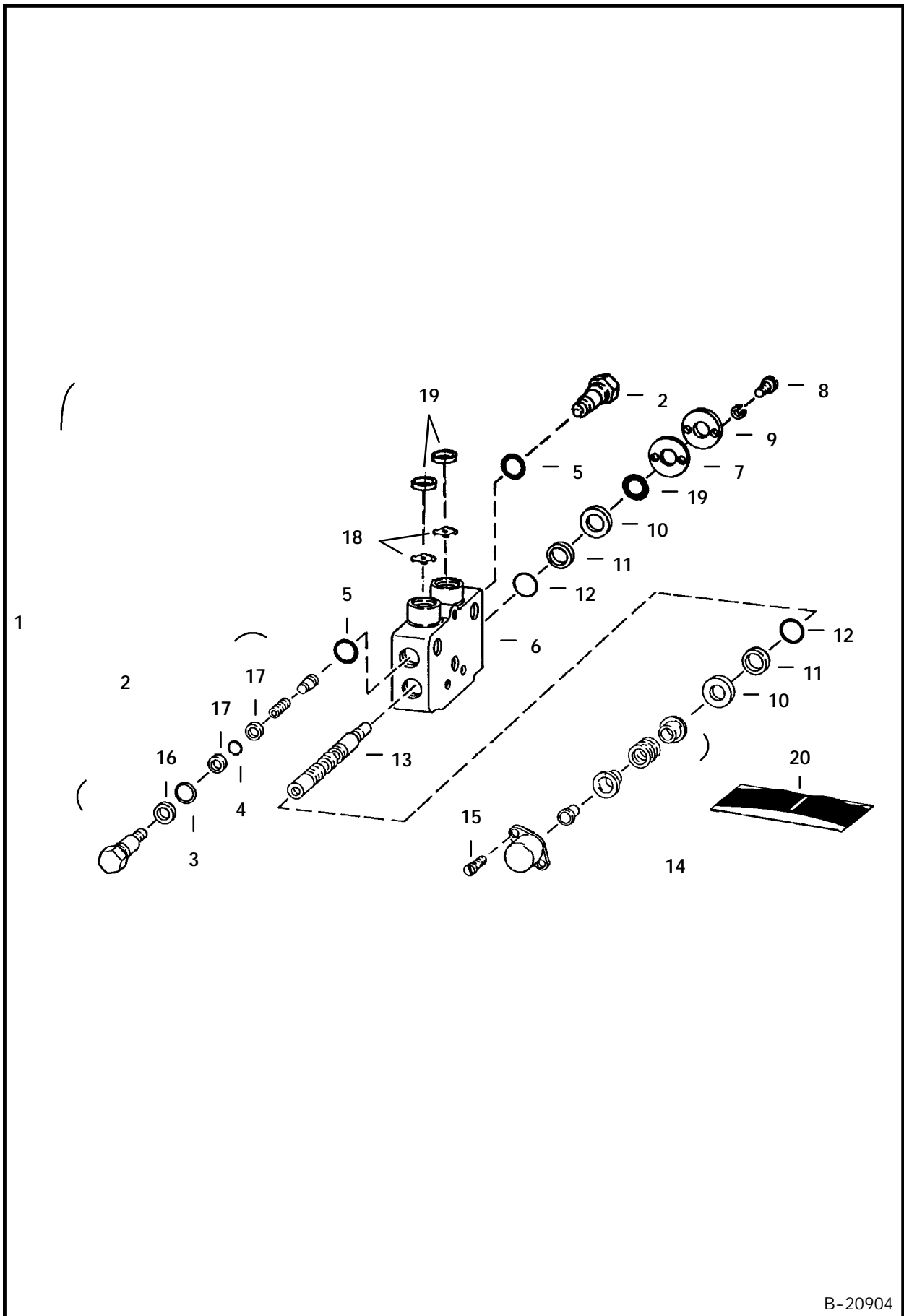
B-12203

STABILIZER SECTION
911C Backhoe



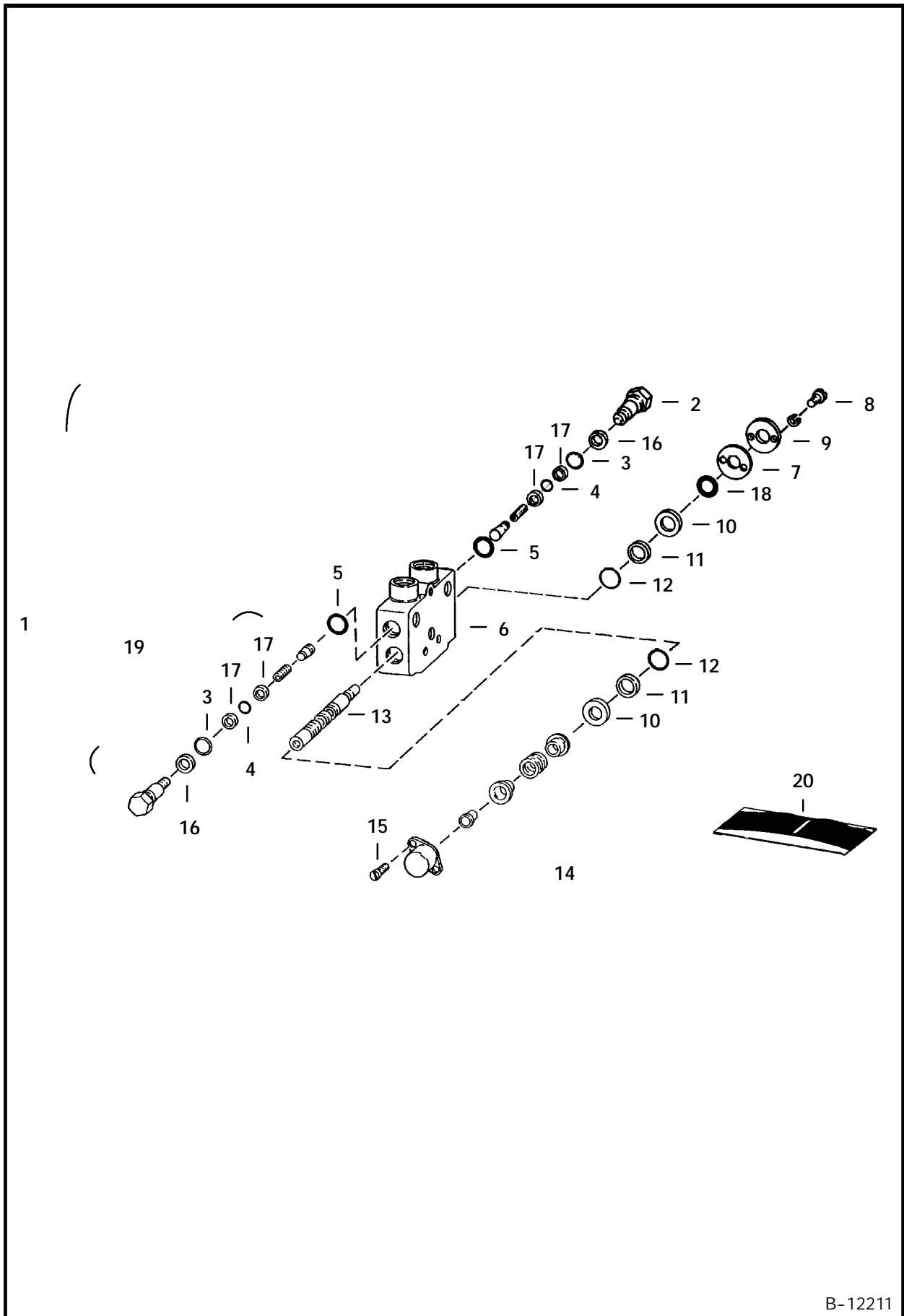
B-12206

SWING SECTION
911C Backhoe

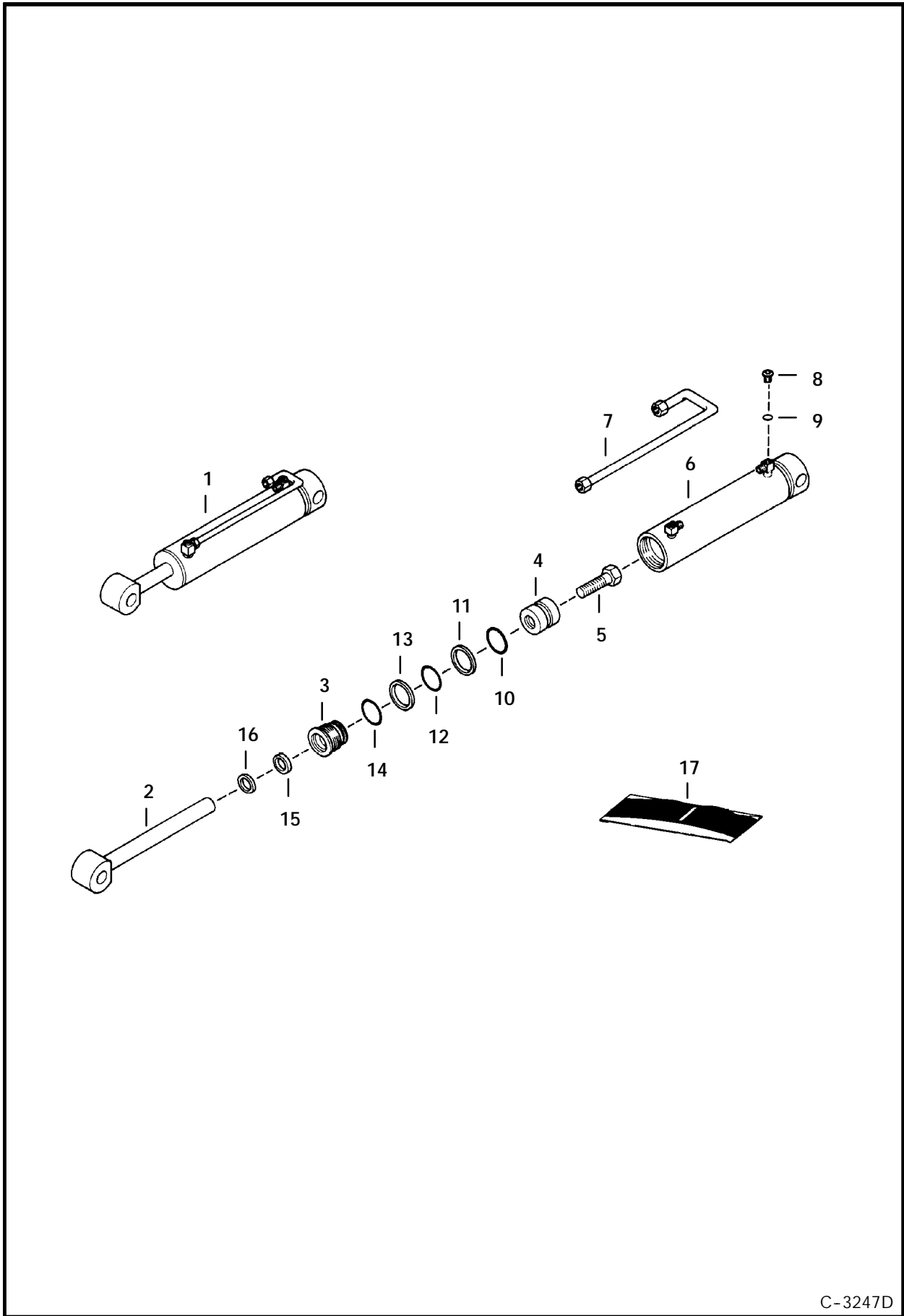


B-20904

DIPPER SECTION 911C Backhoe

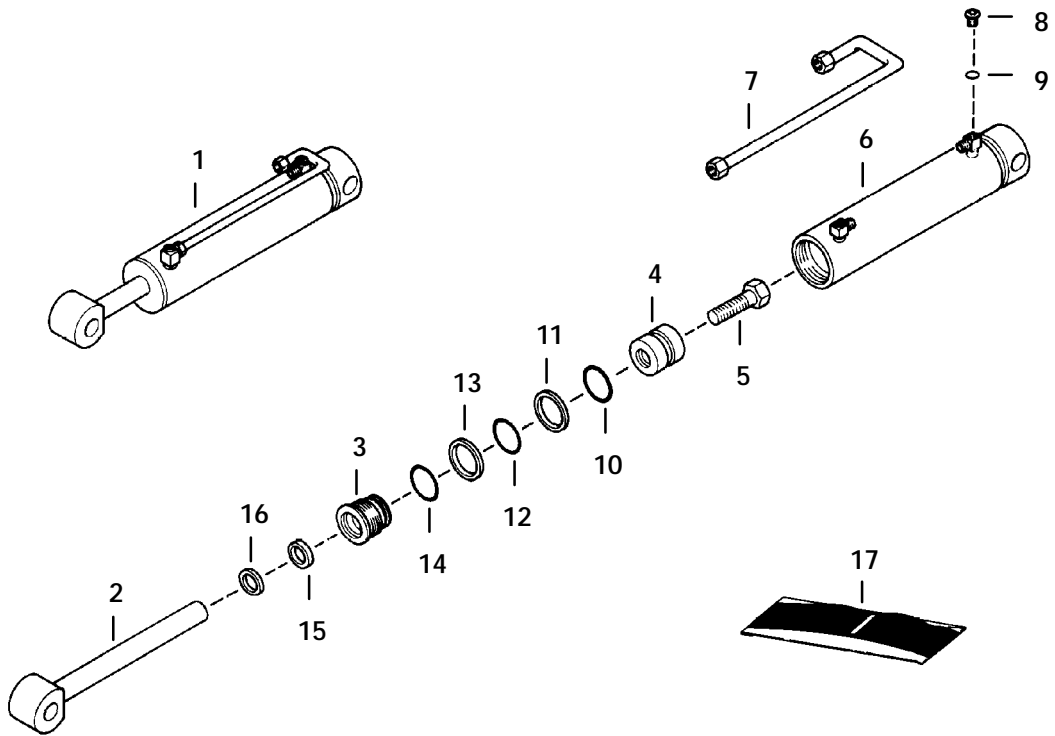


BOOM CYLINDER
911C Backhoe



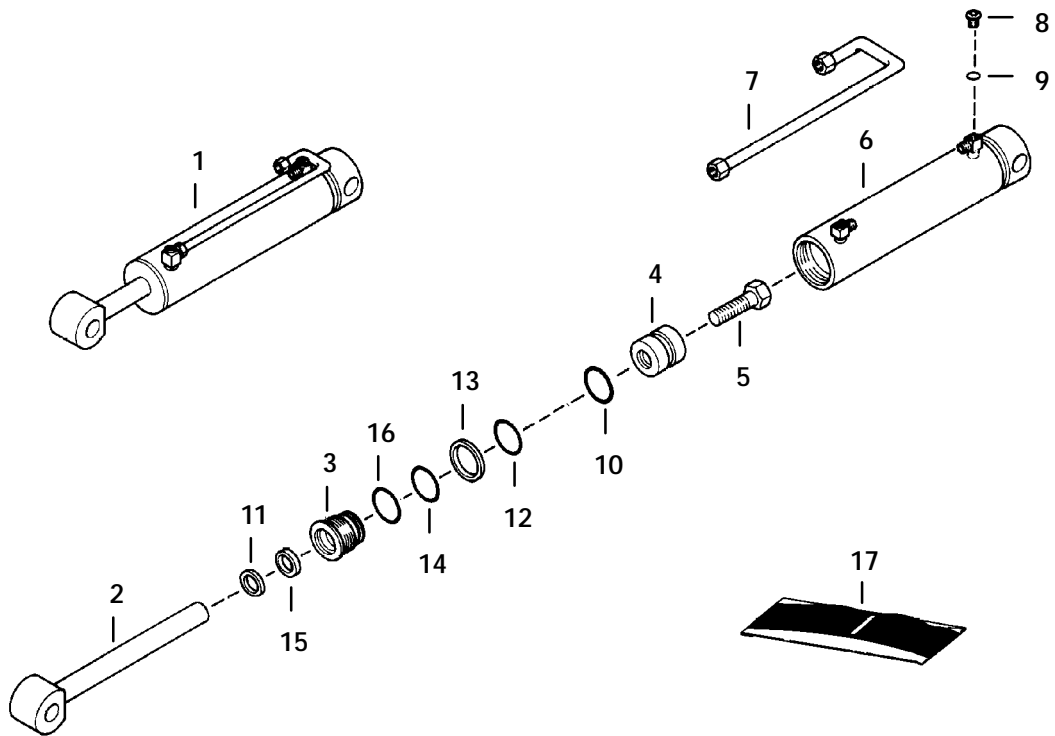
C-3247D

BOOM CYLINDER
911C Backhoe



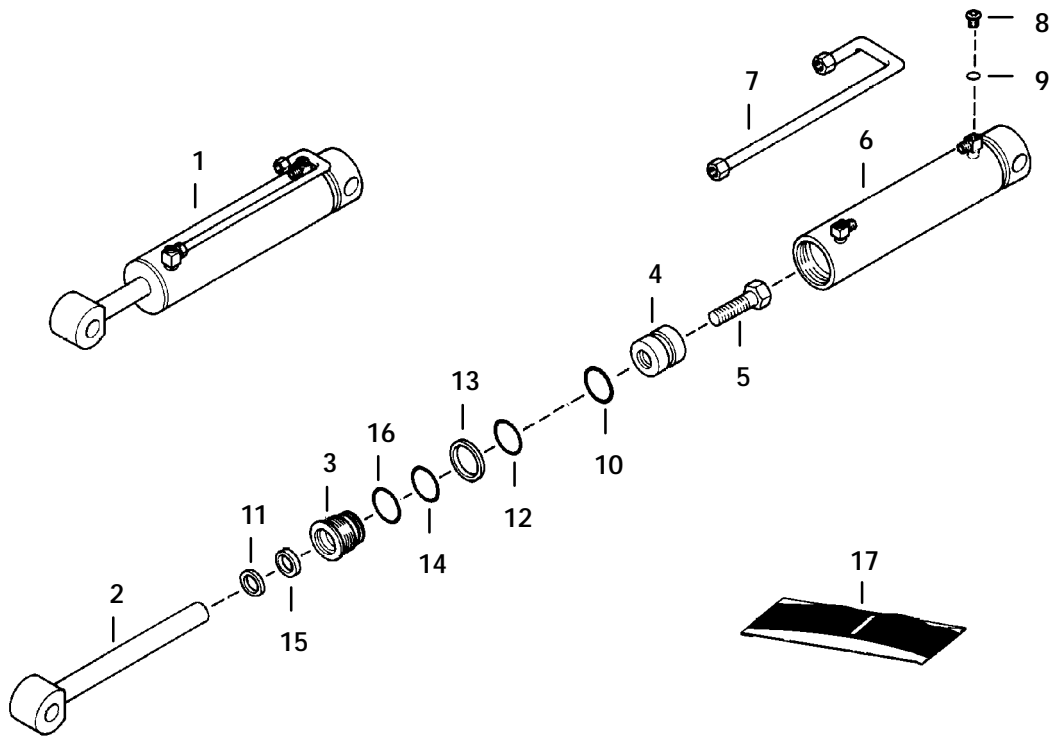
C-3247E

DIPPER CYLINDER
911C Backhoe



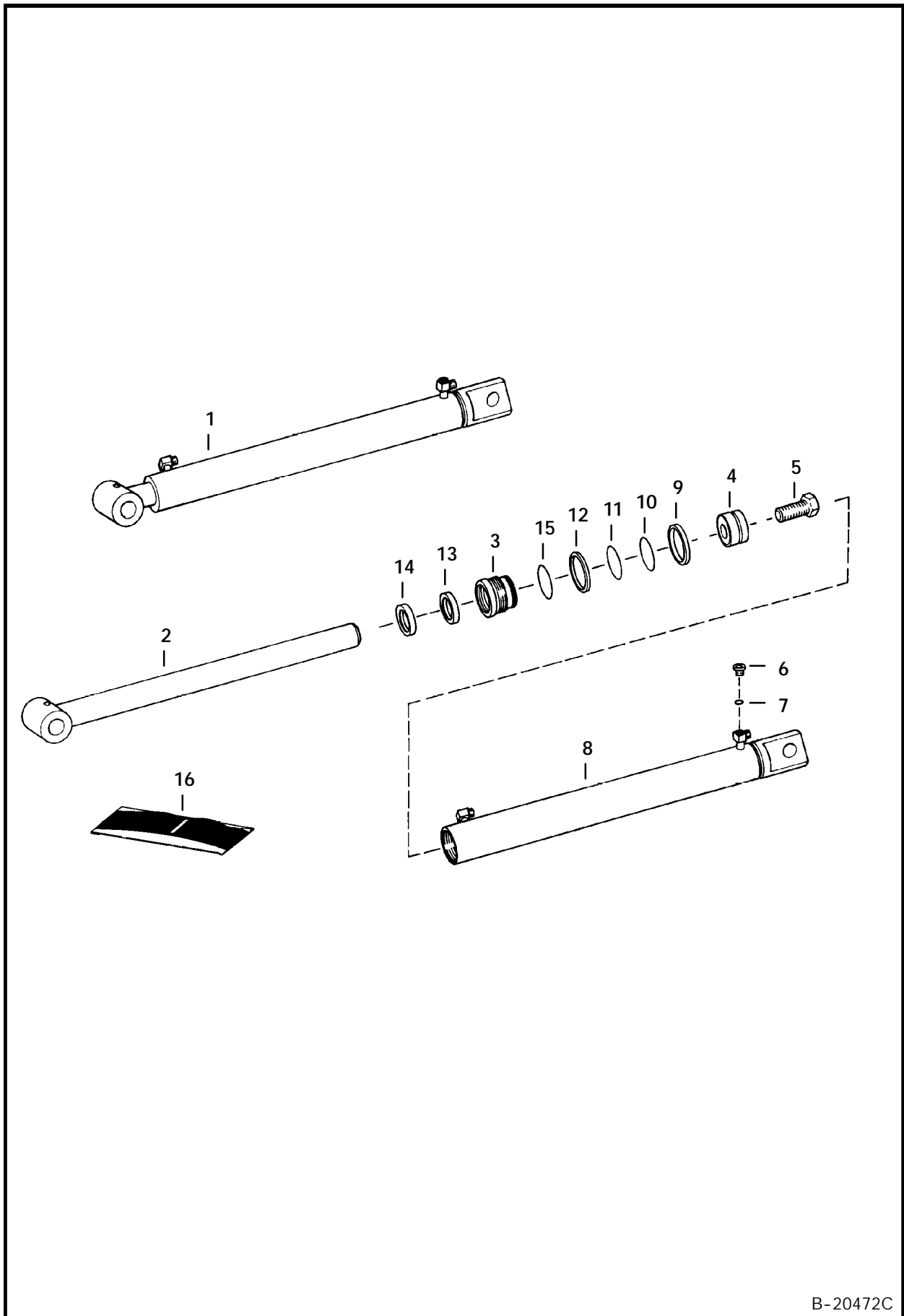
B-20559

DIPPER CYLINDER
911C Backhoe



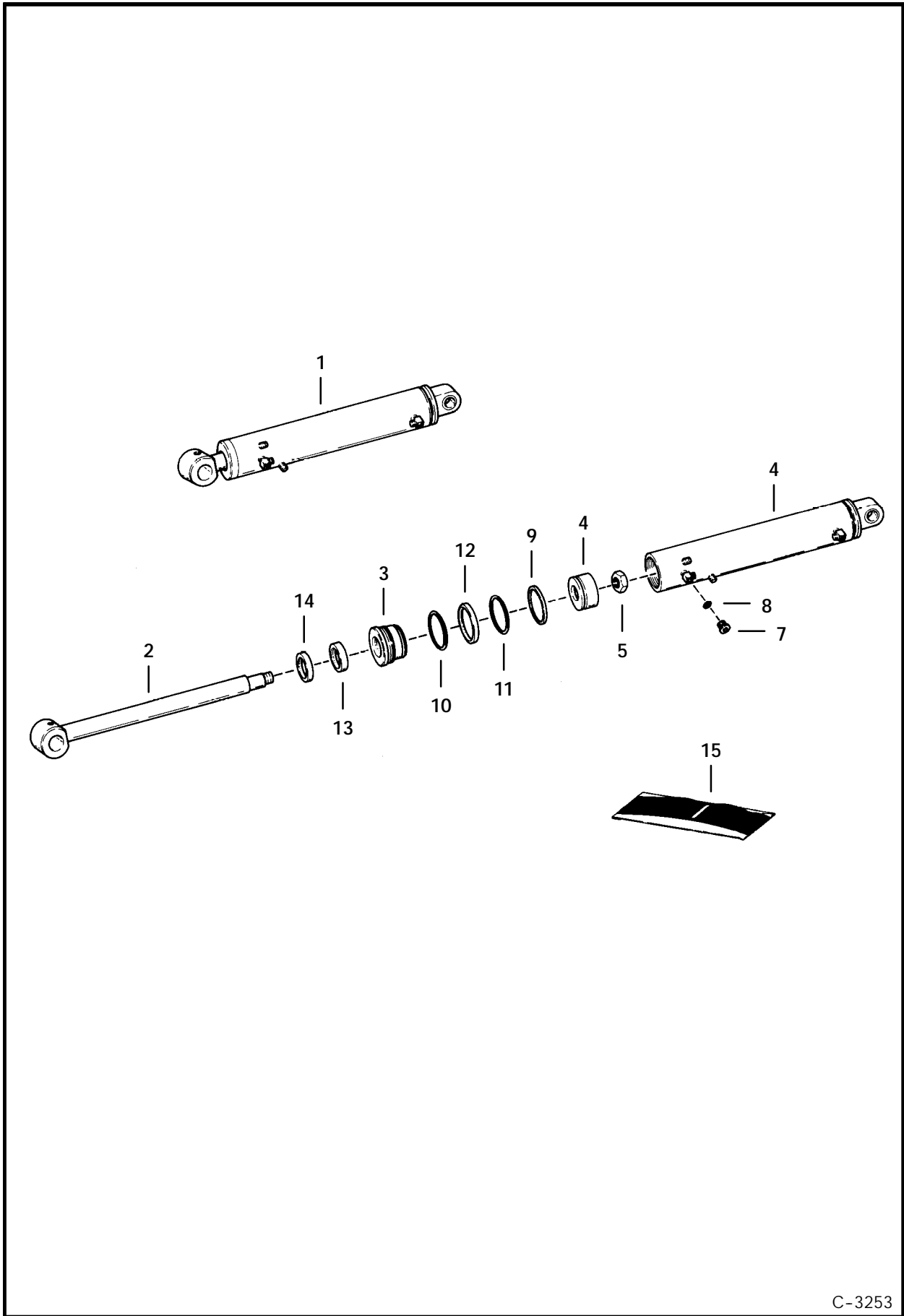
B-20560

BUCKET CYLINDER
911C Backhoe



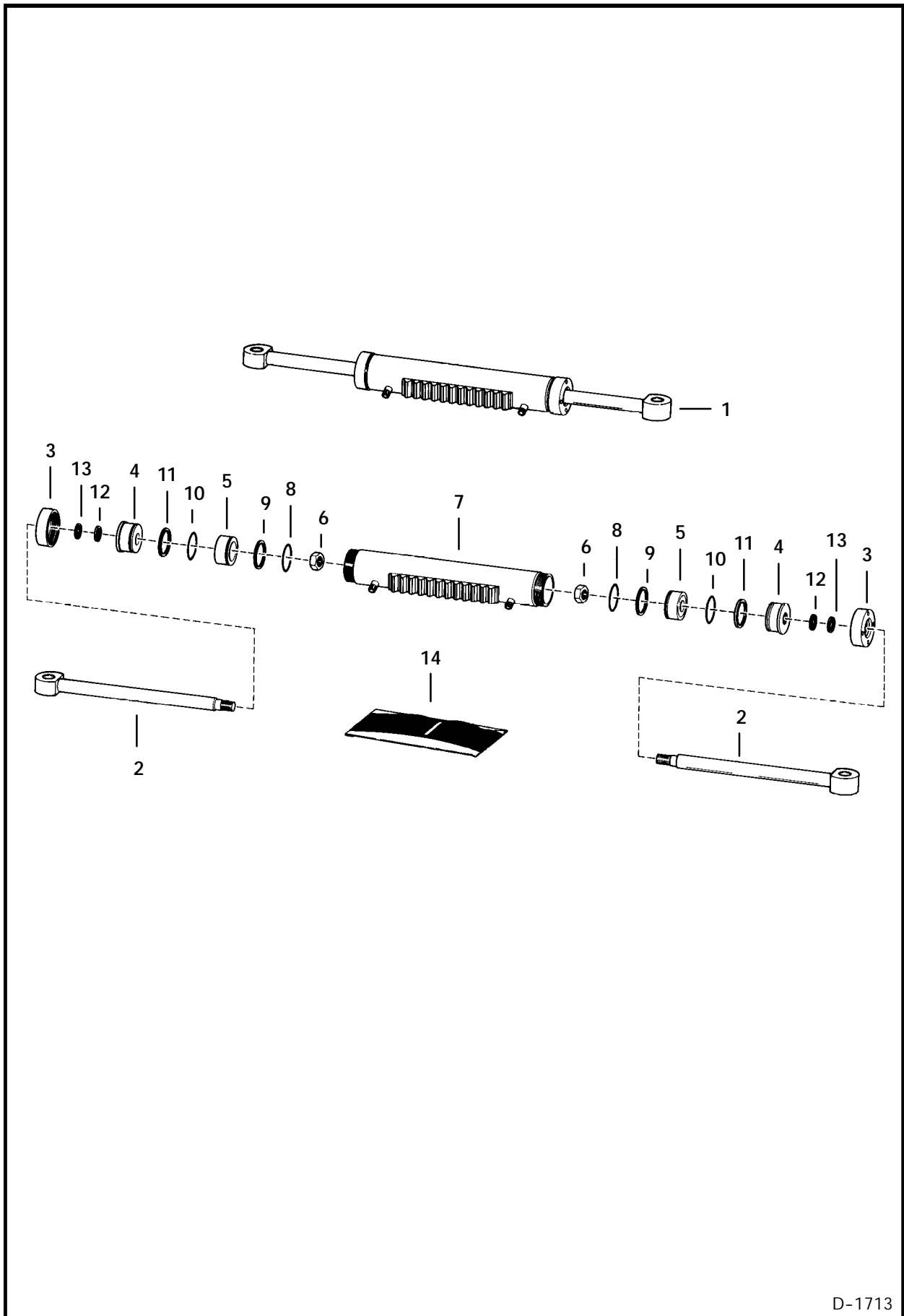
B-20472C

STABILIZER CYLINDER
911C Backhoe



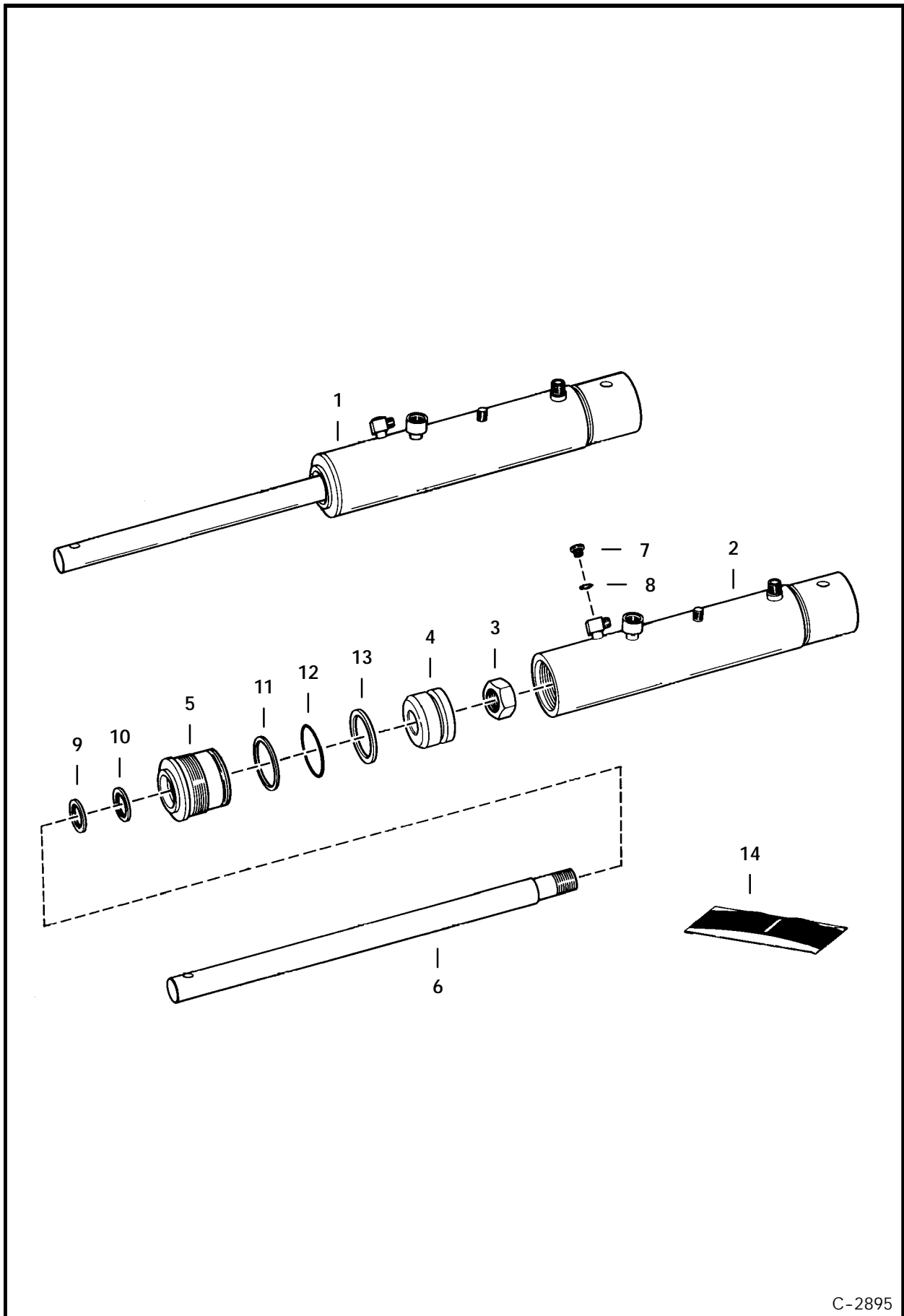
C-3253

SWING CYLINDER
911C Backhoe



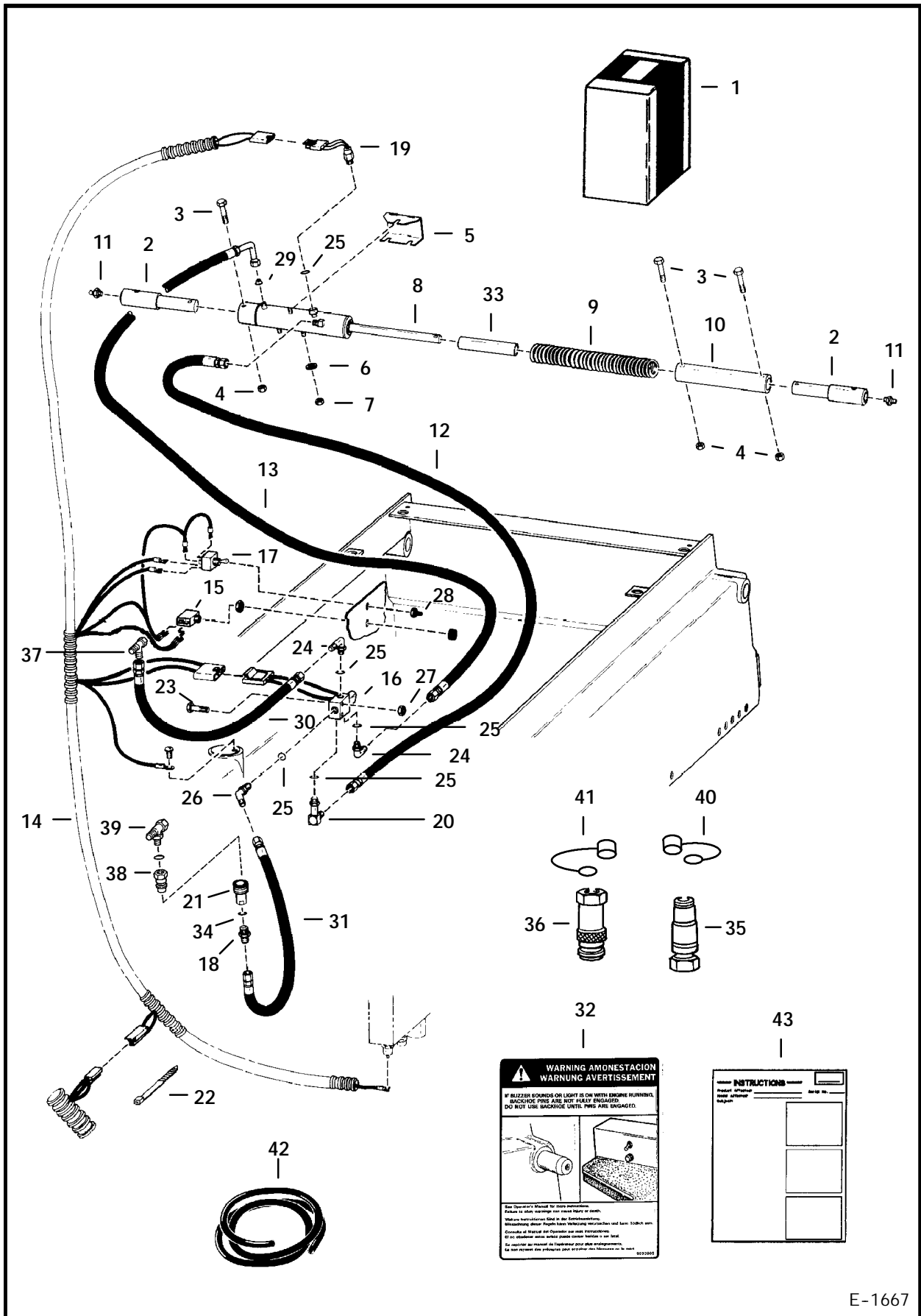
D-1713

MOUNTING CYLINDER
911C Backhoe



C-2895

MOUNTING KIT 911C Backhoe



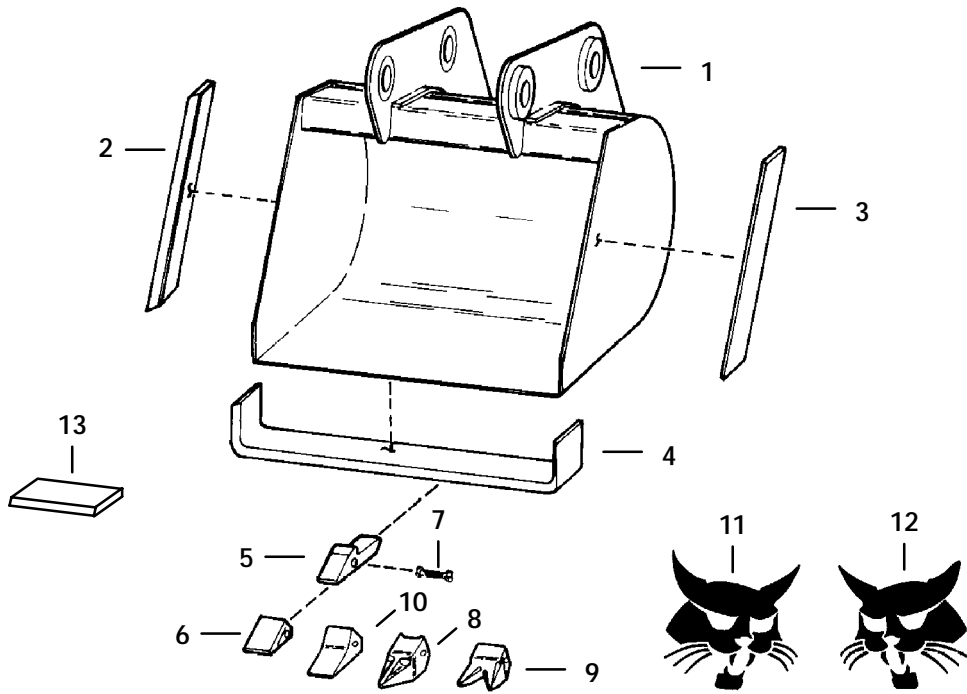
E-1667

MOUNTING KIT (Cont'd)
911C Backhoe

Ref. No.	Part Number	Description	Remarks	Serial Number	Qty.
1*	NAP	KIT	W/Ref. 2 - 43 - Was SALES #6593436 [A]		1
2	6529861	PIN			2
3	17C-644	BOLT			3
4	85D-6	NUT			3
5	6593826	BRACKET			1
6	25E-16	WASHER			3
7*	91D-5	NUT	Was 81D-5 [A]		3
8		CYLINDER	See Page 630		1
9	6593811	SPRING			1
10	6593812	COUPLER			1
11	10H-25	GREASE ZERK			2
12	6593816	HOSE			1
13	6530903	HOSE	Was 6593818 [A]		1
14	6593823	HARNESS			1
15	6631570	INDICATOR	light & buzzer		1
16	6593951	SOLENOID			1
17	6631607	SWITCH	toggle		1
18	743108	ADAPTER	W/Ref. 34		1
19	6568962	SWITCH	pressure		1
20	6558510	ELBOW	W/Ref. 25		1
21	6630092	QUICK COUPLER	female		1
22	6610510	STA-STRAP			5
23	17C-432	BOLT			2
24	17K-5	ELBOW	W/Ref. 25		2
25	79K-6	O-RING			2
26	18K-5	ELBOW	W/Ref. 25		1
27	85D-4	NUT			2
28	6515510	COVER			1
29	6593801	ORIFICE	.062-.068		1
30	6593815	HOSE			1
31	6593817	HOSE			1
32	6593805	DECAL	lock		1
33*	NAP	SHIELD	Order Ref. 42 - 6593269 [A]		1
34	79K-8	O-RING			x
35	6641358	QUICK COUPLER	male		1
36	6641359	QUICK COUPLER	female		1
37	13K-5	TEE	953 only		1
38	6630093	QUICK COUPLER	male - 953 only		1
39	6577392	TEE	953 only		1
40*	6645231	DUST CAP			1
41*	6645232	DUST CAP			1
42*	6632149	HOSE	bulk - sold per foot		x
43	6570059	INSTRUCTIONS			1

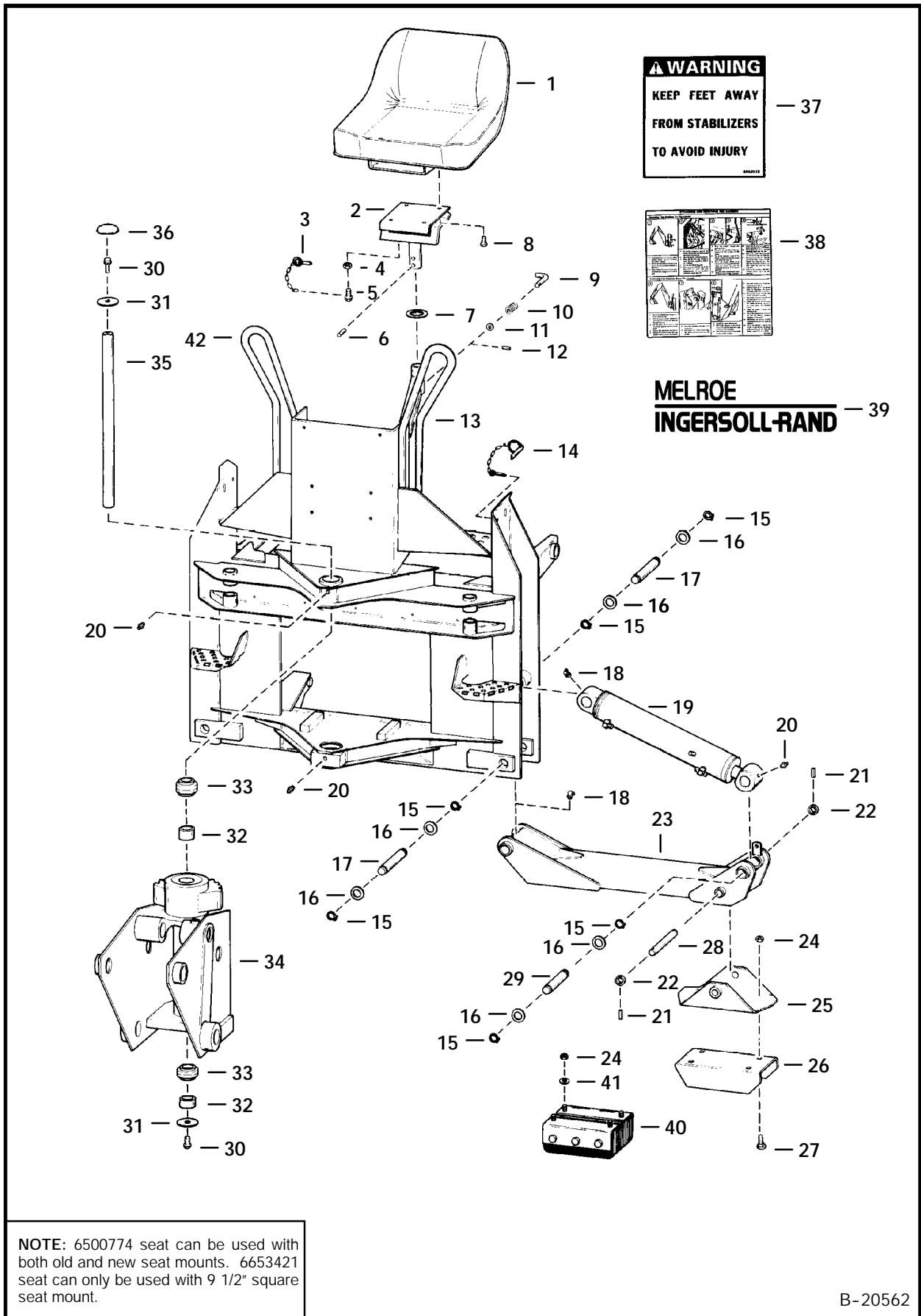
BACKHOE BUCKETS

911C Backhoe



B-20561

MAIN FRAME 913 Backhoe

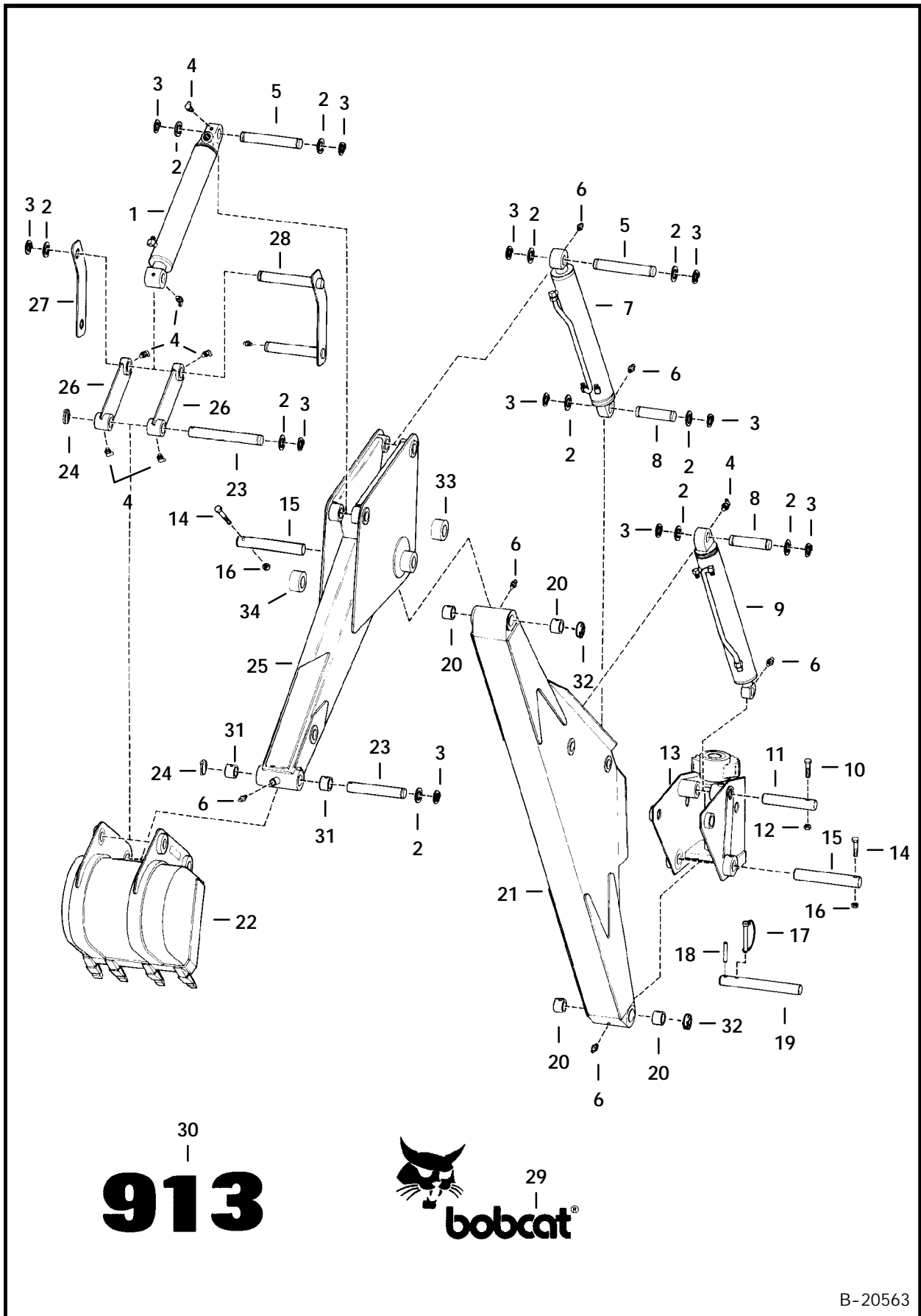


B-20562

MAIN FRAME (Cont'd)
913 Backhoe

Ref. No.	Part Number	Description	Remarks	Serial Number	Qty.
1	6500774	SEAT	Will fit both seat mounts		1
	6660148	LOWER SLIDE			1
	6660149	UPPER SLIDE			1
*	NAP	SEAT	Will fit only 9-1/2"x 9-1/2" seat mt. Was 6653421 [A] W/Adj. - Was 6660436 [A]		1
*	NAP	TRACK			1
2	NAP	TRACK MOUNT	W/O Adj. - Was 6660437 [A] 6-1/2" X 7-1/2" mounting plate - Was 6592837 [A]		1
	NAP				& above
3	6532792	MOUNT	9-1/2" X 9-1/2" mounting plate		& below
	6511880	PIN			1
4	7D-6	NUT			1
5	84G-3712	SCREW			1
6	14J-3740	PIN			1
7	6558680	SPACER			1
8	17C-516	BOLT	use with 6500774 seat use with 6653421 seat		4
	85D-5	NUT			4
9	6592836	PIN			1
10	6610082	SPRING			1
11	25E-15	WASHER			1
12	301939	PIN			1
13	6588144	MAIN FRAME	Was 6593717 [A]		1
14	6631038	PIN	W/Chain		2
15	6538285	SNAP RING	Was 1305943 [A]		12
16	6584872	WASHER			12
17	6560349	PIN			4
18	12H-15	GREASE ZERK			4
19		CYLINDER	stabilizer - See Page 684 & 686		2
20	10H-25	GREASE ZERK			4
21	14J-3724	PIN			4
22	6593949	BUSHING			4
23	6594150	STABILIZER	Was 6593898 [A]		2
24	85D-8	NUT			8
25	6593909	PAD			2
26*	NAP	CLEAT	Was 6593912 [A]		2
27	37C-820	BOLT	Was 6560578 [A]		8
28	6593908	PIN			2
29	6560352	PIN			2
30	31C-1228	BOLT			2
31	6593892	WASHER			2
32	225683	BUSHING			2
33	6511242	BEARING			2
34	6531530	FRAME	swing-W/Ref. 32-Was 6593874 [A]		1
35	6593893	SHAFT			1
36	6648801	CAP	Was 6631039 [A]		1
37	6562922	DECAL	warning		4
38	6593804	DECAL	mounting instructions		1
39*	6714353	DECAL	Melroe/IR - Was 6569071 [A]		1
40	6632445	PAD	street		2
41	25E-21	WASHER			8
42*	6560876	TUBE	handrail - weld on		2

BOOM & DIPPERSTICK
913 Backhoe

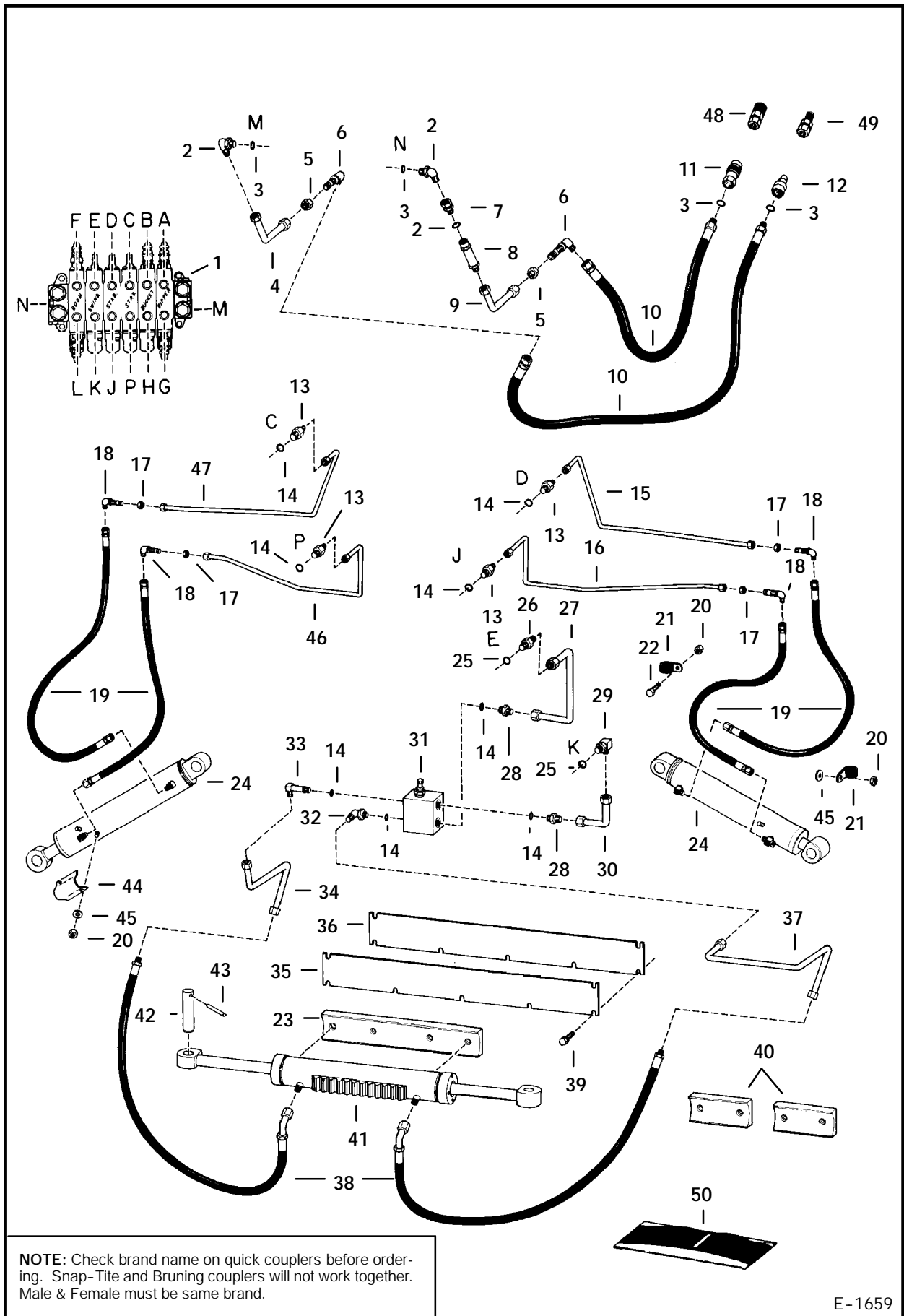


BOOM & DIPPERSTICK (Cont'd)
913 Backhoe

Ref. No.	Part Number	Description	Remarks	Serial Number	Qty.
1		CYLINDER	bucket - See Page 686		1
2	6584872	WASHER			12
3	6538285	SNAP RING	Was 1305943 [A]		12
4	12H-15	GREASE ZERK			7
5	6560352	PIN			2
6	10H-25	GREASE ZERK			6
7		CYLINDER	dipper - See Page 676 - 680		1
8	6560350	PIN			2
9		CYLINDER	boom - See Page 670 - 674		1
10	17C-656	BOLT			1
11	6560351	PIN			1
12	81D-6	NUT			1
13		FRAME	swing - See Page 636		1
14	17C-864	BOLT	Was 17C-860 [B]		2
15	6531534	PIN	Was 6593852 [A]		2
16	85D-8	NUT			2
17	6510020	PIN			1
18	14J-3740	PIN			1
19	6593895	PIN			1
20	1318541	BUSHING			4
21	6529781	BOOM	Was 6593853 [A]		1
22		BUCKET	See Page 694		1
23	6560401	PIN			2
24	6560382	PIN	ring lock		2
25	6593828	DIPPERSTICK			1
26	6593848	LINK			2
27	6593846	LINK			2
28	6593845	LINK	W/Pins		2
29	6557412	DECAL	Bobcat - R.H.		1
	6557413	DECAL	Bobcat - L.H.		1
30	6593953	DECAL	913		2
31	6560334	BUSHING			2
32	6529588	WASHER	hardened		4
33	6593843	BUSHING	weld-on		1
34	6593842	BUSHING	weld-on		1

MAIN FRAME HYDRAULICS

913 Backhoe W/Husco Valve - Backhoe S/N 1110 & Below



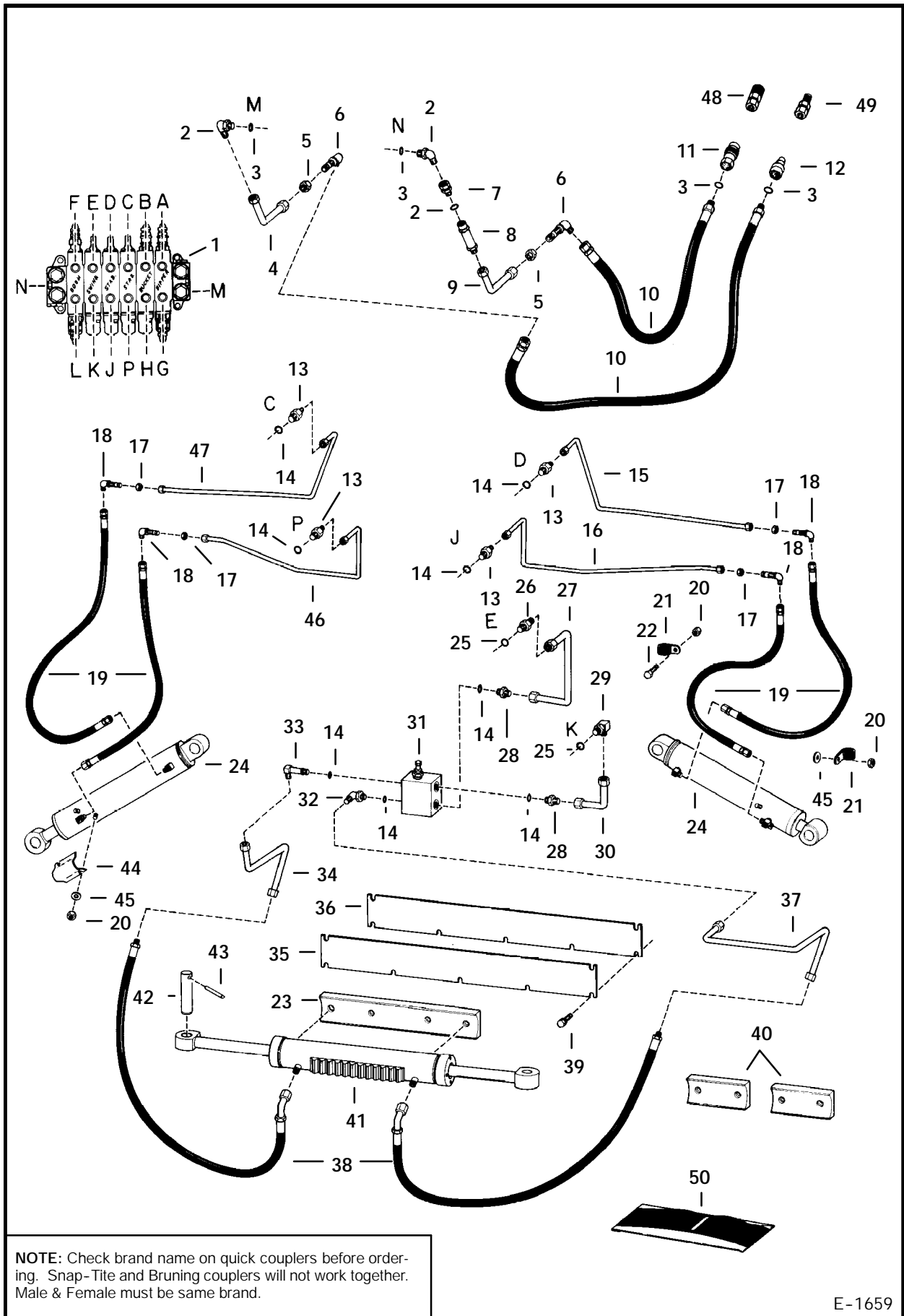
NOTE: Check brand name on quick couplers before ordering. Snap-Tite and Bruning couplers will not work together. Male & Female must be same brand.

E-1659

MAIN FRAME HYDRAULIC (Cont'd)
913 Backhoe W/Husco Valve - Backhoe S/N 1110 & Below

Ref. No.	Part Number	Description	Remarks	Serial Number	Qty.
1		VALVE	See Page 656		1
2	17K-8	ELBOW	W/Ref. 3		2
3	79K-12	O-RING			x
4	6593796	TUBE			1
5	86F-8	NUT			2
6	88F-8	ELBOW			2
7	2505198	ADAPTER			1
8	6631037	VALVE	check		1
9	6593797	TUBE			1
10	6593798	HOSE			2
11	NAP	QUIK COUPLER	Female snap-tite - See Note - Was 6631574 [A]		1
12	6632280 NAP	U-PACKING QUIK COUPLER	Male snap-tite - See Note - Was 6631573 [A]		1
13	731795	ADAPTER			4
14	79K-8	O-RING			x
15	6593783	TUBE			1
16	6593782	TUBE			1
17	86F-5	NUT			4
18	88F-5	ELBOW			4
19	6530775	HOSE	Was 6593915 [A]		4
20	81D-6	NUT			8
21	30H-35	CLAMP			5
22	17C-614	BOLT			2
23	6593965	BAR	wear		1
24		CYLINDER	stabilizer - See Page 684 & 686		2
25	79K-10	O-RING			x
26	731794	ADAPTER	W/Ref. 25		1
27	6593785	TUBE			1
28	15K-6	ADAPTER	W/Ref. 14		2
29	784568	ELBOW	W/Ref. 14		1
30	6593784	TUBE			1
31	6593803	RELIEF VALVE			1
	6659574	SEAL KIT			1
	6659575	RELIEF VALVE			1
32	6659576	BLOCK			1
	17K-6	ELBOW	W/Ref. 14		1
33	6511914	ELBOW			1
34	6593789	TUBE			1
35	6593896	PLATE			1
36	6593890	SHIM			x
37	6593788	TUBE			1
38	6588169	HOSE	Was 6593802 [A]		2
39	84G-3110	BOLT			7
40	NAP	BAR	wear - Order Ref. 23		2
41		CYLINDER	swing - See Page 688		1
42	6560351	PIN			2
43	14J-3740	ROLL PIN			2
44	6593914	GUARD			2
45	25E-17	WASHER			6

MAIN FRAME HYDRAULICS (Cont'd)
 913 Backhoe W/Husco Valve - Backhoe S/N 1110 & Below

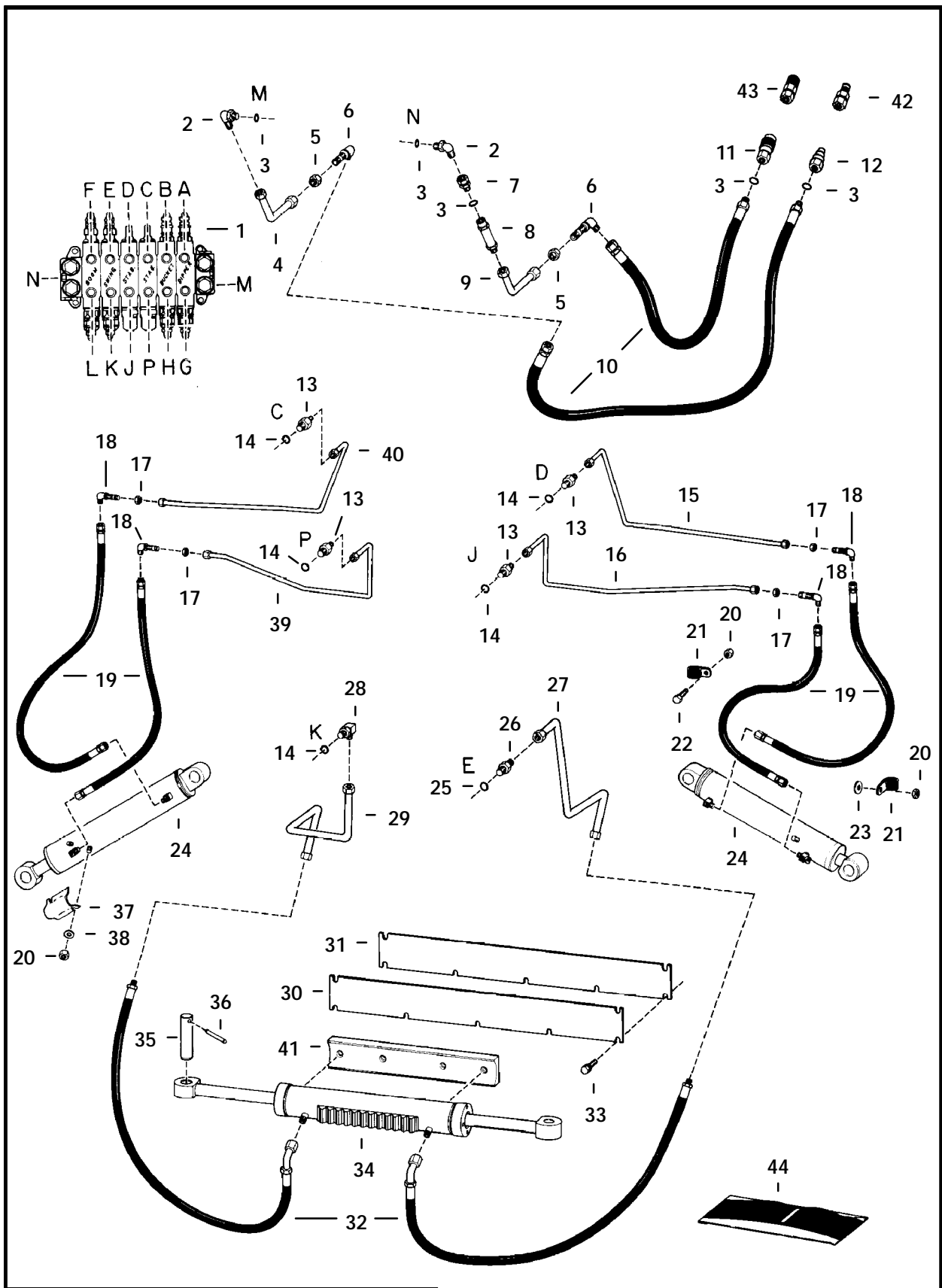


NOTE: Check brand name on quick couplers before ordering. Snap-Tite and Bruning couplers will not work together. Male & Female must be same brand.

E-1659

MAIN FRAME HYDRAULICS

913 Backhoe W/Husco Valve - Backhoe S/N 1111 Thru 1135



NOTE: Check brand name on quick couplers before ordering. Snap-Tite and Bruning couplers will not work together. Male & Female must be same brand.

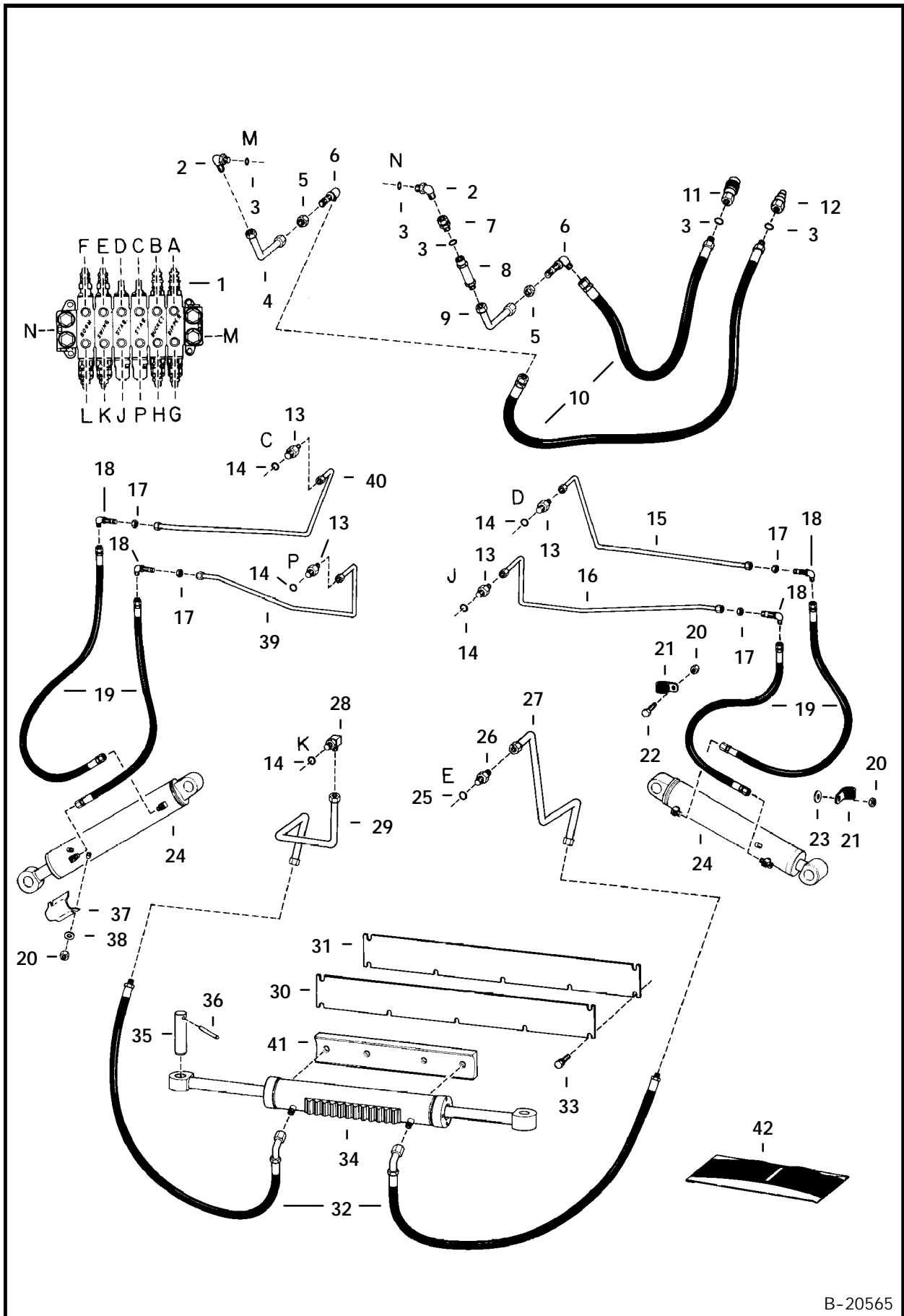
B-20564

MAIN FRAME HYDDRAULICS (Cont'd)
913 Backhoe W/Husco Valve - Backhoe S/N 1111 Thru 1135

Ref. No.	Part Number	Description	Remarks	Serial Number	Qty.
1		VALVE	See Page 656		1
2	17K-8	ELBOW	W/Ref. 3		2
3	79K-12	O-RING			x
4	6593796	TUBE			1
5	86F-8	NUT			2
6	88F-8	ELBOW			2
7	2505198	ADAPTER			1
8	6631037	VALVE	check		1
9	6593797	TUBE			1
10	6593798	HOSE			2
11*	NAP	QUICK COUPLER	Fem. snap-tite-See Note- Order Ref. 42 & 43 - Was 6631574 [A]		1
12*	6632280 NAP	U-PACKING QUICK COUPLER	Male snap-tite-See Note- Order Ref. 42 & 43 - Was 6631573 [A]		1
13	731795	ADAPTER			4
14	79K-8	O-RING			x
15	6593783	TUBE			1
16	6593782	TUBE			1
17	86F-5	NUT			4
18	88F-5	ELBOW			4
19	6593915	HOSE			4
20	81D-6	NUT			8
21	30H-35	CLAMP			5
22	17C-614	BOLT			2
23	25E-22	WASHER			2
24		CYLINDER	stabilizer - See Page 684 & 686		2
25	79K-10	O-RING			x
26	731794	ADAPTER	W/Ref. 25		1
27	6529397	TUBE			1
28	784568	ELBOW	W/Ref. 14		1
29	6529399	TUBE			1
30	6593896	PLATE			1
31	6593890	SHIM			x
32	6588169	HOSE	Was 6593802 [A]		2
33	84G-3110	BOLT			7
34		CYLINDER	swing - See Page 688		1
35	6560351	PIN			2
36	14J-3740	ROLL PIN			2
37	6593914	GUARD			2
38	25E-17	WASHER			4
39	6593786	TUBE			1
40	6593787	TUBE			1
41	6593965	BAR	wear		1
42	6641358	QUICK COUPLER	Male Bruning - See Note		1
43	6641359	QUICK COUPLER	Female Bruning - See Note		1
44	6648561	SEAL KIT	For Both Bruning Couplers		1

MAIN FRAME HYDRAULICS

913 Backhoe W/Gresen Valve - Backhoe S/N 1136 & Above



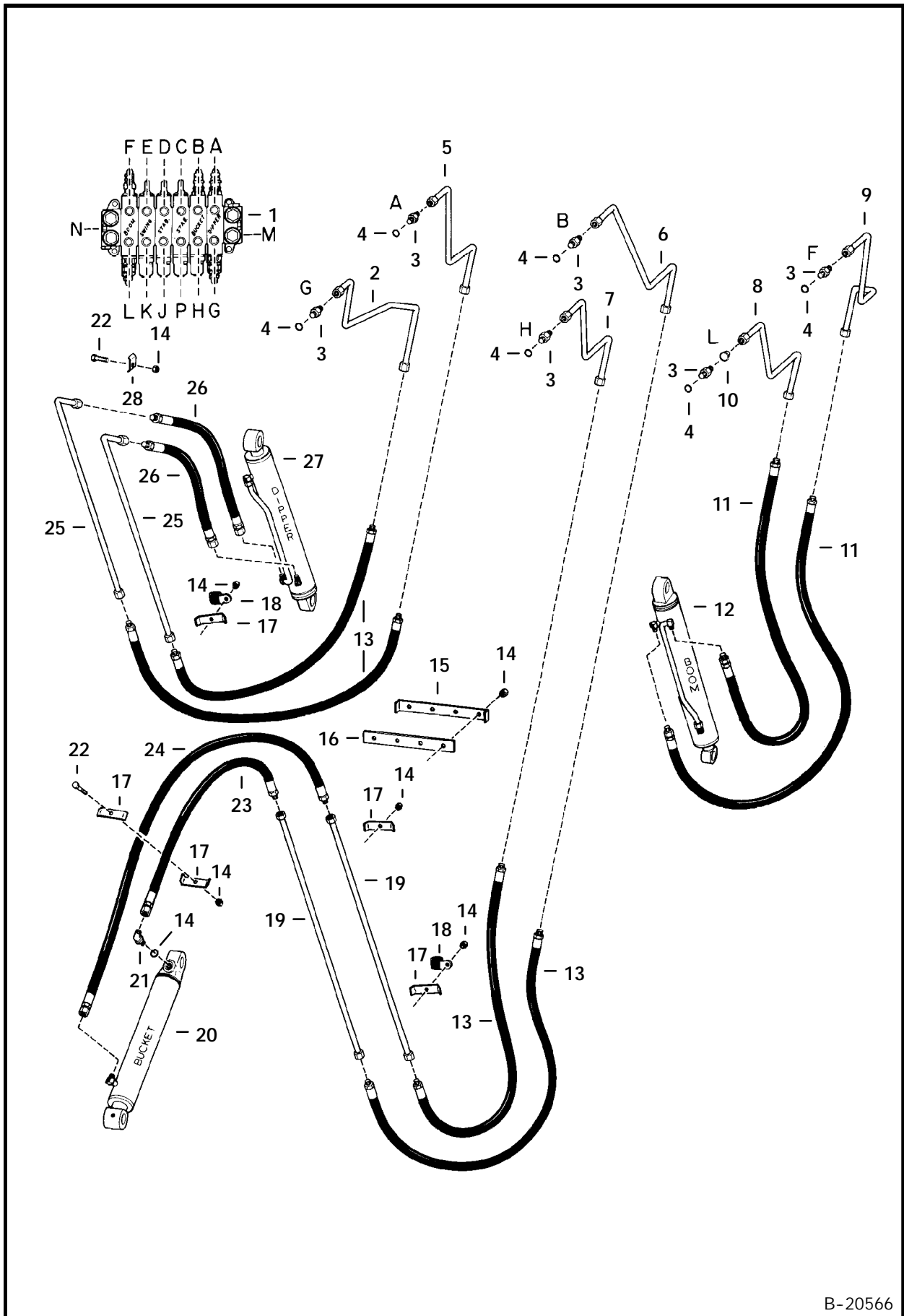
B-20565

MAIN FRAME HYDRAULICS (Cont'd)
913 Backhoe W/Gresen Valve - Backhoe S/N 1136 & Above

Ref. No.	Part Number	Description	Remarks	Serial Number	Qty.
1		VALVE	See Page 658 - 668		1
2	17K-8	ELBOW	W/Ref. 3		3
3	79K-12	O-RING			x
4	6530958	TUBE			1
5	86F-8	NUT			2
6	88F-8	ELBOW			2
7	2505198	ADAPTER			1
8	6647878	VALVE	check		1
9	6530959	TUBE			1
10	6593798	HOSE			2
11	6641359	QUICK COUPLER	Female		1
12	6641358	QUICK COUPLER	Male		1
13	731795	ADAPTER	W/Ref. 14		4
14	79K-8	O-RING			x
15	6530948	TUBE			1
16	6530949	TUBE			1
17	86F-5	NUT			4
18	88F-5	ELBOW			4
19	6530775	HOSE			4
20	81D-6	NUT			8
21	30H-35	CLAMP			5
22	17C-614	BOLT			2
23	25E-22	WASHER			2
24		CYLINDER	stabilizer - See Page 684 & 686		2
25	79K-10	O-RING			x
26	731794	ADAPTER	W/Ref. 25		1
27	6530947	TUBE			1
28	784568	ELBOW	W/Ref. 14		1
29	6530945	TUBE			1
30	6593896	PLATE			1
31	6593890	SHIM			x
32	6588169	HOSE	Was 6593802 [A]		2
33	84G-3110	BOLT			7
34		CYLINDER	swing - See Page 688		1
35	6560351	PIN			2
36	14J-3740	ROLL PIN			2
37	6593914	GUARD			2
38	25E-17	WASHER			4
39	6530950	TUBE			1
40	6530951	TUBE			1
41	6593965	BAR	wear		1
42	6648561	SEAL KIT	For Both Ref. 11 & 12		1

BOOM HYDRAULIC CIRCUITRY

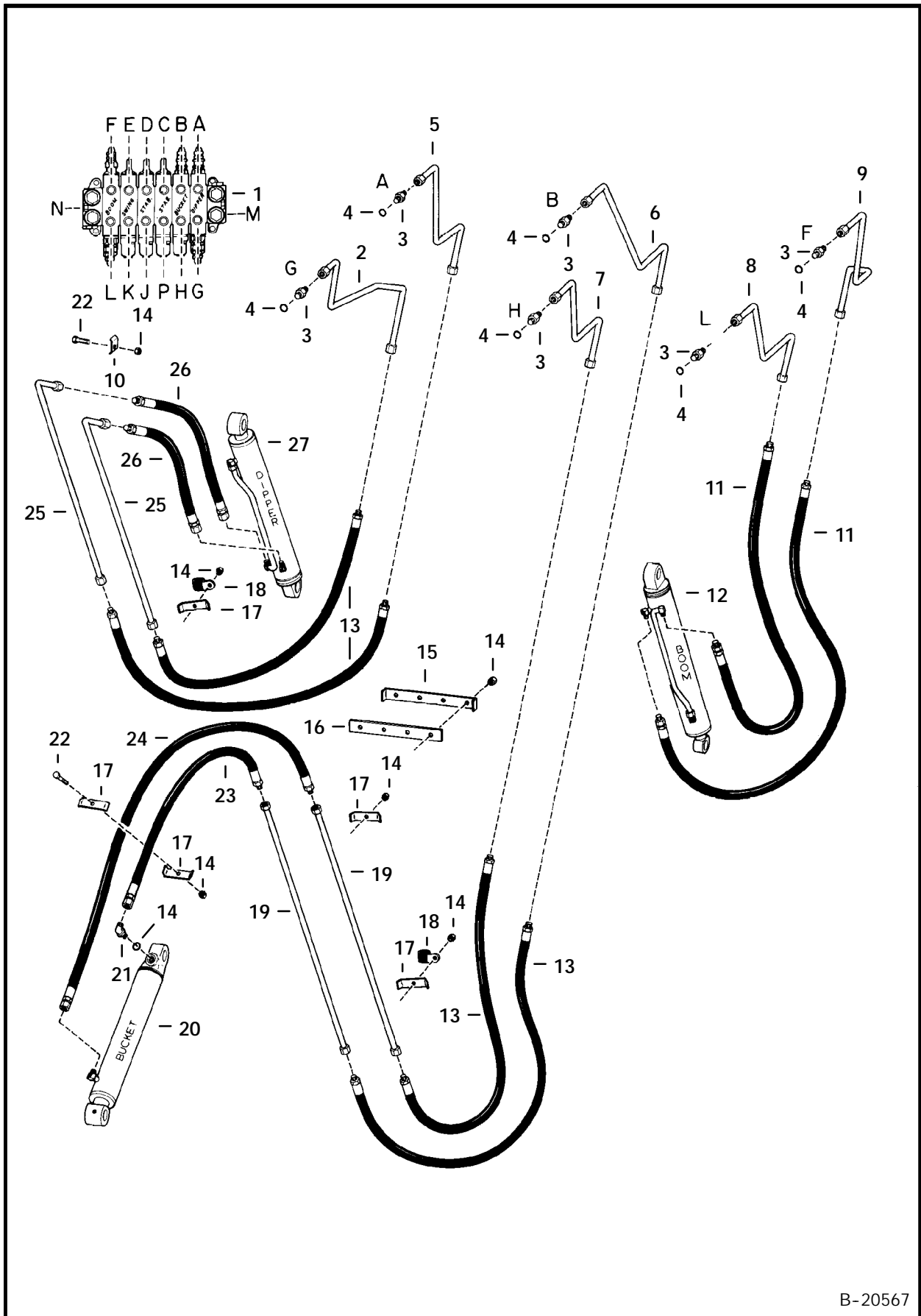
913 Backhoe W/Husco Valve - Backhoe S/N 1135 & Below



B-20566

BOOM HYDRAULIC CIRCUITRY

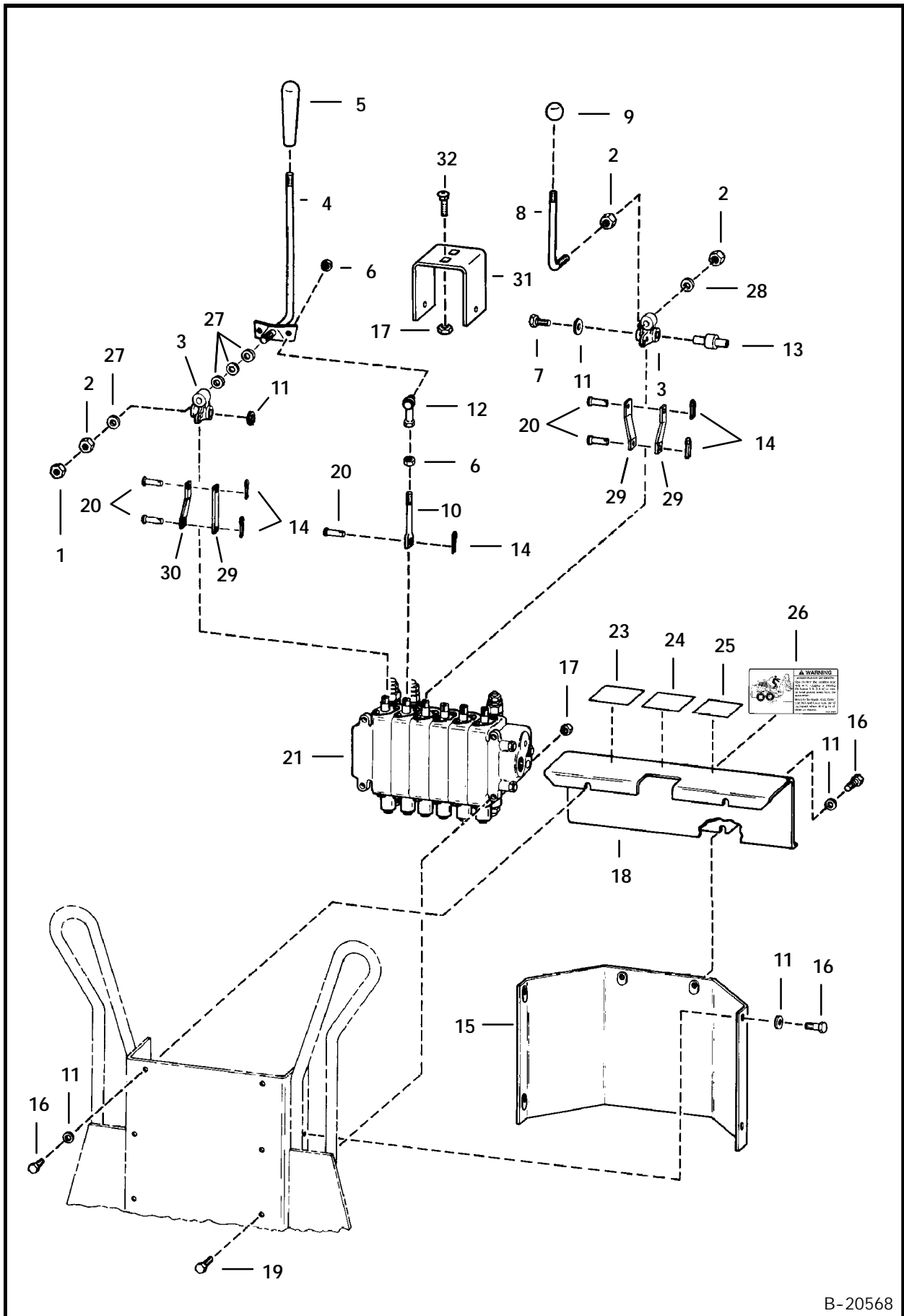
913 Backhoe W/Gresen Valve - Backhoe S/N 1136 & Above



B-20567

CONTROLS LEVERS

913 Backhoe W/Gresen Valve - Backhoe S/N 1136 & Above



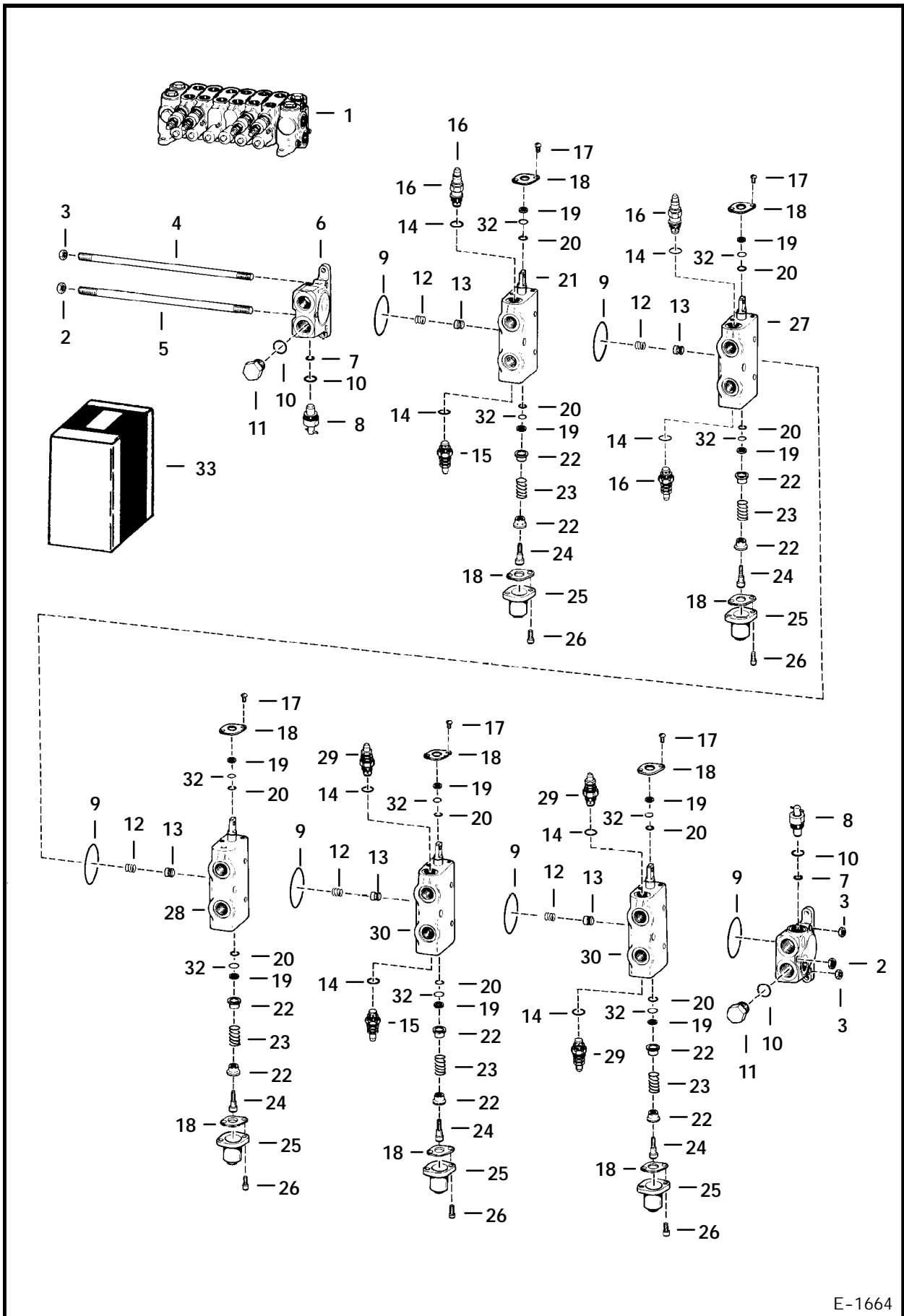
B-20568

CONTROL LEVERS (Cont'd)
913 Backhoe W/Gesen Valve - Backhoe S/N 1136 & Above

Ref. No.	Part Number	Description	Remarks	Serial Number	Qty.
1	85D-8	NUT			2
2	7D-8	NUT			6
3	6586081	BLOCK			4
4	6530937	LEVER	R.H.		1
	6530942	LEVER	L.H.		1
5	6510093	KNOB			2
6	8D-6	NUT			4
7	17C-510	BOLT			2
8	6560871	LEVER			2
9	6515888	KNOB			2
10	6530940	ROD			2
11	25E-16	WASHER			2
12	6599744	BALL JOINT			2
13	6561538	PIN	spacer		1
14	1F-208	COTTER PIN			10
15	6593808	PANEL			1
16	17C-512	BOLT			8
17	85D-6	NUT			6
18	61D-5	NUT	Gresen Valve		3
	6593807	COVER			1
19	17C-620	BOLT			4
20	17C-540	BOLT	Gresen Valve		3
	227395	PIN			10
21		VALVE	See Page 658 - 668		1
22	1315207	SNAP RING			2
23	6558050	DECAL			1
24	6561396	DECAL			1
25	6558049	DECAL			1
26	6596591	DECAL	warning - Was 6562925 [A]		1
27	25E-21	WASHER			8
28	6599359	WASHER			2
29	6530941	LINK			6
30	6530939	LINK			2
31	6561537	BRACKET			1
32	37C-612	BOLT			2

HUSCO CONTROL VALVE

913 Backhoe - Backhoe S/N 1135 & Below

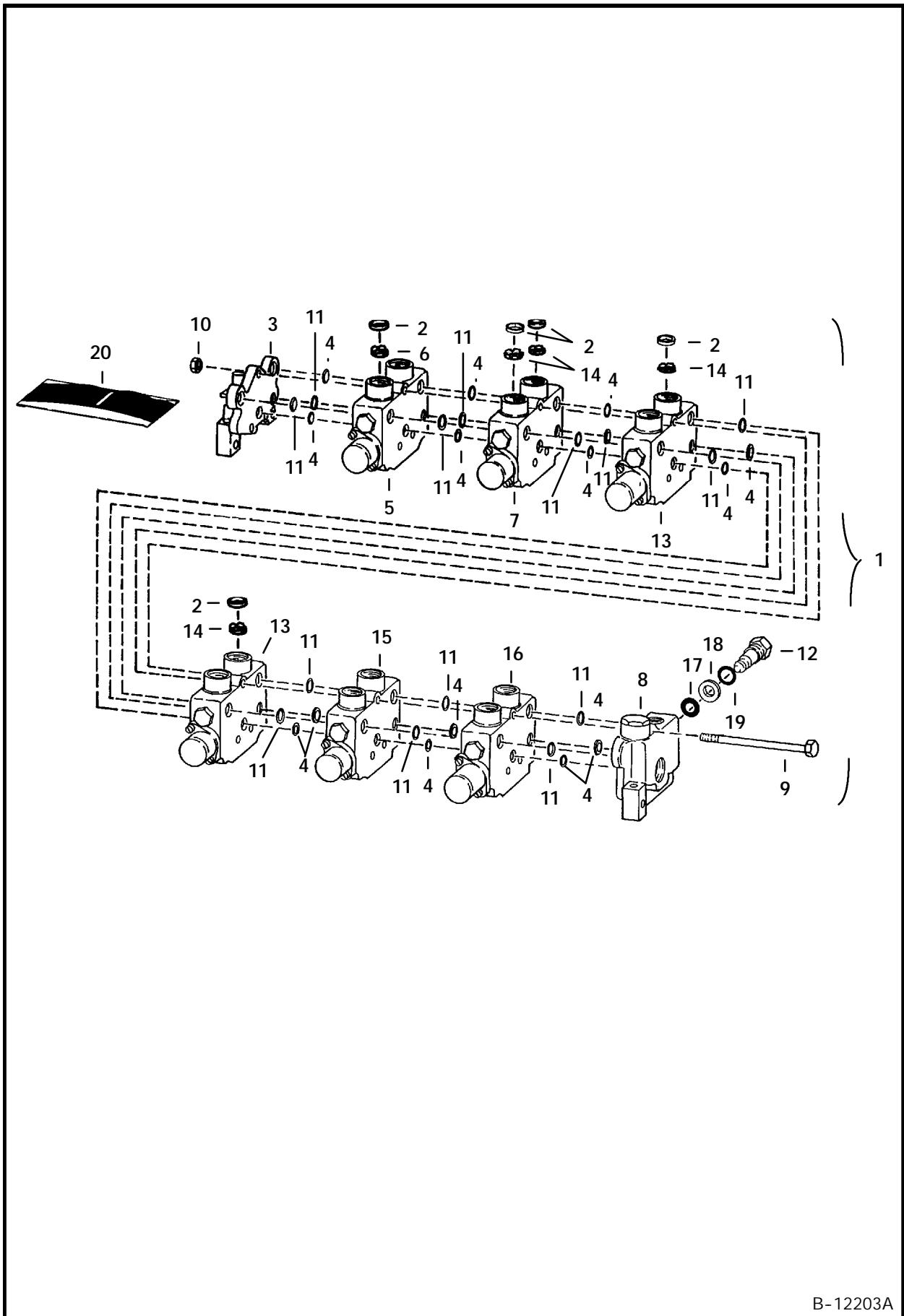


E-1664

HUSCO CONTROL VALVE (Cont'd)
913 Backhoe - Backhoe S/N 1135 & Below

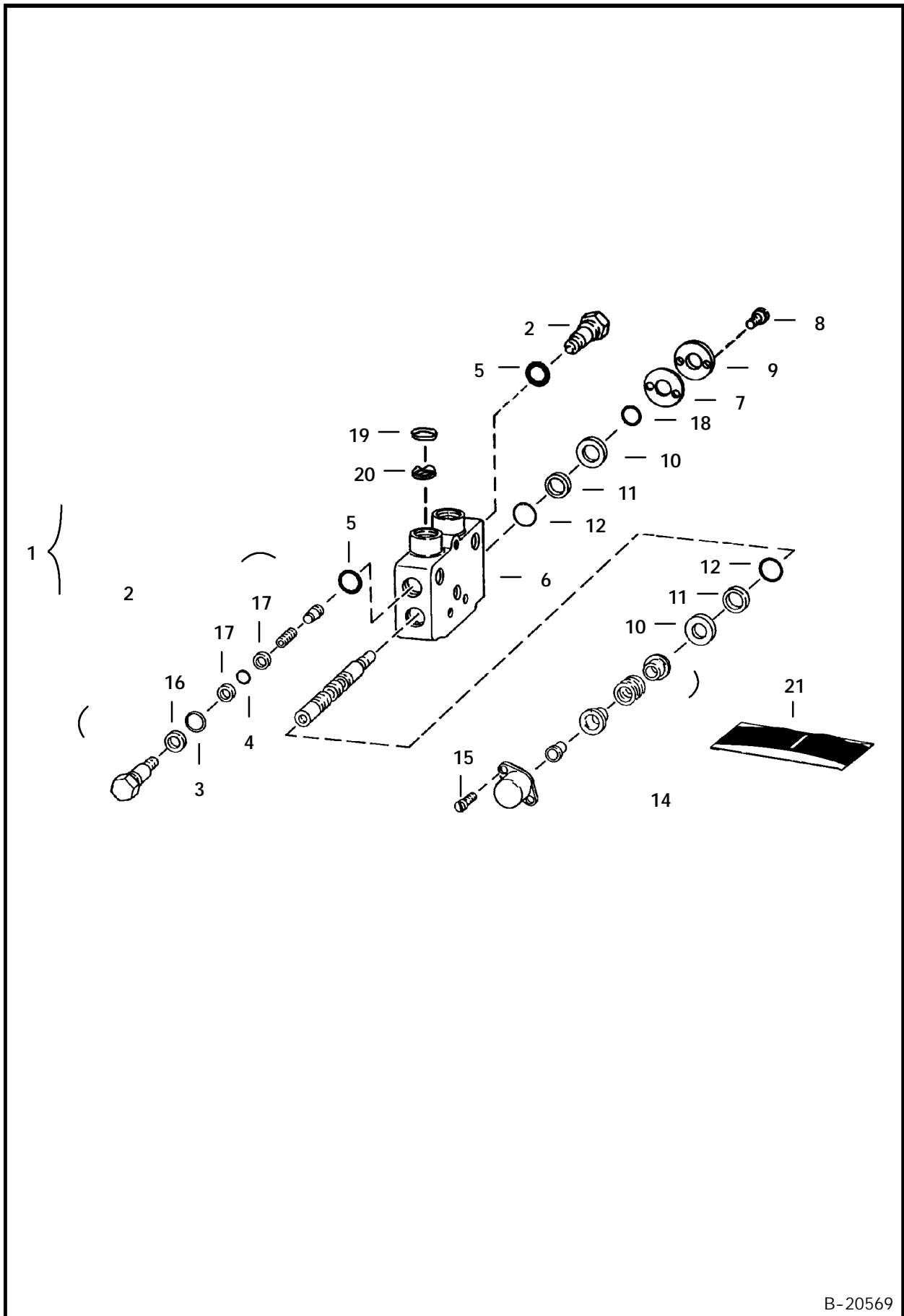
Ref. No.	Part Number	Description	Remarks	Serial Number	Qty.
1	6644978	VALVE	W/Ref. 2 - 31 - Was 6529398 [A]		1
2	62D-6	NUT			2
3	61D-5	NUT			4
4	6514391	TIE ROD			2
5	6514392	TIE ROD			1
6	6631632	SECTION	outlet		1
7	NSS	O-RING	Was 6649668 [A]		2
8	945193	PLUG	W/Ref. 7 & 10 - Was 6649667 [B]		2
9	6646691	O-RING	Was 25K-40208 [B]		7
10	79K-10	O-RING			4
11	24K-7	PLUG	W/Ref. 10 - Was 6631633 [A]		2
12	6630966	SPRING			4
13	6630965	POPPET			4
14	961240	O-RING			6
15	6646680	RELIEF VALVE	3500 PSI - Was 966134 [A]		2
16	6631645	RELIEF VALVE	2500 PSI		1
17	93G-406	SCREW			12
18	948016	PLATE			12
19	NSS	WIPER	Was 948021 [A]		12
20	NSS	O-RING	Was 25K-30018 [B]		12
21	6646684	BOOM	W/O Ref. 15 & 16 -		
22	948017	SEAT	W/Ref. 9, 12, 13, 17 - 20, 22 - 26 & 32 - Was 6631631 [A] spring		1 12
23	948018	SPRING			6
24	948191	SCREW	spool		6
25	948192	BONNET			6
26	73G-412	SCREW	Was 11G-412 [A]		12
27	6646685	SECTION	swing - W/Ref. 9, 12, 13, 17 - 20, 22 - 26 & 32 - W/O Ref. 16 -		
28	6646683	SECTION	Was 6633057 [A] stab. - W/Ref. 9, 12, 13, 17 - 20, 22 - 26 & 32 - Was 6631629 [A]		1 2
29	6646679	RELIEF VALVE	3000 PSI - Was 966133 [A]		3
30	6646682	SECTION	bucket & dipper - W/Ref. 9, 12, 13, 17 - 20, 22 - 26 & 32 -		
31	6631627	SECTION	W/O Ref. 16 - Was 6631628 [A]		2
32	NSS	WASHER	inlet - W/Ref. 9 - Was 6646681 [A]		1
33	6630960	SEAL KIT	For Ref. 16		x
	6646695	SEAL KIT	For Ref. 15 & 29		x
	6646698	SEAL KIT	spool - W/Ref. 19, 20 & 32		x
	6646699	SEAL KIT	complete - Includes 6630960, 6646695, 6646698, & Ref. 9		x

GRESEN CONTROL VALVE
913 Backhoe - S/N 1136 & Above



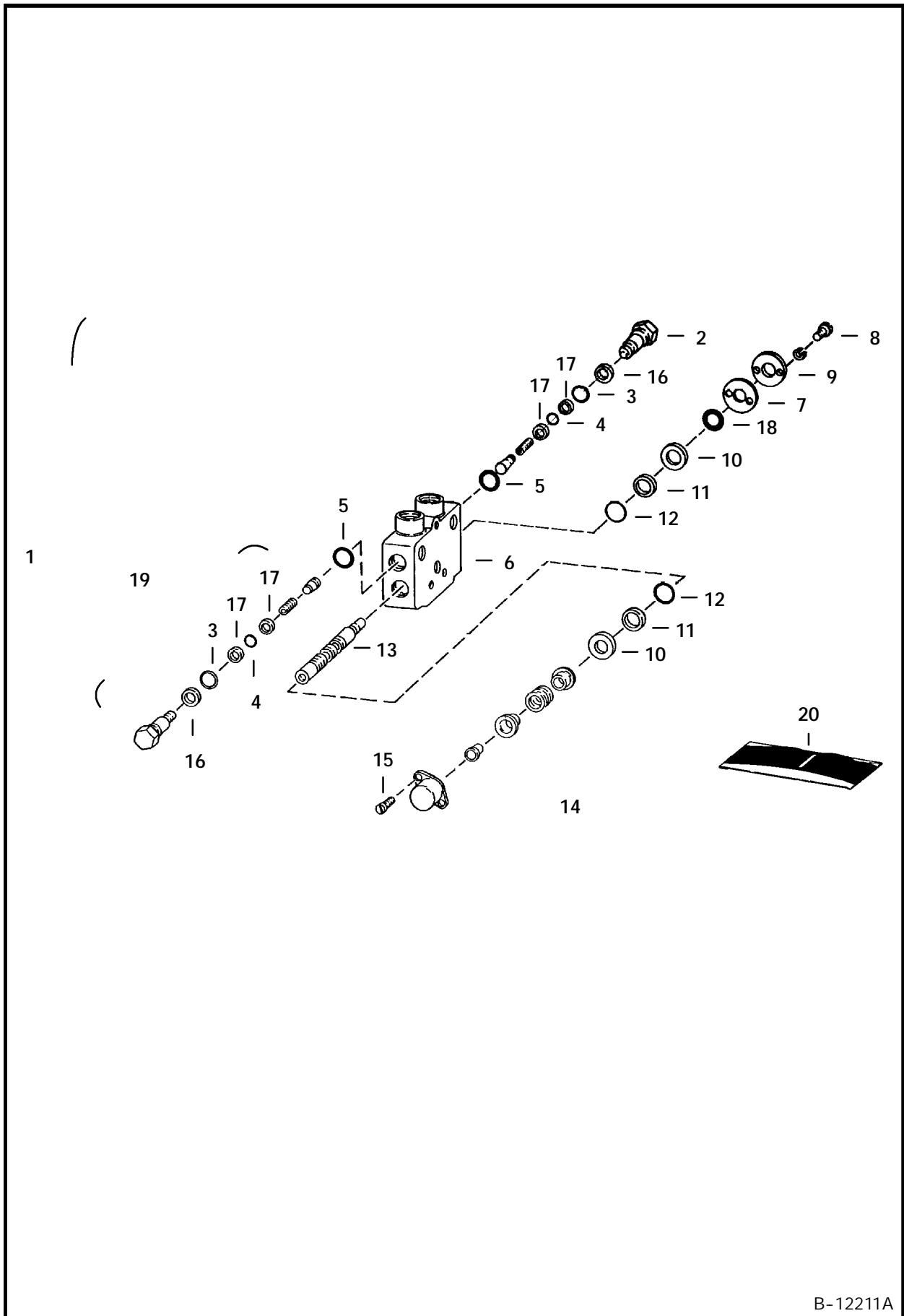
B-12203A

GRESEN STABILIZER SECTION
913 Backhoe - S/N 1136 & Above



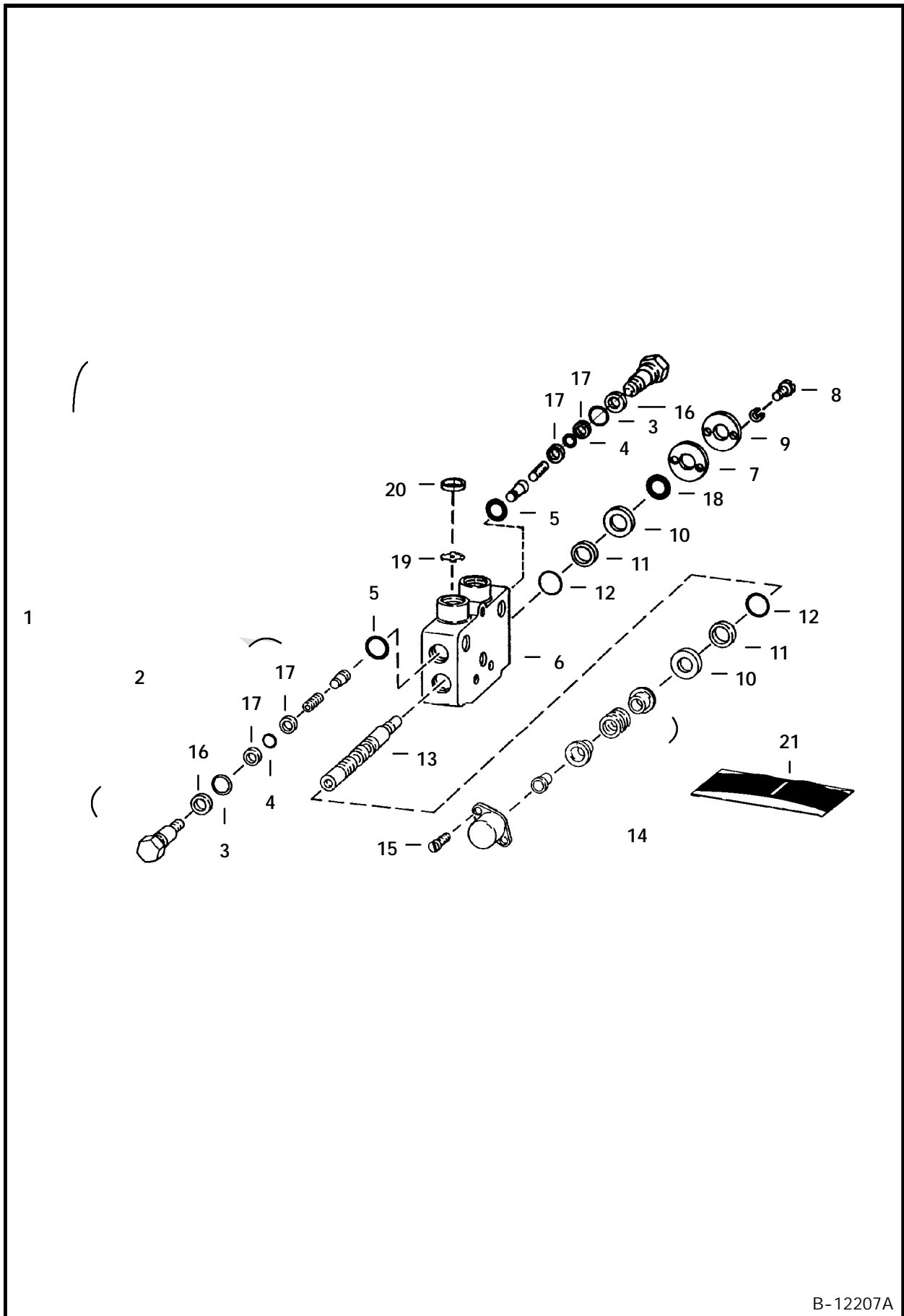
B-20569

GRESEN DIPPER SECTION
913 Backhoe - S/N 1136 & Above



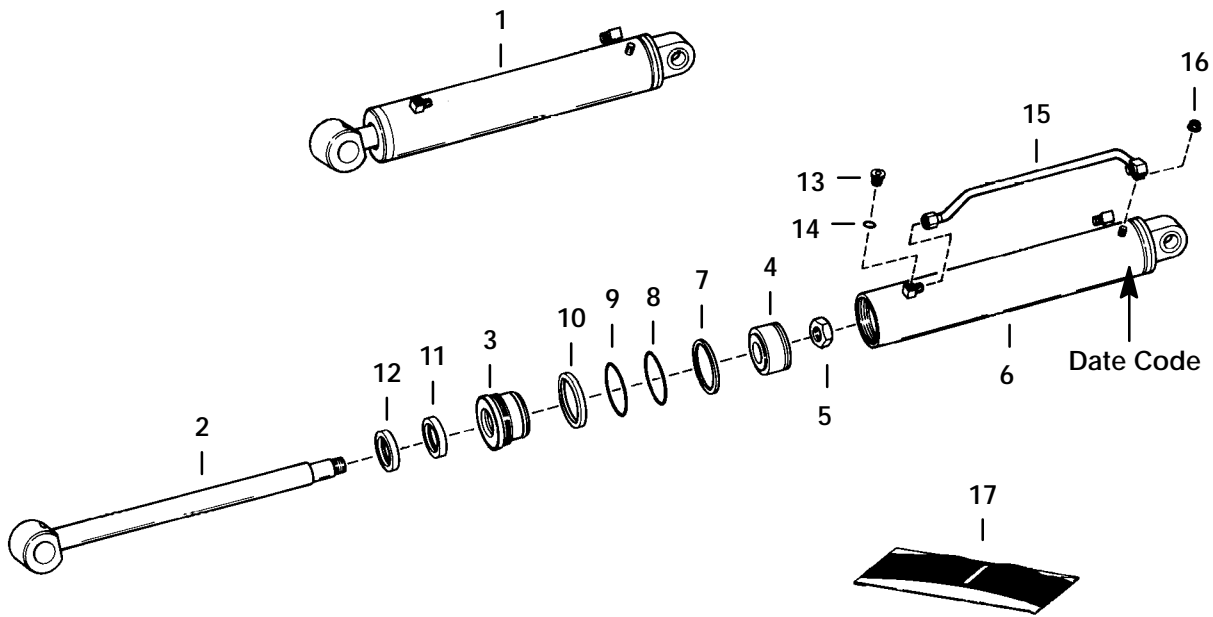
B-12211A

GRESEN BOOM SECTION
913 Backhoe - S/N 1136 & Above



B-12207A

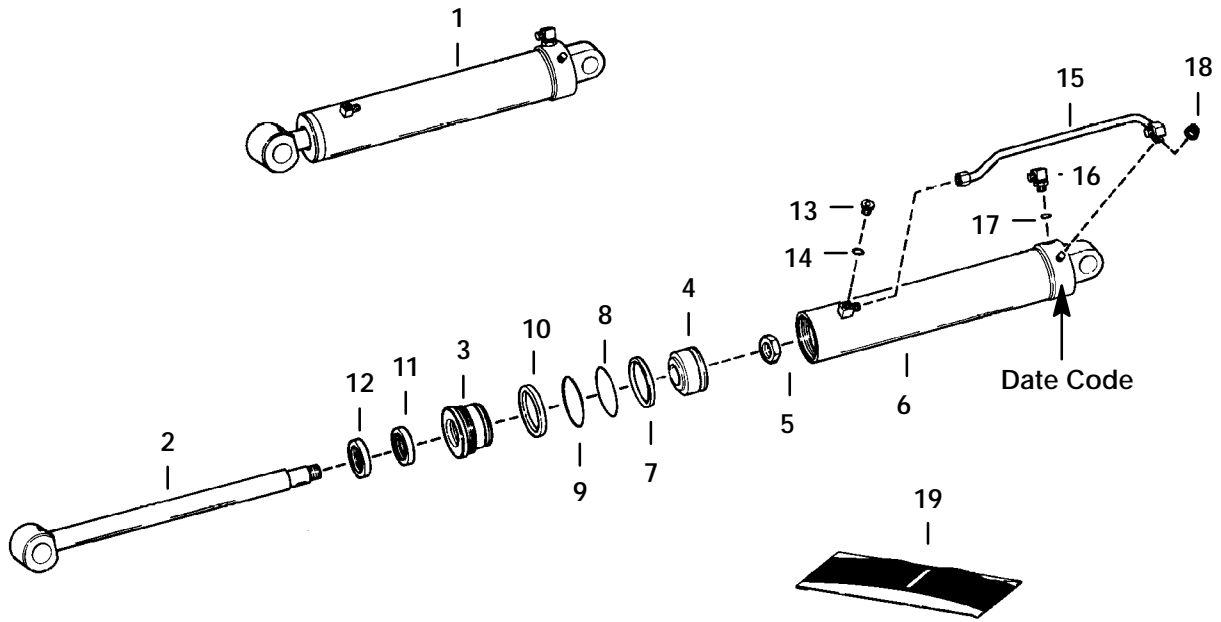
BOOM CYLINDER 913 Backhoe



NOTE: This cylinder will have date code of 552 and below.

C-2891

BOOM CYLINDER
913 Backhoe



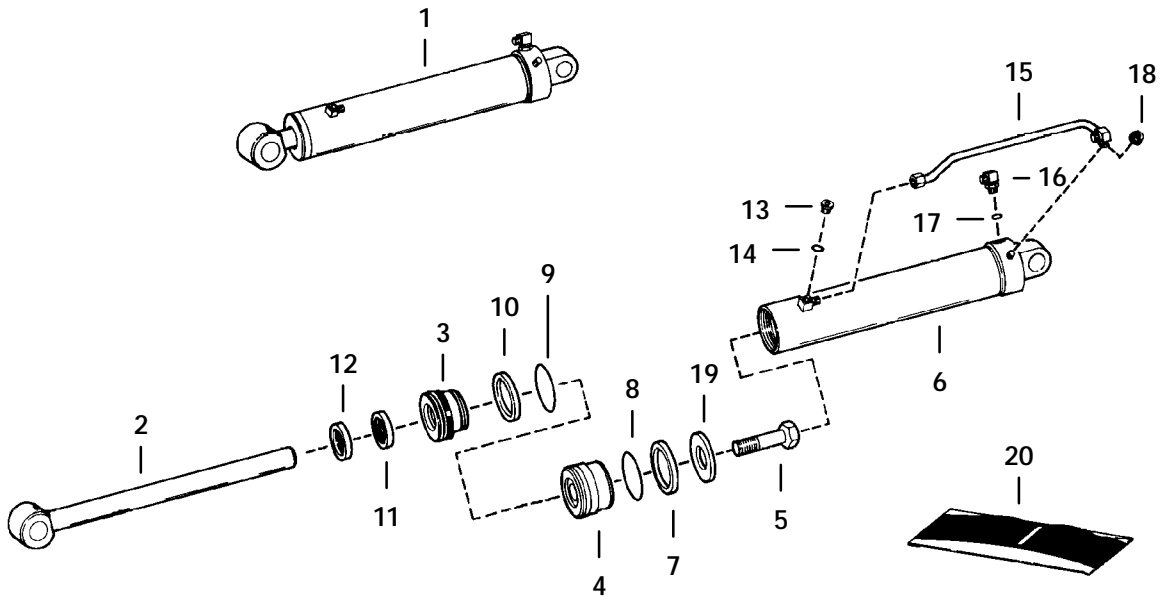
NOTE: This cylinder will have date code of 601 thru.

C-2974

**BOOM CYLINDER (Cont'd)
913 Backhoe**

Ref. No.	Part Number	Description	Remarks	Serial Number	Qty.
1	NAP	CYLINDER	W/Ref. 2-18 - Order 6529704 - Was 6594100 [A]		1
2	NAP	ROD	Order 6529698, 6529706, 6530740 & 18C-2044 - Was 6593961 [A]		1
3	6593105	HEAD			1
4	NAP	PISTON	Order 6529698, 6529706, 6530740 & 18C-2044 - Was 6593305 [A]		1
5	86D-20	NUT			1
6	6594122	CASE			1
7	947023	O-RING			1
8	25K-30316	O-RING			1
9	25K-60320	O-RING			1
10	80K-342	WASHER	back-up		1
11	6538277	SEAL			1
12	6666545	SEAL			1
13*	NAP	PLUG	W/Ref. 14 - flat boss face - Was 47K-5 [A]		2
*	90KV-5	PLUG	W/Ref. 14 - tapered boss face for flat boss face		2
14	79K-6	O-RING	for tapered boss face		2
*	95K-6	O-RING			2
15	6594193	TUBE			1
16	17K-7	ELBOW			1
17	79K-10	O-RING			1
18	57D-5	NUT			1
19	6589183	SEAL KIT	W/Ref. 7 - 12 - Was 6661313 [A]		1

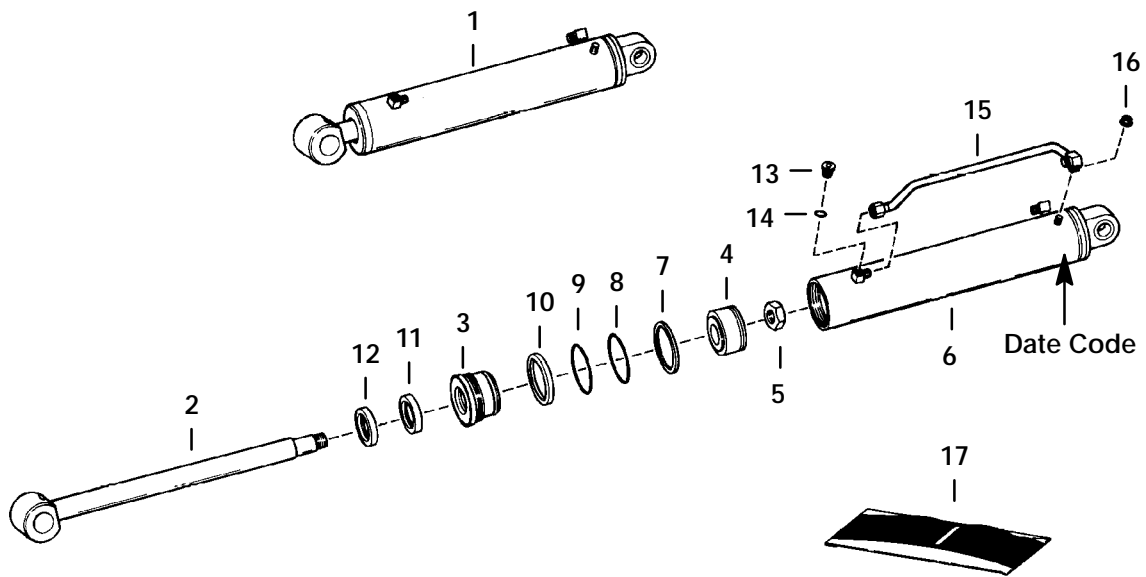
BOOM CYLINDER 913 Backhoe



NOTE: This cylinder will have date code of 447 or above.

C-3043

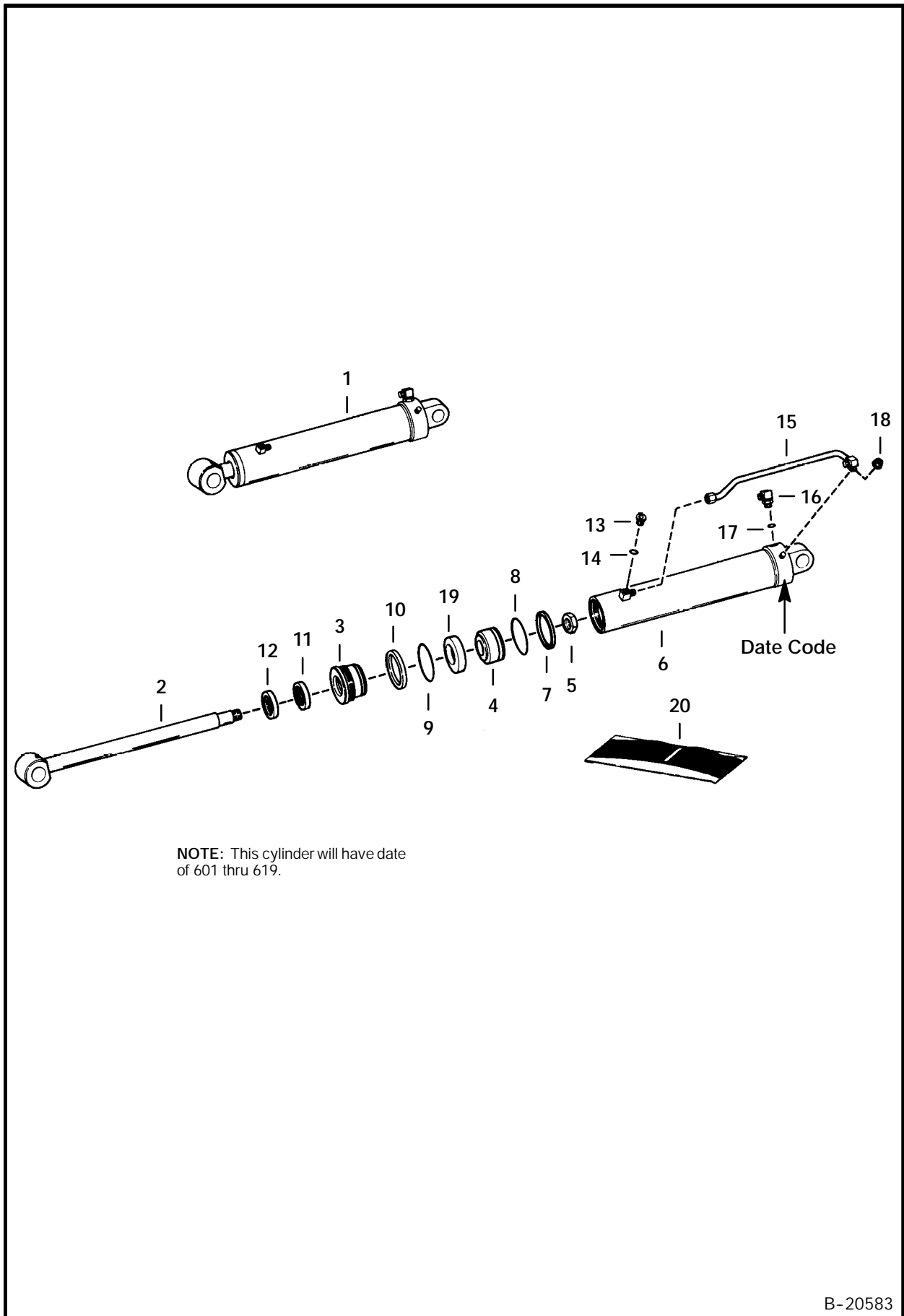
DIPPER CYLINDER 913 Backhoe



NOTE: This cylinder will have date code of 552 or below

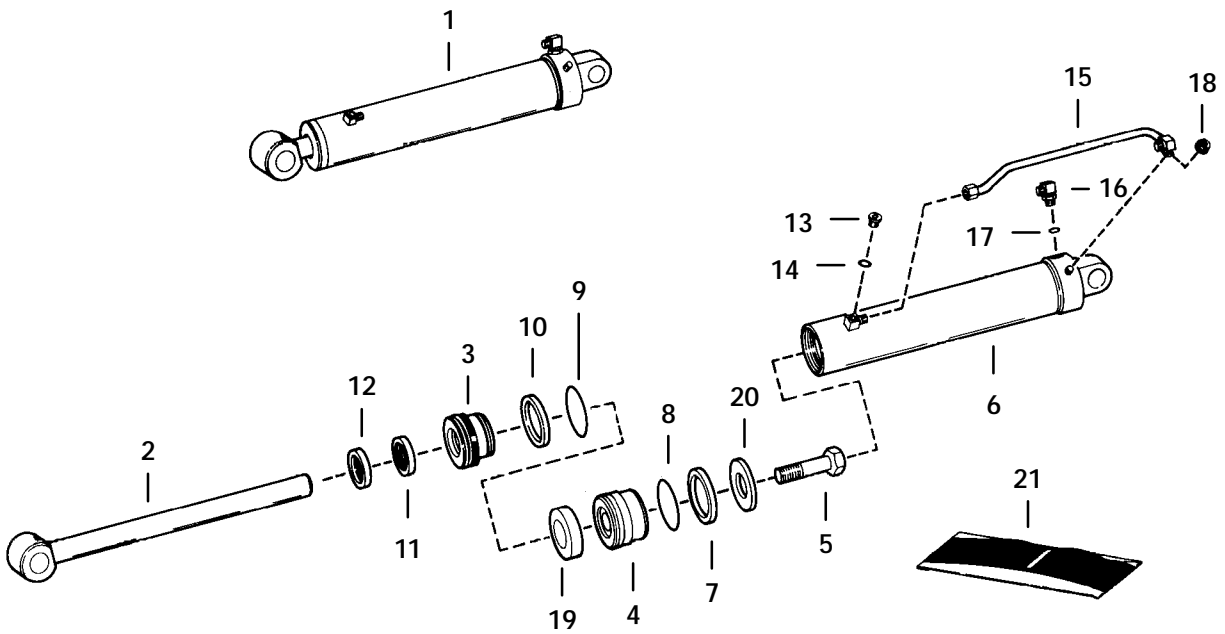
B-20582

DIPPER CYLINDER 913 Backhoe



B-20583

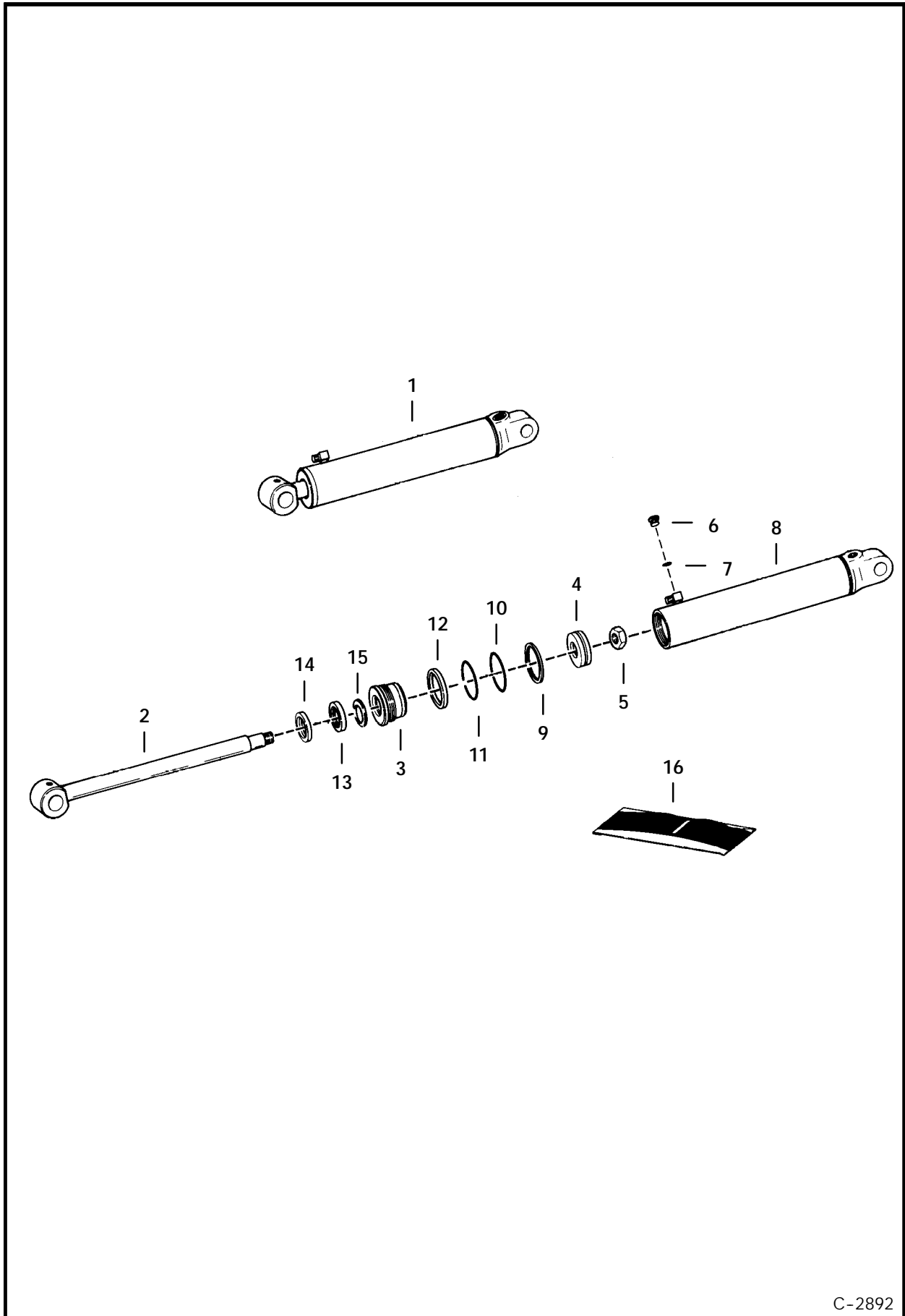
DIPPER CYLINDER 913 Backhoe



NOTE: This cylinder will have date code of 707 or Above.

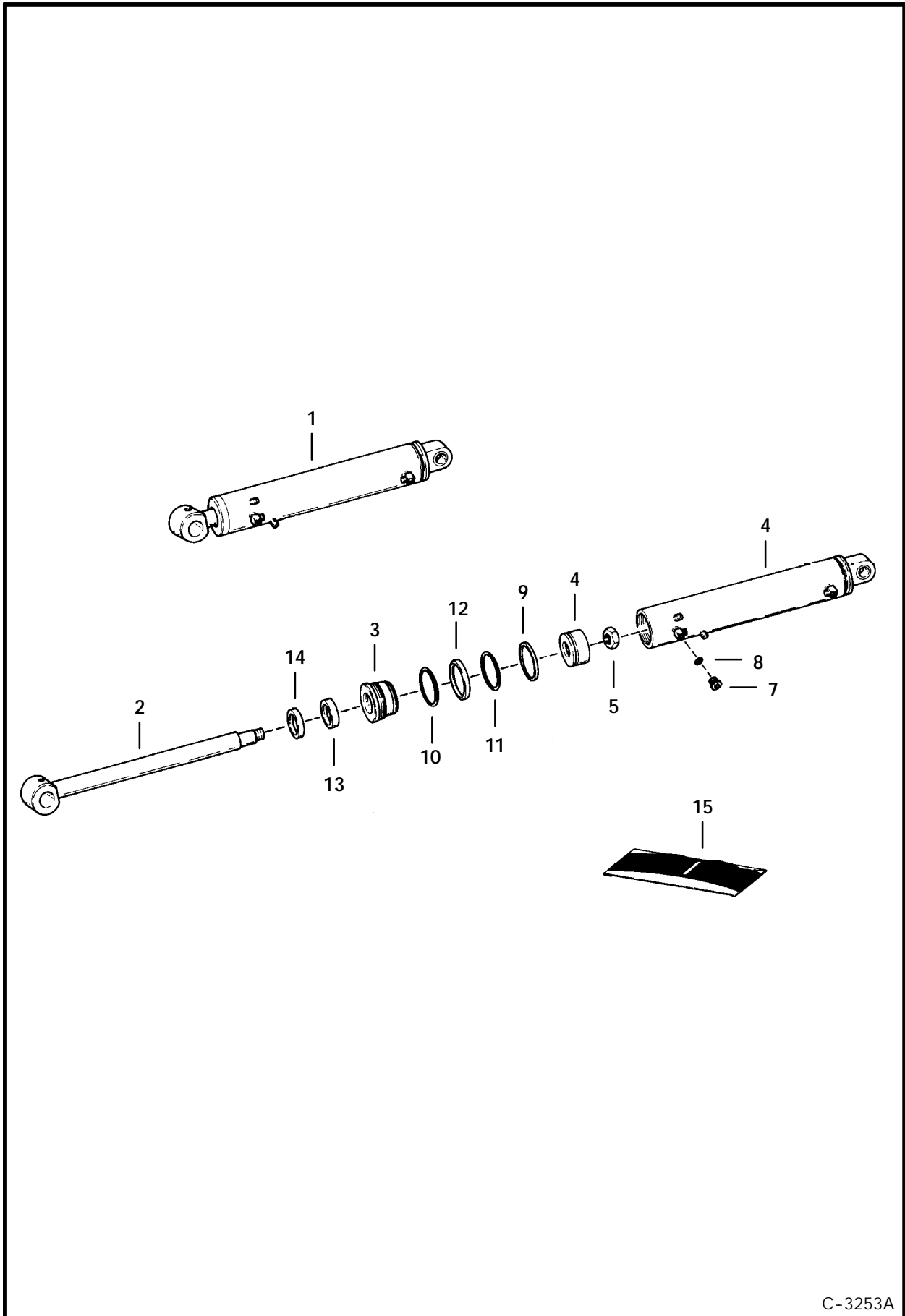
B-20584

BUCKET CYLINDER
913 Backhoe



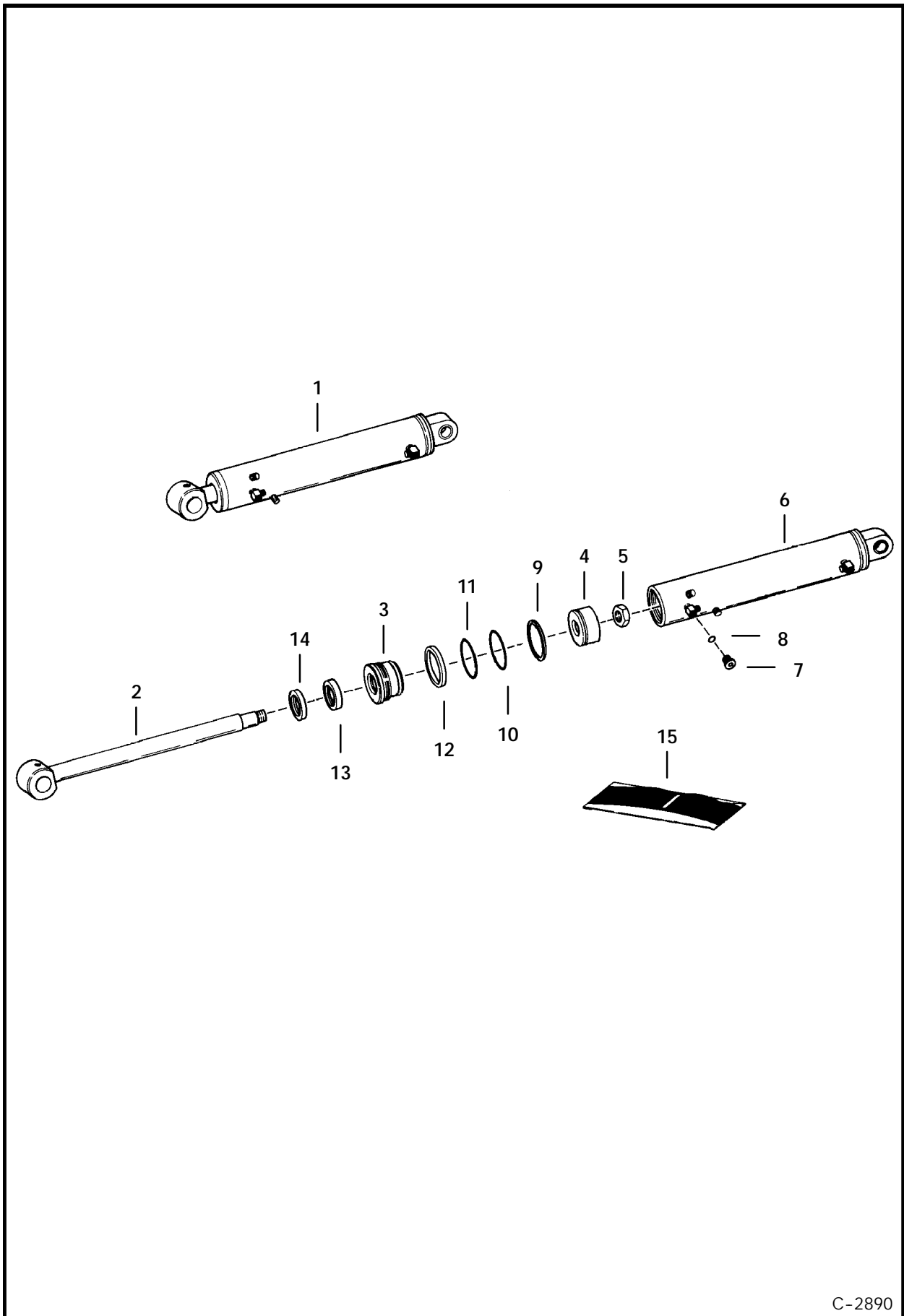
C-2892

STABILIZER CYLINDER
913 Backhoe - 3.25" Bore



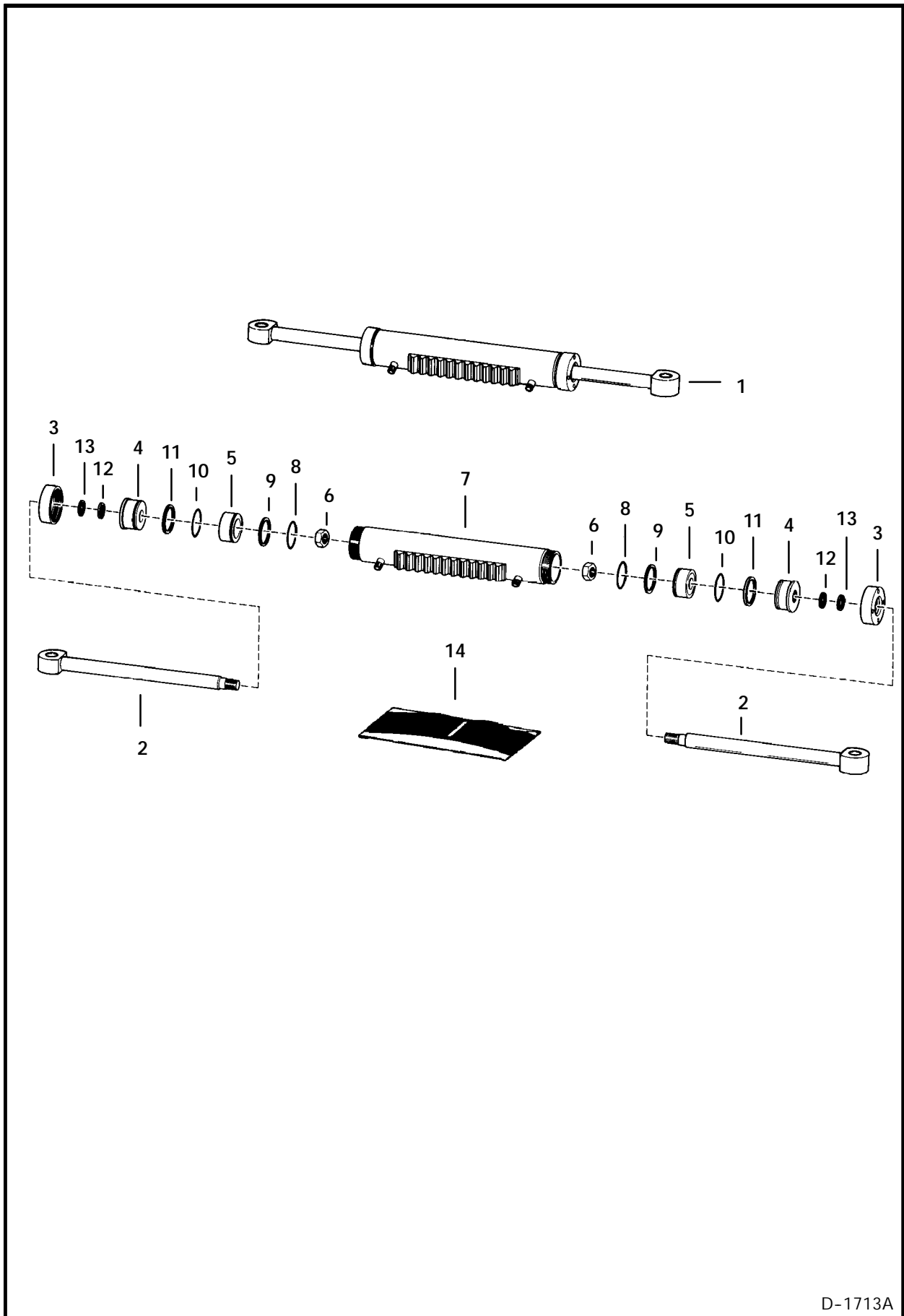
C-3253A

STABILIZER CYLINDER
913 Backhoe - 3.00" Bore



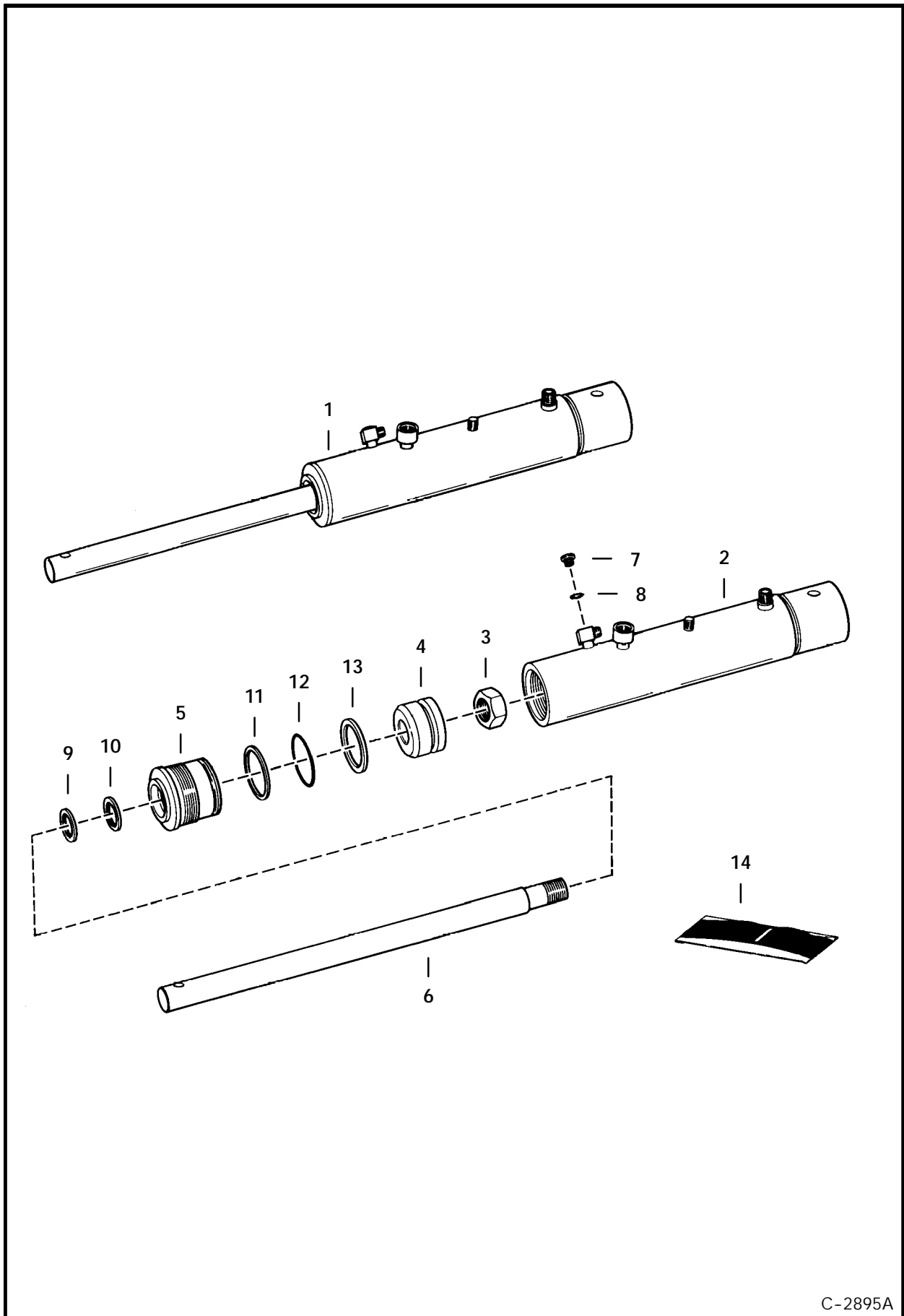
C-2890

SWING CYLINDER
913 Backhoe



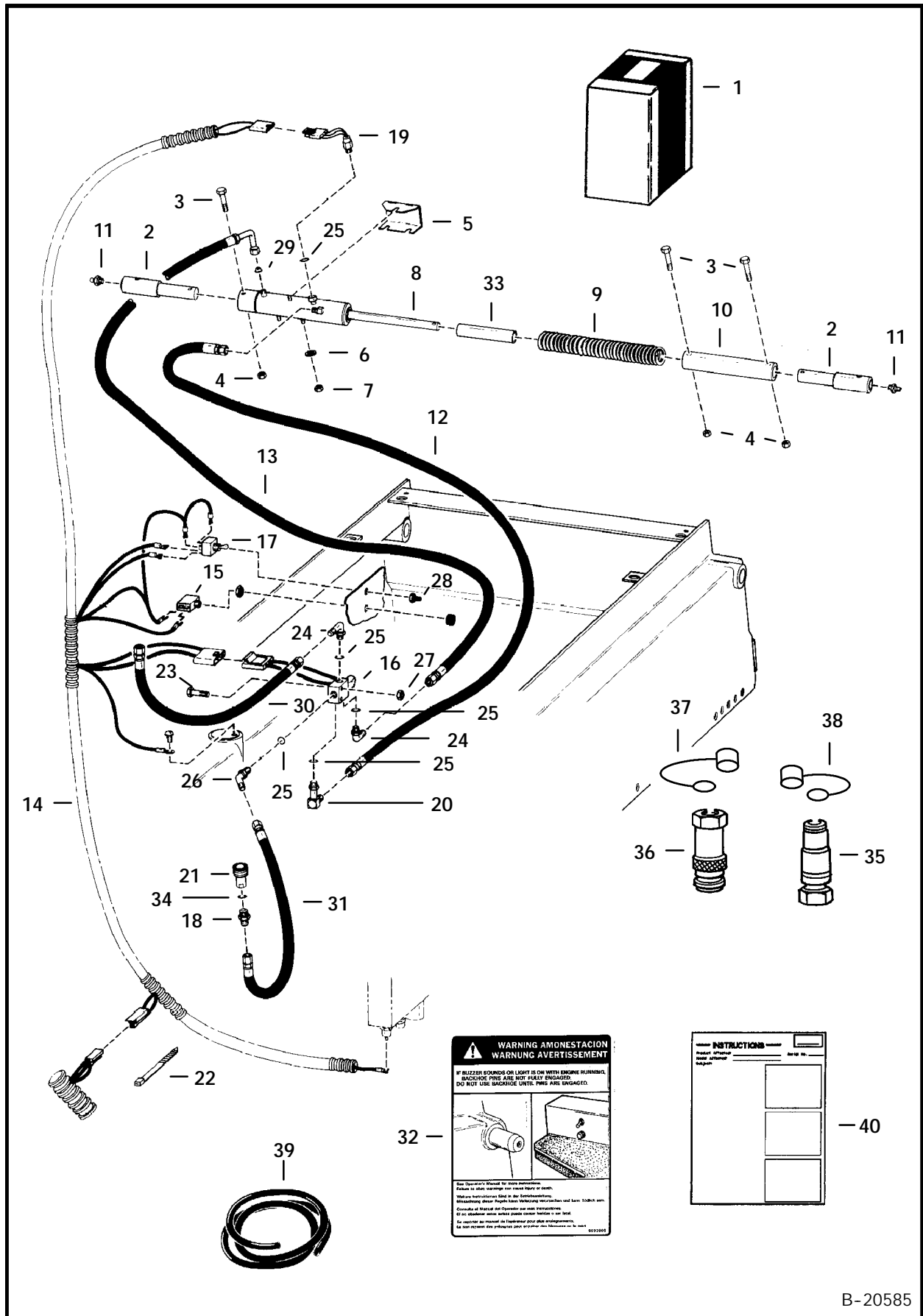
D-1713A

MOUNTING CYLINDER
913 Backhoe



C-2895A

MOUNTING KIT 913 Backhoe



**WARNING AMONESTACION
WARNING AVERTISSEMENT**

**IF BLIZZER SOUNDS ON LIGHT IS ON WITH ENGINE RUNNING,
BACKHOE PINS ARE NOT FULLY ENGAGED.
DO NOT USE BACKHOE UNTIL PINS ARE ENGAGED.**

See Operator's Manual for more information.
Erfahren Sie mehr über das Verhalten der Blizzerschallwarnung.
Wenn die Blizzerschallwarnung mit dem Licht an ist, während der Motor läuft, sind die Backhoe-Pins nicht vollständig eingekoppelt.
Nicht verwenden, bis die Pins vollständig eingekoppelt sind.
Sei vorsichtig bei der Verwendung der Blizzerschallwarnung.
Für weitere Informationen wenden Sie sich an Ihren Händler.

INSTRUCTIONS

Model: 913 Backhoe
Part No. 9132885

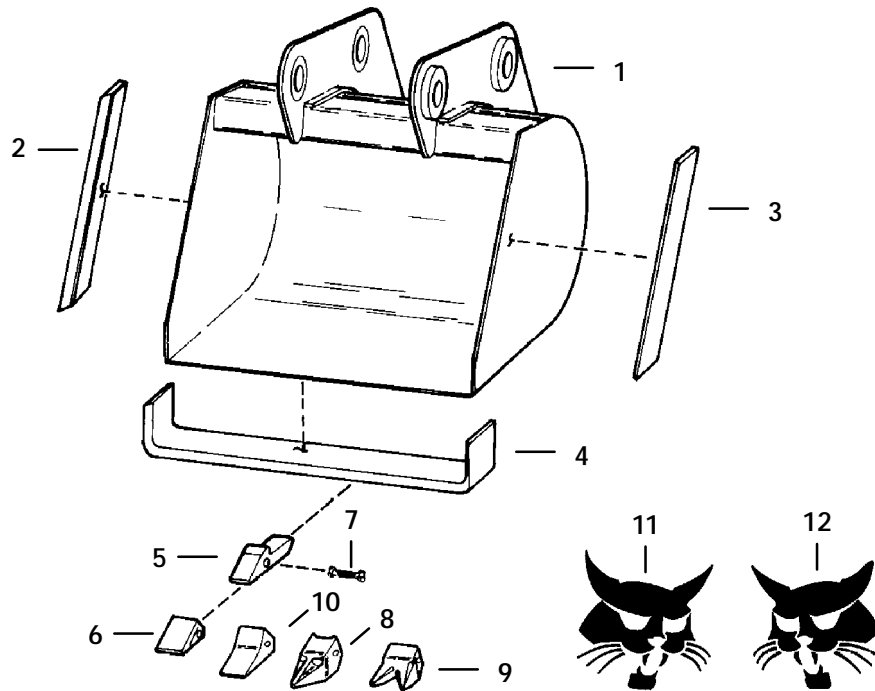
1. []
2. []
3. []

B-20585

MOUNTING KIT (Cont'd)
913 Backhoe

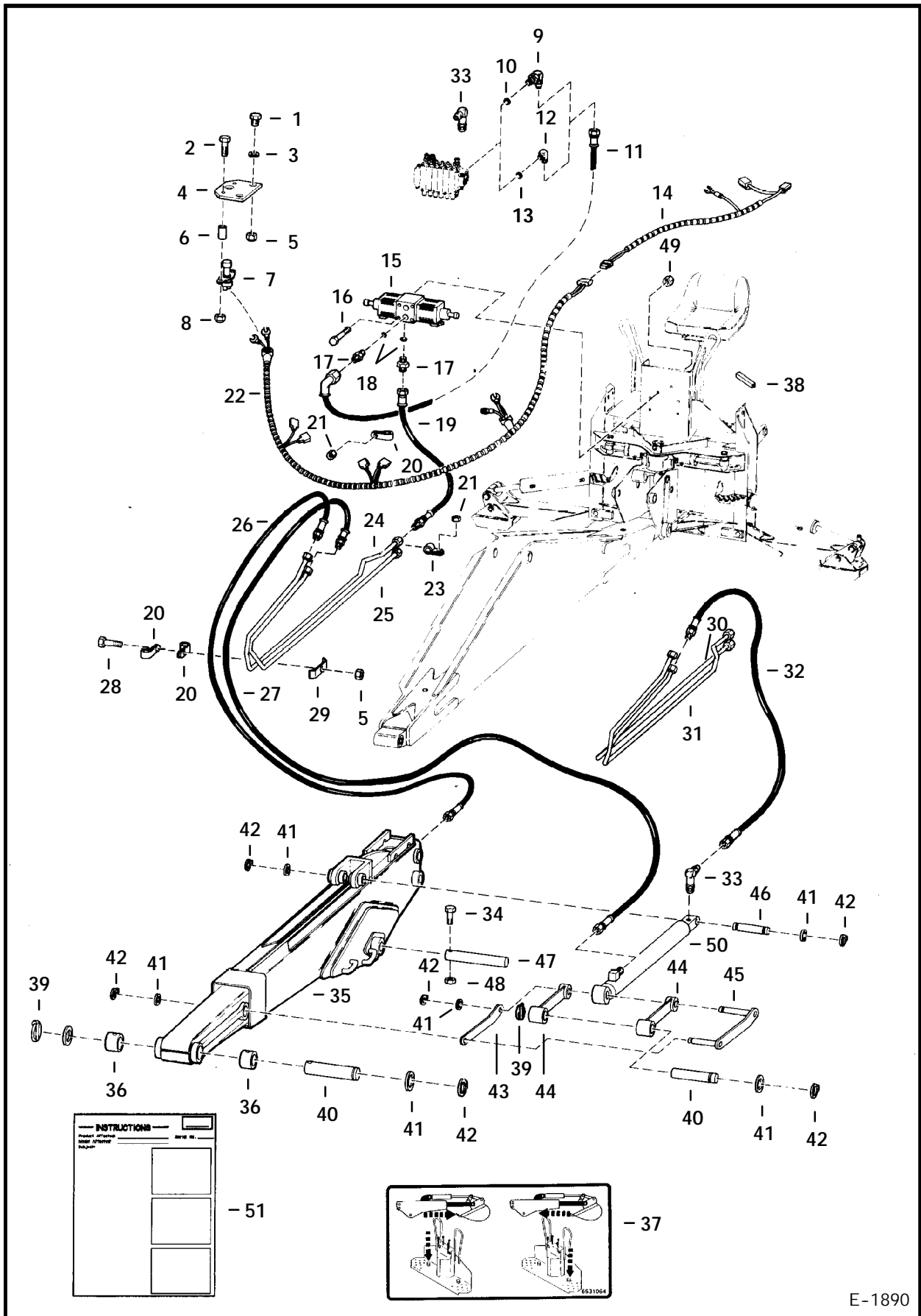
Ref. No.	Part Number	Description	Remarks	Serial Number	Qty.
1*	NAP	KIT	W/Ref. 2 - 40 - Was SALES #6593436 [A]		1
2	6529861	PIN	Was 6593813 [A]		2
3	17C-644	BOLT			3
4	85D-6	NUT			3
5	6593826	BRACKET			1
6	25E-16	WASHER			3
7*	91D-5	NUT	Was 81D-5 [A]		3
8		CYLINDER	mounting - See Page 690		1
9	6593811	SPRING			1
10	6593812	COUPLER			1
11	10H-25	GREASE ZERK			2
12	6593816	HOSE			1
13	6530903	HOSE	Was 6593818 [A]		1
14	6593823	HARNESS			1
15	6631570	INDICATOR	light & buzzer		1
16	6593951	SOLENOID			1
17	6631607	SWITCH	toggle		1
18	743108	ADAPTER	W/Ref. 34		1
19	6568962	SWITCH	pressure		1
20	6558510	ELBOW	W/Ref. 25		1
21	6630092	QUICK COUPLER			1
22	6610510	STA-STRAP			5
23	17C-432	BOLT			2
24	17K-5	ELBOW	W/Ref. 25		2
25	79K-6	O-RING			2
26	18K-5	ELBOW	W/Ref. 25		1
27	85D-4	NUT			2
28	6515510	COVER			1
29	6593801	ORIFICE	.062-.068		1
30	6593815	HOSE			1
31	6593817	HOSE			1
32	6593805	DECAL	lock		1
33*	NAP	SHIELD	Order Ref. 39 - Was 6593269 [A]		1
34	79K-8	O-RING			x
35	6641358	QUICK COUPLER	male		1
36	6641359	QUICK COUPLER	female		1
37*	6645231	DUST CAP			1
38*	6645232	DUST CAP			1
39*	6632149	HOSE	bulk - sold per foot		x
40	6570059	INSTRUCTIONS			1

BACKHOE BUCKETS
913 Backhoe



B-20586

EXTENDABLE DIPPER Hydraulics

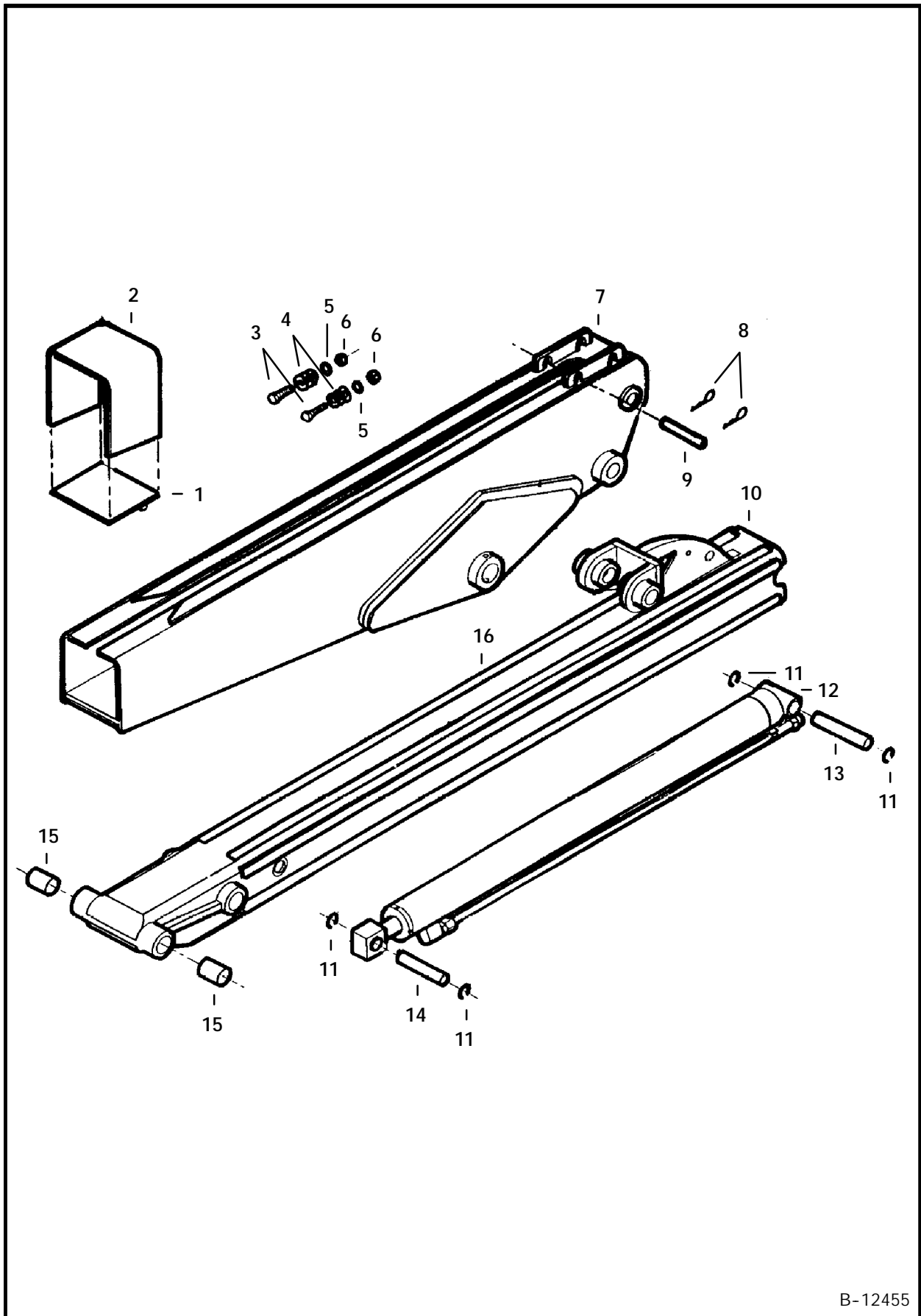


E-1890

EXTENDABLE DIPPER (Cont'd)
Hydraulics

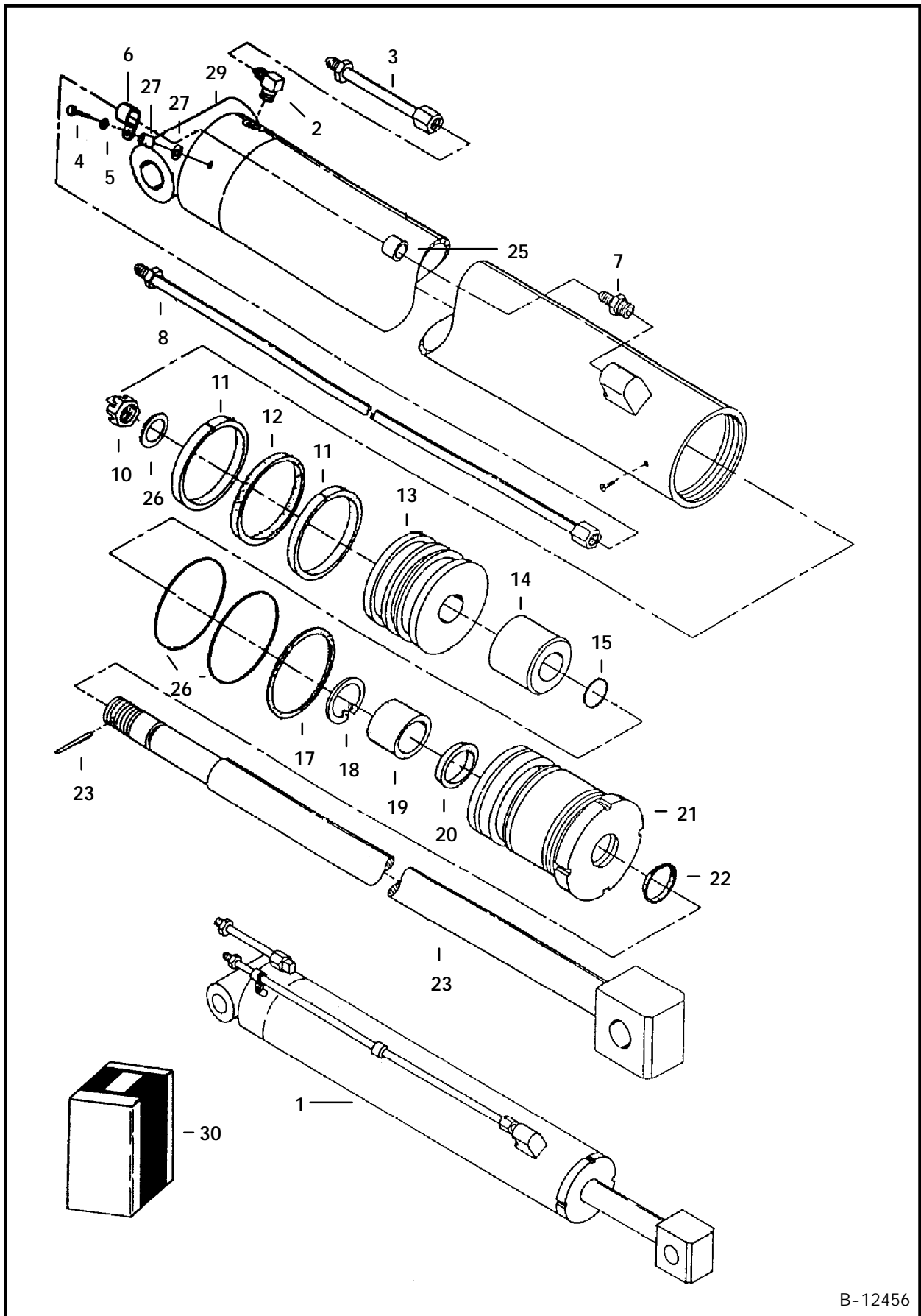
Ref. No.	Part Number	Description	Remarks	Serial Number	Qty.
1	17C-616	BOLT			4
2	17C-424	BOLT			4
3	25E-17	WASHER			4
4	6593219	BRACKET			2
5	85D-6	NUT			6
6	791979	SPACER			2
7	2533656	SWITCH			2
8	85D-4	NUT			4
9	1302104	ELBOW	W/Ref. 10 - Gresen Valve		2
10*	79K-16	O-RING			x
11	6530969	HOSE			2
12	17K-7	ELBOW	W/Ref. 10 - Husco Valve		2
13	79K-10	O-RING			x
14	6529522	HARNESS	wiring - loader - Was 6519195 [D]		1
15	6648824	VALVE	electrical		1
16	17C-544	BOLT			2
17	15K-6	ADAPTER	W/Ref. 18		4
18	79K-8	O-RING			x
19	6530970	HOSE			2
20	30H-46	CLAMP			6
21	81D-6	NUT			6
22	6530976	HARNESS	wiring - backhoe		1
23	30H-38	CLAMP			2
24	6530973	TUBELINE	Was 6530976 [D]		1
25	6530974	TUBELINE			1
26	6530978	HOSE			1
27	6530977	HOSE			1
28	17C-632	BOLT	Was 17C-628 [B]		2
29	6502426	CLAMP			1
30	6530975	TUBELINE			1
31	6530972	TUBELINE			1
32	6530971	HOSE			2
33	6519195	ELBOW			2
34	17C-872	BOLT			1
35		DIPPER	extendable - See Page C5		1
36	6560334	BUSHING			2
37	6531064	DECAL			1
38	6531350	STRIP	rubber		2
39	6560382	PIN	ring lock		2
40	6560401	PIN			2
41	6584872	WASHER			6
42	6538285	SNAP RING	Was 1305943 [A]		6
43	6593846	LINK			1
44	6593848	LINK			2
45	6593845	LINK	with pins		1
46	6560352	PIN			2
47	6531534	PIN			2
48	85D-8	NUT			2
49	85D-5	NUT			2
50*		CYLINDER	extendable - see page 700		1
51	6570705	INSTRUCTIONS			1

DIPPER Extendable



B-12455

EXTENDABLE CYLINDER Extendable Dipper



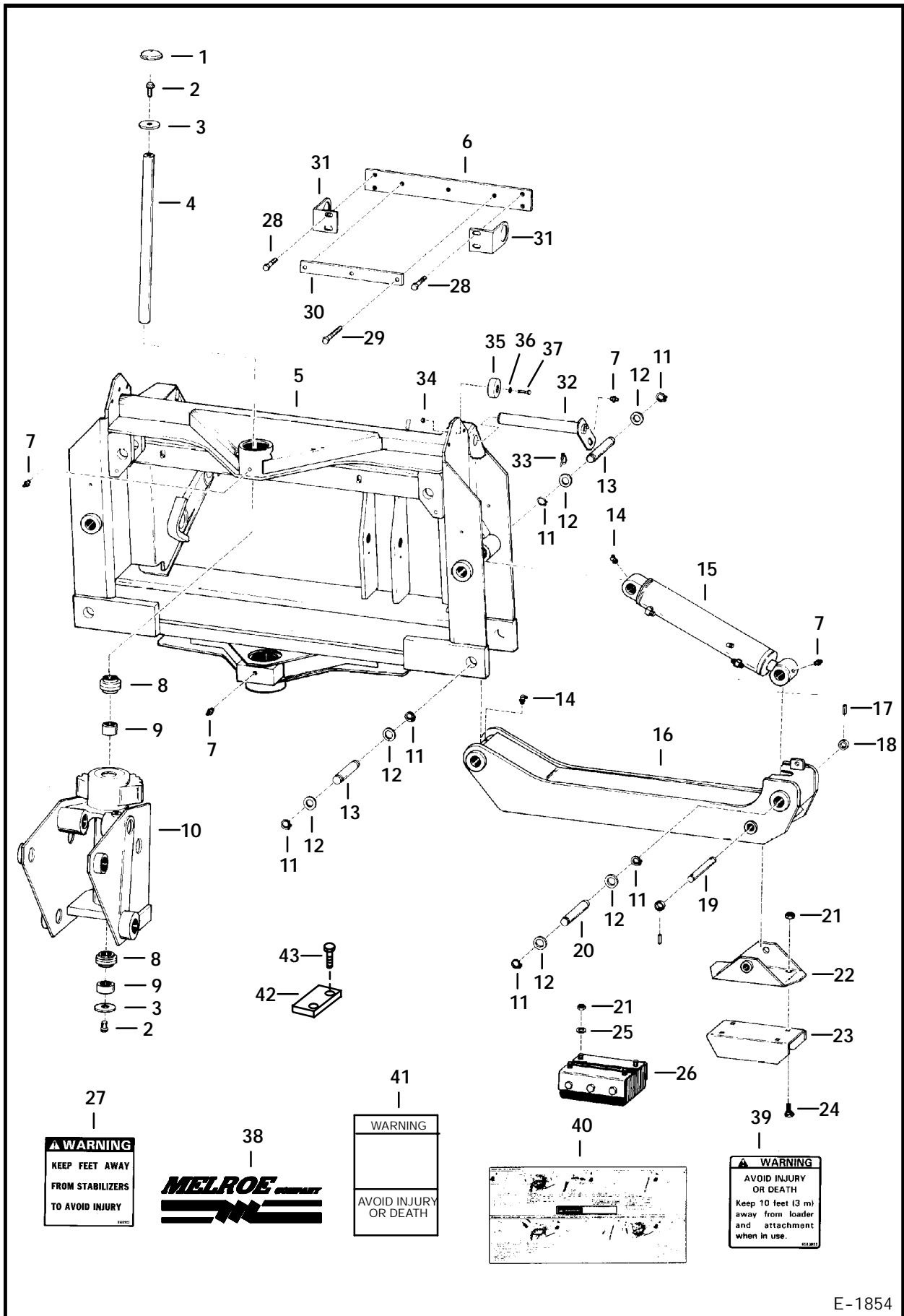
B-12456

EXTENDABLE CYLINDER (Cont'd)

Extendable Dipper

Ref. No.	Part Number	Description	Remarks	Serial Number	Qty.
1	6649865	CYLINDER	W/Ref. 2 - 29		1
2	6649837	ELBOW			1
3	6649838	TUBE			1
4	6649839	BOLT			1
5	6649840	WASHER			1
6	6649841	CLAMP			1
7	6649842	ELBOW			1
8	6649843	TUBE			1
9	6649844	SCREW			1
10	6649845	NUT			1
11	NSS	WEAR RING			2
12	NSS	SEAL			1
13	6649846	PISTON			1
14	6649847	CUSHION			1
15	NSS	O-RING			1
16	NSS	O-RING			1
17	NSS	WASHER	Washer		1
18	NSS	SNAP RING			1
19	NSS	BEARING			1
20	NSS	SEAL			1
21	6649848	GLAND			1
22	NSS	WIPER			1
23	6649849	ROLL PIN			1
24	6649850	ROD			1
25	6649851	GUARD			1
26	6649852	WASHER			1
27	6649853	WASHER			1
28	6649854	SPACER			1
29	6649836	CASE			1
30	6649867	SEAL KIT	W/Ref. 11, 12, 15 - 20 & 22		1

MAIN FRAME (911B Backhoe)

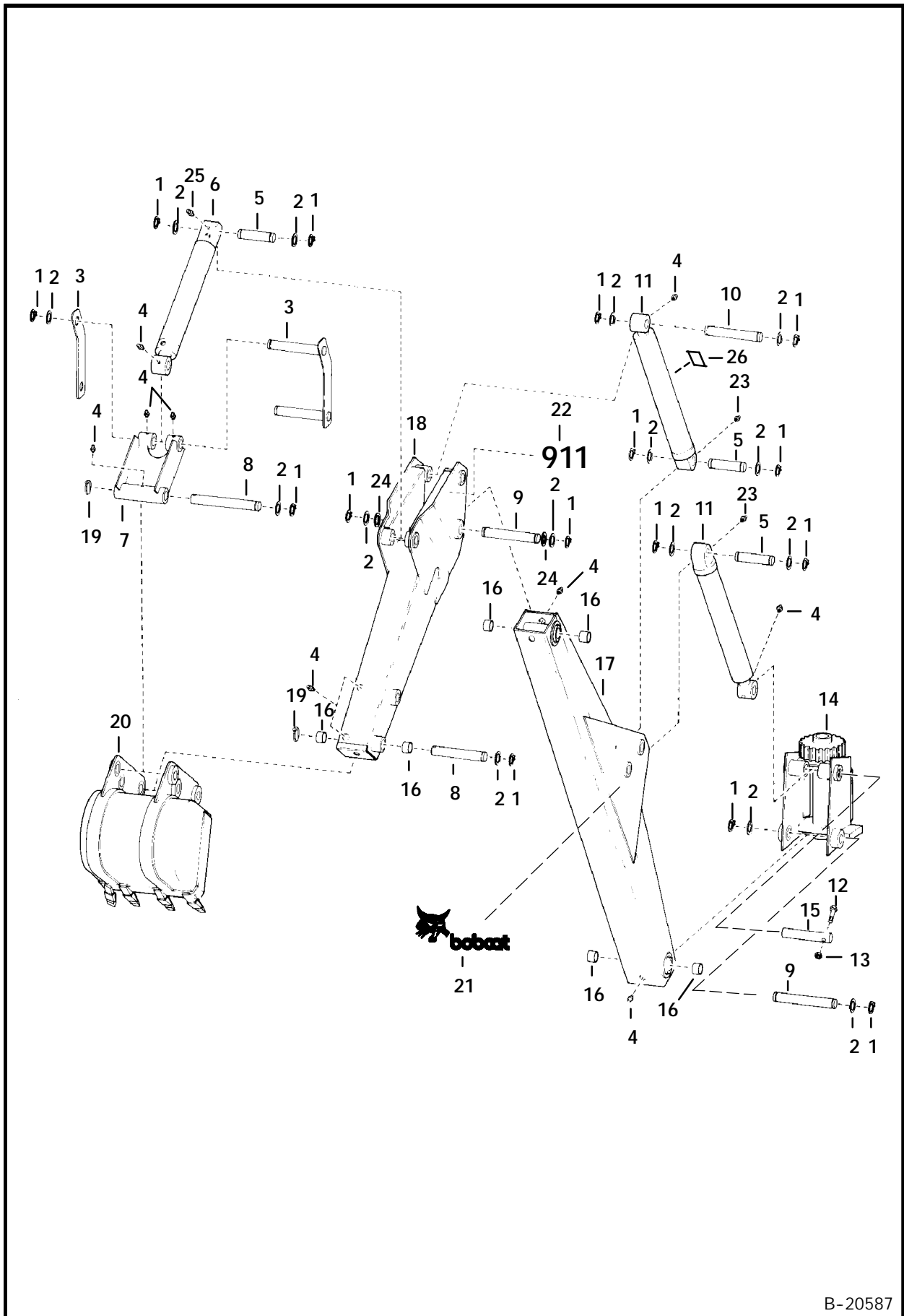


E-1854

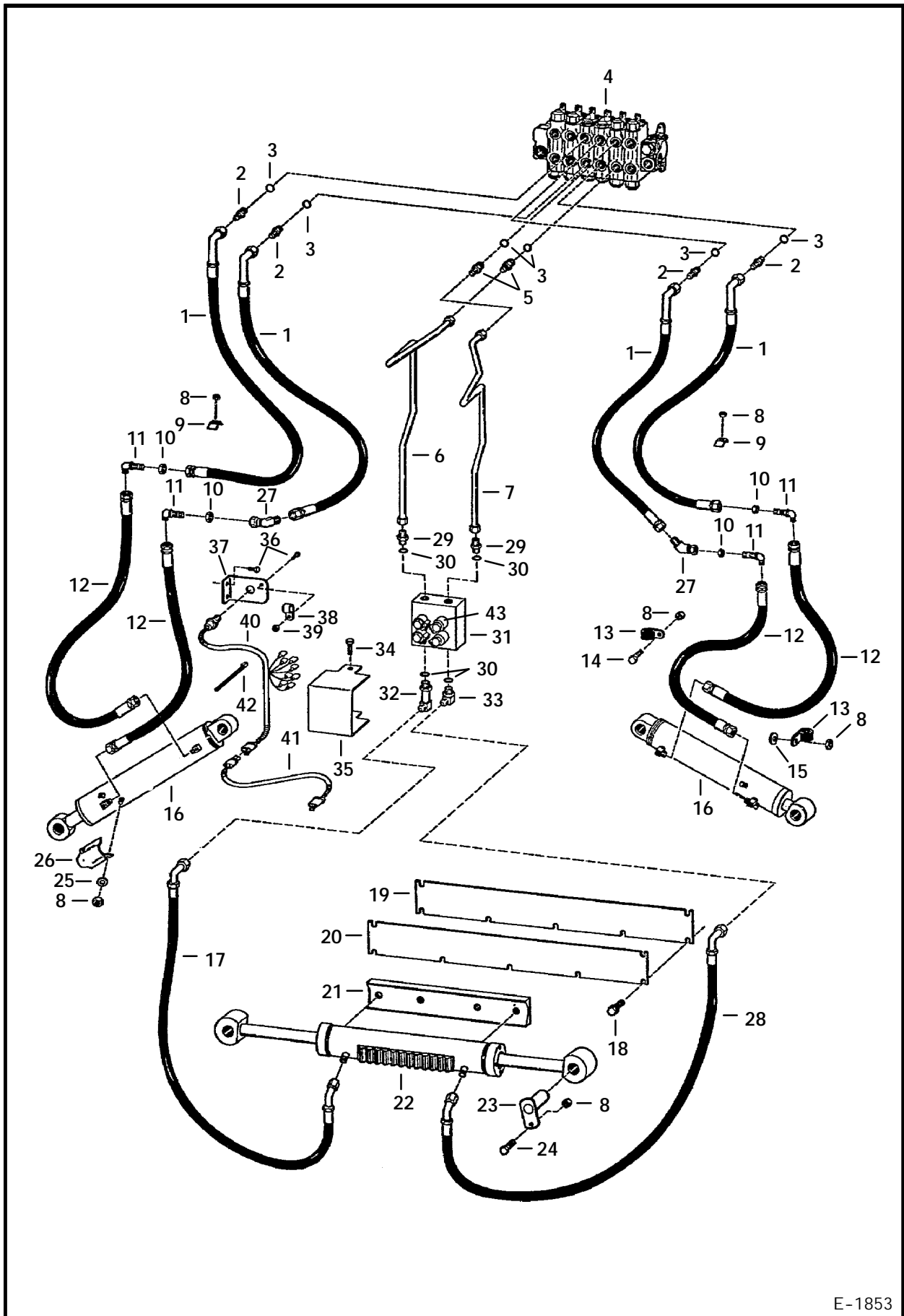
MAIN FRAME (Cont'd)
(911B Backhoe)

Ref. No.	Part Number	Description	Remarks	Serial Number	Qty.
1	6648801	CAP			1
2	31C-1228	BOLT			2
3	6593892	WASHER			2
4	6593893	SHAFT			1
5	6588136	MAIN FRAME	Was 6529895 [A]		1
6	6586197	PLATE			1
7	10H-25	GREASE ZERK			4
8	6511242	BEARING			2
9	225683	BUSHING			2
10	6531611	SWING FRAME	W/Ref. 9		1
11	6538285	SNAP RING	Was 1305943 [A]		12
12	6584872	WASHER			12
13	6560349	PIN			4
14	12H-15	GREASE ZERK			4
15	6594326	CYLINDER	stabilizer - See Page 738		2
16	6594150	STABILIZER			2
17	14J-3724	PIN			4
18	6593949	BUSHING			4
19	6593908	PIN			2
20	6560352	PIN			2
21	85D-8	NUT			8
22	6593909	PAD			2
23	6593912	CLEAT			2
24*	37C-820	BOLT	Was 6560578 [A]		8
25	25E-21	WASHER			8
26	6632445	PAD			2
27	6562922	DECAL	warning		2
28	17C-612	BOLT			4
29	17C-624	BOLT			3
30	6586196	TUBE CLAMP			1
31	6586199	BRACKET			2
32	6529993	PIN			2
33	6649496	PIN			2
34	61D-6	NUT			2
35	6584652	BUMPER			2
36	25E-17	WASHER			2
37	17C-620	BOLT			2
38	6569071	DECAL			1
39	6583862	DECAL	warning		2
40*	6589444	DECAL	Backhoe mounting - Was 6532161 [C]		1
41	6583864	DECAL	warning		1
42	6585804	PLATE			4
43	1CM-1670	BOLT			4

BOOM & DIPPERSTICK
(911B Backhoe)



MAIN FRAME HYDRAULICS (911B Backhoe)

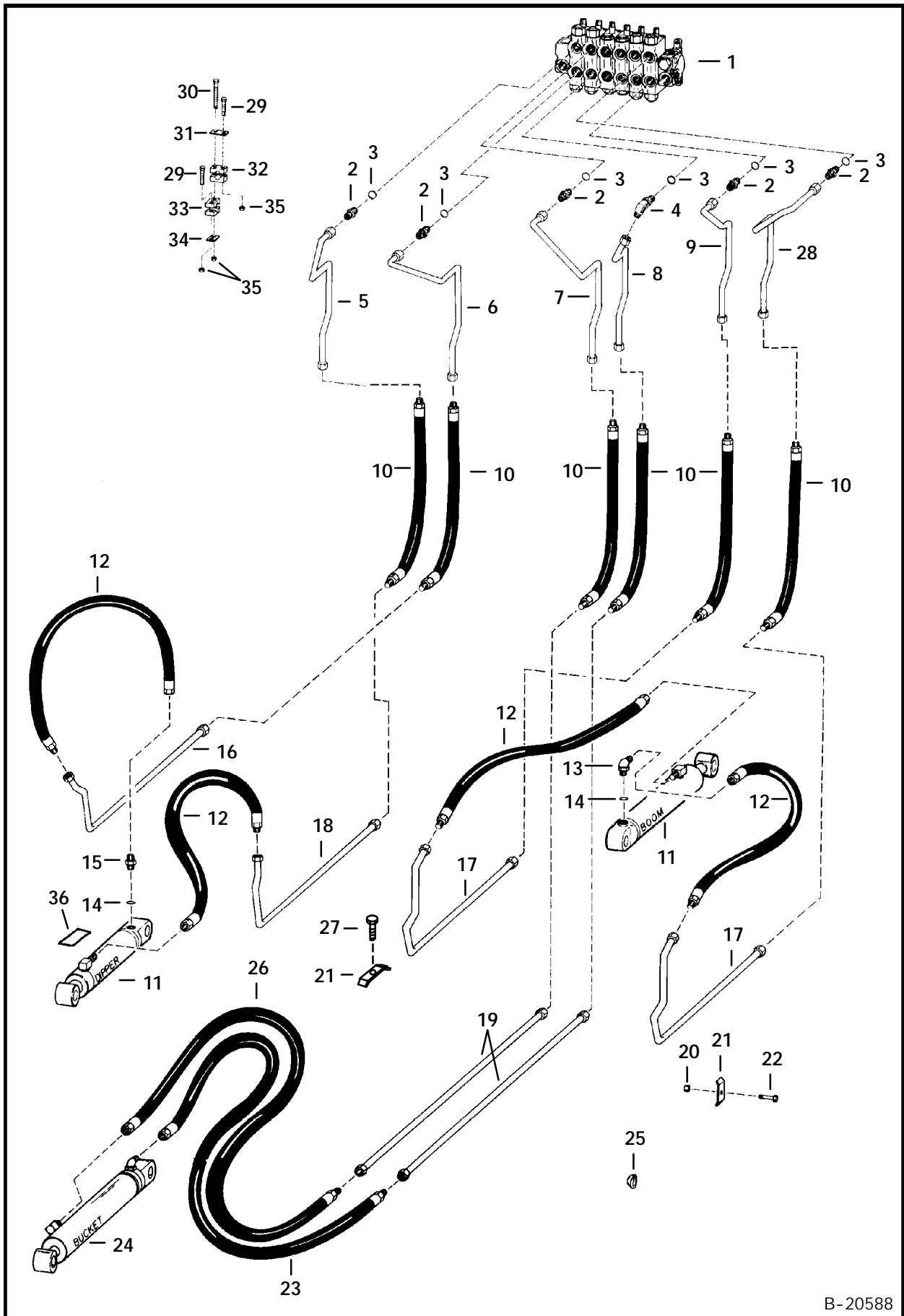


E-1853

MAIN FRAME HYDRAULICS (Cont'd)
(911B Backhoe)

Ref. No.	Part Number	Description	Remarks	Serial Number	Qty.
1	6539087	HOSE	Was 6584677 [A]		4
2	731795	ADAPTER	W/Ref. 3		4
3	79K-10	O-RING			x
4	6646843	VALVE	See Page 756-766		1
5	731794	ADAPTER	W/Ref. 3		2
6	6584670	TUBE			1
7	6584671	TUBE			1
8	85D-6	NUT			x
9	6502426	CLAMP			2
10	86F-5	NUT			4
11	88F-5	ELBOW			4
12	6530775	HOSE			4
13	30H-46	CLAMP			x
14	17C-614	BOLT			2
15	25E-22	WASHER			2
16	6594326	CYLINDER	stab. - See Page 738		2
17	6589447	HOSE			2
18	84G-3116	BOLT			7
19	6593890	SHIM			2
20	6593896	WEAR PLATE			1
21	6593965	WEAR BAR			1
22	6530807	CYLINDER	swing - See Page 750		1
23	6586172	PIN			2
24	17C-628	BOLT			2
25	25E-17	WASHER			2
26	6593914	BRACKET			2
27	12K-5	ELBOW			2
28*	6589446	HOSE			1
29*	15K-6	FITTING			2
30*	79K-8	O-RING			4
31*	6665116	VALVE			1
32*	6511914	ELBOW			1
33*	17K-6	ELBOW			1
34*	84G-3112	BOLT			2
35*	6589439	COVER			1
36*	84G-3712	BOLT			3
37*	6589443	PLATE			1
38*	30H-31	CLAMP			1
39*	61D-8	NUT			1
40*	6589440	HARNESS			1
41*	6589442	HARNESS			1
42*	6624289	STA-STRAP			2
43*	6665702	SOLENOID			4
*	6665703	COIL			4
*	6665704	SEAL KIT			4

BOOM HYDRAULIC CIRCUITRY (911B Backhoe)

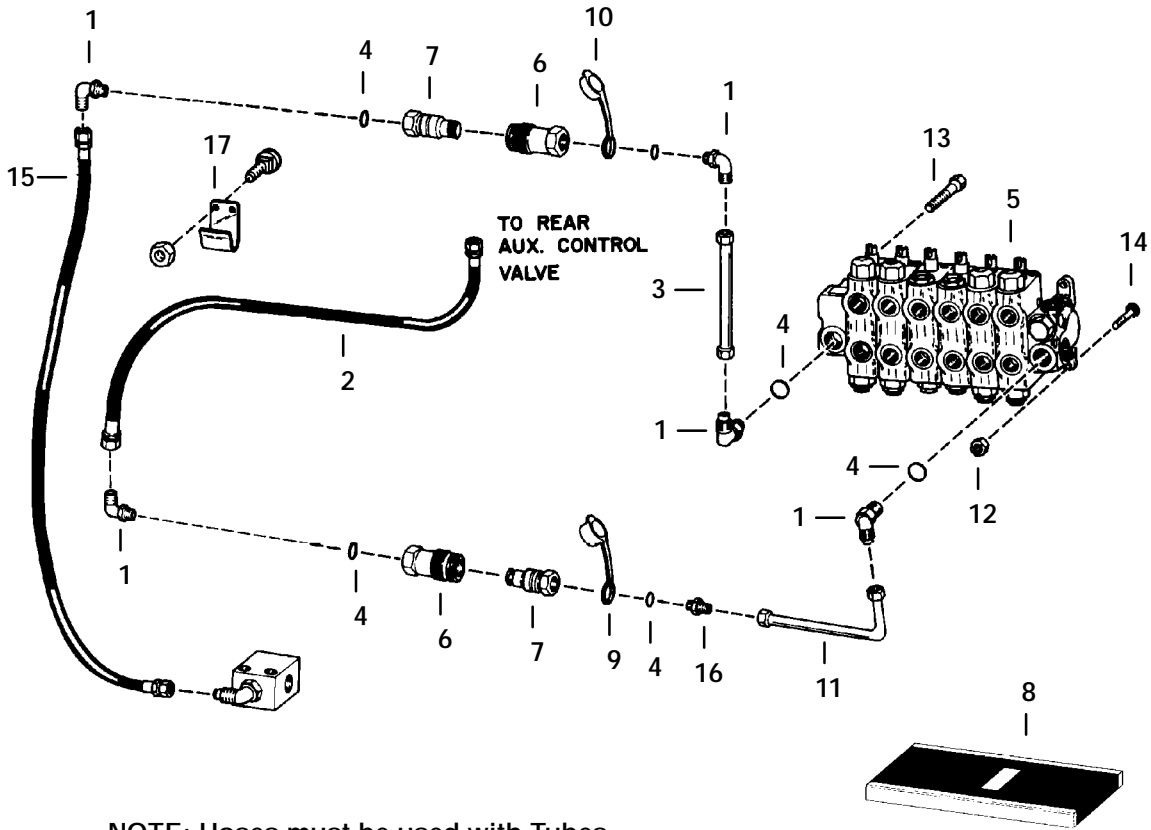


B-20588

BOOM HYDRAULIC CIRCUITRY (Cont'd)
(911B Backhoe)

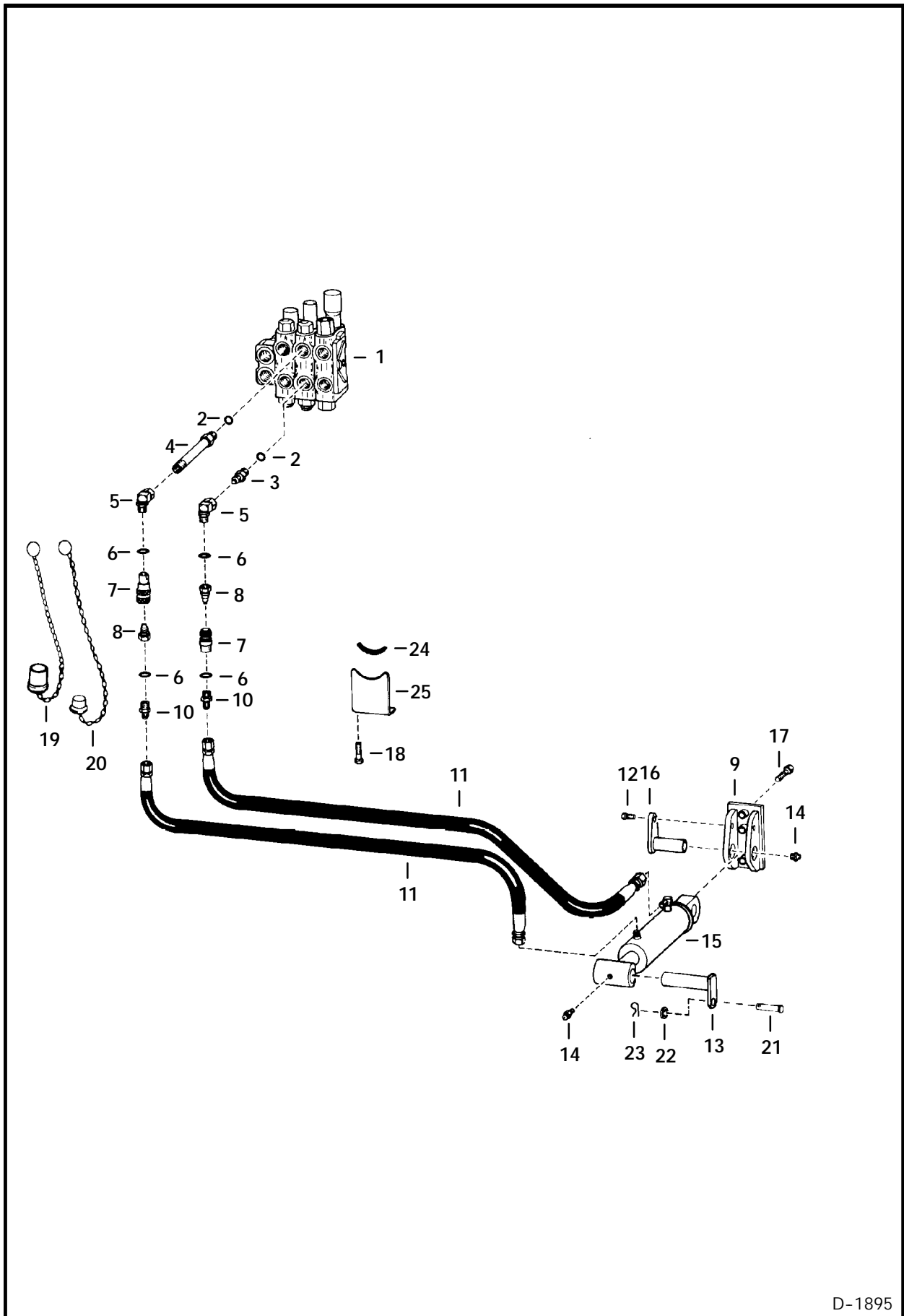
Ref. No.	Part Number	Description	Remarks	Serial Number	Qty.
1	6646843	VALVE	See Page 756-766		1
2	15K-7	ADAPTER	W/Ref. 3		5
3	79K-10	O-RING			x
4	17K-7	ELBOW	W/Ref. 3		1
5	6584668	TUBE			1
6	6584665	TUBE			1
7	6584664	TUBE			1
8	6584667	TUBE			1
9	6584663	TUBE			2
10	6562130	HOSE	Was 6562120 [A]		6
11		CYLINDER	boom & dipper - See Page 740		2
12	6560363	HOSE			4
13	17K-7	ELBOW	W/Ref. 14		1
14	79K-10	O-RING			x
15	15K-7	ADAPTER	W/Ref. 14		1
16	6560365	TUBE			1
17	6560364	TUBE			2
18	6560644	TUBE			1
19	6560366	TUBE			2
20	85D-6	NUT			6
21	6502426	CLAMP			6
22	84G-3728	SCREW			4
23	6561444	HOSE			1
24		CYLINDER	bucket - See Page 742		1
25	6592825	ORIFICE	.183/.191		1
26	6529333	HOSE			1
27	17C-632	BOLT			1
28	6584666	TUBE			1
29	17C-432	BOLT			2
30	17C-456	BOLT			1
31	6647630	PLATE			1
32	6647628	TUBE CLAMP			1
33	6647629	TUBE CLAMP			1
34	6647631	PLATE			1
35	61D-4	NUT			3
36*	6589445	DECAL			1

HYDRAULIC CIRCUITRY (911B Backhoe)



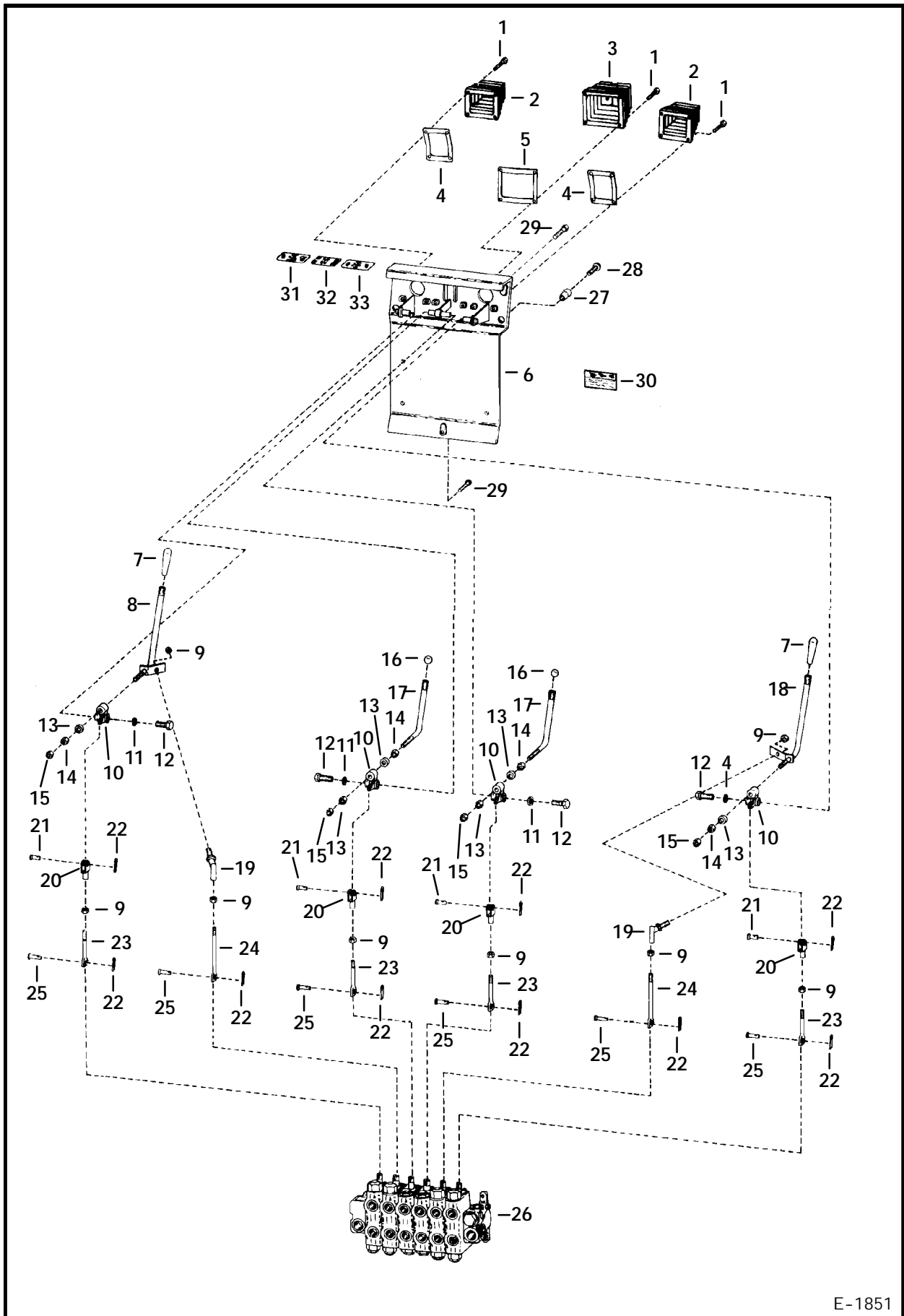
C-3118

TILT CYLINDER HYDRAULICS
(911B Backhoe)



D-1895

CONTROLS (911B Backhoe)

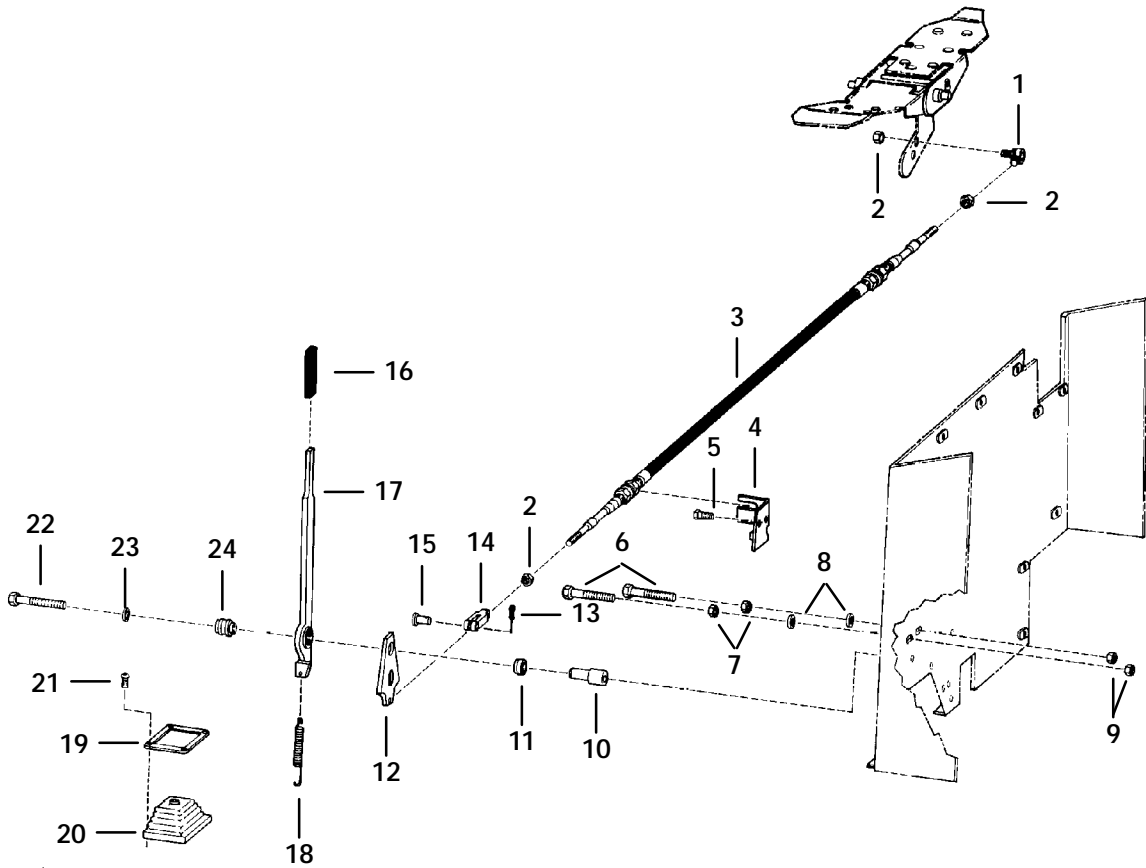


E-1851

CONTROLS (Cont'd)
(911B Backhoe)

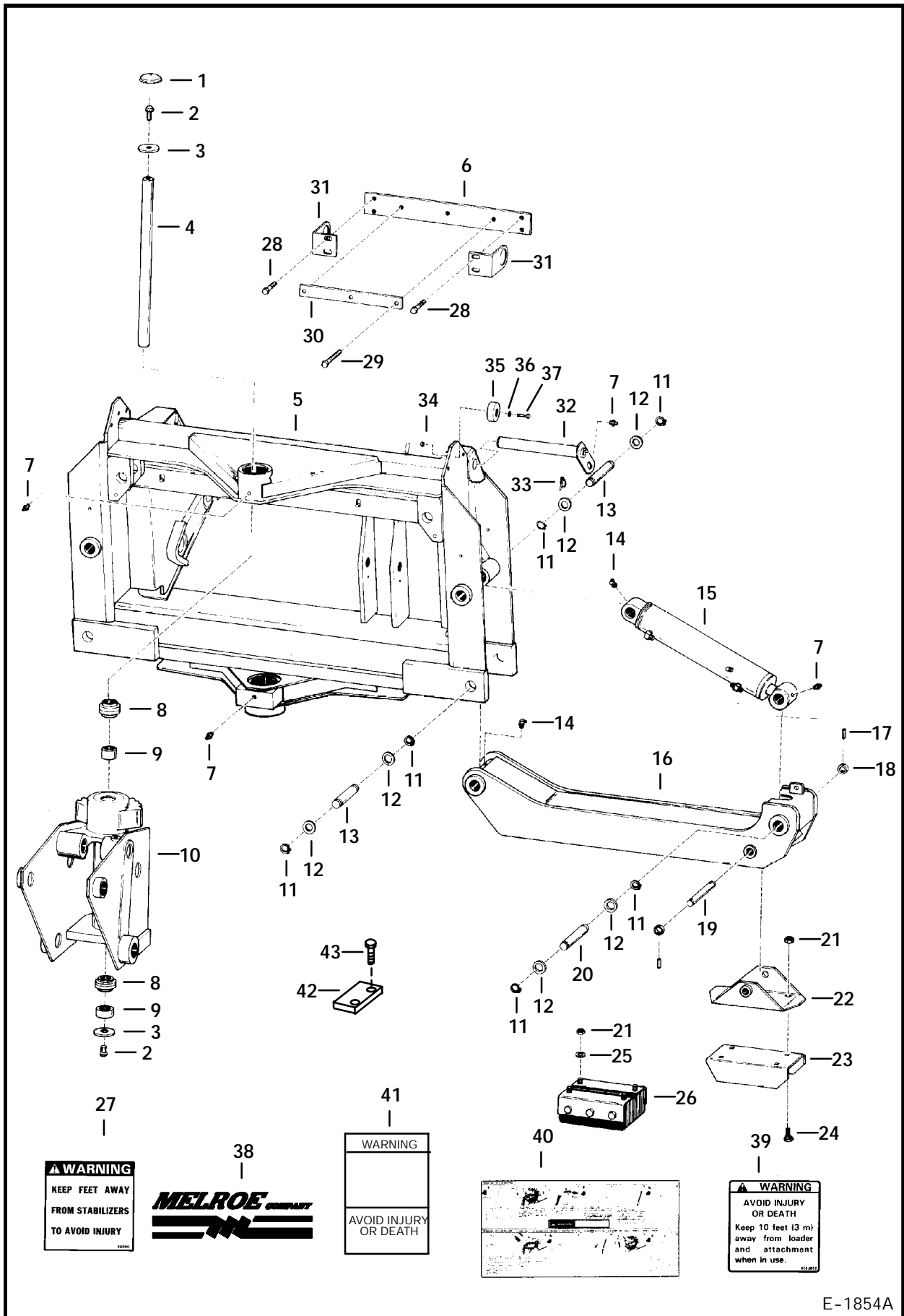
Ref. No.	Part Number	Description	Remarks	Serial Number	Qty.
1	24G-1012	BOLT			12
2	6585347	BOOT			2
3	6583700	BOOT			1
4	6585301	RETAINER			2
5	6583698	RETAINER			1
6	6586182	MOUNT			1
7	6510093	GRIP			2
8	6586177	LEVER			1
9	8D-6	NUT			8
10	6586081	CONNECTOR			4
11	25E-16	WASHER			4
12	17C-510	BOLT			4
13	25E-21	WASHER			6
14	61D-8	NUT			2
15	85D-8	NUT			6
16	6515888	HANDLE			2
17	6584674	LEVER			2
18	6586174	LEVER			1
19	6599744	BALL JOINT			2
20	6564655	CLEVIS			4
21	227395	CLEVIS PIN			4
22	1F-208	PIN			12
23	6586179	VALVE LINK			4
24	6586178	VALVE LINK			2
25	4F-4051	PIN			6
26	6646843	VALVE	See Page 756-766		1
27	6586181	MOUNT			2
28	25G-510	BOLT			2
29	17C-612	BOLT			3
30	6531654	DECAL	mounting instructions		1
31	6558050	DECAL			1
32	6561396	DECAL			1
33	6558049	DECAL			1

CREEP LEVER (911B Backhoe)



D-1875

MAIN FRAME (914B Backhoe)



WARNING
KEEP FEET AWAY
FROM STABILIZERS
TO AVOID INJURY



WARNING
AVOID INJURY
OR DEATH



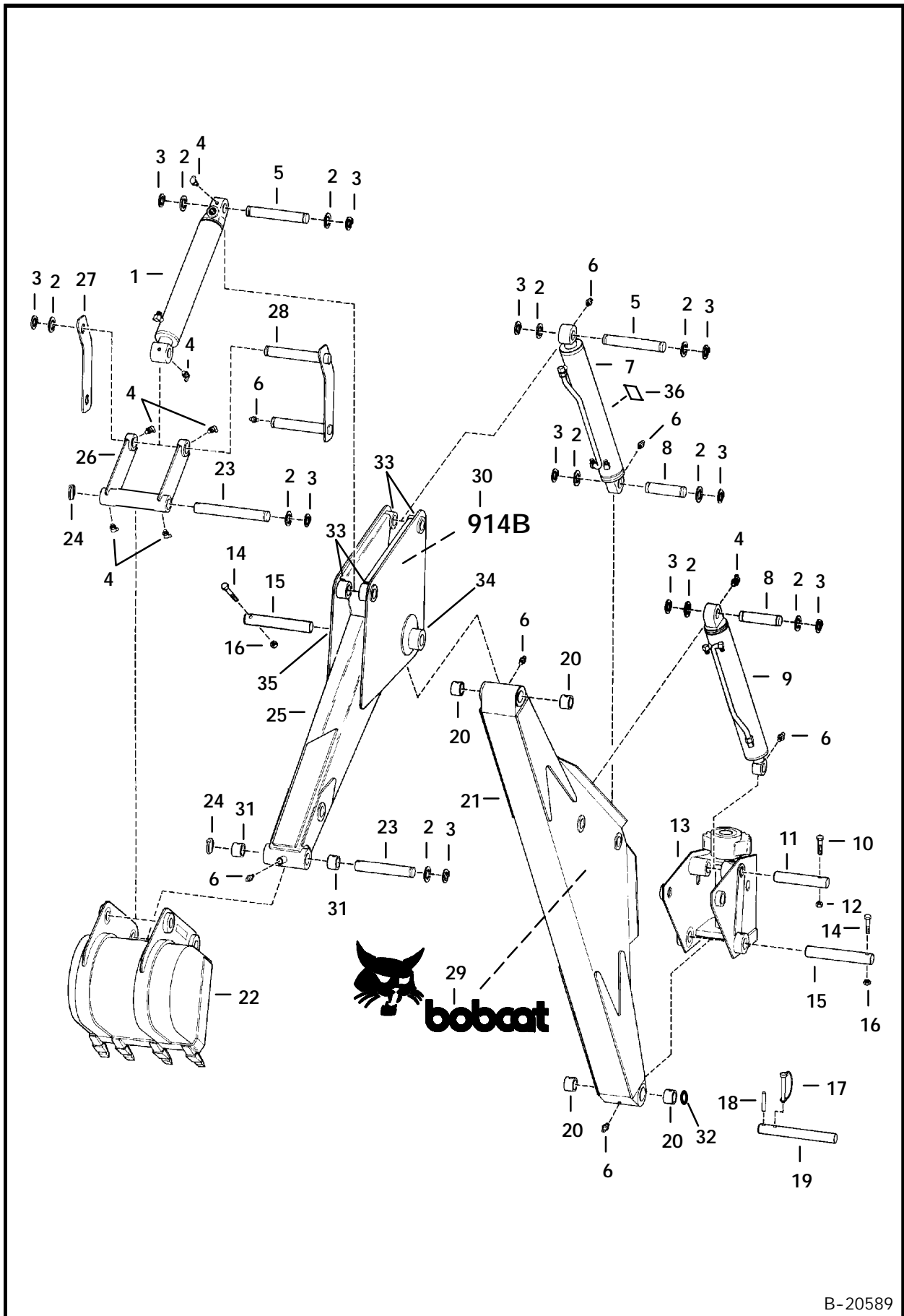
WARNING
AVOID INJURY
OR DEATH
Keep 10 feet (3 m)
away from loader
and attachment
when in use.

E-1854A

MAIN FRAME (Cont'd)
(914B Backhoe)

Ref. No.	Part Number	Description	Remarks	Serial Number	Qty.
1*	6648801	CAP	Was 6631039 [A]		1
2	31C-1228	BOLT			2
3	6593892	WASHER			2
4	6593893	SHAFT			1
5	6588136	MAIN FRAME	Was 6529895 [A]		1
6	6586197	PLATE			1
7	10H-25	GREASE ZERK			4
8	6511242	BEARING			2
9	225683	BUSHING			2
10	6531530	SWING FRAME	W/Ref. 9		1
11	6538285	SNAP RING	Was 1305943 [A]		12
12	6584872	WASHER			12
13	6560349	PIN			4
14	12H-15	GREASE ZERK			4
15	6594326	CYLINDER	stabilizer - See Page 738		2
16	6594150	STABILIZER			2
17	14J-3724	PIN			4
18	6593949	BUSHING			4
19	6593908	PIN			2
20	6560352	PIN			2
21	85D-8	NUT			8
22	6593909	PAD			2
23	6593912	CLEAT			2
24*	37C-820	BOLT	Was 6560578 [A]		8
25	25E-21	WASHER			8
26	6632445	PAD			2
27	6562922	DECAL	warning		2
28	17C-612	BOLT			4
29	17C-624	BOLT			3
30	6586196	TUBE CLAMP			1
31	6586199	BRACKET			2
32	6529993	PIN			2
33	6649496	PIN	Was 6635322 [A]		2
34	61D-6	NUT			2
35	6584652	BUMPER			2
36	25E-17	WASHER			2
37	17C-620	BOLT			2
38	6569071	DECAL			1
39	6583862	DECAL	warning		2
40*	6589444	DECAL	Backhoe mounting - Was 6532161 [C]		1
41	6583864	DECAL	warning		1
42	6585804	PLATE			4
43	1CM-1670	BOLT			4

BOOM & DIPPERSTICK (914B Backhoe)

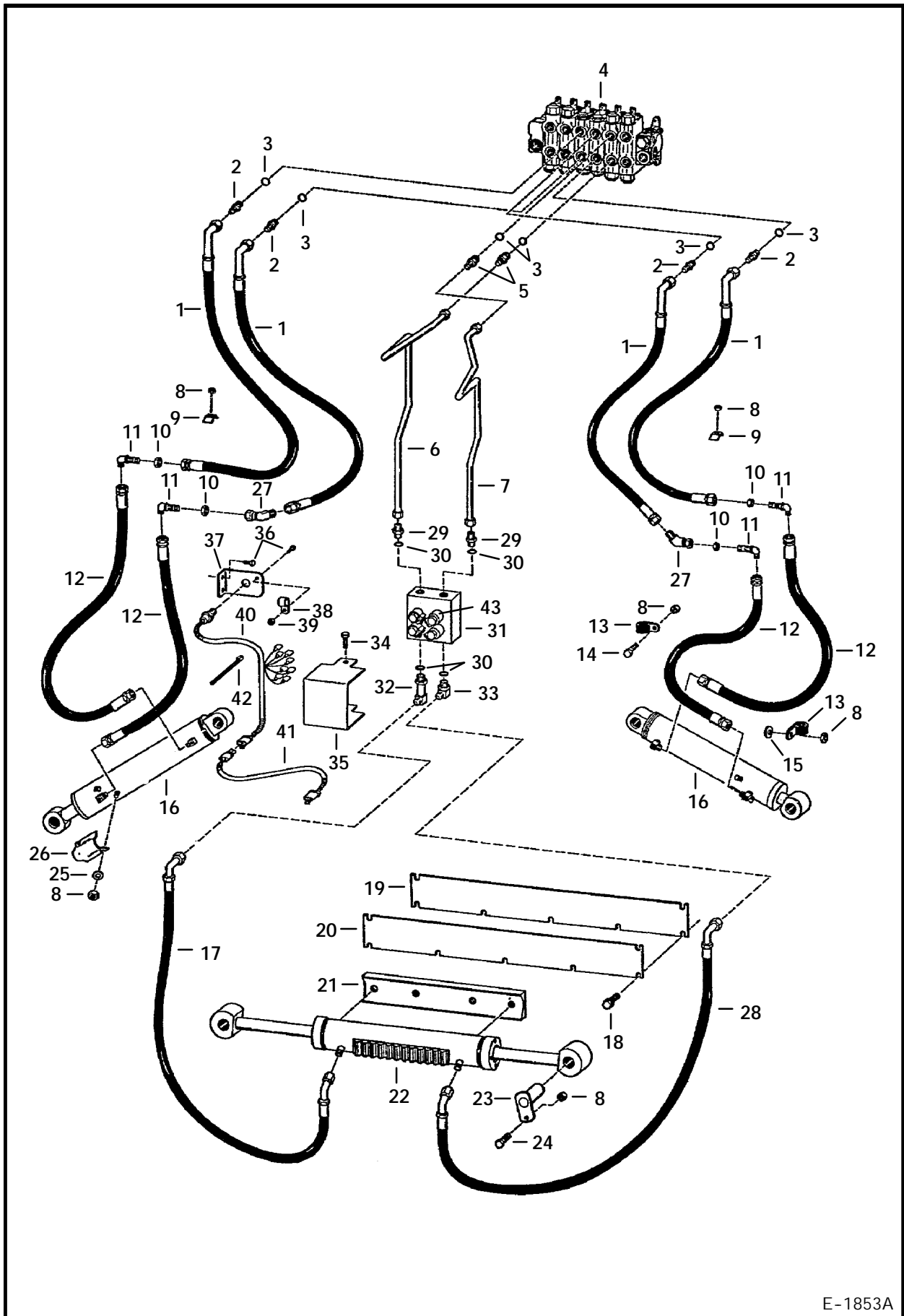


B-20589

BOOM & DIPPERSTICK (Cont'd)
(914B Backhoe)

Ref. No.	Part Number	Description	Remarks	Serial Number	Qty.
1	6593291	CYLINDER	bucket - See Page 748		1
2	6584872	WASHER			12
3	6538285	SNAP RING	Was 1305943 [A]		12
4	12H-15	GREASE ZERK			7
5	6560352	PIN			2
6	10H-25	GREASE ZERK			6
7	6529696	CYLINDER	dipper - See Page 746		1
8	6560350	PIN			2
9	6529704	CYLINDER	boom - See Page 744		1
10	17C-656	BOLT			1
11	6560351	PIN			1
12	81D-6	NUT			1
13	6531530	FRAME	swing - Was 6593874 [A]		1
14	17C-864	BOLT			2
15	6531534	PIN	Was 6593852 [A]		2
16	85D-8	NUT			2
17	6510020	PIN			1
18	14J-3740	ROLL PIN			1
19	6593895	PIN			1
20	1318541	BUSHING			4
21	6529781	BOOM			1
22		BUCKET	See Page 772		1
23	6560401	PIN			2
24	6560382	PIN	ring lock		2
25	6593828	DIPPER ARM			1
26	6593848	LINK			2
27	6593846	LINK			1
28	6593845	LINK	W/Pins		1
29	6557412	DECAL	Bobcat - R.H.		1
	6557413	DECAL	Bobcat - L.H.		1
30	6583861	DECAL	914B		2
31	6560334	BUSHING			2
32	6529588	WASHER	hardened		4
33	6560399	BUSHING	weld on		4
34	6593843	BUSHING	weld on		1
35	6593842	BUSHING	weld on		1
36*	6589445	DECAL			1

MAIN FRAME HYDRAULICS (914B Backhoe)

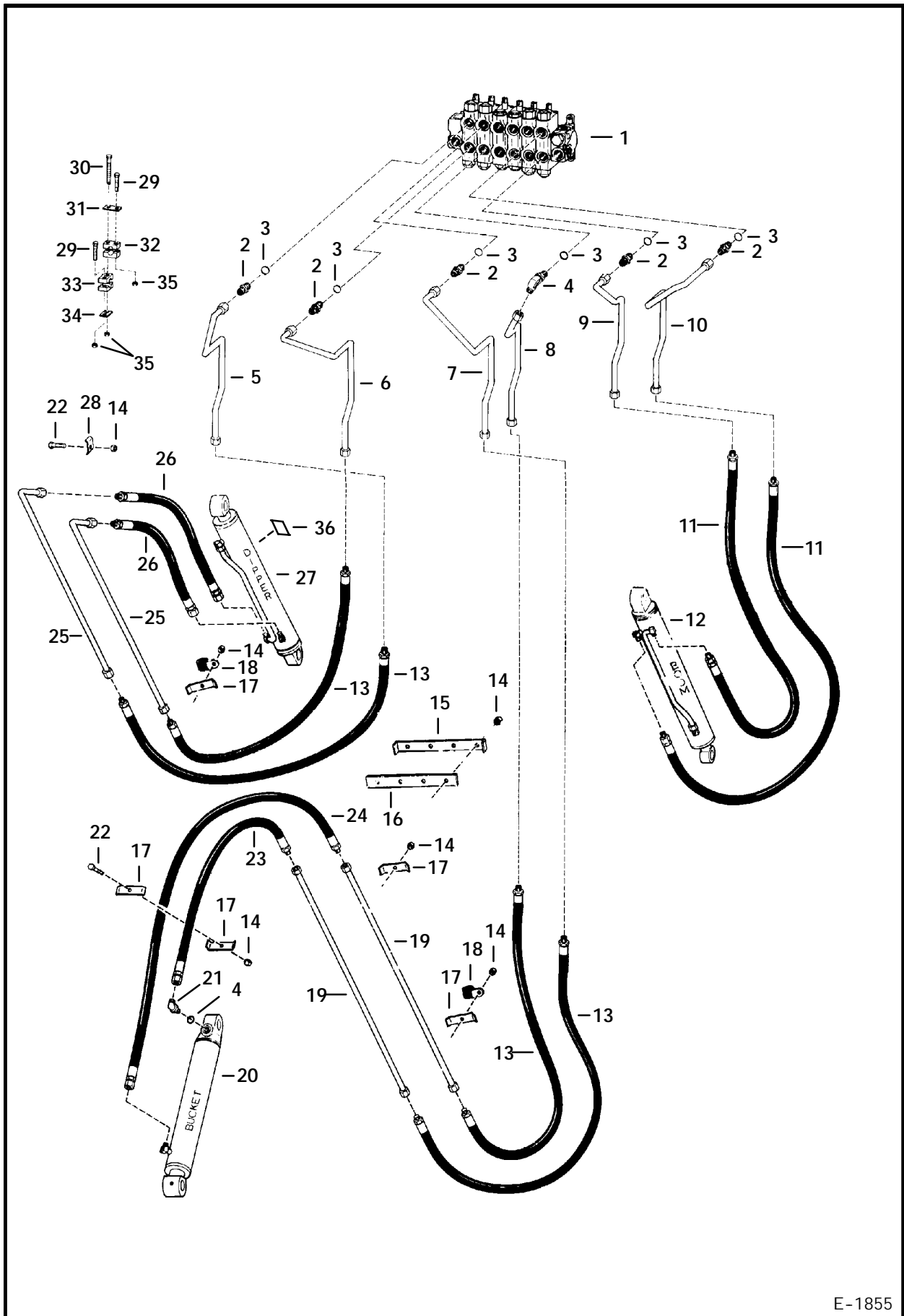


E-1853A

MAIN FRAME HYDRAULICS (Cont'd)
(914B Backhoe)

Ref. No.	Part Number	Description	Remarks	Serial Number	Qty.
1	6539087	HOSE	Was 6584677 [A]		4
2	731795	ADAPTER	W/Ref. 3		4
3	79K-10	O-RING			x
4	6646843	VALVE	See Page 756-766		1
5	731794	ADAPTER	W/Ref. 3		2
6	6584670	TUBE			1
7	6584671	TUBE			1
8	85D-6	NUT			2
9	6502426	CLAMP			2
10	86F-5	NUT			4
11	88F-5	ELBOW			4
12	6530775	HOSE			4
13	30H-46	CLAMP			2
14	17C-614	BOLT			2
15	25E-22	WASHER			2
16	6594326	CYLINDER	stab. - See Page 738		2
17	6589447	HOSE			2
18	84G-3116	BOLT			7
19	6593890	SHIM			2
20	6593896	WEAR PLATE			1
21	6593965	WEAR BAR			1
22	6530807	CYLINDER	swing - See Page 750		1
23	6586172	PIN			2
24	17C-628	BOLT			2
25	25E-17	WASHER			2
26	6593914	BRACKET			2
27	12K-5	ELBOW			2
28*	6589446	HOSE			1
29*	15K-6	FITTING			2
30*	79K-8	O-RING			4
31*	6665116	VALVE			1
32*	6511914	ELBOW			1
33*	17K-6	ELBOW			1
34*	84G-3112	BOLT			2
35*	6589439	COVER			1
36*	84G-3712	BOLT			3
37*	6589443	PLATE			1
38*	30H-31	CLAMP			1
39*	61D-8	NUT			1
40*	6589440	HARNESS			1
41*	6589442	HARNESS			1
42*	6624289	STA-STRAP			2
43*	6665702	SOLENOID			4
*	6665703	COIL			4
*	6665704	SEAL KIT			4

BOOM HYDRAULIC CIRCUITRY (914B Backhoe)

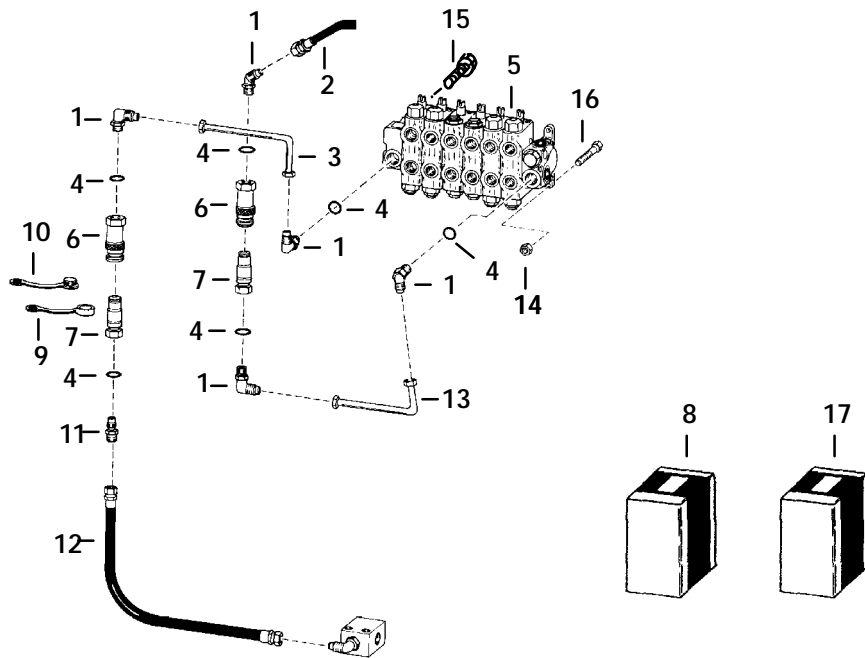


E-1855

BOOM HYDRAULIC CIRCUITRY (Cont'd)
(914B Backhoe)

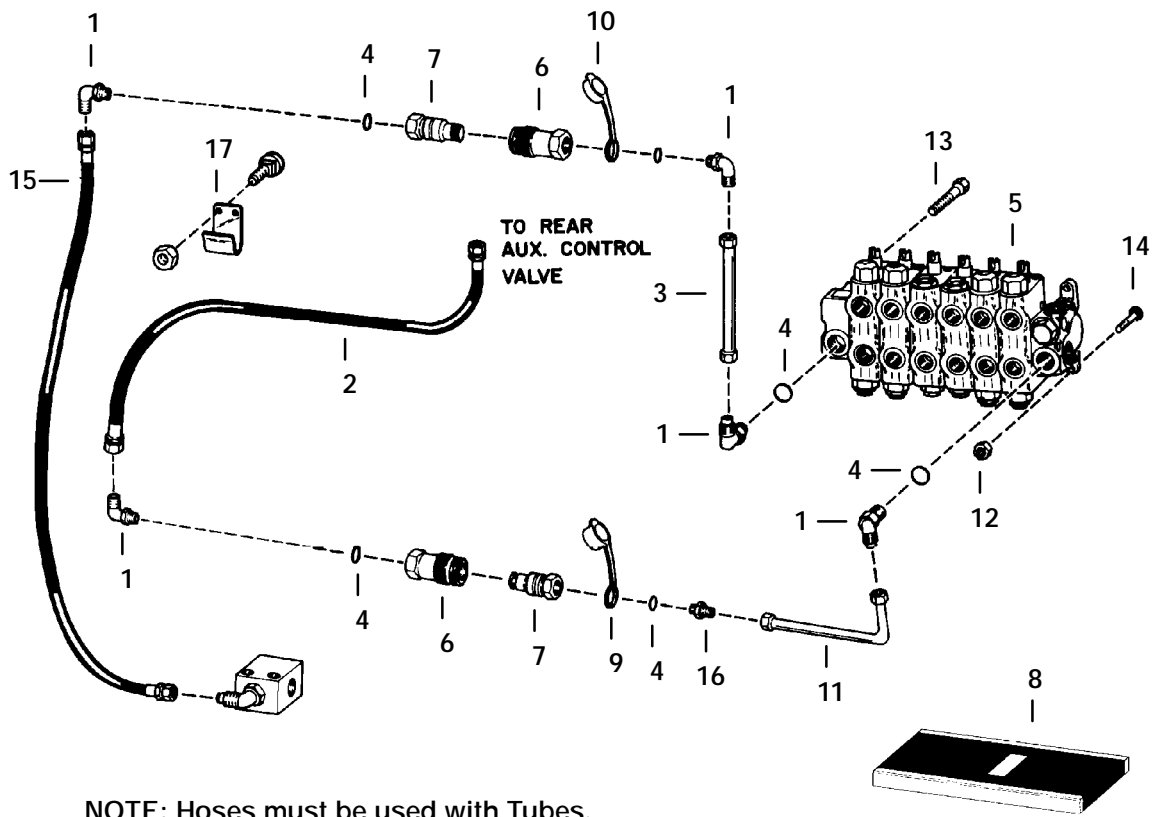
Ref. No.	Part Number	Description	Remarks	Serial Number	Qty.
1	6646843	VALVE	See Page 756-766		1
2	15K-7	ADAPTER	W/Ref. 3		5
3	79K-10	O-RING			x
4	17K-7	ELBOW	W/Ref. 3		1
5	6584668	TUBE			1
6	6584665	TUBE			1
7	6584664	TUBE			1
8	6584667	TUBE			1
9	6584663	TUBE			1
10	6584666	TUBE			1
11	6594191	HOSE			2
12	6529704	CYLINDER	boom - See Page 744		1
13	6562130	HOSE			4
14	81D-6	NUT			10
15	6593780	CLAMP			1
16	6593781	SPACER			1
17	6502426	CLAMP			5
18	30H-50	CLAMP			2
19	6593871	TUBE			2
20	6593291	CYLINDER	bucket - See Page 748		1
21	17K-7	ELBOW	W/Ref. 3		1
22	17C-632	BOLT			3
23	6560787	HOSE			1
24	6593873	HOSE			1
25	6593870	TUBE			2
26	6593869	HOSE			2
27	6529696	CYLINDER	dipper - See Page 746		1
28	6562266	CLAMP			2
29	17C-432	BOLT			2
30	17C-456	BOLT			1
31	6647630	PLATE			1
32	6647628	TUBE CLAMP			1
33	6647629	TUBE CLAMP			1
34	6647631	PLATE			1
35	61D-4	NUT			3
36*	6589445	DECAL			1

HYDRAULIC CIRCUITRY
(914B Backhoe - S/N 11178 & Below)



C-3088

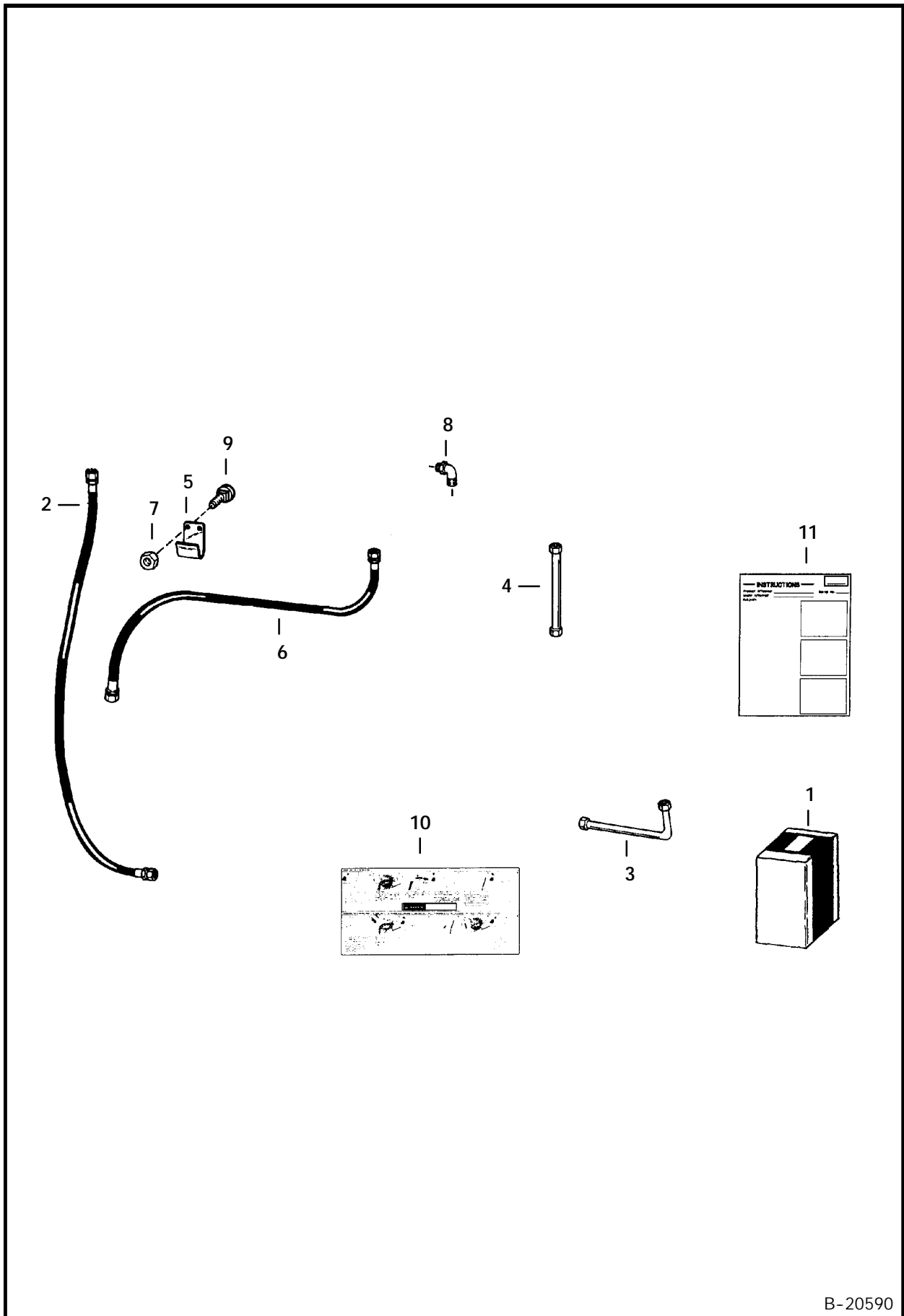
HYDRAULIC CIRCUITRY
(914B Backhoe - S/N 11179 & Above)



NOTE: Hoses must be used with Tubes.

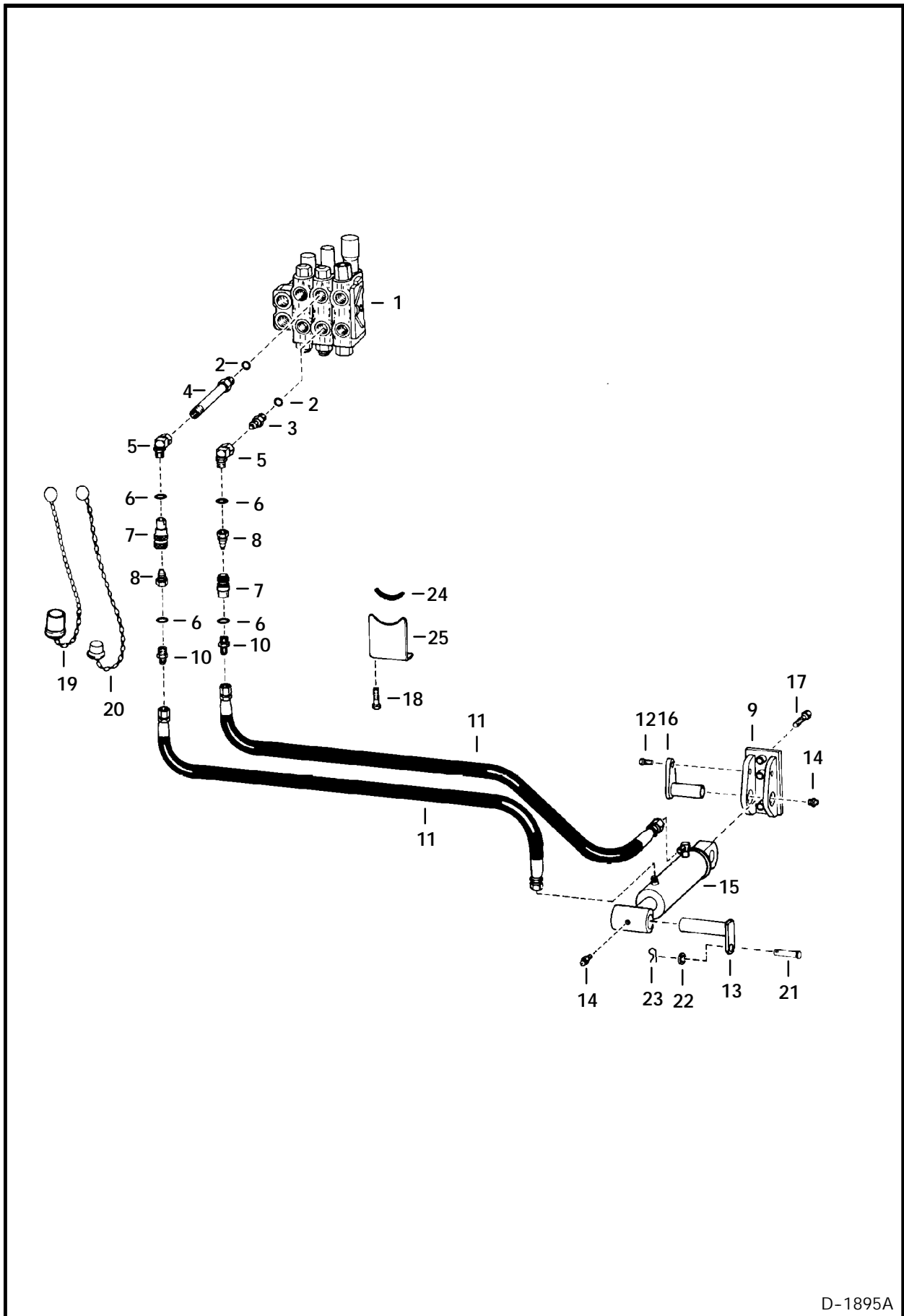
C-3118A

HOSE LENGTH MODIFICATION KIT
(S/N 11178 & Below)



B-20590

TILT CYLINDER HYDRAULICS (914B Backhoe)

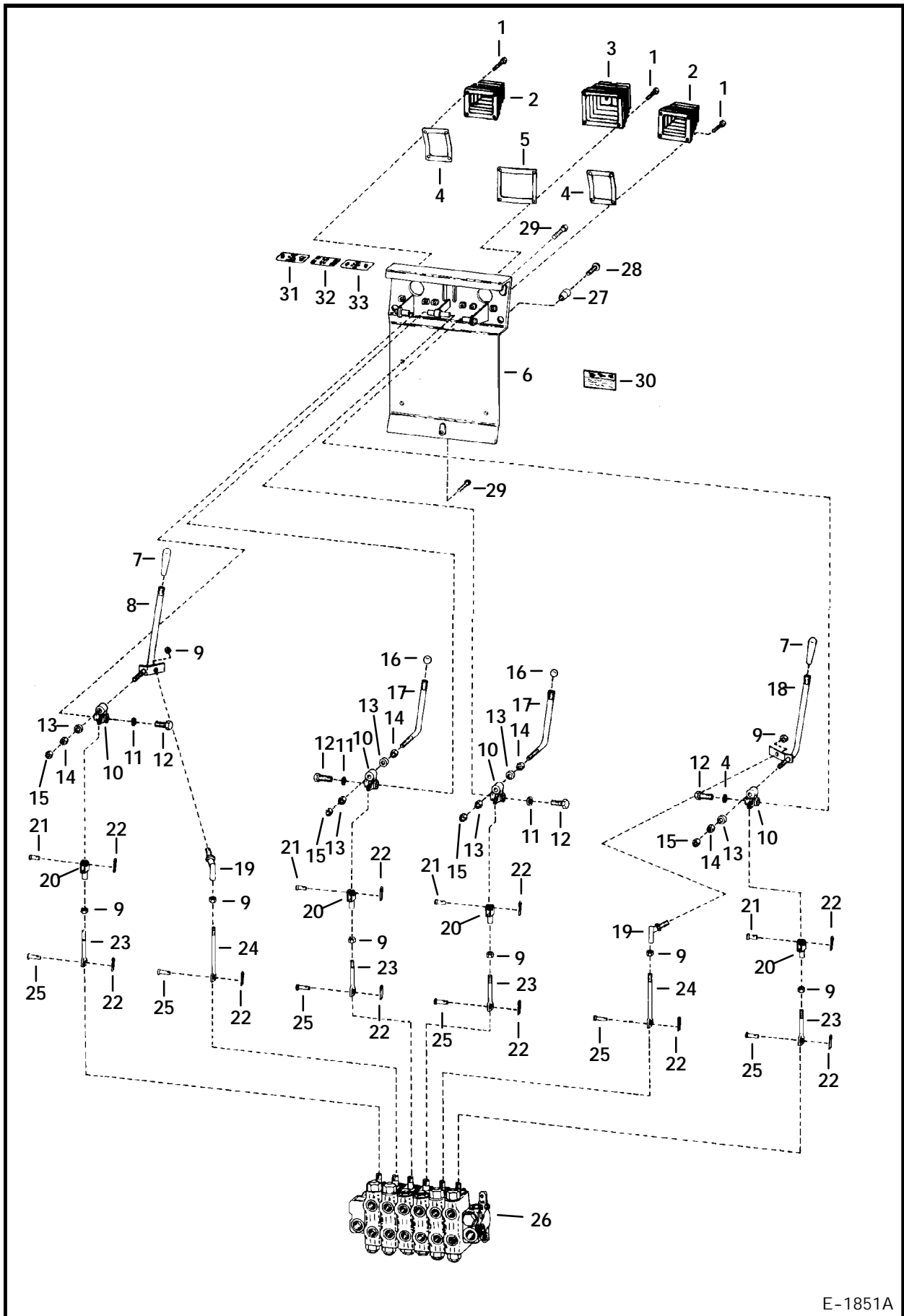


D-1895A

TILT CYLINDER HYDRAULICS (Cont'd)
(914B Backhoe)

Ref. No.	Part Number	Description	Remarks	Serial Number	Qty.
1	6646842	VALVE	rear Auxiliary - See Page 802		1
2	79K-10	O-RING			2
3	731794	ADAPTER			1
4	6646581	FITTING			1
5	6646497	ELBOW			2
6	79K-8	O-RING			4
7	6630092	COUPLER	female		2
	25K-30024	O-RING			2
	73K-116	BACK-UP RING			2
8	6630093	COUPLER	male		2
9	6586167	CHANNEL			1
10	743108	ADAPTER			2
11	6584680	HOSE			2
12	84G-3712	BOLT			1
13	6586170	PIN			1
14	10H-25	GREASE ZERK			2
15	6530336	CYLINDER	See Page 752		1
16	6585662	PIN			1
17	17C-816	BOLT			4
18	17C-616	BOLT	Was 6513709 [A]		1
19	3679001	CAP	Was 6515168 [A]		1
20	3679000	PLUG	Was 6515167 [A]		1
21	2F-6106	PIN			1
22	27E-6	WASHER			2
23	1306637	PIN			1
24	6620417	RUBBER STRIP	bulk - Sold Per Foot		x
25	6532596	SUPPORT	W/Ref. 24		1

CONTROLS (914B Backhoe)

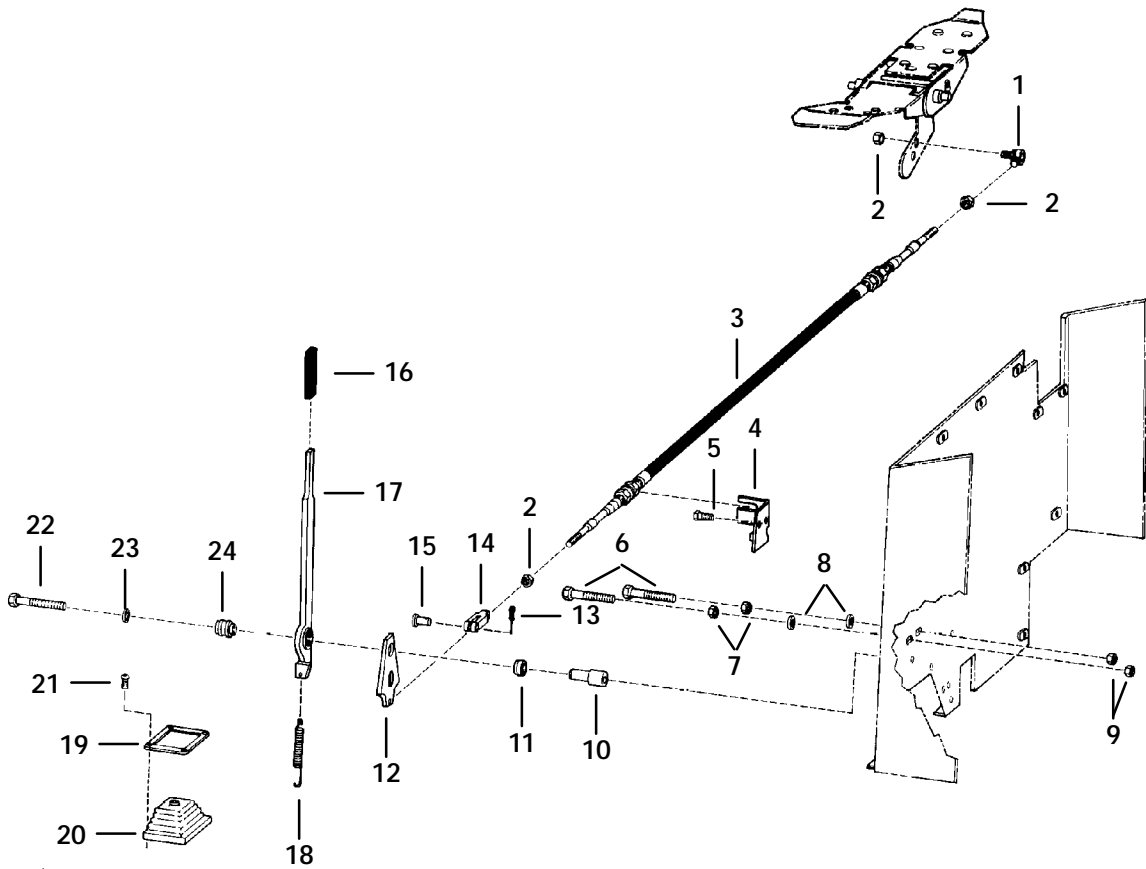


E-1851A

CONTROLS (Cont'd)
(914B Backhoe)

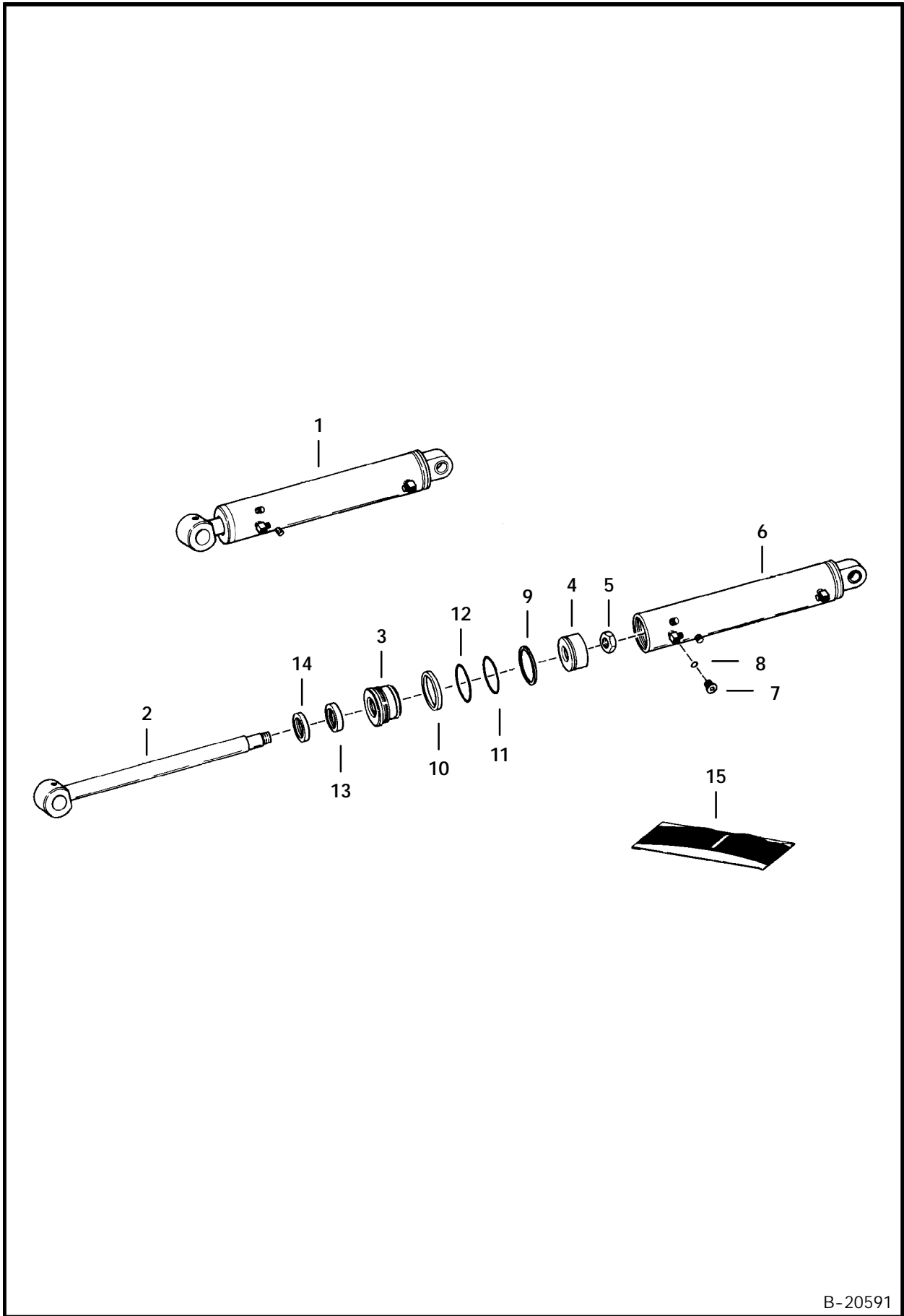
Ref. No.	Part Number	Description	Remarks	Serial Number	Qty.
1	24G-1012	BOLT			12
2	6585347	BOOT			2
3	6583700	BOOT			1
4	6585301	RETAINER			2
5	6583698	RETAINER			1
6	6586182	MOUNT			1
7	6510093	HANDLE GRIP			2
8	6586177	LEVER			1
9	8D-6	NUT			8
10	6586081	CONNECTOR			4
11	25E-16	WASHER			4
12	17C-510	BOLT			4
13	25E-21	WASHER			6
14	61D-8	NUT			2
15	85D-8	NUT			6
16	6515888	HANDLE			2
17	6584674	LEVER			2
18	6586174	LEVER			1
19	6599744	BALL JOINT			2
20	6564655	CLEVIS	Was 6564644 [D]		4
21	227395	CLEVIS PIN			4
22	1F-208	PIN			12
23	6586179	VALVE LINK			4
24	6586178	VALVE LINK			2
25	4F-4051	PIN			6
26	6646843	VALVE	See Page 756-766		1
27	6586181	MOUNT			2
28	25G-510	BOLT			2
29	17C-612	BOLT			3
30	6531654	DECAL	mounting instructions		1
31	6558050	DECAL			1
32	6561396	DECAL			1
33	6558049	DECAL			1

CREEP LEVER
(914B Backhoe)



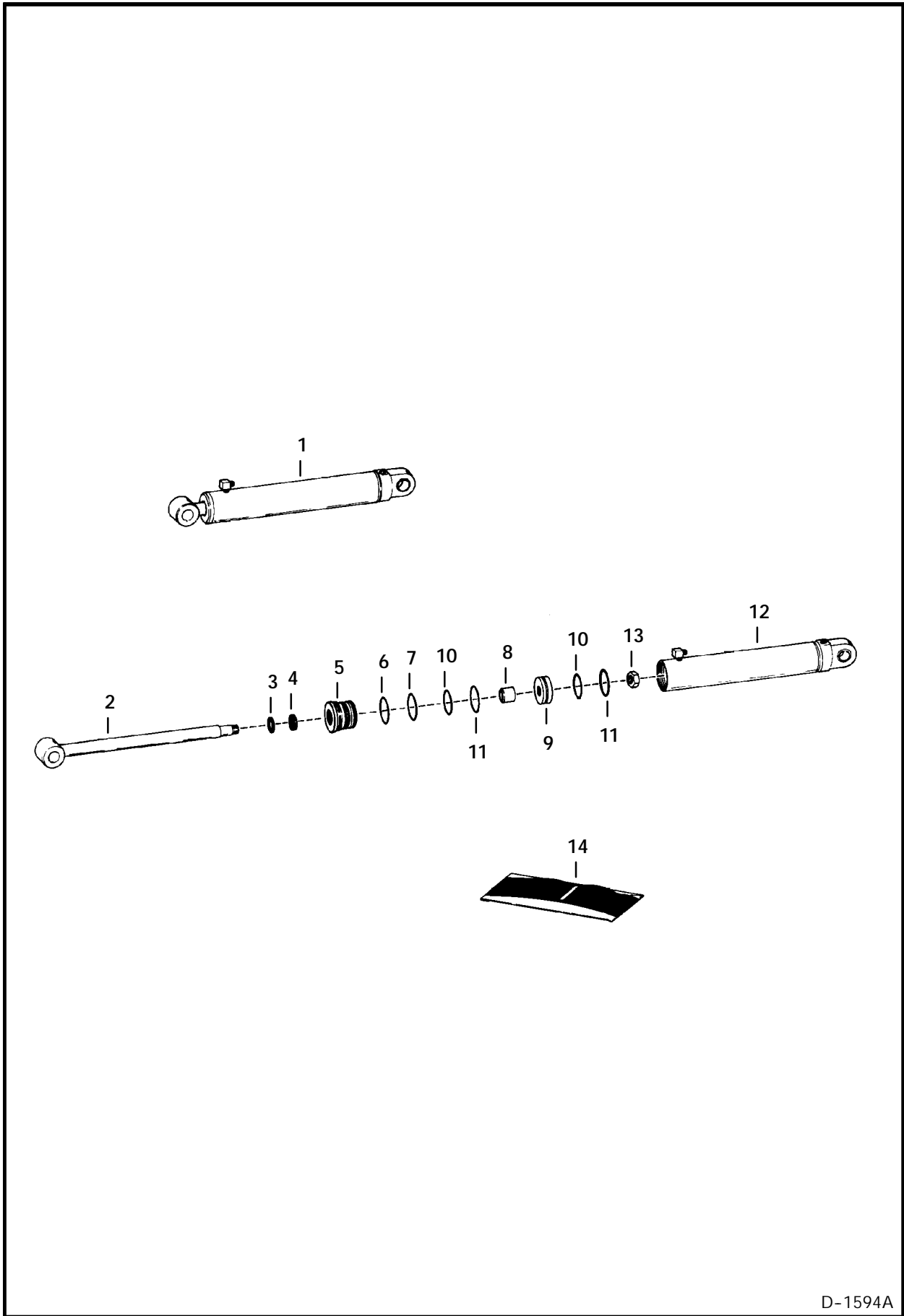
D-1875A

STABILIZER CYLINDER
(911B & 914B Backhoe)



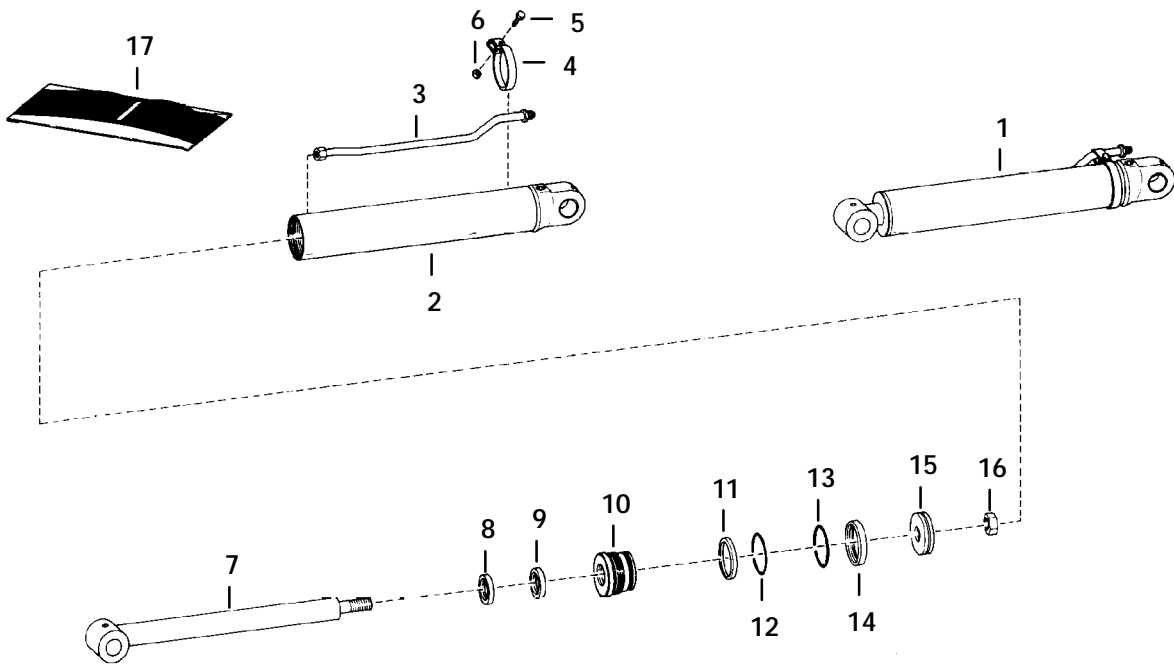
B-20591

BOOM & DIPPERSTICK CYLINDER
(911B Backhoe)



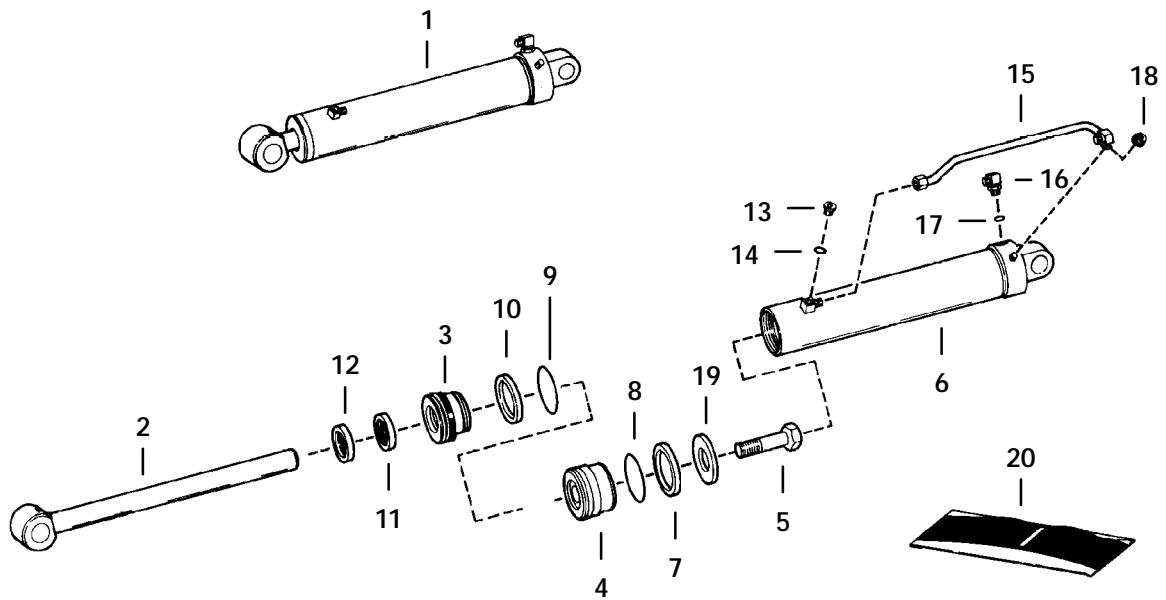
D-1594A

BUCKET CYLINDER
(911B Backhoe)



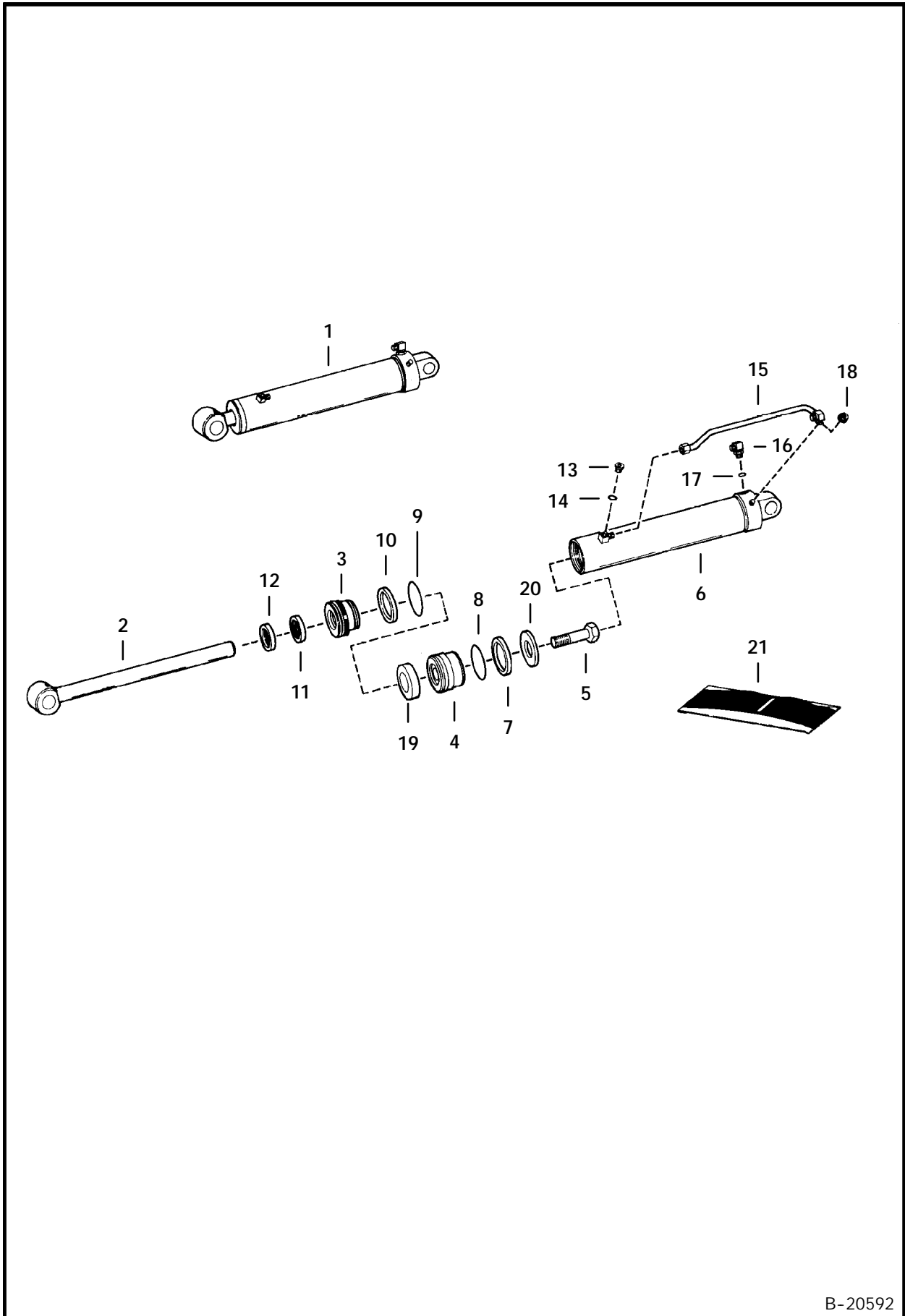
D-1579B

B00M CYLINDER
(914B Backhoe)



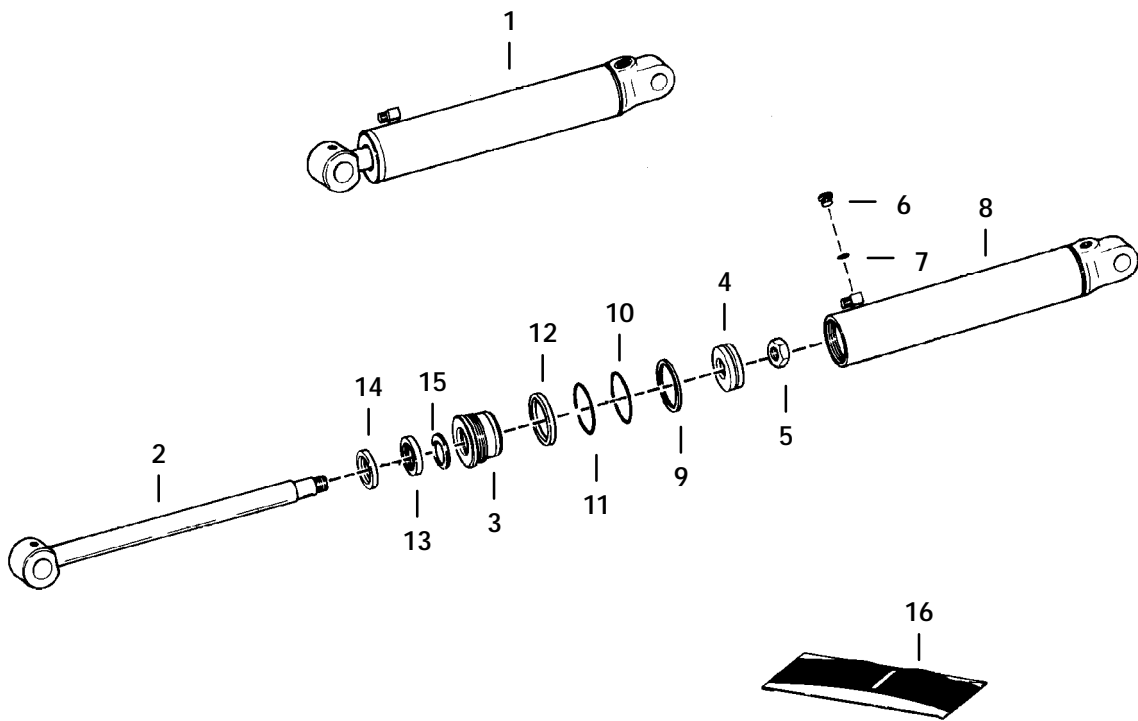
D-3043

DIPPER CYLINDER (914B Backhoe)



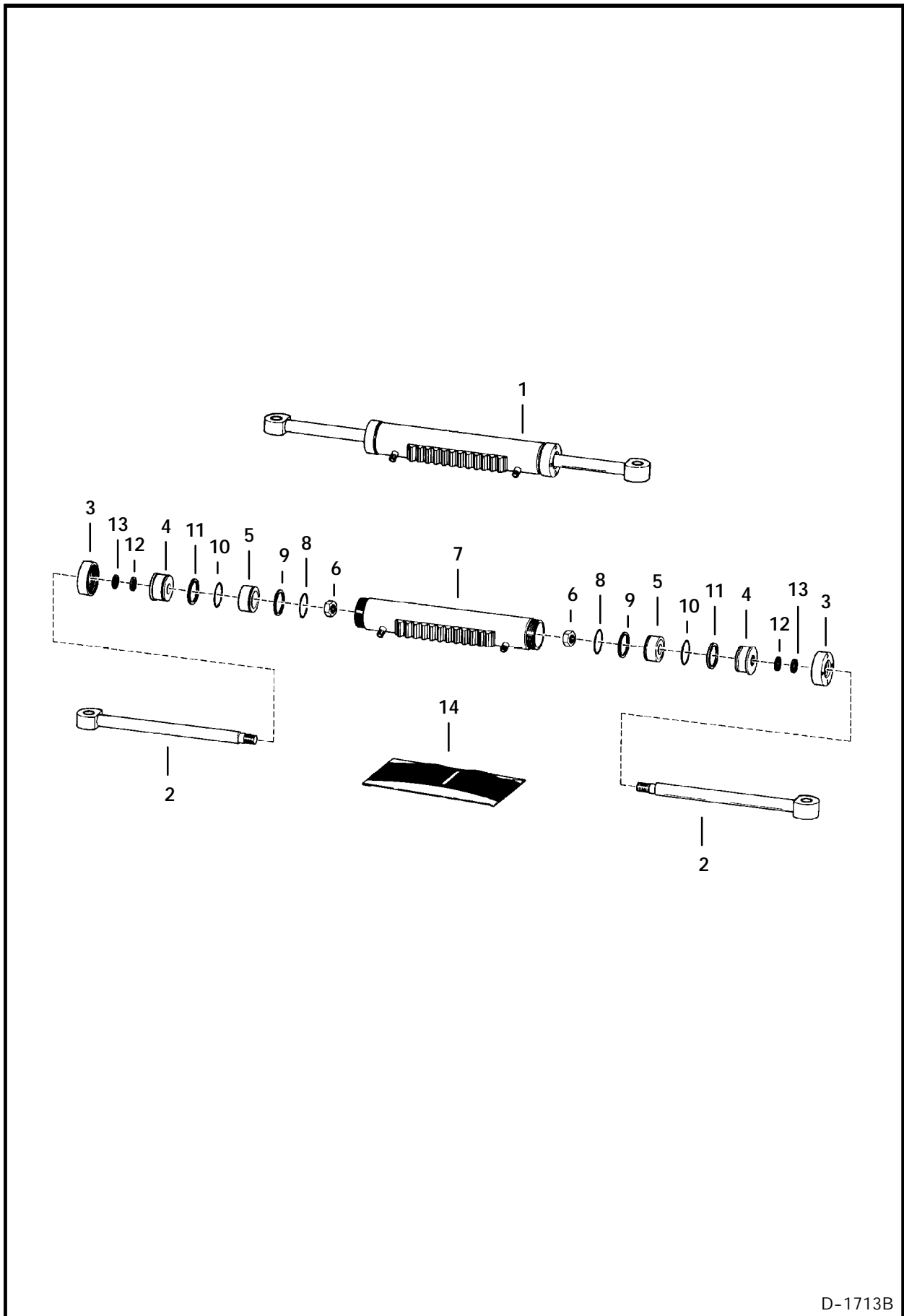
B-20592

BUCKET CYLINDER
(914B Backhoe)



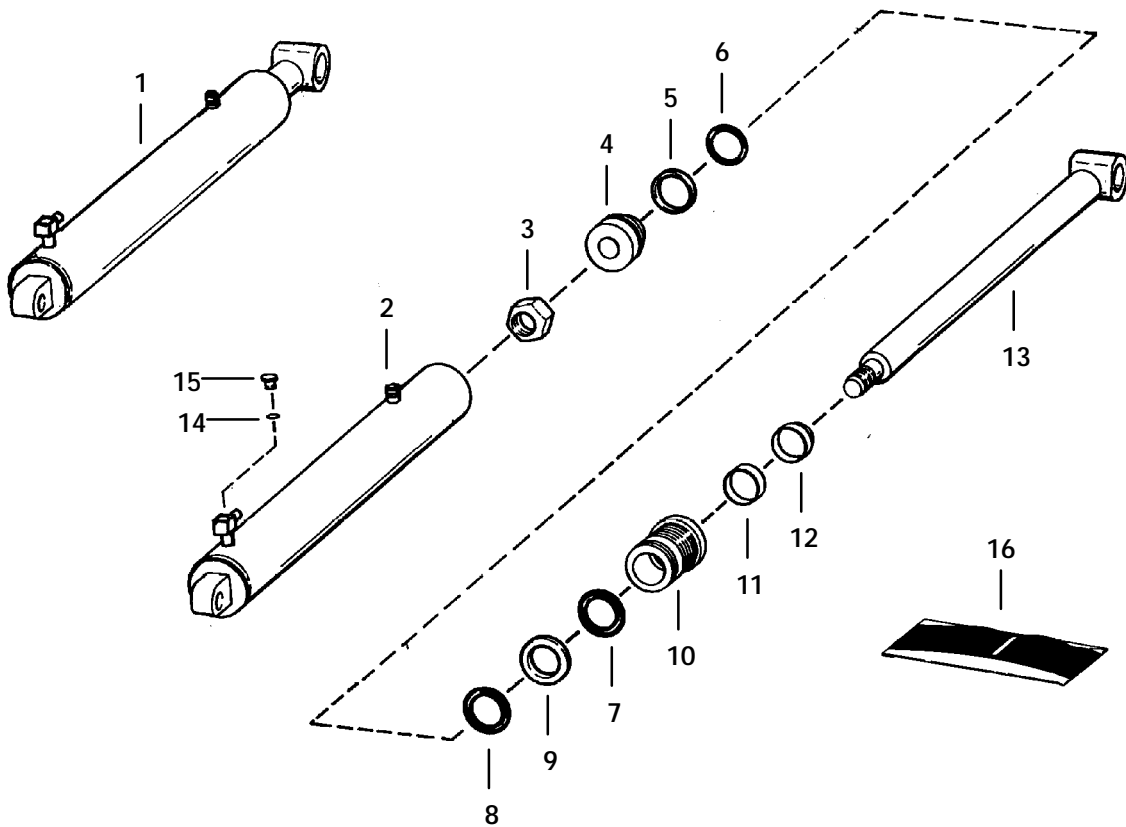
C-2892A

SWING CYLINDER
(911B & 914B Backhoe)



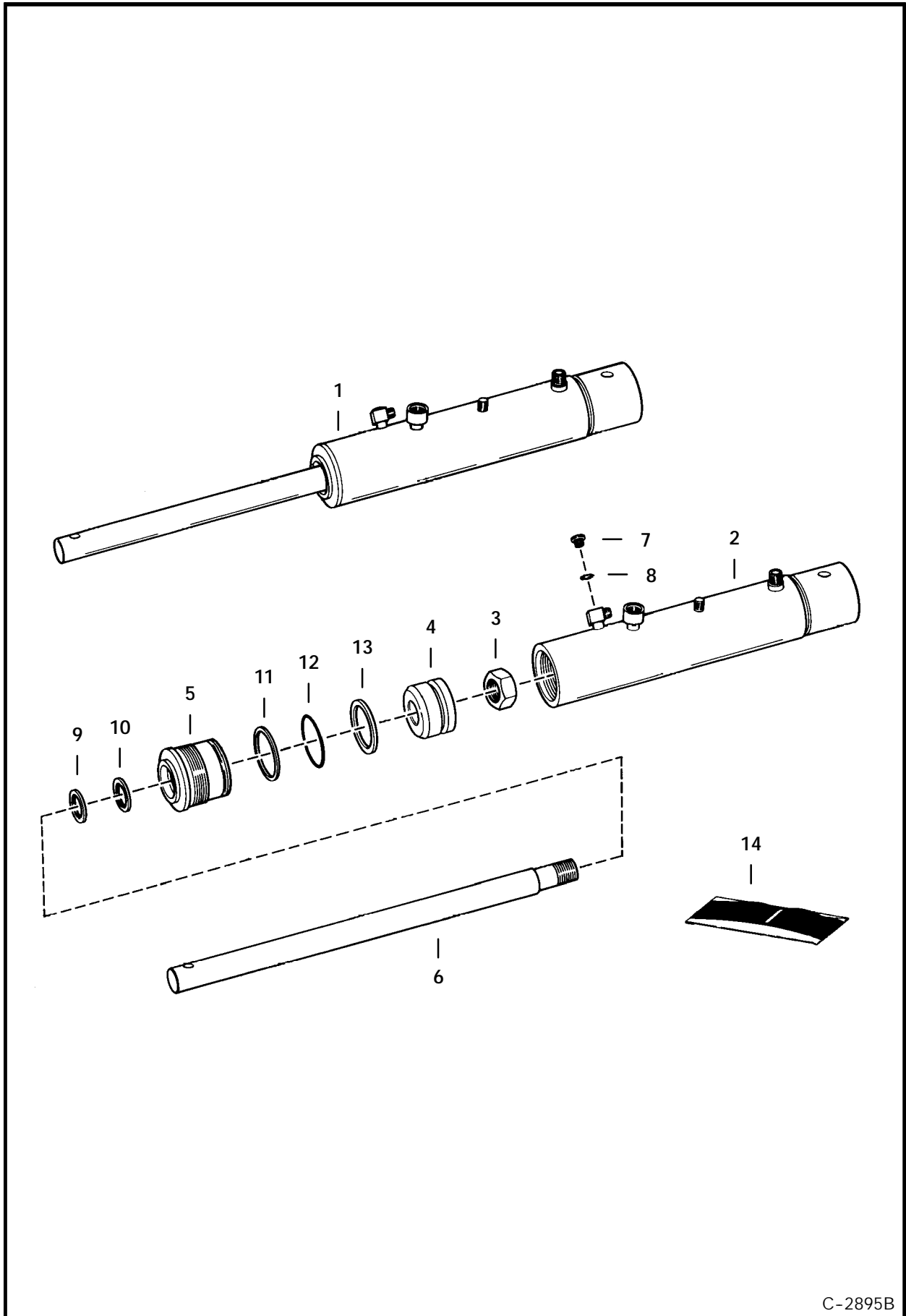
D-1713B

TILT CYLINDER
(Work & Transport - 911B & 914B Backhoe)



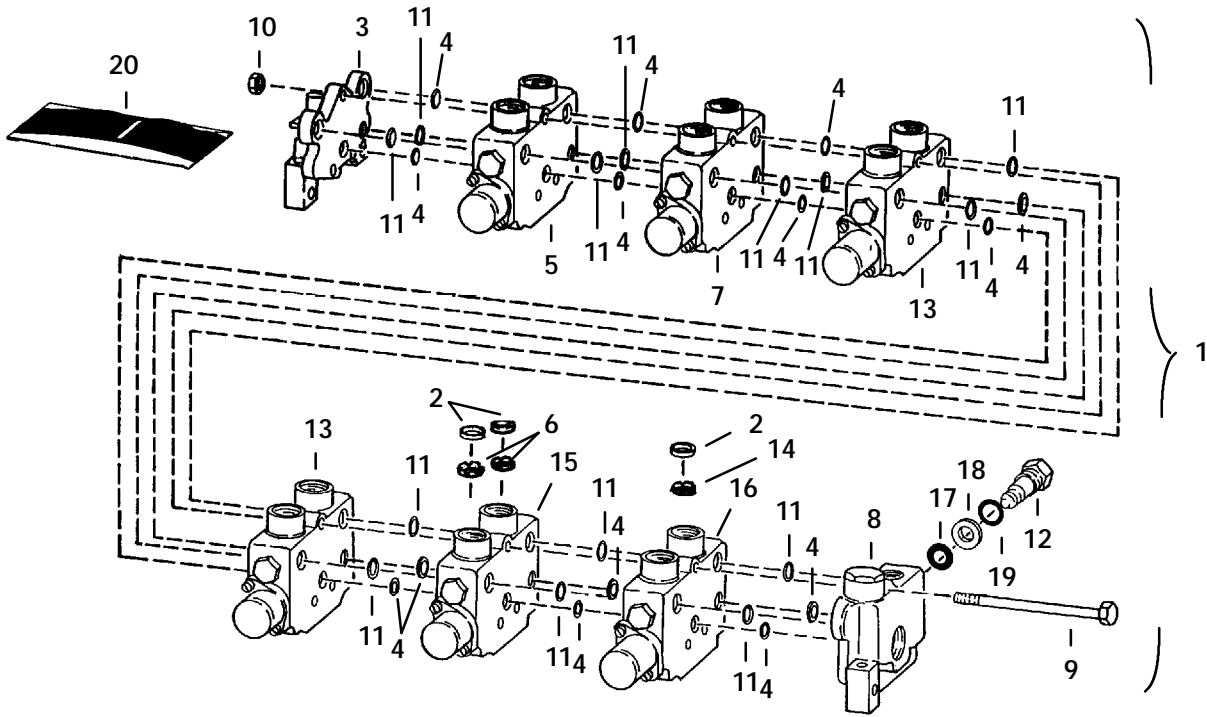
B-14043

LOCK CYLINDER
(911B & 914B Backhoe)



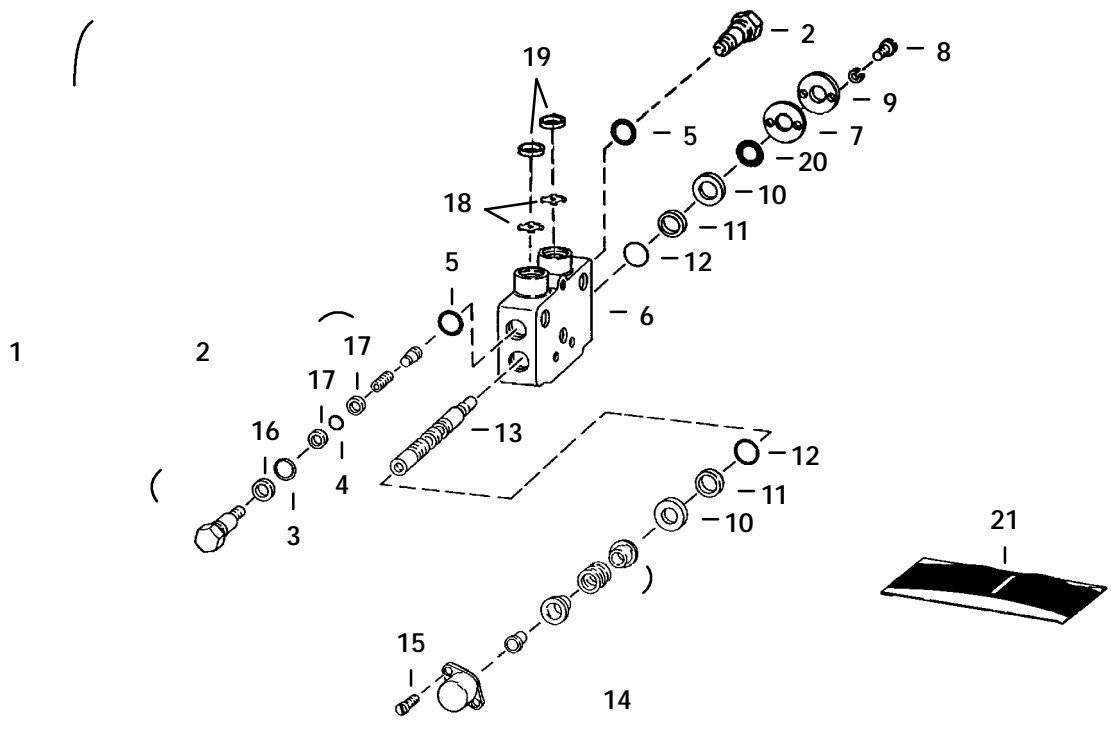
C-2895B

CONTROL VALVE
(911B & 914B Backhoe)



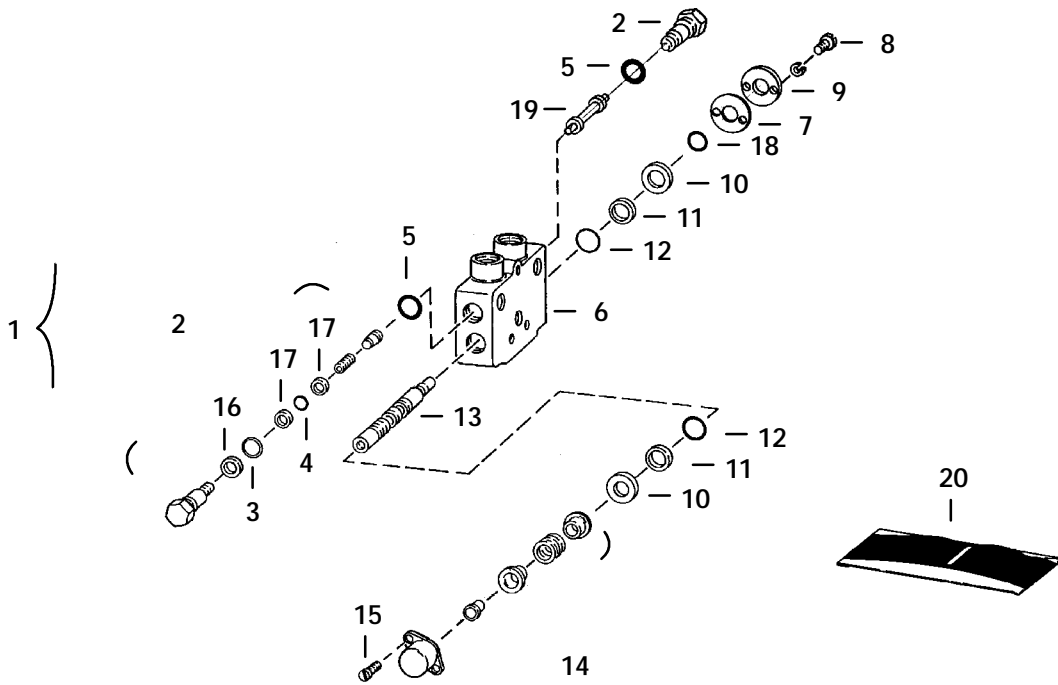
B-20593

SWING SECTION
(911B & 914B Backhoe)



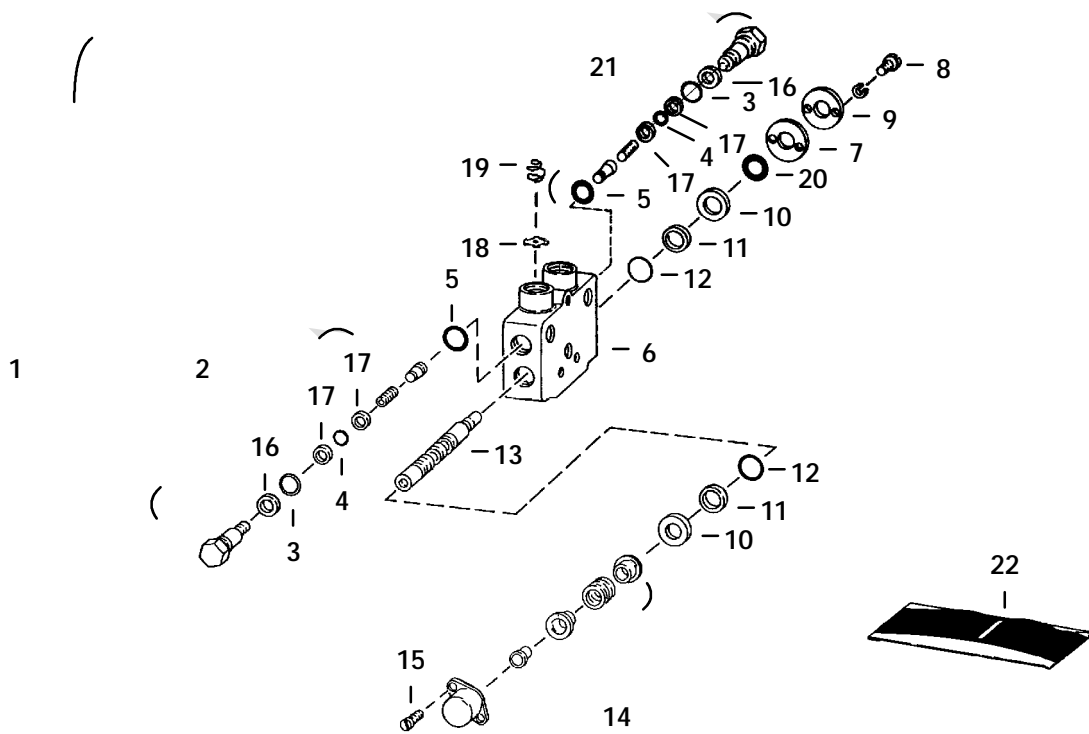
B-20594

STABILIZER SECTION
(911B & 914B Backhoe)



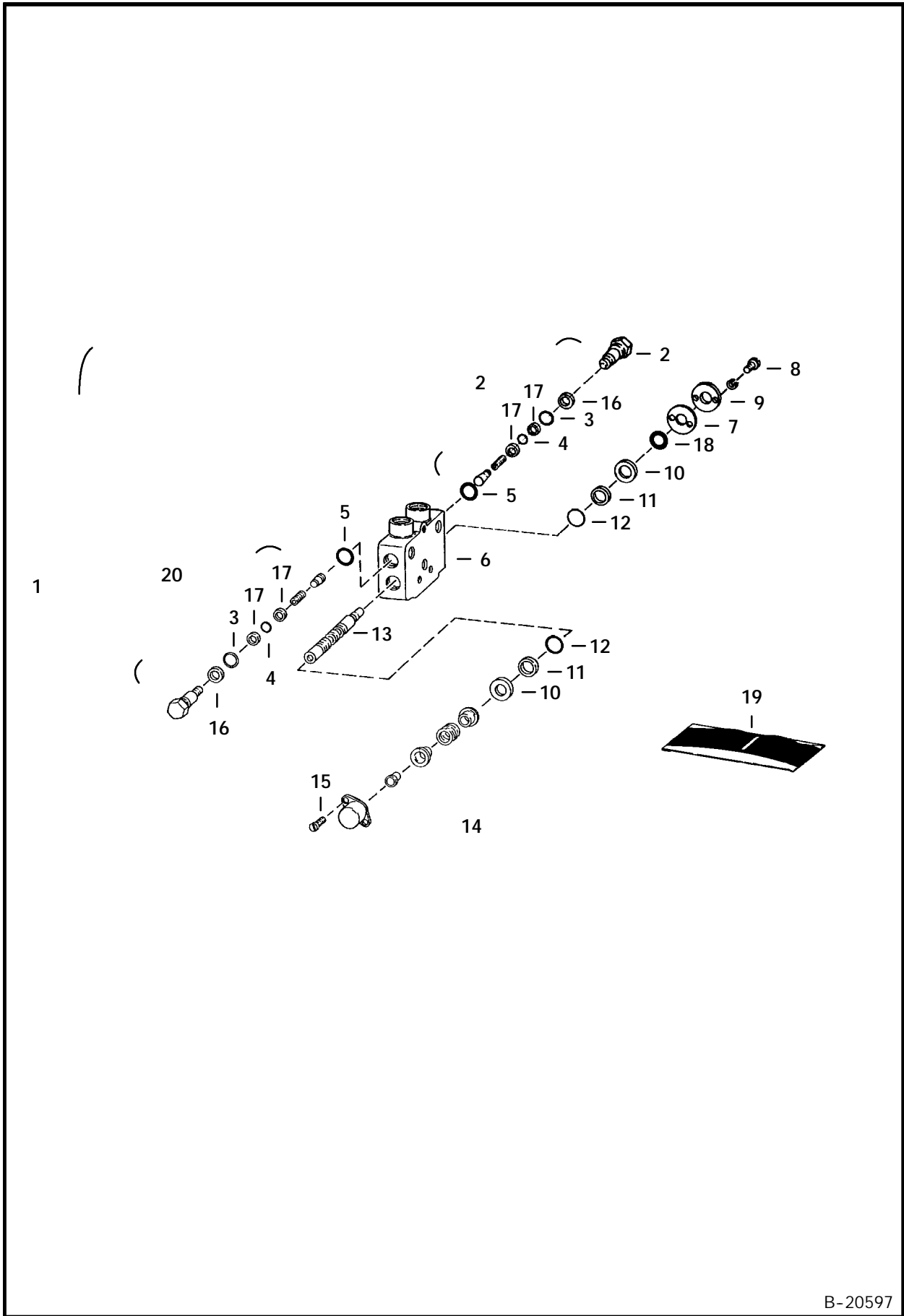
B-20595

BOOM SECTION (911B & 914B Backhoe)

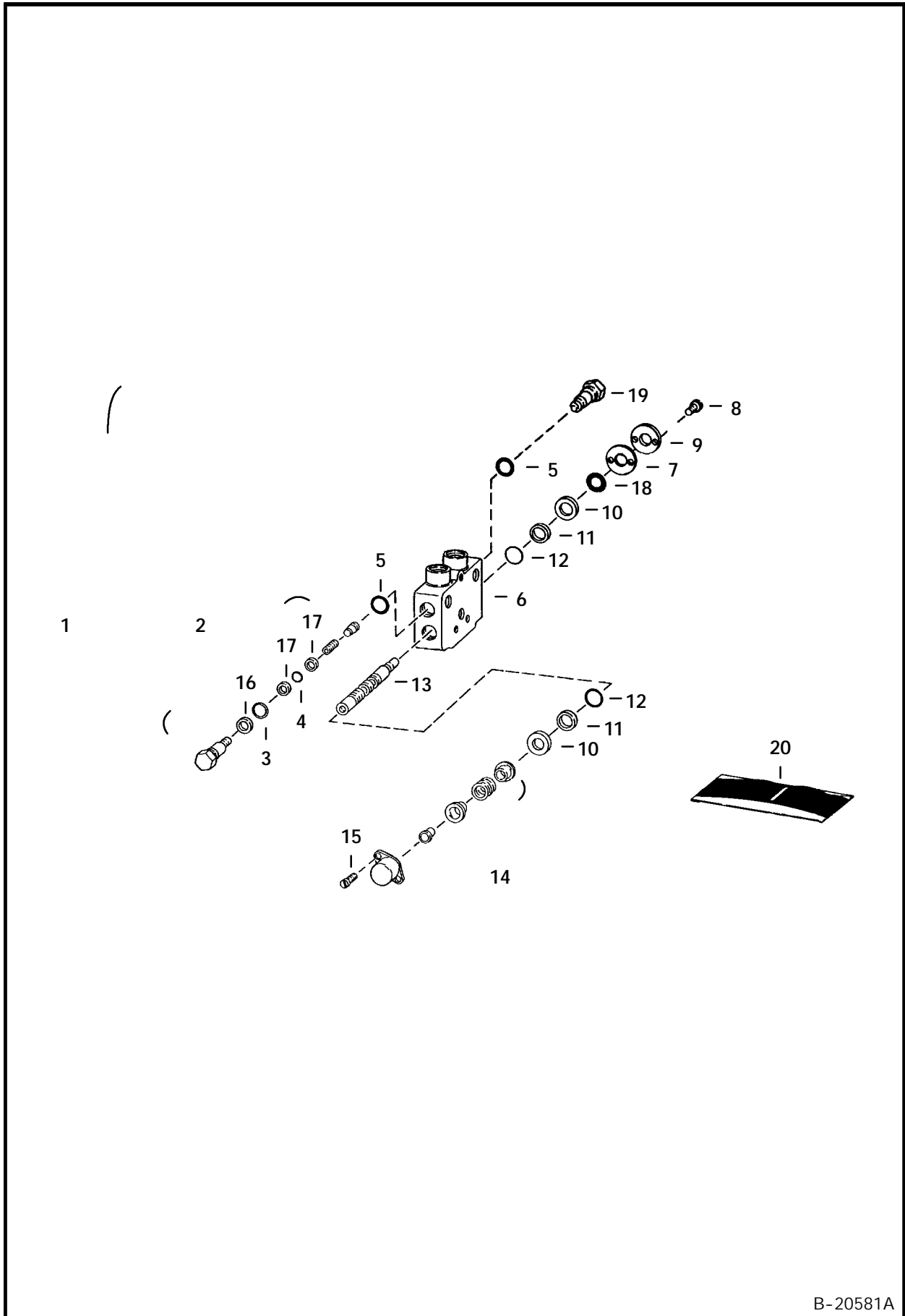


B-20596

DIPPER SECTION
(911B & 914B Backhoe)

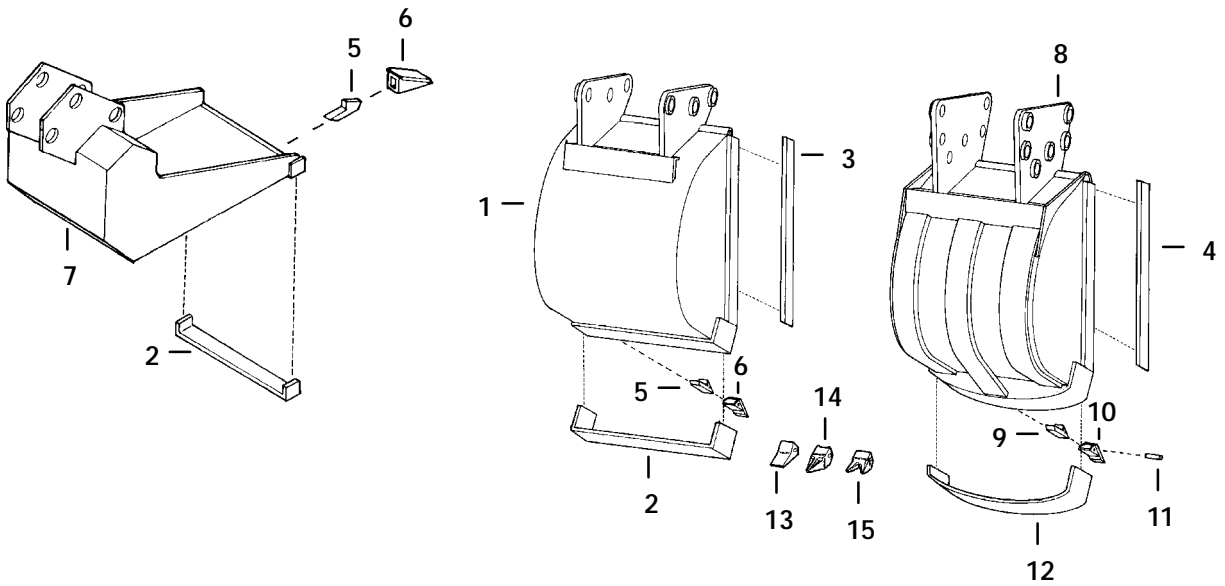


BUCKET SECTION
(911B & 914B Backhoe)



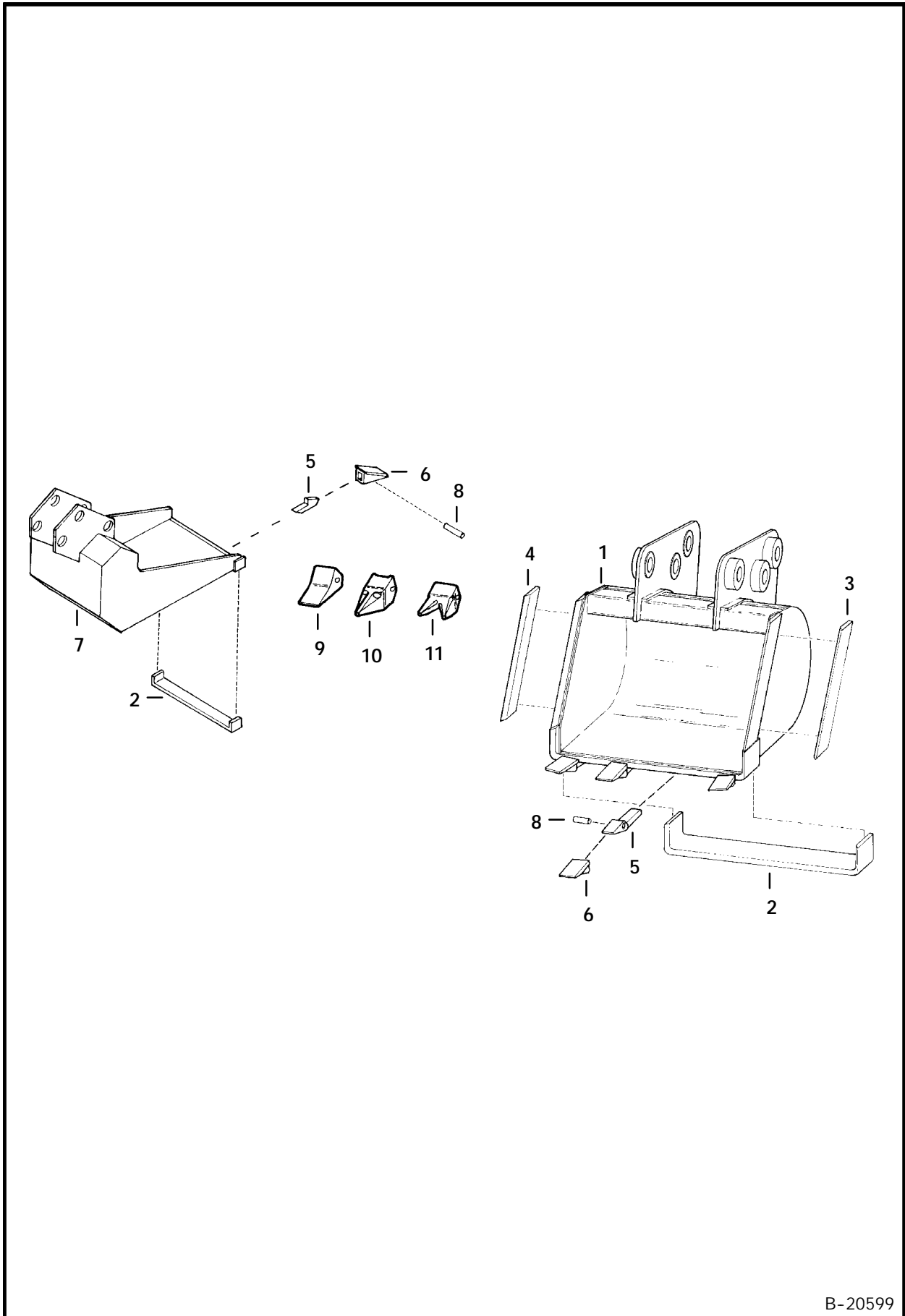
B-20581A

BACKHOE BUCKETS (911B Backhoe)



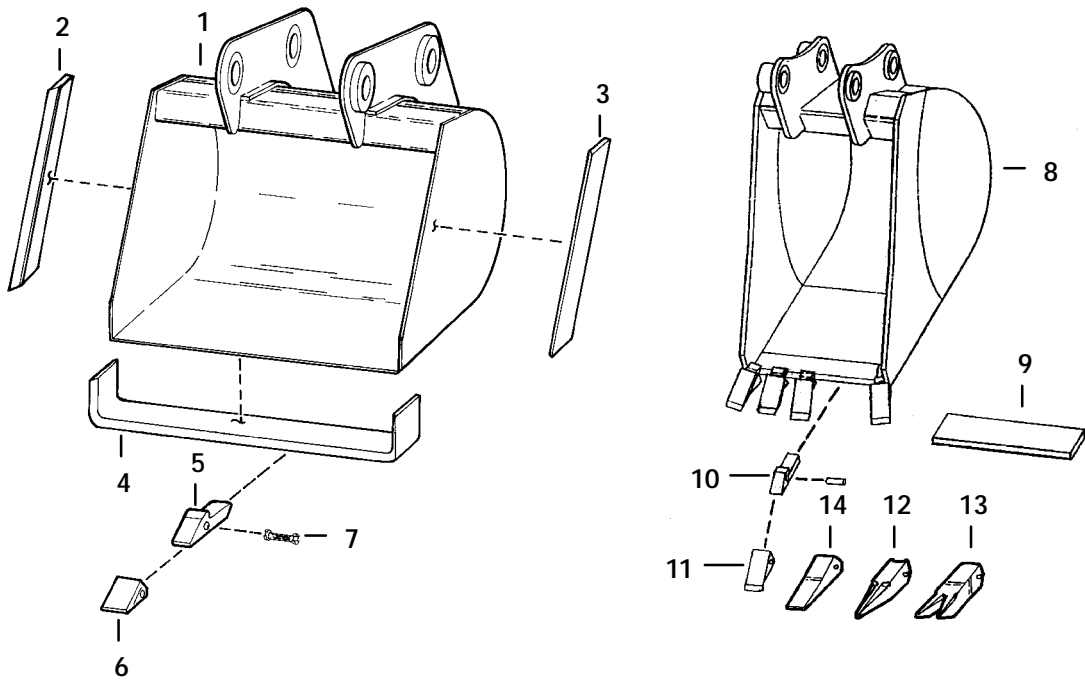
B-20598

BACKHOE BUCKETS (911B Backhoe)



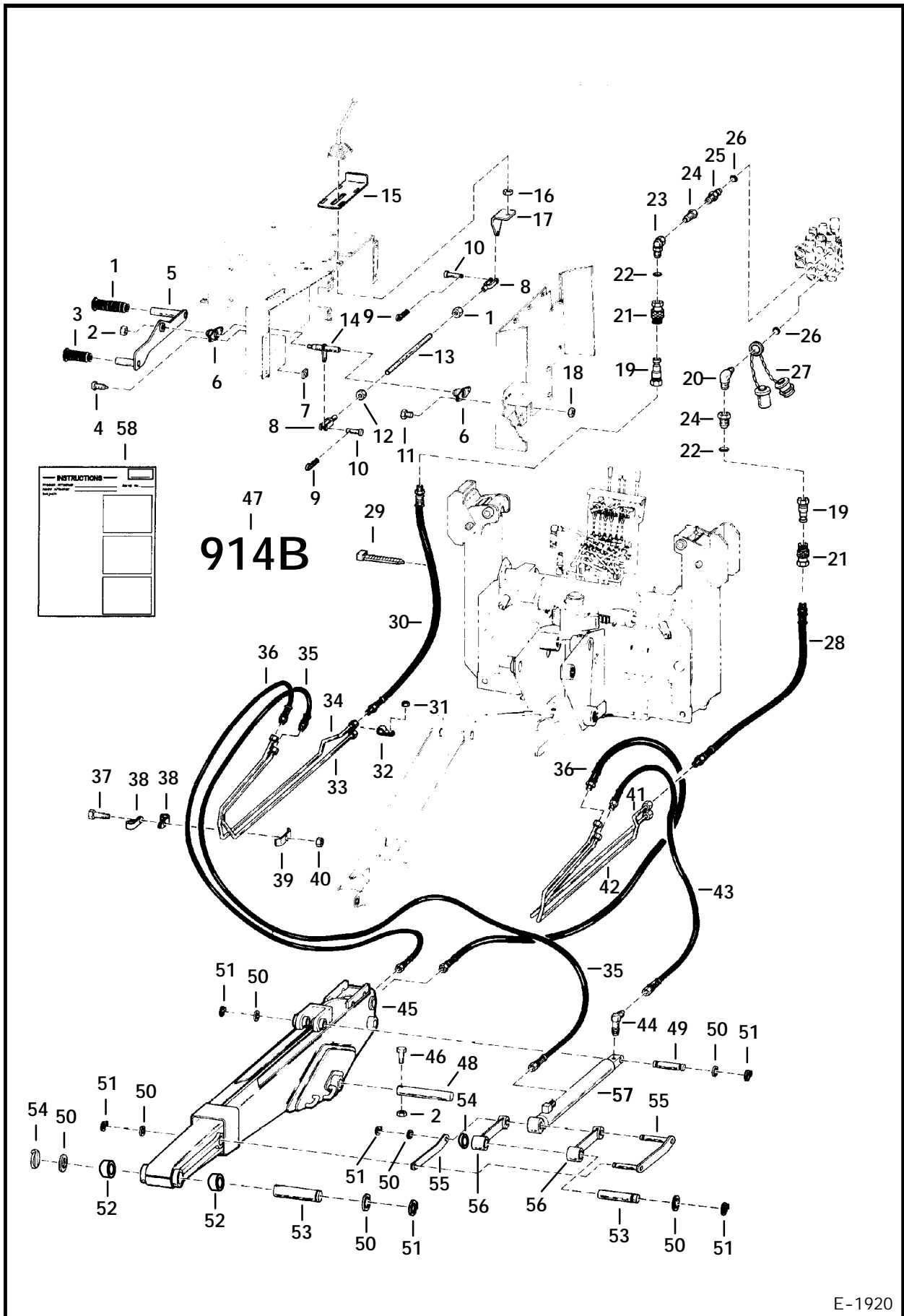
B-20599

BACKHOE BUCKETS (914B Backhoe)



B-20600

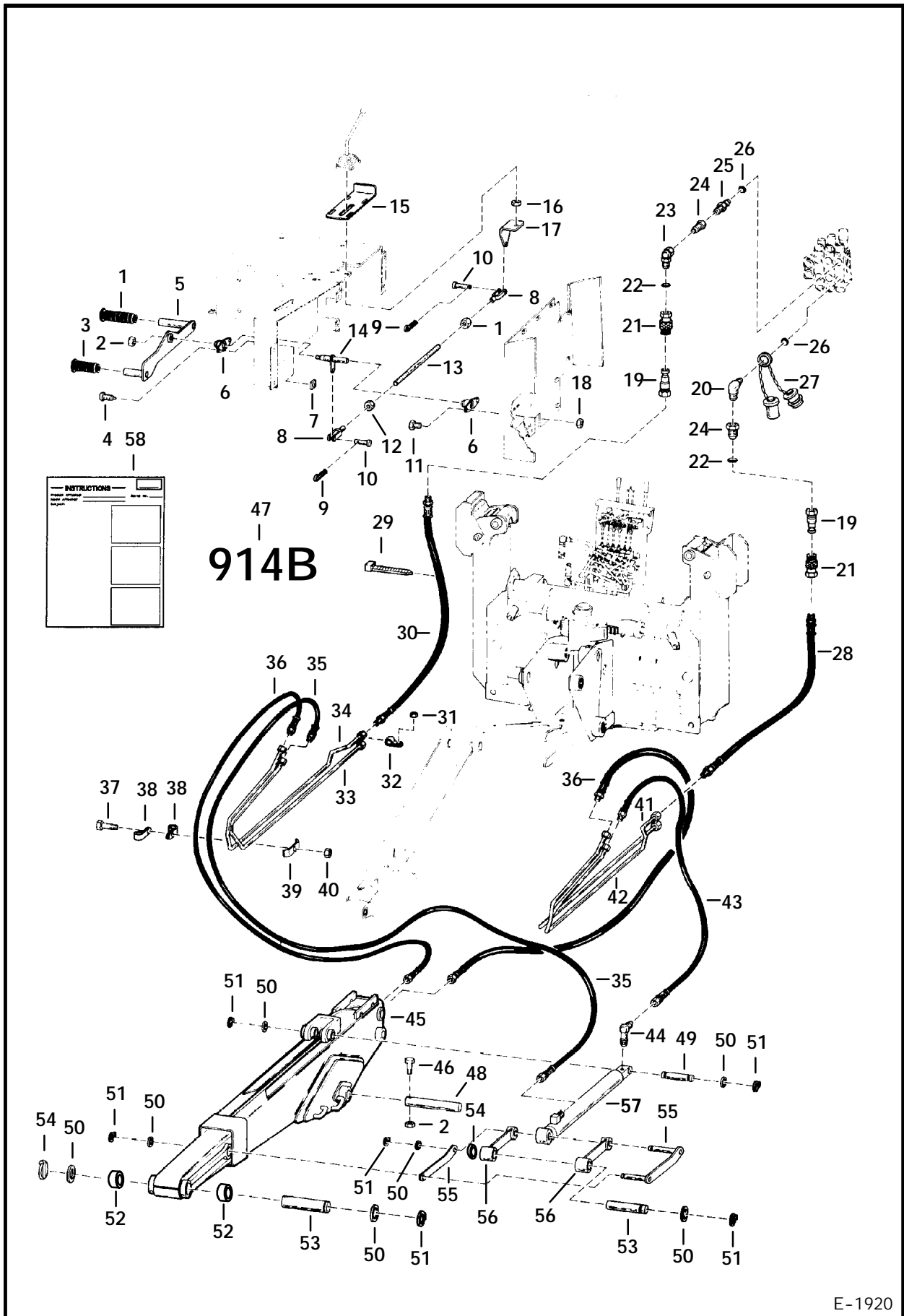
EXTENDABLE DIPPER (914B Backhoe)



EXTENDABLE DIPPER (Cont'd)
(914B Backhoe)

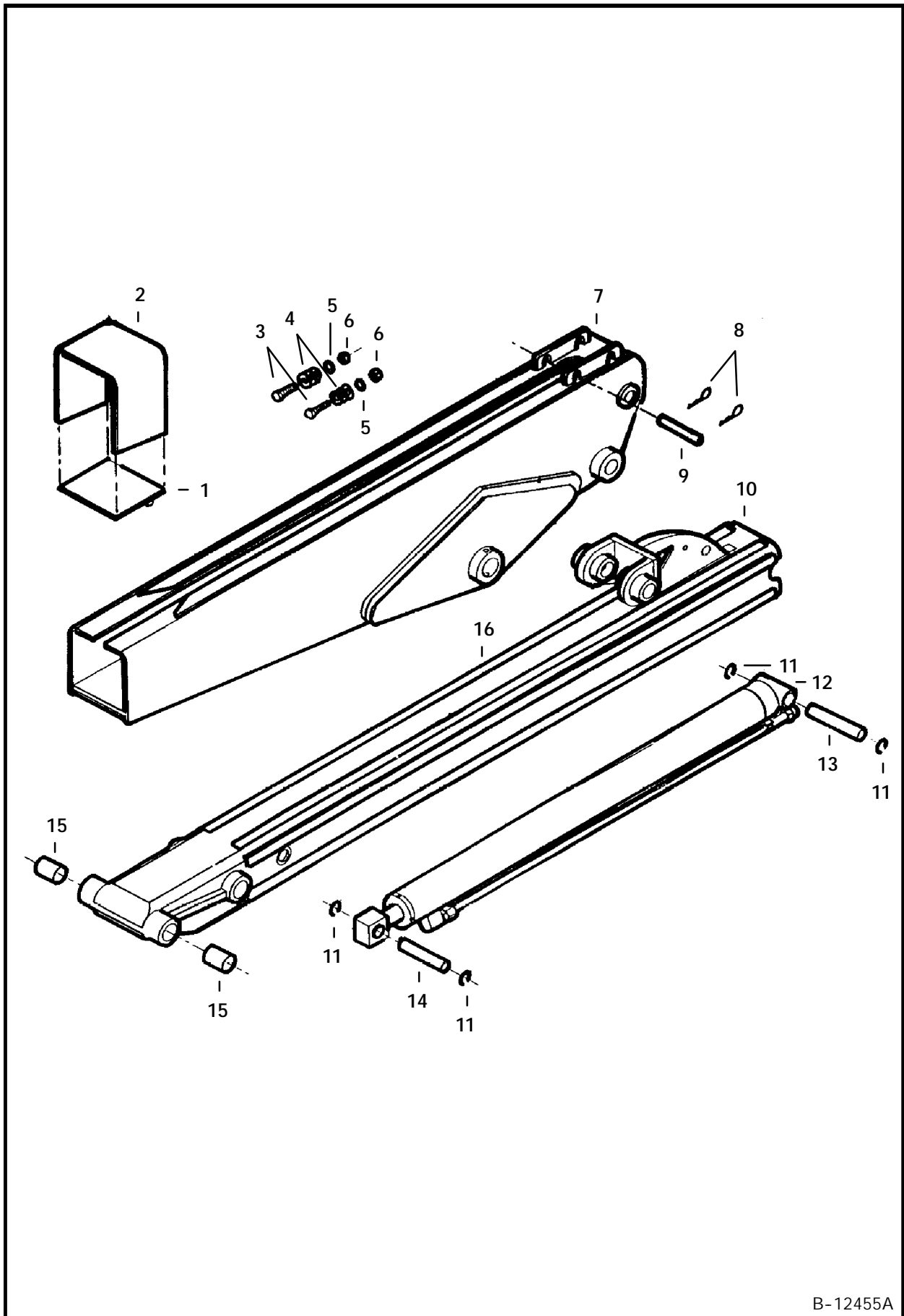
Ref. No.	Part Number	Description	Remarks	Serial Number	Qty.
1	6513963	GRIP			1
2	85D-8	NUT			2
3	6532787	GRIP			1
4	25G-510	BOLT			2
5	6532384	PEDAL			1
6	6651448	BEARING	Was 6651445 [D]		2
7	6616610	NUT			2
8	6564655	CLEVIS			2
9	1F-208	COTTER PIN			2
10	227395	PIN			2
11	17C-512	BOLT			2
12	62D-6	NUT			2
13	6532392	LINKAGE			1
14	6532391	SHAFT			1
15	6532632	PLATE			1
16	7D-8	NUT			1
17	6532393	PIVOT			1
18	61D-5	NUT			2
19	6630093	COUPLER			2
20	17K-7	ELBOW			1
21	6630092	COUPLER			2
	25K-30024	O-RING			1
	73K-116	BACKUP RING			1
22	79K-8	O-RING			x
23	6646497	ELBOW			1
24	784244	ADAPTER			2
25	15K-7	ADAPTER			1
26	79K-10	O-RING			x
27	6513709	CAP & PLUG			1
28	6532651	HOSE			1
29	6624289	CABLE TIE			6
30	6532650	HOSE			1
31	81D-6	NUT			2
32	30H-38	CLAMP			2
33	6530974	TUBE			1
34	6530972	TUBE			1
35	6530977	HOSE			1
36	6530978	HOSE			2
37	17C-632	BOLT			2
38	30H-46	CLAMP			4
39	6502426	CLAMP			2
40	85D-6	NUT			2
41	6530975	TUBE			1
42	6530973	TUBE			1
43	6530971	HOSE			1
44	6519195	ELBOW			1
45		DIPPER	extendable - See Page 778		1
46	17C-872	BOLT			1
47	6583861	DECAL			2
48	6531534	PIN			1
49	6560352	PIN			1

EXTENDABLE DIPPER (Cont'd)
(914B Backhoe)



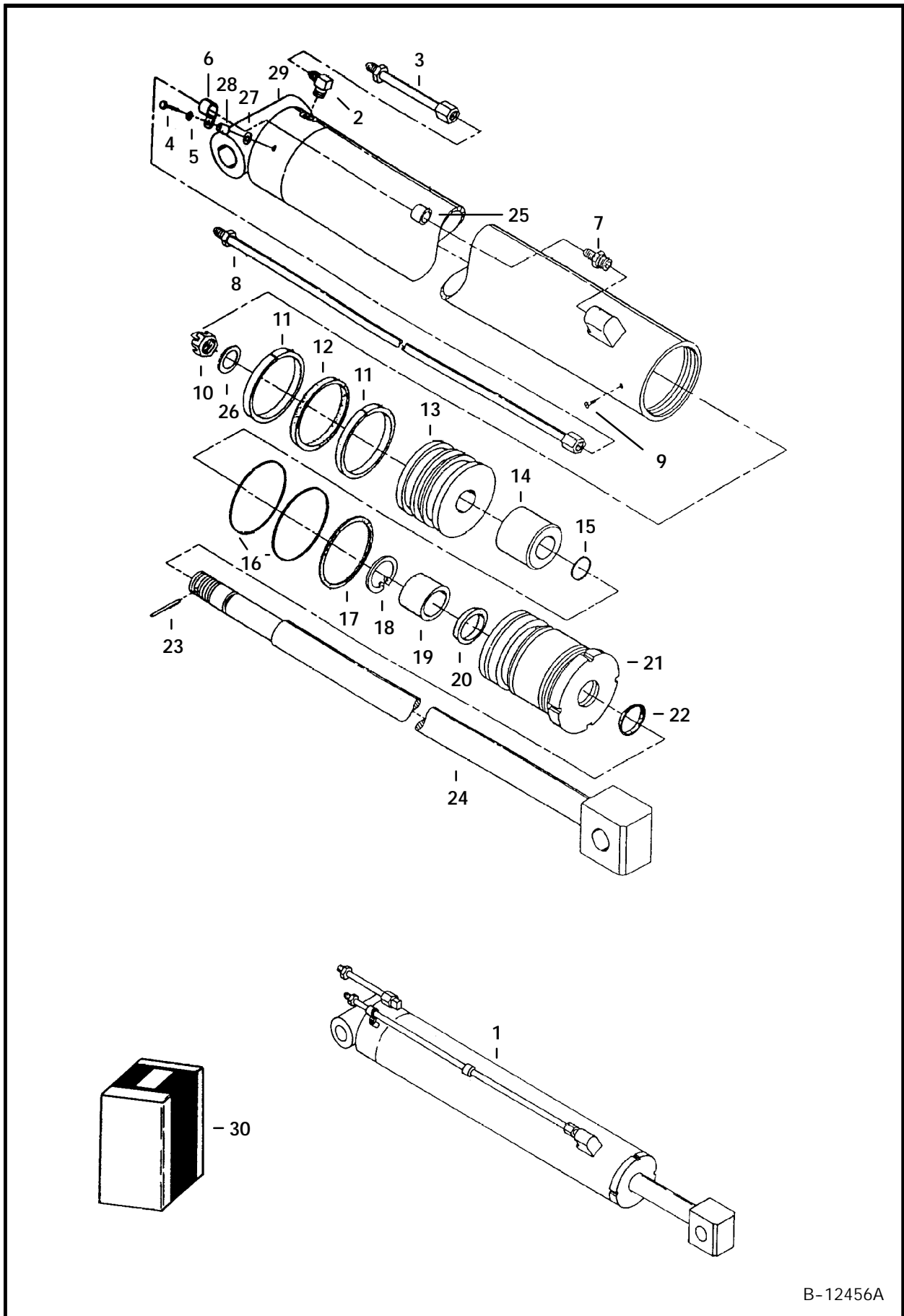
E-1920

EXTENDABLE DIPPER
(914B Backhoe)



B-12455A

CYLINDER (Extendable Dipper)



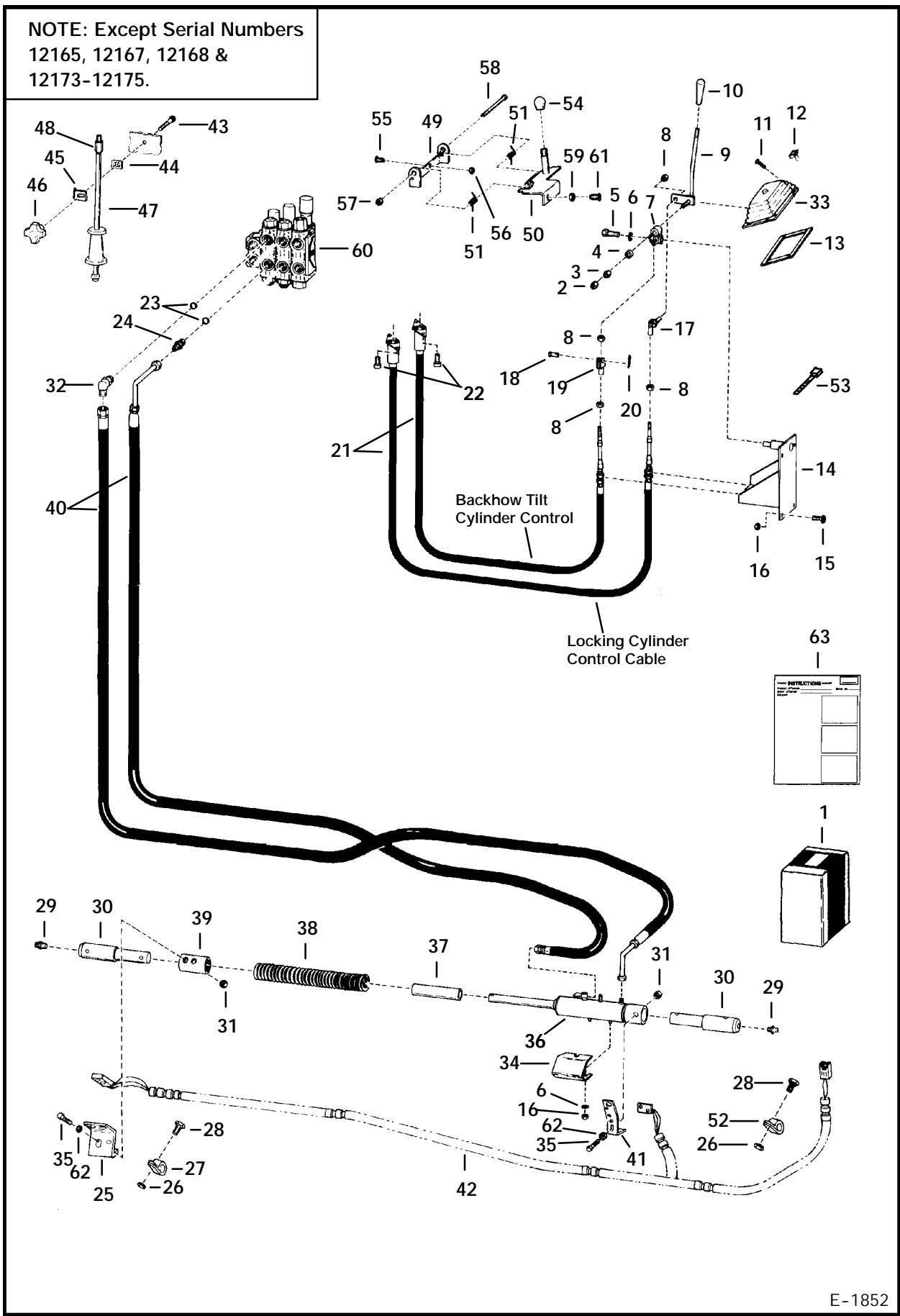
B-12456A

**CYLINDER (Cont'd)
(Extendable Dipper)**

Ref. No.	Part Number	Description	Remarks	Serial Number	Qty.
1	6649865	CYLINDER			1
2	6649837	ELBOW			1
3	6649838	TUBE			1
4	6649839	BOLT			1
5	6649840	WASHER			1
6	6649841	CLAMP			1
7	6649842	ELBOW			1
8	6649843	TUBE			1
9	6649844	SCREW			1
10	6649845	NUT			1
11	NSS	WEAR RING			2
12	NSS	SEAL			1
13	6649846	PISTON			1
14	6649847	CUSHION			1
15	NSS	O-RING			1
16	NSS	O-RING			1
17	NSS	WASHER	Backup		1
18	NSS	SNAP RING			1
19	NSS	BEARING			1
20	NSS	SEAL			1
21	6649848	GLAND			1
22	NSS	WIPER			1
23	6649849	ROLL PIN			1
24	6649850	ROD			1
25	6649851	GUARD			1
26	6649852	WASHER			1
27	6649853	WASHER			1
28	6649854	SPACER			1
29	6649836	CASE			1
30	6649867	SEAL KIT	W/Ref. 11, 12, 15-20 & 22		1

REAR AUXILIARY HYDRAULICS - 2400 & 2410
S/N 12176 & Below - See Note

NOTE: Except Serial Numbers
12165, 12167, 12168 &
12173-12175.



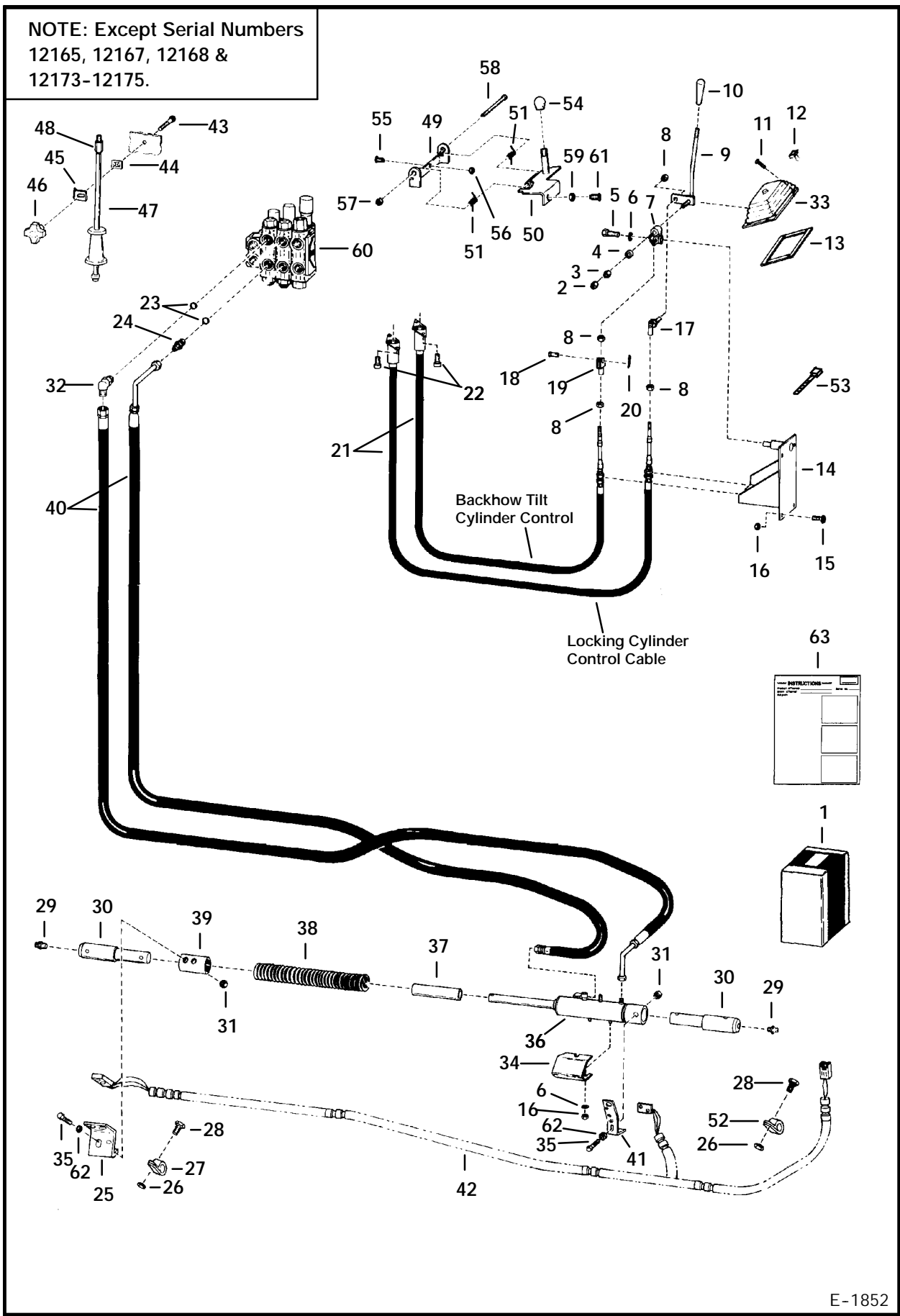
E-1852

REAR AUXILIARY HYDRAULICS - 2400 & 2410 (Cont'd)
S/N 12176 & Below - See Note

Ref. No.	Part Number	Description	Remarks	Serial Number	Qty.
1	SALES	KIT	rear Auxiliary		1
2	85D-8	NUT			1
3	61D-8	NUT			1
4	25E-21	WASHER			1
5	17C-510	BOLT			1
6	25E-16	WASHER			4
7	6586081	CONNECTOR			1
8	62D-5	NUT			1
9	6586095	LEVER			1
10	6510093	GRIP			1
11	24G-1012	BOLT			4
12	6646779	LIGHT	warning		1
13	6585301	RETAINER			1
14	6586082	MOUNT			1
15	25G-510	BOLT			6
16	61D-5	NUT			7
17	6512356	BALL JOINT			1
18	227395	PIN			1
19	6586077	CLEVIS			1
20	1F-208	PIN			1
21	6646491	CABLE			2
*	6664851	KIT	With bonnet, pin & clevis		2
22	6588163	SCREW	Was 69G-412 [A]		4
23	79K-10	O-RING			x
24	731795	ADAPTER			1
25	6531238	MOUNT			1
26	61D-6	NUT			2
27	30H-31	CLAMP	Was 30H-35 [B]		2
28	17C-616	BOLT			2
29	10H-25	GREASE ZERK			2
30	6529861	PIN			2
31	85D-6	NUT			3
32	1300913	ELBOW			3
33	6585347	BOOT			1
34	6586166	BRACKET			1
35	17C-648	BOLT	Was 17C-644 [B]		3
36	6593259	CYLINDER	See Page 754		1
37	6593269	SHIELD			1
38	6593811	SPRING			1
39	6586171	COUPLER			1
40	6584678	HOSE			2
41	6531239	MOUNT			1
42	6531240	HARNESS	Includes 6631898 Switches - Order also Qty. 2 of 6649399 Hardware Kit		1
	6631898	SWITCH	Order also 6649399 Hardware Kit		2
	6649399	HARDWARE KIT	Includes Screws, Washers, Nuts and Leaf Switch		1
43	6534499	BOLT	Was 6533016 [A]		1
44	6512909	CLIP			1

REAR AUXILIARY HYDRAULICS - 2400 & 2410 (Cont'd)
S/N 12176 & Below - See Note

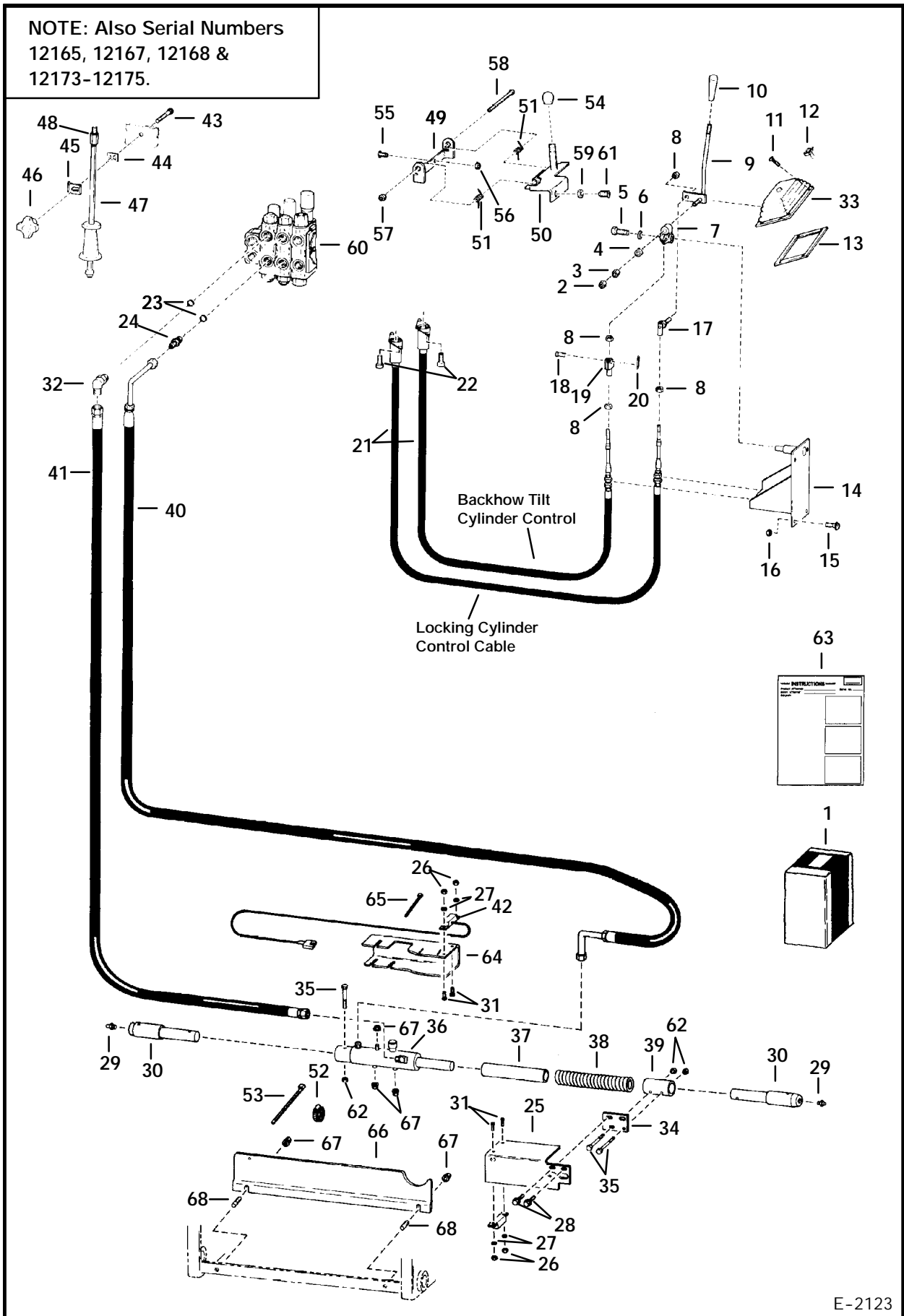
NOTE: Except Serial Numbers
12165, 12167, 12168 &
12173-12175.



E-1852

REAR AUXILIARY HYDRAULICS - 2400 & 2410
S/N 12177 & Above - See Note

NOTE: Also Serial Numbers
12165, 12167, 12168 &
12173-12175.



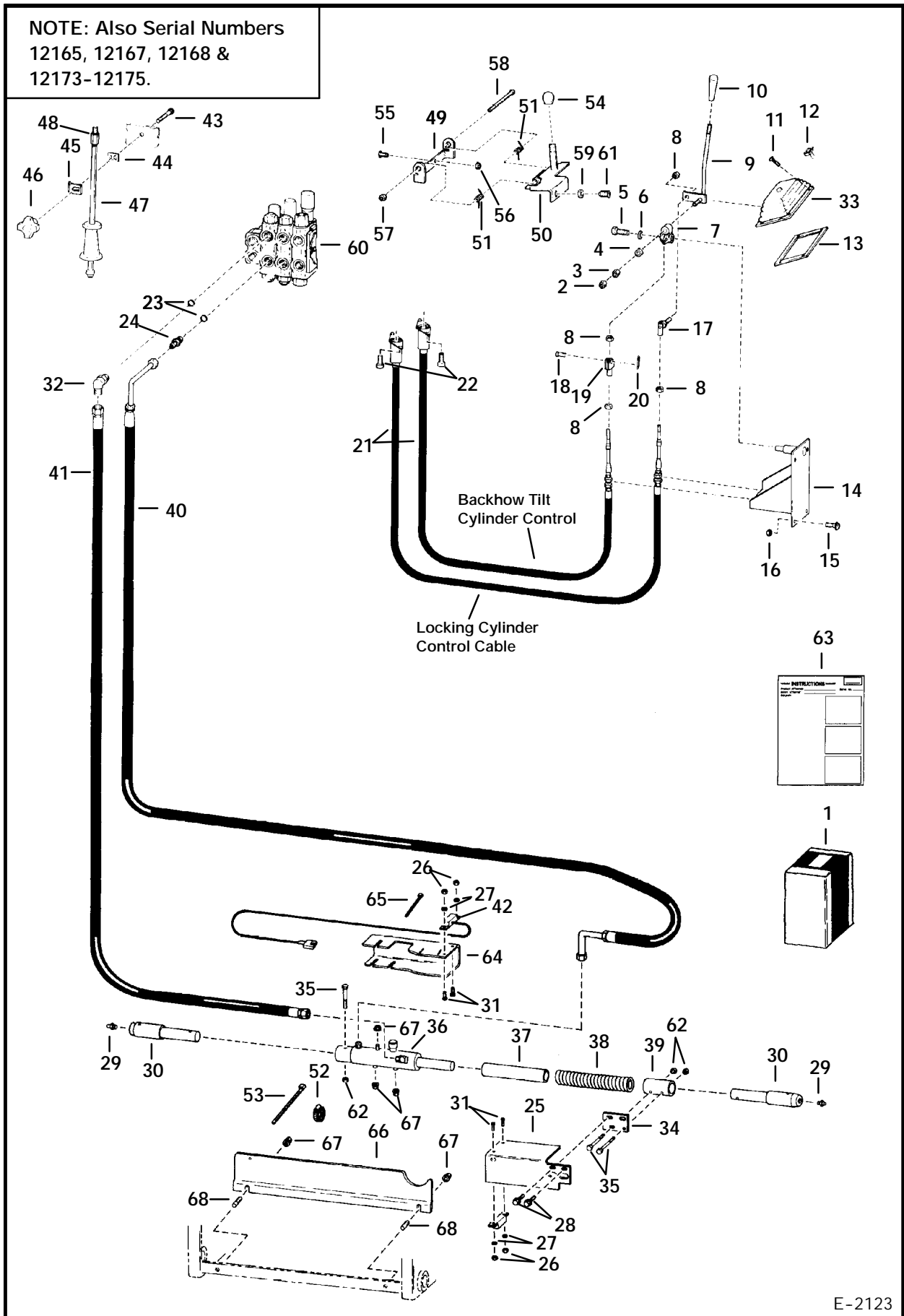
E-2123

REAR AUXILIARY HYDRAULICS - 2400 & 2410 (Cont'd)
S/N 12177 & Above - See Note

Ref. No.	Part Number	Description	Remarks	Serial Number	Qty.
1*	6537280	KIT	rear Auxiliary - Was SALES		1
2	85D-8	NUT			1
3	61D-8	NUT			1
4	25E-21	WASHER			1
5	17C-510	BOLT			1
6	25E-16	WASHER			4
7	6586081	CONNECTOR			1
8	62D-5	NUT			1
9	6586095	LEVER			1
10	6510093	GRIP			1
11	24G-1012	BOLT			4
12	6646779	LIGHT	warning		1
13	6585301	RETAINER			1
14	6586082	MOUNT			1
15	25G-510	BOLT			6
16	61D-5	NUT			7
17	6512356	BALL JOINT			1
18	227395	PIN			1
19	6586077	CLEVIS			1
20	1F-208	PIN			1
21	6646491	CABLE			2
*	6664851	KIT	With bonnet, pin & clevis		2
22	6588163	SCREW	Was 69G-412 [A]		4
23	79K-10	O-RING			x
24	731795	ADAPTER			1
25	6535785	MOUNT			1
26	14D-6	NUT			4
27	12E-6	WASHER			2
28	84G-3710	BOLT			2
29	10H-25	GREASE ZERK			2
30	6529861	PIN			2
31	86G-608	BOLT			4
32	1300913	ELBOW			3
33	6585347	BOOT			1
34	6536926	PLATE			1
35	17C-644	BOLT			3
36	6593259	CYLINDER	See Page 754		1
37	6593269	SHIELD			1
38	6593811	SPRING			1
39	6586171	COUPLER			1
40	6538357	HOSE	Was 6538537 [D]		1
41	6538354	HOSE			1
42	6657182	SWITCH ASSY.			1
43	6534499	BOLT			1
44	6512909	CLIP			1
45	6562266	CLAMP			1
46	6647668	KNOB			1
47	NAP	PULLER	Order OTC 1155 Slide Hammer Unit from OTC Service Tools		1
48	6531154	ADAPTER			1
49	6532335	BRACKET			1

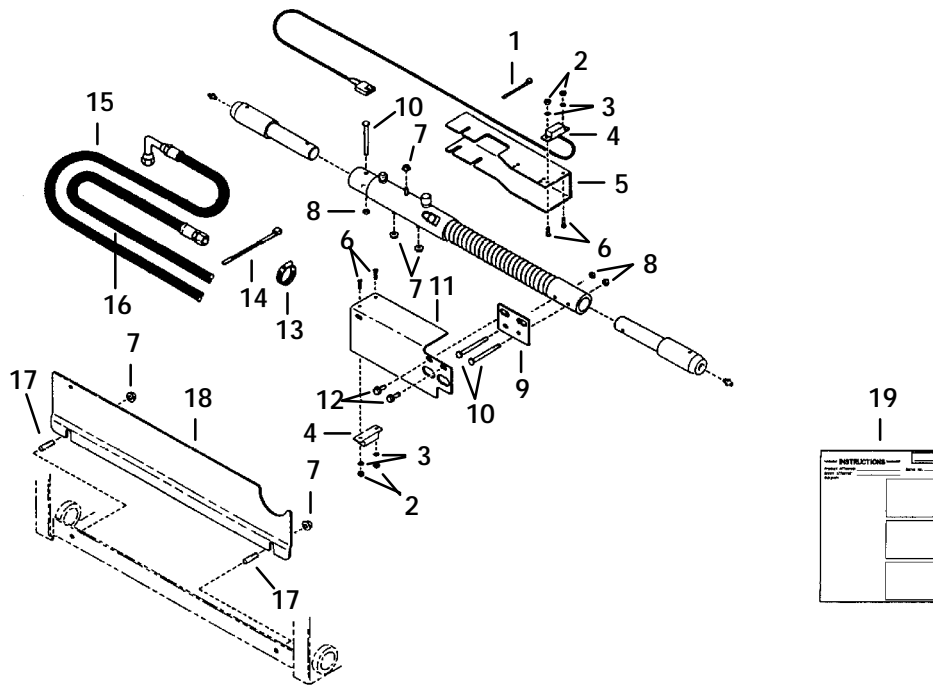
REAR AUXILIARY HYDRAULICS - 2400 & 2410 (Cont'd)
S/N 12177 & Above - See Note

NOTE: Also Serial Numbers
12165, 12167, 12168 &
12173-12175.



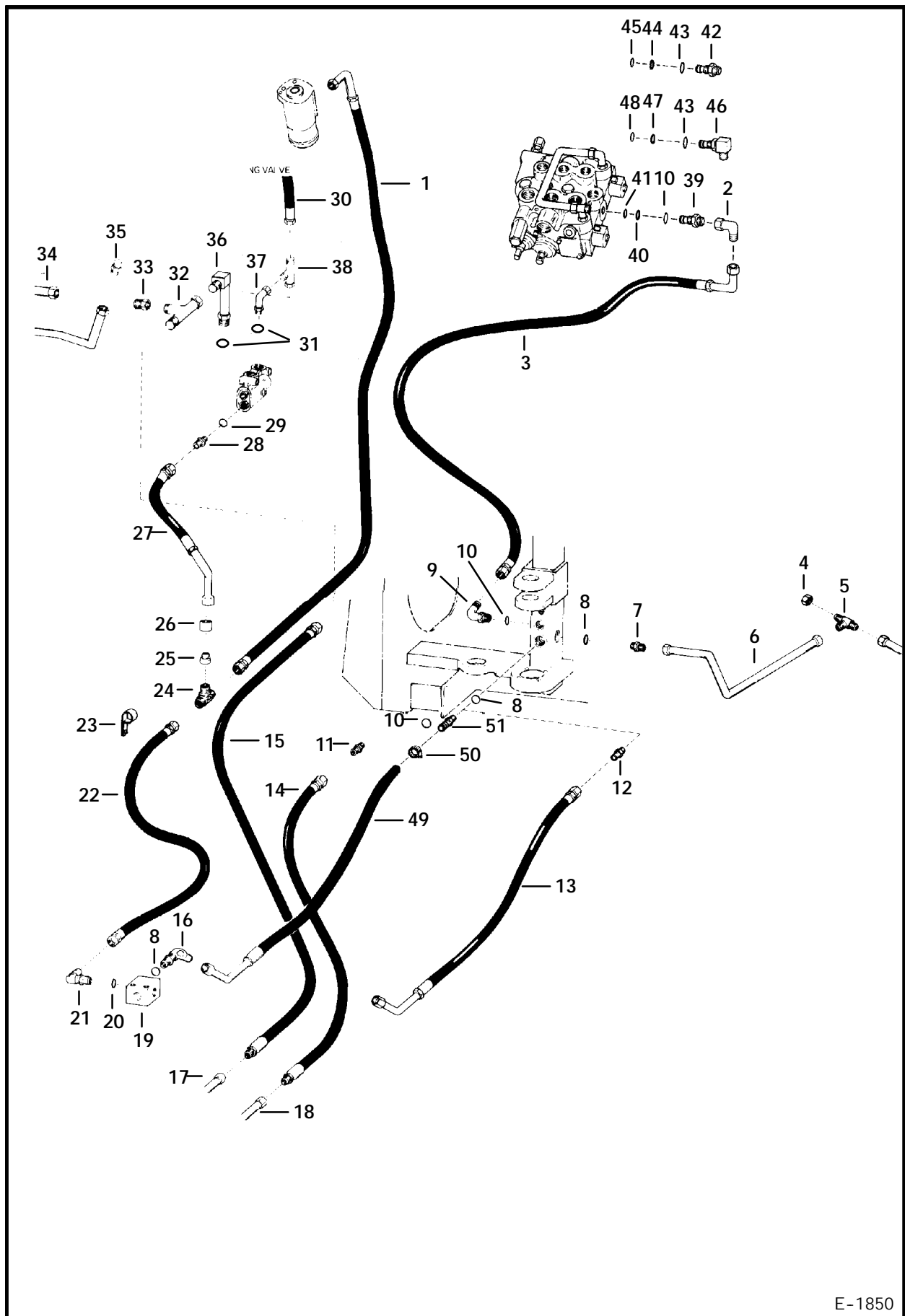
E-2123

CYLINDER LOCK POSITION INDICATOR - 2400 & 2410
Kit #6537285



B-20601

REAR AUXILIARY HYDRAULICS - 2400 & 2410

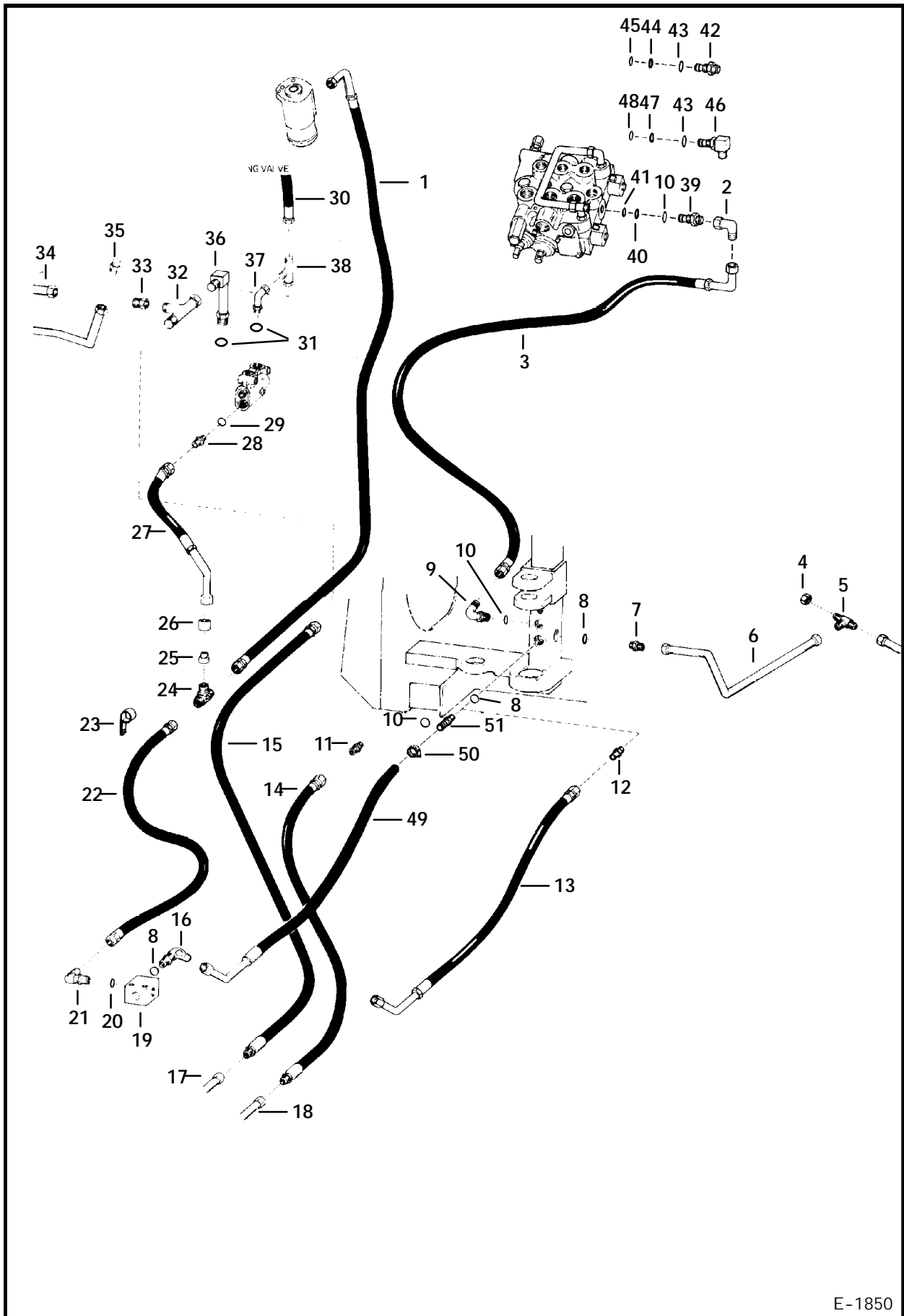


E-1850

REAR AUXILIARY HYDRAULICS - 2400 & 2410 (Cont'd)

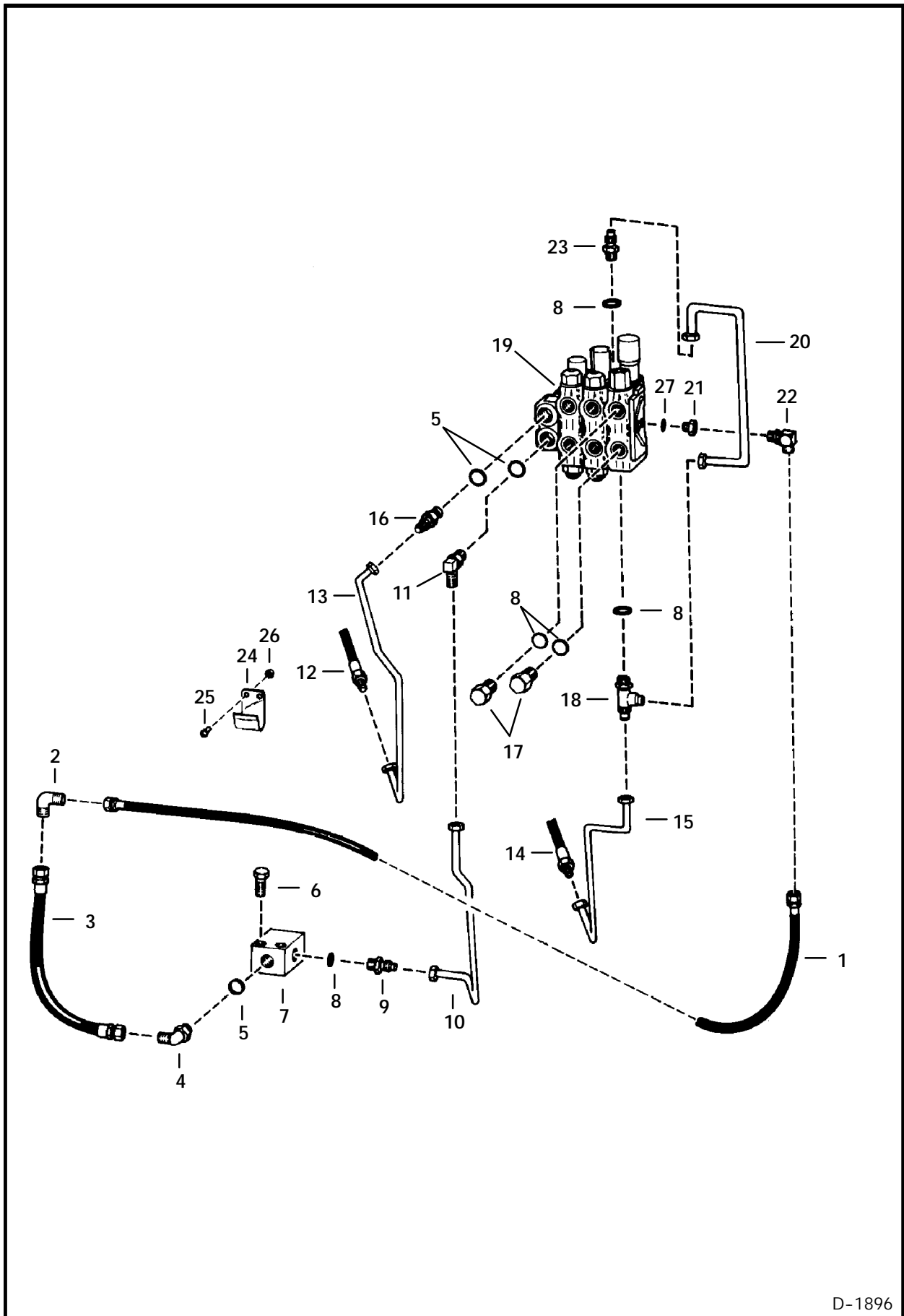
Ref. No.	Part Number	Description	Remarks	Serial Number	Qty.
1	6586034	HOSE			1
2	11K-8	ELBOW			1
3	6587778	HOSE	W/Conduit covering - Was 6584679 [A]		1
4	36K-8	CAP			1
5	10K-8	ELBOW			1
6	6583740	TUBE			1
7	712555	ADAPTER			1
8	79K-16	O-RING			x
9	18K-8	ELBOW			1
10	79K-12	O-RING			x
11	15K-8	ADAPTER	W/Ref. 10		1
12	15K-10	ADAPTER	W/Ref. 8	13064 & Below	1
13	NAP	HOSE	Order ref. 49-51-Was 6537715 [A]	13064 & Below	1
14	6537714	HOSE	Was 6584682 [A]		1
15	6584681	HOSE			1
16	18K-10	ELBOW	W/Ref. 8		1
17	6584673	TUBE			1
18	6584672	TUBE			1
19	6586180	PORT BLOCK			1
20	79K-8	O-RING			x
21	17K-6	ELBOW	W/Ref. 20		1
22	6530580	HOSE			1
23	30H-42	CLAMP			1
24	10K-6	TEE			1
25	80F-6	NUT			1
26	9K-2	ADAPTER			1
27	6586032	HOSE			1
28	15K-3	ADAPTER	W/Ref. 29		1
29	79K-4	O-RING			x
30	6586035	HOSE			1
31	79K-10	O-RING			x
32	13K-7	TEE			1
33	784244	ADAPTER			1
34	6531232	TUBE			1
35	6646578	CHECK VALVE			1
36	6519195	ELBOW			1
37	6646497	ELBOW			1
38	13K-6	TEE			1
39	6534917	ADAPTER	Power beyond - W/Ref. 10, 40 & 41 - used with 2410	12999 & Below	1
40	80K-18	BACK-UP RING			1
41	25K-20024	O-RING			1
42	6591239	ADAPTER	Power beyond - W/Ref. 43-45- used with 2400		1
43	79K-14	O-RING			1
44	80K-20	BACK-UP RING			1
45	25K-20028	O-RING			1
46	6586302	FITTING	Power Beyond - W/Ref. 43, 47 & 48 - Used with 2410	13001 & Above	1
47	73K-18	BACK-UP RING		13001 & Above	1

REAR AUXILIARY HYDRAULICS - 2400 & 2410 (Cont'd)



E-1850

REAR AUXILIARY HYDRAULICS - 2400 & 2410
S/N 12334 & Below

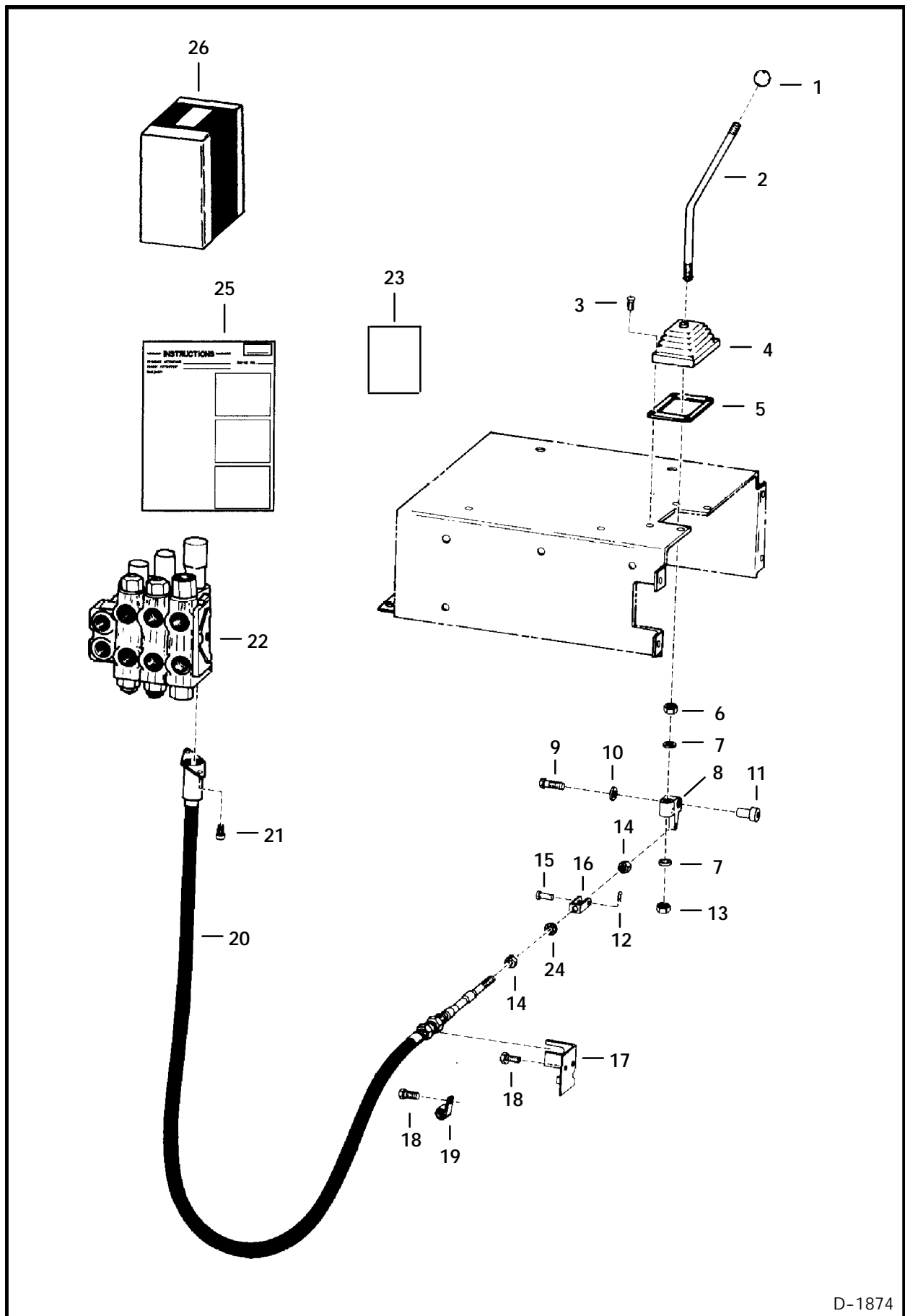


D-1896

REAR AUXILIARY HYDRAULICS - 2400 & 2410 (Cont'd)
S/N 12335 & Above

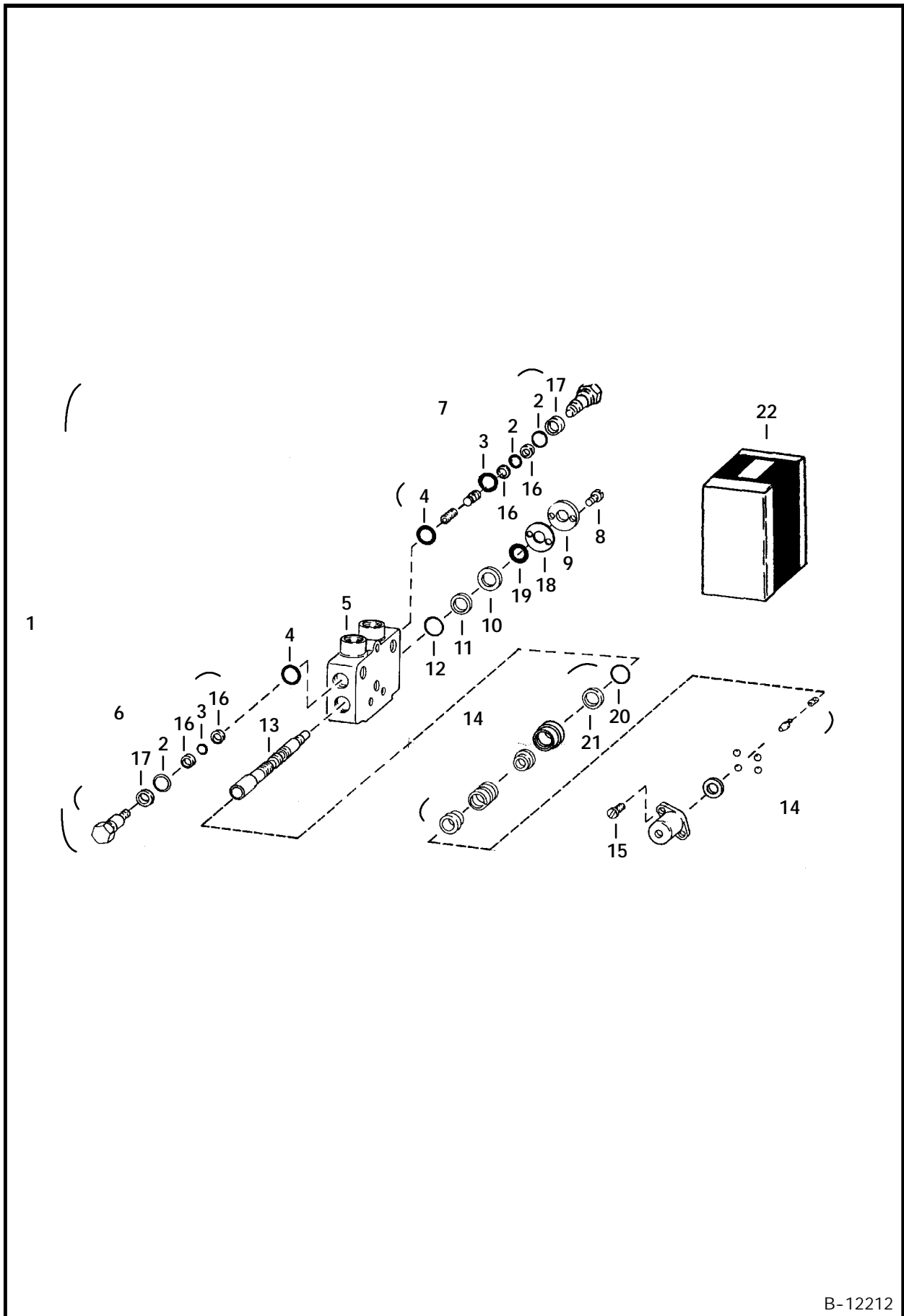
Ref. No.	Part Number	Description	Remarks	Serial Number	Qty.
1	6650511	HOSE	Was 6649474 [A]		1
2	17K-8	ELBOW	Was 77F-8 [B]		2
3	6532128	HOSE	Was 6584688 [A]		1
4	17K-8	ELBOW			1
5	79K-12	O-RING			x
6	17C-516	BOLT			2
7	6586180	BLOCK			1
8	79K-10	O-RING			x
9	15K-7	ADAPTER	W/Ref. 8		2
10	6539002	TUBE	Was 6584662 [A]		1
11	1302104	ELBOW			1
12	6584681	HOSE			1
13	6539004	TUBE	Was 6584673 [A]		1
14	6584682	HOSE			1
15	6539003	TUBE	Was 6584672 [A]		1
16	755055	ADAPTER			1
17	24K-7	PLUG	W/Ref. 8		2
18	21K-7	TEE	W/Ref. 8		1
19	6646842	VALVE	See Page 802		1
20	6584661	TUBE			1
21	6652803	ADAPTER			1
22	1300294	ELBOW			1
23	15K-7	ADAPTER	W/Ref. 8		1
24	6532216	BRACKET			1
25	7C-612	BOLT			2
26	85D-6	NUT			2
27	79K-14	O-RING			1
28	6641358	COUPLER	Male		1
29	6641359	COUPLER	Female		1
30	17C-522	BOLT			1
31	6652521	PLATE			1
32	6701893	TUBE CLAMP			2

REAR AUXILIARY CONTROL - 2400 & 2410



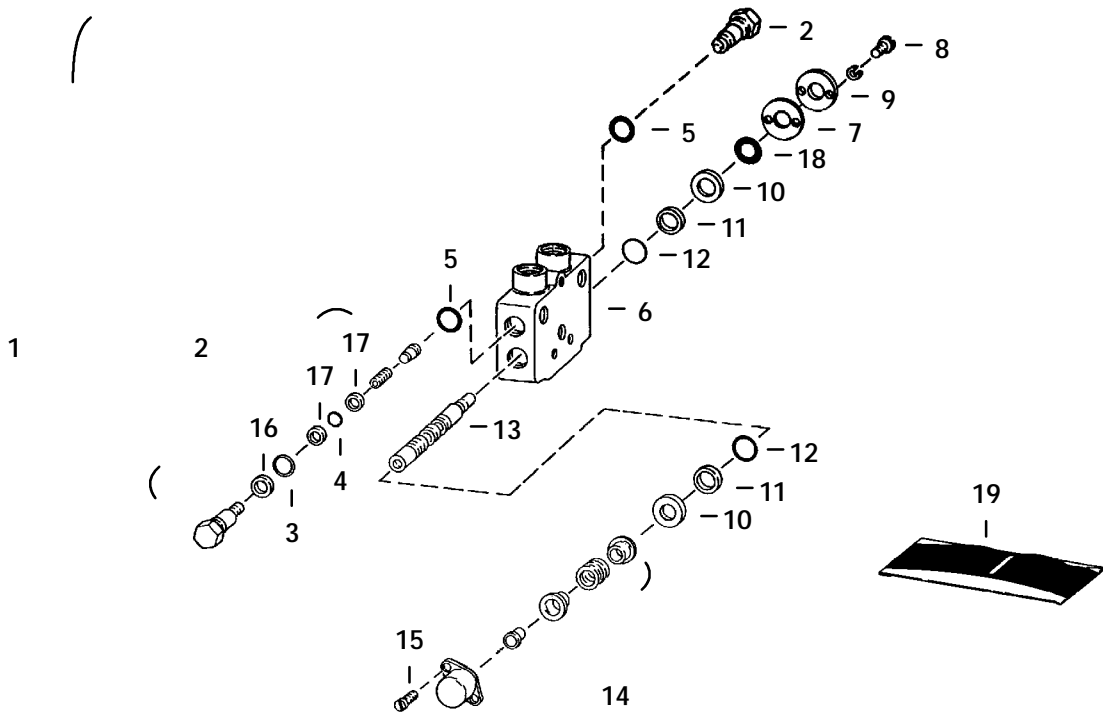
D-1874

TILT CYLINDER SECTION
Rear Auxiliary Valve



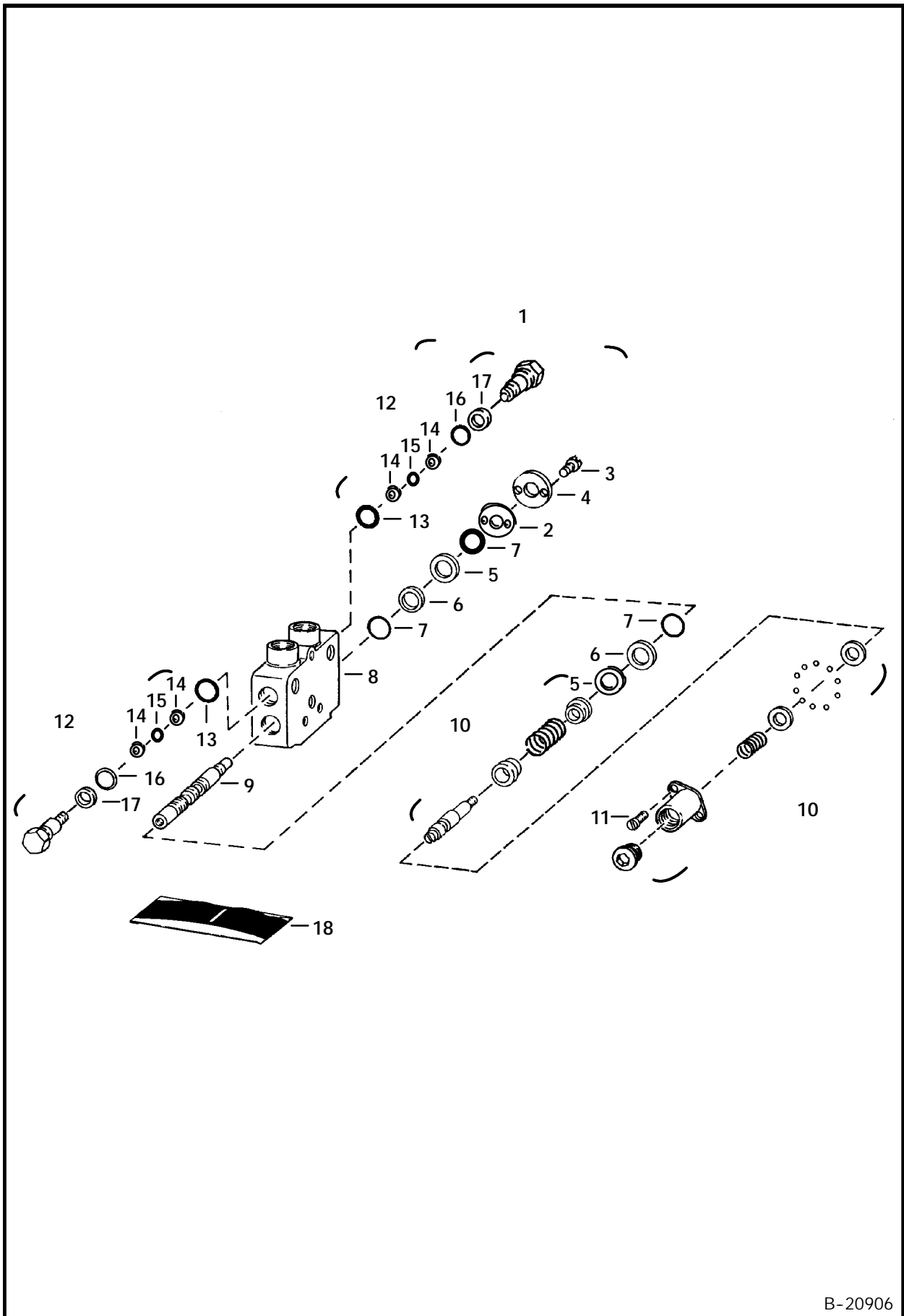
B-12212

LOCKING PIN SECTION
Rear Auxiliary Valve



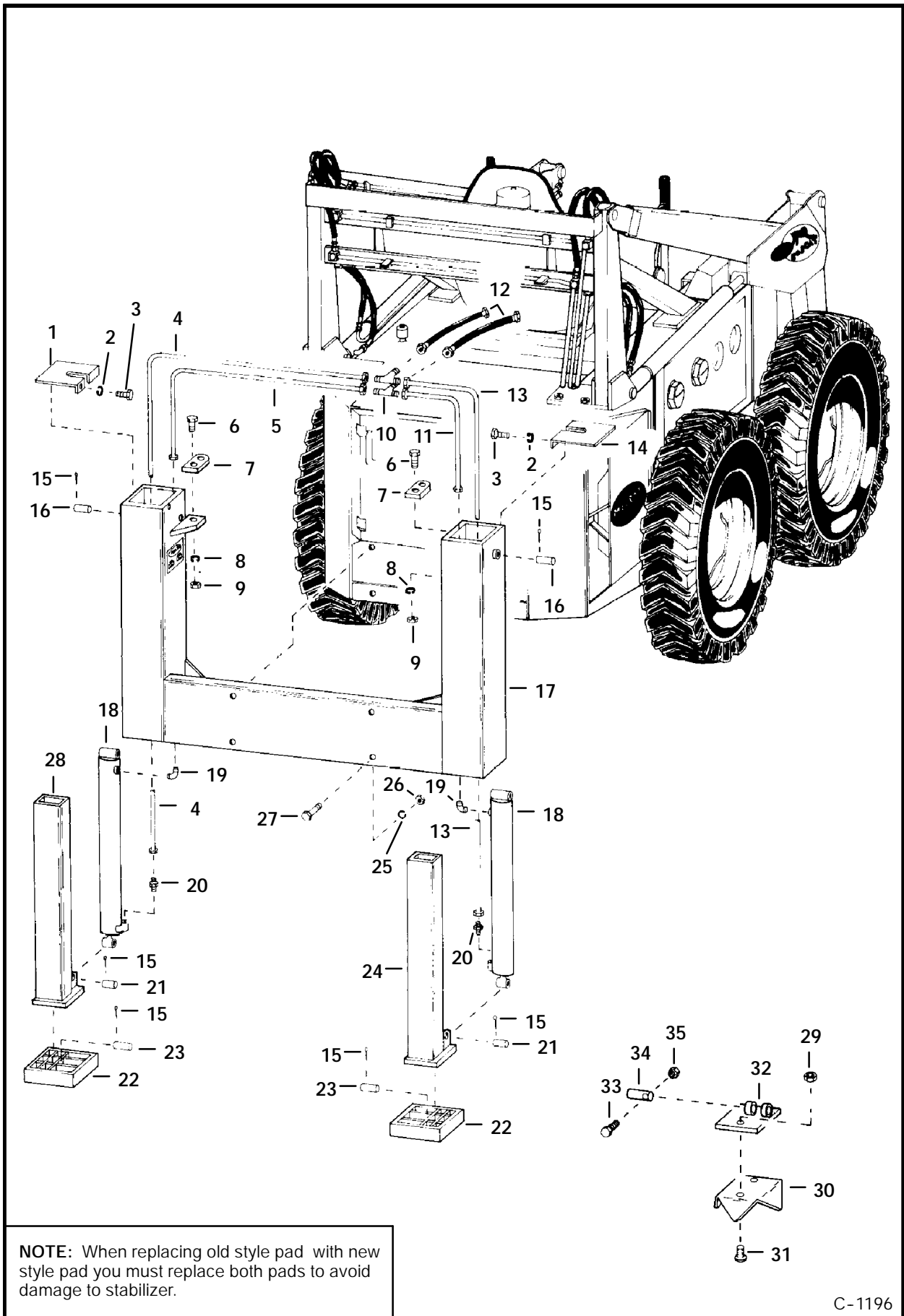
B-20602

REAR AUXILIARY SECTION
Rear Auxiliary Valve



B-20906

REAR STABILIZER 444 & 500



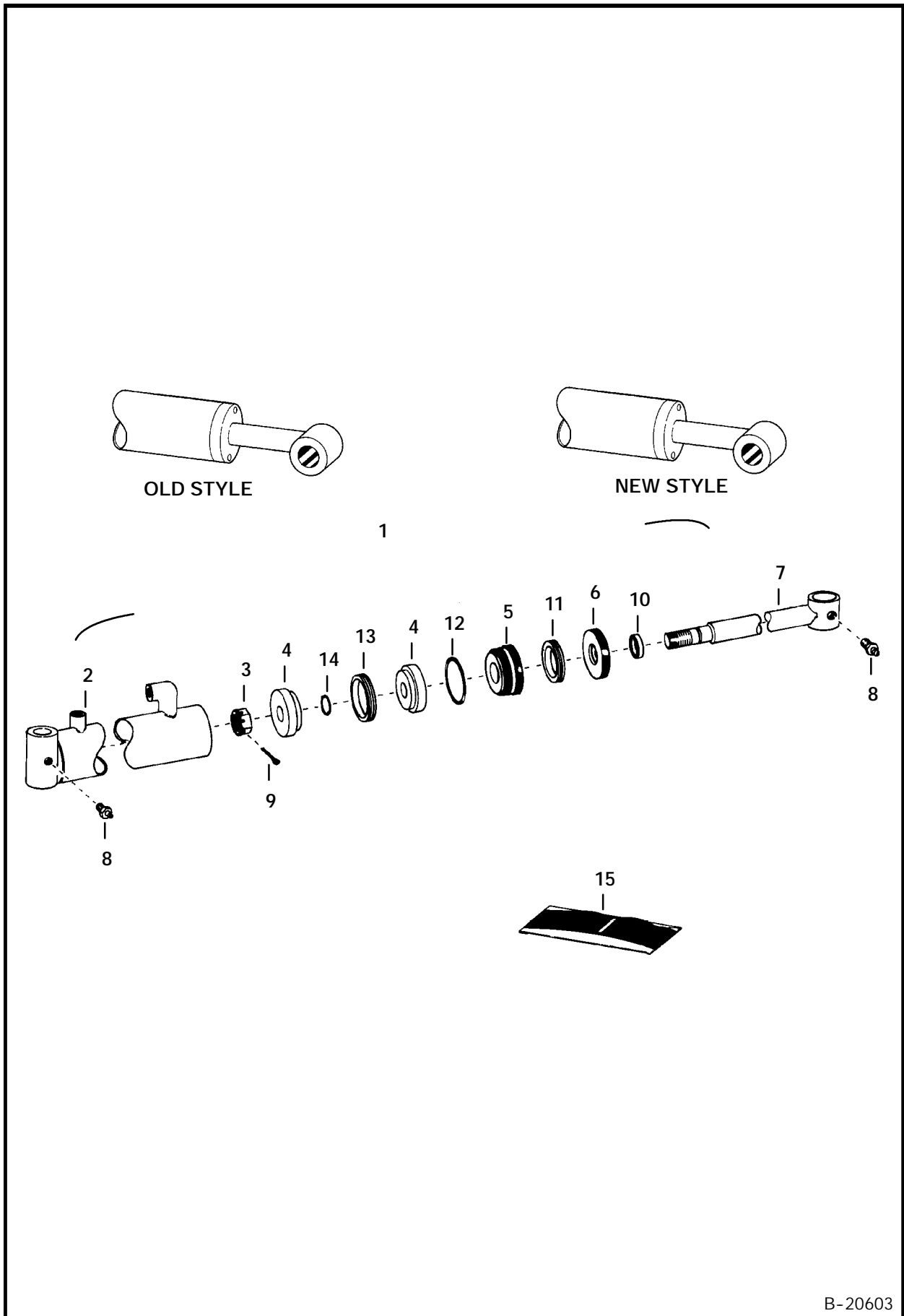
NOTE: When replacing old style pad with new style pad you must replace both pads to avoid damage to stabilizer.

C-1196

REAR STABILIZER (Cont'd)
444 & 500

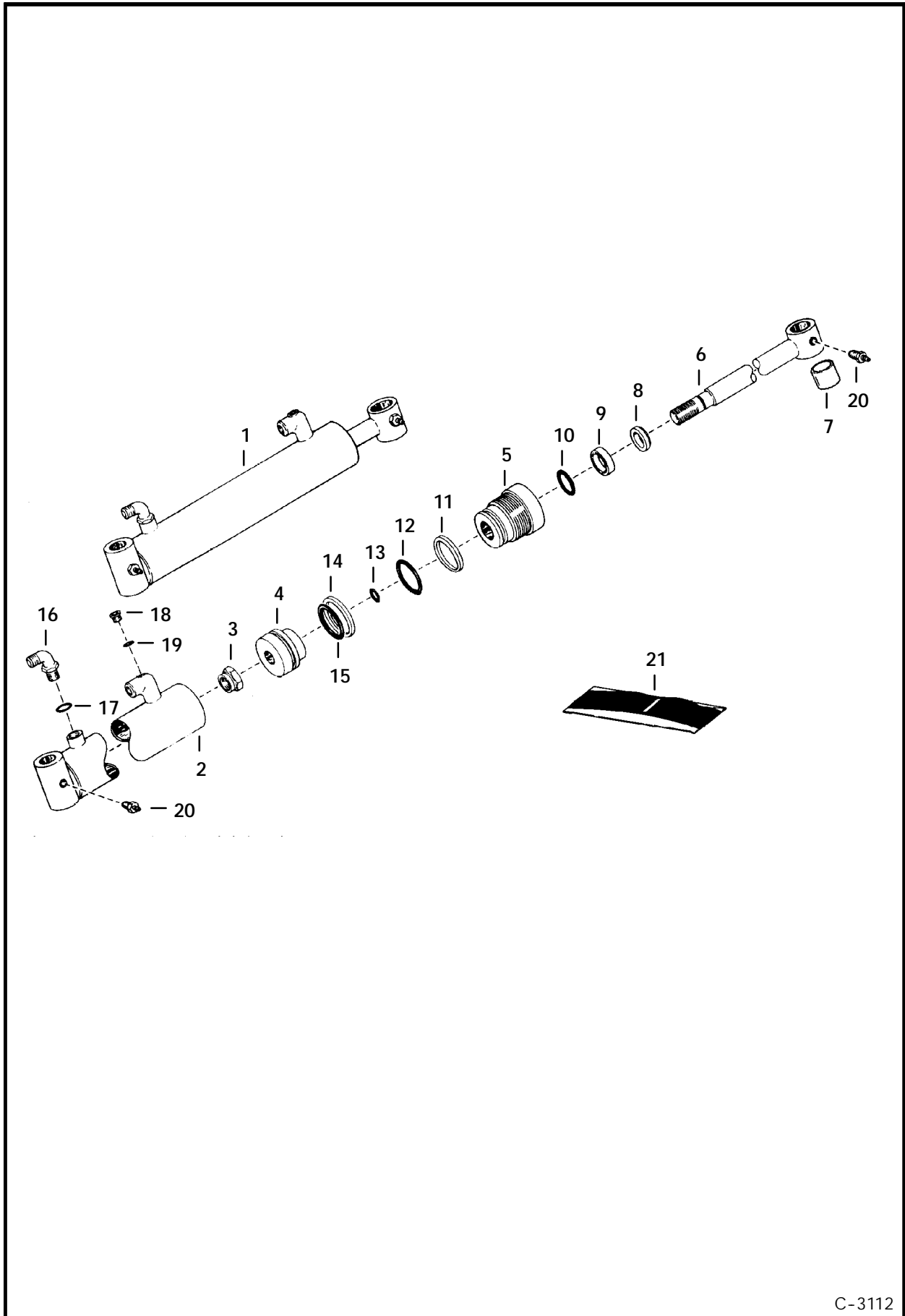
Ref. No.	Part Number	Description	Remarks	Serial Number	Qty.
1	6506553	COVER	L.H.		1
2	4E-6	WASHER			2
3	17C-616	BOLT			2
4	6506546	TUBE			1
5	6506548	TUBE			1
6	17C-824	BOLT			4
7	6506551	STRAP	mounting		2
8	4E-8	WASHER			4
9	61D-8	NUT			4
10	10K-5	TEE			2
11	6506547	TUBE			1
12	6501055	HOSE			2
13	6506545	TUBE			1
14	6506552	COVER			1
15	1F-632	COTTER PIN			6
16	6502324	HINGE PIN			2
17	NAP	MAIN FRAME	Was 6506549 [A]		1
18		CYLINDER	See Page 812 - 816		2
19	83F-5	ELBOW			2
20	89F-5	ADAPTER			2
21	6502648	HINGE PIN			2
22	NAP	PAD	Order Ref. 29 - 35 - See Note		2
23	NAP	HINGE PIN			2
24	6504704	LEG	stabilizer - R.H.		1
25	4E-10	WASHER			4
26	61D-10	NUT			4
27	17C-1048	BOLT			4
28	6504705	LEG	stabilizer - L.H.		1
29	61D-7	NUT			4
30	6503505	PAD			2
31	7C-720	BOLT			4
32	6501889	PLATE			2
33	17C-532	BOLT			2
34	6503507	PIN			2
35*	91D-5	NUT	Was 81D-5[A]		2

HYDRAULIC CYLINDER
Old Style - Stabilizer - 444 & 500



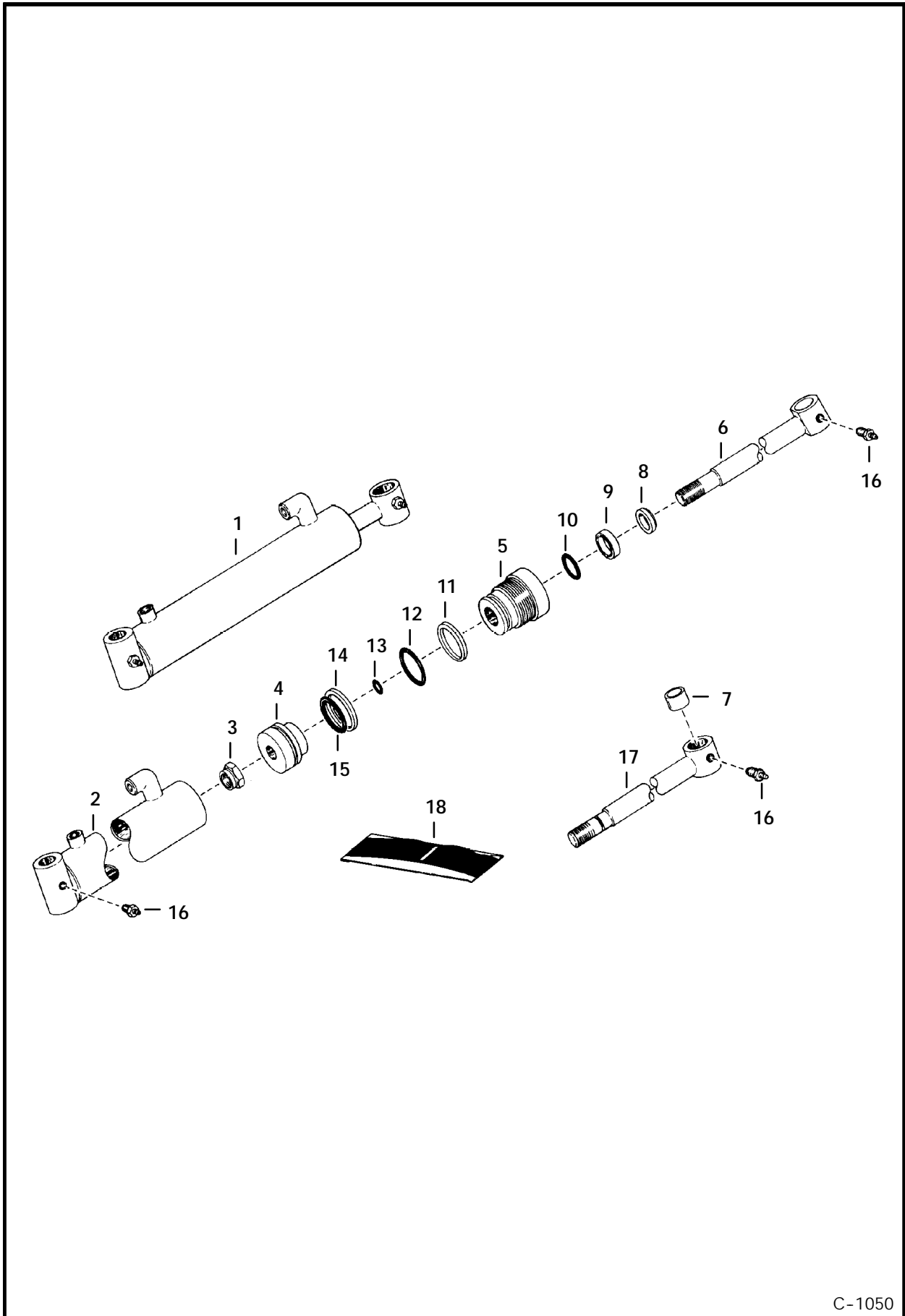
B-20603

HYDRAULIC CYLINDER Stabilizer - 444 & 500



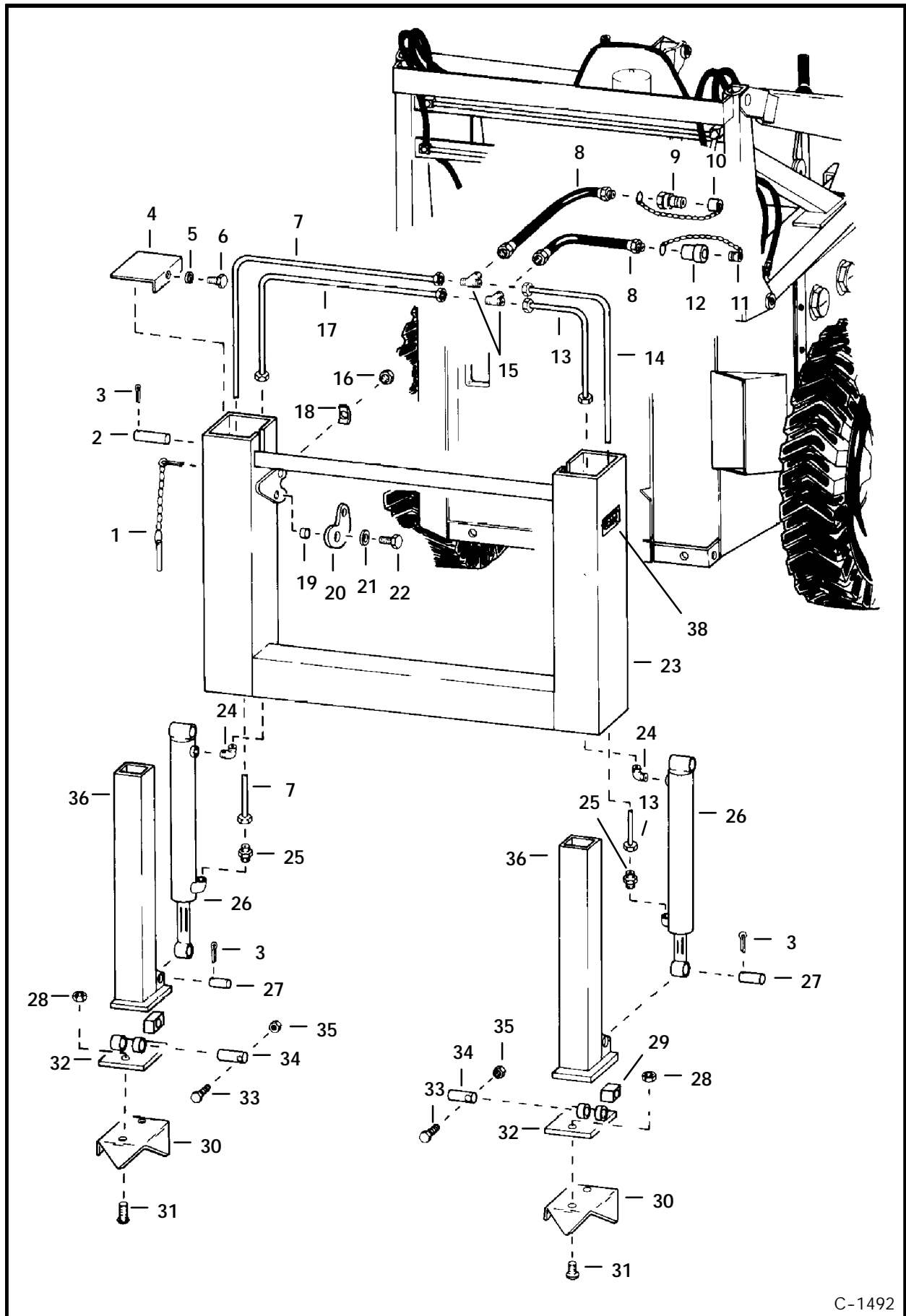
C-3112

HYDRAULIC CYLINDER
New Style - Stabilizer - 444 & 500



C-1050

REAR STABILIZER 600 & 700

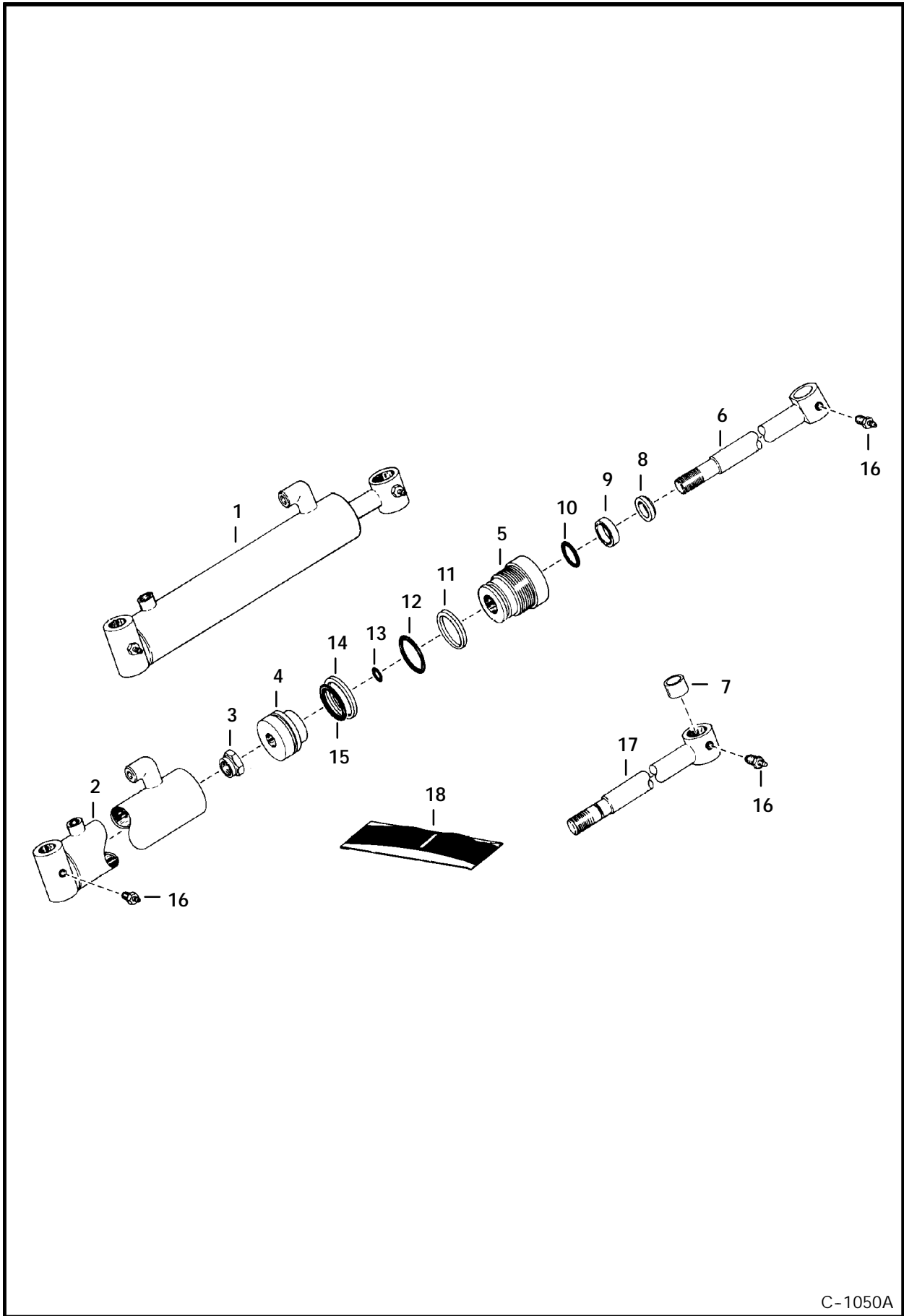


C-1492

REAR STABILIZER (Cont'd)
600 & 700

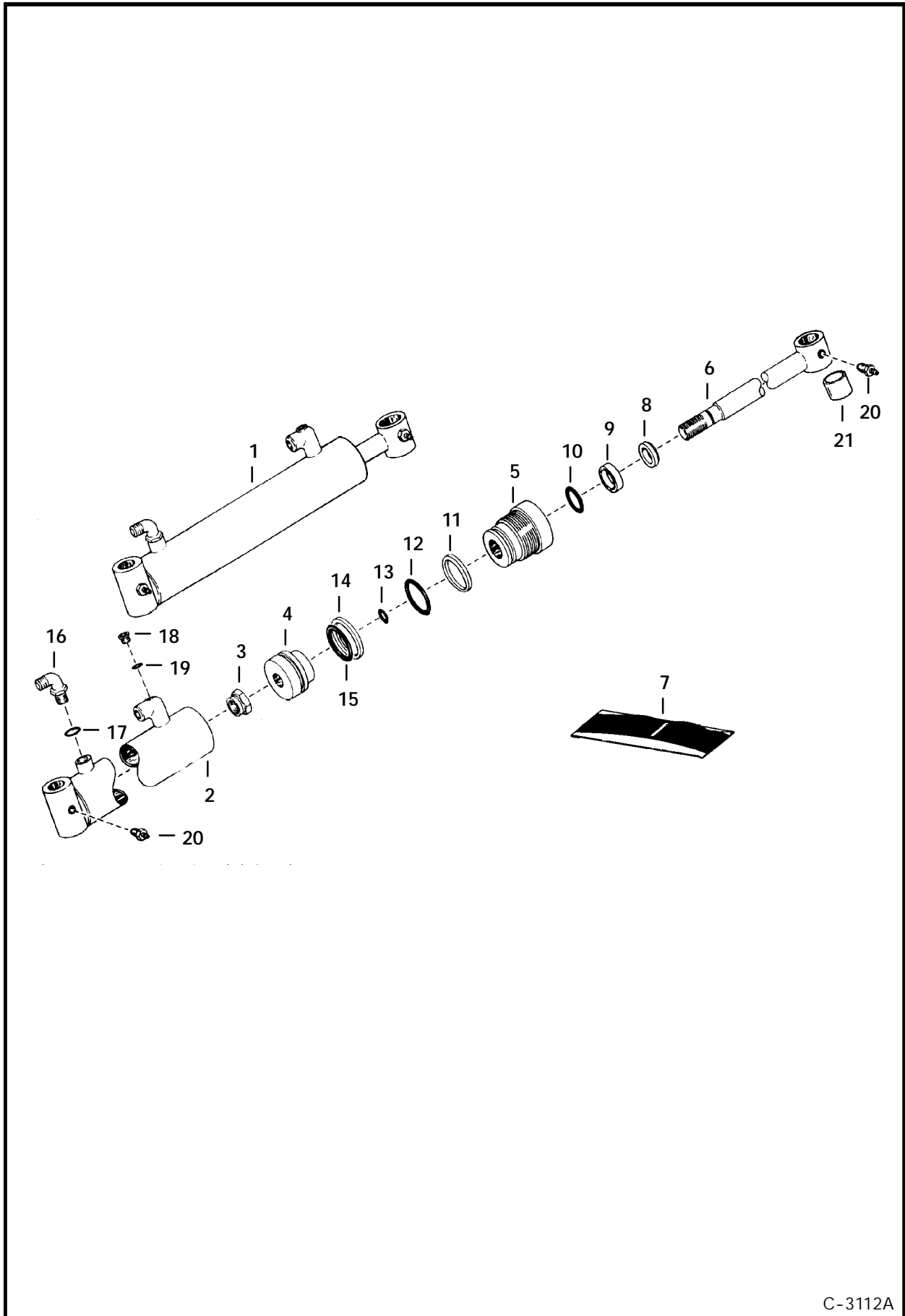
Ref. No.	Part Number	Description	Remarks	Serial Number	Qty.
1	6515642	PIN	locking - W/Chain & Cotter Pin		2
2	6502324	HINGE PIN			2
3	1F-632	COTTER PIN			4
4	6503506	COVER			2
5	4E-6	WASHER			3
6	17C-616	BOLT			3
7	6501520	TUBE	Top Cylinder Port		1
8	6501522	HOSE			2
9	6598755	QUICK COUPLER	male		1
10	6515168	CAP	W/Chain		1
11	6515167	PLUG	W/Chain		1
12	6598756	QUICK COUPLER	female		1
	25K-40026	O-RING			1
13	6501521	TUBE	Top Cylinder Port		1
14	6554250	TUBE	Bottom Cylinder Port		1
15	10K-5	TEE			2
16	61D-6	NUT			1
17	6554249	TUBE	Bottom Cylinder Port		1
18	6500989	CLAMP			1
19	6503451	SPACER			2
20	6503496	HOOK			2
21	664425	WASHER	Was 664425 [A]		2
22	17C-816	BOLT			2
23	6501526	MAIN FRAME			1
24	83F-5	ELBOW	street - not used with new cylinder 6531681 - see cylinder page for correct fittings		2
25	89F-5	ADAPTER	street - not used with new cylinder 6531681 - see cylinder page for correct fittings		2
26		CYLINDER	See Page 820 & 822		2
27	6502648	HINGE PIN			2
28	61D-7	NUT			4
29	6503508	BLOCK	Weld On		2
30	6503505	PAD	foot		1
31	7C-720	BOLT			4
32	6501889	PLATE			1
33	17C-532	BOLT			2
34	6503507	HINGE PIN			2
35	81D-5	NUT			2
36	6504704	LEG	R.H.		1
37	6504705	LEG	L.H.		1
38	6502750	DECAL	caution		2

STABILIZER CYLINDER
600 & 700



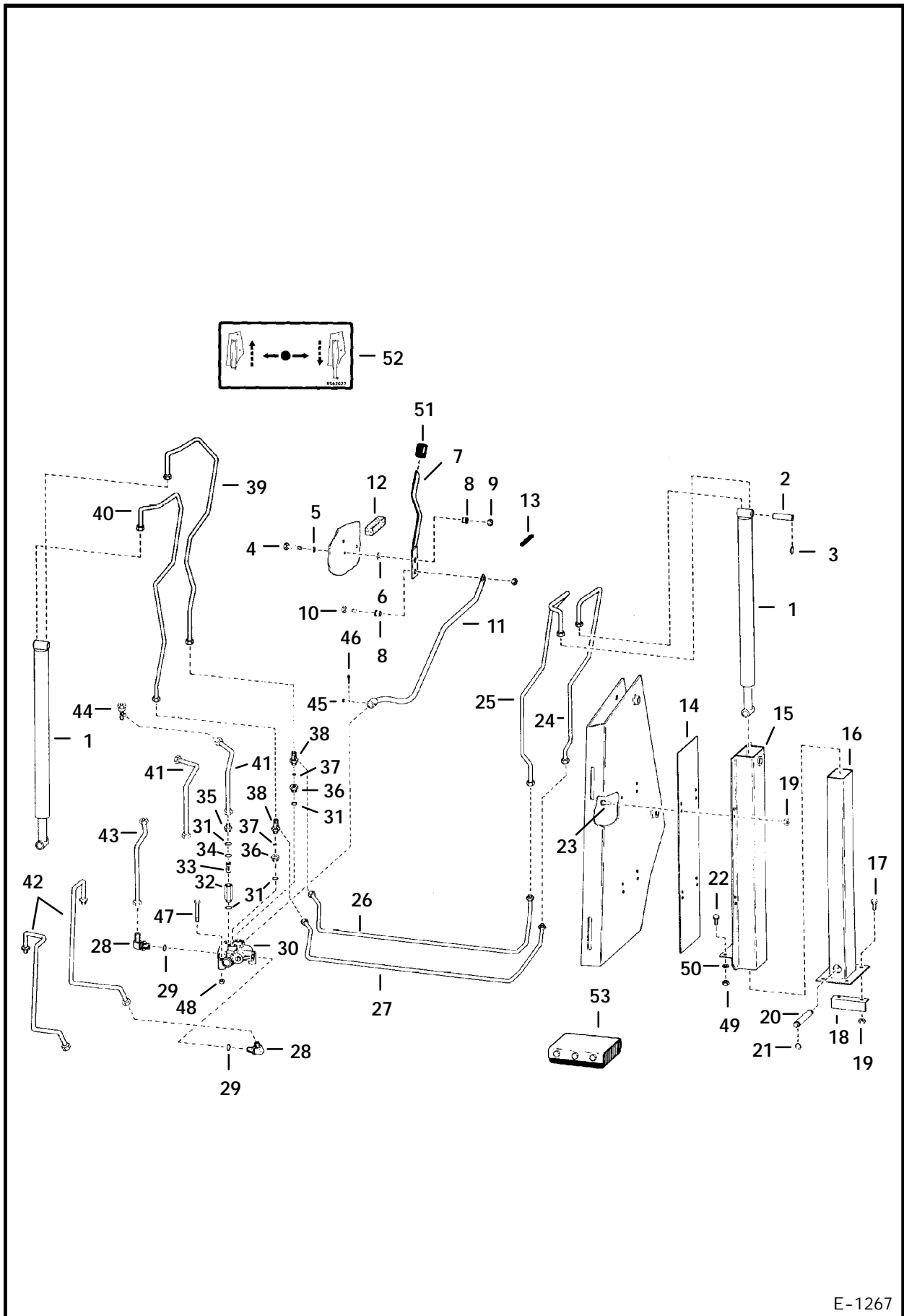
C-1050A

STABILIZER CYLINDER 600 & 700



C-3112A

REAR STABILIZER
Bolt on W/Tubes - 630, 640, 730 & 740 Series - S/N 14999 & Below



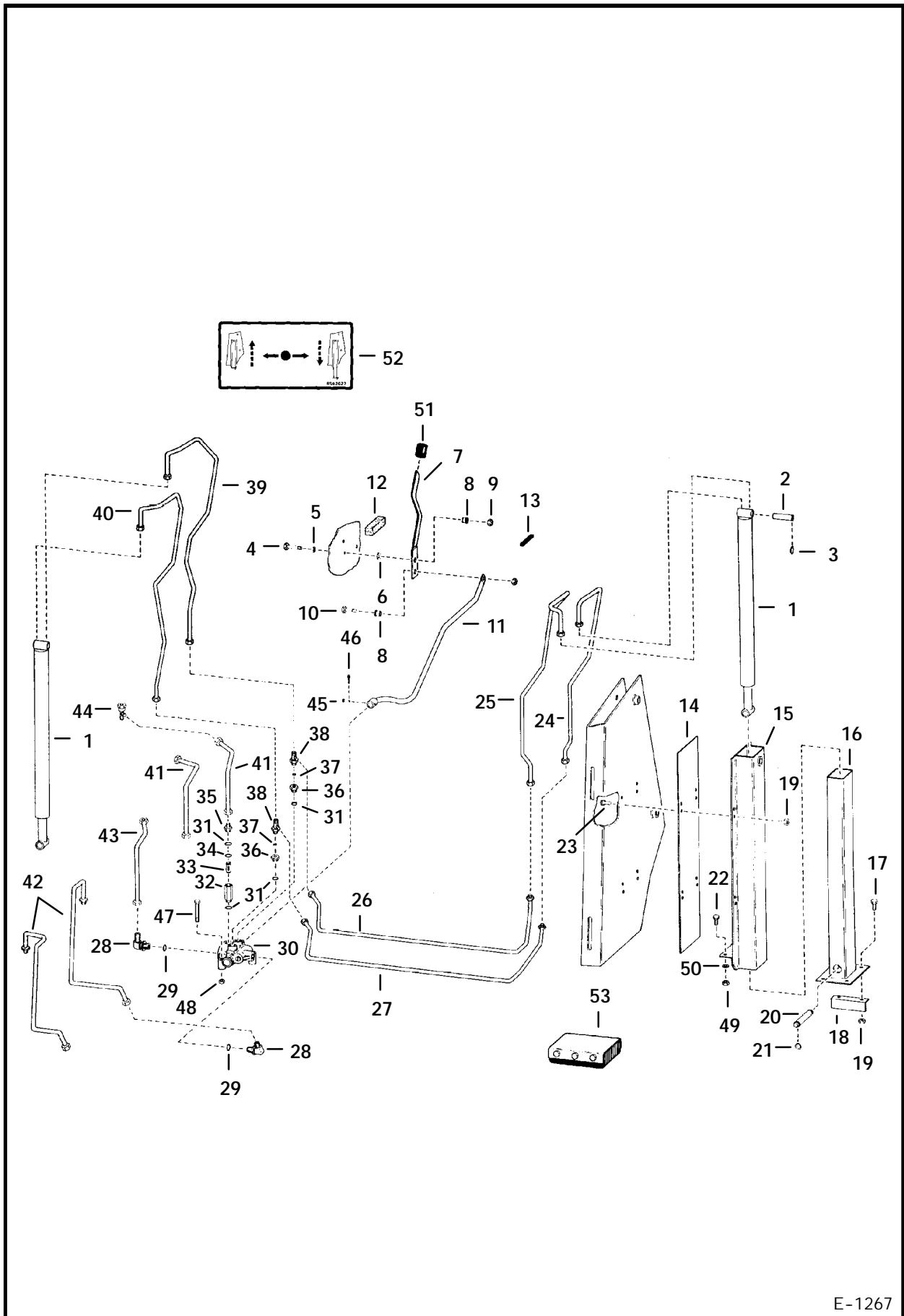
E-1267

REAR STABILIZER (Cont'd)

Bolt on W/Tubes - 630, 640, 730 & 740 Series - S/N 14999 & Below

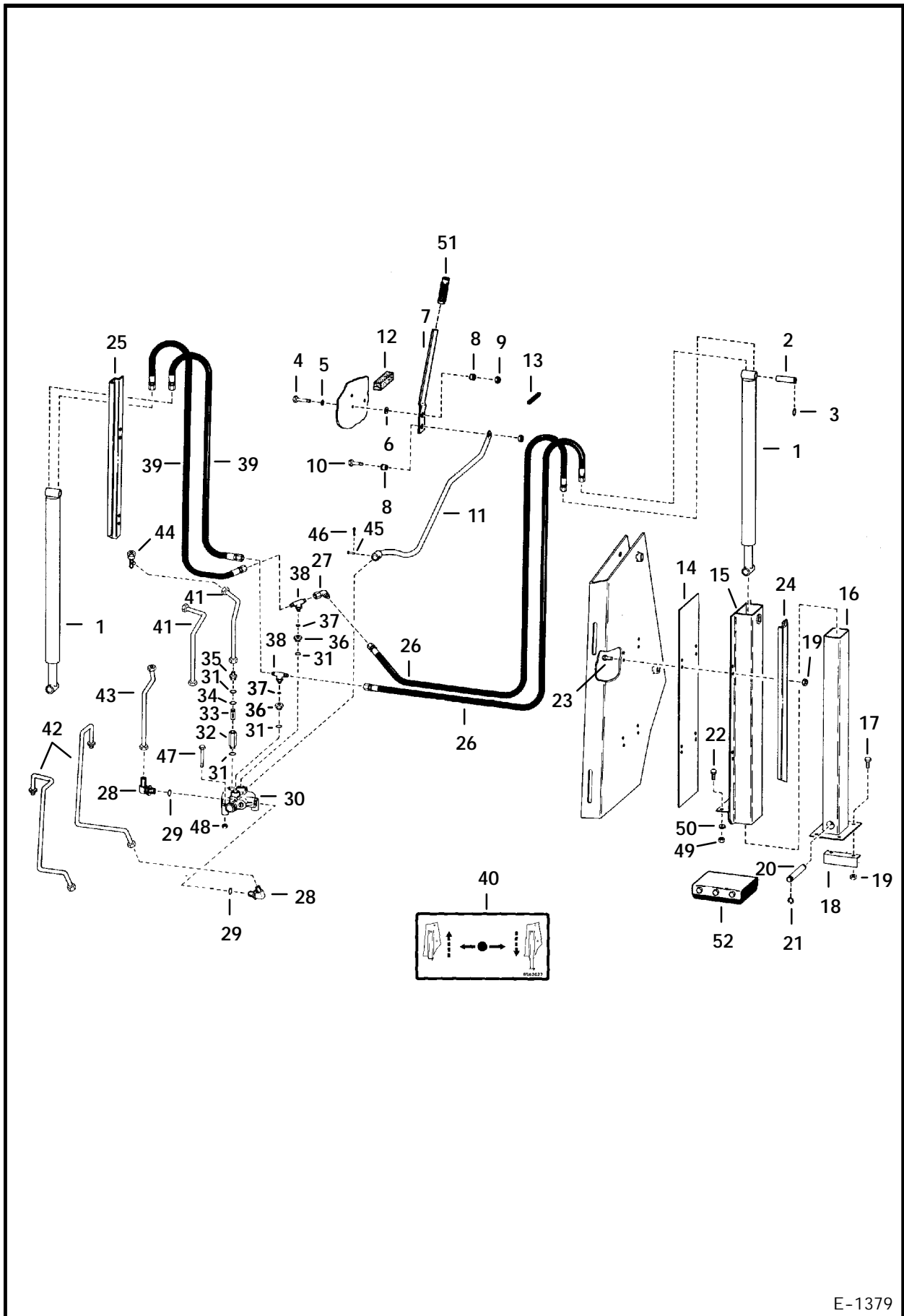
Ref. No.	Part Number	Description	Remarks	Serial Number	Qty.
1		CYLINDER	See Page 852 & 854		2
2	6560668	PIN			2
3	662770	SNAP RING			4
4	17C-632	BOLT			1
5	27E-6	WASHER			1
6	6560677	BUSHING			1
7	6564395	LEVER			1
8*	6660701	BUSHING	Was 6561743 [A]		2
9	85D-6	NUT			2
10	17C-624	BOLT			1
11	6563362	ROD			1
12	NAP	STRIP	Order 1 ft. (304,8mm) of 6554274		
			- Was 6560849 [A]		1
13	6560848	STRIP			1
14	6562677	PLATE			2
15	6562675	CHANNEL			2
16	6560664	TUBE			2
17	17C-824	BOLT			4
18	6560678	ANGLE			2
19	85D-8	NUT			12
20	6560669	PIN			2
21	1320431	SNAP RING	Was 6538286 [A]		4
22	17C-1032	BOLT			4
23	17C-1020	BOLT			16
24	6560683	TUBE			1
25	6560684	TUBE			1
26	6560686	TUBE			1
27	6560685	TUBE			1
28	1302104	ELBOW	W/Ref. 29		2
29	79K-12	O-RING			2
30	6513713	VALVE	See Page 856		1
31	79K-10	O-RING			4
32	6559570	FITTING			1
33	6559571	VALVE	check		1
34	25K-20022	O-RING			1
35	15K-7	ADAPTER	W/Ref. 31		1
36	3580358	ADAPTER	W/Ref. 31		2
37	79K-6	O-RING			2
38	21K-5	TEE			2
39	6560682	TUBE			1
40	6560681	TUBE			1
41	6560679	TUBE	730 & 740 Series Only		1
	6560705	TUBE	630 & 640 Series Only		1
42	6560687	TUBE	730 & 740 Series Only		1
	6560706	TUBE	630 & 640 Series Only		1
43	6560680	TUBE			1
44	13K-7	TEE			1
45	1319560	PIN			1
46	6513495	PIN			1
47	17C-644	BOLT			3
48	61D-6	NUT			3

REAR STABILIZER (Cont'd)
Bolt on W/Tubes - 630, 640, 730 & 740 Series - S/N 14999 & Below



E-1267

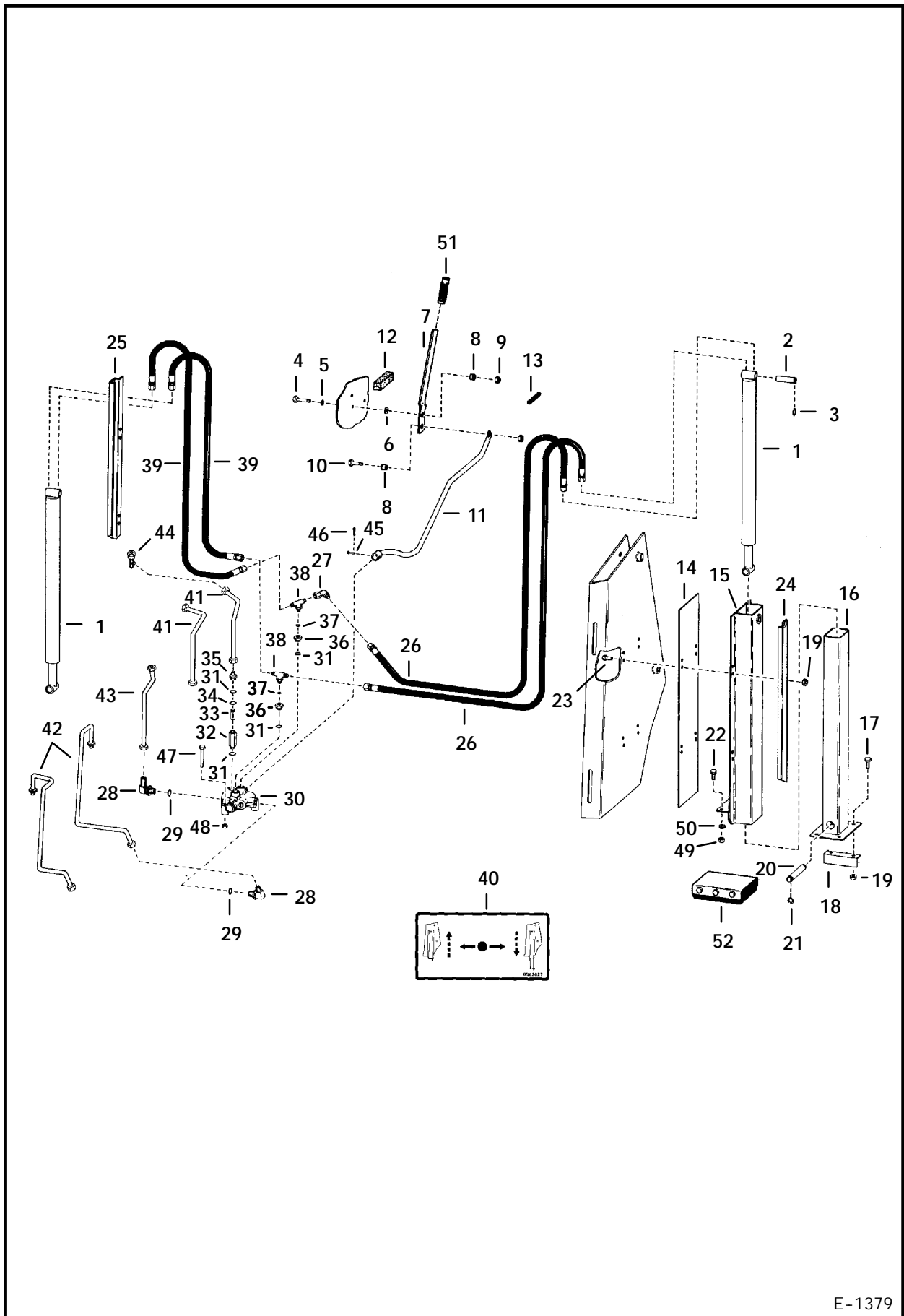
REAR STABILIZER With Hoses



REAR STABILIZER (Cont'd)
With Hoses

Ref. No.	Part Number	Description	Remarks	Serial Number	Qty.
1		CYLINDER	See Page 852 & 854		2
2	6560668	PIN			2
3	662770	SNAP RING			4
4	17C-632	BOLT			1
5	27E-6	WASHER			1
6	6560677	BUSHING			1
7	6564395	LEVER			1
8	6630081	BUSHING			2
9	85D-6	NUT			2
10	17C-624	BOLT			1
11	6563362	ROD			1
12	NAP	STRIP	Order 1 ft. (304,8mm) of 6554274		
13	6560848	STRIP	- Was 6560849 [A]		1
14	6562677	PLATE			2
15	6562675	CHANNEL			2
16	6560664	TUBE			2
17	17C-824	BOLT			4
18	6560678	ANGLE			2
19	85D-8	NUT			12
20	6560669	PIN			2
21	1320431	SNAP RING	Was 6538286 [A]		4
22	17C-1032	BOLT			4
23	17C-1020	BOLT			16
24	6563440	SHIELD	hose		1
25	6563439	SHIELD	hose		1
26	6563438	HOSE			2
27	11K-5	ELBOW			1
28	1302104	ELBOW	W/Ref. 29		2
29	79K-12	O-RING			2
30	6513713	VALVE	See Page 856		1
31	79K-10	O-RING			4
32	6559570	FITTING			1
33	6559571	VALVE	check		1
34	25K-20022	O-RING			1
35	15K-7	ADAPTER	W/Ref. 31		1
36	3580358	ADAPTER	W/Ref. 31		2
37	79K-6	O-RING			2
38	19K-5	TEE			2
39	6563437	HOSE			2
40	6562627	DECAL			1
41	6560679	TUBE	730 & 740 Series Only		1
42	6560705	TUBE	630 & 640 Series Only		1
	6560687	TUBE	730 & 740 Series Only		1
	6560706	TUBE	630 & 640 Series Only		1
43	6560680	TUBE			1
44	13K-7	TEE			1
45	1319560	PIN			1
46	6513495	PIN			1
47	17C-644	BOLT			3
48	61D-6	NUT			3

REAR STABILIZER (Cont'd) With Hoses



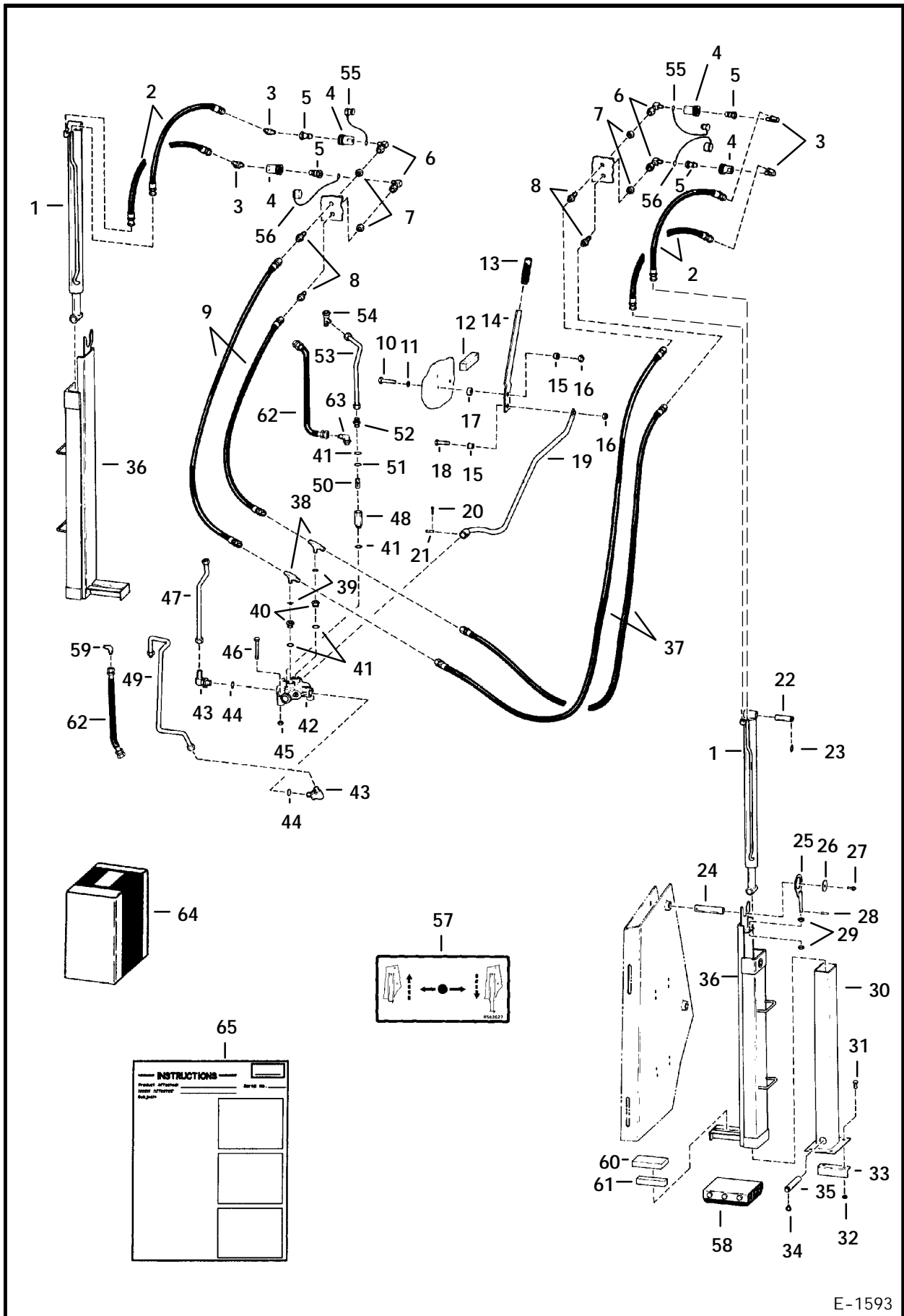
E-1379

REAR STABILIZER (Cont'd)
Bolt On - 740 Series S/N 15001 & Above

Ref. No.	Part Number	Description	Remarks	Serial Number	Qty.
1	6554858	BALL JOINT			1
2	8D-4	NUT			2
3	85D-6	NUT			3
4	6564797	WASHER			2
5	6599643	BEARING	Was 6631953 [A]		1
6	85D-4	NUT			2
7	6564798	SPACER			1
8	6567865	FLANGE			2
9	17C-620	BOLT			2
10	6631493	CABLE			1
11	6592766	U-BOLT			1
12	6565006	MOUNT			1
13	85D-5	NUT			2
14	17C-416	BOLT			1
15	6565005	ADAPTER			1
16	7D-4	NUT			1
17		CYLINDER	See Page 852 & 854		2
18	6567013	DECAL			1
19	6563437	HOSE			2
20	6502203	CLAMP			1
21	17C-626	BOLT			1
22	2533675	TEE			2
23	6563438	HOSE			2
24	6565995	TUBE			1
25	6565994	TUBE			1
26	77F-7	ELBOW			2
27	6560668	PIN			2
28	662770	SNAP RING			4
29	6562677	PLATE			2
30	6562675	CHANNEL			2
31	6560664	TUBE			2
32	17C-824	BOLT			4
33	85D-8	NUT			4
34	6560678	ANGLE			2
35	1320431	SNAP RING	Was 6538286 [A]		4
36	6560669	PIN			2
37	6563440	SHIELD	R.H.		1
	6563439	SHIELD	L.H.		1
38	85D-10	NUT			14
39	17C-1024	BOLT			14
40	6632446	STREET PAD	Weld On - See BTI 235		2
41	6565025	KIT	W/Ref. 1 - 16		1

REAR STABILIZER

Quick-Tach - 630, 640, 730 & 740 Series - S/N 14999 & Below



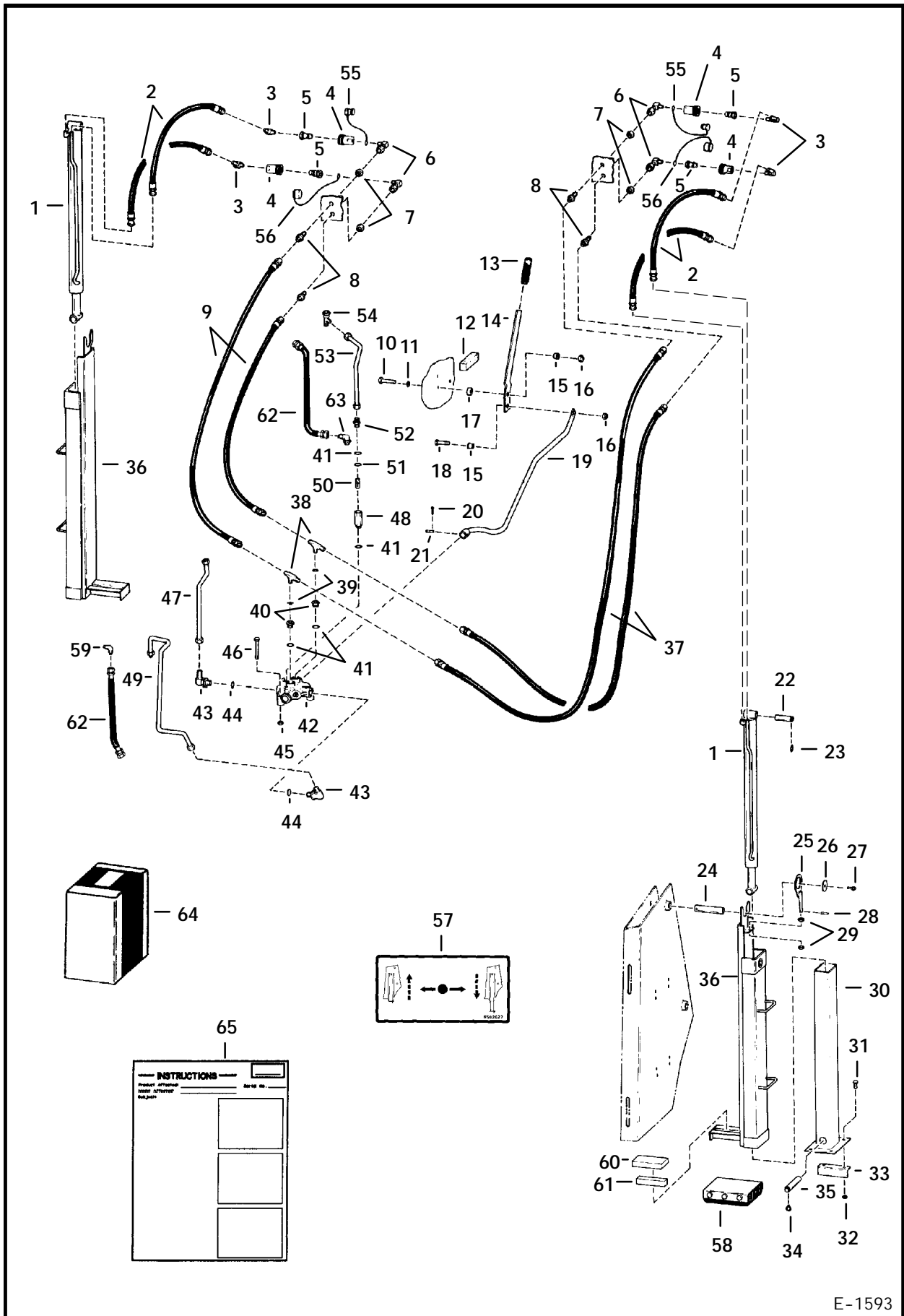
E-1593

REAR STABILIZER (Cont'd)

Quick-Tach - 630, 640, 730 & 740 Series - S/N 14999 & Below

Ref. No.	Part Number	Description	Remarks	Serial Number	Qty.
1		CYLINDER	See Page 852 & 854		2
2	6530884	HOSE	Was 5207800 [A]		4
3	83F-5	ELBOW			4
4	2342026	QUICK COUPLER	Female		4
	25K-30018	O-RING			1
5	2341398	QUICK COUPLER	Male		4
6	1631632	ELBOW			4
7	86F-5	NUT			4
8	45K-5	ADAPTER			4
9	6563437	HOSE			2
10	17C-632	BOLT			1
11	27E-6	WASHER			1
12	NAP	STRIP	foam - Order 1 ft. (304,8mm) of 6554274 - Was 6560849 [A]		1
13	6557730	GRIP			1
14	6564395	LEVER			1
15	6630081	BUSHING			2
16	85D-6	NUT			2
17	6560677	BUSHING			1
18	17C-624	BOLT			1
19	6563362	ROD			1
20	6513495	PIN			1
21	1319560	PIN			1
22	6560668	PIN			2
23	662770	SNAP RING			4
24	6567072	PIN			2
25	6703819	RETAINER	Was 6578760 [A]		2
26	6564692	WASHER			2
27	35C-816	BOLT			2
28	14J-1214	ROLL PIN			2
29	61D-10	NUT			4
30	6560664	TUBE			2
31	17C-824	BOLT			4
32	85D-8	NUT			4
33	6560678	ANGLE			2
34	1320431	SNAP RING	Was 6538286 [A]		4
35	6560669	PIN			2
36	6578759	CHANNEL	R.H. - Was 6567062 [A]		1
	6578757	CHANNEL	L.H. - Was 6567061 [A]		1
37	6563438	HOSE			2
38	19K-5	TEE	W/Ref. 39		2
39	79K-6	O-RING			x
40	3580358	ADAPTER	W/Ref. 41		2
41	79K-10	O-RING			x
42	6513713	VALVE	See Page 856		1
43	1302104	ELBOW			2
44	79K-12	O-RING			x
45	61D-6	NUT			3
46	17C-640	BOLT			3
47	6560680	TUBE			1
48	6559570	FITTING			1

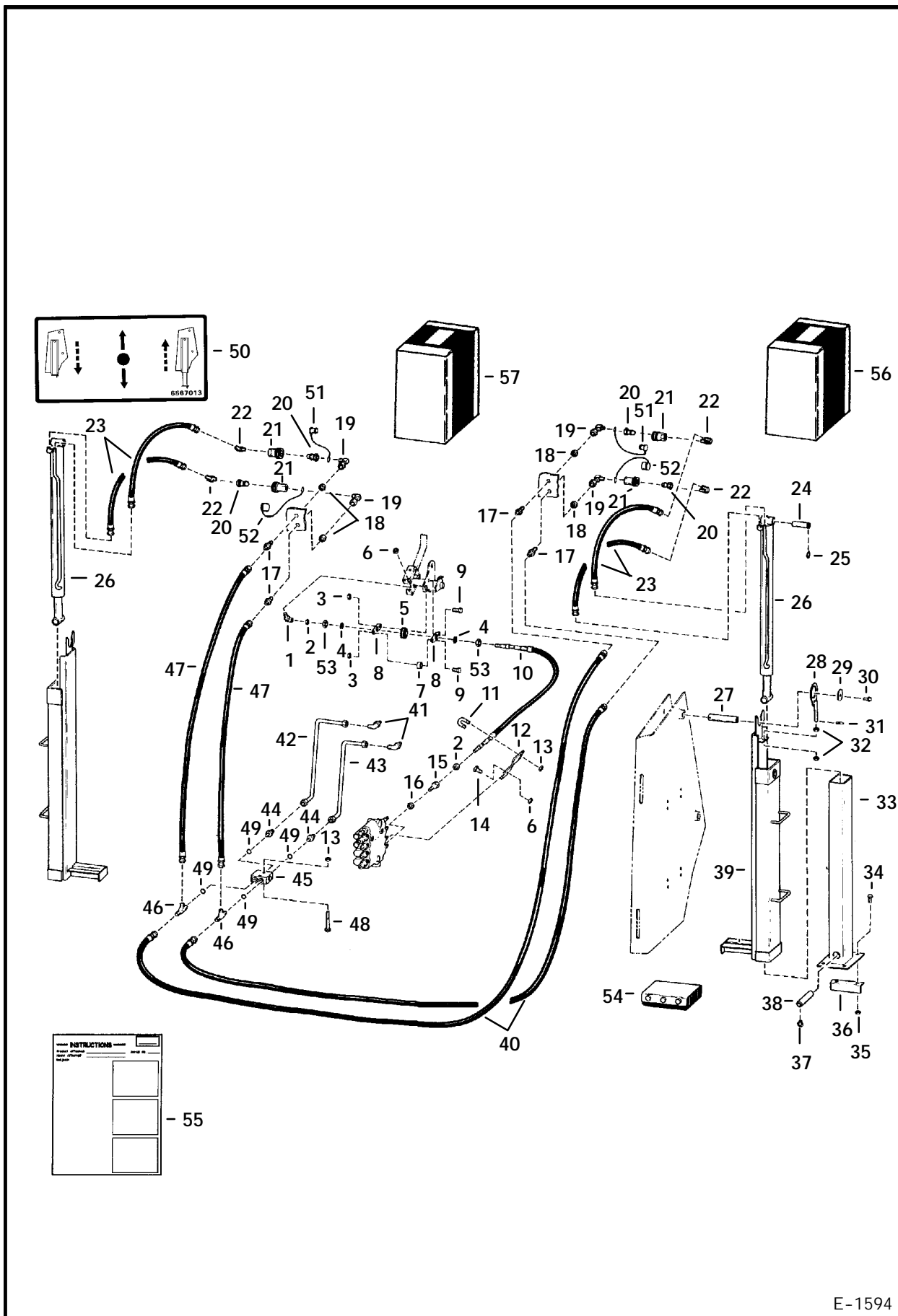
REAR STABILIZER (Cont'd)
 Quick-Tach - 630, 640, 730 & 740 Series - S/N 14999 & Below



E-1593

REAR STABILIZER

Quick-Tach - 740 Series - S/N 15001 & Above

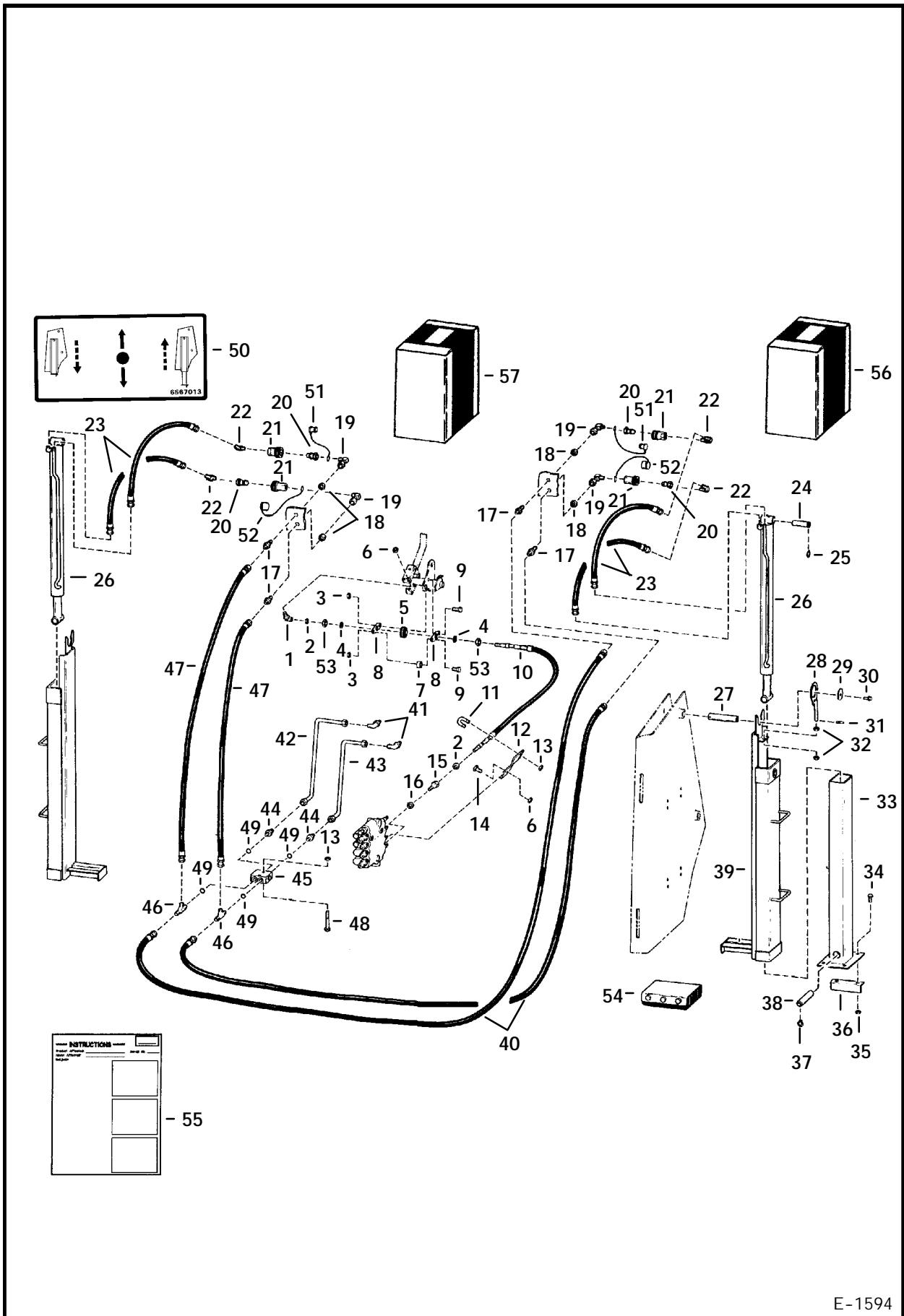


E-1594

REAR STABILIZER (Cont'd)
Quick-Tach - 740 Series - S/N 15001 & Above

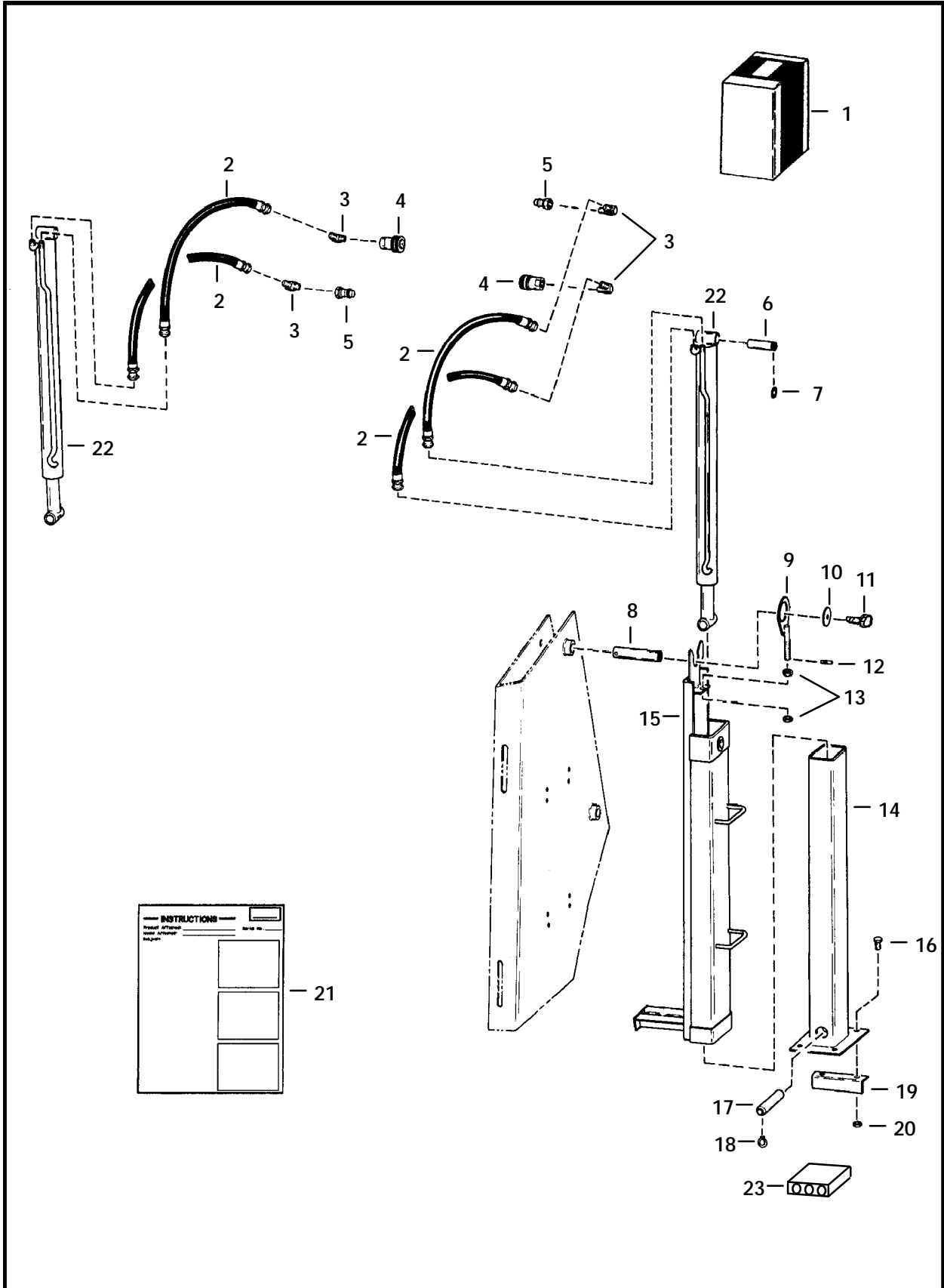
Ref. No.	Part Number	Description	Remarks	Serial Number	Qty.
1	6554858	BALL JOINT			1
2	8D-4	NUT			2
3	85D-6	NUT			2
4	6564797	WASHER			2
5	6631953	BEARING			1
6	85D-4	NUT			2
7	6564798	SPACER			1
8	6567865	FLANGE			2
9	17C-620	BOLT			2
10	6631493	CABLE			1
11	6592766	U-BOLT			1
12	6565006	MOUNT			1
13	85D-5	NUT			2
14	17C-416	BOLT			1
15	6565005	ADAPTER			1
16	7D-4	NUT			1
17	45K-5	ADAPTER			4
18	86F-5	NUT			4
19	1631632	ELBOW			4
20	2341398	QUICK COUPLER	Male		4
21	2342026	QUICK COUPLER	Female		4
22	25K-30018	O-RING			1
23	83F-5	ELBOW			4
23	6530884	HOSE	Was 5207800 [A]		4
24	6560668	PIN			2
25	662770	SNAP RING			4
26		CYLINDER	See Page 852 & 854		2
27	6567072	PIN			2
28	6567080	RETAINER			2
29	6564692	WASHER			2
30	35C-816	BOLT			2
31	14J-1214	ROLL PIN			2
32	61D-10	NUT			4
33	6560664	TUBE			2
34	17C-824	BOLT			4
35	85D-8	NUT			4
36	6560678	ANGLE			2
37	6538286	RING	retaining - Was 1320431 [A]		4
38	6560669	PIN			2
39	6578759	CHANNEL	R.H. - Was 6567062 [A]		1
	6578757	CHANNEL	L.H. - Was 6567061 [A]		1
40	6563438	HOSE			2
41	77F-7	ELBOW			2
42	6567847	TUBE			1
43	6567855	TUBE			1
44	755051	ADAPTER	W/Ref. 49		2
45	6630527	VALVE			1
	6660645	SEAL KIT			1
46	21K-5	TEE	W/Ref. 49		2
47	6563437	HOSE			2
48	17C-536	BOLT			2

REAR STABILIZER (Cont'd)
 Quick-Tach - 740 Series - S/N 15001 & Above



E-1594

REAR STABILIZER Quick-Tach - 742B & 743B



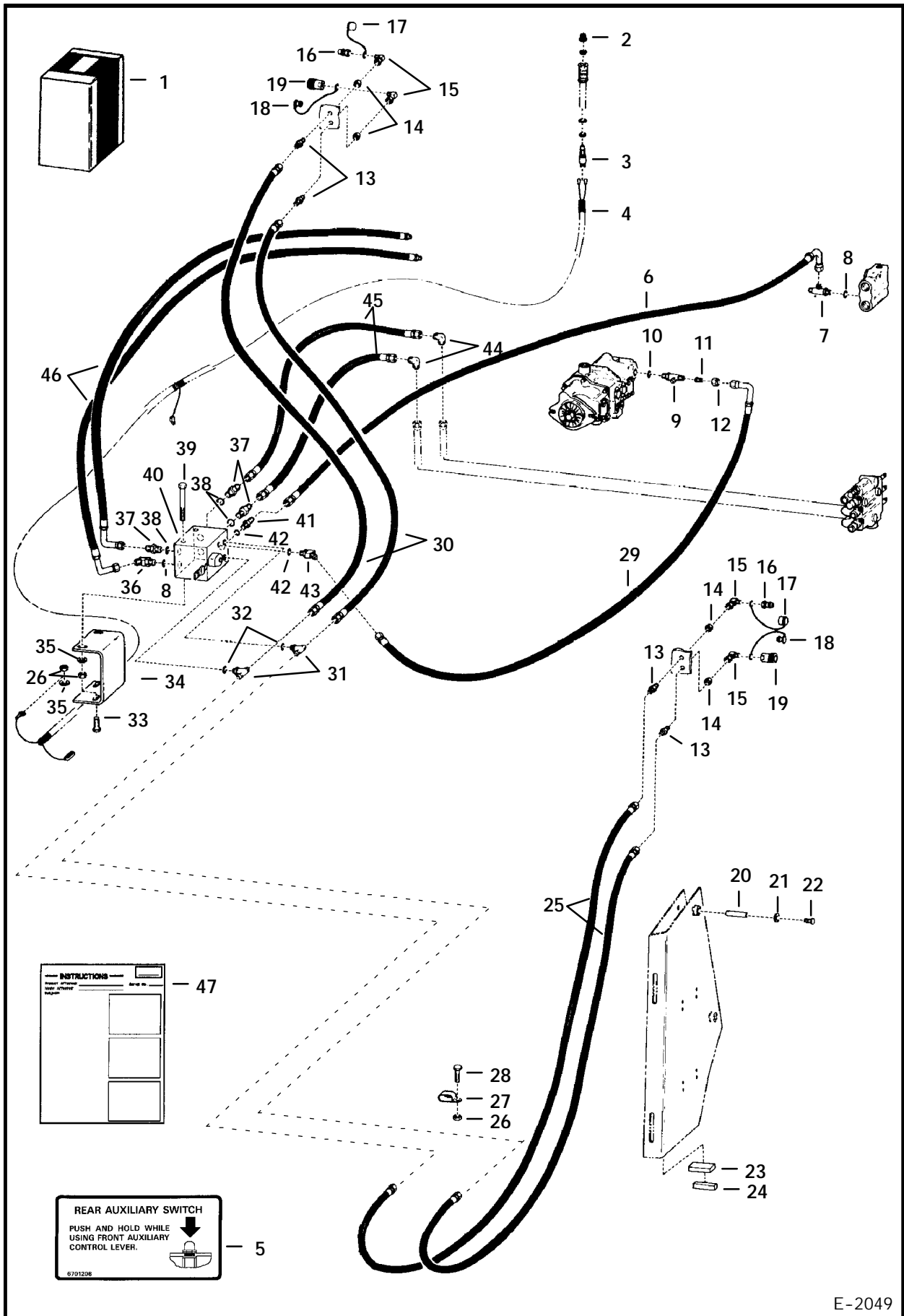
NOTE: See Page 844 For Hydraulic Kit.

E-1909

REAR STABILIZER (Cont'd)
Quick-Tach - 742B & 743B

Ref. No.	Part Number	Description	Remarks	Serial Number	Qty.
1	SALES	KIT	Sales # 6567724 - see page 843 for hydraulic kit		1
2	6530884	HOSE	Was 5207800 [A]		4
3	83F-5	ELBOW	used with poppet couplers		4
	17K-5	ELBOW	used with flush face couplers		4
4	2342026	QUICK COUPLER	female - poppet		2
	6667803	QUICK COUPLER	female - flush face		1
5	2341398	QUICK COUPLER	male - poppet		2
	6667804	QUICK COUPLER	male - flush face		1
	6669657	O-RING			1
6	6560668	PIN			2
7	662770	SNAP RING			4
8	6567072	PIN			2
9	6703819	RETAINER	Was 6578760 [A]		2
10	6564692	WASHER			2
11	17C-816	BOLT			2
12	14J-1214	ROLL PIN			2
13	61D-10	NUT			4
14	6560664	TUBE			2
15	6578759	CHANNEL	R.H.		1
	6578757	CHANNEL	L.H.		1
16	17C-824	BOLT			4
17	6560669	PIN			2
18	6538286	RING	Was 1320431 [A]		4
19	6560678	ANGLE			2
20	85D-8	NUT			4
21	6566771	INSTRUCTIONS			1
22		CYLINDER	See Page 852 & 854		2
23	6632446	STREET PAD	Weld-on - see BTI 235		2

REAR STABILIZER HYDRAULICS 742B & 743B



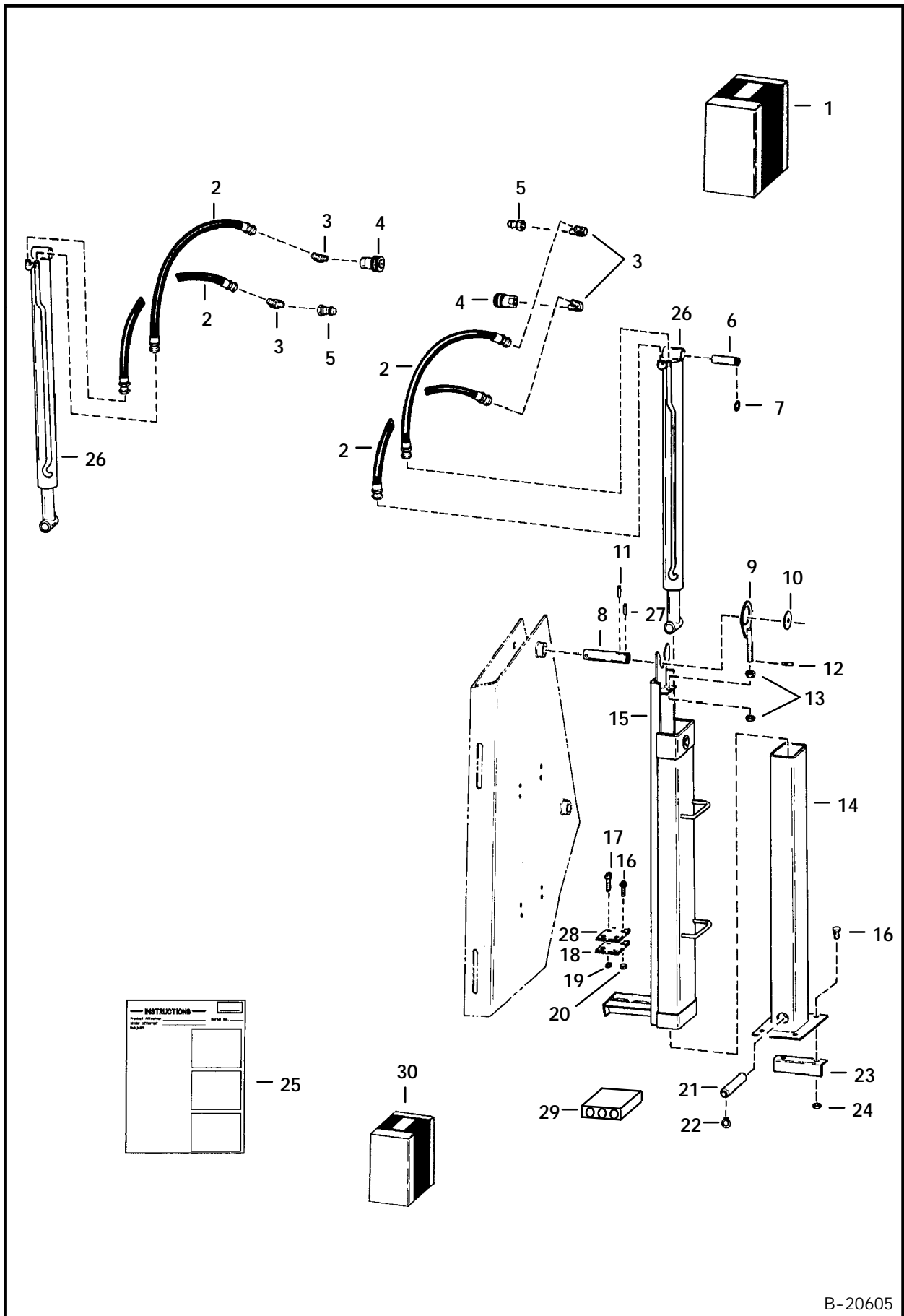
E-2049

REAR STABILIZER HYDRAULICS (Cont'd)
742B & 743B

Ref. No.	Part Number	Description	Remarks	Serial Number	Qty.
1	6702965	KIT	Ref. 2 - 47 - Was SALES		1
2	6660205	SEAL	Was 6513483 [A]		1
3	6513482	SWITCH			1
4	6702963	HARNESS			1
5	6701208	DECAL			1
6	6702962	HOSE			1
7	13K-5	CROSS	Was 6578184 [A]		1
8	79K-10	O-RING			x
9	21K-6	TEE	W/Ref. 10		1
10	79K-8	O-RING			x
11	9K-2	ADAPTER			1
12	80F-6	NUT			1
13	45K-5	ADAPTER			4
14	86F-5	NUT			4
15	1631632	ELBOW			4
16	2341398	QUICK COUPLER	male		2
17	1513549	CAP			2
18	1519324	PLUG			2
19	2342026	QUICK COUPLER	female		2
20	6567072	PIN			2
21	6564692	WASHER			2
22	17C-816	BOLT			2
23	6567081	PLATE			2
24	6567082	BLOCK			2
25	6563438	HOSE			2
26	85D-6	NUT			5
27	31H-27	CLAMP			1
28	17C-616	BOLT			1
29	6701203	HOSE			1
30	6702960	HOSE			2
31	19K-5	TEE			2
32	79K-6	O-RING			x
33	17C-620	BOLT			2
34	6701167	MOUNT			1
35	25E-18	WASHER			4
36	2324539	ELBOW			1
37	755055	ADAPTER			3
38	79K-12	O-RING			x
39	17C-680	BOLT			2
40	6649686	VALVE	diverter - See Page 858		1
41	15K-3	ADAPTER	W/Ref. 42		1
42	79K-4	O-RING			x
43	18K-3	ELBOW	W/Ref. 42		1
44	77F-7	ELBOW			2
45	6530861	HOSE			2
46	6702961	HOSE			2
47	6720609	INSTRUCTIONS			1

REAR STABILIZER

Quick-Tach - 750 Series & 753G



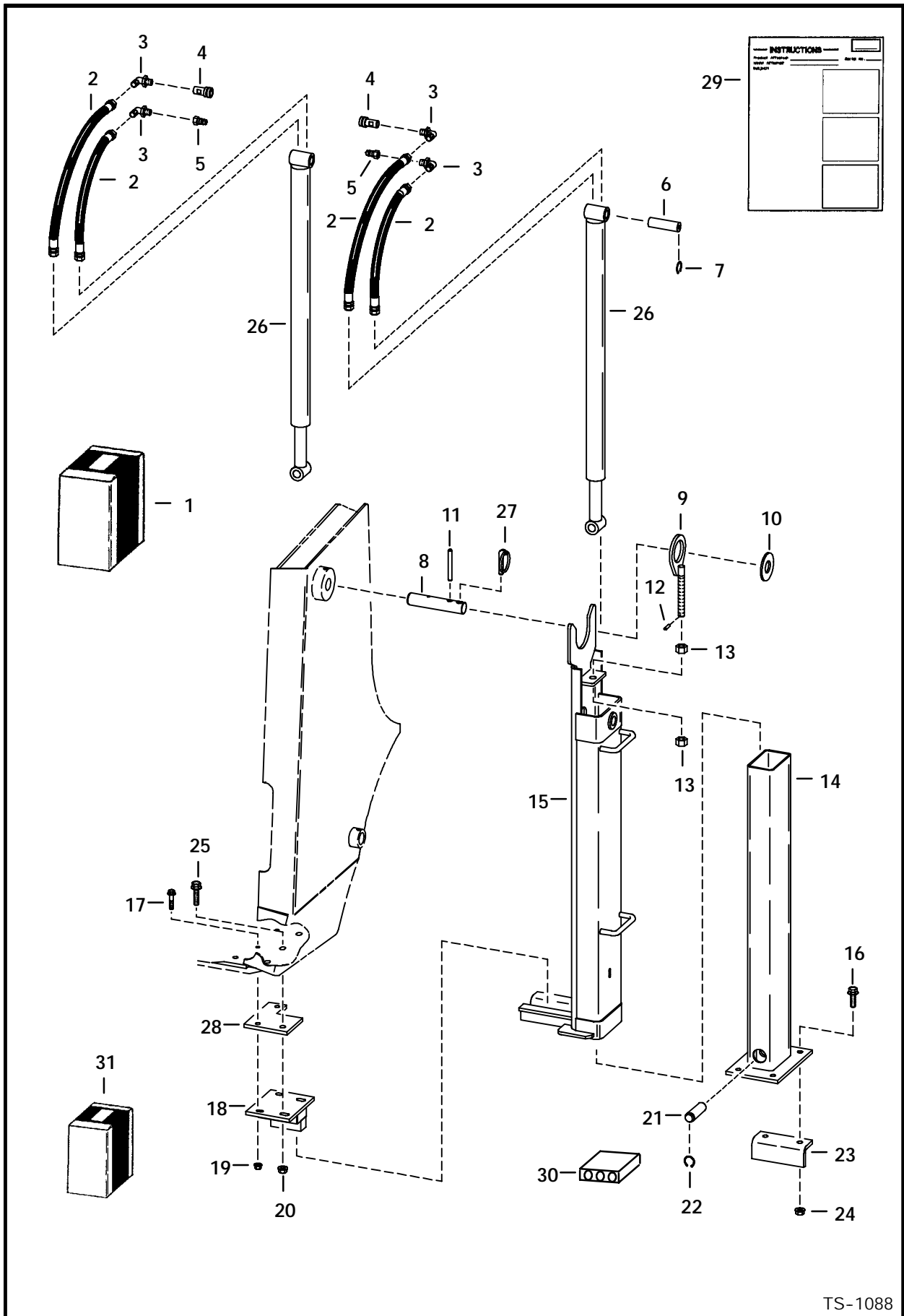
B-20605

REAR STABILIZER (Cont'd)
Quick-Tach - 750 Series & 753G

Ref. No.	Part Number	Description	Remarks	Serial Number	Qty.
1	SALES	KIT	Sales #6711752		1
2	6530884	HOSE	Was 5207800 [A]		4
3	83F-5	ELBOW	used with poppet couplers		4
4	17K-5	ELBOW	used with flush face couplers		4
	2342026	QUICK COUPLER	female - poppet		2
	6667803	QUICK COUPLER	female - flush face		1
5	2341398	QUICK COUPLER	male - poppet		2
	6667804	QUICK COUPLER	male - flush face		1
	6669657	O-RING			1
6	6560668	PIN			2
7	662770	SNAP RING			4
8	6578771	PIN	5.62" long		2
9	6703819	RETAINER	Was 6578760 [A]		2
10	6578768	WASHER			2
11	14J-3732	ROLL PIN			2
12	14J-1214	ROLL PIN			2
13	61D-10	NUT			4
14	6560664	TUBE			2
15	6578759	CHANNEL	R.H.		1
	6578757	CHANNEL	L.H.		1
16	31C-832	BOLT	Was 31C-824 [B]		8
17	31C-628	BOLT	Was 31C-624 [B]		4
18	6704343	MOUNT	R.H. - Was 6703034 [A]		1
	6704344	MOUNT	L.H. - Was 6703035 [A]		1
19	83D-6	NUT			4
20	83D-8	NUT			4
21	6560669	PIN			2
22	1320431	SNAP RING	Was 6538286 [A]		4
23	6560678	ANGLE			2
24	85D-8	NUT			4
25	6570919	INSTRUCTIONS			1
26		CYLINDER	See Page 852 & 854		2
27	6560382	PIN	ring lock		2
28	6703816	SPACER			2
29	6632446	STREET PAD	Weld on - see BTI 235		2
30	6718959AR	KIT	translation		1
	6718959BR	KIT	translation		1
	6570919AR	INSTRUCTIONS	translated		1
	6570919BR	INSTRUCTIONS	translated		1

REAR STABILIZER

Quick-Tach - 7753, 753L, 763, & 773

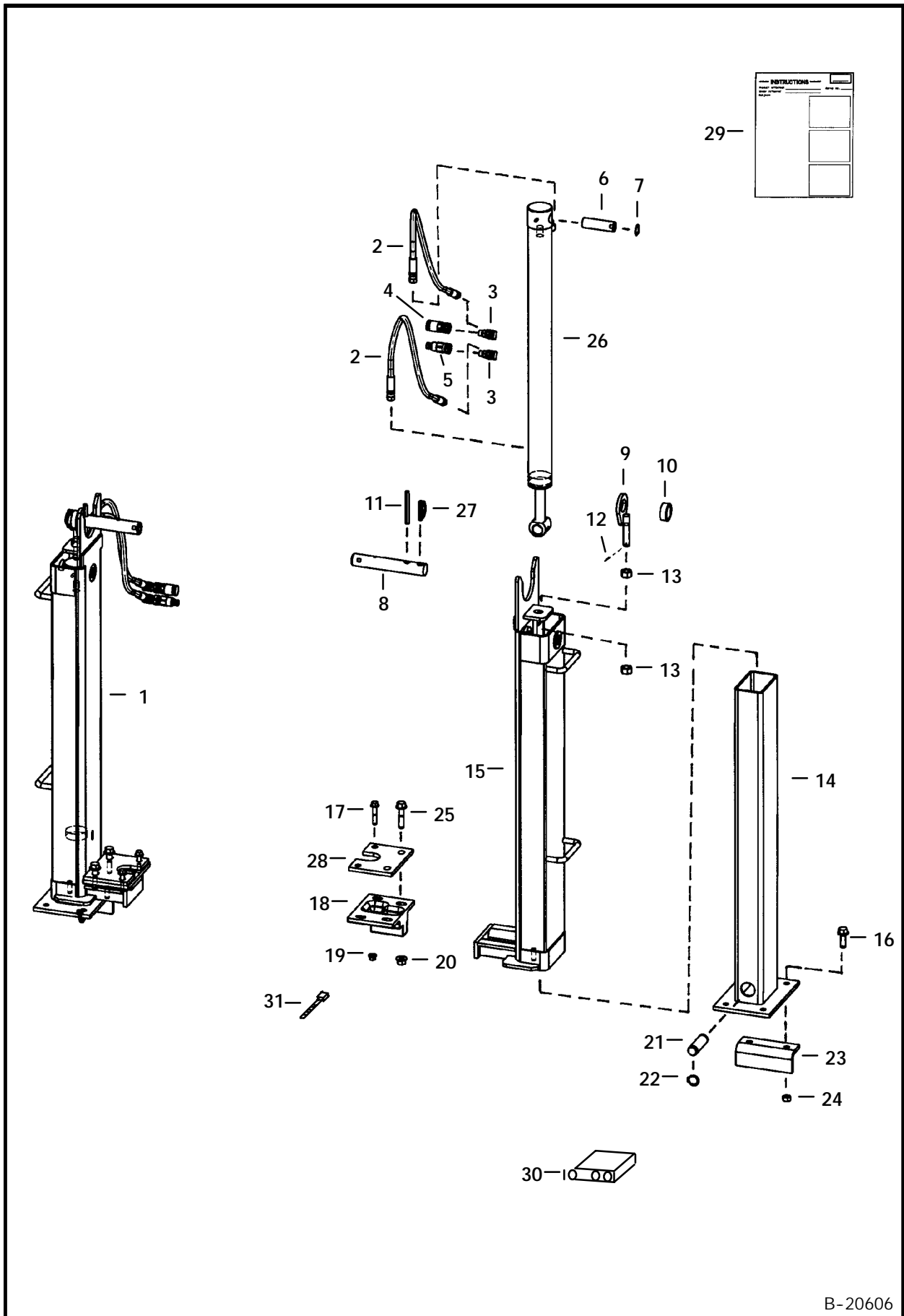


TS-1088

REAR STABILIZER (Cont'd)
Quick-Tach - 7753, 753L, 763, & 773

Ref. No.	Part Number	Description	Remarks	Serial Number	Qty.
1	SALES	KIT	Ref. 2 - 28 - Sales #6711754		1
2	6530884	HOSE			2
3	17K-5	ELBOW			4
4	6648967	QUICK COUPLER	female-poppet-Was 6657038 [A]		2
	6667803	QUICK COUPLER	female - flush face		1
5	6648969	QUICK COUPLER	male - poppet-Was 6657037 [A]		2
	6667804	QUICK COUPLER	male - flush face		1
	6669657	O-RING			1
6	6560668	PIN			2
7	662770	SNAP RING			4
8	6703817	PIN	6.32" long		2
9	6703819	RETAINER			2
10	6578768	WASHER			2
11	14J-3756	ROLL PIN	Was 14J-375 [D]		2
12	14J-1214	ROLL PIN			2
13	61D-10	NUT			4
14	6560664	TUBE			2
15	6703824	CHANNEL	R.H.		1
	6703821	CHANNEL	L.H.		1
16	31C-824	BOLT			4
17	31C-628	BOLT			4
18	6704343	MOUNT	R.H. - Was 6703034 [A]		1
	6704344	MOUNT	L.H. - Was 6703035 [A]		1
19	83D-6	NUT			4
20	83D-8	NUT			4
21	6560669	PIN			2
22	6538286	SNAP RING			4
23	6560678	ANGLE			2
24	85D-8	NUT			4
25	31C-832	BOLT			4
26		CYLINDER	See Page 854		2
27	6560382	PIN	ring lock		2
28	6703816	SPACER			2
29*	6570919	INSTRUCTIONS	Was 6570907 [D]		1
30	6632446	STREET PAD	Weld on - see BTI 235		2
31	6718959AR	KIT	translation		1
	6718959BR	KIT	translation		1
	6570919AR	INSTRUCTIONS	translated		1
	6570919BR	INSTRUCTIONS	translated		1

REAR STABILIZER Quick-Tach - 773G

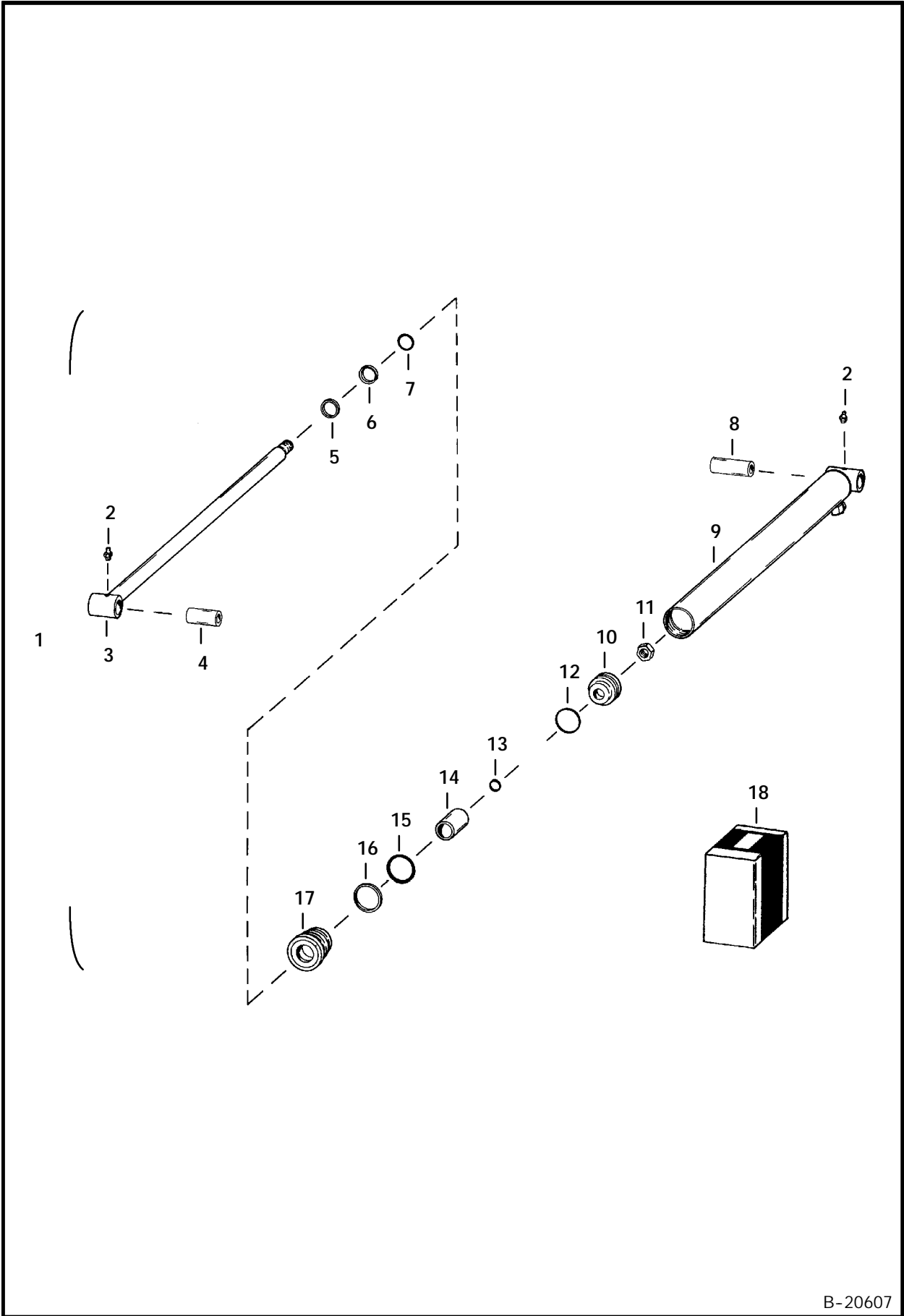


B-20606

REAR STABILIZER (Cont'd)
Quick-Tach - 773G

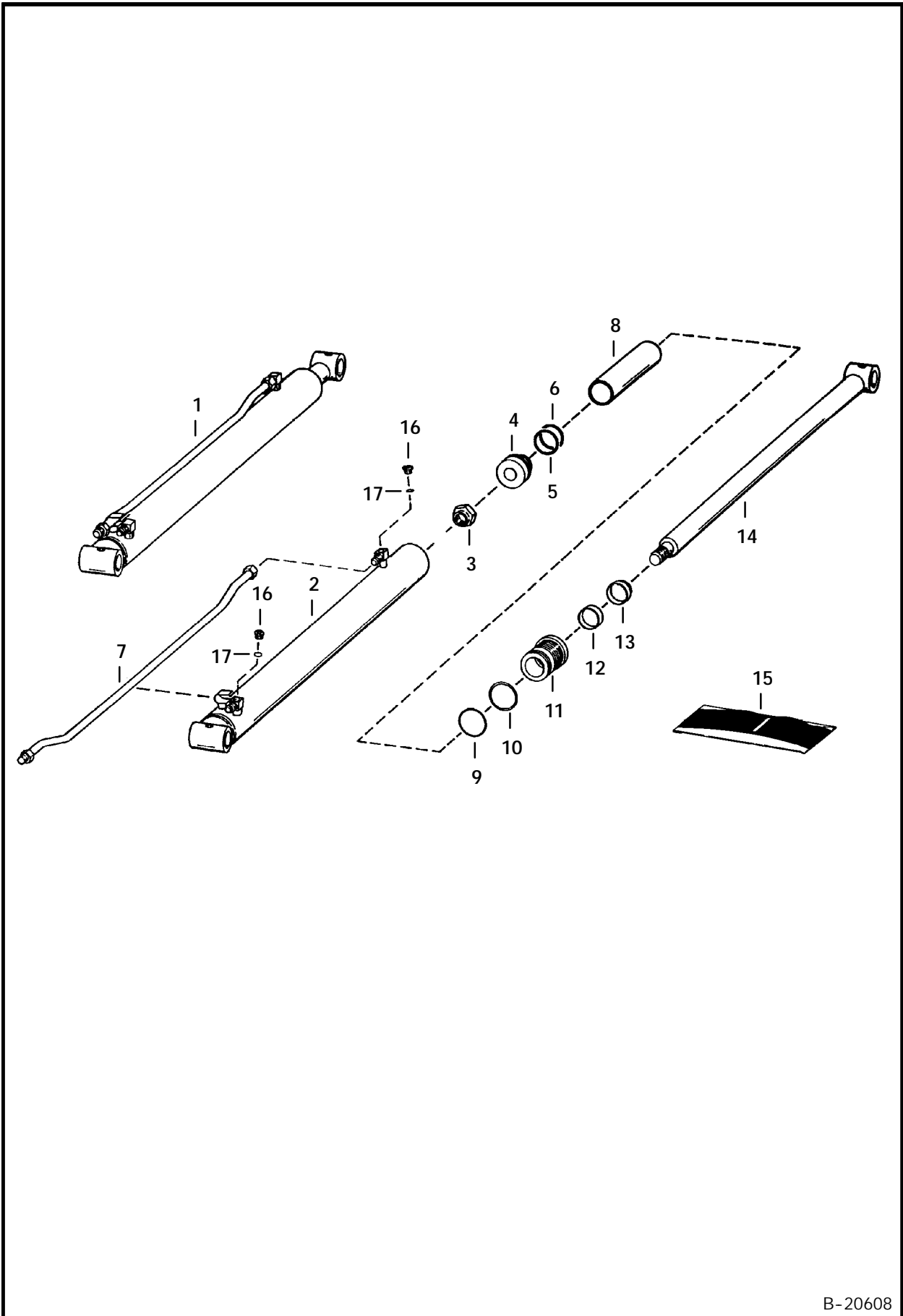
Ref. No.	Part Number	Description	Remarks	Serial Number	Qty.
1	SALES	KIT	Ref. 2 - 28 - Sales #6718574		1
2*	6578173	HOSE	Was 6536771 [B]		4
3	17KV-5	ELBOW			4
4	6667803	QUICK COUPLER	female - flush face		2
5	6667804	QUICK COUPLER	male - flush face		2
	6669657	O-RING			1
6	6560668	PIN			2
7	662770	SNAP RING			4
8	6717864	PIN	7.77" long		2
9	6718950	RETAINER			2
10	6718953	SPACER	1.26" I.D. x 1.76" O.D.		2
11	14J-3756	ROLL PIN			2
12	14J-1214	ROLL PIN			2
13	61D-10	NUT			4
14	6560664	TUBE			2
15	6717847	CHANNEL	R.H.		2
16	31C-824	BOLT			4
17	31C-632	BOLT			4
18	6704343	MOUNT	R.H.		1
	6704344	MOUNT	L.H.		1
19	83D-6	NUT			4
20	83D-8	NUT			4
21	6560669	PIN			2
22	1320431	SNAP RING			4
23	6560678	ANGLE			2
24	85D-8	NUT			4
25	31C-836	BOLT			4
26		CYLINDER	See Page 854		2
27	6560382	PIN	ring lock		2
28	6717887	SPACER			2
29	6900846	INSTRUCTIONS			1
30	6632446	STREET PAD	Weld on - see BTI 235		2
31	6624289	TIE			2

HYDRAULIC CYLINDER
Rear Stabilizer - W/Weld on Tube



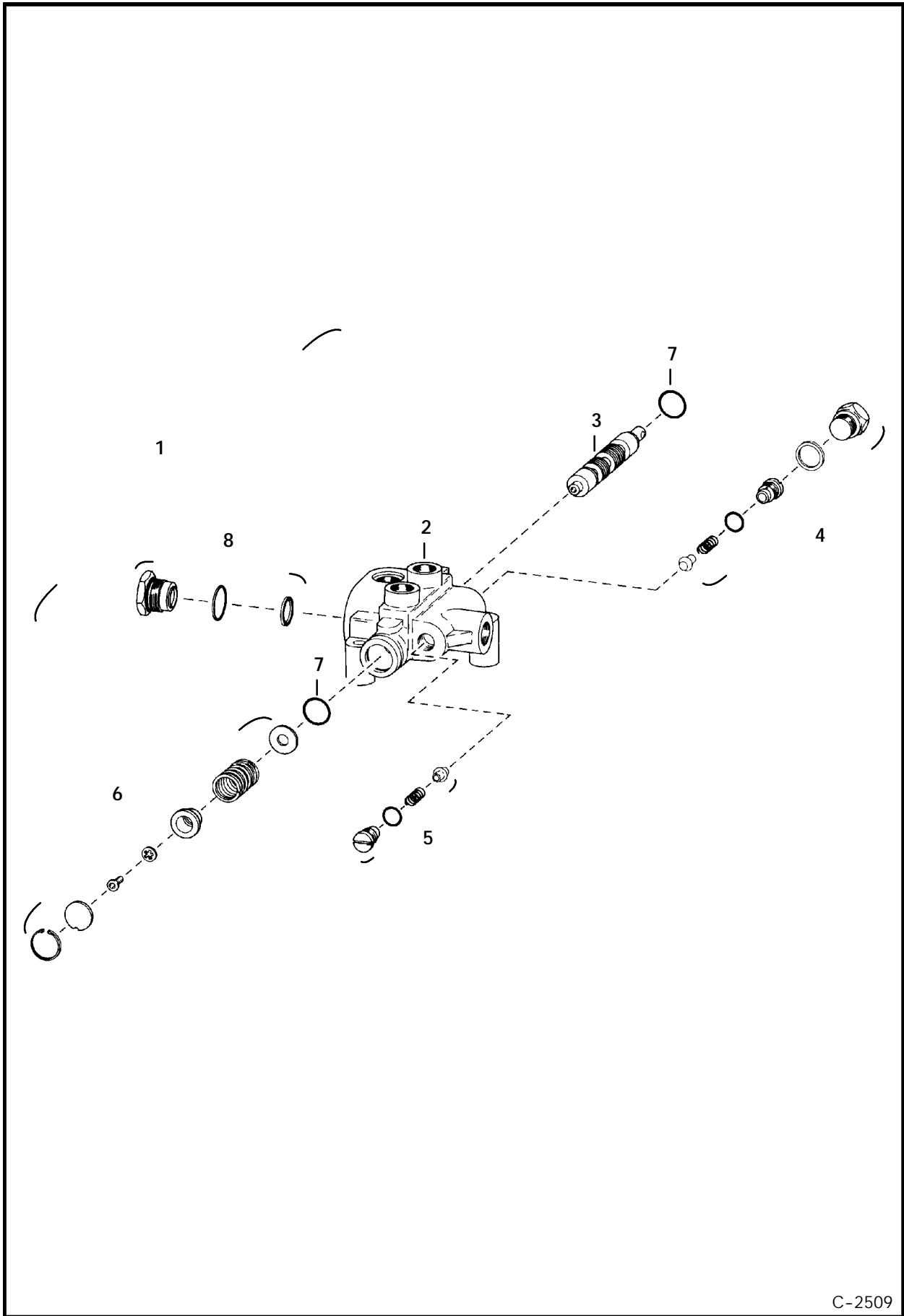
B-20607

HYDRAULIC CYLINDER
Rear Stabilizer - W/Replaceable Tube



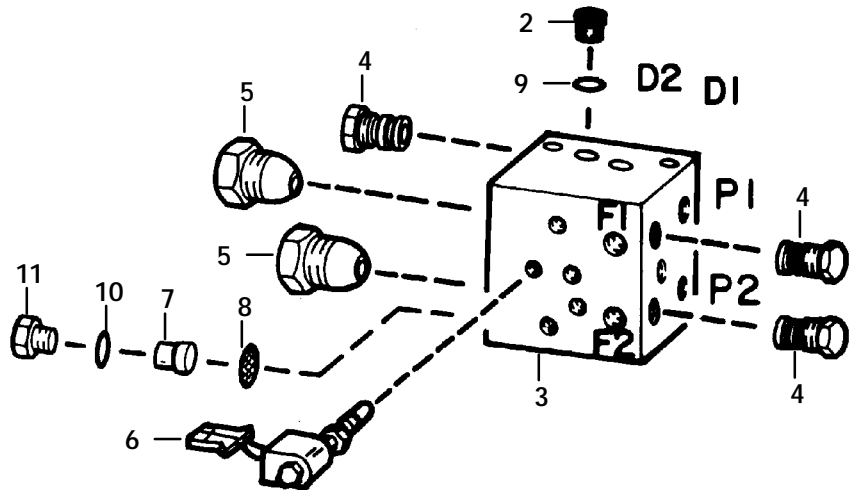
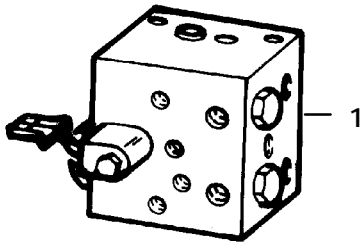
B-20608

HYDRAULIC CONTROL VALVE
Rear Stabilizer



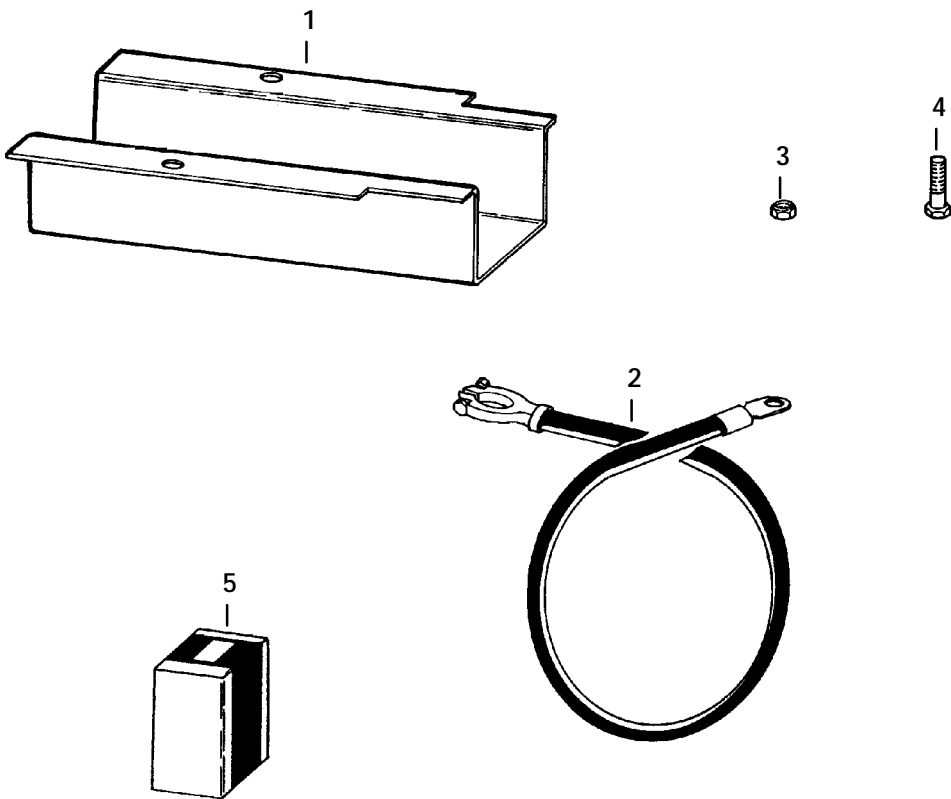
C-2509

REAR AUXILIARY VALVE
742B & 743B



B-12959

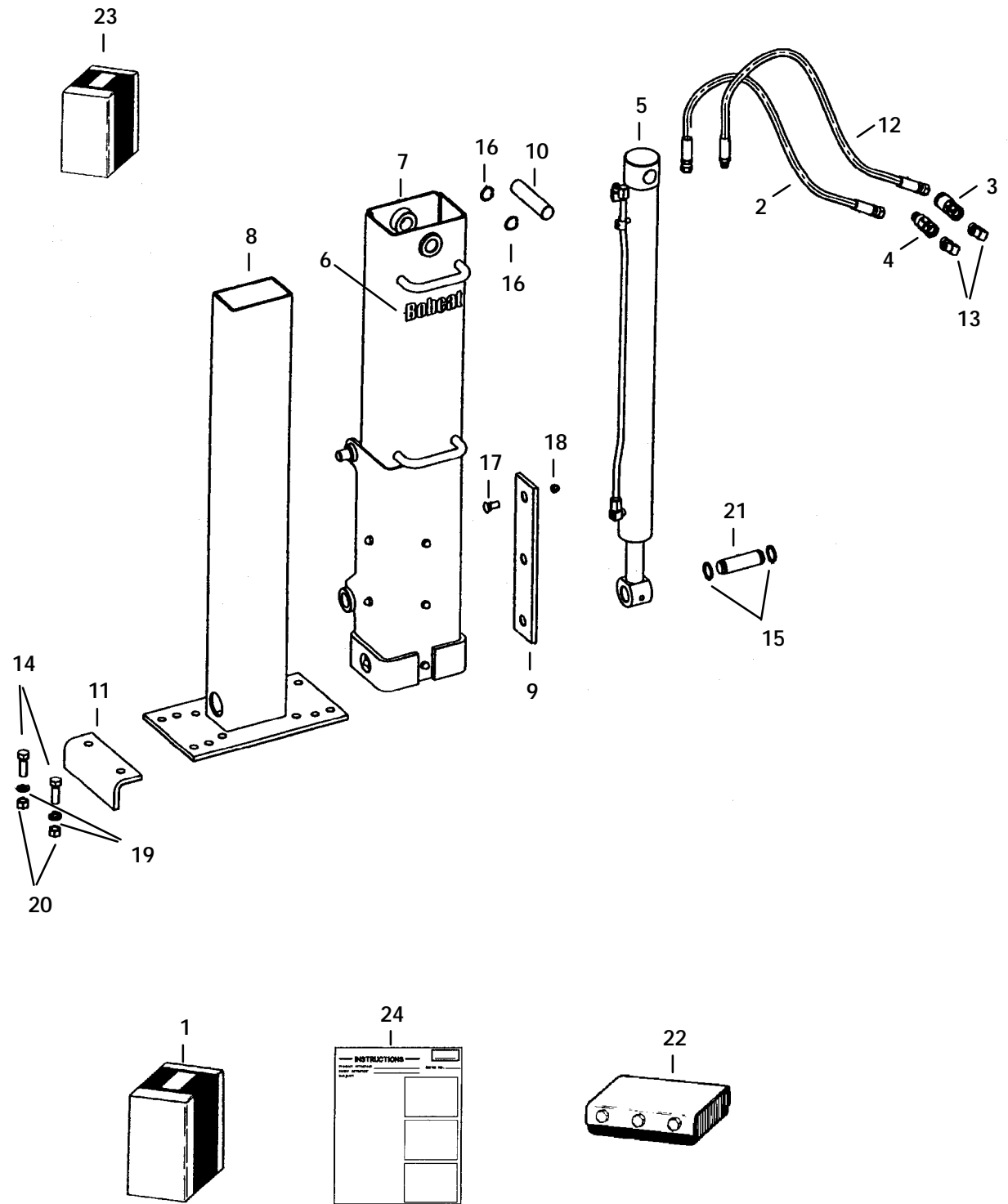
BATTERY MOUNT KIT
Rear Stabilizer - 631, 731 Only



B-20609

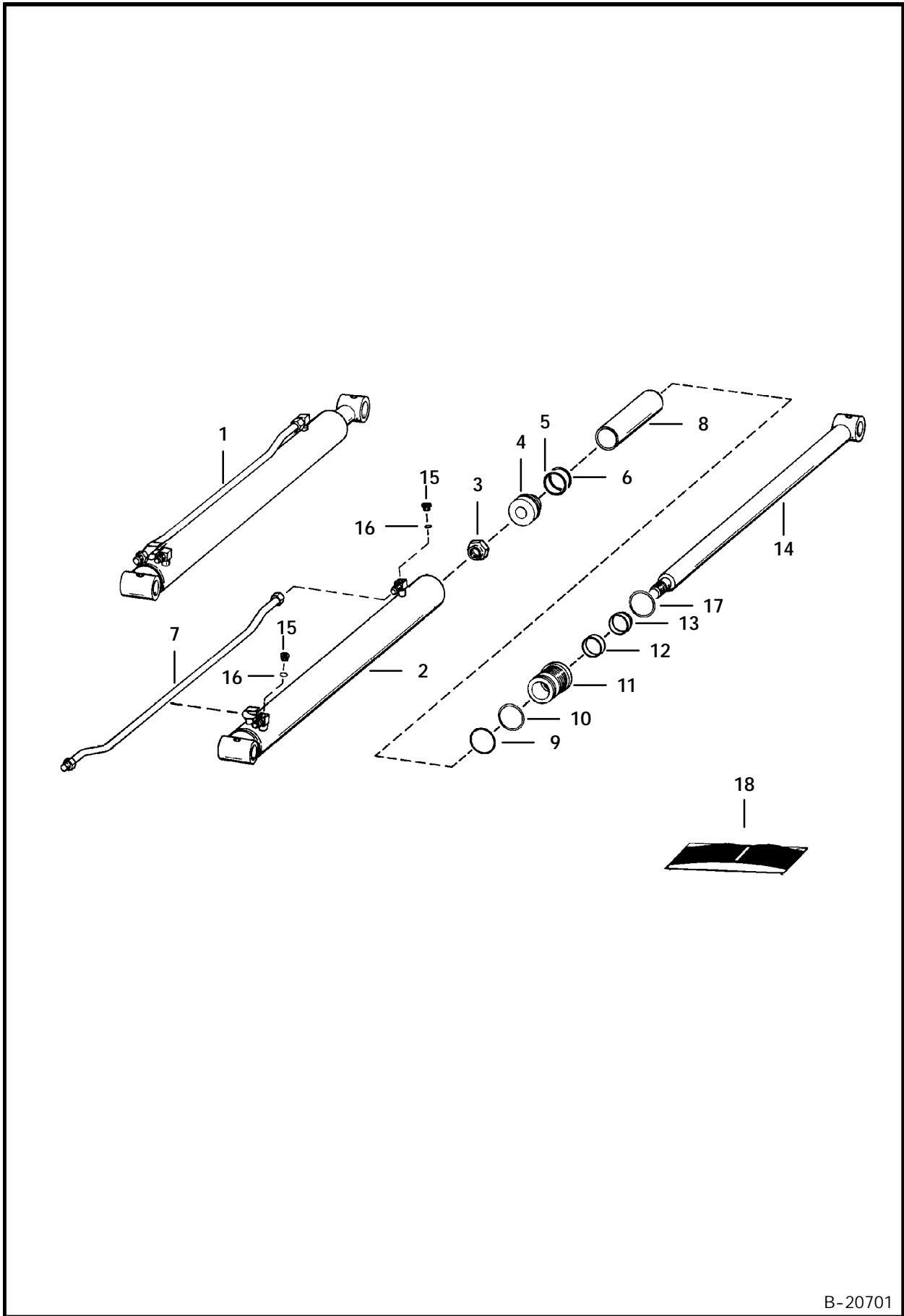
REAR STABILIZER KIT G-Series

NOTE: AR = Spanish (Argentina)
BR = Portugese (Brazil)
JP = Japanese
Translation Kit includes Safety Manual,
Operators Manual and Decal Kit.



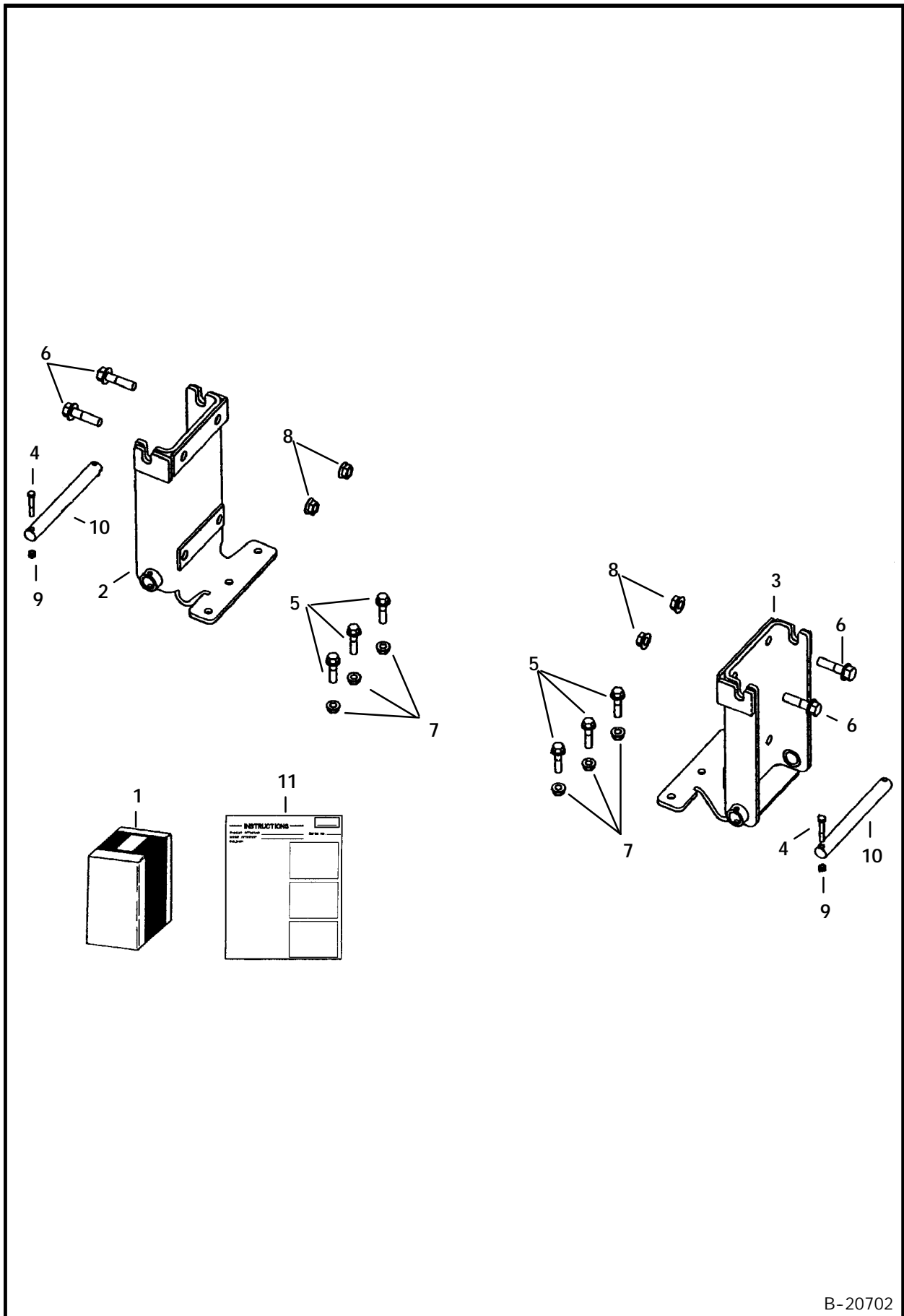
B-20700

STABILIZER CYLINDER G-Series



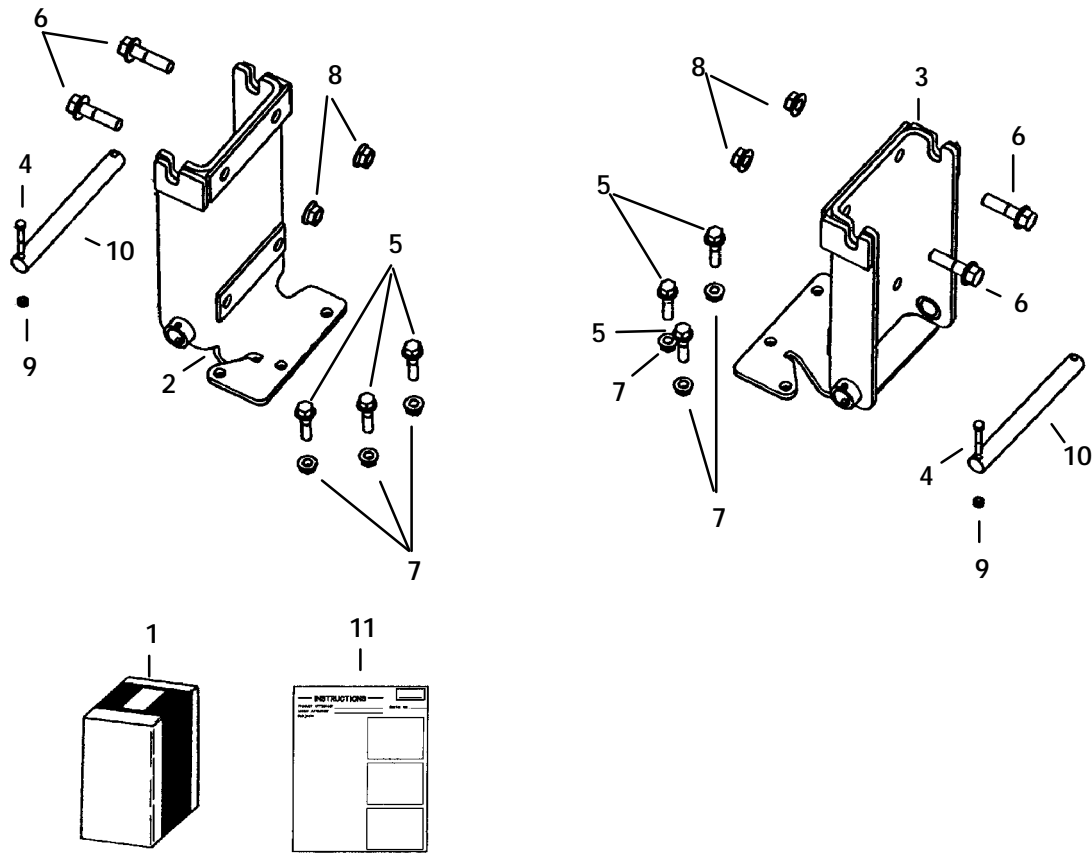
B-20701

REAR STABILIZER MOUNT KIT 753 & 763 F & G Series



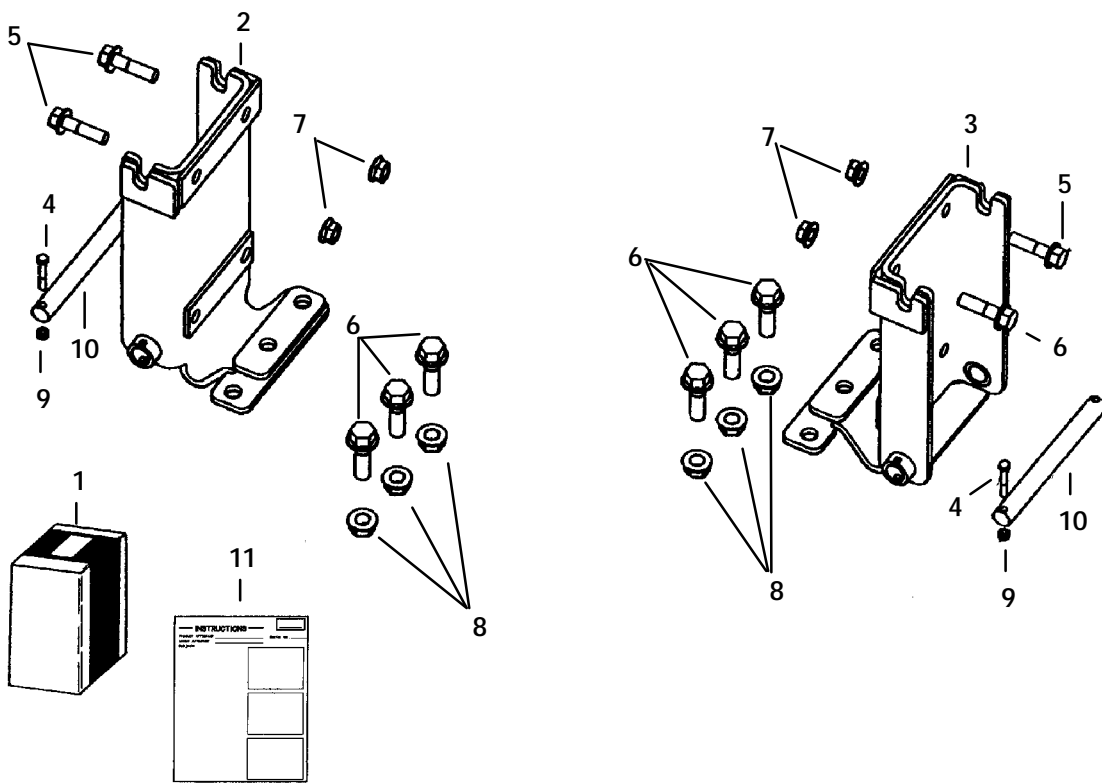
B-20702

REAR STABILIZER MOUNT KIT
773G & T190



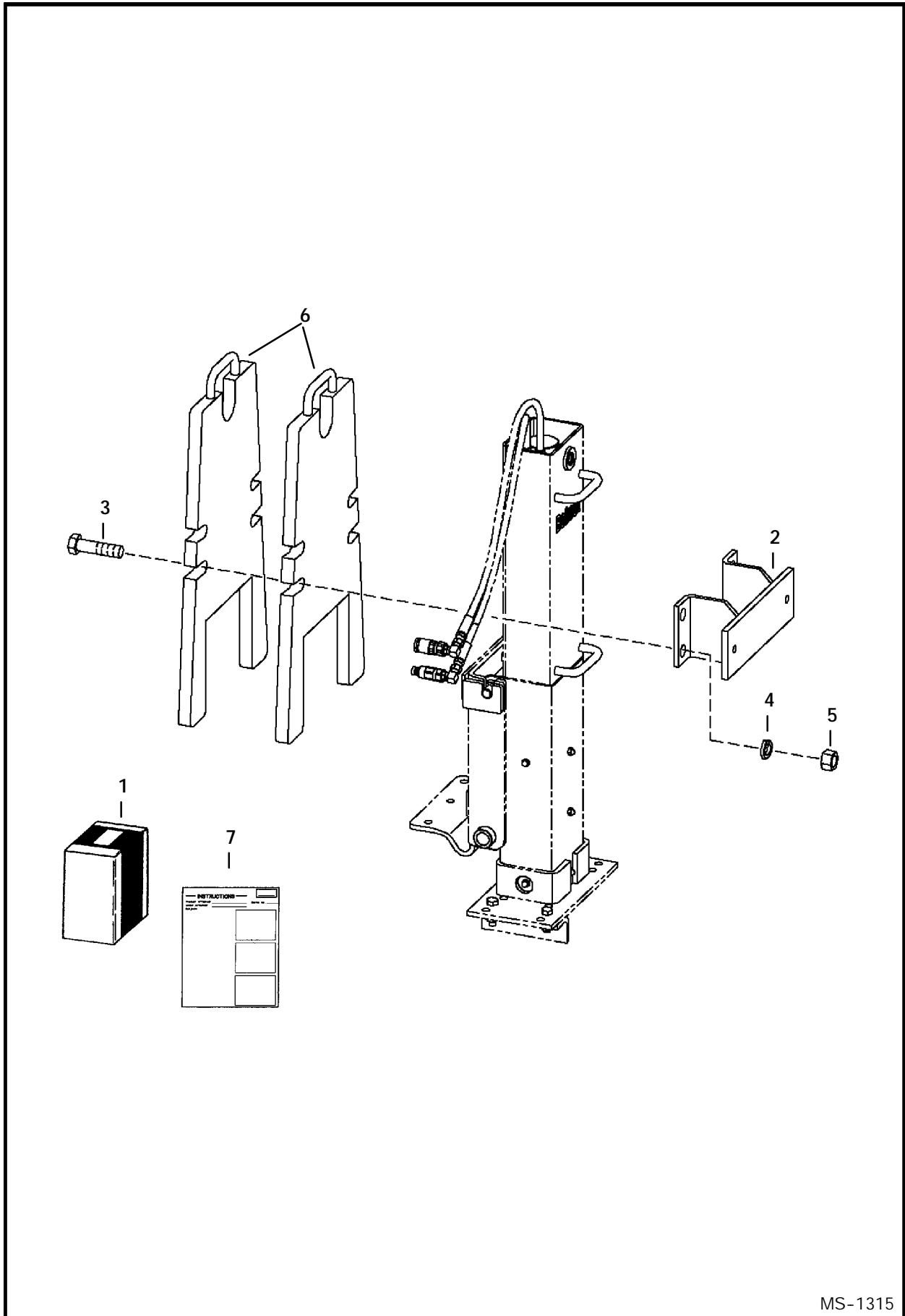
B-20703

REAR STABILIZER MOUNT KIT
863G, 864G, 873G & T200

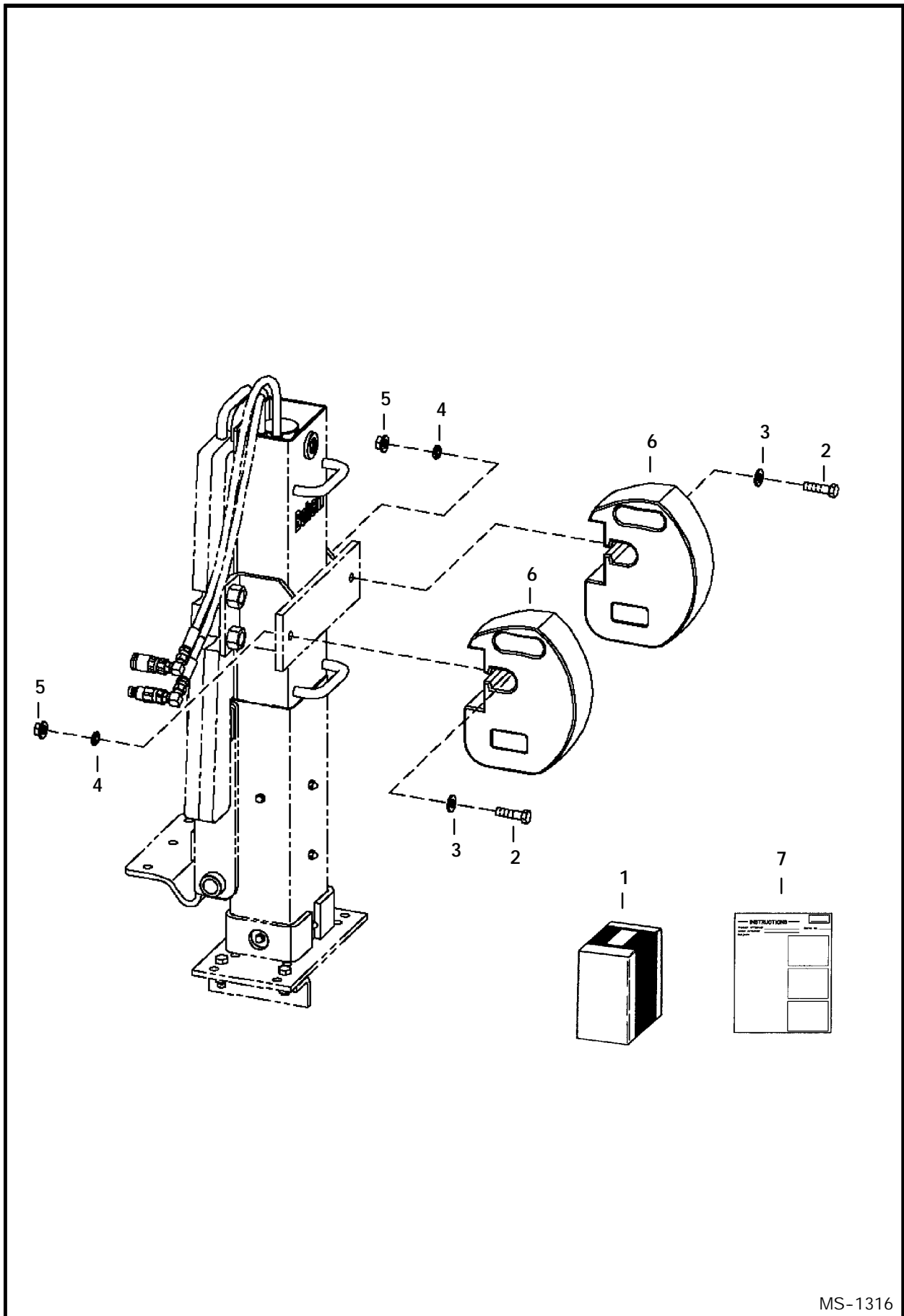


B-20704

WEIGHT KIT - 300LBS
Used With G-Series Stabilizer Kit



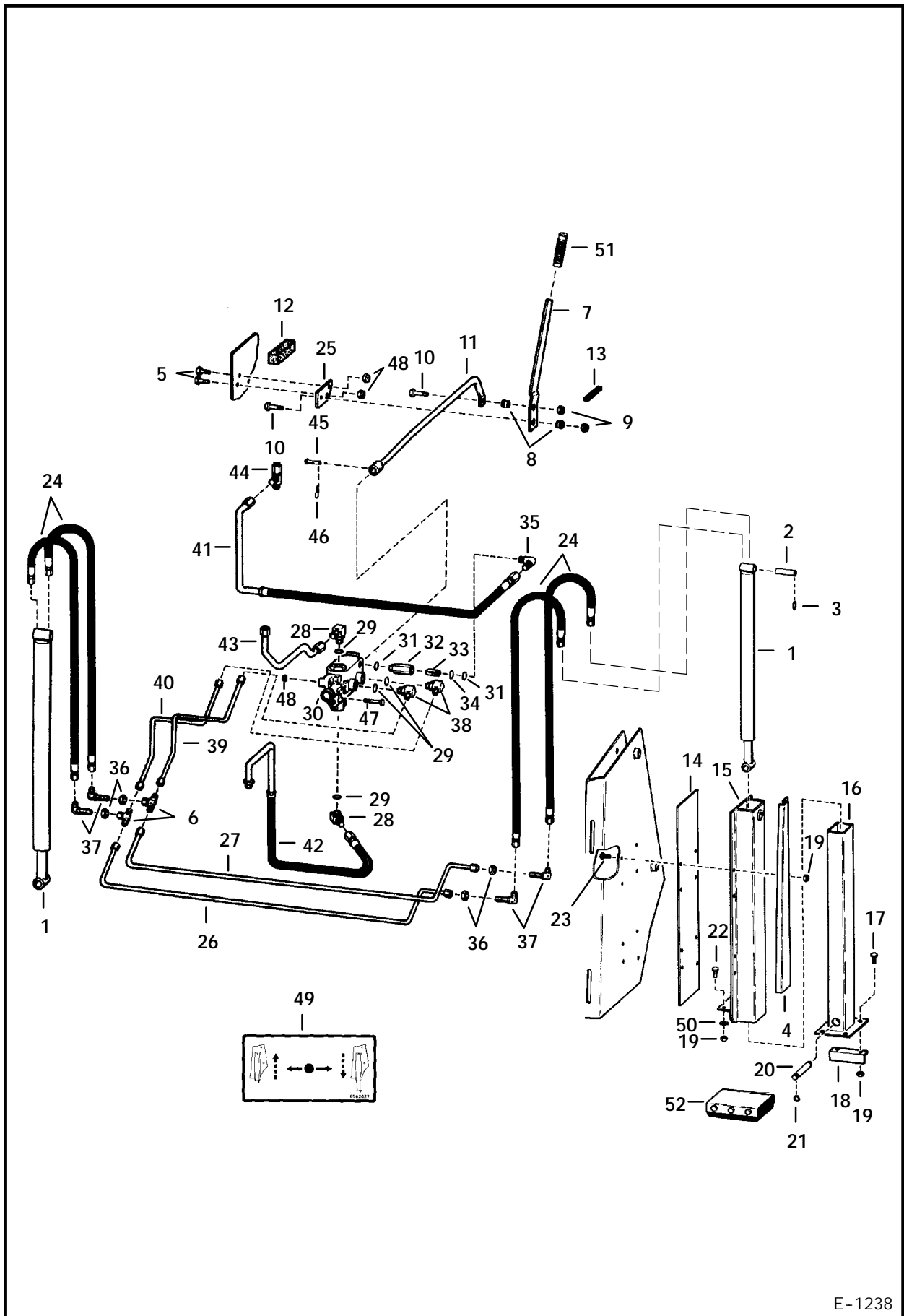
WEIGHT KIT - 200LBS
Used With G-Series Stabilizer Kit



MS-1316

REAR STABILIZER

Bolt On - 843 - S/N 14999 & Below

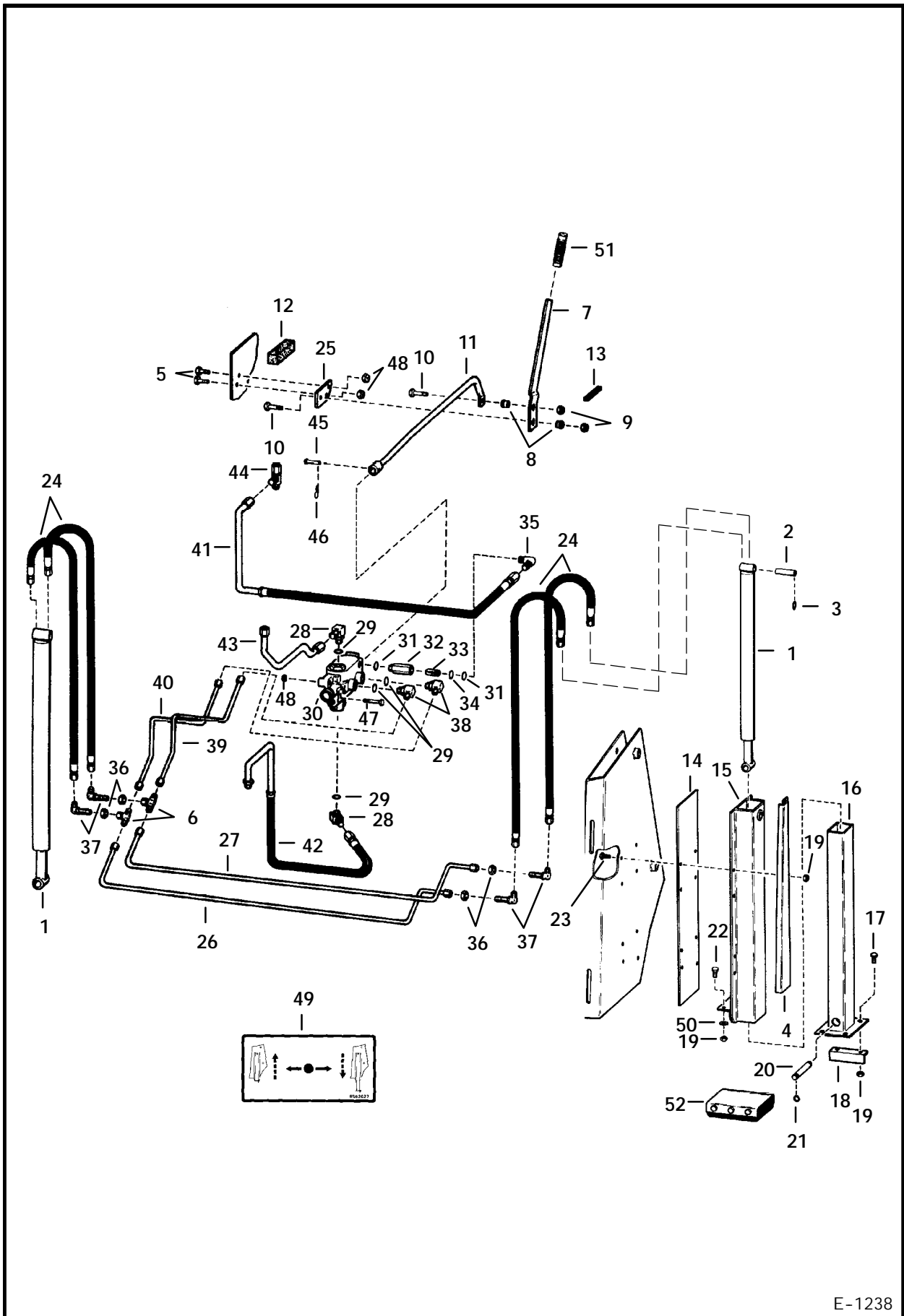


E-1238

REAR STABILIZER (Cont'd)
Bolt On - 843 - S/N 14999 & Below

Ref. No.	Part Number	Description	Remarks	Serial Number	Qty.
1		CYLINDER	See Page 852 & 854		2
2	6560668	PIN	Was 6560688 [A]		2
3	662770	SNAP RING			4
4	6563575	SHIELD	L.H.		1
	6563576	SHIELD	R.H.		1
5	17C-616	BOLT			2
6	14K-5	TEE			2
7	6564395	LEVER			1
8	6630081	BUSHING			2
9	85D-6	NUT			2
10	17C-624	BOLT			1
11	6560824	ROD			1
12	NAP	STRIP	Order 1 ft. (304,8mm) of 6554274 - Was 6560849 [A]		1
13	6560848	STRIP			1
14	6562677	PLATE			2
15	6562675	CHANNEL			2
16	6560664	TUBE			2
17	17C-824	BOLT			4
18	6560678	ANGLE			2
19	85D-10	NUT			12
20	6560669	PIN			2
21	1320431	SNAP RING	Was 6538286 [A]		4
22	17C-1032	BOLT			4
23	17C-1024	BOLT			16
24	1323249	HOSE			4
25	6560825	MOUNT			1
26	6563564	TUBE			1
27	6563563	TUBE			1
28	1302104	ELBOW	W/Ref. 29		2
29	79K-12	O-RING			4
30		VALVE	See Page 856		1
31	79K-10	O-RING			4
32	6559570	FITTING			1
33	6559571	CHECK VALVE	Was 6558571 [D]		1
34	25K-20022	O-RING			1
35	17K-7	ELBOW			1
36	86F-5	NUT			4
37	88F-5	ELBOW			4
38	1300913	ELBOW	W/Ref. 29		2
39	6563561	TUBE			1
40	6563562	TUBE			1
41	NAP	HOSE	Purchase locally - Was 6563936 [A]		1
42	6563935	HOSE			1
43	6563937	TUBE			1
44	13K-7	TEE			1
45	1319560	PIN			1
46	6513495	PIN			1
47	17C-640	BOLT			3
48	61D-6	NUT			5

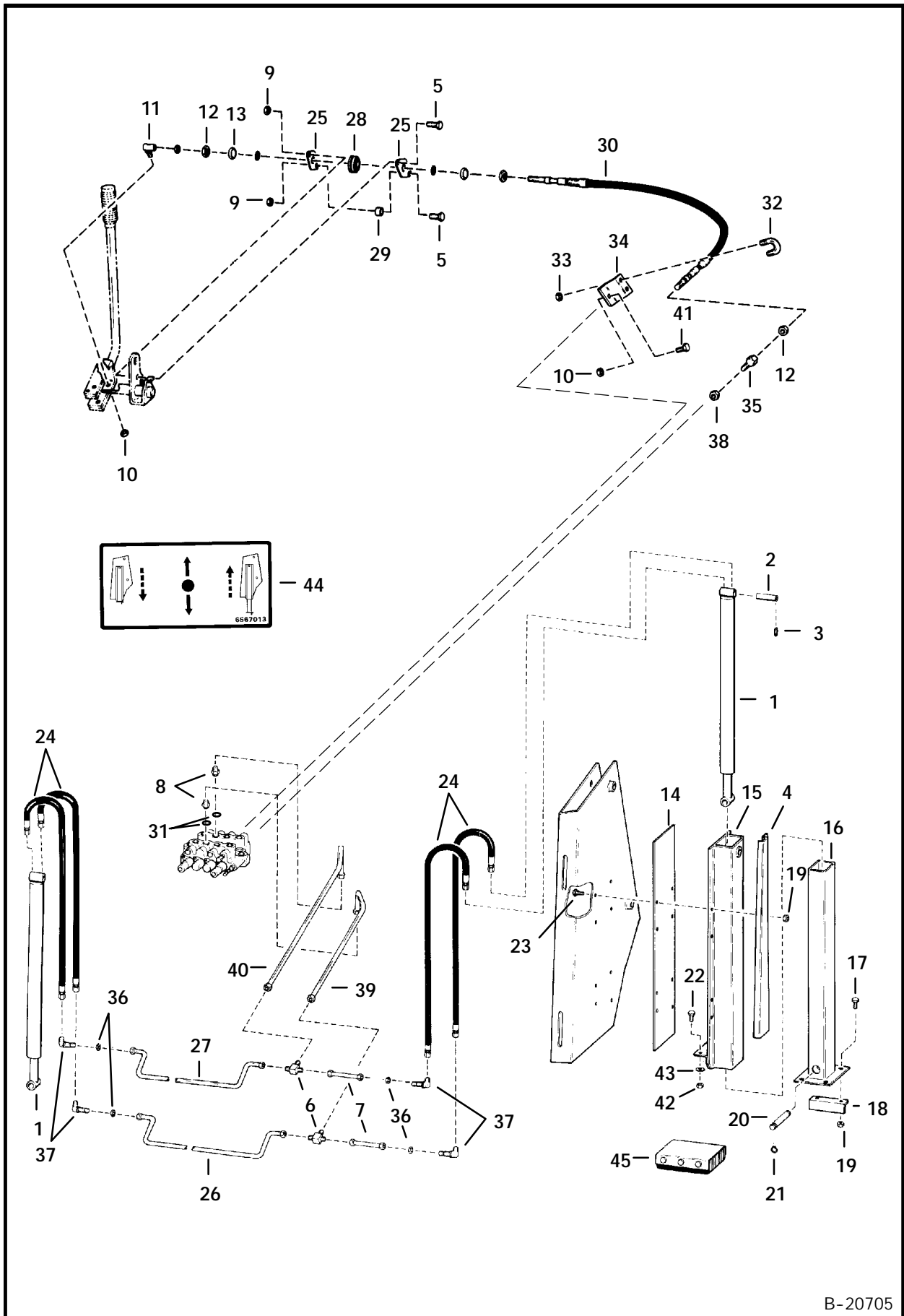
REAR STABILIZER (Cont'd)
 Bolt On - 843 - S/N 14999 & Below



E-1238

REAR STABILIZER

Bolt On - 843 - S/N 15001 & Above



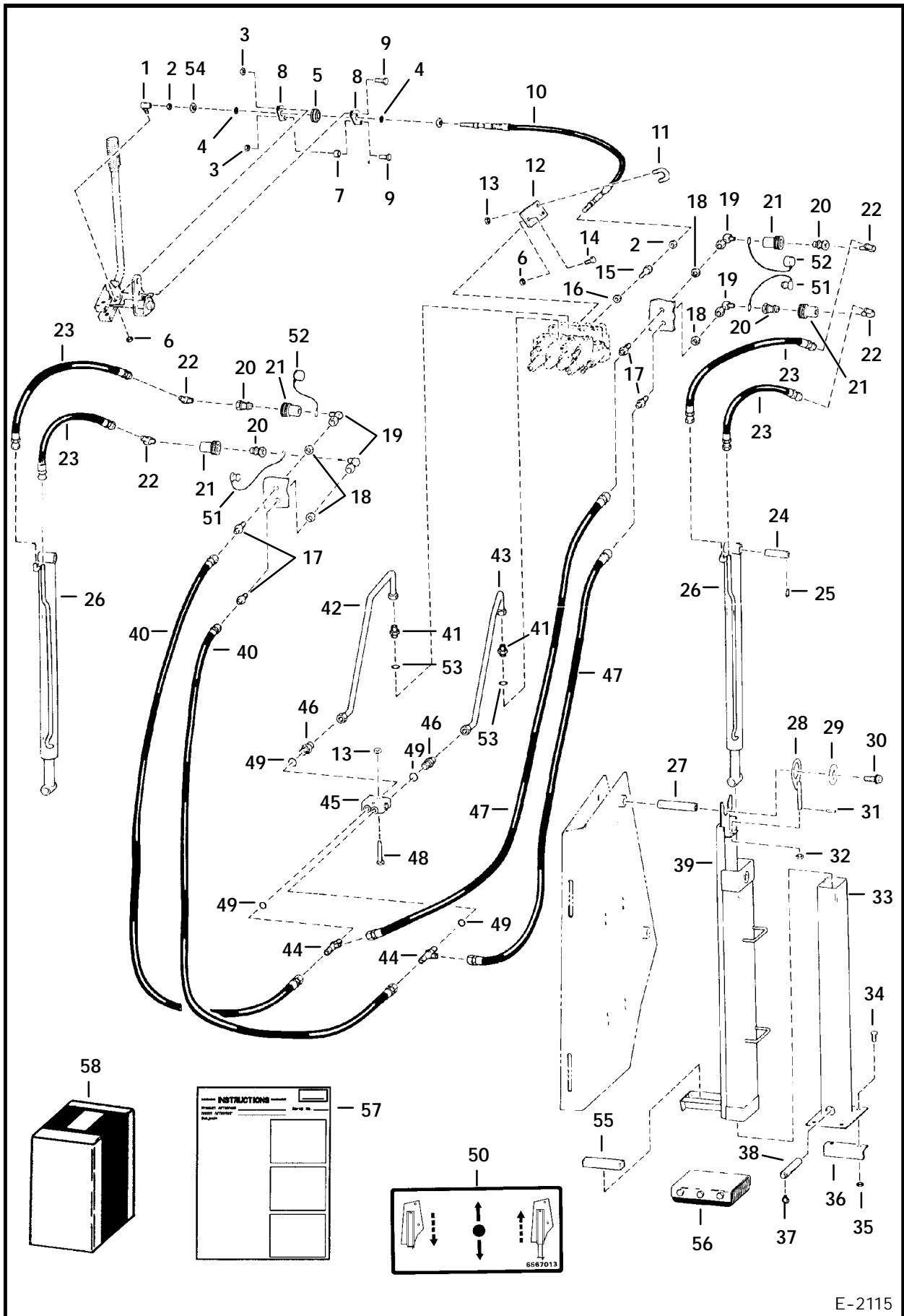
B-20705

REAR STABILIZER (Cont'd)
Bolt On - 843 - S/N 15001 & Above

Ref. No.	Part Number	Description	Remarks	Serial Number	Qty.
1		CYLINDER	See Page 852 & 854		2
2	6560668	PIN	Was 6560688 [A]		2
3	662770	SNAP RING			4
4	6563575	SHIELD	L.H.		1
	6563576	SHIELD	R.H.		1
5	17C-620	BOLT			2
6	2533675	TEE			2
7	6565906	TUBE			2
8	15K-7	ADAPTER	W/Ref. 31		2
9	85D-6	NUT			2
10	85D-4	NUT			1
11	6554858	BALL JOINT			1
12	8D-4	NUT			1
13	6564797	WASHER	spacer		2
14	6562677	PLATE			2
15	6562675	CHANNEL			2
16	6560664	TUBE			2
17	17C-824	BOLT			4
18	6560678	ANGLE			2
19	85D-8	NUT			12
20	6560669	PIN			2
21	1320431	SNAP RING	Was 6538286 [A]		4
22	17C-1032	BOLT			4
23	17C-1024	BOLT			16
24	1323249	HOSE			4
25	6567865	FLANGE			4
26	6567002	TUBE			1
27	6567001	TUBE			1
28	6631953	BEARING			1
29	6564798	SPACER			2
30	6599469	CABLE			2
31	79K-10	O-RING			4
32	6592766	U-BOLT			1
33	85D-5	NUT			2
34	6565006	MOUNT			1
35	6565005	ADAPTER			1
36	86F-5	NUT			4
37	88F-5	ELBOW			4
38	7D-4	NUT			1
39	6567655	TUBE			1
40	6567654	TUBE			1
41	17C-416	BOLT			1
42	85D-10	NUT			4
43	27E-10	WASHER			8
44	6567013	DECAL			1
45	6632446	PAD	street - Weld On - See BTI 235		1

REAR STABILIZER

Quick-Tach - 843 - S/N 15001 & Above



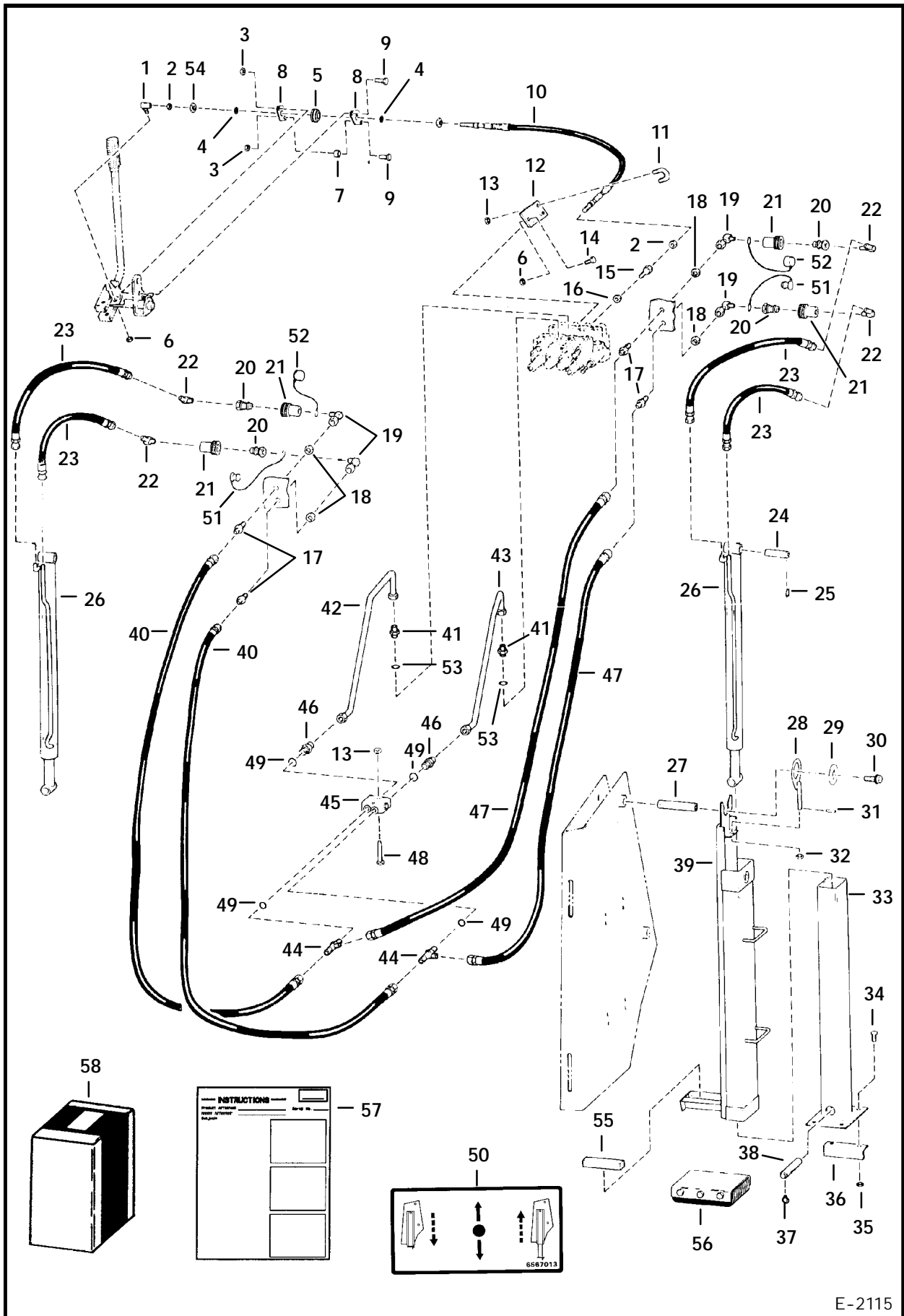
E-2115

REAR STABILIZER (Cont'd)
Quick-Tach - 843 - S/N 15001 & Above

Ref. No.	Part Number	Description	Remarks	Serial Number	Qty.
1	6554858	BALL JOINT			1
2	8D-4	NUT			2
3	85D-6	NUT			2
4	6564797	WASHER			2
5	6599643	BEARING	Was 6631953 [A]		1
6	85D-4	NUT			2
7	6564798	SPACER			1
8	6567865	FLANGE			2
9	17C-620	BOLT			2
10	6599469	CABLE			1
11	6592766	U-BOLT			1
12	6565006	MOUNT			1
13	85D-5	NUT			3
14	17C-416	BOLT			1
15	6565005	ADAPTER			1
16	7D-4	NUT			1
17	45K-5	ADAPTER			4
18	86F-5	NUT			4
19	1631632	ELBOW			4
20	2341398	QUICK COUPLER	Male		4
21	2342026	QUICK COUPLER	Female		4
22	25K-30018	O-RING			1
23	83F-5	ELBOW			4
23	6530884	HOSE	Was 5207800 [A]		4
24	6560668	PIN			2
25	662770	SNAP RING			4
26		CYLINDER	See Page 852 & 854		2
27	6567702	PIN			2
28	6578760	RETAINER	Was 6567080 [A]		2
29	6564692	WASHER			2
30	35C-816	BOLT			2
31	14J-1214	ROLL PIN			2
32	61D-10	NUT			2
33	6560664	TUBE			2
34	17C-824	BOLT			4
35	85D-8	NUT			4
36	6560678	ANGLE			2
37	1320431	SNAP RING	Was 6538286 [A]		4
38	6560669	PIN			2
39	6567697	CHANNEL			2
40	6563438	HOSE			2
41	15K-7	ADAPTER	W/Ref. 53	15001 - 23999	2
42	731795	ADAPTER	W/Ref. 53	24001 & Above	2
42	6567700	TUBE		15001 - 23999	1
42	6563438	HOSE		24001 & Above	1
43	6567701	TUBE		15001 - 23999	1
43	6563438	HOSE		24001 & Above	1
44	21K-5	TEE	W/Ref. 49		2
45	6630527	VALVE			1
45	6660645	SEAL KIT			1

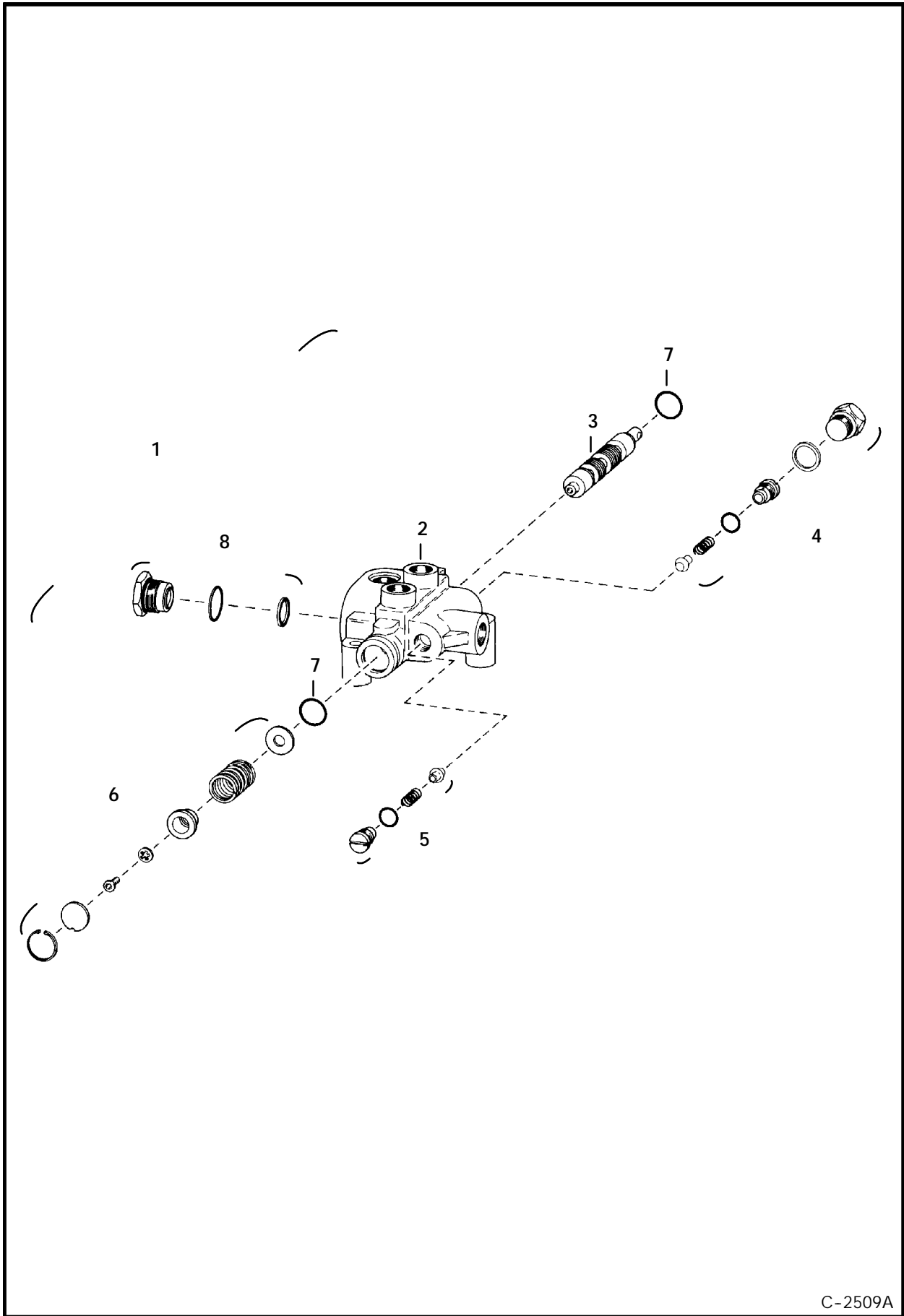
REAR STABILIZER (Cont'd)

Quick-Tach - 843 - S/N 15001 & Above



E-2115

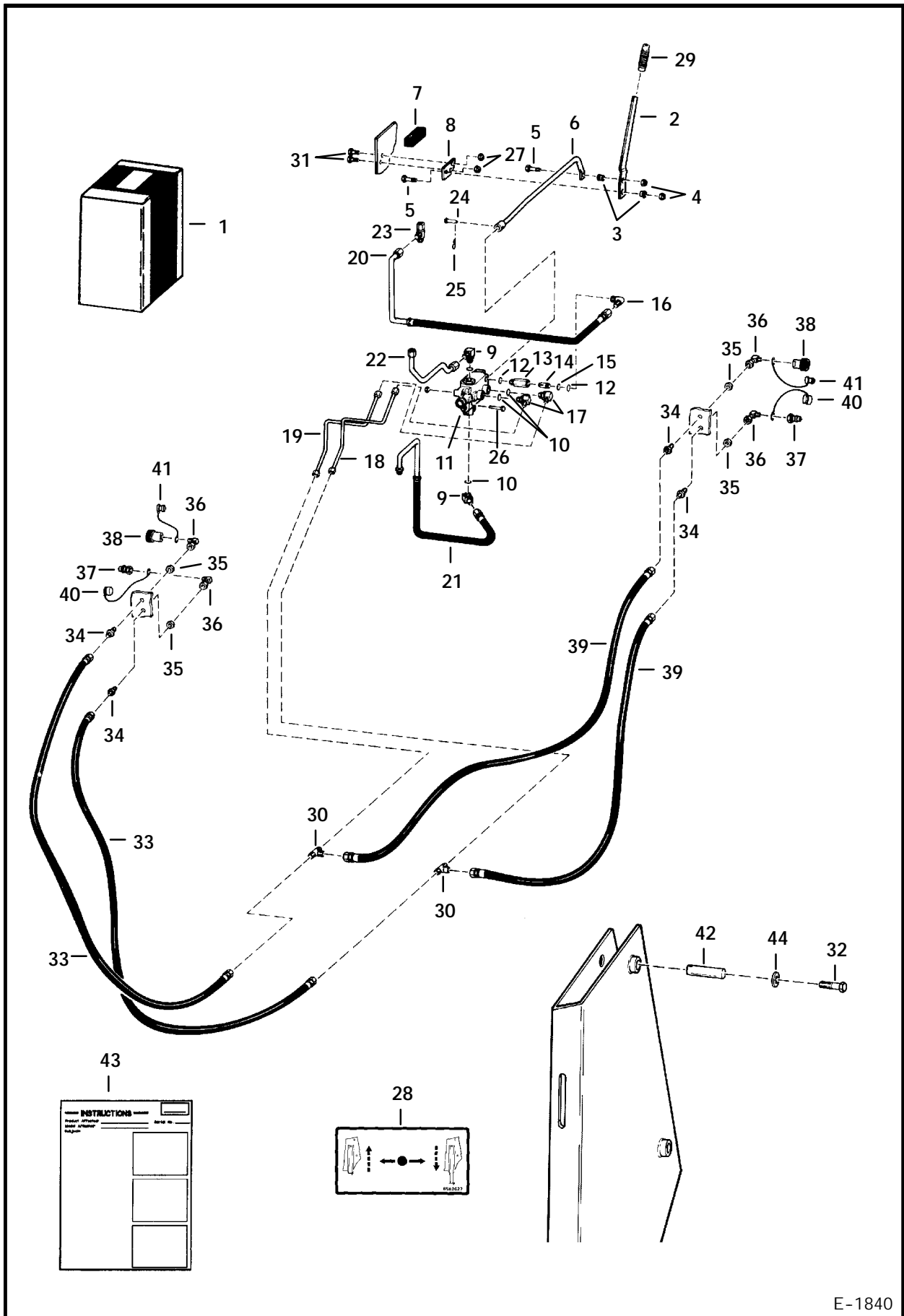
HYDRAULIC CONTROL VALVE
Stabilizer



C-2509A

HYDRAULIC KIT

Quick-Tach Stabilizer - 843 S/N 14999 & Below



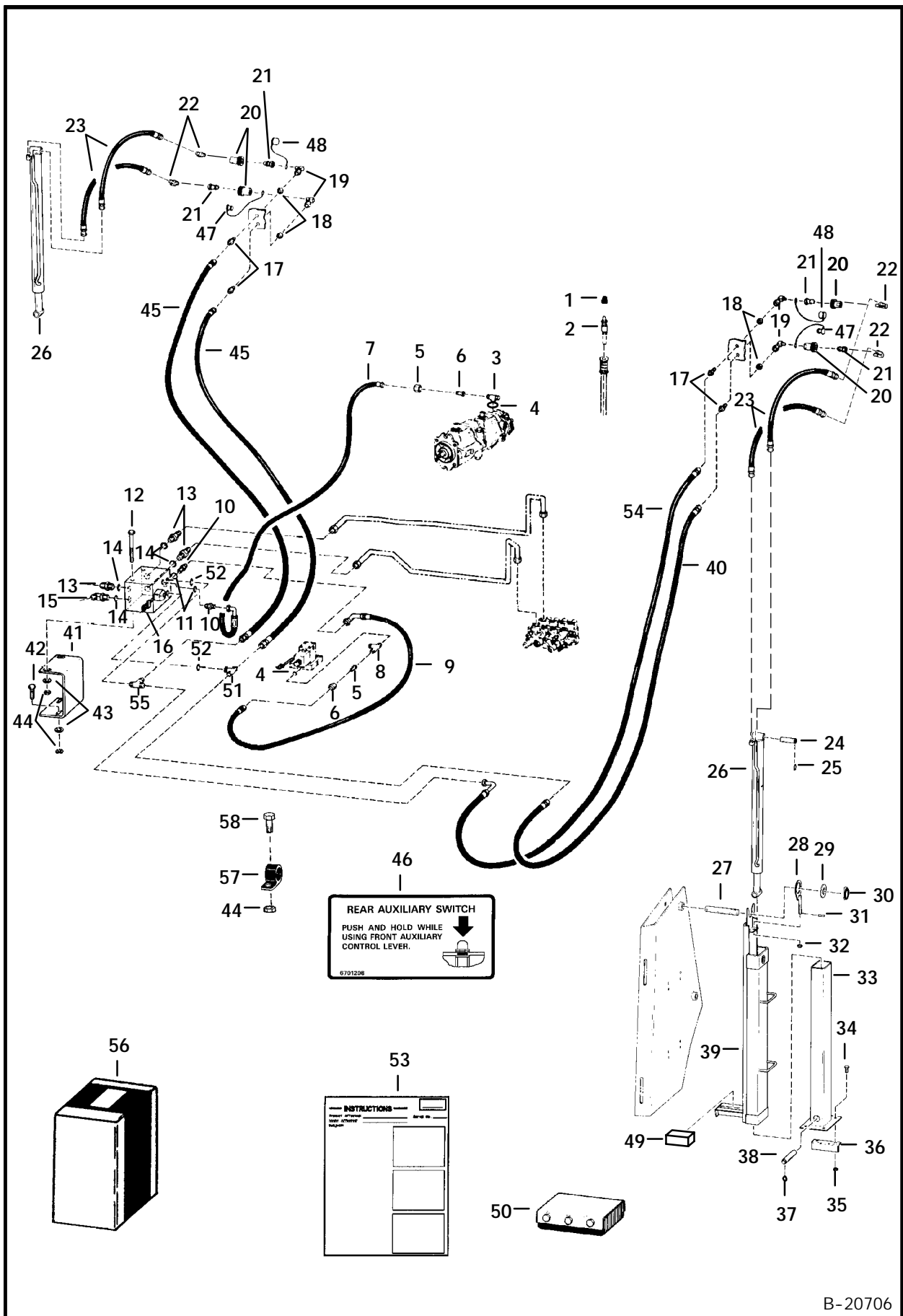
E-1840

HYDRAULIC KIT (Cont'd)
Quick-Tach Stabilizer - 843 S/N 14999 & Below

Ref. No.	Part Number	Description	Remarks	Serial Number	Qty.
1	NAP	KIT	Ref. 2 - 44 - Was 6577387 [A]		1
2	6564395	LEVER			1
3	6630081	BUSHING			2
4	85D-6	NUT			2
5	17C-624	BOLT			1
6	6560824	ROD			1
7	6560849	STRIP			1
8	6560825	MOUNT			1
9	1302104	ELBOW	W/Ref. 10		2
10	79K-12	O-RING			4
11	6513713	VALVE	See Page 856		1
12	79K-10	O-RING			x
13	6559570	FITTING			1
14	6559571	CHECK VALVE			1
15	25K-20022	O-RING			1
16	17K-7	ELBOW			1
17	1300913	ELBOW	W/Ref. 10		2
18	6563561	TUBE			1
19	6563562	TUBE			1
20	NAP	HOSE	Purchase locally - Was 6563936 [A]		1
21	6563935	HOSE			1
22	6563937	TUBE			1
23	13K-7	TEE			1
24	1319560	PIN			1
25	6513495	PIN			1
26	17C-640	BOLT			3
27	61D-6	NUT			5
28	6562627	DECAL			1
29	6557730	GRIP			1
30	10K-5	TEE			2
31	17C-616	BOLT			2
32	35C-816	BOLT			2
33	6563438	HOSE			2
34	45K-5	ADAPTER			4
35	86F-5	NUT			4
36	1631632	ELBOW			4
37	2341398	QUICK COUPLER	Male		2
38	2342026	QUICK COUPLER	Female		2
	25K-30018	O-RING			1
39	6563437	HOSE			2
40	1513549	CAP			2
41	1519324	PLUG			2
42	6567702	PIN			2
43	6570550	INSTRUCTIONS			1
44	6564692	WASHER			2

REAR STABILIZER

Quick-Tach - 843 HHH S/N 50450 & Above



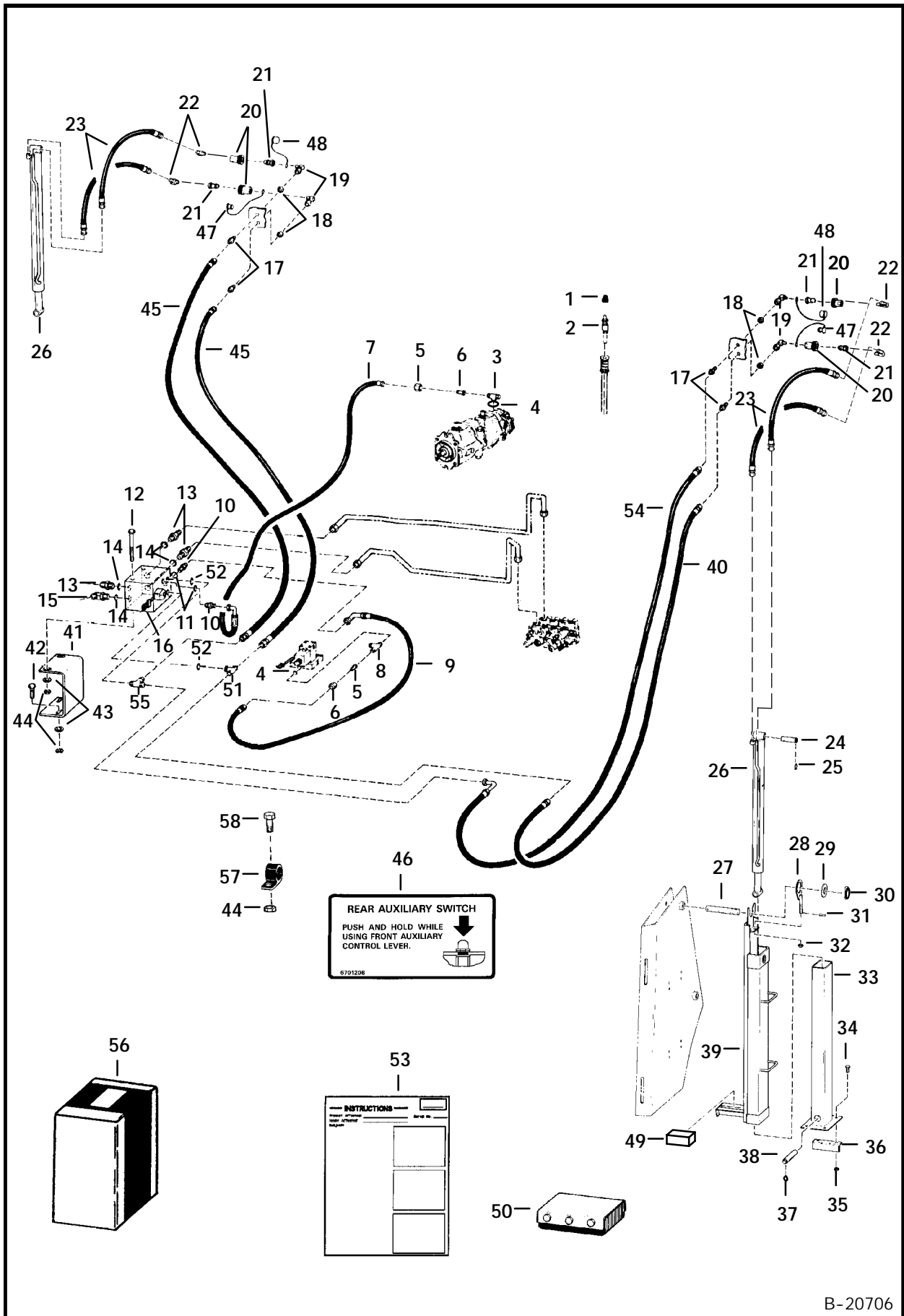
B-20706

REAR STABILIZER (Cont'd)
Quick-Tach - 843 HHH S/N 50450 & Above

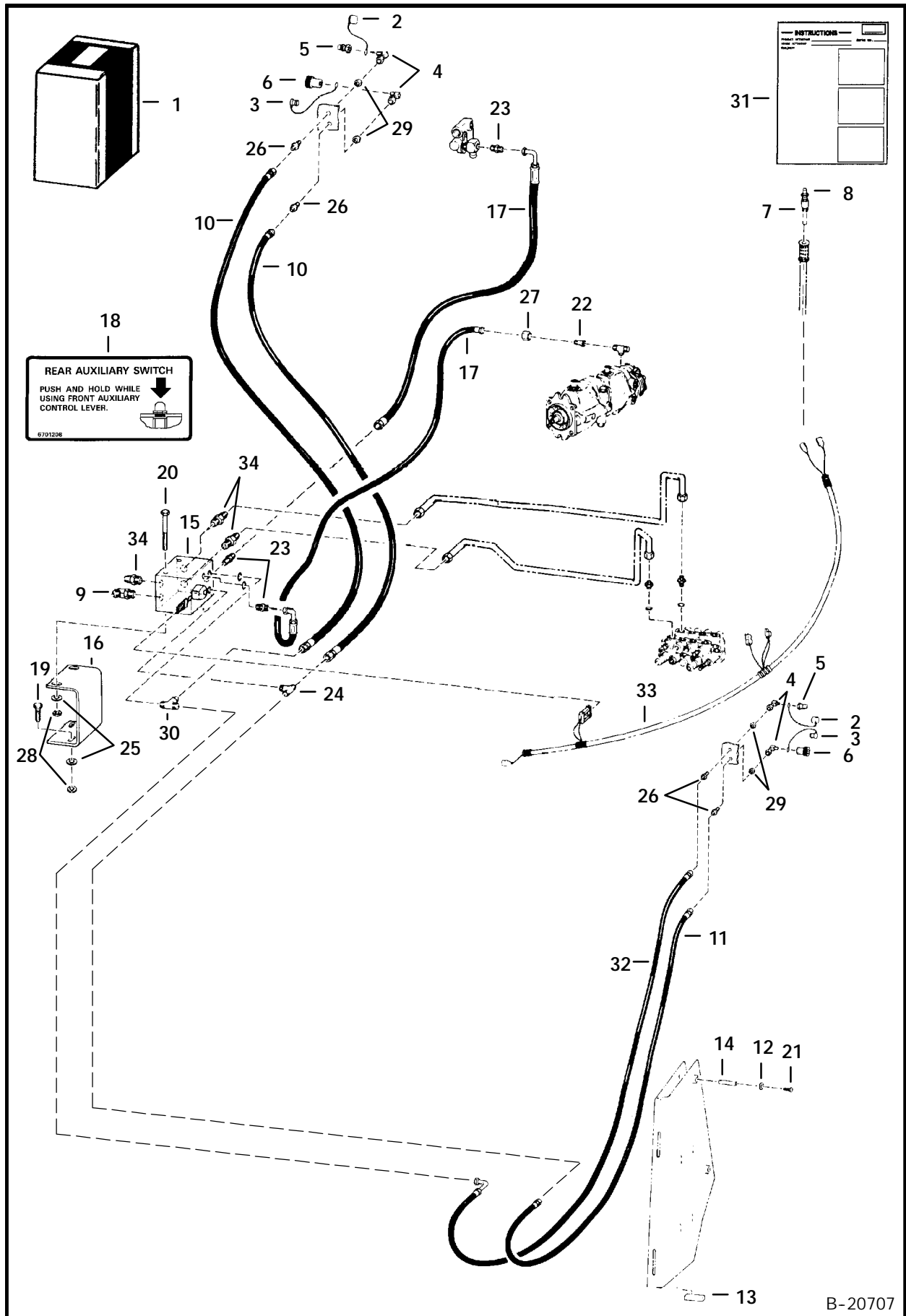
Ref. No.	Part Number	Description	Remarks	Serial Number	Qty.
1	6660205	SEAL	Was 6513483 [A]		1
2	6513482	SWITCH			1
3	19K-7	TEE	W/Ref. 4		1
4	79K-10	O-RING			x
5	80F-7	NUT			2
6	9K-4	ADAPTER			2
7	6701203	HOSE			1
8	21K-7	TEE	W/Ref. 4		1
9	6578643	HOSE			1
10	15K-3	ADAPTER	W/Ref. 11		2
11	79K-4	O-RING			x
12	17C-680	BOLT			4
13	755055	ADAPTER	W/Ref. 14		3
14	79K-12	O-RING			x
15	6515589	ELBOW	W/Ref. 14		1
16		VALVE	diverter - See Page 904		1
17	45K-5	ADAPTER			4
18	86F-5	NUT			4
19	1631632	ELBOW			4
20	2341398	QUICK COUPLER	Male		4
21	2342026	QUICK COUPLER	Female		4
22	25K-30018	O-RING			1
23	83F-5	ELBOW			4
23	6530884	HOSE	Was 5207800 [A]		4
24	6560668	PIN			2
25	662770	SNAP RING			4
26		CYLINDER	See Page 852 & 854		2
27	6567702	PIN			2
28	6703819	RETAINER	Was 6578760 [A]		2
29	6564692	WASHER			2
30	17C-816	BOLT			2
31	14J-1214	ROLL PIN			2
32	61D-10	NUT			2
33	6560664	TUBE			2
34	17C-824	BOLT			4
35	85D-8	NUT			4
36	6560678	ANGLE			2
37	1320431	SNAP RING	Was 6538286 [A]		4
38	6560669	PIN			2
39	6567697	CHANNEL			2
40	6563438	HOSE			2
41	6701167	MOUNT			1
42	17C-624	BOLT			2
43	25E-18	WASHER			4
44	85D-6	NUT			4
45	6563437	HOSE			2
46	6701208	DECAL			1
47	1513549	CAP			2
48	1519324	PLUG			2
49	6567082	BLOCK	weld-on		2
50	6632446	PAD	street - weld-on - See BTI 235		2

REAR STABILIZER (Cont'd)

Quick-Tach - 843 HHH S/N 50450 & Above



REAR AUXILIARY HYDRAULIC KIT 843B

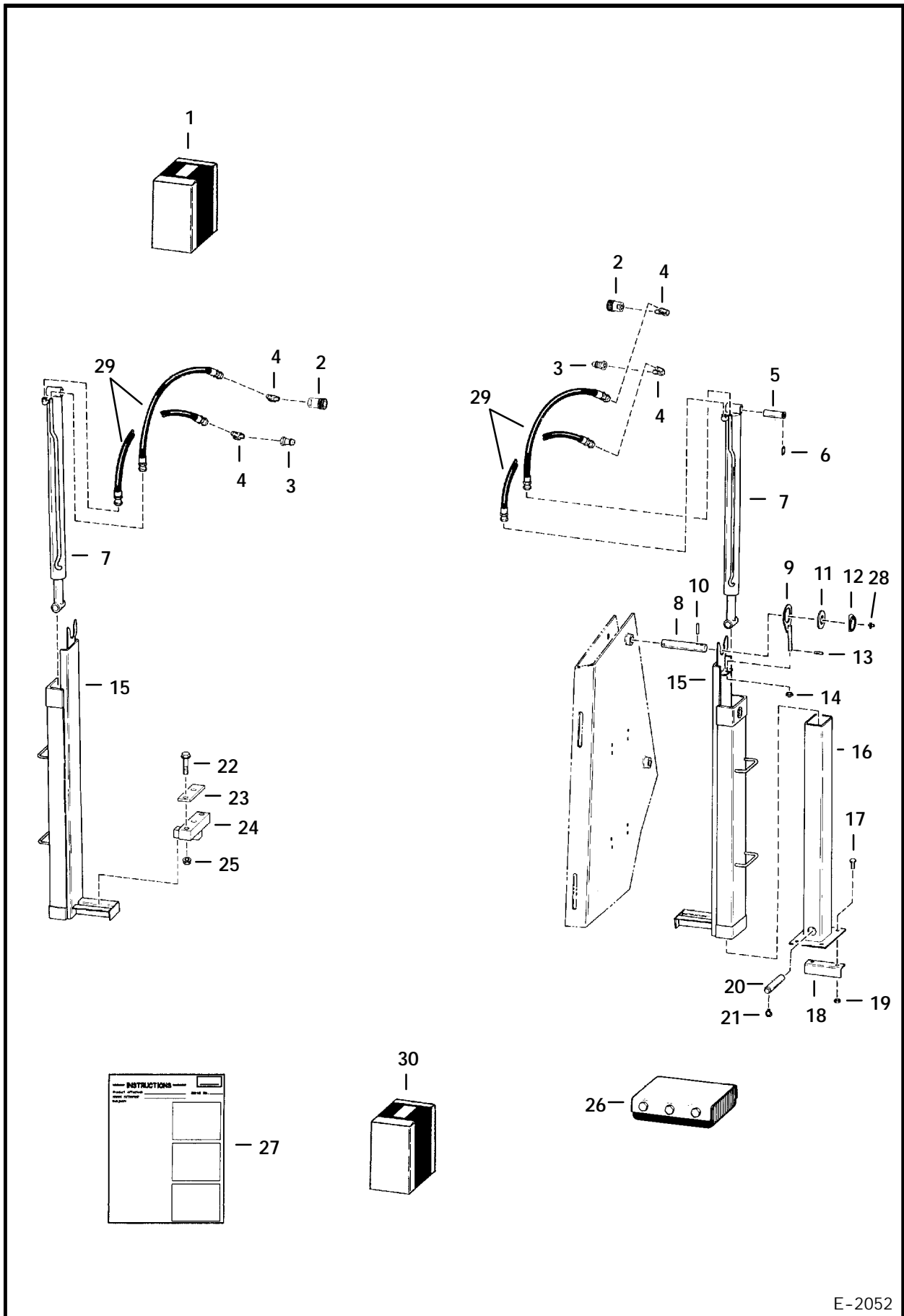


B-20707

REAR AUXILIARY HYDRAULIC KIT (Cont'd)
843B

Ref. No.	Part Number	Description	Remarks	Serial Number	Qty.
1	6702627	KIT	Was SALES		1
2	1513549	CAP			2
3	1519324	PLUG	coupler		2
4	1631632	ELBOW			4
5	2341398	QUICK COUPLER	Male		2
6	2342026	QUICK COUPLER	Female		2
7	6513482	SWITCH			1
8	6660205	SEAL	Was 6513483 [A]		1
9	6515589	ELBOW			1
10	6563437	HOSE			2
11	6563438	HOSE			1
12	6564692	WASHER			2
13	6567082	BLOCK	Mounting		2
14	6567702	PIN			2
15	6649686	VALVE	Diverter - Was 6549686 [D]		1
16	6701167	MOUNT	Diverter Valve		1
17	6701203	HOSE			2
18	6701208	DECAL			1
19	17C-624	BOLT			2
20	17C-680	BOLT			2
21	17C-816	BOLT			2
22	9K-4	ADAPTER			1
23	15K-3	ADAPTER			3
24	19K-5	TEE			1
25	25E-18	WASHER			4
26	45K-5	ADAPTER			4
27	80F-7	NUT			1
28	85D-6	NUT			4
29	86F-5	NUT			4
30	21K-5	TEE			1
31	6720314	INSTRUCTION			1
32	6537282	HOSE			1
33	6702963	HARNESS			1
34	755055	ADAPTER			3

REAR STABILIZER 853 & 863

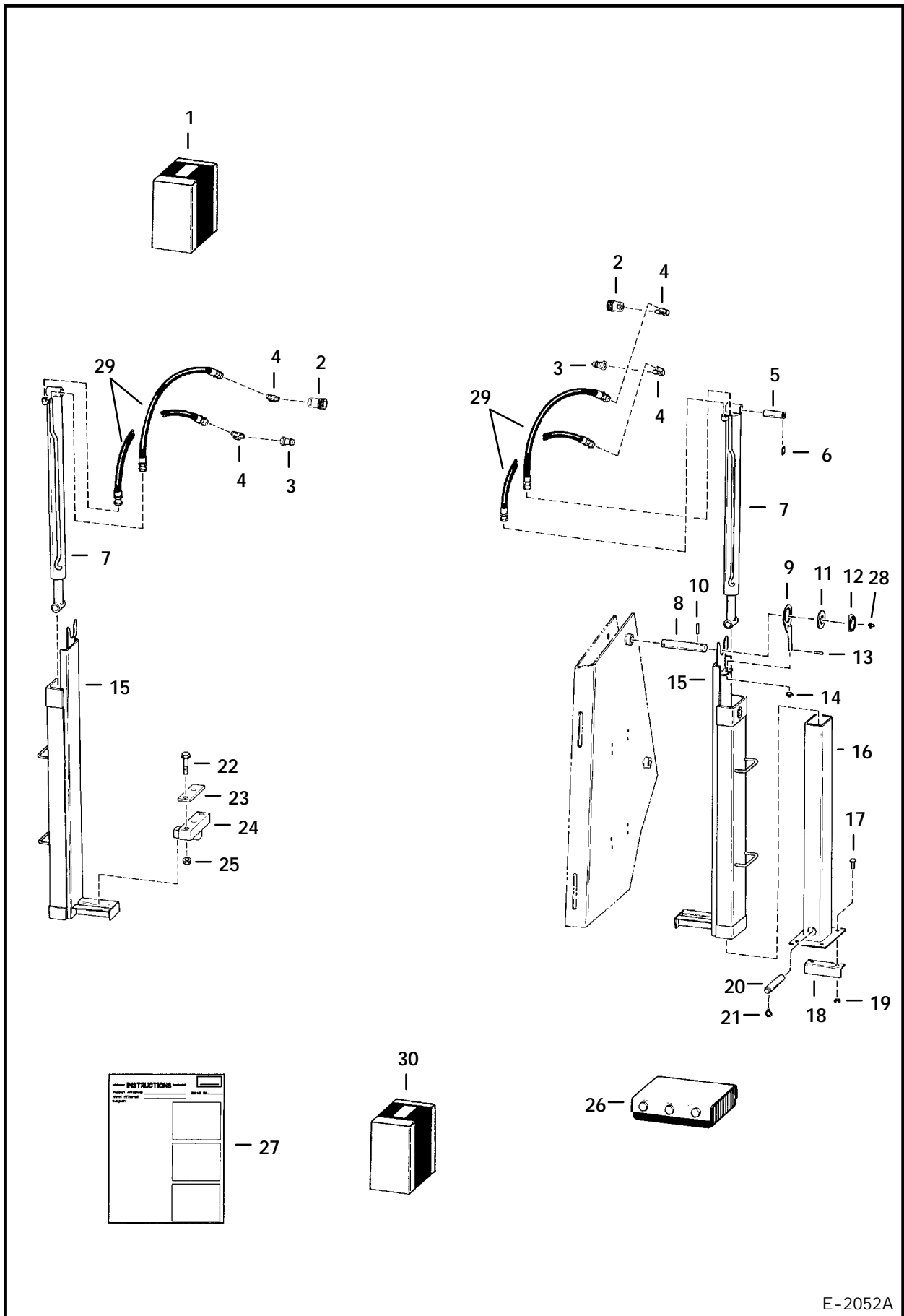


E-2052

REAR STABILIZER (Cont'd)
853 & 863

Ref. No.	Part Number	Description	Remarks	Serial Number	Qty.
1	SALES	KIT	rear stabilizer - W/Ref. 2 - 29 - Sales #6711748		1
2	2342026	QUICK COUPLER	female - poppet		2
3	6667803	QUICK COUPLER	female - flush face		2
	2341398	QUICK COUPLER	male - poppet		2
	6667804	QUICK COUPLER	male - flush face		2
4	6669657	O-RING			2
	83F-5	ELBOW	used with poppet couplers		4
	17K-5	ELBOW	used with flush face couplers		4
5	6560668	PIN			2
6	662770	SNAP RING			4
7		CYLINDER	See Page 854		2
8	NAP	PIN	Order 6713054 -Was 6701015 [A]		2
	6713054	PIN	with grease zerk hole		2
9	6703819	RETAINER	Was 6578760 [A]		2
10	14J-3732	ROLL PIN			2
11	6578768	WASHER			2
12	6560382	PIN	ring lock		2
13	14J-1214	ROLL PIN			2
14	61D-10	NUT			4
15	6701008	CHANNEL			2
16	6560664	TUBE			2
17	17C-824	BOLT			4
18	6560678	ANGLE			2
19	85D-8	NUT			4
20	6560669	PIN			2
21	1320431	SNAP RING			4
22	31C-1256	BOLT			6
23	6701014	SPACER			2
24	6701016	MOUNT			2
25	83D-12	NUT			4
26	6632446	PAD	Street - Weld On - See BTI 235		2
27	6720254	INSTRUCTIONS			1
28	10H-25	GREASE ZERK			2
29	6530884	HOSE	Was 5207800 [A]		4
30*	6718960AR	KIT	translation		1
*	6718960BR	KIT	translation		1
*	6720254AR	INSTRUCTIONS	translated		1
*	6720254BR	INSTRUCTIONS	translated		1

*REAR STABILIZER
863G & 864G

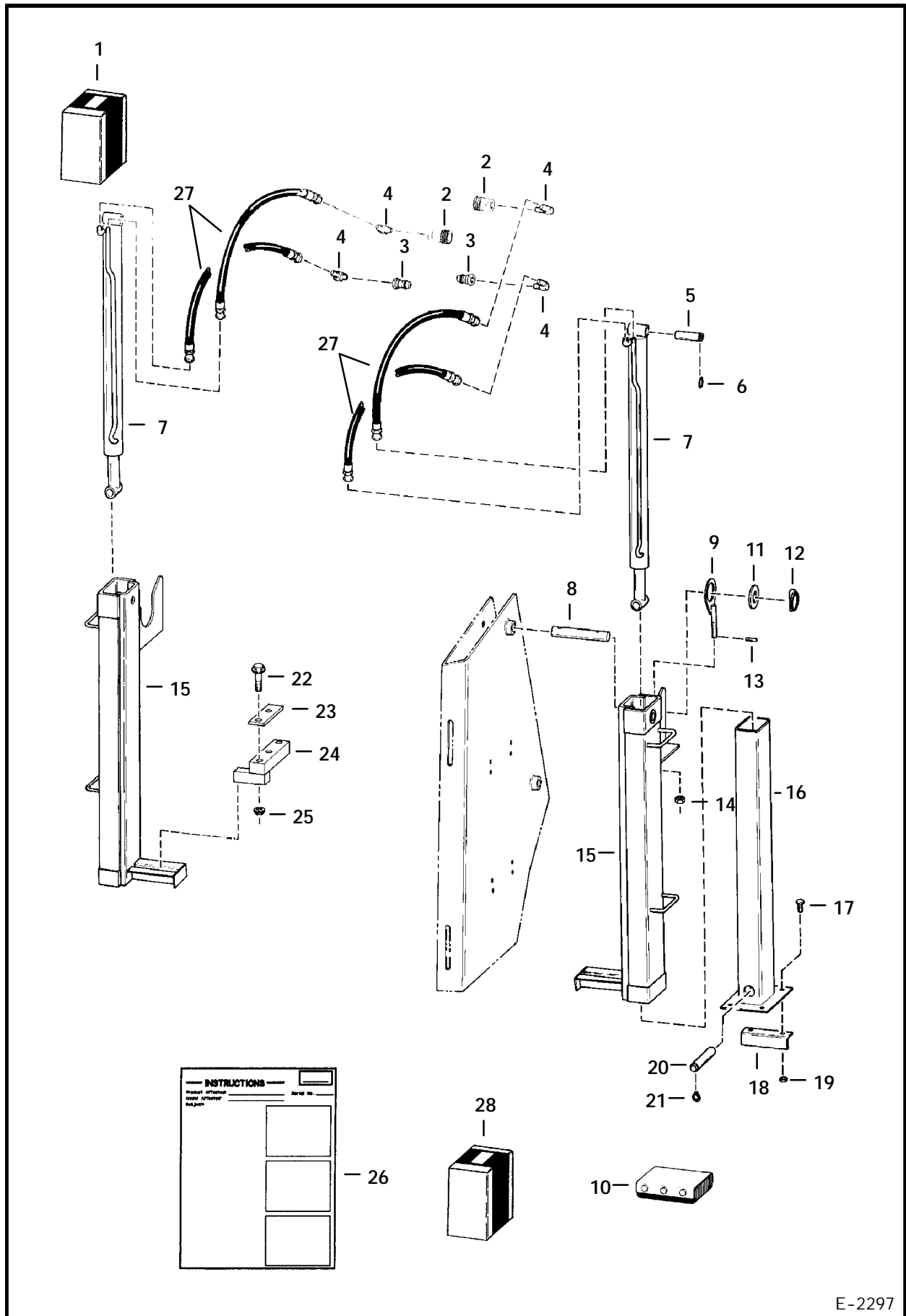


E-2052A

***REAR STABILIZER (Cont'd)**
863G & 864G

Ref. No.	Part Number	Description	Remarks	Serial Number	Qty.
1*	SALES	KIT	rear stabilizer - W/Ref. 2 - 29 - Sales #6719594		1
2*	6667803	QUICK COUPLER	female - flush face		2
3*	6667804	QUICK COUPLER	male - flush face		2
*	6669657	O-RING			2
4*	17KV-5	ELBOW			4
5*	6560668	PIN			2
6*	662770	SNAP RING			4
7*		CYLINDER	See Page 854		2
8*	6719546	PIN			2
9*	6719556	RETAINER			2
10*	14J-3732	ROLL PIN			2
11*	6719545	WASHER			2
12*	6668928	PIN	ring lock		2
13*	14J-1214	ROLL PIN			2
14*	61D-10	NUT			4
15*	6719548	CHANNEL			2
16*	6560664	TUBE			2
17*	17C-824	BOLT			4
18*	6560678	ANGLE			2
19*	85D-8	NUT			4
20*	6560669	PIN			2
21*	1320431	SNAP RING			4
22*	31C-1256	BOLT			6
23*	6701014	SPACER	used on 863 - with 2 holes		2
*	6725534	SPACER	used on 864 - with 3 holes		2
24*	6725603	MOUNT			2
25*	83D-12	NUT			4
26*	6632446	PAD	Street - Weld On - See BTI 235		2
27*	6720254	INSTRUCTIONS			1
28*	10H-25	GREASE ZERK			2
29*	6530884	HOSE			4
30*	6718960AR	KIT	translation		1
*	6718960BR	KIT	translation		1
*	6720254AR	INSTRUCTIONS	translated		1
*	6720254BR	INSTRUCTIONS	translated		1

REAR STABILIZER 873



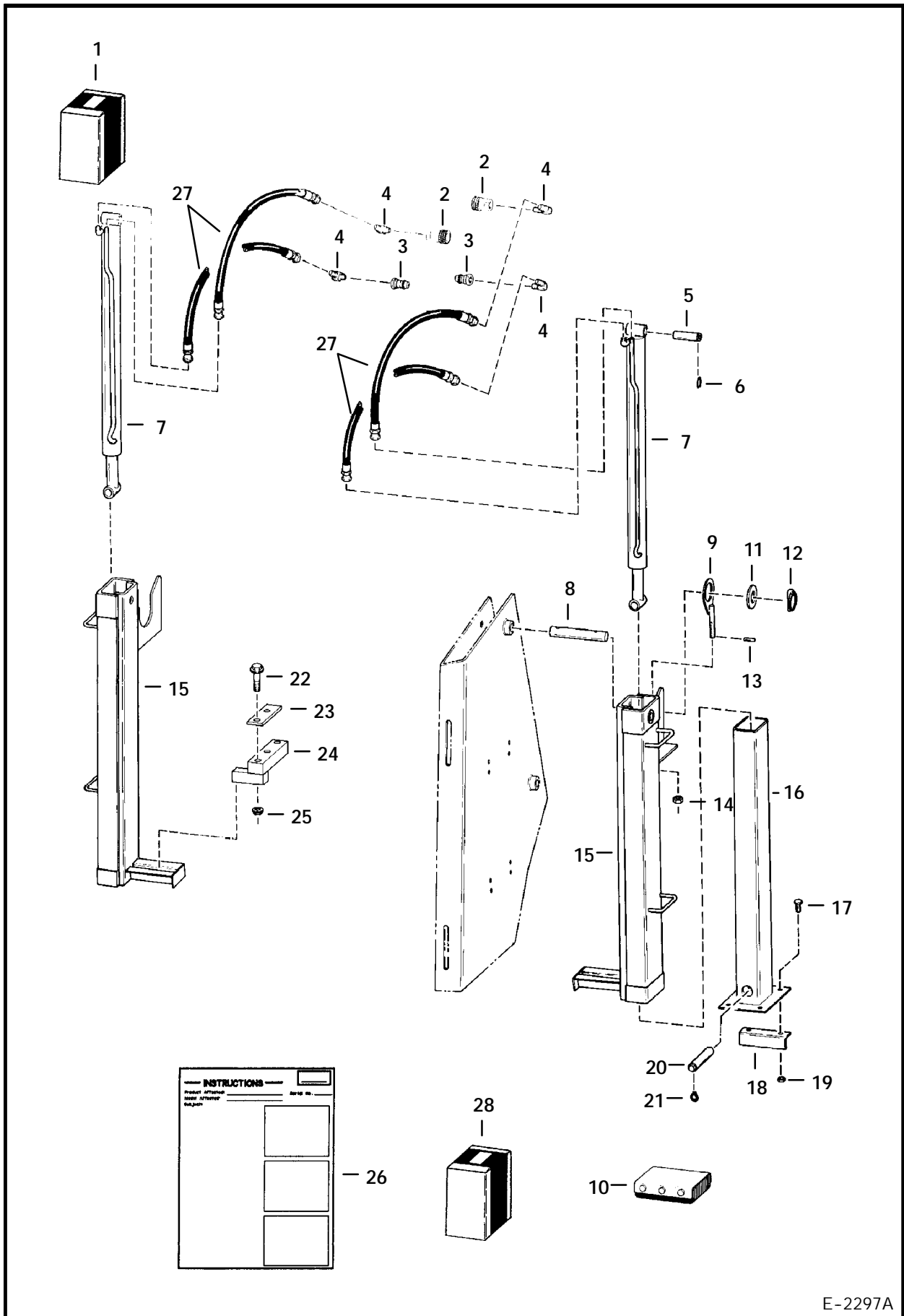
E-2297

REAR STABILIZER (Cont'd)

873

Ref. No.	Part Number	Description	Remarks	Serial Number	Qty.
1	SALES	KIT	rear stabilizer - W/Ref. 2 - 27 - Sales #6711750		1
2	6648967	QUICK COUPLER	female - poppet		2
3	6667803	QUICK COUPLER	female - flush face		2
	6648969	QUICK COUPLER	male - poppet		2
	6667804	QUICK COUPLER	male - flush face		2
4	6669657	O-RING			2
	17K-5	ELBOW			4
5	6560668	PIN			2
6	662770	SNAP RING			4
7		CYLINDER	See Page 854		2
8	6707813	PIN			2
9	6703819	RETAINER			2
10	6632446	PAD	Street - Weld On - See BTI 235		2
11	6578768	WASHER			2
12	6560382	PIN	ring lock		2
13	14J-1214	ROLL PIN			2
14	61D-10	NUT			4
15	6707795	CHANNEL			1
	6707796	CHANNEL			1
16	6560664	TUBE			2
17	17C-824	BOLT			4
18	6560678	ANGLE			2
19	85D-8	NUT			4
20	6560669	PIN			2
21	1320431	SNAP RING			4
22	31C-1256	BOLT			6
23	6706465	SPACER			2
24	6706456	MOUNT	R.H.		1
	6706457	MOUNT	L.H.		1
25	83D-12	NUT			4
26	6570919	INSTRUCTIONS			1
27	6578173	HOSE			4
28*	6718959AR	KIT	translation		1
*	6718959BR	KIT	translation		1
*	6570919AR	INSTRUCTION	translated		1
*	6570919BR	INSTRUCTION	translated		1

*REAR STABILIZER
873G

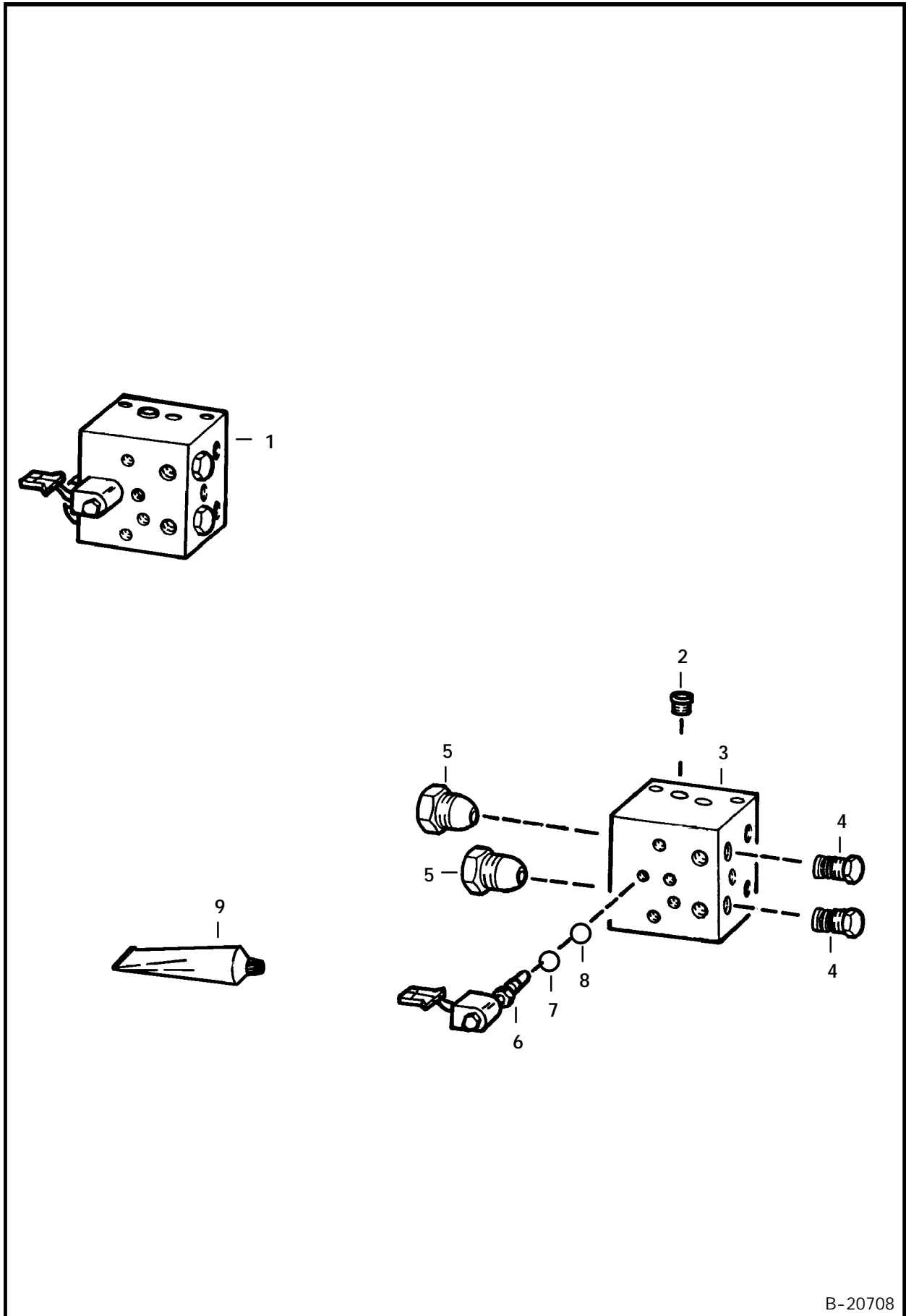


E-2297A

***REAR STABILIZER (Cont'd)**
873G

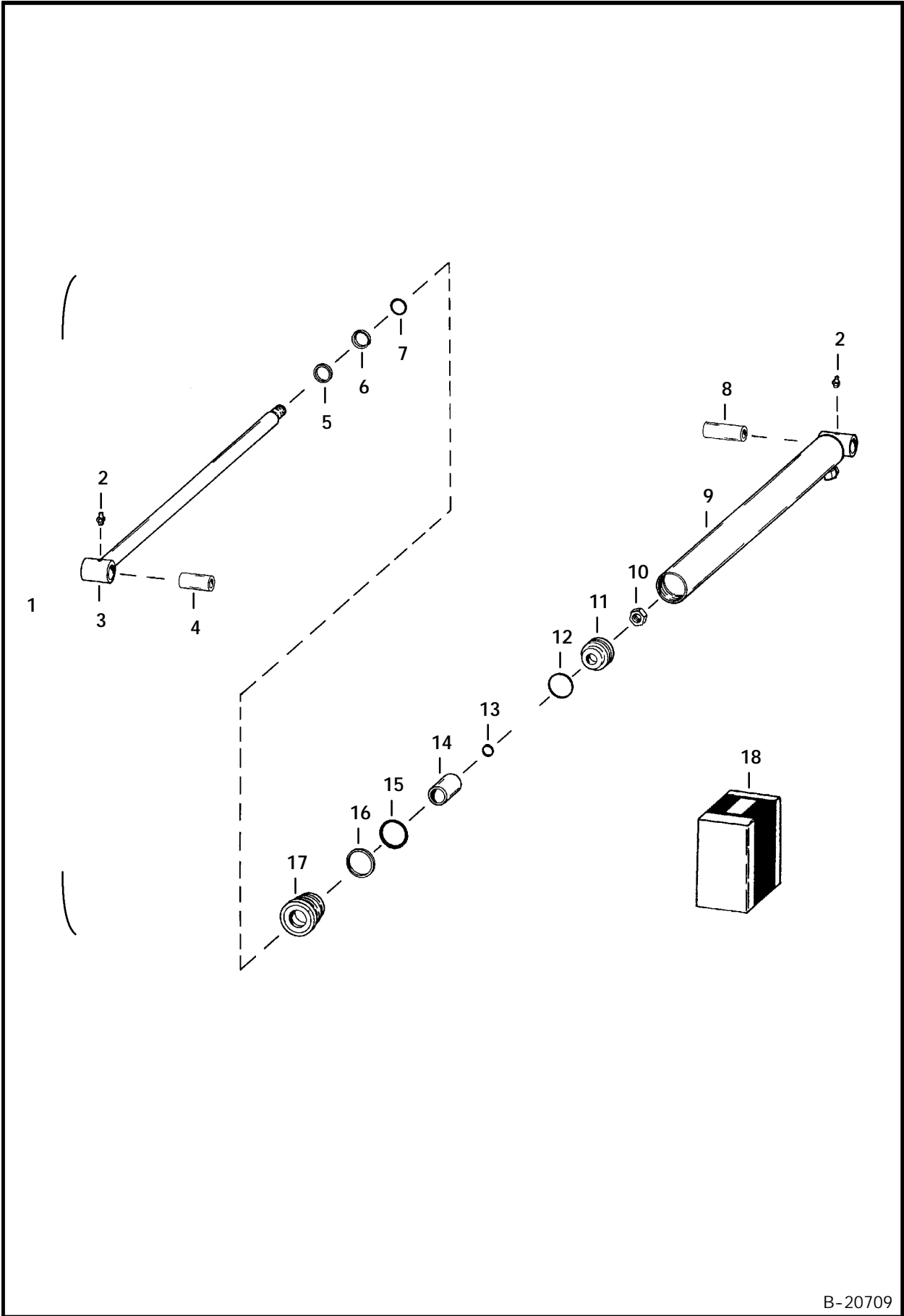
Ref. No.	Part Number	Description	Remarks	Serial Number	Qty.
1*	SALES	KIT	rear stabilizer - W/Ref. 2 - 27 - Sales #6719820		1
2*	6667803	QUICK COUPLER	female - flush face		2
3*	6667804	QUICK COUPLER	male - flush face		2
* 4*	6669657 17KV-5	O-RING ELBOW			2 4
5*	6560668	PIN			2
6*	662770	SNAP RING			4
7		CYLINDER	See Page 854		2
8*	6719824	PIN			2
9*	6703819	RETAINER			2
10*	6632446	PAD	Street - Weld On - See BTI 235		2
11*	6719832	WASHER			2
12*	6668928	PIN	ring lock		2
13*	14J-1214	ROLL PIN			2
14*	61D-10	NUT			4
15*	6707795	CHANNEL			1
* 15*	6707796	CHANNEL			1
16*	6560664	TUBE			2
17*	17C-824	BOLT			4
18*	6560678	ANGLE			2
19*	85D-8	NUT			4
20*	6560669	PIN			2
21*	1320431	SNAP RING			4
22*	31C-1256	BOLT			6
23*	6706465	SPACER			2
24*	6706456	MOUNT	R.H.		1
* 25*	6706457 83D-12	MOUNT NUT	L.H.		1 4
26*	6570919	INSTRUCTIONS			1
27*	6578173	HOSE			4
28*	6718959AR	KIT	translation		1
* 28*	6718959BR	KIT	translation		1
* * 28*	6570919AR 6570919BR	INSTRUCTION INSTRUCTION	translated translated		1 1

REAR AUXILIARY VALVE
Rear Stabilizer



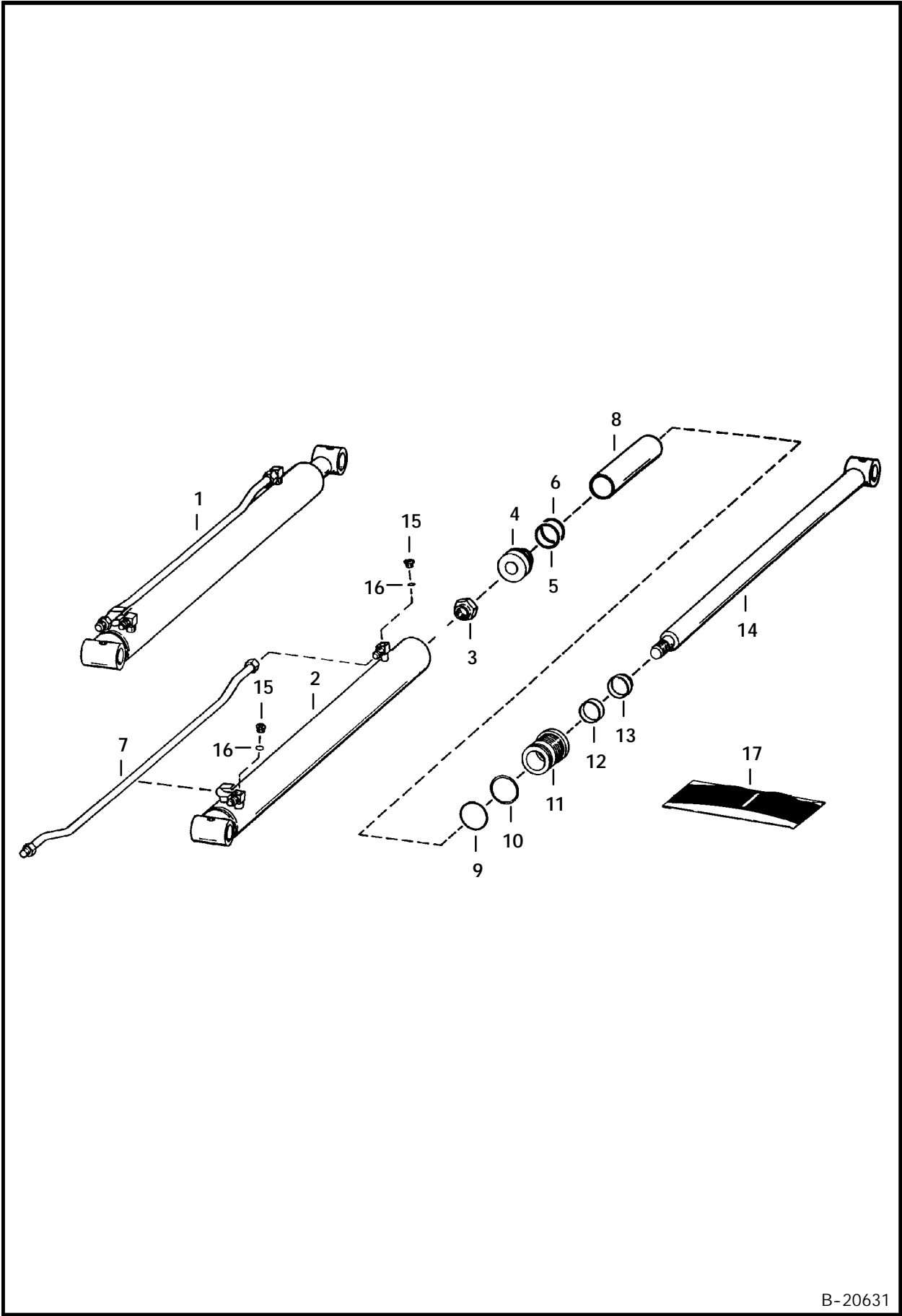
B-20708

HYDRAULIC CYLINDER
Rear Stabilizer - W/Weld on Tube



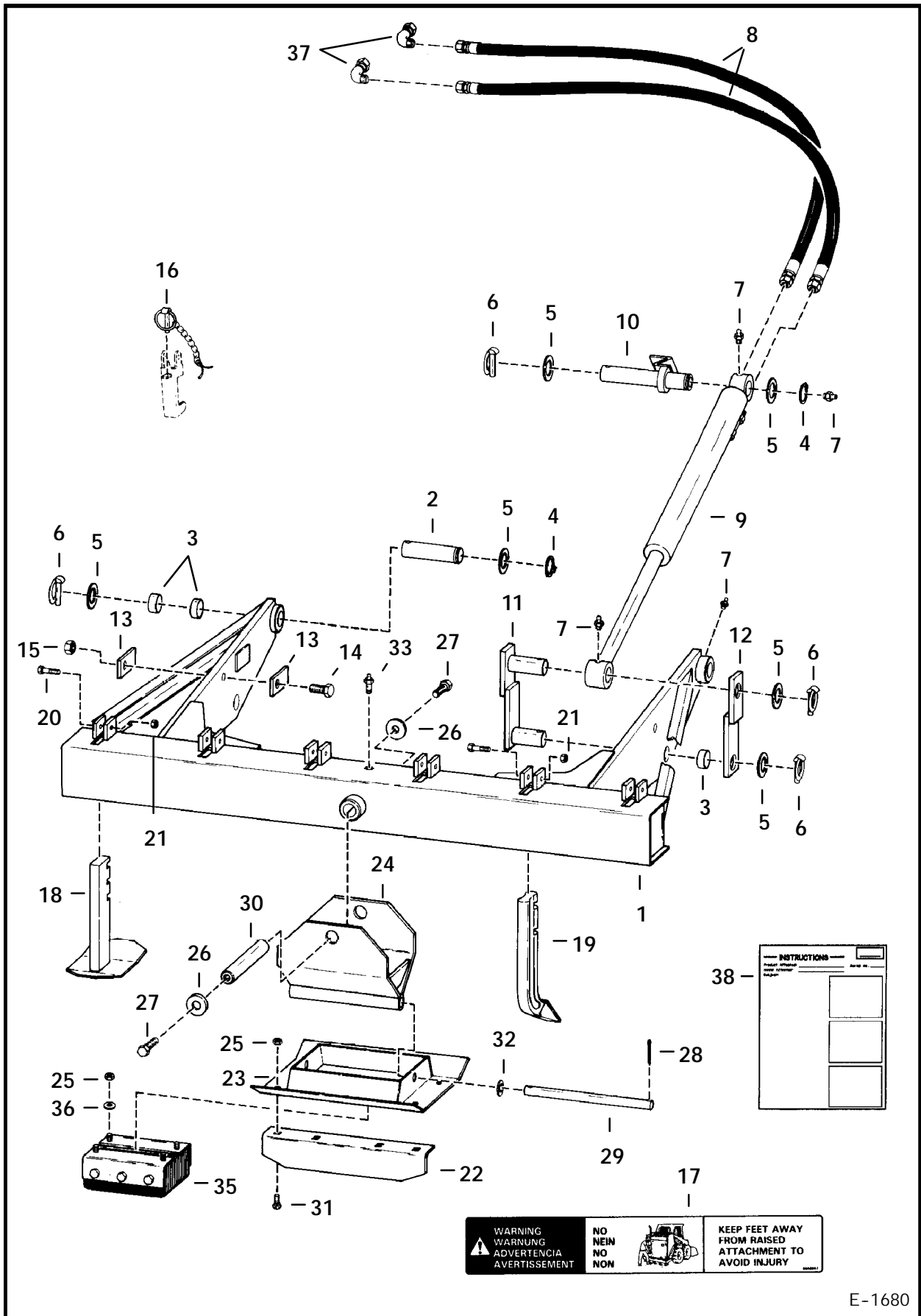
B-20709

HYDRAULIC CYLINDER
Rear Stabilizer - W/Replaceable Tube



B-20631

STABILIZER & SCARIFIER 943 & 953

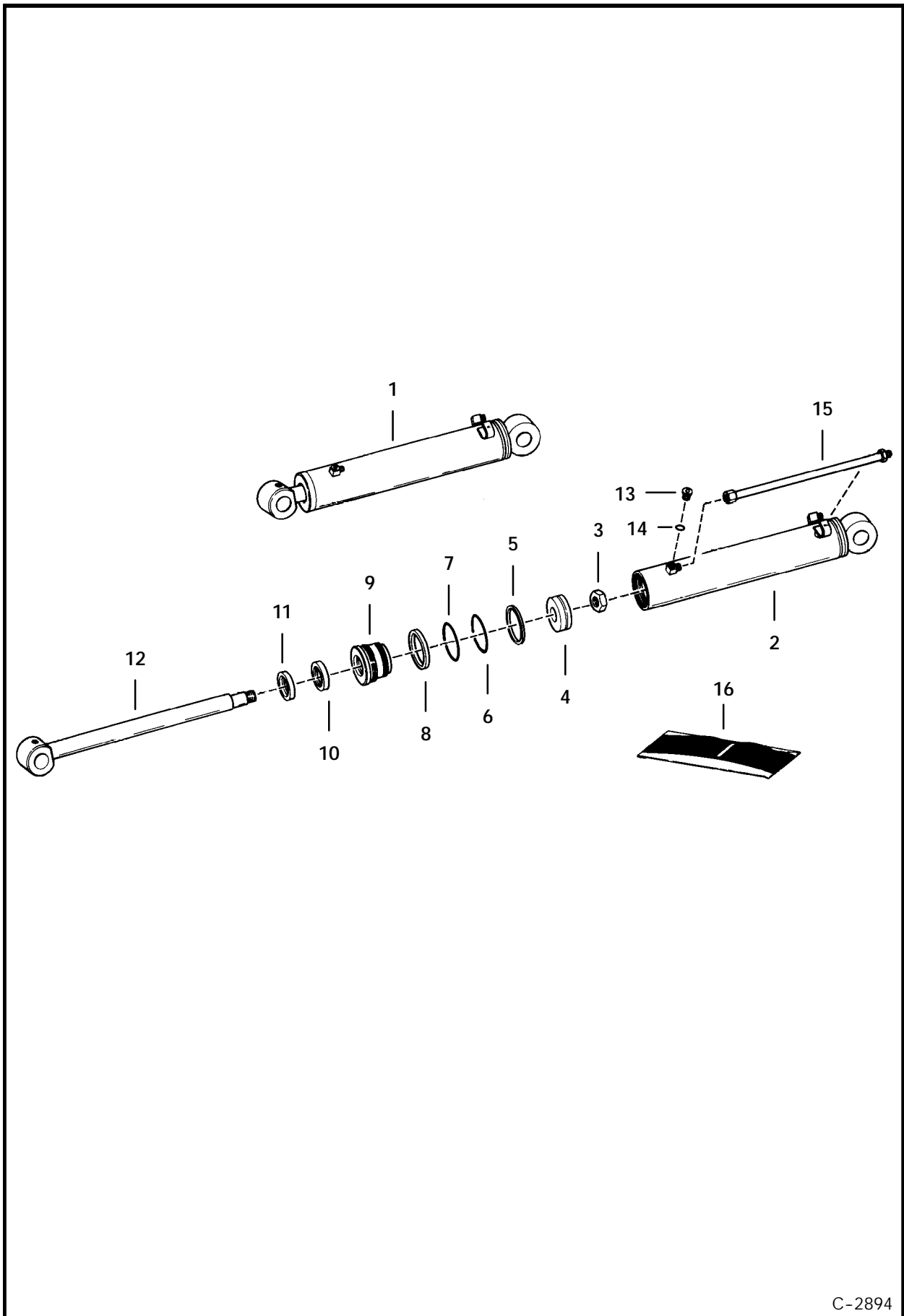


E-1680

STABILIZER & SCARIFIER (Cont'd)
943 & 953

Ref. No.	Part Number	Description	Remarks	Serial Number	Qty.
1	6567645	FRAME	mounting		1
2	6567640	PIN	mounting		2
3	6630953	BUSHING			6
4	6538285	SNAP RING	Was 1305943 [A]		4
5	6584872	WASHER			10
6	6560382	PIN	locking		8
7	10H-25	GREASE ZERK			8
8	6568760	HOSE			4
9		CYLINDER	See Page 912		2
10	6568957	PIN			2
11	6567952	LINK	inner		2
12	6568856	LINK	outer		2
13	6567948	STOP			4
14	17C-1648	BOLT			2
15	61D-6	NUT			2
16	6649496	LOCK ASSY.	latch - Was 6513692 [A]		1
17	6568867	DECAL			2
18	6567644	SHOE ASSY.			2
19	6630954	SHANK ASSY.	W/Ref. 34		4
20	17C-840	BOLT			6
21	85D-8	NUT			6
22	6567627	CLEAT			2
23	6567646	PAD ASSY.			1
24	6567647	YOKE ASSY.			1
25	61D-8	NUT			4
26	25E-31	WASHER			2
27	18C-1224	BOLT			2
28	1F-828	COTTER PIN			2
29	6567625	PIN			1
30	6567624	PIN			1
31	37C-820	BOLT	Was 6560578 [A]		4
32	6552871	WASHER	sprocket		2
33	743218	GREASE ZERK			1
34	6632407	TOOTH			4
35	6632445	PAD	street		1
36	25E-21	WASHER			8
37	11K-5	ELBOW			4
38	6566989	INSTRUCTIONS			1

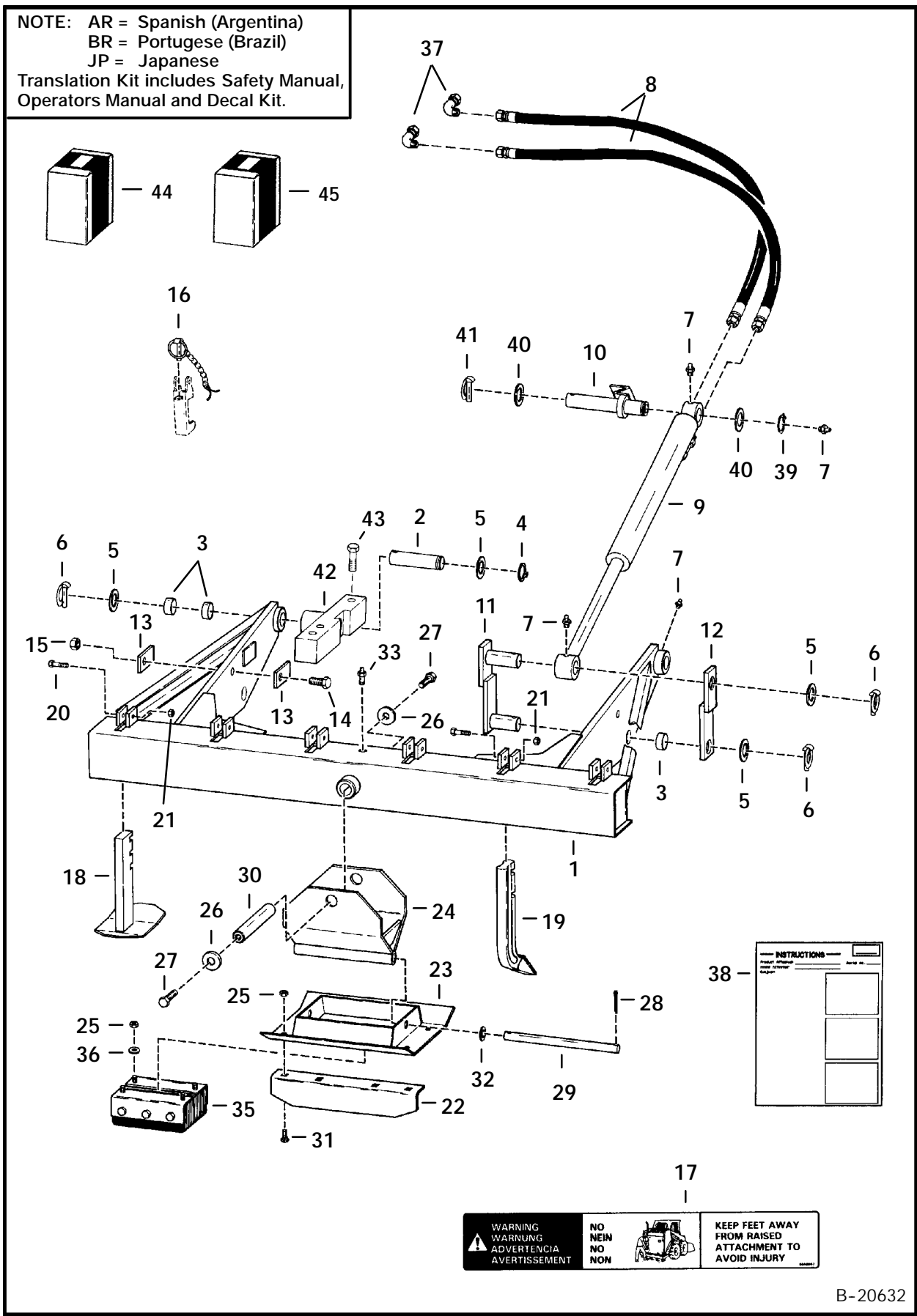
CYLINDER
Stabilizer - 943 & 953



C-2894

STABILIZER & SCARIFIER 963

NOTE: AR = Spanish (Argentina)
BR = Portugese (Brazil)
JP = Japanese
Translation Kit includes Safety Manual,
Operators Manual and Decal Kit.



 WARNING WARNING ADVERTENCIA AVERTISSEMENT	NO NEIN NO NON	 KEEP FEET AWAY FROM RAISED ATTACHMENT TO AVOID INJURY
--	-------------------------	--

B-20632

STABILIZER & SCARIFIER (Cont'd)

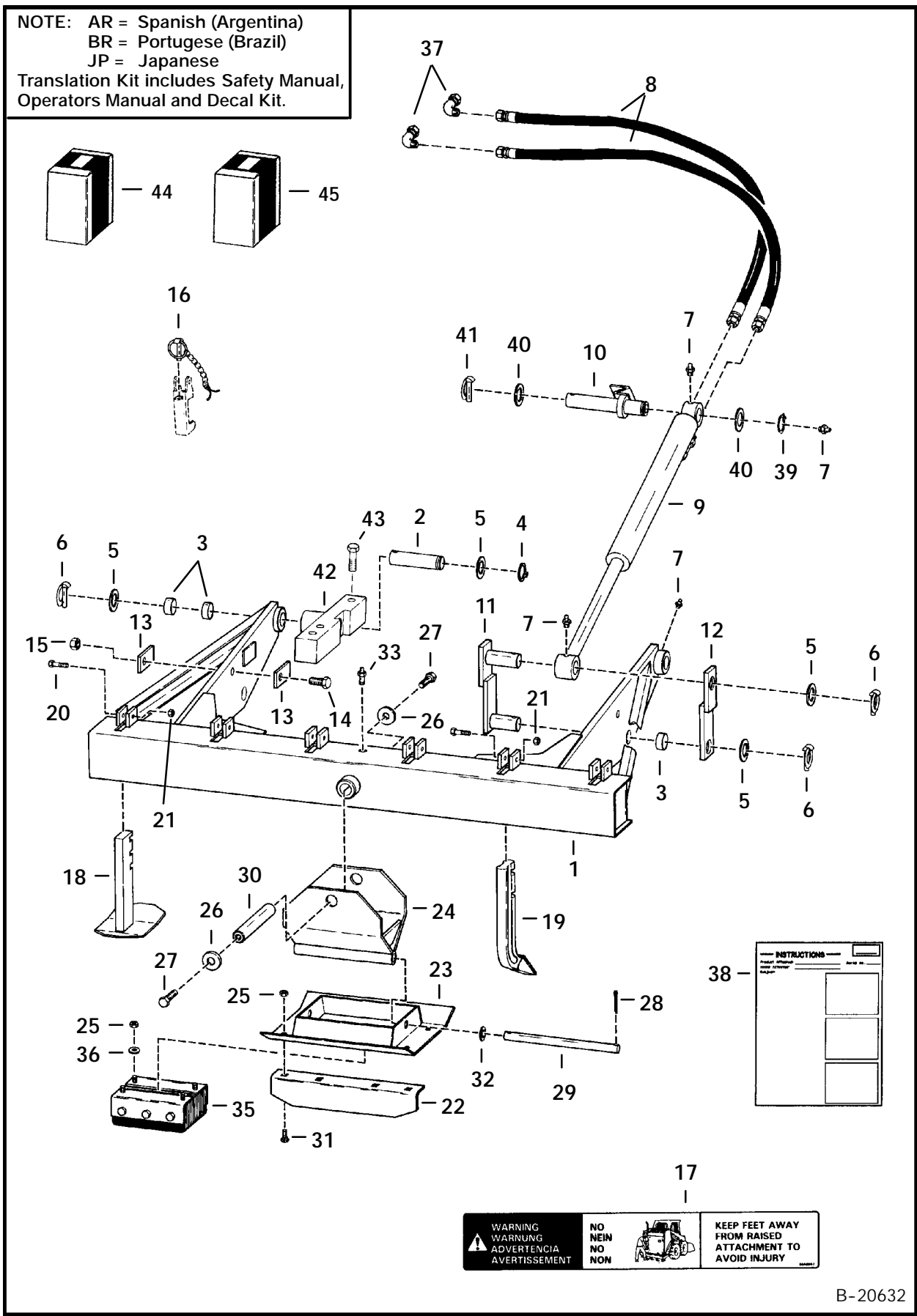
963

Ref. No.	Part Number	Description	Remarks	Serial Number	Qty.
1	6567645	FRAME	mounting		1
2	6567640	PIN	mounting		2
3	6630953	BUSHING			6
4	6538285	SNAP RING	Was 1305943 [A]		4
5	6584872	WASHER			10
6	6560382	PIN	locking		8
7	10H-25	GREASE ZERK			8
8	6568760	HOSE			4
9		CYLINDER	See Page 912		2
10	6715876	PIN			2
11	6567952	LINK	inner		2
12	6568856	LINK	outer		2
13	6567948	STOP			4
14	17C-1648	BOLT			2
15	61D-16	NUT			2
16	6649496	LOCK ASSY.	latch - Was 6513692 [A]		1
17	6568867	DECAL			2
18	6567644	SHOE ASSY.			2
19	6630954	SHANK ASSY.	W/Ref. 34		4
20	17C-840	BOLT			6
21	85D-8	NUT			6
22	6567627	CLEAT			2
23	6567646	PAD ASSY.			1
24	6567647	YOKE ASSY.			1
25	61D-8	NUT			4
26	25E-31	WASHER			2
27	18C-1224	BOLT			2
28	1F-828	COTTER PIN			2
29	6567625	PIN			1
30	6567624	PIN			1
31	37C-820	BOLT	Was 6560578 [A]		4
32	6552871	WASHER	sprocket		2
33	743218	GREASE ZERK			1
34	6632407	TOOTH			4
35	6632445	PAD	street		1
36	25E-21	WASHER			8
37	11KN-5	ELBOW			4
* 37	97K-6	O-RING	for flared end - Was 97K-5 [D]		4
38	6566989	INSTRUCTIONS			1
39	6510020	SNAP RING			2
40	6715597	WASHER			6
41	6668787	SNAP RING			2
42	6803245	BUSHING			2
43	31C-1228	BOLT			2
44*	6718988AR	KIT	transl - rear mtg frame-see note		1
* 44	6718988BR	KIT	transl - rear mtg frame-see note		1
* 44	6718989AR	KIT	decal - rear mtg frame-see note		1
* 44	6718989BR	KIT	decal - rear mtg frame-see note		1
* 44	6718989JP	KIT	decal - rear mtg frame-see note		1

STABILIZER & SCARIFIER (Cont'd)

963

NOTE: AR = Spanish (Argentina)
 BR = Portugese (Brazil)
 JP = Japanese
 Translation Kit includes Safety Manual,
 Operators Manual and Decal Kit.



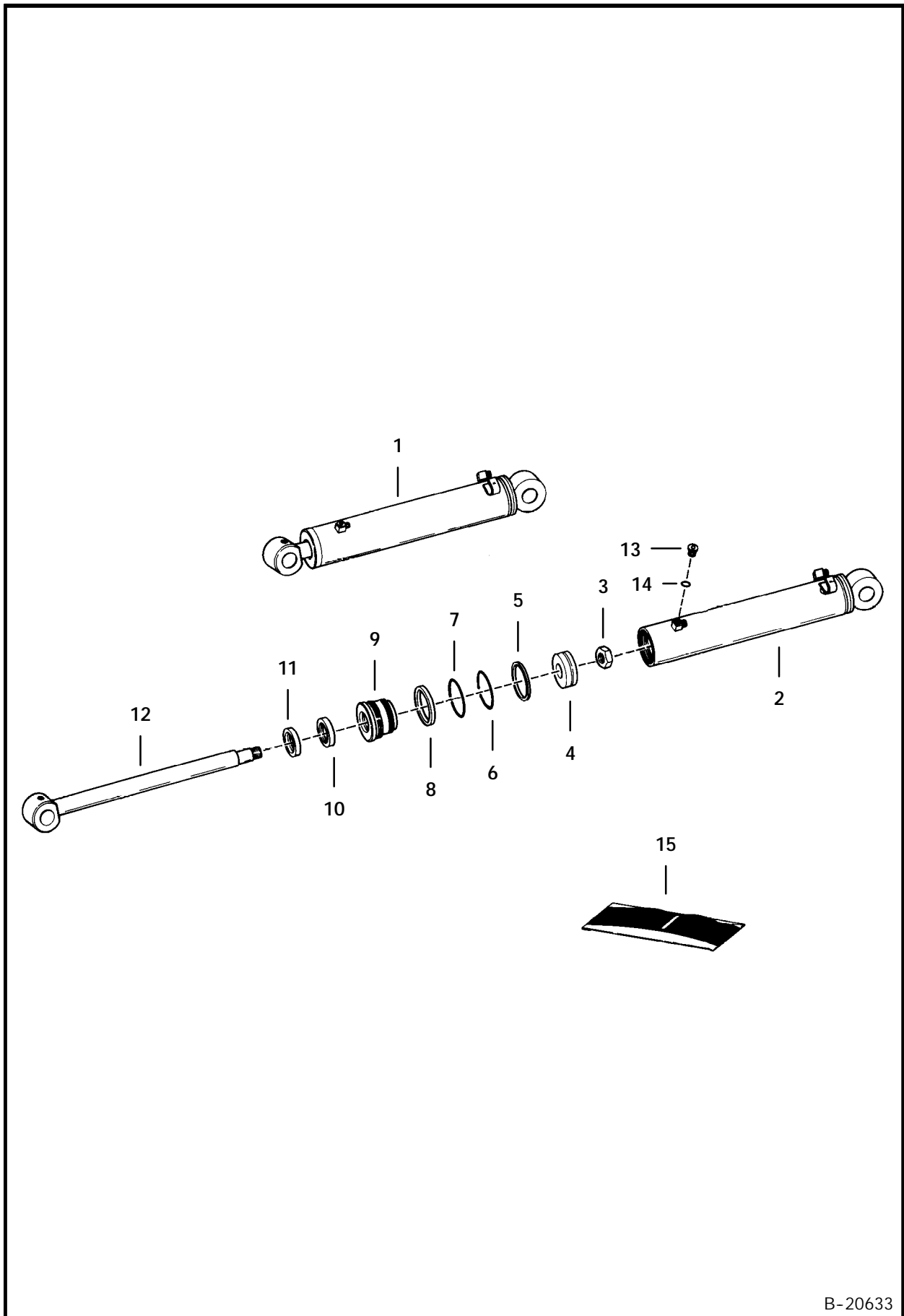
WARNING
 WARNING
 ADVERTENCIA
 AVERTISSEMENT

NO
 NEIN
 NO
 NON

KEEP FEET AWAY FROM RAISED ATTACHMENT TO AVOID INJURY

B-20632

CYLINDER
Stabilizer & Scarifier - 963



B-20633

