

BOX BLADE
BRUSHCAT
DISC HD80
LANDPLANE
LANDSCAPE RAKE
POWER RAKE
SOIL CONDITIONER
SOD LAYER
STUMP GRINDER
TILLER
TREE SPADE
TREE VIBRATOR
FLAIR MOWER
3 POINT HITCHES
SCARIFIER
TRACKS
HAND TOOL CONTROL
FIFTH WHEEL



Bobcat®

VOLUME 8

Attachments

Parts Manual



VOLUME INDEX

<p>VOLUME 1 Contains</p> <p>BACKHOESS REAR STABILIZERS</p> <p>(P/N 6901457)</p>	<p>VOLUME 7 Contains</p> <p>CHIPPER, CONCRETE MIXER & PUMP SNOW BLOWERS, SNOW & DOZER BLADE UTILITY BLADE, SCRAPER, ATTACHMENT CONTROL KITS, DEMO KITS</p> <p>(P/N 6901469)</p>
<p>VOLUME 2 Contains</p> <p>AUGERS BREAKERS CUTTER CRUSHER</p> <p>(P/N 6901459)</p>	<p>VOLUME 8 Contains</p> <p>BOX BLADE, BRUSHCAT, DISC, LANDPLANE LANDSCAPE RAKE, POWER RAKE, SOIL CONDITIONER, SOD LAYER, STUMP GRINDER, TILLER, TREE SPADE, TREE VIB, 3-PT HITCHES, SCARIFIER, TRACKS</p> <p>(P/N 6901471)</p>
<p>VOLUME 3 Contains</p> <p>ANGLE BROOMS, SWEEPERS GUTTER BRUSH, WHISKER BROOM GRADERS, WATER KITS</p> <p>(P/N 6901461)</p>	<p>VOLUME 9 Contains</p>
<p>VOLUME 4 Contains</p> <p>PLANERS WHEEL SAWS</p> <p>(P/N 6901463)</p>	<p>VOLUME 10 Contains</p> <p>VERSAHANDLER ATTACHMENTS: AUGER, BROOM, BUCKETS, GRAPPLES, PALLET FORKS & BOOM TRUSS</p> <p>(P/N 6901407)</p>
<p>VOLUME 5 Contains</p> <p>BUCKETS, COMBO BUCKETS, BUCKET BITE & RAKE, DIGGERS, DUMPING HOPPER, EJECTOR BUCKET, GRAPPLES UTILITY FORKS, PALLET FORKS, TILT- TATCH, UTILITY FRAMES, WEIGHLOG</p> <p>(P/N 6901465)</p>	
<p>VOLUME 6 Contains</p> <p>TRENCHERS TRENCH COMPACTORS VIBRATORY ROLLER</p> <p>(P/N 6901467)</p>	

GENERAL INFORMATION

When using the machine serial number, use the complete number.

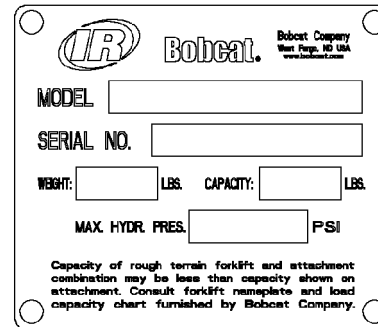
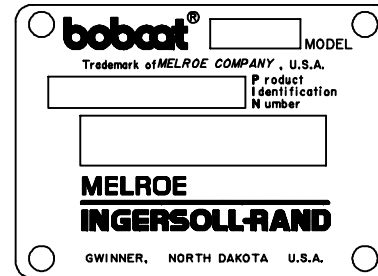
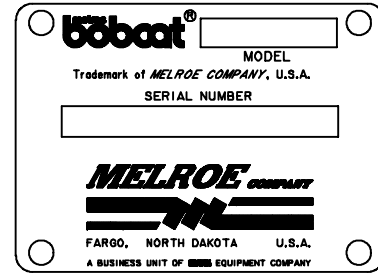
Some Serial Number breaks are not available at time of printing. These are listed as & Below or & Above.

The number shown in the quantity column in this manual is the number of parts needed for the illustration on the page. For some parts an "x" will be shown in the quantity column. This "x" indicates that the quantity to be used is "As Needed".

When references L.H. and R.H. are used in this manual, it is done from the operator's seat in the forward operating position.

To find the size and kind of bolt use the Bobcat Standard Microfiche (P/N 6566077).

Some of the illustrations and information found in this parts manual were supplied to Bobcat Company by machine component companies.



ABBREVIATIONS & SYMBOLS

SALES = Order from Gwinner Sales Department

NSS = Not Serviced Separately

NAP = Not Available as Parts

* = Changed or Added Sections, Pages or Part Numbers

Disposition Code Definition (Found in the Remarks Column)

[A] = Use Up

[B] = Use Up on Other Applications (See PNI)

[C] File PDR Report With Bobcat Parts Sales

[D] = Part Number Error

Explications en francais	Grid Nb	3
Erklärungen auf deutsch	Grid Nb	4
Spiegazioni in italiano	Grid Nb	5
Explicaciones en espanol	Grid Nb	6
Verklaring in het Nederlands	Grid Nb	7

NOTE D'INFORMATION

Pour toute référence au numéro de série de l'engin, toujours donner le numéro complet.

Le chiffré apparaissant dans la colonne des quantités de ce manuel représentent le nombre de pièces nécessaires pour l'illustration reprise sur la page. Dans certains cas, on lira un "x" dans la colonne des quantités. Cet "x" indique que la quantité nécessaire est "selon besoin".

Pour toute référence vers la GAUCHE ou la DROITE dans ce manuel, considérer que la personne se trouve assise dans le siège de l'opérateur, en position de fonctionnement en marche avant.

Certaines illustrations et informations reprises dans ce manuel de pièces de rechange ont été fournies à Bobcat Company, par des fabricants de composants.

ABREVIATIONS & SYMBOLES

SALES	= Commander au Service Ventes à Bruxelles
NSS	= Pas vendu séparément
NAP	= Non disponible comme pièce de rechange
*	= Chapitre, page ou numéro de pièce modifié ou supplémentaire
BTI	= Bobcat Technical Information Bulletin : voir à la fin de la microfiche du modèle concerné ou la microfiche générale reprenant l'ensemble des "BTI".
was 6535403	= était avant 6535403
adj. (adjustment)	= réglage
Assembly	= ensemble
available W/Ref.	= disponible avec réf.
bulk/sold per foot	= en vrac/vendu par pied
does not include	= ne comprend pas
included with	= compris dans
I.D.	= D.I. (diamètre intérieur)
O.D.	= D.E. (diamètre extérieur)
not in kit	= pas en kit
W/ - WO/	= inclus/ - non inclus/
Qty	= quantité requise
see page/ref.	= voir page/réf.
used with ref/	= utilisé avec réf.
0,05 inch thickness	= 0,05 pouce d'épaisseur (un pouce = 25.4 mm)
weld on	= à souder

ALLGEMEINE INFORMATIONEN

Bei Angabe der Maschinen-Seriennummer stets die komplette Nummer angeben.

Bei der in der Mengenspalte (Anzahl) in diesem Handbuch angegebenen Zahl handelt es sich um die Anzahl von Teilen, die für die Abbildung auf der betreffenden Seite benötigt werden. Bei manchen Teilen in der Mengenspalte ist ein "x" angegeben. Dieses "x" weist darauf hin, dass sich die Anzahl der verwendeten Teile auf den "Bedarf" bezieht.

Bei Verwendung der Seitenangaben links und rechts in diesem Handbuch gelten diese für die Blickrichtung vom Fahrersitz aus, und zwar in Vorwärts-Betriebsrichtung.

Einige der in diesem Ersatzteillandbuch aufgeführten Abbildungen und Informationen wurden der Bobcat Company, von den Herstellern von Maschinenbauteilen zur Verfügung gestellt.

ABKÜRZUNGEN UND SYMBOLE

SALES	= Bestellung bei der Verkaufsabteilung in Brüssel
NSS	= Nicht einzeln erhältlich
NAP	= Nicht als Ersatzteil erhältlich
*	= Geänderte oder hinzugefügte Abschnitte, Seiten oder Teilenummern
BTI	= Bobcat Technical Information Bulletin : Siehe am Ende der Mikrokarte des jeweiligen Modells oder der allgemeinen Mikrokarte der BTI.
was 6535403	= War 6535403
adj.	= Einstellung
Assembly	= Baugruppe
available W/Ref.	= erhältlich mit der Referenz
bulk/sold per foot	= Mengenabnahme / Verkauf pro Fuss
does not include	= beinhaltet nicht
included with	= enthalten in
I.D.	= Innendurchmesser
O.D.	= Aussendurchmesser
not in kit	= nicht in Bausatz
W/ - WO/	= mit/ - ohne/
Qty	= Anzahl
see page/ref.	= Siehe Seite / Referenz
used with ref.	= verwendet mit Referenz
0.05 inch thickness	= Dicke : 0.05 Zoll (ein Zoll = 25.4 mm)
weld on	= anschweissen

INFORMAZIONI GENERALI

Quando si usa il numero di serie della macchina usare il numero completo.

Il numero mostrato nella colonna della quantità di questo manuale corrisponde al numero di componenti necessari per l'illustrazione della pagina. Per alcuni componenti appare "X" nella colonna delle quantità. Questa "X" indica che la quantità da usare è "come necessario".

See in questo manuale si fa riferimento alla parte destra o sinistra, si intende dal sedile dell'operatore nella posizione in avanti di funzionamento.

Alcune delle illustrazioni e informazioni trovate in questo manuale di componenti sono state fornite alla Bobcat Company, da società di componenti di macchine.

SIMBOLI E ABBREVIAZIONI

SALES	= Ordinare al servizio vendite di Bruxelles
NSS	= Non vendute separatamente
NAP	= Non disponibile come componente
*	= Sezioni, pagine o numeri di componente cambiati o aggiunti
BTI	= (Bobcat Technical information) Ved. al termine del microfiche del modello relativo oppure microfiche generale
was 6535403	= era 6535403
adj. (adjustment)	= regol. (regolazione)
Assembly	= Complessivo
available W/ref.	= disponibile con rif.
bulk/sold per foot	= alla rinfusa/venduto al piede
does not include	= non comprende
Included with	= compreso con
I.D.	= d. i.
O.D.	= d. e.
not in kit	= non fa parte del kit
W/ - WO/	= con - senza
Qty	= Qtà
see page/ref	= ved. pagina/rif.
used with ref.	= usato con il rif.
0,05 inch thickness	= spessore 0,05 pollici (un pollice = 25,4 mm)
weld on	= a saldare

INFORMACION GENERAL

Al utilizar el número de serie de la máquina, debe emplearse el número completo.

El número que figura en la columna de "Unidades" en este manual es el número de piezas que se necesitan para la ilustración que consta en la página. En algunas piezas aparece una "x" en la columna de "Unidades". Esta "x" indica que las unidades a utilizar son "según sea necesario".

Cuando se empleen las referencias izq. y dcha., éstas se entienden mirando desde el asiento del conductor, en posición de marcha adelante.

Algunas de las ilustraciones y la información que figuran en este manual de piezas han sido facilitadas a Bobcat Company, por empresas de componentes de máquinas.

ABREVIATURAS Y SIMBOLOS

VENTAS	= Pedido al Departamento de Ventas de Bruselas
NSS	= No se vende por separado
NAP	= No disponible como pieza de repuesto
*	= Secciones, páginas o referencias modificadas o añadidas
BTI	= (Bobcat Technical Information) Ver al final de la microficha del modelo afectado o en la microficha general "Boletín de Información Técnica Bobcat".
was 6535403	= era anteriormente el 6535403
adj. (adjustment)	= ajuste
assembly	= conjunto
available W/Ref.	= disponible con la ref.
bulk/sold per foot	= a granel/vendido por pies
does not include	= no incluye
included with	= incluido en
I.D.	= diámetro interior
O.D.	= diámetro exterior
not in kit	= no en el kit
W/ - WO/	= con/ - sin
Qty	= Unidades
see page /ref.	= ver página/ref.
used with ref.	= empleado con la ref.
0,05 inch thickness	= 0,05 pulgadas de espesor (1 pulgada = 25,4 mm)
weld on	= debe ser soldado

ALGEMENE INFORMATIE

Als u het serienummer van de machine gebruikt, geef dan het gehele serienummer.

Het cijfer dat voorkomt in de kolom "Aantal", in deze handleiding, is het aantal onderdelen dat nodig is van de illustratie op de pagina. Voor sommige onderdelen staat er een "x" in de kolom "Aantal". Deze "x" betekent dat er een aantal "zoals nodig" vereist is.

Wanneer er in deze handleiding naar "links" en naar "rechts" gerefereerd wordt, moet dit verstaan worden voor een bestuurder die in de bestuurdersstoel zit in de voorwaartse bedrijfsstand.

Sommige van de illustraties en informatie in deze onderdelen-handleiding werden door firma's van machine-componenten geleverd aan Bobcat Company.

AFKORTINGEN EN SYMBOLEN

SALES	= Bestellen bij de Verkoopafdeling te Brussel
NSS	= Niet afzonderlijk te verkrijgen
NAP	= Niet beschikbaar als onderdeel
*	= Gewijzigde of toegevoegde paragrafen, pagina's of onderdeelnummers
BTI	= Bobcat Technical Information Bulletin : Zie einde van de microfiche van het desbetreffende model of einde van de algemene microfiche die het geheel van alle "BTI" herneemt.
was 6535403	= was vroeger 6535403
adj. (adjustment)	= afstelling
Assembly	= geheel
available W/Ref.	= beschikbaar met ref.
bulk/sold per foot	= bulk/aan de meter verkocht
does not include	= bevat niet
includes with	= is bevat in
I.D.	= ϕ inw. (inwendige diameter)
O.D.	= ϕ uitw. (uitwendige diameter)
not in kit	= niet in de kit
W/ - WO/	= met/ - zonder/
Qty	= vereiste aantal
see page/ref.	= zie pagina/ref.
used with ref/	= gebruikt met ref.
0,05 inch thickness	= 0.05 inch dik (een inch = 25.4 mm)
weld on	= te lassen

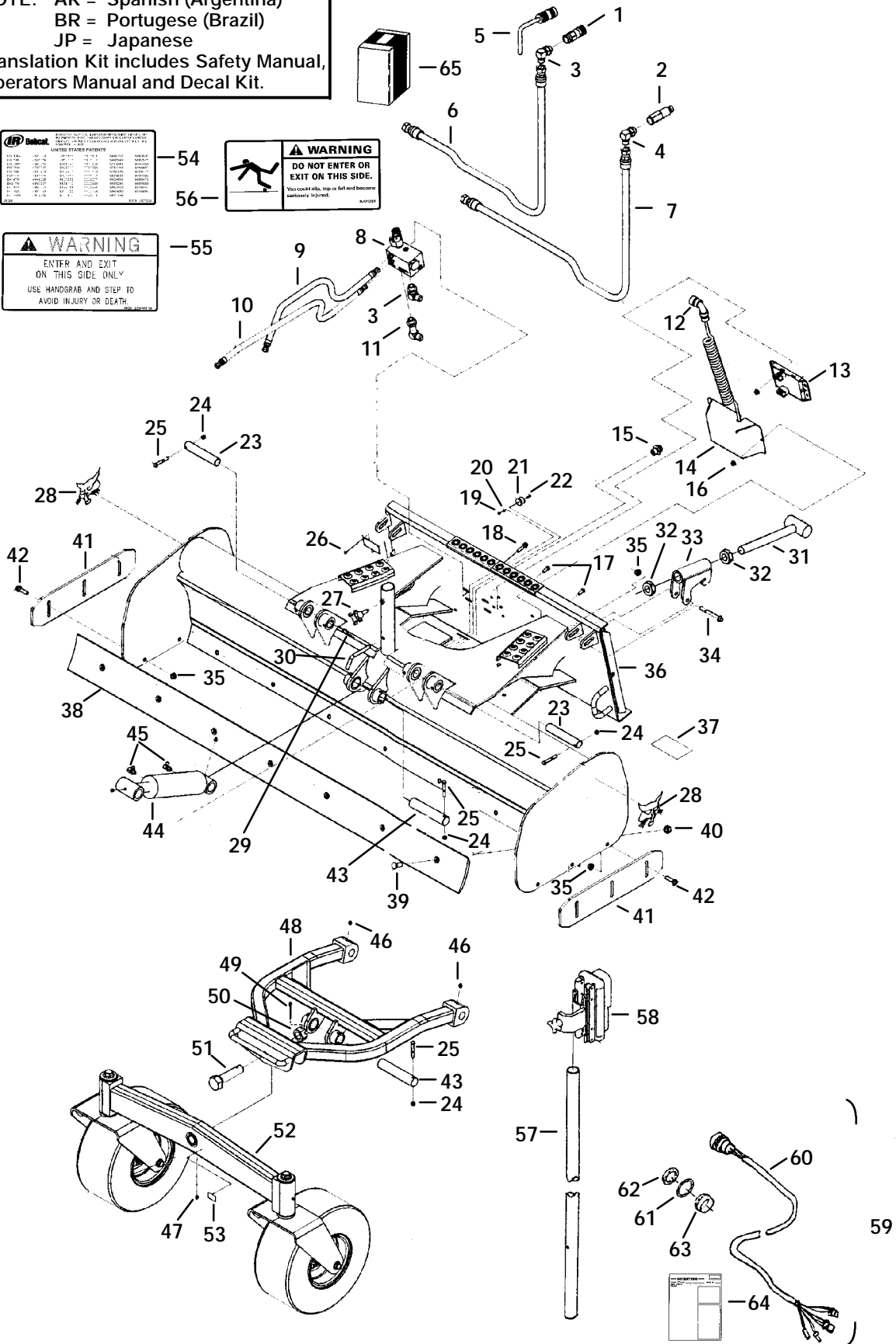
VOLUME 8 CONTENTS - Landscaping Attachments, Etc.

BOX BLADE	9-16
BRUSHCAT	17-38
DISC HD80	39-48
LANDPLANE	49-60
LANDSCAPE RAKE	61-106
POWER RAKE	107-136
SOIL CONDITIONER	137-164
SOD LAYER	165-180
STUMP GRINDER	181-224
TILLER	225-246
TREE SPADE	247-266
TREE VIBRATOR	267-332
FLAIR MOWER	333-336
3 POINT HITCHES	337-358
SCARIFIER	359-364
TRACKS	365-384
HAND HELD TOOL CONTROL BOX	385-388
FIFTH WHEEL	389-396

* BOX BLADE

NOTE: AR = Spanish (Argentina)
 BR = Portugese (Brazil)
 JP = Japanese
 Translation Kit includes Safety Manual,
 Operators Manual and Decal Kit.

Delco		UNITED STATES PATENTS	
111 426	111 427	111 428	111 429
111 430	111 431	111 432	111 433
111 434	111 435	111 436	111 437
111 438	111 439	111 440	111 441
111 442	111 443	111 444	111 445
111 446	111 447	111 448	111 449
111 450	111 451	111 452	111 453
111 454	111 455	111 456	111 457
111 458	111 459	111 460	111 461
111 462	111 463	111 464	111 465
111 466	111 467	111 468	111 469
111 470	111 471	111 472	111 473
111 474	111 475	111 476	111 477
111 478	111 479	111 480	111 481
111 482	111 483	111 484	111 485
111 486	111 487	111 488	111 489
111 490	111 491	111 492	111 493
111 494	111 495	111 496	111 497
111 498	111 499	111 500	111 501



B-18963

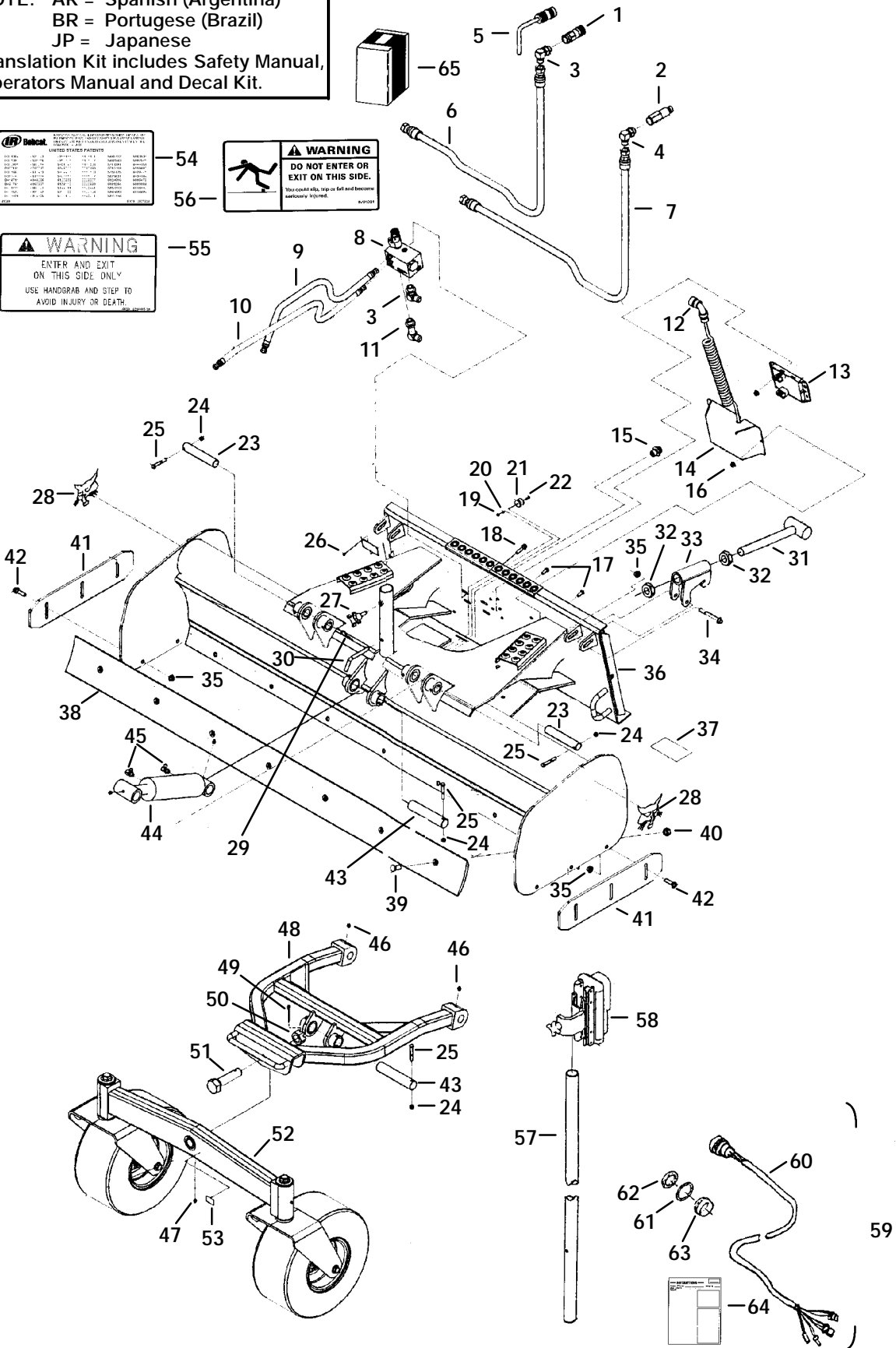
* BOX BLADE (Cont'd)

Ref. No.	Part Number	Description	Remarks	Serial Number	Qty.
1*	6672960	COUPLER	female		1
2*	6674688	COUPLER	male		1
3*	17KV-8	ELBOW			3
4*	17KV-8	ELBOW	used with laser		1
*	6678054	ELBOW	with built-in orifice - used without laser		1
5*	6719853	HARNESS	7-pin		1
6*	6906733	HOSE	used with laser		1
*	6906691	HOSE	used without laser		1
7*	6906734	HOSE	used with laser		1
*	6906690	HOSE	used without laser		1
8*	6677923	VALVE ASSY	see page 17		1
9*	6906660	HOSE			1
10*	6906659	HOSE			1
11*	6716443	ELBOW			1
12*	6679018	CABLE	laser receiver		1
13*	6674944	CONTROLLER	ACD		1
*	6906678	HARNESS	ACD to valve		1
14*	6905670	COVER			1
15*	6675128	RECEPTACLE			1
16*	55D-6	NUT			6
17*	25G-616	BOLT			6
18*	35C-612	BOLT			2
19*	12D-10	NUT			1
20*	17E-10	WASHER			1
21*	6679017	DUST CAP			1
22*	1G-1010	BOLT			1
23*	6906604	PIN			2
24*	59D-6	NUT			4
25*	17C-640	BOLT			4
26*	6657353	RIVET			4
27*	6906655	KNOB			1
28*	6700191	DECAL			2
29*	6648587	SPRING PIN			1
30*	6906654	PIN			1
31*	6906889	STOP			2
32*	6906903	NUT			4
33*	6906879	STOP			2
34*	35C-872	BOLT			2
35*	55D-8	NUT			8
36*	6906852	MAIN FRAME			1
37*	6906930	DECAL	tilt stop instructions		1
38*	6648571	CUTTING EDGE			1
39*	39C-1028	BOLT			7
40*	6674416	NUT			7
41*	6906656	PLATE			2
42*	35C-824	BOLT			6
43*	6906591	PIN			2
44*	6678153	CYLINDER	see page 15		1
45*	17KV-5	ELBOW			2
46*	10H-25	GREASE ZERK			4

* BOX BLADE (Cont'd)

NOTE: AR = Spanish (Argentina)
 BR = Portugese (Brazil)
 JP = Japanese
 Translation Kit includes Safety Manual,
 Operators Manual and Decal Kit.

UNITED STATES PATENTS	
117 928	12/15/81
117 929	12/15/81
117 930	12/15/81
117 931	12/15/81
117 932	12/15/81
117 933	12/15/81
117 934	12/15/81
117 935	12/15/81
117 936	12/15/81
117 937	12/15/81
117 938	12/15/81
117 939	12/15/81
117 940	12/15/81
117 941	12/15/81
117 942	12/15/81
117 943	12/15/81
117 944	12/15/81
117 945	12/15/81
117 946	12/15/81
117 947	12/15/81
117 948	12/15/81
117 949	12/15/81
117 950	12/15/81
117 951	12/15/81
117 952	12/15/81
117 953	12/15/81
117 954	12/15/81
117 955	12/15/81
117 956	12/15/81
117 957	12/15/81
117 958	12/15/81
117 959	12/15/81
117 960	12/15/81
117 961	12/15/81
117 962	12/15/81
117 963	12/15/81
117 964	12/15/81
117 965	12/15/81
117 966	12/15/81
117 967	12/15/81
117 968	12/15/81
117 969	12/15/81
117 970	12/15/81
117 971	12/15/81
117 972	12/15/81
117 973	12/15/81
117 974	12/15/81
117 975	12/15/81
117 976	12/15/81
117 977	12/15/81
117 978	12/15/81
117 979	12/15/81
117 980	12/15/81

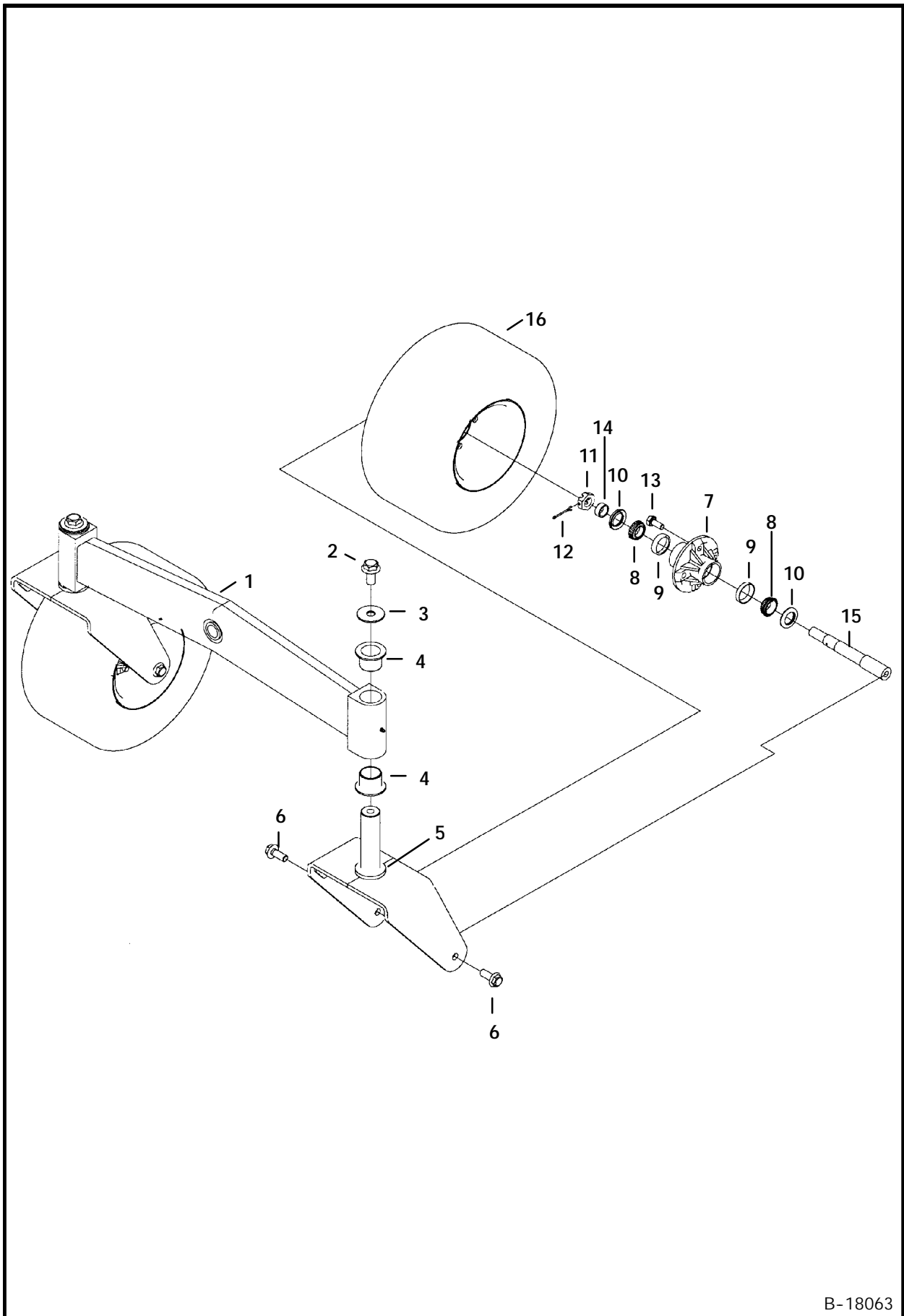


B-18963

* BOX BLADE (Cont'd)

Ref. No.	Part Number	Description	Remarks	Serial Number	Qty.
47*	10H-35	GREASE ZERK			1
48*	6906592	ARM ASSY			1
49*	1F-640	PIN			1
50*	4D-20	NUT			1
51*	6906130	BOLT			1
52*		TIRE MOUNT	see page 13		1
53*	6705340	DECAL	grease		1
54*	6557224	DECAL	patent		1
55*	6594488	DECAL	enter/exit		1
56*	6701391	DECAL	do not enter/exit		1
57*	6906559	ROD	laser mount		1
58*	SALES	LASER KIT	includes Ref. 12, 21& 6679014		
*	SALES	RECEIVER	laser receiver - Sales #6678994		1
*	SALES	BEACON	laser - Sales #6679014		1
*	SALES	TRIPOD STAND	laser - Sales #6679015		1
59*	6725381	KIT	Sales #6679016 14-pin - for 7-pin box blade used with 14-pin loader -		
60*	6725352	HARNESS	W/Ref. 60-64		1
61*	6664037	WASHER	14-pin conversion		1
62*	6664036	NUT			1
63*	6673680	RECEPTACLE			1
64*	6901005	INSTRUCTIONS			1
65*	6906799AR	KIT	translation - see note		1
*	6906799BR	KIT	translation - see note		1
*	6906800AR	KIT	decal - see note		1
*	6906800BR	KIT	decal - see note		1
*	6906800JP	KIT	decal - see note		1

TIRE MOUNT ASSY
Box Blade

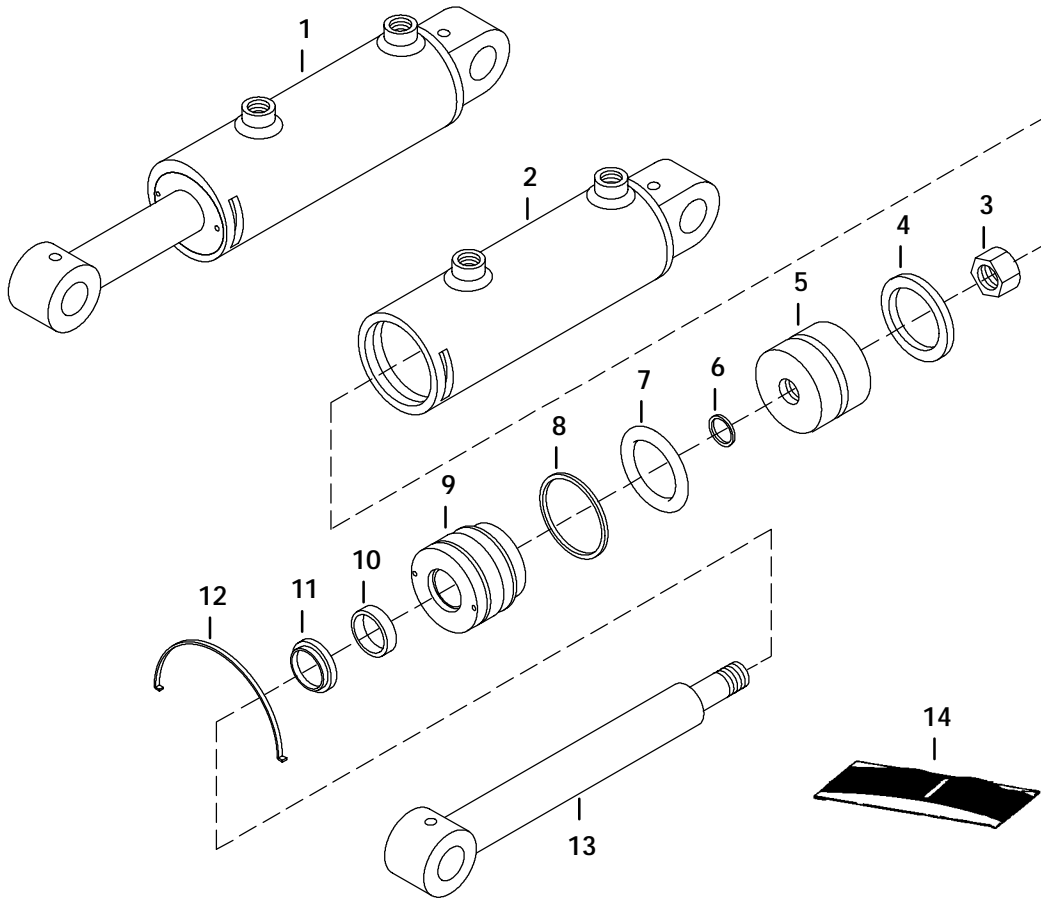


B-18063

TIRE MOUNT ASSY (Cont'd)
Box Blade

Ref. No.	Part Number	Description	Remarks	Serial Number	Qty.
1	6905746	MOUNT			1
2	35C-1224	BOLT			2
3	6905689	WASHER			2
4	6905677	BUSHING			4
5	6905748	MOUNT			2
6	31C-1024	BOLT			4
7	6906270	HUB ASSY	W/Ref. 8 - 13		2
8	6674366	BEARING			4
9	6674367	CUP			4
10	6674368	SEAL			4
11	6674277	NUT			2
12	1F-420	COTTER PIN			2
13	6674278	BOLT			8
14	6905755	BUSHING			2
15	6905680	SHAFT			2
16	6676595	TIRE ASSY			2
	6677511	TIRE			2
	6677512	WHEEL			2

* CYLINDER
Box Blade

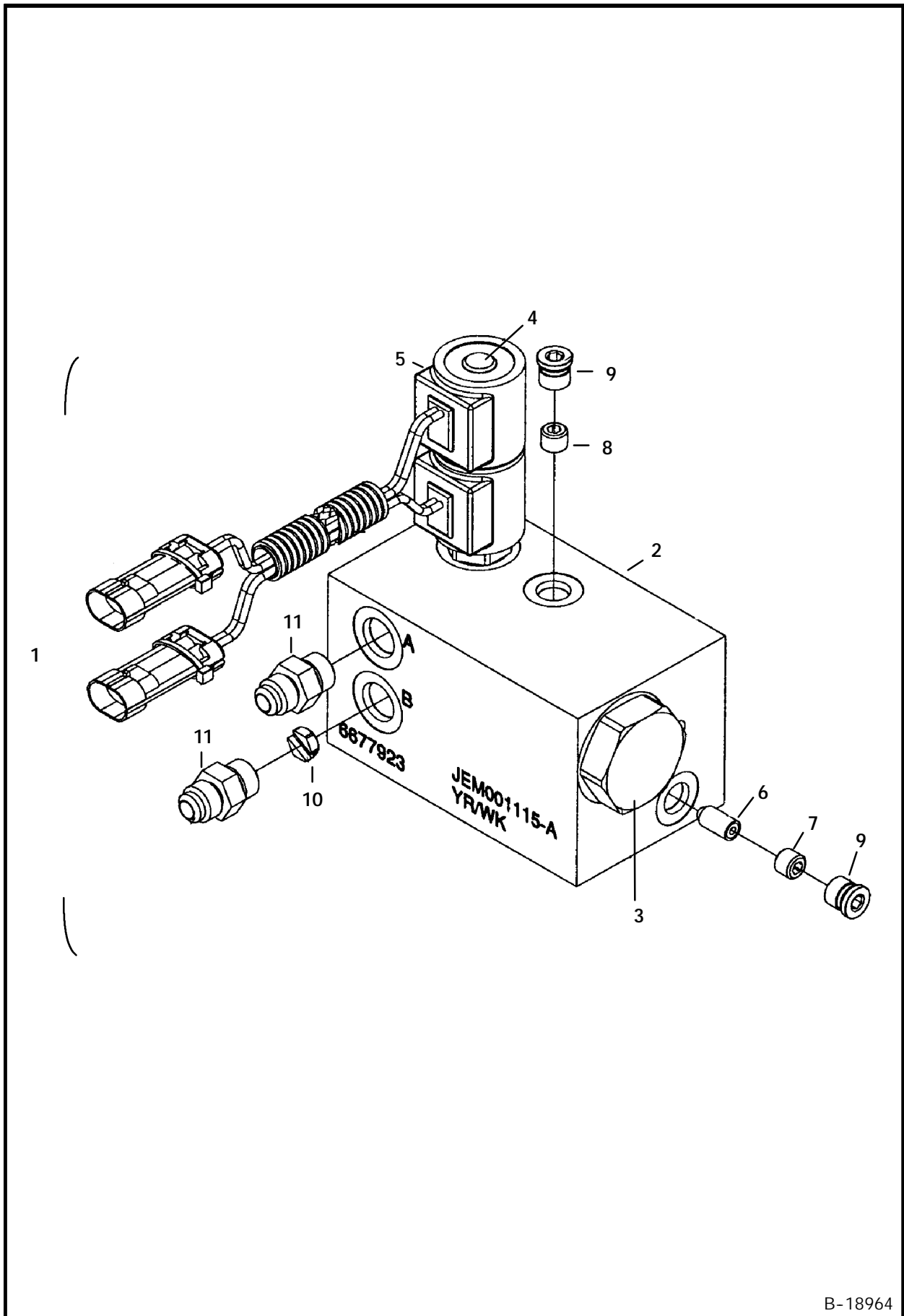


TS-1702

* CYLINDER (Cont'd)
Box Blade

Ref. No.	Part Number	Description	Remarks	Serial Number	Qty.
1*	6678153	CYLINDER	Ref. 2-13		1
2*	6679447	CASE			1
3*	6679452	NUT			1
4*	NSS	PSP SEAL			1
5*	6679450	PISTON			1
6*	NSS	O-RING			1
7*	NSS	O-RING			1
8*	NSS	BACKUP RING			1
9*	6679451	HEAD			1
10*	NSS	POLY-PAK			1
11*	NSS	DUST SEAL			1
12*	6679449	RETAINING RING			1
13*	6679448	ROD			1
14*	6679453	SEAL KIT	Ref. 4, 6-8, 10 & 11		1

* VALVE ASSY
Box Blade



B-18964

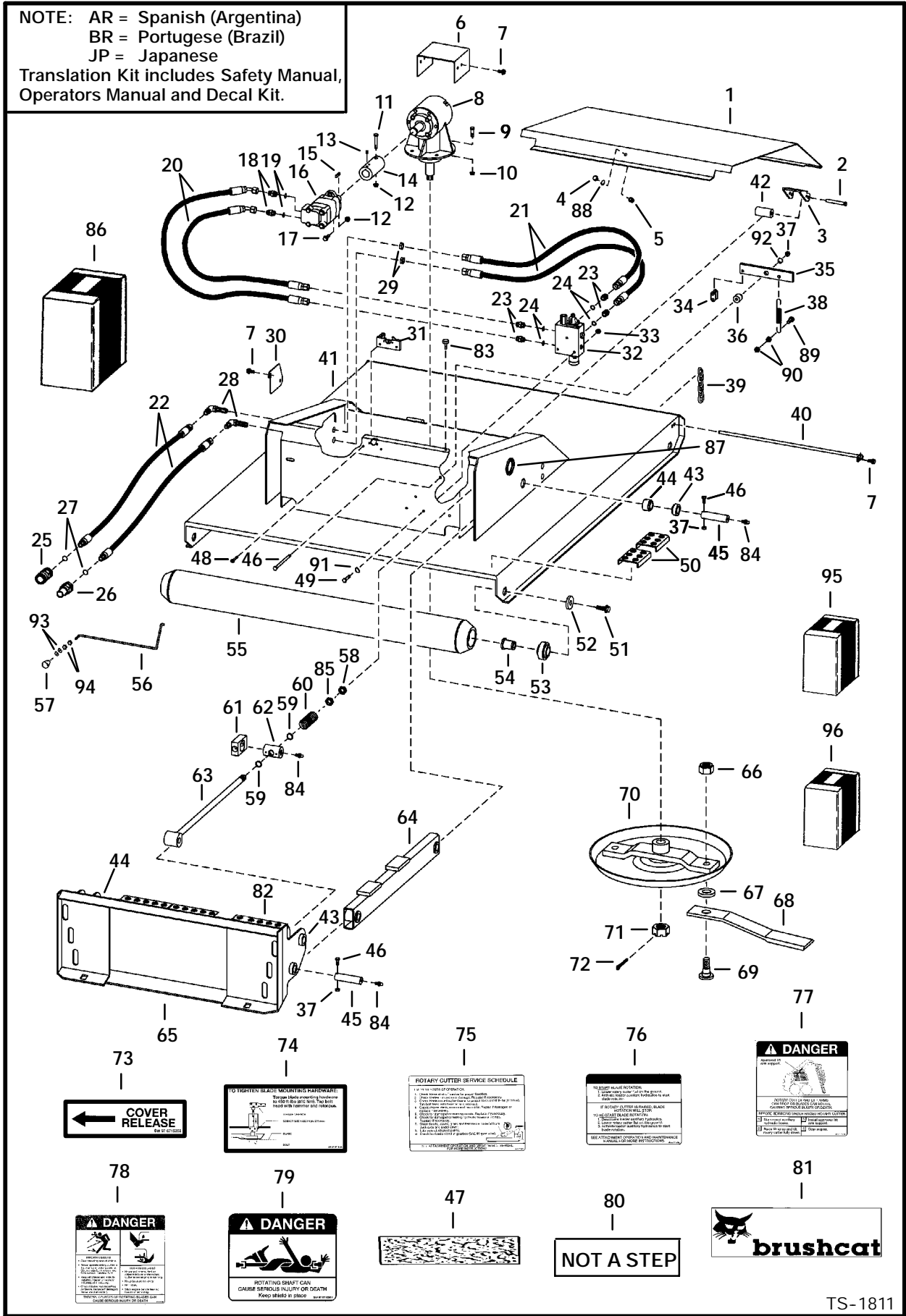
* VALVE ASSY (Cont'd)
 Box Blade

Ref. No.	Part Number	Description	Remarks	Serial Number	Qty.
1*	6677923	VALVE ASSY	W/Ref. 2 - 11		1
2*	6679460	BLOCK			1
3*	6673994	LOGIC ELEMENT			1
* 4*	6679461	SEAL KIT			1
	6677153	SOLENOID VALVE			1
	6672756	SEAL KIT			1
5*	6679459	COIL ASSY			1
6*	6675190	CHECK VALVE			1
7*	6676311	PLUG	orifice		1
8*	6678083	PLUG	orifice		1
9*	6665719	PLUG			2
10*	6679458	DISK	flow control		1
11*	15KV-5	ADAPTER			2

BRUSHCAT - 60" ROTARY CUTTER

S/N 467002281 & Below

NOTE: AR = Spanish (Argentina)
 BR = Portugese (Brazil)
 JP = Japanese
 Translation Kit includes Safety Manual,
 Operators Manual and Decal Kit.



TS-1811

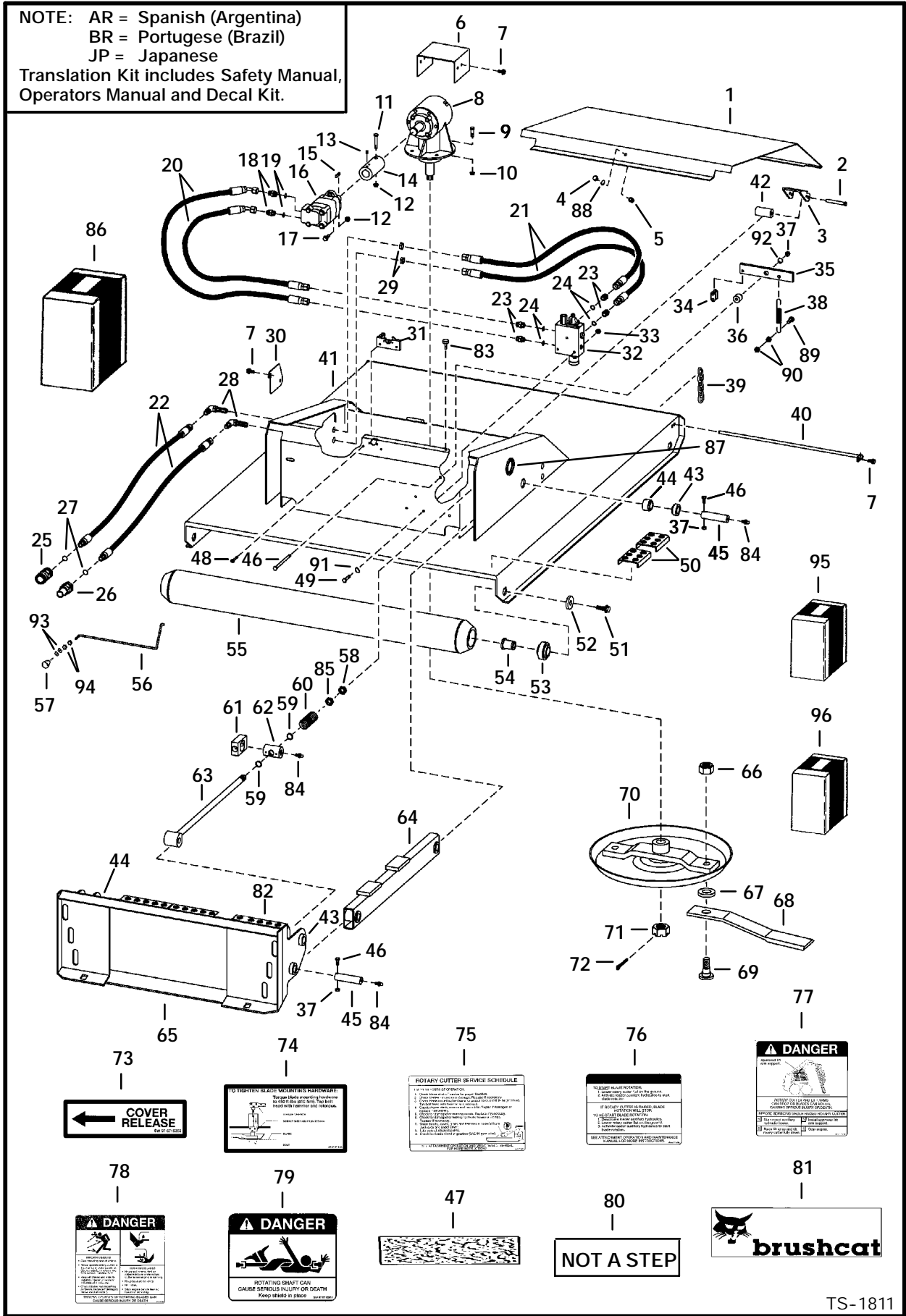
BRUSHCAT - 60" ROTARY CUTTER (Cont'd)
S/N 467002281 & Below

Ref. No.	Part Number	Description	Remarks	Serial Number	Qty.
1	6714714	COVER			1
2	6564340	PIN			2
3	6562225	HINGE			2
4	35C-716	BOLT			1
5	6568047	STRIKER			1
6	6714687	COVER			1
7	84G-3712	BOLT			8
8		GEARBOX	See Page 33		1
9	17C-1032	BOLT			4
10	89D-10	NUT			4
11	17C-848	BOLT			1
12	89D-8	NUT			3
13	15G-410	SET SCREW			2
14	6714930	COUPLER			1
15	7J-4204	KEY			1
16		MOTOR	See Page 31		1
17	93G-828	BOLT			2
18	15KV-7	ADAPTER	W/Ref. 19		2
	97K-10	O-RING	for flared end		2
19	99K-10	O-RING			2
20	6807342	HOSE	Was 6715388 [A]		2
21	6809881	HOSE	Was 6715386 [A]		2
22	6715387	HOSE			2
23	15KN-8	ADAPTER	W/Ref. 24		4
	97K-12	O-RING	for flared end		4
24	99K-12	O-RING			4
25	6672960	QUICK COUPLER	female flush face		1
26	6674688	QUICK COUPLER	male flush face-Was 6667808 [A]		1
27	79K-12	O-RING			2
28	88F-7	ELBOW	bulkhead		2
	88FN-7	ELBOW	bulkhead-W/O-ring on flare end		2
	97K-10	O-RING	for flared end		2
29	86F-7	NUT			2
30	6714713	COVER			1
31	6665531	LATCH			1
32		VALVE	shutoff - See Page 35		1
33	83D-5	NUT			3
34	6715370	LINK			1
35	6714717	ARM	shutoff		1
36	6715397	MOUNT			1
37	89D-6	NUT			7
38	6715840	SPRING			1
39	6714698	CHAIN			48
40	6714695	ROD			2
41	NAP	HOUSING	order 6812734 housing, 6812807 cover, (2) of 6728966 hose & (2) of 6679764 latch - Was 6714673 [A]	467002281 & Bel.	1
42	6812734	HOUSING		476002282 & Abv.	1
	6562224	BUSHING	weld on		2
43	6555989	BUSHING	outer - weld on		6

BRUSHCAT - 60" ROTARY CUTTER (Cont'd)

S/N 467002281 & Below

NOTE: AR = Spanish (Argentina)
 BR = Portugese (Brazil)
 JP = Japanese
 Translation Kit includes Safety Manual,
 Operators Manual and Decal Kit.



TS-1811

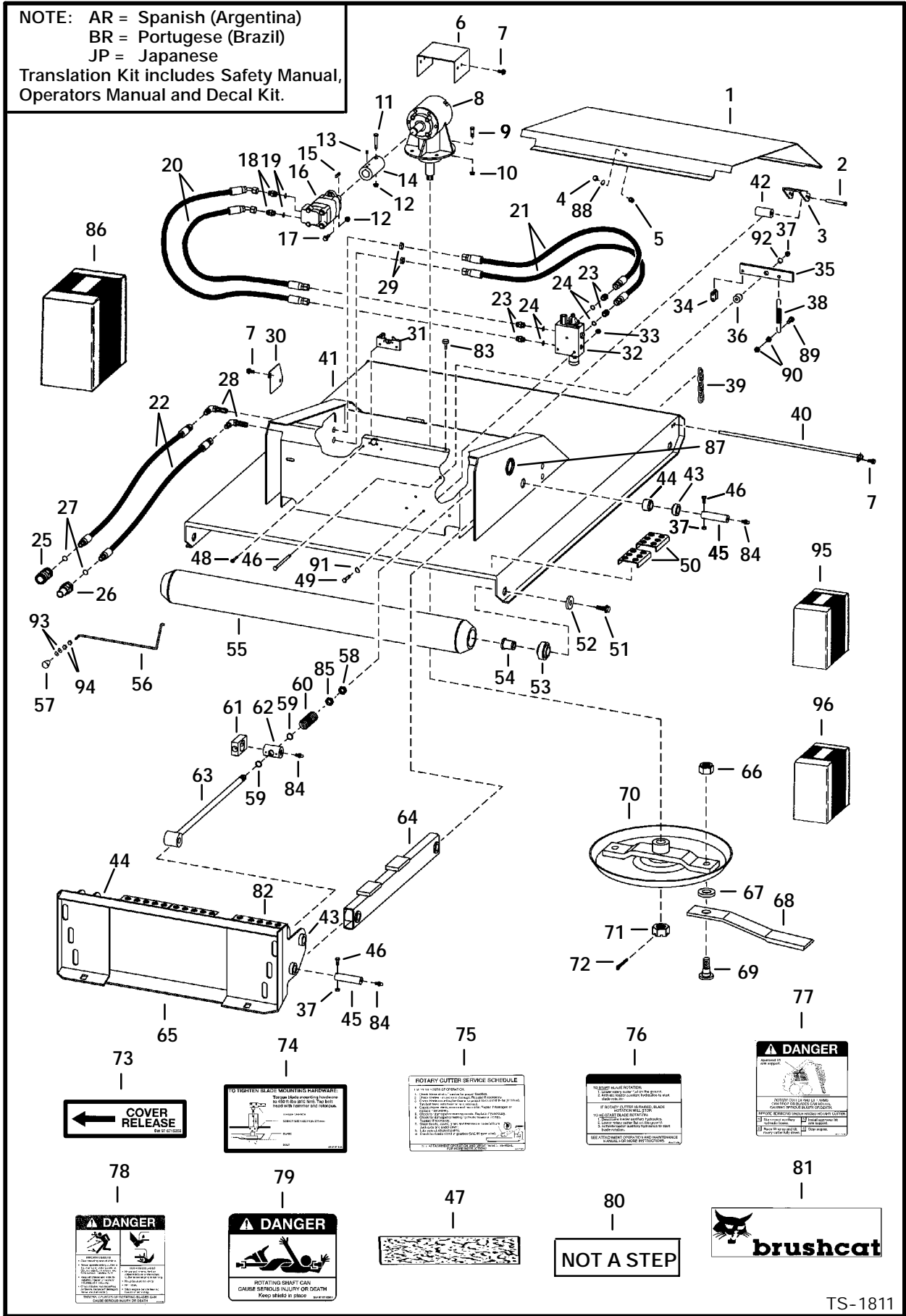
BRUSHCAT - 60" ROTARY CUTTER (Cont'd)
S/N 467002281 & Below

Ref. No.	Part Number	Description	Remarks	Serial Number	Qty.
44	6555987	BUSHING	inner - weld on		6
45	6703572	PIN			6
46	17C-640	BOLT			7
47	6577947	SAFETY TREAD			2
48	25G-416	BOLT			4
49	17C-552	BOLT			3
50	6701943	STEP			2
51	31C-1236	BOLT			2
52	6552871	WASHER			2
53	6671962	BEARING			2
54	6714694	MOUNT			2
55	6714691	ROLLER			1
56	6714708	ROD			1
57	6672326	KNOB			1
58	8D-16	JAM NUT			2
59	1657083	SEAL	wiper		4
60	6594434	SPRING			2
61	6717059	SPACER			2
62	6809668	PIVOT	Also Order Ref. 59 - Was 6717341 [A]		2
63	6810712	ROD	Was 6716946 [A]		2
64	6714704	MOUNT			2
65	6812808	MOUNT	Was 6714699 [A]		1
66	NAP	NUT	without flange-with nylon insert-		
67	6810800 NAP	NUT WASHER	order 6810800 nut & 6813014 bolt with flange-without nylon insert 3.00" O.D. - Order 6809851		2 2
	6809851	WASHER	washer & 6809869 bolt - Was 6813014 [C] 4.50" O.D.	467001247 & Bel. 467001428 & Abv.	2 2
68	NSS NSS	BLADE BLADE	standard - 3" offset - order Ref. 95 - Was 6715080 [A] 2" offset - cut is approx. 1"		2
69	NAP	BOLT	higher than standard blade - order Ref. 96 - Was 6719541 [A] Order 6809851 washer &		2
	NAP	BOLT	6813014 bolt - Was 6714929 [C] without nylon patch - order 6813014 bolt & 6810800 nut -	467001427 & Bel.	2
70	6813014 6719729	BOLT MOUNT	Was 6809869 [A] with nylon patch Was 6715062 [A]		2 2 1
71	6672818	NUT			1
72	1F-632	COTTER PIN			1
73	6715355	DECAL	release		1
74	6715356	DECAL	torque nut		1
75	6809665	DECAL	service - Was 6715357 [A]		1
76	6715358	DECAL	operation		1
77	6715359	DECAL	danger/service		1
78	6715360	DECAL	danger		3

BRUSHCAT - 60" ROTARY CUTTER (Cont'd)

S/N 467002281 & Below

NOTE: AR = Spanish (Argentina)
 BR = Portugese (Brazil)
 JP = Japanese
 Translation Kit includes Safety Manual,
 Operators Manual and Decal Kit.



TS-1811

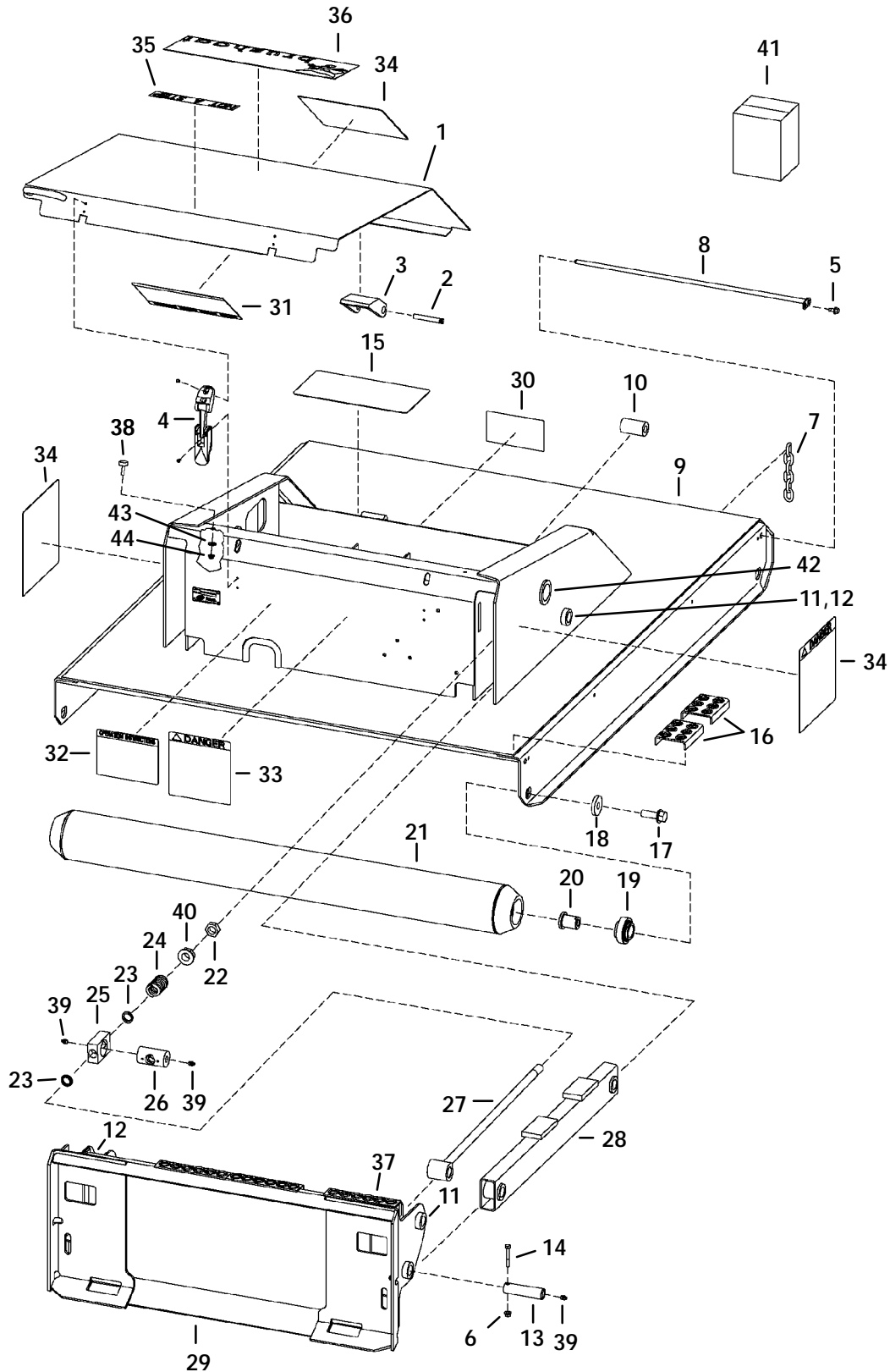
BRUSHCAT - 60" ROTARY CUTTER (Cont'd)
S/N 467002281 & Below

Ref. No.	Part Number	Description	Remarks	Serial Number	Qty.
79	6715361	DECAL	danger/rotating shaft		1
80	6657351	DECAL	not a step		2
81	6717587	DECAL	Brushcat - Was 6711327 [B]		1
82	6577917	STEP			1
83	6655399	BUMPER			2
84	10H-25	GREASE ZERK			8
85	58D-16	NUT			2
86	6716976AR	KIT	decals - SEE NOTE		1
	6716976BR	KIT	decals - SEE NOTE		1
	6716976JP	KIT	decals - SEE NOTE		1
	6716975AR	KIT	translation - SEE NOTE		1
	6716975BR	KIT	translation - SEE NOTE		1
87	6714688	BUSHING	weld on		4
88	25E-19	WASHER			1
89	31C-640	BOLT			1
90	55D-6	NUT			2
91	25E-15	WASHER			3
92	619021	WASHER			1
93	25E-14	WASHER			2
94	61D-4	NUT			2
95	6732897	BLADE KIT	standard 3" offset - W/qty. 2 ea.		
			of Ref. 66, 68 & 69		1
96	6732896	BLADE KIT	2" offset - cut is 1" higher than standard blade - W/qty. 2 ea.		
			of Ref. 66, 68 & 69		1

BRUSHCAT - 60" ROTARY CUTTER

S/N 467002282 & Above

NOTE: AR = Spanish (Argentina)
 BR = Portugese (Brazil)
 JP = Japanese
 Translation Kit includes Safety Manual,
 Operators Manual and Decal Kit.

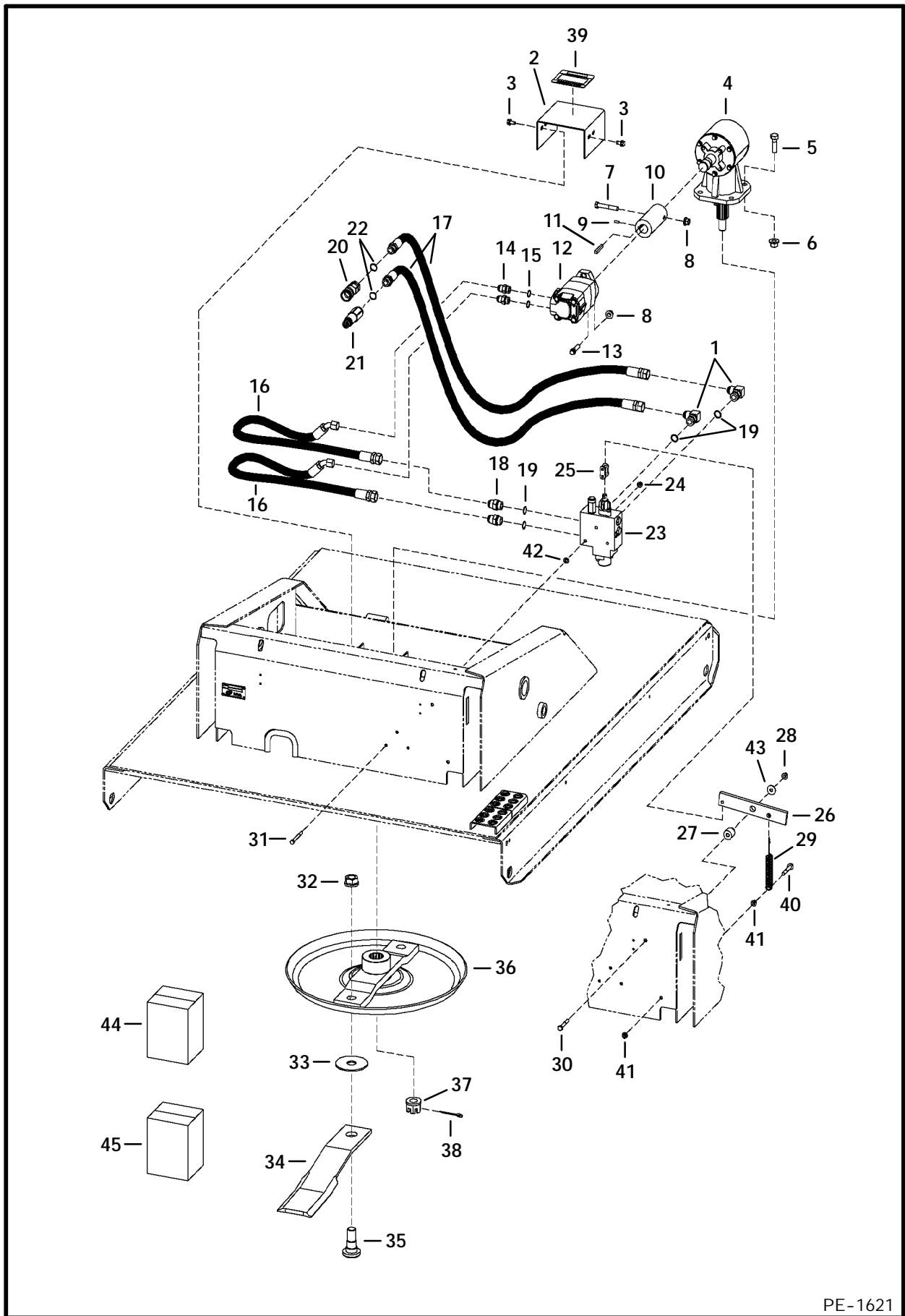


PE-1617

BRUSHCAT - 60" ROTARY CUTTER (Cont'd)
S/N 467002282 & Above

Ref. No.	Part Number	Description	Remarks	Serial Number	Qty.
1	6812807	COVER			1
2	6564340	PIN			2
3	6562225	HINGE			2
4	6679764	LATCH			2
5	84G-3712	BOLT			2
6	89D-6	NUT			6
7	6714698	CHAIN			48
8	6714695	ROD			2
9	6812734	HOUSING			1
10	6562224	BUSHING	weld on		2
11	6555989	BUSHING	outer - weld on		6
12	6555987	BUSHING	inner - weld on		6
13	6703572	PIN			6
14	17C-640	BOLT			6
15	6577947	SAFETY TREAD			2
16	6701943	STEP			2
17	31C-1236	BOLT			2
18	6552871	WASHER			2
19	6671962	BEARING			2
20	6714694	MOUNT			2
21	6714691	ROLLER			1
22	8D-16	JAM NUT			2
23	1657083	SEAL	wiper		4
24	6594434	SPRING			2
25	6717059	SPACER			2
26	6809668	PIVOT	Also Order Ref. 23		2
27	6810712	ROD			2
28	6714704	MOUNT			2
29	6812808	MOUNT			1
30	6715356	DECAL	torque nut		1
31	6809665	DECAL	service		1
32	6715358	DECAL	operation		1
33	6715359	DECAL	danger/service		1
34	6715360	DECAL	danger		3
35	6657351	DECAL	not a step		1
36	6717587	DECAL	Brushcat - Was 6711327 [B]		1
37	6577917	STEP			1
38	6655399	BUMPER			2
39	10H-25	GREASE ZERK			8
40	58D-16	NUT			2
41	6716976AR	KIT	decal - SEE NOTE		1
	6716976BR	KIT	decal - SEE NOTE		1
	6716976JP	KIT	decal - SEE NOTE		1
	6716975AR	KIT	translation - SEE NOTE		1
	6716975BR	KIT	translation - SEE NOTE		1
42	6714688	BUSHING	weld on		4
43	25E-16	WASHER			2
44	55D-5	NUT			2

BRUSHCAT - 60" ROTARY CUTTER
S/N 467002282 & Above

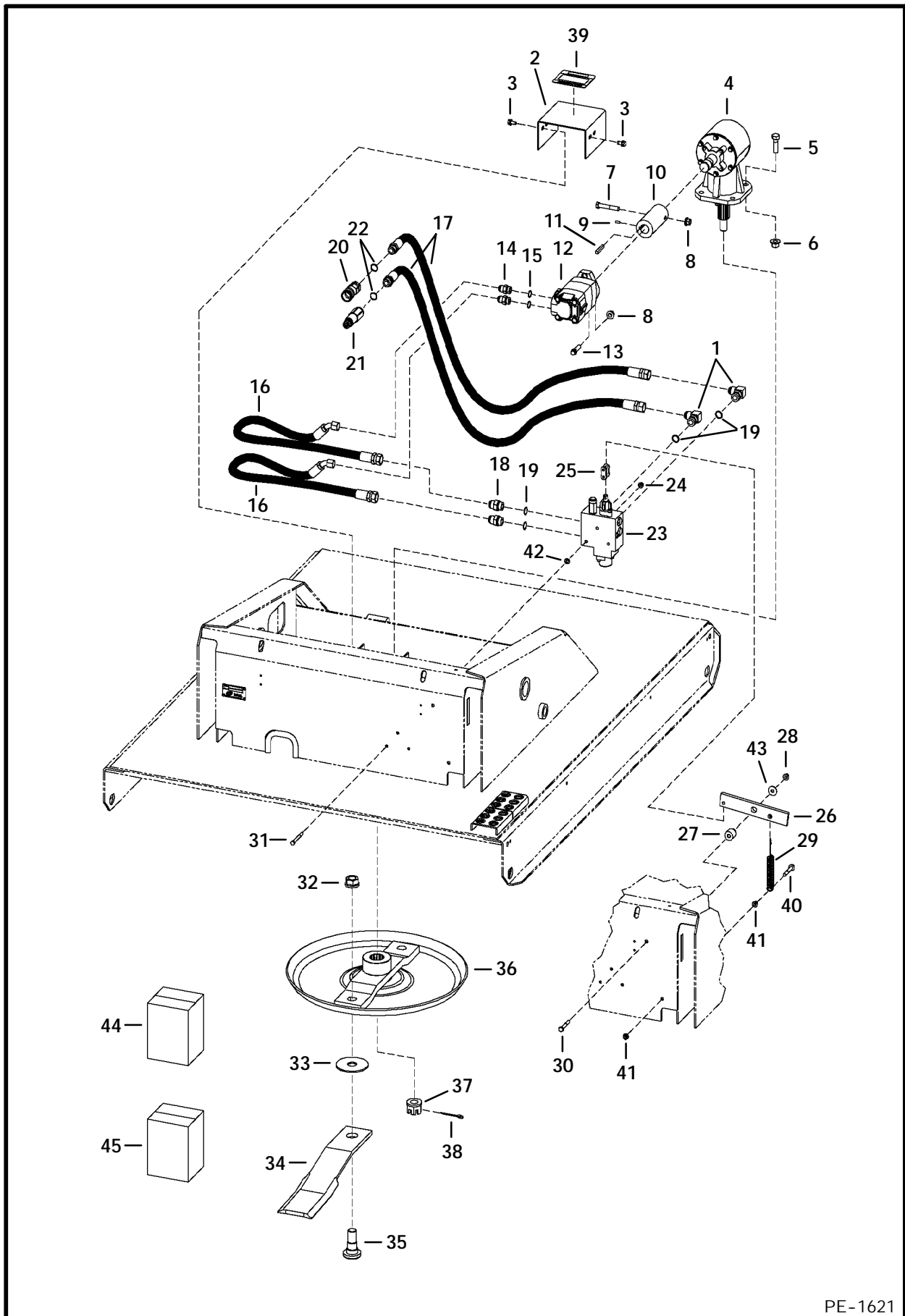


PE-1621

BRUSHCAT - 60" ROTARY CUTTER (Cont'd)
S/N 467002282 & Above

Ref. No.	Part Number	Description	Remarks	Serial Number	Qty.
1	17KV-8	BOLT			2
	97K-12	O-RING	for flared end		2
2	6714687	COVER			1
3	84G-3712	BOLT			6
4		GEARBOX	See Page 33		1
5	17C-1032	BOLT			4
6	89D-10	NUT			4
7	17C-848	BOLT			1
8	89D-8	NUT			3
9	15G-410	SET SCREW			2
10	6714930	COUPLER			1
11	7J-4204	KEY			1
12		MOTOR	See Page 31		1
13	93G-828	BOLT			2
14	15KV-7	ADAPTER	W/Ref. 19		2
	97K-10	O-RING	for flared end		2
15	99K-10	O-RING			2
16	6807342	HOSE			2
17	6728966	HOSE			2
18	15KN-8	ADAPTER	W/Ref. 24		2
	97K-12	O-RING	for flared end		2
19	99K-12	O-RING			4
20	6672960	QUICK COUPLER	female flush face		1
21	6674688	QUICK COUPLER	male flush face		1
22	79K-12	O-RING			2
23		VALVE	shutoff - See Page 35		1
24	83D-5	NUT			3
25	6715370	LINK			1
26	6714717	ARM	shutoff		1
27	6715397	MOUNT			1
28	89D-6	NUT			6
29	6715840	SPRING			1
30	17C-640	BOLT			6
31	17C-552	BOLT			3
32	6810800	NUT			2
33	6809851	WASHER	4.50" O.D.		2
34	NSS	BLADE	standard - 3" offset - order Ref. 44 - Was 6715080 [A]		2
	NSS	BLADE	2" offset - cut is approx. 1"		
			higher than standard blade - order Ref. 45 - Was 6719541 [A]		2
35	6813014	BOLT			2
36	6719729	MOUNT			1
37	6672818	NUT			1
38	1F-632	COTTER PIN			1
39	6715361	DECAL	danger/rotating shaft		1
40	31C-640	BOLT			1
41	55D-6	NUT			2
42	25E-15	WASHER			3
43	619021	WASHER			1

BRUSHCAT - 60" ROTARY CUTTER (Cont'd)
S/N 467002282 & Above

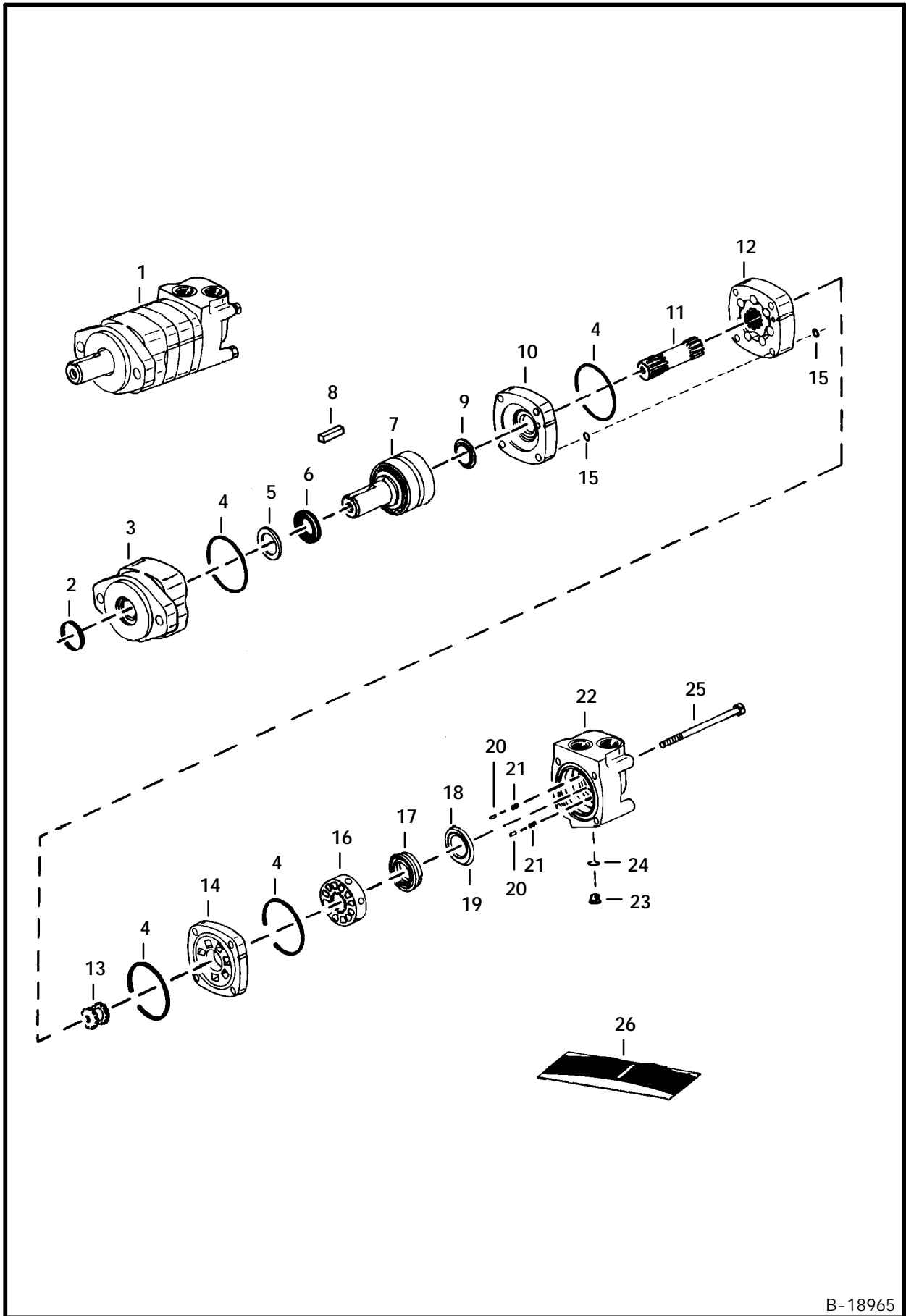


PE-1621

BRUSHCAT - 60" ROTARY CUTTER (Cont'd)
S/N 467002282 & Above

Ref. No.	Part Number	Description	Remarks	Serial Number	Qty.
44	6732897	BLADE KIT	standard 3" offset - W/qty. 2 ea. of Ref. 32, 34 & 35		1
45	6732896	BLADE KIT	2" offset - cut is 1" higher than standard blade - W/qty. 2 ea. of Ref. 32, 34 & 35		1

HYDROSTATIC MOTOR (Brushcat - 60" Rotary Cutter)

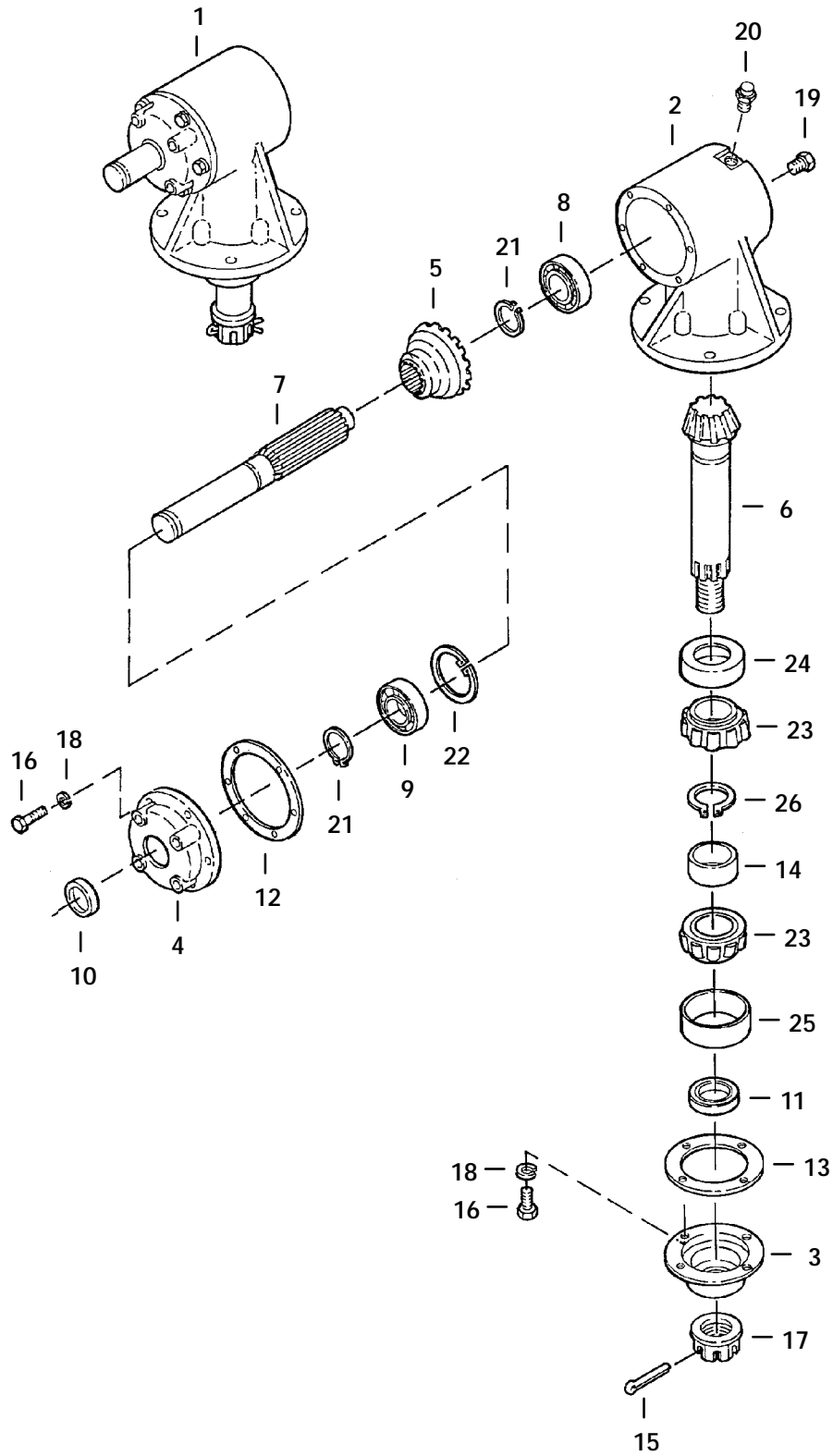


B-18965

HYDROSTATIC MOTOR (Cont'd)
(Brushcat - 60" Rotary Cutter)

Ref. No.	Part Number	Description	Remarks	Serial Number	Qty.
1	6671670	MOTOR	Ref. 2 - 25 shaft		1
2	6630029	SEAL			1
3	6632285	HOUSING			1
4	NSS	O-RING	shaft		4
5	NSS	BACK-UP RING			1
6	NSS	SEAL			1
7	6632290	SHAFT ASSY			1
8	6632292	KEY			1
9	1992098	SEAL			1
10	6632286	WEAR PLATE			1
11	6651948	SHAFT			1
12	6673237	GEROLER			1
13	1992084	SHAFT			1
14	6656368	PLATE			1
15	NSS	O-RING			3
16	6632288	VALVE			1
17	6630027	BALANCE RING			1
18	1992100	SEAL			inner
19	6653300	SEAL	outer		1
20	1992102	PIN	2		
21	1992088	SPRING	2		
22	6632348	HOUSING	W/Ref. 24		1
23	1992104	PLUG			1
24	NSS	O-RING			1
25	6673238	BOLT	W/Ref. 2, 4 - 6, 9, 15, 18, 19 & 24		4
26	6648973	SEAL KIT			1

GEARBOX (Brushcat - 60" Rotary Cutter)

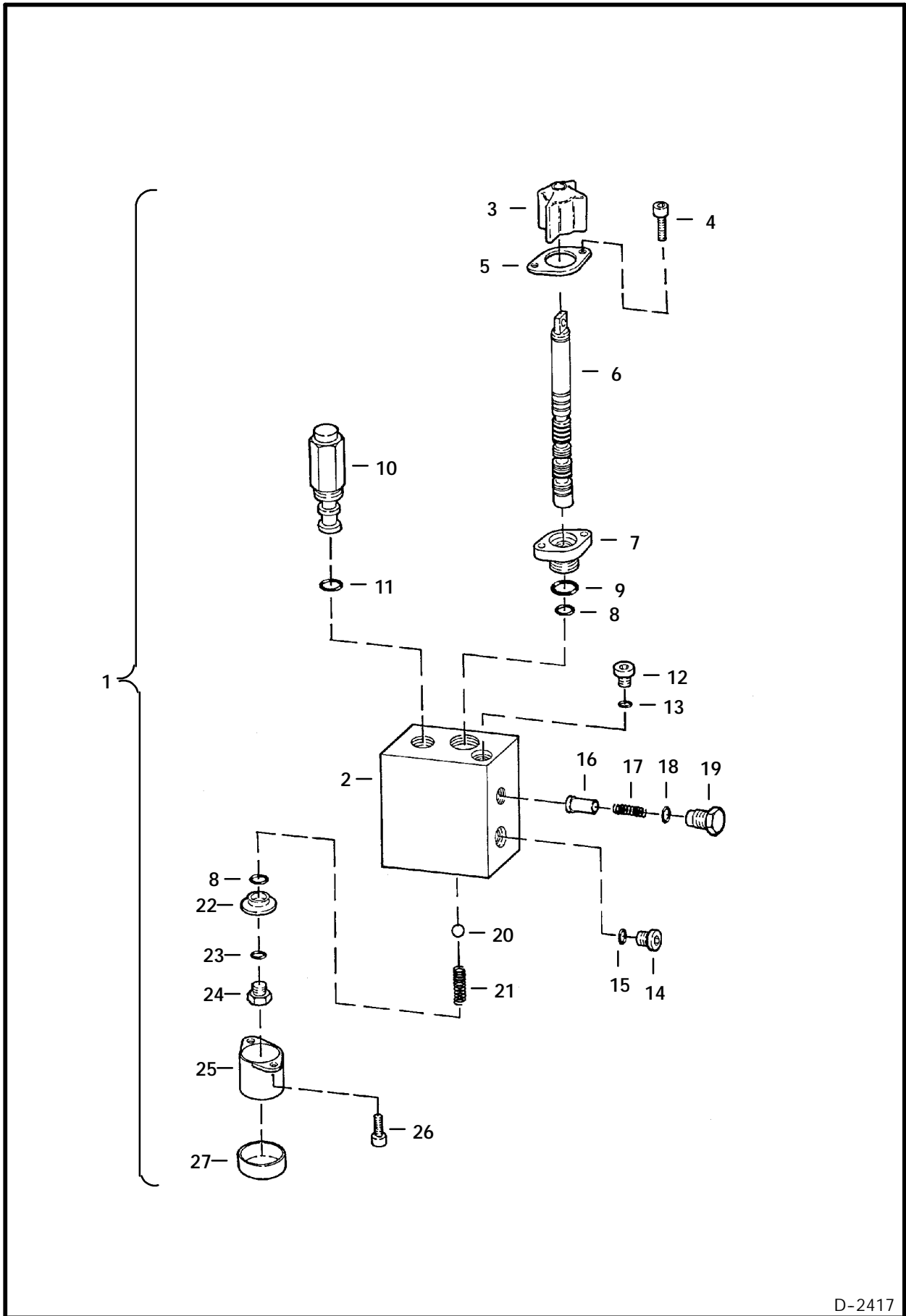


D-2408

GEARBOX (Cont'd)
(Brushcat - 60" Rotary Cutter)

Ref. No.	Part Number	Description	Remarks	Serial Number	Qty.
1	6672957	GEARBOX	Ref. 2 - 26		1
2	6673222	HOUSING			1
3	6673223	FLANGE			1
4	6673224	FLANGE			1
5	6673226	GEAR			1
6	6673225	GEAR			1
7	6673227	SHAFT			1
8	6672807	BEARING			1
9	6672808	BEARING			1
10	6672809	SEAL			1
11	6673231	SEAL			1
12	6672811	GASKET	.30mm		x
	6672812	GASKET	.15mm		x
	6672813	GASKET	.10mm		x
13	6673232	GASKET	.30mm		x
	6673233	GASKET	.15mm		x
	6673234	GASKET	.10mm		x
14	6673235	SPACER			1
15	1F-632	COTTER PIN			1
16	17C-616	BOLT			10
17	6672818	NUT	slotted		1
18	4E-6	WASHER	lock		10
19	40K-2	PLUG	pipe		1
20	6672819	PLUG	pressure relief		1
21	6661652	RING	retaining		2
22	6672820	RING	retaining		1
23	6673228	CONE	bearing		2
24	6673229	CUP	bearing		1
25	6673230	CUP	bearing		1
26	6673236	RING	retaining		1

SHUTOFF VALVE
(Brushcat - 60" Rotary Cutter)

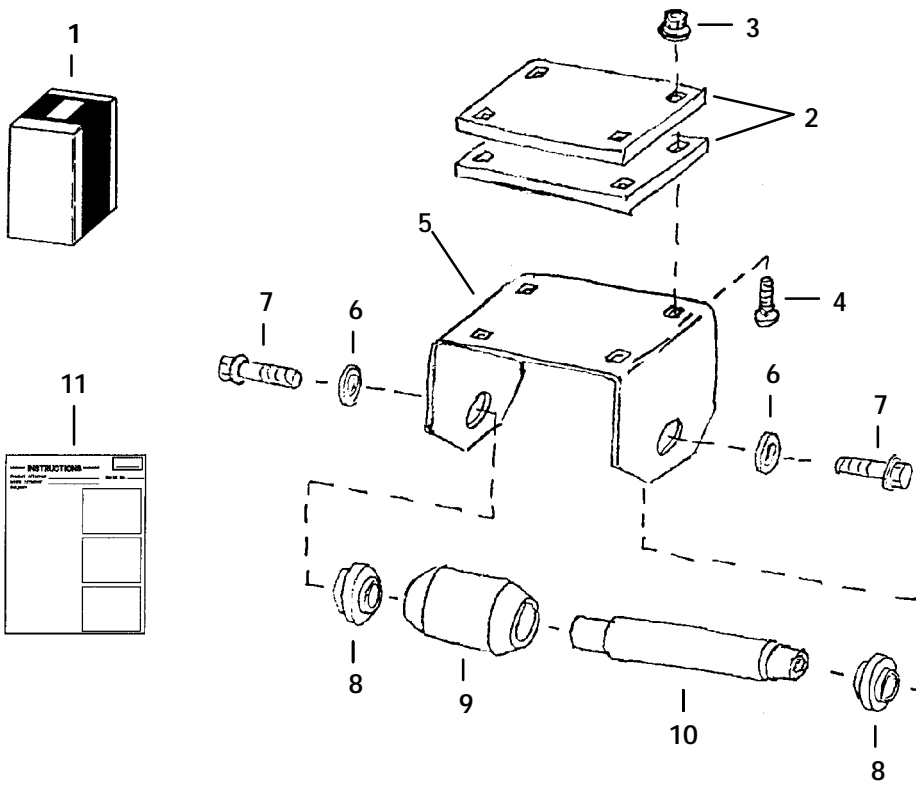


D-2417

SHUTOFF VALVE (Cont'd)
(Brushcat - 60" Rotary Cutter)

Ref. No.	Part Number	Description	Remarks	Serial Number	Qty.
1	NAP	VALVE	shutoff - W/Ref. 2 - 27 - Order 6677568 - Was 6671671 [A]		1
	6677568	VALVE			1
2	6718418	BLOCK			1
3	6587763	BOOT			1
4	29G-412	BOLT			2
5	6589564	RETAINER			1
6	NAP	SPOOL	Was 6718419 [A]		1
7	6718420	RETAINER	Was 6673217 [A]		1
8	6674743	SEAL	u-cup - Was 6673221 [A]		2
9	58K-127	O-RING			1
10	6673219	RELIEF VALVE			1
	6673213	SEAL KIT			1
11	79K-10	O-RING			1
12	90KV-5	PLUG			1
13	99K-6	O-RING			1
14	90KV-6	PLUG			1
15	99K-8	O-RING			1
16	6592115	SEAT			1
17	6592117	SPRING			1
18	79K-8	O-RING			1
19	6592116	NUT			1
20	10J-14	BALL			1
21	6718423	SPRING	Was 6673220 [A]		1
22	6718421	PLATE	Was 6673216 [A]		1
23	79K-6	O-RING			1
24	6718422	PLUG	Was 6673214 [A]		1
25	6587633	BONNET			1
26	29G-416	BOLT			2
27	6662848	CAP			1

FRONT ROLLER KIT
(Brushcat - 60" Rotary Cutter)

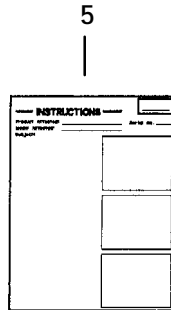
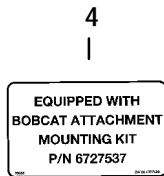
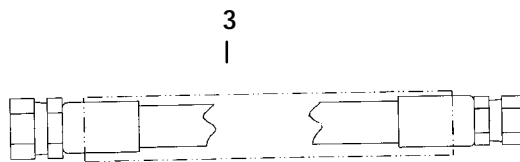
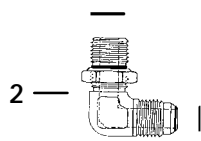
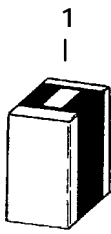


B-18966

FRONT ROLLER KIT (Cont'd)
(Brushcat - 60" Rotary Cutter)

Ref. No.	Part Number	Description	Remarks	Serial Number	Qty.
1	6717483	KIT	front roller - W/Ref. 2 - 11		1
2	6725146	SPACER			4
3	89D-8	NUT			8
4	10C-832	BOLT			8
5	6717481	BRACKET			2
6	6552871	WASHER			4
7	31C-1236	BOLT			4
8	6671962	BEARING			4
9	6717479	ROLLER			2
10	6717625	SHAFT			2
11	6900668	INSTRUCTIONS			1

ATTACHMENTS PLUS KIT
(New Holland Loader / Brushcat)

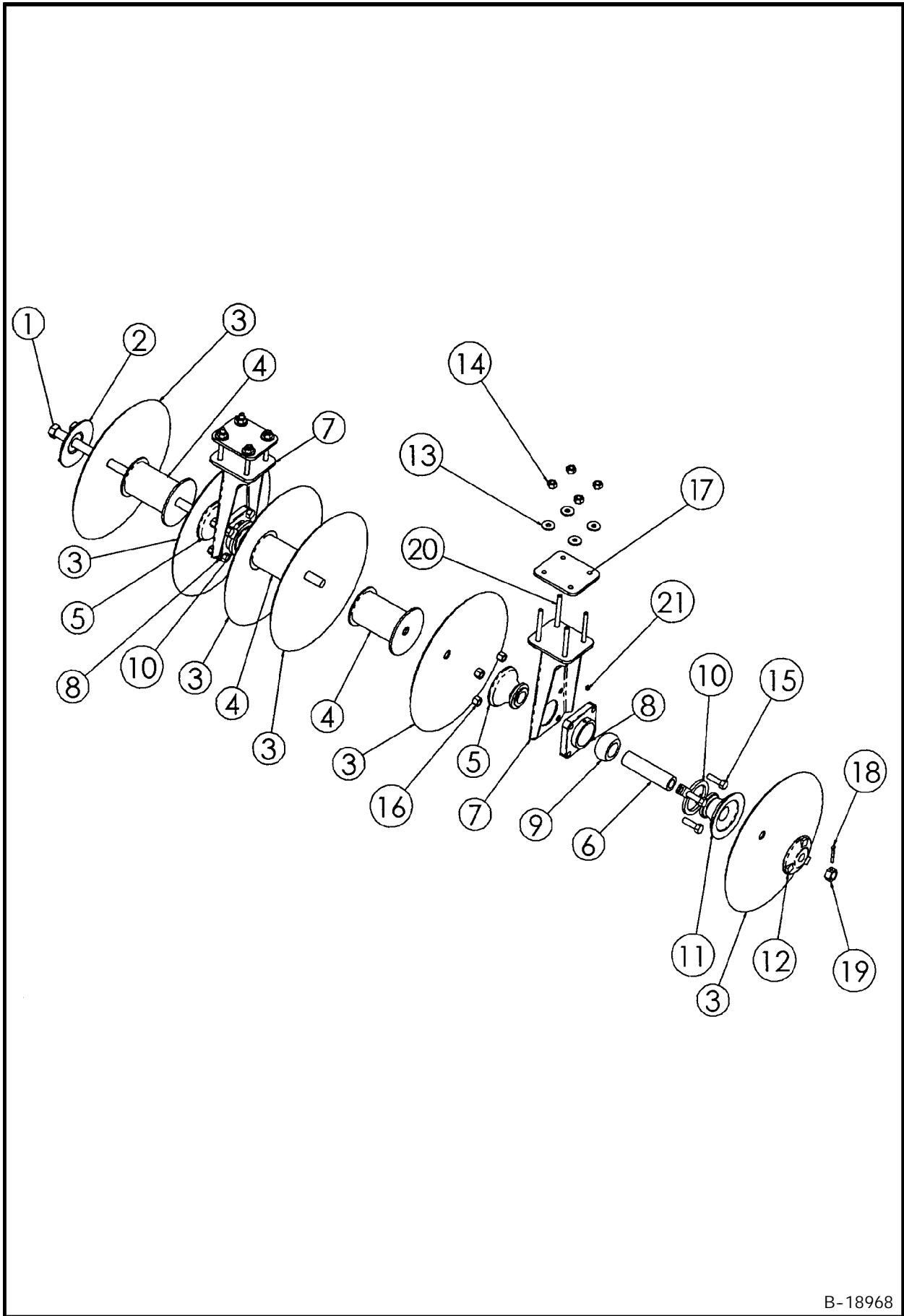


B-18967

ATTACHMENTS PLUS KIT (Cont'd)
(New Holland Loader / Brushcat)

Ref. No.	Part Number	Description	Remarks	Serial Number	Qty.
1	6727537	KIT	NH Brushcat - W/Ref. 2 - 5		1
2	17KV-8	ELBOW			2
	99K-12	O-RING	for O-ring boss		2
	97K-12	O-RING	for flare end		2
3	6727534	HOSE			2
4	6727600	DECAL			1
5	6901124	INSTRUCTIONS			1

HD80 DISC
(Front Section)

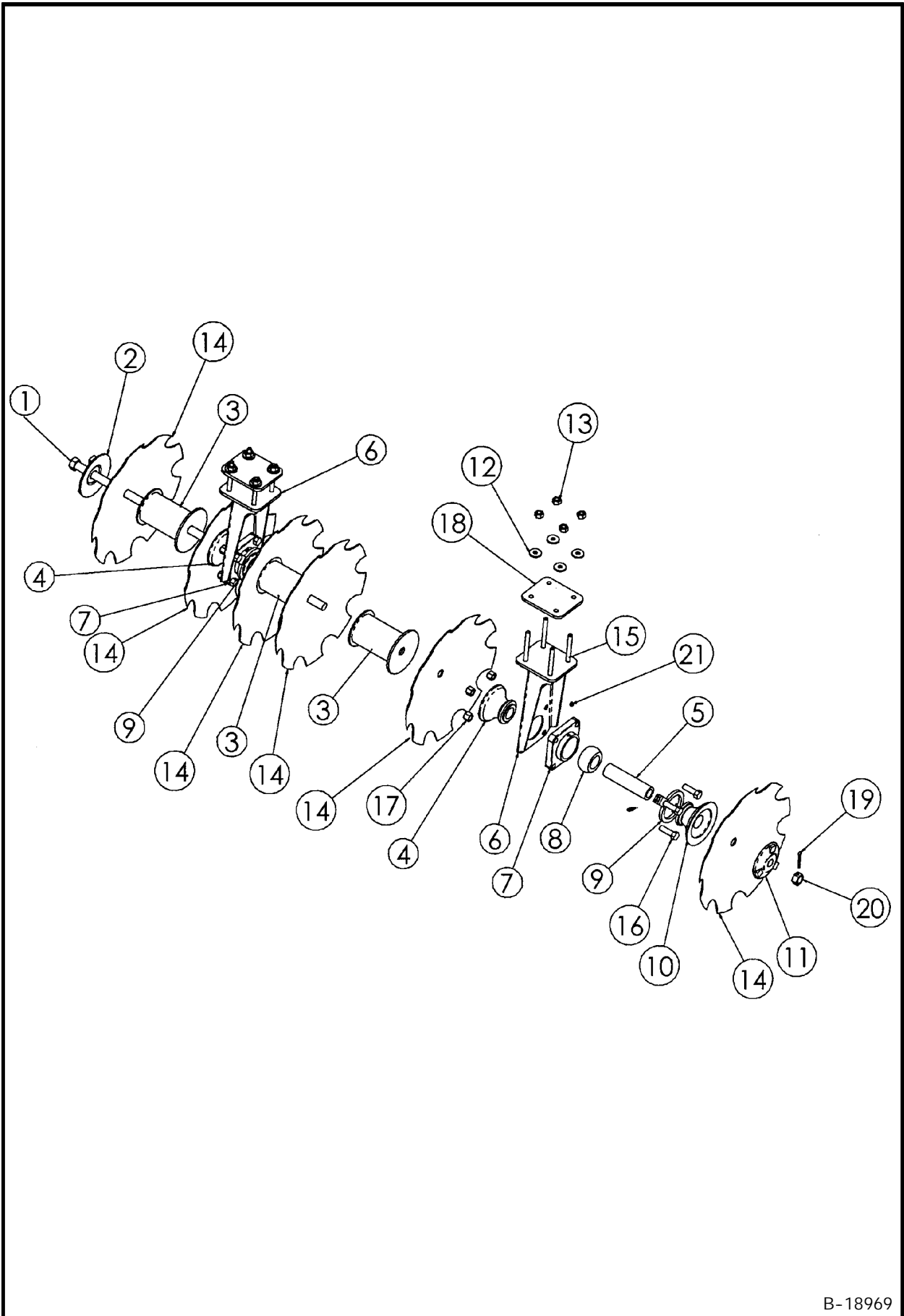


B-18968

HD80 DISC (Cont'd)
(Front Section)

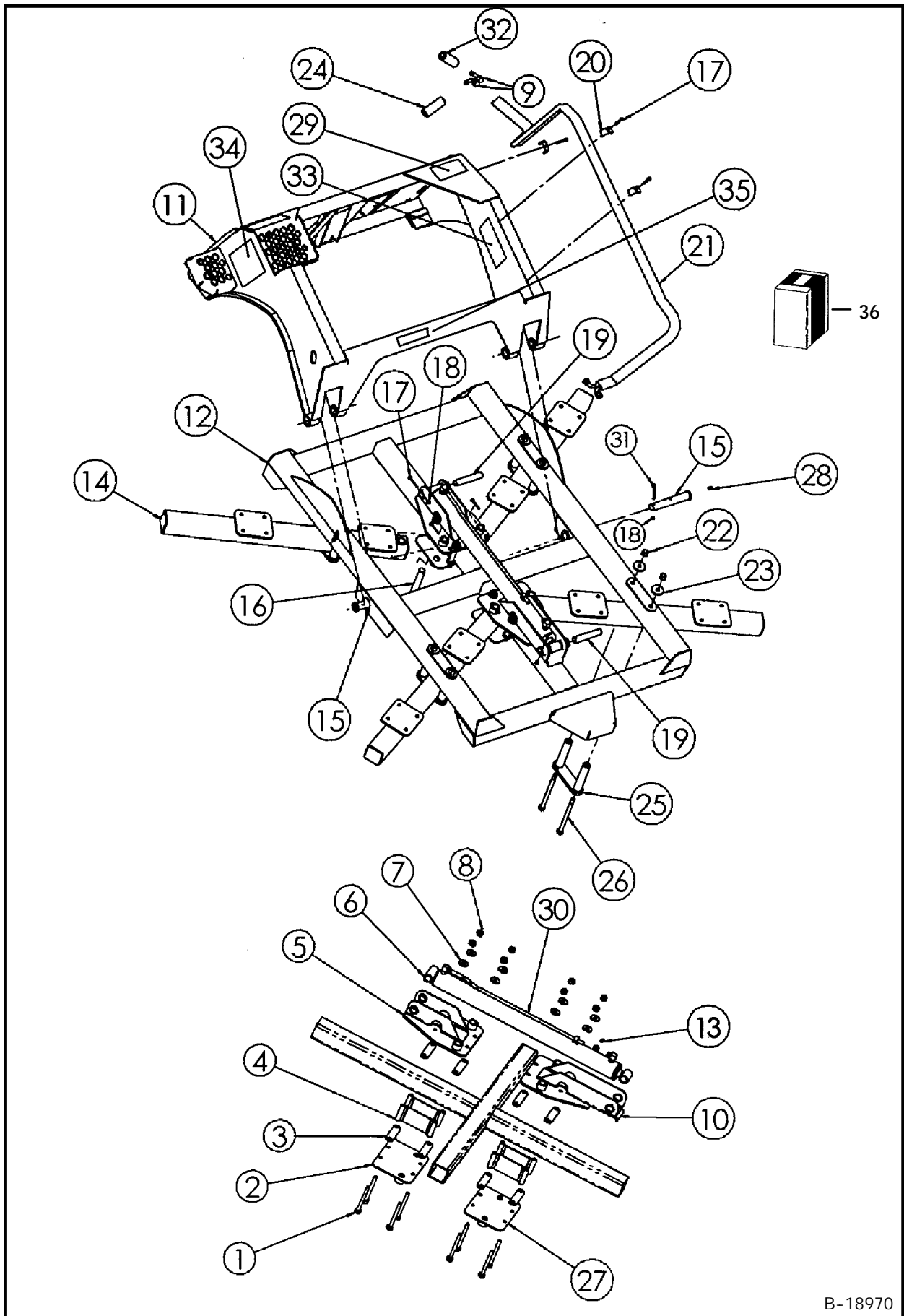
Ref. No.	Part Number	Description	Remarks	Serial Number	Qty.
1	6677415	ROD			1
2	6677416	WASHER			1
3	6677417	DISC			6
4	6677418	SPOOL	half inner		3
5	6677419	SPOOL			2
6	6677420	SLEEVE			2
7	6677421	BRACKET	bearing		2
8	6677422	BLOCK			2
9	6677423	BEARING			2
10	6677424	GUARD	half outer		2
11	6677425	SPOOL			2
12	6677426	WASHER			1
13	25E-22	WASHER			8
14	59D-8	NUT			8
15	17C-1032	BOLT			8
16	59D-10	NUT			8
17	6677406	PLATE	cotter		2
18	1F-624	PIN			1
19	3D-16	NUT			1
20	17C-884	BOLT			8
21	10H-35	GREASE ZERK			2

HD80 DISC
(Rear Section)



B-18969

HD80 DISC
(Frame)

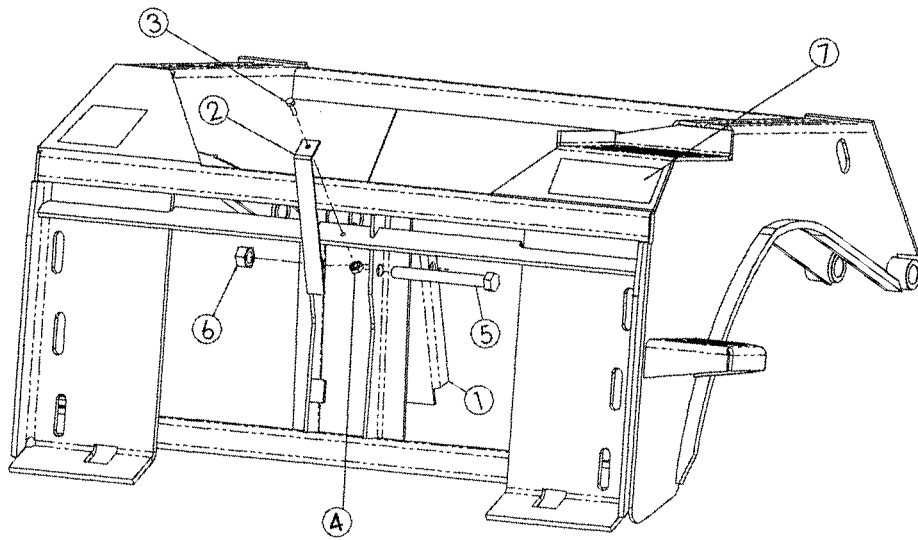


B-18970

HD80 DISC (Cont'd)
(Frame)

Ref. No.	Part Number	Description	Remarks	Serial Number	Qty.
1	17C-884	BOLT			8
2	6677398	PLATE			1
3	6677399	SPACER			8
4	6677400	GUIDE			4
5	6677401	MOUNT			1
6	6677402	CYLINDER			1
7	25E-22	WASHER			8
8	59D-8	NUT			8
9	1308474	ELBOW			1
10	6677403	MOUNT			1
11	6677404	FRAME			1
12	6677405	FRAME			1
13	87FN-6	ADAPTER			1
14	6677407	TUBE			4
15	6677408	PIN			2
16	6677409	PIN			4
17	17C-432	BOLT			9
18	59D-4	NUT			11
19	6677410	PIN			2
20	6677411	CLIP			3
21	6677412	HOSE			2
22	59D-10	NUT			8
23	25E-26	WASHER			8
24	6674688	QUICK COUPLER			1
25	6677413	BRACKET			4
26	17C-10128	BOLT			8
27	6677414	PLATE			1
28	10H-25	GREASE ZERK			2
29	6677622	DECAL	operation/warning		1
30	6677625	TUBE			1
31	17C-440	BOLT			2
32	6672960	QUICK COUPLER			1
33	NAP	PLATE	serial number		1
34	6677620	DECAL			2
35	6677621	DECAL			1
36	6708184	KIT	D-ring		1

HD80 DISC
(Frame)

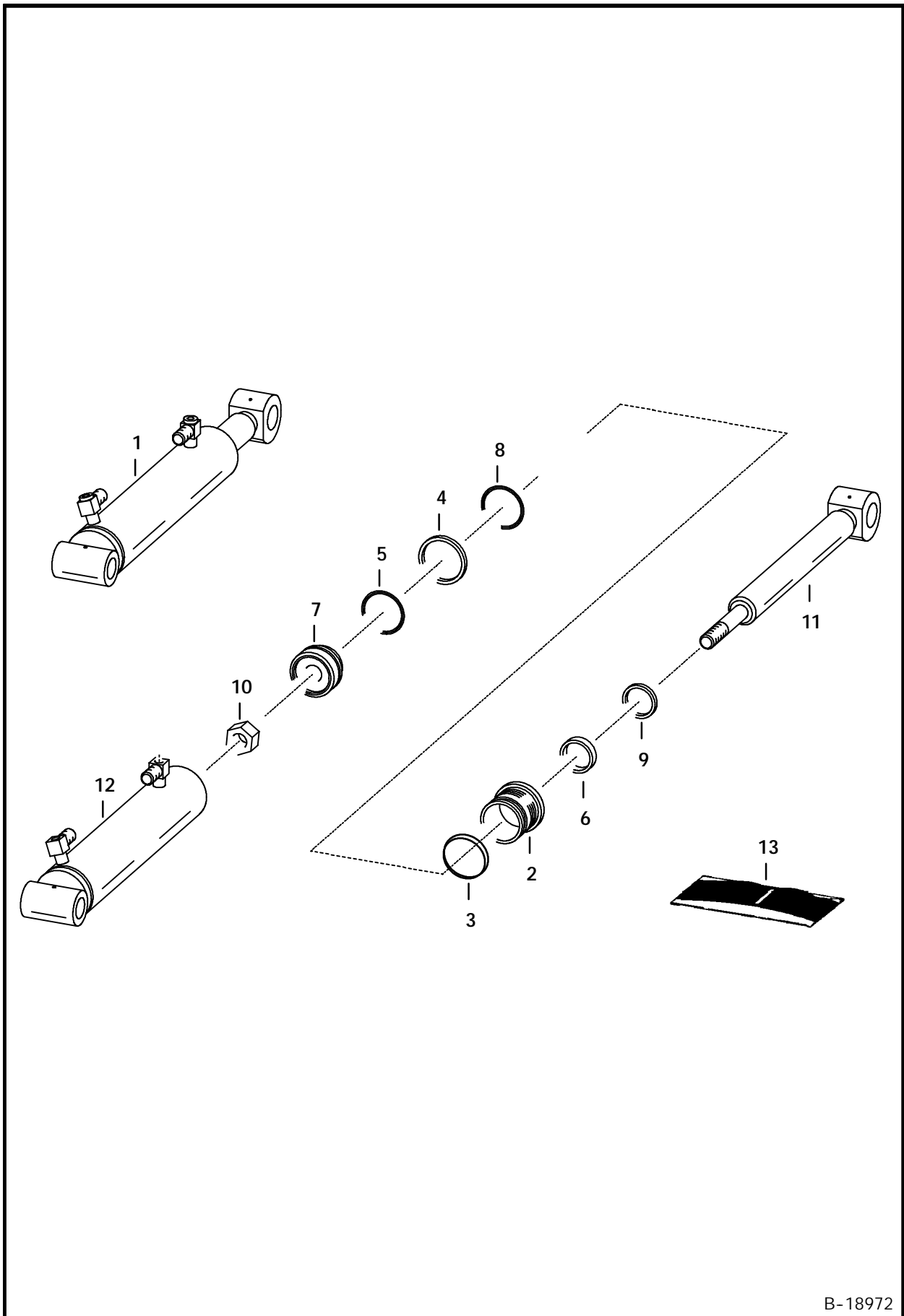


B-18971

HD80 DISC (Cont'd)
(Frame)

Ref. No.	Part Number	Description	Remarks	Serial Number	Qty.
1	6677618	CHANNEL			1
2	6677619	SPRING			1
3	17C-516	BOLT			1
4	59D-5	NUT			1
5	17C-12112	BOLT			1
6	59D-12	NUT			1
7	6715943	DECAL			1
8	6677624	MANUAL			1

HD80 DISC (Cylinder)



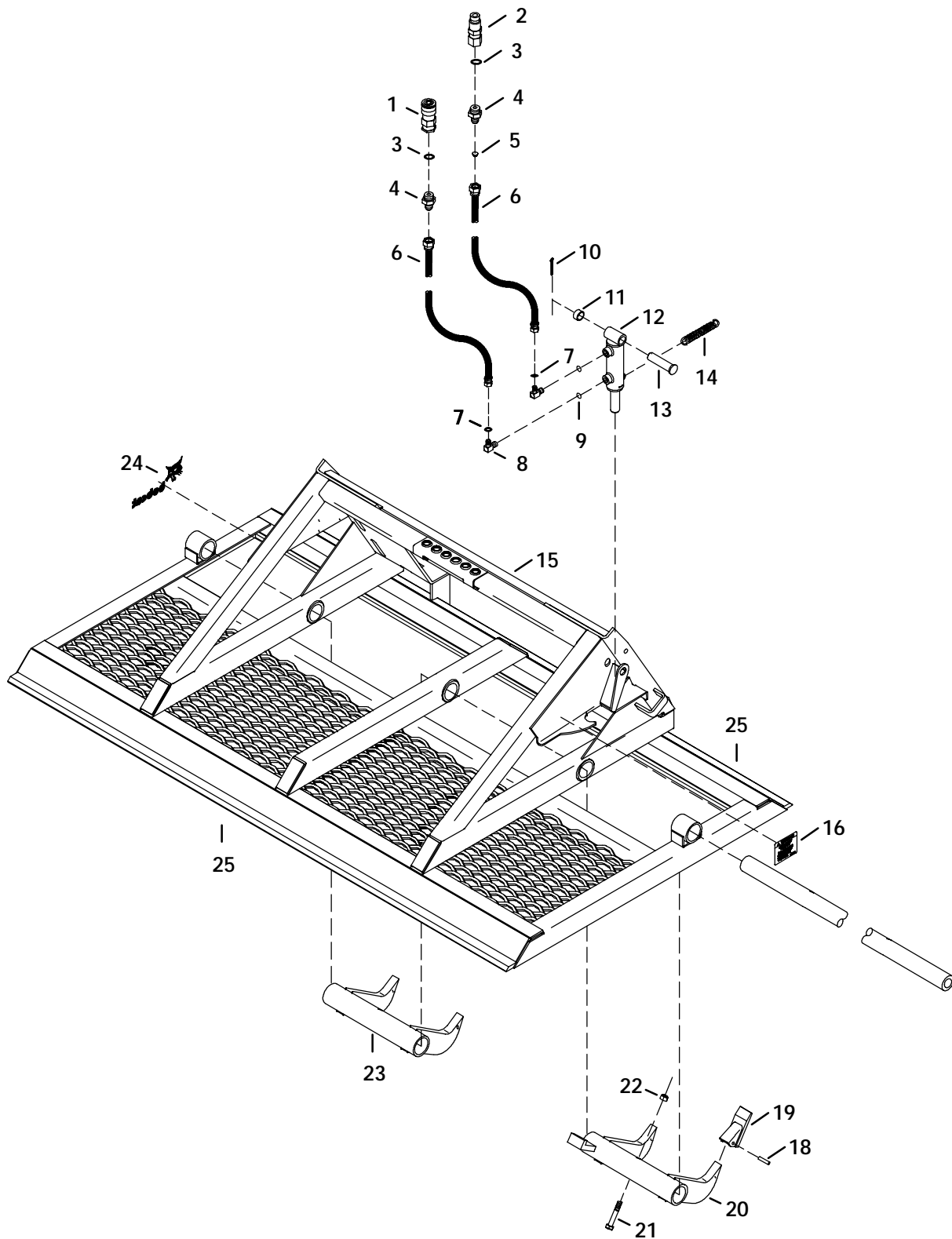
B-18972

HD80 DISC (Cont'd)
(Cylinder)

Ref. No.	Part Number	Description	Remarks	Serial Number	Qty.
1	6677402	CYLINDER			1
2	6677614	HEAD			1
3	NSS	O-RING			1
4	NSS	SEAL	rod		1
5	NSS	RING	backup		1
6	NSS	RING	wear		1
7	6677615	PISTON			1
8	NSS	SEAL	piston		1
9	NSS	O-RING			1
10	60D-12	NUT			1
11	6677613	ROD			1
12	6677616	CASE			1
13	6677617	SEAL KIT	Ref. 3-6, 8 & 9		1

LANDPLANE

NOTE: S/N: - 6995 (1st 4 digits)

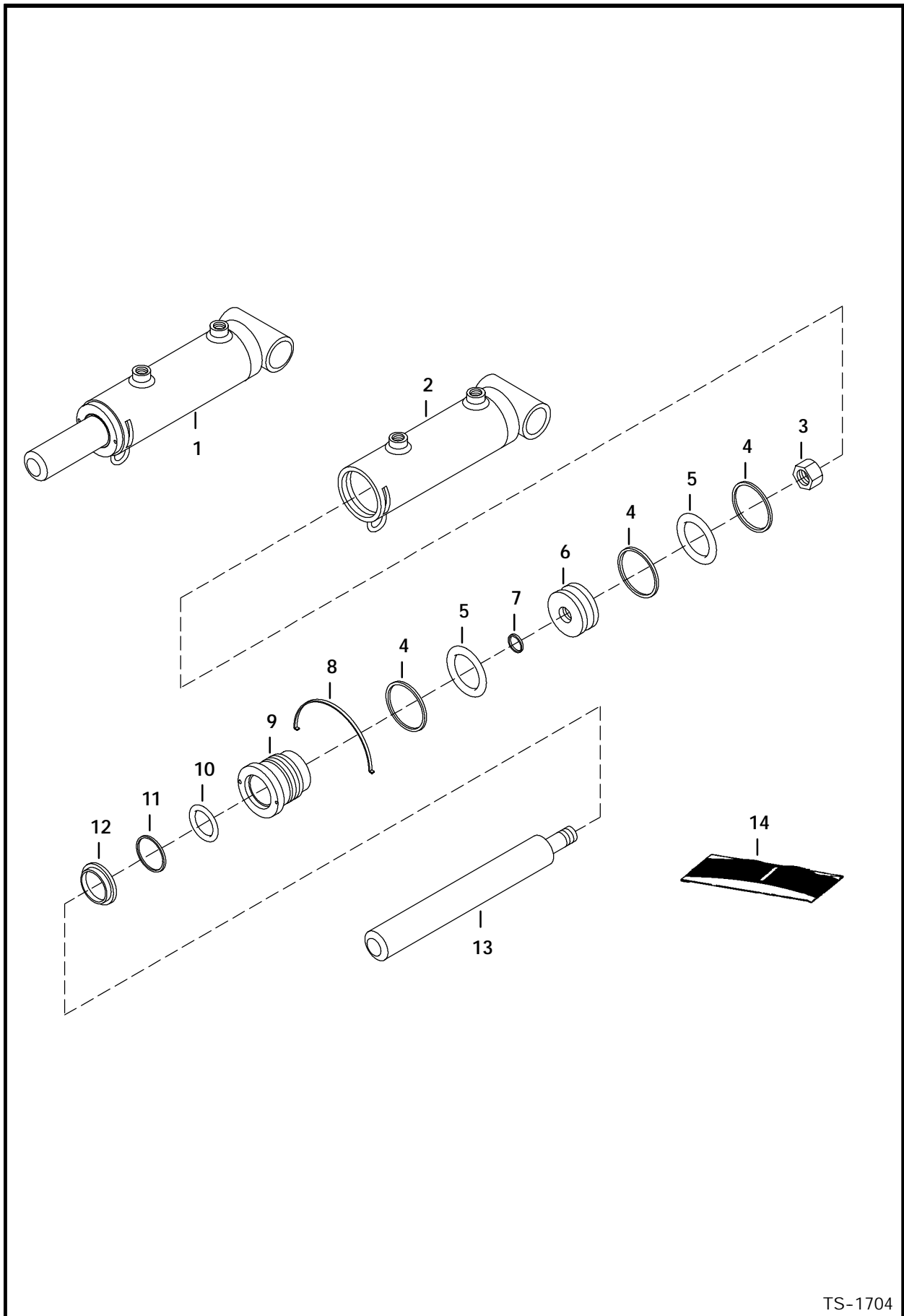


TS-1703

LANDPLANE (Cont'd)

Ref. No.	Part Number	Description	Remarks	Serial Number	Qty.
1	6672960	QUICK COUPLER	female		1
2	6674688	QUICK COUPLER	male - Was 6667808 [A]		1
3	79K-12	O-RING			2
4	6673322	FITTING			2
5	6673319	ORIFICE			1
6	6673737	HOSE			2
7	97K-6	O-RING			2
8	17KV-5	ELBOW			2
9	99K-6	O-RING			2
10	1F-632	COTTER PIN			1
11	6657219	SPACER			1
12	6673735	CYLINDER	See Page 54		1
13	6648595	PIN			1
14	6673736	SPRING			1
15	6673740	MAIN FRAME			1
16	6673605	DECAL			1
17	6673733	TUBE			1
18	18J-2028	ROLL PIN	Was 14J-3124 [B]		8
19	1550017	TOOTH			8
20	6673739	TOOTH BAR	with push bar		1
21	17C-848	BOLT			4
22	87D-8	NUT			4
23	6673738	TOOTH BAR			3
24	6567988	DECAL	Bobcat		1
25	6676463	CUTTING EDGE			2

CYLINDER (Landplane)



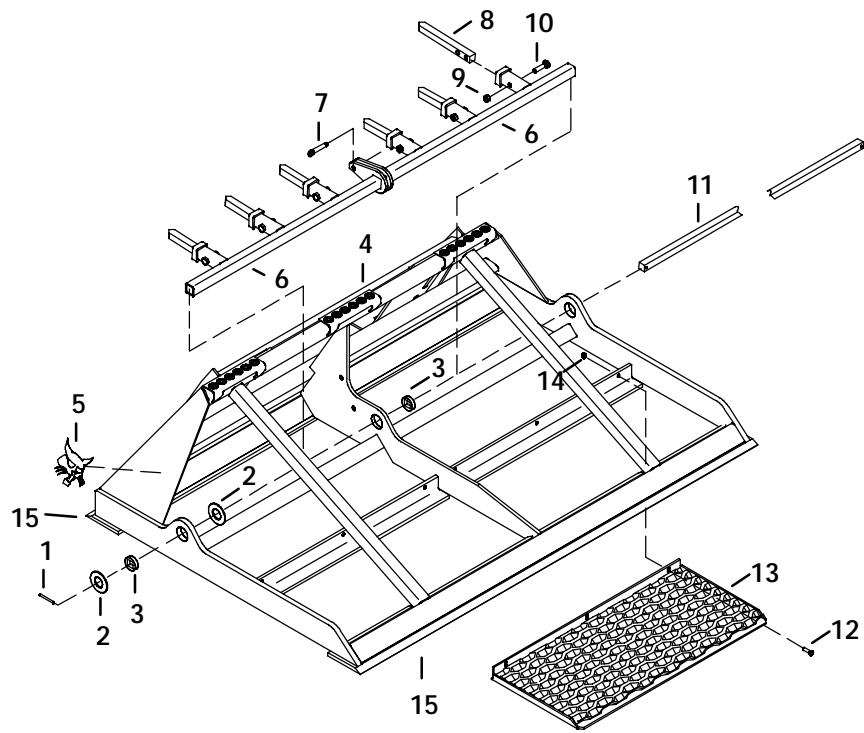
TS-1704

**CYLINDER (Cont'd)
(Landplane)**

Ref. No.	Part Number	Description	Remarks	Serial Number	Qty.
1	6673735	CYLINDER	Ref. 2-13		1
2	6673746	CASE			1
3	6673741	NUT			1
4	NSS	BACKUP			3
5	NSS	O-RING			2
6	6673743	PISTON			1
7	NSS	O-RING			1
8	6673744	RETAINING RING			1
9	6673742	HEAD			1
10	NSS	O-RING			1
11	NSS	BACKUP			1
12	NSS	DUST SEAL			1
13	6673745	ROD			1
14	6673747	SEAL KIT	Ref. 4, 5, 7 & 10-12		1

48" LANDPLANE (463 & 500 Series)

NOTE: S/N: 48" - 7173 (1st 4 digits)



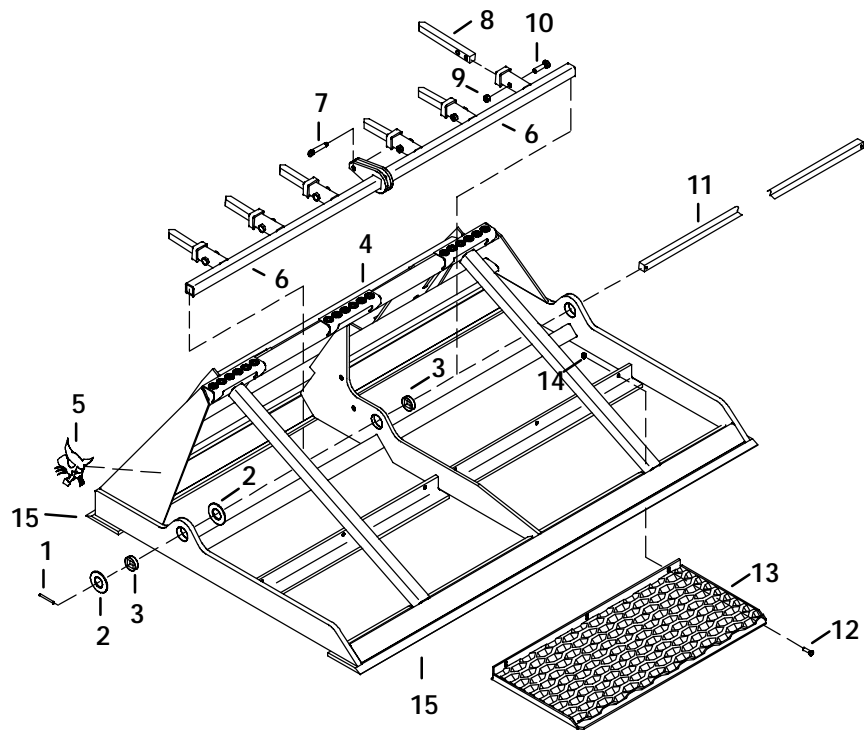
TS-1739

48" LANDPLANE (Cont'd)
(463 & 500 Series)

Ref. No.	Part Number	Description	Remarks	Serial Number	Qty.
1	14J-2540	PIN			2
2	6906072	WASHER			3
3	6906077	BUSHING			2
4	6907172	MAIN FRAME			1
5	6700191	DECAL	Bobcat head		2
6	6907170	TOOTH BAR			1
7	6906071	PIN			1
8	6906069	TOOTH			4
9	83D-8	NUT			4
10	31C-832	BOLT			4
11	6907165	SHAFT			1
12	31C-620	BOLT			4
13	6907171	GRATE			1
14	83D-6	NUT			4
15	6907159	CUTTING EDGE			2
16	6729232AR	KIT	translation		1
	6729232BR	KIT	translation		1

LANDPLANE (72" and 78" Models)

NOTE: S/N: 72" - 6150 (1st 4 digits)
S/N: 78" - 6115 (1st 4 digits)



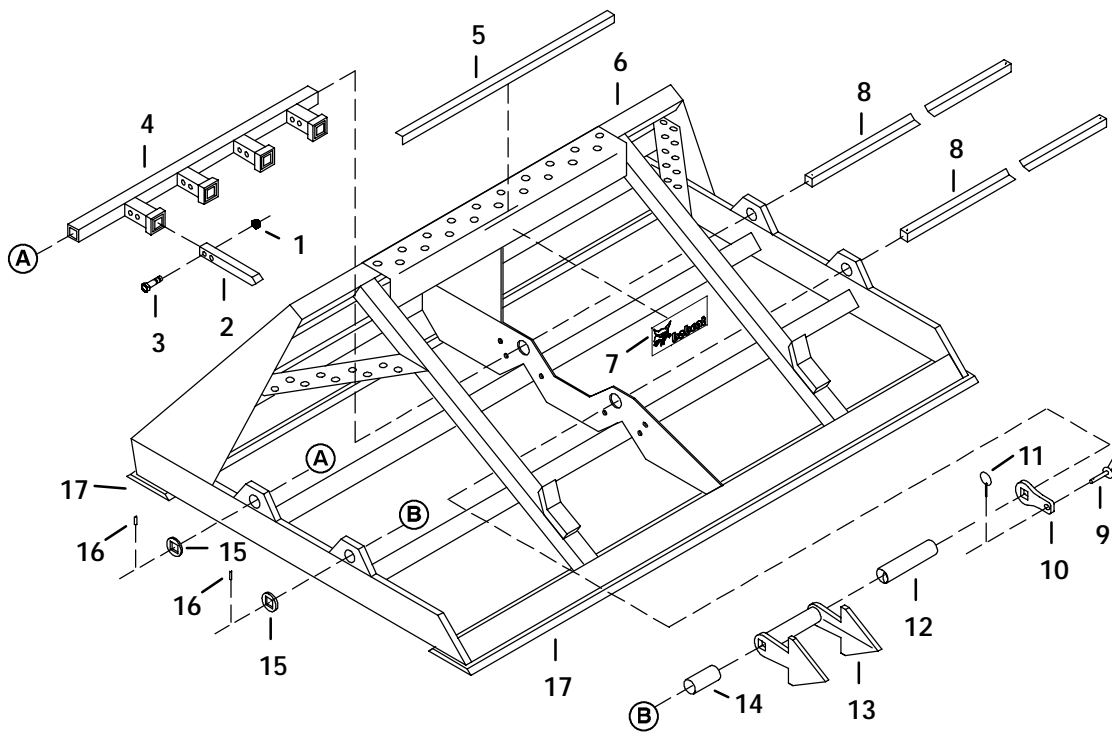
B-18973

LANDPLANE (Cont'd)
(72" and 78" Models)

Ref. No.	Part Number	Description	Remarks	Serial Number	Qty.
1	14J-2540	PIN			2
2	6906072	WASHER			4
3	6906077	BUSHING			3
4	6906196	MAIN FRAME	72" model		1
	6906088	MAIN FRAME	78" model		1
5	6700191	DECAL	Bobcat head		2
6	6906197	TOOTH BAR	72" model		2
	6906049	TOOTH BAR	78" model		2
7	6906071	PIN			1
8	6906069	TOOTH	qty. 6 for 72", qty. 8 for 78"		x
9	83D-8	NUT	qty. 6 for 72", qty. 8 for 78"		x
10	31C-832	BOLT	qty. 6 for 72", qty. 8 for 78"		x
11	6906192	SHAFT	72" model		1
	6906067	SHAFT	78" model		1
12	31C-620	BOLT			6
13	6906194	GRATE	72" model		2
	6906109	GRATE	78" model		2
14	83D-6	NUT			6
15	6906201	CUTTING EDGE	72" model		2
	6906063	CUTTING EDGE	78" model		2

ECONO LANDPLANE (72" (1829mm) Model)

NOTE: S/N: - 9898 (1st 4 digits)



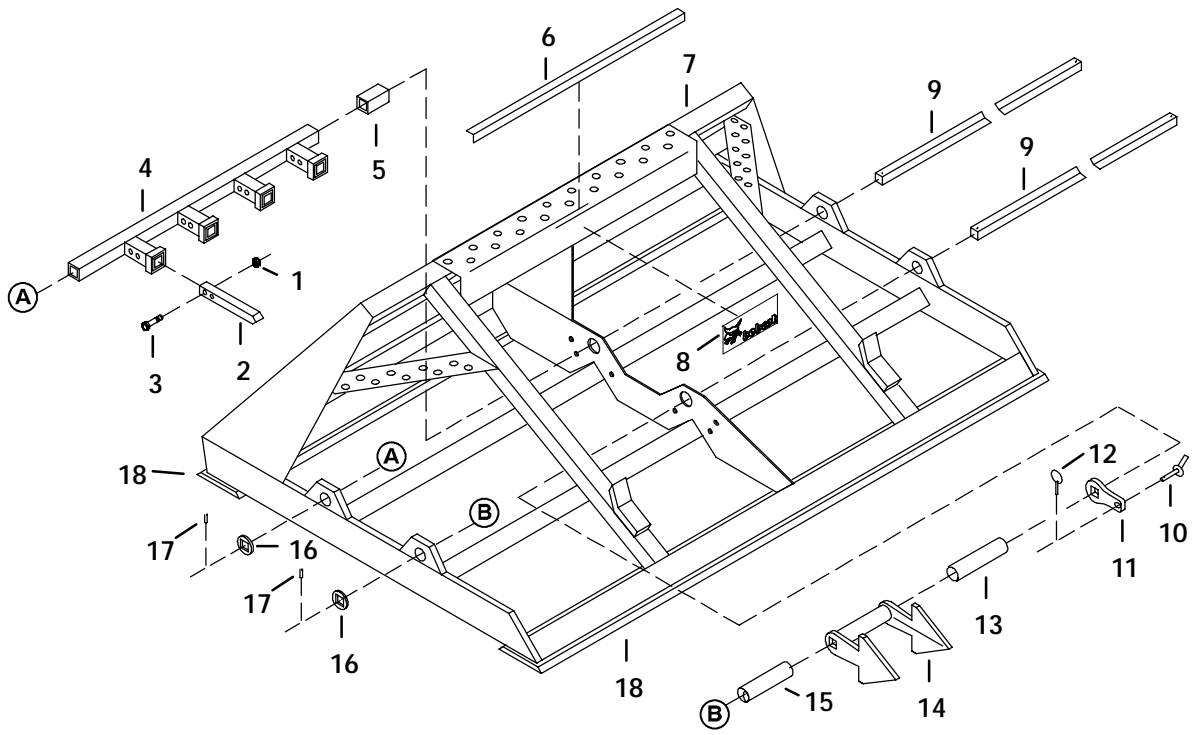
TS-1726

ECONO LANDPLANE (Cont'd)
(72" (1829mm) Model)

Ref. No.	Part Number	Description	Remarks	Serial Number	Qty.
1	87D-8	NUT			16
2	6905717	CHISEL TOOTH			8
3	17C-832	BOLT			16
4	6905716	TOOTH BAR			2
5	6905640	SURFACE	anti-slip		1
6	6905637	MAIN FRAME			1
7	6567988	DECAL	Bobcat		1
8	6905714	SHAFT			2
9	6905718	LOCKING PIN			2
10	6905728	LOCK			4
11	6905719	CLICK PIN			2
12	6905709	LONG SPACER			4
13	6905712	SCARIFIER TEETH			4
14	6905710	SHORT SPACER			2
15	6905708	WASHER			8
16	14J-2532	ROLL PIN			4
17	6906201	CUTTING EDGE	72" model		2

ECONO LANDPLANE (78" (1981mm) Model)

NOTE: S/N: - 9899 (1st 4 digits)

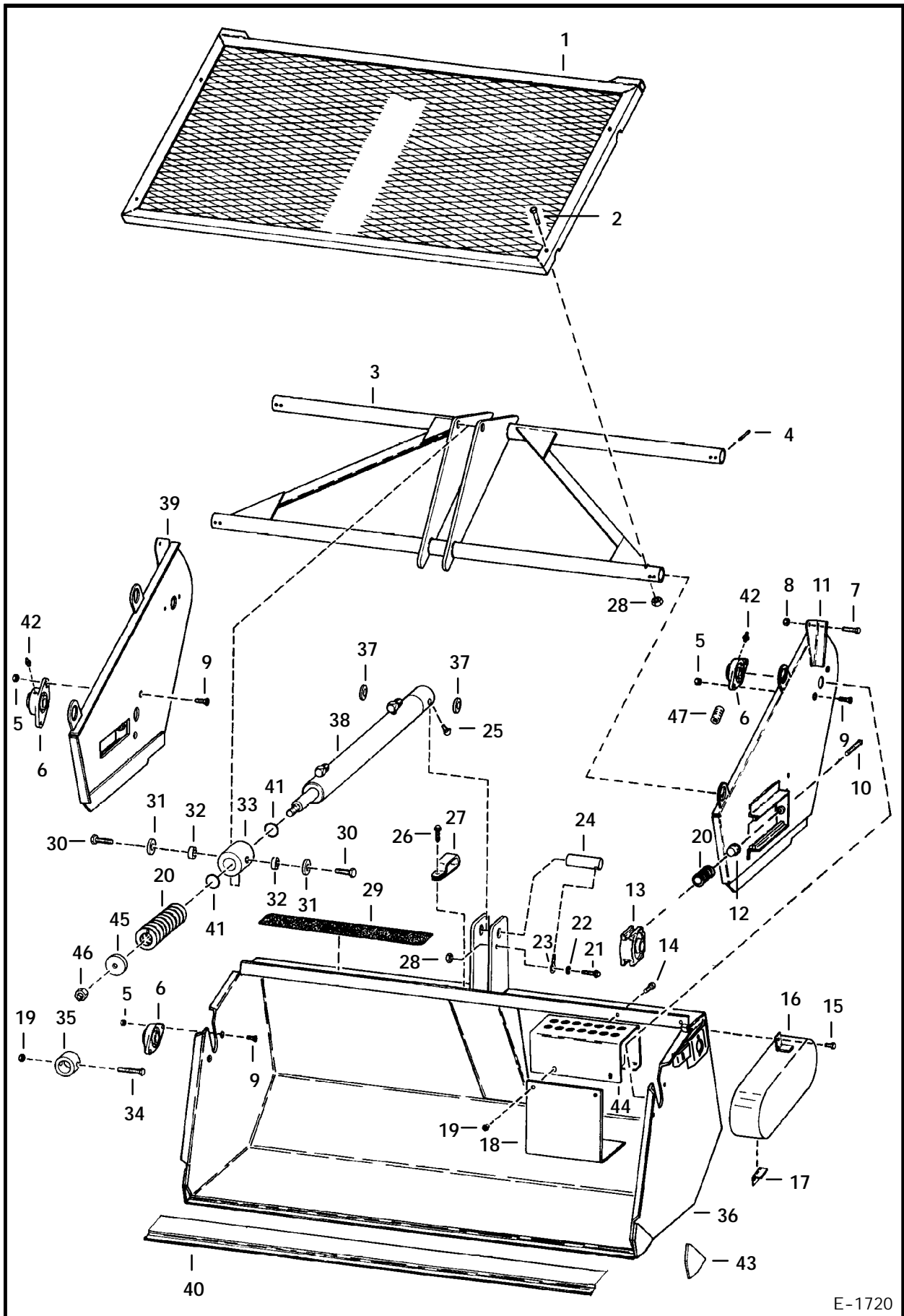


TS-1727

ECONO LANDPLANE (Cont'd)
(78" (1981mm) Model)

Ref. No.	Part Number	Description	Remarks	Serial Number	Qty.
1	87D-8	NUT			16
2	6905717	CHISEL TOOTH			8
3	17C-832	BOLT			16
4	6905716	TOOTH BAR			2
5	6905720	SPACER			2
6	6905640	SURFACE	anti-slip		1
7	6905638	MAIN FRAME			1
8	6567988	DECAL	Bobcat		1
9	6905715	SHAFT			2
10	6905718	LOCKING PIN			2
11	6905728	LOCK			4
12	6905719	CLICK PIN			2
13	6905709	LONG SPACER			4
14	6905712	SCARIFIER TEETH			4
15	6905711	MEDIUM SPACER			2
16	6905708	WASHER			8
17	14J-2532	ROLL PIN			4
18	6906063	CUTTING EDGE	78" model		2

LANDSCAPE RAKE - "A" SERIES
(4 Foot (1219,2mm) & 5 Foot (1524mm))

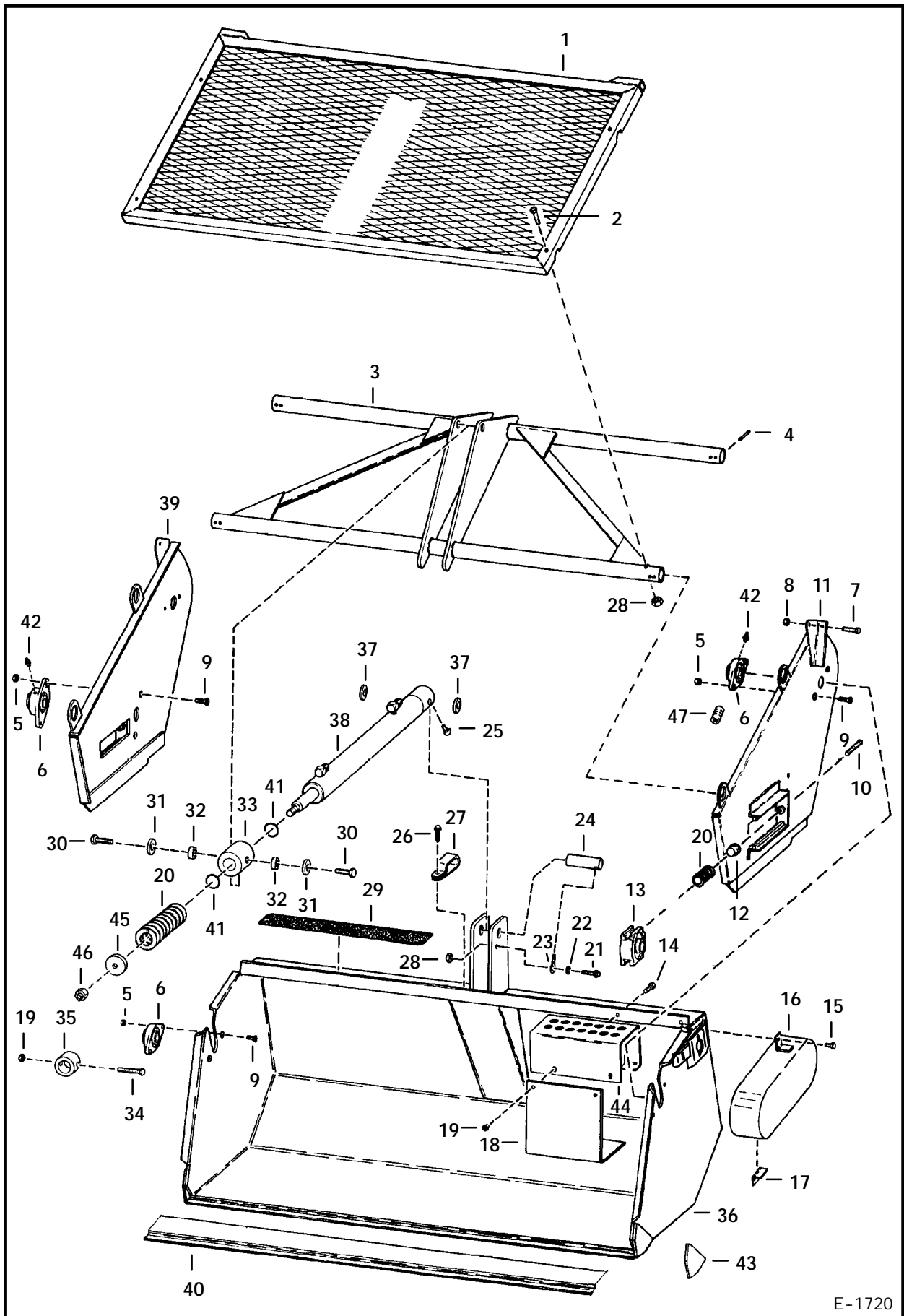


E-1720

LANDSCAPE RAKE - "A" SERIES (Cont'd)
(4 Foot (1219,2mm) & 5 Foot (1524mm))

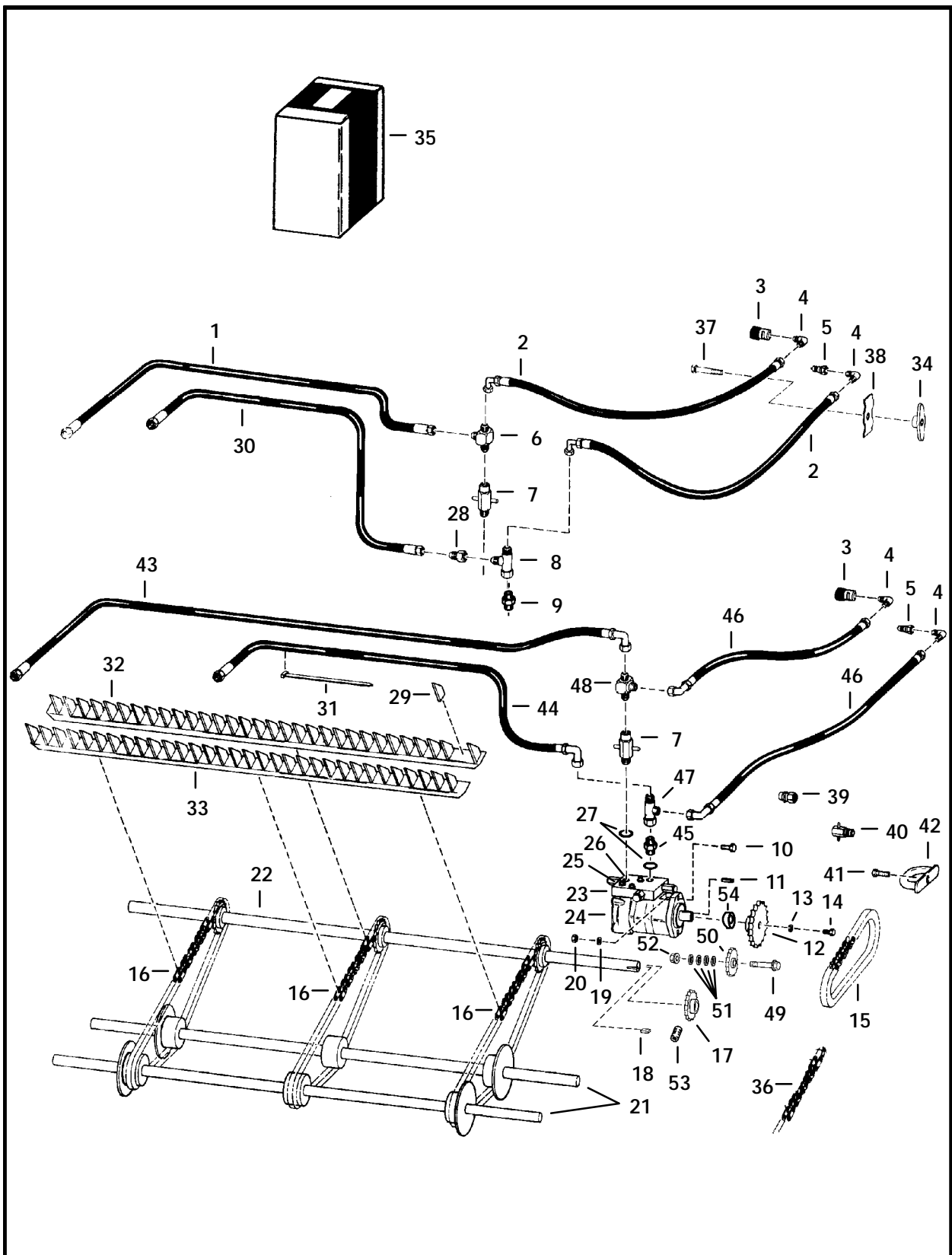
Ref. No.	Part Number	Description	Remarks	Serial Number	Qty.
1	6594460	SCREEN	4 ft. (1219,2mm)		1
	6594633	SCREEN	5 ft. (1524mm)		1
2	17C-548	BOLT	Was 17C-544 [B]		4
3	6704575	FRAME	4 ft. (1219mm) - Was 6529572 [A]		1
	6704576	FRAME	5 ft. (1524mm) - Was 6529573 [A]		1
4	14J-3148	ROLL PIN			8
5	61D-8	NUT	Was 85D-8 [B]		12
6	6632191	BEARING	W/Ref. 42		6
7	17C-720	BOLT			2
8	85D-7	NUT			2
9	9G-824	BOLT	sockethead countersunk carriage		8
	6529377	BOLT			8
10	13G-1048	BOLT	adjuster		2
11	6594740	PLATE	side - L.H.		1
12	6594431	RETAINER	spring		2
13	6649685	BEARING	Was 6636011 [A]		2
14	17C-620	BOLT	Was 17C-616 [B]		2
15	35C-616	BOLT			1
16	6704858	GUARD	chain - W/Ref. 17 - Was 6594479 [A]		1
17	6594483	HINGE			1
18	6594496	BRACKET			1
19	85D-6	NUT			2
20	6594434	SPRING			3
21	17C-516	BOLT			2
22	25E-15	WASHER			2
23	6554414	PIN			2
24	6533106	PIN	Was 6529569 [A]		1
25	11H-15	GREASE ZERK			1
26	84G-3712	BOLT			1
27	30H-60	CLAMP			1
28	85D-5	NUT			1
29	NAP	SKID	step - 4 ft. (1219,2mm) - Order		
	6594639	SKID	6594639 - Was 6594485 [A]		1
30	17C-830	BOLT	step - 5 ft. (1524mm) Was 17C-824 [B]		2
31	25E-22	WASHER			2
32	6529543	BUSHING	.70" (17,8mm) long - Used W/Ref. 35		2
	6704573	BUSHING	1.09" (27,7mm) long - Used W/Ref. 46		2
33	6529541	SPACER			1
34	17C-632	BOLT			1
35	6593949	COLLAR			1
36	6704861	BUCKET	4 ft.(1219mm) - Was 6594586 [A]		1
	6704863	BUCKET	5 ft.(1524mm) - Was 6594590 [A]		1
37	6505046	WASHER			2
38		CYLINDER	See Page 72 - 76		1
39	6594741	PLATE	side - R.H.		1
40	6704570	CUTTING EDGE	4 ft.(1219mm) - Was 6594473 [A]		1
	6704571	CUTTING EDGE	5 ft.(1524mm) - Was 6594638 [A]		1

LANDSCAPE RAKE - "A" SERIES (Cont'd)
 (4 Foot (1219,2mm) & 5 Foot (1524mm))



E-1720

LANDSCAPE RAKE - "A" SERIES
 (4 Foot (1219,2mm) & 5 Foot (1524mm))



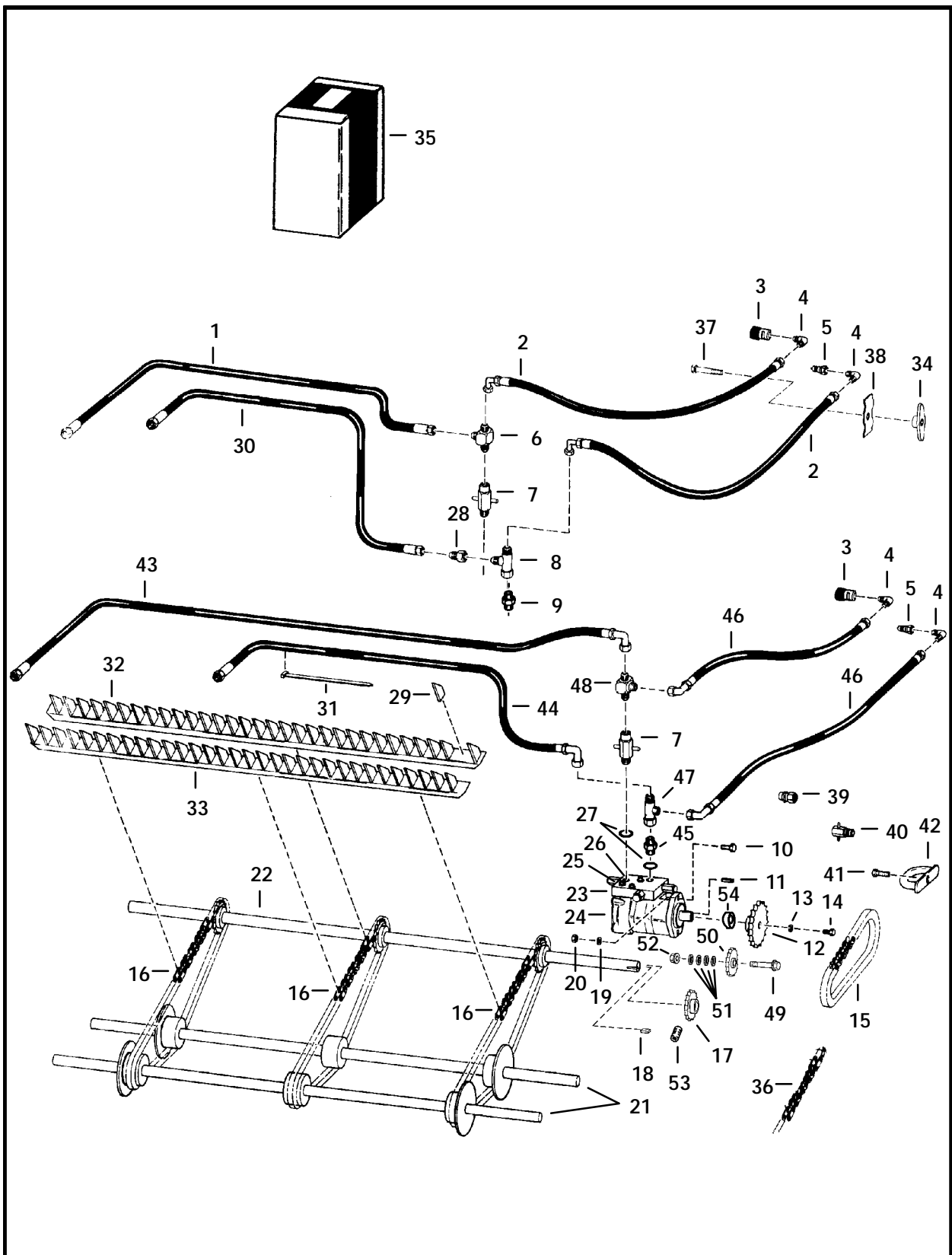
NOTE: Ref.32 - 4 ft.Has Space on Left Side.
 Ref.32 - 5 ft. Has teeth mounted close to ends.
 Ref. 33 - 4 ft.Has Space on Right Side.
 Ref. 33 - 5 ft. Has spaces on ends.

E-2169

LANDSCAPE RAKE - "A" SERIES (Cont'd)
(4 Foot (1219,2mm) & 5 Foot (1524mm))

Ref. No.	Part Number	Description	Remarks	Serial Number	Qty.
1	6531679	HOSE	Was 6529553 [A]	4A - 213 & Bel 5A - 1658 & Bel	1 1
2	6531677	HOSE	70" (1778mm) Long -		
3	6598758	QUICK COUPLER	female - poppet	4A - 213 & Bel 5A - 1658 & Bel	2 2 1
4	6672960 48K-16 17K-7	QUICK COUPLER O-RING ELBOW	female FF - Was 6667807 [A] for poppet couplers used with poppet couplers		1 1 2
5	1302104 6598757 6674688	ELBOW QUICK COUPLER QUICK COUPLER	used with flush face couplers male - poppet male - flush face -		2 1
6	6672026 6529554	O-RING TEE	Was 6667808 [A]		1 1 1
7	6635878	VALVE THROTTLE			1
8	13K-7	TEE			1
9	731793	ADAPTER			1
10	17C-828 9G-832	BOLT BOLT	Hex Head Countersunk		2 2
11	7J-4100	KEY			1
12	6594452 6594643 6594497	SPROCKET SPROCKET SPROCKET	4 ft.(1219,2mm) 5 GPM - 22 teeth 5 ft.(1524mm) 10 GPM - 17 teeth 17 teeth	4A - 213 & Bel 5A - 1658 & Bel 4A - 214 & Abv	1 1 1
13	872229	WASHER	Was 4E-6 [B]	5A - 1659 & Abv	1
14	17C-616	BOLT	Was 17C-620 [B]		1
15	6594642 6632387 6632444	CHAIN LINK LINK	connector - 60H offset - maximum Qty. of 4		1 1 x
16	6594453 6515191 6707727	CHAIN LINK CHAIN	60H & 2060H connector - 60H All 2060H		3 1 3
	6707729 6675307	LINK LINK	connector - 2060H - with flat keeper connector - 2060H -		1
17	6594417 6594498	SPROCKET SPROCKET	with cotter pin 4 ft. (1219,2mm) 5 GPM-12 teeth 5 ft. (1524mm) 10 GPM-20 teeth		1 1
18	7J-5104	KEY			1
19	4E-8	WASHER			1
20	61D-8	NUT			2
21	6704579 6704580	SHAFT SHAFT	intermediate & adjusting - 4 ft. (1219,2mm) - Was 6594441 [A] intermediate & adjusting - 5 ft. (1524mm) - Was 6594622 [A]		2 2
22	6594448 6594627	SHAFT SHAFT	drive - 4 ft. (1219,2mm) drive - 5 ft. (1524mm)		1 1
23		VALVE	flow - See Page 80		1
24		MOTOR	See Page 77		1
25	25E-17	WASHER			3

LANDSCAPE RAKE - "A" SERIES (Cont'd)
 (4 Foot (1219,2mm) & 5 Foot (1524mm))



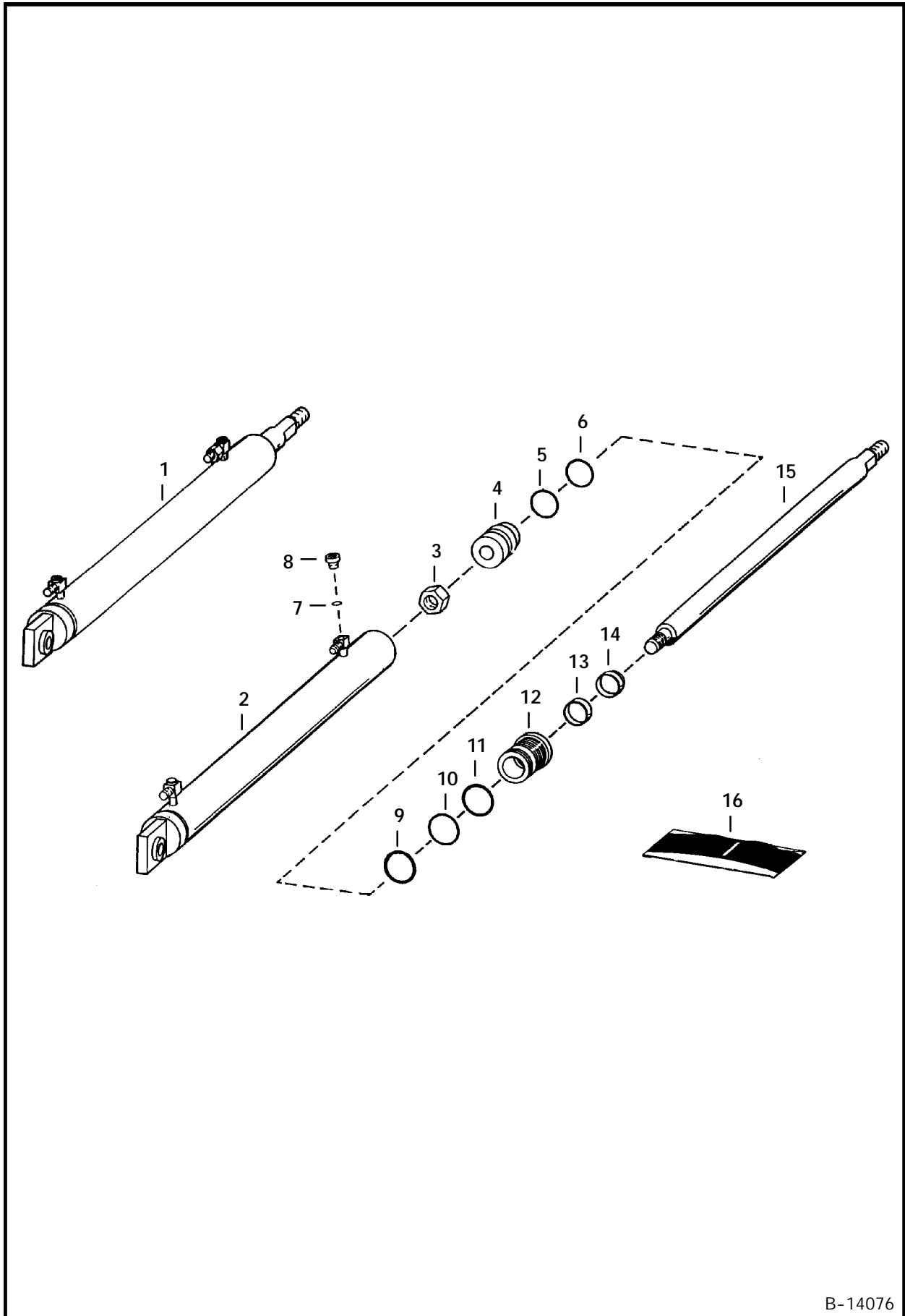
NOTE: Ref.32 - 4 ft.Has Space on Left Side.
 Ref.32 - 5 ft. Has teeth mounted close to ends.
 Ref.33 - 4 ft.Has Space on Right Side.
 Ref.33 - 5 ft. Has spaces on ends.

E-2169

LANDSCAPE RAKE - "A" SERIES (Cont'd)
(4 Foot (1219,2mm) & 5 Foot (1524mm))

Ref. No.	Part Number	Description	Remarks	Serial Number	Qty.
26	17C-632	BOLT			3
27	79K-8	O-RING			2
28	784244	ADAPTER			1
29	6704959	TOOTH	Was 6594457 [A]		x
30	6531678	HOSE	Was 6529552 [A]	4A - 213 & Bel 5A - 1658 & Bel	1 1
31	6624289	NYLON TIE			1
32	6594686	BAR ASSY	A - 4 ft.(1219,2mm) - W/Qty. 25 of Ref. 29-SEE NOTE		6
	6594688	BAR ASSY	A - 5 ft. (1524mm) - W/Qty. 32 of Ref. 29 & Qty. 3 of Ref. 36		6
	6708524	BAR ASSY	A - 5 ft. (1524mm) - W/2060H		
33	6594685	BAR ASSY	Chain & Link - W/Qty. 32 of Ref. 29 & Qty. 3 of Ref. 36 B - 4 ft.(1219,2mm) - W/Qty. 25 of Ref. 29-SEE NOTE		6 6
	6594687	BAR ASSY	B - 5 ft. (1524mm) - W/Qty. 31 of Ref. 29 & Qty. 3 of Ref. 36		6
	6708525	BAR ASSY	B - 5 ft. (1524mm) - W/2060H Chain & Link - W/Qty. 31 of Ref. 29 & Qty. 3 of Ref. 36		6
34	6647668	KNOB	plastic		1
35	6594451	RAKE ASSY	W/Ref. 16, 29, 32 & 33 - 4 ft. (1219,2mm)		1
	6594629	RAKE ASSY	W/Ref. 16, 29, 32 & 33 - 5 ft. (1524mm)		1
36	6594599	CHAIN	service - 7 Pitches-60H & 2060H		x
	6707728	CHAIN	service - 5 Pitches-2060H chain		x
37	17C-680	BOLT			1
38	6563353	CLAMP			1
39	1312113	ADAPTER			1
40	6631698	RESTRICTOR	3000 PSI (20684 kPa) installs in tilt cylinder rod end		1
41	37C-652	BOLT			1
42	6706160	GUIDE			1
43	6704672	HOSE			1
44	6704671	HOSE			1
45	15K-6	ADAPTER			1
46	6537669	HOSE	64"(1625,6mm) long		2
47	13K-6	TEE			1
48	21K-6	TEE			1
49	31C-1036	BOLT		4A - 214 & Abv	1
				5A - 1659 & Abv	1
50	6661615	SPROCKET		4A - 214 & Abv 5A - 1659 & Abv	1 1
51	25E-24	WASHER		4A - 214 & Abv 5A - 1659 & Abv	4 4
52	57D-10	NUT		4A - 219 & Abv	1
53	33G-608	SET SCREW	Was 34G-506 [B]	5A - 1659 & Abv	1
54	6704852	BUSHING			2

LIFT CYLINDER
(Landscape Rake - "A" Series)

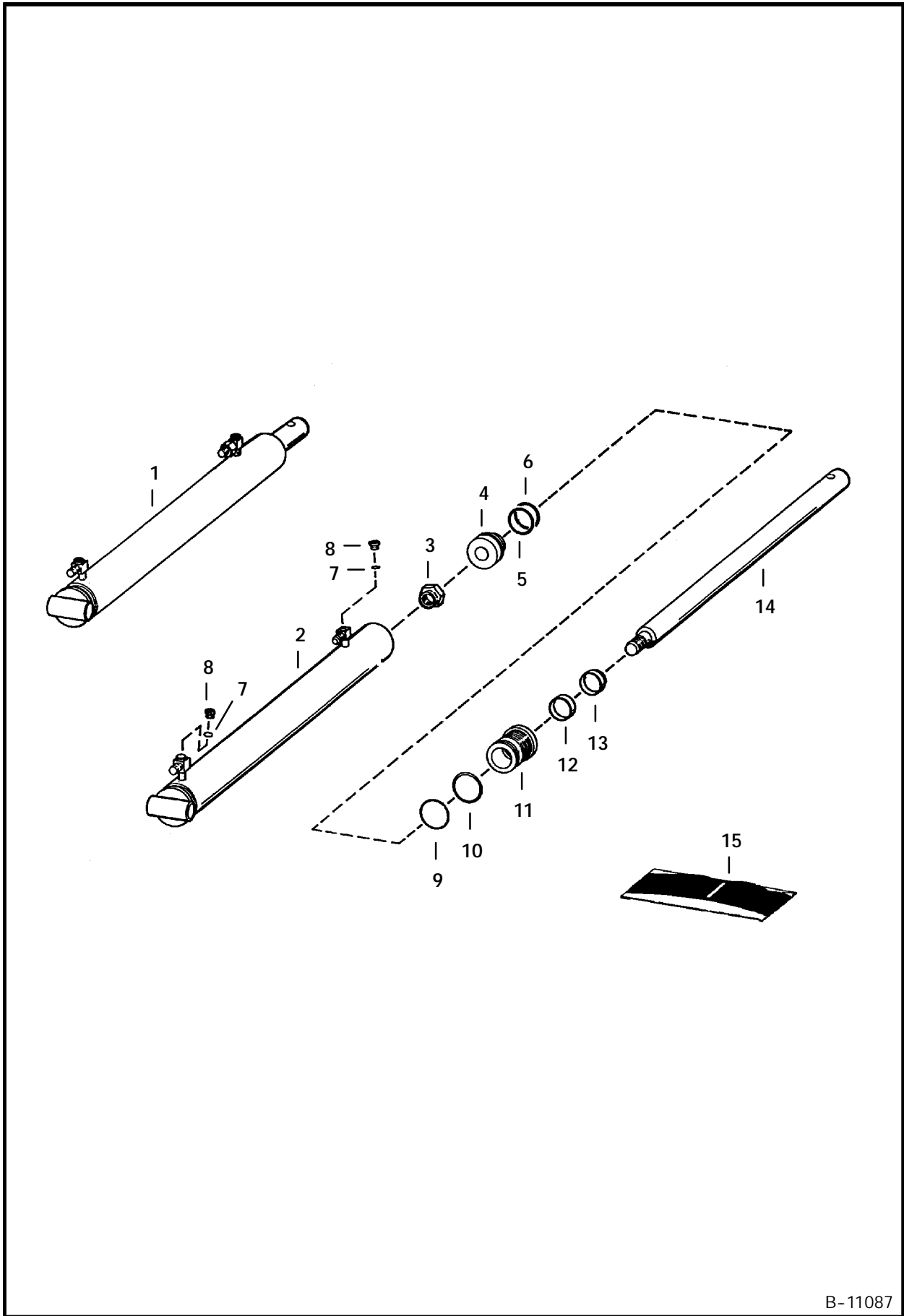


B-14076

LIFT CYLINDER (Cont'd)
(Landscape Rake - "A" Series)

Ref. No.	Part Number	Description	Remarks	Serial Number	Qty.
1	NAP	CYLINDER	Ref. 2 - 15 - Order 6587808 - Was 6587756 [A]		1
2	6587761	CASE			1
3	92D-10	NUT			1
4	6586693	PISTON			1
5	6516231	SEAL			1
6	54K-30118	O-RING	Was 25K-30118 [A]		1
7	79K-3	O-RING			2
8	47K-2	PLUG	W/Ref. 7		2
9	54K-40124	O-RING	Was 25K-40124 [A]		1
10	73K-224	WASHER	back-up		1
11	58K-136	O-RING			1
12	6538595	HEAD			1
13	6667323	SEAL	rod - Was 6519518 [A]		1
14	6666542	SEAL	wiper - Was 1657083 [A]		1
15	6587757	ROD			1
16	6803474	SEAL KIT	W/Ref. 3, 5, 6, 8 - 10, 13 & 14 - Was 6589566 [A]		1

LIFT CYLINDER
(Landscape Rake - "A" Series)

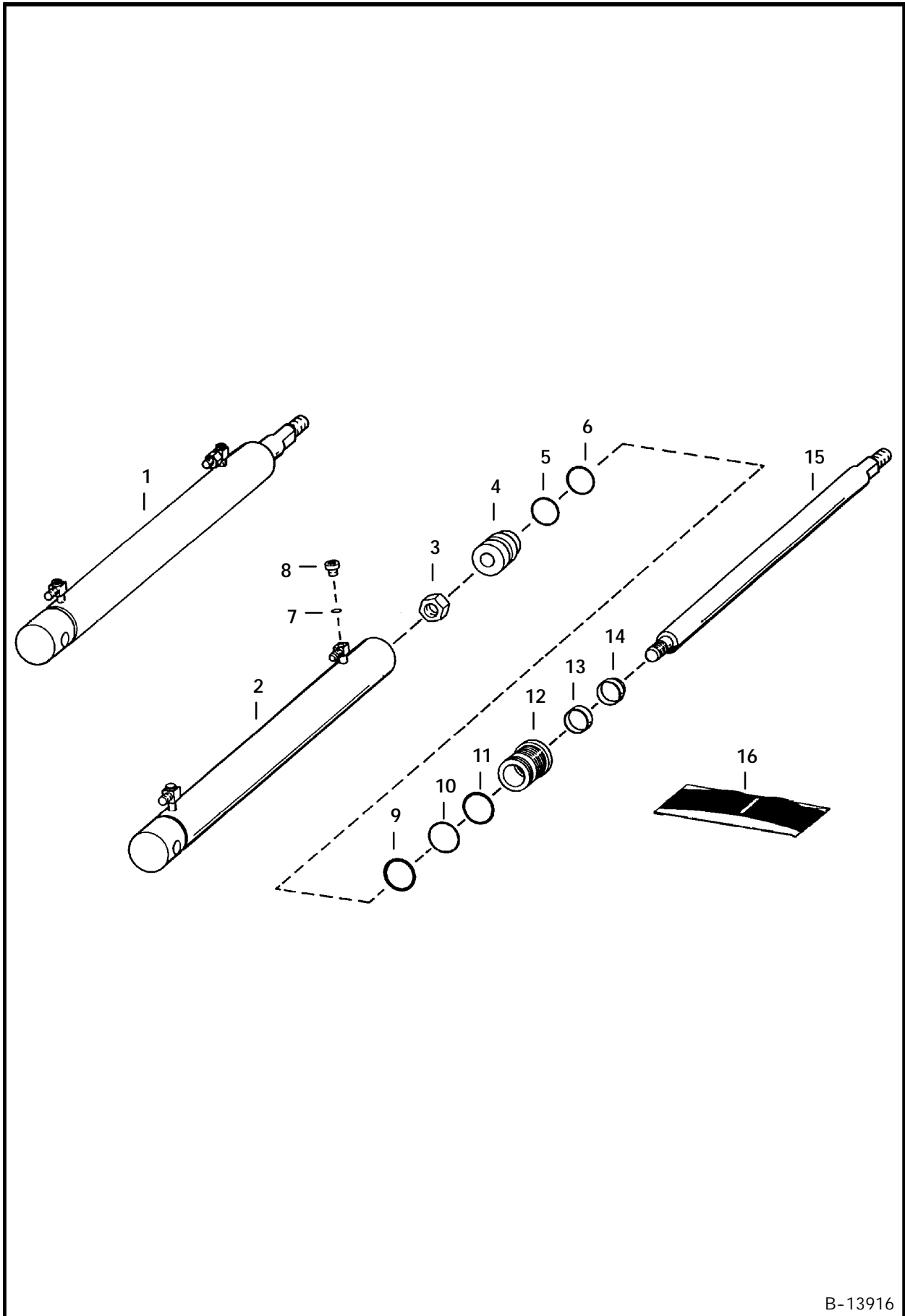


B-11087

LIFT CYLINDER (Cont'd) (Landscape Rake - "A" Series)

Ref. No.	Part Number	Description	Remarks	Serial Number	Qty.
1	NAP	CYLINDER	Ref. 2 - 14 - Order 6587808, 92D-12 & 6705839 - Was 6529546 [A]		2
2	6529579	CASE	cylinder		1
3	92D-12	NUT	Was 86D-12 [B]		1
4	6558196	PISTON			1
5	54K-30118	O-RING			1
6	6516231	SEAL			1
7	79K-3	O-RING			2
8	47K-2	PLUG	W/Ref. 7		2
9	54K-40124	O-RING			1
10	73K-224	WASHER	back-up		1
11	6538595	HEAD	Was 6504933 [A]		1
12	6667323	SEAL	rod		1
13	6666542	SEAL	wiper		1
14	6529547	ROD			1
15	6587790	SEAL KIT	Ref. 3, 5, 6, 9, 10, 12 & 13 - Was 6661288 [A]		1

LIFT CYLINDER
(Landscape Rake - "A" Series)

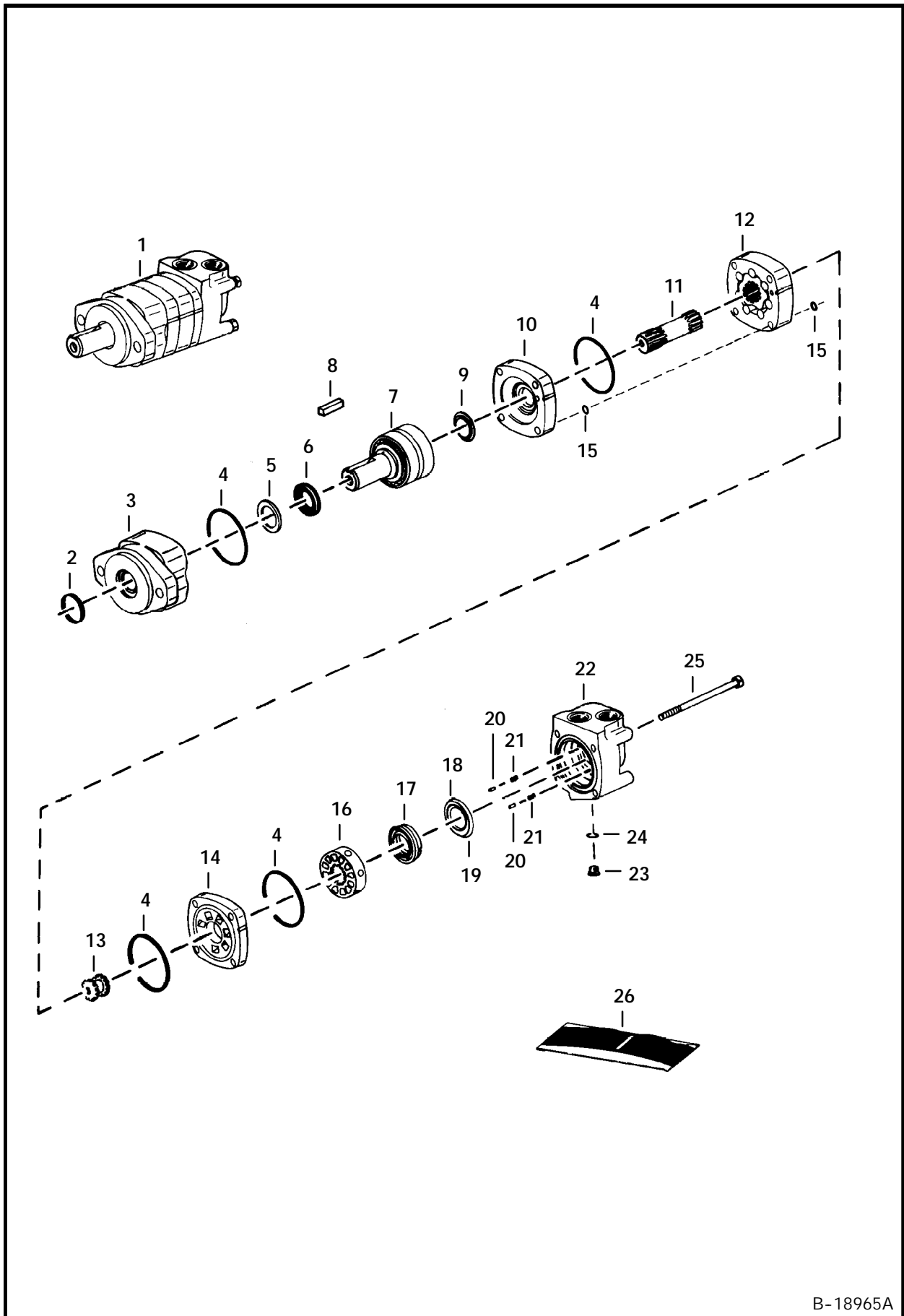


B-13916

LIFT CYLINDER (Cont'd)
(Landscape Rake - "A" Series)

Ref. No.	Part Number	Description	Remarks	Serial Number	Qty.
1	6587808	CYLINDER	Ref. 2 - 15		1
2	6587811	CASE			1
3	92D-10	NUT			1
4	6586693	PISTON			1
5	6516231	SEAL			1
6	54K-30118	O-RING			1
7	79K-3	O-RING	for flat boss face		2
	95K-3	O-RING	for tapered boss face		2
8	NAP	PLUG	flat boss face - Was 47K-2 [A]		2
	90KV-2	PLUG	tapered boss face		2
9	54K-40124	O-RING			1
10	73K-224	WASHER	back-up		1
11	58K-136	O-RING			1
12	6538595	HEAD			1
13	6667323	SEAL	rod		1
14	6666542	SEAL	wiper		1
15	6587809	ROD			1
16	6803474	SEAL KIT	W/Ref. 3, 5, 6, 9 - 11, 13 & 14 - Was 6589566 [A]		1

HYDROSTATIC MOTOR
(Landscape Rake - "A" Series)

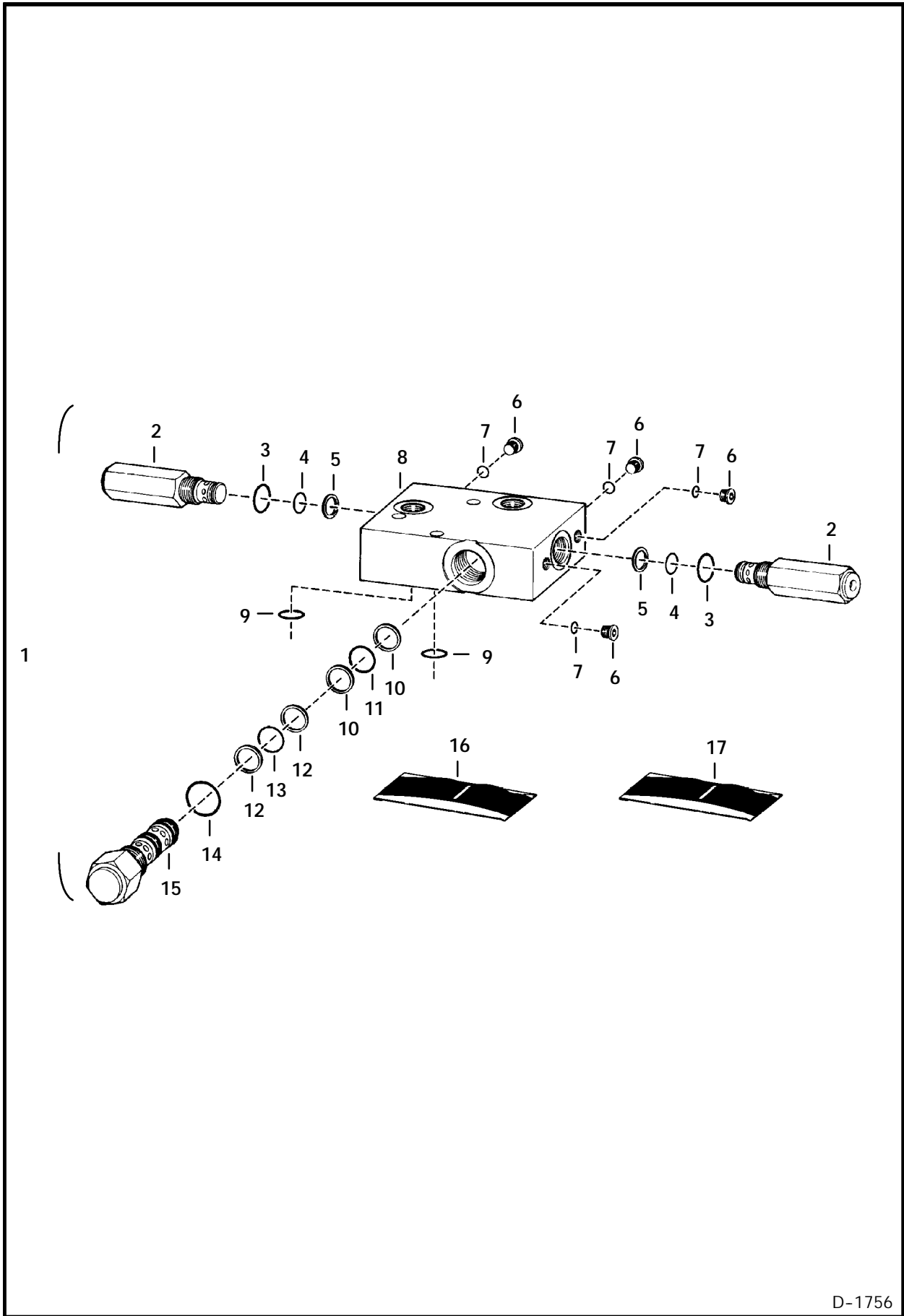


B-18965A

HYDROSTATIC MOTOR (Cont'd)
(Landscape Rake - "A" Series)

Ref. No.	Part Number	Description	Remarks	Serial Number	Qty.
1	6632193	MOTOR			1
2	6630029	SEAL	shaft		1
3	6632285	HOUSING			1
4	NSS	O-RING			4
5	NSS	BACK-UP RING			1
6	NSS	SEAL	shaft		1
7	6632290	SHAFT ASSY			1
8	6632292	KEY			1
9	1992098	SEAL			1
10	6632286	WEAR PLATE			1
11	6632293	SHAFT			1
12	6632294	GEROLER			1
13	1992084	SHAFT			1
14	6656368	PLATE	Was 6632287 [A]		1
15	NSS	O-RING			3
16	6632288	VALVE			1
17	6630027	BALANCE RING			1
18	1992100	SEAL	inner		1
19	6653300	SEAL	outer		1
20	1992102	PIN			2
21	1992088	SPRING			2
22	6632289	HOUSING			1
23	1992104	PLUG	W/Ref. 24		1
24	NSS	O-RING			1
25	6632298	BOLT			4
26	6648973	SEAL KIT	W/Ref. 2, 4 - 6, 9, 15, 18, 19 & 24 - Was 6630079 [A]		1

FLOW VALVE
(Landscape Rake - "A" Series)



D-1756

FLOW VALVE (Cont'd)
(Landscape Rake - "A" Series)

Ref. No.	Part Number	Description	Remarks	Serial Number	Qty.
1	6632259	VALVE	W/Ref. 1 - 9		1
2	6632341	RELIEF VALVE	1750 PSI		2
3	NSS	O-RING			2
4	NSS	O-RING			2
5	NSS	BACK-UP RING			2
6	6632339	PLUG	W/O-Ring		3
7	79K-6	O-RING			3
8	6632338	BODY			1
9	6632340	O-RING			2
10	NSS	BACK-UP RING			2
11	NSS	O-RING			1
12	NSS	BACK-UP RING			2
13	NSS	O-RING			1
14	NSS	O-RING			1
15	6632257	REGULATOR	flow (5 GPM) - W/Ref. 10 - 14		1
	6632258	REGULATOR	flow (10 GPM) - W/Ref. 10 - 14		1
16	6632343	SEAL KIT	Ref. 10 - 14		1
17	6632342	SEAL KIT	Ref. 3 - 5		1

DECALS (Landscape Rake - "A" Series)

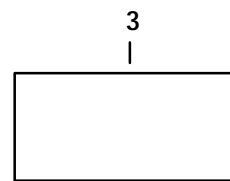


2

WARNING

FLYING OBJECTS AND ROTATING PARTS CAN CAUSE INJURY OR DEATH.

- STAY AT LEAST 9 FEET (3M) AWAY FROM OPERATING EQUIPMENT.
- STOP ENGINE BEFORE CLEANING OR SERVICING.
- KEEP ALL GUARDS IN PLACE.



6

APPROVED AND NON-APPROVED LOADER/RAKE COMBINATIONS			LANDSCAPE RAKE MODEL	
BOBCAT LOADER MODEL	APPROVED	NON-APPROVED		
500 SERIES	4A	5A	6A	<p style="text-align: center;">AVOID INJURY OR DEATH</p> <ul style="list-style-type: none"> • DO NOT LIFT LOADED RAKE MORE THAN 3 FEET (1.0 m). TIPPING CAN RESULT. • RAKE MUST ONLY BE OPERATED FROM THE OPERATOR'S SEAT. • RAKE MUST BE LOWERED TO THE GROUND AND ENGINE STOPPED BEFORE CLEANING, SERVICING OR REPAIRING.
600 SERIES	• Lift Restriction			
700 SERIES		• Lift Restriction		
800 SERIES AND 1600 2000 2400			• Lift Restriction	

4

WARNING

**ENTER AND EXIT
ON THIS SIDE ONLY.**

Use handgrab and step to avoid
injury or death.

5

OPERATING INSTRUCTIONS

1. READ THE OPERATOR'S MANUAL COMPLETELY BEFORE USING THIS ATTACHMENT.
2. MOUNT THE ATTACHMENT SECURELY TO THE LOADER BEFORE OPERATING.
3. FIRMING THE GROUND THE SAME AS FOR FIRMING BY HAND BEFORE USING THIS ATTACHMENT.
4. SLOWLY LOWER THE ATTACHMENT TO THE GROUND AND PUT IT IN A LEVEL POSITION.
5. ENGAGE THE FLOAT POSITION FOR THE LIFT ARMS.
6. ENGAGE THE AUXILIARY HYDRAULICS IN THE CORRECT POSITION (THE LOWER RAKE CHAIN MUST MOVE TOWARD THE BUCKET).
7. MOVE BACKWARDS SLOWLY AND MAINTAIN A SPEED OF 1 MPH (1.6 KM/H) OR LESS.
8. ADJUST THE REAR PENETRATION BY MOVING THE BUCKET CONTROL (SEE OPERATOR'S MANUAL).
9. TO DUMP THE LOAD:
 - a. DISENGAGE THE AUXILIARY HYDRAULICS.
 - b. TILT THE ATTACHMENT TOWARD BACKWARDS.
 - c. RAISE THE ATTACHMENT OFF THE GROUND NO MORE THAN 12 INCHES (305 mm) AND DRIVE TO A LEVEL DISPOSAL SITE.
 - d. STOP THE LOADER MOVEMENT AND RAISE THE ATTACHMENT 2-3 FT. (600-915 mm) OFF THE GROUND.
 - e. TILT THE ATTACHMENT FORWARD TO DUMP THE DEBRIS FROM THE BUCKET (SEE OPERATOR'S MANUAL).

7

5A

8

4A

9

WARNING

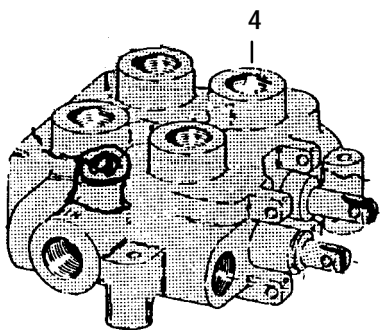
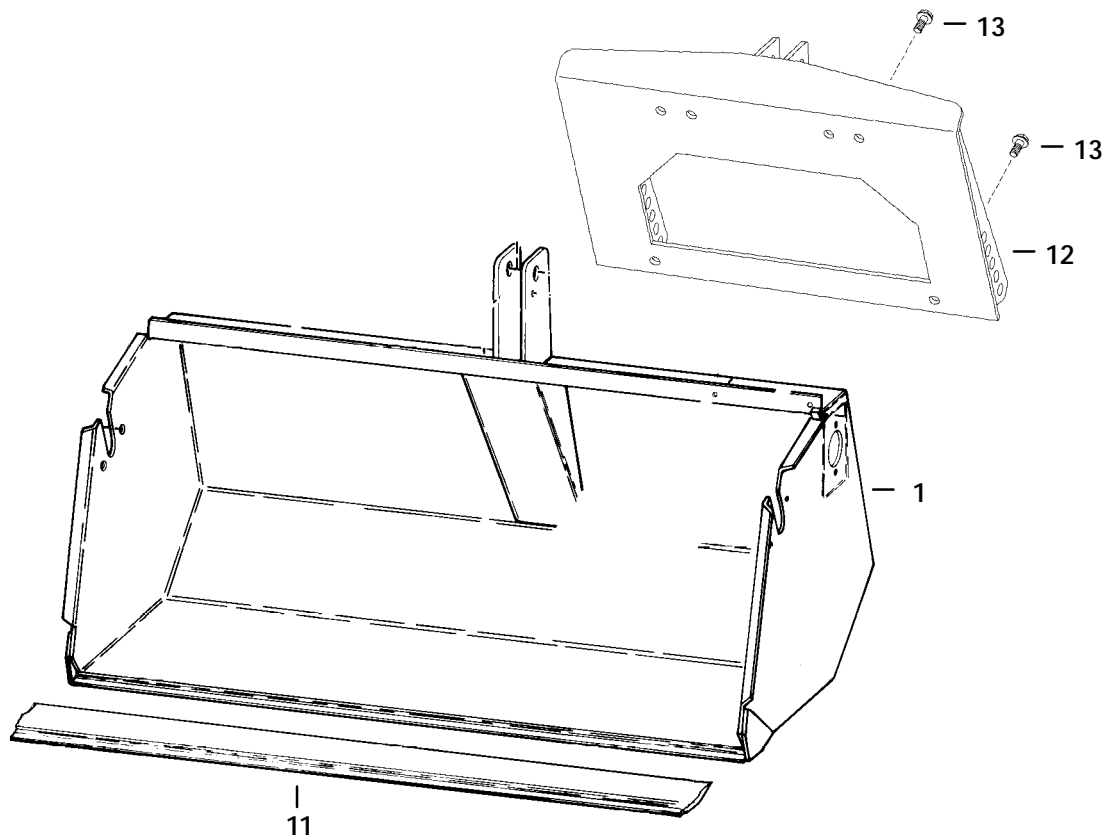
**DO NOT ENTER OR
EXIT ON THIS SIDE.**

You could slip, trip or fall and become
seriously injured.

DECALS (Cont'd)
(Landscape Rake - "A" Series)

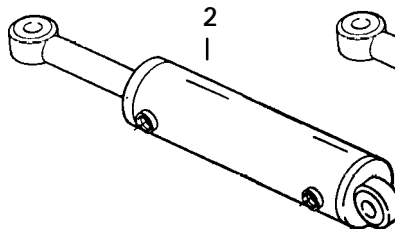
Ref. No.	Part Number	Description	Remarks	Serial Number	Qty.
1	6727323	DECAL	Bobcat - Was 6567987 [B]		1
	6727324	DECAL	Bobcat - Was 6567988 [B]		1
2	6708822	DECAL	Was 6577324 [A]		2
3	6594510	DECAL	Landscape Rake		2
4	6594488	DECAL			1
5	6708061	DECAL	Was 6594489 [A]		1
6	6529335	DECAL	warning		1
7	6594612	DECAL	5 Foot		2
8	6594511	DECAL	4 Foot		2
9	6701391	DECAL	exit		1

LANDSCAPE RAKE (Three-Point Hitch Mounted - "A" Series)

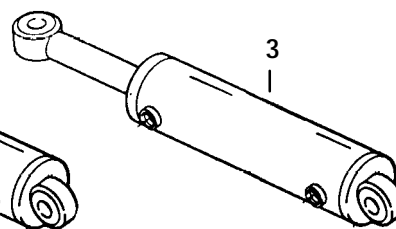


5
|
10 GPM (37,8 LPM)
5524643

8
|
6A3



6
|
4A3



7
|
5A3

9
|
OPERATING INSTRUCTIONS

1. READ THE OPERATOR'S MANUAL COMPLETELY BEFORE USING THIS ATTACHMENT.
2. MOUNT THE ATTACHMENT SECURELY TO THE TRACTOR BEFORE OPERATING.
3. PREPARE THE GROUND THE SAME AS FOR RAKING BY HAND BEFORE USING THIS ATTACHMENT.
4. SLOWLY LOWER THE ATTACHMENT TO THE GROUND AND PUT IT IN A LEVEL POSITION.
5. SLOWLY LOWER THE ATTACHMENT TO THE GROUND AND PUT IT IN A LEVEL POSITION.
6. ENGAGE THE AUXILIARY HYDRAULICS BY THE DETENT POSITION. (THE LOWER RAKE CHAIN MUST MOVE TOWARD THE BUCKET.)
7. DRIVE FORWARD SLOWLY AND MAINTAIN A SPEED OF 4.5 MPH (7.24 km/h) OR LESS.
8. ADJUST THE GROUND PENETRATION BY MOVING THE HYDRAULIC CYLINDER OR ADJUSTING LENGTH OF CENTER LINK (SEE OPERATOR'S MANUAL).
9. TO DUMP THE LOAD:
 - A. DISengage the AUXILIARY HYDRAULICS.
 - B. REtract the CENTER LINK CYLINDER TO "R" ATTACHMENT UP.
 - C. RAISE THE ATTACHMENT OFF THE GROUND NO MORE THAN 12 INCHES (305 mm) AND DRIVE TO A LEVEL, SLOPED AREA.
 - D. STOP THE TRACTOR MOVEMENT AND RAISE THE ATTACHMENT ALL THE WAY UP.
 - E. USE THE CENTER LINK CYLINDER TO TILT THE ATTACHMENT DOWN TO DUMP THE DEBRIS FROM THE BUCKET (SEE OPERATOR'S MANUAL).

61967566

10
|
**WARNING ADVERTENCIA
WARNING AVERTISSEMENT**

AVOID INJURY OR DEATH

- FRONT WEIGHTS MAY BE REQUIRED FOR STABILITY TO LIFT THE LOADED ATTACHMENT. SEE TRACTOR OWNERS' MANUAL FOR RECOMMENDATIONS.
- ATTACHMENT MUST ONLY BE OPERATED FROM THE OPERATOR'S SEAT.
- ATTACHMENT MUST BE LOWERED TO THE GROUND AND ENGINE STOPPED BEFORE CLEANING, SERVICING OR REPAIRING.

6684766

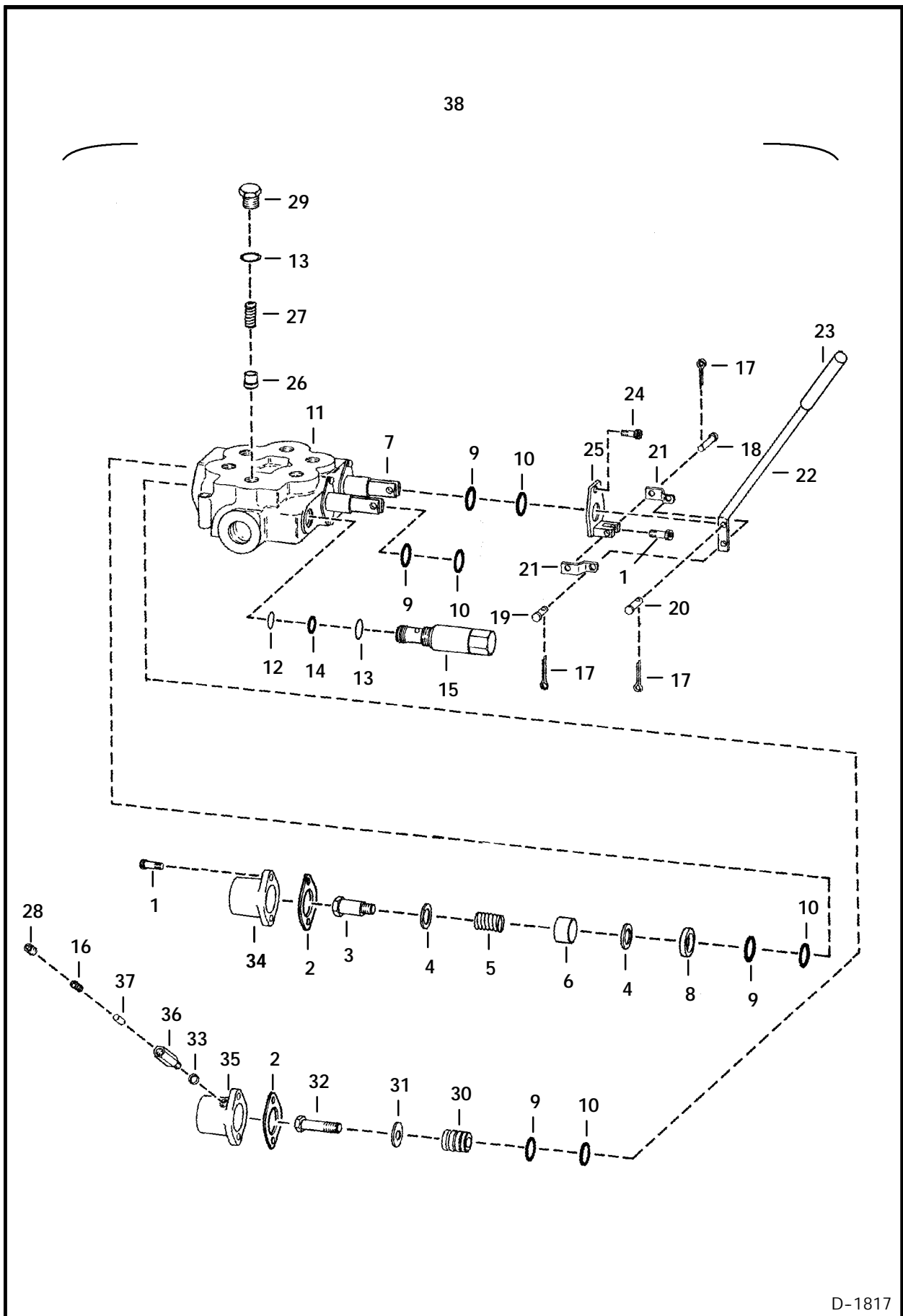
B-18977

LANDSCAPE RAKE (Cont'd)
(Three-Point Hitch Mounted - "A" Series)

Ref. No.	Part Number	Description	Remarks	Serial Number	Qty.
1	6704866	BUCKET	4 ft.(1219mm) - Was 6594588 [A]		1
	6704867	BUCKET	5 ft.(1524mm) - Was 6594592 [A]		1
	6704868	BUCKET	6 ft.(1829mm) - Was 6594596 [A]		1
2	6632390	CYLINDER	14" (355,6mm) stroke - See Page 90		1
3	6632389	CYLINDER	12" (304,8mm) stroke - See Page 88		1
4	6653546	VALVE	See Page 85 - Was 6632391 [A]		1
5	6594649	DECAL			1
6	6594512	DECAL			2
7	6594613	DECAL			2
8	6594713	DECAL			2
9	6708061	DECAL	operating - Was 6594765 [A]		1
10	6594766	DECAL	warning		1
11	6704570	CUTTING EDGE	4 ft.(1219mm) - Was 6594473 [A]		1
	6704571	CUTTING EDGE	5 ft.(1524mm) - Was 6594638 [A]		1
	6704572	CUTTING EDGE	6 ft.(1829mm) - Was 6594745 [A]		1
12	6705148	MOUNT	3 point		1
13	31C-1224	BOLT			6

VALVE
(Landscape Rake - Three-Point Hitch - "A" or "B" Series)

38

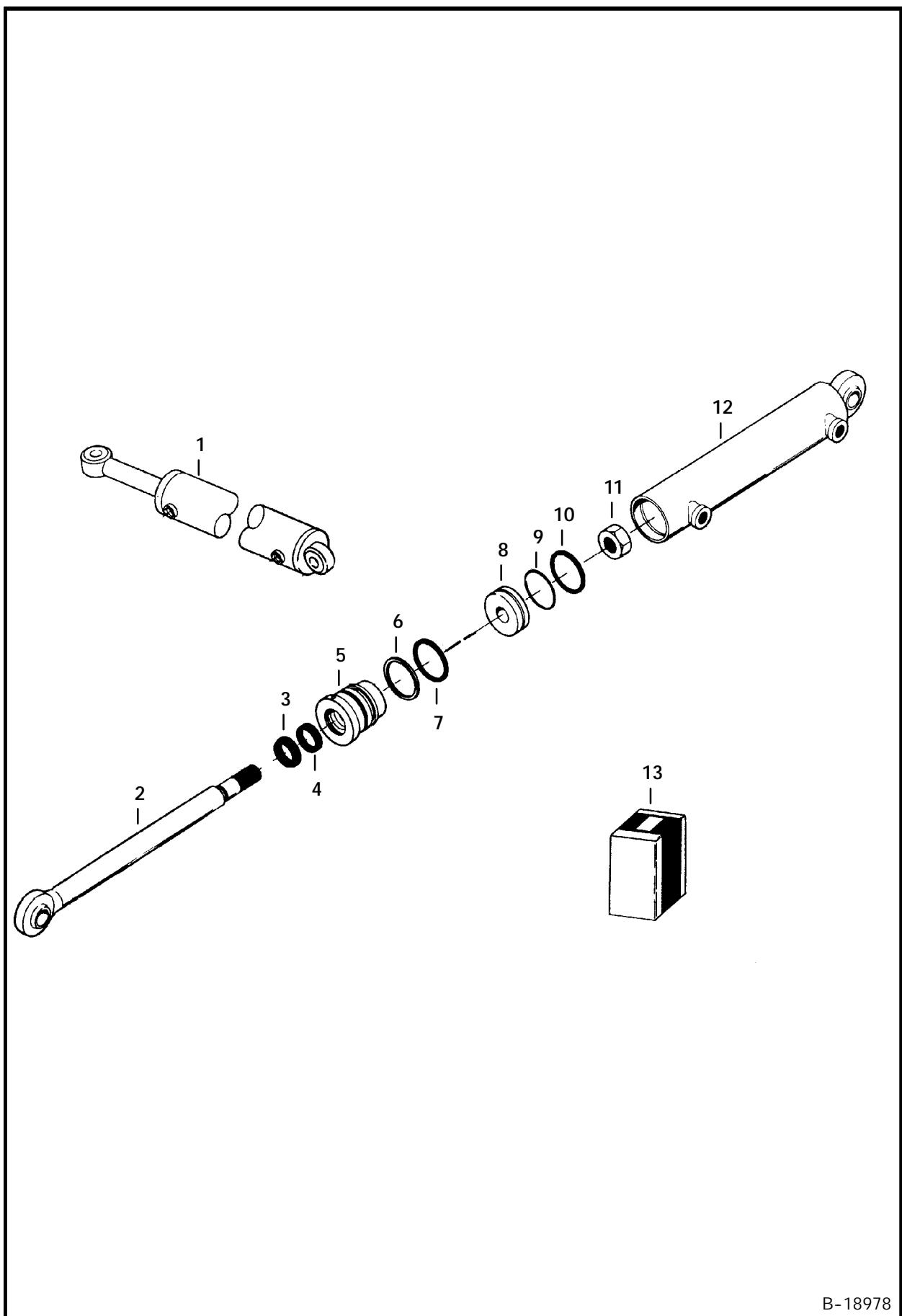


D-1817

VALVE (Cont'd)
(Landscape Rake - Three-Point Hitch - "A" or "B" Series)

Ref. No.	Part Number	Description	Remarks	Serial Number	Qty.
1	73G-412	BOLT			5
2	6634904	SEAL RETAINER			2
3	6643258	BOLT			1
4	6643259	WASHER			1
5	6643260	SPRING			1
6	6643261	SPACER			1
7	NSS	SPOOL			1
8	6643262	SPACER			1
9	6634902	WIPER			4
10	6634903	QUAD RING			4
11	NSS	BODY			1
12	6643263	O-RING			1
13	6643264	O-RING			1
14	6643265	WASHER	back-up		1
15	6643266	RELIEF VALVE			1
16	6643267	SPRING			1
17	1F-308	COTTER PIN			3
18	6643268	PIN			1
19	6643269	PIN			1
20	6643270	PIN			1
21	6643271	LINKAGE			1
22	6643272	HANDLE			1
23	6643273	GRIP			1
24	73G-408	BOLT			1
25	6643274	BRACKET	clevis		1
26	6643275	POPPET			1
27	6643276	SPRING			1
28	33G-508	SET SCREW			1
29	6643277	PLUG			1
30	6643278	SLEEVE	detent		1
31	6643279	WASHER			1
32	17C-524	BOLT			1
33	6643280	WASHER			1
34	6643281	CAP			1
35	6643282	CAP			1
36	6643283	HOUSING	detent		1
37	6643284	POINT			1
38	6653546	VALVE	Was 6632391 [A]		1

BUCKET CYLINDER
(Three-Point Hitch Mounted - "A" or "B" Series)

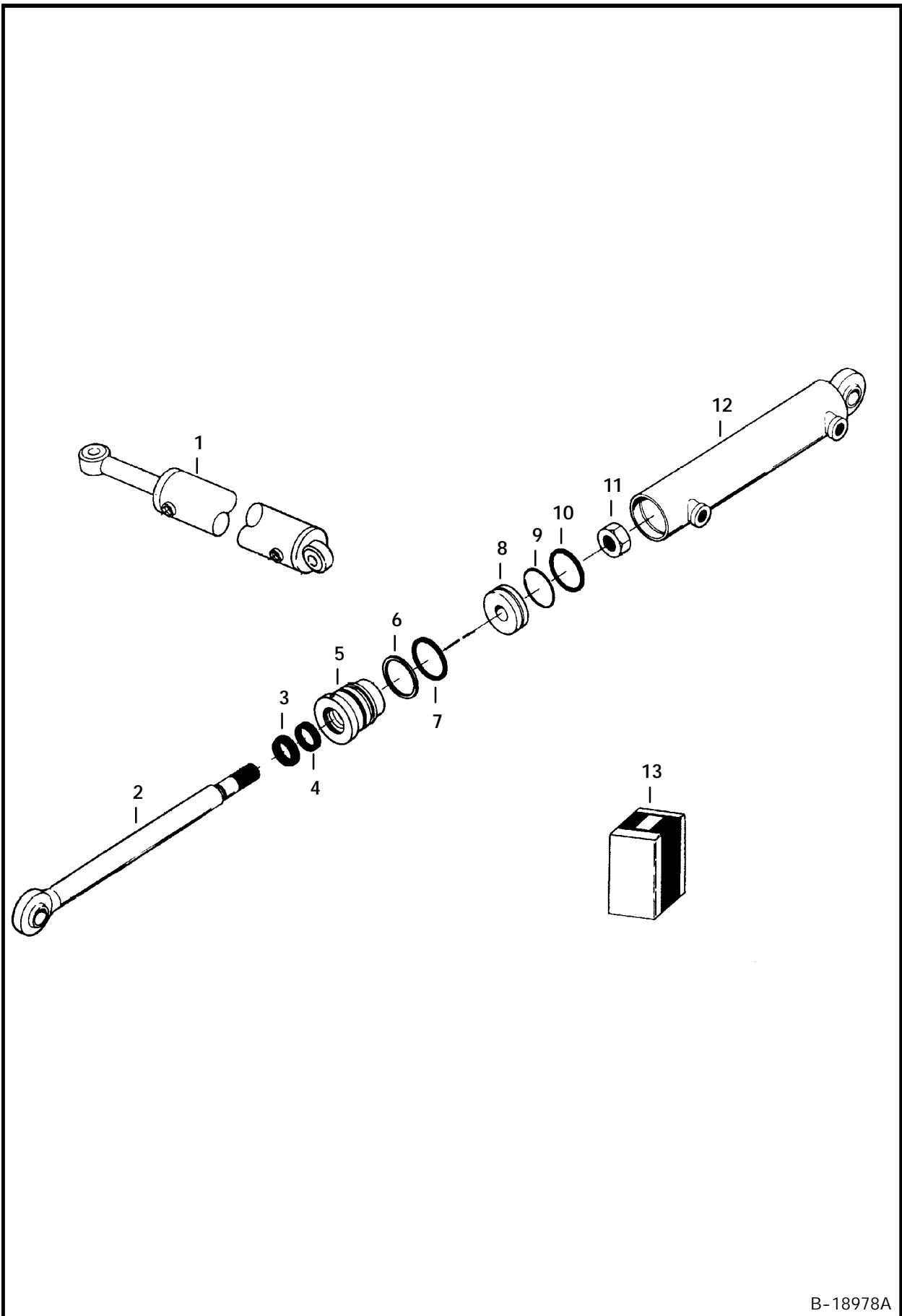


B-18978

BUCKET CYLINDER (Cont'd)
(Three-Point Hitch Mounted - "A" or "B" Series)

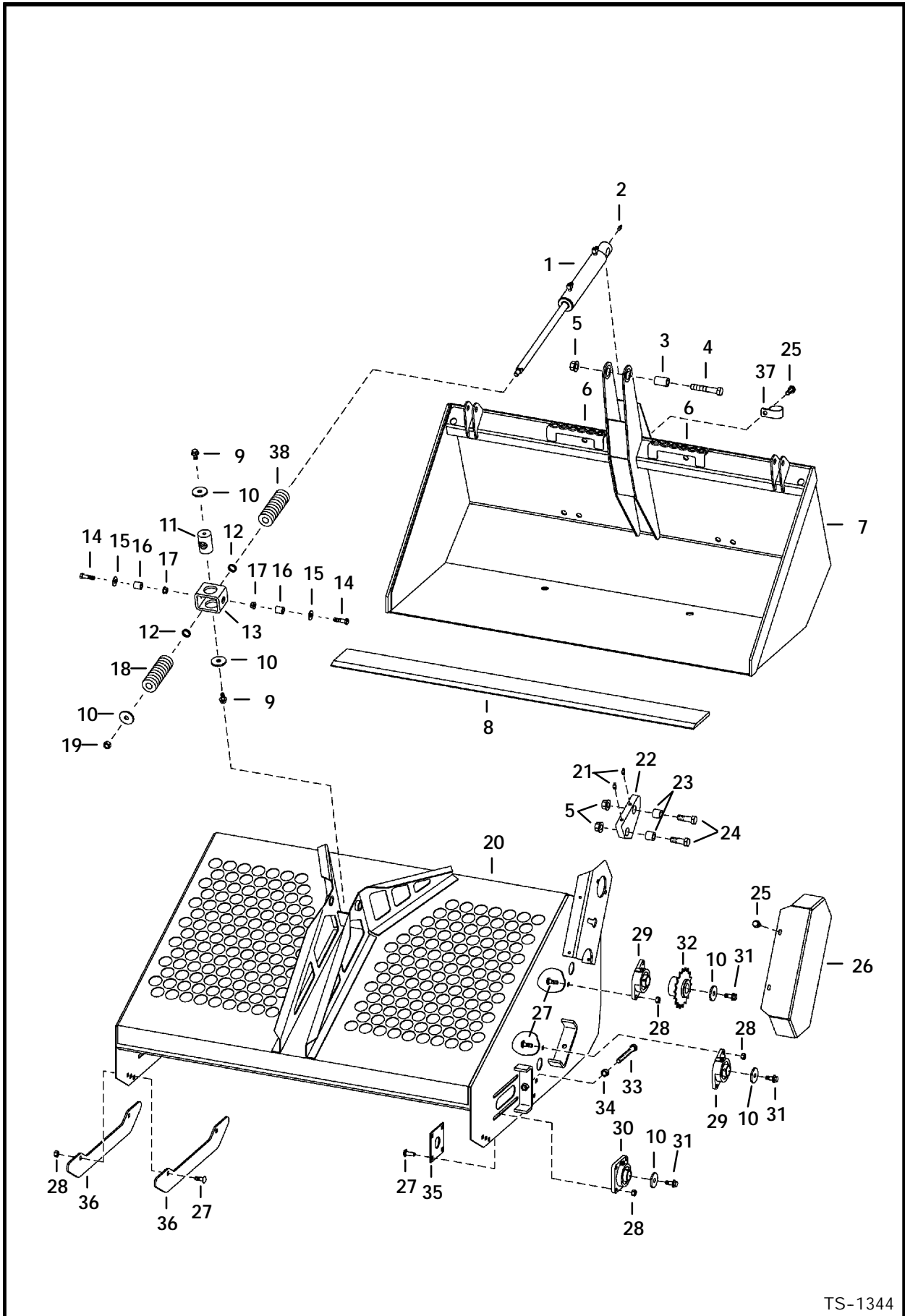
Ref. No.	Part Number	Description	Remarks	Serial Number	Qty.
1	6632389	CYLINDER			1
2	6643244	ROD			1
3	NSS	SEAL			1
4	NSS	SEAL			1
5	6643243	HEAD			1
6	NSS	RING			1
7	NSS	O-RING			1
8	6643241	PISTON			1
9	NSS	SEAL			1
10	NSS	WASHER	back-up		1
11	6643240	NUT			1
12	6643242	BARREL			1
13	6643245	SEAL KIT	Ref. 3, 4, 6, 7, 9 & 10		1

BUCKET CYLINDER
(Three-Point Hitch Mounted - "A" or "B" Series)



B-18978A

LANDSCAPE RAKE
(5 Foot (1524mm) & 6 Foot (1829mm) - "B" Series)

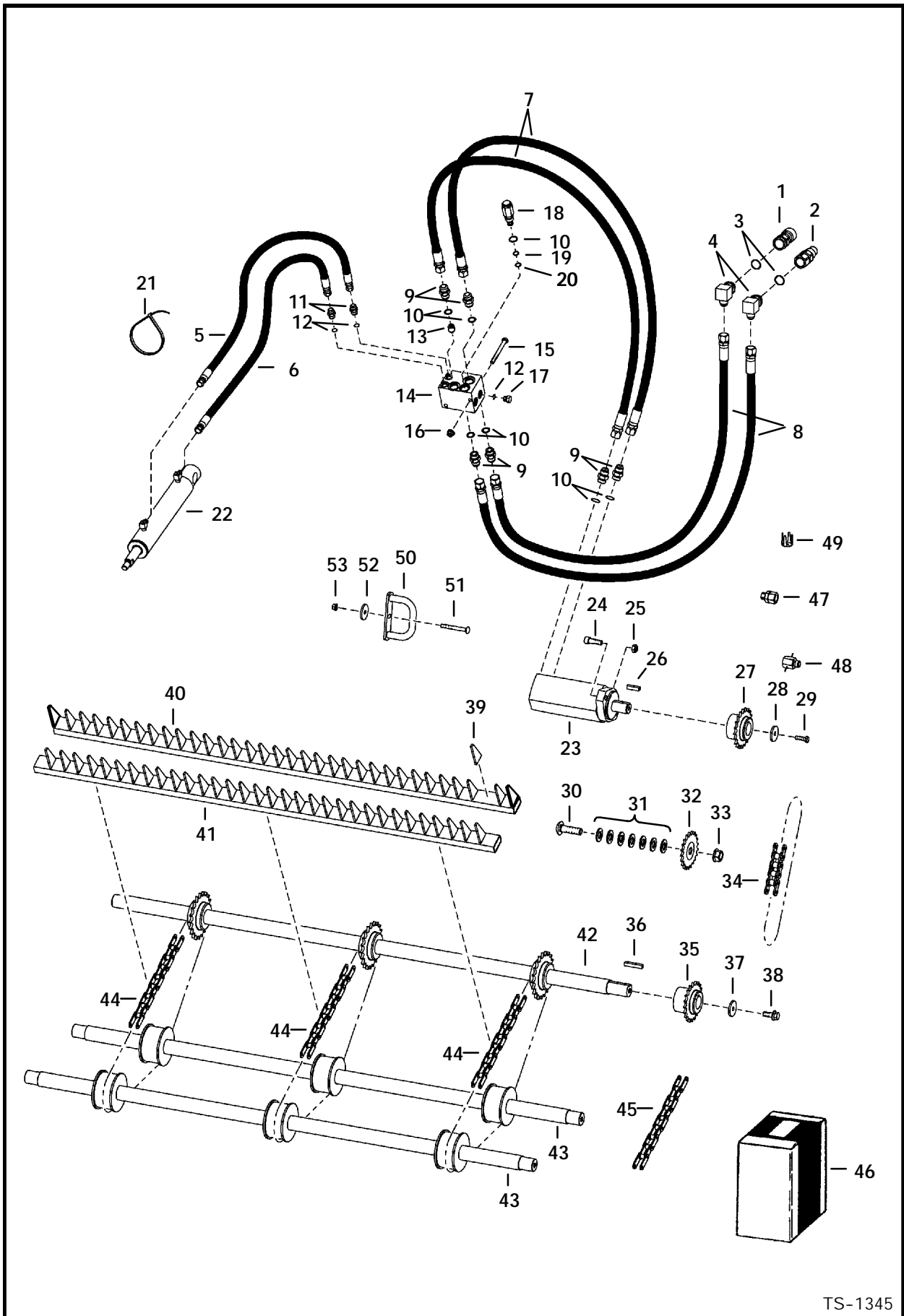


TS-1344

LANDSCAPE RAKE (Cont'd)
(5 Foot (1524mm) & 6 Foot (1829mm) - "B" Series)

Ref. No.	Part Number	Description	Remarks	Serial Number	Qty.
1		CYLINDER	See Page 102		1
2	10H-25	GREASE ZERK			1
3	6711291	BUSHING			1
4	17C-1280	BOLT	Was 31C-1272 [B]		1
5	53D-12	NUT	Was 83D-12 [B]		5
6	6577917	STEP			2
7	6709123	BUCKET	5 ft.(1524mm)		1
	6704950	BUCKET	6 ft.(1829mm)		1
8	6704571	CUTTING EDGE	5 ft.(1524mm)		1
	6704572	CUTTING EDGE	6 ft.(1829mm)		1
9	31C-816	BOLT			2
10	6704978	WASHER			9
11	6704958	PIVOT			1
12	1657083	SEAL			2
13	6706320	PIVOT			1
14	17C-830	BOLT	used w/Ref. 15		2
	35C-828	BOLT	used w/o washer		2
15	25E-22	WASHER	used w/17C-830 bolt		2
16	6704573	BUSHING			2
17	57D-8	NUT			2
18	6594434	SPRING			1
19	92D-10	NUT			1
20	6709110	RAKE ASSY	5 ft.(1524mm)		1
	6704985	RAKE ASSY	6 ft.(1829mm)		1
21	11H-15	GREASE ZERK			4
22	6704965	LINK			2
23	6710368	BUSHING			4
24	17C-1240	BOLT			4
25	84G-3712	BOLT			5
26	6710362	COVER			1
27	6529377	BOLT			20
28	61D-8	NUT			20
29	6667728	BEARING			4
30	6667727	BEARING			2
31	31C-820	BOLT			6
32	6704993	SPROCKET	5 ft.(1524mm) - 13 teeth		1
	6709889	SPROCKET	6 ft.(1829mm) - 18 teeth	063000818 & Bel	1
	6704993	SPROCKET	6 ft.(1829mm) - 13 teeth	063000819 & Abv	1
33	6704973	BOLT			2
34	61D-10	NUT			2
35	6706199	PLATE			2
36	6704953	SKID PLATE			4
37	30H-60	CLAMP			1
38	6713592	SPRING			1

LANDSCAPE RAKE (5 Foot (1524mm) & 6 Foot (1829mm) - "B" Series)

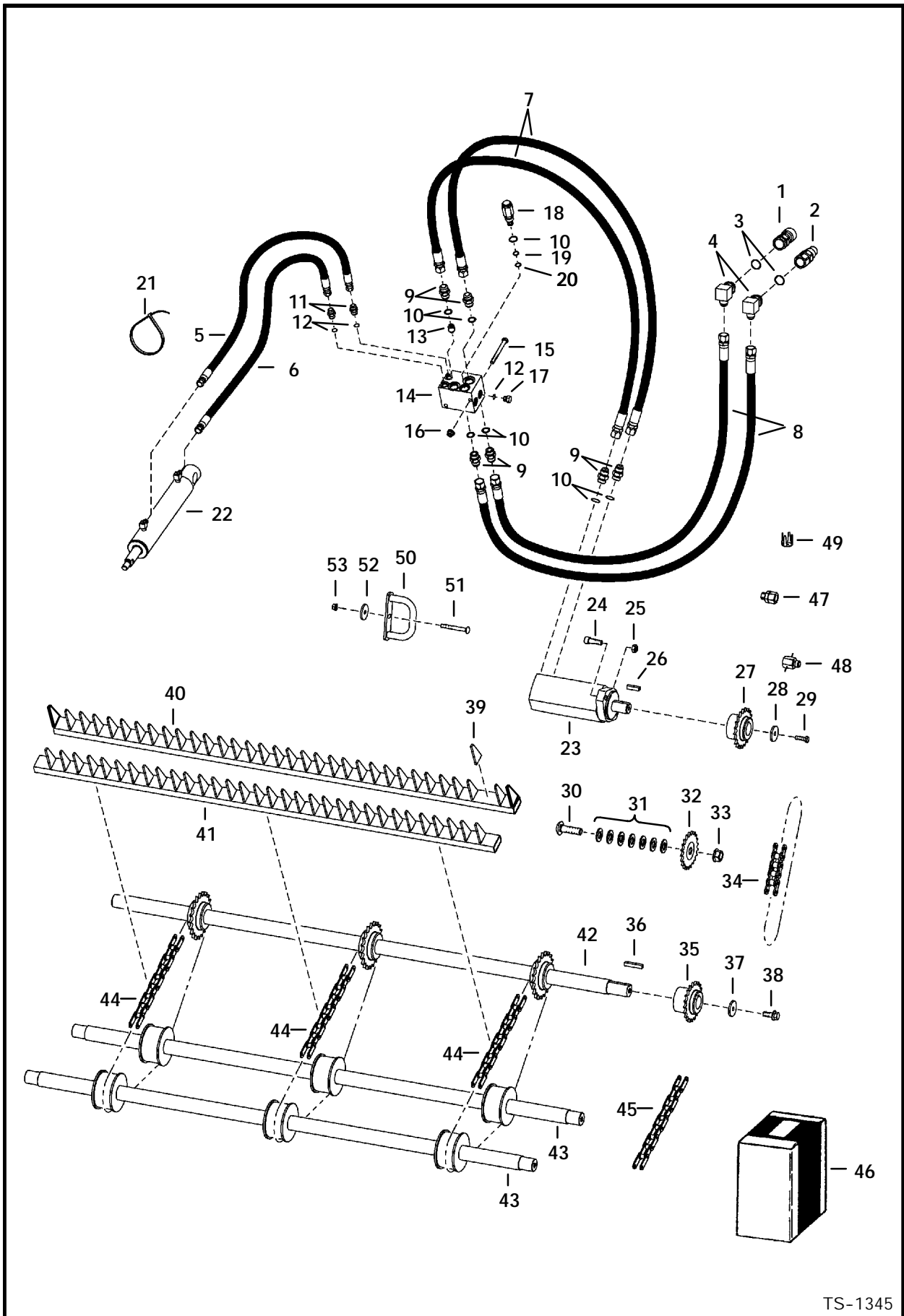


TS-1345

LANDSCAPE RAKE (Cont'd)
(5 Foot (1524mm) & 6 Foot (1829mm) - "B" Series)

Ref. No.	Part Number	Description	Remarks	Serial Number	Qty.
1	6672960	QUICK COUPLER	female FF - Was 6667807 [A]		1
2	6674688	COUPLER	male - flush face - Was 6667808 [A]		1
3	6672026	O-RING			1
	79K-12	O-RING			2
4	1302104	ELBOW			2
5	6711669	HOSE			1
6	6711670	HOSE			1
7	6711671	HOSE			2
8	6711668	HOSE			2
9	15K-7	FITTING	flat boss face		6
	15KV-7	FITTING	tapered boss face		6
10	79K-10	O-RING	flat boss face		7
	99K-10	O-RING	tapered boss face		7
11	15K-5	FITTING	flat boss face		2
	15KV-5	FITTING	tapered boss face		2
12	79K-6	O-RING	for flat boss face		5
	99K-6	O-RING	tapered boss face		5
13	6711387	POPPET			1
14	6710523	PORT BLOCK			1
15	17C-660	BOLT			2
16	83D-6	NUT			2
17	24K-5	PLUG	flat boss face		3
	24KN-5	PLUG	tapered boss face		3
18	6668012	RELIEF VALVE			1
19	73K-14	BACKUP RING			1
20	58K-14	O-RING			1
21	6624289	NYLON TIE			2
22		CYLINDER	See page 102		1
23		MOTOR	See page 97 & 99		1
24	93G-824	BOLT	Was 73G-824 [B]		2
25	85D-8	NUT			2
26	6632292	KEY			1
27	6704996	SPROCKET			1
28	872229	WASHER			1
29	31C-616	BOLT	Was 31C-620 [B]		1
30	10C-1248	BOLT	Was 10C-1236 [A]		1
31	25E-27	WASHER			8
32	6667920	SPROCKET	Idler		1
33	57D-12	NUT			1
34	6711713	CHAIN	5 ft.(1524mm) - 40 pitch		1
	6711712	CHAIN	6 ft.(1829mm) - 43 pitch	063000818 & Bel	1
	6711713	CHAIN	6 ft.(1829mm) - 40 pitch	063000819 & Abv	1
	6510171	LINK	connector		1
35	6704993	SPROCKET	5 ft.(1524mm) - 13 teeth		1
	6709889	SPROCKET	6 ft.(1829mm) - 18 teeth	063000818 & Bel	1
	6704993	SPROCKET	6 ft.(1829mm) - 13 teeth	063000819 & Abv	1
36	7J-5104	KEY			1
37	6704978	WASHER			1
38	31C-820	BOLT			1
39	6704959	TOOTH			x

LANDSCAPE RAKE (Cont'd)
 (5 Foot (1524mm) & 6 Foot (1829mm) - "B" Series)



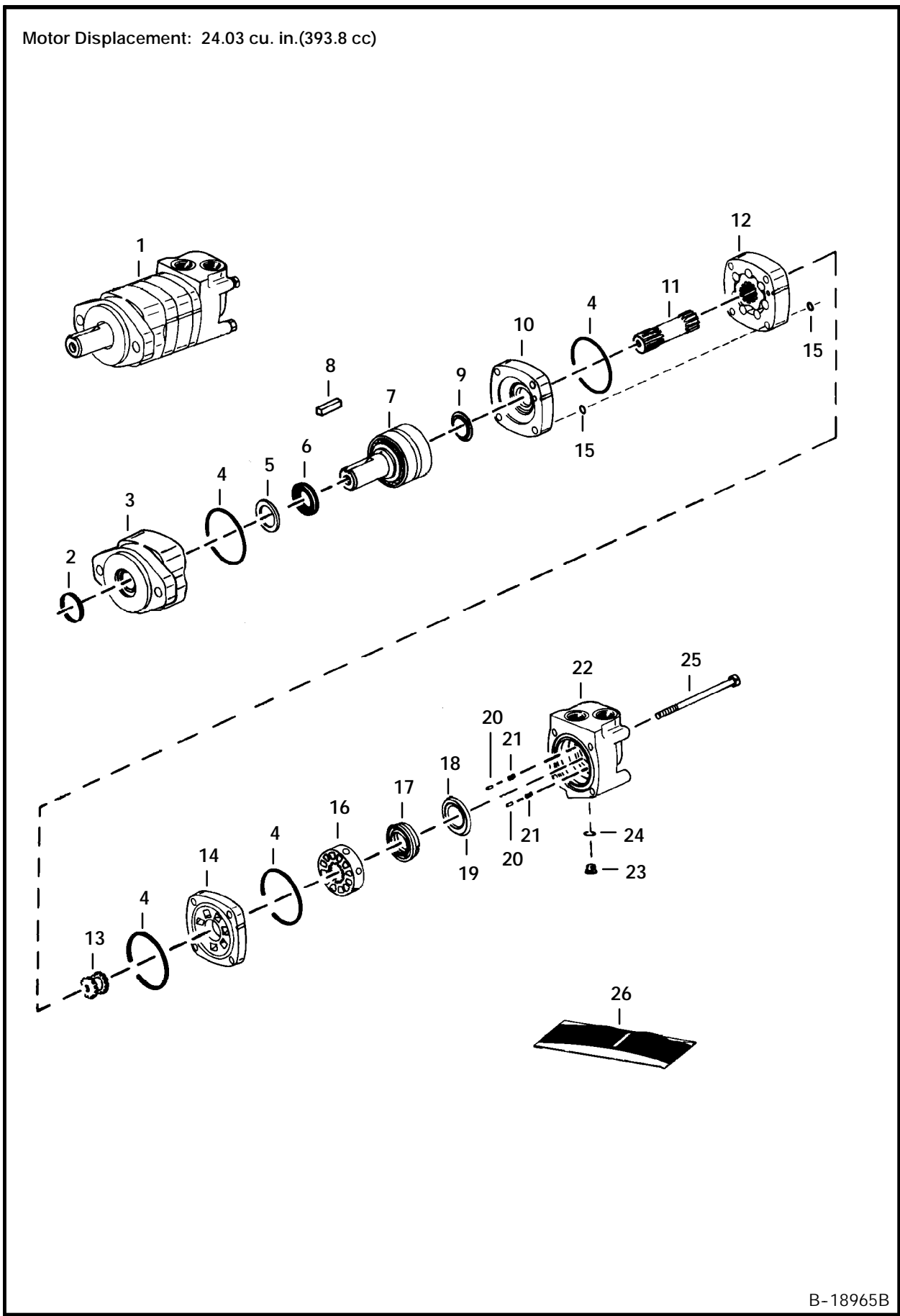
TS-1345

LANDSCAPE RAKE (Cont'd)
(5 Foot (1524mm) & 6 Foot (1829mm) - "B" Series)

Ref. No.	Part Number	Description	Remarks	Serial Number	Qty.
40	6712657	BAR ASSY	5 ft.(1524mm) - W/teeth on ends		6
	6712659	BAR ASSY	6 ft.(1829mm) - W/teeth on ends		6
41	6712658	BAR ASSY	5 ft.(1524mm) - W/space on ends		6
	6712660	BAR ASSY	6 ft.(1829mm) - W/space on ends		6
42	6709116	SHAFT	drive - 5 ft.(1524mm)		1
	6704969	SHAFT	drive - 6 ft.(1829mm)		1
43	6709114	SHAFT	idler - 5 ft.(1524mm)		2
	6704971	SHAFT	idler - 6 ft.(1829mm)		2
44	6707727	CHAIN			3
	6707729	LINK	connector - with flat keeper		1
	6675307	LINK	connector - with cotter pin		1
45	6707728	CHAIN	service - 5 pitches		x
46	6709118	RAKE ASSY	5 ft.(1524mm)-W/Ref. 39-41 & 44		1
	6704964	RAKE ASSY	6 ft.(1829mm)-W/Ref. 39-41 & 44		1
47	1312113	ADAPTER			1
48	6631698	RESTRICTOR	3000 psi (20684 kPa) - for 740 series & older 750 series without "C" series control valve		
49	6579152	RESTRICTOR	installs in tilt cylinder rod end for 753, 753H, 763 & 773 loaders with "C" series valve - installs		1
			in tilt section rod end port - not used with 853 or 853H - Was 6672503 [A]		1
50	6706160	HOSE GUIDE			1
51	7C-652	BOLT			1
	7C-680	BOLT			1
52	25E-17	WASHER			1
53	57D-6	NUT			1

HYDROSTATIC MOTOR (Eaton 104-1784-006 - Landscape Rake - "B" Series)

Motor Displacement: 24.03 cu. in.(393.8 cc)



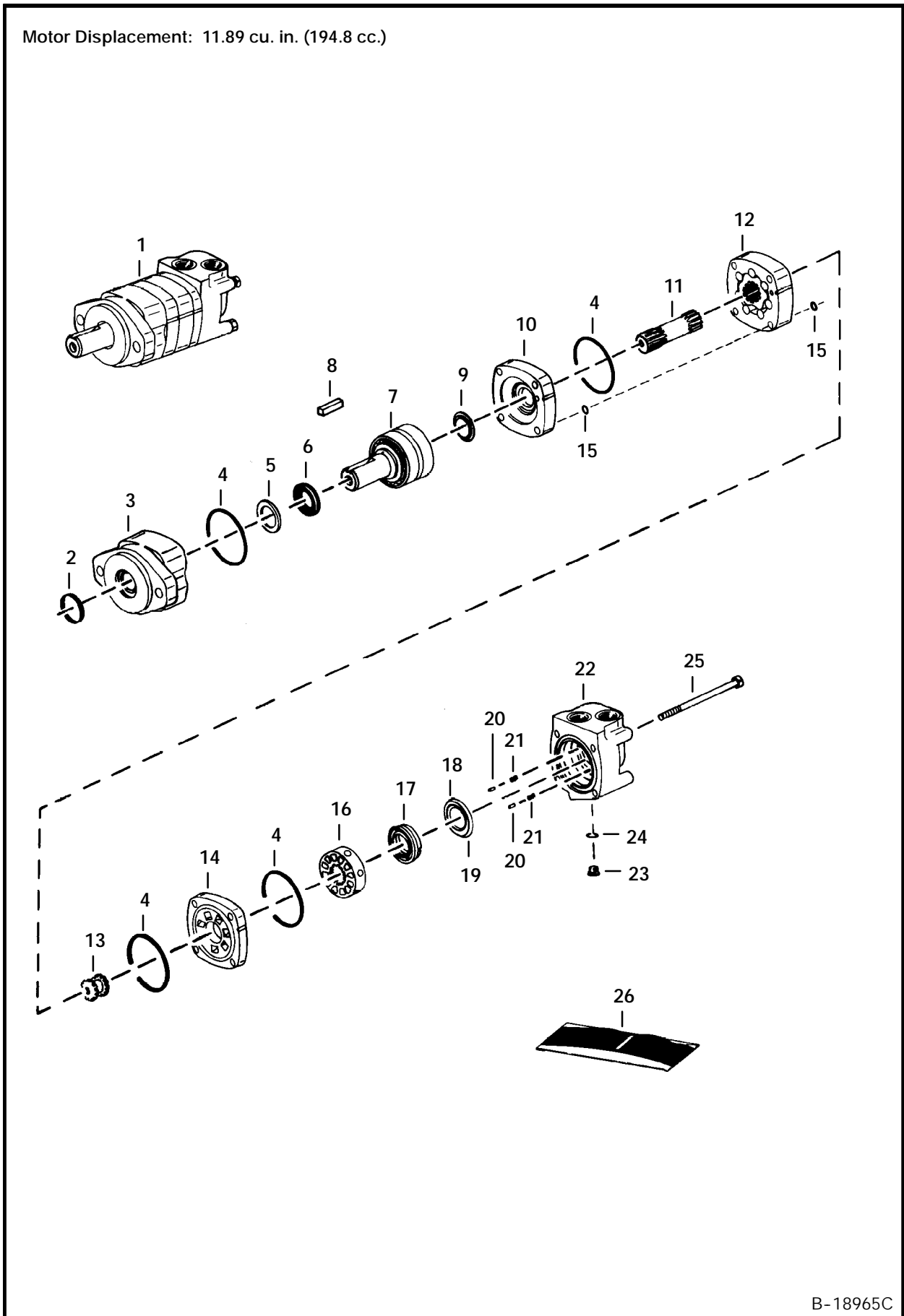
B-18965B

HYDROSTATIC MOTOR (Cont'd)
(Eaton 104-1784-006 - Landscape Rake - "B" Series)

Ref. No.	Part Number	Description	Remarks	Serial Number	Qty.
1	6669328	MOTOR	Ref. 2 - 25 - Was 6668686 [D] shaft		1
2	6630029	SEAL			1
3	6632285	HOUSING			1
4	NSS	O-RING	shaft		4
5	NSS	BACK-UP RING			1
6	NSS	SEAL			1
7	6632290	SHAFT ASSY			1
8	6632292	KEY			1
9	1992098	SEAL			1
10	6632286	WEAR PLATE			1
11	6669150	SHAFT			1
12	6669151	GEROLER			1
13	1992084	SHAFT			1
14	6656368	PLATE			1
15	NSS	O-RING			3
16	6632288	VALVE			1
17	6630027	BALANCE RING			1
18	1992100	SEAL	inner		1
19	6653300	SEAL	outer		1
20	1992102	PIN			2
21	1992088	SPRING			2
22	6632348	HOUSING	W/Ref. 24		1
23	1992104	PLUG			1
24	NSS	O-RING			1
25	6651951	BOLT	W/Ref. 2, 4 - 6, 9, 15, 18, 19 & 24		4
26	6648973	SEAL KIT			1

HYDROSTATIC MOTOR (Eaton 104-1785-006 - Landscape Rake - "B" Series)

Motor Displacement: 11.89 cu. in. (194.8 cc.)

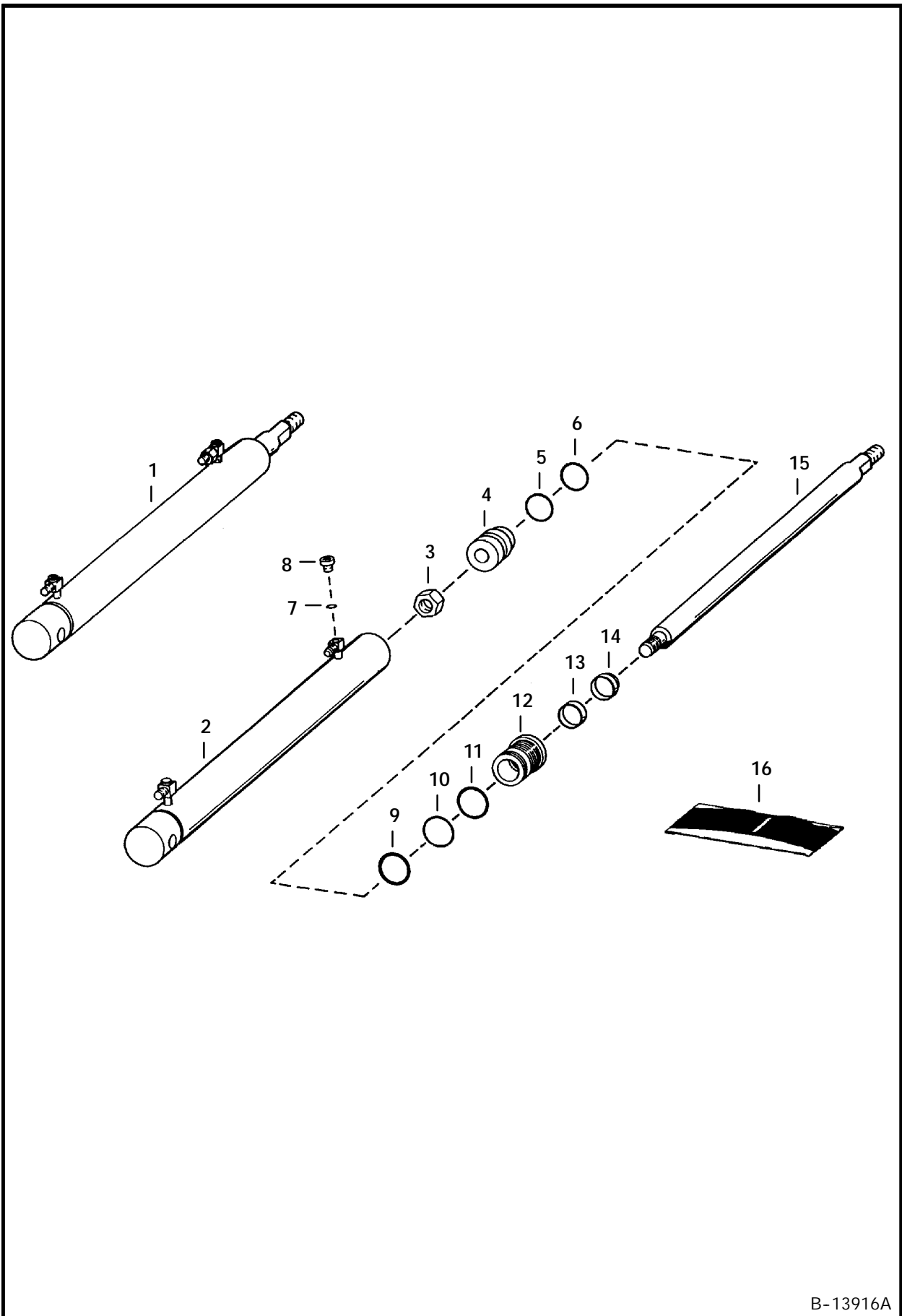


B-18965C

HYDROSTATIC MOTOR (Cont'd)
(Eaton 104-1785-006 - Landscape Rake - "B" Series)

Ref. No.	Part Number	Description	Remarks	Serial Number	Qty.
1	6669332	MOTOR	Was 6668687 [A]		1
2	6630029	SEAL	shaft		1
3	6632285	HOUSING			1
4	NSS	O-RING			4
5	NSS	BACK-UP RING			1
6	NSS	SEAL	shaft		1
7	6632290	SHAFT ASSY			1
8	6632292	KEY			1
9	1992098	SEAL			1
10	6632286	WEAR PLATE			1
11	6632293	SHAFT			1
12	6632294	GEROLER			1
13	1992084	SHAFT			1
14	6656368	PLATE			1
15	NSS	O-RING			3
16	6632288	VALVE			1
17	6630027	BALANCE RING			1
18	1992100	SEAL	inner		1
19	6653300	SEAL	outer		1
20	1992102	PIN			2
21	1992088	SPRING			2
22	6632348	HOUSING			1
23	1992104	PLUG	W/Ref. 24		1
24	NSS	O-RING			1
25	6632298	BOLT			4
26	6648973	SEAL KIT	W/Ref. 2, 4 - 6, 9, 15, 18, 19 & 24		1

LIFT CYLINDER
(Landscape Rake - "B" Series)



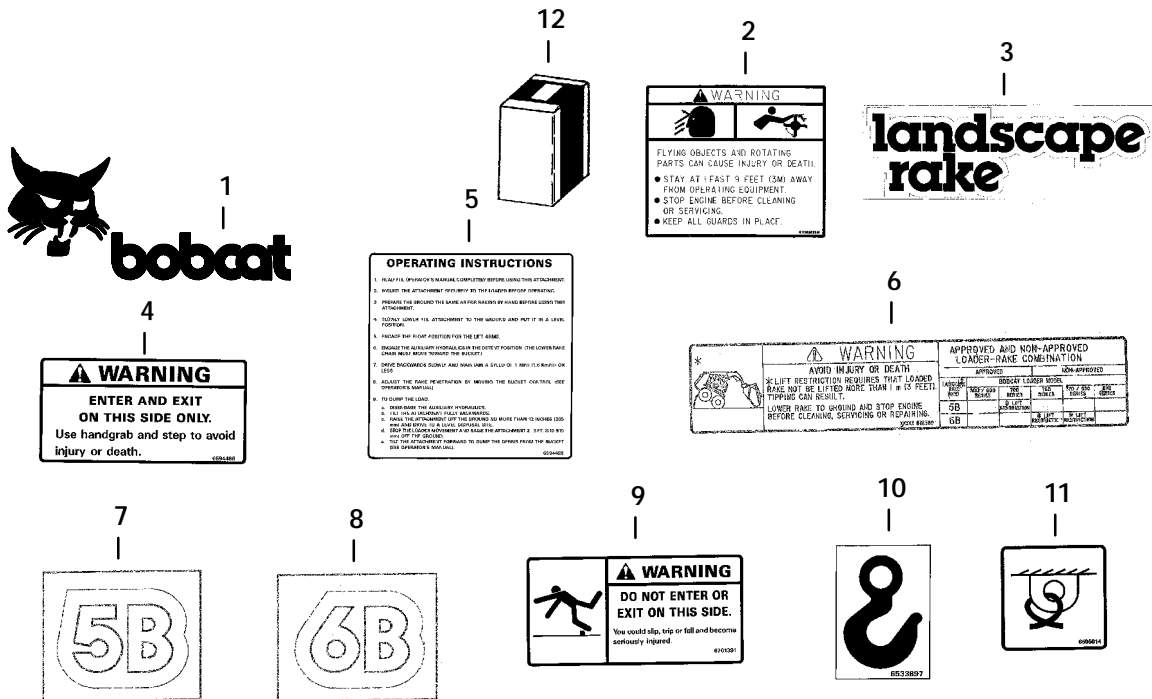
B-13916A

LIFT CYLINDER (Cont'd)
(Landscape Rake - "B" Series)

Ref. No.	Part Number	Description	Remarks	Serial Number	Qty.
1	6810613	CYLINDER	Ref. 2 - 15 - Was 6804526 [A]		1
2	6627785	CASE			1
3	92D-10	NUT			1
4	6586693	PISTON			1
5	6516231	SEAL			1
6	54K-30118	O-RING	Was 25K-30118 [A]		1
7	79K-3	O-RING	for flat boss face		2
	95K-3	O-RING	for tapered boss face		2
8	NAP	PLUG	flat boss face - Was 47K-2 [A]		2
	90KV-2	PLUG	tapered boss face		2
9	54K-40124	O-RING	Was 25K-40124 [A]		1
10	73K-224	WASHER	back-up		1
11	58K-136	O-RING			1
12	6538595	HEAD			1
13	6667323	SEAL	Rod - Was 6704243 [A]		1
14	6666542	SEAL	Wiper - Was 1657083 [A]		1
15	6810614	ROD	Was 6804527 [A]		1
16	6803474	SEAL KIT	W/Ref. 3, 5, 6, 9 - 11, 13 & 14 - Was 6589566 [A]		1

DECALS (Landscape Rake - "B" Series)

NOTE: AR = Spanish (Argentina)
 BR = Portuguese (Brazil)
 JP = Japanese
 Translation Kit includes Safety Manual,
 Operators Manual and Decal Kit.

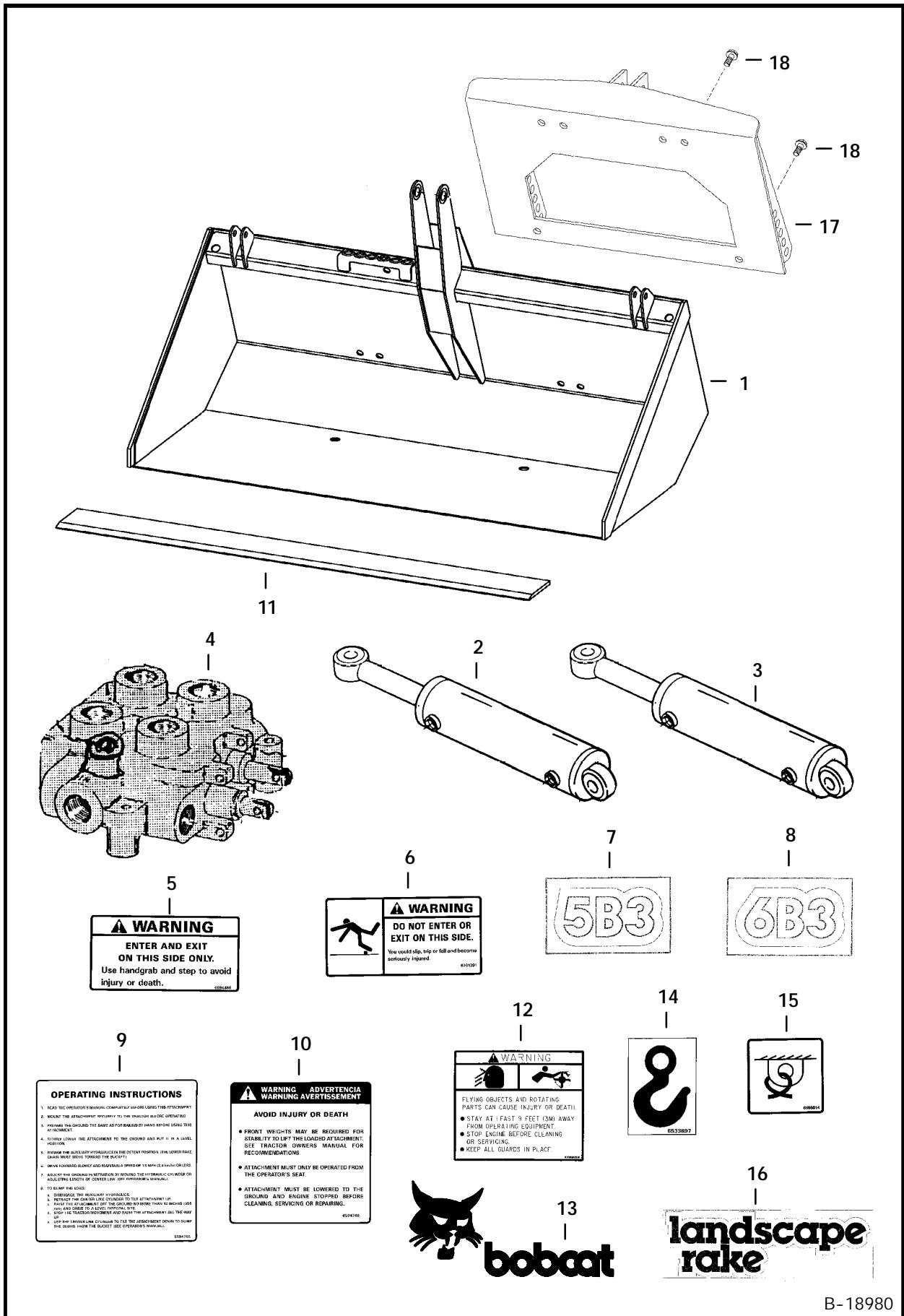


B-18979

DECALS (Cont'd)
(Landscape Rake - "B" Series)

Ref. No.	Part Number	Description	Remarks	Serial Number	Qty.
1	6727323	DECAL	Bobcat - Was 6567987 [B]		1
	6727324	DECAL	Bobcat - Was 6567988 [B]		1
2	6708822	DECAL	warning		2
3	6594510	DECAL	Landscape Rake		2
4	6594488	DECAL	warning		1
5	6708061	DECAL	instructions		1
6	6711389	DECAL	warning		1
7	6710936	DECAL	5B		2
8	6710939	DECAL	6B		2
9	6701391	DECAL	exit		1
10	6533898	DECAL	hook		2
11	6595014	DECAL	tie down		2
12	6718865AR	KIT	translation - SEE NOTE		1
	6718865BR	KIT	translation - SEE NOTE		1
	6718866AR	KIT	decal - SEE NOTE		1
	6718866BR	KIT	decal - SEE NOTE		1
	6718866JP	KIT	decal - SEE NOTE		1

LANDSCAPE RAKE (Three-Point Hitch Mounted - "B" Series)



WARNING
ENTER AND EXIT ON THIS SIDE ONLY.
 Use handgrab and step to avoid injury or death.

WARNING
DO NOT ENTER OR EXIT ON THIS SIDE.
 You could slip, trip or fall and become seriously injured.

5B3

6B3

OPERATING INSTRUCTIONS

1. READ THE OPERATOR'S MANUAL COMPLETELY BEFORE USING THIS ATTACHMENT.
2. LOCATE THE ATTACHMENT POINTS TO THE TRACTOR HITCH OPERATOR'S MANUAL.
3. PREPARE THE TRACTOR THE SAME AS FOR MOUNTING BY HAND. REVIEW THE TRACTOR ATTACHMENT.
4. LOWER THE RAKE ATTACHMENT TO THE GROUND AND PUT IT IN A LEVEL POSITION.
5. RAISE THE RAKE ATTACHMENT TO THE DESIRED POSITION. (THE LOWER RAKE CLEARANCE MUST BE CONSIDERED THE RAKE'S).
6. DRIVE FORWARD SLOWLY AND REVERSE AT SPEED OF 15 MPH (24 KM/H) OR LESS.
7. ADJUST THE LOWERING/RAISING BY MOVING THE HYDRAULIC CYLINDER OR HOISTING LENGTH OF CYLINDER BAR. (SEE OPERATOR'S MANUAL).
8. TO SWEEP THE ROAD:
 - a. DISengage the auxiliary hydraulics.
 - b. RETRACT THE CHAIN LINE CHAIN TO THE ATTACHMENT UP.
 - c. RAISE THE RAKE OFF THE GROUND BY MORE THAN 18 INCHES (45 CM).
 - d. DRIVE FORWARD TO A SLOW SPEED. USE THE LOWERING/RAISING ADJUSTER TO THE ATTACHMENT ALL THE WAY UP.
 - e. STOP THE ENGINE AND ALLOW TO TILT THE ATTACHMENT DOWN TO SWEEP THE ROAD UNDER THE BRACKET. (SEE OPERATOR'S MANUAL).

WARNING - ADVERTENCIA
AVOID INJURY OR DEATH

- FRONT WEIGHTS MAY BE REQUIRED FOR STABILITY TO LIFT THE LOADED ATTACHMENT. SEE TRACTOR OWNER'S MANUAL FOR RECOMMENDATIONS.
- ATTACHMENT MUST ONLY BE OPERATED FROM THE OPERATOR'S SEAT.
- ATTACHMENT MUST BE LOWERED TO THE GROUND AND ENGINE STOPPED BEFORE CLEANING, SERVICING OR REPAIRING.

WARNING
 FLYING OBJECTS AND ROTATING PARTS CAN CAUSE INJURY OR DEATH.
 • STAY AT LEAST 9 FEET (3M) AWAY FROM OPERATING EQUIPMENT.
 • STOP ENGINE BEFORE CLEANING OR SERVICING.
 • KEEP ALL GUARDS IN PLACE.

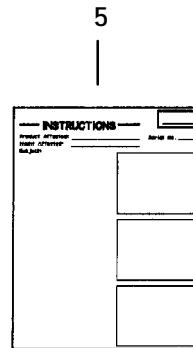
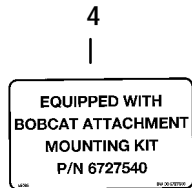
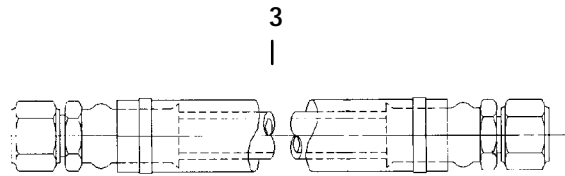
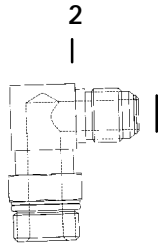
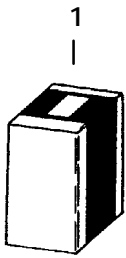


B-18980

LANDSCAPE RAKE (Cont'd)
(Three-Point Hitch Mounted - "B" Series)

Ref. No.	Part Number	Description	Remarks	Serial Number	Qty.
1	6710757	BUCKET	5 ft. (1524mm)		1
	6710758	BUCKET	6 ft. (1828,8mm)		1
2	6632390	CYLINDER	14" (355,6mm) stroke -		
			See Page 90		1
3	6632389	CYLINDER	12" (304,8mm) stroke - See Page 88		1
4	6653546	VALVE	See Page 85		1
5	6594488	DECAL			1
6	6701391	DECAL			2
7	6710937	DECAL	5B3		2
8	6710940	DECAL	6B3		2
9	6708061	DECAL	operating		1
10	6594766	DECAL	warning		1
11	6704571	CUTTING EDGE	5 ft. (1524mm)		1
	6704572	CUTTING EDGE	6 ft. (1828,8mm)		1
12	6708822	DECAL	warning		2
13	6727323	DECAL	Bobcat - Was 6567987 [B]		1
	6727324	DECAL	Bobcat - Was 6567988 [B]		1
14	6533898	DECAL	hook		2
15	6595014	DECAL	tie down		2
16	6594510	DECAL	Landscape Rake logo		2
17	6705148	MOUNT	3 point		1
18	31C-1224	BOLT			6

ATTACHMENTS PLUS KIT
(Cat Loader / Bobcat Landscape Rake)



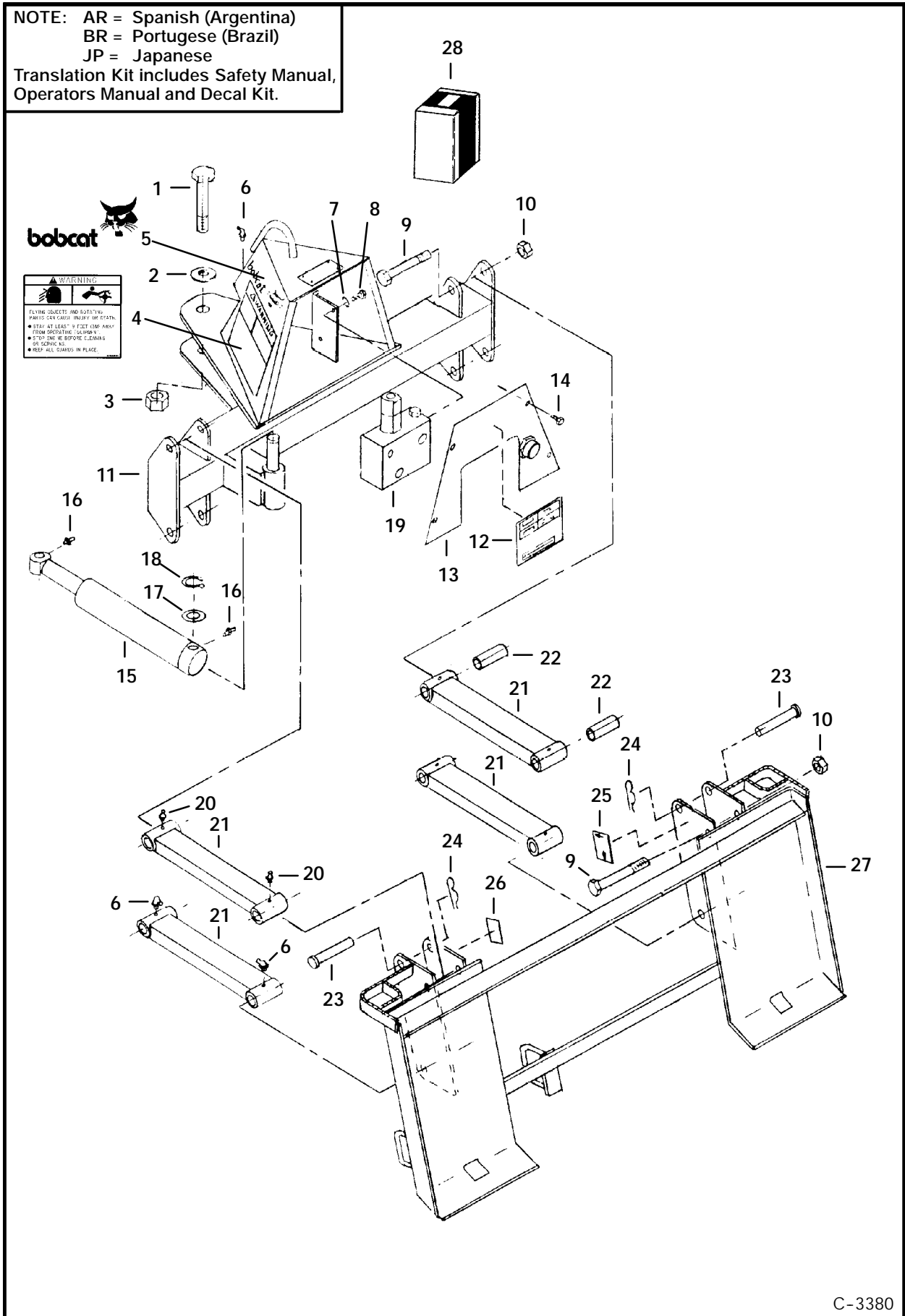
ATTACHMENTS PLUS KIT (Cont'd)
(Cat Loader / Bobcat Landscape Rake)

Ref. No.	Part Number	Description	Remarks	Serial Number	Qty.
1	6727540	KIT	Cat / Landscape Rake - W/Ref. 2 - 5		1
2	6715651	ELBOW			2
3	99K-12	O-RING	O-ring boss flared end		2
	97K-10	O-RING			x
	6708220	HOSE		2	
4	6727603	DECAL			1
5	6901121	INSTRUCTIONS			1

MAIN FRAME & ATTACHING PARTS

Power Rake - S/N 925100719 & Below

NOTE: AR = Spanish (Argentina)
 BR = Portugese (Brazil)
 JP = Japanese
 Translation Kit includes Safety Manual,
 Operators Manual and Decal Kit.



C-3380

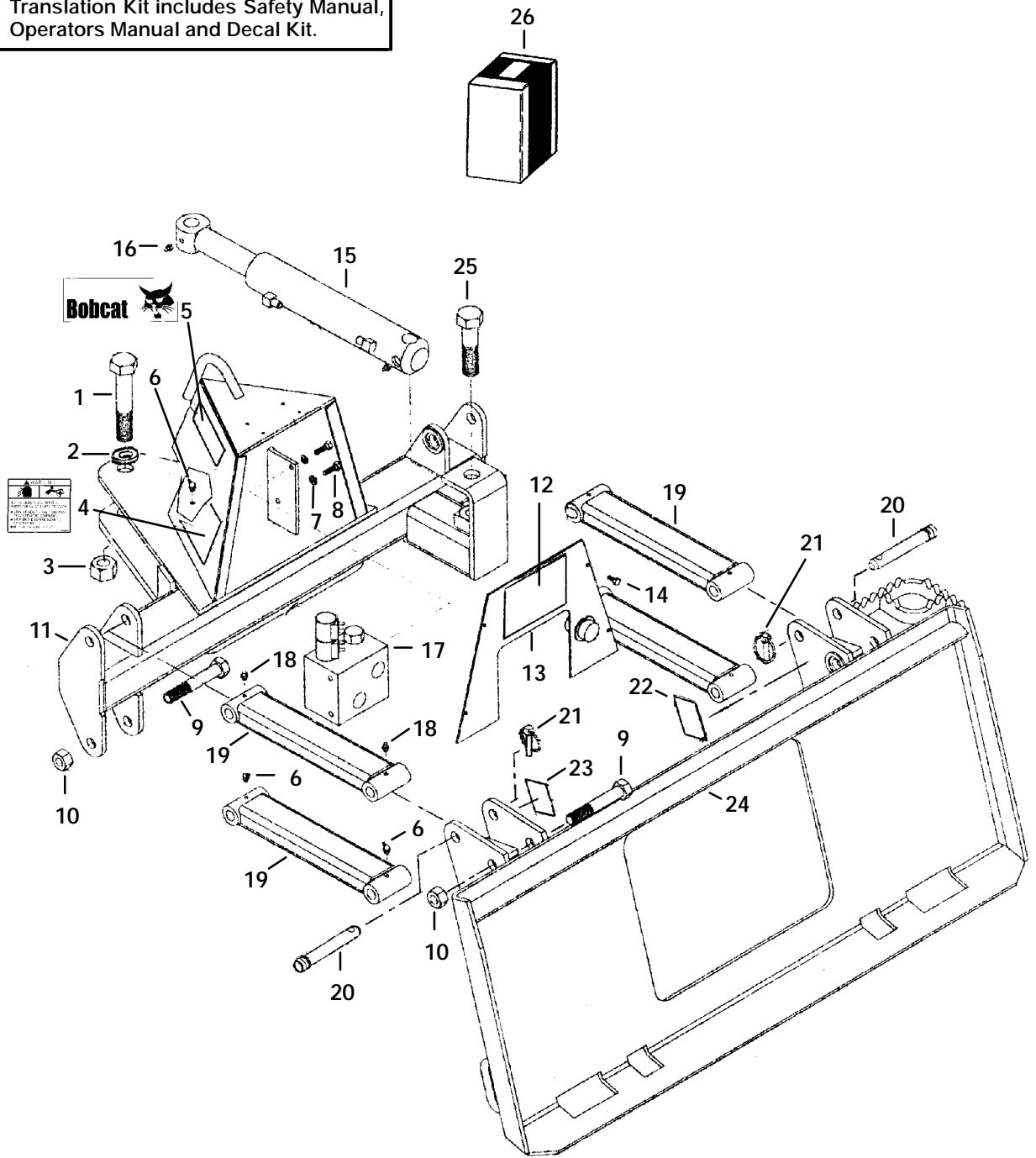
MAIN FRAME & ATTACHING PARTS (Cont'd)
Power Rake - S/N 925100719 & Below

Ref. No.	Part Number	Description	Remarks	Serial Number	Qty.
1	18C-1688	BOLT			1
2	25E-16	WASHER			1
3	86D-16	NUT			1
4	6708822	DECAL	Warning		2
5	6567987	DECAL	Bobcat Logo - L.H.		1
	6567988	DECAL	Bobcat Logo - R.H.		1
6	11H-25	GREASE ZERK			6
7	4E-5	WASHER			2
8	17C-516	BOLT			2
9	17C-1072	BOLT			8
10	85D-10	NUT			8
11	6667016	FRAME	Pivot		1
12	6709299	DECAL	Operation		1
13	6667014	COVER			1
14	6666995	BOLT			4
15		CYLINDER	See Page 138		1
16	10H-25	GREASE ZERK			2
17	6666994	BUSHING			2
18	6666993	SNAP RING			2
19		VALVE	See Page 127		1
20	10H-35	GREASE ZERK			4
21	6667007	LINK ARM			4
22	6667006	SLEEVE			8
23	6666999	PIN			2
24	6667000	PIN			2
25	6709286	DECAL	Lockout - R.H.		1
26	6709318	DECAL	Lockout - L.H.		1
27	6667005	MOUNT	Bobtach		1
28	6718936AR	KIT	translation - SEE NOTE		1
	6718936BR	KIT	translation - SEE NOTE		1
	6718937AR	KIT	decal - SEE NOTE		1
	6718937BR	KIT	decal - SEE NOTE		1
	6718937JP	KIT	decal - SEE NOTE		1

MAIN FRAME & ATTACHING PARTS

Power Rake - S/N 925100720 & Above

NOTE: AR = Spanish (Argentina)
BR = Portugese (Brazil)
JP = Japanese
Translation Kit includes Safety Manual,
Operators Manual and Decal Kit.

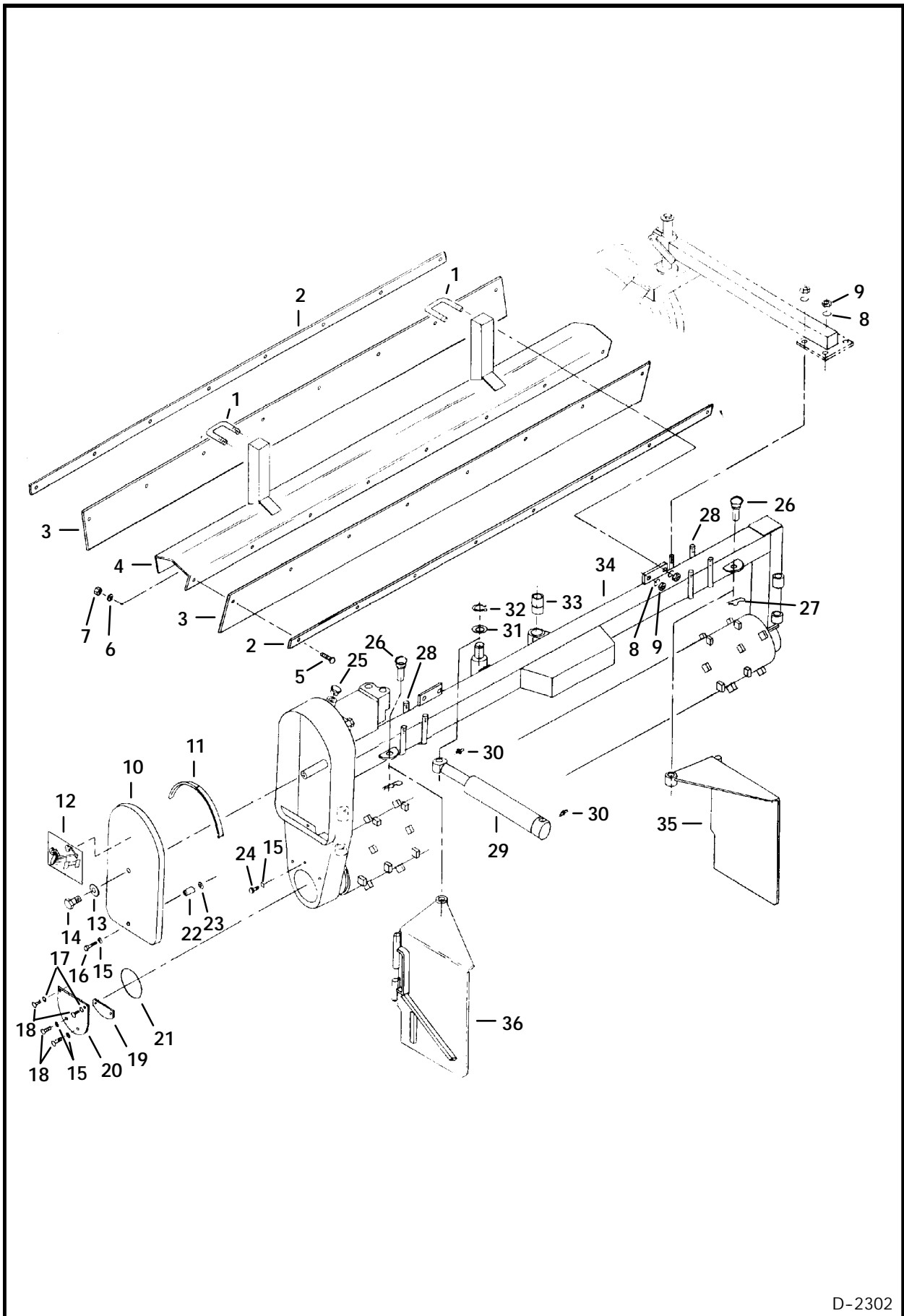


B-16237

MAIN FRAME & ATTACHING PARTS (Cont'd)
Power Rake - S/N 925100720 & Above

Ref. No.	Part Number	Description	Remarks	Serial Number	Qty.
1	18C-1688	BOLT			1
2	25E-16	WASHER			1
3	86D-16	NUT			1
4	6708822	DECAL	Warning		2
5	6567987	DECAL	Bobcat Logo - L.H.		1
	6567988	DECAL	Bobcat Logo - R.H.		1
6	11H-25	GREASE ZERK			5
7	4E-5	WASHER			2
8	17C-516	BOLT			2
9	6679107	BOLT			8
10	85D-12	NUT			8
11	6678217	FRAME	Pivot		1
12	6709299	DECAL	Operation		1
13	6667014	COVER			1
14	6666995	BOLT			4
15		CYLINDER	See Page 138		1
16	10H-25	GREASE ZERK			2
17		VALVE	See Page 127		1
18	10H-35	GREASE ZERK			4
19	6678219	LINK ARM			4
20	6678221	PIN			2
21	6678220	PIN			2
22	6709286	DECAL	Lockout - R.H.		1
23	6709318	DECAL	Lockout - L.H.		1
24	6678218	MOUNT	Bobtach		1
25	6678222	BOLT			1
26	6718936AR	KIT	translation - SEE NOTE		1
	6718936BR	KIT	translation - SEE NOTE		1
	6718937AR	KIT	decal - SEE NOTE		1
	6718937BR	KIT	decal - SEE NOTE		1
	6718937JP	KIT	decal - SEE NOTE		1

MAIN FRAME & ATTACHING PARTS
Power Rake - S/N 925100719 & Below



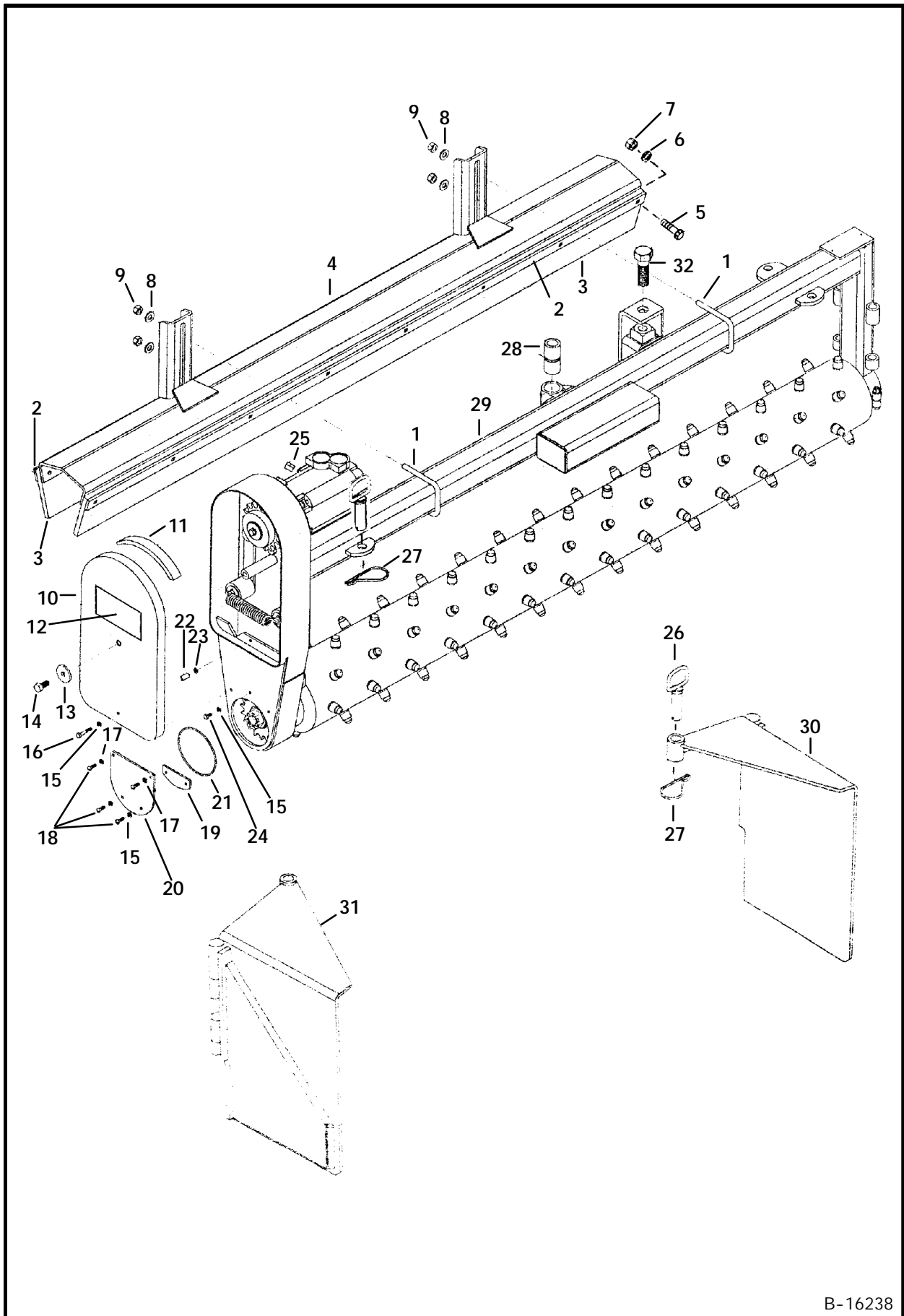
D-2302

MAIN FRAME & ATTACHING PARTS (Cont'd)

Power Rake - S/N 925100719 & Below

Ref. No.	Part Number	Description	Remarks	Serial Number	Qty.
1	6667017	U-BOLT			2
2	6666963	STRAP			2
3	6666964	BARRIER			2
4	6666965	MOUNT			1
5	7C-524	BOLT	Carriage - Was 6666962 [A]		16
6	4E-5	WASHER			16
7	85D-5	NUT			16
8	4E-8	WASHER			12
9	85D-8	NUT			12
10	6667012	COVER			1
11	6667011	SEAL			1
12	6709311	DECAL	Lubrication		1
13	6666952	WASHER			1
14	17C-816	BOLT			1
15	6666997	WASHER			4
16	17C-424	BOLT			1
17	4E-4	WASHER			2
18	25G-412	BOLT			4
19	6667009	TAB			1
20	6667008	COVER			1
21	6667010	O-RING			1
22	6666998	BUSHING			1
23	6666996	WASHER			1
24	17C-408	BOLT			1
25	6667013	PLUG	Vent		1
26	6667001	PIN			2
27	6667000	PIN			2
28	6667004	U-BOLT			4
29		CYLINDER	See page 138		1
30	10H-25	GREASE ZERK			2
31	6666994	BUSHING			1
32	6666993	SNAP RING			1
33	6667015	BUSHING			1
34		ROLLER ASSY	See page 117		1
35	6667003	END PLATE			1
36	6667002	END PLATE			1

MAIN FRAME & ATTCHING PARTS
Power Rake - S/N 952199720 & Above

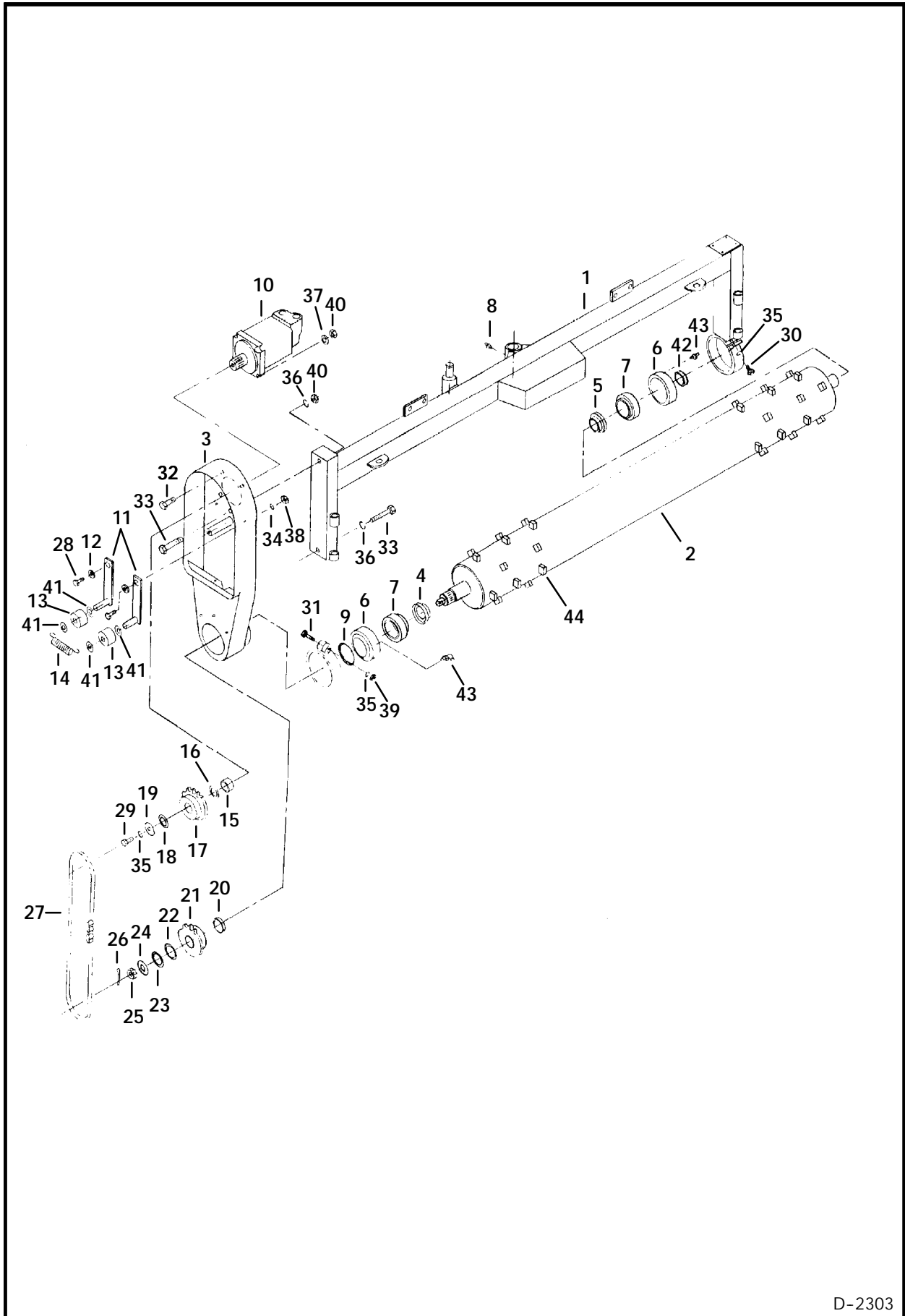


B-16238

MAIN FRAME & ATTCHING PARTS (Cont'd)
Power Rake - S/N 952199720 & Above

Ref. No.	Part Number	Description	Remarks	Serial Number	Qty.
1	6677004	U-BOLT			2
2	6666963	STRAP			2
3	6666964	BARRIER			2
4	6678208	MOUNT	top		1
5	7C-524	BOLT	Carriage		16
6	4E-5	WASHER			16
7	85D-5	NUT			16
8	4E-8	WASHER			4
9	85D-8	NUT			4
10	6667012	COVER			1
11	6667011	SEAL			1
12	6709311	DECAL	Lubrication		1
13	6666952	WASHER			1
14	17C-816	BOLT			1
15	6666997	WASHER			4
16	17C-424	BOLT			1
17	4E-4	WASHER			2
18	25G-412	BOLT			4
19	6667009	TAB			1
20	6667008	COVER			1
21	6667010	O-RING			1
22	6666998	BUSHING			1
23	6666996	WASHER			1
24	17C-408	BOLT			1
25	6667013	PLUG	Vent		1
26	6667001	PIN			2
27	6667000	PIN			2
28	6667015	BUSHING			1
29		ROLLER ASSY	See page		1
30	6667003	END PLATE			1
31	6667002	END PLATE			1
32	6678223	BOLT			1

ROLLER & CHAINCASE ASSY
Power Rake - S/N 925100340 & Below

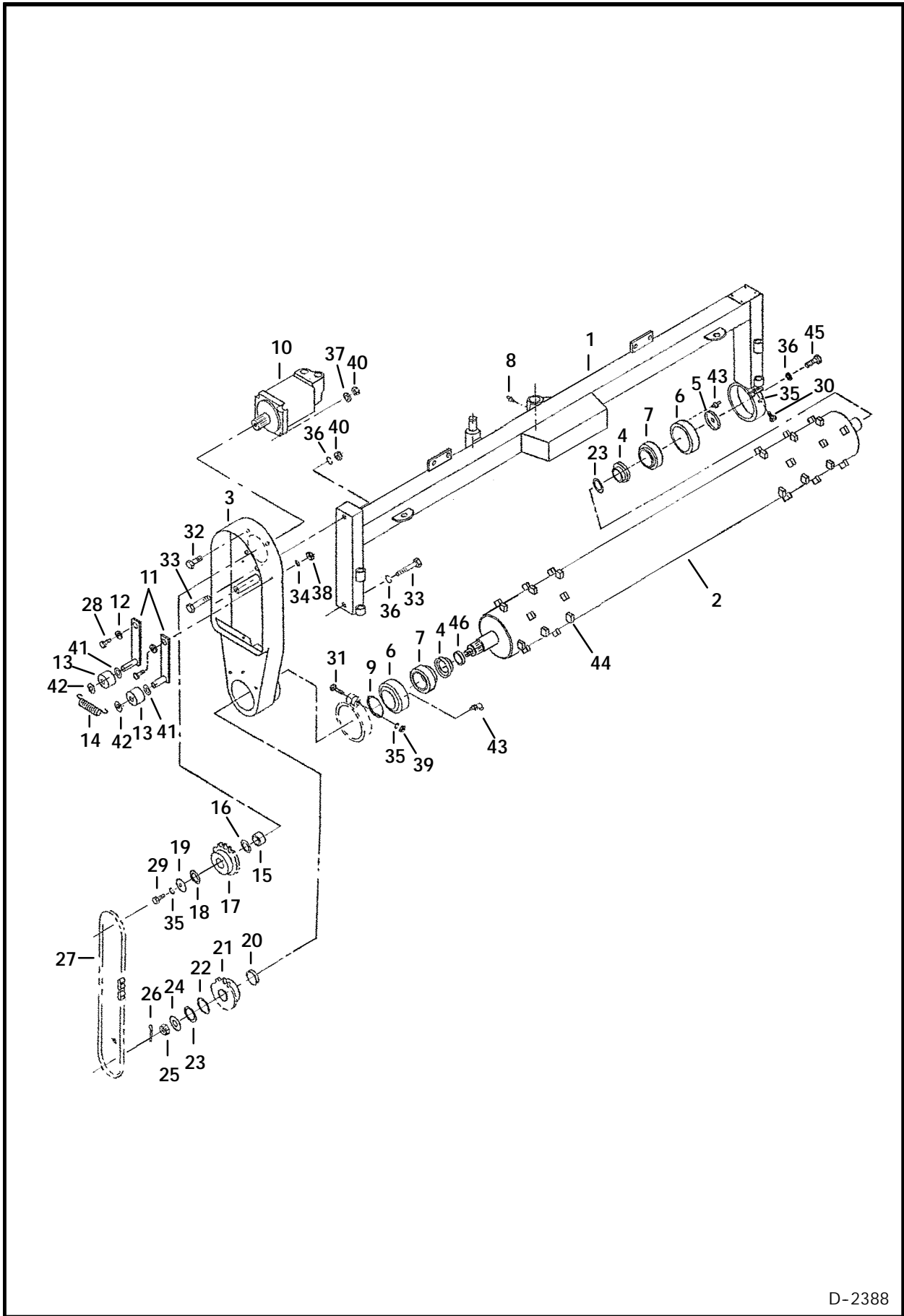


D-2303

ROLLER & CHAINCASE ASSY (Cont'd)
Power Rake - S/N 925100340 & Below

Ref. No.	Part Number	Description	Remarks	Serial Number	Qty.
1	6666982	FRAME			1
2	6666981	ROLLER	W/Ref. 44		1
	6675241	ROLLER	W/Ref. 44 - with carbide teeth		1
3	6666980	CHAINCASE			1
4	6666979	COLLAR			1
5	6666978	COLLAR			1
6	6666948	HOUSING			2
7	6666947	BEARING	W/Ref. 42		2
8	10H-35	GREASE ZERK			1
9	6667117	O-RING			1
10	6666934	MOTOR	See page 135		1
11	6666977	ARM			2
12	6666976	BUSHING			2
13	6666975	ROLLER			2
14	6666974	SPRING			1
15	6666973	COLLAR			1
16	6666992	BUSHING			1
17	6666991	SPROCKET			1
18	6666990	BUSHING			1
19	6666989	WASHER			1
20	6666988	SLEEVE			1
21	6666987	SPROCKET			1
22	6666986	BUSHING			1
23	6666985	BUSHING			1
24	25E-12	WASHER			1
25	3D-12	NUT	Slotted		1
26	1F-524	COTTER PIN			1
27	6666984	CHAIN	#60		1
28	17C-520	BOLT			2
29	17C-612	BOLT			1
30	17C-620	BOLT			1
31	17C-632	BOLT			1
32	17C-832	BOLT			4
33	17C-848	BOLT			2
34	4E-5	WASHER			2
35	4E-6	WASHER			3
36	4E-8	WASHER			2
37	28E-8	WASHER			4
38	85D-5	NUT			2
39	85D-6	NUT			1
40	85D-8	NUT			5
41	6666983	WASHER			4
42	NSS	COLLAR	Used on Right Hand side only - Order Ref. 7		1
43	12H-25	GREASE ZERK			2
44	6667719	TOOTH	Weld on - Hardening is required for replacement teeth		116
	6674518	TOOTH	carbide - hardening not required		116

ROLLER & CHAINCASE ASSY
Power Rake - S/N 925100351 thru 925100719

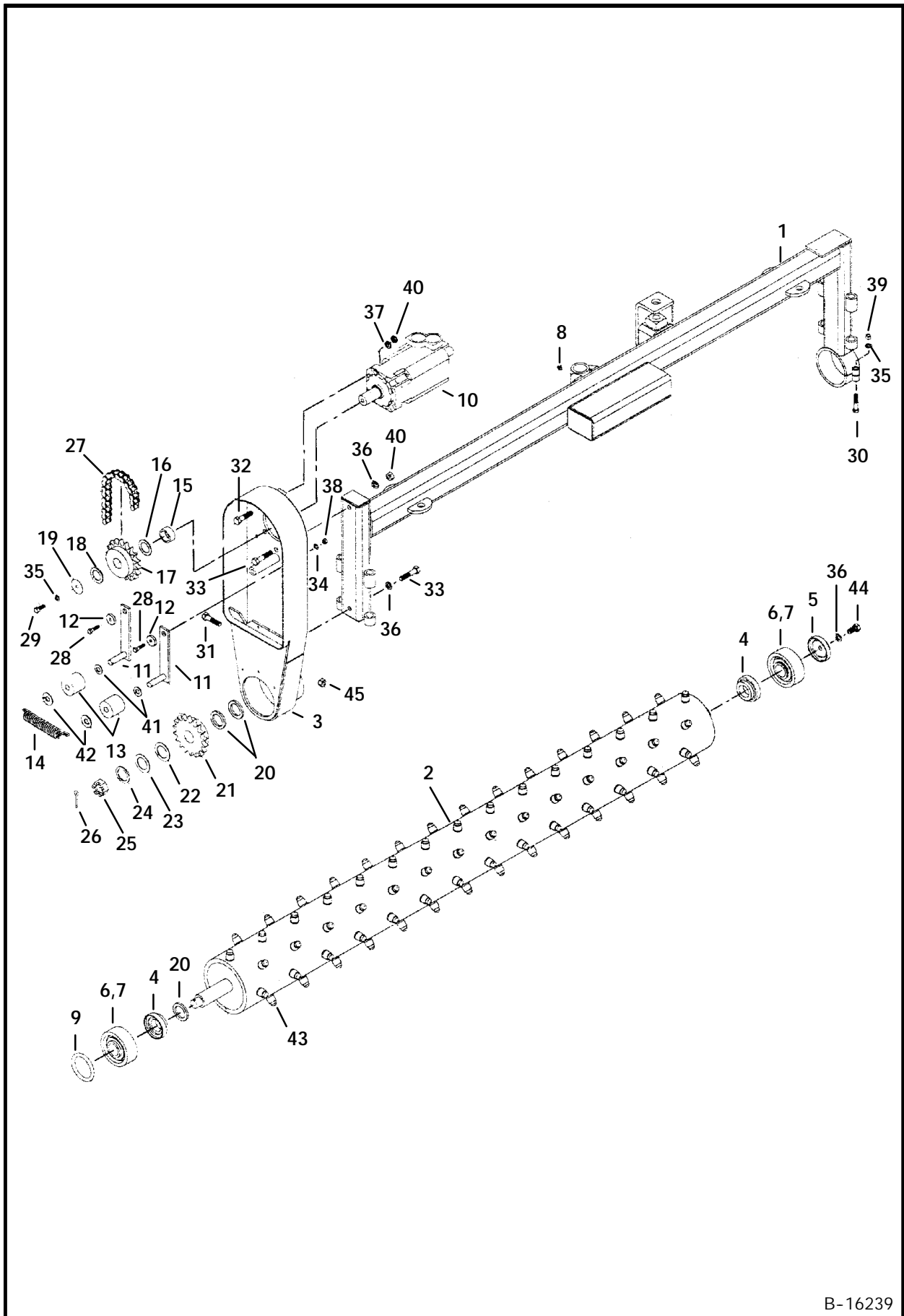


D-2388

ROLLER & CHAINCASE ASSY (Cont'd)
Power Rake - S/N 925100351 thru 925100719

Ref. No.	Part Number	Description	Remarks	Serial Number	Qty.
1	6666982	FRAME			1
2	6670734	ROLLER	W/Ref. 44		1
	6674517	ROLLER	W/Ref. 44 - with carbide teeth		1
3	6666980	CHAINCASE			1
4	6670735	COLLAR			2
5	6670736	COLLAR			1
6	6666948	HOUSING			2
7	6666947	BEARING			2
8	10H-35	GREASE ZERK			1
9	6667117	O-RING			1
10	6666934	MOTOR	See page 135		1
11	6666977	ARM			2
12	6666976	BUSHING			2
13	6666975	ROLLER			2
14	6666974	SPRING			1
15	6666973	COLLAR			1
16	6666992	BUSHING			1
17	6666991	SPROCKET			1
18	6666990	BUSHING			1
19	6666989	WASHER			1
20	6670737	SLEEVE			1
21	6670738	SPROCKET			1
22	6670739	BUSHING			1
23	6670740	BUSHING			2
24	6670741	WASHER			1
25	6670742	NUT	Slotted jam		1
26	1F-624	COTTER PIN			1
27	6666984	CHAIN	#60		1
	6515191	LINK	connector		1
28	17C-520	BOLT			2
29	17C-612	BOLT			1
30	17C-620	BOLT			1
31	17C-632	BOLT			1
32	17C-832	BOLT			4
33	17C-848	BOLT			2
34	4E-5	WASHER			2
35	4E-6	WASHER			3
36	4E-8	WASHER			3
37	28E-8	WASHER			4
38	85D-5	NUT			2
39	85D-6	NUT			1
40	85D-8	NUT			5
41	6666983	WASHER			2
42	6670743	WASHER	pinned		2
43	12H-25	GREASE ZERK			2
44	6667719	TOOTH	Weld on - Hardening is required for replacement teeth		116
	6674518	TOOTH	carbide - hardening not required		116
45	18C-816	BOLT			1
46	6670744	SPACER			1

ROLLER & CHAINCASE ASSY
Power Rake - S/N 925100720 & Above

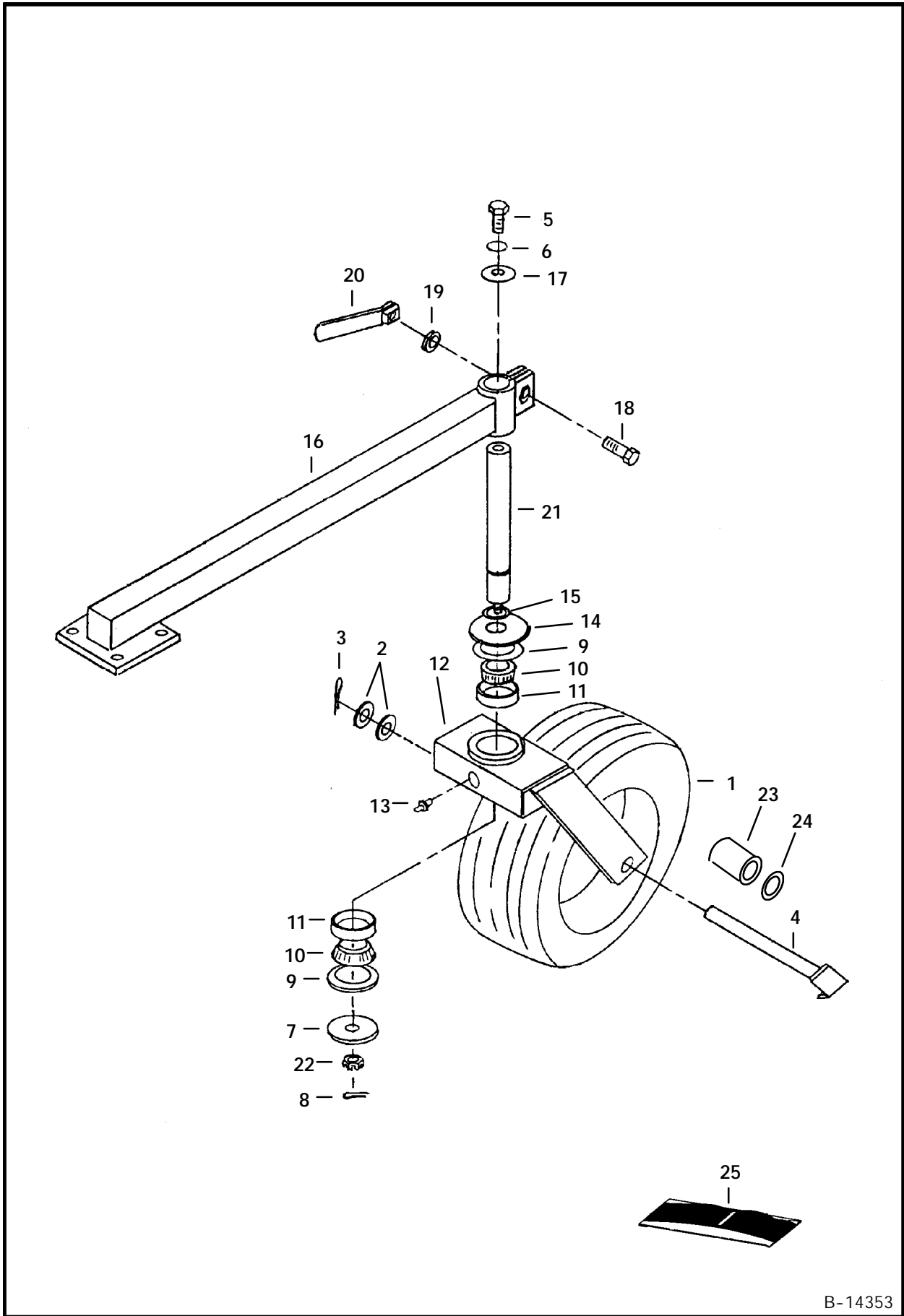


B-16239

ROLLER & CHAINCASE ASSY (Cont'd)
Power Rake - S/N 925100720 & Above

Ref. No.	Part Number	Description	Remarks	Serial Number	Qty.
1	6678210	FRAME			1
2	6670734	ROLLER	W/Ref. 44		1
	6674517	ROLLER	W/Ref. 44 - with carbide teeth		1
3	6666980	CHAINCASE			1
4	6670735	COLLAR			2
5	6670736	COLLAR			1
6	6666948	HOUSING			2
7	6666947	BEARING			2
8	10H-35	GREASE ZERK			1
9	6667117	O-RING			1
10	6666934	MOTOR			1
11	6666977	ARM			2
12	6666976	BUSHING			2
13	6666975	ROLLER			2
14	6678209	SPRING			1
15	6666973	COLLAR			1
16	6666992	BUSHING			1
17	6666991	SPROCKET			1
18	6666990	BUSHING			1
19	6666989	WASHER			1
20	6670744	SPACER			3
21	6670738	SPROCKET			1
22	6670739	BUSHING			1
23	6670740	BUSHING			2
24	6670741	WASHER			1
25	6670742	NUT	Slotted jam		1
26	1F-624	COTTER PIN			1
27	6666984	CHAIN	#60		1
	6515191	LINK	connector		1
28	17C-520	BOLT			2
29	17C-616	BOLT			1
30	17C-632	BOLT			1
31	18C-832	BOLT			1
32	17C-832	BOLT			4
33	17C-848	BOLT			2
34	4E-5	WASHER			2
35	4E-6	WASHER			2
36	4E-8	WASHER			3
37	28E-8	WASHER			4
38	85D-5	NUT			2
39	85D-6	NUT			1
40	85D-8	NUT			5
41	6666983	WASHER			2
42	6670743	WASHER	pinned		2
43	6667719	TOOTH	Weld on - Hardening is required		
			for replacement teeth		116
44	6674518	TOOTH	carbide - hardening not required		116
	18C-820	BOLT			1
45	86D-8	NUT			1

CASTER WHEEL ASSY
Power Rake - S/N 925100719 & Below

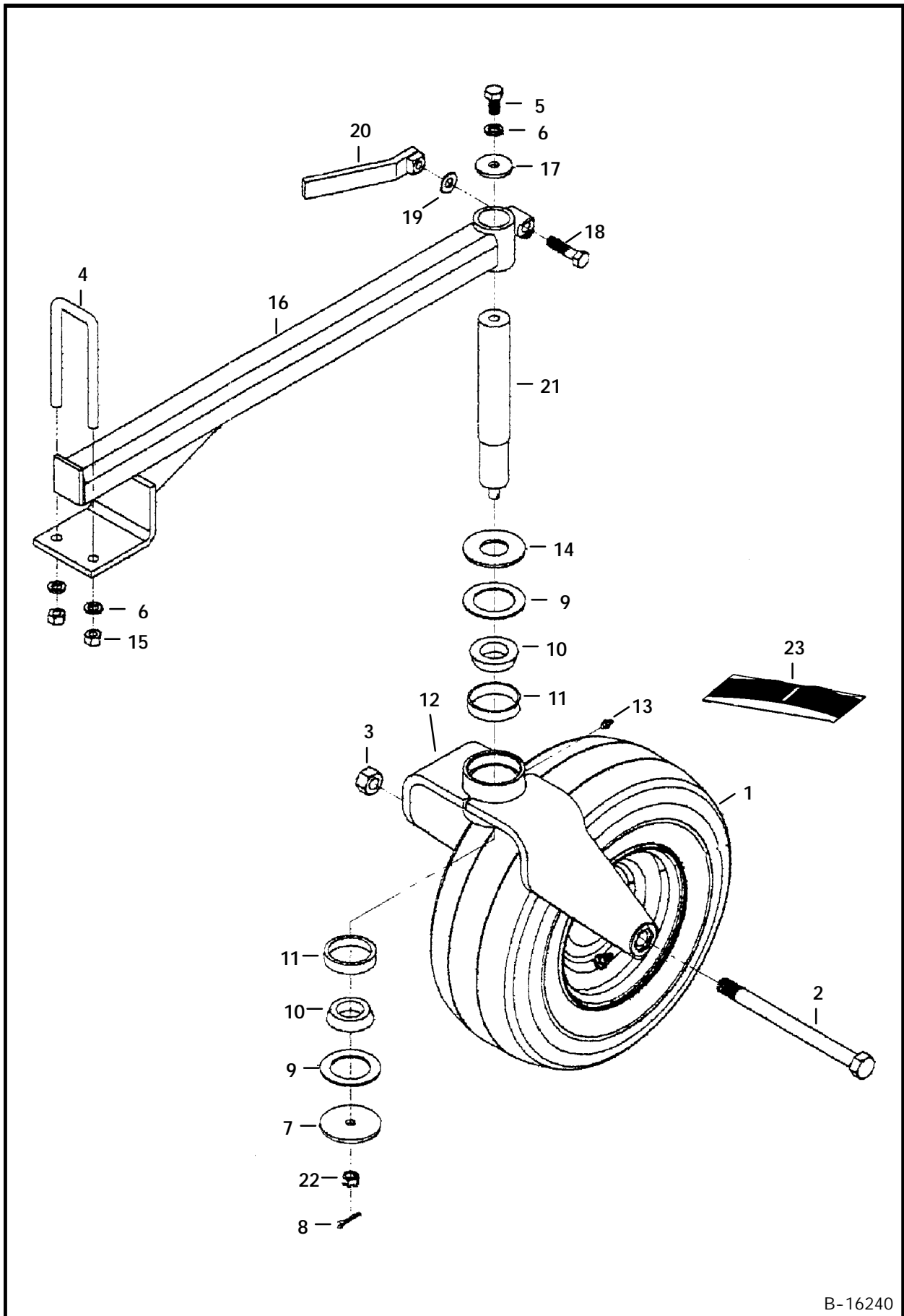


B-14353

CASTER WHEEL ASSY (Cont'd)
Power Rake - S/N 925100719 & Below

Ref. No.	Part Number	Description	Remarks	Serial Number	Qty.
1	NAP 6678214	WHEEL & TIRE WHEEL & TIRE TIRE	Order 6678214 - Was 6666961 [A] 16.5 x 6.5-8 - Puchase locally	& Bel & Abv	1 1 1
2	25E-27	WASHER			2
3	1F-624	COTTER PIN			1
4	6666960	AXLE			1
5	17C-812	BOLT			1
6	4E-8	LOCK WASHER			1
7	6666959	WASHER			1
8	1F-416	COTTER PIN			1
9	6666958	WASHER	felt		2
10	6666957	BEARING			2
11	6666956	CUP			2
12	6666955	FORK			1
13	10H-35	GREASE ZERK			1
14	28E-20	WASHER			1
15	6666954	SNAP RING			1
16	6666953	SUPPORT			1
17	6666952	WASHER			1
18	18C-832	BOLT			1
19	28E-8	WASHER			1
20	6666951	HANDLE			1
21	6666950	SHAFT			1
22	6666949	NUT	slotted		1
23	6672341	BEARING			2
24	NSS	SEAL	Order Ref. 25		2
25	6677928	BEARING KIT	standard - W/Ref. 11, 23 & 24	& Bel	1
	6678287	BEARING KIT	heavy duty - W/Ref. 11, 23 & 24	& Abv	1

CASTER WHEEL ASSY
Power Rake - S/N 925100720 & Above

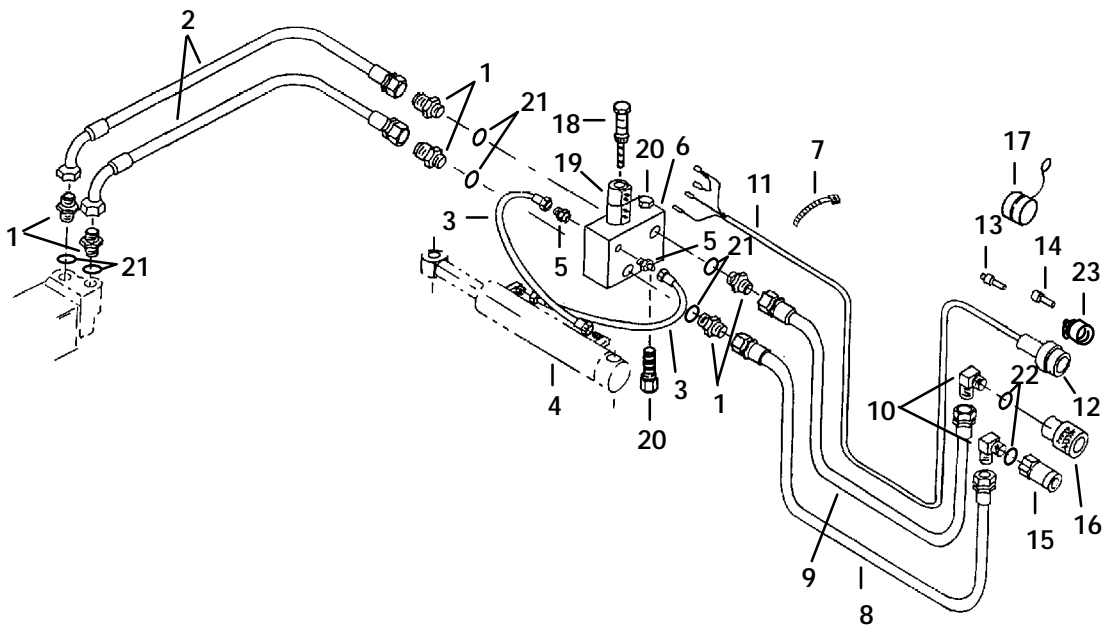


B-16240

CASTER WHEEL ASSY (Cont'd)
Power Rake - S/N 925100720 & Above

Ref. No.	Part Number	Description	Remarks	Serial Number	Qty.
1	6678214	WHEEL & TIRE	16.5 x 6.5-8 - Puchase locally		1
		TIRE			1
2	6678216	BOLT			1
3	85D-12	NUT			1
4	6678211	U-BOLT			1
5	17C-812	BOLT			1
6	4E-8	LOCK WASHER			3
7	6666959	WASHER			1
8	1F-416	COTTER PIN			1
9	6666958	WASHER	Felt		2
10	6666957	BEARING			2
11	6666956	CUP			2
12	6678215	FORK			1
13	10H-35	GREASE ZERK			1
14	28E-20	WASHER			1
15	85D-8	NUT			2
16	6678213	SUPPORT			1
17	6666952	WASHER			1
18	18C-832	BOLT			1
19	28E-8	WASHER			1
20	6666951	HANDLE			1
21	6678212	SHAFT			1
22	6666949	NUT	Slotted for wheel axle		1
23	6678287	BEARING KIT			1

HYDRAULIC & ELECTRICAL CIRCUITRY
Power Rake - S/N 925100552 & Below



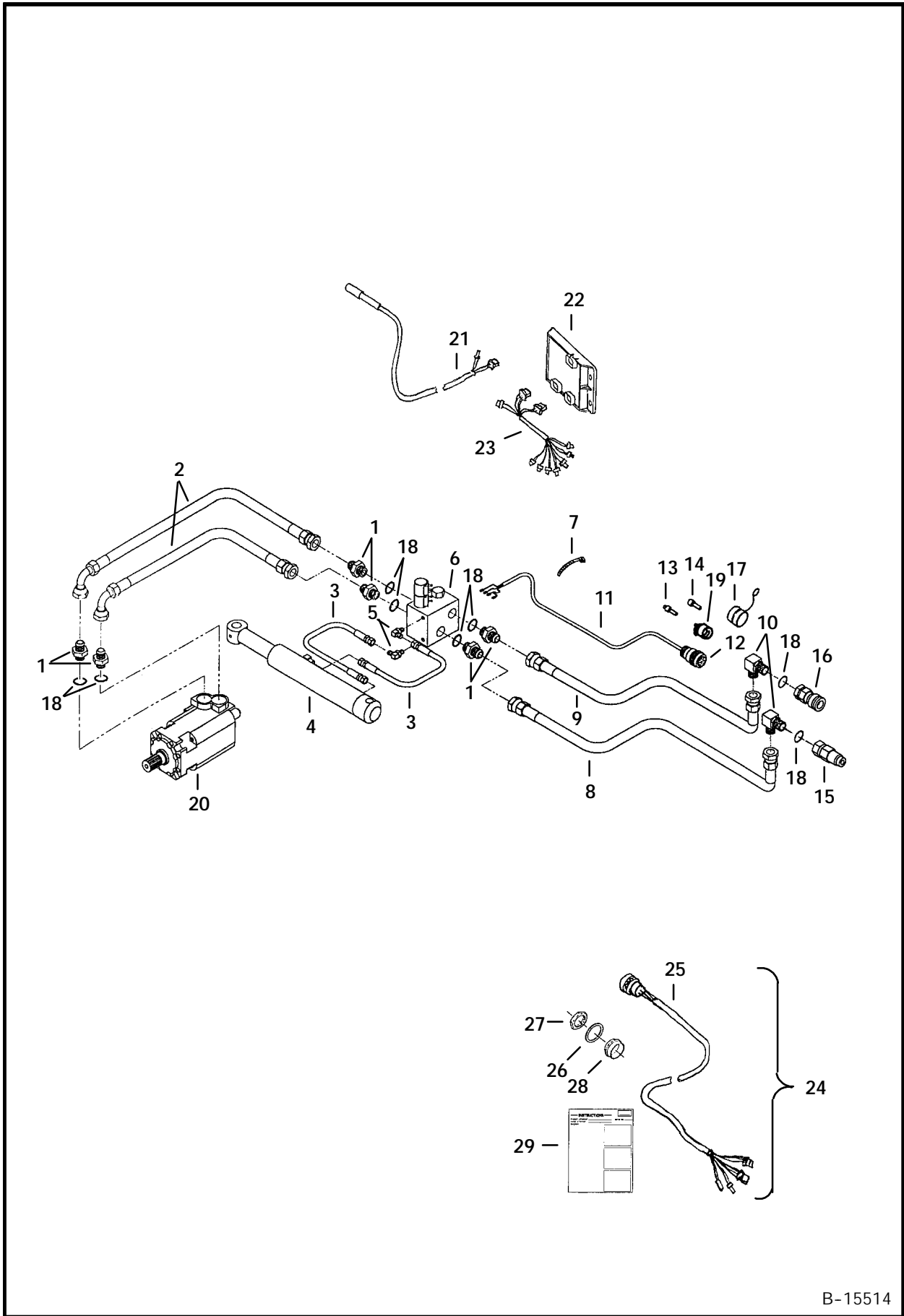
B-14354

HYDRAULIC & ELECTRICAL CIRCUITRY (Cont'd)

Power Rake - S/N 925100552 & Below

Ref. No.	Part Number	Description	Remarks	Serial Number	Qty.
1	15K-8	ADAPTER			6
2	6666970	HOSE			2
3	6666971	HOSE			2
4		CYLINDER	See Page 138		1
5	15K-3	ADAPTER			2
6	6666972	VALVE	Hydraulic Manifold-See Page 131		1
7	6610510	NYLON TIE			6
8	6666969	HOSE			1
9	6666968	HOSE			1
10	6666967	ELBOW	used with poppet couplers		2
	17K-8	ELBOW	used with flush face couplers		2
11	6666966	CABLE ASSY	W/Ref. 12		1
12	6665001	CONNECTOR	W/Ref. 23 - Was 6664034 [A]		1
13	6664041	SOCKET			x
14	6665370	PLUG	plugs unused holes in connector		x
15	6598757	COUPLER	male - poppet		1
	6674688	QUICK COUPLER	male - flush face - Was 6667808 [A]		1
16	6672026	O-RING			1
	6598758	COUPLER	female - poppet		1
	6672960	QUICK COUPLER	female FF - Was 6667807 [A]		1
17	48K-16	O-RING	for poppet coupler		1
	6665430	BACKUP RING	for poppet coupler		1
	6664038	DUST CAP			1
18	6667018	SPOOL	Directional Cartridge		1
	6667180	SEAL KIT			1
19	6667019	SOLENOID	Directional		2
20	6667020	SPOOL	Piloted		1
	6667181	SEAL KIT			1
21	79K-12	O-RING			6
22	79K-10	O-RING	used with poppet couplers		2
	79K-12	O-RING	used with flush face couplers		2
23	6669286	CLAMP	W/Saddles		1

HYDRAULIC & ELECTRICAL CIRCUITRY
Power Rake - S/N 925100553 & Above



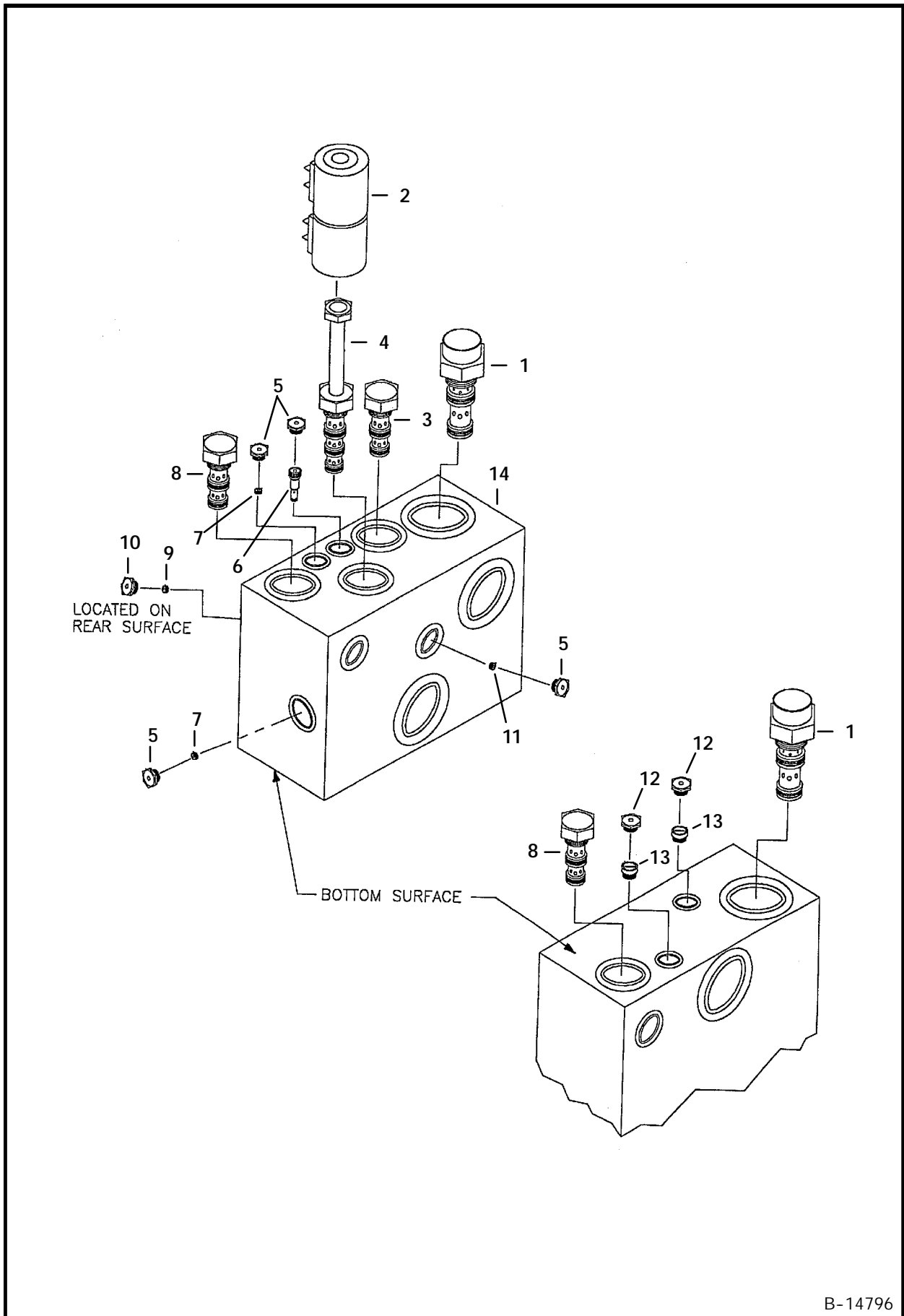
B-15514

HYDRAULIC & ELECTRICAL CIRCUITRY (Cont'd)

Power Rake - S/N 925100553 & Above

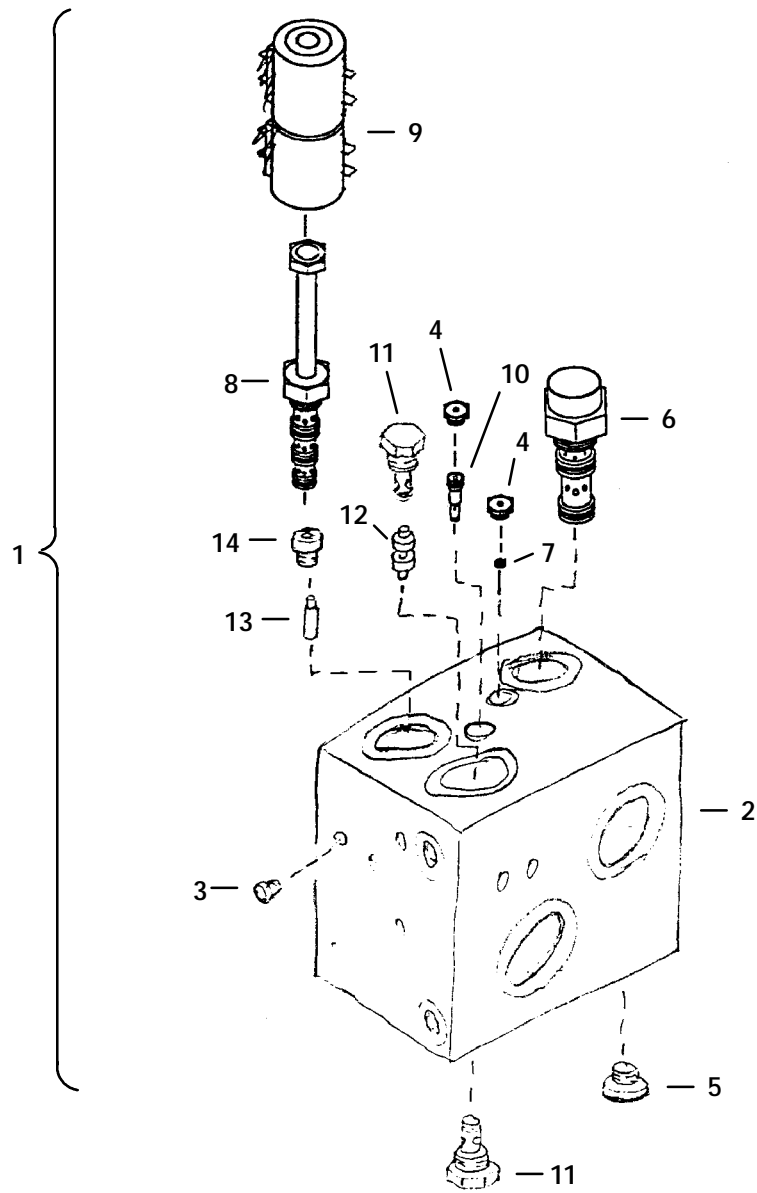
Ref. No.	Part Number	Description	Remarks	Serial Number	Qty.
1	15K-8	ADAPTER			6
2	6666970	HOSE			2
3	6666971	HOSE			2
4		CYLINDER	See Page 138		1
5	17K-3	ADAPTER			2
6		VALVE	Hydraulic Manifold-See Page 133		1
7	6610510	NYLON TIE			6
8	6666969	HOSE			1
9	6666968	HOSE			1
10	17K-8	ELBOW			2
11	6666966	CABLE ASSY	W/Ref. 12		1
12	6665001	CONNECTOR	W/Ref. 23 - Was 6664034 [A]		1
13	6664041	SOCKET			x
14	6665370	PLUG	plugs unused holes in connector		x
15	6674688	QUICK COUPLER	male flush face - Was 6667808 [A]		1
	6672026	O-RING			1
16	6672960	QUICK COUPLER	female flush face		1
17	6664038	DUST CAP			1
18	79K-12	O-RING			8
19	6669286	CLAMP	W/Saddles		1
20		MOTOR	See Page 135		1
21	6719853	HARNESS	7-pin	232011101 & Abv	1
22	6674944	CONTROLLER	ACD	232011101 & Abv	1
23	6725232	HARNESS	ACD to valve	232011101 & Abv	1
24	6725381	KIT	14-pin harness conversion - converts 7-pin power rake to be used with 14-pin loader - W/Ref. 25-29		1
25	6725352	HARNESS	14-pin conversion		1
26	6664037	WASHER			1
27	6664036	NUT			1
28	6673680	RECEPTICAL			1
29	6901005	INSTRUCTIONS			1

VALVE
Power Rake - S/N 925100552 & Below



B-14796

VALVE
Power Rake - S/N 925100553 & Above

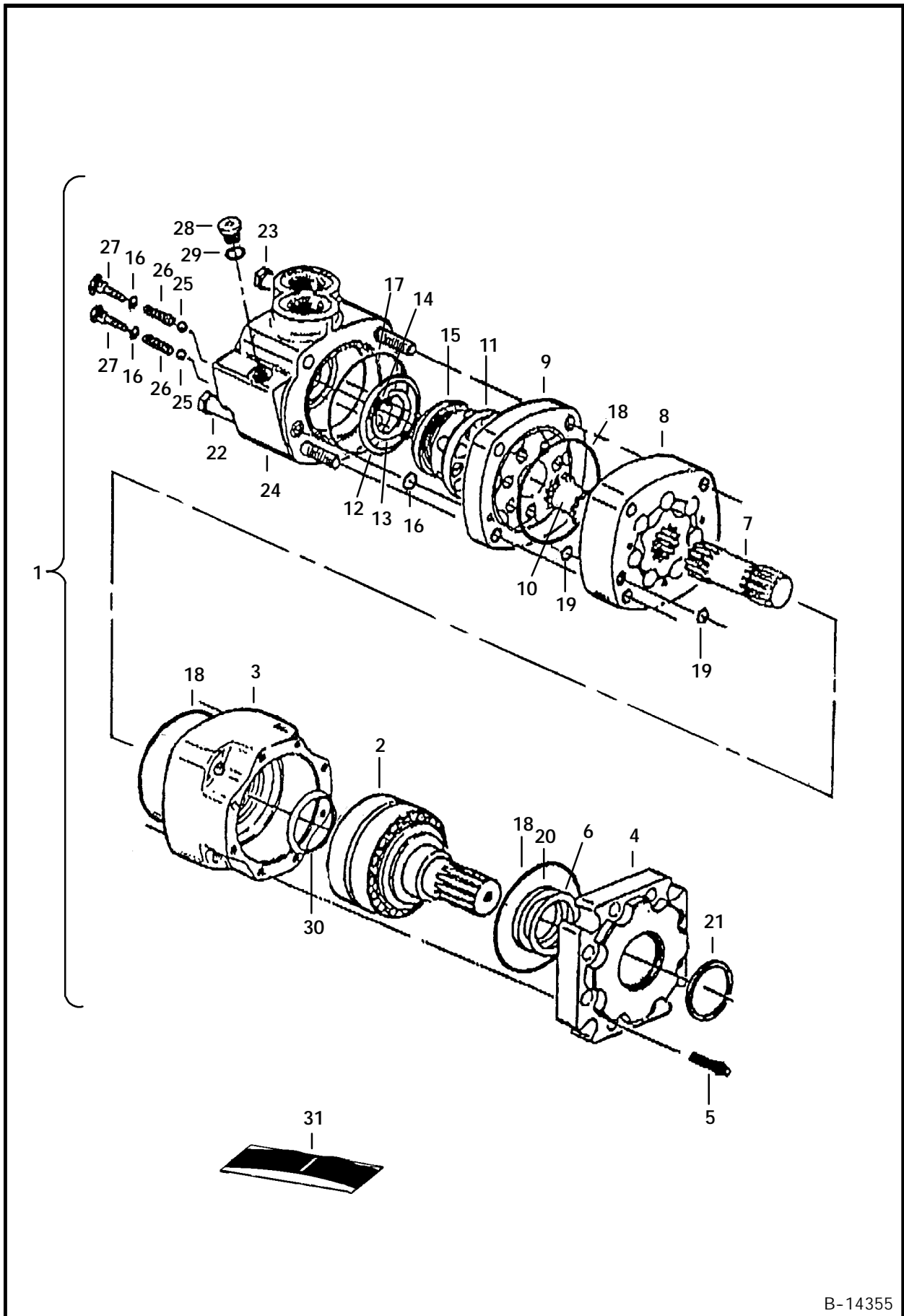


B-18982

VALVE (Cont'd)
Power Rake - S/N 925100553 & Above

Ref. No.	Part Number	Description	Remarks	Serial Number	Qty.
1	6675186	VALVE ASSY	W/Ref. 2 - 14		1
2	6675193	BLOCK			1
3	6673833	PLUG			19
4	6665719	PLUG			2
5	6674548	PLUG			1
6	6675187	SPOOL	piloted		1
7	6667181	SEAL KIT			1
	6675188	ORIFICE	050" dia	925100719 & Bel	1
	6678085	ORIFICE	070" dia	925100720 & Abv	1
8	6673986	SPOOL			1
	6667180	SEAL KIT			1
9	6667019	COIL			2
10	6669617	SHUTTLE VALVE			1
	6669623	SEAL KIT			1
11	6673991	CHECK VALVE			2
12	6664033	SEAL KIT			2
	6664028	PISTON			1
13	6675190	CHECK VALVE			1
14	6675191	SCREW			1

HYDROSTATIC MOTOR Power Rake



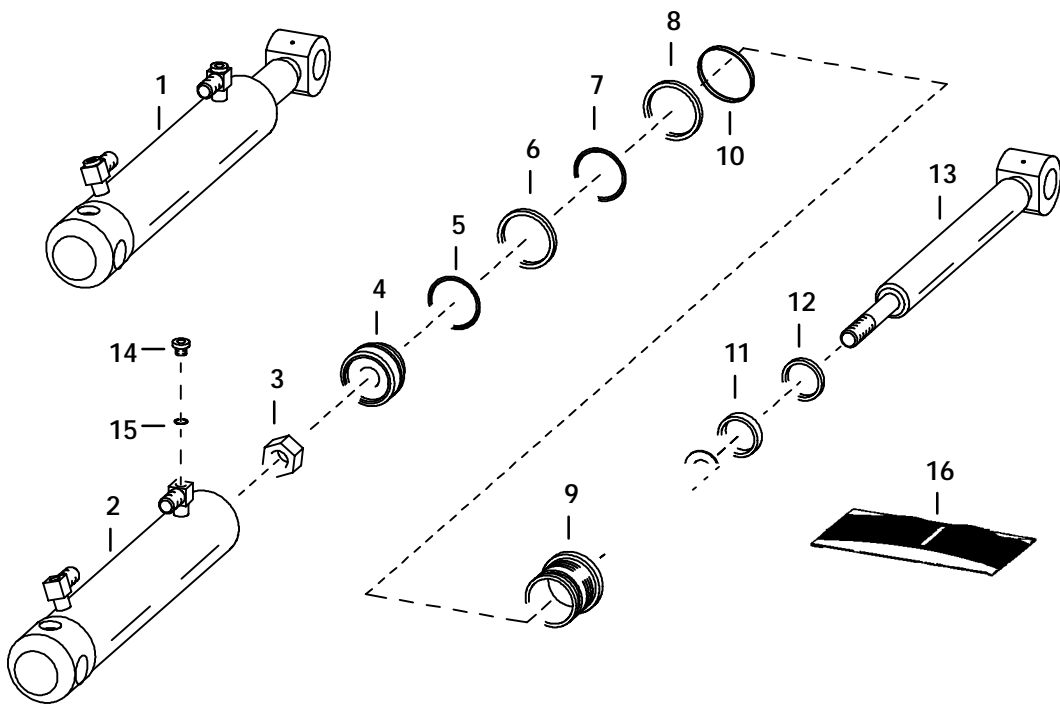
B-14355

HYDROSTATIC MOTOR (Cont'd)

Power Rake

Ref. No.	Part Number	Description	Remarks	Serial Number	Qty.
1	6666934	MOTOR	Ref. 2 - 30		1
2	6666935	SHAFT			1
3	6666936	HOUSING			1
4	6666937	FLANGE			1
5	6666938	BOLT			8
6	6666939	RING	Backup		1
7	6632266	DRIVE	Main		1
8	6666940	GEROLER			1
9	6513505	PLATE			1
10	6513506	DRIVE			1
11	6513507	VALVE			1
12	6513530	SEAL	Outer		1
13	6666941	SEAL	Inner		1
14	6190121	SPRING	Compression		2
15	6630042	PLATE			1
16	25K-20010	O-RING			3
17	6513537	O-RING			1
18	6666942	SEAL			3
19	6632272	SEAL			2
20	6666943	SEAL			1
21	6630796	SEAL			1
22	18C-792	BOLT			3
23	6666944	BOLT			1
24	6666945	HOUSING			1
25	10J-8	BALL			2
26	6190116	SPRING			2
27	1992107	PLUG	Check - W/Ref. 16		2
28	1992104	PLUG	W/Ref. 29		1
29	6664822	O-RING			1
30	NSS	SEAL	Order 6666928 Seal Kit		1
31	6666926	SEAL KIT	Rear - W/Ref. 12, 13, 16-19 & 29		1
	6666928	SEAL KIT	Shaft - W/Ref. 6, 18, 20, 21 & 30		1

POWER RAKE CYLINDER



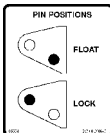
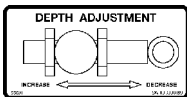
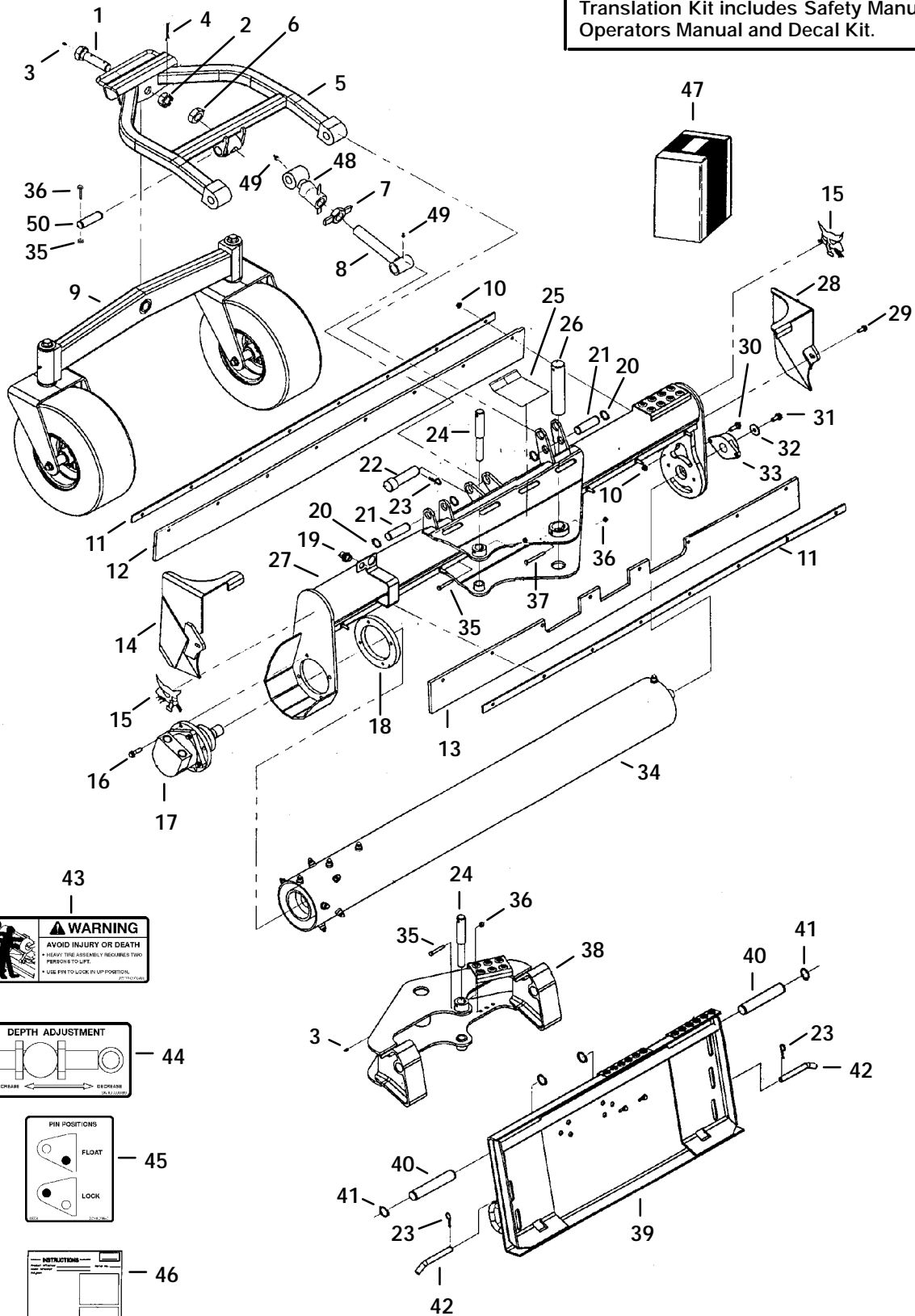
B-18983

MAIN FRAME & ATTACHING PARTS

72" Soil Conditioner

HYD. S/N: 2320 (1st 4 digits)
 NON-HYD S/N: 6513 (1st 4 digits)

NOTE: AR = Spanish (Argentina)
 BR = Portugese (Brazil)
 JP = Japanese
 Translation Kit includes Safety Manual,
 Operators Manual and Decal Kit.



B-18984

MAIN FRAME & ATTACHING PARTS (Cont'd)
72" Soil Conditioner

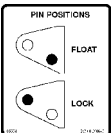
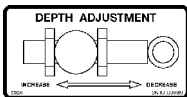
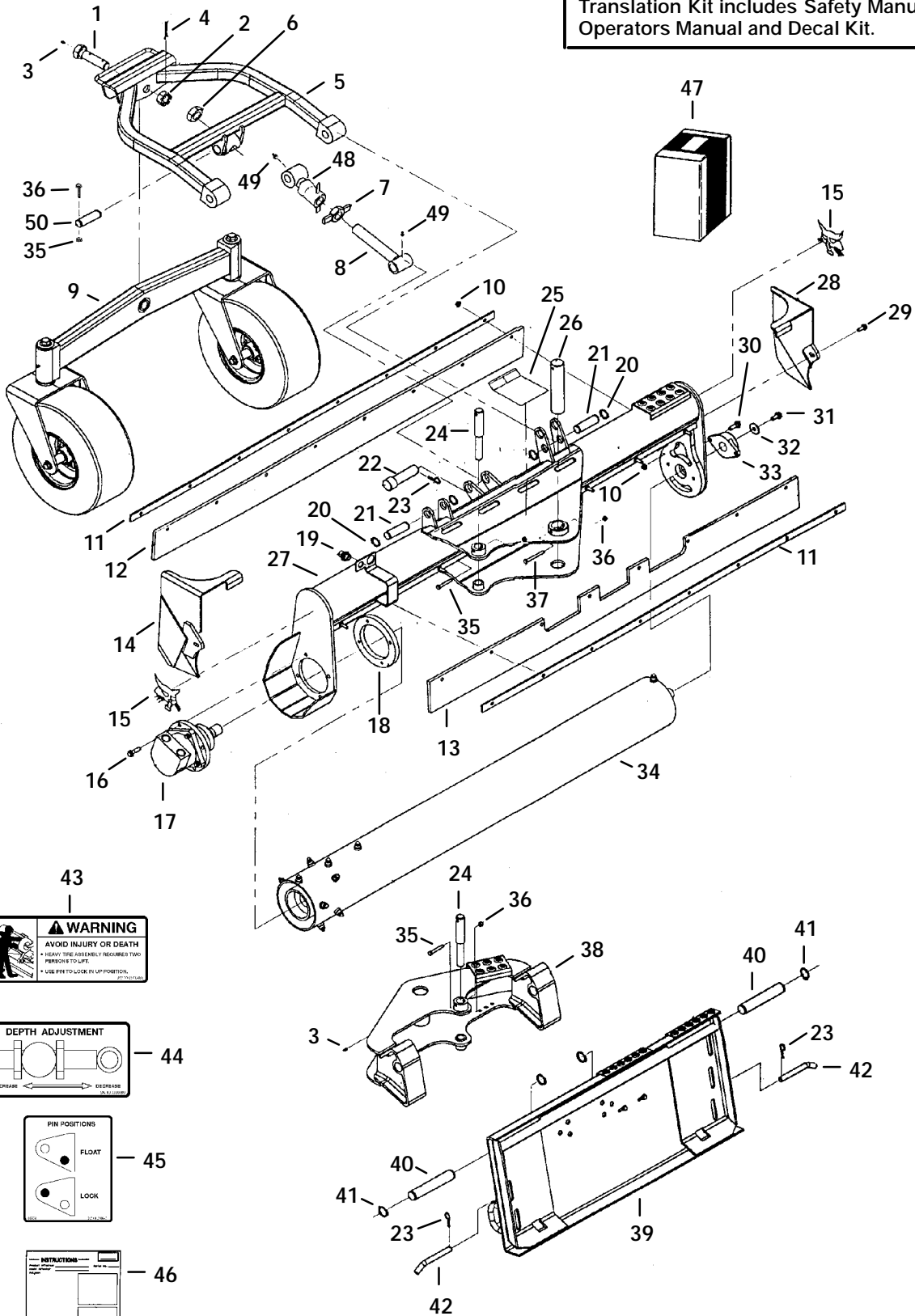
Ref. No.	Part Number	Description	Remarks	Serial Number	Qty.
1	6906130	BOLT			1
2	4D-20	NUT			1
3	10H-35	GREASE ZERK			2
4	1F-640	PIN			1
5	6905751	ARM		232000399 & Bel 651300324 & Bel	1 1
	6906592	ARM		232000400 & Abv 651300325 & Abv	1 1
6	8D-24	NUT		232000399 & Bel 651300324 & Bel	1 1
7	6906352	NUT			1
8	6905757	ROD		232000399 & Bel	1
	6958237	ROD		651300324 & Bel 232000400 & Abv 651300325 & Abv	1 1 1
9		MOUNT ASSY	See Page 151		1
10	55D-6	NUT			18
11	6906190	RETAINER			2
12	6906188	DEFLECTOR			1
13	6906189	DEFLECTOR			1
14	6905730	COVER			1
15	6700191	DECAL			2
16	35C-832	BOLT			4
17		CARRIER ASSY	See Page 155		1
18	6906330	WEAR PLATE			1
19	6675128	RECEPTACLE			1
20	6650680	SNAP RING			4
21	6905684	PIN			2
22	6905685	PIN		232000399 & Bel 651300324 & Bel	1 1
	6906873	PIN		232000400 & Abv 651300325 & Abv	1 1
23	6648587	PIN		232000399 & Bel	3
	6560382	PIN		651300324 & Bel 232000400 & Abv 651300325 & Abv	3 3 3
24	6714154	PIN			2
25	6708822	DECAL	warning		1
26	6714163	PIN			1
27	6905740	FRAME			1
28	6905729	COVER			1
29	35C-624	BOLT			2
30	35C-824	BOLT			2
31	35C-820	BOLT			1
32	6905688	WASHER			1
33	6676594 6680179	BEARING BEARING	W/holder		1 1
34		ROLLER ASSY	See Page 153		1
35	17C-640	BOLT			3
36	59D-6	NUT			4
37	17C-656	BOLT			1

MAIN FRAME & ATTACHING PARTS (Cont'd)

72" Soil Conditioner

HYD. S/N: 2320 (1st 4 digits)
 NON-HYD S/N: 6513 (1st 4 digits)

NOTE: AR = Spanish (Argentina)
 BR = Portugese (Brazil)
 JP = Japanese
 Translation Kit includes Safety Manual,
 Operators Manual and Decal Kit.



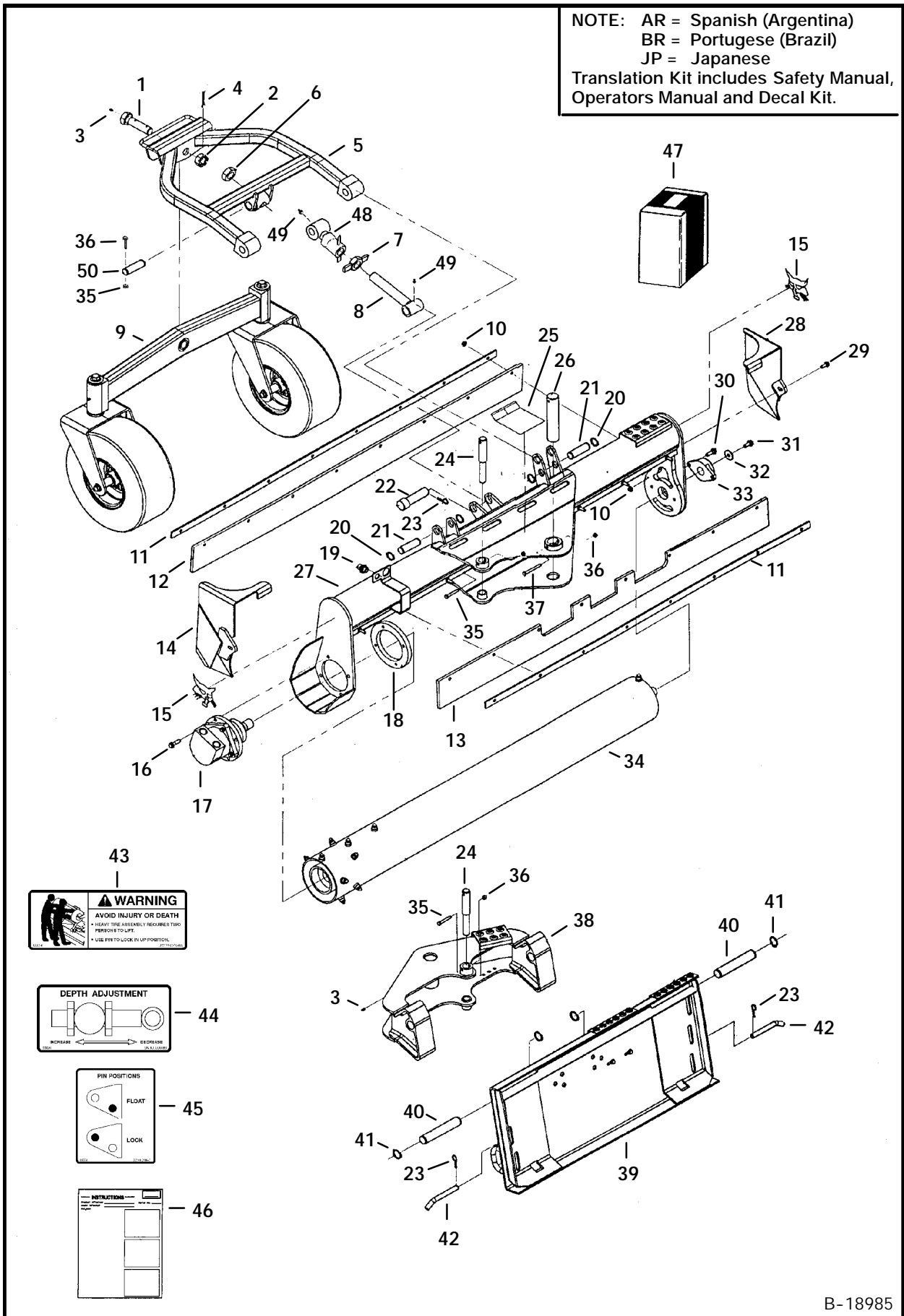
B-18984

MAIN FRAME & ATTACHING PARTS (Cont'd)
72" Soil Conditioner

Ref. No.	Part Number	Description	Remarks	Serial Number	Qty.
38	6906135	PIVOT			1
39	6905722	FRAME	Bobtach		1
40	6714161	PIN			2
41	6538285	SNAP RING			4
42	6905724	PIN			2
43	6906488	DECAL	warning - lift		1
44	6906489	DECAL	depth		1
45	6906490	DECAL	adjust		1
46	6900621	INSTRUCTIONS			1
47	6906290AR	KIT	translation - SEE NOTE		1
	6906290BR	KIT	translation - SEE NOTE		1
	6906291AR	KIT	decal - SEE NOTE		1
48	6906291BR	KIT	decal - SEE NOTE		1
	6906291JP	KIT	decal - SEE NOTE		1
	6958238	LINK	adjusting	232000400 & Abv	1
49	10H-25	GREASE ZERK		651300325 & Abv	1
				232000400 & Abv	4
				651300325 & Abv	4
50	6906591	PIN		232000400 & Abv	1
				651300325 & Abv	1

MAIN FRAME & ATTACHING PARTS 82" Soil Conditioner

NOTE: AR = Spanish (Argentina)
BR = Portuguese (Brazil)
JP = Japanese
Translation Kit includes Safety Manual,
Operators Manual and Decal Kit.



B-18985

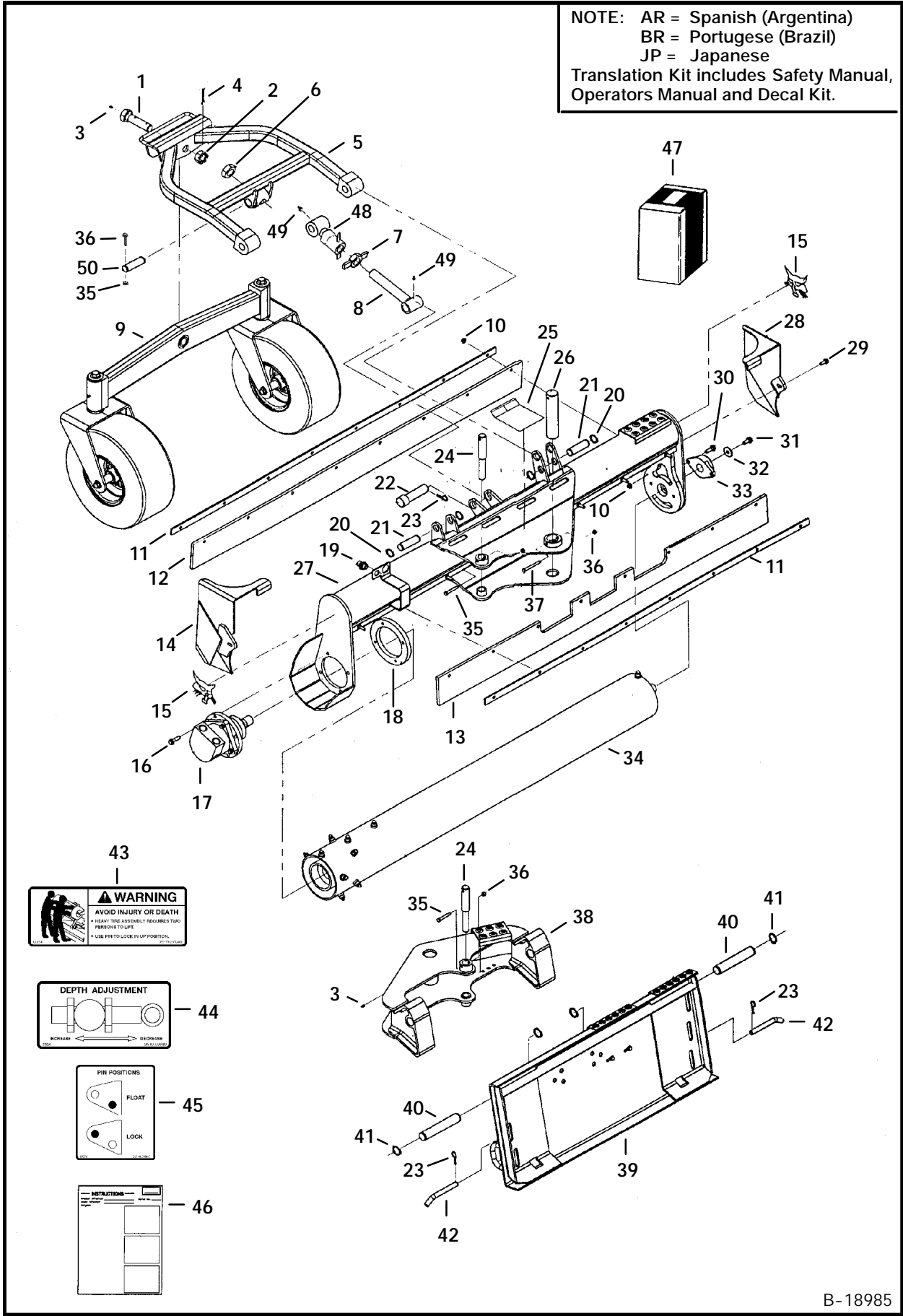
MAIN FRAME & ATTACHING PARTS (Cont'd)
82" Soil Conditioner

Ref. No.	Part Number	Description	Remarks	Serial Number	Qty.
1	6906130	BOLT			1
2	4D-20	NUT			1
3	10H-35	GREASE ZERK			2
4	1F-640	PIN			1
5	6906592	ARM			1
6	8D-24	NUT			1
7	6906352	NUT			1
8	6958237	ROD			1
9		MOUNT ASSY	See Page 151		1
10	55D-6	NUT			18
11	6958114	RETAINER			2
12	6958113	DEFLECTOR			1
13	6958112	DEFLECTOR			1
14	6905730	COVER			1
15	6700191	DECAL			2
16	35C-832	BOLT			4
17		CARRIER ASSY	See Page 155		1
18	6906330	WEAR PLATE			1
19	6675128	RECEPTACLE			1
20	6650680	SNAP RING			4
21	6905684	PIN			2
22	6906873	PIN			1
23	6560382	PIN			3
24	6714154	PIN			2
25	6708822	DECAL	warning		1
26	6714163	PIN			1
27	6958104	FRAME			1
28	6905729	COVER			1
29	35C-624	BOLT			2
30	35C-824	BOLT			2
31	35C-820	BOLT			1
32	6905688	WASHER			1
33	6676594	BEARING			1
34	6680179	BEARING	W/holder		1
35	17C-640	ROLLER ASSY	See Page 153		1
36	59D-6	BOLT			3
37	17C-656	NUT			4
38	6906135	PIVOT			1
39	6905722	FRAME	Bobtach		1
40	6714161	PIN			2
41	6538285	SNAP RING			4
42	6905724	PIN			2
43	6906488	DECAL	warning - lift		1
44	6906489	DECAL	depth		1
45	6906490	DECAL	adjust		1
46	6900621	INSTRUCTIONS	(Cont'd on next page)		1

MAIN FRAME & ATTACHING PARTS (Cont'd)

82" Soil Conditioner

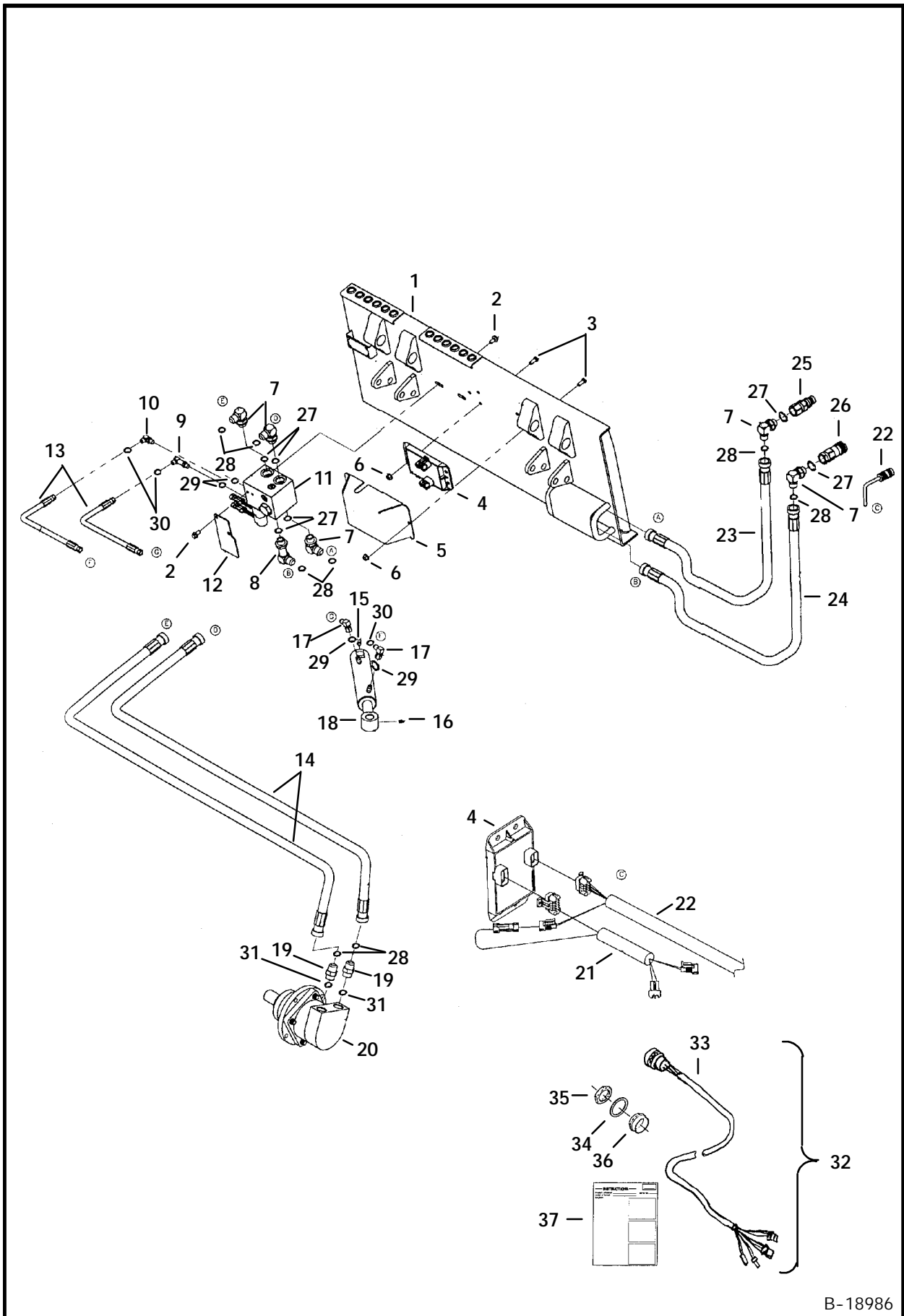
NOTE: AR = Spanish (Argentina)
 BR = Portuguese (Brazil)
 JP = Japanese
 Translation Kit includes Safety Manual,
 Operators Manual and Decal Kit.



B-18985

HYDRAULICS & ELECTRICAL

72" & 84" Soil Conditioner - Hydraulic

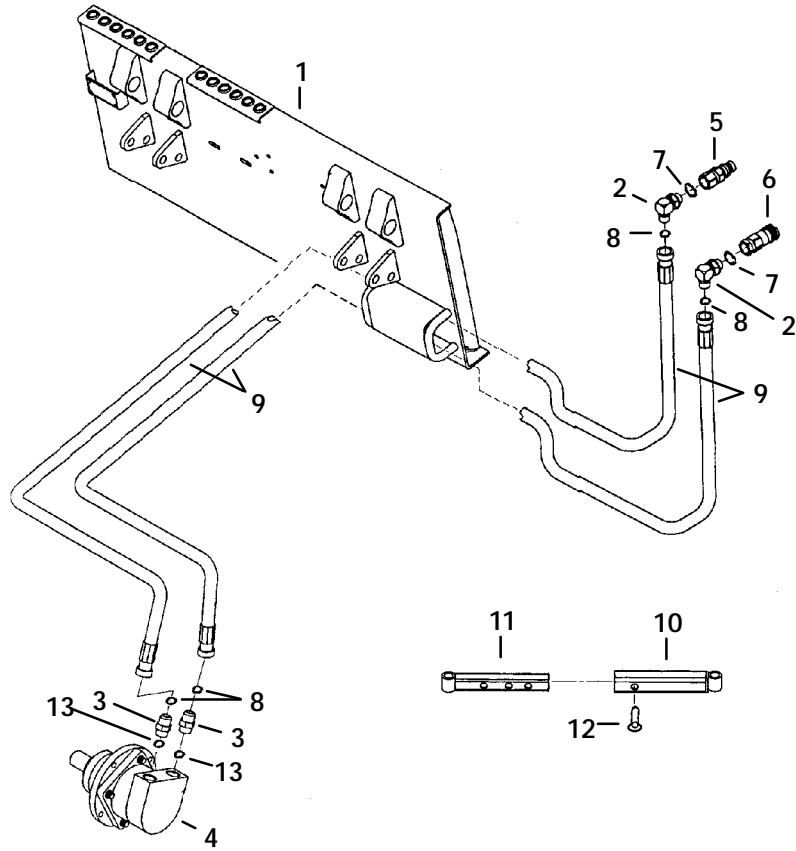


B-18986

HYDRAULICS & ELECTRICAL (Cont'd)
72" & 84" Soil Conditioner - Hydraulic

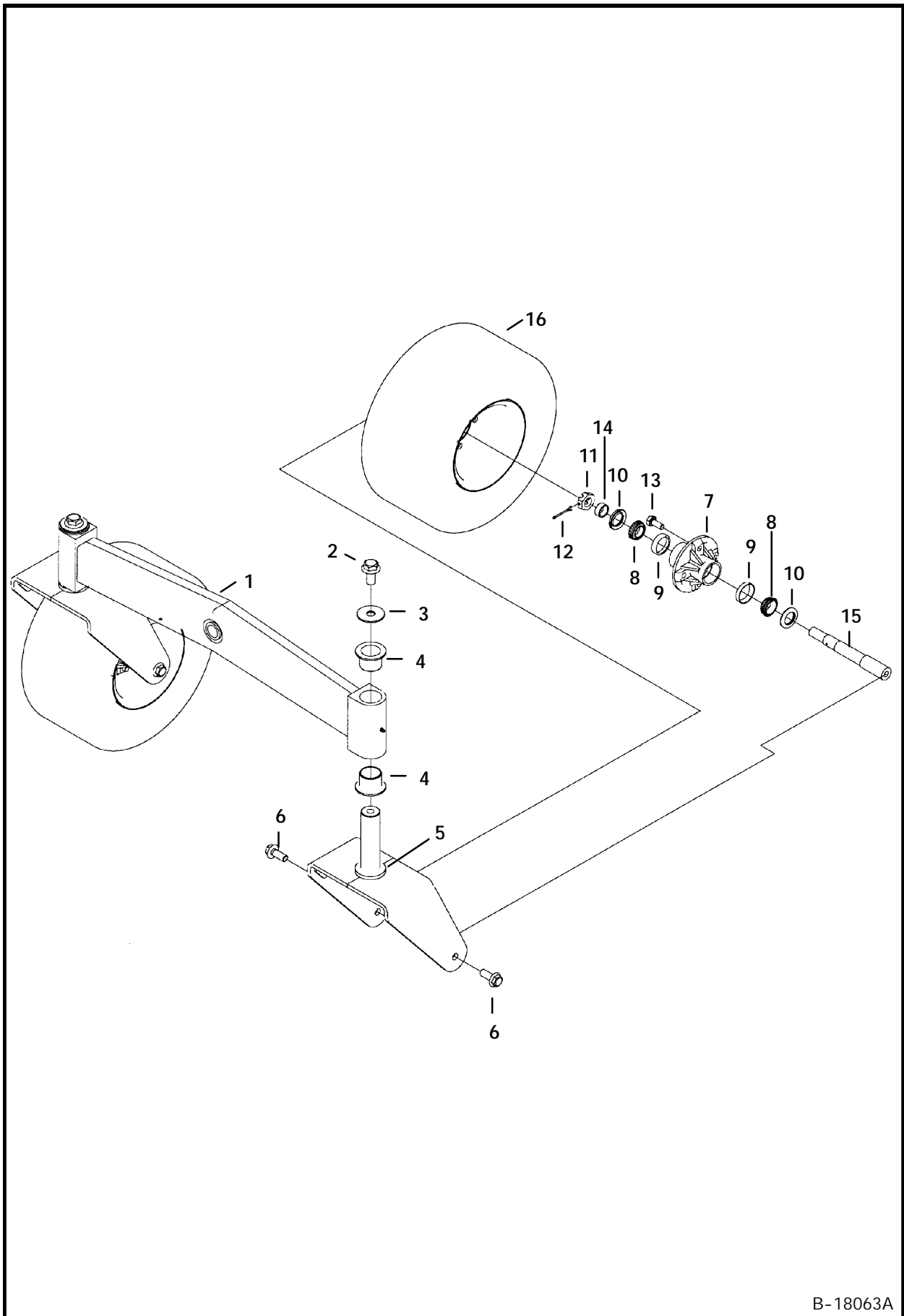
Ref. No.	Part Number	Description	Remarks	Serial Number	Qty.
1	6905722	FRAME	Bobtach		1
2	35C-612	BOLT			4
3	25G-616	BOLT			6
4	6678677	CONTROLLER	Was 6674944 [A]		1
5	6905670	COVER			1
6	55D-6	NUT			6
7	17KN-8	ELBOW			5
8	6716443	ELBOW			1
9	6715188	ELBOW			1
10	17KN-5	ELBOW			1
11	6676592	VALVE ASSY	See Page 165		1
12	6906267	COVER			1
13	6906238	HOSE			2
14	6906237	HOSE	72"		2
	6906236	HOSE	84"		2
15	12H-25	GREASE ZERK			1
16	10H-25	GREASE ZERK			1
17	11KN-5	ELBOW			2
18	6809501	CYLINDER	See Page 163		1
19	15KN-8	ADAPTER	72'	232000399 & Bel	2
	6800566	ADAPTER	72'	232000400 & Abv	2
20	15K-8	ADAPTER	84"	All Serial No's	2
21	6725232	CARRIER ASSY HARNESS	See Page 155 ACD to valve		1 1
22	6719853	HARNESS	7-pin		1
23	6906318	HOSE			1
24	6906236	HOSE			1
25	6674688	QUICK COUPLER	male - flush face		1
26	6672960	QUICK COUPLER	female - flush face		1
27	99K-12	O-RING			6
28	97K-12	O-RING			8
29	99K-6	O-RING			4
30	97K-6	O-RING			4
31	99K-12	O-RING		232000399 & Bel	2
	99K-16	O-RING		232000400 & Abv	2
32	6725381	KIT	14-pin harness conversion - converts 7-pin soil conditioner to be used with 14-pin loader - W/Ref. 33 - 37		1
33	6725352	HARNESS	14-pin conversion		1
34	6664037	WASHER			1
35	6664036	NUT			1
36	6673680	RECEPTICAL			1
37	6901005	INSTRUCTIONS			1

HYDRAULICS
72" Soil Conditioner - Manual Non-Hydraulic



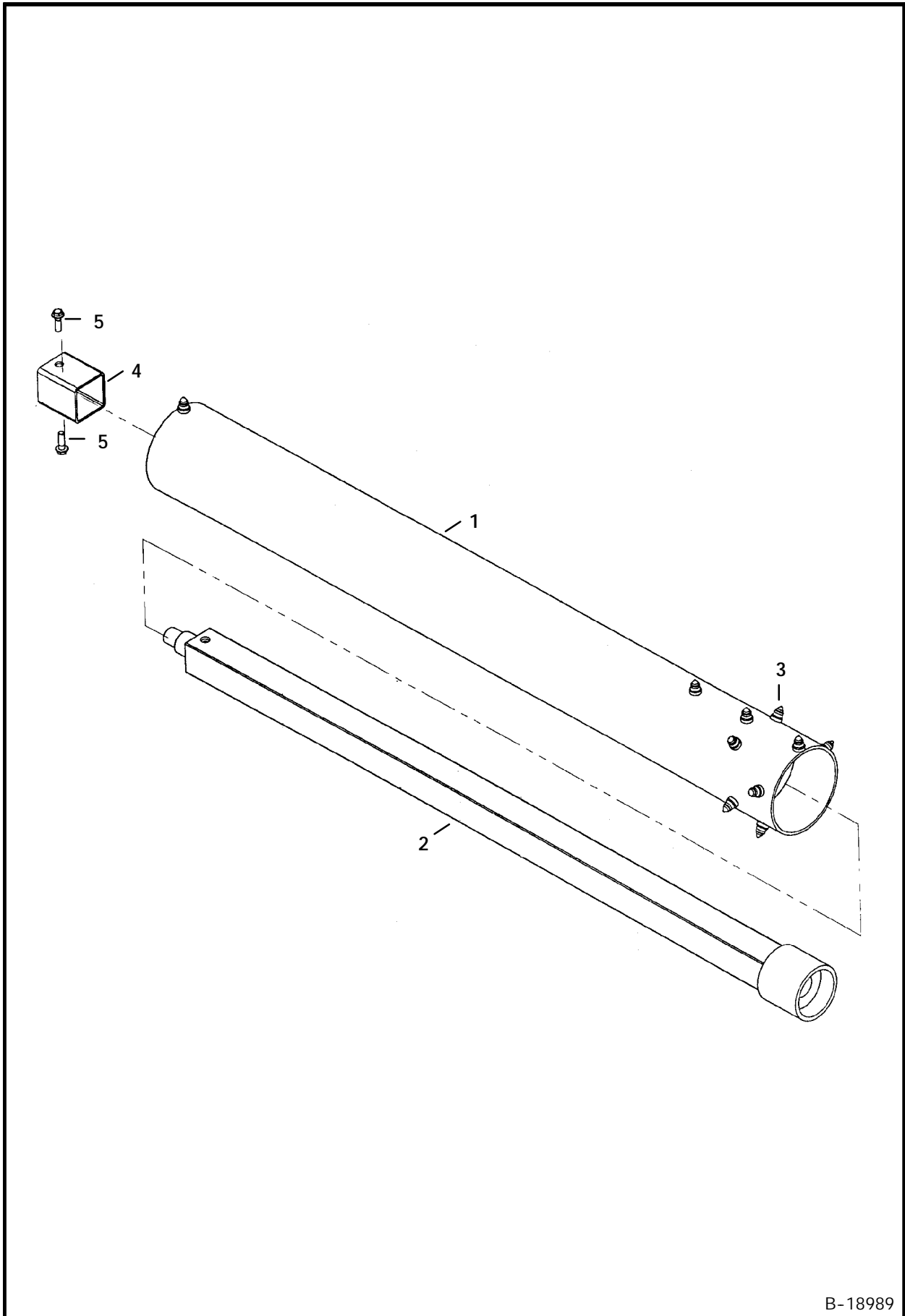
B-18987

TIRE MOUNT ASSY
72" & 84" Soil Conditioner



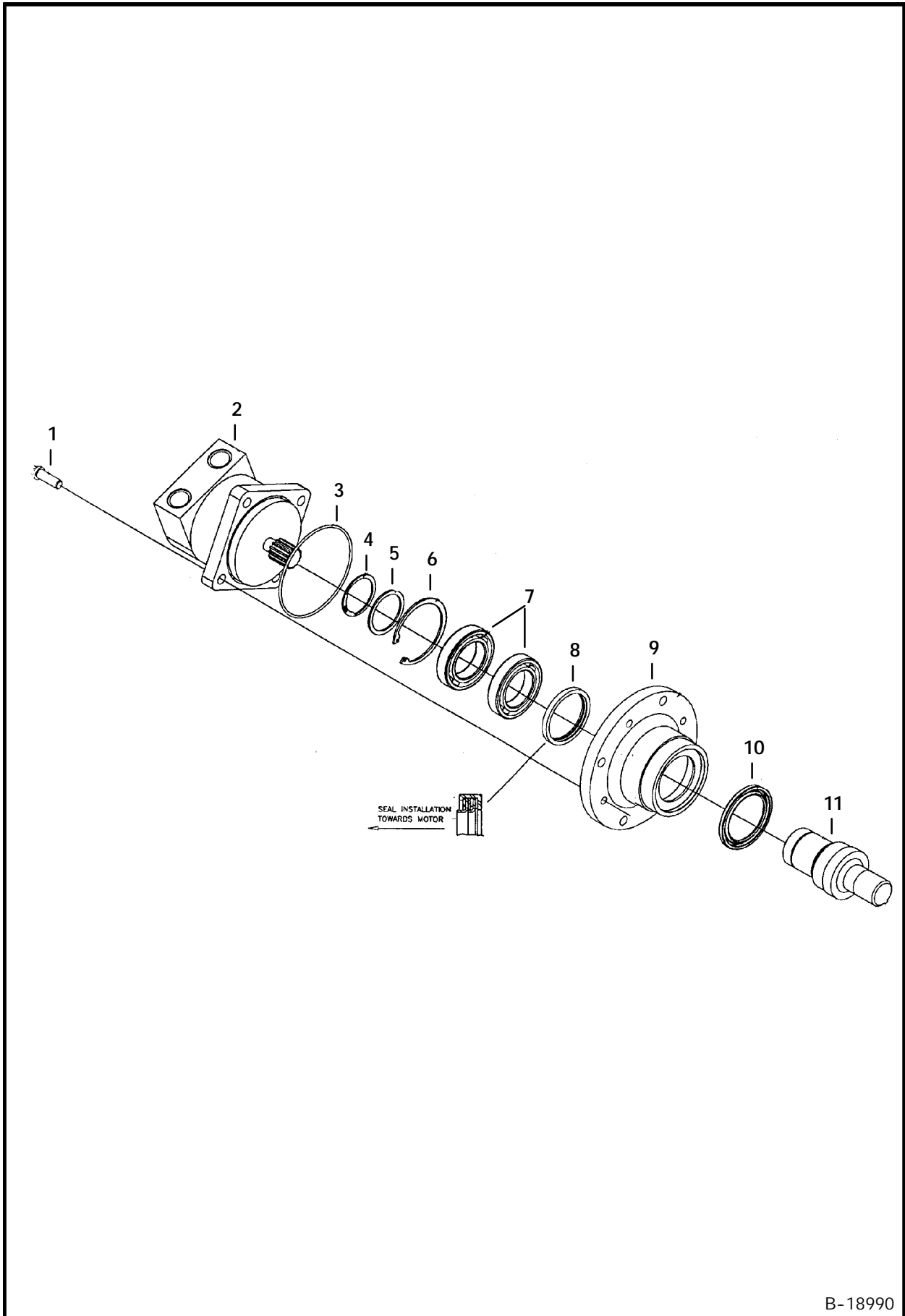
B-18063A

ROLLER ASSY
72" & 84" Soil Conditioner



B-18989

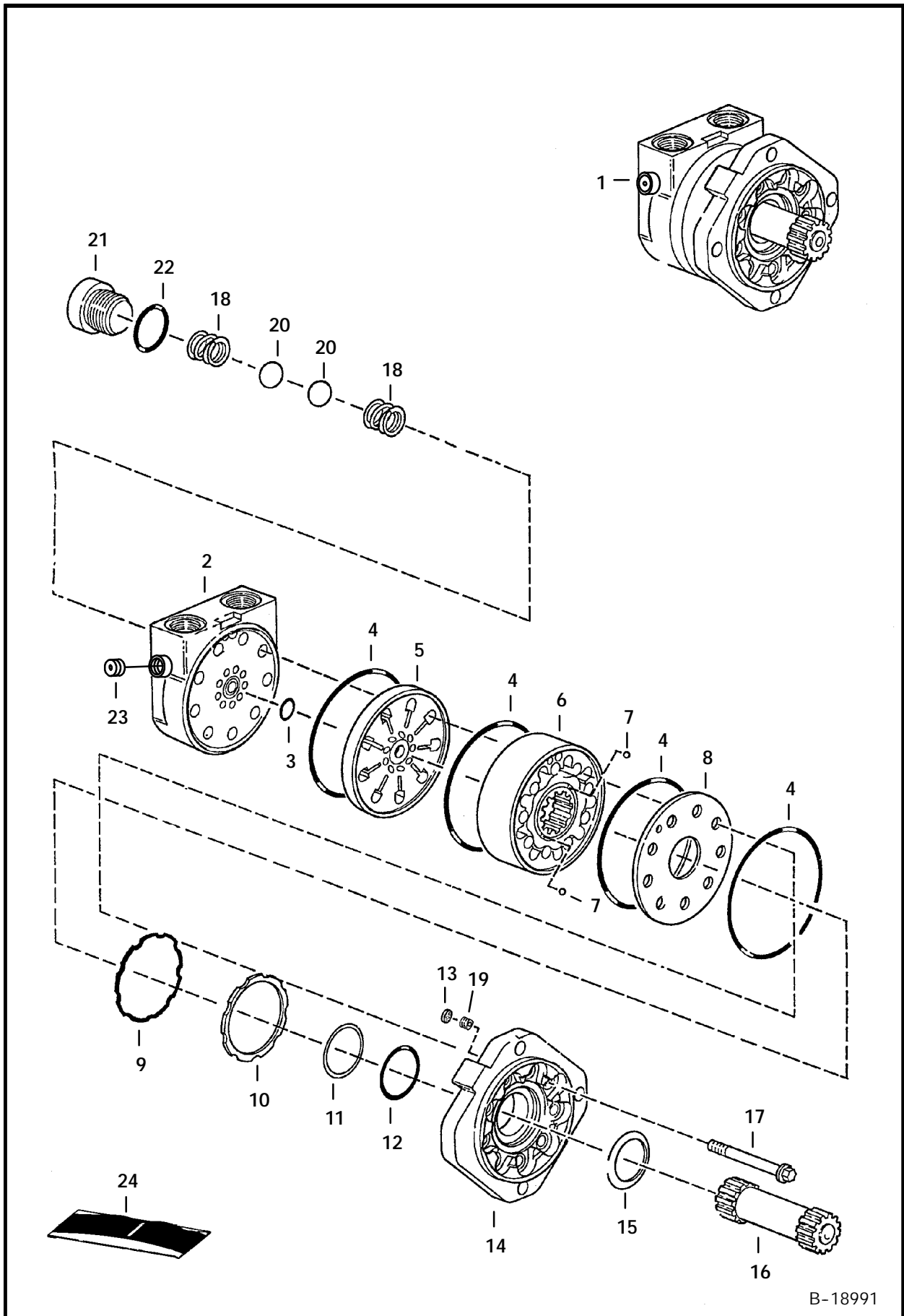
MOTOR CARRIER ASSY
72" & 84" Soil Conditioner



B-18990

HYDRAULIC MOTOR

72" Soil Conditioner - S/N 232000399 & Below, 6513000324 & Below



B-18991

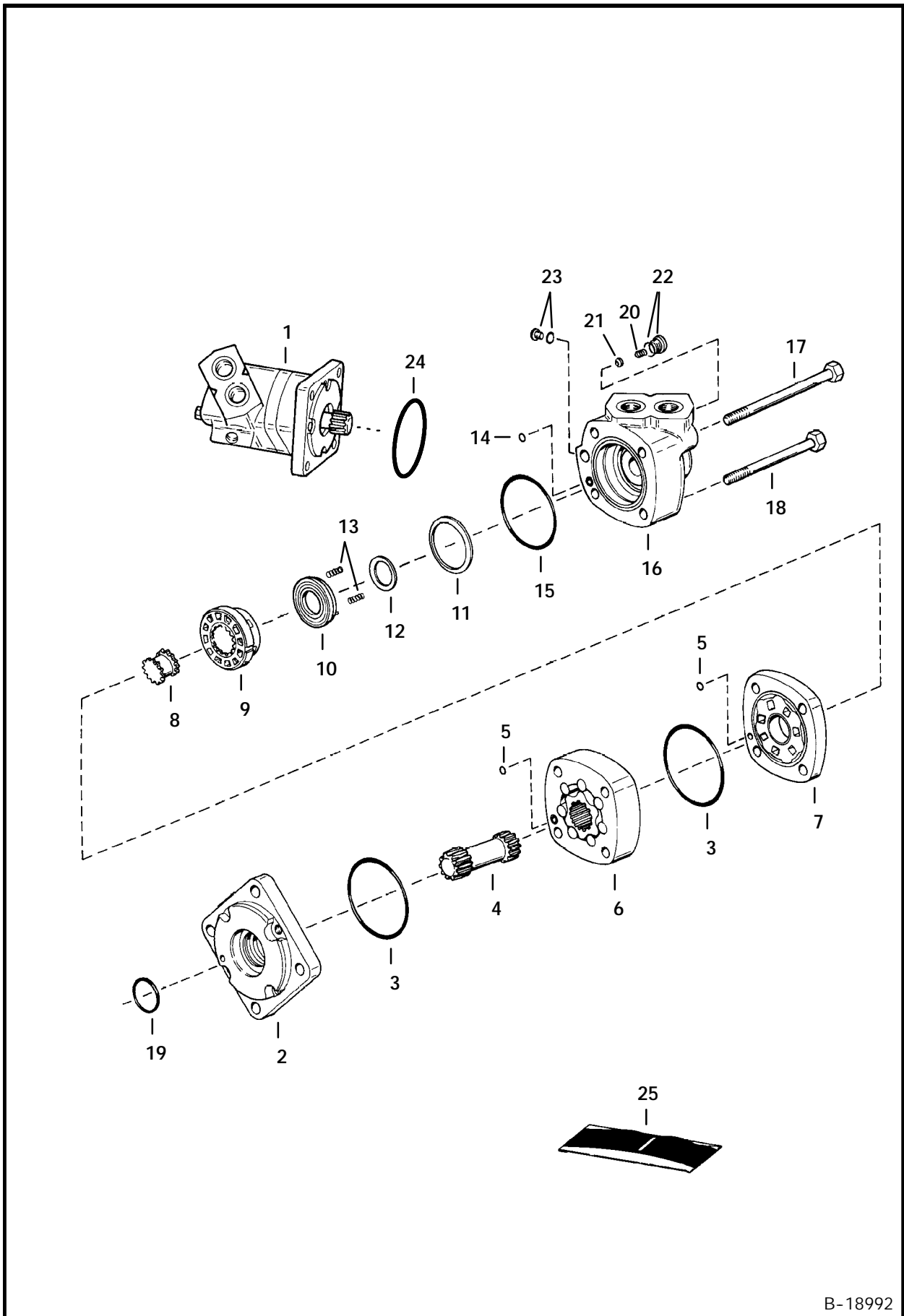
HYDRAULIC MOTOR (Cont'd)

72" Soil Conditioner - S/N 232000399 & Below, 6513000324 & Below

Ref. Part No.	Number	Description	Remarks	Serial Number	Qty.
1	NAP	MOTOR	Eaton 161-0060-002 - Order 6678846 - Was 6676593 [A]	232000265 & Bel 651300211 & Bel	1 1
	6678846	MOTOR	Eaton 161-0082-002	232000266 thru 232000399 651300212 thru 651300324	1
2	6669442	HOUSING			1
3	6669452	O-RING			1
4	6669446	SEAL	square cut valve		4
5	6677506	PLATE			1
6	6677507	GEROLER		232000265 & Bel	1
	6678928	GEROLER		651300211 & Bel 232000266 thru 232000399 651300212 thru 651300324	1 1
7	6651542	BALL			1
8	6669448	PLATE	balance assy backup		1
9	6669454	RING			1
10	6669453	SEAL			1
11	6669450	RING	backup		1
12	6669449	O-RING			1
13	6850004	SCREEN			1
14	6673702	FLANGE	mounting face drive		1
15	6664815	SEAL			1
16	6677509	SHAFT			1
17	6677510	BOLT			9
18	6513533	SPRING			2
19	6850005	PLUG	orifice		1
20	6664428	BALL			2
21	6668089	PLUG	W/Ref. 22		1
22	79K-6	O-RING			1
23	90KN-4	PLUG			1
24	6669455	SEAL KIT	Ref. 3, 4, 9-12, 15 & 22		1

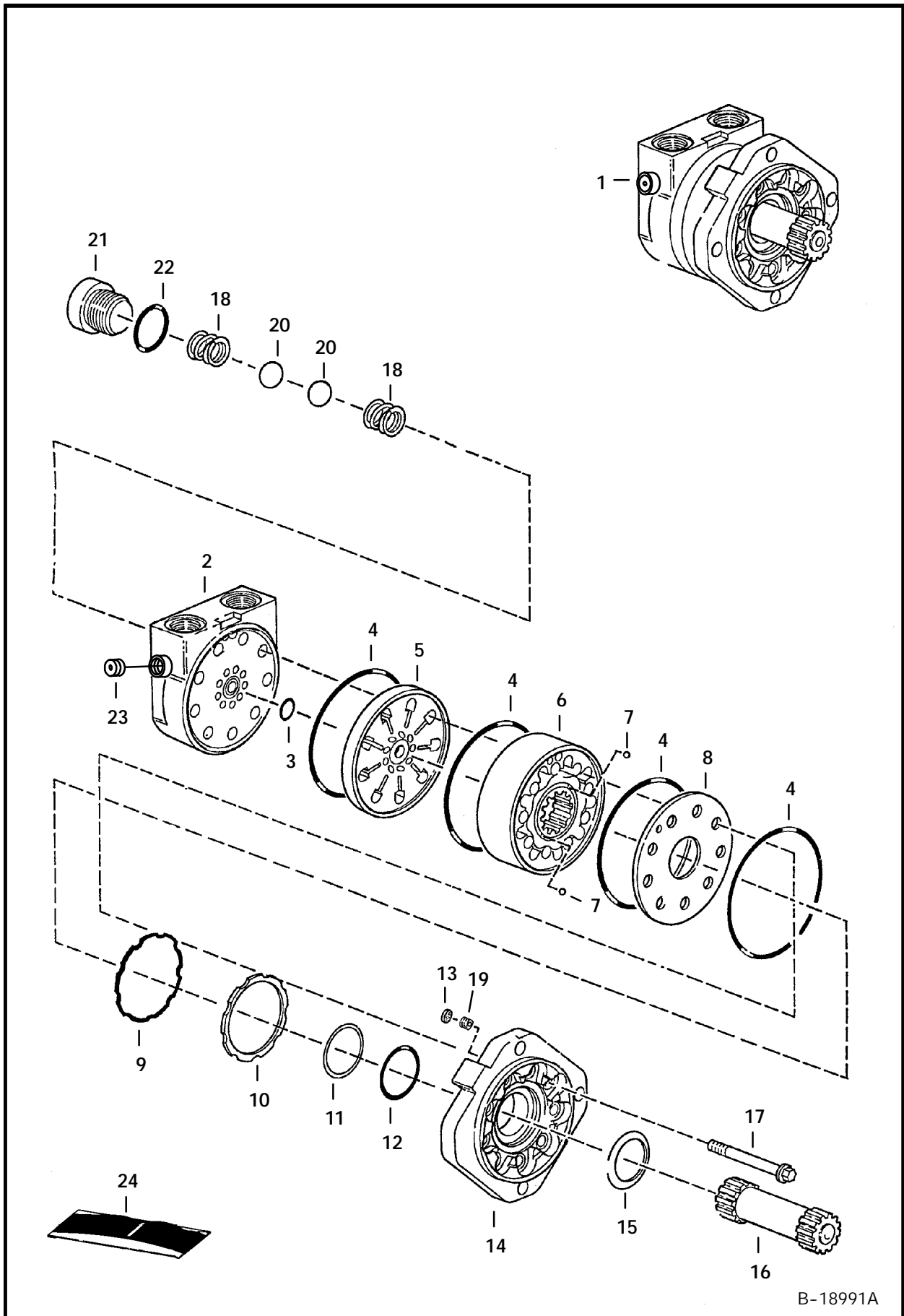
HYDRAULIC MOTOR

72" Soil Conditioner - S/N 232000400 & Above, 6513000325 & Above



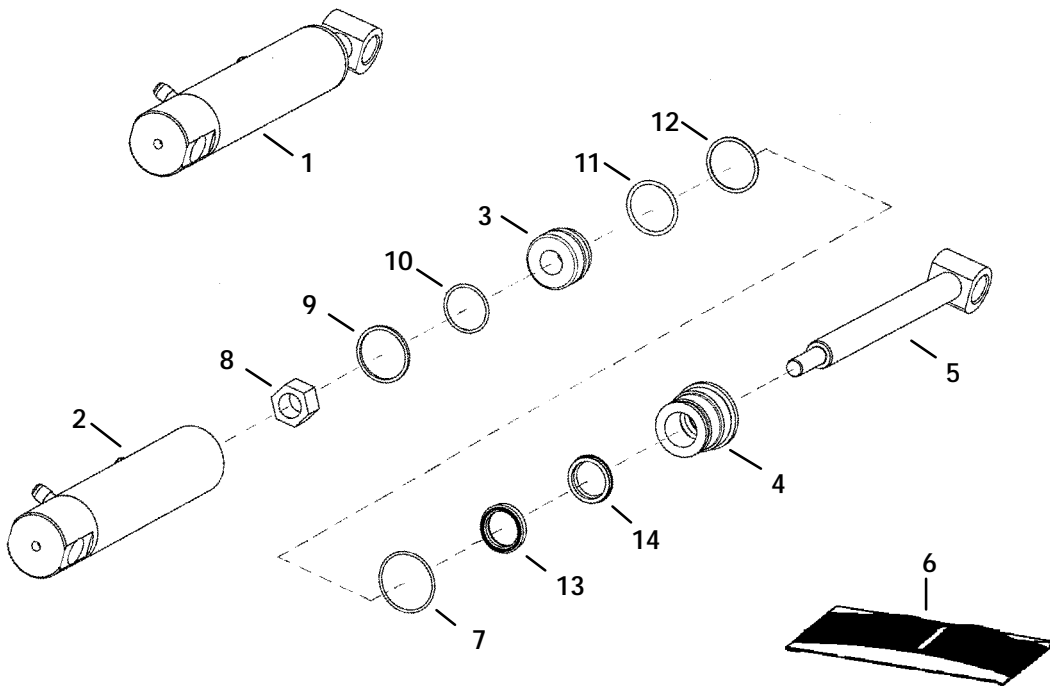
B-18992

HYDRAULIC MOTOR
84" Soil Conditioner



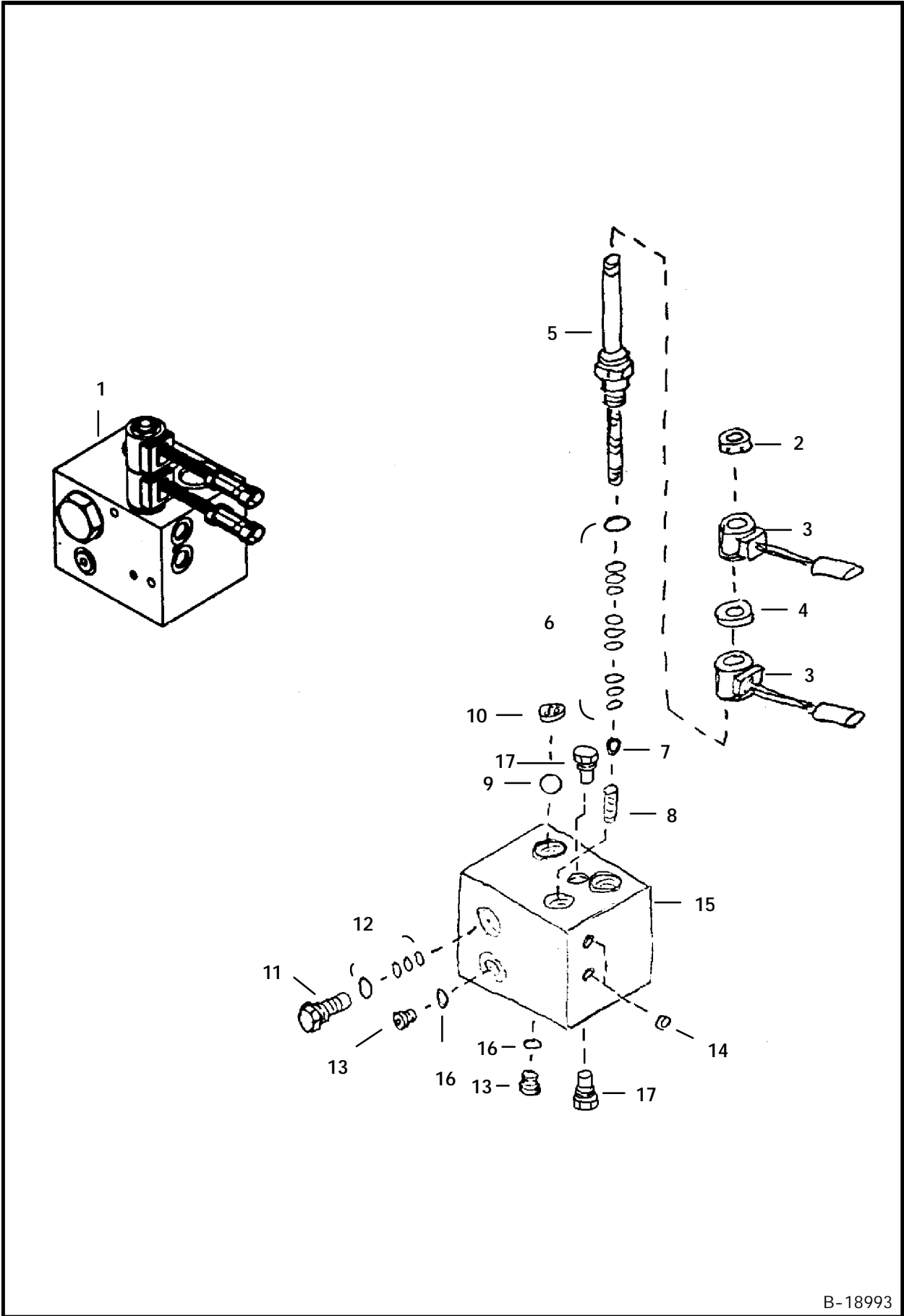
B-18991A

CYLINDER
72" & 84" Soil Conditioner



PE-1330

SOIL CONDITIONER
72" & 84" Control Valve

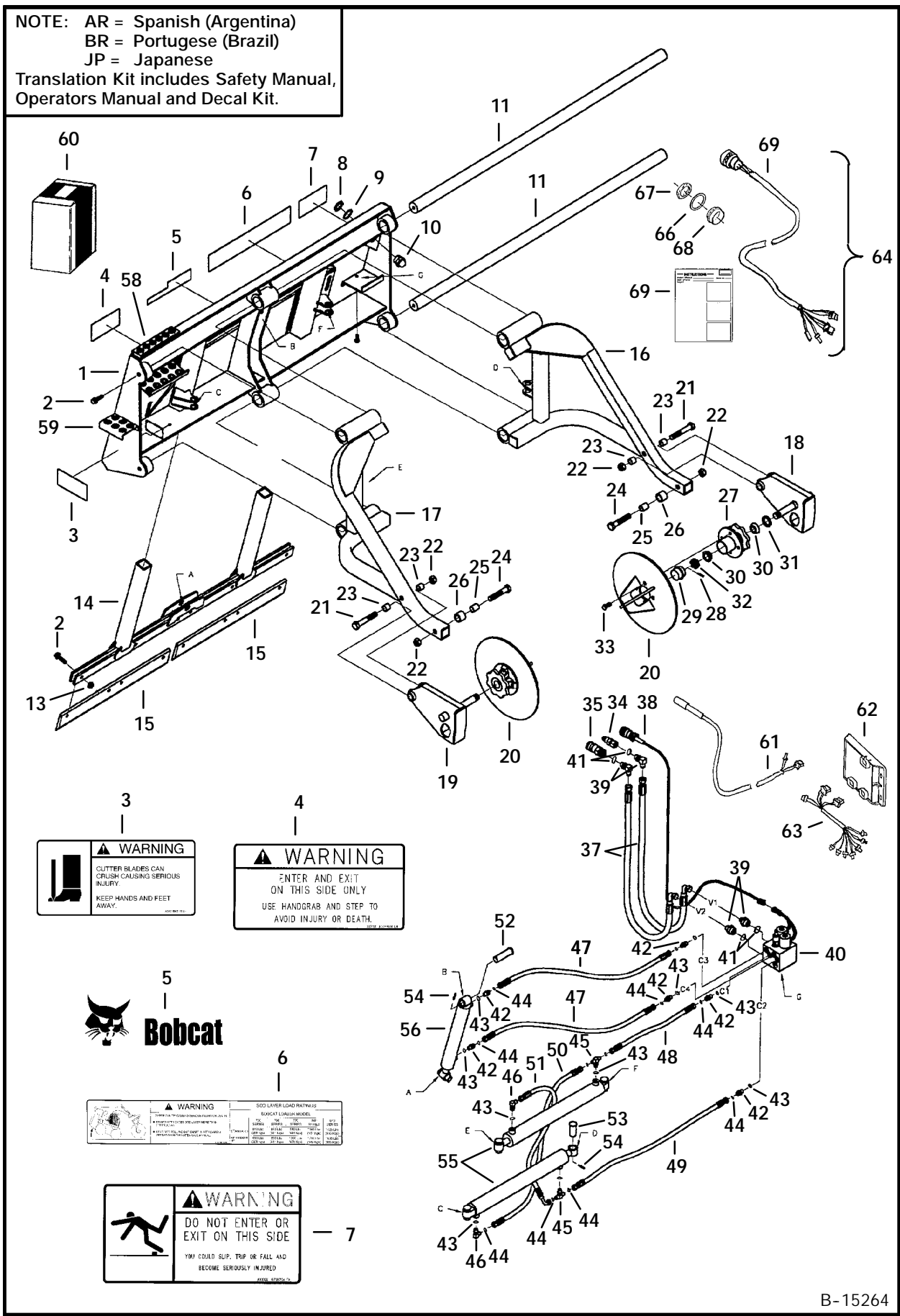


B-18993

SOD LAYER - WITH SOD CUTTER

S/N 7499 or 2318 - (1st 4 Digits)

NOTE: AR = Spanish (Argentina)
 BR = Portuguese (Brazil)
 JP = Japanese
 Translation Kit includes Safety Manual,
 Operators Manual and Decal Kit.



B-15264

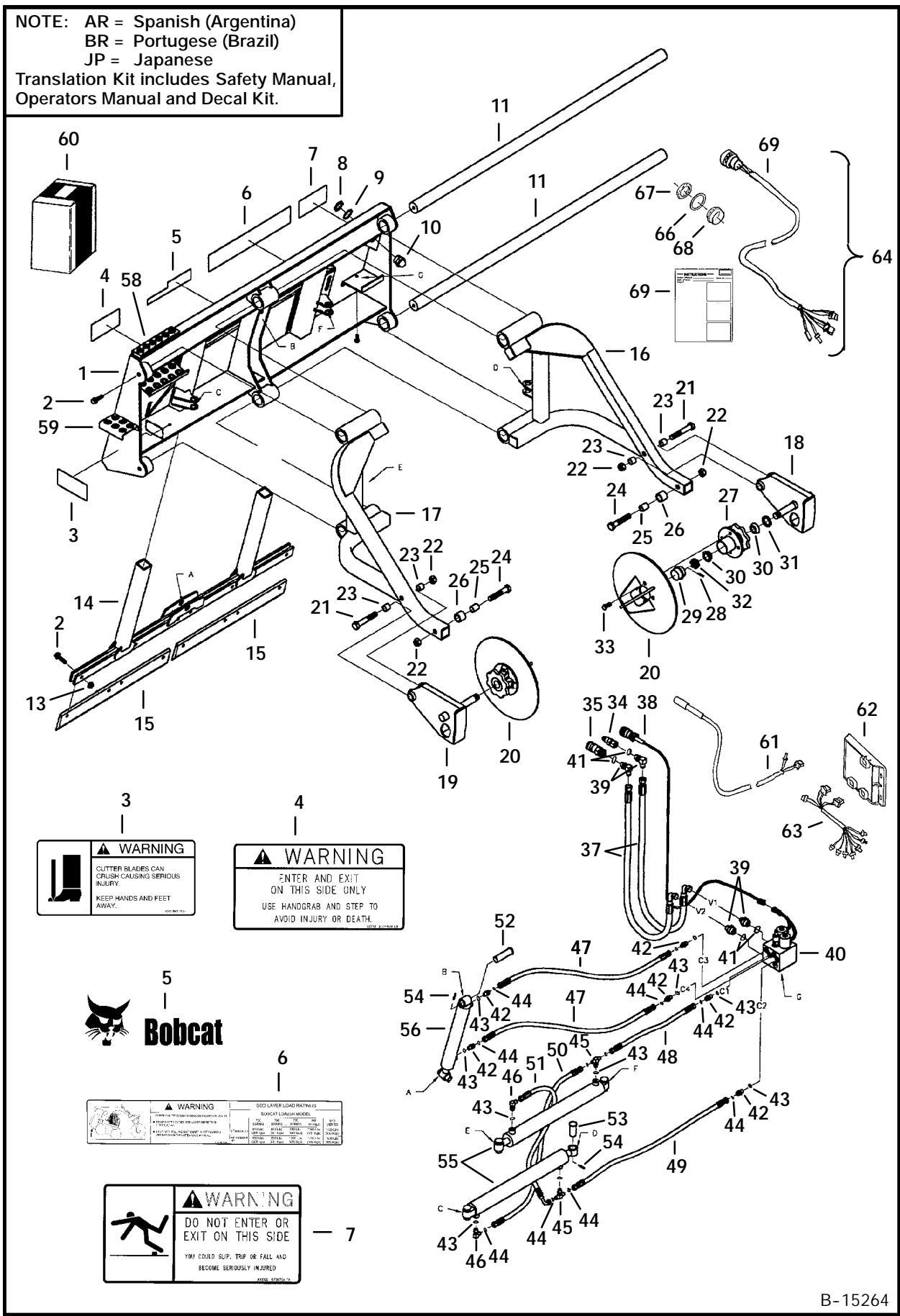
SOD LAYER - WITH SOD CUTTER (Cont'd)
S/N 7499 or 2318 - (1st 4 Digits)

Ref. No.	Part Number	Description	Remarks	Serial Number	Qty.
1	6905066	FRAME			1
2	35C-828	BOLT			8
3	6905172	DECAL	Warning		2
4	6594488	DECAL	Enter/Exit		1
5	6727324	DECAL	Bobcat-I/R - Was 6714353 [B]		1
6	6905164	DECAL	Warning		1
7	6701391	DECAL	Do not Enter/Exit		1
8	6664036	NUT			1
9	6664037	WASHER			1
10	6673680	RECEPTICAL			1
11	6905135	ROD			2
12	35C-616	BOLT			2
13	55D-8	NUT			6
14	6905132	MOUNT			1
15	6905102	CUTTER			2
16	6905099	ARM	L.H.		1
17	6905100	ARM	R.H.		1
18	6905096	SHOE	L.H.		1
19	6905097	SHOE	R.H.		1
20	6905098	WHEEL			2
21	17C-1272	BOLT			2
22	85D-12	NUT			4
23	6905082	BUSHING			4
24	17C-1264	BOLT			2
25	6905083	BUSHING			2
26	6905081	BEARING			2
27	6905134	HUB	See Page 173		2
28	1F-420	COTTER PIN			2
29	6674365	CAP			2
30	6674366	BEARING	for bearing kit See Page 174		2
31	6674367	RACE	for bearing kit See Page 174		2
32	6674368	SEAL	for bearing kit See Page 174		2
33	6674277	NUT			2
34	6674278	BOLT			4
35	6674688	QUICK COUPLER	male FF - Was 6677808 [A]		1
36	6672960	QUICK COUPLER	female FF		1
37	1302104	ELBOW			2
38	6905137	HOSE			2
39	6674126	HARNESS	14-pin		1
40	6905171	ADAPTER			2
41	6674127	VALVE ASSY	See Page 177		1
42	79K-12	O-RING			4
43	15KV-5	ADAPTER			6
44	99K-6	O-RING			x
45	97K-6	O-RING			x
46	19KV-5	TEE			2
47	17KV-5	ELBOW			2
48	6905138	HOSE			2
49	6905140	HOSE			1
50	6905142	HOSE			1
51	6905139	HOSE			1

SOD LAYER - WITH SOD CUTTER (Cont'd)

S/N 7499 or 2318 - (1st 4 Digits)

NOTE: AR = Spanish (Argentina)
 BR = Portuguese (Brazil)
 JP = Japanese
 Translation Kit includes Safety Manual,
 Operators Manual and Decal Kit.



WARNING
 CUTTER BLADES CAN CRUSH CAUSING SERIOUS INJURY.
 KEEP HANDS AND FEET AWAY.

WARNING
 ENTER AND EXIT ON THIS SIDE ONLY
 USE HANDGRAB AND STEP TO AVOID INJURY OR DEATH.



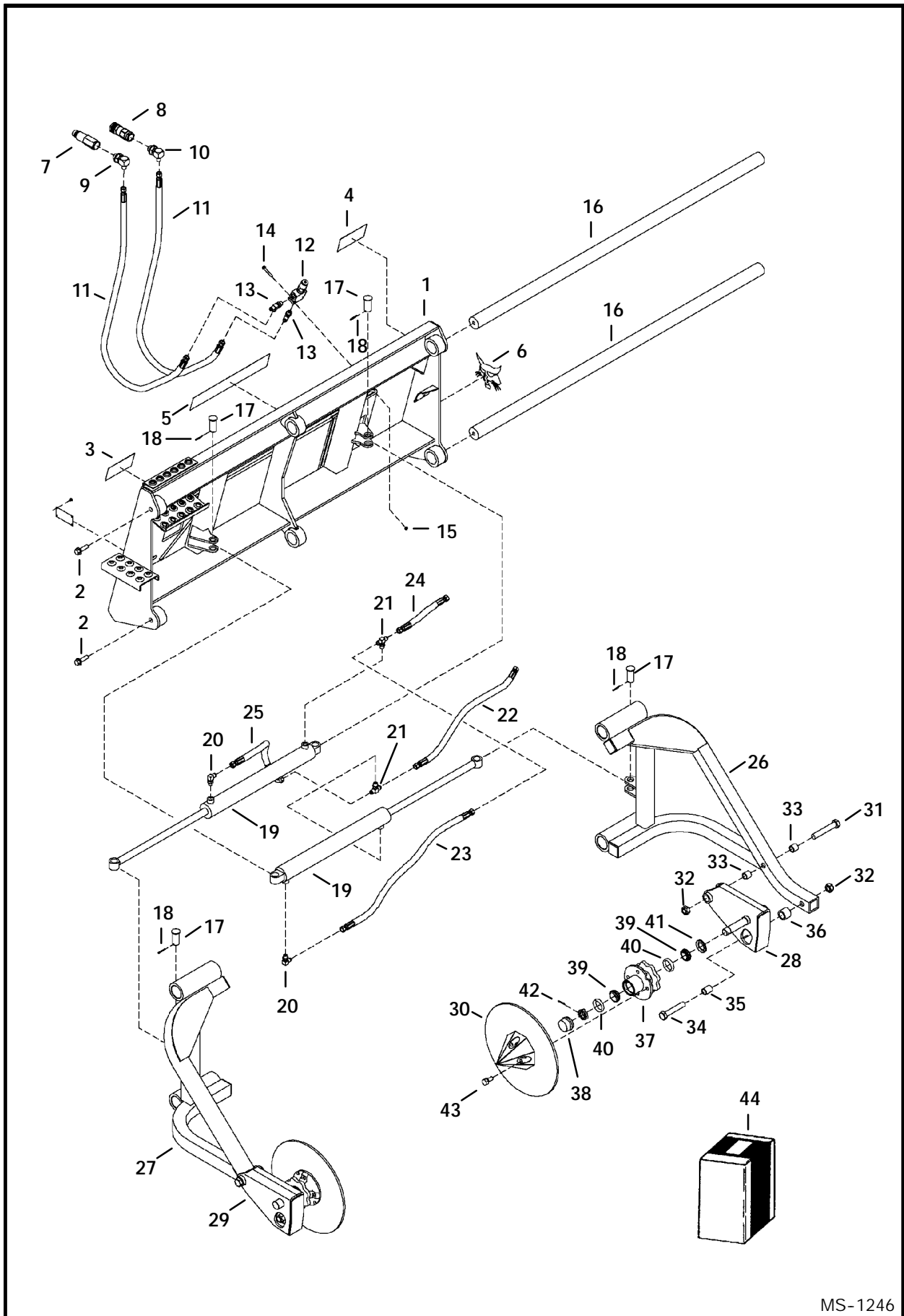
SOD LAYER LOAD RAYTRIS	
BOBCAT LOANUM MODEL	
MAX. WGT.	1000 LB (453 KG)
MAX. WGT. PER FOOT	100 LB (45 KG)
MAX. WGT. PER SQUARE FOOT	10 LB (4.5 KG)
MAX. WGT. PER LINEAL FOOT	10 LB (4.5 KG)
MAX. WGT. PER SQUARE YARD	10 LB (4.5 KG)
MAX. WGT. PER LINEAL YARD	10 LB (4.5 KG)

WARNING
 DO NOT ENTER OR EXIT ON THIS SIDE
 YOU COULD SUP. TIP OR FALL AND BECOME SERIOUSLY INJURED

SOD LAYER - WITH SOD CUTTER (Cont'd)
S/N 7499 or 2318 - (1st 4 Digits)

Ref. No.	Part Number	Description	Remarks	Serial Number	Qty.
51	6905141	HOSE			1
52	6905088	PIN			1
53	6905087	PIN			5
54	1F-424	COTTER PIN			6
55	6674001	CYLINDER	See Page 179		2
56	6674002	CYLINDER	See Page 181		1
57	6657353	RIVET			4
58	6577917	STEP			1
59	6701943	STEP			1
60	6905259AR	KIT	translation - SEE NOTE		1
	6905259BR	KIT	translation - SEE NOTE		1
	6905260AR	KIT	decal - SEE NOTE		1
	6905260BR	KIT	decal - SEE NOTE		1
	6905260JP	KIT	decal - SEE NOTE		1
61	6725368	HARNESS	7-pin	231811101 & Abv	1
62	6674944	CONTROLLER	ACD	231811101 & Abv	1
63	6725358	HARNESS	ACD to valve	231811101 & Abv	1
64	6728163	KIT	14-pin harness conversion - converts 7-pin sod layer to be used with 14-pin loader - W/Ref. 65 - 69		1
65	6728148	HARNESS	14-pin conversion		1
66	6664037	WASHER			1
67	6664036	NUT			1
68	6673680	RECEPTICAL			1
69	6901005	INSTRUCTIONS			1

SOD LAYER - WITHOUT SOD CUTTER

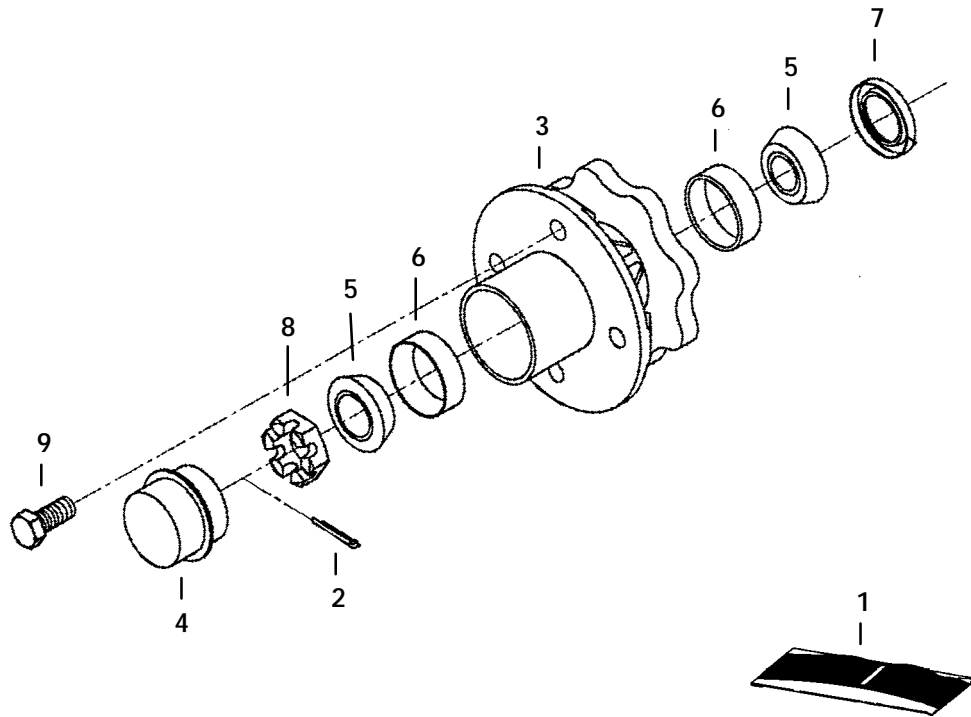


MS-1246

SOD LAYER - WITHOUT SOD CUTTER (Cont'd)
S/N 6791 - (1st 4 Digits)

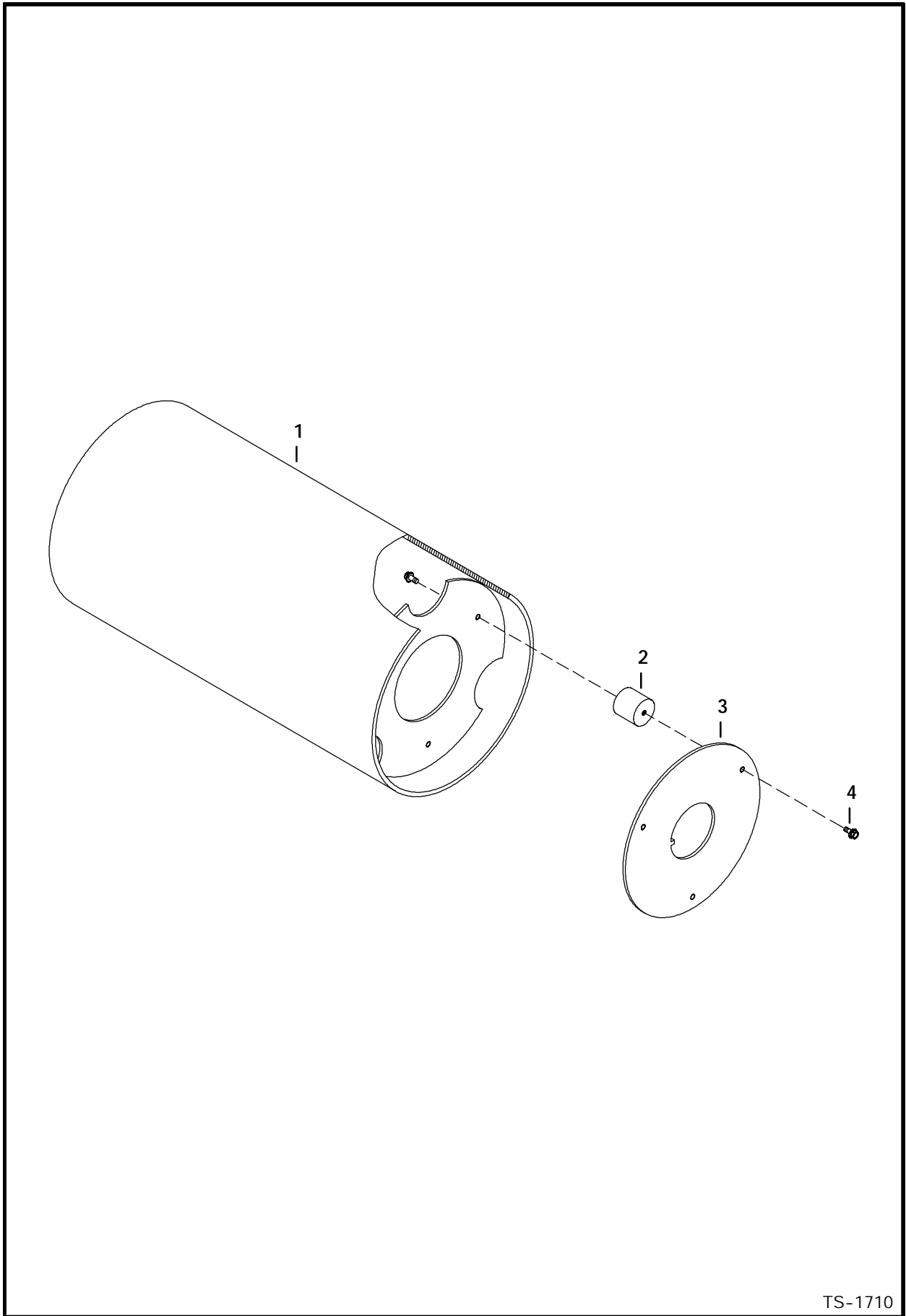
Ref. No.	Part Number	Description	Remarks	Serial Number	Qty.
1	6906788	FRAME			1
2	35C-828	BOLT			2
3	6594488	DECAL	enter/exit		1
4	6701391	DECAL	do not enter/exit		1
5	6905164	DECAL	warning		1
6	6700191	DECAL	logo		1
7	6674688	QUICK COUPLER	male flush face		1
8	6672960	QUICK COUPLER	female flush face		1
9	6589193	ELBOW			1
10	6678056	ELBOW	with built-in orifice		1
11	6906859	HOSE			2
12	6678545	RELIEF VALVE	assy, incl. relief valve & block		1
	6679147	RELIEF VALVE	valve only		1
	6677148	SEAL KIT			1
	6679146	BLOCK	block only		1
13	21KV-5	ADAPTER			2
14	35C-428	BOLT			2
15	59D-4	NUT			2
16	6905135	ROD			2
17	6905087	PIN			4
18	1F-424	COTTER PIN			6
19	6674001	CYLINDER	See Page 179		2
20	17KV-5	ELBOW			2
21	19KV-5	TEE			2
22	6905138	HOSE			1
23	6905139	HOSE			1
24	6905140	HOSE			1
25	6905141	HOSE			1
26	6905099	ARM	L.H.		1
27	6905100	ARM	R.H.		1
28	6905096	SHOE	L.H.		1
29	6905097	SHOE	R.H.		1
30	6905098	WHEEL			2
31	17C-1272	BOLT			2
32	85D-12	NUT			4
33	6905082	BUSHING			4
34	17C-1264	BOLT			2
35	6905083	BUSHING			2
36	6905081	BEARING			2
37	6905134	HUB	See Page 173		1
38	6674365	CAP			2
39	6674366	BEARING			4
40	6674367	RACE			4
41	6674368	SEAL			2
42	6674277	NUT			2
43	6674278	BOLT			8
44	6906856AR	KIT	translation		1
	6906856AR	KIT	translation		1
	6906858AR	KIT	decal		1
	6906858BR	KIT	decal		1
	6906858JP	KIT	decal		1

WHEEL HUB Sod Layer



B-15265

SOD LAYER ROLLER

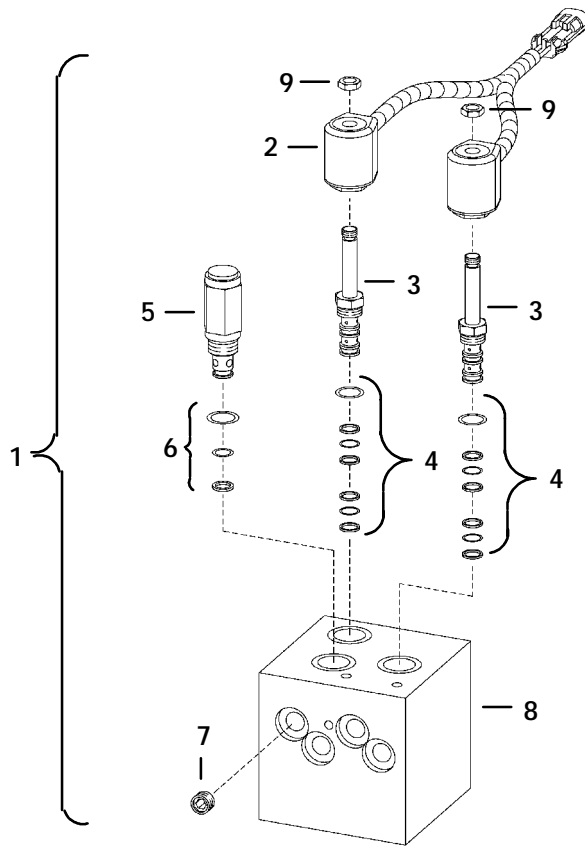


TS-1710

SOD LAYER ROLLER (Cont'd)

Ref. No.	Part Number	Description	Remarks	Serial Number	Qty.
1	6905204	ROLLER			1
2	6648646	ISOLATOR MOUNT			6
3	6905203	ISOLATOR MOUNT			2
4	35C-812	BOLT			12

VALVE ASSY
Sod Layer

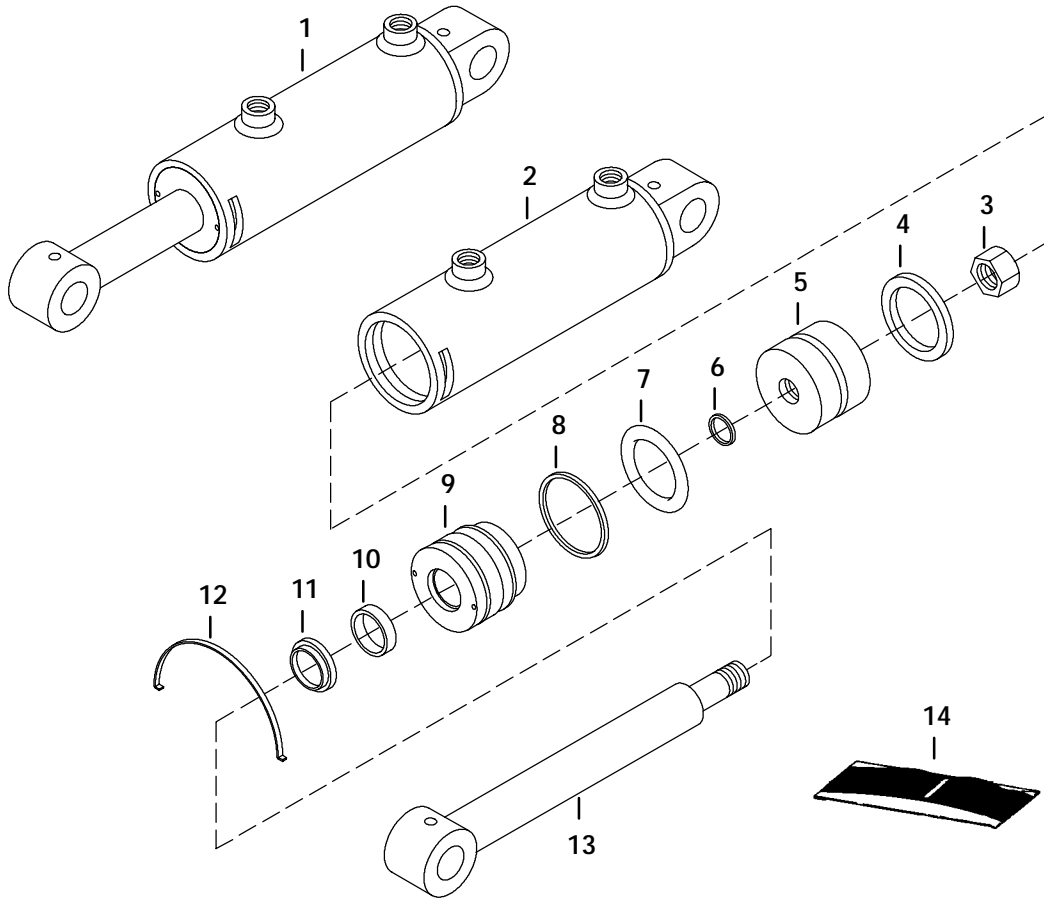


TS-1835

VALVE ASSY (Cont'd)
Sod Layer

Ref. No.	Part Number	Description	Remarks	Serial Number	Qty.
1	6674127	VALVE ASSY	W/Ref. 2 - 8		1
2	6674280	COIL ASSY			1
3	6674281	SPOOL	W/Ref. 9		2
4	6667181	SEAL KIT	Was 6674283 [A]		2
5	6674279	RELIEF VALVE			1
6	6672515	SEAL KIT			1
7	6669613	ORIFICE			1
8	6674282	BLOCK			1
9	6671628	NUT			2

ARM CYLINDER Sod Layer

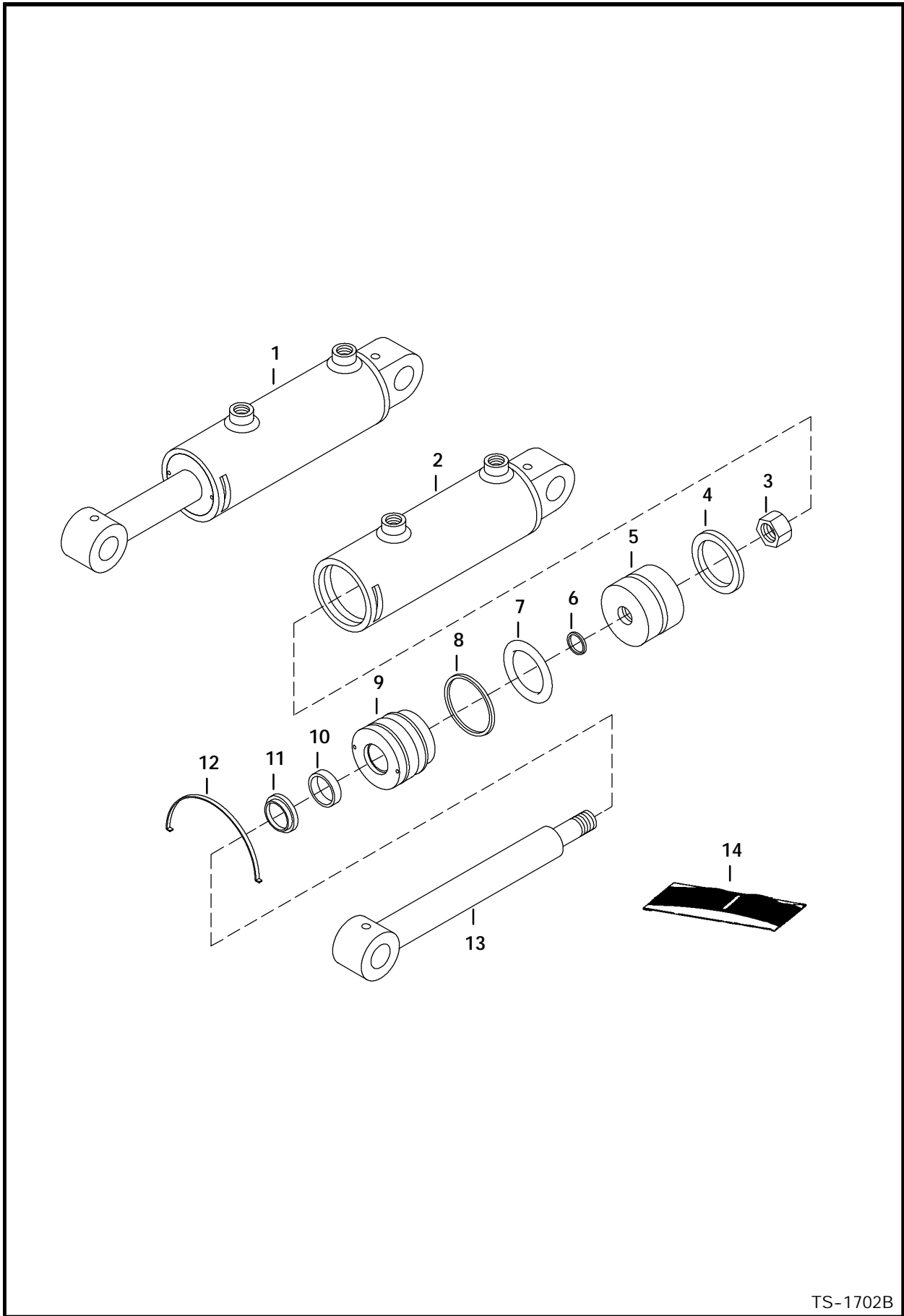


TS-1702A

**ARM CYLINDER (Cont'd)
Sod Layer**

Ref. No.	Part Number	Description	Remarks	Serial Number	Qty.
1	6674001	CYLINDER	Ref. 2 - 13		1
2	6674268	CASE			1
3	6673328	NUT			1
4	NSS	PSP SEAL			1
5	6673620	PISTON			1
6	NSS	O-RING			1
7	NSS	O-RING			1
8	NSS	BACKUP RING			1
9	6674265	HEAD			1
10	NSS	POLY-PAK			1
11	NSS	DUST SEAL			1
12	6674266	RETAINING RING			1
13	6674267	ROD			1
14	6674269	SEAL KIT	Ref. 4, 6-8, 10 & 11		1

CUTTER CYLINDER Sod Layer

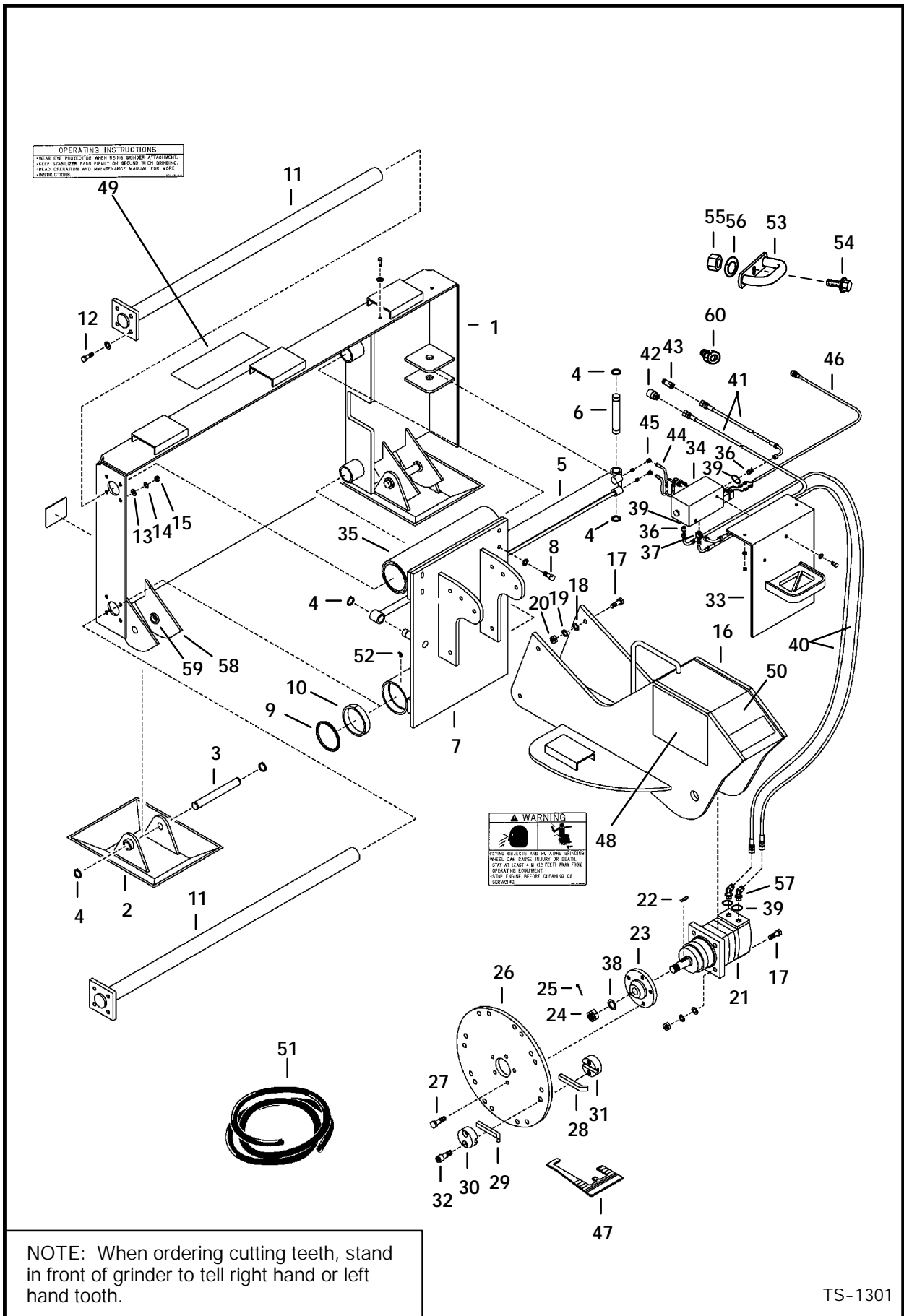


TS-1702B

CUTTER CYLINDER (Cont'd) Sod Layer

Ref. No.	Part Number	Description	Remarks	Serial Number	Qty.
1	6674002	CYLINDER	Ref. 2 - 13		1
2	6674274	CASE			1
3	6673328	NUT			1
4	NSS	PSP SEAL			1
5	6674271	PISTON			1
6	NSS	O-RING			1
7	NSS	O-RING			1
8	NSS	BACKUP RING			1
9	6674270	HEAD			1
10	NSS	POLY-PAK			1
11	NSS	DUST SEAL			1
12	6674272	RETAINING RING			1
13	6674273	ROD			1
14	6674275	SEAL KIT	Ref. 4, 6-8, 10 & 11		1

MAIN FRAME & ATTACHING PARTS SG25 Stump Grinder

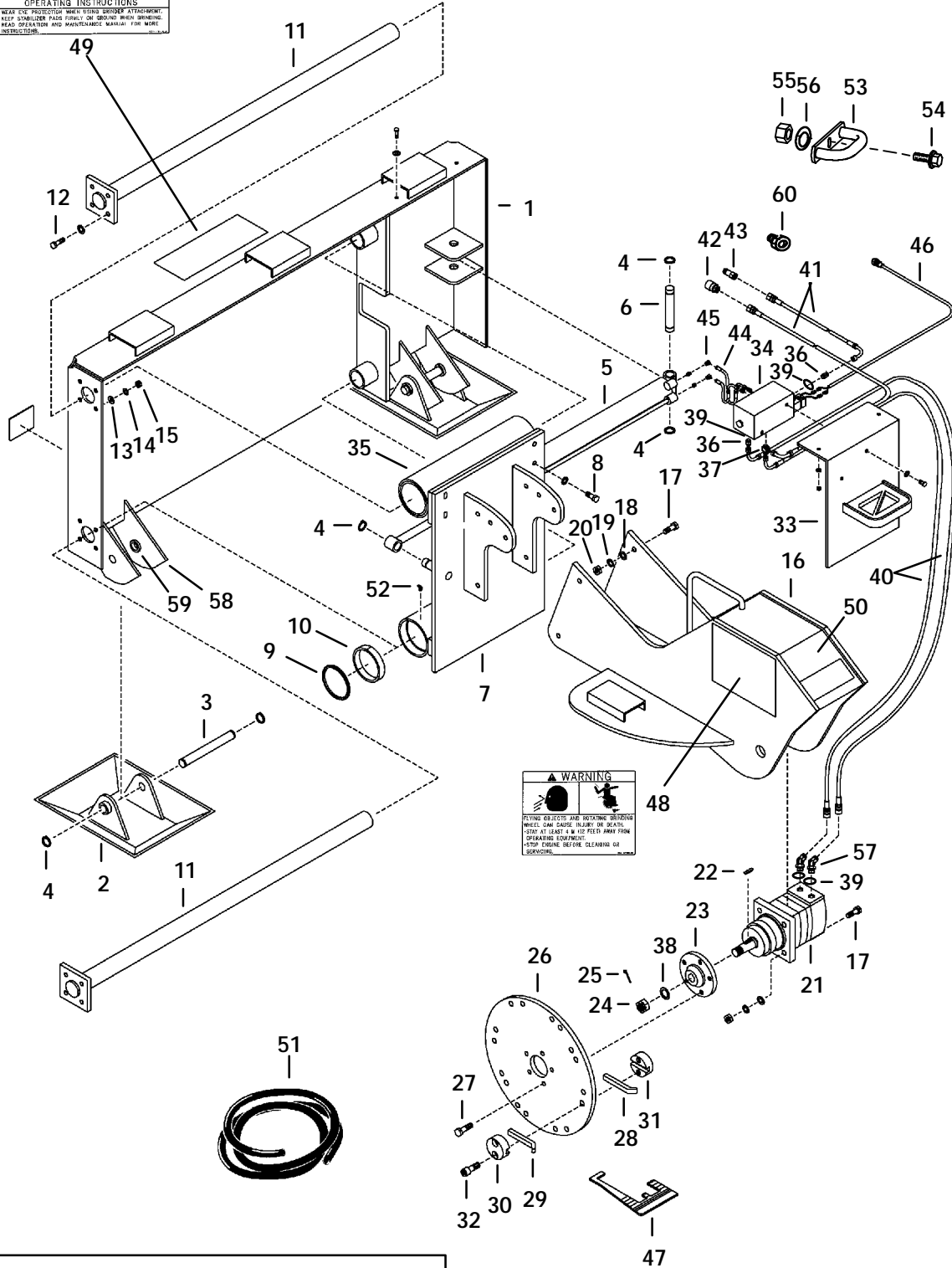


MAIN FRAME & ATTACHING PARTS (Cont'd)
SG25 Stump Grinder

Ref. No.	Part Number	Description	Remarks	Serial Number	Qty.
1	6667957	MAIN FRAME			1
2	6667297	PAD			2
3	6667298	PIN			2
4	6664235	RETAINING RING	See Page 191		7
5	6664253	CYLINDER			1
6	6667299	PIN			1
7	6667300	FRAME			1
8	17C-816	BOLT			4
9	6667301	SEAL			4
10	6667302	BEARING			4
11	6667303	ROD			2
12	17C-620	BOLT			12
13	27E-6	WASHER			20
14	23E-6	WASHER			12
15	61D-6	NUT			10
16	6667304	FRAME			1
17	17C-832	BOLT			8
18	25E-21	WASHER			20
19	23E-8	WASHER			12
20	61D-8	NUT			8
21	6667563	MOTOR	See Page 189		1
22	6630089	KEY			1
23	6665290	HUB			1
24	5200255	NUT			1
25	1F-420	COTTER PIN			1
26	6667305	DISC			1
27	18C-816	BOLT			5
28	6665294	TOOTH	right - SEE NOTE		8
29	6665293	TOOTH	left - SEE NOTE		8
30	6665292	POCKET	Counterbored		8
31	6665291	POCKET	Threaded		8
32	6667557	BOLT			16
33	6667306	GUARD			1
34	6667307	VALVE ASSY	See Page 187		1
35	6667308	TUBE			1
36	15K-7	ADAPTER			4
37	21K-7	FITTING			1
38	25E-31	WASHER			1
39	79K-10	O-RING			6
40	6667310	HOSE			2
41	6667311	HOSE			2
42	6598756	QUICK COUPLER	Female - poppet		1
43	6672960	QUICK COUPLER	female FF - Was 6667807 [A]		1
	6598755	QUICK COUPLER	Male - poppet		1
	6674688	QUICK COUPLER	male - FF - Was 6667808 [A]		1
44	6672026	O-RING			1
	6667312	HOSE			2
	11K-5	ELBOW			2
46	6667313	HARNESS			1
47	6665298	GAUGE	Tooth		1
48	6707580	DECAL	Warning		2

MAIN FRAME & ATTACHING PARTS (Cont'd) SG25 Stump Grinder

OPERATING INSTRUCTIONS
 - WEAR EYE PROTECTION WHEN USING GRINDER ATTACHMENT.
 - KEEP STABILIZER PADS OFF GROUND WHEN BRINDING.
 - READ OPERATOR AND MAINTENANCE MANUAL FOR MORE INSTRUCTIONS.



WARNING
 FLYING OBJECTS AND ROTATING DISKS
 WHICH CAN CAUSE INJURY OR DEATH.
 STAY AT LEAST A 10' (3M) FEET AWAY FROM
 OPERATING EQUIPMENT.
 STOP ENGINE BEFORE CLEANING OR
 SERVICE.

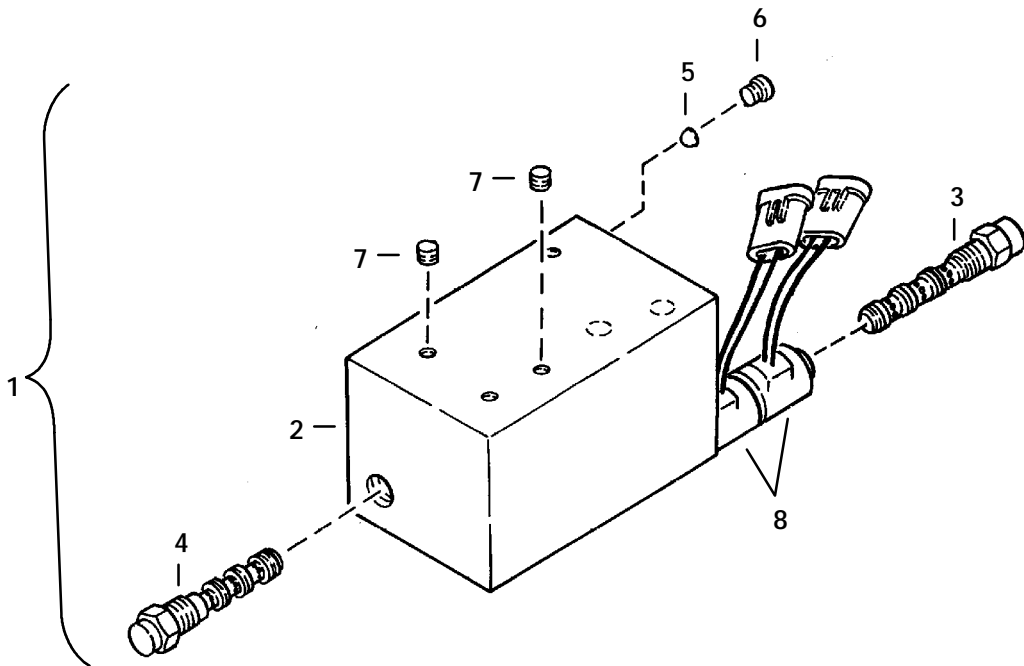
NOTE: When ordering cutting teeth, stand in front of grinder to tell right hand or left hand tooth.

TS-1301

MAIN FRAME & ATTACHING PARTS (Cont'd)
SG25 Stump Grinder

Ref. No.	Part Number	Description	Remarks	Serial Number	Qty.
49	6707581	DECAL	Operating		1
50	NAP	DECAL	Bobcat - Was 6705602 [A]		1
51	6652367	HOSE COVER			x
52	11H-15	GREASE ZERK			2
53	6706160	GUIDE			1
54	37C-648	BOLT	Use on 540's, 640's & 740's		1
	37C-656	BOLT	Use on 750's		1
	37C-664	BOLT	Use on 7753 & 850's		1
55	83D-6	NUT			1
56	872229	WASHER			1
57	18K-7	ELBOW			2
58	6669335	BRACKET			4
59	6669336	BUSHING			4
60	6669284	ADAPTER	used with flush face couplers		2

VALVE ASSEMBLY
SG25 Stump Grinder

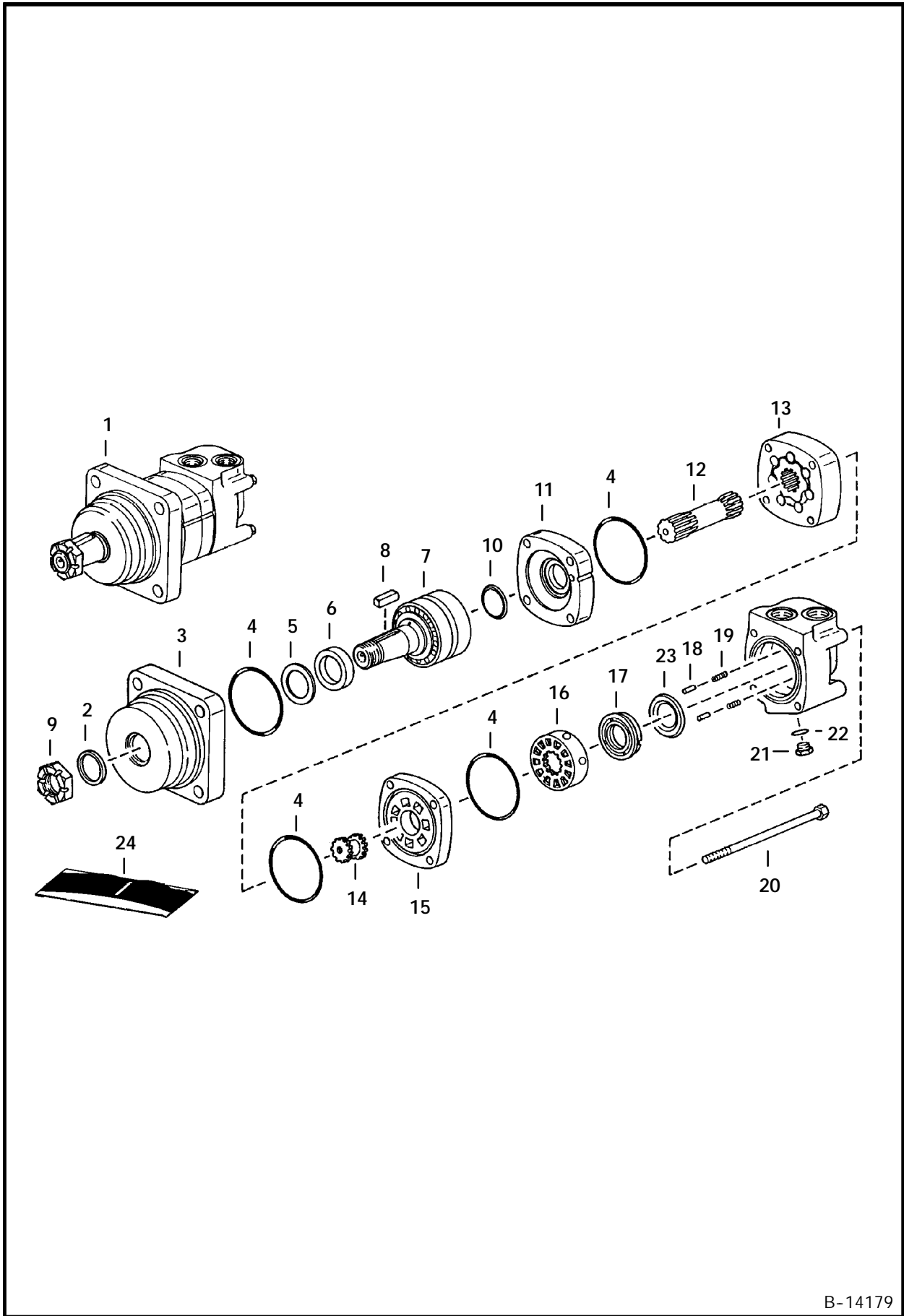


B-14394

VALVE ASSEMBLY (Cont'd)
SG25 Stump Grinder

Ref. No.	Part Number	Description	Remarks	Serial Number	Qty.
1	6667307	VALVE ASSY	W/Ref. 2 - 8		1
2	6667570	BLOCK			1
3	6673830	SPOOL	Was 6667018 [B]		1
4	6667180	SEAL KIT			1
	6665265	CARTRIDGE			1
	6667625	SEAL KIT			1
5	6667571	ORIFICE			1
6	47K-6	PLUG	#8		1
7	6667572	PLUG	7mm		5
8	6673938	SOLENOID	Was 6667156 [B]		2

DRIVE MOTOR
SG25 Stump Grinder

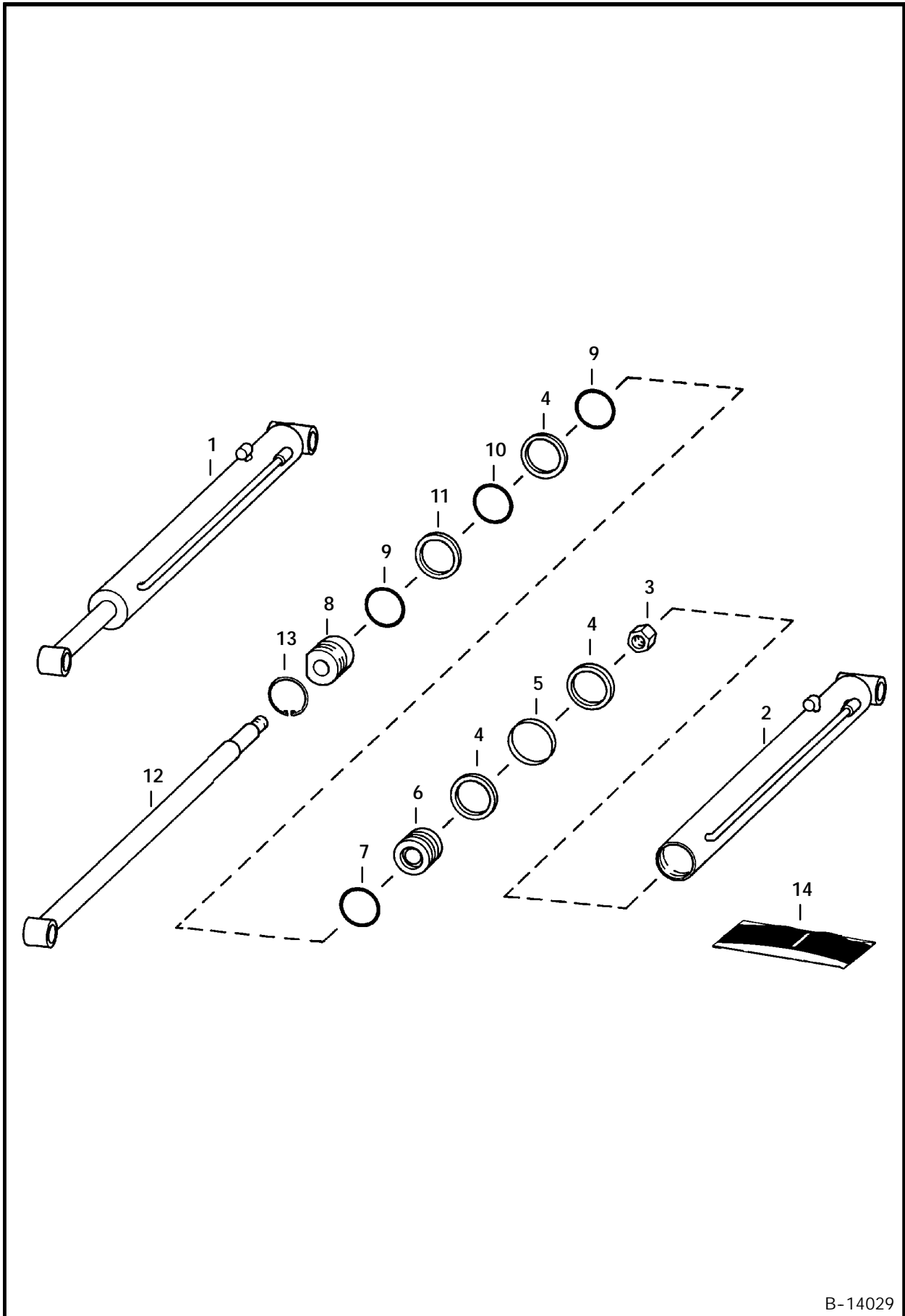


B-14179

**DRIVE MOTOR (Cont'd)
SG25 Stump Grinder**

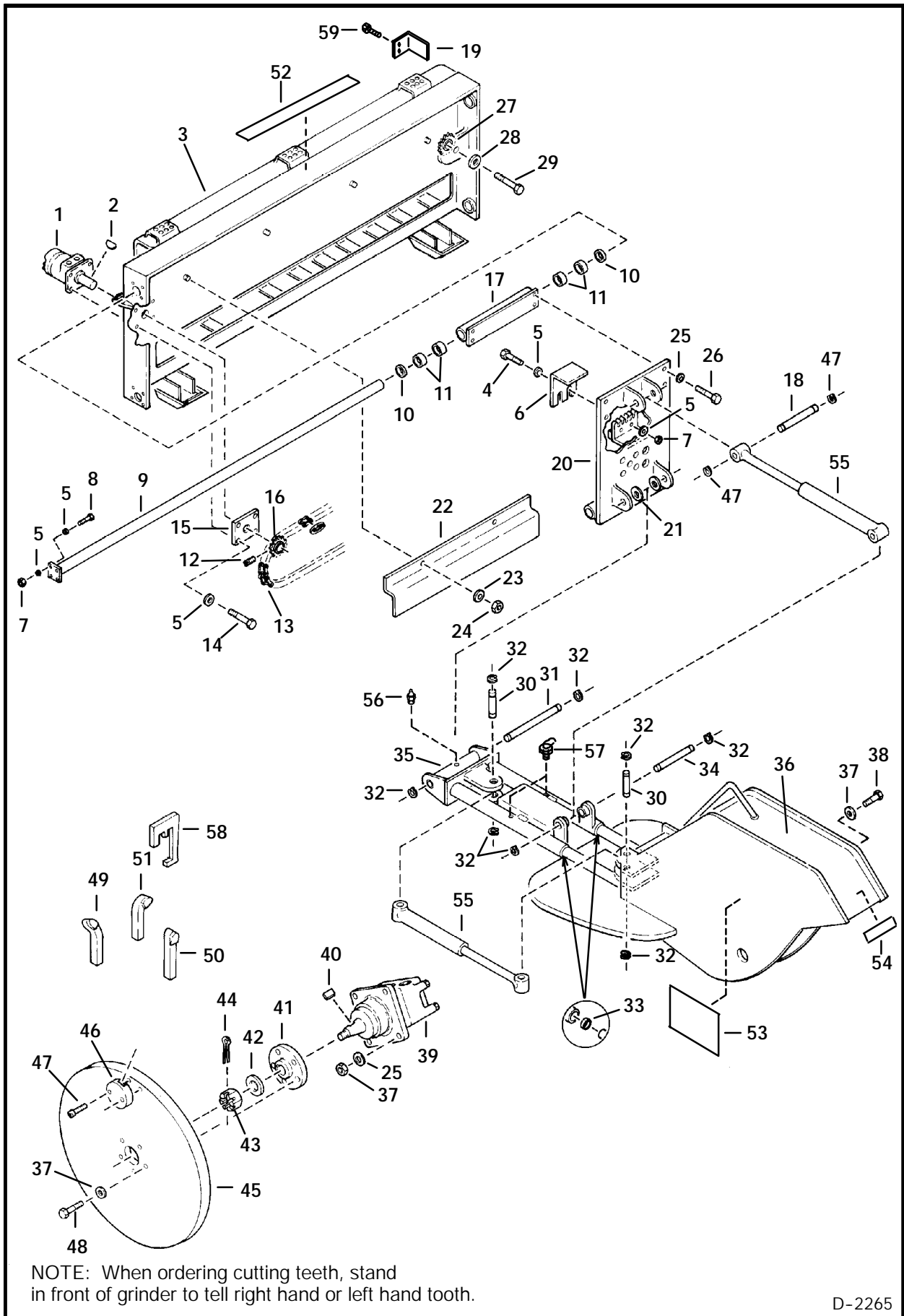
Ref. No.	Part Number	Description	Remarks	Serial Number	Qty.
1	6667563	MOTOR	Drive - W/Ref. 2 - 22		1
2	6630029	SEAL			1
3	6665333	HOUSING			1
4	6662955	SEAL			4
5	6659511	BACKUP RING			1
6	6665224	SEAL			1
7	6665334	SHAFT ASSY			1
8	6630089	KEY			1
9	5200255	NUT			1
10	1992098	SEAL			1
11	6632286	WEAR PLATE			1
12	6630032	SHAFT			1
13	6656367	GEROLER			1
14	1992084	SHAFT			1
15	6656368	PLATE			1
16	6632288	VALVE			1
17	6630027	BALANCE RING			1
18	1992102	PIN			2
19	1992088	SPRING			4
20	6665337	BOLT			4
21	1992104	PLUG ASSY			1
22	NSS	O-RING			1
23	1992100	SEAL	Inner		1
24	6648973	SEAL KIT	W/Ref. 2, 4 - 6, 10 & 23		1

CYLINDER
SG25 Stump Grinder



B-14029

MAIN FRAME & ATTACHING PARTS SG50 Stump Grinder

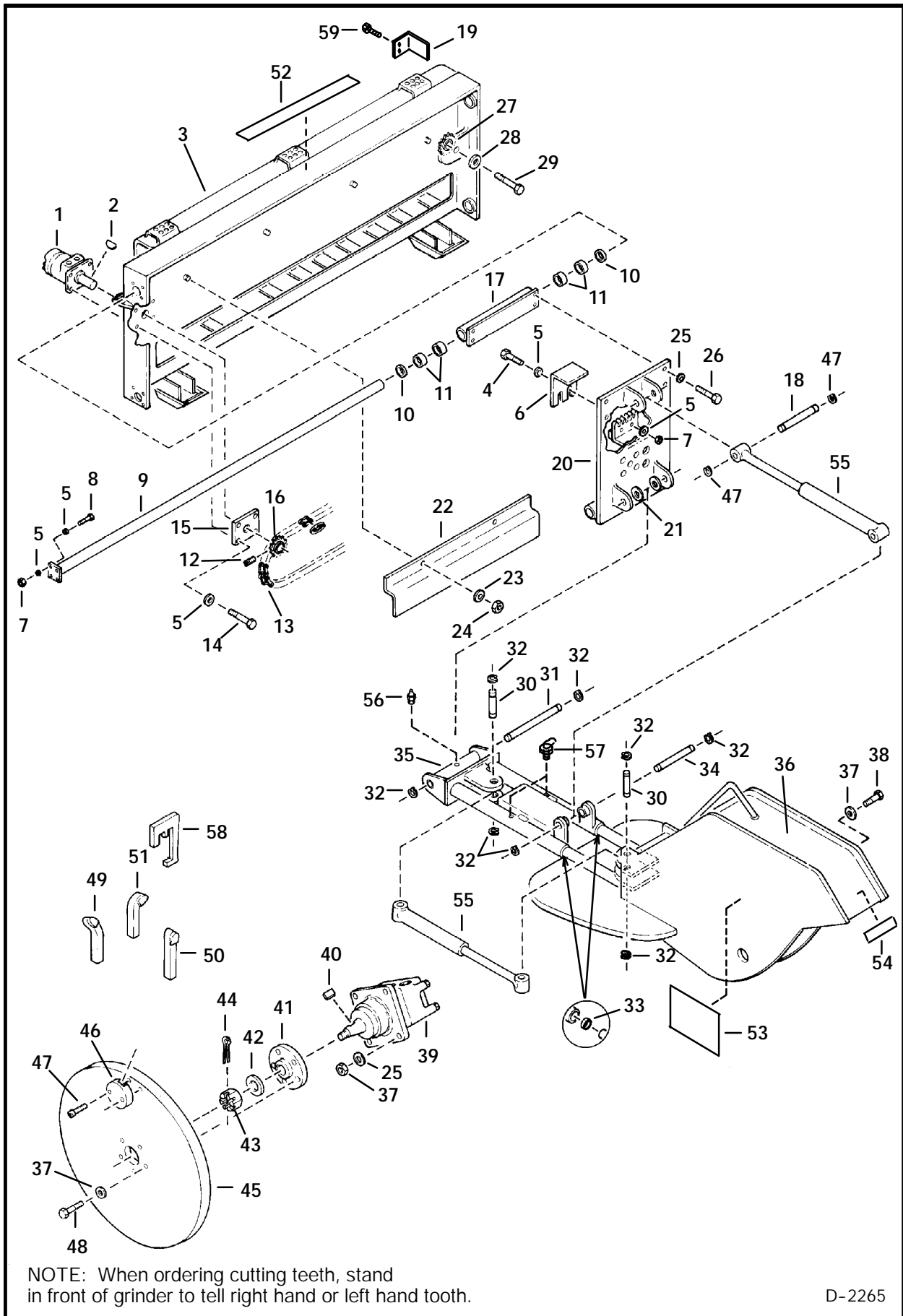


D-2265

MAIN FRAME & ATTACHING PARTS (Cont'd)
SG50 Stump Grinder

Ref. No.	Part Number	Description	Remarks	Serial Number	Qty.
1		MOTOR	Sideshift - See Page 207		1
2	6J-808	KEY			1
3	6665299	FRAME			1
4	17C-632	BOLT			2
5	25E-17	WASHER			22
6	6665359	CLAMP			1
7	81D-6	NUT			8
8	17C-620	BOLT			8
9	6665301	TUBE			2
10	6665281	SEAL			4
11	6665279	BEARING			8
12	15G-505	SCREW	Was 35G-505 [D]		1
13	6665282	CHAIN			1
	6665283	LINK			1
14	17C-616	BOLT			4
15	6665360	BRACKET			1
16	6665284	SPROCKET			1
17	6665304	TUBE			1
18	6664255	PIN			1
19	6665486	GUARD			1
20	6665302	FRAME ASSY	slider		1
21	6665276	BUSHING			2
22	6665287	CHAIN GUARD			1
23	25E-15	WASHER			4
24	59D-5	NUT			4
25	25E-21	WASHER			8
26	17C-824	BOLT			4
27	6665285	SPROCKET			1
28	25E-25	WASHER			1
29	17C-1028	BOLT			1
30	6664256	PIN			2
31	6665289	PIN			1
32	6664235	RETAINING RING			10
33	6665280	SEAL			2
34	6665288	PIN			1
35	6665303	FRAME ASSY	tilt		1
36	6665300	FRAME ASSY	head		1
37	63D-8	NUT			8
38	17C-832	BOLT			4
39	6665305	MOTOR	Drive - See Page 205		1
40	6630089	KEY			1
41	6665290	HUB			1
42	25E-31	WASHER			1
43	5200255	NUT			1
44	1F-420	COTTER PIN			1
45	6665296	DISC			1
46	6665292	POCKET	Counterbored		16
	6665291	POCKET	Threaded		16
47	6667557	BOLT			32
48	18C-816	BOLT			5
49	6665293	TOOTH	left - SEE NOTE		14

MAIN FRAME & ATTACHING PARTS (Cont'd)
SG50 Stump Grinder



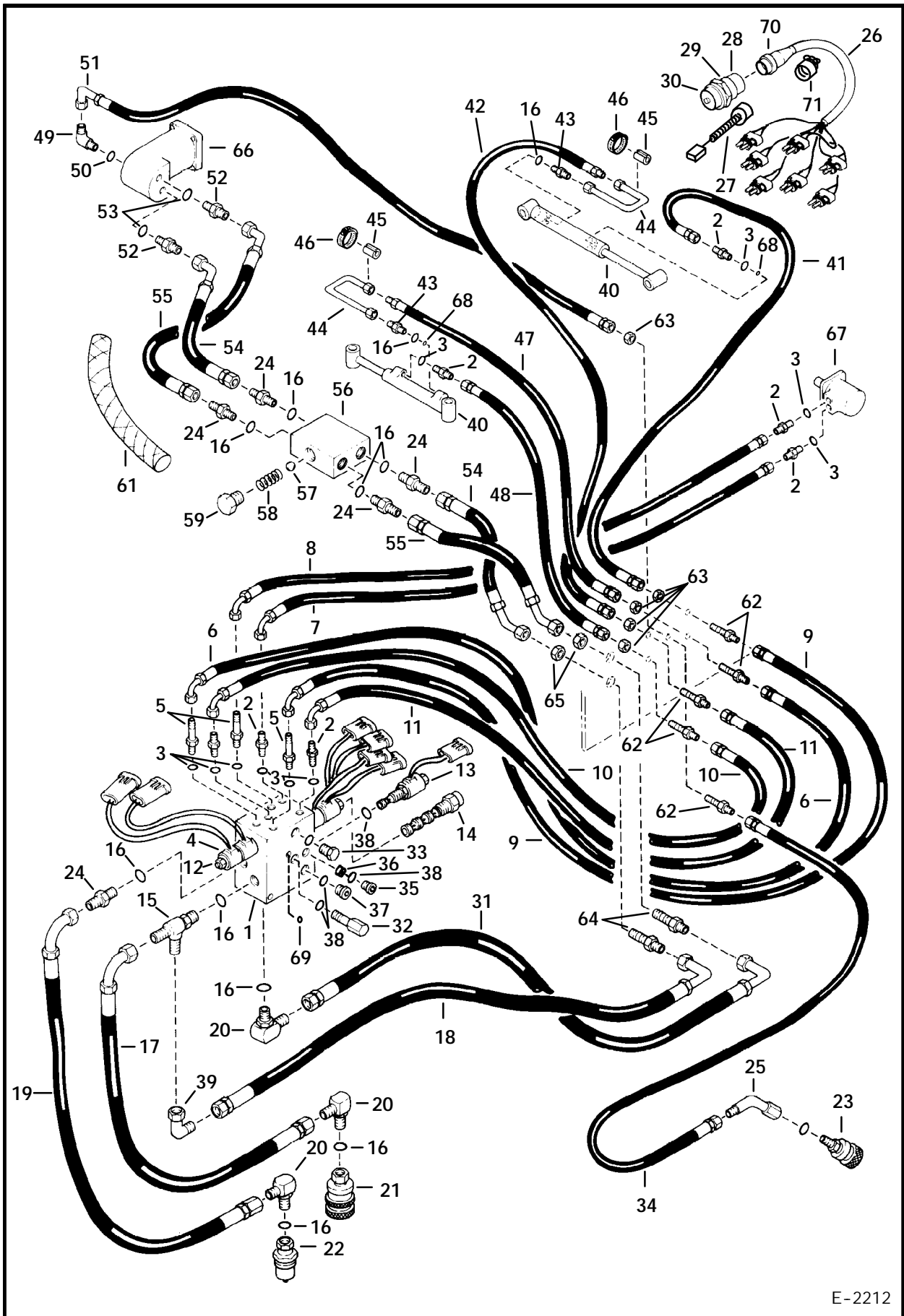
NOTE: When ordering cutting teeth, stand in front of grinder to tell right hand or left hand tooth.

D-2265

MAIN FRAME & ATTACHING PARTS (Cont'd)
SG50 Stump Grinder

Ref. No.	Part Number	Description	Remarks	Serial Number	Qty.
50	6665295	TOOTH	straight		4
51	6665294	TOOTH	right - SEE NOTE		14
52	6707581	DECAL	operating		1
53	6707580	DECAL	warning		2
54	NAP	DECAL	Bobcat - Was 6705602 [A]		1
55	6665267	CYLINDER	See Page 211		1
56	10H-25	GREASE ZERK			1
57	12H-25	GREASE ZERK	90°		2
58	6665298	GAUGE	Tooth setting		1
59	84G-3712	BOLT			2

HYDRAULIC CIRCUITRY
SG50 Stump Grinder - S/N 702100264 & Below

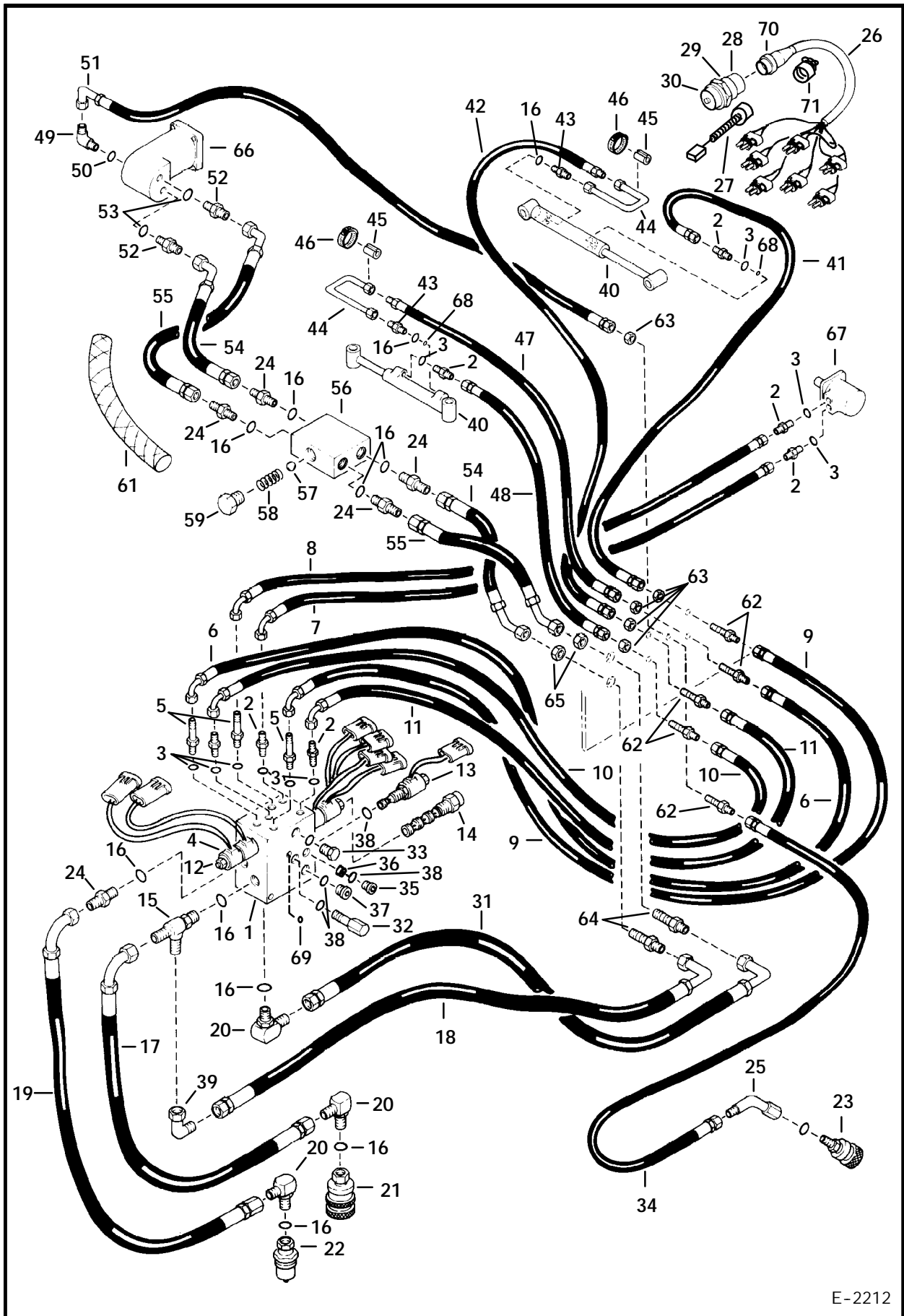


E-2212

HYDRAULIC CIRCUITRY (Cont'd)
SG50 Stump Grinder - S/N 702100264 & Below

Ref. No.	Part Number	Description	Remarks	Serial Number	Qty.
1	6665260	VALVE ASSY	W/Ref. 3, 4, 12-14, 32, 33, 35 & 37		1
	6665261	VALVE BLOCK	Also order qty. 13 of ref. 69		1
2	15K-5	ADAPTER	W/Ref. 3		5
3	79K-6	O-RING			6
4	6671026	COIL	Was 6661447 [A]		7
5	16K-5	ADAPTER			3
6	6665252	HOSE	blue		1
7	NAP	HOSE	brown - Order Ref. 6		1
8	NAP	HOSE	lt. blue - Order Ref. 6		1
9	NAP	HOSE	green - Order Ref. 6		1
10	6665250	HOSE	orange		1
11	NAP	HOSE	yellow - Order Ref. 10		1
12	6661443	VALVE			3
	6661448	SEAL KIT	Was 6664032 [D]		3
13	6665262	VALVE	assy		1
	6667626	SEAL KIT			1
14	6665265	VALVE			1
	6667625	SEAL KIT			1
15	21K-8	TEE	W/Ref. 16		1
16	79K-12	O-RING			8
17	6665244	HOSE			1
18	6665246	HOSE			1
19	6665243	HOSE			1
20	17K-8	ELBOW	W/Ref. 16		1
21	6648968	QUICK COUPLER	female - poppet		1
	6672960	QUICK COUPLER	female FF - Was 6667807 [A]		1
22	6648970	QUICK COUPLER	male - poppet		1
	6674688	QUICK COUPLER	male - FF - Was 6667808 [A]		1
	6672026	O-RING			1
23	6658252	QUICK COUPLER	female - poppet		1
	6667805	QUICK COUPLER	female - flush face		1
24	15K-8	ADAPTER	W/Ref. 16		5
25	12K-5	ELBOW	used with poppet couplers		1
	6711631	ELBOW	used with flush face couplers		1
26	6665297	HARNESS			1
27	6706551	WIRE JUMPER			1
28	6664038	DUST CAP			1
29	6664037	WASHER			1
30	6664036	NUT			1
31	6665245	HOSE			1
32	6665264	RELIEF VALVE			1
33	6665263	CHECK VALVE			1
34	6665255	HOSE			1
35	24K-5	PLUG	W/Ref. 3		1
36	6665361	ORIFICE	.074" (1,88mm) Dia.		1
37	24K-7	PLUG	W/Ref. 38		1
38	79K-10	O-RING			1
39	11K-8	ELBOW			1

HYDRAULIC CIRCUITRY (Cont'd)
SG50 Stump Grinder - S/N 702100264 & Below

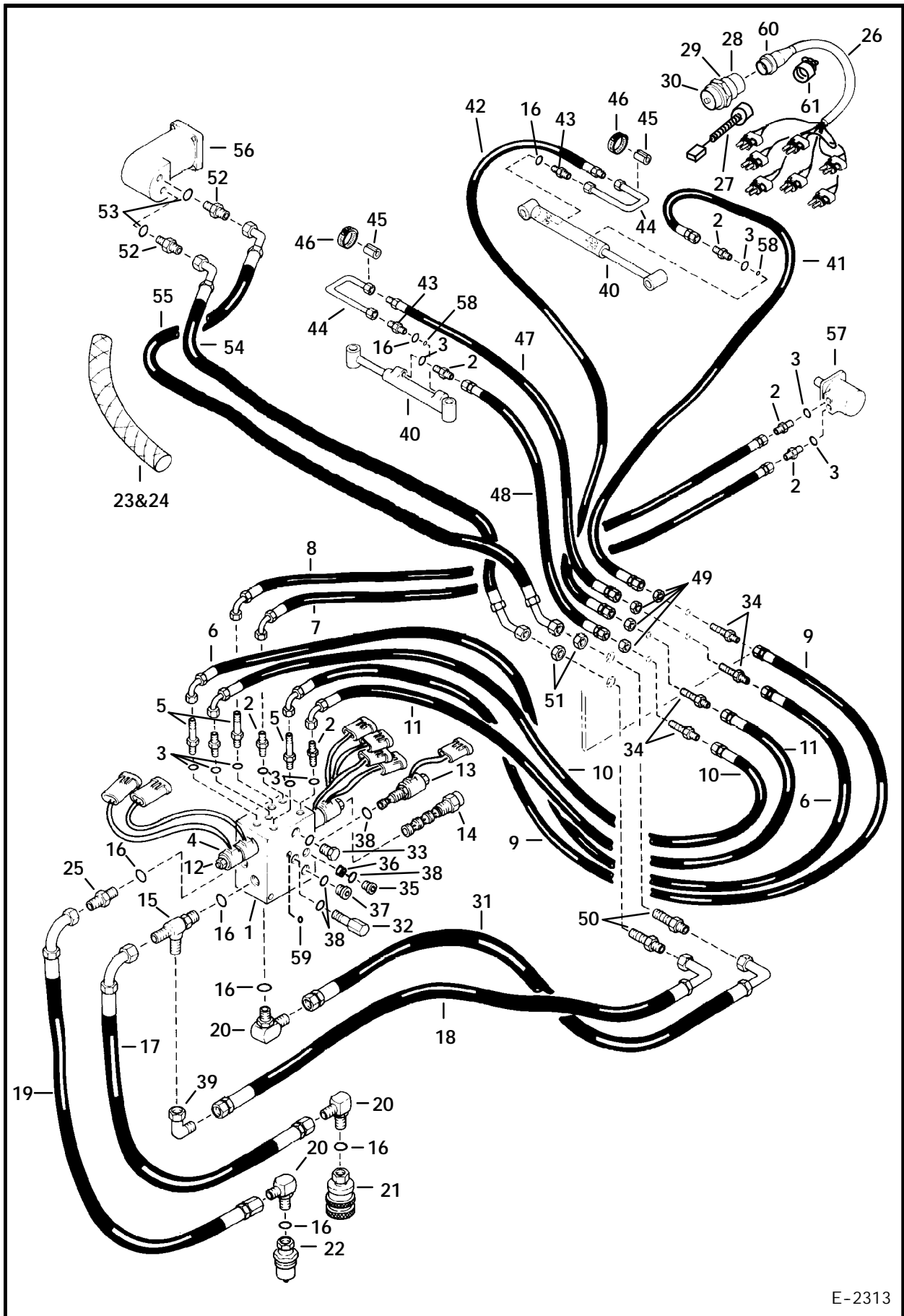


E-2212

HYDRAULIC CIRCUITRY (Cont'd)
SG50 Stump Grinder - S/N 702100264 & Below

Ref. No.	Part Number	Description	Remarks	Serial Number	Qty.
40	6665267	CYLINDER	See Page 211		2
41	6665256	HOSE			1
42	6665257	HOSE			1
43	6665275	ADAPTER	W/Orifice - .032" (0,81mm) Dia.		2
44	6665273	TUBE			2
45	6665274	GROMMET			2
46	42H-48	CLAMP			2
47	6578655	HOSE			1
48	6665258	HOSE			1
49	6579647	ELBOW	W/Ref. 50		1
50	79K-4	O-RING	Was 79K-7 [B]		1
51	6587294	HOSE			1
52	730963	ADAPTER	W/Ref. 53		2
53	79K-14	O-RING			2
54	6665248	HOSE			2
55	6665247	HOSE			2
56	6665259	CHECK BLOCK			1
57	6665362	BALL			1
58	6665363	SPRING			1
59	24K-8	PLUG	W/Ref. 16		1
60	6652367	HOSE COVER	3.00" (76.2mm)		1
61	6649389	HOSE COVER	1.75" (44.5mm)		1
62	45K-5	ADAPTER			5
63	86F-5	NUT			5
64	45K-8	ADAPTER			2
65	86F-8	NUT			2
66	6665305	MOTOR	Drive - See Page 205		1
67		MOTOR	Sideshift - See Page 207		1
68	NSS	ORIFICE	Order Ref. 43		2
69	6667572	PLUG	7mm		13
70	6665001	CONNECTOR	W/Ref. 71		1
71	6669286	CLAMP	W/saddles		1

HYDRAULIC CIRCUITRY
SG50 Stump Grinder - S/N 702100265 & Above

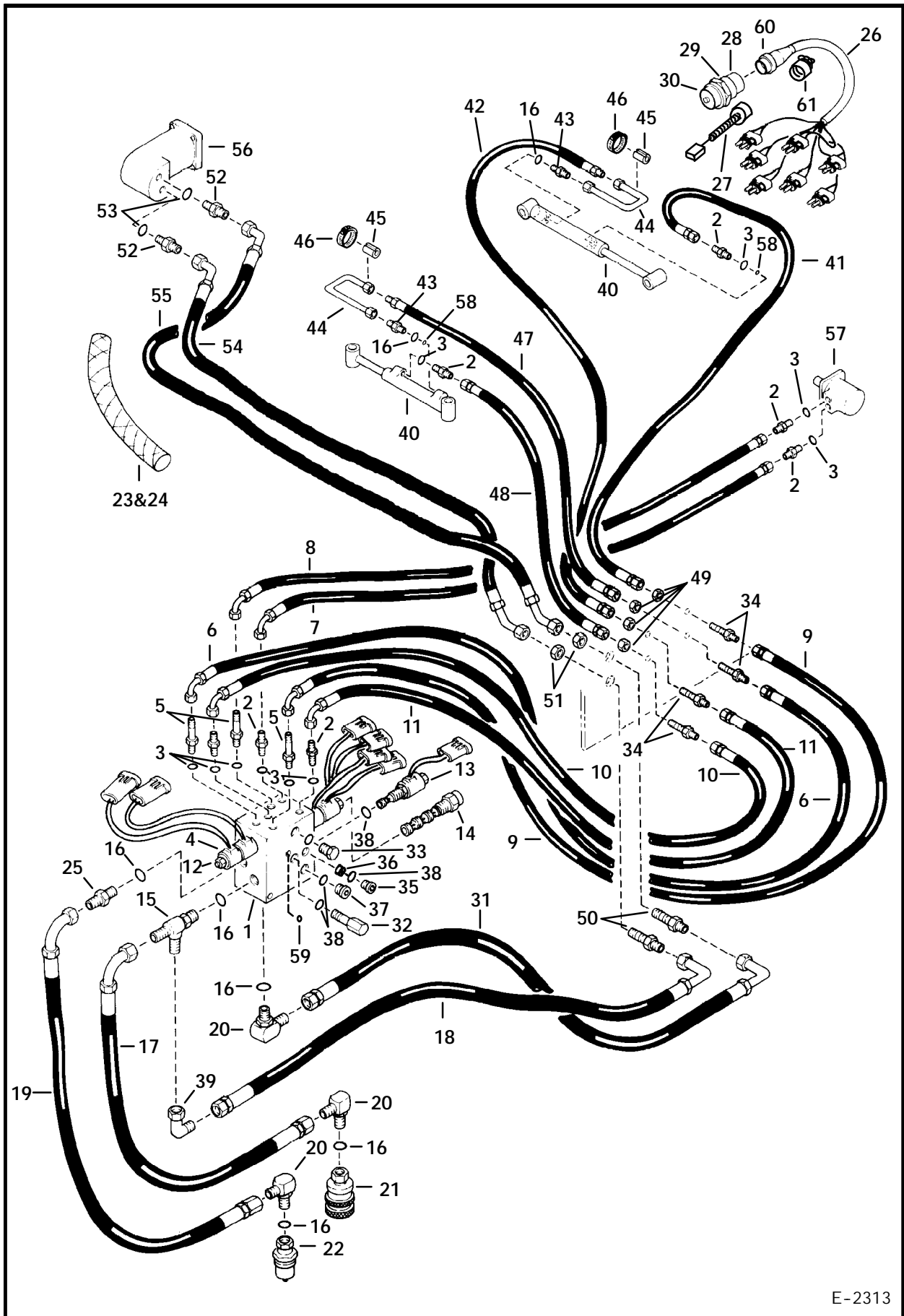


E-2313

HYDRAULIC CIRCUITRY (Cont'd)
SG50 Stump Grinder - S/N 702100265 & Above

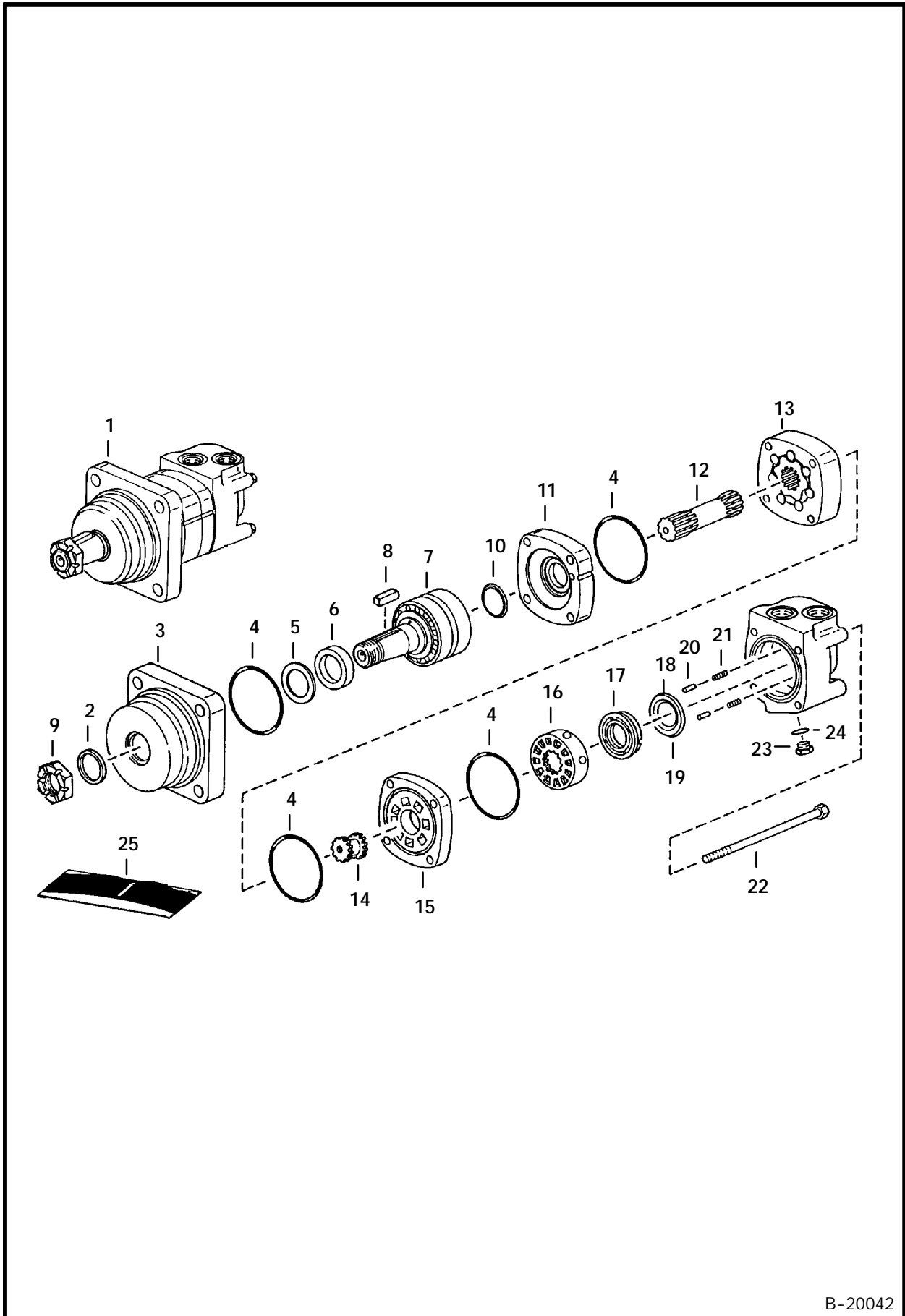
Ref. No.	Part Number	Description	Remarks	Serial Number	Qty.
1	6665260	VALVE ASSY	W/Ref. 3, 4, 12-14, 32, 33, 35 & 37		1
	6665261	VALVE BLOCK	Also Order qty. 13 of Ref. 59		1
2	15K-5	ADAPTER	W/Ref. 3		5
3	79K-6	O-RING			6
4	6671026	COIL	Was 6661447 [A]		7
5	16K-5	ADAPTER			3
6	6665252	HOSE	blue		1
7	NAP	HOSE	brown - Order Ref. 6		1
8	NAP	HOSE	lt. blue - Order Ref. 6		1
9	NAP	HOSE	green - Order Ref. 6		1
10	6665250	HOSE	orange		1
11	NAP	HOSE	yellow - Order Ref. 10		1
12	6661443	VALVE			3
	6661448	SEAL KIT			3
13	6665262	VALVE	assy		1
	6667626	SEAL KIT			1
14	6665265	VALVE			1
	6667625	SEAL KIT			1
15	21K-8	TEE	W/Ref. 16		1
16	79K-12	O-RING			4
17	6665244	HOSE			1
18	6665246	HOSE			1
19	6665243	HOSE			1
20	17K-8	ELBOW	W/Ref. 16		1
21	6648968	QUICK COUPLER	female - poppet		1
	6672960	QUICK COUPLER	female FF - Was 6667807 [A]		1
22	6648970	QUICK COUPLER	male - poppet		1
	6674688	QUICK COUPLER	male - FF - Was 6667808 [A]		1
	6672026	O-RING			1
23	6652367	HOSE COVER	3.00" (76.2mm)		1
24	6649389	HOSE COVER	1.75" (44.5mm)		1
25	15K-8	ADAPTER	W/Ref. 16		1
26	6665297	HARNESS			1
27	6706551	WIRE JUMPER			1
28	6664038	DUST CAP			1
29	6664037	WASHER			1
30	6664036	NUT			1
31	6665245	HOSE			1
32	6665264	RELIEF VALVE			1
33	6665263	CHECK VALVE			1
34	45K-5	ADAPTER			4
35	24K-5	PLUG	W/Ref. 3		1
36	6665361	ORIFICE	.074" (1,88mm) Dia.		1
37	24K-7	PLUG	W/Ref. 38		1
38	79K-10	O-RING			1
39	11K-8	ELBOW			1
40	6665267	CYLINDER	See Page 211		2
41	6665256	HOSE			1

HYDRAULIC CIRCUITRY (Cont'd)
 SG50 Stump Grinder - S/N 702100265 & Above



E-2313

DRIVE MOTOR
SG50 Stump Grinder

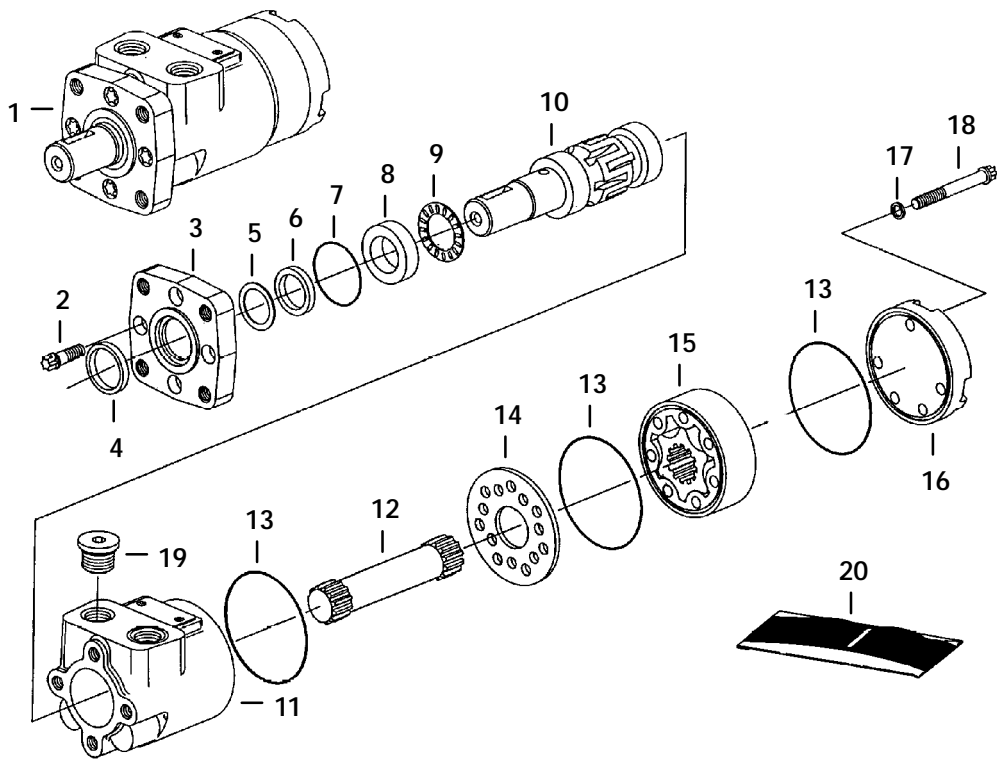


B-20042

**DRIVE MOTOR (Cont'd)
SG50 Stump Grinder**

Ref. No.	Part Number	Description	Remarks	Serial Number	Qty.
1	6665305 6667564	MOTOR MOTOR	Drive - W/Ref. 2 - 24 Drive - W/Ref. 2 - 24 - Does not require case drain	702100264 & Bel 702100265 & Abv	1 1
2	6630029	SEAL			1
3	6665333	HOUSING			1
4	6662955	SEAL			4
5	6659511	BACKUP RING			1
6	6665224	SEAL			1
7	6665334	SHAFT ASSY			1
8	6630089	KEY			1
9	5200255	NUT			1
10	1992098	SEAL			1
11	6632286	WEAR PLATE			1
12	6665335	SHAFT			1
13	6665336	GEROLER			1
14	1992084	SHAFT			1
15	6656368	PLATE			1
16	6632288	VALVE			1
17	6630027	BALANCE RING			1
18	1992100	SEAL	inner		1
19	6653300	SEAL	outer	702100264 & Bel	1
20	1992102	PIN			2
21	1992088	SPRING			4
22	6665337	BOLT			4
23	1992104	PLUG ASSY			1
24	NSS	O-RING			1
25	6648973	SEAL KIT	W/Ref. 2, 4 - 6, 10, 18 & 19		1

SIDESHIFT MOTOR
SG50 Stump Grinder - Eaton - S/N 702100371 & Below

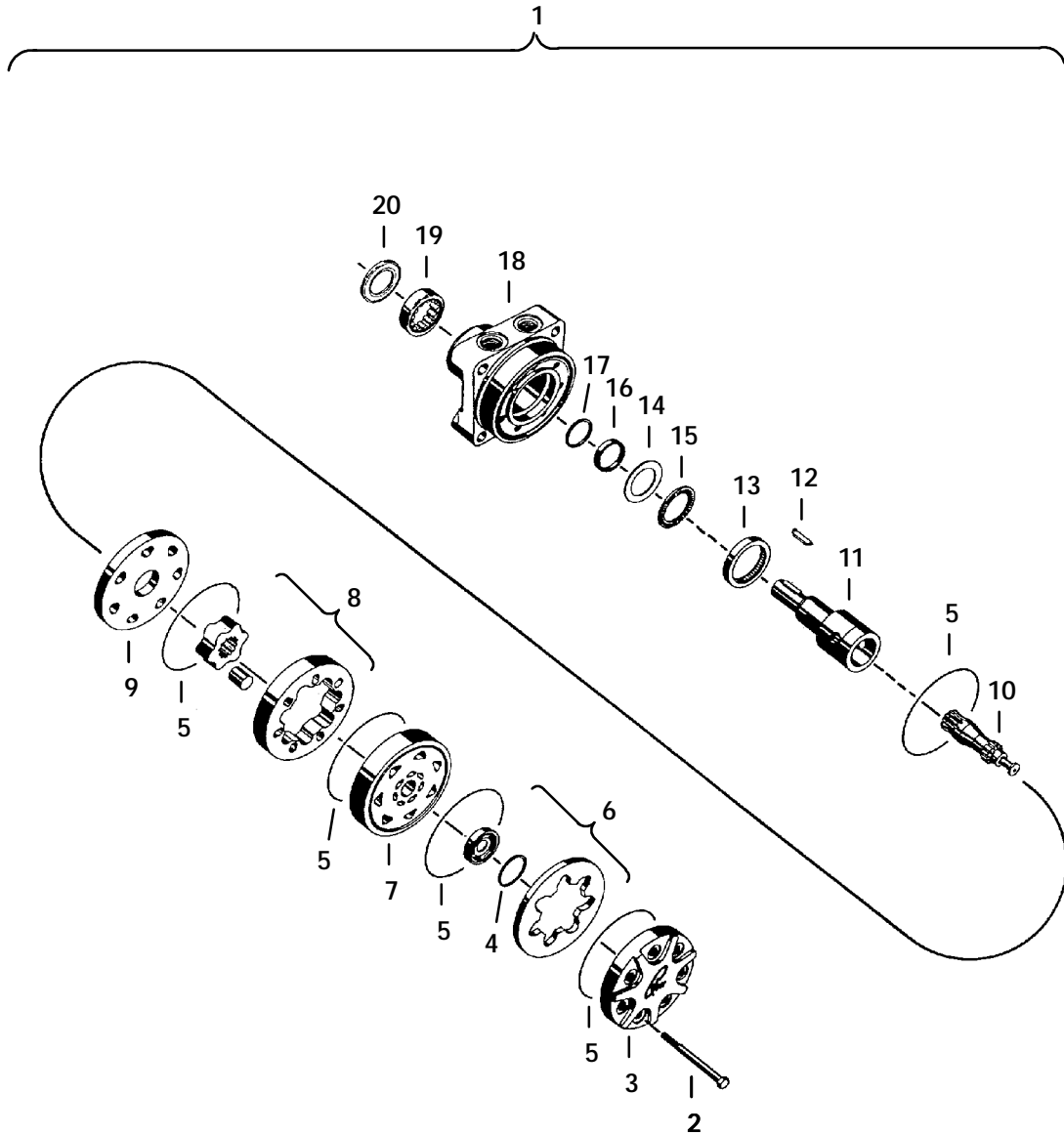


B-14178

SIDESHIFT MOTOR (Cont'd)
 SG50 Stump Grinder - Eaton - S/N 702100371 & Below

Ref. No.	Part Number	Description	Remarks	Serial Number	Qty.
1	NAP	MOTOR	Sideshift - W/Ref. 2 - 19 - Order 6672470 - Was 6665306 [A]		1
2	6665325	SCREW			4
3	6653266	FLANGE	mounting		1
4	6634895	SEAL			1
5	6651241	WASHER	backup		1
6	6651240	SEAL			1
7	25K-30124	O-RING			1
8	6513279	RACE			1
9	6513280	BEARING			1
10	6634900	SHAFT			1
11	6665326	HOUSING			1
12	6665327	SHAFT			1
13	6665328	SEAL			3
14	6635659	SPACER PLATE			1
15	6665329	GEROTER			1
16	6665330	END CAP			1
17		WASHER			5
18	6665331	SCREW			5
19	47K-7	PLUG ASSY	W/O-ring		1
20	6653269	SEAL KIT	W/Ref. 4 - 7 & 13		1

SIDESHIFT MOTOR
SG50 Stump Grinder - Ross - S/N 702100372 & Above

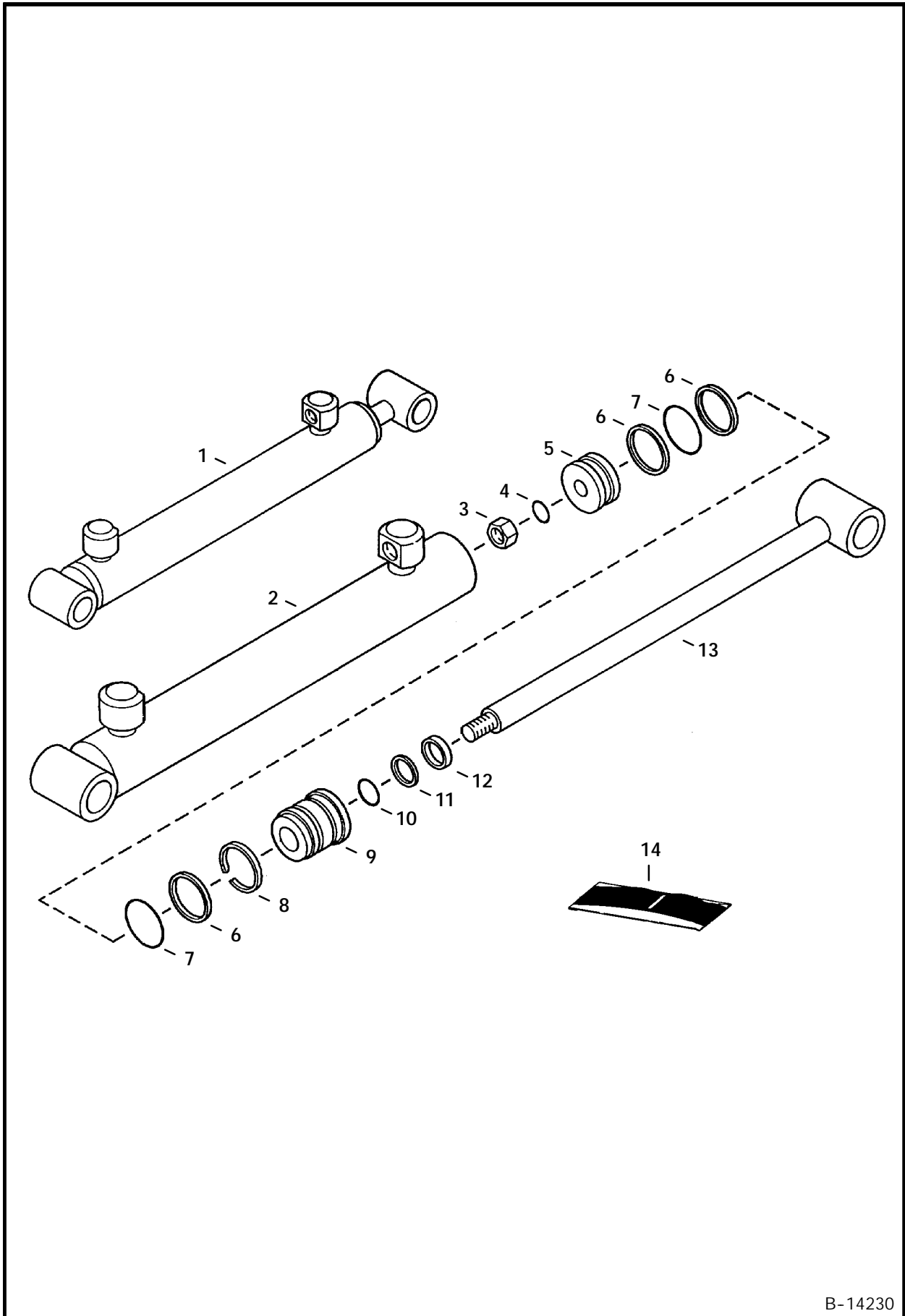


B-15123

SIDESHIFT MOTOR (Cont'd)
SG50 Stump Grinder - Ross - S/N 702100372 & Above

Ref. No.	Part Number	Description	Remarks	Serial Number	Qty.
1	6672470	MOTOR	Ref. 2 - 20		1
2	6672840	BOLT			5
3	6672845	COVER			1
4	6512301	SEAL			1
5	6672846	O-RING			5
6	6672849	GEROLER			1
7	6672832	MANIFOLD			1
8	6672841	ROTOR SET			1
9	6672833	PLATE			1
10	6672842	SHAFT			1
11	6672843	SHAFT			1
12	6J-808	KEY			1
13	6672834	BUSHING			1
14	6672835	WASHER			1
15	6672836	BEARING			1
16	6672847	SEAL			1
17	6672837	WASHER			1
18	6672844	HOUSING			1
19	6672838	BEARING			1
20	6672839	SEAL			1
21	6672848	SEAL KIT	Ref. 4, 5, 16, 17 & 20		1

CYLINDER
SG50 Stump Grinder



B-14230

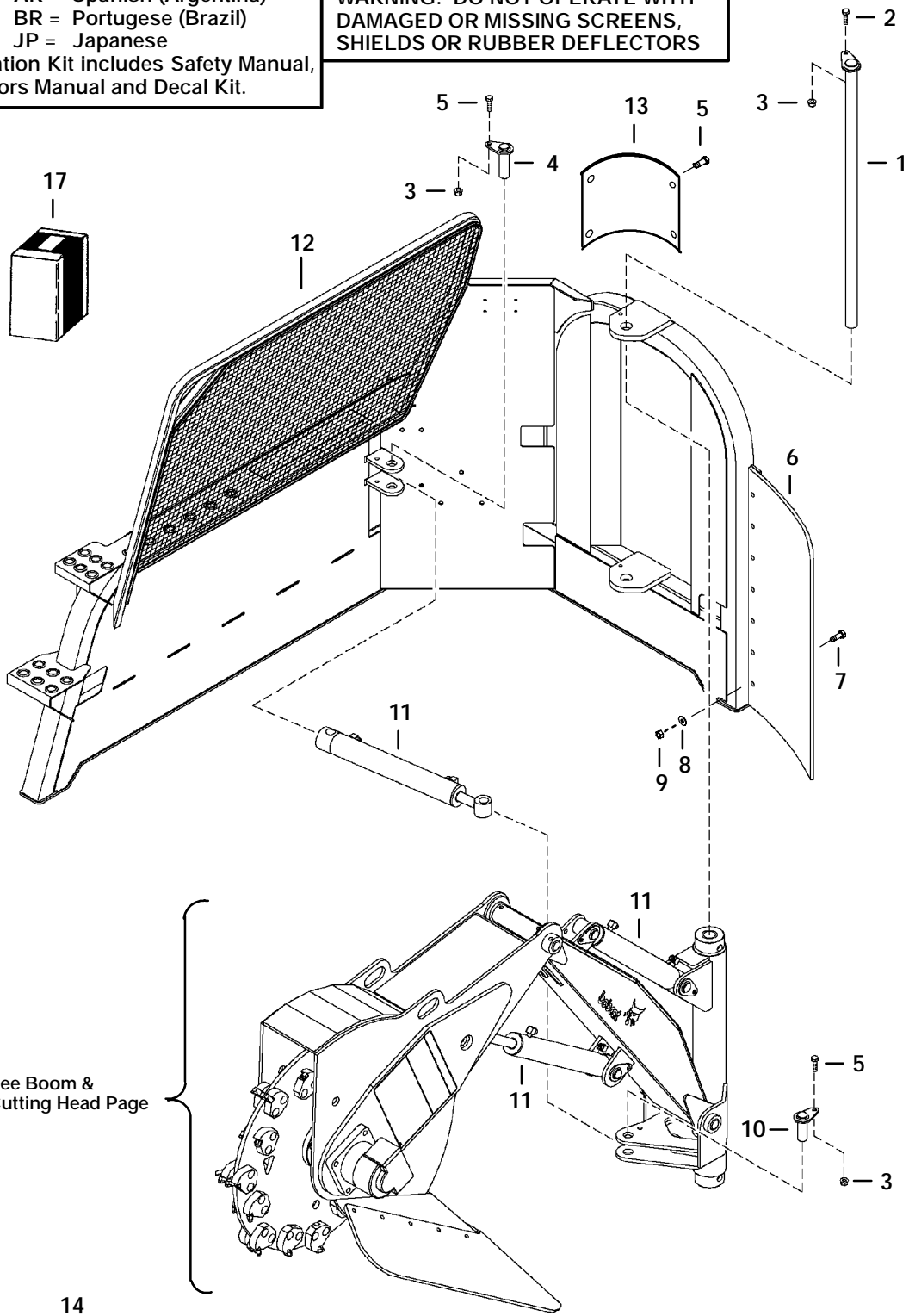
**CYLINDER (Cont'd)
SG50 Stump Grinder**

Ref. No.	Part Number	Description	Remarks	Serial Number	Qty.
1	6665267	CYLINDER	W/Ref. 2-13		1
2	6665407	CASE			1
3	6665402	NUT			1
4	NSS	O-RING			1
5	6665404	PISTON			1
6	NSS	WASHER	Back-up		3
7	NSS	O-RING			2
8	6665405	KEY STOCK			1
9	6665403	HEAD			1
10	NSS	O-RING			1
11	NSS	WASHER	Back-up		1
12	NSS	WIPER			1
13	6665406	ROD			1
14	6665408	SEAL KIT	W/Ref. 4,6,7,10-12		1

MAIN FRAME SG60 Stump Grinder

NOTE: AR = Spanish (Argentina)
BR = Portuguese (Brazil)
JP = Japanese
Translation Kit includes Safety Manual,
Operators Manual and Decal Kit.

**WARNING: DO NOT OPERATE WITH
DAMAGED OR MISSING SCREENS,
SHIELDS OR RUBBER DEFLECTORS**



See Boom & Cutting Head Page

14

⚠ WARNING	
<p>FLYING OBJECTS AND ROTATING GRINDING WHEEL CAN CAUSE INJURY OR DEATH.</p> <ul style="list-style-type: none"> • STAY AT LEAST 4 METERS AWAY FROM OPERATING EQUIPMENT. • DO NOT OPERATE WITH DAMAGED OR MISSING SCREENS, SHIELDS OR RUBBER DEFLECTORS. • STOP ENGINE BEFORE CLEANING OR SERVICING. 	

15

OPERATING INSTRUCTIONS
<ul style="list-style-type: none"> • WEAR EYE PROTECTION WHEN USING GRINDER ATTACHMENT. • KEEP FRAME FIRMLY ON GROUND WHEN GRINDING. • READ OPERATION AND MAINTENANCE MANUAL FOR MORE INSTRUCTIONS.



18

PATENT(S) PENDING
<small>42235 397 01 6810660</small>

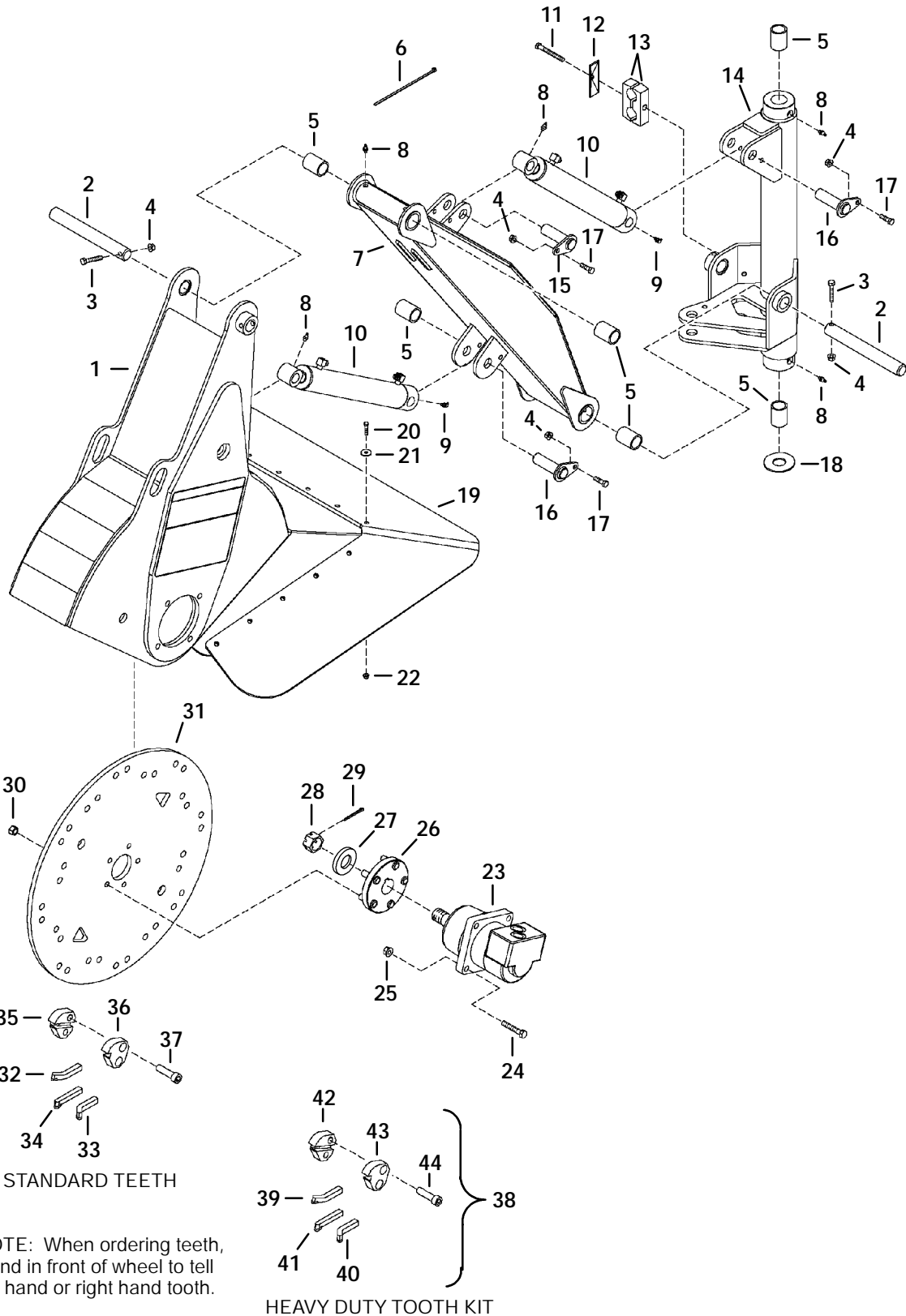
MS-1085

**MAIN FRAME (Cont'd)
SG60 Stump Grinder**

Ref. No.	Part Number	Description	Remarks	Serial Number	Qty.
1	6676429	PIN			1
2	17C-620	BOLT			1
3	55D-6	NUT			3
4	6676428	PIN	cylinder base end		1
5	17C-616	BOLT			6
6	6676533	SHIELD	side		1
7	17C-412	BOLT			8
8	6664090	WASHER			8
9	55D-4	NUT			8
10	6676427	PIN	cylinder rod end		1
11		CYLINDER	See Page 223		3
12	6676519	SCREEN	deflector		1
	6676518	ROD	screen		1
13	6676525	COVER	valve		1
14	6808208	DECAL	warning		2
15	6808209	DECAL	operating		1
16	6727323	DECAL	logo		2
17	6808043AR	KIT	translation - SEE NOTE		1
	6808043BR	KIT	translation - SEE NOTE		1
	6808044AR	KIT	decal - SEE NOTE		1
	6808044BR	KIT	decal - SEE NOTE		1
	6808044JP	KIT	decal - SEE NOTE		1
18	6810666	DECAL	patent		1

BOOM & CUTTING HEAD SG60 Stump Grinder

WARNING: DO NOT OPERATE WITH DAMAGED OR MISSING SCREENS, SHIELDS OR RUBBER DEFLECTORS



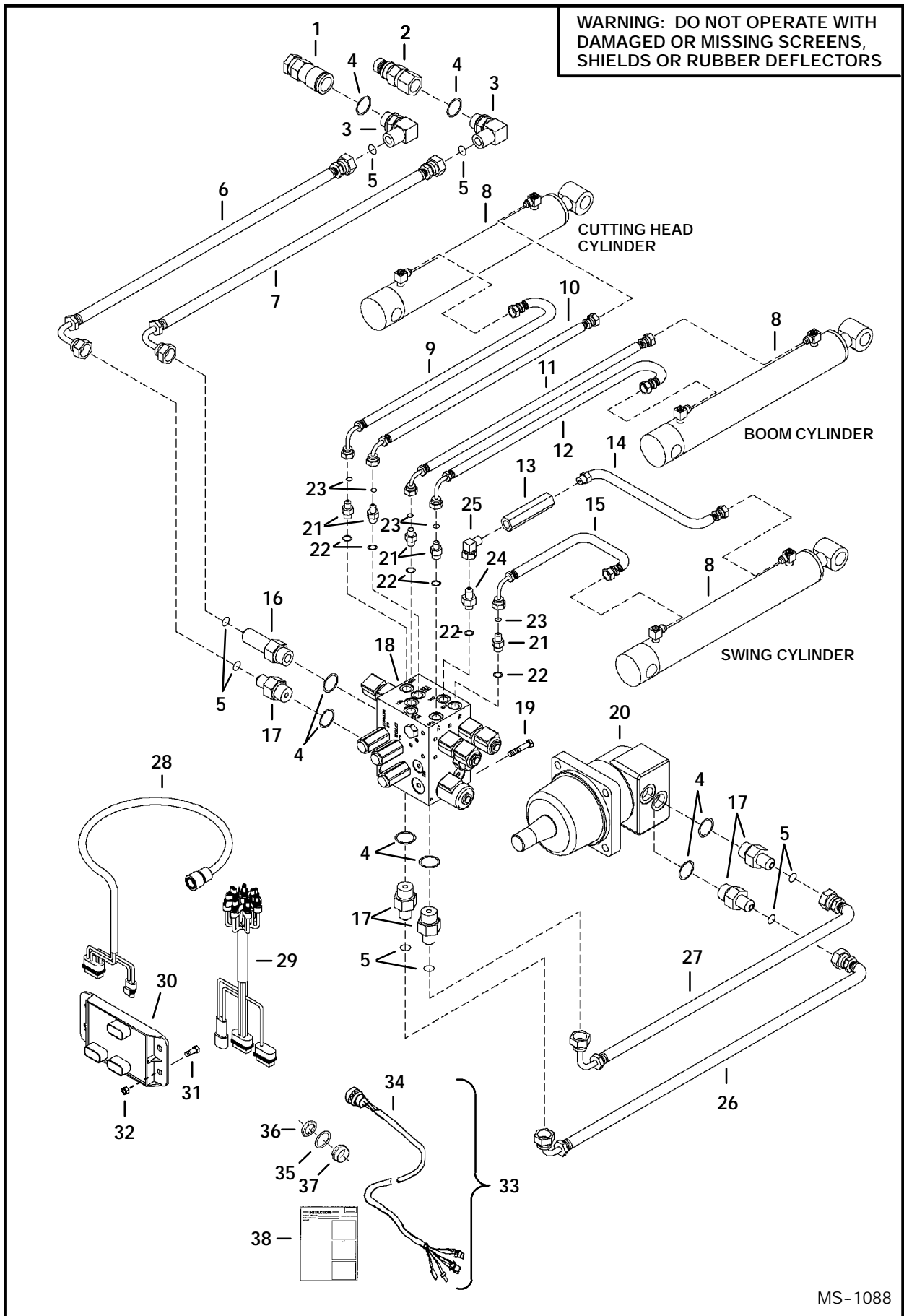
MS-1086

BOOM & CUTTING HEAD (Cont'd)
SG60 Stump Grinder

Ref. No.	Part Number	Description	Remarks	Serial Number	Qty.
1	6676523	CUTTING HEAD			1
2	6676517	PIN			2
3	17C-640	BOLT			2
4	55D-6	NUT			5
5	6676531	SLEEVE	bronze		6
6	6610510	STA-STRAP			12
7	6676521	BOOM			1
8	10H-35	GREASE ZERK			5
9	12H-25	GREASE ZERK			2
10		CYLINDER	See Page 223		3
11	17C-648	BOLT			2
12	6595356	PLATE			2
13	6595353	CLAMP			4
14	6676522	PIVOT			1
15	6676427	PIN			2
16	6676428	PIN			2
17	17C-616	BOLT			4
18	6676530	WASHER	bronze		1
19	6676532	SHIELD			1
20	17C-412	BOLT			15
21	6664090	WASHER			15
22	55D-4	NUT			15
23		MOTOR	See Page 219		1
24	17C-840	BOLT			4
25	55D-8	NUT			4
26	6676430	HUB			1
27	6676534	SPACER			1
28	6669430	NUT			1
29	1F-532	PIN			1
30	60D-8	NUT	Was 59D-8 [B]		5
31	6676520	WHEEL			1
32	6665293	TOOTH	L.H.		14
33	6665294	TOOTH	R.H.		14
34	6665295	TOOTH	center		4
35	6676529	POCKET	threaded		16
36	6676528	POCKET	countersunk		16
37	74G-1028	BOLT			32
38	NAP	KIT	heavy duty tooth - W/Ref. 39 - 44 - Installation instructions are included in the operator manual - Was 6809437 [A]		1
39	NAP	TOOTH	L.H. - H.D. - Was 6677134 [A]		14
40	NAP	TOOTH	R.H. - H.D. - Was 6677133 [A]		14
41	NAP	TOOTH	center - H.D. - Was 6677132 [A]		4
42	NAP	POCKET	threaded - H.D. - Was		
43	NAP	POCKET	6677130 [A] countersunk - H.D. - Was		16
			6677131 [A]		16
44	NAP	BOLT	heavy duty - Was 6677135 [A]		32

HYDRAULIC SYSTEM SG60 Stump Grinder

**WARNING: DO NOT OPERATE WITH
DAMAGED OR MISSING SCREENS,
SHIELDS OR RUBBER DEFLECTORS**

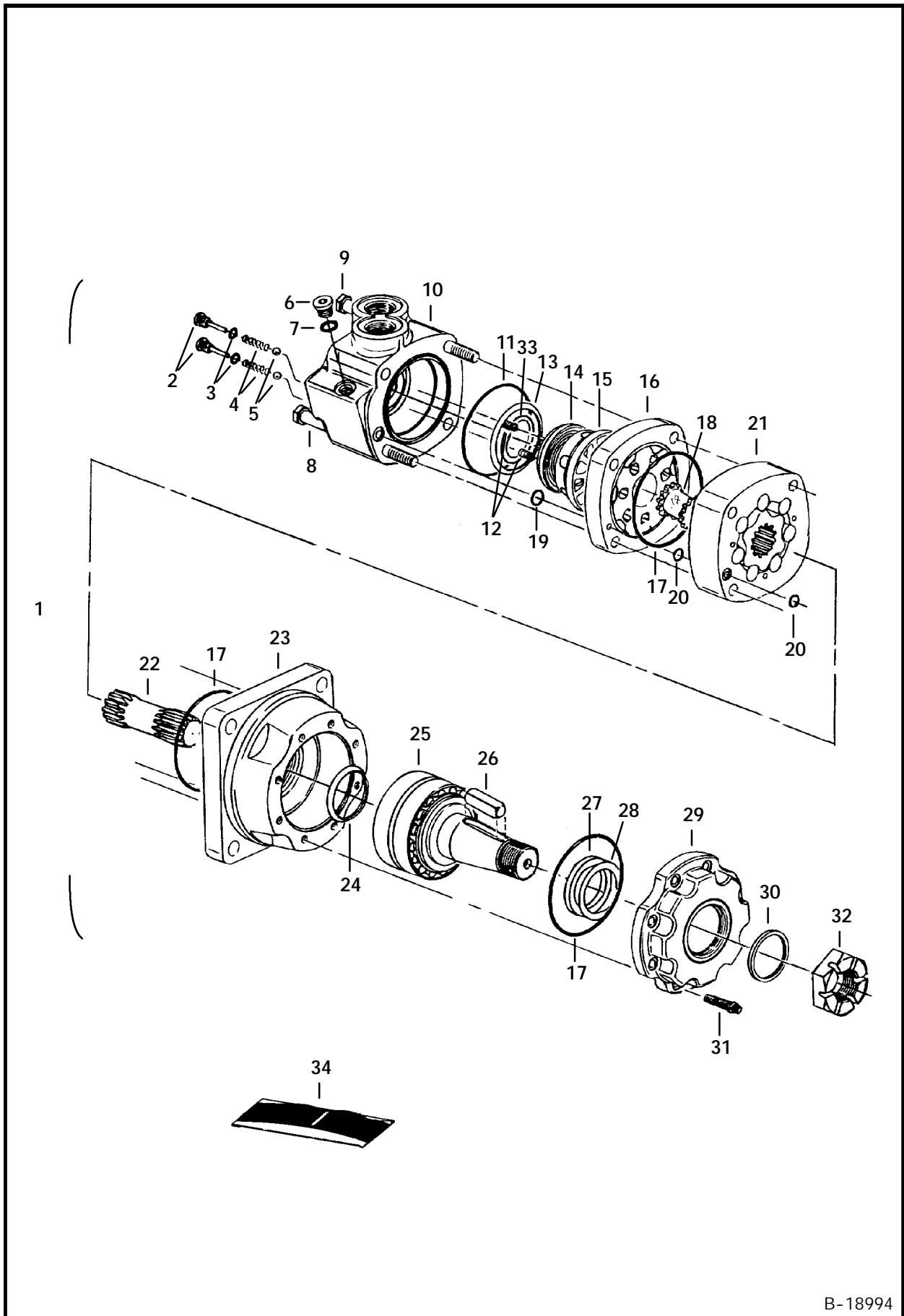


MS-1088

HYDRAULIC SYSTEM (Cont'd)
SG60 Stump Grinder

Ref. No.	Part Number	Description	Remarks	Serial Number	Qty.
1	6672960	QUICK COUPLER	female		1
2	6674688	QUICK COUPLER	male - Was 6667808 [A]		1
3	17KV-8	ELBOW			2
4	99K-12	O-RING			8
5	97K-12	O-RING			8
6	6676527	HOSE			1
7	6676228	HOSE			1
8		CYLINDER	See Page 223		3
9	6676232	HOSE			1
10	6676231	HOSE			1
11	6676233	HOSE			1
12	6676234	HOSE			1
13	NAP	VALVE	relief/check - order 6678037, 6678039 & 6678038 - Was 6676717 [A]	233000265 & Bel.	1
14	6678037	VALVE	relief/check	233000266 & Abv.	1
	6676229	HOSE		233000265 & Bel.	1
	6678039	HOSE		233000266 & Abv.	1
15	6676230	HOSE			1
16	16KN-8	ADAPTER			1
17	15KV-8	ADAPTER			5
18		VALVE	control - See Page 221		1
19	17C-632	BOLT			3
20		MOTOR	See Page 219		1
21	6804359	ADAPTER			5
22	99K-6	O-RING			6
23	97K-4	O-RING			5
24	6676715	ADAPTER			1
25	6676716	ELBOW		233000265 & Bel.	1
	6678038	ELBOW		233000266 & Abv.	1
26	6676526	HOSE			1
27	6676227	HOSE			1
28	6725385	HARNESS	7-pin		1
29	6719694	HARNESS	ACD to valve		1
30	6676514	CONTROLLER	Was 6674943 [A]		1
31	17C-616	BOLT			4
32	55D-6	NUT			4
33	6725383	KIT	14-pin harness conversion - converts 7-pin SG-60 to be used with 14-pin loader - W/Ref. 34 - 37		1
34	6719697	HARNESS	14-pin conversion		1
35	6664037	WASHER			1
36	6664036	NUT			1
37	6673680	RECEPTICAL			1
38	6901005	INSTRUCTIONS			1

HYDROSTATIC MOTOR SG60 Stump Grinder

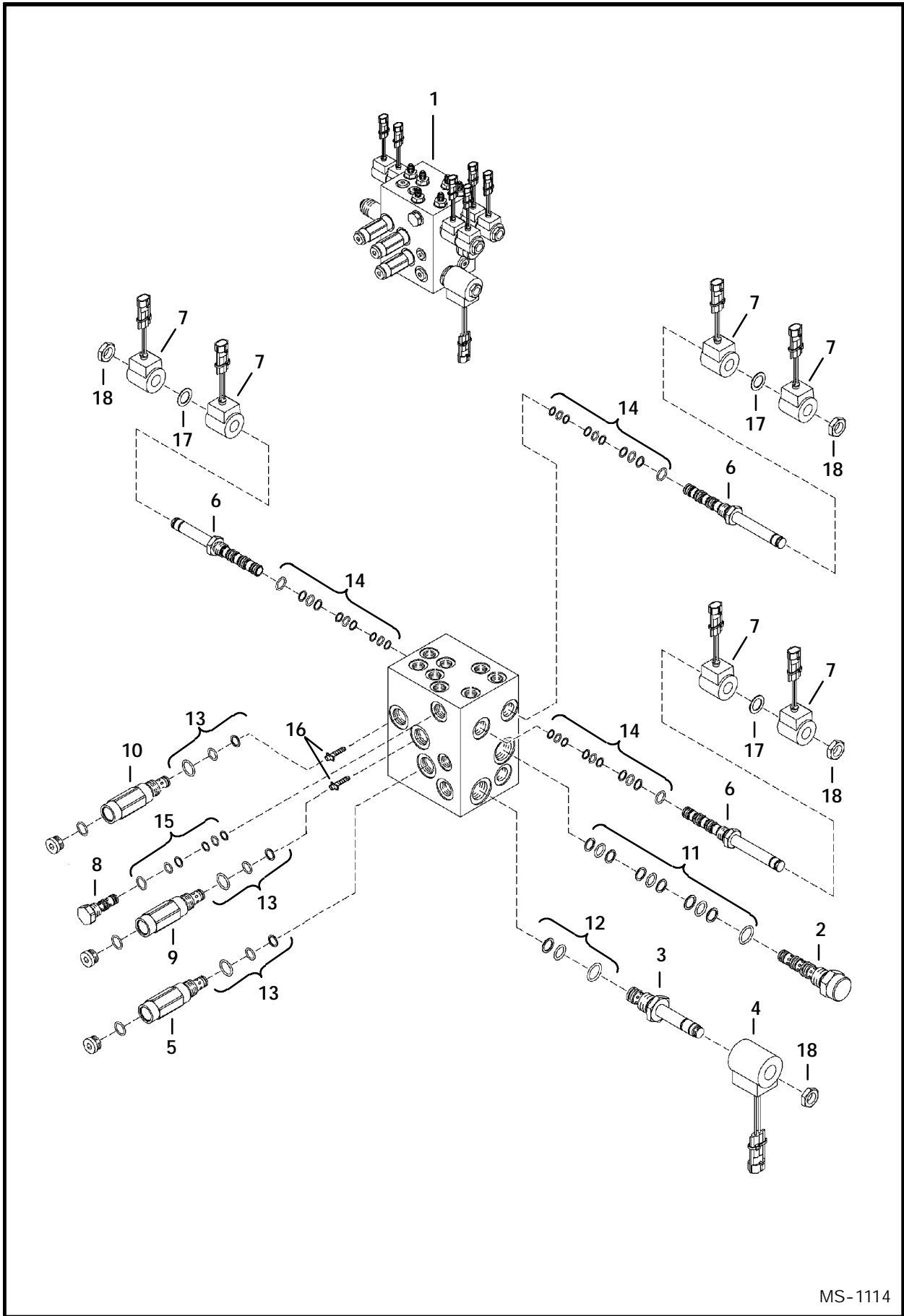


B-18994

HYDROSTATIC MOTOR (Cont'd)
SG60 Stump Grinder

Ref. No.	Part Number	Description	Remarks	Serial Number	Qty.
1	6675939	MOTOR	W/Ref. 2 - 32		1
2	1992107	PLUG	W/Ref. 3		2
3	1992109	O-RING			2
4	6190116	SPRING			2
5	10J-8	BALL			2
6	1992104	PLUG	W/Ref. 7		1
7	6664822	O-RING			1
8	6677145	BOLT			3
9	6632275	BOLT			1
10	6666945	HOUSING			1
11	6513537	O-RING			1
12	6190121	SPRING			2
13	6513530	SEAL	outer		1
14	6630042	PLATE	balancing		1
15	6513507	VALVE			1
16	6513505	PLATE			1
17	6666942	SEAL			3
18	6513506	DRIVE			1
19	25K-20010	O-RING			1
20	6667332	SEAL			2
21	6677144	GEROLER			1
22	6677143	DRIVE			1
23	6669424	HOUSING			1
24	6513529	SEAL			1
25	6669423	SHAFT ASSY			1
26	6669431	KEY			1
27	6666943	SEAL			1
28	6666939	RING	backup		1
29	6669425	RETAINER			1
30	6630796	SEAL			1
31	6666938	BOLT			8
32	6669430	NUT			1
33	6513531	SEAL	inner		1
34	6669432	SEAL KIT	W/Ref. 2, 6, 11, 13, 17, 19, 20, 27, 28 & 30		1

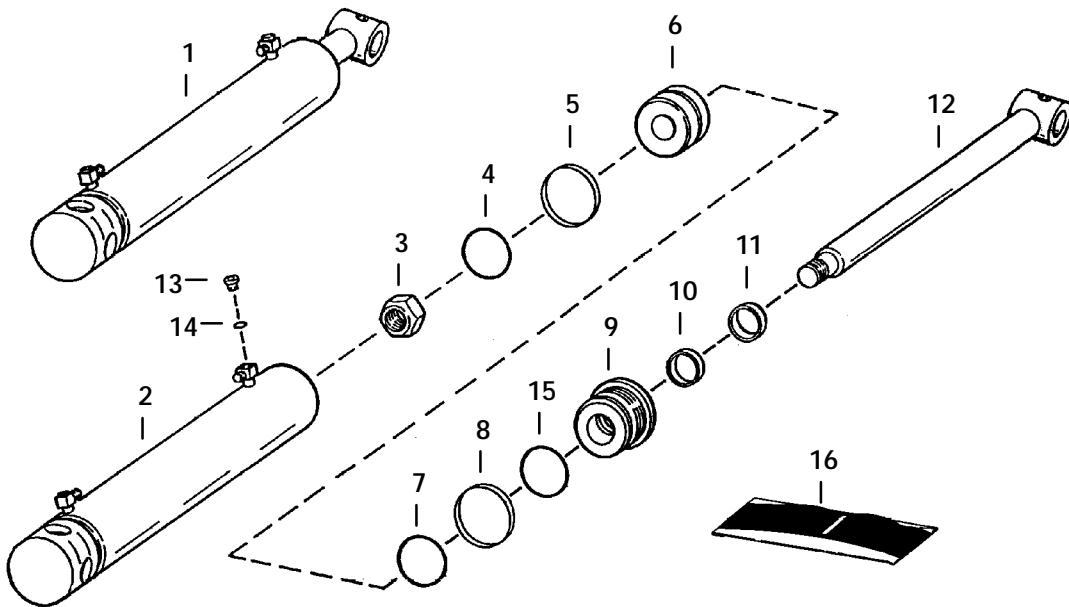
*CONTROL VALVE
SG-60 Stump Grinder



*CONTROL VALVE (Cont'd)
SG-60 Stump Grinder

Ref. No.	Part Number	Description	Remarks	Serial Number	Qty.
1*	6676226	VALVE ASSY	Ref. 2 - 18 compensating spool only		1
2*	6677351	ELEMENT			1
3*	6677352	SOLENOID			1
4*	6671026	COIL	coil only		1
5*	6677353	RELIEF VALVE	spool only		1
6*	6677153	SOLENOID			3
7*	6671025	COIL	coil only		6
8*	6677354	CHECK VALVE	pilot		1
9*	6677355	RELIEF VALVE			1
10*	6677356	RELIEF VALVE			1
11*	6667625	SEAL KIT			1
12*	6667626	SEAL KIT			1
13*	6672515	SEAL KIT			3
14*	6672756	SEAL KIT			3
15*	6677150	SEAL KIT			1
16*	6677357	PISTON	pilot		2
17*	6674445	SPACER			3
18*	7D-8	NUT			3

CYLINDER
SG60 Stump Grinder

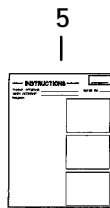
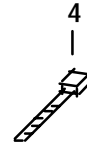
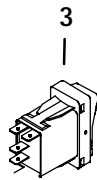
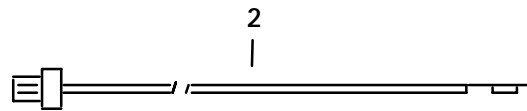


B-14357

CYLINDER (Cont'd)
SG60 Stump Grinder

Ref. No.	Part Number	Description	Remarks	Serial Number	Qty.
1	6810475	CYLINDER	W/Ref. 2 - 15 - Was 6807513 [A]		1
2	6807627	CASE			1
3	92D-10	NUT			1
4	54K-30118	O-RING			1
5	6516231	SEAL			1
6	6586693	PISTON			1
7	54K-40124	O-RING			1
8	73K-224	WASHER	back-up		1
9	6538595	HEAD			1
10	6667323	SEAL			1
11	6666542	SEAL			1
12	6810476	ROD	Was 6807626 [A]		1
13	90KV-2	PLUG			2
14	95K-3	O-RING			2
15	58K-136	O-RING			1
16	6803474	SEAL KIT	Ref. 3-5, 7, 8, 10, 11 & 15		1

HARNESS KIT FOR F-SERIES SG60 Stump Grinder



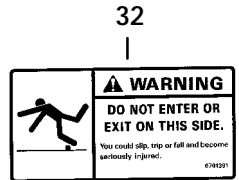
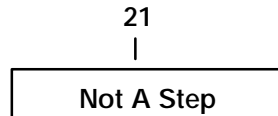
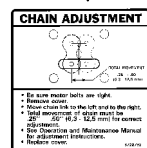
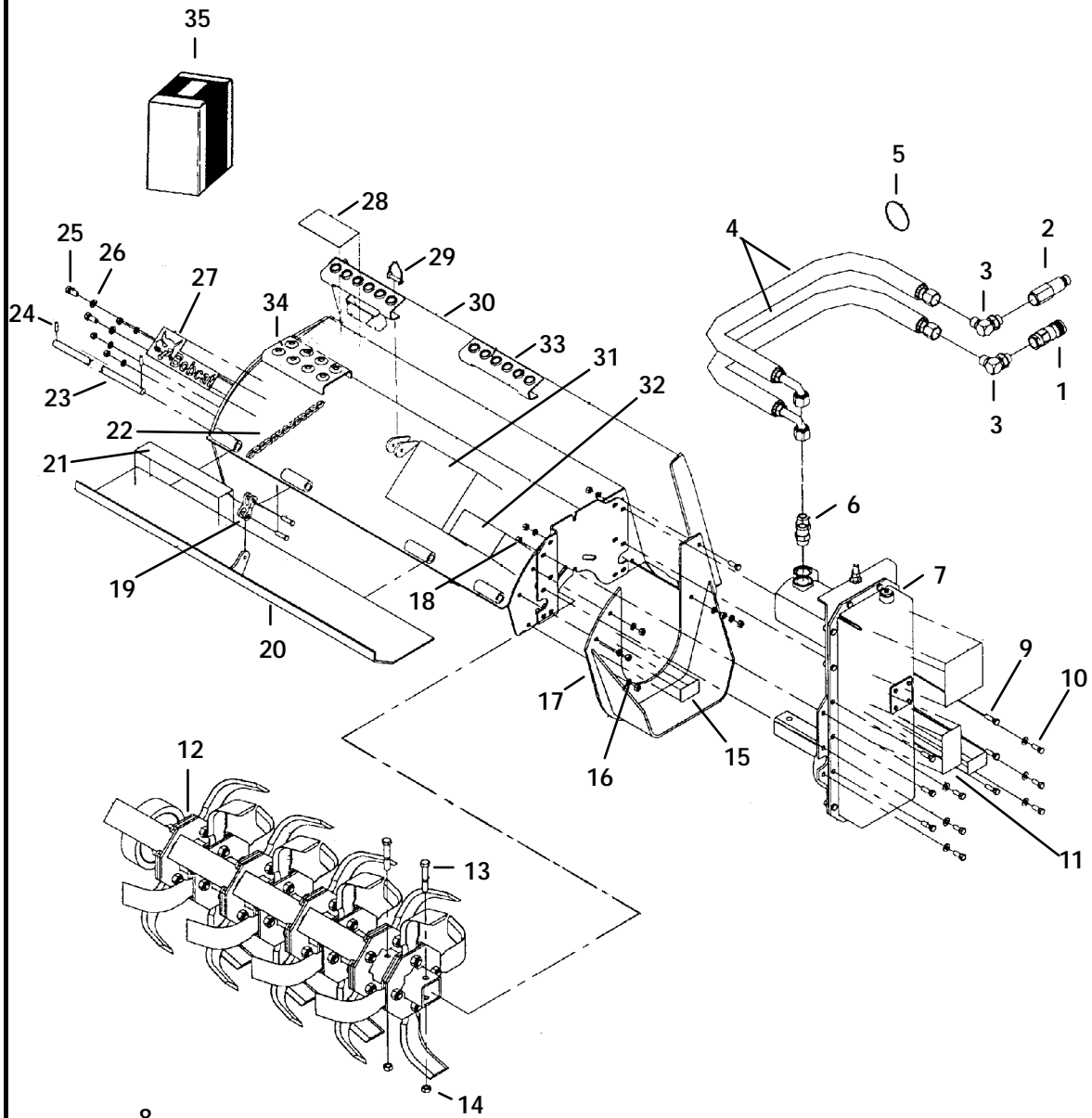
B-20054

HARNESS KIT FOR F-SERIES (Cont'd)
SG60 Stump Grinder

Ref. No.	Part Number	Description	Remarks	Serial Number	Qty.
1	6732873	KIT	F-series SG60 - W/Ref. 2-5		1
2	6732872	HARNESS			1
3	6679918	SWITCH			1
4	6624289	NYLON TIE			5
5	6901835	INSTRUCTIONS			1

MAIN FRAME (38" (965mm) Tiller - 463 & 500 Series)

NOTE: AR = Spanish (Argentina)
BR = Portuguese (Brazil)
JP = Japanese
Translation Kit includes Safety Manual,
Operators Manual and Decal Kit.

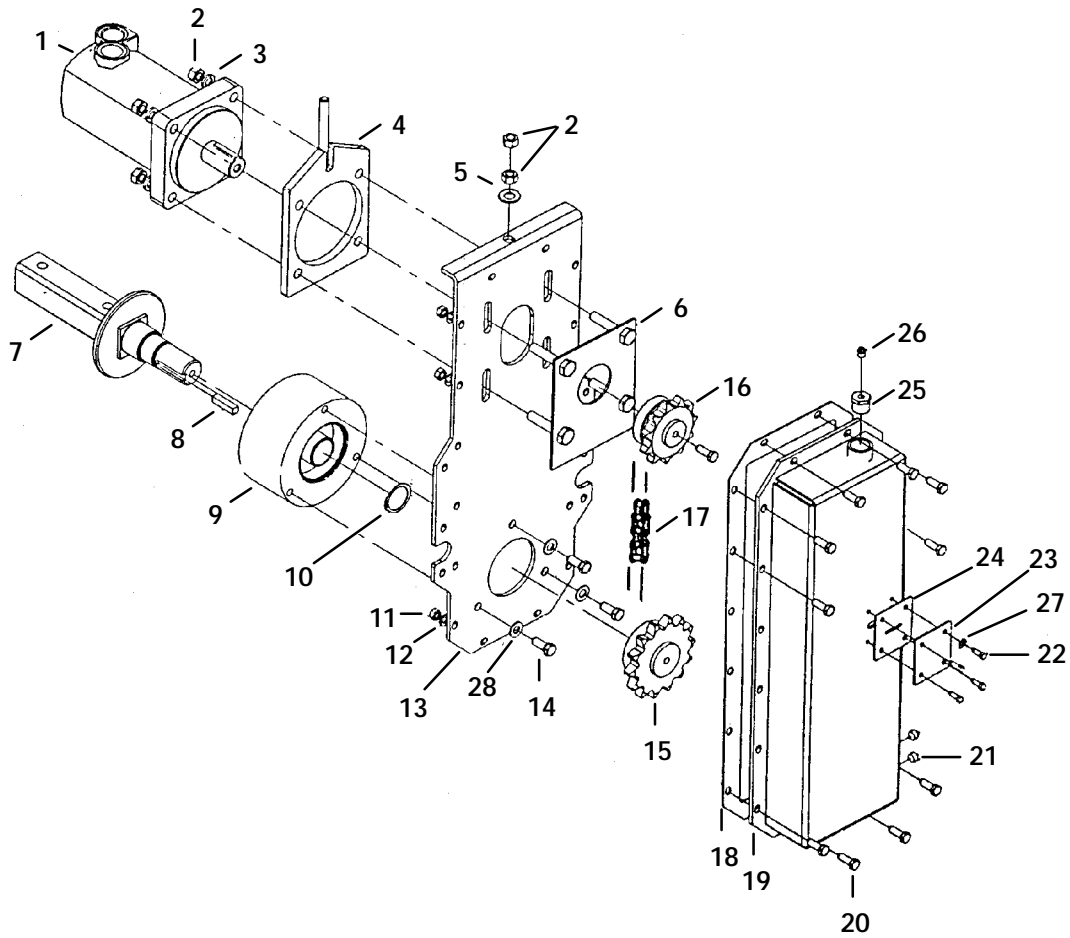


B-18995

MAIN FRAME (Cont'd)
(38" (965mm) Tiller - 463 & 500 Series)

Ref. No.	Part Number	Description	Remarks	Serial Number	Qty.
1	6672960	QUICK COUPLER	female		1
2	6674688	QUICK COUPLER	male		1
3	17KV-8	ELBOW			2
4	6906617	HOSE			2
5	6674414	NYLON TIE			3
6	15KV-8	ADAPTER			2
7		CHAINCASE ASSY	See Page 229		1
8	6722792	DECAL	chain		1
9	17C-620	BOLT			6
10	17C-616	BOLT			12
11	6722793	DECAL	warning		1
12		TINE ASSY	See Page 231		1
13	17C-848	BOLT			2
14	87D-8	NUT			2
15	6657354	DECAL	guards warning		2
16	4E-6	WASHER			14
17	6906495	MOUNT		614400174 & Bel	1
	6906887	MOUNT		614400175 & Abv	1
18	61D-6	NUT			20
19	6664535	LINK			1
20	6906185	DOOR			1
21	6657351	DECAL	step		1
22	6906608	CHAIN			1
23	6906240	HINGE ROD			1
24	14J-2520	ROLL PIN			2
25	17C-716	BOLT			3
26	4E-7	WASHER			3
27	6727324	DECAL	bobcat		1
28	6594488	DECAL	exit		1
29	6669054	CLEVIS PIN			1
30	6906191	MAIN FRAME			1
31	6708822	DECAL	warning		1
32	6701391	DECAL	exit		1
33	6905263	STEP			2
34	6905990	STEP			1
35	6906609AR	KIT	translation - SEE NOTE		1
	6906609BR	KIT	translation - SEE NOTE		1
	6716954AR	KIT	decal - SEE NOTE		1
	6716954BR	KIT	decal - SEE NOTE		1
	6716954JP	KIT	decal - SEE NOTE		1

CHAINCASE
(38" (965mm) Tiller - 463 & 500 Series)

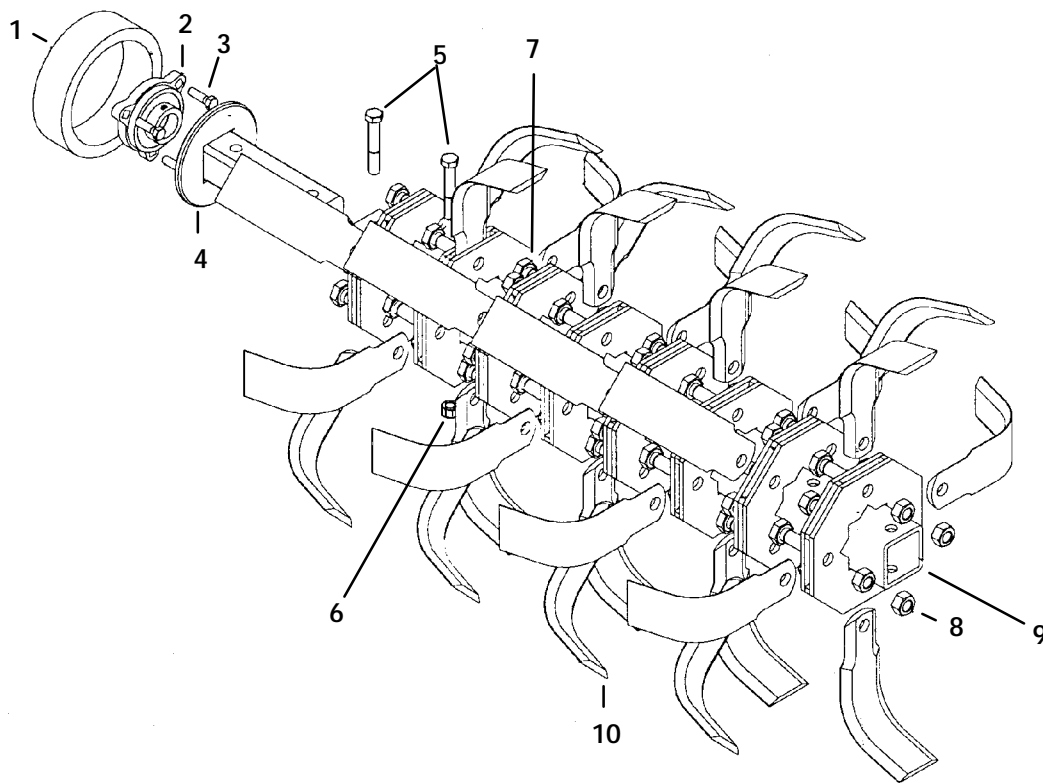


B-18996

CHAINCASE (Cont'd)
(38" (965mm) Tiller - 463 & 500 Series)

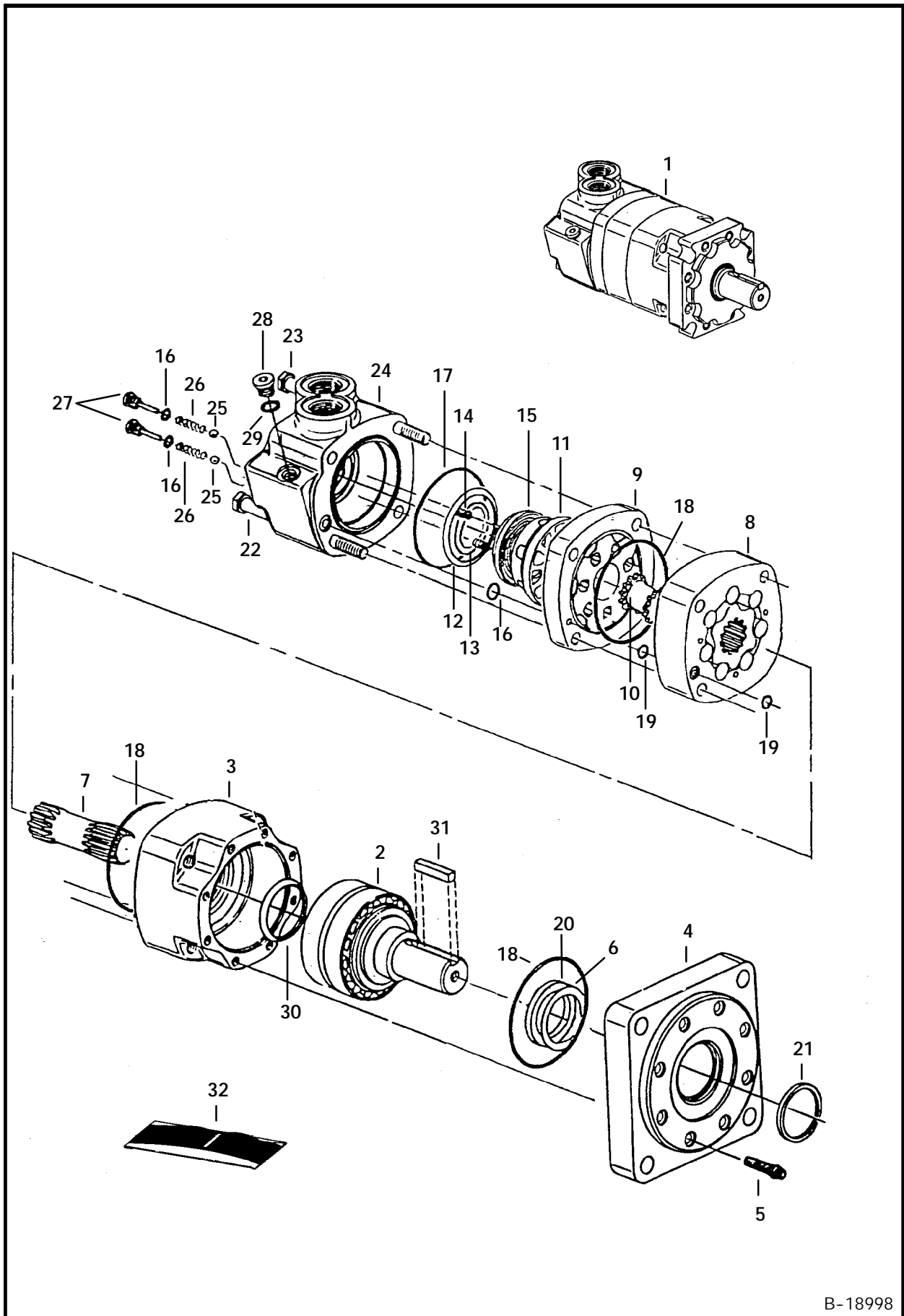
Ref. No.	Part Number	Description	Remarks	Serial Number	Qty.
1	6677431	MOTOR	See Page 233		1
2	61D-8	NUT			6
3	4E-8	WASHER			4
4	6664505	PLATE	chain adjustment		1
5	25E-21	WASHER			1
6	6664506	PLATE	motor bolt		1
7	6664496	SHAFT			1
8	7J-5108	KEY			1
9	6664497	SEAL			2
	6664498	BEARING			1
	6664499	HOUSING			1
10	6665241	SNAP RING			1
11	61D-6	NUT			10
12	4E-6	WASHER			10
13	6664510	MOUNT			1
14	17C-716	BOLT			3
15	6664502	SPROCKET	driven - 14 tooth		1
16	6906380	SPROCKET	drive - 11 tooth		1
17	6670845	DRIVE CHAIN			1
	6510171	CONNECTOR LINK			1
	6667186	OFFSET LINK			1
18	6664503	GASKET			1
19	6664509	COVER			1
20	17C-616	BOLT			11
21	6664508	PLUG			2
22	17C-408	BOLT			4
23	6665096	PLATE			1
24	6665095	GASKET			1
25	6677392	REDUCER			1
26	6677391	RELIEF VALVE			1
27	23E-4	WASHER			4
28	4E-7	WASHER			3

TINE & SHAFT ASSY
(38" (965mm) Tiller - 463 & 500 Series)



B-18997

HYDROSTATIC MOTOR
(38" (965mm) Tiller - 463 & 500 Series)

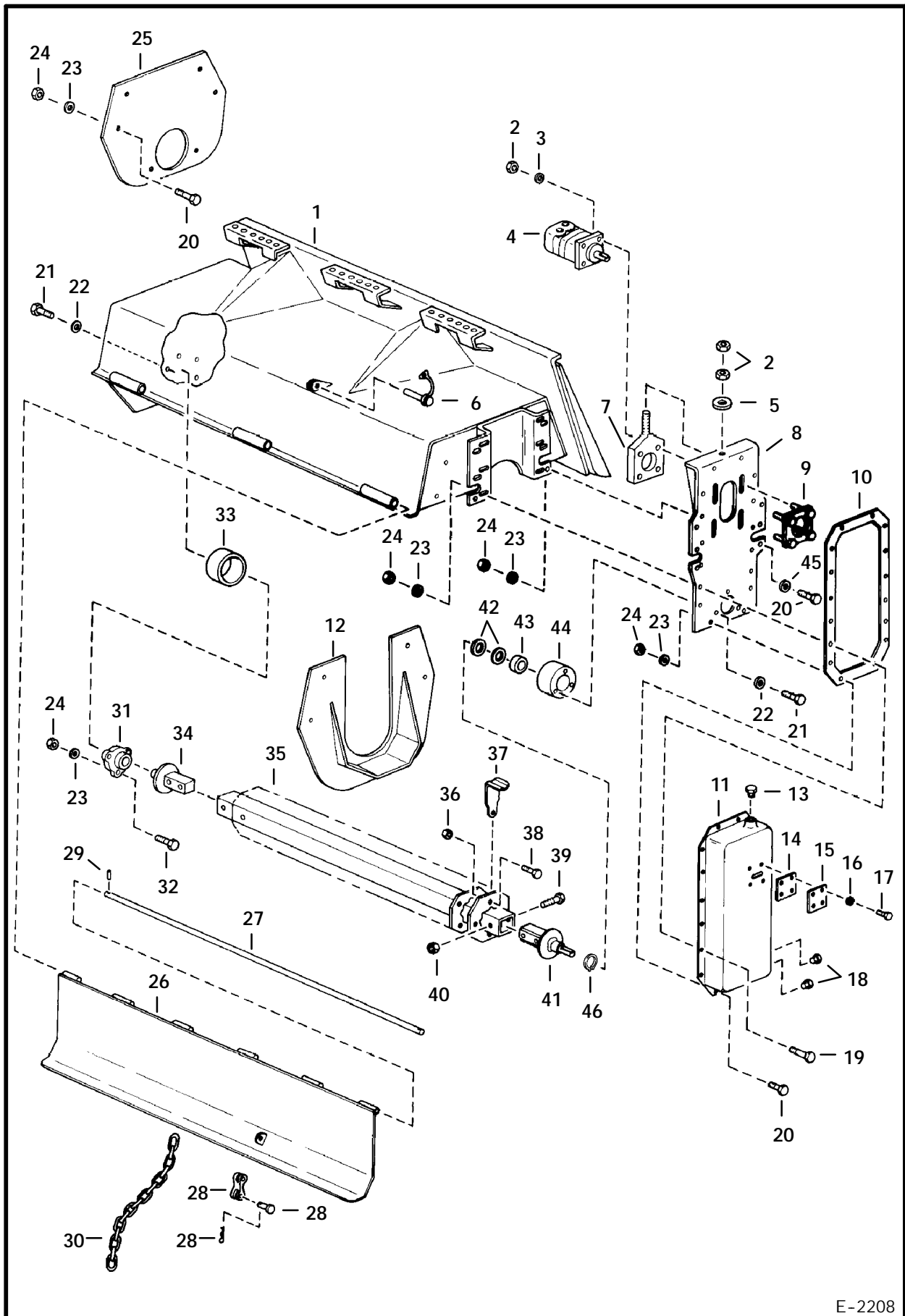


B-18998

HYDROSTATIC MOTOR. (Cont'd)
(38" (965mm) Tiller - 463 & 500 Series)

Ref. No.	Part Number	Description	Remarks	Serial Number	Qty.
1	6677431	MOTOR	Ref. 2 - 31		1
2	6678243	SHAFT			1
3	6666936	HOUSING			1
4	6678244	FLANGE			1
5	6678245	BOLT			8
6	6666939	RING	Backup		1
7	6513513	DRIVE	Main		1
8	6678246	GEROLER			1
9	6513505	PLATE			1
10	6513506	DRIVE			1
11	6513507	VALVE			1
12	6513530	SEAL	Outer		1
13	6666941	SEAL	Inner		1
14	6190121	SPRING	Compression		2
15	6630042	PLATE			1
16	25K-20010	O-RING			3
17	6513537	O-RING			1
18	6666942	SEAL			3
19	6667332	SEAL			2
20	6666943	SEAL			1
21	6630796	SEAL			1
22	18C-782	BOLT			3
23	18C-792	BOLT			1
24	6666945	HOUSING			1
25	10J-8	BALL			2
26	6190116	SPRING			2
27	1992107	PLUG	Check - W/Ref. 16		2
28	1992104	PLUG	W/Ref. 29		1
29	6664822	O-RING			1
30	6513529	SEAL			1
31	6678247	KEY			1
32	6666926	SEAL KIT	Rear - W/Ref. 12, 13, 16-19 & 29		1
	6666928	SEAL KIT	Shaft - W/Ref. 6, 18, 20, 21 & 30		1

MAIN FRAME
(52"(1321mm) & 68"(1727mm) Tiller)

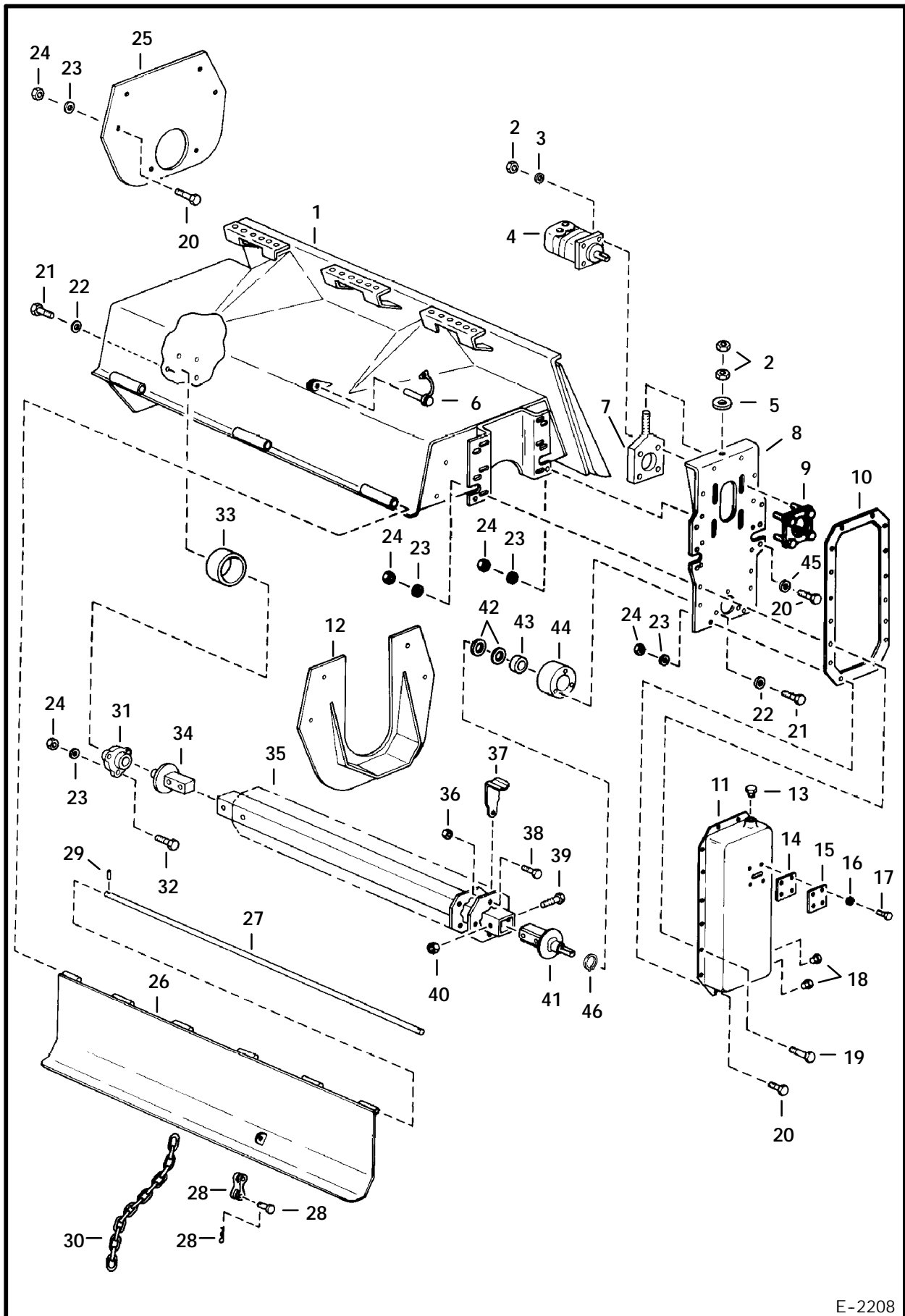


E-2208

MAIN FRAME (Cont'd)
(52"(1321mm) & 68"(1727mm) Tiller)

Ref. No.	Part Number	Description	Remarks	Serial Number	Qty.
1	6664512	MAIN FRAME	52"(1321mm)		1
	6675791	MAIN FRAME	68"(1727mm)		1
2	61D-8	NUT			6
3	23E-8	WASHER			4
4	6664504	MOTOR	See Page 243-245		1
5	25E-21	WASHER			1
6	6665094	CLEVIS PIN			1
7	6664505	PLATE	chain adjustment		1
8	6664510	MOUNT	hyd. motor		1
9	6664506	PLATE	motor bolt		1
10	6664503	GASKET			1
11	6664509	COVER			1
12	6664511	LEFT SHOE			1
13	6664507	PLUG			1
14	6665095	GASKET			1
15	6665096	PLATE			1
16	23E-4	WASHER			4
17	17C-408	BOLT			4
18	6664508	PLUG			2
19	17C-620	BOLT			6
20	17C-616	BOLT			28
21	17C-716	BOLT			6
22	23E-6	WASHER			6
23	4E-6	WASHER			33
24	61D-6	NUT			31
25	6664516	RIGHT SHOE			1
26	6664514	DOOR	52"(1321mm)		1
	6669205	DOOR	68"(1727mm)		1
27	6664515	DOOR HINGE	52"(1321mm)		1
	6669204	DOOR HINGE	68"(1727mm)		1
28	6664535	MID-LINK			1
29	14J-2520	ROLL PIN			2
30	6664513	CHAIN			1
31	6664492	BEARING			1
32	10C-616	BOLT			3
33	6664491	HOUSING			1
34	6664493	SHAFT	right end		1
35	6664494	TUBE	tine - 52"(1321mm)		1
	6669206	TUBE	tine - 68"(1727mm)		1
36	61D-10	NUT	52"(1321mm)		28
	61D-10	NUT	68"(1727mm)		36
37	6664495	TOOTH	tine - 52"(1321mm)		28
	6664495	TOOTH	tine - 68"(1727mm)		36
38	6664527	BOLT	tine - 52"(1321mm)		28
	6664527	BOLT	tine - 68"(1727mm)		36
39	17C-848	BOLT			4
40	59D-8	NUT			4
41	6664496	SHAFT	motor end		1
42	6664497	SEAL	bearing		2
43	6664498	BEARING			1
44	6664499	HOUSING	bearing		1

MAIN FRAME (Cont'd)
(52"(1321mm) & 68"(1727mm) Tiller)

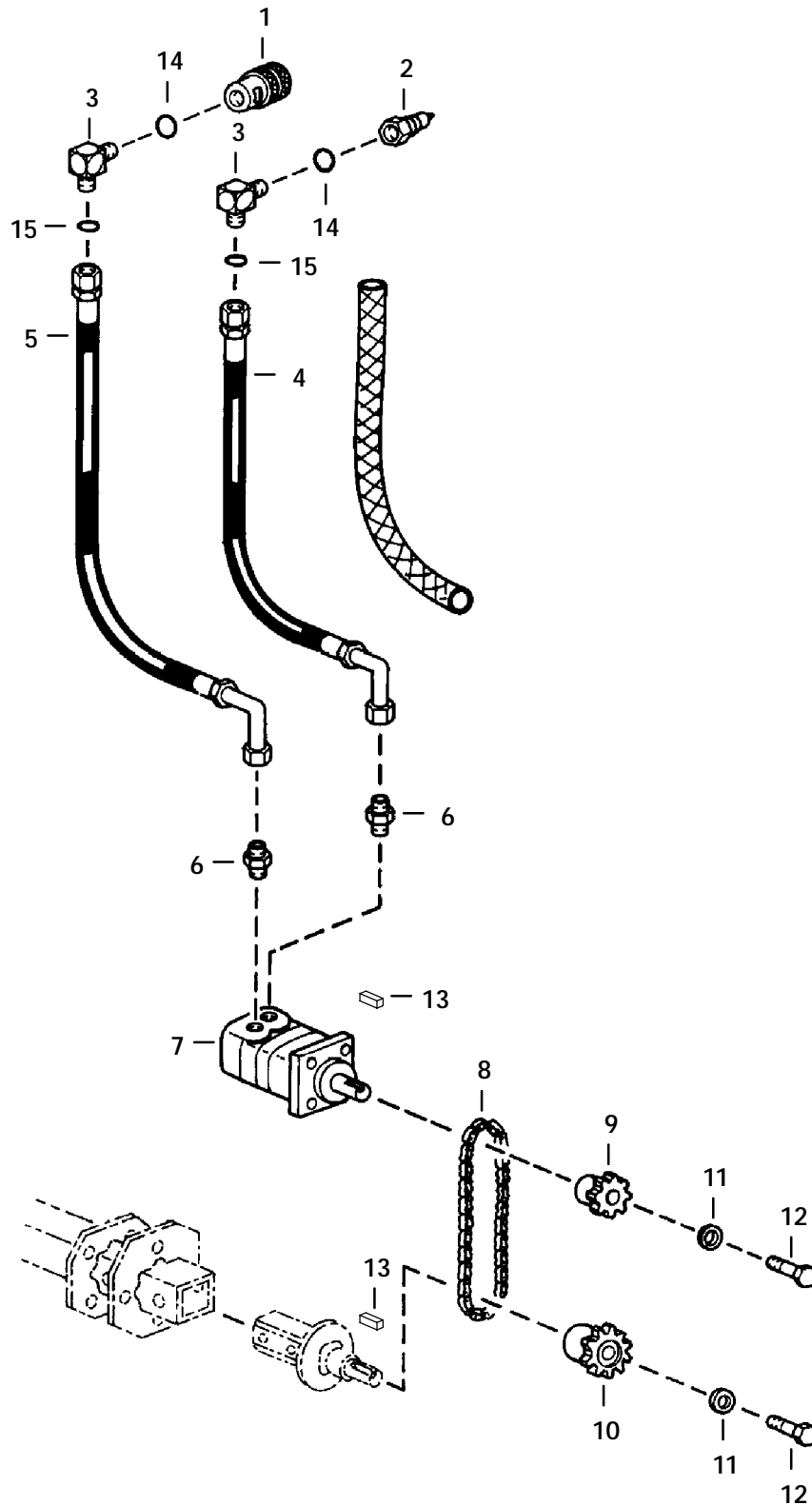


E-2208

MAIN FRAME (Cont'd)
(52"(1321mm) & 68"(1727mm) Tiller)

Ref. No.	Part Number	Description	Remarks	Serial Number	Qty.
45	25E-17	WASHER			6
46	6665241	SNAP RING			1

HYDRAULIC DRIVE SYSTEM
(52"(1321mm) & 68"(1727mm) Tiller)



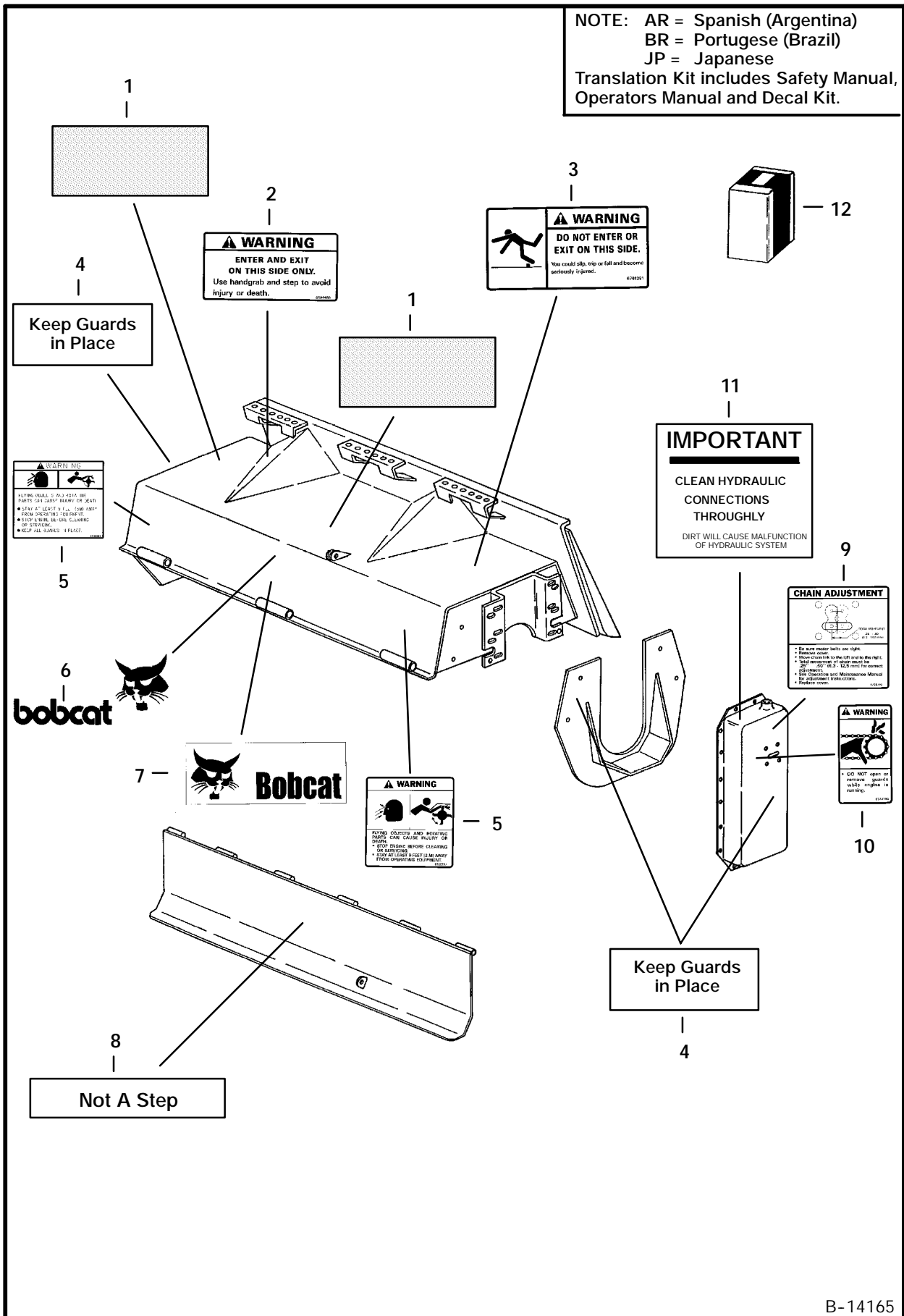
C-3348

HYDRAULIC DRIVE SYSTEM (Cont'd)
(52"(1321mm) & 68"(1727mm) Tiller)

Ref. No.	Part Number	Description	Remarks	Serial Number	Qty.
1	6598758	QUICK COUPLER	female - poppet		1
	6672960	QUICK COUPLER	female FF - Was 6667807 [A]		1
2	6598757	QUICK COUPLER	male - poppet		1
	6674688	QUICK COUPLER	male - FF - Was 6667808 [A]		1
	6672026	O-RING			1
3	6664525	ELBOW	used with poppet couplers		2
	17K-8	ELBOW	flat boss face - used with flush face couplers		2
	17KV-8	ELBOW	tapered boss face - used with flush face couplers		2
4	6664543	HOSE	use with poppet couplers		1
	6905455	HOSE	use with flush face couplers		1
5	6664523	HOSE	use with poppet couplers		1
	6905454	HOSE	use with flush face couplers		1
6	6664522	ADAPTER	use with poppet couplers		1
	6800566	ADAPTER	use with flush face couplers		1
7		MOTOR	See Page 243-245		1
8	6670845	DRIVE CHAIN	Was 6664501 [A]		1
	6510171	CONNECTOR LINK			1
	6667186	OFFSET LINK			1
9	6664500	SPROCKET	11 tooth		1
10	6664502	SPROCKET	14 tooth		1
11	4E-6	WASHER			2
12	17C-616	BOLT			2
13	7J-5108	KEY	Was 7J-5112 [B]		2
14	79K-10	O-RING	used with 6664525 elbow		2
	79K-12	O-RING	used with 17K-8 flat boss face coupler		2
	99K-12	O-RING	used with 17KV-8 tapered boss face coupler		2
15	97K-12	O-RING	for flared end		2

DECALS (52"(1321mm) & 68"(1727mm) Tiller)

NOTE: AR = Spanish (Argentina)
BR = Portuguese (Brazil)
JP = Japanese
Translation Kit includes Safety Manual,
Operators Manual and Decal Kit.

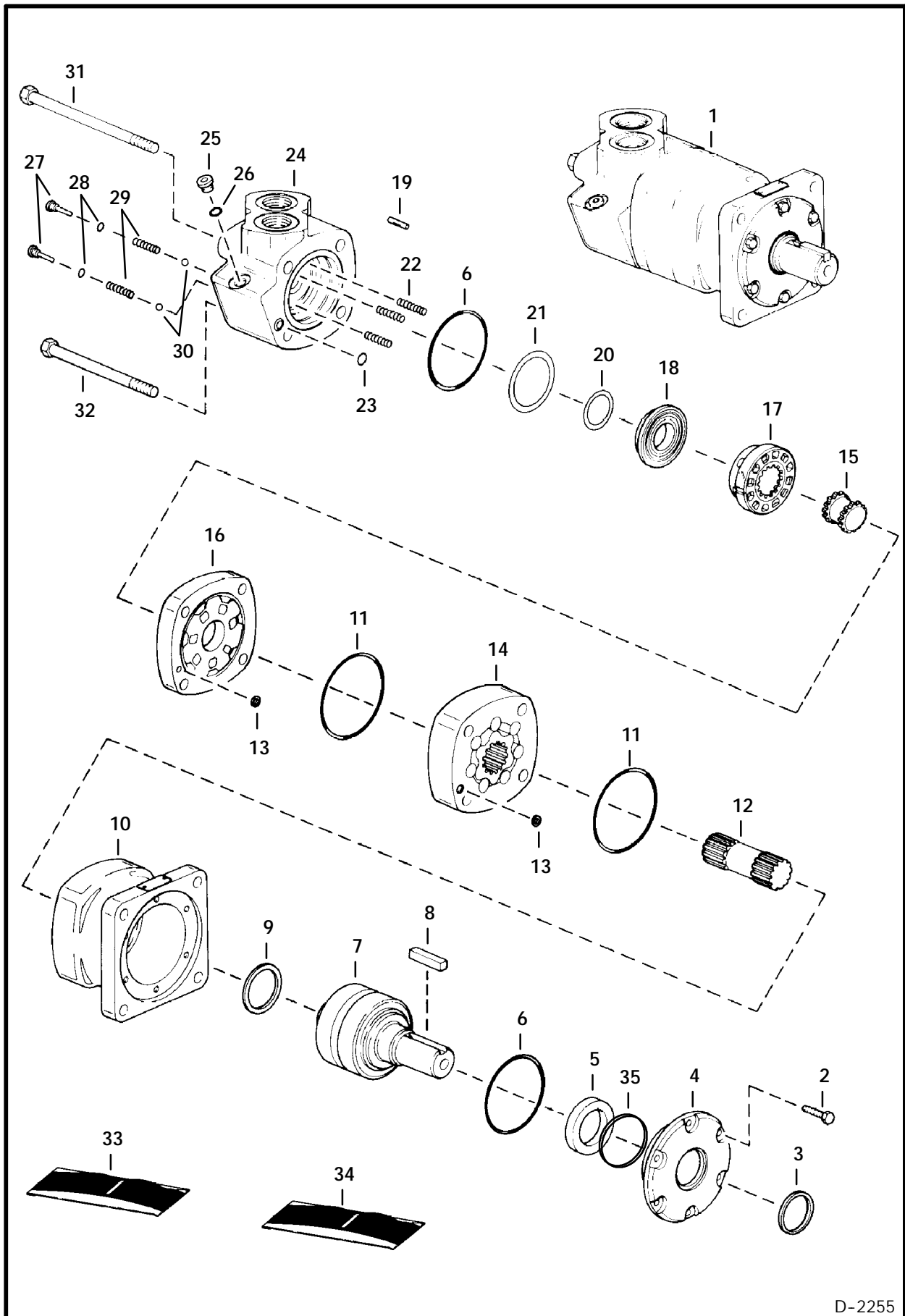


B-14165

DECALS (Cont'd)
(52"(1321mm) & 68"(1727mm) Tiller)

Ref. No.	Part Number	Description	Remarks	Serial Number	Qty.
1	6664517	SAFETY TREAD			2
2	6594488	DECAL	Enter/Exit		1
3	6701391	DECAL	Do Not Enter/Exit		1
4	6657354	DECAL	Keep Guards in Place		3
5	6708822	DECAL	Rotating Objects - Was 6722797 [A]		2
6	6567987	DECAL	Bobcat - L.H.		1
7	6727324	DECAL	Was 6714353 [A]		1
8	6657351	DECAL	Not a Step		1
9	6722792	DECAL	Chain Adjustment		1
10	6722793	DECAL	Do Not Remove Guards		1
11	6657349	DECAL	Clean Hyd. Connections		1
12	6716954AR	KIT	decal - SEE NOTE		1
	6716954BR	KIT	decal - SEE NOTE		1
	6716954JP	KIT	decal - SEE NOTE		1
	6716951AR	KIT	translation - SEE NOTE		1
	6716951BR	KIT	translation - SEE NOTE		1

HYDRAULIC MOTOR
(52"(1321mm) & 68"(1727mm) Tiller - Eaton 112-1067-005)

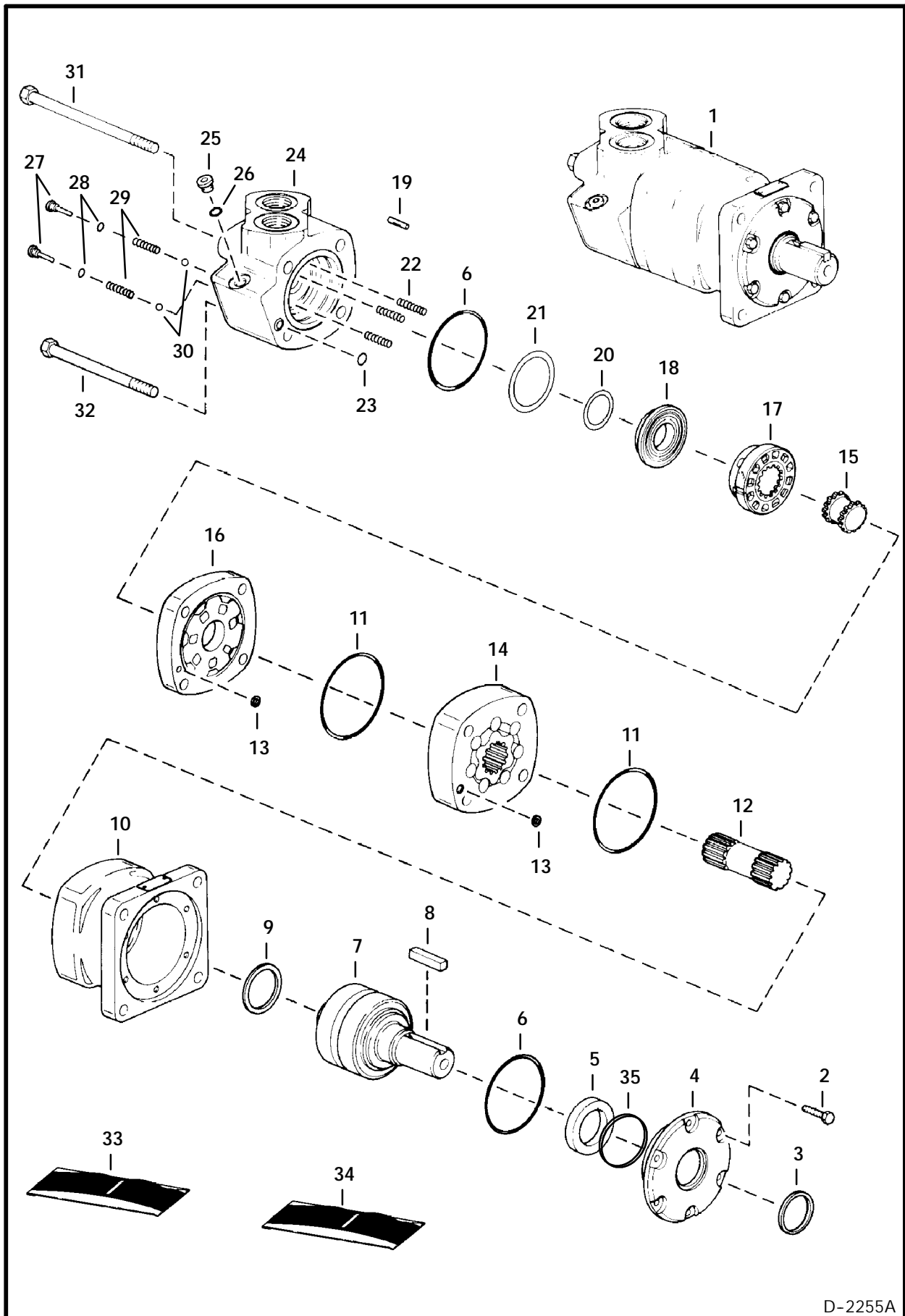


D-2255

HYDRAULIC MOTOR (Cont'd)
(52"(1321mm) & 68"(1727mm) Tiller - Eaton 112-1067-005)

Ref. No.	Part Number	Description	Remarks	Serial Number	Qty.
1	NAP	MOTOR	W/Ref. 2 - 32 - Order 6677388 - Was 6664504 [A]		1
2	6664809	SCREW			6
3	6664810	SEAL			1
4	6664811	RETAINER			1
5	NAP	SEAL	Order 6665556 & Ref. 35 - Was 6664812 [A]		1
6	6665556	SEAL			1
	6658756	SEAL			2
7	6664813	BEARING ASSY	W/Shaft		1
8	6664814	KEY			1
9	6664815	SEAL			1
10	6664816	HOUSING			1
11	6513524	SEAL			2
12	6659489	SHAFT	drive - Was 6664817 [A]		1
13	6632272	SEAL			2
14	6659491	GEROLER			1
15	6513518	VALVE	drive		1
16	6661809	PLATE	valve		1
17	6513519	VALVE			1
18	6664818	BALANCING RING			1
19	6664819	PIN	balancing ring		2
20	6513529	SEAL	inner		1
21	6513520	SEAL	outer		1
22	6190121	SPRING			3
23	25K-20010	O-RING			1
24	6664820	HOUSING			1
25	1992104	PLUG	W/Ref. 26		1
26	6664822	O-RING			1
27	1992107	CHECK PLUG	Assy. - W/Ref. 28		2
28	91F-6	O-RING			2
29	6190116	SPRING			2
30	10J-8	BALL			2
31	6659488	BOLT			2
32	6659487	BOLT			2
33	6664823	SEAL KIT	Rear - W/Ref. 6, 11, 13, 20, 21, 23, 26 & 28		1
34	6664824	SEAL KIT	Shaft - W/Ref. 3, 5, 6 & 9		1
35	6665557	BACKUP RING			1

HYDRAULIC MOTOR
(52"(1321mm) & 68"(1727mm) Tiller - Eaton 112-1067-006)

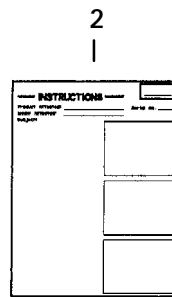
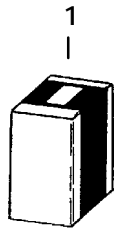


D-2255A

HYDRAULIC MOTOR (Cont'd)
(52"(1321mm) & 68"(1727mm) Tiller - Eaton 112-1067-006)

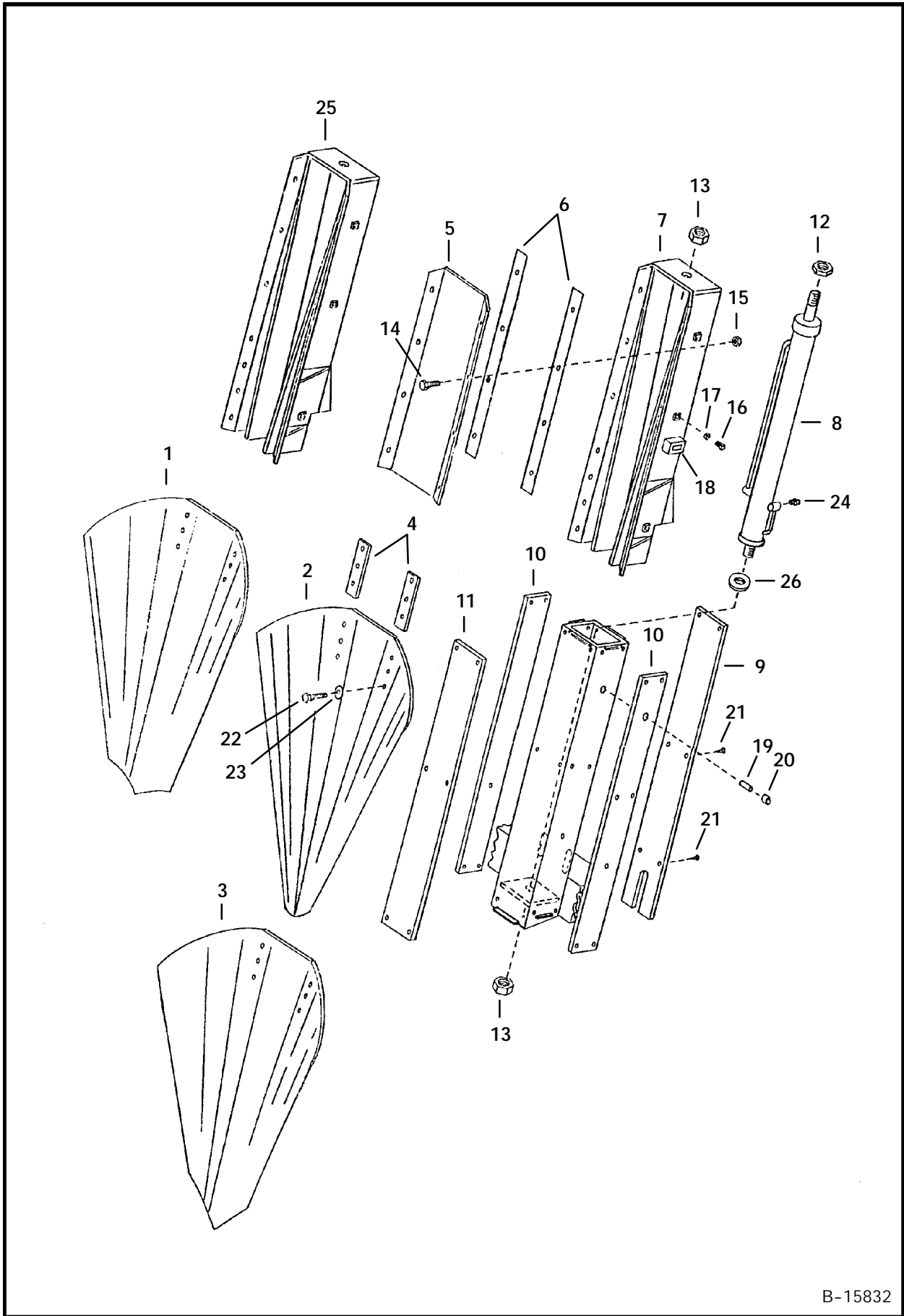
Ref. No.	Part Number	Description	Remarks	Serial Number	Qty.
1	6677388	MOTOR	W/Ref. 2 - 32		1
2	6664809	SCREW			6
3	6664810	SEAL			1
4	6677397	RETAINER			1
5	NAP	SEAL	Order 6665556 & Ref. 35 - Was 6664812 [A]		1
6	6665556	SEAL			1
7	6658756	SEAL			2
8	6677389	BEARING ASSY	W/Shaft		1
9	6664814	KEY			1
10	6664815	SEAL			1
11	6677396	HOUSING			1
12	6513524	SEAL			2
13	6659489	SHAFT	drive - Was 6664817 [A]		1
14	6632272	SEAL			2
15	6659491	GEROLER			1
16	6513518	VALVE	drive		1
17	6661809	PLATE	valve		1
18	6513519	VALVE			1
19	6664818	BALANCING RING			1
20	6664819	PIN	balancing ring		2
21	6513529	SEAL	inner		1
22	6513520	SEAL	outer		1
23	6190121	SPRING			3
24	25K-20010	O-RING			1
25	6664820	HOUSING			1
26	1992104	PLUG	W/Ref. 26		1
27	6664822	O-RING			1
28	1992107	CHECK PLUG	Assy. - W/Ref. 28		2
29	91F-6	O-RING			2
30	6190116	SPRING			2
31	10J-8	BALL			2
32	6659488	BOLT			2
33	6659487	BOLT			2
34	6664823	SEAL KIT	Rear - W/Ref. 6, 11, 13, 20, 21, 23, 26 & 28		1
35	6664824	SEAL KIT	Shaft - W/Ref. 3, 5, 6 & 9		1
	6665557	BACKUP RING			1

ATTACHMENTS PLUS KIT
Case 85XT Loader / Bobcat Tiller



B-18999

TREE SPADES
(Tower & Blades - 3 Blade Models)



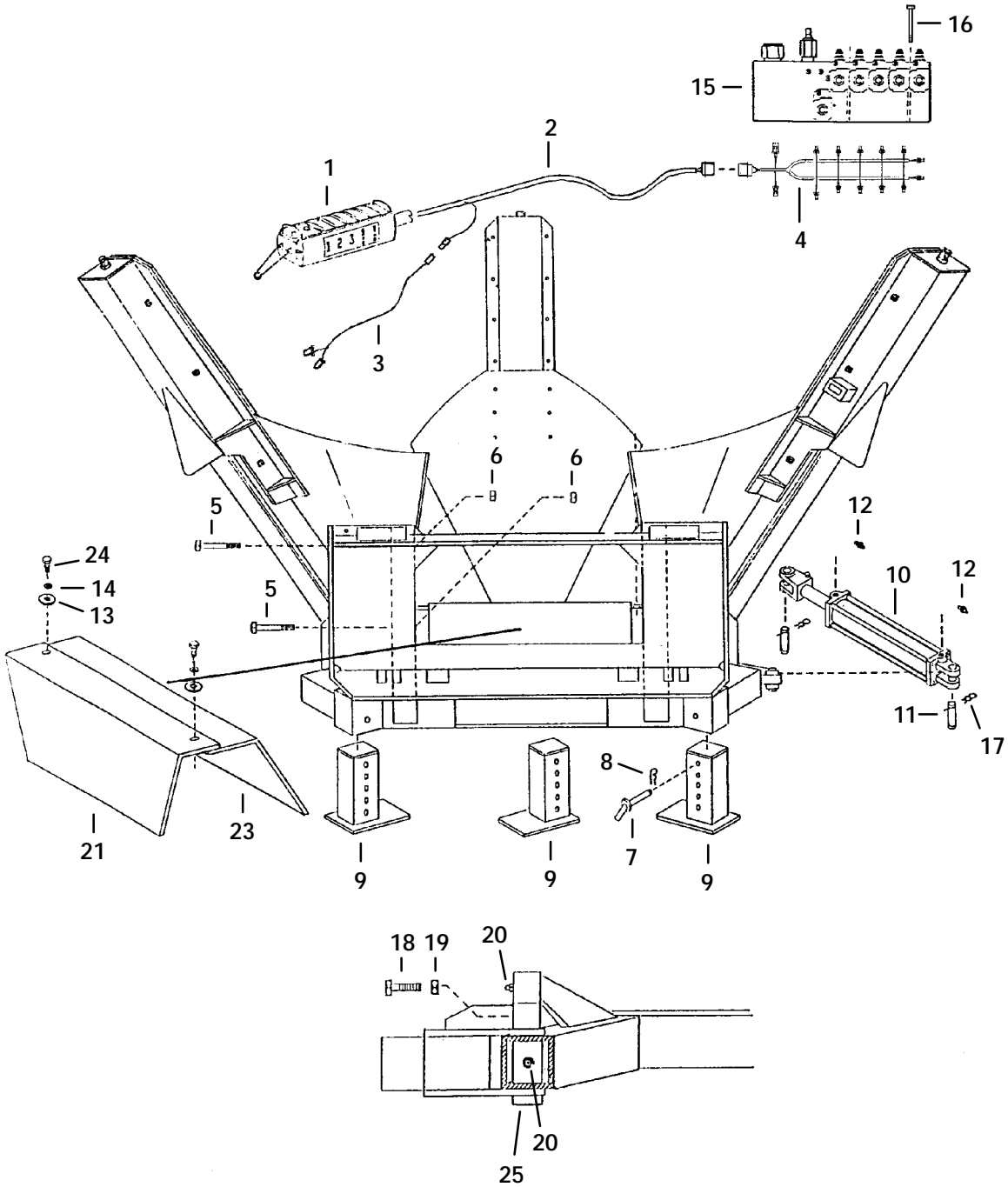
B-15832

TREE SPADES (Cont'd)
(Tower & Blades - 3 Blade Models)

Ref. No.	Part Number	Description	Remarks	Serial Number	Qty.
1	6725755	BLADE	30T - truncated		3
	6725756	BLADE	34T - truncated		3
2	6731978	BLADE	30C - coned - Was 6725758 [A]		3
	6731670	BLADE	34C-coned-std-Was 6725759 [A]		3
	6729621	BLADE	34C - coned - long		3
3	6729506	BLADE	30M - modified-Was 6725757 [A]		3
	6729511	BLADE	36M - modified-Was 6725760 [A]		3
4	6725763	SHIM			6
5	6725748	COVER	30T		3
	6725749	COVER	34T		3
	6725750	COVER	30C, 34C, 36M		3
6	6725752	SHIM	30T		12
	6725753	SHIM	34T		12
	6725754	SHIM	30C, 34C, 36M		12
7	6725718	SLIDE	30T		1
	6725720	SLIDE	34T		1
	6725722	SLIDE	30C, 34C, 36M		1
8	6725860	CYLINDER	30T - See Page 263		3
	6725861	CYLINDER	34T - See Page 263		3
	6725862	CYLINDER	30C, 34C, 36M - See Page 263		3
9	6733328	BACK SKID	30T - Was 6725768 [A]		3
	6733325	BACK SKID	34T - Was 6725769 [A]		3
	6733321	BACK SKID	30C, 34C, 36M - Was 6725770 [A]		3
10	6733329	SIDE SKID	30T - Was 6725773 [A]		6
	6733324	SIDE SKID	34T - Was 6725775 [A]		6
	6733318	SIDE SKID	30C, 34C, 36M - Was 6725777 [A]		6
11	6733327	FRONT SKID	30T - Was 6725764 [A]		3
	6733326	FRONT SKID	34T - Was 6725765 [A]		3
	6733322	FRONT SKID	30C, 34C, 36M - Was 6725766 [A]		3
12	7D-16	NUT			3
13	61D-16	NUT			6
14	17C-820	BOLT			24
15	61D-8	NUT			24
16	25G-824	SET SCREW			18
17	7D-8	NUT			18
18		COUNTER BOX	box only		1
	6675604	COUNTER			1
	6675605	SWITCH			1
19	6675606	MAGNET			1
20	6677515	INSULATOR			1
21	76G-412	SCREW	countersunk head		78
	6680159	SCREW	counterbore head		78
22	17C-820	BOLT			18
23	25E-22	WASHER			18
24	6676460	ADAPTER	pipe		6
25	6725717	SLIDE	30T		2
	6725719	SLIDE	34T		2
	6725721	SLIDE	30C, 34C, 36M		2
26	6727063	WASHER	rubber		3

TREE SPADES

(Frame & Harnesses - 3 Blade Models)

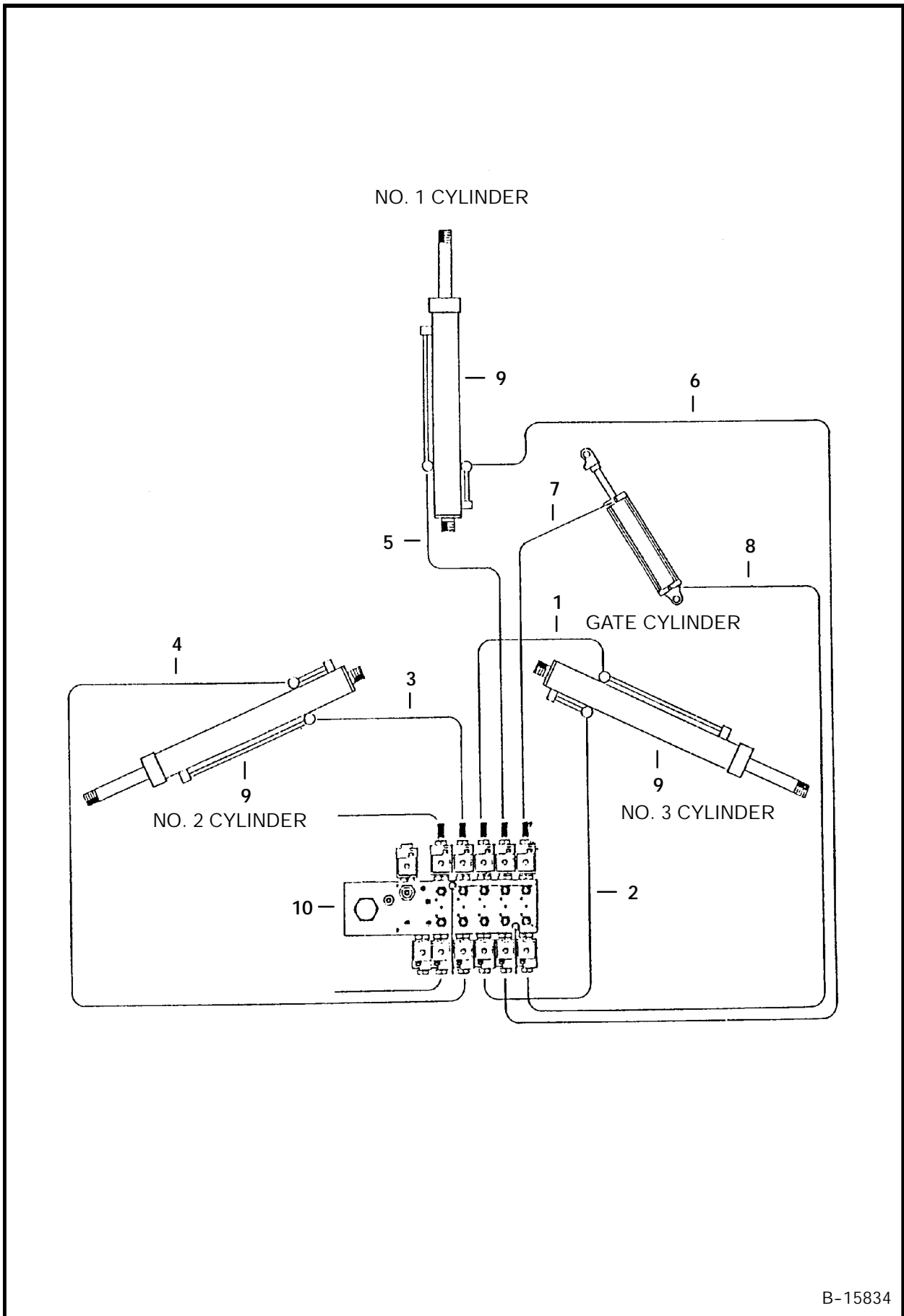


B-15833

TREE SPADES (Cont'd)
(Frame & Harnesses - 3 Blade Models)

Ref. No.	Part Number	Description	Remarks	Serial Number	Qty.
1	6675599	SWITCHBOX ASSY	Includes Ref. 2		1
	6675601	ROCKER SWITCH			5
2	6676548	HARNESS	To switchbox - harness only -		
3	6719823	HARNESS	Was 6675602 [A] 24" long - power from cab harness to tree spade harness		1
4	6675598	HARNESS	To valve - used with 6675554 valve on Page 255		1
	6726683	HARNESS	To valve - used with 6675998 valve on Page 257		1
5	17C-1264	BOLT			4
6	61D-12	NUT			4
7	6725798	PIN			3
8		PIN			3
9	6725794	LEG			3
10	6677385	CYLINDER	gate - see page 265		1
11	6677215	PIN			2
12	6676460	ADAPTER	pipe		2
13	25E-18	WASHER			2
14		WASHER			2
15		VALVE	Control - See Page 255 - 261		1
16		BOLT			2
17		PIN			4
18	17C-524	BOLT			1
19	61D-5	NUT			1
20		GREASE ZERK			2
21		COVER			1
22	6725780	MOUNT	Bobtach		1
23	6725791	COVER			1
24	17C-620	BOLT			3
25	6725778	PIN	gate hinge		1

TREE SPADES
(Hydraulic System - 3 Blade Models)



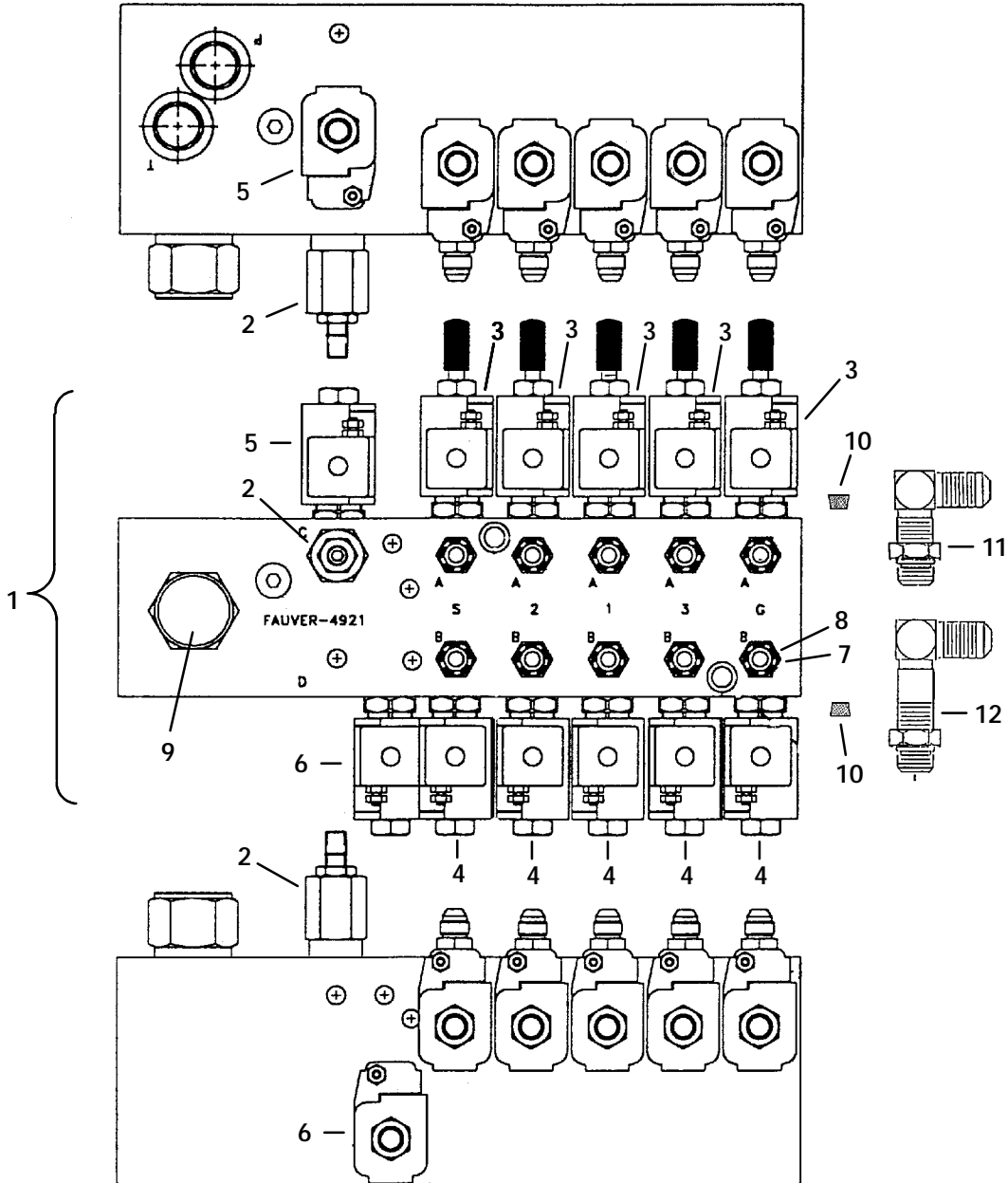
B-15834

TREE SPADES

(Control Valve - 3 Blade Models - Early Serial Numbers)

NOTE: THIS VALVE IS USED WITH THE FOLLOWING TREE SPADE SERIAL NUMBERS:

<u>MODEL</u>	<u>SERIAL NUMBERS</u>
TS30C	973000112 & Below
TS30M	973100106 & Below
TS30T	973200106 & Below
TS34C	973300113 & Below
TS34T	973400105 & Below
TS36M	973500120 & Below



B-15836

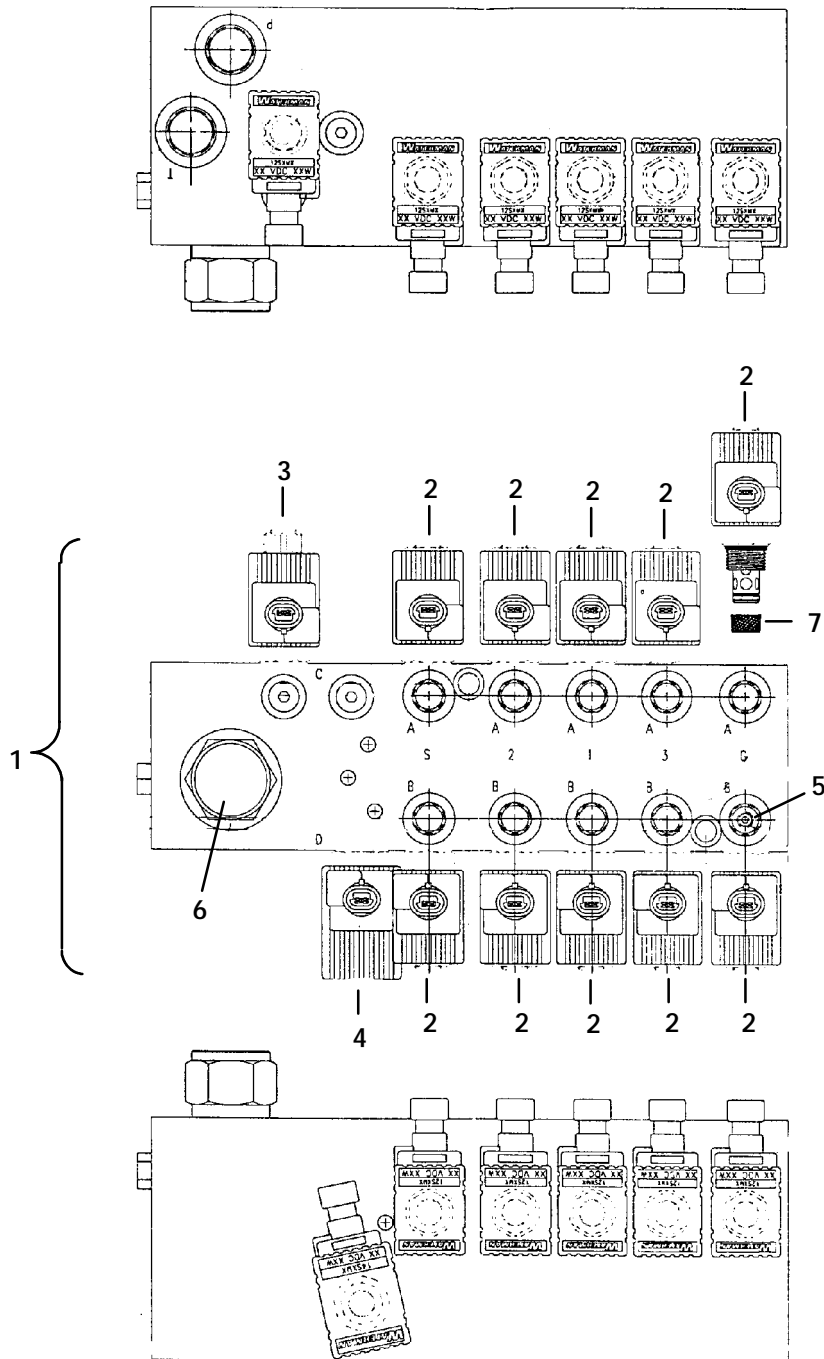
TREE SPADES (Cont'd)
(Control Valve - 3 Blade Models - Early Serial Numbers)

Ref. No.	Part Number	Description	Remarks	Serial Number	Qty.
1	NAP	VALVE ASSY	Order 6675998 valve & 6726683 harness - Was 6675554 [A]		1
2	6676449	RELIEF VALVE			1
3	6676476	SEAL KIT			1
	6676451	COIL			5
	6676453	SPOOL			5
4	6676477	SEAL KIT			5
	6676451	COIL			5
	6676452	SPOOL			5
5	6676477	SEAL KIT			5
	6676451	COIL			1
	6676454	SPOOL			1
6	6676477	SEAL KIT			1
	6676450	COIL			1
	6676455	SPOOL			1
7	6676478	SEAL KIT	.043		1
	6676457	ORIFICE			1
8	6676458	FITTING			1
9	6676459	VALVE	flow control		1
	6676479	SEAL KIT			1
10	6676456	SCREEN			10
11	17KN-5	ELBOW	short		5
12	6558510	ELBOW	long		5

TREE SPADES (Control Valve - 3 Blade Models)

NOTE: THIS VALVE IS USED WITH THE FOLLOWING TREE SPADE SERIAL NUMBERS:

<u>MODEL</u>	<u>SERIAL NUMBERS</u>
TS30C	973000113 & Above
TS30M	973100107 & Above
TS30T	973200107 & Above
TS34C	973300114 & Above
TS34T	973400106 & Above
TS36M	973500121 & Above

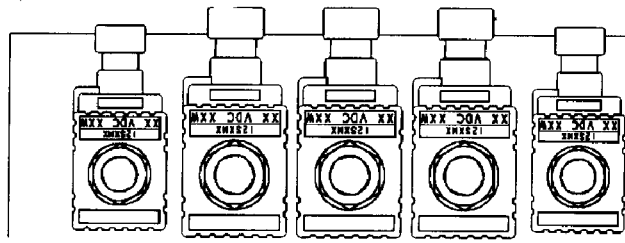
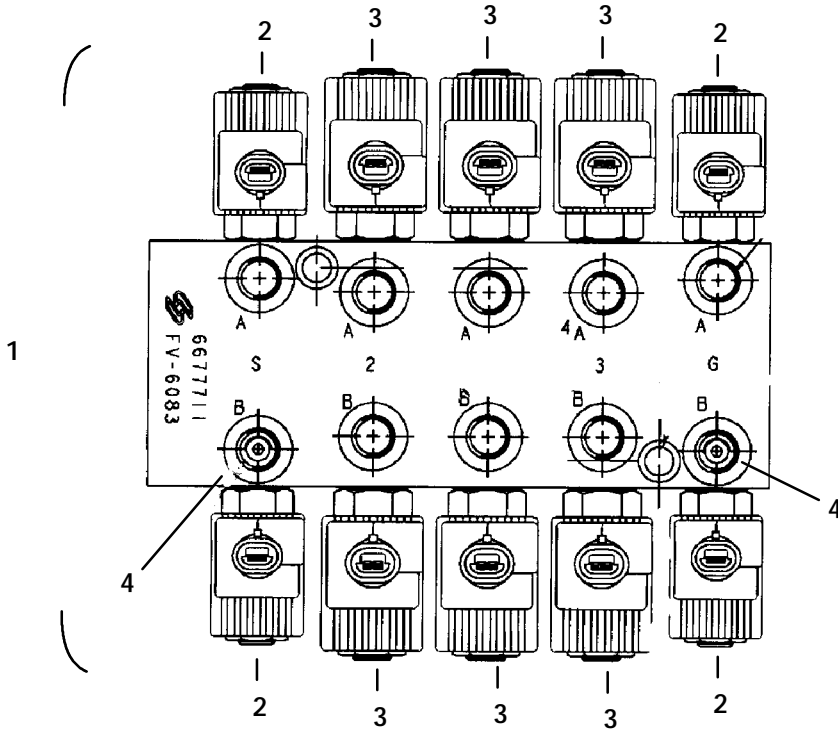
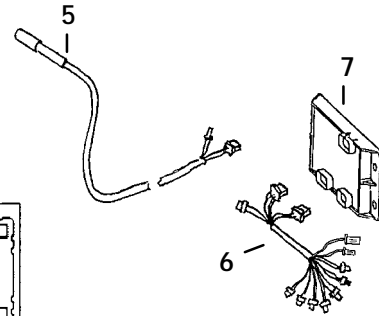
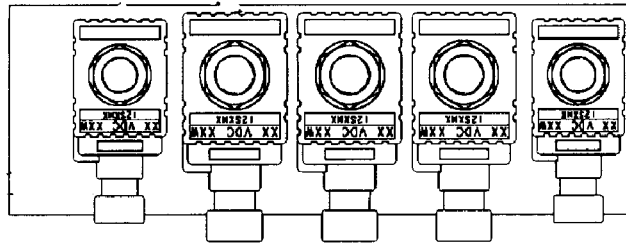


B-15837

TREE SPADE (Control Valve - 3 Blade Models - With Dedicated 7-Pin Control)

NOTE: This Valve is used with Tree Spades beginning with the following Serial Numbers:

<u>MODEL</u>	<u>SERIAL NUMBERS</u>
TS30C	944611001
TS30M	944711001
TS30T	944811001
TS34C	944911001
TS34T	945011001
TS36M	945111001

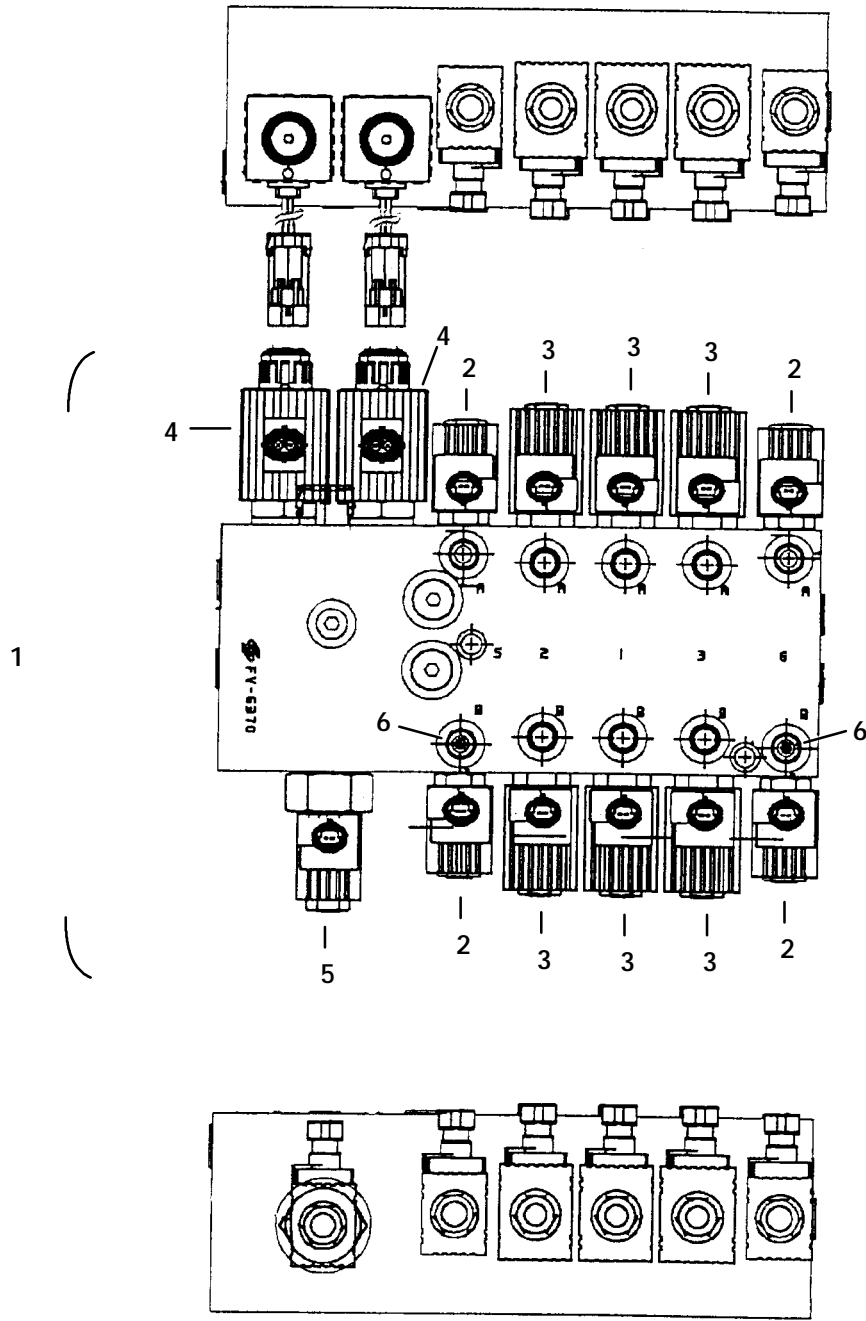
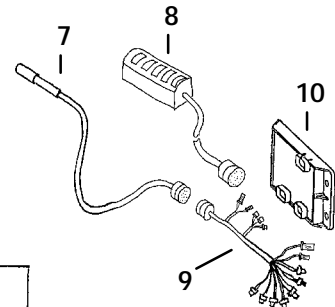


B-20011

TREE SPADE (Control Valve - 3 Blade Models - With Convertible Control)

NOTE: This Valve is used with Tree Spades beginning with the following Serial Numbers:

<u>MODEL</u>	<u>SERIAL NUMBERS</u>
TS30C	973811001
TS30M	973911001
TS30T	974011001
TS34C	974111001
TS34T	974211001
TS36M	974311001

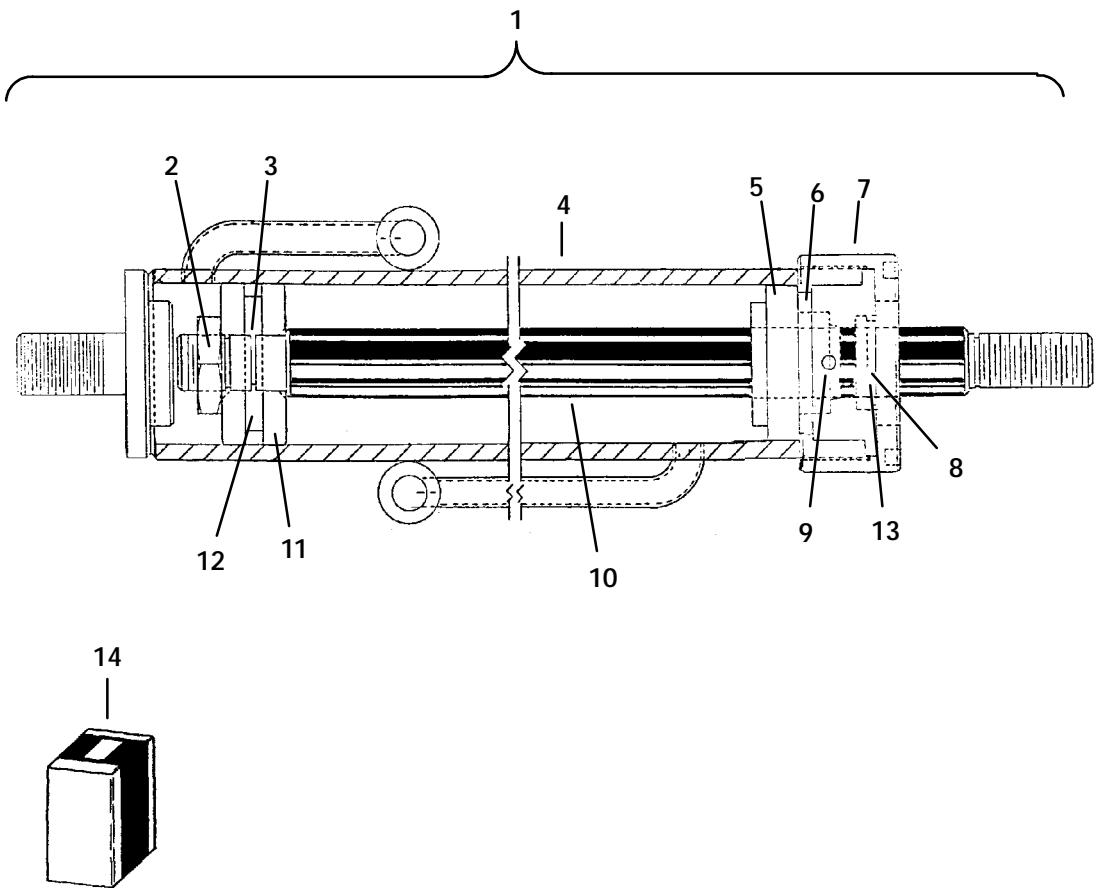


B-20012

TREE SPADE (Cont'd)
(Control Valve - 3 Blade Models - With Convertible Control)

Ref. No.	Part Number	Description	Remarks	Serial Number	Qty.
1	6678028	VALVE ASSY	W/Ref.		1
2	6676635	COIL			4
	6679738	SPOOL			4
	6676637	SEAL KIT			4
	6678319	SCREEN			4
3	6676636	COIL			6
	6679739	SPOOL			6
	6678321	SEAL KIT			6
	6678320	SCREEN			6
4	6679742	COIL			2
	6679741	SPOOL			2
	6680524	SEAL KIT			2
	6679743	NUT	retaining		2
5	6676635	COIL			1
	6679740	SPOOL			1
	6680525	SEAL KIT			1
6	6678322	ORIFICE			2
7	6729943	HARNESS	7-pin		1
8	6729945	SWITCHBOX	pendant control - with harness		1
	6730850	HARNESS	harness only		1
9	6729892	HARNESS	controller to valve		1
10	6678675	CONTROLLER			1

TREE SPADES
(Tower Cylinder - 3 Blade Models)

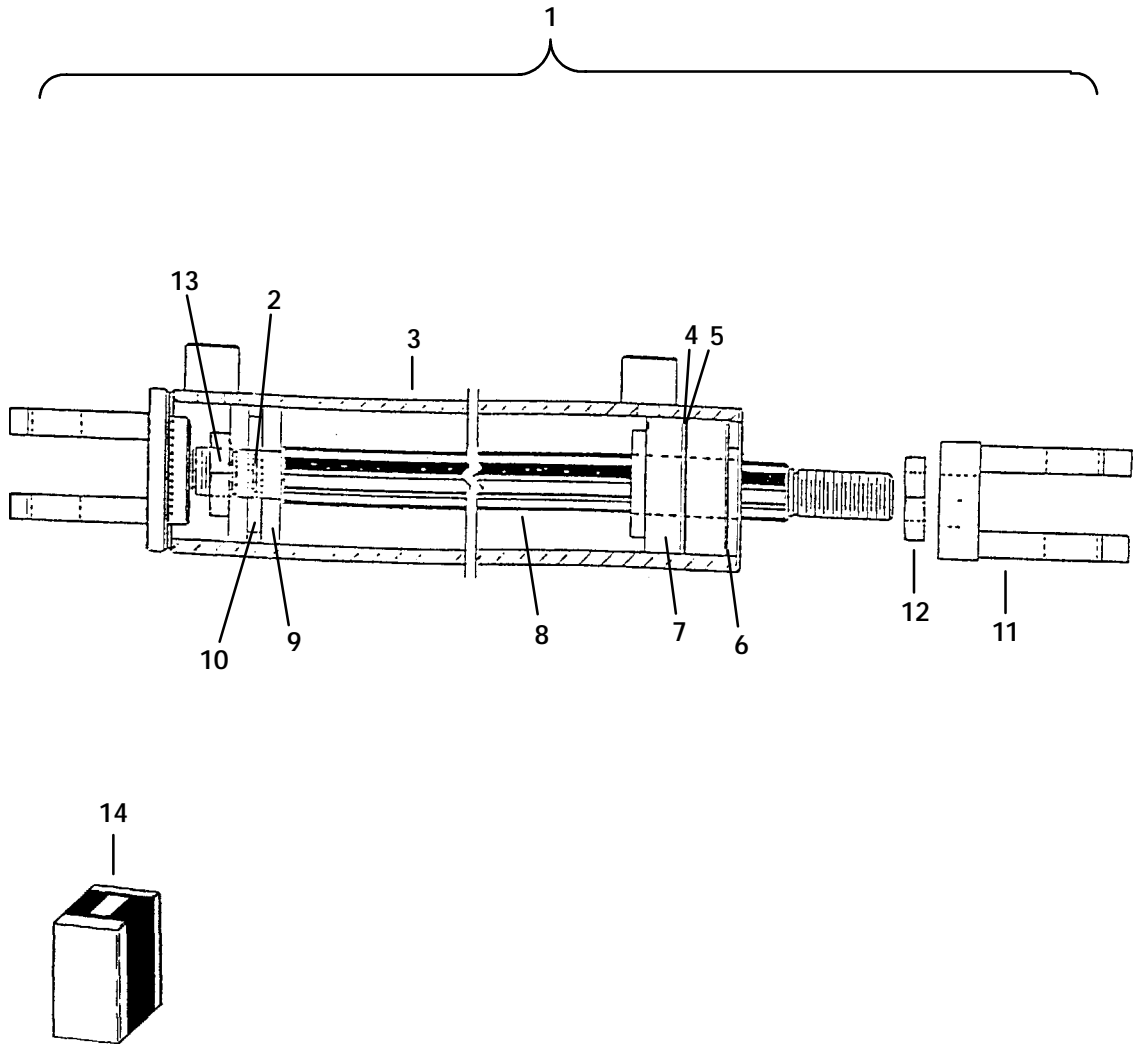


B-15835

TREE SPADES (Cont'd)
(Tower Cylinder - 3 Blade Models)

Ref. No.	Part Number	Description	Remarks	Serial Number	Qty.
1	6725860	CYLINDER	30T		1
	6725861	CYLINDER	34T		1
	6725862	CYLINDER	30C, 34C, 36M		1
2		NUT			1
3	25K-20024	O-RING	piston rod		1
4		CASE	30T		1
		CASE	34T		1
		CASE	30C, 34C, 36M		1
5	6725880	HEAD			1
6	25K-40208	O-RING	head		1
	73K-228	WASHER	backup		1
7	6725882	RETAINER	head		1
8		ROD WIPER			1
9	15G-504	SET SCREW			1
10	6725876	ROD	30T		1
	6725877	ROD	34T		1
	6725878	ROD	30C, 34C, 36M		1
11	6725879	PISTON			1
12	25K-60204	T-SEAL	piston rod		1
13		SEAL	rod		1
14	6676461	SEAL KIT			1

TREE SPADES
(Gate Cylinder - 3 Blade Models)

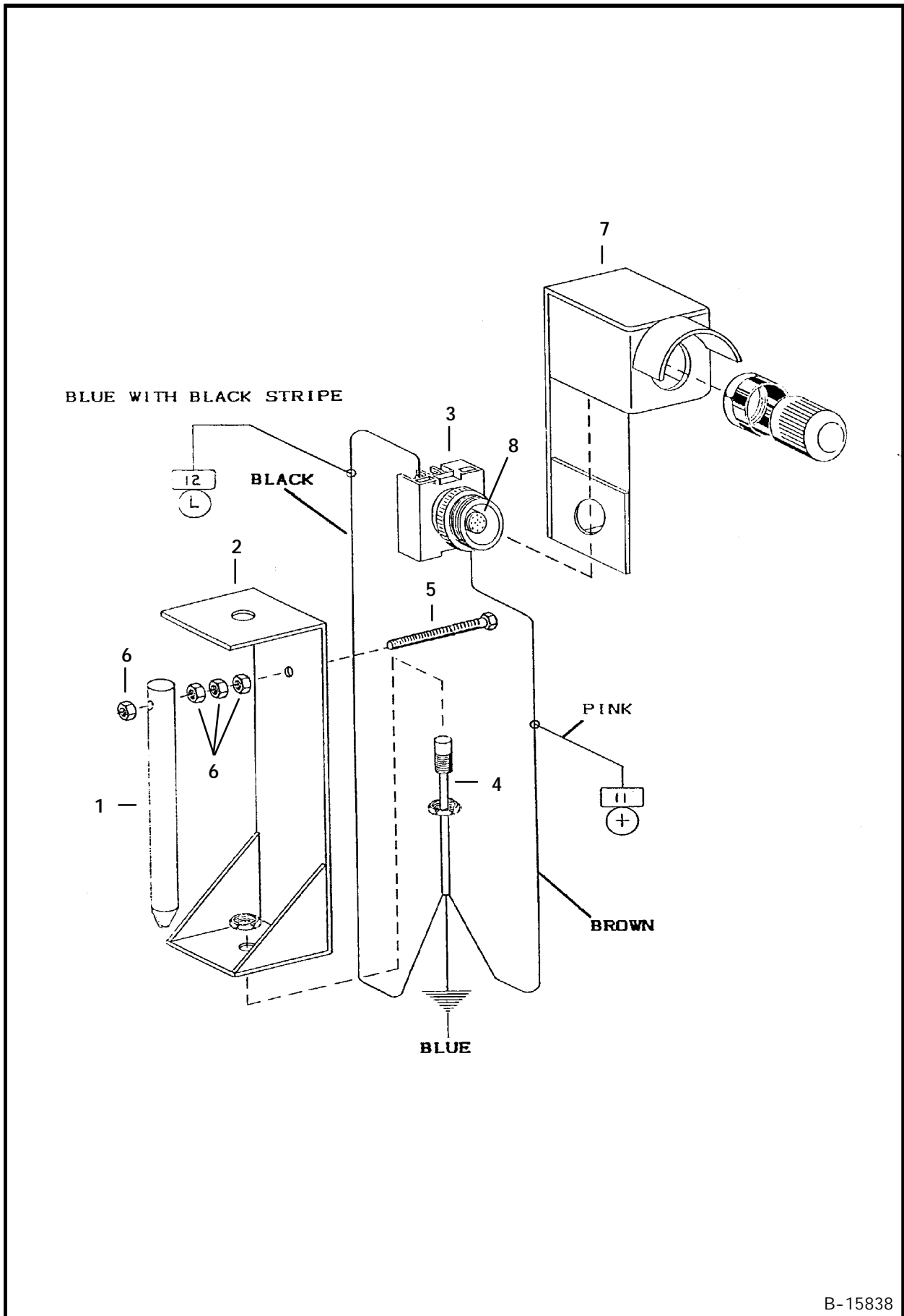


B-20013

TREE SPADES (Cont'd)
(Gate Cylinder - 3 Blade Models)

Ref. No.	Part Number	Description	Remarks	Serial Number	Qty.
1	6677385	CYLINDER			1
2	25K-20024	O-RING	piston rod		1
3		CASE			1
4		O-RING			backup
5	WASHER	1			
6	SNAP RING	1			
7		HEAD			1
8	6676912	ROD			1
9	6725879	PISTON			1
10	25K-60204	T-SEAL	piston rod		1
11		CLEVIS			1
12		JAM NUT			1
13		SEAL	rod		1
14	6676462	SEAL KIT			1

TREE SPADES
(Leveling Light - 3 Blade Models)

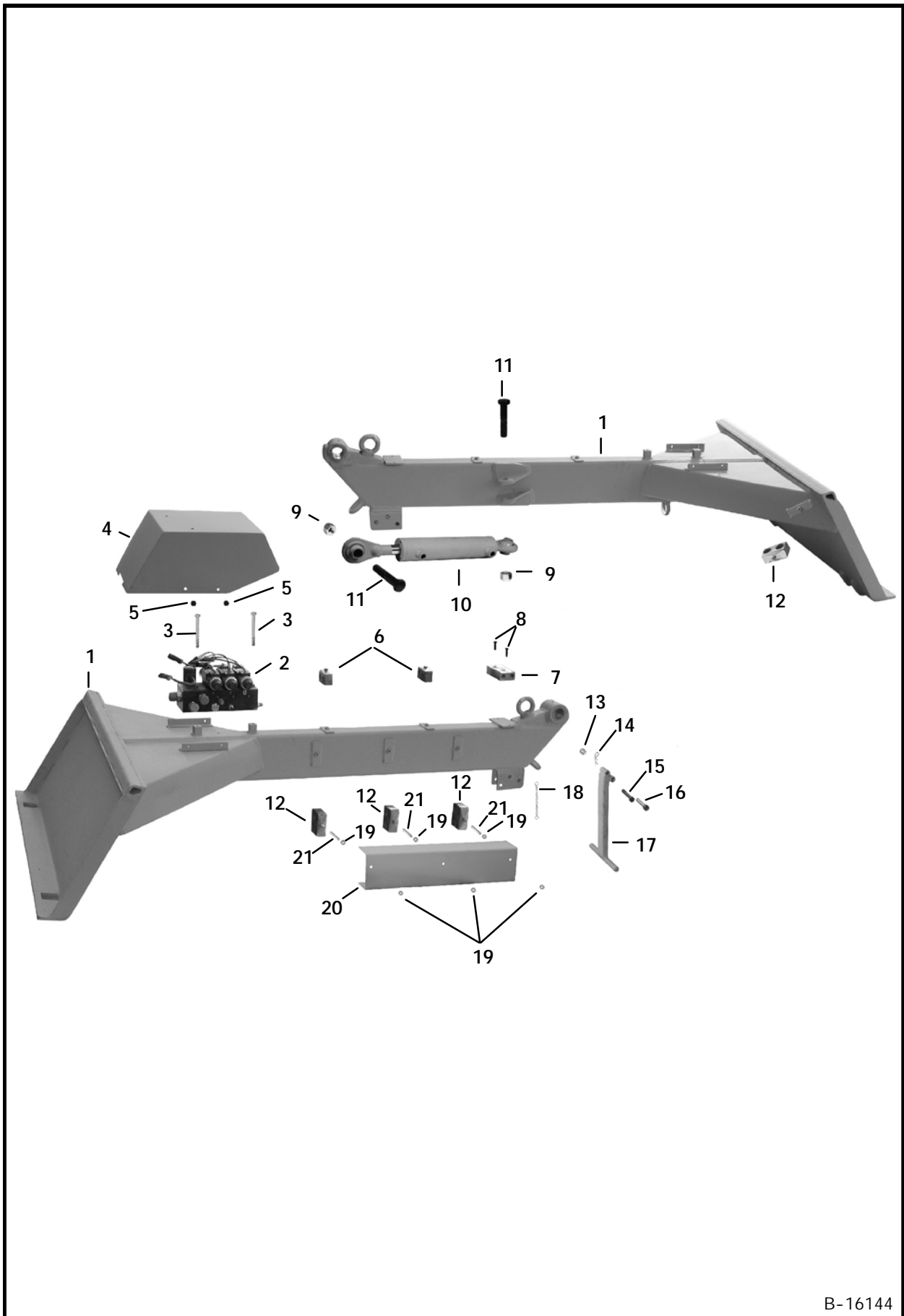


B-15838

TREE SPADES (Cont'd)
(Leveling Light - 3 Blade Models)

Ref. No.	Part Number	Description	Remarks	Serial Number	Qty.
1	6725779	PENDULUM			1
2	6676956	MOUNT	pendulum		1
3	6676502	LIGHT			1
4	6675603	SWITCH	proximity		1
5	17C-432	BOLT			1
6	61D-4	NUT			4
7	6725800	MOUNT	light		1
8	6676503	BULB	replacement		1

TREE VIBRATOR - SINGLE MOTOR

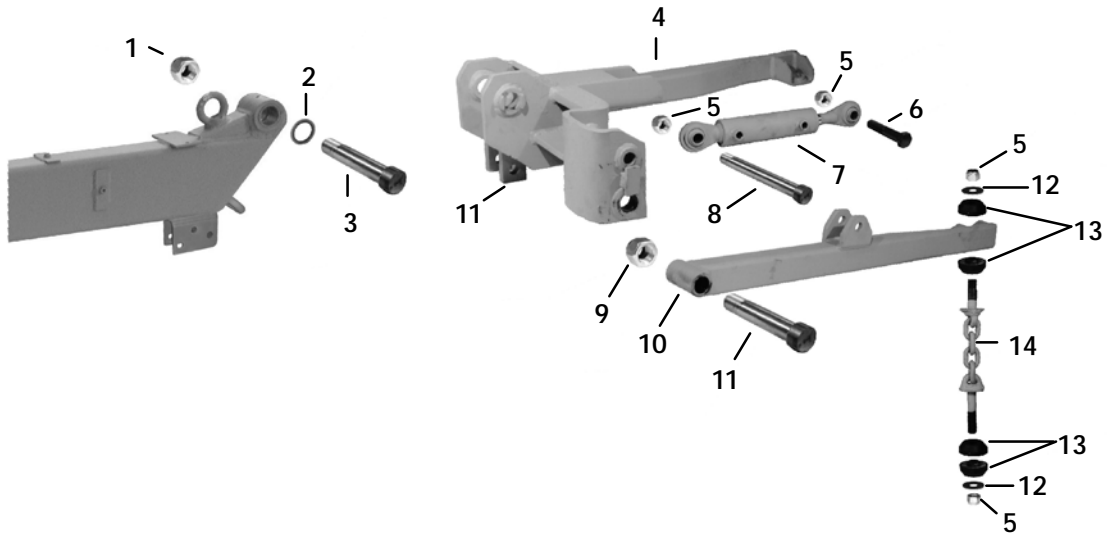


B-16144

TREE VIBRATOR - SINGLE MOTOR (Cont'd)

Ref. No.	Part Number	Description	Remarks	Serial Number	Qty.
1	6679410	ARM			1
2	6728437	VALVE ASSY	See Page 283		1
3	6679293	BOLT			2
4	6679294	COVER			1
5	1CM-816	BOLT			2
6	6679295	CLAMP			2
7	6679296	PORT BLOCK			1
8	1CM-650	BOLT			2
9	39DM-24	NUT			2
10	6679297	CYLINDER	boom - See Page 295		1
11	6679298	BOLT			2
12	6679299	CLAMP			4
13	39DM-16	NUT			1
14	6679300	PIN			1
15	1CM-16110	BOLT			1
16	6679301	PIN			1
17	6679302	STAND			1
18	6679303	CHAIN			1
19	4DM-8	NUT			6
20	6679304	COVER			1
21	6679305	STUD			3

TREE VIBRATOR - SINGLE MOTOR

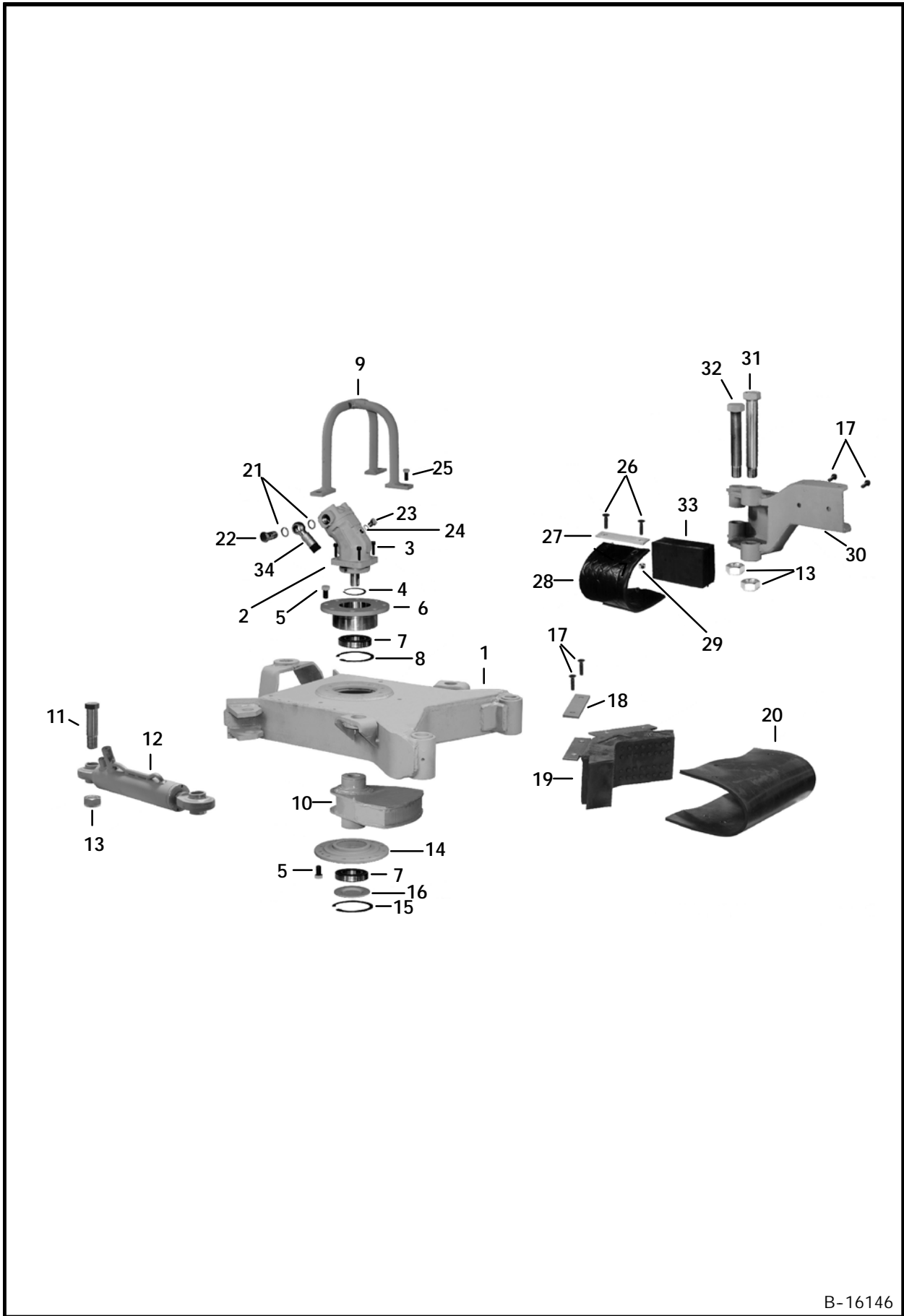


B-16145

TREE VIBRATOR - SINGLE MOTOR (Cont'd)

Ref. No.	Part Number	Description	Remarks	Serial Number	Qty.
1	6679306	NUT			1
2	6679307	WASHER			1
3	6679309	PIN			1
4	6679310	ARM			1
5	39DM-24	NUT			8
6	6679311	BOLT			1
7	6679312	CYLINDER	arm - See Page 297		1
8	6679313	PIN			1
9	6679314	NUT			1
10	6679315	ARM			1
11	6679316	PIN			1
12	6679317	WASHER			6
13	6679318	MOUNT			12
14	6679319	CHAIN	tie rod		3

TREE VIBRATOR - SINGLE MOTOR

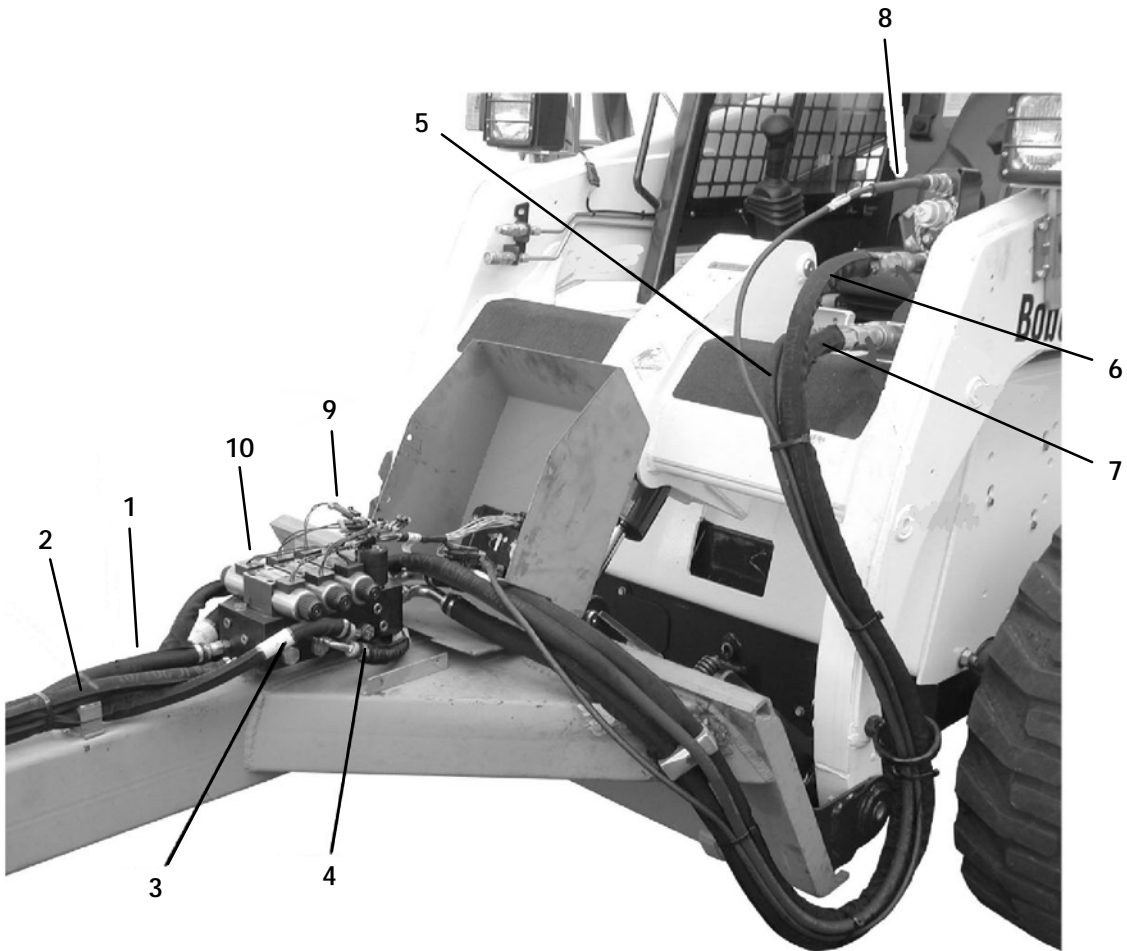


B-16146

TREE VIBRATOR - SINGLE MOTOR (Cont'd)

Ref. No.	Part Number	Description	Remarks	Serial Number	Qty.
1	6679320	FRAME			1
2	6679413	MOTOR	See Page 285		1
3	6679336	BOLT			4
4	6679337	RING			1
5	6679364	BOLT			x
6	6679338	FLANGE			1
7	6679339	BEARING			2
8	6679340	RING			1
9	6679321	SHIELD			1
10	6679346	WEIGHT			1
11	6679344	PIN			2
12	6679342	CYLINDER	R.H. - See Page 294		1
	6679343	CYLINDER	L.H. - See Page 294		1
13	6679341	NUT			2
14	6679365	FLANGE			1
15	6679349	RING			1
16	6679348	PLATE			1
17	1CM-1035	BOLT			8
18	6679354	PLATE			2
19	6669322	MOUNT			1
20	6679353	PANEL			1
21	6679366	WASHER			4
22	6679323	FITTING			2
23	6679373	PLUG			1
24	6679368	WASHER			1
25	1CM-1230	BOLT			3
26	6679324	BOLT			8
27	6679359	PLATE			4
28	6679356	PANEL			2
29	39DM-10	NUT			8
30	6679325	JAW			2
31	6679361	PIN			2
32	6679362	PIN			2
33	6679327	BLOCK			2
34	6679374	ADAPTER	3/4 x 3/4		2

TREE VIBRATOR - SINGLE MOTOR
(Hydraulic Circuitry)

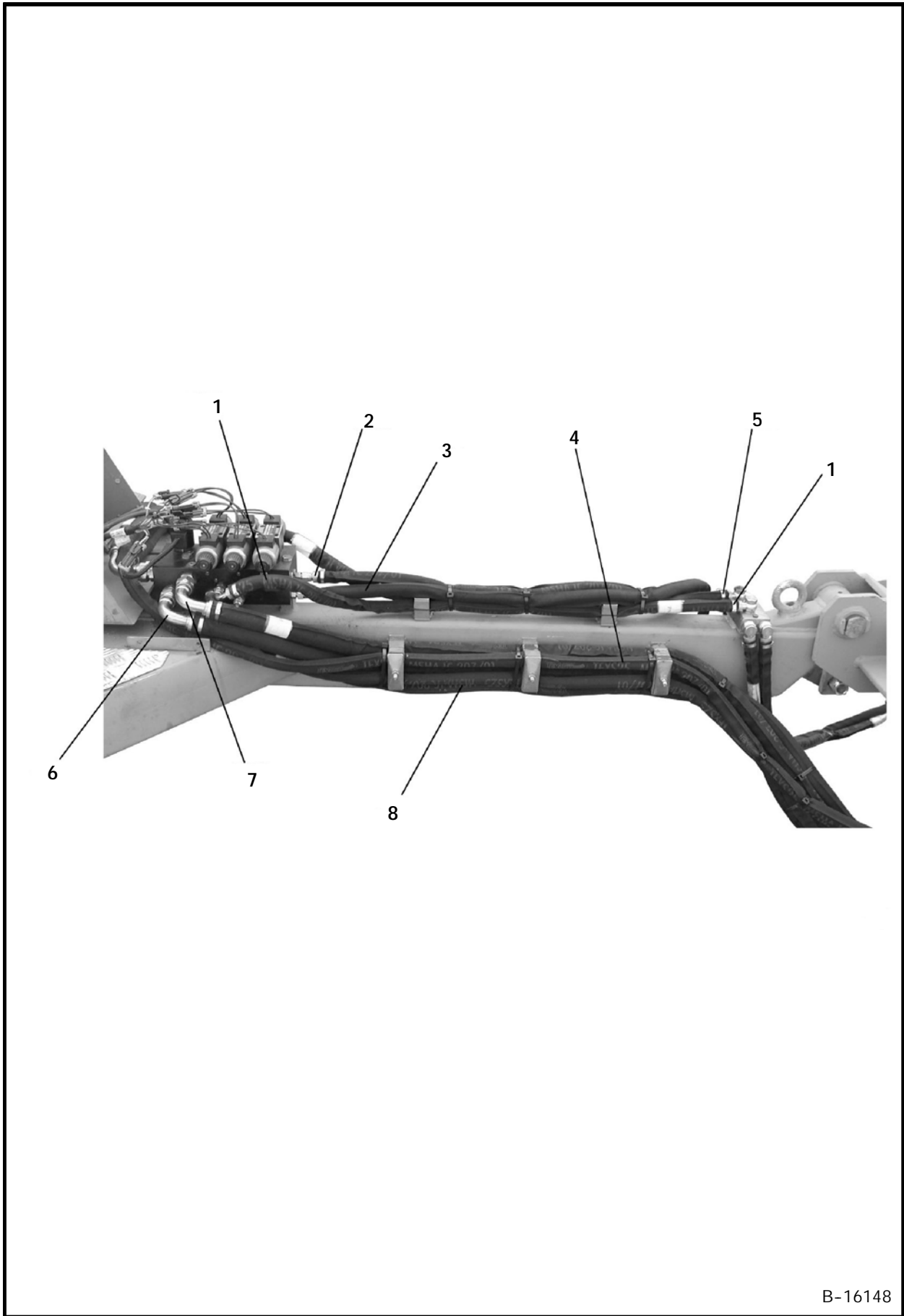


B-16147

TREE VIBRATOR - SINGLE MOTOR (Cont'd)
(Hydraulic Circuitry)

Ref. No.	Part Number	Description	Remarks	Serial Number	Qty.
1	6679377	HOSE			1
	15K-5	ADAPTER			1
	79K-6	O-RING			1
2	6679406	ADAPTER	hollow screw		1
	6679370	WASHER	copper		2
	6679378	HOSE			1
	15K-5	ADAPTER			1
	79K-6	O-RING			1
	6679406	ADAPTER	hollow screw		1
3	6679370	WASHER	copper		2
	6679375	HOSE			1
	15K-5	ADAPTER			1
	79K-6	O-RING			1
	6679406	ADAPTER	hollow screw		1
	6679370	WASHER	copper		2
4	6679379	HOSE			1
	15K-5	ADAPTER			1
	79K-6	O-RING			1
5	6679406	ADAPTER	hollow screw		1
	6679370	WASHER	copper		2
	6679387	HOSE			1
	6679369	ADAPTER			1
	6679368	WASHER	copper - 16mm		1
	6679407	WASHER	copper - 3/4"		1
6	6679389	HOSE			1
	15K-8	ADAPTER			1
	79K-12	O-RING			1
7	6679388	HOSE			1
	15K-8	ADAPTER			1
	79K-12	O-RING			1
8	6725368	HARNESS	7-pin		1
9	6727998	HARNESS	valve to ACD controller		1
10	6728437	VALVE ASSY	See Page 283		1
	6676514	CONTROLLER	ACD		1

TREE VIBRATOR - SINGLE MOTOR
(Hydraulic Circuitry)

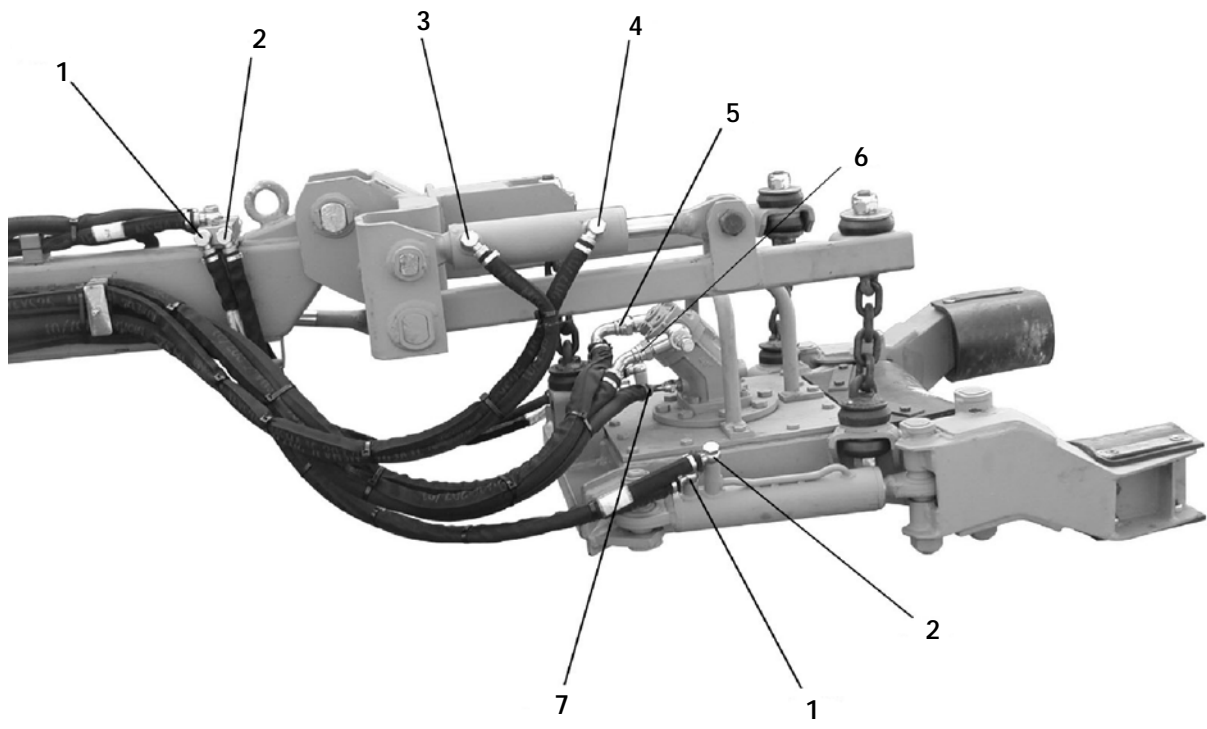


B-16148

TREE VIBRATOR - SINGLE MOTOR (Cont'd)
(Hydraulic Circuitry)

Ref. No.	Part Number	Description	Remarks	Serial Number	Qty.
1	6679375	HOSE			1
	15K-5	ADAPTER			1
	79K-6	O-RING			1
2	6679406	ADAPTER	hollow screw		1
	6679370	WASHER	copper		2
	6679378	HOSE			1
	15K-5	ADAPTER			1
	79K-6	O-RING			1
	6679406	ADAPTER	hollow screw		1
3	6679370	WASHER	copper		2
	6679377	HOSE			1
	15K-5	ADAPTER			1
	79K-6	O-RING			1
	6679406	ADAPTER	hollow screw		1
	6679370	WASHER	copper		2
4	6679379	HOSE			1
	15K-5	ADAPTER			1
	79K-6	O-RING			1
5	6679406	ADAPTER	hollow screw		1
	6679370	WASHER	copper		2
	6679376	HOSE			1
	15K-5	ADAPTER			1
	79K-6	O-RING			1
	6679406	ADAPTER	hollow screw		1
6	6679370	WASHER	copper		2
	6679381	HOSE			1
	15K-8	ADAPTER			1
7	79K-12	O-RING			1
	6679382	HOSE			1
	15K-8	ADAPTER			1
8	79K-12	O-RING			1
	6679380	HOSE			1
	15K-5	ADAPTER			1
	79K-6	O-RING			1
	6679406	ADAPTER	hollow screw		1
	6679370	WASHER	copper		2

TREE VIBRATOR - SINGLE MOTOR
(Hydraulic Circuitry)

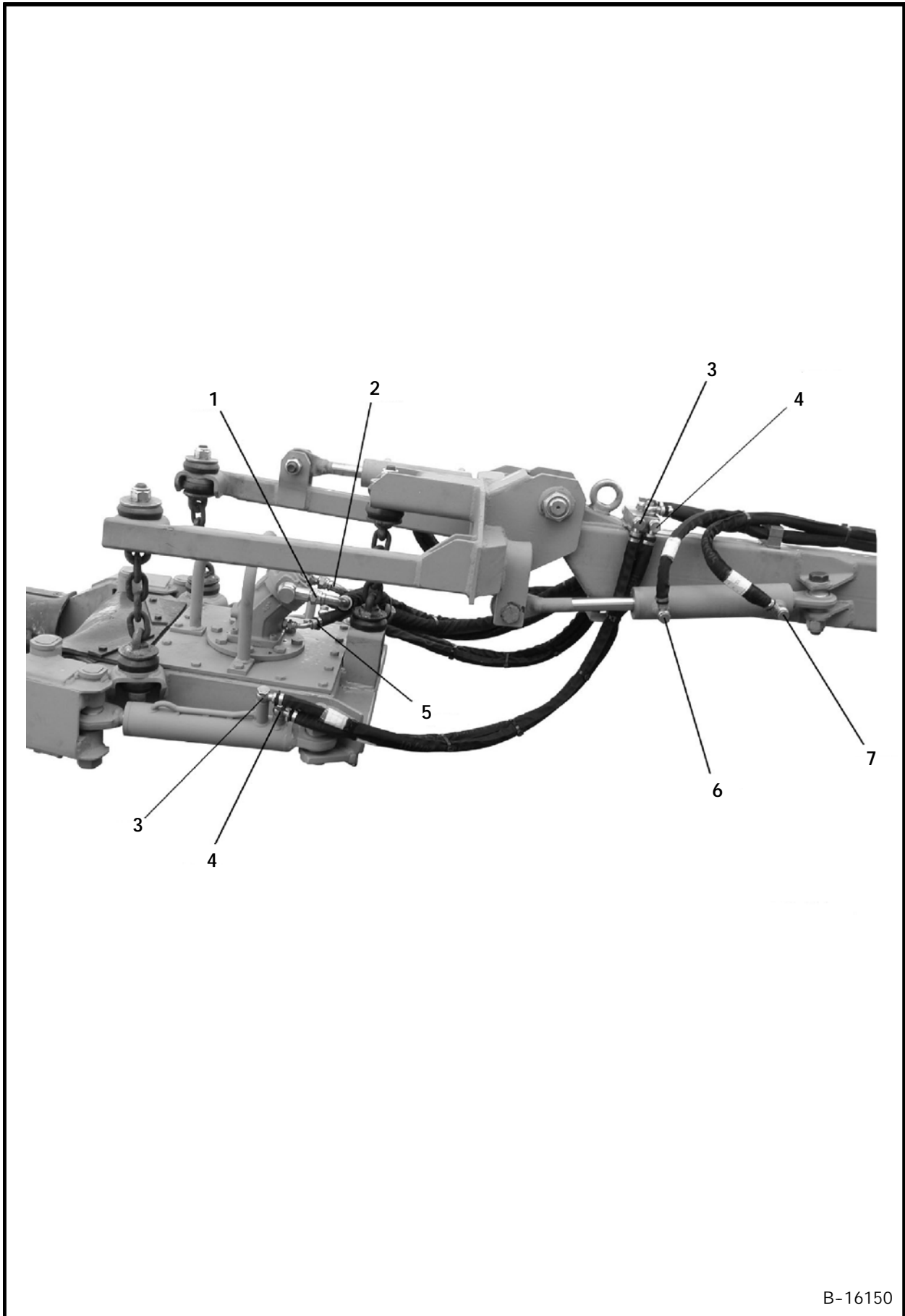


B-16149

TREE VIBRATOR - SINGLE MOTOR (Cont'd)
(Hydraulic Circuitry)

Ref. No.	Part Number	Description	Remarks	Serial Number	Qty.
1	6679383	HOSE			1
	6679406	ADAPTER	hollow screw		2
	6679370	WASHER	copper		4
2	6679384	HOSE			1
	6679406	ADAPTER	hollow screw		2
	6679370	WASHER	copper		4
3	6679379	HOSE			1
	15K-5	ADAPTER			1
	79K-6	O-RING			1
4	6679406	ADAPTER	hollow screw		1
	6679370	WASHER	copper		2
	6679380	HOSE			1
	15K-5	ADAPTER			1
	79K-6	O-RING			1
	6679406	ADAPTER	hollow screw		1
5	6679370	WASHER	copper		2
	6679382	HOSE			1
	15K-8	ADAPTER			1
6	79K-12	O-RING			1
	6679381	HOSE			1
	15K-8	ADAPTER			1
7	79K-12	O-RING			1
	6679387	HOSE			1
	6679369	ADAPTER			1
	6679368	WASHER	copper - 16mm		1
	6679407	WASHER	copper - 3/4"		1

TREE VIBRATOR - SINGLE MOTOR
(Hydraulic Circuitry)

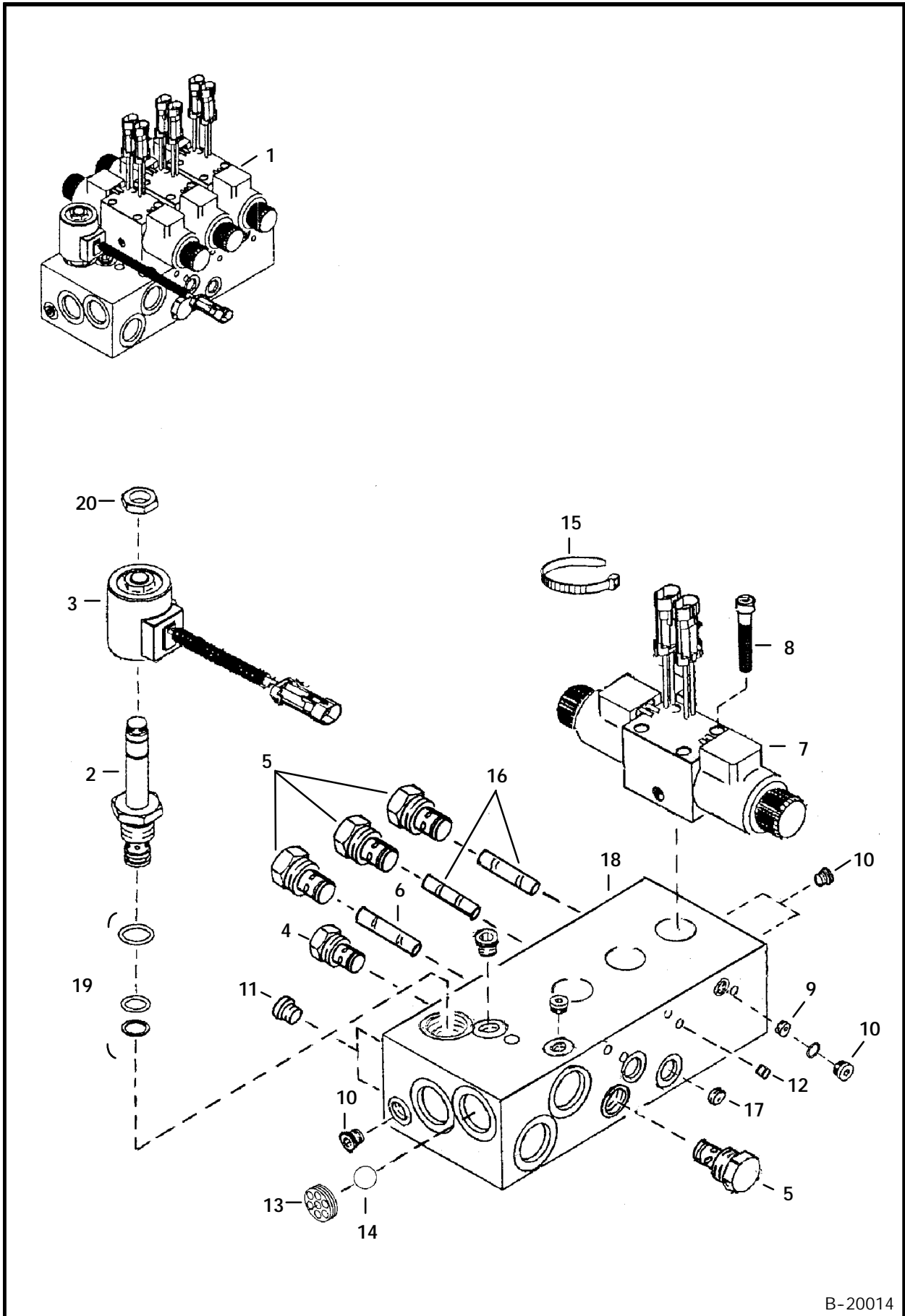


B-16150

TREE VIBRATOR - SINGLE MOTOR (Cont'd)
(Hydraulic Circuitry)

Ref. No.	Part Number	Description	Remarks	Serial Number	Qty.
1	6679382	HOSE			1
	15K-8	ADAPTER			1
	79K-12	O-RING			1
2	6679381	HOSE			1
	15K-8	ADAPTER			1
	79K-12	O-RING			1
3	6679386	HOSE			1
	6679406	ADAPTER	hollow screw		1
	6679370	WASHER	copper		2
4	6679385	HOSE			1
	6679406	ADAPTER	hollow screw		1
	6679370	WASHER	copper		2
5	6679387	HOSE			1
	6679369	ADAPTER			1
	6679368	WASHER	copper - 16mm		1
6	6679407	WASHER	copper - 3/4"		1
	6679377	HOSE			1
	15K-5	ADAPTER			1
	79K-6	O-RING			1
	6679406	ADAPTER	hollow screw		1
	6679370	WASHER	copper		2
7	6679378	HOSE			1
	15K-5	ADAPTER			1
	79K-6	O-RING			1
	6679406	ADAPTER	hollow screw		1
	6679370	WASHER	copper		2

TREE VIBRATOR (Control Valve)

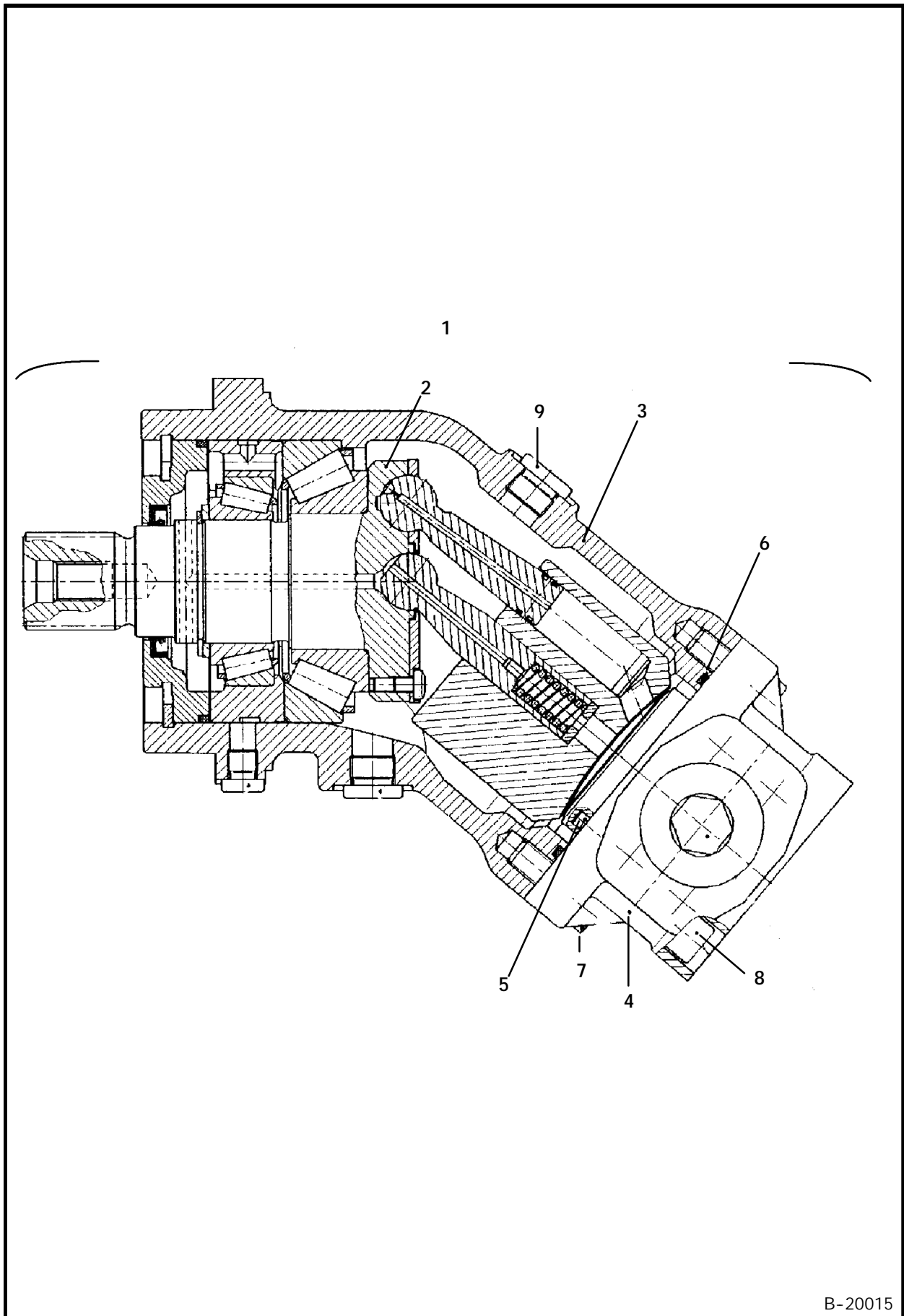


B-20014

TREE VIBRATOR (Cont'd)
(Control Valve)

Ref. No.	Part Number	Description	Remarks	Serial Number	Qty.
1	6728437	VALVE ASSY	W/Ref. 2 - 20		1
2	6678079	SPOOL			1
3	6671026	COIL			1
4	6664026	CHECK VALVE			1
	6672515	SEAL KIT			1
5	6678080	CHECK VALVE			4
	6664032	SEAL KIT			4
6	6678081	PISTON	double		1
7	6678082	VALVE			3
	6678086	SEAL KIT			3
8	6674545	BOLT			12
9	6678083	ORIFICE	.090"		1
10	6665719	PLUG			5
11	6669620	PLUG			3
12	6673833	PLUG			11
13	6673832	RETAINER			1
14	6673831	BALL			1
15	6673979	CABLE TIE	white		1
	6673983	CABLE TIE	brown		1
	6673980	CABLE TIE	yellow		1
	6673982	CABLE TIE	green		1
	6673981	CABLE TIE	orange		1
	6673978	CABLE TIE	blue		1
16	6678084	PISTON	single		2
17	6678085	ORIFICE	.070"		1
18	6678087	BLOCK			1
19	6667626	SEAL KIT			1
20	7D-8	NUT			1

HYDRAULIC MOTOR
(For Single Motor Tree Vibrator)

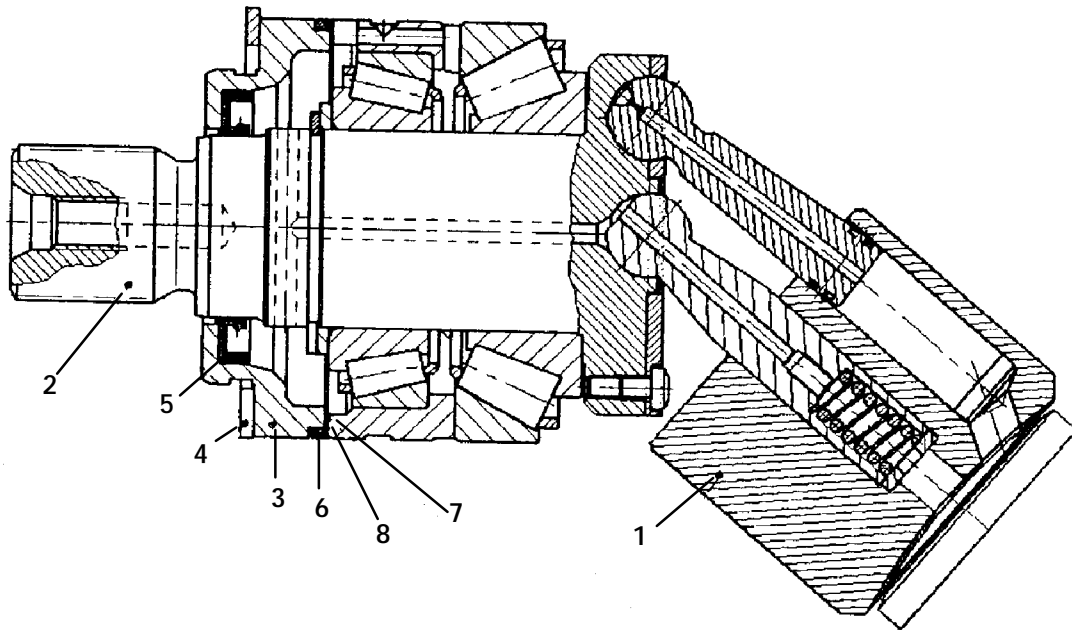


B-20015

**HYDRAULIC MOTOR (Cont'd)
(For Single Motor Tree Vibrator)**

Ref. No.	Part Number	Description	Remarks	Serial Number	Qty.
1	6679413	MOTOR	W/Ref. 2 - 9		1
2		ROTARY GROUP	See Page 287 - 291		1
3	6679415	HOUSING	motor		1
4	6679416	HOUSING	end		1
5	6679417	PIN	cylinder		1
6	6679418	O-RING			1
7	6679419	BOLT			2
8	6679420	BOLT			4
9	6679421	PLUG			1
10	6679444	SEAL KIT	W/Ref. 6 and Refs. 5 & 6 on Page 287		1

HYDRAULIC MOTOR
(For Single Motor Tree Vibrator)

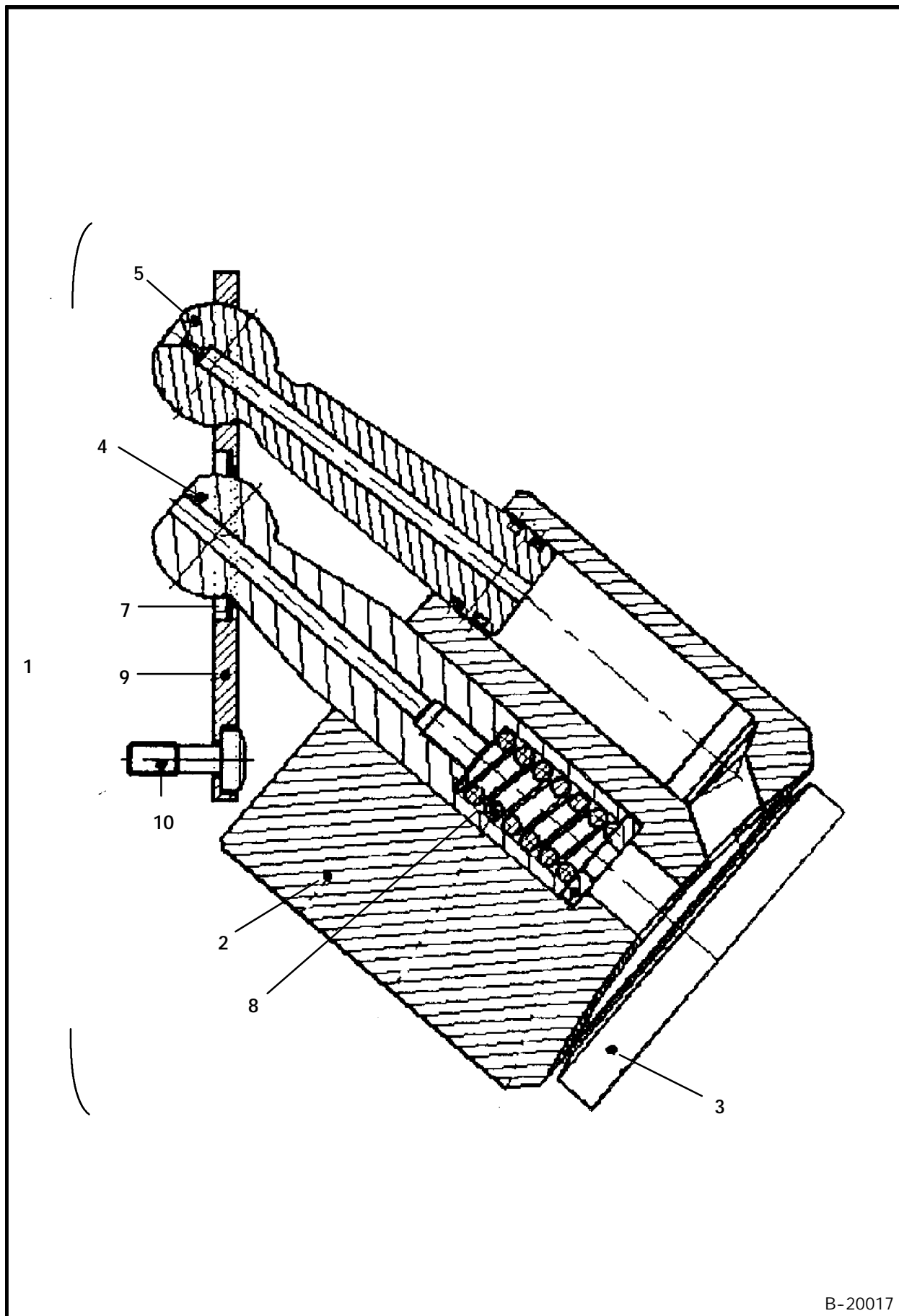


B-20016

HYDRAULIC MOTOR (Cont'd)
(For Single Motor Tree Vibrator)

Ref. No.	Part Number	Description	Remarks	Serial Number	Qty.
1	6679422	ROTARY GROUP	See page 289 bearing assy - See Page 291		1
2	6679424	SHAFT			1
3	6679425	COVER			1
4	6679426	RING	retaining shaft		1
5	6679427	SEAL			1
6	6679428	O-RING			1
7	6679429	SHIM			2
8	6679430	SHIM			1

HYDRAULIC MOTOR - ROTARY GROUP
(For Single Motor Tree Vibrator)

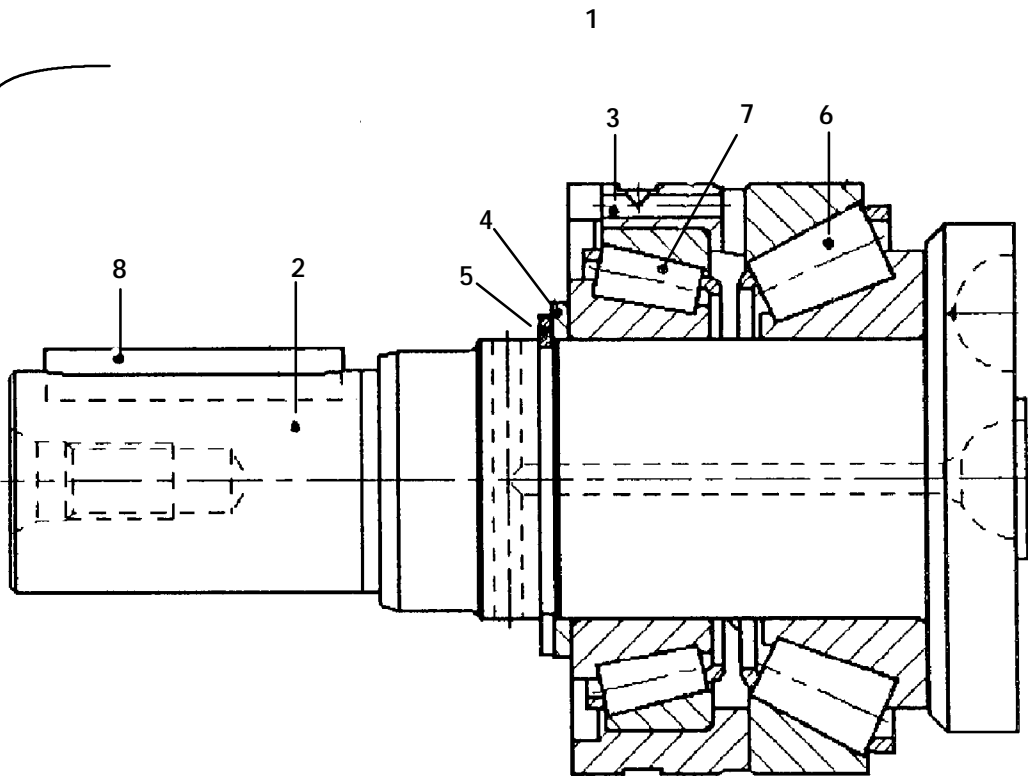


B-20017

HYDRAULIC MOTOR - ROTARY GROUP (Cont'd)
(For Single Motor Tree Vibrator)

Ref. No.	Part Number	Description	Remarks	Serial Number	Qty.
1	6679422	ROTARY GROUP	W/Ref. 2 - 10		1
2	NSS	CYLINDER	Order Ref. 1		1
3	NSS	CONTROL PLATE	Order Ref. 1		1
4	6679431	CENTER PIN			1
5	6679432	PISTON	W/Ref. 6		7
6	6679437	RING	sealing		14
7	6679434	WASHER			1
8	6679435	SPRING			1
9	6679436	PLATE			1
10	6671858	BOLT			7

HYDRAULIC MOTOR - SHAFT & BEARING GROUP
(For Single Motor Tree Vibrator)

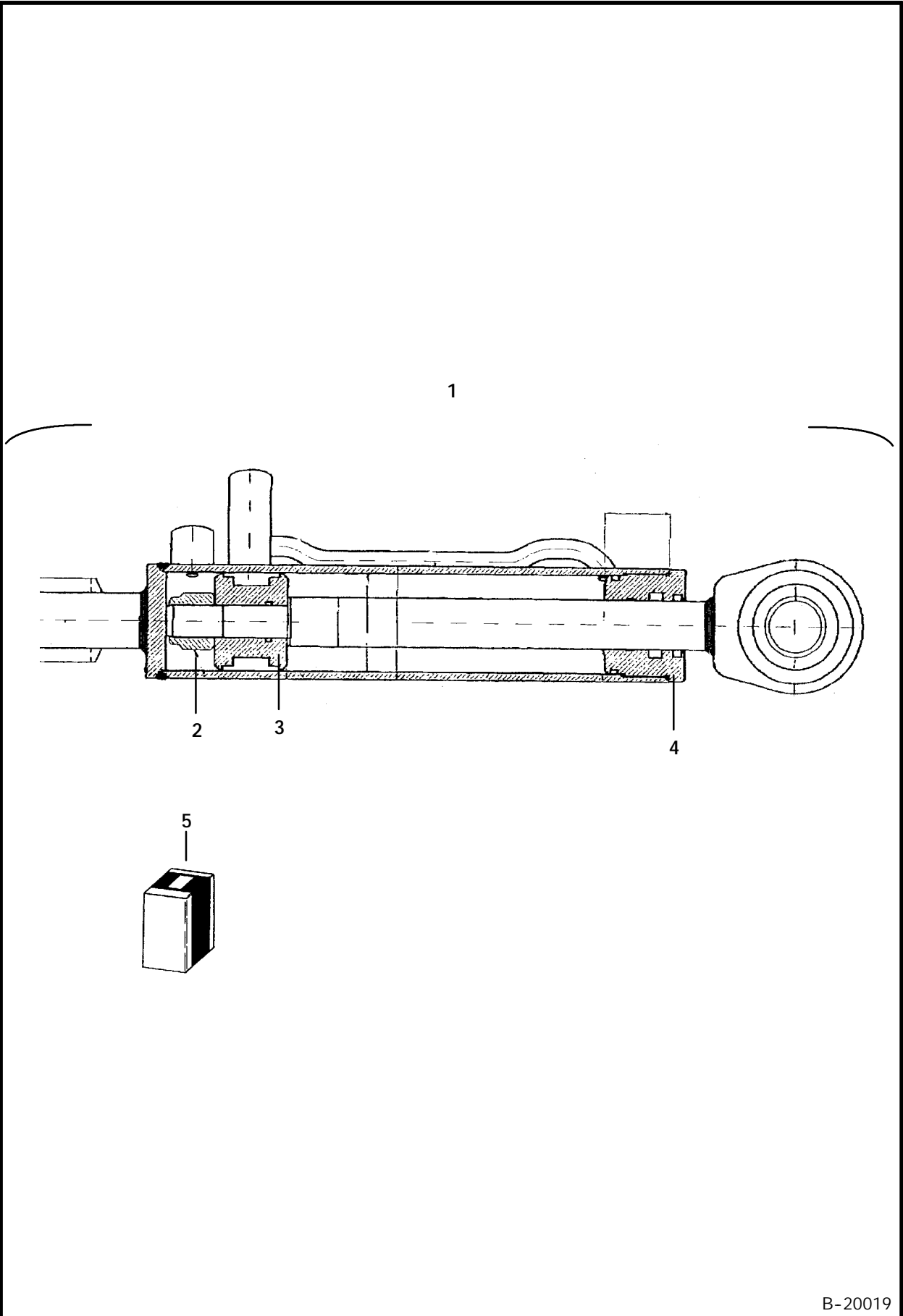


B-20018

HYDRAULIC MOTOR - SHAFT & BEARING GROUP (Cont'd)
(For Single Motor Tree Vibrator)

Ref. No.	Part Number	Description	Remarks	Serial Number	Qty.
1	6679424	SHAFT	bearing assy - W/Ref. 2 - 8 order Ref. 1		1
2	NSS	SHAFT			1
3	6679439	RING			1
4	NSS	PLATE	retaining		1
5	6679440	RING			1
6	6679441	BEARING			1
7	6679442	BEARING			1
8	6679443	KEY			1

TREE VIBRATOR
(R.H. & L.H. Jaw Cylinder)

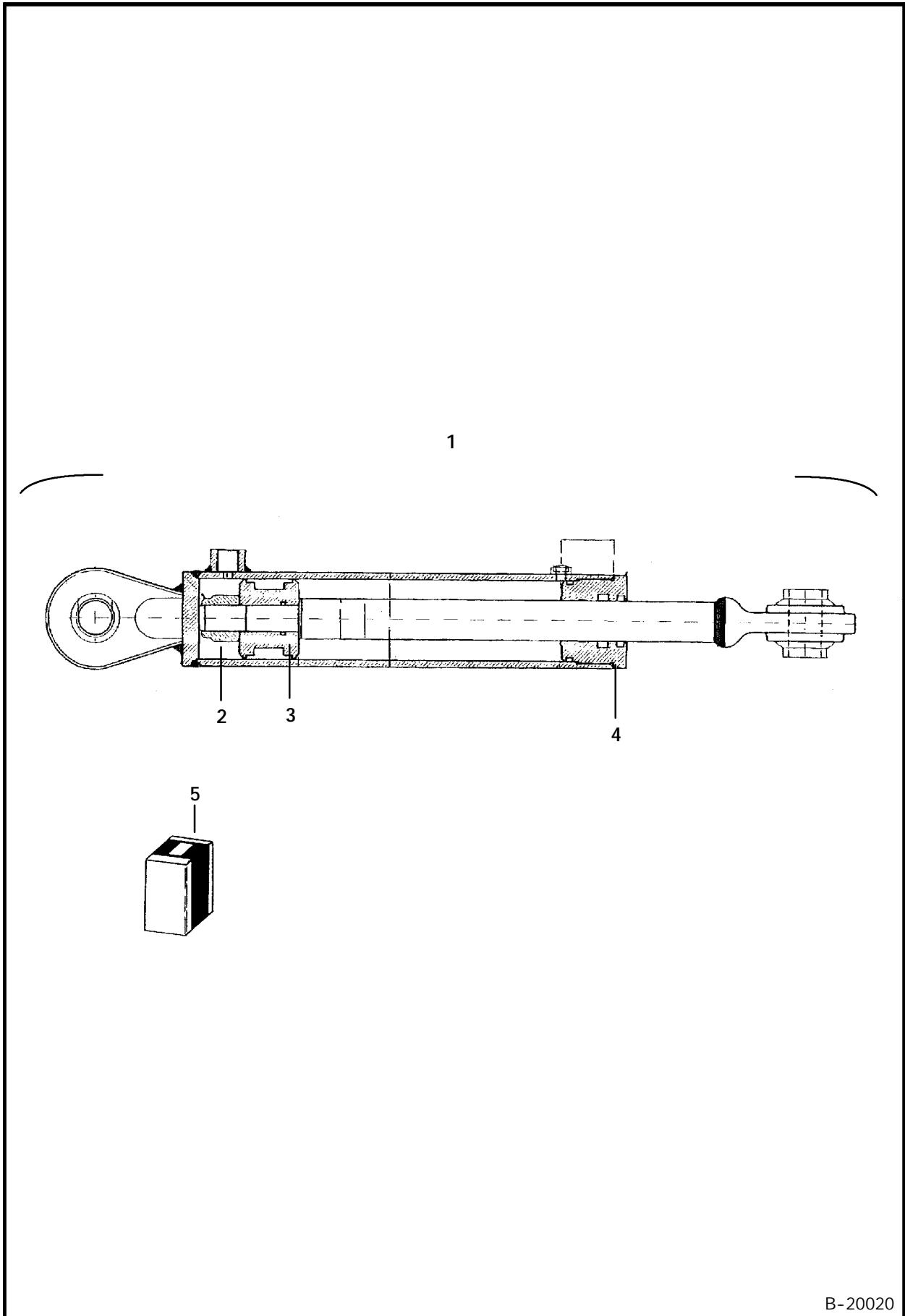


B-20019

TREE VIBRATOR (Cont'd)
(R.H. & L.H. Jaw Cylinder)

Ref. No.	Part Number	Description	Remarks	Serial Number	Qty.
1	6679342	CYLINDER	R.H. - W/Ref. 2 - 4		1
	6679343	CYLINDER	L.H. - W/Ref. 2 - 4		1
2	6679563	NUT			1
3	6679564	PISTON			1
4	6679565	HEAD			1
5	6679566	SEAL KIT			1

TREE VIBRATOR
(Handlebar Cylinder)

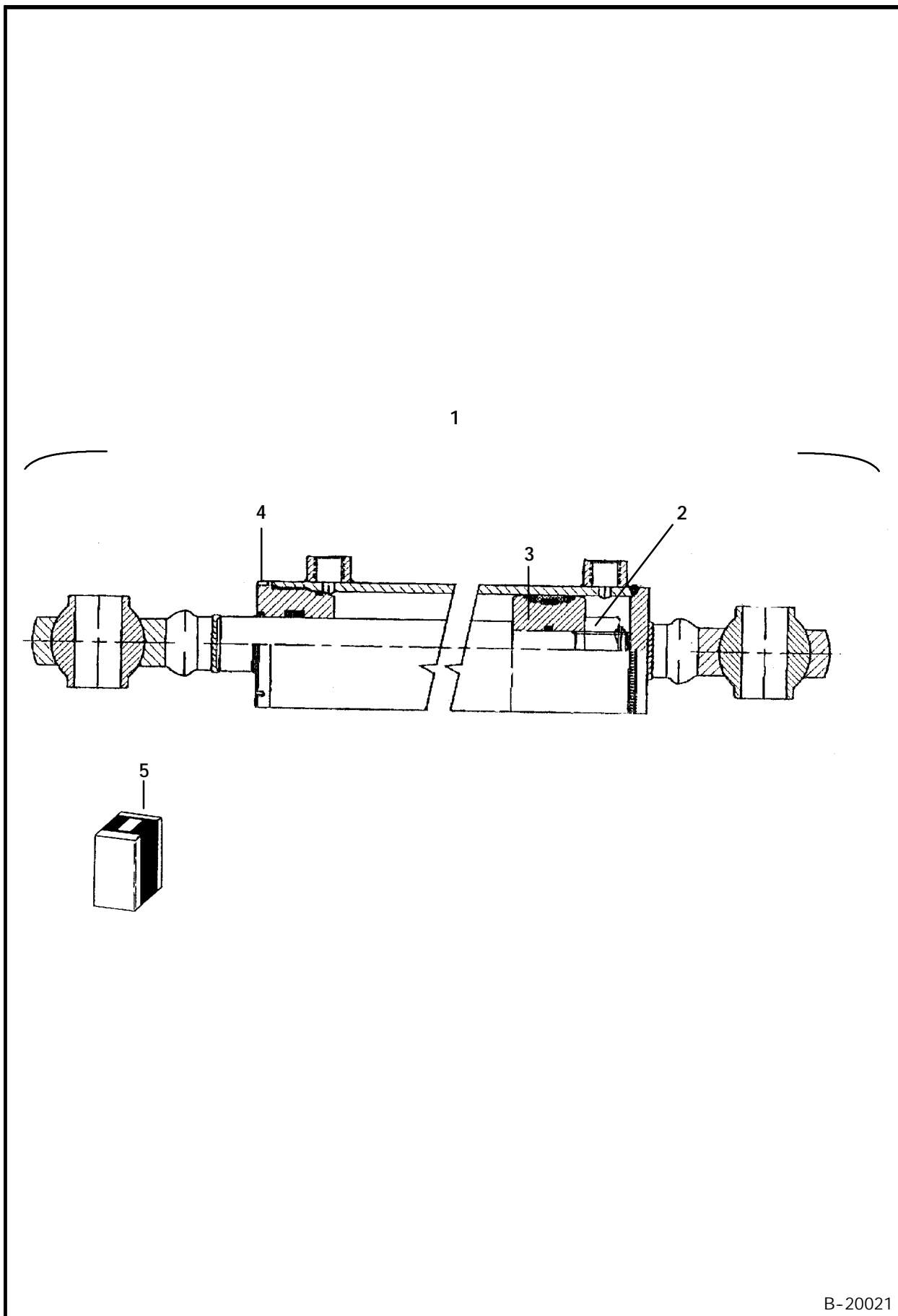


B-20020

TREE VIBRATOR (Cont'd)
(Handlebar Cylinder)

Ref. No.	Part Number	Description	Remarks	Serial Number	Qty.
1	6679297	CYLINDER	W/Ref. 2 - 4		1
2	6679563	NUT			1
3	6679564	PISTON			1
4	6679565	HEAD			1
5	6679566	SEAL KIT			1

TREE VIBRATOR
(Handle Arm Cylinder)

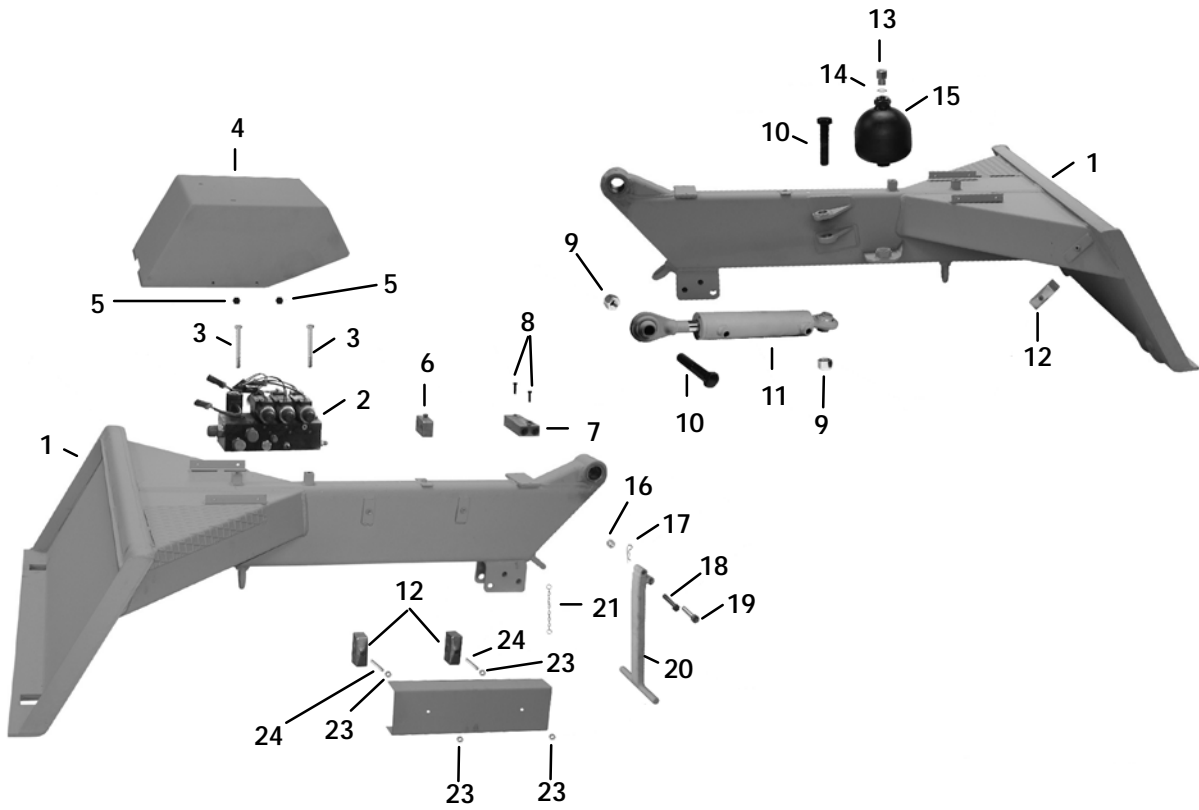


B-20021

TREE VIBRATOR (Cont'd)
(Handle Arm Cylinder)

Ref. No.	Part Number	Description	Remarks	Serial Number	Qty.
1	6679312	CYLINDER	W/Ref. 2 - 4		1
2	6679568	NUT			1
3	6679569	PISTON			1
4	6679570	HEAD			1
5	6679567	SEAL KIT			1

TREE VIBRATOR - DUAL MOTOR

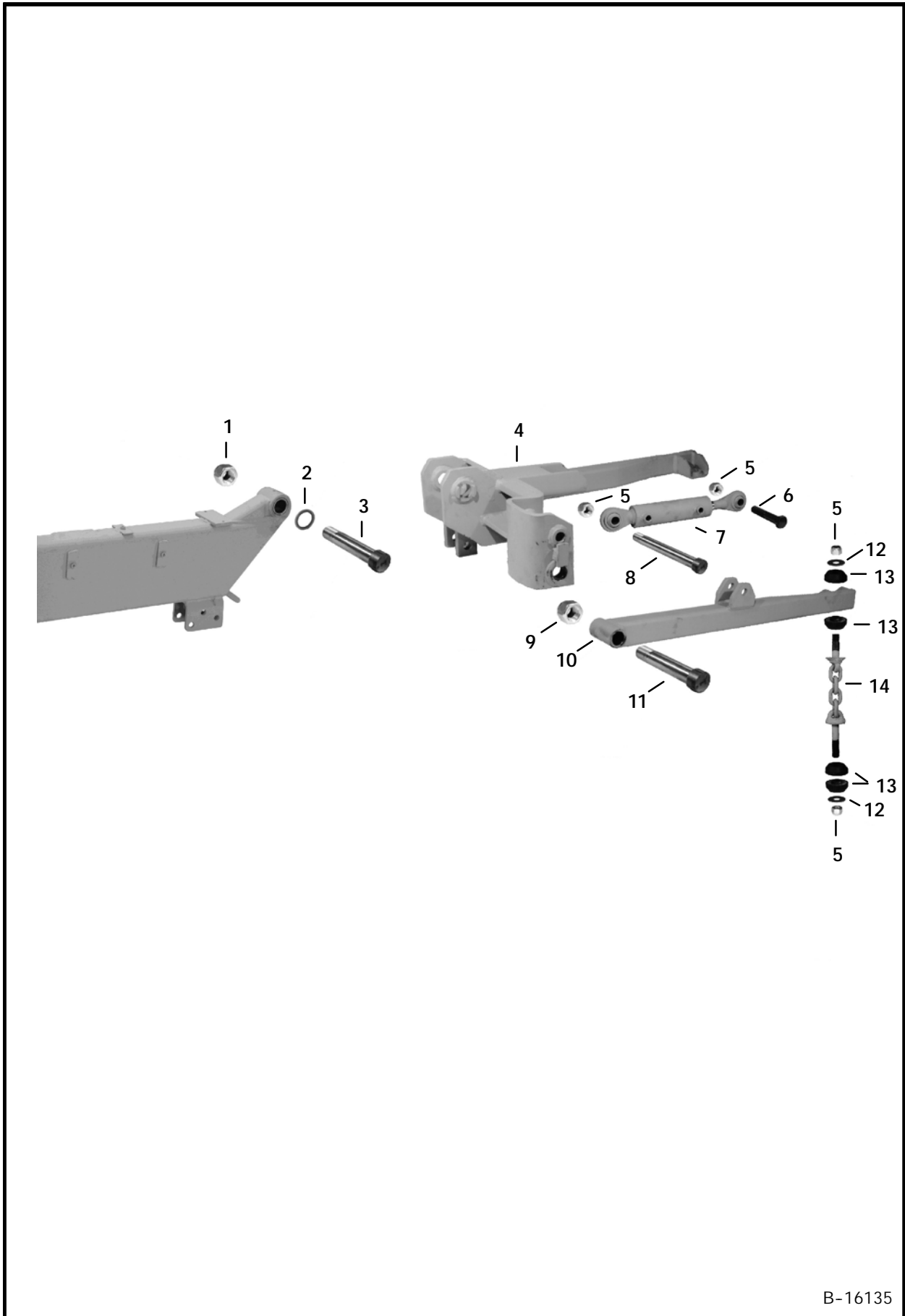


B-16134

TREE VIBRATOR - DUAL MOTOR (Cont'd)

Ref. No.	Part Number	Description	Remarks	Serial Number	Qty.
1	6679328	ARM			1
2	6728437	VALVE ASSY	See Page 319		1
3	6679293	BOLT			2
4	6679294	COVER			1
5	1CM-816	BOLT			2
6	6679295	CLAMP			1
7	6679296	PORT BLOCK			1
8	1CM-650	BOLT			2
9	39DM-24	NUT			2
10	6679298	BOLT			2
11	6679297	CYLINDER	See Page 295		1
12	6679299	CLAMP			3
13	6679329	ADAPTER			1
14	6679330	WASHER			1
15	6679331	ACCUMULATOR			1
16	39DM-16	NUT			1
17	6679300	PIN			1
18	1CM-16110	BOLT			1
19	6679301	PIN			1
20	6679302	STAND			1
21	6679303	CHAIN			1
22	6679332	COVER			1
23	4DM-8	NUT			4
24	6679305	STUD			2

TREE VIBRATOR - DUAL MOTOR

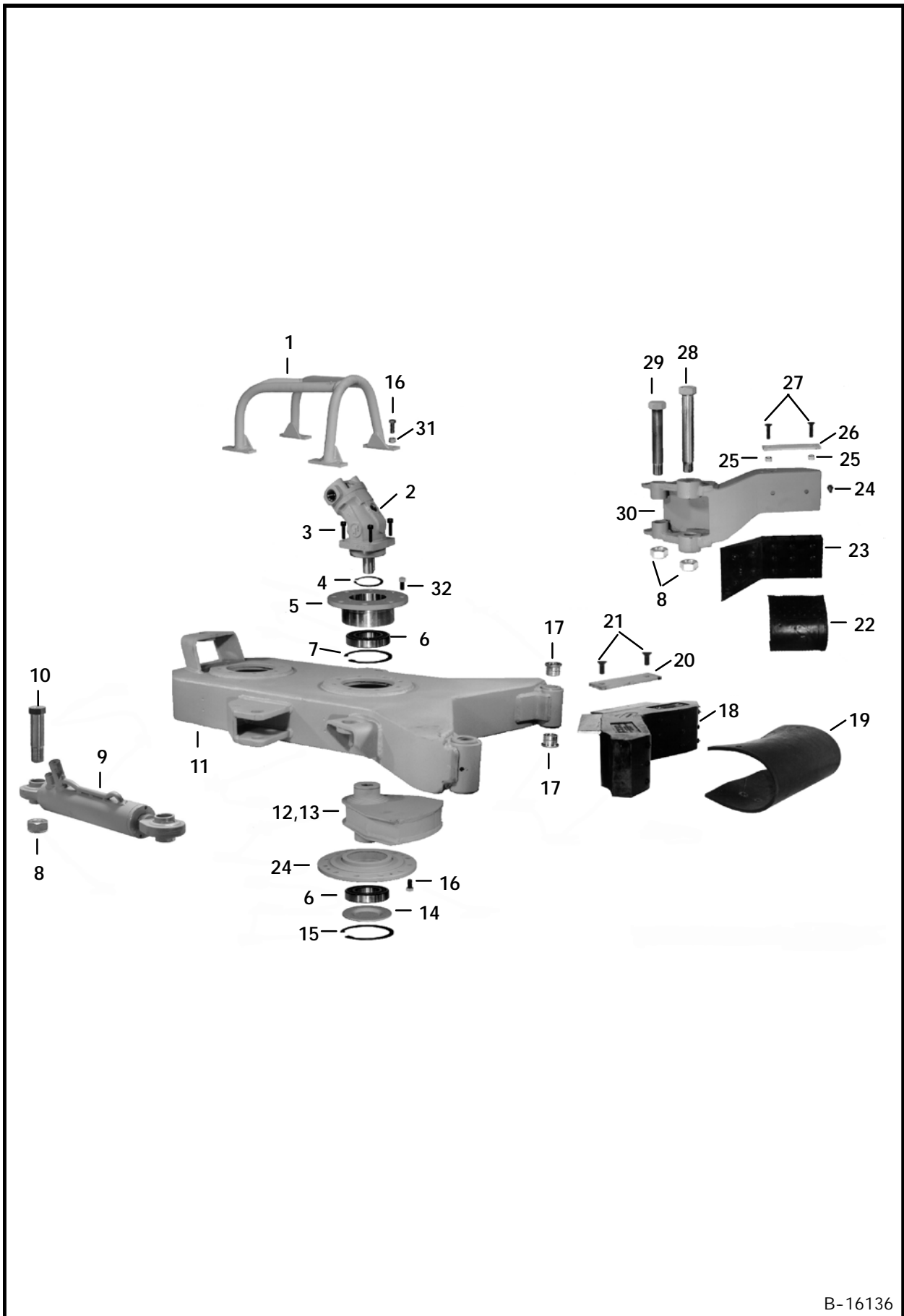


B-16135

TREE VIBRATOR - DUAL MOTOR (Cont'd)

Ref. No.	Part Number	Description	Remarks	Serial Number	Qty.
1	6679306	NUT			1
2	6679307	WASHER			1
3	6679309	PIN			1
4	6679333	ARM			1
5	39DM-24	NUT			8
6	6679311	BOLT			1
7	6679312	CYLINDER	See Page 297		1
8	6679313	PIN			1
9	6679314	NUT			1
10	6679334	ARM			1
11	6679316	PIN			1
12	6679317	WASHER			6
13	6679318	MOUNT			12
14	6679319	CHAIN			3

TREE VIBRATOR - DUAL MOTOR

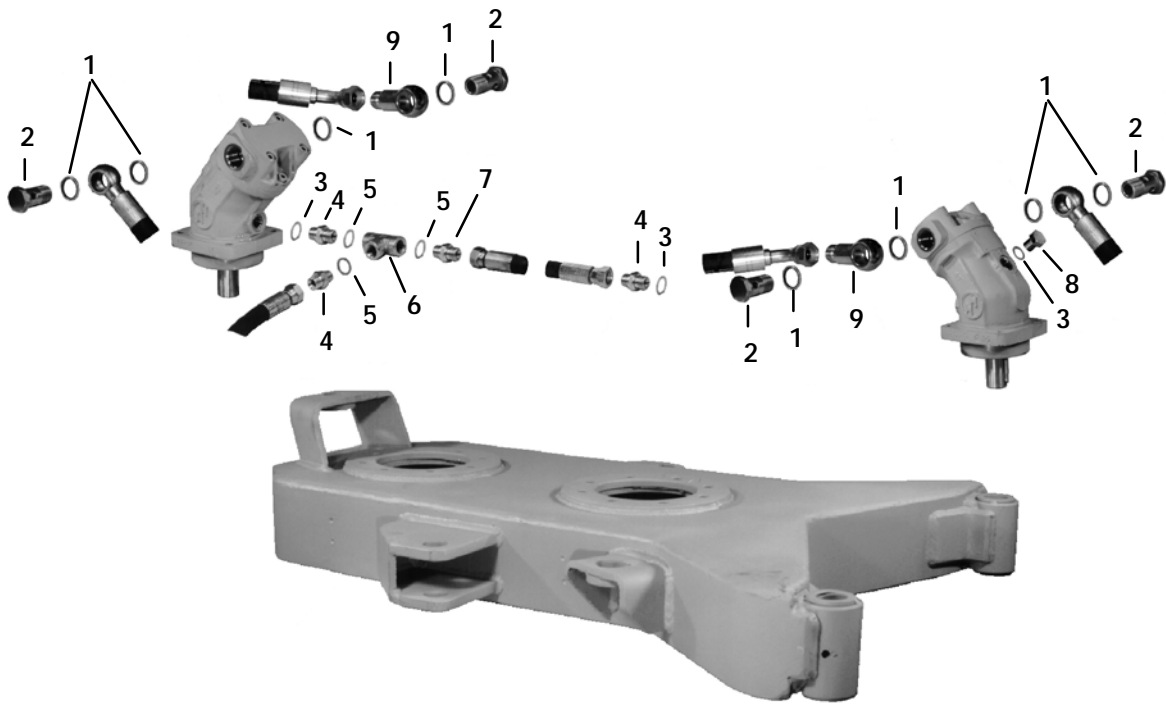


B-16136

TREE VIBRATOR - DUAL MOTOR (Cont'd)

Ref. No.	Part Number	Description	Remarks	Serial Number	Qty.
1	6679335	SHIELD			1
2	6679414	MOTOR	See Page 321		2
3	6679336	BOLT			4
4	6679337	RING	retaining		1
5	6679338	FLANGE			1
6	6679339	BEARING			2
7	6679340	RING	retaining		1
8	6679341	NUT			3
9	6679342	CYLINDER	R.H. - See Page 294		1
	6679343	CYLINDER	L.H. - See Page 294		1
10	6679344	PIN			1
11	6679345	FRAME			1
12	6679346	WEIGHT			1
13	6679347	WEIGHT			1
14	6679348	PLATE			1
15	6679349	RING	retaining		1
16	6679350	BOLT			18
17	6679351	BUSHING			2
18	6679352	MOUNT			1
19	6679353	PANEL			1
20	6679354	PLATE			1
21	6679355	BOLT			3
22	6679356	PANEL			2
23	6679357	MOUNT			2
24	6679365	FLANGE			1
25	6679358	NUT			4
26	6679359	PLATE			2
27	6679360	BOLT			4
28	6679361	PIN			2
29	6679362	PIN			2
30	6679363	JAW			2
31	1DM-16	NUT			4
32	6679364	BOLT			8

TREE VIBRATOR - DUAL MOTOR

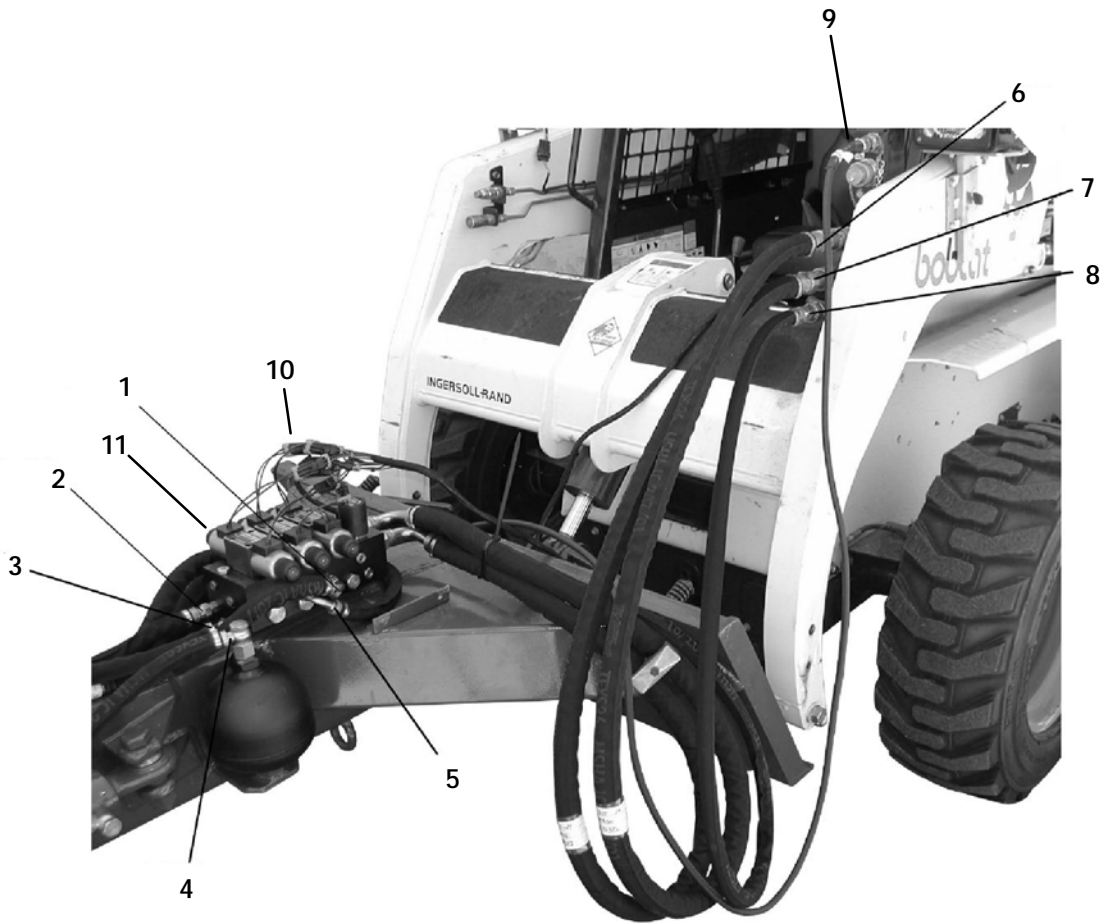


B-16137

TREE VIBRATOR - DUAL MOTOR (Cont'd)

Ref. No.	Part Number	Description	Remarks	Serial Number	Qty.
1	6679366	WASHER			8
2	6679367	FITTING			4
3	6679368	WASHER			3
4	6679369	ADAPTER			3
5	6679370	WASHER			3
6	6679371	TEE			1
7	6679372	ADAPTER			1
8	6679373	PLUG			1
9	6679374	ADAPTER			2

TREE VIBRATOR - DUAL MOTOR
(Hydraulic Circuitry)

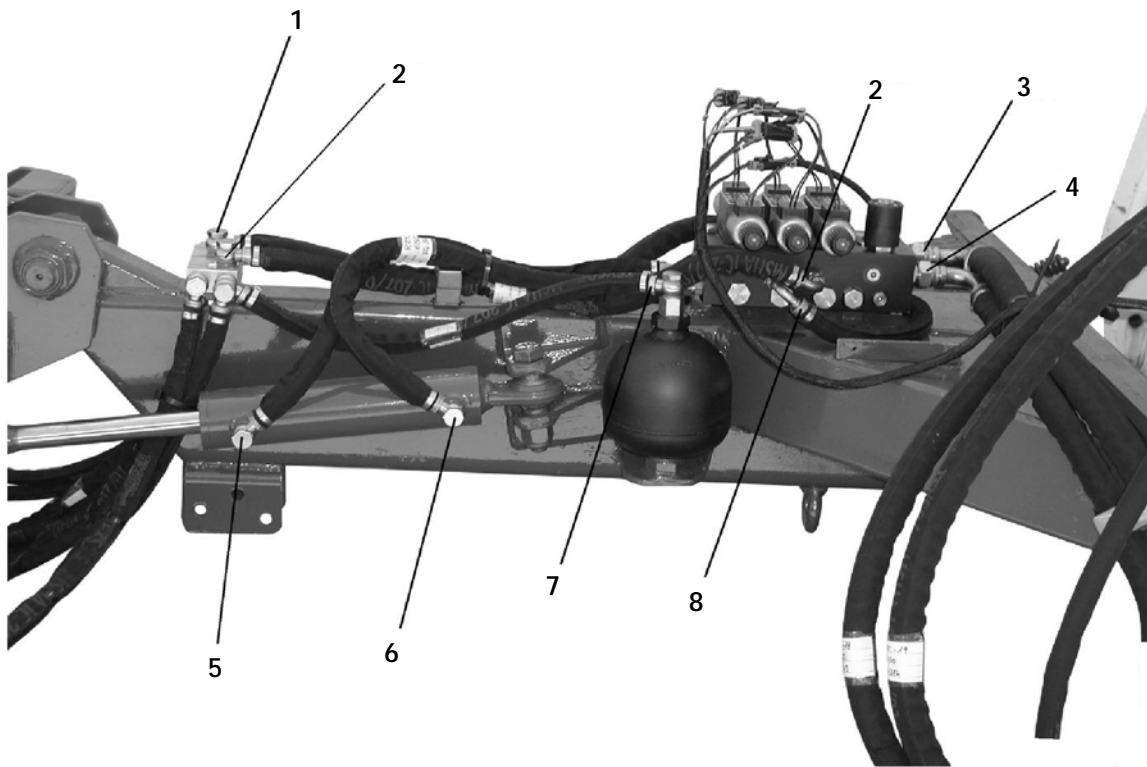


B-16138

TREE VIBRATOR - DUAL MOTOR (Cont'd)
(Hydraulic Circuitry)

Ref. No.	Part Number	Description	Remarks	Serial Number	Qty.
1	6679390	HOSE			1
	15K-5	ADAPTER			1
	79K-6	O-RING			1
2	6679406	ADAPTER	hollow screw		1
	6679370	WASHER	copper		2
	6679392	HOSE			1
	15K-5	ADAPTER			1
	79K-6	O-RING			1
	6679406	ADAPTER	hollow screw		1
3	6679370	WASHER	copper		2
	6679393	HOSE			1
	15K-5	ADAPTER			1
	79K-6	O-RING			1
	6679406	ADAPTER	hollow screw		1
	6679370	WASHER	copper		2
4	6679403	HOSE			1
	6679406	ADAPTER	hollow screw		1
	6679370	WASHER	copper		3
5	6679395	HOSE			1
	15K-5	ADAPTER			1
	79K-6	O-RING			1
6	6679406	ADAPTER	hollow screw		1
	6679370	WASHER	copper		2
	6679389	HOSE			1
7	15K-8	ADAPTER			1
	79K-12	O-RING			1
	6679388	HOSE			1
8	15K-8	ADAPTER			1
	79K-12	O-RING			1
	6679402	HOSE			1
9	6679407	WASHER	copper		1
	6725368	HARNESS	7-pin		1
10	6727998	HARNESS	valve to ACD controller		1
11	6728437	VALVE ASSY	See Page 319		1
	6676514	CONTROLLER	ACD		1

TREE VIBRATOR - DUAL MOTOR
(Hydraulic Circuitry)

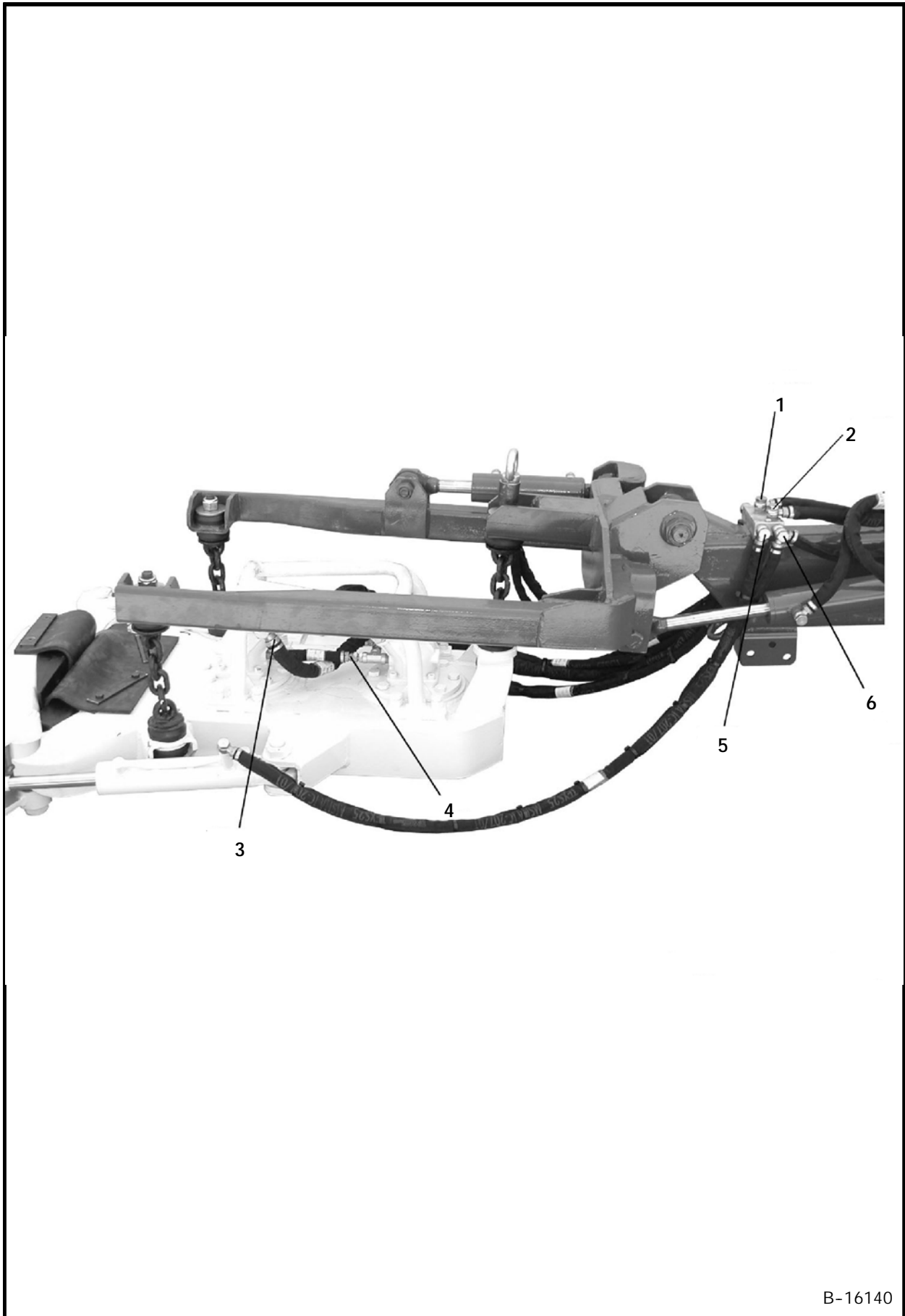


B-16139

TREE VIBRATOR - DUAL MOTOR (Cont'd)
(Hydraulic Circuitry)

Ref. No.	Part Number	Description	Remarks	Serial Number	Qty.
1	6679391	HOSE			1
	15K-5	ADAPTER			1
	79K-6	O-RING			1
2	6679406	ADAPTER	hollow screw		1
	6679370	WASHER	copper		2
	6679390	HOSE			1
	15K-5	ADAPTER			1
	79K-6	O-RING			1
	6679406	ADAPTER	hollow screw		1
3	6679370	WASHER	copper		2
	6679389	HOSE			1
	15K-8	ADAPTER			1
4	79K-12	O-RING			1
	6679388	HOSE			1
	15K-8	ADAPTER			1
5	79K-12	O-RING			1
	6679392	HOSE			1
	15K-5	ADAPTER			1
6	79K-6	O-RING			1
	6679406	ADAPTER	hollow screw		1
	6679370	WASHER	copper		2
7	6679393	HOSE			1
	15K-5	ADAPTER			1
	79K-6	O-RING			1
8	6679406	ADAPTER	hollow screw		1
	6679370	WASHER	copper		2
	6679403	HOSE			1
	6679406	ADAPTER	hollow screw		1
	6679370	WASHER	copper		3
	6679395	HOSE			1
	15K-5	ADAPTER			1
	79K-6	O-RING			1
	6679406	ADAPTER	hollow screw		1
	6679370	WASHER	copper		2

TREE VIBRATOR - DUAL MOTOR
(Hydraulic Circuitry)

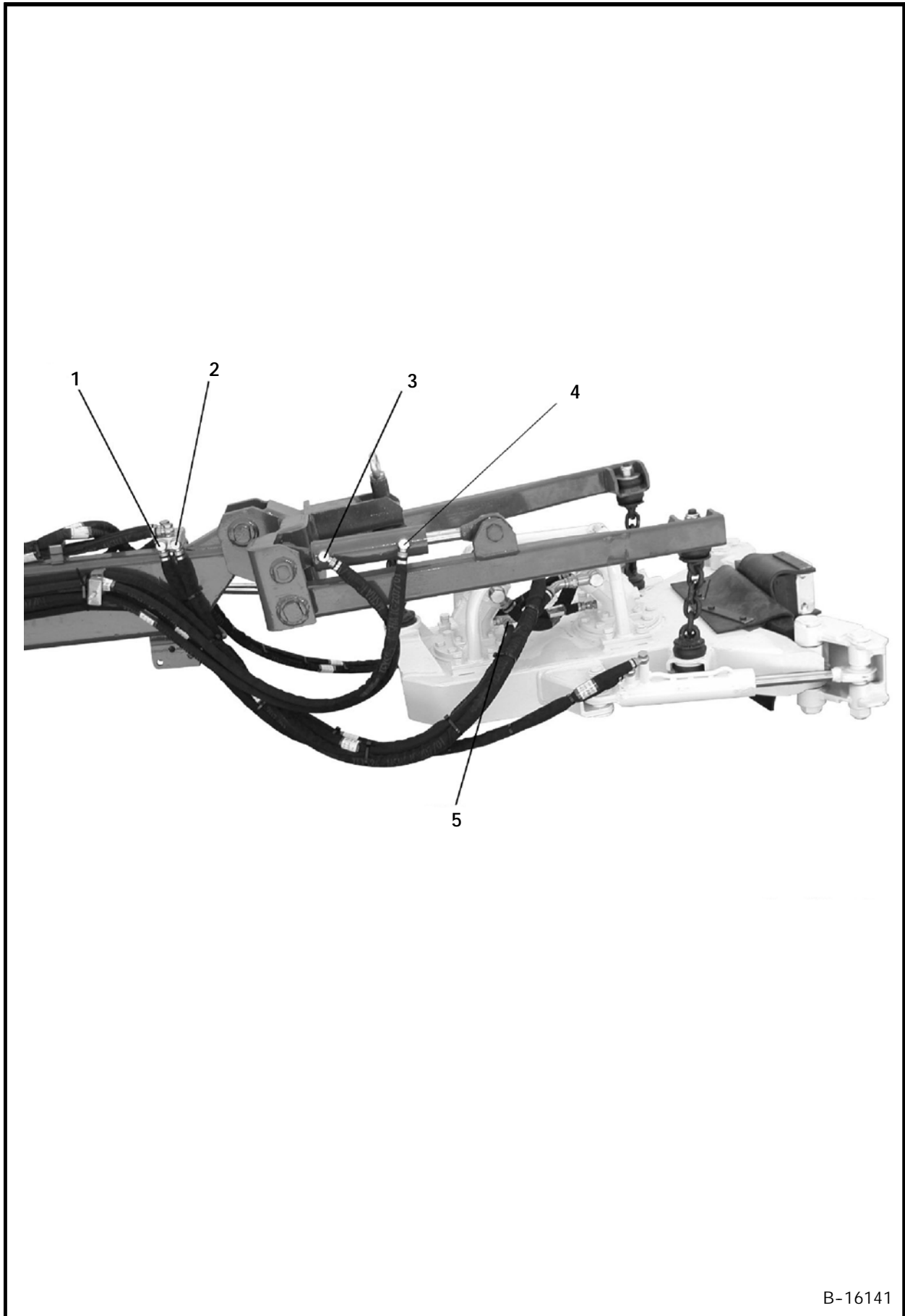


B-16140

TREE VIBRATOR - DUAL MOTOR (Cont'd)
(Hydraulic Circuitry)

Ref. No.	Part Number	Description	Remarks	Serial Number	Qty.
1	6679391	HOSE			1
	15K-5	ADAPTER			1
	79K-6	O-RING			1
2	6679406	ADAPTER	hollow screw		1
	6679370	WASHER	copper		2
	6679390	HOSE			1
	15K-5	ADAPTER			1
	79K-6	O-RING			1
	6679406	ADAPTER	hollow screw		1
3	6679370	WASHER	copper		2
	6679405	HOSE			1
4	6679404	HOSE			1
5	6679401	HOSE			1
	6679406	ADAPTER	hollow screw		2
	6679370	WASHER	copper		4
6	6679400	HOSE			1
	6679408	BOLT	hollow screw		1
	6679406	ADAPTER	hollow screw		1
	6679370	WASHER	copper		4

TREE VIBRATOR - DUAL MOTOR
(Hydraulic Circuitry)

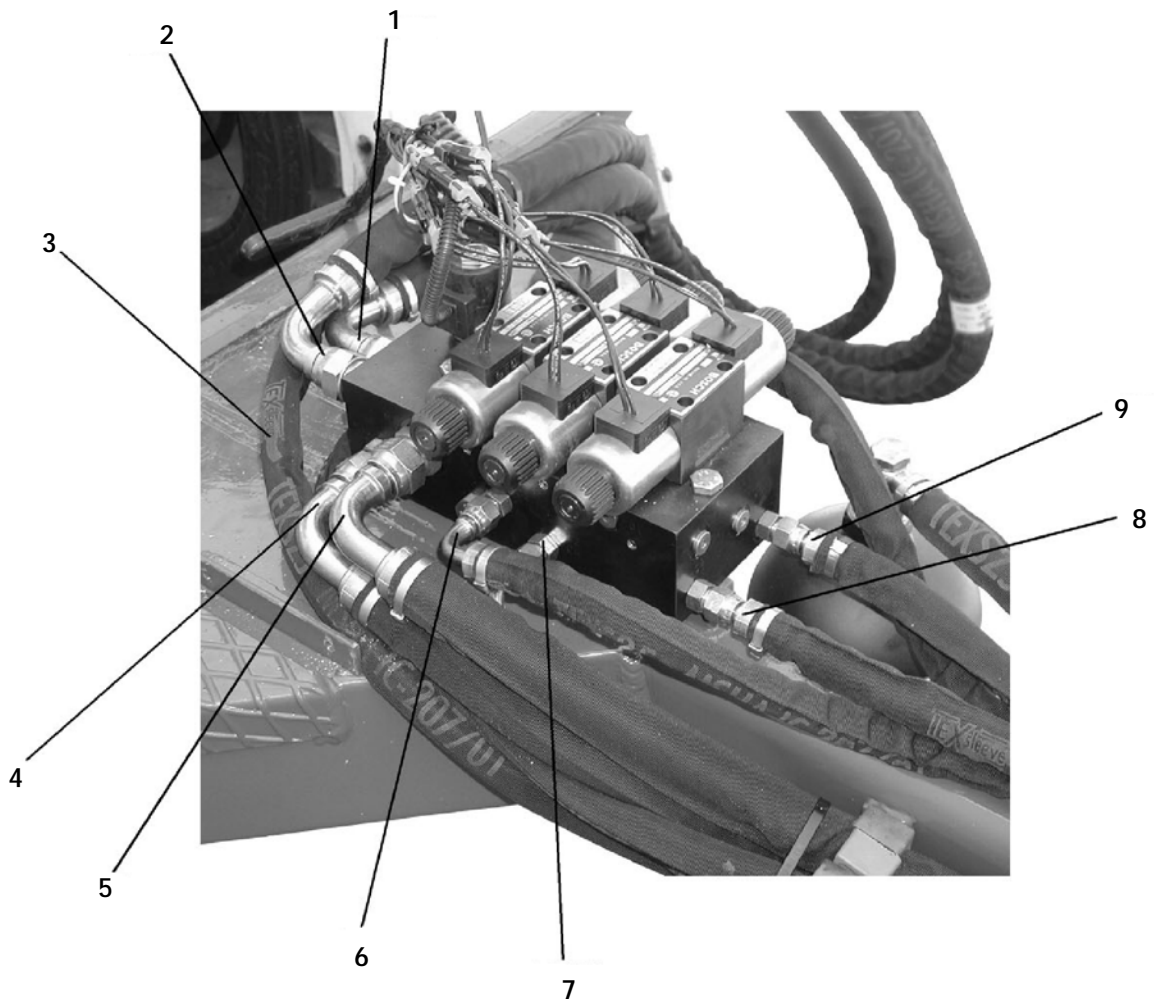


B-16141

TREE VIBRATOR - DUAL MOTOR (Cont'd)
(Hydraulic Circuitry)

Ref. No.	Part Number	Description	Remarks	Serial Number	Qty.
1	6679398	HOSE			1
	6679406	ADAPTER	hollow screw		2
	6679370	WASHER	copper		4
2	6679399	HOSE			1
	6679406	ADAPTER	hollow screw		2
	6679370	WASHER	copper		4
3	6679395	HOSE			1
	15K-5	ADAPTER			1
	79K-6	O-RING			1
4	6679406	ADAPTER	hollow screw		1
	6679370	WASHER	copper		2
	6679394	HOSE			1
	15K-5	ADAPTER			1
	79K-6	O-RING			1
	6679406	ADAPTER	hollow screw		1
5	6679370	WASHER	copper		2
	6679402	HOSE			1
	6679407	WASHER	copper		1

TREE VIBRATOR - DUAL MOTOR
(Hydraulic Circuitry)

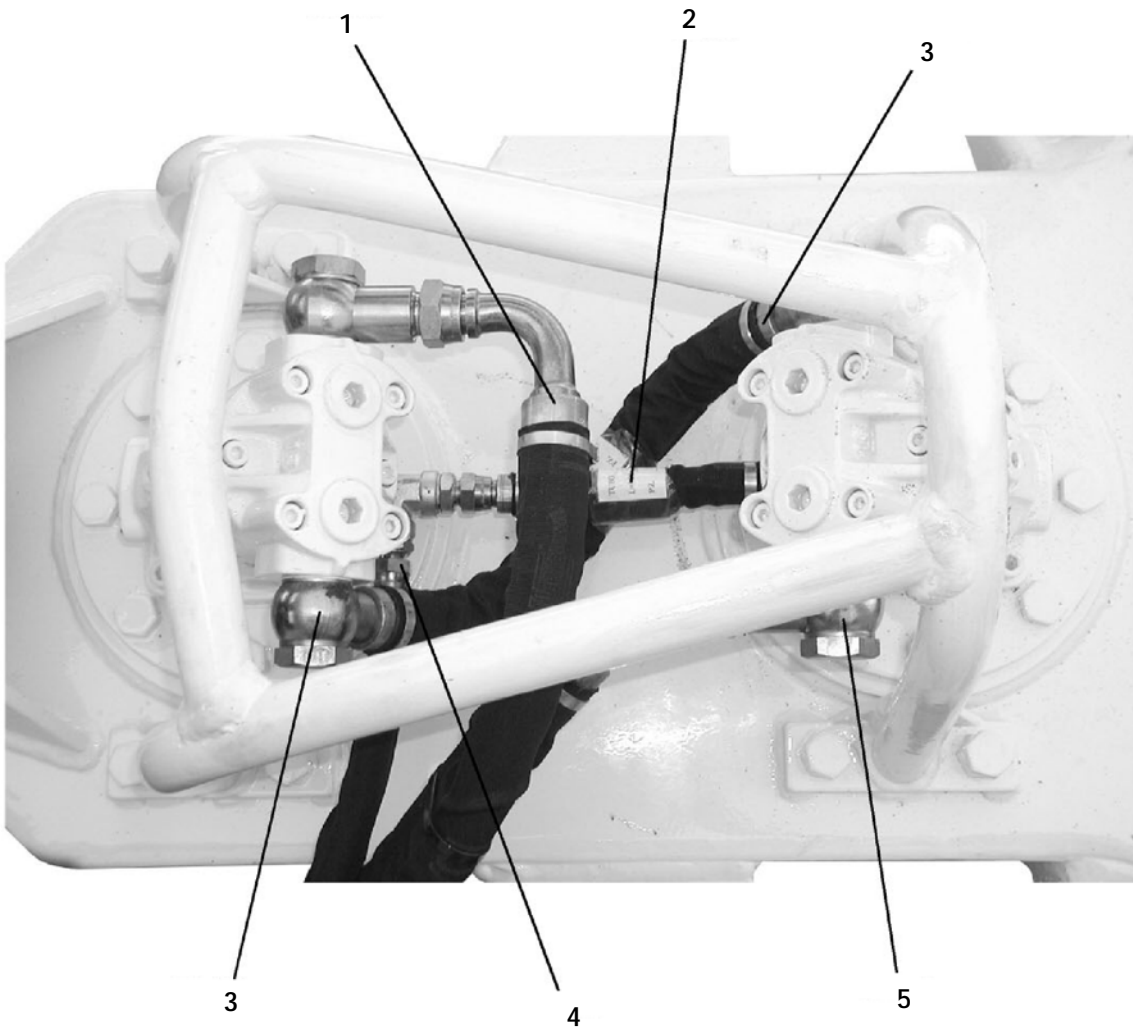


B-16142

TREE VIBRATOR - DUAL MOTOR (Cont'd)
(Hydraulic Circuitry)

Ref. No.	Part Number	Description	Remarks	Serial Number	Qty.
1	6679388	HOSE			1
	15K-8	ADAPTER			1
	79K-12	O-RING			1
2	6679389	HOSE			1
	15K-8	ADAPTER			1
	79K-12	O-RING			1
3	6679402	HOSE			1
4	6679407	WASHER	copper		1
	6679396	HOSE			1
5	15K-8	ADAPTER			1
	79K-12	O-RING			1
	6679397	HOSE			1
6	15K-8	ADAPTER			1
	79K-12	O-RING			1
	6679391	HOSE			1
7	15K-5	ADAPTER			1
	79K-6	O-RING			1
	6679406	ADAPTER	hollow screw		2
	6679370	WASHER	copper		4
8	6679395	HOSE			1
	15K-5	ADAPTER			1
	79K-6	O-RING			1
	6679406	ADAPTER	hollow screw		1
9	6679370	WASHER	copper		2
	6679392	HOSE			1
	15K-5	ADAPTER			1
	79K-6	O-RING			1
	6679406	ADAPTER	hollow screw		1
	6679370	WASHER	copper		2
	6679393	HOSE			1
	15K-5	ADAPTER			1
	79K-6	O-RING			1
	6679406	ADAPTER	hollow screw		1
	6679370	WASHER	copper		2

TREE VIBRATOR - DUAL MOTOR
(Hydraulic Circuitry)

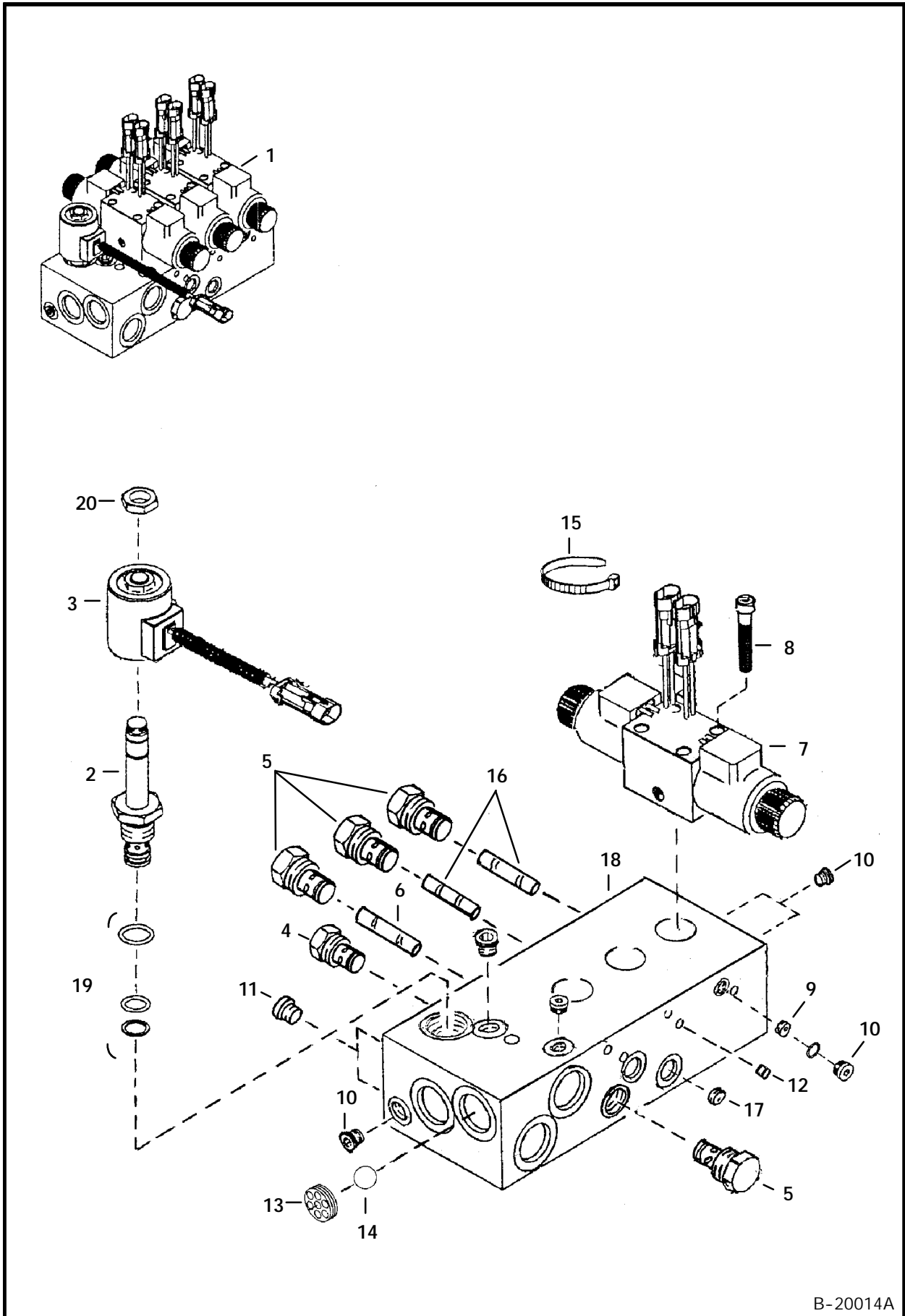


B-16143

TREE VIBRATOR - DUAL MOTOR (Cont'd)
(Hydraulic Circuitry)

Ref. No.	Part Number	Description	Remarks	Serial Number	Qty.
1	6679397 15K-8 79K-12	HOSE ADAPTER O-RING			1 1 1
2	6679404	HOSE			1
3	6679405	HOSE			1
4	6679402	HOSE			1
5	6679407 6679396 15K-8 79K-12	WASHER HOSE ADAPTER O-RING	copper		1 1 1 1

TREE VIBRATOR (Control Valve)

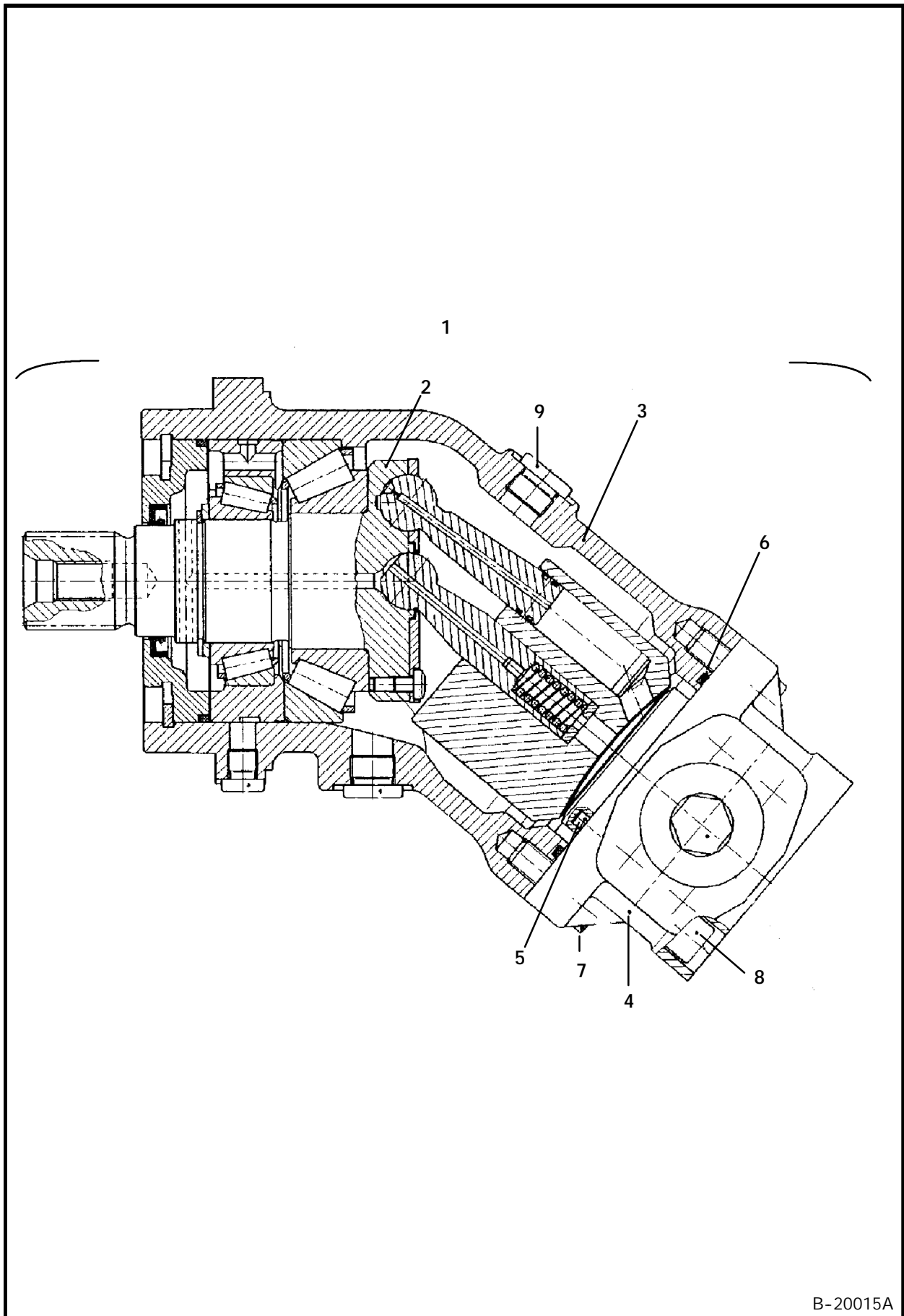


B-20014A

**TREE VIBRATOR (Cont'd)
(Control Valve)**

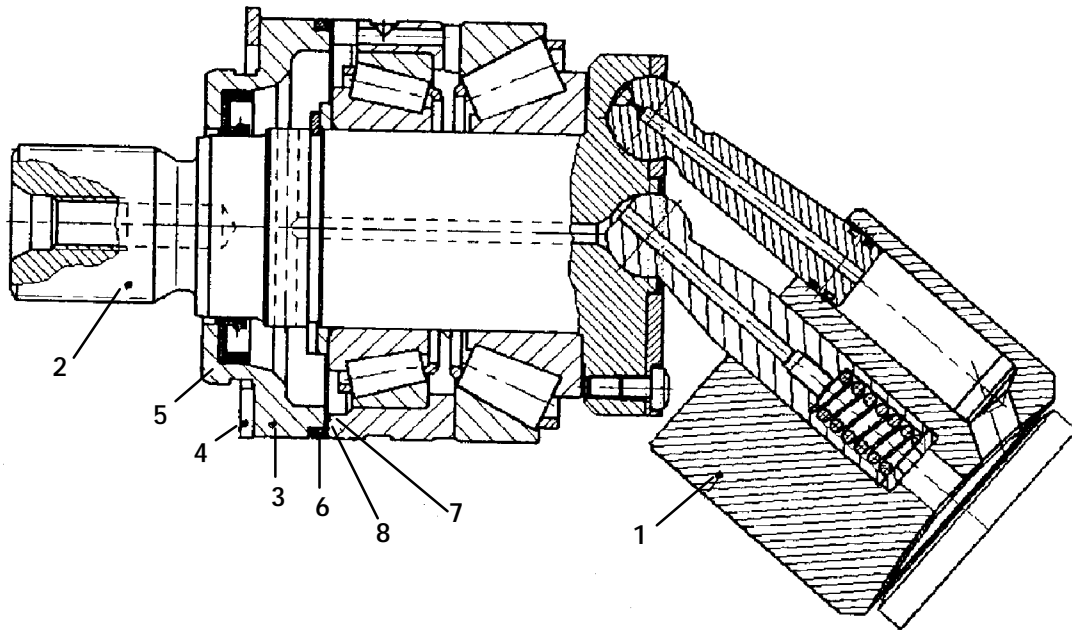
Ref. No.	Part Number	Description	Remarks	Serial Number	Qty.
1	6728437	VALVE ASSY	W/Ref. 2 - 20		1
2	6678079	SPOOL			1
3	6671026	COIL			1
4	6664026	CHECK VALVE			1
	6672515	SEAL KIT			1
5	6678080	CHECK VALVE			4
	6664032	SEAL KIT			4
6	6678081	PISTON	double		1
7	6678082	VALVE			3
	6678086	SEAL KIT			3
8	6674545	BOLT			12
9	6678083	ORIFICE	.090"		1
10	6665719	PLUG			5
11	6669620	PLUG			3
12	6673833	PLUG			11
13	6673832	RETAINER			1
14	6673831	BALL			1
15	6673979	CABLE TIE	white		1
	6673983	CABLE TIE	brown		1
	6673980	CABLE TIE	yellow		1
	6673982	CABLE TIE	green		1
	6673981	CABLE TIE	orange		1
	6673978	CABLE TIE	blue		1
16	6678084	PISTON	single		2
17	6678085	ORIFICE	.070"		1
18	6678087	BLOCK			1
19	6667626	SEAL KIT			1
20	7D-8	NUT			1

HYDRAULIC MOTOR
(For Dual Motor Tree Vibrator)



B-20015A

HYDRAULIC MOTOR
(For Dual Motor Tree Vibrator)

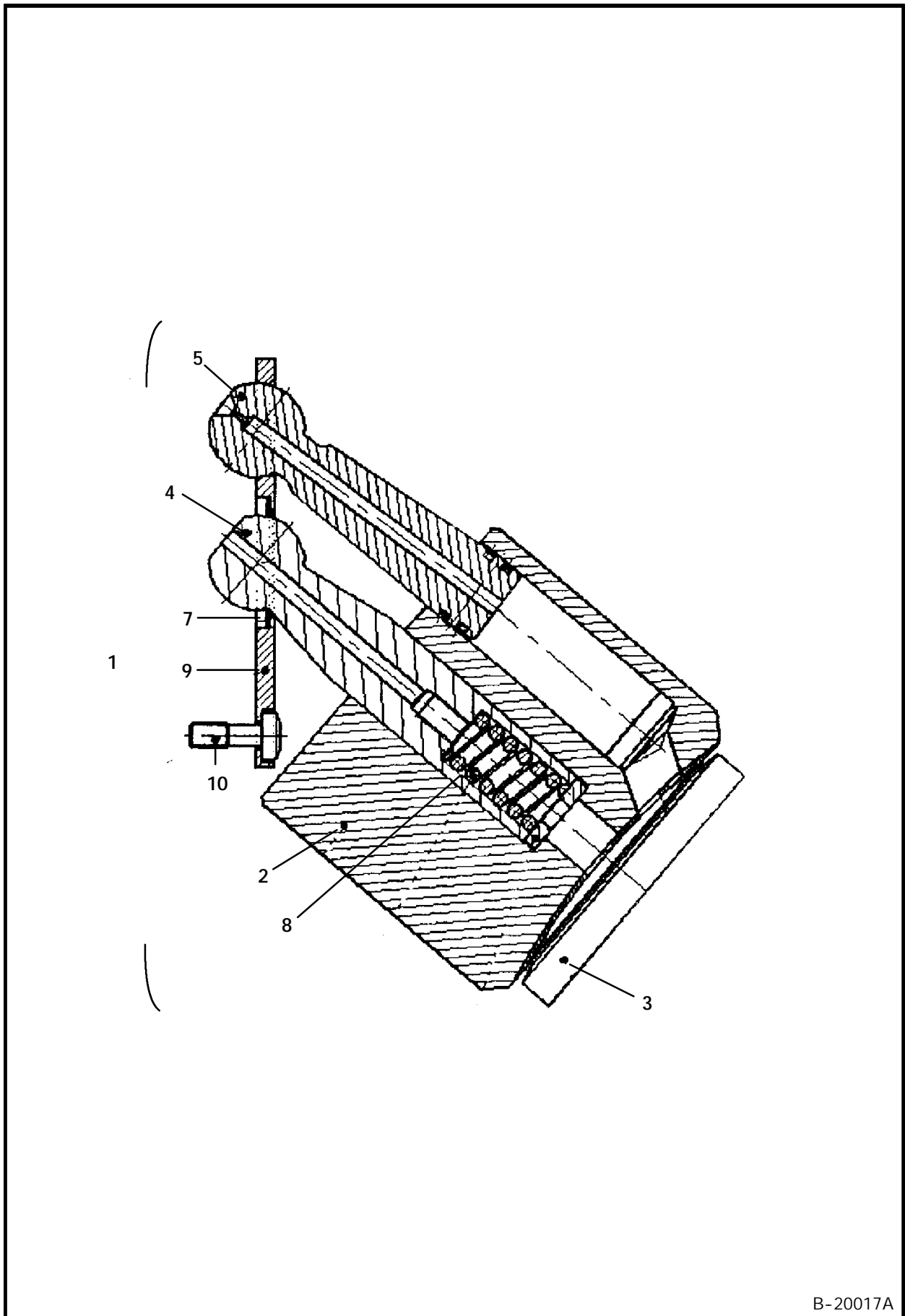


B-20016A

**HYDRAULIC MOTOR (Cont'd)
(For Dual Motor Tree Vibrator)**

Ref. No.	Part Number	Description	Remarks	Serial Number	Qty.
1	6679423	ROTARY GROUP	See page 325		1
2	6679424	SHAFT	bearing assy - See page 327		1
3	6679425	COVER			1
4	6679426	RING	retaining shaft		1
5	6679427	SEAL			1
6	6679428	O-RING			1
7	6679429	SHIM			2
8	6679430	SHIM			1

HYDRAULIC MOTOR - ROTARY GROUP
(For Dual Motor Tree Vibrator)

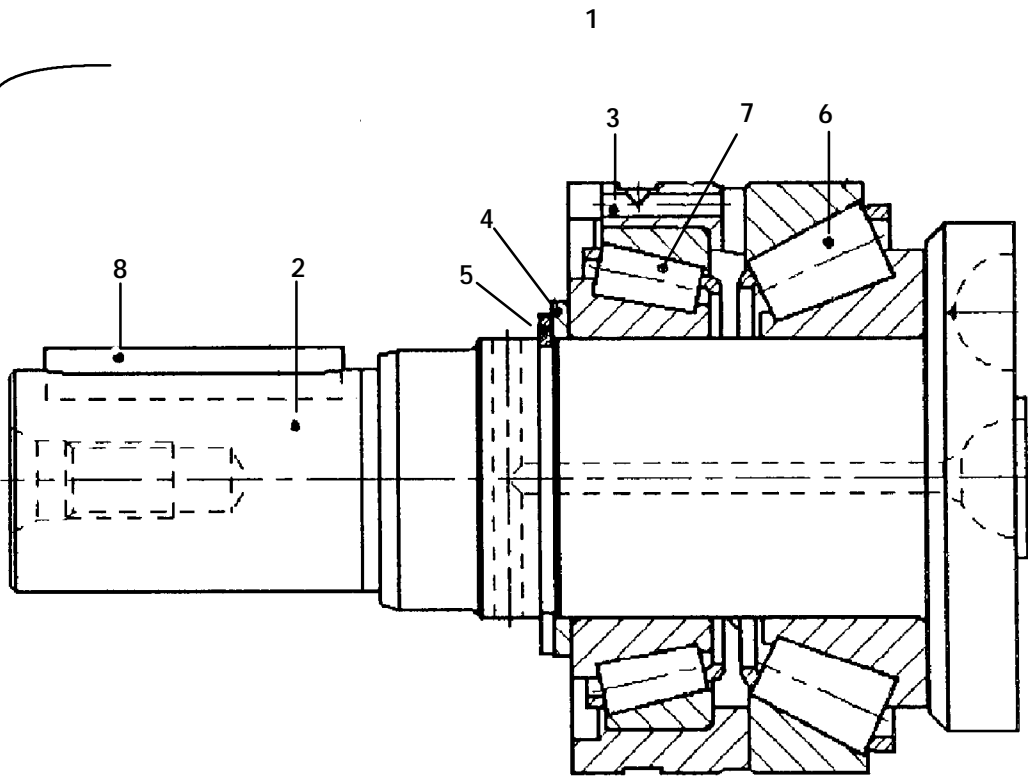


B-20017A

HYDRAULIC MOTOR - ROTARY GROUP (Cont'd)
(For Dual Motor Tree Vibrator)

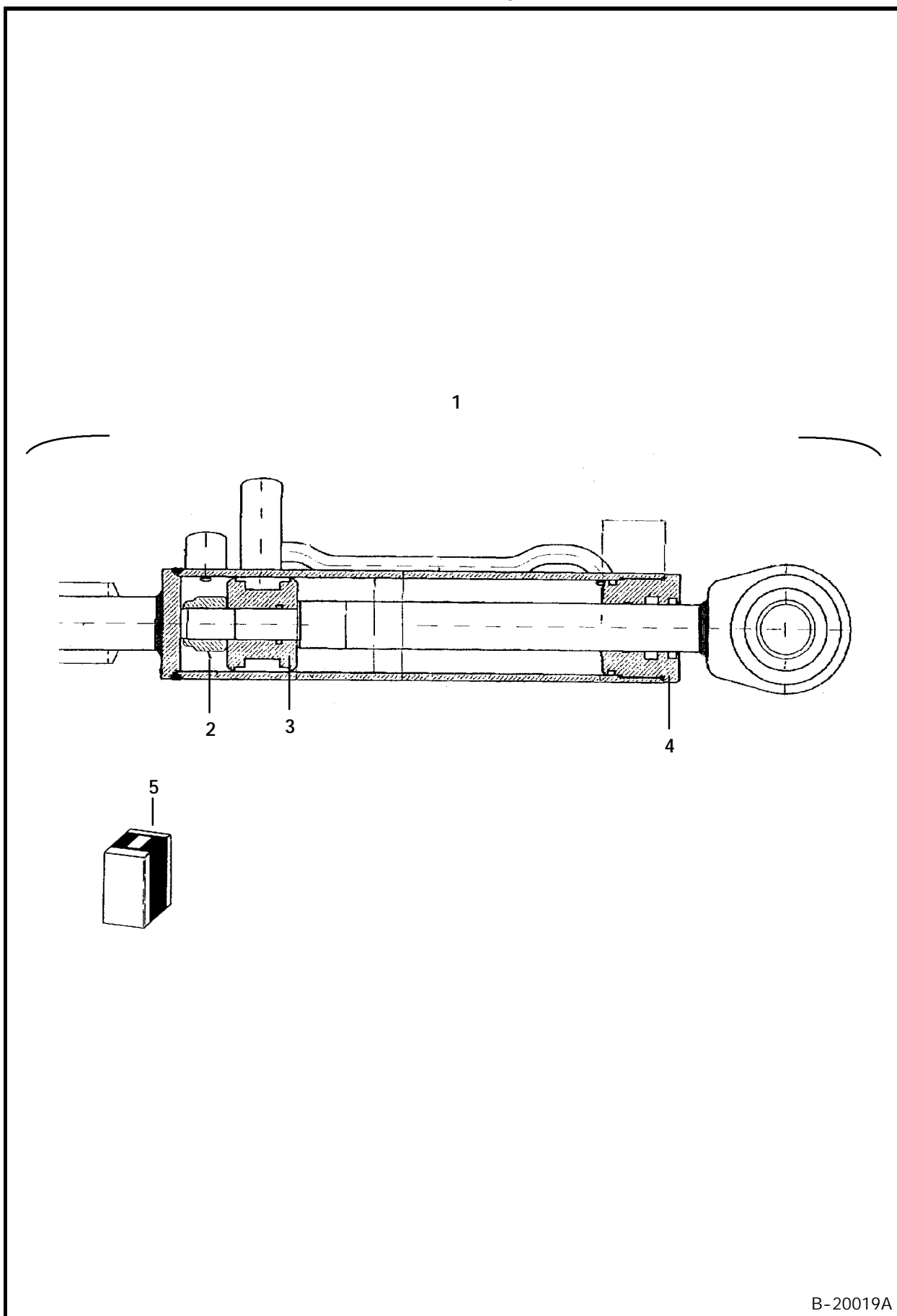
Ref. No.	Part Number	Description	Remarks	Serial Number	Qty.
1	6679423	ROTARY GROUP	W/Ref. 2 - 10		1
2	NSS	CYLINDER	Order Ref. 1		1
3	NSS	CONTROL PLATE	Order Ref. 1		1
4	6679431	CENTER PIN			1
5	6679433	PISTON	W/Rings		7
6	6679438	RING	sealing		14
7	6679434	WASHER			1
8	6679435	SPRING			1
9	6679436	PLATE			1
10	6671858	BOLT			7

HYDRAULIC MOTOR - SHAFT & BEARING GROUP
(For Dual Motor Tree Vibrator)



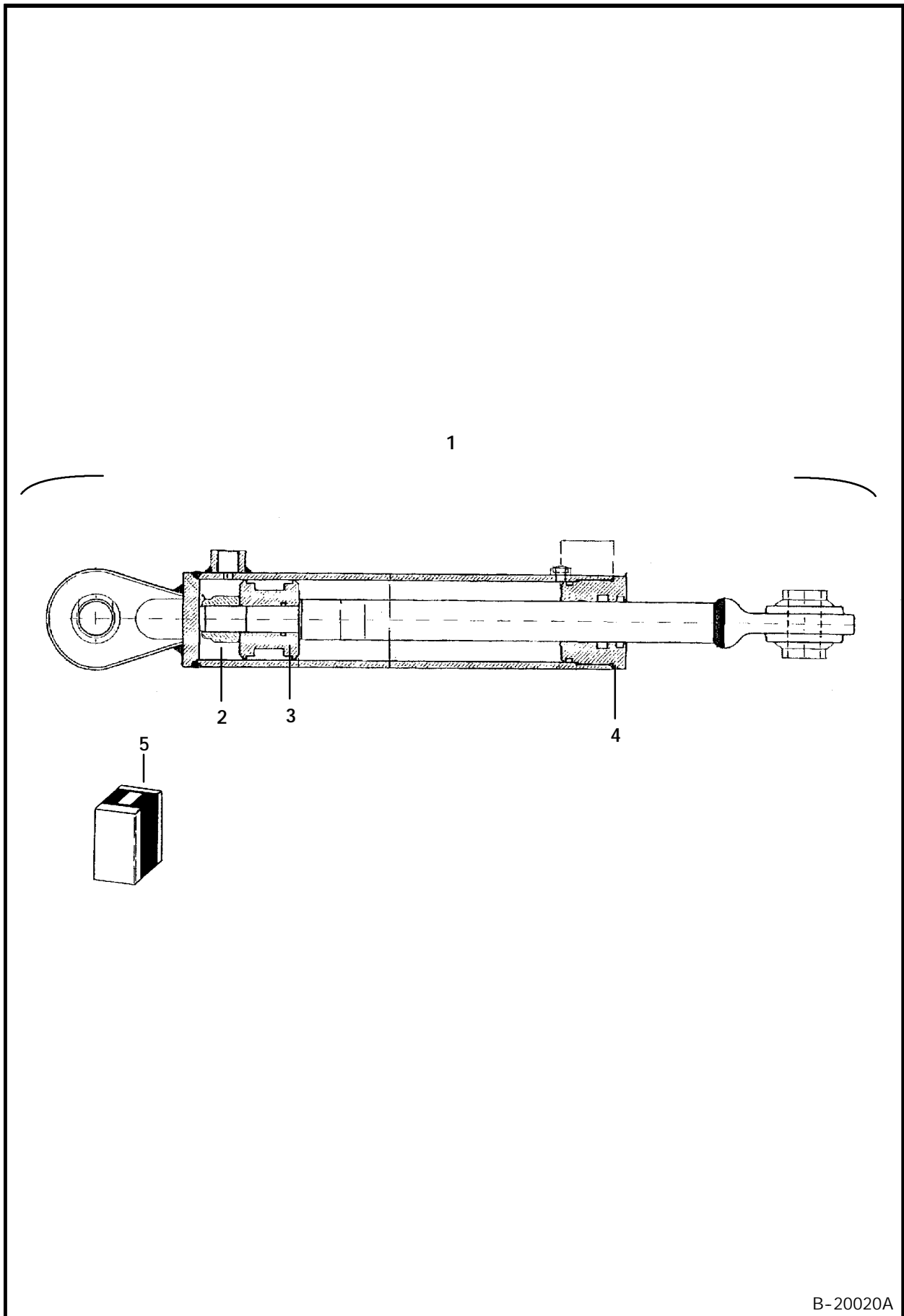
B-20018A

TREE VIBRATOR
(R.H. & L.H. Jaw Cylinder)



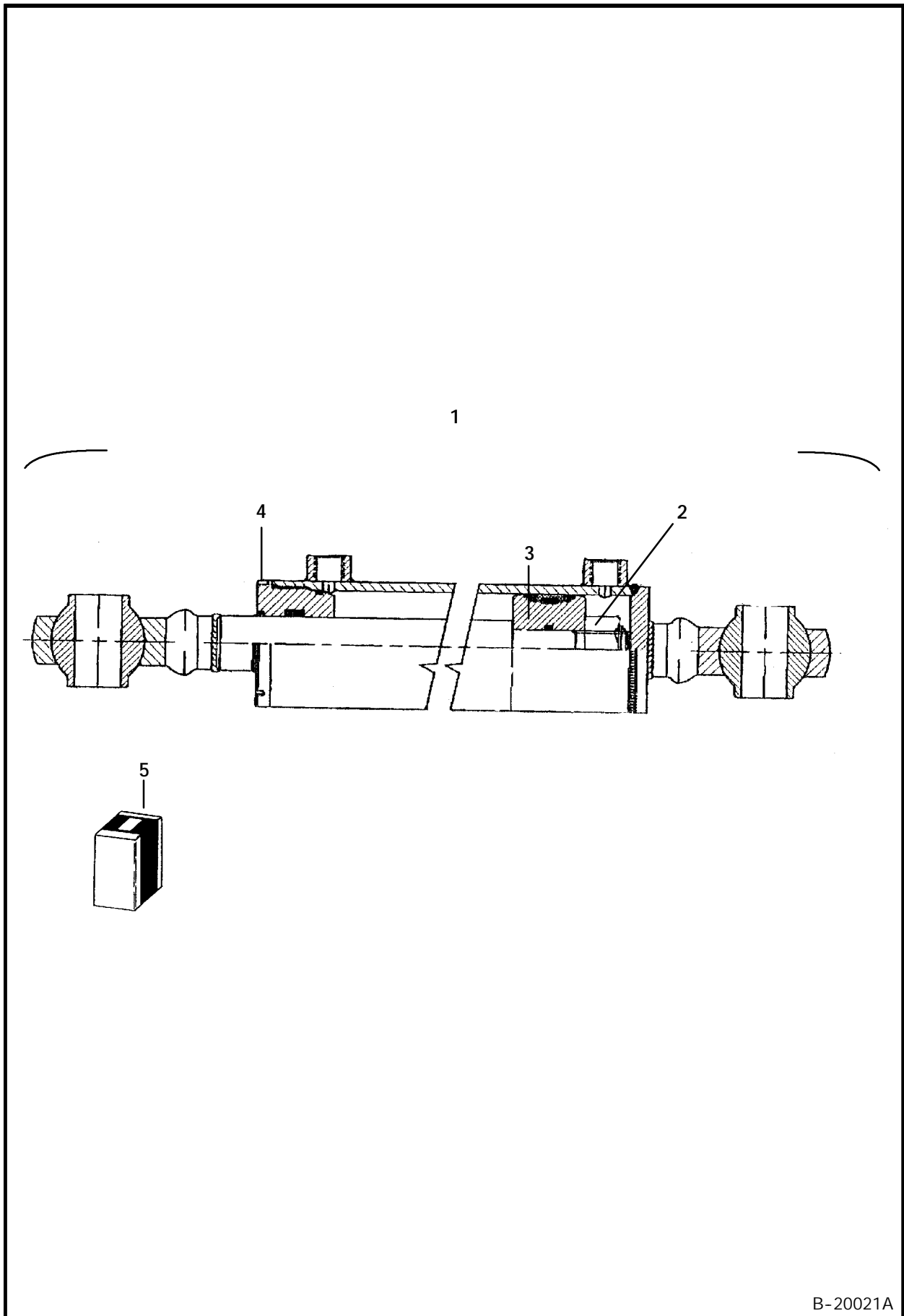
B-20019A

TREE VIBRATOR
(Handlebar Cylinder)



B-20020A

TREE VIBRATOR
(Handle Arm Cylinder)

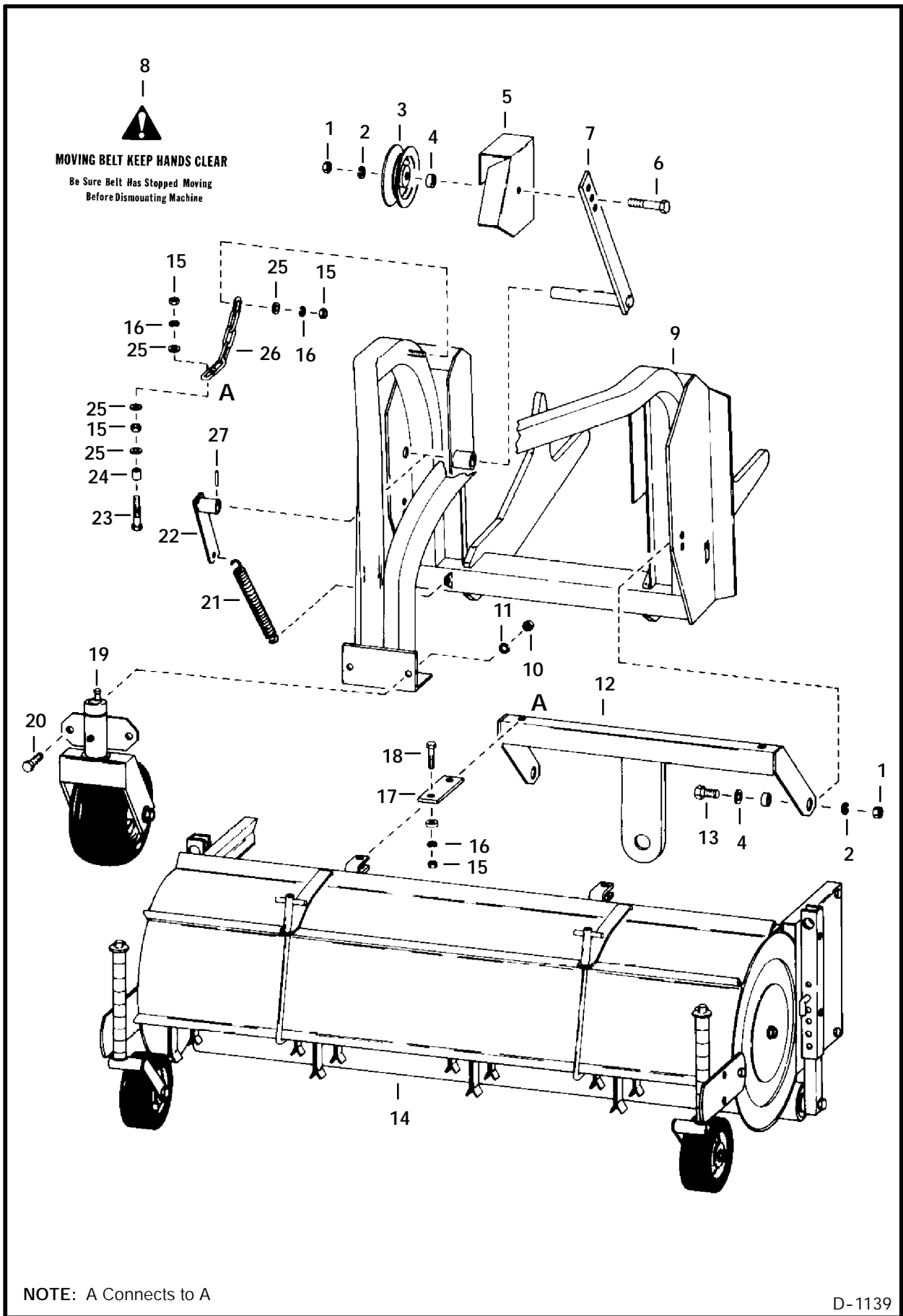


B-20021A

TREE VIBRATOR (Cont'd)
(Handle Arm Cylinder)

Ref. No.	Part Number	Description	Remarks	Serial Number	Qty.
1	6679312	CYLINDER	W/Ref. 2 - 4		1
2	6679568	NUT			1
3	6679569	PISTON			1
4	6679570	HEAD			1
5	6679567	SEAL KIT			1

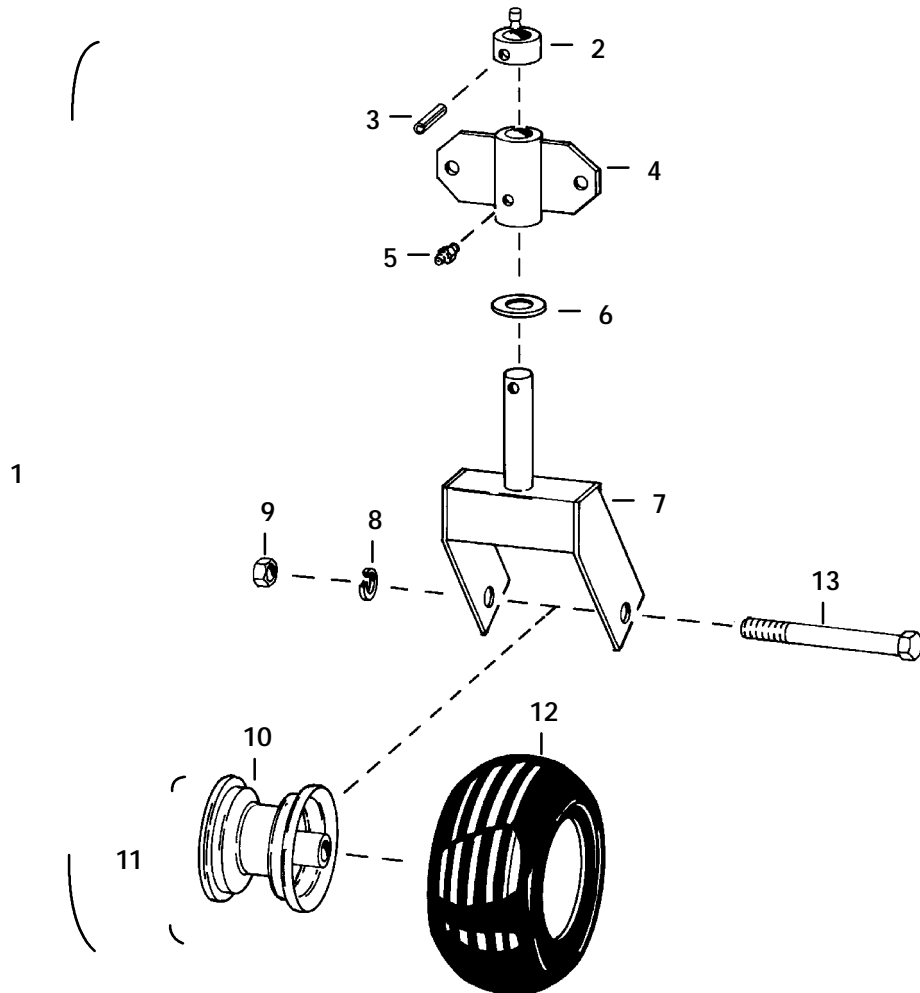
FLAIR MOWER MOUNTING FRAME (300 Series)



FLAIR MOWER MOUNTING FRAME (Cont'd)
(300 Series)

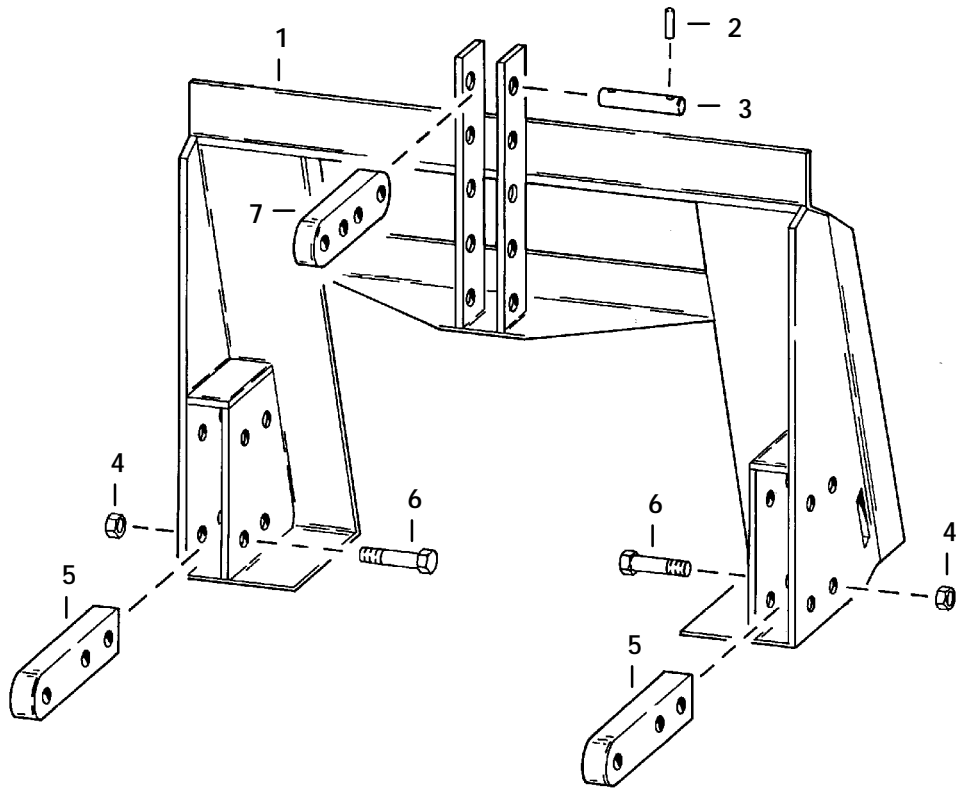
Ref. No.	Part Number	Description	Remarks	Serial Number	Qty.
1	61D-10	NUT			3
2	4E-10	WASHER			3
3	6564011	PULLEY	drive - Was 6515550 [A]		1
4	6541728	BUSHING			3
5	6541729	SHIELD	drive		1
6	17C-1040	BOLT			1
7	6541716	ARM	pulley		1
8	6541972	DECAL	caution		1
9	6541698	FRAME	mounting		1
10	61D-8	NUT			2
11	4E-8	WASHER			2
12	6541711	BRACKET	mounting		1
13	17C-1024	BOLT			2
14	SALES	MOWER			1
15	61D-6	NUT			8
16	4E-6	WASHER			6
17	6541726	PLATE	hookup		2
18	17C-628	BOLT			2
19	6541722	WHEEL	caster - See Page 338		1
20	17C-820	BOLT			2
21	6507086	SPRING	tension		1
22	6541719	ARM	spring		1
23	17C-632	BOLT			2
24	6541727	BUSHING			2
25	25E-17	WASHER			8
26	6541797	CHAIN	4/0 x 6 links		2
27	675351	ROLL PIN			1

CASTER WHEEL (Flair Mower)



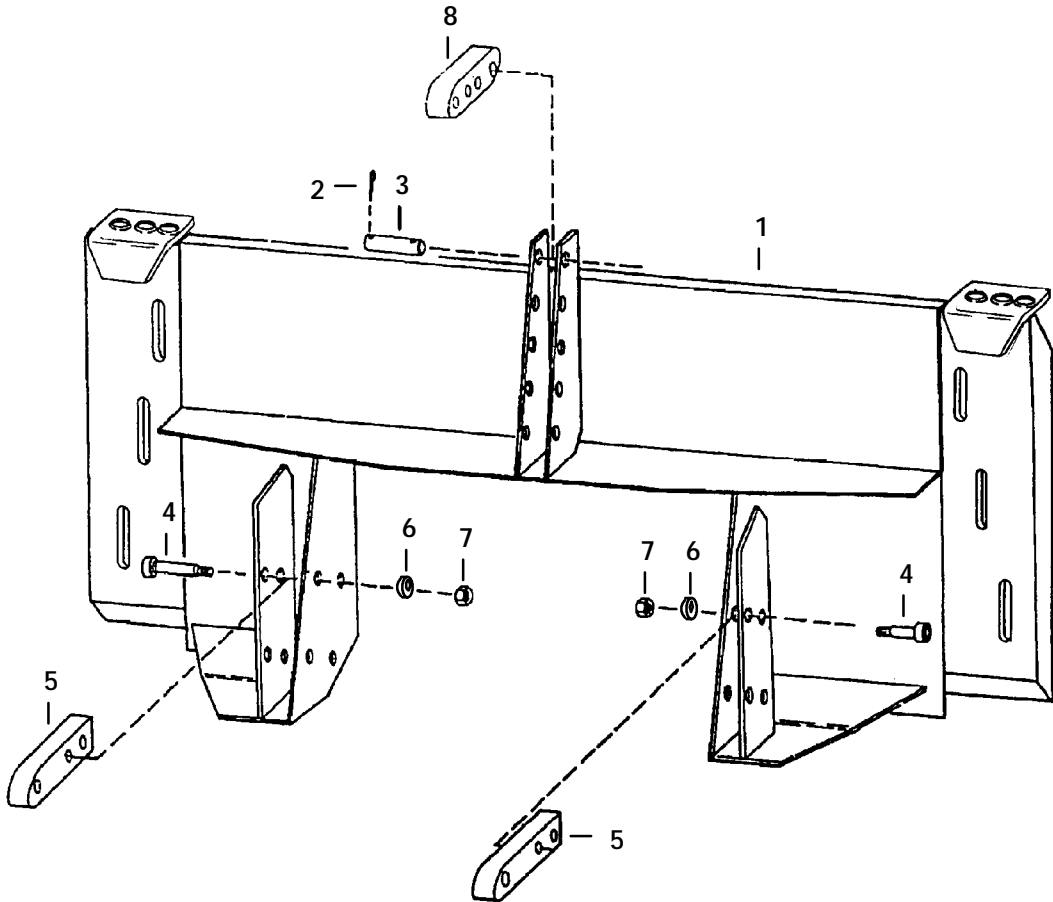
B-1422

3-POINT HITCH
(300, 400 Series & Farmboy)



B-1415

3-POINT HITCH (500 Series)



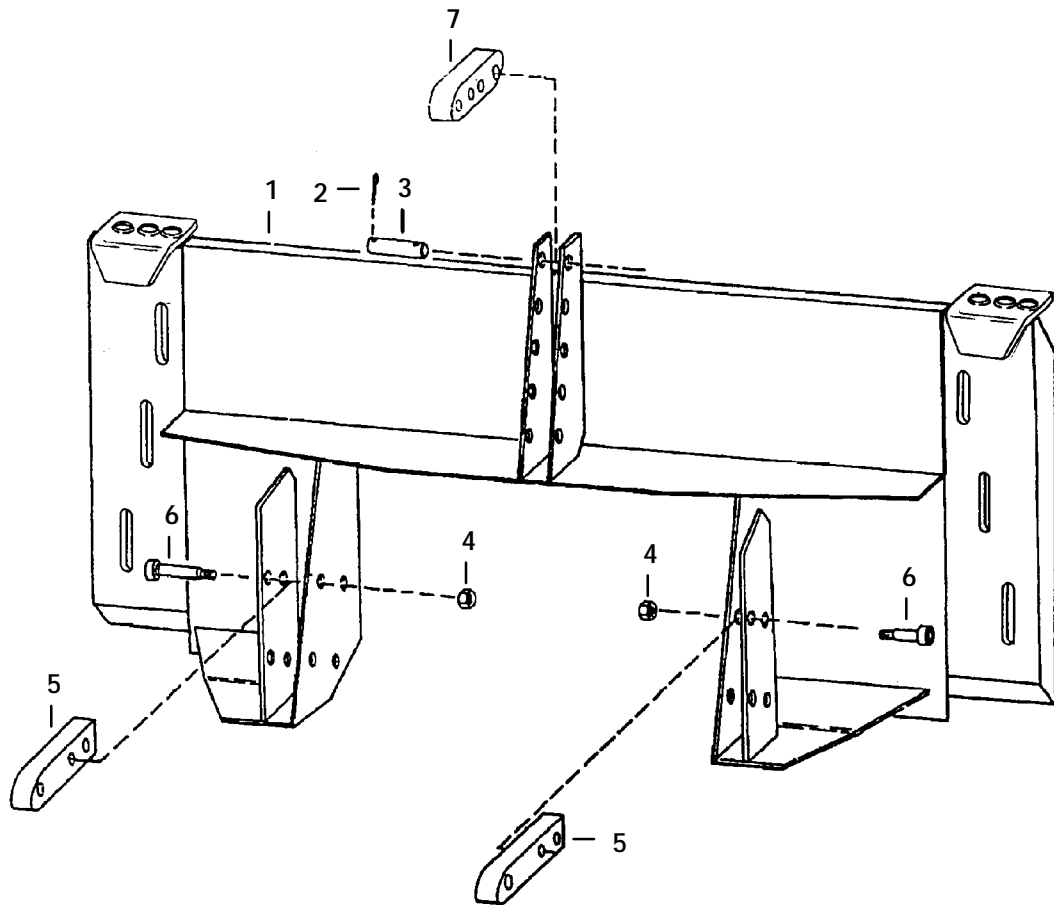
Order 3-PT Hitch assy from Sales #6557905

B-14557

3-POINT HITCH (Cont'd)
(500 Series)

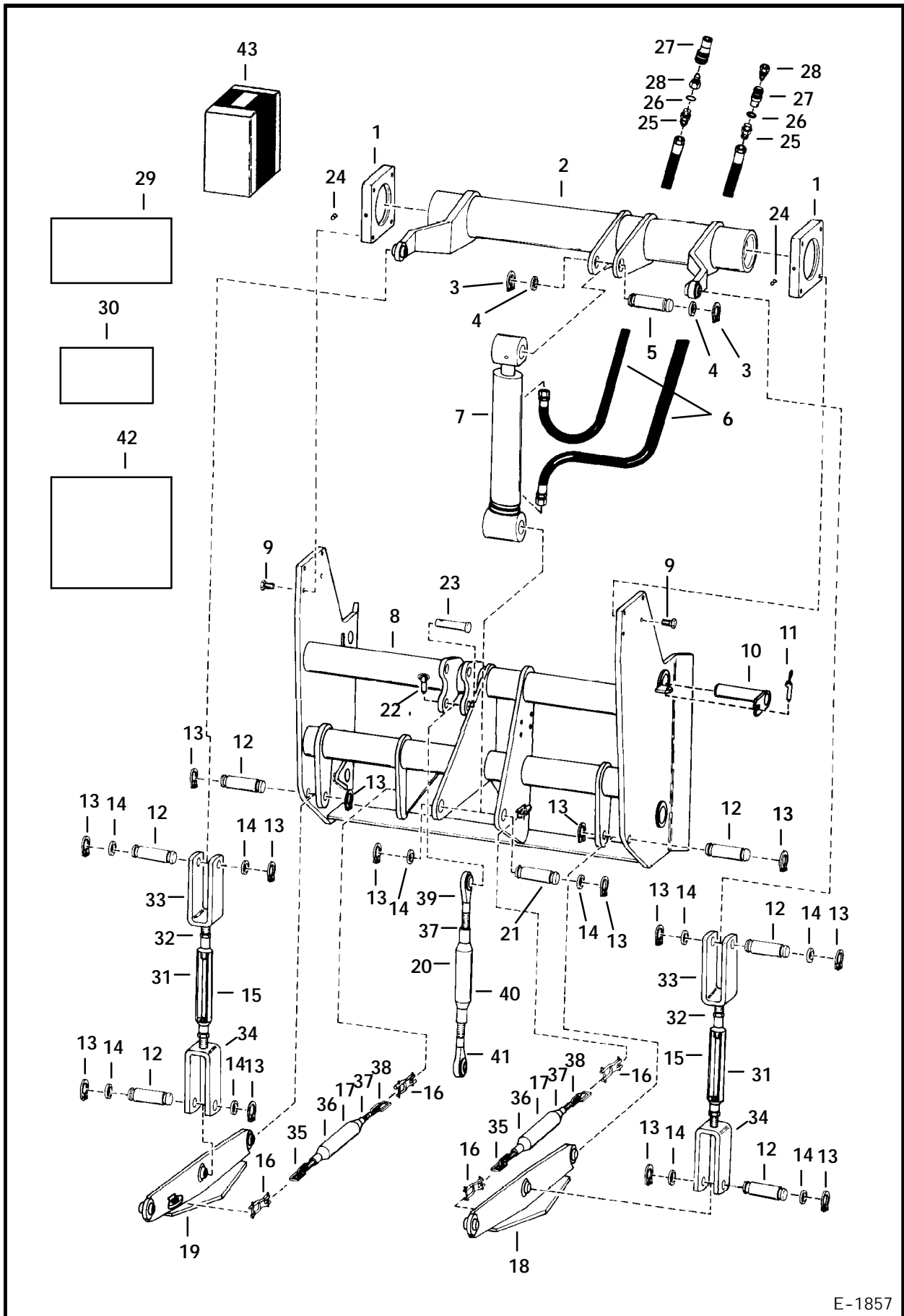
Ref. No.	Part Number	Description	Remarks	Serial Number	Qty.
1	SALES	FRAME	mounting - Sales #6557443		1
2	1F-416	COTTER PIN			4
3	6540577	HINGE PIN			2
4	682721	SCREW	shoulder		2
5	6540505	LINK	Lower		2
6	25E-17	WASHER			2
7	85D-6	NUT			4
8	6540507	LINK	Upper		4

THREE POINT HITCH



B-20024

3-POINT HITCH (Category II - 300 Series)

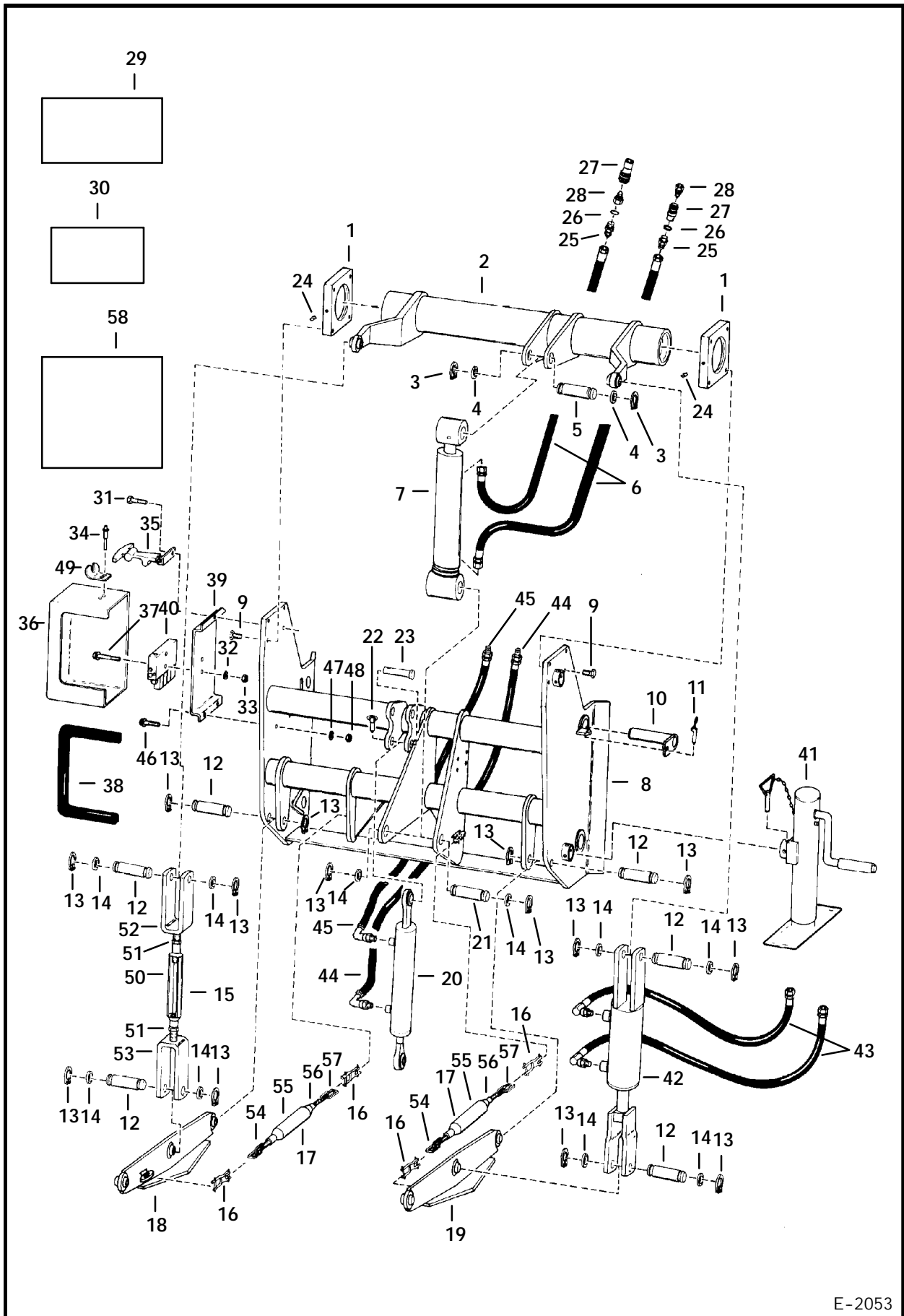


E-1857

3-POINT HITCH (Cont'd)
(Category II - 300 Series)

Ref. No.	Part Number	Description	Remarks	Serial Number	Qty.
1	6586152	BLOCK			2
2	6586138	TUBE			1
3	6538285	SNAP RING			4
4	6584872	WASHER			4
5	6586153	PIN			1
6	6530889	HOSE			2
7	6529349	CYLINDER	See Page 354		1
8	6586127	FRAME			1
9	17C-828	BOLT			8
10	6586146	PIN			2
11	6649496	PIN	klick - Was 6635322 [A]		2
12	6586151	PIN			6
13	1321168	SNAP RING			12
14	742053	WASHER			12
15	6645240	TURN BUCKLE	W/Ref. 31-34		2
16	6645234	LINK			4
17	6645241	TURN BUCKLE	W/Ref. 35-38		2
18	6586145	LINK	L.H.		1
19	6586142	LINK	R.H.		1
20	6645239	LINK ASSY.			1
21	6561326	PIN			1
22	6645236	PIN			1
23	6645238	PIN			1
24	10H-25	GREASE ZERK			2
25	743108	ADAPTER			2
26	79K-8	O-RING			2
27	NAP	COUPLER	order 6667805 & 6667806 - Was		
	25K-30024	O-RING	6630092 [A]		2
	73K-116	BACK-UP RING			1
28	NAP	COUPLER	order 6667805 & 6667806 - Was		
			6630093 [A]		2
29	6583862	DECAL	warning		2
30	6531654	DECAL	installation		1
31	6652810	TUBE			2
32	7D-16	NUT			2
33	6652812	SCREW ASSY.	R.H.		2
34	6652811	SCREW ASSY.	L.H.		2
35	6652807	SCREW ASSY.	L.H.		2
36	6652808	TUBE			2
37	7D-12	NUT			2
38	6652809	SCREW ASSY.			2
39	6652804	SCREW ASSY.	R.H.		1
40	6652805	TUBE			1
41	6652806	SCREW ASSY.	L.H.		1
42	6539177	DECAL	installation		1
43	SALES	UPGRADE KIT	contains all parts required to convert a 300 series 3-pt. hitch to a H702		1

3-POINT HITCH (Category II - H702)

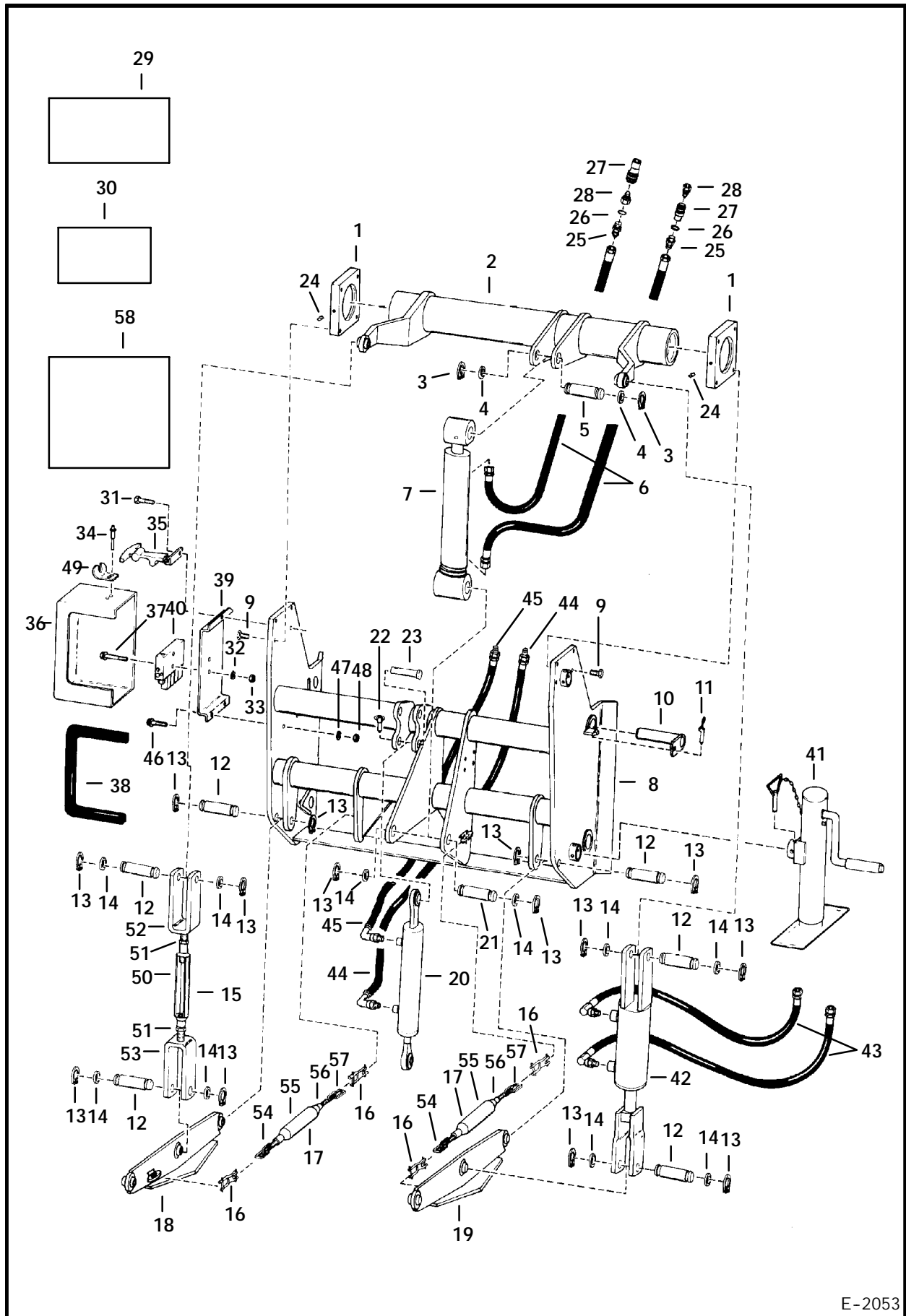


E-2053

3-POINT HITCH (Cont'd)
(Category II - H702)

Ref. No.	Part Number	Description	Remarks	Serial Number	Qty.
1	6586152	BLOCK			2
2	6586138	TUBE			1
3	6538285	SNAP RING			4
4	6584872	WASHER			4
5	6586153	PIN			1
6	6530889	HOSE			2
7	6529349	CYLINDER	See Page 354		1
8	6586127	FRAME			1
9	17C-828	BOLT			8
10	6586146	PIN			2
11	6649496	PIN			2
12	6586151	PIN			6
13	1321168	SNAP RING			12
14	742053	WASHER			8
15	6645240	TURN BUCKLE	W/Ref. 50-53		2
16	6645234	LINK			4
17	6645241	TURN BUCKLE	W/Ref. 54-57		2
18	6586145	LINK			1
19	6586142	LINK			1
20	6658499	CYLINDER	See page 356		1
21	6561326	PIN			1
22	6645236	PIN			1
23	6645238	PIN			1
24	10H-25	GREASE ZERK			2
25	743108	ADAPTER			2
26	79K-8	O-RING			2
27	NAP	COUPLER	order 6667805 & 6667806 - Was		
28	NAP	COUPLER	6630092 [A] order 6667805 & 6667806 - Was 6630093 [A]		2
29	6583862	DECAL			1
30	6531654	DECAL			1
31	31C-832	BOLT			1
32	23E-5	WASHER			2
33	61D-5	NUT			2
34	6657353	RIVET			2
35	6658474	BUNGIE STRAP			1
36	6658475	COVER			1
37	17C-552	BOLT			2
38	6658476	TRIM			2
39	6658477	MOUNT PLATE			1
40		VALVE	See Page 360		1
41	6658479	STAND			1
42	6658480	CYLINDER	See page 358		2
43	6658481	HOSE			1
44	6658482	HOSE			1
45	6658483	HOSE			1
46	17C-620	BOLT			2
47	23E-6	WASHER LOCK			2
48	61D-6	NUT			2
49	NSS	BUNGIE CATCH	W/Ref. 35		1

3-POINT HITCH (Cont'd) (Category II - H702)

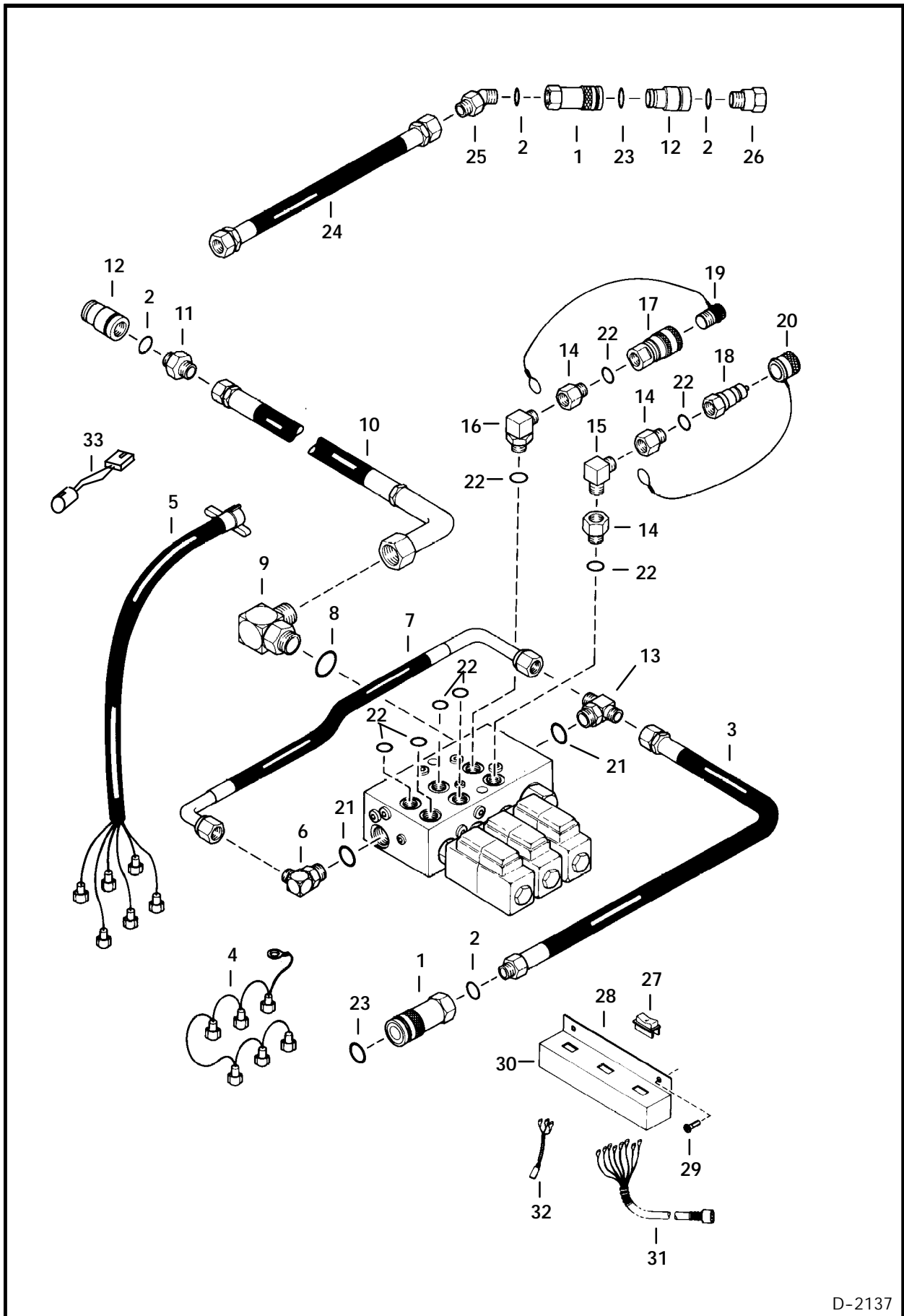


E-2053

3-POINT HITCH (Cont'd)
(Category II - H702)

Ref. No.	Part Number	Description	Remarks	Serial Number	Qty.
50	6652810	TUBE			2
51	7D-16	NUT			2
52	6652812	SCREW ASSY	R.H.		2
53	6652811	SCREW ASSY.	L.H.		2
54	6652807	SCREW ASSY.	L.H.		2
55	6652808	TUBE			2
56	7D-12	NUT			2
57	6658209	SCREW ASSY.			2
58	6539177	DECAL	installation		1

VALVE ASSY (3-Point Hitch-H702)

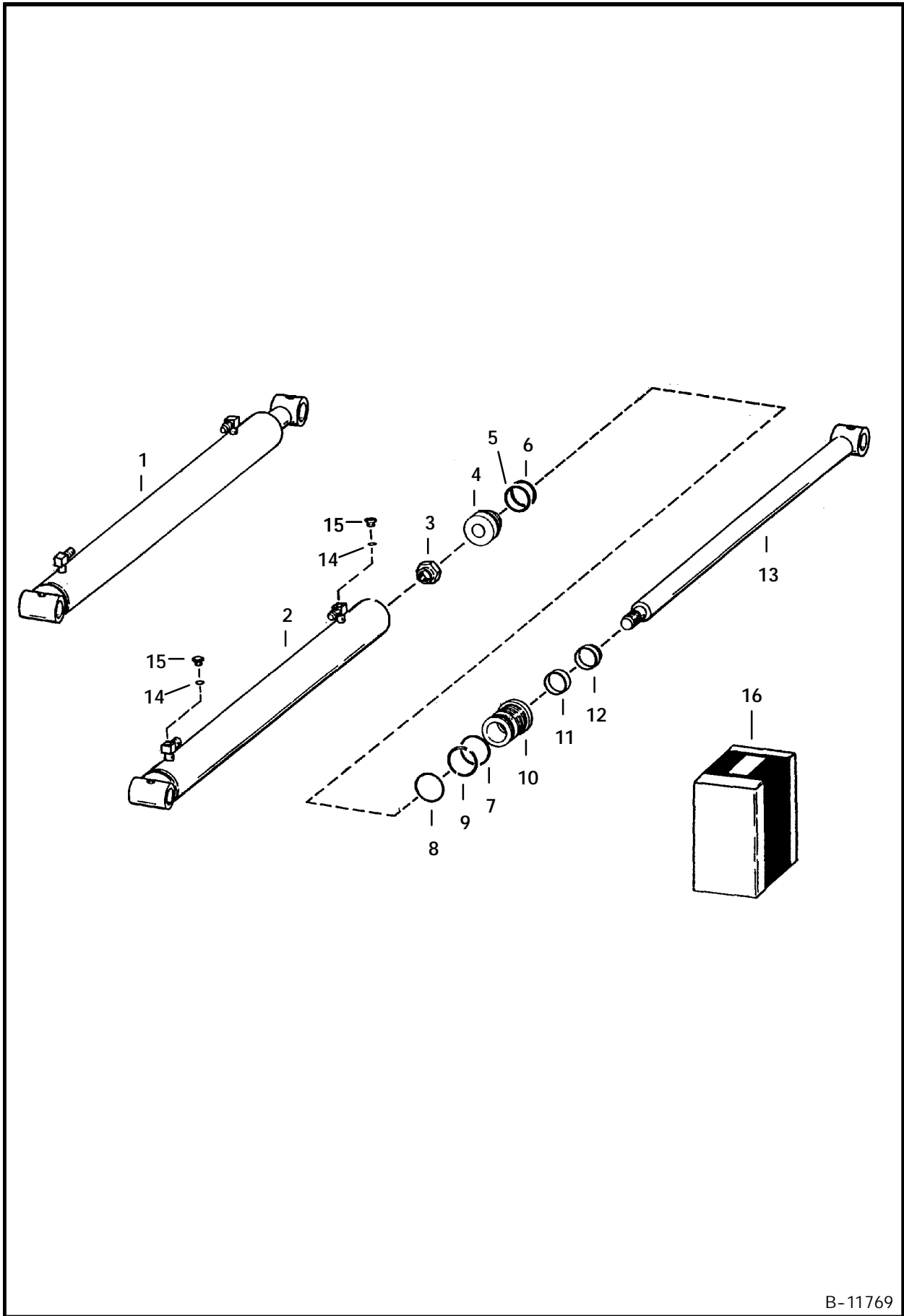


D-2137

VALVE ASSY (Cont'd)
(3-Point Hitch-H702)

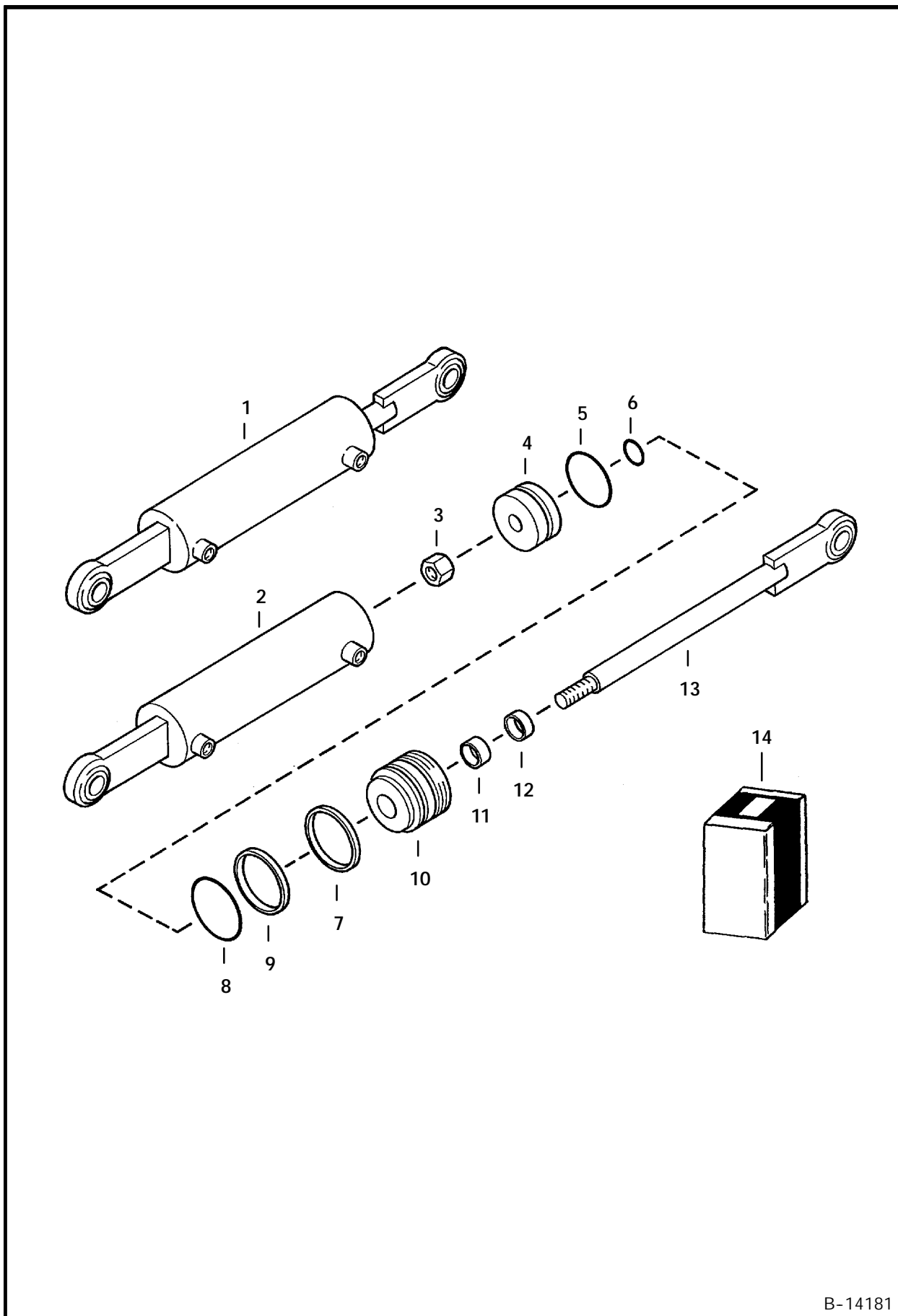
Ref. No.	Part Number	Description	Remarks	Serial Number	Qty.
1	6598758	COUPLER	Female		1
2	79K-10	O-RING			2
3	6658484	HOSE			1
4	6658485	WIRE ASSY.	Ground		1
5	6658486	WIRE ASSY.			1
6	6658487	ELBOW			1
7	6657217	HOSE			1
8	79K-12	O-RING			1
9	6655147	ELBOW			1
10	6658488	HOSE			1
11	6658489	ADAPTER			1
12	6598758	COUPLER	Male		1
13	6657218	TEE			1
14	6658490	ADAPTER			3
15	6658491	ELBOW			1
16	6658492	ELBOW			1
17	6658493	COUPLER	Male		1
18	6658494	COUPLER	Female		1
19	6658495	CAP			1
20	6658496	PLUG			1
21	79K-8	O-RING			1
22	79K-6	O-RING			6
23	48K-16	O-RING			1
24	6658497	HOSE			1
25	6658513	ELBOW			1
26*	1312113	ADAPTER	Was 6658498 [A]		1
27	6649323	SWITCH			3
28*	NAP	PLATE	Was 6656160 [A]		1
29	59G-806	BOLT			2
30	6660640	SWITCH BOX			1
31	6656156	WIRE			1
32	6660639	WIRE			1
33	6657063	WIRE			1

CYLINDER (3-Point Hitch)



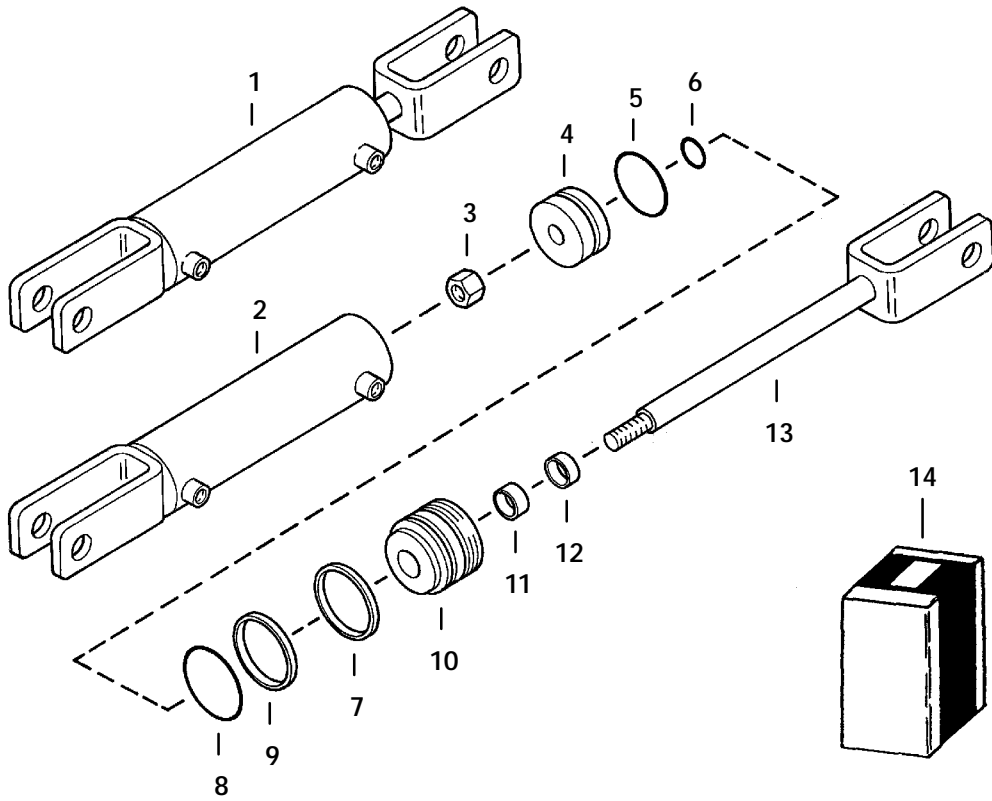
B-11769

CYLINDER
(3-Point Hitch)



B-14181

CYLINDER
(3-Point Hitch)

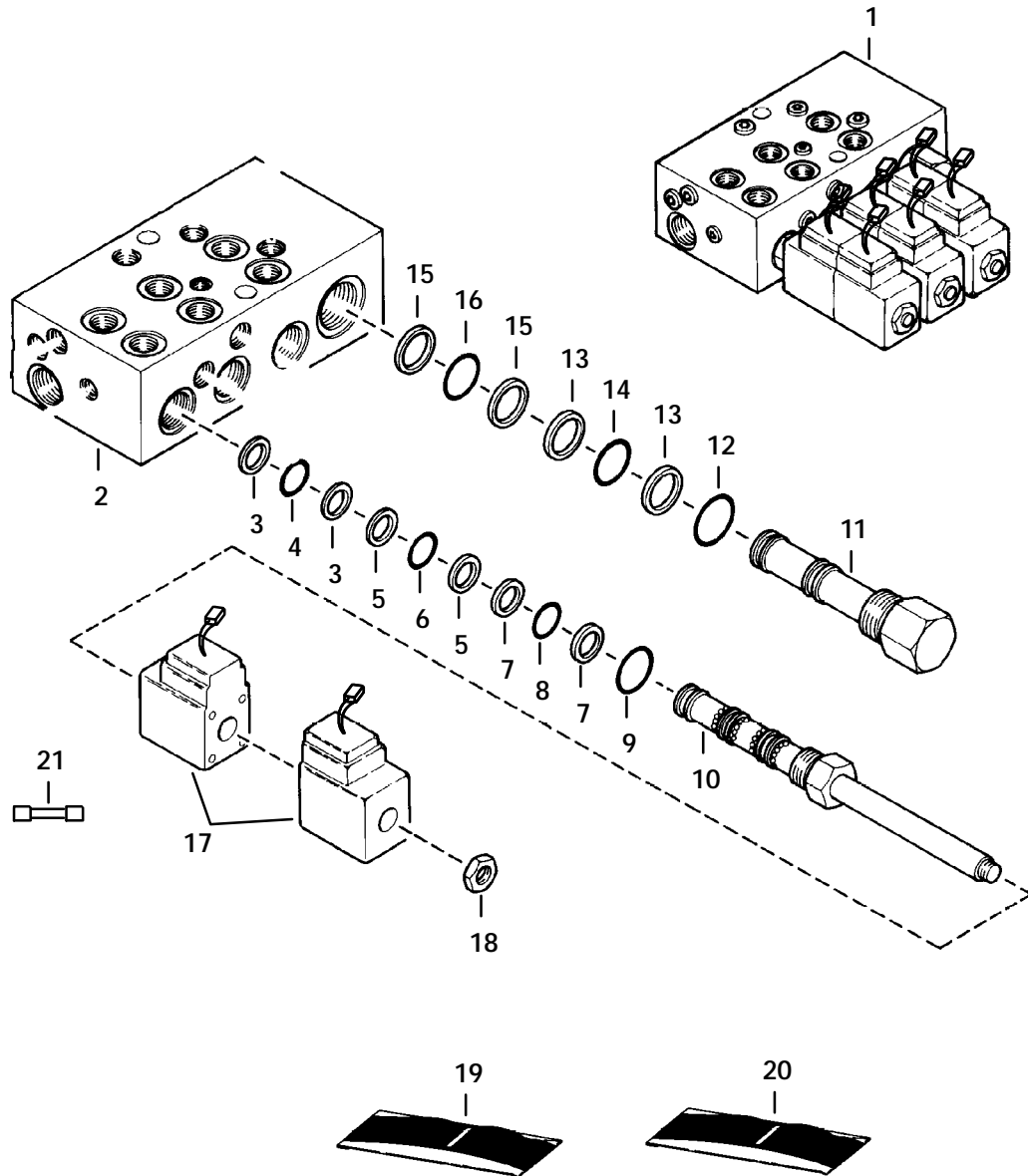


B-14182

**CYLINDER (Cont'd)
(3-Point Hitch)**

Ref. No.	Part Number	Description	Remarks	Serial Number	Qty.
1	6658480	CYLINDER	Ref. 2 - 13		1
2	6665376	CASE			1
3	6665378	NUT			1
4	6665380	PISTON			1
5	NSS	RING			1
6	NSS	O-RING			1
7	6665381	RING	retaining		1
8	NSS	O-RING			1
9	NSS	RING	backup		1
10	6665379	HEAD			1
11	NSS	SEAL			1
12	NSS	SEAL			1
13	6665377	ROD			1
14	6659340	SEAL KIT	W/Ref. 5, 6, 8, 9, 11 & 12		1

HYDRAULIC CIRCUITRY
(3-Point Hitch - S/N 66500134 & Above)



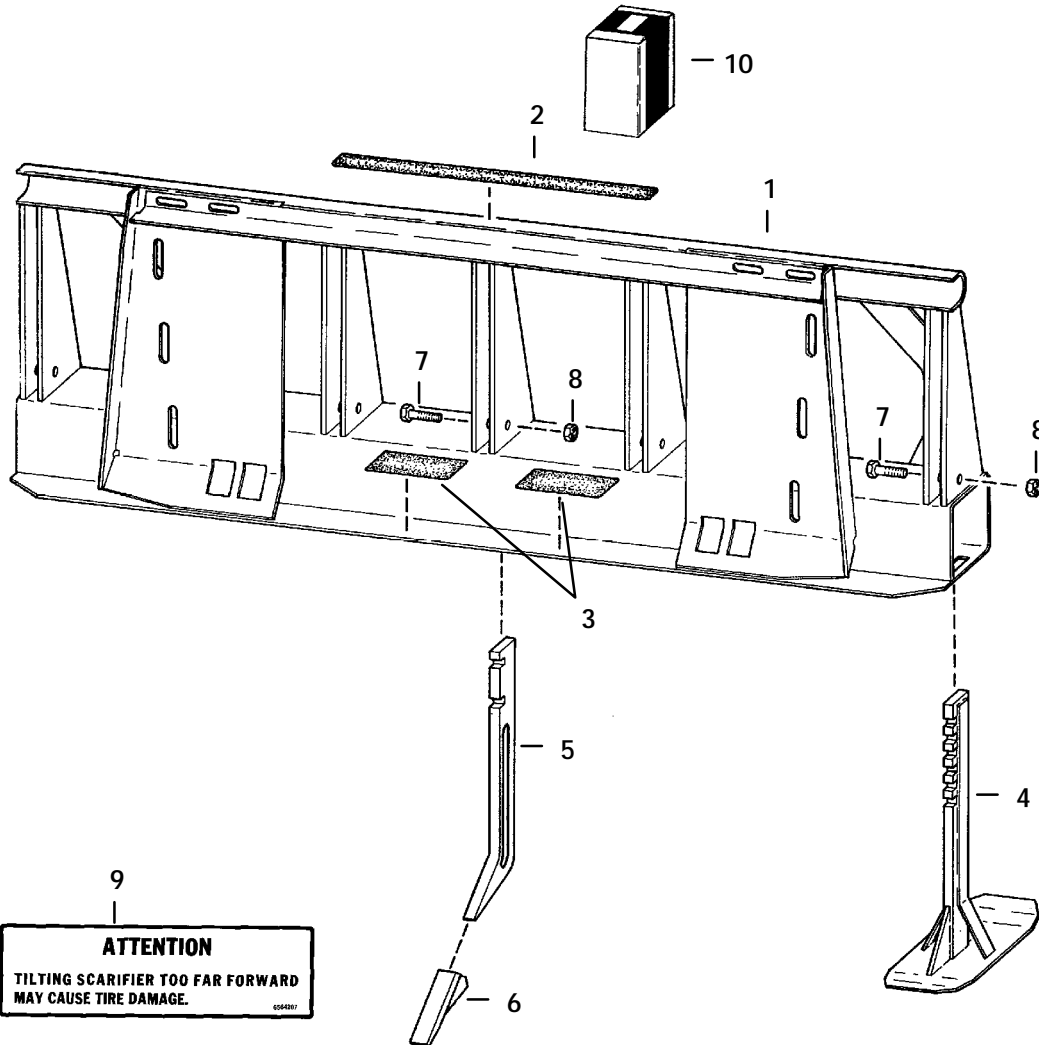
B-20025

HYDRAULIC CIRCUITRY (Cont'd)
(3-Point Hitch - S/N 66500134 & Above)

Ref. No.	Part Number	Description	Remarks	Serial Number	Qty.
1	NAP	VALVE	Order 6661385 & 6661363	66500134 thru	1
	6661385	VALVE	W/weather pack connectors	66500139 66500140 & Abv.	1
2	6661442	VALVE BODY			1
3	NSS	BACK-UP RING			2
4	NSS	O-RING			1
5	NSS	BACK-UP RING			2
6	NSS	O-RING			1
7	NSS	BACK-UP RING			2
8	NSS	O-RING			1
9	NSS	O-RING			1
10	6661443	SOLENOID VALVE	W/Ref. 3, 4, 5, 6, 7, 8, 9, 10, 17, 18 W/weather pack connectors		3
11	6661445	REGULATOR	Flow		1
12	NSS	O-RING			1
13	NSS	BACK-UP RING			2
14	NSS	O-RING			1
15	NSS	BACK-UP RING			2
16	NSS	O-RING			1
17	6661447	SOLENOID	W/weather pack connectors		3
18	NSS	NUT			3
19	6661448	SEAL KIT	W/Ref. 3, 4, 5, 6, 7, 8 & 9		1
20	6661449	SEAL KIT	W/Ref. 12, 13, 14, 15 & 16		1
21	6661363	WIRE JUMPER			1

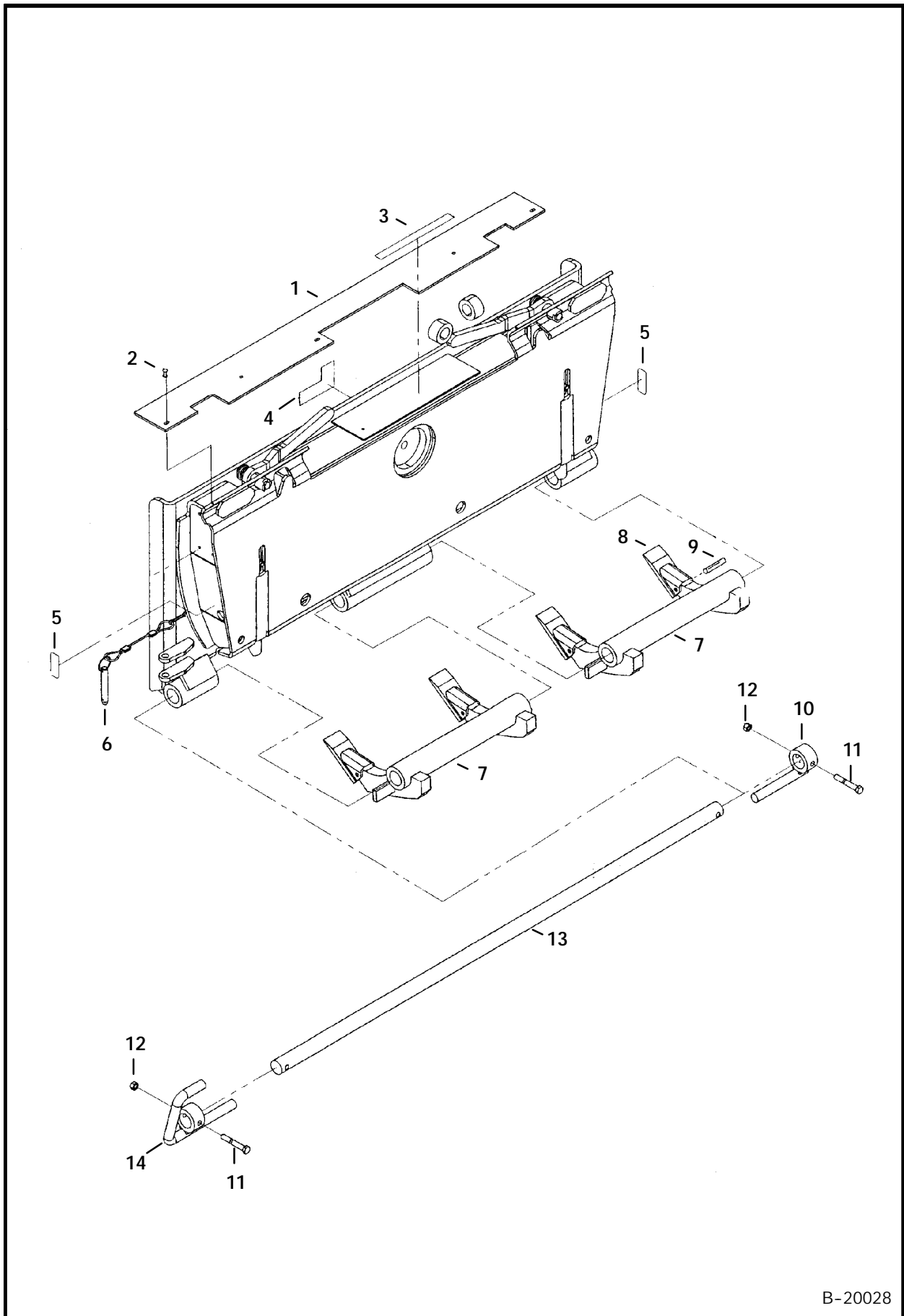
SCARIFIER (Bob-Tach Mounted)

NOTE: AR = Spanish (Argentina)
BR = Portugese (Brazil)
JP = Japanese
Translation Kit includes Safety Manual,
Operators Manual and Decal Kit.



D-1582

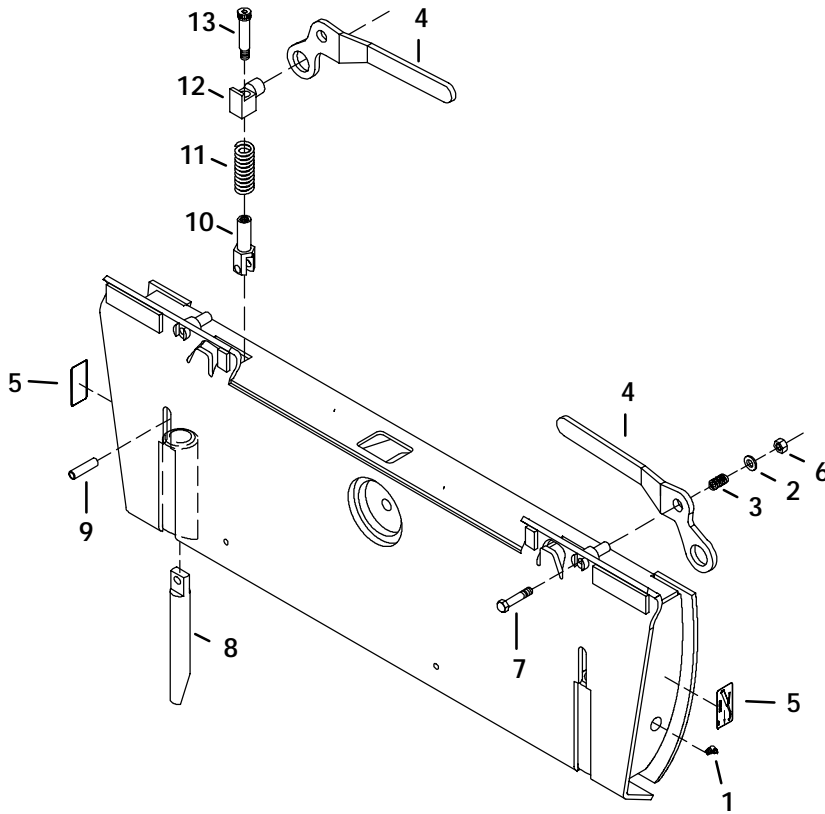
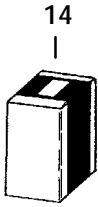
SCARIFIER (Mounts between Bobtach & Attachment)



B-20028

SCARIFIER (Mounts between Bobtach & Attachment)

NOTE: AR = Spanish (Argentina)
BR = Portugese (Brazil)
JP = Japanese
Translation Kit includes Safety Manual,
Operators Manual and Decal Kit.

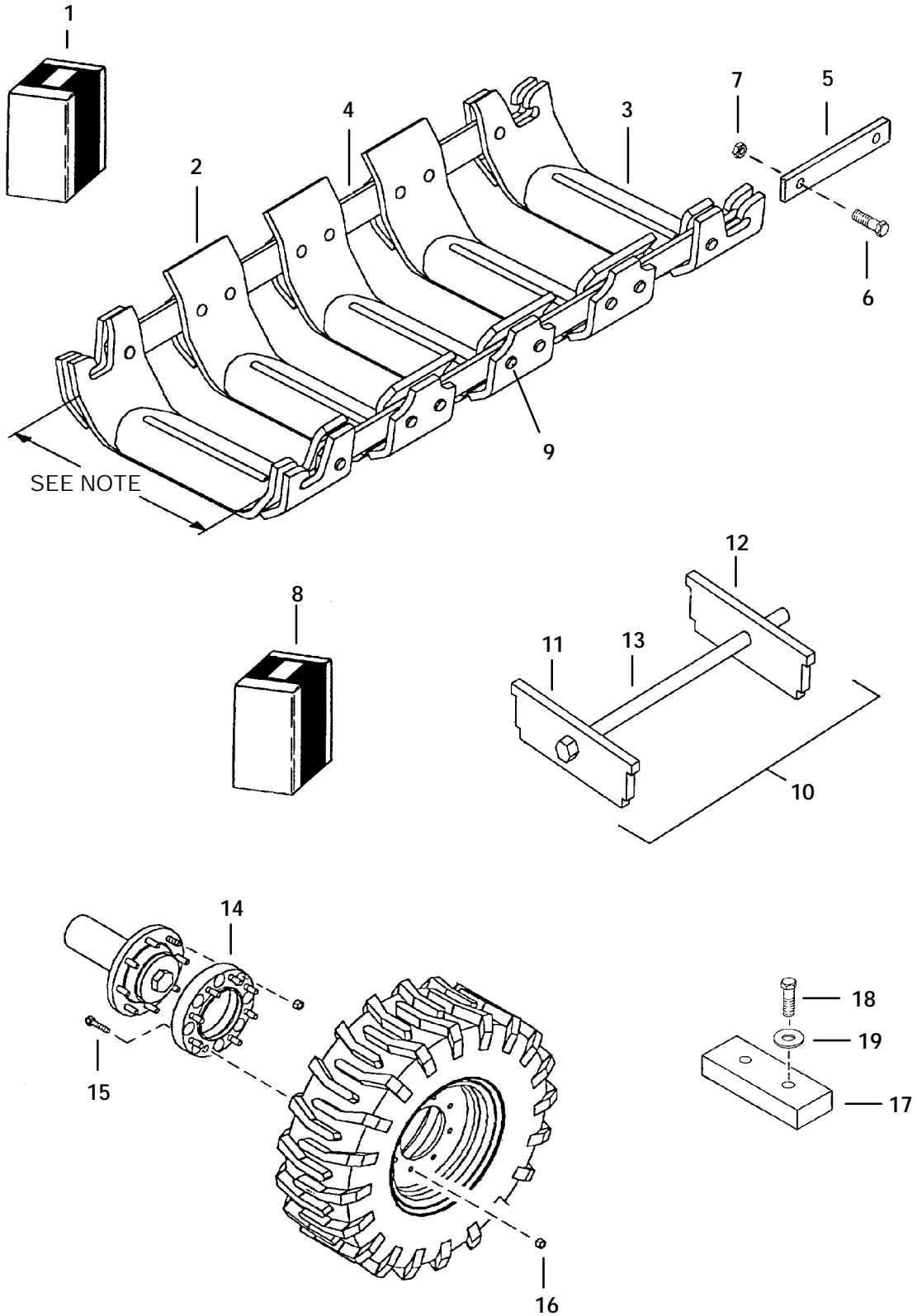


B-20029

SCARIFIER (Cont'd)
(Mounts between Bobtach & Attachment)

Ref. No.	Part Number	Description	Remarks	Serial Number	Qty.
1	10H-35	GREASE ZERK			2
2	619021	WASHER			2
3	6704453	SPRING			2
4	6719501	LEVER	R.H.		1
5	6719502	LEVER	L.H.		1
6	6705340	DECAL	grease		3
7	85D-6	NUT			2
8	17C-644	BOLT			2
9	6704242	WEDGE			2
10	14J-5032	ROLL PIN			2
11	6704248	PIVOT			2
12	6562018	SPRING			2
13	6704240	BOB TACH PIVOT			2
14	6728473	BOLT			2
15	6906596AR	KIT	translation - SEE NOTE		1
	6906596BR	KIT	translation - SEE NOTE		1
	6906581AR	KIT	decal - SEE NOTE		1
	6906581BR	KIT	decal - SEE NOTE		1
	6906581JP	KIT	decal - SEE NOTE		1

TRACKS (L Series - 300-500 Series Loaders)



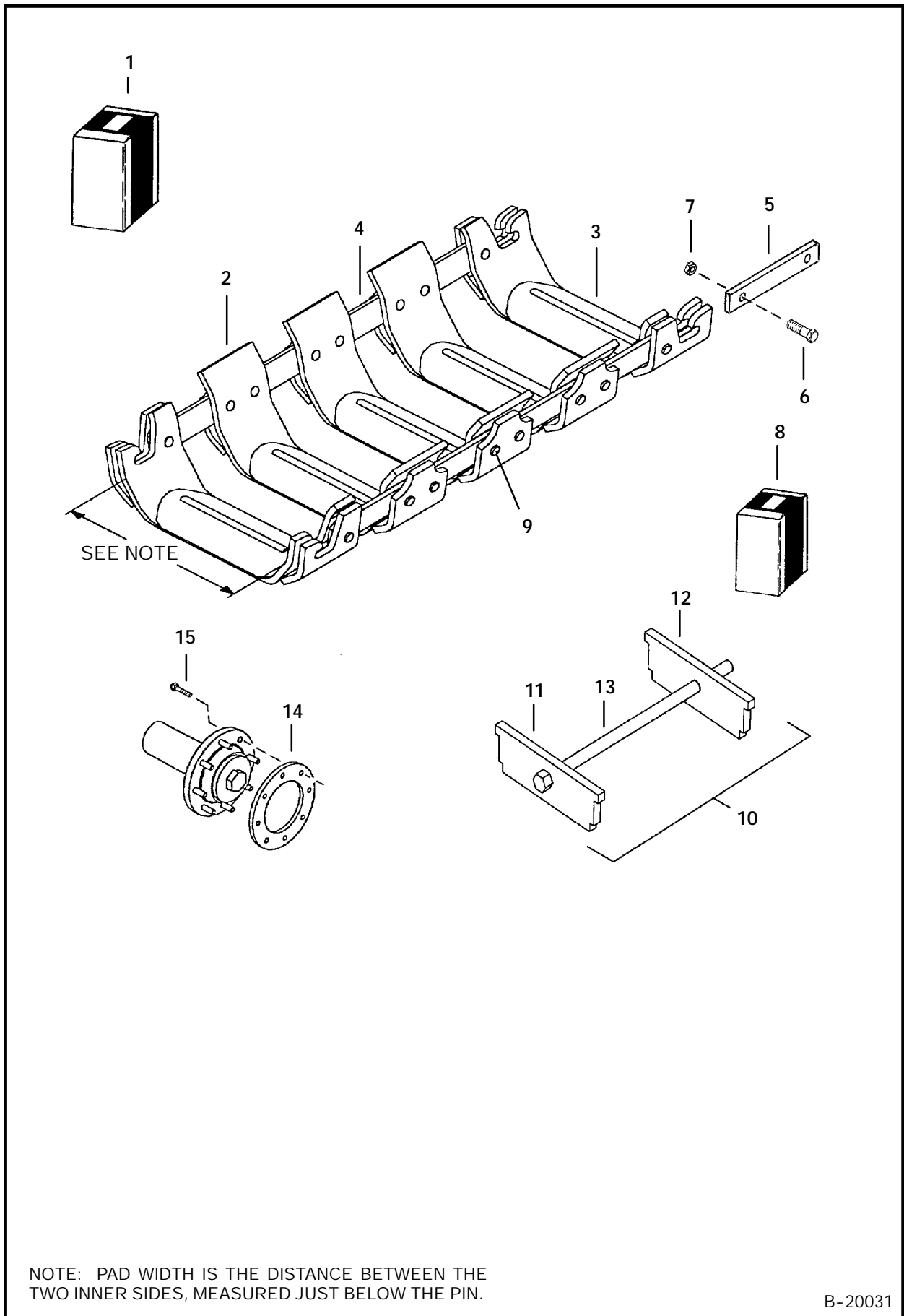
NOTE: PAD WIDTH IS THE DISTANCE BETWEEN THE TWO INNER SIDES, MEASURED JUST BELOW THE PIN.

B-15140

TRACKS (Cont'd)
(L Series - 300-500 Series Loaders)

Ref. No.	Part Number	Description	Remarks	Serial Number	Qty.
1	SALES	TRACK KIT			1
2	650001L	REGULAR PAD	6"(152mm)		x
	6540008	REGULAR PAD	8.5"(216mm)		x
3	650002L	MASTER PAD	6"(152mm)		x
	6540009	MASTER PAD	8.5"(216mm)		x
4	6508751	REGULAR LINK	3"(76mm) pin center		x
	6540010	REGULAR LINK	4"(101mm) pin center		x
5	6508744	MASTER LINK	2"(51mm) pin center		x
	6508745	MASTER LINK	2-5/8"(67mm) pin center		x
	6508746	MASTER LINK	3-1/4"(83mm) pin center		x
	6508747	MASTER LINK	3-7/8"(98mm) pin center		x
	6508748	MASTER LINK	4-1/2"(114mm) pin center		x
	6508749	MASTER LINK	5-1/8"(130mm) pin center		x
	6509707	MASTER LINK	5-3/4"(146mm) pin center		x
6	17C-408	BOLT			x
7	85D-4	NUT			x
8	650012L	PARTS KIT	Contains 4 each of Ref. 5 and 8 each of Ref. 6 & 7		1
9	214118	PIN	3/8" x 7/8"(9.5mm x 22.2mm)		x
	650003L	PIN	oversized		x
10	650010L	BINDER ASSY	6"(152mm) W/Ref. 11, 12 & 13		1
	650011L	BINDER ASSY	8.5"(216mm) W/Ref. 11, 12 & 13		1
11	650004L	PLATE	6"(152mm) - drilled		1
	650006L	PLATE	8.5"(216mm) - drilled		1
12	650007L	PLATE	6"(152mm) - tapped		1
	650009L	PLATE	8.5"(216mm) - tapped		1
13	17C-10208	BOLT			1
14	650018L	SPACER	300's - 1" thick - 5 hole		4
	650021L	SPACER	540's & 553 - 1.5" thick - 6 hole - 4.5" collar		4
	650020L	SPACER	543 without quick change hubs & 530's - 1.5" thick - 6 hole - 4.625" collar		4
15	650027L	WHEEL STUD	7/16" x 1-7/16"		20
	650025L	WHEEL STUD	9/16" x 1-7/8"		24
16	650028L	WHEEL NUT	7/16"		20
	6564669	WHEEL NUT	9/16"		24
17	6562452	BOOM STOP	440's & 450's - 3/4" thick		1
	650029L	BOOM STOP	530's, 540's & 553 - 1" thick		1
18	17C-620	BOLT	3/8" x 1-1/4"		2
	17C-624	BOLT	3/8" x 1-1/2"		2
19	25E-17	WASHER			2

TRACKS (L Series - 444/500 Series Loaders)

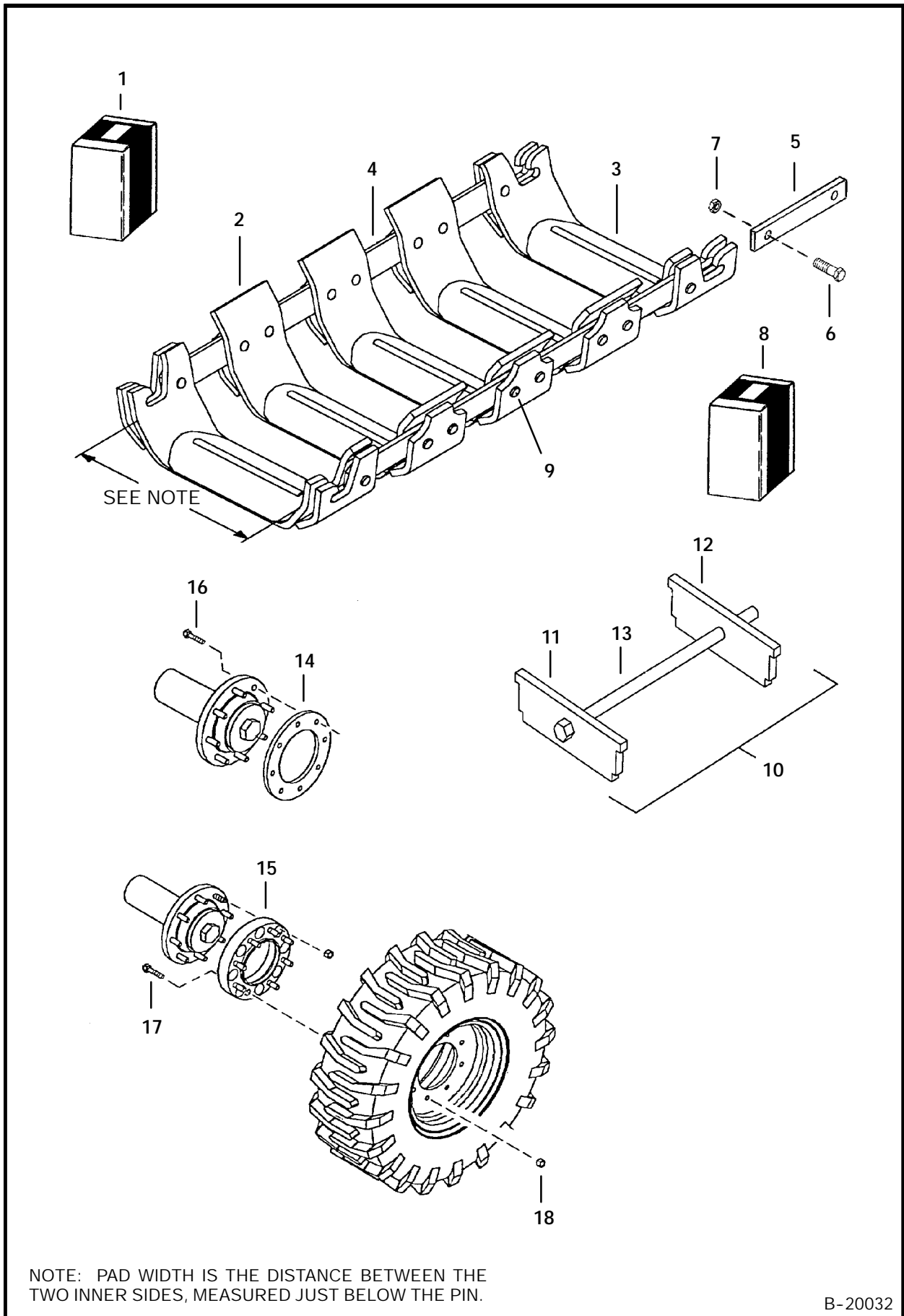


TRACKS (Cont'd)
(L Series - 444/500 Series Loaders)

Ref. No.	Part Number	Description	Remarks	Serial Number	Qty.
1	SALES	TRACK KIT			1
2	6505545	REGULAR PAD	7"(178mm)		x
	6509701	REGULAR PAD	10"(254mm)		x
3	6508752	MASTER PAD	7"(178mm)		x
	6509702	MASTER PAD	10"(254mm)		x
4	6508751	REGULAR LINK	3"(76mm) pin center		x
	6540010	REGULAR LINK	4"(101mm) pin center		x
5	6508744	MASTER LINK	2"(51mm) pin center		x
	6508745	MASTER LINK	2-5/8"(67mm) pin center		x
	6508746	MASTER LINK	3-1/4"(83mm) pin center		x
	6508747	MASTER LINK	3-7/8"(98mm) pin center		x
	6508748	MASTER LINK	4-1/2"(114mm) pin center		x
	6508749	MASTER LINK	5-1/8"(130mm) pin center		x
	6509707	MASTER LINK	5-3/4"(146mm) pin center		x
6	17C-408	BOLT			x
7	85D-4	NUT			x
8	650012L	PARTS KIT	Contains 4 each of Ref. 5 and 8 each of Ref. 6 & 7		1
9	214118	PIN	3/8" x 7/8"(9.5mm x 22.2mm)		x
	650003L	PIN	oversized		x
10	6505473	BINDER ASSY	7"(178mm) W/Ref. 11, 12 & 13		1
	6509704	BINDER ASSY	10"(254mm) W/Ref. 11, 12 & 13		1
11	650005L	PLATE	7"(178mm) - drilled		1
	6509706	PLATE	10"(254mm) - drilled		1
12	650008L	PLATE	7"(178mm) - tapped		1
	6509705	PLATE	10"(254mm) - tapped		1
13	17C-10208	BOLT			1
14	6508750	SPACER	1/2" thick - 6 hole		4
15	650024L	WHEEL STUD	9/16" x 2-1/4"		24

TRACKS

(L Series - 600, 610, 620, 700 & 720 Series Loaders)

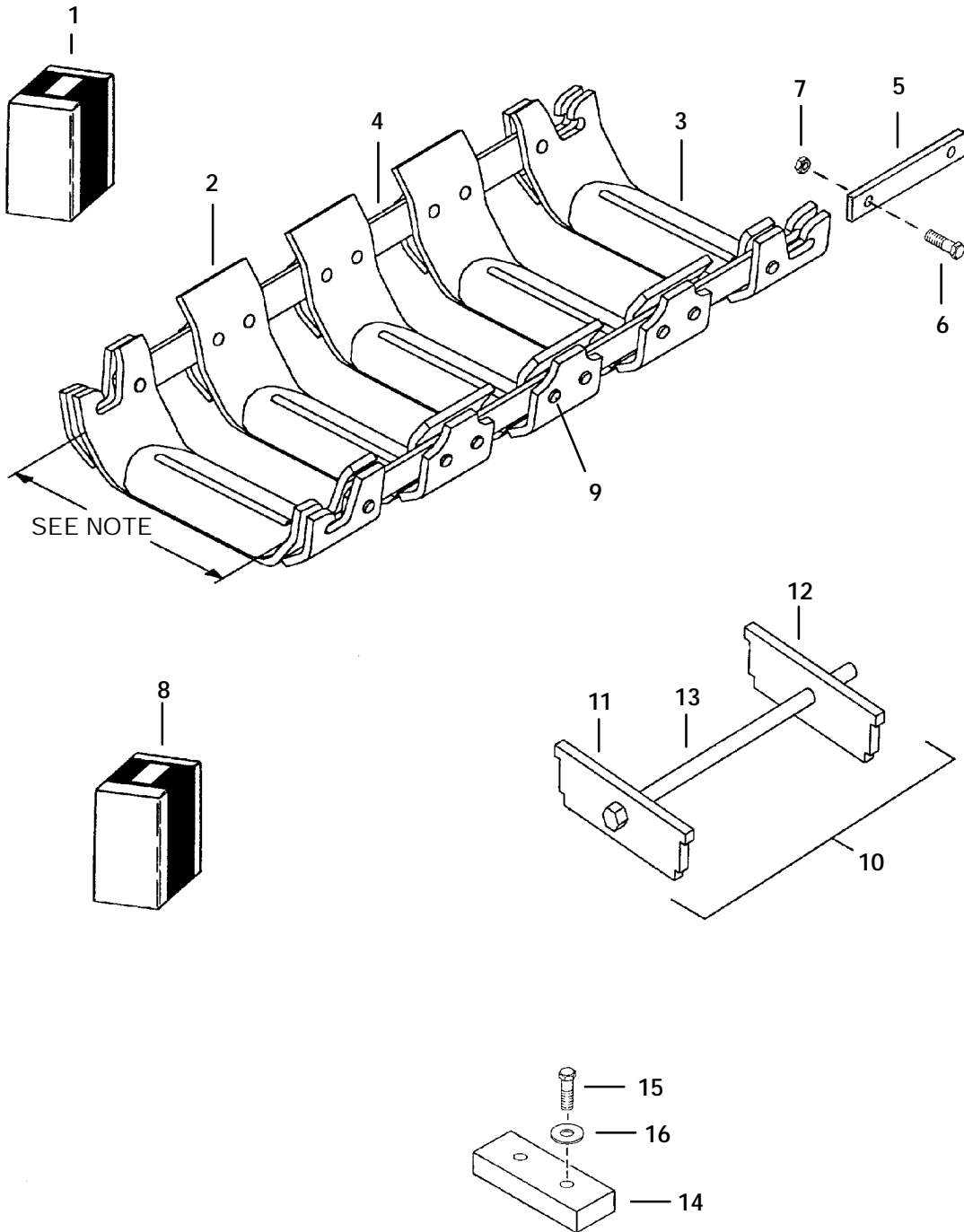


TRACKS (Cont'd)
(L Series - 600, 610, 620, 700 & 720 Series Loaders)

Ref. No.	Part Number	Description	Remarks	Serial Number	Qty.
1	SALES	TRACK KIT			1
2	6505545	REGULAR PAD	7"(178mm)		x
	6509701	REGULAR PAD	10"(254mm)		x
3	6508752	MASTER PAD	7"(178mm)		x
	6509702	MASTER PAD	10"(254mm)		x
4	6508751	REGULAR LINK	3"(76mm) pin center		x
	6540010	REGULAR LINK	4"(101mm) pin center		x
5	6508744	MASTER LINK	2"(51mm) pin center		x
	6508745	MASTER LINK	2-5/8"(67mm) pin center		x
	6508746	MASTER LINK	3-1/4"(83mm) pin center		x
	6508747	MASTER LINK	3-7/8"(98mm) pin center		x
	6508748	MASTER LINK	4-1/2"(114mm) pin center		x
	6508749	MASTER LINK	5-1/8"(130mm) pin center		x
	6509707	MASTER LINK	5-3/4"(146mm) pin center		x
6	17C-408	BOLT			x
7	85D-4	NUT			x
8	650012L	PARTS KIT	Contains 4 each of Ref. 5 and 8 each of Ref. 6 & 7		1
9	214118	PIN	3/8" x 7/8"(9.5mm x 22.2mm)		x
	650003L	PIN	oversized		x
10	6505473	BINDER ASSY	7"(178mm) W/Ref. 11, 12 & 13		1
	6509704	BINDER ASSY	10"(254mm) W/Ref. 11, 12 & 13		1
11	650005L	PLATE	7"(178mm) - drilled		1
	6509706	PLATE	10"(254mm) - drilled		1
12	650008L	PLATE	7"(178mm) - tapped		1
	6509705	PLATE	10"(254mm) - tapped		1
13	17C-10208	BOLT			1
14	6508750	SPACER	600, 610 & 620 - 1/2" thick - 6 hole		4
15	650022L	SPACER	700 & 720's - 1-1/2" thick - 8 hole		4
16	650024L	WHEEL STUD	9/16" x 2-1/4"		24
17	650025L	WHEEL STUD	9/16" x 1-7/8"		32
18	6564669	NUT	9/16"		x

TRACKS

(L Series - 630, 640, 730 & 740 Series Loaders)



NOTE: PAD WIDTH IS THE DISTANCE BETWEEN THE TWO INNER SIDES, MEASURED JUST BELOW THE PIN.

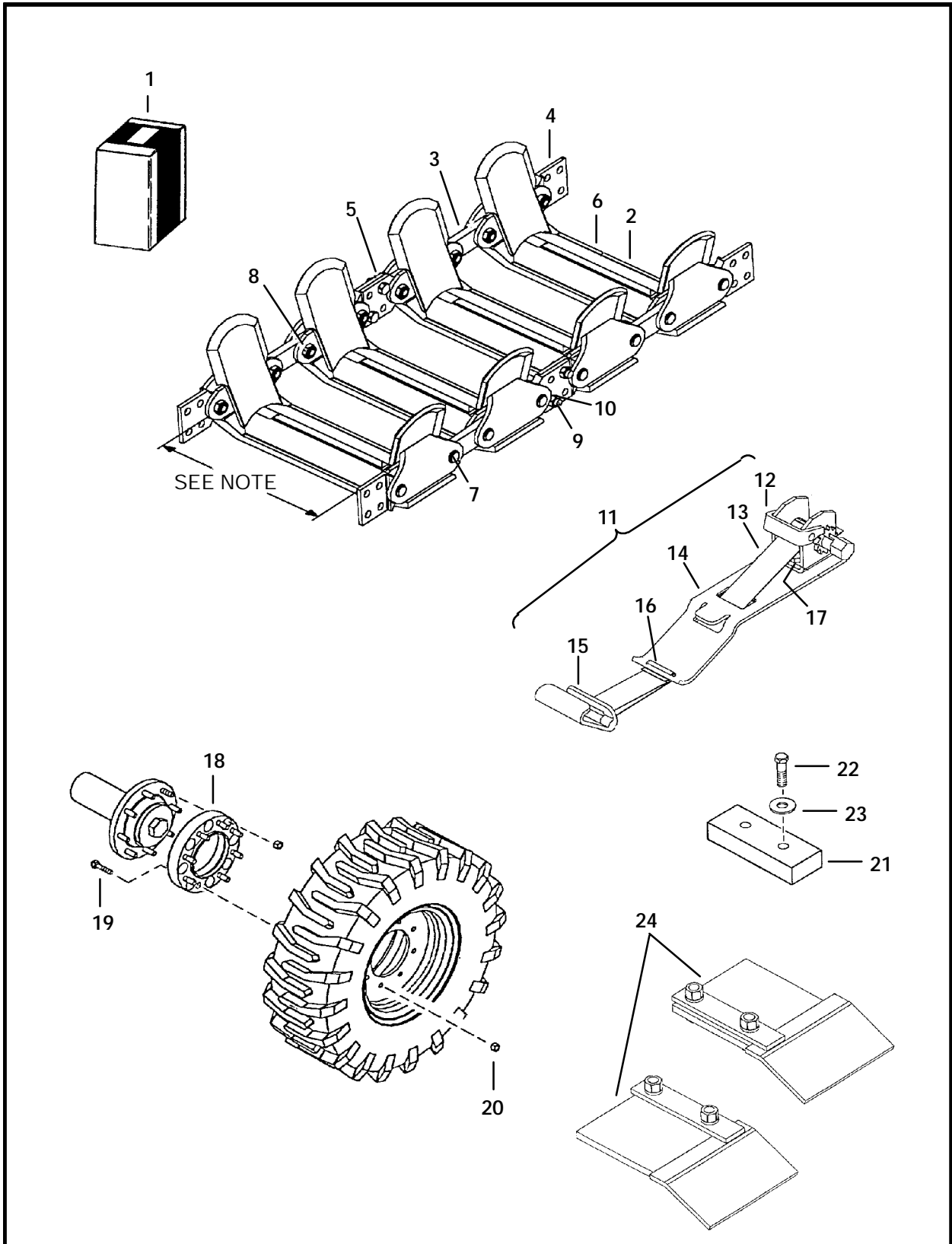
B-20033

TRACKS (Cont'd)
(L Series - 630, 640, 730 & 740 Series Loaders)

Ref. No.	Part Number	Description	Remarks	Serial Number	Qty.
1	SALES	TRACK KIT			1
2	6505545	REGULAR PAD	7"(178mm)		x
	6509701	REGULAR PAD	10"(254mm)		x
3	6508752	MASTER PAD	7"(178mm)		x
	6509702	MASTER PAD	10"(254mm)		x
4	6508751	REGULAR LINK	3"(76mm) pin center		x
	6540010	REGULAR LINK	4"(101mm) pin center		x
5	6508744	MASTER LINK	2"(51mm) pin center		x
	6508745	MASTER LINK	2-5/8"(67mm) pin center		x
	6508746	MASTER LINK	3-1/4"(83mm) pin center		x
	6508747	MASTER LINK	3-7/8"(98mm) pin center		x
	6508748	MASTER LINK	4-1/2"(114mm) pin center		x
	6508749	MASTER LINK	5-1/8"(130mm) pin center		x
	6509707	MASTER LINK	5-3/4"(146mm) pin center		x
6	17C-408	BOLT			x
7	85D-4	NUT			x
8	650012L	PARTS KIT	Contains 4 each of Ref. 5 and 8 each of Ref. 6 & 7		1
9	214118	PIN	3/8" x 7/8"(9.5mm x 22.2mm)		x
	650003L	PIN	oversized		x
10	6505473	BINDER ASSY	7"(178mm) W/Ref. 11, 12 & 13		1
	6509704	BINDER ASSY	10"(254mm) W/Ref. 11, 12 & 13		1
11	650005L	PLATE	7"(178mm) - drilled		1
	6509706	PLATE	10"(254mm) - drilled		1
12	650008L	PLATE	7"(178mm) - tapped		1
	6509705	PLATE	10"(254mm) - tapped		1
13	17C-10208	BOLT			1
14	6562452	BOOM STOP	3/4" thick		1
15	17C-620	BOLT	3/8" x 1-1/4"		2
16	25E-17	WASHER			2

TRACKS

(Trail Blazers™ Series - 740's, 750's, 763, 7753 & 773 Loaders)



740'S & 750'S = 44 PADS TOTAL
 763 & 773 - 46 PADS TOTAL

NOTE: PAD WIDTH IS THE DISTANCE BETWEEN TWO INNER LINK PLATES.

B-15141

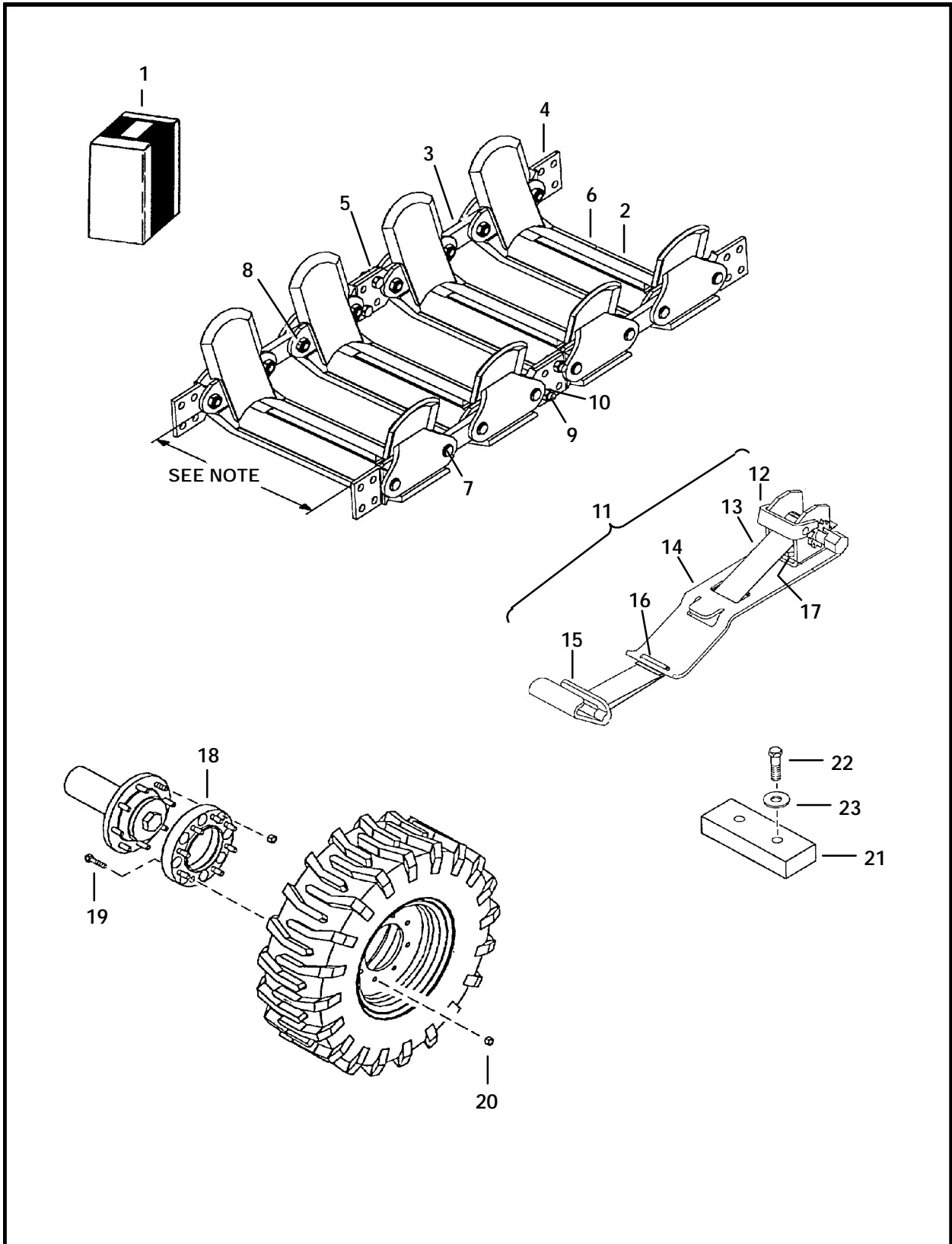
TRACKS (Cont'd)

(Trail Blazers™ Series - 740's, 750's, 763, 7753 & 773 Loaders)

Ref. No.	Part Number	Description	Remarks	Serial Number	Qty.
1	SALES	TRACK KIT			1
2	650031L	PAD	11.1"(282mm) Std. Link Style		x
	650032L	PAD	11.1"(282mm) Heavy Link Style		x
	650014L	PAD	8.25"(210mm) Std. Link Style - D Series - for 7.00-15 tire		x
3	650037L	LINK	Regular Standard - .50" thick -		
	650038L	LINK	2.75" hole centers Regular Heavy - .625" thick - 2.75" hole centers		x
4	650039L	LINK	Adjuster Half, Std. - .50" thick		x
	650040L	LINK	Adjuster Half, Heavy -.625" thick		x
5	650041L	LINK	Adjuster Assy, Std. - .50" thick		x
	650042L	LINK	Adjuster Assy, Heavy-.625" thick		x
6	650048L	EXTENSION	Track - 1 pad - 11.1"(282mm)		x
	650049L	EXTENSION	Track - 2 pad - 11.1"(282mm)		x
7	650043L	QUICK PIN	Standard Link Style - 1.378"		x
	6677679	DURA PIN	Standard Link - D Style		x
	650044L	QUICK PIN	Heavy Link Style - 1.50"		x
	6677680	DURA PIN	Heavy Link - D Style		x
8	8D-8	JAM NUT			x
9	18C-716	BOLT			x
10	86D-7	NUT			x
11	6590546	TOOL	Installation		1
12	650055L	WINCH ASSY			1
13	650056L	WEBBING			1
14	650053L	BASE PLATE			1
15	650054L	HOOK			1
16	650052L	WEDGE			1
17	17C-816	BOLT			2
	85D-8	NUT			2
18	650022L	SPACER	1-1/2" thick - 8 hole		4
	6673872	SPACER	2" thick - 8 hole - used on 773G		4
19	650025L	WHEEL STUD	9/16" x 1-7/8"		32
20	6564669	NUT	9/16"		32
21	6562452	BOOM STOP	3/4" thick		1
22	17C-620	BOLT	3/8" x 1-1/4"		2
23	25E-17	WASHER			2
24	650030L	GUARD	gusset - 773 & 7753 - Set of two		1

TRACKS

(Trail Blazers Series - 800 Series Loaders)



NOTE: PAD WIDTH IS THE DISTANCE BETWEEN TWO INNER LINK PLATES.

- 843 & 853 = 48 PADS TOTAL (2 TRACKS)
- 863 = 50 PADS TOTAL (2 TRACKS)
- 873 = 54 PADS TOTAL (2 TRACKS)

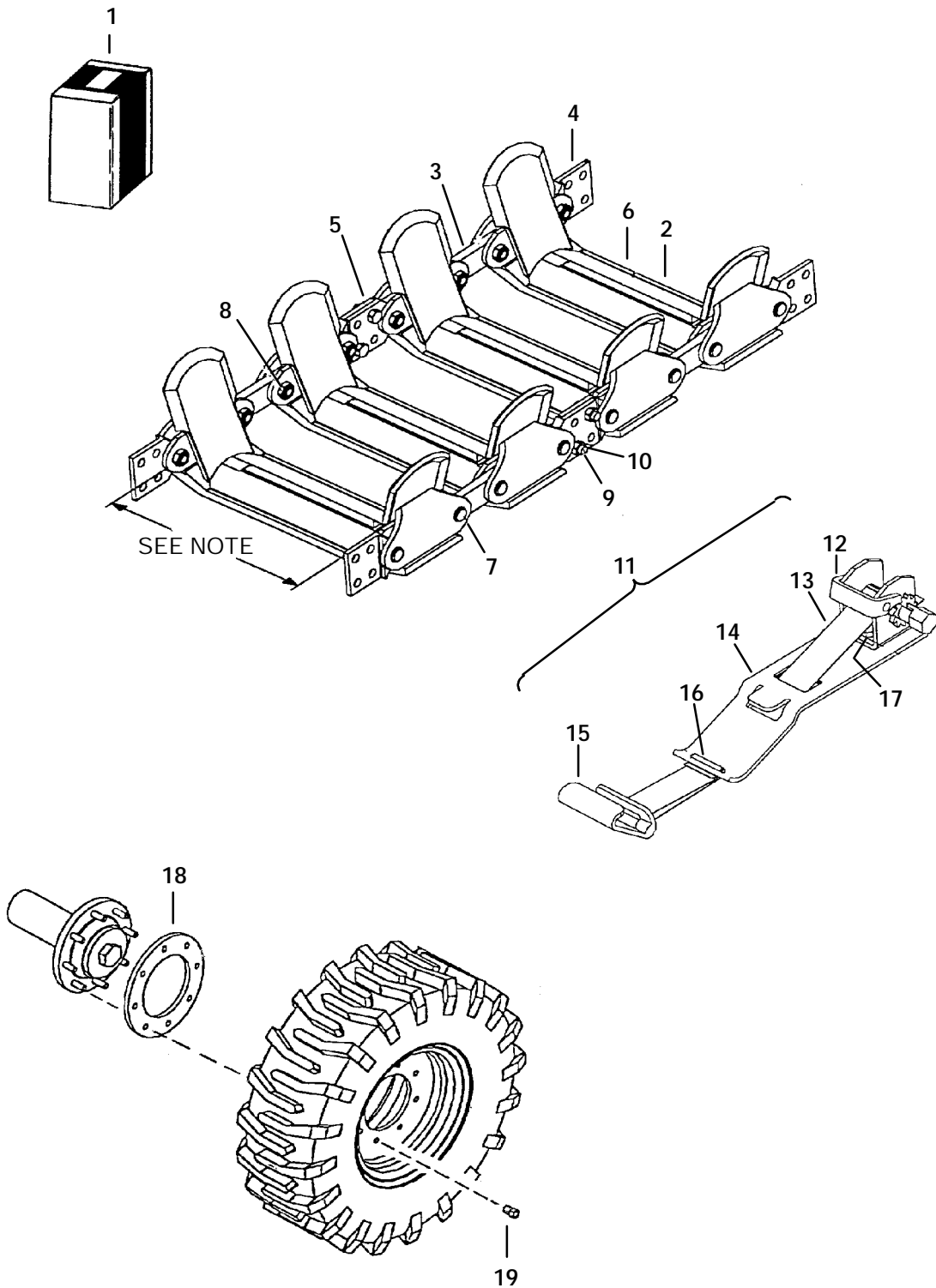
B-20034

TRACKS (Cont'd)
(Trail Blazers Series - 800 Series Loaders)

Ref. No.	Part Number	Description	Remarks	Serial Number	Qty.
1	SALES	TRACK KIT			1
2	650031L	PAD	11.1"(282mm) Std. Link Style		x
	650032L	PAD	11.1"(282mm) Heavy Link Style		x
	650033L	PAD	12.5"(316mm) Std. Link Style		x
	650034L	PAD	12.5"(316mm) Heavy Link Style		x
	650015L	PAD	9.75"(248mm) Std. Link Style -		
3	650037L	LINK	D Series - for 8.25-15 tire Regular Standard - .50" thick - 2.75" hole centers		x
	6679275	LINK	3 Hole		x
	650038L	LINK	Regular Heavy - .625" thick - 2.75" hole centers		x
4	650039L	LINK	Adjuster Half, Std. - .50" thick		x
	650040L	LINK	Adjuster Half, Heavy -.625" thick		x
5	650041L	LINK	Adjuster Assy, Std. - .50" thick		x
	650042L	LINK	Adjuster Assy, Heavy-.625" thick		x
6	650048L	EXTENSION	Track - 1 pad - 11.1"(282mm)		x
	650049L	EXTENSION	Track - 2 pad - 11.1"(282mm)		x
	650050L	EXTENSION	Track - 1 pad - 12.5"(316mm)		x
	650051L	EXTENSION	Track - 2 pad - 12.5"(316mm)		x
	6673681	EXTENSION	Track - 3 pad - 12.5"(316mm)		x
7	650043L	QUICK PIN	Standard Link Style - 1.378"		x
	6677679	DURA PIN	Standard Link - D Style		x
	650044L	QUICK PIN	Heavy Link Style - 1.50"		x
	6677680	DURA PIN	Heavy Link - D Style		x
8	8D-8	JAM NUT			x
9	18C-716	BOLT			x
10	86D-7	NUT			x
11	6590546	TOOL	Installation		1
12	650055L	WINCH ASSY			1
13	650056L	WEBBING			1
14	650053L	BASE PLATE			1
15	650054L	HOOK			1
16	650052L	WEDGE			1
17	17C-816	BOLT			2
	85D-8	NUT			2
18	650022L	SPACER	1-1/2" thick - 8 hole		4
	6673872	SPACER	2.00" thick - 8 hole -for 873 only	514122465 & Abv	4
19	650025L	WHEEL STUD	9/16" x 1-7/8"		32
20	6564669	NUT	9/16"		32
21	6562452	BOOM STOP	3/4" thick		1
22	17C-620	BOLT	3/8" x 1-1/4"		2
23	25E-17	WASHER			2

TRACKS

(Trail Blazers Series - 943, 953 & 963 Loaders)



NOTE: PAD WIDTH IS THE DISTANCE BETWEEN TWO INNER LINK PLATES.

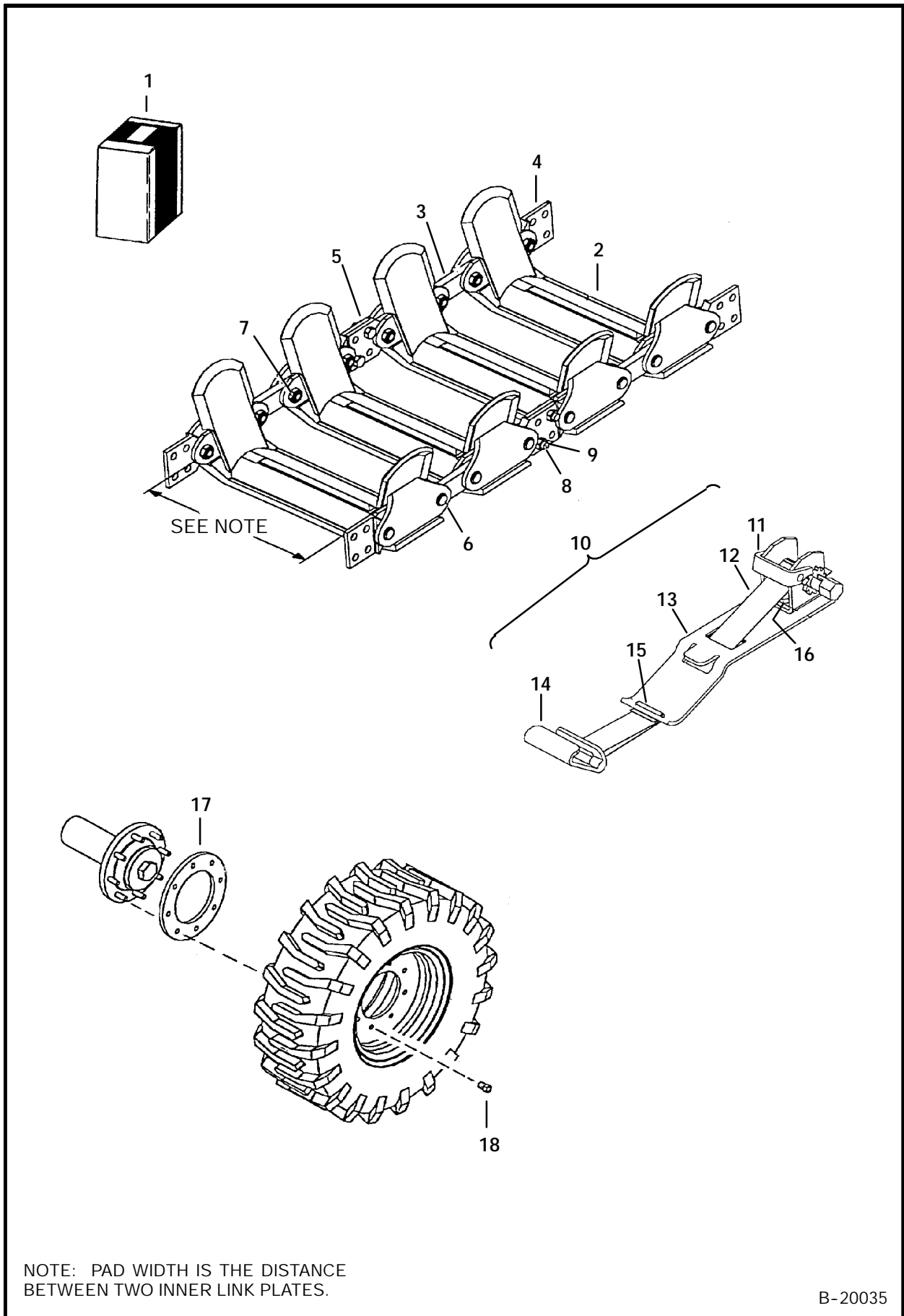
B-15142

TRACKS (Cont'd)
(Trail Blazers Series - 943, 953 & 963 Loaders)

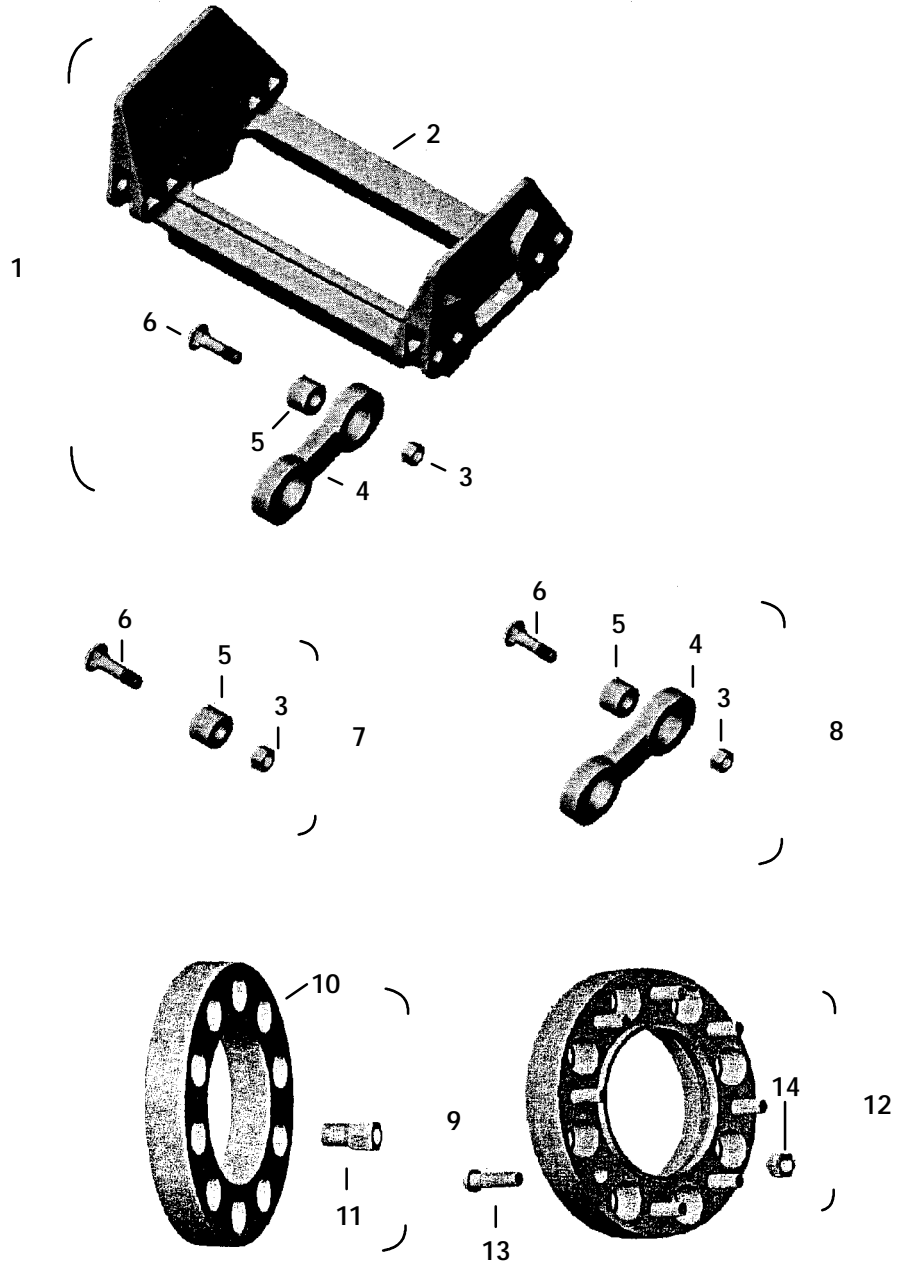
Ref. No.	Part Number	Description	Remarks	Serial Number	Qty.
1	SALES	TRACK KIT			1
2	650036L	PAD	13.7"(348mm) Heavy Link Style		x
3	650038L	LINK	Regular Heavy - .625" thick - 2.75" hole centers		x
4	650040L	LINK	Adjuster Half, Heavy -.625" thick		x
5	650042L	LINK	Adjuster Assy, Heavy-.625" thick		x
6	650013L	EXTENSION	Track - 1 pad - 13.7"(348mm)		x
7	650044L	QUICK PIN	Heavy Link Style		x
8	8D-8	JAM NUT			x
9	18C-716	BOLT			x
10	86D-7	NUT			x
11	6590546	TOOL	Installation		1
12	650055L	WINCH ASSY			1
13	650056L	WEBBING			1
14	650053L	BASE PLATE			1
15	650054L	HOOK			1
16	650052L	WEDGE			1
17	17C-816	BOLT			2
	85D-8	NUT			2
18	650016L	SPACER	943 & 953 - 1/4" thick		4
	650017L	SPACER	963 - 3/4" thick		4
19	650023L	REACH NUT	963		40

TRACKS

(Trail Blazers Series - 970, 974 & 975 Loaders)

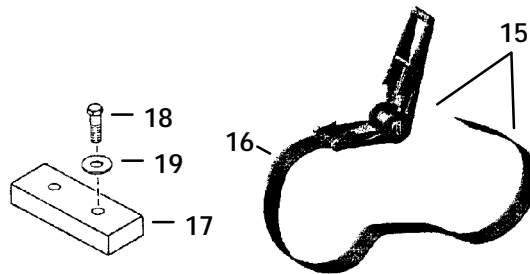


* GROUSER™ TRACKS



Pad width measured from outside corners

- 11.5" pad fits 8.5" tire
- 13.25" pad fits 10" tire
- 14.75" pad fits 12" tire
- 16.00" pad fits 14" tire
- 17.50" pad fits 15.5" tire
- 553 = 30 pads per machine
- 753 = 32 pads per machine
- 763 & 773 = 34 pads per machine
- 863 = 38 pads per machine
- 873 W/10x16.5 tire = 38 pads per machine
- 873 W/12x16.5 or 15.5 x 16.5 tires = 40 pads per machine
- 963 = 42 pads per machine

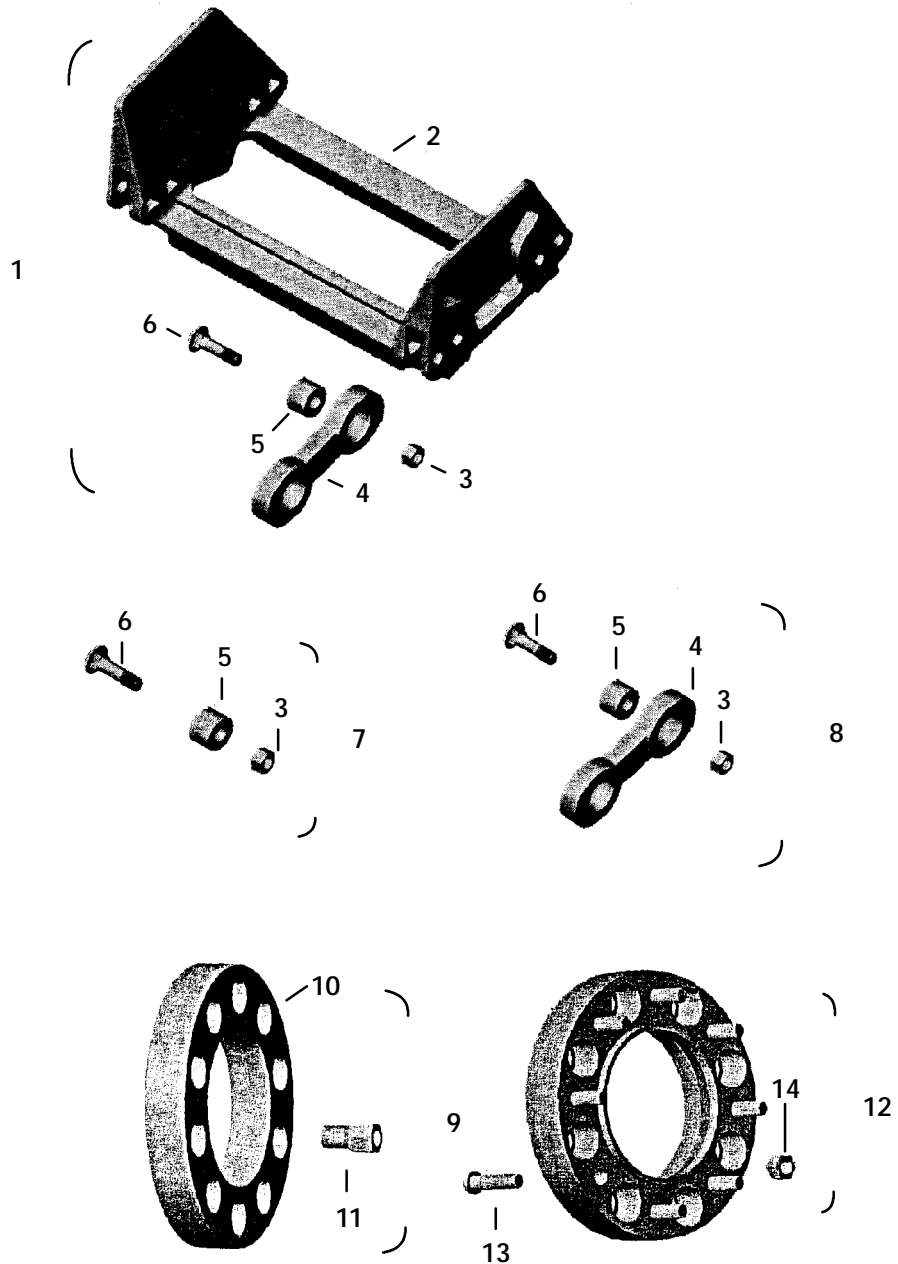


B-20037

* GROUSER[™] TRACKS (Cont'd)

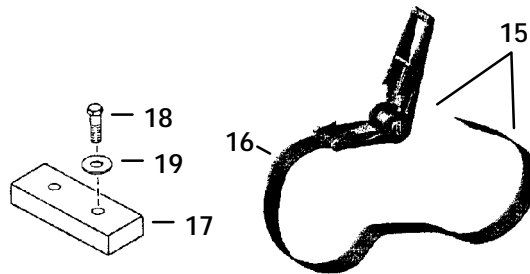
Ref. No.	Part Number	Description	Remarks	Serial Number	Qty.
1*	6679203	PAD ASSY	w/Ref. 2-6 - 11.50" W/ 3/4" bars		1
*	6679205	PAD ASSY	w/Ref. 2-6 - 11.50" W/1.00" bars		1
*	6679207	PAD ASSY	w/Ref. 2-6 - 13.25"		1
*	6679209	PAD ASSY	w/Ref. 2-6 - 14.75"		1
*	6679211	PAD ASSY	w/Ref. 2-6 - 16.00"		1
*	6679213	PAD ASSY	w/Ref. 2-6 - 17.50"		1
2*	6679174	PAD	pad only - 11.50" W/ 3/4" bars		1
*	6679204	PAD	pad only - 11.50" W/1.00" bars		1
*	6679206	PAD	pad only - 13.25"		1
*	6679208	PAD	pad only - 14.75"		1
*	6679210	PAD	pad only - 16.00"		1
*	6679212	PAD	pad only - 17.50"		1
3*	6679217	NUT			1
4*	6679214	LINK			1
5*	6679215	BUSHING			1
6*	6679216	BOLT			1
7*	6679218	HARDWARE KIT	W/120 each of Ref. 3, 5 & 6		1
*	6679219	HARDWARE KIT	W/128 each of Ref. 3, 5 & 6		1
*	6679220	HARDWARE KIT	W/136 each of Ref. 3, 5 & 6		1
*	6679221	HARDWARE KIT	W/152 each of Ref. 3, 5 & 6		1
*	6679222	HARDWARE KIT	W/160 each of Ref. 3, 5 & 6		1
*	6679223	HARDWARE KIT	W/168 each of Ref. 3, 5 & 6		1
8*	6679224	REBUILD KIT	W/120 each of Ref. 3, 5 & 6 & 60 of Ref. 4		1
*	6679225	REBUILD KIT	W/128 each of Ref. 3, 5 & 6 & 64 of Ref. 4		1
*	6679226	REBUILD KIT	W/136 each of Ref. 3, 5 & 6 & 68 of Ref. 4		1
*	6679227	REBUILD KIT	W/152 each of Ref. 3, 5 & 6 & 76 of Ref. 4		1
*	6679228	REBUILD KIT	W/160 each of Ref. 3, 5 & 6 & 80 of Ref. 4		1
*	6679229	REBUILD KIT	W/168 each of Ref. 3, 5 & 6 & 84 of Ref. 4		1
9*	6679241	SPACER KIT	963-w/4 of Ref. 10 & 40 of Ref.11		1
10*	6679242	SPACER	963 - one spacer only - without nuts		1
11*	6679234	REACH NUT	963 - 40 used per machine		1
12*	6679235	SPACER KIT	includes 4 spacers with studs & nuts - used on 553		1
*	6679236	SPACER	one spacer only with studs & nuts - used on 553		1
*	6679237	SPACER KIT	includes 4 spacers with studs & nuts - used on all 773's & 863 w/33 x 15.5 x 16.5 tires		1
*	6679238	SPACER	one spacer only with studs & nuts - used on all 773's & 863 w/33 x 15.5 x 16.5 tires		1
*	6679239	SPACER KIT	includes 4 spacers with studs & nuts - used on 873 w/12 x 16.5 or 33 x 15.5 x 16.5 tires		1

* GROUSER™ TRACKS (Cont'd)



Pad width measured from outside corners

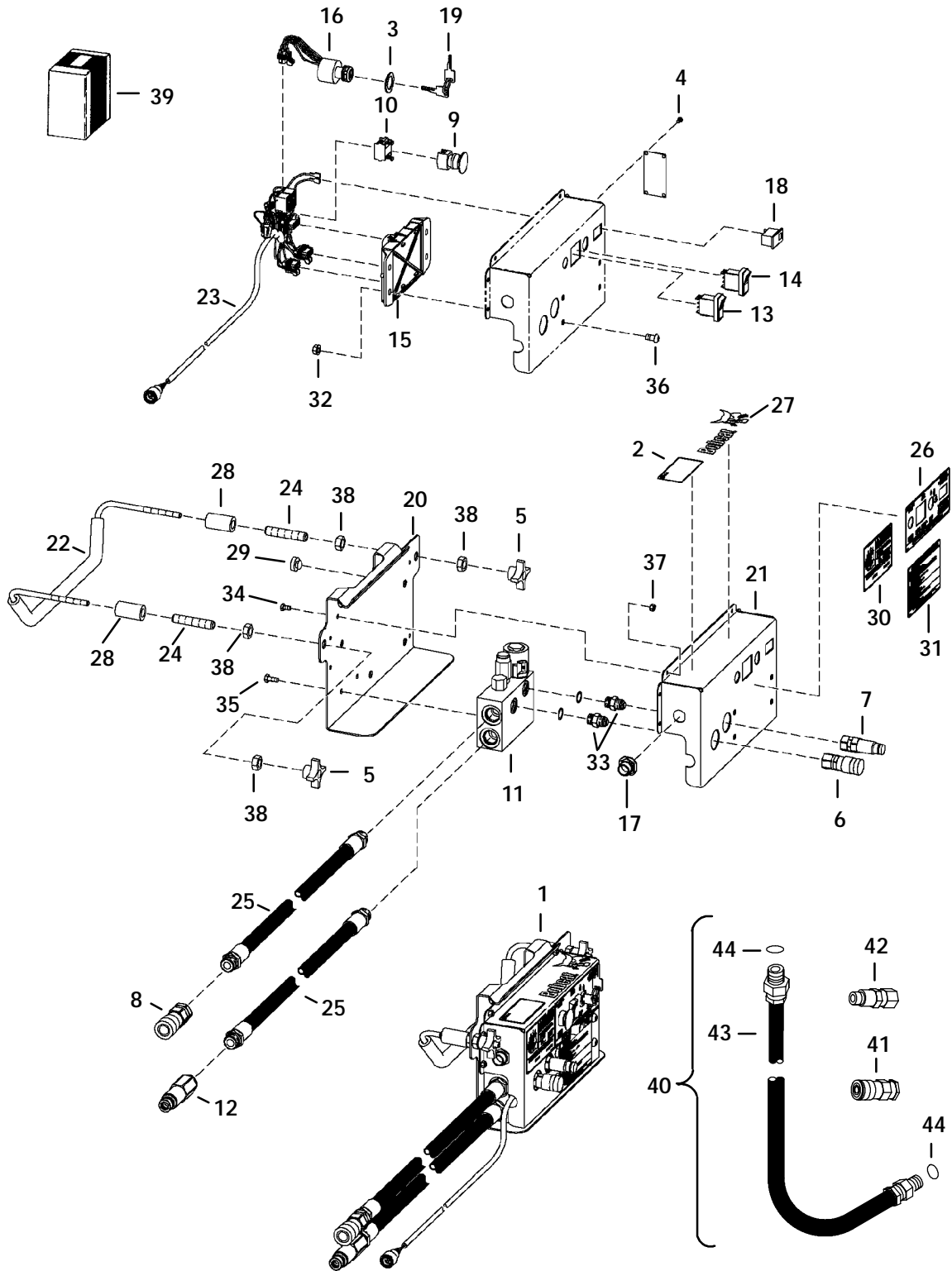
- 11.5" pad fits 8.5" tire
- 13.25" pad fits 10" tire
- 14.75" pad fits 12" tire
- 16.00" pad fits 14" tire
- 17.50" pad fits 15.5" tire
- 553 = 30 pads per machine
- 753 = 32 pads per machine
- 763 & 773 = 34 pads per machine
- 863 = 38 pads per machine
- 873 W/10x16.5 tire = 38 pads per machine
- 873 W/12x16.5 or 15.5 x 16.5 tires = 40 pads per machine
- 963 = 42 pads per machine



B-20037

* HAND HELD TOOL CONTROL BOX

NOTE: AR = Spanish (Argentina)
 BR = Portugese (Brazil)
 JP = Japanese
 Translation Kit includes Safety Manual,
 Operators Manual and Decal Kit.

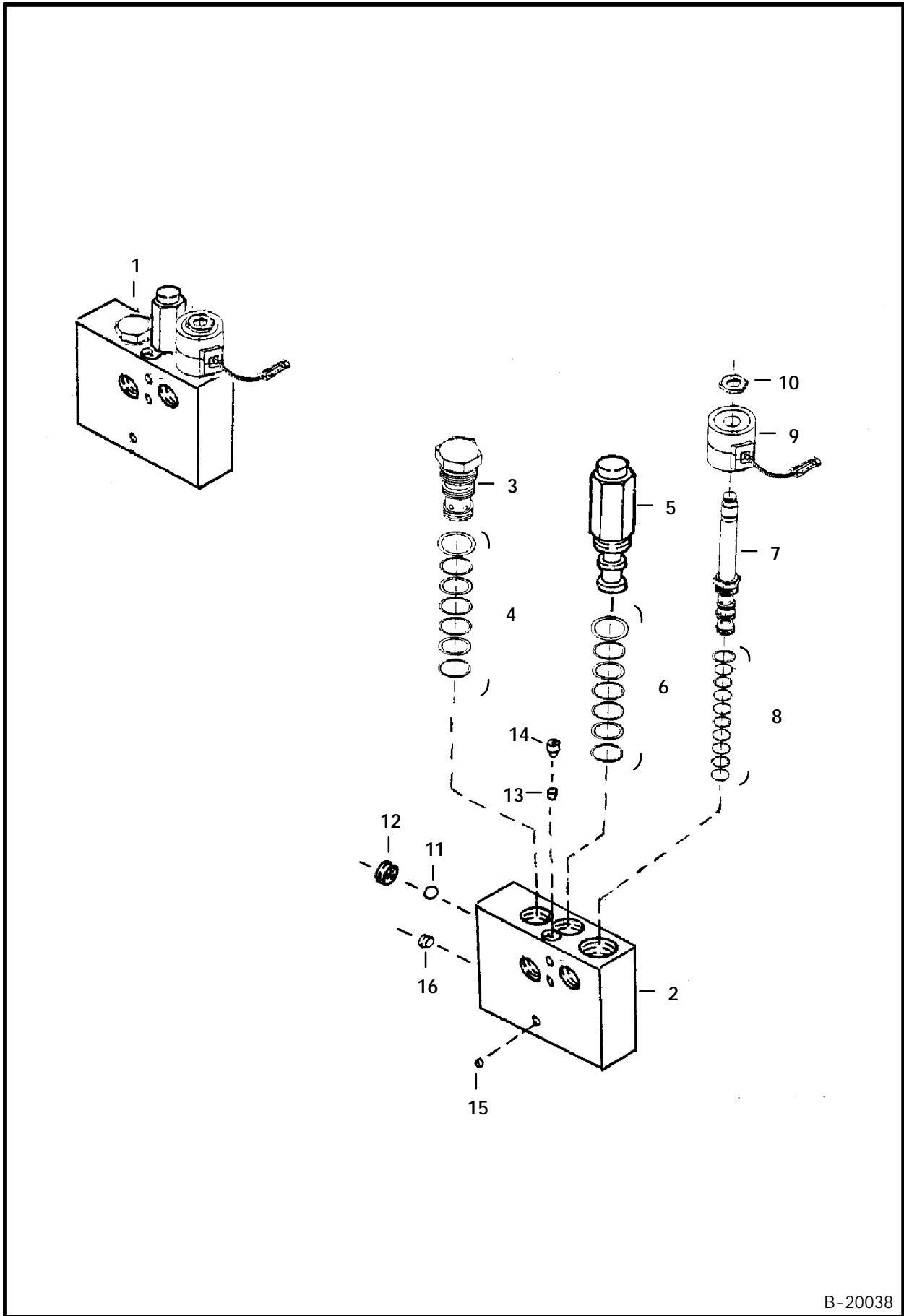


MS-1255

* HAND HELD TOOL CONTROL BOX (Cont'd)

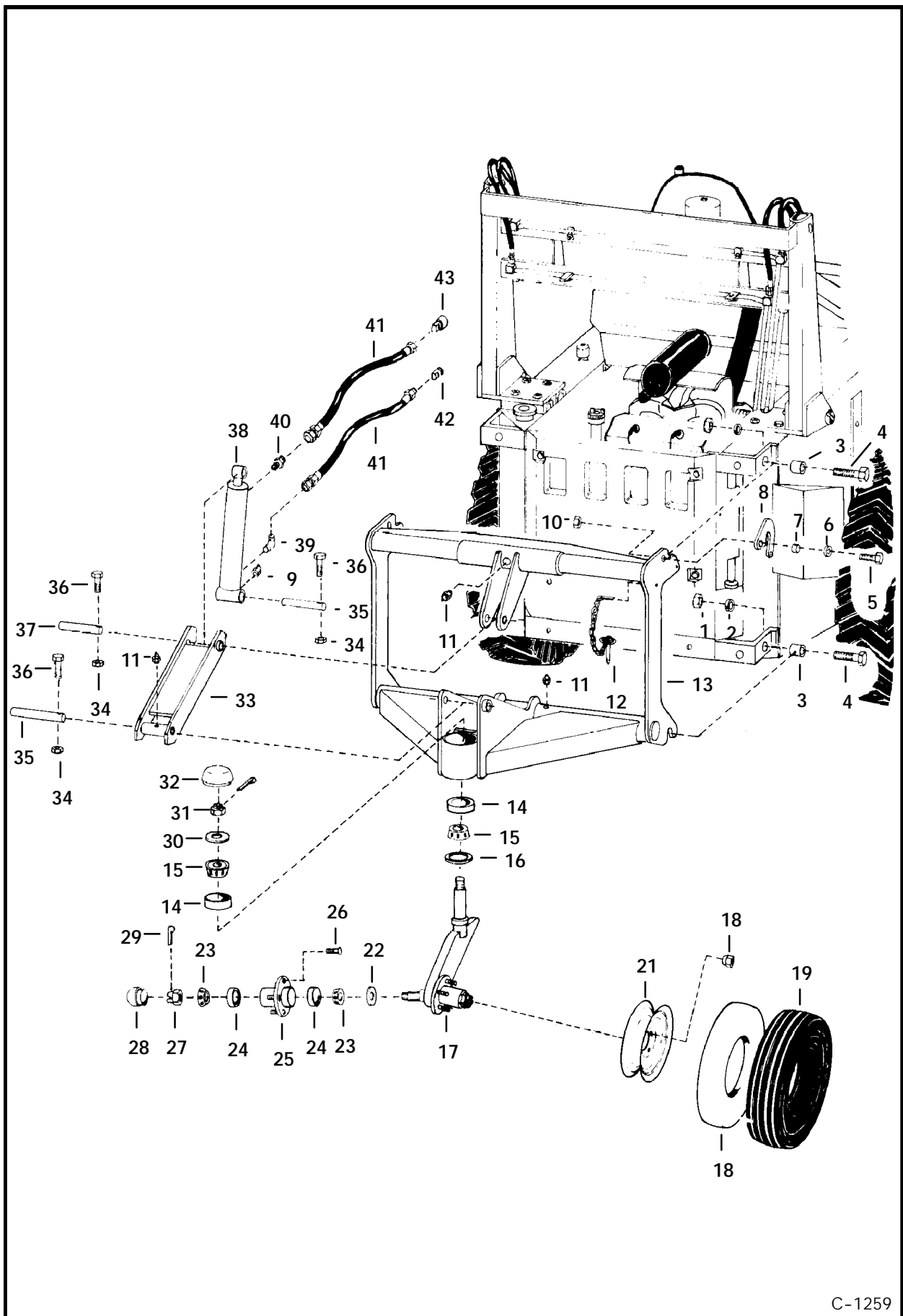
Ref. No.	Part Number	Description	Remarks	Serial Number	Qty.
1*	6730048	CONTROL BOX	W/Ref. 2 - 38		1
2*	6557224	DECAL	patent		1
3*	6573567	WASHER			1
4*	6630207	RIVET			4
5*	6647668	HANDLE			2
6*	6667805	COUPLER	female ff		1
7*	6667806	COUPLER	male ff		1
8*	6672960	COUPLER	female ff		1
9*	6673180	SWITCH			1
10*	6673181	CONTACT			1
11*	6673211	VALVE ASSY	See Page 389		1
12*	6674688	COUPLER	male ff		1
13*	6674995	SWITCH			1
14*	6674996	SWITCH			1
15*	6675000	CONTROLLER			1
16*	6675098	SWITCH	ignition		1
17*	6675128	CAP			1
18*	6675242	PLUG	illuminated		1
19*	6709527	KEY			1
20*	6717122	MOUNT			1
21*	6717959	COVER			1
22*	6718015	ROD			1
23*	6718053	HARNESS			1
24*	6718583	TUBE			2
25*	6718819	HOSE			2
26*	6719138	DECAL	RACD		1
27*	6727323	DECAL	logo		1
28*	6729676	COVER			2
29*	6519178	BUMPER			4
30*	6730051	DECAL	warning		1
31*	6730052	DECAL	operation		1
32*	53D-6	NUT			4
33*	15KV-6	ADAPTER			2
34*	17C-408	BOLT			6
35*	17C-512	BOLT			2
36*	25G-612	BOLT			4
37*	61D-4	NUT			6
38*	7D-10	NUT			4
39*	6730049AR	KIT	translation - see note		1
*	6730049BR	KIT	translation - see note		1
40*	6730054	HOSE KIT	Ref. 41 - 44		1
41*	6667805	COUPLER	female flush face		2
42*	6667806	COUPLER	male flush face		2
43*	6730055	HOSE	25 ft.(7620mm) long		2
44*	79K-8	O-RING			4

* VALVE ASSY
Hand Held Tool Control Box



B-20038

FIFTH WHEEL

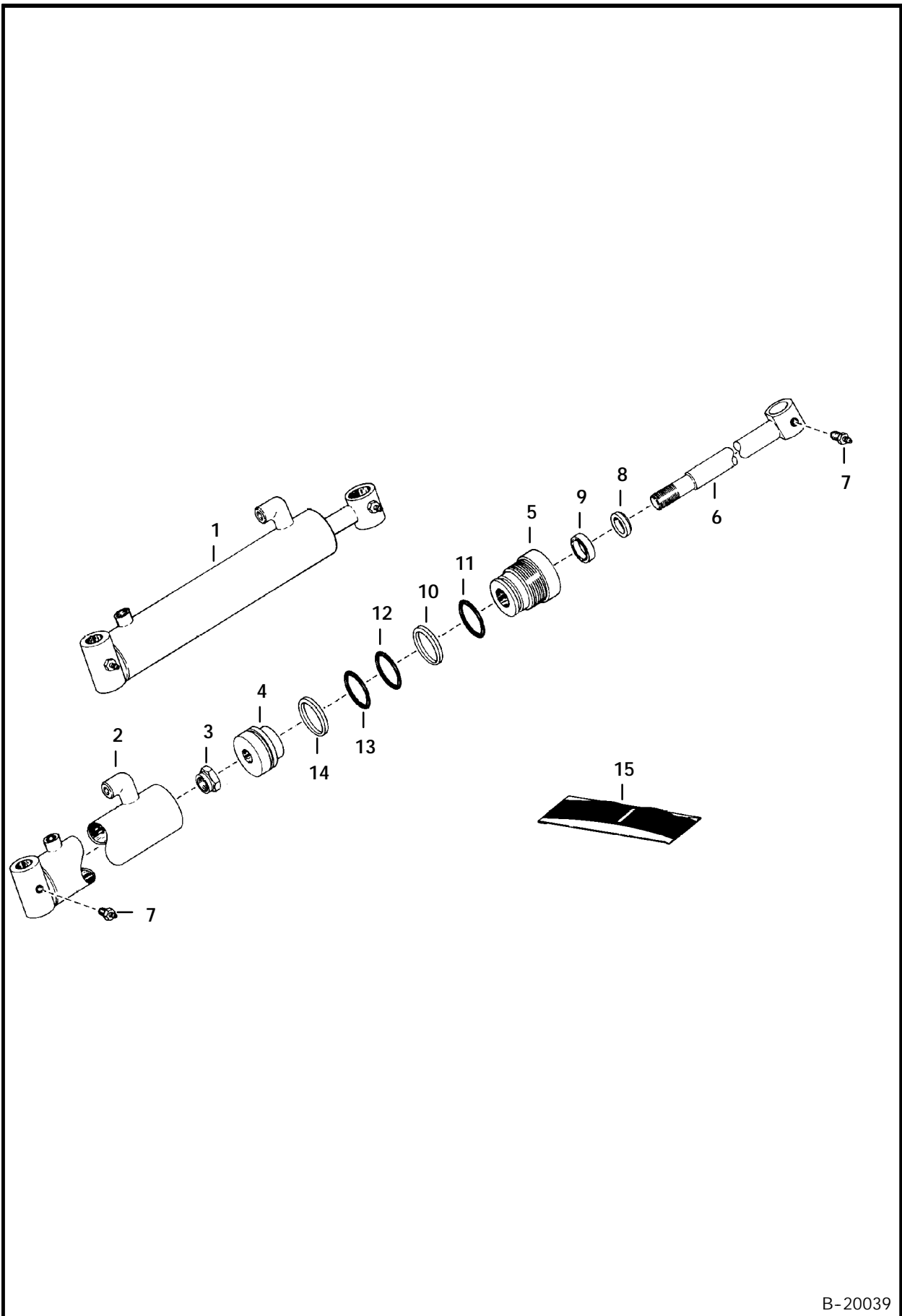


C-1259

FIFTH WHEEL (Cont'd)

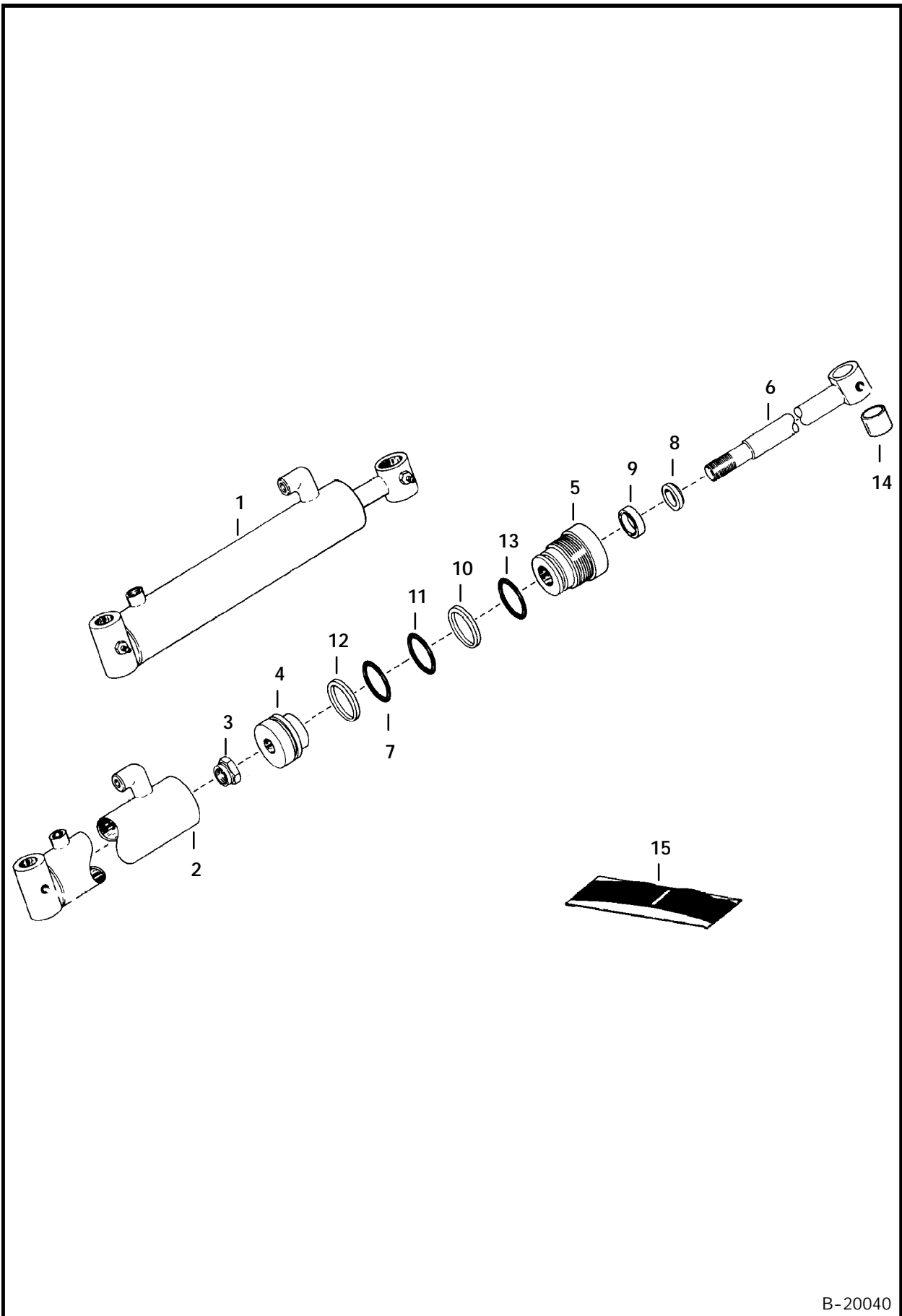
Ref. No.	Part Number	Description	Remarks	Serial Number	Qty.
1	61D-12	NUT			4
2	4E-12	WASHER			4
3	6503498	BUSHING			4
4	17C-1248	BOLT			4
5	17C-824	BOLT			2
6	25E-21	WASHER			2
7	6503451	SPACER			2
8	6503457	HOOK	Bob-Tach		2
9	11H-15	GREASE ZERK			1
10	81D-8	NUT			2
11	10H-35	GREASE ZERK			3
12	6515642	PIN	W/Chain & Cotter Pin		2
13	6501511	MAIN FRAME			1
14	6648774	BEARING	Was 743777 [A]		2
15	6648776	RACE	Was 743778 [A]		2
16	6514043	SEAL			1
17	6501512	AXLE	W/O Hubs or Wheels		1
18	100379	NUT	wheel		8
19	1319596	TIRE	4:00 x 8" (203,2mm) 4 ply		2
20	600087	TUBE	4:00 x 8" (203,8mm)		2
21	6515584	WHEEL	4" x 8" (101,4mm x 203,8mm)		2
22	6515508	SEAL			2
23	1305124	BEARING			4
24	1305123	RACE			4
25	6515581	HUB	W/Ref. 24 & 26		2
26	6515248	BOLT	wheel		8
27	6D-12	NUT			2
28	6515507	CAP	hub		2
29	1F-424	COTTER PIN			3
30	25E-30	WASHER			1
31	4D-14	NUT			1
32	6565289	CAP			1
33	6501513	ARM	linkage		1
34	81D-5	NUT			3
35	6503474	HINGE PIN			2
36	17C-532	BOLT			3
37	6503473	HINGE PIN			1
38		CYLINDER	See Page 394 - 398		1
39	83F-5	ELBOW			1
40	89F-5	ADAPTER			1
41	6551199	HOSE			2
42	6598755	QUICK COUPLER	male		1
43	6598756	QUICK COUPLER	female		1
	25K-40026	O-RING			1

FIFTH WHEEL CYLINDER
(W/1.25" (31,75mm) Rod & 1 Elbow)



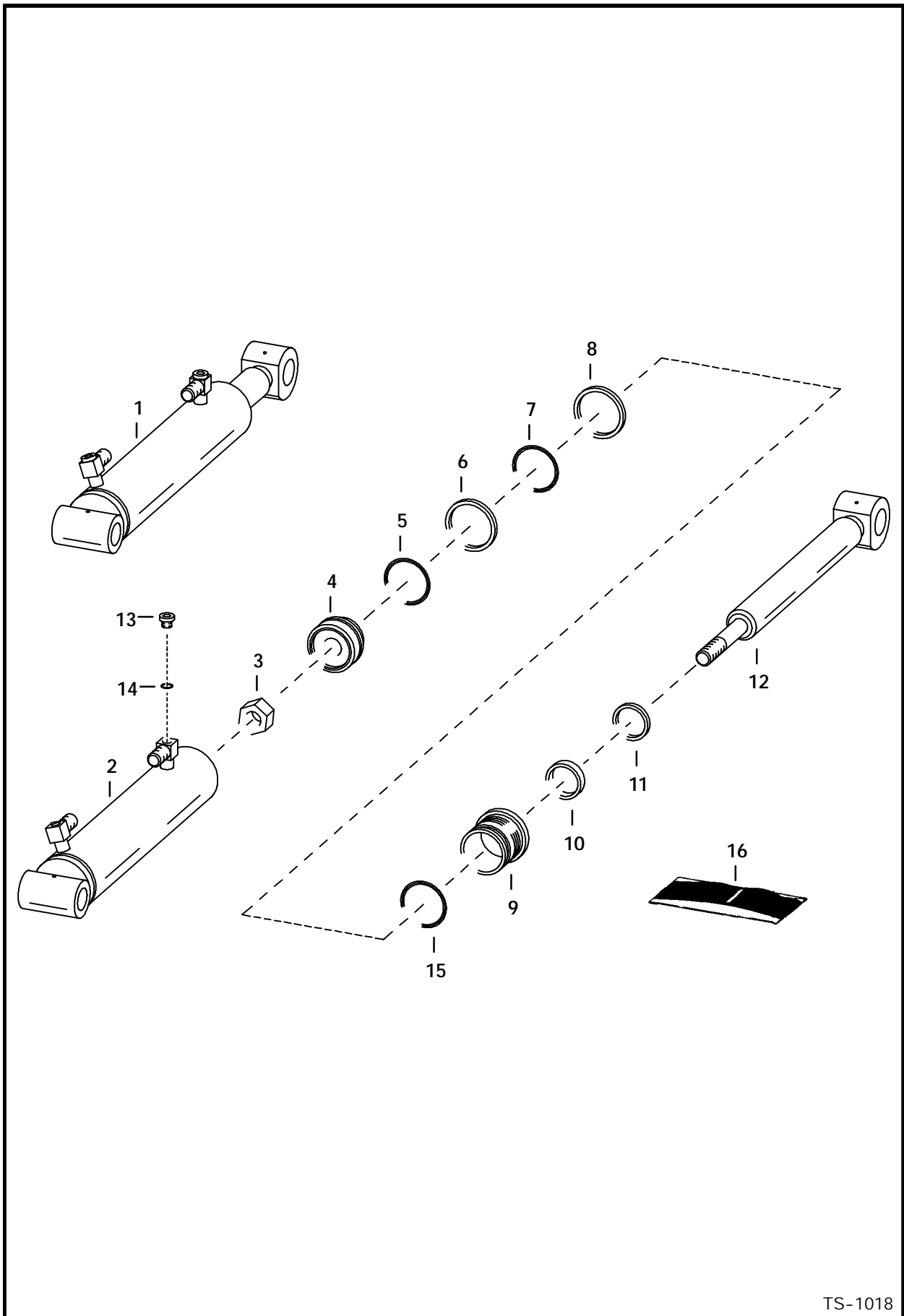
B-20039

FIFTH WHEEL CYLINDER
(W/1" (25,4mm) Rod)



B-20040

FIFTH WHEEL CYLINDER
(W/1.25" (31,75mm) & 2 Elbows)



TS-1018

Symbols

Empty, 9, 13, 17, 25, 27, 37, 39, 47, 49, 81, 83, 103, 107, 133, 139, 143, 147, 149, 151, 153, 155, 225, 227, 229, 231, 233, 247, 259, 261, 283, 285, 287, 289, 291, 293, 295, 297, 319, 321, 323, 325, 327, 329, 331, 333, 363, 383, 389

Numbers

100379, NUT, , , **392**
10H-25, GREASE ZERK, , , **346, 348**
1CM-1035, BOLT, 274
1CM-1230, BOLT, 274
1CM-16110, BOLT, 270, 300
1CM-650, BOLT, 270, 300
1CM-816, BOLT, 270, 300
1DM-16, NUT, 304
1F-308, COTTER PIN, 86
1F-416, COTTER PIN, 124, 126
 , , **340, 342**
1F-420, COTTER PIN, 14, 152, 168, 174, 184, 194
1F-424, COTTER PIN, 170, 172
 , **392**
1F-524, COTTER PIN, 118
1F-532, PIN, 216
1F-624, COTTER PIN, 120, 122, 124
1F-632, COTTER PIN, 22, 28, 34, 52
 1F-620, B, 344
1F-640, PIN, 12, 140, 144
1G-1010, BOLT, 10
214118, PIN, 368, 370, 372, 374
3D-12, NUT, 118
48K-16, O-RING, , , **352**
4D-14, NUT, **392**
4D-20, NUT, 12, 140, 144
4DM-8, NUT, 270, 300
4E-10, WASHER, , , **336**
4E-12, WASHER, , , **392**
4E-4, WASHER, 114, 116
4E-5, WASHER, 110, 112, 114, 116, 118, 120, 122

4E-6, WASHER, 34, 118, 120, 122, 228, 230, 236, 240
 , , **336**
4E-7, WASHER, 228, 230
4E-8, WASHER, 68, 114, 116, 118, 120, 122, 124, 126, 230
 , , **336**
600087, TUBE, , , **392**
619021, WASHER, 24, 28, 366
654069, BUSHING, , , **338**
675351, ROLL PIN, , , **336**
682721, SCREW, , , **342**
6D-12, NUT, **392**
6J-808, KEY, 194, 210
711022, SNAP RING, 156
730963, ADAPTER, 200, 204
731793, ADAPTER, 68
742053, WASHER, , , **346, 348**
742953, ROLL PIN, , , **338**
743108, ADAPTER, , , **346, 348**
784244, ADAPTER, 70
79K-10, O-RING, , , **352**
79K-12, O-RING, , , **352**
7C-524, BOLT, 116
 6666962, A, 114
7C-620, BOLT, 232
7C-652, BOLT, 96
7C-680, BOLT, 96
7D-10, NUT, 388
7D-12, NUT, , , **346, 350**
7D-16, NUT, 250
 , , **346, 350**
7D-8, NUT, 166, 222, 250, 284, 320
7J-4100, KEY, 68
7J-4204, KEY, 20, 28
7J-5104, KEY, 68, 94
7J-5108, KEY, 230
 7J-5112, B, 240
872229, WASHER, 94, 186
 4E-6, B, 68
8D-16, NUT, 22, 26
8D-24, NUT, 140, 144

8D-8, JAM NUT, 376, 378, 380, 382
 9G-824, BOLT, 64
 9G-832, BOLT, 68
 10C-1248, BOLT, 10C-1236, B, 94
 10C-832, BOLT, 38
 10H-25, GREASE ZERK, 10, 24, 26, 46, 66, 92,
 110, 112, 114, 142, 146, 148, 196, 394
 10H-35, GREASE ZERK, 12, 42, 44, 110, 112,
 118, 120, 122, 124, 126, 140, 144, 216, 366, **392**
 10J-14, BALL, 36
 10J-8, BALL, 136, 160, 220, 234, 244, 246
 11H-15, GREASE ZERK, 64, 92, 186
 , , **392**
 11H-25, GREASE ZERK, 110, 112
 11K-5, ELBOW, 184
 11K-8, ELBOW, 198, 202
 11KN-5, ELBOW, 148
 12D-10, NUT, 10
 12H-25, GREASE ZERK, 118, 120, 148, 196, 216
 12K-5, ELBOW, 198
 1302104, ELBOW, 68, 94, 168
 1305123, RACE, , , **392**
 1305124, BEARING, , , **392**
 1308474, ELBOW, 46
 *1312113, ADAPTER, 6658498, A, **352**
 1312113, ADAPTER, 70, 96
 1319596, TIRE, , , **392**
 1321168, SNAP RING, , , **346, 348**
 13G-1048, BOLT, 64
 13K-6, TEE, 70
 13K-7, TEE, 68
 14J-2520, ROLL PIN, 228, 236
 14J-2532, ROLL PIN, 60, 62
 14J-2540, ROLL PIN, 56, 58
 14J-3148, ROLL PIN, 64
 14J-5032, ROLL PIN, 366
 1550017, TOOTH, 52, 364
 15G-410, SET SCREW, 20, 28
 15G-504, SET SCREW, 264
 15G-505, SCREW, 194
 15K-3, ADAPTER, 128
 15K-5, ADAPTER, 94, 198, 202, 276, 278, 280,
 282, 308, 310, 312, 314, 316
 15K-6, ADAPTER, 70
 15K-7, ADAPTER, 94, 184
 15K-8, ADAPTER, 128, 130, 198, 202, 276, 278,
 280, 282, 308, 310, 316, 318
 15KN-8, ADAPTER, 20, 28, 148, 150
 15KV-5
 ADAPTER, 18, 168
 FITTING, 94
 15KV-6, ADAPTER, 388
 15KV-7
 ADAPTER, 20, 28
 FITTING, 94
 15KV-8, ADAPTER, 218, 228
 1657083, SEAL, 22, 26, 66, 92
 16K-5, ADAPTER, 198, 202
 16KN-8, ADAPTER, 218
 17C-10128, BOLT, 46
 17C-10208, BOLT, 368, 370, 372, 374
 17C-1024, BOLT, , , **336**
 17C-1028, BOLT, 194
 17C-1032, BOLT, 20, 28, 42, 44
 17C-1040, BOLT, , , **336**
 17C-1072, BOLT, 110
 17C-12112, BOLT, 48
 17C-1240, BOLT, 92
 17C-1248, BOLT, , , **392**
 17C-1264, BOLT, 168, 172, 252
 17C-1272, BOLT, 168, 172
 17C-1280, BOLT, 31C-1272, B, 92
 17C-408, BOLT, 114, 116, 230, 236, 368, 370, 372,
 374, 388
 17C-412, BOLT, 214, 216
 17C-424, BOLT, 114, 116
 17C-432, BOLT, 46, 268
 17C-440, BOLT, 46
 17C-512, BOLT, 388
 17C-516, BOLT, 48, 64, 110, 112
 17C-520, BOLT, 118, 120, 122
 17C-524, BOLT, 86, 252

17C-532, BOLT, , , **392**
 17C-548, BOLT, 17C-544, B, 64
 17C-552, BOLT, 22, 28
 , **348**
 17C-612, BOLT, 118, 120
 17C-616, BOLT, 34, 122, 194, 214, 216, 218, 228,
 230, 236, 240
 17C-620, B, 68
 17C-620, BOLT, 118, 120, 184, 194, 214, 228, 236,
 252, 368, 374, 376, 378, 386
 , , **348**
 17C-616, B, 64
 17C-624, BOLT, 368
 17C-628, BOLT, , , **336**
 17C-632, BOLT, 64, 70, 118, 120, 122, 194, 218
 , , **336**
 17C-640, BOLT, 10, 22, 26, 28, 140, 144, 216, 364
 17C-644, BOLT, 366
 17C-648, BOLT, 216
 17C-656, BOLT, 140, 144
 17C-660, BOLT, 94
 17C-680, BOLT, 70
 17C-716, BOLT, 228, 230, 236
 17C-720, BOLT, 64
 17C-812, BOLT, 124, 126
 17C-816, BOLT, 114, 116, 184, 376, 378, 380, 382
 17C-820, BOLT, 250
 , , **336**
 17C-824, BOLT, 194
 , , **392**
 17C-828, BOLT, 68, 362
 , , **346, 348**
 17C-830, BOLT, 92
 17C-824, B, 64
 17C-832, BOLT, 60, 62, 118, 120, 122, 184, 194
 17C-836, BOLT, , , **340**
 17C-840, BOLT, 216
 17C-848, BOLT, 20, 28, 52, 118, 120, 122, 228,
 232, 236
 17C-884, BOLT, 42, 44, 46
 17C-896, BOLT, , , **338**
 17E-10, WASHER, 10
 17K-3, ADAPTER, 130
 17K-7, ELBOW, 68
 17K-8, ELBOW, 128, 130, 198, 202, 240
 17KN-5, ELBOW, 148, 256
 17KN-8, ELBOW, 148, 150
 17KV-5, ELBOW, 10, 52, 168, 172
 17KV-8
 BOLT, 28
 ELBOW, 10, 40, 218, 228, 240
 18C-1688, BOLT, 110, 112
 18C-616, BOLT, 236
 18C-716, BOLT, 376, 378, 380, 382
 18C-782, BOLT, 234
 18C-792, BOLT, 136, 234
 18C-816, BOLT, 120, 184, 194
 18C-820, BOLT, 122
 18C-832, BOLT, 122, 124, 126
 18J-2028, ROLL PIN, 364
 14J-3124, B, 52
 18K-7, ELBOW, 186
 1992084, SHAFT, 32, 78, 98, 100, 190, 206
 1992088, SPRING, 32, 78, 98, 100, 190, 206
 1992098, SEAL, 32, 78, 98, 100, 190, 206
 1992100, SEAL, 32, 78, 98, 100, 190, 206
 1992102, PIN, 32, 78, 98, 100, 190, 206
 1992104, PLUG, 32, 78, 98, 100, 136, 190, 206, 220,
 234, 244, 246
 1992107, PLUG, 136, 220, 234, 244, 246
 1992109, O-RING, 220
 19KV-5, TEE, 168, 172
 1F-624, PIN, 42, 44
 21K-6, TEE, 70
 21K-7, FITTING, 184
 21K-8, TEE, 198, 202
 21KV-5, ADAPTER, 172
 23E-4, WASHER, 230, 236
 23E-5, WASHER, **348**
 23E-6, WASHER, 184, 236, **348**
 23E-8, WASHER, 184, 236
 24K-5, PLUG, 94, 198, 202
 24K-7, PLUG, 198, 202

24K-8, PLUG, 200
 24KN-5, PLUG, 94
 25E-12, WASHER, 118
 25E-14, WASHER, 24
 25E-15, WASHER, 24, 28, 64, 194
 25E-16, WASHER, 26, 110, 112
 25E-17, WASHER, 68, 96, 194, 238, **342**, 368, 374,
 376, 378, 386
 , , **336**
 25E-18, WASHER, 252
 25E-19, WASHER, 24
 25E-21, WASHER, 184, 194, 230, 236, **392**
 25E-22, WASHER, 42, 44, 46, 64, 92, 250
 25E-24, WASHER, 70
 25E-25, WASHER, 194
 25E-26, WASHER, 46
 25E-27, WASHER, 94, 124
 25E-30, WASHER, **392**
 25E-31, WASHER, 184, 194
 , , **338**
 25G-412, BOLT, 114, 116
 25G-416, BOLT, 22
 25G-612, BOLT, 388
 25G-616, BOLT, 10, 148
 25G-824, SET SCREW, 250
 25K-20010, O-RING, 136, 160, 220, 234, 244,
 246
 25K-20024, O-RING, 264, 266
 25K-30024, O-RING, , **346**
 25K-30118, O-RING, 394, 396, 398
 25K-30124, O-RING, 208
 25K-30508, O-RING, 156, 160
 25K-40026, O-RING, , **392**
 25K-40124, O-RING, 394, 396, 398
 25K-40208, O-RING, 264
 25K-60204, SEAL, 264, 266
 27E-6, WASHER, 184
 28E-20, WASHER, 124, 126
 28E-8, WASHER, 118, 120, 122, 124, 126
 29G-412, BOLT, 36
 29G-416, BOLT, 36
 30H-60, CLAMP, 64, 92
 31C-1024, BOLT, 14, 152
 31C-1036, BOLT, 70
 31C-1224, BOLT, 84, 106
 31C-1236, BOLT, 22, 26, 38
 31C-616, BOLT, 31C-620, B, 94
 31C-620, BOLT, 56, 58
 31C-640, BOLT, 24, 28
 31C-816, BOLT, 92
 31C-820, BOLT, 92, 94
 31C-832, BOLT, 56, 58
 , , **348**
 33G-508, SET SCREW, 86
 33G-608, SET SCREW, 34G-506, B, 70
 34G-506, SET SCREW, 66
 35C-1224, BOLT, 14, 152
 35C-428, BOLT, 172
 35C-612, BOLT, 10, 148
 35C-616, BOLT, 64, 168
 35C-624, BOLT, 140, 144
 35C-716, BOLT, 20
 35C-812, BOLT, 176
 35C-820, BOLT, 140, 144
 35C-824, BOLT, 10, 140, 144, 154
 35C-828, BOLT, 92, 168, 172
 35C-832, BOLT, 140, 144
 35C-872, BOLT, 10
 37C-648, BOLT, 186
 37C-652, BOLT, 70
 37C-656, BOLT, 186
 37C-664, BOLT, 186
 38C-1028, BOLT, 787054, A, 344
 39C-1028, BOLT, 10
 39DM-10, NUT, 274
 39DM-16, NUT, 270, 300
 39DM-24, NUT, 270, 272, 300, 302
 3D-16, NUT, 42, 44
 40K-2, PLUG, 34
 42H-48, CLAMP, 200, 204

45K-5, ADAPTER, 200, 202
 45K-8, ADAPTER, 200, 204
 47K-12, PLUG, 398
 47K-2, PLUG, 72, 74
 , , **354**
 47K-6, PLUG, 188
 47K-7, PLUG, 208
 48K-16, O-RING, 68, 128
 5200255, NUT, 184, 190, 194, 206
 53D-12, NUT, 83D-12, B, 92
 53D-6, NUT, 388
 54K-30118, O-RING, 74, 76, 164, 224
 25K-30118, A, 72, 102, 138
 54K-40124, O-RING, 74, 76, 164, 224
 25K-40124, A, 72, 102, 138
 55D-4, NUT, 214, 216
 55D-5, NUT, 26
 55D-6, NUT, 10, 24, 28, 140, 144, 148, 214, 216,
 218
 55D-8, NUT, 10, 168, 216
 57D-10, NUT, 70
 57D-12, NUT, 94
 57D-6, NUT, 96
 57D-8, NUT, 92
 58D-16, NUT, 24, 26
 58K-127, O-RING, 36
 58K-136, O-RING, 72, 76, 102, 138, 164, 224,
 394, 396, 398
 58K-14, O-RING, 94
 58K-44, O-RING, 160
 59D-10, NUT, 42, 44, 46
 59D-12, NUT, 48
 59D-4, NUT, 46, 172
 59D-5, NUT, 48, 194
 59D-6, NUT, 10, 140, 144, 364
 59D-8, NUT, 42, 44, 46, 236
 59G-806, BOLT, , , **352**
 60D-12, NUT, 50
 60D-8, NUT, 59D-8, B, 216
 6190116, SPRING, 136, 160, 220, 234, 244, 246
 6190121, SPRING, 136, 160, 220, 234, 244, 246
 61D-10, NUT, 92, 236, **336**
 61D-12, NUT, 252
 , , **392**
 61D-16, NUT, 250
 61D-4, NUT, 24, 268, 388
 61D-5, NUT, 252
 , , **348**
 61D-6, NUT, 184, 228, 230, 236
 , , **336, 348**
 61D-8, NUT, 68, 92, 184, 230, 236, 250
 , , **336**
 85D-8, B, 64
 63D-8, NUT, 194
 650001L, REGULAR PAD, 368
 650002L, MASTER PAD, 368
 650003L, PIN, 368, 370, 372, 374
 650004L, PLATE, 368
 650005L, PLATE, 370, 372, 374
 650006L, PLATE, 368
 650007L, PLATE, 368
 650008L, PLATE, 370, 372, 374
 650009L, PLATE, 368
 650010L, BINDER ASSY, 368
 650011L, BINDER ASSY, 368
 650012L, PARTS KIT, 368, 370, 372, 374
 650013L, EXTENSION, 380
 650014L, PAD, 376
 650015L, PAD, 378
 650016L, SPACER, 380
 650017L, SPACER, 380
 650018L, SPACER, 368
 650019L, SPACER, 382
 650020L, SPACER, 368
 650021L, SPACER, 368
 650022L, SPACER, 372, 376, 378
 650023L, REACH NUT, 380, 382
 650024L, WHEEL STUD, 370, 372
 650025L, WHEEL STUD, 368, 372, 376, 378
 650026L, PAD, 382
 650027L, WHEEL STUD, 368

650028L, WHEEL NUT, 368
650029L, BOOM STOP, 368
650030L, GUARD, 376
650031L, PAD, 376, 378
650032L, PAD, 376, 378
650033L, PAD, 378
650034L, PAD, 378
650036L, PAD, 380
650037L, LINK, 376, 378
650038L, LINK, 376, 378, 380, 382
650039L, LINK, 376, 378
650040L, LINK, 376, 378, 380, 382
650041L, LINK, 376, 378
650042L, LINK, 376, 378, 380, 382
650043L, QUICK PIN, 376, 378
650044L, QUICK PIN, 376, 378, 380, 382
650048L, EXTENSION, 376, 378
650049L, EXTENSION, 376, 378
650050L, EXTENSION, 378
650051L, EXTENSION, 378
650052L, WEDGE, 376, 378, 380, 382
650053L, BASE PLATE, 376, 378, 380, 382
650054L, HOOK, 376, 378, 380, 382
650055L, WINCH ASSY, 376, 378, 380, 382
650056L, WEBBING, 376, 378, 380, 382
6501511, MAIN FRAME, , , **392**
6501512, AXLE, , , **392**
6501513, ARM, , , **392**
6502825, COLLAR, , , **338**
6503451, SPACER, , , **392**
6503457, HOOK, , , **392**
6503473, HINGE PIN, , , **392**
6503474, HINGE PIN, , , **392**
6503498, BUSHING, , , **392**
6505046, WASHER, 64
6505451, HOUSING, , , **338**
6505473, BINDER ASSY, 370, 372, 374
6505545, REGULAR PAD, 370, 372, 374
6507086, SPRING, , , **336**
6508744, MASTER LINK, 368, 370, 372, 374
6508745, MASTER LINK, 368, 370, 372, 374
6508746, MASTER LINK, 368, 370, 372, 374
6508747, MASTER LINK, 368, 370, 372, 374
6508748, MASTER LINK, 368, 370, 372, 374
6508749, MASTER LINK, 368, 370, 372, 374
6508750, SPACER, 370, 372
6508751, REGULAR LINK, 368, 370, 372, 374
6508752, MASTER PAD, 370, 372, 374
6509613, LINK, 344
6509614, LINK, 344
6509701, REGULAR PAD, 370, 372, 374
6509702, MASTER PAD, 370, 372, 374
6509704, BINDER ASSY, 370, 372, 374
6509705, PLATE, 370, 372, 374
6509706, PLATE, 370, 372, 374
6509707, MASTER LINK, 368, 370, 372, 374
6510171, CONNECTOR LINK, 94, 230, 240
6512301, SEAL, 210
6513279, RACE, 208
6513280, BEARING, 208
6513505, PLATE, 136, 220, 234
6513506, DRIVE, 136, 220, 234
6513507, VALVE, 136, 220, 234
6513513, DRIVE, 234
6513518
 DRIVE, 160
 VALVE, 244, 246
6513519, VALVE, 160, 244, 246
6513520, SEAL, 160, 244, 246
6513524, HOUSING, 244, 246
6513529, SEAL, 160, 220, 234, 244, 246
6513530, SEAL, 136, 220, 234
6513531, SEAL, 220
6513533, SPRING, 158, 162
6513537, O-RING, 136, 220, 234
6514043, SEAL, , , **392**
6515120, SHANK, 362
6515121, TOOTH, 362
6515191, LINK, 68, 120, 122
6515248, BOLT, , , **392**

6515507, CAP, , , **392**
 6515508, SEAL, , , **392**
 6515581, HUB, , , **392**
 6515584, WHEEL, , , **392**
 6515642, PIN, , , **392**
 6516231, SEAL, 72, 74, 76, 102, 138, 164, 224, 394, 396, 398
 6518200, GREASE ZERK, , , **338**
 6518213, PISTON, , , **354**
 *6519178, BUMPER, 388
 6519210, HUB, , , **338**
 6519211, TIRE, , , **338**
 6529335, DECAL, 82
 6529349, CYLINDER, , , **346, 348, 354**
 6529353, ROD, , , **354**
 6529354, CASE, , , **354**
 6529377, BOLT, 64, 92
 6529541, SPACER, 64
 6529543, BUSHING, 64
 6529547, ROD, 74
 6529554, TEE, 68
 6529579, CASE, 74
 6530334, HEAD, , , **354**
 6530564, CYLINDER, 398
 6530565, CASE, 398
 6530566, ROD, 398
 6516209, A, 394
 6530889, HOSE, , , **346, 348**
 6531654, DECAL, , , **346, 348**
 6531677, HOSE, 6567984, A, 68
 6531678, HOSE, 6529552, A, 70
 6531679, HOSE, 6529553, A, 68
 6533106, PIN, 6529569, A, 64
 6533898, DECAL, 104, 106
 6537669, HOSE, 70
 6538285, SNAP RING, 142, 144
 , , **346, 348**
 6538595, HEAD, 72, 76, 102, 224
 6504933, A, 74, 396
 6539177, DECAL, **350**
 , , **346**
 6539323, HEAD, 138, 164
 6532702, A, 394, 398
 6540008, REGULAR PAD, 368
 6540009, MASTER PAD, 368
 6540010, REGULAR LINK, 368, 370, 372, 374
 6540505, LINK, , , **340, 342**
 6540507, LINK, , , **340, 342**
 6540577, HINGE PIN, , , **340, 342**
 6541698, FRAME, , , **336**
 6541711, BRACKET, , , **336**
 6541716, ARM, , , **336**
 6541719, ARM, , , **336**
 6541722, WHEEL, , , **336, 338**
 6541723, FORK, , , **338**
 6541726, PLATE, , , **336**
 6541727, BUSHING, , , **336**
 6541728, BUSHING, , , **336**
 6541729, SHIELD, , , **336**
 6541797, CHAIN, , , **336**
 6541811, WHEEL, , , **338**
 6541972, DECAL, , , **336**
 6544553, PIN, 344
 6547555, SAFETY TREAD, 362
 6547652, BUSHING, 396
 6551199, HOSE, , , **392**
 6552871, WASHER, 22, 26, 38
 6554414, PIN, 64
 6555987, BUSHING, 22, 26
 6555989, BUSHING, 20, 26
 *6557224, DECAL, 12, 388
 6557443, FRAME, 342
 6558196, PISTON, 74, 394, 396, 398
 6558510, ELBOW, 256
 6560382, PIN, 140, 144
 6561326, PIN, , , **346, 348**
 6562018, SPRING, 366
 6562224, BUSHING, 20, 26
 6562225, HINGE, 20, 26

*6562452, BOOM STOP, 386
 6562452, BOOM STOP, 368, 374, 376, 378
 6563353, CLAMP, 70
 6563524, FRAME, 362
 6564011, PULLEY, 6515550, A , **336**
 6564202, SHOE, 362
 6564207, DECAL, 362
 6564340, PIN, 20, 26
 6564669, NUT, 368, 372, 376, 378
 6565289, CAP, , , **392**
 6567987, DECAL, 110, 112, 242
 6567988, DECAL, 52, 60, 62, 110, 112
 6568047, STRIKER, 20
 86573567, WASHER, 388
 6577917, STEP, 24, 26, 92, 170
 6577947, SAFETY TREAD, 22, 26
 6578655, HOSE, 200, 204
 6579152, RESTRICTOR, 6672503, D, 96
 6579647, ELBOW, 200
 6583862, DECAL, , , **346, 348**
 6584872, WASHER, , , **346, 348**
 6586127, FRAME, , , **346, 348**
 6586138, TUBE, , , **346, 348**
 6586142, LINK, , , **346, 348**
 6586145, LINK, , , **346, 348**
 6586146, PIN, , , **346, 348**
 6586151, PIN, , , **346, 348**
 6586152, BLOCK, , , **346, 348**
 6586153, PIN, , , **346, 348**
 6586693, PISTON, 72, 102, 224
 6586700, CYLINDER, 138
 6586704, PISTON, 138
 6586949, CASE, 138
 6586950, ROD, 138
 6587294, HOSE, 200
 6587333, ROD, 6593344, A, 396
 6587633, BONNET, 36
 6587757, ROD, 72
 6587761, CASE, 72
 6587763, BOOT, 36
 6587790, SEAL KIT
 6504960, A, 396
 6661288, A, 74
 6587808, CYLINDER, 76
 6587809, ROD, 76
 6587811, CASE, 76
 6589193, ELBOW, 172
 6589564, RETAINER, 36
 *6589798, SEAL KIT, 6587989, A, **354**
 6589831, SEAL KIT, 6586298, A, 394, 398
 6590546, TOOL, 376, 378, 380, 382
 6592028, CASE, 394, 396
 6592115, SEAT, 36
 6592116, NUT, 36
 6592117, SPRING, 36
 6593949, COLLAR, 64
 6594417, SPROCKET, 68
 6594431, RETAINER, 64
 6594434, SPRING, 22, 26, 64, 92
 6594448, SHAFT, 68
 6594451, RAKE ASSY, 70
 6594452, SPROCKET, 68
 6594453, CHAIN, 68
 6594460, SCREEN, 64
 6594472, PLATE, 66
 6594483, HINGE, 64
 *6594488, DECAL, 12
 6594488, DECAL, 82, 104, 106, 168, 172, 228, 242
 6594496, BRACKET, 64
 6594497, SPROCKET, 68
 6594498, SPROCKET, 68
 6594510, DECAL, 82, 104, 106
 6594511, DECAL, 82
 6594512, DECAL, 84
 6594599, CHAIN, 70
 6594612, DECAL, 82
 6594613, DECAL, 84
 6594627, SHAFT, 68
 6594629, RAKE ASSY, 70
 6594633, SCREEN, 64

6594639, SKID, 64
 6594642, CHAIN, 68
 6594643, SPROCKET, 68
 6594649, DECAL, 84
 6594685, BAR ASSY, 70
 6594686, BAR ASSY, 70
 6594687, BAR ASSY, 70
 6594688, BAR ASSY, 70
 6594713, DECAL, 84
 6594740, PLATE, 64
 6594741, PLATE, 64
 6594766, DECAL, 84, 106
 6595014, DECAL, 104, 106
 6595353, CLAMP, 216
 6595356, PLATE, 216
 6596693, PISTON, 76
 6598755, QUICK COUPLER, 184
 , **392**
 6598756, QUICK COUPLER, 184
 , , **392**
 6598757, QUICK COUPLER, 68, 128, 240
 6598758
 COUPLER, , , **352**
 QUICK COUPLER, 68, 128, 240
 6610510, STA-STRAP, 128, 130, 216
 6624289, NYLON TIE, 70, 94
 6627785, CASE, 102
 6630027, BALANCE RING, 32, 78, 98, 100, 190, 206
 6630029, SEAL, 32, 78, 98, 100, 190, 206
 6630032, SHAFT, 190
 6630042, PLATE, 136, 220, 234
 6630089, KEY, 184, 190, 194, 206
 *6630207, RIVET, 388
 6630796, SEAL, 136, 220, 234
 6631698, RESTRICTOR, 70, 96
 6632191, BEARING, 64
 6632193, MOTOR, 78
 6632257, REGULATOR, 80
 6632258, REGULATOR, 80
 6632259, VALVE, 80
 6632266, DRIVE, 136
 6632272, SEAL, 136, 244, 246
 6632275, BOLT, 220
 6632285, HOUSING, 32, 78, 98, 100
 6632286, WEAR PLATE, 32, 78, 98, 100, 190, 206
 6632288, VALVE, 32, 78, 98, 100, 190, 206
 6632289, HOUSING, 78
 6632290, SHAFT ASSY, 32, 78, 98, 100
 6632292, KEY, 32, 78, 94, 98, 100
 6632293, SHAFT, 78, 100
 6632294, GEROLER, 78, 100
 6632298, BOLT, 78, 100
 6632338, BODY, 80
 6632339, PLUG, 80
 6632340, O-RING, 80
 6632341, RELIEF VALVE, 80
 6632342, SEAL KIT, 80
 6632343, SEAL KIT, 80
 6632348, HOUSING, 32, 98, 100
 6632387, LINK, 68
 6632389, CYLINDER, 84, 88, 106
 6632390, CYLINDER, 84, 90, 106
 6632444, LINK, 68
 6634895, SEAL, 208
 6634900, SHAFT, 208
 6634902, WIPER, 86
 6634903, QUAD RING, 86
 6634904, SEAL RETAINER, 86
 6635659, SPACER, 208
 6635878, VALVE THROTTLE, 68
 6643240, NUT, 88, 90
 6643241, PISTON, 88, 90
 6643242, BARREL, 88
 6643243, HEAD, 88, 90
 6643244, ROD, 88
 6643245, SEAL KIT, 88
 6643246, BARREL, 90
 6643247, ROD, 90
 6643248, SEAL KIT, 90
 6643258, BOLT, 86

6643259, WASHER, 86
6643260, SPRING, 86
6643261, SPACER, 86
6643262, SPACER, 86
6643263, O-RING, 86
6643264, O-RING, 86
6643265, WASHER, 86
6643266, RELIEF VALVE, 86
6643267, SPRING, 86
6643268, PIN, 86
6643269, PIN, 86
6643270, PIN, 86
6643271, LINKAGE, 86
6643272, HANDLE, 86
6643273, GRIP, 86
6643274, BRACKET, 86
6643275, POPPET, 86
6643276, SPRING, 86
6643277, PLUG, 86
6643278, SLEEVE, 86
6643279, WASHER, 86
6643280, WASHER, 86
6643281, CAP, 86
6643282, CAP, 86
6643283, HOUSING, 86
6643284, POINT, 86
6645234, LINK, , , **346, 348**
6645236, PIN, , , **346, 348**
6645238, PIN, , , **346, 348**
6645239, LINK ASSY., , , **346**
6645240, TURN BUCKLE, , , **346, 348**
6645241, TURN BUCKLE, , , **346, 348**
*6647668, HANDLE, 388
6647668, KNOB, 70
*6648571, CUTTING EDGE, 10
*6648587, SPRING PIN, 10
6648587, PIN, 140
6648595, PIN, 52
6648646, MOUNT, 176
6648774, BEARING, 743777, A, **392**
6648776, RACE, 743778, A, **392**
6648968, QUICK COUPLER, 198, 202
6648970, QUICK COUPLER, 198, 202
6648973, SEAL KIT, 32, 98, 100, 190, 206
6630079, A, 78
6649323, SWITCH, , , **352**
6649389, HOSE COVER, 200, 202
6649496, PIN
, , **348**
6635322, A , **346**
6649685, BEARING, 6636011, A, 64
6650680, SNAP RING, 140, 144
6651240, SEAL, 208
6651241, BACKUP RING, 208
6651542, BALL, 158, 162
6651948, SHAFT, 32
6651951, BOLT, 98
6652367, HOSE COVER, 186, 200, 202
6652804, SCREW ASSY., , , **346**
6652805, TUBE, , , **346**
6652806, SCREW ASSY., , , **346**
6652807, SCREW ASSY., , , **346, 350**
6652808, TUBE, , , **346, 350**
6652809, SCREW ASSY., , , **346**
6652810, TUBE, , , **346, 350**
6652811, SCREW ASSY., , , **346, 350**
6652812, SCREW ASSY, **346**
, , **350**
6653266, FLANGE, 208
6653269, SEAL KIT, 208
6653300, SEAL, 32, 78, 98, 100, 206
6653546, VALVE, 106
6632391, A, 84, 86
6653758, SNAP RING, 192
6655147, ELBOW, , , **352**
6655399, BUMPER, 24, 26
6656156, WIRE, , , **352**
6656367, GEROLER, 190
6656368, PLATE, 32, 98, 100, 190, 206
6632287, A, 78
6657063, WIRE, , , **352**

6657217, HOSE, , , **352**
6657218, TEE, , , **352**
6657219, BUSHING, 52
6657349, DECAL, 242
6657351, DECAL, 24, 26, 228, 242
6657352, RIVET, 364
*6657353, RIVET, 10
6657353, RIVET, 170
, , **348**
6657354, DECAL, 228, 242
6658209, SCREW ASSY., , , **350**
6658252, QUICK COUPLER, 198
6658474, BUNGIE STRAP, , , **348**
6658475, COVER, , , **348**
6658476, TRIM, , , **348**
6658477, MOUNT PLATE, , , **348**
6658479, STAND, , , **348**
*6658480, CYLINDER, 358
6658480, CYLINDER, , , **348**
6658481, HOSE, , , **348**
6658482, HOSE, , , **348**
6658483, HOSE, , , **348**
6658484, HOSE, , , **352**
6658485, WIRE ASSY., , , **352**
6658486, WIRE ASSY., , , **352**
6658487, ELBOW, , , **352**
6658488, HOSE, , , **352**
6658489, ADAPTER, , , **352**
6658490, ADAPTER, , , **352**
6658491, ELBOW, , , **352**
6658492, ELBOW, , , **352**
6658493, COUPLER, , , **352**
6658494, COUPLER, , , **352**
6658495, CAP, , , **352**
6658496, PLUG, , , **352**
6658497, HOSE, , , **352**
6658499, CYLINDER, 356
, , **348**
6658513, ELBOW, , , **352**
6658754, BOLT, 160
6658755, BOLT, 160
6658756, SEAL, 244, 246
6658757, PLATE, 160
6658758, DRIVE, 160
6658761, GEROLER, 160
6659339, ROD, 356
*6659340, SEAL KIT, 358
6659340, SEAL KIT, 356
6659487, BOLT, 244, 246
6659488, BOLT, 244, 246
6659489, SHAFT, 6664817, A, 244, 246
6659491, GEROLER, 244, 246
6659511, BACKUP RING, 190, 206
6660256, SEAL KIT, 6658760, C, 160
6660439, SHUTTLE VALVE, 132
6660639, WIRE, , , **352**
6660640, SWITCH BOX, , , **352**
6661363, WIRE JUMPER, , , **360**
6661385, VALVE, , **360**
6661442, VALVE BODY, , , **360**
6661443, SOLENOID VALVE, 198, 202
, , **360**
6661445, FLOW REGULATOR, , , **360**
6661447, SOLENOID, , , **360**
6661448, SEAL KIT, 202
, , **360**
6664032, D, 198
6661449, SEAL KIT, , , **360**
6661615, SPROCKET, 70
6661652, RING, 34
6661809, PLATE, 160, 244, 246
6662848, CAP, 36
6662955, SEAL, 190, 206
6664026, CHECK VALVE, 284, 320
6664028, PISTON, 134
6664032, SEAL KIT, 284
6664033, SEAL KIT, 134
*6664036, NUT, 12
6664036, NUT, 130, 148, 168, 170, 198, 202, 218
*6664037, WASHER, 12
6664037, WASHER, 130, 148, 168, 170, 198, 202,
218

6664038, DUST CAP, 128, 130, 198, 202
6664041, SOCKET, 128, 130
6664090, WASHER, 214, 216
6664235, SNAP RING, 184, 194
6664253, CYLINDER, 184, 192
6664255, PIN, 194
6664256, PIN, 194
6664323, NUT, 192
6664324, HEAD, 192
6664325, PISTON, 192
6664326, ROD, 192
6664327, CASE, 192
6664328, SEAL KIT, 192
6664428, BALL, 158, 162
6664491, HOUSING, 232, 236
6664492, BEARING, 232, 236
6664493, SHAFT, 232, 236
6664494, TUBE, 236
6664495, TOOTH, 232, 236
6664496, SHAFT, 230, 236
6664497, SEAL, 230, 236
6664498, BEARING, 230, 236
6664499, HOUSING, 230, 236
6664500, SPROCKET, 240
6664502, SPROCKET, 230, 240
6664503, GASKET, 230, 236
6664504, MOTOR, 236
6664505, PLATE, 230, 236
6664506, PLATE, 230, 236
6664507, PLUG, 236
6664508, PLUG, 230, 236
6664509, COVER, 230, 236
6664510, MOUNT, 230, 236
6664511, LEFT SHOE, 236
6664512, MAIN FRAME, 236
6664513, CHAIN, 236
6664514, DOOR, 236
6664515, DOOR HINGE, 236
6664516, RIGHT SHOE, 236
6664517, SAFETY TREAD, 242
6664522, ADAPTER, 240
6664523, HOSE, 240
6664525, ELBOW, 240
6664527, BOLT, 232, 236
6664535, LINK, 228, 236
6664543, HOSE, 240
6664809, SCREW, 244, 246
6664810, SEAL, 244, 246
6664811, RETAINER, 244
6664813, BEARING ASSY, 244
6664814, KEY, 244, 246
6664815, SEAL, 158, 160, 162, 244, 246
6664816, HOUSING, 244
6664818, BALANCING RING, 244, 246
6664819, PIN, 244, 246
6664820, HOUSING, 160, 244, 246
6664822, O-RING, 136, 220, 234, 244, 246
6664823, SEAL KIT, 244, 246
6664824, SEAL KIT, 244, 246
6665001, CONNECTOR, 200, 204
 6664034, A, 128, 130
*6665086, SEAL, NSS, **354**
6665094, CLEVIS PIN, 236
6665095, GASKET, 230, 236
6665096, PLATE, 230, 236
6665184, SEAL, 394, 396, 398
6665208, SEAL, 164, 394, 396, 398
 1657085, A, 138
6665224, SEAL, 190, 206
6665236, HOUSING, 208
6665237, SHAFT, 208
6665241, SNAP RING, 230, 238
6665243, HOSE, 198, 202
6665244, HOSE, 198, 202
6665245, HOSE, 198, 202
6665246, HOSE, 198, 202
6665247, HOSE, 200
6665248, HOSE, 200
6665250, HOSE, 198, 202
6665252, HOSE, 198, 202

6665255, HOSE, 198
6665256, HOSE, 200, 202
6665257, HOSE, 200, 204
6665258, HOSE, 200, 204
6665259, CHECK BLOCK, 200
6665260, VALVE ASSY, 198, 202
6665261, VALVE BLOCK, 198, 202
6665262, VALVE, 198, 202
6665263, CHECK VALVE, 198, 202
6665264, RELIEF VALVE, 198, 202
6665265, CARTRIDGE, 188, 198, 202
6665267, CYLINDER, 196, 200, 202, 212
6665273, TUBE, 200, 204
6665274, GROMMET, 200, 204
6665275, ADAPTER, 200, 204
6665276, BUSHING, 194
6665279, BEARING, 194
6665280, SEAL, 194
6665281, SEAL, 194
6665282, CHAIN, 194
6665283, LINK, 194
6665284, SPROCKET, 194
6665285, SPROCKET, 194
6665287, CHAIN GUARD, 194
6665288, PIN, 194
6665289, PIN, 194
6665290, HUB, 184, 194
6665291, POCKET, 184, 194
6665292, POCKET, 184, 194
6665293, TOOTH, 184, 194, 216
6665294, TOOTH, 184, 196, 216
6665295, TOOTH, 196, 216
6665296, DISC, 194
6665297, HARNESS, 198, 202
6665298, GAUGE, 184, 196
6665299, FRAME, 194
6665300, FRAME ASSY, 194
6665301, TUBE, 194
6665302, FRAME ASSY, 194
6665304, TUBE, 194
6665305, MOTOR, 194, 200, 206
6665325, SCREW, 208
6665328, SEAL, 208
6665329, GEROTER, 208
6665330, END CAP, 208
6665331, SCREW, 208
6665333, HOUSING, 190, 206
6665334, SHAFT ASSY, 190, 206
6665335, SHAFT, 206
6665336, GEROLER, 206
6665337, BOLT, 190, 206
6665359, CLAMP, 194
6665360, BRACKET, 194
6665361, ORIFICE, 198, 202
6665362, BALL, 200
6665363, SPRING, 200
6665370, PLUG, 128, 130
*6665376, CASE, 358
*6665377, ROD, 358
*6665378, NUT, 358
6665378, NUT, 356
*6665379, HEAD, 358
6665379, HEAD, 356
*6665380, PISTON, 358
6665380, PISTON, 356
*6665381, RING, 358
6665381, RING, 356
6665382, CASE, 356
6665383, FRAME ASSY, 194
6665402, NUT, 212
6665403, HEAD, 212
6665404, PISTON, 212
6665405, KEY STOCK, 212
6665406, ROD, 212
6665407, CASE, 212
6665408, SEAL KIT, 212
6665430, BACKUP RING, 128
6665486, GUARD, 194
6665531, LATCH, 20

6665556, SEAL, 244, 246
6665557, BACKUP RING, 244, 246
*6665719, PLUG, 18, 390
6665719, PLUG, 134, 284, 320
6669727, D, 132
6666542, SEAL, 74, 76, 224
1657083, A, 72, 102
6666926, SEAL KIT, 136, 234
6666928, SEAL KIT, 136, 234
6666934, MOTOR, 118, 120, 122, 136
6666935, SHAFT, 136
6666936, HOUSING, 136, 234
6666937, FLANGE, 136
6666938, BOLT, 136, 220
6666939, RING, 136, 220, 234
6666940, GEROLER, 136
6666941, SEAL, 136, 234
6666942, SEAL, 136, 220, 234
6666943, SEAL, 136, 220, 234
6666944, BOLT, 136
6666945, HOUSING, 136, 220, 234
6666947, BEARING, 118, 120, 122
6666948, HOUSING, 118, 120, 122
6666949, NUT, 124, 126
6666950, SHAFT, 124
6666951, HANDLE, 124, 126
6666952, WASHER, 114, 116, 124, 126
6666953, SUPPORT, 124
6666954, SNAP RING, 124
6666955, FORK, 124
6666956, CUP, 124, 126
6666957, BEARING, 124, 126
6666958, WASHER, 124, 126
6666959, WASHER, 124, 126
6666960, AXLE, 124
6666963, STRAP, 114, 116
6666964, BARRIER, 114, 116
6666965, MOUNT, 114
6666966, CABLE ASSY, 128, 130
6666967, ELBOW, 128

6666968, HOSE, 128, 130
6666969, HOSE, 128, 130
6666970, HOSE, 128, 130
6666971, HOSE, 128, 130
6666972, VALVE, 128, 132
6666973, COLLAR, 118, 120, 122
6666974, SPRING, 118, 120
6666975, ROLLER, 118, 120, 122
6666976, BUSHING, 118, 120, 122
6666977, ARM, 118, 120, 122
6666978, COLLAR, 118
6666979, COLLAR, 118
6666980, CHAINCASE, 118, 120, 122
6666981, ROLLER, 118
6666982, FRAME, 118, 120
6666983, WASHER, 118, 120, 122
6666984, CHAIN, 118, 120, 122
6666985, BUSHING, 118
6666986, BUSHING, 118
6666987, SPROCKET, 118
6666988, SLEEVE, 118
6666989, WASHER, 118, 120, 122
6666990, BUSHING, 118, 120, 122
6666991, SPROCKET, 118, 120, 122
6666992, BUSHING, 118, 120, 122
6666993, SNAP RING, 110, 114
6666994, BUSHING, 110, 114
6666995, BOLT, 110, 112
6666996, WASHER, 114, 116
6666997, WASHER, 114, 116
6666998, BUSHING, 114, 116
6666999, PIN, 110
6667000, PIN, 110, 114, 116
6667001, PIN, 114, 116
6667002, END PLATE, 114, 116
6667003, END PLATE, 114, 116
6667004, U-BOLT, 114
6667005, MOUNT, 110
6667006, SLEEVE, 110
6667007, LINK ARM, 110

6667008, COVER, 114, 116
6667009, TAB, 114, 116
6667010, O-RING, 114, 116
6667011, SEAL, 114, 116
6667012, COVER, 114, 116
6667013, PLUG, 114, 116
6667014, COVER, 110, 112
6667015, BUSHING, 114, 116
6667016, FRAME, 110
6667017, U-BOLT, 114
6667018, SPOOL, 128, 132
6667019, SOLENOID, 128, 132, 134
6667020, SPOOL, 128, 132
6667117, O-RING, 118, 120, 122
6667180, SEAL KIT, 128, 132, 134, 188
6667181, SEAL KIT, 128, 132, 134
6674283, A, 178
6667186, OFFSET LINK, 230, 240
6667297, PAD, 184
6667298, PIN, 184
6667299, PIN, 184
6667300, FRAME, 184
6667301, SEAL, 184
6667302, BEARING, 184
6667303, ROD, 184
6667304, FRAME, 184
6667305, DISC, 184
6667306, GUARD, 184
6667307, VALVE ASSY, 184, 188
6667308, TUBE, 184
6667310, HOSE, 184
6667311, HOSE, 184
6667312, HOSE, 184
6667313, HARNESS, 184
6667323, SEAL, 74, 76, 224
6519518, A, 72
6704243, A, 102
6667324, SEAL, 164
6665184, A, 138

6667332
O-RING, 160
SEAL, 220, 234
6667557, BOLT, 184, 194
6667563, MOTOR, 184, 190
6667564, MOTOR, 206
6667570, BLOCK, 188
6667571, ORIFICE, 188
6667572, PLUG, 188, 200, 204
*6667625, SEAL KIT, 222
6667625, SEAL KIT, 188, 198, 202
*6667626, SEAL KIT, 222
6667626, SEAL KIT, 198, 202, 284, 320
6667719, TOOTH, 118, 120, 122
6667727, BEARING, 92
6667728, BEARING, 92
*6667805, COUPLER, 388
6667805, QUICK COUPLER, 198, 388
*6667806, COUPLER, 388
6667806, QUICK COUPLER, 388
6667920, SPROCKET, 94
6667957, MAIN FRAME, 184
6668012, RELIEF VALVE, 94
6668089, PLUG, 158, 162
*6668820, NUT, 390
6669054, CLEVIS PIN, 228
6669150, SHAFT, 98
6669151, GEROLER, 98
6669204, DOOR HINGE, 236
6669205, DOOR, 236
6669206, TUBE, 236
6669284, ADAPTER, 186
6669286, CLAMP, 128, 130, 200, 204
6669322, MOUNT, 274
6669328, MOTOR, 6668686, D, 98
6669332, MOTOR, 6668687, A, 100
6669335, BRACKET, 186
6669336, BUSHING, 186
6669423, SHAFT ASSY, 220
6669424, HOUSING, 220
6669425, RETAINER, 220

6669430, NUT, 216, 220
6669431, KEY, 220
6669432, SEAL KIT, 220
6669442, HOUSING, 158, 162
6669446, SEAL, 158, 162
6669448, PLATE, 158, 162
6669449, O-RING, 158, 162
6669450, RING, 158, 162
6669452, O-RING, 158, 162
6669453, SEAL, 158, 162
6669454, RING, 158, 162
6669455, SEAL KIT, 158, 162
6669613, ORIFICE, 132, 178
6669614, CHECK VALVE, 132
*6669615, ORIFICE, 390
6669615, ORIFICE, 6664029, D, 132
6669616, CHECK VALVE, 132
6669617, SHUTTLE VALVE, 132, 134
6669619, ORIFICE, 132
6669620, PLUG, 132, 166, 284, 320
6669621, PLUG, 132
6669622, SEAL KIT, 132
6669623, SEAL KIT, 132, 134
6669736, SEAL KIT, 6660441, A, 132
6670734, ROLLER, 120, 122
6670735, COLLAR, 120, 122
6670736, COLLAR, 120, 122
6670737, SLEEVE, 120
6670738, SPROCKET, 120, 122
6670739, BUSHING, 120, 122
6670740, BUSHING, 120, 122
6670741, WASHER, 120, 122
6670742, NUT, 120, 122
6670743, WASHER, 120, 122
6670744, SPACER, 120, 122
6670845, DRIVE CHAIN, 230
6664501, A, 240
*6671025, COIL, 222
6671025, COIL, 166
*6671026, COIL, 222, 390
6671026, COIL, 284, 320
6661447, A, 198, 202
6671628, NUT, 178
6671670, MOTOR, 32
6671858, BOLT, 290, 326
6671962, BEARING, 22, 26, 38
6672026, O-RING, 68, 94, 128, 130, 184, 198, 202,
240
6672266, SNAP RING, 156
6672326, KNOB, 22
6672341, BEARING, 124
6672470, MOTOR, 210
*6672515, SEAL KIT, 222, 390
6672515, SEAL KIT, 178, 284, 320
6672748, BEARING, 156
*6672756, SEAL KIT, 18, 222
6672756, SEAL KIT, 166
6672807, BEARING, 34
6672808, BEARING, 34
6672809, SEAL, 34
6672811, GASKET, 34
6672812, GASKET, 34
6672813, GASKET, 34
6672818, NUT, 22, 28, 34
6672819, PLUG, 34
6672820, RING, 34
6672832, MANIFOLD, 210
6672833, PLATE, 210
6672834, BUSHING, 210
6672835, WASHER, 210
6672836, BEARING, 210
6672837, WASHER, 210
6672838, BEARING, 210
6672839, SEAL, 210
6672840, BOLT, 210
6672841, ROTOR SET, 210
6672842, SHAFT, 210
6672843, SHAFT, 210
6672844, HOUSING, 210

6672845, COVER, 210
6672846, O-RING, 210
6672847, SEAL, 210
6672848, SEAL KIT, 210
6672849, GEROLER, 210
6672957, GEARBOX, 34
*6672960, COUPLER, 10
6672960, QUICK COUPLER, 20, 28, 46, 52, 130,
148, 150, 168, 172, 218, 228
6667807, A, 68, 94, 128, 184, 198, 202, 240
86672960, COUPLER, 388
6672976, HOSE, 6668187, A, 204
6672977, HOSE, 6668186, A, 204
*6673180, SWITCH, 388
*6673181, CONTACT, 388
*6673211, VALVE ASSY, 388, 390
6673213, SEAL KIT, 36
6673219, RELIEF VALVE, 36
6673222, HOUSING, 34
6673223, FLANGE, 34
6673224, FLANGE, 34
6673225, GEAR, 34
6673226, GEAR, 34
6673227, SHAFT, 34
6673228, CONE, 34
6673229, CUP, 34
6673230, CUP, 34
6673231, SEAL, 34
6673232, GASKET, 34
6673233, GASKET, 34
6673234, GASKET, 34
6673235, SPACER, 34
6673236, RING, 34
6673237, GEROLER, 32
6673238, BOLT, 32
6673319, ORIFICE, 52
6673322, FITTING, 52
6673328, NUT, 180, 182
6673605, DECAL, 52
6673620, PISTON, 180
*6673680, RECEPICAL, 12
6673680, RECEPICAL, 130, 148, 168, 170, 218
6673681, EXTENSION, 378
6673702, FLANGE, 158, 162
6673733, TUBE, 52
6673735, CYLINDER, 52, 54
6673736, SPRING, 52
6673737, HOSE, 52
6673738, TOOTH BAR, 52
6673739, TOOTH BAR, 52
6673740, MAIN FRAME, 52
6673741, NUT, 54
6673742, HEAD, 54
6673743, PISTON, 54
6673744, RETAINING RING, 54
6673745, ROD, 54
6673746, CASE, 54
6673747, SEAL KIT, 54
6673830, SPOOL, 6667018, B, 188
*6673831, RETAINER, 390
6673831, BALL, 166, 284, 320
*6673832, BALL, 390
6673832, RETAINER, 166, 284, 320
*6673833, PLUG, 390
6673833, PLUG, 134, 166, 284, 320
6673834, ELEMENT, 166
6673836, SEAL KIT, 166
6673872, SPACER, 376, 378
6673938, SOLENOID, 6667156, B, 188
6673978, CABLE TIE, 284, 320
6673979, CABLE TIE, 284, 320
6673980, CABLE TIE, 284, 320
6673981, CABLE TIE, 284, 320
6673982, CABLE TIE, 284, 320
6673983, CABLE TIE, 284, 320
6673986, SPOOL, 134
6673991, CHECK VALVE, 134, 166
*6673994, LOGIC ELEMENT, 18
6674001, CYLINDER, 170, 172, 180
6674002, CYLINDER, 170, 182

6674126, HARNESS, 168
6674127, VALVE ASSY, 168, 178
6674265, HEAD, 180
6674266, RETAINING RING, 180
6674267, ROD, 180
6674268, CASE, 180
6674269, SEAL KIT, 180
6674270, HEAD, 182
6674271, PISTON, 182
6674272, RETAINING RING, 182
6674273, ROD, 182
6674274, CASE, 182
6674275, SEAL KIT, 182
6674276, BEARING KIT, 174
6674277, NUT, 14, 152, 168, 172, 174
6674278, BOLT, 14, 152, 168, 172, 174
6674279, RELIEF VALVE, 178
6674280, COIL ASSY, 178
6674281, SPOOL, 178
6674282, BLOCK, 178
6674365, CAP, 168, 172, 174
6674366, BEARING, 14, 152, 168, 172, 174
6674367
 CUP, 14
 RACE, 152, 168, 172, 174
6674368, SEAL, 14, 152, 168, 172, 174
6674414, NYLON TIE, 228
*6674416, NUT, 10
6674445, SPACER, 166, 222
6674517, ROLLER, 120, 122
6674518, TOOTH, 118, 120, 122
6674545, BOLT, 284, 320
6674548, PLUG, 134
*6674557, SEAL KIT, 390
*6674688, COUPLER, 10, 388
6674688, QUICK COUPLER, 28, 46, 148, 150,
 172, 228
 6667808, A, 20, 52, 68, 94, 128, 130, 184, 198,
 202, 218, 240
 6677808, A, 168
6674743, SEAL, 6673221, A, 36
*6674944, CONTROLLER, 10
6674944, CONTROLLER, 130, 170
*6674995, SWITCH, 388
*6674996, SWITCH, 388
*6675000, CONTROLLER, 388
*6675098, SWITCH, 388
*6675128
 CAP, 388
 RECEPTICAL, 10
6675128, RECEPTACLE, 140, 144
6675186, VALVE ASSY, 134
*6675187, ELEMENT, 390
6675187, SPOOL, 134
6675188, ORIFICE, 134
*6675190, CHECK VALVE, 18
6675190, CHECK VALVE, 134
6675191, SCREW, 134
6675193, BLOCK, 134
6675241, ROLLER, 118
*6675242, PLUG, 388
6675307, LINK, 68, 96
6675598, HARNESS, 252
6675599, SWITCHBOX ASSY, 252
6675601, ROCKER SWITCH, 252
6675603, SWITCH, 268
6675604, COUNTER, 250
6675605, SWITCH, 250
6675606, MAGNET, 250
6675791, MAIN FRAME, 236
6675939, MOTOR, 220
6675998, VALVE ASSY, 258
6676066, BALL, 166
6676067, SPRING, 166
*6676226, VALVE, 222
6676227, HOSE, 218
6676228, HOSE, 218
6676229, HOSE, 218
6676230, HOSE, 218
6676231, HOSE, 218
6676232, HOSE, 218
6676233, HOSE, 218

6676234, HOSE, 218
*6676311, PLUG, 18
6676427, PIN, 214, 216
6676428, PIN, 214, 216
6676429, PIN, 214
6676430, HUB, 216
6676449, RELIEF VALVE, 256
6676450, COIL, 256
6676451, COIL, 256
6676452, SPOOL, 256
6676453, SPOOL, 256
6676454, SPOOL, 256
6676455, SPOOL, 256
6676456, SCREEN, 256, 258
6676457, ORIFICE, 256
6676458, FITTING, 256
6676459, VALVE, 256, 258
6676460, ADAPTER, 250, 252
6676461, SEAL KIT, 264
6676462, SEAL KIT, 266
6676463, CUTTING EDGE, 52
6676476, SEAL KIT, 256
6676477, SEAL KIT, 256
6676478, SEAL KIT, 256
6676479, SEAL KIT, 256
6676502, LIGHT, 268
6676503, BULB, 268
6676514, CONTROLLER, 276, 308
 6674943, A, 218
6676517, PIN, 216
6676518, ROD, 214
6676519, SCREEN, 214
6676520, WHEEL, 216
6676521, BOOM, 216
6676522, PIVOT, 216
6676523, CUTTING HEAD, 216
6676525, COVER, 214
6676526, HOSE, 218
6676527, HOSE, 218
6676528, POCKET, 216
6676529, TOOTH, 216
6676530, WASHER, 216
6676531, SLEEVE, 216
6676532, SHIELD, 216
6676533, SHIELD, 214
6676534, SPACER, 216
6676548, HARNESS, 6675602, A, 252
6676586, SPOOL, 258
6676592, VALVE ASSY, 148, 166
6676594, BEARING, 140, 144
6676595, TIRE ASSY, 14, 152
6676633, SPOOL, 258
6676634, SPOOL, 258
6676635, COIL, 258, 260, 262
6676636, COIL, 258, 260, 262
6676637, SEAL KIT, 258, 260, 262
6676638, SEAL KIT, 258
6676639, ORIFICE PLUG, 258
6676715, ADAPTER, 218
6676716, ELBOW, 218
6676731, TOOTH, 154
6676912, ROD, 266
6676913, SEAL, 156
6676915, SEAL, 156
6676956, MOUNT, 268
6677004, U-BOLT, 116
6677143, DRIVE, 220
6677144, GEROLER, 220
6677145, BOLT, 220
6677148, SEAL KIT, 172
*6677150, SEAL KIT, 222
*6677153
 SOLENOID, 222
 SOLENOID VALVE, 18
6677153, STEM, 166
*6677156, SEAL KIT, 390
6677215, PIN, 252
*6677351, ELEMENT, 222
*6677352, SOLENOID, 222
*6677353, RELIEF VALVE, 222

*6677354, CHECK VALVE, 222
*6677355, RELIEF VALVE, 222
*6677356, RELIEF VALVE, 222
*6677357, PISTON, 222
6677385, CYLINDER, 252, 266
6677388, MOTOR, 246
6677389, BEARING ASSY, 246
6677391, RELIEF VALVE, 230
6677392, REDUCER, 230
6677396, HOUSING, 246
6677397, RETAINER, 246
6677398, PLATE, 46
6677399, SPACER, 46
6677400, GUIDE, 46
6677401, MOUNT, 46
6677402, CYLINDER, 46, 50
6677403, MOUNT, 46
6677404, FRAME, 46
6677405, FRAME, 46
6677406, PLATE, 42, 44
6677407, TUBE, 46
6677408, PIN, 46
6677409, PIN, 46
6677410, PIN, 46
6677411, CLIP, 46
6677412, HOSE, 46
6677413, BRACKET, 46
6677414, PLATE, 46
6677415, ROD, 42, 44
6677416, WASHER, 42, 44
6677417, DISC, 42
6677418, SPOOL, 42, 44
6677419, SPOOL, 42, 44
6677420, SLEEVE, 42, 44
6677421, BRACKET, 42, 44
6677422, BLOCK, 42, 44
6677423, BEARING, 42, 44
6677424, GUARD, 42, 44
6677425, SPOOL, 42, 44
6677426, WASHER, 42, 44
6677427, DISC, 44
6677431, MOTOR, 230, 234
6677505, BLOCK, 166
6677506, PLATE, 158, 162
6677507, GEROLER, 158
6677509, SHAFT, 158, 162
6677510, BOLT, 158, 162
6677511, TIRE, 14, 152
6677512, WHEEL , 14, 152
6677515, INSULATOR, 250
6677568, VALVE, 36
6677613, ROD, 50
6677614, HEAD, 50
6677615, PISTON, 50
6677616, CASE, 50
6677617, SEAL KIT, 50
6677618, CHANNEL, 48
6677619, SPRING, 48
6677620, DECAL, 46
6677621, DECAL, 46
6677622, DECAL, 46
6677624, MANUAL, 48
6677625, TUBE, 46
6677679, DURA PIN, 376, 378
6677680, DURA PIN, 376, 378
6677711, VALVE ASSY, 260
*6677923, VALVE ASSY, 10
6677923, 18
6677928, BEARING KIT, 124
6678028, VALVE ASSY, 262
6678037, VALVE, 218
6678038, ELBOW, 218
6678039, HOSE, 218
*6678054, ELBOW, 10
6678056, ELBOW, 172
6678079, SPOOL, 284, 320
6678080, CHECK VALVE, 284, 320
6678081, PISTON, 284, 320
6678082, VALVE, 284, 320

*6678083, PLUG, 18
6678083, ORIFICE, 284, 320
6678084, PISTON, 284, 320
6678085, ORIFICE, 284, 320
6678086, SEAL KIT, 284, 320
6678087, BLOCK, 284, 320
*6678153, CYLINDER, 10, 16
6678208, MOUNT, 116
6678209, SPRING, 122
6678210, FRAME, 122
6678211, U-BOLT, 126
6678212, SHAFT, 126
6678213, SUPPORT, 126
6678214, WHEEL & TIRE, 124, 126
6678215, FORK, 126
6678216, BOLT, 126
6678217, FRAME, 112
6678218, MOUNT, 112
6678219, LINK AR, 112
6678220, PIN, 112
6678221, PIN, 112
6678222, BOLT, 112
6678223, BOLT, 116
6678243, SHAFT, 234
6678244, FLANGE, 234
6678245, BOLT, 234
6678246, GEROLER, 234
6678247, KEY, 234
6678287, BEARING KIT, 124, 126
6678317, SPOOL, 260
6678318, SPOOL, 260
6678319, SCREEN, 260, 262
6678320, SCREEN, 260, 262
6678321, SEAL KIT, 260, 262
6678322, ORIFICE, 260, 262
6678545, RELIEF VALVE ASSY, 172
6678675, CONTROLLER, 260, 262
6678677, CONTROLLER, 6674944, A, 148
*6678808, BLOC, 390

*6678810, RELIEF VALVE, 390
*6678812, SPOOL, 390
*6678813, ORIFICE, 390
6678846, MOTOR, 158, 162
6678928, GEROLER, 158, 162
*6679017, DUST CAP, 10
*6679018, CABLE, 10
*6679059, TOOL, 386
*6679060, STRAP, 386
6679107, BOLT, 112
6679146, BLOCK, 172
6679147, RELIEF VALVE, 172
*6679174, PAD, 384
*6679203, PAD ASSY, 384
*6679204, PAD, 384
*6679205, PAD ASSY, 384
*6679206, PAD, 384
6679207, 384
*6679208, PAD, 384
*6679209, PAD ASSY, 384
*6679210, PAD, 384
*6679211, PAD ASSY, 384
*6679212, PAD, 384
*6679213, PAD ASSY, 384
*6679214, LINK, 384
*6679215, BUSHING, 384
*6679216, BOLT, 384
*6679217, NUT, 384
*6679218, HARDWARE KIT, 384
*6679219, HARDWARE KIT, 384
*6679220, HARDWARE KIT, 384
*6679221, HARDWARE KIT, 384
*6679222, HARDWARE KIT, 384
*6679223, HARDWARE KIT, 384
*6679224, REBUILD KIT, 384
*6679225, REBUILD KIT, 384
*6679226, REBUILD KIT, 384
*6679227, REBUILD KIT, 384
*6679228, REBUILD KIT, 384
*6679229, REBUILD KIT, 384

*6679231, STUD, 386
*6679233, NUT, 386
*6679234, REACH NUT, 384
*6679235, SPACER KIT, 384
*6679236, SPACER, 384
*6679237, SPACER KIT, 384
*6679238, SPACER, 384
*6679239, SPACER KIT, 384
*6679240, SPACER, 386
*6679241, SPACER KIT, 384
*6679242, SPACER, 384
6679275, LINK, 378
6679293, BOLT, 270, 300
6679294, COVER, 270, 300
6679295, CLAMP, 270, 300
6679296, PORT BLOCK, 270, 300
6679297, CYLINDER, 270, 296, 300, 332
6679298, BOLT, 270, 300
6679299, CLAMP, 270, 300
6679300, PIN, 270, 300
6679301, PIN, 270, 300
6679302, STAND, 270, 300
6679303, CHAIN, 270, 300
6679304, COVER, 270
6679305, STUD, 270, 300
6679306, NUT, 272, 302
6679307, WASHER, 272, 302
6679309, PIN, 272, 302
6679310, ARM, 272
6679311, BOLT, 272, 302
6679312, CYLINDER, 272, 298, 302, 334
6679313, PIN, 272, 302
6679314, NUT, 272, 302
6679315, ARM, 272
6679316, PIN, 272, 302
6679317, WASHER, 272, 302
6679318, MOUNT, 272, 302
6679319, CHAIN, 272, 302
6679320, FRAME, 274
6679321, SHIELD, 274
6679323, FITTING, 274
6679324, BOLT, 274
6679325, JAW, 274
6679327, BLOCK, 274
6679328, ARM, 300
6679329, ADAPTER, 300
6679330, WASHER, 300
6679331, ACUMULATOR, 300
6679332, COVER, 300
6679333, ARM, 302
6679334, ARM, 302
6679335, SHIELD, 304
6679336, BOLT, 274, 304
6679337, RING, 274, 304
6679338, FLANGE, 274, 304
6679339, BEARING, 274, 304
6679340, RING, 274, 304
6679341, NUT, 274, 304
6679342, CYLINDER, 274, 294, 304, 330
6679343, CYLINDER, 274, 294, 304, 330
6679344, PIN, 274, 304
6679345, FRAME, 304
6679346, WEIGHT, 274, 304
6679347, WEIGHT, 304
6679348, PLATE, 274, 304
6679349, RING, 274, 304
6679350, BOLT, 304
6679351, BUSHING, 304
6679352, MOUNT, 304
6679353, PANEL, 274, 304
6679354, PLATE, 274, 304
6679355, BOLT, 304
6679356, PANEL, 274, 304
6679357, MOUNT, 304
6679358, NUT, 304
6679359, PLATE, 274, 304
6679360, BOLT, 304
6679361, PIN, 274, 304
6679362, PIN, 274, 304

6679363, JAW, 304
6679364, BOLT, 274, 304
6679365, FLANGE, 274, 304
6679366, WASHER, 274, 306
6679367, FITTING, 306
6679368, WASHER, 274, 276, 280, 282, 306
6679369, ADAPTER, 276, 280, 282, 306
6679370, WASHER, 276, 278, 280, 282, 306, 308,
310, 312, 314, 316
6679371, TEE, 306
6679372, ADAPTER, 306
6679373, PLUG, 274, 306
6679374, ADAPTER, 274, 306
6679375, HOSE, 276, 278
6679376, HOSE, 278
6679377, HOSE, 276, 278, 282
6679378, HOSE, 276, 278, 282
6679379, HOSE, 276, 278, 280
6679380, HOSE, 278, 280
6679381, HOSE, 278, 280, 282
6679382, HOSE, 278, 280, 282
6679383, HOSE, 280
6679384, HOSE, 280
6679385, HOSE, 282
6679386, HOSE, 282
6679387, HOSE, 276, 280, 282
6679388, HOSE, 276, 308, 310, 316
6679389, HOSE, 276, 308, 310, 316
6679390, HOSE, 308, 310, 312
6679391, HOSE, 310, 312, 316
6679392, HOSE, 308, 310, 316
6679393, HOSE, 308, 310, 316
6679394, HOSE, 314
6679395, HOSE, 308, 310, 314, 316
6679396, HOSE, 316, 318
6679397, HOSE, 316, 318
6679398, HOSE, 314
6679399, HOSE, 314
6679400, HOSE, 312
6679401, HOSE, 312
6679402, HOSE, 308, 314, 316, 318
6679403, HOSE, 308, 310
6679404, HOSE, 312, 318
6679405, HOSE, 312, 318
6679406, ADAPTER, 276, 278, 280, 282, 308, 310,
312, 314, 316
6679407, WASHER, 276, 280, 282, 308, 314, 316,
318
6679408, BOLT, 312
6679410, ARM, 270
6679413, MOTOR, 274, 286
6679414, MOTOR, 304, 322
6679415, HOUSING, 286, 322
6679416, HOUSING, 286, 322
6679417, PIN, 286, 322
6679418, O-RING, 286, 322
6679419, BOLT, 286, 322
6679420, BOLT, 286, 322
6679421, PLUG, 286, 322
6679422, ROTARY GROUP, 288, 290
6679423, ROTARY GROUP, 324, 326
6679424, SHAFT, 288, 292, 324, 328
6679425, COVER, 288, 324
6679426, RING, 288, 324
6679427, SEAL, 288, 324
6679428, O-RING, 288, 324
6679429, SHIM, 288, 324
6679430, SHIM, 288, 324
6679431, CENTER PIN, 290, 326
6679432, PISTON, 290
6679433, PISTON, 326
6679434, WASHER, 290, 326
6679435, SPRING, 290, 326
6679436, PLATE, 290, 326
6679437, RING, 290
6679438, RING, 326
6679439, RING, 292, 328
6679440, RING, 292, 328
6679441, BEARING, 292, 328

6679442, BEARING, 292, 328
6679443, KEY, 292, 328
6679444, SEAL KIT, 286, 322
*6679447, CASE, 16
*6679448, ROD, 16
*6679449, RETAINING RING, 16
*6679450, PISTON, 16
*6679451, HEAD, 16
*6679452, NUT, 16
*6679453, SEAL KIT, 16
*6679458, DISK, 18
*6679459, COIL ASSY, 18
*6679460, BLOCK, 18
*6679461, SEAL KIT, 18
6679563, NUT, 294, 296, 330, 332
6679564, PISTON, 294, 296, 330, 332
6679565, HEAD, 294, 296, 330, 332
6679566, SEAL KIT, 294, 296, 330, 332
6679567, SEAL KIT, 298, 334
6679568, NUT, 298, 334
6679569, PISTON, 298, 334
6679570, HEAD, 298, 334
6679738, SPOOL, 262
6679739, SPOOL, 262
6679740, SPOOL, 262
6679741, SPOOL, 262
6679742, COIL, 262
6679743, NUT, 262
6679763, HYDRAULIC MOTOR, 160
6679764, LATCH, 26
6679818, O-RING, 160
6679819, FLANGE, 160
6680159, SCREW, 250
6680179, BEARING, 140, 144
6680524, SEAL KIT, 262
6680525, SEAL KIT, 262
*6700191, DECAL, 10
6700191, DECAL, 56, 58, 140, 144, 172
*6701391, DECAL, 12
6701391, DECAL, 82, 104, 106, 168, 172, 228, 242
6701943, STEP, 22, 26, 170
6703572, PIN, 22, 26
6704240, BOB TACH PIVOT, 366
6704242, WEDGE, 366
6704248, PIVOT, 366
6704453, SPRING, 366
6704570, CUTTING EDGE, 6594473, A, 64, 84
6704571, CUTTING EDGE, 92, 106
6594638, A, 64, 84
6704572, CUTTING EDGE, 92, 106
6594745, A, 84
6704573, BUSHING, 64, 92
6704575, FRAME, 6529572, A, 64
6704576, FRAME, 6529573, A, 64
6704579, SHAFT, 6594441, A, 68
6704580, SHAFT, 6594622, A, 68
6704671, HOSE, 70
6704672, HOSE, 70
6704674, COVER, 66
6704852, BUSHING, 70
6704858, GUARD, 6594479, A, 64
6704861, BUCKET, 6594586, A, 64
6704863, BUCKET, 6594590, A, 64
6704866, BUCKET, 6594588, A, 84
6704867, BUCKET, 6594592, A, 84
6704868, BUCKET, 6594596, A, 84
6704950, BUCKET, 92
6704953, SKID PLATE, 92
6704958, PIVOT, 92
6704959, TOOTH, 94
6594457, A, 70
6704964, RAKE ASSY, 96
6704965, LINK, 92
6704969, SHAFT, 96
6704971, SHAFT, 96
6704973, BOLT, 92
6704978, WASHER, 92, 94
6704985, RAKE ASSY, 92
6704993, SPROCKET, 92, 94
6704996, SPROCKET, 94

6705148, MOUNT, 84, 106
6705340, DECAL, 12, 364, 366
6705839, WASHER, 66
6706160, GUIDE, 70, 96, 186
6706199, PLATE, 92
6706320, PIVOT, 92
6706551, WIRE JUMPER, 198, 202
6707580, DECAL, 184, 196
6707581, DECAL, 186, 196
6707727, CHAIN, 68, 96
6707728, CHAIN, 70, 96
6707729, LINK, 68, 96
6708061, DECAL, 104, 106
 6594489, A, 82
 6594765, A, 84
6708184, KIT, 46
6708220, HOSE, 108
6708524, BAR ASSY, 70
6708525, BAR ASSY, 70
6708822, DECAL, 104, 106, 110, 112, 140, 144, 228
 6577324, A, 82
 6722797, A, 242
6709110, RAKE ASSY, 92
6709114, SHAFT, 96
6709116, SHAFT, 96
6709118, RAKE ASSY, 96
6709123, BUCKET, 92
6709286, DECAL, 110, 112
6709299, DECAL, 110, 112
6709311, DECAL, 114, 116
6709318, DECAL, 110, 112
*6709527, KEY, 388
6709889, SPROCKET, 92, 94
6710362, COVER, 92
6710368, BUSHING, 92
6710498, SAFETY TREAD, 6552646, A, 362
6710523, PORT BLOCK, 94
6710757, BUCKET, 106
6710758, BUCKET, 106
6710936, DECAL, 104
6710937, DECAL, 106
6710939, DECAL, 104
6710940, DECAL, 106
6711291, BUSHING, 92
6711387, POPPET, 94
6711389, DECAL, 104
6711631, ADAPTER, 198
6711668, HOSE, 94
6711669, HOSE, 94
6711670, HOSE, 94
6711671, HOSE, 94
6711712, CHAIN, 94
6711713, CHAIN, 94
6712657, BAR ASSY, 96
6712658, BAR ASSY, 96
6712659, BAR ASSY, 96
6712660, BAR ASSY, 96
6713592, SPRING, 92
6714154, PIN, 140, 144
6714161, PIN, 142, 144
6714163, PIN, 140, 144
6714687, COVER, 20, 28
6714688, BUSHING, 24, 26
6714691, ROLLER, 22, 26
6714694, MOUNT, 22, 26
6714695, ROD, 20, 26
6714698, CHAIN, 20, 26
6714704, MOUNT, 22, 26
6714708, ROD, 22
6714713, COVER, 20
6714714, COVER, 20
6714717, ARM, 20, 28
6714930, COUPLER, 20, 28
6715188, ELBOW, 148
6715355, DECAL, 22
6715356, DECAL, 22, 26
6715358, DECAL, 22, 26
6715359, DECAL, 22, 26
6715360, DECAL, 22, 26
6715361, DECAL, 24, 28

6715370, LINK, 20, 28
6715387, HOSE, 20
6715397, MOUNT, 20, 28
6715651, ELBOW, 108
6715840, SPRING, 20, 28
6715943, DECAL, 48
6716425, DECAL, 364
*6716443, ELBOW, 10
6716443, ELBOW, 148
6716951AR, KIT, 242
6716951BR, KIT, 242
6716954AR, KIT, 228, 242
6716954BR, KIT, 228, 242
6716954JP, KIT, 228, 242
6716975AR, KIT, 24, 26
6716975BR, KIT, 24, 26
6716976AR, KIT, 24, 26
6716976BR, KIT, 24, 26
6716976JP, KIT, 24, 26
6717059, SPACER, 22, 26
*6717122, MOUNT, 388
6717479, ROLLER, 38
6717481, BRACKET, 38
6717483, KIT, ROLLER, 38
6717587, DECAL, 26
6711327, B, 24
6717625, SHAFT, 38
*6717959, COVER, 388
*6718015, ROD, 388
*6718053, HARNESS, 388
6718418, BLOCK, 36
6718420, RETAINER, 6673217, A, 36
6718421, PLATE, 6673216, A, 36
6718422, PLUG, 6673214, A, 36
6718423, SPRING, 6673220, A, 36
*6718583, TUBE, 388
*6718819, HOSE, 388
6718865AR, KIT, 104
6718865BR, KIT, 104
6718866AR, KIT, 104
6718866BR, KIT, 104
6718866JP, KIT, 104
6718936AR, KIT, 110, 112
6718936BR, KIT, 110, 112
6718937AR, KIT, 110, 112
6718937BR, KIT, 110, 112
6718937JP, KIT, 110, 112
6718986AR, KIT, 362
6718986BR, KIT, 362
6718987AR, KIT, 362
6718987BR, KIT, 362
6718987JP, KIT, 362
*6719138, DECAL, 388
6719501, LEVER, 366
6719502, LEVER, 366
6719694, HARNESS, 218
6719697, HARNESS, 218
6719729, MOUNT, 28
6715062, A, 22
6719823, HARNESS, 252
*6719853, HARNESS, 10
6719853, HARNESS, 130, 148
6722792, DECAL, 228, 242
6722793, DECAL, 228, 242
6725146, SPACER, 38
6725232, HARNESS, 130, 148
*6725352, HARNESS, 12
6725352, HARNESS, 130, 148
6725358, HARNESS, 170
6725368, HARNESS, 170, 276, 308
*6725381, KIT, 12
6725381, KIT, 130, 148
6725383, KIT, 218
6725385, HARNESS, 218, 260
6725717, SLIDE, 250
6725718, SLIDE, 250
6725719, SLIDE, 250
6725720, SLIDE, 250
6725721, SLIDE, 250

6725722, SLIDE, 250
6725748, COVER, 250
6725749, COVER, 250
6725750, COVER, 250
6725752, SHIM, 250
6725753, SHIM, 250
6725754, SHIM, 250
6725755, BLADE, 250
6725756, BLADE, 250
6725763, SHIM, 250
6725778, PIN, 252
6725779, PENDULUM, 268
6725780, MOUNT, 252
6725791, COVER, 252
6725794, LEG, 252
6725798, PIN, 252
6725800, MOUNT, 268
6725860, CYLINDER, 250, 264
6725861, CYLINDER, 250, 264
6725862, CYLINDER, 250, 264
6725876, ROD, 264
6725877, ROD, 264
6725878, ROD, 264
6725879, PISTON, 264, 266
6725880, HEAD, 264
6725882, RETAINER, 264
6726683, HARNESS, 252
6727036, HOSE, 254
6727037, HOSE, 254
6727038, HOSE, 254
6727039, HOSE, 254
6727040, HOSE, 254
6727041, HOSE, 254
6727042, HOSE, 254
6727043, HOSE, 254
6727044, HOSE, 254
6727045, HOSE, 254
6727046, HOSE, 254
6727047, HOSE, 254
6727048, HOSE, 254
6727049, HOSE, 254
6727050, HOSE, 254
6727051, HOSE, 254
6727052, HOSE, 254
6727053, HOSE, 254
6727056, HOSE, 254
6727057, HOSE, 254
6727058, HOSE, 254
6727059, HOSE, 254
6727063, WASHER, 250
*6727323, DECAL, 388
6727323, DECAL, 214
6567987, B, 82, 104, 106
6727324, DECAL, 228, 364
6567988, B, 82, 104, 106
6714353
A, 242
B, 168
6727534, HOSE, 40
6727537, KIT, 40
6727540, KIT, 108
6727600, DECAL, 40
6727603, DECAL, 108
6727998, HARNESS, 276, 308
6728148, HARNESS, 170
6728163, KIT, 170
6728437, VALVE ASSY, 270, 276, 284, 300, 308,
320
6728473, BOLT, 366
6728627, HARNESS, 260
6728966, HOSE, 28
6729232AR, KIT, 56
6729232BR, KIT, 56
6729506, BLADE, 6725757, A, 250
6729511, BLADE, 6725760, A, 250
6729621, BLADE, 250
*6729676, COVER, 388
6729892, HARNESS, 262
6729943, HARNESS, 262
6729945, SWITCHBOX, 262

*6730048, CONTROL BOX, 388
6730049AR, TRANSLATION KIT, 388
6730049BR, TRANSLATION KIT, 388
*6730051, DECAL, 388
*6730052, DECAL, 388
*6730054, HOSE KIT, 388
*6730055, HOSE, 388
6730850, HARNESS, 262
6731134, KIT, 248
6731670, BLADE, 6725759, A, 250
6731978, BLADE, 6725758, A, 250
6732896, BLADE KIT, 24, 30
6732897, BLADE KIT, 24, 30
6733318, SIDE SKID, 6725777, A, 250
6733321, BACK SKID, 6725770, A, 250
6733322, FRONT SKID, 6725766, A, 250
6733324, SIDE SKID, 6725775, A, 250
6733325, BACK SKID, 6725769, A, 250
6733326, FRONT SKID, 6725765, A, 250
6733327, FRONT SKID, 6725764, A, 250
6733328, BACK SKID, 6725768, A, 250
6733329, SIDE SKID, 6725773, A, 250
6800566, ADAPTER, 148, 150, 240
6803329, SEAL KIT, 6589831, A, 138
6803474, SEAL KIT, 224
6589566, A, 72, 76, 102
6804359, ADAPTER, 218
6804927, SEAL KIT, 164
6807342, HOSE, 28
6715388, A, 20
6807379, CASE, 164
6807627, CASE, 224
6808043AR, KIT, 214
6808043BR, KIT, 214
6808044AR, KIT, 214
6808044BR, KIT, 214
6808044JP, KIT, 214
6808208, DECAL, WARNING, 214
6808209, DECAL, 214
6808338, PISTON, 164
6809501, CYLINDER, 148, 164
6809580, ROD, 164
6809665, DECAL, 26
6715357, A, 22
6809668, PIVOT, 26
6717341, A, 22
6809851, WASHER, 22, 28
6809881, HOSE, 6715386, A, 20
6810475, CYLINDER, 6807513, A, 224
6810476, ROD, 6807626, A, 224
6810613, CYLINDER, 6804526, A, 102
6810614, ROD, 6804527, A, 102
6810666, DECAL, 214
6810712, ROD, 26
6716946, A, 22
6810800, NUT, 28
6812734, HOUSING, 20, 26
6812807, COVER, 26
6812808, MOUNT, 26
6714699, A, 22
6813014, BOLT, 22, 28
6850004, SCREEN, 158, 162
6850005, PLUG, 158, 162
6900621, INSTRUCTIONS, 142, 144
6900668, INSTRUCTIONS, 38
*6901005, INSTRUCTIONS, 12
6901005, INSTRUCTIONS, 130, 148, 170, 218
6901121, INSTRUCTIONS, 108
6901124, INSTRUCTIONS, 40
6901491, INSTRUCTIONS, 248
6905066, FRAME, 168
6905081, BEARING, 168, 172
6905082, BUSHING, 168, 172
6905083, BUSHING, 168, 172
6905087, PIN, 170, 172
6905088, PIN, 170
6905096, SHOE, 168, 172
6905097, SHOE, 168, 172
6905098, WHEEL, 168, 172
6905099, ARM, 168, 172
6905100, ARM, 168, 172

6905102, CUTTER, 168
6905132, MOUNT, 168
6905134, HUB, 168, 172, 174
6905135, ROD, 168, 172
6905137, HOSE, 168
6905138, HOSE, 168, 172
6905139, HOSE, 168, 172
6905140, HOSE, 168, 172
6905141, HOSE, 170, 172
6905142, HOSE, 168
6905164, DECAL, 168, 172
6905171, ADAPTER, 168
6905172, DECAL, 168
6905203, ISOLATOR MOUNT, 176
6905204, ROLLER, 176
6905259AR, KIT, 170
6905259BR, KIT, 170
6905260AR, KIT, 170
6905260BR, KIT, 170
6905260JP, KIT, 170
6905263, STEP, 228
6905454, HOSE, 240
6905455, HOSE, 240
6905637, MAIN FRAME, 60
6905638, MAIN FRAME, 62
6905640, SAFETY TREAD, 60, 62
*6905670, COVER, 10
6905670, COVER, 148
6905671, SHAFT, 156
6905675, CARRIER, 156
6905677, BUSHING, 14, 152
6905680, SHAFT, 14, 152
6905684, PIN, 140, 144
6905685, PIN, 140
6905688, WASHER, 140, 144
6905689, WASHER, 14, 152
6905708, WASHER, 60, 62
6905709, SPACER, 60, 62
6905710, SPACER, 60
6905711, SPACER, 62
6905712, TOOTH, 60, 62
6905714, SHAFT, 60
6905715, SHAFT, 62
6905716, TOOTH BAR, 60, 62
6905717, TOOTH, 60, 62
6905718, PIN, 60, 62
6905719, PIN, 60, 62
6905720, SPACER, 62
6905722, FRAME, 142, 144, 148, 150
6905724, PIN, 142, 144
6905725, SHAFT, 154
6905728, LOCK, 60, 62
6905729, COVER, 140, 144
6905730, COVER, 140, 144
6905740, FRAME, 140
6905746, MOUNT, 14, 152
6905748, MOUNT, 14, 152
6905751, ARM, 140
6905755, BUSHING, 14, 152
6905757, ROD, 140
6905990, STEP, 228
6906049, TOOTH BAR, 58
6906063, CUTTING EDGE, 58, 62
6906067, SHAFT, 58
6906069, TOOTH, 56, 58
6906071, PIN, 56, 58
6906072, WASHER, 56, 58
6906077, BUSHING, 56, 58
6906088, MAIN FRAME, 58
6906109, GRATE, 58
6906127, WASHER, 156
*6906130, BOLT, 12
6906130, BOLT, 140, 144
6906135, PIVOT, 142, 144
6906185, DOOR, 228
6906188, DEFLECTOR, 140
6906189, DEFLECTOR, 140
6906190, RETAINER, 140
6906191, MAIN FRAME, 228

6906192, SHAFT, 58
6906194, GRATE, 58
6906196, MAIN FRAME, 58
6906197, TOOTH BAR, 58
6906201, CUTTING EDGE, 58, 60
6906236, HOSE, 148
6906237, HOSE, 148
6906238, HOSE, 148
6906239, SHAFT, 232
6906240, HINGE ROD, 228
6906250, ROLLER, 154
6906253, STOP, 154
6906267, COVER, 148
6906270, HUB ASSY, 14, 152
6906290AR, KIT, 142, 146
6906290BR, KIT, 142, 146
6906291AR, KIT, 142, 146
6906291BR, KIT, 142, 146
6906291JP, KIT, 142, 146
6906318, HOSE, 148
6906330, WEAR PLATE, 140, 144
6906335, ROD, 364
6906352, NUT, 140, 144
6906380, SPROCKET, 230
6906393, TOOTH BAR, 364
6906488, DECAL, 142, 144
6906489, DECAL, 142, 144
6906490, DECAL, 142, 144
6906495, MOUNT, 228
6906500, PIN, 364
6906520, BAR, 150
6906522, BAR, 150
6906524, PIN, 150
6906526, HOSE, 150
6906534, COVER, 364
*6906559, ROD, 12
6906581AR, KIT, 366
6906581BR, KIT, 366
6906581JP, KIT, 366
*6906591, PIN, 10
6906591, PIN, 142, 146
*6906592, ARM ASSY, 12
6906592, ARM, 140, 144
6906596AR, KIT, 366
6906596BR, KIT, 366
*6906604, PIN, 10
6906608, CHAIN, 228
6906609AR, KIT, 228
6906609BR, KIT, 228
6906617, HOSE, 228
*6906654, PI, 10
*6906655, KNOB, 10
*6906656, PLATE, 10
*6906659, HOSE, 10
*6906660, HOSE, 10
*6906678, HARNESS, 10
*6906690, HOSE, 10
*6906691, Hose, 10
6906711, STOP, 364
6906714, STOP, 364
*6906733, HOSE, 10
*6906734, HOSE, 10
6906788, FRAME, 172
*6906799AR, KIT, 12
*6906799BR, KIT, 12
*6906800AR, KIT, 12
*6906800BR, KIT, 12
*6906800JP, KIT, 12
*6906852, MAIN FRAME, 10
6906856AR, KIT, 172
6906856BR, KIT, 172
6906858AR, KIT, 172
6906858BR, KIT, 172
6906858JP, KIT, 172
6906859, HOSE, 172
6906873, PIN, 140, 144
*6906879, STOP, 10
6906887, MOUNT, 228
*6906889, STOP, 10

*6906903, NUT, 10
 *6906930, DECAL, 10
 6907159, CUTTING EDGE, 56
 6907165, SHAFT, 56
 6907170, TOOTH BAR, 56
 6907171, GRATE, 56
 6907172, MAIN FRAME, 56
 6958104, FRAME, 144
 6958108, ROLLER, 154
 6958109, SHAFT, 154
 6958112, DEFLECTOR, 144
 6958113, DEFLECTOR, 144
 6958114, RETAINER, 144
 6958237, ROD, 140, 144
 6958238, LINK, 142, 146
 73G-408, BOLT, 86
 73G-412, BOLT, 86
 73K-116, BACK-UP RING, , **346**
 73K-14, BACKUP RING, 94
 73K-224, WASHER, 72, 74, 76, 102, 138, 164, 224, 394, 396, 398
 73K-228, WASHER, 264
 74G-1028, BOLT, 216
 76G-412, SCREW, 250
 79K-10, O-RING, 36, 94, 128, 184, 198, 202, 240
 79K-12, O-RING, 20, 28, 52, 94, 128, 130, 168, 198, 202, 240, 276, 278, 280, 282, 308, 310, 316, 318
 79K-14, O-RING, 200, 204
 79K-3, O-RING, 72, 74, 76, 102, 138, 398, , **354**
 79K-4, O-RING, 79K-7, B, 200
 79K-6, O-RING, 36, 80, 94, 158, 162, 198, 202, 276, 278, 280, 282, 308, 310, 312, 314, 316, , **352**
 79K-8, O-RING, 36, 388, , **346, 348, 352**
 79K-9, O-RING, 70
 81D-5, NUT, **392**
 81D-6, NUT, 194, , **338**
 81D-8, NUT, **392**
 83D-5, NUT, 20, 28
 83D-6, NUT, 56, 58, 94, 186
 83D-8, NUT, 56, 58
 83F-5, ELBOW, , , **392**
 84G-3712, BOLT, 20, 26, 28, 64, 92, 196
 85D-10, NUT, 110
 85D-12, NUT, 112, 126, 168, 172
 85D-4, NUT, 368, 370, 372, 374
 85D-5, NUT, 64, 114, 116, 118, 120, 122
 85D-6, NUT, 64, 118, 120, 122, **340, 342**, 366
 85D-7, NUT, 64
 85D-8, NUT, 94, 114, 116, 118, 120, 122, 126, 344, 362, 376, 378, 380, 382
 86D-12, NUT, 394
 86D-16, NUT, 110, 112
 86D-7, NUT, 376, 378, 380, 382
 86D-8, NUT, 122
 86F-5, NUT, 200, 204
 86F-7, NUT, 20
 86F-8, NUT, 200, 204
 87D-10, NUT, 232
 87D-8, NUT, 52, 60, 62, 228, 232
 87FN-6, ADAPTER, 46
 88F-7, ELBOW, 20
 88FN-7, ELBOW, 20
 89D-10, NUT, 20, 28
 89D-6, NUT, 20, 26, 28
 89D-8, NUT, 20, 28, 38
 89F-5, ADAPTER, , , **392**
 90KN-3, PLUG, 160
 90KN-4, PLUG, 158, 162
 90KV-2, PLUG, 76, 102, 138, 160, 224
 90KV-5, PLUG, 36
 90KV-6, PLUG, 36
 91F-6, O-RING, 244, 246
 92D-10, NUT, 66, 72, 76, 92, 102, 224
 92D-12, NUT, 138
 86D-12, B, 74, 396, 398
 92D-14, NUT, 164

92D-18, NUT, 86D-18, B, **354**
93G-824, BOLT, 156
73G-824, B, 94
93G-828, BOLT, 20, 28
95K-3, O-RING, 76, 102, 138, 224
95K-6, O-RING, 166
97K-10, O-RING, 20, 28, 108
97K-12, O-RING, 20, 28, 40, 148, 150, 218, 240
97K-4, O-RING, 218
97K-6, O-RING, 52, 148, 168
99K-10, O-RING, 20, 28, 94
99K-12, O-RING, 20, 28, 40, 108, 148, 150, 218,
240
99K-16, ADAPTER, 148, 150
99K-6, O-RING, 36, 52, 94, 148, 168, 218
99K-8, O-RING, 36

B

B-16134, 299
B-16135, 301
B-16136, 303
B-16137, 305
B-16138, VOL 8, 307
B-16139, VOL 8, 309
B-16140, VOL 8, 311
B-16141, VOL 8, 313
B-16142, VOL 8, 315
B-16143, VOL 8, 317
B-16144, 269
B-16145, 271
B-16146, 273
B-16150, VOL 8, 281
B-16238, 115
B-16239, 121
B1415/, 300-500A, 339
B1422/, 300-500A, 337
B11087, 630-750, 73
B11769/, 2400A, 353
B12574, 630-750, 87, 89

B13916, 630-750, 75, 101
B14029, 630-750, 191
B14076, 630-750, 71
B14165, 630-750, 241
B14178, 630-750, 207
B14179, 630-750, 189, 205
B14181, 2400A, 355
B14182, 2400A, 357
B14230, 630-750, 211
B14353, 630-750, 123
B14354, 630-750, 127
B14355, 630-750, 135
B14357, 630-750, 223
B14394, 630-750, 187
B14557, 630-750, 343
B14557/, 300-500A, 341
B14789, 630-750, 219
B14796, 630-750, 131
B15123, 630-750, 209
B15140
300-500A, 367
444-500A, 369
600-700A, 371
630-750A, 373
B15141
630-750A, 375
800A, 377
B15142
900A, 381
943-963A, 379
B15264, 630-750, 167
B15265, 630-750, 173
B15514, 630-750, 129
B15832, 750A, 249
B15833, 750A, 251
B15834, 750A, 253
B15835, 750A, 263, 265
B15836, 750A, 255
B15837, 750A, 257
B15838, 750A, 267
B16147, VOL 8, 275
B16148, VOL 8, 277

B16149, VOL 8, 279

B16237, 111

B16240, 125

BTI 126, 394

C

C1050, 600–700A, 393, 395

C1259, 600–700A, 391

C3259/, 2400A, 359

C3348, 630–750, 239

C3380, 630–750, 109

C3426, 630–750, 157, 161

CYLINDER, LIFT/, 164

D

D1139/, 300–500A, 335

D1582, 630–750, 361

D1756, 630–750, 79

D1757, 630–750, 31, 77, 97, 99

D1817, 630–750, 85

D2124/, 853, 159

D2137/, 2400A, 351

D2255, 630–750, 243, 245

D2265, 630–750, 193

D2302, 630–750, 113

D2303, 630–750, 117

D2388, 630–750, 119

D2408, 630–750A, 33

D2417, 630–750A, 35

E

E1720, 630–750, 63

E1857/, 2400A, 345

E2053/, 2400A, 347

E2169, 630–750, 67

E2208, 630–750, 235

E2212, 630–750, 197

E2313, 630–750, 201

M

MOTOR, HYD./, 160

MS1085, 630–750, 213

MS1086, 630–750, 215

MS1088, 630–750, 217

MS1114, 221

MS1255, VOL 8, 387

N

*NAP, PLATE, 6656160, A, **352**

NAP

BOLT

6677135, A, 216

6714929, C, 22

6809869, A, 22

COUPLER

6630092, A, **346, 348**

6630093, A, **346, 348**

CYLINDER

6529546, A, 74

6587756, A, 72

6593343, A, 396

DECAL, 6705602, A, 186, 196

HOUSING, 6714673, A, 20

KIT, 6809437, A, 216

MOTOR

6664504, A, 244

6665306, A, 208

6676593, A, 158

NUT, 60D–18, A, 22

PLUG, 47K–2, A, 76, 102, 138

POCKET

6677130, A, 216

6677131, A, 216

SEAL, 6664812, A, 244, 246

SKID, 6594485, A, 64

SPOOL, 6718419, A, 36

TOOTH

6677132, A, 216

6677133, A, 216

6677134, A, 216

VALVE, **360**

6671671, A, 36

6676717, A, 218

WASHER, 6715385, C, 22

WHEEL & TIRE, 6666961, A, 124

*NSS

BACKUP RING, 16

DUST SEAL, 16
O-RING, 16
POLY-PAK, 16
PSP SEAL, 16

NSS

BACK-UP RING, , , **360**
BLADE
6715080, A, 22, 28
6719541, A, 22, 28
BUNGIE CATCH, , , **348**
NUT, , , **360**
O-RING, 356, 358
, , **354, 360**
RING, 356, 358
, , **354**
SEAL, **354**, 356, 358
WASHER, , , **354**

P

PE1274/, 773G, 41, 43, 45
PE1330/
750A, 163
753G, 165
PE1335, 171

S

SALES
BEACON, 12

LASER KIT, 12
RECEIVER, 12
TRIPOD STAND, 12
UPGRADE KIT, , , **346**

T

TS1015, 600-700A, 397
TS1128, 630-750, 137
TS1301, 630-750, 183
TS1344, 630-750, 91, 105
TS1345, 630-750, 93
TS1379, 630-750, 105
TS1700, 630-750, 365
TS1702
630-750, 179, 181
800A, 15
TS1703, 630-750, 51
TS1704, 630-750, 53
TS1710, 630-750, 175
TS1726, 630-750, 59
TS1727, 630-750, 61
TS1739, 750A, 55, 57
TS1811, 630-750A, 19
TS1835, 630-750, 177