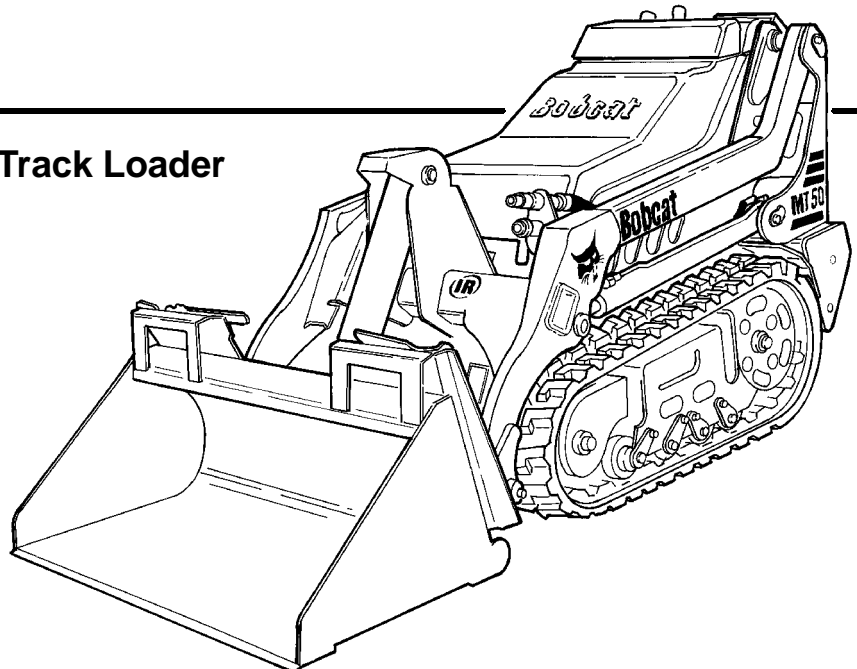


**Bobcat®**

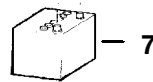
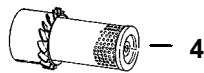
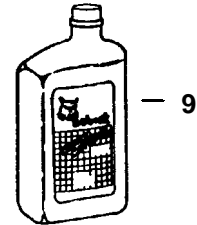
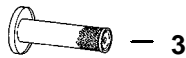
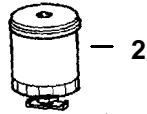
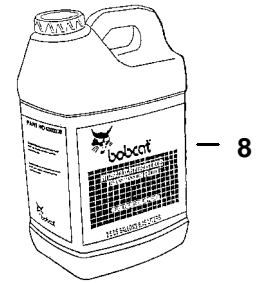
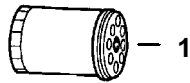
# Parts Manual

**S/N 5206 11001 & ABOVE  
S/N 5224 11001 & ABOVE**

**Mini Track Loader**



## MAINTENANCE ITEMS MODEL MT50



Ref.	Part Number	Description	Remarks	Page
1	6671057	FILTER, ENGINE OIL .....		99
2	6667352	FUEL FILTER .....		20
3	6673753	AIR CLEANER (INNER) .....		136
4	6673752	AIR CLEANER (OUTER) .....		136
5	6646678	RADIATOR CAP ..		79
6	6653336	HYDRAULIC FILTER .....		32
7	6674687	BATTERY .....		73
		(Hydraulic Reservoir) .....	5.3 Qts. (5 L.)	
		(Hydraulic/Hydrostatic System) .....	4.0 Gals. (15 L.)	
8	6563328	FLUID, Hyd./Hydro. Fluid - (2) 2.5 Gal. - (5 Gal) .....		147
	6722344	FLUID, Hyd./Hydro. - (5 Gal.) .....		147
	6563330	FLUID, 55 Gallon Drum .....		147
		(Engine Oil W/Filter) .....	4.0 QTS. ( 3,8 L.)	
9	6657301	MOTOR OIL	10W30 CE/SG - 1 Qt. ....	147
	6724557	MOTOR OIL	10W30 CE/SG - 1 Gal. ....	147
	6674205	MOTOR OIL	10W30 CE/SG - 2.5 Gal. ....	147
	6657299	MOTOR OIL	15W40 CE/SG - 1 Qt. ....	147
	6724558	MOTOR OIL	15W40 CE/SG - 1 Gal. ....	147
	6674204	MOTOR OIL	15W40 CE/SG - 2.5 Gal. ....	147
	6657303	MOTOR OIL	30 CE/SG - 1 Qt. ....	147
	6724559	MOTOR OIL	30 CE/SG - 1 Gal. ....	147
	6674206	MOTOR OIL	30 CE/SG -2.5 Gal. ....	147

# GENERAL INFORMATION

When using the machine serial number, use the complete number. When Serial Numbers do not appear below the page heading, parts information applies to all loaders.

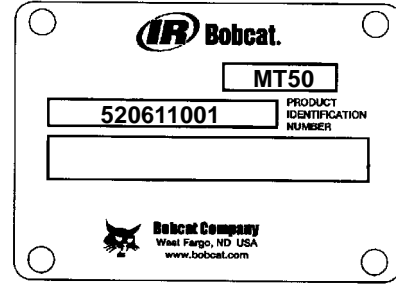
Some Serial Number breaks are not available at time of printing. These are listed as & Below or & Above.

The number shown in the quantity column in this manual is the number of parts needed for the illustration on the page. For some parts an "x" will be shown in the quantity column. This "x" indicates that the quantity to be used is "As Needed".

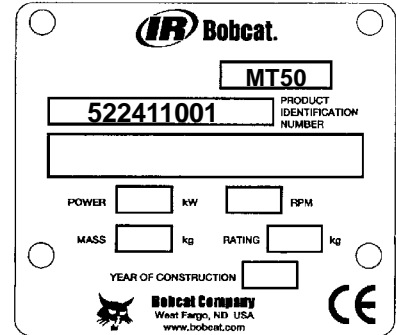
When references L.H. and R.H. are used in this manual, it is done from the operator's seat in the forward operating position.

To find the size and kind of bolt use the Bobcat Standard Microfiche (P/N 6566077).

Some of the illustrations and information found in this parts manual were supplied to Bobcat Company by machine component companies.



DOMESTIC



European

## ABBREVIATIONS & SYMBOLS

- SALES = Order from Gwinner Sales Department
- NSS = Not Serviced Separately
- NAP = Not Available as Parts
- \* = Changed or Added Sections, Pages or Part Number

### Disposition Code Definition (Found in the Remarks Column)

- [A] = Use Up
- [B] = Use Up on Other Application (See PNI)
- [C] = File PDR Report With Bobcat Parts Sales
- [D] = Part Number Error

Explications en francais	Grid Nb	3
Erklärungen auf deutsch	Grid Nb	4
Spiegazioni in italiano	Grid Nb	5
Explicaciones en espanol	Grid Nb	6
Verklaring in het Nederlands	Grid Nb	7

# NOTE D'INFORMATION

Pour toute référence au numéro de série de l'engin, toujours donner le numéro complet.

Le chiffré apparaissant dans la colonne des quantités de ce manuel représentent le nombre de pièces nécessaires pour l'illustration reprise sur la page. Dans certains cas, on lira un "x" dans la colonne des quantités. Cet "x" indique que la quantité nécessaire est "selon besoin".

Pour toute référence vers la GAUCHE ou la DROITE dans ce manuel, considérer que la personne se trouve assise dans le siège de l'opérateur, en position de fonctionnement en marche avant.

Certaines illustrations et informations reprises dans ce manuel de pièces de rechange ont été fournies à Bobcat par des fabricants de composants.

## ABREVIATIONS & SYMBOLES

<b>SALES</b>	= Commander au Service Ventes à Bruxelles
<b>NSS</b>	= Pas vendu séparément
<b>NAP</b>	= Non disponible comme pièce de rechange
<b>*</b>	= Chapitre, page ou numéro de pièce modifié ou supplémentaire
<b>BTI</b>	= Bobcat Technical Information Bulletin : voir à la fin de la microfiche du modèle concerné ou la microfiche générale reprenant l'ensemble des "BTI".
<b>was 6535403</b>	= était avant 6535403
<b>adj. (adjustment)</b>	= réglage
<b>Assembly</b>	= ensemble
<b>available W/Ref.</b>	= disponible avec réf.
<b>bulk/sold per foot</b>	= en vrac/vendu par pied
<b>does not include</b>	= ne comprend pas
<b>included with</b>	= compris dans
<b>I.D.</b>	= D.I. (diamètre intérieur)
<b>O.D.</b>	= D.E. (diamètre extérieur)
<b>not in kit</b>	= pas en kit
<b>W/ - WO/</b>	= inclus/ - non inclus/
<b>Qty</b>	= quantité requise
<b>see page/ref.</b>	= voir page/réf.
<b>used with ref/</b>	= utilisé avec réf.
<b>0,05 inch thickness</b>	= 0,05 pouce d'épaisseur (un pouce = 25.4 mm)
<b>weld on</b>	= à souder

# ALLGEMEINE INFORMATIONEN

Bei Angabe der Maschinen-Seriennummer stets die komplette Nummer angeben.

Bei der in der Mengenspalte (Anzahl) in diesem Handbuch angegebenen Zahl handelt es sich um die Anzahl von Teilen, die für die Abbildung auf der betreffenden Seite benötigt werden. Bei manchen Teilen in der Mengenspalte ist ein "x" angegeben. Dieses "x" weist darauf hin, dass sich die Anzahl der verwendeten Teile auf den "Bedarf" bezieht.

Bei Verwendung der Seitenangaben links und rechts in diesem Handbuch gelten diese für die Blickrichtung vom Fahrersitz aus, und zwar in Vorwärts-Betriebsrichtung.

Einige der in diesem Ersatzteihandbuch aufgeführten Abbildungen und Informationen wurden der Bobcat von den Herstellern von Maschinenbauteilen zur Verfügung gestellt.

## ABKÜRZUNGEN UND SYMBOLE

<b>SALES</b>	= Bestellung bei der Verkaufsabteilung in Brüssel
<b>NSS</b>	= Nicht einzeln erhältlich
<b>NAP</b>	= Nicht als Ersatzteil erhältlich
<b>*</b>	= Geänderte oder hinzugefügte Abschnitte, Seiten oder Teilenummern
<b>BTI</b>	= Bobcat Technical Information Bulletin : Siehe am Ende der Mikrokarte des jeweiligen Modells oder der allgemeinen Mikrokarte der BTI.
<b>was 6535403</b>	= War 6535403
<b>adj.</b>	= Einstellung
<b>Assembly</b>	= Baugruppe
<b>available W/Ref.</b>	= erhältlich mit der Referenz
<b>bulk/sold per foot</b>	= Mengenabnahme / Verkauf pro Fuss
<b>does not include</b>	= beinhaltet nicht
<b>included with</b>	= enthalten in
<b>I.D.</b>	= Innendurchmesser
<b>O.D.</b>	= Aussendurchmesser
<b>not in kit</b>	= nicht in Bausatz
<b>W/ - WO/</b>	= mit/ - ohne/
<b>Qty</b>	= Anzahl
<b>see page/ref.</b>	= Siehe Seite / Referenz
<b>used with ref.</b>	= verwendet mit Referenz
<b>0.05 inch thickness</b>	= Dicke : 0.05 Zoll (ein Zoll = 25.4 mm)
<b>weld on</b>	= anschweissen

# INFORMAZIONI GENERALI

Quando si usa il numero di serie della macchina usare il numero completo.

Il numero mostrato nella colonna della quantità di questo manuale corrisponde al numero di componenti necessari per l'illustrazione della pagina. Per alcuni componenti appare "X" nella colonna delle quantità. Questa "X" indica che la quantità da usare è "come necessario".

See in questo manuale si fa riferimento alla parte destra o sinistra, si intende dal sedile dell'operatore nella posizione in avanti di funzionamento.

Alcune delle illustrazioni e informazioni trovate in questo manuale di componenti sono state fornite alla Bobcat da società di componenti di macchine.

## SIMBOLI E ABBREVIAZIONI

<b>SALES</b>	= Ordinare al servizio vendite di Bruxelles
<b>NSS</b>	= Non vendute separatamente
<b>NAP</b>	= Non disponibile come componente
<b>*</b>	= Sezioni, pagine o numeri di componente cambiati o aggiunti
<b>BTI</b>	= (Bobcat Technical information) Ved. al termine del microfiche del modello relativo oppure microfiche generale
<b>was 6535403</b>	= era 6535403
<b>adj. (adjustment)</b>	= regol. (regolazione)
<b>Assembly</b>	= Complessivo
<b>available W/ref.</b>	= disponibile con rif.
<b>bulk/sold per foot</b>	= alla rinfusa/venduto al piede
<b>does not include</b>	= non comprende
<b>Included with</b>	= compreso con
<b>I.D.</b>	= d. i.
<b>O.D.</b>	= d. e.
<b>not in kit</b>	= non fa parte del kit
<b>W/ - WO/</b>	= con - senza
<b>Qty</b>	= Qtà
<b>see page/ref</b>	= ved. pagina/rif.
<b>used with ref.</b>	= usato con il rif.
<b>0,05 inch thickness</b>	= spessore 0,05 pollici (un pollice = 25,4 mm)
<b>weld on</b>	= a saldare

# INFORMACION GENERAL

Al utilizar el número de serie de la máquina, debe emplearse el número completo.

El número que figura en la columna de “Unidades” en este manual es el número de piezas que se necesitan para la ilustración que consta en la página. En algunas piezas aparece una “x” en la columna de “Unidades”. Esta “x” indica que las unidades a utilizar son “según sea necesario”.

Cuando se empleen las referencias izq. y dcha., éstas se entienden mirando desde el asiento del conductor, en posición de marcha adelante.

Algunas de las ilustraciones y la información que figuran en este manual de piezas han sido facilitadas a Bobcat por empresas de componentes de máquinas.

## ABREVIATURAS Y SIMBOLOS

<b>VENTAS</b>	= Pedido al Departamento de Ventas de Bruselas
<b>NSS</b>	= No se vende por separado
<b>NAP</b>	= No disponible como pieza de repuesto
*	= Secciones, páginas o referencias modificadas o añadidas
<b>BTI</b>	= (Bobcat Technical Information) Ver al final de la microficha del modelo afectado o en la microficha general “Boletín de Información Técnica Bobcat”.
<b>was 6535403</b>	= era anteriormente el 6535403
<b>adj. (adjustment)</b>	= ajuste
<b>assembly</b>	= conjunto
<b>available W/Ref.</b>	= disponible con la ref.
<b>bulk/sold per foot</b>	= a granel/vendido por pies
<b>does not include</b>	= no incluye
<b>included with</b>	= incluido en
<b>I.D.</b>	= diámetro interior
<b>O.D.</b>	= diámetro exterior
<b>not in kit</b>	= no en el kit
<b>W/ - WO/</b>	= con/ - sin
<b>Qty</b>	= Unidades
<b>see page /ref.</b>	= ver página/ref.
<b>used with ref.</b>	= empleado con la ref.
<b>0,05 inch thickness</b>	= 0,05 pulgadas de espesor (1 pulgada = 25,4 mm)
<b>weld on</b>	= debe ser soldado

# ALGEMENE INFORMATIE

Als u het serienummer van de machine gebruikt, geef dan het gehele serienummer.

Het cijfer dat voorkomt in de kolom "Aantal", in deze handleiding, is het aantal onderdelen dat nodig is van de illustratie op de pagina. Voor sommige onderdelen staat er een "x" in de kolom "Aantal". Deze "x" betekent dat er een aantal "zoals nodig" vereist is.

Wanneer er in deze handleiding naar "links" en naar "rechts" gerefereerd wordt, moet dit verstaan worden voor een bestuurder die in de bestuurdersstoel zit in de voorwaartse bedrijfsstand.

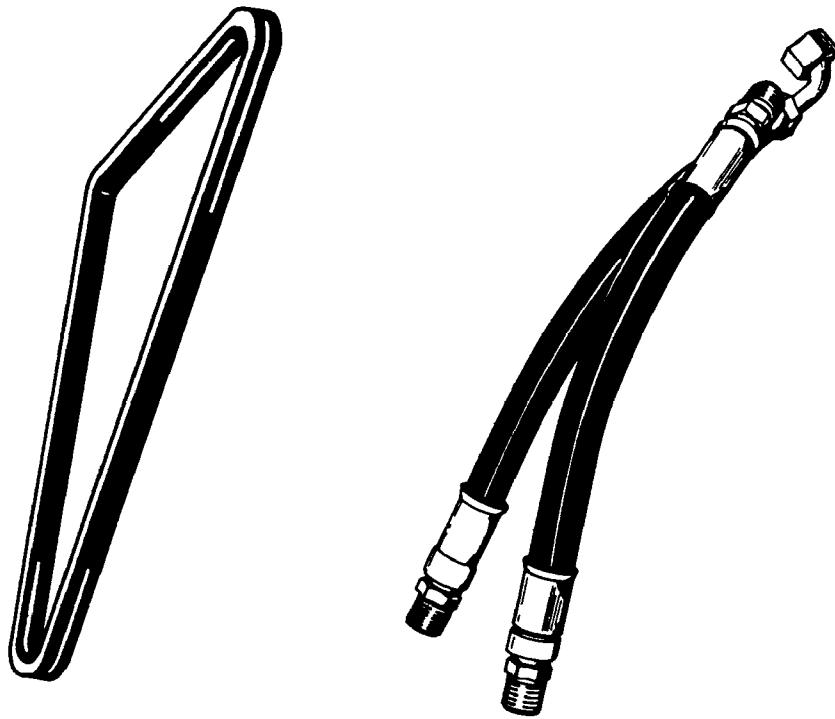
Sommige van de illustraties en informatie in deze onderdelen-handleiding werden door firma's van machine-componenten geleverd aan Bobcat.

## AFKORTINGEN EN SYMBOLEN

<b>SALES</b>	= Bestellen bij de Verkoopafdeling te Brussel
<b>NSS</b>	= Niet afzonderlijk te verkrijgen
<b>NAP</b>	= Niet beschikbaar als onderdeel
<b>*</b>	= Gewijzigde of toegevoegde paragrafen, pagina's of onderdeelnummers
<b>BTI</b>	= Bobcat Technical Information Bulletin : Zie einde van de microfiche van het desbetreffende model of einde van de algemene microfiche die het geheel van alle "BTI" herneemt.
<b>was 6535403</b>	= was vroeger 6535403
<b>adj. (adjustment)</b>	= afstelling
<b>Assembly</b>	= geheel
<b>available W/Ref.</b>	= beschikbaar met ref.
<b>bulk/sold per foot</b>	= bulk/aan de meter verkocht
<b>does not include</b>	= bevat niet
<b>includes with</b>	= is bevat in
<b>I.D.</b>	= $\phi$ inw. (inwendige diameter)
<b>O.D.</b>	= $\phi$ uitw. (uitwendige diameter)
<b>not in kit</b>	= niet in de kit
<b>W/ - WO/</b>	= met/ - zonder/
<b>Qty</b>	= vereiste aantal
<b>see page/ref.</b>	= zie pagina/ref.
<b>used with ref/</b>	= gebruikt met ref.
<b>0,05 inch thickness</b>	= 0.05 inch dik (een inch = 25.4 mm)
<b>weld on</b>	= te lassen



**Use only Bobcat belts and hoses  
to maintain maximum service life.**



**Available from Bobcat Parts.**



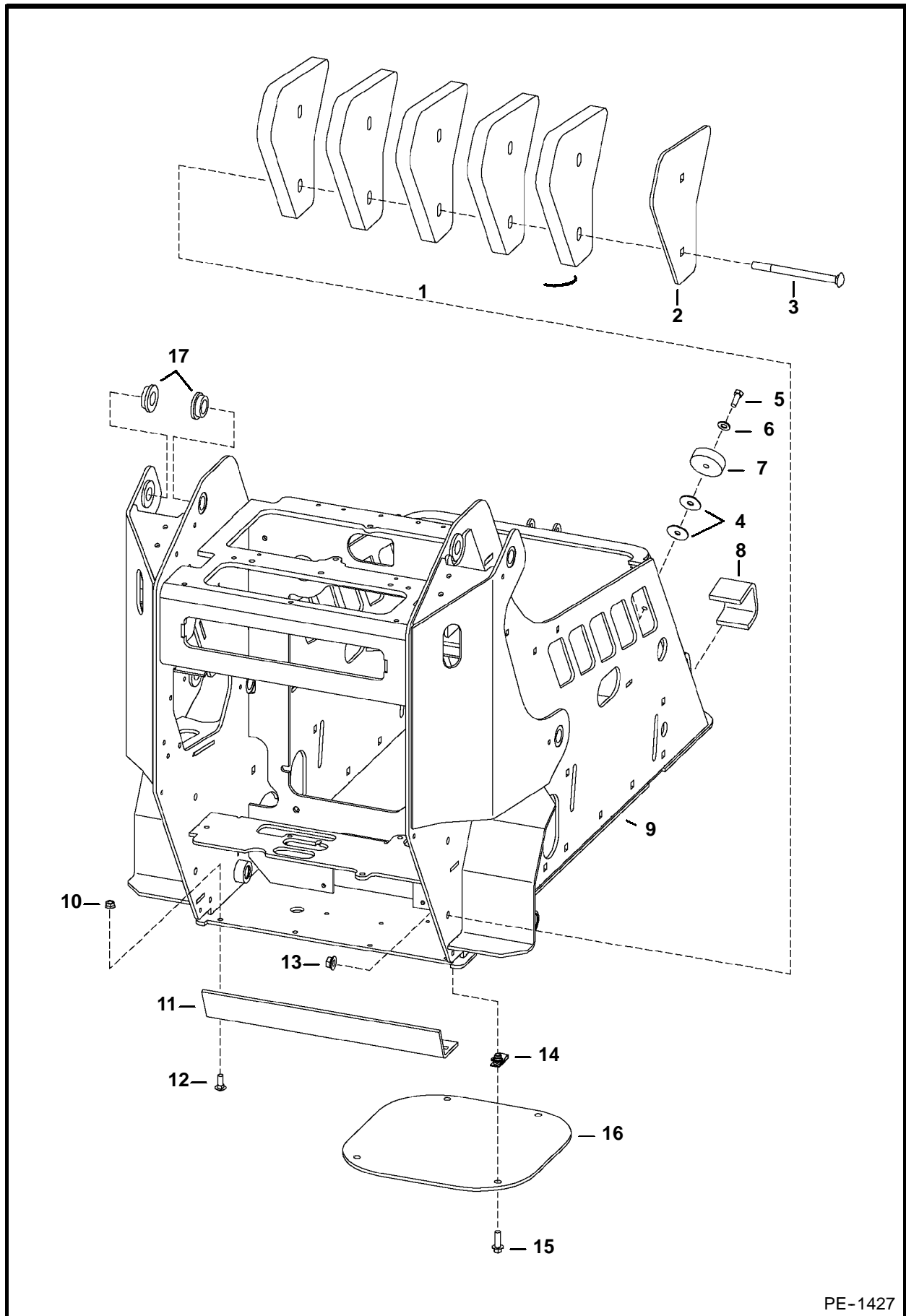
## MT50 ALPHABETICAL INDEX

AIR CLEANER .....	136	INJECTION PUMP .....	122
ALTERNATOR .....	78	INJECTOR NOZZLES .....	128
ANTI-FREEZE .....	148	LIFT ARM .....	16
BATTERY .....	74	LIGHT KIT .....	146
BELT, ALTERNATOR .....	80	MAIN FRAME .....	12
BLACK GOLD .....	148	MANIFOLD, EXHAUST .....	120
BLOCK, ENG. ....	102	MANIFOLD, INTAKE .....	120
BOB-TACH .....	18	MOTOR, DRIVE .....	68
BRAKES .....	26	MOUNT ENGINE .....	84
CABLE, BATTERY .....	74	MUFFLER .....	82
CAMSHAFT .....	108	OIL .....	148
CAMSHAFT, FUEL .....	110	OIL COOLER .....	32
CAP, HYD. OIL .....	32	OIL PAN .....	98
CAP, RADIATOR .....	80	OIL PUMP, ENGINE .....	102
COUNTERWEIGHT .....	12	PAINT .....	148
COVER, VALVE .....	92	PISTON, ENG. ....	104
CRANKCASE .....	102	PUMP, FUEL .....	122
CRANKSHAFT .....	104	PUMP, GEAR .....	32
CYLINDER, LIFT .....	36	PUMP, INJECTION .....	122, 124
CYLINDER, TILT .....	38	PUMP, WATER .....	116
DECAL KIT .....	142, 144	RADIATOR .....	80
DIPSTICK, ENG. OIL .....	98	REAR DOOR .....	22
ENGINE .....	90	SOLENOID, SHUTDOWN .....	114
EXHAUST PIPE .....	82	STARTER .....	76
FILTER, AIR .....	136	SWITCH, ENG. OIL PRESS .....	74, 102
FILTER, ENGINE OIL .....	100	SWITCH, HYDRO. TEMP .....	74
FILTER, FUEL .....	20	TANK, FUEL .....	20
FILTER, HYD. OIL .....	32	THERMOSTAT .....	118
FLYWHEEL .....	84	THROTTLE .....	86
FUEL GAUGE .....	20	VALVE COVER .....	92
FUEL PUMP .....	122	VALVE, ENG .....	94
GASKET KIT ENGINE .....	132, 134	WATER PUMP .....	116
GEARCASE .....	100		
GLOW PLUG .....	126		
HARNESS CONSOLE .....	72		
HARNESS ENGINE .....	74		
HEAD, CYLINDER .....	96		

# MT50 CONTENTS

<b>MAIN FRAME</b> .....	<b>11-22</b>
MAIN FRAME .....	11-14
LIFT ARMS & BOB-TACH .....	15
BOB-TACH .....	17
FUEL SYSTEM .....	19
REAR DOOR .....	21
<b>DRIVE TRAIN</b> .....	<b>23-26</b>
DRIVE TRAIN .....	23
BRAKES .....	25
<b>HYDRAULIC SYSTEM</b> .....	<b>27-70</b>
HYDRAULIC CIRCUITRY .....	27-34
LIFT CYLINDER .....	35
TILT CYLINDER .....	37
SPEED CONTROL VALVE .....	39
3-WAY VALVE .....	41
6-WAY VALVE .....	43
WORK VALVE .....	45-54
DRIVE VALVE .....	55-64
HAND CONTROLS .....	65
DRIVE MOTOR .....	67
GEAR PUMP .....	69
<b>ELECTRICAL SYSTEM</b> .....	<b>71-78</b>
CONSOLE ELECTRICAL CIRCUITRY .....	71
ENGINE ELECTRICAL CIRCUITRY .....	73
STARTER .....	75
ALTERNATOR .....	77
<b>ENGINE &amp; ATTACHING PARTS</b> .....	<b>79-136</b>
ENGINE & ATTACHING PARTS .....	79-84
THROTTLE .....	85
BLOWER ASSEMBLY .....	87
ENGINE BREAKDOWN & GASKET KITS .....	89-134
AIR CLEANER .....	135
<b>ACCESSORIES &amp; OPTIONS</b> .....	<b>139-146</b>
ATTACHMENT CONTROL KIT .....	139
DECALS KIT .....	141, 143
LIGHT KIT .....	145
<b>BULK ITEMS</b> .....	<b>147</b>
<b>NUMERICAL INDEX</b> .....	<b>148</b>

# MAIN FRAME

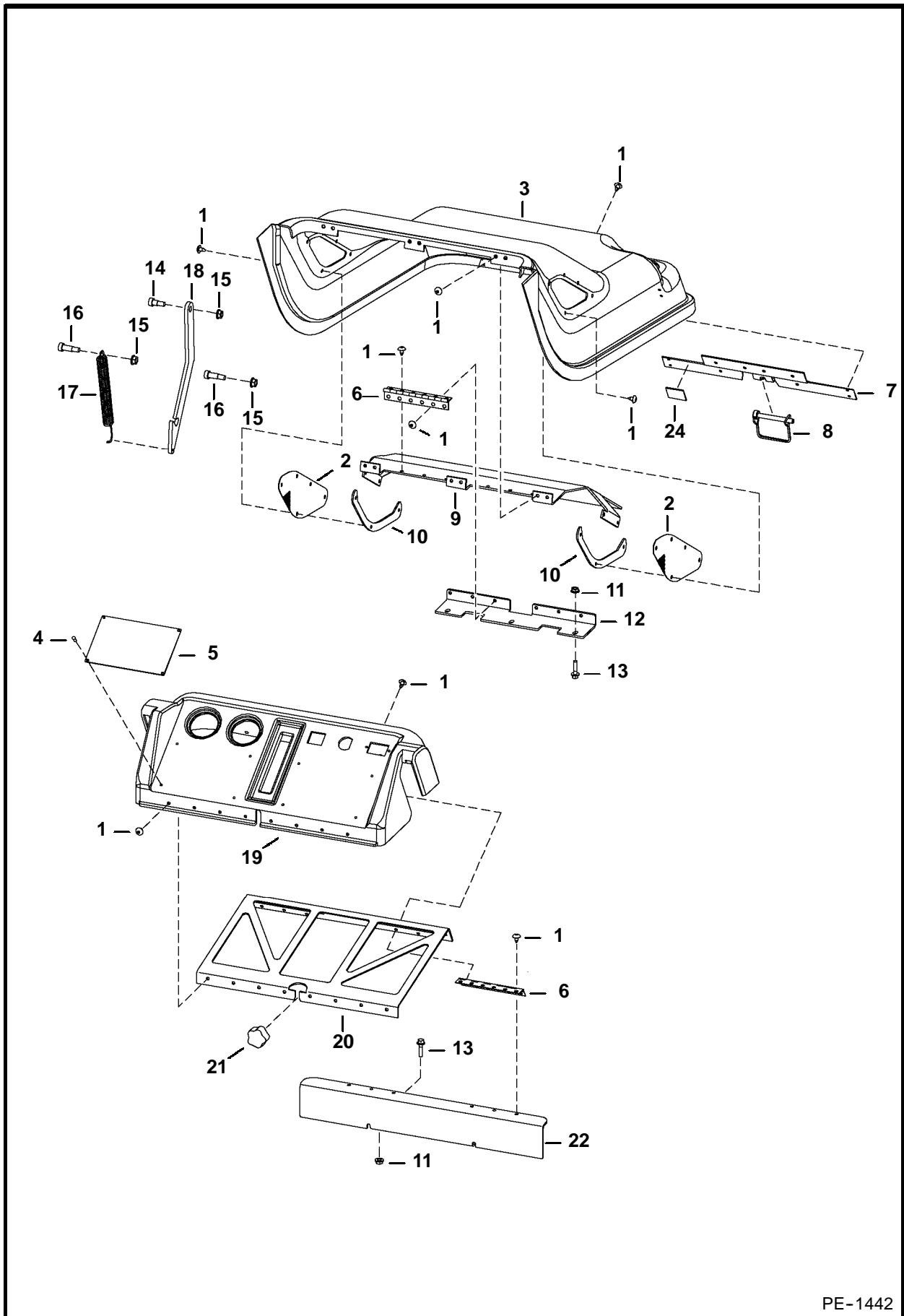


PE-1427

## MAIN FRAME (Cont'd)

Ref. No.	Part Number	Description	Remarks	Serial Number	Qty.
1	6731319	COUNTERWEIGHT	counterweight		10
2	6731929	PLATE			
3	37C-8112	BOLT			
4	616789	WASHER			4
5	17C-620	BOLT			
6	25E-16	WASHER			
7	6584652	BUMPER	weld on		2
8	6706485	TIE DOWN			
9	6731302	MAIN FRAME			
10	55D-6	NUT			4
11	6731930	SHIELD			
12	37C-616	BOLT			
13	55D-8	NUT			4
14	6675722	NUT			
15	29CM-1030	BOLT			
16	6730674	COVER	weld on		1
17	6563829	BUSHING			

# MAIN FRAME



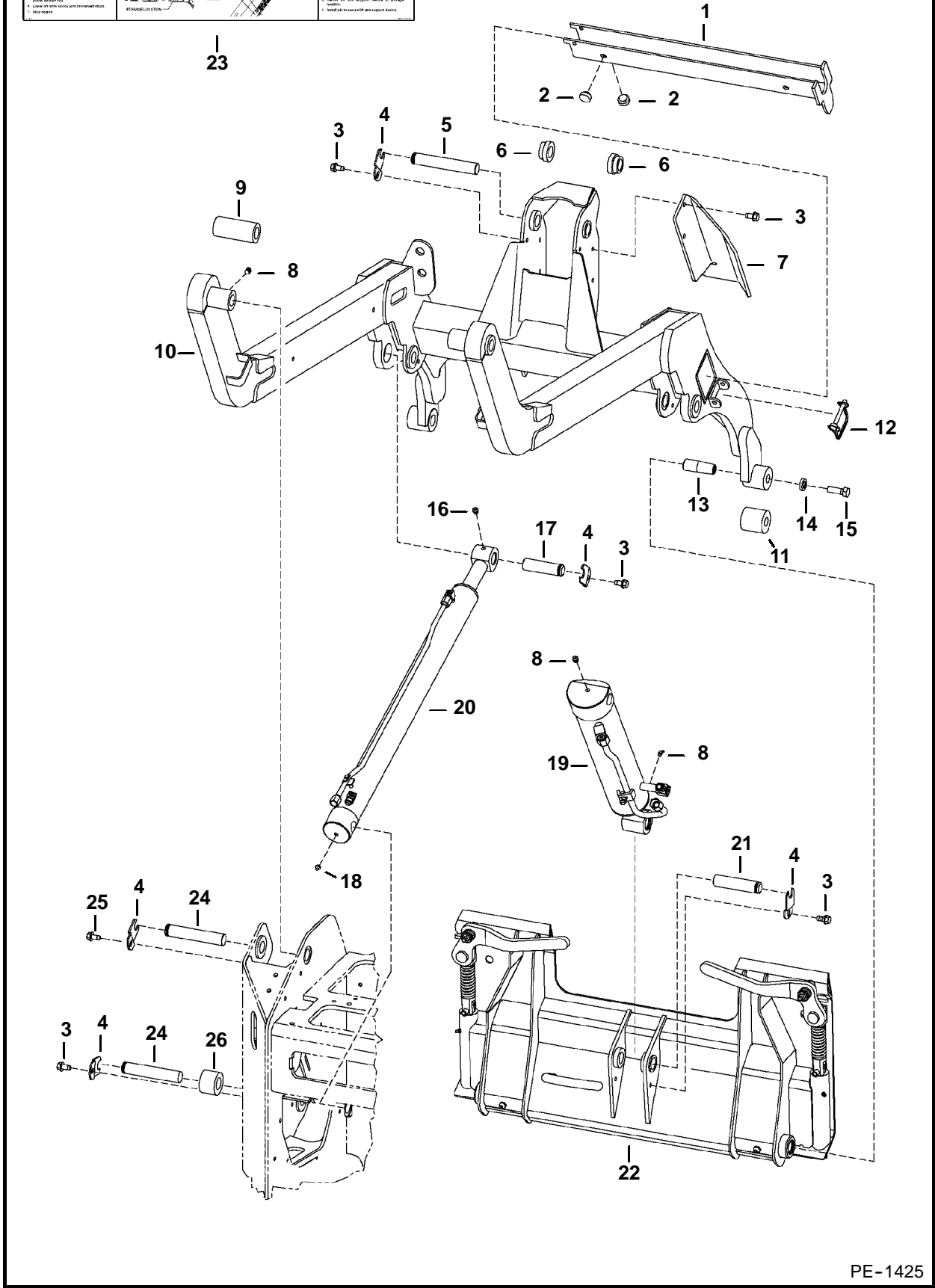
PE-1442

### MAIN FRAME (Cont'd)

Ref. No.	Part Number	Description	Remarks	Serial Number	Qty.
1	6589675	SCREW			56
2	6732063	SCREEN	side		2
3	6730686	HOOD	cover		1
4	6732671	RIVET			8
5	6732668	PLATE	decal		2
6	6679172	HINGE			4
7	6732039	PLATE	hood latch		1
8	6510020	SNAPPER PIN			1
9	6731991	FRAME	hood		1
10	6732064	PLATE	backing		2
11	97D-4	NUT			5
12	6731992	BRACKET	hood hinge		1
13	35C-416	BOLT			5
14	38C-606	BOLT			1
15	97D-5	NUT			3
16*	38C-610	BOLT	Was 38C-612 [B]		2
17	6700743	SPRING			1
18	6731990	SUPPORT	hood		1
19	6731304	PANEL	instrument		1
20	6732008	FRAME	cover		1
21	6674741	KNOB			1
22	6731993	BRACKET	cover		1
23	25E-13	WASHER			3
24*	6732839	FOAM PAD			2

# LIFT ARMS & BOB-TACH

<p><b>TO INSTALL LIFT ARM SUPPORT DEVICE</b></p> <ol style="list-style-type: none"> <li>Remove old lift arm support device.</li> <li>Remove pin, Shimmy (9), and support device.</li> <li>Remove Shimmy (9).</li> <li>Remove support device (23).</li> <li>Install lift arm support and Shimmy (9) in position. Tighten nut and washer. Do not tighten support device (23) until Shimmy (9) is in position.</li> <li>Install Shimmy (9) and lift arm support device (23) in position.</li> <li>Install Shimmy (9) and lift arm support device (23) in position.</li> <li>Install Shimmy (9) and lift arm support device (23) in position.</li> <li>Install Shimmy (9) and lift arm support device (23) in position.</li> <li>Install Shimmy (9) and lift arm support device (23) in position.</li> </ol> <p>SHIMMY LOCATION</p>		<p><b>TO REMOVE LIFT ARM SUPPORT DEVICE</b></p> <ol style="list-style-type: none"> <li>Stop engine and raise lift arm up to 90 degrees.</li> <li>Remove pin.</li> <li>Remove lift arm support device (23) and Shimmy (9).</li> <li>Remove Shimmy (9) and lift arm support device (23).</li> <li>Remove Shimmy (9) and lift arm support device (23).</li> <li>Remove Shimmy (9) and lift arm support device (23).</li> <li>Remove Shimmy (9) and lift arm support device (23).</li> <li>Remove Shimmy (9) and lift arm support device (23).</li> <li>Remove Shimmy (9) and lift arm support device (23).</li> <li>Remove Shimmy (9) and lift arm support device (23).</li> </ol>
---	--	---



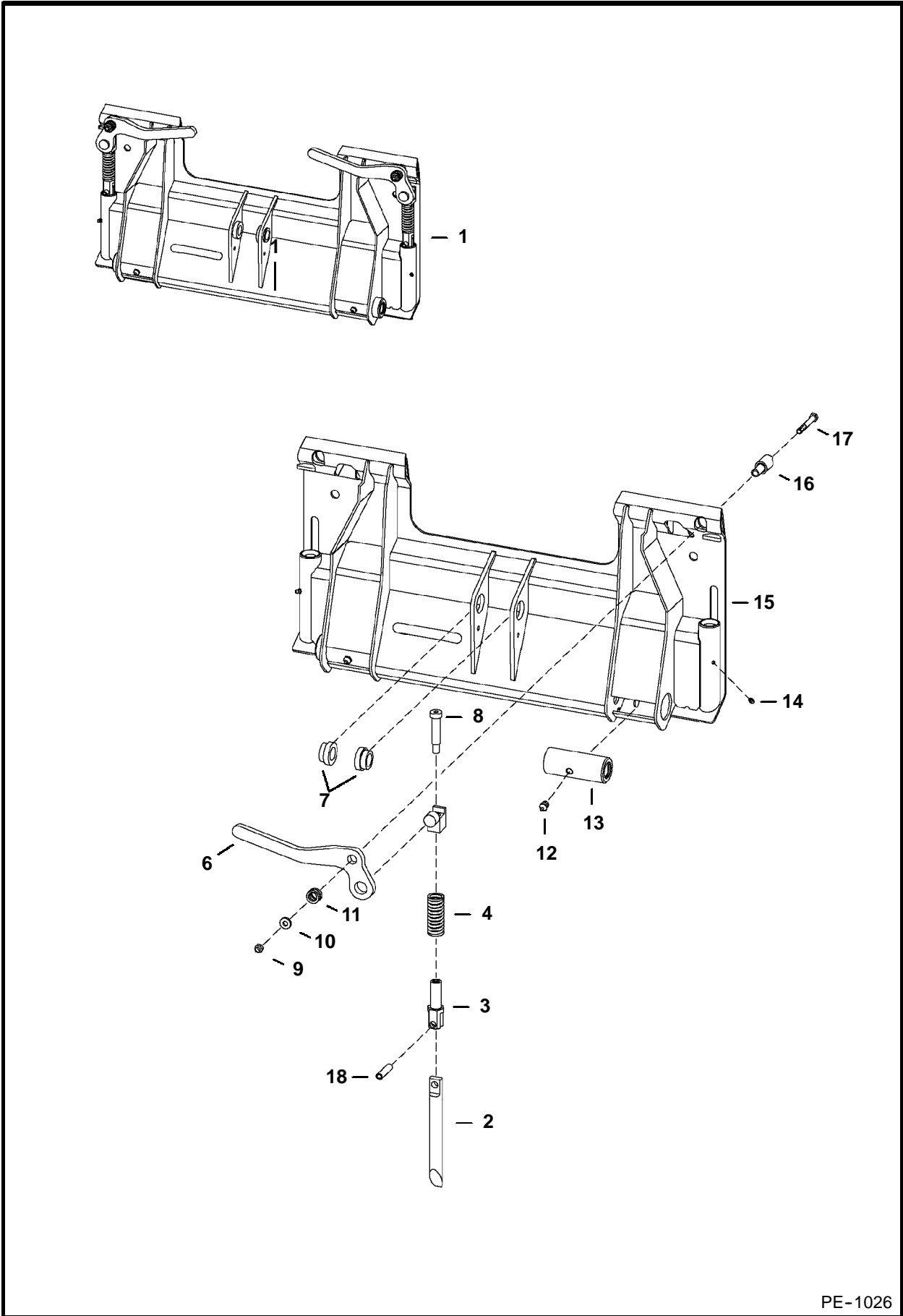
PE-1425



### LIFT ARMS & BOB-TACH (Cont'd)

Ref. No.	Part Number	Description	Remarks	Serial Number	Qty.
1	6730636	SUPPORT	lift arm		1
2	6519178	BUMPER			4
3	84G-3712	BOLT			8
4	6586307	RETAINER			3
5	6563846	PIN	base end		1
6	6563830	BUSHING	weld on		2
7	6730652	SHIELD			1
8	10H-25	GREASE ZERK			4
9	6730662	PIN			2
10	6730642	LIFT ARM	Also Order Decals & Safety Tread		1
11	6730700	BUSHING	weld on		2
12	6510020	SNAPPER PIN			1
13	6564198	PIN			2
14	6701097	WASHER			2
15	33C-824	BOLT			2
16	12H-15	GREASE ZERK			1
17	6563848	PIN	rod end		2
18	11H-15	GREASE ZERK			1
19		CYLINDER	tilt - See Page 37		1
20		CYLINDER	lift - See Page 35		2
21	6731749	PIN	rod end		1
22		BOB-TACH	See Page 17		1
23	6731330	DECAL			1
24	6730777	PIN	base end		4
25	84G-3710	BOLT			2
26	6730676	SPACER			2

BOB-TACH

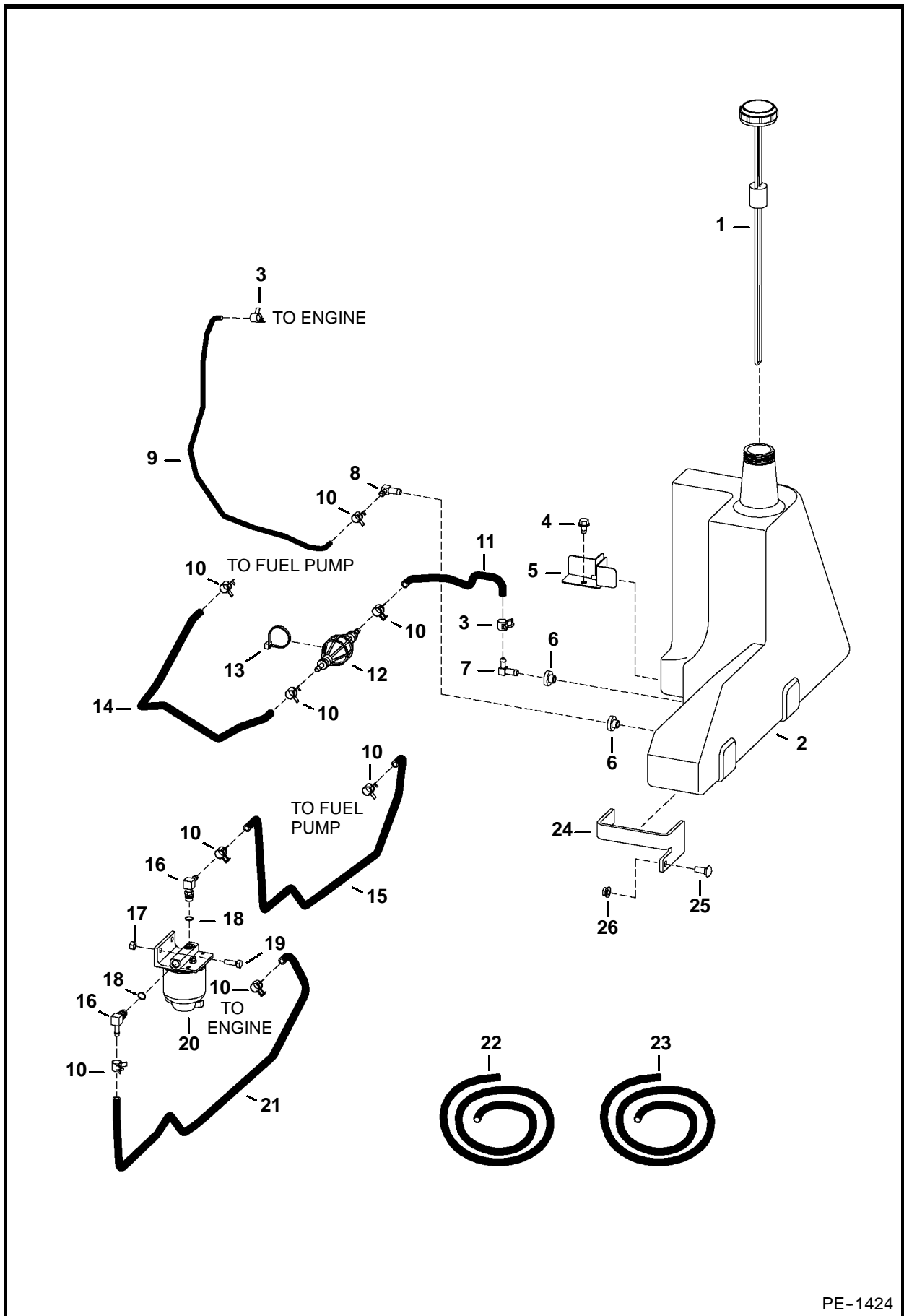


PE-1026

**BOB-TACH (Cont'd)**

<b>Ref. No.</b>	<b>Part Number</b>	<b>Description</b>	<b>Remarks</b>	<b>Serial Number</b>	<b>Qty.</b>
1	6726597	BOB-TACH			1
2	6726899	WEDGE			2
3	6704248	PIVOT	wedge		2
4	6578253	SPRING			2
5	6704240	PIVOT ASSY			2
6	6719501	LEVER	R.H.		1
	6719502	LEVER	L.H.		1
7	6563830	BUSHING			2
8	6728473	SCREW			2
9	85D-6	NUT			2
10	6557831	WASHER			2
11	6704453	SPRING			2
12	743332	GREASE ZERK			2
13	6726436	BUSHING	weld on		2
	6809825	BUSHING	wear		2
14	10H-35	GREASE ZERK			2
15	NAP	FRAME			1
16	6702958	BUSHING			2
17	17C-648	BOLT			2
18	14J-5032	PIN			2

# FUEL SYSTEM

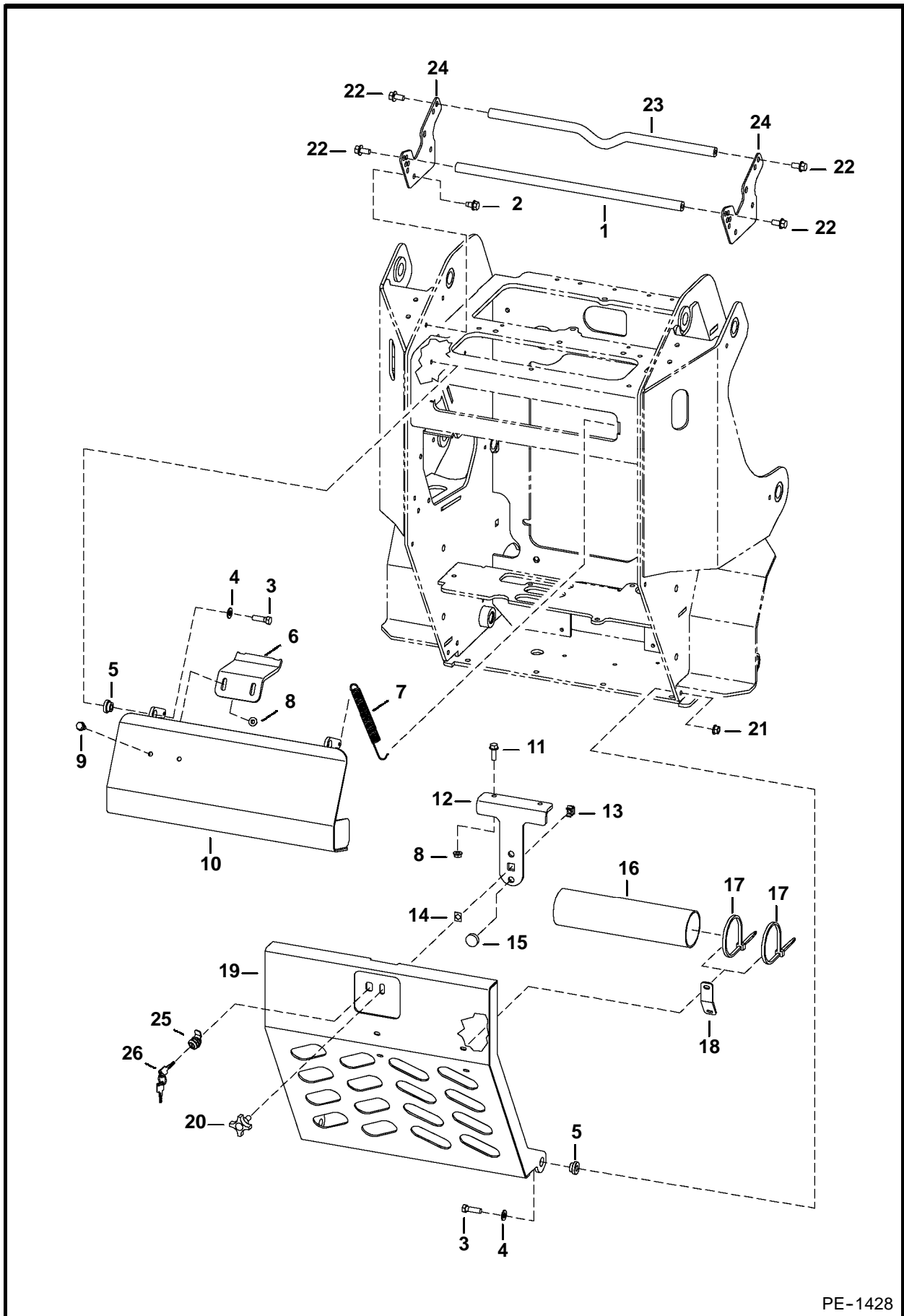


PE-1424

## FUEL SYSTEM (Cont'd)

Ref. No.	Part Number	Description	Remarks	Serial Number	Qty.
1	6678941	FUEL GAUGE			1
2	6730685	TANK	fuel		1
3	6515575	CLAMP			2
4	84G-3710	BOLT			1
5	6731316	BRACKET	tank		1
6	6553411	BUSHING			2
7	6553412	ELBOW			1
8	6630041	ELBOW			1
9	NAP	HOSE	34" (864mm) - Order Ref. 22		1
10	5HM-14	CLAMP			8
11	NAP	HOSE	12" (305mm) - Order Ref. 23		1
12	6667170	HAND PUMP			1
13	6624289	TIE STRAP			1
14	NAP	HOSE	22" (559mm) - Order Ref. 23		1
15	NAP	HOSE	32" (813mm) - Order Ref. 23		1
16	6715183	ELBOW	W/Ref. 18		2
17	61D-5	NUT			2
18	99K-5	O-RING			x
19	17C-516	BOLT			2
20	6667353	FILTER ASSY			1
	6667352	FILTER			1
	72F-1	DRAIN COCK			1
21	NAP	HOSE	34" (864mm) - Order Ref. 23		1
22	6578169	HOSE	bulk - Sold Per Foot		x
23	6577822	HOSE	bulk - Sold Per Foot		x
24	6732447	BRACKET	fuel		1
25	37C-616	BOLT			1
26	55D-6	NUT			1

# REAR DOOR

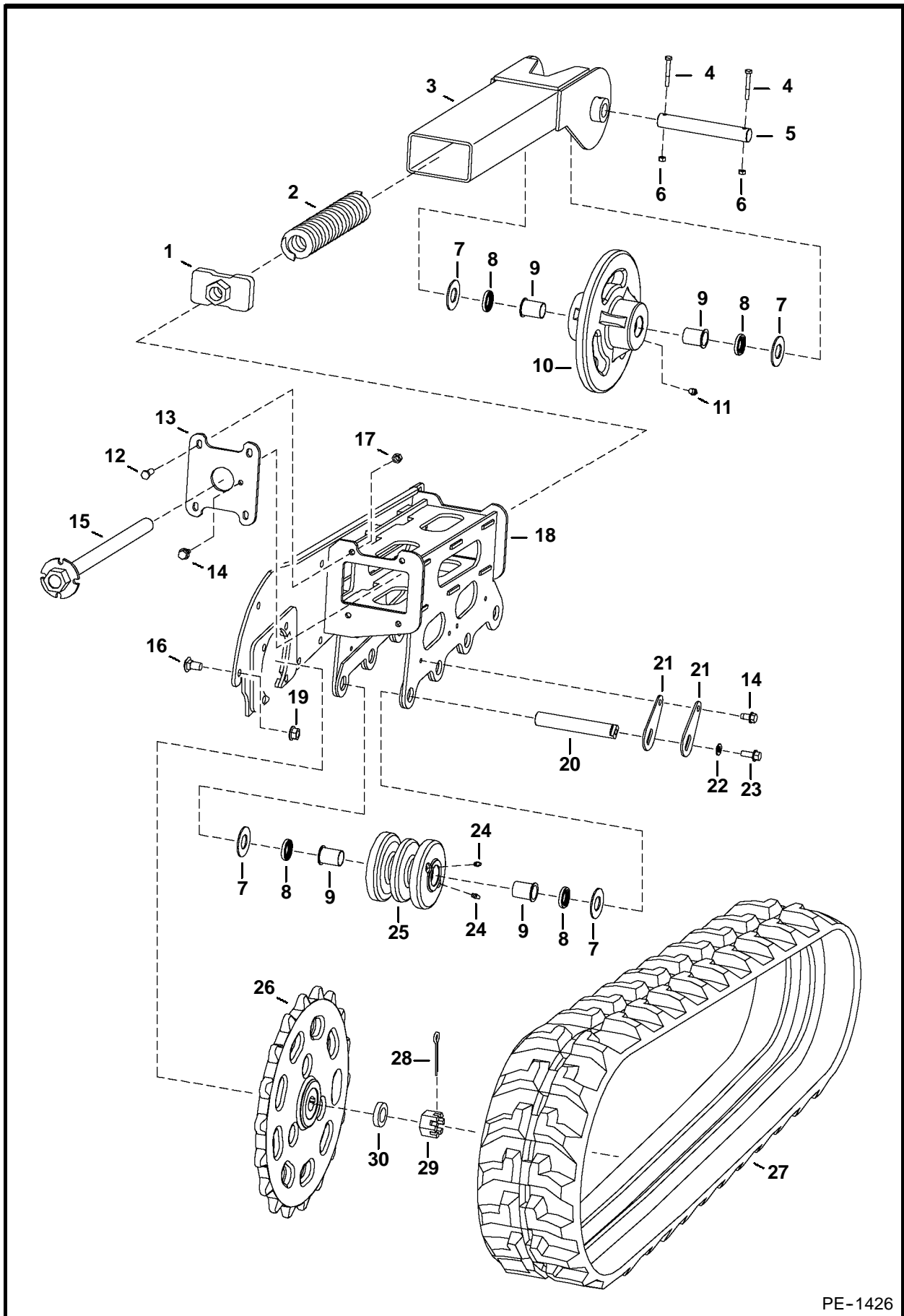


PE-1428

## REAR DOOR (Cont'd)

Ref. No.	Part Number	Description	Remarks	Serial Number	Qty.
1	6732584	GRAB HANDLE			1
2	84G-3710	BOLT			4
3	17C-620	BOLT			4
4	25E-17	WASHER	pivot		4
5	6731323	BUSHING			4
6	6731339	STOP PLATE			1
7	6700743	SPRING			2
8	97D-5	NUT			4
9	35C-512	BOLT			2
10	6730688	REVERSE STOP			1
11	35C-516	BOLT			2
12	6731344	STOP BRACKET			1
13	6678785	NUT	self retaining spring		1
14	6674894	NUT			1
15	6519178	BUMPER			2
16	6679170	CONTAINER	manual		1
17	6624289	TIE STRAP			2
18	6732091	BRACKET	container		1
19	6730693	REAR DOOR			1
20	6678755	KNOB			1
21	97D-6	NUT			1
22	35C-612	BOLT			4
23	6732546	GRAB HANDLE			1
24	6732542	BRACKET			2
25*	6675723	LOCK ASSY	option	& Abv	1
*	6675843	NUT	option	& Abv	2
26*	6709527	KEY	option	& Abv	1

# DRIVE TRAIN



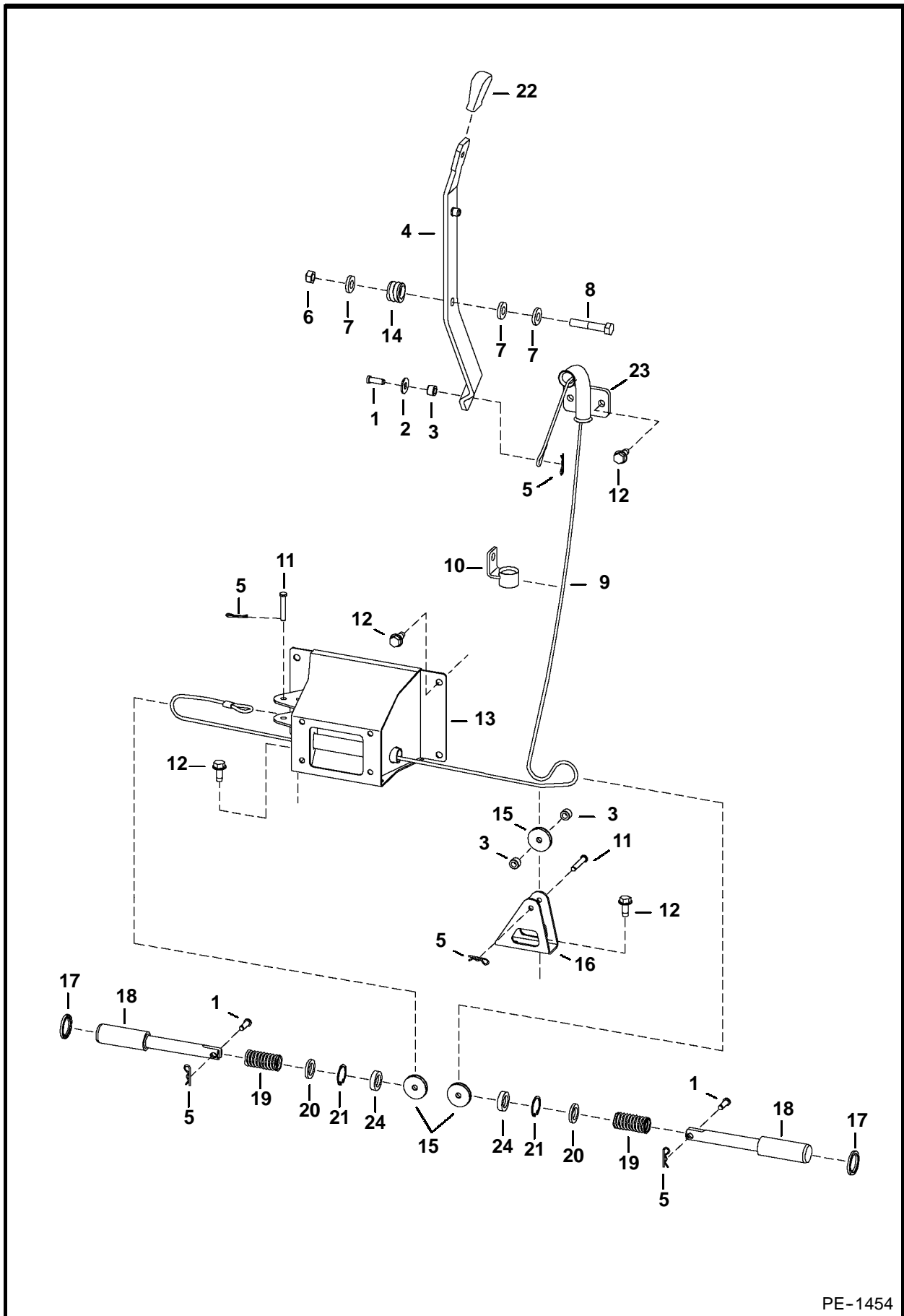
PE-1426



**DRIVE TRAIN (Cont'd)**

Ref. No.	Part Number	Description	Remarks	Serial Number	Qty.
1	6730660	IDLER PLATE			2
2	6731286	SPRING	compression		2
3	6731277	IDLER ARM			2
4	17C-432	BOLT			4
5	6730701	PIN	idler		2
6	61D-4	NUT			4
7	6732013	WASHER	thrust		20
8	6679135	SEAL	shaft		20
9	6732271	BUSHING			20
10	6730682	IDLER			2
11	10H-25	GREASE ZERK			2
12	17C-616	BOLT			8
13	6730698	PLATE			2
14	84G-3712	BOLT			10
15	6731282	ROD	tensioner		2
16	37C-820	BOLT			18
17	61D-6	NUT			8
18	6730657	FRAME	track - RH		1
	6730658	FRAME	track - LH		1
19	97D-8	NUT			18
20	6730702	PIN	keyed		8
21	6730699	PLATE	pin lock		16
22	25E-17	WASHER			8
23	45C-616	BOLT			8
24	10H-35	GREASE ZERK			16
25	6730683	ROLLER			8
26	6733211	SPROCKET			2
27	6678661	TRACK			2
28	1F-544	COTTER PIN			2
29	5200255	NUT	slotted		2
30	6733226	SPACER	sprocket		2

# BRAKES

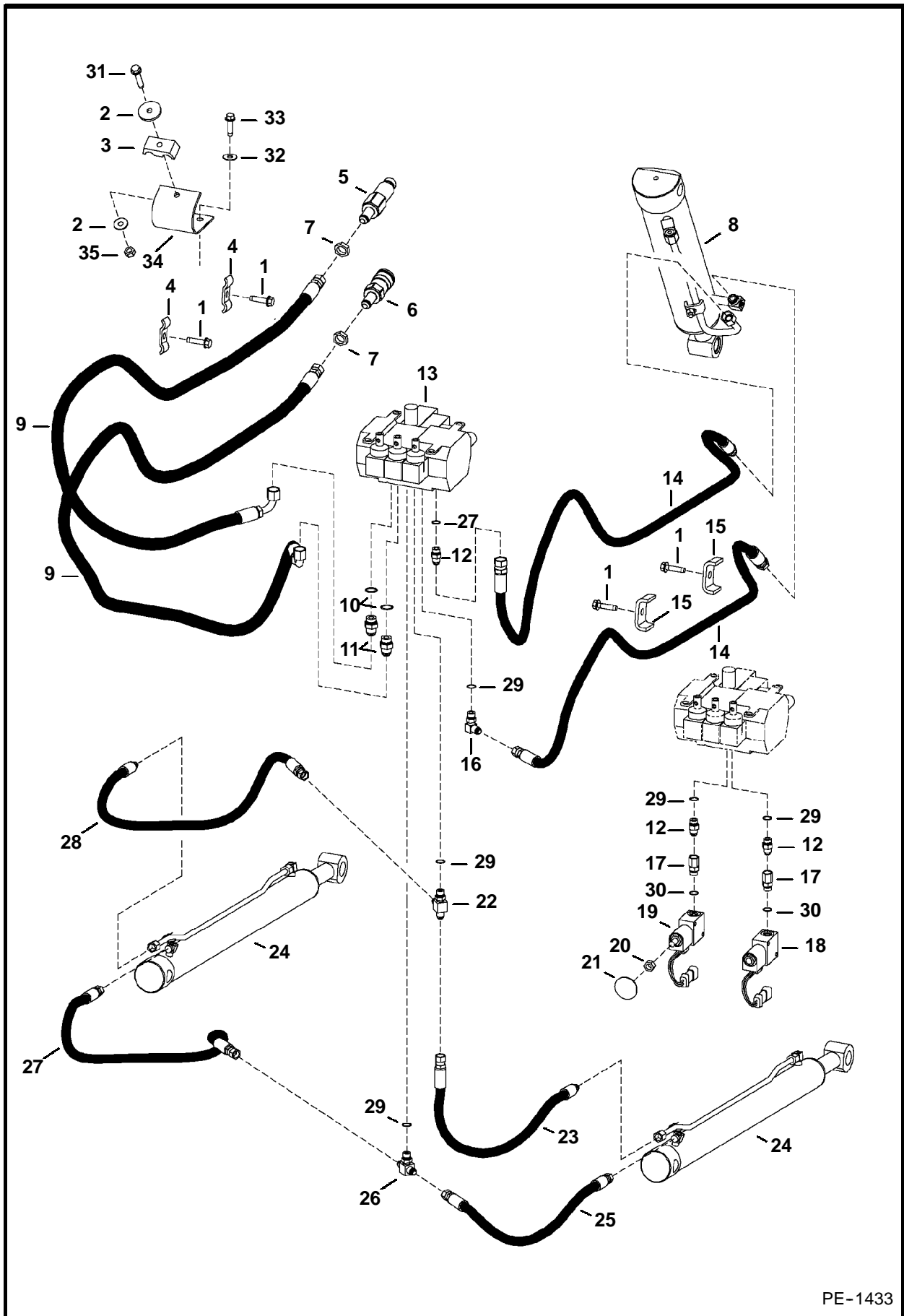


PE-1454

**BRAKES (Cont'd)**

Ref. No.	Part Number	Description	Remarks	Serial Number	Qty.
1	4F-4051	PIN			3
2	27E-4	WASHER			1
3	6732073	SPACER			3
4	6732593	LEVER			1
5	6513495	COTTER PIN			6
6	85D-6	NUT			1
7	6557831	WASHER			3
8	17C-632	BOLT			1
9	6732615	BRAKE CABLE			1
10	6732152	GUIDE ASSY	cable		1
11	6732090	PIN			2
12	84G-3112	BOLT			9
13	6732175	FAN MOUNT ASSY			1
14	6704453	SPRING	compression		1
15	6732097	PULLEY	brake		3
16	6732074	MOUNT	pulley		1
17	1990599	SEAL	oil		2
18	6732042	PIN	brake		2
19	6679144	SPRING	brake		2
20	6732043	WASHER			2
21	23J-16	SNAP RING			2
22	6564452	GRIP			1
23	6732543	BRACKET			1
24*	6732877	BUSHING		5206 11060 & Abv	2

# HYDRAULIC CIRCUITRY (Work Group)

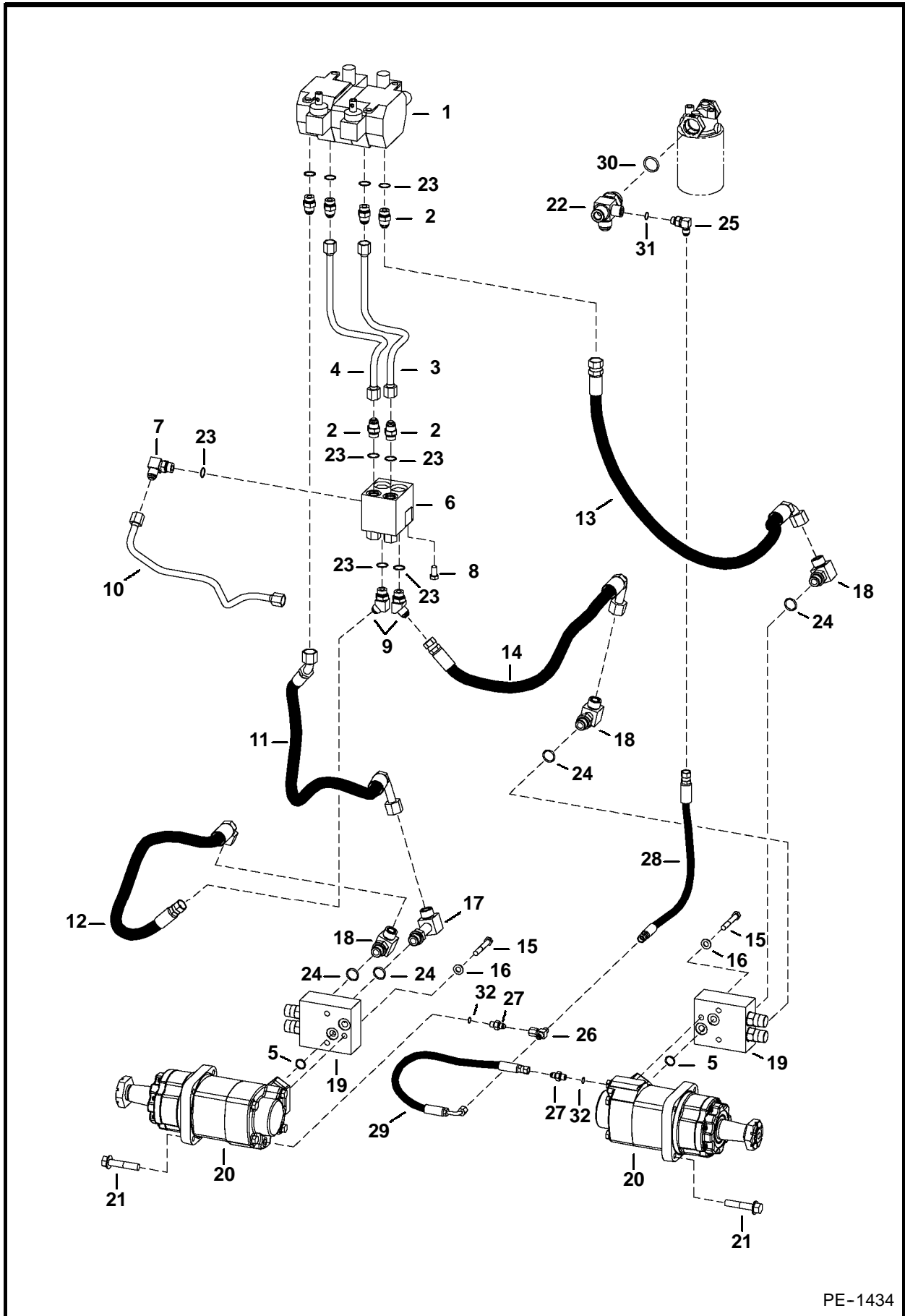


PE-1433

**HYDRAULIC CIRCUITRY (Cont'd)**  
**(Work Group)**

Ref. No.	Part Number	Description	Remarks	Serial Number	Qty.
1	84G-3724	BOLT			4
2	872229	WASHER			2
3	6592506	CLAMP			1
4	6591804	CLAMP			2
5	6676560	COUPLER	FF Male 1/2		1
6	6676559	COUPLER	FF Female 1/2		1
7	86F-6	NUT			2
8		CYLINDER	tilt - See Page 37		1
9	6731661	HOSE			2
10	99K-8	O-RING			x
11	15KV-6	CONNECTOR	W/ Ref. 10		2
	97K-8	O-RING	flared end		x
12	15KV-5	CONNECTOR	W/ Ref. 29		1
	97K-6	O-RING	flared end		x
13	6678828	VALVE	See Page 45		1
14	6731659	HOSE			2
15	6800262	CLAMP			2
16	17KV-5	ELBOW	W/ Ref. 29		1
	97K-6	O-RING	flared end		x
17	6732089	CONNECTOR	swivel - W/Ref. 30		2
18	6679169	VALVE	tilt		1
	6662790	NUT			1
	6679285	COIL			1
	6679287	STEM			1
19	6679286	SEAL KIT			1
	6678925	VALVE	lift		1
	6662790	NUT			1
	6679285	COIL			1
	6679288	STEM			1
	6679286	SEAL KIT			1
20	8D-7	NUT			1
21	6731909	KNOB	Red - Lift Lock Valve		1
22	21KV-5	TEE	W/Ref. 29		2
	97K-6	O-RING	flared end		x
23	6530859	HOSE			1
24		CYLINDER	lift - See Page 35		2
25	6715933	HOSE			1
26	19KV-5	TEE	W/Ref. 29		1
	97K-6	O-RING			x
27	6731777	HOSE			1
28	6731776	HOSE			7
29	99K-6	O-RING			x
30	79K-6	O-RING			x
31*	17C-636	BOLT	Was 31C-640 [B]		1
32	619021	WASHER			1
33	84G-3714	BOLT			1
34	6732700	MOUNT			1
35	97D-6	NUT			1

# HYDRAULIC CIRCUITRY (Travel Group)

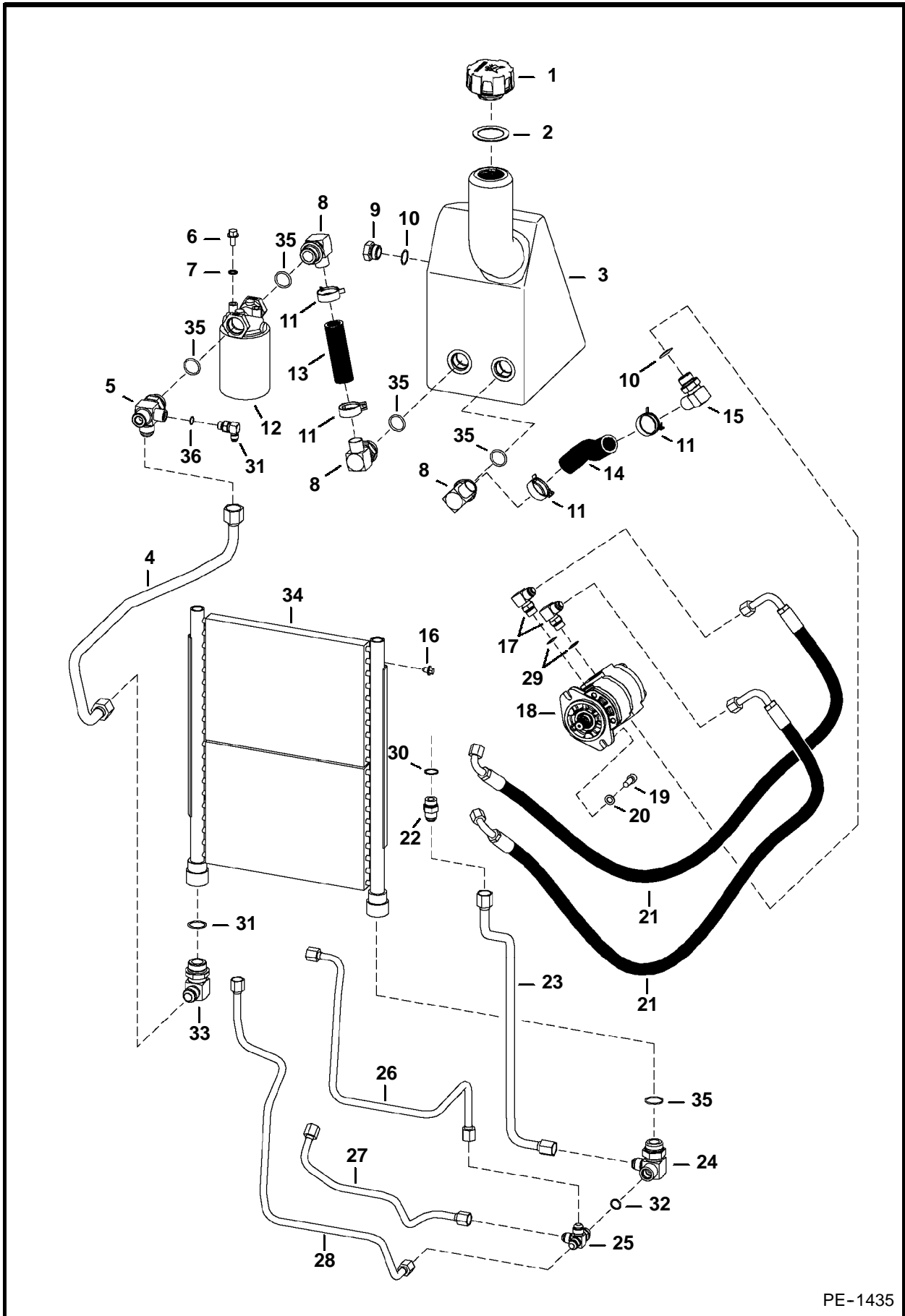


PE-1434

**HYDRAULIC CIRCUITRY (Cont'd)**  
**(Travel Group)**

Ref. No.	Part Number	Description	Remarks	Serial Number	Qty.
1	6678829	VALVE	drive - See Page 55		1
2	15KV-6	CONNECTOR	W/Ref. 23		6
	97K-8	O-RING	flared end		x
3	6732107	TUBELINE			1
4	6732106	TUBELINE			1
5*	58K-115	O-RING			4
6	6679249	VALVE	rev sp limiter		1
*	6679907	VALVE	check		2
*	6676564	SEAL KIT			1
*	6679908	VALVE	priority		2
*	6679914	SEAL KIT			1
7	17KV-6	ELBOW	W/Ref. 23		1
	97K-8	O-RING	flared end		x
8	17C-612	BOLT			2
9	18KN-6	ELBOW	W/Ref. 23		1
	96K-8	O-RING	flared end		x
10	6732201	TUBELINE			1
11	6731801	HOSE			1
12	6732221	HOSE			1
13	6733298	HOSE			1
14	6733297	HOSE			1
15	18C-744	BOLT			6
16	28E-7	WASHER			6
17	45E-1010	ELBOW	W/Ref. 24		1
	55K-16	O-RING	flared end		x
18	6733014	ELBOW	W/Ref. 24		3
	55K-16	O-RING	flared end		x
19	6680103	VALVE	counterbalance - W/Ref. 5		2
	6679280	RELIEF VALVE			2
	6679281	SEAL KIT			1
20	6680104	DRIVE MOTOR	See Page 67		1
21	31C-828	BOLT			8
22*	6733218	ELBOW	W/Ref. 30		1
23	98K-8	O-RING			x
24	75K-10	O-RING			x
25*	17KB-606	ELBOW	W/Ref. 31		1
26*	14K-3	FITTING			1
27*	15KB-404	CONNECTOR	W/Ref. 32		2
28*	6536793	HOSE			1
29*	6800677	HOSE			1
30*	79K-16	O-RING			x
31*	79K-6	O-RING			x
32*	79K-4	O-RING			x

# HYDRAULIC CIRCUITRY (Cooling Group)



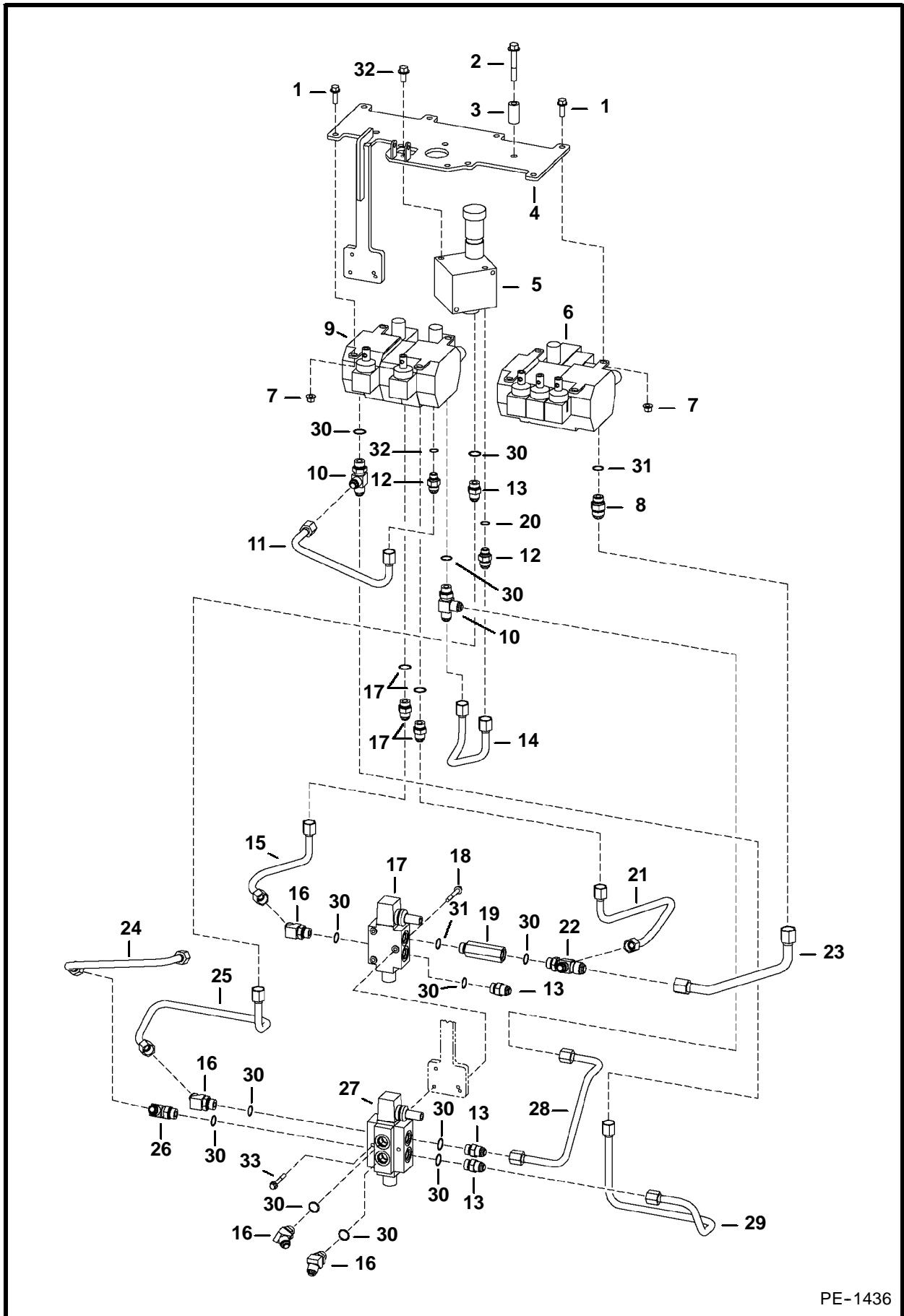
PE-1435



**HYDRAULIC CIRCUITRY (Cont'd)**  
**(Cooling Group)**

Ref. No.	Part Number	Description	Remarks	Serial Number	Qty.
1	6727475	CAP	hydraulic		1
2	6700631	GASKET			1
3	6730684	TANK	hydraulic		1
4	6731502	TUBELINE			1
5	6733218	ELBOW	W/Ref. 35		1
6	35C-612	BOLT			2
7	6E-6	WASHER			2
8	6567883	ELBOW	W/Ref. 35		3
9	6665915	SIGHT GAUGE	W/Ref. 10		1
10	79K-12	O-RING			1
11	5HM-35	CLAMP			4
12	6654897	FILTER ASSY			1
	6653336	FILTER			1
13	6731756	HOSE	suction		1
14	6731645	HOSE	suction		1
15	6567884	ELBOW	W/Ref. 10		1
16	26GM-8013	SCREW			4
17	17KV-6	ELBOW	W/Ref. 29		2
	97K-8	O-RING	flared end		x
18	6678819	GEAR PUMP	See Page 69		1
19	3GM-1025	BOLT			2
20	15EM-100	WASHER			2
21	6731767	HOSE			2
22	15KV-7	FITTING	W/Ref. 30		1
	97K-10	O-RING	flared end		x
23	6731494	TUBELINE			1
24	6731487	TEE	W/Ref. 31		1
	97K-10	O-RING	flared end		x
25	6732122	CROSS	W/Ref. 32		1
26	6731611	TUBELINE			1
27	6732201	TUBELINE			1
28	6731924	TUBELINE			1
29	99K-8	O-RING			x
30	99K-10	O-RING			x
31*	17KB-606	ELBOW	W/Ref. 36		1
32	79K-8	O-RING			x
33	731016	ELBOW	W/Ref. 31		1
34	6676168	OIL COOLER			1
35	79K-16	O-RING			x
36*	79K-6	O-RING			x

# HYDRAULIC CIRCUITRY (Travel Group)

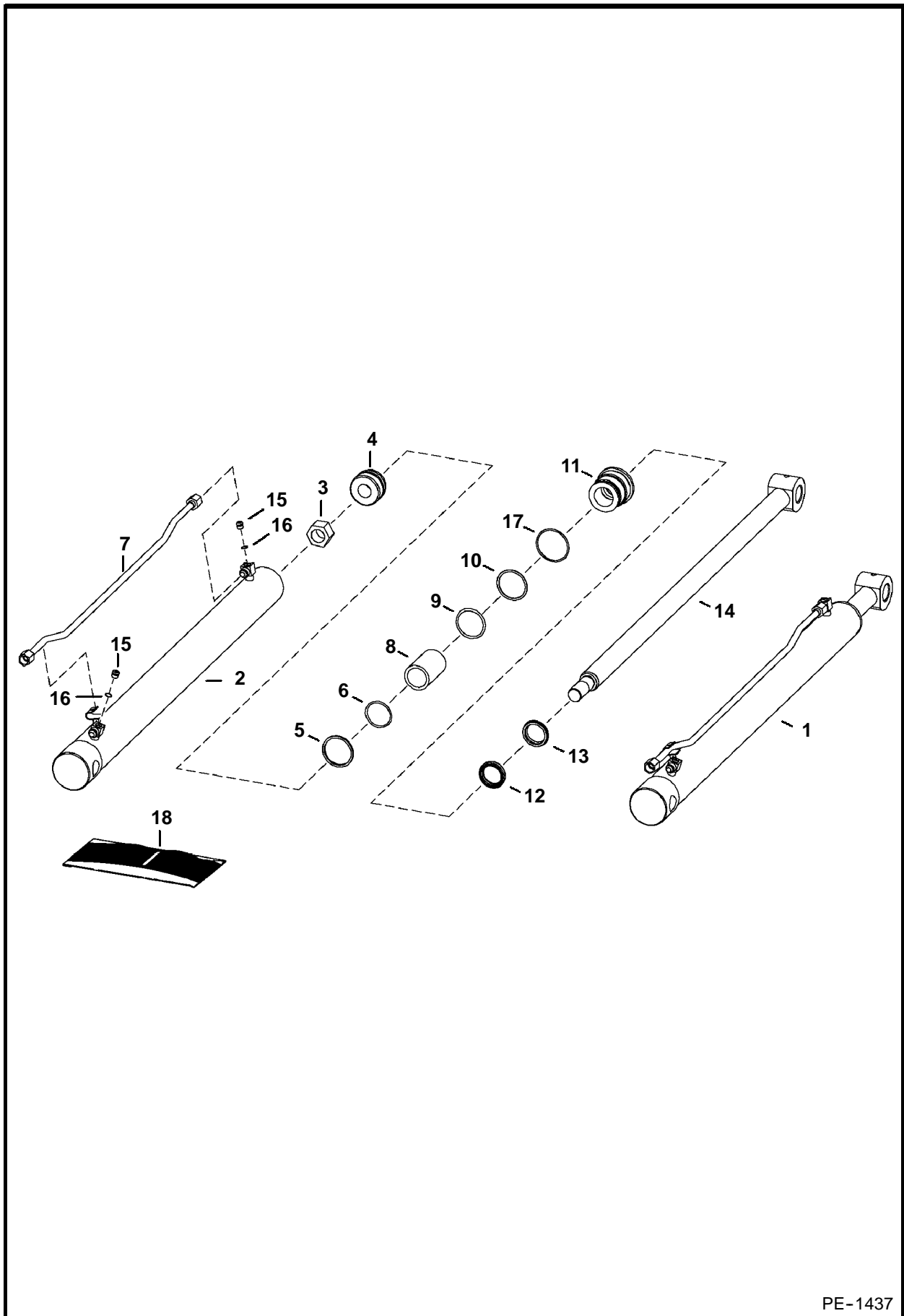


PE-1436

**HYDRAULIC CIRCUITRY (Cont'd)**  
**(Travel Group)**

Ref. No.	Part Number	Description	Remarks	Serial Number	Qty.
1	35C-516	BOLT			8
2	31C-640	BOLT			3
3	6731460	SPACER			3
4	6731459	BRACKET	valve assy		1
5	6678824	VALVE	speed control - See Page 39		1
6	6678828	VALVE	work - See Page 45		1
7	83D-5	NUT			8
8	731793	CONNECTOR	W/Ref. 31		1
9	6678829	VALVE	travel - See Page 55		1
10	6805166	TEE	W/Ref. 30		2
	97K-8	O-RING	flared end		x
11	6731493	TUBELINE			1
12	755056	FITTING	W/Ref. 20		2
13	15KV-6	CONNECTOR	W/Ref. 30		6
	97K-8	O-RING	flared end		x
14	6731464	TUBELINE			1
15	6731486	TUBELINE			1
16	18KN-6	ELBOW	W/Ref. 30		4
	96K-8	O-RING	flared end		x
17	6678822	VALVE	3-way - See Page 41		1
18*	17C-428	BOLT	Was 31C-432 [B]		2
19	6678906	CHECK VALVE	W/Ref. 31		1
20	79K-6	O-RING			x
21	6731462	TUBELINE			1
22	6731447	CROSS	W/Ref. 30		1
	97K-8	O-RING	flared end		x
	97K-10	O-RING	flared end		x
23	6731492	TUBELINE			1
24	6731463	TUBELINE			1
25	6731485	TUBELINE			1
26	17KV-6	ELBOW	W/Ref. 30		1
	97K-8	O-RING	flared end		x
27	6678823	VALVE	6-way - See Page 43		1
28	6731465	TUBELINE			1
29	6731480	TUBELINE			1
30	99K-8	O-RING			x
31	79K-8	O-RING			x
32	35C-612	BOLT			2
33*	17C-432	BOLT			2

# LIFT CYLINDER

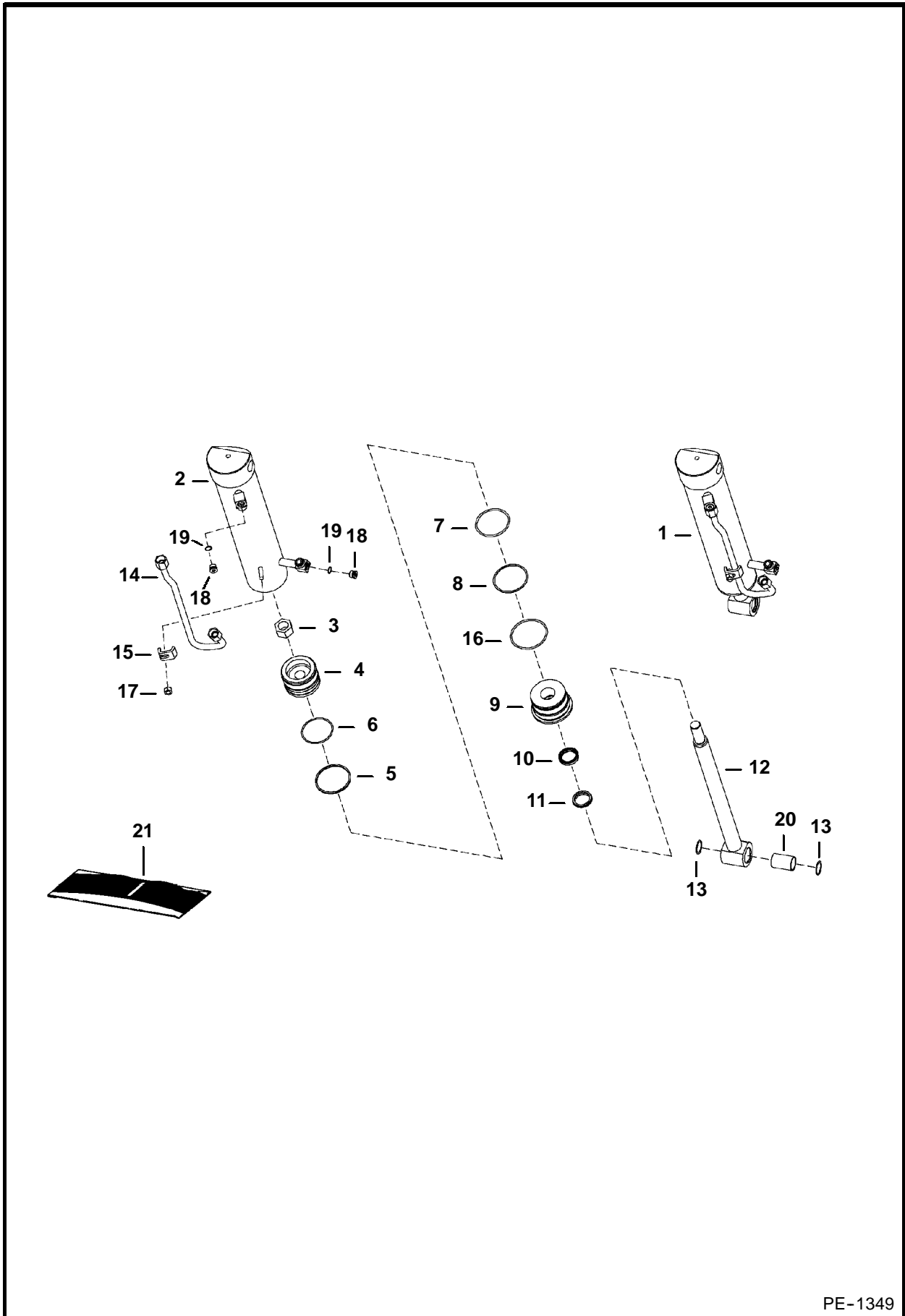


PE-1437

## LIFT CYLINDER (Cont'd)

Ref. No.	Part Number	Description	Remarks	Serial Number	Qty.
1	6812771	CYLINDER	Ref. 2-17		2
2	6812773	CASE			1
3	92D-14	NUT			1
4	6808338	PISTON			1
5	54K-30118	RING			1
6	6516231	O-RING			1
7	6808626	TUBELINE			1
8	6808336	SPACER			1
9	54K-40124	O-RING			1
10	73K-224	WASHER			1
11	6539323	HEAD			1
12	6667324	SEAL			1
13	6665208	SEAL			1
14	6807141	ROD	chrome		1
15	6812170	PLUG	W/Ref. 16		2
16	95K-3	O-RING			2
17	58K-136	O-RING			1
18	6804927	SEAL KIT	Ref. 3, 5, 6, 9, 10, 12, 13 & 17		1

# TILT CYLINDER

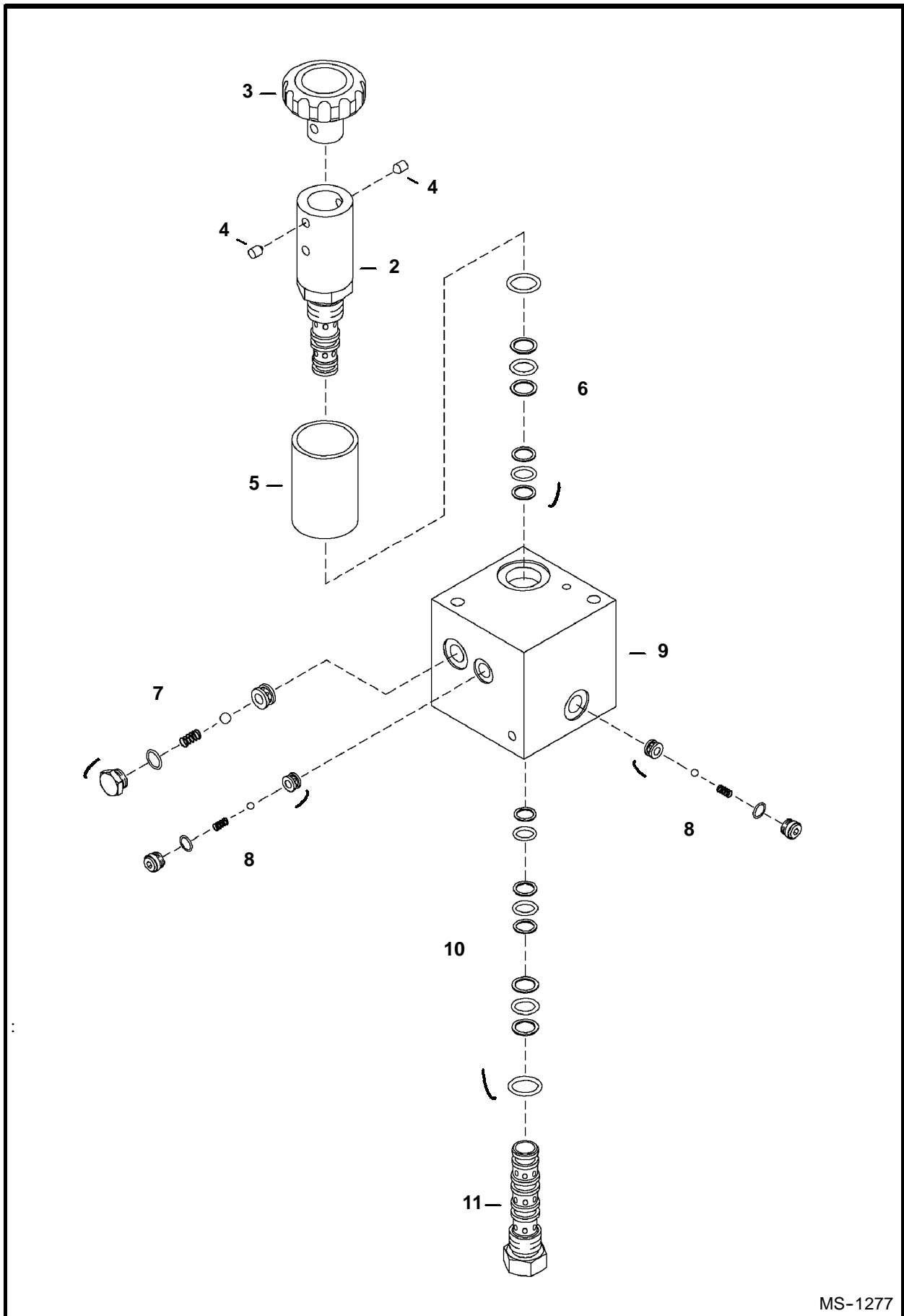


PE-1349

## TILT CYLINDER (Cont'd)

Ref. No.	Part Number	Description	Remarks	Serial Number	Qty.
1	6812106	CYLINDER	tilt - Ref. 2-20		1
2	6808668	CASE			1
3	92D-14	NUT			1
4	6807977	PISTON			1
5	947088	SEAL			1
6	54K-30218	O-RING			1
7	54K-40224	O-RING			1
8	73K-232	O-RING			1
9	6808669	HEAD			1
10	6667324	SEAL			1
11	6665208	SEAL			1
12	6812130	ROD	W/Ref. 13		1
13	1990599	SEAL			2
14	6808625	TUBELINE			1
15	6562266	CLAMP			1
16	54K-40300	O-RING			1
17	95D-6	NUT			1
18	90KV-5	PLUG	W/Ref. 19		2
19	95K-6	O-RING			x
20	6812132	BUSHING	wear		1
21	6803334	SEAL KIT	Ref. 3, 5 - 8, 10, 11 & 16		1

# SPEED CONTROL VALVE



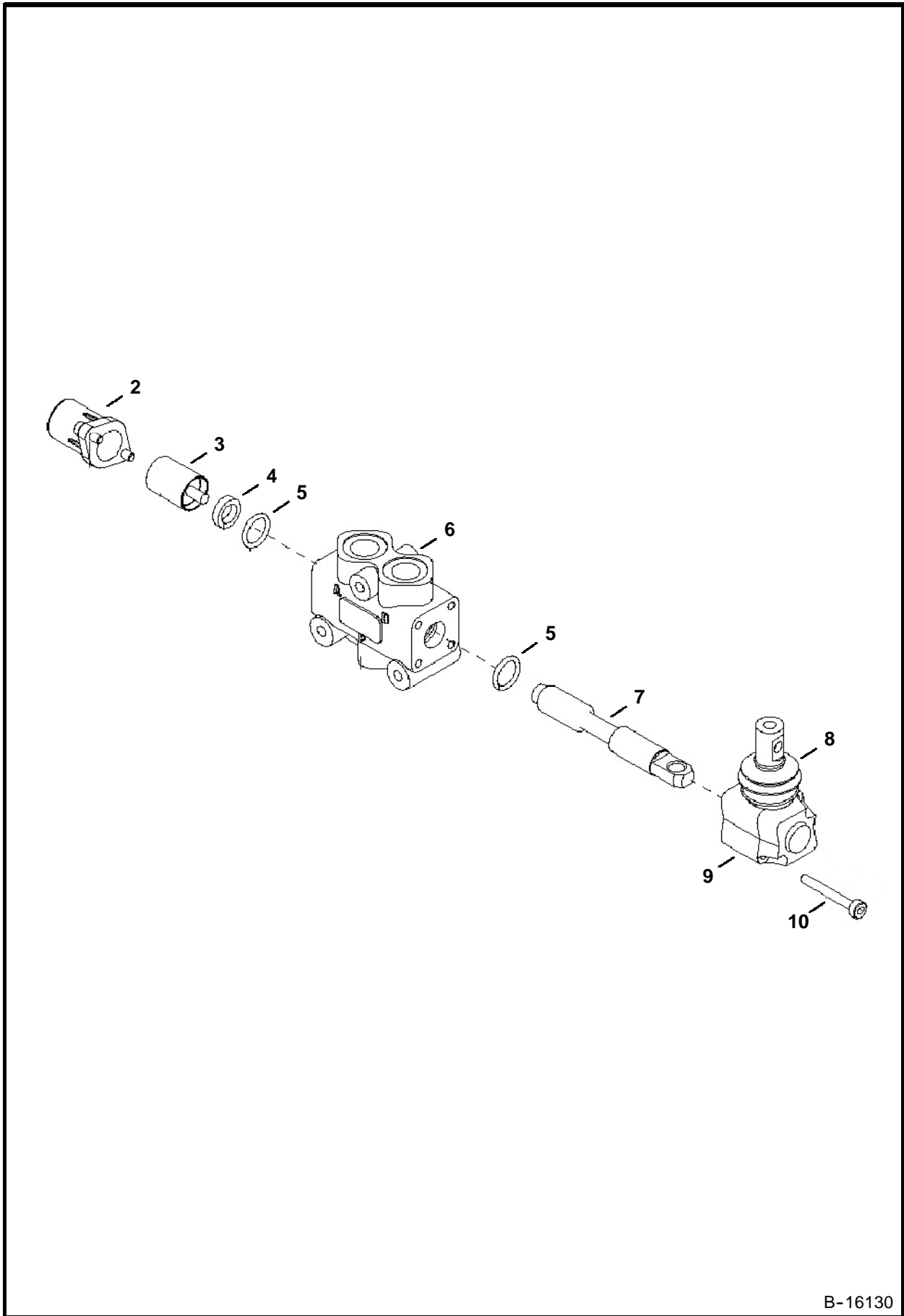
MS-1277



**SPEED CONTROL VALVE (Cont'd)**

Ref. No.	Part Number	Description	Remarks	Serial Number	Qty.
1	6678824	VALVE	W/Ref. 3-11		1
2	6679492	HANDLE ASSY	W/Ref. 3-6		1
3	6679489	KNOB			1
4	6679488	SET SCREW	protective		2
5	6679645	SLEEVE			1
6	6679491	SEAL KIT			1
7	6678985	PLUG ASSY			1
8	6678990	PLUG ASSY			2
9	NSS	BLOCK	Order Ref. 1		1
10	6679490	SEAL KIT			1
11	6679493	RELIEF VALVE			1

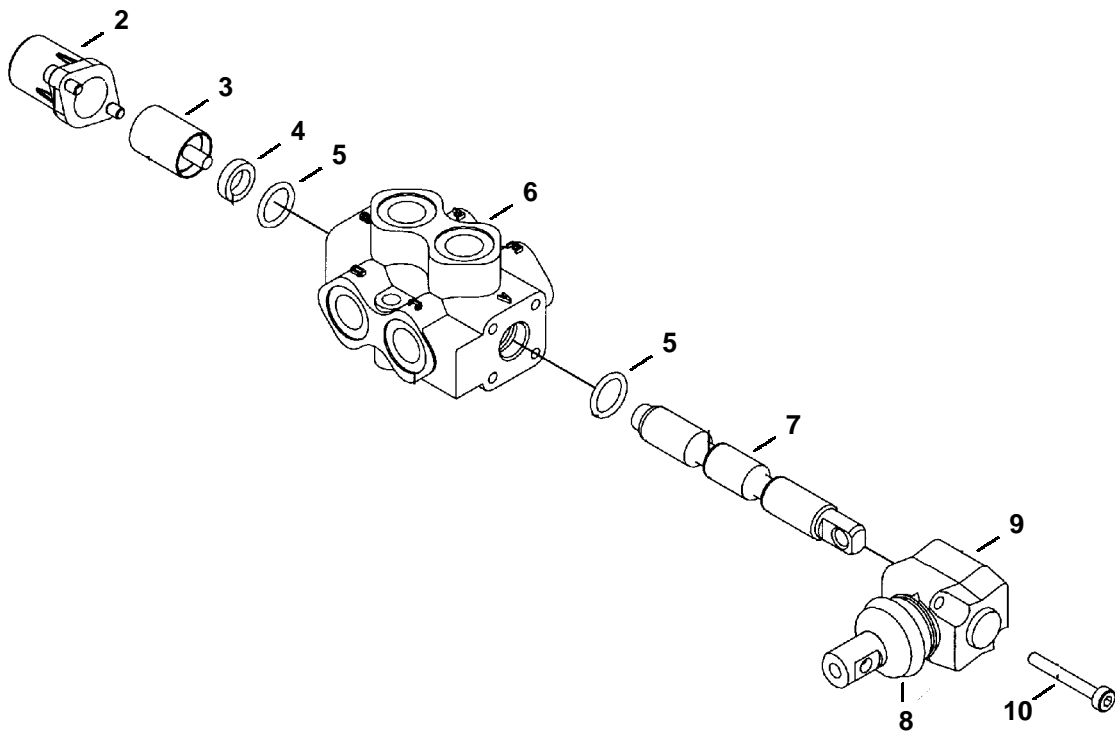
# 3-WAY VALVE



B-16130



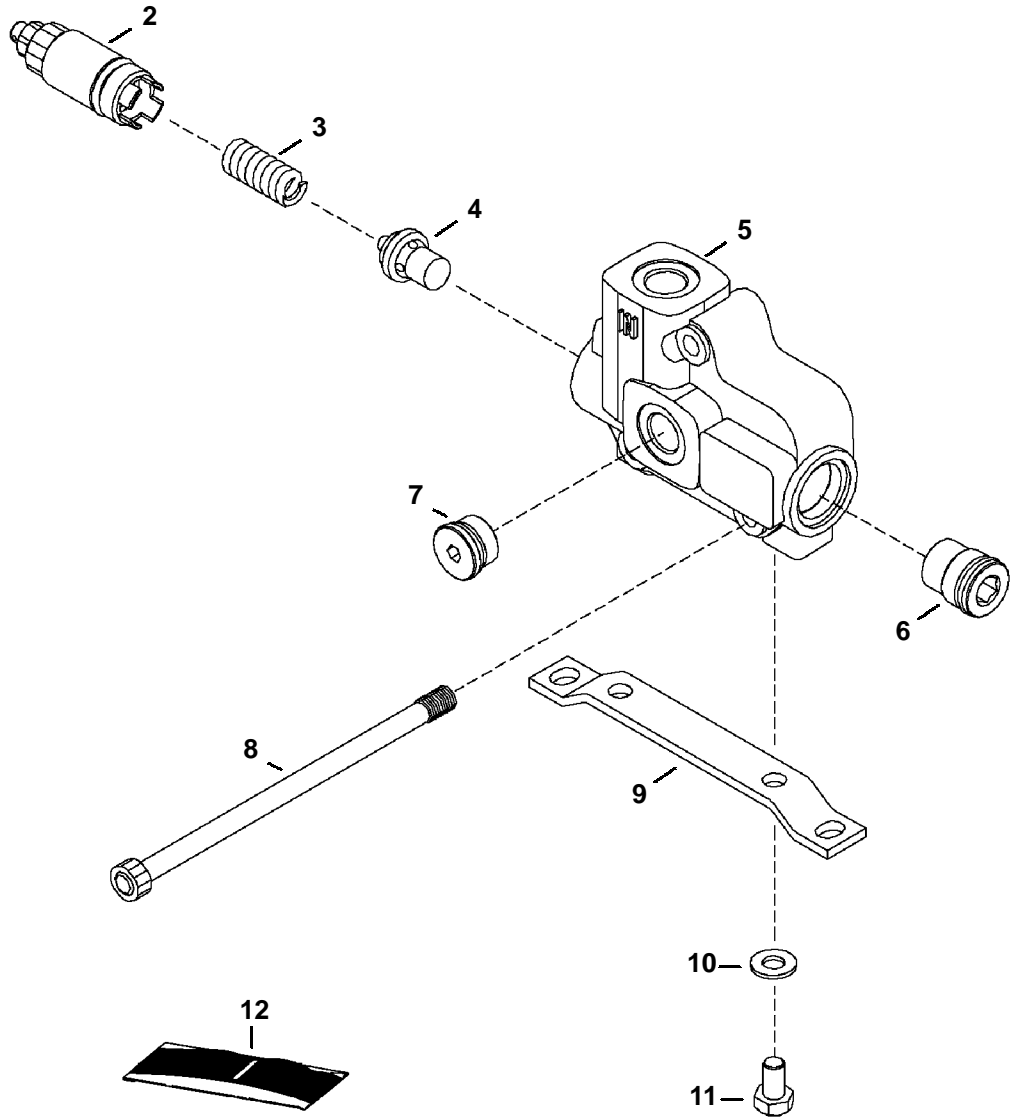
# 6-WAY VALVE



B-16131



VALVE SECTION  
(Inlet)

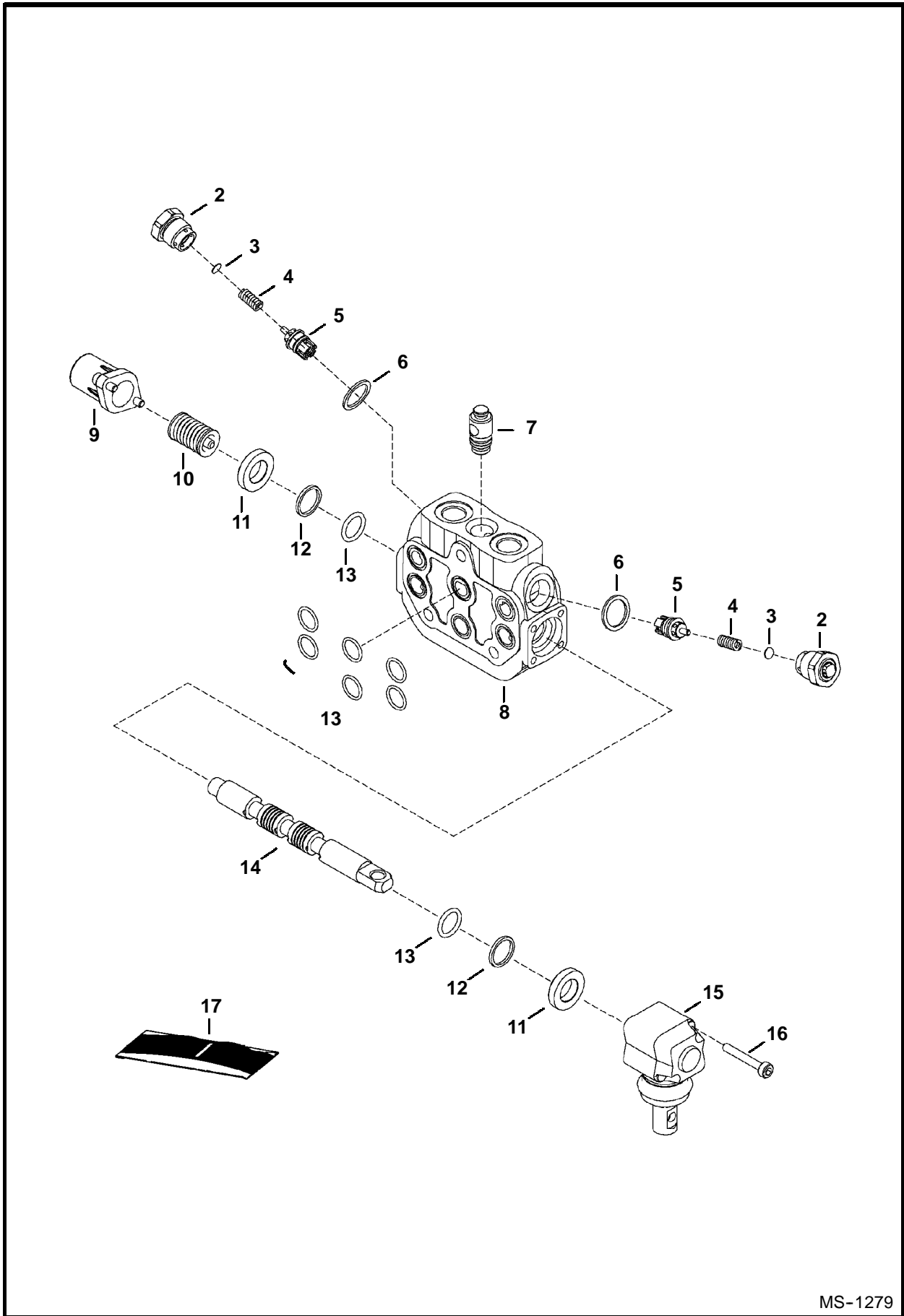


MS-1278

**VALVE SECTION (Cont'd)  
(Inlet)**

<b>Ref. No.</b>	<b>Part Number</b>	<b>Description</b>	<b>Remarks</b>	<b>Serial Number</b>	<b>Qty.</b>
1	6679729	VALVE	section - inlet - Ref. 2-12		1
2	NSS	CAP			1
	NSS	O-RING			x
	NSS	O-RING			x
3	NSS	SPRING			1
4	NSS	RELIEF VALVE			1
5	NSS	BLOCK			1
6	6679619	PLUG			1
	6679693	O-RING			x
7	6679600	PLUG			1
	NSS	O-RING			x
8	6679620	ROD W/NUT			2
9	NSS	BRACKET			1
10	NSS	WASHER			2
11	NSS	SCREW			2
12	6679717	SEAL KIT	section		1
	6679735	SEAL KIT	complete valve		1
	6679714	KIT	inlet - Ref. 2-4		1
	6679715	KIT	mounting - Ref. 9-11		1

# VALVE SECTION (Tilt)



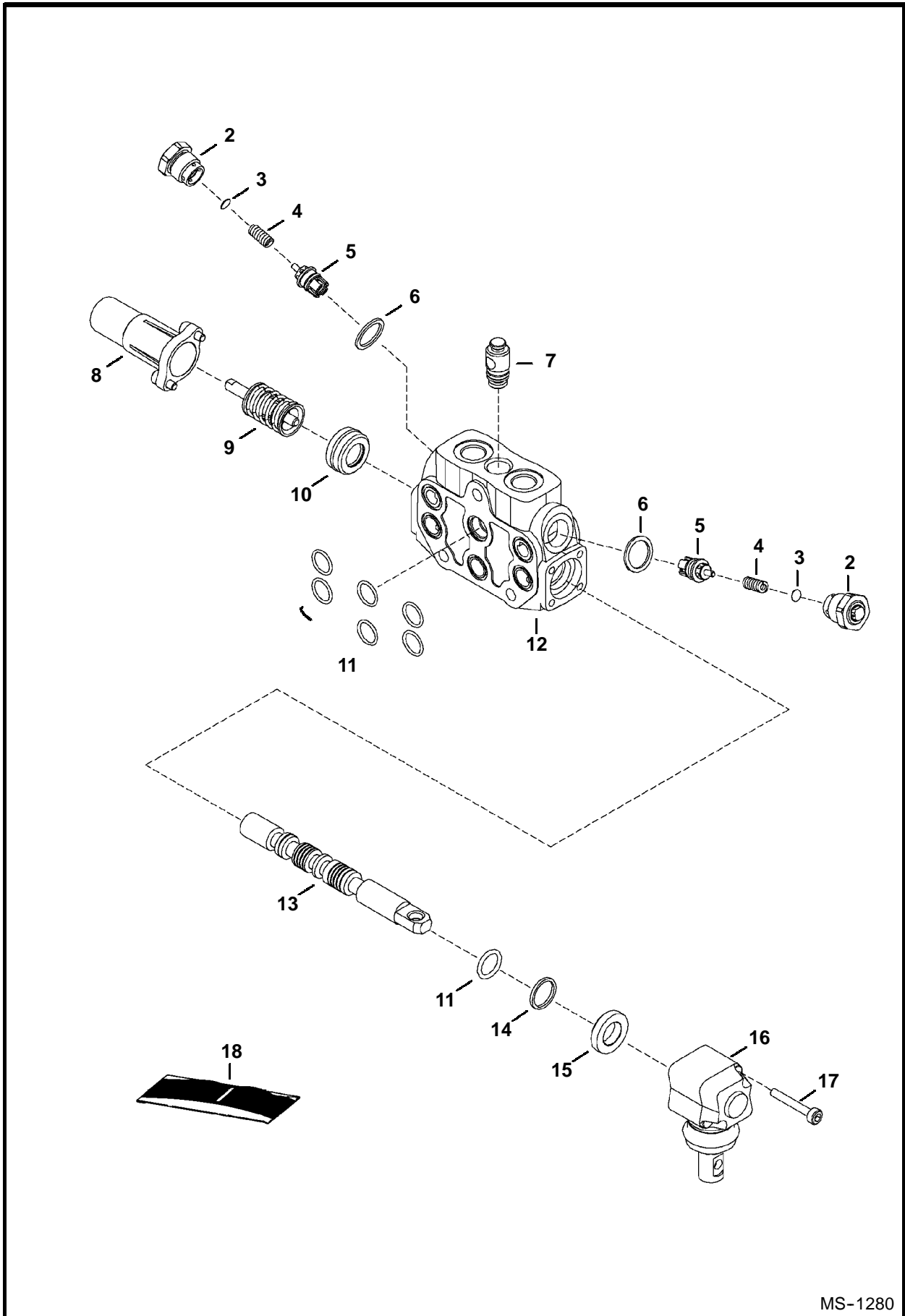
MS-1279



**VALVE SECTION (Cont'd)**  
**(Tilt)**

Ref. No.	Part Number	Description	Remarks	Serial Number	Qty.
1	6679728	VALVE	section - tilt - Ref. 2-17		1
2*	NSS	PLUG			2
3*	NSS	SPACER			2
4*	NSS	SPRING			2
5*	NSS	RELIEF VALVE			2
*	NSS	O-RING			x
* 6*	NSS	O-RING WASHER			x 2
7	6679614	CHECK VALVE			1
*	NSS	O-RING			x
* 8	NSS	O-RING BLOCK			x 1
9*	NSS	END CAP			1
10*	NSS	SPRING ASSY			1
11	6679593	WASHER			2
12	6679601	WASHER	back-up		2
13*	NSS	O-RING			8
14	NSS	SPOOL			1
15*	6679724	LEVER ASSY	W/Ref. 16 - Was 6679500 [A]		1
* 16	6679495	BOOT			1
	6679501	SCREW			2
17	6679734	SEAL KIT	section		1
	6679735	SEAL KIT	complete valve		1
	6679730	KIT	relief - Ref. 2-6		2
	6679723	KIT	control - Ref. 9-10		1

# VALVE SECTION (Lift)

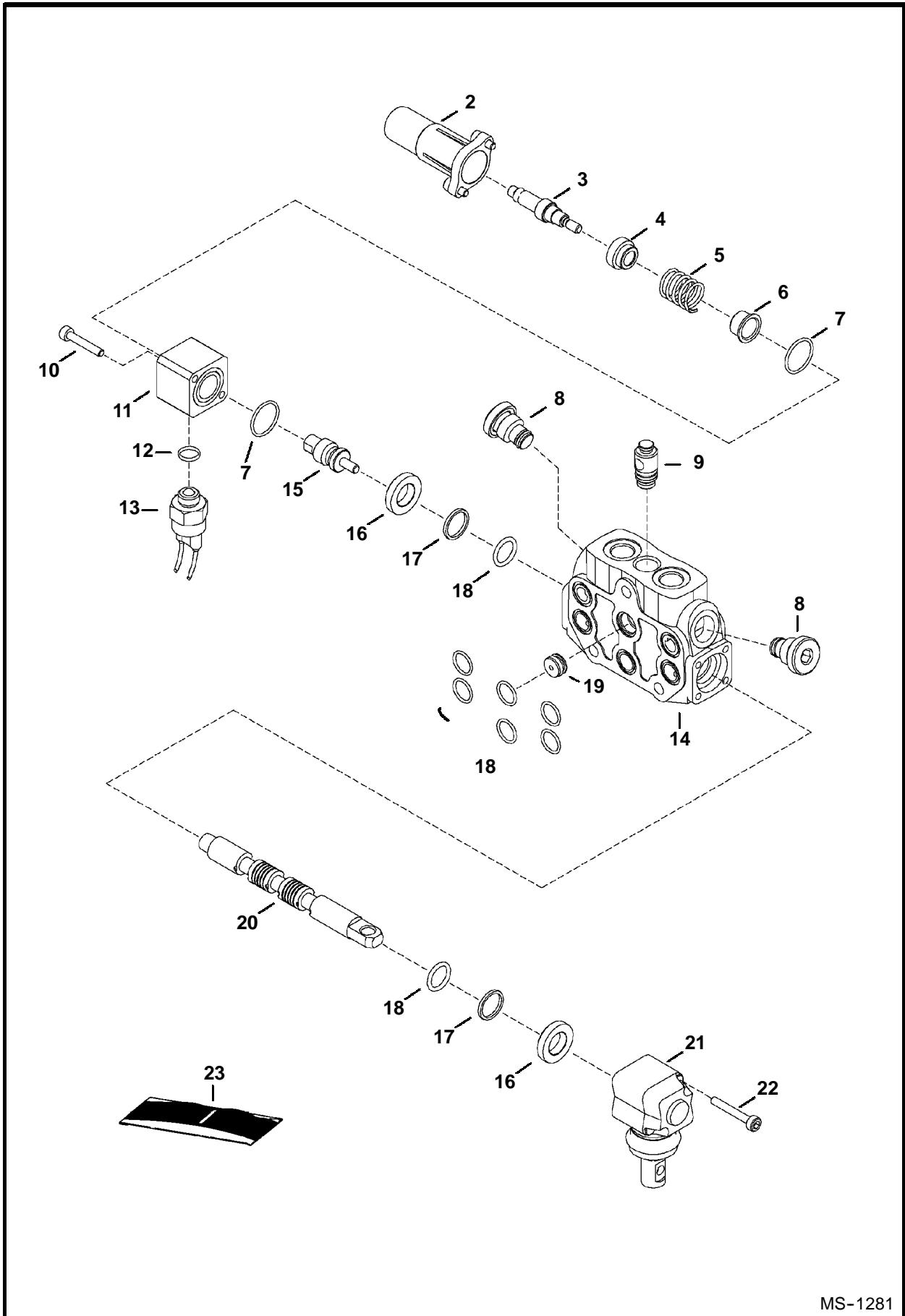


MS-1280

**VALVE SECTION (Cont'd)**  
**(Lift)**

Ref. No.	Part Number	Description	Remarks	Serial Number	Qty.
1	6679727	VALVE	section - lift - Ref. 2-18		1
2*	NSS	PLUG			2
3*	NSS	SPACER			2
4*	NSS	SPRING			2
5*	NSS	RELIEF VALVE			2
*	NSS	O-RING			x
*	NSS	O-RING			x
6*	NSS	WASHER			2
7	6679614	CHECK VALVE			1
*	NSS	O-RING			x
*	NSS	O-RING			x
8*	NSS	END CAP			1
9*	NSS	SPRING ASSY			1
10	6679632	SEAL			1
11*	NSS	O-RING			7
12	NSS	BODY			1
13	NSS	SPOOL			1
14	6679601	WASHER	back-up		2
15	6679593	WASHER			1
16*	6679724	LEVER ASSY	W/Ref. 17 - Was 6679500 [A]		1
*	6679495	BOOT			1
17	6679501	SCREW			2
18	6679733	SEAL KIT	section		1
	6679735	SEAL KIT	complete valve		1
	6679730	KIT	relief - Ref. 2-6		2
	6679722	KIT	positioner - Ref. 8-9		1

# VALVE SECTION (Auxilliary)

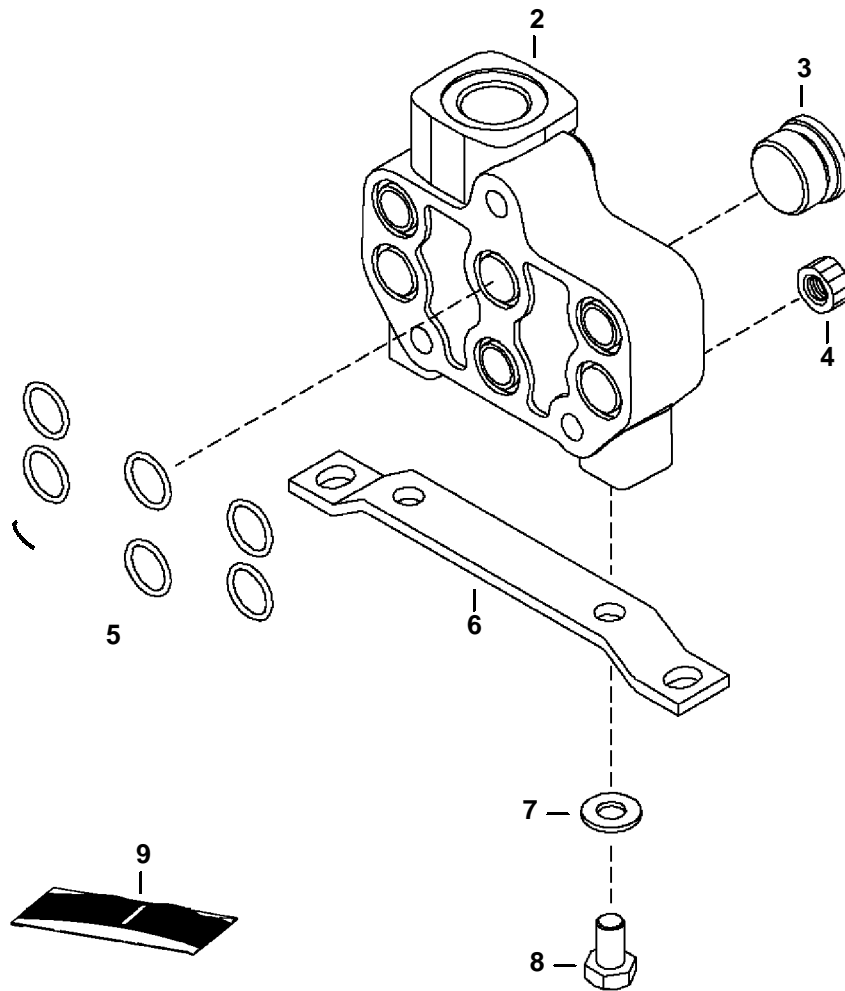


MS-1281

**VALVE SECTION (Cont'd)**  
**(Auxilliary)**

Ref. Part No.	Part Number	Description	Remarks	Serial Number	Qty.
1	6679726	VALVE	section - auxilliary - Ref. 2-23		1
2*	NSS	END CAP			1
3*	NSS	SPOOL LOCK			1
4*	NSS	COLLAR			1
5*	NSS	SPRING			1
6*	NSS	COLLAR			1
7	6679606	O-RING			2
8	6679618	PLUG			2
*	NSS	O-RING			x
*	NSS	O-RING			x
9	6679614	CHECK VALVE			1
*	NSS	O-RING			x
*	NSS	O-RING			x
10	6679612	SCREW			2
11	NSS	BLOCK			1
12	6679605	O-RING			1
13	6679607	SWITCH			1
14	NSS	BODY			1
15*	NSS	SPOOL LOCK			1
16	6679593	WASHER			2
17	6679601	WASHER	back-up		2
18*	NSS	O-RING			8
19	6679631	ORIFICE			1
*	NSS	O-RING			x
20	NSS	SPOOL			1
21*	6679724	LEVER ASSY	W/Ref. 22 - Was 6679500 [A]		1
*	6679495	BOOT			1
22	6679501	SCREW			2
23	6679732	SEAL KIT	section		1
	6679735	SEAL KIT	complete valve		1
	6679721	KIT	end cap - Ref. 2-7 & 10-15		1

VALVE SECTION  
(Outlet)

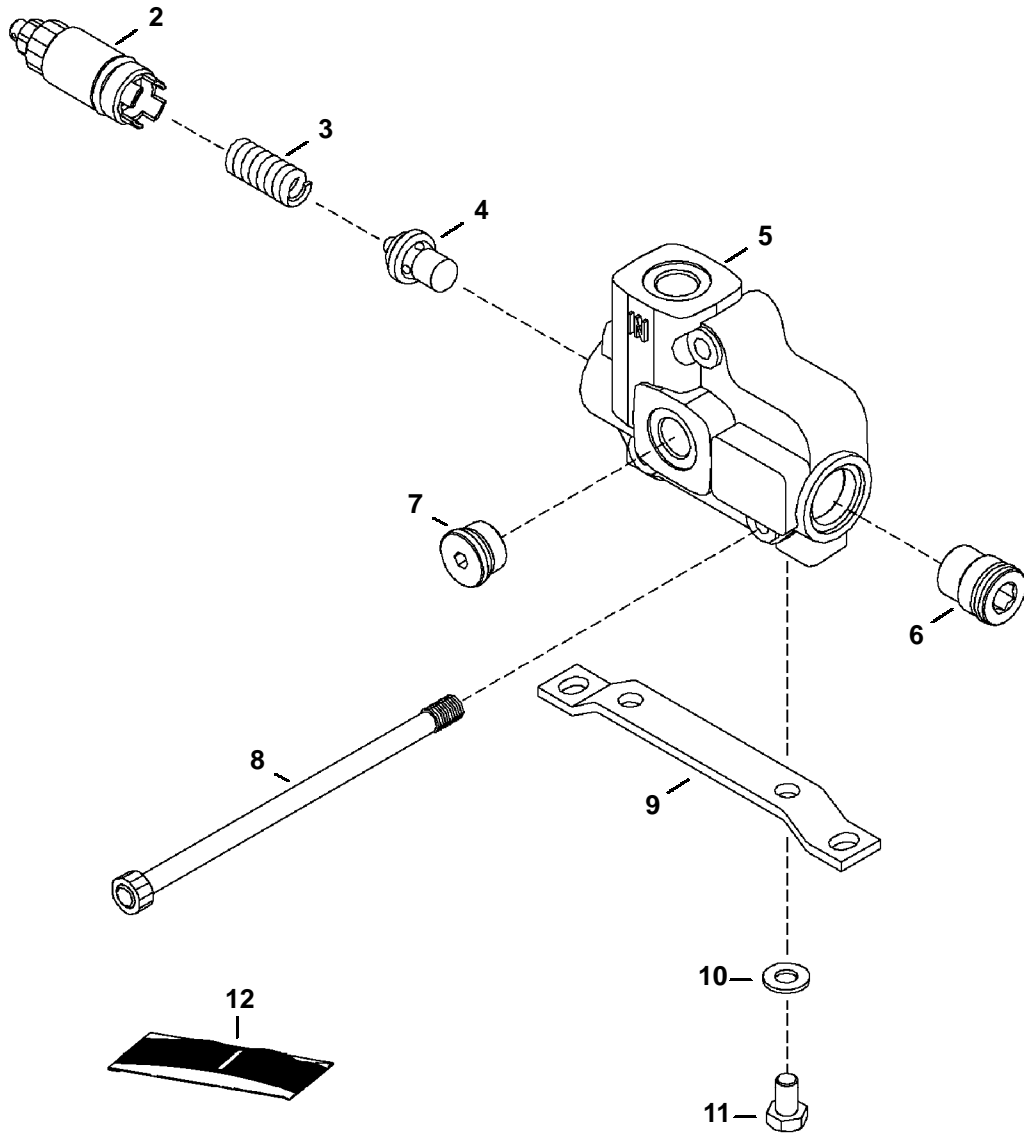


MS-1282

**VALVE SECTION (Cont'd)**  
**(Outlet)**

Ref. No.	Part Number	Description	Remarks	Serial Number	Qty.
1	6679725	VALVE	section - outlet - Ref. 2-9		1
2	NSS	BODY			1
3	6679629	PLUG			1
4*	6679701	O-RING	Order 6679620 - Was 6679602 [A]		x
5	NAP	NUT			2
5	NSS	O-RING			6
6*	NSS	BRACKET			1
7*	NSS	WASHER			2
8*	NSS	SCREW			2
9	6679731	SEAL KIT	section complete valve mounting - Ref. 6-8		1
	6679735	SEAL KIT			1
	6679715	KIT			1

VALVE SECTION  
(Inlet)



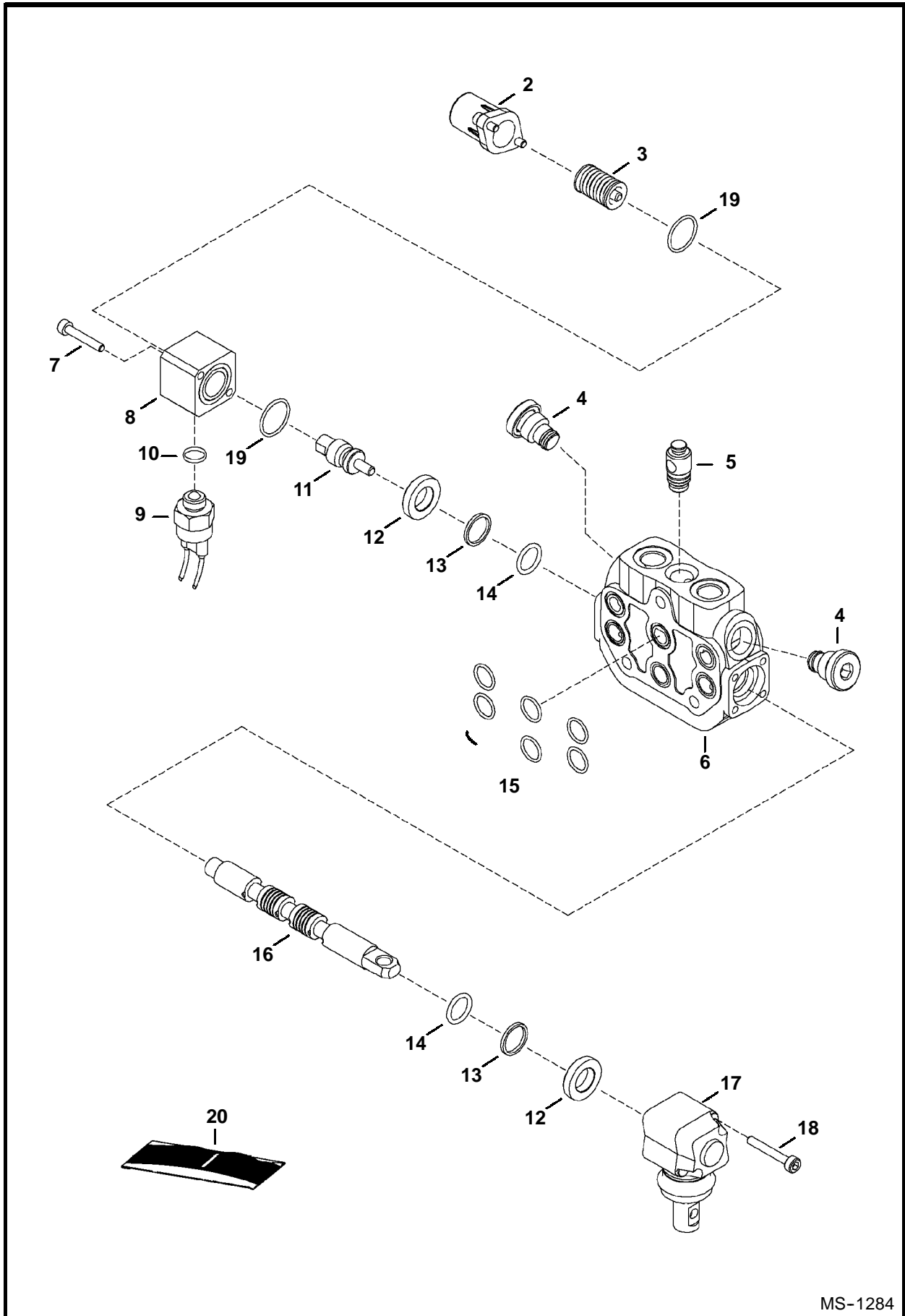
MS-1283



**VALVE SECTION (Cont'd)  
(Inlet)**

Ref. No.	Part Number	Description	Remarks	Serial Number	Qty.
1	6679712	VALVE	section - inlet - Ref. 2-12		1
2*	NSS	CAP			1
	* NSS	O-RING			x
	* NSS	O-RING			x
3*	NSS	SPRING			1
4*	NSS	RELIEF VALVE			1
5	NSS	BLOCK			1
6	6679619	PLUG			1
	* NSS	O-RING			x
7	6679600	PLUG			1
	* NSS	O-RING			x
8	6679620	ROD W/NUT			2
9*	NSS	BRACKET			1
10*	NSS	WASHER			2
11*	NSS	SCREW			2
12	6679717	SEAL KIT	section complete valve inlet - Ref. 2-4		1
	6679720	SEAL KIT			1
	6679714	KIT			1
	6679715	KIT	mounting - Ref. 9-11		1

# VALVE SECTION (Travel)

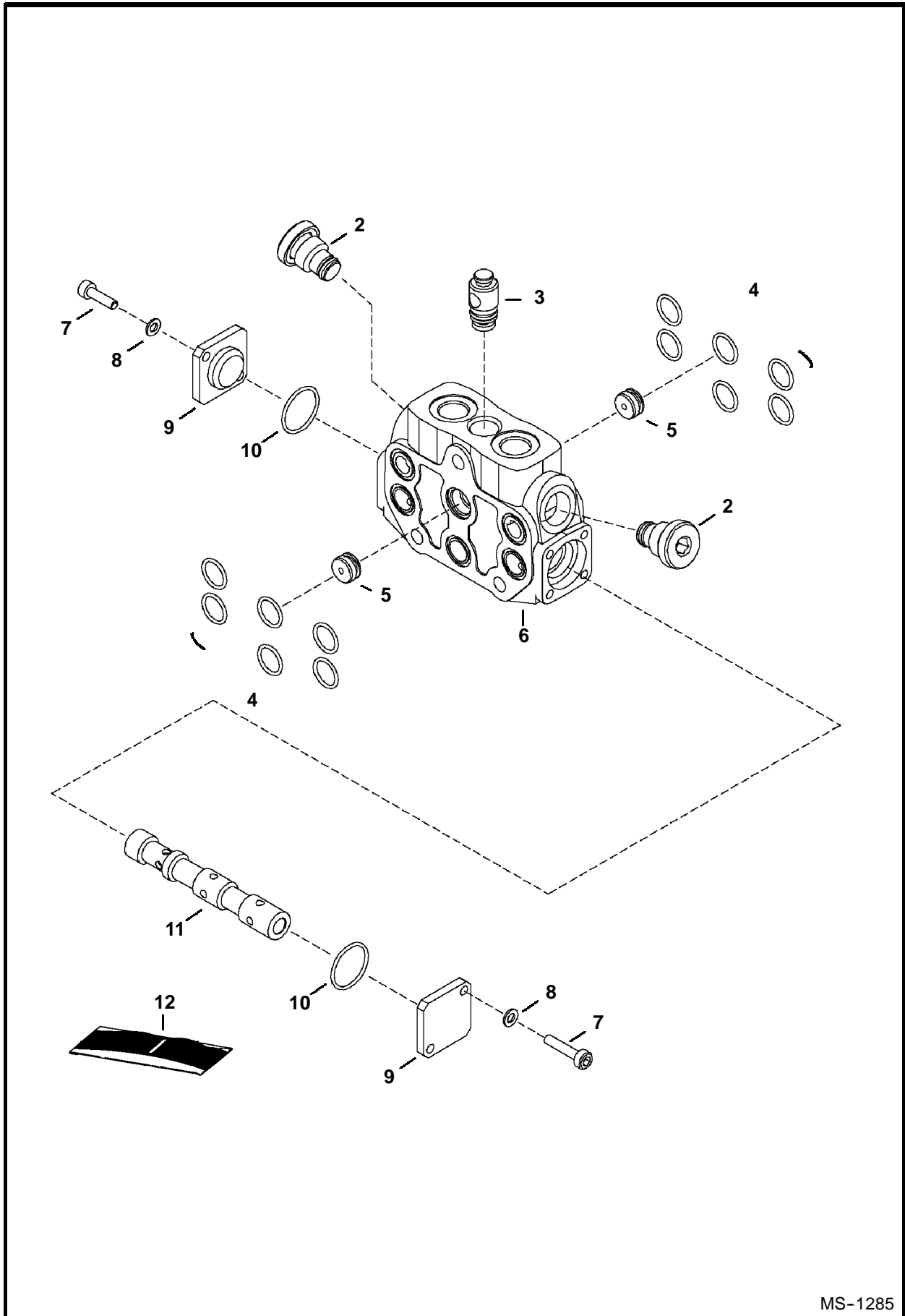


MS-1284

**VALVE SECTION (Cont'd)**  
**(Travel)**

<b>Ref. No.</b>	<b>Part Number</b>	<b>Description</b>	<b>Remarks</b>	<b>Serial Number</b>	<b>Qty.</b>
1	6679711	VALVE	section - tavel - Ref. 2-20		1
2*	NSS	END CAP			1
3*	NSS	SPRING ASSY			1
4	6679618	PLUG			2
*	NSS	O-RING			x
*	NSS	O-RING			x
*	NSS	O-RING			x
5	6679614	CHECK VALVE			1
*	NSS	O-RING			x
*	NSS	O-RING			x
6	NSS	BODY			1
7	6679612	SCREW			2
8	NSS	BLOCK			1
9	6679607	SWITCH	W/Ref. 10		1
10	6679605	O-RING			1
11*	NSS	SPOOL LOCK			1
12	6679593	WASHER			2
13	6679601	WASHER	back-up		2
14	6679499	O-RING			2
15*	NSS	O-RING			6
16	NSS	SPOOL			1
17*	6679716	LEVER ASSY	W/Ref. 18 - Was 6679599 [A]		1
*	6679495	BOOT			1
18	6679501	SCREW			2
19	6679606	O-RING			2
20	6679719	SEAL KIT	section		1
	6679720	SEAL KIT	complete valve		1
	6679713	KIT	control - Ref. 2, 3, 7-11 & 19		1
	6679716	KIT	lever - Ref. 17-18		1

# VALVE SECTION (Work)

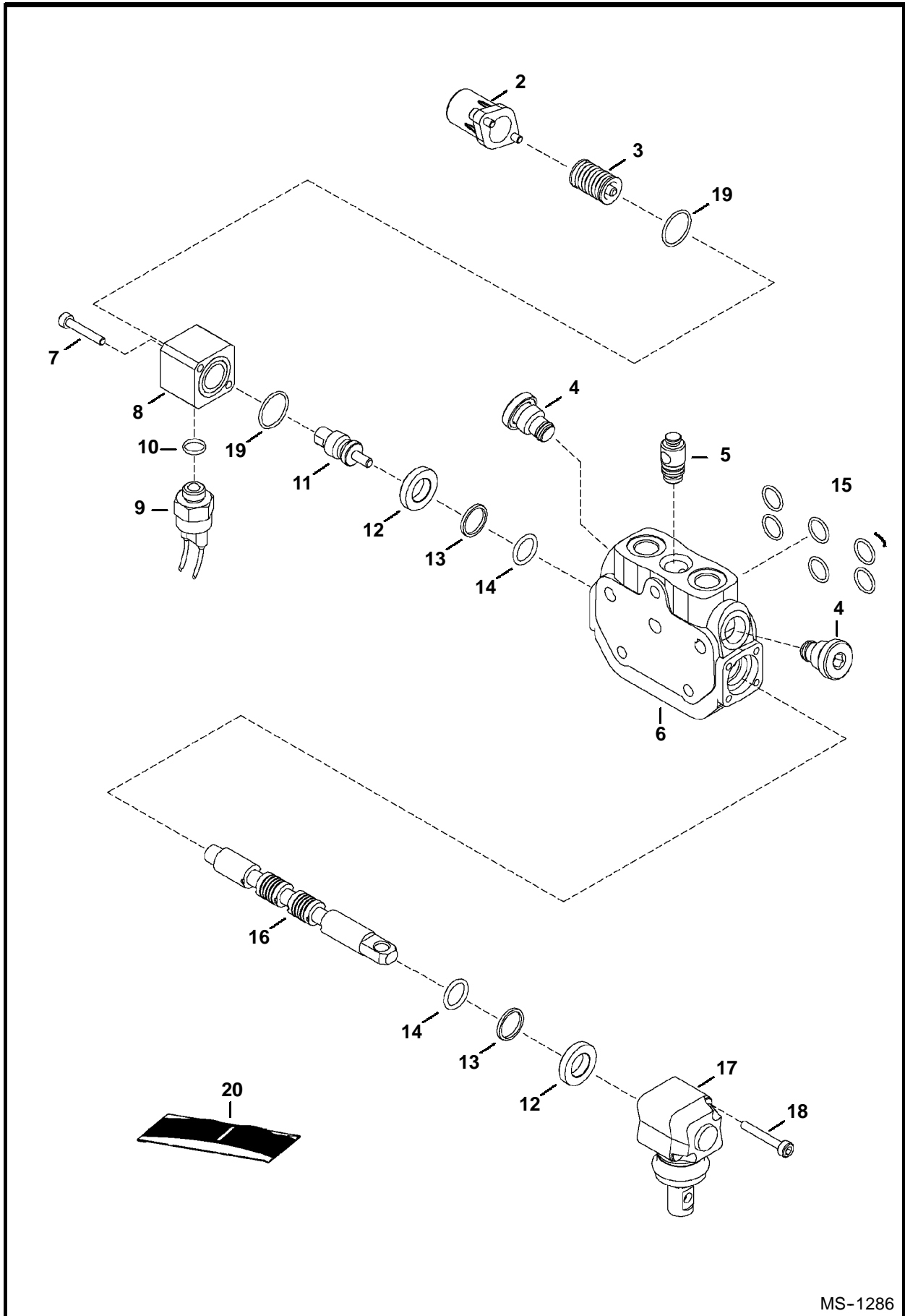


MS-1285

**VALVE SECTION (Cont'd)  
(Work)**

<b>Ref. No.</b>	<b>Part Number</b>	<b>Description</b>	<b>Remarks</b>	<b>Serial Number</b>	<b>Qty.</b>
1	6679710	VALVE	section - work - Ref. 2-12		1
2	6679618	PLUG			2
*	NSS	O-RING			x
*	NSS	O-RING			x
3	6679614	CHECK VALVE			1
*	NSS	O-RING			x
*	NSS	O-RING			x
4*	NSS	O-RING			12
5	6679613	PLUG			2
*	NSS	O-RING			x
6	NSS	BODY			1
7	6679611	SCREW			4
8	6679609	WASHER			4
9	6679595	END CAP			2
10*	NSS	SEAL			2
11	NSS	SPOOL			1
12	6679718	SEAL KIT	section		1
	6679720	SEAL KIT	complete valve		1

# VALVE SECTION (Travel)

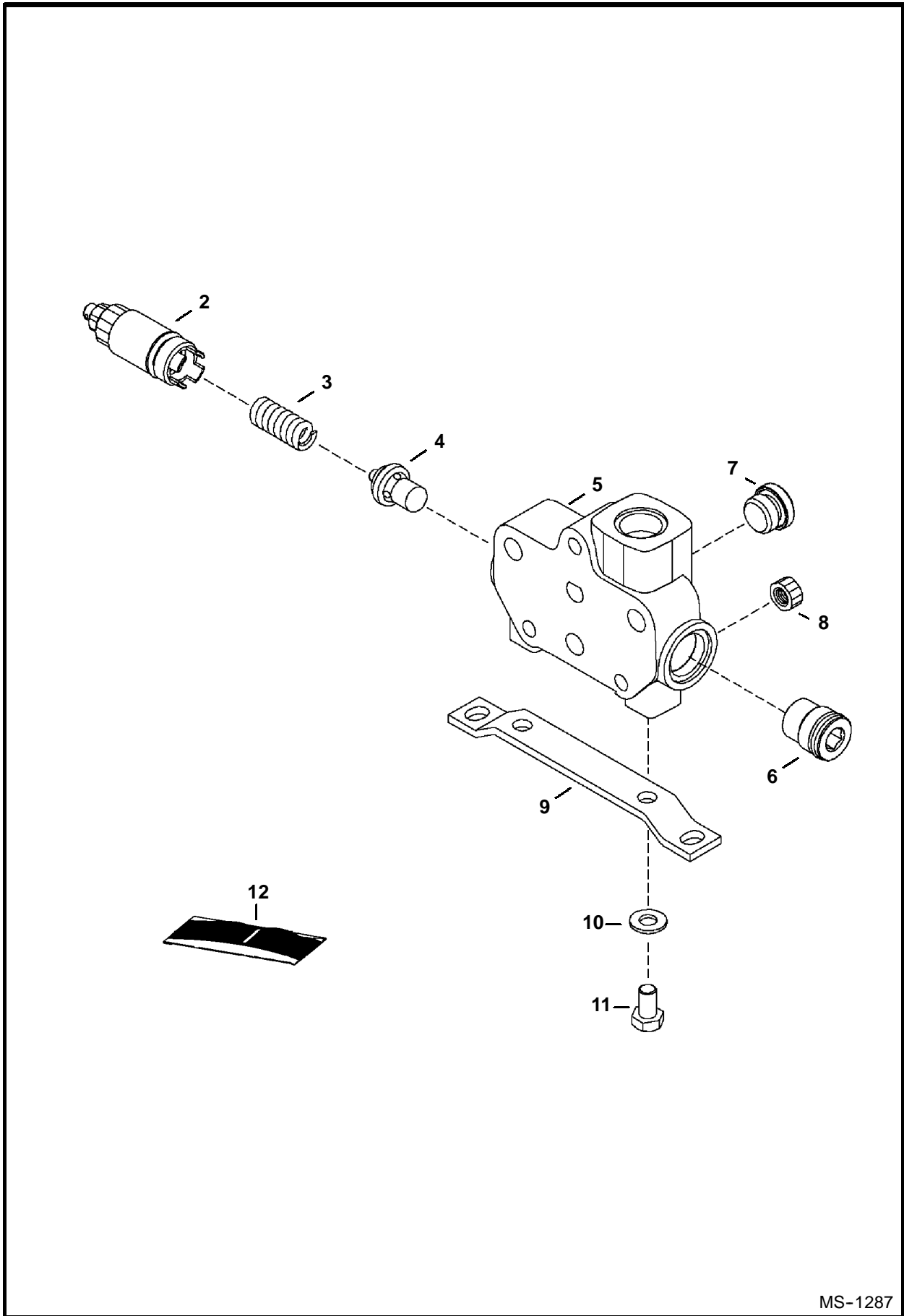


MS-1286

**VALVE SECTION (Cont'd)  
(Travel)**

Ref. No.	Part Number	Description	Remarks	Serial Number	Qty.
1	6679824	VALVE	section - travel - Ref. 2-20		1
2*	NSS	END CAP			1
3*	NSS	SPRING ASSY			1
4	6679618	PLUG			2
*	NSS	O-RING			x
*	NSS	O-RING			x
*	NSS	O-RING			x
5	6679614	CHECK VALVE			1
*	NSS	O-RING			x
*	NSS	O-RING			x
6	NSS	BODY			1
7	6679612	SCREW			2
8	NSS	BLOCK			1
9	6679607	SWITCH	W/Ref. 10		1
10	6679605	O-RING			1
11*	NSS	SPOOL LOCK			1
12	6679593	WASHER			2
13	6679601	WASHER	back-up		2
14	6679499	O-RING			2
15*	NSS	O-RING			6
16	NSS	SPOOL			1
17*	6679716	LEVER ASSY	W/Ref. 18 - Was 6679599 [A]		1
*	6679495	BOOT			1
18	6679501	SCREW			2
19	6679606	O-RING			2
20	6679719	SEAL KIT	section		1
	6679720	SEAL KIT	complete valve		1
	6679713	KIT	control - Ref. 2, 3, 7-11 & 19		1

# VALVE SECTION (Inlet)



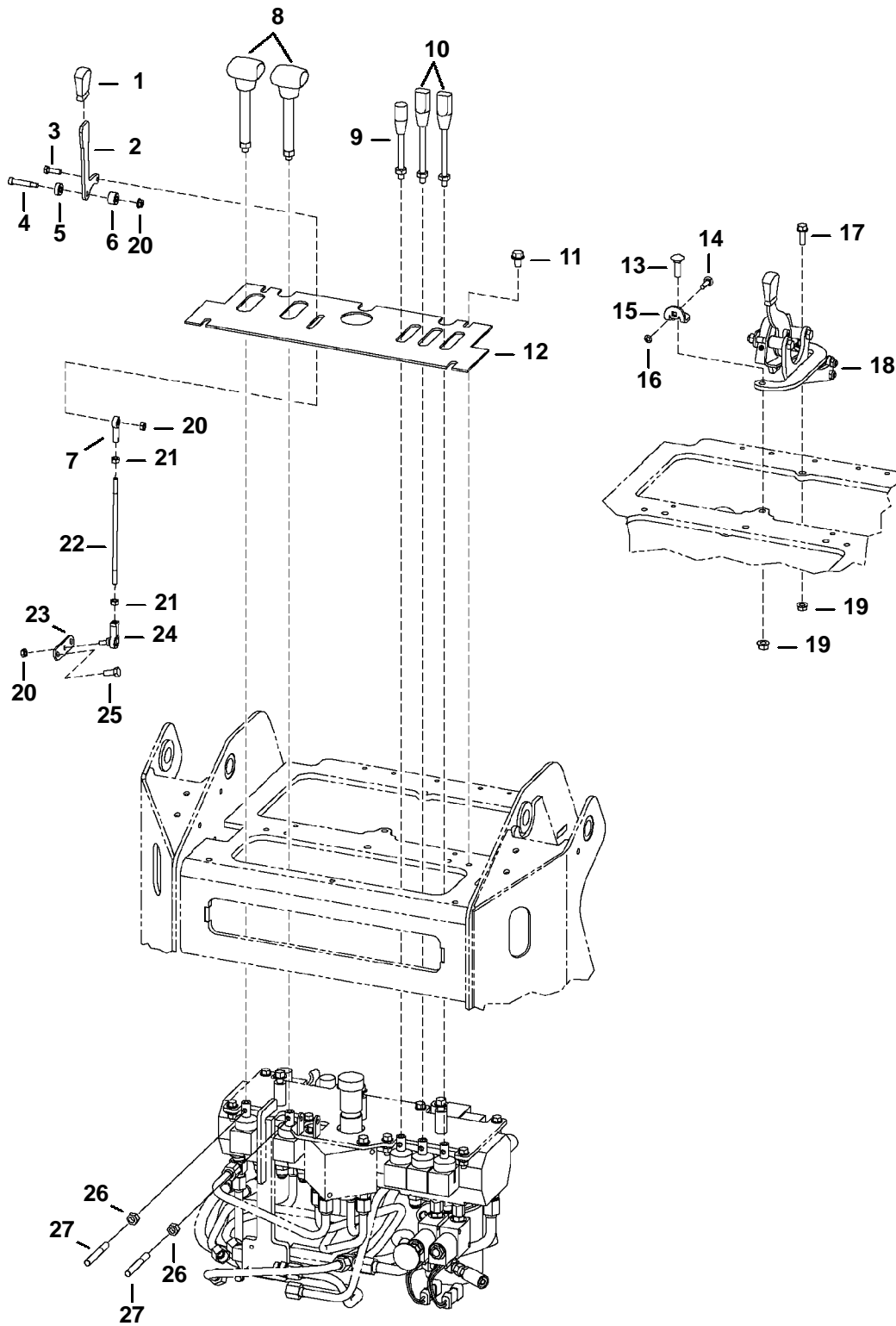
MS-1287



**VALVE SECTION (Cont'd)**  
**(Inlet)**

<b>Ref. No.</b>	<b>Part Number</b>	<b>Description</b>	<b>Remarks</b>	<b>Serial Number</b>	<b>Qty.</b>
1	6679709	VALVE	section - inlet - Ref. 2-12		1
2*	NSS	CAP			1
*	NSS	O-RING			x
* 3*	NSS	O-RING			x
3*	NSS	SPRING			1
4*	NSS	RELIEF VALVE			1
5	NSS	BLOCK			1
6	6679619	PLUG			1
	6679693	O-RING			x
7	6679600	PLUG			1
*	NSS	O-RING			x
8*	NAP	NUT	Order 6679620 - Was 6679602 [A]		2
9*	NSS	BRACKET			1
10*	NSS	WASHER			2
11*	NSS	SCREW			2
12	6679717	SEAL KIT	section		1
	6679720	SEAL KIT	complete valve		1
	6679714	KIT	inlet - Ref. 2-4		1
	6679715	KIT	mounting - Ref. 9-11		1

# HAND CONTROLS

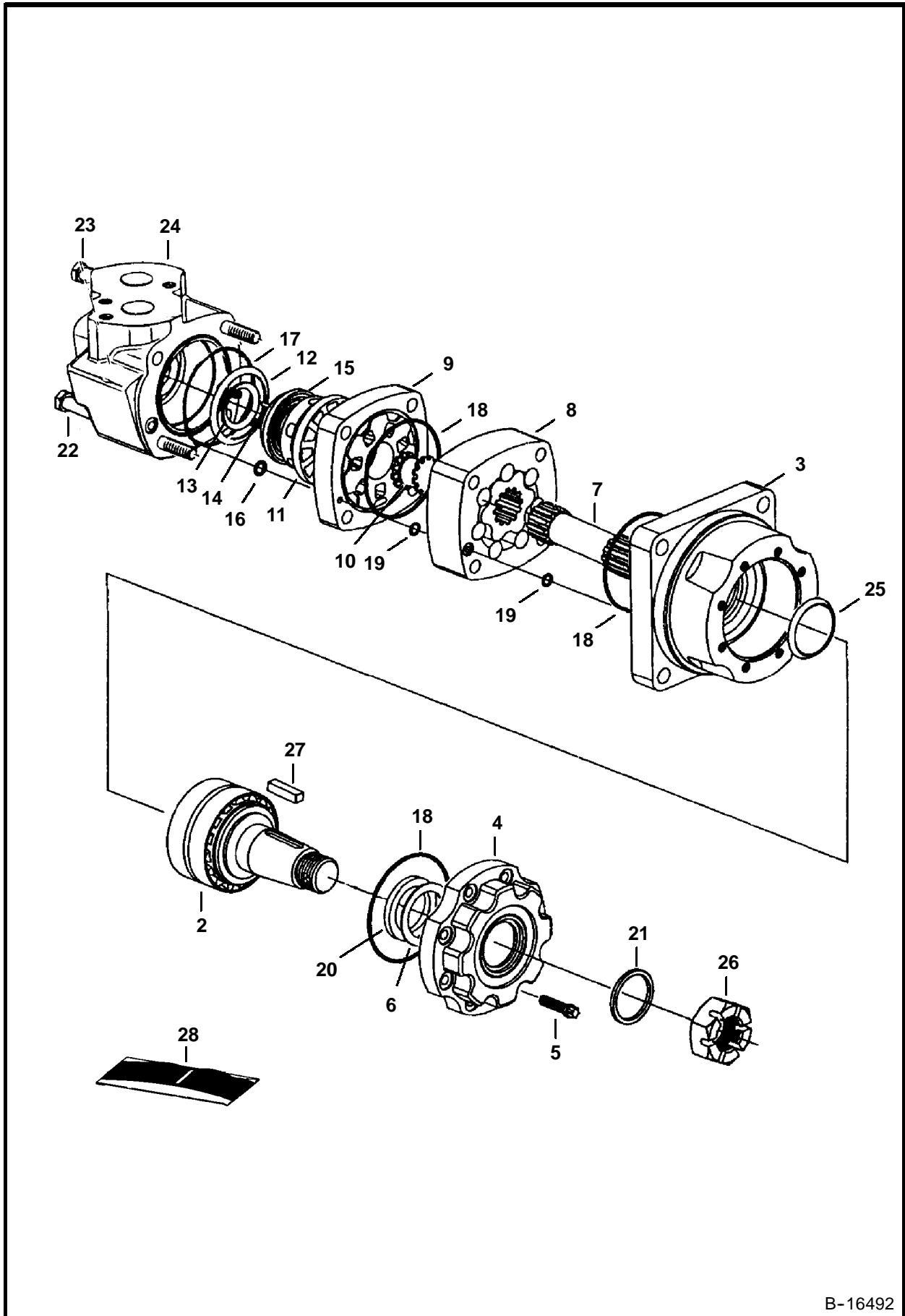


PE-1429

## HAND CONTROLS (Cont'd)

Ref. No.	Part Number	Description	Remarks	Serial Number	Qty.
1	6564452	GRIP			1
2	6732102	LEVER	diverter		1
3	17C-414	BOLT			1
4	38C-520	BOLT			1
5	6732191	SPACER			1
6	6732189	SPACER			1
7	6593671	CONNECTOR	rod end		1
8	6731321	HANDLE ASSY			1
9	6678896	LEVER			1
10	6678895	LEVER			2
11	84G-3710	BOLT			4
12	6731341	COVER	valve		1
13	37C-620	BOLT			1
14	37C-416	BOLT			1
15	6732067	BRACKET			1
16	6675212	RETAINER	bolt		1
17	35C-620	BOLT			1
18		THROTTLE ASSY	See Page 85		1
19	97D-6	NUT			2
20	59D-4	NUT			3
21	62D-4	NUT			2
22	6732100	ROD	threaded		1
23	6732098	PLATE	diverter		1
24	6631036	BALL JOINT			1
25	1CM-820	BOLT			2
26	4DM-10	NUT			2
27	6731320	STOP LEVER			2

DRIVE MOTOR  
(110-1197-006)

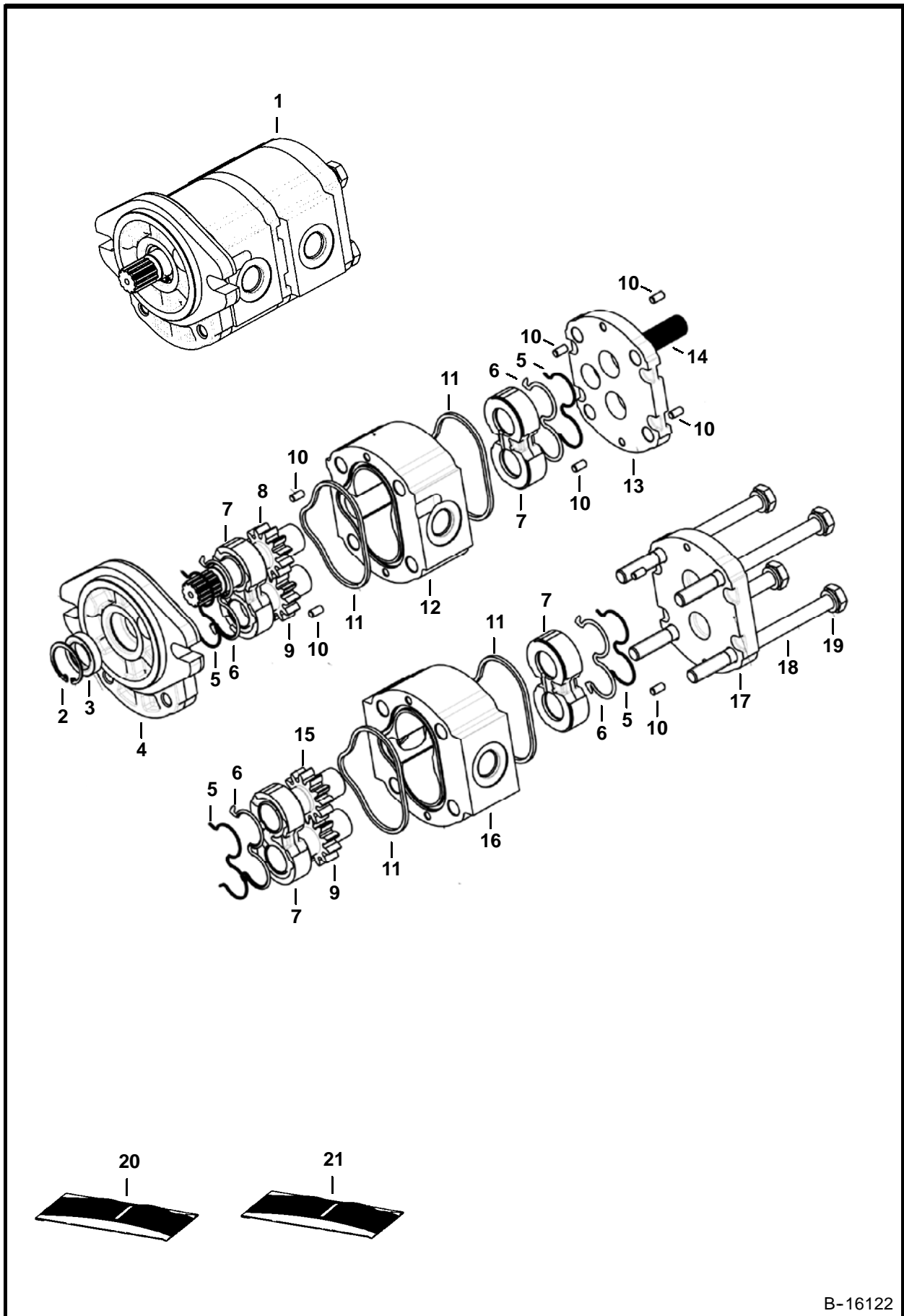


B-16492

**DRIVE MOTOR (Cont'd)**  
**(110-1197-006)**

Ref. No.	Part Number	Description	Remarks	Serial Number	Qty.
1	6680104	MOTOR	W/Ref. 2-27		1
2	6669423	SHAFT ASSY			1
3	6680167	HOUSING			1
4	6680168	COVER			1
5	6666938	SCREW			8
6	6666939	BACKUP RING			1
7	6680169	SHAFT			1
8	6669427	GEROLER			1
9	6513505	PLATE			1
10	6513506	DRIVE	valve		1
11	6513507	VALVE			1
12	6513530	SEAL	outer		1
13	6666941	SEAL	inner		1
14	6190121	SPRING			2
15	6630042	PLATE	balancing		1
16	25K-20010	O-RING			1
17	6680170	O-RING			1
18	6680171	O-RING			3
19	6667332	O-RING			2
20	3390205	SEAL	shaft		1
21	6630796	SEAL			2
22	6669428	BOLT			2
23	6680172	BOLT			2
24	6680173	HOUSING			1
25	6513529	SEAL	face		1
26	6669430	NUT	slotted		1
27	6680174	KEY			1
28	6666926	SEAL KIT	Rear - Ref. 11, 12 & 16-19		1
	6666928	SEAL KIT	Shaft - Ref. 6, 18, 20, 21 & 25		

# GEAR PUMP

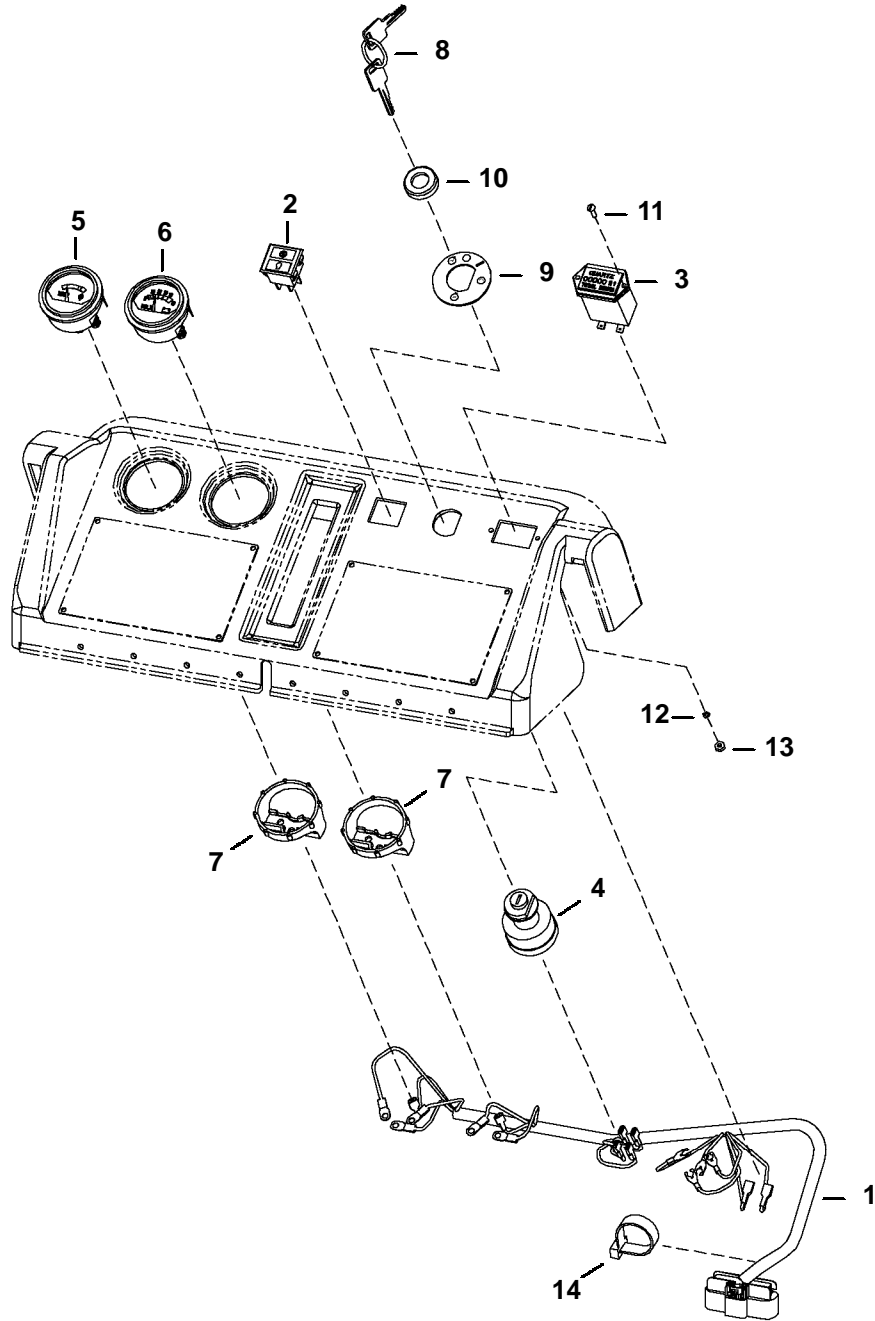


B-16122

### GEAR PUMP (Cont'd)

Ref. No.	Part Number	Description	Remarks	Serial Number	Qty.
1	6678819	PUMP	gear - Ref. 2-19		1
2	6679164	RING			1
3	6679163	SEAL	shaft		1
4	6679153	COVER	front		1
5	NSS	RING	back-up		4
6	NSS	SEAL			4
7	NSS	PLATE	thrust - Order Ref. 21		4
8	NSS	SHAFT	drive - Order Ref. 21		1
9	NSS	GEAR	Order Ref. 21		2
10	6679168	DOWEL			8
11	NSS	SEAL			4
12	NSS	BLOCK	Order Ref. 21		1
13	6679166	FLANGE			1
14	6679167	SHAFT	splined		1
15	6679157	GEAR			1
16	NSS	BLOCK	Order Ref. 21		1
17	6679154	COVER	rear		1
18	6679159	BOLT			4
19	6679160	WASHER			4
20	6679749	SEAL KIT	Ref. 5, 6 & 11		1
21	6679758	SECTION KIT	front		1
	6679759	SECTION KIT	back		1

# CONSOLE ELECTRICAL CIRCUITRY



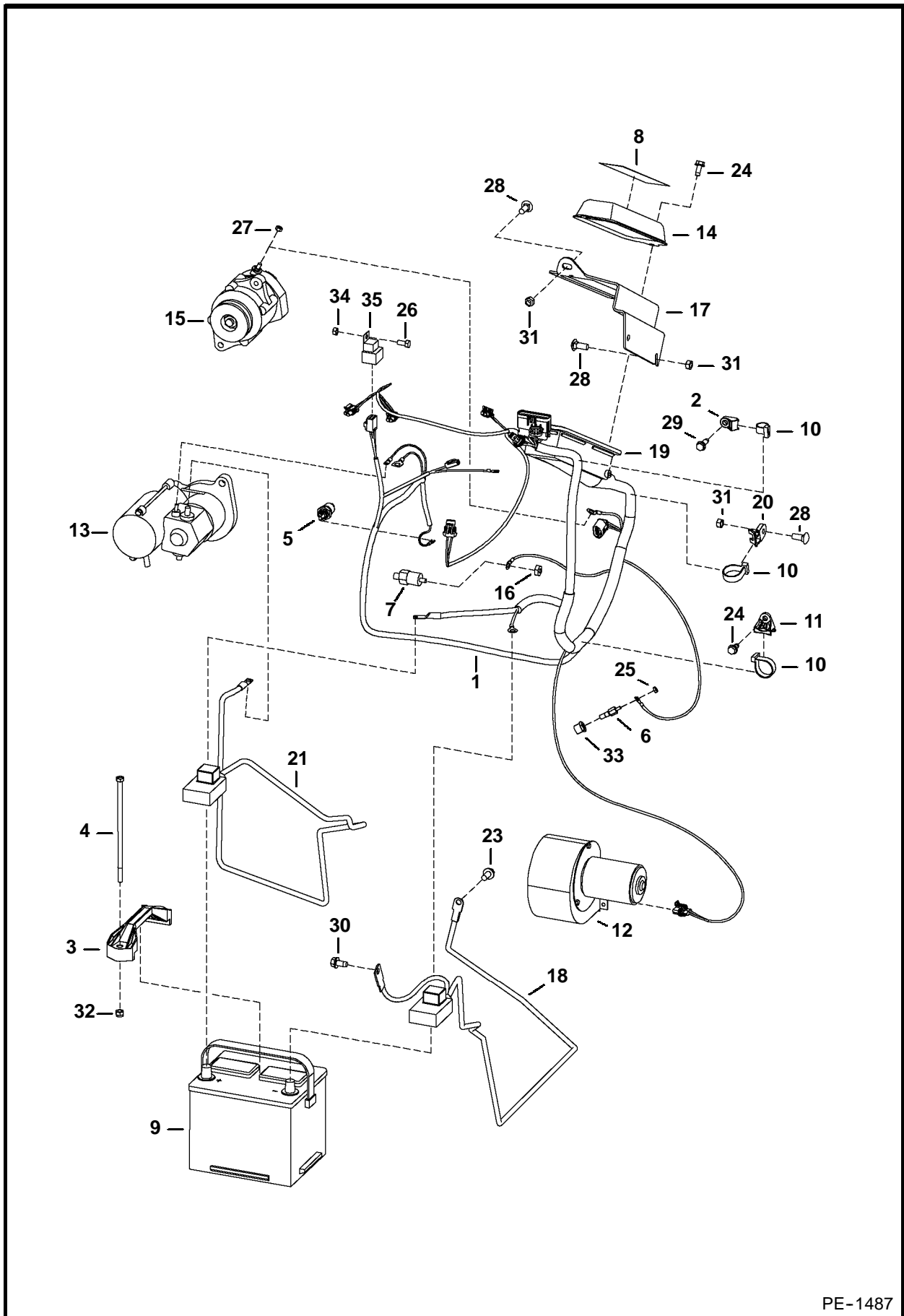
PE-1486



CONSOLE ELECTRICAL CIRCUITRY (Cont'd)

Ref. No.	Part Number	Description	Remarks	Serial Number	Qty.
1	6731489	HARNESS	console		1
2	6636018	LIGHT	indicator		1
3	6664886	HOUR METER			1
4	6665606	SEAL	ignition switch		1
5	6669663	GAUGE	coolant temp		1
6	6669664	GAUGE		volt	1
7	6679027	CLAMP	gauge		2
8	6709527	KEY			2
9	6596218	PLATE	ignition switch		1
10	6674202	NUT			1
11	85G-608	BOLT			2
12	17E-6	WASHER			2
13	12D-6	NUT			2
14*	6678669	TIE STRAP			1

# ENGINE ELECTRICAL CIRCUITRY

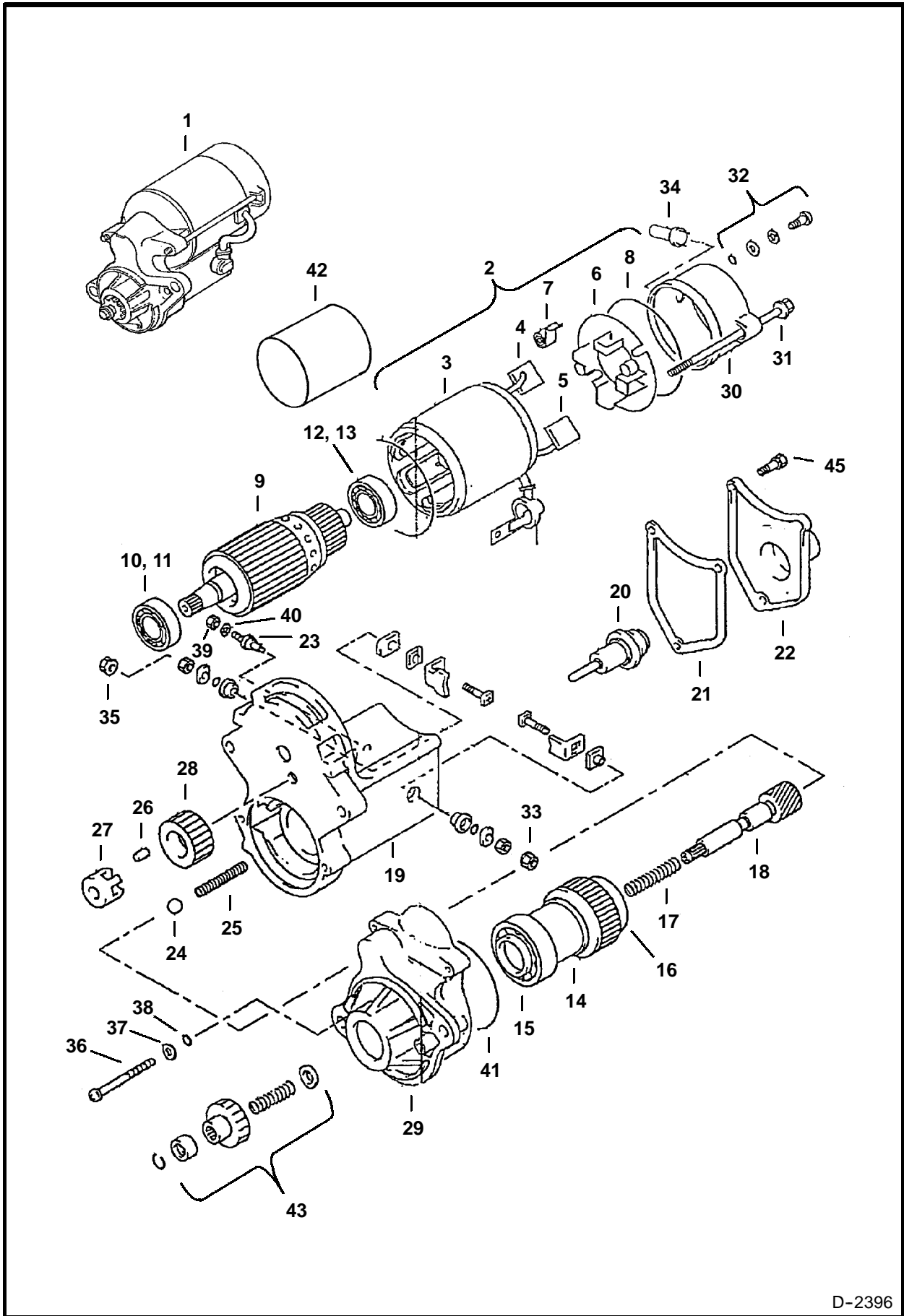


PE-1487

## ENGINE ELECTRICAL CIRCUITRY (Cont'd)

Ref. No.	Part Number	Description	Remarks	Serial Number	Qty.
1	6731488	HARNESS	engine		1
	6718033	FUSE	10 amp.		2
	6654806	FUSE	15 amp.		1
	6702444	FUSE	25 amp.		4
	6718034	FUSE	30 amp.		1
	6679820	SWITCH	relay		6
	6673200	DIODE			2
	6632453	BOOT			2
2	6678667	MOUNT	heavy duty		1
3	6569203	CLAMP	battery		1
4	6731941	BOLT	battery clamp		2
5	6632633	SWITCH	hydro. temp.		1
6	6658818	SENDER	engine temp.		1
7*	6631010	SWITCH	eng oil pres - Was 6676053 [B]		1
8	6731639	DECAL	fuse/relay		1
9	6670251	BATTERY			1
	6630154	CAP	gang - Danger		1
	6630155	CAP	gang - Poison		1
	6514898	CAP	tilt-tite		6
10	6678669	TIE STRAP			7
11	6678818	MOUNT			1
12	6678901	BLOWER	sealed - See Page 87		1
13		STARTER	See Page 75		1
14	6716621	COVER	fuse/relay		1
15		ALTERNATOR	See Page 77		1
16	12D-8	NUT			1
17	6731623	BRACKET	Relay		1
18	6731497	CABLE	Negative		1
19	6718659	HOUSING	fuse - boot		1
20	6679034	MOUNT	harness		2
21	6731498	CABLE	Positive		1
22	6624289	TIE STRAP			1
23	29CM-1020	BOLT			1
24	84G-3112	BOLT			3
25	14D-10	NUT			1
26	17C-410	BOLT			1
27	4DM-6	NUT			1
28	37C-616	BOLT			3
29	84G-3116	BOLT			1
30	84G-3712	BOLT			2
31	87D-6	NUT			3
32	59D-5	NUT			2
33	19F-2	BUSHING	reducer		1
34	85D-4	NUT			1
35	6670872	TIMER	fuel shut off		1
36*	25E-17	WASHER			2

STARTER  
(1.4 KW) (Nippondenso - 228000-5740)

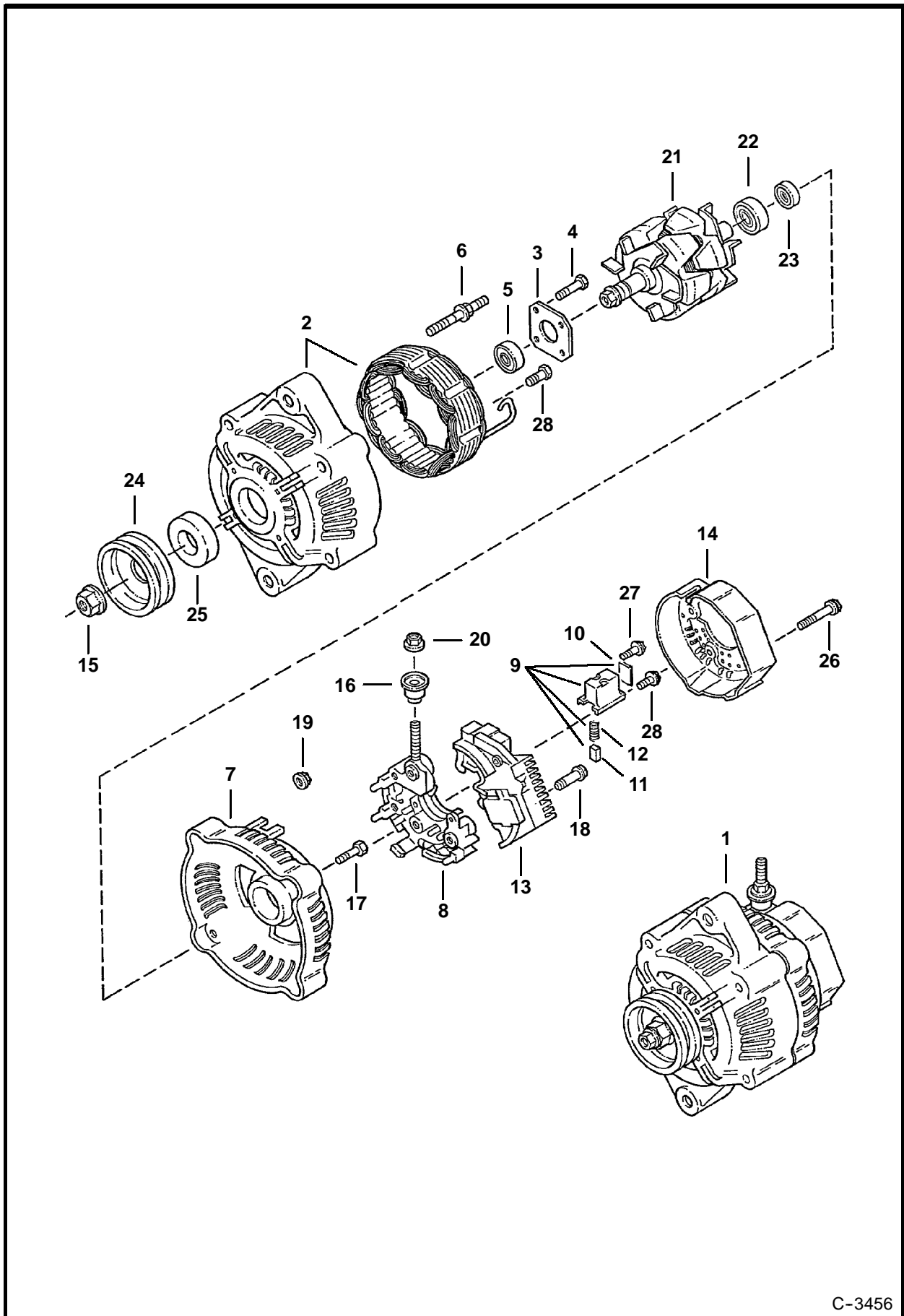


D-2396

**STARTER (Cont'd)**  
**(1.4 KW) (Nippondenso - 228000-5740)**

Ref. No.	Part Number	Description	Remarks	Serial Number	Qty.
1	6667987	STARTER			1
2	6671976	YOKE ASSY	W/Ref. 3 - 8 & 42		1
3	6671977	YOKE	W/Ref. 4		1
4	6671978	BRUSH KIT			2
5	6671979	BRUSH KIT			2
6	6671980	HOLDER	W/Ref. 7		1
7	6671981	SPRING			4
8	6671982	O-RING			2
9	6671983	ARMATURE	W/Ref. 10 - 13		1
10	6671984	BEARING			1
11	6671985	BEARING			1
12	6671986	BEARING			1
13	6671987	BEARING			1
14	6671988	CLUTCH	W/Ref. 15 & 16		1
15	6671989	BEARING			1
16	6671990	BEARING			1
17	6671991	SPRING			1
18	6671992	SHAFT			1
19	6671993	HOUSING			1
20	6671994	PLUNGER			1
21	6671995	GASKET			1
22	6671996	COVER			1
23	6671997	BOLT			1
24	6632435	BALL			1
25	6671998	SPRING			1
26	6671999	ROLLER			5
27	6672000	RETAINER			1
28	6672001	PINION			1
29	6672002	HOUSING			1
30	6672003	FRAME			1
31	6672004	BOLT			2
32	6672005	SCREW	W/ O-rings		2
33	6672006	NUT			1
34	6672007	BUSHING			1
35	6672008	NUT			1
36	6672009	BOLT			2
37	6672010	WASHER			2
38	6666631	O-RING			2
39	6672011	NUT			1
40	6672012	WASHER			1
41	6672013	O-RING			1
42	6672205	COVER			1
43	6672172	KIT			1

# ALTERNATOR (Denso)

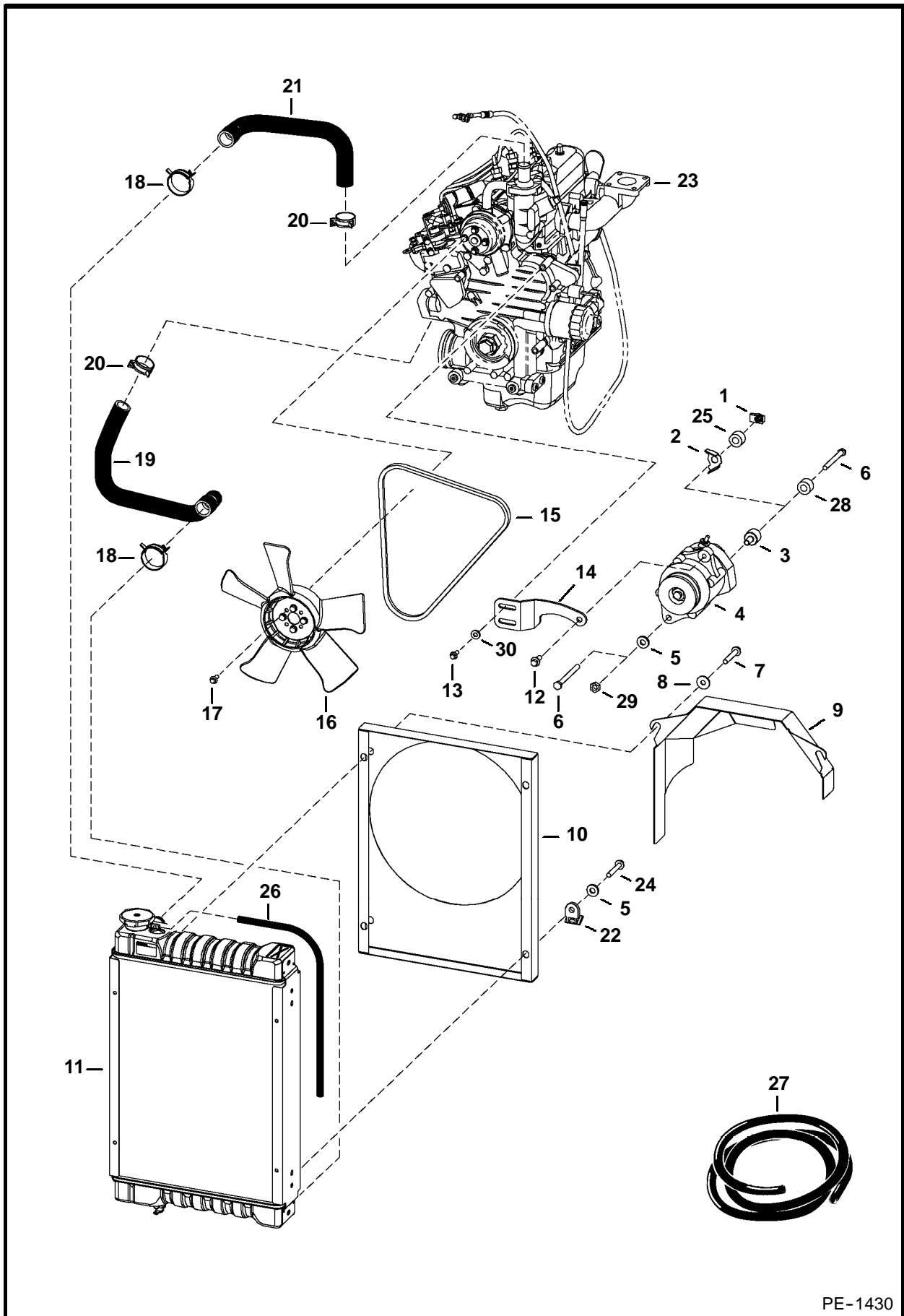


C-3456

**ALTERNATOR (Cont'd)**  
**(Denso)**

Ref. No.	Part Number	Description	Remarks	Serial Number	Qty.
1	6669618	ALTERNATOR			1
2	6671074	FRAME ASSY	W/Ref. 3, 4, 5 & 6		1
3	6671075	PLATE			1
4	6671076	SCREW			4
5	6671077	BEARING			1
6	6671078	STUD			2
7	6671079	FRAME END			1
8	6671080	HOLDER	Rectifier		1
9	6671081	HOLDER	Brush - W/Ref. 10, 11 & 12		1
10	6671082	SEAL			1
11	NSS	BRUSH	sub assy. - Order Ref. 9		2
12	NSS	SPRING	Order Ref. 9		2
13	6671085	REGULATOR	Assy.		1
14	6671086	COVER			1
15	6671087	NUT			1
16	6671088	INSULATOR	Brush		1
17	6671089	BOLT			2
18	6671090	SCREW			2
19	6671091	NUT			2
20	6671092	NUT			1
21	6671093	ROTOR ASSY	W/Ref. 22 & 23		1
22	6671094	BEARING			1
23	6671095	COVER			1
24	6671096	PULLEY			1
25	6671097	SPACER			1
26	6671098	BOLT			3
27	6671099	SCREW			1
28	6671100	SCREW			6

# ENGINE & ATTACHING PARTS (Cooling Group)



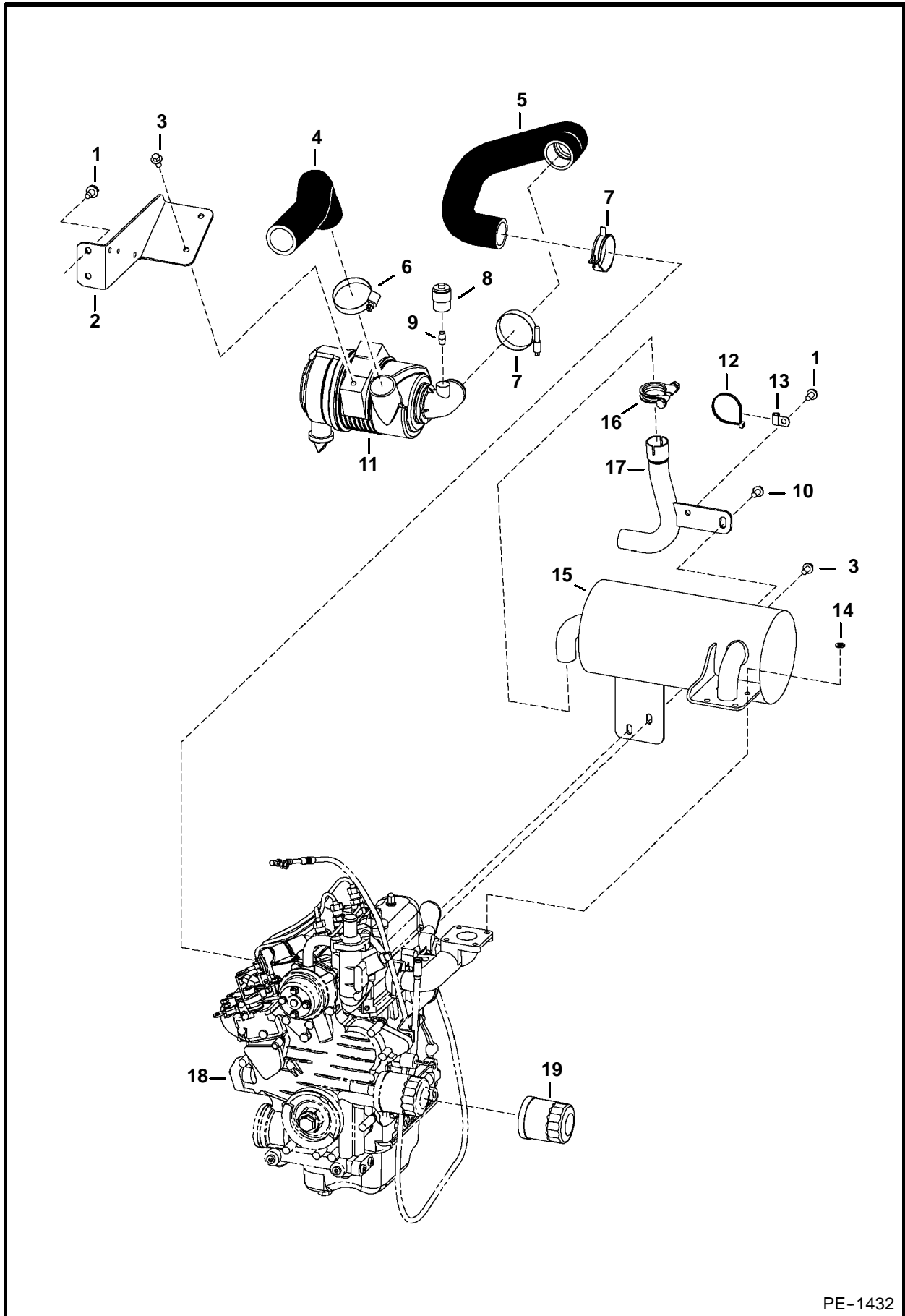
PE-1430



**ENGINE & ATTACHING PARTS (Cont'd)**  
**(Cooling Group)**

Ref. No.	Part Number	Description	Remarks	Serial Number	Qty.
1	6676169	NUT		& Bel	1
2	6808118	RETAINER		& Bel	1
3	6713749	SPACER	alternator		2
4	6669618	ALTERNATOR	See Page 77		1
5	6557831	WASHER			3
6	1CM-890	BOLT			1
7	29CM-850	BOLT			2
8	17EM-80	WASHER			2
9	6730672	FAN SHIELD			1
10	6810701	SHIELD			1
11	6679061	RADIATOR			1
	6646678	CAP			1
12	29CM-820	HOSE			1
		BOLT			1
13	29CM-616	BOLT			2
14	6730668	BRACKET	alternator		1
15	6808629	BELT	alternator		1
16	6678937	FAN			1
17		BOLT			4
18	5HM-35	CLAMP			2
19*	6732996	HOSE	lower - Was 6730664 [A]		1
20	5HM-30	CLAMP			2
21	6730666	HOSE	upper		1
22	6679034	MOUNT	harness		2
23		ENGINE	See Page 89		1
24	1CM-860	BOLT			2
25	6807444	SPACER		& Bel	1
26	NAP	HOSE	30" (762mm) long - Order Ref. 27		1
27	6577822	HOSE	bulk - Sold Per Foot		x
28*	6732978	SPACER		& Abv	1
29*	53DM-8	NUT		& Abv	1
30*	25E-13	WASHER		& Abv	2

# ENGINE & ATTACHING PARTS (Intake & Exhaust)

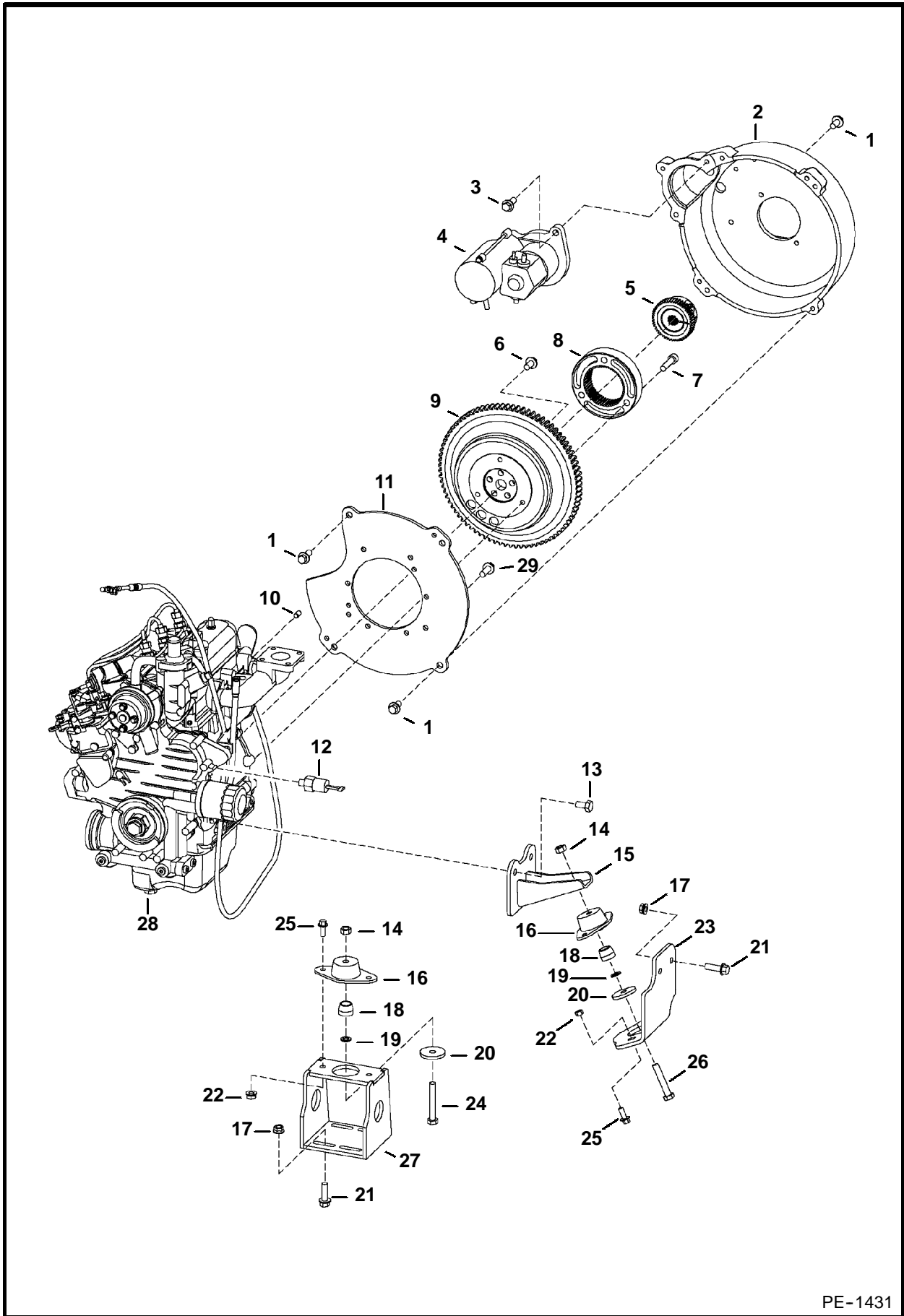


PE-1432

**ENGINE & ATTACHING PARTS (Cont'd)  
(Intake & Exhaust)**

<b>Ref. No.</b>	<b>Part Number</b>	<b>Description</b>	<b>Remarks</b>	<b>Serial Number</b>	<b>Qty.</b>
1	84G-3712	BOLT			3
2	6730665	BRACKET			1
3	29CM-816	BOLT			3
4	6730669	HOSE	air cleaner		1
5	6730680	HOSE	air intake		1
6	42H-32	CLAMP			1
7	5HM-53	CLAMP			2
8	6515007	INDICATOR			1
9	5K-106	NIPPLE			1
10	29CM-820	BOLT			1
11	6675529	AIR CLEANER	See Page 135		1
12	6624289	TIE STRAP			1
13	30H-19	CLAMP	insulated		1
14	6EM-80	WASHER	spring lock		4
15	6675542	MUFFLER			1
16	6676166	CLAMP	exhaust		1
17	6730670	TUBE	exhaust		1
18		ENGINE	See Page 89		1
19	6671057	FILTER			1

# ENGINE & ATTACHING PARTS (Engine Mounts)

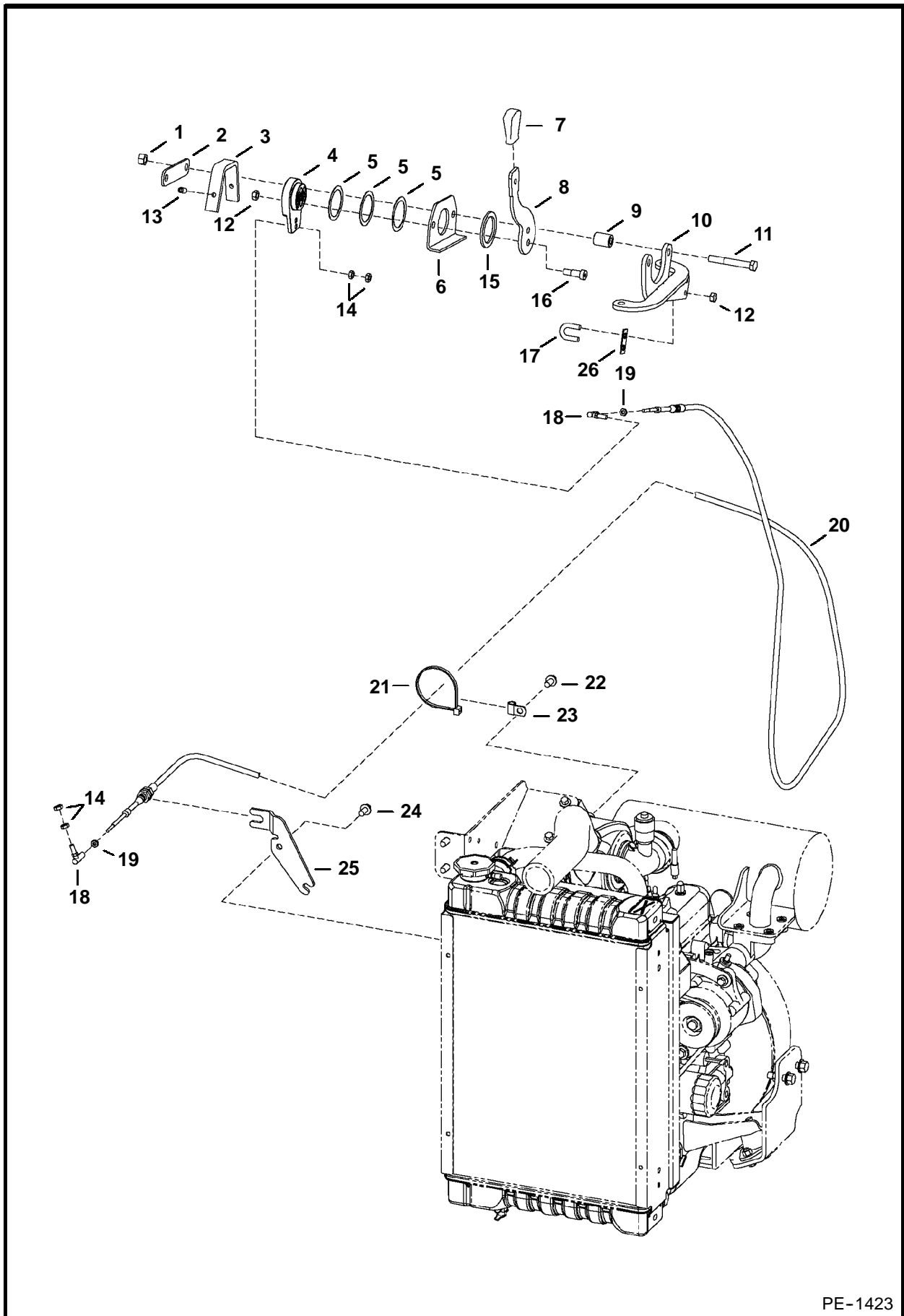


PE-1431

**ENGINE & ATTACHING PARTS (Cont'd)**  
**(Engine Mounts)**

Ref. No.	Part Number	Description	Remarks	Serial Number	Qty.
1	29CM-1020	BOLT			4
2	6807287	HOUSING			1
3	29CM-1025	BOLT			2
4	6669633	STARTER	See Page 75		4
5	6850038	COUPLER			1
6		BOLT	flywheel		1
7	3GM-1040	BOLT			3
8	6850028	COUPLER			1
9	6804875	FLYWHEEL ASSY			1
10	21JM-816	DOWEL			2
11	6801352	PLATE			1
12	6676053	SWITCH	pressure		1
13	5CM-1020	BOLT			6
14	53DM-10	NUT			3
15	6806246	MOUNT	engine		2
16	6653764	MOUNT			3
17	53D-6	NUT			4
18	6804522	SPACER			3
19	15EM-100	WASHER			3
20	872229	WASHER			3
21*	35C-616	BOLT	Was 35C-620 [B]		8
22	53DM-8	NUT			6
23	6731306	BRACKET			2
24	1CM-1060	BOLT			1
25	29CM-820	BOLT			6
26	1CM-1050	BOLT			2
27	6730671	MOUNT	engine		1
28		ENGINE	See Page 89		1
29	29CM-816	BOLT			8

# THROTTLE

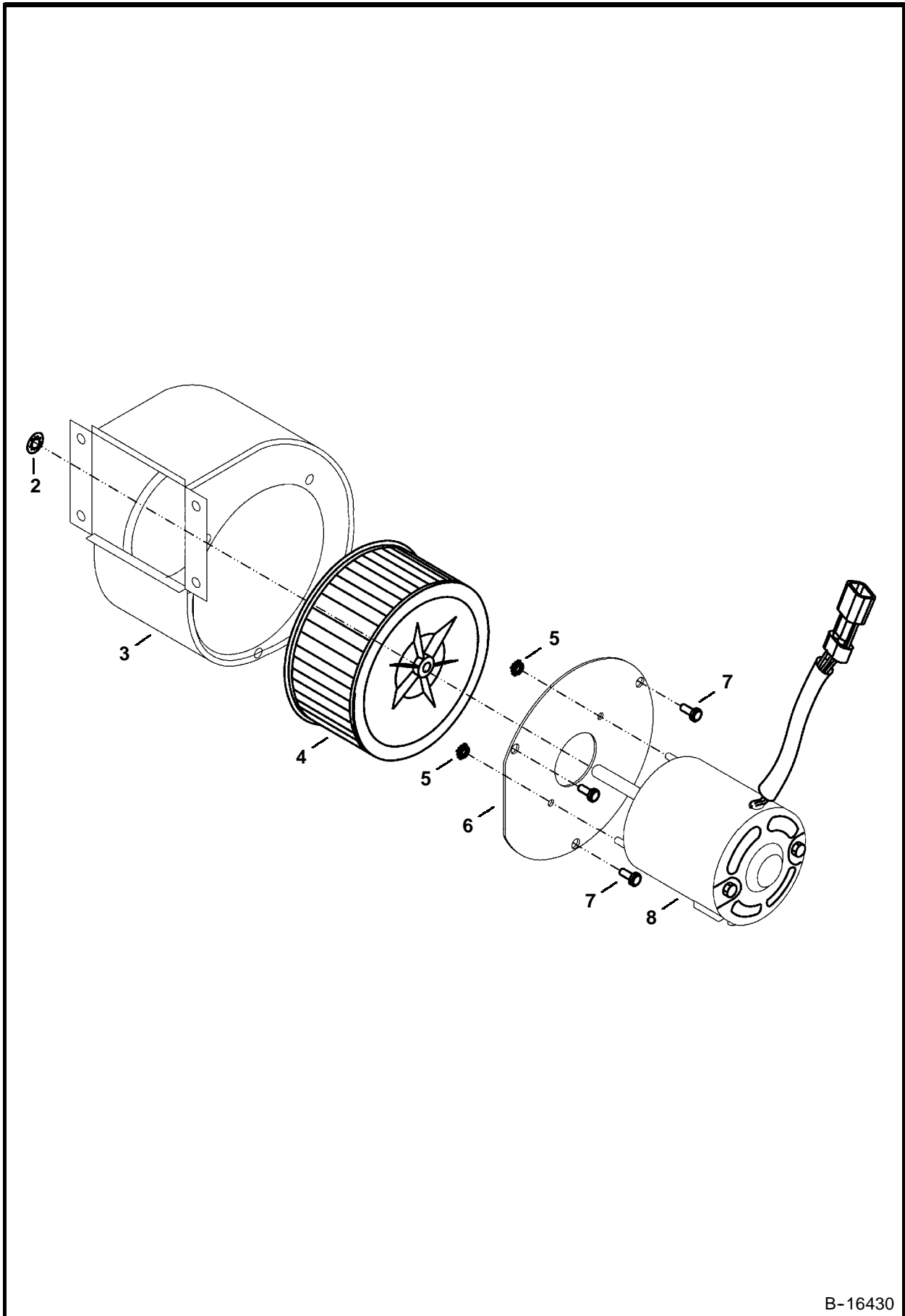


PE-1423

## THROTTLE (Cont'd)

Ref. No.	Part Number	Description	Remarks	Serial Number	Qty.
1	91D-6	NUT			2
2	6732080	PLATE	throttle		1
3	6576261	COVER	throttle		1
4	6709022	LEVER			1
5	6630945	WASHER	wave spring		3
6	6576262	BRACKET	throttle		1
7	6564452	GRIP			1
8	6705452	LEVER	throttle		1
9	6731328	SPACER			2
10	6731325	THROTTLE ASSY			1
11	17C-644	BOLT			2
12	85D-5	NUT			4
13	6706572	SCREW			2
14	8D-4	NUT			4
15	6567962	WASHER			1
16	38C-610	BOLT			2
17	6592766	U-BOLT			1
18	6644965	BALL JOINT			2
19	14D-10	NUT			2
20	6675668	CABLE	throttle		1
21	6624289	TIE STRAP			1
22	84G-3712	BOLT			1
23	30H-19	CLAMP			1
24	29CM-816	BOLT			2
25	6807744	BRACKET			1
26	6713920	SHIM			1

# BLOWER ASSEMBLY

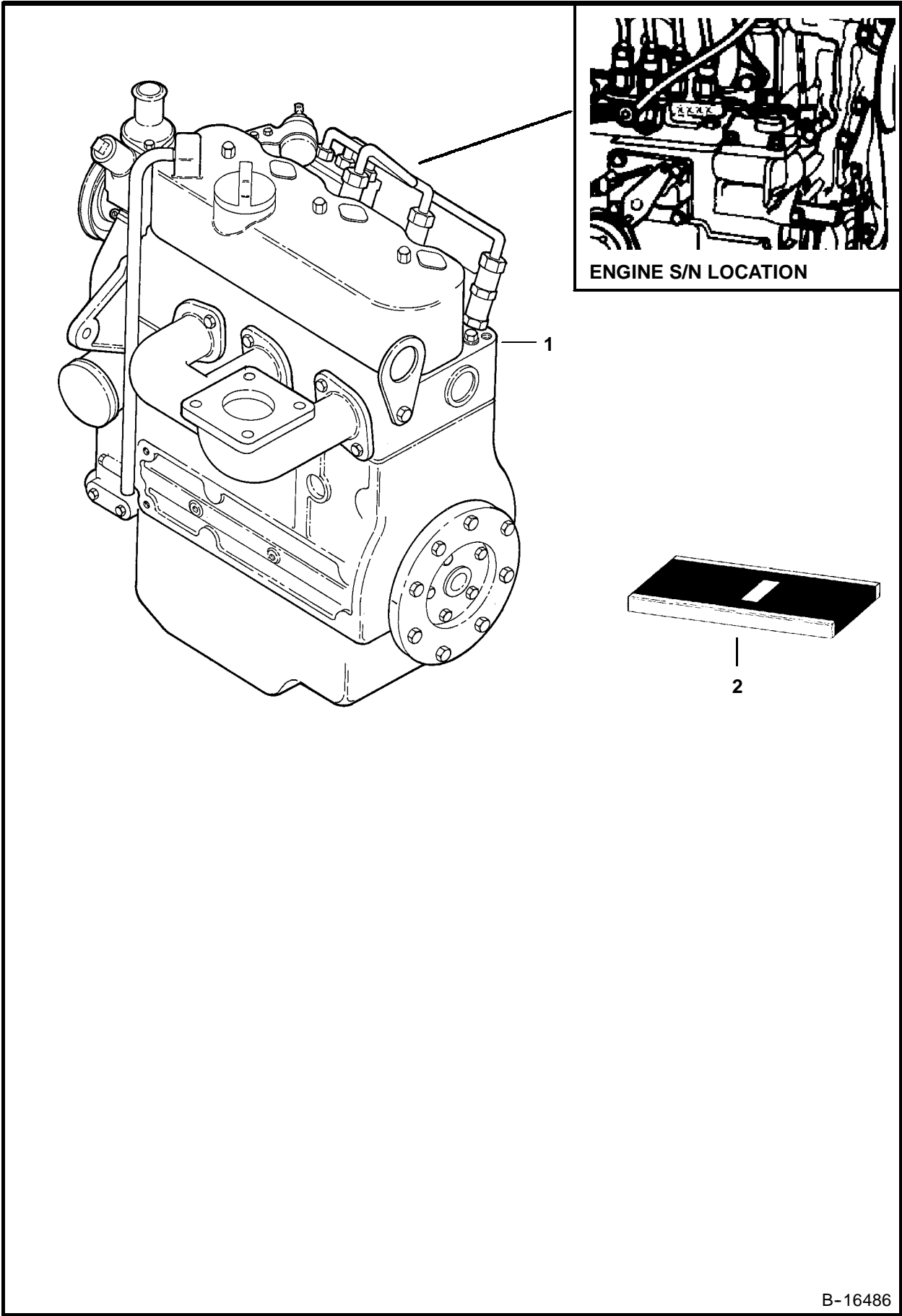


B-16430





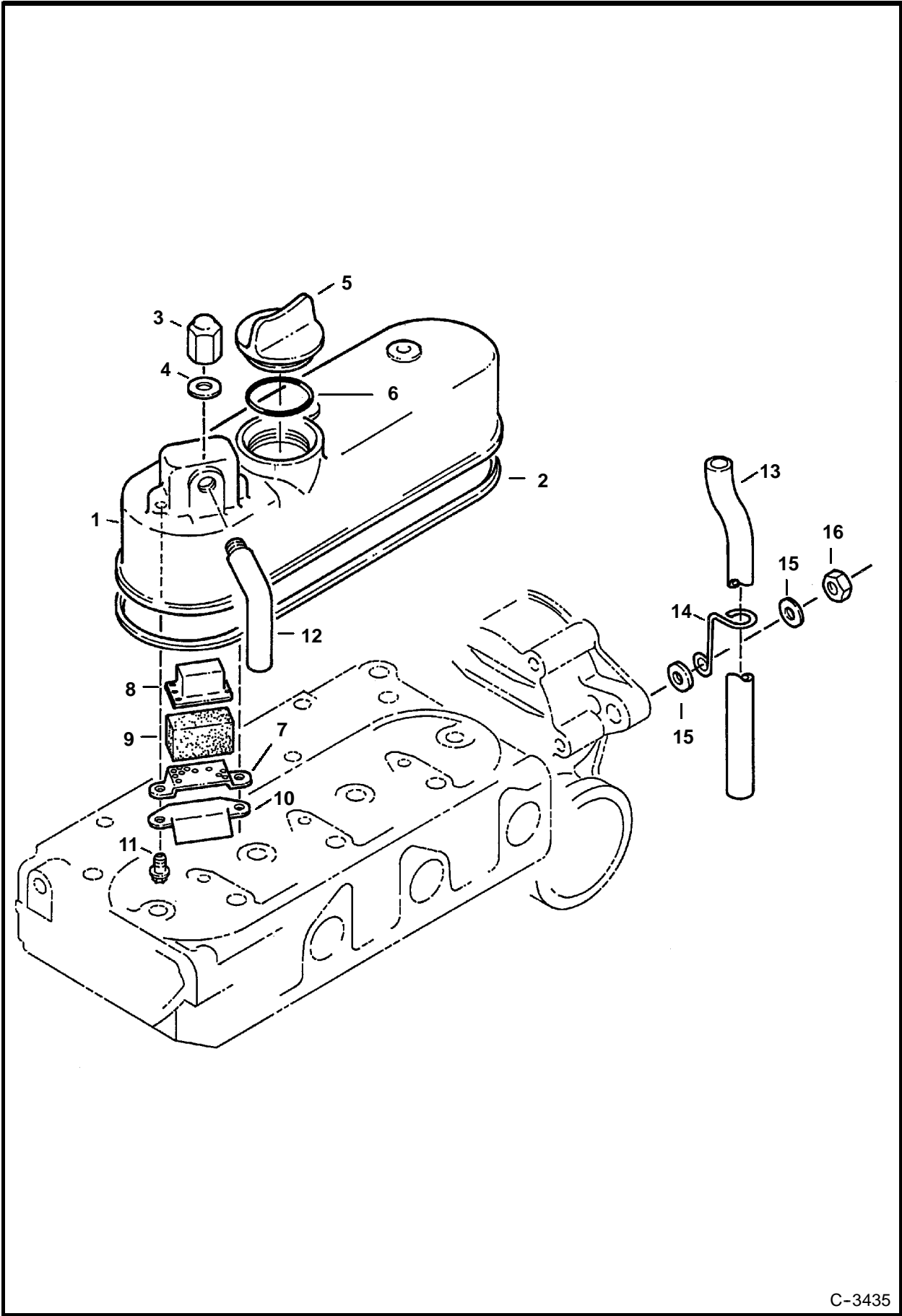
**ENGINE & GASKET KITS  
(Kubota D722)**



B-16486



ROCKER ARM COVER  
(Kubota D722)

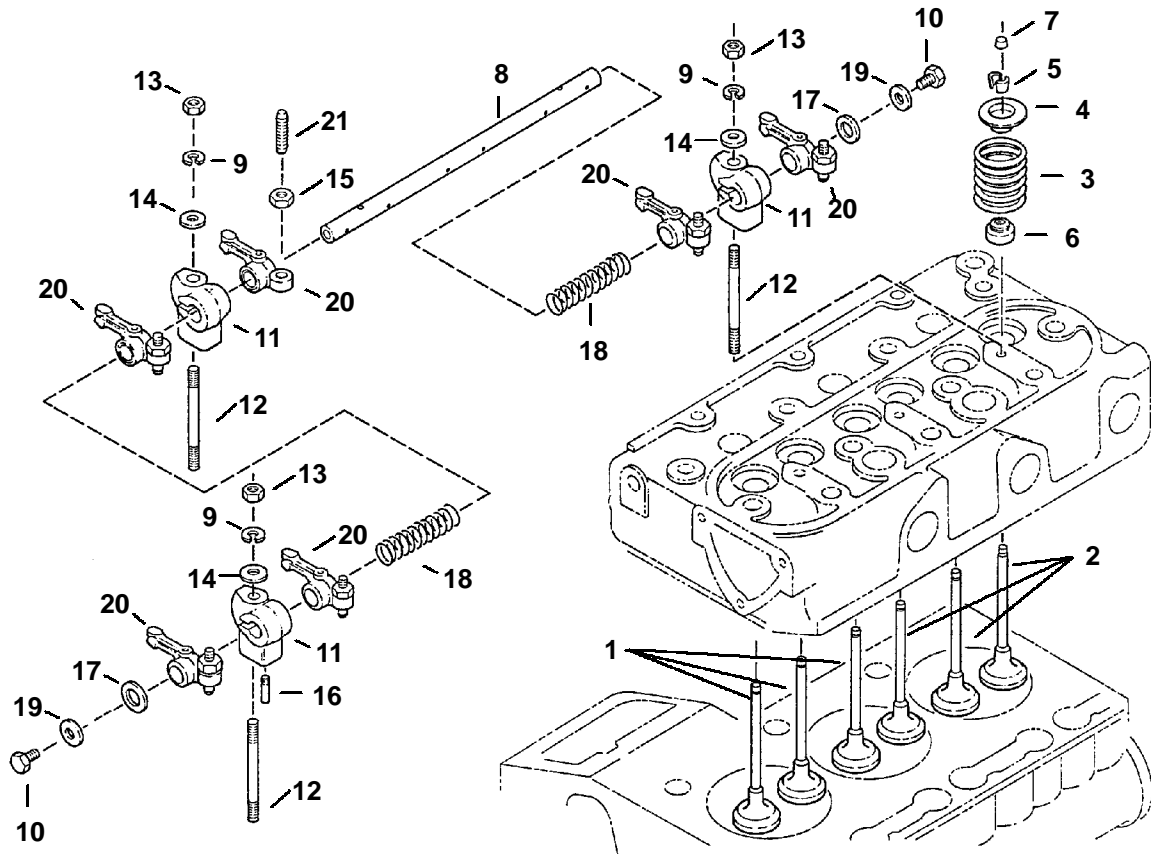


C-3435

### ROCKER ARM COVER (Cont'd) (Kubota D722)

Ref. No.	Part Number	Description	Remarks	Serial Number	Qty.
1	6670371	COVER			1
2	6670372	GASKET	Included W/lower gasket kit - See Page 89		1
3	6655223	NUT			3
4	3974972	GASKET	Included W/lower gasket kit - See Page 89		3
5	6652653	PLUG			1
6	3966602	O-RING	Included W/lower gasket kit - See Page 89		1
7	6670365	PLATE			1
8	6670366	PLATE			1
9	6670367	ELEMENT			1
10	6670368	SHIELD			1
11	6670775	SCREW			2
12	6670364	JOINT			1
13	6670369	TUBE			1
14	6670370	CLAMP			1
15	6667451	WASHER			2
16	1DM-8	NUT			1

# ROCKER ARM & VALVES (Kubota D722)

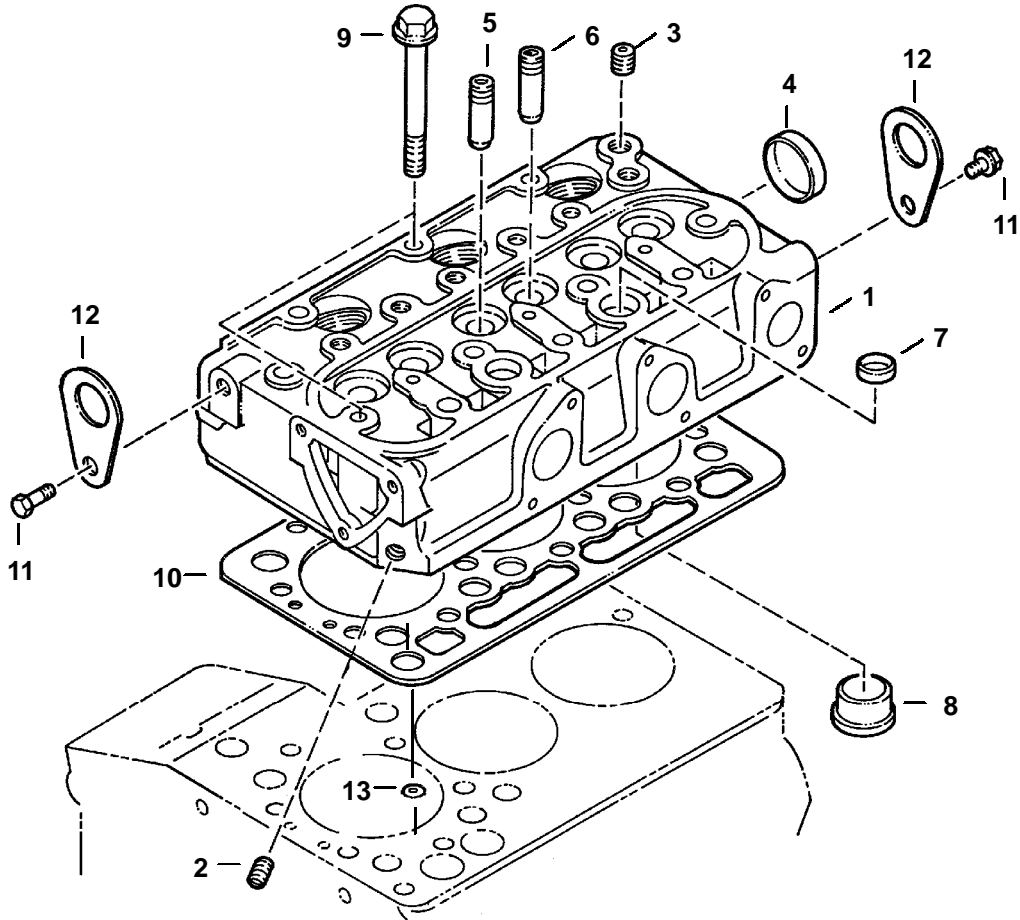


C-3444

**ROCKER ARM & VALVES (Cont'd)**  
**(Kubota D722)**

Ref. No.	Part Number	Description	Remarks	Serial Number	Qty.
1	6670511	VALVE	Intake		3
2	6670512	VALVE	Exhaust		3
3	6670513	SPRING			6
4	6670514	RETAINER			6
5	6670515	COLLET	Set of 2		6
6	6670517	SEAL	Included W/Upper Gasket Kit -		
			See Page 89		6
7	6670516	CAP			6
8	6670518	SHAFT	Rocker Arm		1
9	6667419	WASHER			3
10	6670521	BOLT			2
11	6670522	BRACKET			3
12	6670523	STUD			3
13	1DM-6	NUT			3
14	1EM-60	WASHER			3
15	6670529	NUT			6
16	6598098	PIN	Spring		1
17	6670525	WASHER			2
18	6670526	SPRING			2
19	6670520	WASHER			2
20	6670527	ROCKER ARM	Assy. - W/Ref. 15 & 21		6
21	6670528	SCREW			6

CYLINDER HEAD  
(Kubota D722)



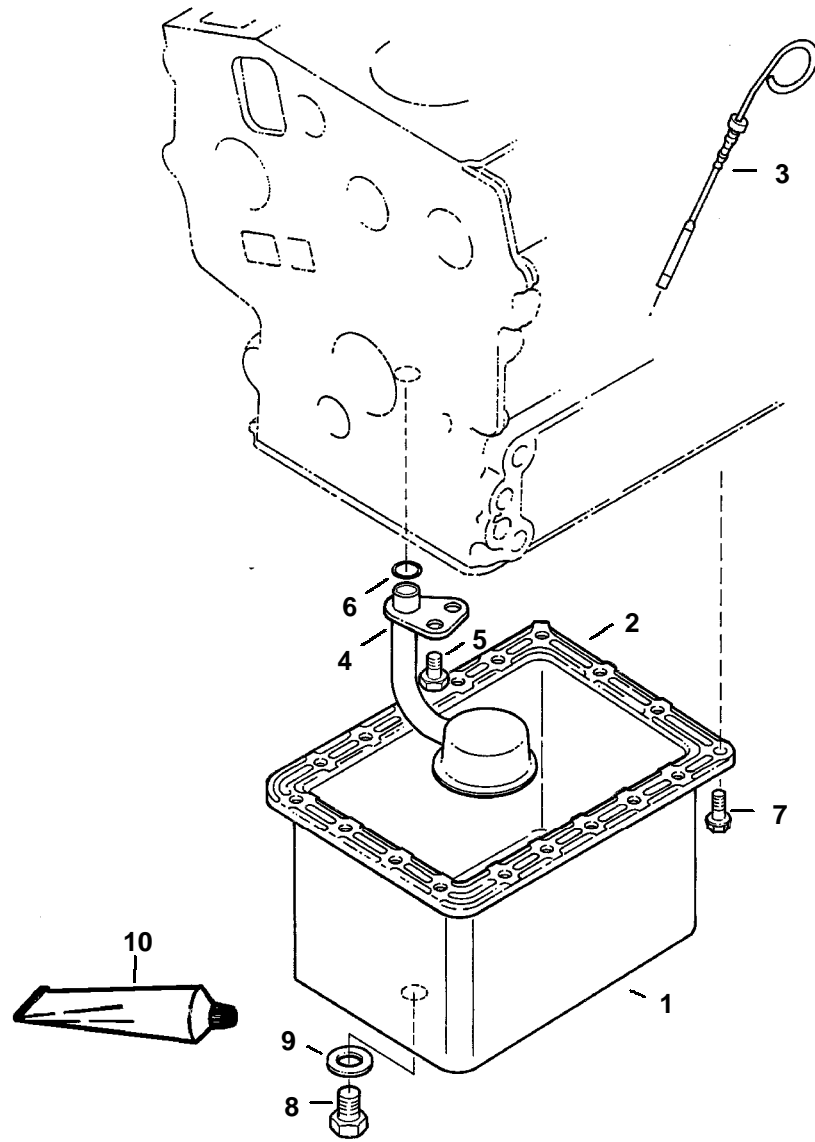
C-3432



**CYLINDER HEAD (Cont'd)  
(Kubota D722)**

Ref. No.	Part Number	Description	Remarks	Serial Number	Qty.
1	6670350	HEAD ASSY	W/Ref. 2-8		1
2	6652797	PLUG			1
3	6657465	PLUG			1
4	3974033	PLUG			1
5	6670351	VALVE GUIDE	Intake		3
6	6670352	VALVE GUIDE	Exhaust		3
7	3974056	PLUG			2
8	NSS	CHAMBER	Combustion - Order Ref. 1		3
9	6670353	BOLT			14
10	6670354	GASKET	Included W/Upper Gasket Kit See Page 89		1
11	6667420	BOLT			2
12	6670349	HOOK			2
13	3974038	O-RING			1

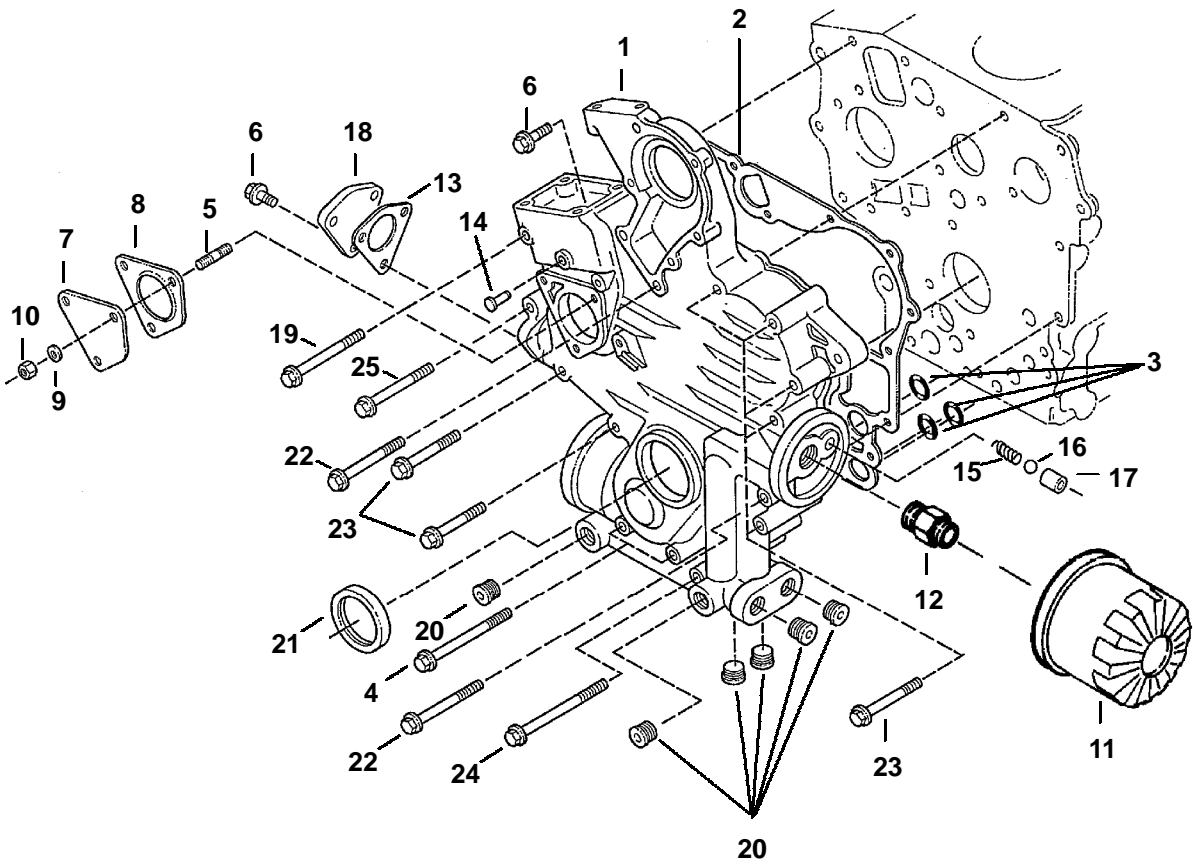
OIL PAN  
(Kubota D722)



C-3434



# GEARCASE (Kubota D722)

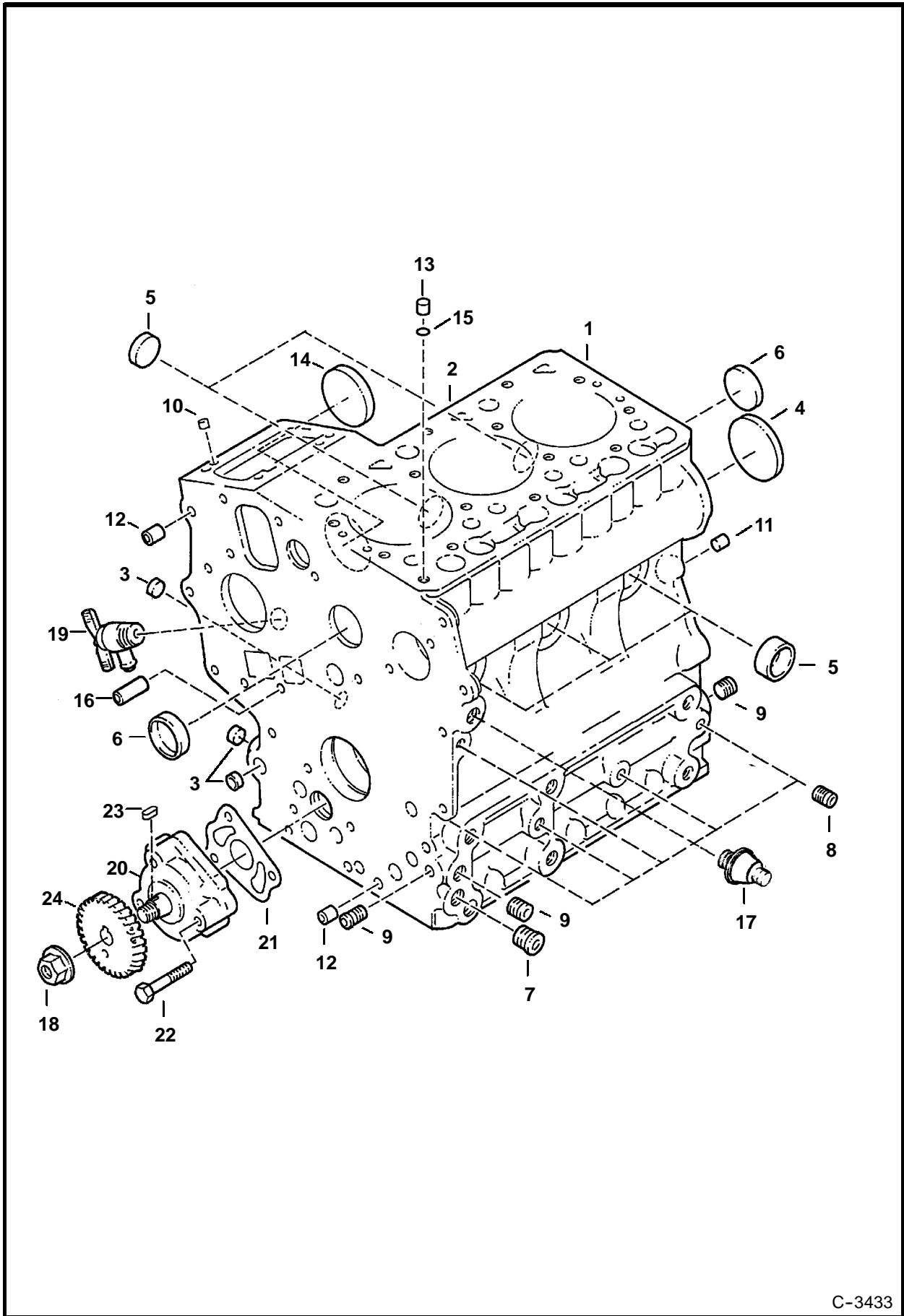


C-3438

**GEARCASE (Cont'd)  
(Kubota D722)**

<b>Ref. No.</b>	<b>Part Number</b>	<b>Description</b>	<b>Remarks</b>	<b>Serial Number</b>	<b>Qty.</b>
1	6671056	CASE	Include Refs. 20 & 21		1
2	6670356	GASKET	Included W/lower gasket kit - See Page 89		1
3	6599081	O-RING	Included W/lower gasket kit See Page 89		3
4	6657414	BOLT			2
5	6652764	STUD			3
6	6652580	BOLT			4
7	6670362	COVER			1
8	6670363	GASKET	Included W/lower gasket kit See Page 89		1
9	6667419	WASHER			4
10	1DM-6	NUT			3
11	6671057	FILTER	oil		1
12	6652597	ADAPTER			1
13	6670774	GASKET			1
14	6670355	PIN			1
15	6670359	SPRING			1
16	6670361	BALL			1
17	6670360	SEAT			1
18	6670773	COVER			1
19	6670771	BOLT			1
20	6667425	PLUG			8
21	6670358	SEAL			1
22	6670357	BOLT			3
23	6670770	BOLT			3
24	6670772	BOLT			1
25	6652593	BOLT			1

# CRANKCASE (Kubota D722)

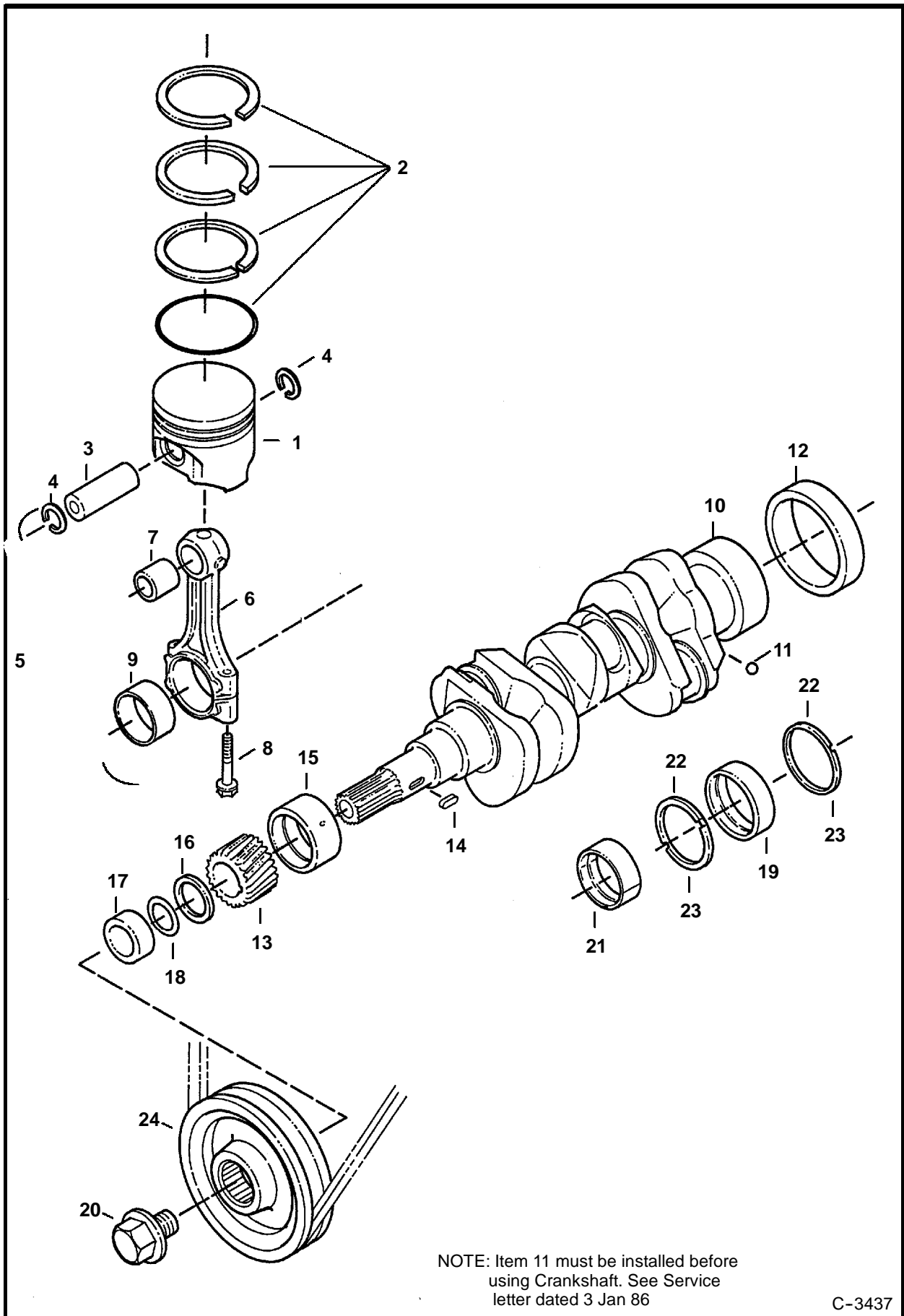


C-3433

**CRANKCASE (Cont'd)**  
**(Kubota D722)**

Ref. Part No. Number	Description	Remarks	Serial Number	Qty.
1 6670336	CRANKCASE	W/Ref. 2-13		1
2 6599985	LINER			3
3 6670337	PLUG			3
4 6652573	PLUG			1
5 6670338	PLUG			5
6 6657431	PLUG			2
7 6652575	PLUG			1
8 6652797	PLUG			5
9 6652574	PLUG			3
10 6657423	PIN			2
11 21JM-814	PIN	Dowel		2
12 3974039	PIN			2
13 3974037	PIN			1
14 6670339	PLUG			1
15 3974038	O-RING	Included W/upper gasket kit - See Page 89		1
16 6670344	PIN			1
17 6631010	SWITCH	Oil Pressure		1
18 6670343	NUT			1
19 6657456	DRAIN VALVE			1
20 6670340	OIL PUMP			1
21 6670341	GASKET	Included W/lower gasket kit - See Page 89		1
22 6657458	STUD			4
23 15JM-48	KEY			1
24 6670342	GEAR			1

# PISTON & CRANKSHAFT (Kubota D722)



NOTE: Item 11 must be installed before using Crankshaft. See Service letter dated 3 Jan 86

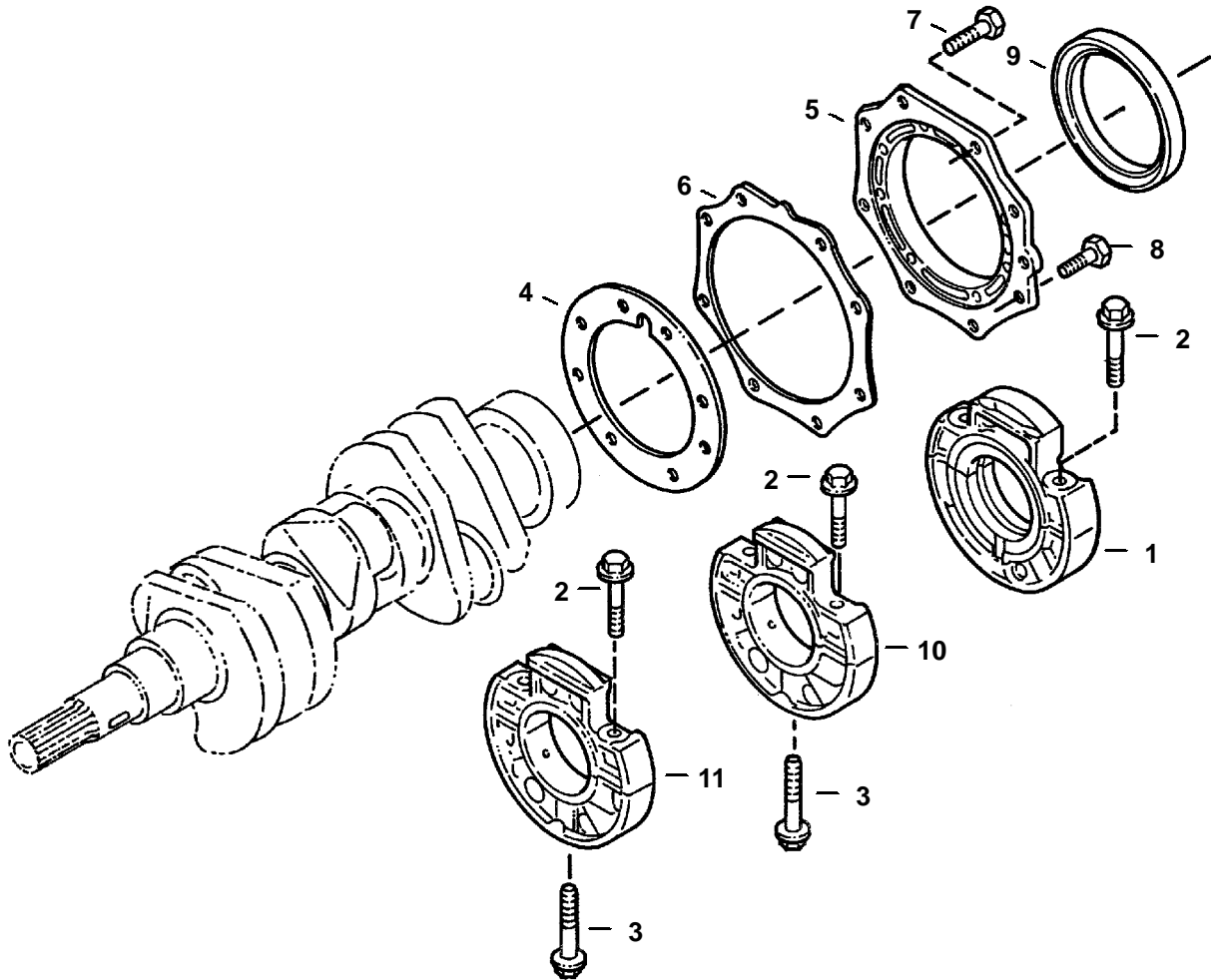
C-3437



**PISTON & CRANKSHAFT (Cont'd)**  
**(Kubota D722)**

Ref. No.	Part Number	Description	Remarks	Serial Number	Qty.
1	6670393 6670394	PISTON PISTON	Std. - Only Piston .010 in. (0.25 mm Oversize) - Only Piston		3 3
2	6670395 6670396	RING ASSY RING ASSY	Piston , Std. - For 1 Piston Piston (.010 in.-0.25 mm Oversize) - For 1 Piston		3 3
3	6670397	PIN			3
4	3974216	SNAP RING			6
5	6670398	ROD ASSY	Ref. 6 - 8		3
6	NSS	ROD			3
7	6670399	BUSHING	1 - bushing only		3
8	6670400	BOLT			6
9	6670401 6670402	BEARING BEARING	Rod, Std. - 1 Bearing Rod (.079 in. - 0.2 mm) - 1 Bearing		3 3
	6670403	BEARING	Rod (.0157 in. - 0.4 mm) - 1 Bearing		3
10	6670404	CRANKSHAFT	W/Ref. 11 & 12 - 1 Bearing - See Note & Service Letter Oil		1 3 1
11	6652633	PLUG			1
12	3986830	SLEEVE			3
13	6670405	GEAR			1
14	3974226	KEY			2
15	6670406	BEARING	Main, Std. -1 Bearing		1
	6670407	BEARING	Main (-0.2 mm) - 1 Bearing		1
	6670408	BEARING	Main (-0.4 mm) - 1 Bearing		1
16	6670414	OIL SLINGER			1
17	6670413	COLLAR			1
18	6670415	O-RING	Included W/lower gasket kit - See Page 89		1
19	6670412 6660336 6660337	BEARING BEARING BEARING	Main, Std. - 1 Bearing Main (-0,2mm) - 1 Bearing Main (-0,4mm) - 1 Bearing		1 1 1
20	6670784	BOLT			1
21	6670409 6670410	BEARING BEARING	Main, Std. - 1 Bearing Main (-0.2 mm) - 1 Bearing		6 1
22	6670411 6652636 6513613	BEARING WASHER WASHER	Main (-0.4 mm) - 1 Bearing Thrust, Std. - 1/2 thrust washer Thrust (+0.2 mm)		1 2
	6513615	WASHER	- 1/2 thrust washer Thrust (+0.4 mm) - 1/2 thrust washer		1 1
23	6652637 6513614	WASHER WASHER	Thrust - Std. - 1/2 thrust washer Thrust (+0.2 mm) - 1/2 thrust washer		2 1
	6513616	WASHER	Thrust (+0.4 mm) - 1/2 thrust washer		1
24	6670783	PULLEY			1
					1

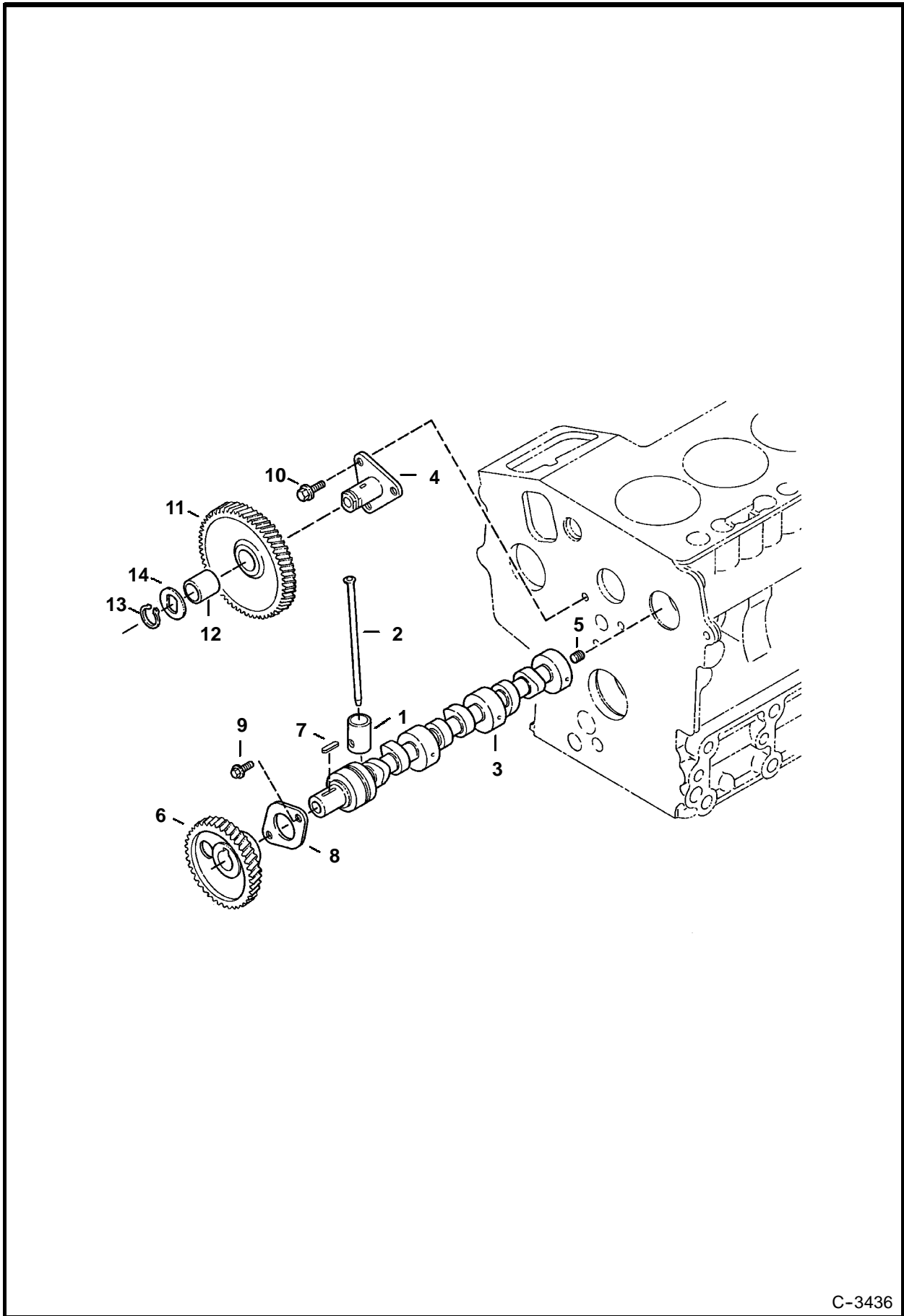
MAIN BEARING CASE  
(Kubota D722)



B-14863



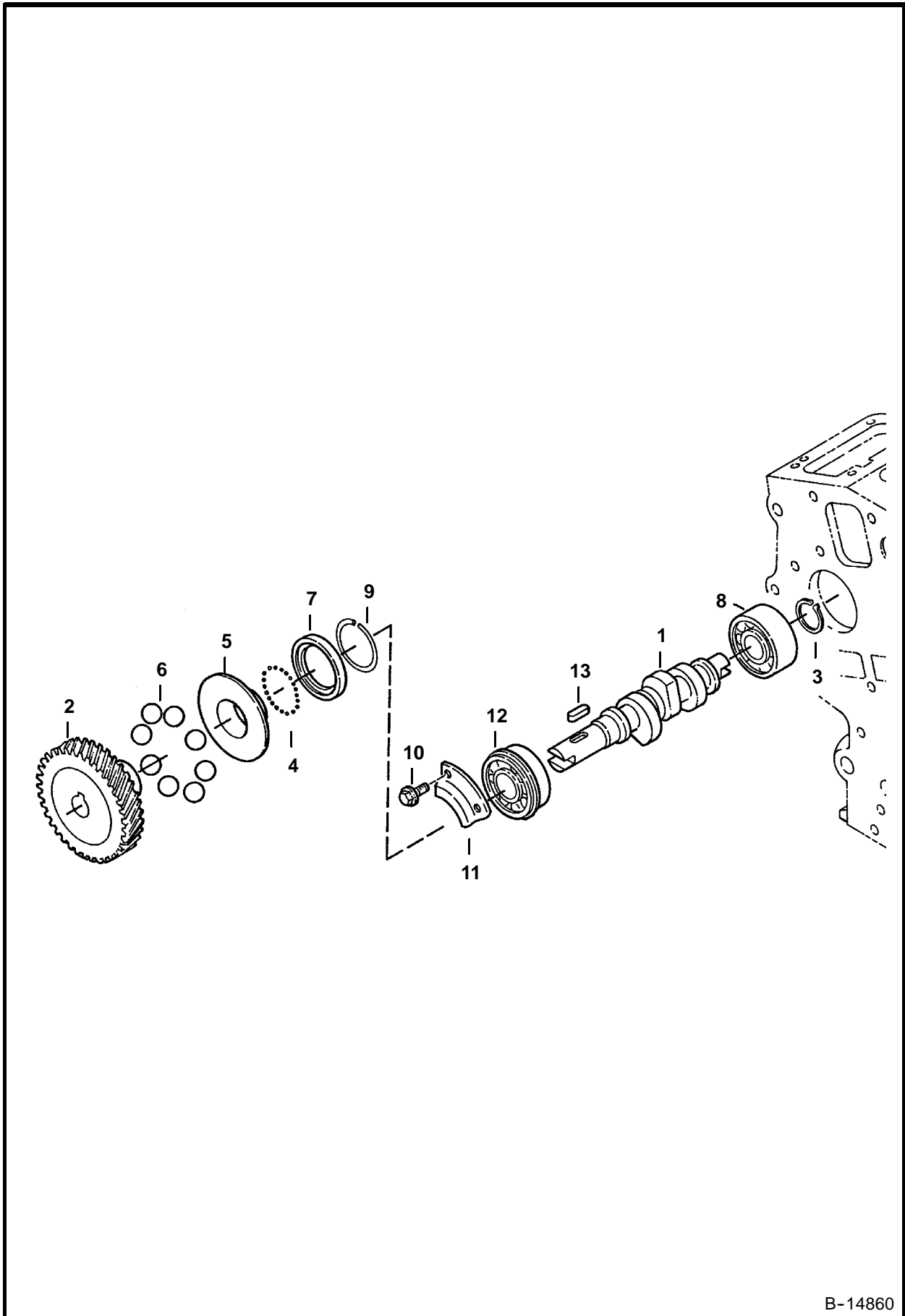
# CAMSHAFT (Kubota D722)



C-3436



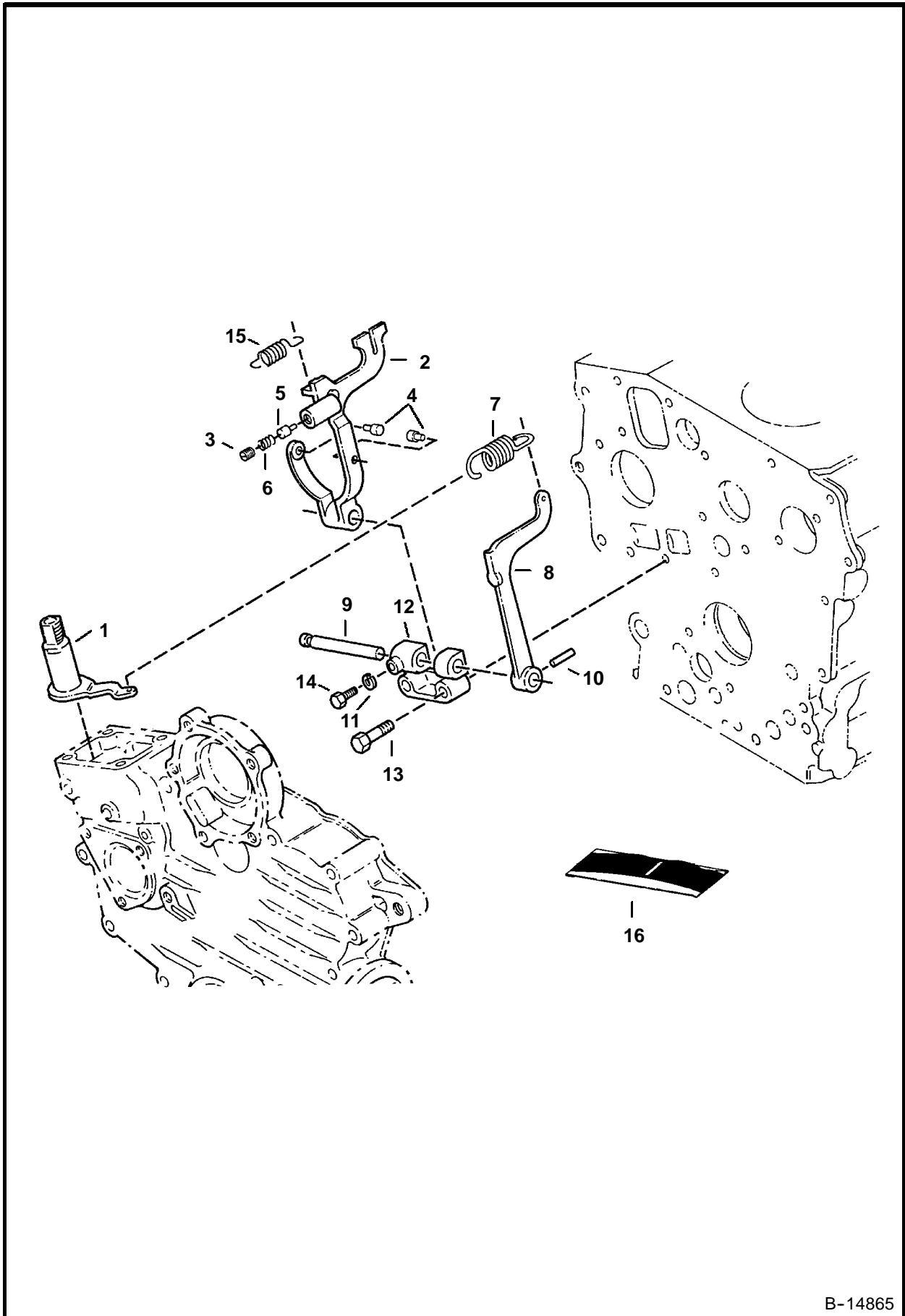
FUEL CAMSHAFT  
(Kubota D722)



B-14860



**GOVERNOR GROUP  
(Kubota D722)**

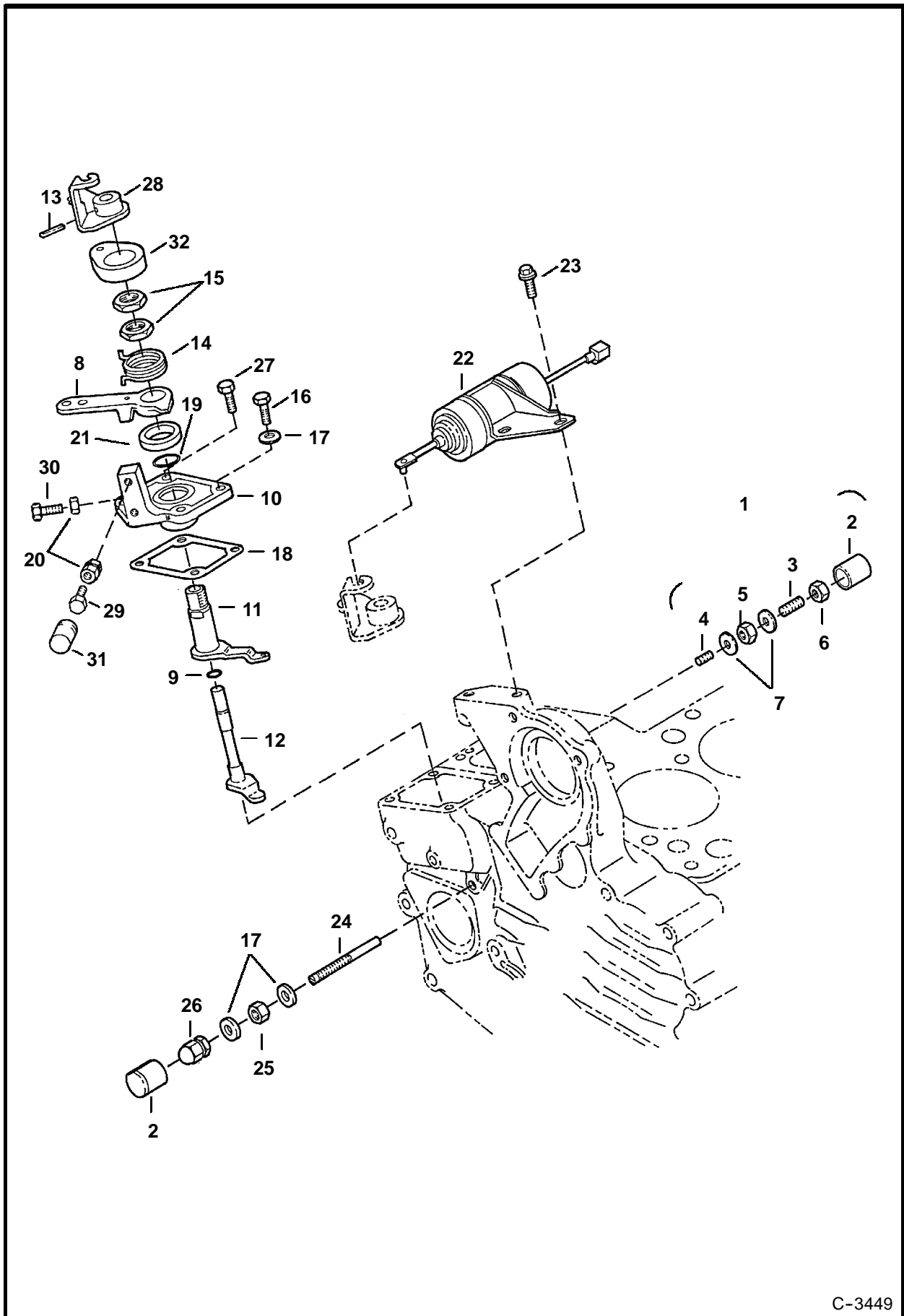


B-14865





SPEED CONTROL & STOP LEVER  
(Kubota D722)

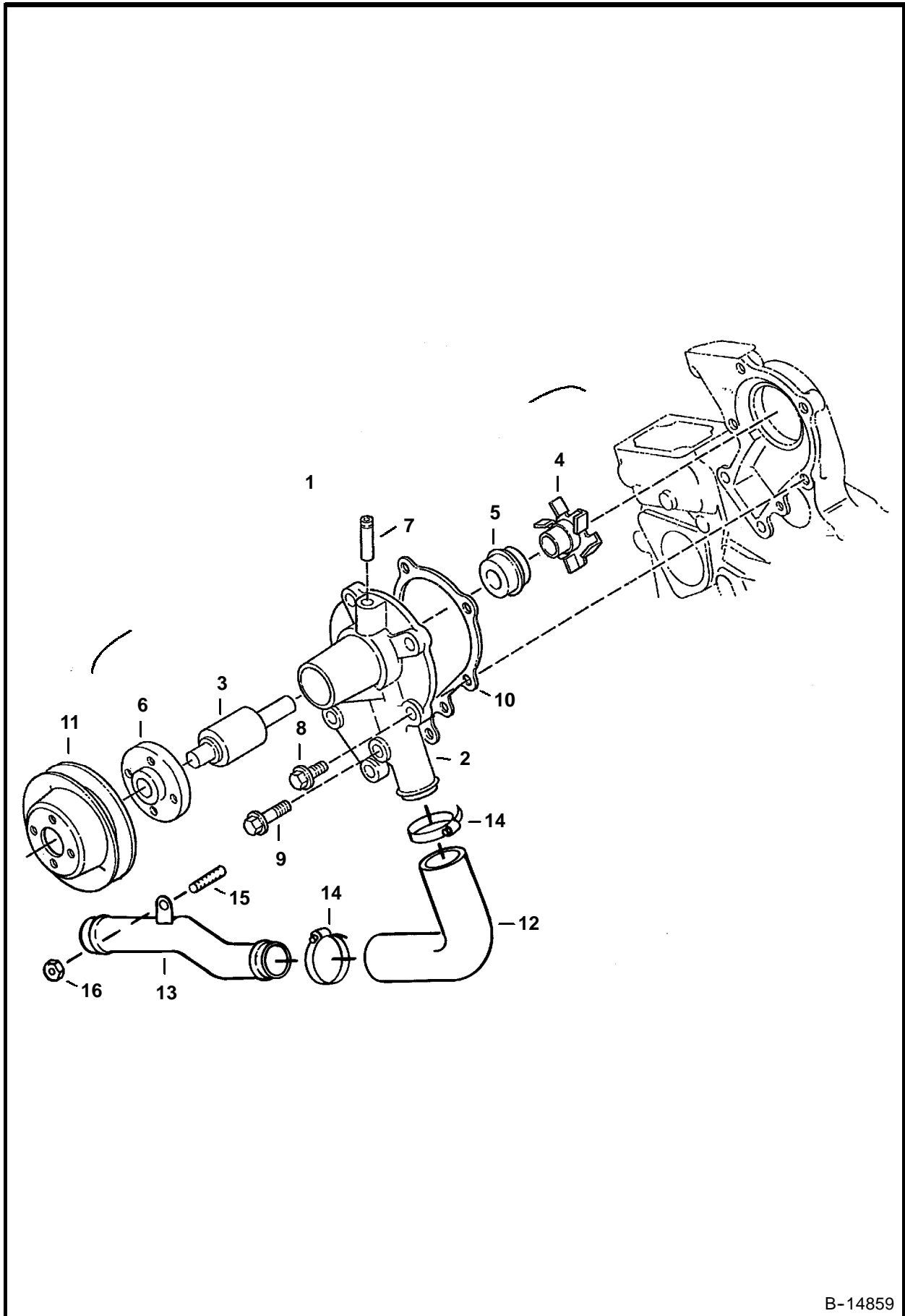


C-3449

**SPEED CONTROL & STOP LEVER (Cont'd)**  
**(Kubota D722)**

Ref. No.	Part Number	Description	Remarks	Serial Number	Qty.
1	6670424	IDLE ASSY	Ref. 2-7		1
2	6653905	CAP			2
3	NSS	BOLT			1
4	NSS	SPRING			1
5	NSS	NUT			1
6	NSS	NUT			1
7	NSS	GASKET			2
8	6670460	LEVER			1
9	3974280	O-RING	Included W/lower gasket kit - See Page 89		1
10	6670456	COVER			1
11	6670455	LEVER ASSY			1
12	6670429	LEVER			1
13	6670431	PIN			1
14	6670780	SPRING			1
15	6670428	NUT			2
16	4CM-618	BOLT			2
17	3974972	GASKET	Washer		3
18	6670457	GASKET	Included w/lower gasket kit - See Page 89		1
19	6670459	O-RING	Included w/lower gasket kit - See Page 89		1
20	1DM-6	NUT			2
21	6670458	WASHER			1
22	6670776	SOLENOID			1
23	6652762	BOLT			2
24	6670461	BOLT			1
25	6657469	NUT			1
26	6670462	NUT			1
27	6652580	BOLT			2
28	6670430	LEVER			1
29	6652712	STOPPER			1
30	6655228	BOLT			1
31	NSS	CAP			1
32	6670781	COVER			1

# WATER PUMP (Kubota D722)

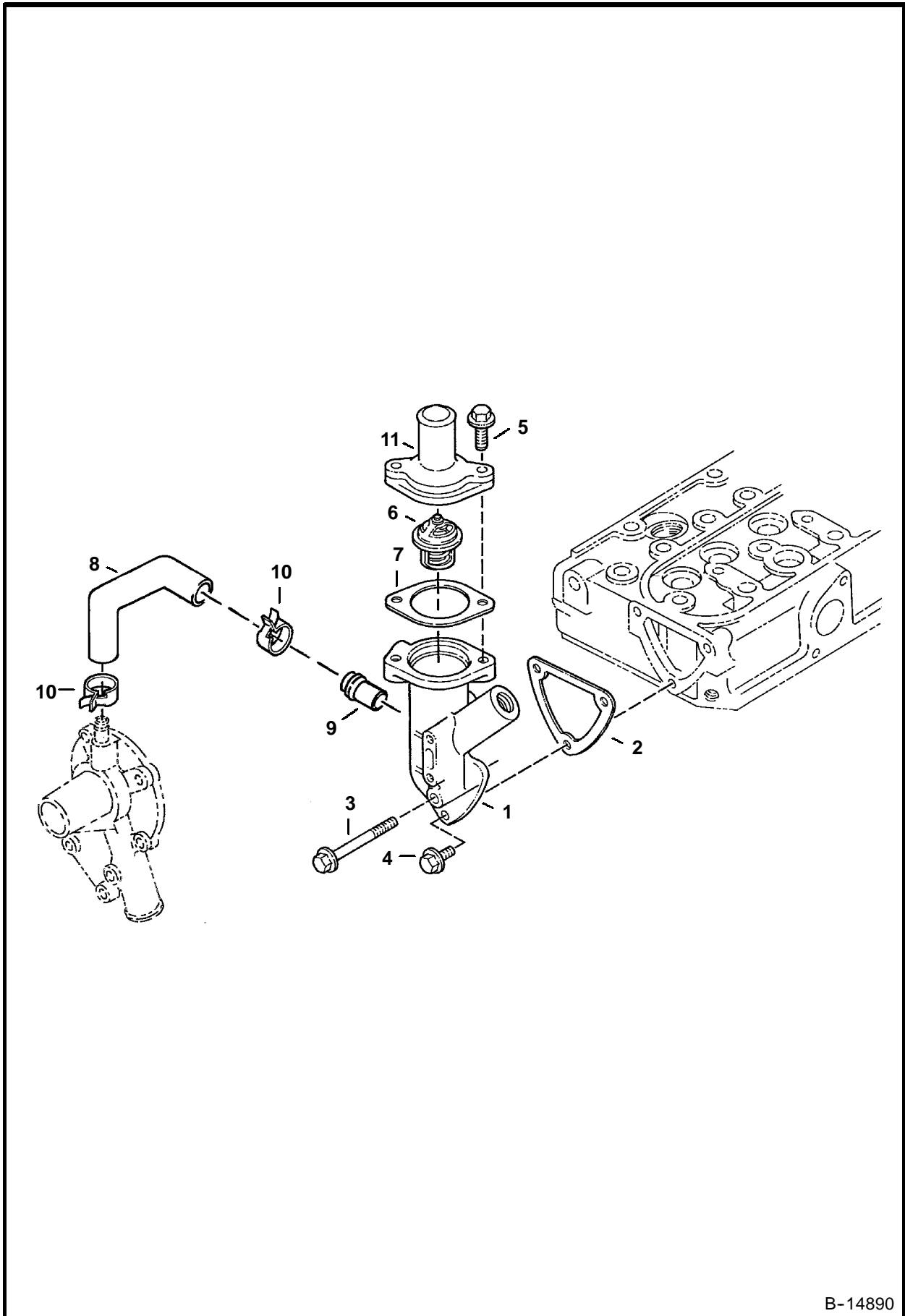


B-14859

**WATER PUMP (Cont'd)**  
**(Kubota D722)**

Ref. No.	Part Number	Description	Remarks	Serial Number	Qty.
1	6670506	PUMP ASSY	Ref. 2-7 & 10		1
2	NSS	BODY			1
3	6670507	BEARING			1
4	6670508	IMPELLER			1
5	6657432	SEAL			1
6	6653565	FLANGE			1
7	6652759	PIPE	Water Return		1
8	6653584	BOLT			4
9	6670510	BOLT			1
10	6670509	GASKET	Included W/lower Gasket Kit - See Page 89		1
11	6670964	PULLEY			1
12	6674254	HOSE			1
13	6676563	PIPE			1
14	6599040	CLAMP			2
15	6657458	STUD			1
16	6670533	NUT			1

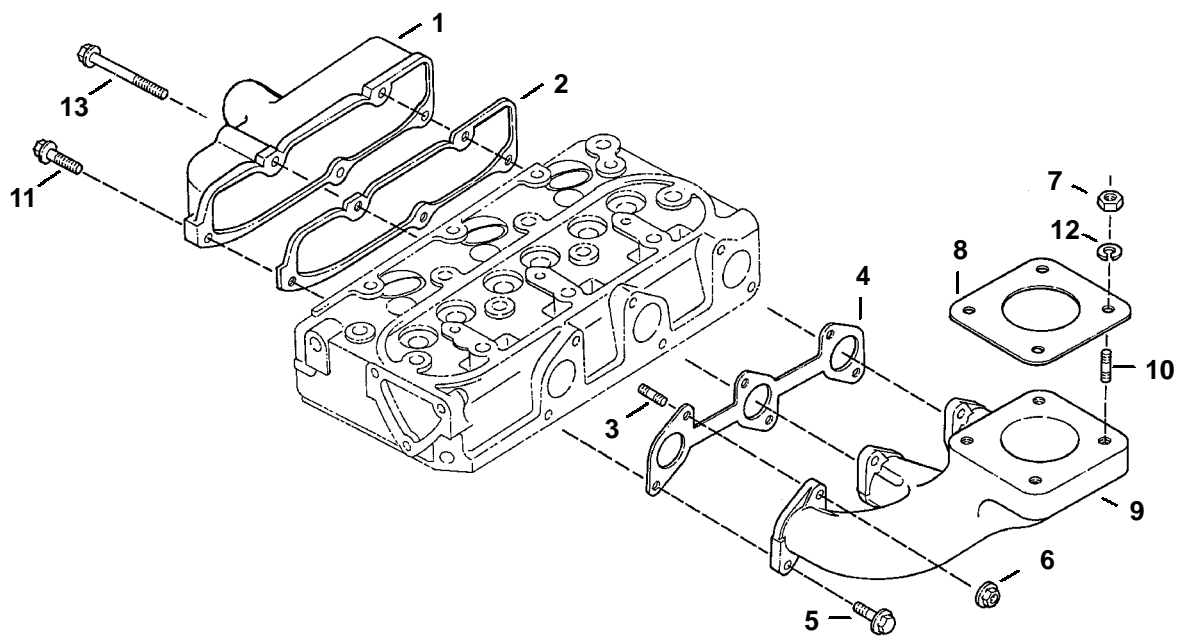
**WATER FLANGE & THERMOSTAT  
(Kubota D722)**



B-14890



# MANIFOLDS (Kubota D722)

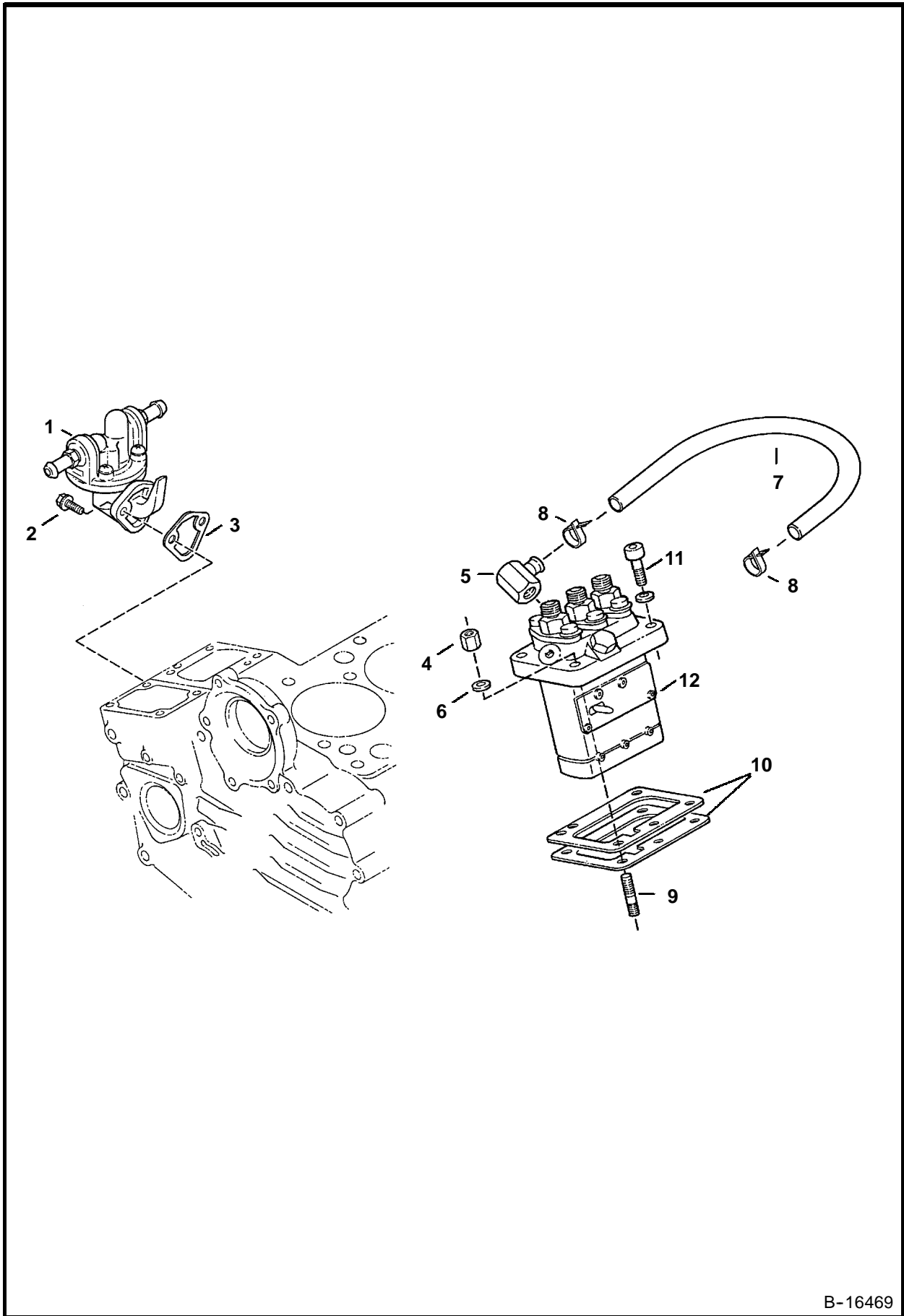


B-16472





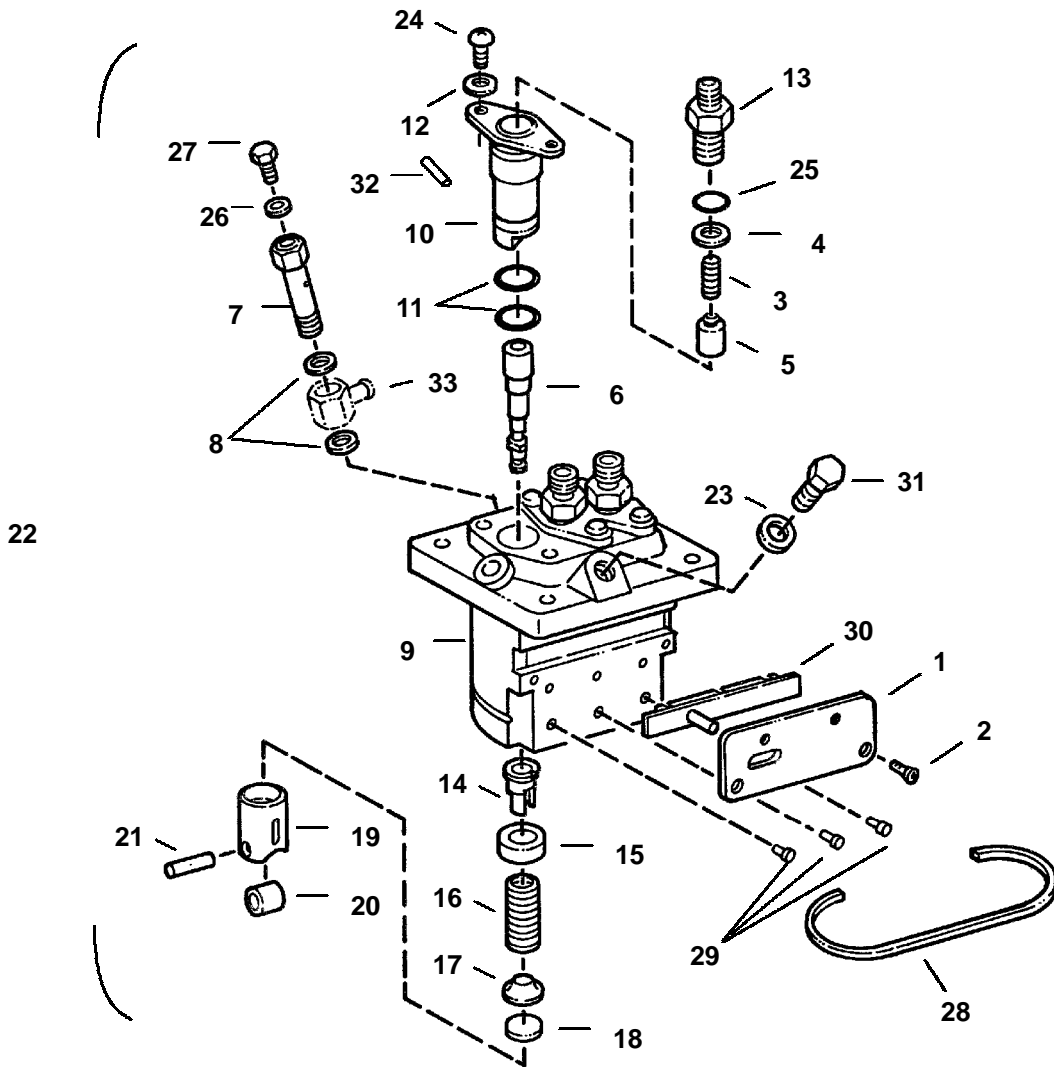
# FUEL & INJECTION PUMP (Kubota D722)



B-16469



# INJECTION PUMP (Kubota D722)

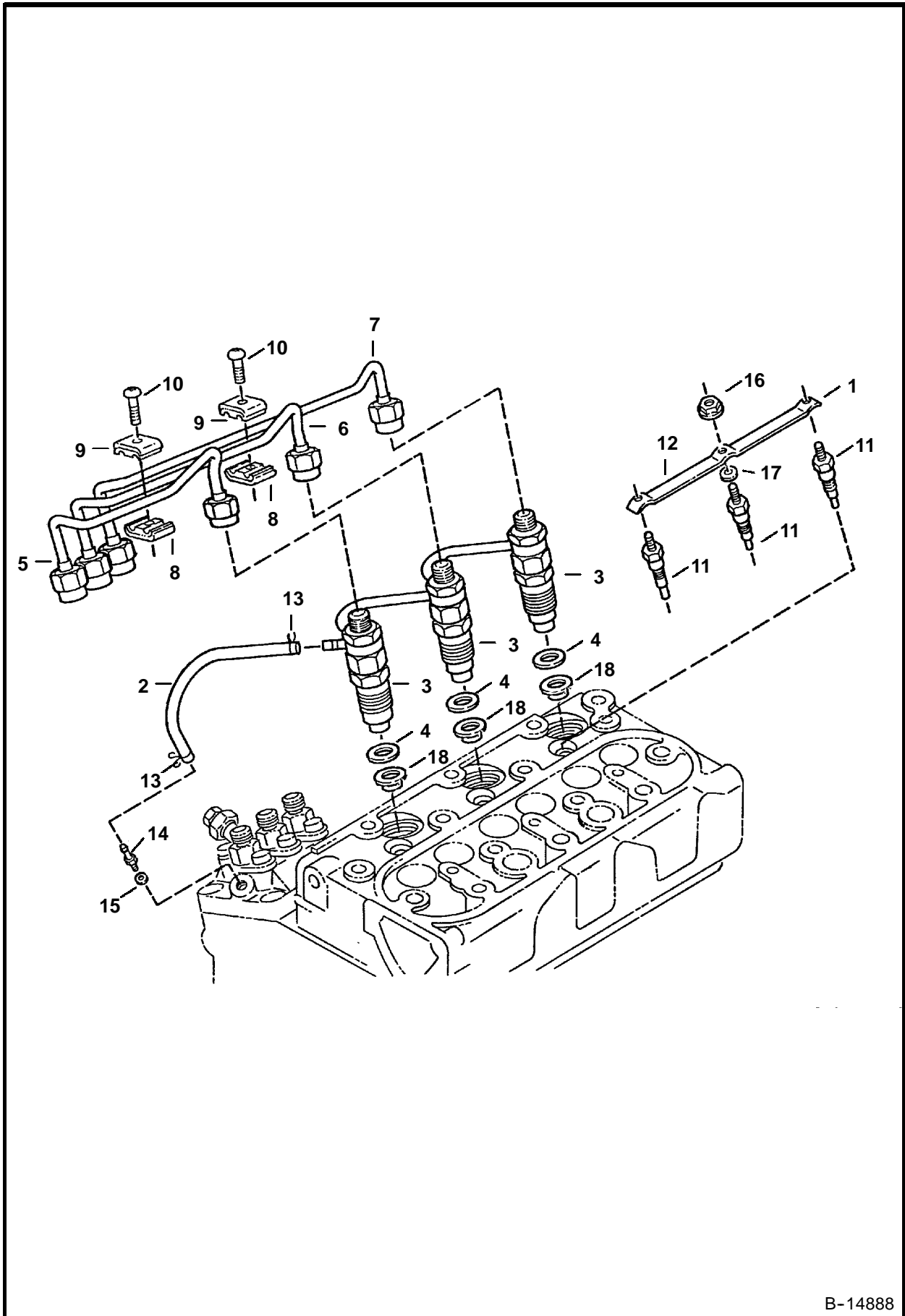


B-14866

**INJECTION PUMP (Cont'd)  
(Kubota D722)**

Ref. No.	Part Number	Description	Remarks	Serial Number	Qty.
1	6670443	PLATE			1
2	6657462	BOLT			2
3	6657439	SPRING			3
4	6657440	GASKET			3
5	6657436	VALVE			3
6	6670437	PLUNGER			3
7	6670444	SCREW			1
8	6657466	WASHER	Gasket		2
9	NSS	HOUSING			1
10	6657449	FLANGE			1
11	6657438	O-RING			3
12	6670440	WASHER			6
13	6670438	HOLDER			3
14	6657447	SLEEVE			3
15	6657442	SEAT			3
16	6657443	SPRING			3
17	6657444	SEAT			3
18	6657448	SHIM			3
19	6657437	TAPPET ASSY	W/Ref. 20 & 21		3
20	NSS	ROLLER			3
21	NSS	PIN			3
22	6670432	PUMP	Injection - W/Ref. 1-21 & 23-25		1
23	6670446	WASHER			1
24	6670439	BOLT			2
25	6657468	O-RING			3
26	6657467	GASKET			1
27	6657445	BOLT			1
28	6670441	PIN			1
29	6657441	PIN			3
30	6670442	RACK			1
31	6670445	PLUG			2
32	6657464	PIN			1
33*		FITTING	See Page 121		1

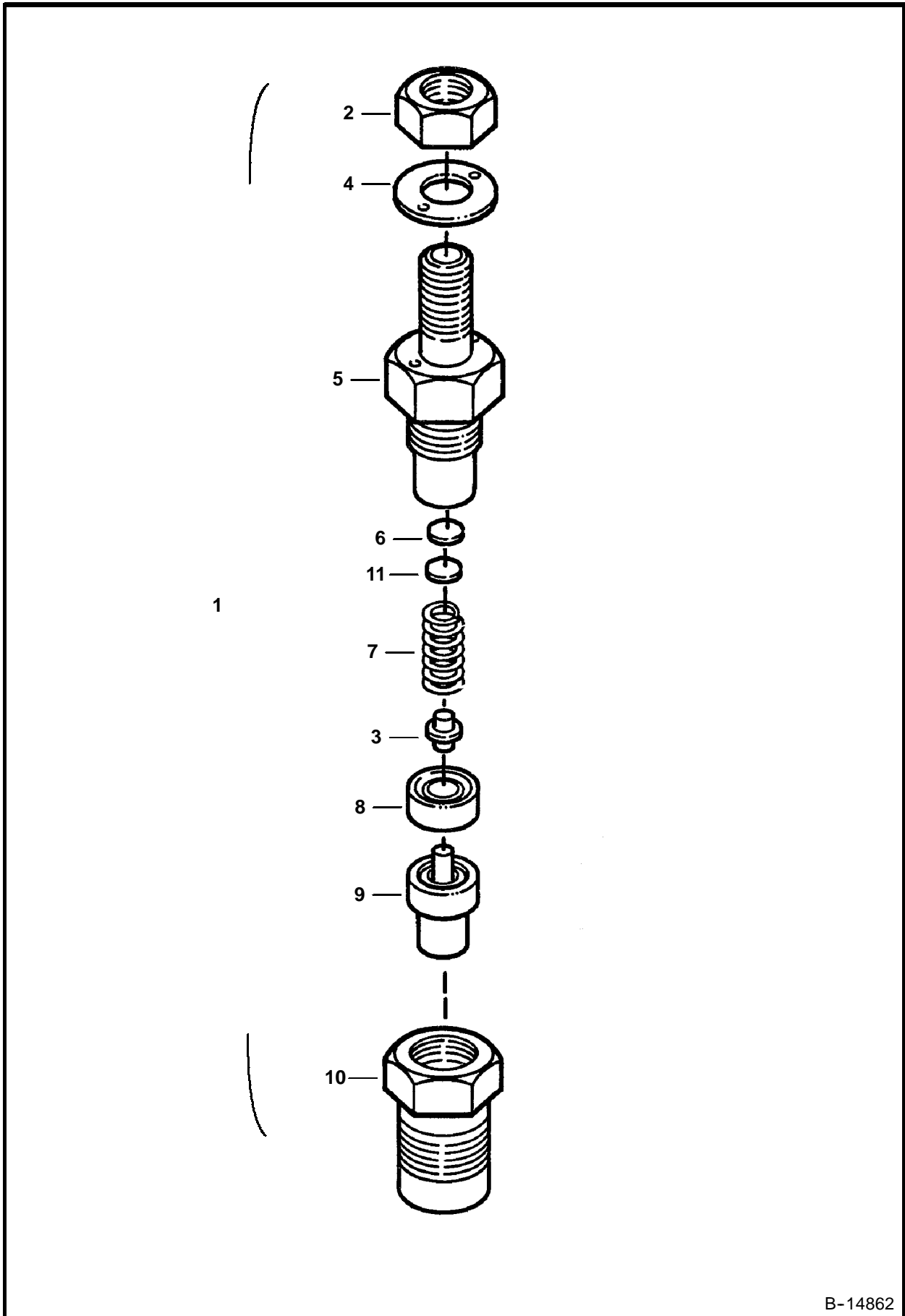
# INJECTOR NOZZLES (Kubota D722)



B-14888



NOZZLE HOLDER  
(Kubota D722)



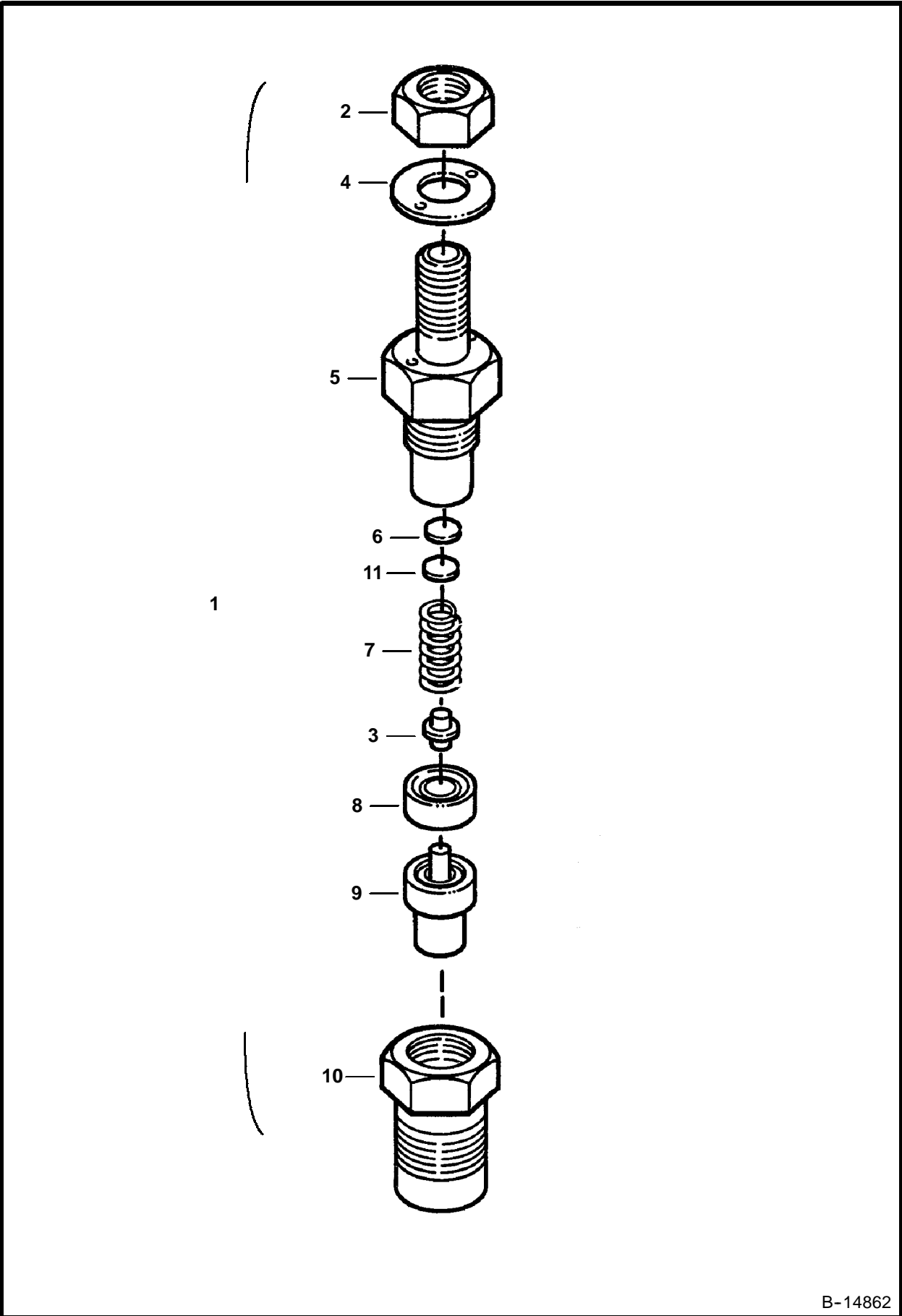
B-14862



**NOZZLE HOLDER (Cont'd)**  
**(Kubota D722)**

Ref. No.	Part Number	Description	Remarks	Serial Number	Qty.
1	6670465	NOZZLE HOLDER	Ref. 2 - 11		3
2	6657460	NUT			3
3	6657451	PUSH ROD			3
4	6657463	WASHER			3
5	NSS	BODY			3
6	6657453	WASHER	Adjusting		3
7	6657452	SPRING			3
8	6657455	PIECE	Distance		3
9	6670475	PIECE	Nozzle		3
10	6670474	NUT			3
11	6657742	WASHER ASSY	Includes 6654005 - 6654024		1
	6657453	WASHER	adjusting (0,900mm)		1
	6670476	WASHER	adjusting (0,925mm)		1
	6670477	WASHER	adjusting (0,950mm)		1
	6670478	WASHER	adjusting (0,975mm)		1
	6656126	WASHER	adjusting (1,000mm)		1
	6670479	WASHER	adjusting (1,025mm)		1
	6656127	WASHER	adjusting (1,050mm)		1
	6670480	WASHER	adjusting (1,075mm)		1
	6656128	WASHER	adjusting (1,100mm)		1
	6670481	WASHER	adjusting (1,125mm)		1
	6656129	WASHER	adjusting (1,150mm)		1
	6670482	WASHER	adjusting (1,175mm)		1
	6656130	WASHER	adjusting (1,200 mm)		1
	6670483	WASHER	adjusting (1,225 mm)		1
	6656131	WASHER	adjusting (1,250mm)		1
	6670484	WASHER	adjusting (1,275 mm)		1
	6656132	WASHER	adjusting (1,300 mm)		1
	6670485	WASHER	adjusting (1,325mm)		1
	6656133	WASHER	adjusting (1,350mm)		1
	6670486	WASHER	adjusting (1,375mm)		1
	6656134	WASHER	adjusting (1,400mm)		1
	6670487	WASHER	adjusting (1,425mm)		1
	6656135	WASHER	adjusting (1,450mm)		1
	6670488	WASHER	adjusting (1,475mm)		1
	6656136	WASHER	adjusting (1,500mm)		1
	6670489	WASHER	adjusting (1,525mm)		1
	6656137	WASHER	adjusting (1,550mm)		1
	6670490	WASHER	adjusting (1,575mm)		1
	6656138	WASHER	adjusting (1,600mm)		1
	6670491	WASHER	adjusting (1,625mm)		1
	6656139	WASHER	adjusting (1,650mm)		1
	6670492	WASHER	adjusting (1,675mm)		1
	6656140	WASHER	adjusting (1,700mm)		1
	6670493	WASHER	adjusting (1,725mm)		1
	6656141	WASHER	adjusting (1,750mm)		1
	6670494	WASHER	adjusting (1,775mm)		1
	6656142	WASHER	adjusting (1,800mm)		1
	6670495	WASHER	adjusting (1,825mm)		1
	6656143	WASHER	adjusting (1,850mm)		1
	6670496	WASHER	adjusting (1,875mm)		1

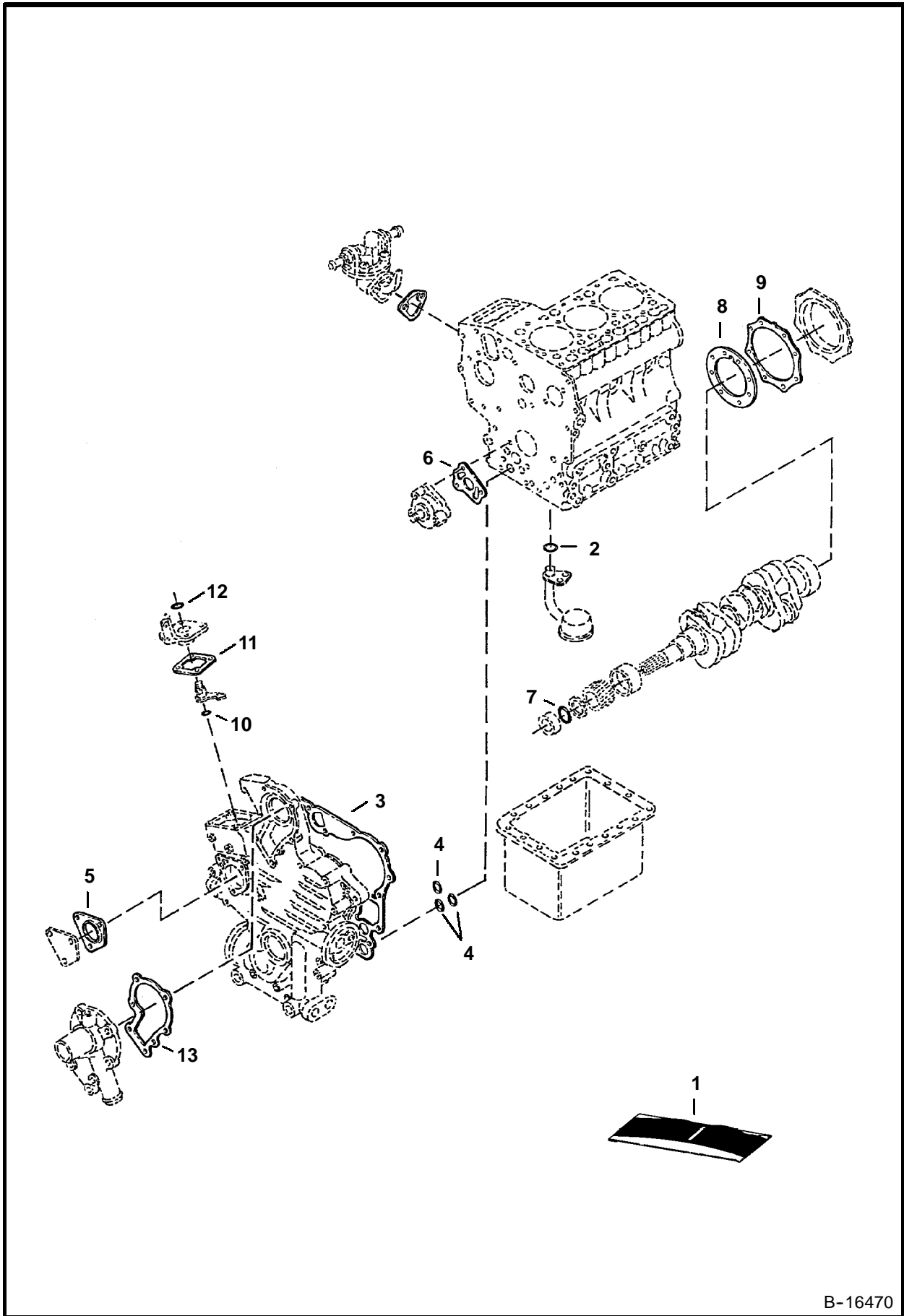
NOZZLE HOLDER (Cont'd)  
(Kubota D722)



B-14862



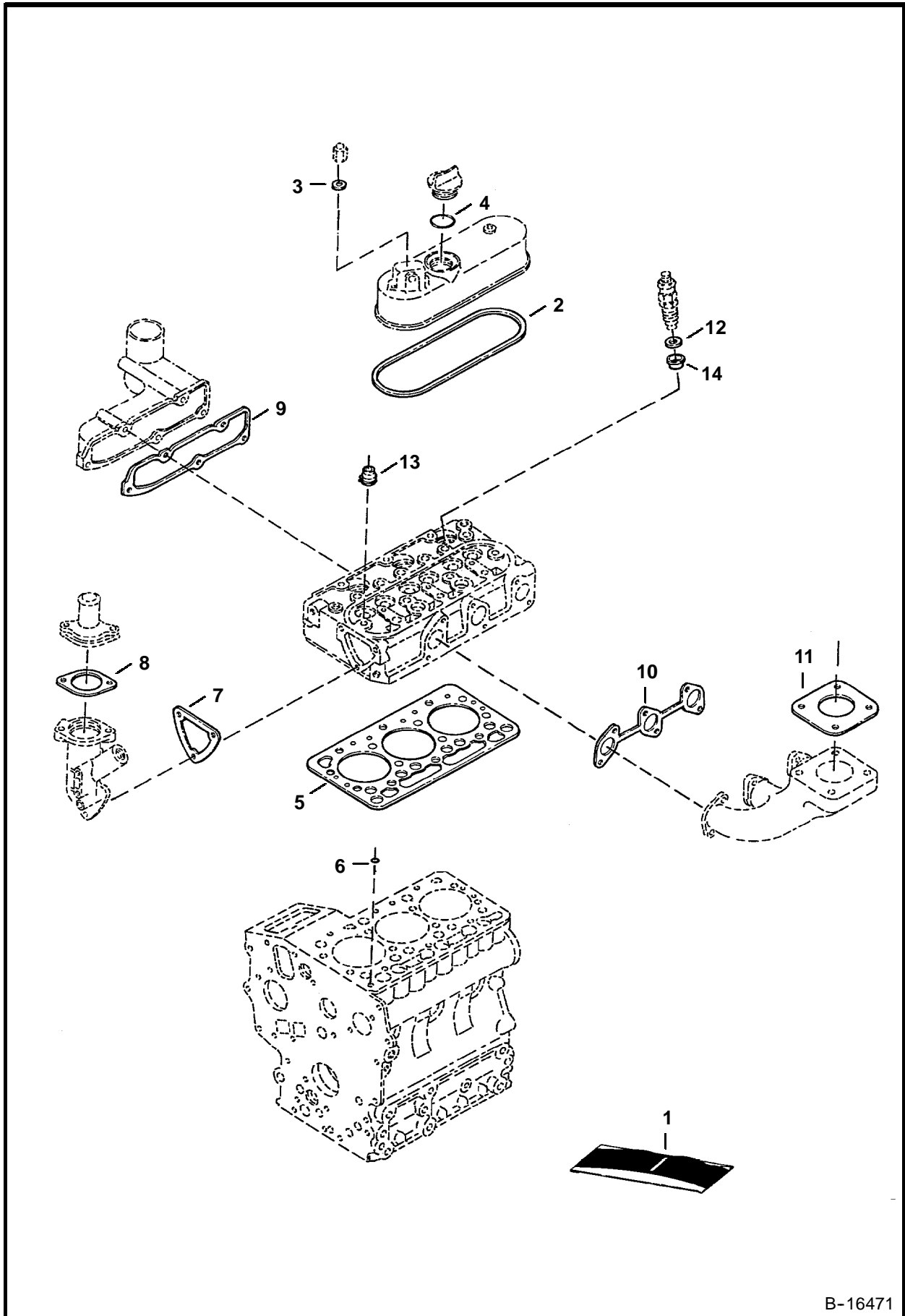
# LOWER GASKET KIT (Kubota D722)



B-16470



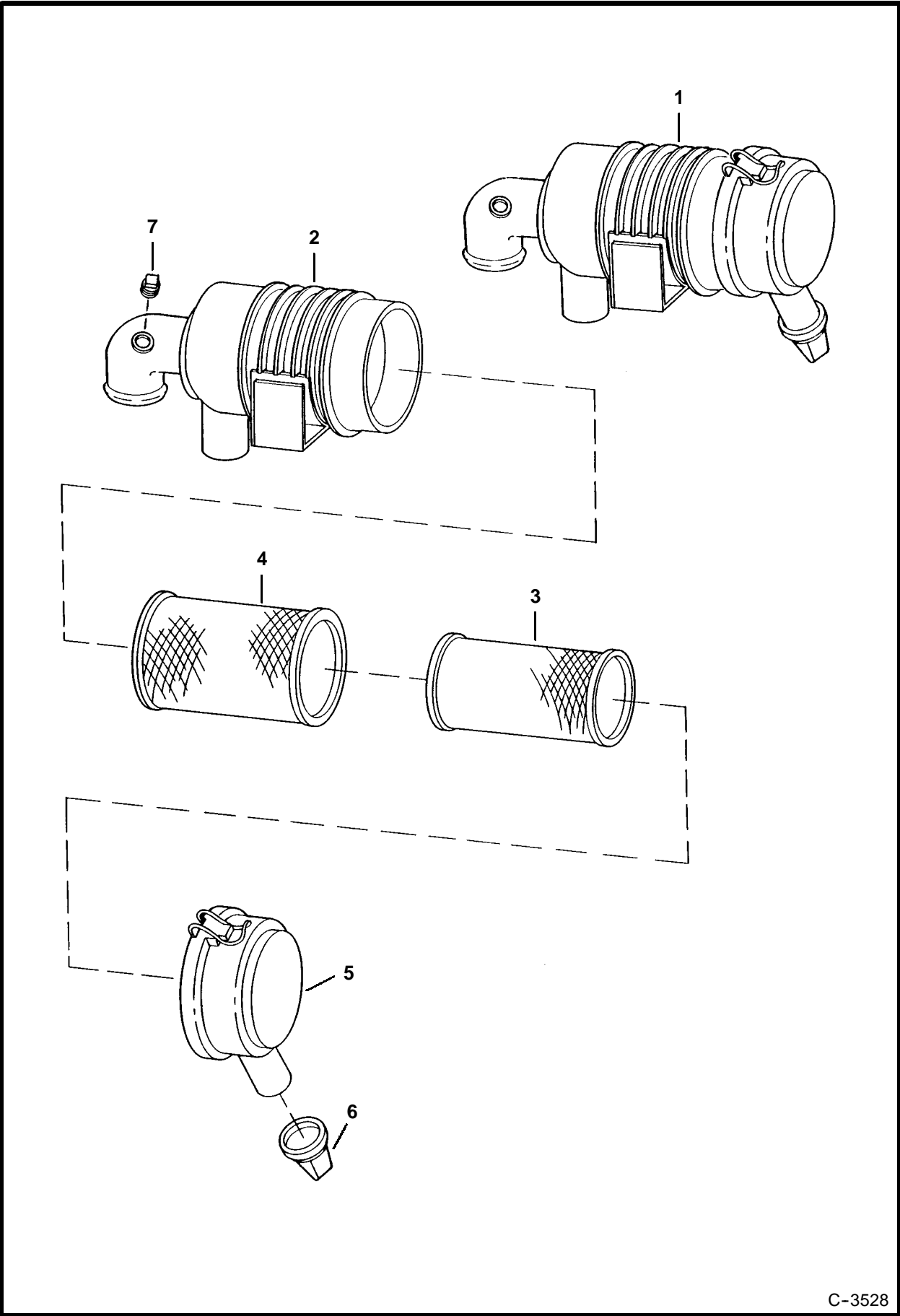
# UPPER GASKET KIT (Kubota D722)



B-16471



AIR FILTER



C-3528

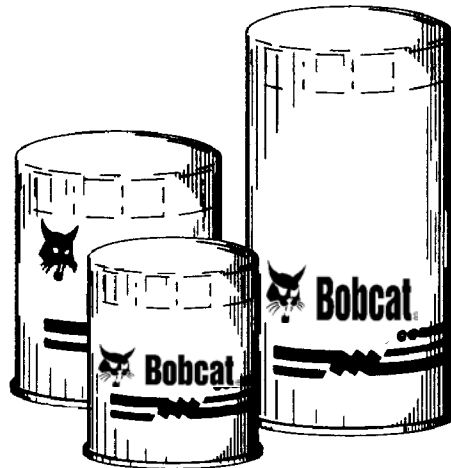




# MT50 CONTENTS

<b>MAIN FRAME</b> .....	<b>11-22</b>
MAIN FRAME .....	11-14
LIFT ARMS & BOB-TACH .....	15
BOB-TACH .....	17
FUEL SYSTEM .....	19
REAR DOOR .....	21
<b>DRIVE TRAIN</b> .....	<b>23-26</b>
DRIVE TRAIN .....	23
BRAKES .....	25
<b>HYDRAULIC SYSTEM</b> .....	<b>27-70</b>
HYDRAULIC CIRCUITRY .....	27-34
LIFT CYLINDER .....	35
TILT CYLINDER .....	37
SPEED CONTROL VALVE .....	39
3-WAY VALVE .....	41
6-WAY VALVE .....	43
WORK VALVE .....	45-54
DRIVE VALVE .....	55-64
HAND CONTROLS .....	65
DRIVE MOTOR .....	67
GEAR PUMP .....	69
<b>ELECTRICAL SYSTEM</b> .....	<b>71-78</b>
CONSOLE ELECTRICAL CIRCUITRY .....	71
ENGINE ELECTRICAL CIRCUITRY .....	73
STARTER .....	75
ALTERNATOR .....	77
<b>ENGINE &amp; ATTACHING PARTS</b> .....	<b>79-136</b>
ENGINE & ATTACHING PARTS .....	79-84
THROTTLE .....	85
BLOWER ASSEMBLY .....	87
ENGINE BREAKDOWN & GASKET KITS .....	89-134
AIR CLEANER .....	135
<b>ACCESSORIES &amp; OPTIONS</b> .....	<b>139-146</b>
ATTACHMENT CONTROL KIT .....	139
DECALS KIT .....	141, 143
LIGHT KIT .....	145
<b>BULK ITEMS</b> .....	<b>147</b>
<b>NUMERICAL INDEX</b> .....	<b>148</b>

**Bobcat oil filters  
are designed specifically to meet  
the demands of your equipment.**

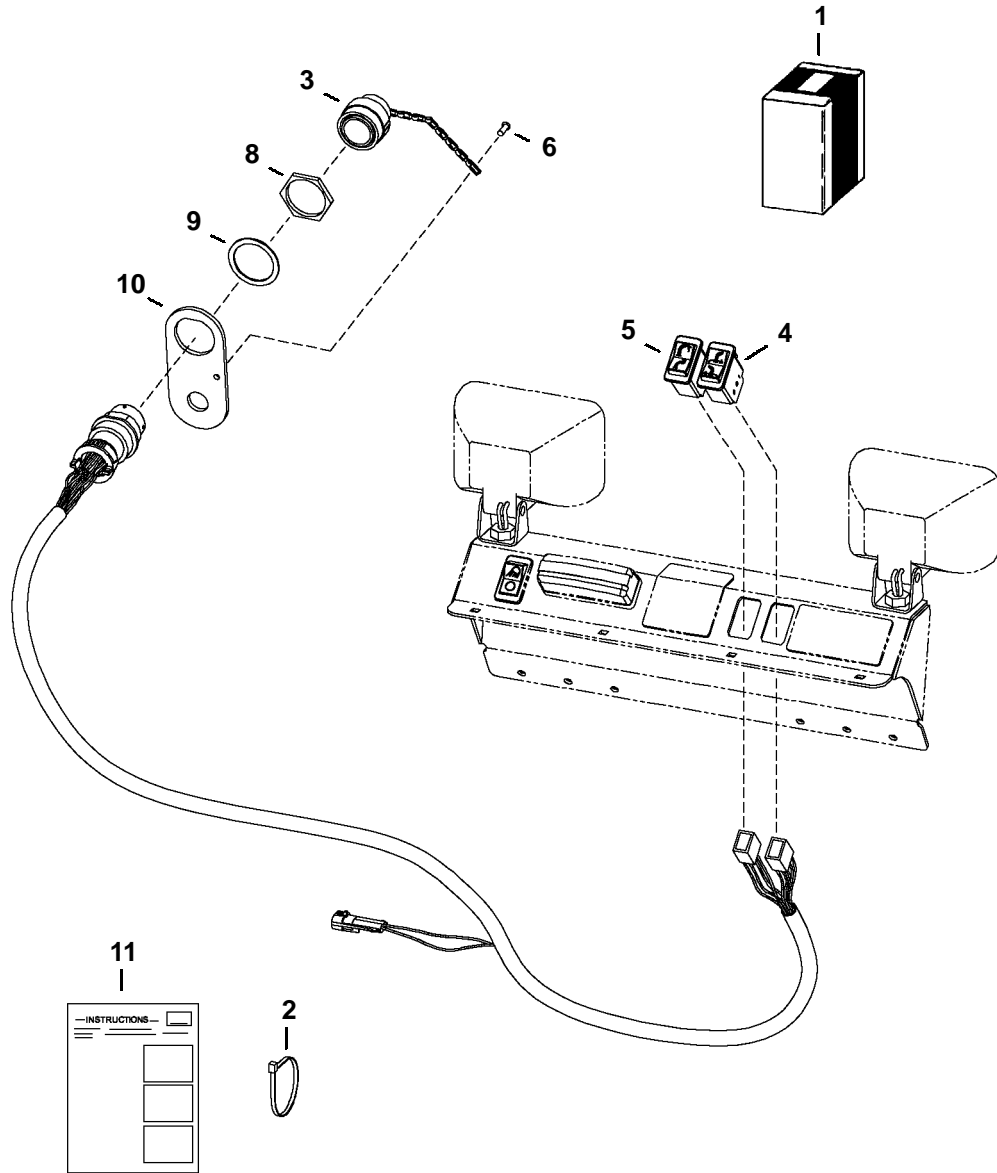


**Available from Bobcat Parts.**



# \* ATTACHMENT CONTROL KIT

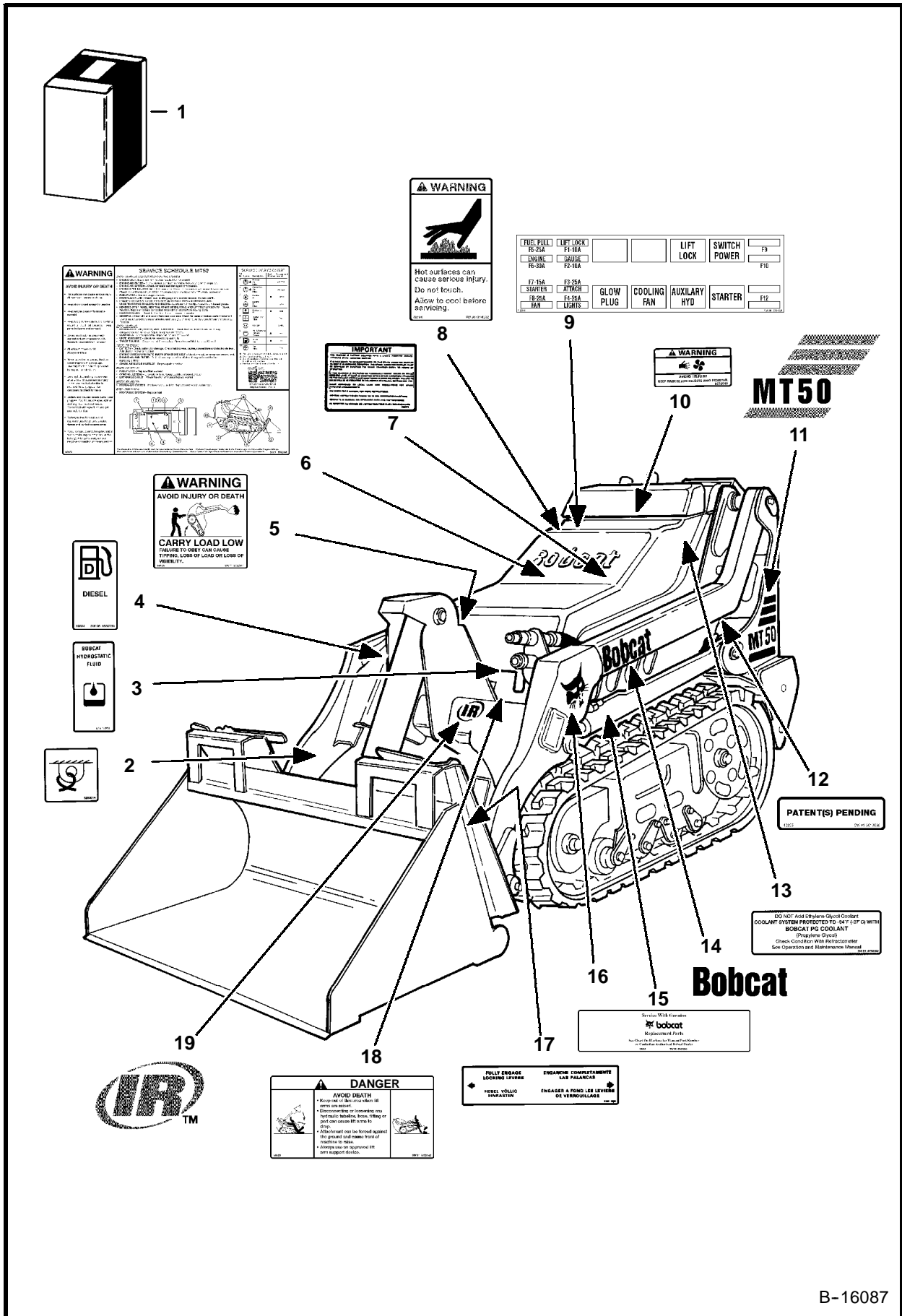
NOTE: Also Order 6732657 Light Kit.



PE-1571

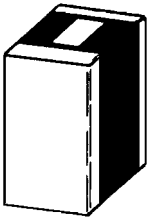
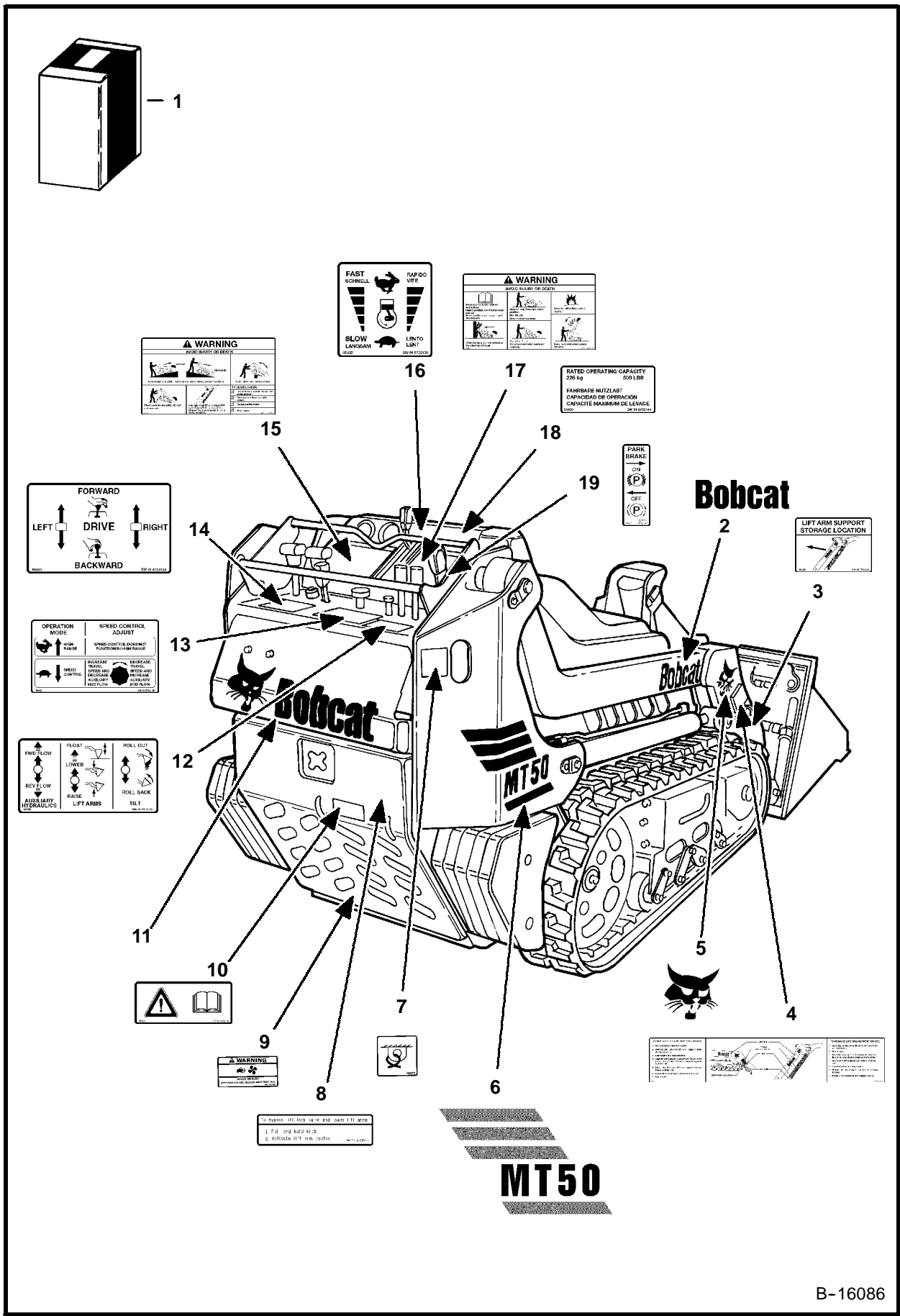


# DECALS





# DECALS



1



15



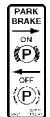
16



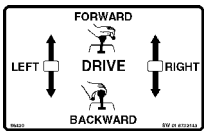
17



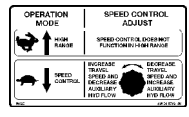
18



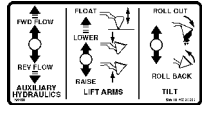
19



14



13



12



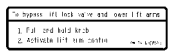
10



9



7



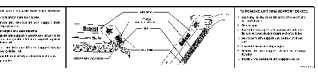
8

**MT50**

**Bobcat**



3



5

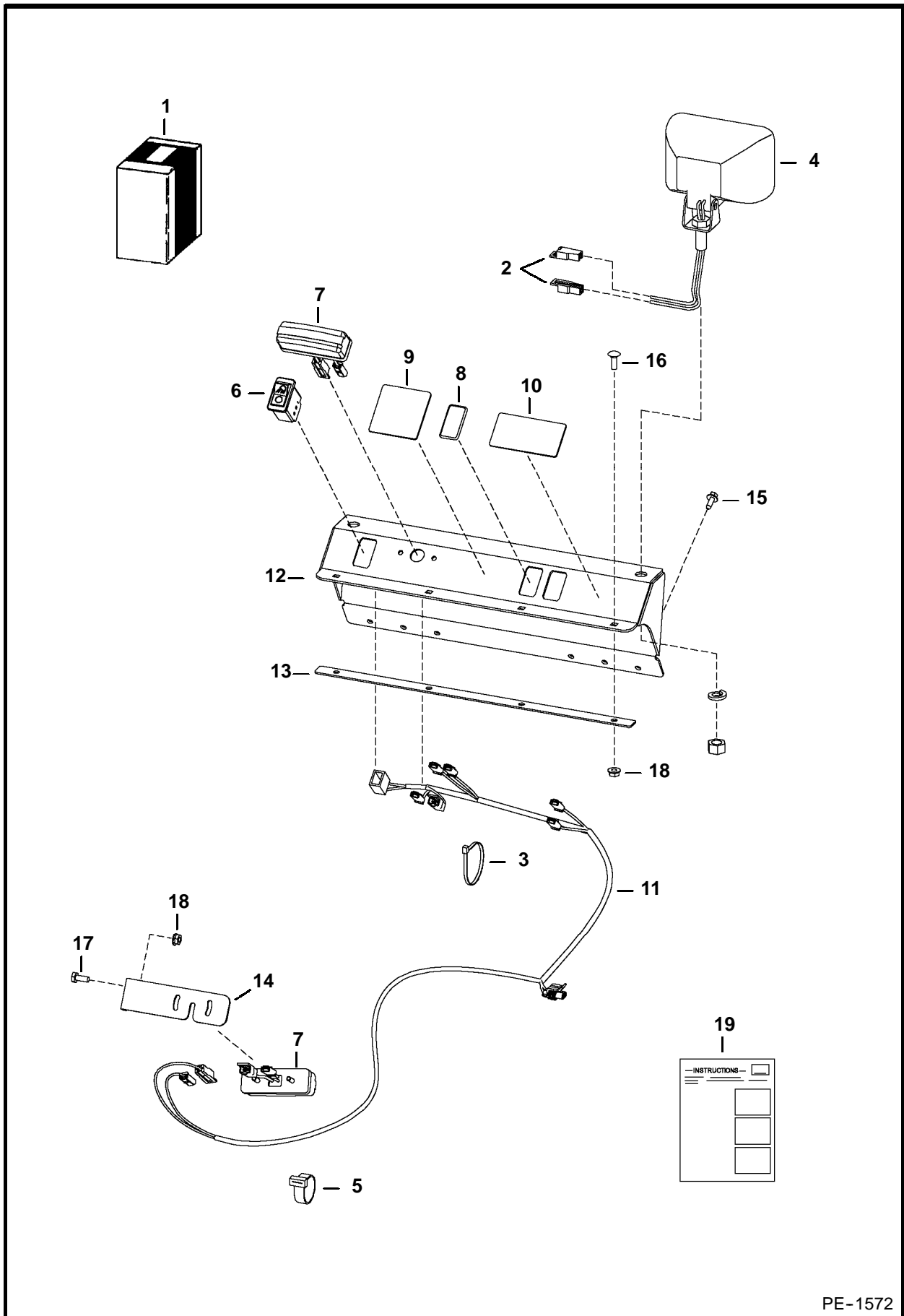
4

B-16086





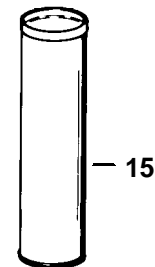
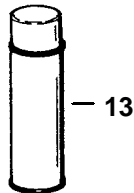
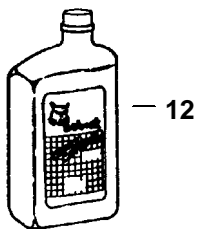
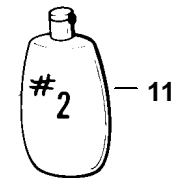
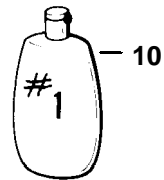
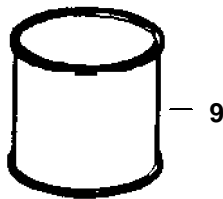
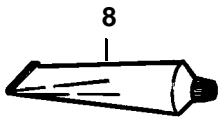
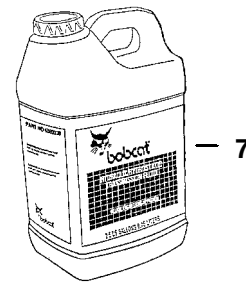
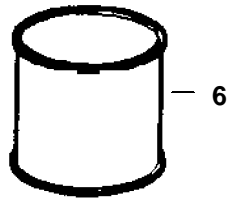
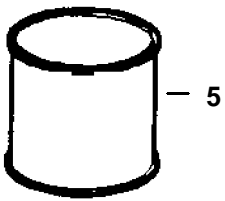
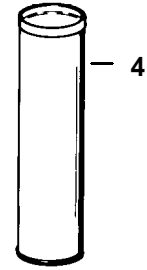
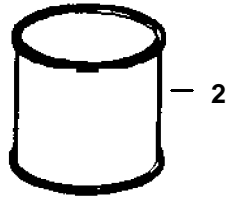
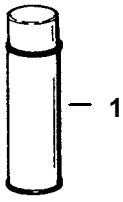
\* LIGHT KIT



PE-1572



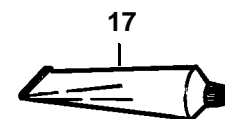
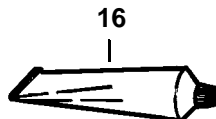
**BULK ITEMS  
(See Note)**



**NOTE:** Some of these bulk items may not be used on this particular model Bobcat.

**NOTE:** See Merchandising catalog for more products & information.

**NOTE:** Paint spray cans are packaged 6 per box. Motor oil quarts are packaged 12 per box. Motor oil 1 Gal. jugs are packaged 4 per box.



B-16462

**BULK ITEMS (Cont'd)**  
(See Note)

Ref. No.	Part Number	Description	Remarks	Serial Number	Qty.
1	6722783	PAINT	orange - Spray Can - See Note		x
	6722786	PAINT	charcoal - Spray Can - See Note		x
	6722789	PAINT	white - Spray Can - See Note		x
2	6722781	PAINT	orange - Gal. - Also Order Ref. 5		x
	6722782	PAINT	orange - Qt. - Also Order Ref. 5		x
	6722784	PAINT	charcoal - Gal. - Also Order		
	6722785	PAINT	Ref. 5 charcoal - Qt. -Also Order Ref. 5		x
	6722787	PAINT	white - Gal. - Also Order Ref. 5		x
3	6722788	PAINT	white - Qt. Also Order Ref. 5		x
	6724094	ANTI-FREEZE	gallon - premixed PG		x
	6724354	ANTI-FREEZE	gallon - concentrate PG		x
4	6633583	SEALANT	chaincase covers		x
5	6653517	REDUCER	gallon		x
6	6653518	PRIMER	gallon		x
	6653519	PRIMER	Qt.		x
7	6563328	BLACK GOLD	Hydraulic/Hydrostatic Transmission Fluid - 5 Gallons -		
	6722344	BLACK GOLD	2-2 1/2 Gallon Containers Hydraulic/Hydrostatic Trans. Fluid - 5 Gal. Container		x
	6563330	BLACK GOLD	55 Gallon Drum		x
8	6599360	SEALANT	electrical - 3 oz. tube		x
9	6634393	LUBRICANT	90 wt. gear - pint - For use in		
10	6630188	POLISH	cooling fan drive assy		x
	6630189	POLISH	window-1 (8 oz.)		x
			window-2 (8 oz.) - scratch		
			remover		x
12	6657303	MOTOR OIL	30 CE/SG - 1 Qt. - See Note		x
	6724559	MOTOR OIL	SAE 30 - 1 Gal. - See Note		x
	6674206	MOTOR OIL	SAE 30 - 2.5 Gal. - See Note		x
	6657301	MOTOR OIL	10W30 CE/SG - 1 Qt. - See Note		x
	6724557	MOTOR OIL	SAE 10W30 - 1 Gal.-See Note		x
	6674205	MOTOR OIL	SAE 10W30 - 2.5 Gal.-See Note		x
	6657299	MOTOR OIL	15W40 CE/SG - 1 Qt. - See Note		x
	6724558	MOTOR OIL	SAE 15W40 - 1 Gal.- See Note		x
13	6674204	MOTOR OIL	SAE 15W40 - 2.5 Gal.- See Note		x
	6675380	ADHESIVE	insulation - spray can		x
14	6658266	GREASE	general purpose		x
15	6599719	GREASE	14.5 oz. cart. - For fan idler brg.		x
16	6650407	ADHESIVE	1 oz. tube		x
17	6650388	SEALANT	flange		x

# NUMERICAL INDEX

Part No.	Description	Was	Code	Page
616789	WASHER			12
619021	WASHER			28
731016	ELBOW			32
731793	CONNECTOR			34
733611	TERMINAL			146
733616	TERMINAL			146
743332	GREASE ZERK			18
755056	FITTING			34
851242	BEARING			110
872229	WASHER			28, 84
947088	SEAL			38
1990599	SEAL			26, 38
3390205	SEAL			68
3918818	SEAL			106
3966516	O-RING			98, 132
3966521	O-RING			104
3966602	O-RING			92, 134
3974033	PLUG			96
3974037	PIN			102
3974038	O-RING			96, 102, 134
3974039	PIN			102
3974056	PLUG			96
3974210	CIR-CLIP			110
3974216	CIR-CLIP			104
3974226	KEY			104
3974260	SCREW			126
3974266	KEY			110
3974280	O-RING			114, 132
3974402	PLUG			98
3974627	STUD			120
3974972	GASKET			92, 114, 126, 134
3986830	SLEEVE			104
5200255	NUT			24
6190121	SPRING			68
6510020	SNAPPER PIN			14, 16
6513495	COTTER PIN			26
6513505	PLATE			68
6513506	DRIVE VALVE			68
6513507	VALVE			68
6513529	SEAL			68
6513530	SEAL			68
6513613	WASHER			104
6513614	WASHER			104
6513615	WASHER			104
6513616	WASHER			104
6514898	CAP			74
6515007	INDICATOR			82
6515575	CLAMP			20
6516231	O-RING			36
6517924	CONNECTOR			146
6519178	BUMPER			16, 22

Code for dispostiiton of old part number  
 A — Use up  
 B — Use on other application (See PNI)

C — File PDR Report with Bobcat Parts Sales  
 D — Part Number Error

## NUMERICAL INDEX (Cont'd)

Part No.	Description	Was	Code	Page
6519548	CONNECTOR			146
6530859	HOSE			28
* 6536793	HOSE			30
6539323	HEAD			36
6553411	BUSHING			20
6553412	ELBOW			20
6557831	WASHER			18, 26, 80
6560573	DECAL			142
6561383	DECAL			142
6562266	CLAMP			38
6563328	BLACK GOLD			1, 148
6563330	BLACK GOLD			1, 148
6563829	BUSHING			12
6563830	BUSHING			16, 18
6563846	PIN			16
6563848	PIN			16
6564198	PIN			16
6564452	GRIP			26, 66, 86
6565200	DECAL			142
6565990	DECAL			142
6567883	ELBOW			32
6567884	ELBOW			32
6567962	WASHER			86
6569203	CLAMP			74
6575580	GASKET			120, 134
6576048	DECAL			142, 144
6576261	COVER			86
6576262	BRACKET			86
6577822	HOSE			20, 80
6578169	HOSE			20
6578253	SPRING			18
6584652	BUMPER			12
6586307	RETAINER			16
6589675	SCREW			14
6589739	DECAL			142
6591804	CLAMP			28
6592506	CLAMP			28
6592766	U-BOLT			86
6593671	CONNECTOR			66
6595014	DECAL			142, 144
6596218	PLATE			72
6598098	PIN			94
6598694	HOSE			122
6599040	CLAMP			116
6599066	BOLT			112
6599081	O-RING			100, 132
6599136	CLAMP			126
6599360	SEALANT			148
6599719	GREASE			148
6599985	LINER			102
6610510	NYLON TIE			146

Code for disposition of old part number  
 A — Use up  
 B — Use on other application (See PNI)

C — File PDR Report with Bobcat Parts Sales  
 D — Part Number Error

## NUMERICAL INDEX (Cont'd)

Part No.	Description	Was	Code	Page
6624289	TIE STRAP			20, 22, 74, 82, 86, 140
6630041	ELBOW			20
6630042	PLATE			68
6630154	CAP			74
6630155	CAP			74
6630188	POLISH			148
6630189	POLISH			148
6630796	SEAL			68
6630945	WASHER			86
* 6631010	SWITCH	6676053	B	74
6631010	SWITCH			102
6631036	BALL JOINT			66
6632435	BALL			76
6632453	BOOT			74
6632633	SWITCH			74
6632823	GASKET			98
6633583	SEALANT			148
6634393	LUBRICANT			148
6636018	LIGHT			72
6640730	WASHER			98
6644965	BALL JOINT			86
6646678	RADIATOR CAP			1, 80
6650388	SEALANT			148
6650407	ADHESIVE			148
6652573	PLUG			102
6652574	PLUG			102
6652575	PLUG			102
6652580	BOLT			100, 114
6652593	BOLT			100
6652597	ADAPTER			100
6652629	ROD ASSY			104
6652633	PLUG			104
6652636	WASHER			104
6652637	WASHER			104
6652653	PLUG			92
6652680	BALL			110
6652682	BOLT			98, 108, 110
6652688	CLAMP			126
6652689	CLAMP			126
6652712	STOPPER			114
6652748	CLAMP			118
6652759	PIPE			116
6652760	THERMOSTAT			118
6652762	BOLT			98, 114
6652764	STUD			100
6652797	PLUG			96, 102
6653336	FILTER			1, 32
6653517	REDUCER			148
6653518	PRIMER			148
6653519	PRIMER			148
6653565	FLANGE			116

Code for dispostiiton of old part number  
A — Use up  
B — Use on other application (See PNI)

C — File PDR Report with Bobcat Parts Sales  
D — Part Number Error



## NUMERICAL INDEX (Cont'd)

Part No.	Description	Was	Code	Page
6653584	BOLT			106, 116, 118
6653764	MOUNT			84
6653836	BOLT			108
6653839	PLUG			108
6653842	KEY			108
6653905	CAP			114
6654806	FUSE			74
6654897	FILTER ASSY			32
6655218	GASKET			126, 134
6655223	NUT			92
6655228	BOLT			114
6655872	SHIELD			126, 134
6656126	WASHER			128
6656128	WASHER			128
6656129	WASHER			128
6656130	WASHER			128
6656131	WASHER			128
6656132	WASHER			128
6656133	WASHER			128
6656134	WASHER			128
6656135	WASHER			128
6656136	WASHER			128
6656137	WASHER			128
6656138	WASHER			128
6656139	WASHER			128
6656140	WASHER			128
6656141	WASHER			128
6656142	WASHER			128
6656143	WASHER			128
6656144	WASHER			130
6656145	WASHER			130
6657299	MOTOR OIL			1, 148
6657301	MOTOR OIL			1, 148
6657303	MOTOR OIL			1, 148
6657414	BOLT			100
6657417	BOLT			122
6657423	PIN			102
6657431	PLUG			102
6657432	SEAL			116
6657436	VALVE			124
6657437	TAPPET ASSY			124
6657438	O-RING			124
6657439	SPRING			124
6657440	GASKET			124
6657441	PIN			124
6657442	SEAT			124
6657443	SPRING			124
6657444	SEAT			124
6657445	BOLT			124
6657446	ADAPTER			126
6657447	SLEEVE			124

Code for dispostiiton of old part number  
A — Use up  
B — Use on other application (See PNI)

C — File PDR Report with Bobcat Parts Sales  
D — Part Number Error

## NUMERICAL INDEX (Cont'd)

Part No.	Description	Was	Code	Page
6657448	SHIM			124
6657449	FLANGE			124
6657451	PUSH ROD			128
6657452	SPRING			128
6657453	WASHER			128
6657455	PIECE			128
6657456	DRAIN VALVE			102
6657458	STUD			102, 116, 122
6657460	NUT			128
6657461	NUT			122
6657462	BOLT			124
6657463	WASHER			128
6657464	PIN			124
6657465	PLUG			96
6657466	WASHER			124
6657467	GASKET			124
6657468	O-RING			124
6657469	NUT			114
6657557	CLAMP			122
6657742	WASHER ASSY			128
6658266	GREASE			148
6658818	SENDER			74
6660336	BEARING			104
6660337	BEARING			104
6662790	NUT			28
6664035	CAP			140
* 6664036	NUT			140
* 6664037	WASHER			140
6664106	LAMP			146
6664886	HOUR METER			72
6665208	SEAL			36, 38
6665606	SEAL			72
6665915	SIGHT GAUGE			32
6666631	O-RING			76
6666813	GASKET			118, 134
6666926	SEAL KIT			68
6666928	SEAL KIT			68
6666938	SCREW			68
6666939	BACKUP RING			68
6666941	SEAL			68
6667170	HAND PUMP			20
6667324	SEAL			36, 38
6667332	O-RING			68
6667352	FILTER			1, 20
6667353	FILTER ASSY			20
6667419	WASHER			94, 100, 122
6667420	BOLT			96, 98
6667425	PLUG			100
6667451	WASHER			92
6667987	STARTER			76
6669423	SHAFT ASSY			68

Code for dispostiiton of old part number  
A — Use up  
B — Use on other application (See PNI)

C — File PDR Report with Bobcat Parts Sales  
D — Part Number Error

## NUMERICAL INDEX (Cont'd)

Part No.	Description	Was	Code	Page
6669427	GEROLER			68
6669428	BOLT			68
6669430	NUT			68
6669618	ALTERNATOR			78, 80
6669633	STARTER			84
6669663	GAUGE			72
6669664	GAUGE			72
6670251	BATTERY			74
6670336	CRANKCASE			102
6670337	PLUG			102
6670338	PLUG			102
6670339	OIL SWITCH			102
6670340	OIL PUMP			102
6670341	GASKET			102, 132
6670342	GEAR			102
6670343	NUT			102
6670344	PIN			102
6670345	PAN			98
6670348	SCREEN			98
6670349	HOOK			96
6670350	HEAD ASSY			96
6670351	VALVE GUIDE			96
6670352	VALVE GUIDE			96
6670353	BOLT			96
6670354	GASKET			96, 134
6670355	PIN			100
6670356	GASKET			100, 132
6670357	BOLT			100
6670358	SEAL			100
6670359	SPRING			100
6670360	SEAT			100
6670361	BALL			100
6670362	COVER			100
6670363	GASKET			100, 132
6670364	JOINT			92
6670365	PLATE			92
6670366	PLATE			92
6670367	ELEMENT			92
6670368	SHIELD			92
6670369	TUBE			92
6670370	CLAMP			92
6670371	COVER			92
6670372	GASKET			92, 134
6670375	CASE			106
6670376	BOLT			106
6670377	GASKET			106, 132
6670378	COVER			106
6670379	GASKET			106, 132
6670380	CASE			106
6670381	CASE			106
6670382	BOLT			106

Code for dispostiiton of old part number  
A — Use up  
B — Use on other application (See PNI)

C — File PDR Report with Bobcat Parts Sales  
D — Part Number Error

## NUMERICAL INDEX (Cont'd)

Part No.	Description	Was	Code	Page
6670383	TAPPET			108
6670384	PUSH ROD			108
6670385	CAMSHAFT			108
6670386	GEAR			108
6670387	STOPPER			108
6670388	GEAR			108
6670389	BEARING			108
6670390	COLLAR			108
6670391	SNAP RING			108
6670392	SHAFT			108
6670393	PISTON			104
6670394	PISTON			104
6670395	RING ASSY			104
6670396	RING ASSY			104
6670397	PIN			104
6670399	BUSHING			104
6670400	BOLT			104
6670401	BEARING			104
6670402	BEARING			104
6670403	BEARING			104
6670404	CRANKSHAFT			104
6670405	GEAR			104
6670406	BEARING			104
6670407	BEARING			104
6670408	BEARING			104
6670409	BEARING			104
6670411	BEARING			104
6670412	BEARING			104
6670413	COLLAR			104
6670414	OIL SLINGER			104
6670415	O-RING			132
6670416	SNAP RING			110
6670418	GEAR			110
6670419	SLEEVE			110
6670420	CASE			110
6670421	BEARING			110
6670422	CIR-CLIP			110
6670423	STOPPER			110
6670424	IDLE ASSY			114
6670428	NUT			114
6670429	LEVER			114
6670430	LEVER			114
6670431	PIN			112, 114
6670432	PUMP			122, 124
6670433	SHIM			122
6670434	SHIM			122
6670436	FITTING			122
6670437	PLUNGER			124
6670438	HOLDER			124
6670439	BOLT			124
6670440	WASHER			124

Code for dispostiiton of old part number  
A — Use up  
B — Use on other application (See PNI)

C — File PDR Report with Bobcat Parts Sales  
D — Part Number Error

## NUMERICAL INDEX (Cont'd)

Part No.	Description	Was	Code	Page
6670441	PIN			124
6670442	RACK			124
6670443	PLATE			124
6670444	SCREW			124
6670445	PLUG			124
6670446	WASHER			124
6670447	SPRING			112
6670448	SPRING			112
6670451	LEVER ASSY			112
6670452	LEVER			112
6670453	SHAFT			112
6670454	HOLDER			112
6670455	LEVER ASSY			112, 114
6670456	COVER			114
6670457	GASKET			114, 132
6670458	WASHER			114
6670459	O-RING			114, 132
6670460	LEVER			114
6670461	BOLT			114
6670462	NUT			114
6670463	JOINT			126
6670464	HOSE			126
6670465	NOZZLE HOLDER			126, 128
6670467	PIPE			126
6670468	PIPE			126
6670469	PIPE			126
6670470	GLOW PLUG			126
6670471	WIRE			126
6670472	NUT			126
6670473	WASHER			126
6670474	NUT			128
6670475	PIECE			128
6670476	WASHER			128
6670477	WASHER			128
6670478	WASHER			128
6670479	WASHER			128
6670480	WASHER			128
6670481	WASHER			128
6670482	WASHER			128
6670483	WASHER			128
6670484	WASHER			128
6670485	WASHER			128
6670486	WASHER			128
6670487	WASHER			128
6670488	WASHER			128
6670489	WASHER			128
6670490	WASHER			128
6670491	WASHER			128
6670492	WASHER			128
6670493	WASHER			128
6670494	WASHER			128, 130

Code for dispostiiton of old part number  
A — Use up  
B — Use on other application (See PNI)

C — File PDR Report with Bobcat Parts Sales  
D — Part Number Error

## NUMERICAL INDEX (Cont'd)

Part No.	Description	Was	Code	Page
6670495	WASHER			128
6670496	WASHER			128
6670498	FUEL PUMP			122
6670499	FLANGE			118
6670500	GASKET			118, 134
6670501	BOLT			118
6670502	HOSE			118
6670503	OUTLET			118
6670506	PUMP ASSY			116
6670507	BEARING			116
6670508	IMPELLER			116
6670509	GASKET			116, 132
6670510	BOLT			116
6670511	VALVE			94
6670512	VALVE			94
6670513	SPRING			94
6670514	RETAINER			94
6670515	COLLET			94
6670516	CAP			94
6670517	SEAL			94, 134
6670518	SHAFT			94
6670520	WASHER			94
6670521	BOLT			94
6670522	BRACKET			94
6670523	STUD			94
6670525	WASHER			94
6670526	SPRING			94
6670527	ROCKER ARM			94
6670528	SCREW			94
6670529	NUT			94
6670530	GASKET			120, 134
6670531	BOLT			120
6670532	STUD			120
6670533	NUT			116, 120
6670535	GASKET			120, 134
6670770	BOLT			100, 120
6670771	BOLT			100
6670772	BOLT			100
6670773	COVER			100
6670774	GASKET			100
6670775	SCREW			92
6670776	SOLENOID			114
6670777	SHIM			122
6670778	LEVER FORK			112
6670779	WASHER			112
6670780	SPRING			114
6670781	COVER			114
6670782	GASKET			122, 132
6670783	PULLEY			104
6670784	BOLT			104
6670785	PIPE			118

Code for dispostiiton of old part number  
A — Use up  
B — Use on other application (See PNI)

C — File PDR Report with Bobcat Parts Sales  
D — Part Number Error

## NUMERICAL INDEX (Cont'd)

Part No.	Description	Was	Code	Page
6670786	MANIFOLD			120
6670872	TIMER			74
6670964	PULLEY			116
6671056	CASE			100
6671057	FILTER			1, 82, 100
6671074	FRAME ASSY			78
6671075	PLATE			78
6671076	SCREW			78
6671077	BEARING			78
6671078	STUD			78
6671079	FRAME END			78
6671080	HOLDER			78
6671081	HOLDER			78
6671082	SEAL			78
6671085	REGULATOR			78
6671086	COVER			78
6671087	NUT			78
6671088	INSULATOR			78
6671089	BOLT			78
6671090	SCREW			78
6671091	NUT			78
6671092	NUT			78
6671093	ROTOR ASSY			78
6671094	BEARING			78
6671095	COVER			78
6671096	PULLEY			78
6671097	SPACER			78
6671098	BOLT			78
6671099	SCREW			78
6671100	SCREW			78
6671976	YOKE ASSY			76
6671977	YOKE			76
6671978	BRUSH KIT			76
6671979	BRUSH KIT			76
6671980	HOLDER			76
6671981	SPRING			76
6671982	O-RING			76
6671983	ARMATURE			76
6671984	BEARING			76
6671985	BEARING			76
6671986	BEARING			76
6671987	BEARING			76
6671988	CLUTCH			76
6671989	BEARING			76
6671990	BEARING			76
6671991	SPRING			76
6671992	SHAFT			76
6671993	HOUSING			76
6671994	PLUNGER			76
6671995	GASKET			76
6671996	COVER			76

Code for dispostiiton of old part number  
A — Use up  
B — Use on other application (See PNI)

C — File PDR Report with Bobcat Parts Sales  
D — Part Number Error

## NUMERICAL INDEX (Cont'd)

Part No.	Description	Was	Code	Page
6671997	BOLT			76
6671998	SPRING			76
6671999	ROLLER			76
6672000	RETAINER			76
6672001	PINION			76
6672002	HOUSING			76
6672003	FRAME			76
6672004	BOLT			76
6672005	SCREW			76
6672006	NUT			76
6672007	BUSHING			76
6672008	NUT			76
6672009	BOLT			76
6672010	WASHER			76
6672011	NUT			76
6672012	WASHER			76
6672013	O-RING			76
6672172	KIT			76
6672205	COVER			76
6672739	GASKET KIT			90, 134
6672740	GASKET KIT			90, 132
6673200	DIODE			74
* 6673314	O-RING			98
6673752	ELEMENT			1, 136
6673753	ELEMENT			1, 136
6674202	NUT			72
6674204	MOTOR OIL			1, 148
6674205	MOTOR OIL			1, 148
6674206	MOTOR OIL			1, 148
6674254	HOSE			116
6674687	BATTERY			1
6674741	KNOB			14
6674894	NUT			22
6675212	RETAINER			66
6675380	ADHESIVE			148
6675529	AIR CLEANER			82, 136
6675542	MUFFLER			82
6675668	CABLE			86
6675699	PLUG			136
6675700	COVER			136
6675701	VALVE			136
6675722	NUT			12
* 6675723	LOCK ASSY			22
* 6675843	NUT			22
6676053	SWITCH			84
6676061	MANIFOLD			120
6676166	CLAMP			82
6676168	OIL COOLER			32
6676169	NUT			80
6676559	COUPLER			28
6676560	COUPLER			28

Code for dispostiiton of old part number  
A — Use up  
B — Use on other application (See PNI)

C — File PDR Report with Bobcat Parts Sales  
D — Part Number Error



## NUMERICAL INDEX (Cont'd)

Part No.	Description	Was	Code	Page
6676563	PIPE			116
* 6676564	SEAL KIT			30
6678661	TRACK			24
6678667	MOUNT			74
* 6678669	TIE STRAP			72
6678669	TIE STRAP			74, 146
6678755	KNOB			22
6678785	NUT			22
6678787	ENGINE			90
6678818	MOUNT			74
6678819	GEAR PUMP			32, 70
6678822	VALVE			34, 42
6678823	VALVE			34, 44
6678824	VALVE			34, 40
6678828	VALVE			28, 34
6678829	VALVE			30, 34
6678895	LEVER			66
6678896	LEVER			66
6678901	BLOWER			74, 88
6678906	CHECK VALVE			34
6678925	VALVE			28
6678937	FAN			80
6678938	DIPSTICK			98
6678939	GUIDE			98
6678940	SUPPORT			98
6678941	FUEL GAUGE			20
6678985	PLUG ASSY			40
6678990	PLUG ASSY			40
6679027	CLAMP			72
6679034	MOUNT			74, 80
6679061	RADIATOR			80
6679135	SEAL			24
6679144	SPRING			26
6679153	COVER			70
6679154	COVER			70
6679157	GEAR			70
6679159	BOLT			70
6679160	WASHER			70
6679163	SEAL			70
6679164	RING			70
6679166	FLANGE			70
6679167	SHAFT			70
6679168	DOWEL			70
6679169	VALVE			28
6679170	CONTAINER			22
6679172	HINGE			14
6679249	VALVE			30
6679280	RELIEF VALVE			30
6679281	SEAL KIT			30
6679285	COIL			28
6679286	SEAL KIT			28

Code for dispostiiton of old part number  
 A — Use up  
 B — Use on other application (See PNI)

C — File PDR Report with Bobcat Parts Sales  
 D — Part Number Error

## NUMERICAL INDEX (Cont'd)

Part No.	Description	Was	Code	Page
6679287	STEM			28
6679288	STEM			28
6679488	SET SCREW			40
6679489	KNOB			40
6679490	SEAL KIT			40
6679491	SEAL KIT			40
6679492	HANDLE ASSY			40
6679493	RELIEF VALVE			40
* 6679495	BOOT			48, 50, 52, 58, 62
6679495	RUBBER BOOT			42, 44
6679499	O-RING			42, 44, 58, 62
6679501	SCREW			42, 44, 48, 50, 52, 58, 62
6679593	WASHER			48, 50, 52, 58, 62
6679595	END CAP			60
6679600	PLUG			46, 56, 64
6679601	WASHER			48, 50, 52, 58, 62
6679605	O-RING			52, 58, 62
6679606	O-RING			52, 58, 62
6679607	SWITCH			52, 58, 62
6679609	WASHER			60
6679611	SCREW			60
6679612	SCREW			52, 58, 62
6679613	PLUG			60
6679614	CHECK VALVE			48, 50, 52, 58, 60, 62
6679618	PLUG			52, 58, 60, 62
6679619	PLUG			46, 56, 64
6679620	ROD W/NUT			46, 56
6679629	PLUG			54
6679631	ORIFICE			52
6679632	SEAL			50
6679645	SLEEVE			40
6679674	RETAINER			88
6679675	NUT			88
6679676	SCREW			88
6679677	BLOWER MOTOR			88
6679678	BLOWER WHEEL			88
6679679	PLATE			88
6679680	HOUSING			88
6679693	O-RING			46, 64
6679701	O-RING			54
6679709	VALVE SECTION			64
6679710	VALVE SECTION			60
6679711	VALVE SECTION			58
6679712	VALVE SECTION			56
6679713	KIT			58, 62
6679714	KIT			46, 56, 64
6679715	KIT			46, 54, 56, 64
* 6679716	LEVER ASSY	6679599	A	58, 62
6679716	KIT			58
6679717	SEAL KIT			46, 56, 64
6679718	SEAL KIT			60

Code for disposition of old part number  
A — Use up  
B — Use on other application (See PNI)

C — File PDR Report with Bobcat Parts Sales  
D — Part Number Error

## NUMERICAL INDEX (Cont'd)

Part No.	Description	Was	Code	Page
6679719	SEAL KIT			58, 62
6679720	SEAL KIT			56, 58, 60, 62, 64
6679721	KIT			52
6679722	KIT			50
6679723	KIT			48
* 6679724	LEVER ASSY	6679500	A	42, 44, 48, 50, 52
6679725	VALVE SECTION			54
6679726	VALVE SECTION			52
6679727	VALVE SECTION			50
6679728	VALVE SECTION			48
6679729	VALVE SECTION			46
6679730	KIT			48, 50
6679731	SEAL KIT			54
6679732	SEAL KIT			52
6679733	SEAL KIT			50
6679734	SEAL KIT			48
6679735	SEAL KIT			46, 48, 50, 52, 54
6679749	SEAL KIT			70
* 6679755	GASKET			136
6679758	SECTION KIT			70
6679759	SECTION KIT			70
6679820	SWITCH			74
6679824	VALVE			62
* 6679828	SWITCH			146
* 6679829	SWITCH			140
* 6679830	SWITCH			140
* 6679907	VALVE			30
* 6679908	VALVE			30
* 6679914	SEAL KIT			30
* 6679962	CONSOLE LIGHT			146
6680103	VALVE			30
6680104	DRIVE MOTOR			30, 68
* 6680105	CONNECTOR			140, 146
6680167	HOUSING			68
6680168	COVER			68
6680169	SHAFT			68
6680170	O-RING			68
6680171	O-RING			68
6680172	BOLT			68
6680173	HOUSING			68
6680174	KEY			68
6700631	GASKET			32
6700743	SPRING			14, 22
6701097	WASHER			16
6702444	FUSE			74
6702958	BUSHING			18
6704240	PIVOT ASSY			18
6704248	PIVOT			18
6704453	SPRING			18, 26
6704892	POP RIVET			140
6705452	LEVER			86

Code for disposition of old part number  
A — Use up  
B — Use on other application (See PNI)

C — File PDR Report with Bobcat Parts Sales  
D — Part Number Error

## NUMERICAL INDEX (Cont'd)

Part No.	Description	Was	Code	Page
6706485	TIE DOWN			12
6706572	SCREW			86
6708555	DECAL			144
6708929	DECAL			142
6709022	LEVER			86
* 6709527	KEY			22
6709527	KEY			72
6713749	SPACER			80
6713920	SHIM			86
6715183	ELBOW			20
6715933	HOSE			28
6716621	COVER			74
6718033	FUSE			74
6718034	FUSE			74
6718659	HOUSING			74
6719038	PLUG			146
6719501	LEVER			18
6719502	LEVER			18
6722344	BLACK GOLD			1, 148
6722781	PAINT			148
6722782	PAINT			148
6722783	PAINT			148
6722784	PAINT			148
6722785	PAINT			148
6722786	PAINT			148
6722787	PAINT			148
6722788	PAINT			148
6722789	PAINT			148
6724094	ANTI-FREEZE			148
6724354	ANTI-FREEZE			148
6724557	MOTOR OIL			1, 148
6724558	MOTOR OIL			1, 148
6724559	MOTOR OIL			1, 148
6726436	BUSHING			18
6726597	BOB-TACH			18
6726899	WEDGE			18
6727475	CAP			32
6728473	SCREW			18
6730636	SUPPORT			16
6730642	LIFT ARM			16
6730652	SHIELD			16
6730657	FRAME			24
6730658	FRAME			24
6730660	IDLER PLATE			24
6730662	PIN			16
6730665	BRACKET			82
6730666	HOSE			80
6730668	BRACKET			80
6730669	HOSE			82
6730670	TUBE			82
6730671	MOUNT			84

Code for dispostiiton of old part number  
A — Use up  
B — Use on other application (See PNI)

C — File PDR Report with Bobcat Parts Sales  
D — Part Number Error

## NUMERICAL INDEX (Cont'd)

Part No.	Description	Was	Code	Page
6730672	SHIELD			80
6730674	COVER			12
6730676	SPACER			16
6730680	HOSE			82
6730682	IDLER			24
6730683	ROLLER			24
6730684	TANK			32
6730685	FUEL TANK			20
6730686	HOOD			14
6730688	REVERSE STOP			22
6730693	REAR DOOR			22
6730698	PLATE			24
6730699	PLATE			24
6730700	BUSHING			16
6730701	PIN			24
6730702	PIN			24
6730777	PIN			16
6731277	IDLER ARM			24
6731282	ROD			24
6731286	SPRING			24
6731302	MAIN FRAME			12
6731304	PANEL			14
6731306	BRACKET			84
6731316	BRACKET			20
6731319	COUNTERWEIGHT			12
6731320	STOP LEVER			66
6731321	HANDLE ASSY			66
6731322	DECAL			144
6731323	BUSHING			22
6731325	THROTTLE ASSY			86
6731328	SPACER			86
6731330	DECAL			16, 144
6731331	DECAL			144
6731332	DECAL			144
6731333	DECAL			144
6731335	DECAL			142
6731336	DECAL			142, 144
6731337	DECAL			142, 144
6731338	DECAL			142, 144
6731339	STOP PLATE			22
6731341	COVER			66
6731344	STOP BRACKET			22
6731447	CROSS			34
6731459	BRACKET			34
6731460	SPACER			34
6731462	TUBELINE			34
6731463	TUBELINE			34
6731464	TUBELINE			34
6731465	TUBELINE			34
6731480	TUBELINE			34
6731485	TUBELINE			34

Code for disposition of old part number  
A — Use up  
B — Use on other application (See PNI)

C — File PDR Report with Bobcat Parts Sales  
D — Part Number Error

## NUMERICAL INDEX (Cont'd)

Part No.	Description	Was	Code	Page
6731486	TUBELINE			34
6731487	TEE			32
6731488	HARNESS			74
6731489	HARNESS			72
* 6731490	HARNESS			140
6731492	TUBELINE			34
6731493	TUBELINE			34
6731494	TUBELINE			32
6731497	CABLE			74
6731498	CABLE			74
6731502	TUBELINE			32
6731611	TUBELINE			32
6731623	BRACKET			74
6731639	DECAL			74, 142
6731645	HOSE			32
6731659	HOSE			28
6731661	HOSE			28
6731749	PIN			16
6731756	HOSE			32
6731767	HOSE			32
6731776	HOSE			28
6731777	HOSE			28
6731801	HOSE			30
6731909	KNOB			28
6731924	TUBELINE			32
6731927	DECAL			142, 144
6731929	PLATE			12
6731930	SHIELD			12
6731941	BOLT			74
6731990	SUPPORT			14
6731991	FRAME			14
6731992	BRACKET			14
6731993	BRACKET			14
6732008	FRAME			14
6732013	WASHER			24
6732039	PLATE			14
6732042	PIN			26
6732043	WASHER			26
6732063	SCREEN			14
6732064	PLATE			14
6732067	BRACKET			66
6732073	SPACER			26
6732074	MOUNT			26
6732080	PLATE			86
6732089	CONNECTOR			28
6732090	PIN			26
6732091	BRACKET			22
6732097	PULLEY			26
6732098	PLATE			66
6732100	ROD			66
6732102	LEVER			66

Code for dispostiiton of old part number  
A — Use up  
B — Use on other application (See PNI)

C — File PDR Report with Bobcat Parts Sales  
D — Part Number Error

## NUMERICAL INDEX (Cont'd)

Part No.	Description	Was	Code	Page
6732106	TUBELINE			30
6732107	TUBELINE			30
6732122	CROSS			32
* 6732139	DECAL			146
6732139	DECAL			144
6732140	DECAL			144
6732141	DECAL			142
6732142	DECAL			142
6732143	DECAL			144
* 6732144	DECAL			146
6732144	DECAL			144
6732145	DECAL			142
6732146	DECAL			144
6732147	DECAL			144
6732148	DECAL			144
6732149	DECAL			142, 144
6732152	GUIDE ASSY			26
6732175	FAN MOUNT ASSY			26
6732189	SPACER			66
6732191	SPACER			66
6732201	TUBELINE			30, 32
6732221	HOSE			30
6732271	BUSHING			24
* 6732388	HARNESS			146
* 6732407	MOUNT			140
6732447	BRACKET			20
6732542	BRACKET			22
6732543	BRACKET			26
6732546	GRAB HANDLE			22
6732584	GRAB HANDLE			22
6732593	LEVER			26
6732615	BRAKE CABLE			26
* 6732656	ATTACHMENT CONTROL KIT			140
* 6732657	LIGHT KIT			146
6732668	PLATE			14
6732671	RIVET			14
6732700	MOUNT			28
* 6732757	BRACKET			146
* 6732758	PLATE			146
* 6732839	FOAM PAD			14
* 6732866	BRACKET			146
* 6732877	BUSHING			26
* 6732978	SPACER			80
* 6732996	HOSE	6730664	A	80
6733014	ELBOW			30
6733211	SPROCKET			24
* 6733218	ELBOW			30
6733218	ELBOW			32
* 6733220	DECAL			142
6733226	SPACER			24
6733297	HOSE			30

Code for dispostiiton of old part number  
A — Use up  
B — Use on other application (See PNI)

C — File PDR Report with Bobcat Parts Sales  
D — Part Number Error

## NUMERICAL INDEX (Cont'd)

Part No.	Description	Was	Code	Page
6733298	HOSE			30
6800262	CLAMP			28
* 6800677	HOSE			30
6801352	PLATE			84
* 6801808	INSTRUCTIONS			146
6803334	SEAL KIT			38
6804232	DECAL			142
6804522	SPACER			84
6804875	FLYWHEEL ASSY			84
6804927	SEAL KIT			36
6805166	TEE			34
6806246	MOUNT			84
6807141	ROD			36
6807287	HOUSING			84
6807444	SPACER			80
6807744	BRACKET			86
6807977	PISTON			38
6808118	RETAINER			80
6808336	SPACER			36
6808338	PISTON			36
6808625	TUBELINE			38
6808626	TUBELINE			36
6808629	BELT			80
6808668	CASE			38
6808669	HEAD			38
6809825	BUSHING			18
6810157	SCREW			146
6810666	DECAL			142
6810701	SHIELD			80
6812106	CYLINDER			38
6812130	ROD			38
6812132	BUSHING			38
6812170	PLUG			36
6812771	CYLINDER			36
6812773	CASE			36
6850028	COUPLER			84
6850038	COUPLER			84
6901681	DECAL KIT			142, 144
* 6901808	INSTRUCTIONS			140

Code for dispostiiton of old part number  
 A — Use up  
 B — Use on other application (See PNI)

C — File PDR Report with Bobcat Parts Sales  
 D — Part Number Error



## NUMERICAL INDEX (Cont'd)

Part No.	Description	Was	Code	Page
1CM-820	BOLT			66
1CM-860	BOLT			80
1CM-890	BOLT			80
1CM-1050	BOLT			84
1CM-1060	BOLT			84
1DM-6	NUT			94, 100, 114
1DM-8	NUT			92, 120
1EM-60	WASHER			94
1F-544	COTTER PIN			24
3GM-1025	BOLT			32
3GM-1040	BOLT			84
4CM-616	BOLT			118, 122
4CM-618	BOLT			114
4CM-620	BOLT			106
4CM-625	BOLT			120
4CM-635	BOLT			112
4DM-10	NUT			66
4DM-6	NUT			74
4F-4051	PIN			26
5CM-1020	BOLT			84
5HM-14	CLAMP			20
5HM-30	CLAMP			80
5HM-35	CLAMP			32, 80
5HM-53	CLAMP			82
5K-106	NIPPLE			82
6E-6	WASHER			32
6EM-80	WASHER			82, 120
8D-4	NUT			86
8D-7	NUT			28
10C-412	BOLT			146
10H-25	GREASE ZERK			16, 24
10H-35	GREASE ZERK			18, 24
11H-15	GREASE ZERK			16
12D-6	NUT			72
12D-8	NUT			74
12H-15	GREASE ZERK			16
14D-10	NUT			74, 86
14J-5032	PIN			18
14K-3	FITTING			30
15EM-100	WASHER			32, 84
15JM-48	KEY			102
15KB-404	CONNECTOR			30
15KV-5	CONNECTOR			28
15KV-6	CONNECTOR			28, 30, 34
15KV-7	FITTING			32
17C-410	BOLT			74, 146
17C-414	BOLT			66
17C-428	BOLT	31C-432	B	34
17C-432	BOLT			24, 34
17C-516	BOLT			20
17C-612	BOLT			30

Code for dispostiiton of old part number  
A — Use up  
B — Use on other application (See PNI)

C — File PDR Report with Bobcat Parts Sales  
D — Part Number Error

## NUMERICAL INDEX (Cont'd)

Part No.	Description	Was	Code	Page
17C-616	BOLT			24
17C-620	BOLT			12, 22
17C-632	BOLT			26
17C-636	BOLT	31C-640	B	28
17C-644	BOLT			86
17C-648	BOLT			18
17E-6	WASHER			72
17EM-80	WASHER			80
17KB-606	ELBOW			30, 32
17KV-5	ELBOW			28
17KV-6	ELBOW			30, 32, 34
18C-744	BOLT			30
18KN-6	ELBOW			30, 34
19F-2	BUSHING			74
19JM-30	BALL			110
19KV-5	TEE			28
21JM-814	PIN			102
21JM-816	DOWEL			84
21KV-5	TEE			28
23J-16	SNAP RING			26
25E-13	WASHER			14, 80
25E-16	WASHER			12
25E-17	WASHER			22, 24, 74
25K-20010	O-RING			68
25K-40224	O-RING			38
26GM-8013	SCREW			32
27E-4	WASHER			26
28E-7	WASHER			30
29CM-616	BOLT			80
29CM-816	BOLT			82, 84, 86
29CM-820	BOLT			80, 82, 84
29CM-850	BOLT			80
29CM-1020	BOLT			74, 84
29CM-1025	BOLT			84
29CM-1030	BOLT			12
30H-19	CLAMP			82, 86
31C-640	BOLT			34
31C-828	BOLT			30
33C-824	BOLT			16
35C-416	BOLT			14
35C-512	BOLT			22
35C-516	BOLT			22, 34
35C-612	BOLT			22, 32, 34
35C-616	BOLT	35C-620	B	84
35C-620	BOLT			66
37C-416	BOLT			66
37C-616	BOLT			12, 20, 74
37C-620	BOLT			66
37C-820	BOLT			24
37C-8112	BOLT			12
38C-520	BOLT			66

Code for disposition of old part number  
A — Use up  
B — Use on other application (See PNI)

C — File PDR Report with Bobcat Parts Sales  
D — Part Number Error

## NUMERICAL INDEX (Cont'd)

Part No.	Description	Was	Code	Page
38C-606	BOLT			14
38C-610	BOLT			86
38C-610	BOLT	38C-612	B	14
42H-32	CLAMP			82
45C-616	BOLT			24
45E-1010	ELBOW			30
53D-6	NUT			84
53DM-8	NUT			80, 84
53DM-10	NUT			84
54K-30118	RING			36
54K-30218	O-RING			38
54K-40124	O-RING			36
54K-40300	O-RNG			38
55D-6	NUT			12, 20
55D-8	NUT			12
55K-16	O-RING			30
58K-115	O-RING			30
58K-136	O-RING			36
59D-4	NUT			66
59D-5	NUT			74
61D-4	NUT			24
61D-5	NUT			20
61D-6	NUT			24
62D-4	NUT			66
72F-1	DRAIN COCK			20
73K-224	WASHER			36
73K-232	WASHER			38
75K-10	O-RING			30
79K-4	O-RING			30
79K-6	O-RING			28, 30, 32, 34
79K-8	O-RING			32, 34
79K-12	O-RING			32
79K-16	O-RING			30, 32
83D-5	NUT			34
84G-608	BOLT			72
84G-3112	BOLT			26, 74
84G-3116	BOLT			74
84G-3710	BOLT			16, 20, 22, 66
84G-3712	BOLT			16, 24, 74, 82, 86
84G-3714	BOLT			28
84G-3724	BOLT			28
85D-4	NUT			74
85D-5	NUT			86
85D-6	NUT			18, 26
86F-6	NUT			28
87D-6	NUT			74
90KV-5	PLUG			38
91D-6	NUT			86
92D-14	NUT			36, 38
95D-6	NUT			38
95K-3	O-RING			36

Code for dispostiiton of old part number  
A — Use up  
B — Use on other application (See PNI)

C — File PDR Report with Bobcat Parts Sales  
D — Part Number Error

