

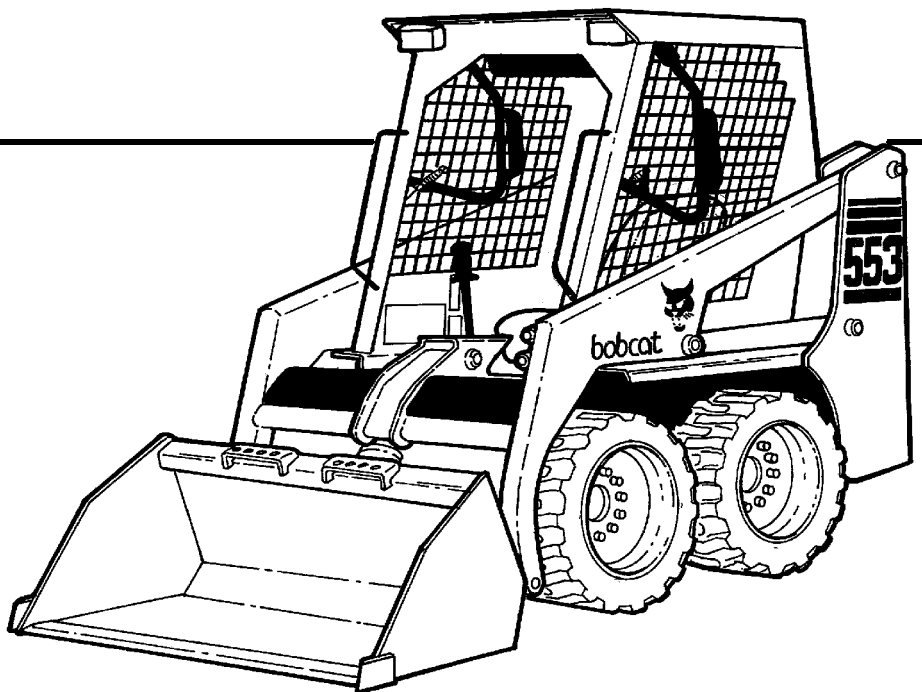
**553**



**Bobcat®**

**AF Series  
Parts  
Manual**

**S/N 5203 11001 & Above  
S/N 5204 11001 & Above**



**EQUIPPED WITH  
BOBCAT INTERLOCK  
CONTROL SYSTEM (BICS™)**

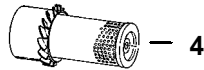
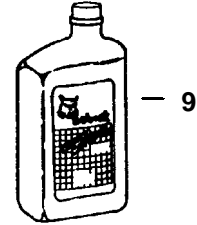
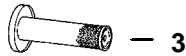
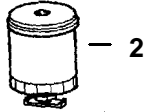
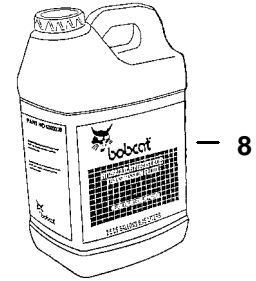
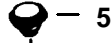
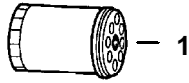


Printed in U.S.A.

6901761 (04-02)

© Bobcat Company 2002

**MAINTENANCE ITEMS  
MODEL 553AF**



Ref.	Part Number	Description	Remarks	Page
1	6657635	FILTER	Engine Oil	111
2	6667352	ELEMENT	Fuel	25
3	6672468	CARTRIDGE	Inner Air Cleaner	143
4	6672467	CARTRIDGE	Outer Air Cleaner	143
5	6646678	CAP	Radiator	93
6	6661248	ELEMENT	Hydrostatic # 3 Media	63
7	6674687	BATTERY		81

( HYDRAULIC —RESERVOIR CAPACITY )

2.3 GALS. ( 13,0 L.)

( HYDRAULIC/HYDROSTATIC SYSTEM )

4.8 GALS. ( 23,0 L.)

8	6563328	FLUID	Hyd./Hydro. Fluid - (2) 2.5 Gal. - (5 Gal.)	257
	6722344	FLUID	Hyd./Hydro. Fluid - (5 Gal.)	257
	6563330	FLUID	55 Gallon Drum	257

( ENGINE OIL W/FILTER CAPACITY )

5.4 QTS. ( 5,1 L.)

9	6657301	MOTOR OIL	10W30 CE/SG - 1 Qt.	257
	6657299	MOTOR OIL	15W40 CE/SG - 1 Qt.	257
	6657303	MOTOR OIL	30 CE/SG - 1 Qt.	257
	6724558	MOTOR OIL	15W40 CE/SG - 1 Gallon	257
	6724557	MOTOR OIL	10W30 CE/SG - 1 Gallon	257
	6724559	MOTOR OIL	30 CE/SG - 1 Gallon	257
	6674205	MOTOR OIL	10W30 CE/SG - 2.5 Gal.	257
	6674204	MOTOR OIL	15W40 CE/SG - 2.5 Gal.	257
	6674206	MOTOR OIL	30 CE/SG - 2.5 Gal.	257

GDS

# GENERAL INFORMATION

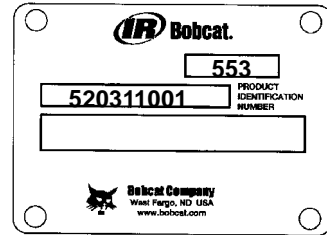
When using the machine serial number, use the complete number.

Some Serial Number breaks are not available at time of printing. These are listed as & Below or & Above.

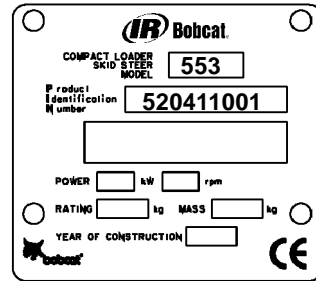
The number shown in the quantity column in this manual is the number of parts needed for the illustration on the page. For some parts an "x" will be shown in the quantity column. This "x" indicates that the quantity to be used is "As Needed".

When references L.H. and R.H. are used in this manual, it is done from the operator's seat in the forward operating position.

Some of the illustrations and information found in this parts manual were supplied to Bobcat Company by machine component companies.



DOMESTIC



EXPORT

## ABBREVIATIONS & SYMBOLS

- SALES** = Order from Gwinner Sales Department
- NSS** = Not Serviced Separately
- NAP** = Not Available as Parts
- \*** = Changed or Added Sections, Pages or Part Numbers

### Disposition Code Definition (Found in the Remarks Column)

- [A]** = Use Up
- [B]** = Use Up on Other Application (See PNI)
- [C]** = File PDR Report With Bobcat Parts Sales
- [D]** = Part Number Error

Explications en francais	Grid Nb	3
Erklärungen auf deutsch	Grid Nb	4
Spiegazioni in italiano	Grid Nb	5
Explicaciones en espanol	Grid Nb	6
Verklaring in het Nederlands	Grid Nb	7

# NOTE D'INFORMATION

Pour toute référence au numéro de série de l'engin, toujours donner le numéro complet.

Le chiffré apparaissant dans la colonne des quantités de ce manuel représentent le nombre de pièces nécessaires pour l'illustration reprise sur la page. Dans certains cas, on lira un "x" dans la colonne des quantités. Cet "x" indique que la quantité nécessaire est "selon besoin".

Pour toute référence vers la GAUCHE ou la DROITE dans ce manuel, considérer que la personne se trouve assise dans le siège de l'opérateur, en position de fonctionnement en marche avant.

Certaines illustrations et informations reprises dans ce manuel de pièces de rechange ont été fournies à Bobcat Company par des fabricants de composants.

## ABREVIATIONS & SYMBOLES

<b>SALES</b>	= Commander au Service Ventes à Bruxelles
<b>NSS</b>	= Pas vendu séparément
<b>NAP</b>	= Non disponible comme pièce de rechange
<b>BTI</b>	= Chapitre, page ou numéro de pièce modifié ou supplémentaire
	= Bobcat Technical Information Bulletin : voir à la fin de la microfiche du modèle concerné ou la microfiche générale reprenant l'ensemble des "BTI".
<b>was 6535403</b>	= était avant 6535403
<b>adj. (adjustment)</b>	= réglage
<b>Assembly</b>	= ensemble
<b>available W/Ref.</b>	= disponible avec réf.
<b>bulk/sold per foot</b>	= en vrac/vendu par pied
<b>does not include</b>	= ne comprend pas
<b>included with</b>	= compris dans
<b>I.D.</b>	= D.I. (diamètre intérieur)
<b>O.D.</b>	= D.E. (diamètre extérieur)
<b>not in kit</b>	= pas en kit
<b>W/ - WO/</b>	= inclus/ - non inclus/
<b>Qty</b>	= quantité requise
<b>see page/ref.</b>	= voir page/réf.
<b>used with ref/</b>	= utilisé avec réf.
<b>0,05 inch thickness</b>	= 0,05 pouce d'épaisseur (un pouce = 25.4 mm)
<b>weld on</b>	= à souder

GDS

# ALLGEMEINE INFORMATIONEN

Bei Angabe der Maschinen-Seriennummer stets die komplette Nummer angeben.

Bei der in der Mengenspalte (Anzahl) in diesem Handbuch angegebenen Zahl handelt es sich um die Anzahl von Teilen, die für die Abbildung auf der betreffenden Seite benötigt werden. Bei manchen Teilen in der Mengenspalte ist ein "x" angegeben. Dieses "x" weist darauf hin, dass sich die Anzahl der verwendeten Teile auf den "Bedarf" bezieht.

Bei Verwendung der Seitenangaben links und rechts in diesem Handbuch gelten diese für die Blickrichtung vom Fahrersitz aus, und zwar in Vorwärts-Betriebsrichtung.

Einige der in diesem Ersatzteillandbuch aufgeführten Abbildungen und Informationen wurden der Bobcat Company von den Herstellern von Maschinenbauteilen zur Verfügung gestellt.

## ABKÜRZUNGEN UND SYMBOLE

<b>SALES</b>	= Bestellung bei der Verkaufsabteilung in Brüssel
<b>NSS</b>	= Nicht einzeln erhältlich
<b>NAP</b>	= Nicht als Ersatzteil erhältlich
	= Geänderte oder hinzugefügte Abschnitte, Seiten oder Teilenummern
<b>BTI</b>	= Bobcat Technical Information Bulletin : Siehe am Ende der Mikrokarte des jeweiligen Modells oder der allgemeinen Mikrokarte der BTI.
<b>was 6535403</b>	= War 6535403
<b>adj.</b>	= Einstellung
<b>Assembly</b>	= Baugruppe
<b>available W/Ref.</b>	= erhältlich mit der Referenz
<b>bulk/sold per foot</b>	= Mengenabnahme / Verkauf pro Fuss
<b>does not include</b>	= beinhaltet nicht
<b>included with</b>	= enthalten in
<b>I.D.</b>	= Innendurchmesser
<b>O.D.</b>	= Aussendurchmesser
<b>not in kit</b>	= nicht in Bausatz
<b>W/ - WO/</b>	= mit/ - ohne/
<b>Qty</b>	= Anzahl
<b>see page/ref.</b>	= Siehe Seite / Referenz
<b>used with ref.</b>	= verwendet mit Referenz
<b>0.05 inch thickness</b>	= Dicke : 0.05 Zoll (ein Zoll = 25.4 mm)
<b>weld on</b>	= anschweißen

# INFORMAZIONI GENERALI

Quando si usa il numero di serie della macchina usare il numero completo.

Il numero mostrato nella colonna della quantità di questo manuale corrisponde al numero di componenti necessari per l'illustrazione della pagina. Per alcuni componenti appare "X" nella colonna delle quantità. Questa "X" indica che la quantità da usare è "come necessario".

See in questo manuale si fa riferimento alla parte destra o sinistra, si intende dal sedile dell'operatore nella posizione in avanti di funzionamento.

Alcune delle illustrazioni e informazioni trovate in questo manuale di componenti sono state fornite alla Bobcat Company da società di componenti di macchine.

## SIMBOLI E ABBREVIAZIONI

<b>SALES</b>	= Ordinare al servizio vendite di Bruxelles
<b>NSS</b>	= Non vendute separatamente
<b>NAP</b>	= Non disponibile come componente
<b>BTI</b>	= Sezioni, pagine o numeri di componente cambiati o aggiunti (Bobcat Technical information) Ved. al termine del microfiche del modello relativo oppure microfiche generale
<b>was 6535403</b>	= era 6535403
<b>adj. (adjustment)</b>	= regol. (regolazione)
<b>Assembly</b>	= Complessivo
<b>available W/Ref.</b>	= disponibile con rif.
<b>bulk/sold per foot</b>	= alla rinfusa/venduto al piede
<b>does not include</b>	= non comprende
<b>Included with</b>	= compreso con
<b>I.D.</b>	= d. i.
<b>O.D.</b>	= d. e.
<b>not in kit</b>	= non fa parte del kit
<b>W/ - WO/</b>	= con - senza
<b>Qty</b>	= Qtà
<b>see page/ref</b>	= ved. pagina/rif.
<b>used with ref.</b>	= usato con il rif.
<b>0,05 inch thickness</b>	= spessore 0,05 pollici (un pollice = 25,4 mm)
<b>weld on</b>	= a saldare

GDS

# INFORMACION GENERAL

Al utilizar el número de serie de la máquina, debe emplearse el número completo.

El número que figura en la columna de “Unidades” en este manual es el número de piezas que se necesitan para la ilustración que consta en la página. En algunas piezas aparece una “x” en la columna de “Unidades”. Esta “x” indica que las unidades a utilizar son “según sea necesario”.

Cuando se empleen las referencias izq. y dcha., éstas se entienden mirando desde el asiento del conductor, en posición de marcha adelante.

Algunas de las ilustraciones y la información que figuran en este manual de piezas han sido facilitadas a Bobcat Company por empresas de componentes de máquinas.

## ABREVIATURAS Y SIMBOLOS

<b>VENTAS</b>	= Pedido al Departamento de Ventas de Bruselas
<b>NSS</b>	= No se vende por separado
<b>NAP</b>	= No disponible como pieza de repuesto
<b>BTI</b>	= Secciones, páginas o referencias modificadas o añadidas (Bobcat Technical Information) Ver al final de la microficha del modelo afectado o en la microficha general “Boletín de Información Técnica Bobcat”.
<b>was 6535403</b>	= era anteriormente el 6535403
<b>adj. (adjustment)</b>	= ajuste
<b>assembly</b>	= conjunto
<b>available W/Ref.</b>	= disponible con la ref.
<b>bulk/sold per foot</b>	= a granel/vendido por pies
<b>does not include</b>	= no incluye
<b>included with</b>	= incluido en
<b>I.D.</b>	= diámetro interior
<b>O.D.</b>	= diámetro exterior
<b>not in kit</b>	= no en el kit
<b>W/ - WO/</b>	= con/ - sin
<b>Qty</b>	= Unidades
<b>see page /ref.</b>	= ver página/ref.
<b>used with ref.</b>	= empleado con la ref.
<b>0,05 inch thickness</b>	= 0,05 pulgadas de espesor (1 pulgada = 25,4 mm)
<b>weld on</b>	= debe ser soldado

# ALGEMENE INFORMATIE

Als u het serienummer van de machine gebruikt, geef dan het gehele serienummer.

Het cijfer dat voorkomt in de kolom "Aantal", in deze handleiding, is het aantal onderdelen dat nodig is van de illustratie op de pagina. Voor sommige onderdelen staat er een "x" in de kolom "Aantal". Deze "x" betekent dat er een aantal "zoals nodig" vereist is.

Wanneer er in deze handleiding naar "links" en naar "rechts" gerefereerd wordt, moet dit verstaan worden voor een bestuurder die in de bestuurdersstoel zit in de voorwaartse bedrijfsstand.

Sommige van de illustraties en informatie in deze onderdelen-handleiding werden door firma's van machine-componenten geleverd aan Bobcat Company..

## AFKORTINGEN EN SYMBOLEN

<b>SALES</b>	= Bestellen bij de Verkoopafdeling te Brussel
<b>NSS</b>	= Niet afzonderlijk te verkrijgen
<b>NAP</b>	= Niet beschikbaar als onderdeel = Gewijzigde of toegevoegde paragrafen, pagina's of onderdeelnummers
<b>BTI</b>	= Bobcat Technical Information Bulletin : Zie einde van de microfiche van het desbetreffende model of einde van de algemene microfiche die het geheel van alle "BTI" herneemt.
<b>was 6535403</b>	= was vroeger 6535403
<b>adj. (adjustment)</b>	= afstelling
<b>Assembly</b>	= geheel
<b>available W/Ref.</b>	= beschikbaar met ref.
<b>bulk/sold per foot</b>	= bulk/aan de meter verkocht
<b>does not include</b>	= bevat niet
<b>includes with</b>	= is bevat in
<b>I.D.</b>	= $\phi$ inw. (inwendige diameter)
<b>O.D.</b>	= $\phi$ uitw. (uitwendige diameter)
<b>not in kit</b>	= niet in de kit
<b>W/ - WO/</b>	= met/ - zonder/
<b>Qty</b>	= vereiste aantal
<b>see page/ref.</b>	= zie pagina/ref.
<b>used with ref/</b>	= gebruikt met ref.
<b>0,05 inch thickness</b>	= 0.05 inch dik (een inch = 25.4 mm)
<b>weld on</b>	= te lassen

GDS



## 553AF ALPHABETICAL INDEX

AIR CLEANER .....	144	MANIFOLDS .....	14
ALTERNATOR .....	86	MOTOR, HYD. ....	78
ANTI-FREEZE .....	258	MOUNT, ENGINE .....	90
AUX. HYD. KIT .....	148	MOUNT, HYD. PUMP .....	62
AXLE SEAL KIT .....	152	MUFFLER .....	90
AXLE .....	34	NOZZLE, INJECTOR .....	134
BACKUP ALARM .....	154	OIL COOLER .....	64
BATTERY .....	82	OIL PAN .....	140
BELT, ALTERNATOR .....	90	OIL, ENGINE .....	258
BLOWER WHEEL .....	94	PAINT .....	258
BOB-TACH .....	20, 22	PANEL, INSTRUMENT .....	80
BRAKE, CALIPER .....	212	PANEL, STEERING .....	24
BRAKE .....	36	PEDALS .....	60
CAB .....	14	PINTLE LEVER .....	68
CABLE, BATTERY .....	82	PISTON .....	118
CAMSHAFT .....	114	POLISH, WINDOW .....	258
CAP, FUEL .....	26	PORT BLOCK .....	62, 64
CAP, HYD. BREATHER .....	62	PRIMER, FUEL HAND .....	26
CAP, RADIATOR .....	94	PUMP, FUEL .....	124
CHAIN, DRIVE .....	32	PUMP, GEAR .....	76
CHAINCASE .....	32	PUMP, HYD. ....	70
CONTROL LEVERS .....	68	PUMP, INJECTION .....	126
COUPLER, DRIVE .....	98	PUMP, WATER .....	138
CRANKCASE .....	110	QUICK COUPLERS .....	148
CRANKSHAFT .....	118	RADIATOR .....	94
CYLINDER HEAD .....	106	RENTAL KIT .....	224
CYLINDER, LIFT .....	50	RIM, WHEEL .....	252
CYLINDER, TILT .....	52	RING GEAR .....	94
DECALS .....	172, 174	ROCKER ARM COVER .....	104
DIPSTICK, ENGINE .....	140	SEAT .....	18, 244, 246, 248
DOOR, CAB .....	158	SEAT BELT .....	18, 240
DOOR, REAR .....	30	SENDER, ENG. TEMP. ....	82
ELECTRICAL CONTROLS KIT .....	176	SENDER, FUEL .....	26
ENGINE .....	100	STARTER .....	88
FILTER, AIR .....	144	STOP, LIFT ARM .....	20
FILTER, FUEL .....	26	STROBE LIGHT .....	238
FILTER, HYDRAULIC .....	64	SWITCH, ENG. OIL PRESS. ....	110
FILTER, OIL .....	112	SWITCH, GLOW PLUG .....	80
FIRE EXTINGUISHER .....	182	SWITCH, HYD. PRESS. ....	82
FLUID, HYDRAULIC .....	258	SWITCH, HYD. TEMP. ....	82
FLYWHEEL .....	94	SWITCH, IGNITION .....	80
FUEL SYSTEM .....	26	TANK, COOLANT .....	94
GAS SPRING .....	14	TANK, FUEL .....	26
GEARCASE .....	112	TANK, HYDRAULIC .....	62
GLOW PLUGS .....	132	THERMOSTAT .....	136
GOVERNOR .....	128	THROTTLE .....	96
GRILL .....	94	TIRES .....	252
GUAGE, ENG. TEMP. ....	80	VALVE, BUCKET POS. ....	58
GUAGE, FUEL .....	80	VALVE, ENGINE .....	108
HARNESS, CAB .....	80	VALVE, HYD. ....	54
HARNESS, ENGINE .....	82	VALVE, LIFT LOCK .....	48
HEATER, BLOCK .....	170	VALVE, TILT LOCK .....	46
HEATER, CAB .....	188, 190	VOLTMETER .....	80
HORN KIT .....	194	WHEELS .....	252
HOURMETER .....	80	WINDOW, REAR .....	14, 164, 166, 230
IGNITION SWITCH .....	80	WINDOW, SIDE .....	166
LATCH, REAR DOOR .....	30	WINDSHIELD WIPER .....	160, 222
LIFT ARM .....	20		
LIFT KIT .....	228		
LIGHTS, FLASHER .....	184, 186		
LIGHTS, FRONT & REAR .....	200		
LOCK, REAR DOOR .....	220		

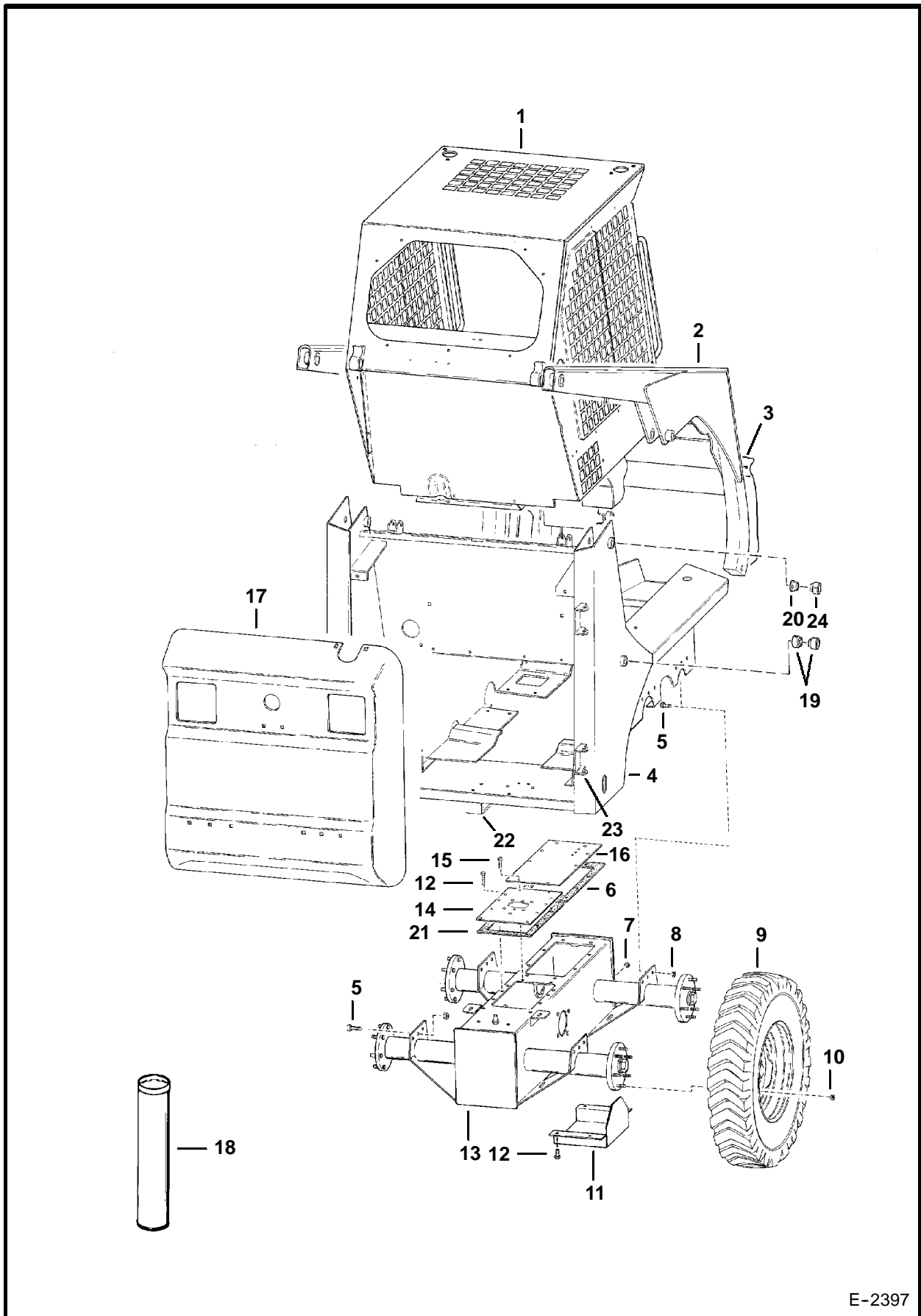
## 553AF CONTENTS

<b>MAIN FRAME</b> .....	<b>11-30</b>
MAIN FRAME .....	11
OPERATOR CAB .....	13-16
SEAT & SEAT BAR .....	17
LIFT ARM & BOB-TACH .....	19
BOB-TACH .....	21
PANELS .....	23
FUEL SYSTEM .....	25
SEAT .....	27
REAR DOOR .....	29
<b>DRIVE TRAIN</b> .....	<b>31-36</b>
DRIVE TRAIN .....	31
AXLE .....	33
DISC BRAKE .....	35
<b>HYDRAULIC CIRCUITRY</b> .....	<b>37-60</b>
HYDRAULIC CIRCUITRY .....	37-44
TILT LOCK VALVE .....	45
LIFT LOCK VALVE .....	47
LIFT CYLINDER .....	49
TILT CYLINDER .....	51
HYDRAULIC CONTROL VALVE .....	53-56
BUCKET POSITIONING VALVE .....	57
CONTROL PEDALS .....	59
<b>HYDROSTATIC CIRCUITRY</b> .....	<b>61-78</b>
HYDROSTATIC CIRCUITRY .....	61-66
HAND CONTROLS .....	67
HYDROSTATIC PUMP .....	69-74
GEAR PUMP .....	75
HYDROSTATIC MOTOR .....	77
<b>ELECTRICAL SYSTEM</b> .....	<b>79-88</b>
CAB ELECTRICAL CIRCUITRY .....	79
ENGINE ELECTRICAL SYSTEM .....	81-84
ALTERNATOR .....	85
STARTER .....	87
<b>POWER UNIT</b> .....	<b>89-144</b>
ENGINE & ATTACHING PARTS .....	89-94
THROTTLE & CHOKE .....	95
DRIVE COUPLER .....	97
ENGINE .....	99
GASKET KITS .....	101
ENGINE PARTS BREAKDOWN .....	103-142
ROCKER ARM COVER .....	103
CYLINDER HEAD .....	105
ROCKER ARM & VALVES .....	107
CRANKCASE .....	109
GEAR CASE .....	111
CAMSHAFT .....	113
MAIN BEARING CASE .....	115
PISTON & CRANKSHAFT .....	117
FUEL CAMSHAFT .....	119
ENGINE STOP LEVER .....	121
INJECTION PUMP & FUEL PUMP .....	123-126
GOVERNOR .....	127
SPEED CONTROL PLATE .....	129
INJECTOR NOZZLES & HOLDERS .....	131-134
WATER FLANGE & THERMOSTAT .....	135
WATER PUMP .....	137
OIL PAN .....	139
INTAKE & EXHAUST MANIFOLDS .....	141
AIR CLEANER .....	143

## 553AF CONTENTS (Cont'd)

<b>ACCESSORIES &amp; OPTIONS</b> .....	<b>147-256</b>
AUXILIARY HYDRAULICS KIT .....	147
ACCESS COVER .....	149
AXLE SEAL KIT .....	151
BACKUP ALARM .....	153
BUCKET POSITION VALVE KIT .....	155
CAB DOOR .....	157-160
CAB ENCLOSURE .....	161-164
CAB WINDOWS .....	165
CAB ENCLOSURE .....	167
BLOCK HEATER .....	169
DECALS .....	171-174
ELECTRICAL CONTROLS KIT .....	175-178
REAR WINDOW REMOVAL KIT .....	179
FIRE EXTINGUISHER .....	181
FLASHER LIGHTS .....	183
4-WAY FLASHER LIGHT KIT .....	185
HEATER KIT .....	187
HEATER .....	189
HEATER PLUMBING KIT .....	191
HORN KIT .....	193
HOSE CLAMP KIT .....	195
KEYLESS IGNITION .....	197
LIGHT KIT, FRONT & REAR .....	199
EUROPEAN ACCESSORIES .....	201-210
CALIPER BRAKE KIT (EXPORT) .....	211-216
PEDAL EXTENDERS (EXPORT) .....	217
REAR DOOR LOCK .....	219
REAR WIPER KIT .....	221
RENTAL KIT .....	223
SEAT BAR KIT .....	225
SINGLE POINT LIFT KIT .....	227
SOUND OPTION .....	229-232
SOUND REDUCTION HARDHAT .....	233
BEACON & STROBE LIGHT .....	235
STROBE LIGHT .....	237
SEAT BELT 3"(76.2MM) .....	239
SEAT RAIL COVER KIT .....	241
SUSPENSION SEATS .....	243-248
SIDE CONSOLE KIT .....	249
TIRES & RIMS .....	251-254
WATER LEVEL SENSOR KIT .....	255
<b>BULK ITEMS</b> .....	<b>257</b>
<b>NUMERICAL INDEX</b> .....	<b>259</b>

# MAIN FRAME

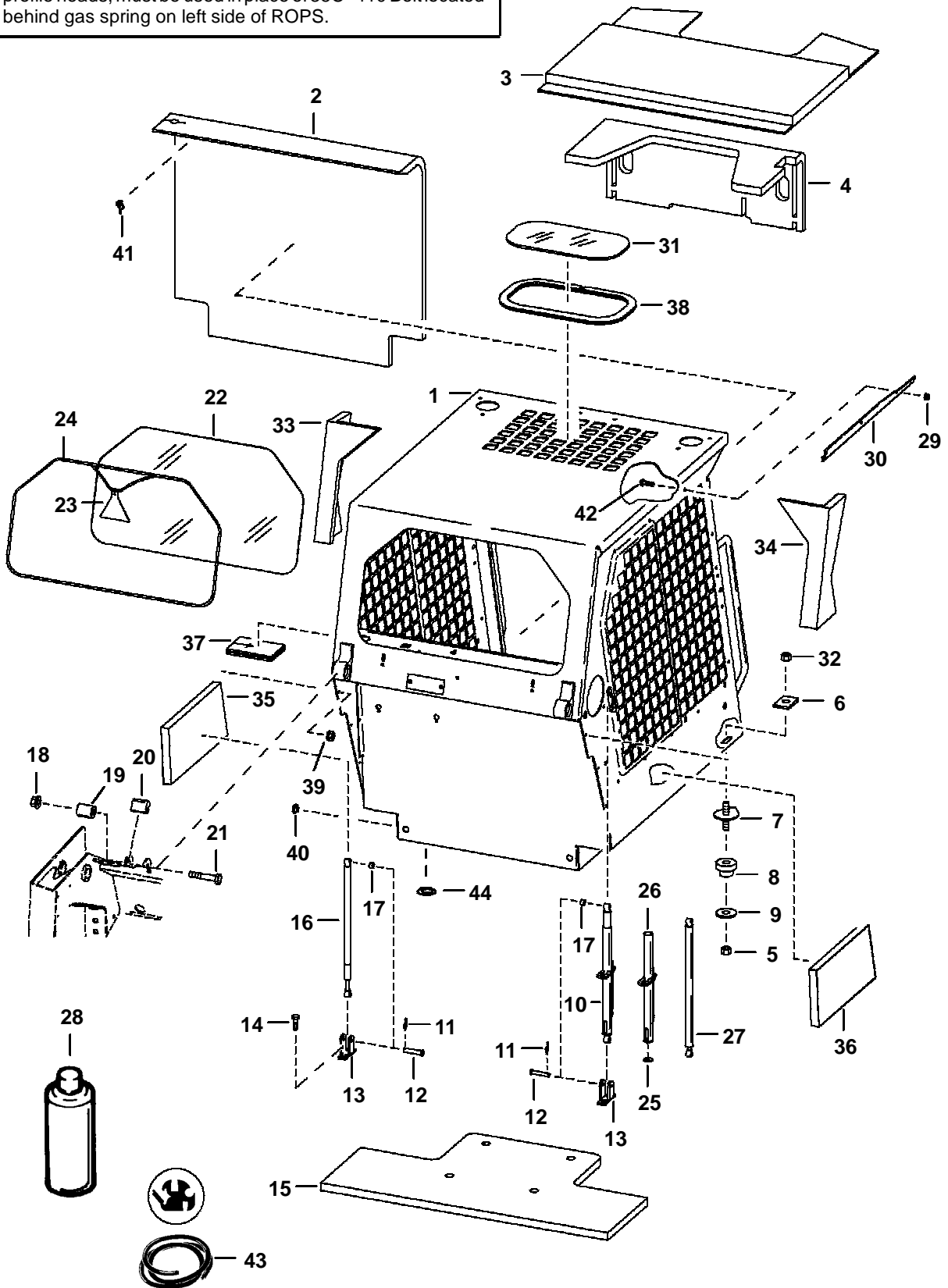


E-2397



# OPERATOR CAB

**NOTE:** 6714062 Gas Spring Kit to be used when loader is equipped W/Cab Enclosure. Because Gas Spring is heavy duty W/larger diameter, (2) of 91G-416 Screws, with low profile heads, must be used in place of 35C-410 Bolt located behind gas spring on left side of ROPS.



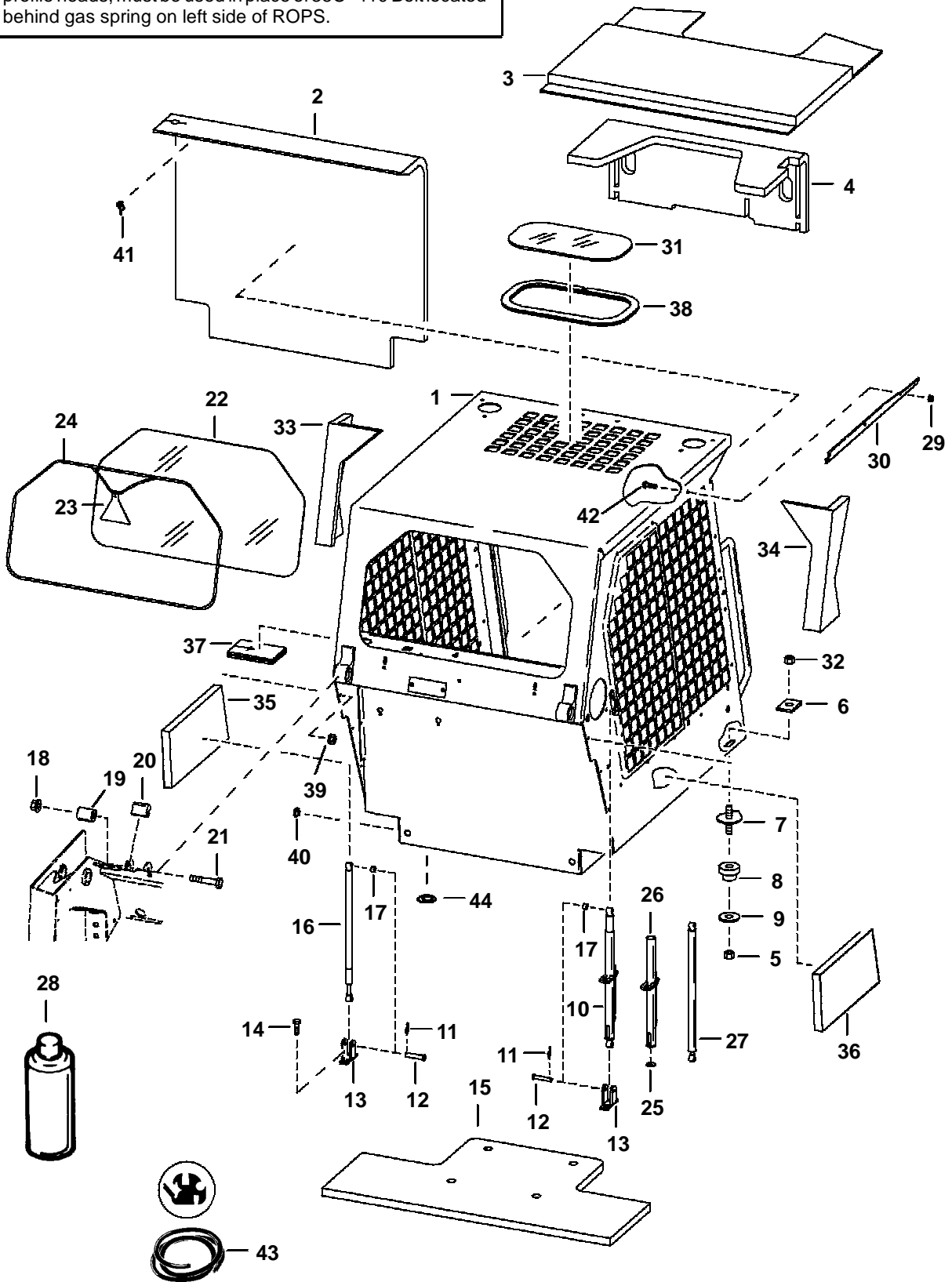
TS-1064

**OPERATOR CAB (Cont'd)**

Ref. No.	Part Number	Description	Remarks	Serial Number	Qty.
1	6701957	OPERATOR CAB	includes cab decals		1
2	6708682	INSULATION	seat back - Use W/Ref. 41		1
3	6715094	INSULATION	cab top - Use W/Ref. 41		1
4	6706277	INSULATION	control panel - Use W/Ref. 41		1
5	85D-8	NUT			2
6	6553709	WASHER			2
7	6702971	BOLT			2
8	6560633	MOUNT			2
9	6515817	WASHER			2
10	NAP	GAS SPRING	Order Ref. 25-27		1
11	6631418	PIN	ring		4
12	6567743	PIN			4
13	6706349	MOUNT			2
14	84G-3112	BOLT			4
15	6715095	INSULATION	seat pan - Use W/Ref. 28		1
16	6700171	GAS SPRING	W/O lock		1
	6714062	KIT	heavy duty gas spring - W/O lock - see note		1
	91G-416	SCREW	see note		1
	6900531	INSTRUCTIONS	for kit 6714062		1
17	6567604	SPACER			2
18	53D10	NUT			2
19	6562602	MOUNT	rubber		2
20	6579613	STOP	cab tilt		2
21	17C-1056	BOLT			2
22	6729730	WINDOW	rear		1
23	6559515	EXIT TAG			1
24	NAP	EXTRUSION	100"(2540 mm) - Order Ref. 43		1
	NAP	CORD	100"(2540 mm) - Order Ref. 43		1
25	6701174	WASHER			1
26	6708189	TUBE	stop		1
27	6664205	GAS SPRING			1
28	6652818	ADHESIVE	insulation - 24 oz. spray can		x
29	83D-4	NUT			6
30	6703159	TRACK	R.H.		1
	6703160	TRACK	L.H.		1
31	6705735	WINDOW			1
32	59D-8	NUT			2
33	6715098	INSULATION	cab back - Use W/Ref. 41		1
34	6715097	INSULATION	cab back - Use W/Ref. 41		1
35	6703451	INSULATION	cab back - Use W/Ref. 28		1
36	6703452	INSULATION	cab back - Use W/Ref. 28		1
37	6703455	INSULATION	cab back - Use W/Ref. 28		1
38	6664351	SEAL	Used W/ Cab Headliner		1
	6665012	SEAL	Used W/O Cab Headliner		1
39	83D-5	NUT			3
40	6664374	PLUG	heater hole		5
41	6664310	CLIP	insulation		7
42	35C-410	BOLT			6
43	6675387	SEAL	bulk - Sold Per Foot		x
	6554149	CORD	bulk - Sold Per Foot		x

# OPERATOR CAB (Cont'd)

**NOTE:** 6714062 Gas Spring Kit to be used when loader is equipped W/Cab Enclosure. Because Gas Spring is heavy duty W/larger diameter, (2) of 91G-416 Screws, with low profile heads, must be used in place of 35C-410 Bolt located behind gas spring on left side of ROPS.

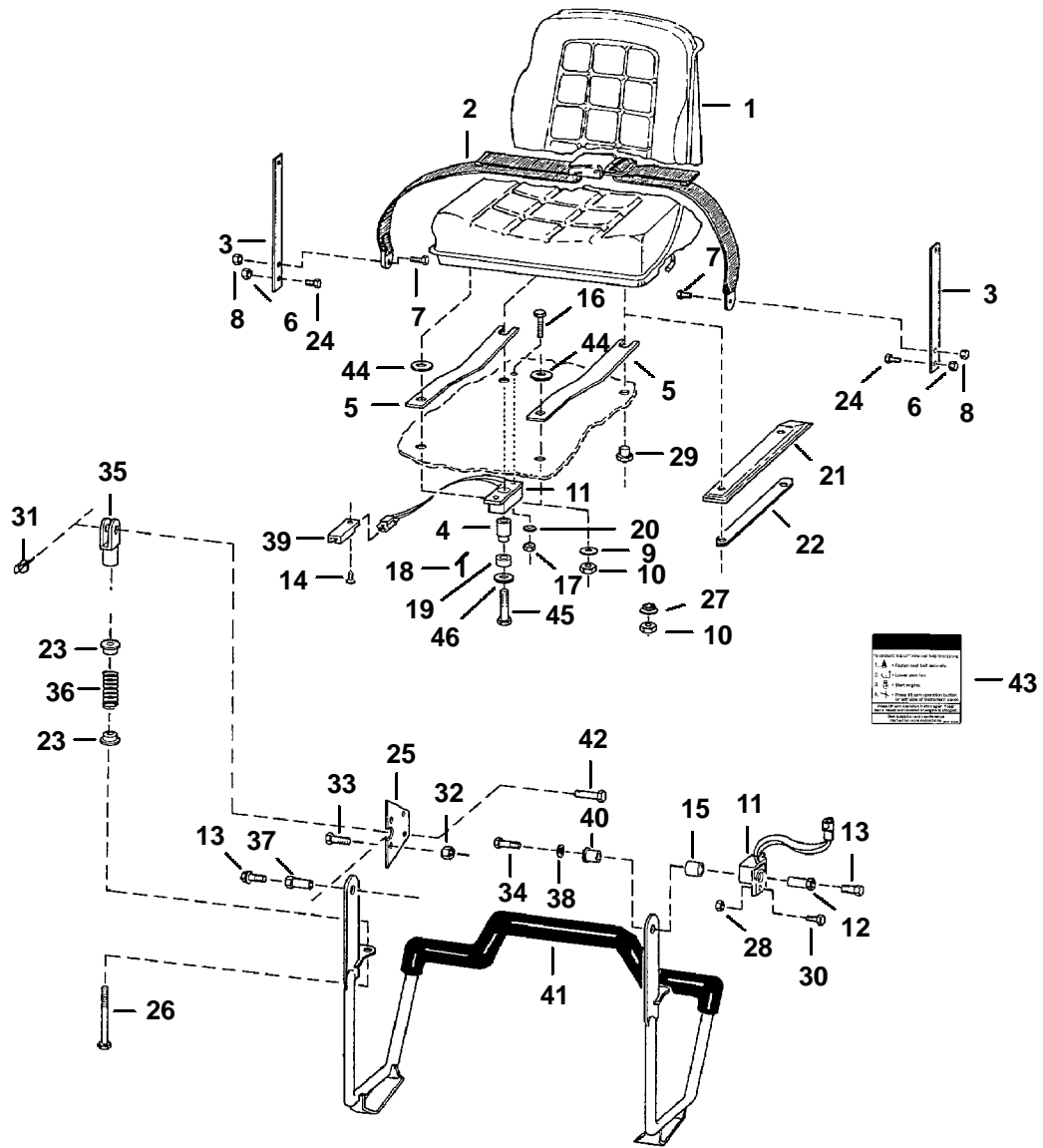


TS-1064





# SEAT & SEAT BAR

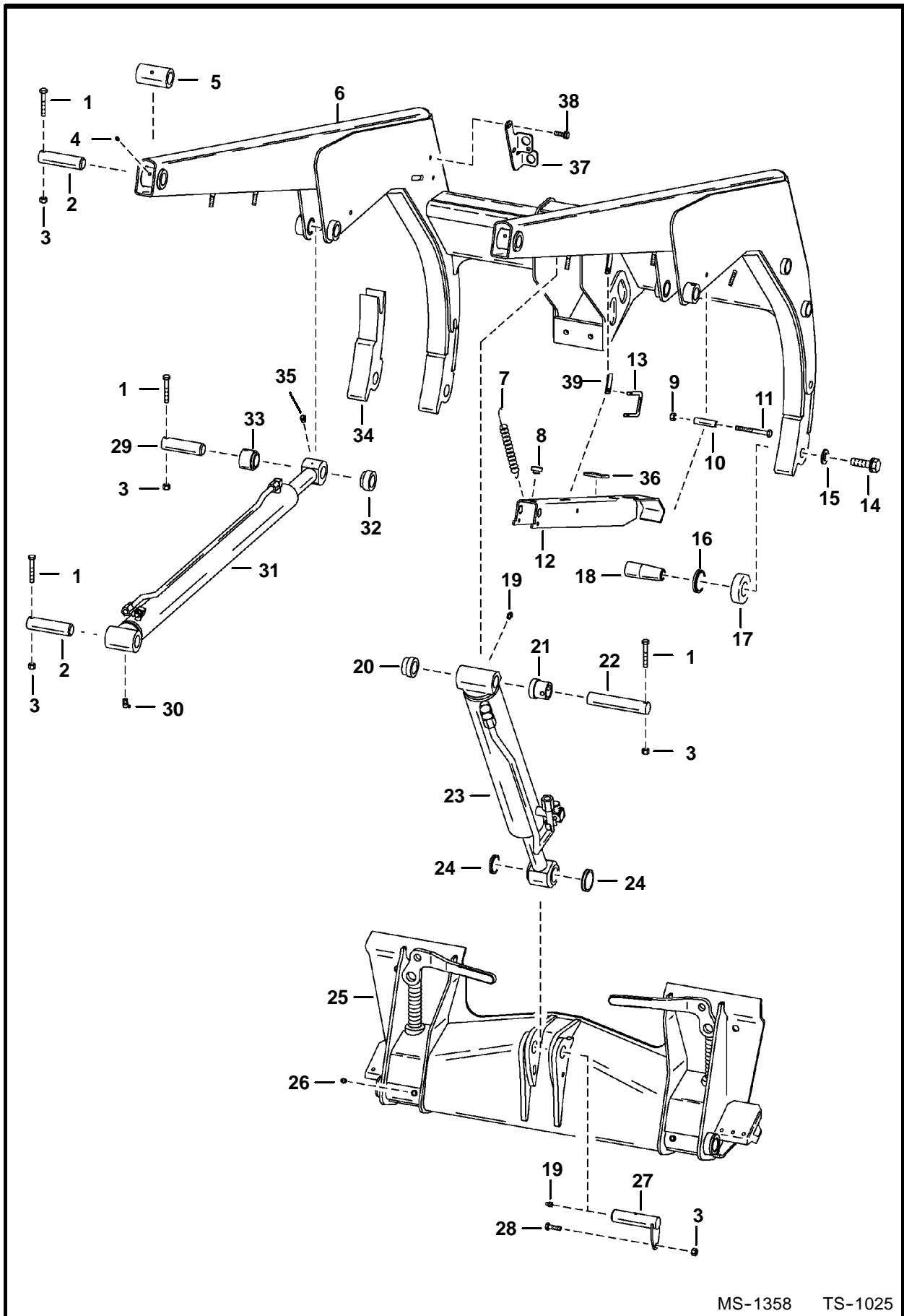


B-17074

## SEAT & SEAT BAR (Cont'd)

Ref. No.	Part Number	Description	Remarks	Serial Number	Qty.
1		SEAT	See Page 27		1
2	6675074	SEAT BELT			1
3	6725373	GUIDE ASSY.	W/Ref. 4 & 5		2
4	6710751	BUSHING	spacer - 1.67"(42,4 mm) long		1
5	6706966	SPRING	plate - qty. (1) used for std. seat- qty. (2) used for Milsco seat.		1
6	85D-6	NUT			2
7	17C-716	BOLT			2
8	85D-7	NUT			2
9	6701174	WASHER			2
10	59D-5	NUT			4
11	6670652	SENSOR	also order Ref. 18		2
12	6706685	BUSHING			1
13	35C-612	BOLT			2
14	6664221	RETAINER			1
15	6671135	BUSHING	magnetic		1
16	17C-428	BOLT	fastens thru body of Ref. 11 - 1.75"(44,4 mm) long		1
17	50D-12	NUT			1
18	6664881	KEY	magnet bushing		1
19	6666608	BUSHING	tapered magnetic		1
20	25E-10	WASHER			1
21	6711729	COVER			2
22	6711730	STRIP			2
23	6710659	BUSHING			4
24	17C-612	BOLT			2
25	6710660	MOUNT			2
26	6713887	BOLT			2
27	6571991	GUIDE			2
28	83D-4	NUT			1
29	6707319	NUT	spacer		1
30	35C-410	BOLT	fastens thru tab of Ref. 11 - 5/8"(15,9 mm) long		1
31	6631418	PIN	ring		2
32	91D-7	NUT			2
33	17C-712	BOLT			2
34	17C-608	BOLT			2
35	6713589	CLEVIS			2
36	6701535	SPRING			2
37	6706962	BUSHING			1
38	25E-17	WASHER			1
39	6665000	CLIP			1
40	6664882	BUSHING	keyed		1
41	6716777	SEAT BAR	for use W/Compression Springs		1
42	4F-6106	PIN			2
43	6707134	DECAL	instruction for LCS		1
44	6706890	WASHER			2
45	17C-508	BOLT			2
46	25E-16	WASHER			1

# LIFT ARM & BOB-TACH

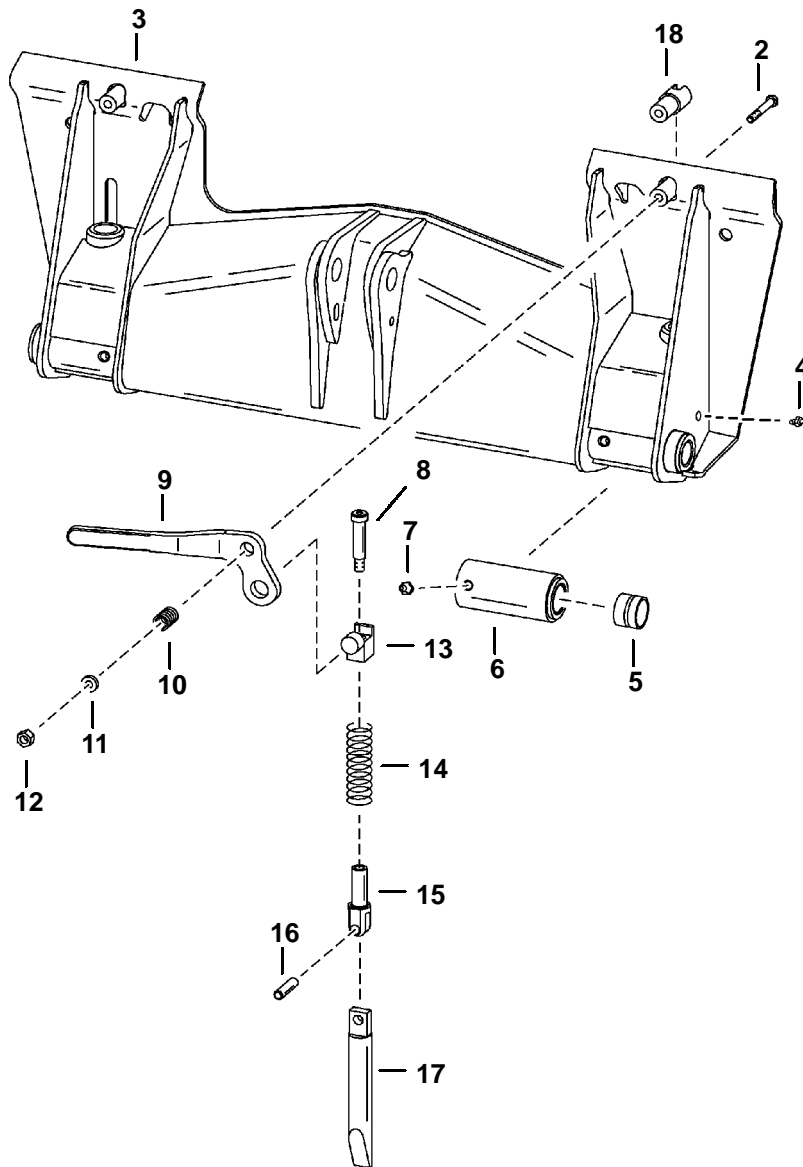
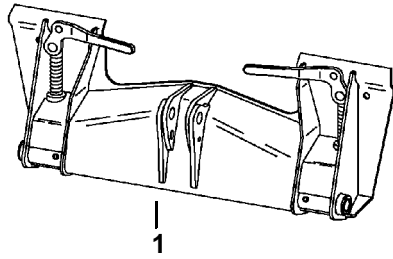


MS-1358 TS-1025

## LIFT ARM & BOB-TACH (Cont'd)

Ref. No.	Part Number	Description	Remarks	Serial Number	Qty.
1	17C-640	BOLT			8
2	6577954	PIN			4
3	85D-6	NUT			9
4	10H-25	GREASE ZERK			2
5	6578356	BUSHING	Weld On		2
6	6730923	LIFT ARM			1
7	6700743	SPRING			1
8	6519178	BUMPER	rubber		1
9	61D-6	NUT			1
10	6700469	SPACER			1
11	17C-648	BOLT			1
12	6705089	LIFT ARM STOP			1
13	6714810	PIN	retainer		1
14	31C-1264	BOLT			2
15	6718723	WASHER			2
16	6651709	SEAL			2
17	6700463	CUP	seal		2
18	6730263	PIN			2
19	10H-25	GREASE ZERK			2
20	6703363	BUSHING	Weld On - Also Order Ref. 22		1
21	6704287	BUSHING	Weld On - Also Order Ref. 22		1
22	6704288	PIN			1
23		CYLINDER	tilt - See Page 51		1
24	225855	SEAL			2
25		BOB-TACH	See Page 21		1
26	743332	GREASE ZERK			2
27	6716601	PIN			1
28	17C-620	BOLT			1
29	6547593	PIN			2
30	11H-15	GREASE ZERK			2
31		CYLINDER	lift - See Page 49		2
32	6555989	BUSHING	Weld On		2
33	6555987	BUSHING	Weld On		2
34	NAP	ARM	R.H. - Weld On		1
	NAP	ARM	L.H. - Weld On		1
35	12H-15	GREASE ZERK			2
36	6704436	PAD	foam - self adhesive		1
37	6711672	MOUNT			1
38	84G-3112	BOLT			2
39	6705091	TAB	weld on		1

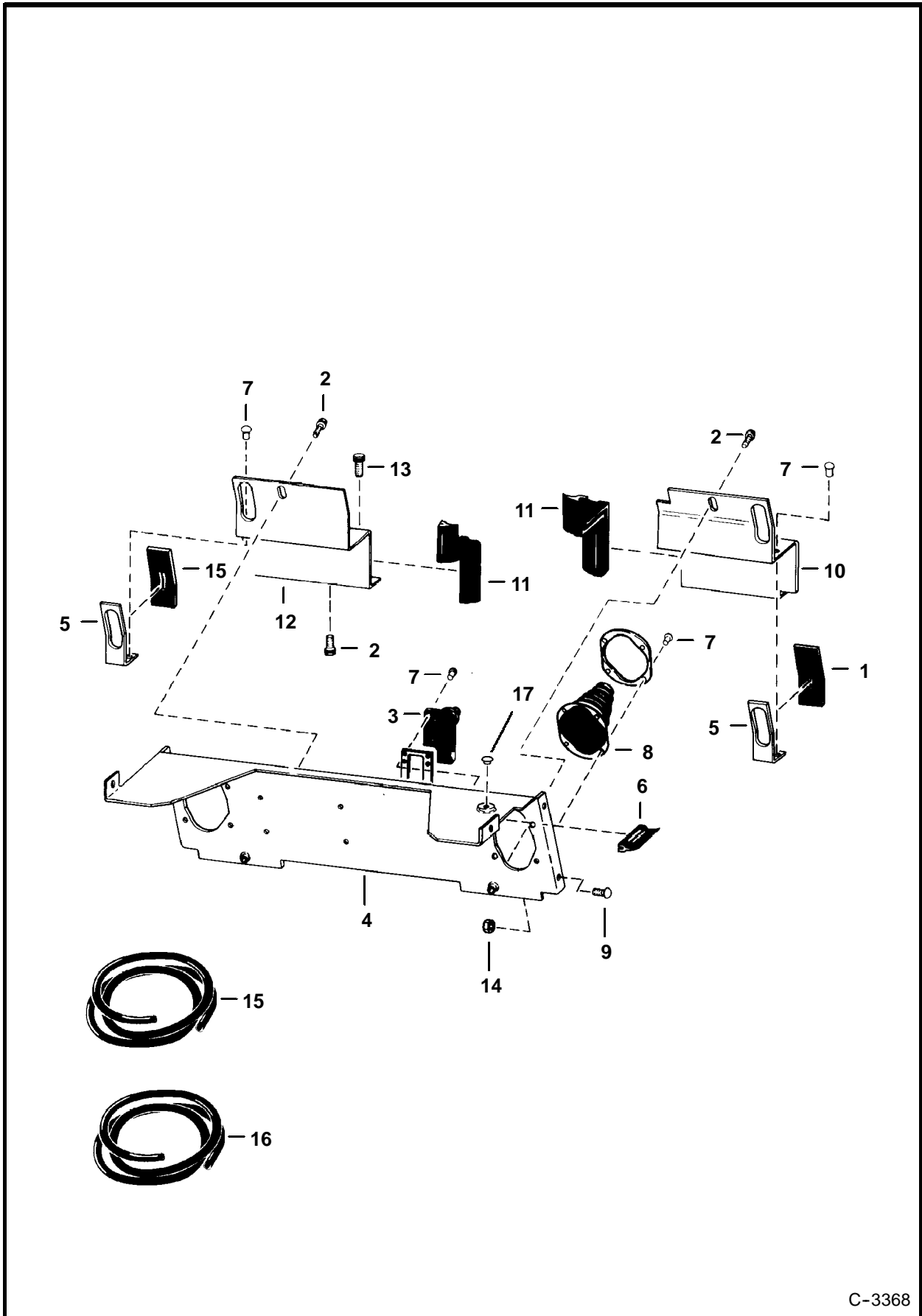
# BOB-TACH



TS-1549



# PANELS

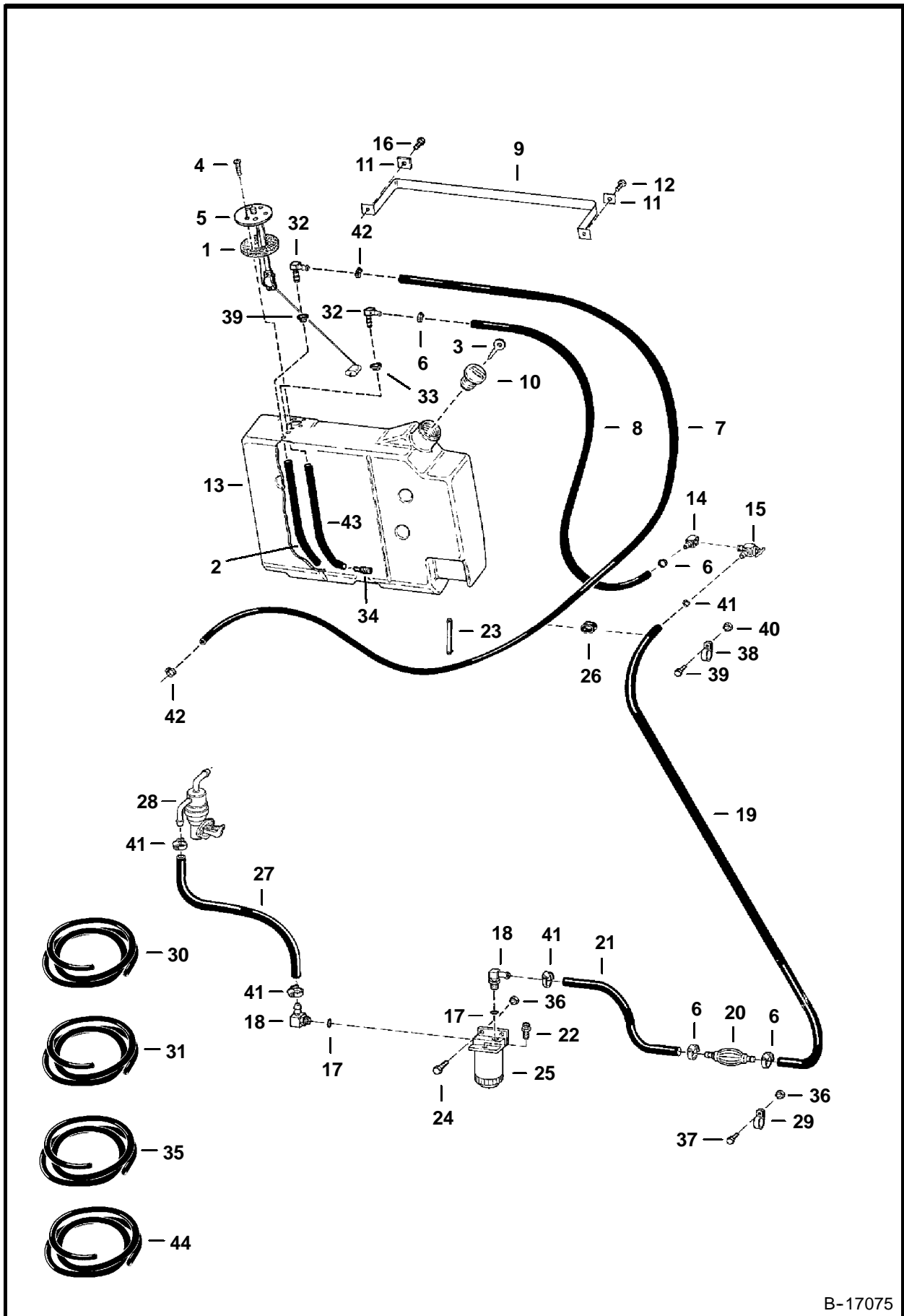


C-3368





# FUEL SYSTEM

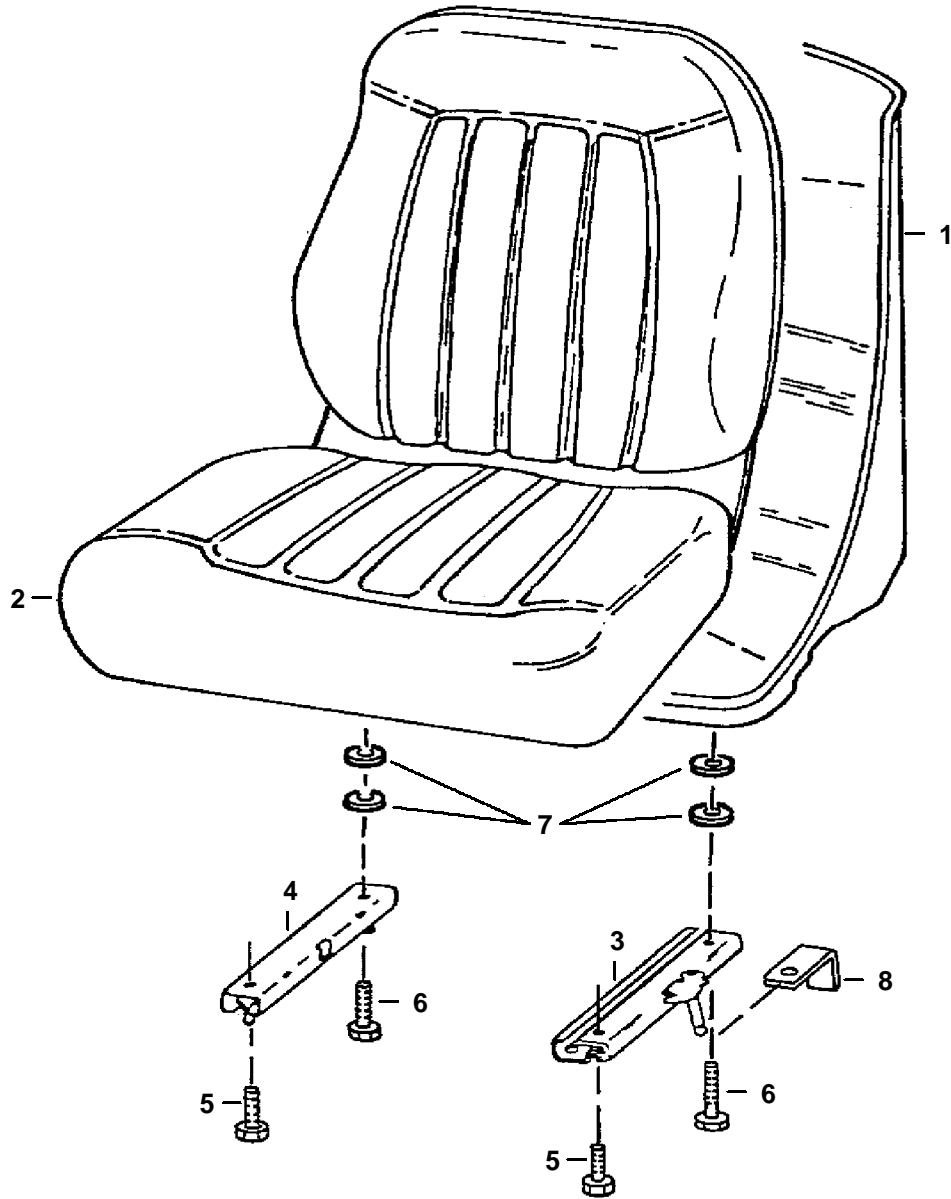


B-17075

## FUEL SYSTEM (Cont'd)

Ref. No.	Part Number	Description	Remarks	Serial Number	Qty.
1	6630972	GASKET			1
2	6715001	HOSE			1
3	6587458	KEY			1
4	87G-1010	SCREW			5
5	6568175	SENDER			1
6	5HM-13	CLAMP			5
7	NAP	HOSE	Order Ref. 35		1
8	NAP	HOSE	Order Ref. 30		1
9	6707564	BAND			1
10	6661114	CAP	Green		1
	6661696	CAP	locking -W/Ref. 3		1
11	6559447	WASHER	square		2
12	84G-3720	BOLT			1
13	6707517	TANK			1
14	6598753	ELBOW			1
15	6632593	VALVE	shut-off		1
16	84G-3712	BOLT			1
17	99K-5	O-RING	for tapered boss face		2
18	6715183	ELBOW	tapered boss face		2
19	NAP	HOSE	Order Ref. 30		1
20	6657734	PUMP	hand primer		1
21	NAP	HOSE	Order Ref. 30		1
22	6658180	PLUG			2
23	6513471	CLAMP			1
24	17C-516	BOLT			2
25	6667353	FILTER ASSY			1
	6667352	ELEMENT			1
26	72F-1	DRAINCOCK			1
	6515603	GROMMET			1
27	NAP	HOSE	Order Ref. 31		1
28	6672427	PUMP	fuel - See Page 123		1
29	30H-31	CLAMP			1
30	6577821	HOSE	.25"(6.35mm) I.D. - bulk-Sold		
31	6577822	HOSE	Per Foot .31"(7.87mm) I.D. - bulk-Sold Per Foot		x x
32	6598908	ELBOW			2
33	6553411	BUSHING			2
34	6650239	SCREEN			1
35	6578169	HOSE	.19"(4.83mm) I.D. - bulk-Sold Per Foot		1
36	61D-5	NUT			3
37	17C-512	BOLT			1
38	31H-25	CLAMP			1
39	35C-416	BOLT			1
40	85D-4	NUT			1
41	5HM-14	CLAMP	constant tension		3
42	42HS-4	CLAMP			2
43	NAP	HOSE	21.5"(546mm) - order Ref. 44		1
44	6569752	HOSE	.25"(6.4mm) I.D.-bulk-sold per ft.		x

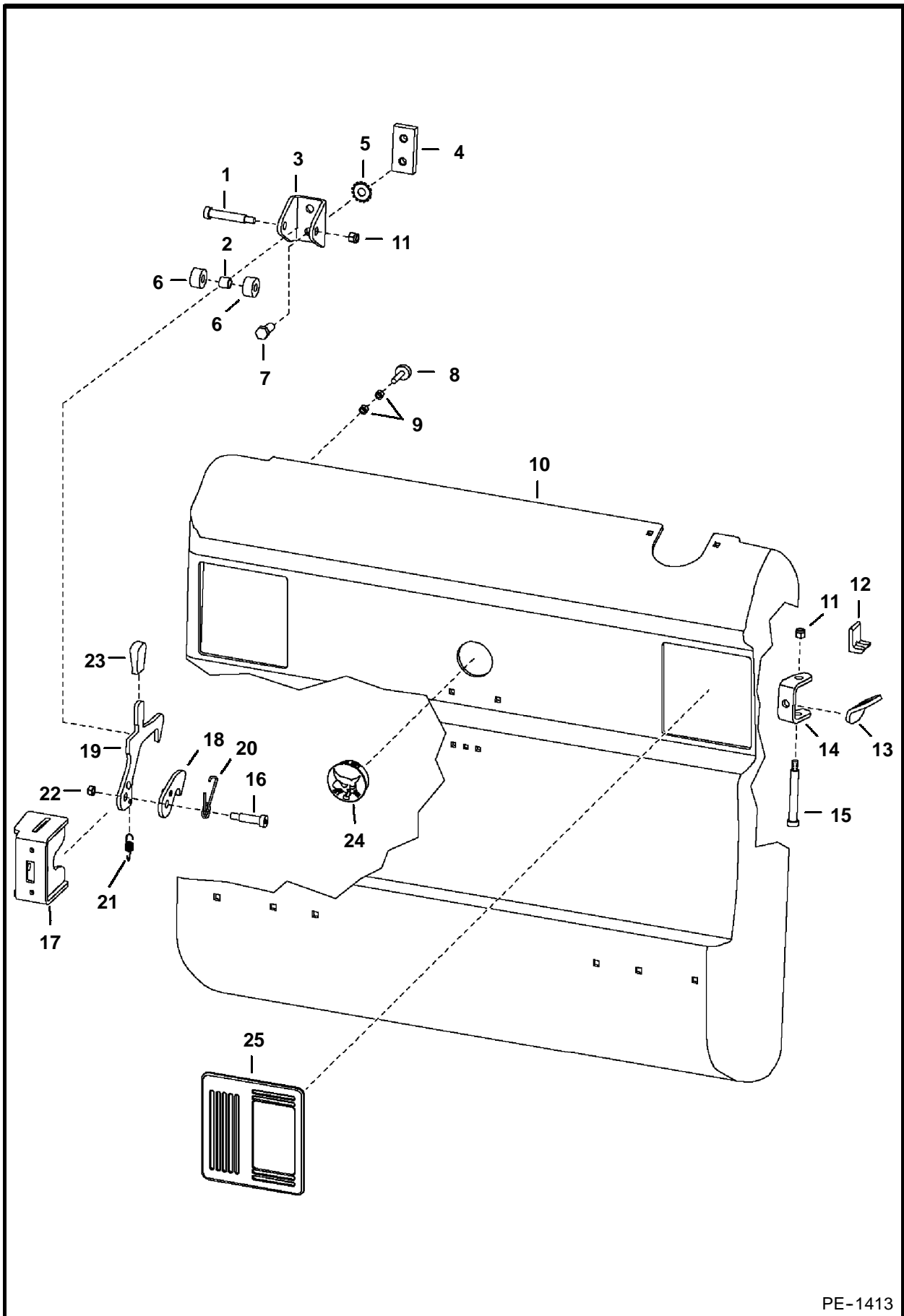
# SEAT Michigan



B-14720



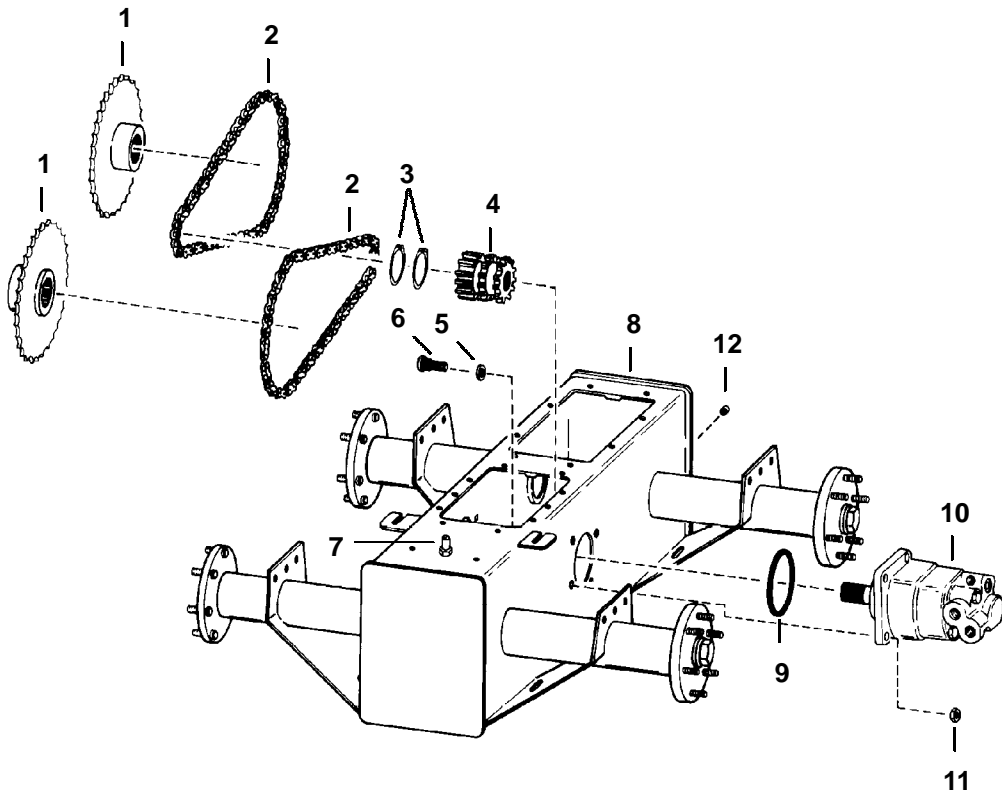
# REAR DOOR



PE-1413



# DRIVE TRAIN



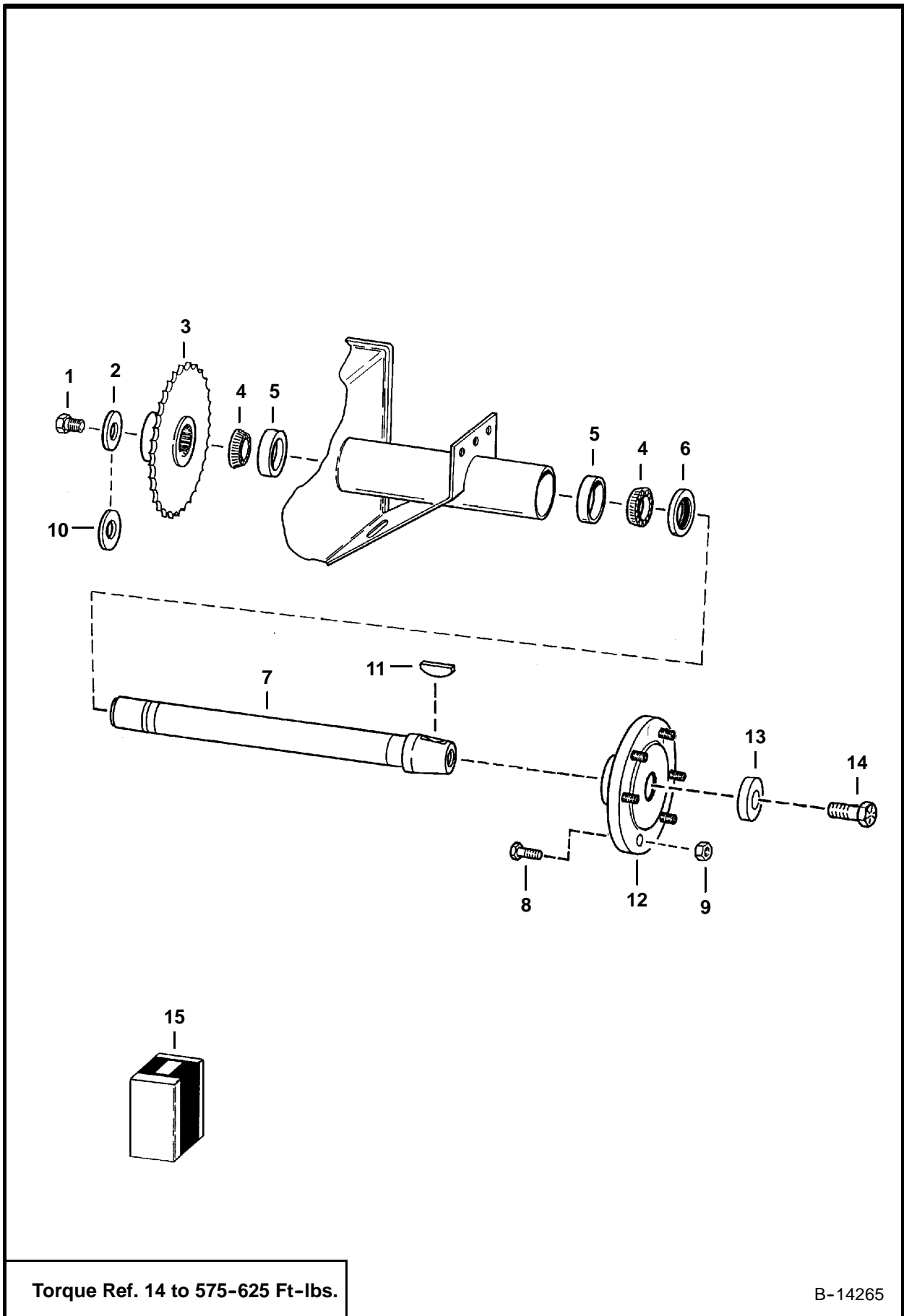
B-17076



DRIVE TRAIN (Cont'd)

Ref. No.	Part Number	Description	Remarks	Serial Number	Qty.
1	6548891	SPROCKET			4
2	6630205	DRIVE CHAIN			4
	6515191	LINK	connector		4
3	791442	SNAP RING			4
4	6714469	SPROCKET			2
5	6564740	WASHER			8
6	6564741	BOLT			8
7	6706104	RETAINER NUT			1
8	6708059	CHAINCASE			1
9	25K-30424	O-RING			2
10		MOTOR	hydro. - See Page 77		2
11	86D-8	NUT			8
12	6731121	PLUG			1

# AXLE



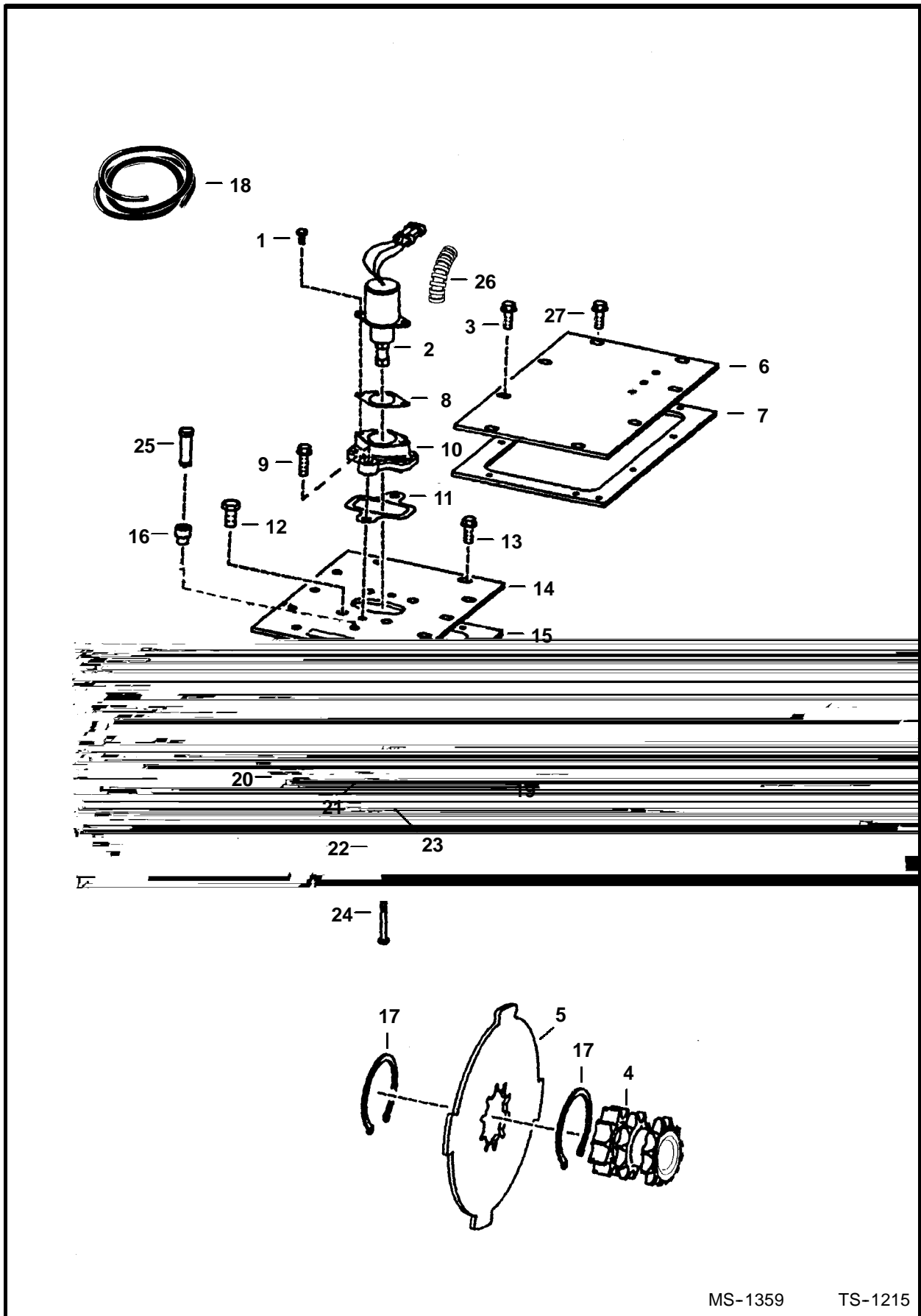
Torque Ref. 14 to 575-625 Ft-lbs.

B-14265

**AXLE (Cont'd)**

Ref. No.	Part Number	Description	Remarks	Serial Number	Qty.
1	6679247	BOLT			1
2	6552871	WASHER			1
3	6548891	SPROCKET			1
4	3974866	BEARING ASSY.	W/Ref. 5		2
5	NSS	RACE	Order Ref. 4		2
6	6660126	SEAL			1
7	6706039	AXLE ASSY.			1
8	6709170	STUD	9/16"		6
9	6564669	NUT	9/16"		6
10	6563606	WASHER	recessed - Use to Take Up .005 or .010 End Play on Axle		1
	6568835	WASHER	recessed - Use to Take Up .020		
			End Play of Axle		1
11	6J-1664	KEY			1
12	6706038	HUB	W/Ref. 8 - 9/16" Studs		1
13	6716843	WASHER			1
14	18C-1636	BOLT			1
15	6568974	KIT	axle seal - See Page 151		1

# DISC BRAKE



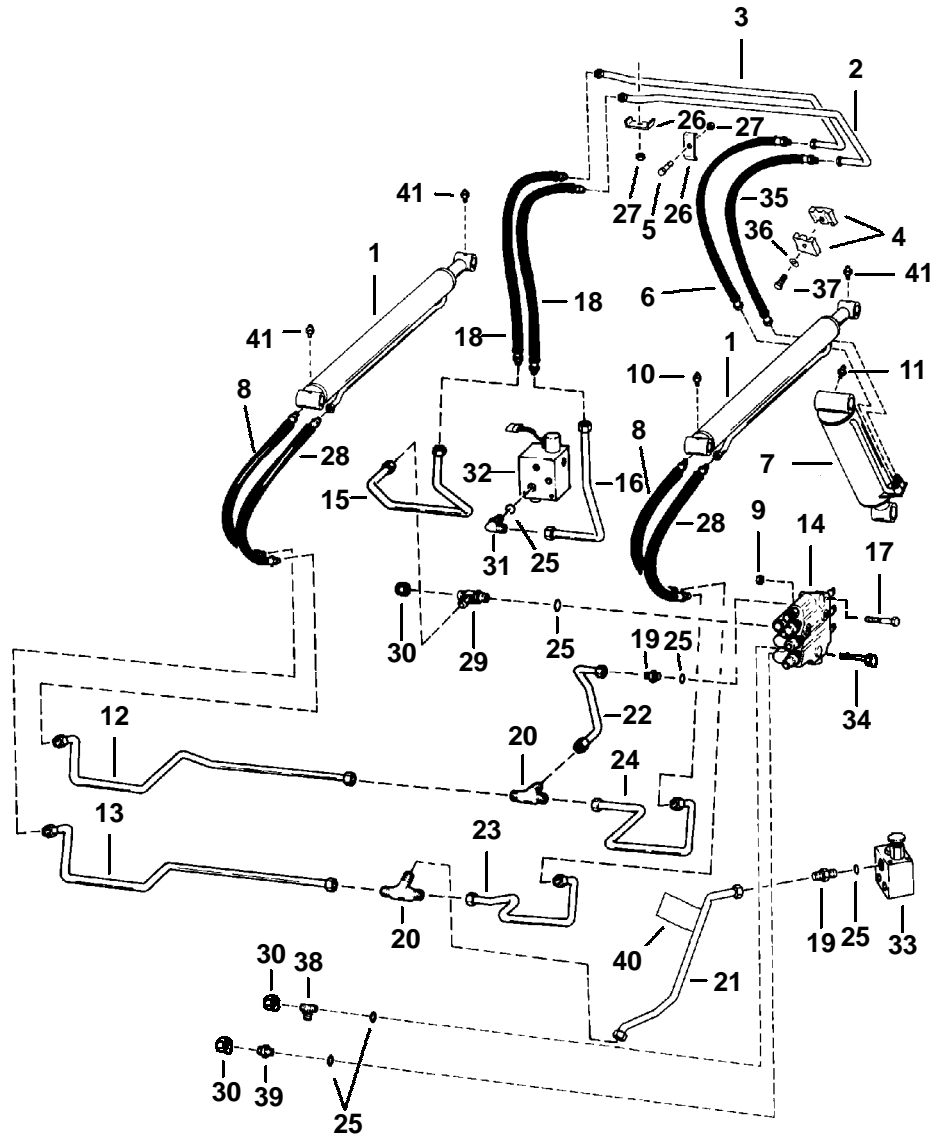
MS-1359

TS-1215

**DISC BRAKE (Cont'd)**

Ref. No.	Part Number	Description	Remarks	Serial Number	Qty.
1	17C-412	BOLT			2
2	6667992	SOLENOID	W/Ref. 26 - See Serviceletter dated 4/96		1
3	84G-3712	BOLT			4
4	6714469	SPROCKET	See Page 31		2
5	6706736	BRAKE	disc		2
6	6729173	COVER			1
7	6703097	GASKET			1
8	6706737	GASKET			1
9	84G-3720	BOLT			2
10	6706718	MOUNT			1
11	6708016	GASKET			1
12	47C-820	BOLT			4
13	84G-3716	BOLT			14
14	6717178	COVER			1
15	6706968	GASKET			1
16	6553411	BUSHING			1
17	791442	SNAP RING			4
18	6584978	CONDUIT	bulk - Sold Per Foot		x
19	6719056	BLOCK	guide-R.H.		1
20	6719057	BLOCK	guide-L.H.		1
21	6705896	GUIDE			1
22	6708018	SPRING			1
23	25E-13	WASHER			1
24	6708267	BOLT			2
25	6670627	BREATHER			1
26	NAP	CONDUIT	5"(127 mm) long - Order Ref. 18		1

# HYDRAULIC CIRCUITRY (Without Bucket Positioning Valve)

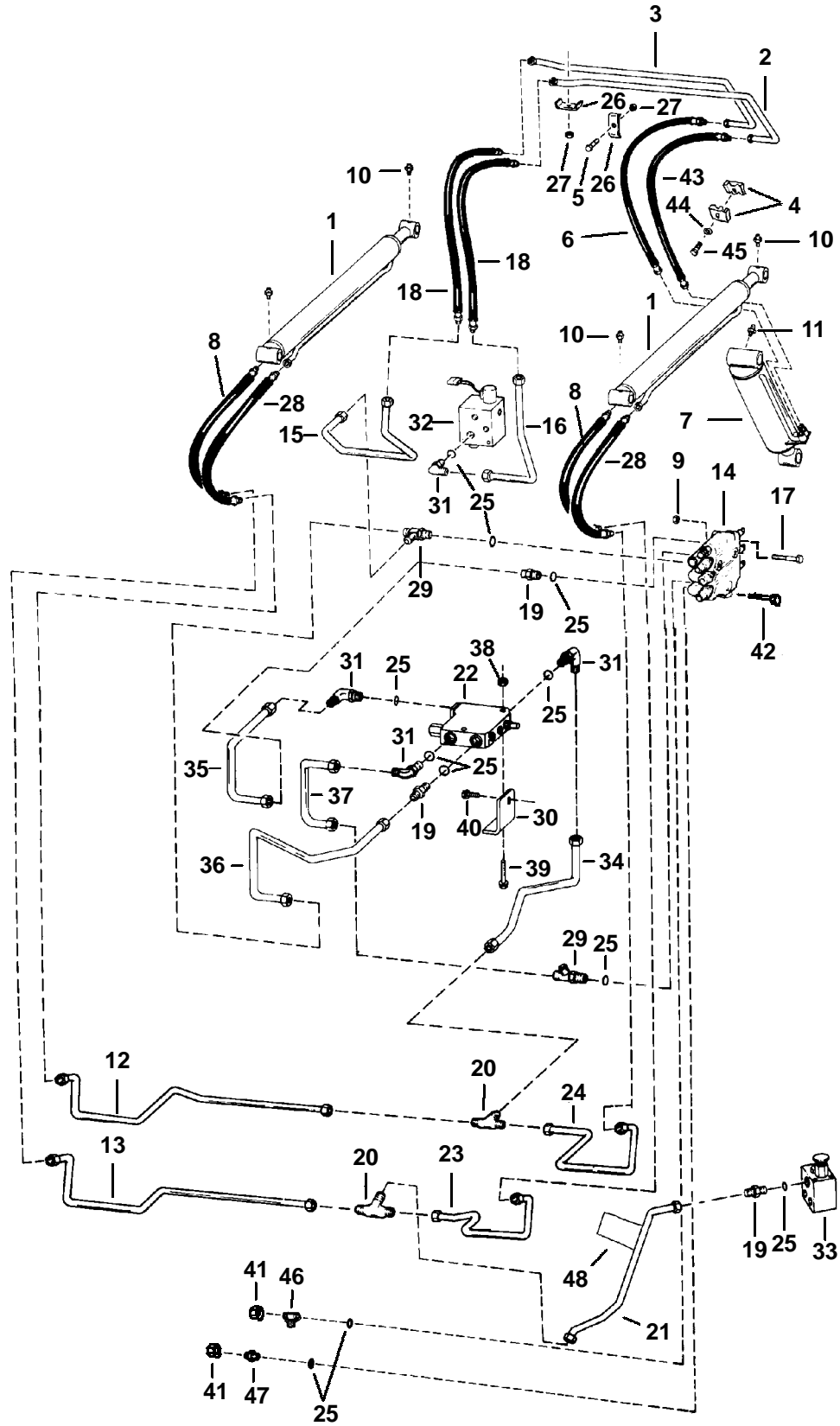


B-17077

**HYDRAULIC CIRCUITRY (Cont'd)**  
**(Without Bucket Positioning Valve)**

Ref. No.	Part Number	Description	Remarks	Serial Number	Qty.
1		CYLINDER	lift - See Page 49		2
2	6713167	TUBE			1
3	6713168	TUBE			1
4	6701892	CLAMP			2
5	84G-3720	BOLT			1
6	6713354	HOSE			1
7		CYLINDER	tilt - See Page 51		1
8	6553244	HOSE			2
9	91D-5	NUT			2
10	11H-15	GREASE ZERK			2
11	10H-25	GREASE ZERK			1
12	6715473	TUBE			1
13	6729881	TUBE			1
14		VALVE	hydraulic - See Page 53		1
15	6708176	TUBE			1
16	6715822	TUBE			1
17	17C-540	BOLT			1
18	6715571	HOSE			2
19	6715184	FITTING	W/Ref. 25 - tapered boss face		2
	97K-8	O-RING	flared end		x
20	10KN-6	TEE	with o-rings		2
	97K-8	O-RING	for flared ends		6
21	6730970	TUBE	includes 6809511 danger decal		1
22	6708172	TUBE			1
23	6715475	TUBE			1
24	6729883	TUBE			1
25	79K-10	O-RING	for flat boss face		x
	99K-10	O-RING	for tapered boss face		x
26	6502203	CLAMP			5
27	95D-6	NUT			7
28	6708464	HOSE			2
29	6715187	TEE	W/Ref. 25 - tapered boss face		1
	97K-8	O-RING	flared end		x
30	36K-6	CAP			3
31	6715716	ELBOW	tapered boss face		1
	97K-8	O-RING	flared end		x
32	6664849	VALVE	tilt lock - See page 45		1
33	6664850	VALVE	lift lock - See page 47		1
34	17C-532	BOLT			1
35	6713390	HOSE			1
36	872229	WASHER			1
37	84G-3728	BOLT			1
38	6731481	TEE			1
39	15KV-7	ADAPTER			1
40	6809511	DECAL	Danger - included with Ref. 21		1
41	12H-15	GREASE ZERK			2

# HYDRAULIC CIRCUITRY (With Bucket Positioning Valve)



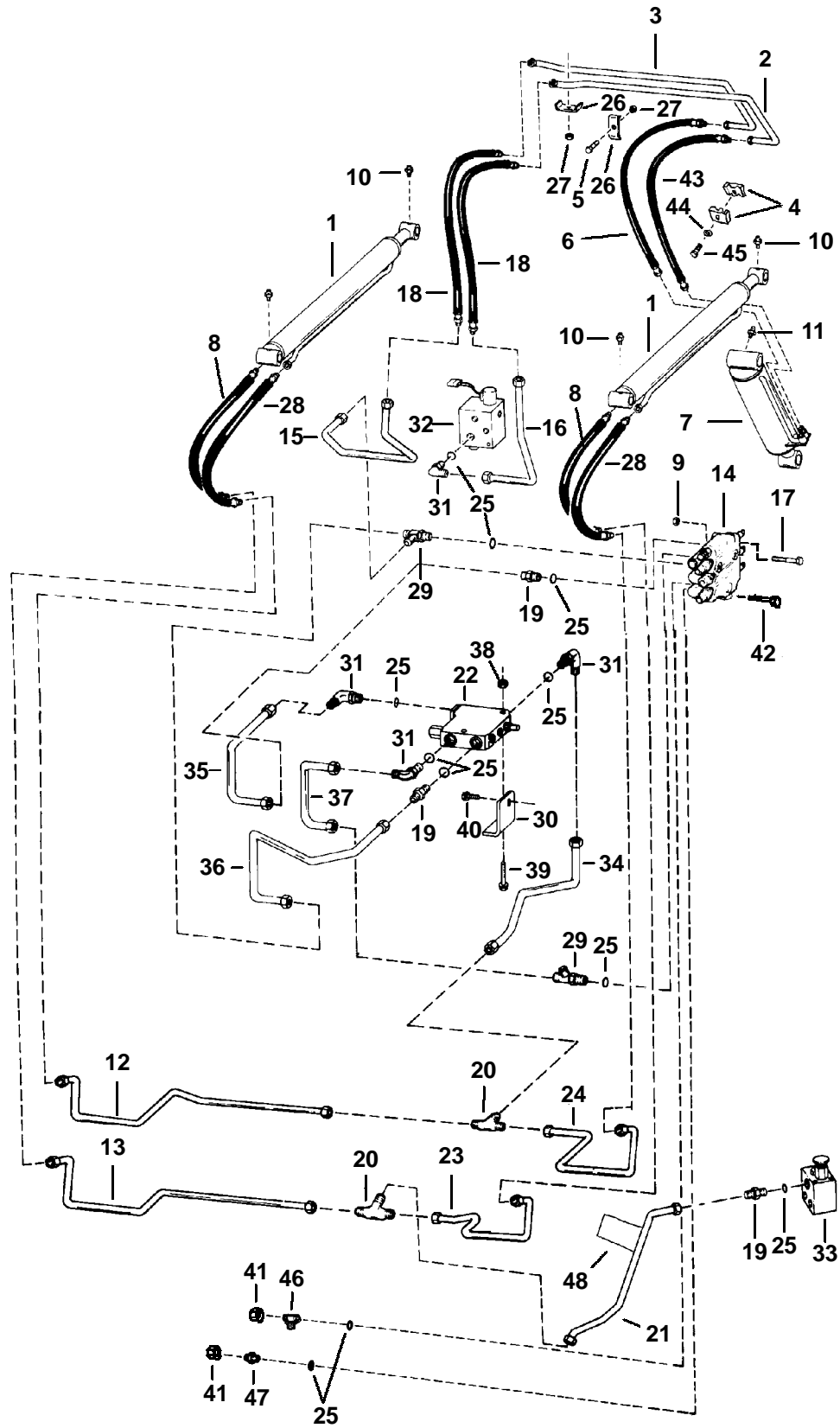
B-17078



**HYDRAULIC CIRCUITRY (Cont'd)**  
**(With Bucket Positioning Valve)**

Ref. No.	Part Number	Description	Remarks	Serial Number	Qty.
1		CYLINDER	lift - See Page 49		2
2	6713167	TUBE			1
3	6713168	TUBE			1
4	6701892	CLAMP			2
5	84G-3720	BOLT			1
6	6713354	HOSE			1
7		CYLINDER	tilt - See Page 51		1
8	6553244	HOSE			2
9	91D-5	NUT			2
10	11H-15	GREASE ZERK			4
11	10H-25	GREASE ZERK			1
12	6715473	TUBE			1
13	6729881	TUBE			1
14		VALVE	hydraulic - See Page 53		1
15	6708176	TUBE			1
16	6715822	TUBE			1
17	17C-540	BOLT			1
18	6715571	HOSE			2
19	6715184	FITTING	W/Ref. 25 - tapered boss face		4
	97K-8	O-RING	flared end		x
20	10KN-6	TEE	with o-rings		2
	97K-8	O-RING	for flared ends		6
21	6730970	TUBE	includes 6809511 danger decal		1
22	6666341	VALVE	Bucket Positioning - See page 57		1
23	6715475	TUBE			1
24	6729883	TUBE			1
25	79K-10	O-RING	for flat boss face		9
	99K-10	O-RING	for tapered boss face		x
26	6502203	CLAMP			5
27	95D-6	NUT			7
28	6708464	HOSE			2
29	6715187	TEE	W/Ref. 25 - tapered boss face		1
	97K-8	O-RING	flared end		x
30	6708163	MOUNT			3
31	6715716	ELBOW	tapered boss face		2
	97K-8	O-RING	flared end		2
32	6664849	VALVE	tilt lock - See page 45		1
33	6664850	VALVE	lift lock - See page 47		1
34	6708164	TUBE			1
35	6708165	TUBE			1
36	6708166	TUBE			1
37	6708167	TUBE			1
38	57D-5	NUT			1
39	17C-540	BOLT			1
40	84G-3716	BOLT			1
41	36K-6	CAP			2
42	17C-532	BOLT			1
43	6713390	HOSE			1
44	872229	WASHER			1
45	84G-3728	BOLT			1

# HYDRAULIC CIRCUITRY (Cont'd) (With Bucket Positioning Valve)

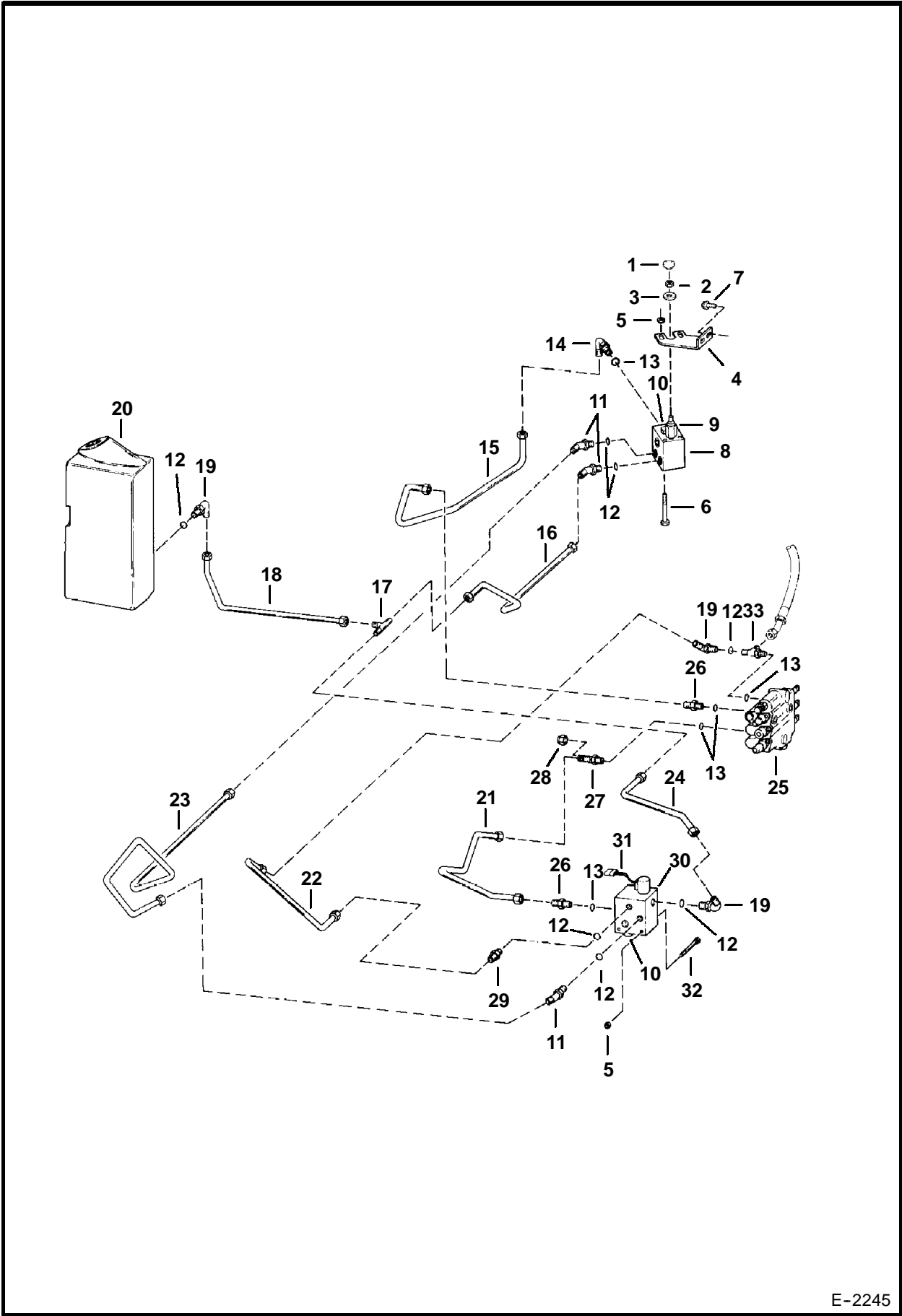


B-17078

**HYDRAULIC CIRCUITRY (Cont'd)  
(With Bucket Positioning Valve)**

Ref. No.	Part Number	Description	Remarks	Serial Number	Qty.
46	6731481	TEE			1
47	15KV-7	ADAPTER			1
48	6809511	DECAL	Danger - included with Ref. 21		1

LIFT CONTROL SYSTEM

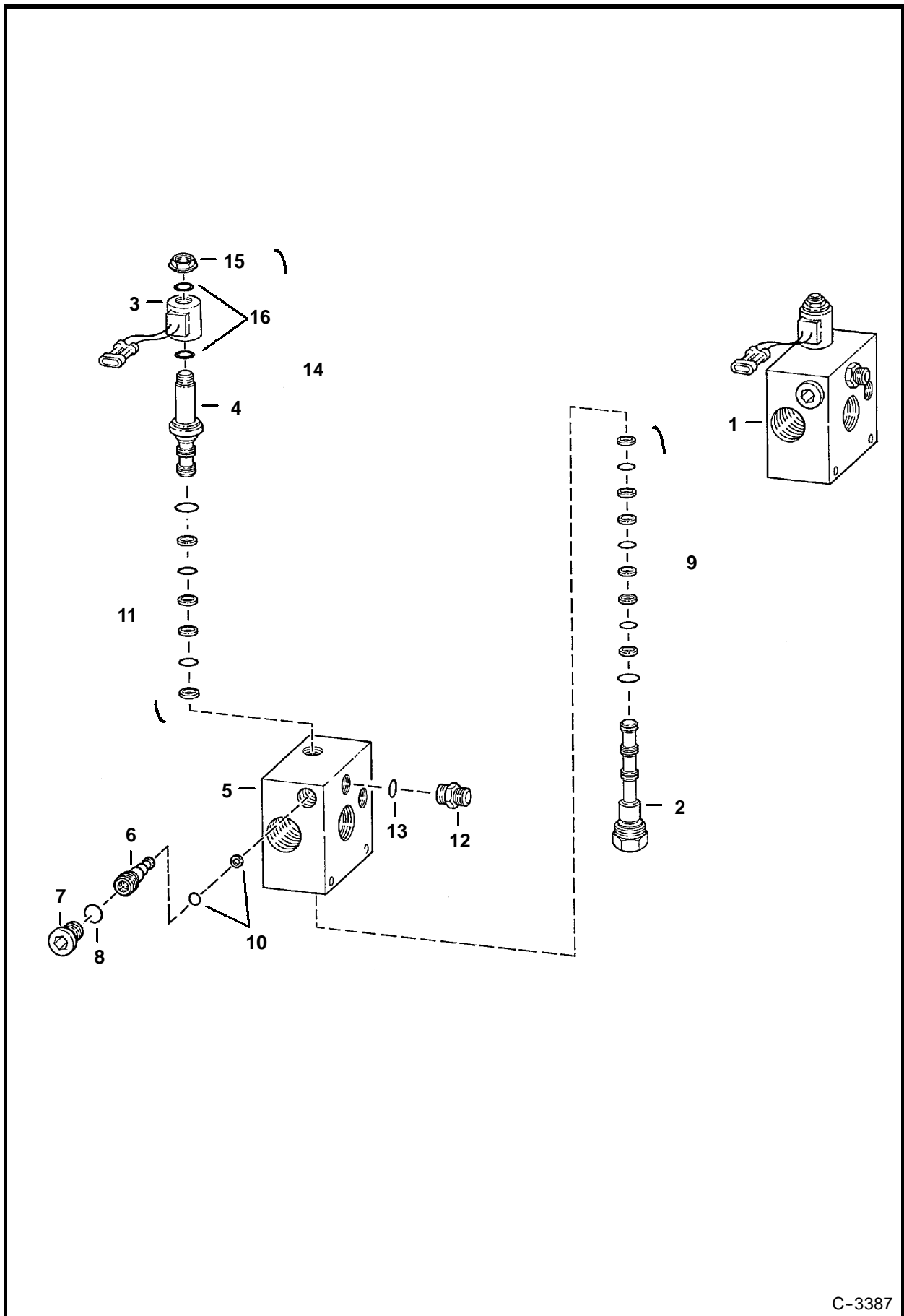


E-2245

## LIFT CONTROL SYSTEM (Cont'd)

Ref. No.	Part Number	Description	Remarks	Serial Number	Qty.
1	6664858	KNOB	red - lift lock valve		1
2	7D-4	NUT			1
3	6707101	SEAL	Neoprene		1
4	6708171	MOUNT			1
5	83D-5	NUT			4
6	17C-568	BOLT			2
7	84G-3716	BOLT			2
8	6664850	VALVE	Lift lock - W/Ref. 1-3, 9 & 10 - See page 47		1
9	6665490	VALVE	Manual pull		1
	6666828	SEAL KIT			1
10	6665610	VALVE			1
	6665612	SEAL KIT			1
11	18KV-5	ELBOW	W/Ref. 12 - tapered boss face for flared end		3
	97K-6	O-RING			x
12	79K-6	O-RING	for flat boss face		x
	99K-6	O-RING	for tapered boss face		x
13	79K-10	O-RING	for flat boss face		x
	99K-10	O-RING	for tapered boss face		x
14	6715716	ELBOW	W/Ref. 13 - tapered boss face		1
	97K-8	O-RING	flared end		x
15	6708174	TUBE			1
16	6708410	TUBE			1
17	10KV-5	TEE			1
18	6708408	TUBE			1
19	17KV-5	ELBOW	W/Ref. 12 - tapered boss face		3
	97K-6	O-RING	flare end		x
20	6714559	TANK	Hydraulic		1
21	6708177	TUBE			1
22	6708178	TUBE			1
23	6732418	TUBE			1
24	6708180	TUBE			1
25		VALVE	See page 53		1
26	6715184	FITTING	W/Ref. 13 - tapered boss face		4
	97K-8	O-RING	flare end		x
27	6715187	TEE	W/Ref. 13 - tapered boss face		2
	97K-8	O-RING	flare end		x
28	36K-6	CAP			1
29	15KV-5	FITTING	W/Ref. 12 - tapered boss face		1
	97K-6	O-RING	flare end		x
30	6664849	VALVE	Tilt lock - W/Ref. 10 & 31 - See page 45		1
31	6672471	SOLENOID	See page 45		1
	6667687	STEM			1
	6671026	COIL			1
	6665487	SEAL KIT			1
32	17C-552	BOLT			2
33	6804110	ELBOW	W/Ref. 13 - tapered boss face		1
	97K-10	O-RING	flared end - Was 96K-10 [A]		x

# TILT LOCK VALVE

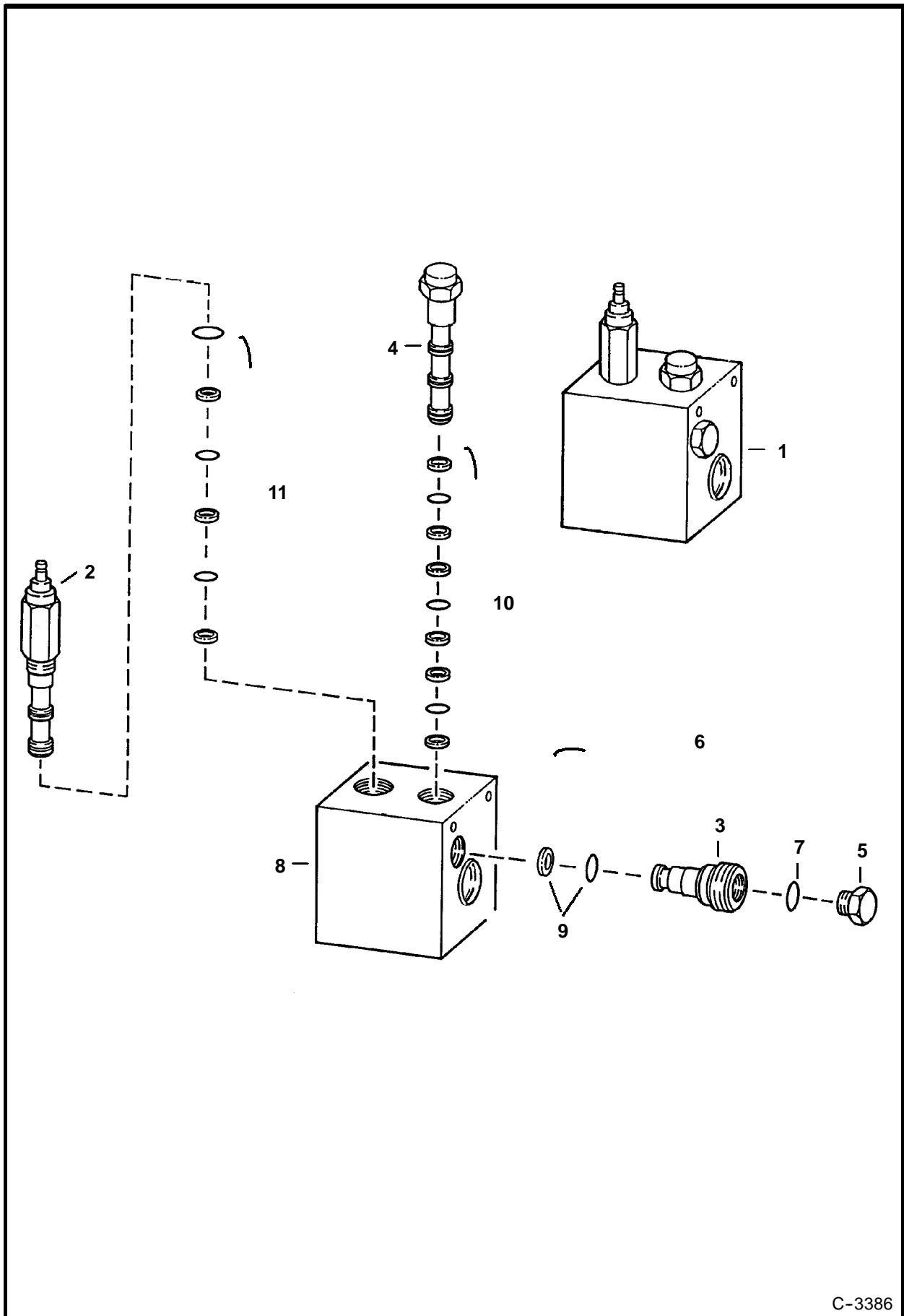


C-3387

## TILT LOCK VALVE (Cont'd)

Ref. No.	Part Number	Description	Remarks	Serial Number	Qty.
1	6664849	VALVE	Ref. 2 - 16		1
2	6665610	VALVE			1
3	NSS	COIL	without diode		1
	6671026	COIL	with diode		1
4	6667687	SOLENOID			1
5	NSS	BLOCK			1
6	6665609	CHECK VALVE			1
7	6667127	PLUG			1
8	79K-4	O-RING			1
9	6665612	SEAL KIT			1
10	6665611	SEAL KIT			1
11	6665487	SEAL KIT			1
12	6665489	ADAPTER	filter		1
13	6667132	O-RING			1
14	6672471	SOLENOID	complete		1
15	6668820	NUT			1
16	6669076	O-RING			2

# LIFT LOCK VALVE

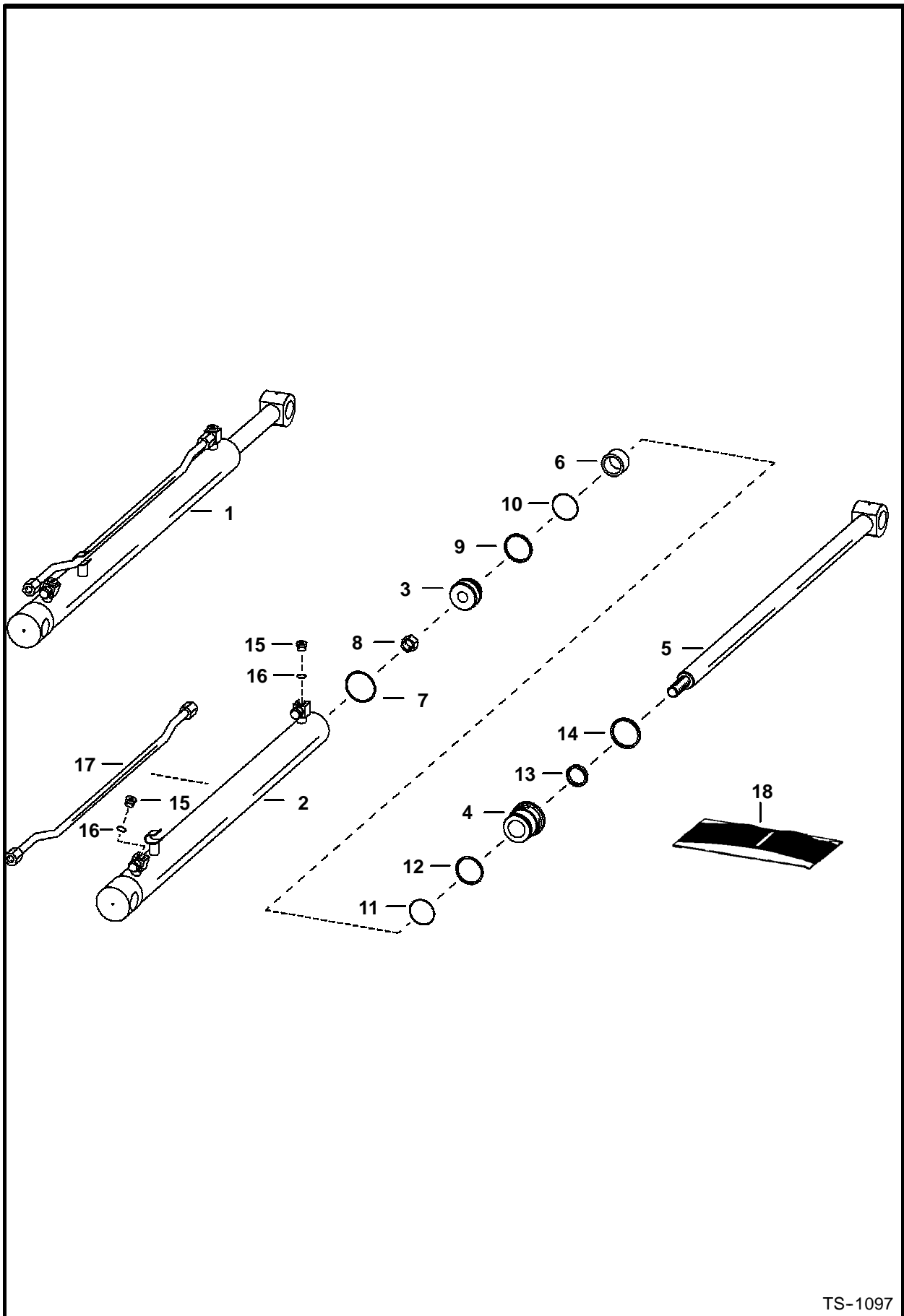


C-3386





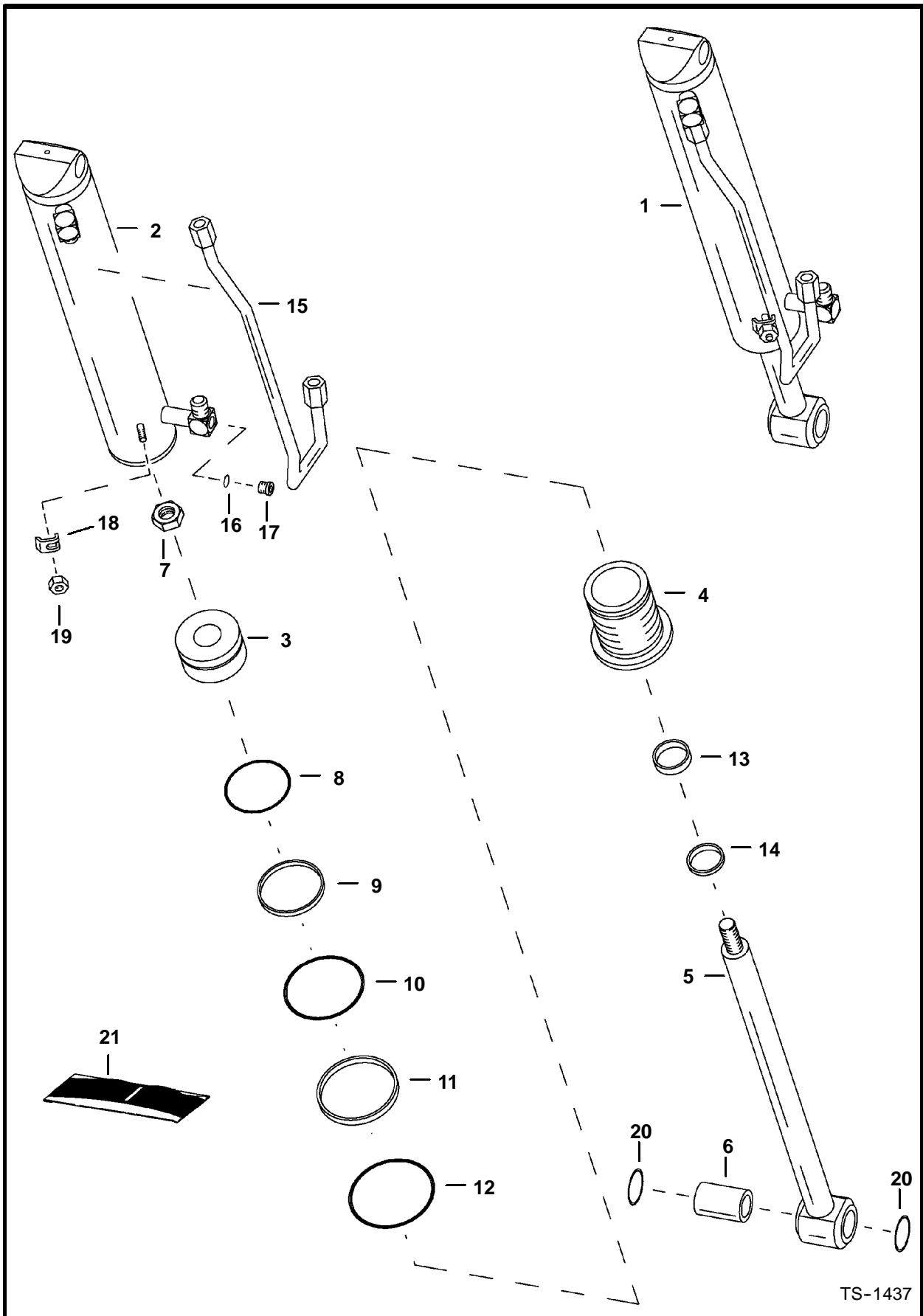
# LIFT CYLINDER



TS-1097



# TILT CYLINDER

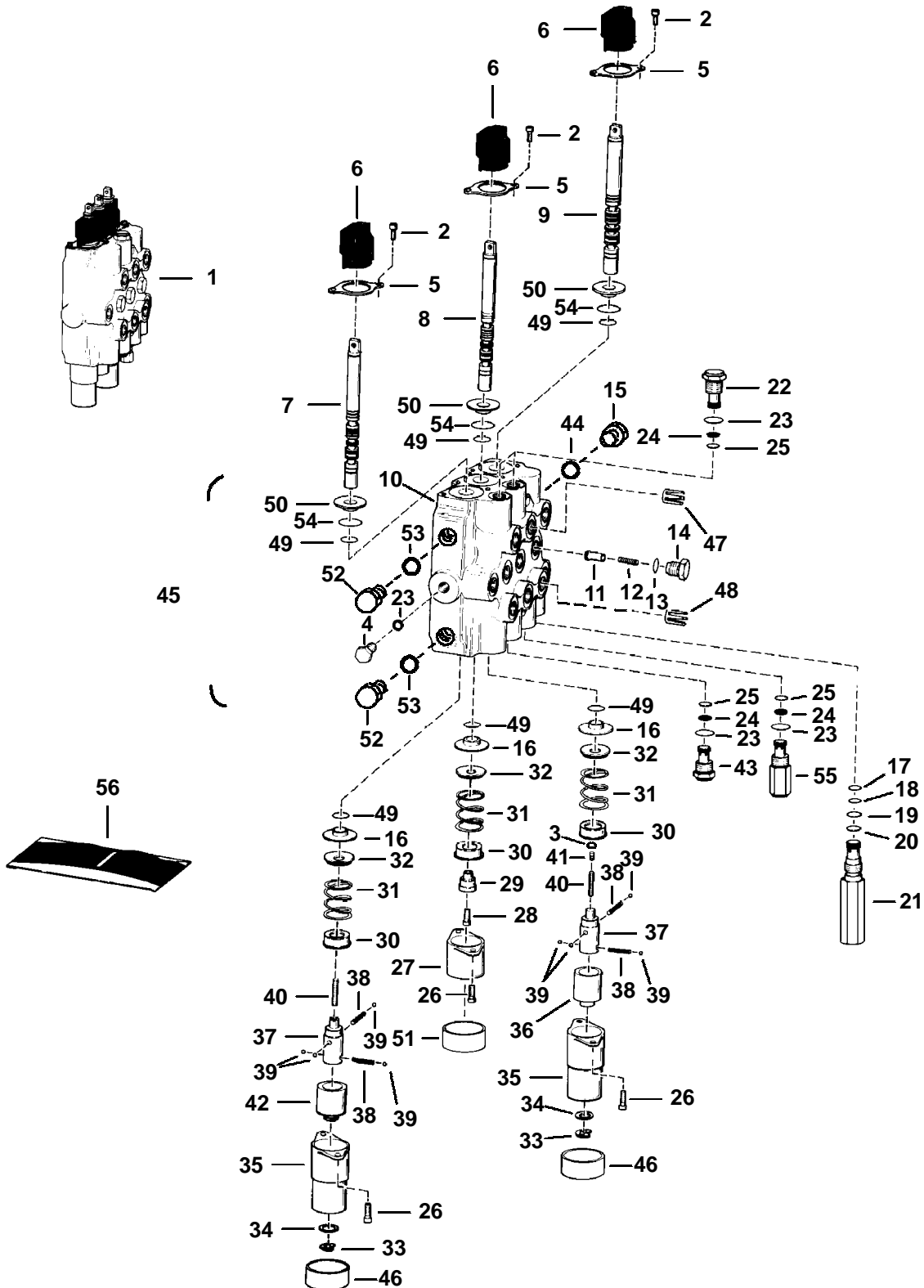


TS-1437



# HYDRAULIC CONTROL VALVE

NOTE: Spools are available for service. The boot end of the lift and tilt spool is stamped with # 1, 2 or 3 or painted red, green or black respectively. Ref. Serviceletter dated 20 Feb. 95.



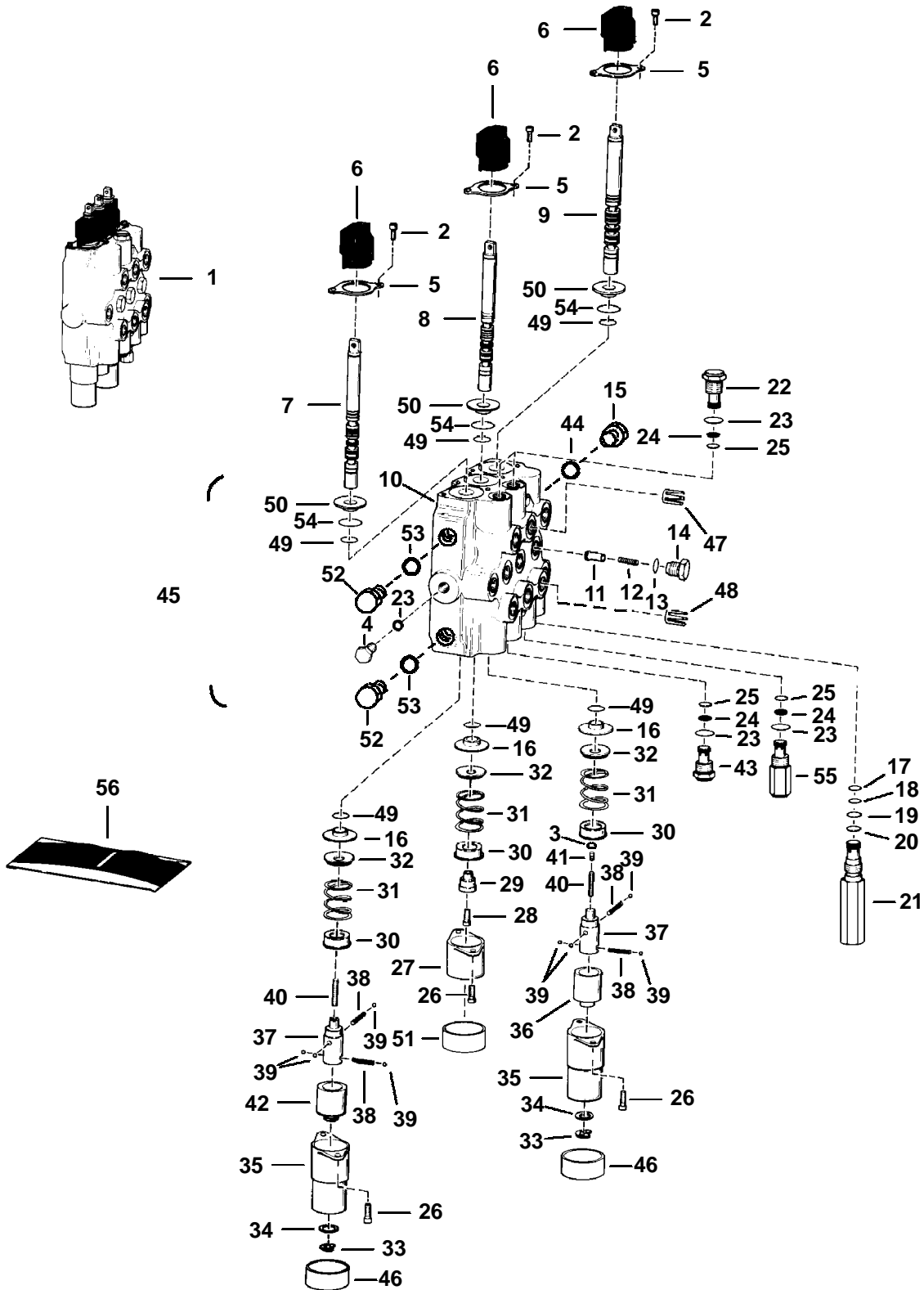
B-17079

## HYDRAULIC CONTROL VALVE (Cont'd)

Ref. No.	Part Number	Description	Remarks	Serial Number	Qty.
1	6812173	VALVE	Ref. 2 - 55		1
2	29G-412	SCREW			6
3	54K-20002	O-RING			1
4	90KN-7	PLUG	W/Ref. 23 - tapered boss face		1
5	6599564	RETAINER			3
6	6587763	BOOT			3
7	6589663	SPOOL	auxiliary		1
8	6677662	SPOOL	Tilt - #1 or red - See note		1
	6677663	SPOOL	Tilt - #2 or green - See note		1
9	6677660	SPOOL	Lift - #1 or red - See note		1
	6677661	SPOOL	Lift - #2 or green - See note		1
10	NSS	BODY			1
11	6592115	SEAT			3
12	6592117	SPRING			3
13	79K-8	O-RING			3
14	6592116	NUT			3
15	90KV-8	PLUG	W/Ref. 44 - tapered boss face		1
16	6595663	BUSHING			3
17	58K-15	O-RING			1
18	80K-15	WASHER			1
19	58K-17	O-RING			1
20	80K-17	WASHER			1
21	6680012	VALVE	main relief - 2 stage - W/Ref. 17 - 20		1
22	6667549	VALVE	anti-cav. check - W/Ref. 23-25		2
23	79K-10	O-RING	for flat boss face		6
	99K-10	O-RING	for tapered boss face		4
24	80K-14	WASHER			4
25	58K-14	O-RING	backup washer required		2
	6677106	O-RING	backup washer not required		1
26	29G-416	SCREW			6
27	6587633	BONNET			1
28	30G-416	SCREW			1
29	6592109	ADAPTER			1
30	6592100	COLLAR			3
31	6587580	SPRING			3
32	6587523	WASHER			3
33	799119	RETAINER			2
34	6592098	WASHER			2
35	6589226	BONNET			2
36	6531270	SLEEVE	lift		1
37	6587575	ADAPTER			2
38	6592107	SPRING			4
39	6592105	BALL			8
40	6586918	SCREW			2
41	6596807	PLUG	plastic		1
42	6595027	SLEEVE	auxiliary		1
43	6592720	PLUG	W/Ref. 23-25		2
44	79K-12	O-RING	for flat boss face		x
	99K-12	O-RING	for tapered boss face		x
45	NAP	SHORT BLOCK	Order Ref. 1		1

# HYDRAULIC CONTROL VALVE (Cont'd)

NOTE: Spools are available for service. The boot end of the lift and tilt spool is stamped with # 1, 2 or 3 or painted red, green or black respectively. Ref. Serviceletter dated 20 Feb. 95.



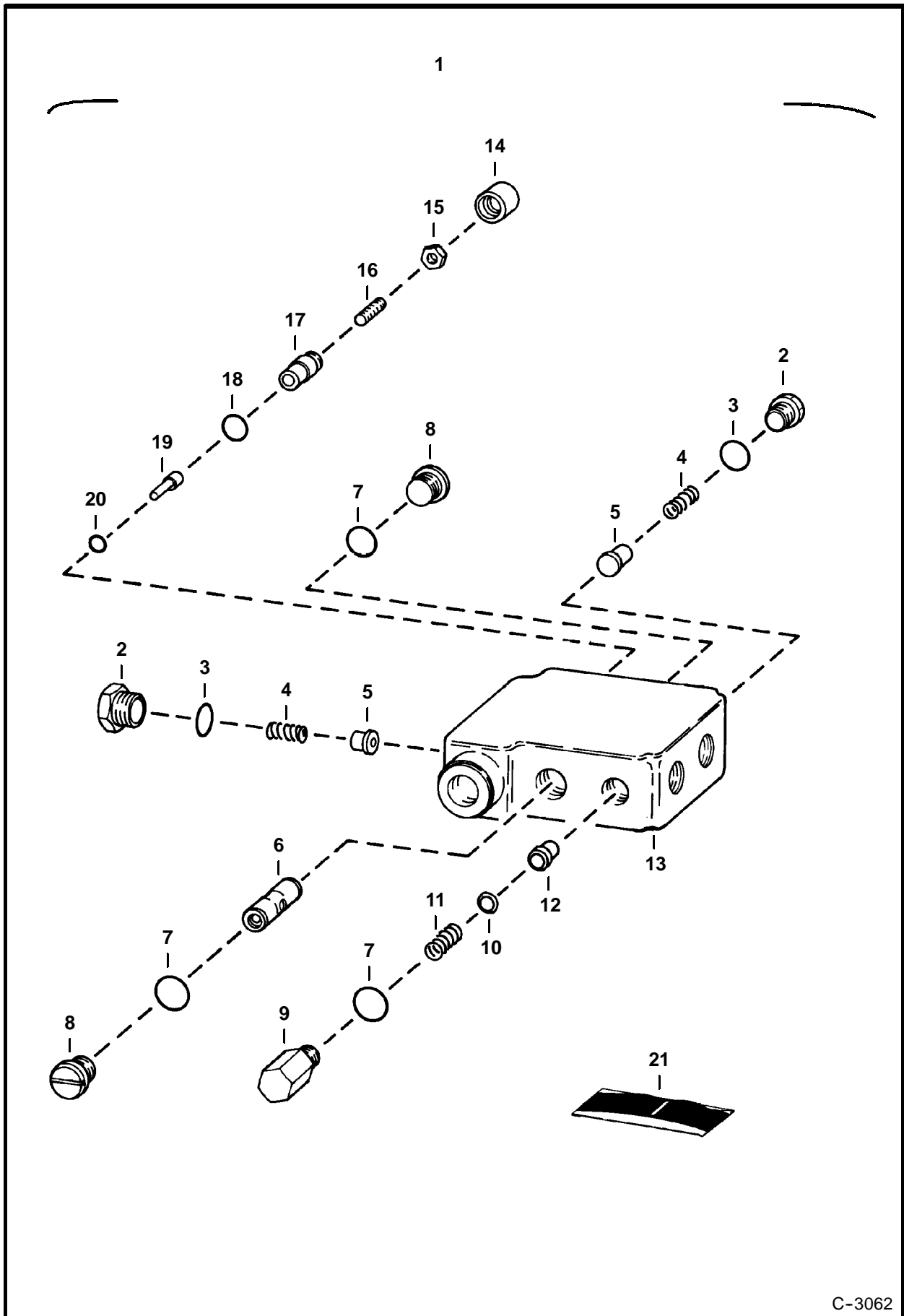
B17079



### HYDRAULIC CONTROL VALVE (Cont'd)

Ref. No.	Part Number	Description	Remarks	Serial Number	Qty.
46	6660644	CAP			2
47	6587315	ORIFICE	.110		1
48	6587304	ORIFICE	.125		1
49	6665846	SEAL	quad ring		6
50	6589565	BUSHING			6
51	6662848	CAP			1
52	6534973	PLUG			2
53	79K-7	O-RING			2
54	58K-127	O-RING			3
55	6678574	RELIEF VALVE			1
56	6803606	SEAL KIT	Ref. 6, 13, 17-20, 23-26 & 49 -See S/L 31 Aug. 92		1
	6803605	SEAL KIT	Ref. 6, 26 & 49 - For One Spool -See S/L 31 Aug. 92		
	6809425	SEAL KIT	Ref. 13 & 23-25		1

# BUCKET POSITIONING VALVE

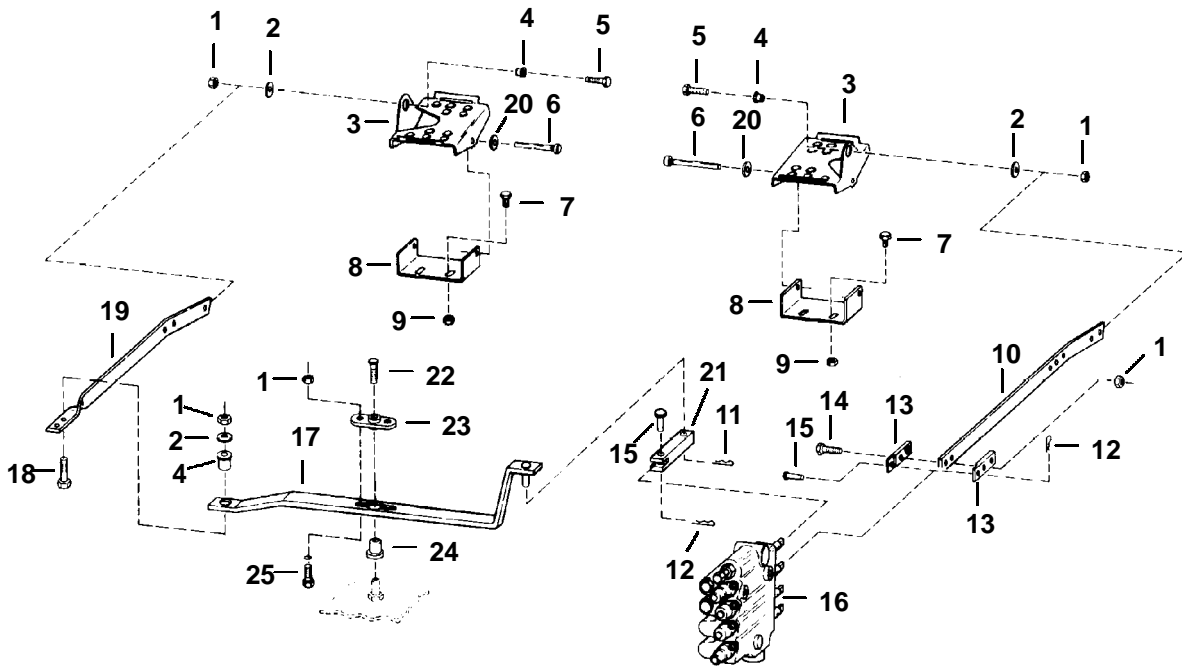


C-3062

## BUCKET POSITIONING VALVE (Cont'd)

Ref. No.	Part Number	Description	Remarks	Serial Number	Qty.
1	6666341	VALVE	Ref. 2-20		1
2	6647784	PLUG	W/Ref. 3		2
3	79K-8	O-RING			2
4	6647785	SPRING			2
5	6647783	LOAD CHECK			2
6	NSS	SPOOL			1
7	58K-116	RING	backup		3
8	6647780	PLUG	W/Ref. 7		2
9	6667176	PLUG	W/Ref. 7		1
10	6667680	SNAP RING			1
11	6648294	SPRING			1
12	NSS	SPOOL			1
13	NSS	BODY			1
14	6667676	COVER			1
15	6631561	NUT			1
16	6648293	SCREW			1
17	6647778	CAP			1
18	79K-6	O-RING			1
19	6647777	PIN			1
20	6667677	O-RING			1
21	6647786	SEAL KIT	Ref. 3, 7, 14, 18 & 20		1

# CONTROL PEDALS

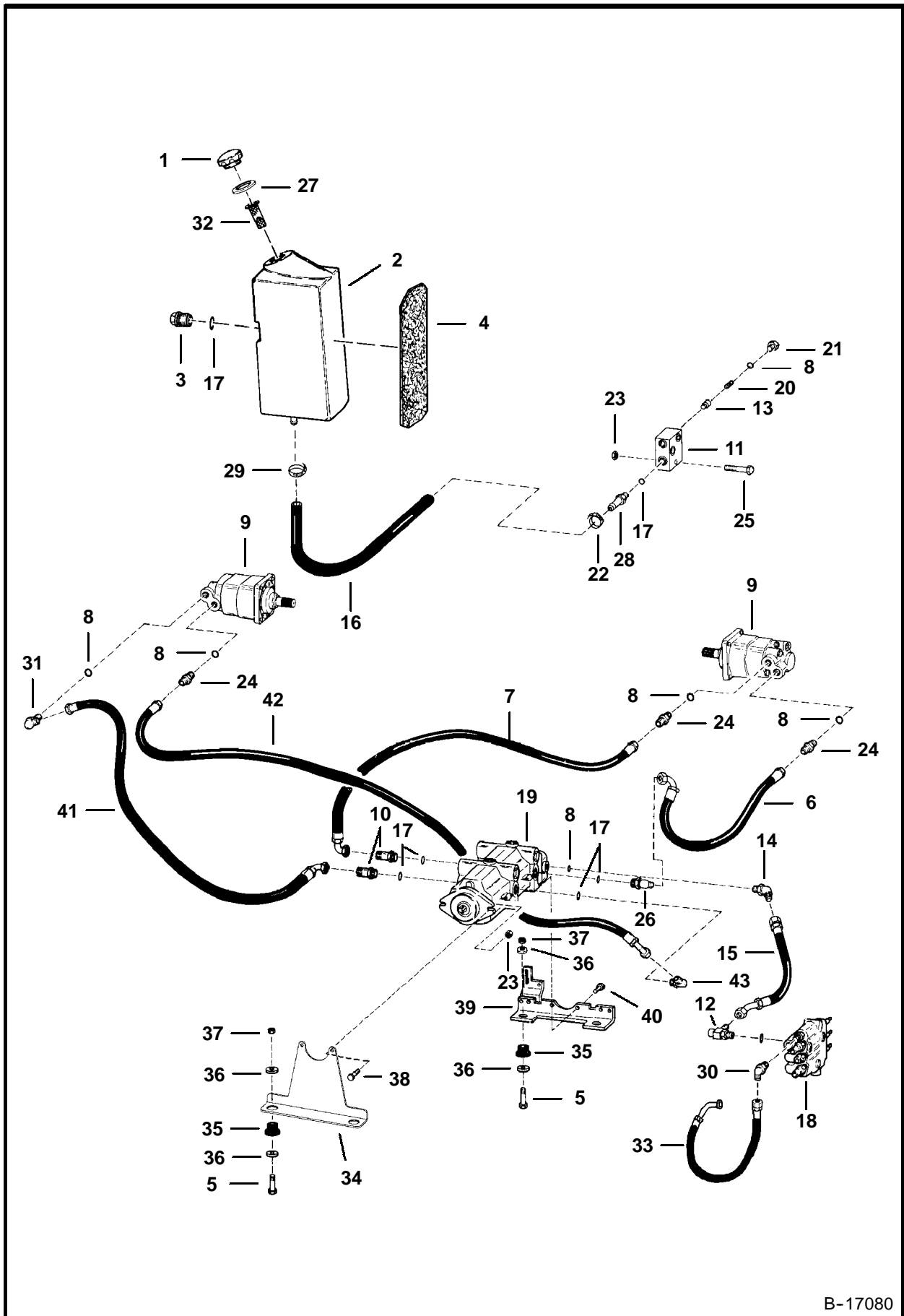


D-2289

### CONTROL PEDALS (Cont'd)

Ref. No.	Part Number	Description	Remarks	Serial Number	Qty.
1	95D-6	NUT			6
2	6563914	WASHER			4
3	6726680	PEDAL			2
4	6665701	BUSHING			3
5	17C-624	BOLT			2
6	6564657	PIN			2
7	7C-620	BOLT			4
8	6726679	BRACKET			2
9	57D-6	NUT			4
10	6564652	BAR			1
11	1306637	COTTER PIN			1
12	6513495	COTTER PIN			2
13	6706680	LINK			2
14	17C-620	PIN			2
15	6564654	PIN			2
16		VALVE	See Page 53		1
17	6708193	LEVER			1
18	17C-628	BOLT			1
19	6564653	BAR			1
20	25E-21	WASHER	Used if serrations on pins are too long		1
21	6706105	YOKE			1
22	6665839	BOLT			1
23	6708043	FLANGE			1
24	6512026	BUSHING			1
25	37C-616	BOLT			2

# HYDROSTATIC CIRCUITRY

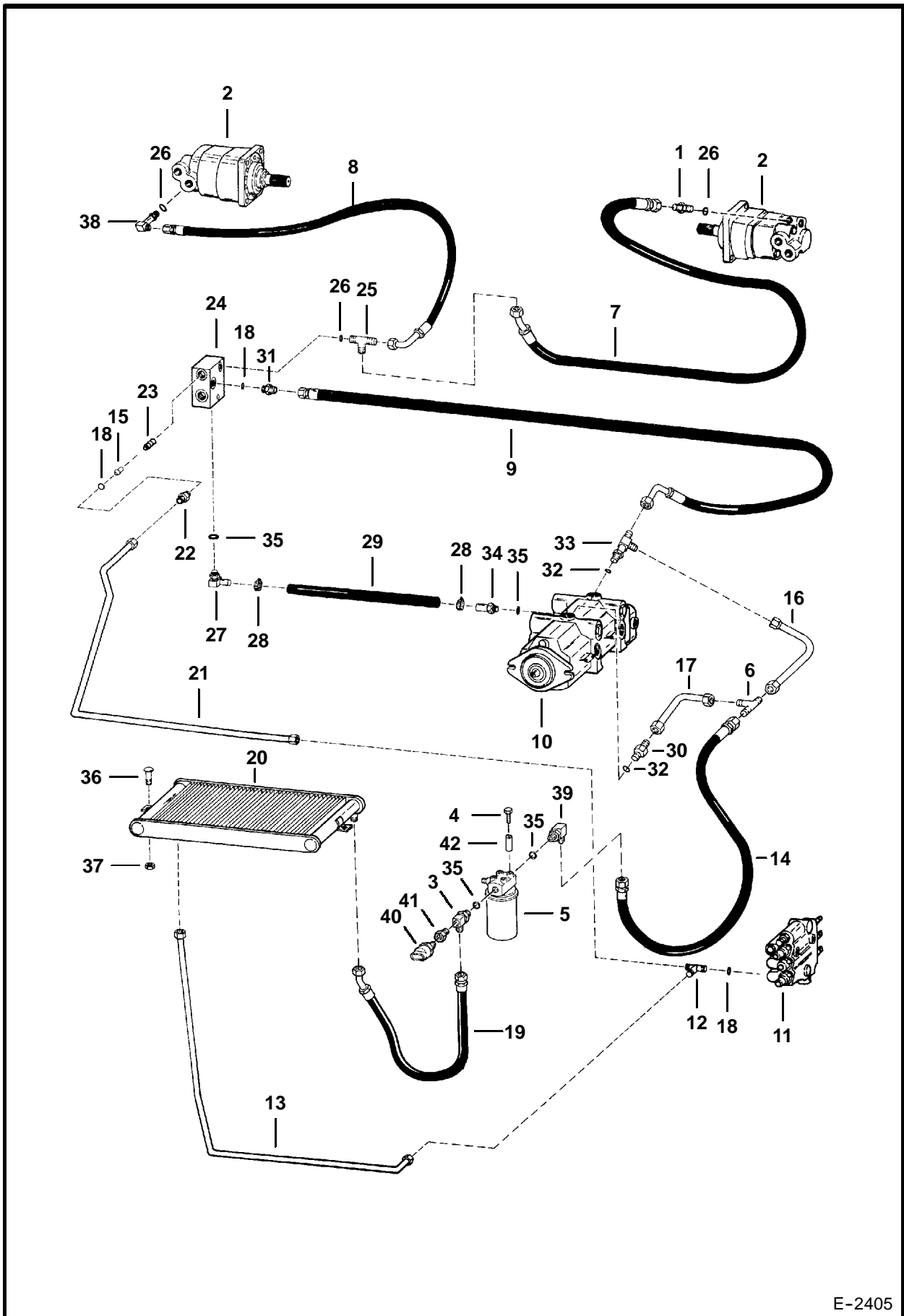


B-17080

## HYDROSTATIC CIRCUITRY (Cont'd)

Ref. No.	Part Number	Description	Remarks	Serial Number	Qty.
1	6727475	BREATHER CAP			1
2	6714559	TANK	nylon		1
3	6665915	SIGHT GAUGE	Steel		1
4	6565012	INSULATION			1
5	35C-840	BOLT			5
6	6729151	HOSE			1
7	6729148	HOSE			1
8	99K-10	O-RING	for tapered boss face		x
9		MOTOR	hydro. - See Page 77		2
10	16KN-8	ADAPTER	W/Ref. 17		2
11	6565550	PORT BLOCK			1
12	6804110	ELBOW	W/Ref. 8 - tapered boss face		1
	97K-10	O-RING	flared end		x
13	6565620	POPPET			1
14	18KN-7	ELBOW	W/Ref. 8 - tapered boss face		1
	97K-10	O-RING	flared end		1
15	6730283	HOSE			1
16	6714560	HOSE			1
17	79K-12	O-RING	flat boss face		x
	99K-12	O-RING	tapered boss face		x
18		VALVE	hyd. - See Page 53		1
19		PUMP	hydro. - See Page 69		1
20	6562691	SPRING			1
21	6561811	PLUG	Charge pressure relief valve -		
			W/Ref. 8, 13 & 21		1
22	5HM-35	CLAMP	constant tension		1
23	95D-6	NUT			3
24	15KV-7	ADAPTER	W/Ref. 8 - tapered boss face		3
	97K-10	O-RING	flared end		x
25	31C-640	BOLT			1
26	18KN-8	ELBOW	W/Ref. 17 - tapered boss face		1
	97K-12	O-RING	flared end		1
27	6700631	GASKET			1
28	6715715	ADAPTER	W/Ref. 17 - tapered boss face		1
29	5HM-42	CLAMP	constant tension		1
30	1300913	ELBOW			1
31	18KN-7	ELBOW	W/Ref. 8		1
32	6569219	SCREEN			1
33	6731482	HOSE			1
34	6728634	MOUNT			1
35	6560633	MOUNT			4
36	6564692	WASHER			6
37	85D-8	NUT			4
38	35C-620	BOLT			2
39	6706536	MOUNT			1
40	17C-536	BOLT			2
41	6729150	HOSE			1
42	6729149	HOSE			1
43	17KV-8	ELBOW	W/Ref. 17 - tapered boss face		1
	97K-12	O-RING	flared end		x

# HYDROSTATIC CIRCUITRY



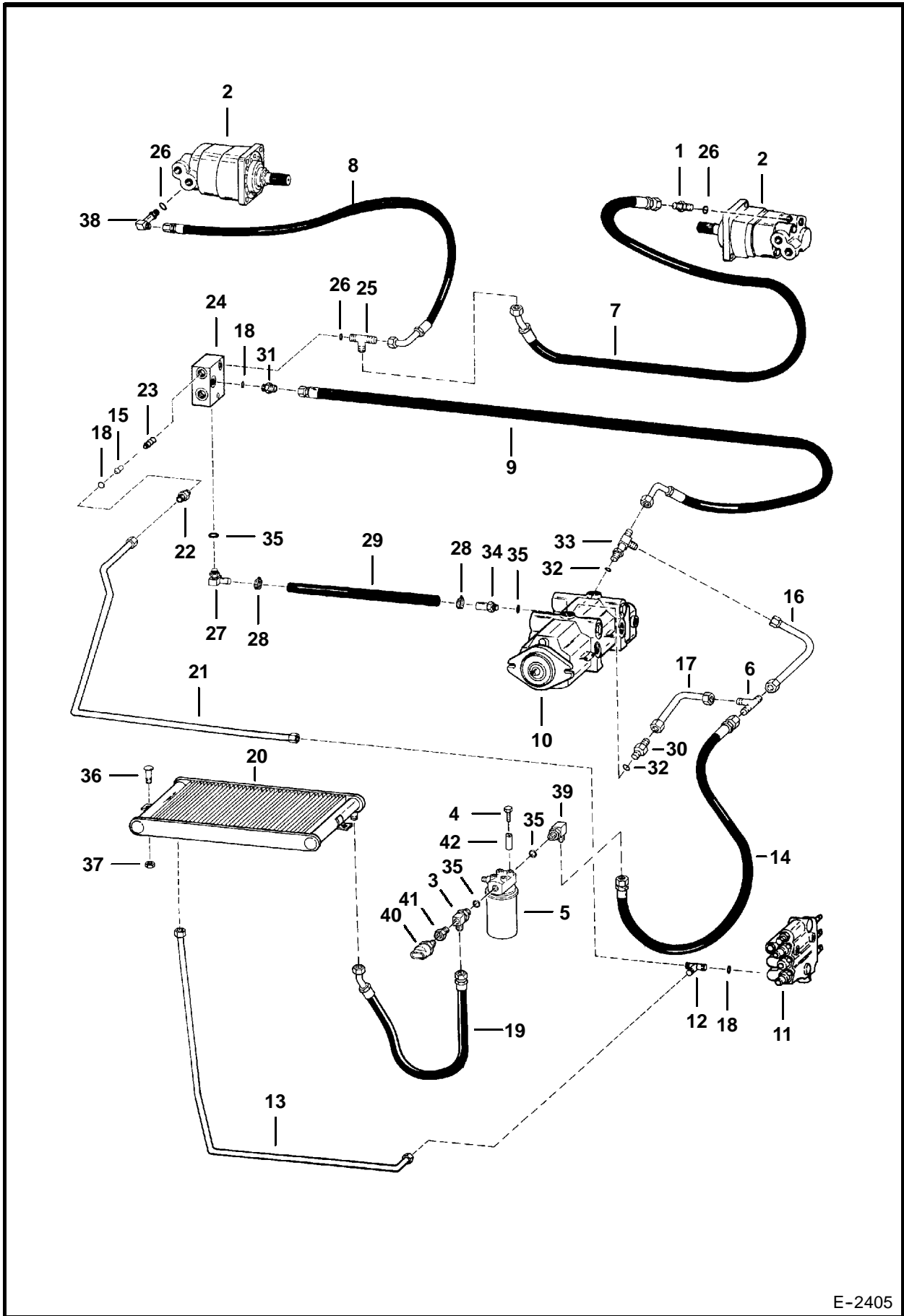
E-2405



## HYDROSTATIC CIRCUITRY (Cont'd)

Ref. No.	Part Number	Description	Remarks	Serial Number	Qty.
1	15KV-5	FITTING	W/Ref. 26 - tapered boss face		1
	97K-6	O-RING	flared end		x
2		MOTOR	See Page 77		2
3	6715329	ELBOW	W/Ref. 35 - flat boss face		1
	97K-10	O-RING	flared end		1
4	35C-632	BOLT			2
5	6661334	FILTER ASSY			1
	6661248	ELEMENT			1
6	10KN-6	TEE	with o-rings		1
	97K-8	O-RING	flared end		1
7	6708457	HOSE			1
8	6706790	HOSE			1
9	6714081	HOSE			1
10		PUMP	See Page 69		1
11		VALVE	See Page 53		1
12	21KN-7	TEE	W/Ref. 18 - tapered boss face		1
	97K-10	O-RING	flared end		1
13	6714963	TUBE			1
14	6715568	HOSE			1
15	6515078	POPPET			1
16	6708545	TUBE			1
17	6708544	TUBE			1
18	79K-10	O-RING	for flat boss face		x
	99K-10	O-RING	for tapered boss face		x
19	6715572	HOSE			1
20	6678919	OIL COOLER			1
21	6729872	TUBE			1
22	6559518	ADAPTER	W/Ref. 18		1
23	6564884	SPRING			1
24	6565550	PORT BLOCK			1
25	21KV-5	TEE	W/Ref. 26 - flat boss face		1
	97K-6	O-RING	flare end		x
26	79K-6	O-RING	for flat boss face		x
	99K-6	O-RING	for tapered boss face		x
27	6715718	ELBOW	W/Ref. 35 - tapered boss face		1
28	5HM-35	CLAMP	constant tension		2
29	6714510	HOSE			1
30	15KN-6	ADAPTER	W/Ref. 32 - tapered boss face		1
	97K-8	O-RING	flared end		x
31	6715184	ADAPTER	W/Ref. 18 - tapered boss face		1
	97K-8	O-RING	flared end		1
32	79K-8	O-RING	for flat boss face		x
	99K-8	O-RING	for tapered boss face		x
33	6715525	TEE	tapered boss face		1
	97K-8	O-RING	flared end		x
34	6715715	ADAPTER	W/Ref. 35 - tapered boss face		1
35	79K-12	O-RING	for flat boss face		1
	99K-12	O-RING	for tapered boss face		1
36	37C-616	BOLT			2
37	83D-6	NUT			2
	(Cont'd)				

# HYDROSTATIC CIRCUITRY (Cont'd)

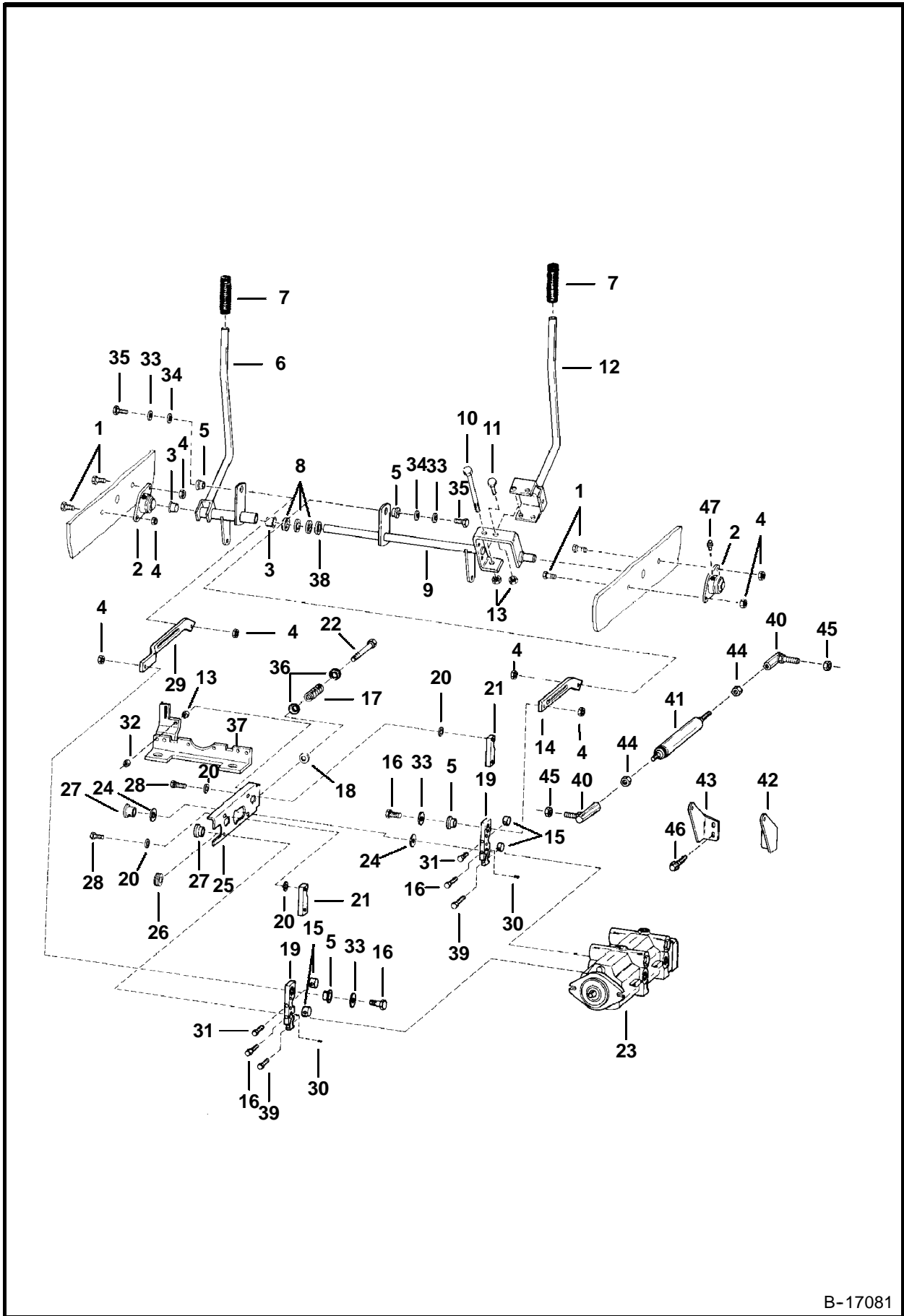


E-2405

HYDROSTATIC CIRCUITRY (Cont'd)

Ref. No.	Part Number	Description	Remarks	Serial Number	Qty.
38	6715188 97K-6	ELBOW O-RING	W/Ref. 26 - tapered boss face flared end		1
39	6715651 97K-10	ELBOW O-RING	W/Ref. 35 - tapered boss face flared end		1
40	6670705	SWITCH	hyd. chg. press. - W/3-pin conn.		1
41	6563922	ADAPTER	W/filter		1
42	6563920	FILTER			1
	6714428	SPACER			2

# HAND CONTROLS

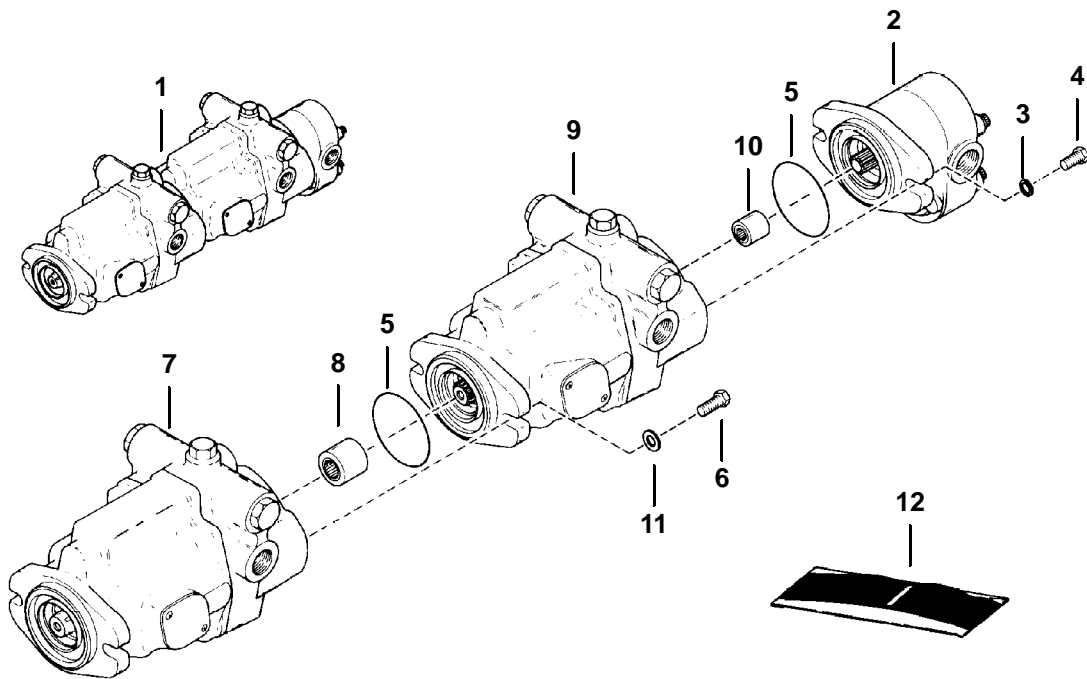


B-17081

## HAND CONTROLS (Cont'd)

Ref. No.	Part Number	Description	Remarks	Serial Number	Qty.
1	17C-612	BOLT			4
2	6558736	FLANGE			2
3	6512027	BUSHING			2
4	95D-6	NUT			x
5	6665701	BUSHING			4
6	6707141	LEVER	steering - L.H.		1
7	6513963	GRIP			2
8	25E-29	WASHER			x
9	6707140	SHAFT			1
10	6553081	BOLT			1
11	17C-620	BOLT			1
12	6707251	LEVER	steering - R.H.		1
13	61D-6	NUT			6
14	6706534	BAR			1
15	6562062	CAM			4
16	17C-628	BOLT			5
17	6572026	SPRING	.75" I.D.		1
18	6579990	WASHER			1
19	6565753	LEVER			2
20	6557831	WASHER			9
21	6563649	BAR			2
22	17C-672	BOLT			1
23		PUMP	hydrostatic - See Page 69		1
24	6558680	WASHER			2
25	6563646	BRACKET			1
26	6558436	GUIDE			1
27	6565824	PIN			2
28	8C-616	BOLT			4
29	6706535	BAR			1
30	6630170	KEY			2
31	17C-624	BOLT			2
32	83D-6	NUT			1
33	6563914	WASHER			4
34	6563965	WASHER			2
35	17C-626	BOLT			2
36	6571991	GUIDE			2
37	6706536	MOUNT			1
38	6705033	WASHER	.067		x
39	17C-614	BOLT			2
40	6599744	BALL JOINT	Japan Option		4
41	6649551	SHOCK	Japan Option		2
42	6707135	MOUNT	Japan Option		1
43	6707137	MOUNT	Japan Option		1
44	8D-6	NUT	Japan Option		4
45	62D-6	NUT	Japan Option		4
46	84G-3712	BOLT	Japan Option		4
47	36H-35	GREASE ZERK			1

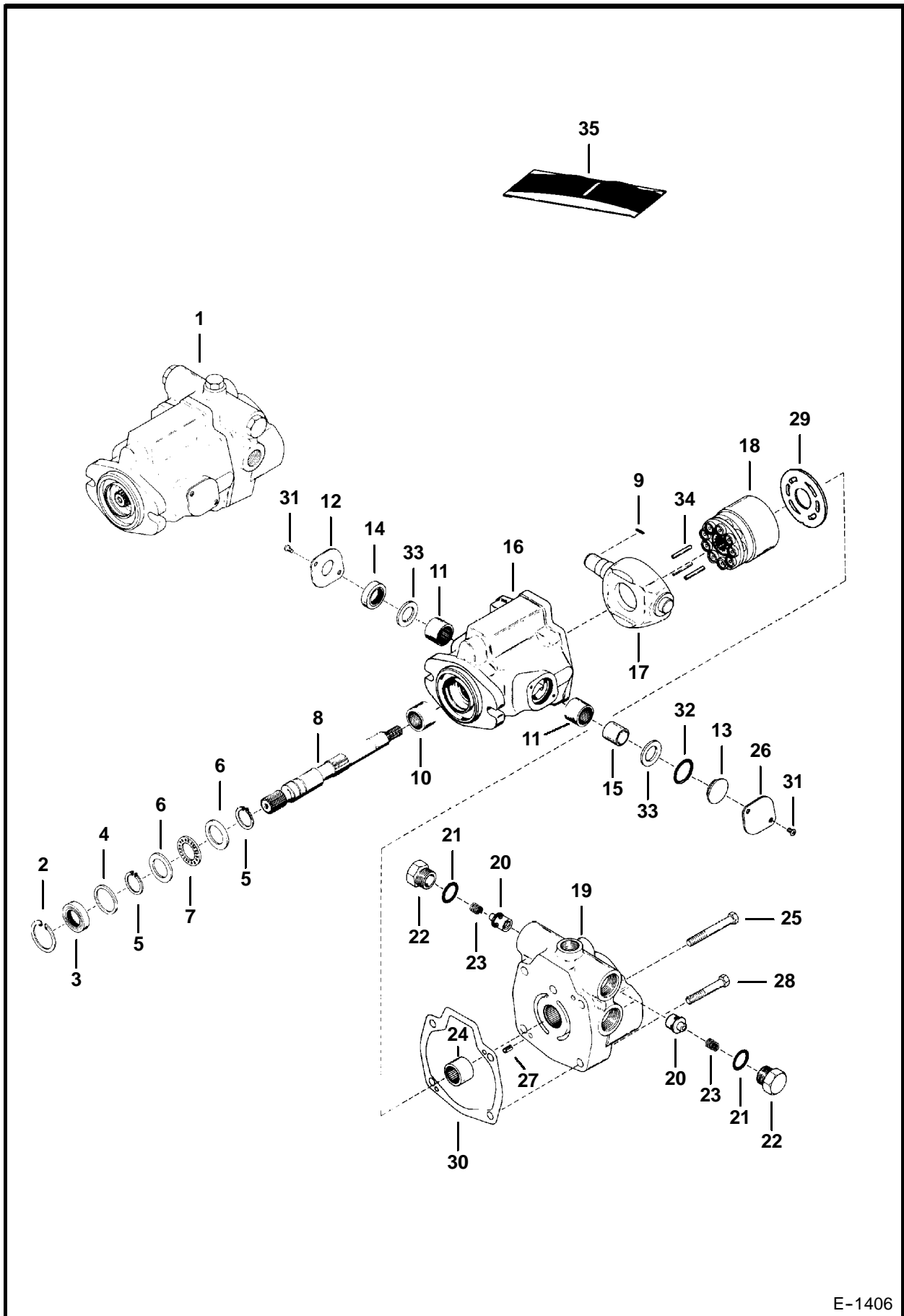
**HYDROSTATIC PUMP  
Eaton 78116-RBG-02**



D-1607



# HYDROSTATIC PUMP (Front)



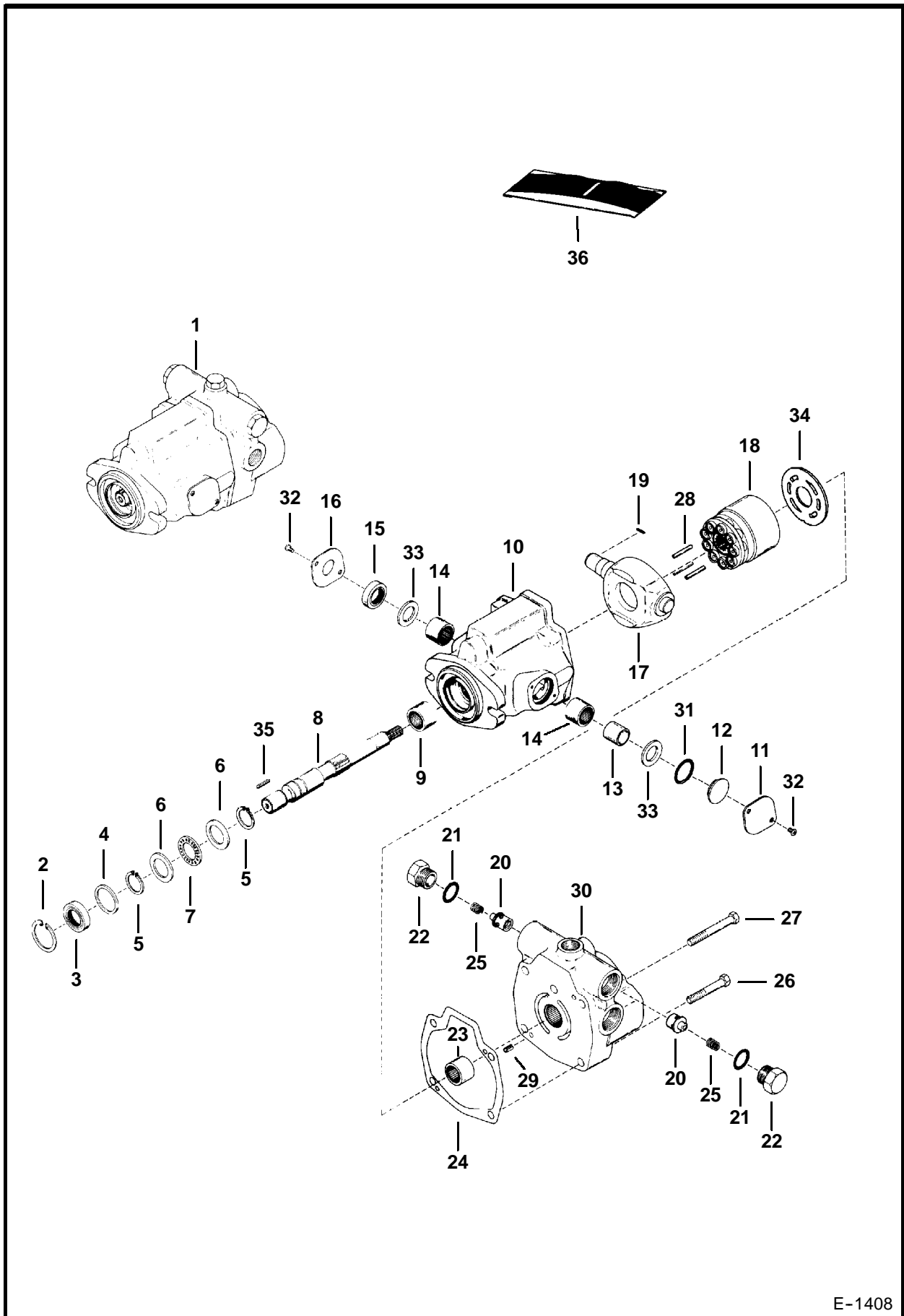
E-1406



**HYDROSTATIC PUMP (Cont'd)  
(Front)**

Ref. No.	Part Number	Description	Remarks	Serial Number	Qty.
1	6672702	PUMP			1
2	661415	SNAPRING			1
3	NSS	SEAL			1
4	6598875	WASHER			1
5	710776	SNAPRING			2
6	6598878	RACE	thrust		2
7	3292657	BEARING	thrust		1
8	6672704	SHAFT			1
9	6630170	KEY			1
10	851239	BEARING			1
11	654387	BEARING			2
12	6598886	COVER			1
13	6648789	COVER			1
14	NSS	SEAL			1
15	6598883	RACE			1
16	6667671	HOUSING	W/Ref. 10		1
17	6598892	YOKE			1
18	6598893	GROUP	rotating		1
19	6667670	PLATE	W/Ref. 24		1
20	6664890	RELIEF VALVE			2
21	NSS	O-RING			2
22	6513998	PLUG	W/Ref. 21 & 23		2
23	6514010	SPRING			2
24	654386	BEARING			1
25	17C-540	BOLT			2
26	6598887	COVER			1
27	214028	DOWEL			2
28	17C-532	BOLT			2
29	6667668	PLATE	valve wear		1
30	NSS	GASKET			1
31	6598881	SCREW			4
32	NSS	O-RING			1
33	6598876	WASHER			2
34	6654126	PIN			3
35	6598896	SEAL KIT	Ref. 2, 3, 5, 14, 21, 30 & 32		1

# HYDROSTATIC PUMP (Rear)

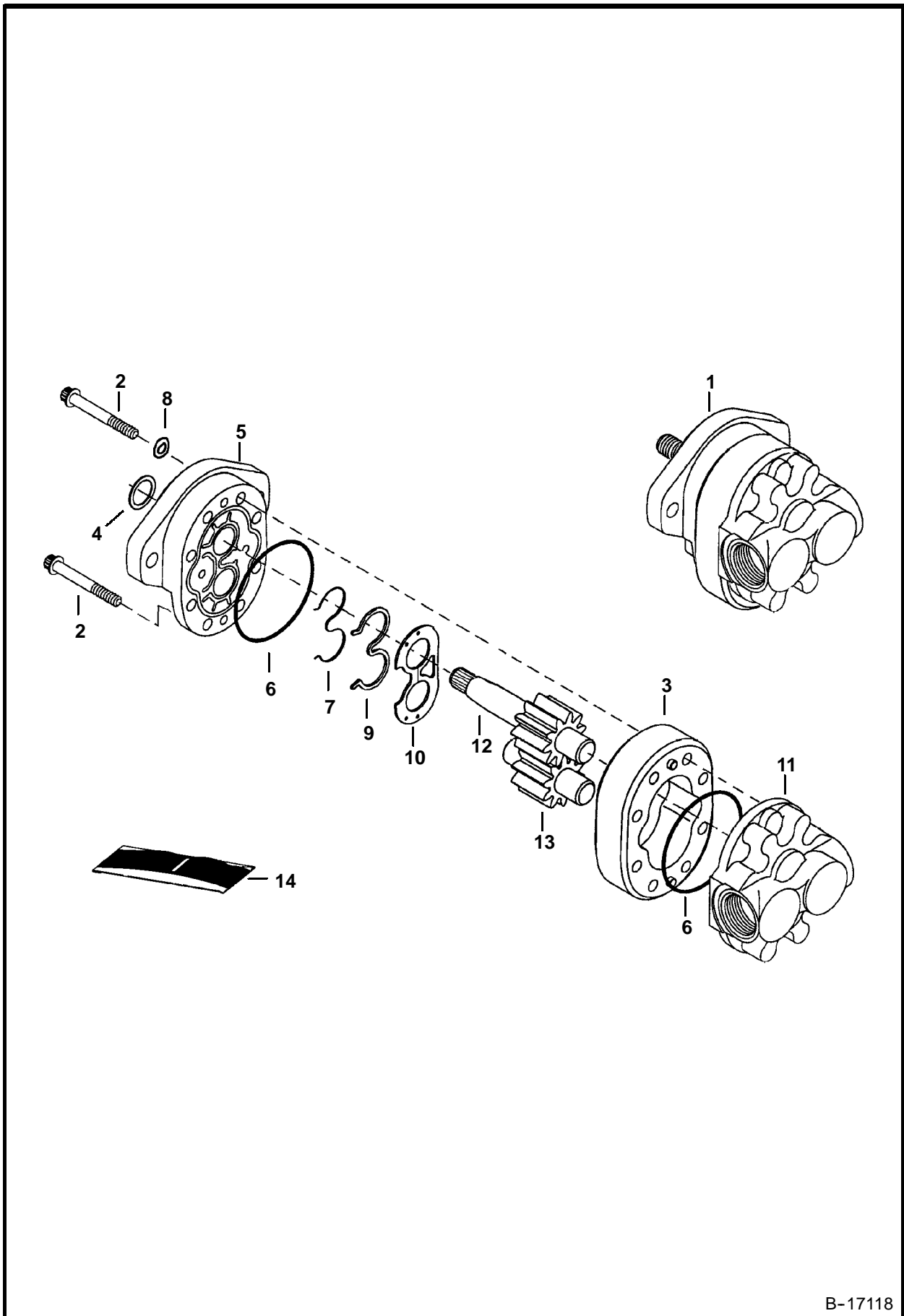


E-1408

**HYDROSTATIC PUMP (Cont'd)**  
**(Rear)**

Ref. No.	Part Number	Description	Remarks	Serial Number	Qty.
1	6673975	PUMP	Eaton 50145-REW-02 - W/tapered shaft to engine yoke		1
2	661415	SNAPRING			1
3	NSS	SEAL			1
4	6598875	WASHER			1
5	710776	SNAPRING			2
6	6598878	RACE			2
7	3292657	BEARING	thrust		1
8	6598894	SHAFT	drive - tapered		1
9	851239	BEARING			1
10	6667673	HOUSING	W/Ref. 9		1
11	6598887	COVER			1
12	6648789	COVER			1
13	6598883	RACE			1
14	654387	BEARING			2
15	NSS	SEAL			1
16	6598886	COVER			1
17	6598892	YOKE			1
18	6598893	GROUP	rotating		1
19	6630170	KEY			1
20	6664890	RELIEF VALVE			2
21	NSS	O-RING			2
22	6513998	PLUG	W/Ref. 21 & 25		2
23	654386	BEARING			1
24	NSS	GASKET			1
25	6514010	SPRING			2
26	17C-532	BOLT			2
27	17C-540	BOLT			2
28	6654126	PIN			3
29	214028	DOWEL			2
30	6667670	PLATE	W/Ref. 23		1
31	NSS	O-RING			1
32	6598881	SCREW			4
33	6598876	WASHER			2
34	6667668	PLATE	valve wear		1
35	6598880	KEY			1
36	6598896	SEAL KIT	Ref. 2, 3, 5, 15, 21, 24 & 31		1

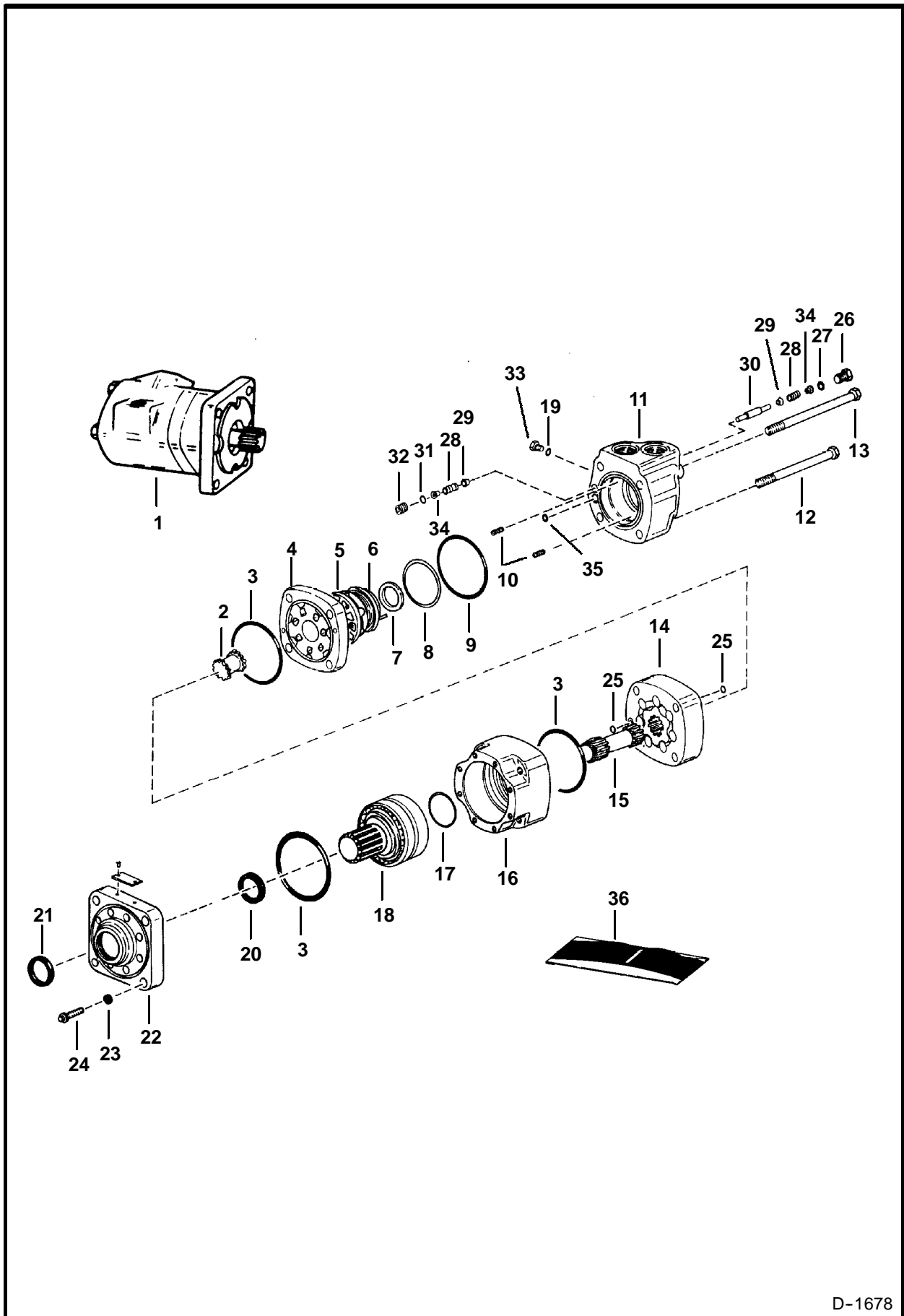
# GEAR PUMP



B-17118



# HYDROSTATIC MOTOR (Splined Shaft)

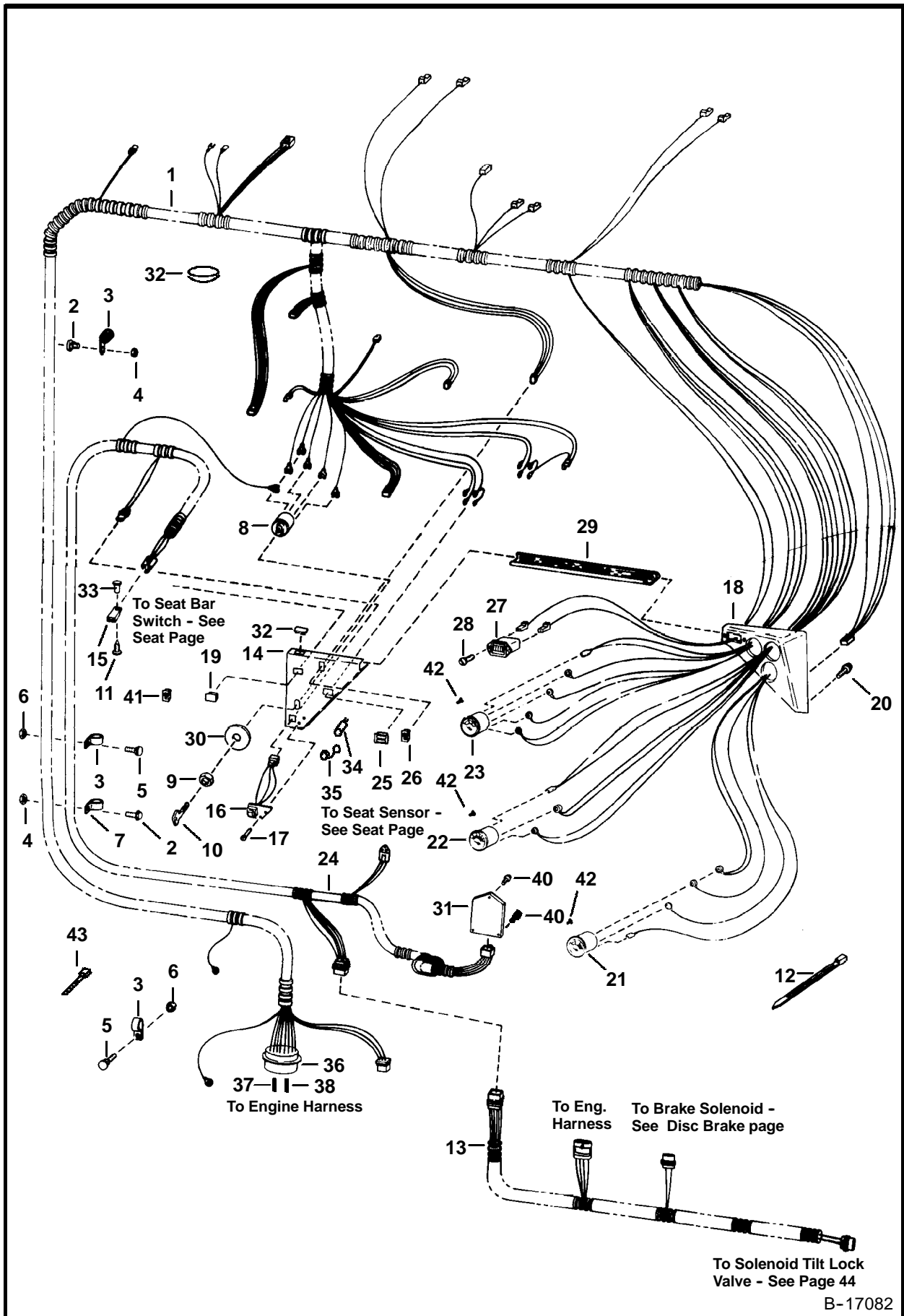


D-1678

**HYDROSTATIC MOTOR (Cont'd)**  
**(Splined Shaft)**

Ref. No.	Part Number	Description	Remarks	Serial Number	Qty.
1	6664889	MOTOR	New		1
2	6513506	SHAFT			1
3	NSS	SEAL			3
4	6513505	PLATE			1
5	6513507	VALVE			1
6	6630042	PLATE	balancing		1
7	NSS	SEAL	Inner		1
8	NSS	SEAL	Outer		1
9	NSS	SEAL			1
10	6190121	SPRING			2
11	6599605	HOUSING			1
12	18C-788	BOLT			3
13	18C-792	BOLT			1
14	6667366	GEROLER			1
15	6667365	SHAFT			1
16	6513501	HOUSING			1
17	NSS	SEAL			1
18	6630288	DRIVE SHAFT			1
19	79K-3	O-RING	flat boss face		1
	95K-3	O-RING	tapered boss face		1
20	NSS	SEAL			1
21	NSS	SEAL			1
22	6630087	COVER			1
23	6517947	WASHER			1
24	94G-516	BOLT			8
25	6667332	O-RING			x
26	6632271	PLUG	W/Ref. 27		1
27	79K-6	O-RING			1
28	6513533	SPRING			2
29	6513532	POPPET			2
30	6513510	PISTON			1
31	6513800	O-RING			1
32	6513534	PLUG	W/Ref. 31		1
33	90KV-2	PLUG	W/Ref. 19		1
34	6561218	SHUTTLE			2
35	25K-20010	O-RING			1
36	6632040	SEAL KIT	Ref. 3, 7-9, 17, 20, 21, & 25		1

# CAB ELECTRICAL CIRCUITRY



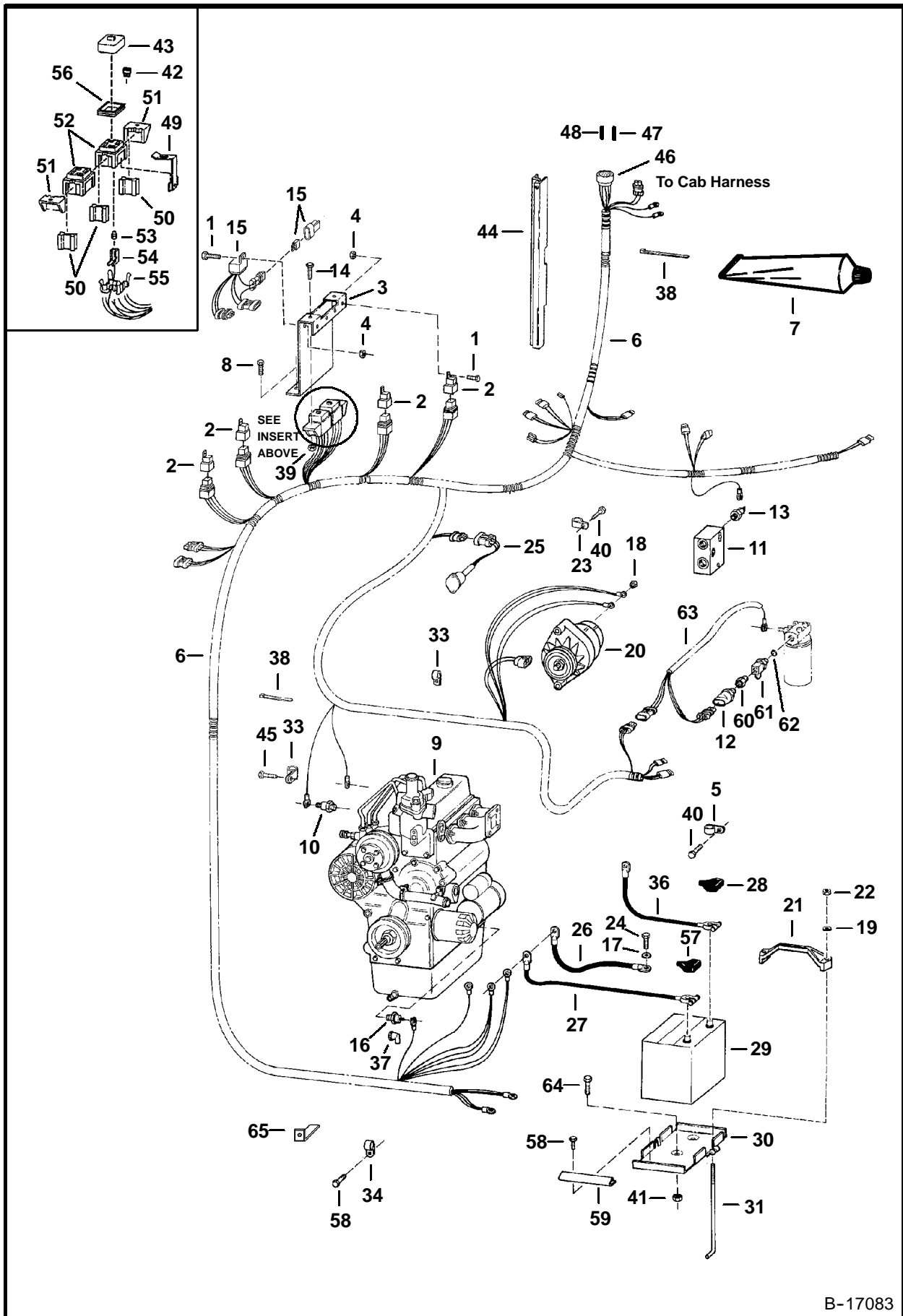
B-17082



**CAB ELECTRICAL CIRCUITRY (Cont'd)**

Ref. No.	Part Number	Description	Remarks	Serial Number	Qty.
1	6710501	HARNESS	Domestic		1
	6711832	HARNESS	European		1
2	35C-410	BOLT			4
3	30H-56	CLAMP			3
4	83D-4	NUT			4
5	10C-412	BOLT			2
6	61D-4	NUT			2
7	30H-29	CLAMP			2
8	6665606	SWITCH	Ignition - W/Ref. 9 & 10		1
9	6674202	NUT			2
10	6709527	KEY	for 6665606 switch		2
11	6665322	RIVET	plastic female		1
12	6610510	NYLON TIE			3
13	6731795	HARNESS			1
14	6712152	PANEL	L.H.		2
15	6665000	CLIP			1
16	6674220	SWITCH	push to operate		1
17	6669225	SCREW			2
18	6708497	PANEL	R.H.		1
19	6665314	PLUG	Domestic		1
	6665410	LIGHT SWITCH	European		1
20	6702642	BOLT			6
21	6669663	GAUGE	eng. temp.		1
22	6669664	VOLTMETER			1
23	6669665	FUEL GAUGE			1
24	6731797	HARNESS	Domestic		1
	6731914	HARNESS	European		1
25	6668927	PLUG	glow plug		1
26	6636018	LIGHT	indicator		1
27	6664886	HOURLMETER			1
28	65G-608	BOLT			2
29	6578780	CROSSMEMBER			1
30	6709027	PLATE	for 6665606		1
31	6674222	CONTROLLER			1
32	6707674	PLUG	round plug - 1.28"(32.5mm) hole in cab		1
33	6665321	RIVET	plastic male		1
34	6664223	OUTLET	Electrical - European		1
35	6664224	CAP	European		1
36	6664584	CONNECTOR			1
37	6664040	PIN			x
38	6664827	PIN			x
39	6724282	SWITCH KIT	W/Ref. 8, 10, & 30		1
40	25G-412	BOLT	hex socket button head		3
41	6668814	SWITCH	bucket position on/off		1
42	6599696	SOCKET & BULB			3
	895771	BULB			3
43	6624289	NYLON TIE			1
44	6678203	SWITCH	parking brake		1

# ENGINE ELECTRICAL SYSTEM

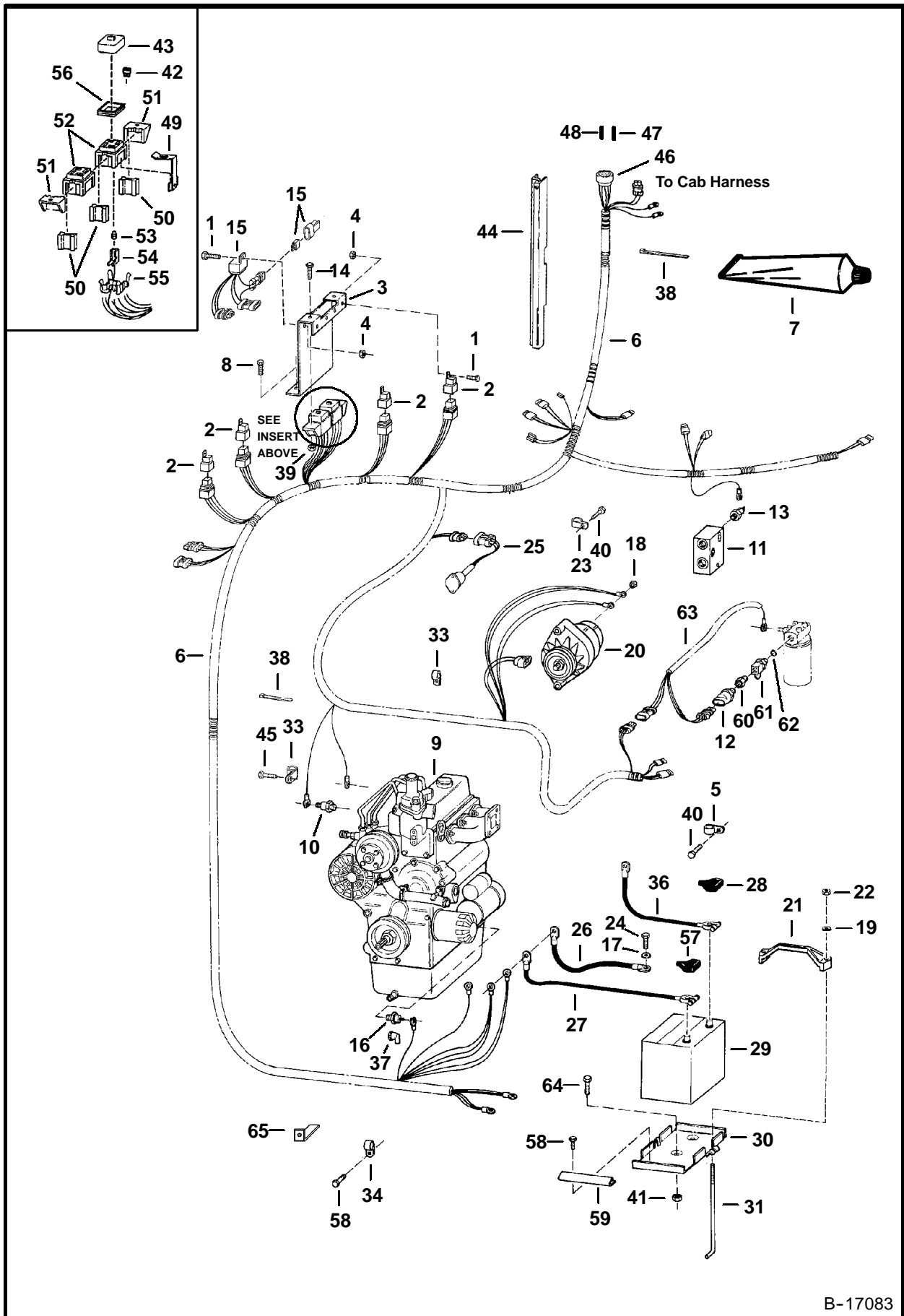


B-17083

## ENGINE ELECTRICAL SYSTEM (Cont'd)

Ref. No.	Part Number	Description	Remarks	Serial Number	Qty.
1	17C-412	BOLT			5
2	6670312	SOLENOID	relay		4
3	6713286	BRACKET			1
4	85D-4	NUT			5
5	30H-50	CLAMP			2
6	6729298	HARNESS			1
7	6599360	SEALANT	electrical - 3 oz. tube		1
8	84G-3712	BOLT			2
9		ENGINE	See Page 99		1
10	6658818	SENDER	eng. temp.		1
	19F-2	ADAPTER	reducing		1
11	6565550	PORT BLOCK			1
12	6670705	SWITCH	hydrostatic charge pressure - W/3-pin connector		1
13	6632633	SWITCH	hydro. temp.		1
14	45G-1212	BOLT			2
15	6669415	TIMER			1
16	6652576	SWITCH	engine oil pressure		1
17	6E-5	WASHER			1
18	4DM-6	NUT			1
19	25E-15	WASHER			2
20		ALTERNATOR	See Page 85		1
21	6569203	CLAMP			1
22	59D-5	NUT			2
23	31H-38	CLAMP			1
24	84G-3112	BOLT			1
25	6670602	SOLENOID	shutdown		1
26	6565170	CABLE			1
27	6562905	CABLE	negative - W/Ref. 57		1
28	2356058	BOOT			2
29	6674687	BATTERY			1
	6630154	CAP	gang - Danger		1
	6630155	CAP	gang - Poison		1
	6514898	CAP	gang - Tilt Tite		6
30	6718260	MOUNT			1
31	6576280	BOLT			2
32	61D-6	NUT			1
33	30H-57	CLAMP			2
34	30H-49	CLAMP			3
35		STARTER	See Page 87		1
36	6578382	CABLE	positive		1
37	6560172	COVER			1
38	6610510	NYLON TIE			4
39	50D-12	NUT			2
40	84G-3708	BOLT			2
41	616783	WASHER			2
42	6707620	FUSE	10 amp.		x
	6707621	FUSE	15 amp.		x
	6707623	FUSE	25 amp.		x
	6674099	BREAKER	25 amp.		x
43	6665358	COVER			2

# ENGINE ELECTRICAL SYSTEM (Cont'd)

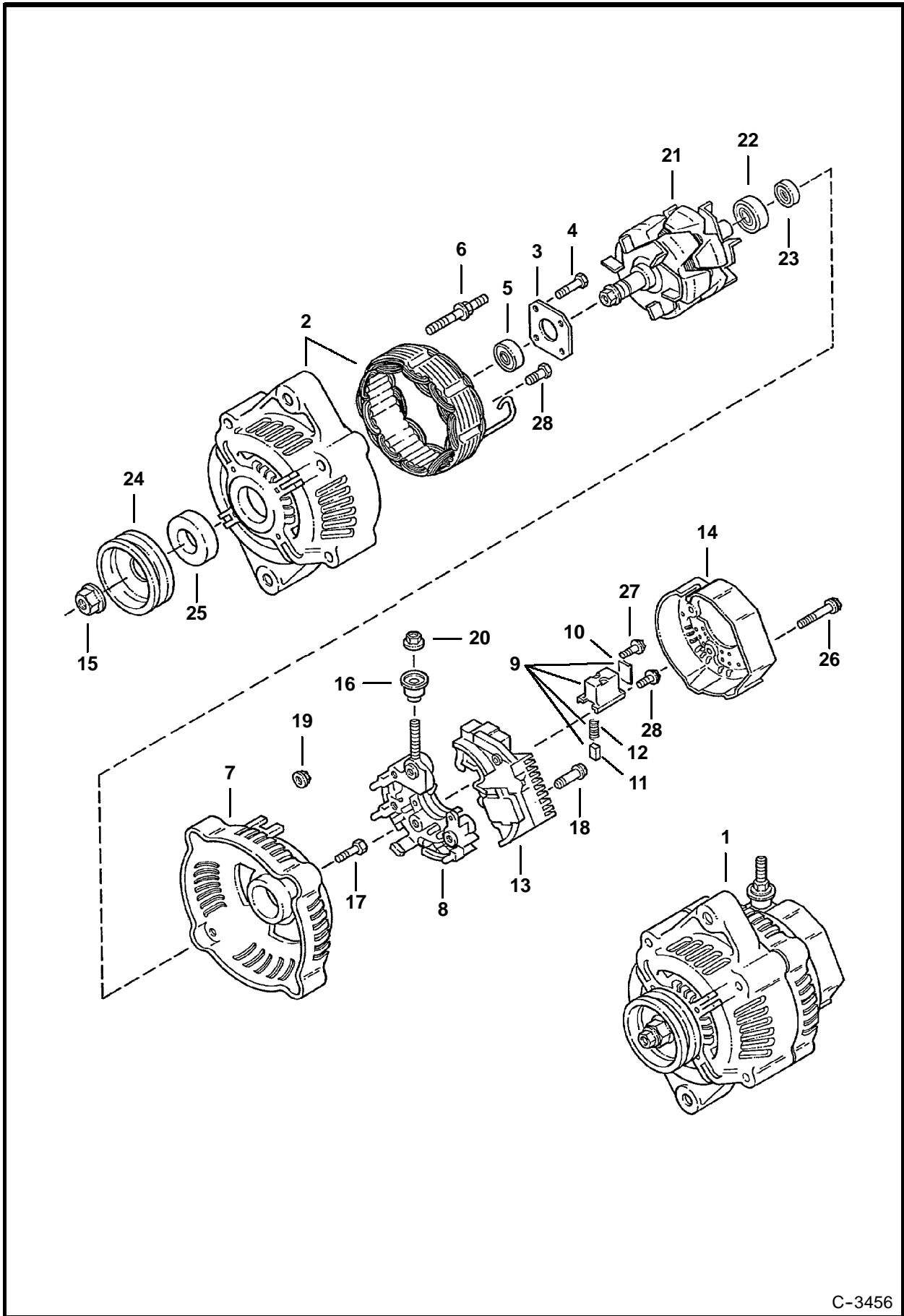


B-17083

**ENGINE ELECTRICAL SYSTEM (Cont'd)**

<b>Ref. No.</b>	<b>Part Number</b>	<b>Description</b>	<b>Remarks</b>	<b>Serial Number</b>	<b>Qty.</b>
44	6708479	SHIELD			1
45	1CM-825	BOLT			1
46	6664585	CONNECTOR			1
47	6664041	SOCKET			x
48	6664828	SOCKET			x
49	6708437	CLIP			2
50	6665411	WEDGE	red		3
51	6665909	MOUNT			2
52	6665356	BLOCK	fuse - W/Ref 56		2
53	6650107	SEAL			16
54	NAP	PIN	female - Order 6668719 pin for 16 guage wire - Order 6668720		
			for 14 guage wire		16
55	6665357	LOCK	yellow		2
56	6671528	SEAL	green square		2
57	6599652	BOOT			1
58	84G-3110	BOLT			4
59	6712653	BRACKET			1
60	6563922	ADAPTER	W/filter		1
	6563920	FILTER			1
61	6715329	ELBOW			1
62	99K-12	O-RING			1
63	6715458	HARNESS			1
	6648311	TERMINAL			3
	6650107	SEAL			1
	6665364	CONNECTOR			1
	6665368	LOCK	secondary		1
64	84G-3716	BOLT			2
65	6730989	BRACKET	harness		1

ALTERNATOR  
Denso - 5-101211-1100

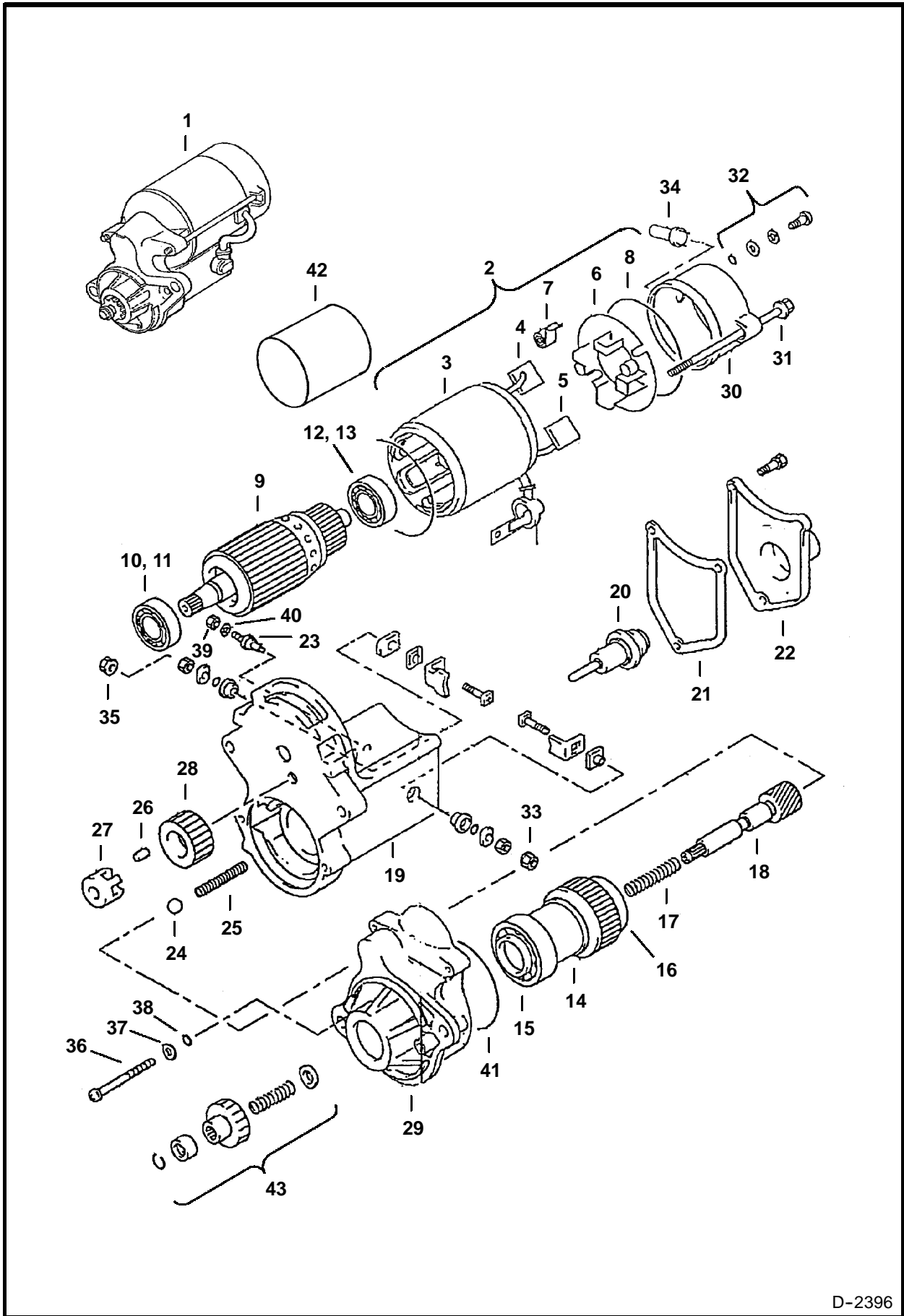


C-3456

**ALTERNATOR (Cont'd)**  
**Denso - 5-101211-1100**

Ref. No.	Part Number	Description	Remarks	Serial Number	Qty.
1	6669618	ALTERNATOR			1
2	6671074	FRAME ASSY.	W/Ref. 3, 4, 5 & 6		1
3	6671075	PLATE			1
4	6671076	SCREW			4
5	6671077	BEARING			1
6	6671078	STUD			2
7	6671079	FRAME END			1
8	6671080	HOLDER	Rectifier		1
9	6671081	HOLDER	Brush - W/Ref. 10, 11 & 12		1
10	6671082	SEAL			1
11	NSS	BRUSH	sub assy. - Order Ref. 9		2
12	NSS	SPRING	Order Ref. 9		2
13	6671085	REGULATOR	Assy.		1
14	6671086	COVER			1
15	6671087	NUT			1
16	6671088	INSULATOR	Brush		1
17	6671089	BOLT			2
18	6671090	SCREW			2
19	6671091	NUT			2
20	6671092	NUT			1
21	6671093	ROTOR ASSY.	W/Ref. 22 & 23		1
22	6671094	BEARING			1
23	6671095	COVER			1
24	6671096	PULLEY			1
25	6671097	SPACER			1
26	6671098	BOLT			3
27	6671099	SCREW			1
28	6671100	SCREW			6

**STARTER**  
**(1.4 KW) (Nippondenso - 228000-5740)**



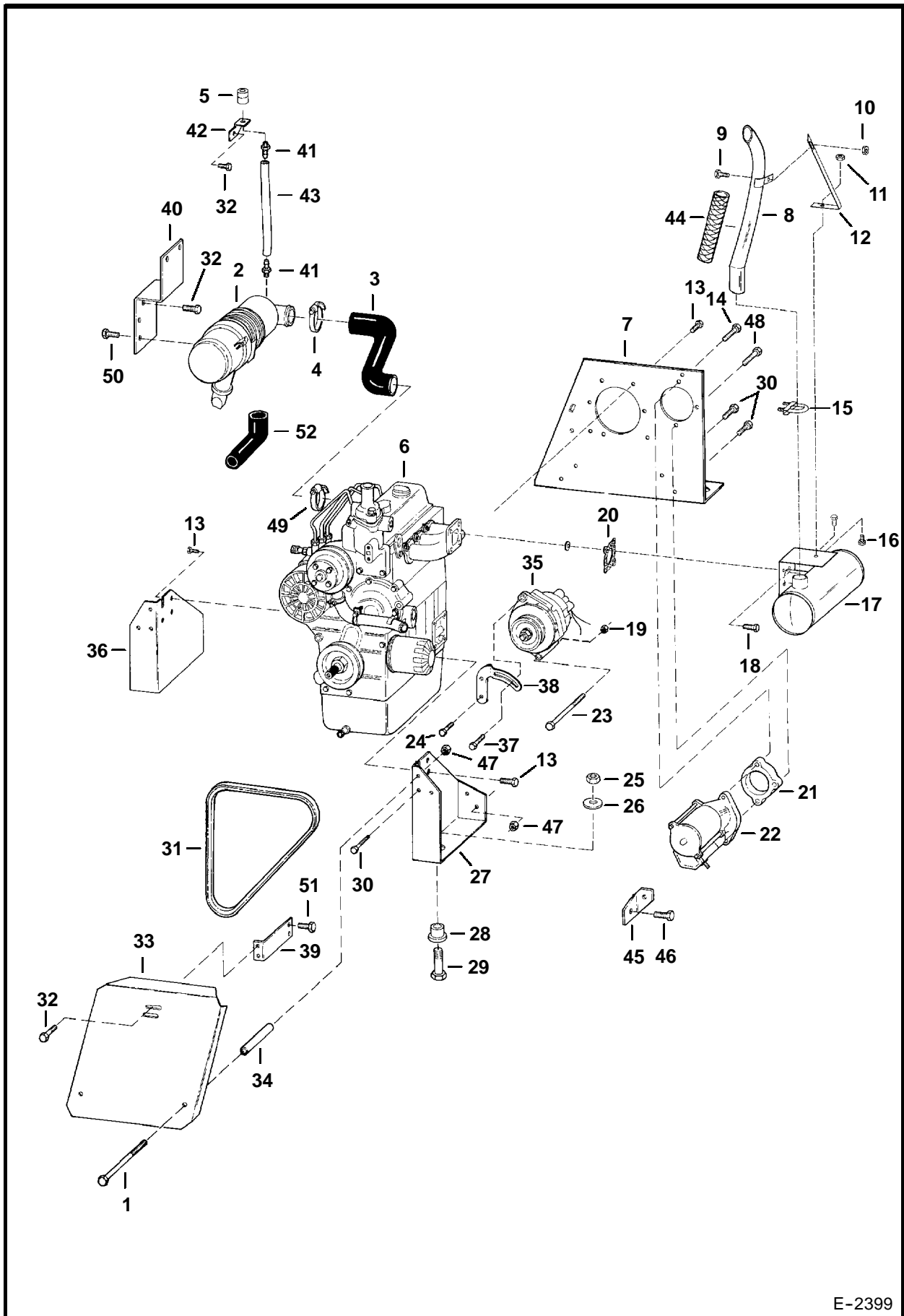
D-2396



**STARTER (Cont'd)**  
**(1.4 KW) (Nippondenso - 228000-5740)**

Ref. No.	Part Number	Description	Remarks	Serial Number	Qty.
1	6667987	STARTER			1
2	6671976	YOKE ASSY.	W/Ref. 3 - 8 & 42		1
3	6671977	YOKE	W/Ref. 4		1
4	6671978	BRUSH KIT			2
5	6671979	BRUSH KIT			2
6	6671980	HOLDER	W/Ref. 7		1
7	6671981	SPRING			4
8	6671982	O-RING			2
9	6671983	ARMATURE	W/Ref. 10 - 13		1
10	6671984	BEARING			1
11	6671985	BEARING			1
12	6671986	BEARING			1
13	6671987	BEARING			1
14	6671988	CLUTCH	W/Ref. 15 & 16		1
15	6671989	BEARING			1
16	6671990	BEARING			1
17	6671991	SPRING			1
18	6671992	SHAFT			1
19	6671993	HOUSING			1
20	6671994	PLUNGER			1
21	6671995	GASKET			1
22	6671996	COVER			1
23	6671997	BOLT			1
24	6632435	BALL			1
25	6671998	SPRING			1
26	6671999	ROLLER			5
27	6672000	RETAINER			1
28	6672001	PINION			1
29	6672002	HOUSING			1
30	6672003	FRAME			1
31	6672004	BOLT			2
32	6672005	SCREW	W/ O-rings		2
33	6672006	NUT			1
34	6672007	BUSHING			1
35	6672008	NUT			1
36	6672009	BOLT			2
37	6672010	WASHER			2
38	6666631	O-RING			2
39	6672011	NUT			1
40	6672012	WASHER			1
41	6672013	O-RING			1
42	6672205	COVER			1
43	6672172	KIT			1

# ENGINE & ATTACHING PARTS

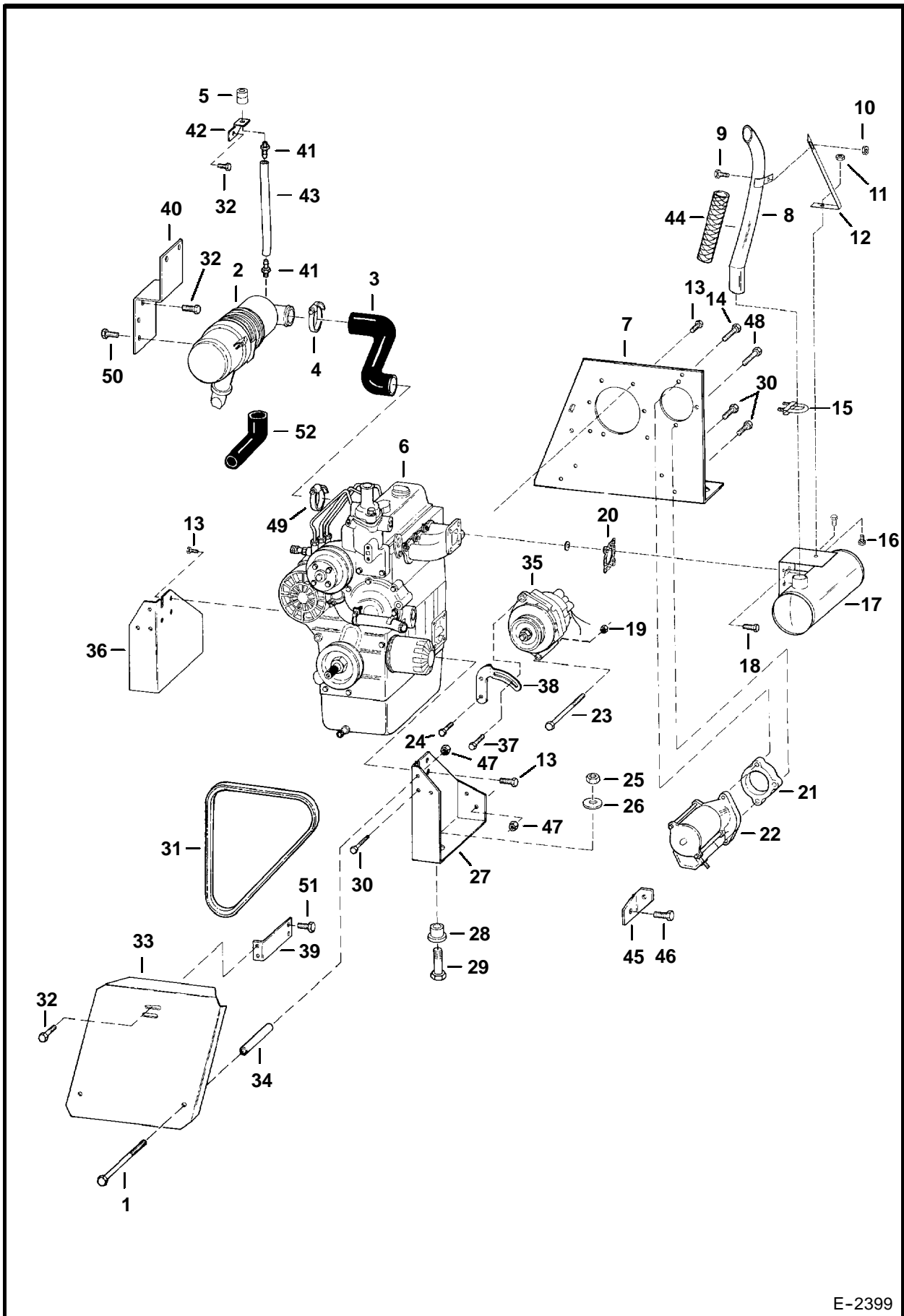


E-2399

## ENGINE & ATTACHING PARTS (Cont'd)

Ref. No.	Part Number	Description	Remarks	Serial Number	Qty.
1	17C-6104	BOLT			2
2		AIR CLEANER	See Page 143		1
3	6714055	HOSE			1
4	42HL-300	CLAMP			1
5	6515007	INDICATOR			1
6		ENGINE	See Page 99		1
7	6713987	MOUNT			1
8	6676236	PIPE			1
9	31C-512	BOLT			1
10	83D-5	NUT			1
11	85D-5	NUT			5
12	6715921	BRACE			1
13	6733378	BOLT			11
14	17C-644	BOLT			1
15	710706	CLAMP			1
16	17C-512	BOLT			1
17	6680166	MUFFLER			1
	6672536	MUFFLER	purifier		1
18	6701123	BOLT			4
19	83D-6	NUT			1
20	6575580	GASKET			1
21	6562198	SPACER			1
22		STARTER	See Page 87		1
23	17C-652	BOLT			1
24	4CM-616	BOLT			2
25	61D-8	NUT			4
26	6515817	WASHER			4
27	6713988	MOUNT			1
28	6677919	MOUNT	rubber		4
29	35C-840	BOLT			4
30	17C-616	BOLT			4
31	6715547	BELT			1
32	84G-3712	BOLT			4
33	6714602	SHIELD			1
34	6731844	TUBE			2
35		ALTERNATOR	See Page 85		1
36	6714035	MOUNT			1
37	29CM-820	BOLT			1
38	6672481	BRACKET			1
39	6731843	BRACKET			1
40	6714054	MOUNT			1
41	6505813	FITTING			2
42	6704823	BRACKET			1
43	6557720	HOSE	18"(457mm) long - sold per ft.		x
44	6716088	HEAT SHIELD			1
45	6715743	BRACKET	starter		1
46	6719825	BOLT			1
47	61D-6	NUT			8
48	17C-652	BOLT			1
49	42HL-250	CLAMP			1
50	55CM-816	BOLT			2

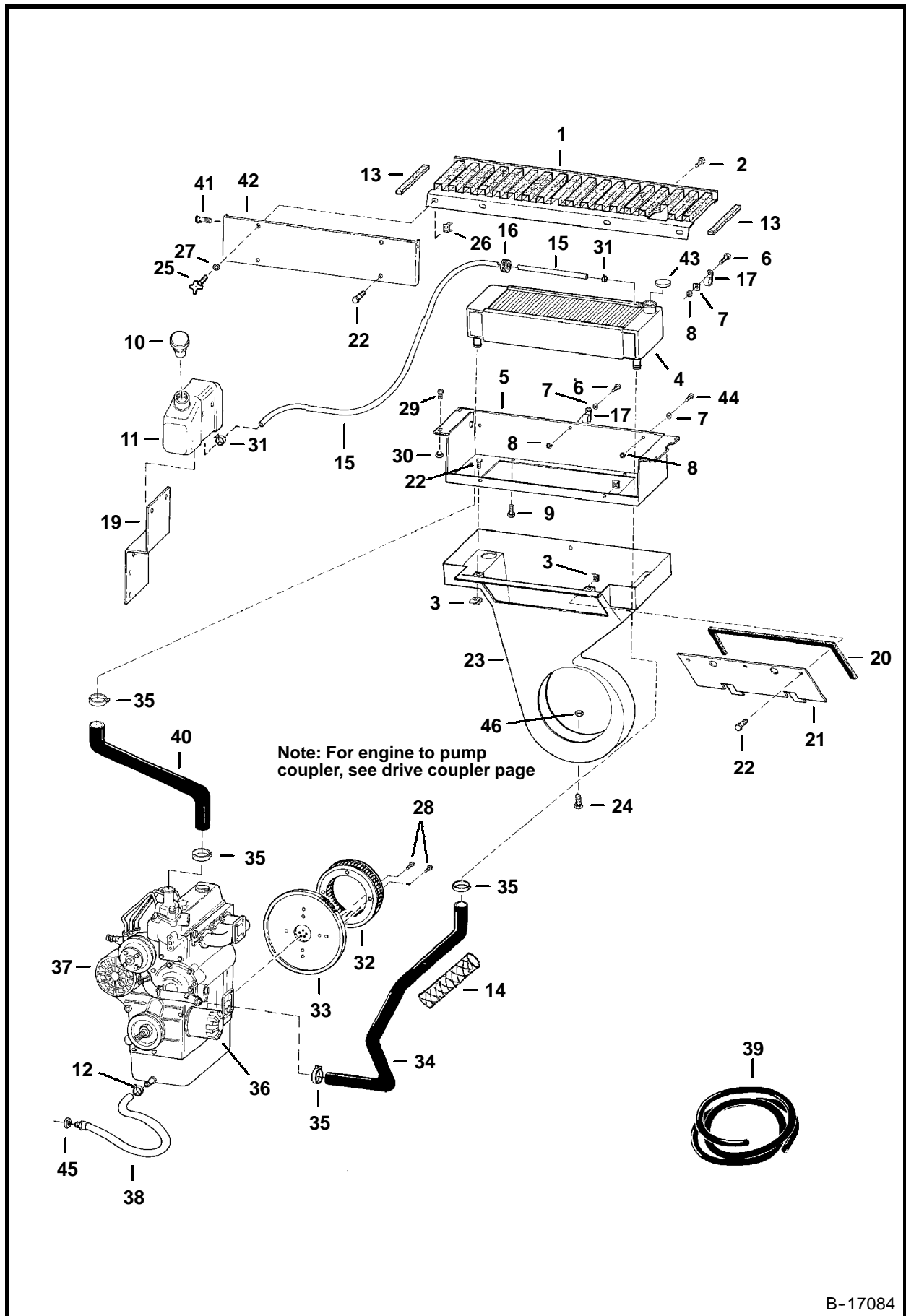
# ENGINE & ATTACHING PARTS (Cont'd)



E-2399



# ENGINE & ATTACHING PARTS

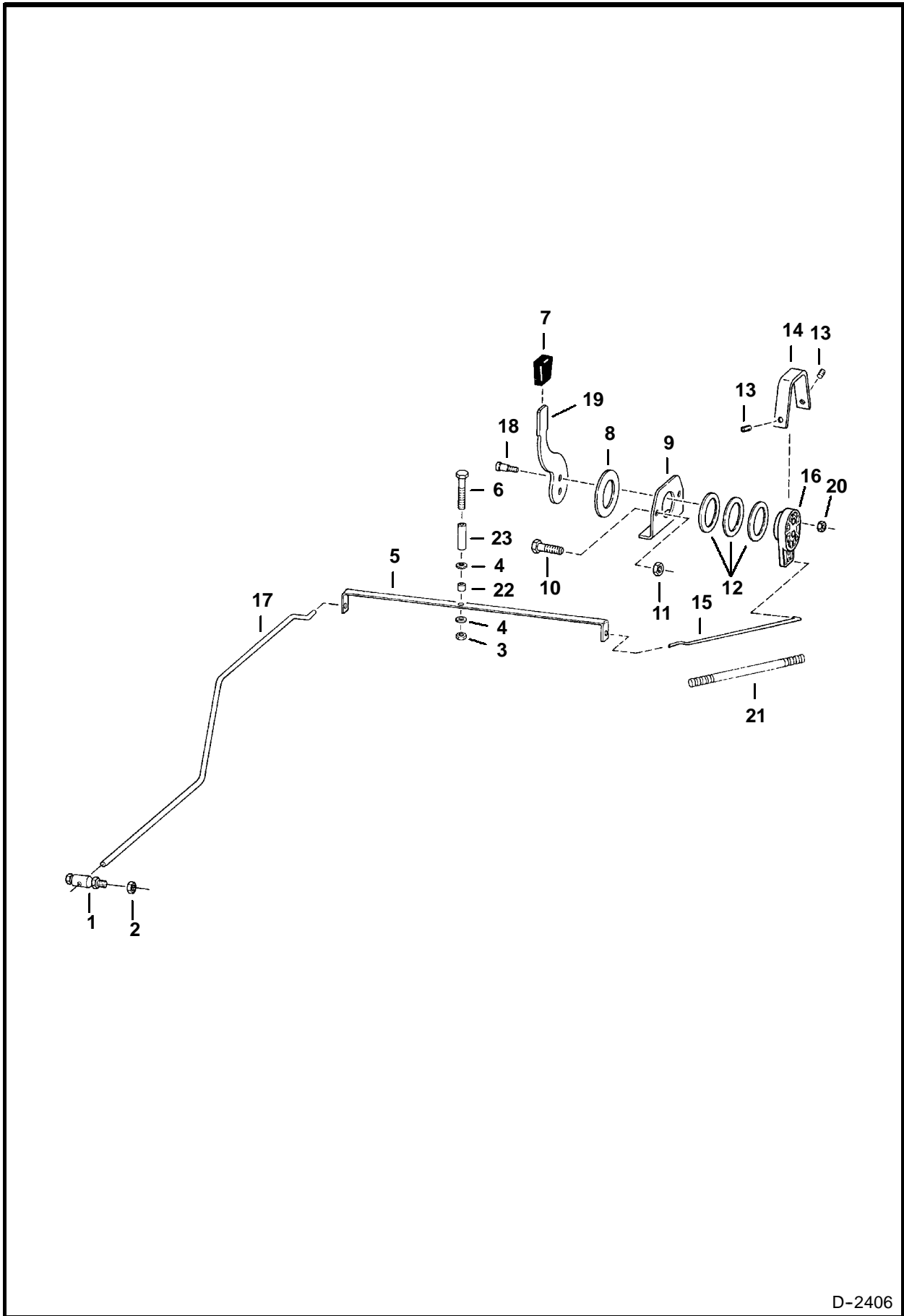


B-17084

**ENGINE & ATTACHING PARTS (Cont'd)**

Ref. No.	Part Number	Description	Remarks	Serial Number	Qty.
1	6714663	GRILL			1
2	84G-3716	BOLT			2
3	1323182	NUT			5
4	6678820	RADIATOR			1
5	6731063	MOUNT			1
6	37C-516	BOLT			2
7	774220	NUT			4
8	83D-5	NUT			4
9	35C-510	BOLT			2
10	6702797	CAP			1
11	6576660	TANK			1
12	5HM-20	CLAMP			1
13	NAP	SEAL	11.40"(290mm) lg. - order ref. 39		2
14	6715561	HEAT SHIELD			1
15	6577822	HOSE	bulk-Sold Per Foot		x
16	1303932	GROMMET			1
17	30H-34	CLAMP			1
18	57D-5	NUT			2
19	6714054	MOUNT			1
20	6564969	STRIP	foam		1
21	6715182	COVER			1
22	35C-512	BOLT			5
23	6578684	HOUSING			1
24	35C-620	BOLT			1
25	6678755	KNOB			2
26	6678785	NUT	retaining		2
27	25E-15	WASHER			2
28	17C-616	BOLT			4
29	35C-614	BOLT			4
30	83D-6	NUT			4
31	42HS-4	CLAMP			2
32	6578682	BLOWER WHEEL			1
33	6714076	FLYWHEEL	W/Ring Gear		1
34	6510470	GEAR			1
35	6714059	HOSE			1
36	5HM-35	CLAMP			4
37		OIL FILTER	See Page 111		1
38		ENGINE	See Page 99		1
39	6715530	HOSE	drain		1
40	6512686	SEAL	bulk - sold per foot		x
41	6714058	HOSE			1
42	84G-3112	BOLT			2
43	6714976	COVER			1
44	6666606	RADIATOR CAP	7 psi		1
45	6646678	RADIATOR CAP	14 psi		1
46	10C-512	BOLT			2
47	36K-6	CAP			1
48	59D-6	NUT			1

# THROTTLE & CHOKE



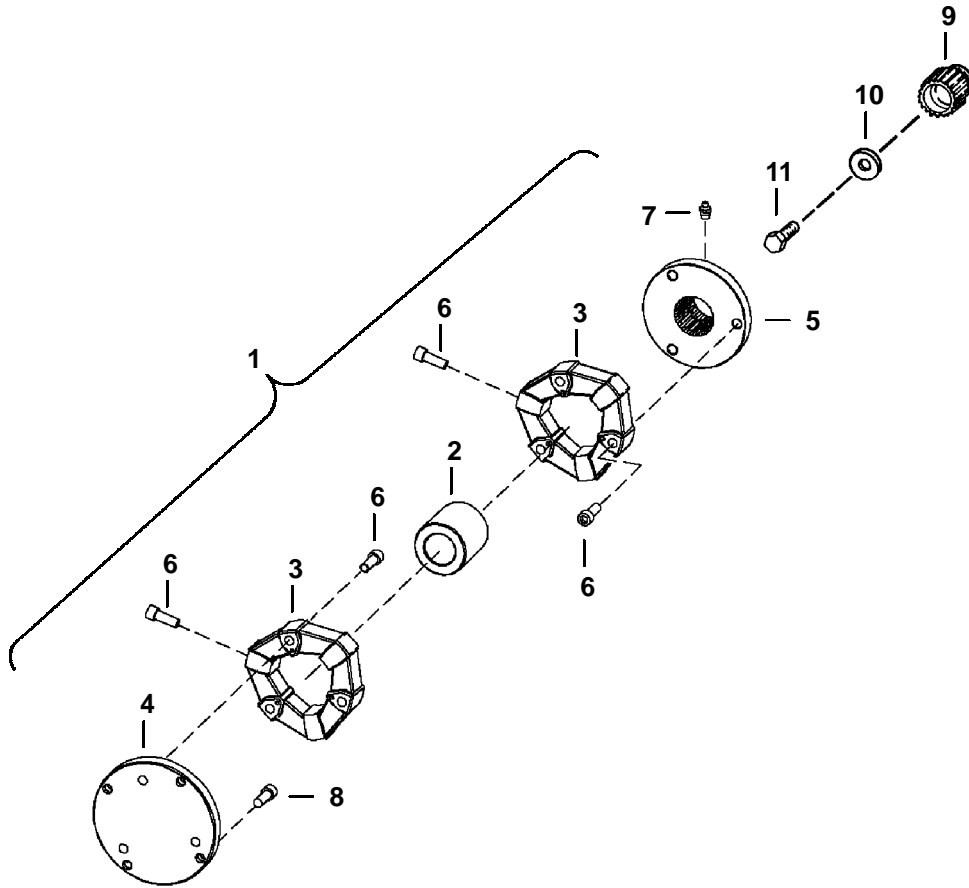
D-2406



### THROTTLE & CHOKE (Cont'd)

Ref. No.	Part Number	Description	Remarks	Serial Number	Qty.
1	6557291	BALL JOINT			1
2	85D-4	NUT			1
3	85D-6	NUT			1
4	872229	WASHER			2
5	6707561	LEVER			1
6	17C-664	BOLT			1
7	6564452	GRIP			1
8	6567962	WASHER			1
9	6576262	MOUNT			1
10	17C-626	BOLT			2
11	95D-6	NUT			2
12	6630945	WASHER			3
13	6706572	SET SCREW			2
14	6576261	COVER			1
15	6707562	ROD			1
16	6709022	LEVER			1
17	6714214	ROD			1
18	38C-610	BOLT	shoulder		2
19	6705452	LEVER			1
20	85D-5	NUT			2
21	6708522	CONDUIT			1
22	6562619	BUSHING			1
23	6707563	SPACER			1

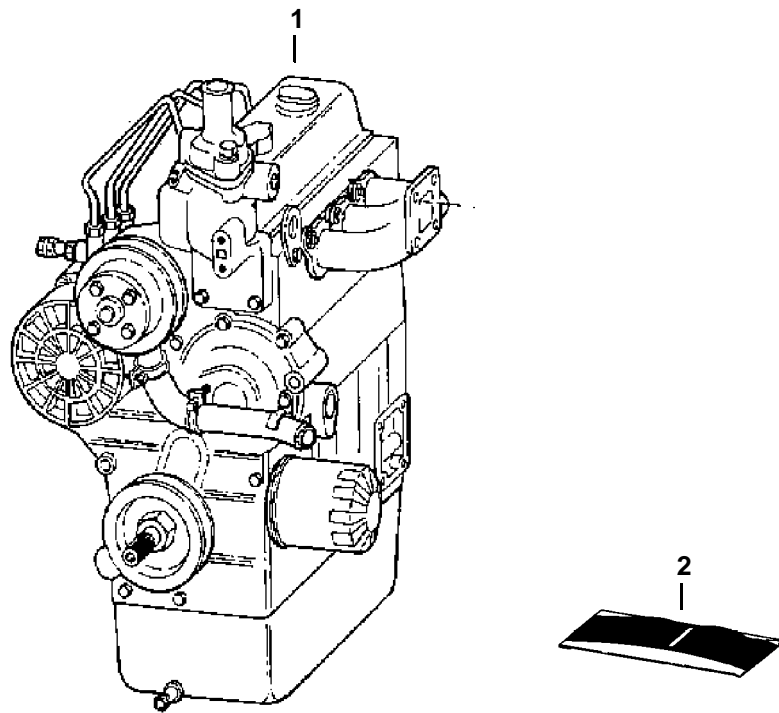
# DRIVE COUPLER



B-5715  
PE-1603 PE-1344



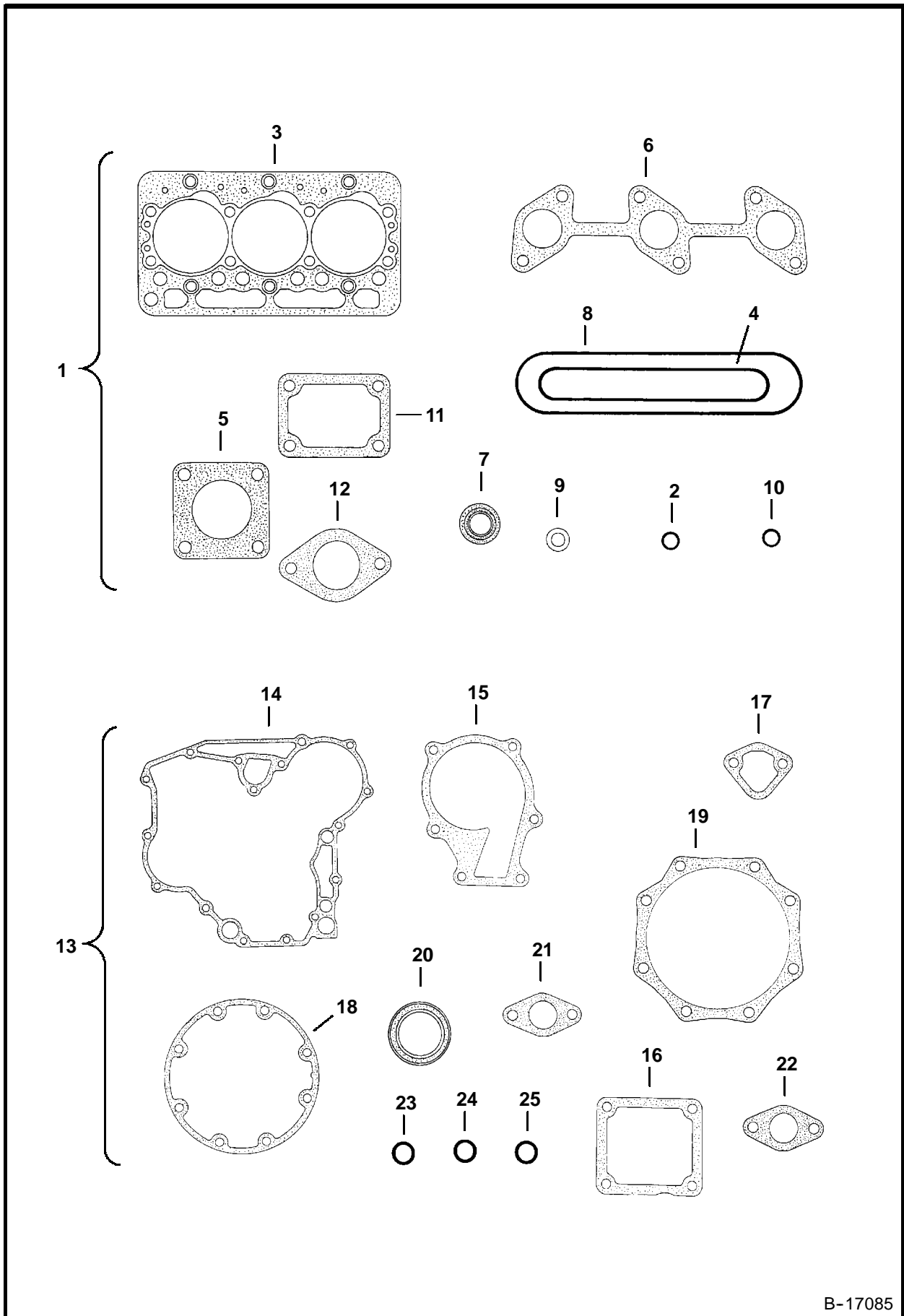
# ENGINE



B-17086



# GASKET KITS

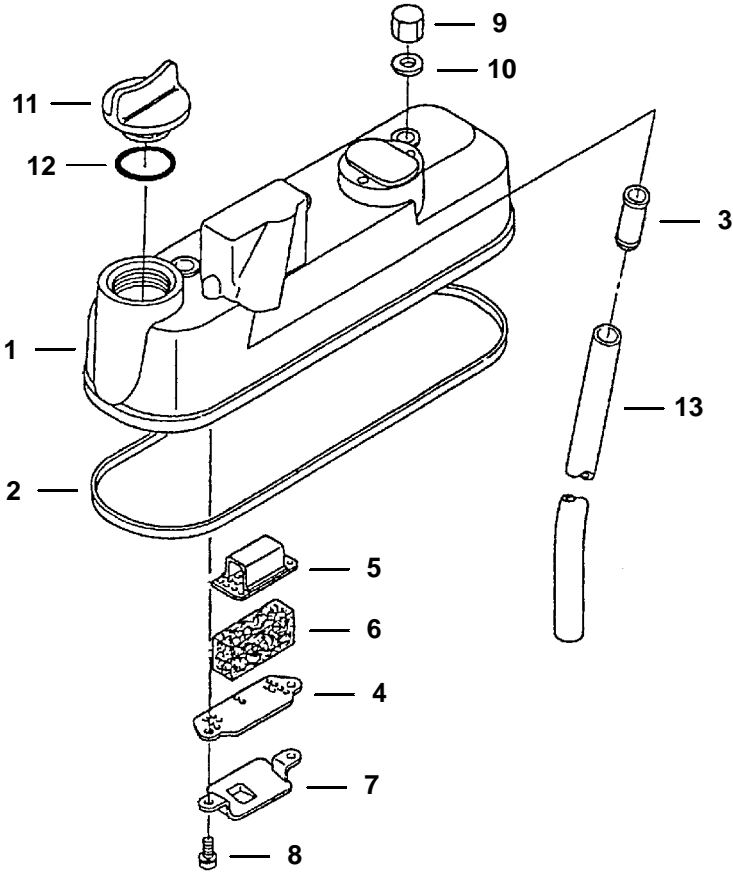


B-17085

## GASKET KITS (Cont'd)

Ref. No.	Part Number	Description	Remarks	Serial Number	Qty.
1	6680286	GASKET KIT	upper - W/Ref. 2 - 12		1
2	3974038	O-RING			1
3	6680254	GASKET	cylinder head		1
4	6672443	GASKET	intake manifold		1
5	6575580	GASKET	muffler		1
6	6672441	GASKET	exhaust manifold		1
7	6672436	SEAL	valve stem		6
8	6672365	GASKET	head cover		1
9	6599116	GASKET	cover plug		3
10	3966602	O-RING			1
11	6672444	GASKET	water flange		1
12	6732199	GASKET	thermostat		1
13	6674180	GASKET KIT	lower - W/Ref. 14 - 25		1
14	6672362	GASKET	gearcase		1
15	6680281	GASKET	water pump		1
16	6672403	GASKET			1
17	6670782	GASKET	fuel pump		1
18	6672367	GASKET	bearing case		1
19	6672368	GASKET			1
20	6598703	OIL SEAL			1
21	6672401	GASKET			1
22	6672386	GASKET			1
23	6680268	O-RING			1
24	6680284	O-RING			1
25	6680277	O-RING			1

ROCKER ARM COVER

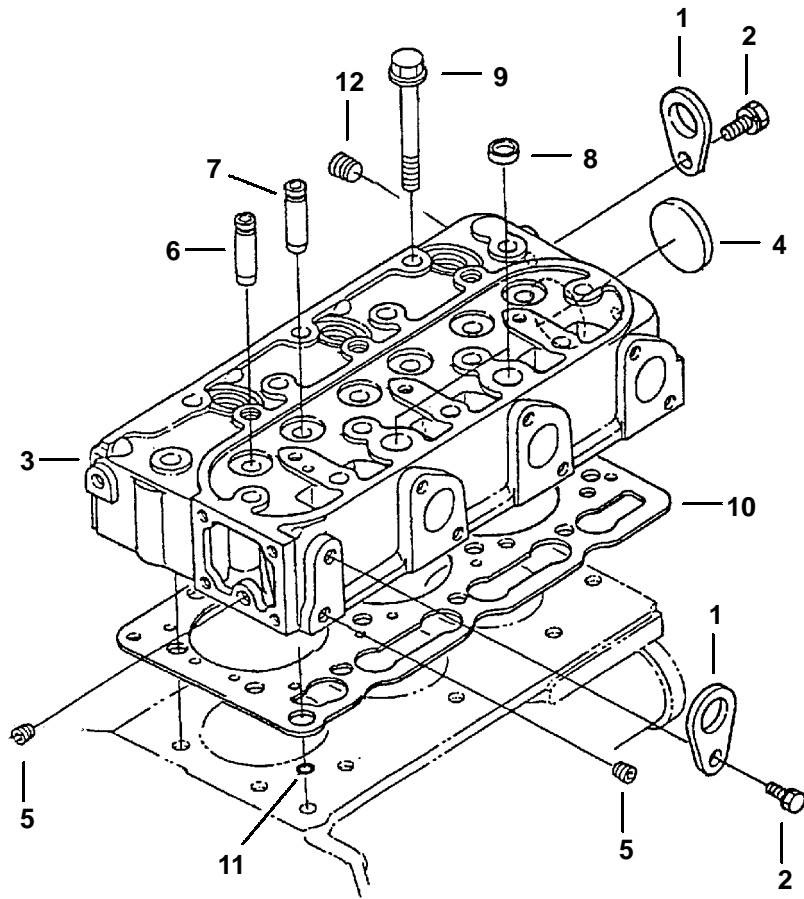


B-15030





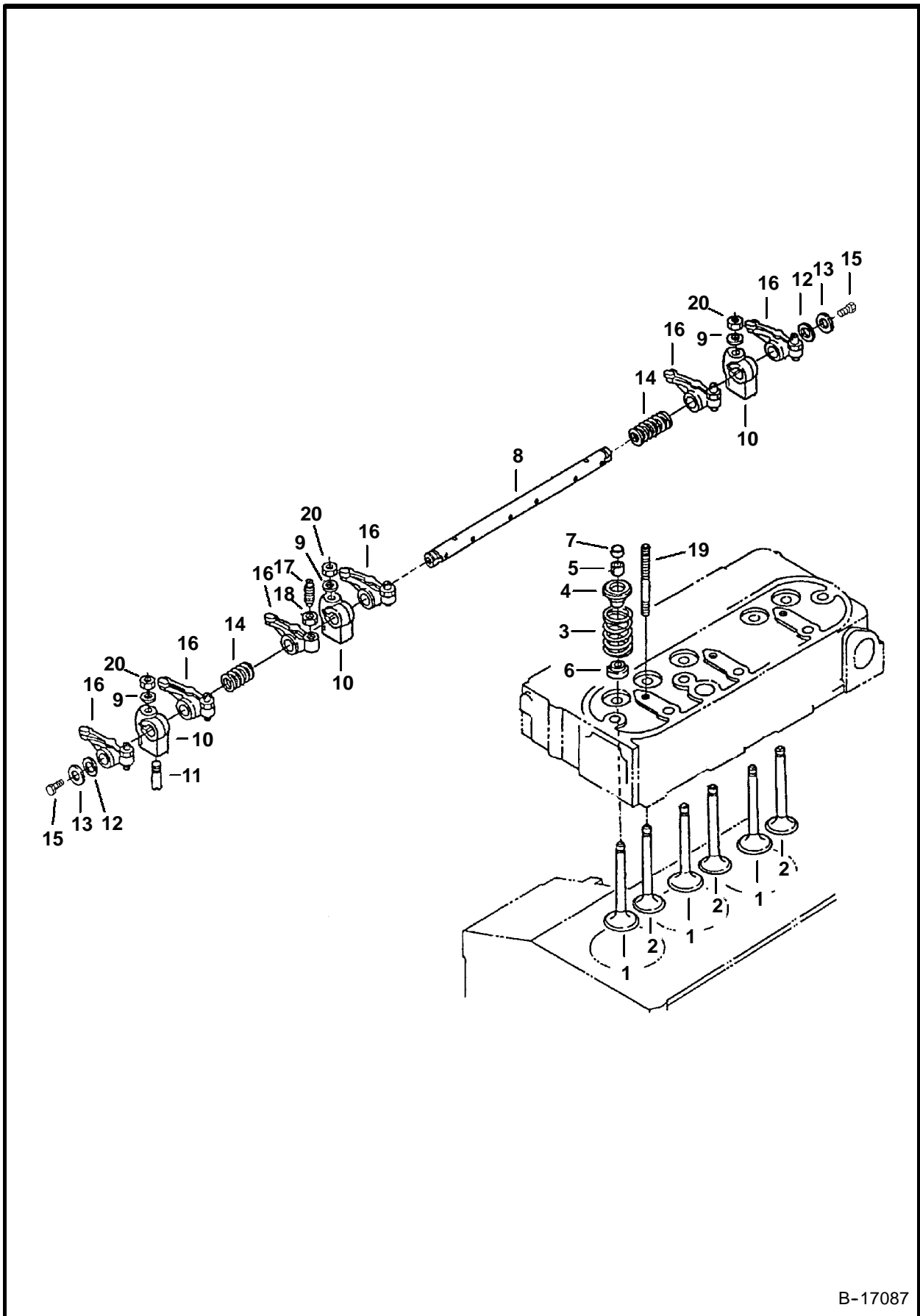
# CYLINDER HEAD



B-15028



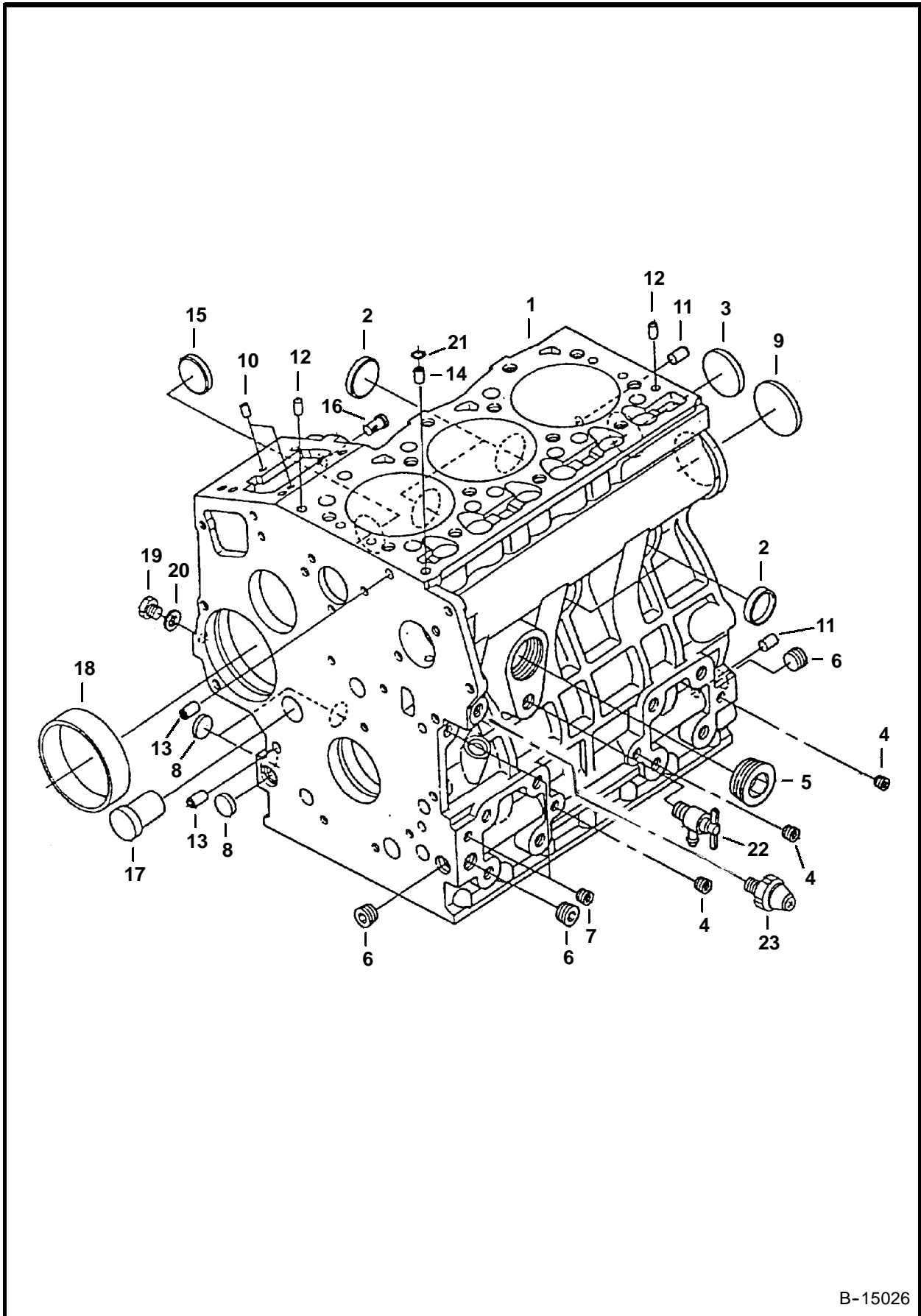
# ROCKER ARM & VALVES



B-17087



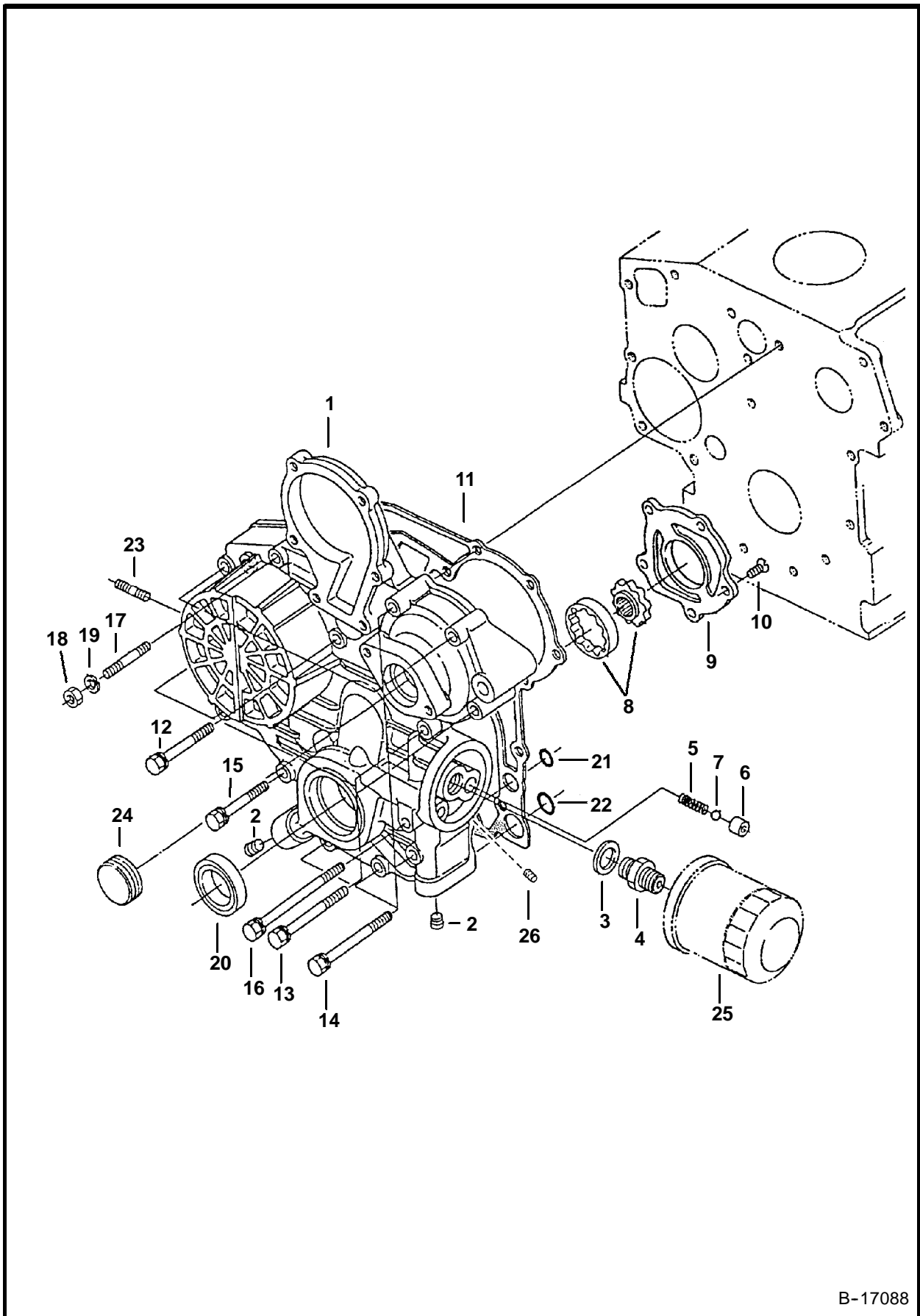
# CRANKCASE



B-15026



# GEAR CASE

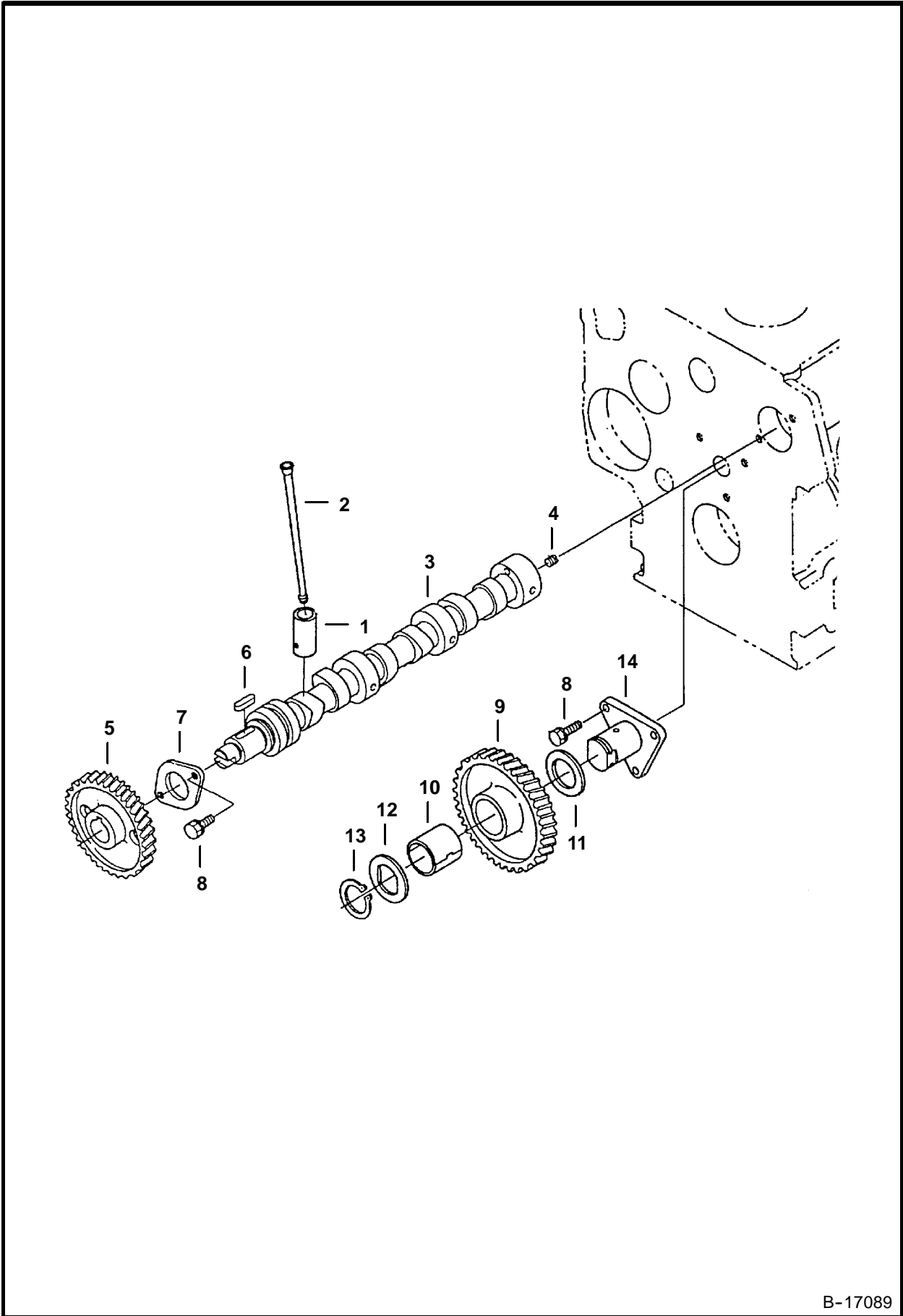


B-17088





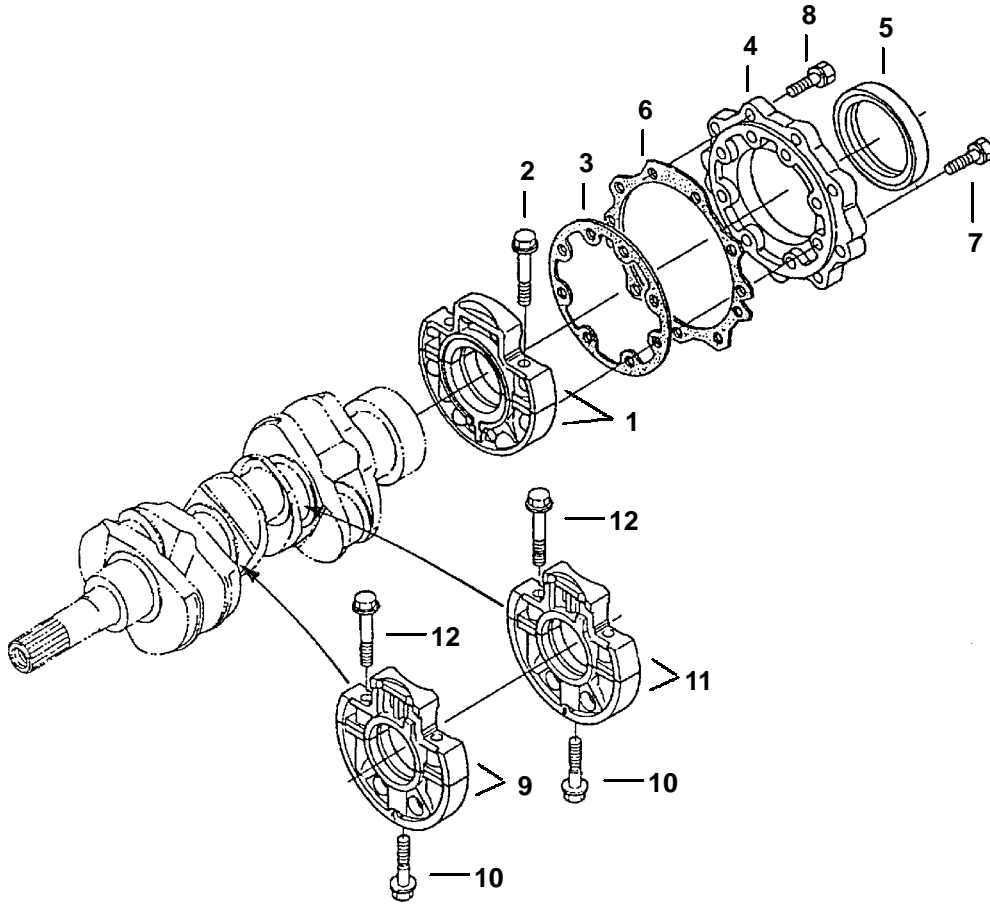
CAMSHAFT



B-17089



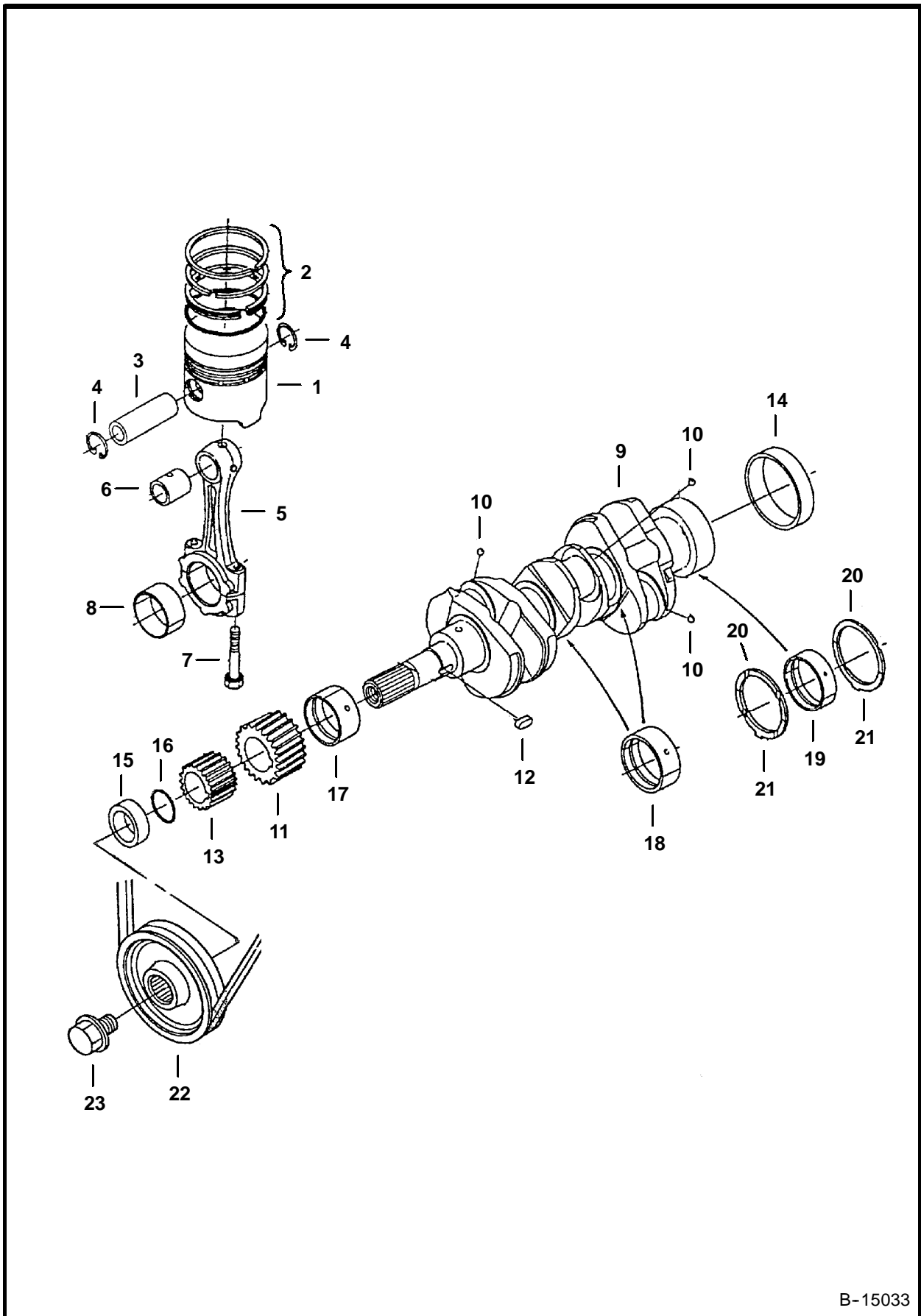
# MAIN BEARING CASE



B-17090



# PISTON & CRANKSHAFT

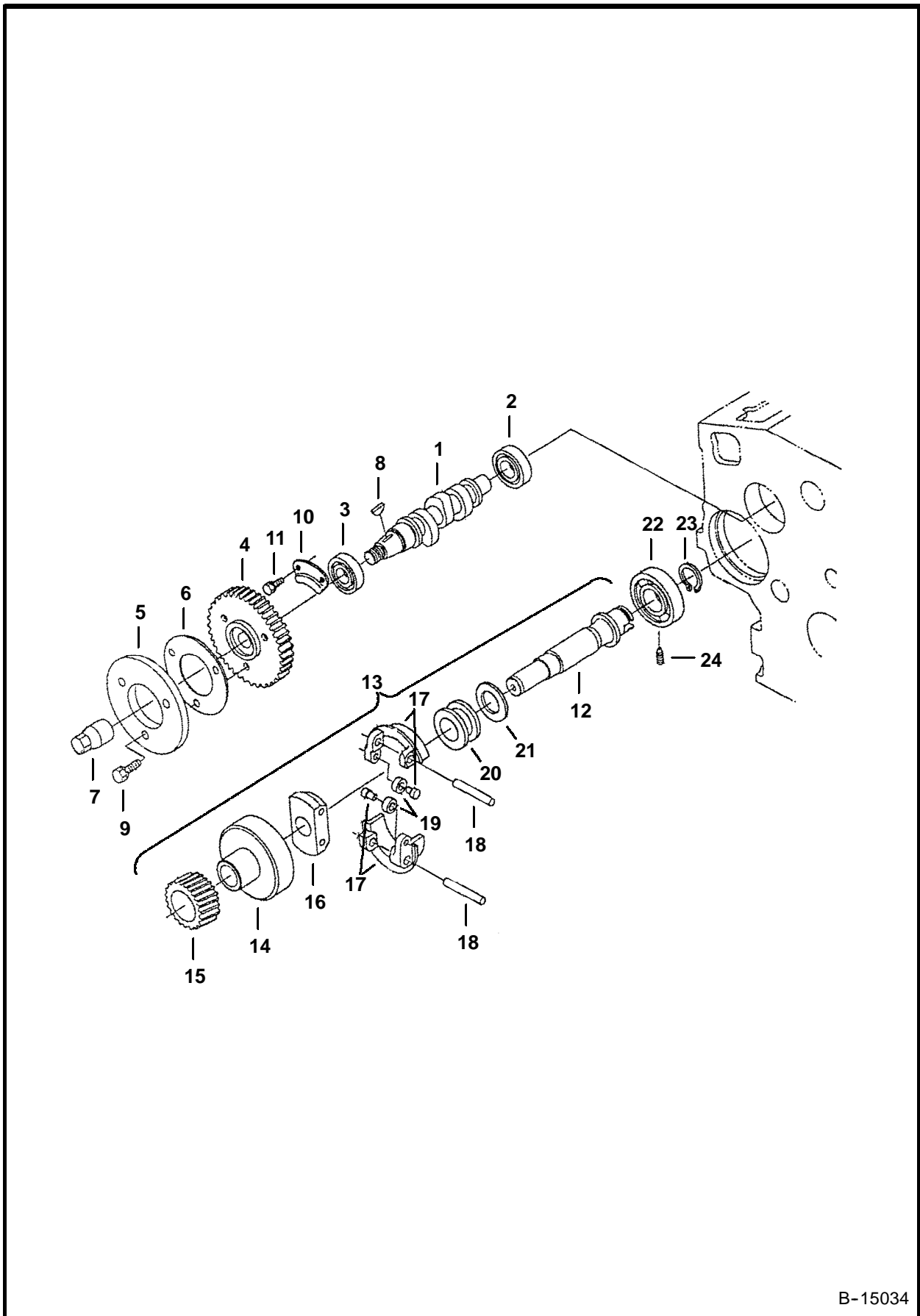


B-15033

**PISTON & CRANKSHAFT (Cont'd)**

Ref. No.	Part Number	Description	Remarks	Serial Number	Qty.
1	6680265	PISTON	standard		3
	6680266	PISTON	+0.5mm		3
2	6657618	RING ASSY	standard		3
	6657619	RING ASSY	+0.5mm		3
3	6657521	PIN			3
4	6657522	SNAP RING			6
5	6672377	ROD ASSY	W/Ref. 6 - 8		3
6	6657524	BUSHING			3
7	6657526	BOLT			6
8	6657527	ROD BEARING	standard		3
	6657528	ROD BEARING	-0.2mm		3
	6657529	ROD BEARING	-0.4mm		3
9	6680267	CRANKSHAFT	W/Ref. 10 - 14		1
10	6652633	BALL			3
11	6657541	GEAR			1
12	6657661	KEY			1
13	6657552	GEAR			1
14	6657531	SLEEVE			1
15	6657530	COLLAR			1
16	6680268	O-RING			1
17	6657532	BEARING	standard		1
	6657537	BEARING	-0.2mm		1
	6657538	BEARING	-0.4mm		1
18	6657533	BEARING	standard		2
	6657539	BEARING	-0.2mm		2
	6657540	BEARING	-0.4mm		2
19	6680269	BEARING	standard		1
	6680270	BEARING	-0.2mm		1
	6680271	BEARING	-0.4mm		1
20	3974945	WASHER	standard		2
	6654715	WASHER	+0.2mm		2
	3975022	WASHER	+0.4mm		2
21	6653865	WASHER	standard		2
	6654002	WASHER	+0.2mm		2
	6654003	WASHER	+0.4mm		2
22	6672428	PULLEY			1
23	6657588	BOLT			1

# FUEL CAMSHAFT

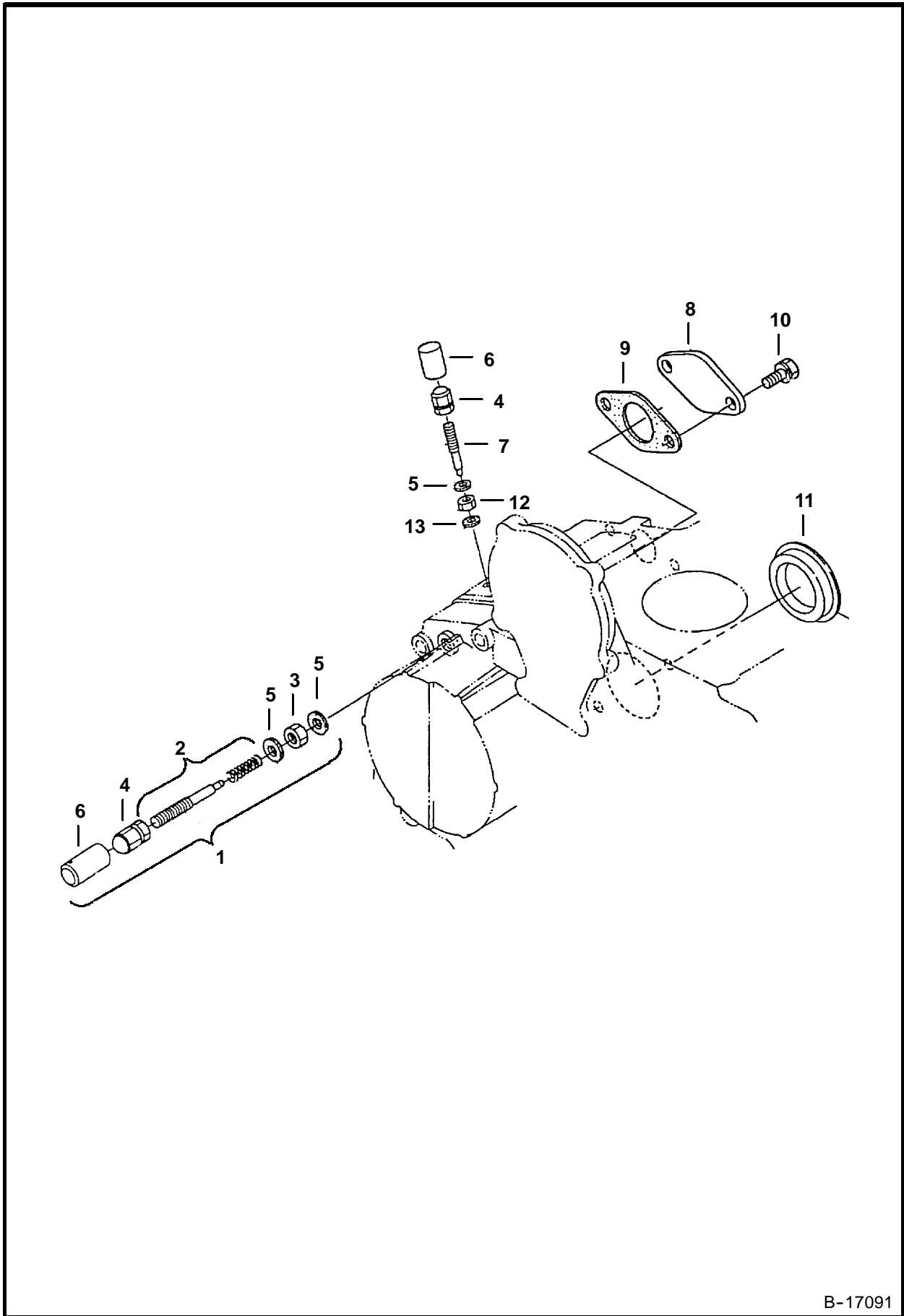


B-15034





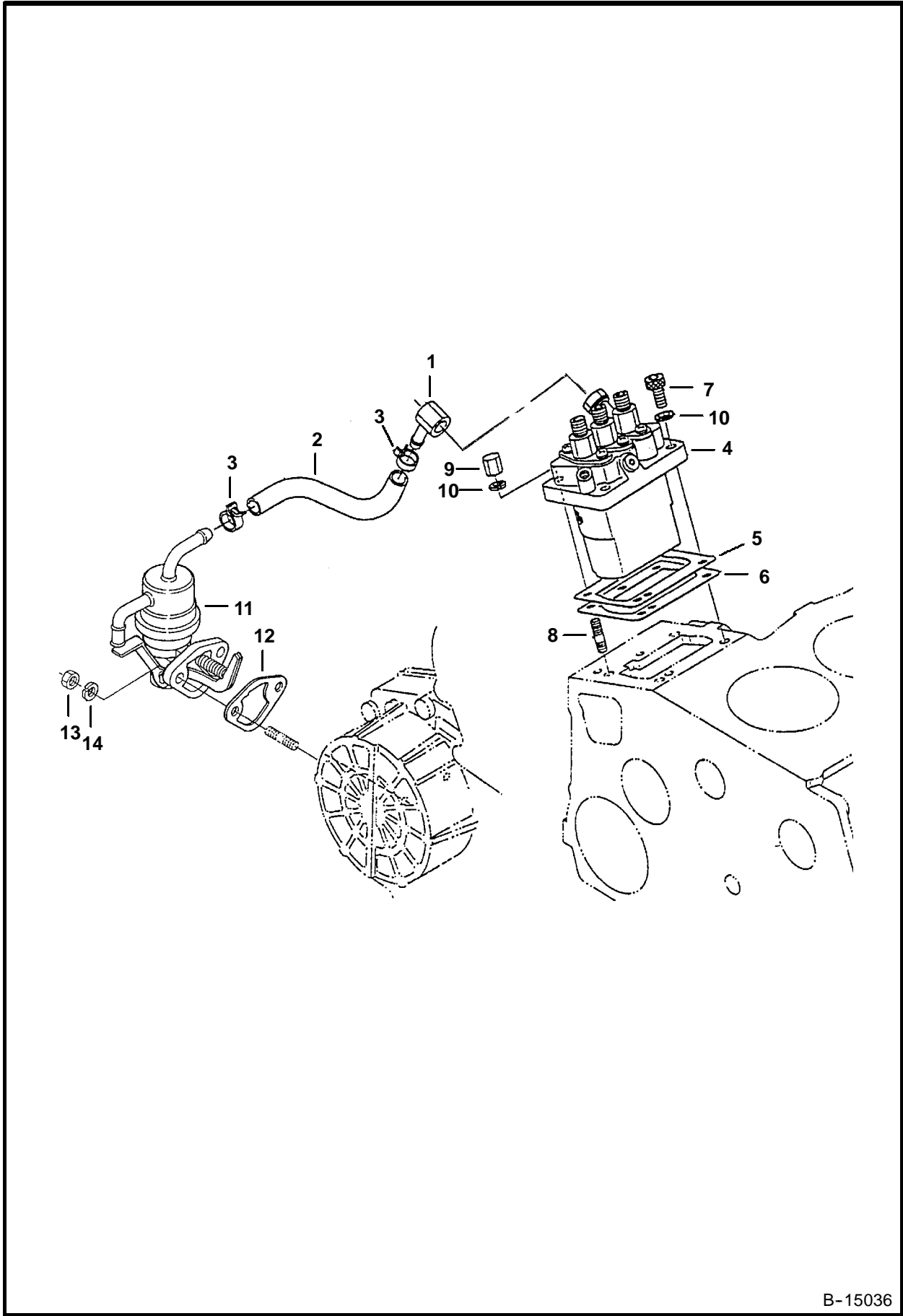
# ENGINE STOP LEVER



B-17091



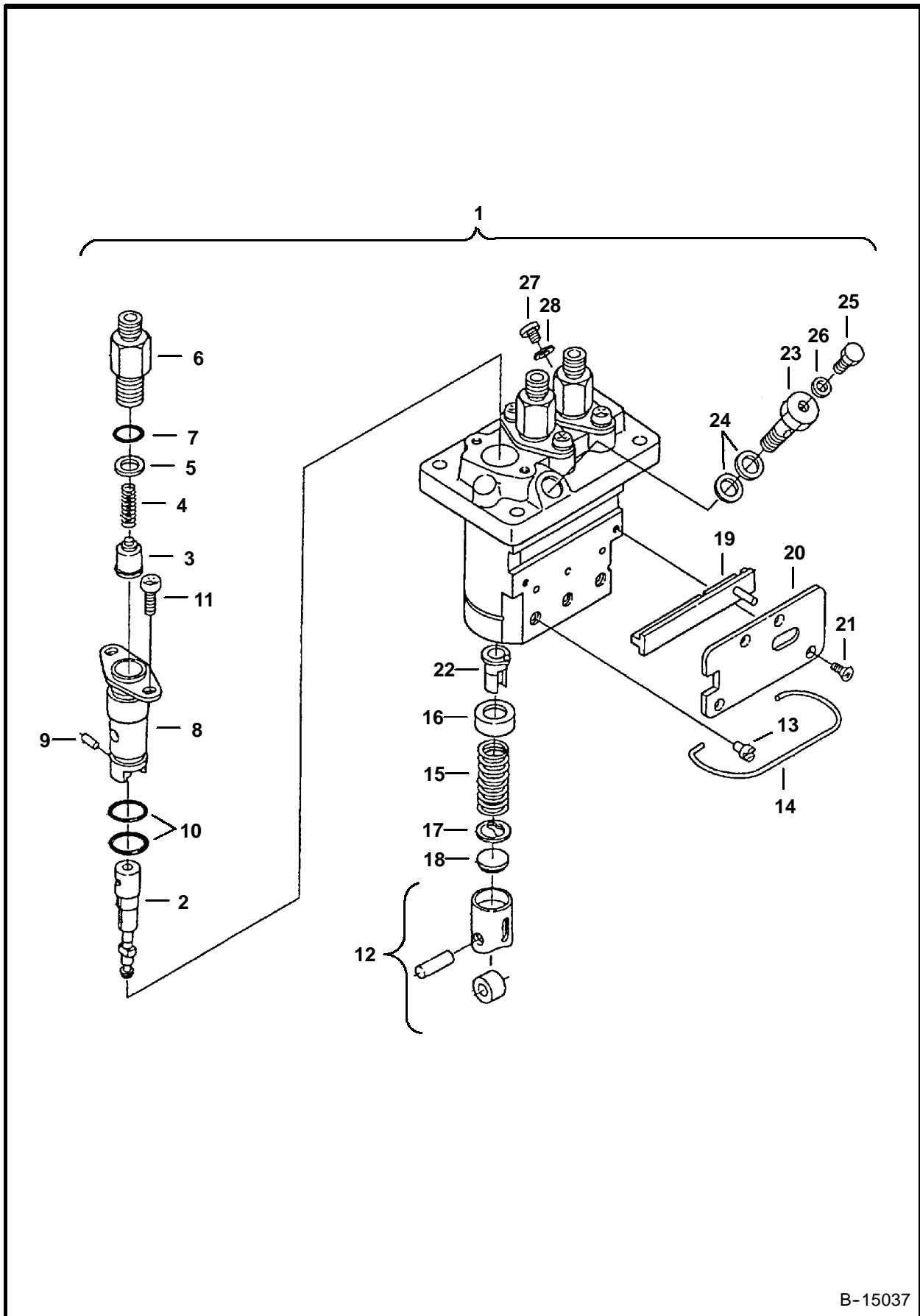
# INJECTION PUMP & FUEL PUMP



B-15036



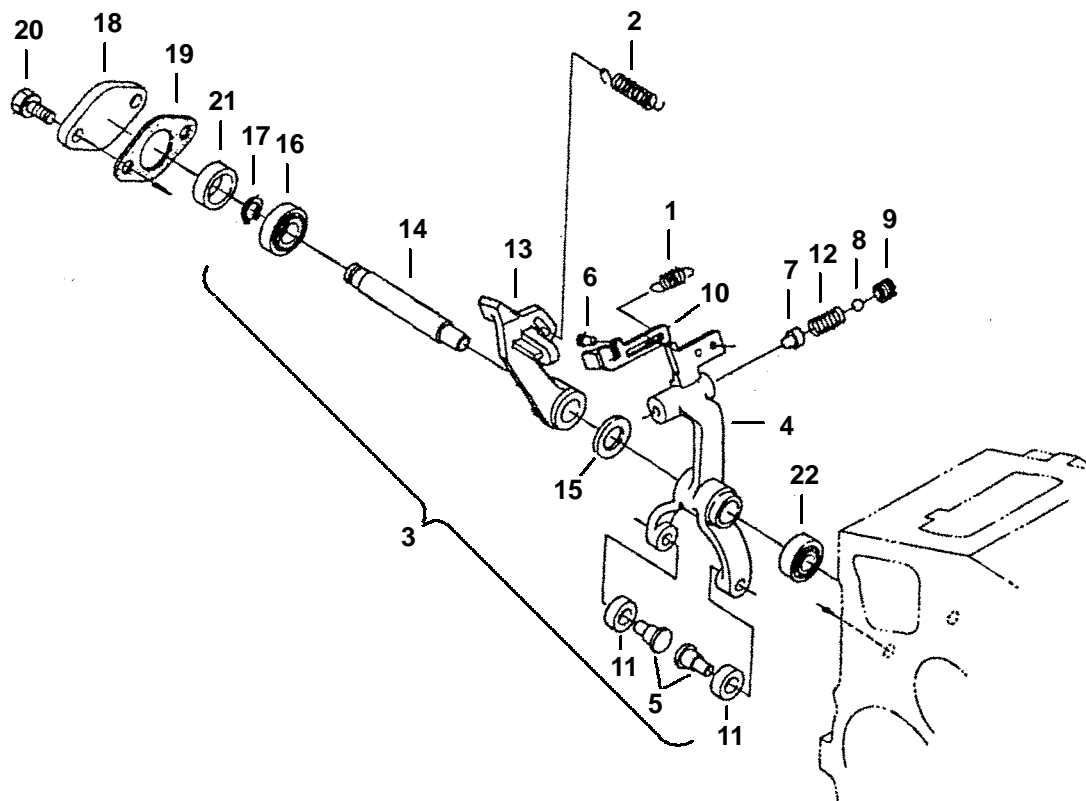
# INJECTION PUMP



B-15037



# GOVERNOR

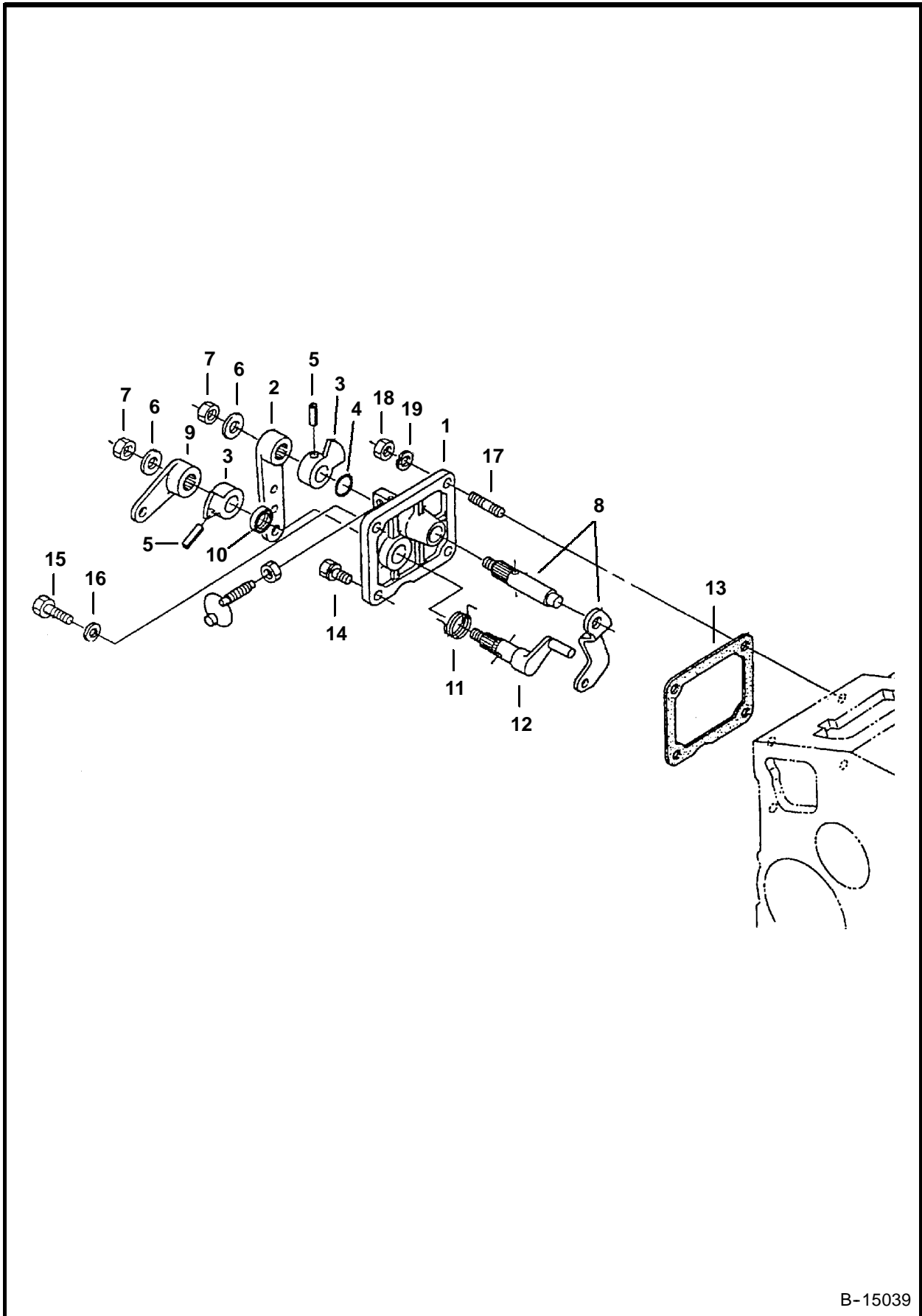


B-15038





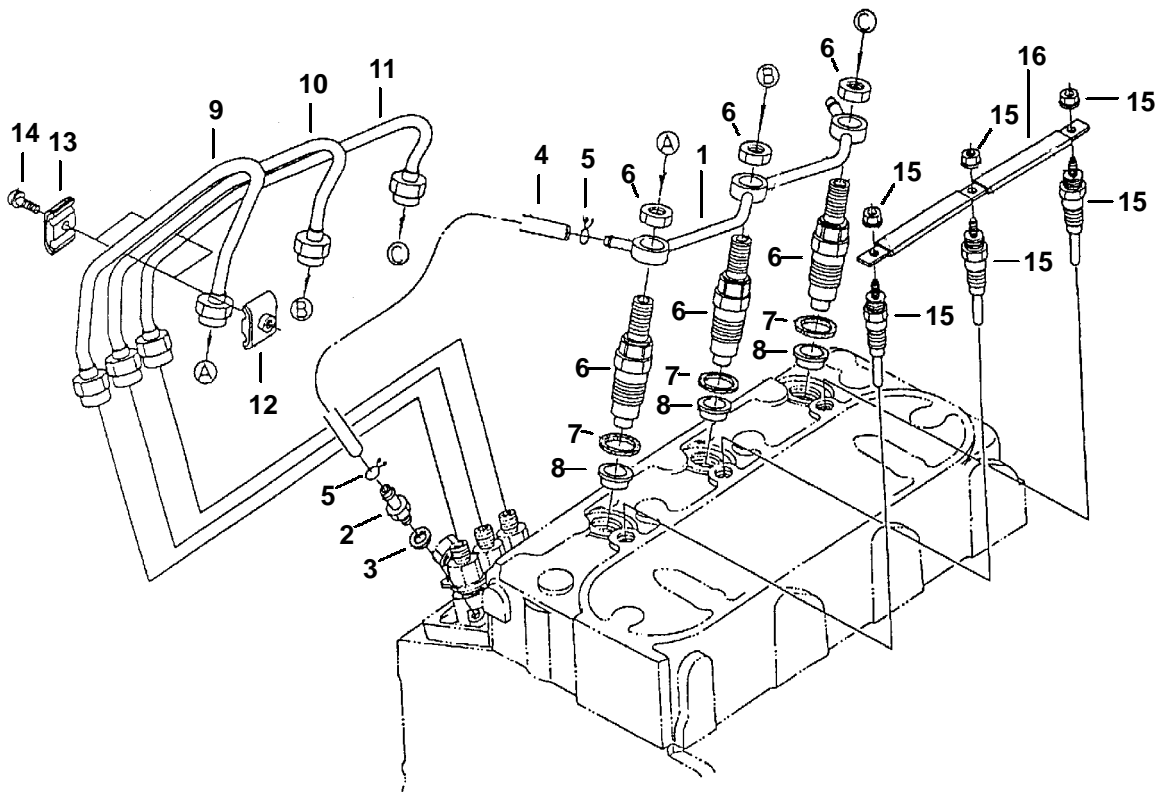
# SPEED CONTROL PLATE



B-15039



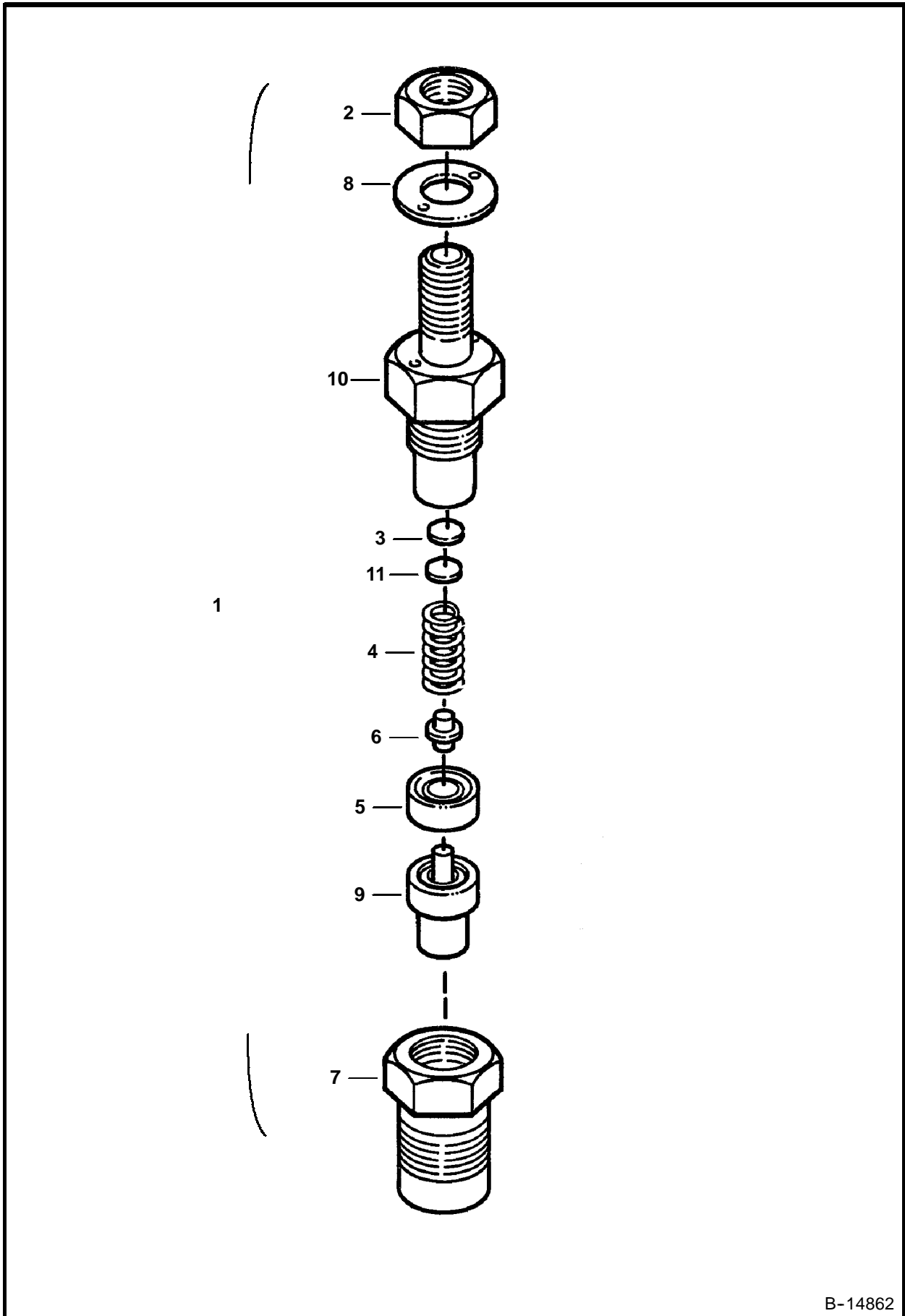
# INJECTOR NOZZLES



B-15040



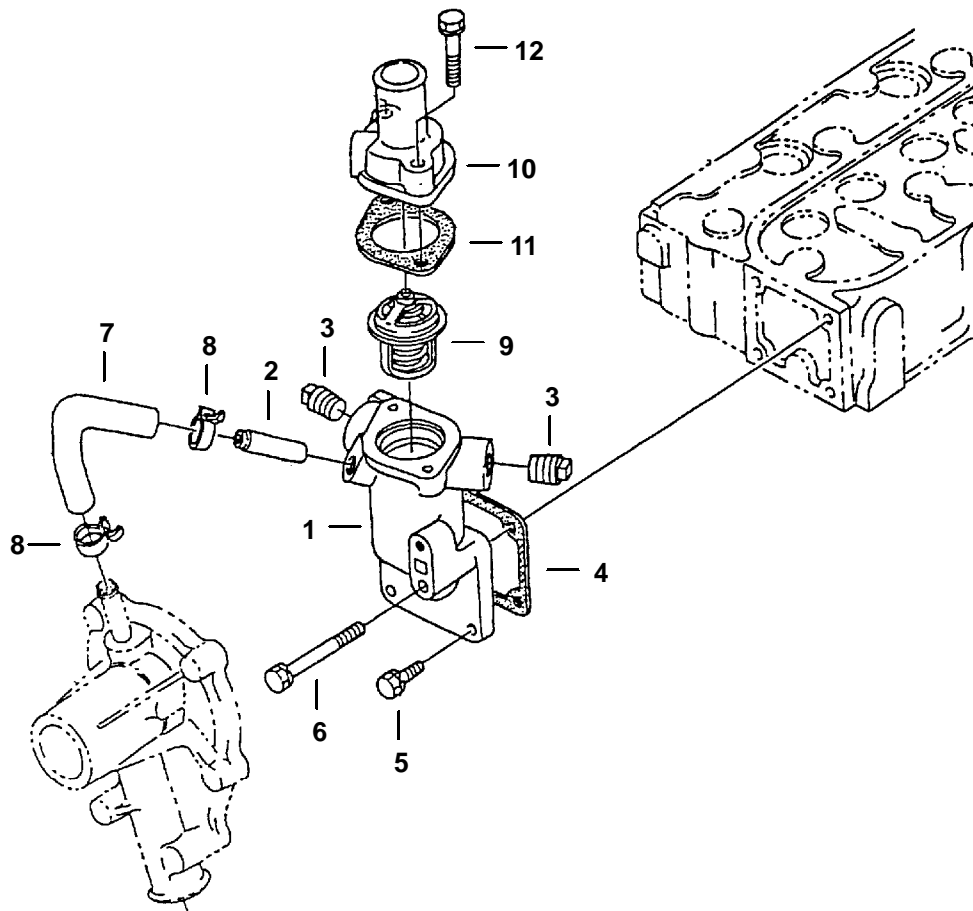
# NOZZLE HOLDER



B-14862



# WATER FLANGE & THERMOSTAT

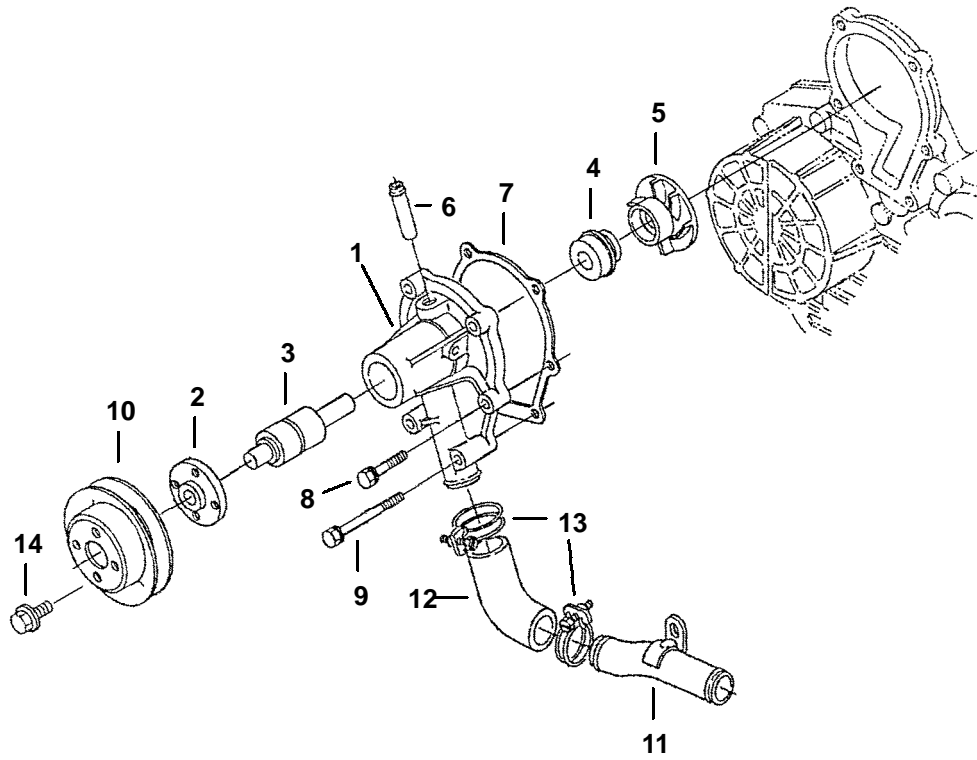


B-15041





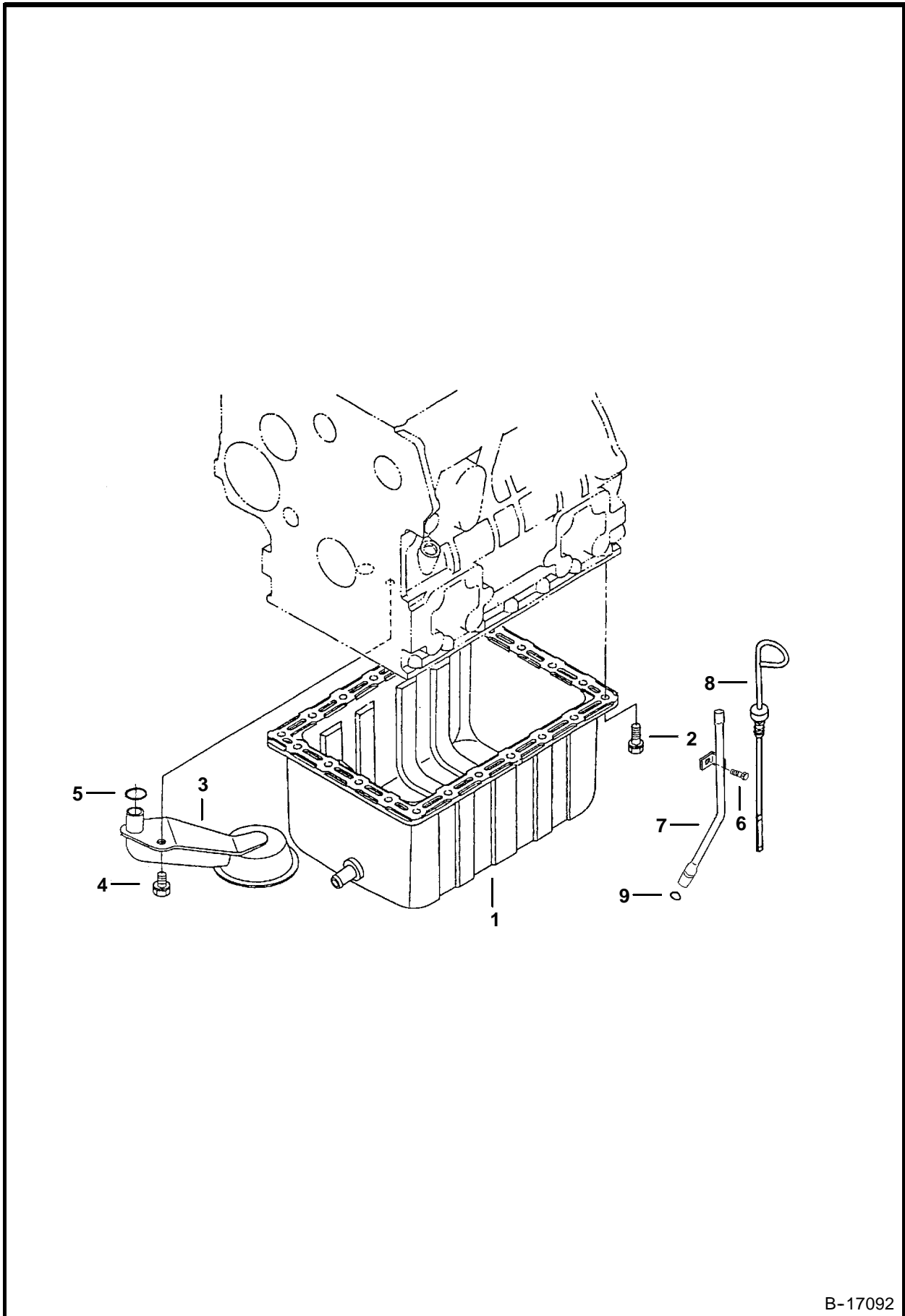
# WATER PUMP



B-15042



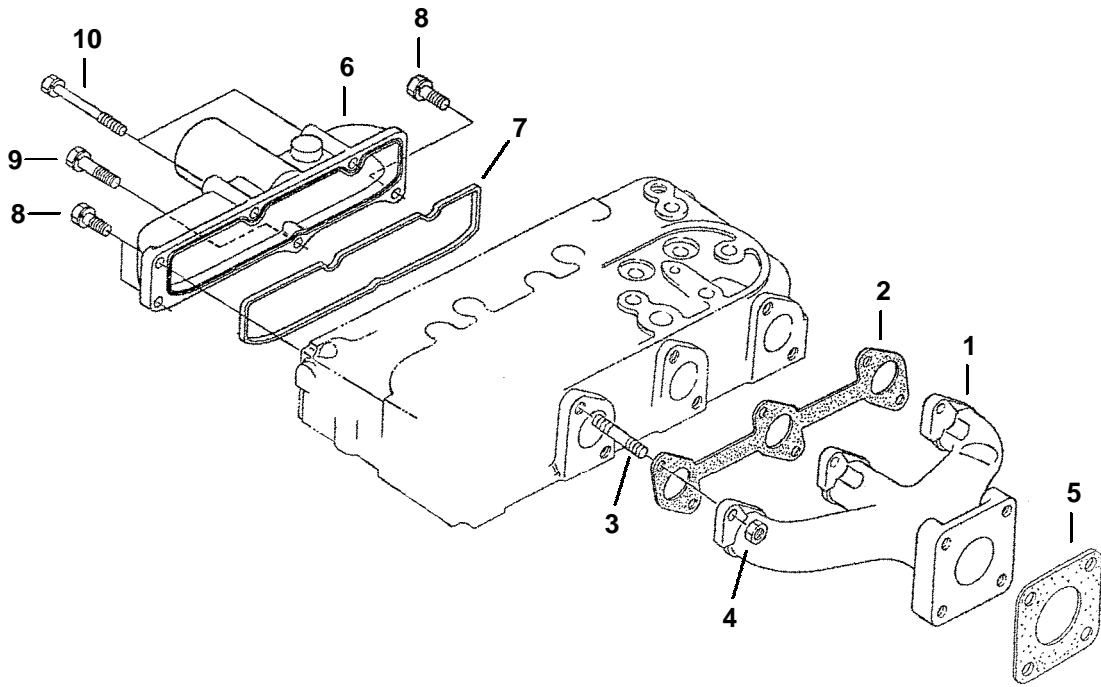
# OIL PAN



B-17092



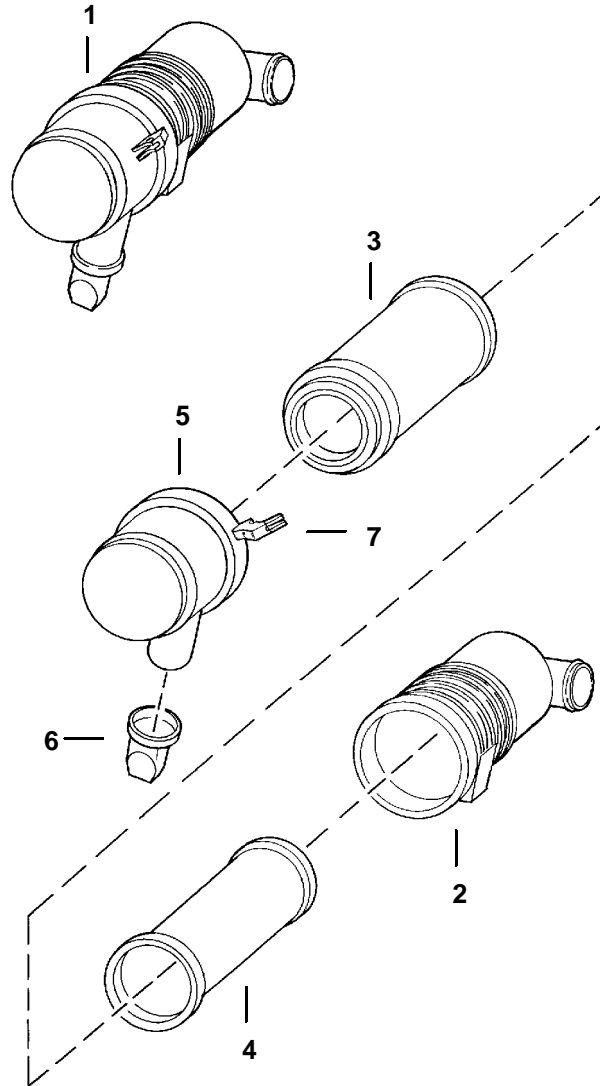
# INTAKE & EXHAUST MANIFOLDS



B-15044



# AIR CLEANER



C-3490





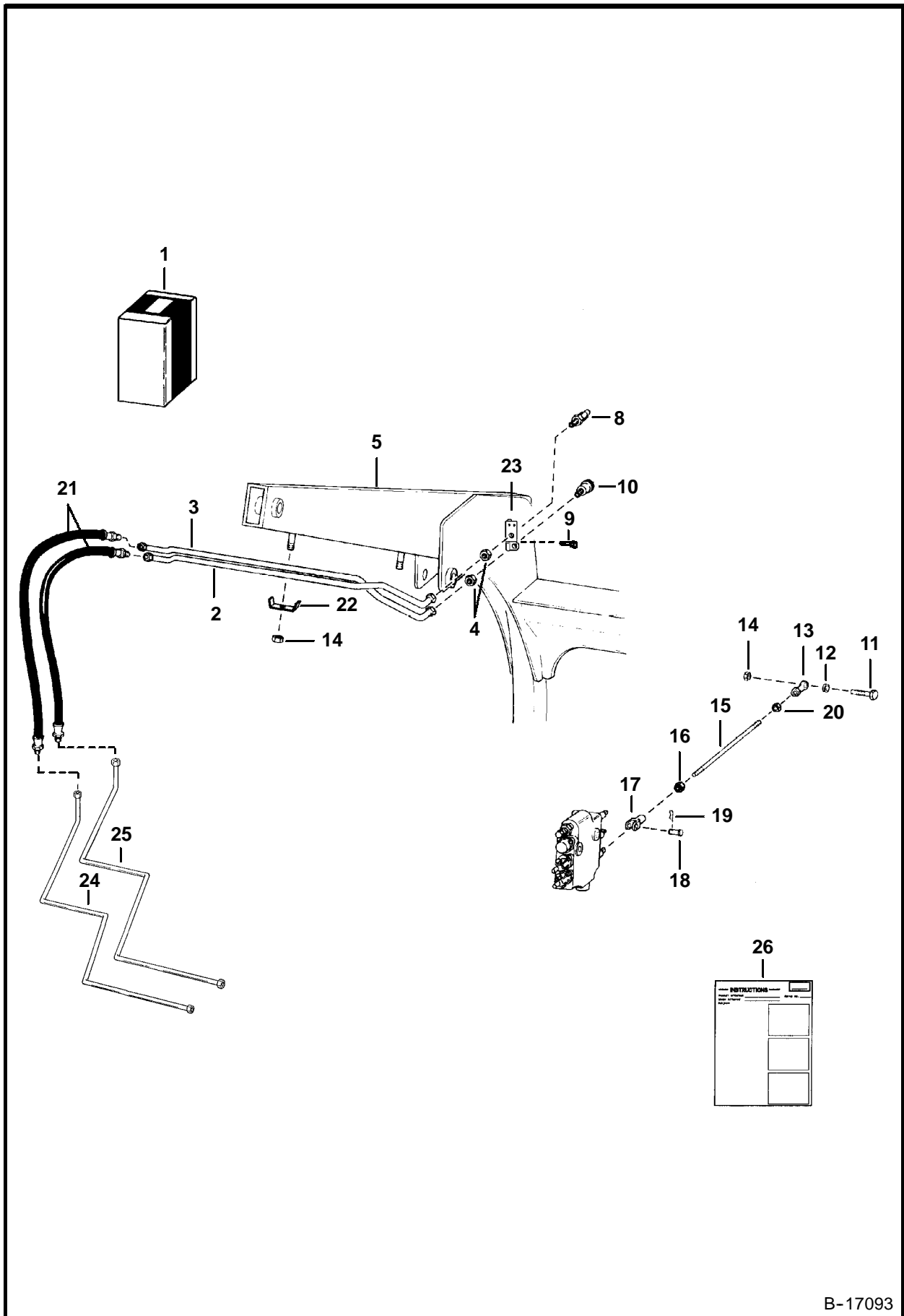
## 553AF CONTENTS

<b>MAIN FRAME</b> .....	<b>A11-B8</b>
MAIN FRAME .....	A11
OPERATOR CAB .....	A13-A16
SEAT & SEAT BAR .....	A17-A20
LIFT ARM & BOB-TACH .....	A21
BOB-TACH .....	A23
PANELS .....	B1
FUEL SYSTEM .....	B3
SEAT .....	B5, B6
REAR DOOR .....	B7
<b>DRIVE TRAIN</b> .....	<b>B9-B14</b>
DRIVE TRAIN .....	B9
AXLE .....	B11
DISC BRAKE .....	B13
<b>HYDRAULIC CIRCUITRY</b> .....	<b>B15-C14</b>
HYDRAULIC CIRCUITRY .....	B15-B24
TILT LOCK VALVE .....	C1
LIFT LOCK VALVE .....	C2
LIFT CYLINDER .....	C4
TILT CYLINDER .....	C6
HYDRAULIC CONTROL VALVE .....	C7-C10
BUCKET POSITIONING VALVE .....	C11
CONTROL PEDALS .....	C13
<b>HYDROSTATIC CIRCUITRY</b> .....	<b>C15-D14</b>
HYDROSTATIC CIRCUITRY .....	C15-C22
HAND CONTROLS .....	C23
HYDROSTATIC PUMP .....	D1-D10
GEAR PUMP .....	D11
HYDROSTATIC MOTOR .....	D13
<b>ELECTRICAL SYSTEM</b> .....	<b>D15-E2</b>
CAB ELECTRICAL CIRCUITRY .....	D15-D18
ENGINE ELECTRICAL SYSTEM .....	D19-D22
ALTERNATOR .....	D23
STARTER .....	E1
<b>POWER UNIT</b> .....	<b>E3-F21</b>
ENGINE & ATTACHING PARTS .....	E3-E8
THROTTLE & CHOKE .....	E9
UNIVERSAL JOINT .....	E11, E12
ENGINE .....	E14
ENGINE PARTS BREAKDOWN .....	E15-F20
ROCKER ARM COVER .....	E15
CYLINDER HEAD .....	E16
ROCKER ARM & VALVES .....	E17
CRANKCASE .....	E19
GEAR CASE .....	E21
CAMSHAFT .....	E23
MAIN BEARING CASE .....	E24
PISTON & CRANKSHAFT .....	F1
FUEL CAMSHAFT .....	F3
ENGINE STOP LEVER .....	F5
INJECTION PUMP & FUEL PUMP .....	F6-F8
GOVERNOR .....	F9
SPEED CONTROL PLATE .....	F11
INJECTOR NOZZLES & HOLDERS .....	F13-F16
WATER FLANGE & THERMOSTAT .....	F17
WATER PUMP .....	F18
OIL PAN .....	F19
INTAKE & EXHAUST MANIFOLDS .....	F20
AIR CLEANER .....	F21

## 553AF CONTENTS (Cont'd)

<b>ACCESSORIES &amp; OPTIONS</b> .....	<b>G1-J13</b>
AUXILIARY HYDRAULICS KIT .....	G1
ACCESS COVER .....	G3
AXLE SEAL KIT .....	G4
BACKUP ALARM .....	G5
BUCKET POSITION VALVE KIT .....	G7
CAB DOOR .....	G9-G12
CAB ENCLOSURE .....	G13-G16
CAB WINDOWS .....	G17
CAB ENCLOSURE .....	G19
BLOCK HEATER .....	G20
DECALS .....	G21-G24
ELECTRICAL CONTROLS KIT .....	H1-H4
FIRE EXTINGUISHER .....	H5
FLASHER LIGHTS .....	H6
4-WAY FLASHER LIGHT KIT .....	H7
HEATER KIT .....	H9
HEATER .....	H11
HEATER PLUMBING KIT .....	H13
HORN KIT .....	H14
HOSE CLAMP KIT .....	H15
KEYLESS IGNITION .....	H16
LIGHT KIT, FRONT & REAR .....	H17
EXPORT ACCESSORIES .....	H19-H24
CALIPER BRAKE KIT (EXPORT) .....	I1-14
PEDAL EXTENDERS (EXPORT) .....	15
REAR DOOR LOCK .....	16
REAR WIPER KIT .....	17
RENTAL KIT .....	19
SEAT BAR KIT .....	I12
SINGLE POINT LIFT KIT .....	I13
SOUND OPTION .....	I14-I16
SOUND REDUCTION HARDHAT .....	I17
BEACON & STROBE LIGHT .....	I18
STROBE LIGHT .....	I20
SEAT BELT 3"(76.2MM) .....	I21
SEAT KIT, SIDE PIVOT .....	I22
SEAT RAIL COVER KIT .....	I23
SEAT SENSOR OVERRIDE .....	I24
PUSH TO OPERATE KIT .....	J1
SUSPENSION SEATS .....	J3-J8
TANK HEATER KIT .....	J9
SIDE CONSOLE KIT .....	J10
TIRES & RIMS .....	J11, J12
WATER LEVEL SENSOR KIT .....	J13
<b>BULK ITEMS</b> .....	<b>J15</b>
<b>NUMERICAL INDEX</b> .....	<b>J17</b>

# AUXILIARY HYDRAULICS KIT

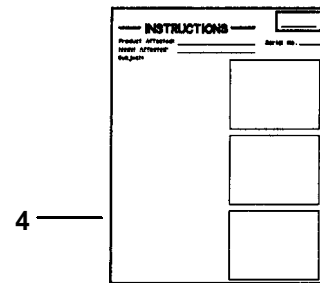
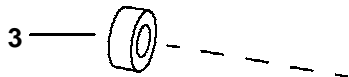
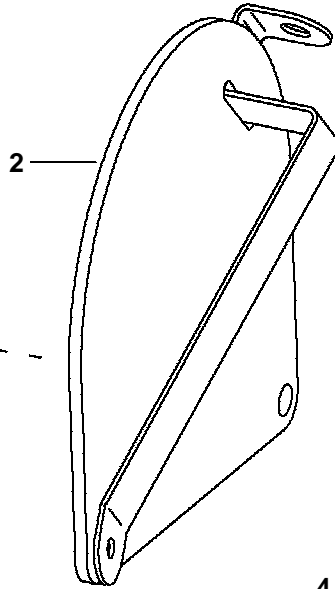
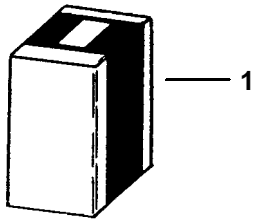


B-17093

## AUXILIARY HYDRAULICS KIT (Cont'd)

Ref. No.	Part Number	Description	Remarks	Serial Number	Qty.
1	6715321	KIT	aux. hyd. - Ref. 2-4, 6-26		1
2	6713171	TUBE			1
3	6713172	TUBE			1
4	86F-7	NUT			2
5		LIFT ARM	See Page 19		1
6	6715185	UNION	W/Ref. 7		2
	97K-10	O-RING	flared end		2
7	99K-12	O-RING			2
8	6676444	COUPLER	Male - flush face		1
	6672026	O-RING			1
9	84G-3112	BOLT			2
10	6676446	COUPLER	Female - flush face		1
11	17C-620	BOLT			1
12	6564535	SPACER			1
13	6512955	SWIVEL			1
14	95D-6	NUT			3
15	6567057	ROD			1
16	8D-6	NUT			1
17	6564655	CLEVIS			1
18	6564654	CLEVIS PIN			1
19	6513495	PIN			1
20	13D-6	NUT			1
21	6731501	HOSE			2
22	6502203	CLAMP			3
23	6713850	MOUNT			1
24	6731500	TUBE			1
25	6731499	TUBE			1
26	6724257	INSTRUCTIONS			1

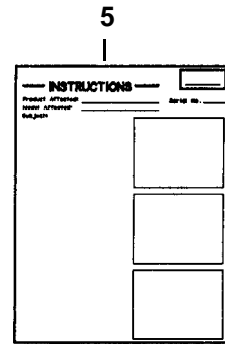
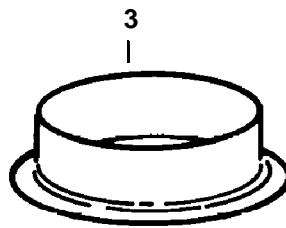
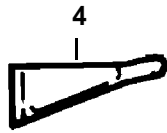
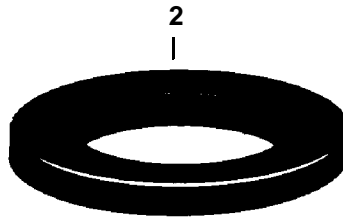
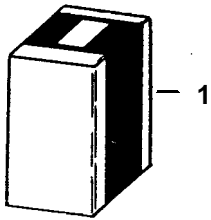
# ACCESS COVER (Hyd. Tank Fill Cap)



TS-1133



# AXLE SEAL KIT

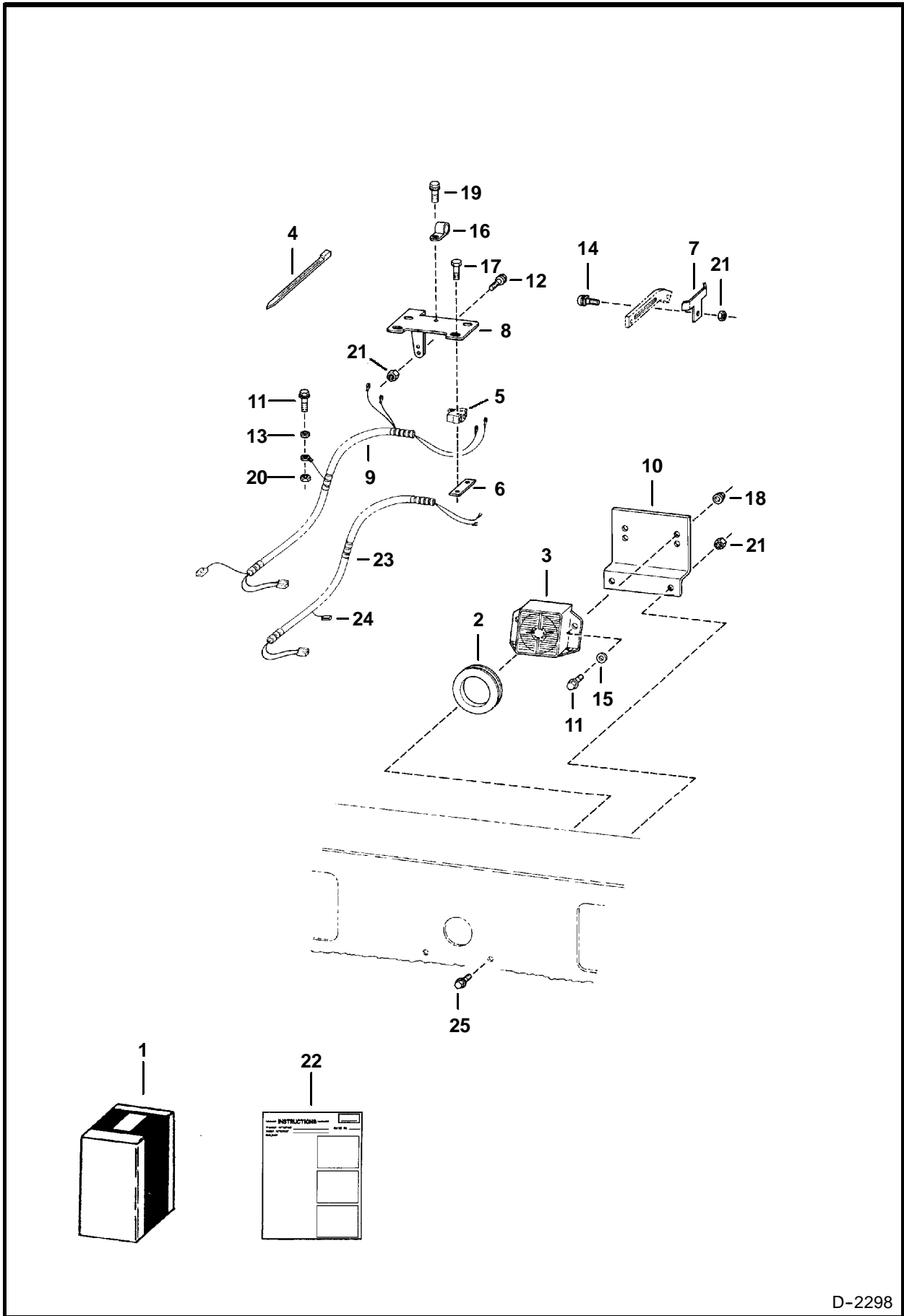


B-4041





# BACKUP ALARM

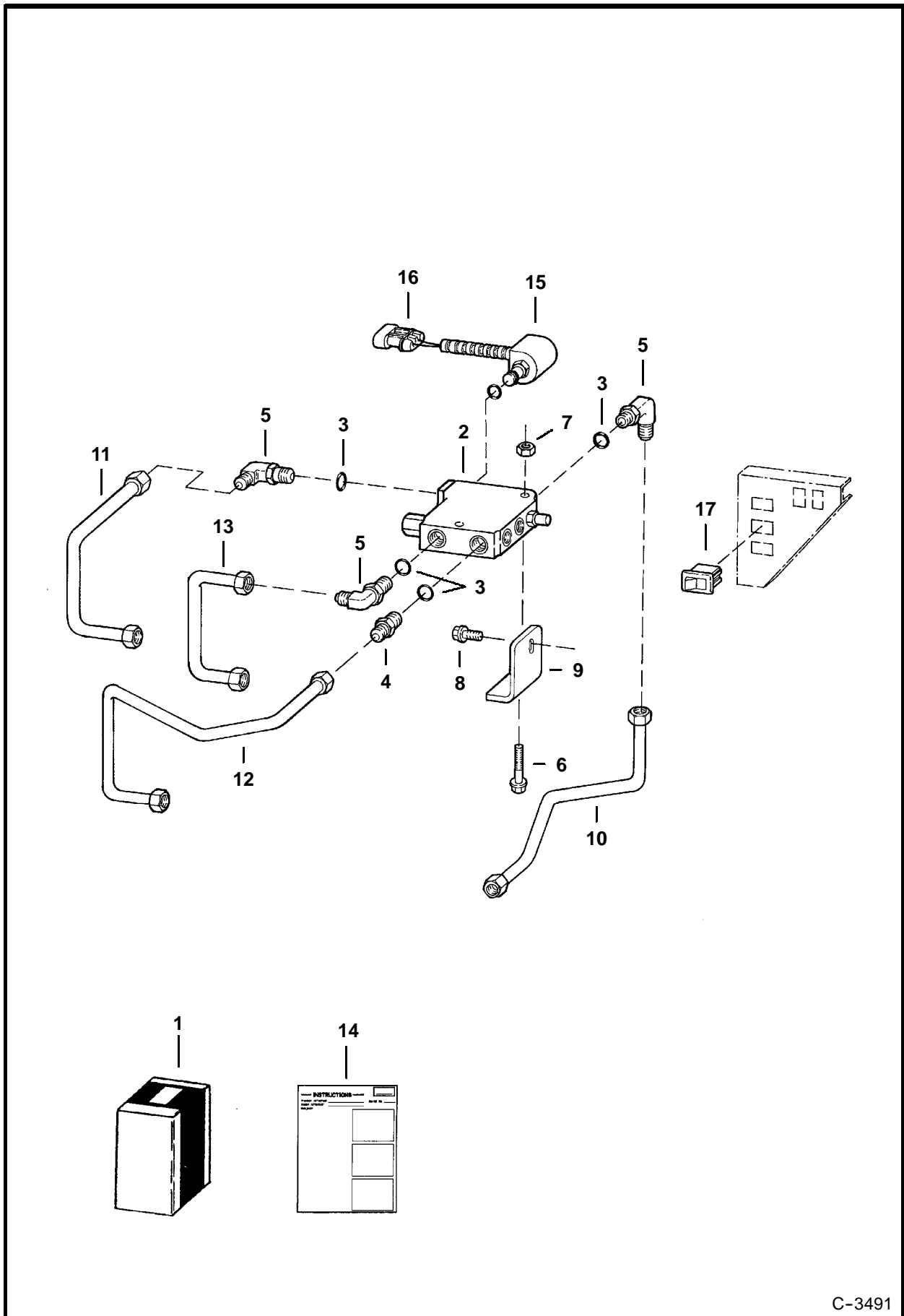


D-2298

## BACKUP ALARM (Cont'd)

Ref. No.	Part Number	Description	Remarks	Serial Number	Qty.
1	6708572	KIT	Backup alarm - Ref. 2 - 24		1
2	6577545	GROMMET			1
3	6599931	ALARM			1
	6668879	DECAL	Alarm		1
4	6610510	NYLON TIE			2
5	6646781	SWITCH			2
6	6702593	STRIP	Mounting Switch Switch		2
7	6703974	BRACKET			2
8	6703976	MOUNT			1
9	6704358	HARNESS	Alarm		1
10	6707726	MOUNT			1
11	17C-412	BOLT			3
12	17C-512	BOLT			2
13	6E-4	WASHER			1
14	7C-512	BOLT			2
15	25E-13	WASHER	Insulated		2
16	30H-22	CLIP			1
17	59G-620	BOLT			4
18	83D-4	NUT			2
19	84G-3110	BOLT			1
20	91D-4	NUT			1
21	91D-5	NUT			6
22	6724203	INSTRUCTIONS			1
23	6715659	HARNESS			used on machines without rear lights - comes W/ 6672492
24	6672492	RETAINER			
25	37C-512	BOLT			2

# BUCKET POSITION VALVE KIT

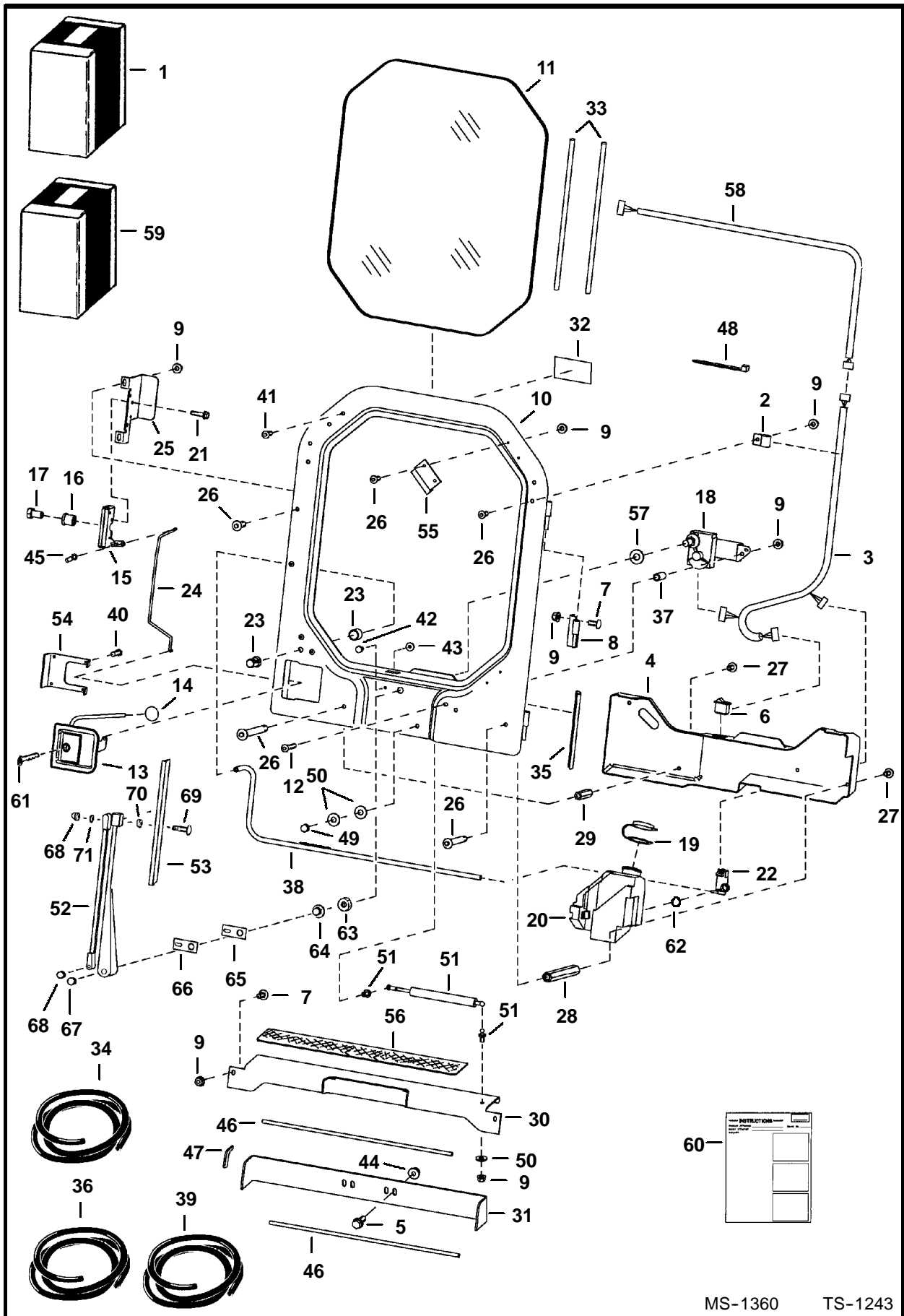


C-3491

### BUCKET POSITION VALVE KIT (Cont'd)

Ref. No.	Part Number	Description	Remarks	Serial Number	Qty.
1	6708169	KIT	Ref. 2 - 17		1
2	6666341	VALVE	See page 57		1
3	79K-10	O-RING	for flat boss face		4
4	99K-10	O-RING	for tapered boss face		4
	731794	FITTING	W/Ref. 3 - flat boss face		1
	6715184	FITTING	W/Ref. 3 - tapered boss face		1
5	97K-8	O-RING	flared end		1
	784568	ELBOW	W/Ref. 3 - flat boss face		3
	6715716	ELBOW	W/Ref. 3 - tapered boss face		3
6	97K-8	O-RING	flared end		3
	17C-540	BOLT			1
7	57D-5	NUT			1
8	84G-3716	BOLT			1
9	6708163	MOUNT			1
10	6708164	TUBELINE			1
11	6708165	TUBELINE			1
12	6708166	TUBELINE			1
13	6708167	TUBELINE			1
14	6724044	INSTRUCTIONS			1
15	6672863	SOLENOID	W/Ref. 16		1
	6670634	SEAL KIT			1
16	6671527	NUT			1
	6641179	CONNECTOR			1
	6641180	LOCK			1
17	6668814	SWITCH			1

# CAB DOOR (L.H. Hinged)

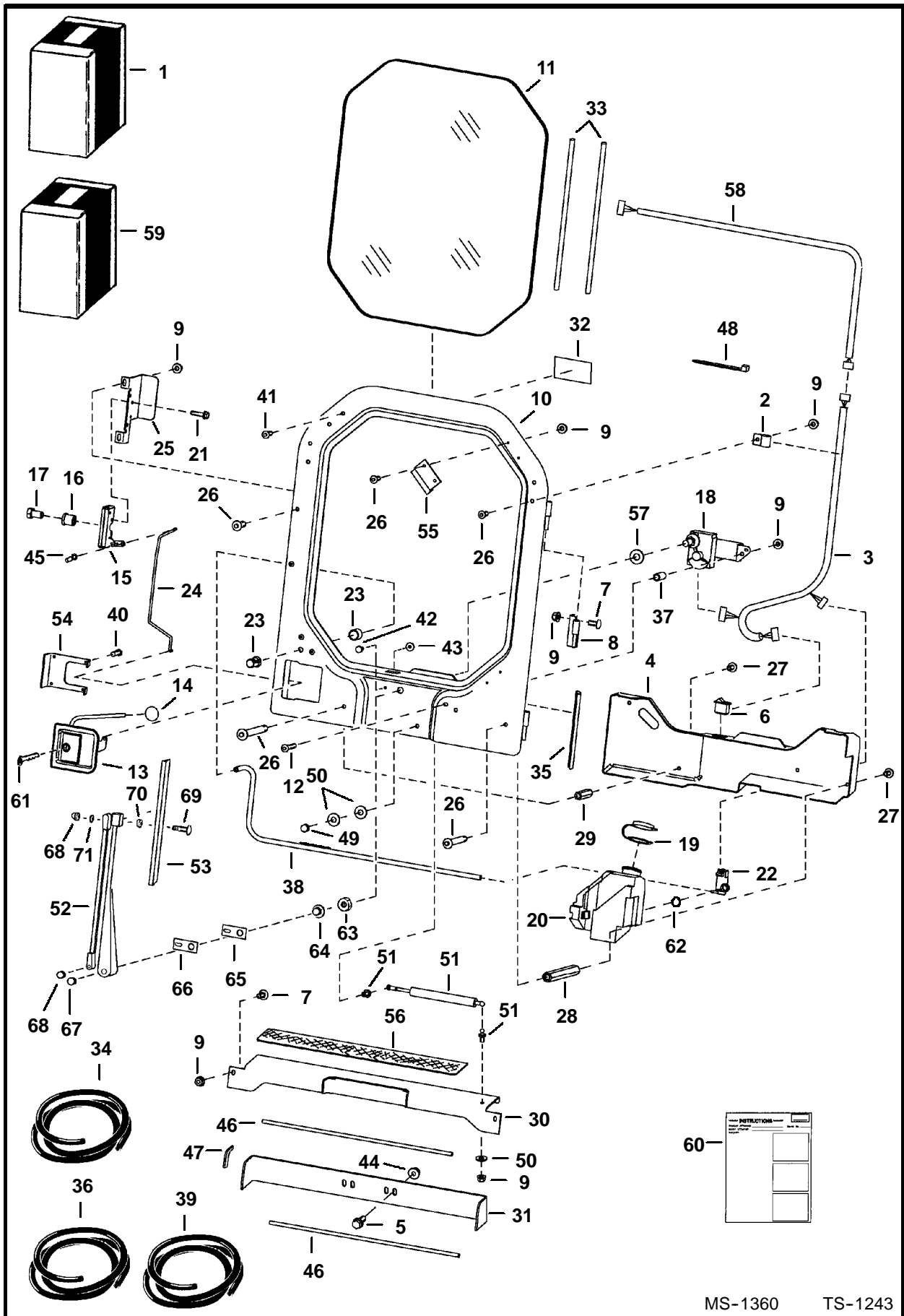


MS-1360 TS-1243

**CAB DOOR (Cont'd)**  
**(L.H. Hinged)**

Ref. No.	Part Number	Description	Remarks	Serial Number	Qty.
1	6708973	KIT	door - Ref. 2-4, 6-29, 32-35, 37-43, 45, 48-55, 57, 60 & 61 - Also Order Ref. 59		1
	SALES	KIT	door - special applications - Ref. 4, 5, 7-17, 21, 24-37, 40-51, 54-56, 60&61-Also Order Ref. 59		1
2	30H-37	CLAMP			1
3	NAP	HARNESS	Order 6712259 Harness		1
	6712259	HARNESS	W/2 diodes		1
4	6707179	SHIELD			1
5	35C-616	BOLT			2
6	6665707	SWITCH			1
7	10C-512	BOLT			6
8	6707216	HINGE			2
9	83D-5	NUT	for standard door		10
	83D-5	NUT	for special applications door		15
10	6707220	DOOR			1
11	6707225	WINDOW	.25"(6.35mm) thick - safety		
	6708499	WINDOW	glass - for standard door .5"(12.7mm) thick - plexiglass - for special applications door		1 1
12	25G-528	BOLT			1
13	6665530	LATCH	W/Ref. 14 - Also Order Ref. 61		1
14	6647635	KNOB			1
15	6665531	LATCH			1
16	6568047	NUT	bushing		1
17	17C-712	BOLT			1
18	6679814	MOTOR	wiper		1
19	6665605	CAP			1
20	6707178	TANK			1
21	35C-416	BOLT			4
22	6664554	PUMP	wiper washer		1
23	6664555	NOZZLE	washer		1
24	6707221	ROD	latch release		1
25	6707222	MOUNT	latch		1
26	25G-512	BOLT	for standard door		7
	25G-512	BOLT	for special applications door		14
27	35C-510	BOLT			4
28	6707223	COUPLING			2
29	6707224	COUPLING			2
30	6707239	SHIELD	bolts to cab		1
31	6707236	SHIELD	bolts to main frame		1
32	6707852	DECAL			1
33	NAP	SEAL	91"(2311 mm)long-Order Ref. 34		1
	NAP	CORD	91"(2311 mm)long-Order Ref. 34		1
34	6665568	SEAL	bulk - Sold Per Foot		x
	6554149	CORD	bulk - Sold Per Foot		x
35	NAP	SEAL	137"(3480mm)long-Order Ref. 36		1
36	6513152	SEAL	bulk - Sold Per Foot		x
37	6708096	BUSHING			1
38	NAP	HOSE	26"(660,4 mm)long-Order Ref. 39		1

CAB DOOR (Cont'd)  
(L.H. Hinged)



MS-1360 TS-1243



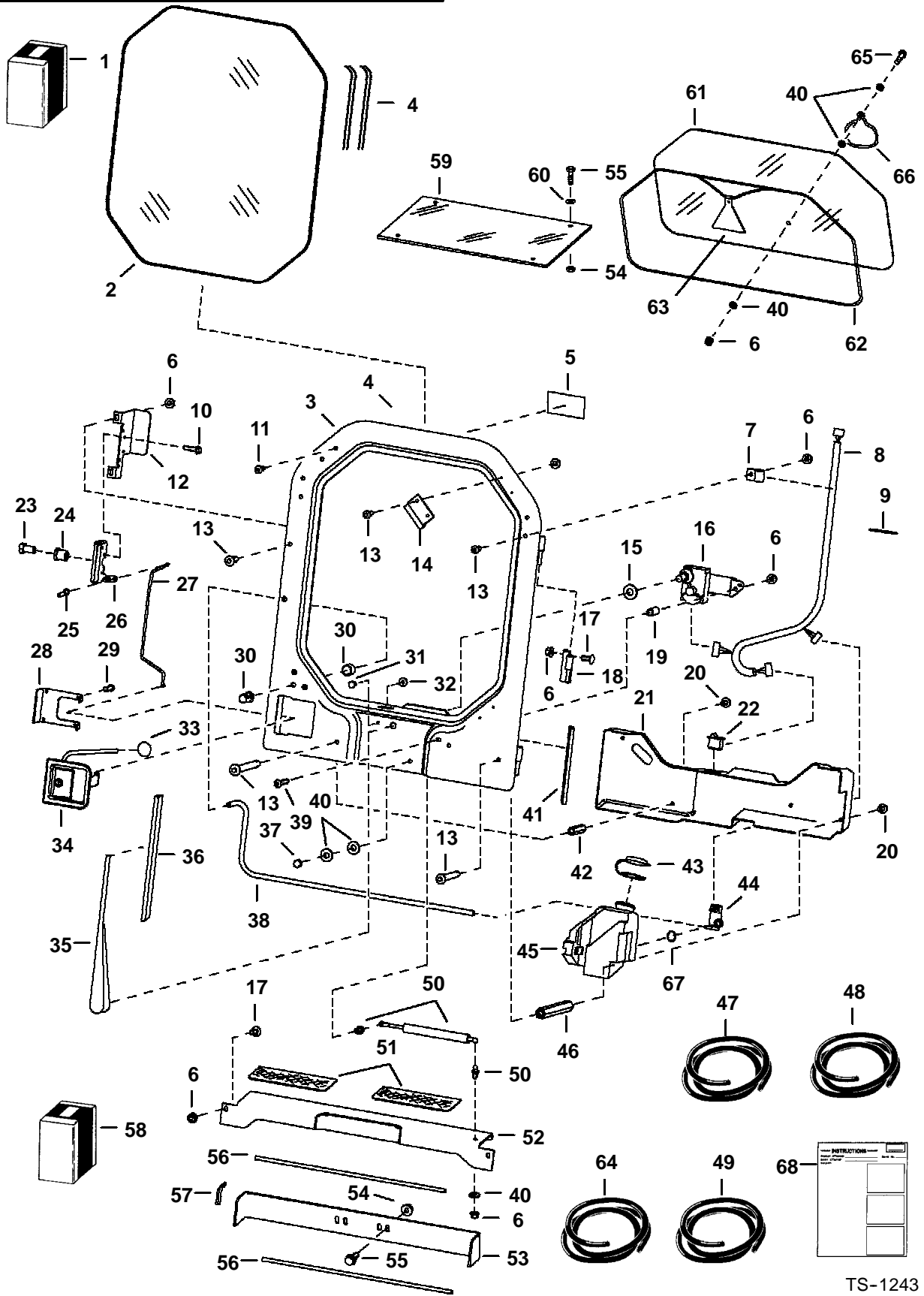
**CAB DOOR (Cont'd)  
(L.H. Hinged)**

Ref. No.	Part Number	Description	Remarks	Serial Number	Qty.
39	6676003	HOSE	bulk - Sold Per Foot		x
40	45G-1008	BOLT			4
41	5289686	PLUG	black		11
42	1CM-616	BOLT			1
43	43DM-6	NUT			1
44	83D-6	NUT			2
45	6512274	CLIP			1
46	NAP	SEAL	28"(711 mm)long-Order Ref. 36		2
47	NAP	SEAL	5"(127 mm)long -Order Ref. 36		2
48	6610510	NYLON TIE			1
49	46D-5	NUT			1
50	25E-16	WASHER			3
51	6630797	GAS SPRING			1
	6632221	STUD	ball		2
	2756257	RETAINER	spring		2
52	6679816	ARM	wiper		1
53	6679815	BLADE	wiper		1
54	6703751	RETAINER			1
55	6708500	CLAMP	for special applications door		4
56	6564833	SAFETY TREAD			1
57	27E-10	WASHER			1
58	6708225	HARNESS	not in kit - for non BICS loaders only		1
59	6708975	KIT	shields - Ref. 5, 7, 9, 30, 31, 44, 46, 47, 56 & 60		1
60	6724029	INSTRUCTIONS			1
61	6709527	KEY			1
62	6666766	GROMMET			1
63	6677842	NUT			1
64	6678326	RAIN SHIELD			1
65	6677839	GASKET			1
66	6677840	SWIVEL			1
67	6677843	NUT			1
68	6677844	NUT			2
69	6678198	BOLT			1
70	6664085	BUSHING			1
71	6677841	WASHER			1

# CAB ENCLOSURE (L.H. Hinged)

**NOTE:** Order Special Application Kit from Gwinner Sales # 6708703. Order Cab Enclosure Kit from Gwinner Sales # 6708702.

**NOTE:** Wiper is not included in Special Application Door. Wiper may scratch Special Application Window.



TS-1243

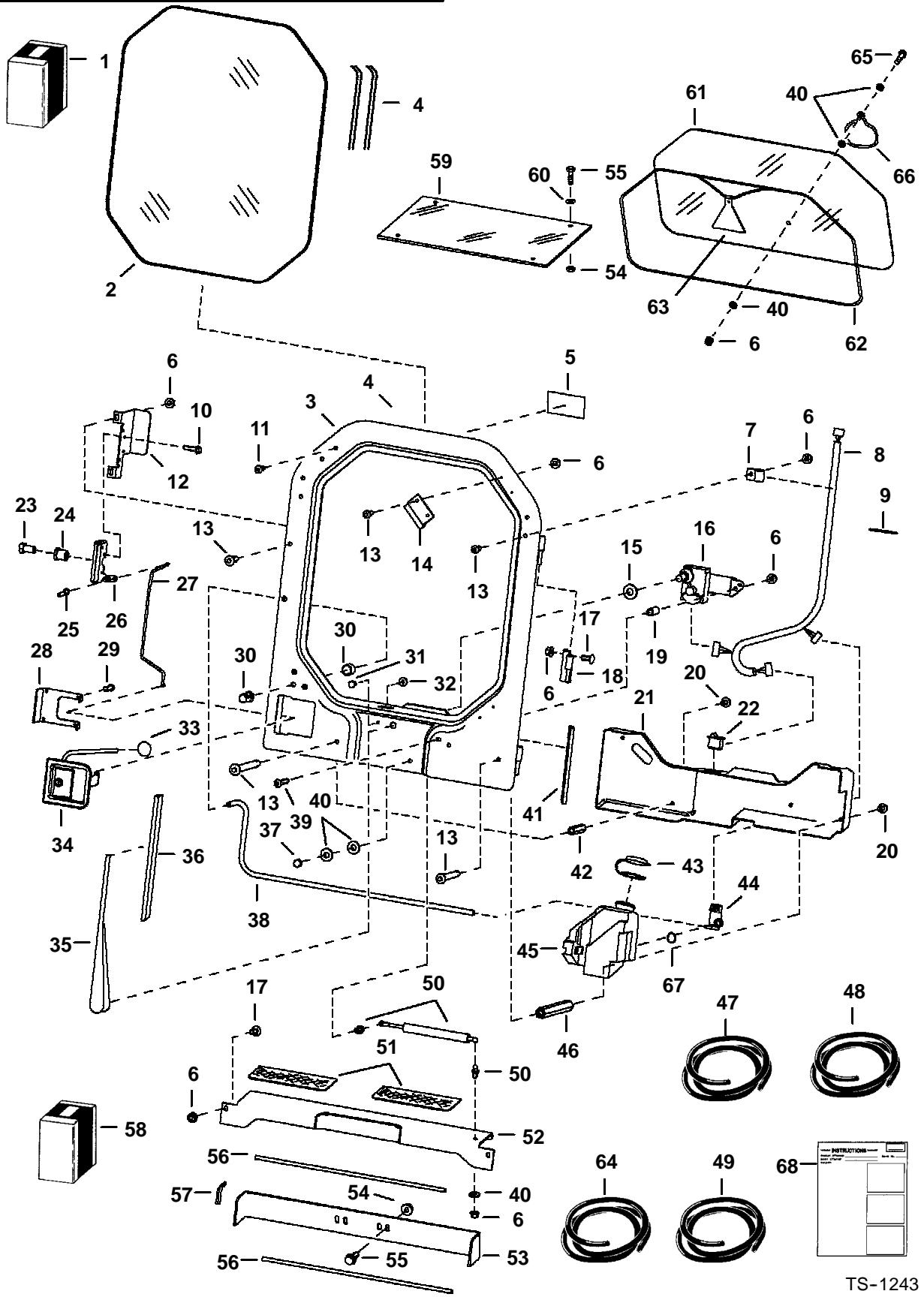
**CAB ENCLOSURE (Cont'd)**  
**(L.H. Hinged)**

Ref. No.	Part Number	Description	Remarks	Serial Number	Qty.
1	SALES	KIT	cab enclosure - Ref. 2 - 68 - SEE NOTE		1
	SALES	KIT	cab enclosure - Special		
2	6707225	WINDOW	Applications - Does not include wiper - SEE NOTE .25" thick - safety glass - for		1
	6708499	WINDOW	standard door .5" thick - plexiglass - for special applications door		1
3	6707220	DOOR			1
4	NAP	SEAL	91"(2311 mm) long - Order Ref. 47 - for standard door		1
	NAP	CORD	91"(2311 mm) long - Order Ref. 47 - for standard door		1
5	6707852	DECAL			1
6	83D-5	NUT	for standard door		10
	83D-5	NUT	for special applications door		15
7	30H-37	CLAMP			1
8	6708269	HARNESS			1
9	6610510	TIE			1
10	35C-416	BOLT			4
11	5289686	PLUG	black		11
12	6707222	MOUNT	latch		1
13	25G-512	BOLT	for standard door		7
	25G-512	BOLT	for special applications door		14
14	6708500	CLAMP	for special applications door		4
15	27E-10	WASHER			1
16	6679814	MOTOR	wiper		1
17	10C-512	BOLT			6
18	6707216	HINGE			2
19	6708096	BUSHING			1
20	35C-510	BOLT			4
21	6707179	SHIELD			1
22	6665707	SWITCH			1
23	17C-712	BOLT			1
24	6568047	NUT	bushing		1
25	6512274	CLIP			1
26	6665531	LATCH			1
27	6707221	ROD	latch release		1
28	6703751	RETAINER			1
29	45G-1008	BOLT			4
30	6664555	NOZZLE	washer		1
31	1CM-616	BOLT			1
32	43DM-6	NUT			1
33	6647635	KNOB			1
34	6665530	LATCH	W/ Key & Ref. 33		1
	6632560	KEY			1
35	6679816	ARM	wiper		1
36	6679815	BLADE	wiper		1
37	46D-5	NUT			1
38	NAP	HOSE	26"(660,4 mm)long - Order Ref. 48		1

# CAB ENCLOSURE (Cont'd) (L.H. Hinged)

**NOTE:** Order Special Application Kit from Gwinner Sales # 6708703. Order Cab Enclosure Kit from Gwinner Sales # 6708702.

**NOTE:** Wiper is not included in Special Application Door. Wiper may scratch Special Application Window.

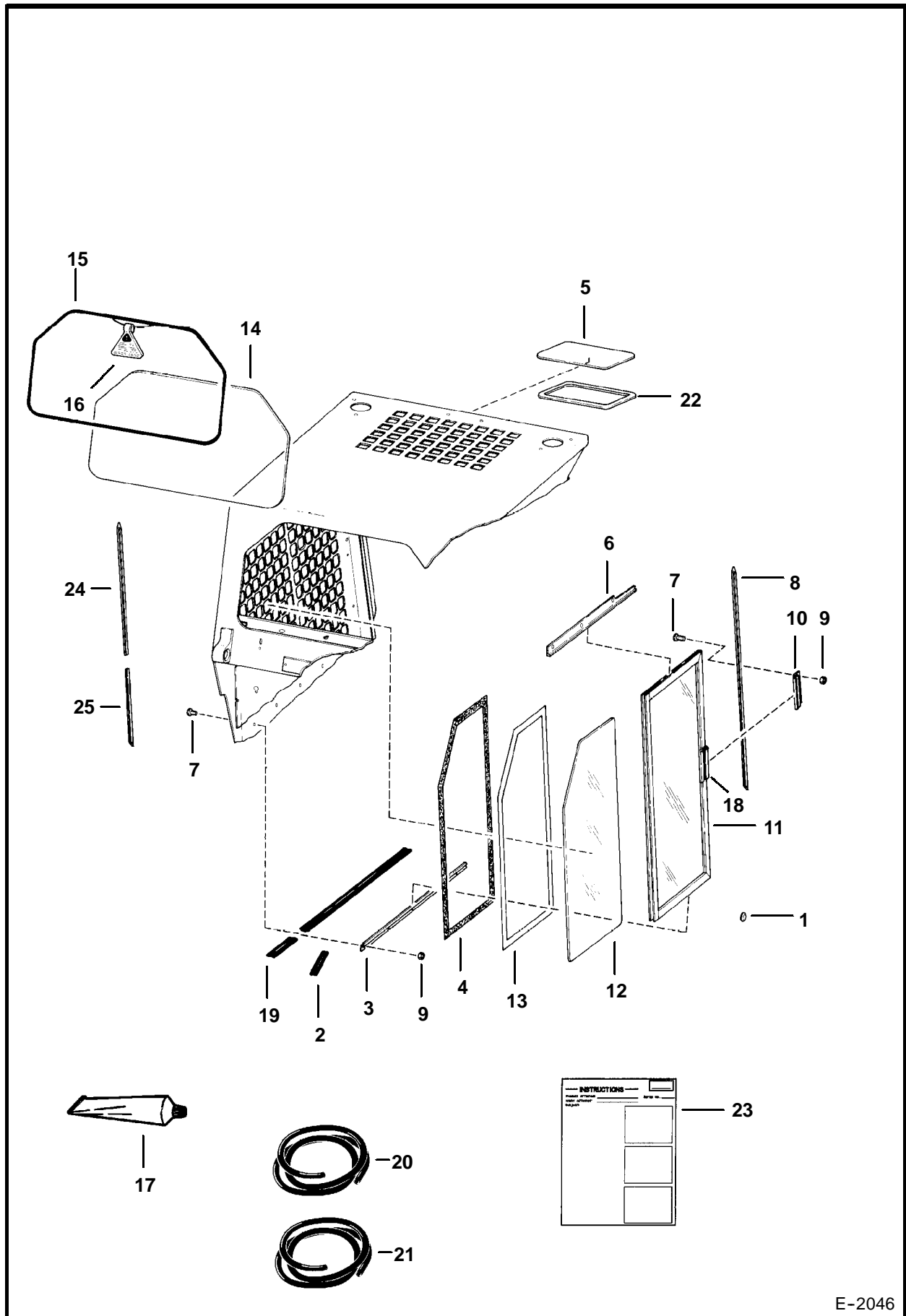


TS-1243

**CAB ENCLOSURE (Cont'd)  
(L.H. Hinged)**

Ref. No.	Part Number	Description	Remarks	Serial Number	Qty.
39	25G-528	BOLT			1
40	25E-16	WASHER			3
41	NAP	SEAL	137"(3480mm)long - Order Ref. 49		1
42	6707224	COUPLING			2
43	6665605	CAP			1
44	6664554	PUMP	wiper washer		1
45	6707178	TANK			1
46	6707223	COUPLING			2
47	6665568	SEAL	bulk - Sold Per Foot		x
	6554149	CORD	bulk - Sold Per Foot		x
48	6676003	HOSE	bulk - Sold Per Foot - 5/32" I.D.		x
49	6513152	SEAL	bulk - Sold Per Foot		x
50	6630797	GAS SPRING			1
	6632221	STUD	ball		2
	2756257	RETAINER	spring		2
51	6703757	SAFETY TREAD			2
52	6707239	SHIELD			1
53	6707236	SHIELD			1
54	83D-6	NUT			2
55	35C-616	BOLT			2
56	NAP	SEAL	28"(711 mm)long-Order Ref. 49		2
57	NAP	SEAL	5"(127 mm)long -Order Ref. 49		1
58	6708975	KIT	shield - Ref. 6, 17, 51 - 57 & 59		1
59	6705216	WINDOW	top		1
60	25E-18	WASHER			4
61	6579325	WINDOW	rear - .25" thick poly carbonate		1
62	NAP	EXTRUSION	100"(2540 mm) long - Order Ref.		
	NAP	CORD	64 100"(2540 mm) long - Order Ref. 64		1
					1
63	6559515	EXIT TAG			1
64	6658352	EXTRUSION	bulk - Sold Per Foot		x
	6554149	CORD	bulk - Sold Per Foot		x
65	35C-516	BOLT			1
66	6555331	BOLT			1
67	6666766	GROMMET			1
68	6724029	INSTRUCTIONS			1

# CAB WINDOWS

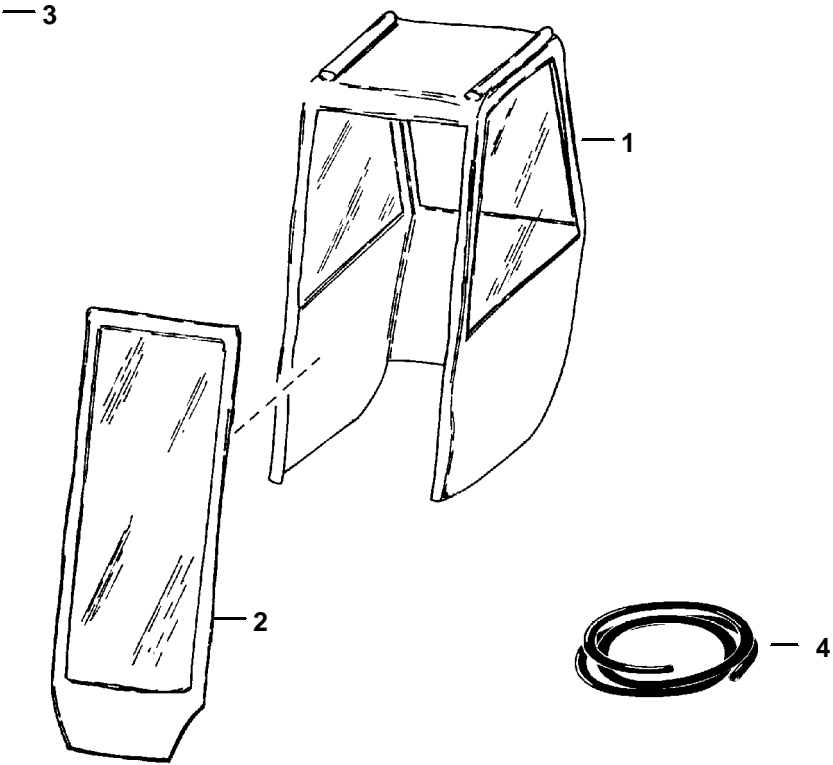


E-2046

### CAB WINDOWS (Cont'd)

Ref. No.	Part Number	Description	Remarks	Serial Number	Qty.
1	6632265	PLUG	button		2
2	6513152	SEAL	bulk - Sold Per Foot		x
3	6661689	TRACK	L.H.		1
	6661690	TRACK	R.H.		1
4	6631549	HOOK	scotchmate		2
5	6705735	WINDOW	use with ref. 22		1
6	6703160	TRACK	L.H.		1
	6703159	TRACK	R.H.		1
7	35C-410	BOLT			26
8	6630919	TRACK	R.H.		1
9	83D-4	NUT			26
10	6630924	BRACKET			2
11	6658143	WINDOW	L.H.		1
	6658142	WINDOW	R.H.		1
12	6702731	WINDOW			2
13	6631548	LOOP	scotchmate		2
14	6729730	WINDOW	rear - .25"(6.35mm) thick safety glass		1
15	NAP	EXTRUSION	81.5"(2070 mm)long-Order Ref. 21		x
	NAP	CORD	81.5"(2070 mm)long-Order Ref. 21		x
16	6559515	EXIT TAG			1
17	6555350	ADHESIVE	rubber - Use W/Ref. 5		x
18	6659949	LATCH			2
19	NAP	SEAL	24.5"(622mm)long-Order Ref. 21		x
20	6555351	SEAL	bulk - Sold Per Foot		x
21	6675387	SEAL	bulk - Sold Per Foot		x
	6554149	CORD	bulk - Sold Per Foot		x
22	6664351	SEAL	Used W/Cab Headliner		1
	6665012	SEAL	Used W/O Cab Headliner		1
23	6566957	INSTRUCTIONS	Side Windows		1
	6720320	INSTRUCTIONS	Rear Window		1
	6720598	INSTRUCTIONS	Top Window		1
24	6706744	TRACK	L.H. - Top Half		1
25	6706745	TRACK	L.H. - Bottom Half		1

CAB ENCLOSURE  
(Vinyl)

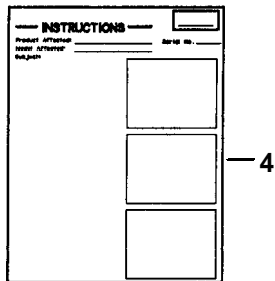
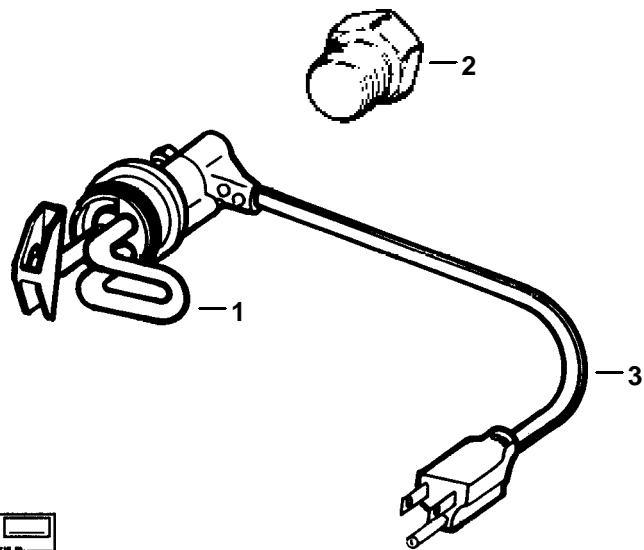


B-17145





# BLOCK HEATER (Engine)

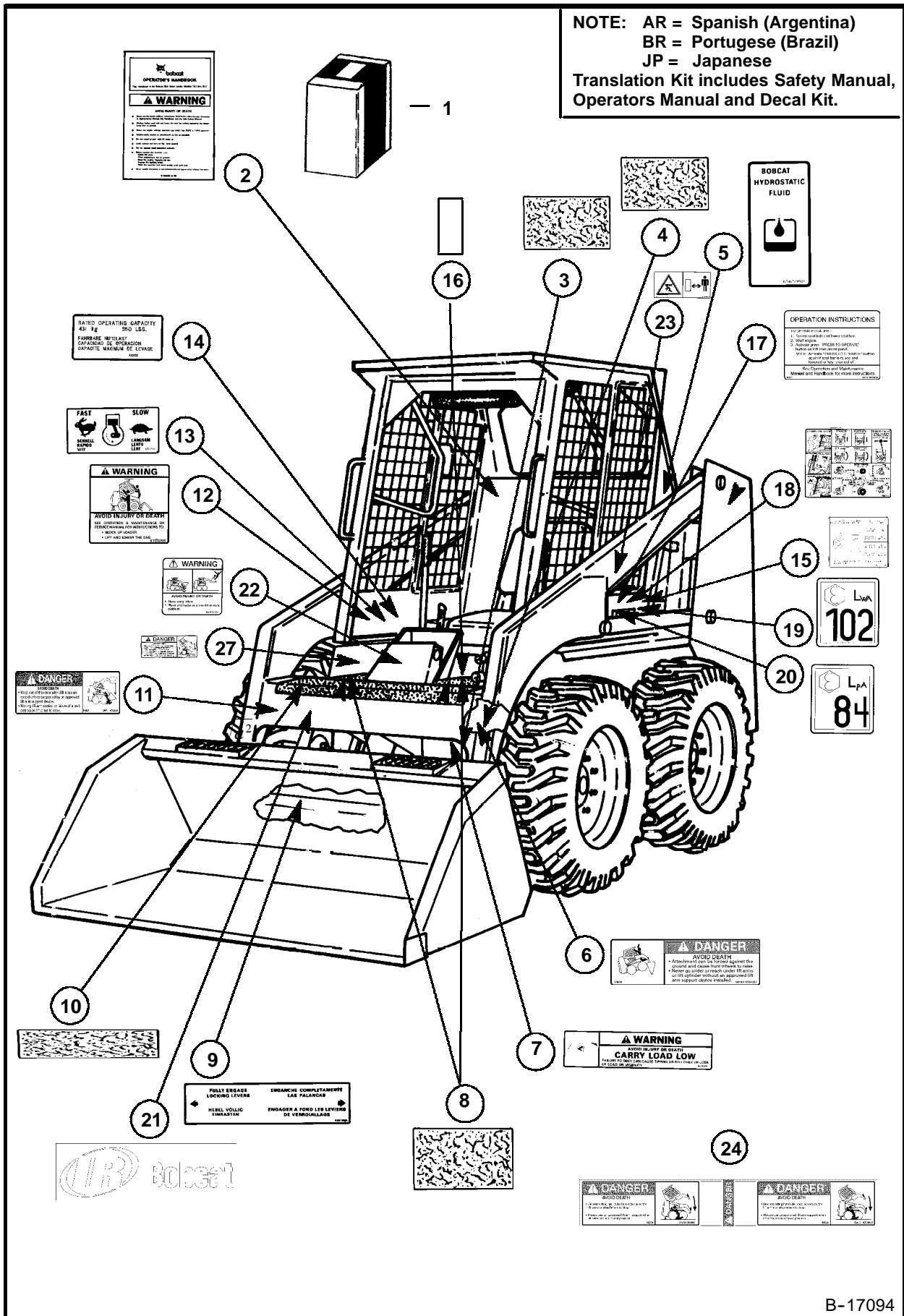


B-17120



# DECALS

**NOTE:** AR = Spanish (Argentina)  
 BR = Portuguese (Brazil)  
 JP = Japanese  
 Translation Kit includes Safety Manual, Operators Manual and Decal Kit.

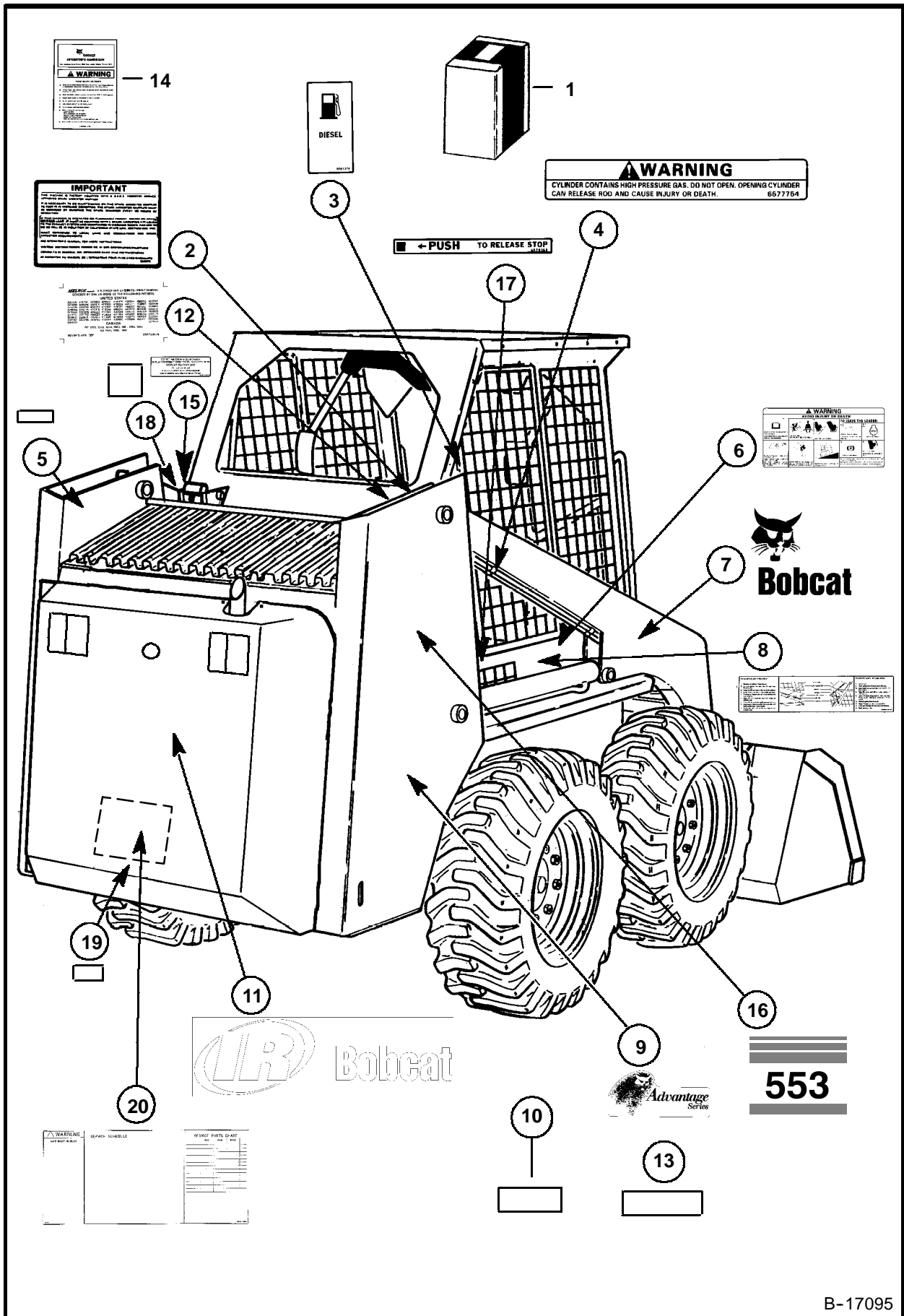


B-17094

## DECALS (Cont'd)

Ref. No.	Part Number	Description	Remarks	Serial Number	Qty.
1	6900508	KIT	decal - Was 6716165 [D]		1
	6716165AR	KIT	decal - see note		1
	6716165BR	KIT	decal - see note		1
	6716165JP	KIT	decal - see note		1
	6716167AR	KIT	translation - see note		1
	6716167BR	KIT	translation - see note		1
2	6708375	KIT	handbook - W/Wire Rope		1
	6558309	WIRE ROPE	33"(838,2 mm) long - Bulk -Sold Per Foot-Also Order (2) 6558310		x
	6558310	SLEEVE			2
3	6710746	SAFETY TREAD	1.25"(32 mm) x 15"(381 mm)		2
4	6554100	SAFETY TREAD	6"(152 mm) x 6"(152 mm)		2
5	6565990	DECAL	hydraulic fluid		1
6	6702301	DECAL	danger		1
7	6579528	DECAL	carry load low		1
8	6577949	SAFETY TREAD	6.8"(172,7 mm)x 8.75"(222,3 mm)		2
9	6561383	DECAL	Bob-Tach		1
10	6728622	SAFETY TREAD	15"(381 mm) x 5.00"(127 mm)		2
11	6702302	DECAL	danger		1
12	6702255	DECAL	warning		1
13	6557565	DECAL	throttle		1
14	6715465	DECAL	capacity		1
15	6708105	DECAL	pre-heat		1
16	6706809	DECAL	instruction/boom unlock		1
17	6718703	DECAL	operation		1
18	6731571	DECAL	operating		1
19	6579402	DECAL	noise warning - 102 decibel		1
20	6579384	DECAL	noise warning - 84 decibel		1
21	6727310	DECAL	Ingersoll Rand		1
22	6710358	DECAL	warning		1
23	6713507	DECAL	stay clear - European - not in kit		2
24	6809511	DECAL	Danger		2
25	6716165	DECAL KIT	Spanish		1
26	6716167	DECAL KIT	Translation		1
27	6717343	DECAL	danger		2

# DECALS

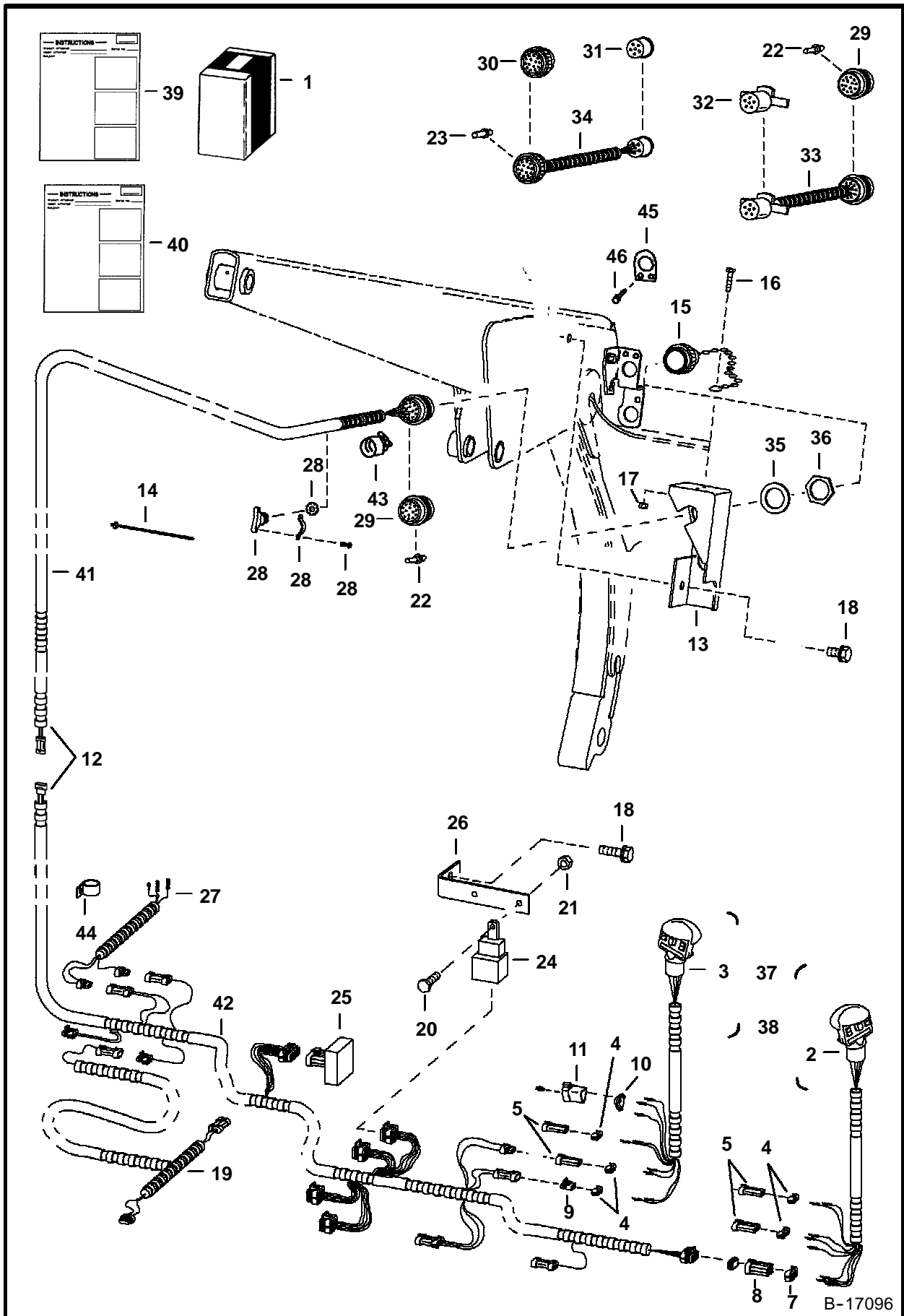


B-17095

**DECALS (Cont'd)**

Ref. No.	Part Number	Description	Remarks	Serial Number	Qty.
1	6900508	KIT	decal		1
2	6560573	DECAL	spark arrestor		1
3	6589739	DECAL	diesel fuel		1
4	6577754	DECAL	gas spring warning		2
5	6714858	DECAL	F-Series		1
6	6579510	DECAL	warning		1
7	6727309	DECAL	Bobcat R.H.		1
	6727308	DECAL	Bobcat L.H.		1
8	6706558	DECAL	boom stop		1
9	6718270	DECAL	Bobcat advantage - R.H. - not in kit		1
10	6707787	DECAL	relay		1
11	6727311	DECAL	logo - IR Bobcat		1
12	6557224	DECAL	patent		1
13	6565200	DECAL	filter		2
14	6556500	SAFETY MANUAL			1
15	6708929	DECAL	propylene glycol anti-freeze		1
16	6733120	DECAL	model no. - used on both sides		2
17	6578368	DECAL	stop		1
18	6714364	DECAL	fuse		1
19	6707867	DECAL	tow hook		3
20	6718398	DECAL	Warning/Serv. sched.		1

# ELECTRICAL CONTROLS KIT (Attachments)



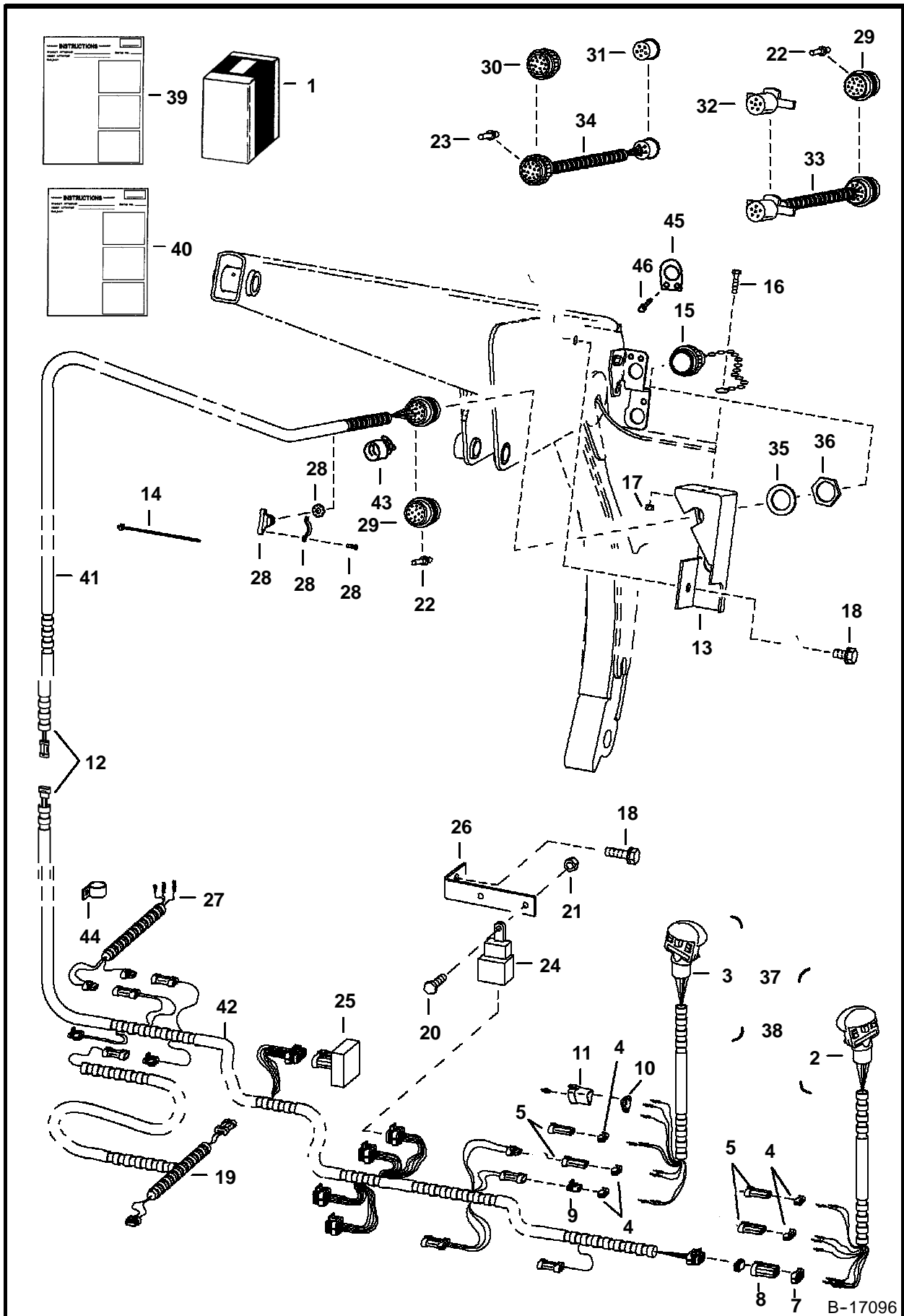
B-17096



**ELECTRICAL CONTROLS KIT (Cont'd)**  
**(Attachments)**

Ref. No.	Part Number	Description	Remarks	Serial Number	Qty.
1	SALES	KIT	controls - W/handles - Ref. 2-29		1
2	6706340	HANDLE ASSY.	SALES #6706824 R.H. - Also Order Ref. 4, 5, 7 & 8		1
3	6640690	PIN			9
	6641176	SEAL			9
	6707976	HANDLE ASSY.	L.H. - Also Order Ref. 4, 5 & 9-11		1
	6640690	PIN			5
	6640691	PIN			2
	6641176	SEAL			7
4	6662257	PIN			3
	6677370	DECAL			1
	6641180	LOCK	2 - pin		2
5	6640700	LOCK	3 - pin		2
	6641179	CONNECTOR	2 - pin		2
	6640699	CONNECTOR	3 - pin		2
6	6649683	SEAL	For use W/2 - pin connector		2
	6659553	SEAL	For use W/3 - pin connector		2
7	6641181	LOCK	6 - pin		1
8	6641173	CONNECTOR	6 - pin		1
9	6641178	CONNECTOR	2 - pin		1
10	6664800	LOCK	3 - pin triangle		1
11	6664599	CONNECTOR	3 - pin triangle		1
12	NAP	HARNESS	one piece - Order Ref. 41 & 42, 6711621 Mount & (4) of 6665005		1
13	6706753	MOUNT	Used W/Ref. 12		1
14	6711621	MOUNT	Used W/Ref. 41		1
	6624289	NYLON TIE			10
15	6664035	CAP			1
16	45G-508	BOLT			1
17	50D-5	NUT			1
18	84G-3712	BOLT			1
19	6706552	HARNESS	for grader & stump grinder		1
20	45G-1212	BOLT			2
21	50D-12	NUT			2
22	6664040	PIN	male		x
23	6664041	SOCKET	female		x
24	6651975	SOLENOID	relay - Used W/Ref. 12		4
	6670312	SOLENOID	relay - Used W/Ref. 41		4
25	6664388	DIODE	memory		1
26	6702650	BRACKET			1
27	6706446	HARNESS	not used on BICS loaders		1
28	6649028	CLAMP			1
29	6667569	CONNECTOR	Also Order (14) of Ref. 22 - W/Ref. 43		1
30	6665001	CONNECTOR	Also Order (6) of Ref. 23 - Not		
31	6664181	CONNECTOR	in Kits - W/Ref. 43		1
	6664182	CONNECTOR	trailer style - Not in Kits		1
32	6664181	CONNECTOR	trailer style - Not in Kits		1
	6664182	CONNECTOR	trailer style - Not in Kits		1
33	6706392	HARNESS	connects old loader harness to new attachment harness - W/Ref. 29 & 32 - Not in Kits		1

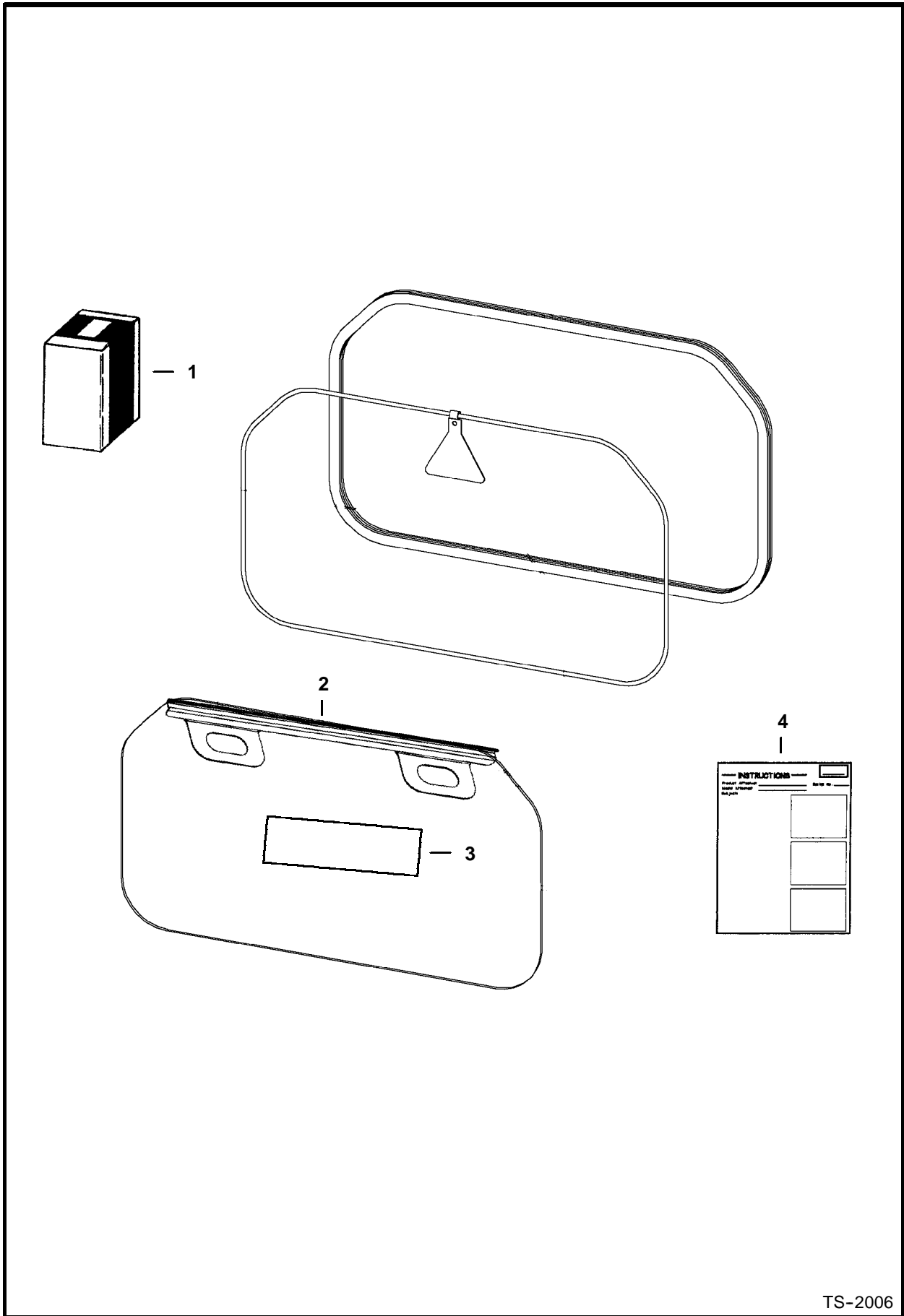
# ELECTRICAL CONTROLS KIT (Cont'd) (Attachments)



B-17096



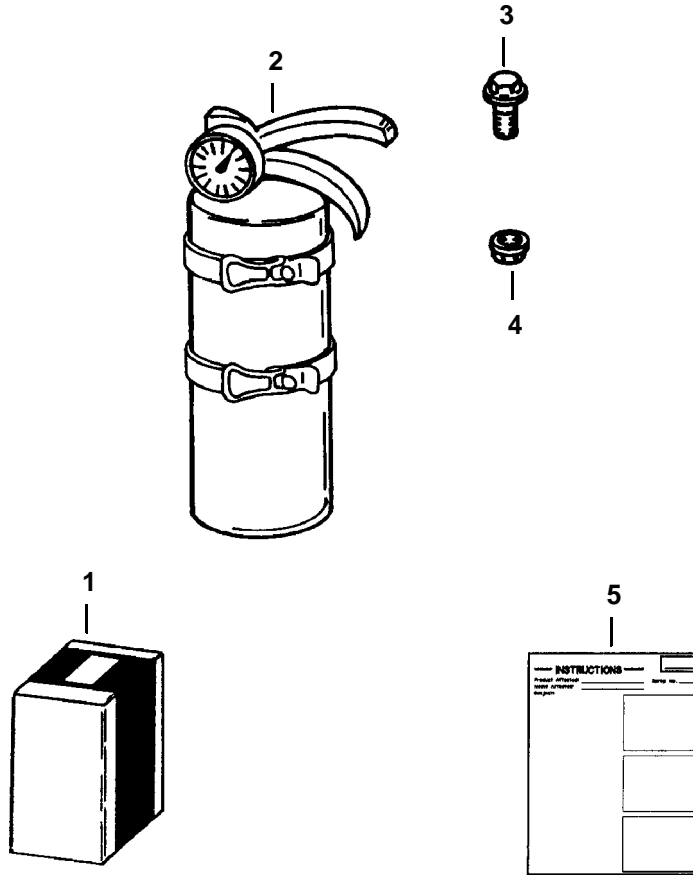
# CAB WINDOWS (Rear Window Removal Kit)



TS-2006



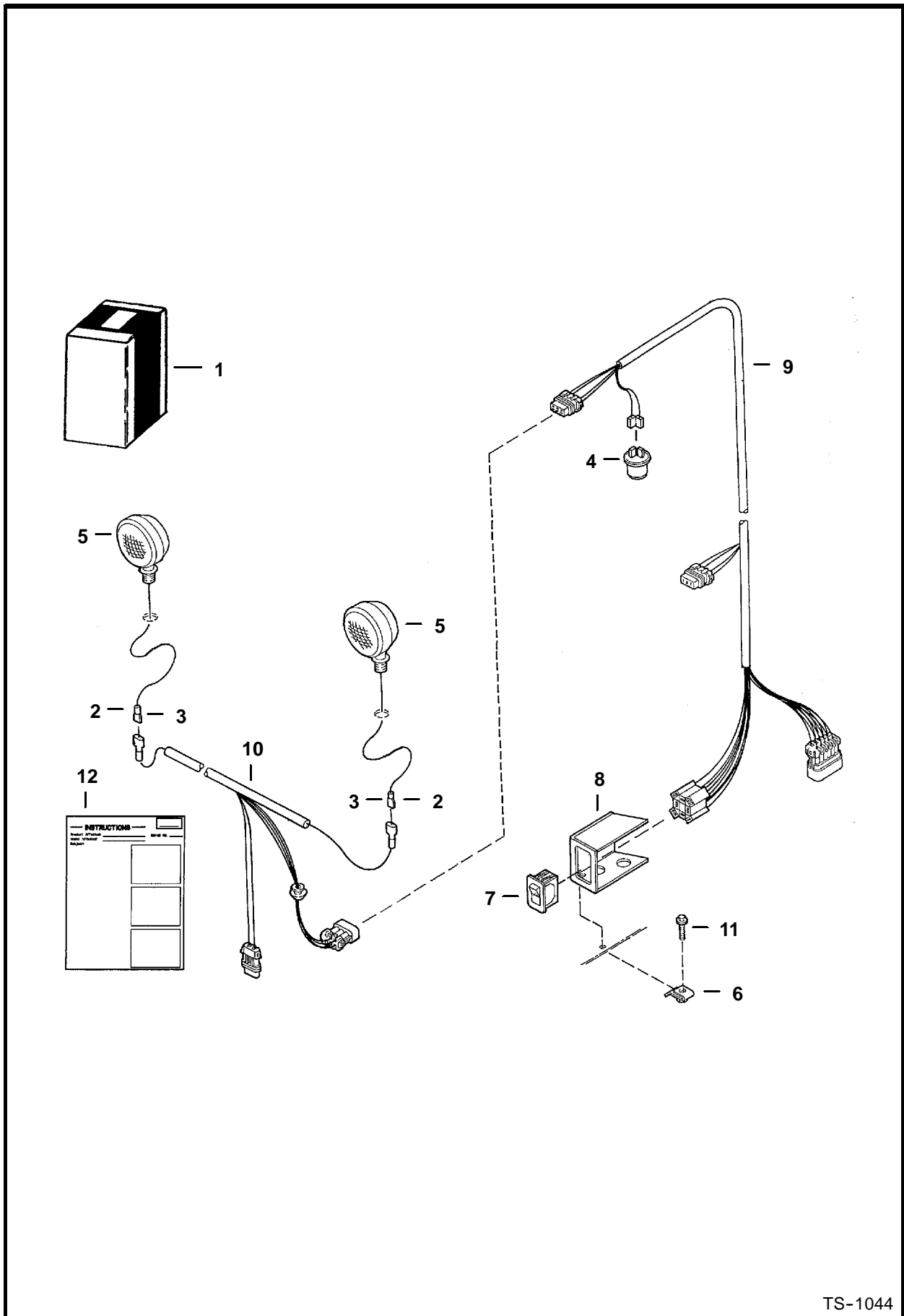
# FIRE EXTINGUISHER



B-17119



# FLASHER LIGHTS

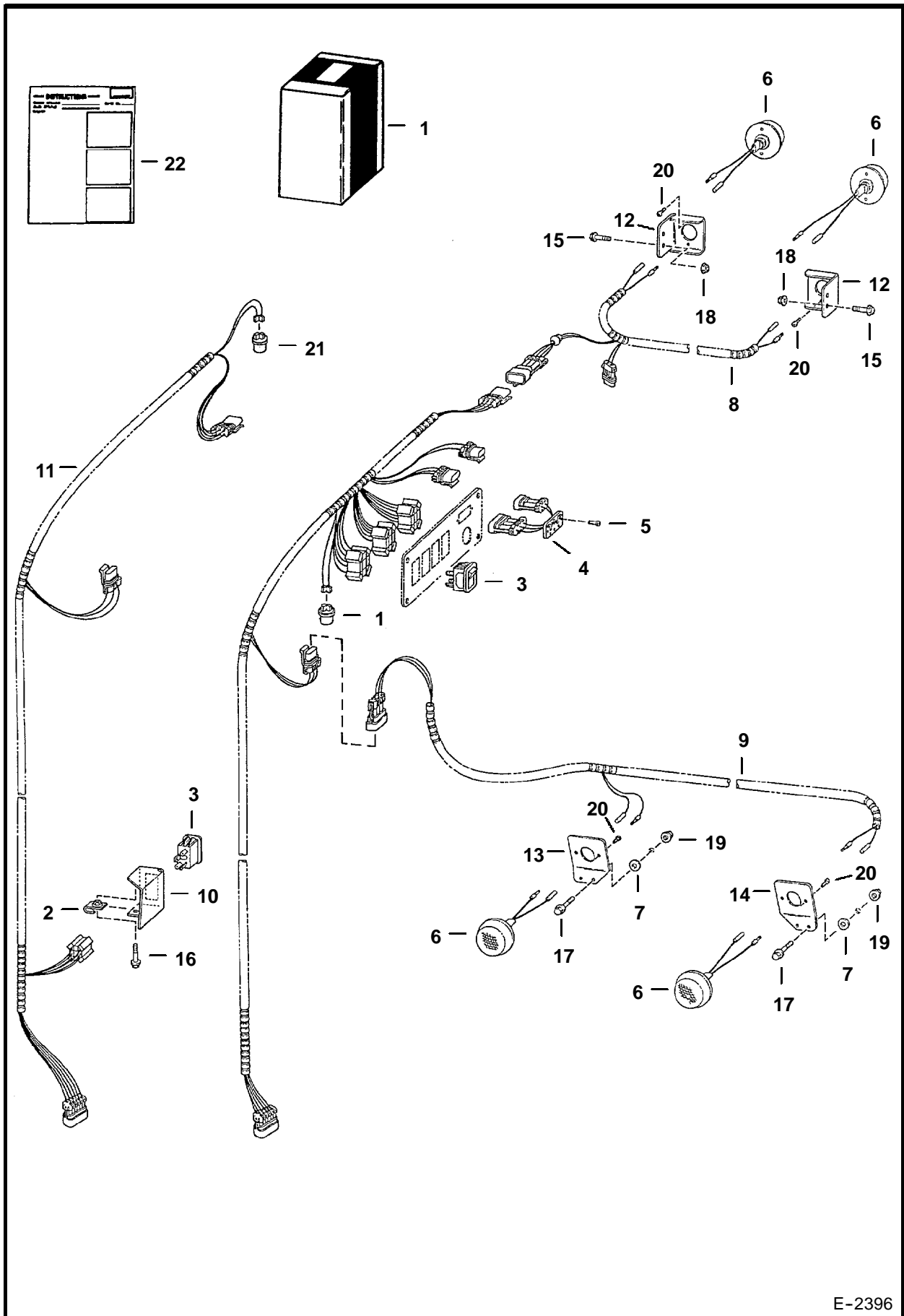


TS-1044





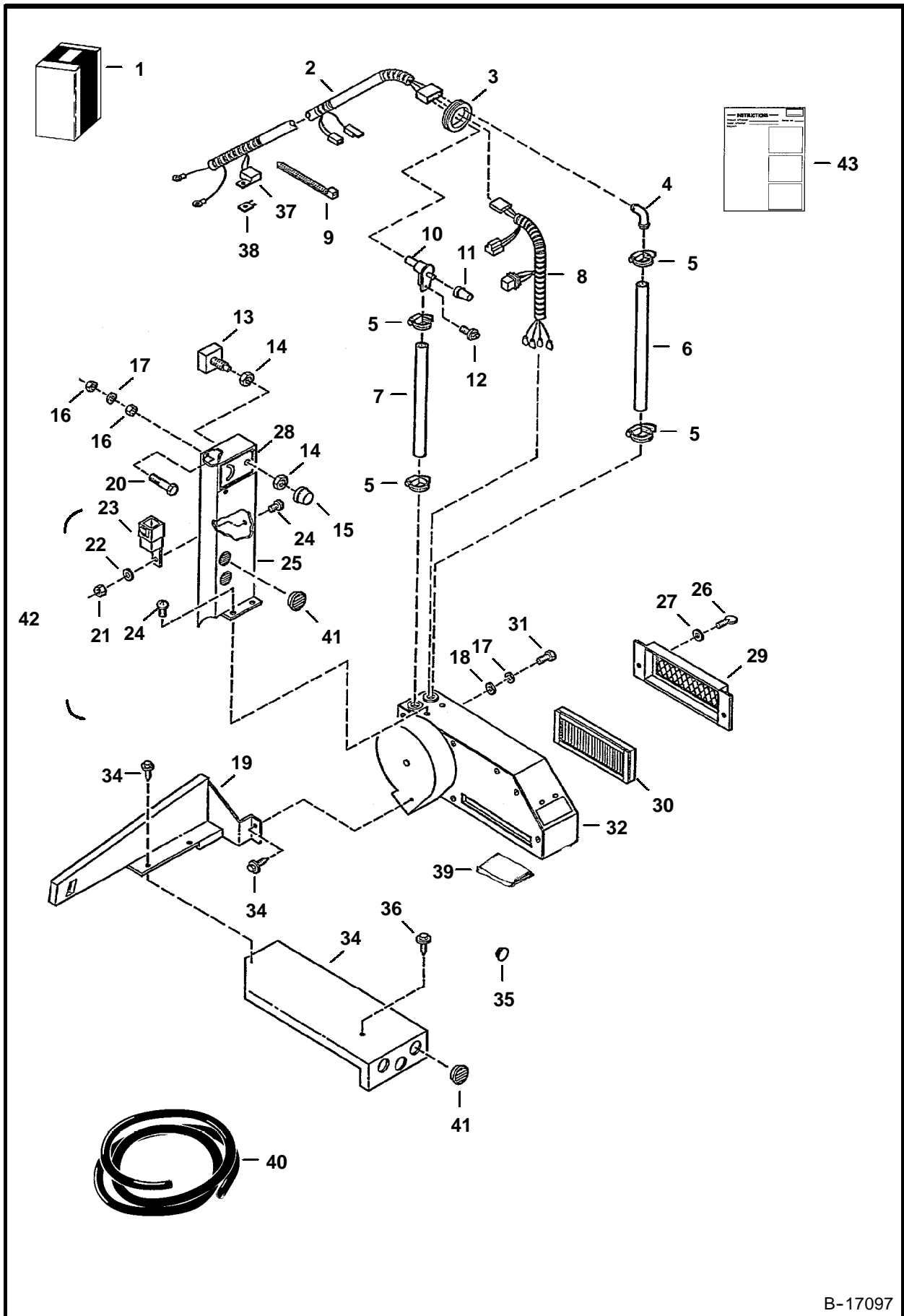
# 4-WAY FLASHER LIGHT KIT



E-2396



# HEATER KIT (Fresh Air)

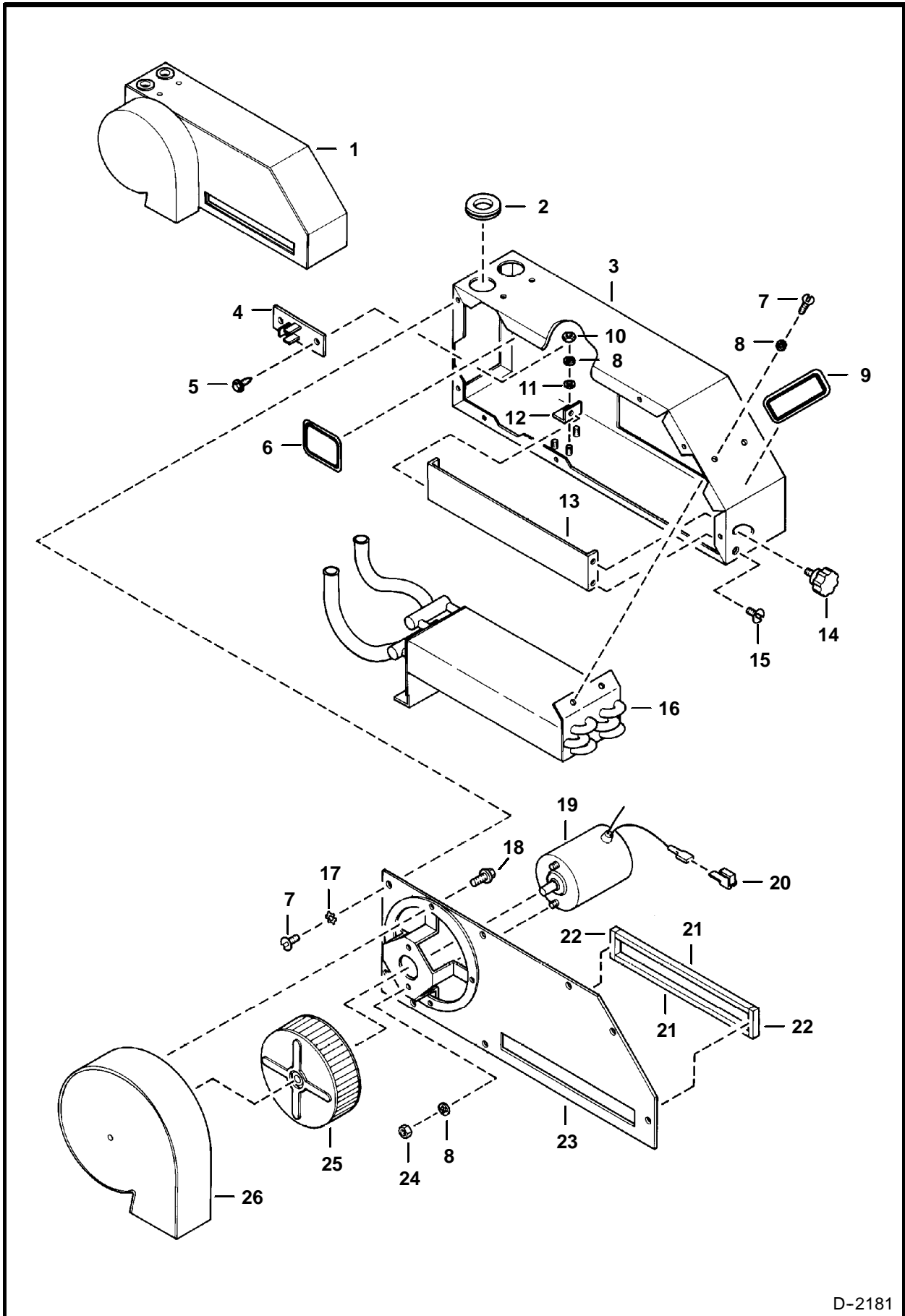


B-17097

**HEATER KIT (Cont'd)  
(Fresh Air)**

Ref. No.	Part Number	Description	Remarks	Serial Number	Qty.
1	6713379	KIT	Ref. 2 - 43 - for heater plumbing kit, see page 191		1
2	6660894	HARNESS	W/Ref. 37 & 38		1
3	6512067	GROMMET			1
4	6660879	ELBOW			1
5	42H-10	CLAMP	worm gear		4
	5HM-24		constant tension		4
6	NAP	HOSE	17"(431,8 mm) long -Order Ref. 40		1
7	NAP	HOSE	19"(482,6 mm) long -Order Ref. 40		1
8	6660892	HARNESS			1
9	6660883	TIE			6
10	6654191	VALVE			1
11	6660881	KNOB	water valve		1
12	6660884	SCREW			1
13	6660659	SWITCH	fan		1
14	6624435	NUT			2
15	6660822	KNOB			1
16	6670142	NUT			2
17	4E-4	WASHER			5
18	25E-14	WASHER			5
19	6669650	VENT	side		1
20	6670144	BOLT			2
21	6641065	NUT			1
22	6641072	WASHER			1
23	6651975	SWITCH	relay		1
24	6641066	SCREW			2
25	6850026	COVER	Also Order (2) Ref. 41		1
26	6660930	THUMBSCREW			2
27	25E-10	WASHER			2
28	6660865	DECAL	fan & valve		1
29	6674151	COVER			1
30	6660880	FILTER			1
31	17C-412	BOLT			3
32		HEATER	See Page 189		1
33	6705792	SCREW			3
34	6669652	DUCT	under seat-Also Order (3) Ref. 41		1
35	6657719	PLUG			1
36	84G-3120	BOLT			1
37	6657306	CAP	fuse		1
38	6702444	FUSE	25 amp		1
39	NAP	MOULDING			1
40	889269	HOSE	bulk - Sold Per Foot		x
41	6660885	LOUVER			5
42	6660890	COVER ASSY.	Ref. 21-23, 25 & 28		1
43	6724384	INSTRUCTIONS			1

# HEATER (Fresh Air)

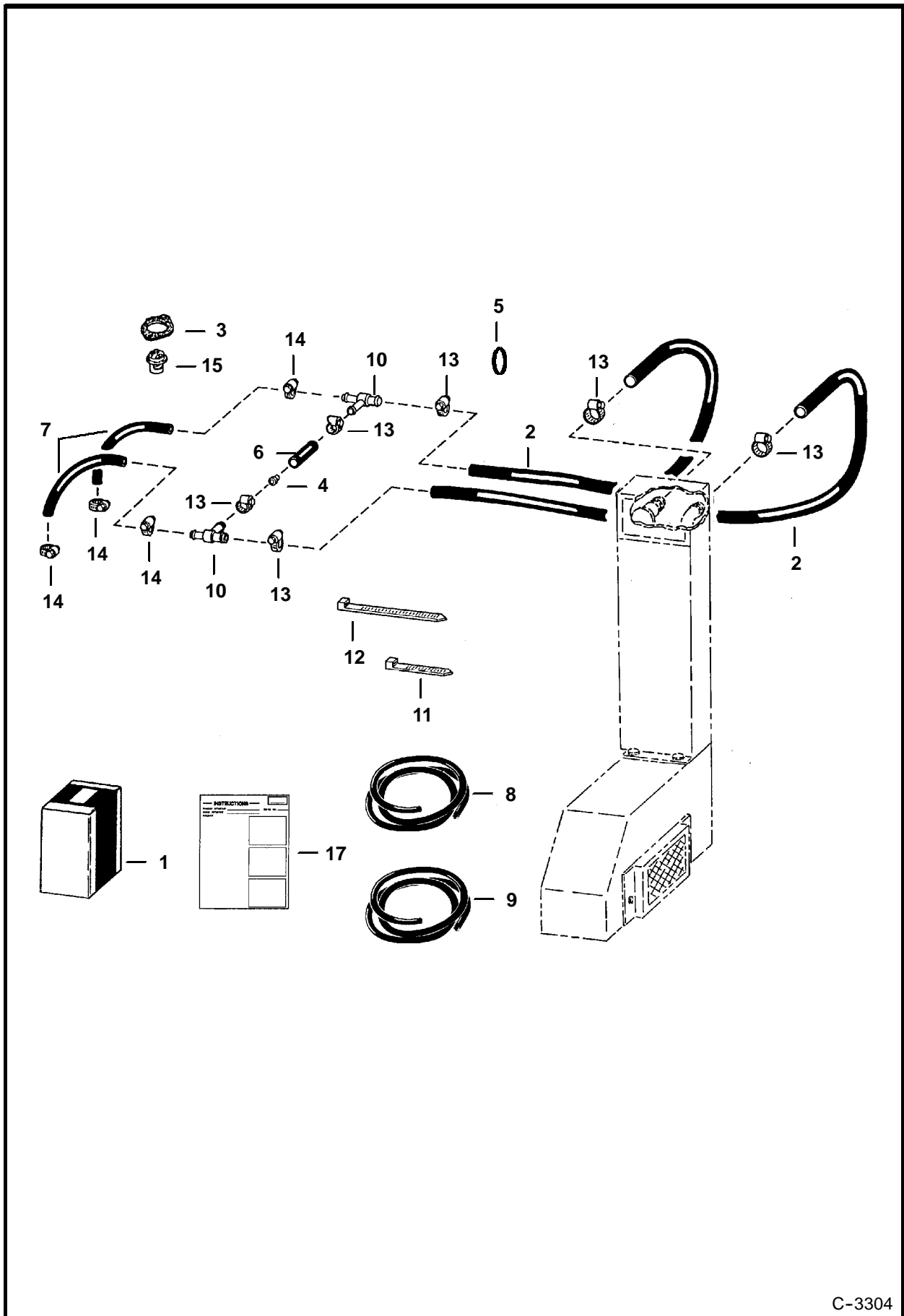


D-2181

**HEATER (Cont'd)  
(Fresh Air)**

Ref. No.	Part Number	Description	Remarks	Serial Number	Qty.
1	6669689	HEATER	Ref. 2 - 26 - W/rear hole in blower wheel housing & 2.5" (63,5 mm) thick heater core		1
2	6641056	GROMMET			2
3	6660874	HOUSING	heater		1
	6664806	HOUSING	heater - 18.3"(464,8 mm)long		1
4	6632584	RESISTOR			1
5	6705792	SCREW			3
6	6660656	DECAL	wiring schematic		1
7	6641066	SCREW			10
8	6641072	WASHER			7
9	6660868	DECAL	recirculation		1
10	6641065	NUT			3
11	25E-10	WASHER			3
12	6660873	BRACKET	door		1
13	6660872	DOOR			1
	6664808	DOOR	10.5"(266,7 mm) long		1
14	6660869	KNOB			1
15	6648470	SCREW			1
16	6670140	CORE	2.5"(63,5 mm) thick		1
17	12E-10	WASHER			8
18	6641062	SCREW			4
19	6660876	MOTOR			1
20	6660654	CONNECTOR			1
21	6660877	MOULDING			1
22	6660878	MOULDING			1
23	6667567	COVER	18.4"(467,4 mm) long - 1.125" (28,6 mm) wide		1
24	6641073	NUT			2
25	6667565	BLOWER	1.50"(38,1 mm)wide		1
26	6850027	HOUSING	blower - W/rear hole		1

# HEATER PLUMBING KIT (Fresh Air)

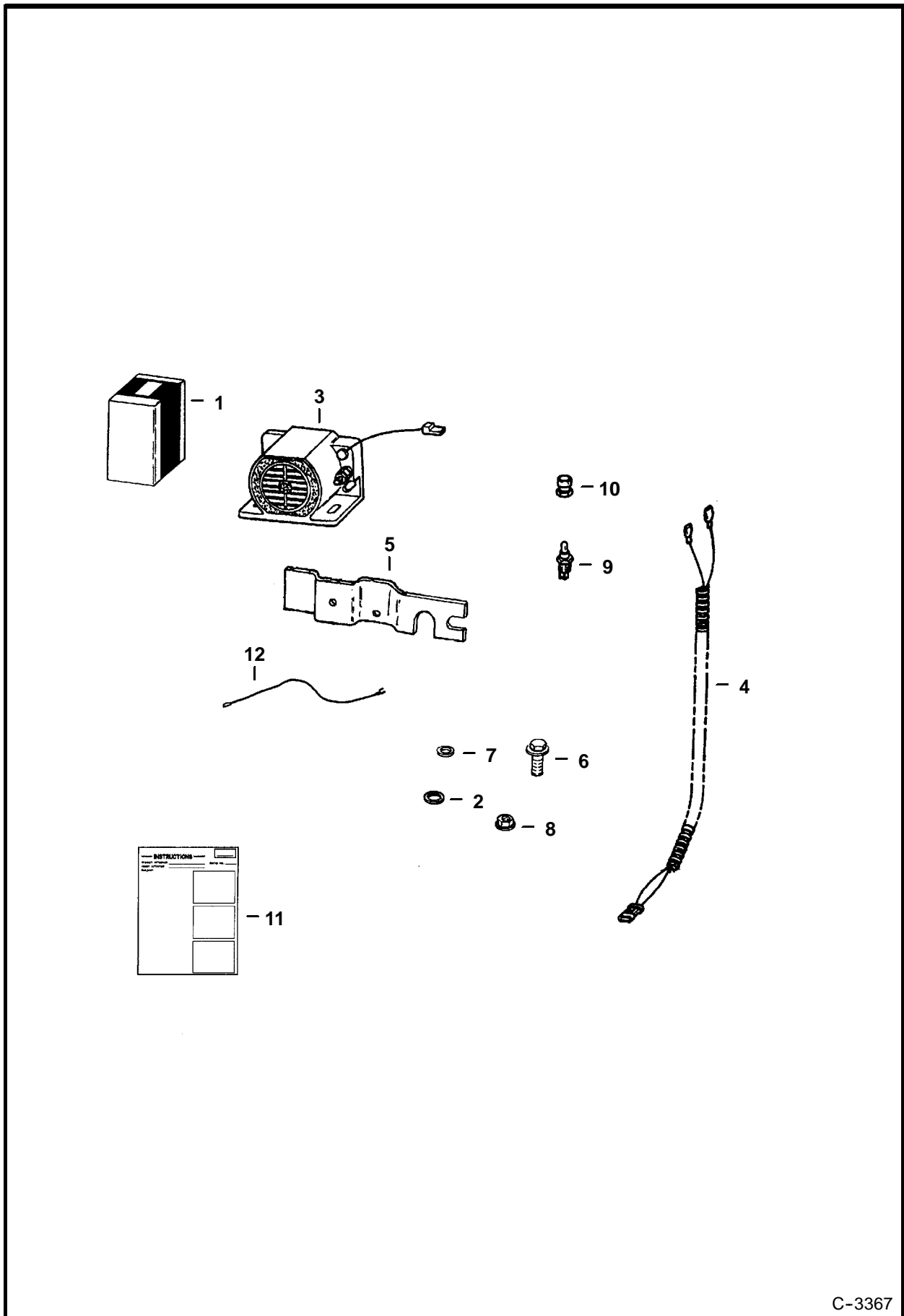


C-3304





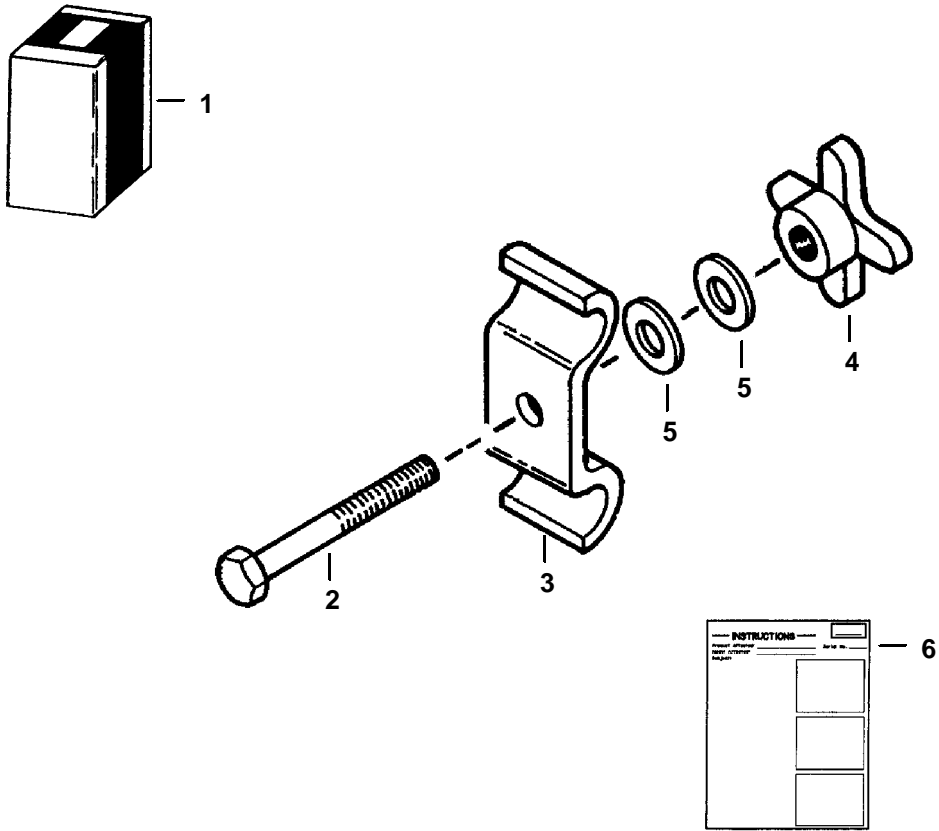
# HORN KIT



C-3367



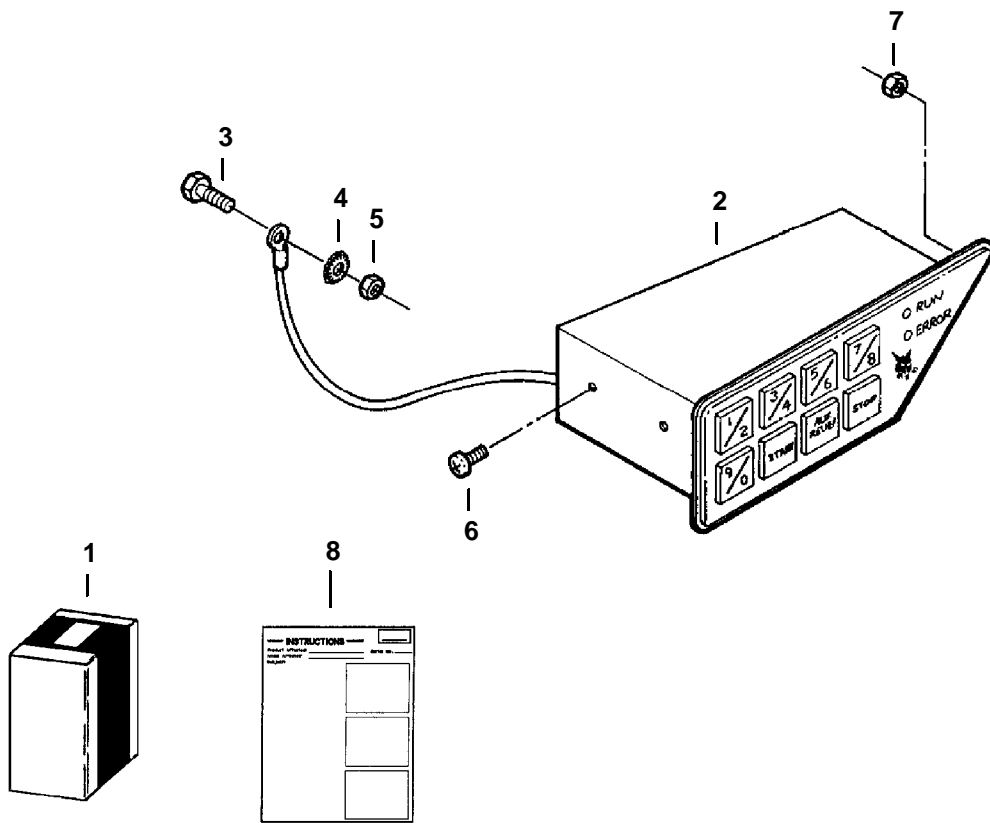
# HOSE CLAMP KIT (Lower Lift Arms)



B-12817



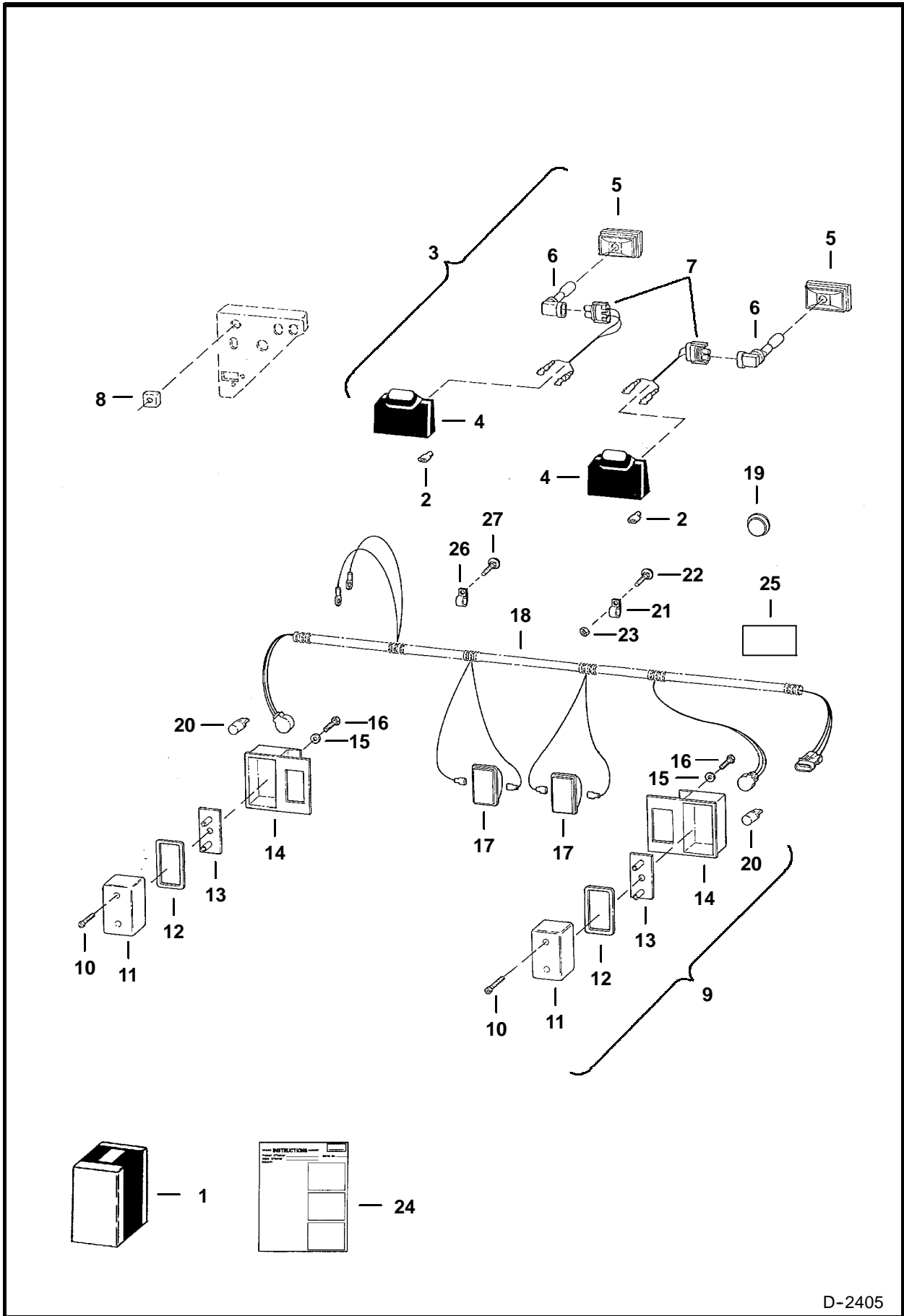
# KEYLESS IGNITION



B-14598



# LIGHT KIT Front & Rear



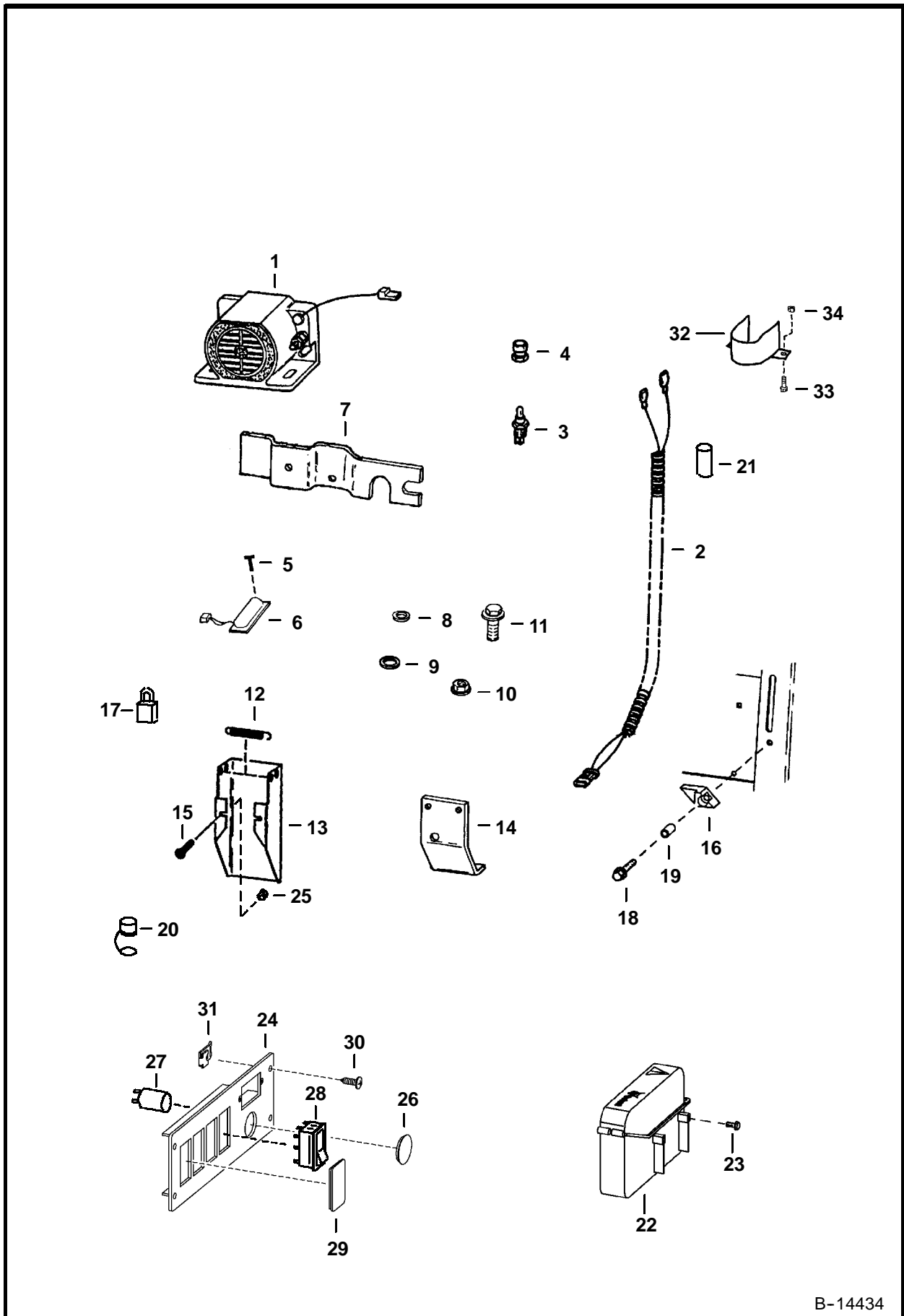
D-2405



**LIGHT KIT (Cont'd)**  
**Front & Rear**

Ref. No.	Part Number	Description	Remarks	Serial Number	Qty.
1	6714985	LIGHT KIT	W/Ref. 2 - 24		1
2	6519548	CONNECTOR			4
3	6577801	LIGHT ASSY	W/Ref. 4 - 7		2
4	6578824	HOUSING	lights		2
5	6649478	BULB HOUSING			2
6	6667934	BULB			2
7	6578528	HARNESS	light		2
8	6665410	SWITCH			1
9	6670284	LIGHT ASSY	Ref. 10 - 17		2
10	6672273	SCREW			2
11	6672276	LENS	red		2
12	6672275	GASKET			2
13	6672277	BRACKET			2
14	6672279	MOUNT	rubber		2
15	6672272	WASHER			4
16	6672274	SCREW			4
17	6661353 898731	LIGHT ASSY BULB	W/bulb -white		2 2
18	6716419	HARNESS			1
19	6718796	PLUG			1
20	6649481	BULB			2
21	30H-42	CLAMP			1
22	37C-512	BOLT			1
23	61D-5	NUT			1
24	6900653	INSTRUCTIONS			1
25	6715819	INSULATOR			1
26	30H-50	CLAMP			1
27	4CM-1020	BOLT			1

# EUROPEAN ACCESSORIES

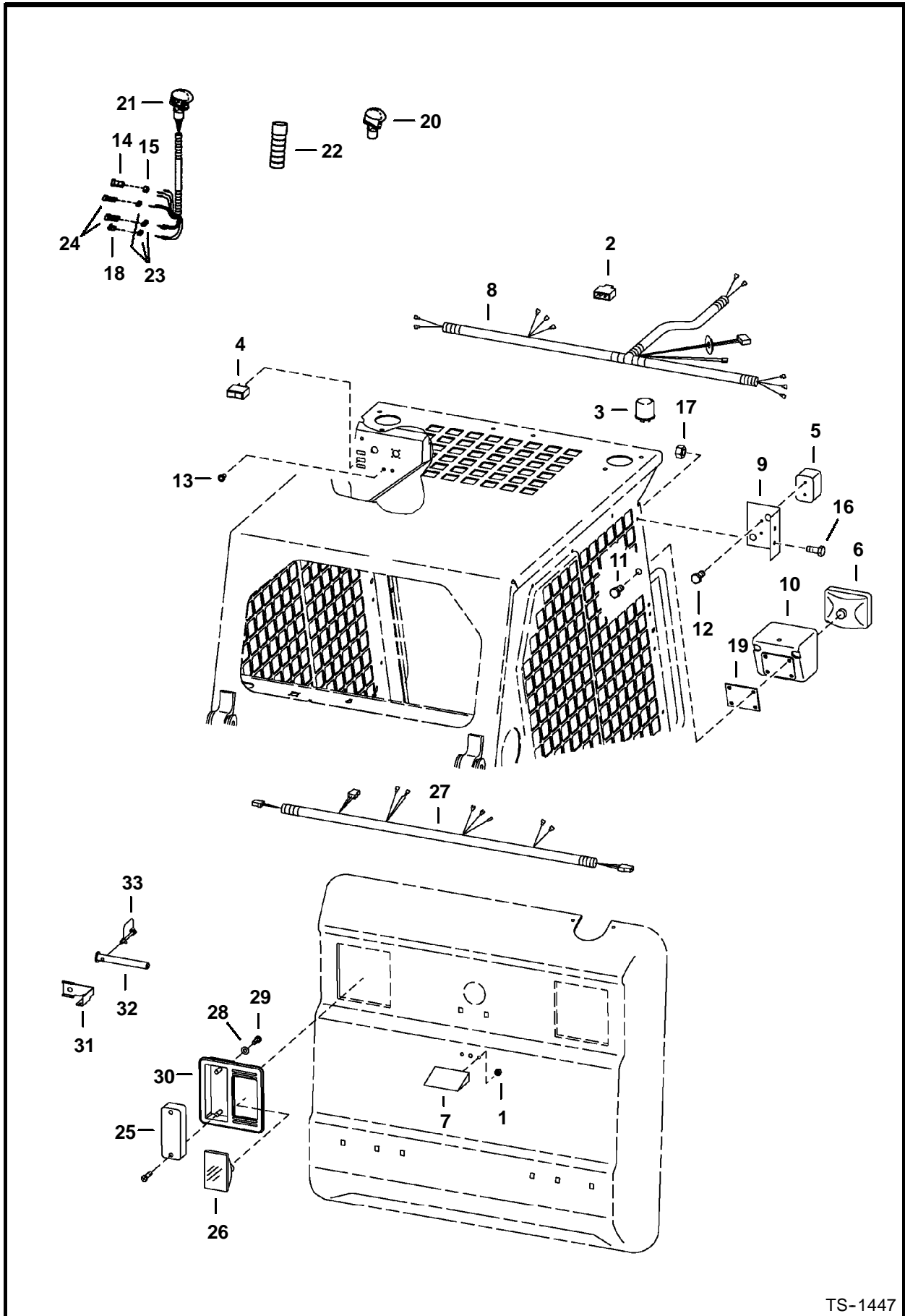


B-14434

**EUROPEAN ACCESSORIES (Cont'd)**

Ref. No.	Part Number	Description	Remarks	Serial Number	Qty.
1	6660294	HORN			1
2	6708506	HARNES	horn		1
3	6513482	SWITCH			1
4	6660205	SEAL			1
5	6664221	RETAINER	snap-in		2
6	6664368	DOME LIGHT	W/bulb and switch		1
7	6704641	MOUNT	horn		1
8	25E-13	WASHER			2
9	25E-21	WASHER			1
10	59D-4	NUT			2
11	84G-2516	BOLT			2
12	6700743	SPRING			1
13	6709379	TOOL HOLDER			1
14	6707875	BRACKET	storage		1
15	9G-636	BOLT			2
16	6579652	DOOR STOP			1
17	6665400	PADLOCK			1
18	84G-3724	BOLT			1
19	6563612	BUSHING			1
20	6652943	COVER	grease zerk		1
21	6579694	INSULATION	steering lever		2
22	6708827	CONTAINER			1
23	6702642	BOLT			2
24	6710527	PANEL			1
25	57D-6	NUT			2
26	6664224	CAP			1
27	6664223	OUTLET			1
28	6668742	SWITCH			1
29	6719038	PLUG			4
30	6669224	BOLT			4
31	6669091	CLIP			4
32	6714624	SHIELD	exhaust		1
33	37C-512	BOLT			2
34	61D-5	NUT			2

# EUROPEAN ACCESSORIES (Road Lights)

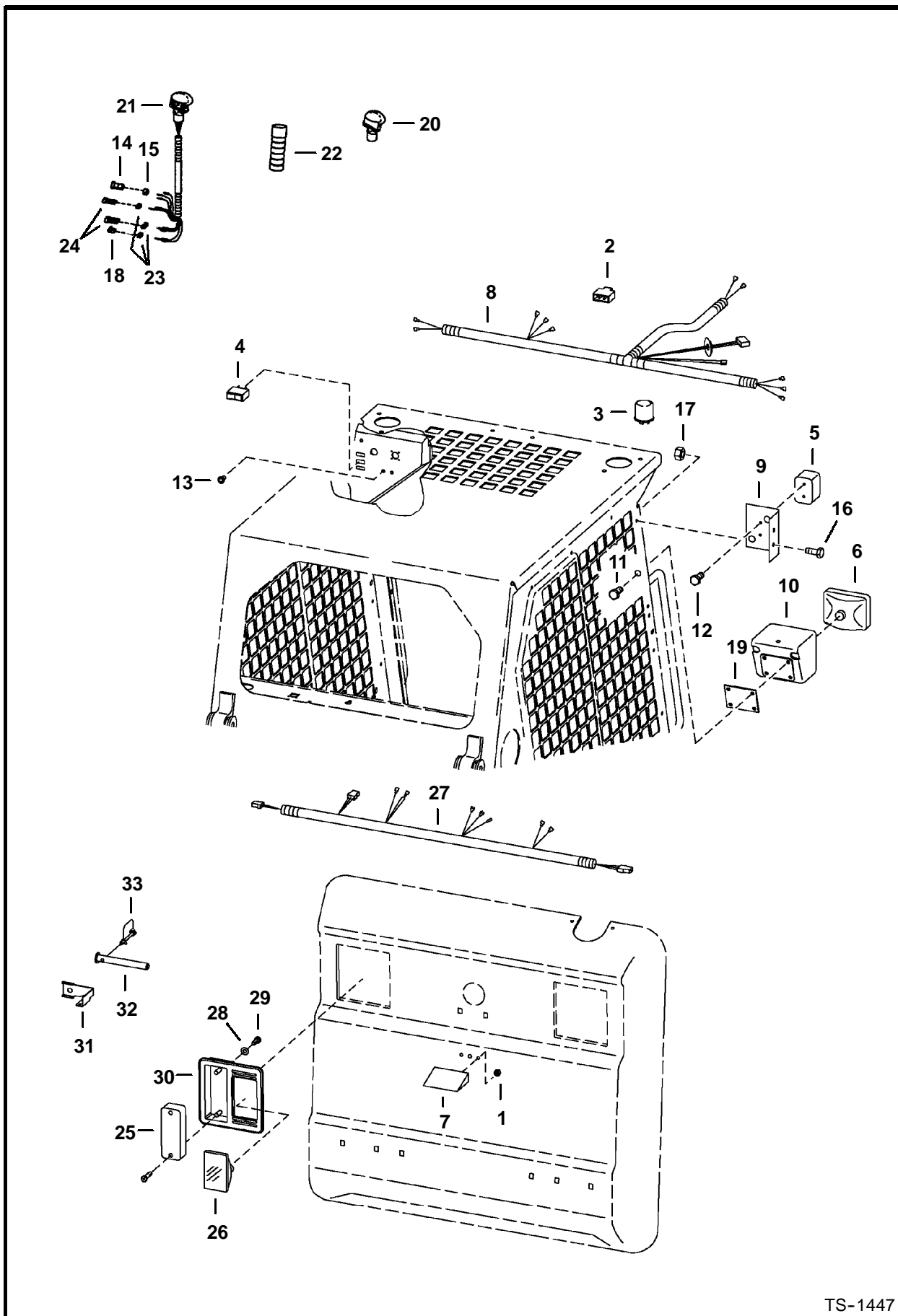


TS-1447

**EUROPEAN ACCESSORIES (Cont'd)**  
**(Road Lights)**

Ref. No.	Part Number	Description	Remarks	Serial Number	Qty.
1	1DM-6	NUT			2
2	6519548	CONNECTOR			1
3	6557904	FLASHER			1
4	6665316	SWITCH	hazard		1
	6665315	SWITCH	headlight		1
5	6665727	LIGHT	front turn		2
	6666567	BULB	5W		2
	6666568	BULB	21W		2
	6666563	LENS			2
6	6665728	LIGHT	front		2
	6666570	BULB	40W/45W		2
	6666564	HOUSING			2
	6666565	LENS			2
	6666566	GASKET			2
7	6665729	LIGHT	license plate		1
	6666569	BULB	5W		1
8	6707672	HARNESS			1
9	6707706	MOUNT	light		2
10	6707804	HOUSING	light		2
11	17C-508	BOLT			4
12	58G-808	BOLT			4
13	6665757	LIGHT	indicator		2
14	6664599	CONNECTOR	3-pin triangle		1
15	6664800	LOCK	3-pin triangle		1
16	35C-410	BOLT			2
17	83D-4	NUT			2
18	6641178	CONNECTOR	2-pin		1
19	6708824	MOUNT			2
20	6705920	HANDLE	L.H. - Blank		1
21	6707976	HANDLE ASSY	L.H. - Also order Ref. 23 - 18		1
	6640690	PIN			5
	6640691	PIN			2
	6641176	SEAL			7
	6662257	PIN			3
	6677370	DECAL			1
22	6702621	GRIP			2
23	6641180	LOCK	2-pin		2
	6640700	LOCK	3-pin		1
24	6641179	CONNECTOR	2-pin		1
	6640699	CONNECTOR	3-pin		1
25	6707789	LIGHT ASSY			2
	6666568	BULB	21W		2
	6667887	BULB	21/5W		2
	6668007	SCREW			2
	6668010	LENS			1
26	6671027	LIGHT			2
27	6718198	HARNESS			1
28	25E-11	WASHER			4
29	4DM-5	NUT			4
30	6672279	MOUNT	rubber		2
31	6713736	BRACKET	light switch		1

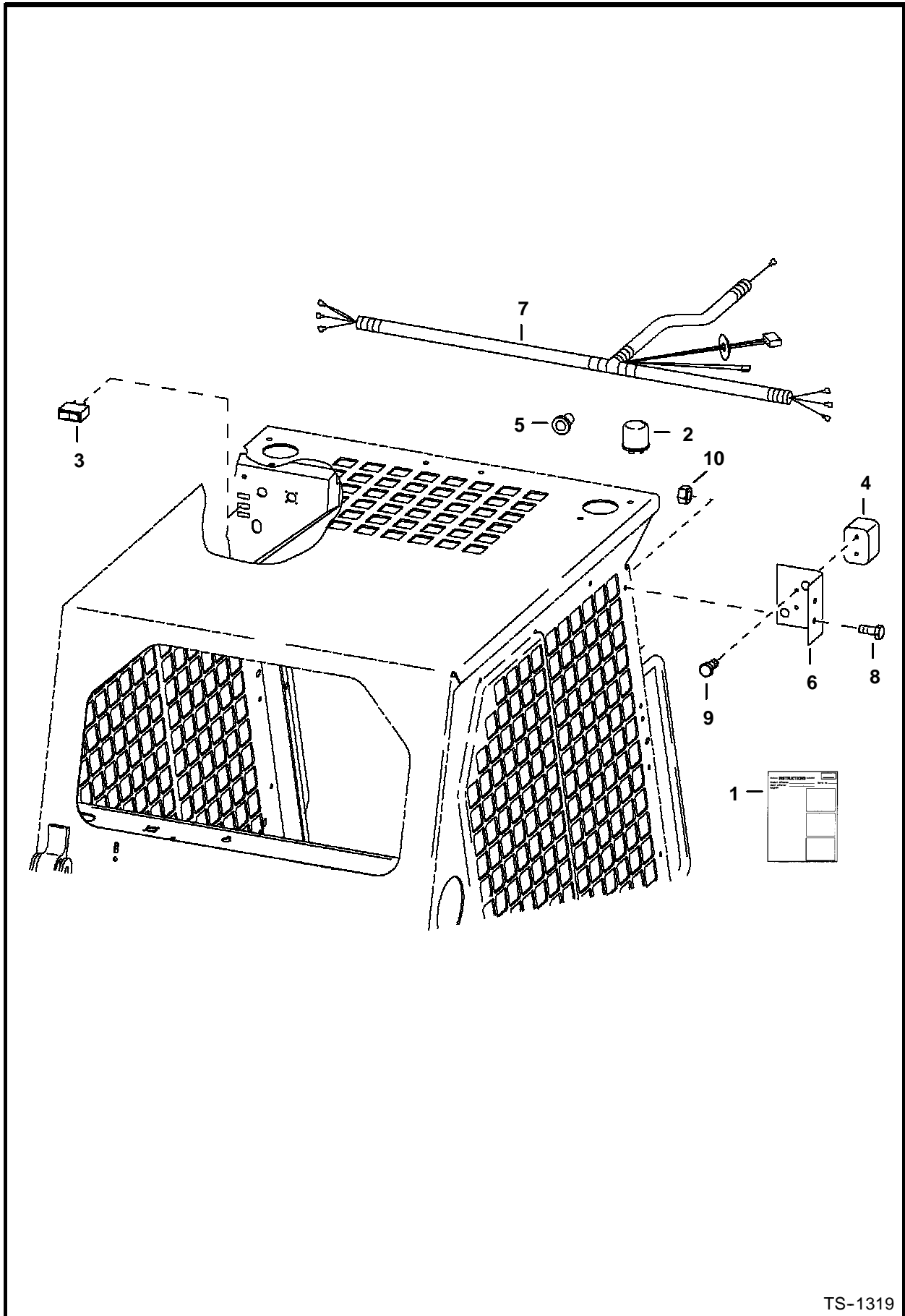
EUROPEAN ACCESSORIES (Cont'd)  
(Road Lights)



TS-1447



EUROPEAN ACCESSORIES  
Flasher Lights - 4 Way

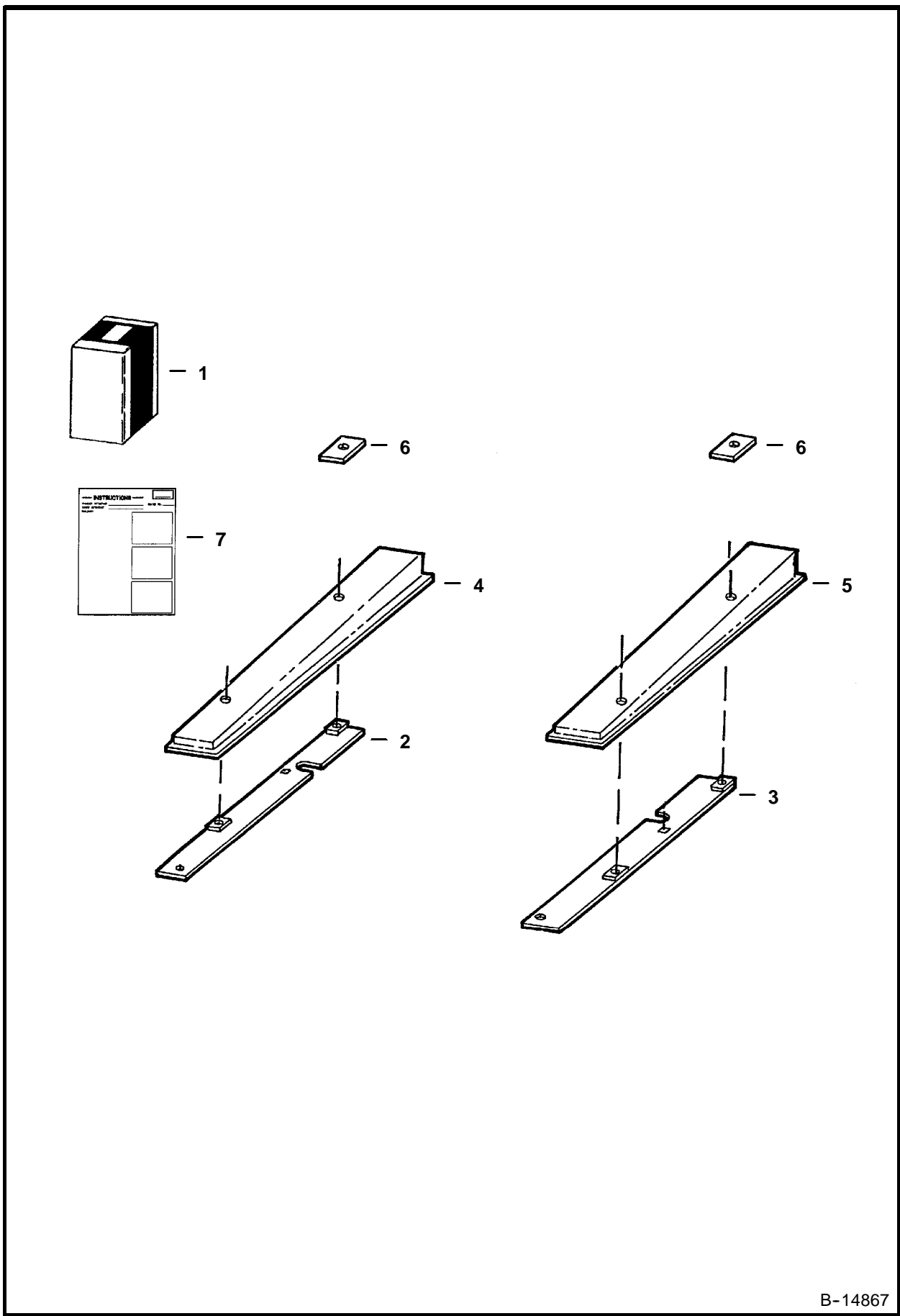


TS-1319





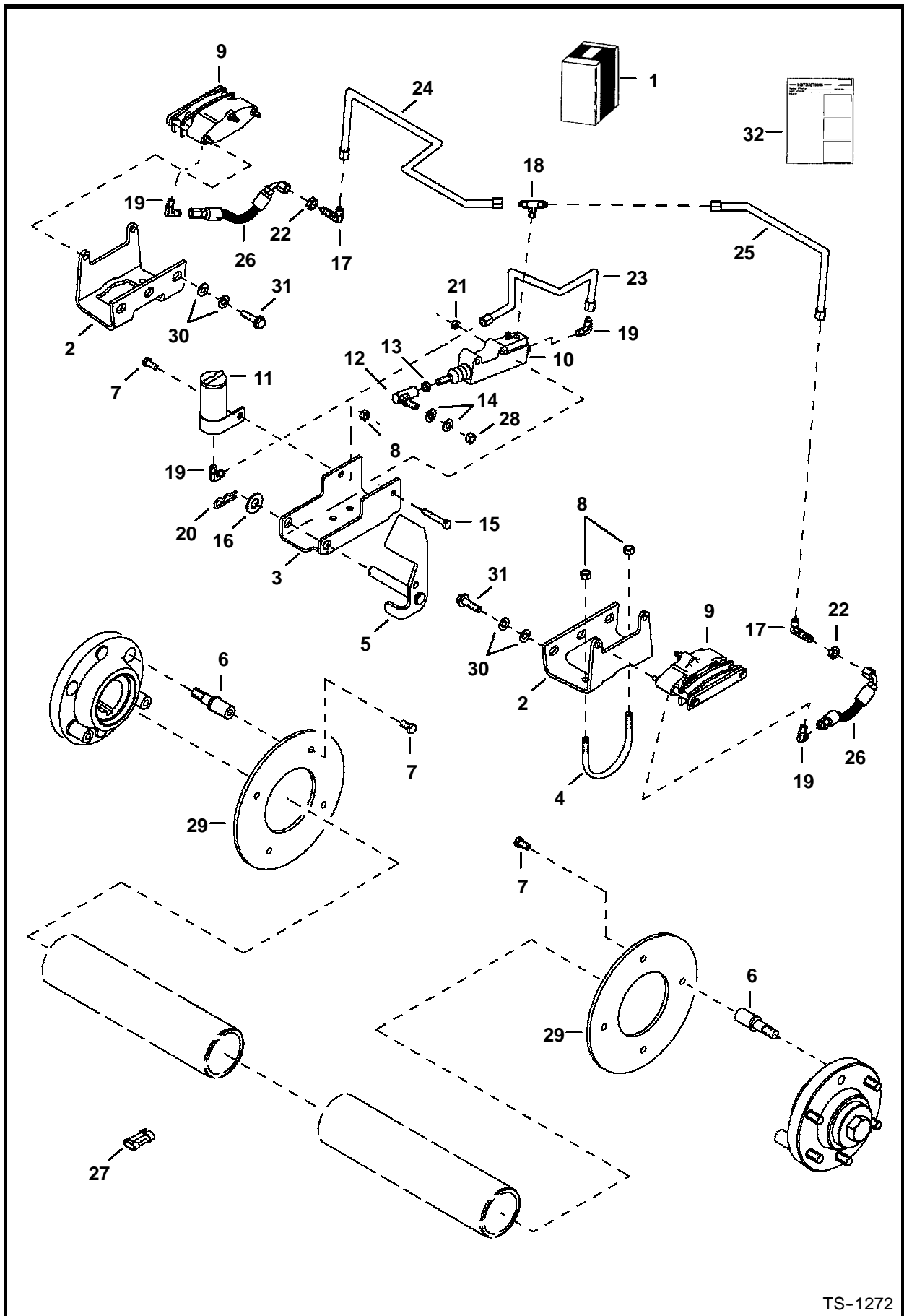
EUROPEAN ACCESSORIES  
Seat Rail Cover - Grammer Suspension Seat



B-14867



# EUROPEAN ACCESSORIES (Caliper Brake Kit)

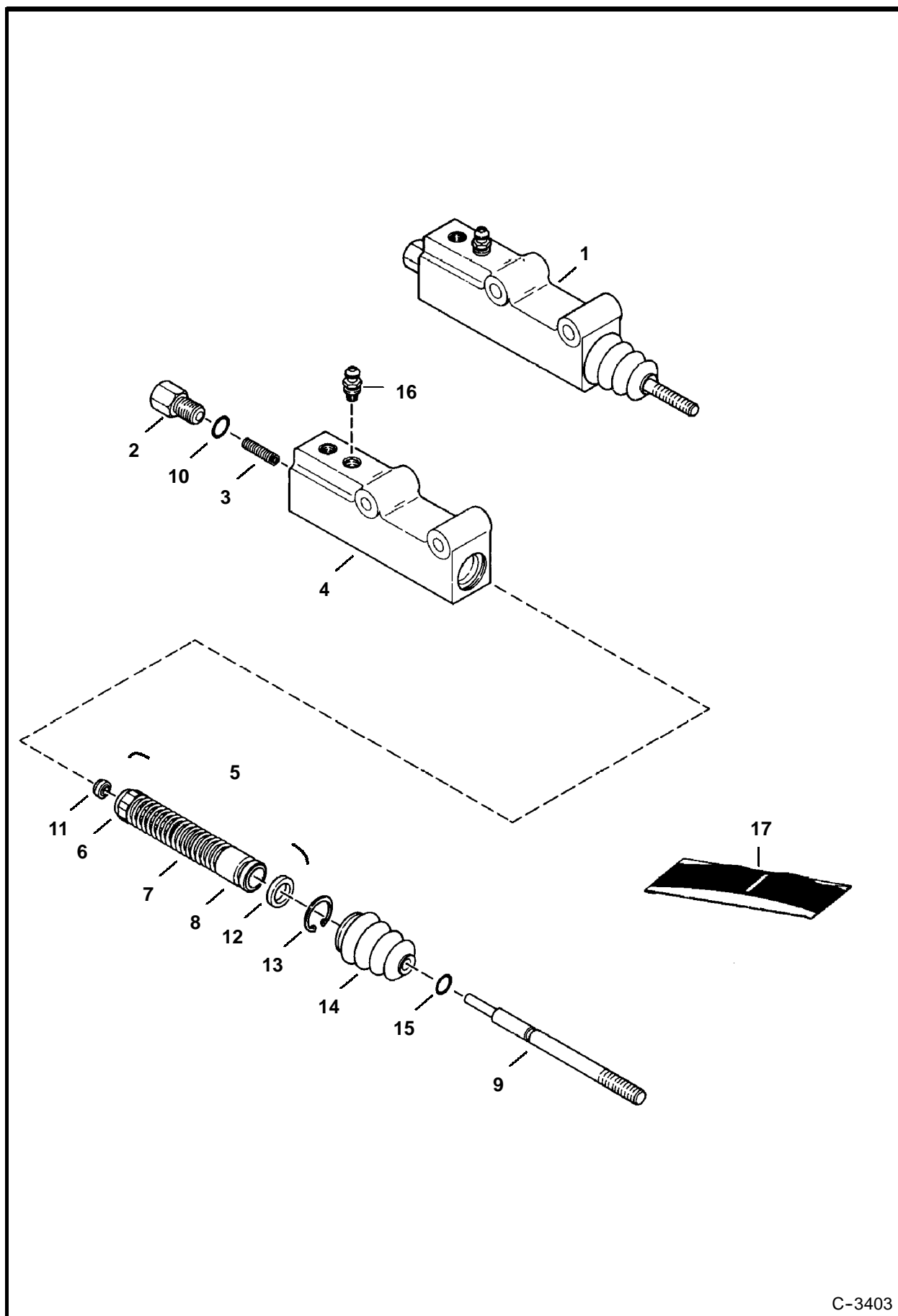


TS-1272

**EUROPEAN ACCESSORIES (Cont'd)**  
**(Caliper Brake Kit)**

Ref. No.	Part Number	Description	Remarks	Serial Number	Qty.
1	6709374	KIT	W/Ref. 2 - 32		1
2	6710471	CALIPER MOUNT			2
3	6709236	PEDAL MOUNT			1
4	6709369	BRAKE CLAMP			2
5	6709239	PEDAL ASSY			1
6	6709229	WHEEL BOLT			6
7	17C-612	BOLT			7
8	95D-6	NUT			5
9	6666932	CALIPER	See Page 215		2
10	6666933	CYLINDER	See Page 213		1
11	6661117	TANK			1
12	6599744	BALL JOINT			1
13	8D-6	NUT			1
14	25E-17	WASHER			2
15	17C-532	BOLT			2
16	25E-25	WASHER			1
17	88F-3	ELBOW	without O-rings		2
	88FN-3	ELBOW	with O-rings		2
18	97K-4	O-RING			4
	98F-3	TEE			1
19	83F-3	ELBOW			4
20	1318565	PIN			1
21	91D-5	NUT			2
22	86F-3	NUT			2
23	6709400	TUBELINE			1
24	6709435	TUBELINE			1
25	6709436	TUBELINE			1
26	6709547	HOSE			2
27	6667139	CAP			1
28	62D-6	NUT			1
29	6709368	BRAKE DISC			2
30	27E-8	WASHER			12
31	31C-824	BOLT			6
32	6724380	INSTRUCTIONS			1

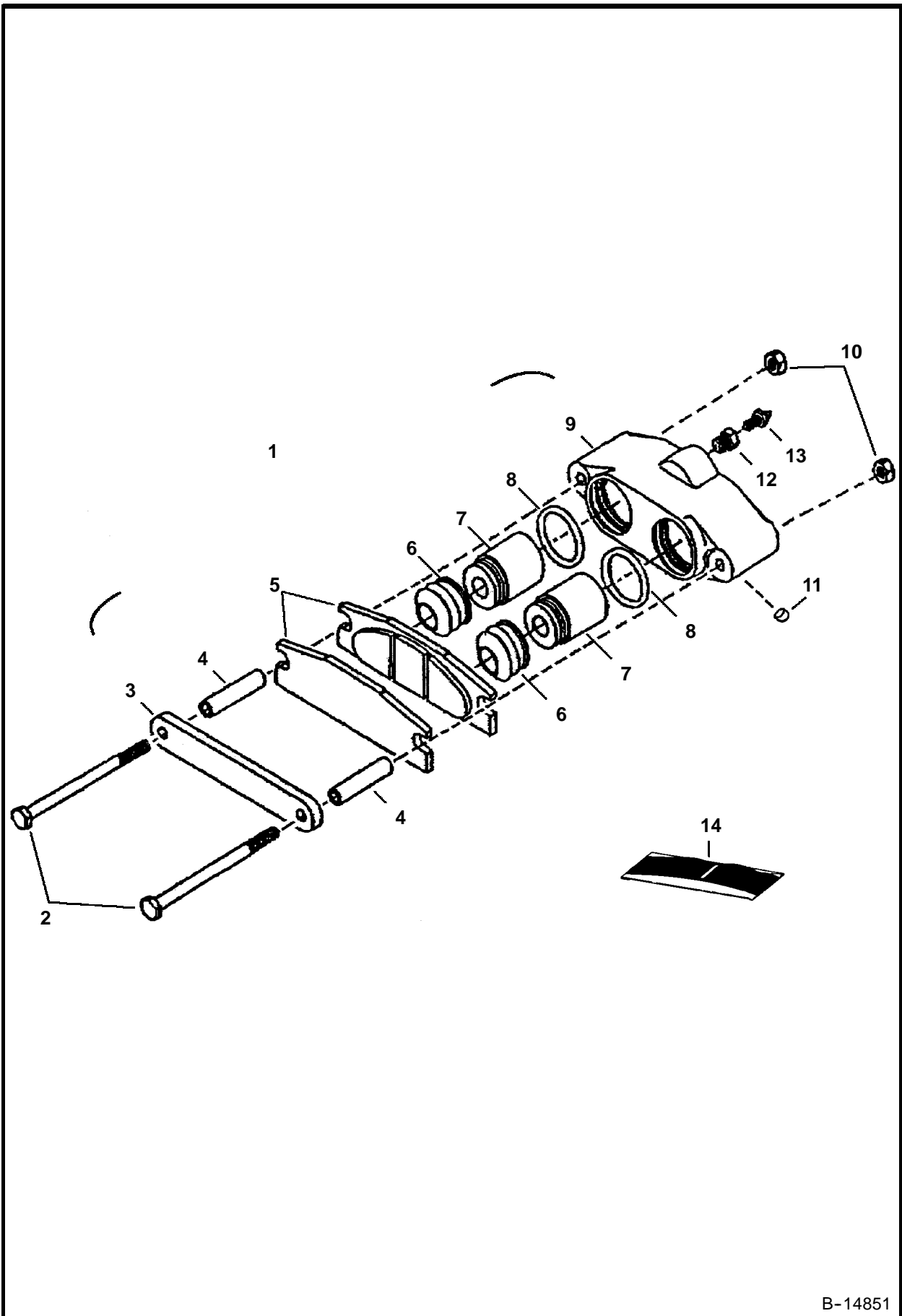
EUROPEAN ACCESSORIES  
(Master Cylinder - Caliper Brakes)



C-3403



EUROPEAN ACCESSORIES  
(Brake)

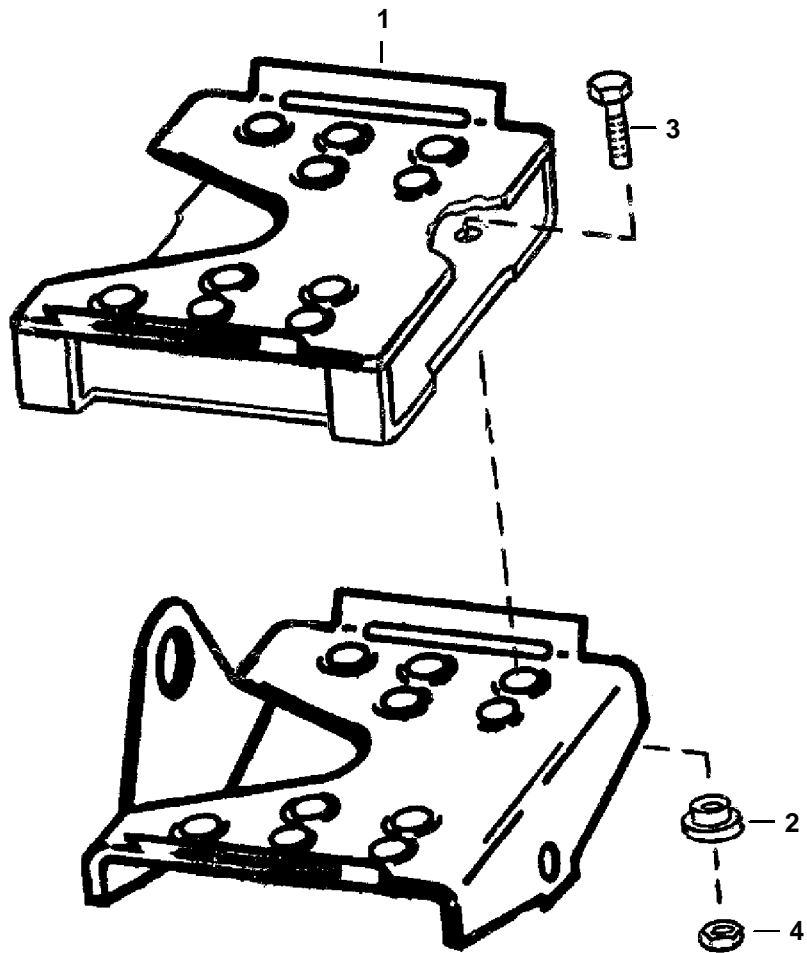


B-14851





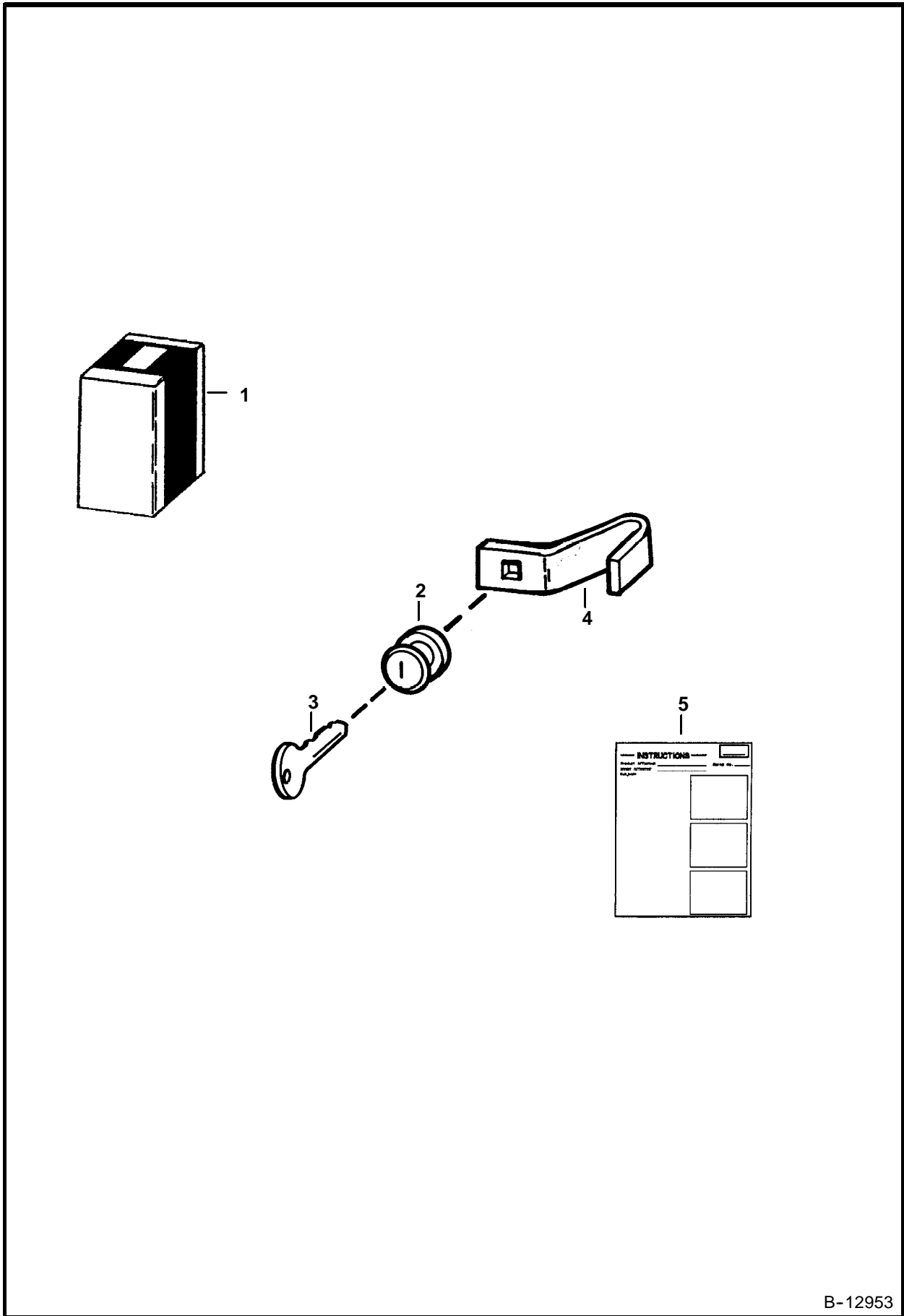
EUROPEAN ACCESSORIES  
Pedal Extenders



B-14856



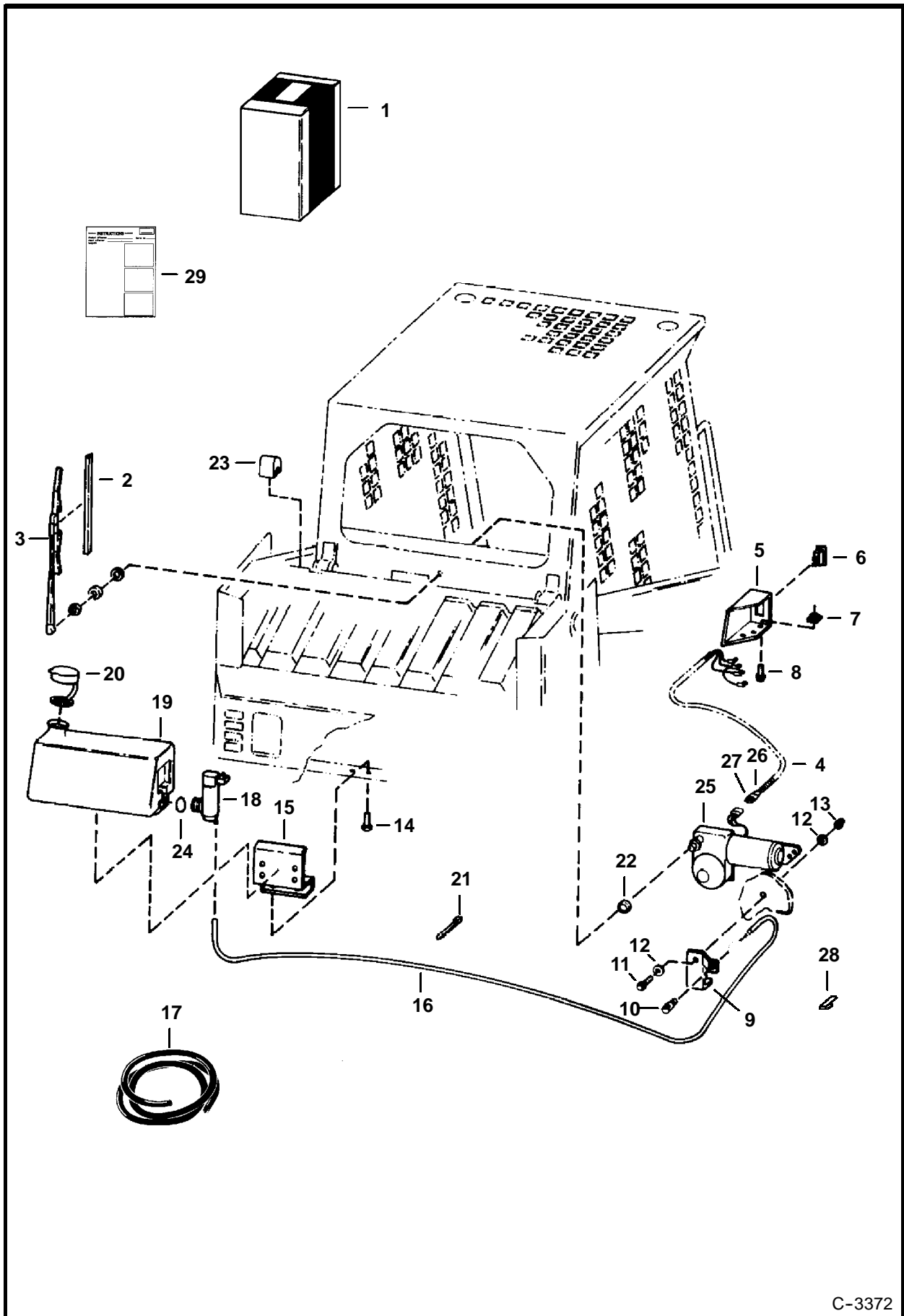
# REAR DOOR LOCK



B-12953



# REAR WIPER KIT

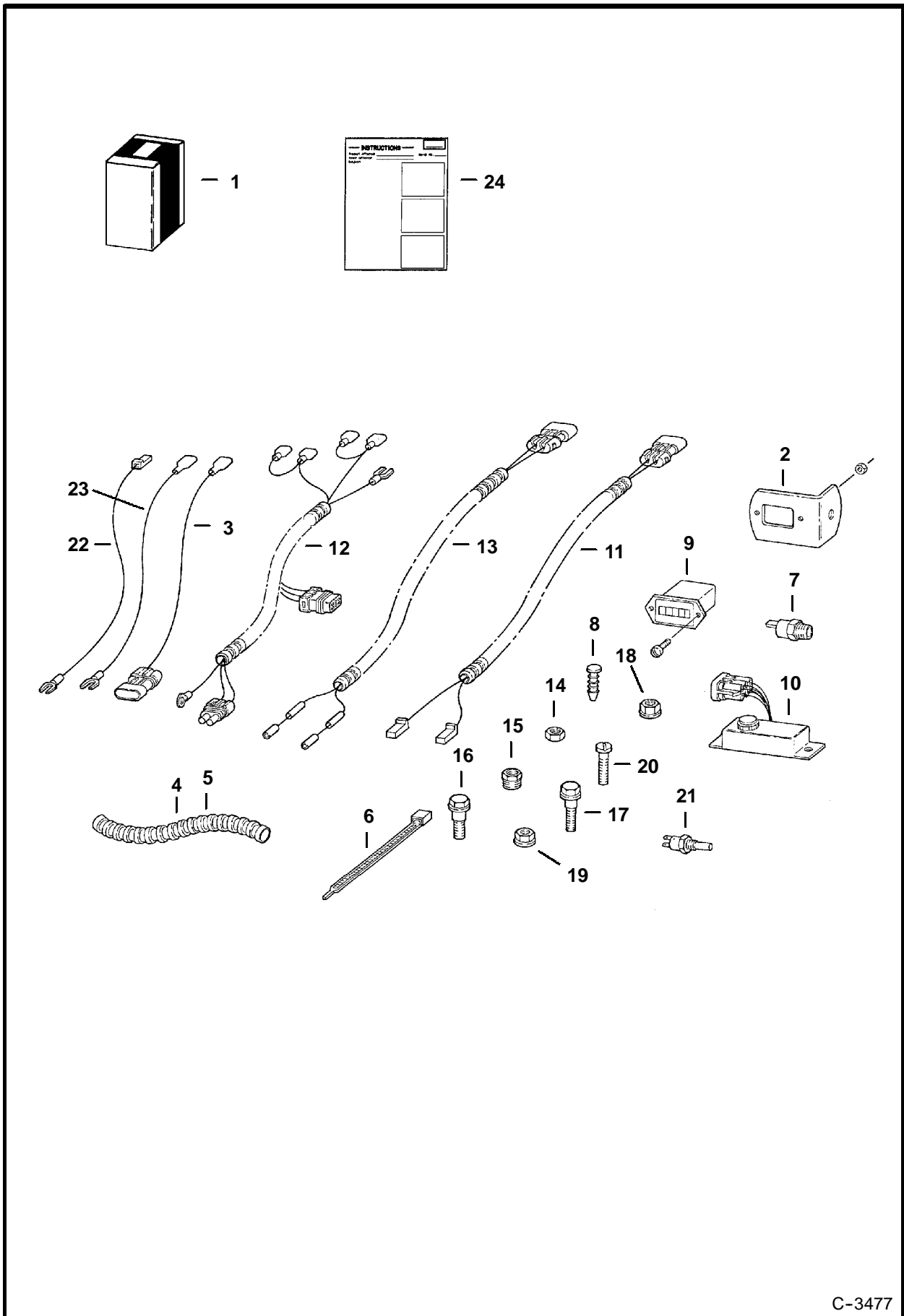


C-3372

**REAR WIPER KIT (Cont'd)**

Ref. No.	Part Number	Description	Remarks	Serial Number	Qty.
1	6711531	KIT	Rear Wiper - Ref. 2-29		1
2	6665688	BLADE			1
3	6665687	ARM			1
4	NAP	HARNESS	W/2 pin connector - Order 6712260 Harness, Ref. 26 & 27		1
	6712260	HARNESS	W/10 pin connector - W/2 Diodes		1
5	6708280	MOUNT	switch		1
6	6668817	SWITCH	rocker		1
7	6660988	NUT	retaining		2
8	35C-412	BOLT			2
9	6708286	MOUNT	nozzle		1
10	6664555	NOZZLE			1
11	17C-514	BOLT			1
12	25E-15	WASHER			2
13	83D-5	NUT			1
14	84G-3710	BOLT			2
15	6708614	MOUNT	tank		1
16	NAP	HOSE	84"(2134mm) - Order Ref. 17		1
17	6708310	HOSE	Bulk - sold per foot - clear - 0.15"(3.81mm) I.D.		x
18	6664554	PUMP			1
19	6708035	TANK			1
20	6665605	CAP			1
21	6610510	NYLON TIE			5
22	6708069	BUSHING			1
23	6708272	STOP	cab		2
24	6666766	GROMMET	not in kit		1
25	6665602	MOTOR			1
26	6641179	CONNECTOR			1
27	6641180	LOCK			1
28	6669308	RETAINER			2
29	6724788	INSTRUCTIONS			1

# RENTAL KIT



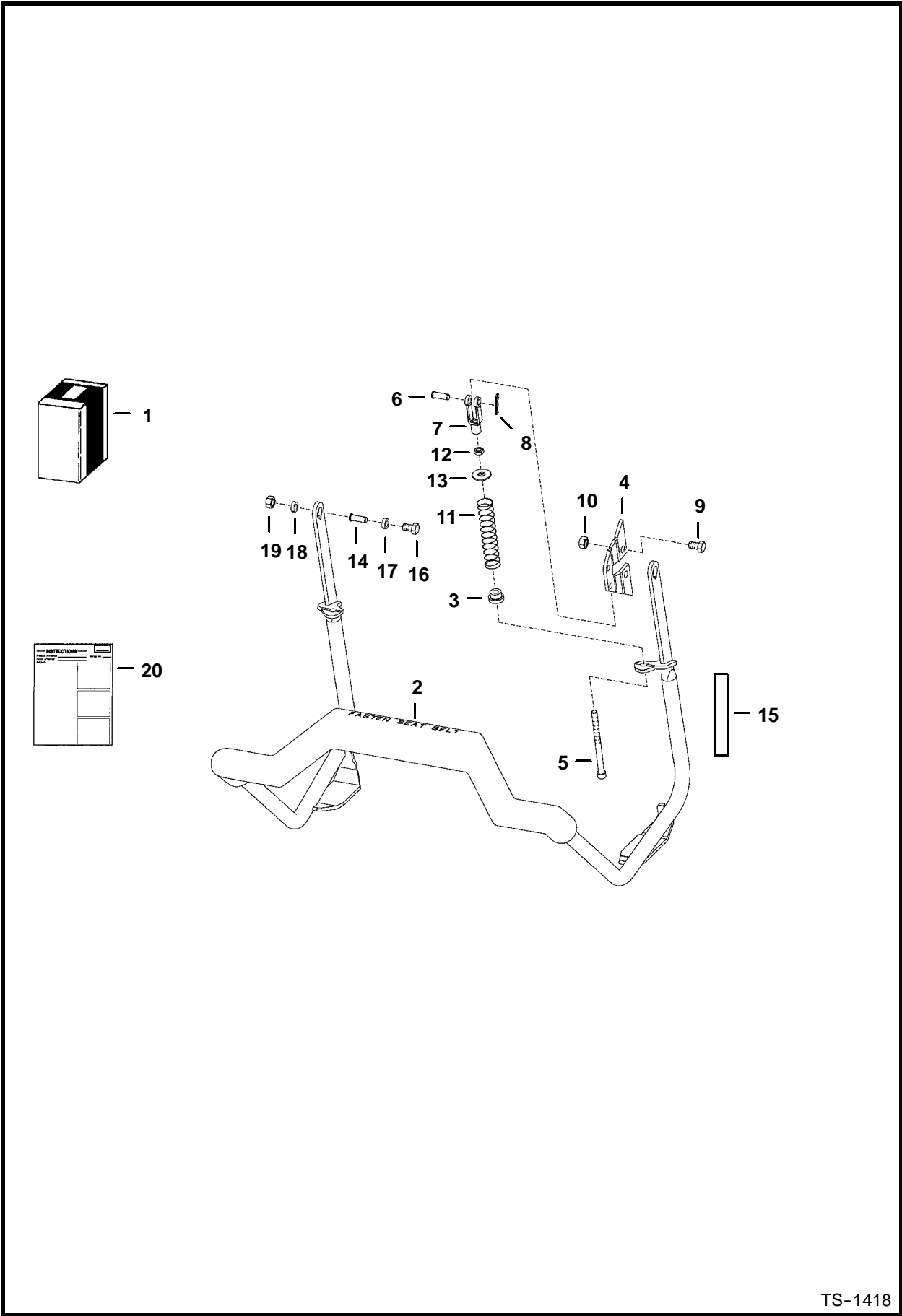
C-3477



## RENTAL KIT (Cont'd)

Ref. No.	Part Number	Description	Remarks	Serial Number	Qty.
1	6712750	KIT	W/Ref. 2-24		1
2	6552906	BRACKET			1
3	6567968	WIRE	assy.		1
	614142	SLEEVE			1
	733611	TERMINAL	female		1
	6517924	CONNECTOR			1
4	30R-107 NAP	TERMINAL CONDUIT	76.50" (1943,1 mm) - bulk - Sold Per Foot - Order Ref. 5		1
5	6584978	CONDUIT			1
6	6610510	NYLON TIE			12
7	6630821	SWITCH	temp.		1
8	6664221	RETAINER			1
9	6664886	HOURMETER			1
10	6669420	CONTROLLER			1
11	6700228	HARNESS	Hourmeter		1
	733611	TERMINAL	female		2
	6517924	CONNECTOR			1
	6640690	PIN	male		x
	6641176	SEAL	cable		x
	6641179	CONNECTOR			x
12	6641180	LOCK			x
	6714038	HARNESS			1
	733616	TERMINAL	male		x
	6640691	PIN	female		x
	6641176	SEAL	cable		x
	6641178	CONNECTOR			x
13	6641180	LOCK			x
	6641181	LOCK			x
	6714039	HARNESS			1
	6640690	PIN	male		x
	6641176	SEAL	cable		x
	6641179	CONNECTOR			x
14	6641180	LOCK			x
	12D-6	NUT			2
15	19F-5	REDUCER			1
16	35C-408	BOLT			2
17	35C-716	BOLT			1
18	55D-4	NUT			2
19	55D-7	NUT			1
20	85G-608	SCREW			2
21	6671964	SENDER	800 models only		1
22	6714990	WIRE	assy. - 800 models only		1
23	6714991	WIRE	assy. - 800 models only		1
24	6900133	INSTRUCTIONS			1

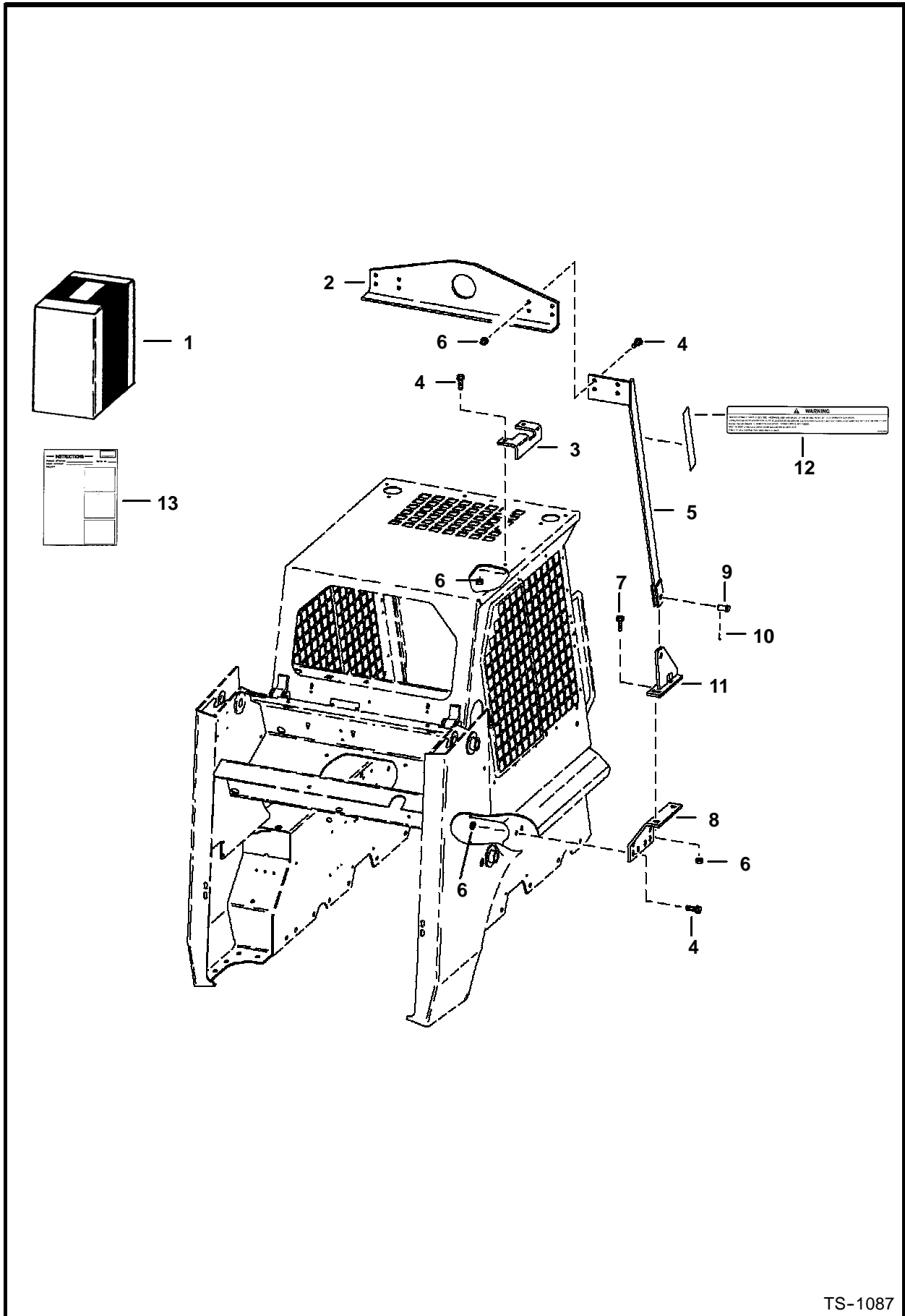
**SEAT BAR KIT  
(Forward Position - Compression Spring)**



TS-1418



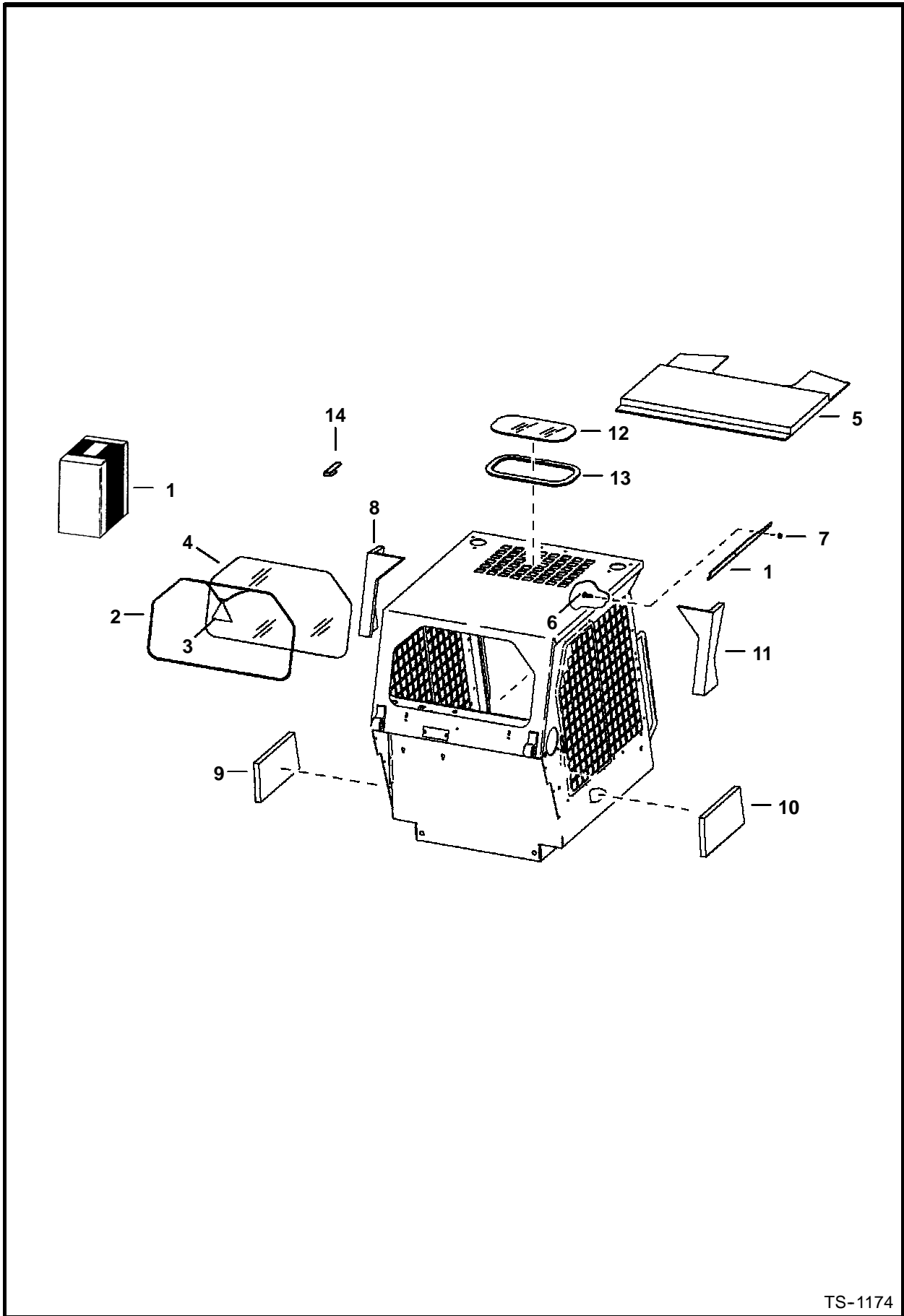
# LIFT KIT (Single Point)



TS-1087



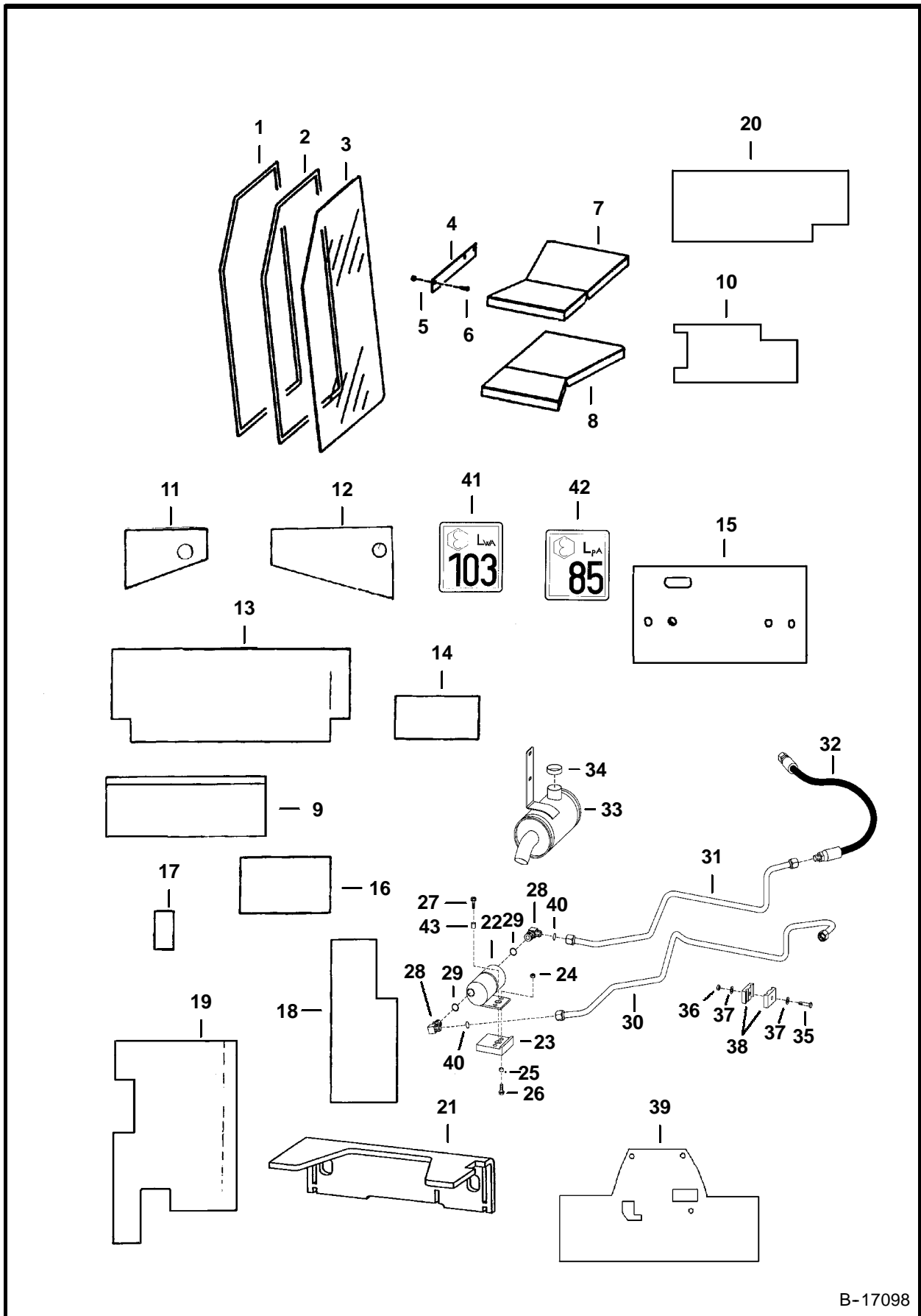
SOUND OPTION  
(90 Decibels)



TS-1174



# SOUND OPTION



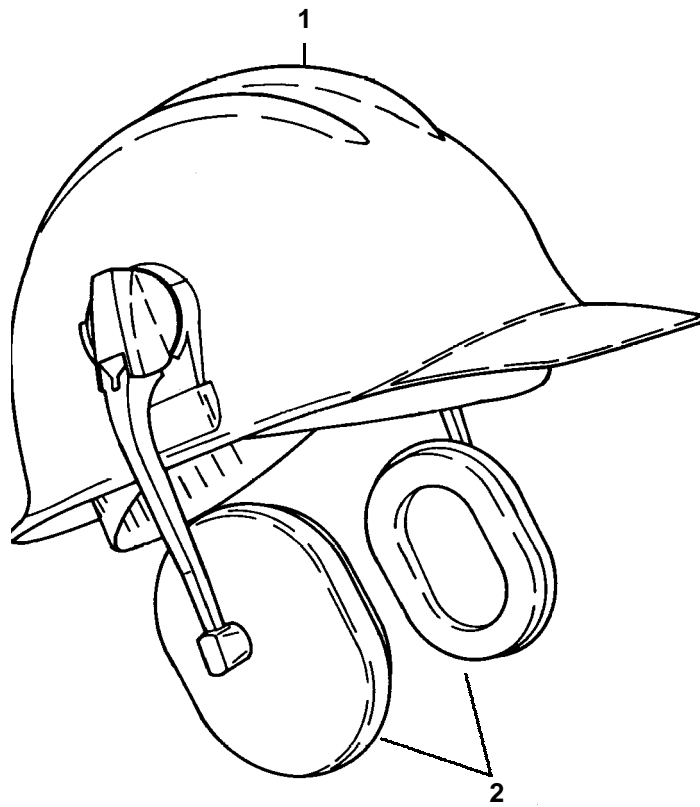
B-17098



**SOUND OPTION (Cont'd)**

Ref. No.	Part Number	Description	Remarks	Serial Number	Qty.
1	6631549	HOOK	Scotchmate		2
2	6631548	LOOP	Scotchmate		2
3	6702731	WINDOW	cab		2
4	6700875	RETAINER	window		2
5	83D-4	NUT			4
6	35C-410	BOLT			4
7	6704721	INSULATION	crossmember - L.H.		1
8	6704722	INSULATION	crossmember - R.H.		1
9	6715096	INSULATION	cab back		1
10	6708519	INSULATION	fender		1
11	6579423	INSULATION	panel		1
12	6700692	INSULATION	panel		1
13	6579422	INSULATION	panel		1
14	6579418	INSULATION	cab		2
15	6715106	INSULATION	tailgate		1
16	6715667	INSULATION	blower housing		1
17	6579694	INSULATION	steering lever		2
18	6715666	INSULATION	fender		1
19	6579983	INSULATION	fender		1
20	6579987	INSULATION	fender		1
21	6715429	INSULATION	steering panel		1
22	6659982	MUFFLER	hydraulic		1
23	6705333	MOUNT			1
24	85D-6	NUT			2
25	6562619	BUSHING			2
26	35C-616	BOLT			2
27	84G-3724	BOLT			1
28	6715651	ELBOW	W/Ref. 29		2
29	99K-12	O-RING			2
30	6715607	TUBELINE			1
31	6715608	TUBELINE			1
32	6628362	HOSE			1
33	6714468	MUFFLER	air intake		1
34	6715605	GASKET	air muffler		1
35	17C-528	BOLT			1
36	61D-5	NUT			1
37	872229	WASHER			2
38	6701893	CLAMP			2
39	6715661	INSULATION	seat pan		1
40	97K-10	O-RING			2
41	6579402	DECAL	sound level warning		1
42	6579384	DECAL	sound level warning		1
43	6715744	BUSHING			1

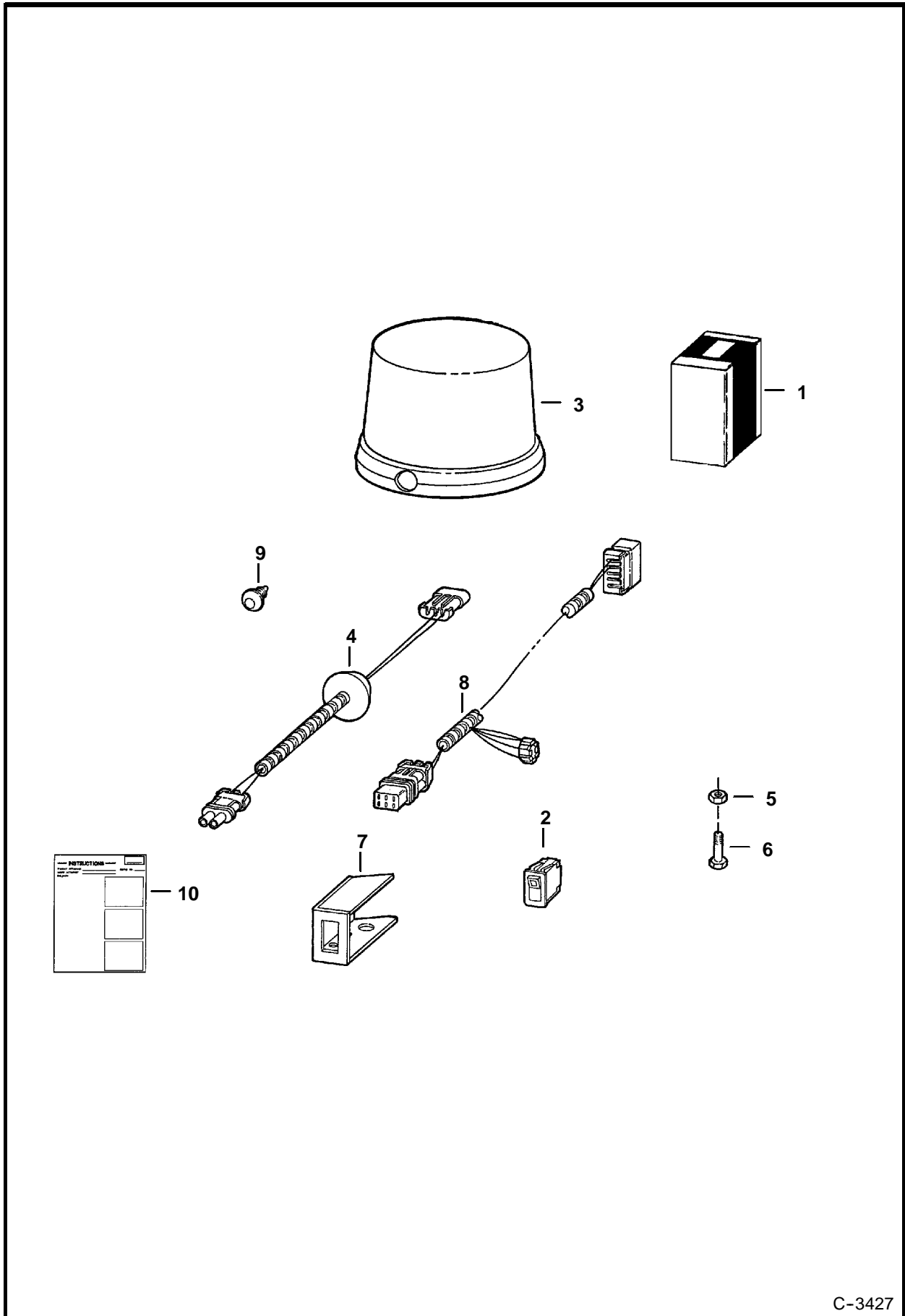
# SOUND REDUCTION HARDHAT



B-3111



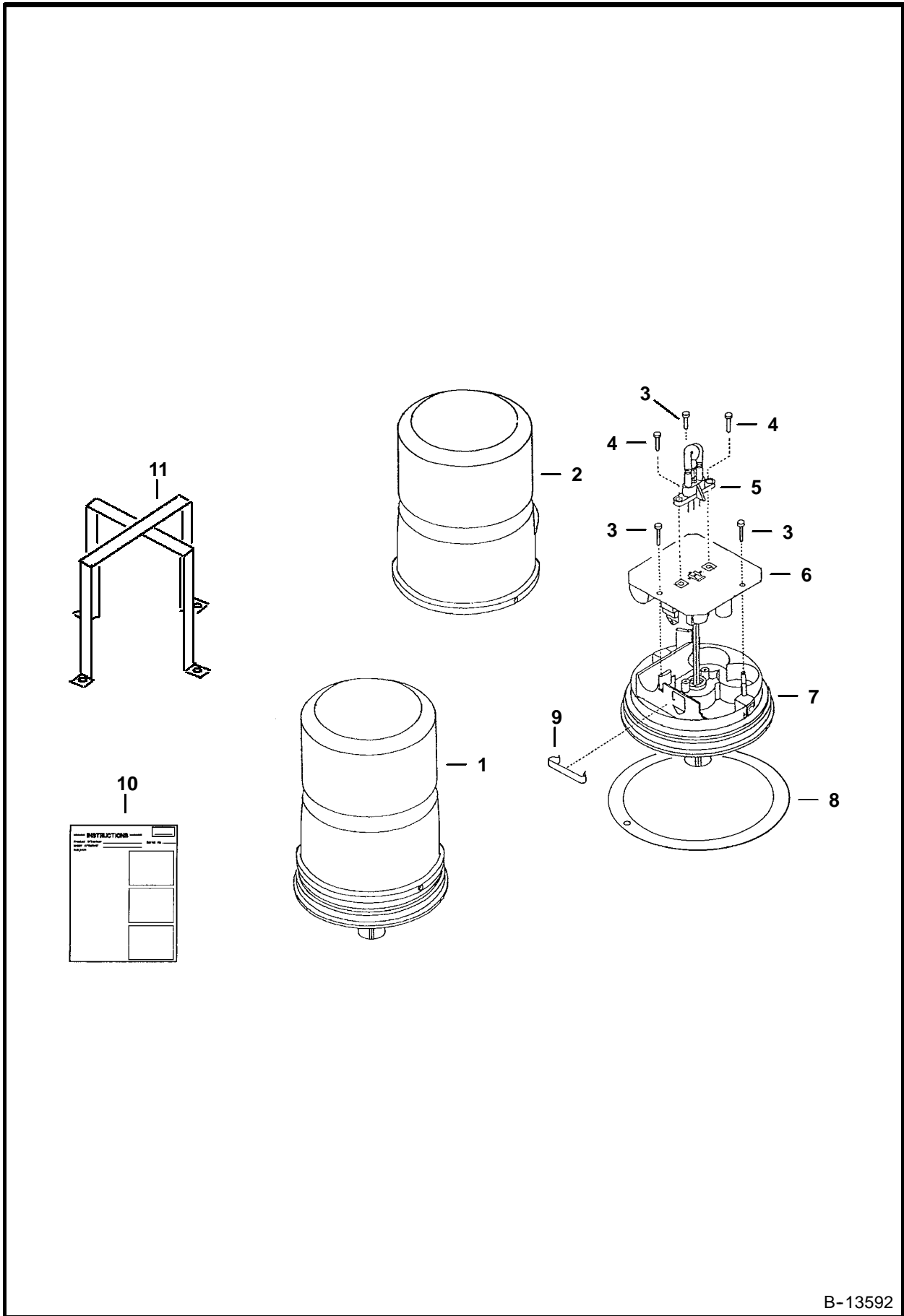
EUROPEAN ACCESSORIES  
(Beacon & Strobe Light)



C-3427



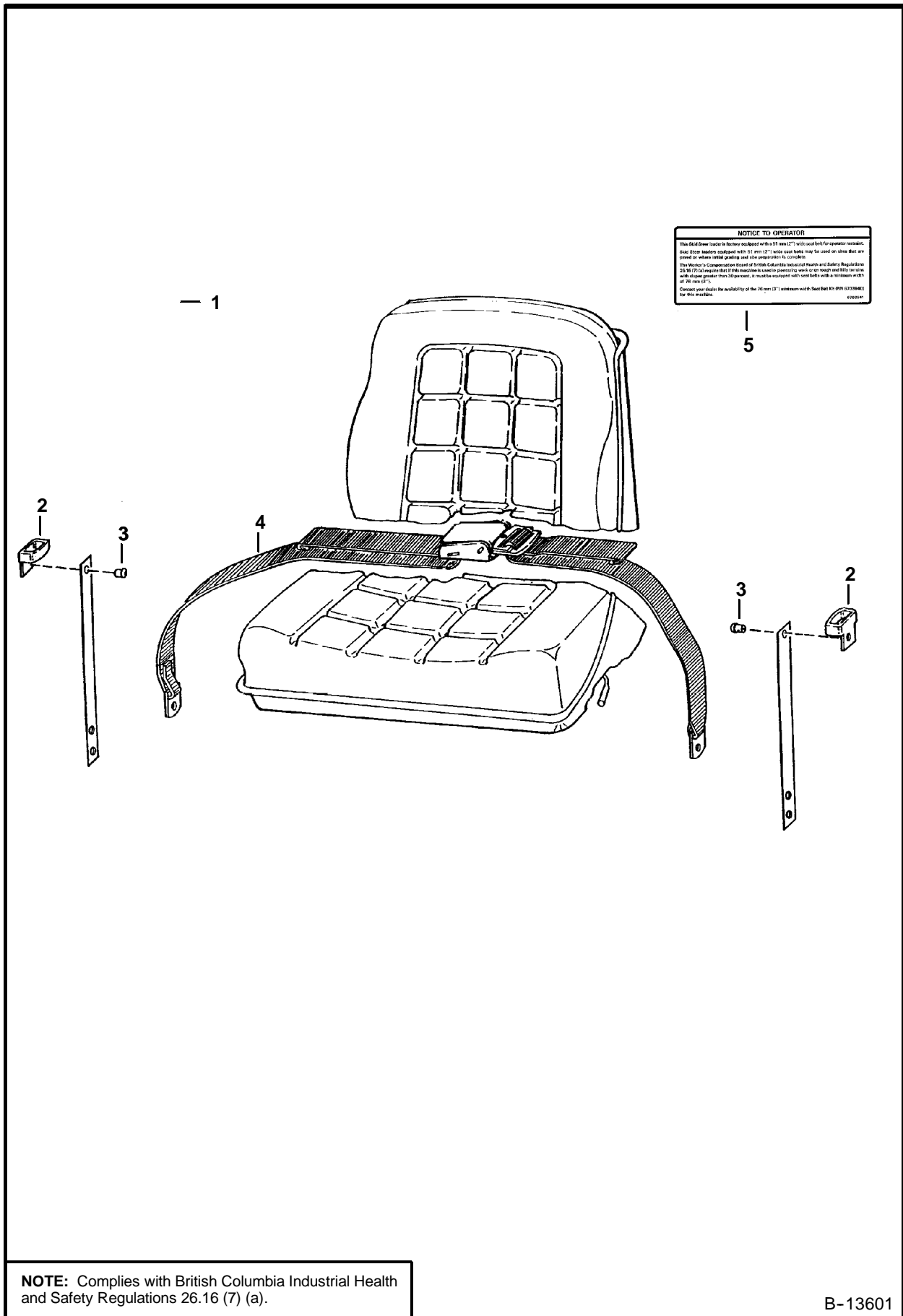
# STROBE LIGHT (Amber - 3414 ALW)



B-13592



# SEAT BELT 3" Wide



**NOTICE TO OPERATOR**

This Skid Steer loader is factory equipped with a 3" (76 mm) wide seat belt for operator restraint. Other Skid Steer loaders equipped with 51" (1295 mm) wide seat belts may be used on sites that are covered or where other grading and site preparation is conducted.

The Worker's Compensation Board of British Columbia Industrial Health and Safety Regulations 26.16 (7) (a) require that if the machine is covered or operating work on or through and fully exposed work areas greater than 30 percent, it must be equipped with seat belts with a minimum width of 20 mm (0.75").

Contact your dealer for availability of the 36 mm (1.4") minimum width Seat Belt P/N 57336403 for this machine.

47839-01

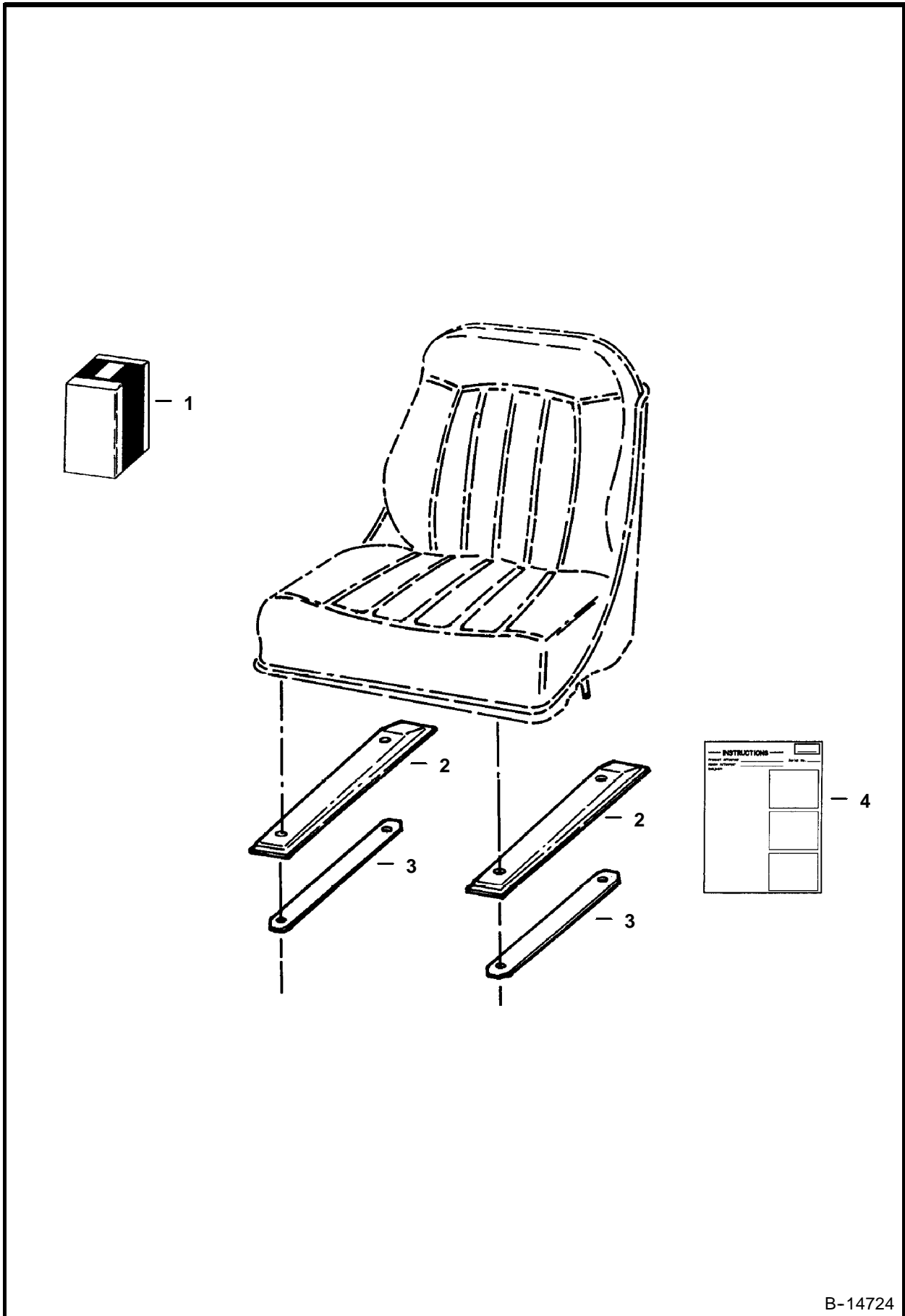
**NOTE:** Complies with British Columbia Industrial Health and Safety Regulations 26.16 (7) (a).

B-13601





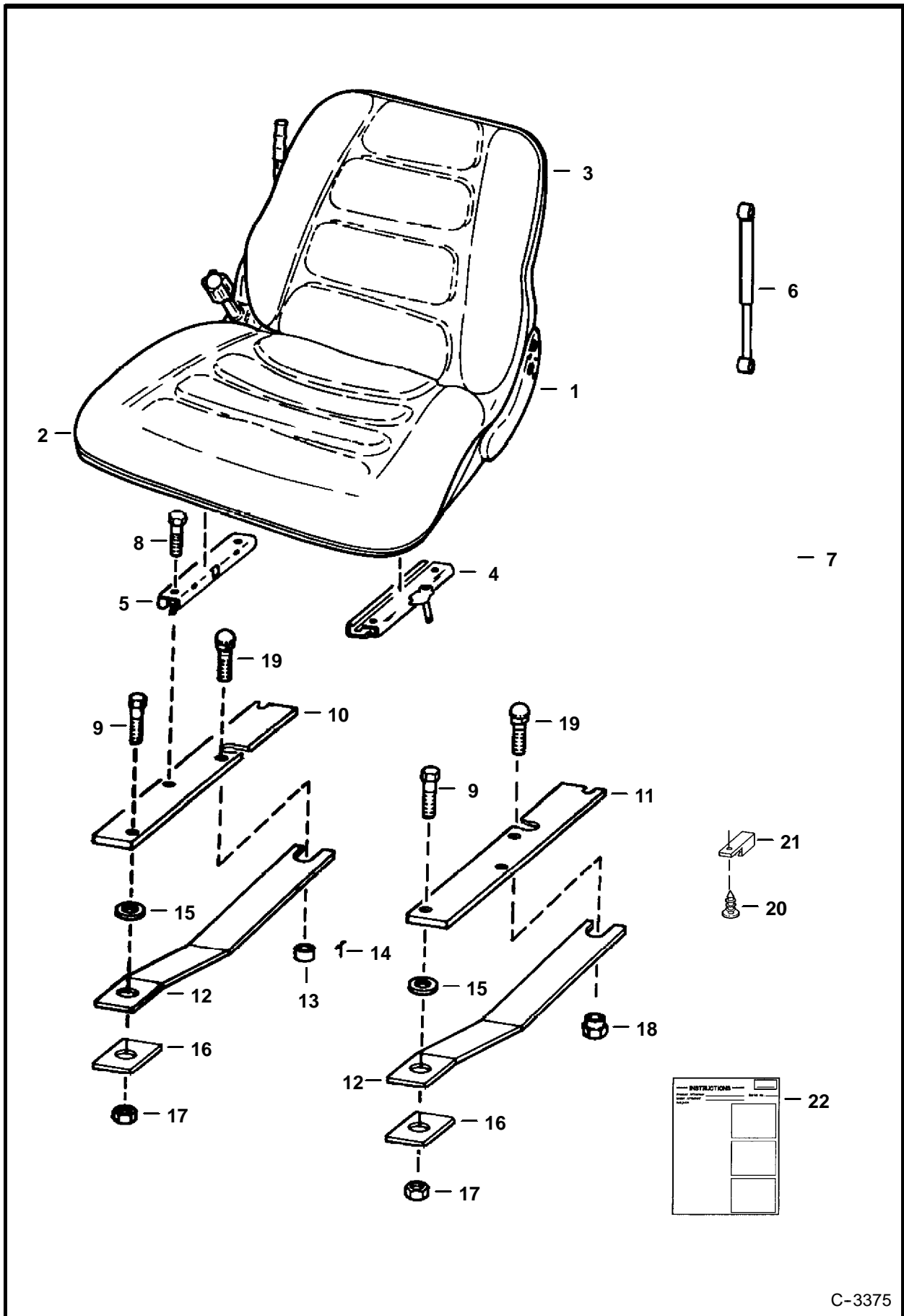
# SEAT RAIL COVER KIT



B-14724



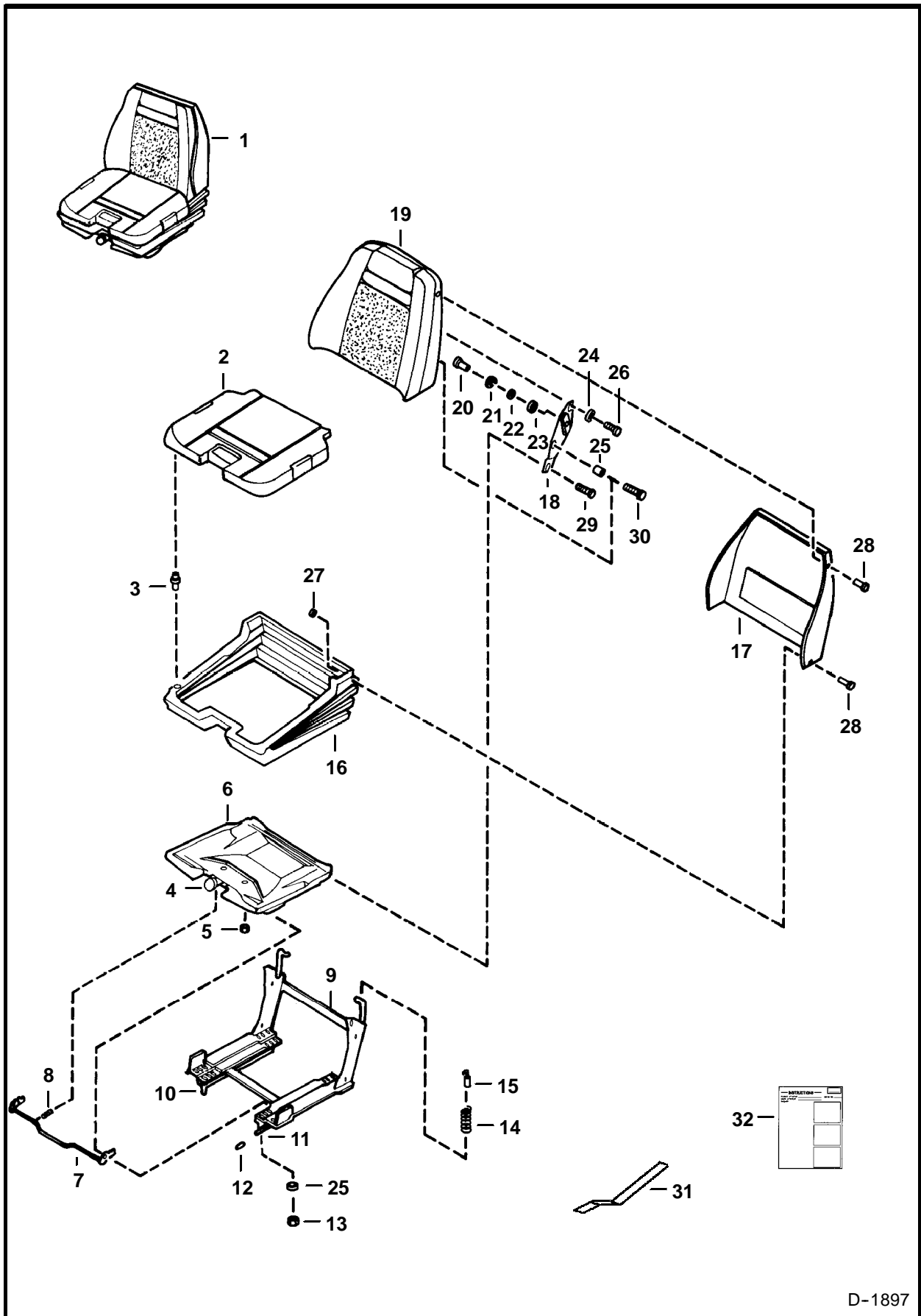
# SUSPENSION SEAT (Grammer)



C-3375



# SUSPENSION SEAT (Milsco)

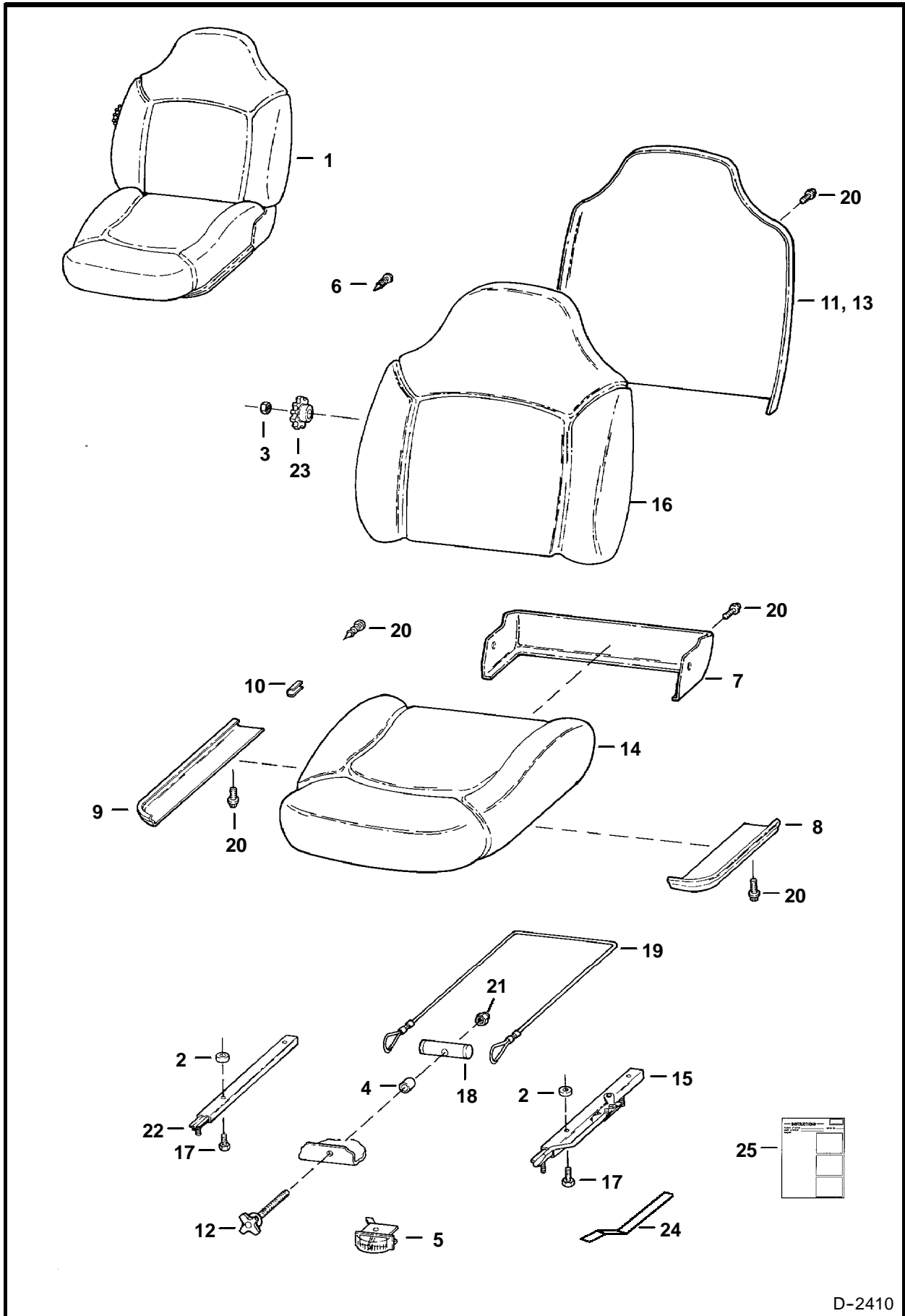


D-1897

**SUSPENSION SEAT (Cont'd)**  
**(Milsco)**

Ref. No.	Part Number	Description	Remarks	Serial Number	Qty.
1	6674019	SEAT	Ref. 2-30 - Also order Ref. 31 & 32		1
2	6650226	SEAT CUSHION	W/Ref. 3		1
3	6650231	CLIP			x
4	6650219	KNOB KIT	Ref. 3 - W/Nut & Bushing		1
5	6650241	PUSH NUT			2
6	6650230	SEAT PAN	W/Mounting Hardware		1
7	6650221	LATCH TILT	Ref. 8 - W/Mounting Hardware		1
8	6650229	SPRING			1
9	NSS	FRAME			1
10	6650228	TRACK			1
11	6599779	ADJUSTER	adjuster		1
12	6650242	TIP			1
13	61D-5	NUT			4
14	6650222	SPRING			1
15	6650223	CABLE			1
16	6650243	BOOT			1
17	6650220	SHROUD	W/Mounting Hardware		1
18	6650224	SUPPORT	R.H. & L.H. Backrest		1
19	6650225	BACK CUSHION	W/Mounting Hardware		1
20	6650244	NUT			2
21	6650245	WASHER			2
22	6650246	WASHER			2
23	6650247	WASHER			2
24	6650248	SPACER			2
25	6650249	SPACER			2
26	17C-510	BOLT			4
27	6650250	WASHER			5
28	6650251	CLIP			7
29	6668717	SCREW	shoulder		4
30	31C-510	BOLT			4
31	6706966	SPRING	plate - See Page 17		1
32	6724017	INSTRUCTIONS			1

# SUSPENSION SEAT (Michigan)

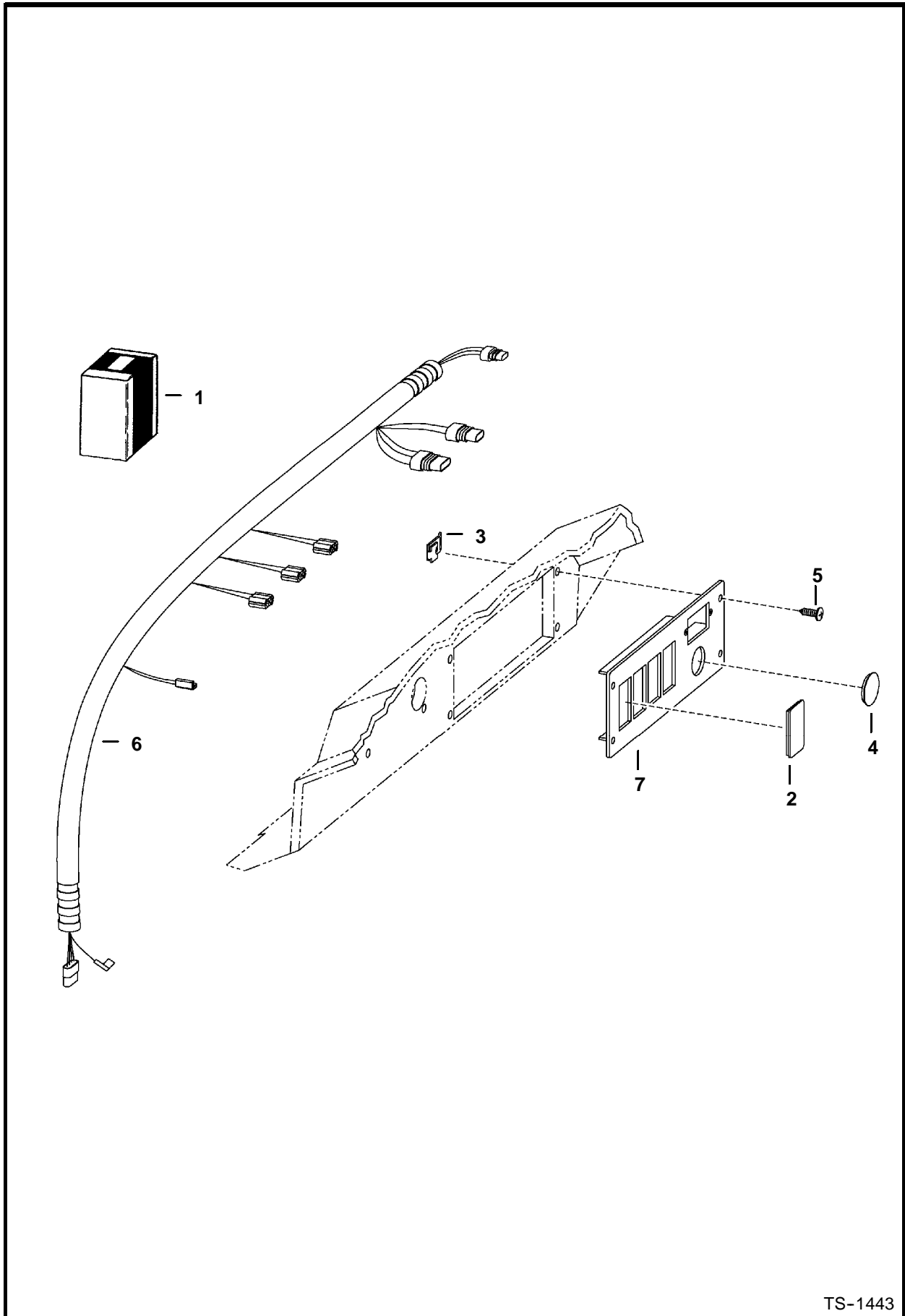


D-2410





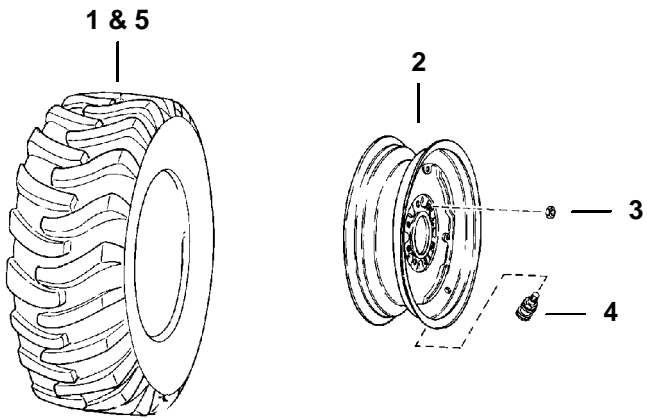
# SIDE CONSOLE KIT



TS-1443



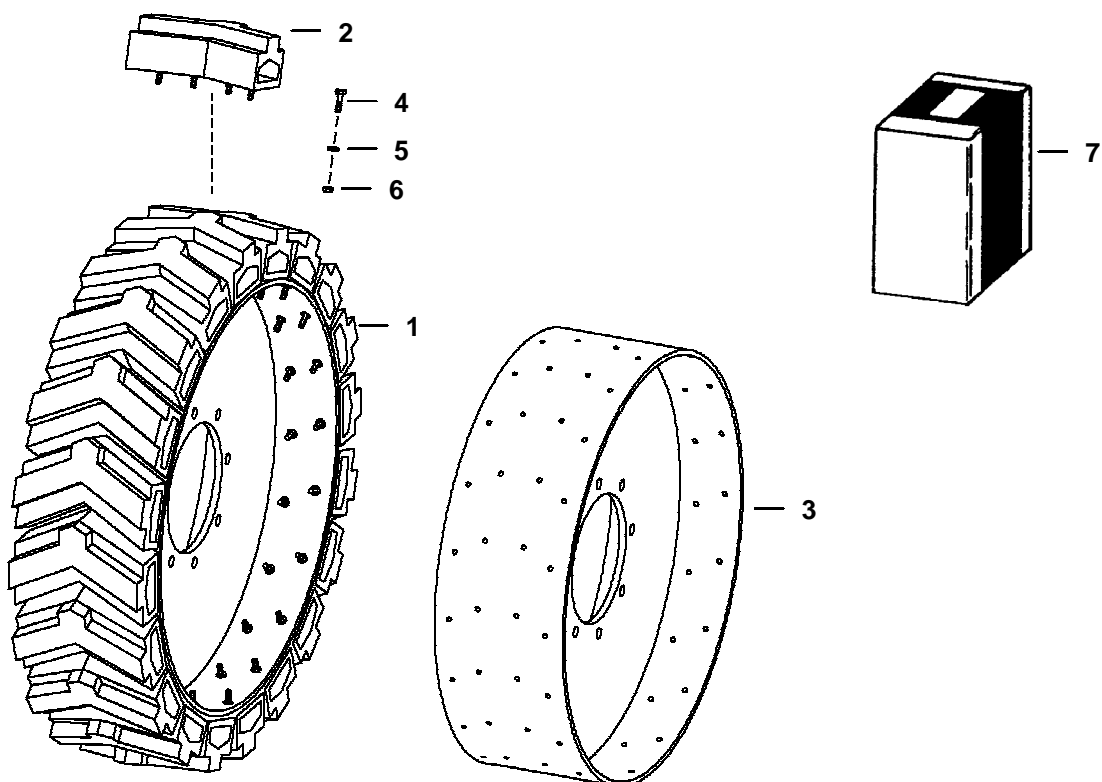
# TIRES & RIMS



C-1000



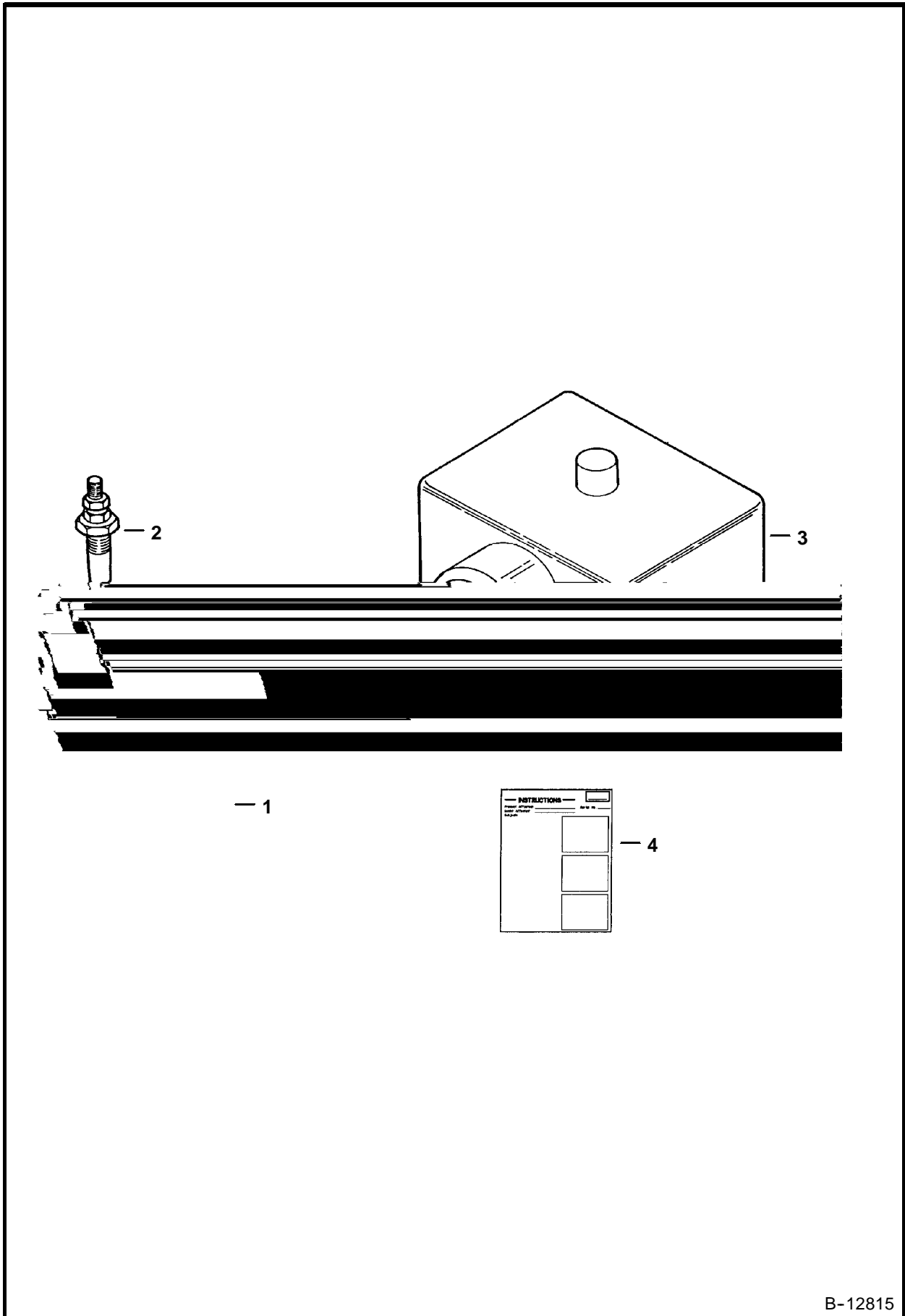
**TIRES & RIMS**  
**(Solid Tire - latco)**



TS-1082



# WATER LEVEL SENSOR KIT

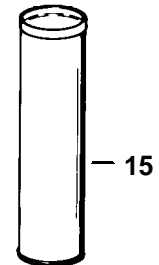
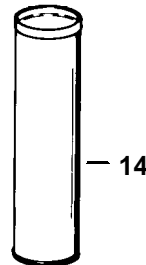
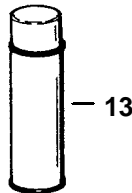
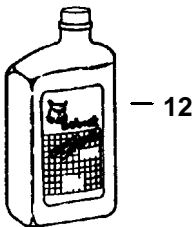
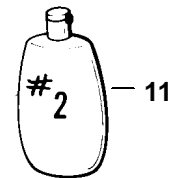
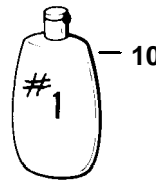
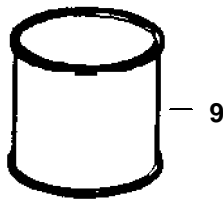
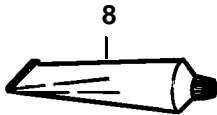
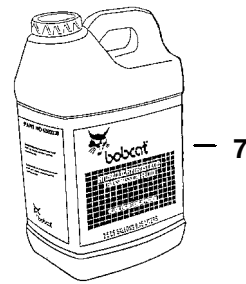
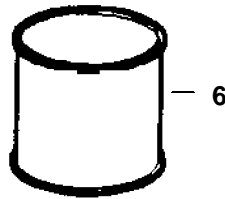
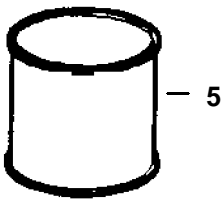
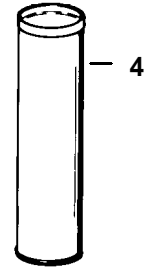
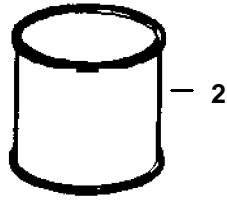
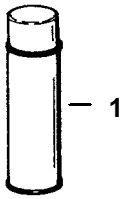


B-12815





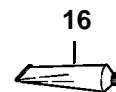
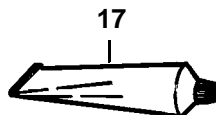
**BULK ITEMS  
(SEE NOTE)**



NOTE: Some of these bulk items may not be used on this particular model Bobcat.

NOTE: See Merchandising catalog for more products & information.

NOTE: Paint spray cans are packaged 6 per box.  
 Motor oil quarts are packaged 12 per box.  
 Motor oil 5 qt. jugs are packaged 4 per box.  
 Motor oil 2.5 gal. jugs are packaged 2 per box.



B-16462

**BULK ITEMS (Cont'd)**  
**(See Note)**

Ref. No.	Part Number	Description	Remarks	Serial Number	Qty.
1	6722783	PAINT	orange - Spray Can - See Note		x
	6722786	PAINT	charcoal - Spray Can - See Note		x
	6722789	PAINT	white - Spray Can - See Note		x
2	6722781	PAINT	orange-Gal. - Also Order Ref. 5		x
	6722782	PAINT	orange - Qt. - Also Order Ref. 5		x
	6722784	PAINT	charcoal-Gal.-Also Order Ref. 5		x
	6722785	PAINT	charcoal-Qt.-Also Order Ref. 5		x
	6722787	PAINT	white - Gal. - Also Order Ref. 5		x
	6722788	PAINT	white - Qt. Also Order Ref. 5		x
3	6724094	ANTI-FREEZE	gallon - premixed PG		x
	6724354	ANTI-FREEZE	gallon - concentrate PG		x
4	6633583	SEALANT	chaincase covers		x
5	6653517	REDUCER	gallon		x
6	6653518	PRIMER	gallon		x
	6653519	PRIMER	Qt.		x
7	6563328	FLUID	Hydraulic/Hydrostatic		
			Transmission Fluid - 5 Gallons - 2-2 1/2 Gallon Containers		x
8	6722344	FLUID	5 Gallon Reclosable Pail		x
	6563330	FLUID	55 Gallon Drum		x
	6599360	SEALANT	electrical - 3 oz. tube		x
9	6634393	LUBRICANT	90 wt. gear - pint - For use in cooling fan drive assy.		x
10	6630188	POLISH	window-1 (8 oz.)		x
			remover		
11	NAP	POLISH	window-1 (64 oz.)-Order 6630188		x
	6630189	POLISH	Polish - Was 6630190 [A] window-2 (8 oz.) - scratch		
	NAP	POLISH	remover		x
			window-2 (64 oz.) - scratch remover - Order 6630189 Polish		
12	6657303	MOTOR OIL	- Was 6630191 [A] 30 CE/SG - 1 Qt. - See Note		x
	6657301	MOTOR OIL	10W30 CE/SG - 1 Qt. - See Note		x
	6657299	MOTOR OIL	15W40 CE/SG - 1 Qt. - See Note		x
	6724557	MOTOR OIL	SAE 10W30 - 1 Gal.		x
	6724558	MOTOR OIL	SAE 15W40 - 1 Gal.		x
	6724559	MOTOR OIL	SAE 30 wt. - 1 Gal.		x
	6674204	MOTOR OIL	15W40 - 2.5 Gal.		x
	6674205	MOTOR OIL	10W30 - 2.5 Gal.		x
13	6674206	MOTOR OIL	30W - 2.5 Gal.		x
	6675380	ADHESIVE	insulation - spray can		x
14	6658266	GREASE	general purpose		x
15	6599719	GREASE	14.5 oz. cartridge - For fan idler bearing		x
16	6650407	ADHESIVE	1 oz. tube		x
17	6650388	SEALANT	flange		x

## NUMERICAL INDEX

Part No.	Description	Was	Code	Page
214028	DOWEL			72, 74
225855	SEAL			20, 52
614142	SLEEVE			184, 224
616783	WASHER			82, 98, 98
654386	BEARING			72, 74
654387	BEARING			72, 74
661415	SNAP RING			72, 74
710706	CLAMP			90
710776	SNAP RING			72, 74
731794	FITTING			156
733611	TERMINAL			224
733616	TERMINAL			224
743332	GREASE ZERK			20, 22
774220	NUT			94
784568	ELBOW			156
791442	SNAP RING			32, 36
799119	RETAINER			54
851239	BEARING			72, 74
872229	WASHER			38, 40, 96, 232
889269	HOSE			188, 192
895771	BULB			80
898731	BULB			200
945412	WASHER			76
947088	SEAL			52
1300913	ELBOW			62
1303932	GROMMET			94
1306637	COTTER PIN			60
1318565	PIN			212
1320075	COTTER PIN			228
1323182	NUT			94
2356058	BOOT			82
2756257	RETAINER			160, 164
3292657	BEARING			72, 74
3737000	TRACK			244
3737001	TRACK			244
3737010	CUSHION			244
3737081	CUSHION			244
3966515	O-RING			112
3966602	O-RING			102, 104
3974033	CAP			106
3974038	O-RING			102, 106, 110
3974039	PIN			110
3974056	CAP			106
3974095	GASKET			110
3974114	JOINT			112
3974161	COLLET			108
3974260	SCREW			132
3974433	CAP			110
3974866	BEARING ASSY			34
3974882	HOOD			106
3974928	BOLT			104

Code for disposition of old part number  
 A — Use up  
 B — Use on other application (See PNI)

C — File PDR Report with Melroe Parts Sales  
 D — Part Number Error

**NUMERICAL INDEX (Cont'd)**

<b>Part No.</b>	<b>Description</b>	<b>Was</b>	<b>Code</b>	<b>Page</b>
3974945	WASHER			118
3974972	GASKET			122, 130, 132
3975022	WASHER			118
5289686	PLUG			24, 160, 162
6190121	SPRING			78
6502203	CLAMP			38, 40, 148
6505813	FITTING			90
6510470	GEAR			94
6510585	WASHER			70
6512026	BUSHING			60
6512027	BUSHING			68
6512067	GROMMET			188
6512274	CLIP			160, 162
6512686	SEAL			94
6512955	SWIVEL			148
6513152	SEAL			24, 158, 164, 166
6513471	CLAMP			26
6513482	SWITCH			194, 202
6513495	COTTER PIN			60, 148
6513501	HOUSING			78
6513505	PLATE			78
6513506	SHAFT			78
6513507	VALVE			78
6513510	PISTON			78
6513532	POPPET			78
6513533	SPRING			78
6513534	PLUG			78
6513800	O-RING			78
6513963	GRIP			68
6513998	PLUG			72, 74
6514010	SPRING			72, 74
6514898	CAP			82
6515007	INDICATOR			90
6515078	POPPET			64
6515131	TERMINAL			184
6515191	LINK			32
6515603	GROMMET			26
6515817	WASHER			14, 90
6516231	RING			50
6517516	LIGHT			184
6517924	CONNECTOR			224
6517947	WASHER			78
6519178	BUMPER			20
6519548	CONNECTOR			200, 204
6531270	SLEEVE			54
6532127	BOOT			24
6534973	PLUG			56
6538367	HEAD			52
6539304	ROD			50
6539323	HEAD			50
6547593	PIN			20

Code for disposition of old part number  
 A — Use up  
 B — Use on other application (See PNI)

C — File PDR Report with Melroe Parts Sales  
 D — Part Number Error

**NUMERICAL INDEX (Cont'd)**

<b>Part No.</b>	<b>Description</b>	<b>Was</b>	<b>Code</b>	<b>Page</b>
6548891	SPROCKET			32, 34
6551892	RIM			252
6552871	WASHER			34
6552906	BRACKET			224
6553081	BOLT			68
6553244	HOSE			38, 40
6553411	BUSHING			26, 36
6553709	WASHER			14
6554100	SAFETY TREAD			172
6554149	CORD			14, 158, 164, 166, 230
6555331	BOLT			164
6555350	ADHESIVE			166
6555351	SEAL			166
6555987	BUSHING			12, 20
6555989	BUSHING			12, 20
6556222	INSTRUCTIONS			184
6556500	SAFETY MANUAL			174
6557224	DECAL			174
6557291	BALL JOINT			96
6557565	DECAL			172
6557720	HOSE			90
6557831	WASHER			22, 68
6557904	FLASHER			184, 186, 204, 208
6558076	KIT			184
6558309	WIRE ROPE			172
6558310	SLEEVE			172
6558436	GUIDE			68
6558680	WASHER			68
6558736	FLANGE			68
6558924	ADAPTER			98
6559160	TIRE			252
6559447	WASHER			26
6559515	EXIT TAG			14, 164, 166, 230
6559518	ADAPTER			64
6559552	HARDHAT			234
6559775	EARMUFFS			234
6560172	COVER			82
6560573	DECAL			174
6560633	MOUNT			14, 62
6561218	SHUTTLE			78
6561383	DECAL			172
6561811	PLUG			62
6562018	SPRING			22
6562062	CAM			68
6562198	SPACER			90
6562266	CLAMP			52
6562602	MOUNT			14
6562619	BUSHING			96, 232
6562691	SPRING			62
6562778	RIM			252
6562905	CABLE			82

Code for disposition of old part number  
A — Use up  
B — Use on other application (See PNI)

C — File PDR Report with Melroe Parts Sales  
D — Part Number Error

**NUMERICAL INDEX (Cont'd)**

<b>Part No.</b>	<b>Description</b>	<b>Was</b>	<b>Code</b>	<b>Page</b>
6563328	FLUID			258
6563330	FLUID			258
6563353	CLAMP			196
6563606	WASHER			34
6563612	BUSHING			202
6563646	BRACKET			68
6563649	BAR			68
6563914	WASHER			60, 68
6563920	FILTER			66, 84
6563922	ADAPTER			66, 84
6563965	WASHER			68
6564452	GRIP			30, 96
6564535	SPACER			148
6564652	BAR			60
6564653	BAR			60
6564654	CLEVIS PIN			60, 148
6564655	CLEVIS			148
6564657	PIN			60
6564669	NUT			12, 34, 252
6564670	SHIELD			24
6564671	SHIELD			24
6564692	WASHER			62
6564740	WASHER			32
6564741	BOLT			32
6564833	SAFETY TREAD			160
6564884	SPRING			64
6564918	COVER			12
6564969	STRIP			94
6564976	SEAL			24
6564982	RETAINER			24
6565012	INSULATION			62
6565170	CABLE			82
6565200	DECAL			174
6565270	ENCLOSURE			168
6565550	PORT BLOCK			62, 64, 82
6565620	POPPET			62
6565753	LEVER			68
6565793	KIT			182
6565824	PIN			68
6565977	HOSE			192
6565990	DECAL			172
6566539	INSTRUCTIONS			182
6566957	INSTRUCTIONS			166
6567057	ROD			148
6567604	SPACER			14
6567743	PIN			14
6567827	ANGLE			228
6567838	PIN			228
6567962	WASHER			96
6567968	WIRE			224
6568047	NUT			158, 162

Code for disposition of old part number  
A — Use up  
B — Use on other application (See PNI)

C — File PDR Report with Melroe Parts Sales  
D — Part Number Error

**NUMERICAL INDEX (Cont'd)**

<b>Part No.</b>	<b>Description</b>	<b>Was</b>	<b>Code</b>	<b>Page</b>
6568175	SENDER			26
6568835	WASHER			34
6568974	KIT			34
6569203	CLAMP			82
6569219	SCREEN			62
6569752	HOSE			26
6570006	INSTRUCTIONS			152
6570238	INSTRUCTIONS			256
6571648	BOOT			24
6571700	KIT			256
6571991	GUIDE			16, 18, 68, 226
6572026	SPRING			68
6575580	GASKET			90, 102, 142
6576261	COVER			96
6576262	MOUNT			96
6576280	BOLT			82
6576660	TANK			94
6577545	GROMMET			154, 192
6577754	DECAL			174
6577801	LIGHT ASSY			200
6577821	HOSE			26
6577822	HOSE			26, 94
6577949	SAFETY TREAD			172
6577954	PIN			20
6578169	HOSE			26
6578356	BUSHING			20
6578368	DECAL			174
6578382	CABLE			82
6578507	TIRE			252
6578528	HARNESS			200
6578682	BLOWER WHEEL			94
6578684	HOUSING			94
6578780	CROSSMEMBER			80
6578824	HOUSING			200
6579325	WINDOW			164
6579384	DECAL			172, 232
6579402	DECAL			172, 232
6579418	INSULATION			232
6579422	INSULATION			232
6579423	INSULATION			232
6579510	DECAL			174
6579528	DECAL			172
6579613	STOP			14
6579652	DOOR STOP			202
6579694	INSULATION			202, 232
6579983	INSULATION			232
6579987	INSULATION			232
6579990	WASHER			68
6584978	CONDUIT			36, 224
6585223	ORIFICE			192
6586576	TUBE			50

Code for disposition of old part number  
A — Use up  
B — Use on other application (See PNI)

C — File PDR Report with Melroe Parts Sales  
D — Part Number Error



**NUMERICAL INDEX (Cont'd)**

<b>Part No.</b>	<b>Description</b>	<b>Was</b>	<b>Code</b>	<b>Page</b>
6586577	CASE			50
6586918	SCREW			54
6587304	ORIFICE			56
6587315	ORIFICE			56
6587458	KEY			26
6587523	WASHER			54
6587526	STROBE LIGHT			238
6587575	ADAPTER			54
6587580	SPRING			54
6587633	BONNET			54
6587763	BOOT			54
6589226	BONNET			54
6589565	BUSHING			56
6589663	SPOOL			54
6589739	DECAL			174
6592098	WASHER			54
6592100	COLLAR			54
6592105	BALL			54
6592107	SPRING			54
6592109	ADAPTER			54
6592115	SEAT			54
6592116	NUT			54
6592117	SPRING			54
6592720	PLUG			54
6595027	SLEEVE			54
6595663	BUSHING			54
6596807	PLUG			54
6598097	O-RING			112
6598098	PIN			130
6598116	PLUG			106, 110
6598168	SET SCREW			114
6598310	VALVE			252
6598485	SEALANT			152
6598703	SEAL			102, 130
6598753	ELBOW			26
6598853	WASHER			70
6598855	COUPLER			70
6598859	SEAL KIT			70
6598875	WASHER			72, 74
6598876	WASHER			72, 74
6598878	RACE			72, 74
6598880	KEY			74
6598881	SCREW			72, 74
6598883	RACE			72, 74
6598886	COVER			72, 74
6598887	COVER			72, 74
6598888	COVER			74
6598892	YOKE			72, 74
6598893	GROUP			72, 74
6598894	SHAFT			74
6598896	SEAL KIT			72, 74

Code for disposition of old part number  
A — Use up  
B — Use on other application (See PNI)

C — File PDR Report with Melroe Parts Sales  
D — Part Number Error

**NUMERICAL INDEX (Cont'd)**

<b>Part No.</b>	<b>Description</b>	<b>Was</b>	<b>Code</b>	<b>Page</b>
6598908	ELBOW			26
6599116	GASKET			102, 104
6599136	CLAMP			132
6599360	SEALANT			82, 258
6599564	RETAINER			54
6599605	HOUSING			78
6599652	BOOT			84
6599696	SOCKET & BULB			80
6599719	GREASE			258
6599721	DOOR			168
6599744	BALL JOINT			68, 212
6599779	ADJUSTER			246
6599931	ALARM			154
6610510	NYLON TIE		80, 82, 154, 160, 162, 222, 224	80, 176, 192
6624289	NYLON TIE			80, 176, 192
6624435	NUT			188
6628362	HOSE			232
6630042	PLATE			78
6630087	COVER			78
6630100	EXTINGUISHER			182
6630154	CAP			82
6630155	CAP			82
6630170	KEY			68, 72, 74
6630184	THERMOSTAT			192
6630188	POLISH			258
6630189	POLISH			258
6630205	DRIVE CHAIN			32
6630207	RIVET			24, 240
6630288	DRIVE SHAFT			78
6630797	GAS SPRING			160, 164
6630821	SWITCH			224
6630919	TRACK			166
6630924	BRACKET			166
6630945	WASHER			96
6630972	GASKET			26
6631418	PIN			14, 18, 226
6631420	SLEEVE			152
6631548	LOOP			166, 232
6631549	HOOK			166, 232
6631561	NUT			58
6632040	SEAL KIT			78
6632221	STUD			160, 164
6632265	PLUG			166
6632271	PLUG			78
6632388	SEAT			244
6632435	BALL			88
6632501	SEALANT			12
6632560	KEY			162
6632584	RESISTOR			190
6632593	VALVE			26
6632601	BREATHER			12

Code for disposition of old part number  
A — Use up  
B — Use on other application (See PNI)

C — File PDR Report with Melroe Parts Sales  
D — Part Number Error

**NUMERICAL INDEX (Cont'd)**

<b>Part No.</b>	<b>Description</b>	<b>Was</b>	<b>Code</b>	<b>Page</b>
6632633	SWITCH			82
6632954	PROBE			256
6633583	SEALANT			258
6634393	LUBRICANT			258
6636018	LIGHT			80
6640690	PIN			176, 204, 224
6640691	PIN			176, 204, 224
6640699	CONNECTOR			176, 204
6640700	LOCK			176, 204
6641056	GROMMET			190
6641062	SCREW			190
6641065	NUT			188, 190
6641066	SCREW			188, 190
6641072	WASHER			188, 190
6641073	NUT			190
6641173	CONNECTOR			176
6641176	SEAL			176, 204, 224
6641178	CONNECTOR			176, 204, 224
6641179	CONNECTOR			156, 176, 204, 222, 224
6641180	LOCK			156, 176, 204, 222, 224
6641181	LOCK			176, 224
6646678	RADIATOR CAP			94
6646705	MOULDING			24
6646781	SWITCH			154
6647635	KNOB			158, 162
6647668	KNOB			196
6647777	PIN			58
6647778	CAP			58
6647780	PLUG			58
6647783	LOAD CHECK			58
6647784	PLUG			58
6647785	SPRING			58
6647786	SEAL KIT			58
6648293	SCREW			58
6648294	SPRING			58
6648311	TERMINAL			84
6648470	SCREW			190
6648485	TEE			192
6648789	COVER			72
6649028	CLAMP			176
6649478	HOUSING			200
6649481	BULB			200
6649551	SHOCK			68
6649683	SEAL			176
6650107	SEAL			84
6650219	KNOB KIT			246
6650220	SHROUD			246
6650221	LATCH TILT			246
6650222	SPRING			246
6650223	CABLE			246
6650224	SUPPORT			246

Code for disposition of old part number  
A — Use up  
B — Use on other application (See PNI)

C — File PDR Report with Melroe Parts Sales  
D — Part Number Error

**NUMERICAL INDEX (Cont'd)**

<b>Part No.</b>	<b>Description</b>	<b>Was</b>	<b>Code</b>	<b>Page</b>
6650225	BACK CUSHION			246
6650226	SEAT CUSHION			246
6650228	TRACK			246
6650229	SPRING			246
6650230	SEAT PAN			246
6650231	CLIP			246
6650239	SCREEN			26
6650241	PUSH NUT			246
6650242	TIP			246
6650243	BOOT			246
6650244	NUT			246
6650245	WASHER			246
6650246	WASHER			246
6650247	WASHER			246
6650248	SPACER			246
6650249	SPACER			246
6650250	WASHER			246
6650251	CLIP			246
6650388	SEALANT			258
6650407	ADHESIVE			258
6651709	SEAL			20
6651975	SWITCH			176, 188
6652574	PLUG			110, 112
6652576	SWITCH			82, 110
6652580	BOLT			120, 142
6652616	RETAINER			108
6652633	BALL			118
6652653	PLUG			104
6652682	BOLT			140
6652688	CLAMP			132
6652689	CLAMP			132
6652745	PIPE			138
6652748	CLAMP			136
6652762	BOLT			138
6652816	TIRE			252
6652818	ADHESIVE			14
6652943	COVER			202
6653517	REDUCER			258
6653518	PRIMER			258
6653519	PRIMER			258
6653836	BOLT			128
6653841	GEAR			114
6653842	KEY			114
6653865	WASHER			118
6653948	THERMOSTAT			136
6654002	WASHER			118
6654003	WASHER			118
6654126	PIN			72, 74
6654191	VALVE			188
6654715	WASHER			118
6655218	GASKET			132

Code for disposition of old part number  
A — Use up  
B — Use on other application (See PNI)

C — File PDR Report with Melroe Parts Sales  
D — Part Number Error

**NUMERICAL INDEX (Cont'd)**

<b>Part No.</b>	<b>Description</b>	<b>Was</b>	<b>Code</b>	<b>Page</b>
6655399	BUMPER			30
6655872	SEAL			132
6655884	PLUG			110
6655937	VALVE			144
6657050	CAP			104
6657299	OIL			258
6657301	OIL			258
6657303	OIL			258
6657306	CAP			188
6657412	BOLT			112
6657413	BOLT			112, 136
6657414	BOLT			138
6657419	SNAP RING			128
6657426	BALL			112
6657428	BEARING			120
6657429	BEARING			120
6657430	BEARING			120
6657431	CAP			110
6657436	VALVE			126
6657437	TAPPET			126
6657438	O-RING			126
6657439	SPRING			126
6657440	GASKET			126
6657441	PIN			126
6657442	SEAT			126
6657443	SPRING			126
6657444	SEAT			126
6657445	SCREW			126
6657446	SCREW			132
6657447	SLEEVE			126
6657448	SHIM			126
6657449	FLANGE			126
6657456	DRAINCOCK			110
6657457	BOLT			112
6657458	STUD			124
6657459	NUT			122
6657461	NUT			124
6657462	SCREW			126
6657464	PIN			126
6657465	PLUG			106
6657466	GASKET			126
6657467	GASKET			126
6657468	O-RING			126
6657471	SCREW			126
6657474	SPRING			130
6657478	BOLT			106
6657481	SEAL			116
6657482	BOLT			116
6657483	BOLT			116
6657484	COVER			116
6657486	PLATE			104

Code for disposition of old part number  
A — Use up  
B — Use on other application (See PNI)

C — File PDR Report with Melroe Parts Sales  
D — Part Number Error

**NUMERICAL INDEX (Cont'd)**

<b>Part No.</b>	<b>Description</b>	<b>Was</b>	<b>Code</b>	<b>Page</b>
6657487	PLATE			104
6657488	OIL SHIELD			104
6657489	PIPE			104
6657490	JOINT			104
6657491	ELEMENT			104
6657495	VALVE			108
6657496	VALVE			108
6657498	VALVE GUIDE			106
6657499	VALVE GUIDE			106
6657502	ROCKER ARM			108
6657506	SCREW			108
6657507	NUT			108
6657508	SPRING			108
6657509	BRACKET			108
6657510	STUD			108
6657511	WASHER			108
6657515	PUSH ROD			114
6657517	STOPPER			114
6657518	STOPPER			120
6657521	PIN			118
6657522	SNAP RING			118
6657524	BUSHING			118
6657526	BOLT			118
6657527	BEARING			118
6657528	BEARING			118
6657529	BEARING			118
6657530	COLLAR			118
6657531	SLEEVE			118
6657532	BEARING			118
6657533	BEARING			118
6657537	BEARING			118
6657538	BEARING			118
6657539	BEARING			118
6657540	BEARING			118
6657541	GEAR			118
6657542	SHAFT			114
6657543	SNAP RING			114
6657544	COLLAR			114
6657545	COLLAR			114
6657548	PIN			110
6657549	ROTOR ASSY			112
6657552	GEAR			118
6657553	SEAT			112
6657554	SPRING			112
6657558	CAM			120
6657560	BOLT			122
6657562	WEIGHT			120
6657563	SHAFT			120
6657564	HOLDER			120
6657565	HOLDER			120
6657566	SLEEVE			120

Code for disposition of old part number  
A — Use up  
B — Use on other application (See PNI)

C — File PDR Report with Melroe Parts Sales  
D — Part Number Error

**NUMERICAL INDEX (Cont'd)**

<b>Part No.</b>	<b>Description</b>	<b>Was</b>	<b>Code</b>	<b>Page</b>
6657567	WASHER			120
6657568	SET SCREW			120
6657570	SHAFT			128
6657572	COLLAR			128
6657573	COVER			128
6657575	BEARING			128
6657576	BEARING			128
6657577	LEVER			130
6657584	PIPE			136
6657585	PULLEY			138
6657588	BOLT			118
6657589	BOLT			112
6657590	STUD			142
6657591	NUT			142
6657592	NUT			130
6657593	NUT			120
6657595	WASHER			128
6657596	WASHER			130
6657597	KEY			120
6657598	JOINT			124
6657600	PLUG			110
6657601	PLUG			110
6657603	SEAL			112
6657611	IMPELLER			138
6657612	BEARING			138
6657614	CASE			116
6657615	CASE			116
6657618	RING			118
6657619	RING			118
6657630	SPRING			108
6657632	GEAR			114
6657634	BUSHING			114
6657635	OIL FILTER			112
6657639	HOLDER			126
6657643	PIPE			132
6657644	PIPE			132
6657647	BUSHING			110
6657648	SNAP RING			120
6657649	LEVER			130
6657655	LEVER			130
6657656	LEVER			130
6657657	SHAFT			130
6657661	KEY			118
6657663	PLUG			110
6657664	GEAR			120
6657671	GEAR			120
6657675	PLUG			110
6657685	SPRING			128
6657690	ROLLER			120, 128
6657691	CLAMP			138
6657719	PLUG			188

Code for disposition of old part number  
A — Use up  
B — Use on other application (See PNI)

C — File PDR Report with Melroe Parts Sales  
D — Part Number Error

**NUMERICAL INDEX (Cont'd)**

<b>Part No.</b>	<b>Description</b>	<b>Was</b>	<b>Code</b>	<b>Page</b>
6657734	PUMP			26
6658142	WINDOW			166
6658143	WINDOW			166
6658180	PLUG			26
6658266	GREASE			258
6658352	EXTRUSION			164
6658818	SENDER			82
6659553	SEAL			176
6659949	LATCH			166
6659982	MUFFLER			232
6659999	BELT			240
6660126	SEAL			34, 152
6660205	SEAL			194, 202
6660294	HORN			194, 202
6660340	VINYL CAB			168
6660348	GAS SPRING			244
6660644	CAP			56
6660654	CONNECTOR			190
6660656	DECAL			190
6660659	SWITCH			188
6660822	KNOB			188
6660865	DECAL			188
6660868	DECAL			190
6660869	KNOB			190
6660872	DOOR			190
6660873	BRACKET			190
6660874	HOUSING			190
6660876	MOTOR			190
6660877	MOULDING			190
6660878	MOULDING			190
6660879	ELBOW			188
6660880	FILTER			188
6660881	KNOB			188
6660883	TIE			188, 192
6660884	SCREW			188
6660885	LOUVER			188
6660890	COVER ASSY			188
6660892	HARNESS			188
6660894	HARNESS			188
6660930	THUMBSCREW			188
6660988	RETAINER			184, 186, 222, 236
6661114	CAP			26
6661117	TANK			212
6661248	ELEMENT			64
6661334	FILTER ASSY			64
6661353	LIGHT ASSY			200
6661608	SEAL KIT			214
6661689	TRACK			166
6661690	TRACK			166
6661694	PISTON			50
6661696	CAP			26

Code for disposition of old part number  
A — Use up  
B — Use on other application (See PNI)

C — File PDR Report with Melroe Parts Sales  
D — Part Number Error



**NUMERICAL INDEX (Cont'd)**

<b>Part No.</b>	<b>Description</b>	<b>Was</b>	<b>Code</b>	<b>Page</b>
6662257	PIN			176, 204
6662839	HINGE KIT			168
6662848	CAP			56
6664035	CAP			176
6664036	NUT			178
6664037	WASHER			178
6664040	PIN			80, 176
6664041	SOCKET			84, 176
6664085	BUSHING			160
6664181	CONNECTOR			176
6664182	CONNECTOR			176
6664205	GAS SPRING			14
6664221	RETAINER			18, 202, 224, 244
6664223	OUTLET			80, 202
6664224	CAP			80, 202
6664310	CLIP			14
6664351	SEAL			14, 166, 230
6664368	DOME LIGHT			202
6664374	PLUG			14
6664388	DIODE			176
6664554	PUMP			158, 164, 222
6664555	NOZZLE			158, 162, 222
6664584	CONNECTOR			80
6664585	CONNECTOR			84
6664599	CONNECTOR			176, 204
6664800	LOCK			176, 204
6664806	HOUSING			190
6664808	DOOR			190
6664827	PIN			80
6664828	SOCKET			84
6664849	VALVE			38, 40, 44, 46
6664850	VALVE			38, 40, 44, 48
6664858	KNOB			44
6664881	KEY			18, 244
6664882	BUSHING			18, 226
6664886	HOURMETER			80, 224
6664889	MOTOR			78
6664890	RELIEF VALVE			72, 74
6665000	CLIP			18, 80, 244
6665001	CONNECTOR			176
6665012	SEAL			14, 166, 230
6665021	LENS			238
6665022	FLASH TUBE			236, 238
6665023	GASKET			238
6665024	GUARD			238
6665025	LENS			238
6665086	SEAL			52
6665208	SEAL			50
6665314	PLUG			80
6665315	SWITCH			204
6665316	SWITCH			204, 208

Code for disposition of old part number  
A — Use up  
B — Use on other application (See PNI)

C — File PDR Report with Melroe Parts Sales  
D — Part Number Error

**NUMERICAL INDEX (Cont'd)**

<b>Part No.</b>	<b>Description</b>	<b>Was</b>	<b>Code</b>	<b>Page</b>
6665321	RIVET			80
6665322	RIVET			80
6665356	BLOCK			84
6665357	LOCK			84
6665358	COVER			82
6665364	CONNECTOR			84
6665368	LOCK			84
6665400	PADLOCK			202
6665410	SWITCH			80, 200
6665411	WEDGE			84
6665487	SEAL KIT			44, 46
6665489	ADAPTER			46
6665490	VALVE			44, 48
6665530	LATCH			158, 162
6665531	LATCH			158, 162
6665568	SEAL			158, 164
6665602	MOTOR			222
6665605	CAP			158, 164, 222
6665606	SWITCH			80
6665609	CHECK VALVE			46, 48
6665610	VALVE			44, 46, 48
6665611	SEAL KIT			46, 48
6665612	SEAL KIT			44, 46, 48
6665687	ARM			222
6665688	BLADE			222
6665701	BUSHING			60, 68
6665707	SWITCH			158, 162
6665727	LIGHT			204, 208
6665728	LIGHT			204
6665729	LIGHT			204
6665730	BEACON			236
6665757	LIGHT			204, 208
6665839	BOLT			60
6665846	SEAL			56
6665909	MOUNT			84
6665915	SIGHT GUAGE			62
6666341	VALVE			40, 58, 156
6666563	LENS			204
6666564	HOUSING			204
6666565	LENS			204
6666566	GASKET			204
6666567	BULB			204
6666568	BULB			204
6666569	BULB			204
6666570	BULB			204
6666571	BULB			236
6666572	LENS			236
6666606	RADIATOR CAP			94
6666608	BUSHING			18
6666631	O-RING			88
6666766	GROMMET			160, 164, 222

Code for disposition of old part number  
A — Use up  
B — Use on other application (See PNI)

C — File PDR Report with Melroe Parts Sales  
D — Part Number Error

**NUMERICAL INDEX (Cont'd)**

<b>Part No.</b>	<b>Description</b>	<b>Was</b>	<b>Code</b>	<b>Page</b>
6666828	SEAL KIT			44, 48
6666932	CALIPER			212, 216
6666933	CYLINDER			212, 214
6667127	PLUG			46, 48
6667132	O-RING			46
6667139	CAP			212
6667176	PLUG			58
6667324	SEAL			50
6667326	SEAL			52
6667332	O-RING			78
6667352	ELEMENT			26
6667353	FILTER ASSY			26
6667365	SHAFT			78
6667366	GEROLER			78
6667418	PLUG			110
6667419	WASHER			112, 124, 130
6667420	BOLT			106, 140
6667549	VALVE			54
6667565	BLOWER			190
6667567	COVER			190
6667569	CONNECTOR			176
6667668	PLATE			72, 74
6667670	PLATE			72, 74
6667671	HOUSING			72
6667673	HOUSING			74
6667676	COVER			58
6667677	O-RING			58
6667680	SNAP RING			58
6667687	SOLENOID			44, 46
6667887	BULB			204
6667890	TIRE			252
6667901	TIRE & RIM			254
6667902	TIRE & RIM			254
6667934	BULB			200
6667987	STARTER			88
6667992	SOLENOID			36
6668007	SCREW			204
6668010	LENS			204
6668013	SEAL KIT			76
6668097	SCREW			214
6668701	O-RING			76
6668702	SEAL			76
6668703	PLATE			76
6668717	SCREW			246
6668742	SWITCH			202
6668814	SWITCH			80, 156
6668815	SWITCH			184, 186
6668816	SWITCH			236
6668817	SWITCH			222
6668820	NUT			46
6668879	DECAL			154

Code for disposition of old part number  
A — Use up  
B — Use on other application (See PNI)

C — File PDR Report with Melroe Parts Sales  
D — Part Number Error

**NUMERICAL INDEX (Cont'd)**

<b>Part No.</b>	<b>Description</b>	<b>Was</b>	<b>Code</b>	<b>Page</b>
6668881	CORD			170
6668927	GLOW PLUG			80
6668953	BRACKET			28
6669076	O-RING			46
6669089	TRACK			28, 248
6669091	CLIP			202, 250
6669135	SEAT			28
6669144	INDICATOR			186
6669146	PLUG			250
6669154	BOLT			216
6669155	PLATE			216
6669156	SPACER			216
6669159	PISTON			216
6669162	NUT			216
6669163	PLUG			216
6669164	ADAPTER			216
6669165	SCREW			216
6669184	STATOR ASSY			216
6669185	SEAL KIT			216
6669191	LIGHT			236
6669224	BOLT			202, 250
6669225	BOLT			80, 186
6669286	CLAMP			178
6669308	RETAINER			222, 230, 236
6669415	TIMER			82
6669420	CONTROLLER			224
6669618	ALTERNATOR			86
6669650	DUCT			188
6669652	DUCT			188
6669663	GUAGE			80
6669664	VOLTMETER			80
6669665	FUEL GUAGE			80
6669689	HEATER			190
6670140	CORE			190
6670142	NUT			188
6670144	BOLT			188
6670160	CUSHION			28
6670284	LIGHT ASSY			200
6670287	COVER			30
6670298	CLIP			144
6670312	SOLENOID			82, 176
6670435	BOLT			124
6670441	PIN			126
6670462	NUT			122
6670464	PIPE			132
6670470	GLOW PLUG			132
6670504	PLUG			136
6670520	WASHER			108
6670521	BOLT			108
6670556	KIT			254
6670602	SOLENOID			82

Code for disposition of old part number  
A — Use up  
B — Use on other application (See PNI)

C — File PDR Report with Melroe Parts Sales  
D — Part Number Error

**NUMERICAL INDEX (Cont'd)**

<b>Part No.</b>	<b>Description</b>	<b>Was</b>	<b>Code</b>	<b>Page</b>
6670627	BREATHER			36
6670634	SEAL KIT			156
6670652	SENSOR			18
6670668	PIN			206
6670705	SWITCH			66, 82
6670726	LOCK			220
6670732	LAMP			186
6670770	BOLT			112, 142
6670777	SHIM			124
6670782	GASKET			102, 124
6670785	PIPE			136
6670851	AIR CLEANER			144
6671026	COIL			44, 46
6671027	LIGHT			204
6671074	FRAME ASSY			86
6671075	PLATE			86
6671076	SCREW			86
6671077	BEARING			86
6671078	STUD			86
6671079	FRAME END			86
6671080	HOLDER			86
6671081	HOLDER			86
6671082	SEAL			86
6671085	REGULATOR			86
6671086	COVER			86
6671087	NUT			86
6671088	INSULATOR			86
6671089	BOLT			86
6671090	SCREW			86
6671091	NUT			86
6671092	NUT			86
6671093	ROTOR ASSY			86
6671094	BEARING			86
6671095	COVER			86
6671096	PULLEY			86
6671097	SPACER			86
6671098	BOLT			86
6671099	SCREW			86
6671100	SCREW			86
6671135	BUSHING			18
6671527	NUT			156
6671528	SEAL			84
6671964	SENDER			224
6671976	YOKE ASSY			88
6671977	YOKE			88
6671978	BRUSH KIT			88
6671979	BRUSH KIT			88
6671980	HOLDER			88
6671981	SPRING			88
6671982	O-RING			88
6671983	ARMATURE			88

Code for disposition of old part number  
A — Use up  
B — Use on other application (See PNI)

C — File PDR Report with Melroe Parts Sales  
D — Part Number Error

**NUMERICAL INDEX (Cont'd)**

<b>Part No.</b>	<b>Description</b>	<b>Was</b>	<b>Code</b>	<b>Page</b>
6671984	BEARING			88
6671985	BEARING			88
6671986	BEARING			88
6671987	BEARING			88
6671988	CLUTCH			88
6671989	BEARING			88
6671990	BEARING			88
6671991	SPRING			88
6671992	SHAFT			88
6671993	HOUSING			88
6671994	PLUNGER			88
6671995	GASKET			88
6671996	COVER			88
6671997	BOLT			88
6671998	SPRING			88
6671999	ROLLER			88
6672000	RETAINER			88
6672001	PINION			88
6672002	HOUSING			88
6672003	FRAME			88
6672004	BOLT			88
6672005	SCREW			88
6672006	NUT			88
6672007	BUSHING			88
6672008	NUT			88
6672009	BOLT			88
6672010	WASHER			88
6672011	NUT			88
6672012	WASHER			88
6672013	O-RING			88
6672026	O-RING			148
6672172	KIT			88
6672205	COVER			88
6672272	WASHER			200
6672273	SCREW			200
6672274	SCREW			200
6672275	GASKET			200
6672276	LENS			200
6672277	BRACKET			200
6672279	MOUNT			200, 204
6672354	PLUG			110
6672355	PIN			110
6672356	OIL PAN			140
6672360	PLUG			112
6672361	COVER			112
6672362	GASKET			102, 112
6672363	COVER			112
6672364	COVER			104
6672365	GASKET			102, 104
6672366	CASE			116
6672367	GASKET			102, 116

Code for disposition of old part number  
A — Use up  
B — Use on other application (See PNI)

C — File PDR Report with Melroe Parts Sales  
D — Part Number Error

**NUMERICAL INDEX (Cont'd)**

<b>Part No.</b>	<b>Description</b>	<b>Was</b>	<b>Code</b>	<b>Page</b>
6672368	GASKET			102, 116
6672371	TAPPET			114
6672372	CAMSHAFT			114
6672377	ROD ASSY			118
6672379	CAMSHAFT			120
6672380	WASHER			120
6672381	SHAFT			120
6672382	IDLER			122
6672383	BOLT			122
6672384	CAP			122
6672385	COVER			122
6672386	GASKET			102, 122
6672387	COVER			122
6672388	TUBE			124
6672389	INJECTION PUMP			124, 126
6672390	SHIM			124
6672391	SHIM			124
6672392	PLUNGER			126
6672393	RACK			126
6672394	PLATE			126
6672395	BOLT			126
6672396	PLUG			126
6672397	SPRING			128
6672398	LEVER			128
6672399	LEVER			128
6672400	SPRING			128
6672401	GASKET			102, 128
6672403	GASKET			102, 130
6672404	PIPE			132
6672405	HOLDER			132, 134
6672406	PIPE			132
6672407	CORD			132
6672408	NUT			134
6672409	WASHER			134
6672410	SPRING			134
6672411	SPACER			134
6672412	PUSH ROD			134
6672413	NUT			134
6672414	WASHER			134
6672415	NOZZLE			134
6672416	WASHER SET			134
6672417	WASHER			134
6672418	WASHER			134
6672419	WASHER			134
6672420	WASHER			134
6672421	WASHER			134
6672422	WASHER			134
6672423	WASHER			134
6672424	WASHER			134
6672425	WASHER			134
6672426	WASHER			134

Code for disposition of old part number  
A — Use up  
B — Use on other application (See PNI)

C — File PDR Report with Melroe Parts Sales  
D — Part Number Error

**NUMERICAL INDEX (Cont'd)**

<b>Part No.</b>	<b>Description</b>	<b>Was</b>	<b>Code</b>	<b>Page</b>
6672427	FUEL PUMP			26, 124
6672428	PULLEY			118
6672435	PIPE			138
6672436	SEAL			102, 108
6672437	CAP			108
6672441	GASKET			102, 142
6672442	MANIFOLD			142
6672443	GASKET			102, 142
6672444	GASKET			102, 136
6672467	CARTRIDGE			144
6672468	CARTRIDGE			144
6672469	COVER			144
6672471	SOLENOID			44, 46
6672479	COVER			136
6672481	BRACKET			90
6672482	FLANGE			136
6672492	RETAINER			154
6672536	MUFFLER, PURIFIER			90
6672629	O-RING			76
6672630	WASHER			76
6672702	PUMP			72
6672704	SHAFT			72
6672715	SPACER			28, 248
6672717	SPACER			248
6672718	INDICATOR			248
6672719	CLIP			248
6672720	COVER			248
6672721	FENDER			248
6672722	FENDER			248
6672723	CLIP			248
6672724	PANEL			248
6672725	KNOB			248
6672726	FRAME			248
6672727	CUSHION			248
6672729	CUSHION			248
6672730	BOLT			248
6672731	BAR			248
6672732	CABLE			248
6672733	BOLT			248
6672734	NUT			248
6672736	DECAL			248
6672738	NUT			248
6672745	TUBE			140
6672746	DIPSTICK			140
6672863	SOLENOID			156
6673314	O-RING			140
6673975	PUMP			74
6673976	COUPLER			70
6674013	TRACK			28, 248
6674019	SEAT			246, 248
6674099	BREAKER			82

Code for disposition of old part number  
A — Use up  
B — Use on other application (See PNI)

C — File PDR Report with Melroe Parts Sales  
D — Part Number Error



**NUMERICAL INDEX (Cont'd)**

<b>Part No.</b>	<b>Description</b>	<b>Was</b>	<b>Code</b>	<b>Page</b>
6674151	COVER			188
6674180	GASKET KIT			100, 102
6674202	NUT			80
6674204	MOTOR OIL			258
6674205	MOTOR OIL			258
6674206	MOTOR OIL			258
6674220	SWITCH			80
6674222	CONTROLLER			80
6674263	KNOB			248
6674687	BATTERY			82
6675074	SEAT BELT			18
6675097	BULB			186
6675273	WASHER			30
6675380	ADHESIVE			258
6675386	SEAL			230
6675387	SEAL			14, 166
6676003	HOSE			160, 164
6676236	PIPE			90
6676444	QUICK COUPLER			148
6676446	QUICK COUPLER			148
6677370	DECAL			176, 204
6677583	BODY			76
6677653	SPACER			98
6677654	ELEMENT			98
6677660	SPOOL			54
6677661	SPOOL			54
6677662	SPOOL			54
6677663	SPOOL			54
6677839	GASKET			160
6677840	SWIVEL			160
6677841	WASHER			160
6677842	NUT			160
6677843	NUT			160
6677844	NUT			160
6677919	MOUNT			90
6678045	BOLT			98
6678198	BOLT			160
6678203	SWITCH			80
6678326	RAIN SHIELD			160
6678455	PUMP			70
6678574	RELIEF VALVE			56
6678755	KNOB			94
6678768	BOLT			98
6678783	ENGINE			100
6678785	NUT			94
6678820	RADIATOR			94
6678919	OIL COOLER			64
6679247	BOLT			34
6679756	PUMP			76
6679814	MOTOR			158, 162
6679815	BLADE			160, 162

Code for disposition of old part number  
A — Use up  
B — Use on other application (See PNI)

C — File PDR Report with Melroe Parts Sales  
D — Part Number Error

**NUMERICAL INDEX (Cont'd)**

<b>Part No.</b>	<b>Description</b>	<b>Was</b>	<b>Code</b>	<b>Page</b>
6679816	ARM			160, 162
6680012	RELIEF VALVE			54
6680166	MUFFLER			90
6680253	CYLINDER HEAD			106
6680254	GASKET			102, 106
6680255	SHAFT			108
6680256	PIN			108
6680257	CRANKCASE			110
6680258	PIN			110
6680259	PIN			110
6680260	PIN			110
6680261	GEARCASE			112
6680262	BOLT			112
6680263	STUD			112
6680264	STUD			112, 130
6680265	PISTON			118
6680266	PISTON			118
6680267	CRANKSHAFT			118
6680268	O-RING			102, 118
6680269	BEARING			118
6680270	BEARING			118
6680271	BEARING			118
6680272	NUT			122
6680273	GASKET			122
6680274	CLAMP			124
6680275	LEVER			128
6680276	PLATE			130
6680277	O-RING			102, 130
6680278	WATER PUMP			138
6680279	FLANGE			138
6680280	SEAL			138
6680281	GASKET			102, 138
6680282	PIPE			138
6680283	SCREEN			140
6680284	O-RING			102, 140
6680285	MANIFOLD			142
6680286	GASKET KIT			100, 102
6700002	TIRE			252
6700168	KIT			196
6700171	GAS SPRING			14
6700228	HARNESS			224
6700463	CUP			20
6700469	SPACER			20
6700631	GASKET			62
6700692	INSULATION			232
6700704	BUSHING			150
6700743	SPRING			20, 202
6700875	RETAINER			232
6701123	BOLT			90
6701174	WASHER			14, 18
6701535	SPRING			18, 226

Code for disposition of old part number  
A — Use up  
B — Use on other application (See PNI)

C — File PDR Report with Melroe Parts Sales  
D — Part Number Error

**NUMERICAL INDEX (Cont'd)**

<b>Part No.</b>	<b>Description</b>	<b>Was</b>	<b>Code</b>	<b>Page</b>
6701892	COVER			38, 40
6701893	CLAMP			232
6701957	OPERATOR CAB			14
6702255	DECAL			172
6702301	DECAL			172
6702302	DECAL			172
6702371	WINDOW			232
6702444	FUSE			188
6702584	BUSHING			12
6702593	STRIP			154
6702621	GRIP			204
6702642	BOLT			80, 202
6702650	BRACKET			176
6702731	WINDOW			166
6702797	CAP			94
6702903	LEVER			22
6702904	LEVER			22
6702958	BUSHING			22
6702971	BOLT			14
6703097	GASKET			12, 36
6703159	TRACK			14, 166, 230
6703160	TRACK			14, 166, 230
6703363	BUSHING			20
6703451	INSULATION			14, 230
6703452	INSULATION			14, 230
6703455	INSULATION			14
6703640	KIT			240
6703641	DECAL			240
6703703	GUIDE			240
6703751	RETAINER			160, 162
6703757	SAFETY TREAD			164
6703974	BRACKET			154
6703976	MOUNT			154
6704146	BRACKET			228
6704147	BRACKET			228
6704148	BRACKET			228
6704149	BRACKET			228
6704151	BRACKET			228
6704153	KIT			228
6704154	BRACKET			228
6704240	PIVOT ASSY			22
6704242	WEDGE ASSY			22
6704248	PIVOT			22
6704287	BUSHING			20
6704288	PIN			20
6704358	HARNESS			154
6704436	PAD			20
6704453	SPRING			22
6704484	WASHER			186
6704641	MOUNT			194, 202
6704721	INSULATION			232

Code for disposition of old part number  
A — Use up  
B — Use on other application (See PNI)

C — File PDR Report with Melroe Parts Sales  
D — Part Number Error

**NUMERICAL INDEX (Cont'd)**

<b>Part No.</b>	<b>Description</b>	<b>Was</b>	<b>Code</b>	<b>Page</b>
6704722	INSULATION			232
6704786	DECAL			228
6704823	BRACKET			90
6705033	WASHER			68
6705089	LIFT ARM STOP			20
6705091	TAB			20
6705216	WINDOW			164
6705333	MOUNT			232
6705452	LEVER			96
6705735	WINDOW			14, 166, 230
6705792	SCREW			188, 190
6705896	GUIDE			36
6705920	HANDLE			204
6706038	HUB			34
6706039	AXLE ASSY			34
6706104	RETAINER NUT			32
6706105	YOKE			60
6706277	INSULATION			14
6706340	HANDLE ASSY			176
6706349	MOUNT			14
6706391	HARNESS			178
6706392	HARNESS			176
6706446	HARNESS			176
6706485	HOOK			12
6706534	BAR			68
6706535	BAR			68
6706536	MOUNT			62, 68
6706552	HARNESS			176
6706558	DECAL			174
6706567	KIT			178
6706568	KIT			178
6706572	SET SCREW			96
6706680	LINK			60
6706685	BUSHING			18
6706718	MOUNT			36
6706736	BRAKE			36
6706737	GASKET			36
6706744	TRACK			166
6706745	TRACK			166
6706753	MOUNT			176
6706790	HOSE			64
6706809	DECAL			172
6706890	WASHER			18, 244
6706962	BUSHING			18, 226
6706966	SPRING			18, 244, 246, 248
6706968	GASKET			36
6707101	SEAL			44
6707134	DECAL			18
6707135	MOUNT			68
6707137	MOUNT			68
6707140	SHAFT			68

Code for disposition of old part number  
A — Use up  
B — Use on other application (See PNI)

C — File PDR Report with Melroe Parts Sales  
D — Part Number Error

**NUMERICAL INDEX (Cont'd)**

<b>Part No.</b>	<b>Description</b>	<b>Was</b>	<b>Code</b>	<b>Page</b>
6707141	LEVER			68
6707178	TANK			158, 164
6707179	SHIELD			158, 162
6707216	HINGE			158, 162
6707220	DOOR			158, 162
6707221	ROD			158, 162
6707222	MOUNT			158, 162
6707223	COUPLING			158, 164
6707224	COUPLING			158, 164
6707225	WINDOW			158, 162
6707236	SHIELD			158, 164
6707239	SHIELD			158, 164
6707251	LEVER			68
6707319	NUT			18, 244
6707517	TANK			26
6707561	LEVER			96
6707562	ROD			96
6707563	SPACER			96
6707564	BAND			26
6707579	SHIELD			24
6707620	FUSE			82
6707621	FUSE			82
6707623	FUSE			82
6707672	HARNESS			204
6707674	PLUG			80
6707706	MOUNT			204, 208
6707726	MOUNT			154
6707787	DECAL			174
6707789	LIGHT ASSY			204
6707804	HOUSING			204
6707852	DECAL			158, 162
6707867	DECAL			174
6707875	BRACKET			202
6707939	COVER			150
6707976	HANDLE ASSY			176, 204
6708016	GASKET			36
6708018	SPRING			36
6708035	TANK			222
6708043	FLANGE			60
6708059	CHAINCASE			32
6708069	BUSHING			222
6708096	BUSHING			158, 162
6708105	DECAL			172
6708163	MOUNT			40, 156
6708164	TUBE			40, 156
6708165	TUBE			40, 156
6708166	TUBE			40, 156
6708167	TUBE			40, 156
6708169	KIT			156
6708171	MOUNT			44
6708172	TUBE			38

Code for disposition of old part number  
A — Use up  
B — Use on other application (See PNI)

C — File PDR Report with Melroe Parts Sales  
D — Part Number Error

**NUMERICAL INDEX (Cont'd)**

<b>Part No.</b>	<b>Description</b>	<b>Was</b>	<b>Code</b>	<b>Page</b>
6708174	TUBE			44
6708176	TUBE			38, 40
6708177	TUBE			44
6708178	TUBE			44
6708180	TUBE			44
6708189	TUBE			14
6708193	LEVER			60
6708225	HARNESS			160
6708267	BOLT			36
6708269	HARNESS			162
6708272	STOP			222
6708280	MOUNT			222
6708286	MOUNT			222
6708310	HOSE			222
6708318	HARNESS			236
6708375	KIT			172
6708408	TUBE			44
6708410	TUBE			44
6708437	CLIP			84
6708457	HOSE			64
6708464	HOSE			38, 40
6708469	KIT			150
6708479	SHIELD			84
6708497	PANEL			80
6708499	WINDOW			158, 162
6708500	CLAMP			160, 162
6708506	HARNESS			194, 202
6708519	INSULATION			232
6708522	CONDUIT			96
6708523	KIT			244
6708544	TUBE			64
6708545	TUBE			64
6708548	HORN KIT			194
6708572	KIT			154
6708614	MOUNT			222
6708682	INSULATION			14
6708824	MOUNT			204
6708827	CONTAINER			202
6708929	DECAL			174
6708973	KIT			158
6708975	KIT			160, 164
6708987	BRACKET			12
6709022	LEVER			96
6709027	PLATE			80
6709170	STUD			34
6709229	BOLT			212
6709236	PEDAL MOUNT			212
6709239	PEDAL ASSY			212
6709368	BRAKE DISC			212
6709369	BRAKE CLAMP			212
6709374	KIT, BRAKE			212

Code for disposition of old part number  
A — Use up  
B — Use on other application (See PNI)

C — File PDR Report with Melroe Parts Sales  
D — Part Number Error

**NUMERICAL INDEX (Cont'd)**

<b>Part No.</b>	<b>Description</b>	<b>Was</b>	<b>Code</b>	<b>Page</b>
6709379	TOOL HOLDER			202
6709400	TUBELINE			212
6709435	TUBELINE			212
6709436	TUBELINE			212
6709527	KEY			80, 160, 220
6709530	HARNESS			208
6709547	HOSE			212
6710299	HARNESS			178
6710300	HARNESS			178
6710358	DECAL			172
6710471	CALIPER MOUNT			212
6710481	HARNESS			250
6710501	HARNESS			80
6710527	PANEL			202, 250
6710622	WASHER			210, 244
6710659	BUSHING			18, 226
6710660	MOUNT			18, 226
6710746	SAFETY TREAD			172
6710751	BUSHING			18, 244
6710905	HARNESS			186
6711160	HARNESS			186
6711335	KIT, WHEEL			254
6711526	HINGE			30
6711527	LATCH PLATE			30
6711531	KIT			222
6711621	MOUNT			176
6711672	MOUNT			20
6711708	MOUNT			184, 186, 236
6711729	COVER			18, 242
6711730	STRIP			18, 242
6711832	HARNESS			80
6711907	GUIDE ASSY			18
6712068	COVER			210
6712070	COVER			210
6712152	PANEL			80
6712183	MOUNT			210, 244
6712184	KIT			242
6712186	MOUNT			210, 244
6712258	HARNESS			236
6712259	HARNESS			158
6712260	HARNESS			222
6712288	HARNESS			184, 186
6712653	BRACKET			84
6712692	KIT			236
6712696	KIT			236
6712698	KIT			186
6712700	KIT			250
6712750	RENTAL KIT			224
6712875	KIT			210
6712972	KIT			198
6713115	PEDAL			218

Code for disposition of old part number  
A — Use up  
B — Use on other application (See PNI)

C — File PDR Report with Melroe Parts Sales  
D — Part Number Error

**NUMERICAL INDEX (Cont'd)**

<b>Part No.</b>	<b>Description</b>	<b>Was</b>	<b>Code</b>	<b>Page</b>
6713116	BUSHING			218
6713167	TUBE			38, 40
6713168	TUBE			38, 40
6713171	TUBE			148
6713172	TUBE			148
6713286	BRACKET			82
6713354	HOSE			38, 40
6713379	KIT			188
6713390	HOSE			38, 40
6713507	DECAL			172
6713589	CLEVIS			18, 226
6713736	BRACKET			204
6713850	MOUNT			148
6713887	BOLT			18, 226
6713987	MOUNT			90
6713988	MOUNT			90
6714008	PIN			206
6714035	MOUNT			90
6714037	LATCH			220
6714038	HARNESS			224
6714039	HARNESS			224
6714054	MOUNT			90, 94
6714055	HOSE			90
6714058	HOSE			94
6714059	HOSE			94
6714062	KIT			14
6714076	FLYWHEEL			94
6714081	HOSE			64
6714126	DOOR STOP			30
6714213	HARNESS			184
6714214	ROD			96
6714285	KIT			226
6714300	MOUNT			186
6714364	DECAL			174
6714428	SPACER			66
6714463	MOUNT			186
6714467	MOUNT			186
6714468	MUFFLER			232
6714469	SPROCKET			32, 36
6714510	HOSE			64
6714559	TANK			44, 62
6714560	HOSE			62
6714602	SHIELD			90
6714624	SHIELD			202
6714629	DECAL			226
6714663	GRILL			94
6714666	WIRE			194
6714810	PIN			20
6714858	DECAL			174
6714894	MAIN FRAME			12
6714963	TUBE			64

Code for disposition of old part number  
A — Use up  
B — Use on other application (See PNI)

C — File PDR Report with Melroe Parts Sales  
D — Part Number Error



**NUMERICAL INDEX (Cont'd)**

<b>Part No.</b>	<b>Description</b>	<b>Was</b>	<b>Code</b>	<b>Page</b>
6714976	COVER			94
6714985	LIGHT KIT			200
6714990	WIRE			224
6714991	WIRE			224
6714999	MOUNT			178
6715001	HOSE			26
6715094	INSULATION			14, 230
6715095	INSULATION			14
6715096	INSULATION			232
6715097	INSULATION			14, 230
6715098	INSULATION			14, 230
6715106	INSULATION			232
6715182	COVER			94
6715183	ELBOW			26
6715184	FITTING			38, 40, 44, 64, 156
6715185	UNION			148
6715187	TEE			38, 40, 44
6715188	ELBOW			66
6715321	KIT, AUX HYD			148
6715329	ELBOW			64, 84
6715429	INSULATION			232
6715458	HARNESS			84
6715465	DECAL			172
6715473	TUBE			38, 40
6715475	TUBE			38, 40
6715525	TEE			64
6715530	HOSE			94
6715547	BELT			90
6715561	HEAT SHIELD			94
6715568	HOSE			64
6715571	HOSE			38, 40
6715572	HOSE			64
6715605	GASKET			232
6715607	TUBELINE			232
6715608	TUBELINE			232
6715651	ELBOW			66, 232
6715659	HARNESS			154
6715661	INSULATION			232
6715666	INSULATION			232
6715667	INSULATION			232
6715679	KIT			192
6715715	ADAPTER			62, 64
6715716	ELBOW			38, 40, 44, 156
6715718	ELBOW			64
6715743	BRACKET			90
6715744	BUSHING			232
6715819	INSULATOR			200
6715822	TUBE			38, 40
6715921	BRACE			90
6716088	HEAT SHIELD			90
6716165	DECAL KIT			172

Code for disposition of old part number  
A — Use up  
B — Use on other application (See PNI)

C — File PDR Report with Melroe Parts Sales  
D — Part Number Error

**NUMERICAL INDEX (Cont'd)**

<b>Part No.</b>	<b>Description</b>	<b>Was</b>	<b>Code</b>	<b>Page</b>
6716165AR	KIT			172
6716165BR	KIT			172
6716165JP	KIT			172
6716167	DECAL KIT			172
6716167AR	KIT			172
6716167BR	KIT			172
6716419	HARNESS			200
6716601	PIN			20
6716777	SEAT BAR			18
6716779	SEAT BAR			226
6716843	WASHER			34
6717178	COVER			36
6717343	DECAL			172
6718198	HARNESS			204
6718260	MOUNT			82
6718270	DECAL			174
6718398	DECAL			174
6718703	DECAL			172
6718723	WASHER			20
6718796	PLUG			30, 200
6719038	PLUG			202, 250
6719056	BLOCK			36
6719057	BLOCK			36
6719525	BAR			30
6719766	STOP			30
6719825	BOLT			90
6720035	INSTRUCTIONS			196
6720038	INSTRUCTIONS			170
6720185	INSTRUCTIONS			150
6720320	INSTRUCTIONS			166
6720598	INSTRUCTIONS			166
6720808	HEATER			170
6720856	INSTRUCTIONS			238
6722105	INSTRUCTIONS			228
6722344	FLUID			258
6722597	VELCRO			168
6722759	INSTRUCTIONS			178
6722781	PAINT			258
6722782	PAINT			258
6722783	PAINT			258
6722784	PAINT			258
6722785	PAINT			258
6722786	PAINT			258
6722787	PAINT			258
6722788	PAINT			258
6722789	PAINT			258
6722846	INSTRUCTIONS			178
6724017	INSTRUCTIONS			246, 248
6724029	INSTRUCTIONS			160, 164
6724044	INSTRUCTIONS			156
6724071	INSTRUCTIONS			236

Code for disposition of old part number  
A — Use up  
B — Use on other application (See PNI)

C — File PDR Report with Melroe Parts Sales  
D — Part Number Error

**NUMERICAL INDEX (Cont'd)**

<b>Part No.</b>	<b>Description</b>	<b>Was</b>	<b>Code</b>	<b>Page</b>
6724094	ANTI-FREEZE			258
6724161	INSTRUCTIONS			244
6724162	INSTRUCTIONS			194
6724203	INSTRUCTIONS			154
6724257	INSTRUCTIONS			148
6724282	SWITCH KIT			80
6724354	ANTI-FREEZE			258
6724372	INSTRUCTIONS			208
6724380	INSTRUCTIONS			212
6724384	INSTRUCTIONS			188, 192
6724557	MOTOR OIL			258
6724558	MOTOR OIL			258
6724559	MOTOR OIL			258
6724586	INSTRUCTIONS			198
6724788	INSTRUCTIONS			222
6724800	INSTRUCTIONS			242
6724880	INSTRUCTIONS			210
6725373	GUIDE ASSY			18
6726391	HANDLE			180
6726392	KIT			180
6726393	DECAL			180
6726679	BRACKET			60
6726680	PEDAL			60
6727308	DECAL			174
6727309	DECAL			174
6727310	DECAL			172
6727311	DECAL			174
6727475	CAP			62
6728473	BOLT			22
6728622	SAFETY TREAD			172
6728634	MOUNT			62
6728641	ADAPTER			98
6728809	HUB			98
6729148	HOSE			62
6729149	HOSE			62
6729150	HOSE			62
6729151	HOSE			62
6729173	COVER			36
6729298	HARNES			82
6729685	LATCH			30
6729688	LATCH			220
6729730	WINDOW			14, 166, 230
6729872	TUBE			64
6729881	TUBE			38, 40
6729883	TUBE			38, 40
6729895	TIRE			252
6729939	LATCH PLATE			30
6729991	REAR DOOR			30
6730224	COUPLER			98
6730263	PIN			20
6730283	HOSE			62

Code for disposition of old part number  
A — Use up  
B — Use on other application (See PNI)

C — File PDR Report with Melroe Parts Sales  
D — Part Number Error

**NUMERICAL INDEX (Cont'd)**

<b>Part No.</b>	<b>Description</b>	<b>Was</b>	<b>Code</b>	<b>Page</b>
6730923	LIFT ARM			20
6730970	TUBE			38, 40
6730989	BRACKET			84
6730997	BUSHING			22
6731063	MOUNT			94
6731121	PLUG			32
6731481	TEE			38, 42
6731482	HOSE			62
6731499	TUBE			148
6731500	TUBE			148
6731501	HOSE			148
6731571	DECAL			172
6731715	HOSE			92
6731795	HARNESS			80
6731797	HARNESS			80
6731843	BRACKET			90
6731844	TUBE			90
6731914	HARNESS			80
6731979	BUSHING			22
6732001	KIT, LOCK			220
6732079	BOBTACH			22
6732199	GASKET			102, 136, 192
6732418	TUBE			44
6733120	DECAL			174
6733378	BOLT			90
6800652	TUBE			52
6803321	SEAL KIT			52
6803329	SEAL KIT			50
6803575	BUSHING			52
6803605	SEAL KIT			56
6803606	SEAL KIT			56
6803655	PISTON			52
6803666	CYLINDER			52
6803668	ROD			52
6803669	CASE			52
6803682	CYLINDER			50
6803887	SPACER			50
6804110	ELBOW			44, 62
6809425	SEAL KIT			56
6809511	DECAL			38, 42, 172
6809726	ROLLER			30
6809727	CHANNEL			30
6809734	BUSHING			30
6810132	SPRING			30
6810141	SPRING			30
6811910	LATCH			30
6812173	VALVE ASSY			54
6850026	COVER			188
6850027	HOUSING			190
6900096	INSTRUCTIONS			226
6900133	INSTRUCTIONS			224

Code for disposition of old part number  
A — Use up  
B — Use on other application (See PNI)

C — File PDR Report with Melroe Parts Sales  
D — Part Number Error

**NUMERICAL INDEX (Cont'd)**

<b>Part No.</b>	<b>Description</b>	<b>Was</b>	<b>Code</b>	<b>Page</b>
6900398	INSTRUCTION			186
6900508	DECAL KIT			172, 174
6900531	INSTRUCTIONS			14
6900653	INSTRUCTIONS			200
6901029	INSTRUCTIONS			180
6901656	INSTRUCTIONS			220
1CM-616	BOLT			160, 162
1CM-825	BOLT			84, 92
1CM-830	BOLT			254
1CM-835	BOLT			136
1DM-6	NUT			112, 124, 130, 204
1DM-7	NUT			108
2EM-7	WASHER			108
4CM-614	BOLT			122
4CM-616	BOLT			90, 114, 120, 130, 136
4CM-618	BOLT			130
4CM-620	BOLT			116
4CM-625	BOLT			116
4CM-630	BOLT			138, 142
4CM-816	BOLT			140
4CM-1020	BOLT			200
4DM-5	NUT			204
4DM-6	NUT			82
4E-4	WASHER			188
4F-6106	PIN			18, 226
5HM-13	CLAMP			26
5HM-14	CLAMP			26
5HM-20	CLAMP			94, 192
5HM-24	CLAMP			188, 192
5HM-35	CLAMP			62, 64, 94
5HM-42	CLAMP			62
6E-4	WASHER			154, 198
6E-5	WASHER			82
6J-1664	KEY			34
7C-512	BOLT			154
7C-620	BOLT			60
7D-4	NUT			44
8C-616	BOLT			68
8D-6	NUT			68, 148, 212, 226
9G-636	BOLT			202
10C-412	BOLT			80
10C-512	BOLT			94, 158, 162
10H-25	GREASE ZERK			20, 38, 40, 98
10H-35	GREASE ZERK			22
10KN-6	TEE			38, 40, 64
10KV-5	TEE			44
11H-15	GREASE ZERK			20, 38, 40
12D-6	NUT			198, 224
12D-10	NUT			182
12E-10	WASHER			190
12H-15	GREASE ZERK			20, 38

Code for disposition of old part number  
A — Use up  
B — Use on other application (See PNI)

C — File PDR Report with Melroe Parts Sales  
D — Part Number Error

**NUMERICAL INDEX (Cont'd)**

<b>Part No.</b>	<b>Description</b>	<b>Was</b>	<b>Code</b>	<b>Page</b>
13D-6	NUT			148
14J-5032	PIN			22
15EM-180	WASHER			112
15KN-6	TEE			64
15KV-5	FITTING			44, 64
15KV-7	ADAPTER			38, 42, 62
16KN-8	ADAPTER			62
17C-412	BOLT			36, 82, 154, 188
17C-428	BOLT			18
17C-508	BOLT			18, 204, 244
17C-510	BOLT			246
17C-512	BOLT			26, 90, 154, 244
17C-514	BOLT			222
17C-516	BOLT			26, 218
17C-528	BOLT			232
17C-532	BOLT			38, 40, 72, 74, 212
17C-536	BOLT			62
17C-540	BOLT			38, 40, 40, 72, 74, 156
17C-552	BOLT			44
17C-568	BOLT			44
17C-608	BOLT			18
17C-612	BOLT			18, 68, 212, 226
17C-614	BOLT			68
17C-616	BOLT			90, 94
17C-620	BOLT			20, 60, 68, 70, 148
17C-624	BOLT			60, 68, 70
17C-626	BOLT			68, 96
17C-628	BOLT			60, 68
17C-640	BOLT			20
17C-644	BOLT			22, 90
17C-648	BOLT			20
17C-652	BOLT			90, 196
17C-664	BOLT			96
17C-672	BOLT			68
17C-712	BOLT			18, 158, 162, 226
17C-716	BOLT			18
17C-820	BOLT			30
17C-1056	BOLT			14
17C-6104	BOLT			90
17KV-5	ELBOW			44
17KV-8	ELBOW			62
18C-616	BOLT			98
18C-788	BOLT			78
18C-792	BOLT			78
18C-1636	BOLT			34
18KN-7	ELBOW			62
18KN-8	ELBOW			62
18KV-5	ELBOW			44
19F-2	ADAPTER			82
19F-12	BUSHING			170
19F-5	REDUCER			224

Code for disposition of old part number  
A — Use up  
B — Use on other application (See PNI)

C — File PDR Report with Melroe Parts Sales  
D — Part Number Error

**NUMERICAL INDEX (Cont'd)**

<b>Part No.</b>	<b>Description</b>	<b>Was</b>	<b>Code</b>	<b>Page</b>
21KN-7	TEE			64
21KV-5	TEE			64
25E-10	WASHER			18, 188, 190
25E-11	WASHER			204
25E-13	WASHER			36, 154, 194, 202
25E-14	WASHER			188
25E-15	WASHER			82, 94, 222, 254
25E-16	WASHER			18, 160, 164
25E-17	WASHER			18, 196, 212, 226
25E-18	WASHER			164
25E-21	WASHER			60, 194, 202
25E-25	WASHER			212
25E-29	WASHER			68
25G-412	BOLT			80
25G-512	BOLT			28, 158, 162
25G-520	BOLT			28
25G-528	BOLT			158, 164
25K-20010	O-RING			78
25K-20308	O-RING			70
25K-30424	O-RING			32
27E-8	WASHER			212
27E-10	WASHER			160, 162
29CM-820	BOLT			90
29G-412	SCREW			54
29G-416	SCREW			54
30G-416	SCREW			54
30H-22	CLIP			154
30H-29	CLAMP			80
30H-31	CLAMP			26
30H-34	CLAMP			94
30H-37	CLAMP			158, 162
30H-42	CLAMP			200
30H-49	CLAMP			82, 178
30H-50	CLAMP			82, 200
30H-56	CLAMP			80
30H-57	CLAMP			82
30R-107	TERMINAL			224
31C-420	BOLT			184
31C-510	BOLT			246
31C-512	BOLT			90
31C-640	BOLT			62
31C-820	BOLT			12
31C-824	BOLT			212, 228
31C-828	BOLT			228
31C-1264	BOLT			20
31H-25	CLAMP			26
31H-38	CLAMP			82
35C-408	BOLT			224
35C-410	BOLT			14, 18, 80, 166, 186, 198, 204, 208, 230, 232
35C-412	BOLT			222, 236

Code for disposition of old part number  
A — Use up  
B — Use on other application (See PNI)

C — File PDR Report with Melroe Parts Sales  
D — Part Number Error

**NUMERICAL INDEX (Cont'd)**

<b>Part No.</b>	<b>Description</b>	<b>Was</b>	<b>Code</b>	<b>Page</b>
35C-416	BOLT			26, 158, 162
35C-420	BOLT			186
35C-510	BOLT			94, 158, 162
35C-512	BOLT			94
35C-516	BOLT			164
35C-520	BOLT			186
35C-608	BOLT			226
35C-612	BOLT			18
35C-614	BOLT			94
35C-616	BOLT			158, 164, 232
35C-620	BOLT			62, 94
35C-632	BOLT			64
35C-716	BOLT			224
35C-840	BOLT			62, 90
36H-35	GREASE ZERK			68
36K-6	CAP			38, 40, 44, 94
37C-512	BOLT			154, 200, 202
37C-516	BOLT			94, 244
37C-616	BOLT			24, 60, 64
38C-610	BOLT			96
38C-824	BOLT			30
38C-840	BOLT			30
38C-856	BOLT			30
40DM-8	NUT			254
40K-12	PLUG			12
42H-10	CLAMP			188
42HL-250	CLAMP			90
42HL-300	CLAMP			90
42HS-4	CLAMP			26, 94
43DM-6	NUT			160, 162
45G-508	BOLT			176
45G-1008	BOLT			160, 162, 182
45G-1212	BOLT			82, 176
46D-5	NUT			160, 162
47C-820	BOLT			36
50D-5	NUT			176
50D-12	NUT			18, 82, 176
53D-10	NUT			14
54K-20002	O-RING			54
54K-30118	O-RING			50
54K-30218	O-RING			52
54K-40124	O-RING			50
54K-40224	O-RING			52
54K-40300	O-RING			52
55CM-816	BOLT			90
55D-4	NUT			224
55D-7	NUT			224
57D-5	NUT			40, 94, 156
57D-6	NUT			24, 60, 202
57D-8	NUT			228
58G-808	BOLT			186, 204, 208

Code for disposition of old part number  
A — Use up  
B — Use on other application (See PNI)

C — File PDR Report with Melroe Parts Sales  
D — Part Number Error



**NUMERICAL INDEX (Cont'd)**

<b>Part No.</b>	<b>Description</b>	<b>Was</b>	<b>Code</b>	<b>Page</b>
58K-14	O-RING			54
58K-15	O-RING			54
58K-17	O-RING			54
58K-116	RING			58
58K-127	O-RING			56
58K-136	O-RING			50
59D-4	NUT			194, 202
59D-5	NUT			18, 82
59D-6	NUT			30, 94
59D-8	NUT			14
59G-620	BOLT			154
61D-4	NUT			80
61D-5	NUT			26, 30, 200, 202, 232, 244, 246
61D-6	NUT			20, 68, 82, 90
61D-8	NUT			90
62D-6	NUT			68, 212
65G-608	BOLT			80
72F-1	DRAINCOCK			26
73K-224	WASHER			50
73K-232	WASHER			52
79K-3	O-RING			78
79K-4	O-RING			46, 48
79K-6	O-RING			44, 58, 64, 78
79K-7	O-RING			56
79K-8	O-RING			54, 58, 64
79K-10	O-RING			38, 40, 44, 54, 64, 156
79K-12	O-RING			54, 62, 64
80K-14	WASHER			54
80K-15	WASHER			54
80K-17	WASHER			54
83D-4	NUT			14, 18, 80, 154, 166, 186, 198, 204, 208, 230, 232
83D-5	NUT			14, 44, 90, 94, 158, 162, 186, 222
83D-6	NUT			64, 68, 90, 94, 160, 164
83D-8	NUT			12
83F-3	ELBOW			212
84G-2516	BOLT			194, 202
84G-3110	BOLT			84, 154
84G-3112	BOLT			14, 20, 82, 94, 148, 178
84G-3120	BOLT			188
84G-3708	BOLT			82
84G-3710	BOLT			222
84G-3712	BOLT			12, 24, 26, 36, 68, 82, 90, 176
84G-3716	BOLT			12, 24, 36, 40, 44, 84, 94, 156
84G-3720	BOLT			26, 36, 38, 40
84G-3724	BOLT			202, 232
84G-3728	BOLT			38, 40
85D-4	NUT			26, 82, 96
85D-5	NUT			90, 96, 218
85D-6	NUT			18, 20, 22, 30, 96, 232
85D-7	NUT			18

Code for disposition of old part number  
A — Use up  
B — Use on other application (See PNI)

C — File PDR Report with Melroe Parts Sales  
D — Part Number Error

**NUMERICAL INDEX (Cont'd)**

<b>Part No.</b>	<b>Description</b>	<b>Was</b>	<b>Code</b>	<b>Page</b>
85D-8	NUT			14, 62
85G-608	SCREW			224
86D-8	NUT			32
86F-3	NUT			212
86F-7	NUT			148
87G-806	BOLT			198
87G-1010	SCREW			26
88F-3	ELBOW			212
88FN-3	ELBOW			212
90KN7	PLUG			54
90KV-2	PLUG			78
90KV-5	PLUG			50, 52
90KV-8	PLUG	24KN-8	B	54
91D-4	NUT			154
91D-5	NUT			38, 40, 154, 212
91D-7	NUT			18, 226
91G-416	SCREW			14
92D-12	NUT			50
92D-16	NUT			52
93G-536	BOLT			76
94G-516	BOLT			78
95D-6	NUT	91D-6	A	68
95K-3	O-RING			78
95K-6	O-RING			50, 52
97K-4	O-RING			212
97K-6	O-RING			44, 64, 66
97K-8	O-RING			38, 40, 44, 64, 156
97K-10	O-RING			62, 64, 66, 148, 232
97K-10	O-RING	96K-10	A	44
97K-12	O-RING			62
98F-3	TEE			212
99K-5	O-RING			26
99K-6	O-RING			44, 64
99K-8	O-RING			64
99K-10	O-RING			38, 40, 44, 54, 62, 64, 156
99K-12	O-RING			54, 62, 64, 84, 148, 232
NAP	CORD			158
NAP	SEAL			158, 160
NAP	ADJUSTER			248
NAP	ARM			20
NAP	CONDUIT			36
NAP	CORD			14, 162, 164, 166
NAP	EXTRUSION			14, 164, 166
NAP	FRAME			22
NAP	GAS SPRING			14
NAP	HARNESS			158, 176, 222
NAP	HOSE			26, 158, 162, 188, 192, 222
NAP	KIT			152
NAP	MOULDING			188
NAP	PIN			84
NAP	POLISH	6630190	A	258

Code for disposition of old part number  
A — Use up  
B — Use on other application (See PNI)

C — File PDR Report with Melroe Parts Sales  
D — Part Number Error

