

S250
TURBO

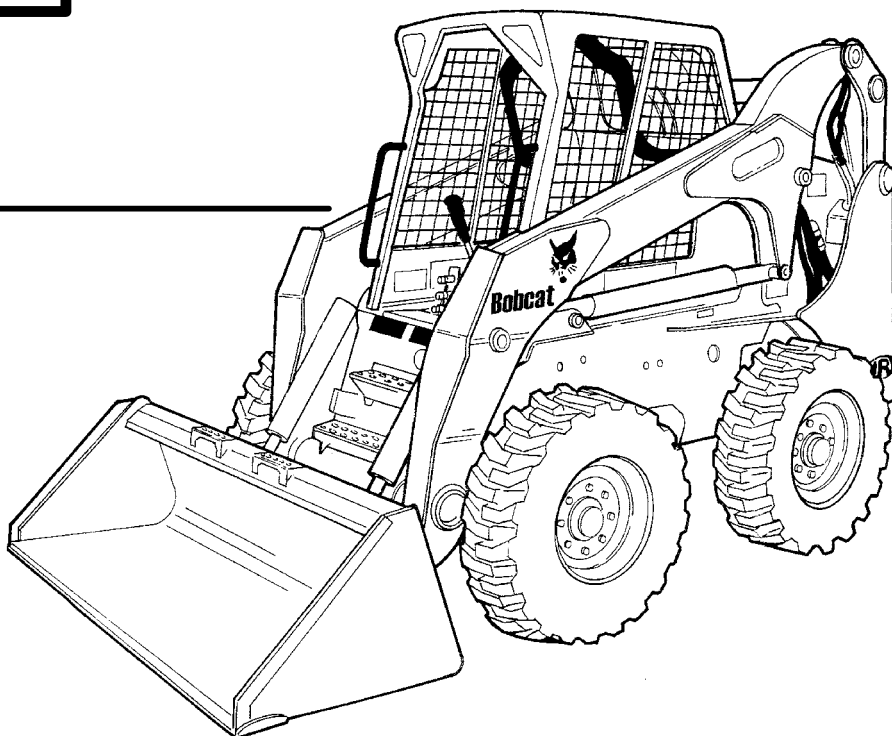
S300
TURBO



Bobcat®

Parts Manual

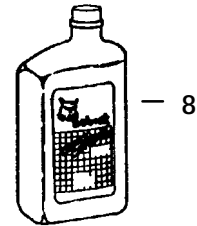
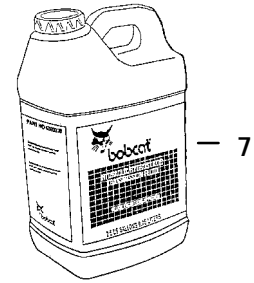
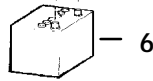
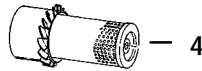
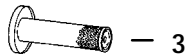
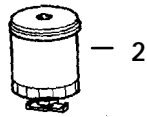
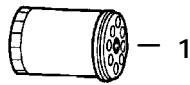
S/N 5213 11001 & Above
S/N 5215 11001 & Above
S/N 5216 11001 & Above



S250/S300 ALPHABETICAL INDEX

ADHESIVE	276	HORN	242
AIR CLEANER	172	HUB, AXLE	40
AIR CLEANER	130	KIT, POWER BOBTACH	248
ALTERNATOR	136	LATCH, REAR DOOR	24
ANTI-FREEZE	276	LIGHT KIT	246
AUXILIARY HYDRAULICS	46	LIGHTS, FLASHER	218
AXLE	39	LOCK, REAR DOOR	258
BACK UP ALARM	180	LUBRICANT	276
BELT, MAIN DRIVE	136	MAIN FRAME	12
BELT, PUMP DRIVE	132	MOTOR, HYDRO.	76
BLACK GOLD	276	MOUNT, ENGINE	136
BOB-TACH	28	MOUNT, HYDRO. PUMP	136
BOOT, RUBBER	30	MUFFLER	130
BUCKET POS. KIT	186	OIL COOLER	78
CAB DOOR	188, 194	OIL	276
CAB ENCLOSURE	202	PAINT	276
CAB	14, 16	PANEL, INSTRUMENT	106
CAP, FUEL	32	PEDALS, CONTROL	54
CAP, HYD. OIL	74	POLISH	276
CHAINCASE	12	RADIATOR CAP	128
COOLING FAN DRIVE ASSY.	138	RADIATOR	128
CYLINDER, BOBTACH	250	REAR AUXILIARY KIT	254
CYLINDER, TILT	42, 48, 50	RIM	274
DISC BRAKE	38	SEALANT	276
DOOR, CAB	188	SEAT BELT	262, 270
DOOR, REAR	24	SEAT	22
DRIVE MOUNT ASSY	36	SHOCK CONTROLS	82
ENGINE	134, 136	SPROCKET, AXLE	40
EXT REMOVAL REAR WIN KIT ...	204	STOP, LIFT ARM	26
FAN	126	STROBE LIGHT	272
FILTER, FUEL	32	SWITCH, IGNITION	106
FILTER, HYD. OIL	78	TANK, FUEL	32
FIRE EXTINGUISHER	216	TANK, HYDRO	74
FLASHER LIGHTS	218	TIRE	274
FUEL PUMP	32	VALVE STEM	274
FUEL SYSTEM	32	VALVE, BKT. POS.	66
GAS SPRING	14, 188, 194	WINDOW, REAR	18, 206
HARNESS, CAB	106	WINDOW, SIDE	206
HARNESS, LIGHTS	246	WIPER, WINDSHIELD	192
HEATER, BLOCK	184		
HEATER	226		

HIGH MAINTENANCE ITEMS MODEL S250



Ref.	Part Number	Description	Remarks	Page
1	6680701	FILTER	Engine Oil (6 Pack)	117
2 ..	6667352	ELEMENT	Fuel	32
3 ..	6681474	CARTRIDGE	Inner Air Cleaner	139
4 ..	6681475	CARTRIDGE	Outer Air Cleaner	139
5 ..	6661248	ELEMENT	Hydrostatic # 3 Media	172
6 ..	6665427	BATTERY	950 AMP	76
.. (HYDRAULIC RESERVOIR CAPACITY)				21 QTS. (19,9 L)
.. (HYDRAULIC / HYDROSTATIC SYSTEM)				13 GALS. (49,3 L)
.. (CHAINCASE RESERVOIR)				10 GALS. (37,9 L)
7 ..	6563328	FLUID	Hyd./Hydro. - (2) 2.5 Gal. - (5 Gal.)	276
.....	6722344	FLUID	Hyd./Hydro. - (5 Gal.)	276
.....	6563330	FLUID	Hyd./Hydro. - 55 Gallon Drum	276
.. (ENGINE OIL W/FILTER CAPACITY)				10 QTS. (23,7 L)
.. (ENGINE LUBRICATION / COOLING SYSTEM)				16 QTS. (15,1 L)
8 ..	6657301	MOTOR OIL	10W30 CE/SG - 1 Qt.	276
.....	6657299	MOTOR OIL	15W40 CE/SG - 1 Qt.	276
.....	6657303	MOTOR OIL	30 CE/SG - 1 Qt.	276
.....	6724558	MOTOR OIL	15W40 CE/SG - 1 Gallon	276
.....	6724557	MOTOR OIL	10W30 CE/SG - 1 Gallon	276
.....	6724559	MOTOR OIL	30 CE/SG - 1 Gallon	276
.....	6674205	MOTOR OIL	10W30 CE/SG - 2.5 Gal.	276
.....	6674204	MOTOR OIL	15W40 CE/SG - 2.5 Gal.	276
.....	6674206	MOTOR OIL	30 CE/SG - 2.5 Gal.	276

GENERAL INFORMATION

When using the machine serial number, use the complete number.

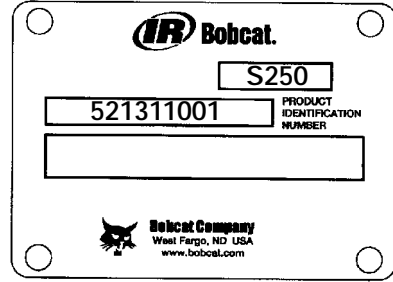
Some Serial Number breaks are not available at time of printing. These are listed as & Below or & Above.

The number shown in the quantity column in this manual is the number of parts needed for the illustration on the page. For some parts an "x" will be shown in the quantity column. This "x" indicates that the quantity to be used is "As Needed".

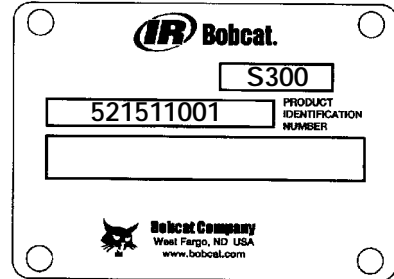
When references L.H. and R.H. are used in this manual, it is done from the operator's seat in the forward operating position.

To find the size and kind of bolt use the Bobcat Standard Microfiche (P/N 6566077).

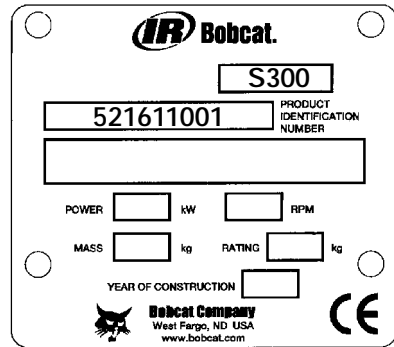
Some of the illustrations and information found in this parts manual were supplied to Bobcat by machine component companies.



DOMESTIC



DOMESTIC



EXPORT

ABBREVIATIONS & SYMBOLS

- SALES = Order from Gwinner Sales Department
- NSS = Not Serviced Separately
- NAP = Not Available as Parts
- * = Changed or Added Sections, Pages or Part Numbers

Disposition Code Definition (Found in the Remarks Column)

- [A] = Use Up
- [B] = Use Up on Other Application (See PNI)
- [C] = File PDR Report With Bobcat Parts Sales
- [D] = Part Number Error

Explications en francais	Grid Nb	3
Erklärungen auf deutsch	Grid Nb	4
Spiegazioni in italiano	Grid Nb	5
Explicaciones en espanol	Grid Nb	6
Verklaring in het Nederlands	Grid Nb	7

NOTE D'INFORMATION

Pour toute référence au numéro de série de l'engin, toujours donner le numéro complet.

Le chiffré apparaissant dans la colonne des quantités de ce manuel représentent le nombre de pièces nécessaires pour l'illustration reprise sur la page. Dans certains cas, on lira un "x" dans la colonne des quantités. Cet "x" indique que la quantité nécessaire est "selon besoin".

Pour toute référence vers la GAUCHE ou la DROITE dans ce manuel, considérer que la personne se trouve assise dans le siège de l'opérateur, en position de fonctionnement en marche avant.

Certaines illustrations et informations reprises dans ce manuel de pièces de rechange ont été fournies à Bobcat, par des fabricants de composants.

ABREVIATIONS & SYMBOLES

SALES	= Commander au Service Ventes à Bruxelles
NSS	= Pas vendu séparément
NAP	= Non disponible comme pièce de rechange
*	= Chapitre, page ou numéro de pièce modifié ou supplémentaire
BTI	= Bobcat Technical Information Bulletin : voir à la fin de la microfiche du modèle concerné ou la microfiche générale reprenant l'ensemble des "BTI".
was 6535403	= était avant 6535403
adj. (adjustment)	= réglage
Assembly	= ensemble
available W/Ref.	= disponible avec réf.
bulk/sold per foot	= en vrac/vendu par pied
does not include	= ne comprend pas
included with	= compris dans
I.D.	= D.I. (diamètre intérieur)
O.D.	= D.E. (diamètre extérieur)
not in kit	= pas en kit
W/ - WO/	= inclus/ - non inclus/
Qty	= quantité requise
see page/ref.	= voir page/réf.
used with ref/	= utilisé avec réf.
0,05 inch thickness	= 0,05 pouce d'épaisseur (un pouce = 25.4 mm)
weld on	= à souder

ALLGEMEINE INFORMATIONEN

Bei Angabe der Maschinen-Seriennummer stets die komplette Nummer angeben.

Bei der in der Mengenspalte (Anzahl) in diesem Handbuch angegebenen Zahl handelt es sich um die Anzahl von Teilen, die für die Abbildung auf der betreffenden Seite benötigt werden. Bei manchen Teilen in der Mengenspalte ist ein "x" angegeben. Dieses "x" weist darauf hin, dass sich die Anzahl der verwendeten Teile auf den "Bedarf" bezieht.

Bei Verwendung der Seitenangaben links und rechts in diesem Handbuch gelten diese für die Blickrichtung vom Fahrersitz aus, und zwar in Vorwärts-Betriebsrichtung.

Einige der in diesem Ersatzteillandbuch aufgeführten Abbildungen und Informationen wurden der Bobcat, von den Herstellern von Maschinenbauteilen zur Verfügung gestellt.

ABKÜRZUNGEN UND SYMBOLE

SALES	= Bestellung bei der Verkaufsabteilung in Brüssel
NSS	= Nicht einzeln erhältlich
NAP	= Nicht als Ersatzteil erhältlich
*	= Geänderte oder hinzugefügte Abschnitte, Seiten oder Teilenummern
BTI	= Bobcat Technical Information Bulletin : Siehe am Ende der Mikrokarte des jeweiligen Modells oder der allgemeinen Mikrokarte der BTI.
was 6535403	= War 6535403
adj.	= Einstellung
Assembly	= Baugruppe
available W/Ref.	= erhältlich mit der Referenz
bulk/sold per foot	= Mengenabnahme / Verkauf pro Fuss
does not include	= beinhaltet nicht
included with	= enthalten in
I.D.	= Innendurchmesser
O.D.	= Aussendurchmesser
not in kit	= nicht in Bausatz
W/ - WO/	= mit/ - ohne/
Qty	= Anzahl
see page/ref.	= Siehe Seite / Referenz
used with ref.	= verwendet mit Referenz
0.05 inch thickness	= Dicke : 0.05 Zoll (ein Zoll = 25.4 mm)
weld on	= anschweißen

INFORMAZIONI GENERALI

Quando si usa il numero di serie della macchina usare il numero completo.

Il numero mostrato nella colonna della quantità di questo manuale corrisponde al numero di componenti necessari per l'illustrazione della pagina. Per alcuni componenti appare "X" nella colonna delle quantità. Questa "X" indica che la quantità da usare è "come necessario".

See in questo manuale si fa riferimento alla parte destra o sinistra, si intende dal sedile dell'operatore nella posizione in avanti di funzionamento.

Alcune delle illustrazioni e informazioni trovate in questo manuale di componenti sono state fornite alla Bobcat, da società di componenti di macchine.

SIMBOLI E ABBREVIAZIONI

SALES	= Ordinare al servizio vendite di Bruxelles
NSS	= Non vendute separatamente
NAP	= Non disponibile come componente
*	= Sezioni, pagine o numeri di componente cambiati o aggiunti
BTI	= (Bobcat Technical information) Ved. al termine del microfiche del modello relativo oppure microfiche generale
was 6535403	= era 6535403
adj. (adjustment)	= regol. (regolazione)
Assembly	= Complessivo
available W/Ref.	= disponibile con rif.
bulk/sold per foot	= alla rinfusa/venduto al piede
does not include	= non comprende
Included with	= compreso con
I.D.	= d. i.
O.D.	= d. e.
not in kit	= non fa parte del kit
W/ - WO/	= con - senza
Qty	= Qtà
see page/ref	= ved. pagina/rif.
used with ref.	= usato con il rif.
0,05 inch thickness	= spessore 0,05 pollici (un pollice = 25,4 mm)
weld on	= a saldare

INFORMACION GENERAL

Al utilizar el número de serie de la máquina, debe emplearse el número completo.

El número que figura en la columna de "Unidades" en este manual es el número de piezas que se necesitan para la ilustración que consta en la página. En algunas piezas aparece una "x" en la columna de "Unidades". Esta "x" indica que las unidades a utilizar son "según sea necesario".

Cuando se empleen las referencias izq. y dcha., éstas se entienden mirando desde el asiento del conductor, en posición de marcha adelante.

Algunas de las ilustraciones y la información que figuran en este manual de piezas han sido facilitadas a Bobcat, por empresas de componentes de máquinas.

ABREVIATURAS Y SIMBOLOS

VENTAS	= Pedido al Departamento de Ventas de Bruselas
NSS	= No se vende por separado
NAP	= No disponible como pieza de repuesto
*	= Secciones, páginas o referencias modificadas o añadidas
BTI	= (Bobcat Technical Information) Ver al final de la microficha del modelo afectado o en la microficha general "Boletín de Información Técnica Bobcat".
was 6535403	= era anteriormente el 6535403
adj. (adjustment)	= ajuste
assembly	= conjunto
available W/Ref.	= disponible con la ref.
bulk/sold per foot	= a granel/vendido por pies
does not include	= no incluye
included with	= incluido en
I.D.	= diámetro interior
O.D.	= diámetro exterior
not in kit	= no en el kit
W/ - WO/	= con/ - sin
Qty	= Unidades
see page /ref.	= ver página/ref.
used with ref.	= empleado con la ref.
0,05 inch thickness	= 0,05 pulgadas de espesor (1 pulgada = 25,4 mm)
weld on	= debe ser soldado

ALGEMENE INFORMATIE

Als u het serienummer van de machine gebruikt, geef dan het gehele serienummer.

Het cijfer dat voorkomt in de kolom "Aantal", in deze handleiding, is het aantal onderdelen dat nodig is van de illustratie op de pagina. Voor sommige onderdelen staat er een "x" in de kolom "Aantal". Deze "x" betekent dat er een aantal "zoals nodig" vereist is.

Wanneer er in deze handleiding naar "links" en naar "rechts" gerefereerd wordt, moet dit verstaan worden voor een bestuurder die in de bestuurdersstoel zit in de voorwaartse bedrijfsstand.

Sommige van de illustraties en informatie in deze onderdelen-handleiding werden door firma's van machine-componenten geleverd aan Bobcat.

AFKORTINGEN EN SYMBOLEN

SALES	= Bestellen bij de Verkoopafdeling te Brussel
NSS	= Niet afzonderlijk te verkrijgen
NAP	= Niet beschikbaar als onderdeel
*	= Gewijzigde of toegevoegde paragrafen, pagina's of onderdeelnummers
BTI	= Bobcat Technical Information Bulletin : Zie einde van de microfiche van het desbetreffende model of einde van de algemene microfiche die het geheel van alle "BTI" herneemt.
was 6535403	= was vroeger 6535403
adj. (adjustment)	= afstelling
Assembly	= geheel
available W/Ref.	= beschikbaar met ref.
bulk/sold per foot	= bulk/aan de meter verkocht
does not include	= bevat niet
includes with	= is bevat in
I.D.	= ϕ inw. (inwendige diameter)
O.D.	= ϕ uitw. (uitwendige diameter)
not in kit	= niet in de kit
W/ - WO/	= met/ - zonder/
Qty	= vereiste aantal
see page/ref.	= zie pagina/ref.
used with ref/	= gebruikt met ref.
0,05 inch thickness	= 0.05 inch dik (een inch = 25.4 mm)
weld on	= te lassen

S250/S300 ALPHABETICAL INDEX

ADHESIVE	276	HORN	242
AIR CLEANER	172	HUB, AXLE	40
AIR CLEANER	130	KIT, POWER BOBTACH	248
ALTERNATOR	136	LATCH, REAR DOOR	24
ANTI-FREEZE	276	LIGHT KIT	246
AUXILIARY HYDRAULICS	46	LIGHTS, FLASHER	218
AXLE	39	LOCK, REAR DOOR	258
BACK UP ALARM	180	LUBRICANT	276
BELT, MAIN DRIVE	136	MAIN FRAME	12
BELT, PUMP DRIVE	132	MOTOR, HYDRO	76
BLACK GOLD	276	MOUNT, ENGINE	136
BOB-TACH	28	MOUNT, HYDRO. PUMP	136
BOOT, RUBBER	30	MUFFLER	130
BUCKET POS. KIT	186	OIL COOLER	78
CAB DOOR	188, 194	OIL	276
CAB ENCLOSURE	202	PAINT	276
CAB	14, 16	PANEL, INSTRUMENT	106
CAP, FUEL	32	PEDALS, CONTROL	54
CAP, HYD. OIL	74	POLISH	276
CHAINCASE	12	RADIATOR CAP	128
COOLING FAN DRIVE ASSY.	138	RADIATOR	128
CYLINDER, BOBTACH	250	REAR AUXILIARY KIT	254
CYLINDER, TILT	42, 48, 50	RIM	274
DISC BRAKE	38	SEALANT	276
DOOR, CAB	188	SEAT BELT	262, 270
DOOR, REAR	24	SEAT	22
DRIVE MOUNT ASSY	36	SHOCK CONTROLS	82
ENGINE	134, 136	SPROCKET, AXLE	40
EXT REMOVAL REAR WIN KIT ...	204	STOP, LIFT ARM	26
FAN	126	STROBE LIGHT	272
FILTER, FUEL	32	SWITCH, IGNITION	106
FILTER, HYD. OIL	78	TANK, FUEL	32
FIRE EXTINGUISHER	216	TANK, HYDRO	74
FLASHER LIGHTS	218	TIRE	274
FUEL PUMP	32	VALVE STEM	274
FUEL SYSTEM	32	VALVE, BKT. POS.	66
GAS SPRING	14, 188, 194	WINDOW, REAR	18, 206
HARNESS, CAB	106	WINDOW, SIDE	206
HARNESS, LIGHTS	246	WIPER, WINDSHIELD	192
HEATER, BLOCK	184		
HEATER	226		

S250/S300 CONTENTS

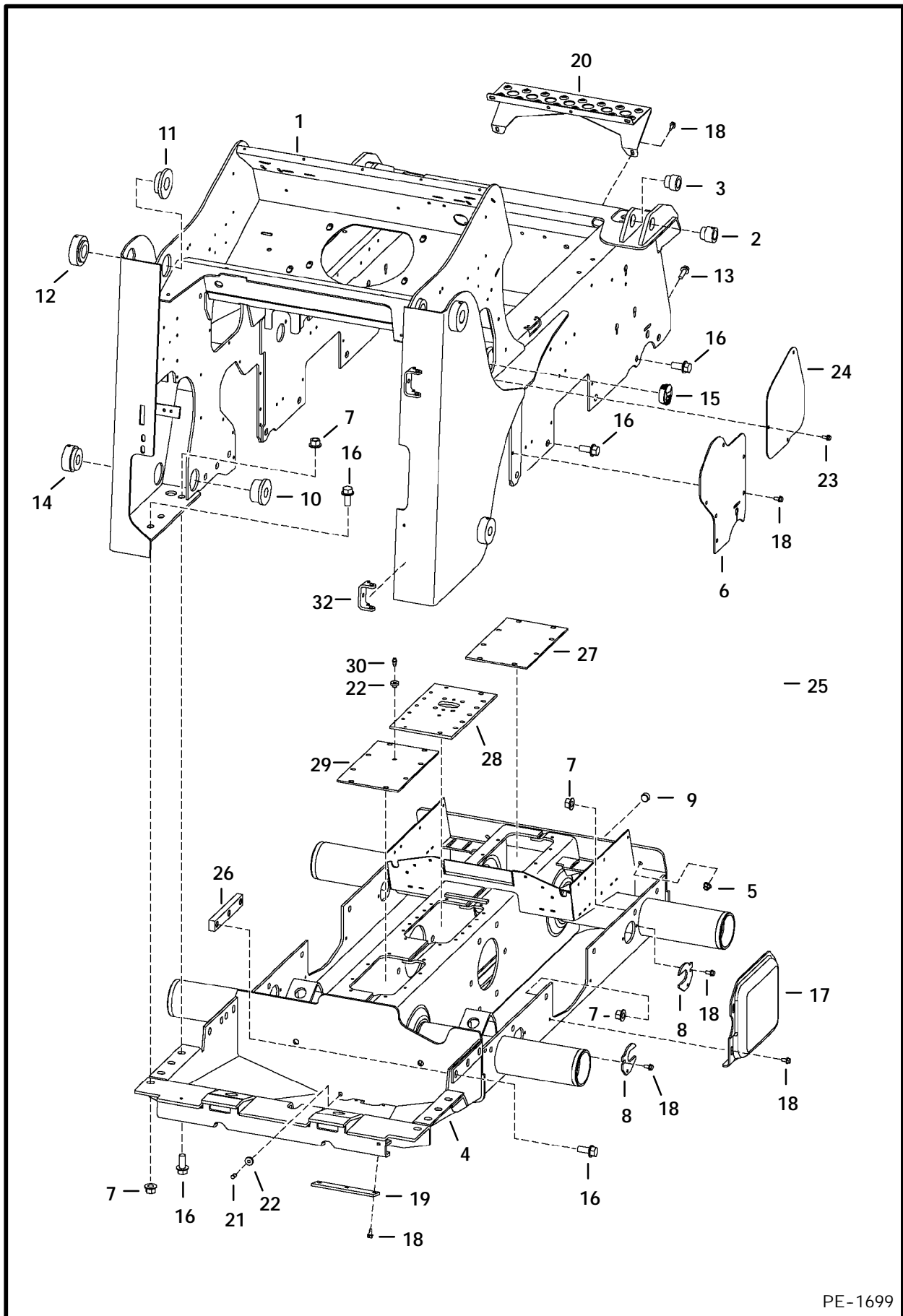
MAIN FRAME	11-32
MAIN FRAME	11
OPERATOR CAB	13-18
SEAT & SEAT BAR	19
SEAT	21
REAR DOOR	23
LIFT ARMS & BOBTACH	25
BOB-TACH	27
PANELS	29
FUEL SYSTEM	31
DRIVE TRAIN	33-40
DRIVE TRAIN	33
MOTOR CARRIER	35
DISC BRAKE	37
AXLE	39
HYDRAULIC SYSTEM	41-66
HYDRAULIC CIRCUITRY	41
LIFT & TILT CONTROL CIRCUITRY	43
AUXILIARY HYDRAULICS	45
TILT CYLINDER	47
LIFT CYLINDER	49
MANUAL LIFT RELEASE VALVE	51
CONTROL PEDALS	53
HYDRAULIC CONTROL VALVE	55
BICS CONTROL VALVE	59
HYDRAULIC CONTROL VALVE	61
BUCKET POSITIONING VALVE	65
HIGH HORSEPOWER HYDRAULICS	67-72
HIGH HORSEPOWER HYDRAULICS	67
HIGH FLOW HYDRAULICS	71
HYDROSTATIC SYSTEM	73-104
HYDROSTATIC CIRCUITRY	73
HAND CONTROLS	81
HYDROSTATIC MOTOR	83
HYDROSTATIC MOTOR & BRAKE	85
HYDROSTATIC PUMP	89-96
GEAR PUMP	97
2-SPEED VALVE	99
HYDROSTATIC OIL FILTER	101-104
ELECTRICAL SYSTEM	105-124
CAB ELECTRICAL CIRCUITRY	105
ENGINE ELECTRICAL	107
CONTROLS ELECTRICAL	111-120
ALTERNATOR	121
STARTER	123
POWER UNIT	125-156
COOLING SYSTEM	125-128
ENGINE & ATTACHING PARTS	129-136
COOLING FAN DRIVE ASSY.	137
ENGINE & GASKET KITS	139
FUEL INJECTION SYSTEM	161-164
FUEL INJECTION PUMP	165
GOVERNOR	167
AIR CLEANER	171

S250/S300 CONTENTS (Cont'd)

ACCESSORIES & OPTIONS

ACCESS COVER	175
ACS CONVERSION KIT	177
BACK-UP ALARM KIT	179
BEACON	181
BLOCK HEATER	183
BUCKET POSITIONING KIT	185
CAB DOOR	187-198
CAB ENCLOSURE	199-202
CAB WINDOWS	203-206
COUNTERWEIGHT KIT	207
ELECTRICAL CONNECTOR KIT	209
ELECTRICAL CONTROLS KIT	211-214
FIRE EXTINGUISHER	215
FLASHER LIGHTS	217
F.O.P.S. KIT	219
FRONT AUXILIARY	221
HEATER & A/C	223-240
HORN KIT	241
LIFT KIT	243
LIGHT KIT	245
POWER BOB-TACH KIT	247
POWER BOB-TACH CYLINDER	249
POWER BOB-TACH	251
REAR AUXILIARY HYDRAULICS	253
REAR AUXILIARY VALVE	255
REAR DOOR LOCK	257
REAR WIPER	259
SEAT	261
SEAT BELT	265-270
STROBE LIGHT	271
TIRES & RIMS	273
BULK ITEMS	275
NUMERICAL INDEX	277

MAIN FRAME

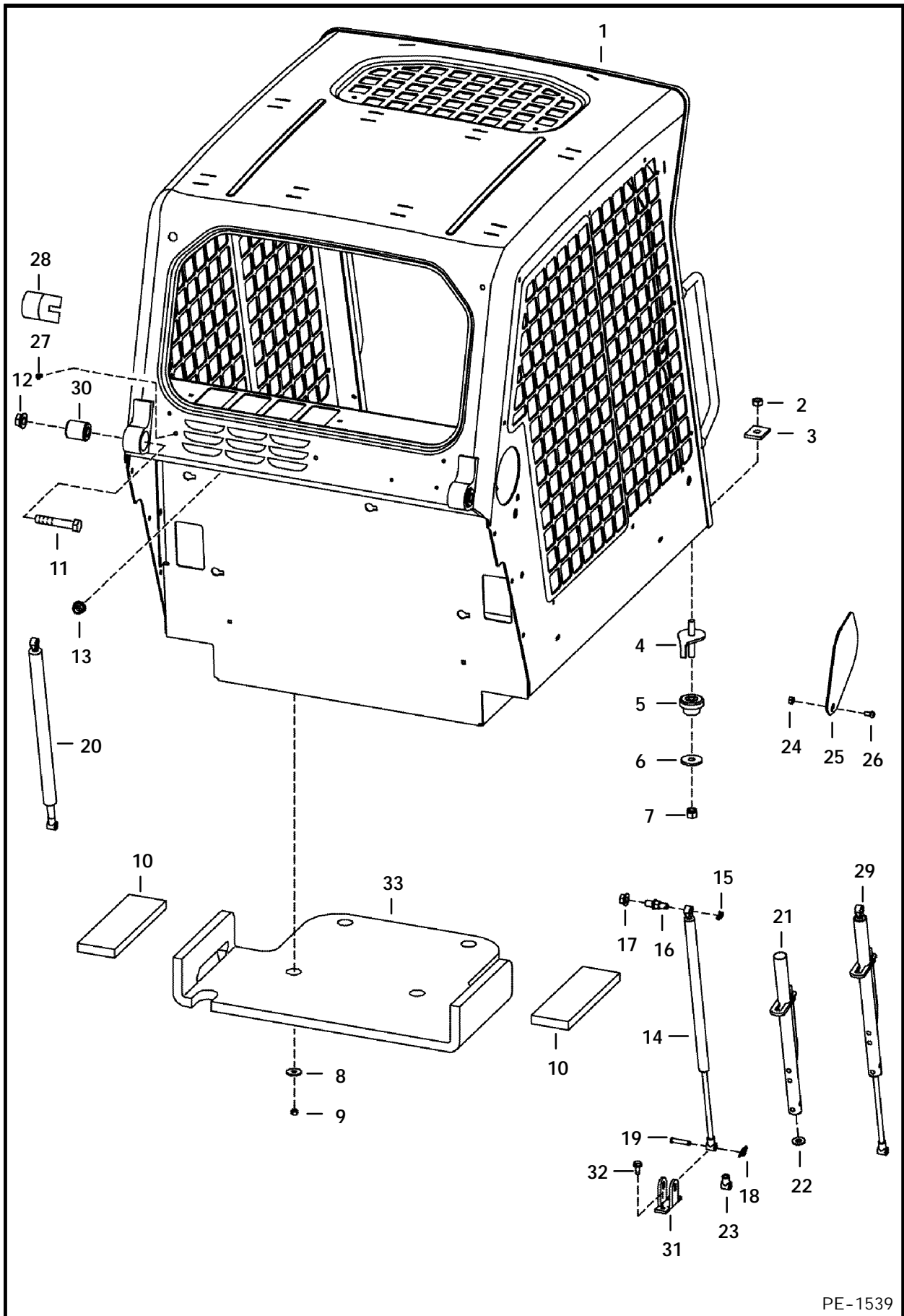


PE-1699

MAIN FRAME (Cont'd)

Ref. No.	Part Number	Description	Remarks	Serial Number	Qty.
1	6731768	MAIN FRAME			1
2	6717277	BUSHING	weld-on		2
3	6717278	BUSHING	weld-on		2
4		CHAINCASE	See Page 34 - frame only		1
5	83D-8	NUT			4
6	6731649	COVER			2
7	83D-12	NUT			19
8	6730078	COVER			4
9	6731121	PLUG	chaincase fill		1
10	6730785	BUSHING	inside upright weld-on		2
11	6729401	BUSHING	inside upright weld-on		2
12	6729402	BUSHING	outside upright weld-on		2
13	31C-824	BOLT			4
14	6730784	BUSHING	outside upright weld-on		2
15	6718796	PLUG	Bobcat head		1
16	31C-1228	BOLT			22
17	6719168	COVER			2
18	84G-3712	BOLT			8
19	6700182	COVER	drain		1
20	6732577	STEP			1
21	6599645	PLUG	chaincase drain		1
22	6553411	BUSHING			2
23	84G-3708	BOLT			6
24	6730783	COVER			2
25	6729774	COVER			2
26	6706857	BLOCK	threaded		2
27		COVER	See Page 37		1
28		COVER	See Page 37		1
29		COVER	See Page 37		1
30		BREATHER	See Page 37		1
31	6706485	HOOK	tie down - weld-on		2
32	6708987	HINGE	weld-on		2
33	84G-3710	BOLT			4

OPERATOR CAB

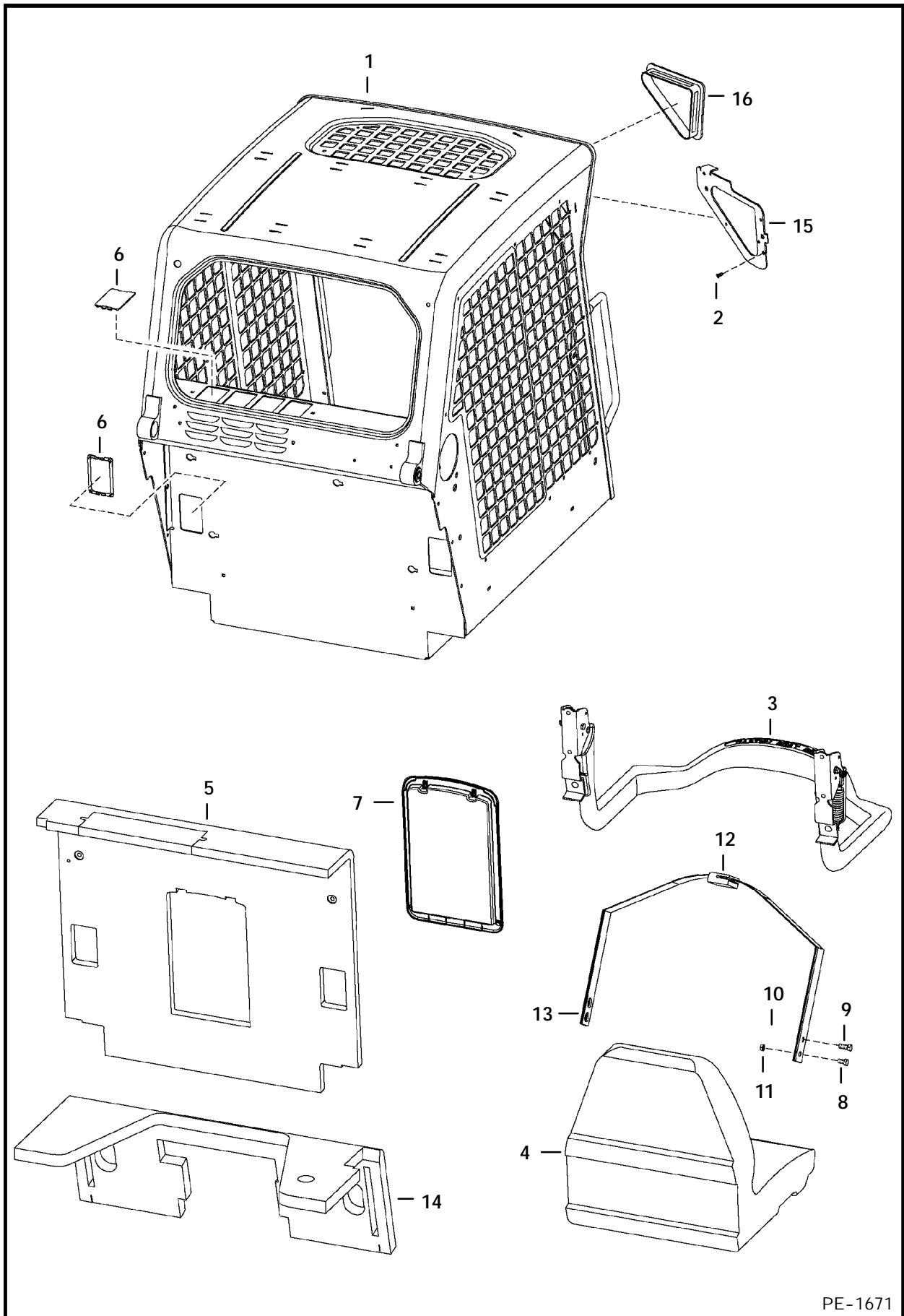


PE-1539

OPERATOR CAB (Cont'd)

Ref. No.	Part Number	Description	Remarks	Serial Number	Qty.
1	6719672	OPERATOR CAB	does not include cab decals		1
2	59D-8	NUT			2
3	6553709	WASHER	rectangular		2
4	6702971	BOLT			2
5	6560633	DAMPENER			2
6	6515817	WASHER			2
7	85D-8	NUT			2
8	619021	WASHER			4
9	59D-5	NUT			4
10	6729012	INSULATION	seat pan		2
11	17C-1056	BOLT			2
12	53D-10	NUT			2
13	53D-6	NUT			4
14	6675135	GAS SPRING	R.H.		1
15	6675140	SNAP RING			2
16	6719064	MOUNT			2
17	97D-8	NUT			2
18	6631418	PIN	ring		2
19	6567743	PIN			2
20	6675137	GAS SPRING	L.H.		1
	6675139	GAS SPRING	L.H. - for cab W/ enclosure		1
21	6708189	TUBE	stop - R.H.		1
22	6701174	WASHER			1
23	6675258	CLEVIS			1
24	95D-5	NUT			2
25	6718784	COVER			2
26	25G-512	BOLT			2
27	6675033	INSERT			x
28	6579613	STOP			2
29	NAP	GAS SPRING	R.H. - W/ latch - Order Ref. 14 & 21-23		1
30	6562602	BUSHING			2
31	6706349	MOUNT	gas spring		2
32	84G-3112	BOLT			4
33	6729013	INSULATION	seat pan		1

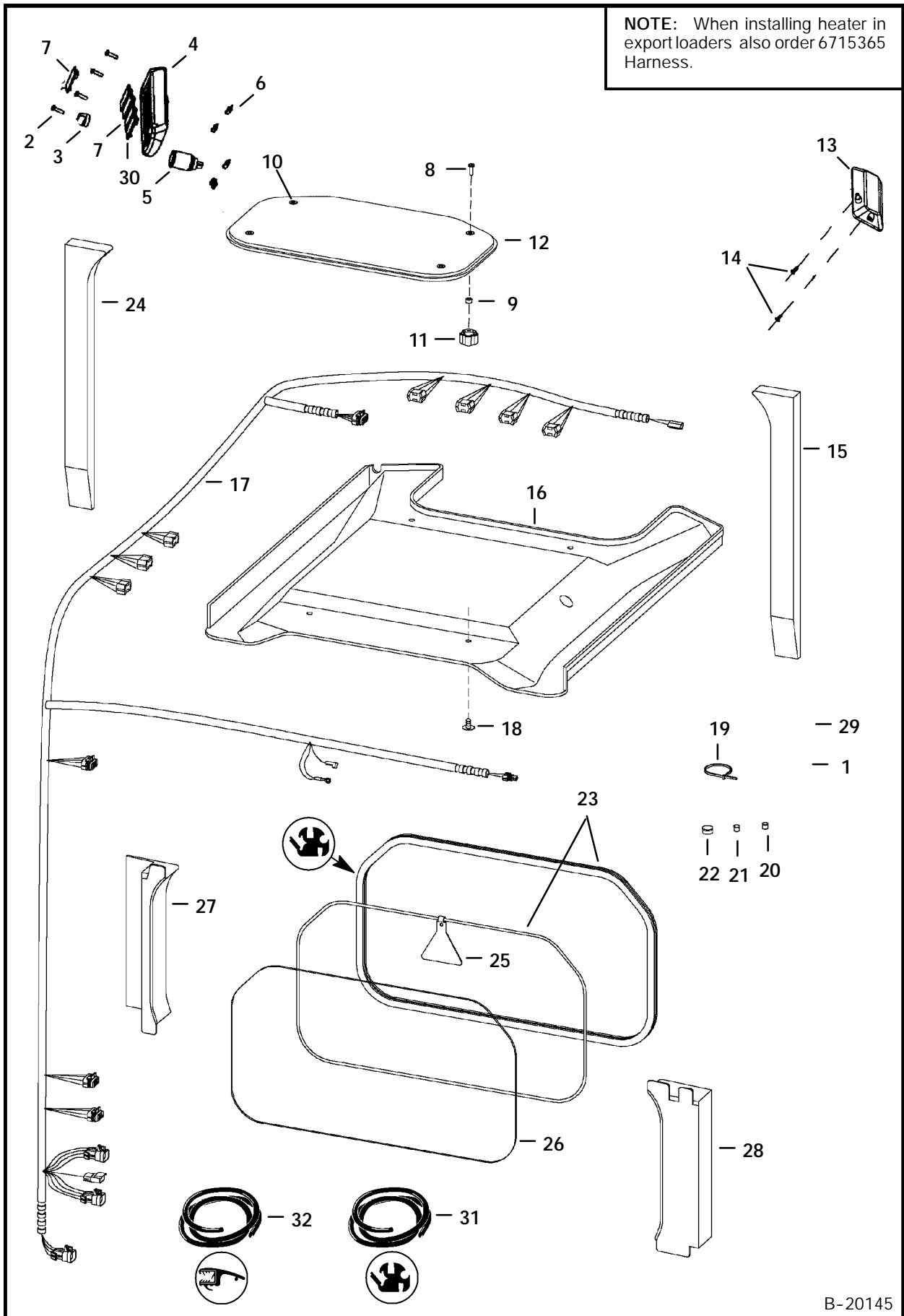
OPERATOR CAB



PE-1671

OPERATOR CAB

NOTE: When installing heater in export loaders also order 6715365 Harness.

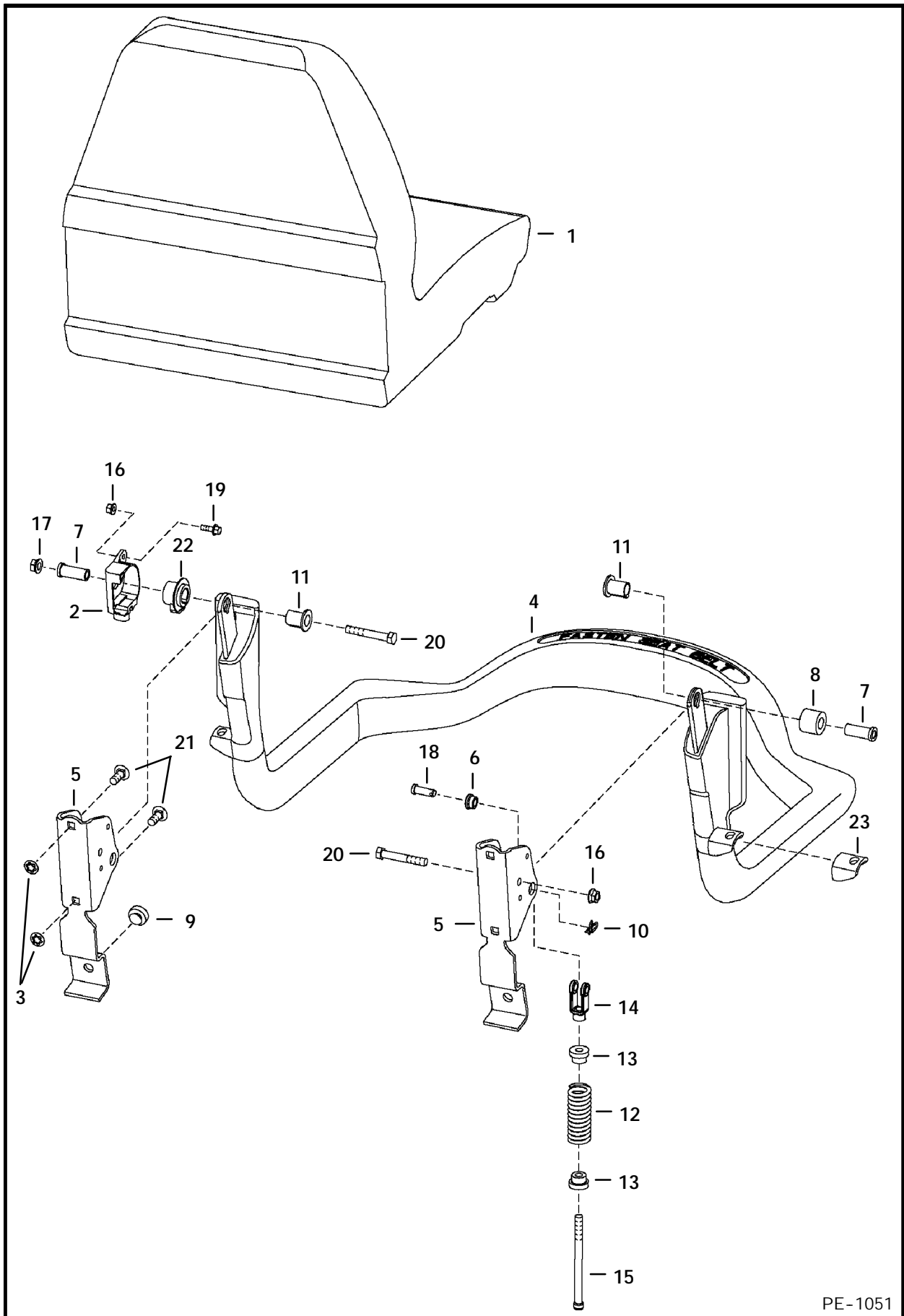


B-20145

OPERATOR CAB (Cont'd)

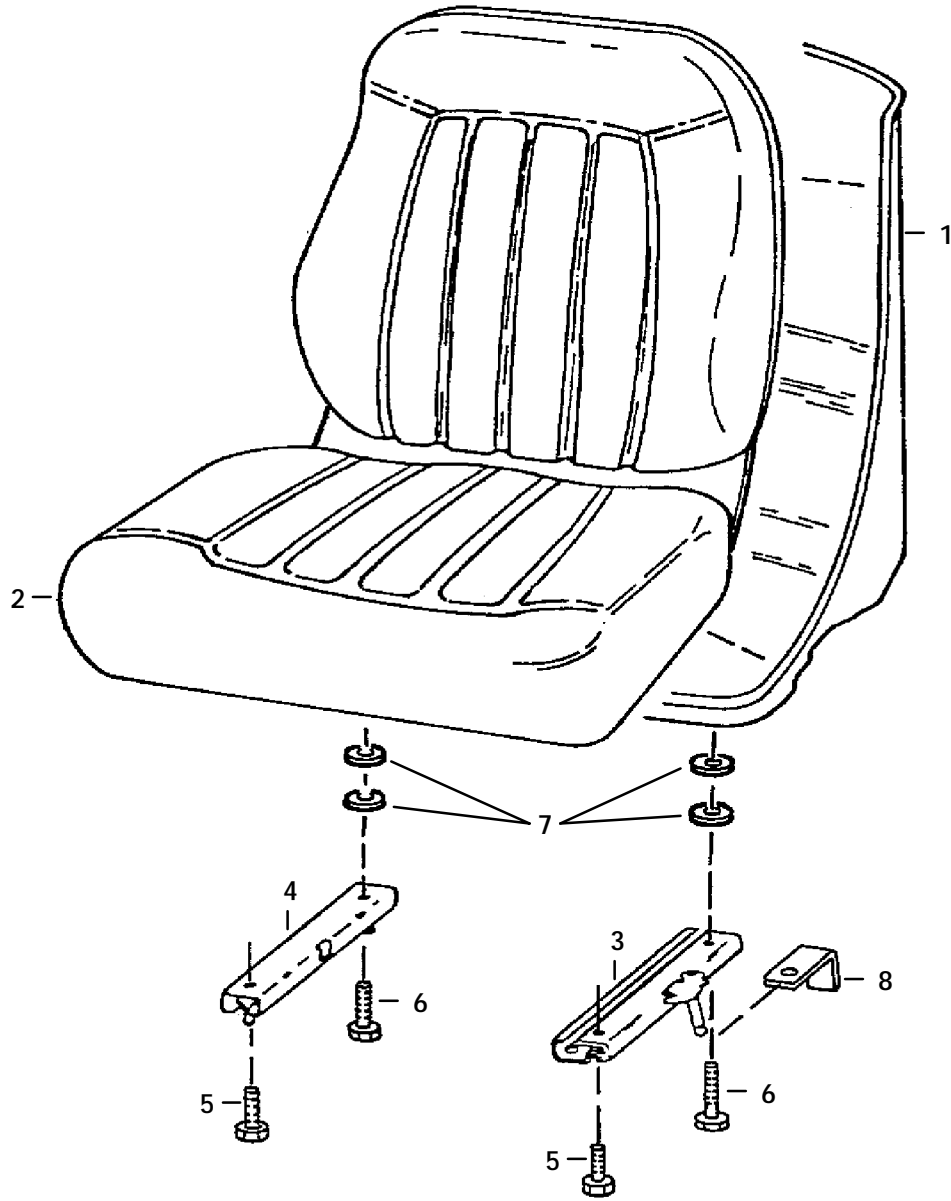
Ref. No.	Part Number	Description	Remarks	Serial Number	Qty.
1	6727299	INSULATION	cab back		1
2	6669224	BOLT			4
3	6664224	CAP			1
4	6718580	PANEL			1
5	6664223	OUTLET			1
6	6669091	CLIP			4
7	6719038	PLUG			5
8	91G-416	BOLT			4
9	6664085	BUSHING	nylon		4
10	6675545	GROMMET			4
11	6674741	KNOB			4
12	6728629	WINDOW	top - lexan - assy. - W/seal &		
13	6664368	LIGHT	grommets		1
	6665367	BULB	dome		1
14	6664221	RETAINER	snap in		2
15	6717520	INSULATION			1
16	6717515	INSULATION	headliner		1
17	6727190	HARNESS	accessories		1
	6715365	HARNESS	accessories - Export - SEE NOTE		1
18	6674895	RETAINER	snap in		4
19	6610510	TIE			6
20	5289686	PLUG	black		5
21	6649949	PLUG			2
22	6657719	PLUG			1
23	NAP	EXTRUSION	75.75" (1924mm) long - Order Ref. 31		x
	NAP	CORD	75.75" (1924mm) long - Order Ref. 31		x
24	6717519	INSULATION			1
25	6559515	EXIT TAG			1
26	6717874	WINDOW	rear		1
27	6717517	INSULATION			1
28	6717518	INSULATION			1
29	6672348	PANEL	R.H. - deluxe - keyless		1
30	6668742	SWITCH	travel control - Export		1
31	6675387	SEAL	bulk - Sold Per Foot		x
	6554149	CORD	bulk - Sold Per Foot		x

SEAT & SEAT BAR



PE-1051

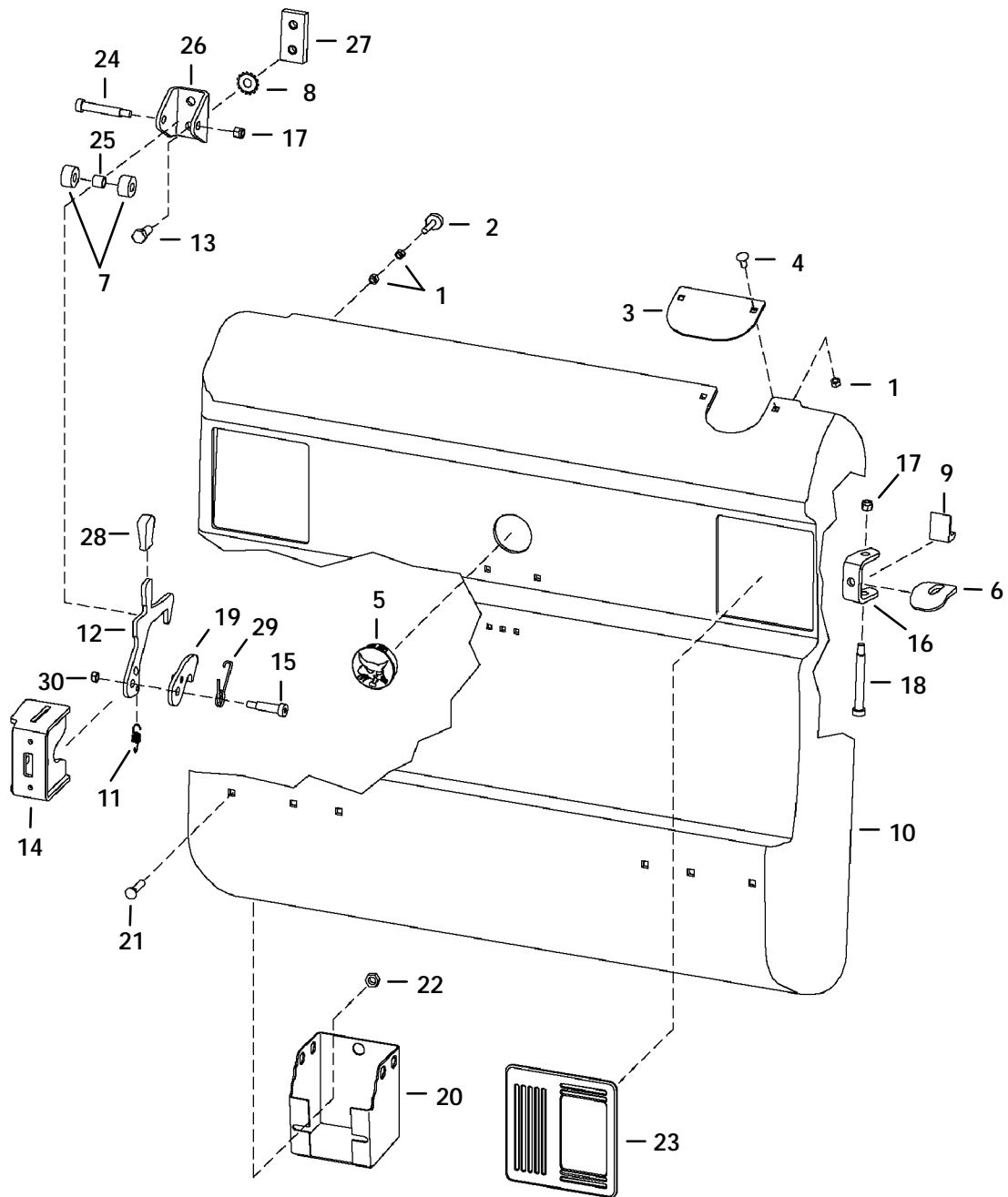
SEAT
(Michigan)



B-14720

REAR DOOR

31
|

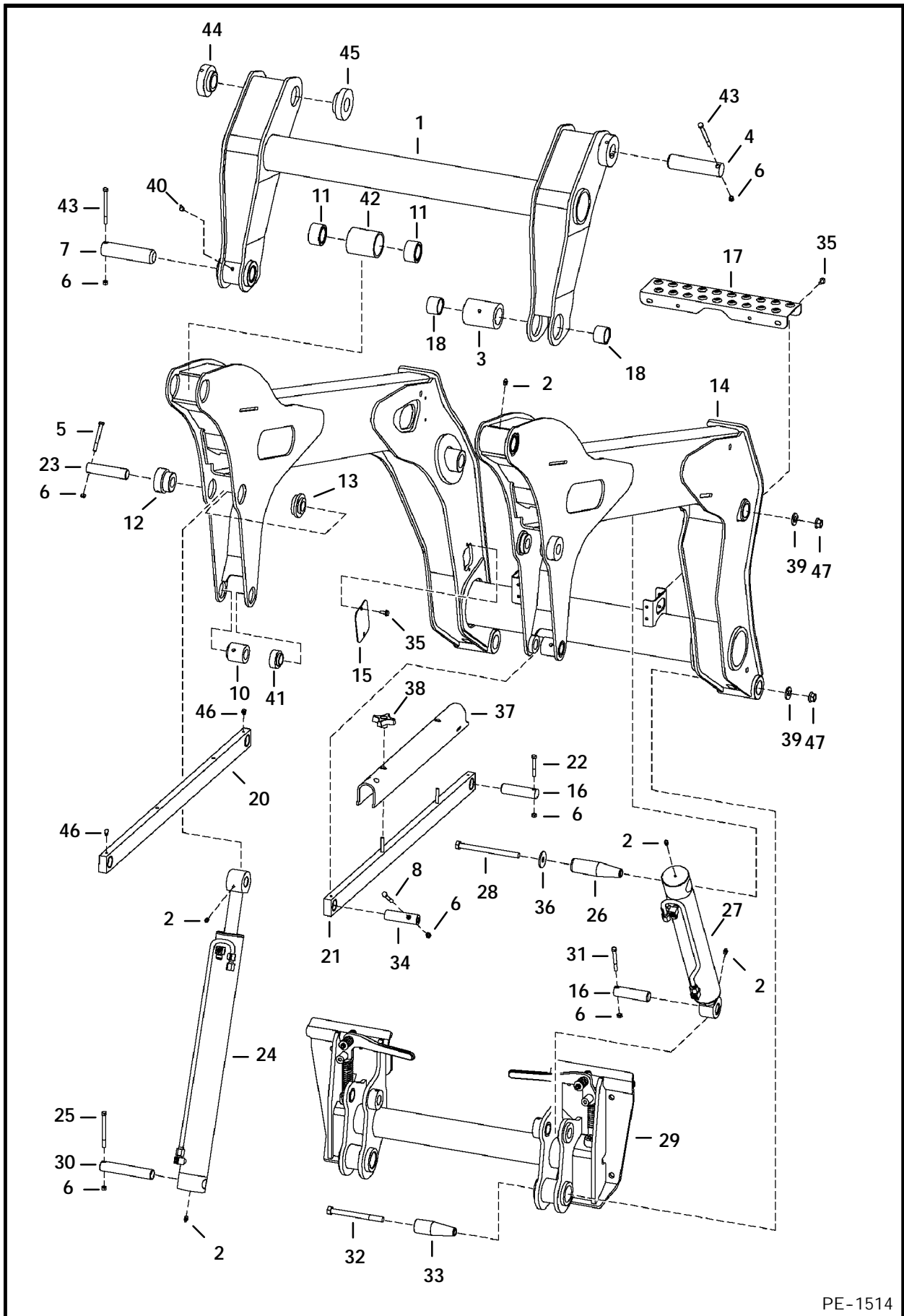


PE-1698

REAR DOOR (Cont'd)

Ref. No.	Part Number	Description	Remarks	Serial Number	Qty.
1	61D-5	NUT			4
2	6655399	BUMPER			2
3	6714509	COVER	exhaust		1
4	37C-512	BOLT			2
5	6718796	PLUG	back-up alarm		1
6	6714126	DOOR STOP			1
7	6809726	ROLLER			2
8	6675273	WASHER	lock		2
9	6719766	STOP			1
10	6729991	REAR DOOR			1
11	6810141	SPRING			1
12	6732715	LATCH			1
13	17C-820	BOLT			2
14	6729939	LATCH PLATE	weld-on		1
15	38C-824	BOLT			1
16	6711526	HINGE	weld-on		2
17	59D-6	NUT			3
18	38C-856	BOLT			2
19	6811910	LATCH			1
20	6715318	TOOL HOLDER	Europe		1
21	37C-612	BOLT			2
22	55D-6	NUT			2
23	6670287	COVER			2
24	38C-840	BOLT	carriage		1
25	6809734	BUSHING	striker		1
26	6809727	STRIKER			1
27	6719525	BAR	threaded striker		1
28	6564452	GRIP			1
29	6810132	SPRING			1
30	85D-6	NUT			1
31	37C-628	BOLT			2
32	57D-6	NUT			2
33	6725256	COUNTERWEIGHT	standard on S300		2

LIFT ARMS & BOBTACH

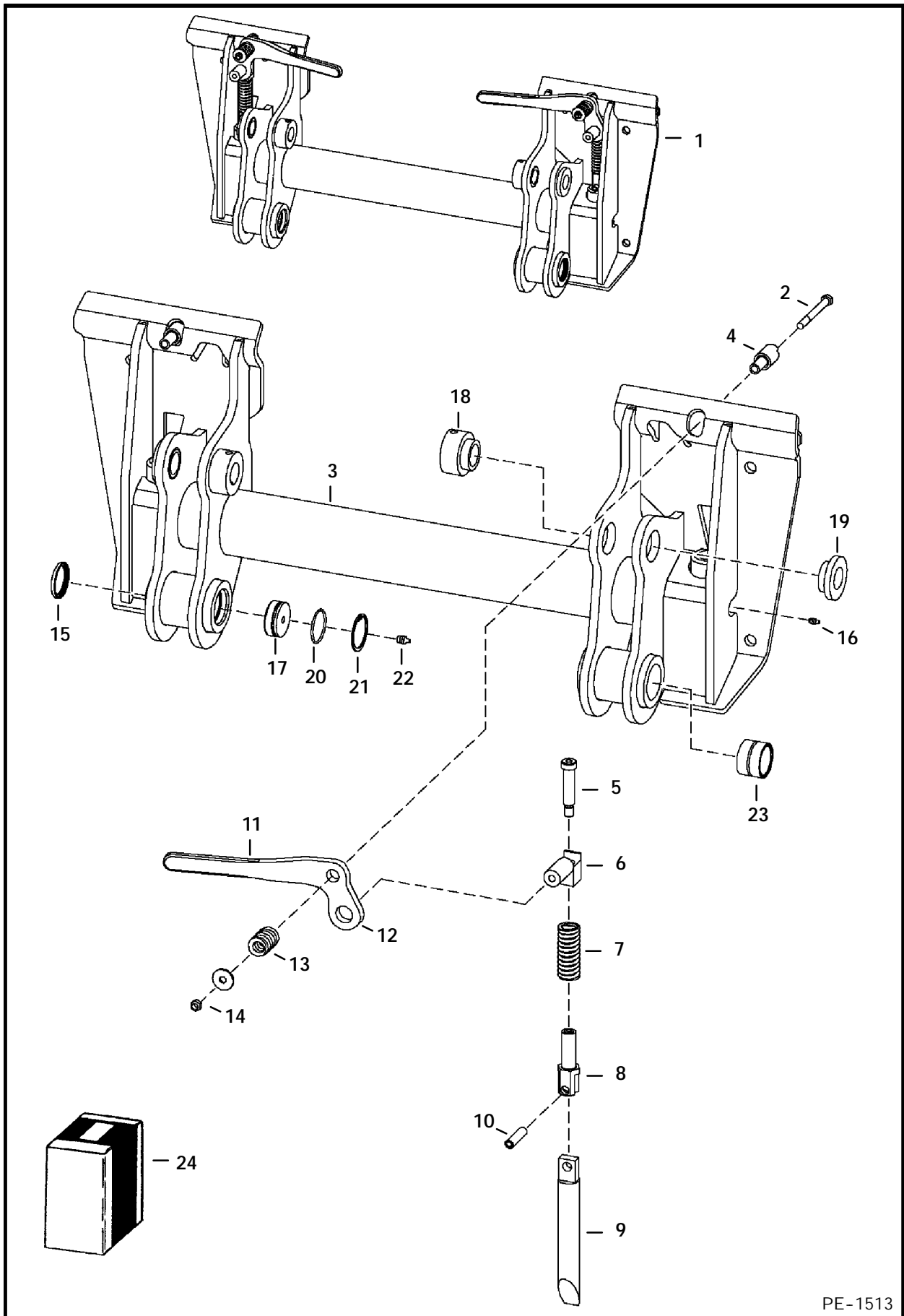


PE-1514

LIFT ARMS & BOBTACH (Cont'd)

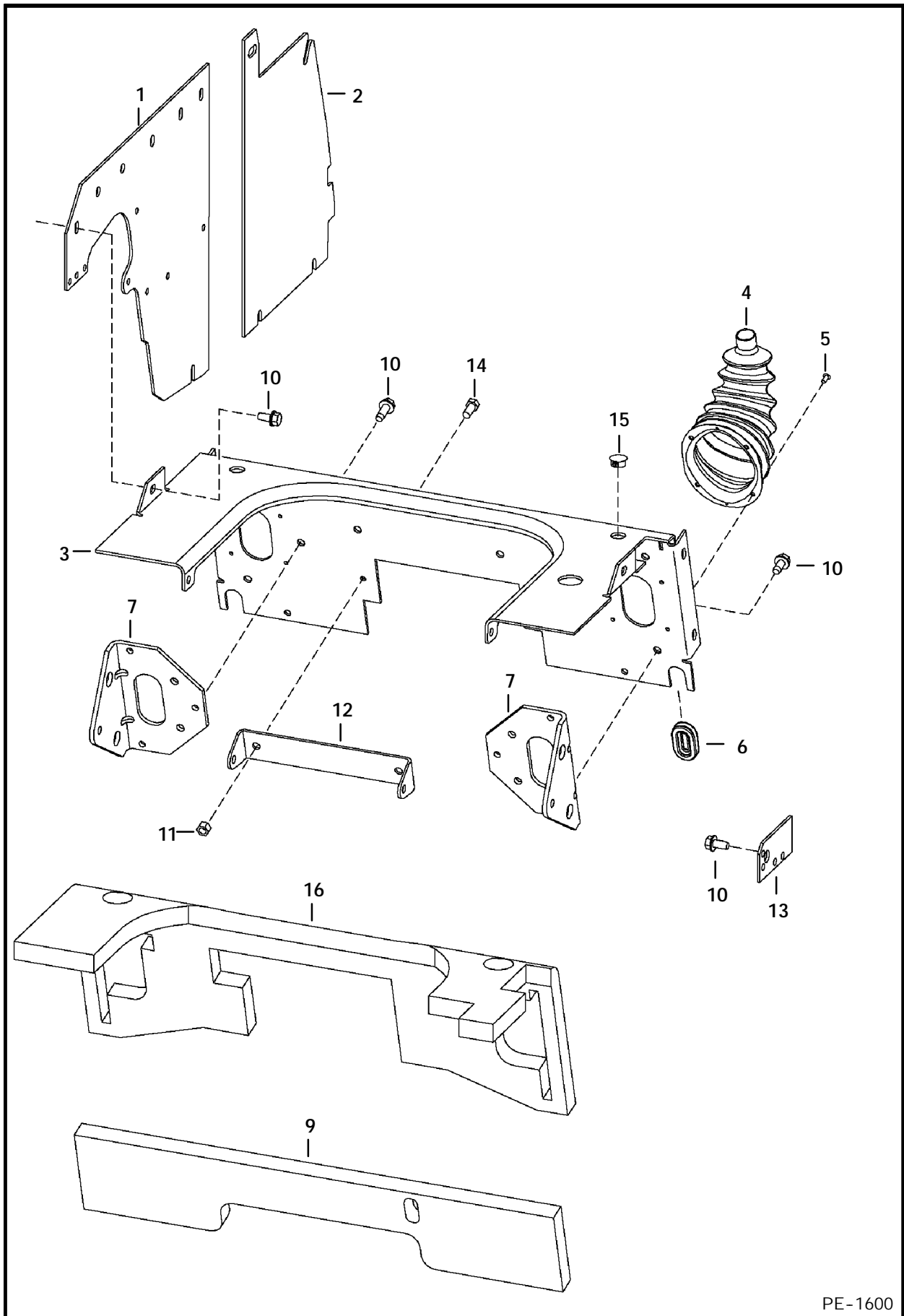
Ref. No.	Part Number	Description	Remarks	Serial Number	Qty.
1	6726966	FRAME LINK	H-Frame		1
2	10H-25	GREASE ZERK			10
3	6728800	BUSHING			4
4	6728820	PIN			2
5	17C-656	BOLT			4
6	85D-6	NUT			16
7	6728819	PIN			2
8	17C-644	BOLT			2
9	17C-10128	BOLT			4
10	6729423	BUSHING	weld-on		4
11	6728979	BUSHING	wear		4
12	6729005	BUSHING	weld-on		2
13	6729006	BUSHING	weld-on		2
14	6726965	LIFT ARM			1
15	6731179	COVER			1
16	6577954	PIN			2
17	6729888	STEP			1
18	6730995	BUSHING	wear		4
19	6731647	BUSHING	wear		x
20	6729468	LINK ASSY	L.H. - W/Ref. 19		1
21	6726969	LINK ASSY	R.H. - W/Ref. 19 & 48-51		1
22	17C-640	BOLT			4
23	6729007	PIN			2
24		CYLINDER	lift - See Page 49		2
25	17C-664	BOLT			2
26	6728971	PIN			2
27		CYLINDER	tilt - See Page 47		1
28	6710234	PIN			2
29		BOB-TACH	See Page 27		1
30	6730887	PIN			2
31	17C-648	BOLT			2
32	17C-10112	BOLT			2
33	6729358	PIN			2
34	6731139	PIN			2
35	84G-3112	BOLT			5
36	6731160	WASHER			2
37	6731569	STOP	lift arm		1
38	6679130	KNOB			2
39	27E-10	WASHER			4
40	11H-15	GREASE ZERK	45 degree		2
41	6731138	BUSHING			4
42	6728972	BUSHING	weld-on		2
43	17C-672	BOLT			2
44	6727525	BUSHING	weld-on		2
45	6727832	BUSHING	weld-on		2
46	12H-25	GREASE ZERK	90 degree		4
47	57D-10	NUT			4
48	25E-15	WASHER			2
49	6731646	BOLT	stainless steel		2
50	6718942	NUT			2
51	6718816	SPACER			2

BOB-TACH



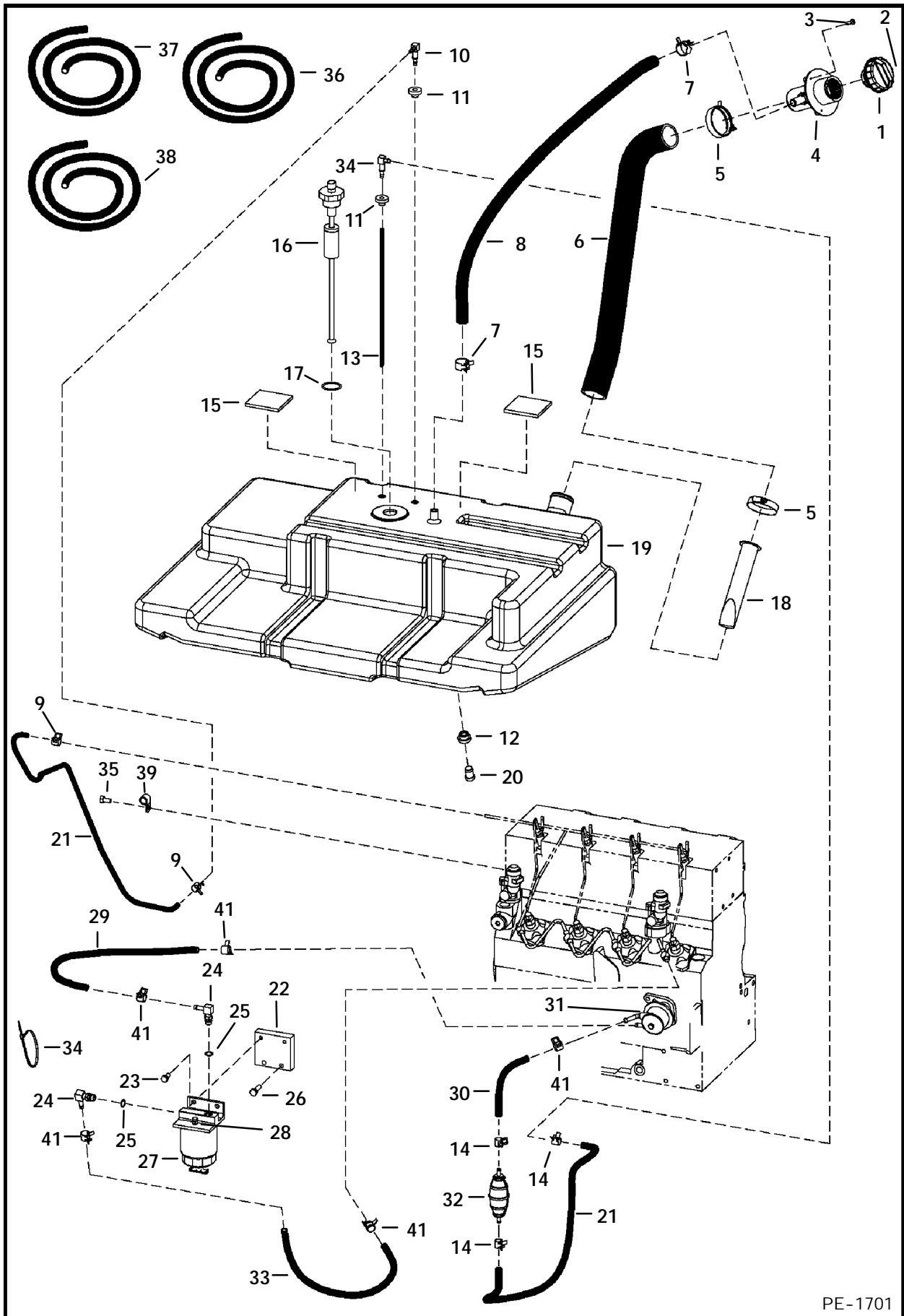
PE-1513

PANELS



PE-1600

FUEL SYSTEM



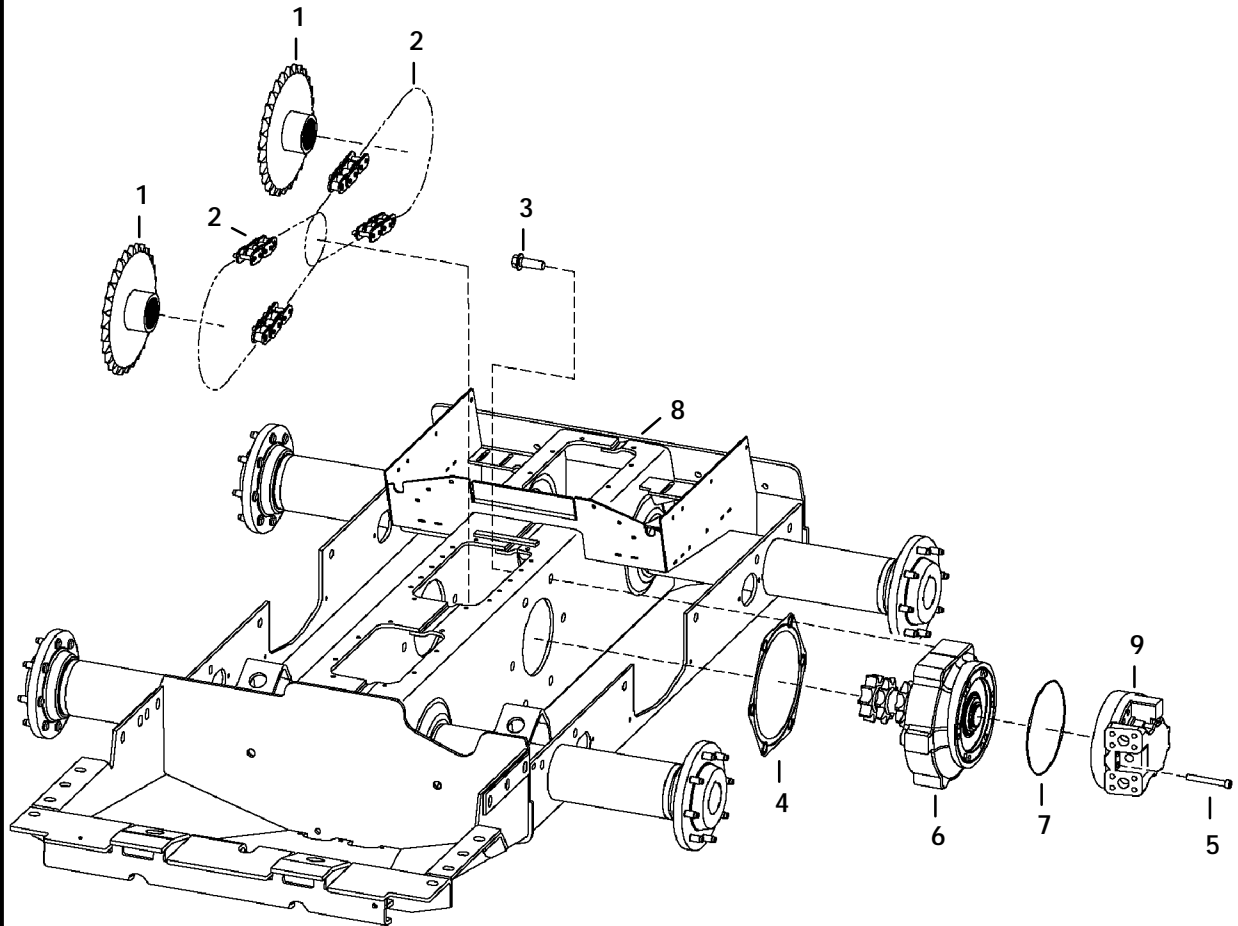
PE-1701

FUEL SYSTEM (Cont'd)

Ref. No.	Part Number	Description	Remarks	Serial Number	Qty.
1	6661114	CAP	green fuel fill		1
	6661696	CAP	locking - W/Ref. 2 - Code PK510		1
2	6587458	KEY	Code PK510		1
3	6706517	SCREW			3
4	6701449	FILLER TUBE			1
5	42H-24	CLAMP			2
6	6717451	HOSE			1
7	6666864	CLAMP			2
8	NAP	HOSE	38" (965mm) long - Order Ref. 36		1
9	5HM-13	CLAMP			10
10	6598908	ELBOW			2
11	6553411	BUSHING	.37" (9,4mm) ID		3
12	6717402	BUSHING	.54" (13,7mm) ID		1
13	6729854	HOSE	12" (305mm) long		1
14	5HM-15	CLAMP			3
15	6578278	PAD	self adhesive one side		2
16	6674209	SENSOR	fuel - W/Ref. 17		1
17	6717579	GASKET			1
18	6569219	SCREEN			1
19	6718210	TANK			1
20	6717401	PLUG	.75" shoulder		1
21	NAP	HOSE	29.5" (749mm) long - Order Ref. 38		2
22	6710488	MOUNT			1
23	53CM-830	BOLT			2
24	6715183	ELBOW	W/Ref. 25 - tapered boss face		2
25	99K-5	O-RING	for tapered boss face		2
26	43C-512	BOLT			2
27	6667353	FILTER ASSY			1
	6667352	ELEMENT			1
28	72F-1	DRAIN COCK			1
	6658180	BREATHER	plug		1
29	NAP	HOSE	13" (330mm) long - Order Ref. 37		1
30	NAP	HOSE	9" (229mm) long - Order Ref. 37		1
31		FUEL PUMP	See Page 133		1
32	6657734	PUMP	hand primer		1
33	NAP	HOSE	17.5" (445mm) long - Order Ref. 37		1
34	6726567	ELBOW			1
35	1CM-816	BOLT			1
36	6578172	HOSE	bulk - Sold Per Foot		x
37	6577822	HOSE	.375 I.D. - bulk - Sold Per Foot		x
38	6577821	HOSE	.25" I.D. - bulk - Sold Per Foot		x
39	30H-30	CLAMP			1
40	6610510	TIE			1
41	5HM-14	CLAMP			5

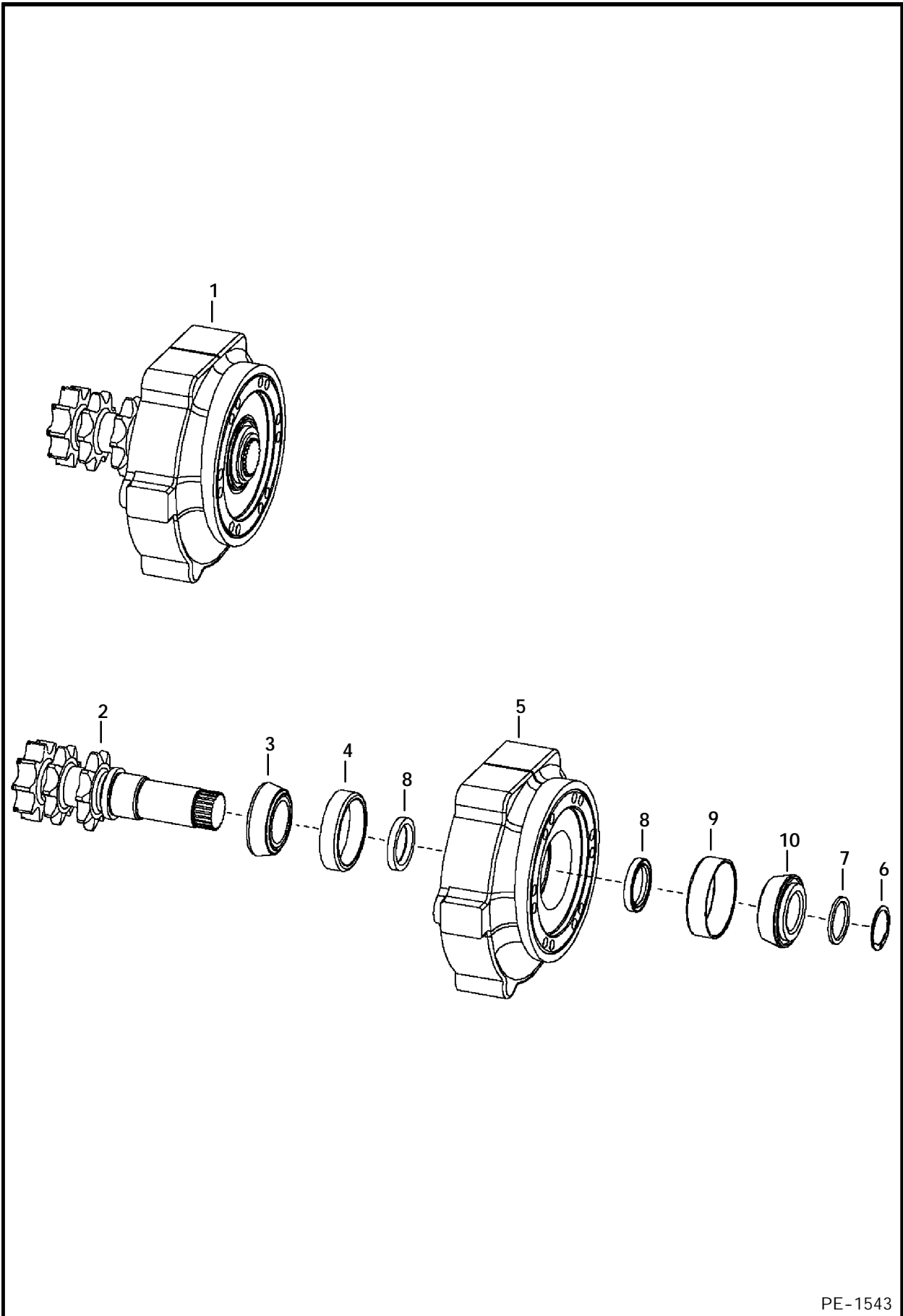
DRIVE TRAIN

NOTE: Because the drive chain is an endless chain, also order link if chain is cut for installation.



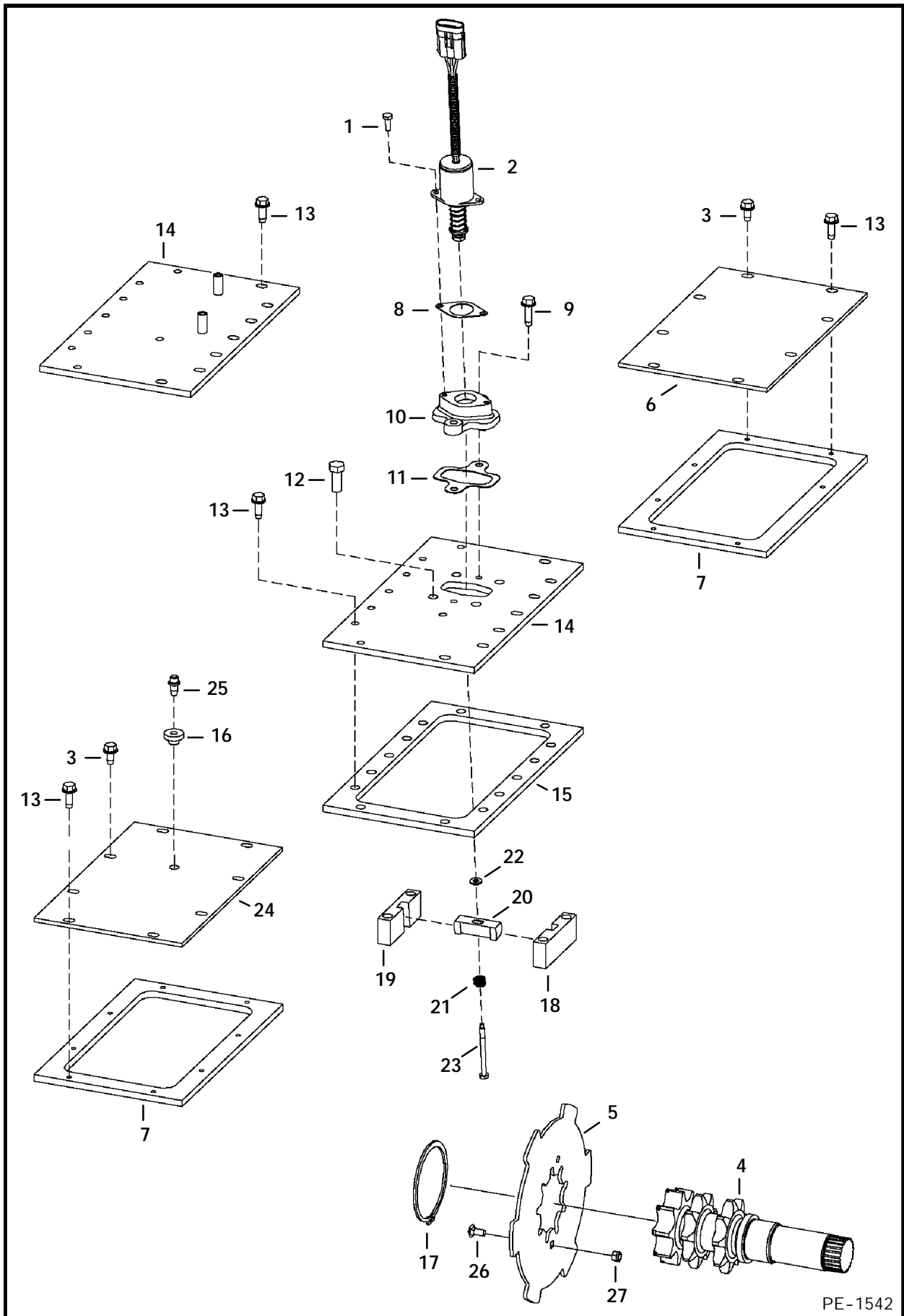
PE-1537

MOTOR CARRIER
(Drive Motor Mount Assy)



PE-1543

DISC BRAKE

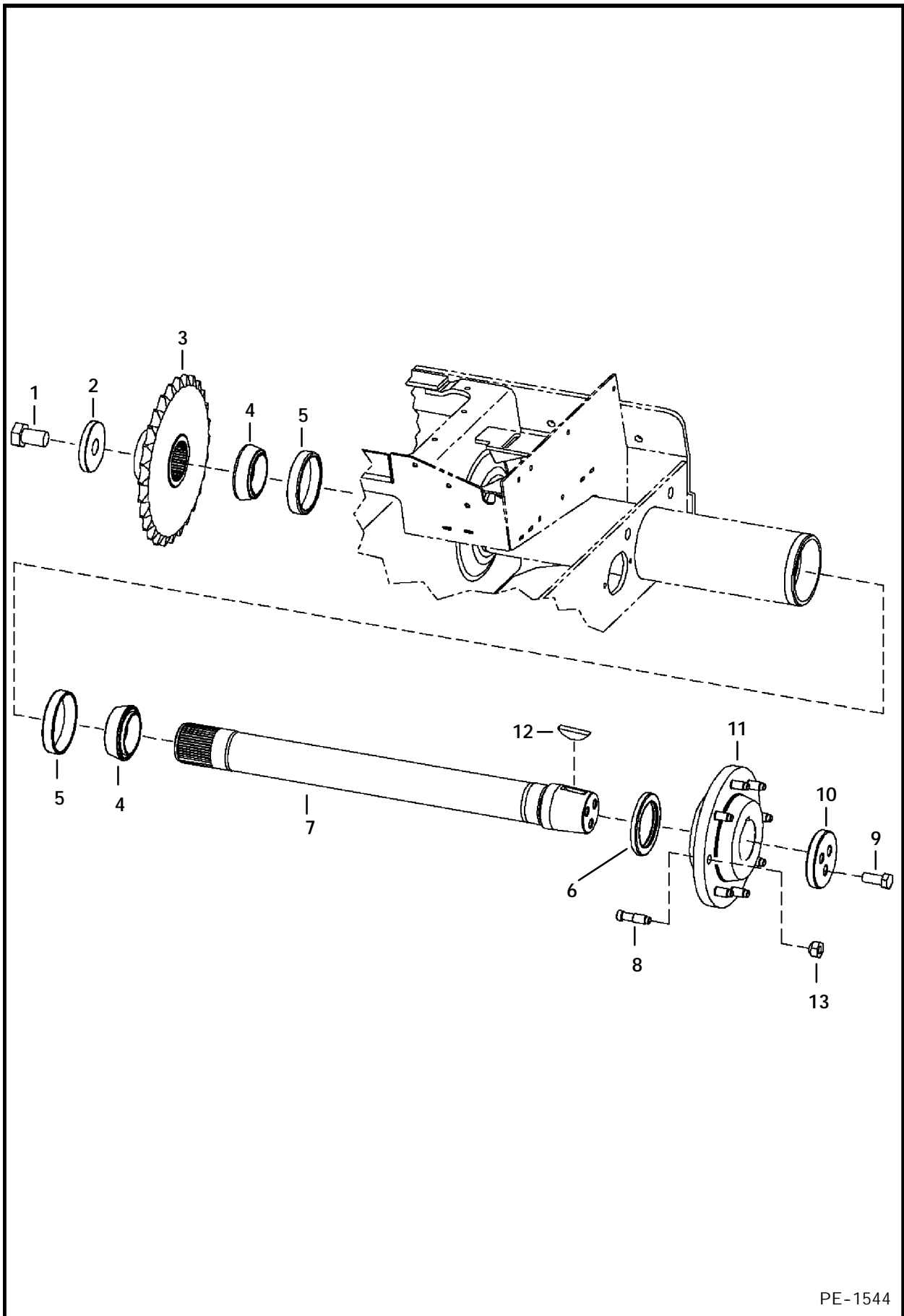


PE-1542

DISC BRAKE (Cont'd)

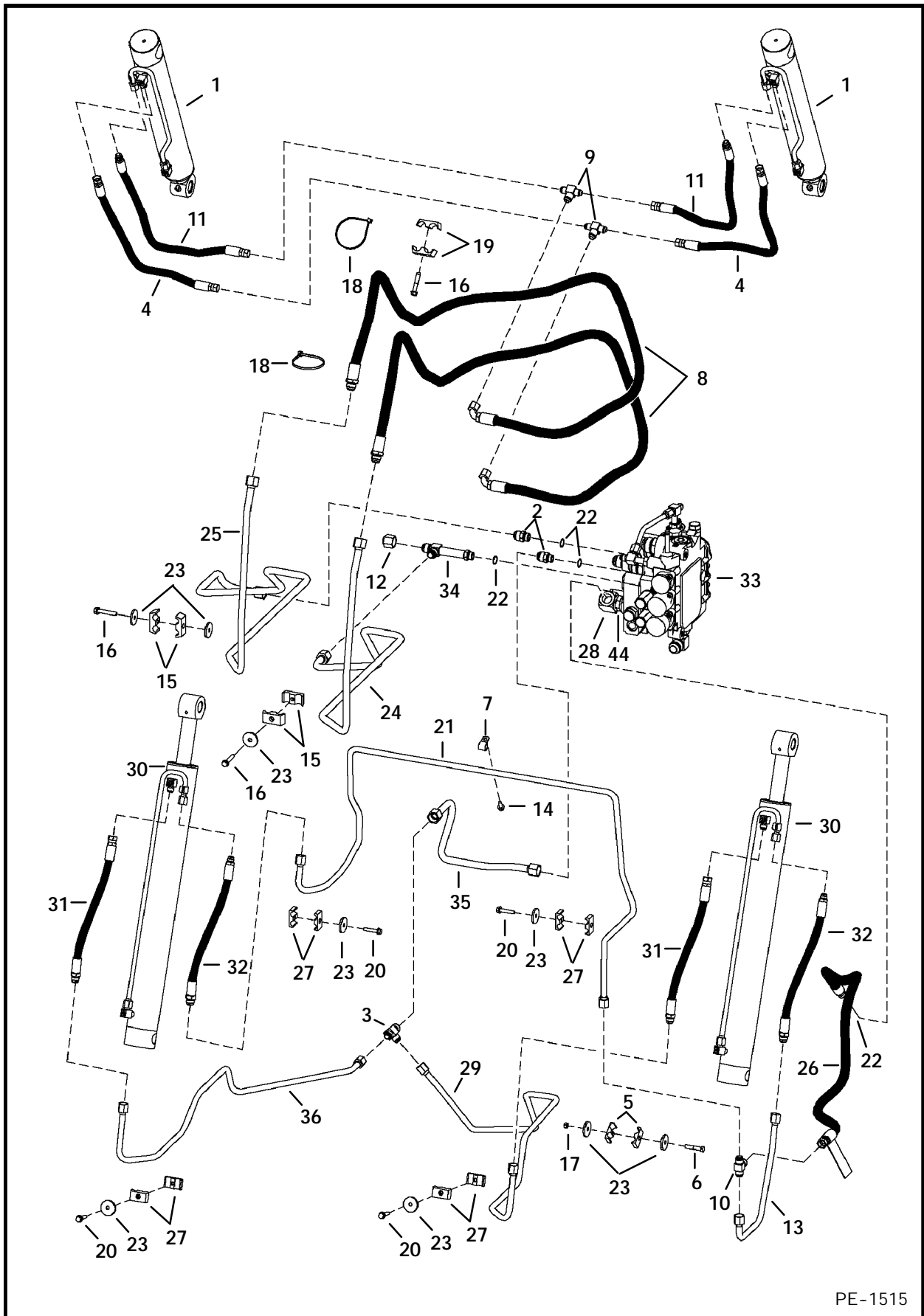
Ref. No.	Part Number	Description	Remarks	Serial Number	Qty.
1	17C-412	BOLT			2
2	6667992	SOLENOID			1
3	84G-3712	BOLT			12
4	6706805	SHAFT	See Page 36 disc		2
5	6715630	BRAKE			2
6	6729173	COVER			1
7	6703097	GASKET			2
8	6706737	GASKET			1
9	84G-3720	BOLT			2
10	6706718	MOUNT			1
11	6708016	GASKET			1
12	47C-820	BOLT			4
13	84G-3716	BOLT			18
14	6706683	COVER			1
	6725496	COVER	2-speed		1
15	6708070	GASKET			1
16	6553411	BUSHING			1
17	6662298	SNAP RING			2
18	6719057	BLOCK	guide - R.H.		1
19	6719056	BLOCK	guide - L.H.		1
20	6714278	GUIDE	for brake disc		1
21	6708018	SPRING			1
22	25E-13	WASHER			2
23	6708267	BOLT			2
24	6700330	COVER			1
25	6670627	BREATHER			1
26	37C-512	BOLT	carriage		4
27	59D-5	NUT			4

AXLE



PE-1544

HYDRAULIC CIRCUITRY (W/O Bucket Positioning Valve)



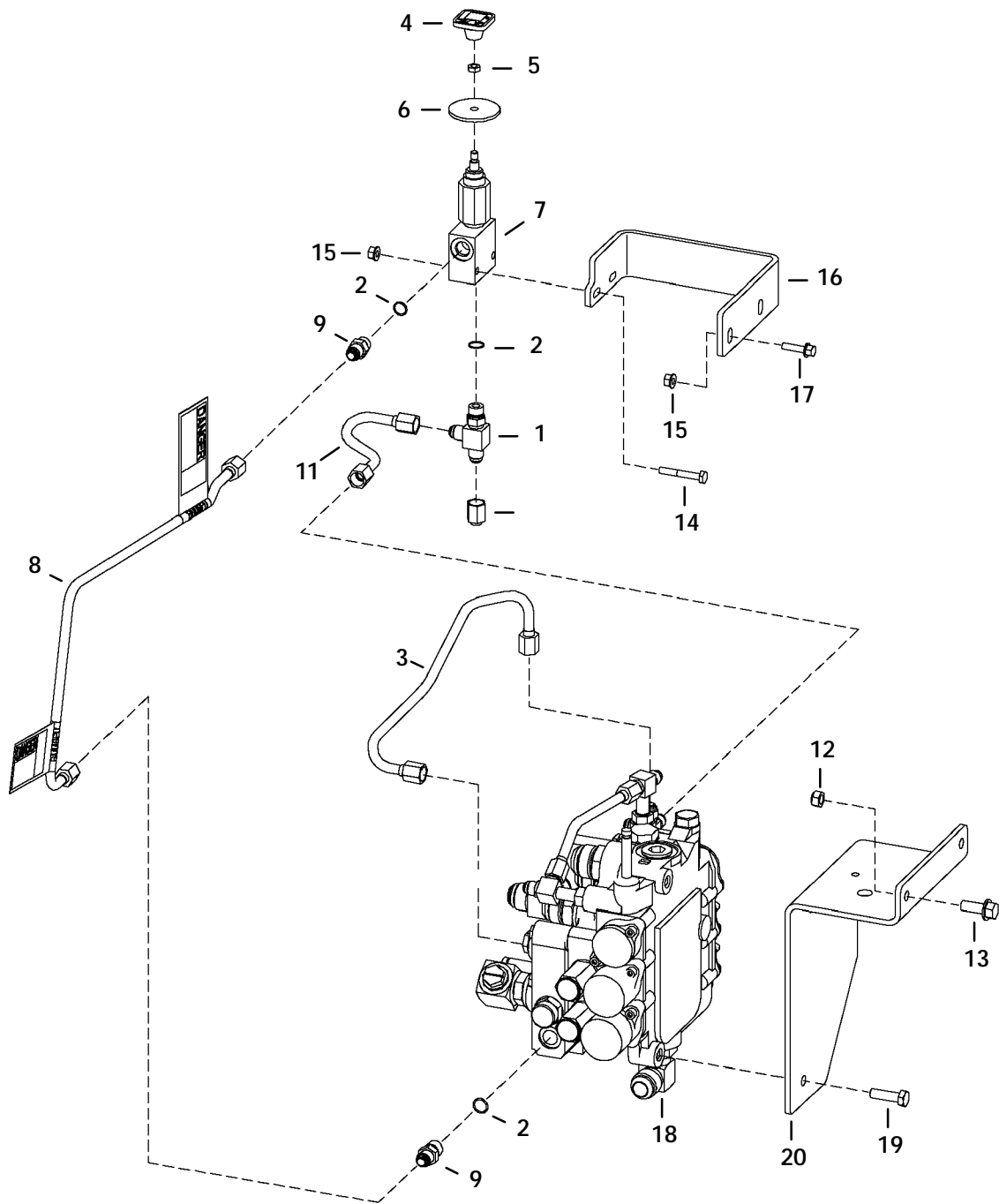
PE-1515

HYDRAULIC CIRCUITRY (Cont'd)
(W/O Bucket Positioning Valve)

Ref. No.	Part Number	Description	Remarks	Serial Number	Qty.
1		CYLINDER	tilt - See Page 47		1
2	6715878	ADAPTER	W/Ref. 22		2
3	6729686	TEE			1
4	6729729	HOSE			2
5	6729702	CLAMP			2
6	17C-632	BOLT			1
7	30H-38	CLAMP			1
8	6729721	HOSE			2
9	6716061	TEE			2
10	97K-8	O-RING	flared end		x
	97K-10	O-RING	flared end		x
	6729694	TEE			1
11	6729728	HOSE			2
12	36K-8	CAP			1
13	6730858	TUBELINE			1
14	84G-3712	BOLT			1
15	6592506	CLAMP			4
16	84G-3736	BOLT			3
17	85D-6	NUT			4
18	6624289	TIE			3
19	6729320	CLAMP			2
20	84G-3728	BOLT			4
21	6730857	TUBELINE			1
22	99K-10	O-RING	tapered boss face		x
23	872229	WASHER			10
24	6730876	TUBELINE	tilt		1
25	6730877	TUBELINE	tilt		1
26	6729604	HOSE	W/Ref. 22		1
27	6809511	DECAL	danger		2
	6701893	CLAMP			8
28	6729357	ELBOW	W/Ref. 22		1
29	6730838	TUBELINE	lift		1
30		CYLINDER	lift - See Page 49		2
31	6731276	HOSE			2
32	6731632	HOSE			2
33		VALVE	See Page 55 or 61		1
34	6730914	TEE	W/Ref. 22		1
35	97K-12	O-RING	flared end		x
	6730837	TUBELINE	lift		1
36	6730836	TUBELINE	lift		1

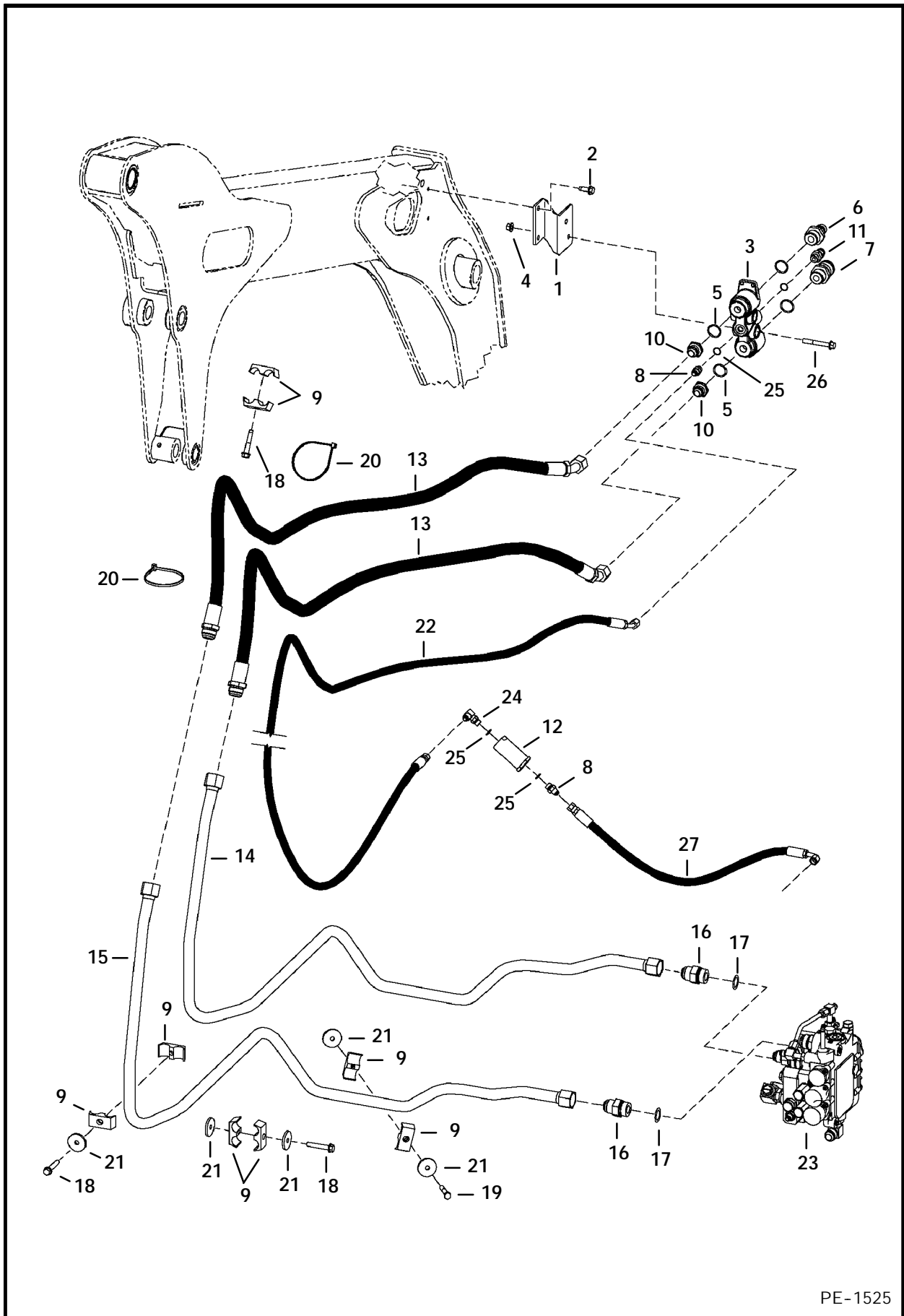
LIFT & TILT CONTROL CIRCUITRY

— 10



PE-1546

AUXILIARY HYDRAULICS

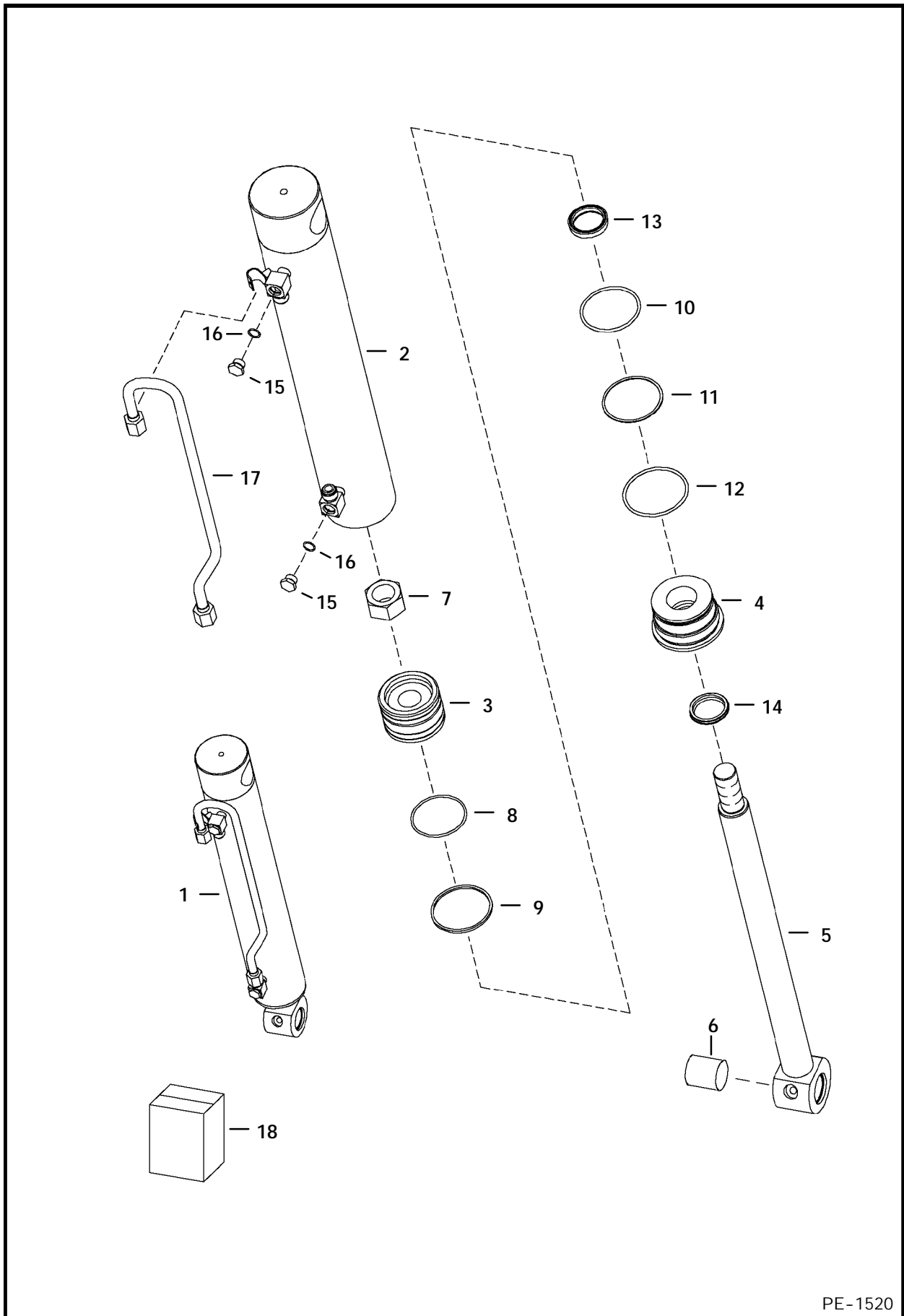


PE-1525

AUXILIARY HYDRAULICS (Cont'd)

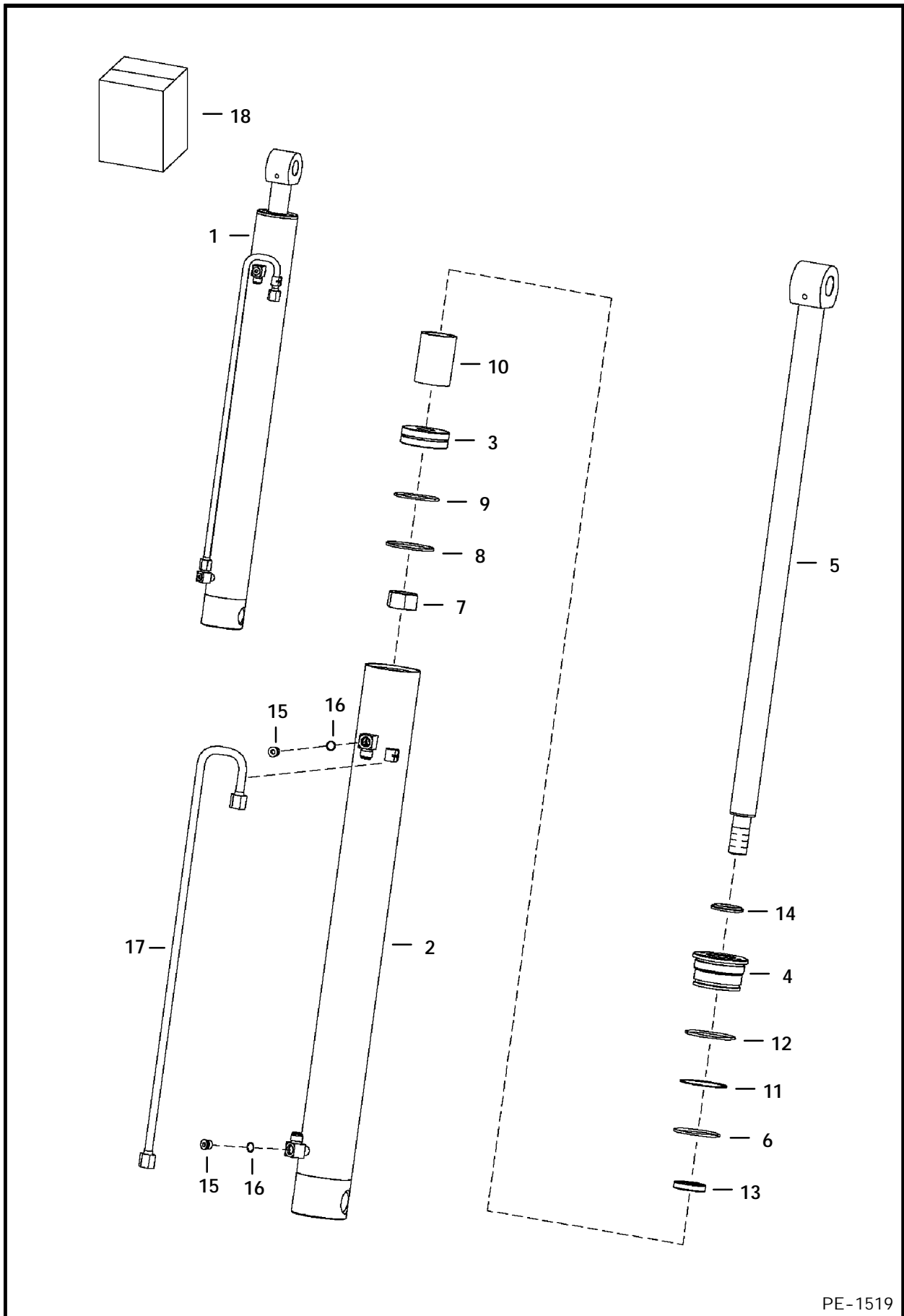
Ref. No.	Part Number	Description	Remarks	Serial Number	Qty.
1	6731199	BRACKET			1
2	84G-3716	BOLT			2
3	6678076	BLOCK	W/Ref. 6, 7 & 11		1
4	83D-6	NUT			2
5	79K-12	O-RING			2
6	6679837	COUPLER	male		1
7	6679841	SEAL	blue		1
	6680020	SEAL KIT	3 O-rings		1
	6679839	COUPLER	female		1
8	6680020	SEAL KIT	3 O-rings		1
	15KV-5	ADAPTER	W/Ref. 25		2
	97K-6	O-RING	flared end		x
9	6729320	CLAMP			8
10	6679836	ADAPTER	W/ spring & Ref. 5		2
11	6679838	COUPLER	male - casedrain -		
12	6679840	SEAL	W/ spring, valve, seal & O-ring		1
	6661022	FILTER	blue		1
			See Page 170		1
13	6729745	HOSE			2
14	6730879	TUBELINE			1
15	6730878	TUBELINE			1
16	6812646	ADAPTER	W/Ref. 17		2
17	79K-12	O-RING			x
18	84G-3736	BOLT			3
19	17C-640	BOLT			1
20	6624289	TIE			2
21	872229	WASHER			5
22	6729746	HOSE			1
23		VALVE	control - See Page 55 or 61		1
24	17KV-5	ELBOW	W/Ref. 25		1
25	97K-6	O-RING	flared end		x
	99K-6	O-RING	tapered boss face		x
26	31C-644	BOLT			2
27	6725436	HOSE			1

TILT CYLINDER



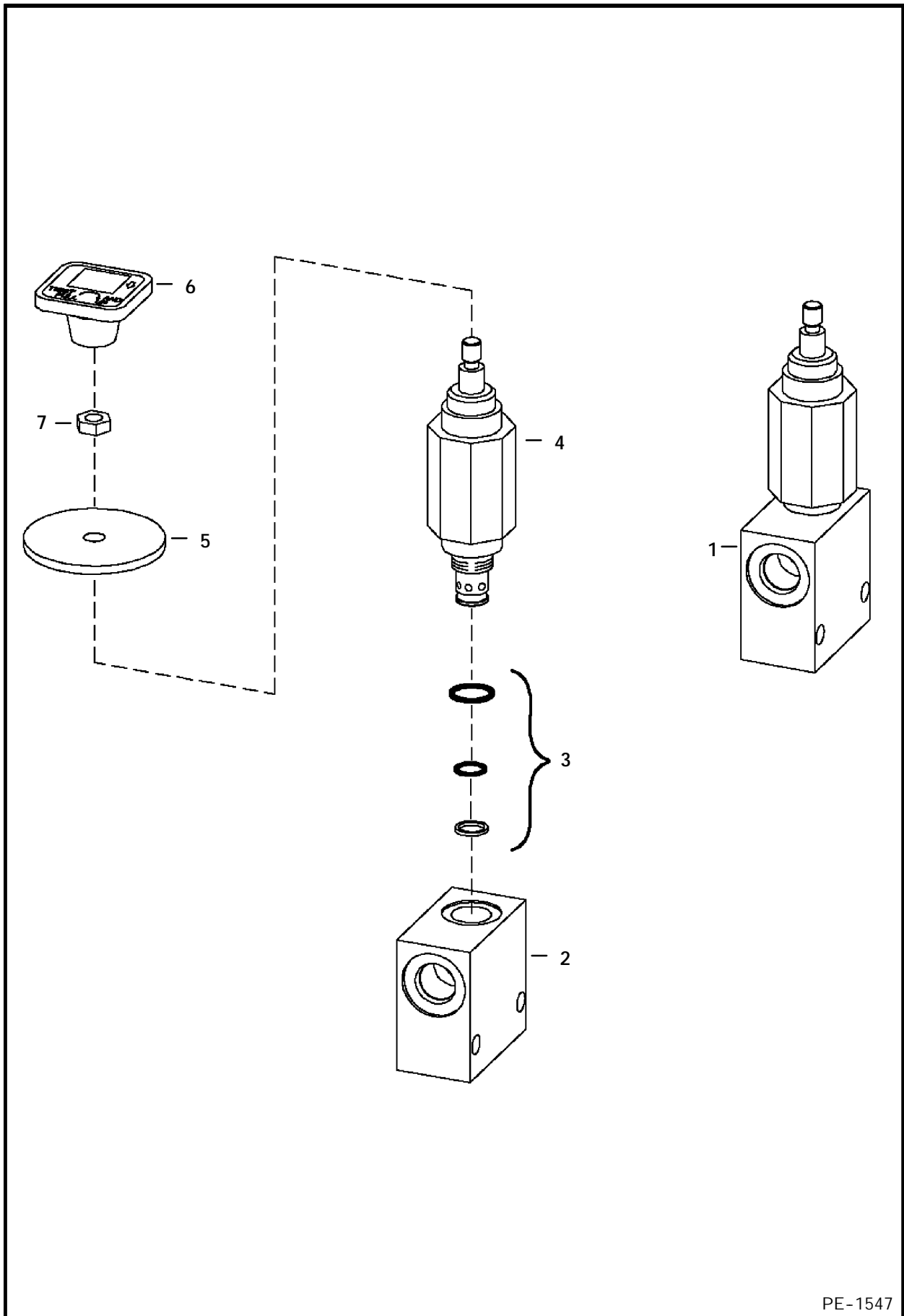
PE-1520

LIFT CYLINDER



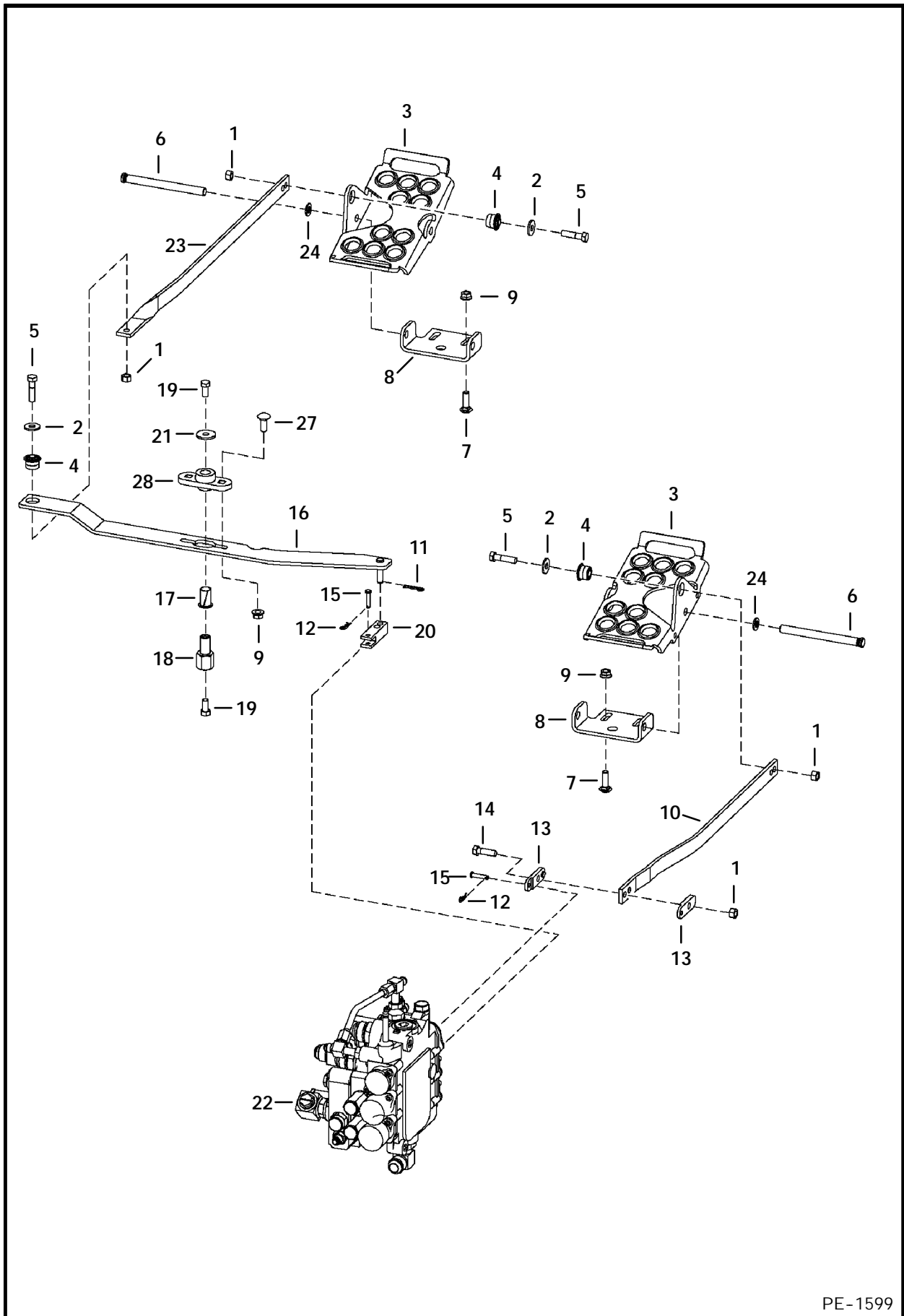
PE-1519

MANUAL LIFT RELEASE VALVE



PE-1547

CONTROL PEDALS

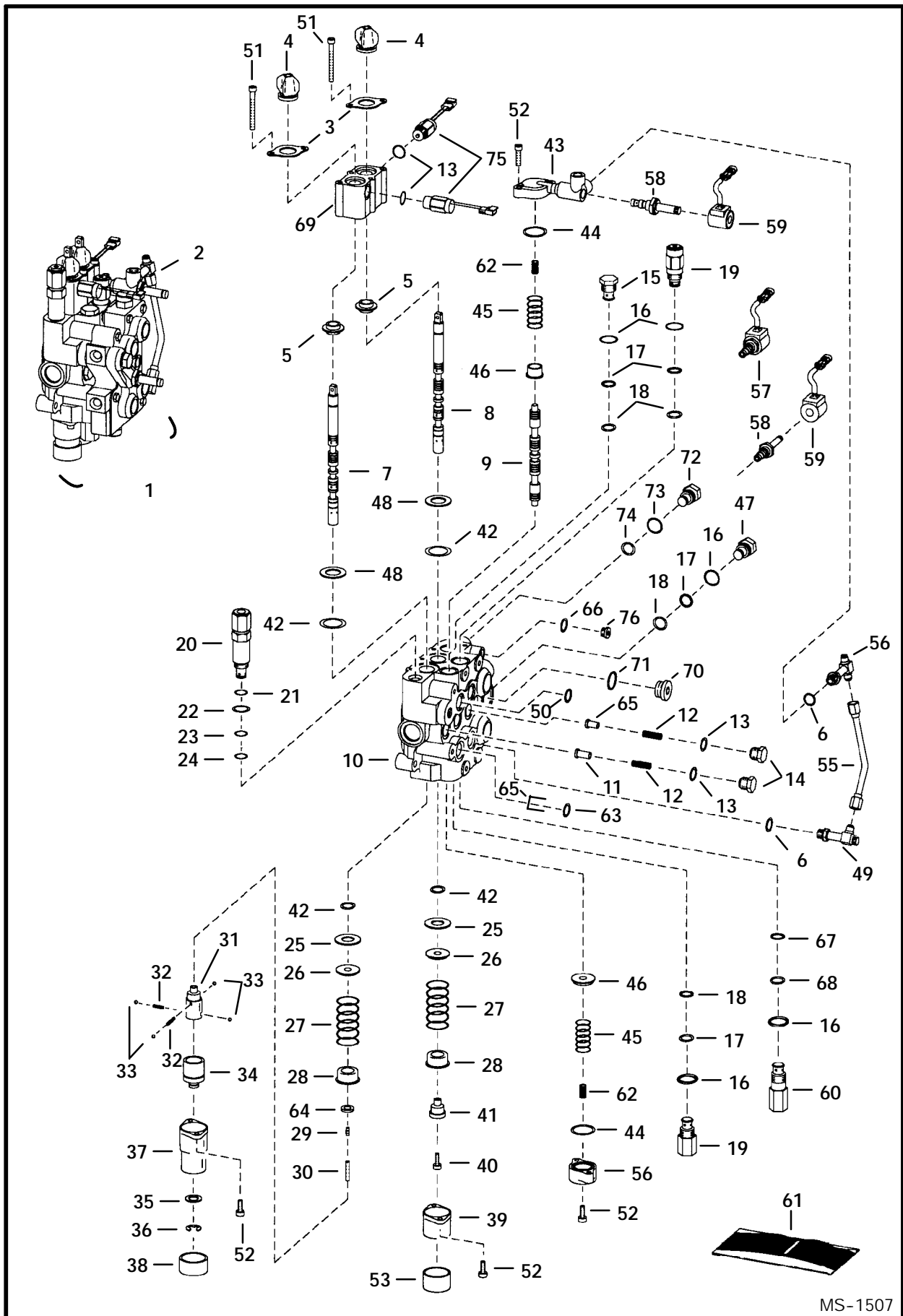


PE-1599

CONTROL PEDALS (Cont'd)

Ref. No.	Part Number	Description	Remarks	Serial Number	Qty.
1	95D-6	NUT			5
2	6563914	WASHER			3
3	6726680	PEDAL			2
4	6665701	BUSHING			3
5	17C-624	BOLT			3
6	6564657	PIN			2
7	37C-620	BOLT			4
8	6726679	BRACKET			2
9	57D-6	NUT			4
10	6731251	BAR			1
11	1306637	COTTER PIN			2
12	6513495	COTTER PIN			2
13	6708009	LINK			2
14	17C-620	BOLT			1
15	6564654	PIN			2
16	6718285	LEVER			1
17	6512026	BUSHING			1
18	6718283	RETAINING NUT			1
19	17C-612	BOLT			2
20	6706105	YOKE			1
21	619021	WASHER			1
22		VALVE	control - See Page 55 or 61		1
23	6731252	BAR			1
24	25E-21	WASHER	Used if serrations on pins are too long		2
25	6577961	GROMMET			2
26	6678067	BUSHING			1
27	37C-616	BOLT			2
28	6708043	BUSHING			1

HYDRAULIC CONTROL VALVE (Spool Lock) (W/ BICS Control Valve)

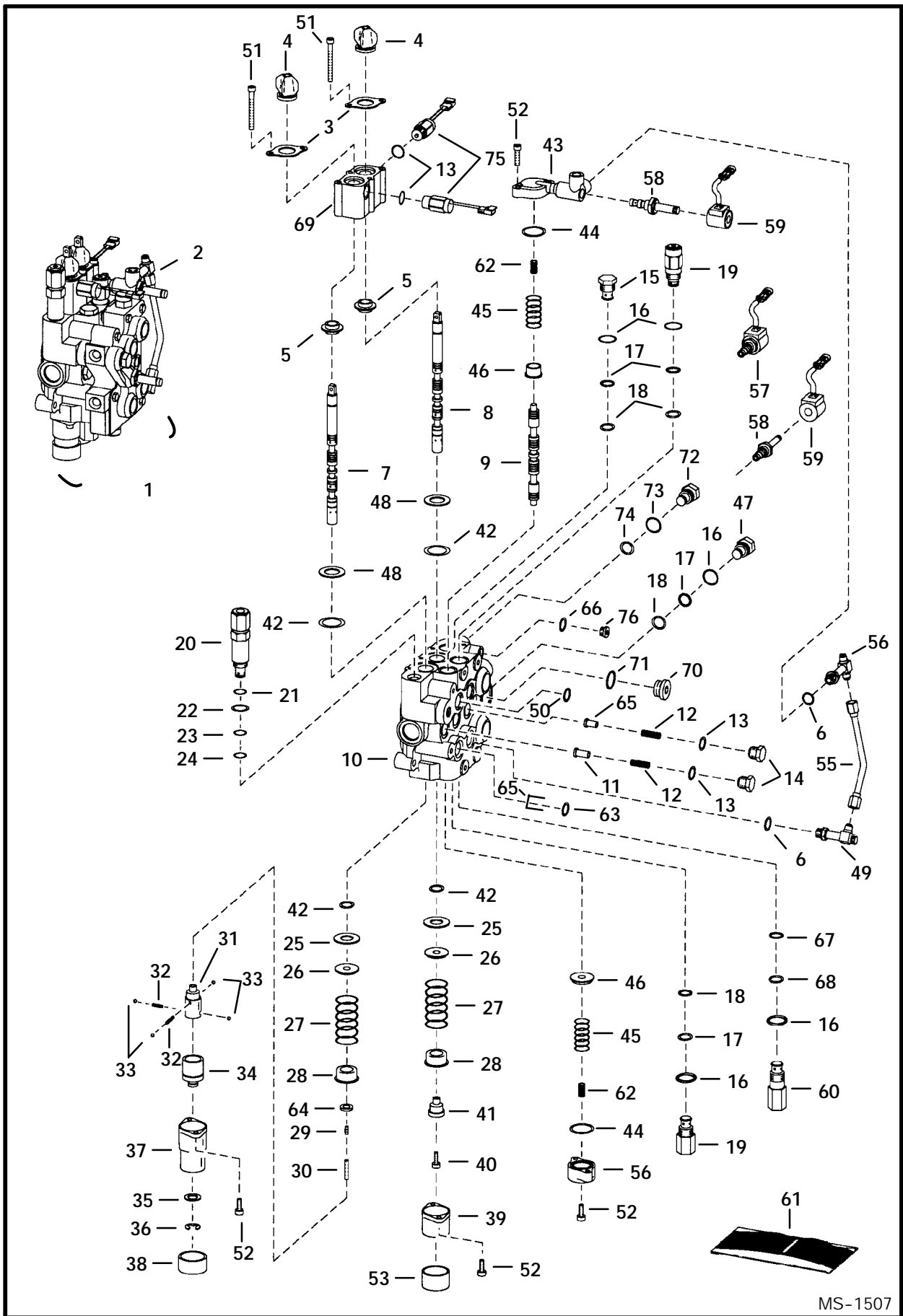


MS-1507

HYDRAULIC CONTROL VALVE (Cont'd)
(Spool Lock) (W/ BICS Control Valve)

Ref. No.	Part Number	Description	Remarks	Serial Number	Qty.
1	6812046	VALVE	W/Fittings - Ref. 2-65		1
2	6628571	VALVE ASSY	BICS control - See Page 60		1
3	6589564	RETAINER			2
4	6587763	BOOT			2
5	6805102	BUSHING	alignment		2
6	99K-6	O-RING			x
7	6811411	SPOOL	lift		1
8	6811412	SPOOL	tilt		1
9	6588074	SPOOL	auxiliary		3
10	NSS	BODY			1
11	6592115	SEAT	load check		2
12	6592117	SPRING			3
13	79K-8	O-RING			3
14	6592116	NUT	load check		3
15	6667549	VALVE	anti-cavity check - W/Ref. 16-18		1
16	79K-10	O-RING			2
17	80K-14	RING	back-up		x
18	58K-14	O-RING	back-up ring required		5
19	6677106	O-RING	back-up ring not required		5
	6679757	VALVE	port relief - W/Ref. 16-18 - 4000 PSI		2
20	6677984	VALVE	main relief - W/Ref. 21-24 - 3350 PSI		1
21	58K-17	O-RING			1
22	6665569	WASHER	back-up		1
23	25K-20016	O-RING			1
24	6665570	RING	glide		1
25	6595663	BUSHING			2
26	6587523	WASHER			2
27	6587580	SPRING			2
28	6592100	COLLAR			2
29	6596807	PLUG			1
30	6586918	SCREW			1
31	6587575	ADAPTER			1
32	6592107	SPRING			2
33	6592105	BALL			4
34	6531270	SLEEVE			1
35	6592098	WASHER			1
36	799119	SNAP RING			1
37	6589226	BONNET	.625" flange		1
38	6660644	CAP			1
39	6587633	BONNET			1
40	30G-416	BOLT			1
41	6592109	ADAPTER			1
42	6665846	SEAL			4
43	6805651	BLOCK	aux		2
44	58K-124	O-RING			2
45	6596332	SPRING			2
46	6595951	SLEEVE			2
47	6592720	PLUG	W/Ref. 16-18		1
48	58K-127	O-RING			2

HYDRAULIC CONTROL VALVE (Cont'd) (Spool Lock) (W/ BICS Control Valve)

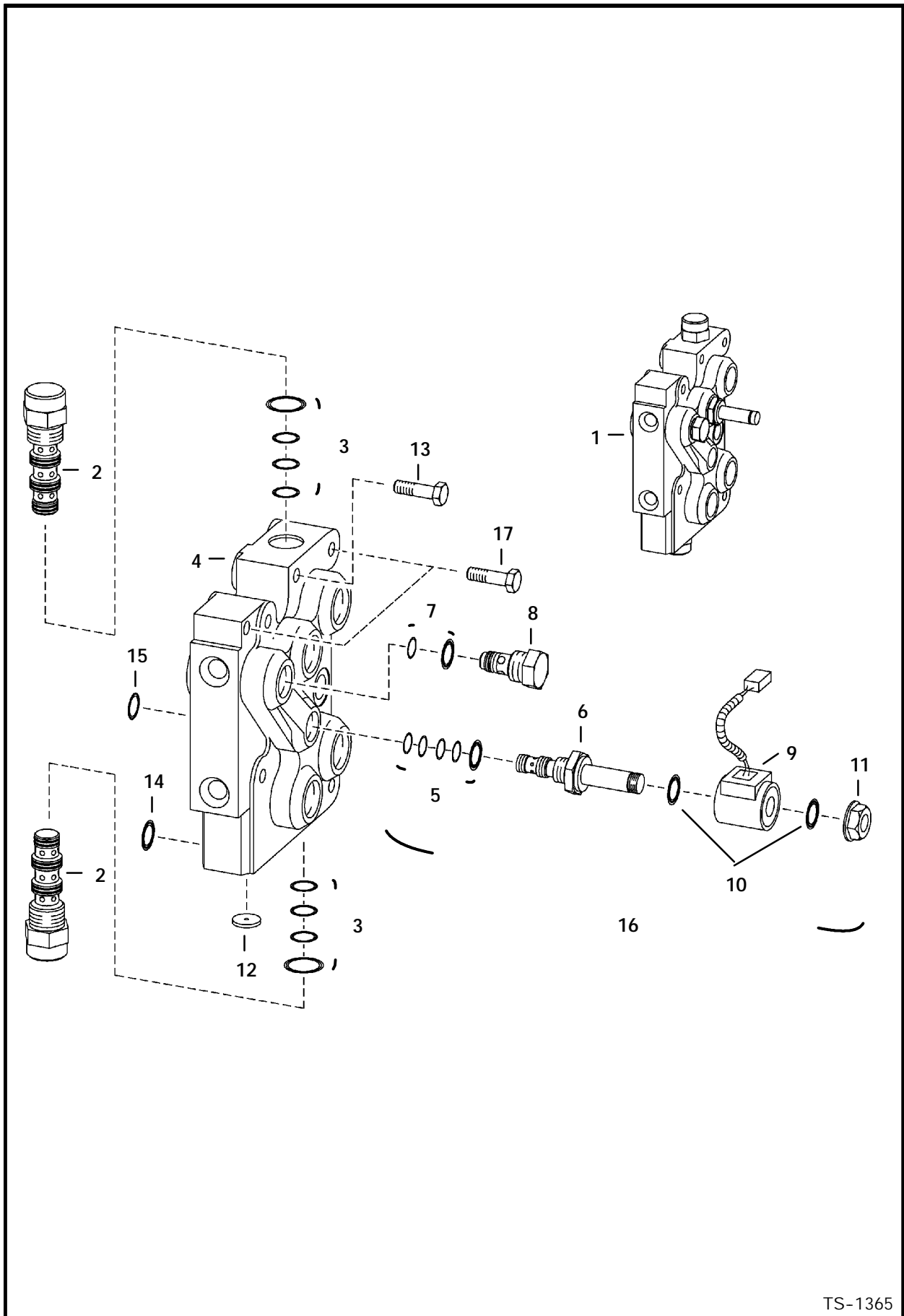


MS-1507

HYDRAULIC CONTROL VALVE (Cont'd)
(Spool Lock) (W/ BICS Control Valve)

Ref. No.	Part Number	Description	Remarks	Serial Number	Qty.
49	6805243	TEE	W/Ref. 6		1
50	55K-204	O-RING			1
51	29G-444	SCREW			4
52	29G-416	SCREW	1" long		8
53	6662848	CAP			1
54	6805696	TEE	W/Ref. 6 - tapered boss face		2
	97K-6	O-RING	flared end		x
55	6806496	TUBELINE			1
56	6588781	END CAP			1
57	6677201	SOLENOID	W/Ref. 58 & 59		2
58	6676249	STEM			2
	6586459	SEAL KIT			x
59	6717706	COIL	W/ nut - 10 volt - pwm		2
60	6678552	VALVE	port relief & anti-cav. - W/Ref. 16 - 3500 PSI - use in tilt cylinder		
			base end port		1
	6673904	SEAL KIT	W/Ref. 16, 67 & 68		
61	6806941	SEAL KIT	two spool - Ref. 4, 42 & 51		x
	6809448	SEAL KIT	complete - Ref. 4, 13, 16-18, 21-24, 42, 44, 50 & 53		x
	6661328	SEAL KIT	main relief - Ref. 21-24		x
	6809425	SEAL KIT	upper deck - Ref. 13 & 16-18		x
62	6595131	SPRING	.72" O.D.		2
63	55K-212	O-RING			4
64	54K-20002	O-RING			1
65	6800124	ORIFICE			1
66	95K-6	O-RING			2
67	NSS	O-RING	Order Ref. 60 kit		x
68	NSS	O-RING	Order Ref. 60 kit		x
69	6812031	BLOCK	lift and tilt lock		1
70	90KV-8	PLUG	W/Ref. 71		1
71	95K-12	O-RING			x
72	6806561	PLUG	aux lock - W/Ref. 73 & 74		1
73	79K-7	O-RING			x
74	58K-12	O-RING			x
75	6677383	SOLENOID	spool lock - W/Ref. 13 -		
			5" (127mm) wire		2
76	90KV-5	PLUG	W/Ref. 66		1

BICS CONTROL VALVE

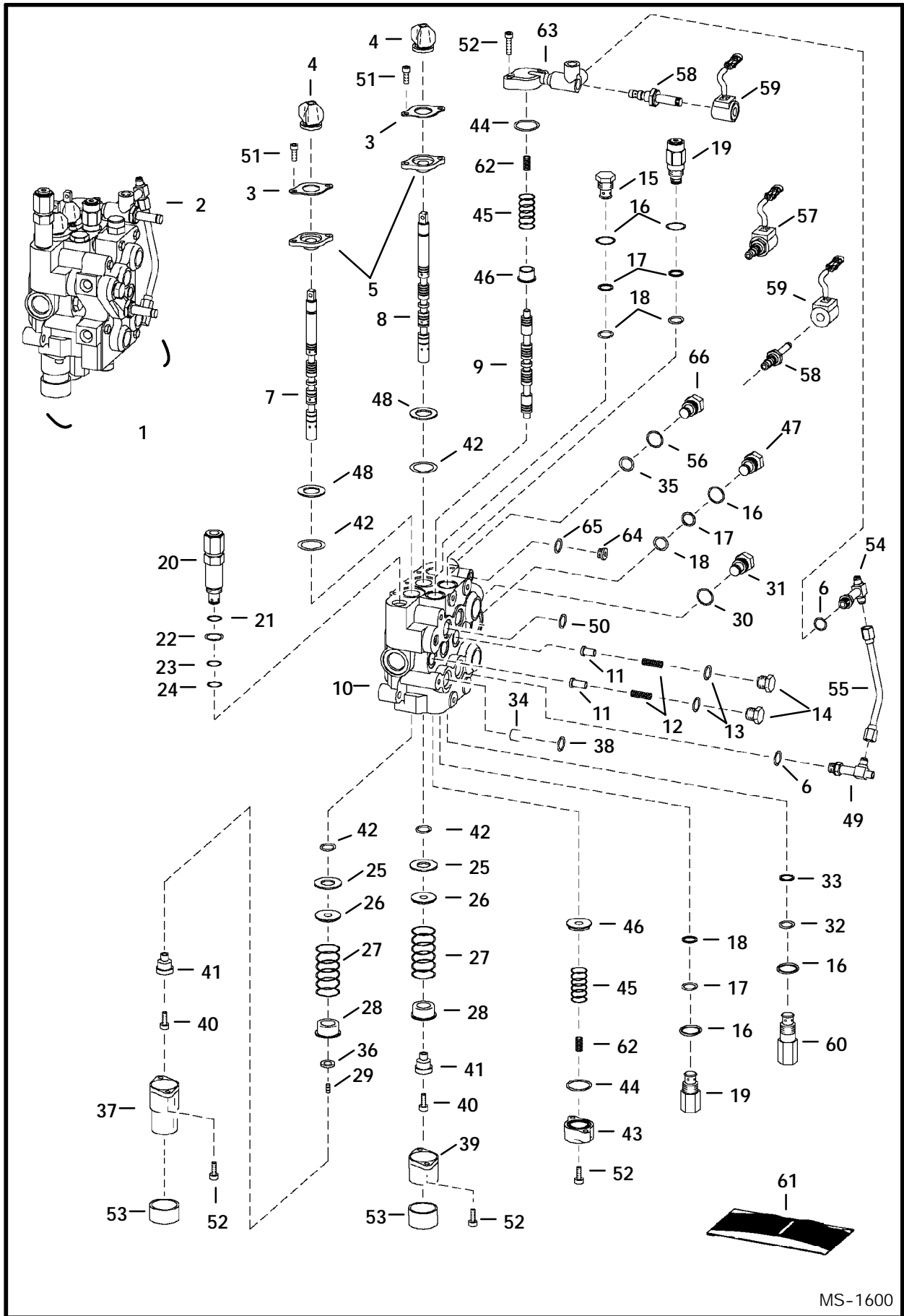


TS-1365

BICS CONTROL VALVE (Cont'd)

Ref. No.	Part Number	Description	Remarks	Serial Number	Qty.
1	6628571	VALVE ASSY	Ref. 2-8 pilot operated		1
2	6668765	VALVE			2
3	6669734	SEAL KIT			x
4	NSS	BODY	solenoid valve		1
5	6669732	SEAL KIT			x
6	6665004	STEM			1
7	6669733	SEAL KIT	filter		x
8	6669057	CHECK VALVE			1
9	6671025	COIL			1
10	54K-20028	O-RING			2
11	6668820	NUT			1
12	6668791	ORIFICE			1
13	43C-532	BOLT			4
14	55K-212	O-RING			4
15	55K-204	O-RING			1
16	6672456	VALVE	assy. - Ref. 5, 6 & 9-11		1
17	43C-524	BOLT			2

HYDRAULIC CONTROL VALVE (Advanced Hand Control System)

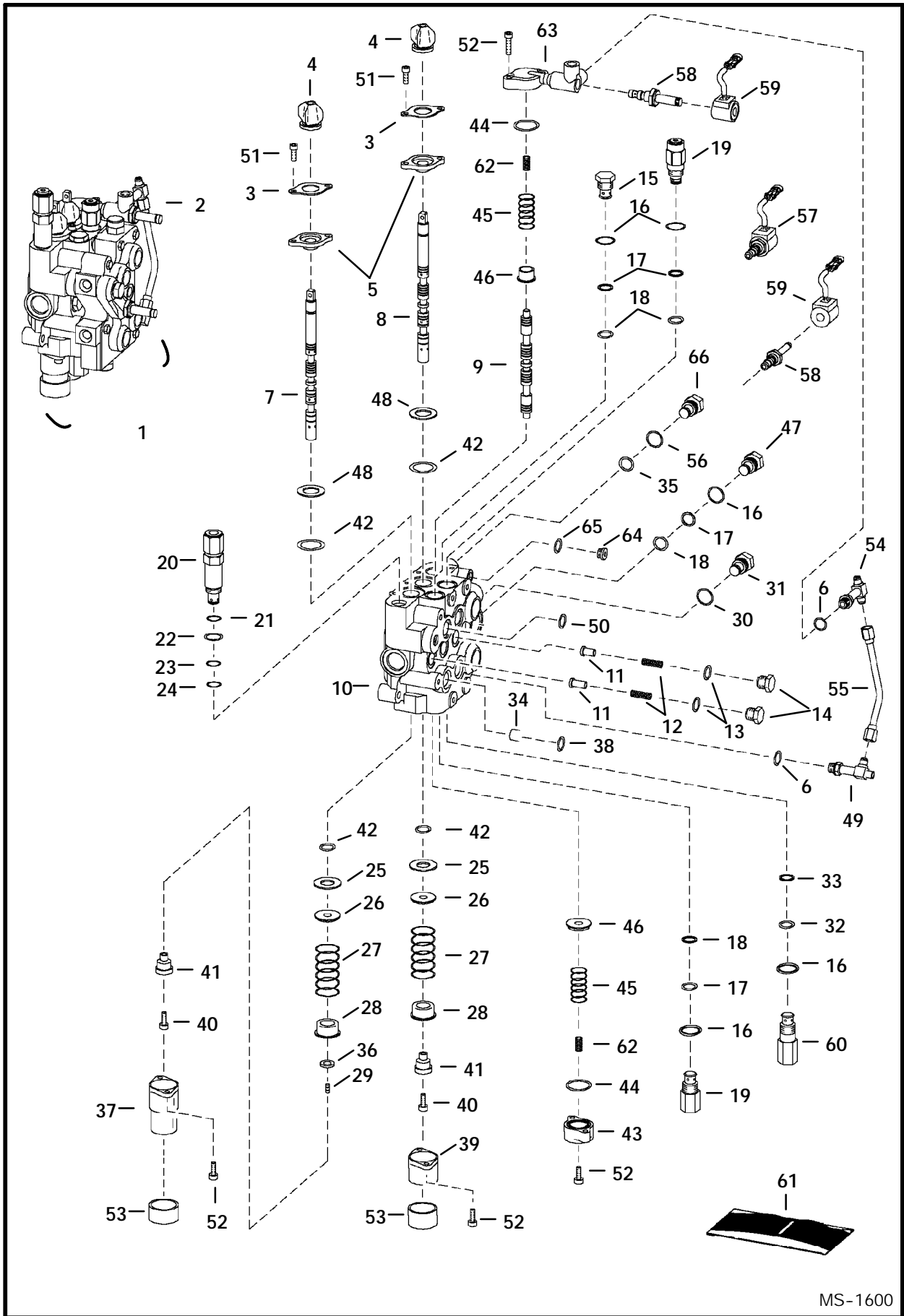


MS-1600

HYDRAULIC CONTROL VALVE (Cont'd)
(Advanced Hand Control System)

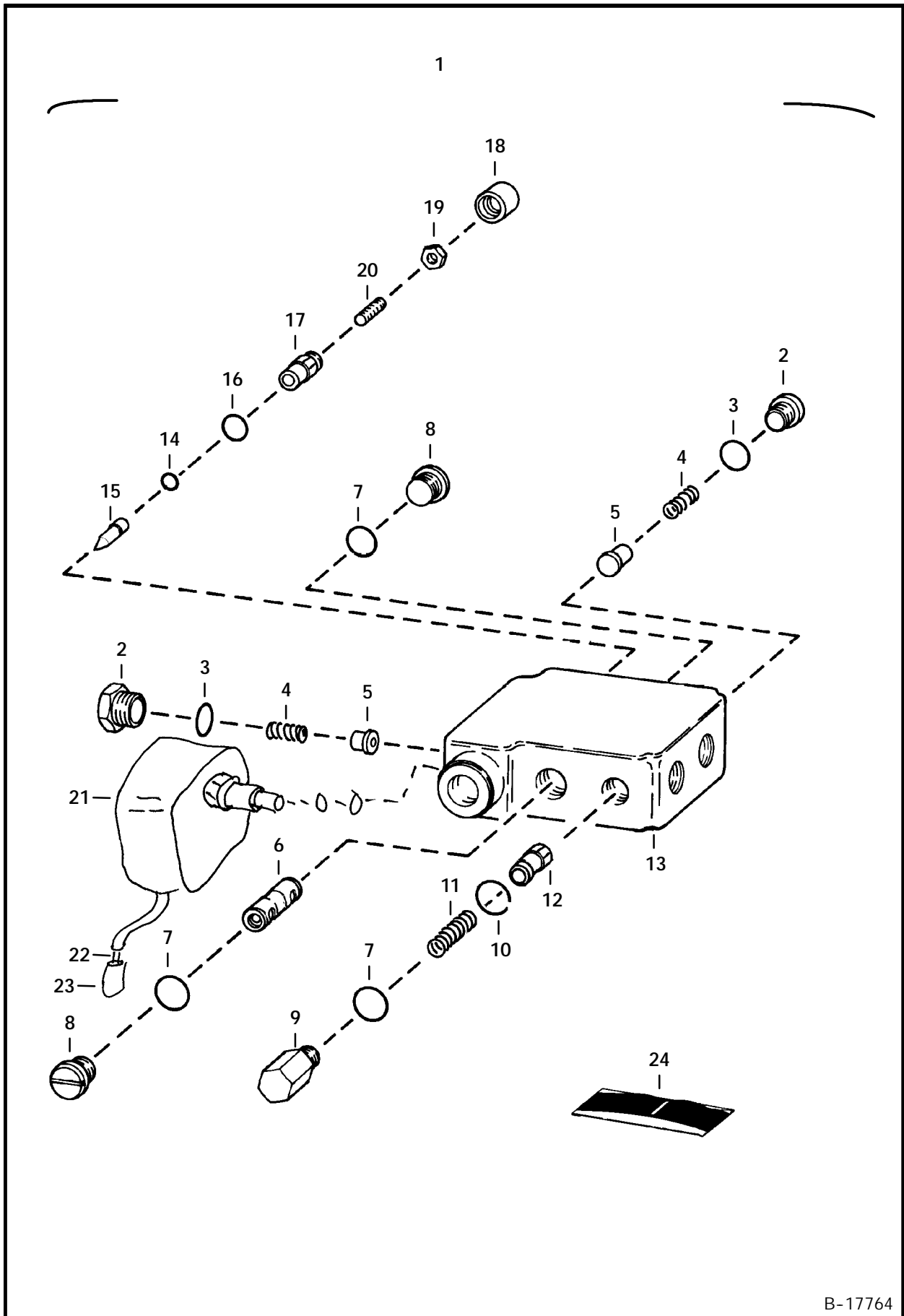
Ref. No.	Part Number	Description	Remarks	Serial Number	Qty.
1	6812048	VALVE	W/ fittings - Ref. 2-60		1
2	6628571	VALVE ASSY	AHC - BICS control - See Page 60		1
3	6589564	RETAINER			2
4	6587763	BOOT			2
5	6589565	BUSHING			2
6	99K-6	O-RING	tapered boss face		x
7	6677660	SPOOL	lift - # 1 or Red		1
	6677661	SPOOL	lift - # 2 or Green		1
8	6677662	SPOOL	tilt - # 1 or Red		1
	6677663	SPOOL	tilt - # 2 or Green		1
9	6588074	SPOOL	auxiliary		3
10	NSS	BODY			1
11	6592115	SEAT	load check		3
12	6592117	SPRING			3
13	79K-8	O-RING			3
14	6592116	NUT	load check - W/Ref. 13		3
15	6667549	VALVE	anti-cavity check - W/Ref. 16-18		1
16	79K-10	O-RING			2
17	80K-14	RING	back-up		5
18	6677106	O-RING	back-up washer not required		5
19	6679757	VALVE	port relief - W/Ref. 16-18 - 4000 PSI		2
20	6677984	VALVE	main relief - W/Ref. 21-24		1
21	58K-17	O-RING			1
22	6665569	WASHER	back-up		1
23	25K-20016	O-RING			1
24	6665570	RING	glide		1
25	6595663	BUSHING			2
26	6587523	WASHER			2
27	6587580	SPRING			2
28	6592100	COLLAR			2
29	6801167	PLUG	spool		1
30	95K-12	O-RING			1
31	90KV-8	PLUG	W/Ref. 30 - socket head		1
32	NSS	O-RING	Order Ref. 60 - kit		1
33	NSS	O-RING	Order Ref. 60 - kit		1
34	6800124	RESTRICTOR	.183/.187		1
35	58K-12	O-RING			1
36	54K-20002	O-RING			1
37	6803092	BONNET	.625 flange		1
38	55K-212	O-RING			4
39	6587633	BONNET			1
40	30G-416	BOLT			2
41	6592109	ADAPTER			1
42	6665846	SEAL	lip		4
43	6588781	END CAP	.87" thick		2
44	58K-124	O-RING			2
45	6596332	SPRING			2
46	6595951	SLEEVE			2
47	6592720	PLUG	W/Ref. 16-18		1

HYDRAULIC CONTROL VALVE (Cont'd) (Advanced Hand Control System)



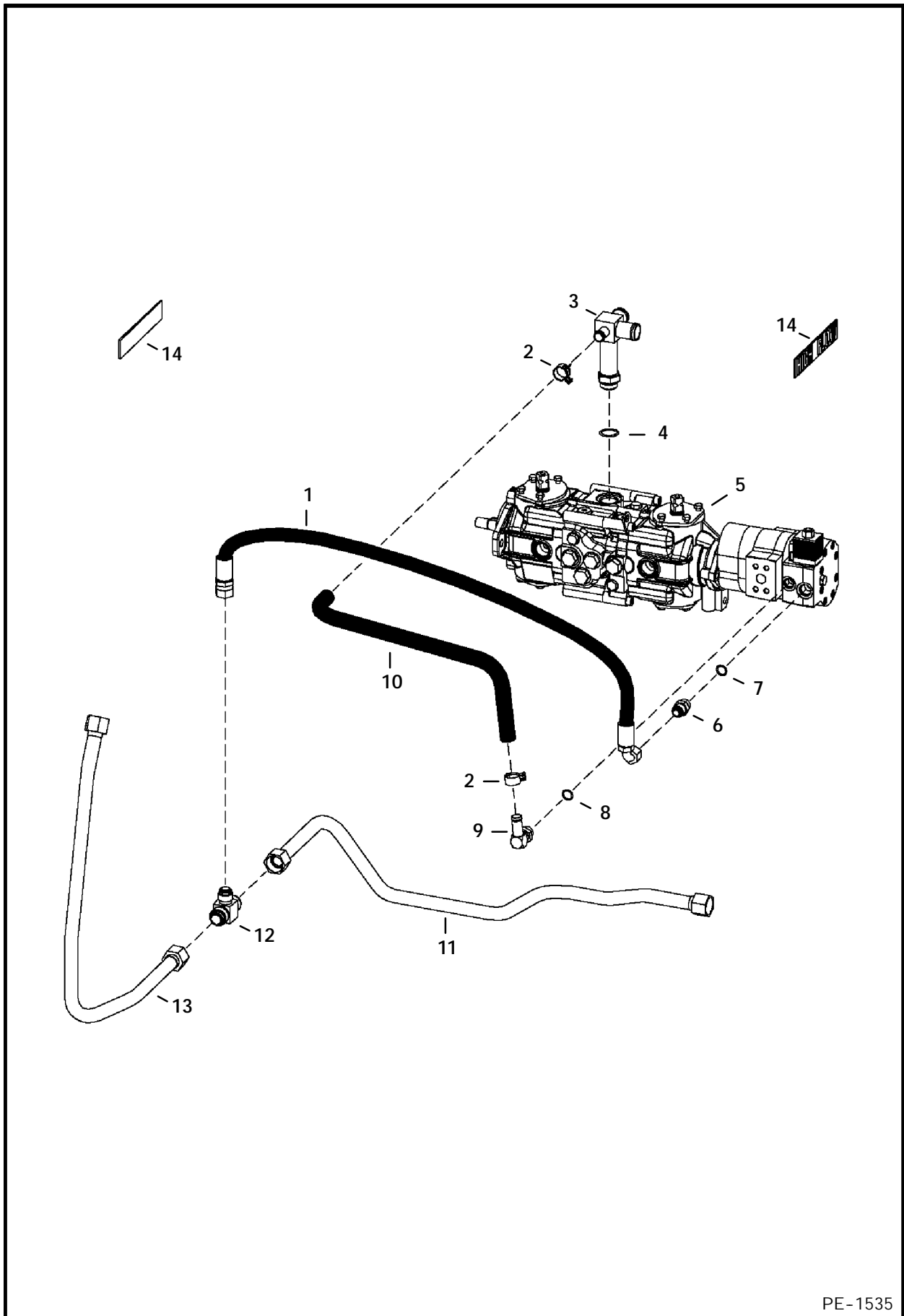
MS-1600

BUCKET POSITIONING VALVE



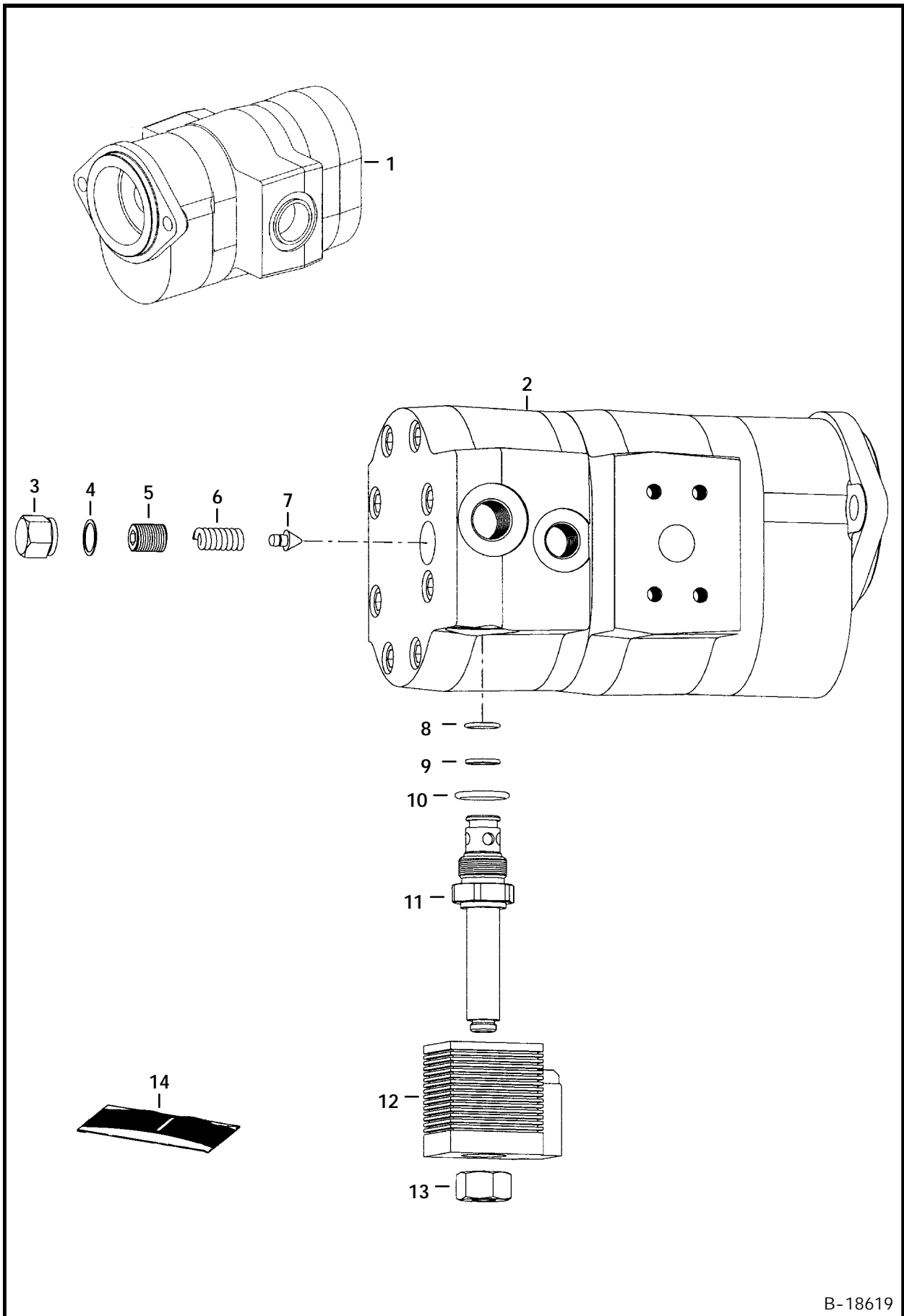
B-17764

HIGH HORSEPOWER HYDRAULICS



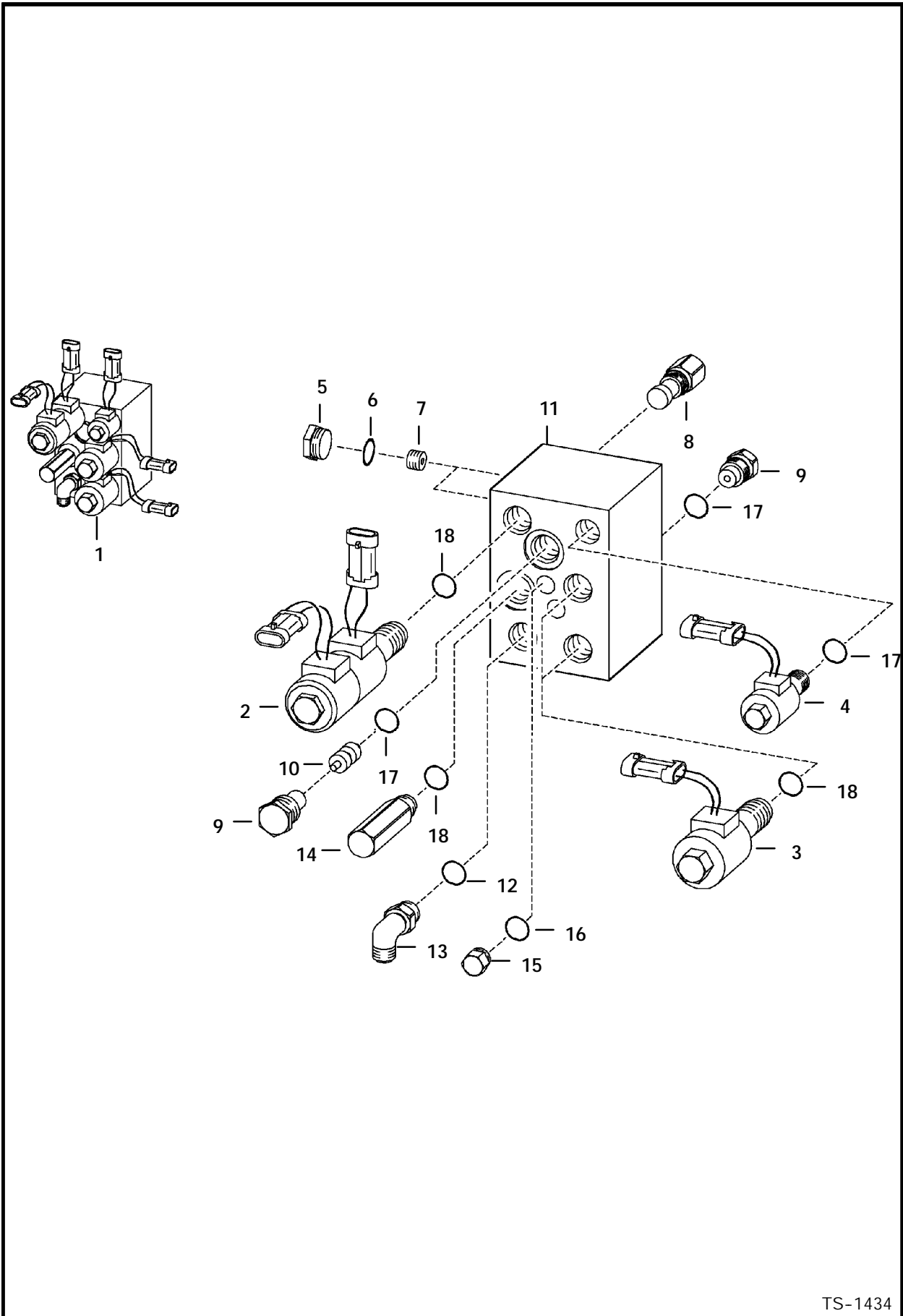
PE-1535

HIGH HORSEPOWER HYDRAULICS (Double Gear Pump)



B-18619

HIGH FLOW HYDRAULICS (Select Valve)

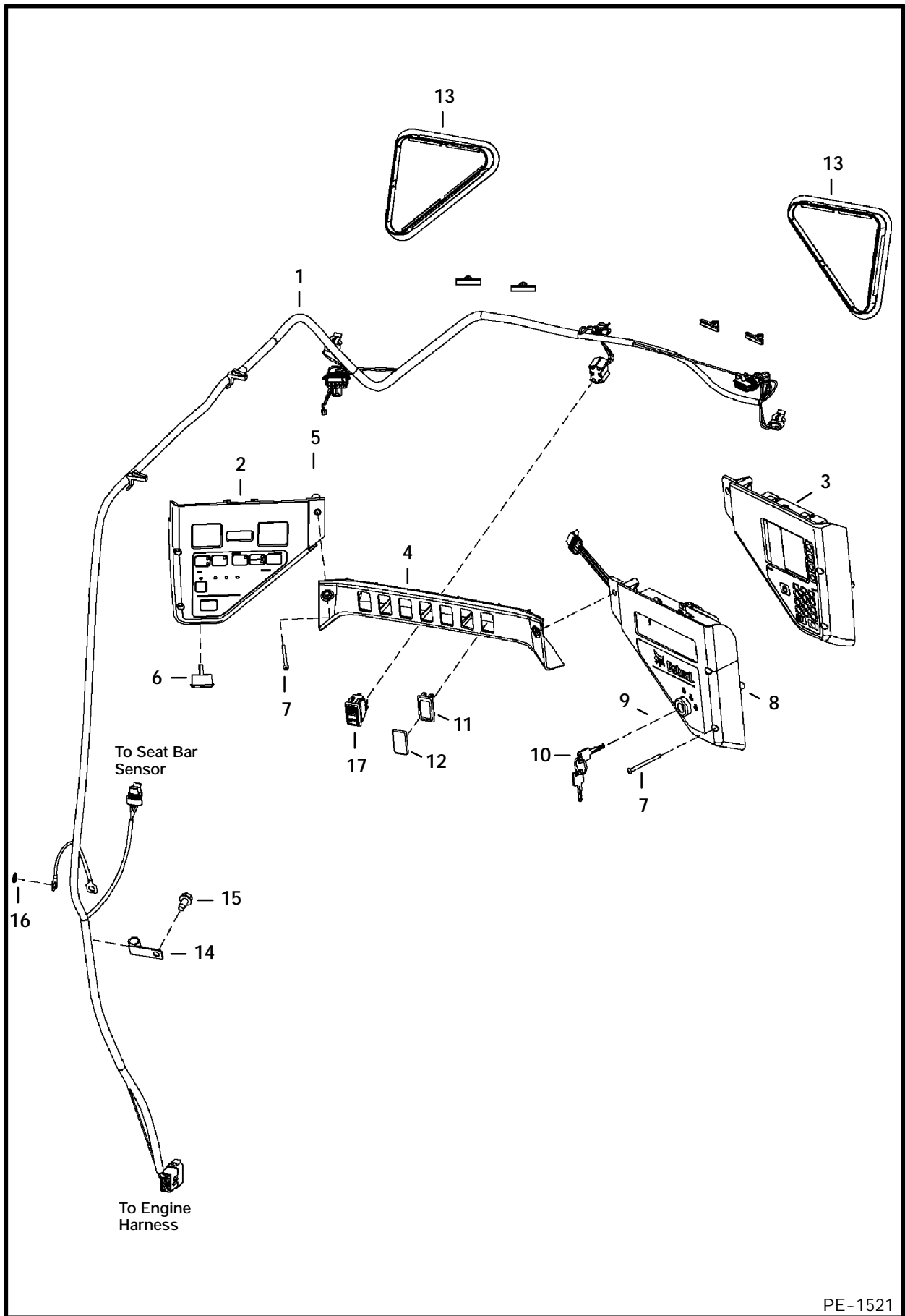


TS-1434

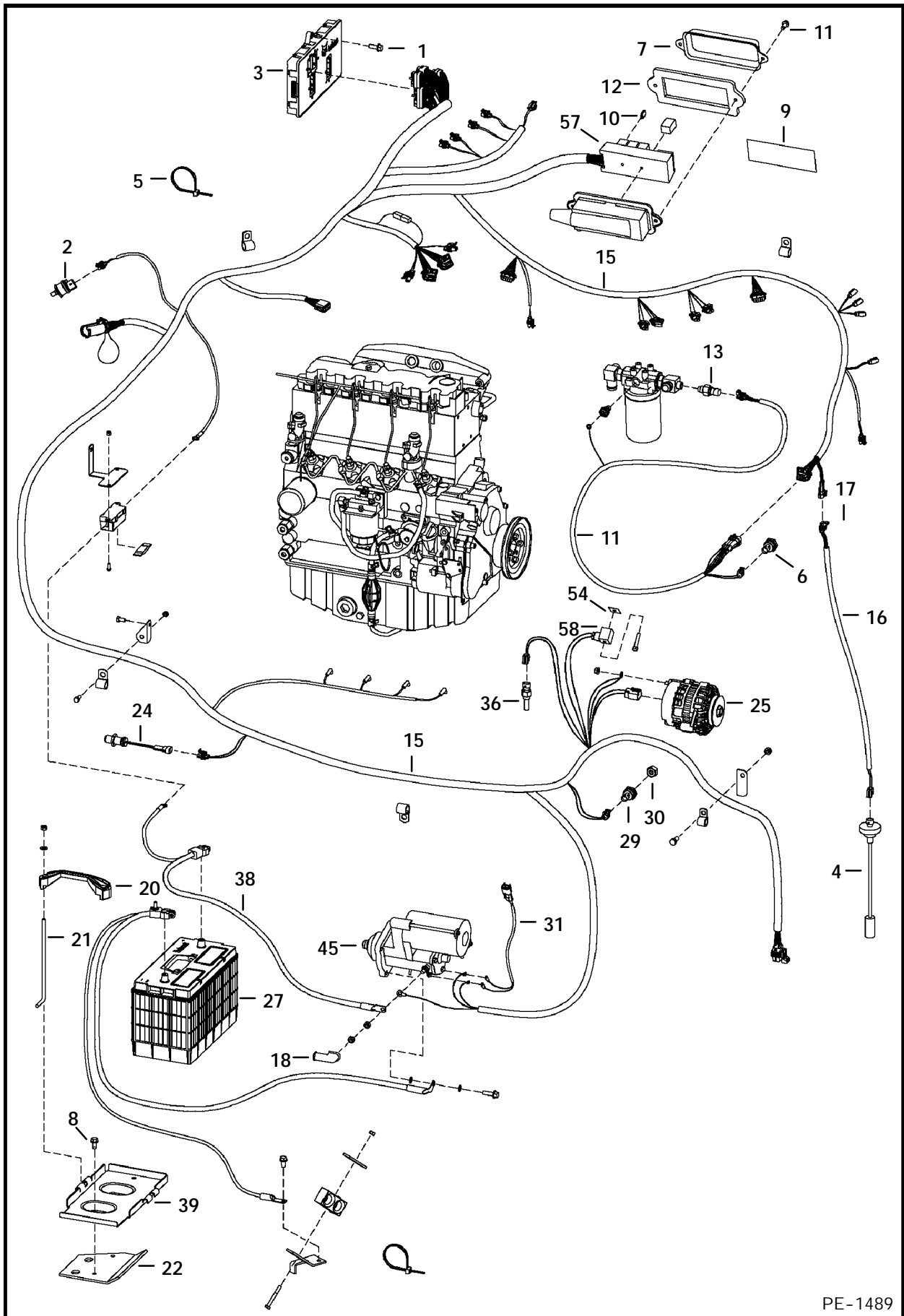
HIGH FLOW HYDRAULICS (Cont'd)
(Select Valve)

Ref. No.	Part Number	Description	Remarks	Serial Number	Qty.
1	6669203	VALVE	Ref. 2-12		1
2	6672450	VALVE ASSY.	solenoid		1
	6664025	STEM			1
	6671026	COIL	W/Connector		2
	6671628	NUT			1
	6679068	SPACER			1
3	6661448	SEAL KIT			1
	6672449	VALVE ASSY.	solenoid		2
	6664024	STEM			2
	6671026	COIL	W/Connector		2
	6671629	NUT			2
	6664032	SEAL KIT			2
4	6672448	VALVE ASSY.	solenoid		1
	6665702	STEM			1
	6671025	COIL	W/ connector		2
	6671628	NUT			1
	6672515	SEAL KIT			1
5	6665719	PLUG			10
6	95K-4	O-RING			x
7	6669615	ORIFICE	.020		2
8	6669729	SHUTTLE VALVE			1
	6669736	SEAL KIT			1
9	6669728	CHECK VALVE			2
	6672515	SEAL KIT			1
10	6673990	PISTON			1
11	NSS	BLOCK	Order Ref. 1		1
12	99K-10	O-RING	tapered boss face		1
13	17KV-7	ELBOW	W/Ref. 12 - tapered boss face		1
	97K-10	O-RING	flared end		1
14	6676155	RELIEF VALVE	3300 PSI		1
	6669737	SEAL KIT			1
15	6665719	PLUG			11
16	99K-5	O-RING			x
17	79K-8	O-RING			x
18	79K-10	O-RING			x

CAB ELECTRICAL CIRCUITRY



ENGINE ELECTRICAL

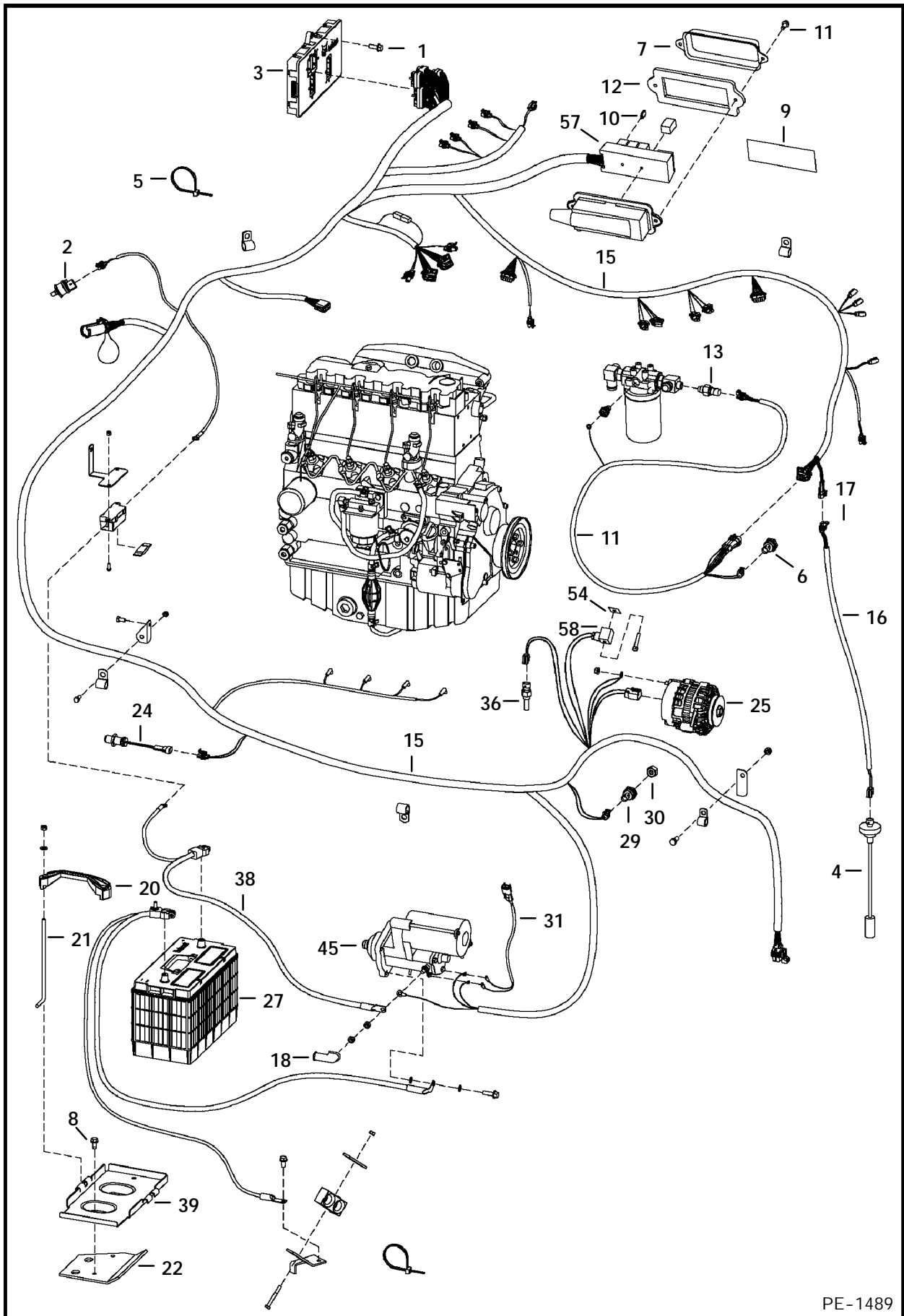


PE-1489

ENGINE ELECTRICAL (Cont'd)

Ref. No.	Part Number	Description	Remarks	Serial Number	Qty.
1	43C-616	BOLT			3
2	6665371	SWITCH	vacuum		1
3	6678674	CONTROLLER			1
4	6674209	SENSOR	fuel - W/gasket		1
	6717579	GASKET			1
5	6624289	STA-STRAP			6
6	6674316	SENSOR	hyd. charge pressure		1
7	6716621	COVER	fuse box		1
8	84G-3712	BOLT			3
9	6718774	DECAL	fuse/relay - 2" x 7" (50,8mm x 178mm)		1
10	35C-616	BOLT			1
11	6717247	HARNESS	filter		1
12	6725302	GASKET	fuse cover		1
13	6718417	SENDER	hyd temp		1
14	6718948	SNUBBER			1
	6675278	FILTER			1
15	6730292	HARNESS	loader		1
16	6719422	HARNESS	fuel sender		1
17	85D-6	NUT			2
18	6560172	COVER	terminal		1
19	6727803	CABLE	negative		1
20	6569203	CLAMP	battery		1
21	6576280	BOLT	battery hold down		2
22	6579989	BRACKET			1
23	6610510	STA-STRAP			2
24	6658260	SENSOR	rpm		1
25		ALTERNATOR	See Page 89		1
26	6718796	PLUG	horn		2
27	6665427	BATTERY			1
28	6670287	COVER	light		2
29	6674315	SENSOR	engine pressure		1
30	6708580	ADAPTER			1
	6666699	WASHER	brass - 10mm x 15mm		1
31	6733370	HARNESS	starter		1
32	6714979	BRACKET	harness		2
33	6715131	BRACE			1
34	6715132	RETAINER			1
35	6715197	CLAMP			1
36	6718414	SENDER	engine temp		1
37	6668761	BOLT			1
38	6719141	CABLE	positive		1
39	6712536	PAN	battery		1
40	6726504	BRACKET	harness		1
41	95D-5	NUT			1
42	35C-620	BOLT	battery pan		1
43	17C-512	BOLT			2
44	85D-5	NUT			2
45		STARTER	See Page 91		1
46	53D-6	NUT			1
47	4DM-5	NUT			1

ENGINE ELECTRICAL (Cont'd)

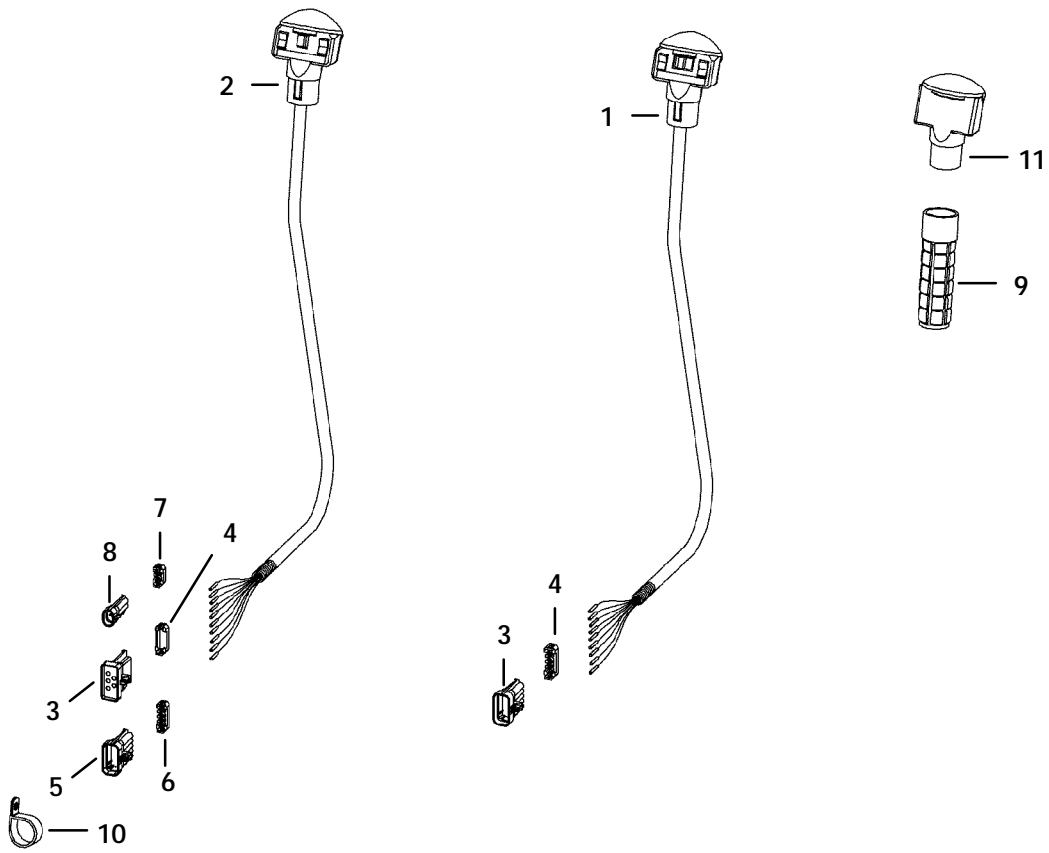


PE-1489

ENGINE ELECTRICAL (Cont'd)

Ref. No.	Part Number	Description	Remarks	Serial Number	Qty.
48	59D-6	NUT			1
49	17C-540	BOLT			1
50	6513763	WASHER			1
51	6664972	NUT			1
52	6675154	HOLDER	fuse		1
53	6675155	FUSE	100 amp		1
54	6726504	BRACKET			1
55	59D-4	NUT			2
56	25G-410	BOLT			2
57	6718659	HOUSING	fuse		1
	6654806	FUSE	15 amp		x
	6702444	FUSE	25 amp		1
	6718034	FUSE	30 amp		1
	6674376	RELAY	switch		7
58	6664971	WASHER			1
59	6675734	STA-STRAP			1
60	6665659	CONNECTOR	fuel shutdown		1
61	6668760	SEAL			1

CONTROLS ELECTRICAL

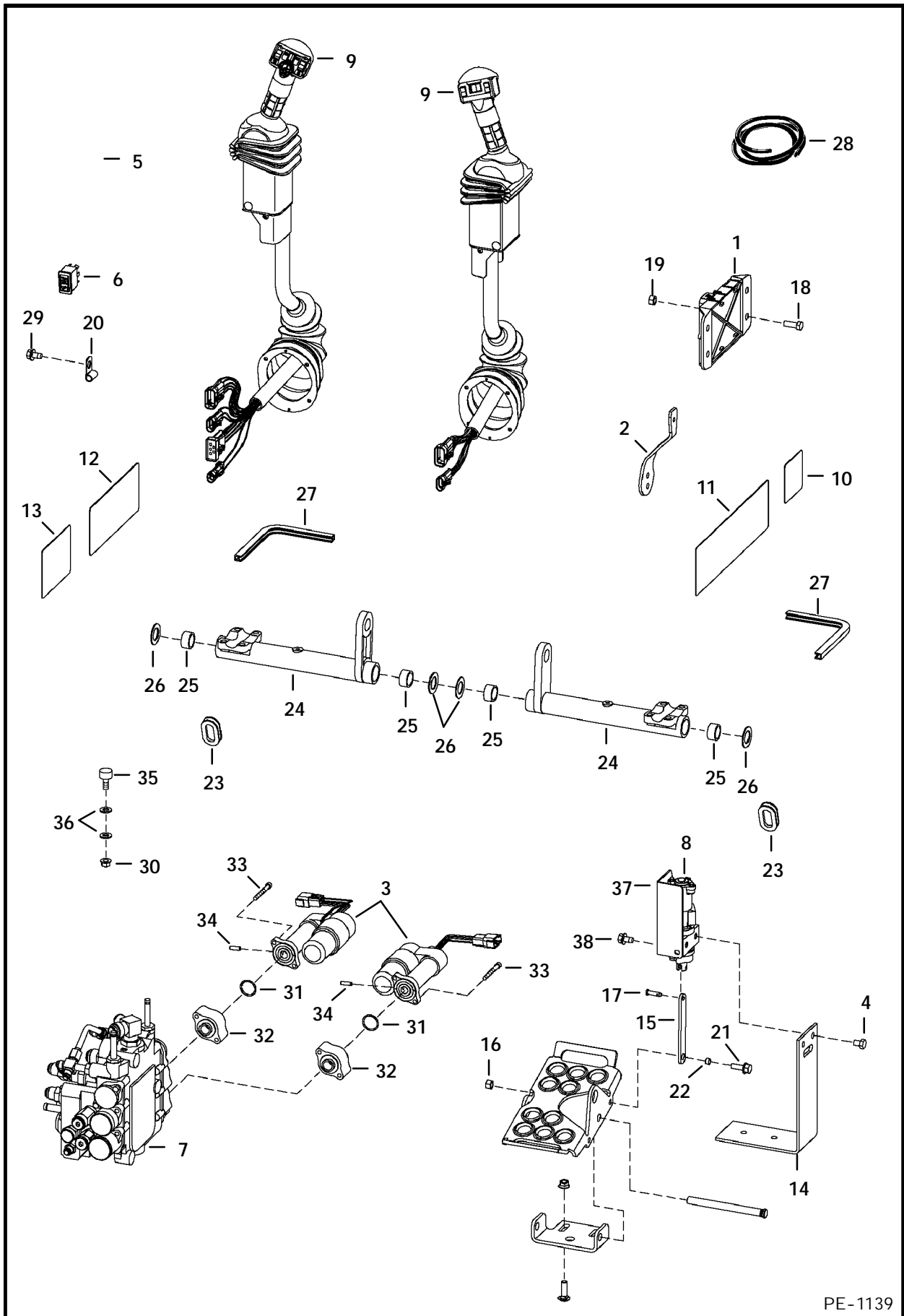


PE-1041

CONTROLS ELECTRICAL (Cont'd)

Ref. No.	Part Number	Description	Remarks	Serial Number	Qty.
1	6675468	HANDLE ASSY.	R.H. - Also Order Ref. 3 & 4		1
	6640690	PIN			9
	6641176	SEAL			9
2	6674450	HANDLE ASSY.	L.H. - Also Order Ref. 3, 4, 6 & 9		1
	6640690	PIN			10
	6641176	SEAL			10
	6677370	DECAL			1
3	6640692	CONNECTOR	10-pin		1
4	6640694	LOCK	10-pin		1
5	6667144	CONNECTOR	5 - way		1
6	6667145	LOCK	5 - way		1
7	6641180	LOCK	2 - pin		1
8	6641179	CONNECTOR	2 - pin		2
9	6702621	GRIP			2
10	6674000	CLAMP			2
11	6705920	HANDLE	L.H. - blank		2

CONTROLS ELECTRICAL (AHC) (ACS)

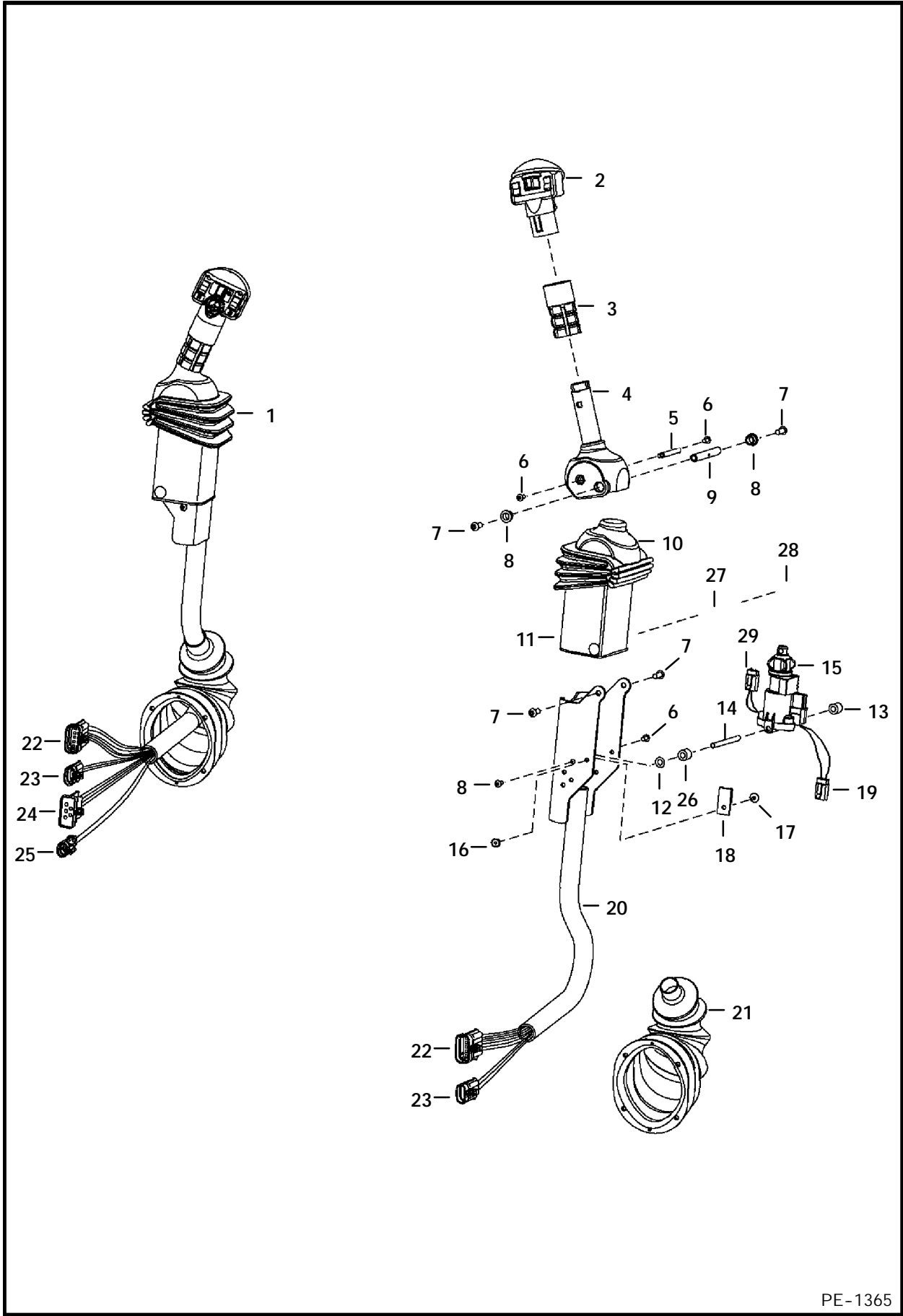


PE-1139

CONTROLS ELECTRICAL (Cont'd)
(AHC) (ACS)

Ref. No.	Part Number	Description	Remarks	Serial Number	Qty.
1	6676337	CONTROLLER	metal		1
2	6717393	LEVER	throttle		1
3	6678775	ACTUATOR			2
4	17C-608	BOLT			4
5	6729023	HARNESS			1
6	6676537	SWITCH			1
7		VALVE			1
8	6676493	SENSOR	foot pedal - R.H. - See Page 87		1
	6676029	SOLENOID			1
	6676492	SENSOR	foot pedal - L.H. - See Page 87		1
	6676029	SOLENOID			1
9	6676333	LEVER	tilt - R.H. - See Page 83		1
	6676497	LEVER	lift - L.H. - See Page 83		1
10	6718706	DECAL			1
11	6728539	DECAL			1
12	6727926	DECAL			1
13	6727941	DECAL			1
14	6726573	BRACKET			2
15	6726681	LINK			2
16	95D-5	NUT			2
17	6727496	PIN			2
18	17C-616	BOLT			2
19	95D-6	NUT			6
20	30H-62	CLAMP			2
21	17C-514	BOLT			2
22	6729467	SPACER			2
23	6714726	PLUG			2
24	6716977	BELLCRANK			2
25	6673710	BEARING			4
26	6716916	WASHER	plastic		4
27	NAP	MOULDING	10.5" (267mm) long - Order Ref. 28		1
28	6654139	MOULDING	bulk - Sold Per Foot		x
29	84G-3710	BOLT			2
30	98D-6	NUT			2
31	58K-120	O-RING			2
32	6725128	ADAPTER			2
33	69G-436	BOLT			4
34	6718506	PIN			2
35	6673789	BEARING			4
36	25E-17	WASHER			8
37	6727231	SHIELD	R.H.		1
	6727284	SHIELD	L.H.		1
38	43C-408	BOLT			4

CONTROLS ELECTRICAL
(AHC) (ACS) (Handle Assembly)

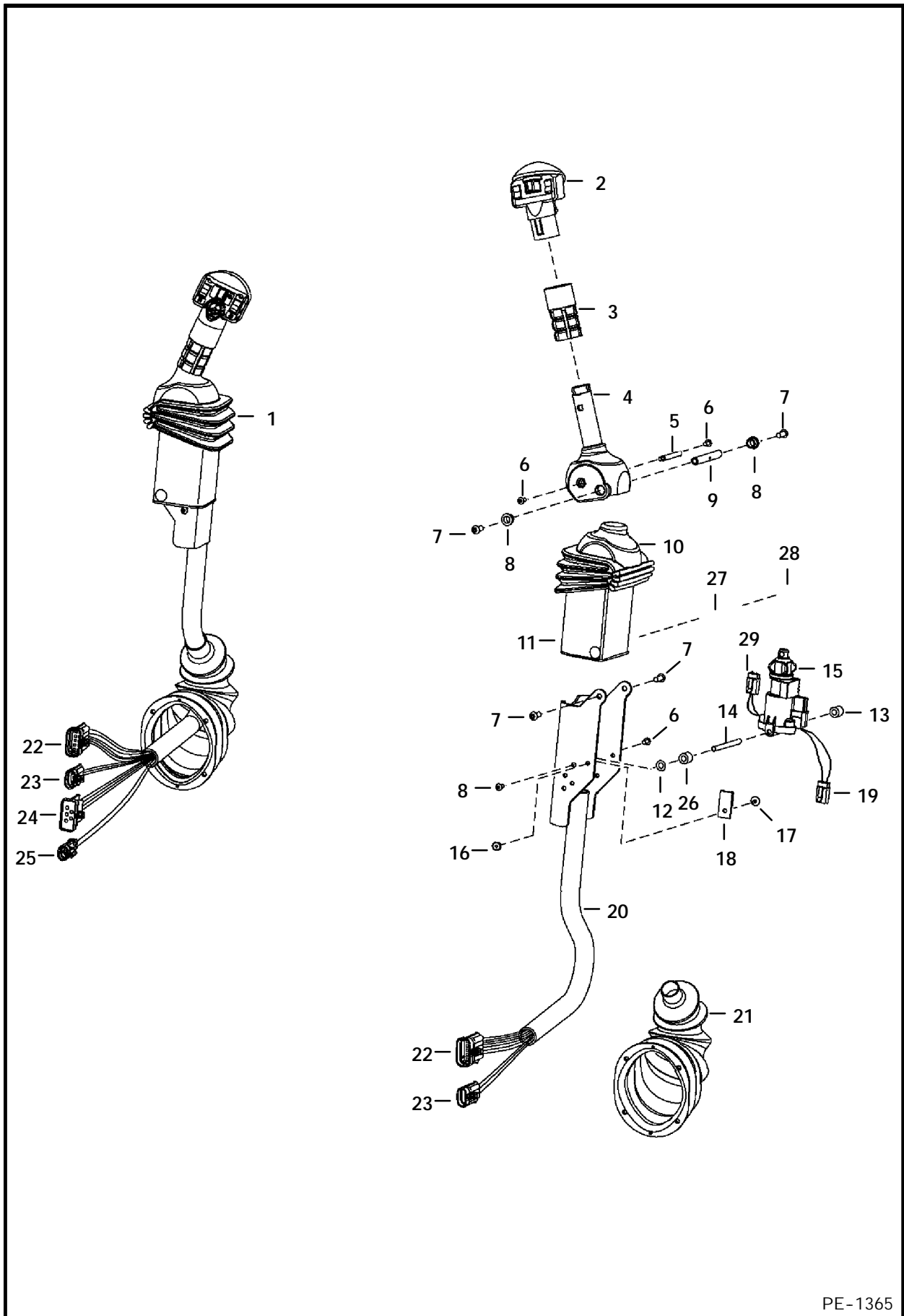


PE-1365

CONTROLS ELECTRICAL (Cont'd)
(AHC) (ACS) (Handle Assembly)

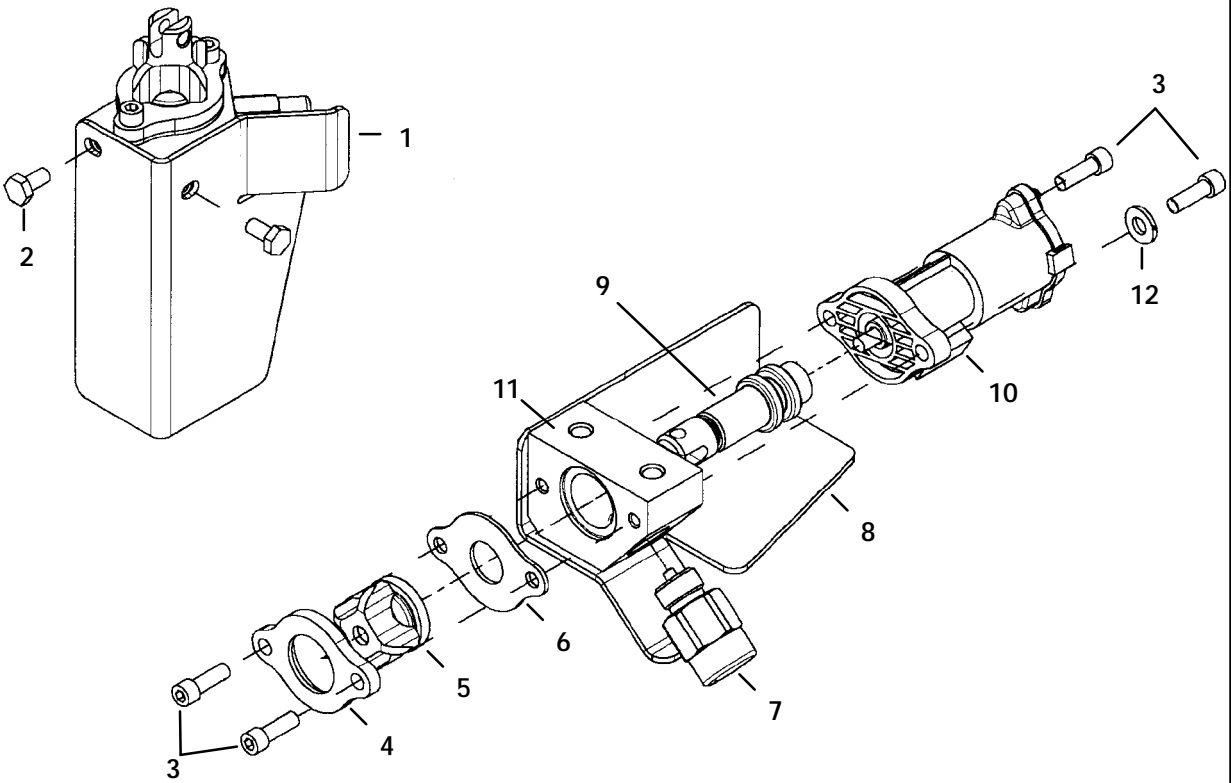
Ref. No.	Part Number	Description	Remarks	Serial Number	Qty.
1	6676333	LEVER	tilt - R.H.		1
	6676497	LEVER	lift - L.H.		1
2	6677536	HANDLE	lift - R.H.		1
	6675749	HANDLE	lift - L.H.		1
3	6713349	GRIP			2
4	6729594	HANDLE	R.H.		1
	6729595	HANDLE	L.H.		1
5	6729600	SPACER	threaded		1
6	6727065	BOLT			6
7	25GT-410	BOLT			8
8	6702990	BUSHING			4
9	6713043	SPACER			4
10	6713898	COVER			2
11	6719715	STRAP	stop		1
12	25E-13	WASHER			1
13	6719835	SLEEVE			4
14	6719834	SPACER	threaded		2
15	6675741	SENSOR			2
	6670706	CONNECTOR			1
	6670715	PIN			3
	6670710	LOCK			1
16	6665322	RIVET	female		2
17	6665321	RIVET	male		2
18	6665000	CLIP			2
19	6670707	CONNECTOR			1
	6670715	PIN			3
	6670711	LOCK			1
20	6719712	CHANNEL	R.H.		1
	6719711	CHANNEL	L.H.		1
21	6532127	BOOT			2
22	6640692	CONNECTOR	10-pin		1
	6640690	PIN			8
	6640694	LOCK			1
	6641176	SEAL			8
	6646582	PLUG	cavity		1
23	6640699	CONNECTOR	3-pin		2
	6640690	PIN			3
	6641176	SEAL			3
	6640700	LOCK			3
24	6667144	CONNECTOR	5-pin		2
	6640690	PIN			3
	6641176	SEAL			3
	6646582	PLUG	cavity		1
	6641180	LOCK			1
25	6641179	CONNECTOR	2-pin		1
	6640690	PIN			2
	6641176	SEAL			2
	6641180	LOCK			1
26	6675745	SPRING			1
27	6676029	SOLENOID			1
28	6719716	MOUNT			1

CONTROLS ELECTRICAL (Cont'd)
(AHC) (ACS) (Handle Assembly)



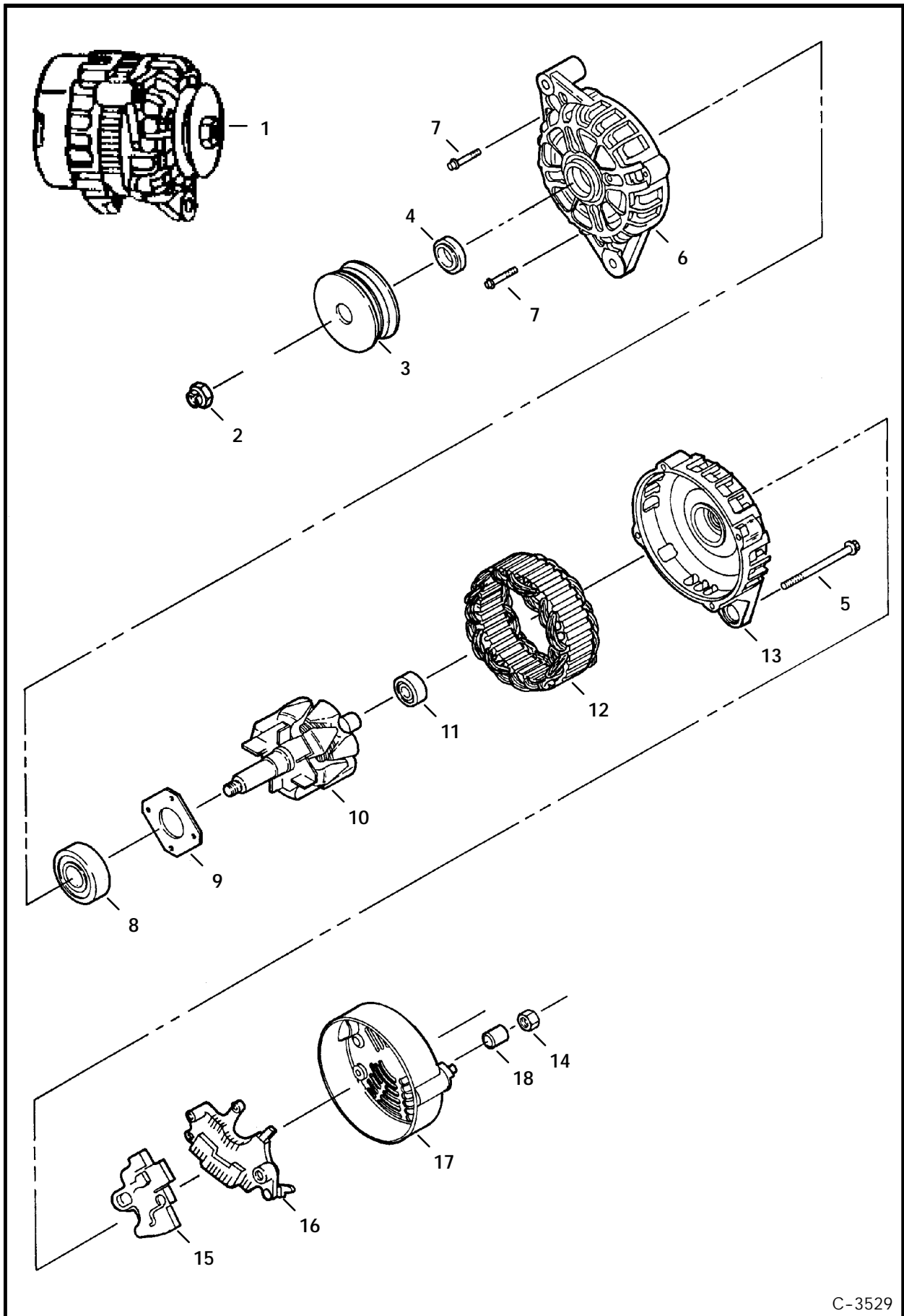
PE-1365

CONTROLS ELECTRICAL
(ACS) (Foot Pedal Assemblies)



PE-1553

ALTERNATOR (90 Amp)

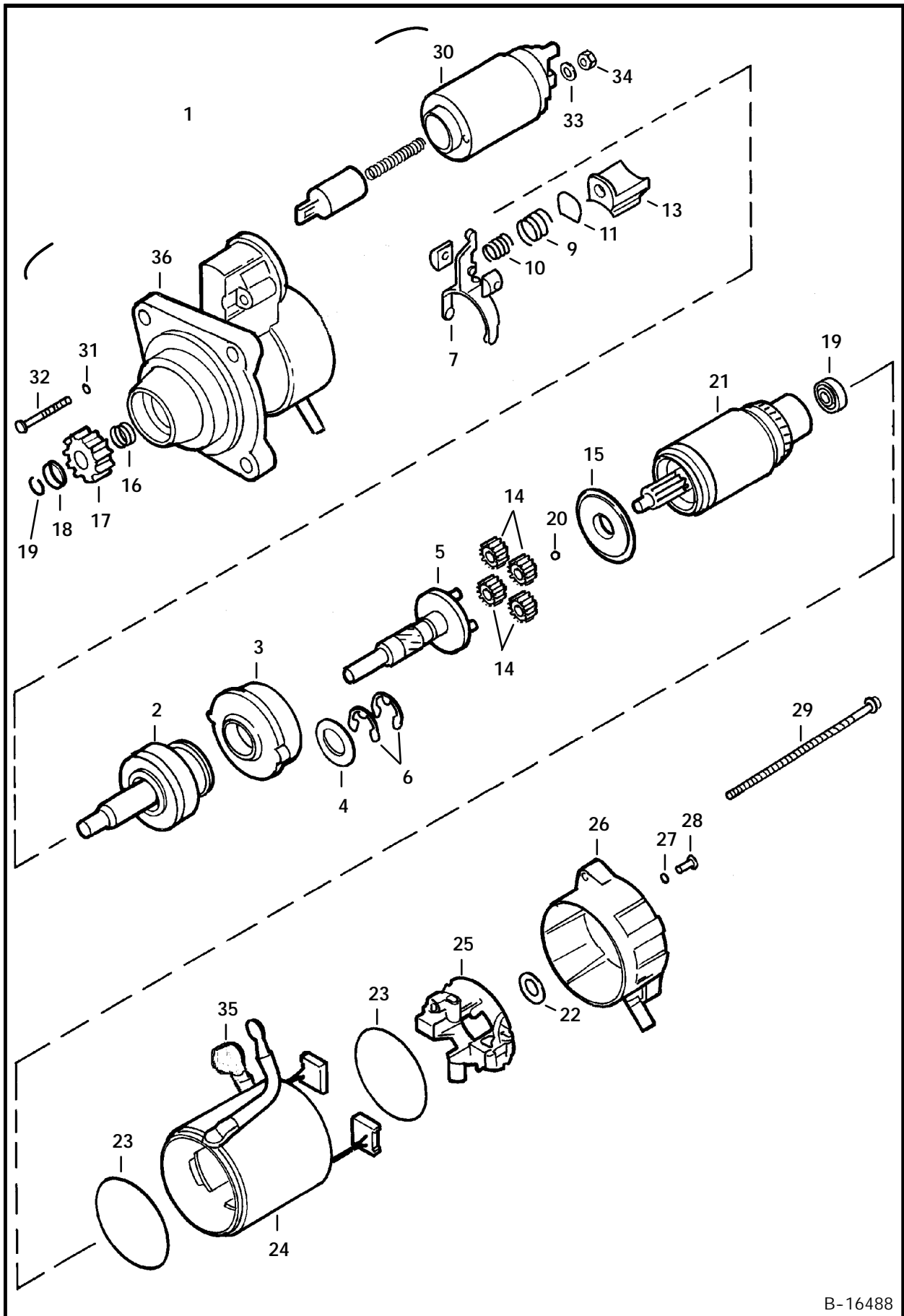


C-3529

ALTERNATOR (Cont'd)
(90 Amp)

Ref. No.	Part Number	Description	Remarks	Serial Number	Qty.
1	6678205	ALTERNATOR	90 amp - Ref. 2-14		1
2	6677497	NUT			1
3	6677496	PULLEY			1
4	6677495	SPACER			1
5	6677494	BOLT			4
6	6677491	BRACKET	front		1
7	6677817	BOLT			4
8	6677818	BEARING			1
9	6677819	RETAINER			1
10	6677492	ROTOR			1
11	6677820	BEARING			1
12	6677493	STATOR			1
13	6677490	BRACKET			1
14	6677486	NUT			1
15	NSS	REGULATOR	Order Ref. 1		1
16	6677488	RECTIFIER			1
17	6677487	COVER			1
18	6677485	SPACER			1

STARTER
(Valeo)

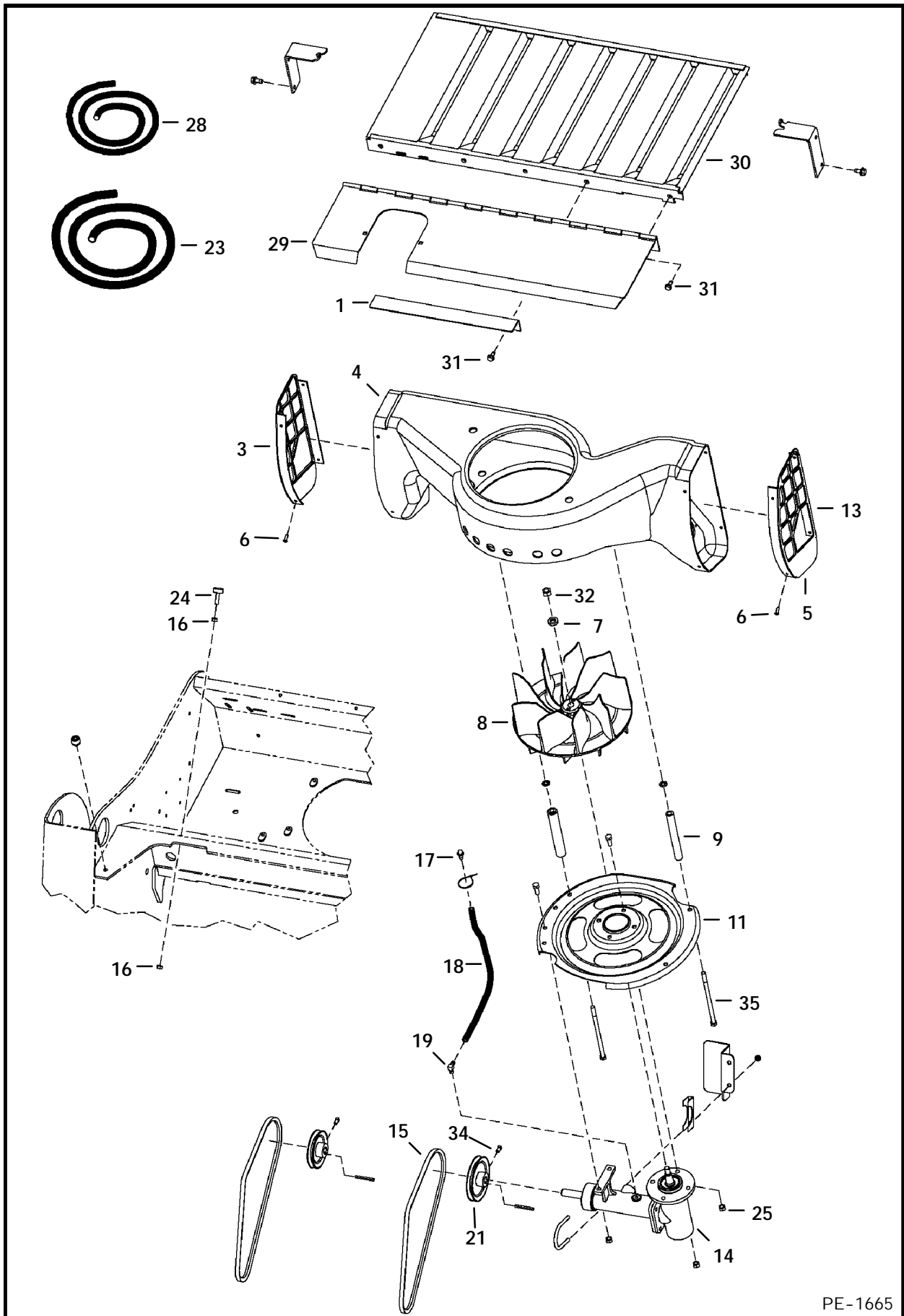


B-16488

STARTER (Cont'd)

Ref. No.	Part Number	Description	Remarks	Serial Number	Qty.
1	6676957	STARTER			1
2	6680375	SHAFT	O.R.C. assy.		1
3	6680367	GEAR			1
4	6680378	WASHER			1
5	6680365	SHAFT			1
6	6680368	STOP RING			2
7	6680364	LEVER			1
8	6680357	HOLDER			2
9	6680381	SPRING			1
10	6680382	SPRING			1
11	6680370	PLATE			1
12	6680369	SEAL			1
13	6680371	LEVER			1
14	6680366	GEAR			4
15	6680372	BRACKET			1
16	6680361	SPRING			1
17	6680390	GEAR			1
18	6680360	STOP			1
19	6680359	STOP RING			1
20	6680362	BALL			1
21	6680374	ARMATURE			1
22	6680363	WASHER			1
23	6680380	SEAL			2
24	6680373	YOKE			1
25	6680377	HOLDER			1
26	6680389	BRACKET			1
27	6680358	RING	rubber		2
28	6680384	BOLT			2
29	6680356	BOLT			2
30	6680376	SWITCH			1
31	6680379	SEAL			2
32	6680383	BOLT			2
33	6EM-80	WASHER			1
34	4DM-8	NUT			1
35	6680355	BOOT			1
36	6680388	BRACKET			1

COOLING SYSTEM

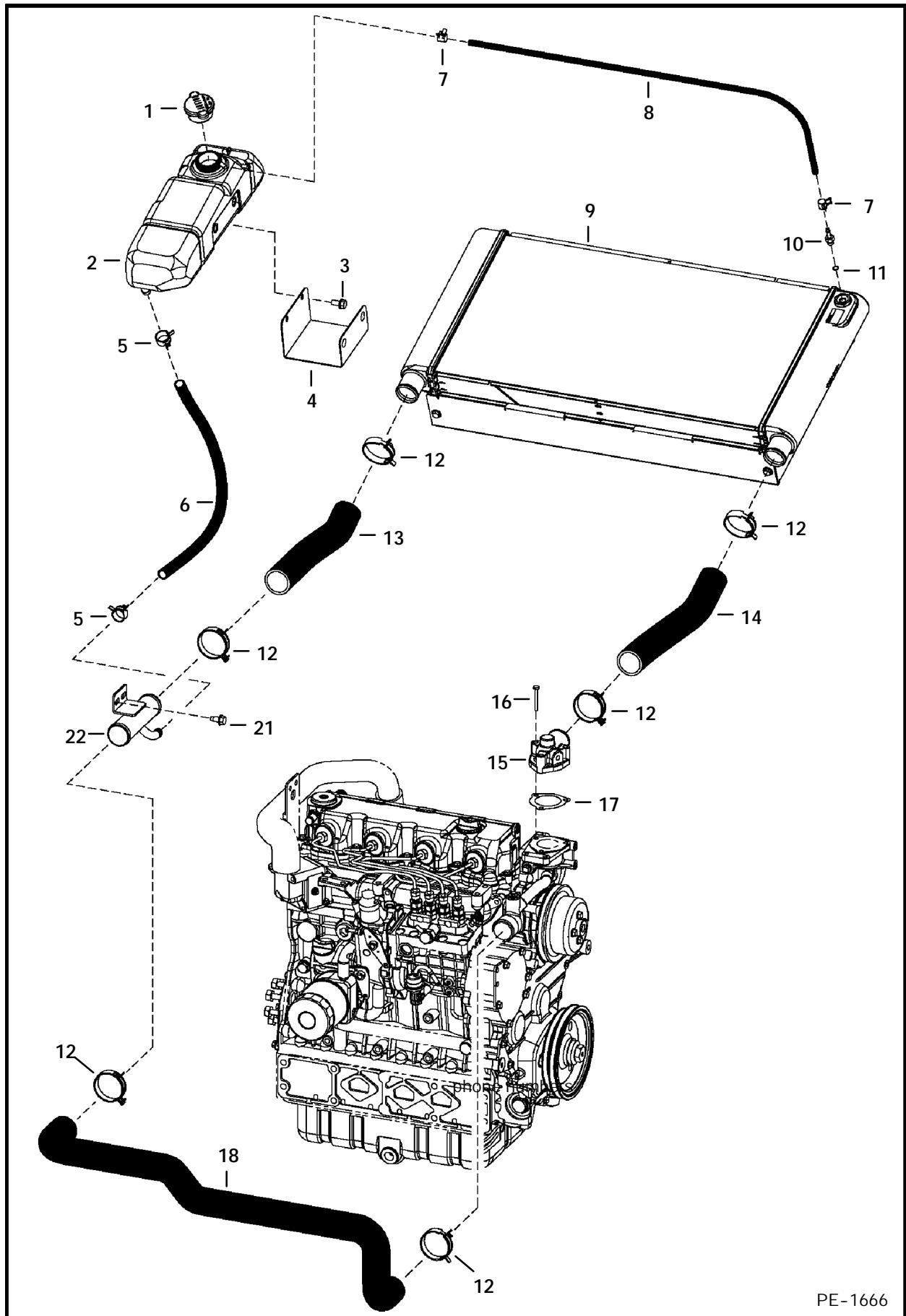


PE-1665

COOLING SYSTEM (Cont'd)

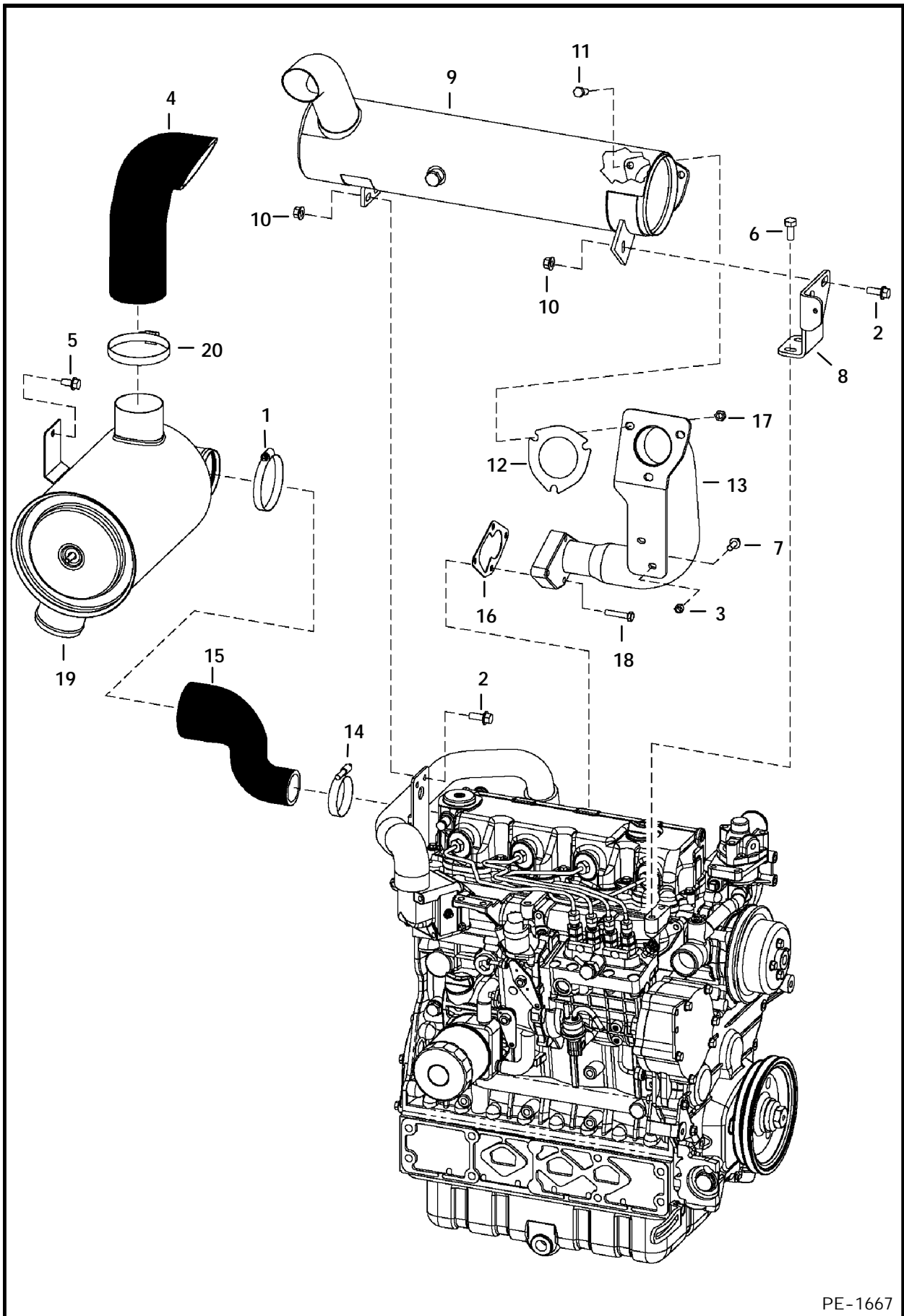
Ref. No.	Part Number	Description	Remarks	Serial Number	Qty.
1	6709448	BRACE			1
2	6718757	HOUSING	plenum		1
3	6716574	LOUVER	L.H. - plastic		1
4	6717636	HOUSING			1
5	6716572	LOUVER	R.H. - plastic		1
6	6706517	SCREW			8
7	6701097	WASHER			1
8	6715142	FAN			1
9	6577382	SPACER			2
10	6732318	SPACER			2
11	6717478	INLET	4 slot		1
12	7J-2208	KEY			1
13	17C-616	BOLT			10
14	6731101	HOUSING ASSY	See Page 105		1
15	6713382	BELT	cooling fan drive - 44.75" (1137mm)		1
16	61D-5	NUT			4
17	6670627	BREATHER			1
18	NAP	HOSE	19.5" (495mm) long - Order Ref. 23		1
19	6657376	ELBOW			1
20	6610510	TIE			1
21	6725130	PULLEY	4.00" (101,6mm) O.D.		1
22	35C-612	BOLT			4
23	6577822	HOSE	bulk - Sold Per Foot		x
24	6655399	BUMPER			4
25	61D-6	NUT			10
26	1318565	HAIR PIN			2
27	6731915	BRACKET			1
28	6513152	SEAL	bulk - Sold Per Foot		x
29	6731916	SHIELD			1
30	6731078	GRILL			1
31	84G-3112	BOLT			8
32	96D-8	NUT			1
33	NAP	SEAL	14.5" (368mm) long - Order Ref. 28		2
34	6715143	SET SCREW			1
35	17C-6116	BOLT			4
36	6674894	NUT	spring		4
37	6579613	STOP	cab tilt		2
38	6732457	WASHER	step		4
39	6626631	CLAMP			1
40	6719429	SHIELD	belt		1

COOLING SYSTEM



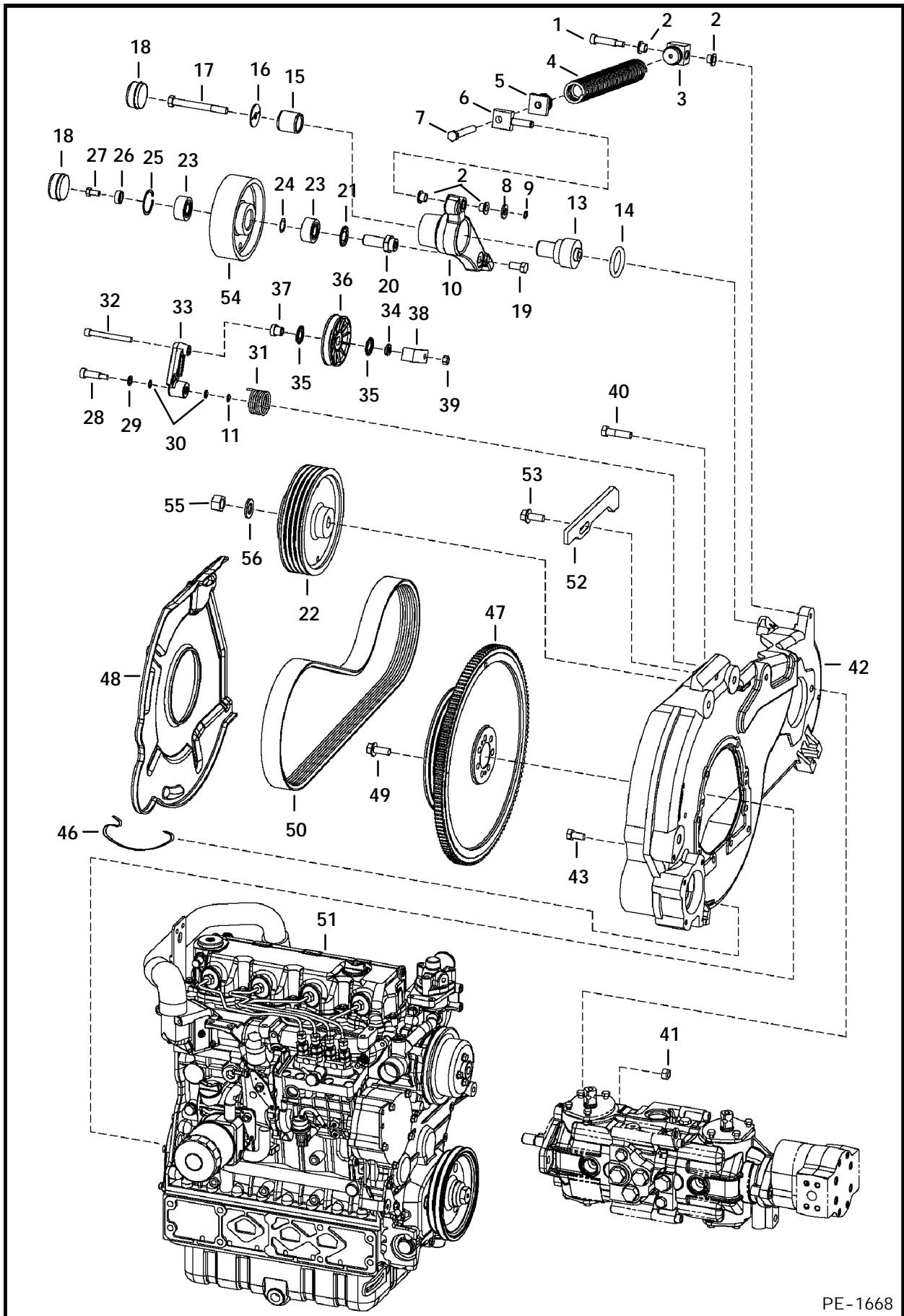
PE-1666

ENGINE & ATTACHING PARTS (Air Cleaner, Muffler)



PE-1667

ENGINE & ATTACHING PARTS (Belt Drive System)

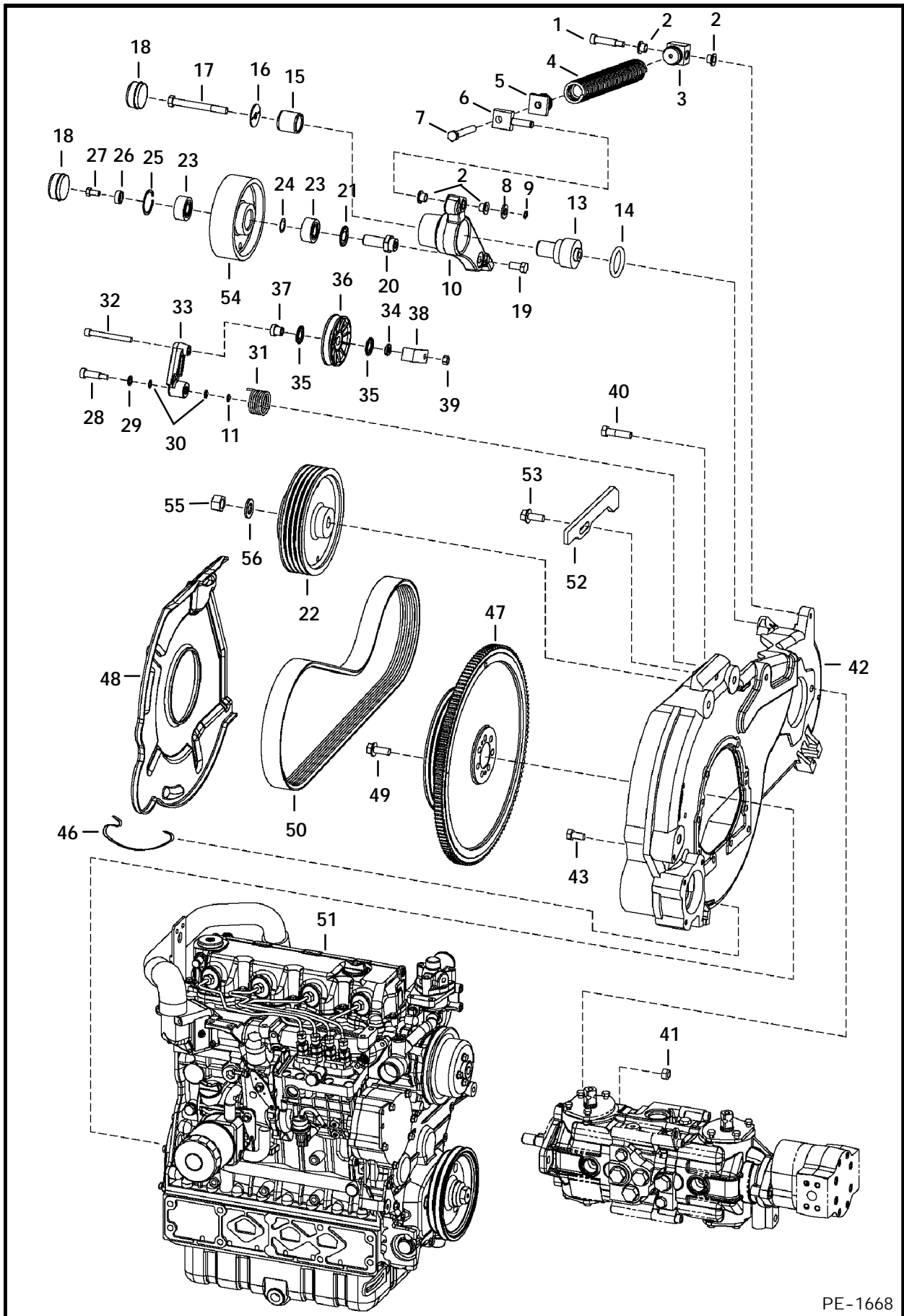


PE-1668

ENGINE & ATTACHING PARTS (Cont'd)
(Belt Drive System)

Ref. No.	Part Number	Description	Remarks	Serial Number	Qty.
1	38C-828	BOLT	shoulder		1
2	1313116	BUSHING			4
3	6568424	ADAPTER			1
4	6569498	SPRING ASSY			1
5	6568425	ADAPTER			1
6	6587182	SWIVEL PIN			1
7	6586710	BOLT			1
8	25E-21	WASHER			1
9	6518955	SNAP RING			1
10	6707607	IDLER			1
11	6670682	BEARING	nylon		1
12	6730894	BOLT			2
13	6707699	PIVOT			1
14	6661377	SEAL			1
15	6587765	BUSHING			1
16	6707698	WASHER			1
17	17C-872	BOLT			1
18	6660967	CAP	grease		2
19	17C-816	BOLT			1
20	6707654	SPINDLE			1
21	6665307	SEAL			1
22	6713287	PULLEY	pump		1
23	6661229	BEARING			2
24	6701159	SHIM			1
25	6665308	SNAP RING			1
26	6707697	WASHER			1
27	17C-612	BOLT			1
28	38C-820	BOLT			1
29	6655781	BEARING	thrust		1
30	6704820	O-RING			2
31	6700115	SPRING			1
32	73G-656	BOLT			1
33	6725212	ARM	W/Ref. 11		1
34	6704444	WASHER			1
35	6660995	GREASE RING			2
36	6662997	PULLEY			1
37	6704443	BUSHING			1
38	6702474	RETAINER			1
39	61D-6	NUT			1
40	17C-832	BOLT	hydrostatic pump mount		2
41	85D-8	NUT			2
42	6730020	MOUNT	See Page 103		1
43	6719827	BOLT			10
44	6676957	STARTER	See Page 91		1
45	45C-620	BOLT			3
46	6701160	CLIP			3
47	6730220	FLYWHEEL ASSY	W/ ring gear		1
	6665222	RING GEAR			1
48	6731100	SHIELD			1
49	6680747	BOLT			6
50	6662855	BELT	pump drive		1

ENGINE & ATTACHING PARTS (Cont'd) (Belt Drive System)

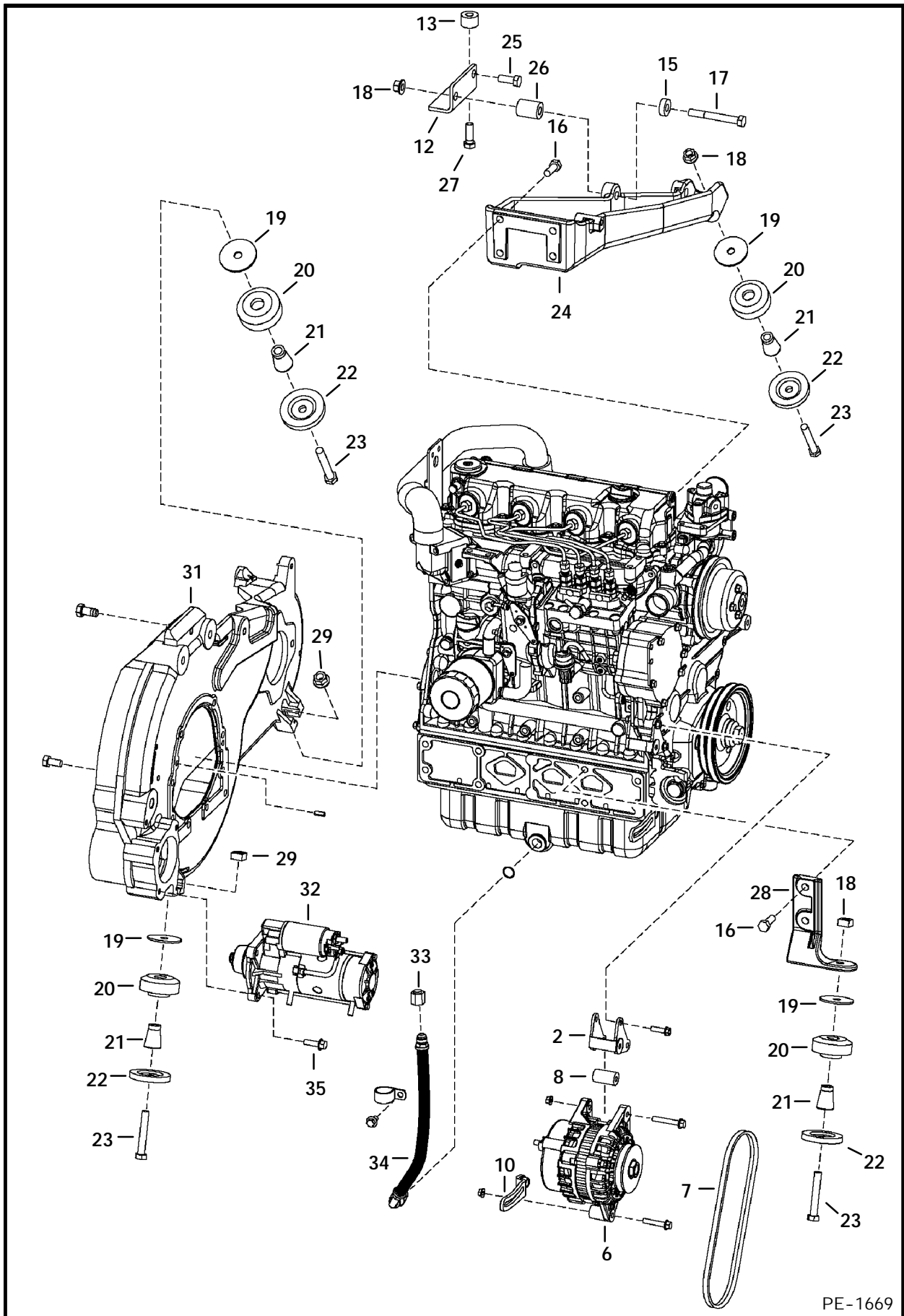


PE-1668

ENGINE & ATTACHING PARTS (Cont'd)
(Belt Drive System)

Ref. No.	Part Number	Description	Remarks	Serial Number	Qty.
51		ENGINE	See Page 107		1
52	6729944	STOP	idler		1
53	31C-820	BOLT			1
54	6708445	PULLEY	drive idler		1
55	92D-12	NUT			1
56	6576033	WASHER			1
57	14JM-3112	ROLL PIN			2

ENGINE & ATTACHING PARTS (Engine Mounts)

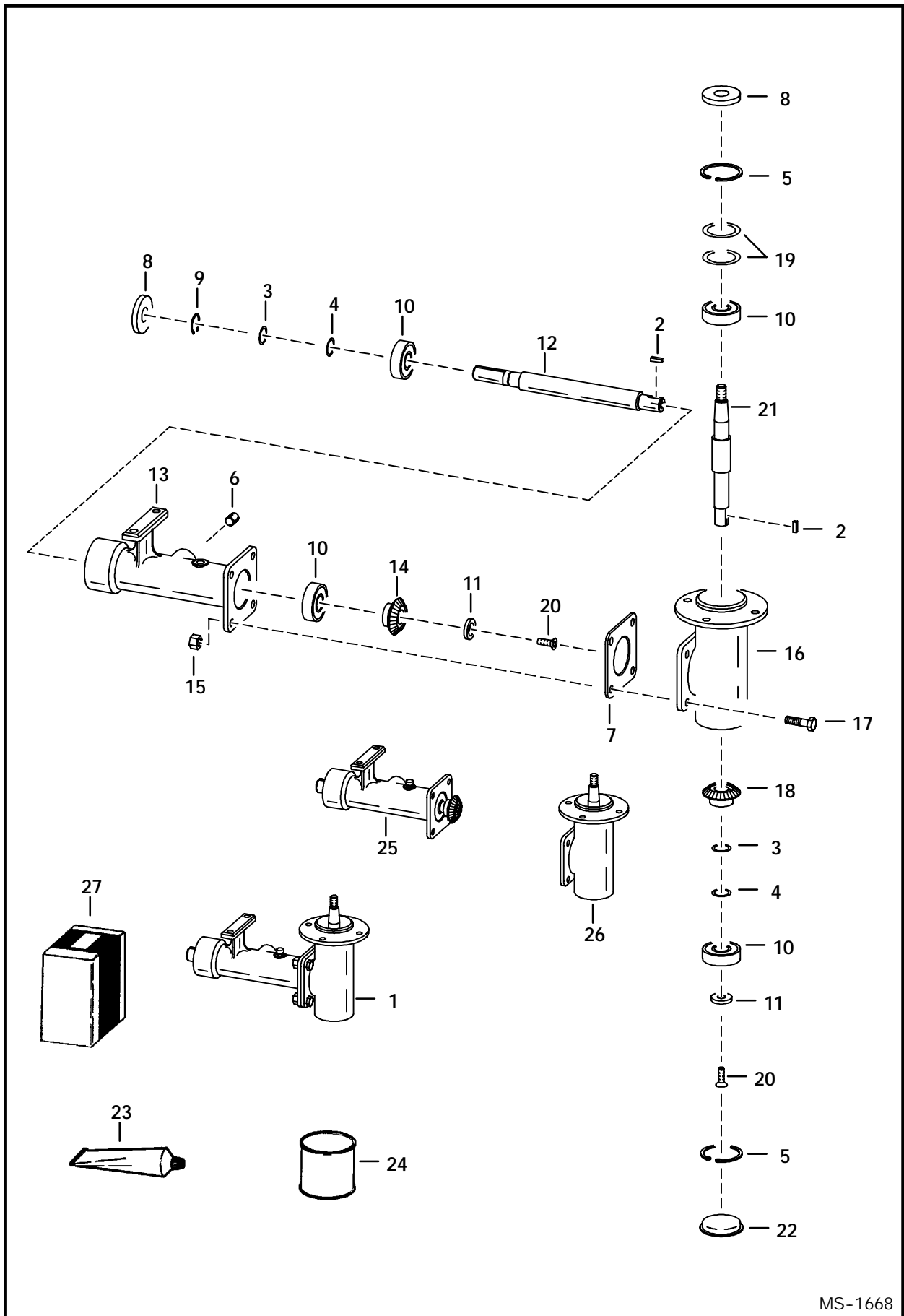


PE-1669

ENGINE & ATTACHING PARTS (Cont'd)
(Engine Mounts)

Ref. No.	Part Number	Description	Remarks	Serial Number	Qty.
1		ENGINE	See Page 108		1
2	6680839	BRACKET	alternator - See Page 123		2
3	6680687	BOLT			2
4	1CM-8100	BOLT			1
5	81D-6	NUT			1
6		ALTERNATOR	See Page 89		1
7	6677824	BELT	alternator		1
8	6732206	SPACER	alternator		1
9	25E-17	WASHER			2
10	6732193	BRACKET			1
11	1CM-1020	BOLT			1
12	6730807	BRACKET			1
13	6730806	SPACER			1
14	6577394	HINGE	weld-on - for rear door		2
15	6716408	SPACER			1
16	6719829	BOLT			6
17	17C-864	BOLT			1
18	83D-8	NUT			3
19	6731146	WASHER			4
20	6668104	MOUNT			4
21	6715287	SPACER			4
22	6661787	WASHER			4
23	43C-852	BOLT			4
24	6729942	MOUNT			1
25	17C-820	BOLT			1
26	6730805	SPACER			1
27	17C-824	BOLT			1
28	6728721	MOUNT	cast		2
29	6652918	NUT			2
30	6733873	SHIELD	alternator		1
31	6730020	MOUNT			1
32		STARTER	See Page 91		1
33	36K-6	CAP			1
34	6732476	HOSE			1
35	35C-620	BOLT			3

COOLING FAN DRIVE ASSY.

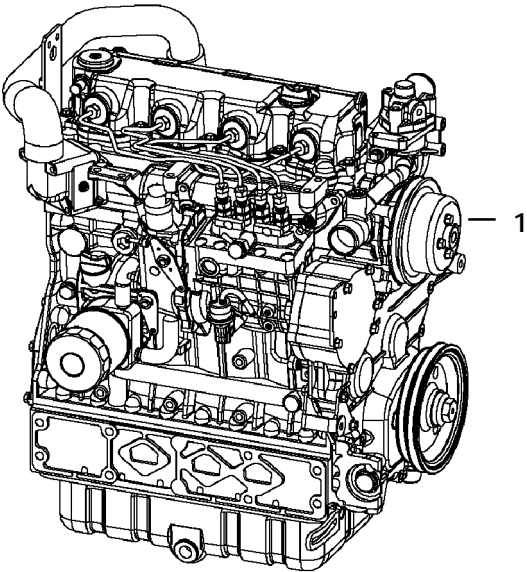


MS-1668

COOLING FAN DRIVE ASSY. (Cont'd)

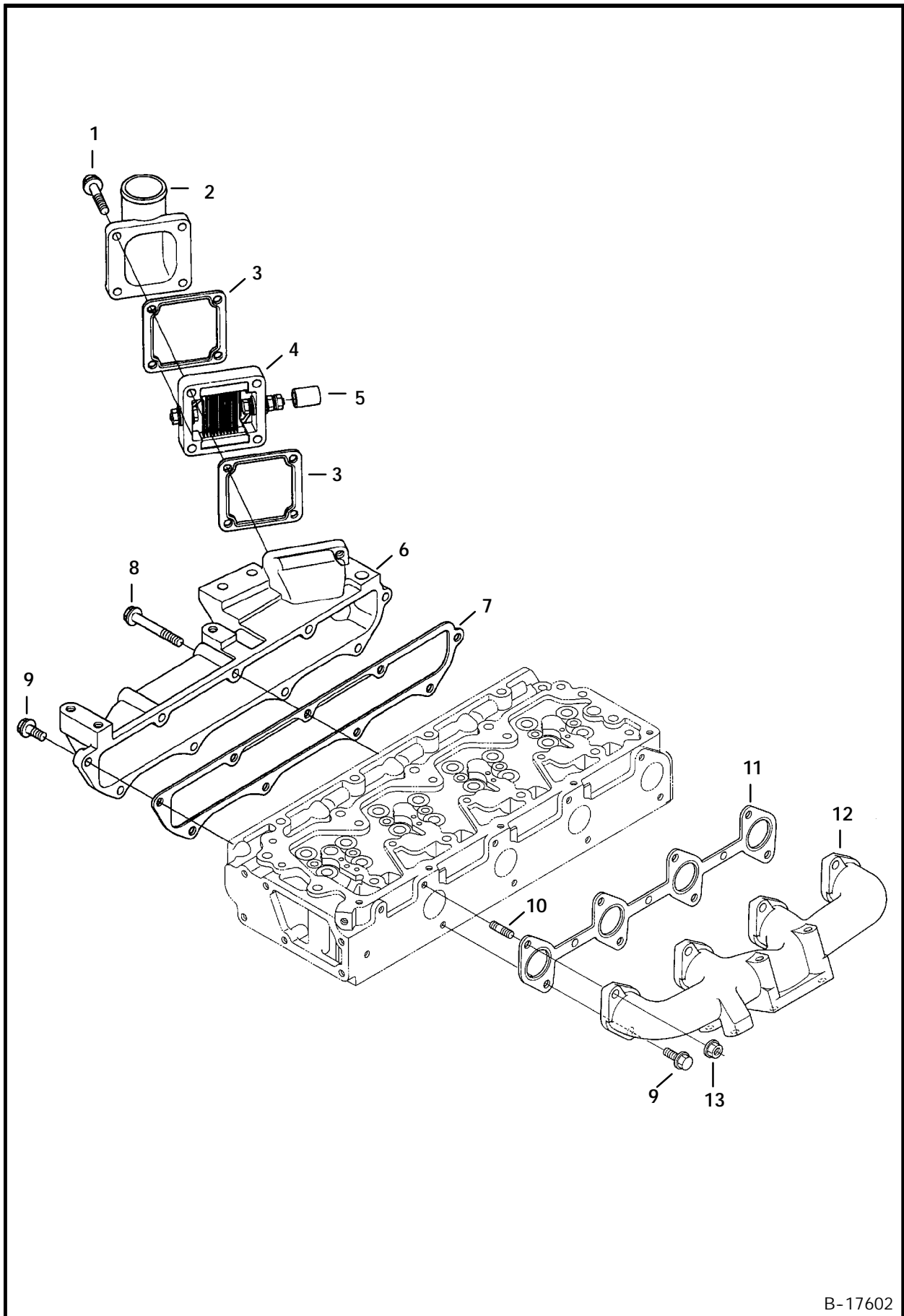
Ref. No.	Part Number	Description	Remarks	Serial Number	Qty.
1	6731101	HOUSING ASSY.	Ref. 2-22		1
2	7J-2010	KEY			2
3	6702165	SHIM	.002" (0,05mm) thickness -		
4	6701159	SHIM	1" (25,4mm) O.D. .005"(0,13 mm) thickness - 1" (25,4mm) O.D.		x
5	6653758	SNAP RING			2
6	16F-8	PLUG			1
7	6578284	SHIM	.003" (0,08 mm) thickness		x
8	6653702	SEAL			2
9	6653757	SNAP RING			1
10	6646627	BEARING			4
11	6702140	WASHER	countersink		2
12	6730804	SHAFT	keyed		1
13	6579641	HOUSING			1
14	6702103	GEAR	keyed		1
15	95D-6	NUT			4
16	NSS	HOUSING	Order 6702138 housing or Ref. 26		1
17	17C-620	BOLT			4
18	6702102	GEAR	keyed		1
19	6702166	SHIM	.002" (0,05mm) thickness -		
	6702144	SHIM	2" (50,8mm) O.D. .005" (0,13mm) thickness - 2" (50,8mm) O.D.		x
					x
20	9G-512	SCREW			2
21	6702135	SHAFT	keyed		1
22	6700782	CAP	grease		1
23	6672486	SEALANT	polyurethane - Use W/Ref. 7 & 22		x
24	6634393	LUBRICANT	gear - 1 pint		x
25	6731102	HOUSING ASSY.	half		1
26	6707077	HOUSING ASSY.	half		1
27	6669384	SPEEDY SLEEVE	repair kit		1

ENGINE & GASKET KITS
(V3300 DI T Kubota)



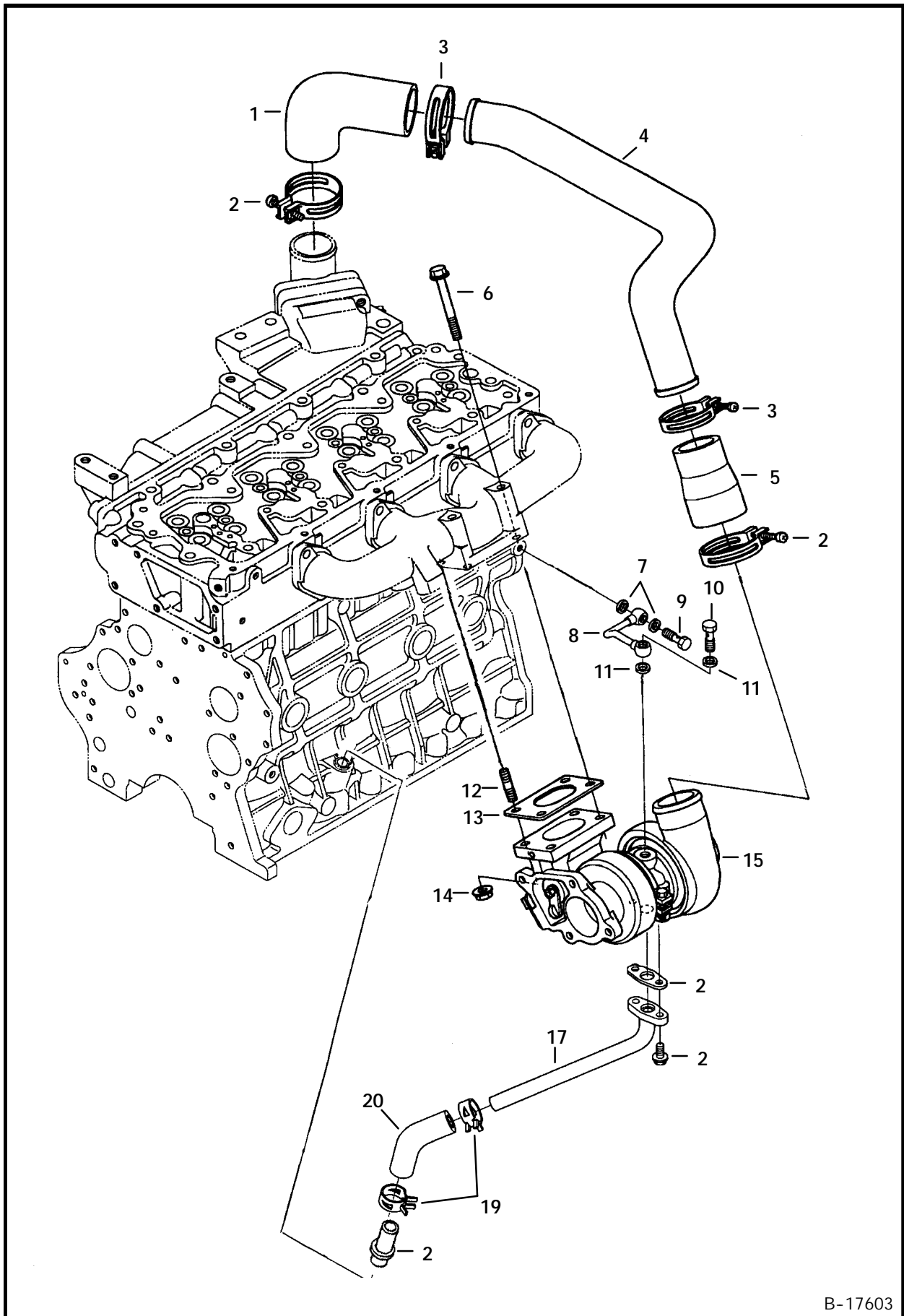
B-18620

MANIFOLDS (V3300 DI T Kubota)



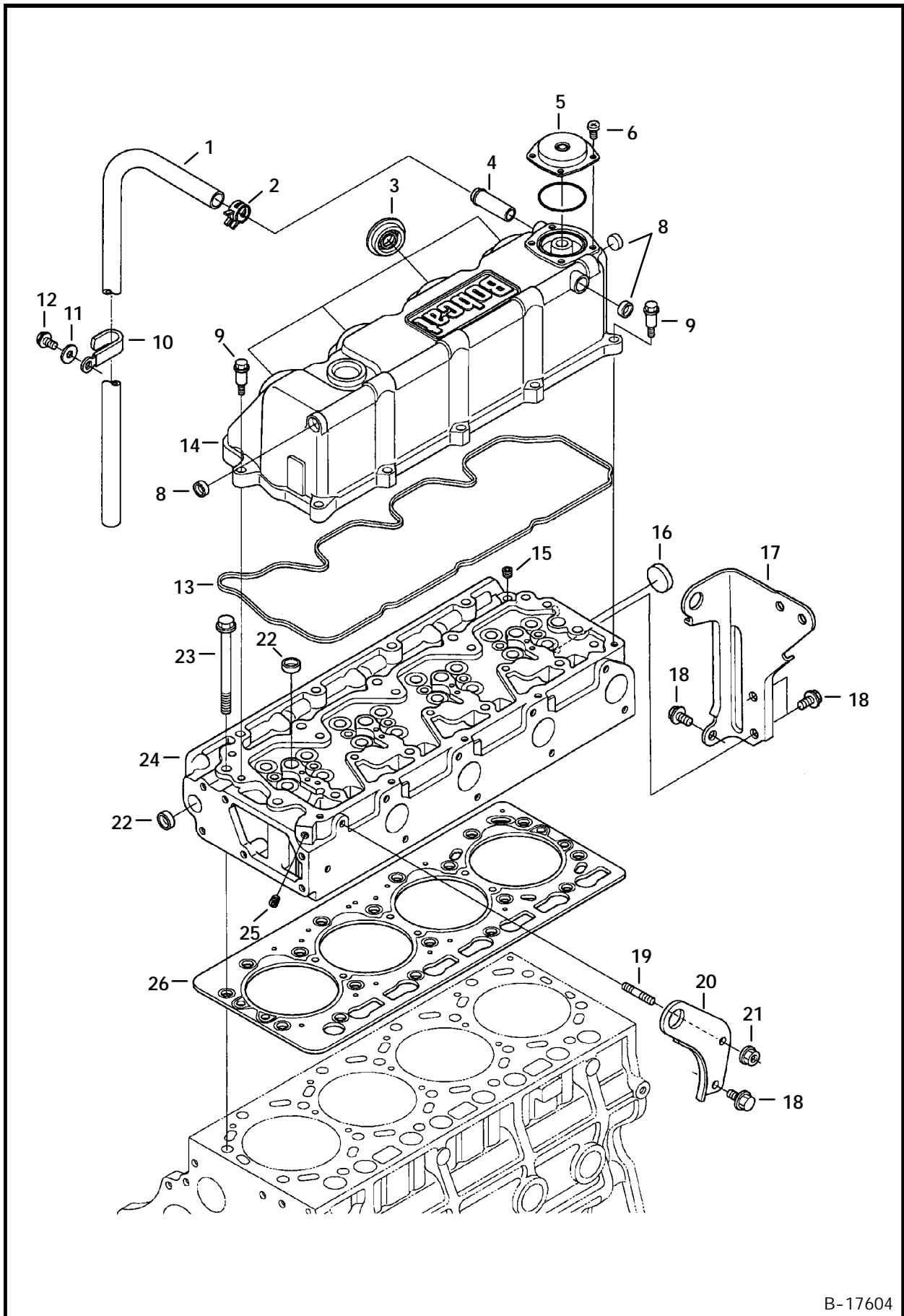
B-17602

TURBOCHARGER
(V3300 DI T Kubota)



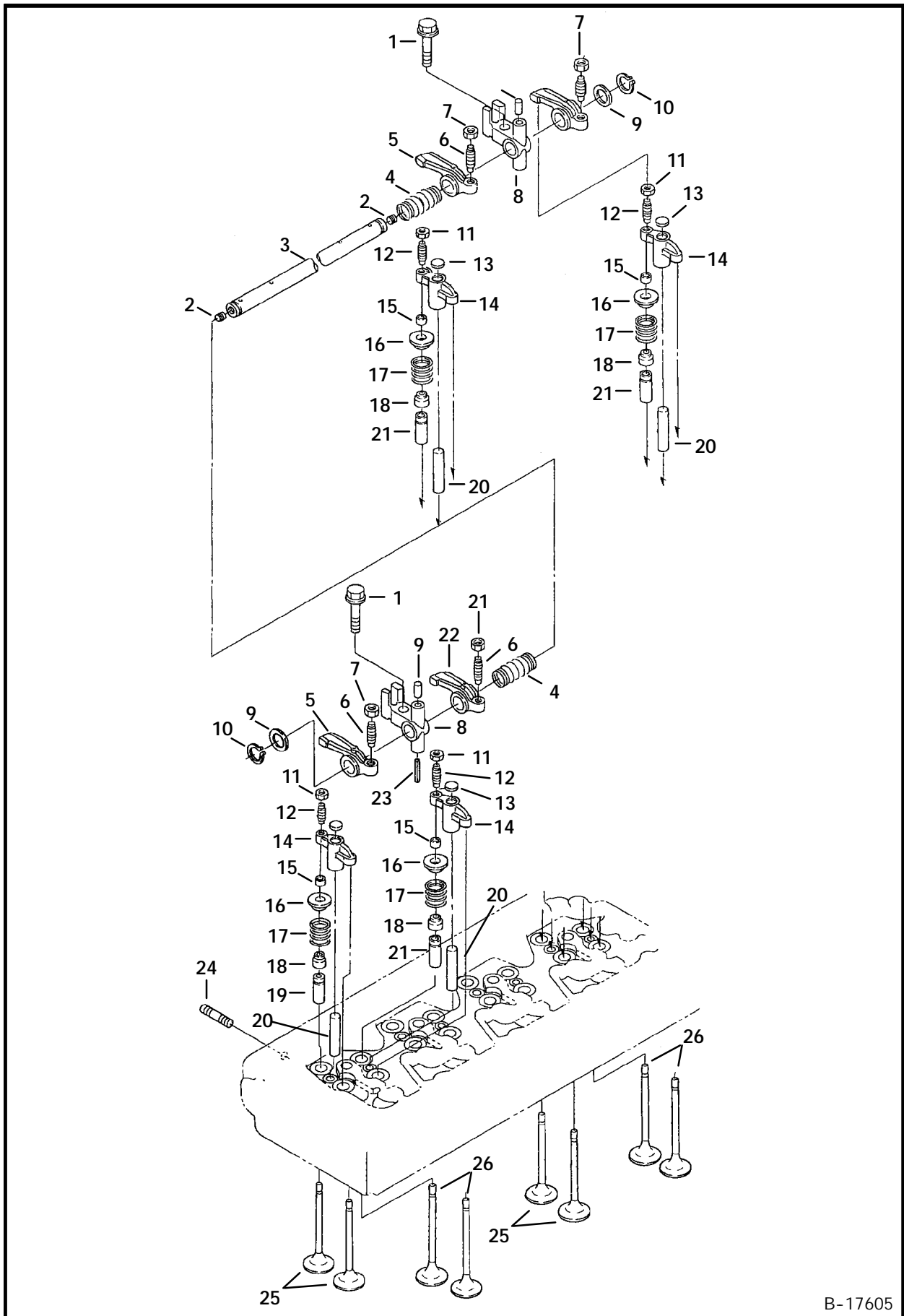
B-17603

CYLINDER HEAD & COVER
(V3300 DI T Kubota)



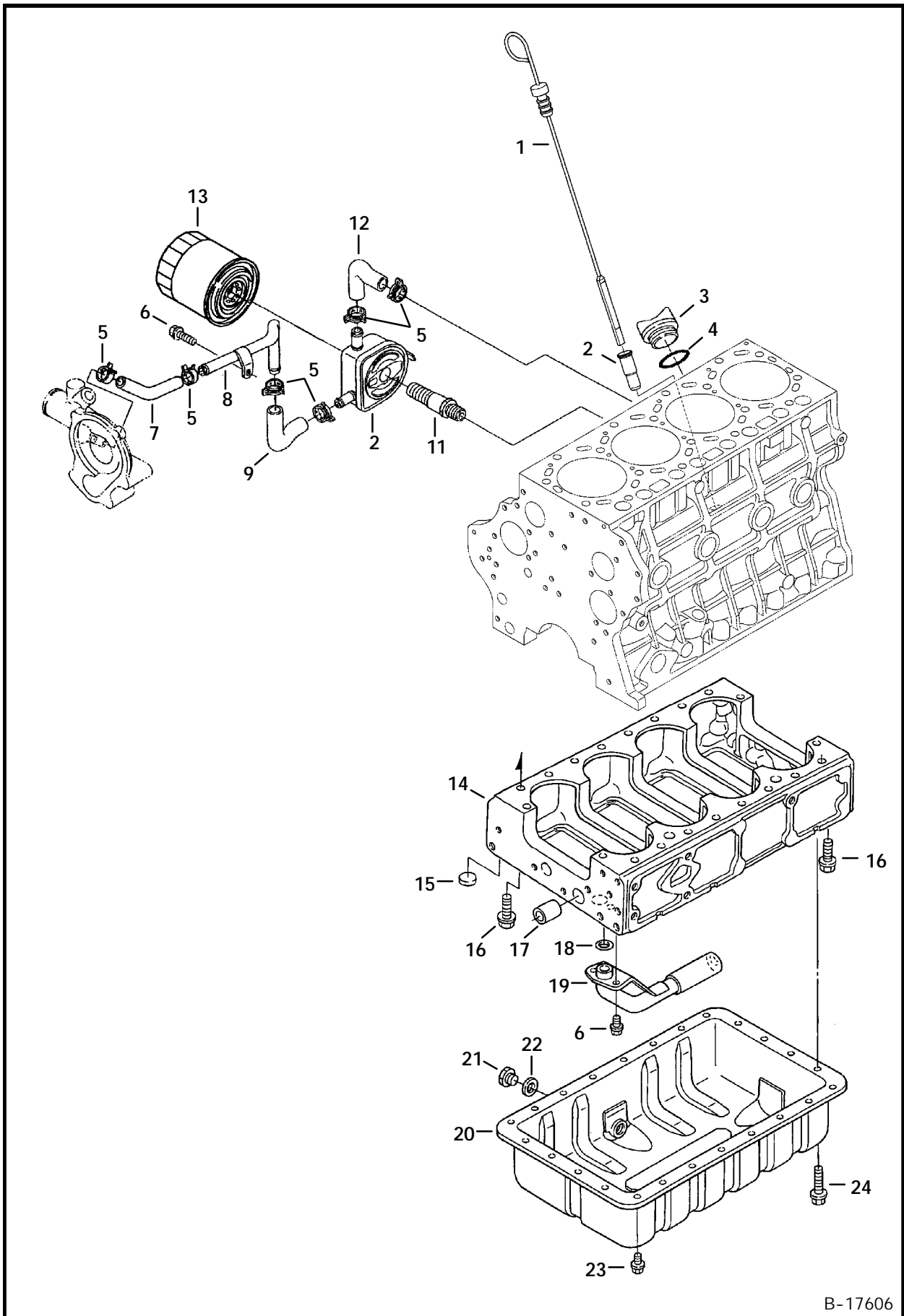
B-17604

CYLINDER HEAD



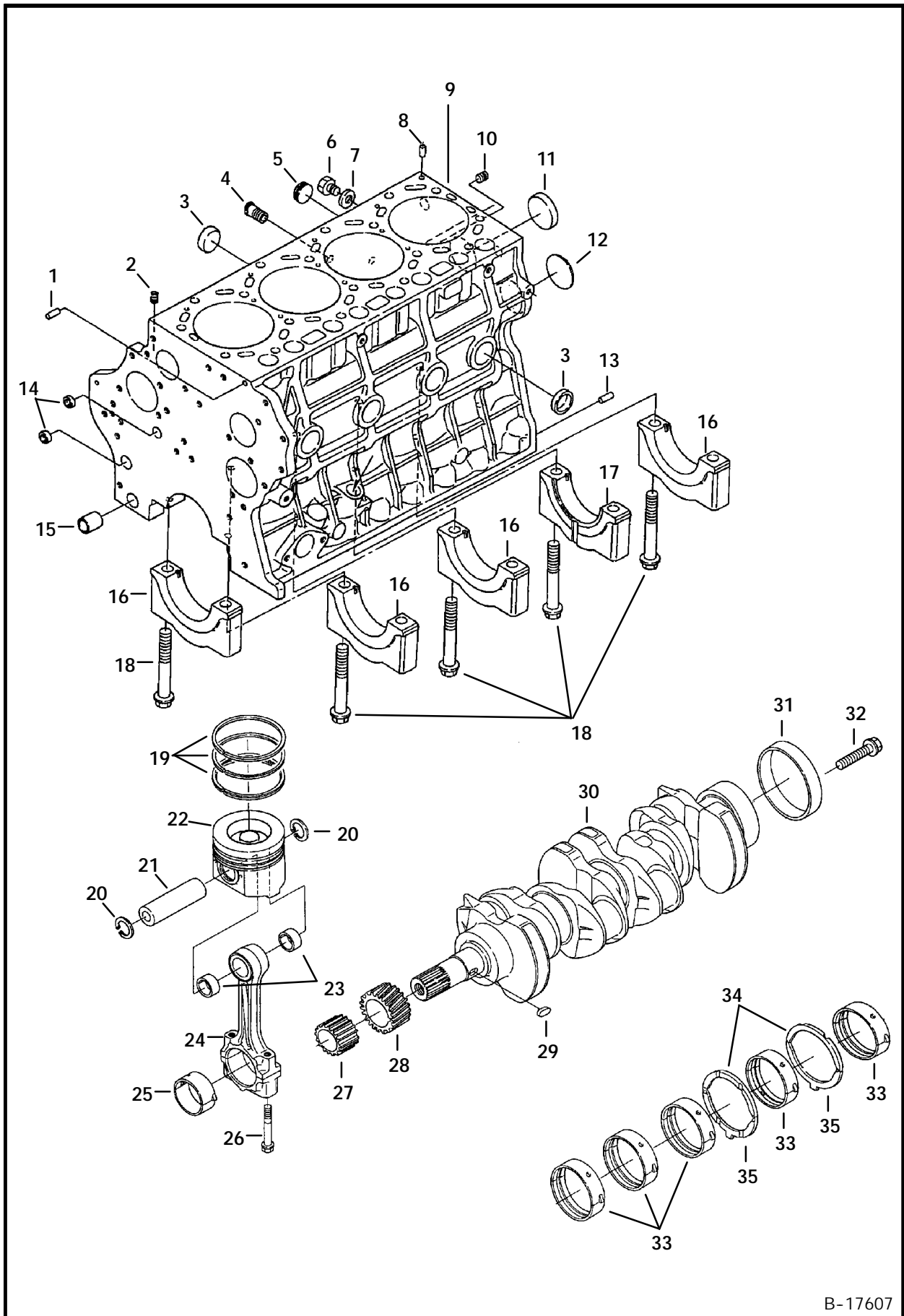
B-17605

OIL PAN (V3300 DI T Kubota)



B-17606

PISTON & CRANKSHAFT
(V3300 DI T Kubota)

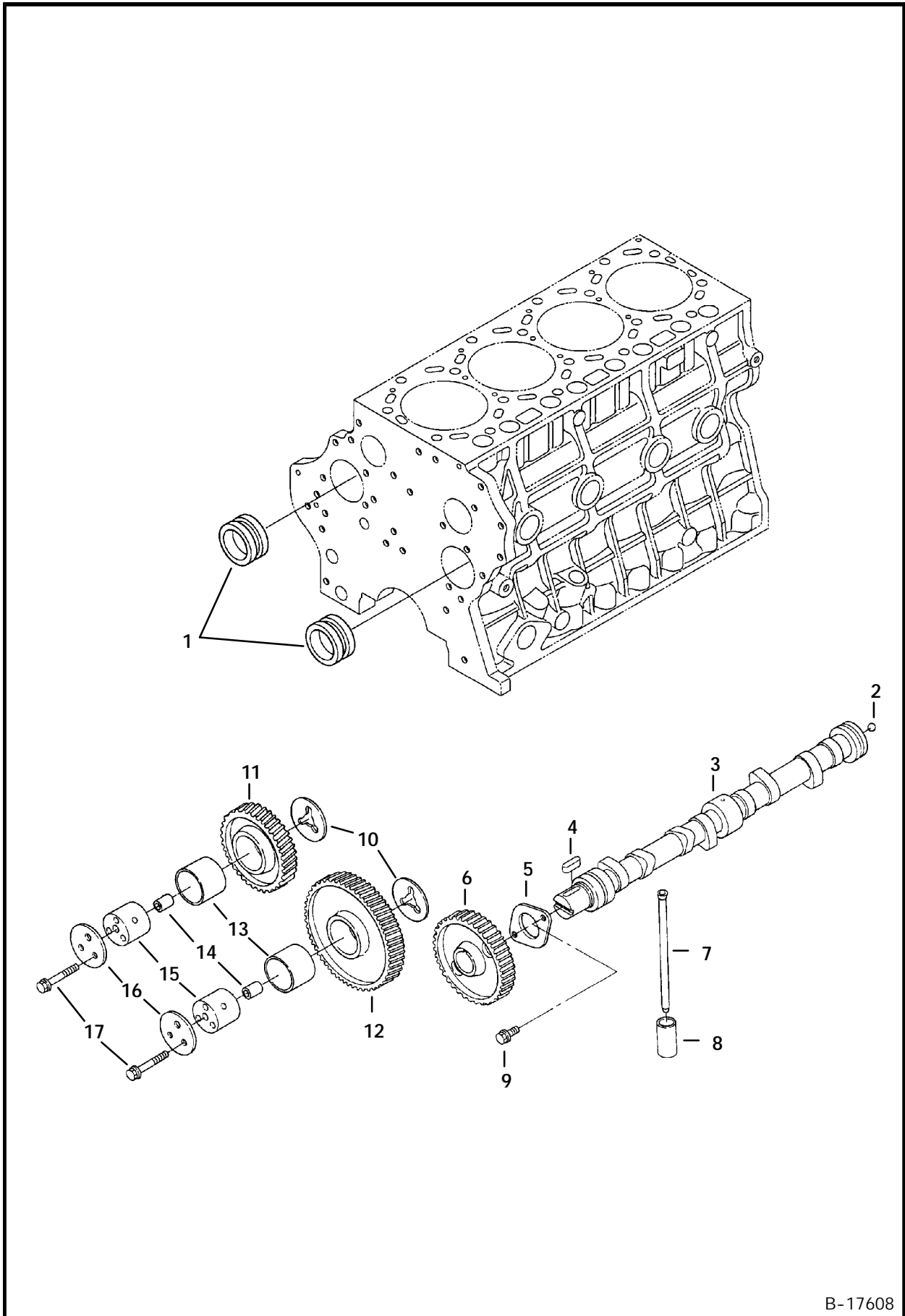


B-17607

PISTON & CRANKSHAFT (Cont'd)
(V3300 DI T Kubota)

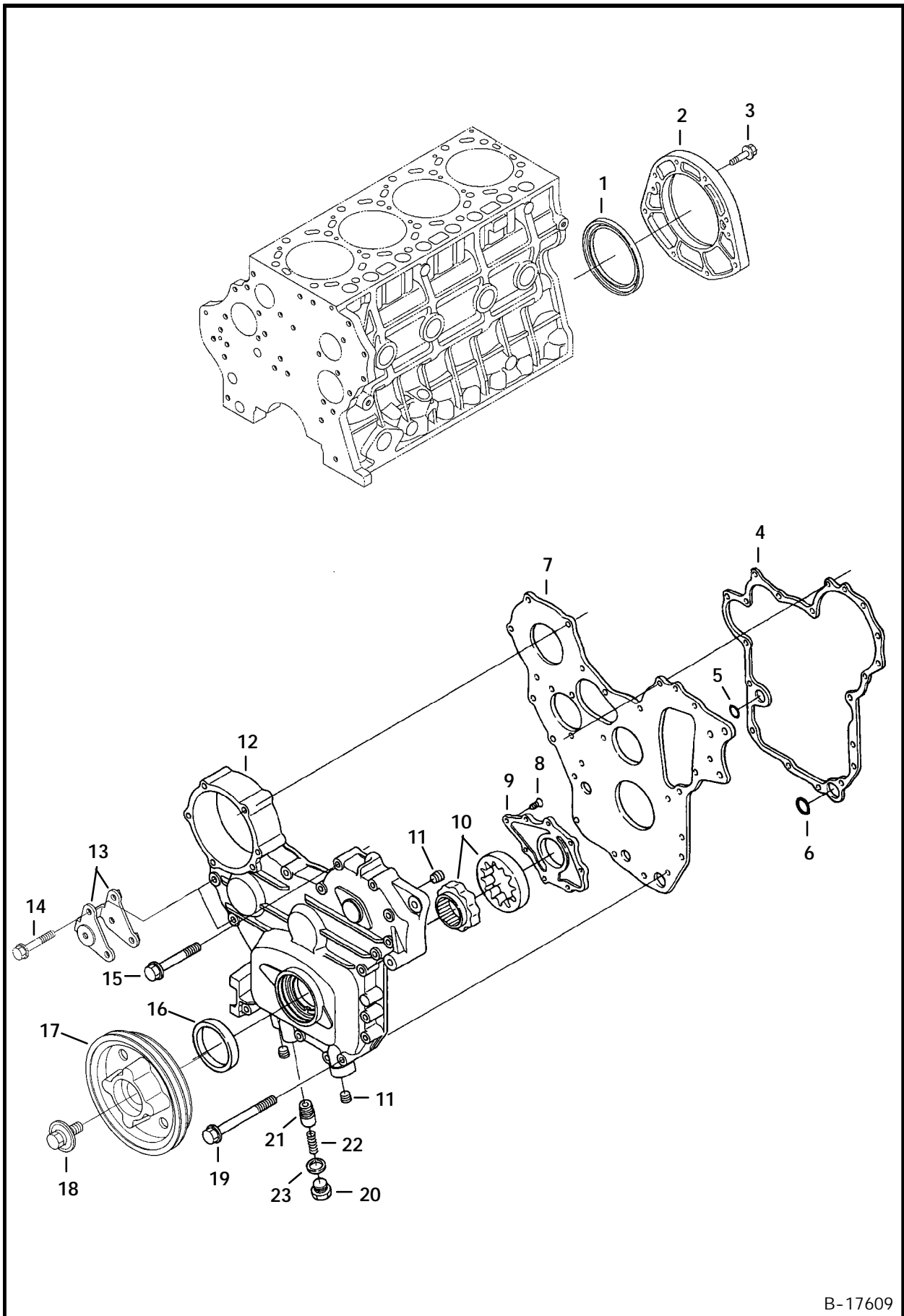
Ref. No.	Part Number	Description	Remarks	Serial Number	Qty.
1	6680641	PIN			1
2	6598169	PLUG			3
3	6680638	PLUG			10
4	6680646	ADAPTER			1
5	6672354	PLUG			1
6	6652750	PLUG			1
7	6680647	GASKET			1
8	6680643	PIN			2
9	6680635	CRANKCASE	W/Ref.		1
10	6680636	PLUG			1
11	6680639	PLUG			1
12	6680640	PLUG			1
13	6680642	PIN			2
14	6680637	PLUG			4
15	6680644	PIN			1
16	NSS	CAP	main bearing - Order Ref. 9		4
17	NSS	CAP	main bearing - Order Ref. 9		1
18	6680645	BOLT			10
19	6680723	PISTON RINGS	standard		4
	6680724	PISTON RINGS	0.50mm oversized		4
20	6680726	SNAP RING	internal		8
21	6680725	PIN			4
22	6680721	PISTON	standard		4
	6680722	PISTON	0.50mm oversized		4
23	6680728	BUSHING			8
24	6680727	ROD	connecting - W/Ref. 23 & 25		4
25	6680730	BEARING	rod - set		4
	6680731	BEARING	rod - set		4
	6680732	BEARING	rod - set		4
	6680733	BEARING	rod - set		4
26	6680729	BOLT			8
27	6680737	GEAR	oil pump		1
28	6680736	GEAR	crankshaft		1
29	3974226	KEY			1
30	6680734	CRANKSHAFT	W/Ref. 27-29 & 31		1
31	6680735	SLEEVE	crankshaft		1
32	6680747	BOLT	flywheel		7
33	6680738	MAIN BEARING	standard - set		5
	6680739	MAIN BEARING	0.20mm undersized - set		5
	6680740	MAIN BEARING	0.40mm undersized - set		5
34	6680741	THRUST WASHER	standard		2
	6680742	THRUST WASHER	0.20mm oversized		2
	6680743	THRUST WASHER	0.40mm oversized		2
35	6680744	THRUST WASHER	standard		2
	6680745	THRUST WASHER	0.20mm oversized		2
	6680746	THRUST WASHER	0.40mm oversized		2

CAMSHAFT (V3300 DI T Kubota)



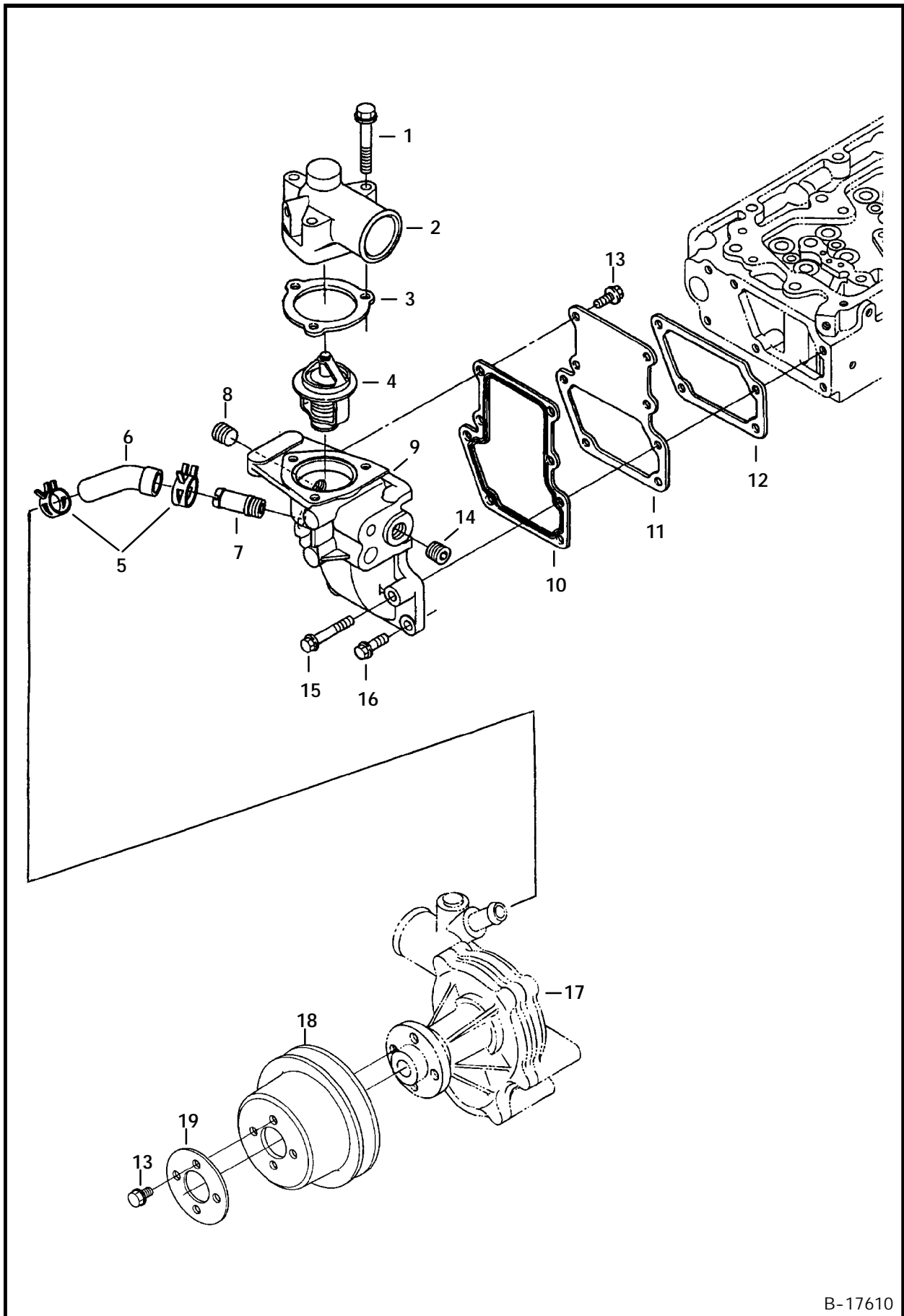
B-17608

FRONT COVER
(V3300 DI T Kubota)



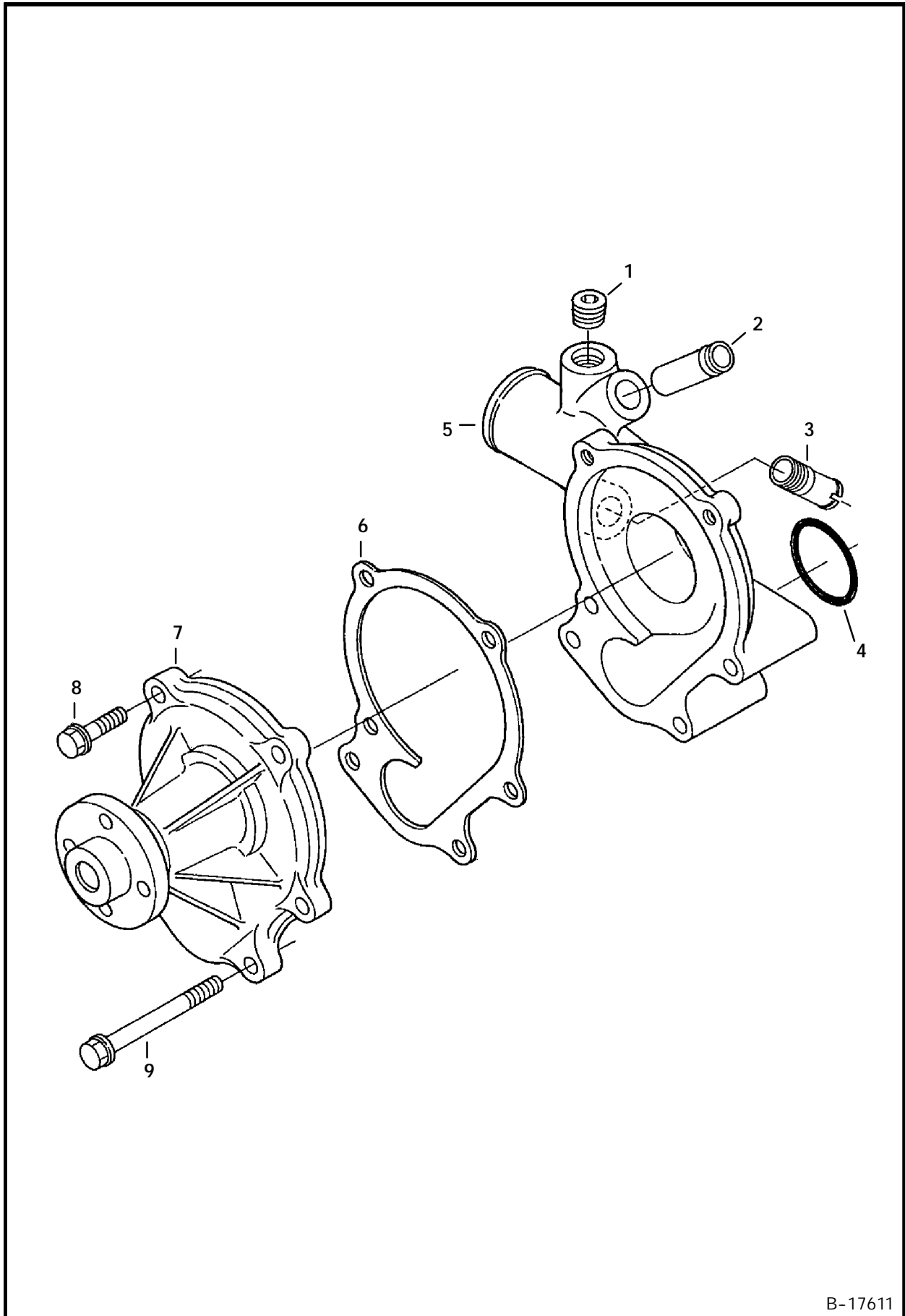
B-17609

WATER PUMP & THERMOSTAT
(V3300 DI T Kubota)



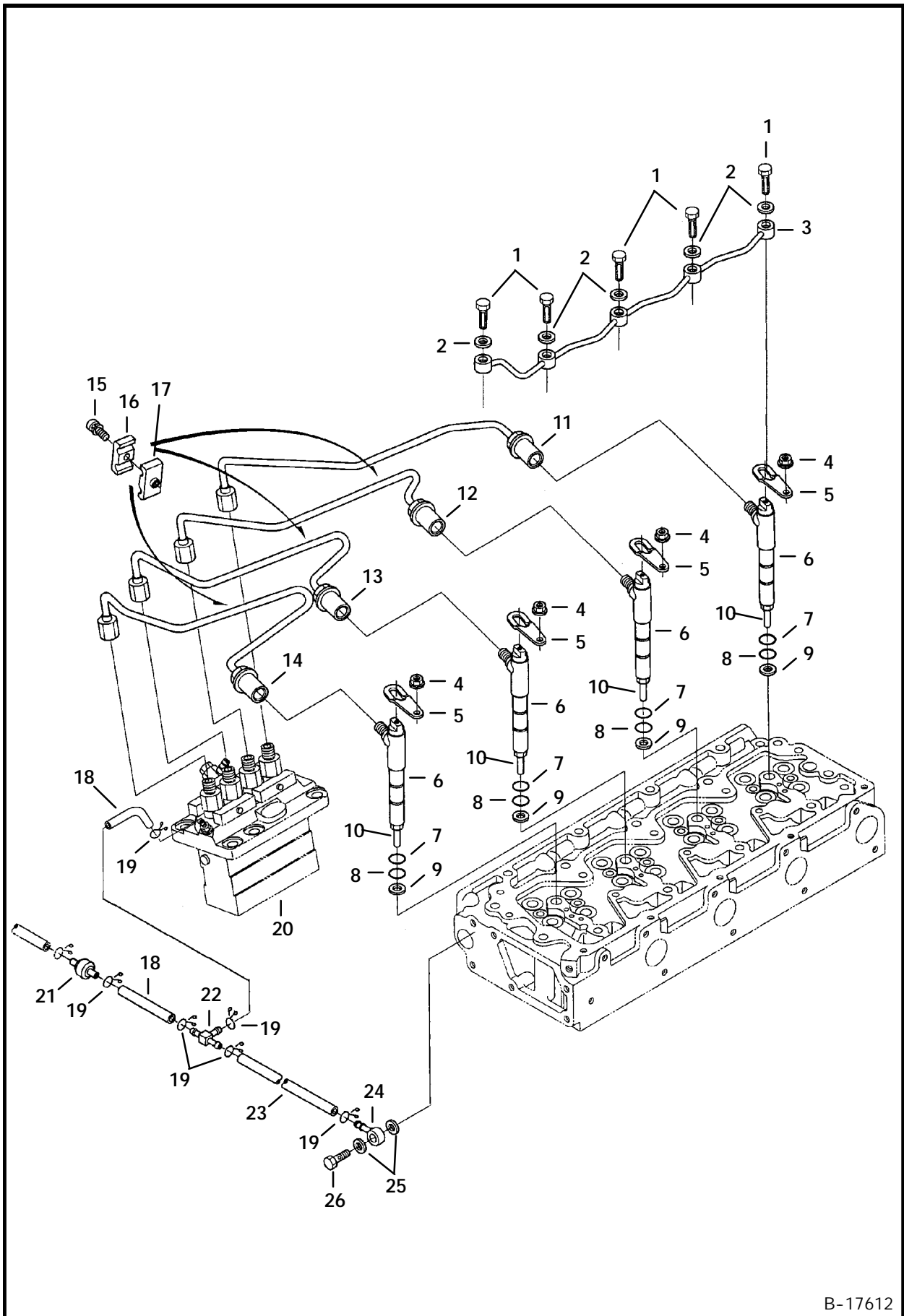
B-17610

WATER PUMP



B-17611

FUEL INJECTION SYSTEM (V3300 DI T Kubota)

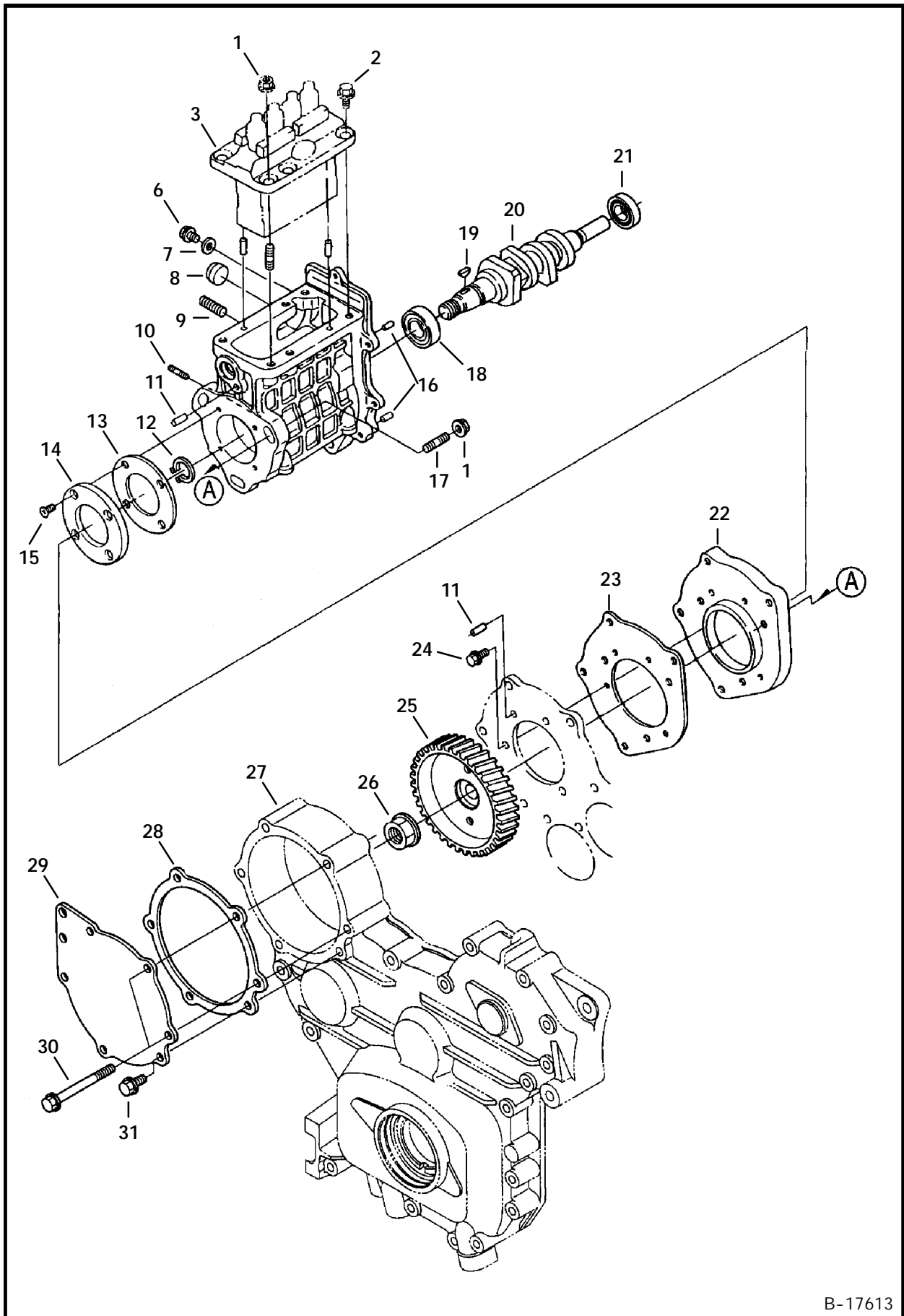


B-17612

FUEL INJECTION SYSTEM (Cont'd)
(V3300 DI T Kubota)

Ref. No.	Part Number	Description	Remarks	Serial Number	Qty.
1	6680788	BOLT			5
2	6680789	GASKET			5
3	6680787	PIPE			1
4	6680663	NUT			4
5	6680780	CLAMP	hold down		4
6	6680776	INJECTOR	W/Ref. 10		4
7	6670769	O-RING			4
8	6680778	O-RING			4
9	6680779	GASKET			4
10	6680777	NOZZLE			4
11	6680784	TUBE			1
12	6680783	TUBE			1
13	6680782	TUBE			1
14	6680781	TUBE			1
15	3974260	BOLT			3
16	6680786	CLAMP			3
17	6680785	CLAMP			3
18	6680794	HOSE			2
19	6680795	CLAMP			6
20		PUMP	injection - See Page 133		1
21	6680796	VALVE	check		1
22	6680797	TEE			1
23	6680793	HOSE			1
24	6680790	FITTING			1
25	6680792	GASKET			2
26	6680791	BOLT	hollow		1

FUEL INJECTION SYSTEM
(V3300 DI T Kubota)

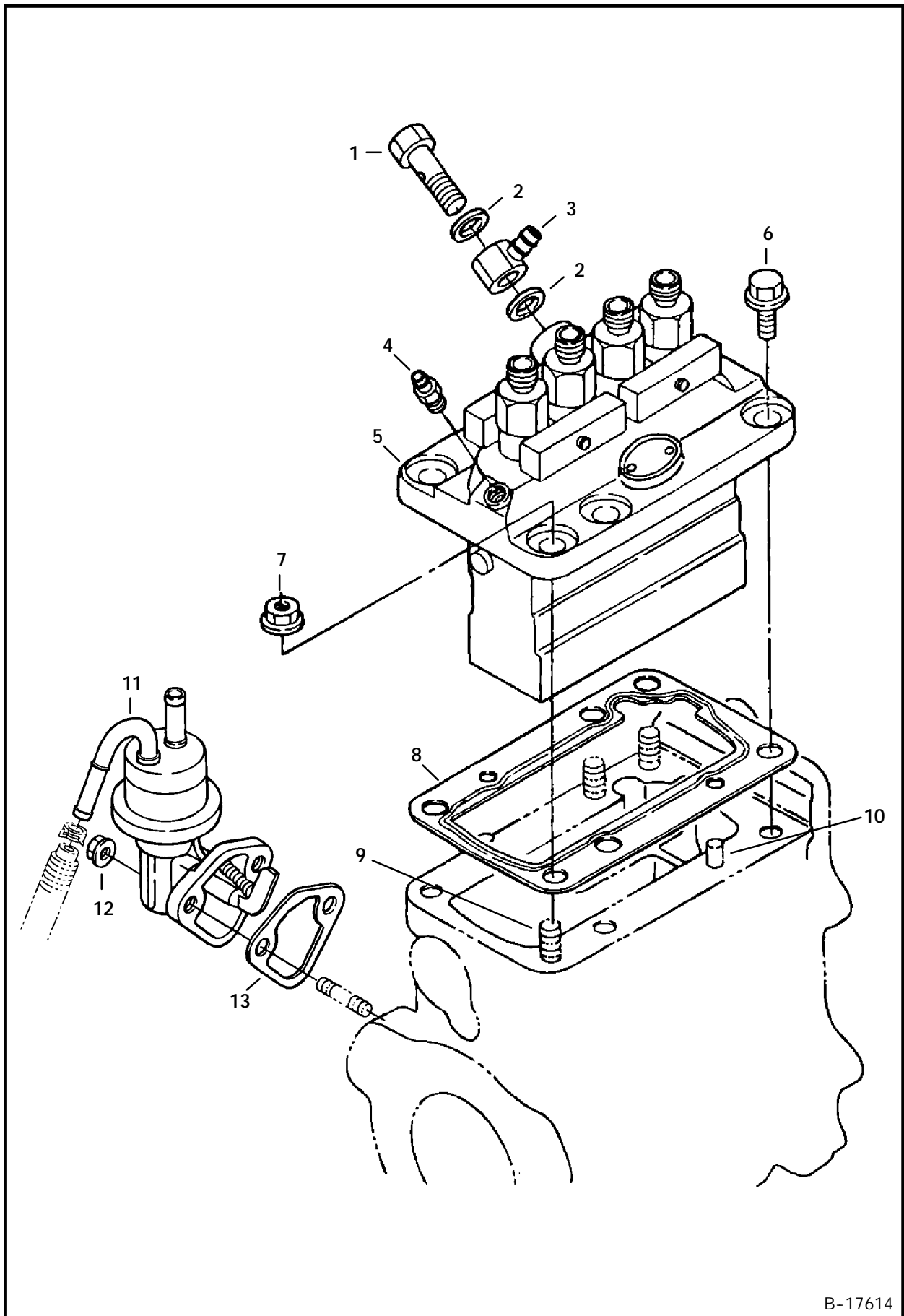


B-17613

FUEL INJECTION SYSTEM (Cont'd)
(V3300 DI T Kubota)

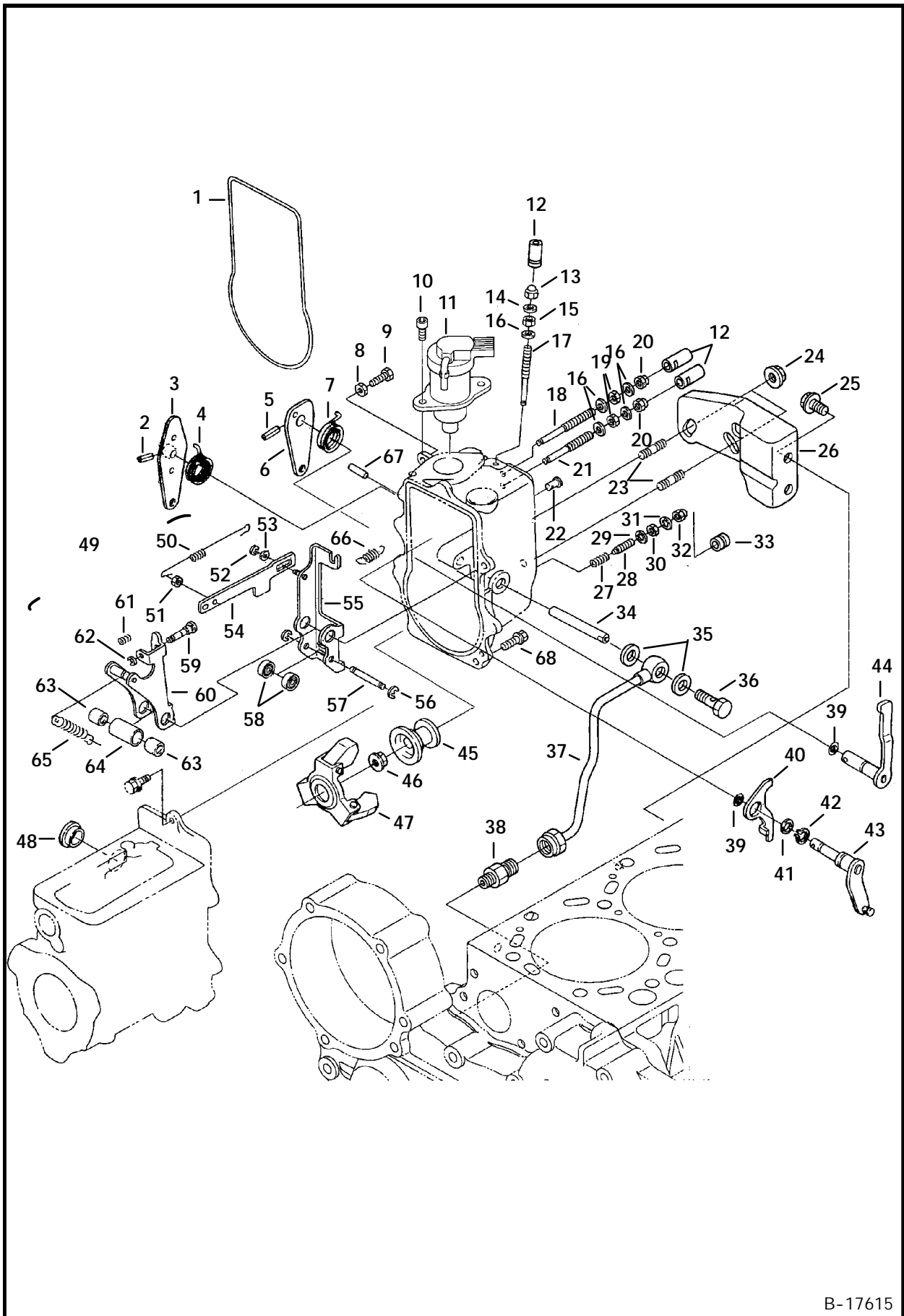
Ref. No.	Part Number	Description	Remarks	Serial Number	Qty.
1	6680663	NUT			6
2	6680755	BOLT			5
3		INJECTION PUMP	See Page 133		1
4	3974394	PIN			2
5	6680807	STUD			3
6	6680662	BOLT			2
7	6680792	GASKET			2
8	6680808	PLUG			1
9	6680815	SET SCREW			2
10	3974503	STUD			2
11	21JM-20	PIN			2
12	5JM-20	SNAP RING			1
13	6680816	GASKET			1
14	6680814	FLANGE			1
15	6680678	SCREW			4
16	6680809	PIN			2
17	6680799	STUD			3
18	6680811	BEARING			1
19	6680813	KEY	woodruff		1
20	6680810	CAMSHAFT	fuel		1
21	6680812	BEARING			1
22	6680798	COVER			1
23	6680800	GASKET			1
24	6680803	BOLT			3
25	6680817	GEAR			1
26	6680818	NUT			1
27		FRONT COVER	See Page 123		1
28	6680805	GASKET			1
29	6680804	COVER			1
30	6680802	BOLT			5
31	6680801	BOLT			1

FUEL INJECTION PUMP



B-17614

GOVERNOR
(V3300 DI T Kubota)

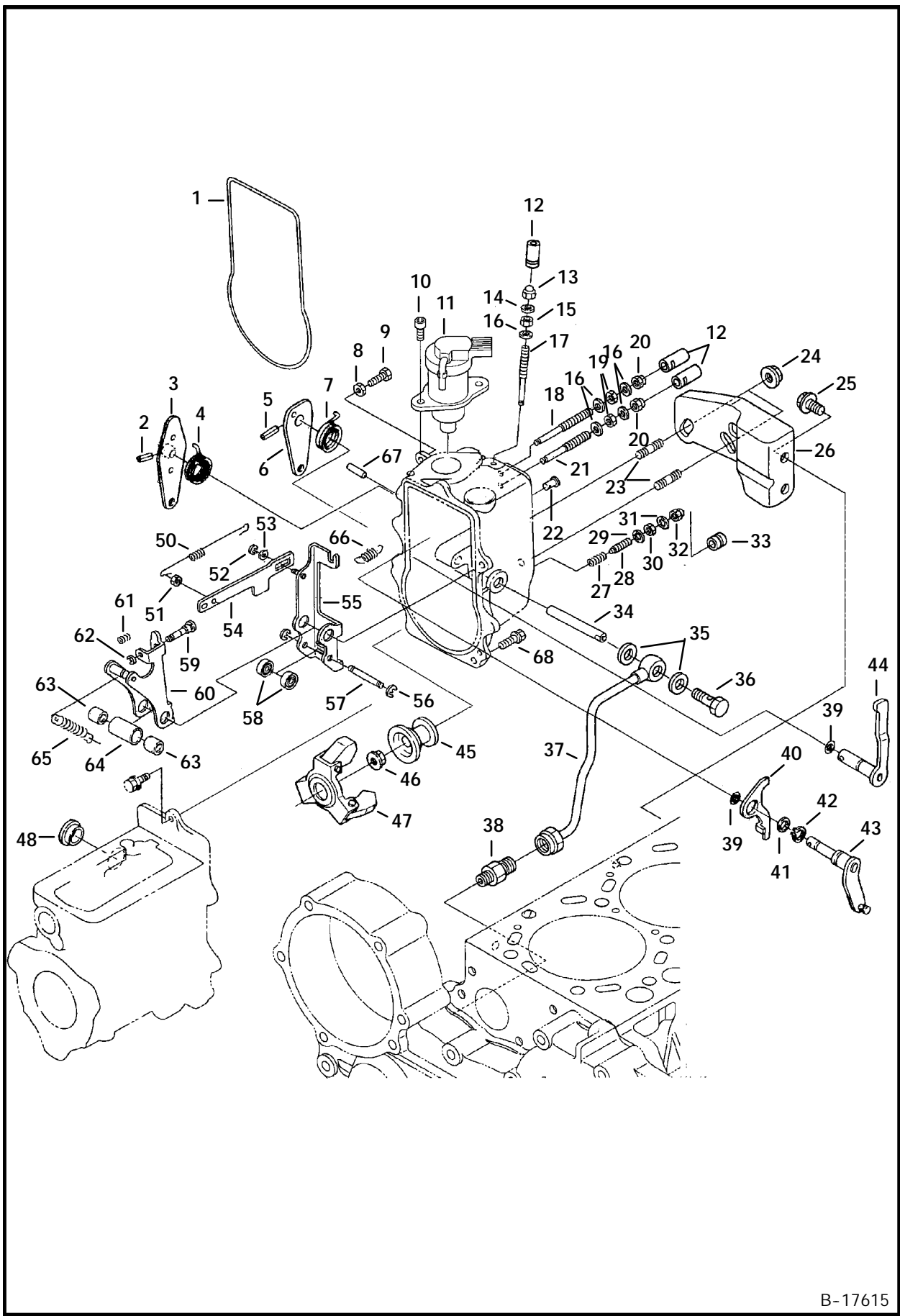


B-17615

GOVERNOR (Cont'd)
(V3300 DI T Kubota)

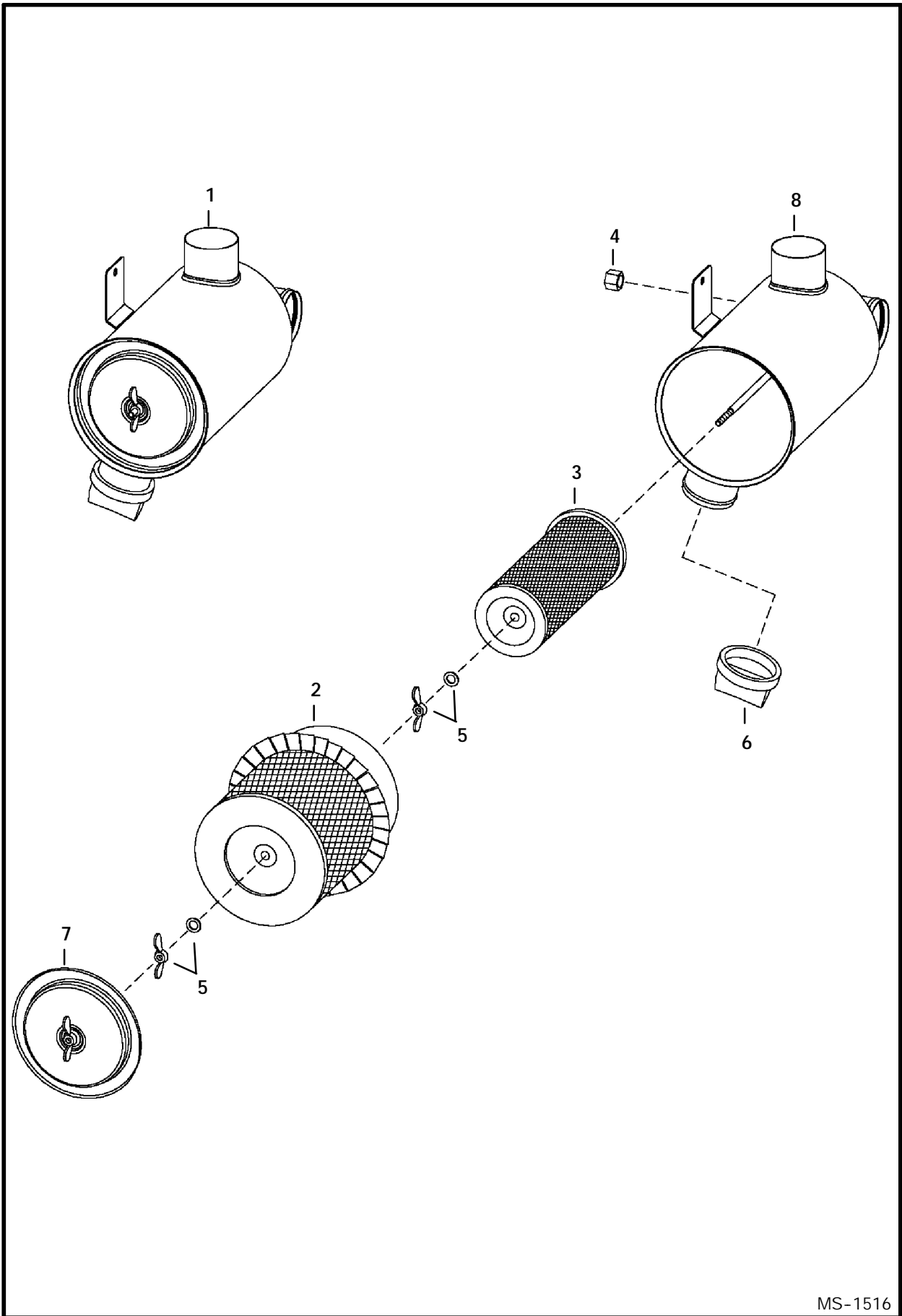
Ref. No.	Part Number	Description	Remarks	Serial Number	Qty.
1	6680829	GASKET			1
2	6680769	PIN			1
3	6680768	LEVER	speed control		1
4	6680767	SPRING			1
5	6680773	PIN			1
6	6680772	LEVER	engine stop		1
7	6680771	SPRING			1
8	1DM-6	NUT			1
9	6680834	STOPPER			1
10	6680750	SCREW			2
11	6680749	SOLENOID			1
12	6672384	CAP			1
13	6670426	NUT			1
14	6680792	GASKET			1
15	6680499	NUT			1
16	3974972	GASKET			5
17	3974970	SCREW	adjusting		1
18	6680833	SCREW	adjusting		1
19	6680272	NUT			2
20	6670462	NUT			2
21	6680832	SCREW	adjusting		1
22	6670774	PIN			1
23	6680828	STUD			2
24	6680663	NUT			2
25	6680713	BOLT			2
26	6680907	BRACKET	injection pump		1
27	6680835	SPRING			1
28	6670425	SCREW	adjusting - W/Ref. 27		1
29	6680792	GASKET			1
30	6680836	NUT			1
31	3974972	GASKET			1
32	6670462	NUT			1
33	6670427	CAP			1
34	6680824	SHAFT			1
35	6680567	GASKET			2
36	6680906	BOLT			1
37	6680905	TUBE			1
38	6680904	ADAPTER			1
39	3974280	O-RING			2
40	6680764	LEVER	stop		1
41	6680766	WASHER			1
42	6680765	SNAP RING			1
43	6680763	LEVER			1
44	6680770	LEVER	engine stop		1
45	6680761	SLEEVE	governor		1
46	6680759	NUT			1
47	6680758	WEIGHT			1
48	6680757	COVER			1
49	6680819	LEVER	assy. - Ref. 50-65		1
50	6680826	SPRING			1
51	6680831	NUT			1

GOVERNOR (Cont'd)
(V3300 DI T Kubota)



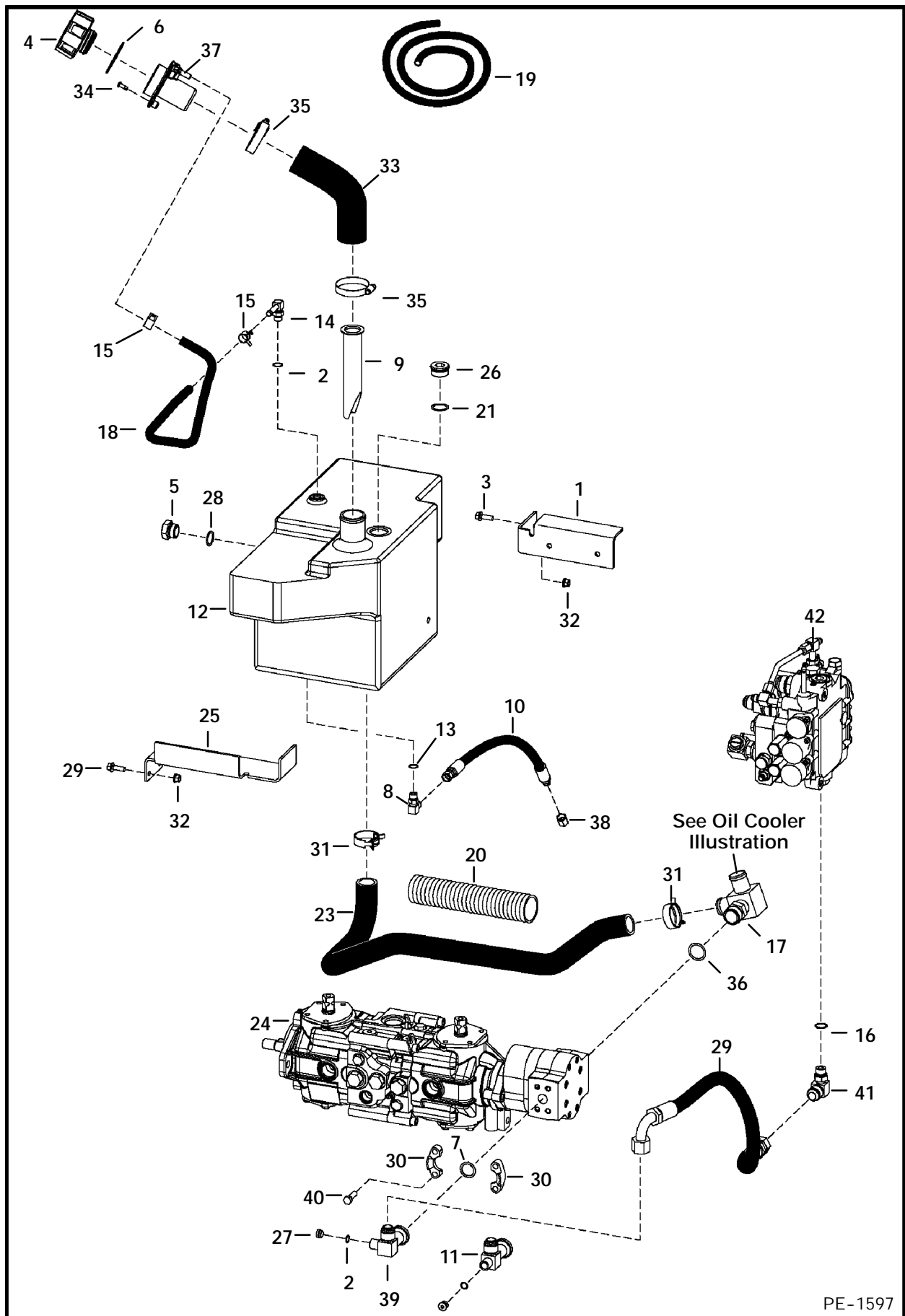
B-17615

AIR CLEANER
(V3300 DI T Kubota)



MS-1516

HYDROSTATIC CIRCUITRY (W/Tank)

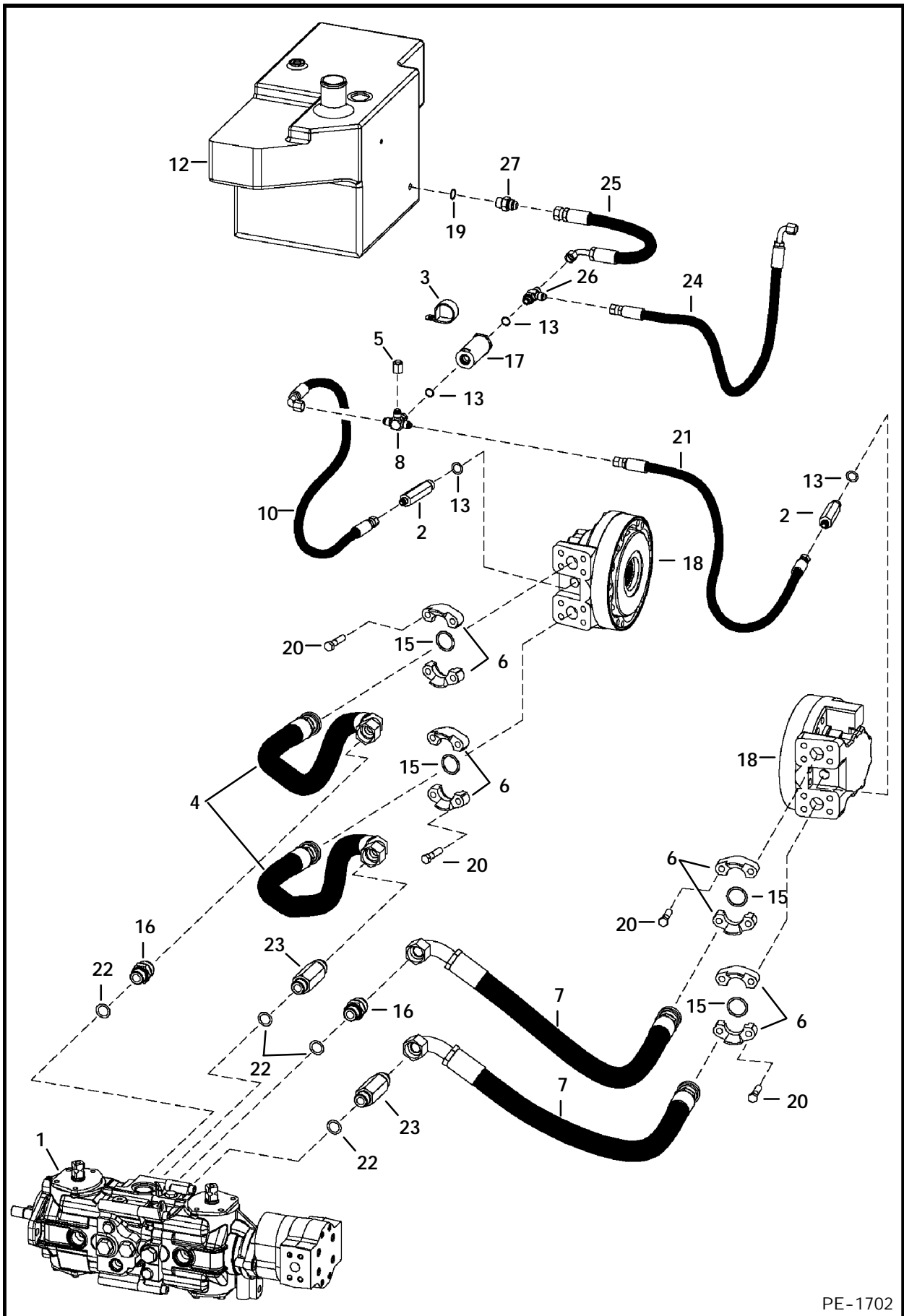


PE-1597

HYDROSTATIC CIRCUITRY (Cont'd)
(W/Tank)

Ref. No.	Part Number	Description	Remarks	Serial Number	Qty.
1	6718851	BRACKET			1
2	79K-6	O-RING			x
3	35C-516	BOLT			2
4	6727475	CAP	breather & fill - Also Order Ref. 6 sight - W/Ref. 28		1
5	6665915	GUAGE			1
6	6700631	GASKET			2
7	55K-214	O-RING	W/Ref. 13 - tapered boss face flared end		1
8	17KV-5	ELBOW			1
	97K-6	O-RING			x
9	6569219	SCREEN			1
10	6530859	HOSE			1
11	6717662	TEE	split flange	& Bel.	1
	97K-12	O-RING	flared end		x
12	6731209	TANK	hydraulic		1
13	99K-6	O-RING	tapered boss face		x
14	6727313	ELBOW			1
15	5HM-15	CLAMP			2
16	79K-12	O-RING			x
17	6730126	TEE	W/Ref. 36 - tapered boss face flared end		1
	97K-6	O-RING			x
18	NAP	HOSE	23" (584mm) long - Order Ref. 19		1
19	6586251	HOSE	Bulk - sold per foot		x
20	NAP	SHIELD	10" (254mm) long - Order Ref. 22		1
21	79K-16	O-RING			x
22	6705749	SHIELD	bulk - sold by the foot		x
23	6731496	HOSE			1
24		PUMP	See Page 161		1
25	6718850	BRACKET			1
26	47K-10	PLUG	W/Ref. 21 - for the tank flushing hole		1
27	24K-5	PLUG	W/Ref. 2		1
28	99K-6	O-RING	flat boss face		1
29	6729160	HOSE			1
30	19J-12	CLAMP			2
31	5HM-40	CLAMP			2
32	83D-5	NUT			2
33	6731638	HOSE			1
34	6706517	SCREW			3
35	42HL-250	CLAMP			2
36	99K-16	O-RING	tapered boss face		x
37	6727354	INLET			1
38	36K-5	CAP			2
39	6734048	TEE	split flange	& Abv.	1
40	17C-620	BOLT			4
41	6812141	ELBOW	W/Ref. 16		1
	97K-12	O-RING	flared end		x
42		VALVE	See Page 55		1

HYDROSTATIC CIRCUITRY (W/Motors)

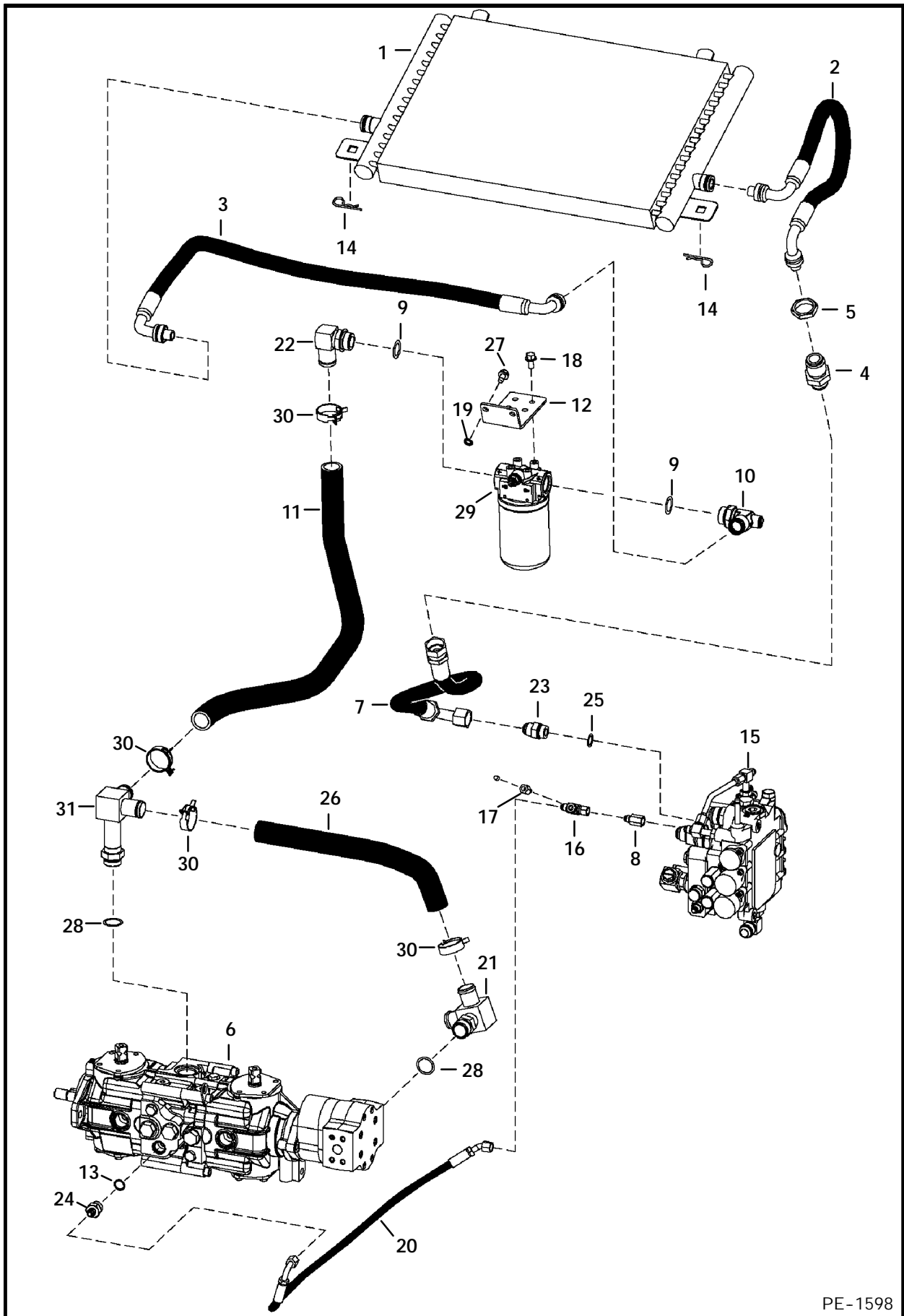


PE-1702

HYDROSTATIC CIRCUITRY (Cont'd)
(W/Motors)

Ref. No.	Part Number	Description	Remarks	Serial Number	Qty.
1		PUMP	See Page 157 & 161		1
2	6717306 97K-6	ADAPTER O-RING	W/Ref. 13 - tapered boss face flared end		2 x
3	30H-60	CLIP			1
4	6673954	HOSE	mega seal - SEE NOTE		1
5	36K-5	CAP			1
6	20J-16	CLAMP			8
7	6679141	HOSE	mega seal - SEE NOTE		1
8	6725497	CROSS	W/Ref. 13 - tapered boss face		1
	97K-6	O-RING	flared end		x
9	6731162	HOSE		& Bel.	1
10	6732484	HOSE			1
11	17KN-6 97K-8	ELBOW O-RING	W/Ref. 19 - tapered boss face flared end	& Bel.	1 x
12		TANK	hydraulic - See Page 141		1
13	99K-6	O-RING	tapered boss face		x
14	19KV-5 97K-6	TEE O-RING	W/Ref. 13 flared end	& Bel.	1 x
15	55K-219	O-RING			4
16	6715878	ADAPTER	W/Ref. 22		2
17	6661022	FILTER	in-line - 90 micron -		
18		MOTOR	See Page 170		1
19	99K-8	O-RING	See Page 151		2 x
20	17C-728	BOLT			16
21	6732485	HOSE			1
22	79K-12	O-RING			x
23	6716243	CONNECTOR	W/Ref. 22		2
24	6732483	HOSE			1
25	6733219	HOSE		& Abv.	1
26	21KB-606	TEE	W/Ref. 13	& Abv.	1
27	15KB-808	ADAPTER	W/Ref. 19	& Abv.	1

HYDROSTATIC CIRCUITRY (W/Cooler)



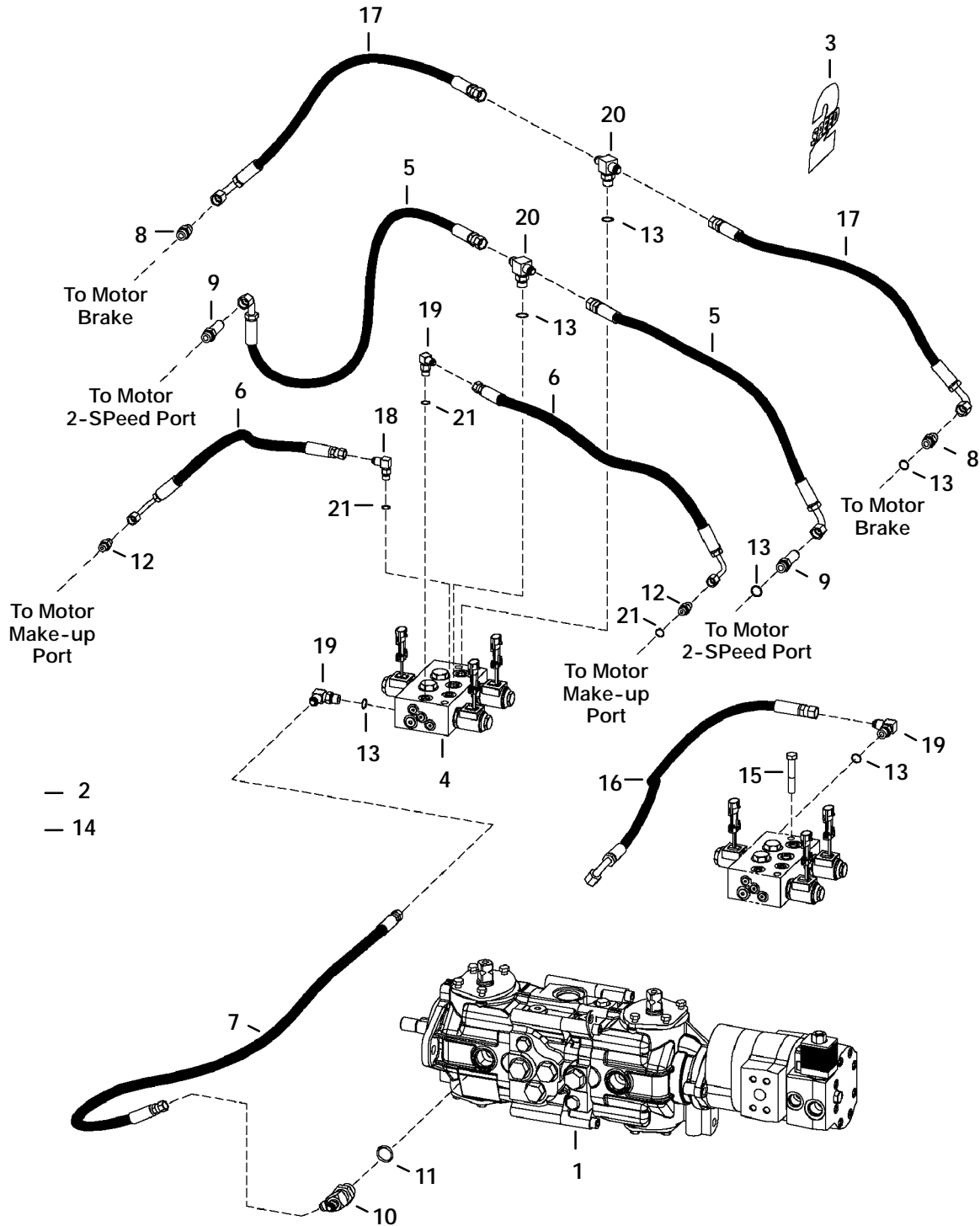
PE-1598

HYDROSTATIC CIRCUITRY (Cont'd)
(W/Cooler)

Ref. No.	Part Number	Description	Remarks	Serial Number	Qty.
1	6678156	COOLER	oil		1
	6681501	SEAL KIT			1
2	6678773	HOSE			1
	6681501	SEAL KIT			1
3	6678772	HOSE			1
	6681501	SEAL KIT			1
4	6678832	ELBOW			1
5	61E-16	NUT			1
6		PUMP	See Page 157 & 161		1
7	6731145	HOSE			1
8	6672766	CHECK VALVE			1
9	99K-12	O-RING			x
10	6678771	TEE	W/Ref. 9		1
	6674798	SEAL KIT			1
11	6729307	HOSE			1
12	6719446	MOUNT			1
13	99K-10	O-RING	tapered boss face		x
14	1318565	COTTER PIN			2
15		VALVE	See Page 55		1
16	6718660	TEE			1
17	6563922	SNUBBER			1
18	35C-612	BOLT			4
19	6E-6	WASHER			2
20	6725090	HOSE			1
21	6730126	TEE	W/Ref. 28		1
	97K-6	O-RING	flared end		x
22	6729306	ELBOW	W/Ref. 9		1
23	6715878	ADAPTER	W/Ref. 25		1
24	6717173	ADAPTER	W/Ref. 13		1
	97K-6	O-RING	flared end		x
25	79K-12	O-RING			x
26	6729484	HOSE			1
27	84G-3710	BOLT			2
28	99K-16	O-RING			x
29	6678155	FILTER ASSY	See Page 172		1
	6661248	ELEMENT			x
30	5HM-42	CLAMP			4
31	6729305	CROSS	W/Ref. 28		1

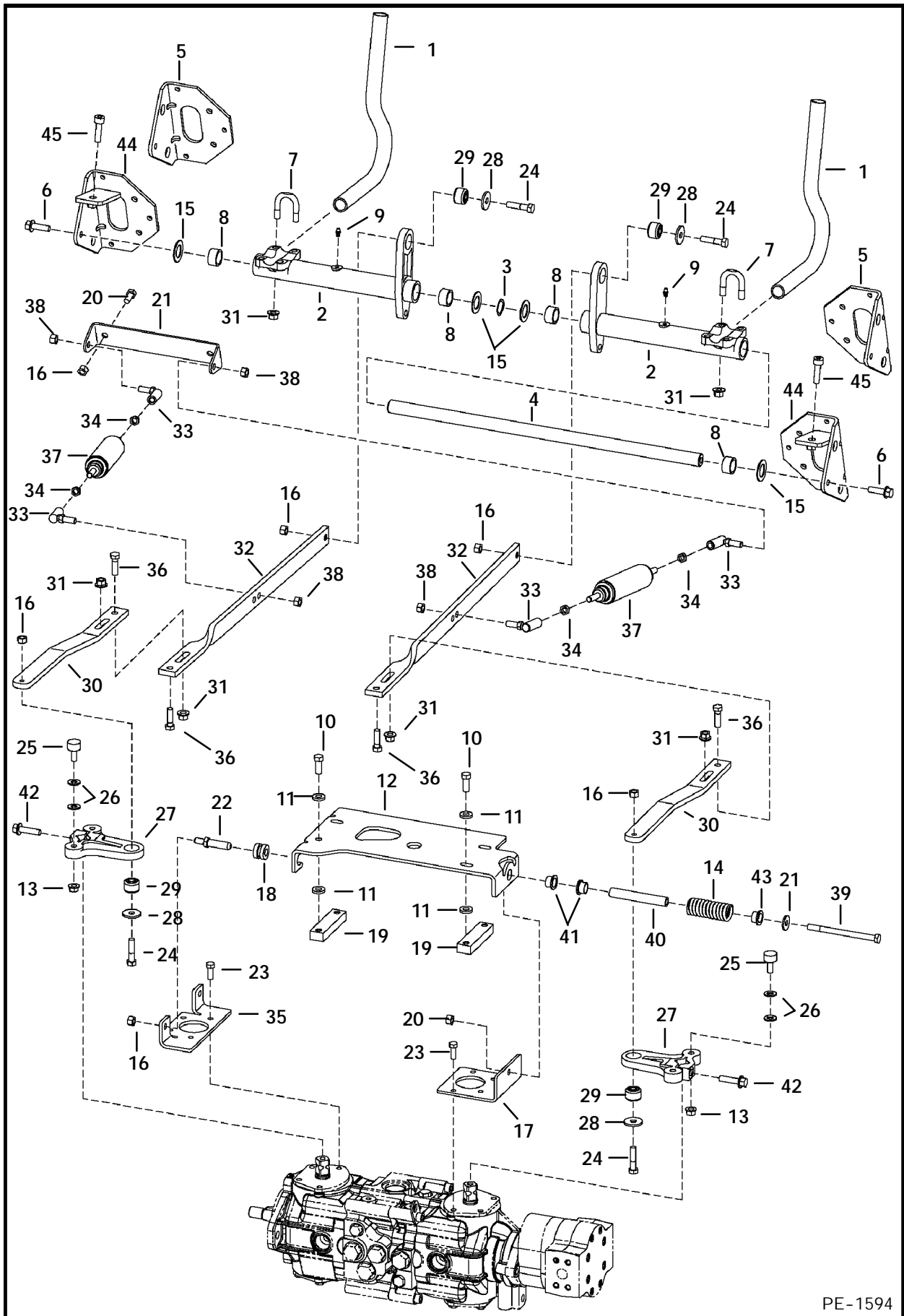
HYDROSTATIC CIRCUITRY (2-Speed Option)

NOTE: Option also includes vinyl suspension seat 6718868 & three point seat belt 6725168.



PE-1532

HAND CONTROLS

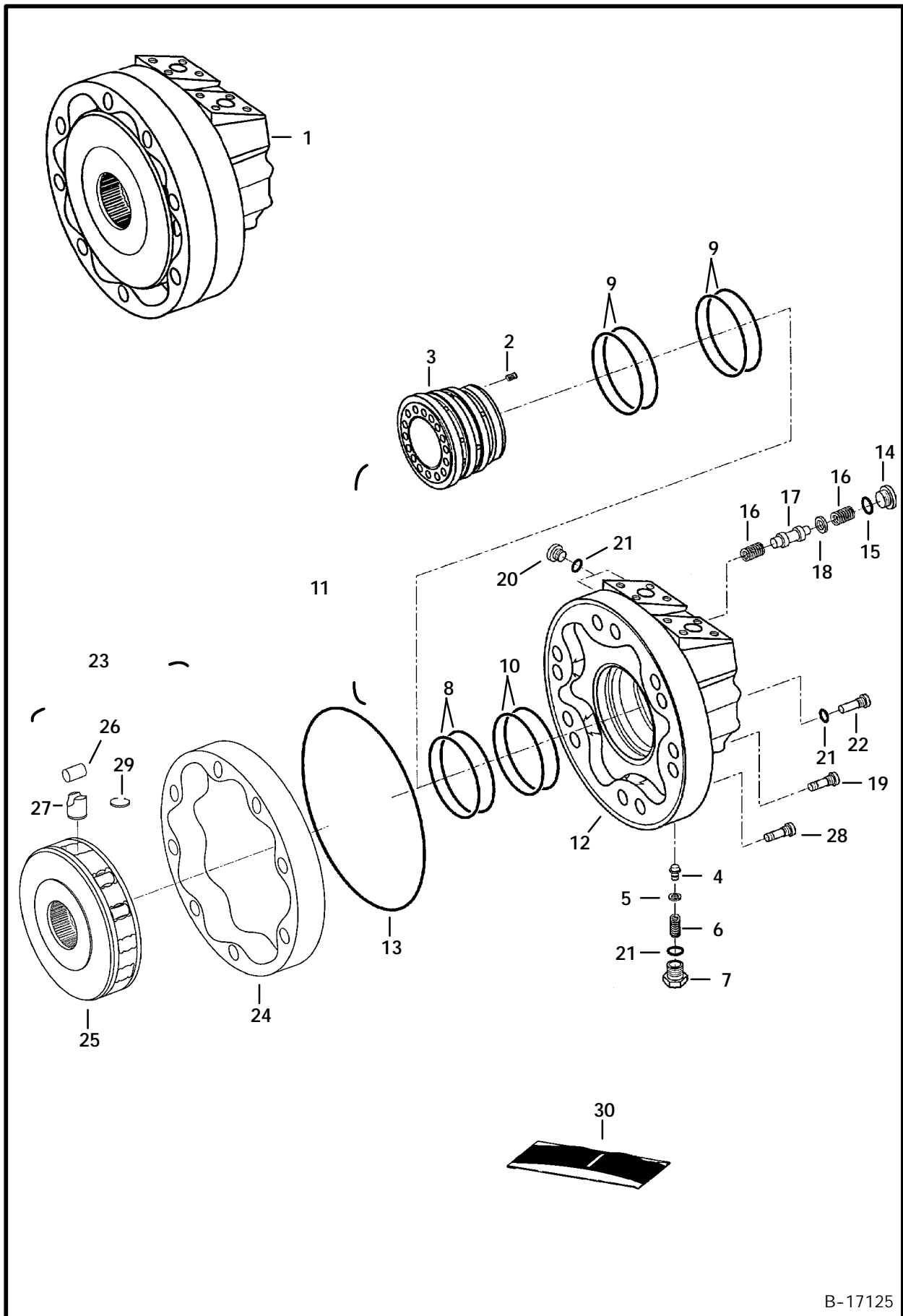


PE-1594

HAND CONTROLS (Cont'd)

Ref. No.	Part Number	Description	Remarks	Serial Number	Qty.
1	6702543	LEVER			2
2	6730122	BELLCRANK			2
3	6599741	WASHER	wave		1
4	6716545	ROD			1
5	6577230	BRACKET		& Bel.	2
6	45C-620	BOLT			2
7	6732997	U-BOLT			4
8	6673710	BEARING			4
9	6518200	GREASE ZERK			2
10	8C-616	BOLT			4
11	6557831	WASHER			8
12	6716116	MOUNT			1
13	98D-6	NUT			4
14	6701535	SPRING			1
15	6716916	WASHER			4
16	95D-6	NUT			12
17	6576196	MOUNT			1
18	6706098	GUIDE			2
19	6702716	BLOCK			2
20	57D-6	NUT			1
21	6563914	WASHER			1
22	6577058	PIN			2
23	1CM-820	BOLT			8
24	17C-626	BOLT			4
25	6673789	BEARING			4
26	25E-17	WASHER			8
27	6729956	LEVER			2
28	619021	WASHER			4
29	6678067	BUSHING	torsion - 1.055" (26,8mm) O.D.		4
30	6731253	LINK			2
31	83D-6	NUT			4
32	6716117	LINK			2
33	6599744	BALL JOINT			4
34	8D-6	NUT			4
35	6706096	MOUNT			1
36	17C-620	BOLT			4
37	6649551	SHOCK			2
38	96D-6	NUT			4
39	17C-680	BOLT			1
40	6715164	SLEEVE			1
41	6715163	BUSHING			3
42	35C-624	BOLT			2
43	25E-24	WASHER	for AHC		1
44	6733022	BRACKET	R.H.		1
	6733024	BRACKET	L.H.		1
45	73G-824	BOLT			2

HYDROSTATIC MOTOR

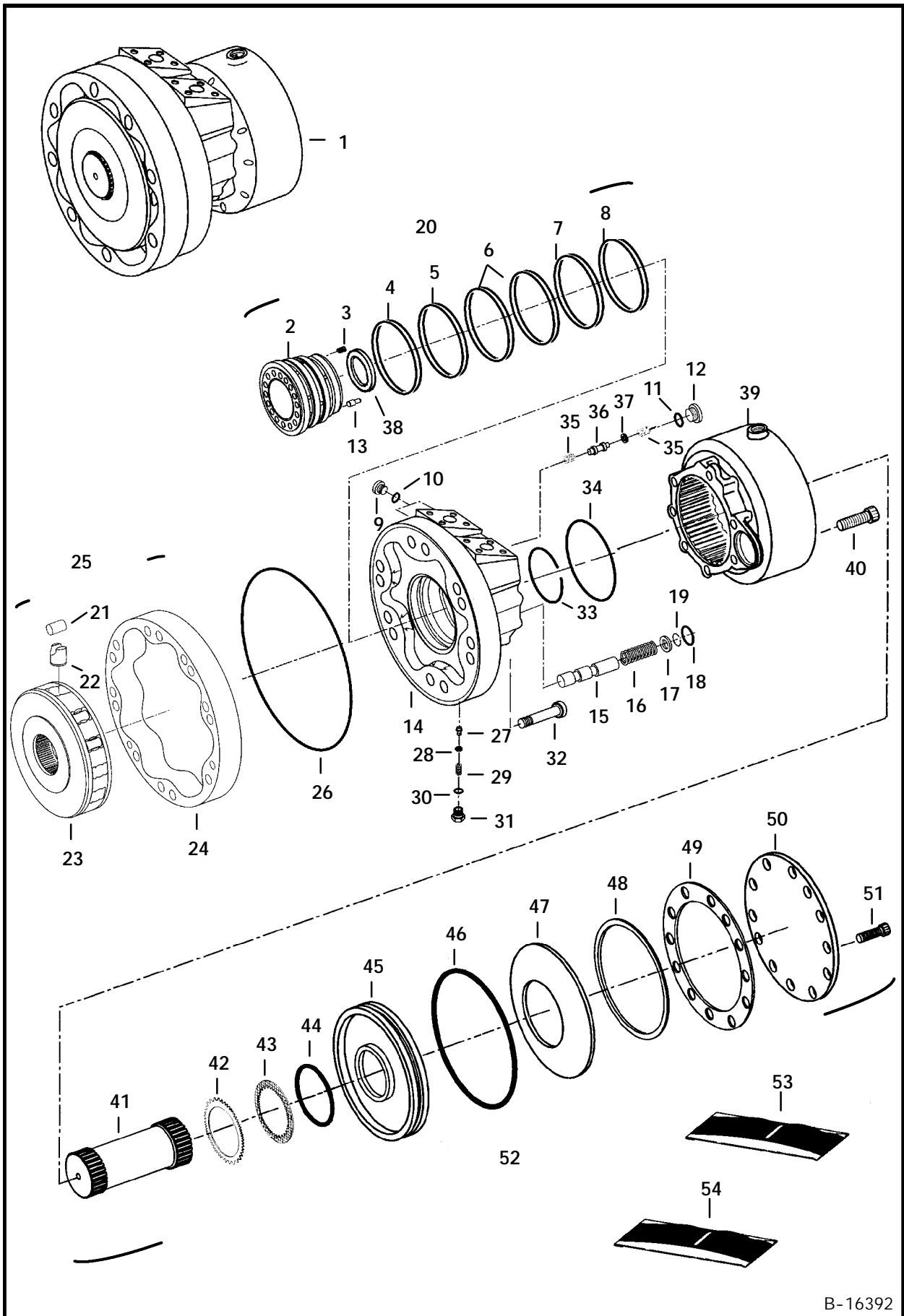


B-17125

HYDROSTATIC MOTOR (Cont'd)

Ref. No.	Part Number	Description	Remarks	Serial Number	Qty.
1	6672825	MOTOR	Ref. 2-28		1
2	6674037	SPRING			9
3	6674184	DISTRIBUTOR			1
4	6675868	POPPET			1
5	6674343	SHIM			1
6	6674344	SPRING			1
7	6674345	PLUG			1
8	6675227	SEAL	W/ O-ring		1
9	6675228	SEAL	W/ O-ring		2
10	6676022	SEAL	W/ O-ring		1
11	6674335	HOUSING ASSY	rear - Ref. 2-10, 14-18 & 20-22		1
12	6674341	HOUSING	rear		1
13	6674029	O-RING			1
14	6671845	PLUG	W/Ref. 15		1
15	6676023	O-RING			1
16	6674339	SPRING			2
17	6674337	SPOOL			1
18	6674338	WASHER			1
19	6675021	BOLT			2
20	6676024	PLUG	W/Ref. 21		1
21	6675869	O-RING			3
22	6674340	PIN	locating		1
23	6674390	ROTARY GROUP	Ref. 24-27		1
24	6675091	CAM			1
25	6674219	BLOCK			1
26	NSS	ROLLER	Order Ref. 23		8
27	NSS	PISTON	Order Ref. 23		8
28	6675020	BOLT			3
29	NSS	RING	keeper		8
30	6676021	SEAL KIT	Ref. 8-10, 13, 15 & 21		1

HYDROSTATIC MOTOR & BRAKE (2-Speed Option)

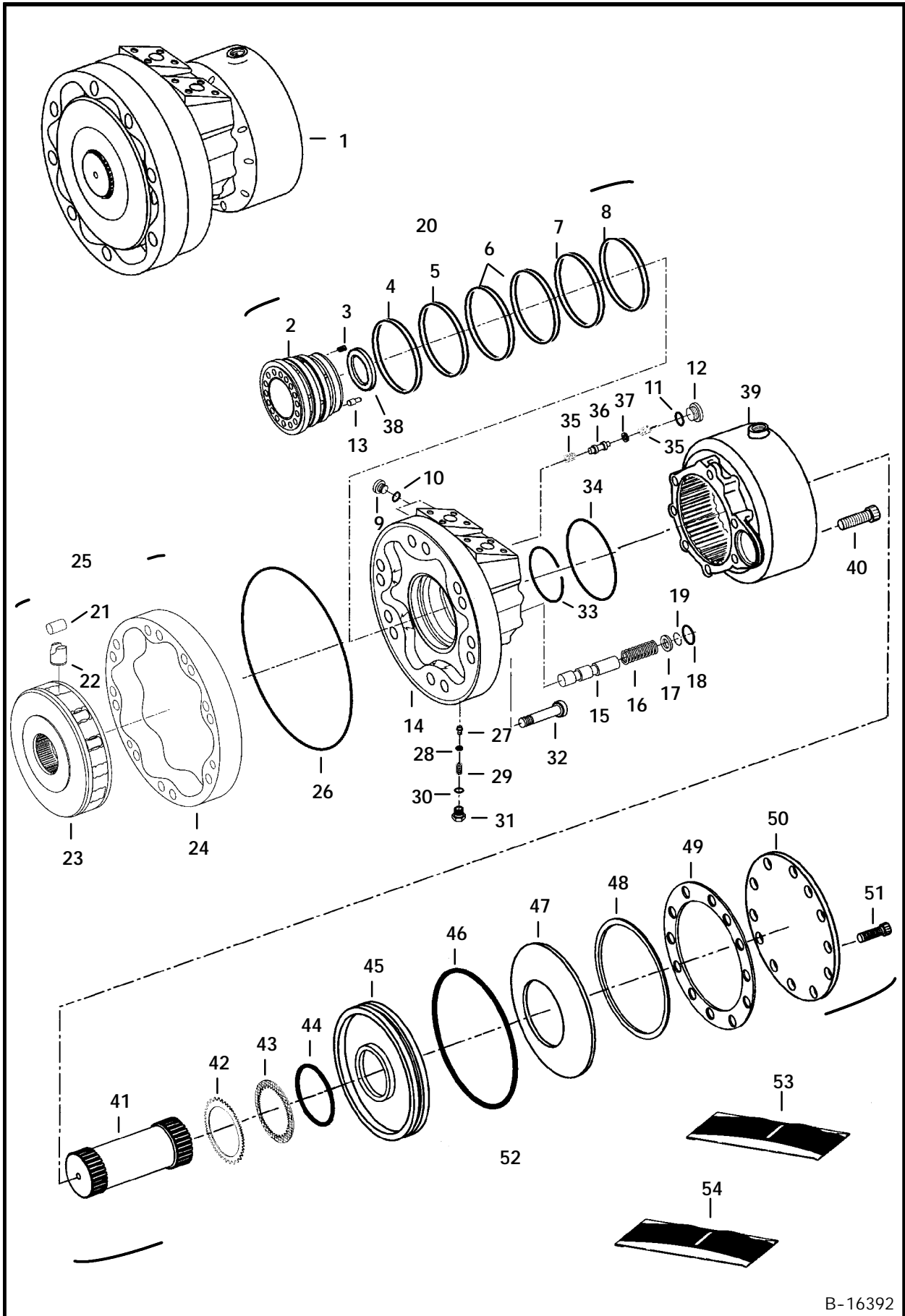


B-16392

HYDROSTATIC MOTOR & BRAKE (Cont'd)
(2-Speed Option)

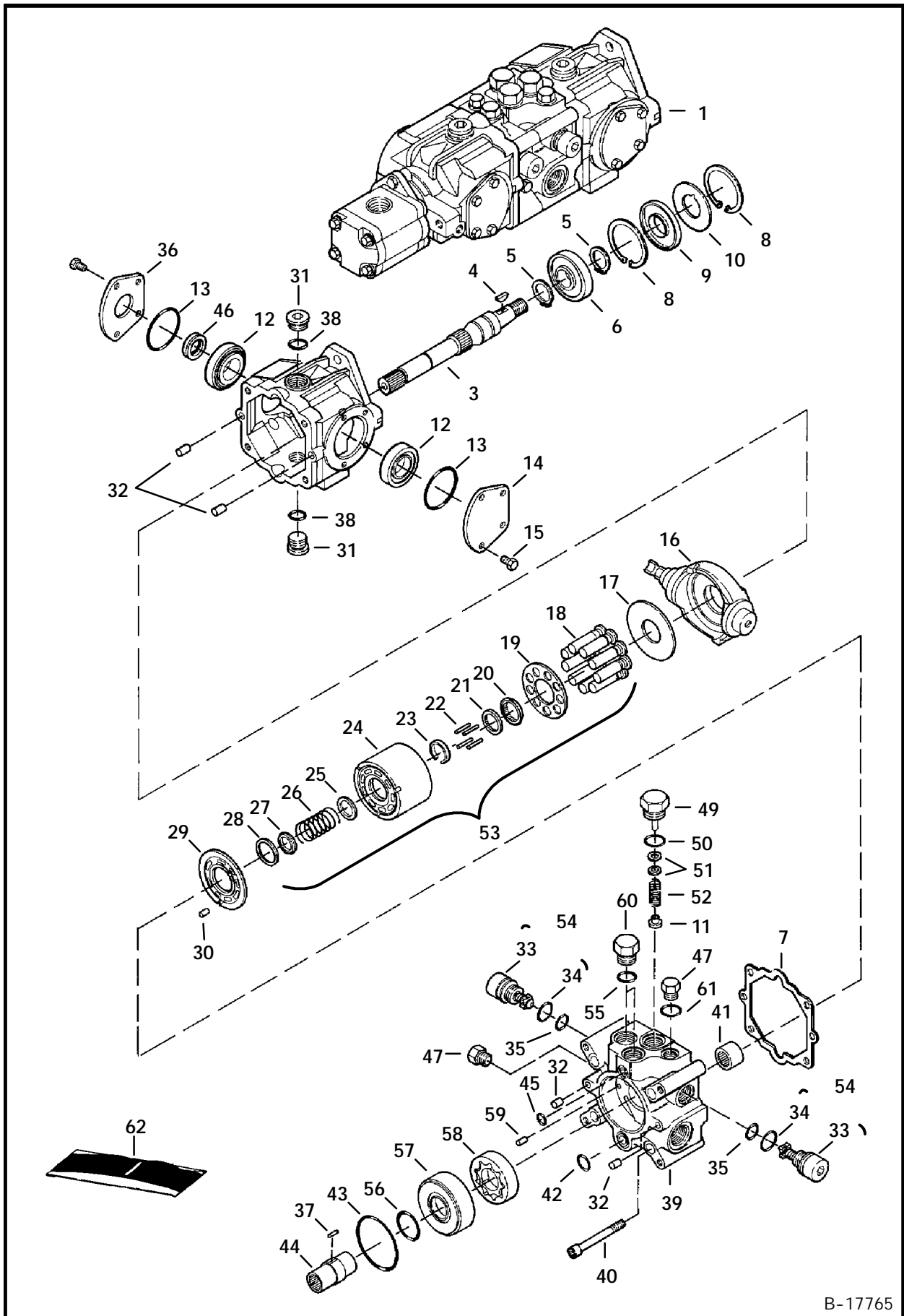
Ref. No.	Part Number	Description	Remarks	Serial Number	Qty.
1	6674738	MOTOR	5830-003-138 - Ref. 2-52		1
2	6675876	DISTRIBUTOR			1
3	6674037	SPRING			12
4	6675877	SEAL	W/ O-ring		1
5	6675878	SEAL	W/ O-ring		1
6	6675879	SEAL	W/ O-ring		2
7	6675880	SEAL	W/ O-ring		1
8	6675881	SEAL	W/ O-ring		1
9	90KV-3	PLUG	W/Ref. 10		2
10	95K-4	O-RING	W/Ref. 11		2
11	95K-6	O-RING			1
12	90KV-5	PLUG			1
13	6675189	PIN	rear		1
14	6675875	HOUSING			1
15	6675882	SPOOL			1
16	6676643	SPRING	red		1
	6676644	SPRING	yellow		1
	6676645	SPRING	green		1
17	6676646	SPRING	blue		1
	NAP	WASHER	2,14mm - for red spring - Order Ref. 53		1
	NAP	WASHER	2,38mm - for yellow spring - Order Ref. 53		1
	NAP	WASHER	2,62mm - for green spring - Order Ref. 53		1
	NAP	WASHER	2,86mm - for blue spring - Order Ref. 53		1
18	6675886	QUAD RING	assy. - Ref. 2-19		1
19	6675885	SNAP RING			1
20	6675861	REAR HOUSING			1
21	NSS	ROLLER	Order Ref. 25		8
22	NSS	PISTON	Order Ref. 25		8
23	NSS	BLOCK	Order Ref. 25		1
24	6675874	CAM	Ref. 21-24		1
25	6675860	ROTARY GROUP			1
26	6675864	QUAD RING			1
27	6675868	POPPET	1,5mm orifice		1
28	6674343	SHIM	0,6mm		1
29	6674344	SPRING	1		
30	6675869	O-RING	holds rotary group to the brake		1
31	6674345	PLUG			1
32	6675021	BOLT			2
33	6675865	SNAP RING			1
34	6675863	QUAD RING			1
35	6674841	SPRING			2
36	6675866	SPOOL			1
37	6675867	WASHER			1
38	6675898	BUSHING			1
39	6675887	HOUSING			1
40	6675896	BOLT			8
41	6675888	SHAFT			1

HYDROSTATIC MOTOR & BRAKE (Cont'd)
(2-Speed Option)



B-16392

HYDROSTATIC PUMP (Left Half)

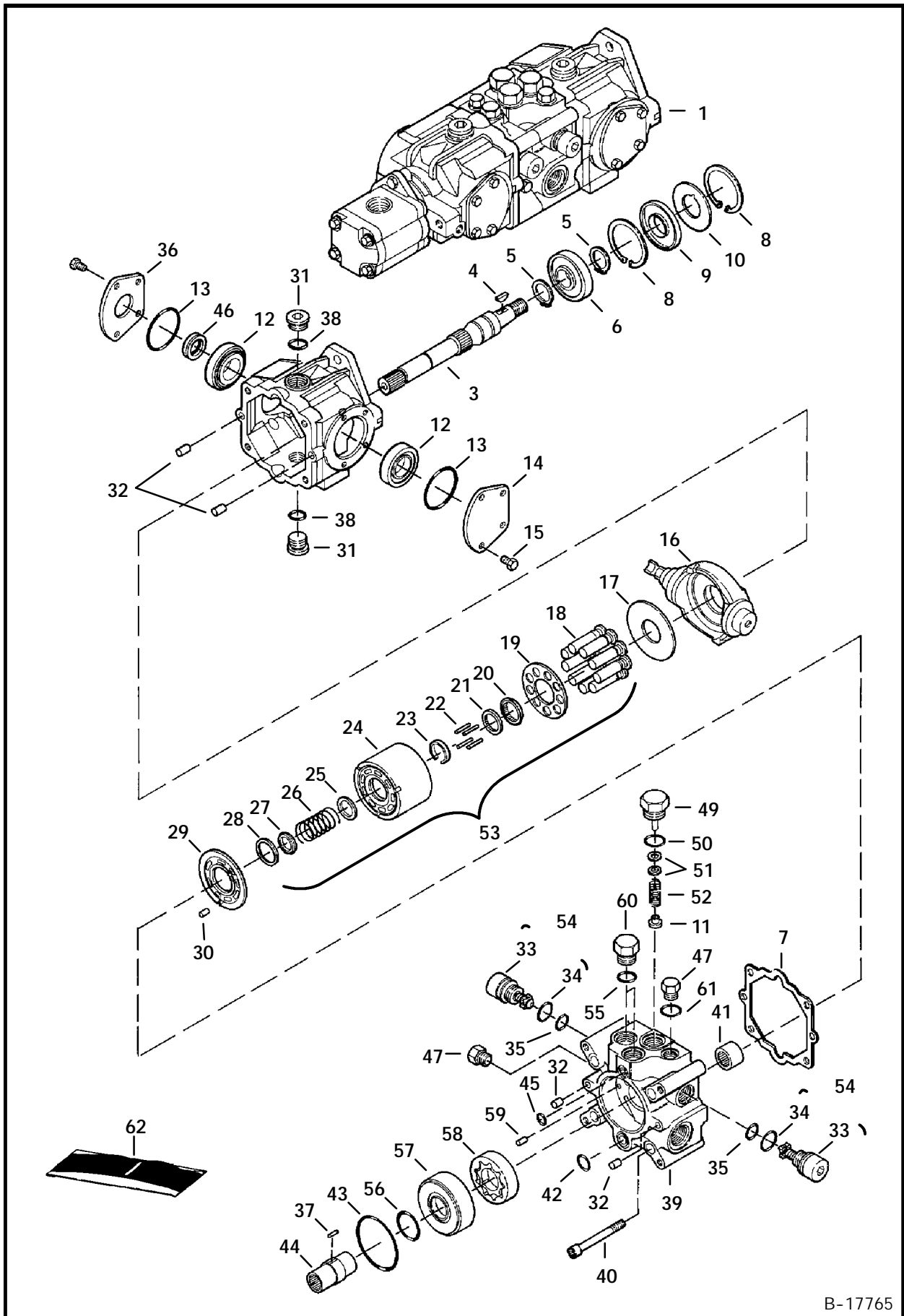


B-17765

HYDROSTATIC PUMP (Cont'd)
(Left Half)

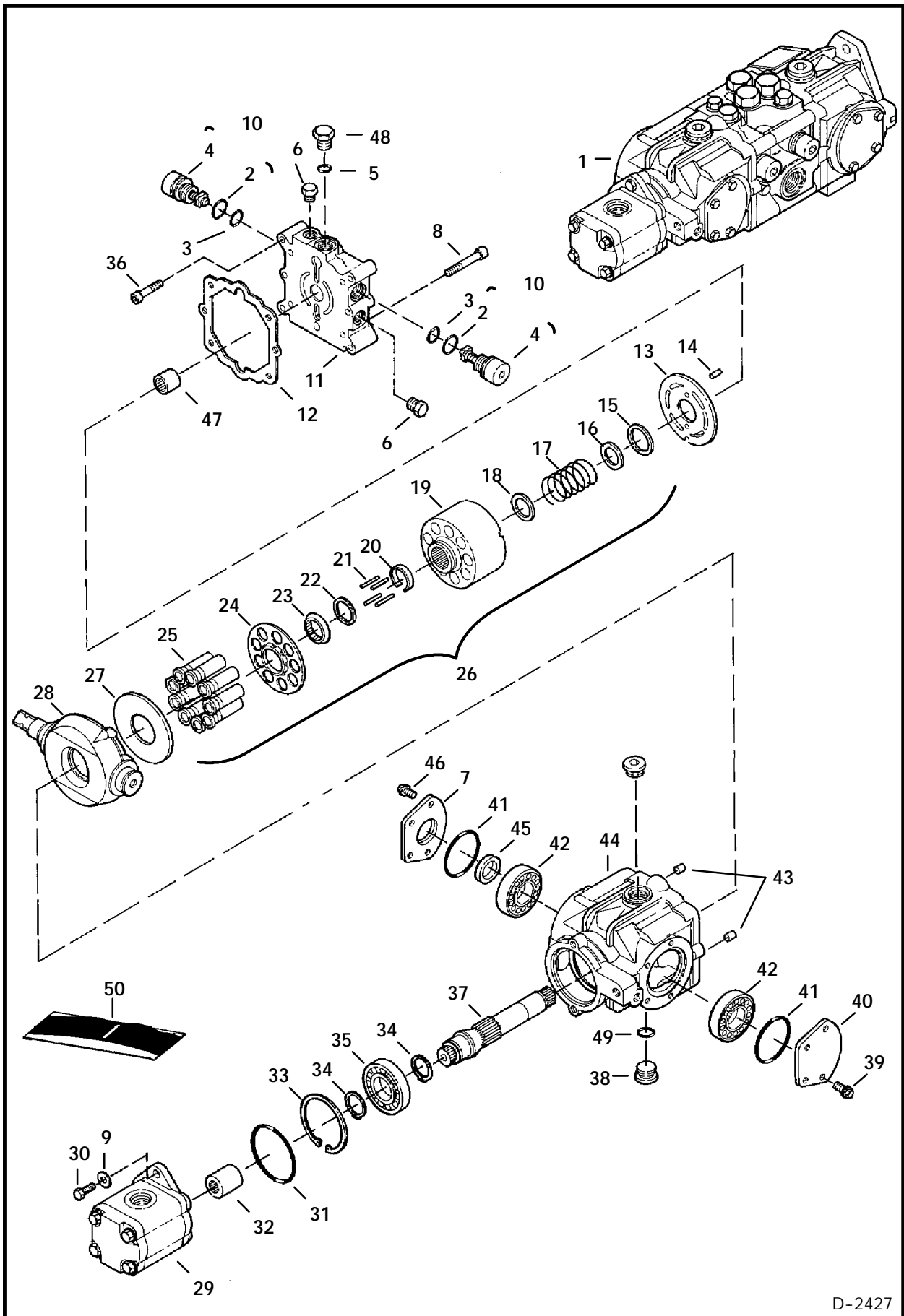
Ref. No.	Part Number	Description	Remarks	Serial Number	Qty.
1	6677649	PUMP	complete W/ gear pump - model 4445098 - standard flow complete W/ gear pump - model 4445119 - high flow		1
	6679131	PUMP			
2	6669402	HOUSING			1
3	6669408	SHAFT			
4	6J-807	KEY			
5	658128	SNAP RING			2
6	654299	BEARING			
7	6650634	GASKET			
8	669863	SNAP RING			2
9	6645090	SEAL			
10	6669409	WASHER			
11	6650652	POPPET	charge relief		1
12	6669411	BEARING			
13	6660814	O-RING			
14	6657068	PLATE			2
15	6650668	BOLT			
16	6671513	SWASH PLATE			
17	6650627	WEAR PLATE	Order Ref. 53		1
18	NAP	PISTON ASSY.			
19	NAP	RETAINER			
20	NAP	RETAINER	Order Ref. 53 guide - Order Ref. 53		1
21	6666338	WASHER			
22	6650629	PIN			
23	6650630	RETAINER	Order Ref. 53		1
24	NAP	BLOCK			
25	NAP	WASHER			
26	NAP	SPRING	Order Ref. 53		1
27	NAP	WASHER			
28	NAP	WASHER			
29	6676147	VALVE PLATE	Order Ref. 53		1
30	6650636	PIN			
31	47K-8	PLUG			
32	6675342	PIN	W/Ref. 38		2
33	NAP	PLUG			
34	6657028	O-RING			
35	79K-8	O-RING	Order Ref. 54		4
36	6657067	COVER			
37	6673885	PIN			
38	79K-12	O-RING			2
39	6673878	END PLATE			
40	6673886	BOLT			
41	6650635	BEARING			4
42	6650647	O-RING			
43	6673884	O-RING			
44	6673877	COUPLER			1
45	6650646	O-RING			
46	6678226	SEAL			
47	6645086	PLUG	W/Ref. 61		2
48	6671518	BOLT			

HYDROSTATIC PUMP (Cont'd) (Left Half)



B-17765

HYDROSTATIC PUMP (Right Half)

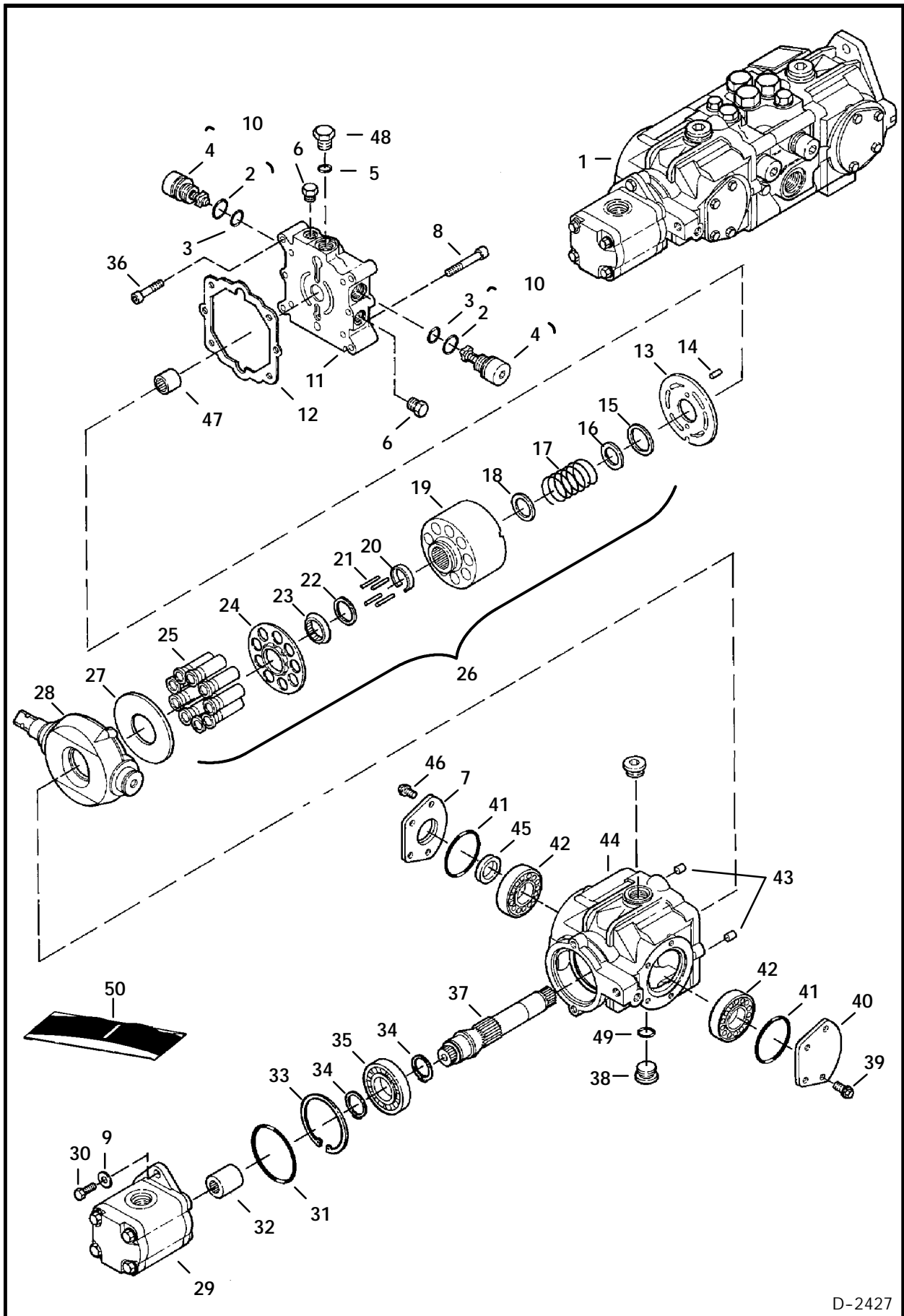


D-2427

HYDROSTATIC PUMP (Cont'd)
(Right Half)

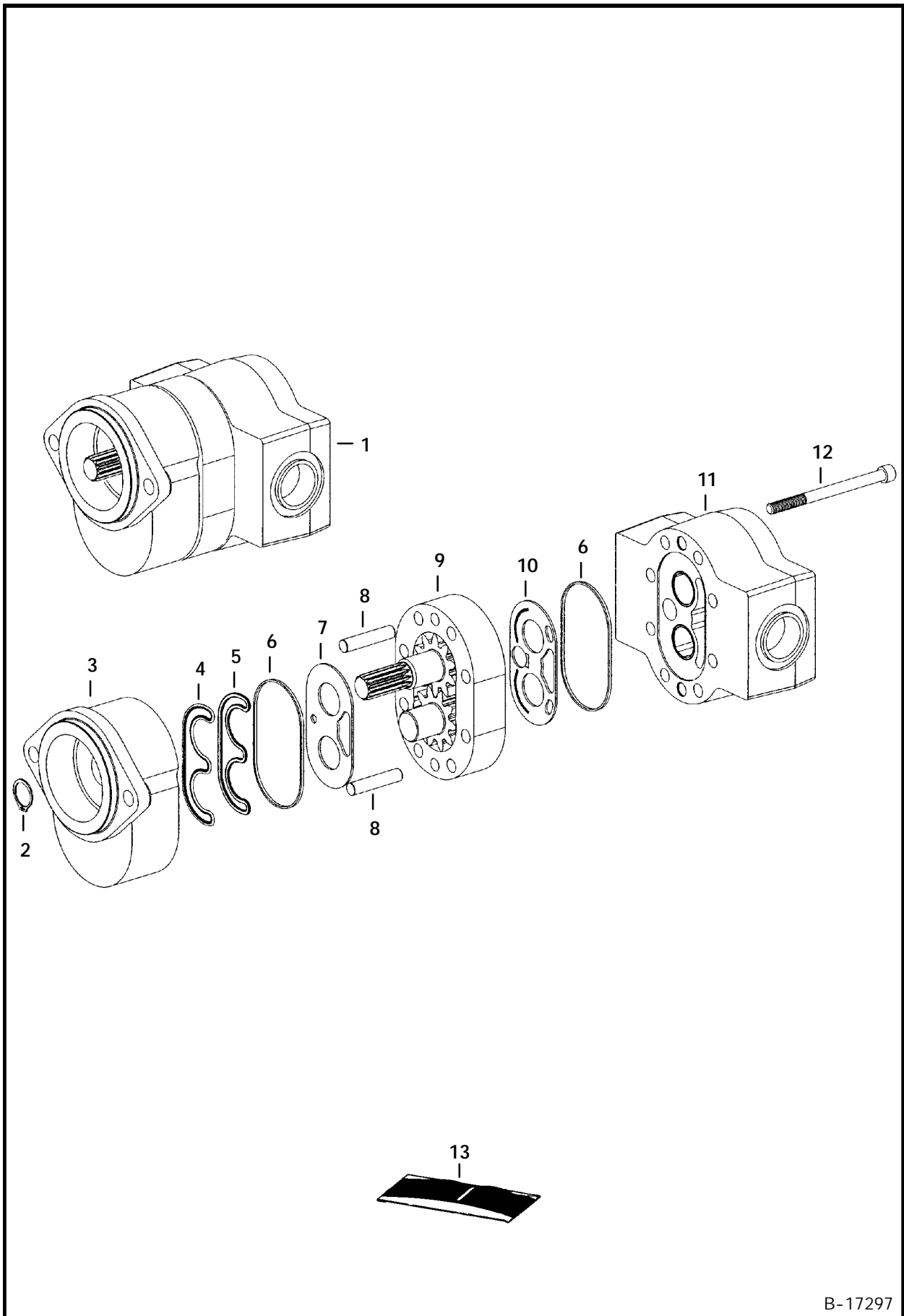
Ref. No.	Part Number	Description	Remarks	Serial Number	Qty.
1	6677649	PUMP	complete W/ gear pump - model 4445098 - standard flow complete W/ gear pump - model 4445119 - high flow		1
	6679131	PUMP			
2	6657028	O-RING			1
3	79K-8	O-RING			2
4	NAP	PLUG			Order Ref. 10
5	79K-14	O-RING			2
6	6645086	PLUG			4
7	6657067	COVER			1
8	6650674	BOLT			2
9	6518483	WASHER			2
10	6670685	RELIEF VALVE	5000 PSI (345 bar)		2
11	6669405	END CAP			1
12	6650634	GASKET			1
13	6676148	VALVE PLATE			1
14	6650636	PIN			2
15	NAP	RETAINER	Order Ref. 26		1
16	NAP	WASHER	Order Ref. 26		1
17	NAP	SPRING	Order Ref. 26		1
18	NAP	WASHER	Order Ref. 26		1
19	NAP	BLOCK	Order Ref. 26		1
20	6650630	RETAINER			1
21	6650629	PIN			4
22	6666338	WASHER			1
23	NAP	RETAINER	Order Ref. 26		1
24	NAP	RETAINER	Order Ref. 26		1
25	NAP	PISTON ASSY.	Order Ref. 26		1
26	6675341	BLOCK ASSY.	Ref. 15-25		1
27	6650627	PLATE			1
28	6671513	SWASH PLATE	standard flow - See Page 165 high flow - See Page 69		1
29		GEAR PUMP			1
		GEAR PUMP			1
30	17C-620	BOLT			2
31	6645080	O-RING			1
32	6676146	COUPLING			1
33	669863	SNAP RING			1
34	658128	SNAP RING			2
35	654299	BEARING			1
36	6652018	BOLT			4
37	6669407	SHAFT			1
38	47K-8	PLUG	W/Ref. 49		1
39	6650668	BOLT			4
40	6657068	PLATE			1
41	6660814	O-RING			2
42	6669411	BEARING			2
43	6675342	PIN			2
44	6669403	HOUSING			1
45	6678226	SEAL			1
46	1CM-820	BOLT			4
47	6650635	BEARING			1

HYDROSTATIC PUMP (Cont'd) (Right Half)



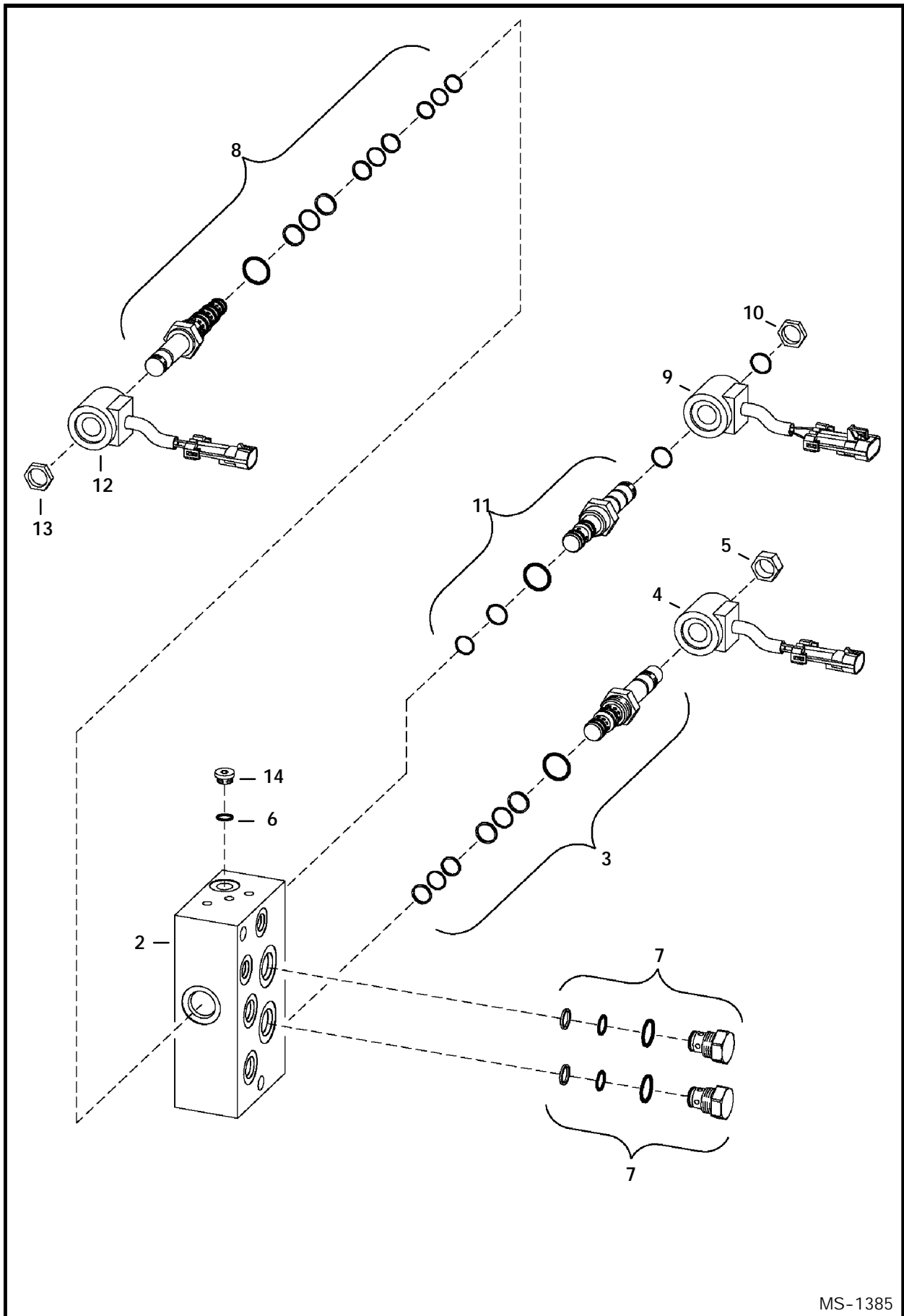
D-2427

GEAR PUMP



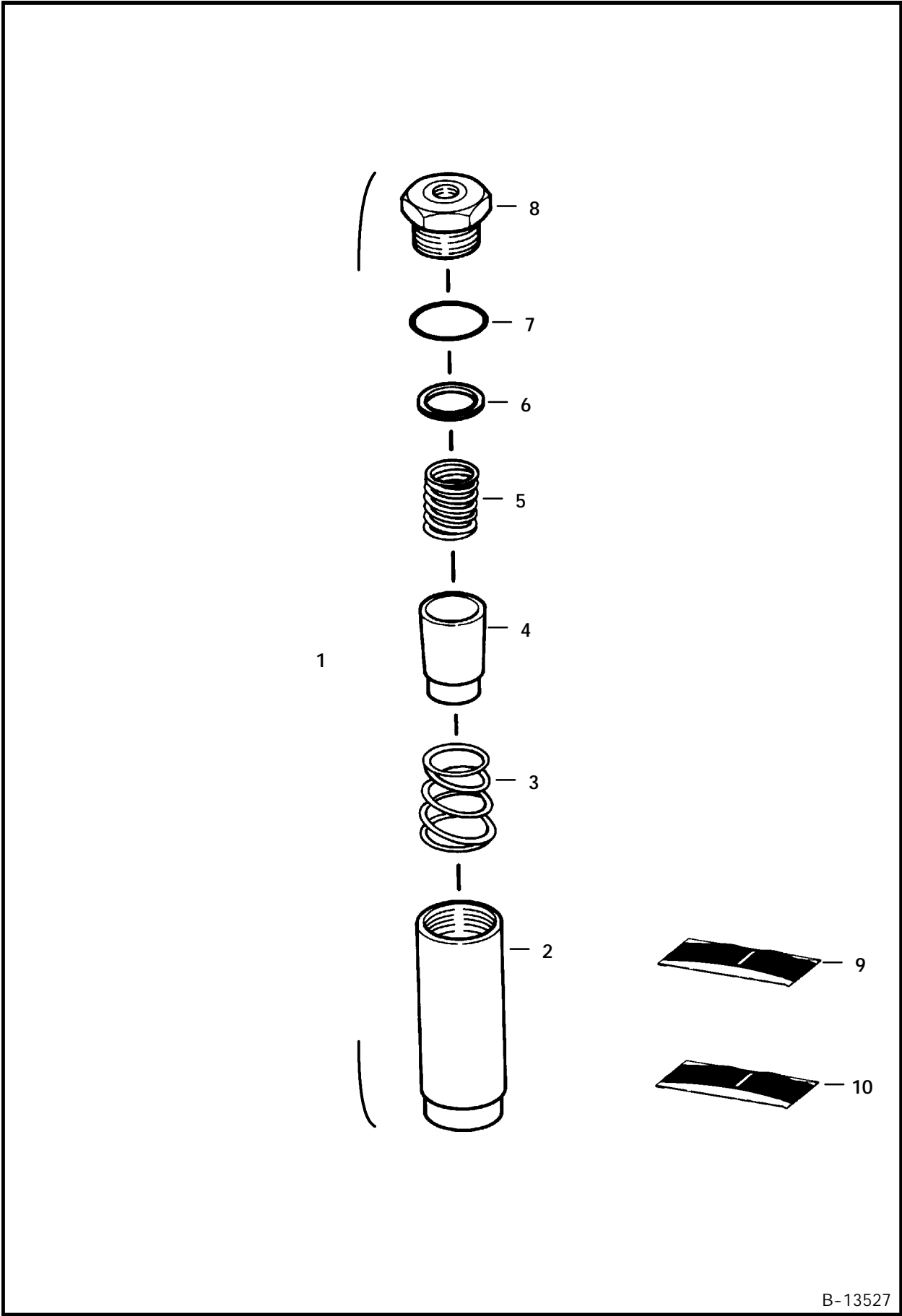
B-17297

2-SPEED VALVE



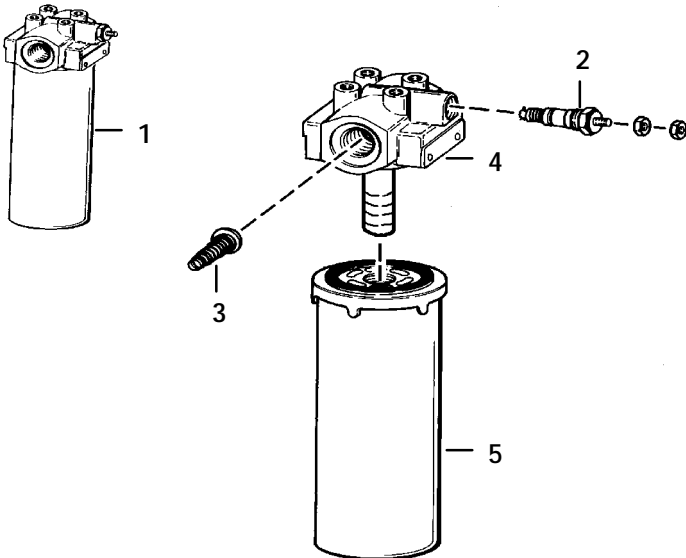
MS-1385

HYDROSTATIC OIL FILTER
(In-Line)



B-13527

HYDROSTATIC OIL FILTER



C-2818

S250/S300 CONTENTS

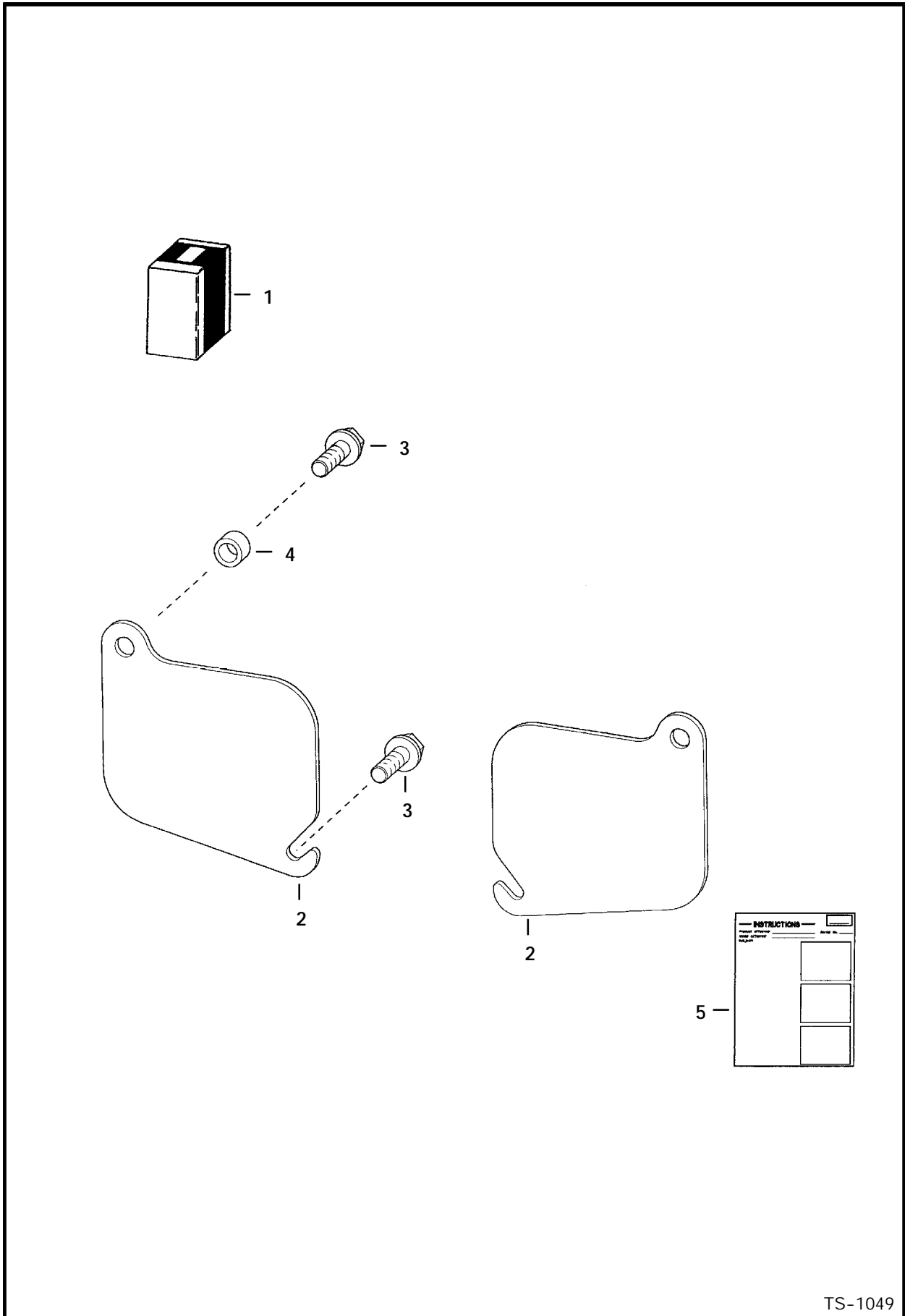
MAIN FRAME	11-32
MAIN FRAME	11
OPERATOR CAB	13-18
SEAT & SEAT BAR	19
SEAT	21
REAR DOOR	23
LIFT ARMS & BOBTACH	25
BOB-TACH	27
PANELS	29
FUEL SYSTEM	31
DRIVE TRAIN	33-40
DRIVE TRAIN	33
MOTOR CARRIER	35
DISC BRAKE	37
AXLE	39
HYDRAULIC SYSTEM	41-66
HYDRAULIC CIRCUITRY	41
LIFT & TILT CONTROL CIRCUITRY	43
AUXILIARY HYDRAULICS	45
TILT CYLINDER	47
LIFT CYLINDER	49
MANUAL LIFT RELEASE VALVE	51
CONTROL PEDALS	53
HYDRAULIC CONTROL VALVE	55
BICS CONTROL VALVE	59
HYDRAULIC CONTROL VALVE	61
BUCKET POSITIONING VALVE	65
HIGH HORSEPOWER HYDRAULICS	67-72
HIGH HORSEPOWER HYDRAULICS	67
HIGH FLOW HYDRAULICS	71
HYDROSTATIC SYSTEM	73-104
HYDROSTATIC CIRCUITRY	73
HAND CONTROLS	81
HYDROSTATIC MOTOR	83
HYDROSTATIC MOTOR & BRAKE	85
HYDROSTATIC PUMP	89-96
GEAR PUMP	97
2-SPEED VALVE	99
HYDROSTATIC OIL FILTER	101-104
ELECTRICAL SYSTEM	105-124
CAB ELECTRICAL CIRCUITRY	105
ENGINE ELECTRICAL	107
CONTROLS ELECTRICAL	111-120
ALTERNATOR	121
STARTER	123
POWER UNIT	125-156
COOLING SYSTEM	125-128
ENGINE & ATTACHING PARTS	129-136
COOLING FAN DRIVE ASSY.	137
ENGINE & GASKET KITS	139
FUEL INJECTION SYSTEM	161-164
FUEL INJECTION PUMP	165
GOVERNOR	167
AIR CLEANER	171

S250/S300 CONTENTS (Cont'd)

ACCESSORIES & OPTIONS

ACCESS COVER	175
ACS CONVERSION KIT	177
BACK-UP ALARM KIT	179
BEACON	181
BLOCK HEATER	183
BUCKET POSITIONING KIT	185
CAB DOOR	187-198
CAB ENCLOSURE	199-202
CAB WINDOWS	203-206
COUNTERWEIGHT KIT	207
ELECTRICAL CONNECTOR KIT	209
ELECTRICAL CONTROLS KIT	211-214
FIRE EXTINGUISHER	215
FLASHER LIGHTS	217
F.O.P.S. KIT	219
FRONT AUXILIARY	221
HEATER & A/C	223-240
HORN KIT	241
LIFT KIT	243
LIGHT KIT	245
POWER BOB-TACH KIT	247
POWER BOB-TACH CYLINDER	249
POWER BOB-TACH	251
REAR AUXILIARY HYDRAULICS	253
REAR AUXILIARY VALVE	255
REAR DOOR LOCK	257
REAR WIPER	259
SEAT	261
SEAT BELT	265-270
STROBE LIGHT	271
TIRES & RIMS	273
BULK ITEMS	275
NUMERICAL INDEX	277

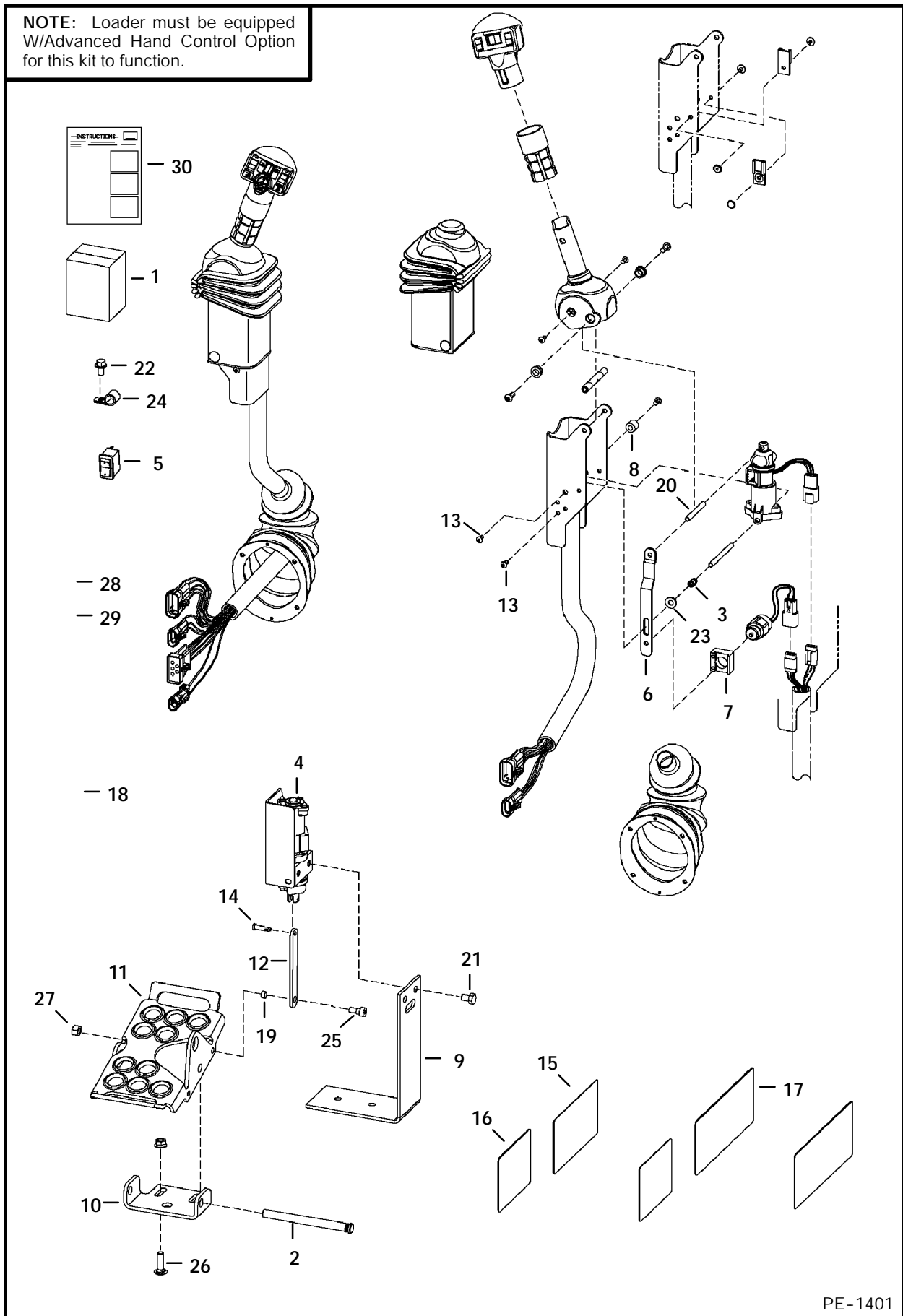
ACCESS COVER
(Cleanout - Lower Front of Chaincase)



TS-1049

ACS CONVERSION KIT

NOTE: Loader must be equipped W/Advanced Hand Control Option for this kit to function.

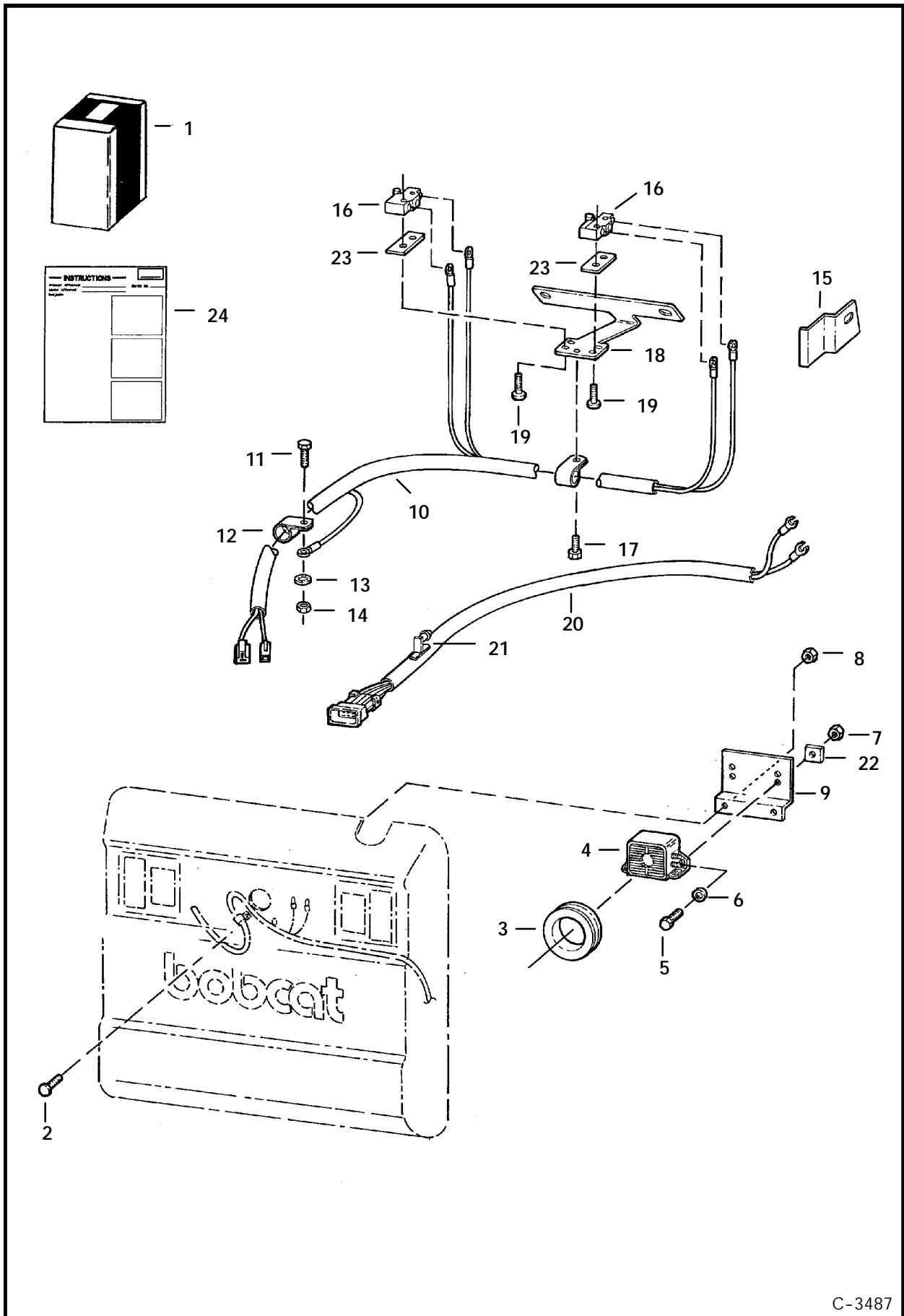


PE-1401

ACS CONVERSION KIT (Cont'd)

Ref. No.	Part Number	Description	Remarks	Serial Number	Qty.
1	6731151	KIT	foot control - SEE NOTE		1
2	6564657	PIN			2
3	6675745	SPRING			2
4	6676493	SENSOR	foot pedal - R.H.		1
	6676029	SOLENOID			1
	6676492	SENSOR	foot pedal - L.H.		1
	6676029	SOLENOID			1
5	6676537	SWITCH			2
6	6719715	STRAP			2
7	6719716	MOUNT	solenoid		2
8	6719835	SLEEVE			2
9	6726573	BRACKET			2
10	6726679	BRACKET	pedal		2
11	6726680	PEDAL			2
12	6726681	LINK			2
13	6727065	BOLT			12
14	6727496	PIN			2
15	6727926	DECAL	operations - 773G, 863G, 873G,		
			883, 963G		1
	6728045	DECAL	operations - T190, T200		1
16	6727941	DECAL	ACS operations		1
17	6728539	DECAL	warning - 773G, 863G, 873G,		
			883, 963G		1
	6728540	DECAL	warning - T190, T200		1
18	6624289	TIE			2
19	6729467	SPACER			2
20	6729600	SPACER	threaded		2
21	17C-608	BOLT			4
22	84G-3710	BOLT			2
23	25E-13	WASHER			2
24	30H-62	CLAMP			2
25	17C-514	BOLT			2
26	37C-620	BOLT			4
27	95D-5	NUT			2
28	6901492	INSTRUCTIONS			1

BACK-UP ALARM KIT

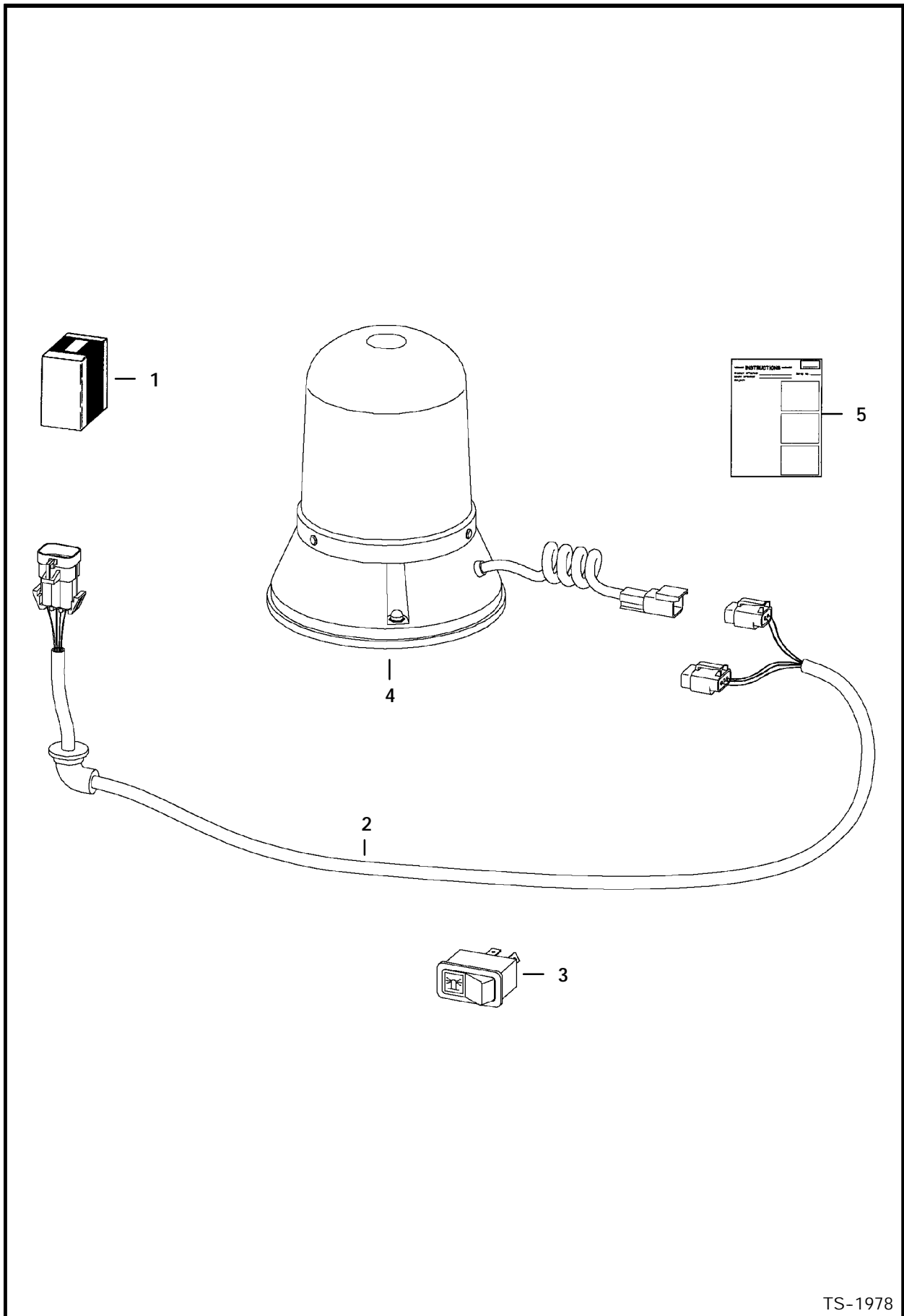


C-3487

BACK-UP ALARM KIT (Cont'd)

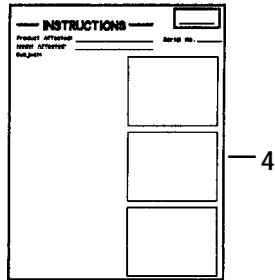
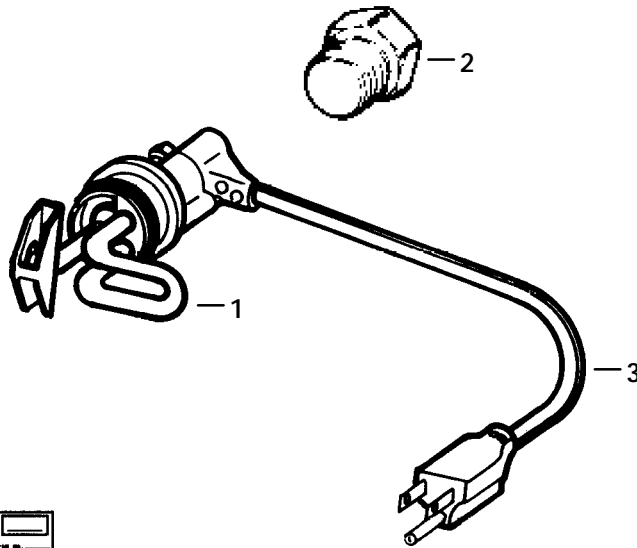
Ref. No.	Part Number	Description	Remarks	Serial Number	Qty.
1	6734103	KIT	back-up alarm - Ref. 2-24		1
2	37C-512	BOLT			2
3	6577545	GROMMET			1
4	6599931	ALARM	back-up		1
	6668879	DECAL			1
5	17C-410	BOLT			2
6	25E-13	WASHER			2
7	61D-5	NUT			2
8	83D-4	NUT			2
9	6733970	MOUNT			1
10	6718820	HARNESS			1
11	17C-412	BOLT	not in kit		1
12	30H-19	CLIP	insulated		2
13	6E-4	WASHER	not in kit		1
14	61D-4	NUT	not in kit		1
15	6713793	BRACKET	switch		2
16	6646781	SWITCH	alarm		2
17	84G-3112	BOLT			1
18	6713792	MOUNT	switch		1
19	59G-616	BOLT			4
20	6715659	HARNESS	used on machines W/O rear lights		
			- W/Ref. 21		1
21	6672492	RETAINER			1
22	774220	NUT			2
23	6702593	SPACER			2
24	6900857	INSTRUCTIONS			1

BEACON



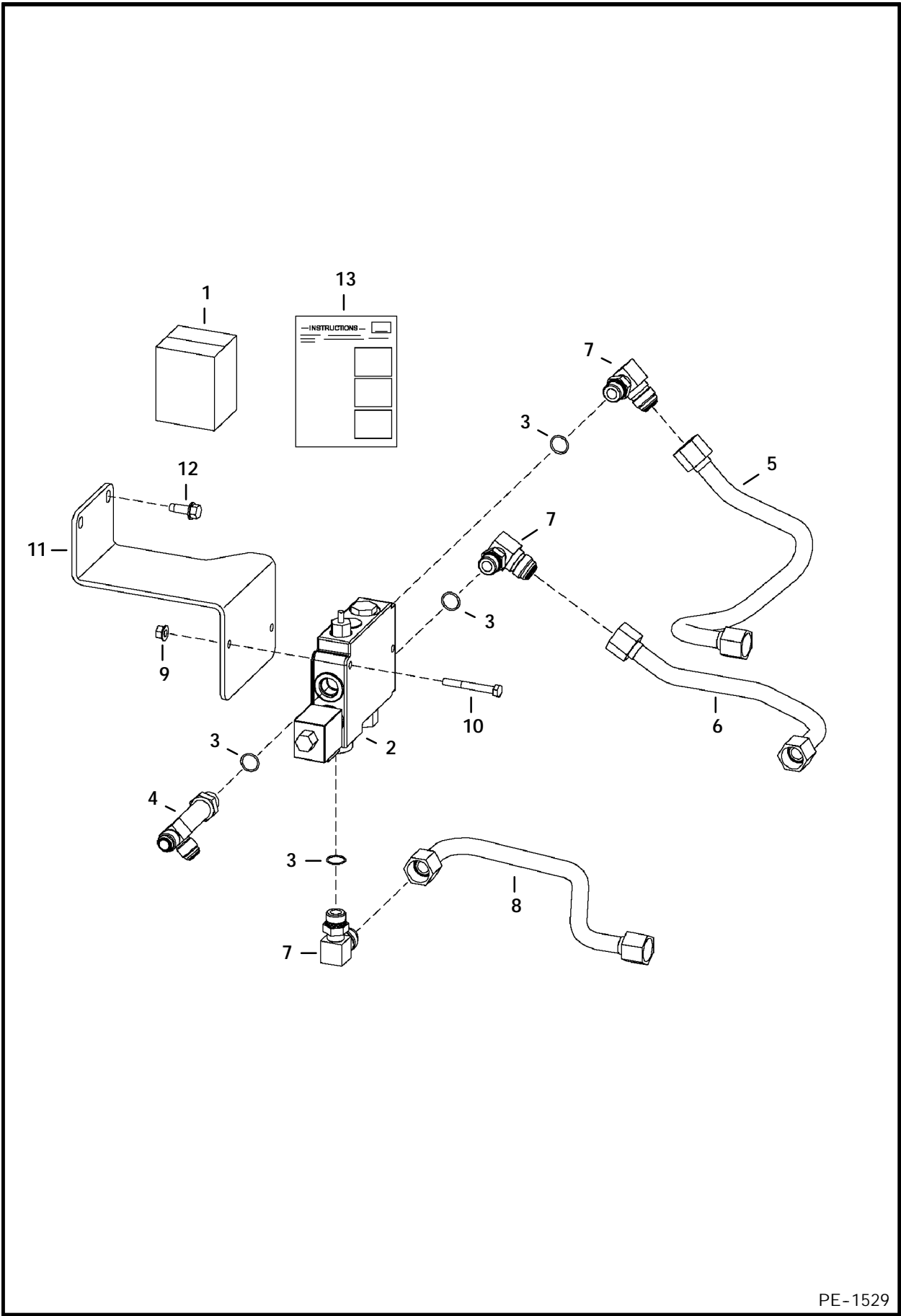
TS-1978

BLOCK HEATER (Engine)



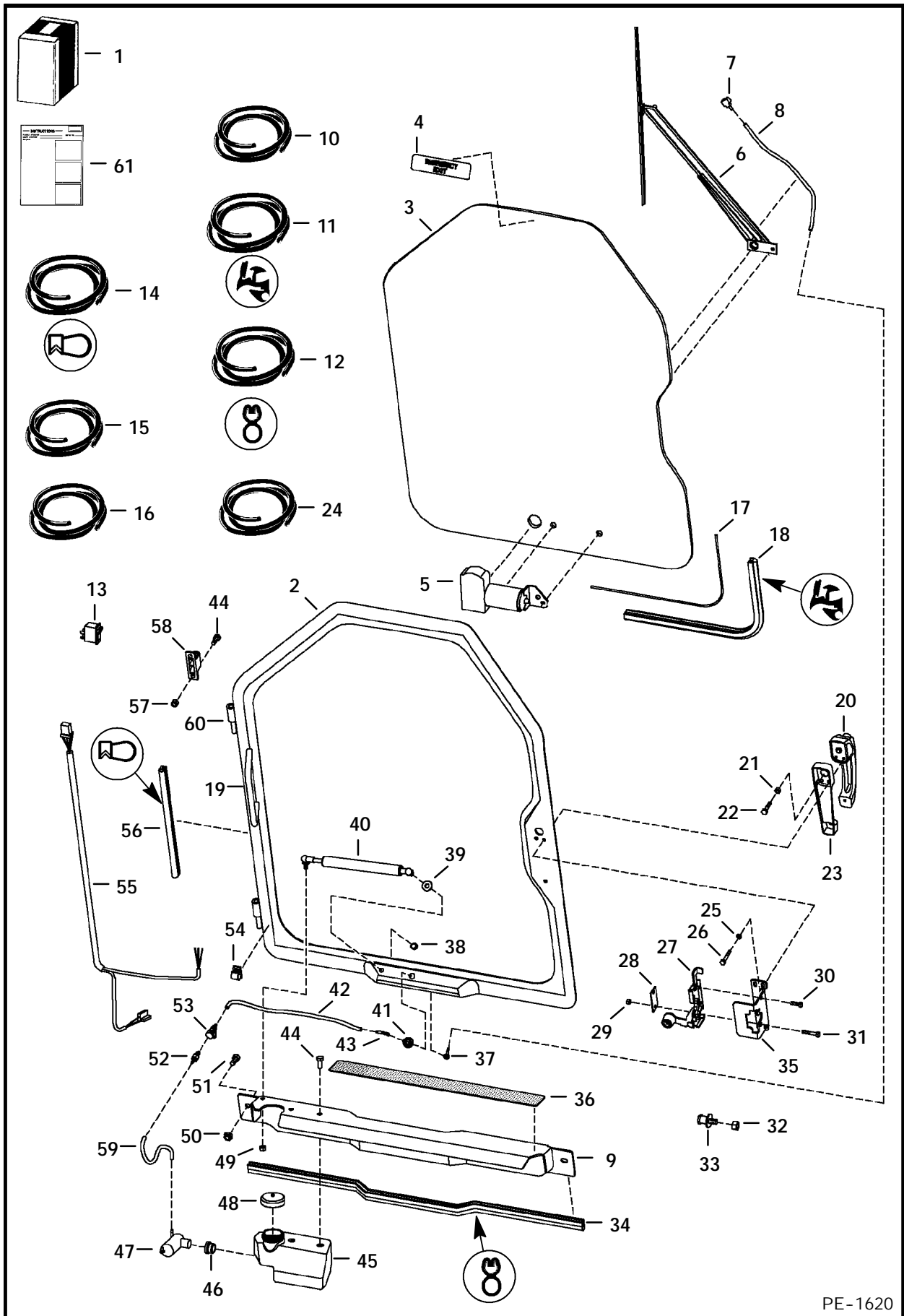
B-17120

BUCKET POSITIONING KIT



PE-1529

CAB DOOR

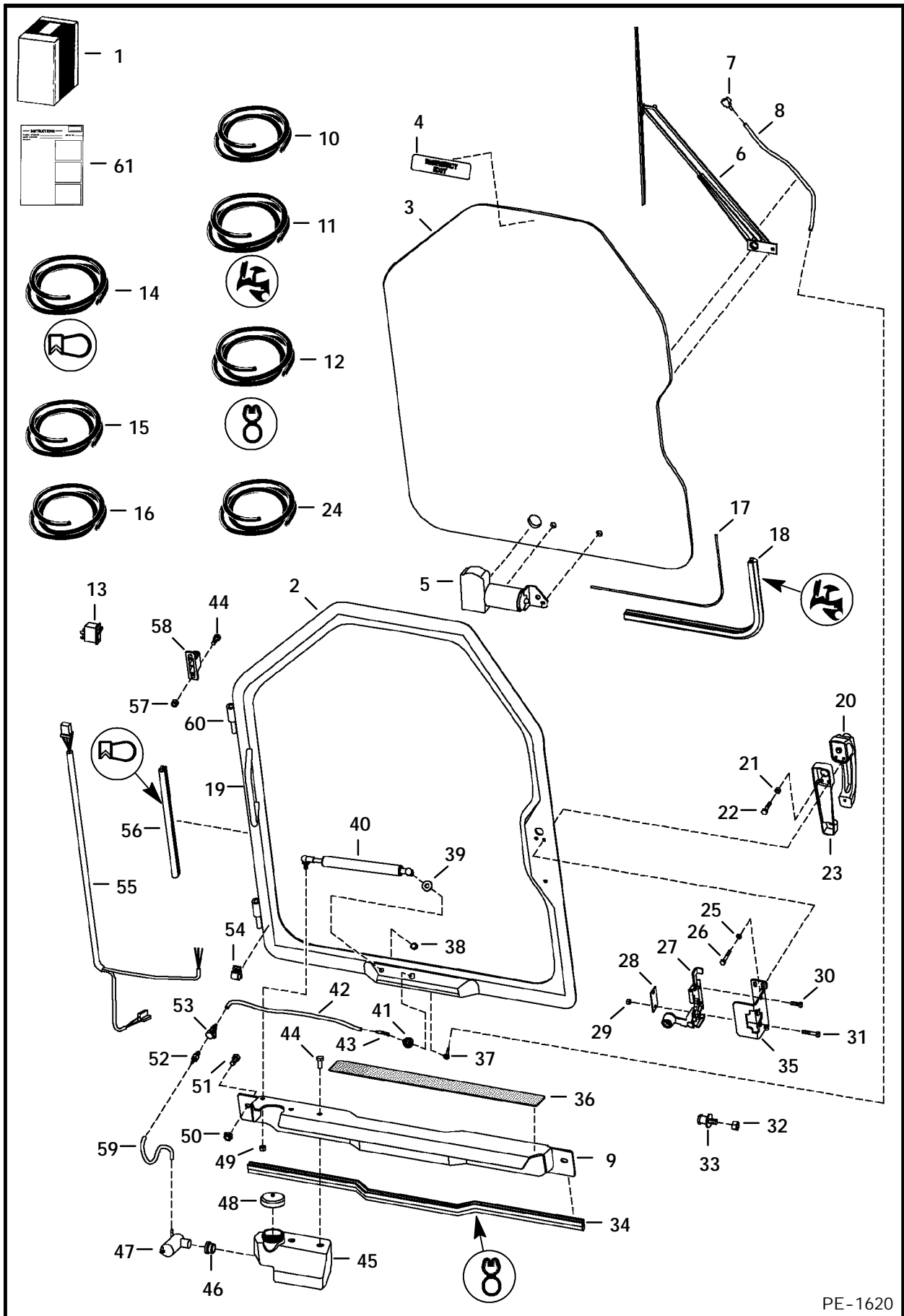


PE-1620

CAB DOOR (Cont'd)

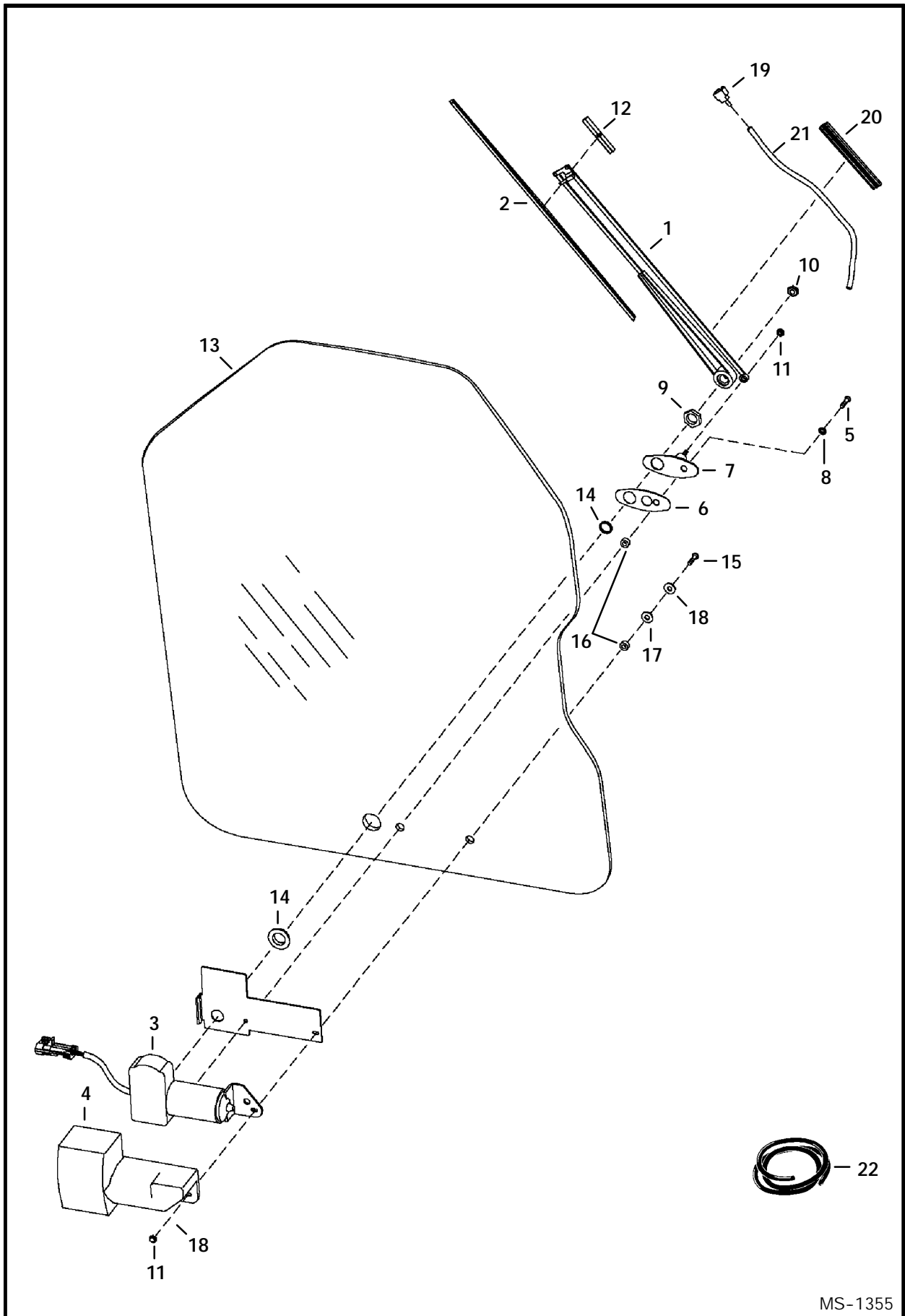
Ref. No.	Part Number	Description	Remarks	Serial Number	Qty.
1	6730822	KIT	door		1
2	6726435	DOOR	W/Ref. 60 & 19		1
3		WINDOW	.25" thick glass - See Page 191		1
4	6707852	DECAL	exit		1
5		MOTOR	See Page 191		1
6		ARM ASSY	See Page 191		1
7		NOZZLE	wiper arm mounted - See Page 191		1
8		HOSE	See Page 191		1
9	6730816	SHIELD			1
10	6676918	HOSE	50' (15.24meter) long roll - .125" I.D. - black		1
11	6665568	SEAL	bulk - Sold Per Foot		x
12	6513152	SEAL	bulk - Sold Per Foot		x
13	6665707	SWITCH	front wiper		1
14	6675558	SEAL	bulk - Sold Per Foot		1
15	6554149	CORD	bulk - Sold Per Foot		x
16	6676003	HOSE	bulk - Sold Per Foot - .109" I.D. - black		x
17	NAP	CORD	window - 113" (2878mm) - Order Ref. 15		1
18	NAP	SEAL	window - 113" (2878mm) - Order Ref. 11		1
19	6718521	HANDLE	grab		1
20	6674667	HANDLE			1
21	6709527	KEY	ignition/rear door		1
22	61D-4	NUT			1
23	17C-420	BOLT			1
24	6717146	SPACER	handle		1
25	6708310	HOSE	bulk - Sold Per Foot - .149 I.D. - clear		x
26	6EM-60	WASHER			3
27	1CM-640	BOLT			3
28	6674666	LATCH			1
29	6718520	COVER	latch		1
30	4DM-6	NUT			2
31	1CM-620	BOLT			2
32	1CM-635	BOLT			2
33	91D-7	NUT			1
34	6677194	BOLT	striker		1
35	NAP	SEAL	threshold - 36" (914mm) - Order Ref. 12		1
36	6717369	BRACKET	latch		1
37	6542731	SAFETY TREAD			1
38	6676500	ELBOW			1
39	46D-5	NUT	acorn		1
40	25E-16	WASHER			1
41	6674938	GAS SPRING			1
42	6678548	SOCKET	ball		2
43	6649245	RETAINER	spring		2
44	6676499	GROMMET	wiper		1
45	NAP	HOSE	18.25" (464mm) - Order Ref. 16		1

CAB DOOR (Cont'd)



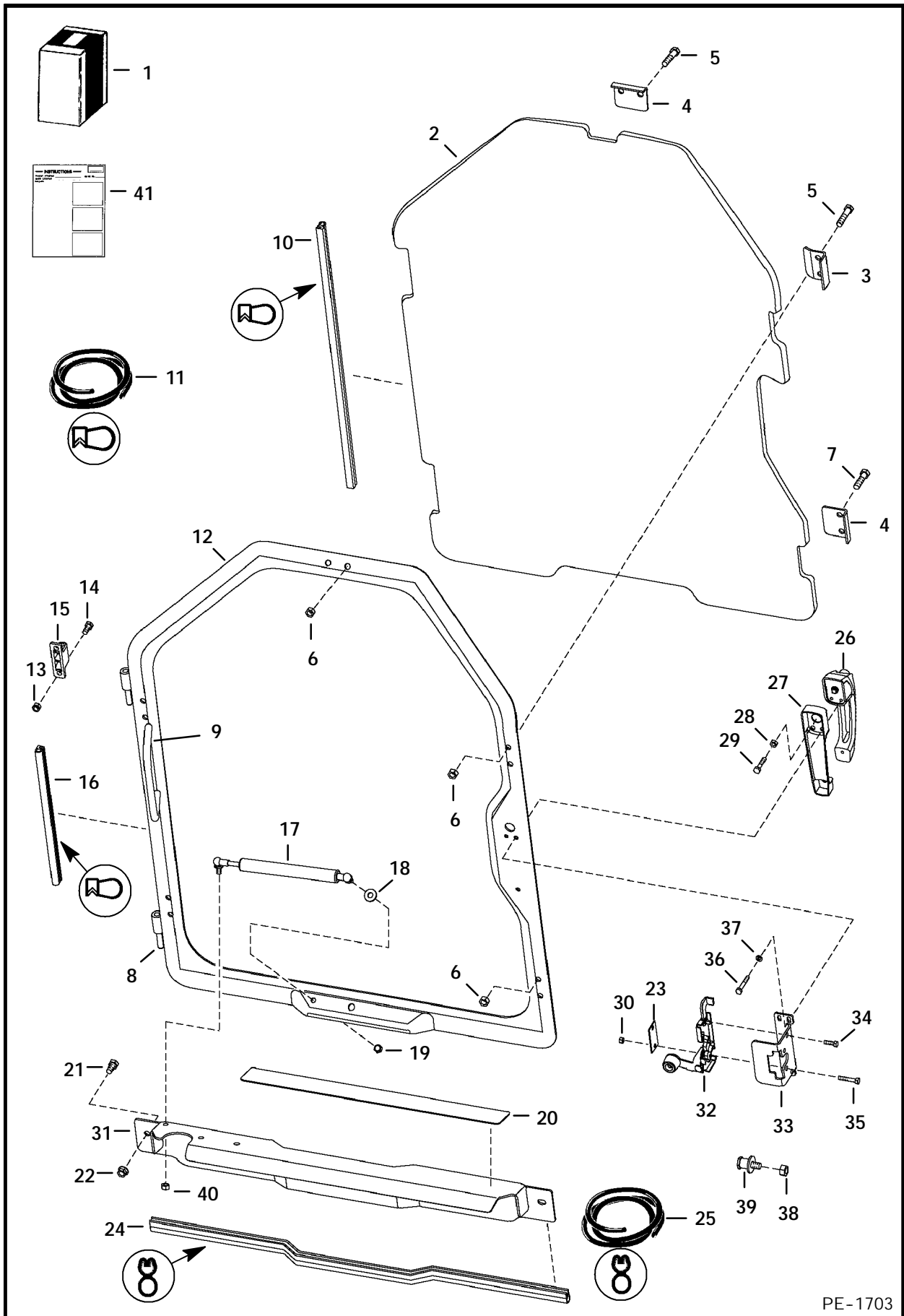
PE-1620

CAB DOOR (Window & Wiper)



MS-1355

CAB DOOR (Special Applications)

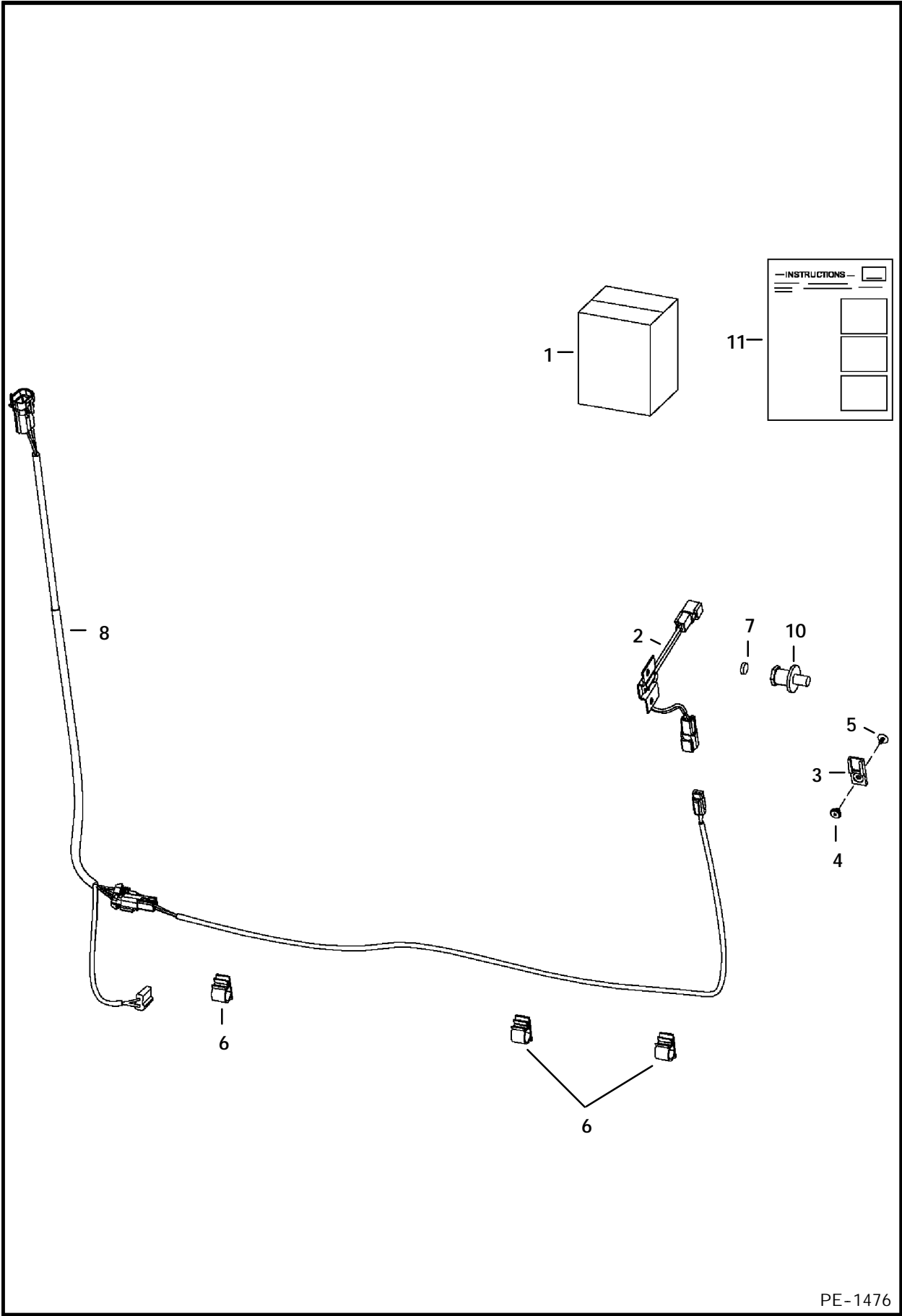


PE-1703

CAB DOOR (Cont'd)
(Special Applications)

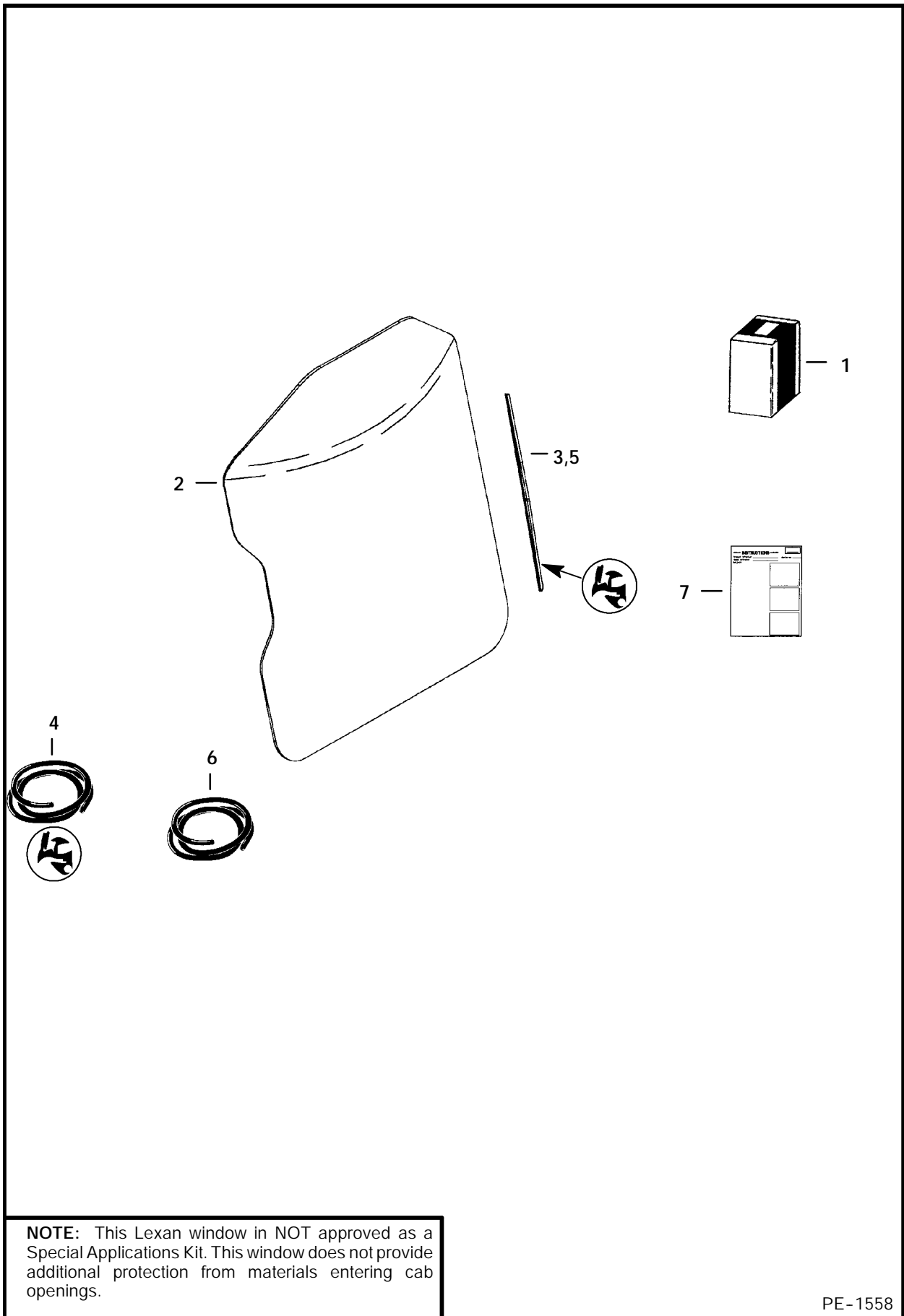
Ref. No.	Part Number	Description	Remarks	Serial Number	Qty.
1	6730823	KIT	door		1
2	6732351	WINDOW	.5" thick polycarbonate -W/ top notch		1
3	6725938	CLAMP			2
4	6725937	CLAMP			3
5	17C-628	BOLT			6
6	95D-6	NUT			10
7	17C-624	BOLT			4
8	6718376	HINGE	door		2
9	6718521	HANDLE	grab		1
10	NAP	SEAL	115"(2921 mm) long -Order Ref. 11		1
11	6675558	SEAL	bulk - Sold Per Foot		x
12	6726932	DOOR	W/Ref. 8		1
13	59D-5	NUT			4
14	17C-512	BOLT			4
15	6717593	HINGE	base		2
16	NAP	SEAL	127.3"(3233,4 mm) long - Order Ref. 11		1
17	6674938	GAS SPRING			1
	6678548	SOCKET	ball		2
	6649244	STUD	ball		2
	6649245	RETAINER	spring		2
18	25E-16	WASHER			1
19	46D-5	NUT	acorn		1
20	6542731	SAFETY TREAD			1
21	55D-6	NUT			2
22	17C-612	BOLT			2
23	6718520	COVER	latch		1
24	NAP	SEAL	36"(914,4 mm) long -Order Ref. 25		1
25	6513152	SEAL	bulk - Sold Per Foot		x
26	6674667	HANDLE			1
	6709527	KEY	ign. & rear door		1
27	6717146	SPACER	handle		1
28	61D-4	NUT			1
29	17C-420	BOLT			1
30	4DM-6	NUT			2
31	6730816	SHIELD			1
32	6674666	LATCH			1
33	6717369	BRACKET	latch		1
34	1CM-620	BOLT			2
35	1CM-635	BOLT			2
36	1CM-640	BOLT			3
37	6EM-60	WASHER			3
38	91D-7	NUT			1
39	6654170	STRIKER BOLT			1
40	61D-5	NUT			1
41	6901013	INSTRUCTIONS			1

CAB DOOR
(Switch Kit)



PE-1476

CAB DOOR (Lexan Window)

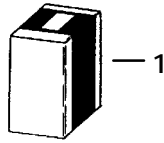


NOTE: This Lexan window is NOT approved as a Special Applications Kit. This window does not provide additional protection from materials entering cab openings.

PE-1558

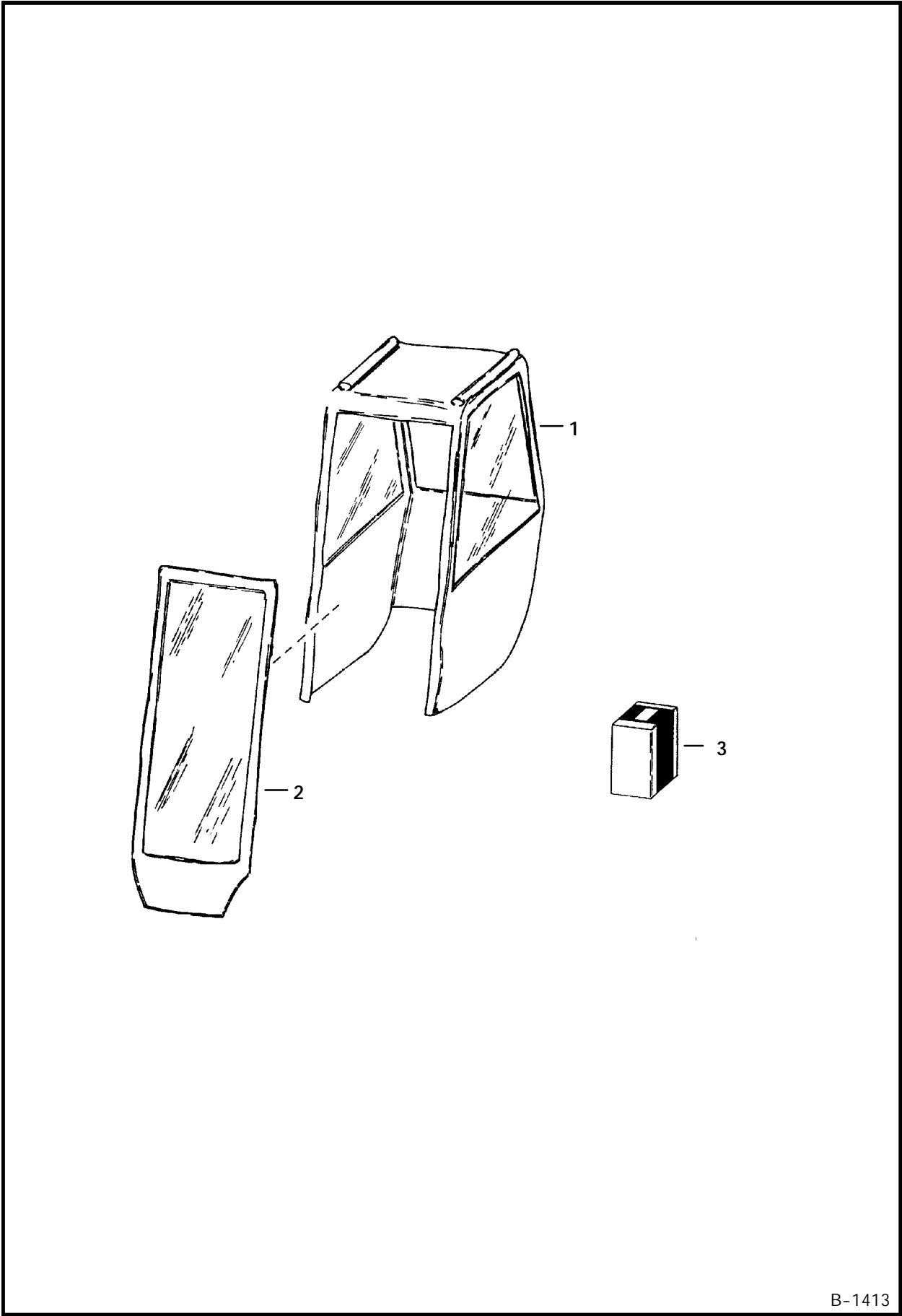
CAB ENCLOSURE

NOTE: Order Cab Enclosure Kit from Gwinner SALES #6719666.
Order Special Applications Kit from Gwinner SALES # 6719326.



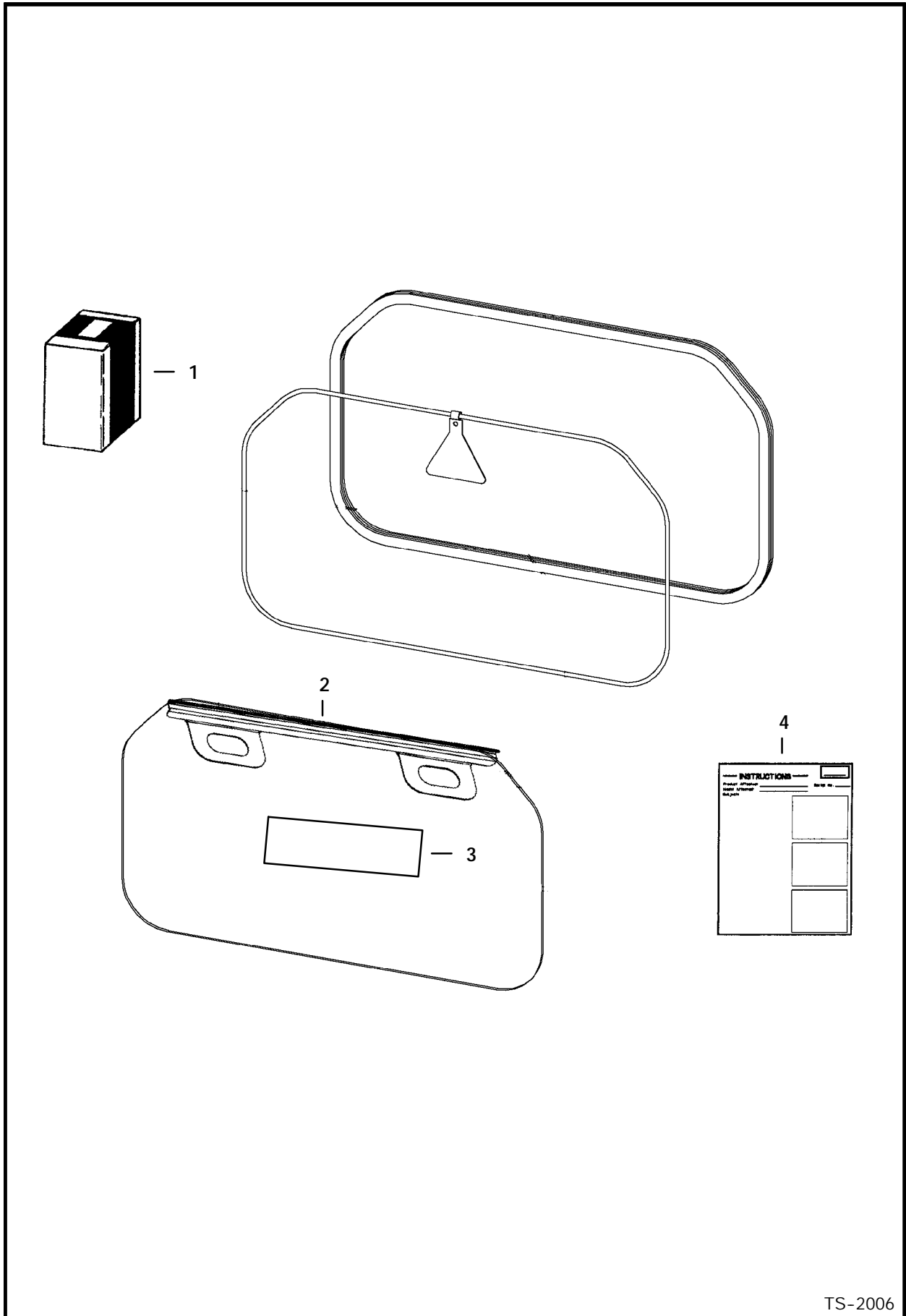
B-17100

CAB ENCLOSURE
(Envelope)



B-1413

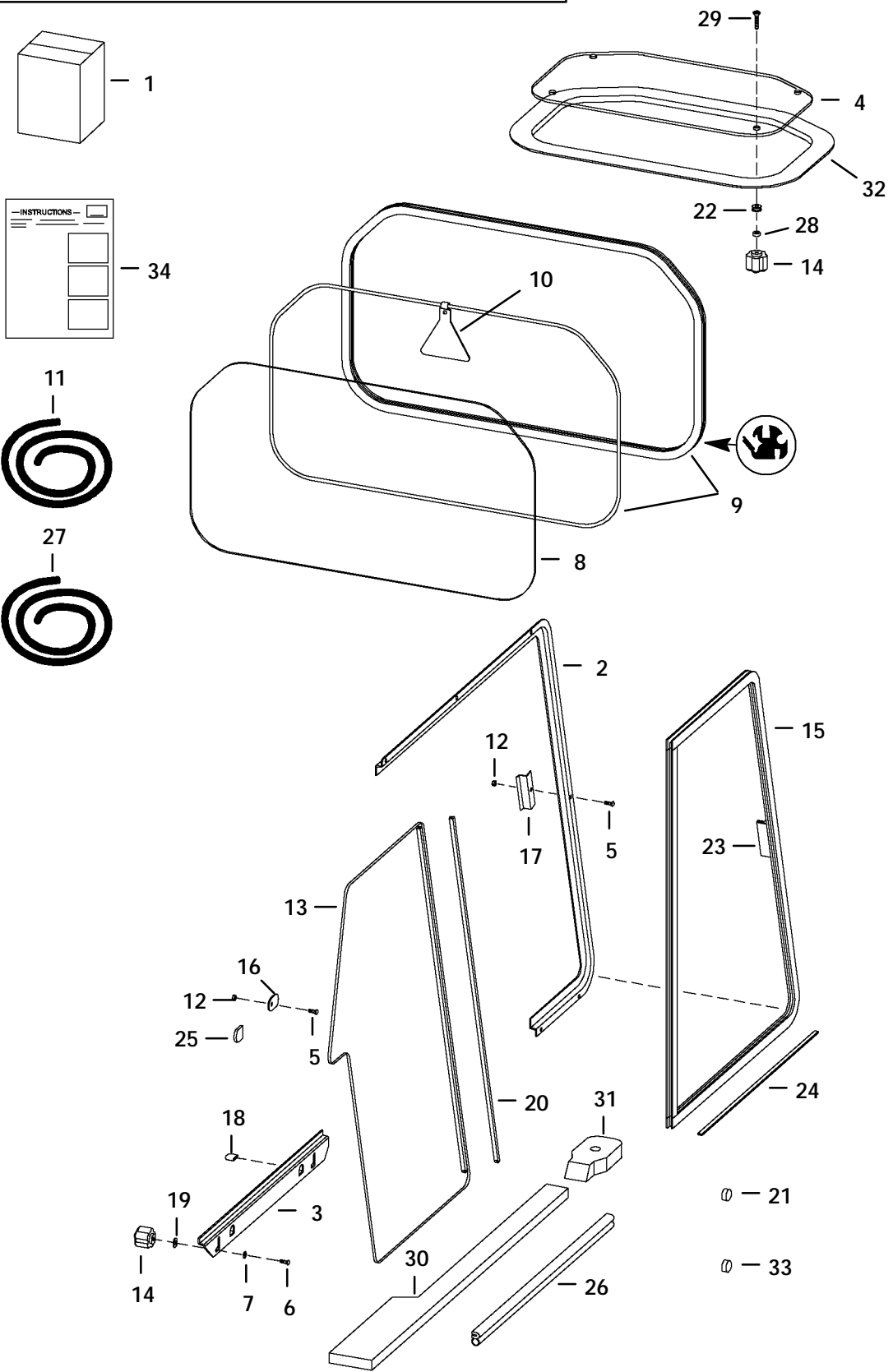
CAB WINDOWS (Rear Window Removal Kit)



TS-2006

CAB WINDOWS (Top, Rear & Side)

NOTE: Order Top & Rear Window Kit from Gwinner Sales # 6718805.
Order Side Window Kit from Gwinner Sales # 6718806.

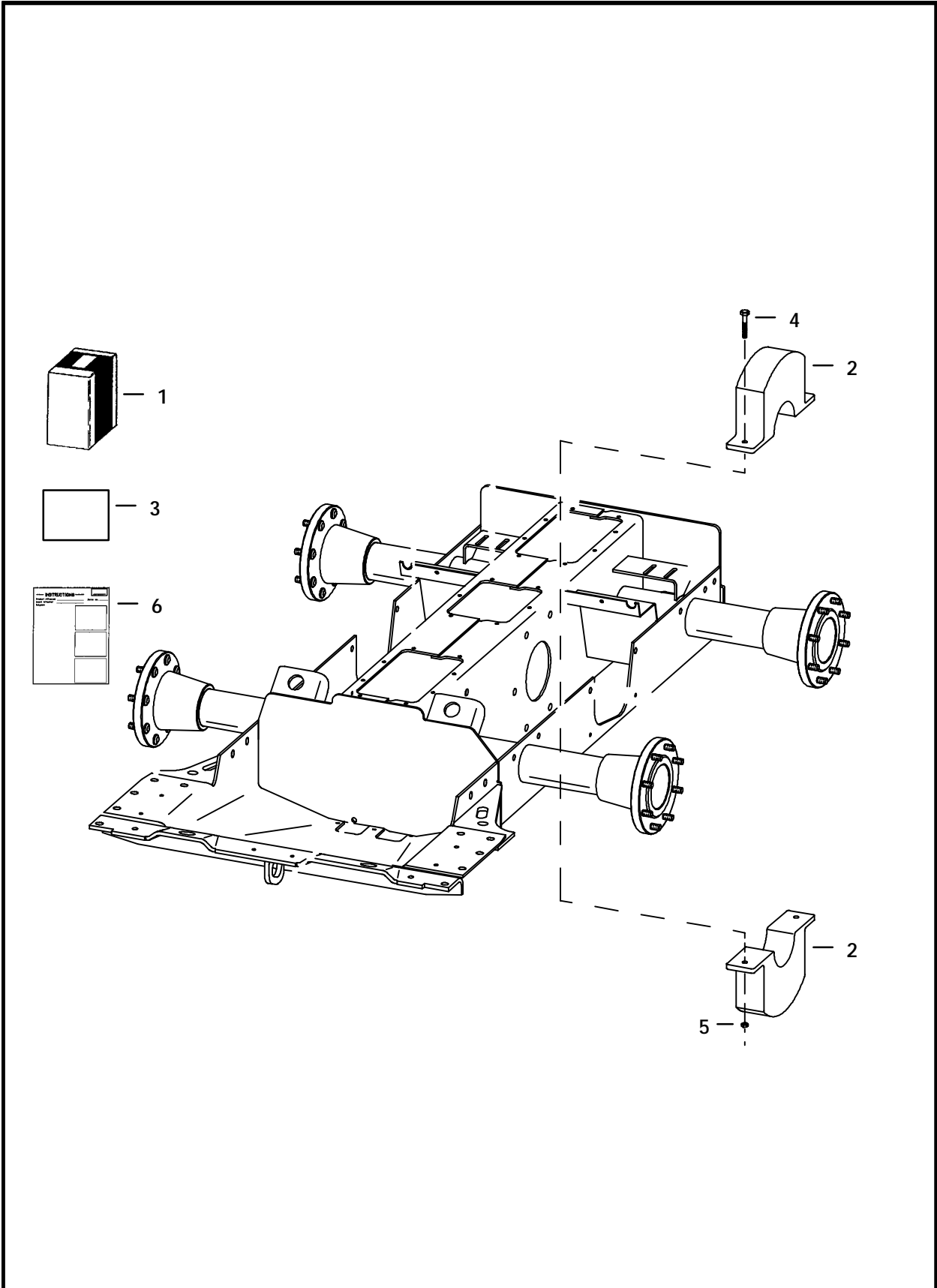


MS-1340

CAB WINDOWS (Cont'd)
(Top, Rear & Side)

Ref. No.	Part Number	Description	Remarks	Serial Number	Qty.
1	SALES	KIT	top & rear window		1
	SALES	KIT	side windows		1
2	6717870	FRAME	L.H. side		1
	6717872	FRAME	R.H. side		1
3	6717871	FRAME	L.H. bottom		1
	6717873	FRAME	R.H. bottom		1
4	6728629	WINDOW	assy. - W/ seal & grommets		1
5	10C-410	BOLT			18
6	10C-416	BOLT			4
7	25E-14	WASHER			4
8	6717874	WINDOW	rear - 3/16" thick		1
	6719413	WINDOW	rear - lexan		1
9	NAP	EXTRUSION	75.75" (1924mm) long - Order Ref. 11		1
	NAP	CORD	75.75" (1924mm) long - Order Ref. 11		1
10	6559515	EXIT TAG			1
11	6675387	EXTRUSION	Bulk - Sold Per Foot		x
	6554149	CORD	Bulk - Sold Per Foot		x
12	59D-4	NUT			18
13	6674520	WINDOW	L.H. rear - W/Ref. 24		1
	6674522	WINDOW	R.H. rear - W/Ref. 24		1
14	6674741	KNOB			8
15	6674519	WINDOW	L.H. front		1
	6674521	WINDOW	R.H. front		1
16	6719063	STOP	window		2
17	6719037	STRIKER			2
18	6719065	COVER TAB			4
19	6675212	RETAINER	tab bolt		4
20	6675833	SEAL	rear window - dual wiper W/tape		2
21	6657719	PLUG	for .75" dia. hole		2
22	6675545	GROMMET			4
23	6678283	HANDLE	side window - W/ tape & vendor		
			instructions		2
24	6676927	FELT STRIP	20.38" (518mm) long		2
25	6677198	TAB	cab		2
26	NAP	SEAL	24" (609mm) long - Order Ref. 27		2
27	6555351	SEAL	bulk - sold per foot		x
28	6664085	BUSHING	nylon		4
29	91G-416	BOLT			4
30	6729010	SEAL	cab - main frame - L.H. - foam		1
	6729009	SEAL	cab - main frame - R.H. - foam		1
31	6729011	SEAL	cab mount		2
32	NAP	SEAL	Order Ref. 4		1
33	6677973	PLUG	for .22" dia. hole		2
34	6901013	INSTRUCTIONS	top & rear windows		1
	6900853	INSTRUCTIONS	side windows		1

COUNTERWEIGHT KIT
(2000/2500 lb. Rear Axle)

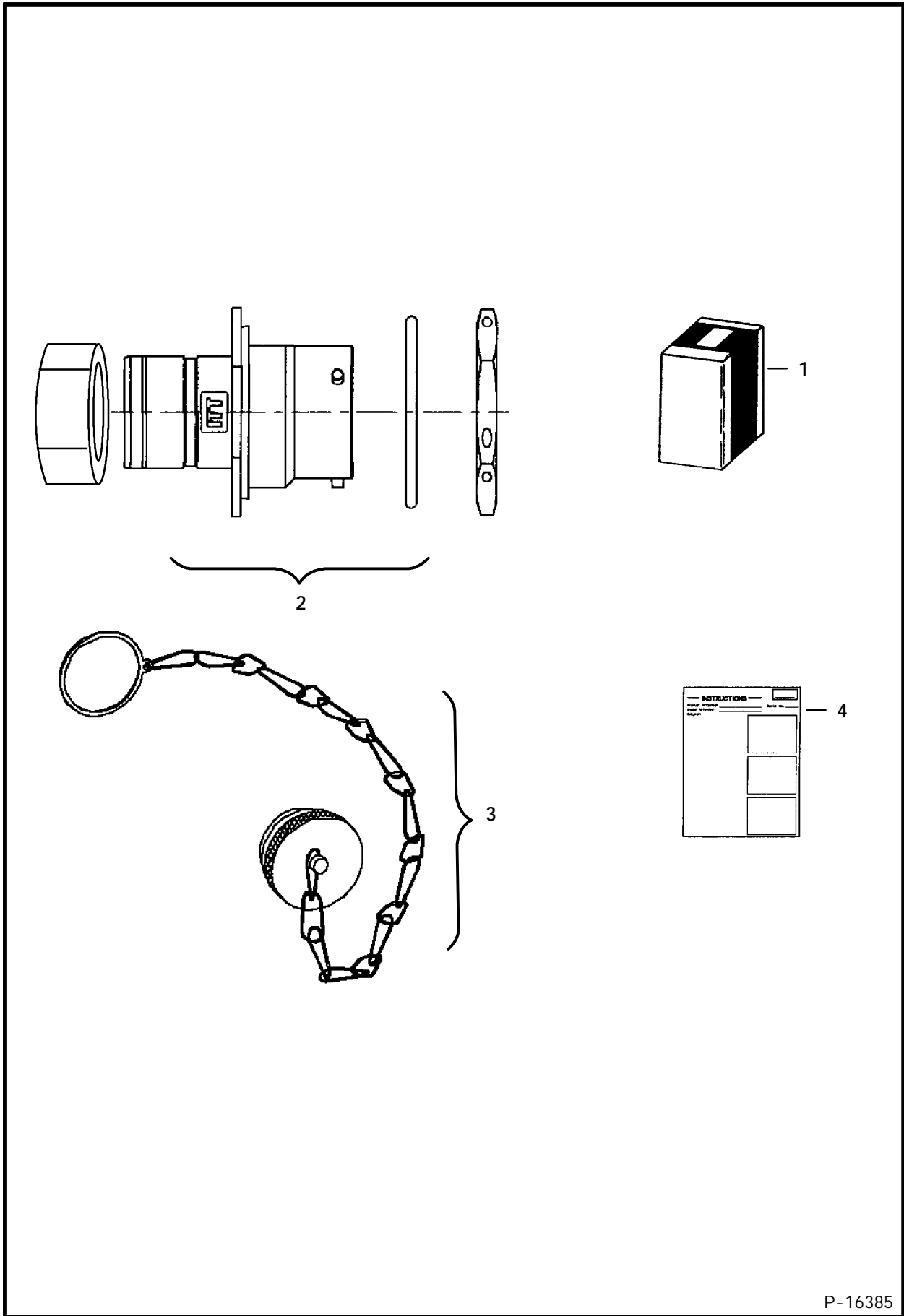


NOTE: Model S250 only

NOTE: Order Counterweight Kit from Gwinner Sales #6712911

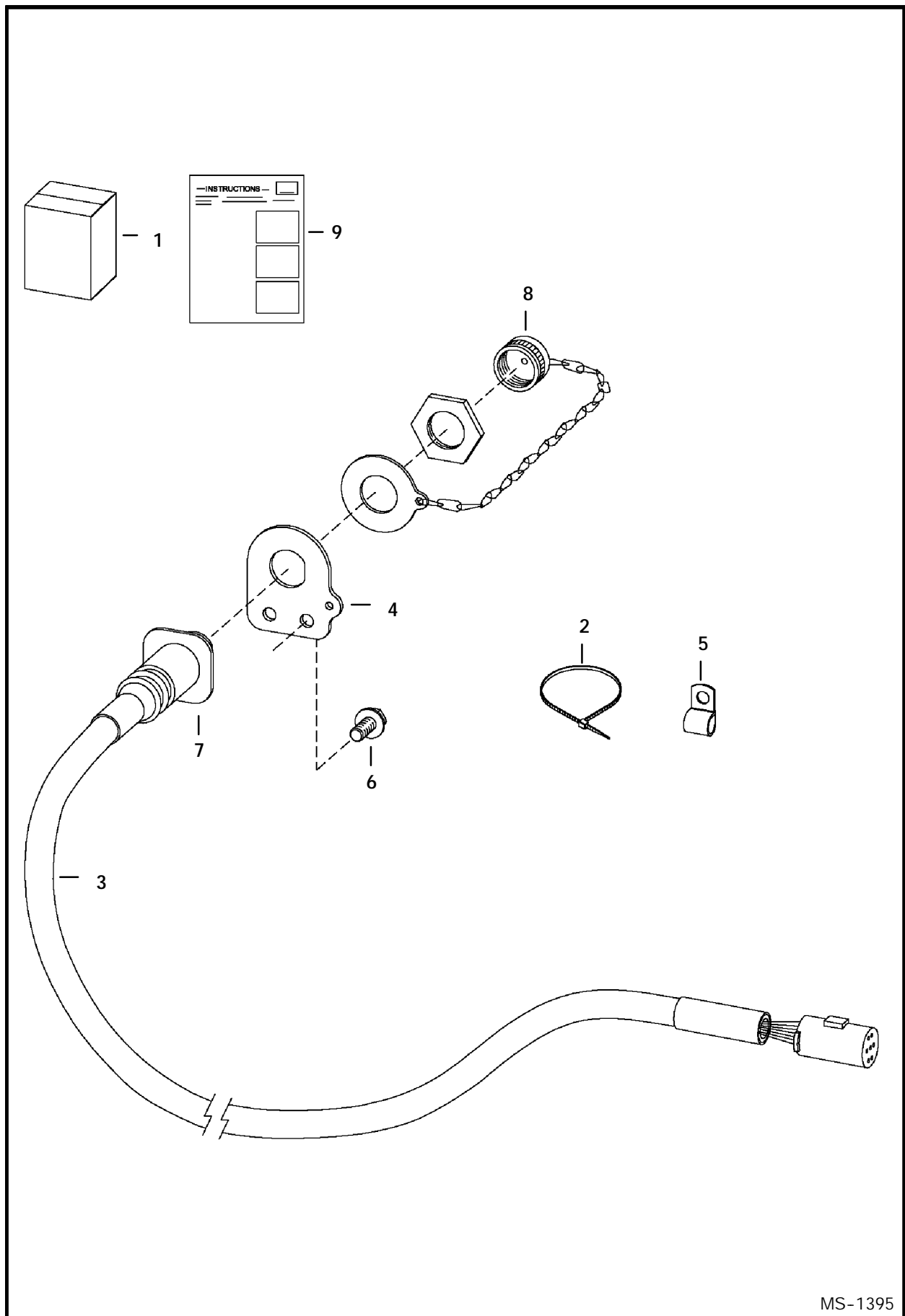
TS-1295

ELECTRICAL CONNECTOR KIT
(7-Pin)



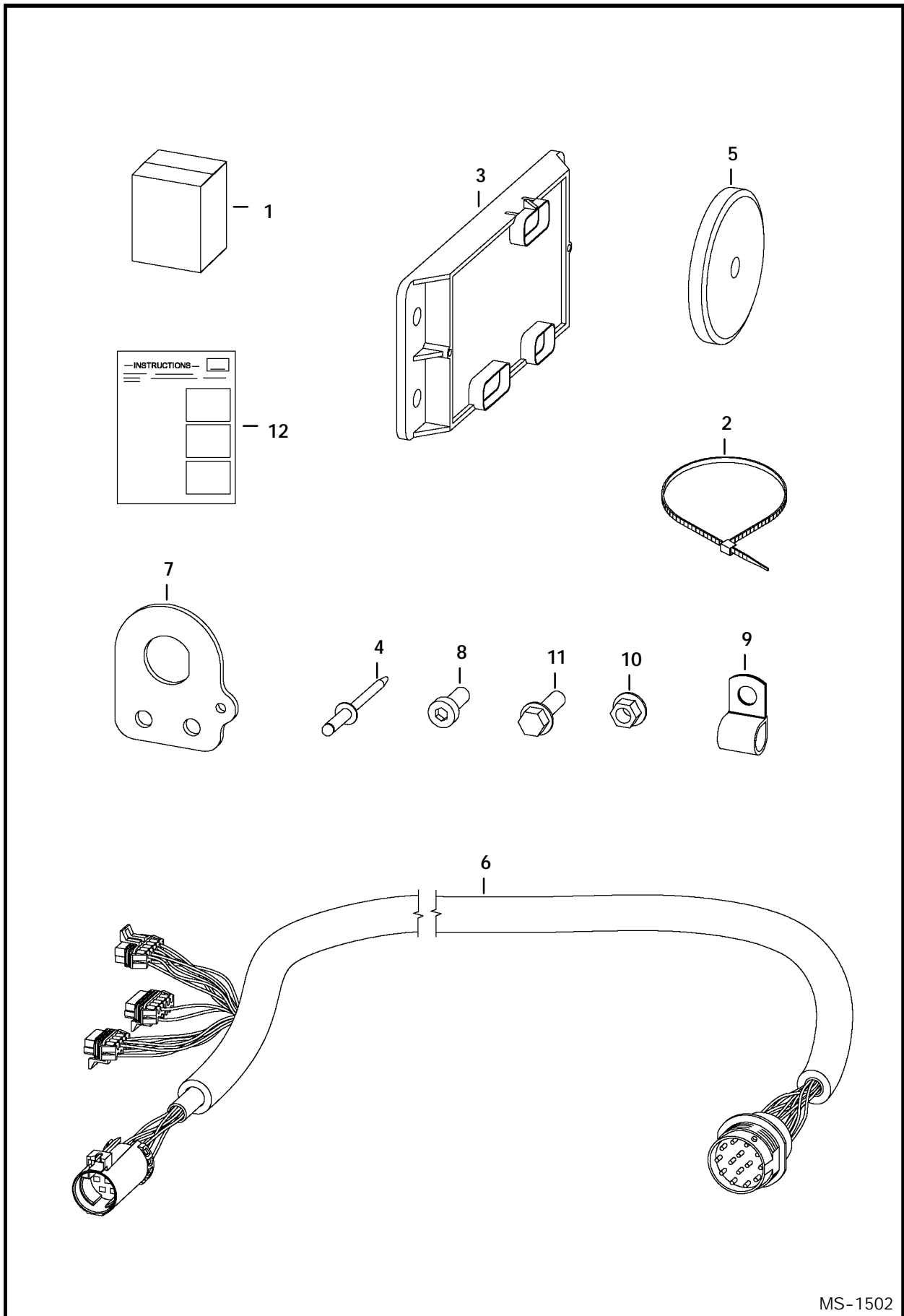
P-16385

ELECTRICAL CONTROLS KIT (7 Pin Attachments)



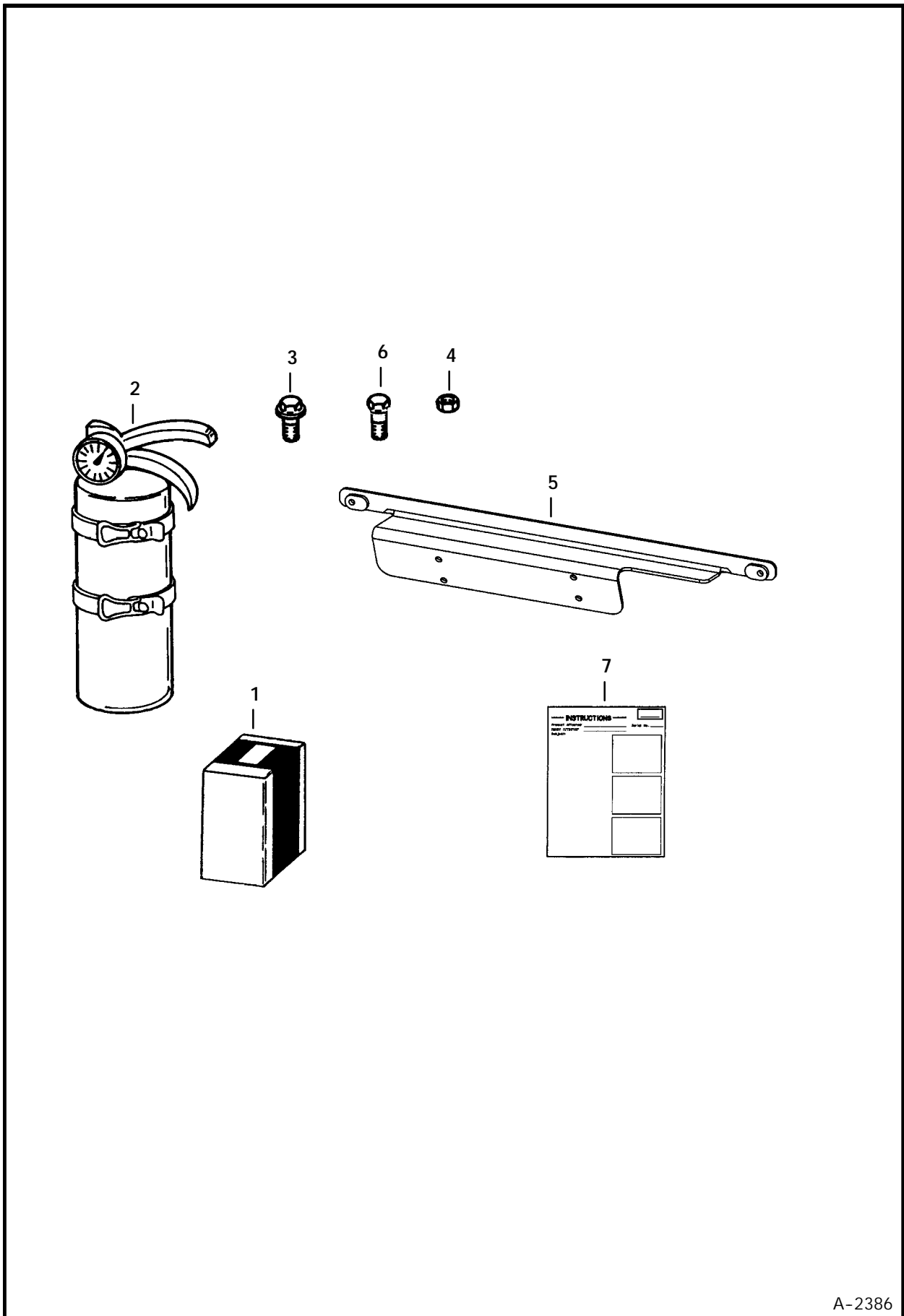
MS-1395

ELECTRICAL CONTROLS KIT (14 Pin Attachments)



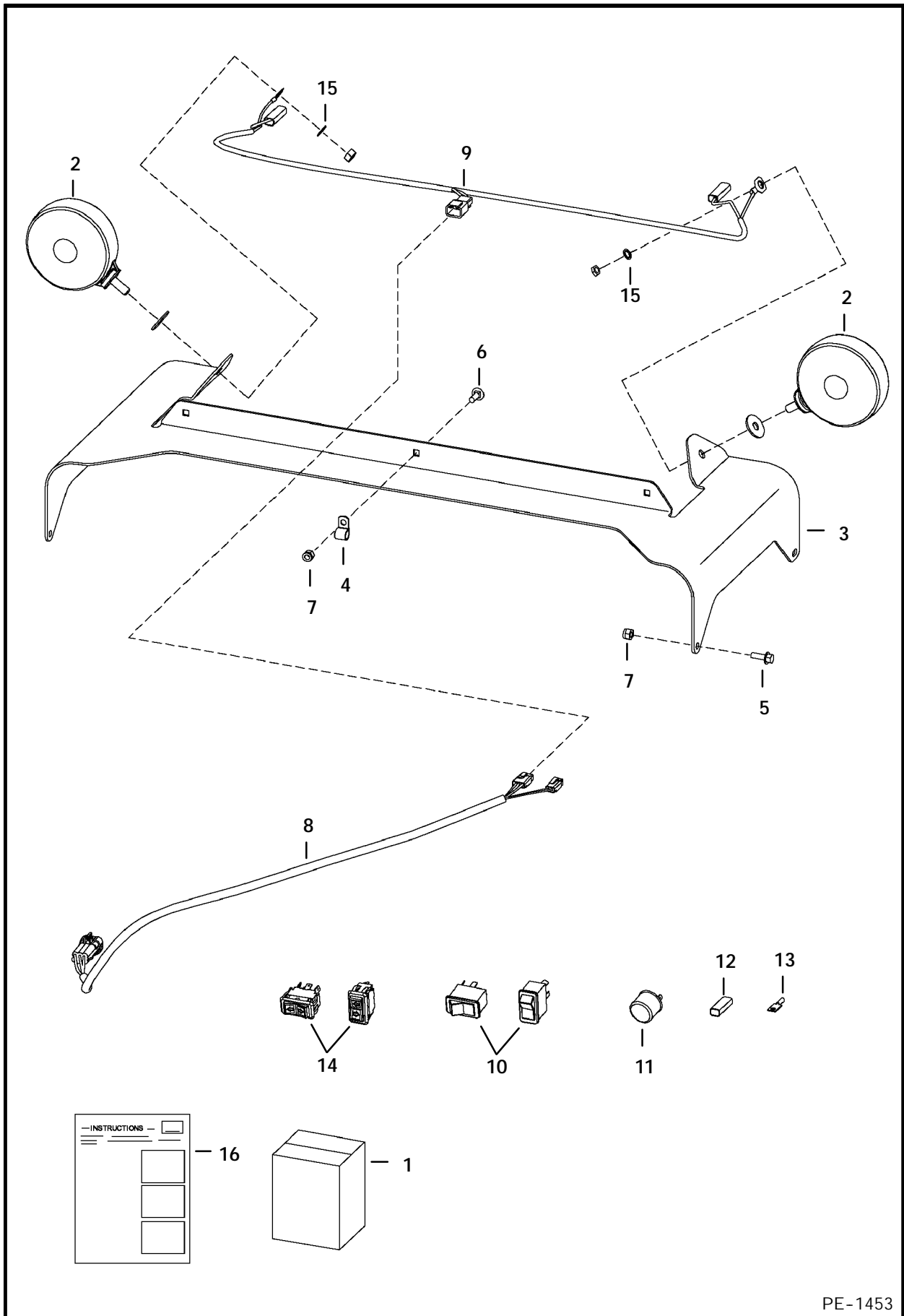
MS-1502

FIRE EXTINGUISHER



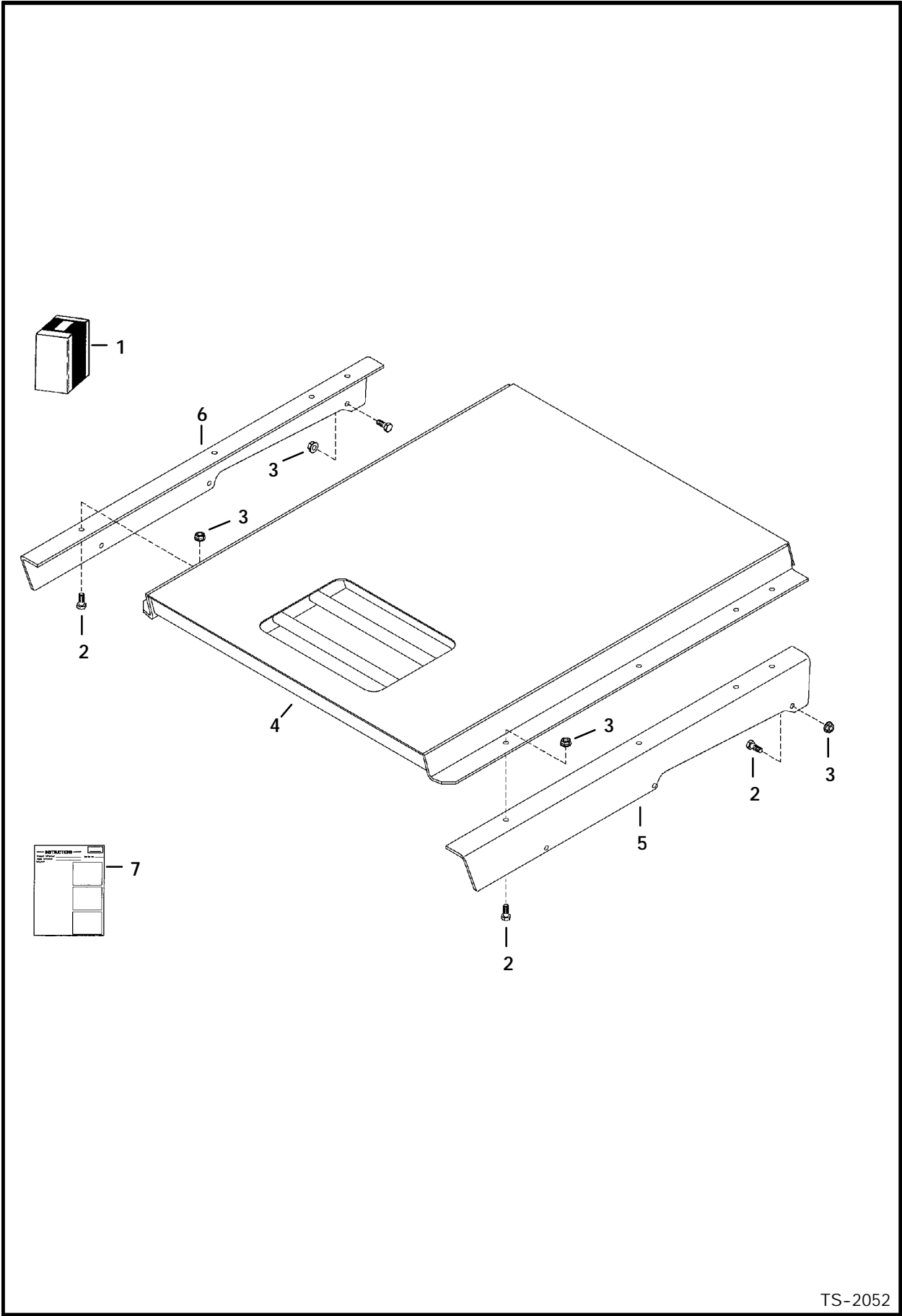
A-2386

FLASHER LIGHTS (4-Way) (Turn Indicators)



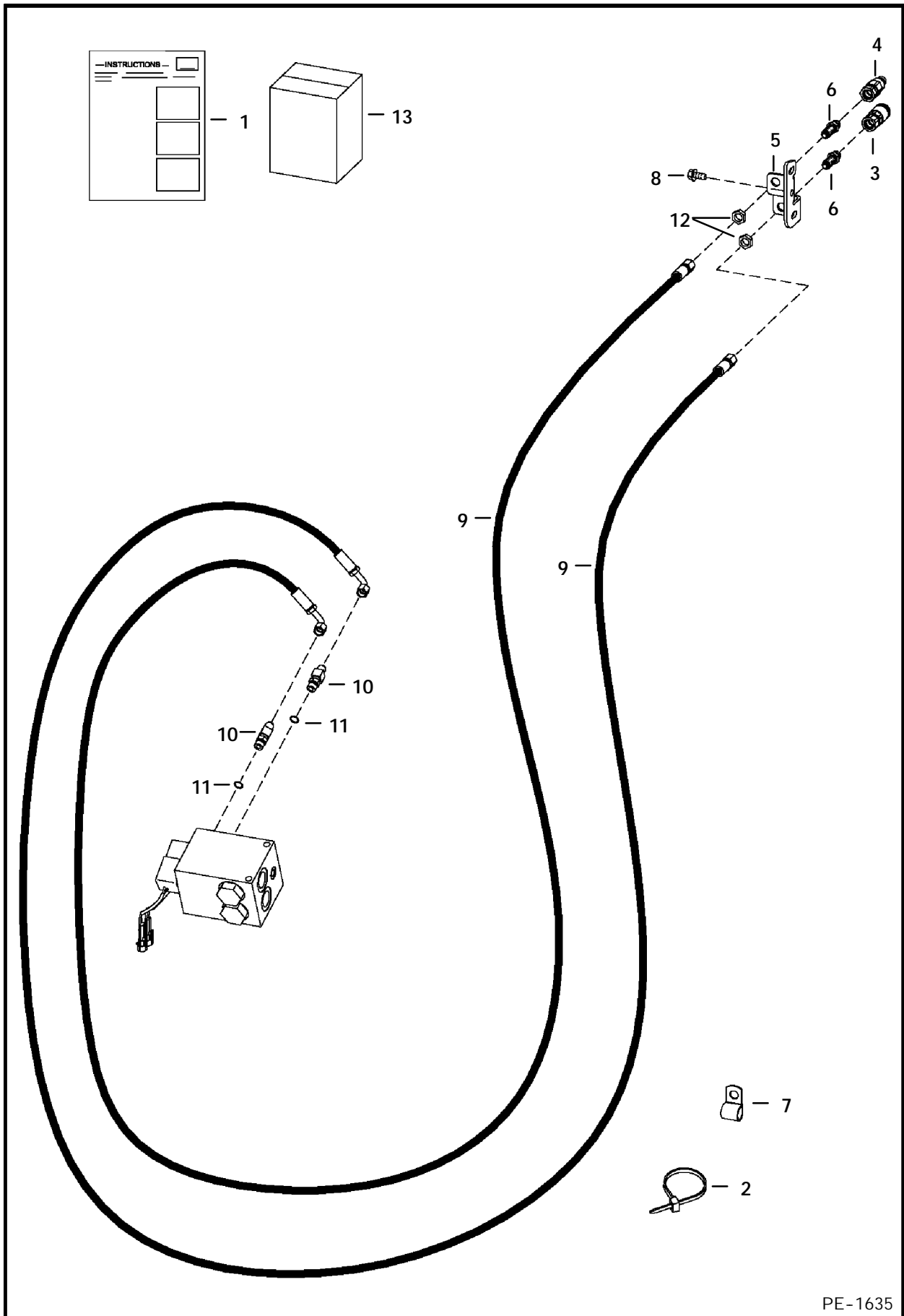
PE-1453

F.O.P.S. KIT



TS-2052

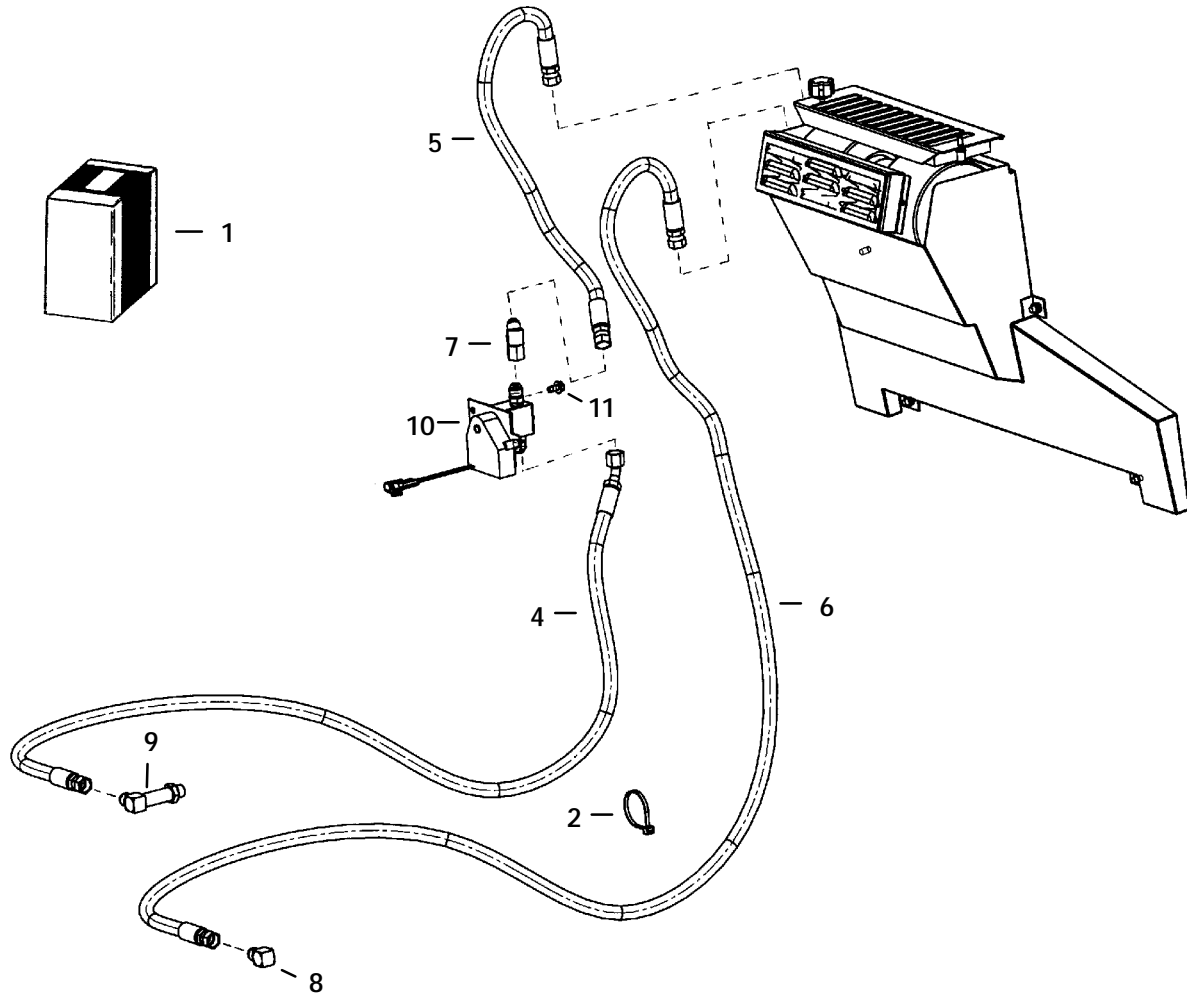
FRONT AUXILIARY
(R.H. Kit)



PE-1635

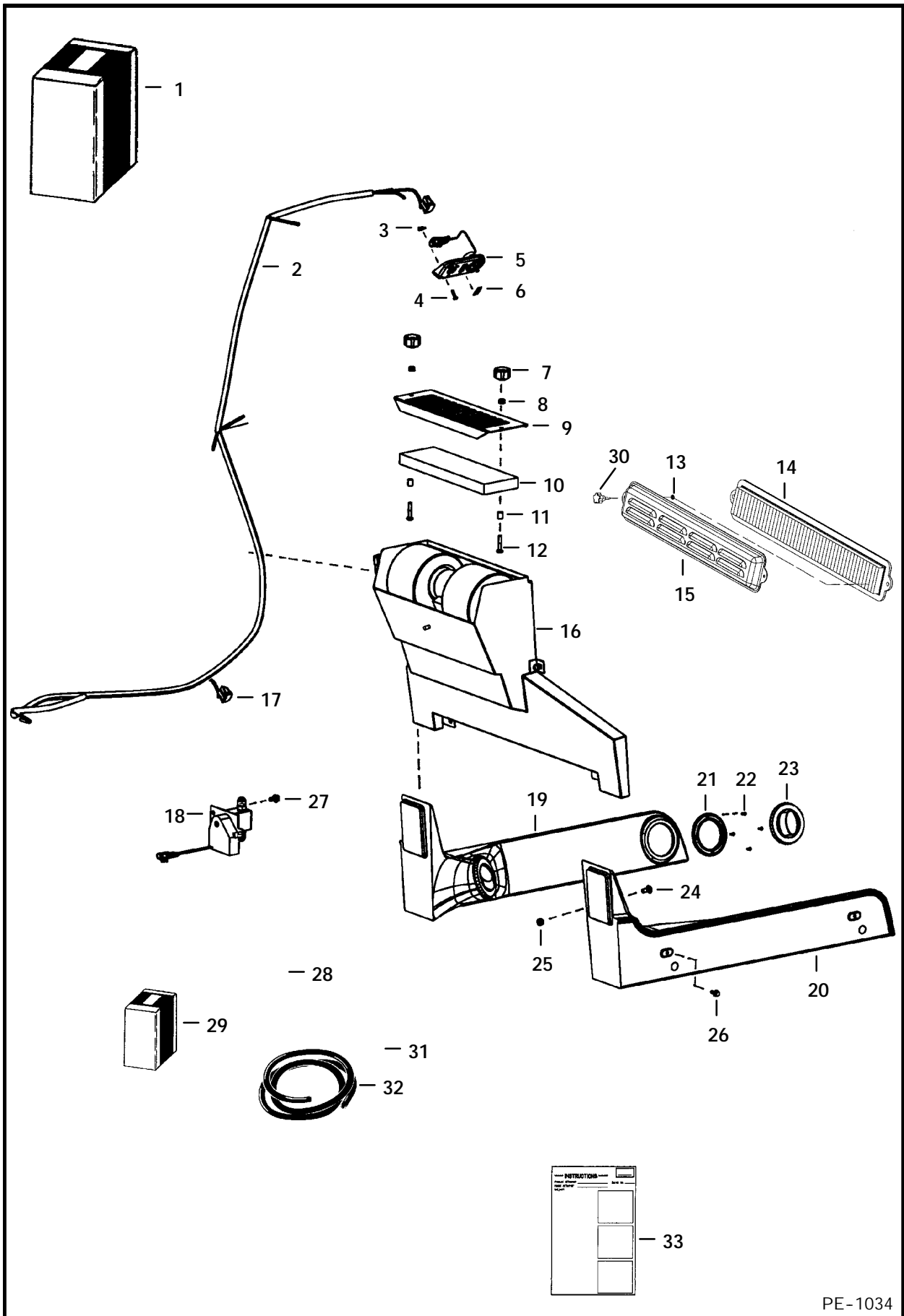
HEATER & A/C (Heater Plumbing Kit)

NOTE: For Heater Kit See Page 225.



PE-1695

HEATER & A/C (Heater Kit)

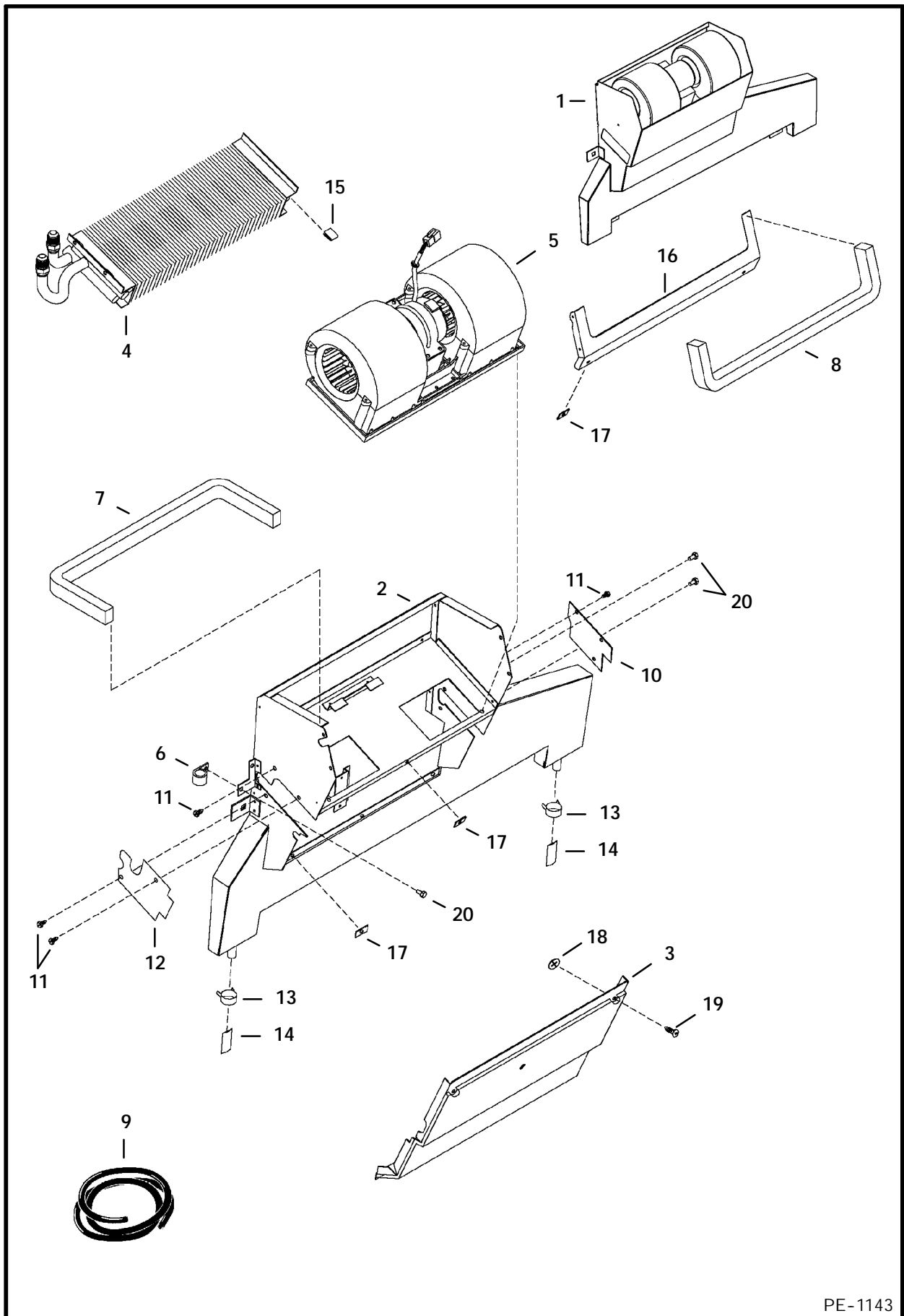


PE-1034

**HEATER & A/C (Cont'd)
(Heater Kit)**

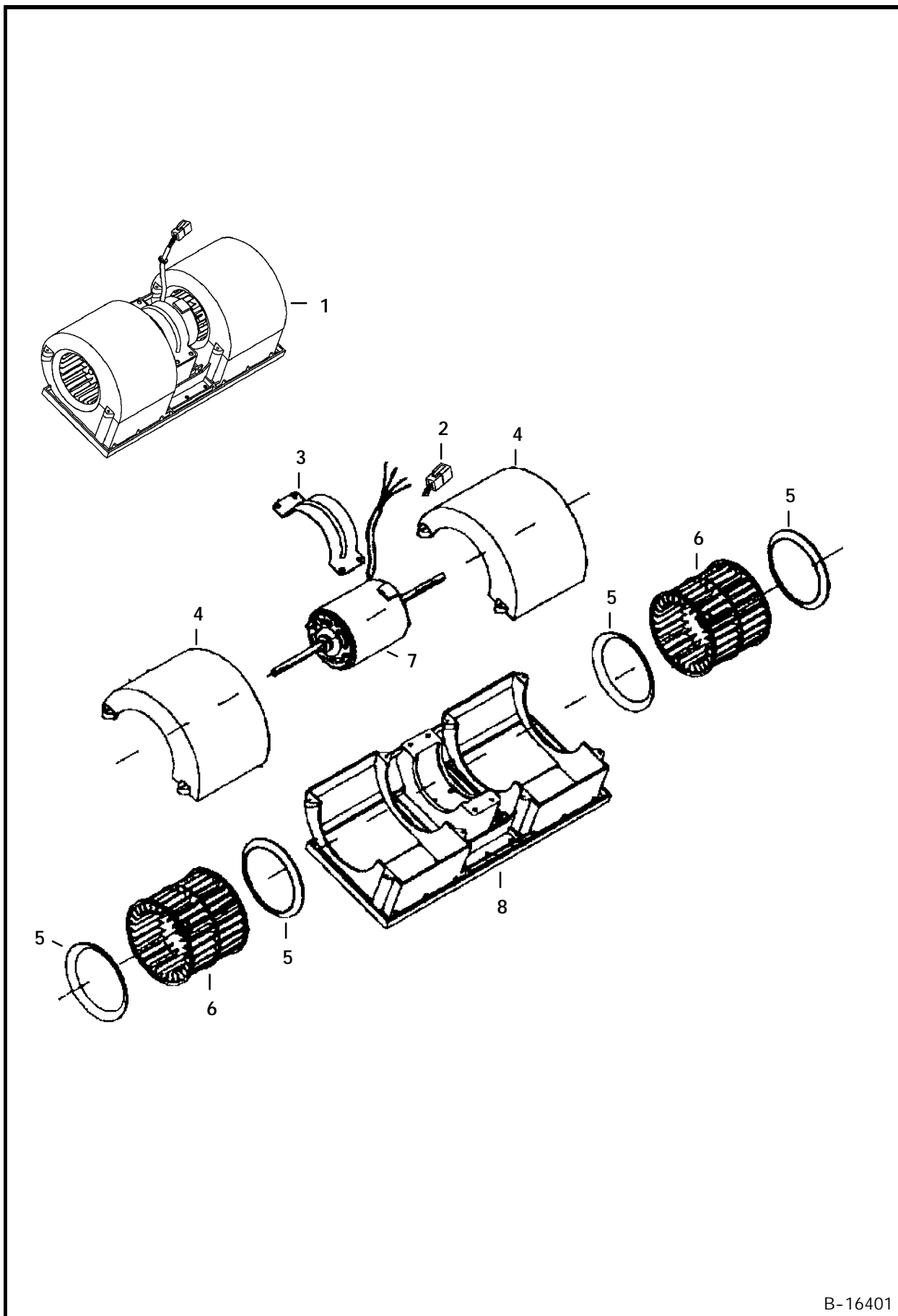
Ref. No.	Part Number	Description	Remarks	Serial Number	Qty.
1	6718803	HEATER KIT	Ref. 2-28 & 33 - SEE NOTE		1
2	6725933	HARNESS	HVAC - W/Ref. 17		1
	6725273	HARNESS	AHC		1
3	6669091	CLIP	retainer		3
4	6669224	BOLT			3
5	6674228	PANEL	control		1
	6640699	CONNECTOR			1
	6718579	DECAL			1
	6718887	PANEL			1
	6675176	SWITCH	blower		1
	6675177	KNOB			1
	6675846	POTENTIOMETER			1
6	6675181	PLUG	switch hole		1
7	6674741	KNOB			2
8	83D-4	NUT			2
9	6718175	SCREEN	filter		1
10	6678207	FILTER	recirculation		1
11	6718837	SPACER			2
12	37C-424	BOLT			2
13	6676516	NUT	push		2
14	6677983	FILTER			1
15	6727848	COVER			1
16		HEATER	See Page 227		1
17	6670312	SOLENOID	relay		1
18	6675684	VALVE			1
	6675175	BRACKET			1
	6675172	BRACKET			1
	6680054	ACTUATOR			1
	6675174	BODY			1
	6677628	SHAFT ADAPTER			1
19	6717644	DUCT	L.H.		1
20	6717643	DUCT	R.H.		1
21	6675179	FLANGE	round		4
22	57G-608	SCREW			16
23	6674231	VENT	round		4
24	37C-512	BOLT			4
25	59D-5	NUT			4
26	35C-410	BOLT			4
27	84G-3110	BOLT			2
28	774220	NUT	spring		2
29	6725513	PACKAGE	decal		1
30	6726386	KNOB			2
31	NAP	SEAL	16.25" (413mm) long - Order Ref. 32		1
32	6513152	SEAL	bulk - Sold Per Foot		x
33	6900850	INSTRUCTIONS			1

HEATER & A/C (Heater Assembly)



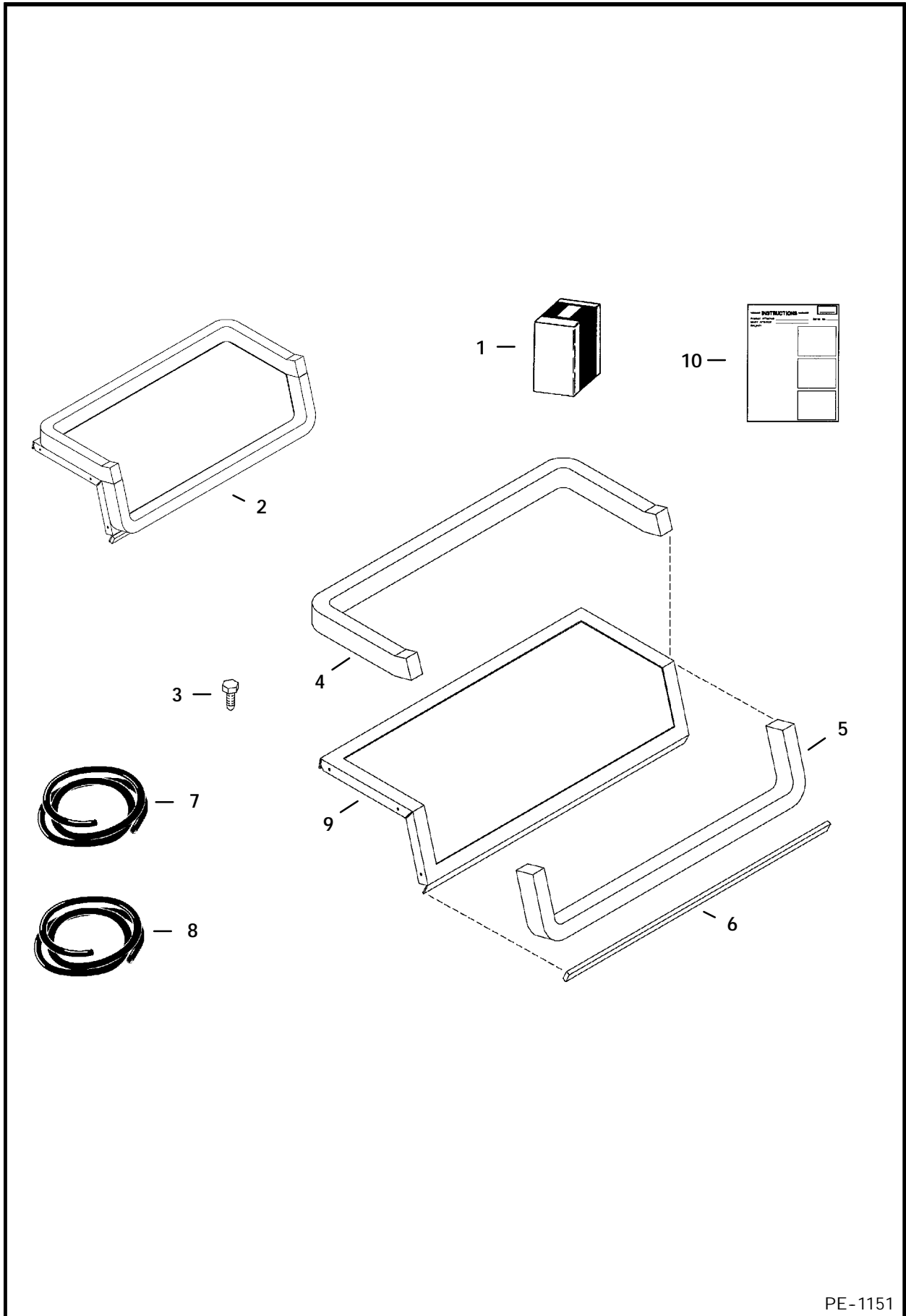
PE-1143

HEATER & A/C
(Blower Assembly)



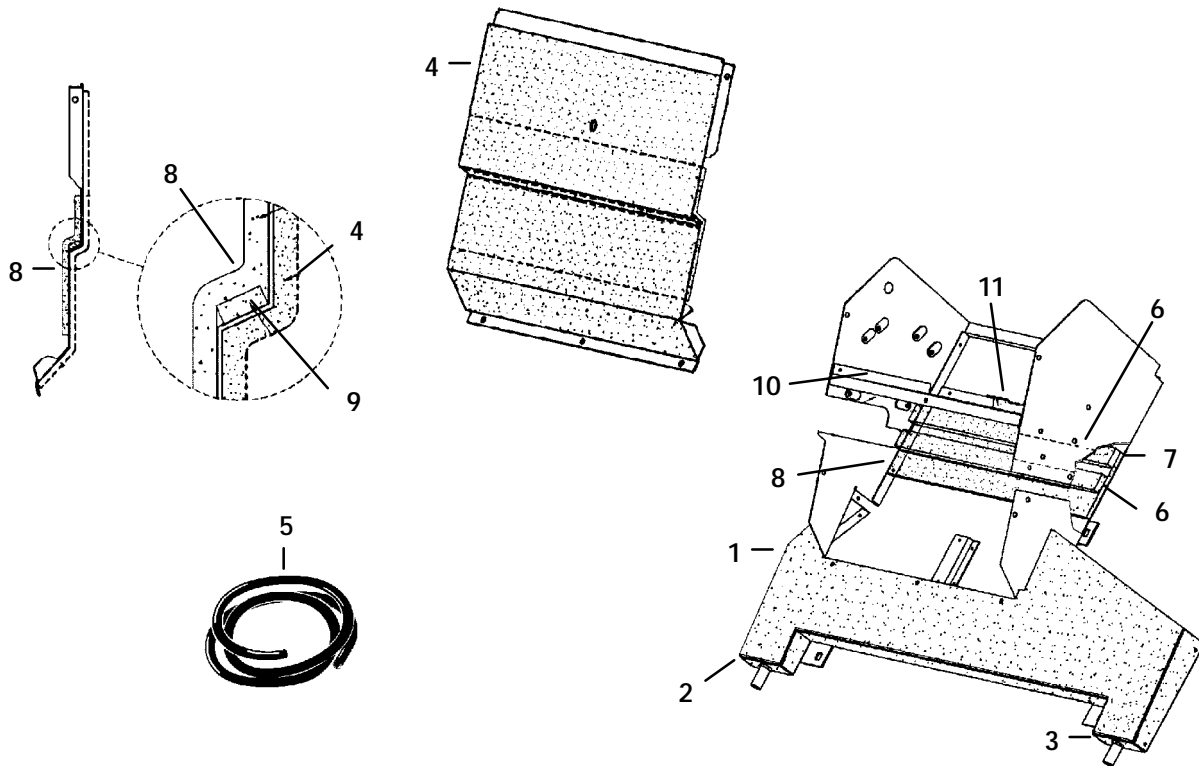
B-16401

HEATER & A/C (Blower Seal Kit)



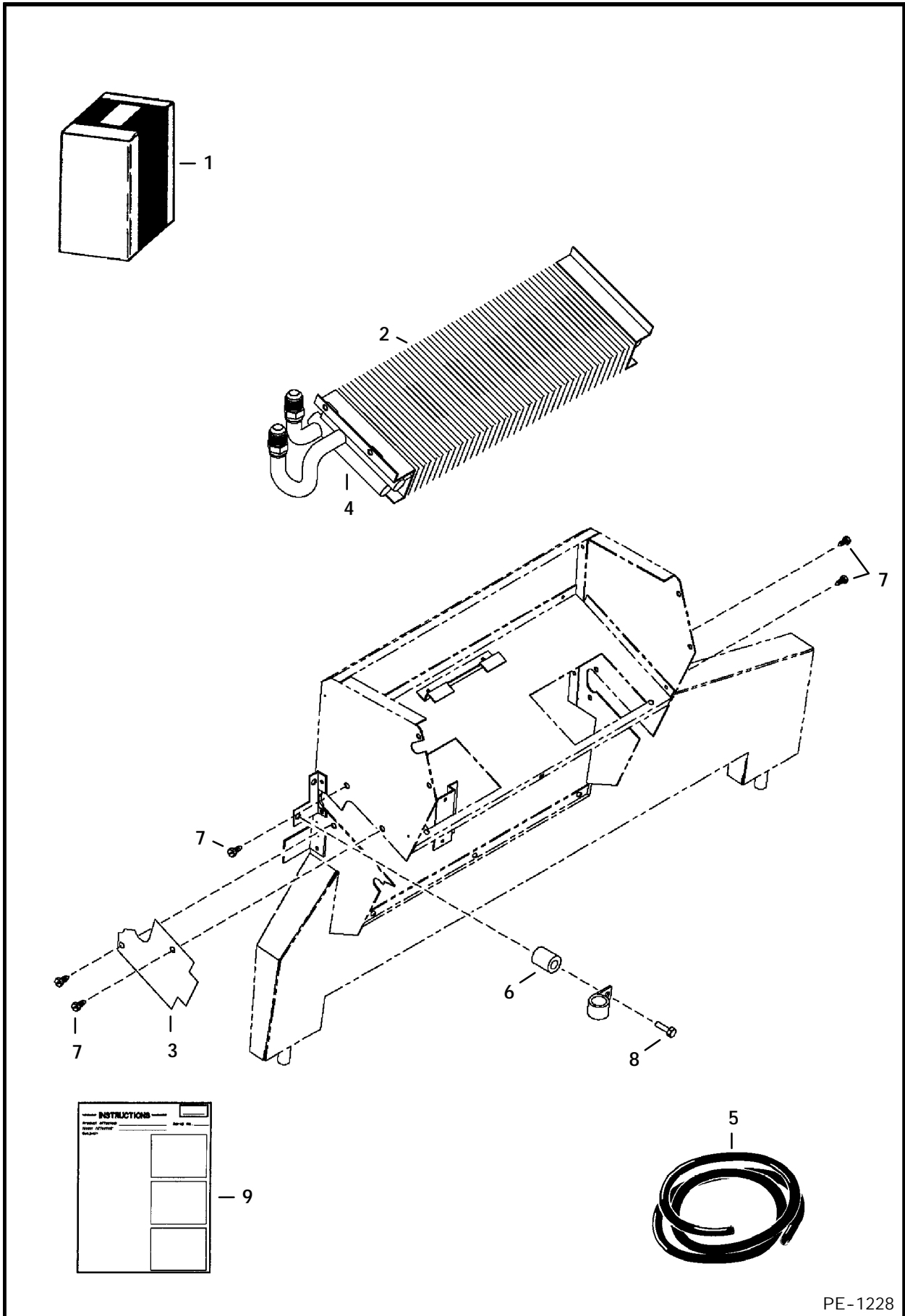
PE-1151

HEATER & A/C (Insulation)

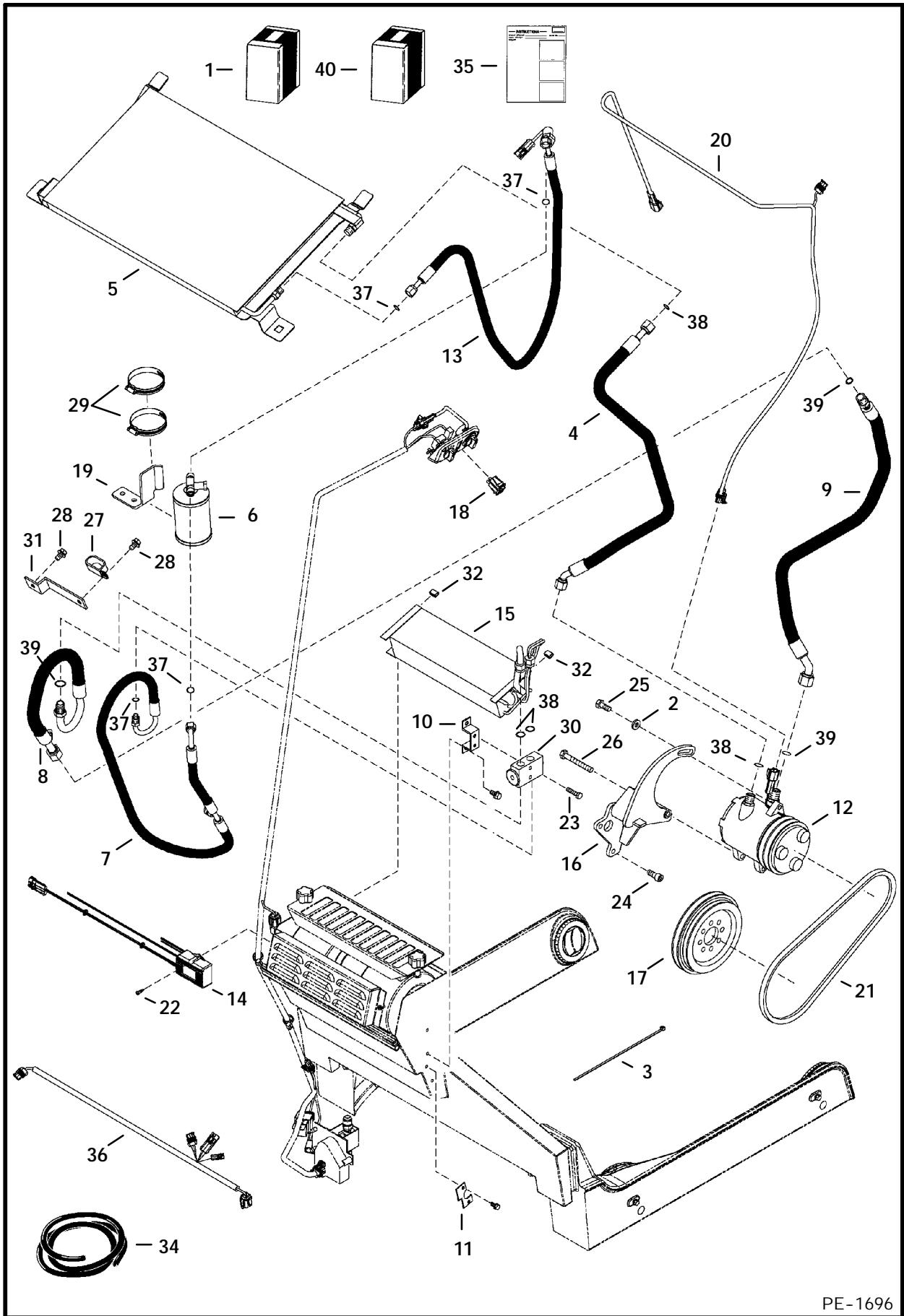


B-16402

HEATER & A/C (Heater Coil Kit)



HEATER & A/C (A/C Kit)

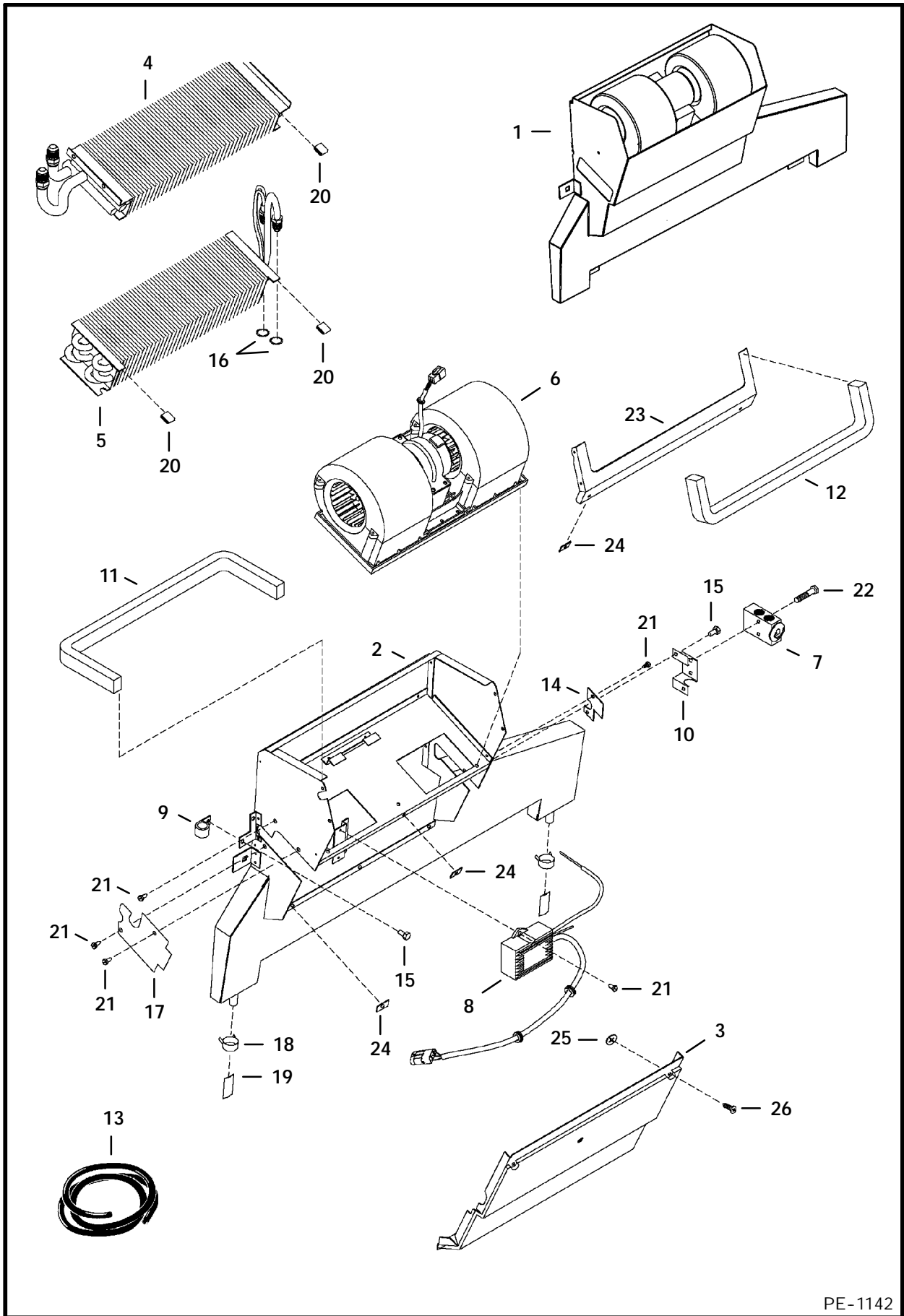


PE-1696

HEATER & A/C (Cont'd)
(A/C Kit)

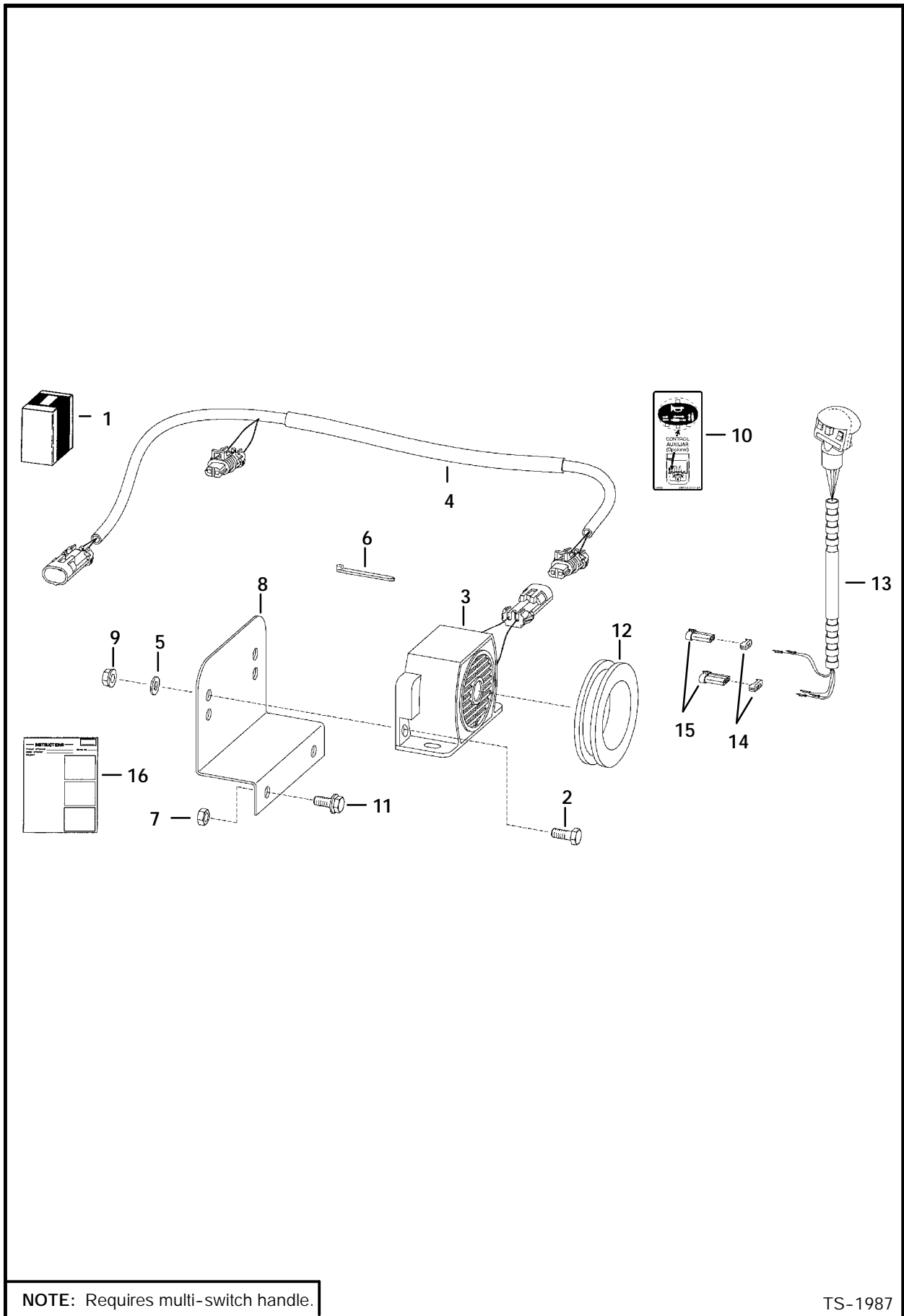
Ref. No.	Part Number	Description	Remarks	Serial Number	Qty.
1		KIT	Ref. 2-35		1
2	6557831	WASHER			1
3	6624289	STA STRAP			1
4	6678284	HOSE	AC		1
5	6674234	CONDENSER			1
6	6674235	DRIER	reciever		1
7	6676062	VALVE	relief		1
	6675075	HOSE	AC - W/Ref. 37		1
	6677122	CAP			1
8	6675076	HOSE	AC - W/Ref. 39		1
	6677121	CAP			1
9	6678285	HOSE	AC - W/Ref. 39		1
10	6676984	MOUNT	valve		1
11	6677105	COVER	plate		1
12	6733655	COMPRESSOR			1
13		CLUTCH			1
	6675685	HOSE	AC - W/Ref. 37		1
	6675779	PRESS. SWITCH	W/harness		1
14	6676399	VALVE CORE			1
	6675790	THERMOSTAT			1
	6675533	COIL	evaporator		1
16	6730265	MOUNT	compressor		1
17	6718310	PULLEY	engine		1
18	6719176	SWITCH	rocker		1
19	6719459	MOUNT	reciever drier		1
20	6719630	HARNESS	AC		1
21	6730819	BELT	compressor		1
22	6726621	SCREW			2
23	1CM-635	BOLT			2
24	3GM-1025	BOLT			3
25	5CM-1025	BOLT			1
26	5CM-1080	SCREW			1
27	31H-46	CLAMP			1
28	84G-3710	BOLT			2
29	44H-48	CLAMP			2
30	6675534	BLOCK VALVE			1
31	6727326	MOUNT	clamp		1
32	6676539	CLIP			2
33	NAP	INSULATION	tape - 6" (152mm) long -		
34	6676538	INSULATION	Order Ref. 34		1
35	6901039	INSTRUCTIONS	bulk - sold per foot		x
36	6730266	SPACER			1
37	6675824	O-RING	#6		x
38	6675538	O-RING	#8		x
39	6675825	O-RING	#10		x
40	6676063	KIT	fitting caps		1
41	6729077	DECAL	air conditioned		2
42	6731255	ELBOW			1

HEATER & A/C (HVAC Assembly)



PE-1142

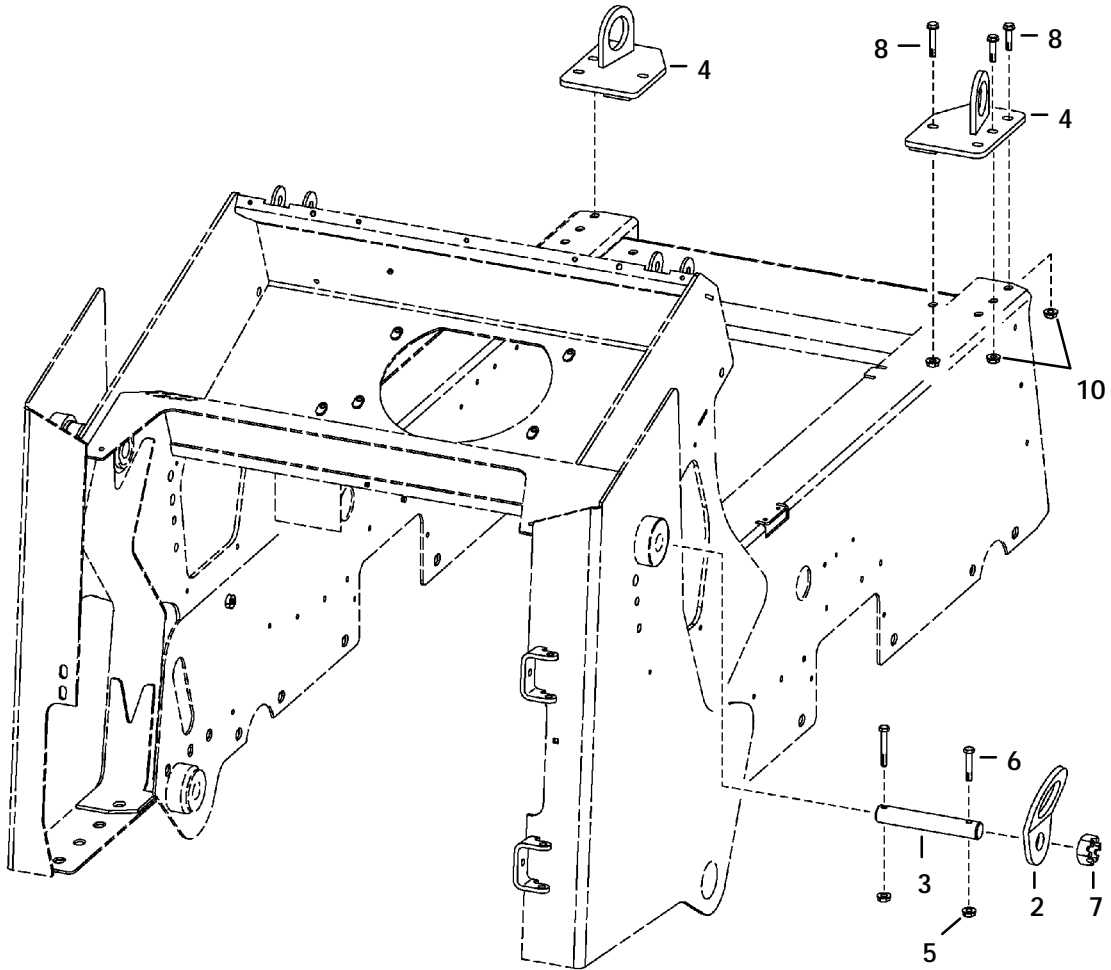
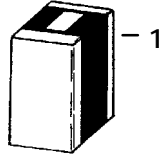
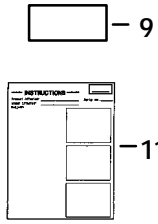
HORN KIT



NOTE: Requires multi-switch handle.

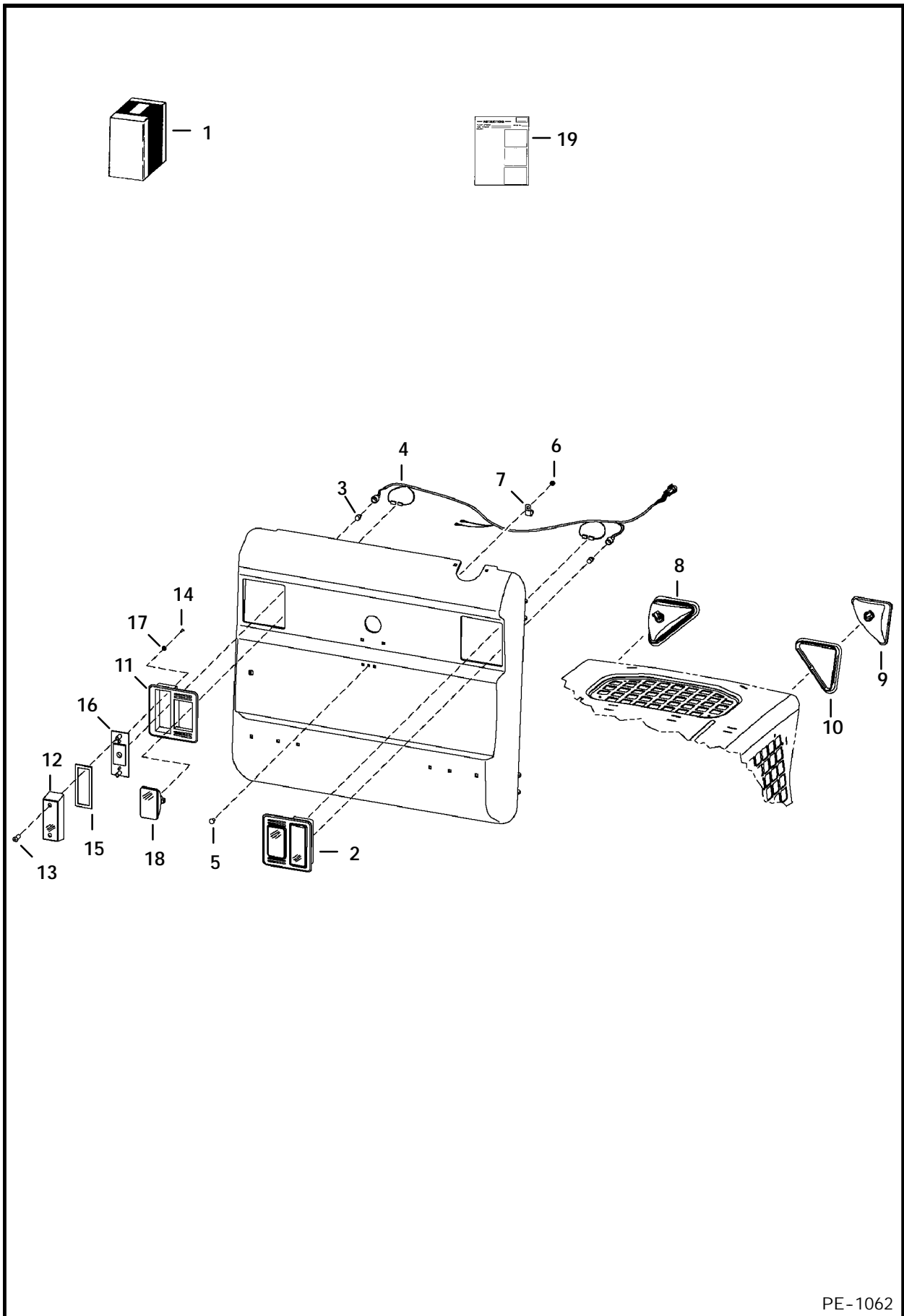
TS-1987

LIFT KIT (Four Point)



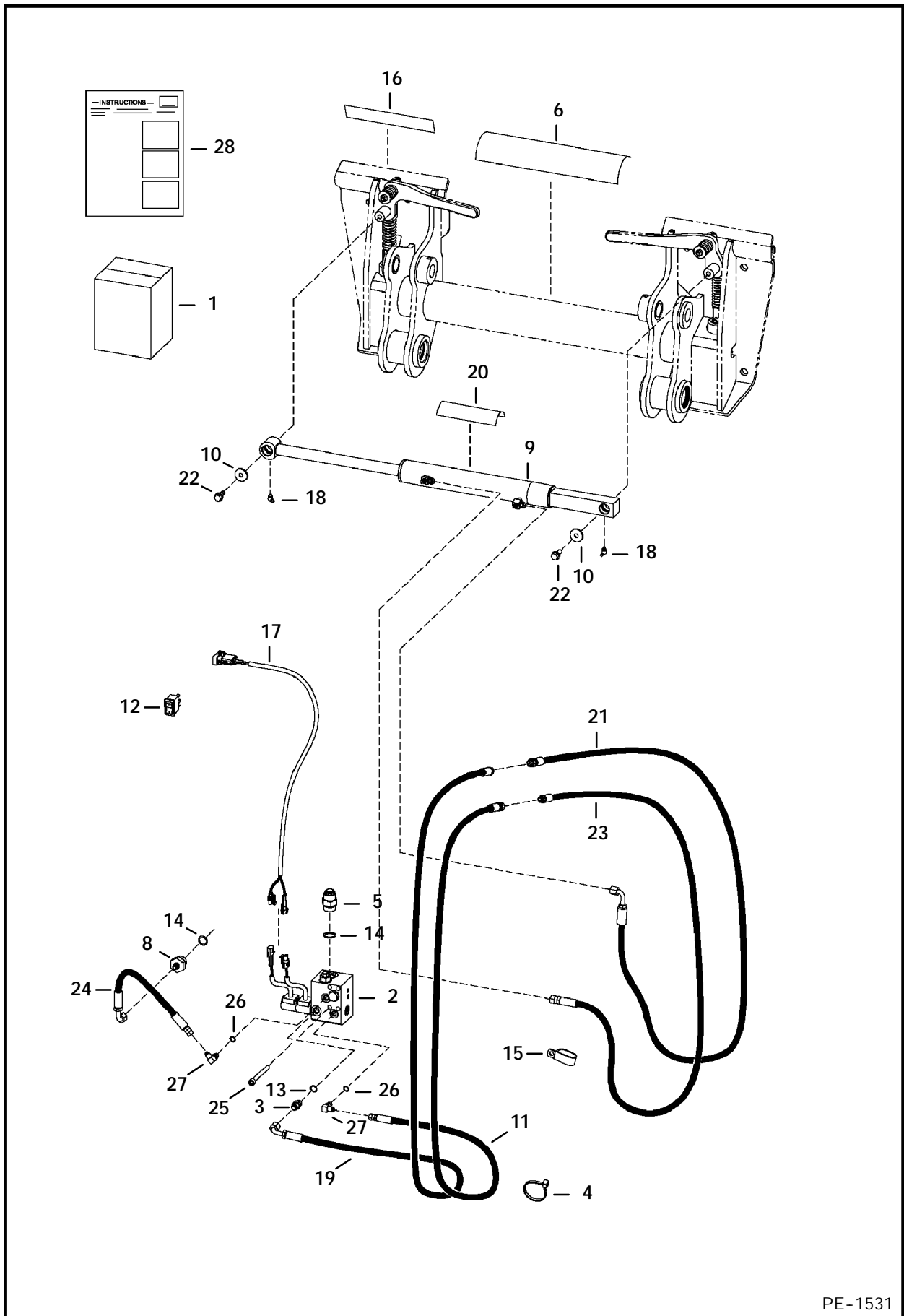
TS-1343

LIGHT KIT



PE-1062

POWER BOB-TACH KIT (Hydraulic Assisted)

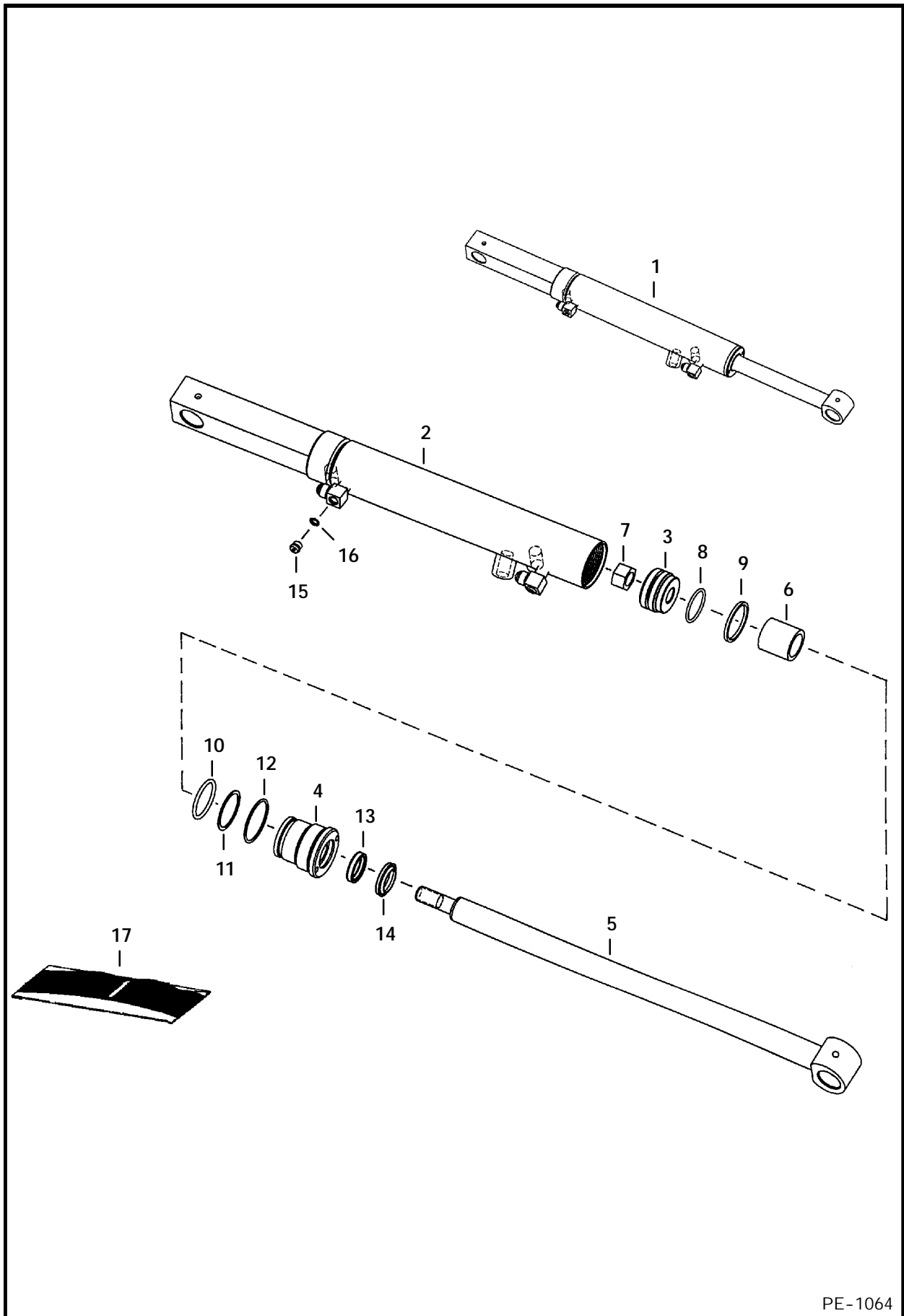


PE-1531

POWER BOB-TACH KIT (Cont'd)
(Hydraulic Assisted)

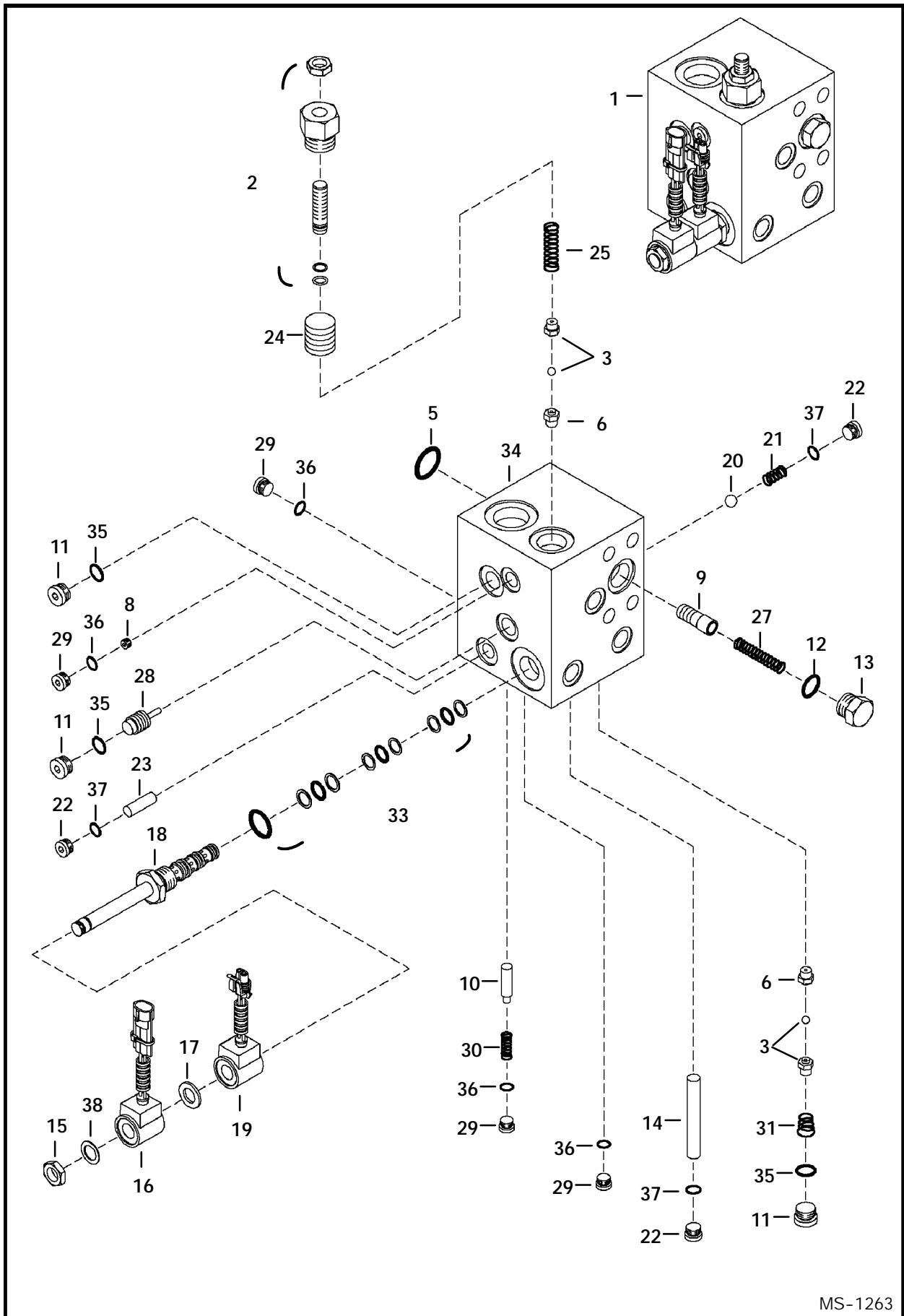
Ref. No.	Part Number	Description	Remarks	Serial Number	Qty.
1	6732355	KIT	Ref. 2-28		1
2		MANIFOLD	See Page 251		1
3	15KV-5	ADAPTER	W/Ref. 13		1
4	97K-6	O-RING	flared end		x
5	6624289	TIE			1
5	15KN-8	ADAPTER	W/Ref. 14		1
6	97K-12	O-RING	flared end		3
6	6725907	DECAL			1
7	14KN-5	TEE	for standard machine W/ rear auxiliaries		1
8	6715186	ADAPTER	W/Ref. 14		1
	97K-6	O-RING	flared end		x
9		CYLINDER	See Page 249		1
10	619021	WASHER			2
11	6731469	HOSE			1
12	6676732	SWITCH	vertical		1
13	99K-6	O-RING			x
14	99K-12	O-RING			x
15	31H-42	CLAMP			1
16	6719888	DECAL			1
17	6730770	HARNESS			3
18	11H-25	GREASE ZERK			2
19	6731468	HOSE			1
20	6554100	TREAD	safety		1
21	6731471	HOSE			1
22	35C-612	BOLT			2
23	6731470	HOSE			1
24	6806403	HOSE			1
25	73G-656	BOLT			4
26	99K-4	O-RING			x
27	17KV-3	ELBOW	W/Ref. 26		2
	97K-4	O-RING	flared end		x
28	6901710	INSTRUCTIONS			1

POWER BOB-TACH CYLINDER



PE-1064

POWER BOB-TACH (Valve Assembly)



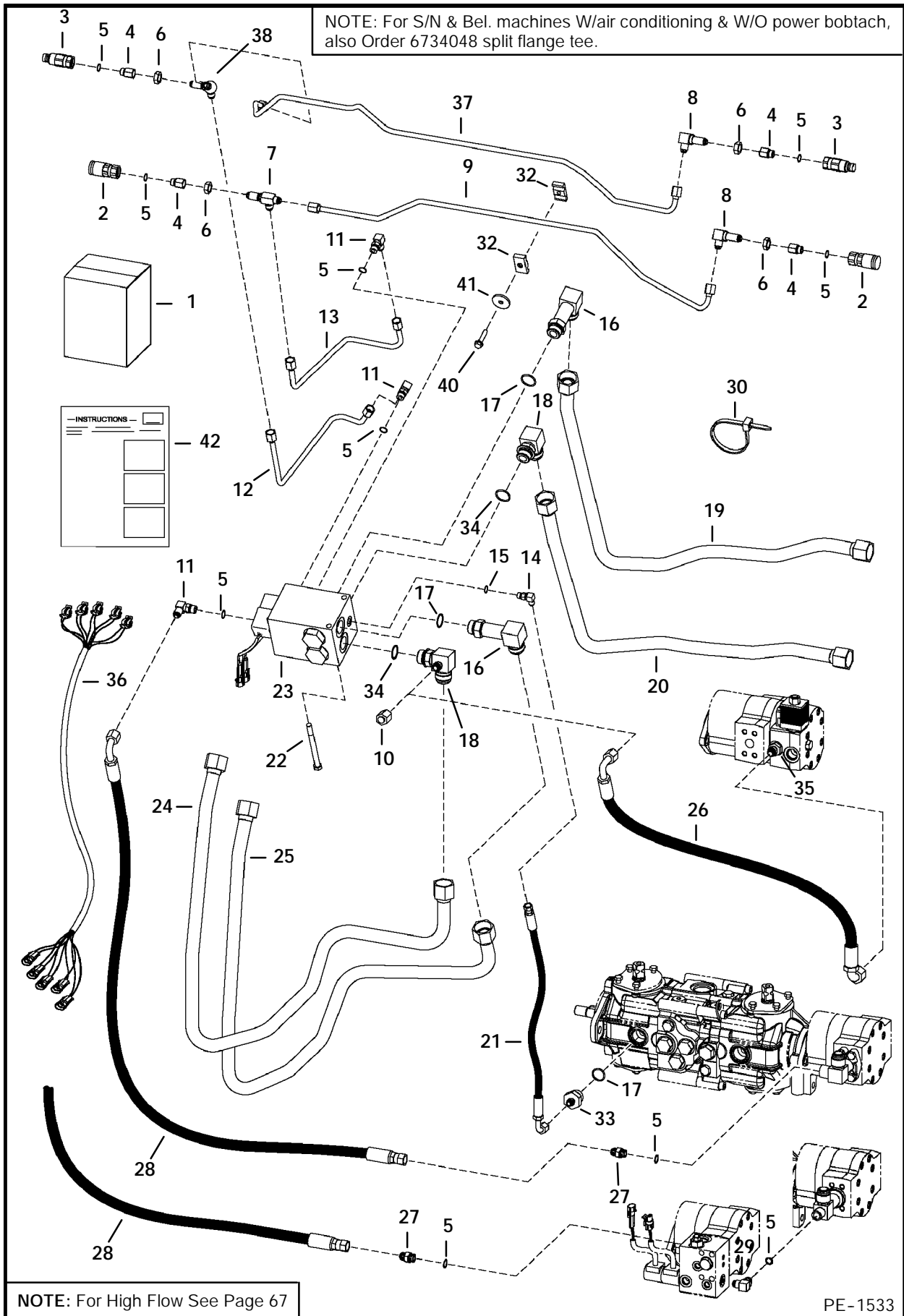
MS-1263

POWER BOB-TACH (Cont'd)
(Valve Assembly)

Ref. No.	Part Number	Description	Remarks	Serial Number	Qty.
1	6678554	VALVE	Ref. 2-31		1
2		RELIEF VALVE			1
		SEAL KIT			1
3	6679244	BALL ASSY			2
4	6678709	O-RING			x
5	6678695	O-RING			1
6	NSS	SEAT	relief loctited		2
7	99K-5	O-RING			x
8	6678701	ORIFICE	screw in plug W/ screen		1
9	6678708	COMPENSATOR			1
10	6678694	FLOW CONTROL			1
	6677150	SEAL KIT			1
11	6678698	PLUG	W/Ref. 35		3
12	95K-8	O-RING			x
13	6678706	PLUG	W/Ref. 12		1
14	6678702	ORIFICE			1
15	6671628	NUT			1
16	6671025	COIL			2
17	6678711	SPACER			1
18	6678697	STEM	W/Ref. 33		1
19	6678712	COIL	W/ male connector		1
20	6678705	BALL			1
21	6678704	SPRING			1
22	6677159	PLUG	W/Ref. 26		3
23	6678703	SHUTTLE			1
24	6678717	PISTON			1
25	6678718	SPRING			1
26	95K-4	O-RING			x
27	6678707	SPRING			1
28	6678700	PISTON			1
29	6678699	PLUG	W/Ref. 36		4
30	6678692	SPRING			1
31	6678693	SPRING			1
32	6679246	SEAL KIT	complete		1
33	6672756	SEAL KIT			1
34	NSS	BLOCK			1
35	95K-6	O-RING			x
36	95K-2	O-RING			x
37		WASHER			1

REAR AUXILIARY HYDRAULICS

NOTE: For S/N & Bel. machines W/air conditioning & W/O power bobtach, also Order 6734048 split flange tee.



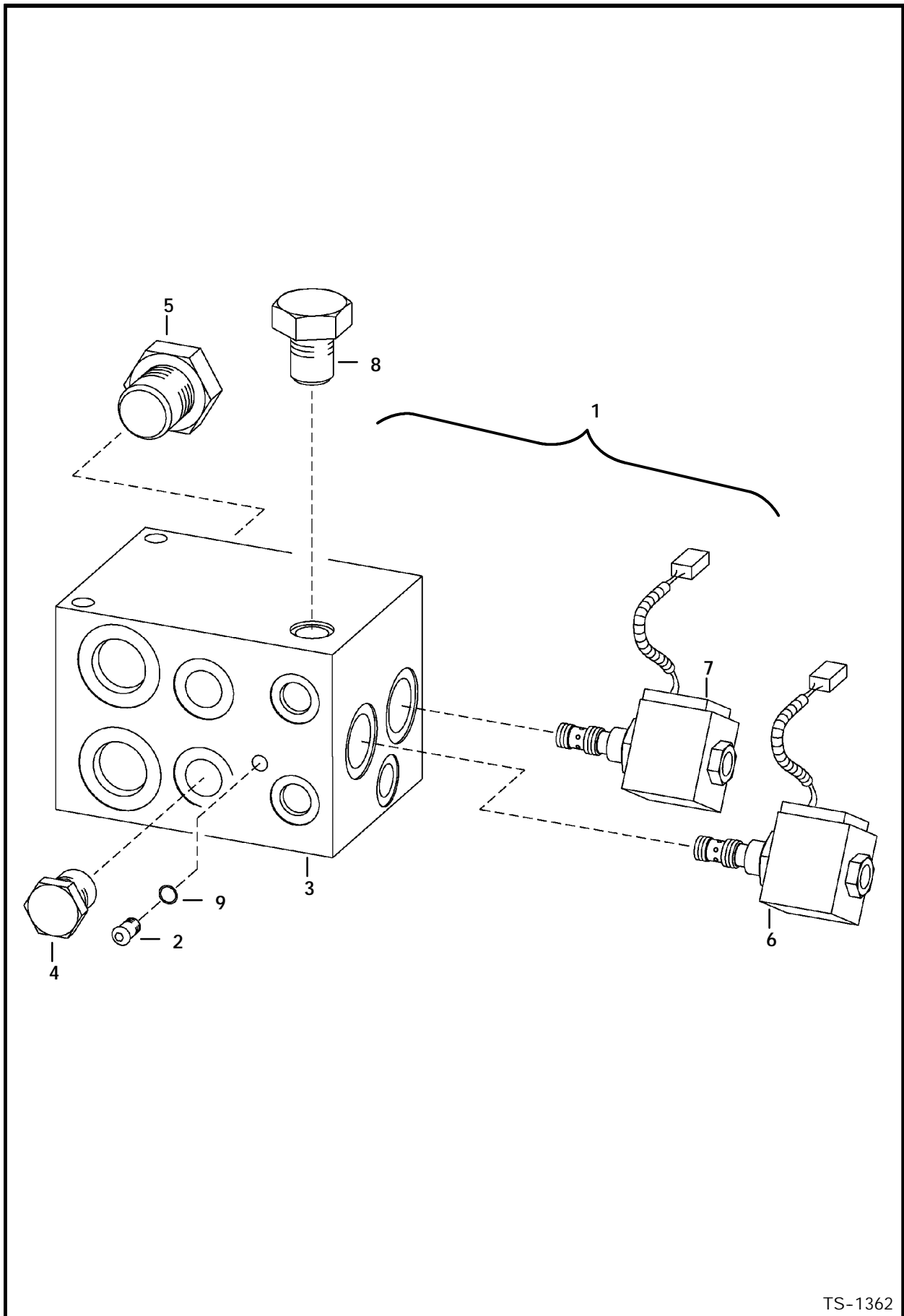
NOTE: For High Flow See Page 67

PE-1533

REAR AUXILIARY HYDRAULICS (Cont'd)

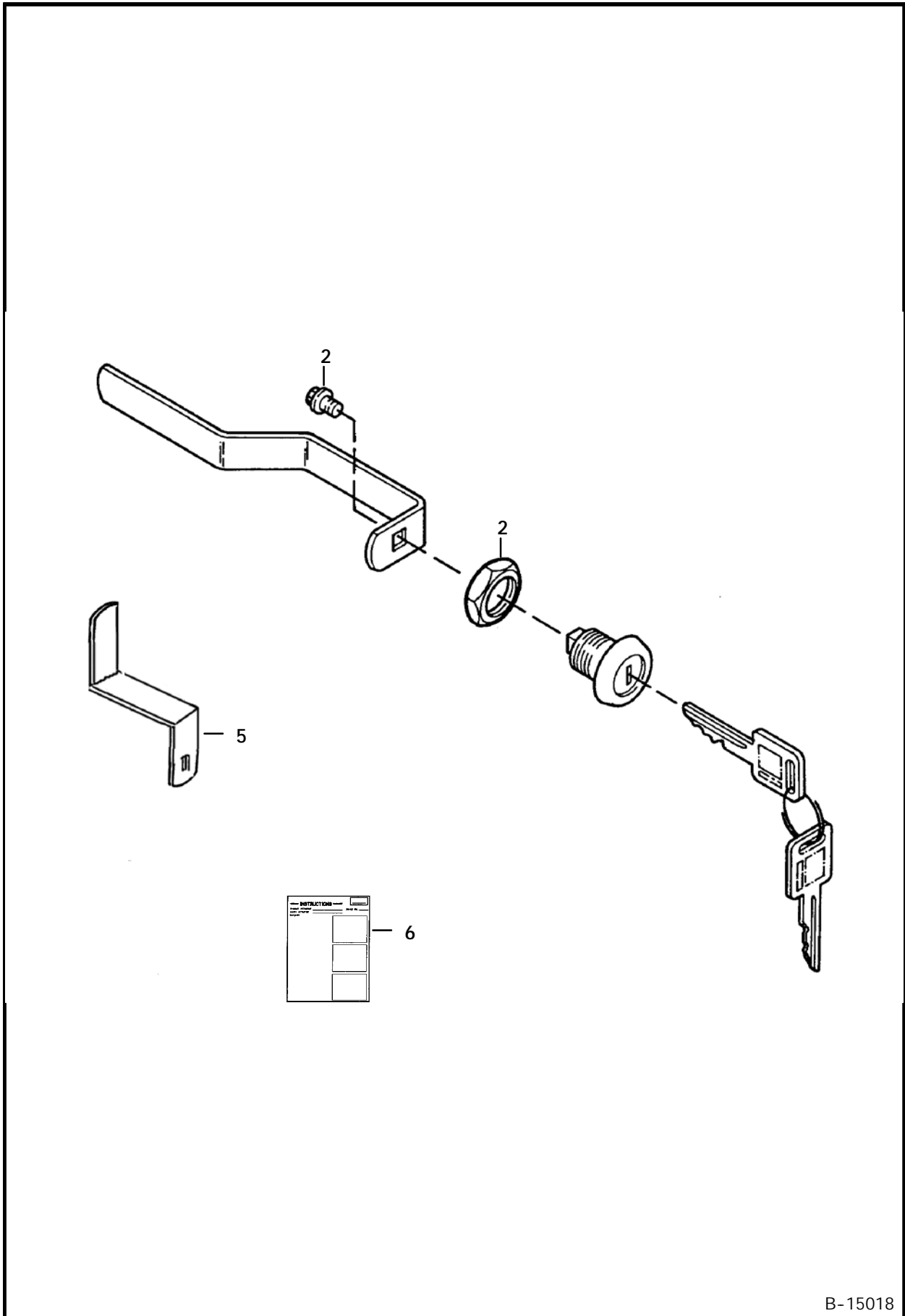
Ref. No.	Part Number	Description	Remarks	Serial Number	Qty.
1	6732356	KIT	Ref. 2-42 - SEE NOTE		1
2	6667803	COUPLER	female		2
3	6667804	COUPLER	male		2
4	6706633	CONNECTOR	W/Ref. 5		4
5	99K-6	O-RING			x
6	86F-5	NUT			4
7	6719298	TEE			1
	97K-6	O-RING	flared end		x
8	88FN-5	ELBOW			2
9	6733843	TUBELINE			2
10	36K-6	CAP			1
11	17KB-606	ELBOW	W/Ref. 5		3
12	6731747	TUBELINE			1
13	6731748	TUBELINE			1
14	17KB-404	ELBOW	W/Ref. 15		1
15	79K-4	O-RING			x
16	6733286	ELBOW	W/Ref. 17		2
17	79K-12	O-RING			x
18	6733877	ELBOW	W/Ref. 34		2
19	6730185	TUBELINE			1
20	6730186	TUBELINE			1
21	6709049	HOSE			1
22	17C-672	BOLT			2
23	6665572	VALVE	See Page 256		1
24	6733410	TUBELINE			1
25	6733409	TUBELINE			1
26	6732260	HOSE	high flow		1
27	15KB-606	ADAPTER	for machines W/ power bobtach W/Ref. 5		1
28	6730277	HOSE			1
29	17KV-5	ELBOW	for machines W/O power bobtach - W/Ref. 5		1
	96K-6	O-RING	flared end		x
30	6624289	TIE STRAP			2
31	15K-8	ADAPTER	W/Ref. 17 not in kit		2
32	6726277	CLAMP			2
33	15KB-612	ADAPTER	W/Ref. 17		1
34	79K-12	O-RING			x
35	6679943	CHECK VALVE	not in kit - for high flow		1
36	6718645	HARNESS			1
37	6733844	TUBELINE			1
38	6733850	TEE			1
39	17KB-1612	ELBOW	W/Ref. 34		1
40	84G-3724	BOLT			1
41	872229				1
42	6901711	INSTRUCTIONS			1

REAR AUXILIARY VALVE



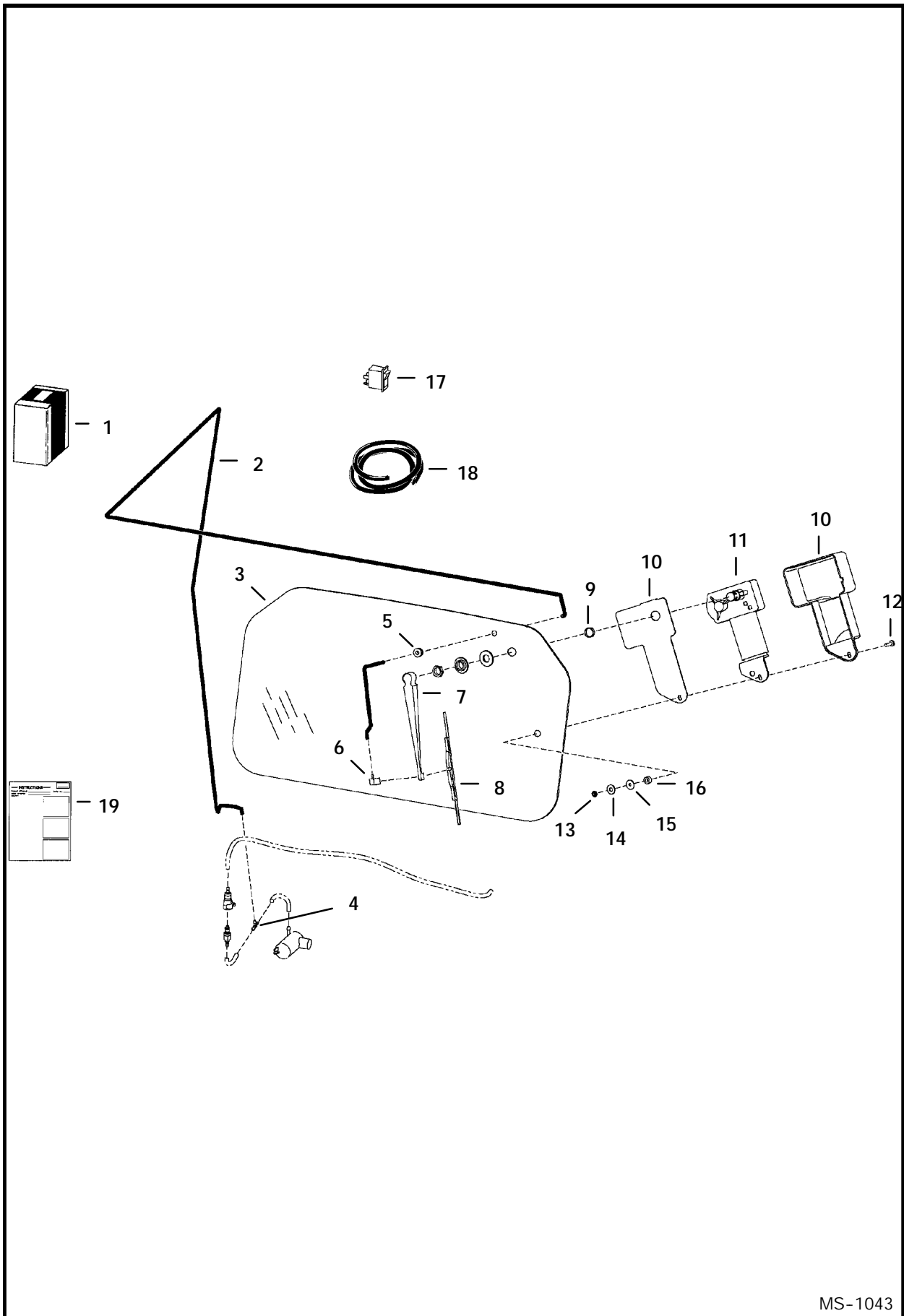
TS-1362

REAR DOOR LOCK



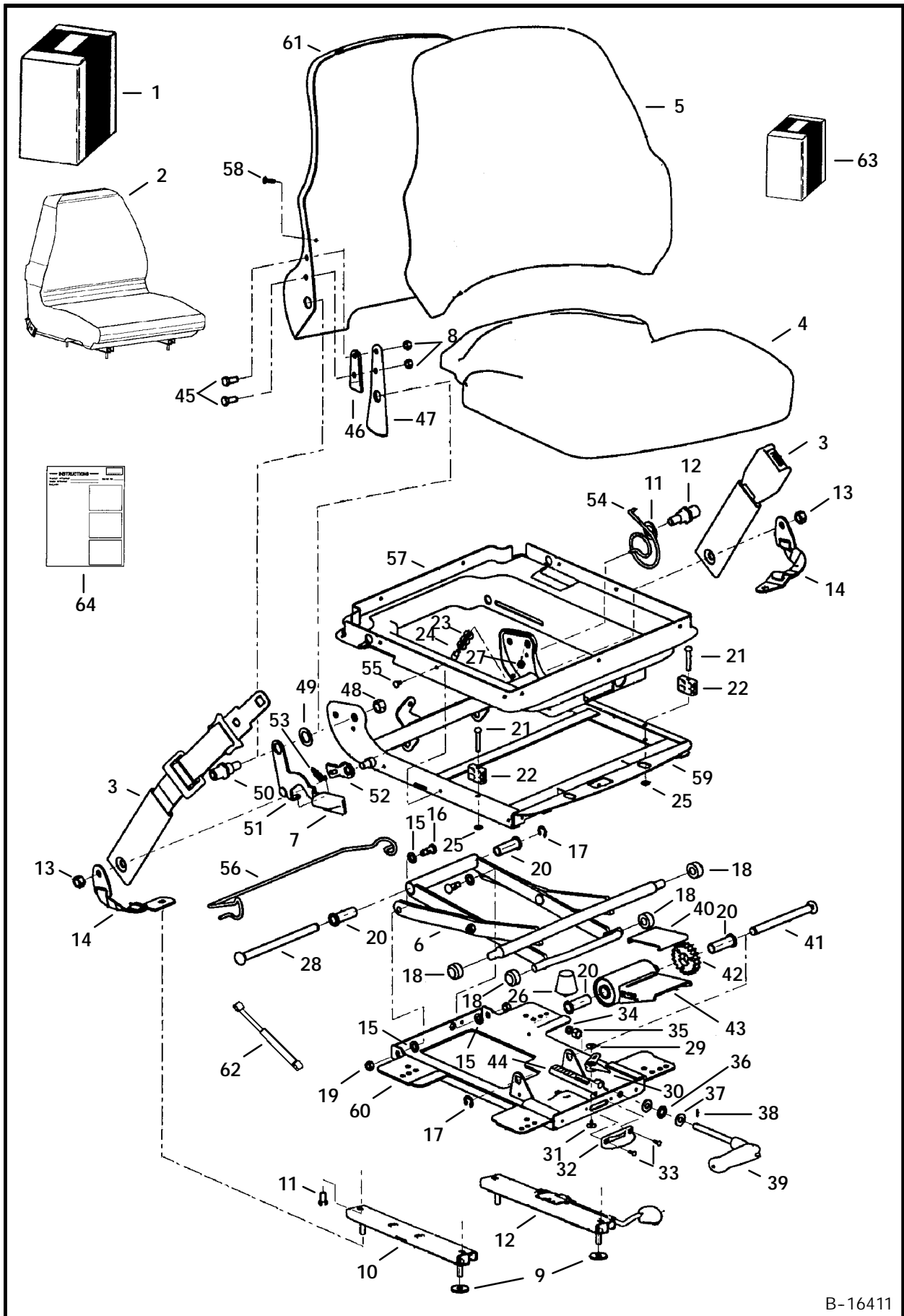
B-15018

REAR WIPER



MS-1043

SEAT (Suspension - Sears)

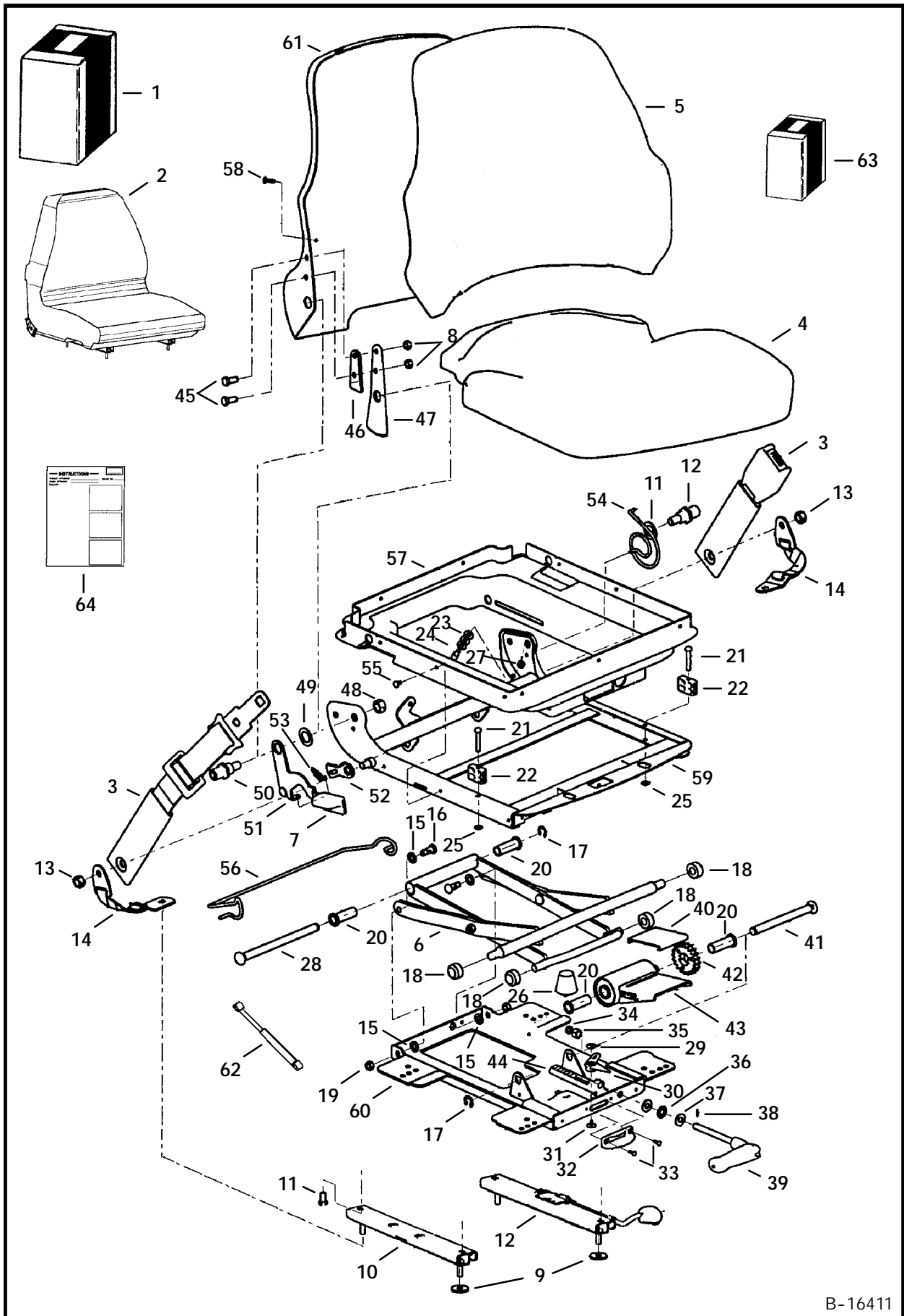


B-16411

SEAT (Cont'd)
(Suspension - Sears)

Ref. No.	Part Number	Description	Remarks	Serial Number	Qty.
1	NAP	KIT	vinyl seat - Order Ref. 2, 3 & 64 - Was 6718868 [A]		1
	NAP	KIT	fabric seat - Order Ref. 2, 3 & 64 - Was 6718869 [A]		
2	6675595	SEAT	vinyl - L.H. recliner lever		1
	6675596	SEAT	fabric - L.H. recliner lever		1
3	6675170	SEAT BELT	lap		1
4	6675320	SEAT	seat - fabric		1
	6675322	SEAT	seat - vinyl		1
5	6675319	SEAT	backrest - fabric - W/Ref. 58		1
	6675321	SEAT	backrest - vinyl - W/Ref. 58		1
6	6675317	SCISSORS			1
7	6675323	KNOB	recliner		1
8	NSS	NUT			6
9	619021	WASHER			4
10	NSS	SLIDE	slave		1
11	NSS	BOLT			4
12	NSS	SLIDE	locking		1
13	NSS	NUT			2
14	NSS	BELT	tether		2
15	NSS	WASHER	cross pivot		4
16	NSS	BOLT	pivot		2
17	NSS	RING	retaining		2
18	NSS	ROLLER			4
19	NSS	NUT			2
20	NSS	BUSHING	wt adjustment		4
21	NSS	RIVET			2
22	NSS	BLOCK	up stop		2
23	NSS	WASHER			3
24	NSS	STOP	armrest		1
25	NSS	PUSHNUT			2
26	NSS	BUMPER			1
27	NSS	NUT			1
28	NSS	SHAFT	bearing		1
29	NSS	RIVET	female snap		1
30	NSS	INDICATOR	weight		1
31	NSS	RIVET	male snap		1
32	NSS	DIAL	weight indicator		1
33	NSS	POP RIVET			2
34	NSS	SPACER			1
35	NSS	NUT			1
36	NSS	BEARING	thrust		1
37	NSS	RACE	thrust		2
38	NSS	SHEAR PIN			1
39	NSS	HANDLE	weight adjustment		1
40	NSS	PLATE	wear		1
41	NSS	SHAFT	torsion		1
42	NSS	DRIVE GEAR			1
43	NSS	BUSHING	torsion		1
44	NSS	RACK	wt adjustment		1
45	NSS	BOLT			2

SEAT (Cont'd) (Suspension - Sears)

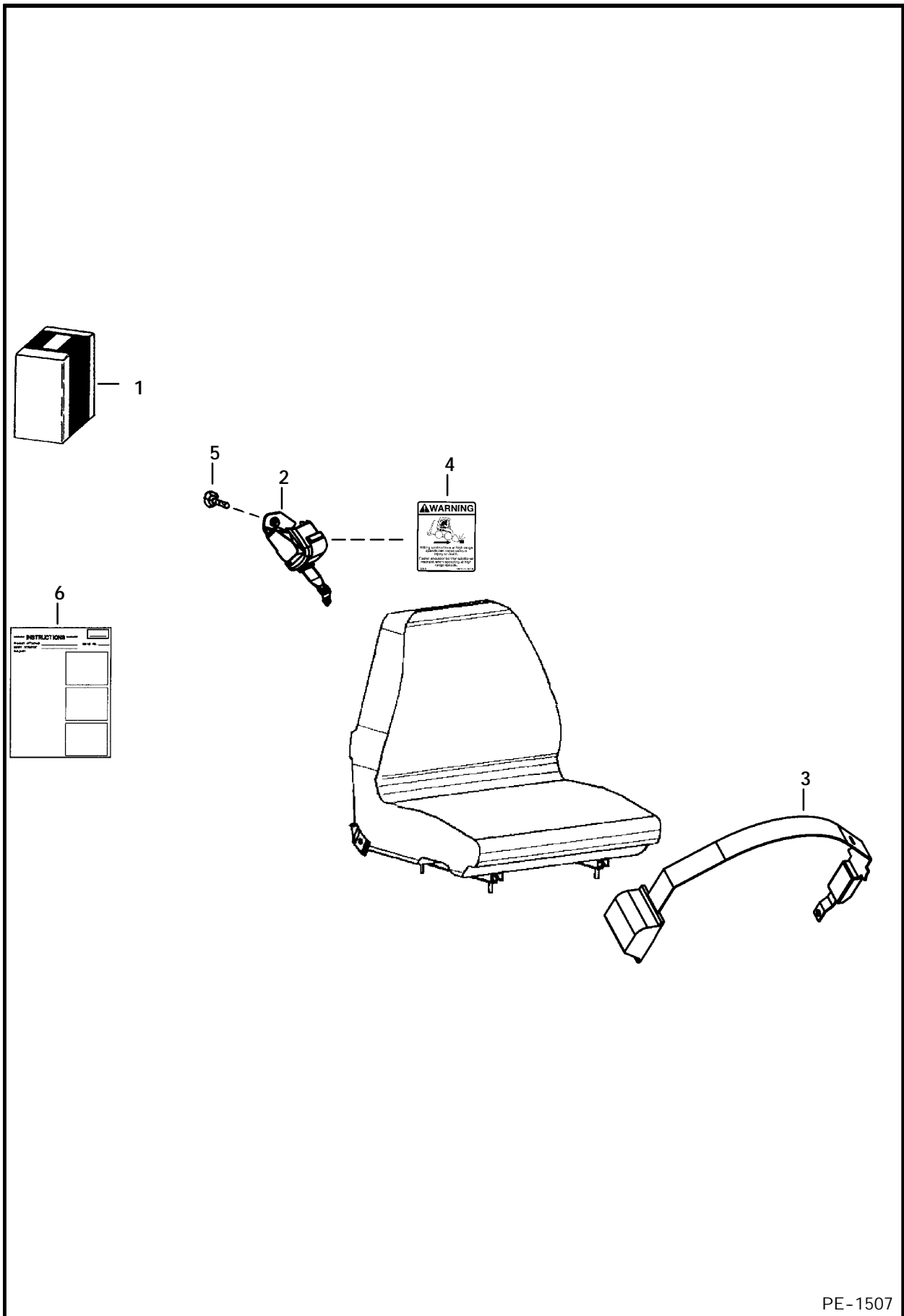


B-16411

SEAT (Cont'd)
(Suspension - Sears)

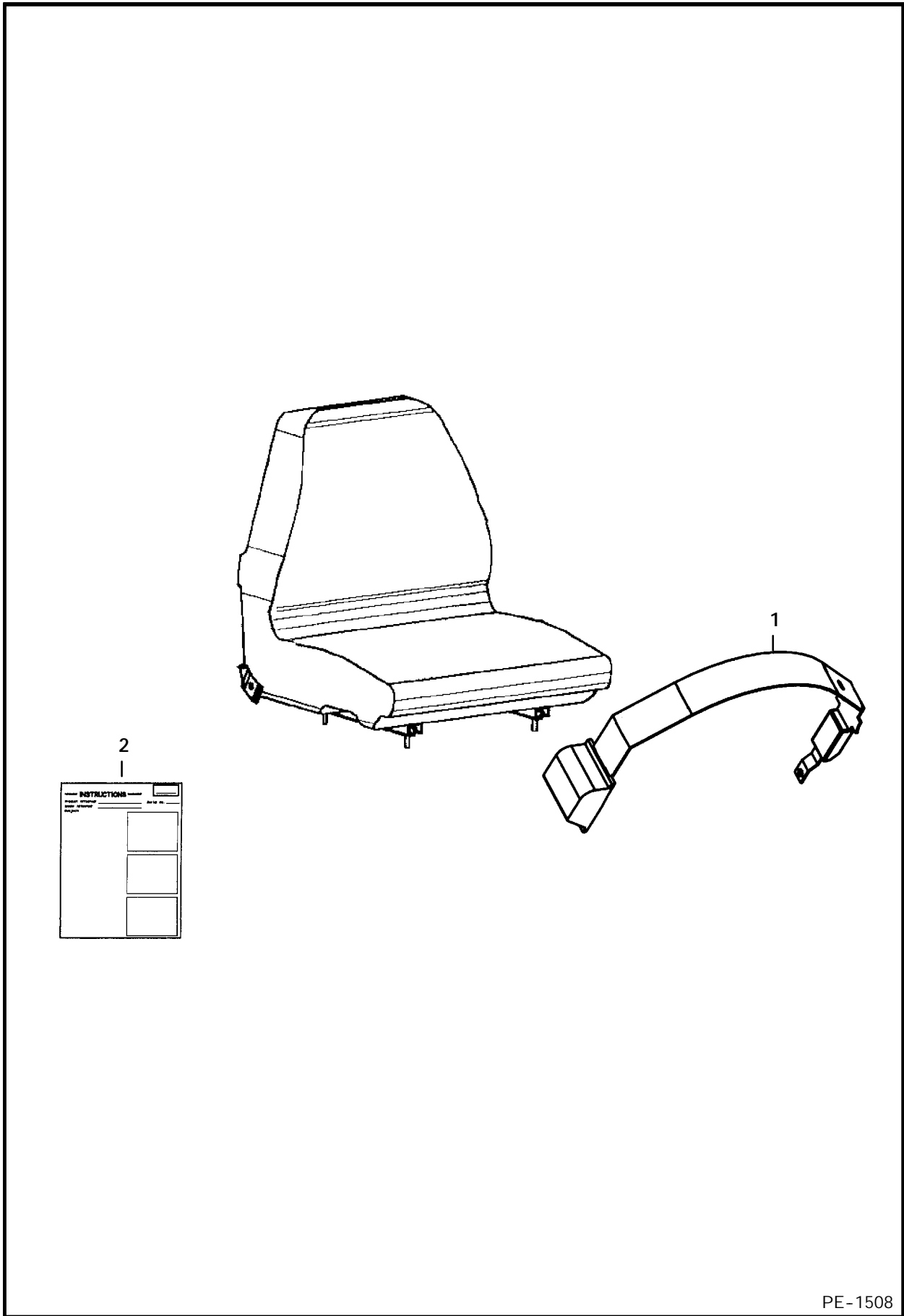
Ref. No.	Part Number	Description	Remarks	Serial Number	Qty.
46	NSS	SPACER	recliner		1
47	NSS	BRACKET	back tilt		1
48	NSS	NUT			2
49	NSS	WASHER	plastic		2
50	NSS	BOSS	back pan pivot		2
51	NSS	HANDLE	recliner (RH)		1
52	NSS	LATCH	recliner		1
53	NSS	SPRING	extension		1
54	NSS	SPRING	tilt latch		1
55	NSS	CLIP			6
56	NSS	WIRE	boot support		1
57	NSS	SUSPENSION	boot		1
58	NSS	SCREW			2
59	NSS	HOUSING	upper		1
60	NSS	HOUSING	lower		1
61	NSS	BACK PAN			1
62	6676338	GAS SPRING			1
63	6675309	KIT	slides - W/Ref. 8-12		1
	6675310	KIT	tether belt - W/Ref. 9, 13 & 14		1
	6675311	KIT	suspension rollers & bearings - W/Ref. 15-20		1
	6675312	KIT	suspension bumpers & stops - W/Ref. 21-27		1
	6675313	KIT	rear tube - W/Ref. 17, 20 & 28		1
	6675314	KIT	weight adj. indicator - W/Ref. 29-33		1
	6675315	KIT	weight adj. handle - W/Ref. 34-39		1
	6675316	KIT	weight adj. - W/Ref. 17, 20 & 40-44		1
	6675318	KIT	R.H. recliner - W/Ref. 7,8 & 45-54		1
	6676034	KIT	L.H. recliner - W/Ref. 7,8 & 45-54		1
	6675308	KIT	susp. boot - W/Ref. 55-57		1
64	6900861	INSTRUCTIONS			1

SEAT BELT (Three Point Retractable)



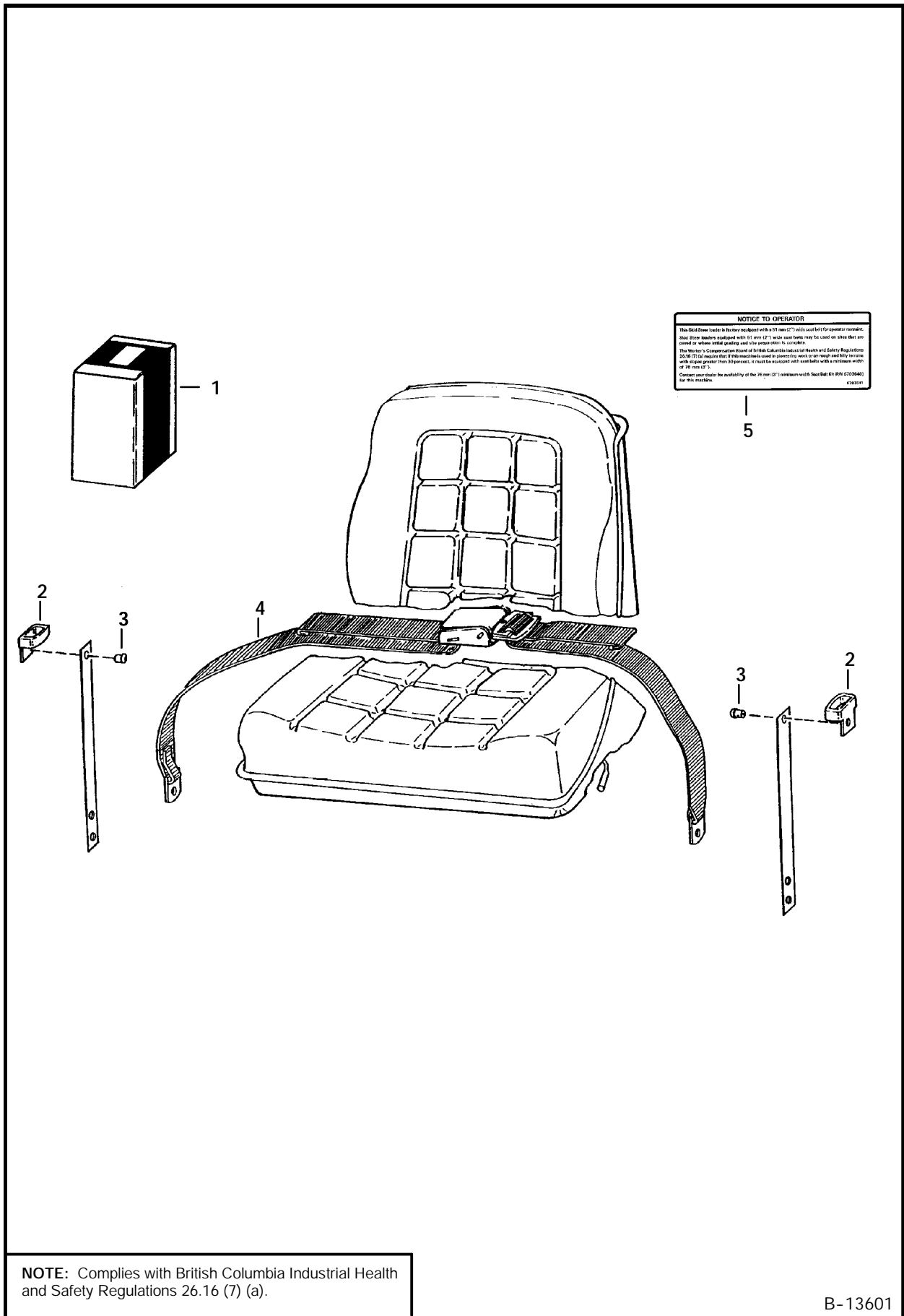
PE-1507

SEAT BELT
(3" Wide Retractable)



PE-1508

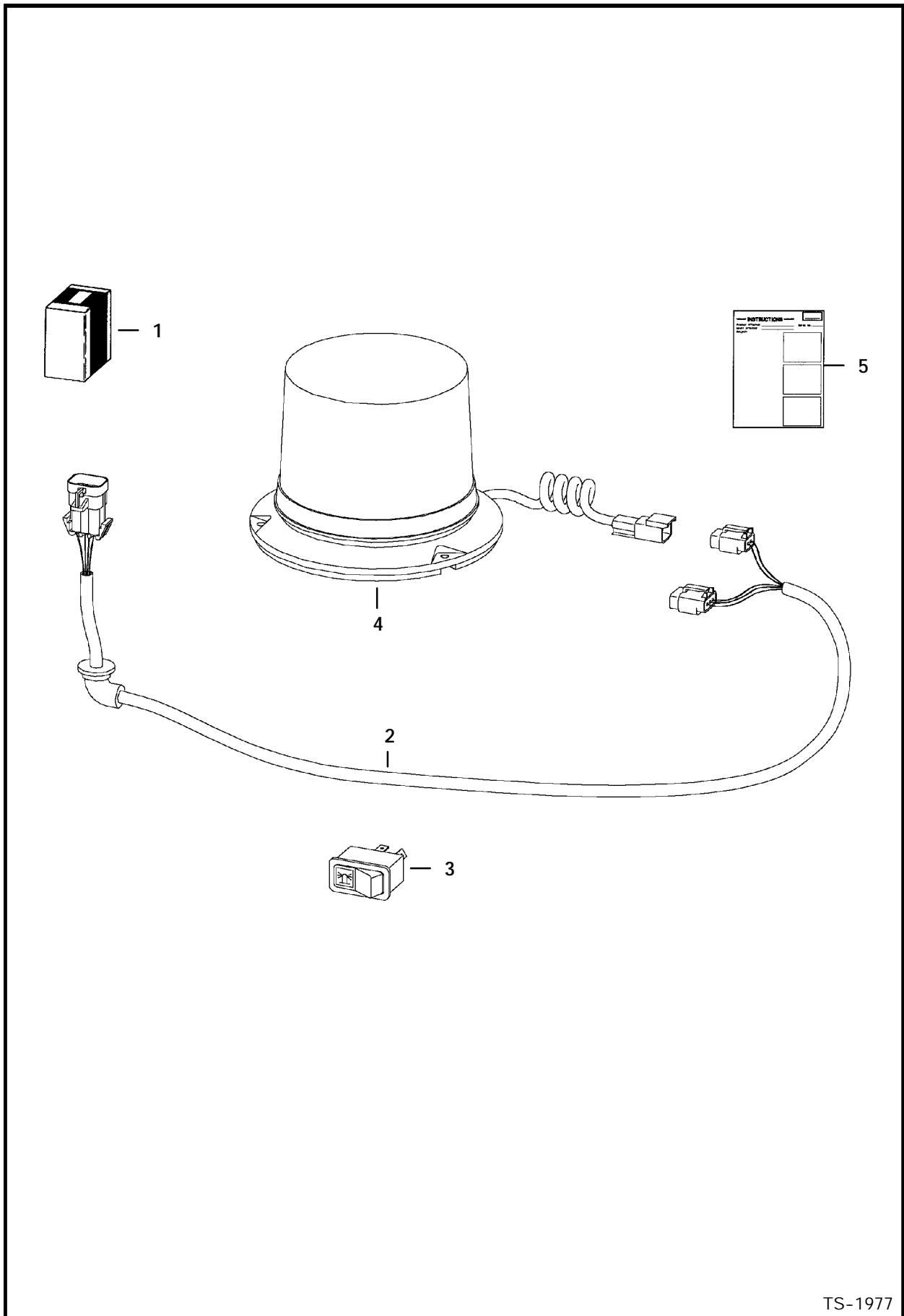
SEAT BELT (3" Wide)



NOTE: Complies with British Columbia Industrial Health and Safety Regulations 26.16 (7) (a).

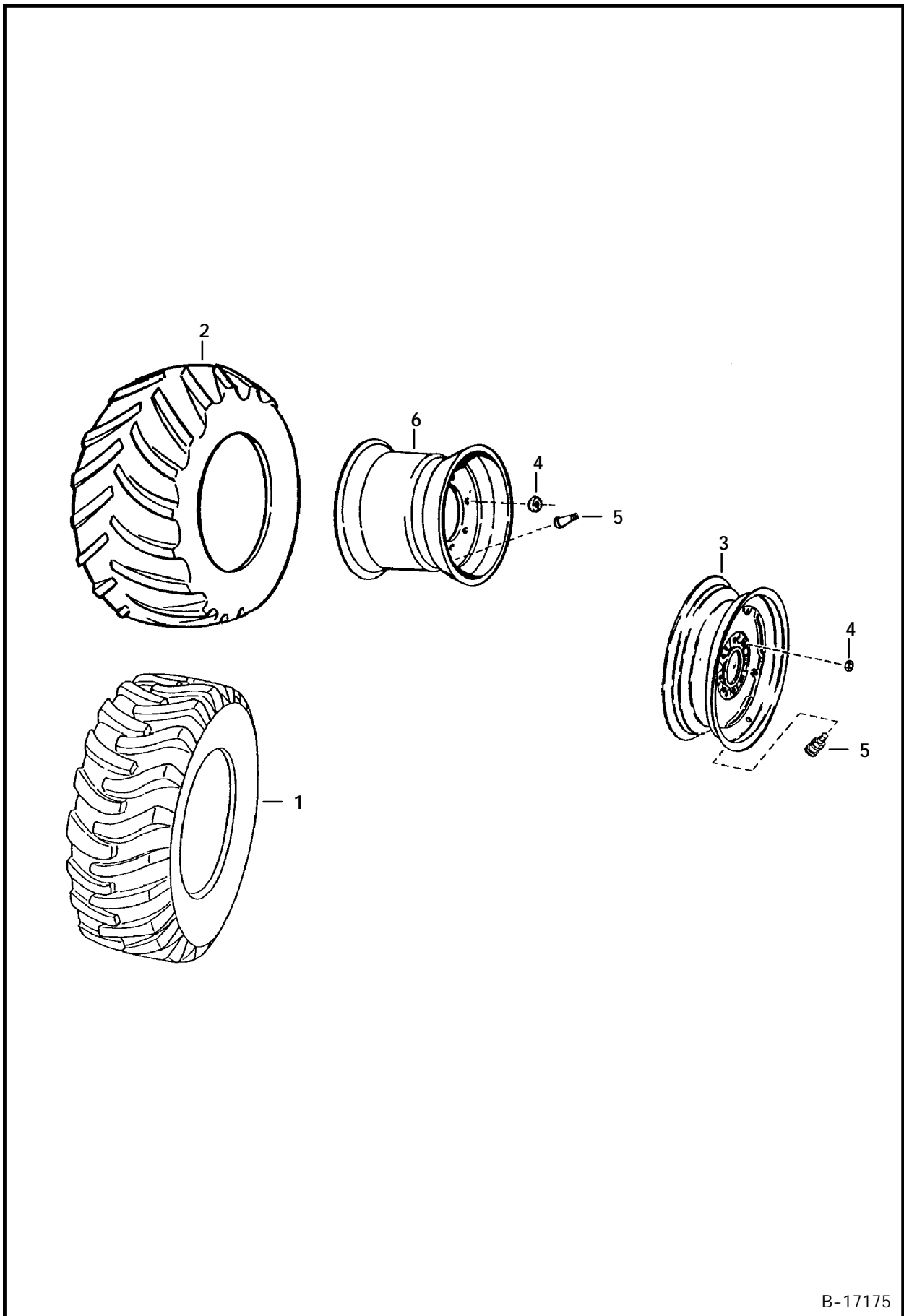
B-13601

STROBE LIGHT



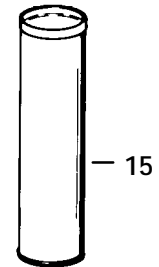
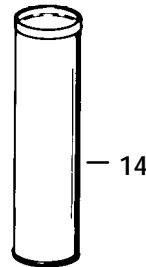
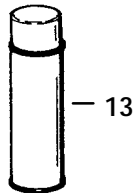
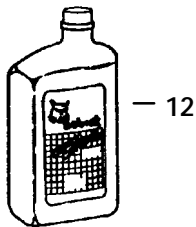
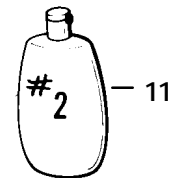
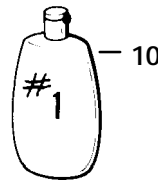
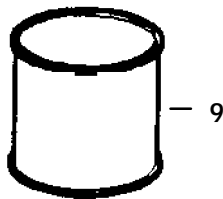
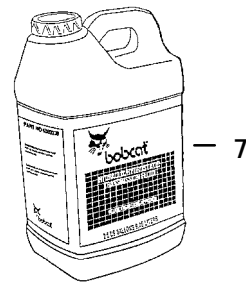
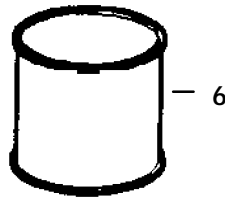
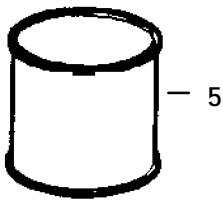
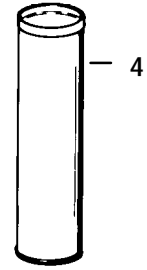
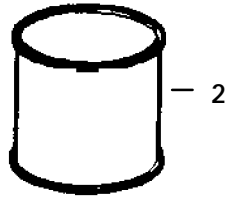
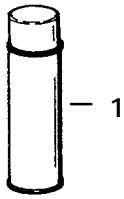
TS-1977

TIRES & RIMS



B-17175

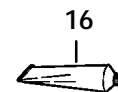
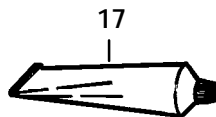
BULK ITEMS
(See Note)



NOTE: Some of these bulk items may not be used on this particular model Bobcat.

NOTE: See Merchandising catalog for more products & information.

NOTE: Paint spray cans are packaged 6 per box.
Motor oil quarts are packaged 12 per box.
Motor oil 5 qt. jugs are packaged 4 per box.
Motor oil 2.5 gal. jugs are packaged 2 per box.



B-16462

BULK ITEMS (Cont'd)
(See Note)

Ref. No.	Part Number	Description	Remarks	Serial Number	Qty.
1	6722783	PAINT	orange - spray can - SEE NOTE		x
	6722786	PAINT	charcoal - spray can - SEE NOTE		x
	6722789	PAINT	white - spray can - SEE NOTE		x
2	6722781	PAINT	orange - gallon - also Order Ref. 5		x
	6722782	PAINT	orange - Qt. - also Order Ref. 5		x
	6722784	PAINT	charcoal - gallon - also Order Ref. 5		x
	6722785	PAINT	charcoal - Qt. - also Order Ref. 5		x
	6722787	PAINT	white - gallon - also Order Ref. 5		x
3	6722788	PAINT	white - Qt. - also Order Ref. 5		x
	6724094	ANTI-FREEZE	Gal. - Premixed PG		x
	6724354	ANTI-FREEZE	Gal. - PG concentrate		x
4	6633583	SEALANT	chaincase covers		x
5	6653517	REDUCER	gallon		x
6	6653518	PRIMER	gallon		x
7	6653519	PRIMER	Qt.		x
	6563328	FLUID	hydraulic / hydrostatic transmission fluid - 5 gallons -		
	6722344	FLUID	2 - 2 1/2 gallon containers hydraulic / hydrostatic transmission fluid - 5 gallons		x
	NAP	FLUID	container		x
	6563330	FLUID	30 gallon drum		x
		FLUID	55 gallon drum		x
8	6599360	SEALANT	electrical - 3 oz. tube		x
9	6634393	LUBRICANT	90 wt. gear - pint - for use in cooling fan drive assy.		x
10	6630188	POLISH	window #1 (8 oz.)		x
11	6630189	POLISH	window #2 (8 oz.) - scratch remover		x
12	6657303	OIL	30 CE/SG - 1 Qt. - SEE NOTE		x
	6657301	OIL	10W30 CE/SG - 1 Qt. - SEE NOTE		x
	6657299	OIL	15W40 CE/SG - 1 Qt. - SEE NOTE		x
	6724557	OIL	SAE 10W30 - 1 gallon		x
	6724558	OIL	SAE 15W40 - 1 gallon		x
	6724559	OIL	SAE 30 - 1 gallon		x
	6674204	OIL	15W-40 - 2.5 gallon		x
13	6674205	OIL	10W-30 - 2.5 gallon		x
	6674206	OIL	30W - 2.5 gallon		x
	6675380	ADHESIVE	insulation - spray can		x
14	6658266	GREASE	general purpose		x
15	6599719	GREASE	14.5 oz. cartridge - for fan idler bearing		x
16	6650407	ADHESIVE	1 oz. tube		x
17	6650388	SEALANT	flange		x

NUMERICAL INDEX

Part No.	Description	Was	Code	Page
614142	SLEEVE			218
619021	WASHER			14, 28, 54, 248, 262
654299	BEARING			90, 94
658128	SNAP RING			90, 94
669863	SNAP RING			90, 94
774220	NUT			180, 226
799119	SNAP RING			56
872229	WASHER			42, 46, 254
898731	BULB			246
947088	SEAL			48, 50
1306637	COTTER PIN			54
1313116	BUSHING			132
1318565	HAIR PIN			78, 126
1321607	RACE			40
1321608	BEARING			40
1614765	STEM			274
3291290	WING NUT			172
3974795	PIN			92
5289686	PLUG			18
619021	WASHER			82
6512026	BUSHING			54
6512797	RIVET			270
6513152	SEAL			126, 188, 194, 226
6513495	COTTER PIN			54
6513763	WASHER			110
6515131	TERMINAL			218
6515817	WASHER			14
6517516	LIGHT			218
6518200	GREASE ZERK			82
6518483	WASHER			94
6518955	SNAP RING			132
6519178	BUMPER			20
6530859	HOSE			74
6531270	SLEEVE			56
6532127	BOOT			30, 116
6532453	RING SEAL			250
6538367	HEAD			48
6542731	SAFETY TREAD			188, 194
6553411	BUSHING			12, 32, 38
6553709	WASHER			14
6554100	SAFETY TREAD			248
6554149	CORD			18, 188, 198, 206
6555351	SEAL			206
6557493	GROMMET			260
6557831	WASHER			82, 238
6557904	FLASHER			218
6558694	WASHER			40
6559515	EXIT TAG			18, 206
6560172	COVER			108
6560633	DAMPENER			14
6562018	SPRING			28

Code for disposition of old part number
 A — Use up
 B — Use on other application (See PNI)

C — File PDR Report with Melroe Parts Sales
 D — Part Number Error

NUMERICAL INDEX (Cont'd)

Part No.	Description	Was	Code	Page
6562602	BUSHING			14
6562619	BUSHING			176
6563328	BLACK GOLD			276
6563330	BLACK GOLD			276
6563914	WASHER			54, 82
6563922	SNUBBER			78
6564452	GRIP			24
6564654	PIN			54
6564657	PIN			54, 178
6564669	NUT			40, 274
6565947	WASHER			40
6567743	PIN			14
6568424	ADAPTER			132
6568425	ADAPTER			132
6568918	SPROCKET			34, 40
6569203	CLAMP			108
6569219	SCREEN			32, 74
6569498	SPRING ASSY			132
6570931	INSTRUCTIONS			176
6576033	WASHER			134
6576196	MOUNT			82
6576280	BOLT			108
6577058	PIN			82
6577230	BRACKET			30, 82
6577382	SPACER			126
6577394	HINGE			136
6577545	GROMMET			180, 242
6577812	COVER			176
6577821	HOSE			32, 128
6577822	HOSE			32, 126
6577880	KIT			176
6577954	PIN			26
6577961	GROMMET			30, 54
6578172	HOSE			32, 128
6578278	PAD			32
6578284	SHIM			138
6578857	HUB			40
6579613	STOP			14, 126
6579641	HOUSING			138
6579989	BRACKET			108
6586251	HOSE			74
6586459	SEAL KIT			58, 64
6586542	HEAD			250
6586543	PISTON			250
6586710	BOLT			132
6586918	SCREW			56
6587182	SWIVEL PIN			132
6587458	KEY			32
6587523	WASHER			56, 62
6587575	ADAPTER			56
6587580	SPRING			56, 62

Code for disposition of old part number
 A — Use up
 B — Use on other application (See PNI)

C — File PDR Report with Melroe Parts Sales
 D — Part Number Error

NUMERICAL INDEX (Cont'd)

Part No.	Description	Was	Code	Page
6587633	BONNET			56, 62
6587763	BOOT			56, 62, 120
6587765	BUSHING			132
6588074	SPOOL			56, 62
6588781	END CAP			58, 62
6589226	BONNET			56
6589564	WASHER			56, 62
6589565	BUSHING			62
6592098	WASHER			56
6592100	COLLAR			56, 62
6592105	BALL			56
6592107	SPRING			56
6592109	ADAPTER			56, 62
6592115	SEAT			56, 62
6592116	NUT			56, 62
6592117	SPRING			56, 62
6592506	CLAMP			42
6592720	PLUG			56, 62
6595131	SPRING			58, 64
6595663	BUSHING			56, 62
6595951	SLEEVE			56, 62
6596332	SPRING			56, 62
6596807	PLUG			56
6598908	ELBOW			32
6599360	SEALANT			276
6599365	KIT			104
6599645	PLUG			12
6599719	GREASE			276
6599741	WASHER			82
6599744	BALL JOINT			82
6599931	ALARM			180
6610510	TIE			18, 32, 108, 126
6624289	TIE			42, 46, 68, 108, 178,
				212, 214, 222, 224, 238, 248, 254
6626631	CLAMP			126
6628571	VALVE ASSY			56, 60, 62
6628613	HOSE			80
6630188	POLISH			276
6630189	POLISH			276
6630207	RIVET			30
6631418	PIN			14, 20
6631561	NUT			66
6633583	SEALANT			276
6634393	LUBRICANT			138, 276
6634874	O-RING			66
6640690	PIN			112, 116, 242
6640692	CONNECTOR			112, 116
6640694	LOCK			112, 116
6640699	CONNECTOR			116, 226, 242
6640700	LOCK			116, 242
6641176	SEAL			112, 116, 242

Code for disposition of old part number
 A — Use up
 B — Use on other application (See PNI)

C — File PDR Report with Melroe Parts Sales
 D — Part Number Error

NUMERICAL INDEX (Cont'd)

Part No.	Description	Was	Code	Page
6641179	CONNECTOR			66, 112, 116, 242
6641180	LOCK			66, 112, 116, 242
6645080	O-RING			94
6645086	PLUG			90, 94
6645090	SEAL			90
6646582	PLUG			116
6646627	BEARING			138
6646781	SWITCH			180
6647777	PIN			66
6647783	LOAD CHECK			66
6647784	PLUG			66
6647785	SPRING			66
6648293	SCREW			66
6649244	STUD			194
6649245	RETAINER			188, 194
6649481	BULB			246
6649551	SHOCK			82
6649949	PLUG			18
6650120	RACE			36
6650388	SEALANT			276
6650407	ADHESIVE			276
6650627	PLATE			90, 94
6650629	PIN			90, 94
6650630	RETAINER			90, 94
6650634	GASKET			90, 94
6650635	BEARING			90, 94
6650636	PIN			90, 94
6650646	O-RING			90
6650647	O-RING			90
6650648	PLUG ASSY			92
6650652	POPPET			90
6650668	BOLT			90, 94
6650674	BOLT			94
6652018	BOLT			94
6652373	VALVE			172
6652918	NUT			136
6653484	VALVE			256
6653485	SEAL KIT			256
6653487	SEAL KIT			256
6653517	REDUCER			276
6653518	PRIMER			276
6653519	PRIMER			276
6653702	SEAL			138
6653757	SNAP RING			138
6653758	SNAP RING			138
6654139	MOULDING			114
6654170	STRIKER BOLT			194
6654806	FUSE			110
6655399	BUMPER			24, 126
6655781	BEARING			132
6657028	O-RING			90, 94

Code for disposition of old part number
A — Use up
B — Use on other application (See PNI)

C — File PDR Report with Melroe Parts Sales
D — Part Number Error

NUMERICAL INDEX (Cont'd)

Part No.	Description	Was	Code	Page
6657067	COVER			90, 94
6657068	PLATE			90, 94
6657299	OIL			1, 276
6657301	OIL			1, 276
6657303	OIL			1, 276
6657376	ELBOW			126
6657719	PLUG			18, 30, 206
6657734	PUMP			32
6658180	BREATHER			32
6658260	SENSOR			108
6658266	GREASE			276
6659999	BELT			270
6660260	SWITCH			104
6660644	CAP			56
6660814	O-RING			90, 94
6660967	CAP			132
6660995	GREASE RING			132
6661022	FILTER			46, 76, 102
6661114	CAP			32
6661229	BEARING			132
6661248	ELEMENT			1, 78, 104
6661328	SEAL KIT			58, 64
6661353	LIGHT ASSY			246
6661377	SEAL			132
6661448	SEAL KIT			72
6661481	O-RING			92
6661696	CAP			32
6661787	WASHER			136
6661807	KIT			102
6661808	KIT			102
6662246	CONNECTOR			230
6662252	LOCK			230
6662257	PIN			230
6662298	SNAP RING			38
6662848	CAP			58, 64
6662855	BELT			132
6662997	PULLEY			132
6664024	STEM			72
6664025	STEM			72
6664032	SEAL KIT			72
6664065	WASHER			260
6664085	BUSHING			18, 192, 206, 260
6664097	COVER			260
6664103	NUT			260
6664212	CHECK VALVE			256
6664221	RETAINER			18
6664223	OUTLET			18
6664224	CAP			18
6664368	LIGHT			18
6664554	PUMP			190
6664566	BOLT			260

Code for disposition of old part number
 A — Use up
 B — Use on other application (See PNI)

C — File PDR Report with Melroe Parts Sales
 D — Part Number Error

NUMERICAL INDEX (Cont'd)

Part No.	Description	Was	Code	Page
6664845	BEARING			36
6664846	BEARING			36
6664847	RACE			36
6664848	SNAP RING			36
6664882	BUSHING			20
6664971	WASHER			110
6664972	NUT			110
6665000	CLIP			116, 196
6665004	STEM			60
6665086	SEAL			48
6665222	RING GEAR			132
6665307	SEAL			132
6665308	SNAP RING			132
6665314	SWITCH			106
6665316	SWITCH			218
6665317	SWITCH			182, 272
6665321	RIVET			116, 190, 196
6665322	RIVET			116, 190, 196
6665367	BULB			18
6665370	PLUG			230
6665371	SWITCH			108
6665427	BATTERY			1, 108
6665568	SEAL			188, 198
6665569	WASHER			56, 62
6665570	RING			56, 62
6665572	VALVE			254, 256
6665602	MOTOR			260
6665659	CONNECTOR			110
6665701	BUSHING			54
6665702	STEM			72
6665707	SWITCH			188
6665719	PLUG			72
6665755	SEAL			36
6665846	SEAL			56, 62
6665915	GUAGE			74
6666338	WASHER			90, 94
6666542	SEAL			250
6666571	BULB			182
6666699	WASHER			108
6666766	GROMMET			190
6666864	CLAMP			32
6667144	CONNECTOR			112, 116
6667145	LOCK			112
6667176	PLUG			66
6667185	SEAL KIT			66
6667201	SPACER			260
6667323	SEAL			250
6667326	SEAL			48
6667352	ELEMENT			1, 32
6667353	FILTER ASSY			32
6667549	VALVE			56, 62

Code for disposition of old part number
A — Use up
B — Use on other application (See PNI)

C — File PDR Report with Melroe Parts Sales
D — Part Number Error

NUMERICAL INDEX (Cont'd)

Part No.	Description	Was	Code	Page
6667676	COVER			66
6667677	O-RING			66
6667680	SNAP RING			66
6667803	COUPLER			222, 254
6667804	COUPLER			222, 254
6667844	VALVE ASSY			44, 52
6667992	SOLENOID			38
6668104	MOUNT			136
6668742	SWITCH			18
6668760	SEAL			110
6668761	BOLT			108
6668765	VALVE			60
6668791	ORIFICE			60
6668815	SWITCH			218
6668816	SWITCH			182, 272
6668820	NUT			60, 100
6668879	DECAL			180
6668881	CORD			184
6668913	KNOB			44, 52
6669057	CHECK VALVE			60
6669085	VALVE			52
6669087	SEAL KIT			52, 100
6669089	TRACK			22
6669091	CLIP			18, 226
6669135	SEAT			22
6669187	VALVE			256
6669188	STEM			256
6669189	STEM			256
6669190	COIL			256
6669203	VALVE			72
6669216	SEAL KIT			256
6669217	SEAL KIT			256
6669218	VALVE			256
6669219	VALVE			256
6669224	BOLT			18, 226
6669267	SEAL			50
6669268	SEAL			50
6669384	SPEEDY SLEEVE			138
6669402	HOUSING			90
6669403	HOUSING			94
6669405	END CAP			94
6669407	SHAFT			94
6669408	SHAFT			90
6669409	WASHER			90
6669410	SHIM KIT			92
6669411	BEARING			90, 94
6669549	SOCKET			212
6669615	ORIFICE			72
6669728	CHECK VALVE			72
6669729	SHUTTLE VALVE			72
6669732	SEAL KIT			60

Code for disposition of old part number
 A — Use up
 B — Use on other application (See PNI)

C — File PDR Report with Melroe Parts Sales
 D — Part Number Error

NUMERICAL INDEX (Cont'd)

Part No.	Description	Was	Code	Page
6669733	SEAL KIT			60
6669734	SEAL KIT			60
6669736	SEAL KIT			72
6669737	SEAL KIT			72
6670160	CUSHION			22
6670284	LIGHT ASSY			246
6670287	COVER			24, 108
6670312	SOLENOID			226
6670627	BREATHER			38, 126
6670634	SEAL KIT			66
6670682	BEARING			132
6670685	RELIEF VALVE			92, 94
6670706	CONNECTOR			116
6670707	CONNECTOR			116
6670710	LOCK			116
6670711	LOCK			116, 118
6670715	PIN			116, 118
6670726	LOCK			258
6671025	COIL			60, 72, 252
6671026	COIL			72
6671138	SEAL			40
6671513	SWASH PLATE			90, 94
6671516	SEAL KIT			92, 96
6671518	BOLT			90
6671527	NUT			66
6671628	NUT			72, 252
6671629	NUT			72
6671845	PLUG			84
6672272	WASHER			246
6672273	SCREW			246
6672274	SCREW			246
6672275	GASKET			246
6672276	LENS			246
6672277	BRACKET			246
6672279	MOUNT			246
6672348	PANEL			18
6672448	VALVE ASSY			72
6672449	VALVE ASSY			72
6672450	VALVE ASSY			72
6672456	SOLENOID			60
6672486	SEALANT			138
6672492	RETAINER			180
6672515	SEAL KIT			72
6672715	SPACER			22
6672756	SEAL KIT			100, 252
6672762	PLUG			100
6672766	CHECK VALVE			78
6672825	MOTOR			84
6672863	SOLENOID			66
6673188	SEAL KIT			100
6673710	BEARING			82, 114

Code for disposition of old part number
A — Use up
B — Use on other application (See PNI)

C — File PDR Report with Melroe Parts Sales
D — Part Number Error

NUMERICAL INDEX (Cont'd)

Part No.	Description	Was	Code	Page
6673789	BEARING			82, 114
6673877	COUPLER			90
6673878	END PLATE			90
6673880	O-RING			92
6673882	SPRING			92
6673884	O-RING			90
6673885	PIN			90
6673886	BOLT			90
6673904	SEAL KIT			58
6673954	HOSE			76
6673990	PISTON			72
6674000	CLAMP			112
6674013	TRACK			22
6674029	O-RING			84
6674037	SPRING			84, 86
6674184	DISTRIBUTOR			84
6674192	BRAKE DISC			88
6674193	BRAKE DISC			88
6674202	NUT			106
6674204	OIL			1, 276
6674205	OIL			1, 276
6674206	OIL			1, 276
6674209	SENSOR			32, 108
6674219	BLOCK			84
6674228	PANEL			226
6674231	VENT			226
6674234	CONDENSER			238
6674235	DRIER			238
6674315	SENSOR			108
6674316	SENSOR			108
6674331	COIL			66
6674335	HOUSING ASSY			84
6674337	SPOOL			84
6674338	WASHER			84
6674339	SPRING			84
6674340	PIN			84
6674341	HOUSING			84
6674343	SHIM			84, 86
6674344	SPRING			84, 86
6674345	PLUG			84, 86
6674376	RELAY			110
6674390	ROTARY GROUP			84
6674400	HOUSING			246
6674401	HOUSING			246
6674402	MOUNT			246
6674403	COVER			16, 106
6674405	BUSHING			20
6674406	SENSOR			20
6674407	SHOULDER BELT			266
6674450	HANDLE ASSY			112
6674519	WINDOW ASSY			206

Code for disposition of old part number
A — Use up
B — Use on other application (See PNI)

C — File PDR Report with Melroe Parts Sales
D — Part Number Error

NUMERICAL INDEX (Cont'd)

Part No.	Description	Was	Code	Page
6674520	WINDOW			206
6674521	WINDOW ASSY			206
6674522	WINDOW			206
6674666	LATCH			188, 194
6674667	HANDLE			188, 194
6674738	MOTOR			86
6674741	KNOB			18, 206, 226
6674798	SEAL KIT			78
6674799	ADAPTER			212
6674802	CONNECTOR			210, 212
6674841	SPRING			86
6674894	NUT			20, 126
6674895	REATAINER			18
6674938	GAS SPRING			188, 194
6674993	CAP			190
6675020	BOLT			84
6675021	BOLT			84, 86
6675026	CAP			210, 212
6675033	INSERT			14, 16, 106
6675074	SEAT BELT			16
6675075	HOSE			238
6675076	HOSE			238
6675091	CAM			84
6675099	HORN			242
6675135	GAS SPRING			14
6675137	GAS SPRING			14
6675139	GAS SPRING			14
6675140	SNAP RING			14
6675154	HOLDER			110
6675155	FUSE			110
6675170	SEAT BELT			262
6675171	CLAMP			106
6675172	BRACKET			226
6675174	BODY			226
6675175	BRACKET			226
6675176	SWITCH			226
6675177	KNOB			226
6675179	FLANGE			226
6675181	PLUG			226
6675189	PIN			86
6675212	RETAINER			206
6675215	WINDOW			198
6675227	SEAL			84
6675228	SEAL			84
6675258	CLEVIS			14
6675263	WASHER			24
6675265	CHECK VALVE			100
6675278	FILTER			108
6675298	COUPLER			190
6675299	COUPLER			190
6675308	KIT			264

Code for disposition of old part number
A — Use up
B — Use on other application (See PNI)

C — File PDR Report with Melroe Parts Sales
D — Part Number Error

NUMERICAL INDEX (Cont'd)

Part No.	Description	Was	Code	Page
6675309	KIT			264
6675310	KIT			264
6675311	KIT			264
6675312	KIT			264
6675313	KIT			264
6675314	KIT			264
6675315	KIT			264
6675316	KIT			264
6675317	SCISSORS			262
6675318	KIT			264
6675319	SEAT			262
6675320	SEAT			262
6675321	SEAT			262
6675322	SEAT			262
6675323	KNOB			262
6675328	CHAIN			34
6675333	LINK			34
6675336	BULB			246
6675341	BLOCK ASSY			92, 94
6675342	PIN			90, 94
6675378	CLIP			190, 196
6675380	ADHESIVE			276
6675387	SEAL			18, 206
6675468	HANDLE ASSY			112
6675497	BLOWER			228, 230, 240
6675503	HOUSING			230
6675504	RING			230
6675505	BLOWER WHEEL			230
6675506	MOUNT			230
6675507	COVER			230
6675509	MOTOR			230
6675510	CLAMP			228, 240
6675511	DRAIN VALVE			228, 240
6675512	CLAMP			228, 240
6675522	STROBE			272
6675523	BEACON			182
6675524	CLIP			16
6675533	COIL			238, 240
6675534	BLOCK VALVE			238, 240
6675538	O-RING			238, 240
6675544	CANVAS CAB			202
6675545	GROMMET			18, 206
6675558	SEAL			188, 194
6675562	SEAT BELT			268
6675581	EXTINGUISHER			216
6675590	DOOR			202
6675591	HINGE KIT			202
6675595	SEAT			262
6675596	SEAT			262
6675607	INSULATION			234
6675608	INSULATION			234

Code for disposition of old part number
 A — Use up
 B — Use on other application (See PNI)

C — File PDR Report with Melroe Parts Sales
 D — Part Number Error

NUMERICAL INDEX (Cont'd)

Part No.	Description	Was	Code	Page
6675609	INSULATION			234
6675610	INSULATION			234
6675611	SEAL			232, 234
6675612	INSULATION			234
6675613	INSULATION			234
6675614	INSULATION			234
6675669	VALVE			66, 186
6675684	VALVE			226
6675685	HOSE			238
6675734	TIE			110
6675741	SENSOR			116
6675745	SPRING			116, 178
6675749	HANDLE			116
6675779	PRESSURE SWITCH			238
6675790	THERMOSTAT			238, 240
6675824	O-RING			238
6675825	O-RING			238
6675833	SEAL			206
6675835	TURN SIGNAL			218
6675846	POTENTIOMETER			226
6675858	FLASH TUBES			272
6675860	ROTARY GROUP			86
6675861	REAR HOUSING			86
6675862	BRAKE			88
6675863	QUAD RING			86
6675864	QUAD RING			86
6675865	SNAP RING			86
6675866	SPOOL			86
6675867	WASHER			86
6675868	POPPET			84, 86
6675869	O-RING			84, 86
6675870	SEAL KIT			88
6675874	CAM			86
6675875	HOUSING			86
6675876	DISTRIBUTOR			86
6675877	SEAL			86
6675878	SEAL			86
6675879	SEAL			86
6675880	SEAL			86
6675881	SEAL			86
6675882	SPOOL			86
6675885	SNAP RING			86
6675886	QUAD RING			86
6675887	HOUSING			86
6675888	SHAFT			86
6675889	PISTON			88
6675890	COVER			88
6675892	GASKET			88
6675893	O-RING			88
6675894	SEAL			88
6675895	BOLT			88

Code for disposition of old part number
A — Use up
B — Use on other application (See PNI)

C — File PDR Report with Melroe Parts Sales
D — Part Number Error

NUMERICAL INDEX (Cont'd)

Part No.	Description	Was	Code	Page
6675896	BOLT			86
6675897	WASHER			88
6675898	BUSHING			86
6675982	PLUG			106
6675999	SWITCH			260
6676000	TEE			260
6676001	ARM			260
6676002	BLADE			260
6676003	HOSE			188, 192, 260
6676021	SEAL KIT			84
6676022	SEAL			84
6676023	O-RING			84
6676024	PLUG			84
6676028	NOZZLE			260
6676029	SOLENOID			114, 116, 120, 178
6676034	KIT			264
6676062	VALVE			238
6676063	KIT			238
6676144	GEROTOR			92
6676145	SPACER			92
6676146	COUPLING			94
6676147	VALVE PLATE			90
6676148	VALVE PLATE			94
6676152	PLUG			256
6676155	RELIEF VALVE			72
6676205	SEAL KIT			100
6676239	CARTRIDGE			100
6676241	CARTRIDGE			100
6676242	COIL			100
6676243	COIL			100
6676244	COIL			100
6676247	NUT			100
6676249	STEM			58, 64
6676333	LEVER			114, 116
6676337	CONTROLLER			114
6676338	GAS SPRING			264
6676399	VALVE CORE			238
6676417	VALVE			80
6676492	SENSOR			114, 120, 178
6676493	SENSOR			114, 120, 178
6676497	LEVER			114, 116
6676499	GROMMET			188
6676500	ELBOW			188
6676516	NUT			226
6676536	SWITCH			106
6676537	SWITCH			114, 178
6676538	INSULATION			236, 238
6676539	CLIP			228, 238, 240
6676542	CAP			66
6676543	PLUG			66
6676544	SPRING			66

Code for disposition of old part number
A — Use up
B — Use on other application (See PNI)

C — File PDR Report with Melroe Parts Sales
D — Part Number Error

NUMERICAL INDEX (Cont'd)

Part No.	Description	Was	Code	Page
6676545	CARTRIDGE			66
6676561	HVAC ASSEMBLY			240
6676562	HEATER ASSEMBLY			228
6676604	COVER			236
6676606	SPACER			236
6676618	CLIP			230
6676640	SEAL			118
6676643	SPRING			86
6676644	SPRING			86
6676645	SPRING			86
6676646	SPRING			86
6676647	WASHER			88
6676648	WASHER			88
6676649	WASHER			88
6676650	WASHER			88
6676651	WASHER			88
6676652	WASHER			88
6676653	SCREW			236
6676732	SWITCH			248
6676870	CONNECTOR			118
6676872	TURN SIGNAL			218
6676917	ELBOW			190
6676918	HOSE			188
6676927	FELT STRIP			206
6676957	STARTER			124
6676984	BRACKET			238, 240
6677105	COVER			238, 240
6677106	O-RING			56, 62
6677108	HOUSING			228, 240
6677109	COVER			240
6677111	SEAL			228, 232, 240
6677114	FLANGE			240
6677115	RECEPTACLE			228, 240
6677116	RETAINER			228, 240
6677117	SCREW			228, 240
6677118	SCREW			228, 240
6677120	COVER			228
6677121	CAP			238
6677122	CAP			238
6677136	SOCKET			212
6677150	SEAL KIT			252
6677159	PLUG			252
6677192	MAGNET			190, 196
6677193	RIVET			190, 196
6677194	BOLT			188, 196
6677198	TAB			206
6677201	SOLENOID			58, 64
6677370	DECAL			112
6677373	MUFFLER			130
6677383	SOLENOID			58
6677485	SPACER			122

Code for disposition of old part number
A — Use up
B — Use on other application (See PNI)

C — File PDR Report with Melroe Parts Sales
D — Part Number Error

NUMERICAL INDEX (Cont'd)

Part No.	Description	Was	Code	Page
6677486	NUT			122
6677487	COVER			122
6677488	RECTIFIER			122
6677490	BRACKET			122
6677491	BRACKET			122
6677492	ROTOR			122
6677493	STATOR			122
6677494	BOLT			122
6677495	SPACER			122
6677496	PULLEY			122
6677497	NUT			122
6677504	COVER			228, 240
6677536	HANDLE			116
6677579	SCREW			236
6677628	SHAFT ADAPTER			226
6677649	PUMP			90, 94
6677660	SPOOL			62
6677661	SPOOL			62
6677662	SPOOL			62
6677663	SPOOL			62
6677817	BOLT			122
6677818	BEARING			122
6677819	RETAINER			122
6677820	BEARING			122
6677824	BELT			136
6677833	ARM ASSY			192
6677834	BLADE			192
6677835	MOTOR			192
6677836	COVER			192
6677837	BOLT			192
6677839	GASKET			192
6677840	SWIVEL ASSY			192
6677841	WASHER			192
6677842	NUT			192
6677843	NUT			192
6677844	NUT			192
6677845	ADAPTER			192
6677847	GROMMET			192
6677973	PLUG			206
6677980	NUT			100
6677983	FILTER			226
6677984	VALVE			56, 62
6678066	AIR CLEANER			172
6678067	BUSHING			54, 82
6678076	BLOCK			46
6678151	COVER			228
6678152	FLANGE			228
6678155	FILTER ASSY			78, 104
6678156	COOLER			78
6678198	BOLT			192
6678204	WASHER KIT			88

Code for disposition of old part number
 A — Use up
 B — Use on other application (See PNI)

C — File PDR Report with Melroe Parts Sales
 D — Part Number Error

NUMERICAL INDEX (Cont'd)

Part No.	Description	Was	Code	Page
6678205	ALTERNATOR			122
6678207	FILTER			226
6678226	SEAL			90, 94
6678283	HANDLE			206
6678284	HOSE			238
6678285	HOSE			238
6678548	STUD			188, 194
6678552	VALVE			58, 64
6678554	VALVE			252
6678674	CONTROLLER			108
6678675	CONTROLLER			214
6678680	PANEL			106
6678681	PANEL			106
6678682	PANEL			106
6678692	SPRING			252
6678693	SPRING			252
6678694	FLOW CONTROL			252
6678695	O-RING			252
6678697	STEM			252
6678698	PLUG			252
6678699	PLUG			252
6678700	PISTON			252
6678701	ORIFICE			252
6678702	ORIFICE			252
6678703	SHUTTLE			252
6678704	SPRING			252
6678705	BALL			252
6678706	PLUG			252
6678707	SPRING			252
6678708	COMPENSATOR			252
6678709	O-RING			252
6678711	SPACER			252
6678712	COIL			252
6678717	PISTON			252
6678718	SPRING			252
6678732	SEAL KIT			98
6678739	WASHER			192
6678771	TEE			78
6678772	HOSE			78
6678773	HOSE			78
6678775	ACTUATOR			114
6678832	ELBOW			78
6678920	NOZZLE			192
6678921	GUIDE			192
6678933	PISTON			50
6678960	SEAL			28
6678971	BOLT			34
6679068	SPACER			72
6679102	VALVE			100
6679130	KNOB			26
6679131	PUMP			90, 94

Code for disposition of old part number
 A — Use up
 B — Use on other application (See PNI)

C — File PDR Report with Melroe Parts Sales
 D — Part Number Error

NUMERICAL INDEX (Cont'd)

Part No.	Description	Was	Code	Page
6679141	HOSE			76
6679244	BALL ASSY			252
6679246	SEAL KIT			252
6679308	SEAT BELT			266
6679757	VALVE			56, 62
6679836	ADAPTER			46
6679837	COUPLER			46
6679838	COUPLER			46
6679839	COUPLER			46
6679840	SEAL			46
6679841	SEAL			46
6679842	SWITCH			106
6679845	CROSSMEMBER			106
6679855	BULB			106
6679856	ALARM			106
6679943	CHECK VALVE			68, 254
6679990	CLIP			16
6680020	SEAL KIT			46
6680054	ACTUATOR			226
6680120	CARTRIDGE			100
6680355	BOOT			124
6680356	BOLT			124
6680357	HOLDER			124
6680358	RING			124
6680359	STOP RING			124
6680360	STOP			124
6680361	SPRING			124
6680362	BALL			124
6680363	WASHER			124
6680364	LEVER			124
6680365	SHAFT			124
6680366	GEAR			124
6680367	GEAR			124
6680368	STOP RING			124
6680369	SEAL			124
6680370	PLATE			124
6680371	LEVER			124
6680372	BRACKET			124
6680373	YOKE			124
6680374	ARMATURE			124
6680375	SHAFT			124
6680376	SWITCH			124
6680377	HOLDER			124
6680378	WASHER			124
6680379	SEAL			124
6680380	SEAL			124
6680381	SPRING			124
6680382	SPRING			124
6680383	BOLT			124
6680384	BOLT			124
6680388	BRACKET			124

Code for disposition of old part number
A — Use up
B — Use on other application (See PNI)

C — File PDR Report with Melroe Parts Sales
D — Part Number Error

NUMERICAL INDEX (Cont'd)

Part No.	Description	Was	Code	Page
6680389	BRACKET			124
6680390	GEAR			124
6680407	SEAL KIT			70
6680687	BOLT			136
6680701	OIL FILTER			1
6680747	BOLT			132
6680839	MOUNT			136
6680843	COVER			128
6680844	GASKET			128
6680845	BOLT			128
6681474	CARTRIDGE			1, 172
6681475	CARTRIDGE			1, 172
6681476	CAP			172
6681477	COVER			172
6681482	RELIEF VALVE			70
6681483	SPRING			70
6681484	SET SCREW			70
6681485	GASKET			70
6681486	CAP			70
6681487	O-RING			70
6681488	WASHER			70
6681489	O-RING			70
6681490	VALVE			70
6681491	COIL			70
6681492	NUT			70
6681501	SEAL KIT			78
6681596	GEAR PUMP			98
6681600	PUMP			70
6700115	SPRING			132
6700182	COVER			12
6700330	COVER			38
6700631	GASKET			74
6700782	CAP			138
6701097	WASHER			126
6701159	SHIM			132, 138
6701160	CLIP			132
6701174	WASHER			14
6701449	FILLER TUBE			32
6701535	SPRING			20, 82
6701674	INSULATION			30
6701893	CLAMP			42
6702102	GEAR			138
6702103	GEAR			138
6702135	SHAFT			138
6702140	WASHER			138
6702144	SHIM			138
6702165	SHIM			138
6702166	SHIM			138
6702402	SHIELD			220
6702444	FUSE			110
6702474	RETAINER			132

Code for disposition of old part number
 A — Use up
 B — Use on other application (See PNI)

C — File PDR Report with Melroe Parts Sales
 D — Part Number Error

NUMERICAL INDEX (Cont'd)

Part No.	Description	Was	Code	Page
6702543	LEVER			82
6702593	SPACER			180
6702621	GRIP			112
6702716	BLOCK			82
6702903	LEVER			28
6702904	LEVER			28
6702958	BUSHING			28
6702971	BOLT			14
6702990	BUSHING			116
6703097	GASKET			38
6703640	KIT			270
6703641	DECAL			270
6703703	GUIDE			270
6703727	DECAL			242
6704242	WEDGE			28
6704248	PIVOT			28
6704443	BUSHING			132
6704444	WASHER			132
6704820	O-RING			132
6704879	GASKET			34
6704892	RIVET			214
6705749	SHIELD			74
6705920	HANDLE			112
6705921	HANDLE ASSY			242
6706096	MOUNT			82
6706098	GUIDE			82
6706105	YOKE			54
6706106	MOUNT			30
6706349	MOUNT			14
6706485	HOOK			12
6706517	SCREW			32, 74, 126
6706633	CONNECTOR			254
6706683	COVER			38
6706718	MOUNT			38
6706737	GASKET			38
6706805	SHAFT			36, 38
6706817	SPACER			36
6706857	BLOCK			12
6707077	HOUSING ASSY			138
6707101	SEAL			44, 52
6707607	IDLER			132
6707654	SPINDLE			132
6707697	WASHER			132
6707698	WASHER			132
6707699	PIVOT			132
6707726	MOUNT			180, 242
6707852	DECAL			188
6708009	LINK			54
6708016	GASKET			38
6708018	SPRING			38
6708043	BUSHING			54

Code for disposition of old part number
 A — Use up
 B — Use on other application (See PNI)

C — File PDR Report with Melroe Parts Sales
 D — Part Number Error

NUMERICAL INDEX (Cont'd)

Part No.	Description	Was	Code	Page
6708070	GASKET			38
6708189	TUBE			14
6708267	BOLT			38
6708310	HOSE			188
6708445	PULLEY			134
6708580	ADAPTER			108
6708987	HINGE			12
6709049	HOSE			254
6709170	STUD			40
6709448	BRACE			126
6709527	KEY			106, 188, 194, 258
6709757	AXLE			40
6710234	PIN			26
6710488	MOUNT			32
6710659	BUSHING			20
6711526	HINGE			24
6711674	MOUNT			222
6712536	PAN			108
6712646	ADAPTER			46
6712912	DECAL			208
6713040	SPRING			28
6713043	SPACER			116
6713287	PULLEY			132
6713349	GRIP			116
6713382	BELT			126
6713589	CLEVIS			20
6713792	MOUNT			180
6713793	BRACKET			180
6713887	BOLT			20
6713898	COVER			116
6714037	LATCH			258
6714126	DOOR STOP			24
6714278	GUIDE			38
6714362	WEIGHT			208
6714509	COVER			24
6714726	PLUG			114
6714979	BRACKET			108
6715131	BRACE			108
6715132	RETAINER			108
6715142	FAN			126
6715143	SET SCREW			126
6715163	BUSHING			82
6715164	SLEEVE			82
6715183	ELBOW			32
6715186	ADAPTER			248
6715197	CLAMP			108
6715287	SPACER			136
6715318	TOOL HOLDER			24
6715365	HARNESS			17, 18
6715630	BRAKE			38
6715650	ELBOW			186

Code for disposition of old part number
A — Use up
B — Use on other application (See PNI)

C — File PDR Report with Melroe Parts Sales
D — Part Number Error

NUMERICAL INDEX (Cont'd)

Part No.	Description	Was	Code	Page
6715659	HARNESS			180
6715860	SEAT BAR			20
6715863	BRACKET			20
6715864	BUSHING			20
6715865	BUSHING			20
6715866	BUSHING			20
6715878	ADAPTER			42, 76, 78
6716061	TEE			42
6716089	CONNECTOR			222
6716116	MOUNT			82
6716117	LINK			82
6716243	CONNECTOR			76
6716391	HOSE			80
6716408	SPACER			136
6716419	HARNESS			246
6716545	ROD			82
6716572	LOUVER			126
6716574	LOUVER			126
6716621	COVER			108
6716800	INSULATION			16, 30
6716916	WASHER			82, 114
6716977	BELLCRANK			114
6717146	SPACER			188, 194
6717173	ADAPTER			78
6717232	DECAL			208
6717242	HOUSING			36
6717247	HARNESS			108
6717259	BUSHING			28
6717260	BUSHING			28
6717277	BUSHING			12
6717278	BUSHING			12
6717296	MOUNT ASSY			34, 36
6717306	ADAPTER			76
6717369	BRACKET			188, 194
6717378	BOLT			44
6717393	LEVER			114
6717401	PLUG			32
6717402	BUSHING			32
6717451	HOSE			32
6717478	INLET			126
6717503	TEE			80
6717515	INSULATION			18
6717516	INSULATION			16
6717517	INSULATION			18
6717518	INSULATION			18
6717519	INSULATION			18
6717520	INSULATION			18
6717579	GASKET			32, 108
6717593	HINGE			190, 194
6717636	HOUSING			126
6717643	DUCT			226

Code for disposition of old part number
 A — Use up
 B — Use on other application (See PNI)

C — File PDR Report with Melroe Parts Sales
 D — Part Number Error

NUMERICAL INDEX (Cont'd)

Part No.	Description	Was	Code	Page
6717644	DUCT			226
6717662	TEE			74
6717706	COIL			58, 64
6717806	BOLT			34
6717870	FRAME			206
6717871	FRAME			206
6717872	FRAME			206
6717873	FRAME			206
6717874	WINDOW			18, 206
6717885	ELBOW			68
6718034	FUSE			110
6718101	COVER			16
6718175	SCREEN			226
6718210	TANK			32
6718283	RETAINING NUT			54
6718285	LEVER			54
6718305	PANEL			30
6718310	PULLEY			238
6718326	MOUNT			218
6718329	BUSHING			28
6718376	HINGE			190, 194
6718411	KIT			218
6718414	SENDER			108
6718417	SENDER			108
6718426	HARNESS			212
6718506	PIN			114
6718520	COVER			188, 194
6718521	HANDLE			188, 194
6718579	DECAL			226
6718580	PANEL			18
6718645	HARNESS			254
6718659	HOUSING			110
6718660	TEE			78
6718706	DECAL			114
6718750	MOUNT			212
6718757	HOUSING			126
6718774	DECAL			108
6718784	COVER			14
6718796	PLUG			12, 24, 108
6718803	KIT			226
6718816	SPACER			26
6718820	HARNESS			180
6718822	BACKUP ALARM KIT			180
6718833	BRACKET			220
6718834	BRACKET			220
6718837	SPACER			226
6718850	BRACKET			74
6718851	BRACKET			74
6718872	HARNESS			182, 218, 272
6718873	HARNESS			218
6718887	PANEL			226

Code for disposition of old part number
 A — Use up
 B — Use on other application (See PNI)

C — File PDR Report with Melroe Parts Sales
 D — Part Number Error

NUMERICAL INDEX (Cont'd)

Part No.	Description	Was	Code	Page
6718924	KIT			220
6718942	NUT			26
6718948	SNUBBER			108
6719037	STRIKER			206
6719038	PLUG			18, 106
6719056	BLOCK			38
6719057	BLOCK			38
6719063	STOP			206
6719064	MOUNT			14
6719065	COVER TAB			206
6719084	BOLT			106
6719141	CABLE			108
6719168	COVER			12
6719176	SWITCH			238
6719298	TEE			254
6719317	WINDOW			260
6719413	WINDOW			206
6719422	HARNESS			108
6719429	SHIELD			126
6719446	MOUNT			78
6719448	MAGNET			214
6719459	MOUNT			238
6719503	CONTAINER			16
6719525	BAR			24
6719630	HARNESS			238
6719672	CAB			14, 16
6719711	CHANNEL			116
6719712	CHANNEL			116
6719715	STRAP			116, 178
6719716	MOUNT			116, 178
6719766	STOP			24
6719827	BOLT			132
6719829	BOLT			136
6719834	SPACER			116
6719835	SLEEVE			116, 178
6719854	KIT			182
6719857	KIT			272
6719888	DECAL			248
6719936	BRACKET			44
6720038	INSTRUCTIONS			184
6720592	INSTRUCTIONS			220
6720808	HEATER			184
6722344	BLACK GOLD			1, 276
6722781	PAINT			276
6722782	PAINT			276
6722783	PAINT			276
6722784	PAINT			276
6722785	PAINT			276
6722786	PAINT			276
6722787	PAINT			276
6722788	PAINT			276

Code for disposition of old part number
 A — Use up
 B — Use on other application (See PNI)

C — File PDR Report with Melroe Parts Sales
 D — Part Number Error

NUMERICAL INDEX (Cont'd)

Part No.	Description	Was	Code	Page
6722789	PAINT			276
6724094	ANTI-FREEZE			276
6724354	ANTI-FREEZE			276
6724557	OIL			1, 276
6724558	OIL			1, 276
6724559	OIL			1, 276
6724775	LEVER KIT			28
6724776	LEVER KIT			28
6725090	HOSE			44, 78
6725128	ADAPTER			114
6725130	PULLEY			126
6725212	ARM			132
6725256	COUNTERWEIGHT			24
6725273	HARNESS			226
6725301	COVER			16
6725302	GASKET			108
6725303	FRAME			16
6725370	DECAL			266
6725373	SPRING PLATE			16
6725421	HANDLE			204
6725436	HOSE			46
6725496	COVER			38, 80
6725497	CROSS			76
6725513	PACKAGE			226
6725898	KIT			216
6725899	HOSE			80
6725900	HOSE			80
6725901	HOSE			80
6725906	BRACKET			216
6725907	DECAL			248
6725933	HARNESS			226
6725937	CLAMP			194
6725938	CLAMP			194
6725946	KIT			204
6726277	CLAMP			254
6726303	DECAL			204
6726386	KNOB			226
6726423	DECAL			244
6726427	KIT			198
6726435	DOOR			188
6726504	BRACKET			108, 110
6726567	ELBOW			32
6726573	BRACKET			114, 178
6726574	RETAINER			120
6726621	SCREW			228, 232, 238, 240
6726655	KIT			260
6726679	BRACKET			54, 178
6726680	PEDAL			54, 178
6726681	LINK			114, 178
6726695	STOP PLATE			120
6726908	LIFT EYE			244

Code for disposition of old part number
A — Use up
B — Use on other application (See PNI)

C — File PDR Report with Melroe Parts Sales
D — Part Number Error

NUMERICAL INDEX (Cont'd)

Part No.	Description	Was	Code	Page
6726932	DOOR			194
6726965	LIFT ARM			26
6726966	FRAME LINK			26
6726969	LINK ASSY			26
6727065	BOLT			116, 178
6727176	KIT			210
6727178	HARNESS			106
6727190	HARNESS			18
6727231	SHIELD			114, 120
6727284	SHIELD			114, 120
6727299	INSULATION			18
6727313	ELBOW			74
6727326	MOUNT			238
6727354	INLET			74
6727475	CAP			74
6727496	PIN			114, 178
6727498	HARNESS			242
6727525	BUSHING			26
6727751	MOUNT			44
6727803	CABLE			108
6727832	BUSHING			26
6727848	COVER			226
6727913	DECAL			68
6727926	DECAL			114, 178
6727941	DECAL			114, 178
6727995	HORN KIT			242
6728045	DECAL			178
6728473	BOLT			28
6728539	DECAL			114, 178
6728540	DECAL			178
6728567	KIT			232
6728629	WINDOW			18, 206
6728652	CHAINCASE			34
6728721	MOUNT			136
6728747	RADIATOR			128
6728749	HOSE			128
6728750	HOSE			128
6728800	BUSHING			26
6728819	PIN			26
6728820	PIN			26
6728971	PIN			26
6728972	BUSHING			26
6728979	BUSHING			26
6728990	KIT			236
6729005	BUSHING			26
6729006	BUSHING			26
6729007	PIN			26
6729009	SEAL			206
6729010	SEAL			206
6729011	SEAL			206
6729012	INSULATION			14

Code for disposition of old part number
A — Use up
B — Use on other application (See PNI)

C — File PDR Report with Melroe Parts Sales
D — Part Number Error

NUMERICAL INDEX (Cont'd)

Part No.	Description	Was	Code	Page
6729013	INSULATION			14
6729023	HARNESS			114
6729029	BOB-TACH			28
6729077	DECAL			238
6729078	DECAL			80
6729160	HOSE			74
6729173	COVER			38
6729305	CROSS			78
6729306	ELBOW			78
6729307	HOSE			78
6729310	HOSE			128
6729320	CLAMP			42, 46
6729357	ELBOW			42
6729358	PIN			26
6729401	BUSHING			12
6729402	BUSHING			12
6729423	BUSHING			26
6729467	SPACER			114, 178
6729468	LINK ASSY			26
6729484	HOSE			78
6729491	PLUG			28
6729594	HANDLE			116
6729595	HANDLE			116
6729600	SPACER			116, 178
6729604	HOSE			42
6729686	TEE			42
6729688	LATCH			258
6729694	TEE			42
6729702	CLAMP			42
6729721	HOSE			42
6729728	HOSE			42
6729729	HOSE			42
6729739	HARNESS			190
6729745	HOSE			46
6729746	HOSE			46
6729774	COVER			12
6729776	WINDOW			192
6729803	TUBE			130
6729875	GASKET			130
6729888	STEP			26
6729897	TIRE			274
6729901	TIRE			274
6729939	LATCH PLATE			24
6729942	MOUNT			136
6729944	STOP			134
6729956	LEVER			82
6729991	REAR DOOR			24
6730020	MOUNT			132, 136
6730077	TEE			186
6730078	COVER			12
6730108	TIRE			274

Code for disposition of old part number
 A — Use up
 B — Use on other application (See PNI)

C — File PDR Report with Melroe Parts Sales
 D — Part Number Error

NUMERICAL INDEX (Cont'd)

Part No.	Description	Was	Code	Page
6730109	TIRE			274
6730122	BELLCRANK			82
6730126	TEE			74, 78
6730143	TEE			68
6730181	TEE			68
6730185	TUBELINE			254
6730186	TUBELINE			254
6730220	FLYWHEEL ASSY			132
6730265	MOUNT			238
6730266	SPACER			238
6730277	HOSE			254
6730292	HARNESS			108
6730726	HOSE			130
6730753	SHIELD			130
6730766	TUBE			128
6730770	HARNESS			248
6730772	RIM			274
6730783	COVER			12
6730784	BUSHING			12
6730785	BUSHING			12
6730804	SHAFT			138
6730805	SPACER			136
6730806	SPACER			136
6730807	BRACKET			136
6730810	TUBELINE			186
6730811	TUBELINE			186
6730812	TUBELINE			186
6730816	SHIELD			188, 194
6730819	BELT			238
6730822	KIT			188
6730823	KIT			194
6730830	TANK			190
6730836	TUBELINE			42
6730837	TUBELINE			42
6730838	TUBELINE			42
6730857	TUBELINE			42
6730858	TUBELINE			42
6730876	TUBELINE			42
6730877	TUBELINE			42
6730878	TUBELINE			46
6730879	TUBELINE			46
6730885	HARNESS			196
6730887	PIN			26
6730894	BOLT			132
6730898	MOUNT			186
6730914	TEE			42
6730995	BUSHING			26
6731078	GRILL			126
6731084	ADAPTER			224
6731085	ELBOW			224
6731100	SHIELD			132

Code for disposition of old part number
 A — Use up
 B — Use on other application (See PNI)

C — File PDR Report with Melroe Parts Sales
 D — Part Number Error

NUMERICAL INDEX (Cont'd)

Part No.	Description	Was	Code	Page
6731101	HOUSING ASSY			126, 138
6731102	HOUSING ASSY			138
6731119	PIVOT ASSY			28
6731121	PLUG			12
6731138	BUSHING			26
6731139	PIN			26
6731145	HOSE			78
6731146	WASHER			136
6731151	KIT			178
6731160	WASHER			26
6731162	HOSE			76
6731179	COVER			26
6731199	BRACKET			46
6731209	TANK			74
6731212	SWITCH			190, 196
6731251	BAR			54
6731252	BAR			54
6731253	LINK			82
6731255	ELBOW			238
6731276	HOSE			42
6731468	HOSE			248
6731469	HOSE			248
6731470	HOSE			248
6731471	HOSE			248
6731496	HOSE			74
6731569	STOP			26
6731632	HOSE			42
6731638	HOSE			74
6731646	BOLT			26
6731647	BUSHING			26
6731649	COVER			12
6731747	TUBELINE			254
6731748	TUBELINE			254
6731768	MAIN FRAME			12
6731899	PANEL			30
6731915	BRACKET			126
6731916	SHIELD			126
6731984	HOSE			68
6732001	KIT			258
6732032	GASKET			130
6732177	PANEL			30
6732193	BRACKET			136
6732206	SPACER			136
6732219	KIT			266
6732260	HOSE			254
6732318	SPACER			126
6732351	WINDOW			194
6732354	KIT			186
6732355	KIT			248
6732356	KIT			254
6732375	TANK			128

Code for disposition of old part number
 A — Use up
 B — Use on other application (See PNI)

C — File PDR Report with Melroe Parts Sales
 D — Part Number Error

NUMERICAL INDEX (Cont'd)

Part No.	Description	Was	Code	Page
6732449	PLATE			30
6732451	KIT			196
6732455	TUBELINE			44
6732457	WASHER			126
6732458	TUBELINE			44
6732464	TUBELINE			44
6732476	HOSE			136
6732483	HOSE			76
6732484	HOSE			76
6732485	HOSE			76
6732577	STEP			12
6732678	KIT			244
6732687	PIN			244
6732688	BRACKET			244
6732715	LATCH			24
6732730	HARNESS			214
6732817	HOSE			224
6732847	RIM			274
6732870	MOUNT			128
6732975	DECAL			190, 196
6732997	U-BOLT			82
6733012	HOSE			68
6733022	BRACKET			82
6733024	BRACKET			82
6733107	PLUG			16
6733136	KIT			214
6733137	HARNESS			68
6733139	ADAPTER			128
6733142	KIT			212
6733143	BOLT			130
6733144	MOUNT			214
6733219	HOSE			76
6733286	ELBOW			254
6733308	TUBELINE			68
6733309	TUBELINE			68
6733370	HARNESS			108
6733409	TUBELINE			254
6733410	TUBELINE			254
6733429	CAP			128
6733432	HOSE			224
6733433	HOSE			224
6733443	HOSE			222
6733542	KIT			222
6733578	RIM			274
6733655	COMPRESSOR			238
6733843	TUBELINE			254
6733844	TUBELINE			254
6733850	TEE			254
6733873	SHIELD			136
6733877	ELBOW			254
6733886	BOLT			128

Code for disposition of old part number
 A — Use up
 B — Use on other application (See PNI)

C — File PDR Report with Melroe Parts Sales
 D — Part Number Error

NUMERICAL INDEX (Cont'd)

Part No.	Description	Was	Code	Page
6733960	KIT			224
6733970	MOUNT			180
6734103	KIT			180
6734114	HOSE			130
6800124	ORIFICE			58, 62
6801059	WASHER			192, 260
6801167	PLUG			62
6803092	BONNET			62
6803473	SEAL KIT			250
6803605	SEAL KIT			64
6804427	HEAD			50
6804432	SEAL KIT			50
6804592	NUT			48, 50
6804604	SEAL KIT			48
6805102	BUSHING			56
6805243	TEE			58, 64
6805453	BUSHING			48
6805651	BLOCK			56, 64
6805696	TEE			58, 64
6806403	HOSE			248
6806496	TUBELINE			58, 64
6806561	PLUG			58, 64
6806941	SEAL KIT			58
6808235	SPACER			50
6809425	SEAL KIT			58, 64
6809448	SEAL KIT			58, 64
6809511	DECAL			42, 44
6809726	ROLLER			24
6809727	STRIKER			24
6809734	BUSHING			24
6810132	SPRING			24
6810141	SPRING			24
6810186	CYLINDER			50
6810187	CASE			50
6810188	ROD			50
6810213	TUBELINE			48
6810233	CYLINDER			48
6810234	CASE			48
6810235	ROD			48
6810237	PISTON			48
6810349	CASE			250
6810356	SPACER			250
6810611	CYLINDER			250
6810612	ROD			250
6810741	TUBELINE			50
6811411	SPOOL			56
6811412	SPOOL			56
6811910	LATCH			24
6812031	BLOCK			58
6812046	VALVE			56
6812048	VALVE			62

Code for disposition of old part number
 A — Use up
 B — Use on other application (See PNI)

C — File PDR Report with Melroe Parts Sales
 D — Part Number Error

NUMERICAL INDEX (Cont'd)

Part No.	Description	Was	Code	Page
6812141	ELBOW			74
6900366	INSTRUCTIONS			208
6900848	INSTRUCTIONS			218
6900850	INSTRUCTIONS			226
6900853	INSTRUCTIONS			206
6900857	INSTRUCTIONS			180
6900861	INSTRUCTIONS			264
6900991	INSTRUCTIONS			182
6900992	INSTRUCTIONS			272
6901010	INSTRUCTIONS			266
6901011	INSTRUCTIONS			268
6901013	INSTRUCTIONS			190, 194, 206
6901025	INSTRUCTIONS			216
6901029	INSTRUCTIONS			204
6901036	INSTRUCTIONS			198
6901039	INSTRUCTIONS			238
6901061	INSTRUCTIONS			260
6901076	INSTRUCTIONS			210
6901120	INSTRUCTIONS			236
6901146	INSTRUCTIONS			242
6901213	INSTRUCTIONS			232
6901492	INSTRUCTIONS			178
6901656	INSTRUCTIONS			258
6901709	INSTRUCTIONS			186
6901710	INSTRUCTIONS			248
6901711	INSTRUCTIONS			254
6901734	INSTRUCTION			196
6901772	INSTRUCTIONS			244
6901871	INSTRUCTIONS			212
6901872	INSTRUCTIONS			214
6901916	INSTRUCTIONS			222

Code for disposition of old part number
 A — Use up
 B — Use on other application (See PNI)

C — File PDR Report with Melroe Parts Sales
 D — Part Number Error

NUMERICAL INDEX (Cont'd)

Part No.	Description	Was	Code	Page
1CM-620	BOLT			188, 194
1CM-635	BOLT			188, 194, 238, 240
1CM-640	BOLT			188, 194
1CM-816	BOLT			32
1CM-820	BOLT			82, 94
1CM-1020	BOLT			136
1CM-8100	BOLT			136
2C-1626	BOLT			40
3GM-1025	BOLT			238
4D-28	NUT			244
4DM-5	NUT			108
4DM-6	NUT			188, 194
4DM-8	NUT			124
4F-6106	PIN			20
5CM-1025	BOLT			130, 238
5CM-1080	SCREW			238
5HM-13	CLAMP			32, 128
5HM-14	CLAMP			32
5HM-15	CLAMP			32, 74
5HM-20	CLAMP			224
5HM-23	CLAMP			128
5HM-24	CLAMP			68
5HM-40	CLAMP			74
5HM-42	CLAMP			78
5HM-55	CLAMP			128
6E-4	WASHER			180
6E-5	WASHER			106, 218
6E-6	WASHER			78
6EM-60	WASHER			188, 194
6EM-80	WASHER			124
6J-807	KEY			90
6J-1664	WOODRUFF KEY			40
7D-4	NUT			44, 52
7J-2010	KEY			138
7J-2208	KEY			126
7JM-50	SNAP RING			28
8C-616	BOLT			82
8D-6	NUT			82
9G-512	SCREW			138
10C-410	BOLT			206
10C-416	BOLT			206
10C-616	BOLT			20
10H-25	GREASE ZERK			26, 28
10H-35	GREASE ZERK			28
11H-15	GREASE ZERK			26
11H-25	GREASE ZERK			248
12D-10	NUT			216
12H-25	GREASE ZERK			26
12KN-6	ELBOW			224
14J-5032	PIN			28
14JM-3112	ROLL PIN			134

Code for disposition of old part number
 A — Use up
 B — Use on other application (See PNI)

C — File PDR Report with Melroe Parts Sales
 D — Part Number Error

NUMERICAL INDEX (Cont'd)

Part No.	Description	Was	Code	Page
14KN-5	TEE			248
15K-8	ADAPTER			254
15KB-606	ADAPTER			254
15KB-612	ADAPTER			254
15KB-808	ADAPTER			76
15KN-3	ADAPTER			80
15KN-8	ADAPTER			248
15KV-5	ADAPTER			44, 46, 80, 248
16F-8	PLUG			138
16KN-5	ADAPTER			80
17C-410	BOLT			180, 242
17C-412	BOLT			38, 180
17C-420	BOLT			188, 194
17C-428	BOLT			44
17C-512	BOLT			108, 190, 194
17C-514	BOLT			114, 178
17C-540	BOLT			110, 186
17C-608	BOLT			114, 178
17C-612	BOLT			16, 30, 54, 132, 190, 194
17C-616	BOLT			114, 126, 130, 220
17C-620	BOLT			54, 74, 82, 94, 138
17C-624	BOLT			54, 194
17C-626	BOLT			82
17C-628	BOLT			194
17C-632	BOLT			42
17C-636	BOLT			80
17C-640	BOLT			20, 26, 46, 208
17C-644	BOLT			26
17C-648	BOLT			26
17C-652	BOLT			244
17C-656	BOLT			26
17C-660	BOLT			28
17C-664	BOLT			26
17C-672	BOLT			26, 254
17C-680	BOLT			82
17C-716	BOLT			16
17C-728	BOLT			76
17C-816	BOLT			132
17C-820	BOLT			24, 136
17C-824	BOLT			136
17C-832	BOLT			132
17C-864	BOLT			136
17C-872	BOLT			132
17C-1024	BOLT			40
17C-1028	BOLT			244
17C-1056	BOLT			14
17C-6116	BOLT			126
17C-10112	BOLT			26
17C-10128	BOLT			26
17KB-404	ELBOW			254
17KB-606	ELBOW			254

Code for disposition of old part number
A — Use up
B — Use on other application (See PNI)

C — File PDR Report with Melroe Parts Sales
D — Part Number Error

NUMERICAL INDEX (Cont'd)

Part No.	Description	Was	Code	Page
17KB-1612	ELBOW			254
17KN-6	ELBOW			76
17KV-3	ELBOW			80, 248
17KV-5	ELBOW			46, 74, 80, 254
17KV-7	ELBOW			72
19F-12	BUSHING			184
19J-12	CLAMP			74
19KV-5	TEE			76, 80
20J-16	CLAMP			76
21KB-606	TEE			76, 222
21KV-5	TEE			44
24K-7	PLUG			92, 96
25E-13	WASHER			38, 116, 120, 178, 180, 242
25E-14	WASHER			206
25E-15	WASHER			26
25E-16	WASHER			188, 194
25E-17	WASHER			82, 114, 136
25E-21	WASHER			54, 132
25E-24	WASHER			82
25G-410	BOLT			110
25G-512	BOLT			14, 22
25G-520	BOLT			22
25G-612	BOLT			214
25GT-410	BOLT			116
25K-20016	O-RING			56, 62
25K-30126	O-RING			28
25K-30218	O-RING			50
25K-30812	O-RING			34
27E-10	WASHER			26
29G-412	SCREW			64
29G-416	SCREW			58, 64
29G-444	SCREW			58
30G-416	BOLT			56, 62
30H-19	CLIP			180
30H-21	CLAMP			218
30H-23	CLAMP			242
30H-27	CLIP			212
30H-30	CLAMP			32
30H-38	CLAMP			42
30H-42	CLAMP			246
30H-50	CLIP			214
30H-62	CLAMP			114, 178
31C-410	BOLT			216
31C-644	BOLT			46
31C-820	BOLT			134
31C-824	BOLT			12
31C-1228	BOLT			12
31H-42	CLAMP			222, 248
31H-46	CLAMP			238
35C-410	BOLT			226
35C-412	BOLT			20, 218

Code for disposition of old part number
A — Use up
B — Use on other application (See PNI)

C — File PDR Report with Melroe Parts Sales
D — Part Number Error

NUMERICAL INDEX (Cont'd)

Part No.	Description	Was	Code	Page
35C-416	BOLT			44
35C-512	BOLT			242
35C-516	BOLT			74
35C-612	BOLT			78, 126, 248, 266
35C-616	BOLT			44, 108
35C-620	BOLT			108, 136
35C-624	BOLT			82
36K-5	CAP			74, 76
36K-6	CAP			136, 254
36K-8	CAP			42
37C-412	BOLT			218
37C-424	BOLT			226
37C-512	BOLT			24, 38, 180, 226, 246
37C-612	BOLT			24
37C-616	BOLT			54
37C-620	BOLT			54, 178
37C-628	BOLT			24
38C-820	BOLT			132
38C-824	BOLT			24
38C-828	BOLT			132
38C-840	BOLT			24
38C-856	BOLT			24
42H-24	CLAMP			32
42H-52	CLAMP			130
42HC-250	CLAMP			130
42HL-250	CLAMP			74
42HL-350	CLAMP			130
43C-408	BOLT			114, 120
43C-512	BOLT			32
43C-524	BOLT			60
43C-532	BOLT			60
43C-616	BOLT			108
43C-852	BOLT			136
44H-48	CLAMP			238
45C-616	BOLT			130
45C-620	BOLT			82, 130, 132
45G-1006	BOLT			216
46D-5	NUT			188, 194
47C-820	BOLT			38
47K-8	PLUG			90, 94
47K-10	PLUG			74
53CM-830	BOLT			32
53D-6	NUT			14, 20, 108
53D-10	NUT			14
53DM-8	NUT			130
54K-20002	O-RING			58, 62
54K-20028	O-RING			60
54K-30110	O-RING			250
54K-30218	O-RING			48
54K-40116	O-RING			250
54K-40224	O-RING			48, 50

Code for disposition of old part number
 A — Use up
 B — Use on other application (See PNI)

C — File PDR Report with Melroe Parts Sales
 D — Part Number Error

NUMERICAL INDEX (Cont'd)

Part No.	Description	Was	Code	Page
54K-40300	O-RING			48, 50
55D-6	NUT			24, 194
55K-204	O-RING			58, 60, 64
55K-212	O-RING			58, 60, 62
55K-214	O-RING			74
55K-219	O-RING			76
57D-6	NUT			24, 54, 82
57D-10	NUT			26
57G-608	SCREW			226
58K-12	O-RING			58, 62
58K-14	O-RING			56
58K-17	O-RING			56, 62
58K-116	O-RING			66
58K-120	O-RING			114
58K-124	O-RING			56, 62
58K-127	O-RING			56, 64
58K-132	O-RING			250
59D-4	NUT			110, 206, 218
59D-5	NUT			14, 38, 190, 194, 226
59D-6	NUT			24, 110
59D-8	NUT			14
59G-616	BOLT			180
61D-4	NUT			180, 188, 194
61D-5	NUT			24, 74, 126, 180, 190, 194
61D-6	NUT			126, 132, 190, 208
61E-16	NUT			78
69G-436	BOLT			114
72F-1	DRAIN COCK			32
73G-656	BOLT			132, 248
73G-824	BOLT			82
73K-222	WASHER			250
73K-232	WASHER			48, 50
75K-4	O-RING			100
79K-2	O-RING			256
79K-3	O-RING			250
79K-4	O-RING			128, 254
79K-6	O-RING			74, 222
79K-7	O-RING			58, 64
79K-8	O-RING			56, 62, 66, 68, 72, 90, 94
79K-10	O-RING			56, 62, 68, 72, 92
79K-12	O-RING			46, 74, 76, 78, 90, 96, 254
79K-14	O-RING			92, 94
79K-16	O-RING			74
80K-14	RING			56, 62
81D-6	NUT			136
83D-4	NUT			20, 44, 180, 226, 242
83D-5	NUT			186, 242
83D-6	NUT			46, 82, 130, 214, 220
83D-8	NUT			12, 136
83D-10	NUT			244
83D-12	NUT			12

Code for disposition of old part number
 A — Use up
 B — Use on other application (See PNI)

C — File PDR Report with Melroe Parts Sales
 D — Part Number Error

NUMERICAL INDEX (Cont'd)

Part No.	Description	Was	Code	Page
84G-3110	BOLT			224, 226
84G-3112	BOLT			14, 26, 126, 180, 212, 214
84G-3708	BOLT			12
84G-3710	BOLT			12, 78, 114, 178, 238
84G-3712	BOLT			12, 30, 38, 42, 106, 108, 128, 130
84G-3716	BOLT			30, 38, 46, 186, 222
84G-3720	BOLT			38, 176
84G-3724	BOLT			254
84G-3728	BOLT			42
84G-3736	BOLT			42, 46
85D-5	NUT			108, 246
85D-6	NUT			16, 24, 26, 28, 42, 44, 108, 130
85D-7	NUT			16
85D-8	NUT			14, 132
86F-5	NUT			222, 254
87D-5	NUT			244
88FN-5	ELBOW			254
90KV-2	PLUG			250
90KV-3	PLUG			86
90KV-5	PLUG			48, 50, 58, 64, 74, 86
90KV-8	PLUG			58, 62
91D-7	NUT			188, 194
91G-416	BOLT			18, 206
92D-10	NUT			250
92D-12	NUT			134
95D-5	NUT			14, 108, 114, 178
95D-6	NUT			30, 54, 82, 114, 138, 194
95K-2	O-RING			252
95K-4	O-RING			72, 86, 252
95K-6	O-RING			48, 50, 58, 64, 86, 252
95K-8	O-RING			252
95K-12	O-RING			58, 62
96D-6	NUT			82
96D-8	NUT			126
96K-6	O-RING			254
97D-8	NUT			14
97K-4	O-RING			80, 248
97K-6	O-RING			44, 46, 58, 64, 74, 76, 78, 80, 248, 254
97K-8	O-RING			42, 44, 76
97K-10	O-RING			42, 72, 186
97K-12	O-RING			42, 68, 74, 248
97K-16	O-RING			68
98D-6	NUT			82, 114
98G-412	BOLT			120
99K-4	O-RING			80, 248
99K-5	O-RING			32, 72, 252
99K-6	O-RING			44, 46, 56, 62, 74, 76, 80, 248, 254
99K-8	O-RING			76
99K-10	O-RING			42, 72, 78, 80, 186
99K-12	O-RING			78, 248
99K-16	O-RING			68, 74, 78

Code for disposition of old part number
A — Use up
B — Use on other application (See PNI)

C — File PDR Report with Melroe Parts Sales
D — Part Number Error

NUMERICAL INDEX

Part No.	Description	Was	Code	Page
614142	SLEEVE			218
619021	WASHER			14, 28, 54, 248, 262
654299	BEARING			90, 94
658128	SNAP RING			90, 94
669863	SNAP RING			90, 94
774220	NUT			180, 226
799119	SNAP RING			56
872229	WASHER			42, 46, 254
898731	BULB			246
947088	SEAL			48, 50
1306637	COTTER PIN			54
1313116	BUSHING			132
1318565	HAIR PIN			78, 126
1321607	RACE			40
1321608	BEARING			40
1614765	STEM			274
3291290	WING NUT			172
3966602	O-RING			150
3974226	KEY			152
3974260	BOLT			162
3974280	O-RING			168
3974394	PIN			164, 166
3974500	JOINT			166
3974503	STUD			164
3974795	PIN			92
3974916	STUD			142, 146
3974920	SCREW			148
3974970	SCREW			168
3974972	GASKET			168
5289686	PLUG			18
619021	WASHER			82
6512026	BUSHING			54
6512797	RIVET			270
6513152	SEAL			126, 188, 194, 226
6513495	COTTER PIN			54
6513763	WASHER			110
6515131	TERMINAL			218
6515817	WASHER			14
6517516	LIGHT			218
6518200	GREASE ZERK			82
6518483	WASHER			94
6518955	SNAP RING			132
6519178	BUMPER			20
6530859	HOSE			74
6531270	SLEEVE			56
6532127	BOOT			30, 116
6532453	RING SEAL			250
6538367	HEAD			48
6542731	SAFETY TREAD			188, 194
6553411	BUSHING			12, 32, 38
6553709	WASHER			14

Code for disposition of old part number
 A — Use up
 B — Use on other application (See PNI)

C — File PDR Report with Melroe Parts Sales
 D — Part Number Error

NUMERICAL INDEX (Cont'd)

Part No.	Description	Was	Code	Page
6554100	SAFETY TREAD			248
6554149	CORD			18, 188, 198, 206
6555351	SEAL			206
6557493	GROMMET			260
6557831	WASHER			82, 238
6557904	FLASHER			218
6558694	WASHER			40
6559515	EXIT TAG			18, 206
6560172	COVER			108
6560633	DAMPENER			14
6562018	SPRING			28
6562602	BUSHING			14
6562619	BUSHING			176
6563328	FLUID			1, 276
6563330	FLUID			1, 276
6563914	WASHER			54, 82
6563922	SNUBBER			78
6564452	GRIP			24
6564654	PIN			54
6564657	PIN			54, 178
6564669	NUT			40, 274
6565947	WASHER			40
6567743	PIN			14
6568424	ADAPTER			132
6568425	ADAPTER			132
6568918	SPROCKET			34, 40
6569203	CLAMP			108
6569219	SCREEN			32, 74
6569498	SPRING ASSY			132
6570931	INSTRUCTIONS			176
6576033	WASHER			134
6576196	MOUNT			82
6576280	BOLT			108
6577058	PIN			82
6577230	BRACKET			30, 82
6577382	SPACER			126
6577394	HINGE			136
6577545	GROMMET			180, 242
6577812	COVER			176
6577821	HOSE			32, 128
6577822	HOSE			32, 126
6577880	KIT			176
6577954	PIN			26
6577961	GROMMET			30, 54
6578172	HOSE			32, 128
6578278	PAD			32
6578284	SHIM			138
6578857	HUB			40
6579613	STOP			14, 126
6579641	HOUSING			138
6579989	BRACKET			108

Code for disposition of old part number
 A — Use up
 B — Use on other application (See PNI)

C — File PDR Report with Melroe Parts Sales
 D — Part Number Error

NUMERICAL INDEX (Cont'd)

Part No.	Description	Was	Code	Page
6586251	HOSE			74
6586459	SEAL KIT			58, 64
6586542	HEAD			250
6586543	PISTON			250
6586710	BOLT			132
6586918	SCREW			56
6587182	SWIVEL PIN			132
6587458	KEY			32
6587523	WASHER			56, 62
6587575	ADAPTER			56
6587580	SPRING			56, 62
6587633	BONNET			56, 62
6587763	BOOT			56, 62, 120
6587765	BUSHING			132
6588074	SPOOL			56, 62
6588781	END CAP			58, 62
6589226	BONNET			56
6589564	WASHER			56, 62
6589565	BUSHING			62
6592098	WASHER			56
6592100	COLLAR			56, 62
6592105	BALL			56
6592107	SPRING			56
6592109	ADAPTER			56, 62
6592115	SEAT			56, 62
6592116	NUT			56, 62
6592117	SPRING			56, 62
6592506	CLAMP			42
6592720	PLUG			56, 62
6595131	SPRING			58, 64
6595663	BUSHING			56, 62
6595951	SLEEVE			56, 62
6596332	SPRING			56, 62
6596807	PLUG			56
6598112	CAP			142
6598133	BRACKET			146
6598169	PLUG			146, 152
6598908	ELBOW			32
6599360	SEALANT			276
6599365	KIT			104
6599645	PLUG			12
6599719	GREASE			276
6599741	WASHER			82
6599744	BALL JOINT			82
6599931	ALARM			180
6610510	TIE			18, 32, 108, 126
6624289	TIE			42, 46, 68, 108, 178, 212, 214, 222, 224, 238, 248, 254
6626631	CLAMP			126
6628571	VALVE ASSY			56, 60, 62
6628613	HOSE			80

Code for disposition of old part number
 A — Use up
 B — Use on other application (See PNI)

C — File PDR Report with Melroe Parts Sales
 D — Part Number Error

NUMERICAL INDEX (Cont'd)

Part No.	Description	Was	Code	Page
6630188	POLISH			276
6630189	POLISH			276
6630207	RIVET			30
6631046	SEAL			150
6631418	PIN			14, 20
6631561	NUT			66
6633583	SEALANT			276
6634393	LUBRICANT			138, 276
6634874	O-RING			66
6640690	PIN			112, 116, 242
6640692	CONNECTOR			112, 116
6640694	LOCK			112, 116
6640699	CONNECTOR			116, 226, 242
6640700	LOCK			116, 242
6641176	SEAL			112, 116, 242
6641179	CONNECTOR			66, 112, 116, 242
6641180	LOCK			66, 112, 116, 242
6645080	O-RING			94
6645086	PLUG			90, 94
6645090	SEAL			90
6646582	PLUG			116
6646627	BEARING			138
6646781	SWITCH			180
6647777	PIN			66
6647783	LOAD CHECK			66
6647784	PLUG			66
6647785	SPRING			66
6648293	SCREW			66
6649244	STUD			194
6649245	RETAINER			188, 194
6649481	BULB			246
6649551	SHOCK			82
6649949	PLUG			18
6650120	RACE			36
6650388	SEALANT			276
6650407	ADHESIVE			276
6650627	PLATE			90, 94
6650629	PIN			90, 94
6650630	RETAINER			90, 94
6650634	GASKET			90, 94
6650635	BEARING			90, 94
6650636	PIN			90, 94
6650646	O-RING			90
6650647	O-RING			90
6650648	PLUG ASSY			92
6650652	POPPET			90
6650668	BOLT			90, 94
6650674	BOLT			94
6652018	BOLT			94
6652373	VALVE			172
6652679	KEY			154

Code for disposition of old part number
A — Use up
B — Use on other application (See PNI)

C — File PDR Report with Melroe Parts Sales
D — Part Number Error

NUMERICAL INDEX (Cont'd)

Part No.	Description	Was	Code	Page
6652750	PLUG			152
6652918	NUT			136
6653484	VALVE			256
6653485	SEAL KIT			256
6653487	SEAL KIT			256
6653517	REDUCER			276
6653518	PRIMER			276
6653519	PRIMER			276
6653561	NUT			166
6653702	SEAL			138
6653757	SNAP RING			138
6653758	SNAP RING			138
6654139	MOULDING			114
6654170	STRIKER BOLT			194
6654806	FUSE			110
6655399	BUMPER			24, 126
6655781	BEARING			132
6655894	SET SCREW			148
6657028	O-RING			90, 94
6657067	COVER			90, 94
6657068	PLATE			90, 94
6657299	OIL			1, 276
6657301	OIL			1, 276
6657303	OIL			1, 276
6657376	ELBOW			126
6657719	PLUG			18, 30, 206
6657734	PUMP			32
6658180	BREATHER			32
6658260	SENSOR			108
6658266	GREASE			276
6659999	BELT			270
6660260	SWITCH			104
6660644	CAP			56
6660814	O-RING			90, 94
6660967	CAP			132
6660995	GREASE RING			132
6661022	FILTER			46, 76, 102
6661114	CAP			32
6661229	BEARING			132
6661248	ELEMENT			1, 78, 104
6661328	SEAL KIT			58, 64
6661353	LIGHT ASSY			246
6661377	SEAL			132
6661448	SEAL KIT			72
6661481	O-RING			92
6661696	CAP			32
6661787	WASHER			136
6661807	KIT			102
6661808	KIT			102
6662246	CONNECTOR			230
6662252	LOCK			230

Code for disposition of old part number
 A — Use up
 B — Use on other application (See PNI)

C — File PDR Report with Melroe Parts Sales
 D — Part Number Error

NUMERICAL INDEX (Cont'd)

Part No.	Description	Was	Code	Page
6662257	PIN			230
6662298	SNAP RING			38
6662848	CAP			58, 64
6662855	BELT			132
6662997	PULLEY			132
6664024	STEM			72
6664025	STEM			72
6664032	SEAL KIT			72
6664065	WASHER			260
6664085	BUSHING			18, 192, 206, 260
6664097	COVER			260
6664103	NUT			260
6664212	CHECK VALVE			256
6664221	RETAINER			18
6664223	OUTLET			18
6664224	CAP			18
6664368	LIGHT			18
6664554	PUMP			190
6664566	BOLT			260
6664845	BEARING			36
6664846	BEARING			36
6664847	RACE			36
6664848	SNAP RING			36
6664882	BUSHING			20
6664971	WASHER			110
6664972	NUT			110
6665000	CLIP			116, 196
6665004	STEM			60
6665086	SEAL			48
6665222	RING GEAR			132
6665307	SEAL			132
6665308	SNAP RING			132
6665314	SWITCH			106
6665316	SWITCH			218
6665317	SWITCH			182, 272
6665321	RIVET			116, 190, 196
6665322	RIVET			116, 190, 196
6665367	BULB			18
6665370	PLUG			230
6665371	SWITCH			108
6665427	BATTERY			1, 108
6665568	SEAL			188, 198
6665569	WASHER			56, 62
6665570	RING			56, 62
6665572	VALVE			254, 256
6665602	MOTOR			260
6665659	CONNECTOR			110
6665701	BUSHING			54
6665702	STEM			72
6665707	SWITCH			188
6665719	PLUG			72

Code for disposition of old part number
A — Use up
B — Use on other application (See PNI)

C — File PDR Report with Melroe Parts Sales
D — Part Number Error

NUMERICAL INDEX (Cont'd)

Part No.	Description	Was	Code	Page
6665755	SEAL			36
6665846	SEAL			56, 62
6665915	GUAGE			74
6666338	WASHER			90, 94
6666542	SEAL			250
6666571	BULB			182
6666699	WASHER			108
6666766	GROMMET			190
6666864	CLAMP			32
6667144	CONNECTOR			112, 116
6667145	LOCK			112
6667176	PLUG			66
6667185	SEAL KIT			66
6667201	SPACER			260
6667323	SEAL			250
6667326	SEAL			48
6667352	ELEMENT			1, 32
6667353	FILTER ASSY			32
6667461	PIN			148
6667549	VALVE			56, 62
6667676	COVER			66
6667677	O-RING			66
6667680	SNAP RING			66
6667803	COUPLER			222, 254
6667804	COUPLER			222, 254
6667844	VALVE ASSY			44, 52
6667992	SOLENOID			38
6668104	MOUNT			136
6668742	SWITCH			18
6668760	SEAL			110
6668761	BOLT			108
6668765	VALVE			60
6668791	ORIFICE			60
6668815	SWITCH			218
6668816	SWITCH			182, 272
6668820	NUT			60, 100
6668879	DECAL			180
6668881	CORD			184
6668913	KNOB			44, 52
6669057	CHECK VALVE			60
6669085	VALVE			52
6669087	SEAL KIT			52, 100
6669089	TRACK			22
6669091	CLIP			18, 226
6669135	SEAT			22
6669187	VALVE			256
6669188	STEM			256
6669189	STEM			256
6669190	COIL			256
6669203	VALVE			72
6669216	SEAL KIT			256

Code for disposition of old part number
 A — Use up
 B — Use on other application (See PNI)

C — File PDR Report with Melroe Parts Sales
 D — Part Number Error

NUMERICAL INDEX (Cont'd)

Part No.	Description	Was	Code	Page
6669217	SEAL KIT			256
6669218	VALVE			256
6669219	VALVE			256
6669224	BOLT			18, 226
6669267	SEAL			50
6669268	SEAL			50
6669384	SPEEDY SLEEVE			138
6669402	HOUSING			90
6669403	HOUSING			94
6669405	END CAP			94
6669407	SHAFT			94
6669408	SHAFT			90
6669409	WASHER			90
6669410	SHIM KIT			92
6669411	BEARING			90, 94
6669549	SOCKET			212
6669615	ORIFICE			72
6669728	CHECK VALVE			72
6669729	SHUTTLE VALVE			72
6669732	SEAL KIT			60
6669733	SEAL KIT			60
6669734	SEAL KIT			60
6669736	SEAL KIT			72
6669737	SEAL KIT			72
6670160	CUSHION			22
6670284	LIGHT ASSY			246
6670287	COVER			24, 108
6670312	SOLENOID			226
6670347	GASKET			156
6670425	SCREW			168
6670426	NUT			168
6670427	CAP			168
6670462	NUT			168
6670627	BREATHER			38, 126
6670634	SEAL KIT			66
6670682	BEARING			132
6670685	RELIEF VALVE			92, 94
6670706	CONNECTOR			116
6670707	CONNECTOR			116
6670710	LOCK			116
6670711	LOCK			116, 118
6670715	PIN			116, 118
6670726	LOCK			258
6670769	O-RING			162
6670774	PIN			168
6670782	GASKET			166
6671025	COIL			60, 72, 252
6671026	COIL			72
6671138	SEAL			40
6671513	SWASH PLATE			90, 94
6671516	SEAL KIT			92, 96

Code for disposition of old part number
 A — Use up
 B — Use on other application (See PNI)

C — File PDR Report with Melroe Parts Sales
 D — Part Number Error

NUMERICAL INDEX (Cont'd)

Part No.	Description	Was	Code	Page
6671518	BOLT			90
6671527	NUT			66
6671628	NUT			72, 252
6671629	NUT			72
6671845	PLUG			84
6672272	WASHER			246
6672273	SCREW			246
6672274	SCREW			246
6672275	GASKET			246
6672276	LENS			246
6672277	BRACKET			246
6672279	MOUNT			246
6672348	PANEL			18
6672354	PLUG			152
6672360	PLUG			158, 160
6672384	CAP			168
6672436	SEAL			148
6672448	VALVE ASSY			72
6672449	VALVE ASSY			72
6672450	VALVE ASSY			72
6672456	SOLENOID			60
6672486	SEALANT			138
6672492	RETAINER			180
6672515	SEAL KIT			72
6672715	SPACER			22
6672756	SEAL KIT			100, 252
6672762	PLUG			100
6672766	CHECK VALVE			78
6672825	MOTOR			84
6672863	SOLENOID			66
6673188	SEAL KIT			100
6673710	BEARING			82, 114
6673789	BEARING			82, 114
6673877	COUPLER			90
6673878	END PLATE			90
6673880	O-RING			92
6673882	SPRING			92
6673884	O-RING			90
6673885	PIN			90
6673886	BOLT			90
6673904	SEAL KIT			58, 64
6673954	HOSE			76
6673990	PISTON			72
6674000	CLAMP			112
6674013	TRACK			22
6674029	O-RING			84
6674037	SPRING			84, 86
6674184	DISTRIBUTOR			84
6674192	BRAKE DISC			88
6674193	BRAKE DISC			88
6674202	NUT			106

Code for disposition of old part number
 A — Use up
 B — Use on other application (See PNI)

C — File PDR Report with Melroe Parts Sales
 D — Part Number Error

NUMERICAL INDEX (Cont'd)

Part No.	Description	Was	Code	Page
6674204	OIL			1, 276
6674205	OIL			1, 276
6674206	OIL			1, 276
6674209	SENSOR			32, 108
6674219	BLOCK			84
6674228	PANEL			226
6674231	VENT			226
6674234	CONDENSER			238
6674235	DRIER			238
6674315	SENSOR			108
6674316	SENSOR			108
6674331	COIL			66
6674335	HOUSING ASSY			84
6674337	SPOOL			84
6674338	WASHER			84
6674339	SPRING			84
6674340	PIN			84
6674341	HOUSING			84
6674343	SHIM			84, 86
6674344	SPRING			84, 86
6674345	PLUG			84, 86
6674376	RELAY			110
6674390	ROTARY GROUP			84
6674400	HOUSING			246
6674401	HOUSING			246
6674402	MOUNT			246
6674403	COVER			16, 106
6674405	BUSHING			20
6674406	SENSOR			20
6674407	SHOULDER BELT			266
6674450	HANDLE ASSY.			112
6674519	WINDOW ASSY			206
6674520	WINDOW			206
6674521	WINDOW ASSY			206
6674522	WINDOW			206
6674666	LATCH			188, 194
6674667	HANDLE			188, 194
6674738	MOTOR			86
6674741	KNOB			18, 206, 226
6674798	SEAL KIT			78
6674799	ADAPTER			212
6674802	CONNECTOR			210, 212
6674841	SPRING			86
6674894	NUT			20, 126
6674895	REATAINER			18
6674938	GAS SPRING			188, 194
6674993	CAP			190
6675020	BOLT			84
6675021	BOLT			84, 86
6675026	CAP			210, 212
6675033	INSERT			14, 16, 106

Code for disposition of old part number
A — Use up
B — Use on other application (See PNI)

C — File PDR Report with Melroe Parts Sales
D — Part Number Error

NUMERICAL INDEX (Cont'd)

Part No.	Description	Was	Code	Page
6675074	SEAT BELT			16
6675075	HOSE			238
6675076	HOSE			238
6675091	CAM			84
6675099	HORN			242
6675135	GAS SPRING			14
6675137	GAS SPRING			14
6675139	GAS SPRING			14
6675140	SNAP RING			14
6675154	HOLDER			110
6675155	FUSE			110
6675170	SEAT BELT			262
6675171	CLAMP			106
6675172	BRACKET			226
6675174	BODY			226
6675175	BRACKET			226
6675176	SWITCH			226
6675177	KNOB			226
6675179	FLANGE			226
6675181	PLUG			226
6675189	PIN			86
6675212	RETAINER			206
6675215	WINDOW			198
6675227	SEAL			84
6675228	SEAL			84
6675258	CLEVIS			14
6675263	WASHER			24
6675265	CHECK VALVE			100
6675278	FILTER			108
6675298	COUPLER			190
6675299	COUPLER			190
6675308	KIT			264
6675309	KIT			264
6675310	KIT			264
6675311	KIT			264
6675312	KIT			264
6675313	KIT			264
6675314	KIT			264
6675315	KIT			264
6675316	KIT			264
6675317	SCISSORS			262
6675318	KIT			264
6675319	SEAT			262
6675320	SEAT			262
6675321	SEAT			262
6675322	SEAT			262
6675323	KNOB			262
6675328	CHAIN			34
6675333	LINK			34
6675336	BULB			246
6675341	BLOCK ASSY			92, 94

Code for disposition of old part number
A — Use up
B — Use on other application (See PNI)

C — File PDR Report with Melroe Parts Sales
D — Part Number Error

NUMERICAL INDEX (Cont'd)

Part No.	Description	Was	Code	Page
6675342	PIN			90, 94
6675378	CLIP			190, 196
6675380	ADHESIVE			276
6675387	SEAL			18, 206
6675468	HANDLE ASSY.			112
6675497	BLOWER			228, 230, 240
6675503	HOUSING			230
6675504	RING			230
6675505	BLOWER WHEEL			230
6675506	MOUNT			230
6675507	COVER			230
6675509	MOTOR			230
6675510	CLAMP			228, 240
6675511	DRAIN VALVE			228, 240
6675512	CLAMP			228, 240
6675522	STROBE			272
6675523	BEACON			182
6675524	CLIP			16
6675533	COIL			238, 240
6675534	BLOCK VALVE			238, 240
6675538	O-RING			238, 240
6675544	CANVAS CAB			202
6675545	GROMMET			18, 206
6675558	SEAL			188, 194
6675562	SEAT BELT			268
6675581	EXTINGUISHER			216
6675590	DOOR			202
6675591	HINGE KIT			202
6675595	SEAT			262
6675596	SEAT			262
6675607	INSULATION			234
6675608	INSULATION			234
6675609	INSULATION			234
6675610	INSULATION			234
6675611	SEAL			232, 234
6675612	INSULATION			234
6675613	INSULATION			234
6675614	INSULATION			234
6675618	CLAMP			150, 158
6675669	VALVE			66, 186
6675684	VALVE			226
6675685	HOSE			238
6675734	TIE			110
6675741	SENSOR			116
6675745	SPRING			116, 178
6675749	HANDLE			116
6675779	PRESSURE SWITCH			238
6675790	THERMOSTAT			238, 240
6675824	O-RING			238
6675825	O-RING			238
6675833	SEAL			206

Code for disposition of old part number
A — Use up
B — Use on other application (See PNI)

C — File PDR Report with Melroe Parts Sales
D — Part Number Error

NUMERICAL INDEX (Cont'd)

Part No.	Description	Was	Code	Page
6675835	TURN SIGNAL			218
6675846	POTENTIOMETER			226
6675858	FLASH TUBES			272
6675860	ROTARY GROUP			86
6675861	REAR HOUSING			86
6675862	BRAKE			88
6675863	QUAD RING			86
6675864	QUAD RING			86
6675865	SNAP RING			86
6675866	SPOOL			86
6675867	WASHER			86
6675868	POPPET			84, 86
6675869	O-RING			84, 86
6675870	SEAL KIT			88
6675874	CAM			86
6675875	HOUSING			86
6675876	DISTRIBUTOR			86
6675877	SEAL			86
6675878	SEAL			86
6675879	SEAL			86
6675880	SEAL			86
6675881	SEAL			86
6675882	SPOOL			86
6675885	SNAP RING			86
6675886	QUAD RING			86
6675887	HOUSING			86
6675888	SHAFT			86
6675889	PISTON			88
6675890	COVER			88
6675892	GASKET			88
6675893	O-RING			88
6675894	SEAL			88
6675895	BOLT			88
6675896	BOLT			86
6675897	WASHER			88
6675898	BUSHING			86
6675982	PLUG			106
6675999	SWITCH			260
6676000	TEE			260
6676001	ARM			260
6676002	BLADE			260
6676003	HOSE			188, 192, 260
6676021	SEAL KIT			84
6676022	SEAL			84
6676023	O-RING			84
6676024	PLUG			84
6676028	NOZZLE			260
6676029	SOLENOID			114, 116, 120, 178
6676034	KIT			264
6676062	VALVE			238
6676063	KIT			238

Code for disposition of old part number
A — Use up
B — Use on other application (See PNI)

C — File PDR Report with Melroe Parts Sales
D — Part Number Error

NUMERICAL INDEX (Cont'd)

Part No.	Description	Was	Code	Page
6676144	GEROTOR			92
6676145	SPACER			92
6676146	COUPLING			94
6676147	VALVE PLATE			90
6676148	VALVE PLATE			94
6676152	PLUG			256
6676155	RELIEF VALVE			72
6676205	SEAL KIT			100
6676239	CARTRIDGE			100
6676241	CARTRIDGE			100
6676242	COIL			100
6676243	COIL			100
6676244	COIL			100
6676247	NUT			100
6676249	STEM			58, 64
6676333	LEVER			114, 116
6676337	CONTROLLER			114
6676338	GAS SPRING			264
6676399	VALVE CORE			238
6676417	VALVE			80
6676492	SENSOR			114, 120, 178
6676493	SENSOR			114, 120, 178
6676497	LEVER			114, 116
6676499	GROMMET			188
6676500	ELBOW			188
6676516	NUT			226
6676536	SWITCH			106
6676537	SWITCH			114, 178
6676538	INSULATION			236, 238
6676539	CLIP			228, 238, 240
6676542	CAP			66
6676543	PLUG			66
6676544	SPRING			66
6676545	CARTRIDGE			66
6676561	HVAC ASSEMBLY			240
6676562	HEATER ASSEMBLY			228
6676604	COVER			236
6676606	SPACER			236
6676618	CLIP			230
6676640	SEAL			118
6676643	SPRING			86
6676644	SPRING			86
6676645	SPRING			86
6676646	SPRING			86
6676647	WASHER			88
6676648	WASHER			88
6676649	WASHER			88
6676650	WASHER			88
6676651	WASHER			88
6676652	WASHER			88
6676653	SCREW			236

Code for disposition of old part number
A — Use up
B — Use on other application (See PNI)

C — File PDR Report with Melroe Parts Sales
D — Part Number Error

NUMERICAL INDEX (Cont'd)

Part No.	Description	Was	Code	Page
6676732	SWITCH			248
6676870	CONNECTOR			118
6676872	TURN SIGNAL			218
6676917	ELBOW			190
6676918	HOSE			188
6676927	FELT STRIP			206
6676957	STARTER			124
6676984	BRACKET			238, 240
6677105	COVER			238, 240
6677106	O-RING			56, 62
6677108	HOUSING			228, 240
6677109	COVER			240
6677111	SEAL			228, 232, 240
6677114	FLANGE			240
6677115	RECEPTACLE			228, 240
6677116	RETAINER			228, 240
6677117	SCREW			228, 240
6677118	SCREW			228, 240
6677120	COVER			228
6677121	CAP			238
6677122	CAP			238
6677136	SOCKET			212
6677150	SEAL KIT			252
6677159	PLUG			252
6677192	MAGNET			190, 196
6677193	RIVET			190, 196
6677194	BOLT			188, 196
6677198	TAB			206
6677201	SOLENOID			58, 64
6677370	DECAL			112
6677372	ENGINE			140
6677373	MUFFLER			130
6677383	SOLENOID			58
6677485	SPACER			122
6677486	NUT			122
6677487	COVER			122
6677488	RECTIFIER			122
6677490	BRACKET			122
6677491	BRACKET			122
6677492	ROTOR			122
6677493	STATOR			122
6677494	BOLT			122
6677495	SPACER			122
6677496	PULLEY			122
6677497	NUT			122
6677504	COVER			228, 240
6677536	HANDLE			116
6677579	SCREW			236
6677628	SHAFT ADAPTER			226
6677649	PUMP			90, 94
6677660	SPOOL			62

Code for disposition of old part number
 A — Use up
 B — Use on other application (See PNI)

C — File PDR Report with Melroe Parts Sales
 D — Part Number Error

NUMERICAL INDEX (Cont'd)

Part No.	Description	Was	Code	Page
6677661	SPOOL			62
6677662	SPOOL			62
6677663	SPOOL			62
6677817	BOLT			122
6677818	BEARING			122
6677819	RETAINER			122
6677820	BEARING			122
6677824	BELT			136
6677833	ARM ASSY			192
6677834	BLADE			192
6677835	MOTOR			192
6677836	COVER			192
6677837	BOLT			192
6677839	GASKET			192
6677840	SWIVEL ASSY			192
6677841	WASHER			192
6677842	NUT			192
6677843	NUT			192
6677844	NUT			192
6677845	ADAPTER			192
6677847	GROMMET			192
6677973	PLUG			206
6677980	NUT			100
6677983	FILTER			226
6677984	VALVE			56, 62
6678066	AIR CLEANER			172
6678067	BUSHING			54, 82
6678076	BLOCK			46
6678151	COVER			228
6678152	FLANGE			228
6678155	FILTER ASSY			78, 104
6678156	COOLER			78
6678198	BOLT			192
6678204	WASHER KIT			88
6678205	ALTERNATOR			122
6678207	FILTER			226
6678226	SEAL			90, 94
6678283	HANDLE			206
6678284	HOSE			238
6678285	HOSE			238
6678548	SOCKET			188, 194
6678552	VALVE			58, 64
6678554	VALVE			252
6678674	CONTROLLER			108
6678675	CONTROLLER			214
6678680	PANEL			106
6678681	PANEL			106
6678682	PANEL			106
6678692	SPRING			252
6678693	SPRING			252
6678694	FLOW CONTROL			252

Code for disposition of old part number
 A — Use up
 B — Use on other application (See PNI)

C — File PDR Report with Melroe Parts Sales
 D — Part Number Error

NUMERICAL INDEX (Cont'd)

Part No.	Description	Was	Code	Page
6678695	O-RING			252
6678697	STEM			252
6678698	PLUG			252
6678699	PLUG			252
6678700	PISTON			252
6678701	ORIFICE			252
6678702	ORIFICE			252
6678703	SHUTTLE			252
6678704	SPRING			252
6678705	BALL			252
6678706	PLUG			252
6678707	SPRING			252
6678708	COMPENSATOR			252
6678709	O-RING			252
6678711	SPACER			252
6678712	COIL			252
6678717	PISTON			252
6678718	SPRING			252
6678732	SEAL KIT			98
6678739	WASHER			192
6678771	TEE			78
6678772	HOSE			78
6678773	HOSE			78
6678775	ACTUATOR			114
6678832	ELBOW			78
6678920	NOZZLE			192
6678921	GUIDE			192
6678933	PISTON			50
6678960	SEAL			28
6678971	BOLT			34
6679068	SPACER			72
6679102	VALVE			100
6679130	KNOB			26
6679131	PUMP			90, 94
6679141	HOSE			76
6679244	BALL ASSY.			252
6679246	SEAL KIT			252
6679308	SEAT BELT			266
6679757	VALVE			56, 62
6679836	ADAPTER			46
6679837	COUPLER			46
6679838	COUPLER			46
6679839	COUPLER			46
6679840	SEAL			46
6679841	SEAL			46
6679842	SWITCH			106
6679845	CROSSMEMBER			106
6679855	BULB			106
6679856	ALARM			106
6679943	CHECK VALVE			68, 254
6679945	ENGINE			140

Code for disposition of old part number
A — Use up
B — Use on other application (See PNI)

C — File PDR Report with Melroe Parts Sales
D — Part Number Error

NUMERICAL INDEX (Cont'd)

Part No.	Description	Was	Code	Page
6679990	CLIP			16
6680020	SEAL KIT			46
6680054	ACTUATOR			226
6680120	CARTRIDGE			100
6680272	NUT			168
6680355	BOOT			124
6680356	BOLT			124
6680357	HOLDER			124
6680358	RING			124
6680359	STOP RING			124
6680360	STOP			124
6680361	SPRING			124
6680362	BALL			124
6680363	WASHER			124
6680364	LEVER			124
6680365	SHAFT			124
6680366	GEAR			124
6680367	GEAR			124
6680368	STOP RING			124
6680369	SEAL			124
6680370	PLATE			124
6680371	LEVER			124
6680372	BRACKET			124
6680373	YOKE			124
6680374	ARMATURE			124
6680375	SHAFT			124
6680376	SWITCH			124
6680377	HOLDER			124
6680378	WASHER			124
6680379	SEAL			124
6680380	SEAL			124
6680381	SPRING			124
6680382	SPRING			124
6680383	BOLT			124
6680384	BOLT			124
6680388	BRACKET			124
6680389	BRACKET			124
6680390	GEAR			124
6680407	SEAL KIT			70
6680499	NUT			168
6680564	STUD			144
6680567	GASKET			144, 168
6680570	GASKET			144
6680635	CRANKCASE			152
6680636	PLUG			152
6680637	PLUG			152
6680638	PLUG			150, 152
6680639	PLUG			152
6680640	PLUG			152
6680641	PIN			152
6680642	PIN			152

Code for disposition of old part number
A — Use up
B — Use on other application (See PNI)

C — File PDR Report with Melroe Parts Sales
D — Part Number Error

NUMERICAL INDEX (Cont'd)

Part No.	Description	Was	Code	Page
6680643	PIN			152
6680644	PIN			152
6680645	BOLT			152
6680646	ADAPTER			152, 158, 160
6680647	GASKET			152
6680649	TUBE			144
6680652	CRANKCASE			150
6680654	BOLT			150
6680655	PIN			150
6680656	OIL PAN			150
6680657	PLUG			150
6680658	BOLT			146, 150
6680659	BOLT			150
6680660	OIL SUMP			150
6680661	O-RING			150
6680662	BOLT			146, 150, 164
6680663	NUT			142, 144, 146, 162, 164, 166, 168
6680664	HEAD			146
6680665	PLUG			146
6680666	PLUG			146
6680667	PLUG			146
6680668	BOLT			146
6680669	HEAD GASKET			146
6680670	HEAD GASKET			146
6680671	HEAD GASKET			146
6680672	COVER			156
6680673	SPRING			156
6680674	RELIEF VALVE			156
6680675	PLUG			156
6680676	ROTOR			156
6680677	COVER			156
6680678	SCREW			156, 164
6680679	PLUG			156
6680680	SEAL			156
6680681	O-RING			156
6680682	O-RING			156
6680683	GASKET			156
6680684	PLATE			156
6680685	BOLT			154, 156
6680686	BOLT			156
6680687	BOLT			136, 156
6680688	HEAD COVER			146
6680689	ADAPTER			146, 160
6680690	GASKET			146
6680691	O-RING			146
6680692	COVER			146
6680693	SCREW			146
6680694	PLUG			146
6680695	SEAL			146
6680696	BOLT			146
6680697	HOSE			146

Code for disposition of old part number
 A — Use up
 B — Use on other application (See PNI)

C — File PDR Report with Melroe Parts Sales
 D — Part Number Error

NUMERICAL INDEX (Cont'd)

Part No.	Description	Was	Code	Page
6680698	CLAMP			146
6680699	CLAMP			146
6680700	WASHER			146
6680701	OIL FILTER			1, 150
6680702	TUBE			150
6680703	DIPSTICK			150
6680704	COVER			156
6680705	SEAL			156
6680706	BOLT			156, 160
6680707	TAPPET			154
6680708	PUSH ROD			154
6680709	CAMSHAFT			154
6680710	BALL			154
6680711	GEAR			154
6680712	FLANGE			154
6680713	BOLT			154, 158, 168
6680714	SHAFT			154
6680715	PIN			154
6680716	COLLAR			154
6680717	COLLAR			154
6680718	GEAR			154
6680719	GEAR			154
6680720	BUSHING			154
6680721	PISTON			152
6680722	PISTON			152
6680723	PISTON RINGS			152
6680724	PISTON RINGS			152
6680725	PIN			152
6680726	SNAP RING			152
6680727	ROD			152
6680728	BUSHING			152
6680729	BOLT			152
6680730	BEARING			152
6680731	BEARING			152
6680732	BEARING			152
6680733	BEARING			152
6680734	CRANKSHAFT			152
6680735	SLEEVE			152
6680736	GEAR			152
6680737	GEAR			152
6680738	MAIN BEARING			152
6680739	MAIN BEARING			152
6680740	MAIN BEARING			152
6680741	THRUST WASHER			152
6680742	THRUST WASHER			152
6680743	THRUST WASHER			152
6680744	THRUST WASHER			152
6680745	THRUST WASHER			152
6680746	THRUST WASHER			152
6680747	BOLT			132, 152
6680748	BALANCER			154

Code for disposition of old part number
A — Use up
B — Use on other application (See PNI)

C — File PDR Report with Melroe Parts Sales
D — Part Number Error

NUMERICAL INDEX (Cont'd)

Part No.	Description	Was	Code	Page
6680749	SOLENOID			168
6680750	SCREW			168
6680751	PUMP			166
6680752	BOLT			166
6680753	GASKET			166
6680754	SHIM			166
6680755	BOLT			158, 164, 166
6680756	SCREW			166
6680757	COVER			168
6680758	WEIGHT			168
6680759	NUT			168
6680761	SLEEVE			168
6680763	LEVER			168
6680764	LEVER			168
6680765	SNAP RING			168
6680766	WASHER			168
6680767	SPRING			168
6680768	LEVER			168
6680769	PIN			168
6680770	LEVER			168
6680771	SPRING			168
6680772	LEVER			168
6680773	PIN			168
6680775	PIN			170
6680776	INJECTOR			162
6680777	NOZZLE			162
6680778	O-RING			162
6680779	GASKET			162
6680780	CLAMP			162
6680781	TUBE			162
6680782	TUBE			162
6680783	TUBE			162
6680784	TUBE			162
6680785	CLAMP			162
6680786	CLAMP			162
6680787	PIPE			162
6680788	BOLT			162
6680789	GASKET			162
6680790	FITTING			162
6680791	BOLT			144, 162
6680792	GASKET			144, 162, 164, 168
6680793	HOSE			162
6680794	HOSE			162
6680795	CLAMP			162
6680796	VALVE			162
6680797	TEE			162
6680798	COVER			164
6680799	STUD			164
6680800	GASKET			164
6680801	BOLT			142, 164
6680802	BOLT			144, 164

Code for disposition of old part number
 A — Use up
 B — Use on other application (See PNI)

C — File PDR Report with Melroe Parts Sales
 D — Part Number Error

NUMERICAL INDEX (Cont'd)

Part No.	Description	Was	Code	Page
6680803	BOLT			164
6680804	COVER			164
6680805	GASKET			164
6680807	STUD			164, 166
6680808	PLUG			164
6680809	PIN			164
6680810	CAMSHAFT			164
6680811	BEARING			164
6680812	BEARING			164
6680813	KEY			164
6680814	FLANGE			164
6680815	SET SCREW			164
6680816	GASKET			164
6680817	GEAR			164
6680818	NUT			164
6680819	LEVER			168
6680820	WASHER			170
6680821	SNAP RING			170
6680822	SNAP RING			170
6680823	SNAP RING			170
6680824	SHAFT			168
6680825	SPRING			170
6680826	SPRING			168
6680827	SPRING			170
6680828	STUD			168
6680829	GASKET			168
6680830	BOLT			144, 170
6680831	NUT			168
6680832	SCREW			168
6680833	SCREW			168
6680834	STOPPER			168
6680835	SPRING			168
6680836	NUT			168
6680838	FUEL PUMP			166
6680839	BRACKET			136, 156
6680840	PULLEY			156
6680841	BOLT			156
6680842	HOSE			158
6680843	COVER			128, 158
6680844	GASKET			128, 158
6680845	BOLT			128, 158
6680846	HOUSING			158
6680847	COVER			158
6680848	GASKET			158
6680849	GASKET			158
6680850	THERMOSTAT			158
6680851	BOLT			142, 158
6680852	COVER			160
6680853	GASKET			160
6680854	HOUSING			160
6680855	O-RING			160

Code for disposition of old part number
A — Use up
B — Use on other application (See PNI)

C — File PDR Report with Melroe Parts Sales
D — Part Number Error

NUMERICAL INDEX (Cont'd)

Part No.	Description	Was	Code	Page
6680856	BOLT			160
6680857	PULLEY			158
6680858	WASHER			158
6680859	GUIDE			148
6680860	GUIDE			148
6680861	VALVE			148
6680862	VALVE			148
6680863	VALVE SPRING			148
6680864	RETAINER			148
6680865	COLLET			148
6680866	SHAFT			148
6680867	STUD			148
6680868	SHAFT			148
6680869	BRACKET			148
6680870	WASHER			148
6680871	SNAP RING			148
6680872	SPRING			148
6680873	ROCKER ARM			148
6680874	NUT			148
6680875	ROCKER ARM			148
6680878	BOLT			148
6680879	ARM			148
6680880	SCREW			148
6680881	NUT			148
6680882	PAD			148
6680883	MANIFOLD			142
6680884	GASKET			142
6680885	BOLT			142
6680886	FLANGE			142
6680887	GASKET			142
6680888	HEATER			142
6680890	MANIFOLD			142
6680891	GASKET			142
6680892	TURBOCHARGER			144
6680893	GASKET			144
6680894	HOSE			144
6680895	HOSE			144
6680896	HOSE			144
6680897	CLAMP			144
6680898	CLAMP			144
6680899	TUBE			144
6680900	BOLT			144
6680901	PIPE			144
6680902	HOSE			144
6680903	CLAMP			144
6680904	ADAPTER			168
6680905	TUBE			168
6680906	BOLT			168
6680907	BRACKET			168
6680908	CAP			150
6680909	OIL COOLER			150

Code for disposition of old part number
 A — Use up
 B — Use on other application (See PNI)

C — File PDR Report with Melroe Parts Sales
 D — Part Number Error

NUMERICAL INDEX (Cont'd)

Part No.	Description	Was	Code	Page
6680910	ADAPTER			150
6680911	HOSE			150
6680912	TUBE			150
6680913	HOSE			150
6680914	HOSE			150
6680974	BRACKET			146
6681474	CARTRIDGE			1, 172
6681475	CARTRIDGE			1, 172
6681476	CAP			172
6681477	COVER			172
6681482	RELIEF VALVE			70
6681483	SPRING			70
6681484	SET SCREW			70
6681485	GASKET			70
6681486	CAP			70
6681487	O-RING			70
6681488	WASHER			70
6681489	O-RING			70
6681490	VALVE			70
6681491	COIL			70
6681492	NUT			70
6681501	SEAL KIT			78
6681596	GEAR PUMP			98
6681600	PUMP			70
6700115	SPRING			132
6700182	COVER			12
6700330	COVER			38
6700631	GASKET			74
6700782	CAP			138
6701097	WASHER			126
6701159	SHIM			132, 138
6701160	CLIP			132
6701174	WASHER			14
6701449	FILLER TUBE			32
6701535	SPRING			20, 82
6701674	INSULATION			30
6701893	CLAMP			42
6702102	GEAR			138
6702103	GEAR			138
6702135	SHAFT			138
6702140	WASHER			138
6702144	SHIM			138
6702165	SHIM			138
6702166	SHIM			138
6702402	SHIELD			220
6702444	FUSE			110
6702474	RETAINER			132
6702543	LEVER			82
6702593	SPACER			180
6702621	GRIP			112
6702716	BLOCK			82

Code for disposition of old part number
 A — Use up
 B — Use on other application (See PNI)

C — File PDR Report with Melroe Parts Sales
 D — Part Number Error

NUMERICAL INDEX (Cont'd)

Part No.	Description	Was	Code	Page
6702903	LEVER			28
6702904	LEVER			28
6702958	BUSHING			28
6702971	BOLT			14
6702990	BUSHING			116
6703097	GASKET			38
6703640	KIT			270
6703641	DECAL			270
6703703	GUIDE			270
6703727	DECAL			242
6704242	WEDGE			28
6704248	PIVOT			28
6704443	BUSHING			132
6704444	WASHER			132
6704820	O-RING			132
6704879	GASKET			34
6704892	RIVET			214
6705749	SHIELD			74
6705920	HANDLE			112
6705921	HANDLE ASSY			242
6706096	MOUNT			82
6706098	GUIDE			82
6706105	YOKE			54
6706106	MOUNT			30
6706349	MOUNT			14
6706485	HOOK			12
6706517	SCREW			32, 74, 126
6706633	CONNECTOR			254
6706683	COVER			38
6706718	MOUNT			38
6706737	GASKET			38
6706805	SHAFT			36, 38
6706817	SPACER			36
6706857	BLOCK			12
6707077	HOUSING ASSY.			138
6707101	SEAL			44, 52
6707607	IDLER			132
6707654	SPINDLE			132
6707697	WASHER			132
6707698	WASHER			132
6707699	PIVOT			132
6707726	MOUNT			242
6707852	DECAL			188
6708009	LINK			54
6708016	GASKET			38
6708018	SPRING			38
6708043	BUSHING			54
6708070	GASKET			38
6708189	TUBE			14
6708267	BOLT			38
6708310	HOSE			188

Code for disposition of old part number
 A — Use up
 B — Use on other application (See PNI)

C — File PDR Report with Melroe Parts Sales
 D — Part Number Error

NUMERICAL INDEX (Cont'd)

Part No.	Description	Was	Code	Page
6708445	PULLEY			134
6708580	ADAPTER			108
6708987	HINGE			12
6709049	HOSE			254
6709170	STUD			40
6709448	BRACE			126
6709527	KEY			106, 188, 194, 258
6709757	AXLE			40
6710234	PIN			26
6710488	MOUNT			32
6710659	BUSHING			20
6711526	HINGE			24
6711674	MOUNT			222
6712536	PAN			108
6712646	ADAPTER			46
6712912	DECAL			208
6713040	SPRING			28
6713043	SPACER			116
6713287	PULLEY			132
6713349	GRIP			116
6713382	BELT			126
6713589	CLEVIS			20
6713792	MOUNT			180
6713793	BRACKET			180
6713887	BOLT			20
6713898	COVER			116
6714037	LATCH			258
6714126	DOOR STOP			24
6714278	GUIDE			38
6714362	WEIGHT			208
6714509	COVER			24
6714726	PLUG			114
6714979	BRACKET			108
6715131	BRACE			108
6715132	RETAINER			108
6715142	FAN			126
6715143	SET SCREW			126
6715163	BUSHING			82
6715164	SLEEVE			82
6715183	ELBOW			32
6715186	ADAPTER			248
6715197	CLAMP			108
6715287	SPACER			136
6715318	TOOL HOLDER			24
6715365	HARNESS			17, 18
6715630	BRAKE			38
6715650	ELBOW			186
6715659	HARNESS			180
6715860	SEAT BAR			20
6715863	BRACKET			20
6715864	BUSHING			20

Code for disposition of old part number
 A — Use up
 B — Use on other application (See PNI)

C — File PDR Report with Melroe Parts Sales
 D — Part Number Error

NUMERICAL INDEX (Cont'd)

Part No.	Description	Was	Code	Page
6715865	BUSHING			20
6715866	BUSHING			20
6715878	ADAPTER			42, 76, 78
6716061	TEE			42
6716089	CONNECTOR			222
6716116	MOUNT			82
6716117	LINK			82
6716243	CONNECTOR			76
6716391	HOSE			80
6716408	SPACER			136
6716419	HARNESS			246
6716545	ROD			82
6716572	LOUVER			126
6716574	LOUVER			126
6716621	COVER			108
6716800	INSULATION			16, 30
6716916	WASHER			82, 114
6716977	BELLCRANK			114
6717146	SPACER			188, 194
6717173	ADAPTER			78
6717232	DECAL			208
6717242	HOUSING			36
6717247	HARNESS			108
6717259	BUSHING			28
6717260	BUSHING			28
6717277	BUSHING			12
6717278	BUSHING			12
6717296	MOUNT ASSY			34, 36
6717306	ADAPTER			76
6717369	BRACKET			188, 194
6717378	BOLT			44
6717393	LEVER			114
6717401	PLUG			32
6717402	BUSHING			32
6717451	HOSE			32
6717478	INLET			126
6717503	TEE			80
6717515	INSULATION			18
6717516	INSULATION			16
6717517	INSULATION			18
6717518	INSULATION			18
6717519	INSULATION			18
6717520	INSULATION			18
6717579	GASKET			32, 108
6717593	HINGE			190, 194
6717636	HOUSING			126
6717643	DUCT			226
6717644	DUCT			226
6717662	TEE			74
6717706	COIL			58, 64
6717806	BOLT			34

Code for disposition of old part number
 A — Use up
 B — Use on other application (See PNI)

C — File PDR Report with Melroe Parts Sales
 D — Part Number Error

NUMERICAL INDEX (Cont'd)

Part No.	Description	Was	Code	Page
6717870	FRAME			206
6717871	FRAME			206
6717872	FRAME			206
6717873	FRAME			206
6717874	WINDOW			18, 206
6717885	ELBOW			68
6718034	FUSE			110
6718101	COVER			16
6718175	SCREEN			226
6718210	TANK			32
6718283	RETAINING NUT			54
6718285	LEVER			54
6718305	PANEL			30
6718310	PULLEY			238
6718326	MOUNT			218
6718329	BUSHING			28
6718376	HINGE			190, 194
6718411	KIT			218
6718414	SENDER			108
6718417	SENDER			108
6718426	HARNESS			212
6718506	PIN			114
6718520	COVER			188, 194
6718521	HANDLE			188, 194
6718579	DECAL			226
6718580	PANEL			18
6718645	HARNESS			254
6718659	HOUSING			110
6718660	TEE			78
6718706	DECAL			114
6718750	MOUNT			212
6718757	HOUSING			126
6718774	DECAL			108
6718784	COVER			14
6718796	PLUG			12, 24, 108
6718803	KIT			226
6718816	SPACER			26
6718820	HARNESS			180
6718833	BRACKET			220
6718834	BRACKET			220
6718837	SPACER			226
6718850	BRACKET			74
6718851	BRACKET			74
6718872	HARNESS			182, 218, 272
6718873	HARNESS			218
6718887	PANEL			226
6718924	KIT			220
6718942	NUT			26
6718948	SNUBBER			108
6719037	STRIKER			206
6719038	PLUG			18, 106

Code for disposition of old part number
A — Use up
B — Use on other application (See PNI)

C — File PDR Report with Melroe Parts Sales
D — Part Number Error

NUMERICAL INDEX (Cont'd)

Part No.	Description	Was	Code	Page
6719056	BLOCK			38
6719057	BLOCK			38
6719063	STOP			206
6719064	MOUNT			14
6719065	COVER TAB			206
6719084	BOLT			106
6719141	CABLE			108
6719168	COVER			12
6719176	SWITCH			238
6719298	TEE			254
6719317	WINDOW			260
6719413	WINDOW			206
6719422	HARNESS			108
6719429	SHIELD			126
6719446	MOUNT			78
6719448	MAGNET			214
6719459	MOUNT			238
6719503	CONTAINER			16
6719525	BAR			24
6719630	HARNESS			238
6719672	CAB			14, 16
6719711	CHANNEL			116
6719712	CHANNEL			116
6719715	STRAP			116, 178
6719716	MOUNT			116, 178
6719766	STOP			24
6719827	BOLT			132
6719829	BOLT			136
6719834	SPACER			116
6719835	SLEEVE			116, 178
6719854	KIT			182
6719857	KIT			272
6719888	DECAL			248
6719936	BRACKET			44
6720038	INSTRUCTIONS			184
6720592	INSTRUCTIONS			220
6720808	HEATER			184
6722344	FLUID			1, 276
6722781	PAINT			276
6722782	PAINT			276
6722783	PAINT			276
6722784	PAINT			276
6722785	PAINT			276
6722786	PAINT			276
6722787	PAINT			276
6722788	PAINT			276
6722789	PAINT			276
6724094	ANTI-FREEZE			276
6724354	ANTI-FREEZE			276
6724557	OIL			1, 276
6724558	OIL			1, 276

Code for disposition of old part number
 A — Use up
 B — Use on other application (See PNI)

C — File PDR Report with Melroe Parts Sales
 D — Part Number Error

NUMERICAL INDEX (Cont'd)

Part No.	Description	Was	Code	Page
6724559	OIL			1, 276
6724775	LEVER KIT			28
6724776	LEVER KIT			28
6725090	HOSE			44, 78
6725128	ADAPTER			114
6725130	PULLEY			126
6725212	ARM			132
6725256	COUNTERWEIGHT			24
6725273	HARNESS			226
6725301	COVER			16
6725302	GASKET			108
6725303	FRAME			16
6725370	DECAL			266
6725373	SPRING PLATE			16
6725421	HANDLE			204
6725436	HOSE			46
6725496	COVER			38, 80
6725497	CROSS			76
6725513	PACKAGE			226
6725898	KIT			216
6725899	HOSE			80
6725900	HOSE			80
6725901	HOSE			80
6725906	BRACKET			216
6725907	DECAL			248
6725933	HARNESS			226
6725937	CLAMP			194
6725938	CLAMP			194
6725946	KIT			204
6726277	CLAMP			254
6726303	DECAL			204
6726386	KNOB			226
6726423	DECAL			244
6726427	KIT			198
6726435	DOOR			188
6726504	BRACKET			108, 110
6726567	ELBOW			32
6726573	BRACKET			114, 178
6726574	RETAINER			120
6726621	SCREW			228, 232, 238, 240
6726655	KIT			260
6726679	BRACKET			54, 178
6726680	PEDAL			54, 178
6726681	LINK			114, 178
6726695	STOP PLATE			120
6726908	LIFT EYE			244
6726932	DOOR			194
6726965	LIFT ARM			26
6726966	FRAME LINK			26
6726969	LINK ASSY			26
6727065	BOLT			116, 178

Code for disposition of old part number
 A — Use up
 B — Use on other application (See PNI)

C — File PDR Report with Melroe Parts Sales
 D — Part Number Error

NUMERICAL INDEX (Cont'd)

Part No.	Description	Was	Code	Page
6727176	KIT			210
6727178	HARNESS			106
6727190	HARNESS			18
6727231	SHIELD			114, 120
6727284	SHIELD			114, 120
6727299	INSULATION			18
6727313	ELBOW			74
6727326	MOUNT			238
6727354	INLET			74
6727475	CAP			74
6727496	PIN			114, 178
6727498	HARNESS			242
6727525	BUSHING			26
6727751	MOUNT			44
6727803	CABLE			108
6727832	BUSHING			26
6727848	COVER			226
6727913	DECAL			68
6727926	DECAL			114, 178
6727941	DECAL			114, 178
6727995	HORN KIT			242
6728045	DECAL			178
6728473	BOLT			28
6728539	DECAL			114, 178
6728540	DECAL			178
6728567	KIT			232
6728629	WINDOW			18, 206
6728652	CHAINCASE			34
6728721	MOUNT			136
6728747	RADIATOR			128
6728749	HOSE			128
6728750	HOSE			128
6728800	BUSHING			26
6728819	PIN			26
6728820	PIN			26
6728971	PIN			26
6728972	BUSHING			26
6728979	BUSHING			26
6728990	KIT			236
6729005	BUSHING			26
6729006	BUSHING			26
6729007	PIN			26
6729009	SEAL			206
6729010	SEAL			206
6729011	SEAL			206
6729012	INSULATION			14
6729013	INSULATION			14
6729023	HARNESS			114
6729029	BOB-TACH			28
6729077	DECAL			238
6729078	DECAL			80

Code for disposition of old part number
 A — Use up
 B — Use on other application (See PNI)

C — File PDR Report with Melroe Parts Sales
 D — Part Number Error

NUMERICAL INDEX (Cont'd)

Part No.	Description	Was	Code	Page
6729160	HOSE			74
6729173	COVER			38
6729305	CROSS			78
6729306	ELBOW			78
6729307	HOSE			78
6729310	HOSE			128
6729320	CLAMP			42, 46
6729357	ELBOW			42
6729358	PIN			26
6729401	BUSHING			12
6729402	BUSHING			12
6729423	BUSHING			26
6729467	SPACER			114, 178
6729468	LINK ASSY			26
6729484	HOSE			78
6729491	PLUG			28
6729594	HANDLE			116
6729595	HANDLE			116
6729600	SPACER			116, 178
6729604	HOSE			42
6729686	TEE			42
6729688	LATCH			258
6729694	TEE			42
6729702	CLAMP			42
6729721	HOSE			42
6729728	HOSE			42
6729729	HOSE			42
6729739	HARNESS			190
6729745	HOSE			46
6729746	HOSE			46
6729774	COVER			12
6729776	WINDOW			192
6729803	TUBE			130
6729854	HOSE			32
6729875	GASKET			130
6729888	STEP			26
6729897	TIRE			274
6729901	TIRE			274
6729939	LATCH PLATE			24
6729942	MOUNT			136
6729944	STOP			134
6729956	LEVER			82
6729991	REAR DOOR			24
6730020	MOUNT			132, 136
6730077	TEE			186
6730078	COVER			12
6730108	TIRE			274
6730109	TIRE			274
6730122	BELLCRANK			82
6730126	TEE			74, 78
6730143	TEE			68

Code for disposition of old part number
 A — Use up
 B — Use on other application (See PNI)

C — File PDR Report with Melroe Parts Sales
 D — Part Number Error

NUMERICAL INDEX (Cont'd)

Part No.	Description	Was	Code	Page
6730181	TEE			68
6730185	TUBELINE			254
6730186	TUBELINE			254
6730220	FLYWHEEL ASSY			132
6730265	MOUNT			238
6730266	SPACER			238
6730277	HOSE			254
6730292	HARNESS			108
6730726	HOSE			130
6730753	SHIELD			130
6730766	TUBE			128
6730770	HARNESS			248
6730772	RIM			274
6730783	COVER			12
6730784	BUSHING			12
6730785	BUSHING			12
6730804	SHAFT			138
6730805	SPACER			136
6730806	SPACER			136
6730807	BRACKET			136
6730810	TUBELINE			186
6730811	TUBELINE			186
6730812	TUBELINE			186
6730816	SHIELD			188, 194
6730819	BELT			238
6730822	KIT			188
6730823	KIT			194
6730830	TANK			190
6730836	TUBELINE			42
6730837	TUBELINE			42
6730838	TUBELINE			42
6730857	TUBELINE			42
6730858	TUBELINE			42
6730876	TUBELINE			42
6730877	TUBELINE			42
6730878	TUBELINE			46
6730879	TUBELINE			46
6730885	HARNESS			196
6730887	PIN			26
6730894	BOLT			132
6730898	MOUNT			186
6730914	TEE			42
6730995	BUSHING			26
6731078	GRILL			126
6731084	ADAPTER			224
6731085	ELBOW			224
6731100	SHIELD			132
6731101	HOUSING ASSY			126, 138
6731102	HOUSING ASSY.			138
6731119	PIVOT ASSY			28
6731121	PLUG			12

Code for disposition of old part number
 A — Use up
 B — Use on other application (See PNI)

C — File PDR Report with Melroe Parts Sales
 D — Part Number Error

NUMERICAL INDEX (Cont'd)

Part No.	Description	Was	Code	Page
6731138	BUSHING			26
6731139	PIN			26
6731145	HOSE			78
6731146	WASHER			136
6731151	KIT			178
6731160	WASHER			26
6731162	HOSE			76
6731179	COVER			26
6731199	BRACKET			46
6731209	TANK			74
6731212	SWITCH			190, 196
6731251	BAR			54
6731252	BAR			54
6731253	LINK			82
6731255	ELBOW			238
6731276	HOSE			42
6731468	HOSE			248
6731469	HOSE			248
6731470	HOSE			248
6731471	HOSE			248
6731496	HOSE			74
6731569	STOP			26
6731632	HOSE			42
6731638	HOSE			74
6731646	BOLT			26
6731647	BUSHING			26
6731649	COVER			12
6731747	TUBELINE			254
6731748	TUBELINE			254
6731768	MAIN FRAME			12
6731899	PANEL			30
6731915	BRACKET			126
6731916	SHIELD			126
6731984	HOSE			68
6732001	KIT			258
6732032	GASKET			130
6732177	PANEL			30
6732193	BRACKET			136
6732206	SPACER			136
6732219	KIT			266
6732260	HOSE			254
6732318	SPACER			126
6732351	WINDOW			194
6732354	KIT			186
6732355	KIT			248
6732356	KIT			254
6732375	TANK			128
6732449	PLATE			30
6732451	KIT			196
6732455	TUBELINE			44
6732457	WASHER			126

Code for disposition of old part number
 A — Use up
 B — Use on other application (See PNI)

C — File PDR Report with Melroe Parts Sales
 D — Part Number Error

NUMERICAL INDEX (Cont'd)

Part No.	Description	Was	Code	Page
6732458	TUBELINE			44
6732464	TUBELINE			44
6732476	HOSE			136
6732483	HOSE			76
6732484	HOSE			76
6732485	HOSE			76
6732577	STEP			12
6732678	KIT			244
6732687	PIN			244
6732688	BRACKET			244
6732715	LATCH			24
6732730	HARNES			214
6732817	HOSE			224
6732847	RIM			274
6732870	MOUNT			128
6732975	DECAL			190, 196
6732997	U-BOLT			82
6733012	HOSE			68
6733022	BRACKET			82
6733024	BRACKET			82
6733107	PLUG			16
6733136	KIT			214
6733137	HARNES			68
6733139	ADAPTER			128
6733142	KIT			212
6733143	BOLT			130
6733144	MOUNT			214
6733219	HOSE			76
6733286	ELBOW			254
6733308	TUBELINE			68
6733309	TUBELINE			68
6733370	HARNES			108
6733409	TUBELINE			254
6733410	TUBELINE			254
6733429	CAP			128
6733432	HOSE			224
6733433	HOSE			224
6733443	HOSE			222
6733529	SEAL			30
6733542	KIT			222
6733578	RIM			274
6733655	COMPRESSOR			238
6733843	TUBELINE			254
6733844	TUBELINE			254
6733850	TEE			254
6733873	SHIELD			136
6733877	ELBOW			254
6733886	BOLT			128
6733960	KIT			224
6733970	MOUNT			180
6734103	BACKUP ALARM KIT			180

Code for disposition of old part number
A — Use up
B — Use on other application (See PNI)

C — File PDR Report with Melroe Parts Sales
D — Part Number Error

NUMERICAL INDEX (Cont'd)

Part No.	Description	Was	Code	Page
6734114	HOSE			130
6800124	ORIFICE			58, 62
6801059	WASHER			192, 260
6801167	PLUG			62
6803092	BONNET			62
6803473	SEAL KIT			250
6803605	SEAL KIT			64
6804427	HEAD			50
6804432	SEAL KIT			50
6804592	NUT			48, 50
6804604	SEAL KIT			48
6805102	BUSHING			56
6805243	TEE			58, 64
6805453	BUSHING			48
6805651	BLOCK			56, 64
6805696	TEE			58, 64
6806403	HOSE			248
6806496	TUBELINE			58, 64
6806561	PLUG			58, 64
6806941	SEAL KIT			58
6808235	SPACER			50
6809425	SEAL KIT			58, 64
6809448	SEAL KIT			58, 64
6809511	DECAL			42, 44
6809726	ROLLER			24
6809727	STRIKER			24
6809734	BUSHING			24
6810132	SPRING			24
6810141	SPRING			24
6810186	CYLINDER			50
6810187	CASE			50
6810188	ROD			50
6810213	TUBELINE			48
6810233	CYLINDER			48
6810234	CASE			48
6810235	ROD			48
6810237	PISTON			48
6810349	CASE			250
6810356	SPACER			250
6810611	CYLINDER			250
6810612	ROD			250
6810741	TUBELINE			50
6811411	SPOOL			56
6811412	SPOOL			56
6811910	LATCH			24
6812031	BLOCK			58
6812046	VALVE			56
6812048	VALVE			62
6812141	ELBOW			74
6900366	INSTRUCTIONS			208
6900848	INSTRUCTIONS			218

Code for disposition of old part number
 A — Use up
 B — Use on other application (See PNI)

C — File PDR Report with Melroe Parts Sales
 D — Part Number Error

NUMERICAL INDEX (Cont'd)

Part No.	Description	Was	Code	Page
1CM-620	BOLT			188, 194
1CM-635	BOLT			188, 194, 238, 240
1CM-640	BOLT			188, 194
1CM-816	BOLT			32
1CM-820	BOLT			82, 94
1CM-1020	BOLT			136
1CM-8100	BOLT			136
1DM-6	NUT			168
2C-1626	BOLT			40
3GM-1025	BOLT			238
4D-28	NUT			244
4DM-5	NUT			108
4DM-6	NUT			188, 194
4DM-8	NUT			124
4F-6106	PIN			20
5CM-1025	BOLT			130, 238
5CM-1080	SCREW			238
5HM-13	CLAMP			32, 128
5HM-14	CLAMP			32
5HM-15	CLAMP			32, 74
5HM-20	CLAMP			224
5HM-23	CLAMP			128
5HM-24	CLAMP			68
5HM-40	CLAMP			74
5HM-42	CLAMP			78
5HM-55	CLAMP			128
5JM-20	SNAP RING			164
6E-4	WASHER			180
6E-5	WASHER			106, 218
6E-6	WASHER			78
6EM-60	WASHER			188, 194
6EM-80	WASHER			124
6J-807	KEY			90
6J-1664	WOODRUFF KEY			40
7D-4	NUT			44, 52
7J-2010	KEY			138
7J-2208	KEY			126
7JM-50	SNAP RING			28
8C-616	BOLT			82
8D-6	NUT			82
9G-512	SCREW			138
10C-410	BOLT			206
10C-416	BOLT			206
10C-616	BOLT			20
10H-25	GREASE ZERK			26, 28
10H-35	GREASE ZERK			28
11H-15	GREASE ZERK			26
11H-25	GREASE ZERK			248
12D-10	NUT			216
12H-25	GREASE ZERK			26
12KN-6	ELBOW			224

Code for disposition of old part number
 A — Use up
 B — Use on other application (See PNI)

C — File PDR Report with Melroe Parts Sales
 D — Part Number Error

NUMERICAL INDEX (Cont'd)

Part No.	Description	Was	Code	Page
14J-5032	PIN			28
14JM-3112	ROLL PIN			134
14KN-5	TEE			248
15K-8	ADAPTER			254
15KB-606	ADAPTER			254
15KB-612	ADAPTER			254
15KB-808	ADAPTER			76
15KN-3	ADAPTER			80
15KN-8	ADAPTER			248
15KV-5	ADAPTER			44, 46, 80, 248
16F-8	PLUG			138
16KN-5	ADAPTER			80
17C-410	BOLT			180, 242
17C-412	BOLT			38, 180
17C-420	BOLT			188, 194
17C-428	BOLT			44
17C-512	BOLT			108, 190, 194
17C-514	BOLT			114, 178
17C-540	BOLT			110, 186
17C-608	BOLT			114, 178
17C-612	BOLT			16, 30, 54, 132, 190, 194
17C-616	BOLT			114, 126, 130, 220
17C-620	BOLT			54, 74, 82, 94, 138
17C-624	BOLT			54, 194
17C-626	BOLT			82
17C-628	BOLT			194
17C-632	BOLT			42
17C-636	BOLT			80
17C-640	BOLT			20, 26, 46, 208
17C-644	BOLT			26
17C-648	BOLT			26
17C-652	BOLT			244
17C-656	BOLT			26
17C-660	BOLT			28
17C-664	BOLT			26
17C-672	BOLT			26, 254
17C-680	BOLT			82
17C-716	BOLT			16
17C-728	BOLT			76
17C-816	BOLT			132
17C-820	BOLT			24, 136
17C-824	BOLT			136
17C-832	BOLT			132
17C-864	BOLT			136
17C-872	BOLT			132
17C-1024	BOLT			40
17C-1028	BOLT			244
17C-1056	BOLT			14
17C-6116	BOLT			126
17C-10112	BOLT			26
17C-10128	BOLT			26

Code for disposition of old part number
 A — Use up
 B — Use on other application (See PNI)

C — File PDR Report with Melroe Parts Sales
 D — Part Number Error

NUMERICAL INDEX (Cont'd)

Part No.	Description	Was	Code	Page
17KB-404	ELBOW			254
17KB-606	ELBOW			254
17KB-1612	ELBOW			254
17KN-6	ELBOW			76
17KV-3	ELBOW			80, 248
17KV-5	ELBOW			46, 74, 80, 254
17KV-7	ELBOW			72
19F-12	BUSHING			184
19J-12	CLAMP			74
19KV-5	TEE			76, 80
20J-16	CLAMP			76
21JM-20	PIN			164
21KB-606	TEE			76, 222
21KV-5	TEE			44
24K-5	PLUG			74
24K-7	PLUG			92, 96
25E-13	WASHER			38, 116, 120, 178, 180, 242
25E-14	WASHER			206
25E-15	WASHER			26
25E-16	WASHER			188, 194
25E-17	WASHER			82, 114, 136
25E-21	WASHER			54, 132
25E-24	WASHER			82
25G-410	BOLT			110
25G-512	BOLT			14, 22
25G-520	BOLT			22
25G-612	BOLT			214
25GT-410	BOLT			116
25K-20016	O-RING			56, 62
25K-30126	O-RING			28
25K-30218	O-RING			50
25K-30812	O-RING			34
27E-10	WASHER			26
29G-412	SCREW			64
29G-416	SCREW			58, 64
29G-444	SCREW			58
30G-416	BOLT			56, 62
30H-19	CLIP			180
30H-21	CLAMP			218
30H-23	CLAMP			242
30H-27	CLIP			212
30H-30	CLAMP			32
30H-38	CLAMP			42
30H-42	CLAMP			246
30H-50	CLIP			214
30H-60	CLIP			76
30H-62	CLAMP			114, 178
31C-410	BOLT			216
31C-644	BOLT			46
31C-820	BOLT			134
31C-824	BOLT			12

Code for disposition of old part number
 A — Use up
 B — Use on other application (See PNI)

C — File PDR Report with Melroe Parts Sales
 D — Part Number Error

NUMERICAL INDEX (Cont'd)

Part No.	Description	Was	Code	Page
31C-1228	BOLT			12
31H-42	CLAMP			222, 248
31H-46	CLAMP			238
35C-410	BOLT			226
35C-412	BOLT			20, 218
35C-416	BOLT			44
35C-512	BOLT			242
35C-516	BOLT			74
35C-612	BOLT			78, 126, 248, 266
35C-616	BOLT			44, 108
35C-620	BOLT			108, 136
35C-624	BOLT			82
36K-5	CAP			74, 76
36K-6	CAP			136, 254
36K-8	CAP			42
37C-412	BOLT			218
37C-424	BOLT			226
37C-512	BOLT			24, 38, 180, 226, 246
37C-612	BOLT			24
37C-616	BOLT			54
37C-620	BOLT			54, 178
37C-628	BOLT			24
38C-820	BOLT			132
38C-824	BOLT			24
38C-828	BOLT			132
38C-840	BOLT			24
38C-856	BOLT			24
42H-24	CLAMP			32
42H-52	CLAMP			130
42HC-250	CLAMP			130
42HL-250	CLAMP			74
42HL-350	CLAMP			130
43C-408	BOLT			114, 120
43C-512	BOLT			32
43C-524	BOLT			60
43C-532	BOLT			60
43C-616	BOLT			108
43C-852	BOLT			136
44H-48	CLAMP			238
45C-616	BOLT			130
45C-620	BOLT			82, 130, 132
45G-1006	BOLT			216
46D-5	NUT			188, 194
47C-820	BOLT			38
47K-8	PLUG			90, 94
47K-10	PLUG			74
53CM-830	BOLT			32
53D-6	NUT			14, 20, 108
53D-10	NUT			14
53DM-8	NUT			130
54K-20002	O-RING			58, 62

Code for disposition of old part number
 A — Use up
 B — Use on other application (See PNI)

C — File PDR Report with Melroe Parts Sales
 D — Part Number Error

NUMERICAL INDEX (Cont'd)

Part No.	Description	Was	Code	Page
54K-20028	O-RING			60
54K-30110	O-RING			250
54K-30218	O-RING			48
54K-40116	O-RING			250
54K-40224	O-RING			48, 50
54K-40300	O-RING			48, 50
55D-6	NUT			24, 194
55K-204	O-RING			58, 60, 64
55K-212	O-RING			58, 60, 62
55K-214	O-RING			74
55K-219	O-RING			76
57D-6	NUT			24, 54, 82
57D-10	NUT			26
57G-608	SCREW			226
58K-12	O-RING			58, 62
58K-14	O-RING			56
58K-17	O-RING			56, 62
58K-116	O-RING			66
58K-120	O-RING			114
58K-124	O-RING			56, 62
58K-127	O-RING			56, 64
58K-132	O-RING			250
59D-4	NUT			110, 206, 218
59D-5	NUT			14, 38, 190, 194, 226
59D-6	NUT			24, 110
59D-8	NUT			14
59G-616	BOLT			180
61D-4	NUT			180, 188, 194
61D-5	NUT			24, 74, 126, 180, 190, 194
61D-6	NUT			126, 132, 190, 208
61E-16	NUT			78
69G-436	BOLT			114
72F-1	DRAIN COCK			32
73G-656	BOLT			132, 248
73G-824	BOLT			82
73K-222	WASHER			250
73K-232	WASHER			48, 50
75K-4	O-RING			100
79K-2	O-RING			256
79K-3	O-RING			250
79K-4	O-RING			128, 254
79K-6	O-RING			74, 222
79K-7	O-RING			58, 64
79K-8	O-RING			56, 62, 66, 68, 72, 90, 94
79K-10	O-RING			56, 62, 68, 72, 92
79K-12	O-RING			46, 74, 76, 78, 90, 96, 254
79K-14	O-RING			92, 94
79K-16	O-RING			74
80K-14	RING			56, 62
81D-6	NUT			136
83D-4	NUT			20, 44, 180, 226, 242

Code for disposition of old part number
 A — Use up
 B — Use on other application (See PNI)

C — File PDR Report with Melroe Parts Sales
 D — Part Number Error

NUMERICAL INDEX (Cont'd)

Part No.	Description	Was	Code	Page
83D-5	NUT			186, 242
83D-6	NUT			46, 82, 130, 214, 220
83D-8	NUT			12, 136
83D-10	NUT			244
83D-12	NUT			12
84G-3110	BOLT			224, 226
84G-3112	BOLT			14, 26, 126, 180, 212, 214
84G-3708	BOLT			12
84G-3710	BOLT			12, 78, 114, 178, 238
84G-3712	BOLT			12, 30, 38, 42, 106, 108, 128, 130
84G-3716	BOLT			30, 38, 46, 186, 222
84G-3720	BOLT			38, 176
84G-3724	BOLT			254
84G-3728	BOLT			42
84G-3736	BOLT			42, 46
85D-5	NUT			108, 246
85D-6	NUT			16, 24, 26, 28, 42, 44, 108, 130
85D-7	NUT			16
85D-8	NUT			14, 132
86F-5	NUT			222, 254
87D-5	NUT			244
88FN-5	ELBOW			254
90KV-2	PLUG			250
90KV-3	PLUG			86
90KV-5	PLUG			48, 50, 58, 64, 86
90KV-8	PLUG			58, 62
91D-7	NUT			188, 194
91G-416	BOLT			18, 206
95D-5	NUT			14, 108, 114, 178
95D-6	NUT			30, 54, 82, 114, 138, 194
92D-10	NUT			250
92D-12	NUT			134
95K-2	O-RING			252
95K-4	O-RING			72, 86, 252
95K-6	O-RING			48, 50, 58, 64, 86, 252
95K-8	O-RING			252
95K-12	O-RING			58, 62
96D-6	NUT			82
96D-8	NUT			126
96K-6	O-RING			254
97D-8	NUT			14
97K-4	O-RING			80, 248
97K-6	O-RING			44, 46, 58, 64, 74, 76, 78, 80, 248, 254
97K-8	O-RING			42, 44, 76
97K-10	O-RING			42, 72, 186
97K-12	O-RING			42, 68, 74, 248
97K-16	O-RING			68
98D-6	NUT			82, 114
98G-412	BOLT			120
99K-4	O-RING			80, 248

Code for disposition of old part number
 A — Use up
 B — Use on other application (See PNI)

C — File PDR Report with Melroe Parts Sales
 D — Part Number Error

