

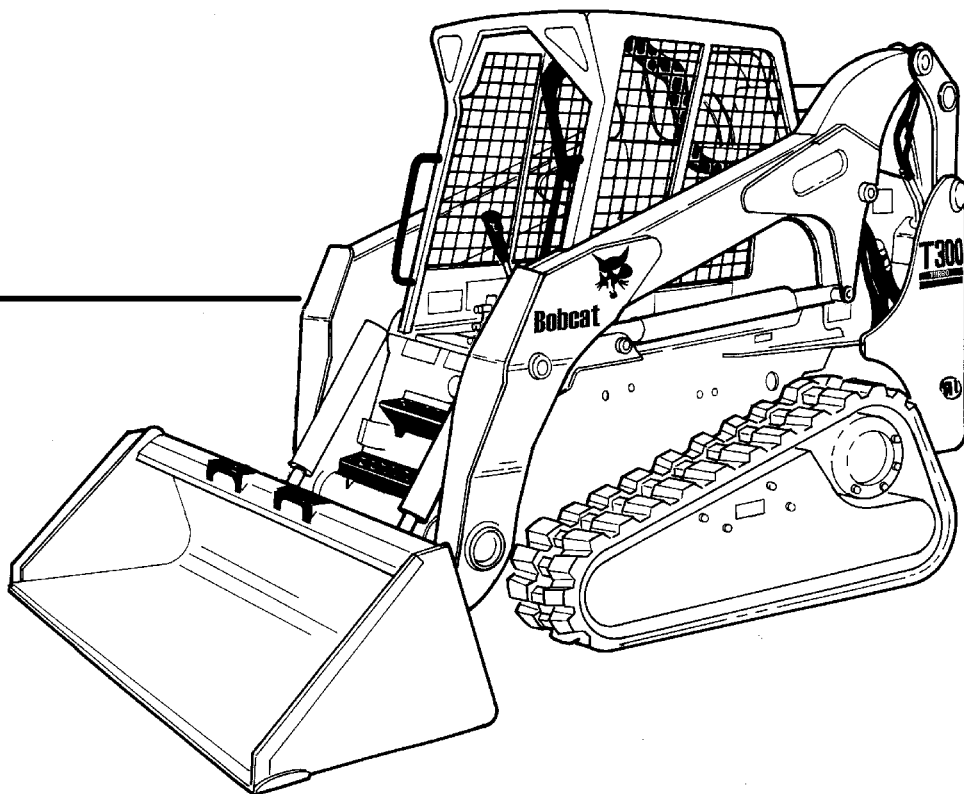


Bobcat®

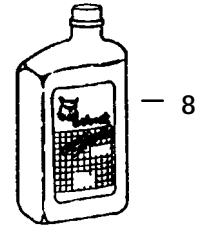
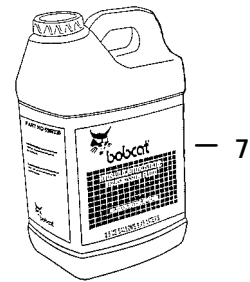
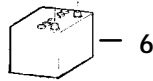
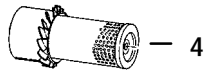
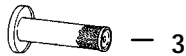
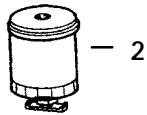
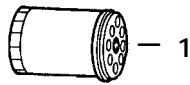
T300
TURBO

Parts Manual

S/N 5219 11001 & Above
S/N 5220 11001 & Above



HIGH MAINTENANCE ITEMS MODEL T300



Ref.	Part Number	Description	Remarks	Page
1	6680701	FILTER	Engine Oil (6 Pack)	53
2 ..	6667352	ELEMENT	Fuel	34
3 ..	6681474	CARTRIDGE	Inner Air Cleaner	75
4 ..	6681475	CARTRIDGE	Outer Air Cleaner	75
5 ..	6661248	ELEMENT	Hydrostatic # 3 Media	100
6 ..	6665427	BATTERY	950 AMP	
.. (HYDRAULIC RESERVOIR CAPACITY)				21 QTS. (19,9 L)
.. (HYDRAULIC / HYDROSTATIC SYSTEM)				13 GALS. (49,3 L)
.. (CHAINCASE RESERVOIR)				10 GALS. (37,9 L)
7 ..	6563328	FLUID	Hyd./Hydro. - (2) 2.5 Gal. - (5 Gal.)	170
.....	6722344	FLUID	Hyd./Hydro. - (5 Gal.)	170
.....	6563330	FLUID	Hyd./Hydro. - 55 Gallon Drum	170
.. (ENGINE OIL W/FILTER CAPACITY)				10 QTS. (23,7 L)
.. (ENGINE LUBRICATION / COOLING SYSTEM)				16 QTS. (15,1 L)
8 ..	6657301	MOTOR OIL	10W30 CE/SG - 1 Qt.	170
.....	6657299	MOTOR OIL	15W40 CE/SG - 1 Qt.	170
.....	6657303	MOTOR OIL	30 CE/SG - 1 Qt.	170
.....	6724558	MOTOR OIL	15W40 CE/SG - 1 Gallon	170
.....	6724557	MOTOR OIL	10W30 CE/SG - 1 Gallon	170
.....	6724559	MOTOR OIL	30 CE/SG - 1 Gallon	170
.....	6674205	MOTOR OIL	10W30 CE/SG - 2.5 Gal.	170
.....	6674204	MOTOR OIL	15W40 CE/SG - 2.5 Gal.	170
.....	6674206	MOTOR OIL	30 CE/SG - 2.5 Gal.	170

GENERAL INFORMATION

When using the machine serial number, use the complete number.

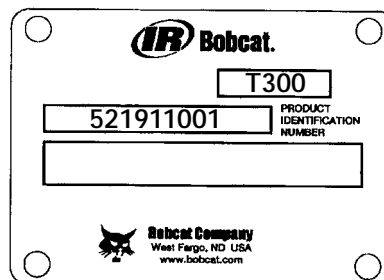
Some Serial Number breaks are not available at time of printing. These are listed as & Below or & Above.

The number shown in the quantity column in this manual is the number of parts needed for the illustration on the page. For some parts an "x" will be shown in the quantity column. This "x" indicates that the quantity to be used is "As Needed".

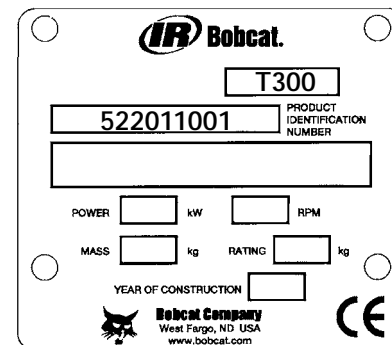
When references L.H. and R.H. are used in this manual, it is done from the operator's seat in the forward operating position.

To find the size and kind of bolt use the Bobcat Standard Microfiche (P/N 6566077).

Some of the illustrations and information found in this parts manual were supplied to Bobcat by machine component companies.



DOMESTIC



EXPORT

ABBREVIATIONS & SYMBOLS

- SALES = Order from Gwinner Sales Department
- NSS = Not Serviced Separately
- NAP = Not Available as Parts
- * = Changed or Added Sections, Pages or Part Numbers

Disposition Code Definition (Found in the Remarks Column)

- [A] = Use Up
- [B] = Use Up on Other Application (See PNI)
- [C] = File PDR Report With Bobcat Parts Sales
- [D] = Part Number Error

Explications en francais	Grid Nb	3
Erklärungen auf deutsch	Grid Nb	4
Spiegazioni in italiano	Grid Nb	5
Explicaciones en espanol	Grid Nb	6
Verklaring in het Nederlands	Grid Nb	7

NOTE D'INFORMATION

Pour toute référence au numéro de série de l'engin, toujours donner le numéro complet.

Le chiffré apparaissant dans la colonne des quantités de ce manuel représentent le nombre de pièces nécessaires pour l'illustration reprise sur la page. Dans certains cas, on lira un "x" dans la colonne des quantités. Cet "x" indique que la quantité nécessaire est "selon besoin".

Pour toute référence vers la GAUCHE ou la DROITE dans ce manuel, considérer que la personne se trouve assise dans le siège de l'opérateur, en position de fonctionnement en marche avant.

Certaines illustrations et informations reprises dans ce manuel de pièces de rechange ont été fournies à Bobcat, par des fabricants de composants.

ABREVIATIONS & SYMBOLES

SALES	= Commander au Service Ventes à Bruxelles
NSS	= Pas vendu séparément
NAP	= Non disponible comme pièce de rechange
*	= Chapitre, page ou numéro de pièce modifié ou supplémentaire
BTI	= Bobcat Technical Information Bulletin : voir à la fin de la microfiche du modèle concerné ou la microfiche générale reprenant l'ensemble des "BTI".
was 6535403	= était avant 6535403
adj. (adjustment)	= réglage
Assembly	= ensemble
available W/Ref.	= disponible avec réf.
bulk/sold per foot	= en vrac/vendu par pied
does not include	= ne comprend pas
included with	= compris dans
I.D.	= D.I. (diamètre intérieur)
O.D.	= D.E. (diamètre extérieur)
not in kit	= pas en kit
W/ - WO/	= inclus/ - non inclus/
Qty	= quantité requise
see page/ref.	= voir page/réf.
used with ref/	= utilisé avec réf.
0,05 inch thickness	= 0,05 pouce d'épaisseur (un pouce = 25.4 mm)
weld on	= à souder

ALLGEMEINE INFORMATIONEN

Bei Angabe der Maschinen-Seriennummer stets die komplette Nummer angeben.

Bei der in der Mengenspalte (Anzahl) in diesem Handbuch angegebenen Zahl handelt es sich um die Anzahl von Teilen, die für die Abbildung auf der betreffenden Seite benötigt werden. Bei manchen Teilen in der Mengenspalte ist ein "x" angegeben. Dieses "x" weist darauf hin, dass sich die Anzahl der verwendeten Teile auf den "Bedarf" bezieht.

Bei Verwendung der Seitenangaben links und rechts in diesem Handbuch gelten diese für die Blickrichtung vom Fahrersitz aus, und zwar in Vorwärts-Betriebsrichtung.

Einige der in diesem Ersatzteillandbuch aufgeführten Abbildungen und Informationen wurden der Bobcat, von den Herstellern von Maschinenbauteilen zur Verfügung gestellt.

ABKÜRZUNGEN UND SYMBOLE

SALES	= Bestellung bei der Verkaufsabteilung in Brüssel
NSS	= Nicht einzeln erhältlich
NAP	= Nicht als Ersatzteil erhältlich
*	= Geänderte oder hinzugefügte Abschnitte, Seiten oder Teilenummern
BTI	= Bobcat Technical Information Bulletin : Siehe am Ende der Mikrokarte des jeweiligen Modells oder der allgemeinen Mikrokarte der BTI.
was 6535403	= War 6535403
adj.	= Einstellung
Assembly	= Baugruppe
available W/Ref.	= erhältlich mit der Referenz
bulk/sold per foot	= Mengenabnahme / Verkauf pro Fuss
does not include	= beinhaltet nicht
included with	= enthalten in
I.D.	= Innendurchmesser
O.D.	= Aussendurchmesser
not in kit	= nicht in Bausatz
W/ - WO/	= mit/ - ohne/
Qty	= Anzahl
see page/ref.	= Siehe Seite / Referenz
used with ref.	= verwendet mit Referenz
0.05 inch thickness	= Dicke : 0.05 Zoll (ein Zoll = 25.4 mm)
weld on	= anschweißen

INFORMAZIONI GENERALI

Quando si usa il numero di serie della macchina usare il numero completo.

Il numero mostrato nella colonna della quantità di questo manuale corrisponde al numero di componenti necessari per l'illustrazione della pagina. Per alcuni componenti appare "X" nella colonna delle quantità. Questa "X" indica che la quantità da usare è "come necessario".

See in questo manuale si fa riferimento alla parte destra o sinistra, si intende dal sedile dell'operatore nella posizione in avanti di funzionamento.

Alcune delle illustrazioni e informazioni trovate in questo manuale di componenti sono state fornite alla Bobcat, da società di componenti di macchine.

SIMBOLI E ABBREVIAZIONI

SALES	= Ordinare al servizio vendite di Bruxelles
NSS	= Non vendute separatamente
NAP	= Non disponibile come componente
*	= Sezioni, pagine o numeri di componente cambiati o aggiunti
BTI	= (Bobcat Technical information) Ved. al termine del microfiche del modello relativo oppure microfiche generale
was 6535403	= era 6535403
adj. (adjustment)	= regol. (regolazione)
Assembly	= Complessivo
available W/Ref.	= disponibile con rif.
bulk/sold per foot	= alla rinfusa/venduto al piede
does not include	= non comprende
Included with	= compreso con
I.D.	= d. i.
O.D.	= d. e.
not in kit	= non fa parte del kit
W/ - WO/	= con - senza
Qty	= Qtà
see page/ref	= ved. pagina/rif.
used with ref.	= usato con il rif.
0,05 inch thickness	= spessore 0,05 pollici (un pollice = 25,4 mm)
weld on	= a saldare

INFORMACION GENERAL

Al utilizar el número de serie de la máquina, debe emplearse el número completo.

El número que figura en la columna de "Unidades" en este manual es el número de piezas que se necesitan para la ilustración que consta en la página. En algunas piezas aparece una "x" en la columna de "Unidades". Esta "x" indica que las unidades a utilizar son "según sea necesario".

Cuando se empleen las referencias izq. y dcha., éstas se entienden mirando desde el asiento del conductor, en posición de marcha adelante.

Algunas de las ilustraciones y la información que figuran en este manual de piezas han sido facilitadas a Bobcat, por empresas de componentes de máquinas.

ABREVIATURAS Y SIMBOLOS

VENTAS	= Pedido al Departamento de Ventas de Bruselas
NSS	= No se vende por separado
NAP	= No disponible como pieza de repuesto
*	= Secciones, páginas o referencias modificadas o añadidas
BTI	= (Bobcat Technical Information) Ver al final de la microficha del modelo afectado o en la microficha general "Boletín de Información Técnica Bobcat".
was 6535403	= era anteriormente el 6535403
adj. (adjustment)	= ajuste
assembly	= conjunto
available W/Ref.	= disponible con la ref.
bulk/sold per foot	= a granel/vendido por pies
does not include	= no incluye
included with	= incluido en
I.D.	= diámetro interior
O.D.	= diámetro exterior
not in kit	= no en el kit
W/ - WO/	= con/ - sin
Qty	= Unidades
see page /ref.	= ver página/ref.
used with ref.	= empleado con la ref.
0,05 inch thickness	= 0,05 pulgadas de espesor (1 pulgada = 25,4 mm)
weld on	= debe ser soldado

ALGEMENE INFORMATIE

Als u het serienummer van de machine gebruikt, geef dan het gehele serienummer.

Het cijfer dat voorkomt in de kolom "Aantal", in deze handleiding, is het aantal onderdelen dat nodig is van de illustratie op de pagina. Voor sommige onderdelen staat er een "x" in de kolom "Aantal". Deze "x" betekent dat er een aantal "zoals nodig" vereist is.

Wanneer er in deze handleiding naar "links" en naar "rechts" gerefereerd wordt, moet dit verstaan worden voor een bestuurder die in de bestuurdersstoel zit in de voorwaartse bedrijfsstand.

Sommige van de illustraties en informatie in deze onderdelen-handleiding werden door firma's van machine-componenten geleverd aan Bobcat.

AFKORTINGEN EN SYMBOLEN

SALES	= Bestellen bij de Verkoopafdeling te Brussel
NSS	= Niet afzonderlijk te verkrijgen
NAP	= Niet beschikbaar als onderdeel
*	= Gewijzigde of toegevoegde paragrafen, pagina's of onderdeelnummers
BTI	= Bobcat Technical Information Bulletin : Zie einde van de microfiche van het desbetreffende model of einde van de algemene microfiche die het geheel van alle "BTI" herneemt.
was 6535403	= was vroeger 6535403
adj. (adjustment)	= afstelling
Assembly	= geheel
available W/Ref.	= beschikbaar met ref.
bulk/sold per foot	= bulk/aan de meter verkocht
does not include	= bevat niet
includes with	= is bevat in
I.D.	= ϕ inw. (inwendige diameter)
O.D.	= ϕ uitw. (uitwendige diameter)
not in kit	= niet in de kit
W/ - WO/	= met/ - zonder/
Qty	= vereiste aantal
see page/ref.	= zie pagina/ref.
used with ref/	= gebruikt met ref.
0,05 inch thickness	= 0.05 inch dik (een inch = 25.4 mm)
weld on	= te lassen

T300 ALPHABETICAL INDEX

T300 CONTENTS

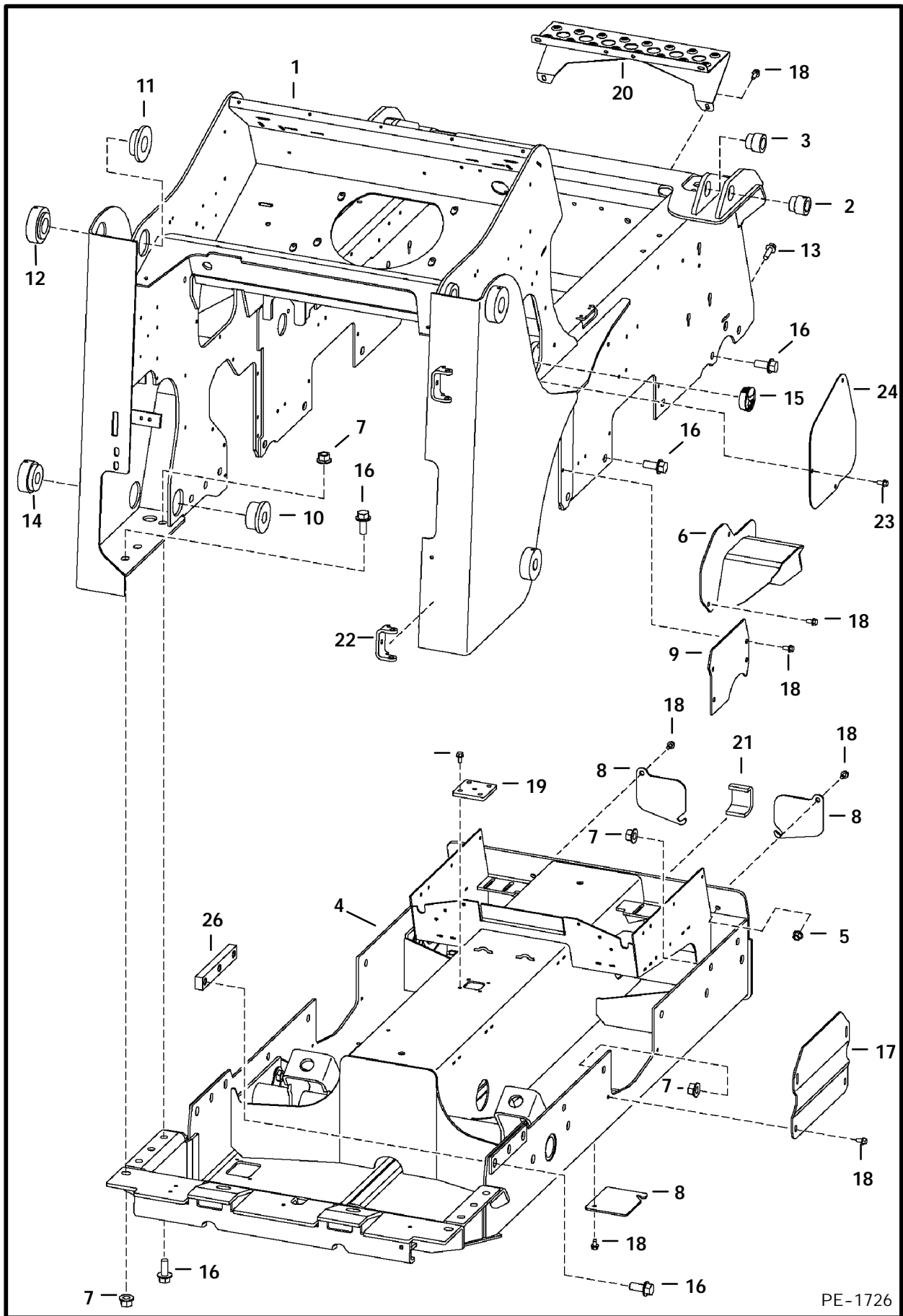
MAIN FRAME	11-34
MAIN FRAME	11
OPERATOR CAB	13, 15, 17
SEAT & SEAT BAR	19
SEAT	21
REAR DOOR	25
LIFT ARMS & BOBTACH	27
BOB-TACH	29
PANELS	31
FUEL SYSTEM	33
DRIVE TRAIN	35-44
DRIVE TRAIN	35
TRACK TENSIONER	37
FRONT IDLER	39
REAR IDLER	41
TRACK ROLLER	43
HYDRAULIC SYSTEM	45-70
HYDRAULIC CIRCUITRY	45
LIFT & TILT CONTROL CIRCUITRY	47
AUXILIARY HYDRAULICS	49
TILT CYLINDER	51
LIFT CYLINDER	53
MANUAL LIFT RELEASE VALVE	55
CONTROL PEDALS	57
HYDRAULIC CONTROL VALVE	59
BICS CONTROL VALVE	63
HYDRAULIC CONTROL VALVE	65
BUCKET POSITIONING VALVE	69
HIGH HORSEPOWER HYDRAULICS	71-74
HYDROSTATIC SYSTEM	75-102
HYDROSTATIC CIRCUITRY	75-80
HAND CONTROLS	81
HYDROSTATIC MOTOR & BRAKE	83
HYDROSTATIC PUMP	87-94
GEAR PUMP	95
HYDROSTATIC OIL FILTER	97, 99
BRAKE VALVE	101
ELECTRICAL SYSTEM	103-108
CAB ELECTRICAL CIRCUITRY	103
ALTERNATOR	105
STARTER	107
POWER UNIT	109-158
COOLING SYSTEM	109, 111
ENGINE & ATTACHING PARTS	113-120
THROTTLE	121
COOLING FAN DRIVE ASSY.	123
ENGINE & GASKET KITS	125-156
AIR CLEANER	157

T300 CONTENTS (Cont'd)

ACCESSORIES & OPTIONS

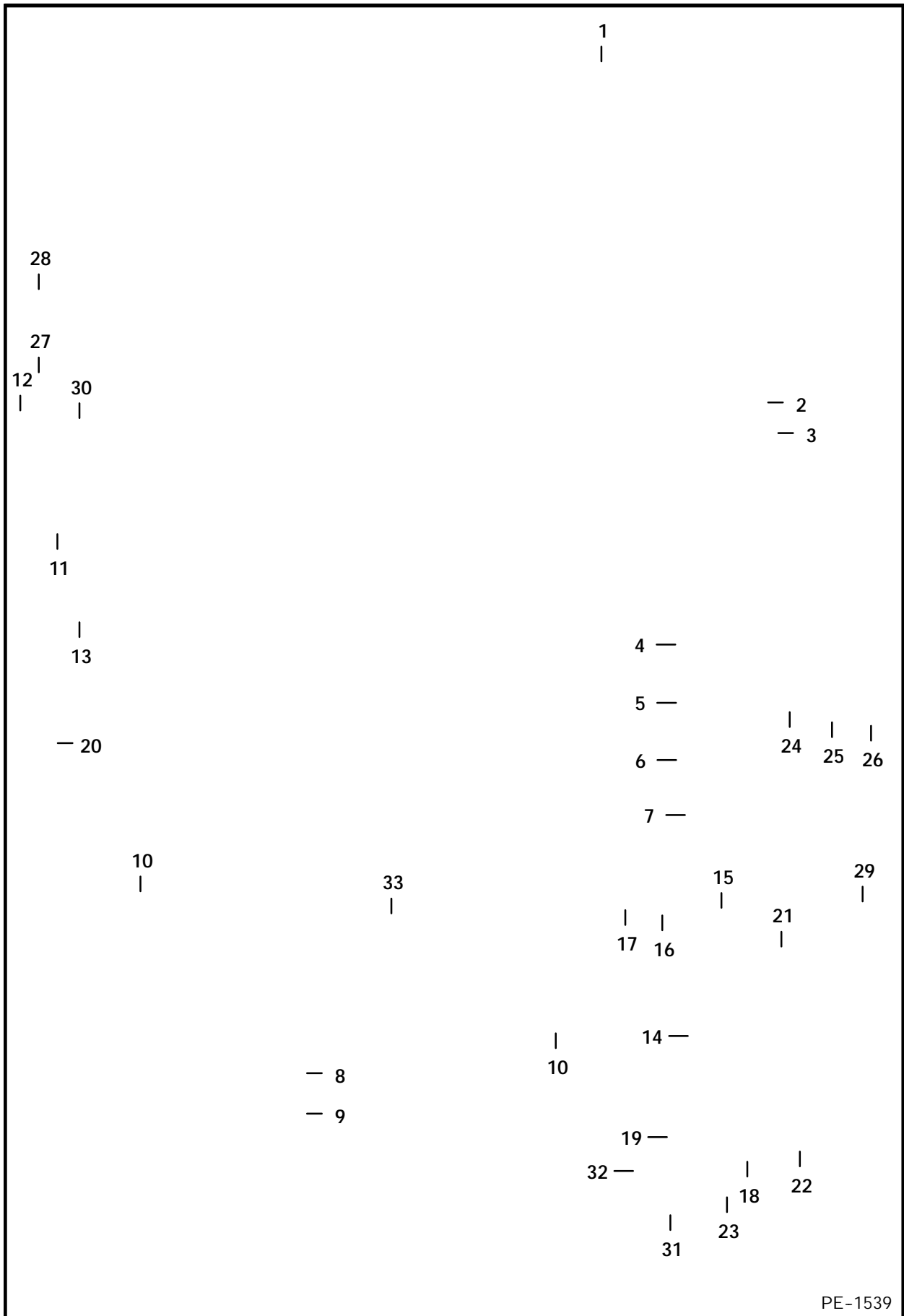
ACCESS COVER	161
ACS CONVERSION KIT	163
BACK-UP ALARM KIT	165
BEACON	167
BLOCK HEATER	169
BUCKET POSITIONING KIT	171
CAB DOOR	173-182
CAB ENCLOSURE	183, 185
CAB WINDOWS	187, 189
ELECTRICAL CONNECTOR KIT	191
ELECTRICAL CONTROLS KIT	193, 195
FIRE EXTINGUISHER	197
FLASHER LIGHTS	199
F.O.P.S. KIT	201
FRONT AUXILIARY	203
HEATER & A/C	205-222
HORN KIT	223
LIFT KIT	225
LIGHT KIT	227
POWER BOB-TACH KIT	229
POWER BOB-TACH CYLINDER	231
POWER BOB-TACH	233
REAR AUXILIARY HYDRAULICS	235
REAR AUXILIARY VALVE	237
REAR DOOR LOCK	239
REAR WIPER	241
SEAT BELT	243-248
STROBE LIGHT	249
BULK ITEMS	251
NUMERICAL INDEX	253

MAIN FRAME



PE-1726

OPERATOR CAB

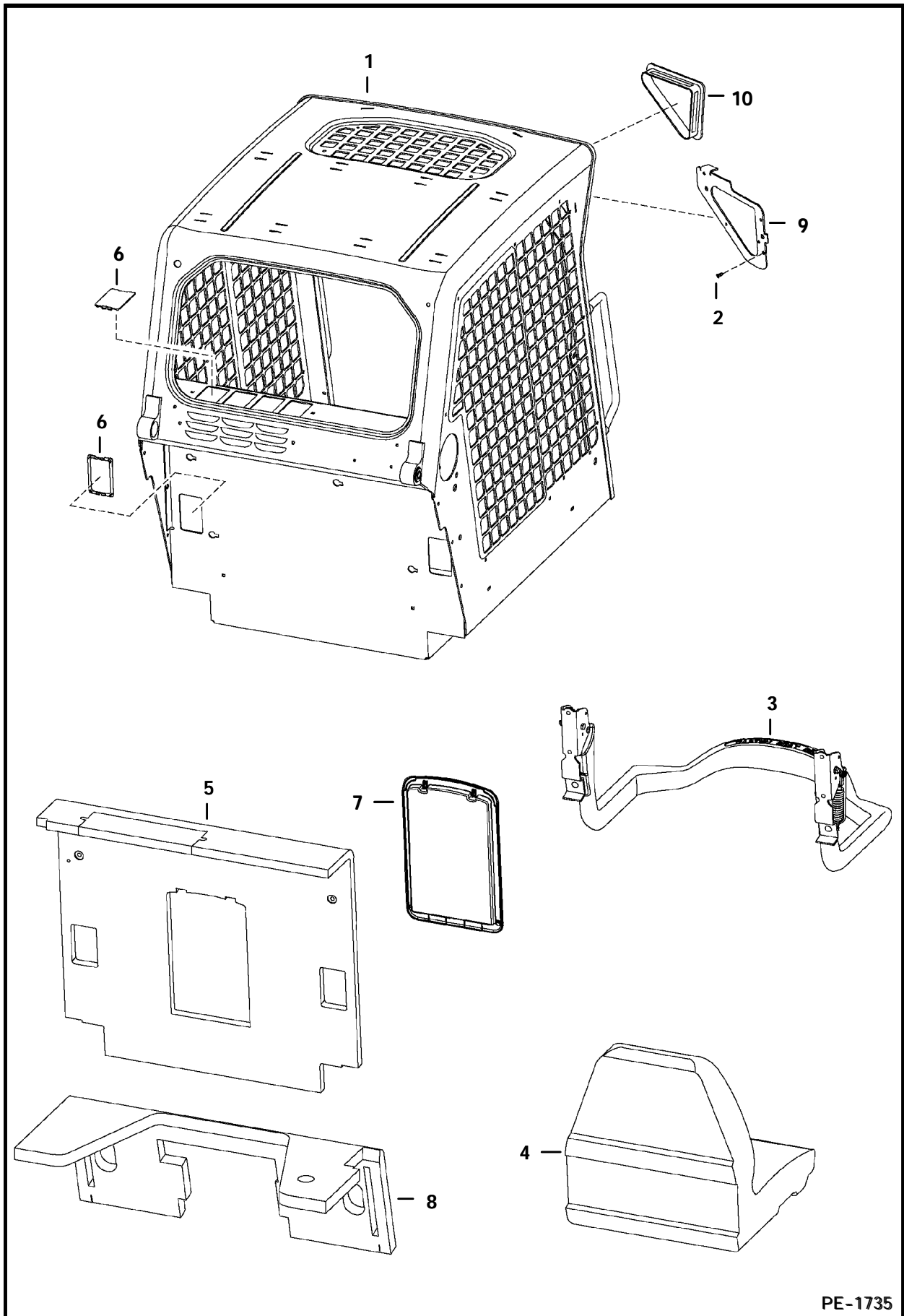


PE-1539

OPERATOR CAB (Cont'd)

Ref. No.	Part Number	Description	Remarks	Serial Number	Qty.
1	6719672	OPERATOR CAB	does not include cab decals		1
2	59D-8	NUT			2
3	6553709	WASHER	rectangular		2
4	6702971	BOLT			2
5	6560633	DAMPENER			2
6	6515817	WASHER			2
7	85D-8	NUT			2
8	619021	WASHER			4
9	59D-5	NUT			4
10	6729012	INSULATION	seat pan		2
11	17C-1056	BOLT			2
12	53D-10	NUT			2
13	53D-6	NUT			4
14	6675135	GAS SPRING	R.H.		1
15	6675140	SNAP RING			2
16	6719064	MOUNT			2
17	97D-8	NUT			2
18	6631418	PIN	ring		2
19	6567743	PIN			2
20	6675137	GAS SPRING	L.H.		1
	6675139	GAS SPRING	L.H. - for cab W/ enclosure		1
21	6708189	TUBE	stop - R.H.		1
22	6701174	WASHER			1
23	6675258	CLEVIS			1
24	95D-5	NUT			2
25	6718784	COVER			2
26	25G-512	BOLT			2
27	6675033	INSERT			x
28	6579613	STOP			2
29	NAP	GAS SPRING	R.H. - W/ latch - Order Ref. 14 & 21-23		1
30	6562602	BUSHING			2
31	6706349	MOUNT	gas spring		2
32	84G-3112	BOLT			4
33	6729013	INSULATION	seat pan		1

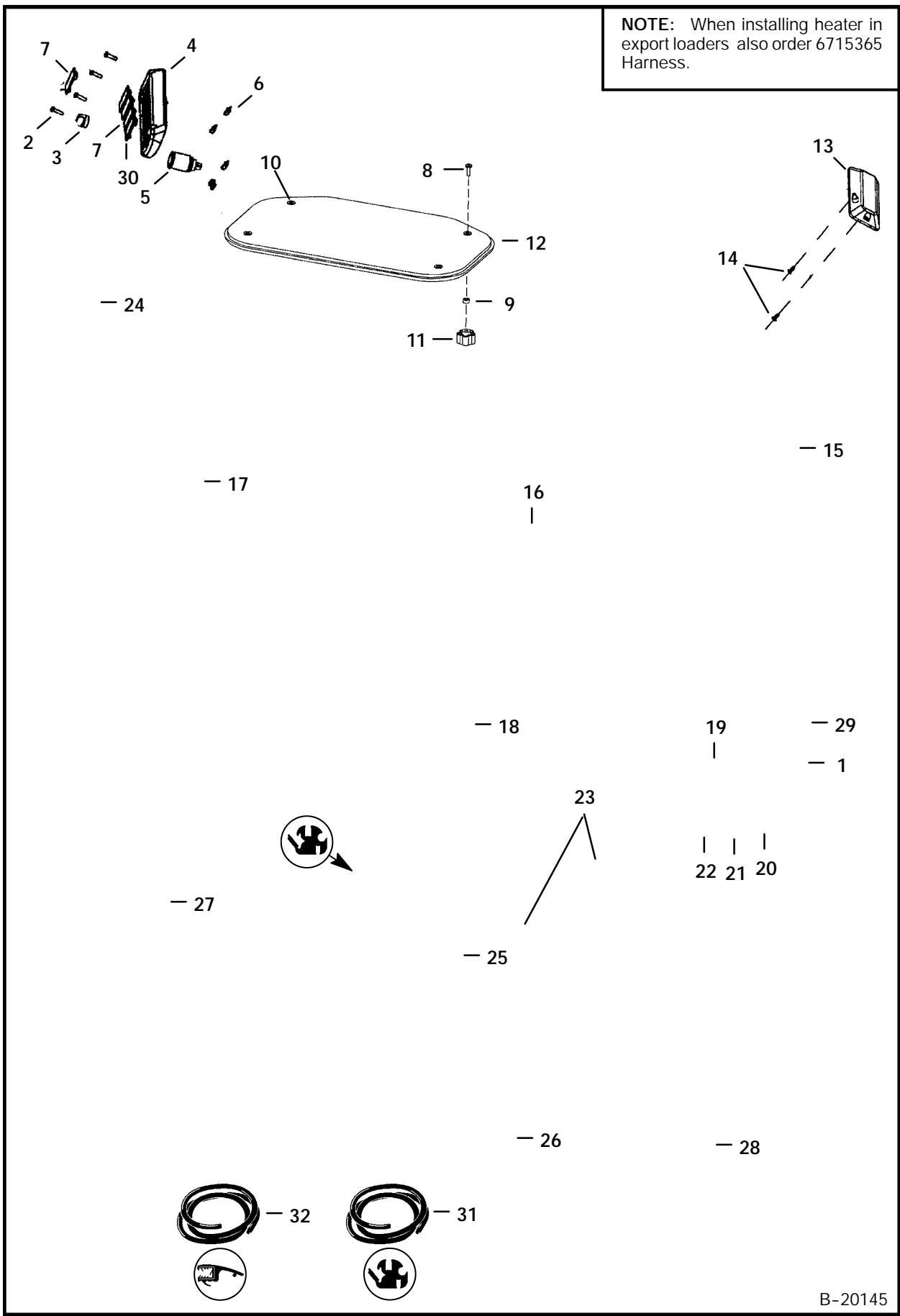
OPERATOR CAB



PE-1735

OPERATOR CAB

NOTE: When installing heater in export loaders also order 6715365 Harness.

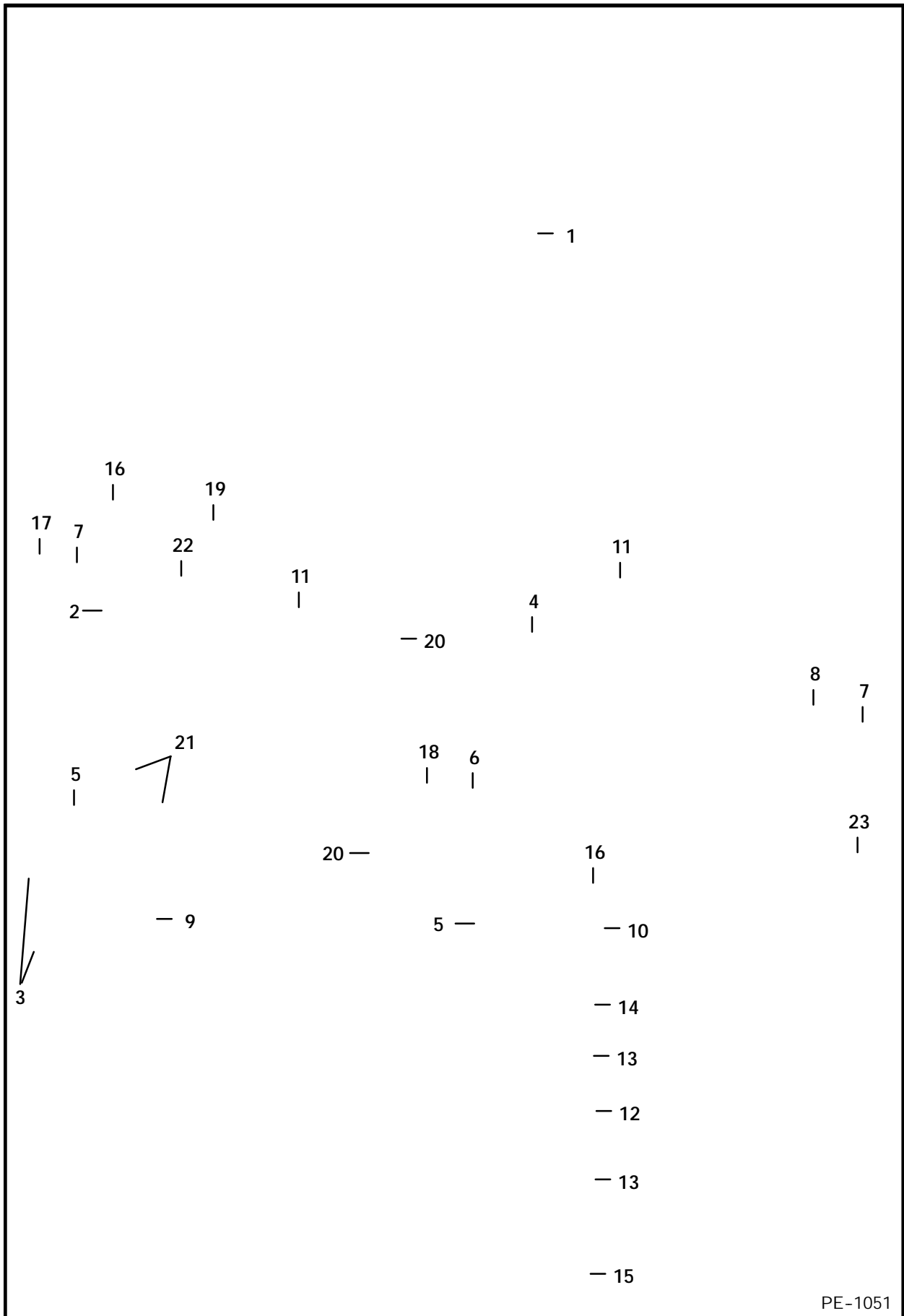


B-20145

OPERATOR CAB (Cont'd)

Ref. No.	Part Number	Description	Remarks	Serial Number	Qty.
1	6727299	INSULATION	cab back		1
2	6669224	BOLT			4
3	6664224	CAP			1
4	6718580	PANEL			1
5	6664223	OUTLET			1
6	6669091	CLIP			4
7	6719038	PLUG			5
8	91G-416	BOLT			4
9	6664085	BUSHING	nylon		4
10	6675545	GROMMET			4
11	6674741	KNOB			4
12	6728629	WINDOW	top - lexan - assy. - W/seal &		
13	6664368	LIGHT	grommets		1
	6665367	BULB	dome		1
14	6664221	RETAINER	snap in		2
15	6717520	INSULATION			1
16	6717515	INSULATION	headliner		1
17	6727190	HARNESS	accessories		1
	6715365	HARNESS	accessories - Export - SEE NOTE		1
18	6674895	RETAINER	snap in		4
19	6610510	TIE			6
20	5289686	PLUG	black		5
21	6649949	PLUG			2
22	6657719	PLUG			1
23	NAP	EXTRUSION	75.75" (1924mm) long - Order Ref. 31		x
	NAP	CORD	75.75" (1924mm) long - Order Ref. 31		x
24	6717519	INSULATION			1
25	6559515	EXIT TAG			1
26	6717874	WINDOW	rear		1
27	6717517	INSULATION			1
28	6717518	INSULATION			1
29	6672348	PANEL	R.H. - deluxe - keyless		1
30	6668742	SWITCH	travel control - Export		1
31	6675387	SEAL	bulk - Sold Per Foot		x
	6554149	CORD	bulk - Sold Per Foot		x

SEAT & SEAT BAR

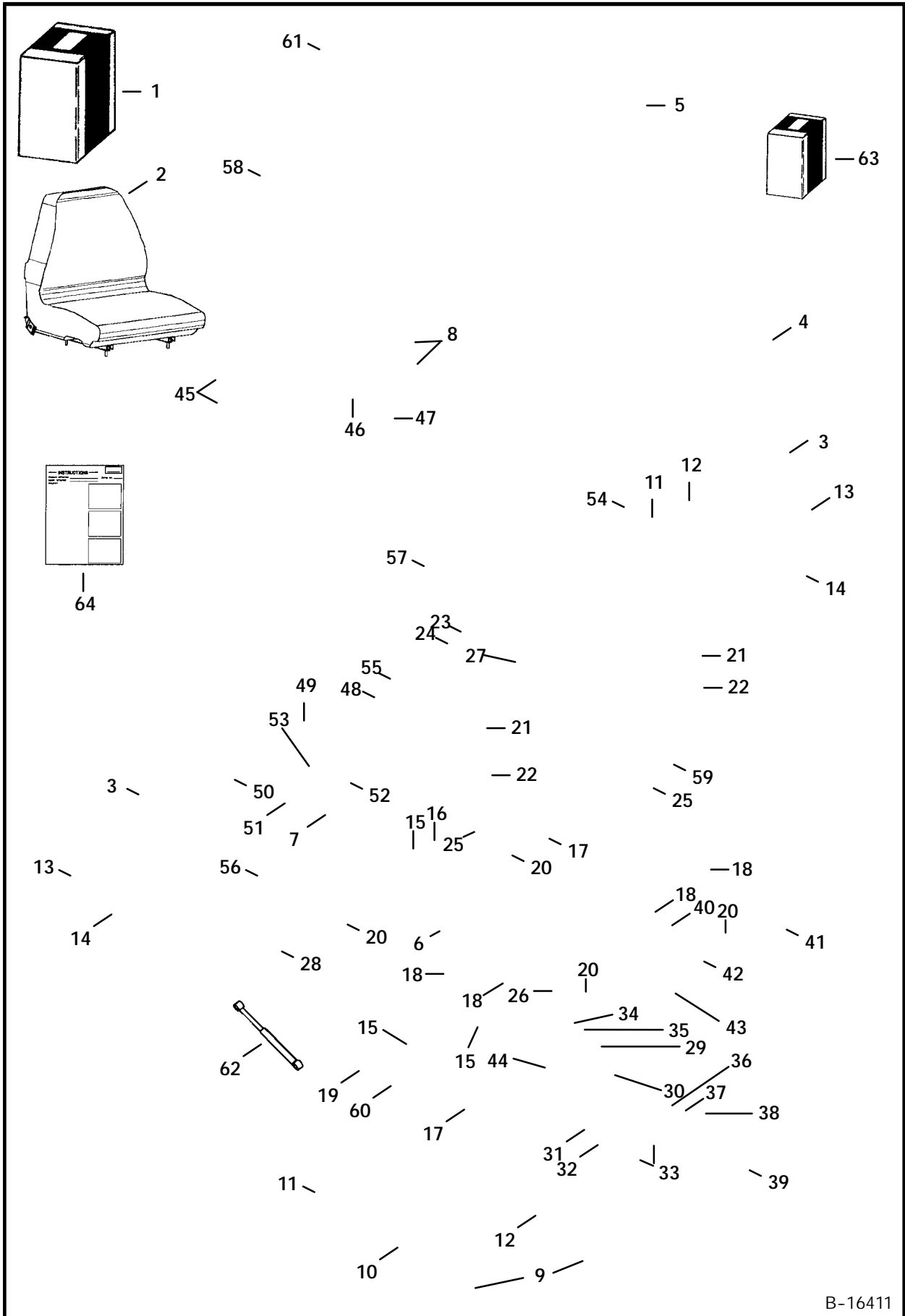


PE-1051

SEAT (Cont'd)
(Suspension - Sears)

Ref. No.	Part Number	Description	Remarks	Serial Number	Qty.
1	NAP	KIT	vinyl seat - Order Ref. 2, 3 & 64 - Was 6718868 [A]		1
	NAP	KIT	fabric seat - Order Ref. 2, 3 & 64 - Was 6718869 [A]		1
2	6675595	SEAT	vinyl - L.H. recliner lever		1
	6675596	SEAT	fabric - L.H. recliner lever		1
3	6675170	SEAT BELT	lap		1
4	6675320	SEAT	seat - fabric		1
	6675322	SEAT	seat - vinyl		1
5	6675319	SEAT	backrest - fabric - W/Ref. 58		1
	6675321	SEAT	backrest - vinyl - W/Ref. 58		1
6	6675317	SCISSORS			1
7	6675323	KNOB	recliner		1
8	NSS	NUT			6
9	619021	WASHER			4
10	NSS	SLIDE	slave		1
11	NSS	BOLT			4
12	NSS	SLIDE	locking		1
13	NSS	NUT			2
14	NSS	BELT	tether		2
15	NSS	WASHER	cross pivot		4
16	NSS	BOLT	pivot		2
17	NSS	RING	retaining		2
18	NSS	ROLLER			4
19	NSS	NUT			2
20	NSS	BUSHING	wt adjustment		4
21	NSS	RIVET			2
22	NSS	BLOCK	up stop		2
23	NSS	WASHER			3
24	NSS	STOP	armrest		1
25	NSS	PUSHNUT			2
26	NSS	BUMPER			1
27	NSS	NUT			1
28	NSS	SHAFT	bearing		1
29	NSS	RIVET	female snap		1
30	NSS	INDICATOR	weight		1
31	NSS	RIVET	male snap		1
32	NSS	DIAL	weight indicator		1
33	NSS	POP RIVET			2
34	NSS	SPACER			1
35	NSS	NUT			1
36	NSS	BEARING	thrust		1
37	NSS	RACE	thrust		2
38	NSS	SHEAR PIN			1
39	NSS	HANDLE	weight adjustment		1
40	NSS	PLATE	wear		1
41	NSS	SHAFT	torsion		1
42	NSS	DRIVE GEAR			1
43	NSS	BUSHING	torsion		1
44	NSS	RACK	wt adjustment		1
45	NSS	BOLT			2

SEAT (Cont'd) (Suspension - Sears)

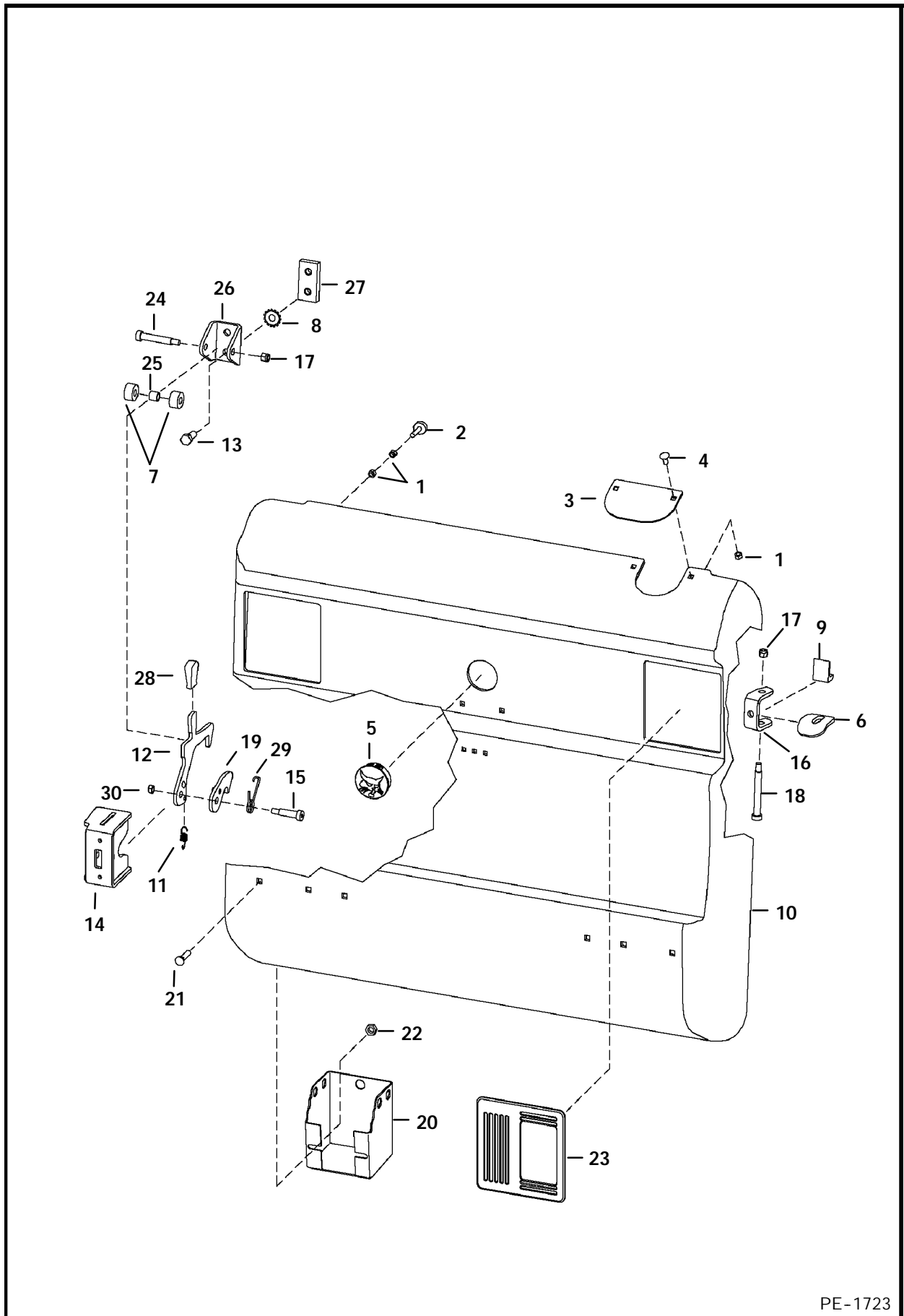


B-16411

SEAT (Cont'd)
(Suspension - Sears)

Ref. No.	Part Number	Description	Remarks	Serial Number	Qty.
46	NSS	SPACER	recliner		1
47	NSS	BRACKET	back tilt		1
48	NSS	NUT			2
49	NSS	WASHER	plastic		2
50	NSS	BOSS	back pan pivot		2
51	NSS	HANDLE	recliner (RH)		1
52	NSS	LATCH	recliner		1
53	NSS	SPRING	extension		1
54	NSS	SPRING	tilt latch		1
55	NSS	CLIP			6
56	NSS	WIRE	boot support		1
57	NSS	SUSPENSION	boot		1
58	NSS	SCREW			2
59	NSS	HOUSING	upper		1
60	NSS	HOUSING	lower		1
61	NSS	BACK PAN			1
62	6676338	GAS SPRING			1
63	6675309	KIT	slides - W/Ref. 8-12		1
	6675310	KIT	tether belt - W/Ref. 9, 13 & 14		1
	6675311	KIT	suspension rollers & bearings - W/Ref. 15-20		1
	6675312	KIT	suspension bumpers & stops - W/Ref. 21-27		1
	6675313	KIT	rear tube - W/Ref. 17, 20 & 28		1
	6675314	KIT	weight adj. indicator - W/Ref. 29-33		1
	6675315	KIT	weight adj. handle - W/Ref. 34-39		1
	6675316	KIT	weight adj. - W/Ref. 17, 20 & 40-44		1
	6675318	KIT	R.H. recliner - W/Ref. 7,8 & 45-54		1
	6676034	KIT	L.H. recliner - W/Ref. 7,8 & 45-54		1
	6675308	KIT	susp. boot - W/Ref. 55-57		1
64	6900861	INSTRUCTIONS			1

REAR DOOR



PE-1723

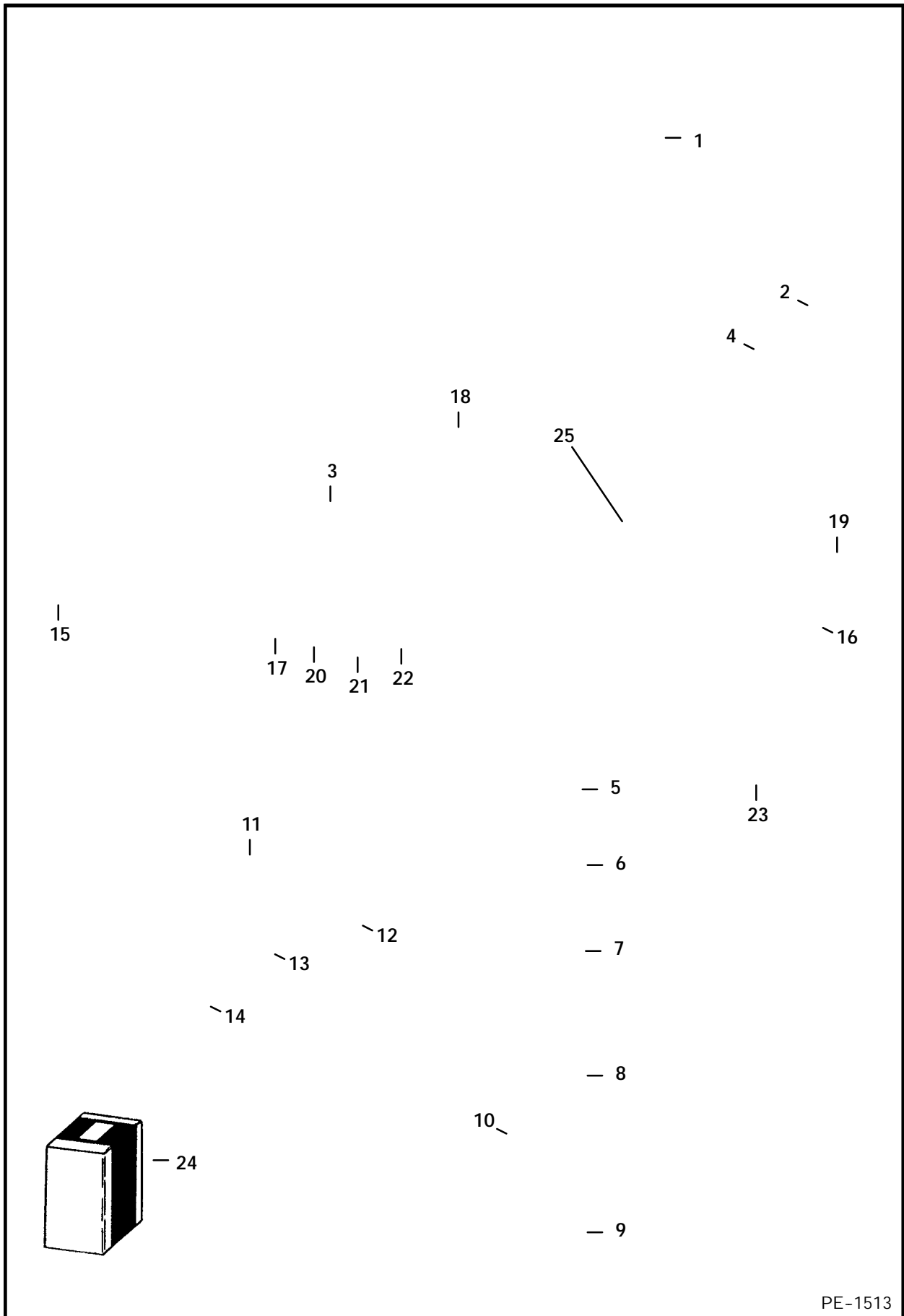
REAR DOOR (Cont'd)

Ref. No.	Part Number	Description	Remarks	Serial Number	Qty.
1	61D-5	NUT			2
2	6733616	BUMPER			2
3	6714509	COVER	exhaust		1
4	37C-512	BOLT			2
5	6718796	PLUG	back-up alarm		1
6	6714126	DOOR STOP			1
7	6809726	ROLLER			2
8	6675273	WASHER	lock		2
9	6719766	STOP			1
10	6729991	REAR DOOR	W/Ref. 11, 12, 14-16, 19, 29 & 30		1
11	6810141	SPRING			1
12	6732715	LATCH			1
13	17C-820	BOLT			2
14	6729939	LATCH PLATE	weld-on		1
15	38C-824	BOLT			1
16	6711526	HINGE	weld-on		2
17	59D-6	NUT			3
18	38C-856	BOLT			2
19	6811910	LATCH			1
20	6715318	TOOL HOLDER	Europe		1
21	37C-612	BOLT			2
22	55D-6	NUT			2
23	6670287	COVER			2
24	38C-840	BOLT	carriage		1
25	6809734	BUSHING	striker		1
26	6809727	STRIKER			1
27	6719525	BAR	threaded striker		1
28	6564452	GRIP			1
29	6810132	SPRING			1
30	85D-6	NUT			1

LIFT ARMS & BOBTACH (Cont'd)

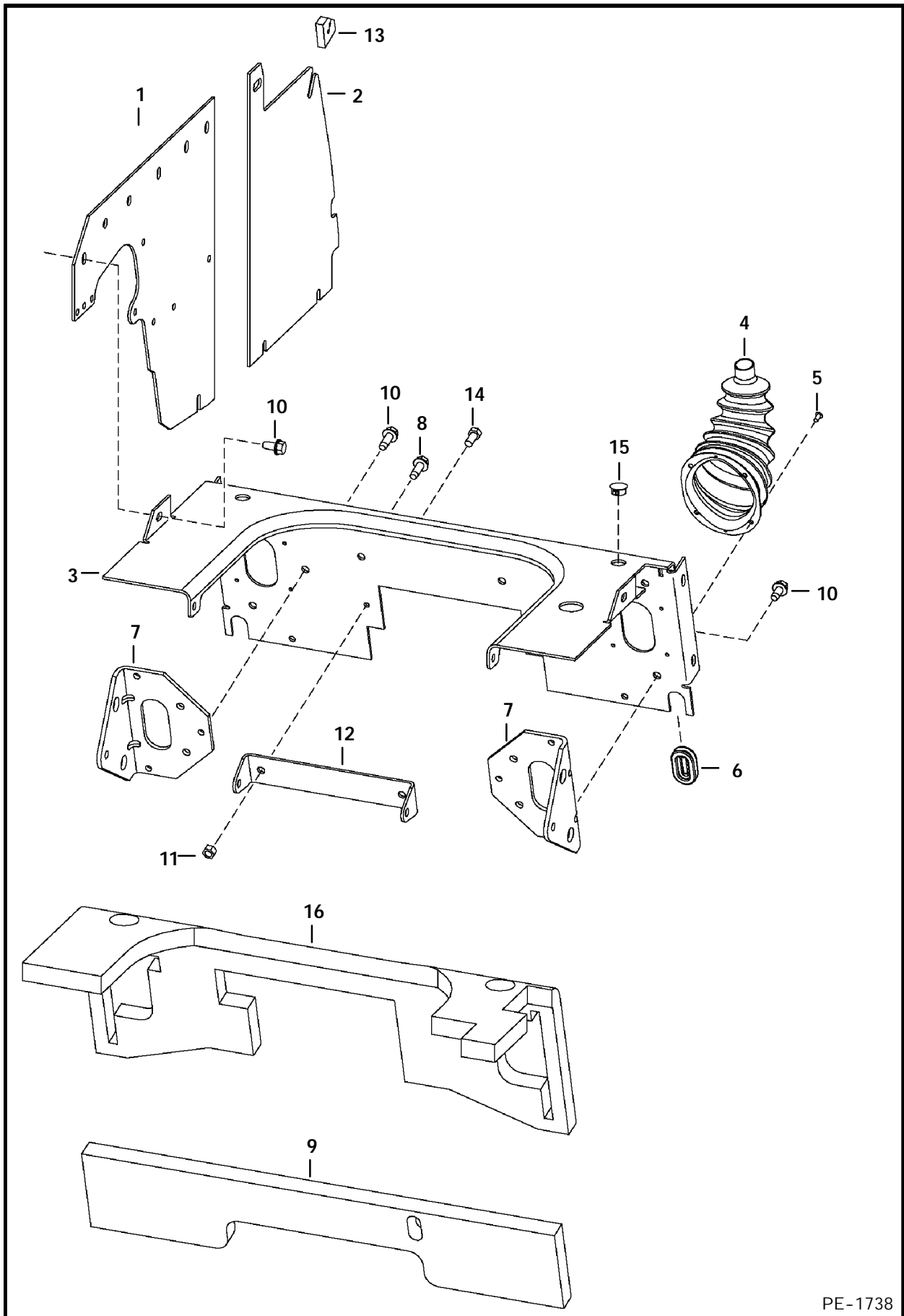
Ref. No.	Part Number	Description	Remarks	Serial Number	Qty.
1	6726966	FRAME LINK	H-Frame		1
2	10H-25	GREASE ZERK			10
3	6728800	BUSHING			4
4	6728820	PIN			2
5	17C-656	BOLT			2
6	85D-6	NUT			14
7	6728819	PIN			2
8	17C-644	BOLT			2
9	17C-10136	BOLT			4
10	6729423	BUSHING	weld-on		2
11	6731647	BUSHING	wear		2
12	6729005	BUSHING	weld-on		2
13	6729006	BUSHING	weld-on		2
14	6726965	LIFT ARM			1
15	6731179	COVER			1
16	6577954	PIN			4
17	6729888	STEP			1
18	6730995	BUSHING	wear		8
19	6731647	BUSHING	wear		x
20	6729468	LINK ASSY	L.H. - W/Ref. 19		1
21	6726969	LINK ASSY	R.H. - W/Ref. 19 & 48-28		1
22	17C-640	BOLT			2
23	6729007	PIN			2
24		CYLINDER	lift - See Page 57		2
25	17C-664	BOLT			2
26	6728971	PIN			2
27		CYLINDER	tilt - See Page 55		1
28	6532347	SPACER			2
29		BOB-TACH	See Page 29		1
30	6730887	PIN			2
31	17C-648	BOLT			2
32	17C-10112	BOLT			2
33	6729358	PIN			2
34	6731139	PIN			2
35	84G-3112	BOLT			6
36	6731160	WASHER			2
37	6731569	STOP	lift arm		1
38	6679130	KNOB			2
39	27E-10	WASHER			4
40	11H-15	GREASE ZERK	45 degree		2
41	6731138	BUSHING			4
42	6728972	BUSHING	weld-on		2
43	17C-672	BOLT			4
44	6727525	BUSHING	weld-on		2
45	6727832	BUSHING	weld-on		2
46	12H-25	GREASE ZERK	90 degree		4
47	57D-10	NUT			4
48	25E-15	WASHER			2
49	6731646	BOLT	stainless steel		2
50	6718942	NUT			2

BOB-TACH



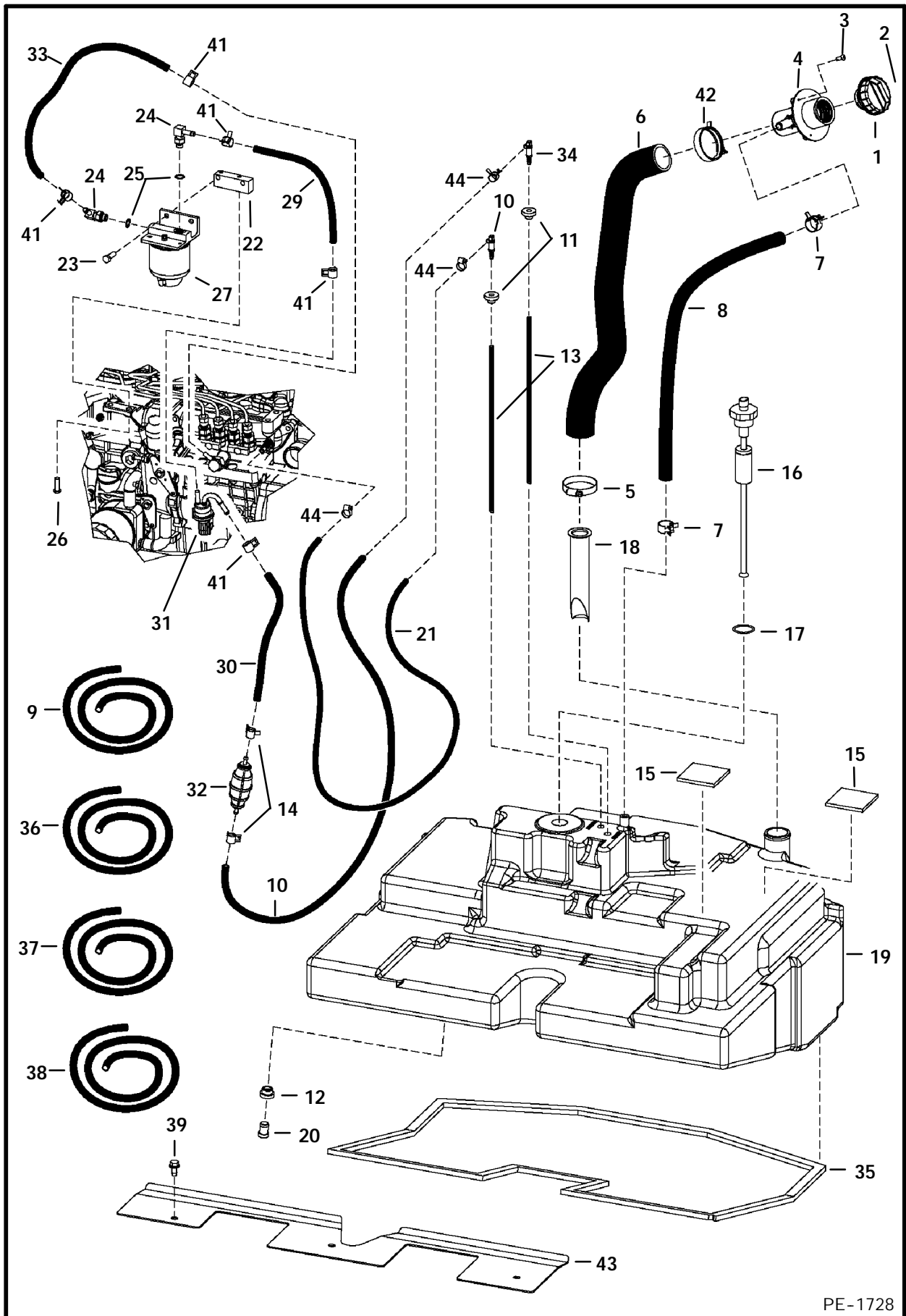
PE-1513

PANELS



PE-1738

FUEL SYSTEM

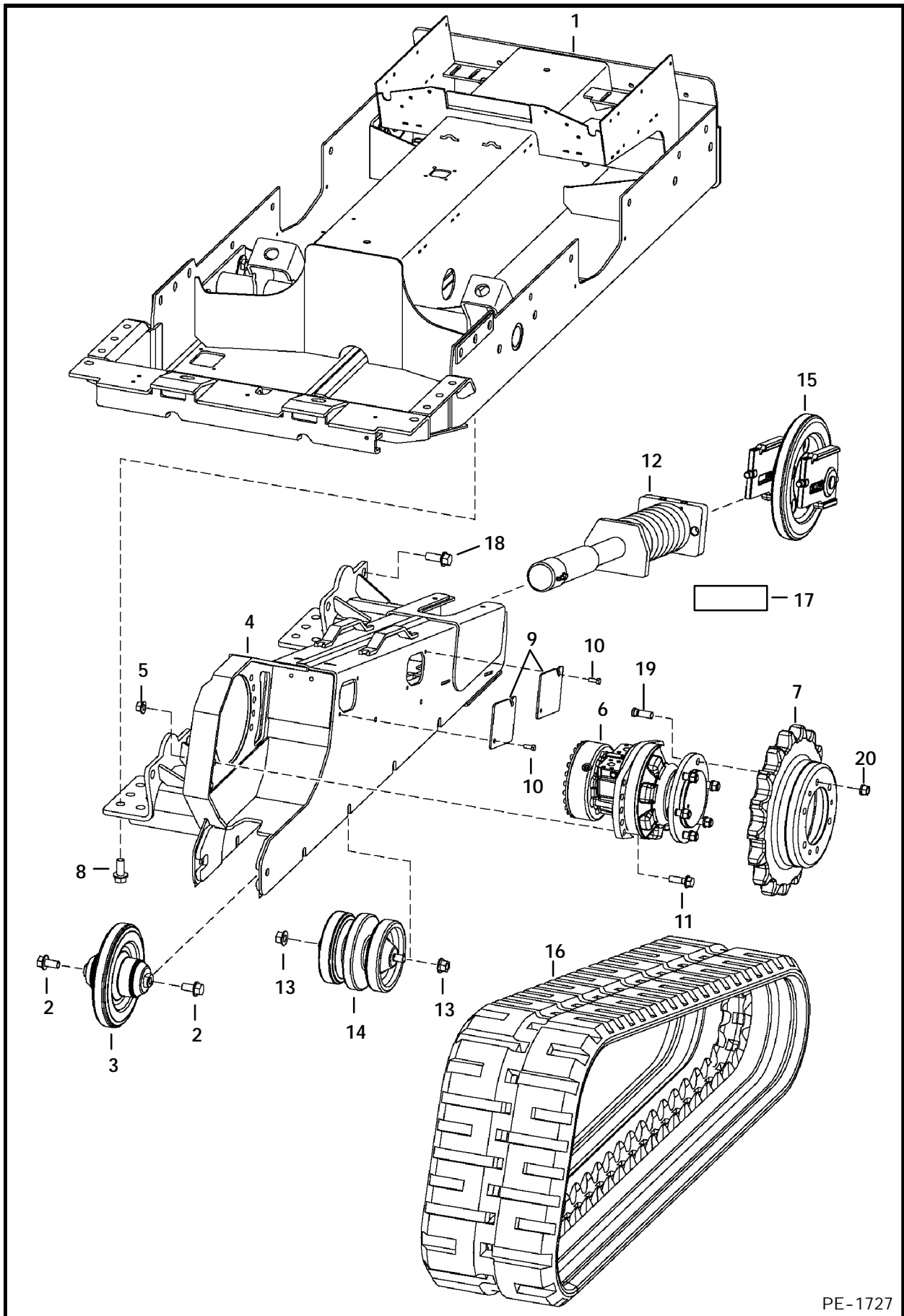


PE-1728

FUEL SYSTEM (Cont'd)

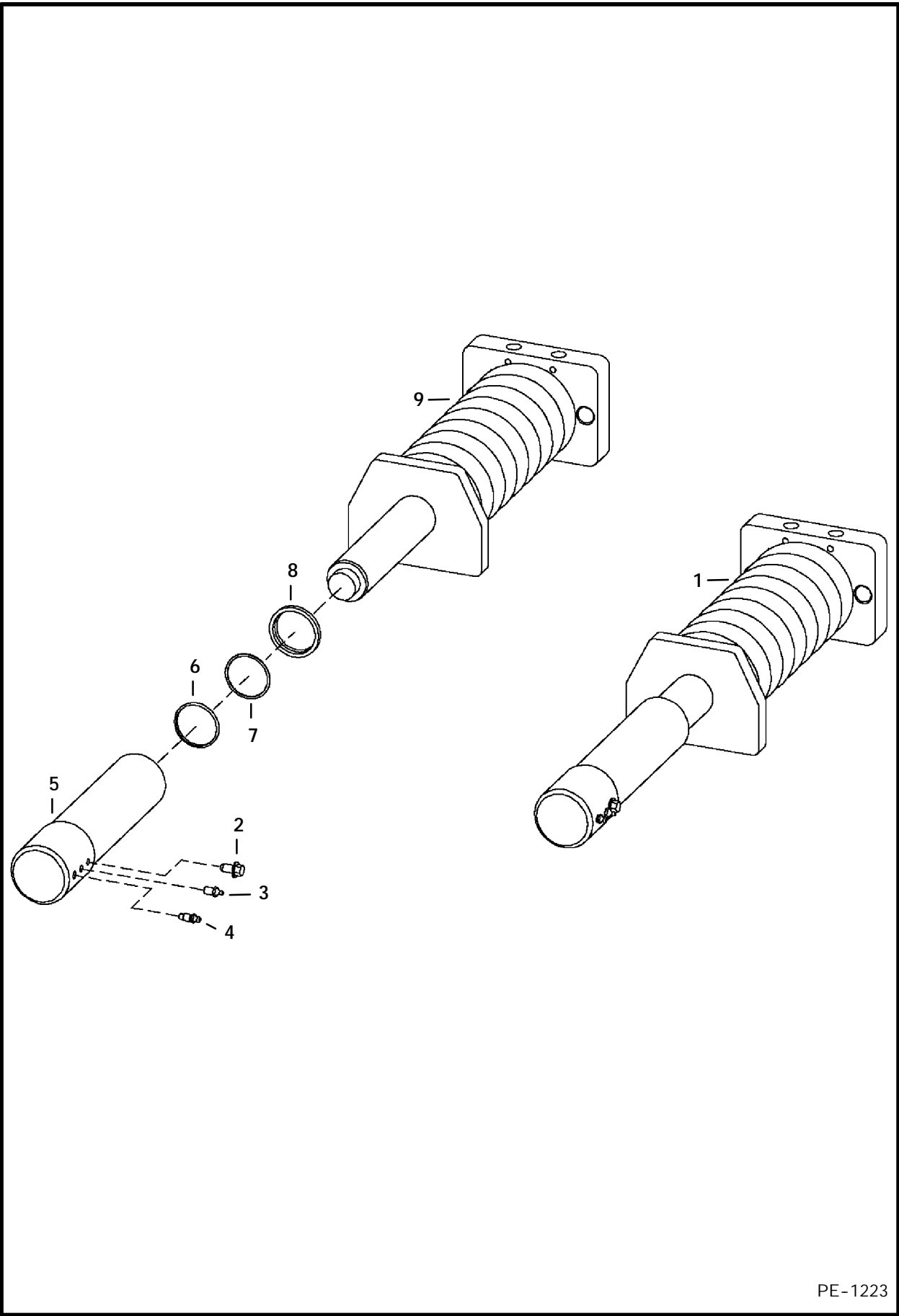
Ref. No.	Part Number	Description	Remarks	Serial Number	Qty.
1	6661114	CAP	green fuel fill		1
	6661696	CAP	locking - W/Ref. 2 - Code PK510		1
2	6587458	KEY	Code PK510		1
3	6706517	SCREW			3
4	6701449	FILLER TUBE			1
5	42HL-250	CLAMP			2
6	6730532	HOSE			1
7	5HM-24	CLAMP			2
8	NAP	HOSE	32" (813mm) long - Order Ref. 36		1
9	6578169	HOSE	Bulk - sold per foot		x
10	NAP	HOSE	29.5" (749mm) long - Order Ref. 38		1
11	6553411	BUSHING	.37" (9,4mm) ID		2
12	6717402	BUSHING	.54" (13,7mm) ID		1
13	6734150	HOSE	13.75" (350mm) long		2
14	5HM-13	CLAMP			3
15	6578278	PAD	self adhesive one side		2
16	6673119	SENSOR	fuel - W/Ref. 17		1
17	6717579	GASKET			1
18	6569219	SCREEN			1
19	6730535	TANK			1
20	6717401	PLUG	.75" shoulder		1
21	NAP	HOSE	53" (1346mm) long - Order Ref. 9		1
22	6731152	MOUNT			1
23	43C-516	BOLT			2
24	6715183	ELBOW	W/Ref. 25 - tapered boss face		2
25	99K-5	O-RING	for tapered boss face		2
26	53C-516	BOLT			2
27	6667353	FILTER ASSY			1
	6667352	ELEMENT			1
	72F-1	DRAIN COCK			1
28	6658180	BREATHER	plug		1
29	NAP	HOSE	11.25" (286mm) long - Order Ref. 37		1
30	NAP	HOSE	9" (229mm) long - Order Ref. 38		1
31		FUEL PUMP	See Page 69		1
32	6657734	PUMP	hand primer		1
33	NAP	HOSE	14.5" (368mm) long - Order Ref. 37		1
34	6681462	ELBOW			2
35	6726218	GASKET			1
36	6578172	HOSE	bulk - Sold Per Foot		x
37	6577822	HOSE	.375 I.D. - bulk - Sold Per Foot		x
38	6577821	HOSE	.25" I.D. - bulk - Sold Per Foot		x
39	84G-3712	BOLT			3
40	6610510	TIE			1
41	5HM-14	CLAMP			5
42	5HM-58	CLAMP			1
43	6730552	BRACKET			1
44	42HS-04	CLAMP			2

DRIVE TRAIN



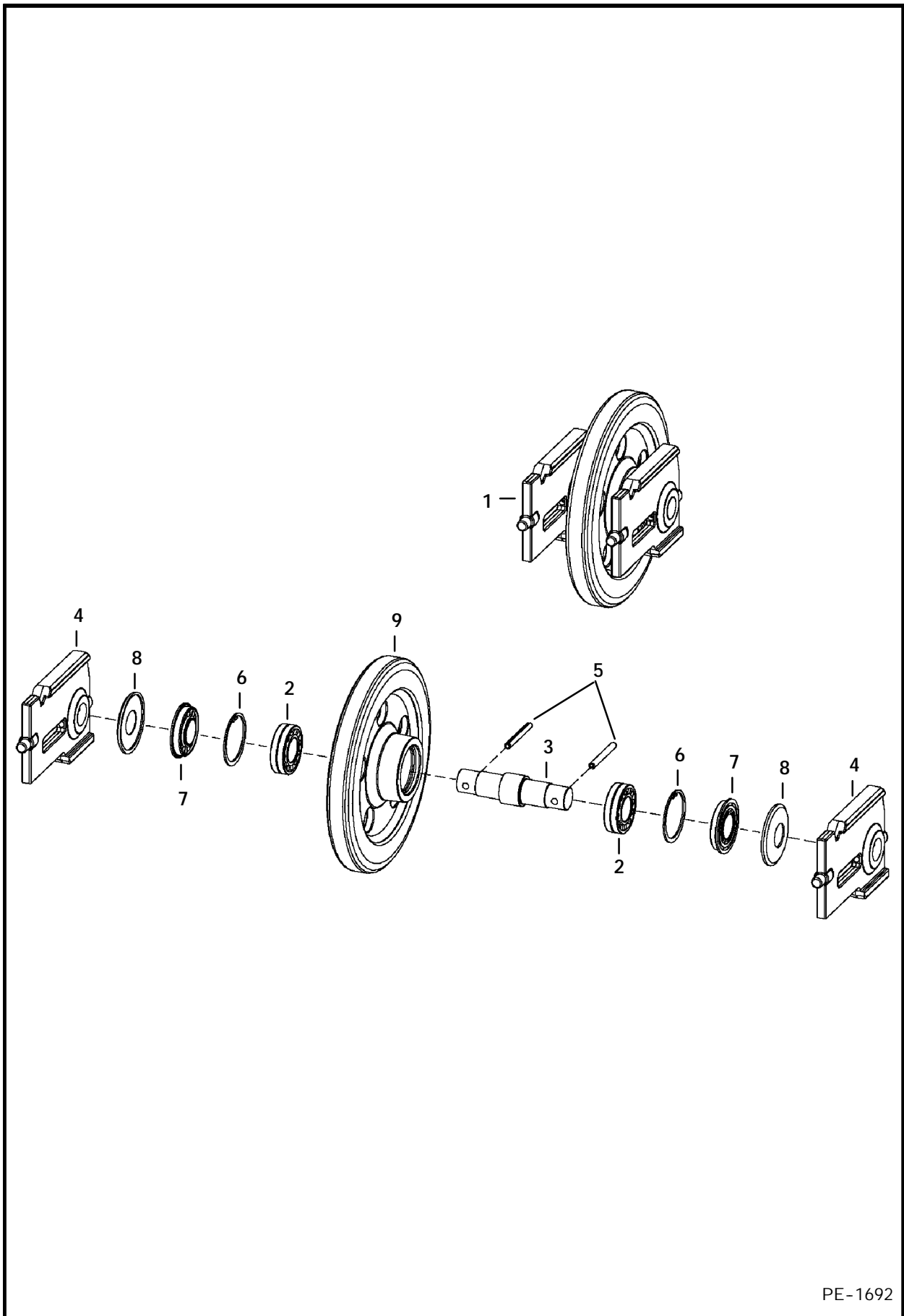
PE-1727

TRACK TENSIONER



PE-1223

FRONT IDLER

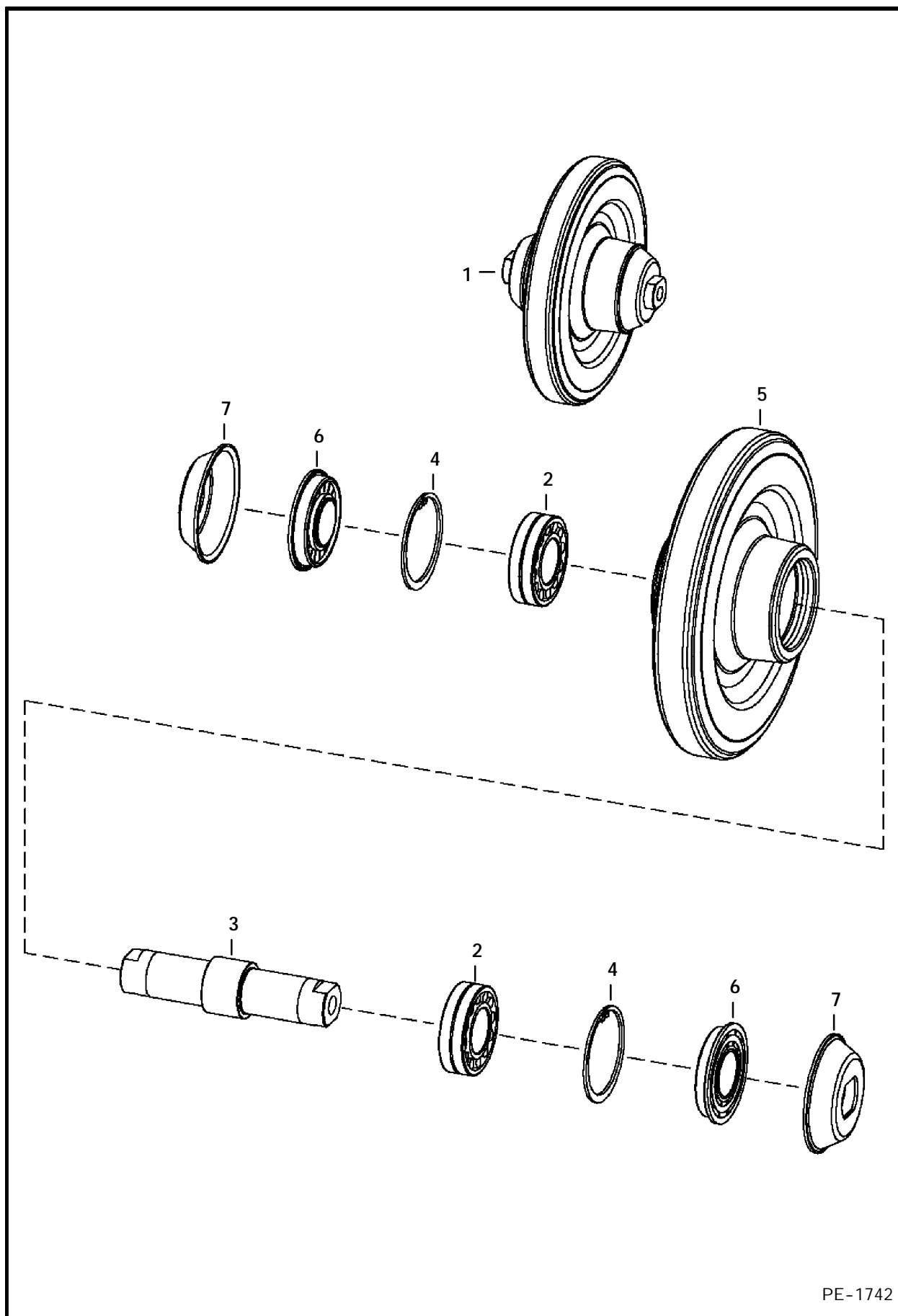


PE-1692

FRONT IDLER (Cont'd)

Ref. No.	Part Number	Description	Remarks	Serial Number	Qty.
1	6732902	IDLER ASSY	front - Ref. 2-9		1
2	6679884	BEARING			2
3	6732875	AXLE	shaft		1
4	6730967	BRACKET	use W/Ref. 8		2
5	2JM-1090	ROLL PIN			2
6	7JM-80	SNAP RING			2
7	6679882	SEAL			2
8	6730227	COVER	seal		2
9	6732905	IDLER			1

REAR IDLER

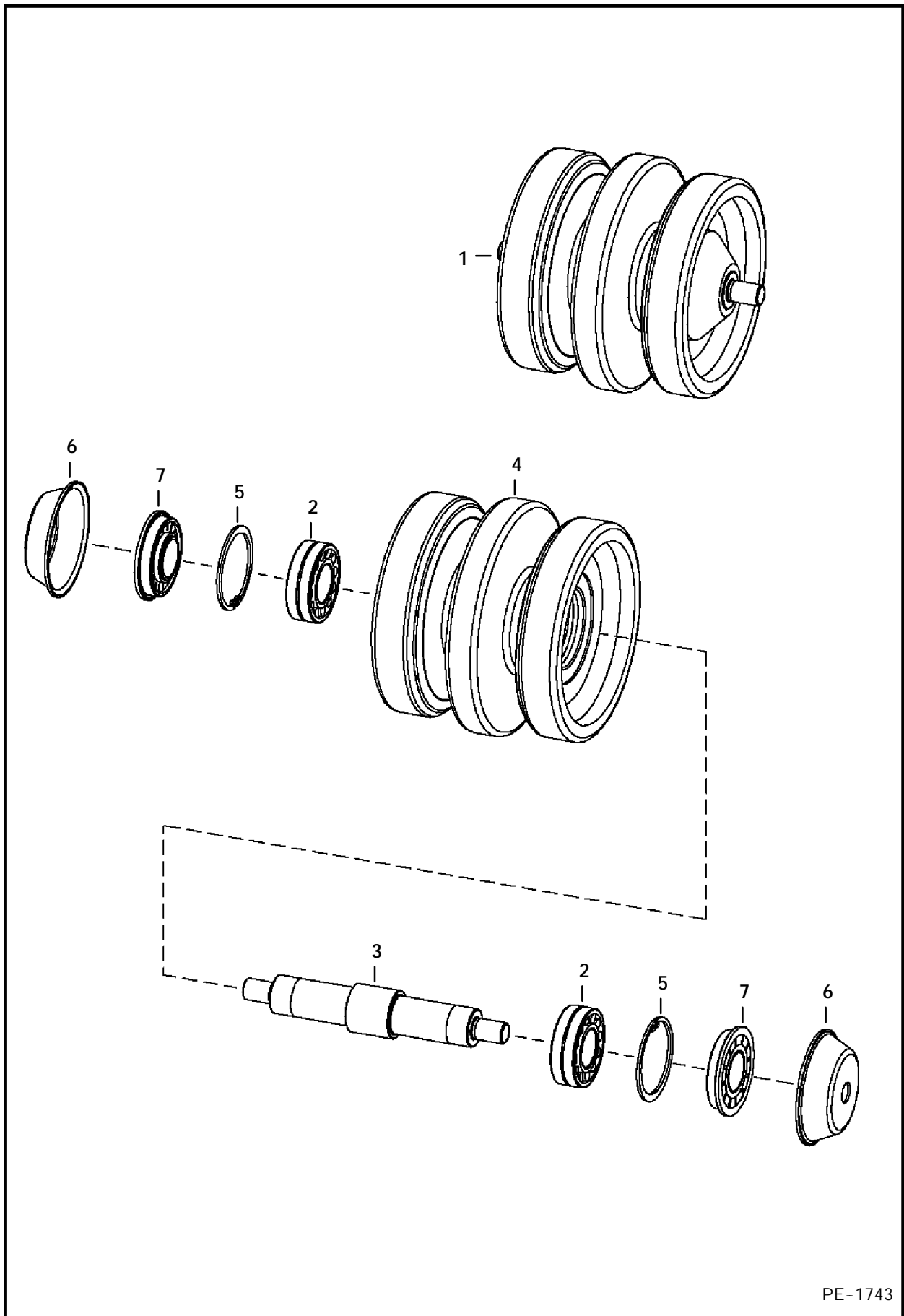


PE-1742

REAR IDLER (Cont'd)

Ref. No.	Part Number	Description	Remarks	Serial Number	Qty.
1	6732903	IDLER ASSY	rear - W/Ref. 2-6		1
2	6679884	BEARING			2
3	6732876	AXLE	shaft		1
4	7JM-80	SNAP RING			2
5	6732906	IDLER			1
6	6679882	SEAL			2
7	6730228	COVER	seal		2

TRACK ROLLER

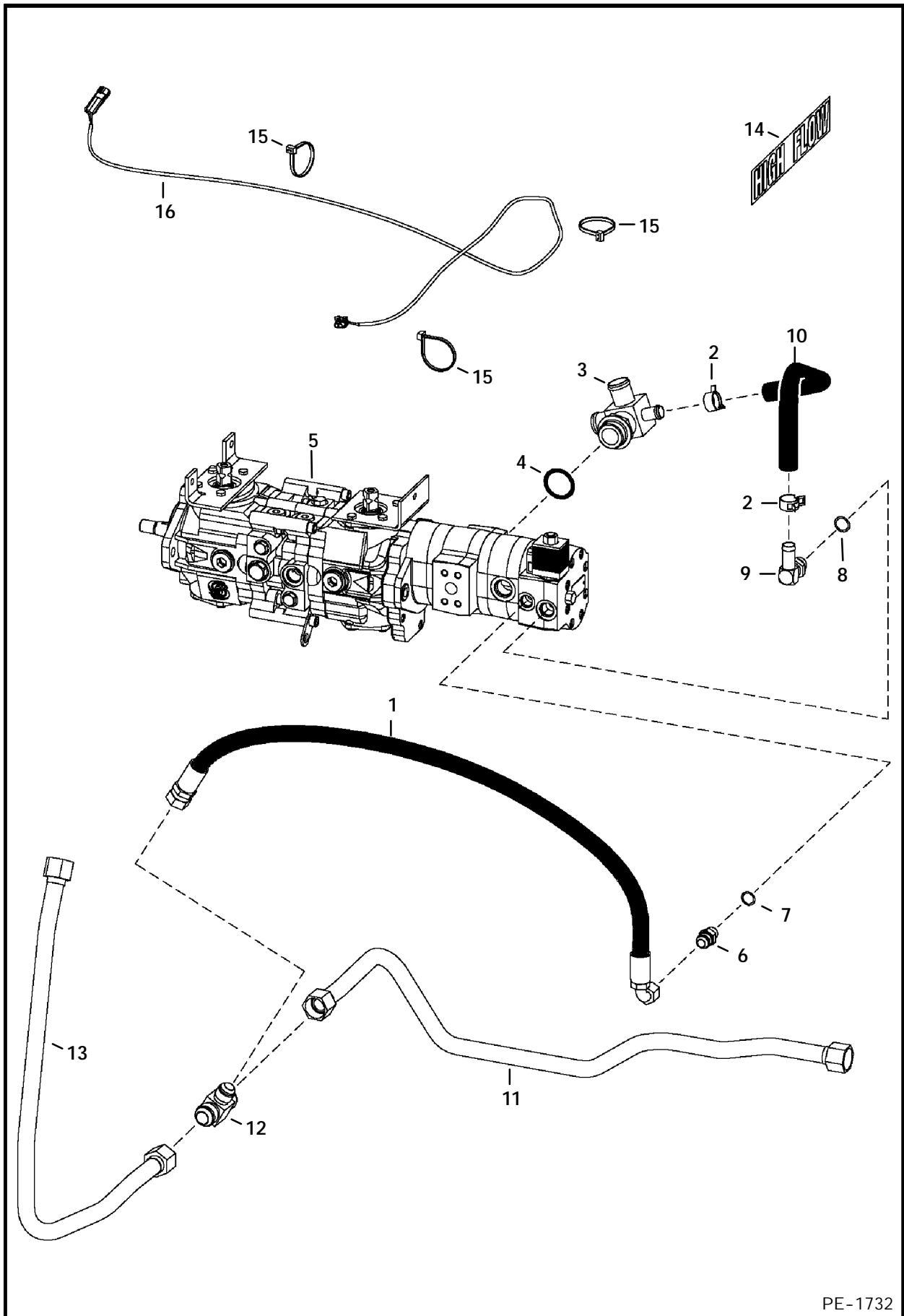


PE-1743

TRACK ROLLER (Cont'd)

Ref. No.	Part Number	Description	Remarks	Serial Number	Qty.
1	6732901	ROLLER ASSY	track - W/Ref. 2-7		1
2	6679883	BEARING			2
3	6732874	AXLE	shaft		1
4	6732904	ROLLER			1
5	7JM-72	SNAP RING			2
6	6730229	COVER	seal		2
7	6679881	SEAL			2

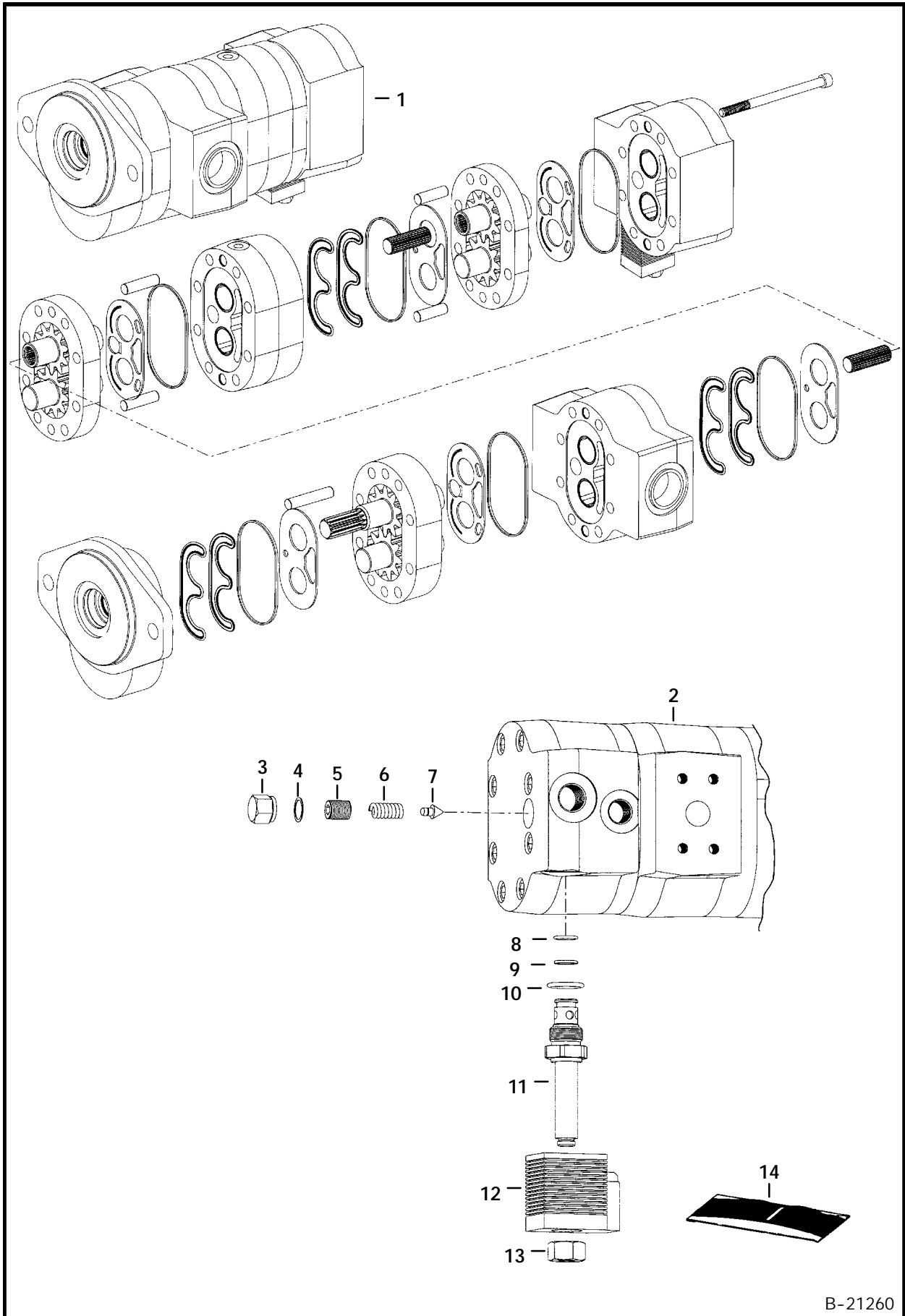
HIGH HORSEPOWER HYDRAULICS



HIGH HORSEPOWER HYDRAULICS (Cont'd)

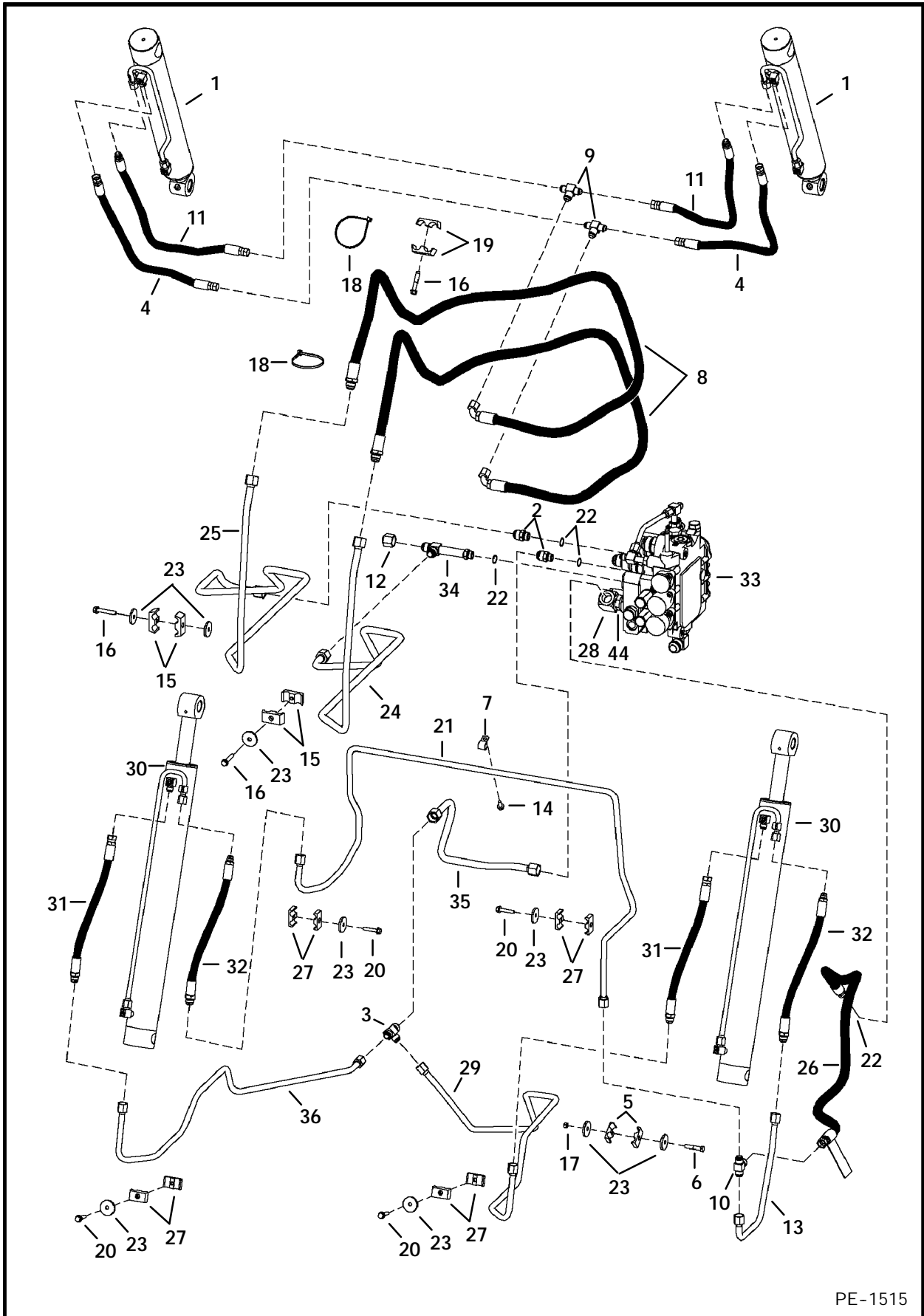
Ref. No.	Part Number	Description	Remarks	Serial Number	Qty.
1	6733012	HOSE			1
2	5HM-24	CLAMP			2
3	6733163	TEE	W/Ref. 4		1
4	99K-16	O-RING			x
5		PUMP	See Page 87		1
6	6679943	CHECK VALVE	W/Ref. 7		1
7	79K-8	O-RING			x
8	79K-10	O-RING			x
9	6717885	ELBOW	W/Ref. 8		1
10	6733164	HOSE			1
11	6733308	TUBELINE			1
12	6730143	TEE	bulkhead - W/Ref. 13		1
	97K-12	O-RING	flared end		x
	97K-16	O-RING	flared end		x
13	6733309	TUBELINE			1
14	6727913	DECAL	high flow		2
15	6624289	TIE			5
16	6733137	HARNESS			1

HIGH HORSEPOWER HYDRAULICS (Double Gear Pump)



B-21260

HYDRAULIC CIRCUITRY (W/O Bucket Positioning Valve)

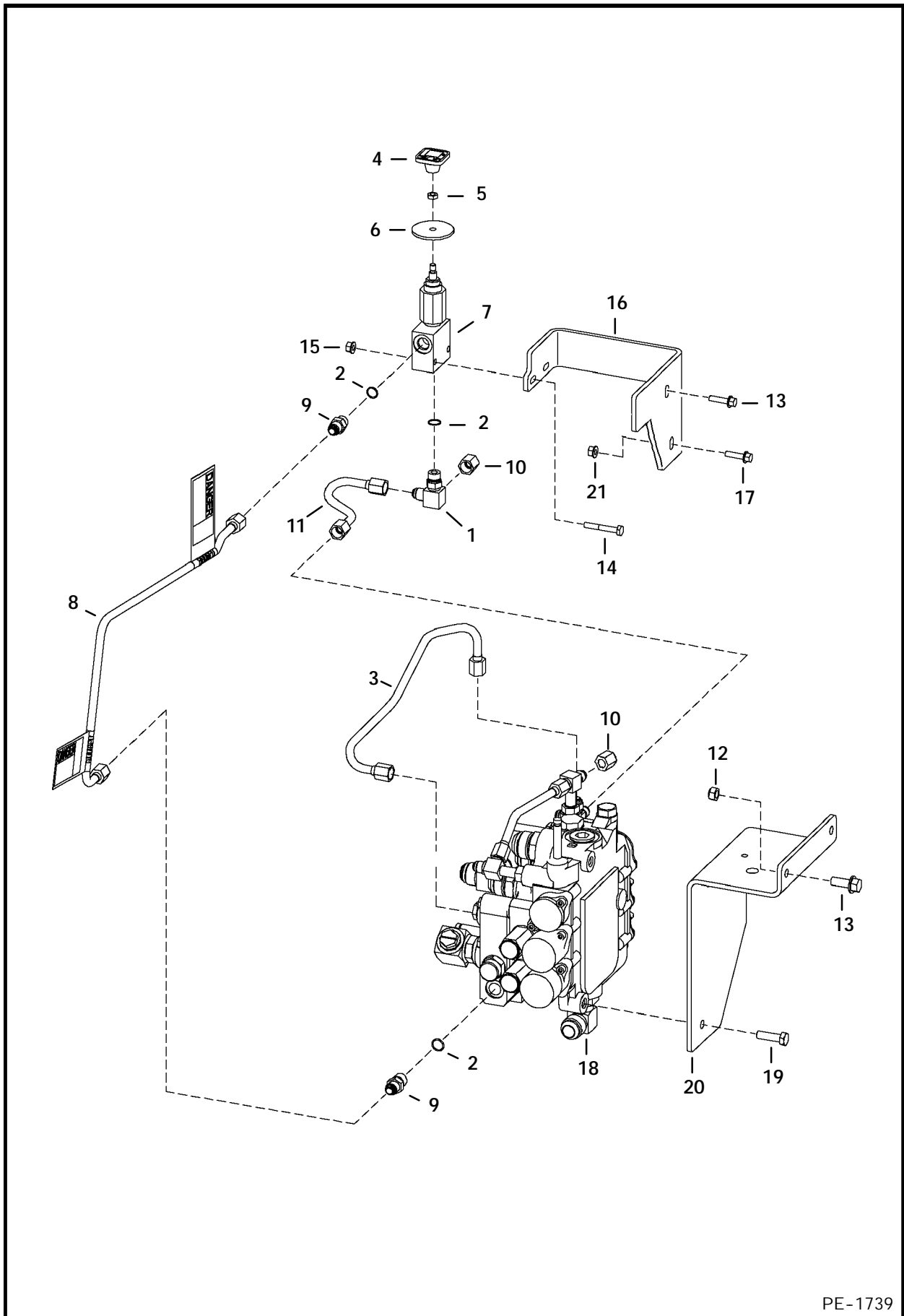


PE-1515

HYDRAULIC CIRCUITRY (Cont'd)
(W/O Bucket Positioning Valve)

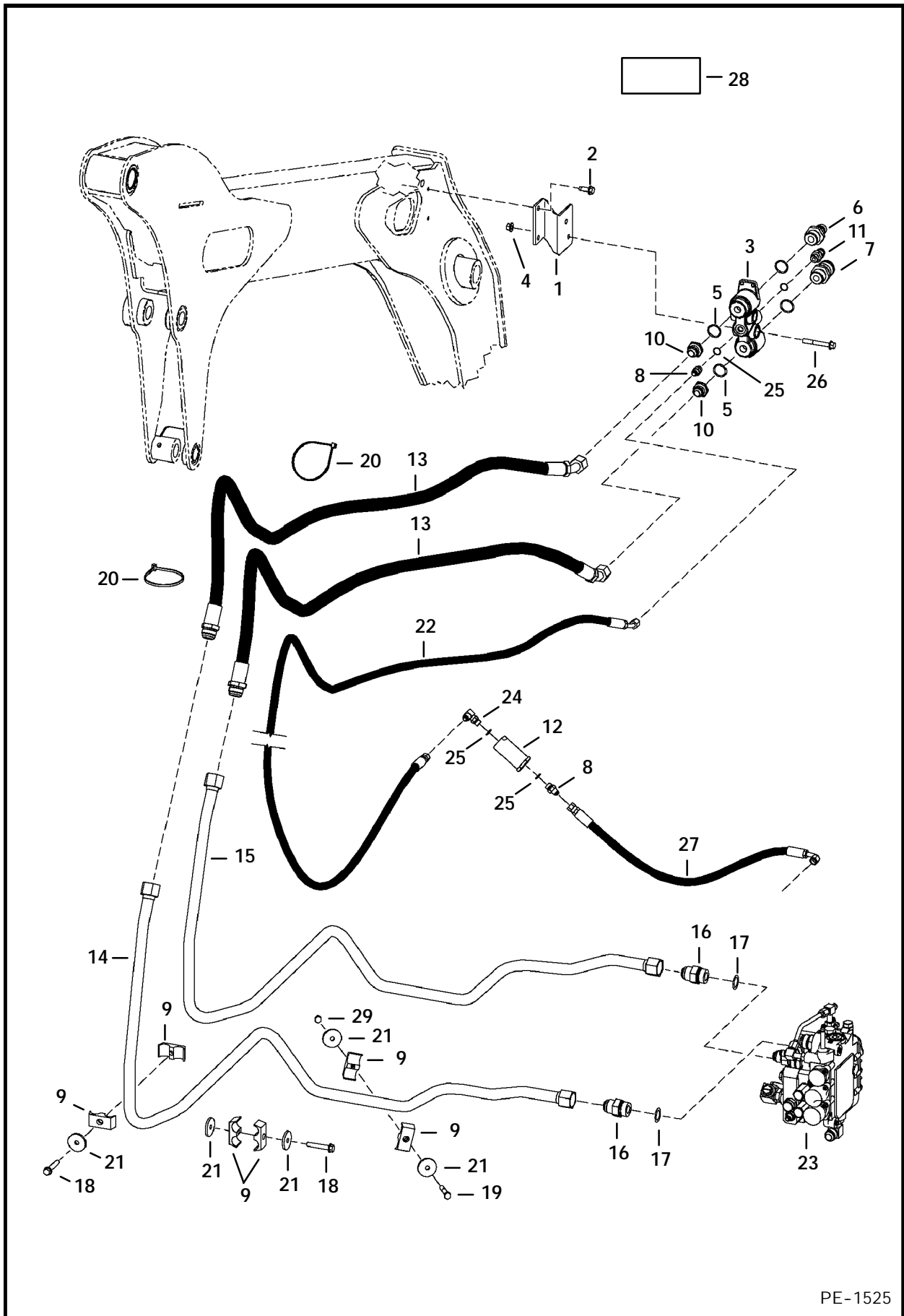
Ref. No.	Part Number	Description	Remarks	Serial Number	Qty.
1		CYLINDER	tilt - See Page 55		1
2	6715878	ADAPTER	W/Ref. 22		1
3	6729686	TEE			1
4	6729729	HOSE			2
5	6729702	CLAMP			2
6	17C-632	BOLT			1
7	30H-38	CLAMP			1
8	6729721	HOSE			2
9	6716061	TEE			2
10	97K-8	O-RING	flared end		x
	97K-10	O-RING	flared end		x
	6729694	TEE			1
11	6729728	HOSE			2
12	36K-8	CAP			2
13	6730858	TUBELINE			1
14	84G-3712	BOLT			1
15	6592506	CLAMP			4
16	84G-3736	BOLT			3
17	85D-6	NUT			4
18	6624289	TIE			3
19	31H-49	CLAMP			2
20	84G-3728	BOLT			4
21	6730857	TUBELINE			1
22	99K-10	O-RING	tapered boss face		x
23	872229	WASHER			10
24	6730876	TUBELINE	tilt		1
25	6730877	TUBELINE	tilt		1
26	6729604	HOSE	W/Ref. 22		1
27	6809511	DECAL	danger		2
	6701893	CLAMP			8
28	6729357	ELBOW	W/Ref. 22		1
29	6730838	TUBELINE	lift		1
30		CYLINDER	lift - See Page 57		2
31	6731276	HOSE			2
32	6731632	HOSE			2
33		VALVE	See Page 63 or 69		1
34	6730914	TEE	W/Ref. 22		1
35	97K-12	O-RING	flared end		x
	6730837	TUBELINE	lift		1
36	6730836	TUBELINE	lift		1
37	6729691	TEE			1

LIFT & TILT CONTROL CIRCUITRY



PE-1739

AUXILIARY HYDRAULICS

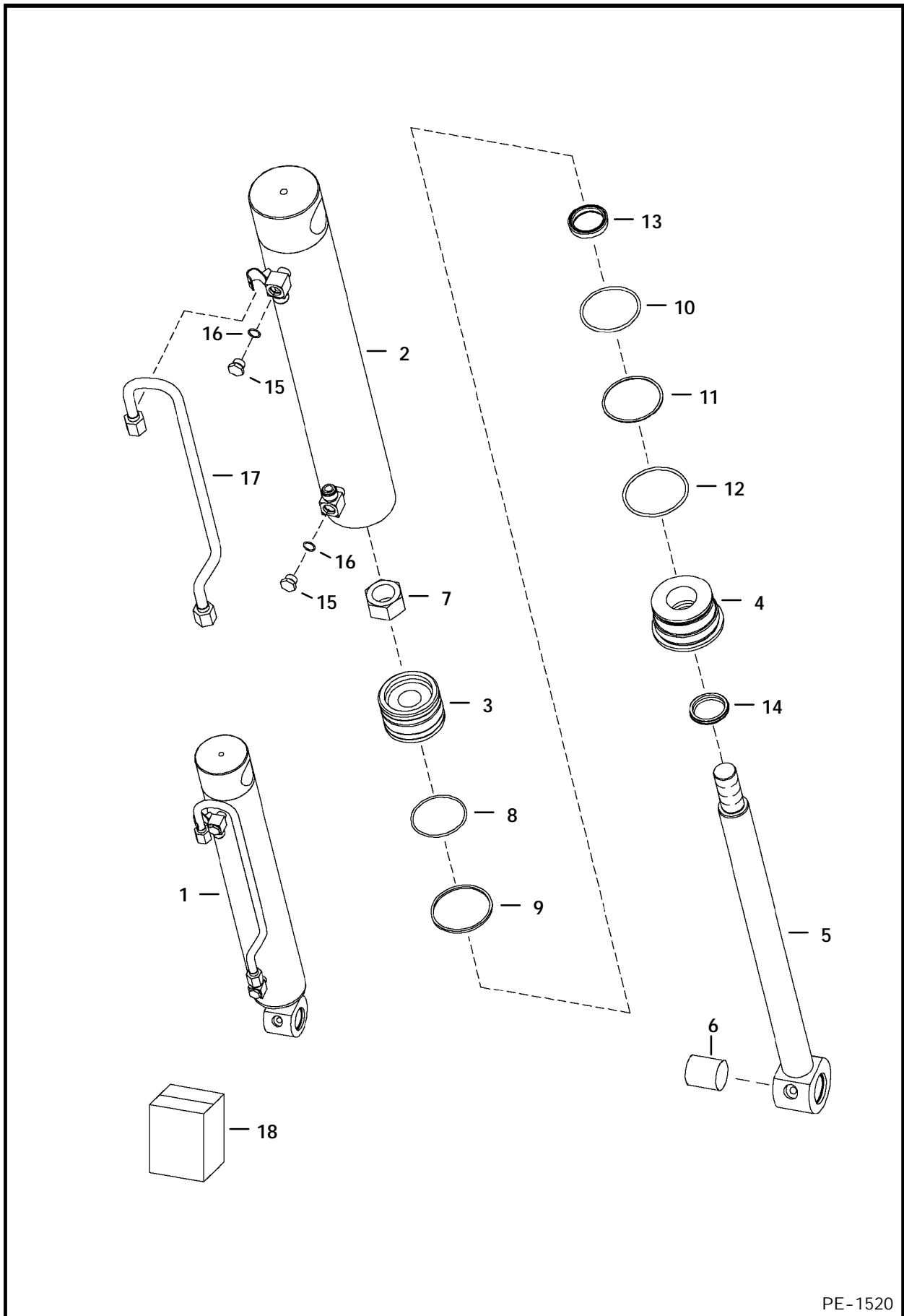


PE-1525

AUXILIARY HYDRAULICS (Cont'd)

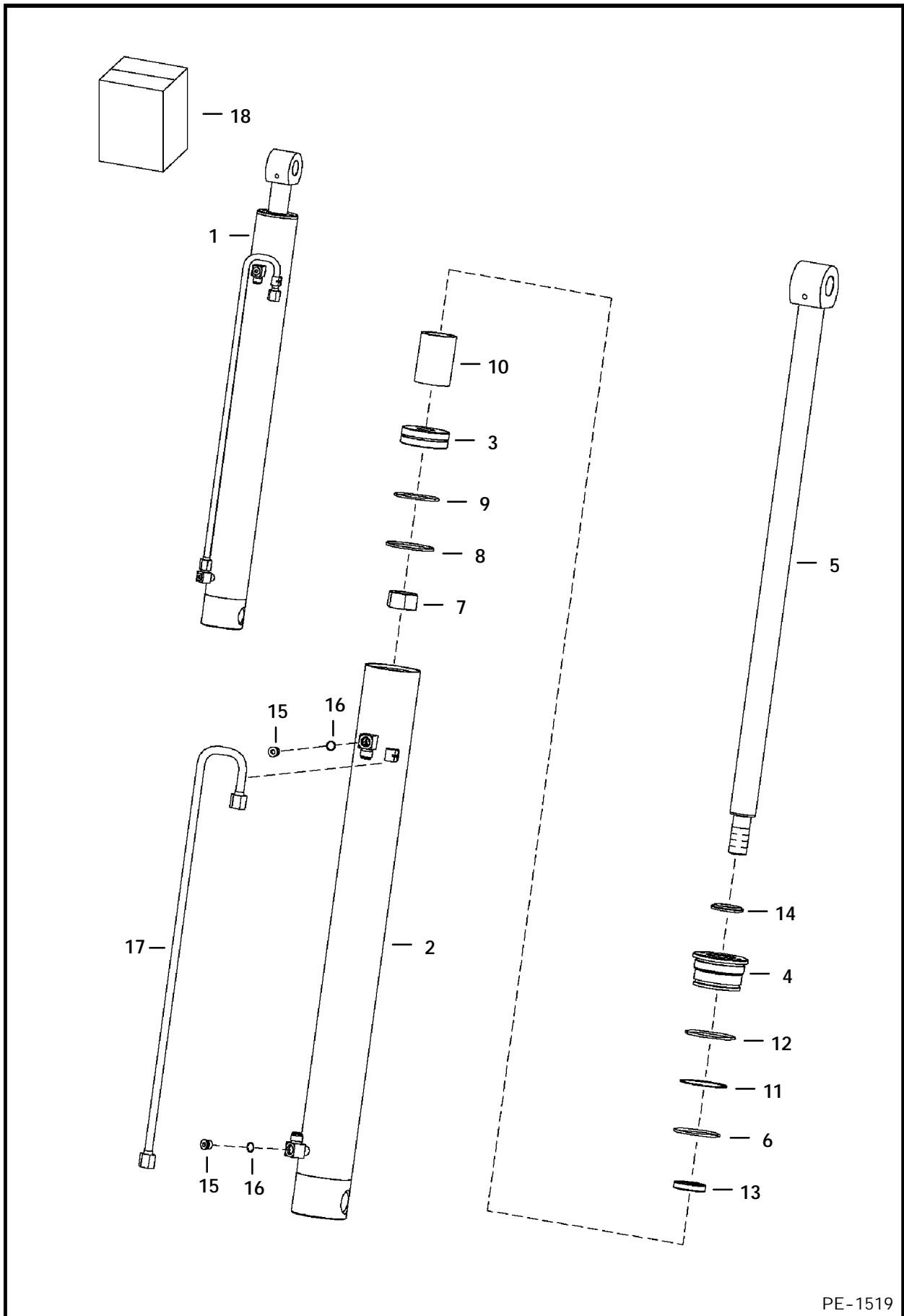
Ref. No.	Part Number	Description	Remarks	Serial Number	Qty.
1	6731199	BRACKET			1
2	84G-3716	BOLT			2
3	6678076	BLOCK	W/Ref. 6, 7, 10 & 11		1
4	83D-6	NUT			2
5	79K-12	O-RING			2
6	6679837	COUPLER	male		1
7	6679841	SEAL	blue		1
	6680020	SEAL KIT	3 O-rings		1
	6679839	COUPLER	female		1
8	6680020	SEAL KIT	3 O-rings		1
	15KB-606	ADAPTER	W/Ref. 25		2
9	6729320	CLAMP			6
10	6679836	ADAPTER	W/ spring & Ref. 5		2
11	6679838	COUPLER	male - casedrain - W/ spring, valve, seal & O-ring		1
12	6679840	SEAL	blue		1
	6661022	FILTER	See Page 98		1
13	6729745	HOSE			2
14	6730879	TUBELINE			1
15	6730878	TUBELINE			1
16	6812646	ADAPTER	W/Ref. 17		2
17	79K-12	O-RING			x
18	84G-3736	BOLT			3
19	17C-640	BOLT			1
20	6624289	TIE			2
21	872229	WASHER			5
22	6729746	HOSE			1
23		VALVE	control - See Page 63 or 69		1
24	17KB-606	ELBOW	W/Ref. 25		1
25	79K-6	O-RING	tapered boss face		x
26	31C-644	BOLT			2
27	6702079	HOSE			1
28	6731757	DECAL	coupler block		1
29	85D-6	NUT			1

TILT CYLINDER



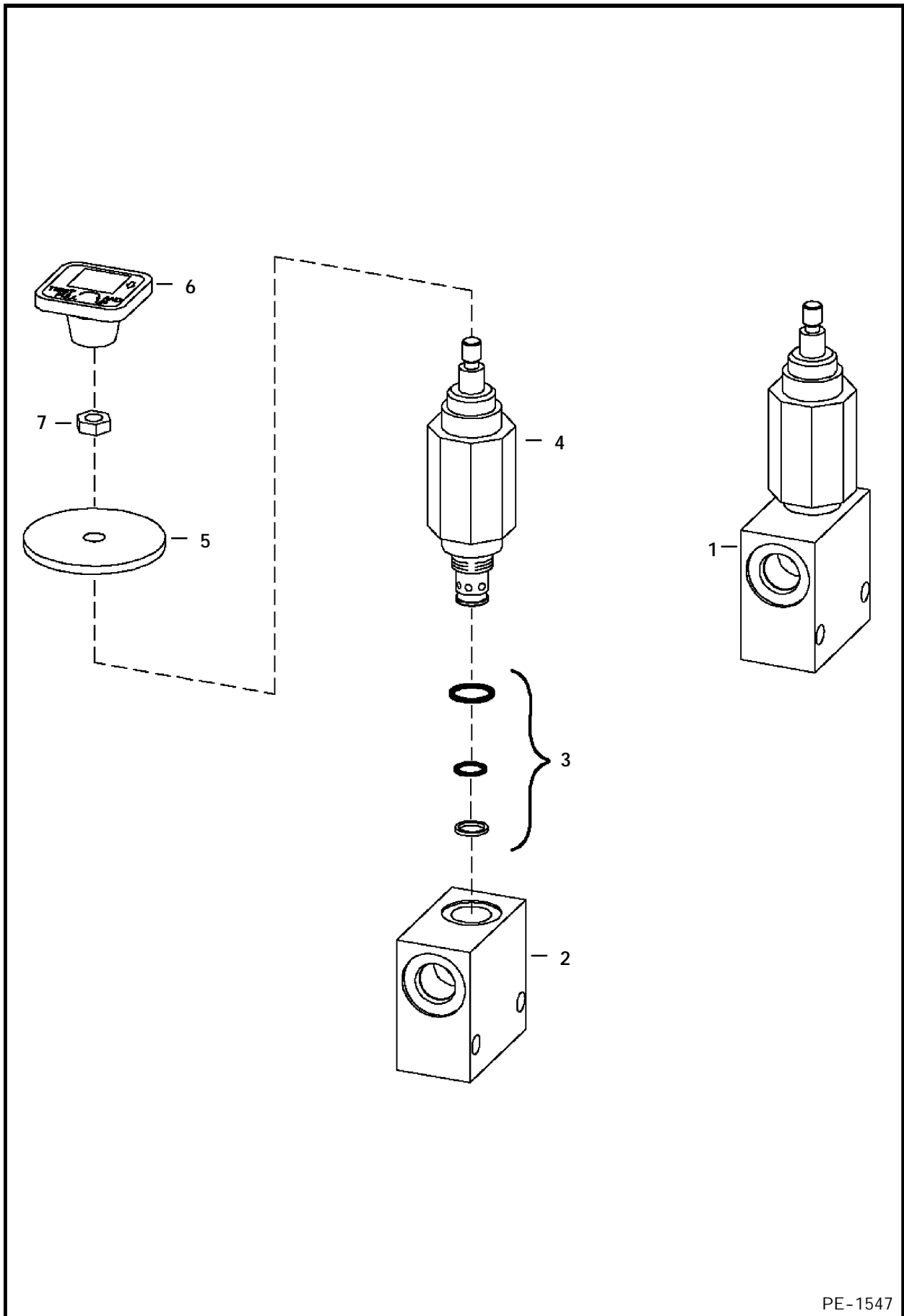
PE-1520

LIFT CYLINDER



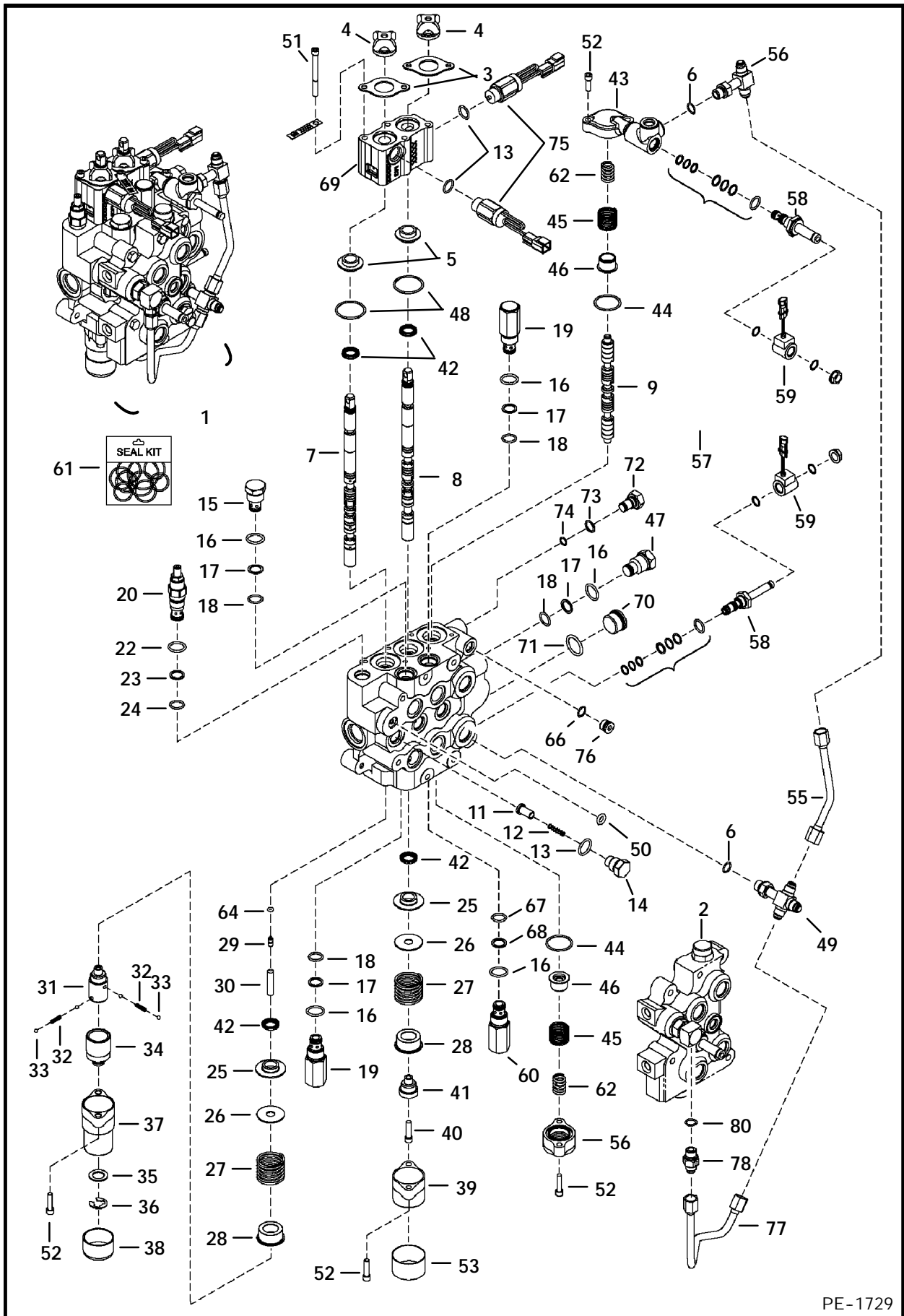
PE-1519

MANUAL LIFT RELEASE VALVE



PE-1547

HYDRAULIC CONTROL VALVE (Spool Lock) (W/ BICS Control Valve)

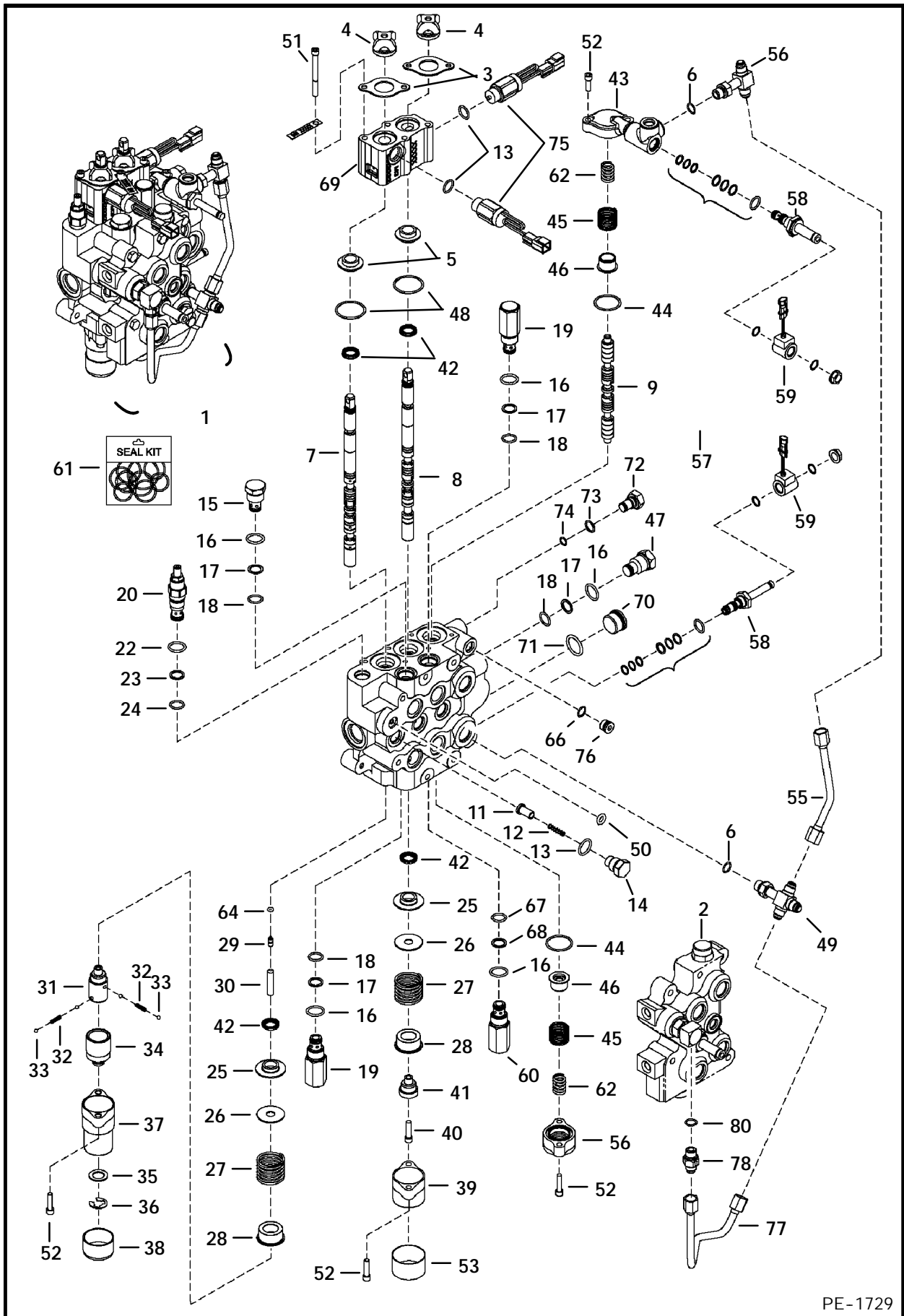


PE-1729

HYDRAULIC CONTROL VALVE (Cont'd)
(Spool Lock) (W/ BICS Control Valve)

Ref. No.	Part Number	Description	Remarks	Serial Number	Qty.
1	6814268	VALVE	W/Fittings - Ref. 2-65		1
2	6814269	VALVE ASSY	BICS control - See Page 68		1
3	6589564	RETAINER			2
4	6587763	BOOT			2
5	6805102	BUSHING	alignment		2
6	99K-6	O-RING			x
7	6811411	SPOOL	lift		1
8	6811412	SPOOL	tilt		1
9	6588074	SPOOL	auxiliary		3
10	NSS	BODY			1
11	6592115	SEAT	load check		2
12	6592117	SPRING			3
13	79K-8	O-RING			3
14	6592116	NUT	load check		3
15	6667549	VALVE	anti-cavity check - W/Ref. 16-18		1
16	79K-10	O-RING			2
17	80K-14	RING	back-up		x
18	58K-14	O-RING	back-up ring required		5
19	6677106	O-RING	back-up ring not required		5
	6679757	VALVE	port relief - W/Ref. 16-18 - 4000 PSI		2
20	6677984	VALVE	main relief - W/Ref. 21-24 - 3350 PSI		1
21	58K-17	O-RING			1
22	6665569	WASHER	back-up		1
23	25K-20016	O-RING			1
24	6665570	RING	glide		1
25	6595663	BUSHING			2
26	6587523	WASHER			2
27	6587580	SPRING			2
28	6592100	COLLAR			2
29	6596807	PLUG			1
30	6586918	SCREW			1
31	6587575	ADAPTER			1
32	6592107	SPRING			2
33	6592105	BALL			4
34	6531270	SLEEVE			1
35	6592098	WASHER			1
36	799119	SNAP RING			1
37	6589226	BONNET	.625" flange		1
38	6660644	CAP			1
39	6587633	BONNET			1
40	30G-416	BOLT			1
41	6592109	ADAPTER			1
42	6665846	SEAL			4
43	6805651	BLOCK	aux		2
44	58K-124	O-RING			2
45	6596332	SPRING			2
46	6595951	SLEEVE			2
47	6592720	PLUG	W/Ref. 16-18		1
48	58K-127	O-RING			2

HYDRAULIC CONTROL VALVE (Cont'd) (Spool Lock) (W/ BICS Control Valve)

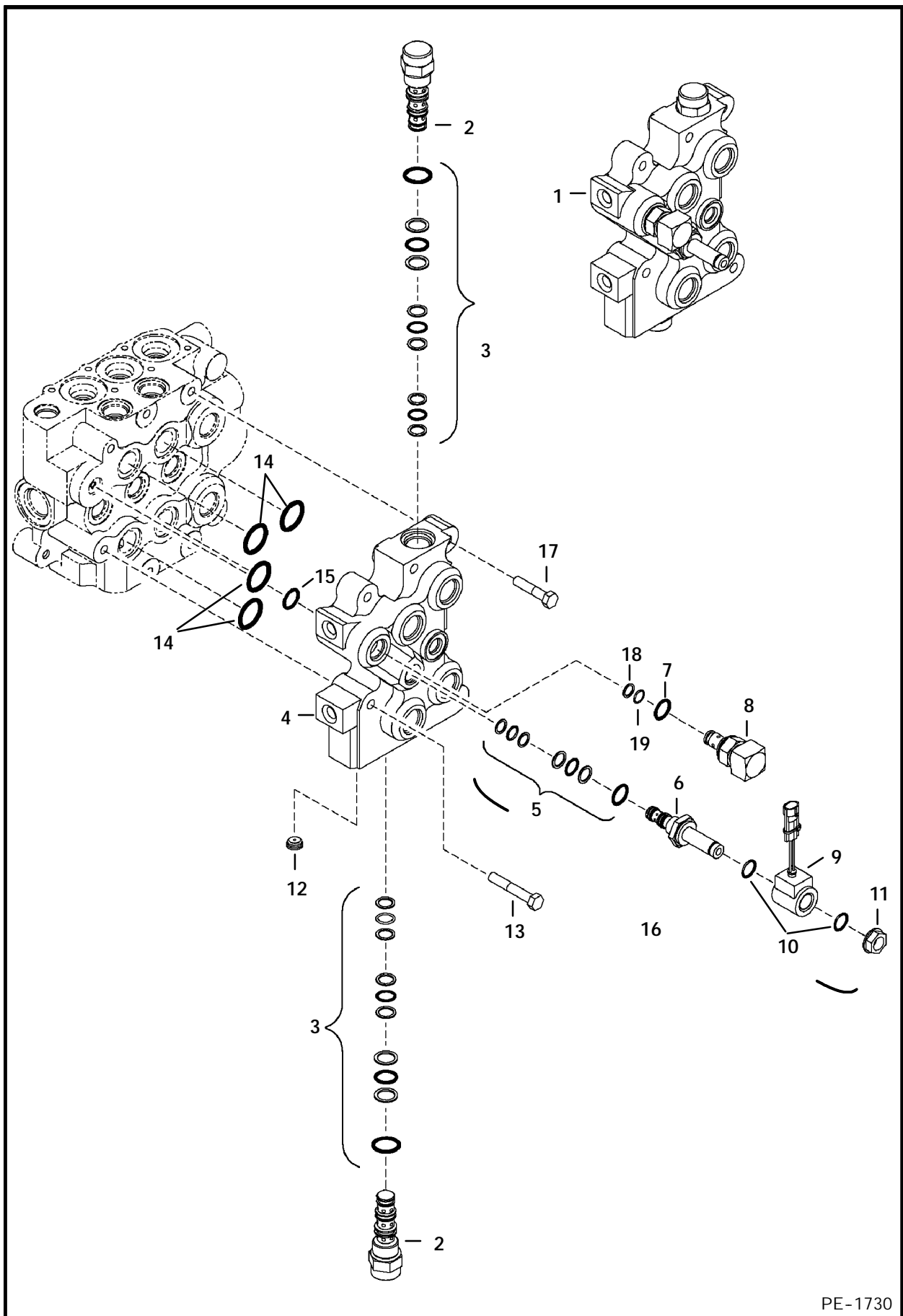


PE-1729

HYDRAULIC CONTROL VALVE (Cont'd)
(Spool Lock) (W/ BICS Control Valve)

Ref. No.	Part Number	Description	Remarks	Serial Number	Qty.
49	6805241	TEE	W/Ref. 6		1
50	55K-204	O-RING			1
51	29G-444	SCREW			4
52	29G-416	SCREW	1" long		8
53	6662848	CAP			1
54	6805696	TEE	W/Ref. 6 - tapered boss face		2
	97K-6	O-RING	flared end		x
55	6806496	TUBELINE			1
56	6588781	END CAP			1
57	6677201	SOLENOID	W/Ref. 58 & 59		2
58	6676249	STEM			2
	6586459	SEAL KIT			x
59	6717706	COIL	W/ nut - 10 volt - pwm		2
60	6678552	VALVE	port relief & anti-cav. - W/Ref. 16 - 3500 PSI - use in tilt cylinder		
			base end port		1
	6673904	SEAL KIT	W/Ref. 16, 67 & 68		
61	6806941	SEAL KIT	two spool - Ref. 4, 42 & 51		x
	6809448	SEAL KIT	complete - Ref. 4, 13, 16-18, 21-24, 42, 44, 50 & 53		x
	6661328	SEAL KIT	main relief - Ref. 21-24		x
	6809425	SEAL KIT	upper deck - Ref. 13 & 16-18		x
62	6595131	SPRING	.72" O.D.		2
63	55K-212	O-RING			4
64	54K-20002	O-RING			1
65	6800124	ORIFICE			1
66	95K-6	O-RING			2
67	NSS	O-RING	Order Ref. 60 kit		x
68	NSS	O-RING	Order Ref. 60 kit		x
69	6812031	BLOCK	lift and tilt lock		1
70	90KV-8	PLUG	W/Ref. 71		1
71	95K-12	O-RING			x
72	6806561	PLUG	aux lock - W/Ref. 73 & 74		1
73	79K-7	O-RING			x
74	58K-12	O-RING			x
75	6677383	SOLENOID	spool lock - W/Ref. 13 -		
			5" (127mm) wire		2
76	90KV-5	PLUG	W/Ref. 66		1
77	6734058	TUBELINE			1
78	6681481	CHECK VALVE	3000 PSI - W/screen - W/Ref. 80		1
79	6814247	FITTING	See Page 67		1
80	79K-6	O-RING			x

BICS CONTROL VALVE



PE-1730

HYDRAULIC CONTROL VALVE
(Advanced Hand Control System)

DRAWING NOT AVAILABLE AT TIME OF PRINTING

PE-1745

HYDRAULIC CONTROL VALVE (Cont'd)
(Advanced Hand Control System)

Ref. No.	Part Number	Description	Remarks	Serial Number	Qty.
1	6814506	VALVE	AHC - W/ fittings - Ref. 2-60		1
2	6814269	VALVE ASSY	BICS control - See Page 68		1
3	6589564	RETAINER			2
4	6587763	BOOT			2
5	6589565	BUSHING			2
6	99K-6	O-RING	tapered boss face		x
7	6677660	SPOOL	lift - # 1 or Red		1
	6677661	SPOOL	lift - # 2 or Green		1
8	6677662	SPOOL	tilt - # 1 or Red		1
	6677663	SPOOL	tilt - # 2 or Green		1
9	6588074	SPOOL	auxiliary		3
10	NSS	BODY			1
11	6592115	SEAT	load check		3
12	6592117	SPRING			3
13	79K-8	O-RING			3
14	6592116	NUT	load check - W/Ref. 13		3
15	6667549	VALVE	anti-cavity check - W/Ref. 16-18		1
16	79K-10	O-RING			2
17	80K-14	RING	back-up		5
18	6677106	O-RING	back-up washer not required		5
19	6679757	VALVE	port relief - W/Ref. 16-18 -		
			4000 PSI		2
20	6677984	VALVE	main relief - W/Ref. 21-24		1
21	58K-17	O-RING			1
22	6665569	WASHER	back-up		1
23	25K-20016	O-RING			1
24	6665570	RING	glide		1
25	6595663	BUSHING			2
26	6587523	WASHER			2
27	6587580	SPRING			2
28	6592100	COLLAR			2
29	6801167	PLUG	spool		1
30	95K-12	O-RING			1
31	90KV-8	PLUG	W/Ref. 30 - socket head		1
32	NSS	O-RING	Order Ref. 60 - kit		1
33	NSS	O-RING	Order Ref. 60 - kit		1
34	6800124	RESTRICTOR	.183/.187		1
35	58K-12	O-RING			1
36	54K-20002	O-RING			1
37	6803092	BONNET	.625 flange		1
38	55K-212	O-RING			4
39	6587633	BONNET			1
40	30G-416	BOLT			2
41	6592109	ADAPTER			1
42	6665846	SEAL	lip		4
43	6588781	END CAP	.87" thick		2
44	58K-124	O-RING			2
45	6596332	SPRING			2
46	6595951	SLEEVE			2
47	6592720	PLUG	W/Ref. 16-18		1
48	58K-127	O-RING			2

HYDRAULIC CONTROL VALVE (Cont'd)
(Advanced Hand Control System)

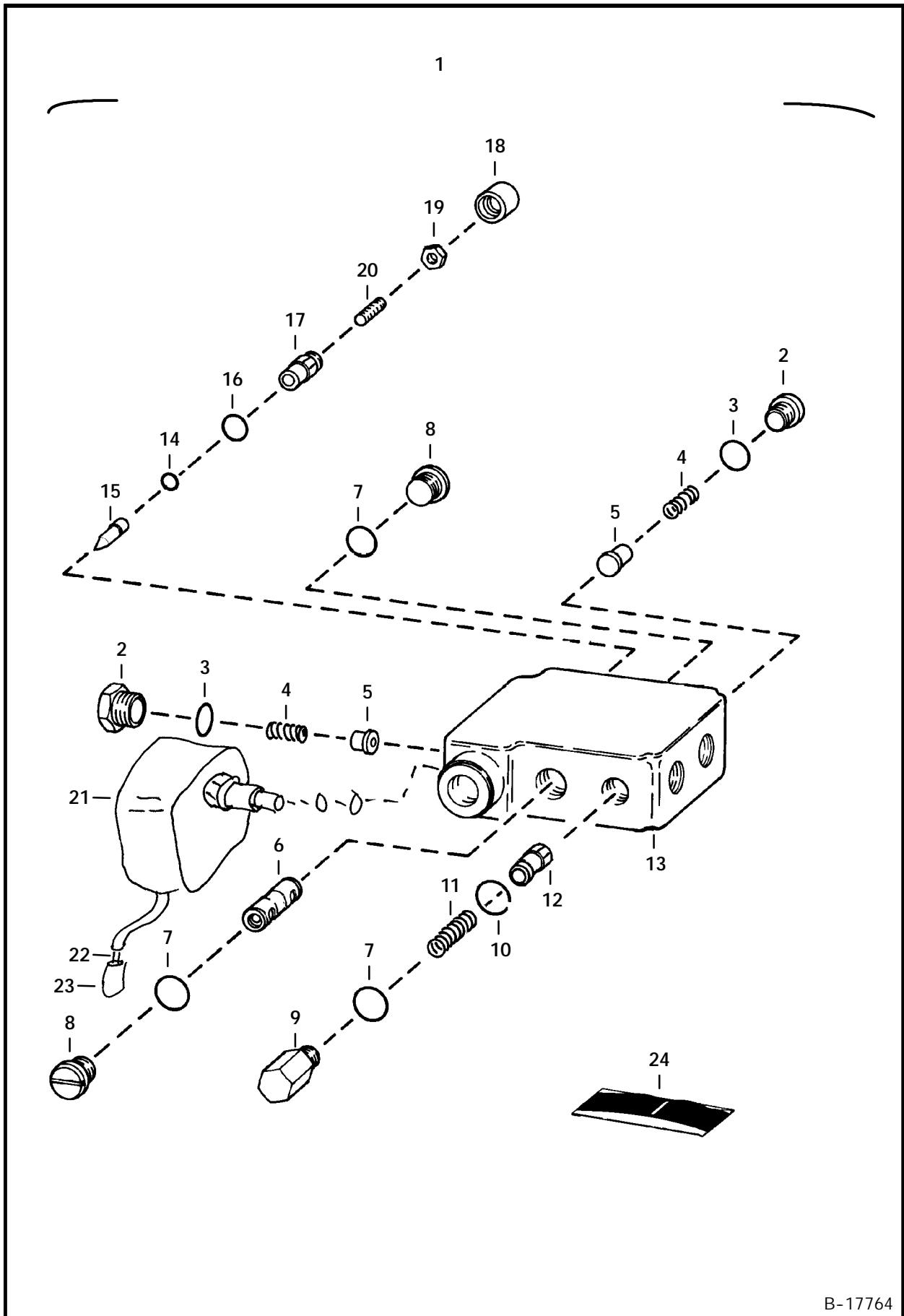
DRAWING NOT AVAILABLE AT TIME OF PRINTING

PE-1745

HYDRAULIC CONTROL VALVE (Cont'd)
(Advanced Hand Control System)

Ref. No.	Part Number	Description	Remarks	Serial Number	Qty.
49	6805243	TEE	W/Ref. 6		1
	97K-6	O-RING	flared end		x
50	55K-204	O-RING			1
51	29G-412	SCREW			4
52	29G-416	SCREW	1" long		8
53	6662848	CAP			2
54	6805696	TEE	W/Ref. 6		2
	97K-6	O-RING	flared end		x
55	6806496	TUBELINE			1
56	79K-7	O-RING			1
57	6677201	SOLENOID	W/Ref. 58 & 59		2
58	6676249	STEM			2
59	6586459	SEAL KIT			x
	6717706	COIL	W/ nut - pwm - 10 volt		2
60	6678552	VALVE	port relief & anti-cav. - W/Ref. 16,		
			32 & 33 - 2500 PSI - use in tilt		1
	6673904	SEAL KIT	cylinder base end port		1
			W/Ref. 16, 32 & 33		
61	6803605	SEAL KIT	one spool - Ref. 4, 42 & 51		x
	6809448	SEAL KIT	complete - Ref. 4, 13, 16-18,		
			21-24, 42, 44, 50 & 63		x
	6661328	SEAL KIT	main relief - Ref. 21-24		x
	6809425	SEAL KIT	Ref. 13 & 16-18		x
	6586459	SEAL KIT	W/Ref. 16, 32 & 33		1
62	6595131	SPRING	.72" O.D.		2
63	6805651	BLOCK	aux		1
64	90KV-5	PLUG	W/Ref. 65		2
65	95K-6	O-RING			2
66	6806561	PLUG	W/Ref. 35 & 56		1
67	6734058	TUBELINE			1
68	6681481	CHECK VALVE	3000 PSI - W/screen - W/Ref. 70		1
69	6814247	FITTING	See Page 67		1
70	79K-6	O-RING			x

BUCKET POSITIONING VALVE

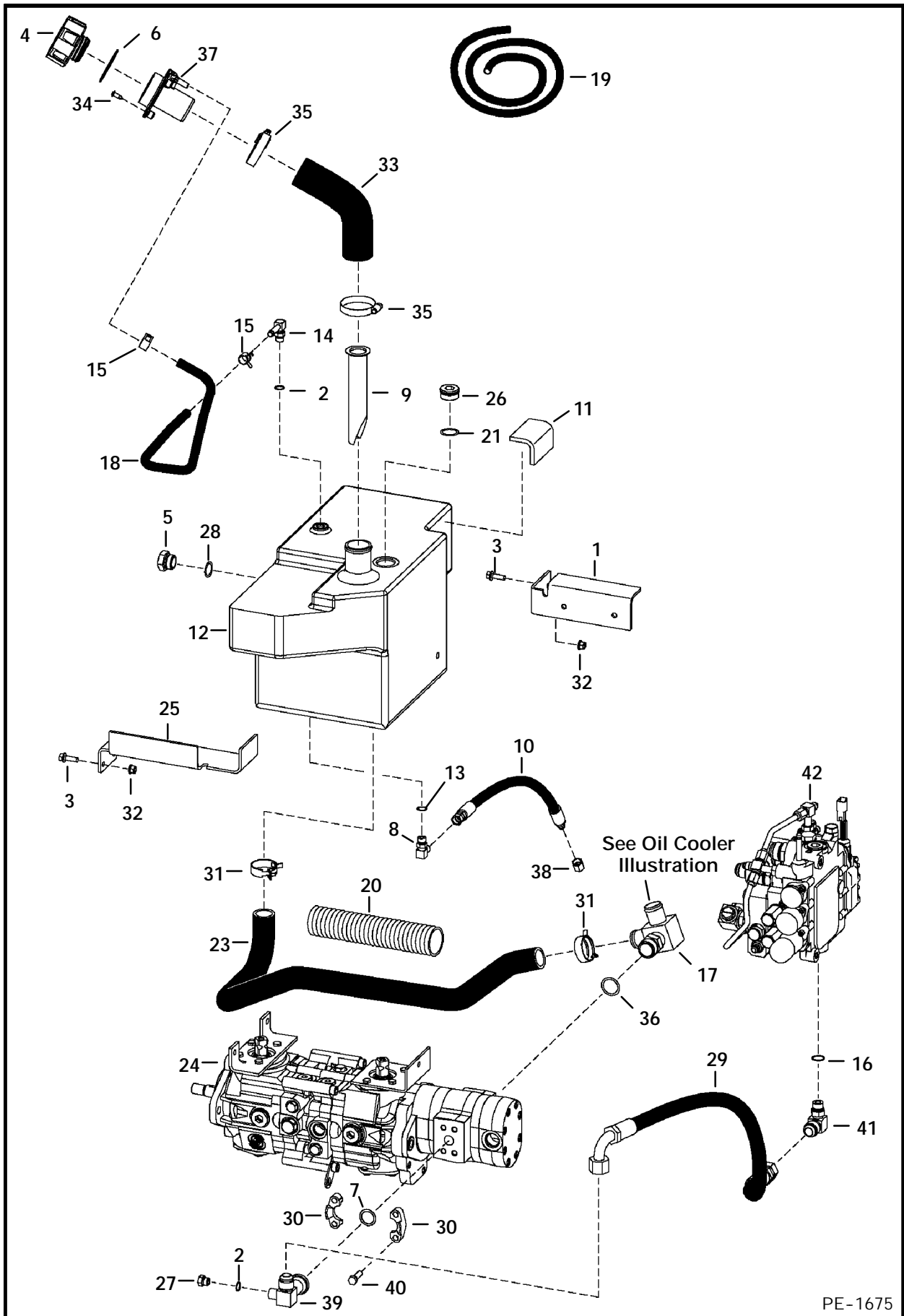


B-17764

BUCKET POSITIONING VALVE (Cont'd)

Ref. No.	Part Number	Description	Remarks	Serial Number	Qty.
1	6675669	VALVE	primer red - Ref. 2-21 W/Ref. 3		1
2	6647784	PLUG			2
3	79K-8	O-RING			2
4	6647785	SPRING			2
5	6647783	LOAD CHECK			2
6	NSS	SPOOL			1
7	58K-116	O-RING			3
8	6676543	PLUG	W/Ref. 7		2
9	6667176	PLUG	W/Ref. 7		1
10	6667680	SNAP RING			1
11	6676544	SPRING			1
12	NSS	SPOOL			1
13	NSS	BODY			1
14	6667677	O-RING			1
15	6647777	PIN			1
16	6634874	O-RING			1
17	6676542	CAP			1
18	6667676	COVER			1
19	6631561	NUT			1
20	6648293	SCREW			1
21	6672863	SOLENOID			1
	6671527	NUT			1
	6670634	SEAL KIT			1
	6674331	COIL			1
	6676545	CARTRIDGE			1
22	6641180	LOCK	2-pin		1
23	6641179	CONNECTOR	2-pin		1
24	6667185	SEAL KIT	Ref. 3, 7, 14, 16 & 18		1

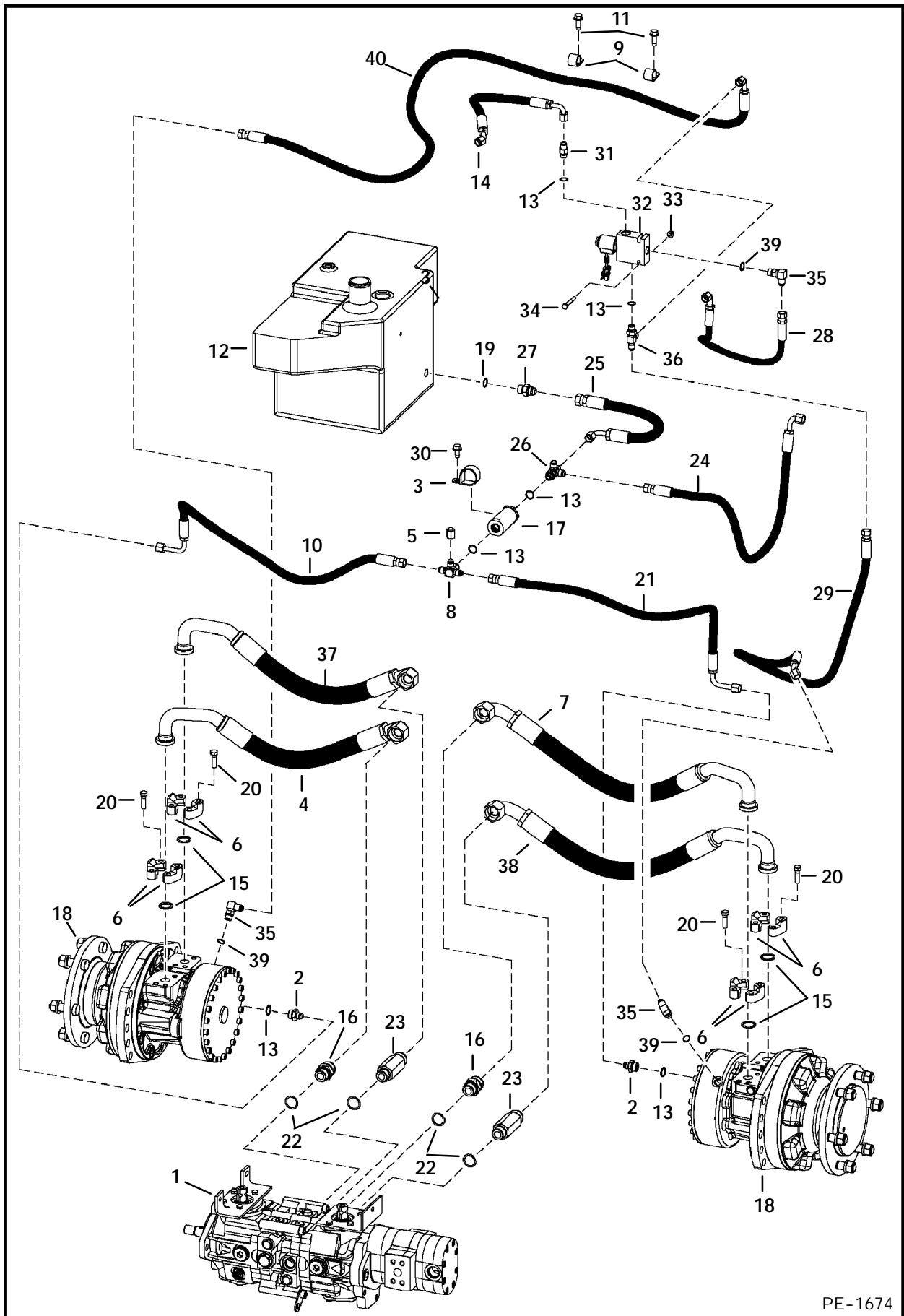
HYDROSTATIC CIRCUITRY (W/Tank)



HYDROSTATIC CIRCUITRY (Cont'd)
(W/Tank)

Ref. No.	Part Number	Description	Remarks	Serial Number	Qty.
1	6718851	BRACKET			1
2	79K-6	O-RING			x
3	35C-516	BOLT			4
4	6727475	CAP	breather & fill - Also Order Ref. 6 sight - W/Ref. 28		1
5	6665915	GUAGE			1
6	6700631	GASKET			2
7	55K-214	O-RING	W/Ref. 13 - tapered boss face flared end		1
8	17KV-5	ELBOW			1
	97K-6	O-RING			x
9	6569219	SCREEN			1
10	6530859	HOSE			1
11	6578278	PAD			1
12	6731209	TANK	hydraulic tapered boss face		1
13	99K-6	O-RING			x
14	6727313	ELBOW			1
15	5HM-15	CLAMP	W/Ref. 36 - tapered boss face flared end		2
16	79K-12	O-RING			x
17	6732586	TEE			1
	97K-6	O-RING			x
18	NAP	HOSE	23" (584mm) long - Order Ref. 19 Bulk - sold per foot		1
19	6586251	HOSE			x
20	NAP	SHIELD	10" (254mm) long - Order Ref. 22 bulk - sold by the foot		1
21	79K-16	O-RING			x
22	6705749	SHIELD			x
23	6730345	HOSE	See Page 91		1
24		PUMP			1
25	6718850	BRACKET			1
26	47K-10	PLUG	W/Ref. 21 - for the tank flushing hole W/Ref. 2		1
27	24K-5	PLUG			1
28	99K-6	O-RING	flat boss face		1
29	6729160	HOSE			1
30	19J-12	CLAMP			2
31	5HM-42	CLAMP			2
32	83D-5	NUT			4
33	6731638	HOSE			1
34	6706517	SCREW	tapered boss face		3
35	42HL-250	CLAMP			2
36	99K-16	O-RING			x
37	6727354	INLET	split flange		1
38	36K-5	CAP			2
39	6734048	TEE			1
40	17C-620	BOLT	W/Ref. 16 flared end		4
41	6812141	ELBOW			1
	97K-12	O-RING			x
42		VALVE	See Page 63		1

HYDROSTATIC CIRCUITRY (W/Motors)

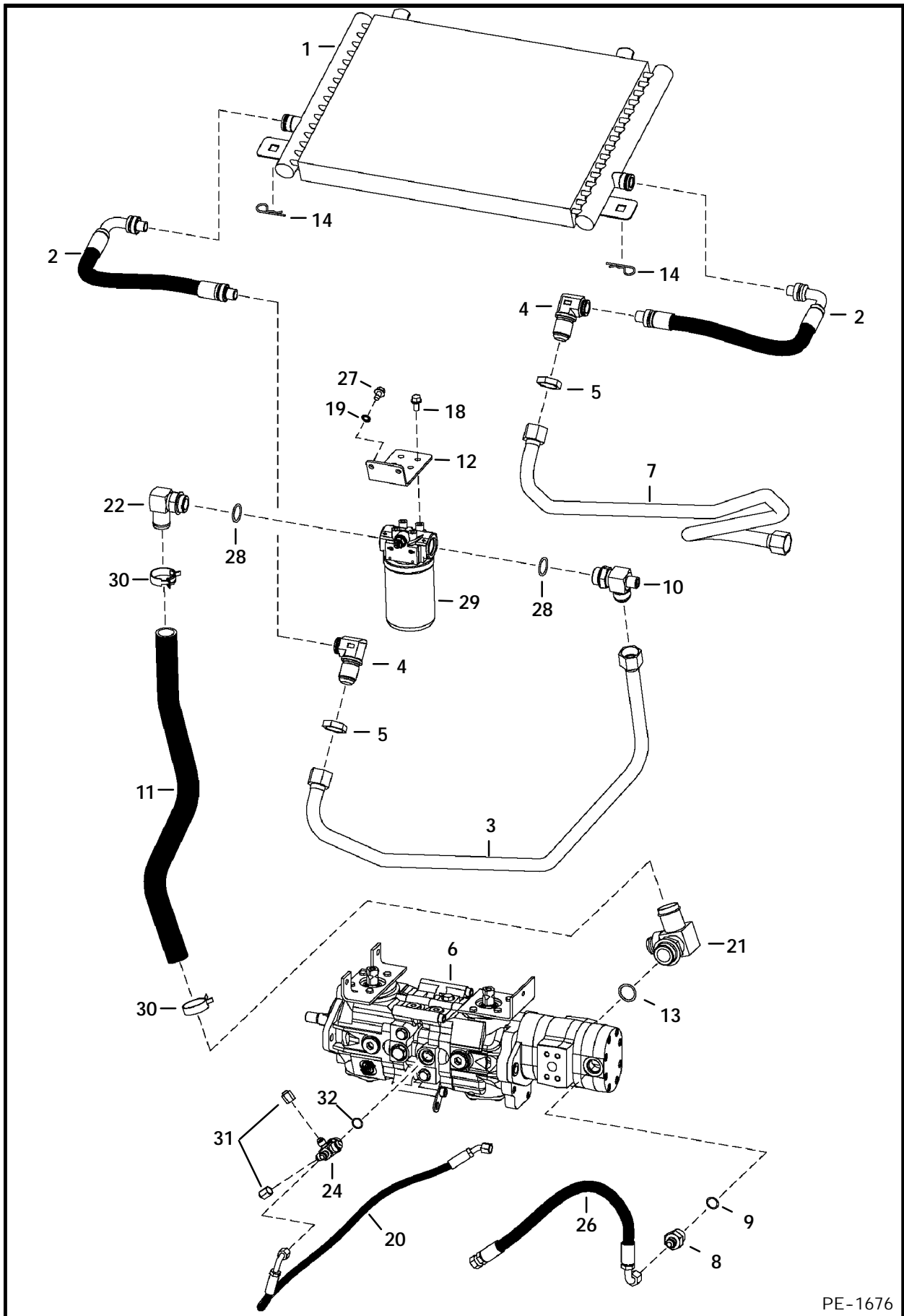


PE-1674

HYDROSTATIC CIRCUITRY (Cont'd)
(W/Motors)

Ref. No.	Part Number	Description	Remarks	Serial Number	Qty.
1		PUMP	See Page 87 & 91		1
2	743108	ADAPTER	W/Ref. 13		2
3	30H-79	CLIP			1
4	6678955	HOSE	mega seal		1
5	36K-5	CAP			1
6	20J-12	CLAMP			8
7	6678956	HOSE	mega seal		1
8	6725497	CROSS	W/Ref. 13 - tapered boss face		1
9	30H-46	CLAMP			2
10	6730326	HOSE			1
11	84G-3716	BOLT			2
12		TANK	hydraulic - See Page 75		1
13	79K-6	O-RING	tapered boss face		x
14	6627313	HOSE			1
15	55K-214	O-RING			4
16	6715878	ADAPTER	W/Ref. 22		2
17	6661022	FILTER	in-line - 90 micron - See Page 98		1
18		MOTOR	See Page 83		2
19	79K-8	O-RING			x
20	17C-620	BOLT			16
21	6730323	HOSE			1
22	79K-12	O-RING			x
23	6716243	CONNECTOR	W/Ref. 22		2
24	6732483	HOSE			1
25	6733219	HOSE			1
26	6718031	TEE	W/Ref. 13		1
27	15KB-808	ADAPTER	W/Ref. 19		1
28	6716463	HOSE			1
29	6719460	HOSE			1
30	84G-3712	BOLT			1
31	6669676	CHECK VALVE	in-line - W/Ref. 13		1
32	6679103	VALVE ASSY	brake - See Page 101		1
33	83D-4	NUT			2
34	17C-432	BOLT			2
35	17KN-5	ELBOW	W/Ref. 39		2
36	21KB-606	TEE	W/Ref. 13		1
37	6678954	HOSE			1
38	6718781	HOSE			1
39	99K-6	O-RING			x
40	6730329	HOSE			1

HYDROSTATIC CIRCUITRY (W/Cooler)

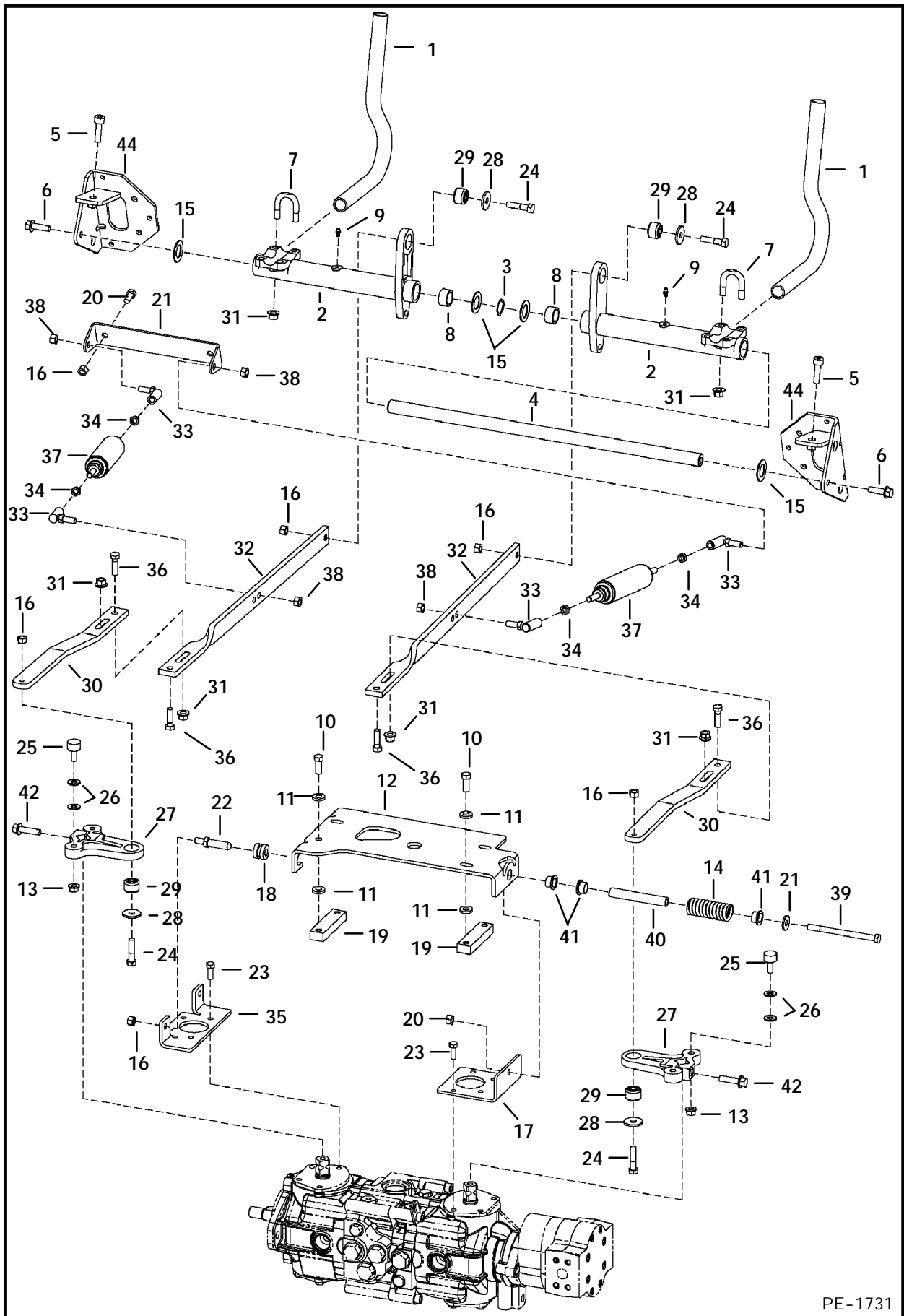


PE-1676

HYDROSTATIC CIRCUITRY (Cont'd)
(W/Cooler)

Ref. No.	Part Number	Description	Remarks	Serial Number	Qty.
1	6678156	COOLER	oil		1
	6681501	SEAL KIT			1
2	6678969	HOSE			2
	6681501	SEAL KIT			x
3	6731111	TUBELINE			1
4	6678970	ELBOW			1
	6681501	SEAL KIT			x
5	86F-10	NUT			2
6		PUMP	See Page 87 & 91		1
7	6731110	TUBELINE			1
8	15KB-812	ADAPTER	W/Ref. 9		1
9	79K-12	O-RING			x
10	6731527	TEE	W/Ref. 28		1
11	6731923	HOSE			1
12	6719446	MOUNT			1
13	79K-20	O-RING	tapered boss face		x
14	1318565	COTTER PIN			2
15		VALVE	See Page 63		1
16	6718660	TEE			1
17	6563922	SNUBBER			1
18	35C-612	BOLT			4
19	6E-6	WASHER			2
20	6725090	HOSE			1
21	6732586	TEE	W/Ref. 13		1
22	6729306	ELBOW	W/Ref. 28		1
23	6715878	ADAPTER	W/Ref. 25		1
24	6731925	ADAPTER	W/Ref. 32		1
25	75K-12	O-RING			x
26	6731935	HOSE			1
27	84G-3710	BOLT			2
28	79K-16	O-RING			x
29	6678155	FILTER ASSY	See Page 100		1
	6661248	ELEMENT			x
30	5HM-42	CLAMP			4
31	36K-5	CAP			2
32	79K-10	O-RING			x

HAND CONTROLS

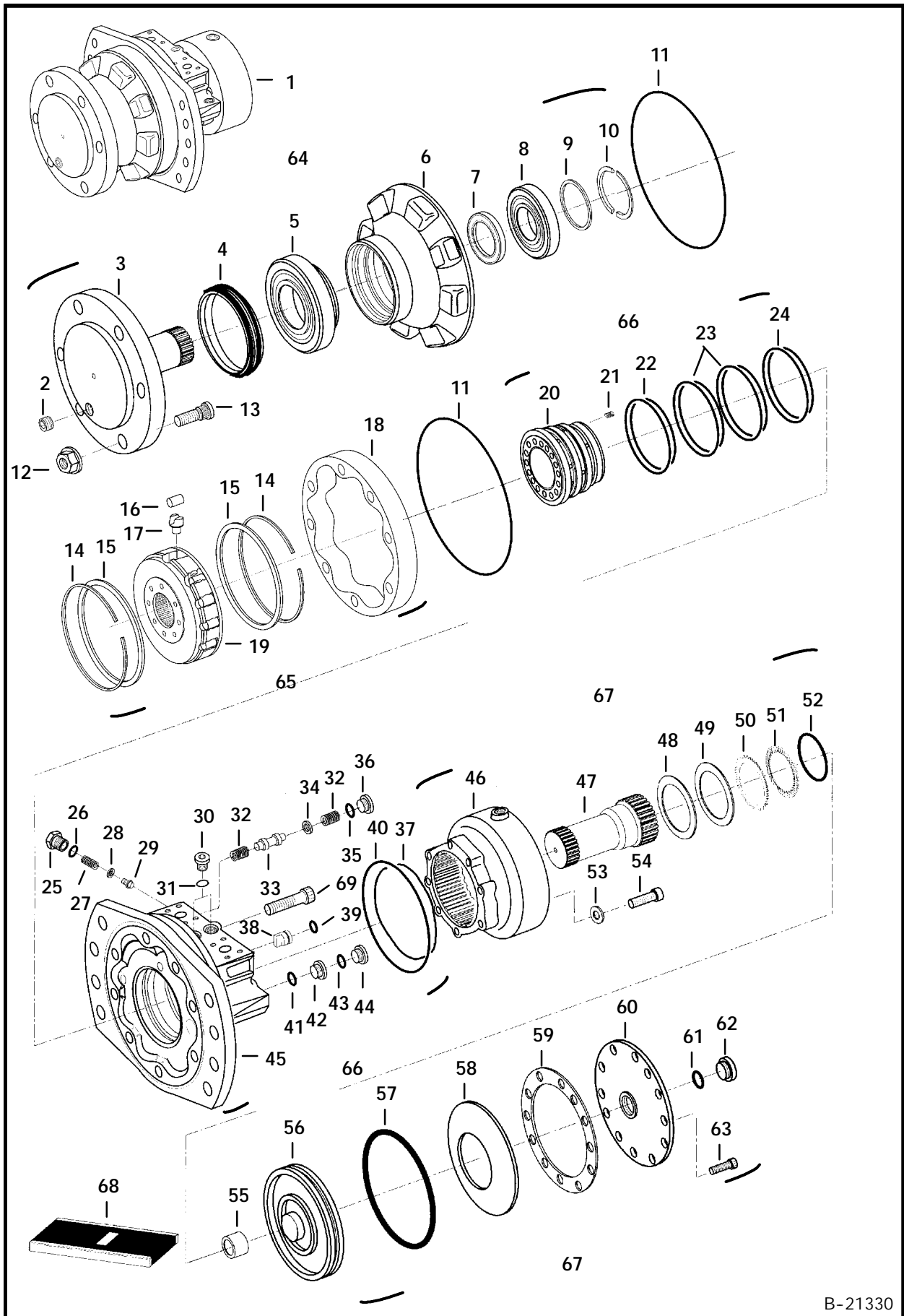


PE-1731

HAND CONTROLS (Cont'd)

Ref. No.	Part Number	Description	Remarks	Serial Number	Qty.
1	6702543	LEVER			2
2	6730122	BELLCRANK			2
3	6599741	WASHER	wave		1
4	6716545	ROD			1
5	73G-824	BOLT			2
6	45C-620	BOLT			2
7	6732997	U-BOLT			4
8	6673710	BEARING			4
9	6518200	GREASE ZERK			2
10	8C-616	BOLT			4
11	6557831	WASHER			8
12	6706095	MOUNT			1
13	98D-6	NUT			4
14	6701535	SPRING			1
15	6716916	WASHER			4
16	95D-6	NUT			12
17	6576196	MOUNT			1
18	6706098	GUIDE			2
19	6702716	BLOCK			2
20	57D-6	NUT			1
21	6563914	WASHER			1
22	6577058	PIN			2
23	1CM-820	BOLT			8
24	17C-626	BOLT			4
25	6673789	BEARING			4
26	25E-17	WASHER			8
27	6729956	LEVER			2
28	619021	WASHER			4
29	6678067	BUSHING	torsion - 1.055" (26,8mm) O.D.		4
30	6731253	LINK			2
31	83D-6	NUT			8
32	6716117	LINK			2
33	6599744	BALL JOINT			4
34	8D-6	NUT			4
35	6706096	MOUNT			1
36	17C-620	BOLT			4
37	6649551	SHOCK			2
38	96D-6	NUT			4
39	17C-680	BOLT			1
40	6715164	SLEEVE			1
41	6715163	BUSHING			3
42	35C-624	BOLT			2
43	25E-24	WASHER	for AHC		1
44	6733022	BRACKET	R.H.		1
	6733024	BRACKET	L.H.		1

HYDROSTATIC MOTOR & BRAKE

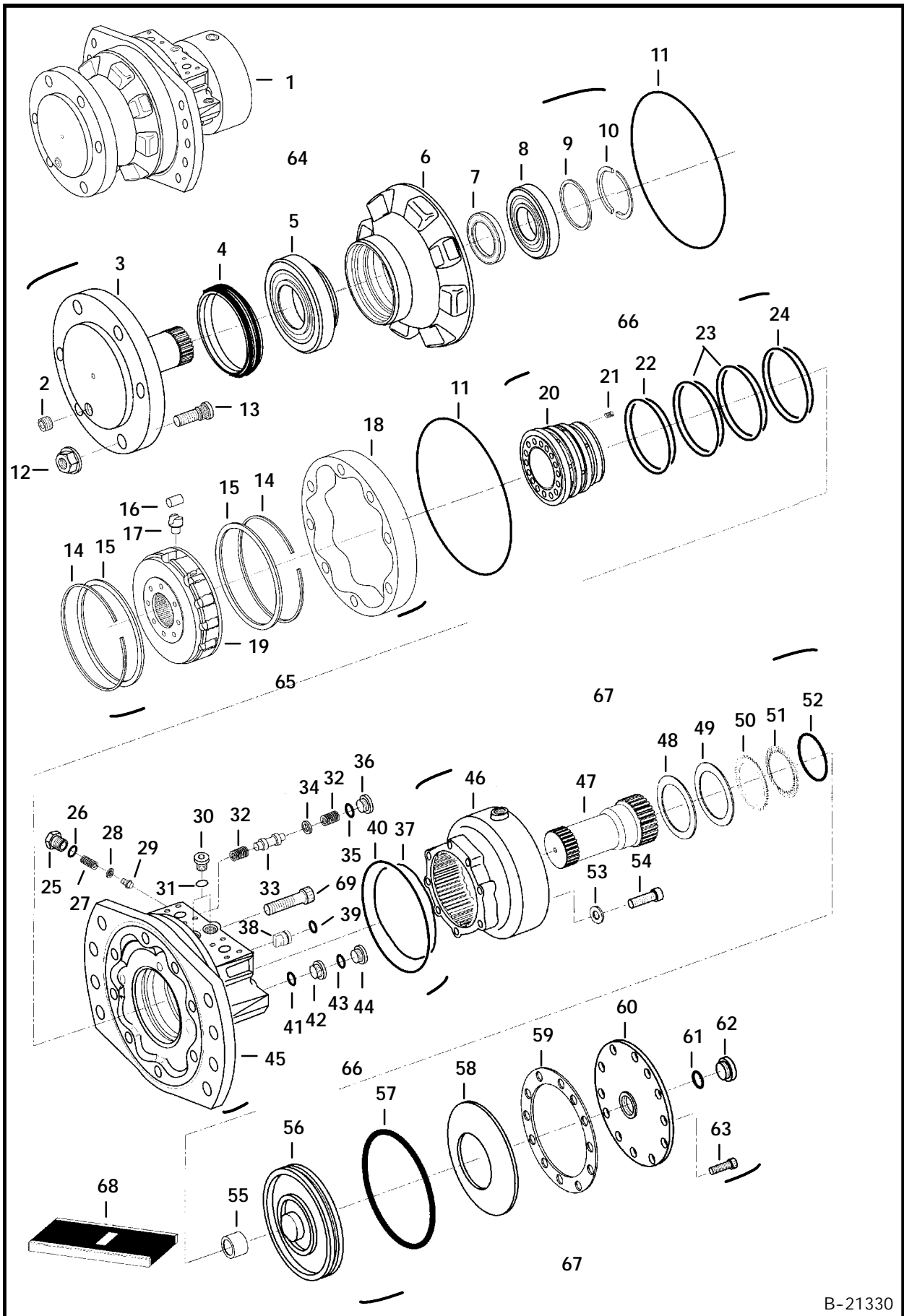


B-21330

HYDROSTATIC MOTOR & BRAKE (Cont'd)

Ref. No.	Part Number	Description	Remarks	Serial Number	Qty.
1	6680250	MOTOR	model 80687532 - W/twin distributor seals		1
2	6680019	PLUG			1
3	6681620	SHAFT			1
4	6674727	SEAL			1
5	6674725	BEARING			1
6	6681621	HOUSING			1
7	6674056	SEAL			1
8	6660018	BEARING			1
9	6674058	WASHER	preload - .083" (2,1mm) thick		1
	6674059	WASHER	preload - .091" (2,3mm) thick		1
	6674060	WASHER	preload - .098" (2,5mm) thick		1
	6674061	WASHER	preload - .108" (2,75mm) thick		1
10	6660016	RINGS			1
11	6676597	O-RING			2
12	6674724	NUT			6
13	6674706	STUD			6
14	NSS	SNAP RING	Order Ref. 19		2
15	NSS	RETAINER	Order Ref. 19		2
16	NSS	ROLLER	Order Ref. 19		10
17	NSS	PISTON	Order Ref. 19		10
18	6675234	CAM			1
19	6676907	BLOCK	W/Ref. 14-17		1
20	6676909	DISTRIBUTOR			1
21	6660033	SPRING			12
22	6674848	SEAL	W/ O-ring		1
23	6676910	SEAL	W/ O-ring		2
24	6674846	SEAL	W/ O-ring		1
25	6674345	PLUG			1
26	6674851	O-RING			1
27	6674344	SPRING			1
28	6674343	SHIM	.024" (0,6mm) thick		1
29	6674853	POPPET			1
30	6674839	PLUG	W/Ref. 31		2
31	NSS	O-RING			2
32	6674841	SPRING			2
33	6675866	SPOOL			1
34	6675867	WASHER			1
35	6671749	O-RING			2
36	6674852	PLUG	W/Ref. 35		1
37	6674066	SEAL			1
38	6660032	PIN			1
39	6674850	O-RING			1
40	6674066	SEAL			1
41	6671758	O-RING			2
42	6666364	PLUG	W/Ref. 41		2
43	NSS	O-RING	Order Ref. 44		1
44	6674017	PLUG	W/Ref. 43		1
45	6676908	HOUSING			1
46	6678779	HOUSING			1
47	6681622	SHAFT			1

HYDROSTATIC MOTOR & BRAKE (Cont'd)

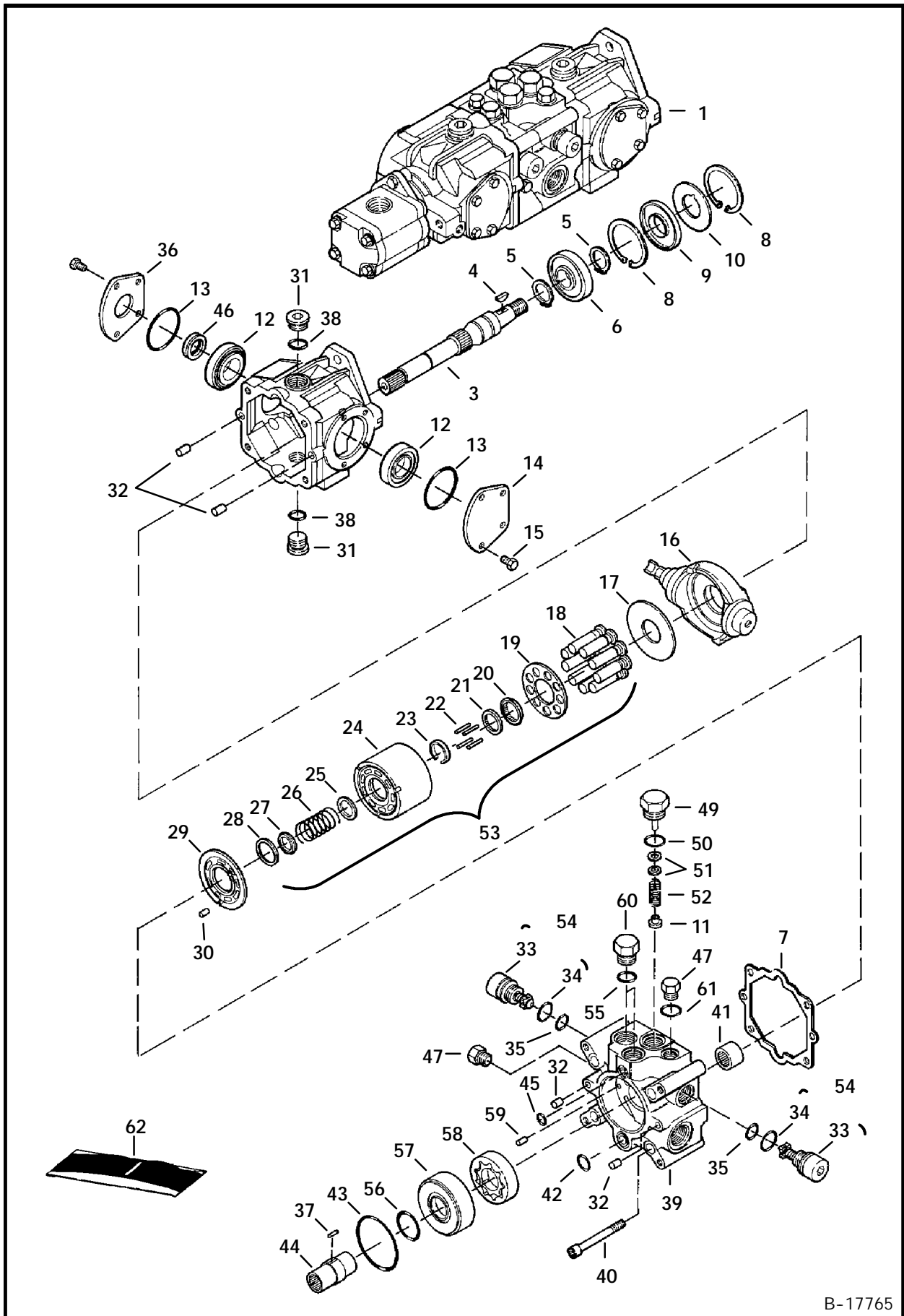


B-21330

HYDROSTATIC MOTOR & BRAKE (Cont'd)

Ref. No.	Part Number	Description	Remarks	Serial Number	Qty.
48	6674722	SHIM	.004" (0,1mm) thick		1
49	6674723	SHIM	.012" (0,3mm) thick		1
50	6674714	DISC	outer brake		21
51	6674713	DISC	inner brake		15
52	6677828	SEAL	green W/ metal washer		1
53	6674708	WASHER			8
54	6674703	BOLT			8
55	6674734	BUSHING			1
56	6681638	PISTON	brake		1
57	6674728	SEAL			1
58	6678780	WASHER			1
59	6674720	GASKET			1
60	6674716	COVER			1
61	6674705	O-RING			1
62	6674707	PLUG			1
63	6674702	BOLT			24
64	6681585	HOUSING ASSY	front - Ref. 2-10		1
65	NAP	ROTATING GROUP	Ref. 14-19 - Order Ref. 1		1
66	NAP	HOUSING ASSY	rear - Ref. 20-45 - Order Ref. 1		1
67	6681637	BRAKE ASSY	Ref. 46-63		1
68	6678778	SEAL KIT	W/Ref. 7, 11, 22, 23 (2) (6676910), 24, 26, 30, 34, 35, 39-41, 52, 57 & 59		1
69	6674704	BOLT			8

HYDROSTATIC PUMP (Left Half)

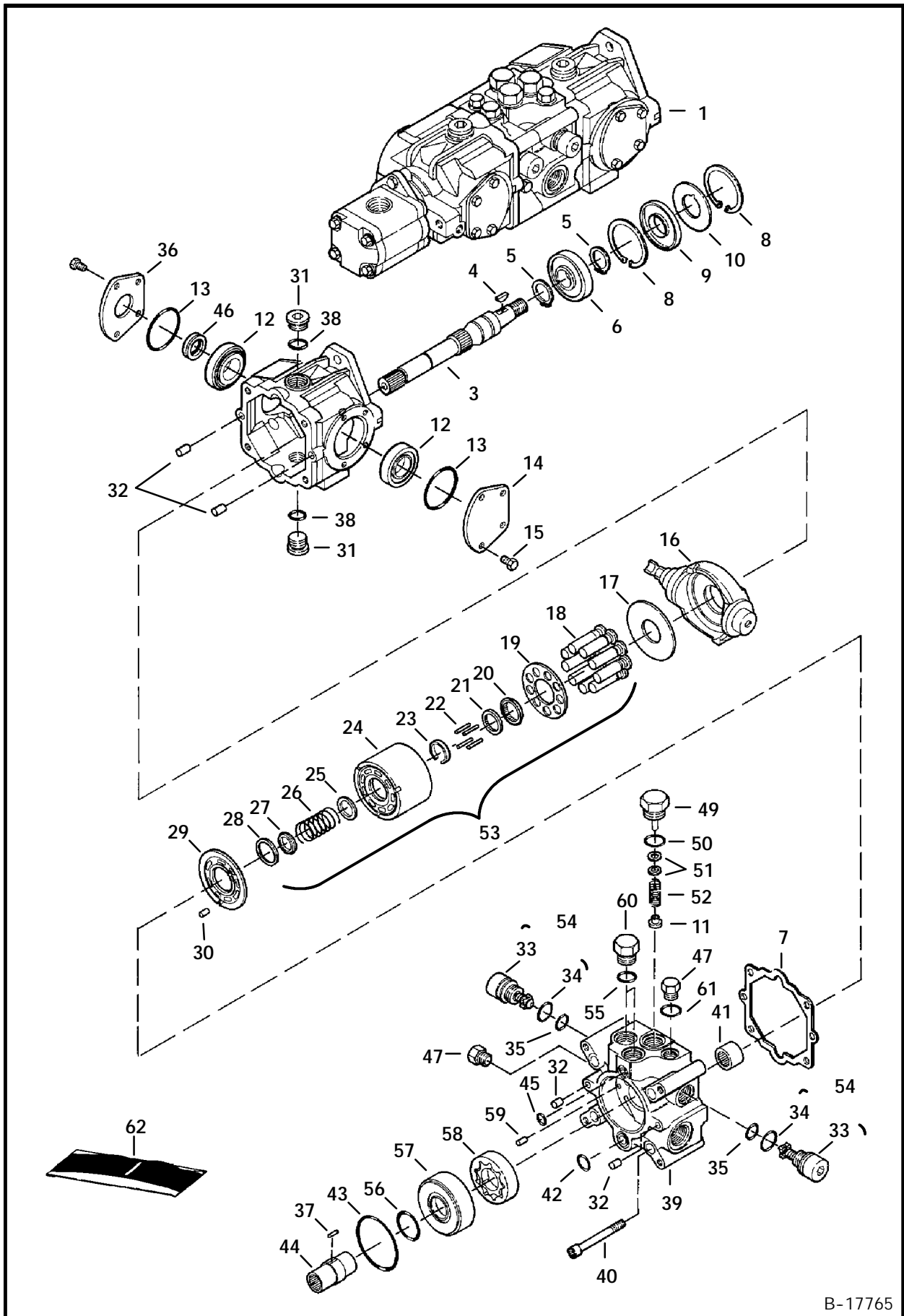


B-17765

HYDROSTATIC PUMP (Cont'd)
(Left Half)

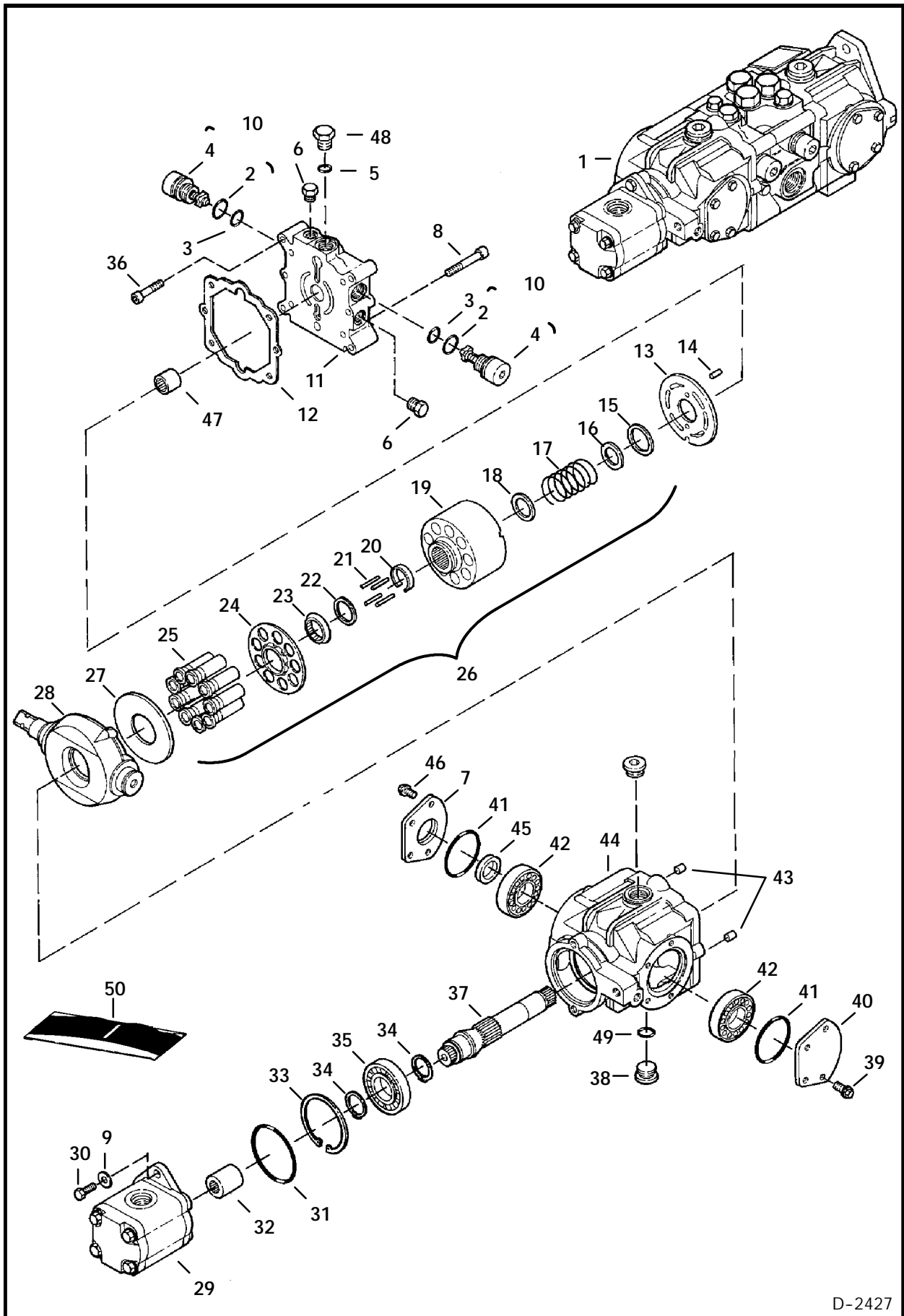
Ref. No.	Part Number	Description	Remarks	Serial Number	Qty.
1	6680313	PUMP	complete W/ gear pump - model 4445129 - standard flow complete W/ gear pump - model 4445128 - high flow		1
	6680312	PUMP			
2	6669402	HOUSING			1
3	6682260	SHAFT			
4	6682261	KEY			
5	658128	SNAP RING			2
6	654299	BEARING			
7	6650634	GASKET			
8	669863	SNAP RING			2
9	6645090	SEAL			
10	6669409	WASHER			
11	6650652	POPPET	charge relief		1
12	6669411	BEARING			
13	6660814	O-RING			
14	6657068	PLATE			2
15	6650668	BOLT			
16	6671513	SWASH PLATE			
17	6650627	WEAR PLATE	Order Ref. 53		1
18	NAP	PISTON ASSY.			
19	NAP	RETAINER			
20	NAP	RETAINER	Order Ref. 53 guide - Order Ref. 53		1
21	6666338	WASHER			
22	6650629	PIN			
23	6650630	RETAINER	Order Ref. 53		1
24	NAP	BLOCK			
25	NAP	WASHER			
26	NAP	SPRING	Order Ref. 53		1
27	NAP	WASHER			
28	NAP	WASHER			
29	6676147	VALVE PLATE	Order Ref. 53		1
30	6650636	PIN			
31	47K-8	PLUG			
32	6675342	PIN	W/Ref. 38		2
33	NAP	PLUG			
34	6657028	O-RING			
35	79K-8	O-RING			2
36	6657067	COVER			
37	6673885	PIN			
38	79K-12	O-RING			2
39	6673878	END PLATE			
40	6673886	BOLT			
41	6650635	BEARING			1
42	6650647	O-RING			
43	6673884	O-RING			
44	6673877	COUPLER			1
45	6650646	O-RING			
46	6678226	SEAL			
47	6645086	PLUG	W/Ref. 61		2
48	6671518	BOLT			

HYDROSTATIC PUMP (Cont'd) (Left Half)



B-17765

HYDROSTATIC PUMP (Right Half)

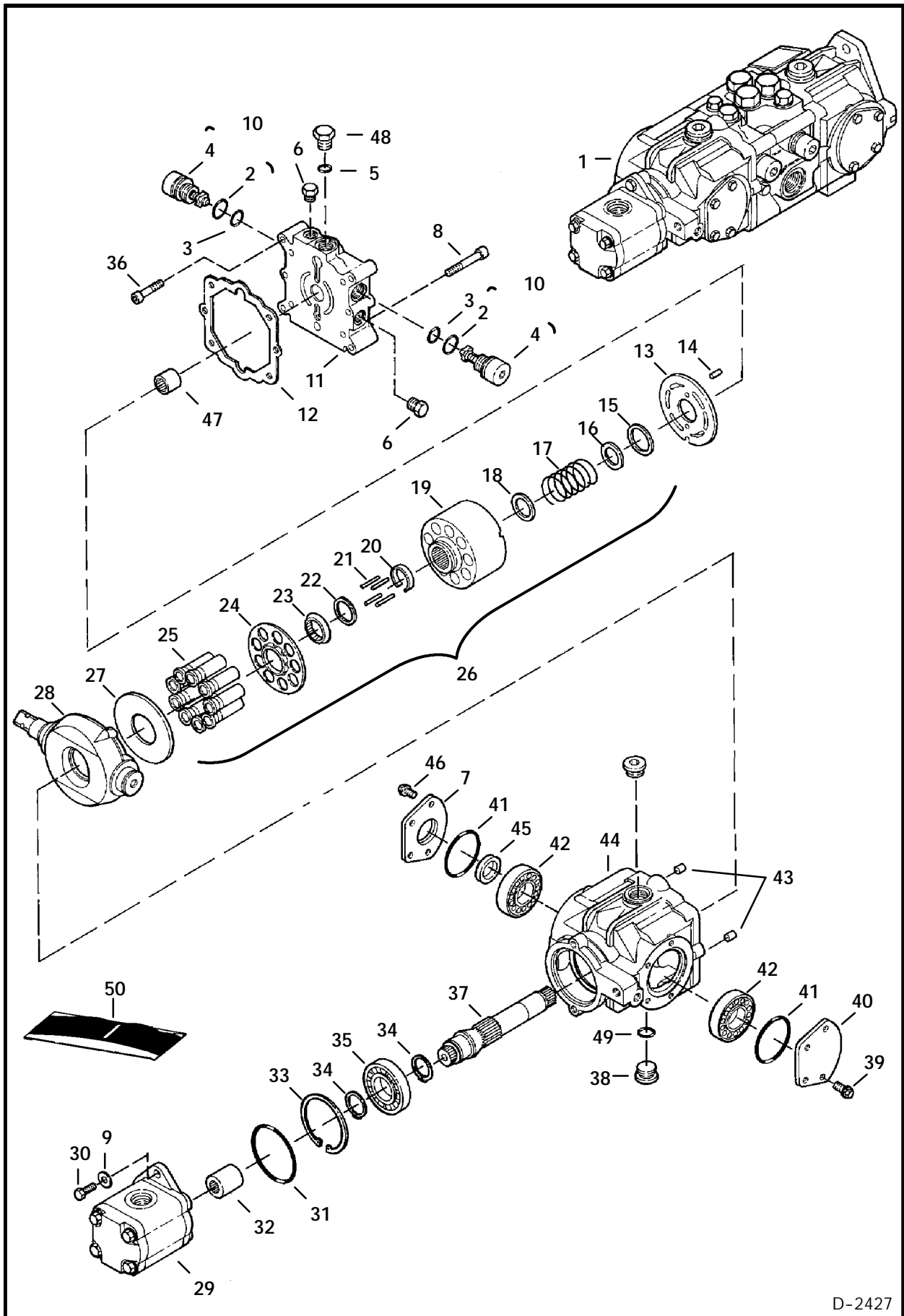


D-2427

HYDROSTATIC PUMP (Cont'd)
(Right Half)

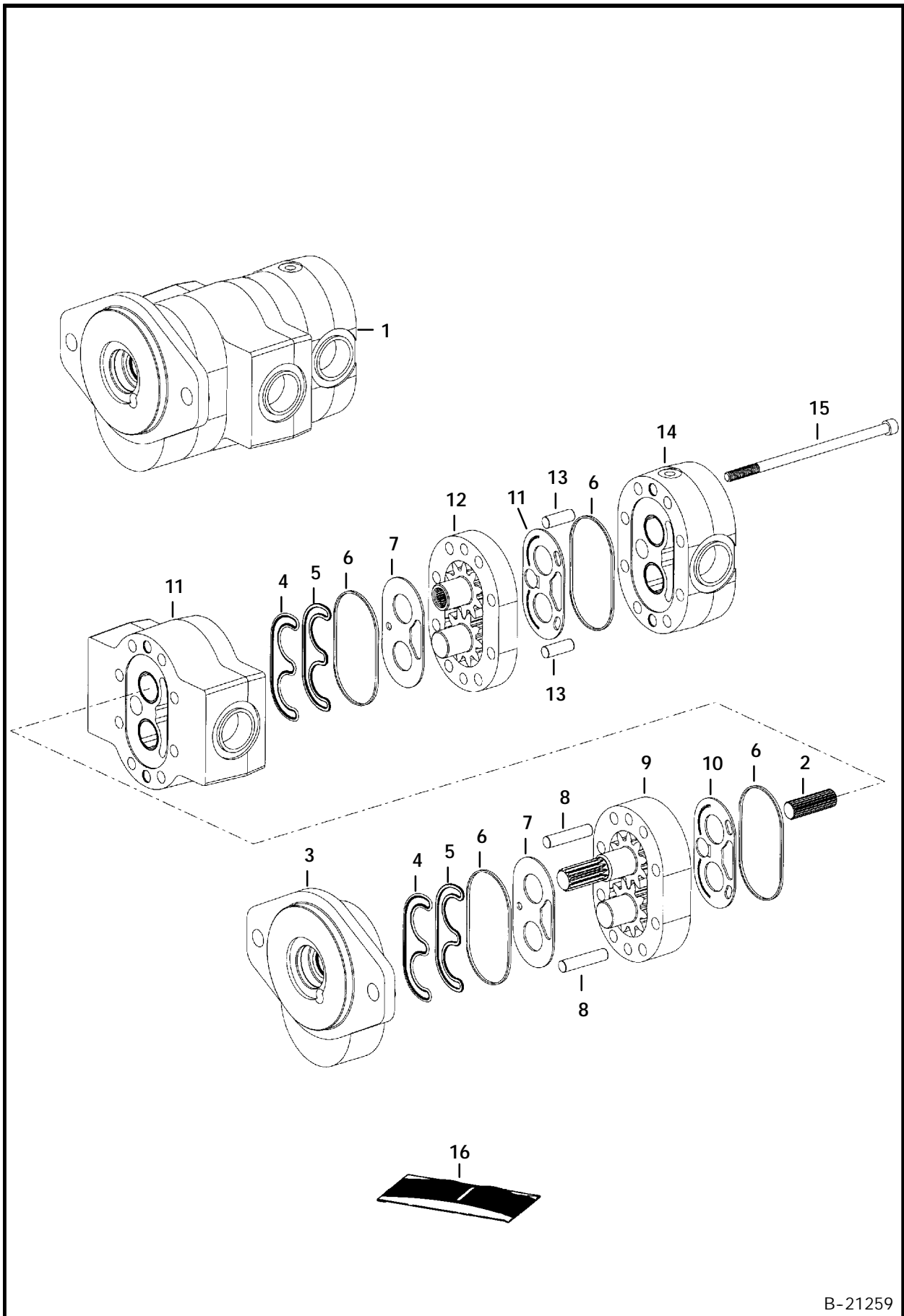
Ref. No.	Part Number	Description	Remarks	Serial Number	Qty.
1	6680313	PUMP	complete W/ gear pump - model 4445129 - standard flow		1
	6680312	PUMP	complete W/ gear pump - model 4445128 - high flow		1
2	6657028	O-RING			2
3	79K-8	O-RING			2
4	NAP	PLUG	Order Ref. 10		2
5	79K-14	O-RING			2
6	6645086	PLUG			4
7	6657067	COVER			1
8	6650674	BOLT			2
9	6518483	WASHER			2
10	6670685	RELIEF VALVE	5000 PSI (345 bar)		2
11	6669405	END CAP			1
12	6650634	GASKET			1
13	6676148	VALVE PLATE			1
14	6650636	PIN			2
15	NAP	RETAINER	Order Ref. 26		1
16	NAP	WASHER	Order Ref. 26		1
17	NAP	SPRING	Order Ref. 26		1
18	NAP	WASHER	Order Ref. 26		1
19	NAP	BLOCK	Order Ref. 26		1
20	6650630	RETAINER			1
21	6650629	PIN			4
22	6666338	WASHER			1
23	NAP	RETAINER	Order Ref. 26		1
24	NAP	RETAINER	Order Ref. 26		1
25	NAP	PISTON ASSY.	Order Ref. 26		1
26	6675341	BLOCK ASSY.	Ref. 15-25		1
27	6650627	PLATE			1
28	6671513	SWASH PLATE			1
29		GEAR PUMP	standard flow - See Page 95		1
		GEAR PUMP	high flow - See Page 47		1
30	6682263	BOLT			2
31	6645080	O-RING			1
32	6676146	COUPLING			1
33	669863	SNAP RING			1
34	658128	SNAP RING			2
35	654299	BEARING			1
36	6652018	BOLT			4
37	6682264	SHAFT			1
38	47K-8	PLUG	W/Ref. 49		1
39	6650668	BOLT			4
40	6657068	PLATE			1
41	6660814	O-RING			2
42	6669411	BEARING			2
43	6675342	PIN			2
44	6682262	HOUSING			1
45	6678226	SEAL			1
46	1CM-820	BOLT			4
47	6650635	BEARING			1

HYDROSTATIC PUMP (Cont'd) (Right Half)



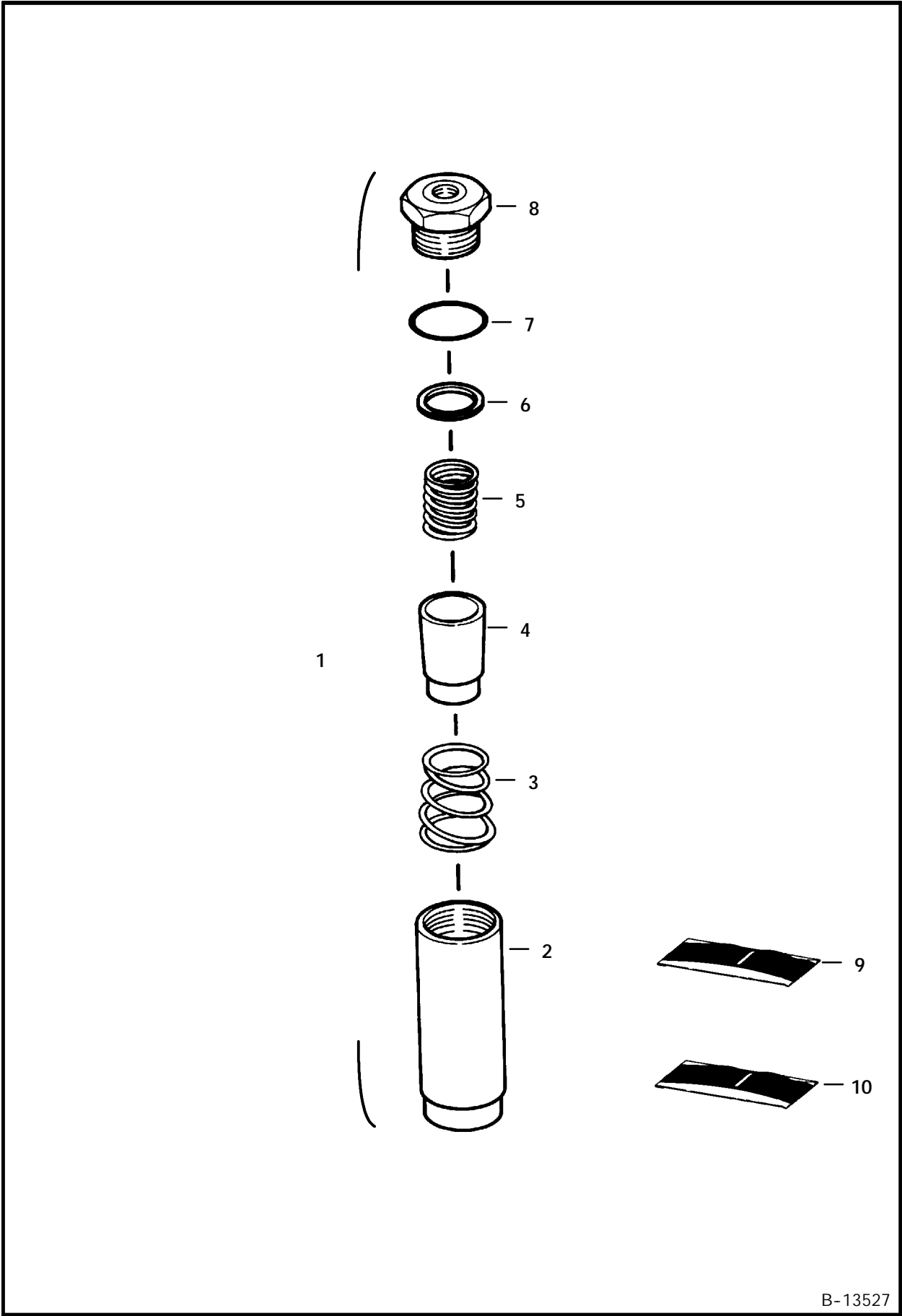
D-2427

GEAR PUMP



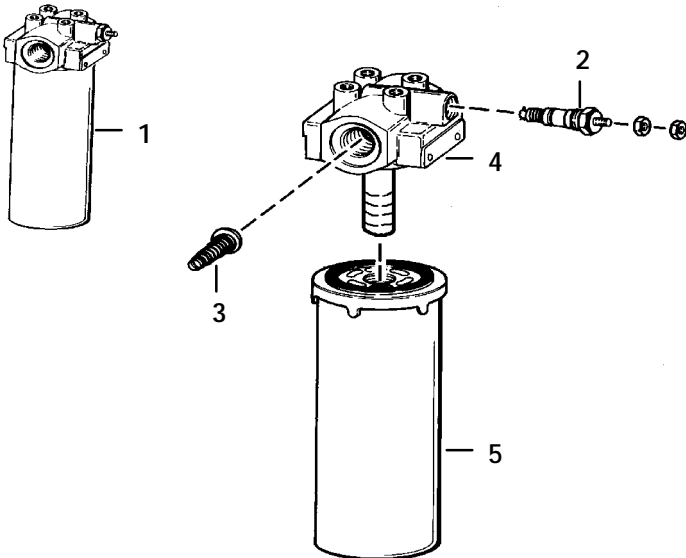
B-21259

HYDROSTATIC OIL FILTER
(In-Line)



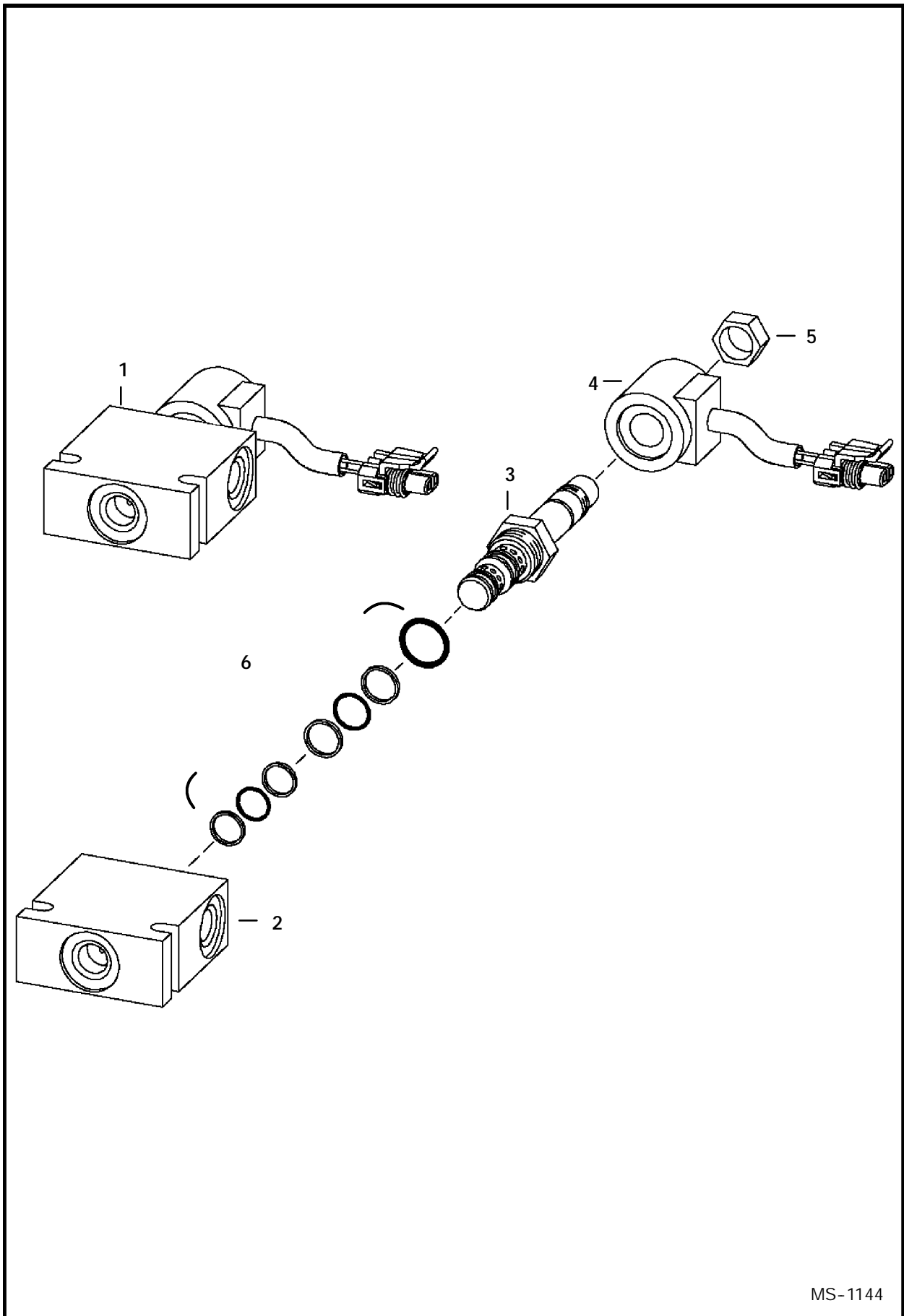
B-13527

HYDROSTATIC OIL FILTER



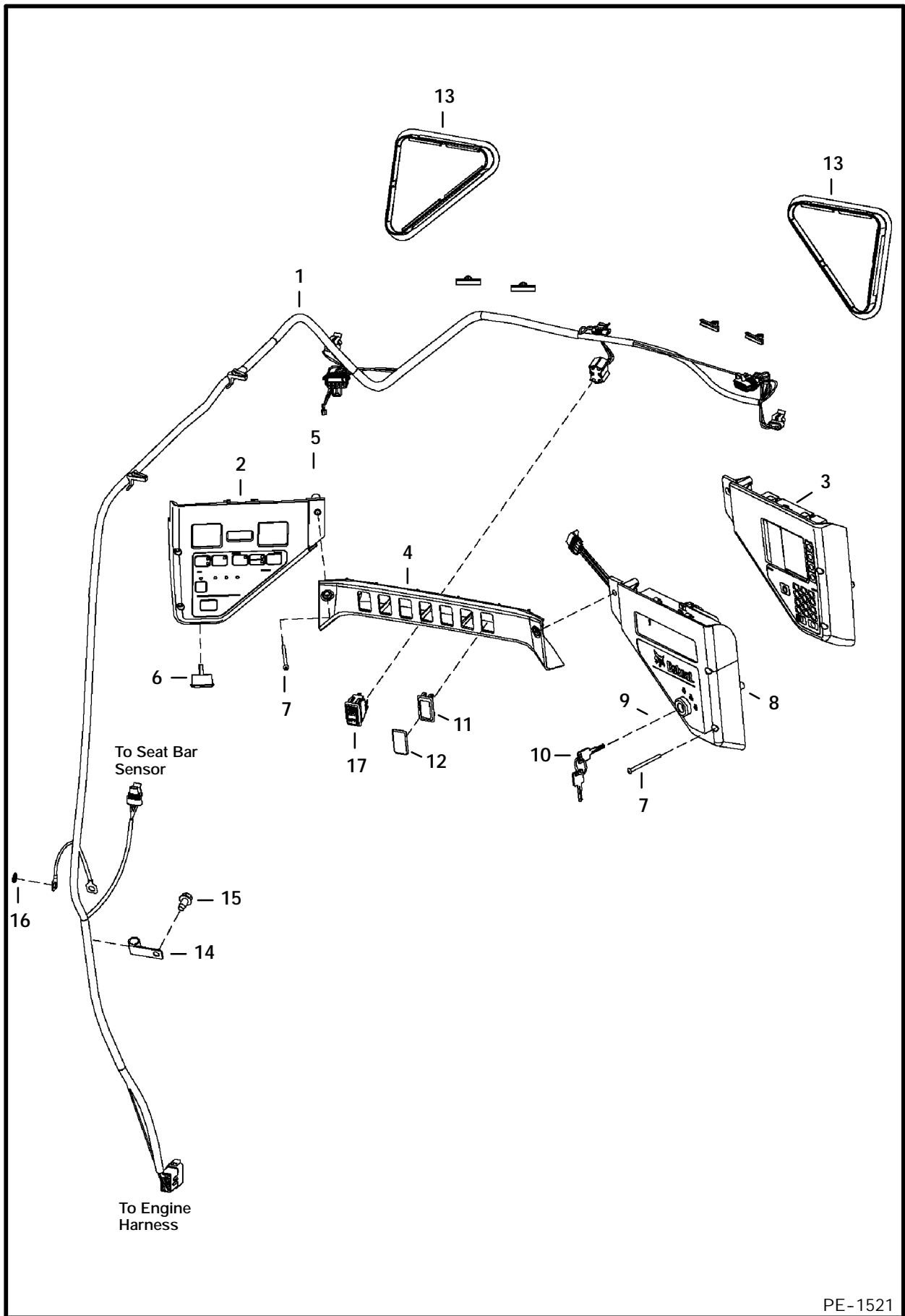
C-2818

BRAKE VALVE



MS-1144

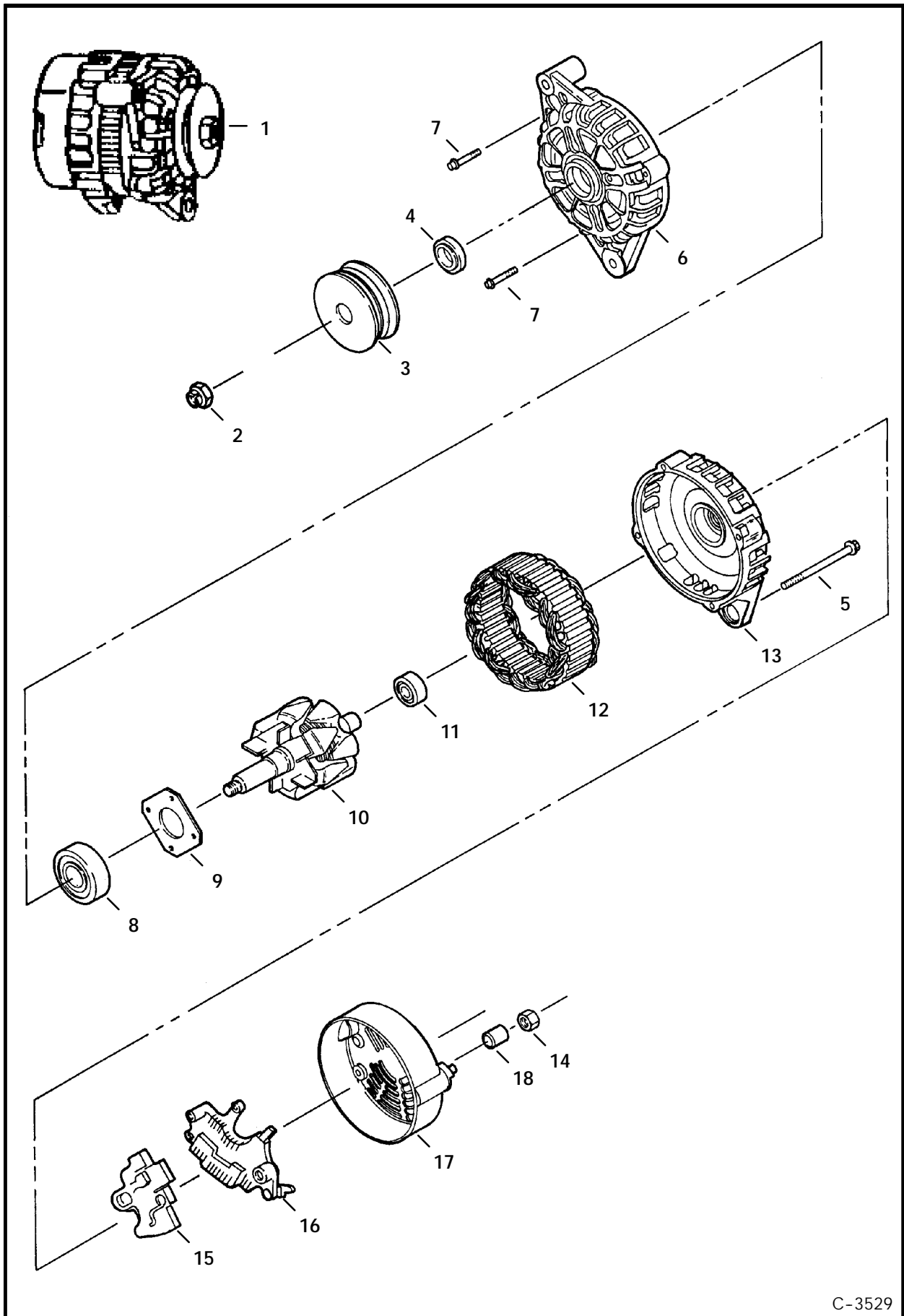
CAB ELECTRICAL CIRCUITRY



CAB ELECTRICAL CIRCUITRY (Cont'd)

Ref. No.	Part Number	Description	Remarks	Serial Number	Qty.
1	6727178	HARNESS			1
2	6678680	PANEL	L.H.		1
	6675982	PLUG	service part - covers the backlighting service hole		1
3	6679855	BULB			2
	6678681	PANEL	R.H. - keyed		1
4	6678682	PANEL	R.H. - deluxe - keyless		1
5	6679845	CROSSMEMBER			1
6	6675033	INSERT	threaded		6
7	6679856	ALARM	W/nut		1
8	6719084	BOLT			6
9	6679842	SWITCH	ignition - W/Ref. 9 & 10		1
10	6674202	NUT			2
11	6709527	KEY	ignition		1
12	6665314	SWITCH			1
13	6719038	PLUG			x
14	6674403	COVER			2
15	6675171	CLAMP			1
16	84G-3712	BOLT			1
17	6E-5	WASHER			1
	6676536	SWITCH	park brake		1

ALTERNATOR (90 Amp)

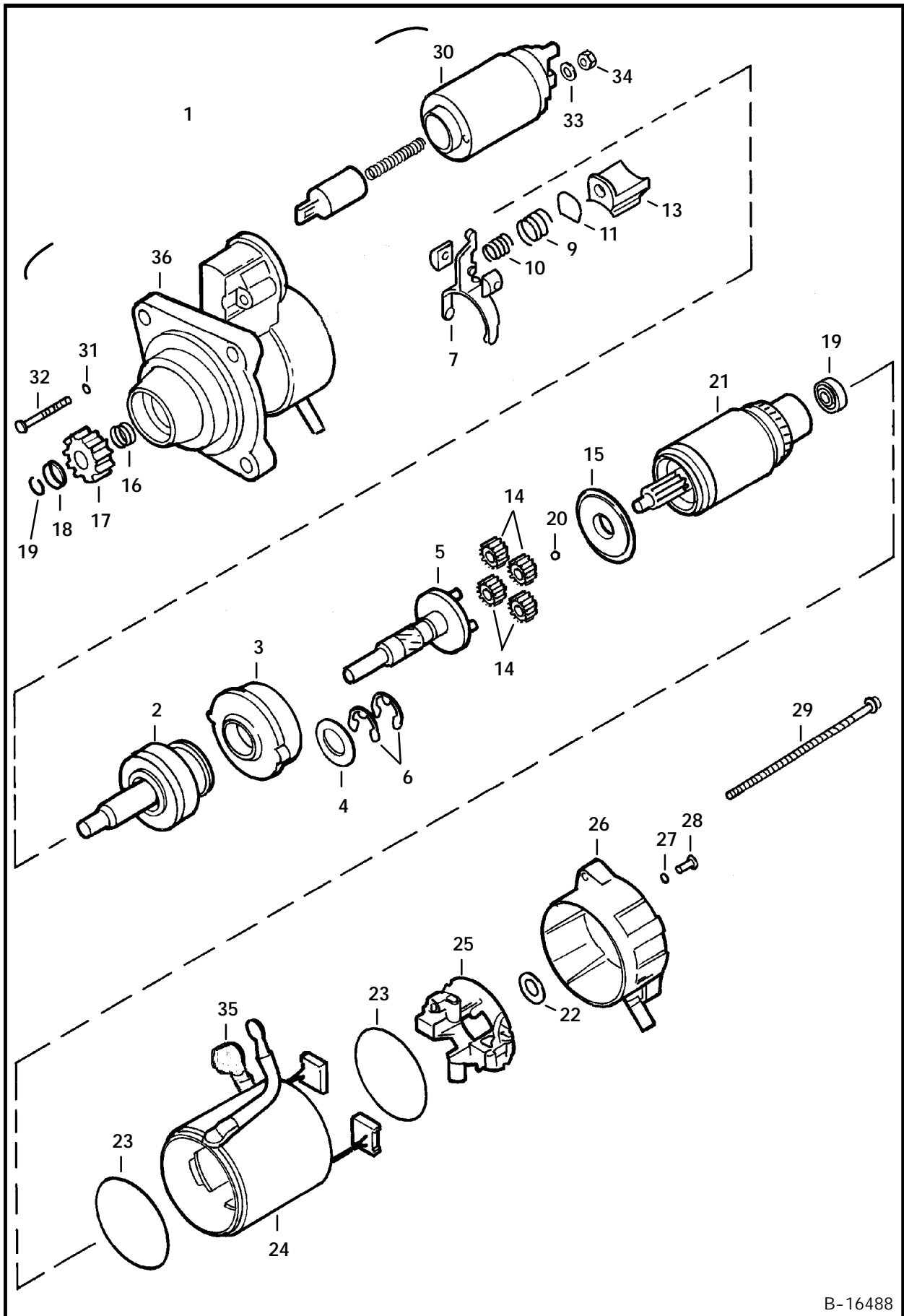


C-3529

ALTERNATOR (Cont'd)
(90 Amp)

Ref. No.	Part Number	Description	Remarks	Serial Number	Qty.
1	6678205	ALTERNATOR	90 amp - Ref. 2-14		1
2	6677497	NUT			1
3	6677496	PULLEY			1
4	6677495	SPACER			1
5	6677494	BOLT			4
6	6677491	BRACKET	front		1
7	6677817	BOLT			4
8	6677818	BEARING			1
9	6677819	RETAINER			1
10	6677492	ROTOR			1
11	6677820	BEARING			1
12	6677493	STATOR			1
13	6677490	BRACKET			1
14	6677486	NUT			1
15	NSS	REGULATOR	Order Ref. 1		1
16	6677488	RECTIFIER			1
17	6677487	COVER			1
18	6677485	SPACER			1

STARTER
(Valeo)

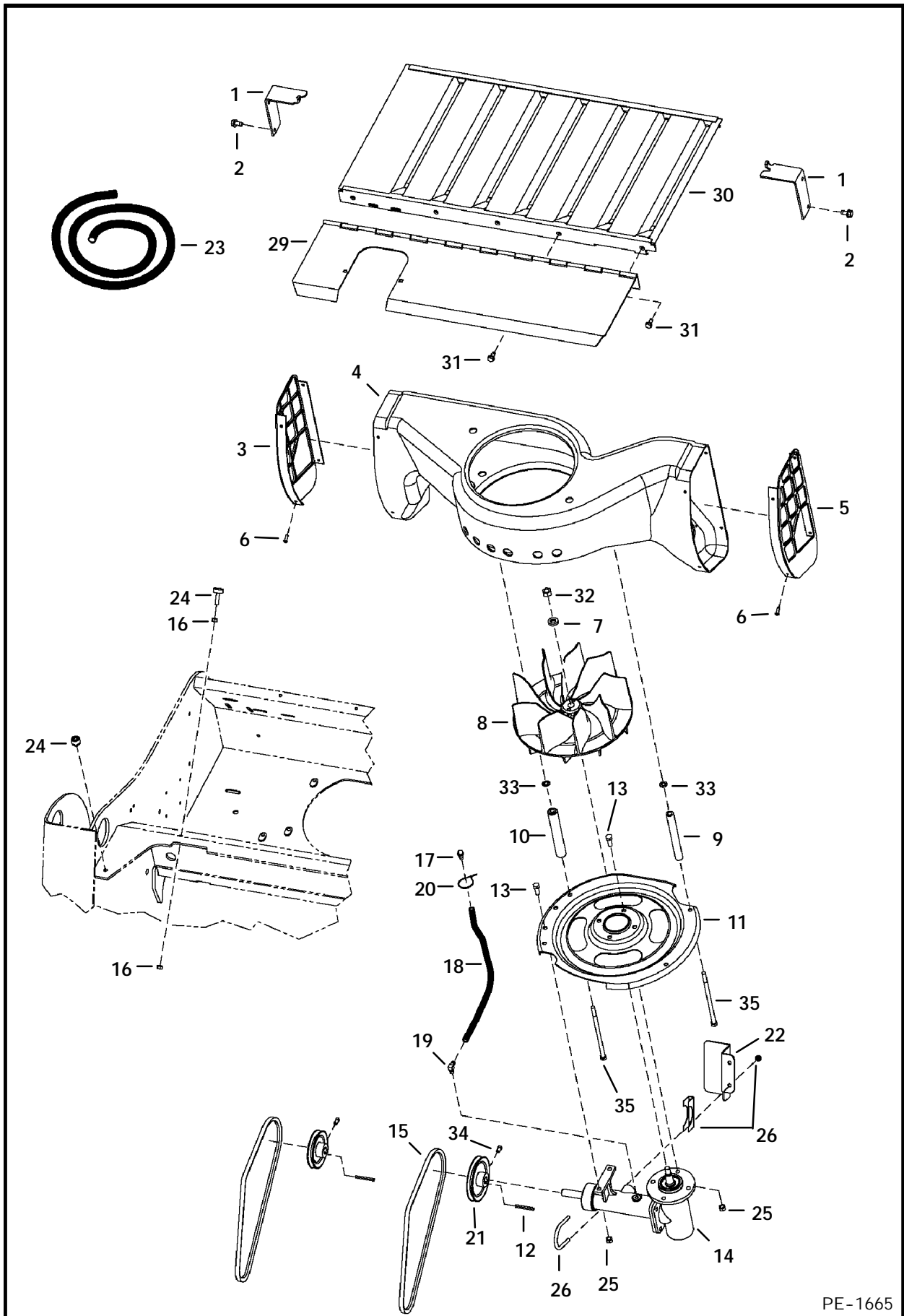


B-16488

STARTER (Cont'd)

Ref. No.	Part Number	Description	Remarks	Serial Number	Qty.
1	6676957	STARTER			1
2	6680375	SHAFT	O.R.C. assy.		1
3	6680367	GEAR			1
4	6680378	WASHER			1
5	6680365	SHAFT			1
6	6680368	STOP RING			2
7	6680364	LEVER			1
8	6680357	HOLDER			2
9	6680381	SPRING			1
10	6680382	SPRING			1
11	6680370	PLATE			1
12	6680369	SEAL			1
13	6680371	LEVER			1
14	6680366	GEAR			4
15	6680372	BRACKET			1
16	6680361	SPRING			1
17	6680390	GEAR			1
18	6680360	STOP			1
19	6680359	STOP RING			1
20	6680362	BALL			1
21	6680374	ARMATURE			1
22	6680363	WASHER			1
23	6680380	SEAL			2
24	6680373	YOKE			1
25	6680377	HOLDER			1
26	6680389	BRACKET			1
27	6680358	RING	rubber		2
28	6680384	BOLT			2
29	6680356	BOLT			2
30	6680376	SWITCH			1
31	6680379	SEAL			2
32	6680383	BOLT			2
33	6EM-80	WASHER			1
34	4DM-8	NUT			1
35	6680355	BOOT			1
36	6680388	BRACKET			1

COOLING SYSTEM

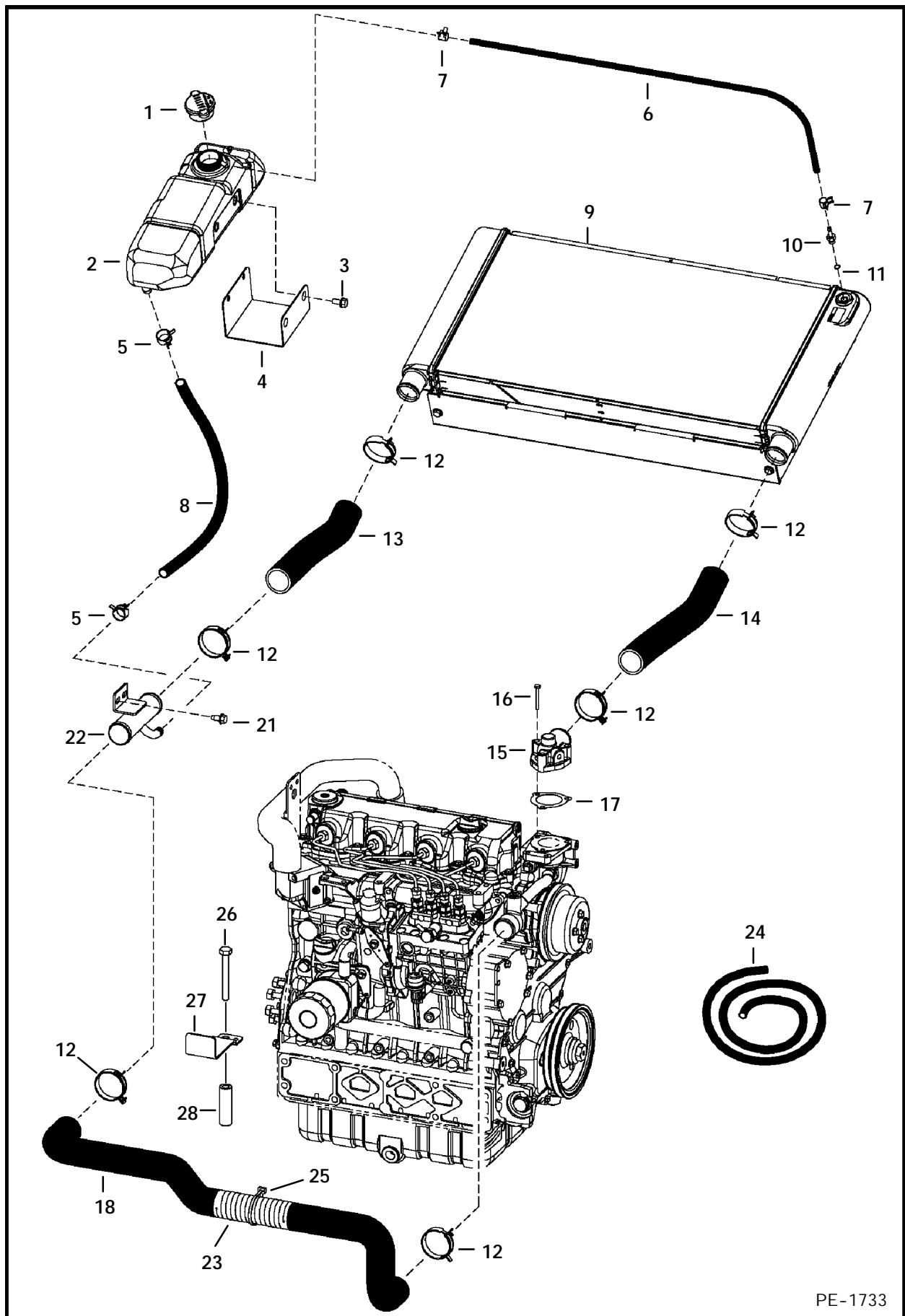


PE-1665

COOLING SYSTEM (Cont'd)

Ref. No.	Part Number	Description	Remarks	Serial Number	Qty.
1	6731970	BRACKET			2
2	84G-3712	BOLT			4
3	6716574	LOUVER	L.H. - plastic		1
4	6732931	HOUSING			1
5	6716572	LOUVER	R.H. - plastic		1
6	6706517	SCREW			8
7	6701097	WASHER			1
8	6715142	FAN			1
9	6577382	SPACER			2
10	6732318	SPACER			2
11	6717478	INLET	4 slot		1
12	7J-2208	KEY			1
13	17C-616	BOLT			6
14	6731101	HOUSING ASSY	See Page 123		1
15	6713382	BELT	cooling fan drive -		
			44.75" (1137mm)	5219	1
16	6725905	BELT	46" (1168mm)	5220	1
	61D-5	NUT			4
17	6680970	BREATHER			1
18	NAP	HOSE	19.5" (495mm) long - Order Ref. 23		1
19	6657376	ELBOW			1
20	6610510	TIE			1
21	6725130	PULLEY	4.00" (101,6mm) O.D.	5219	1
	6579541	PULLEY	5.75" (146mm) O.D.	5220	1
22	6719429	SHIELD	belt		1
23	6577822	HOSE	bulk - Sold Per Foot		x
24	6655399	BUMPER			4
25	61D-6	NUT			10
26	6626631	CLAMP			1
27	6731915	BRACKET			1
28	6732457	WASHER	step		4
29	6731916	SHIELD			1
30	6731078	GRILL			1
31	84G-3112	BOLT			8
32	96D-8	NUT			1
33	6674894	NUT	spring		4
34	6715143	SET SCREW			1
35	17C-6116	BOLT			4

COOLING SYSTEM

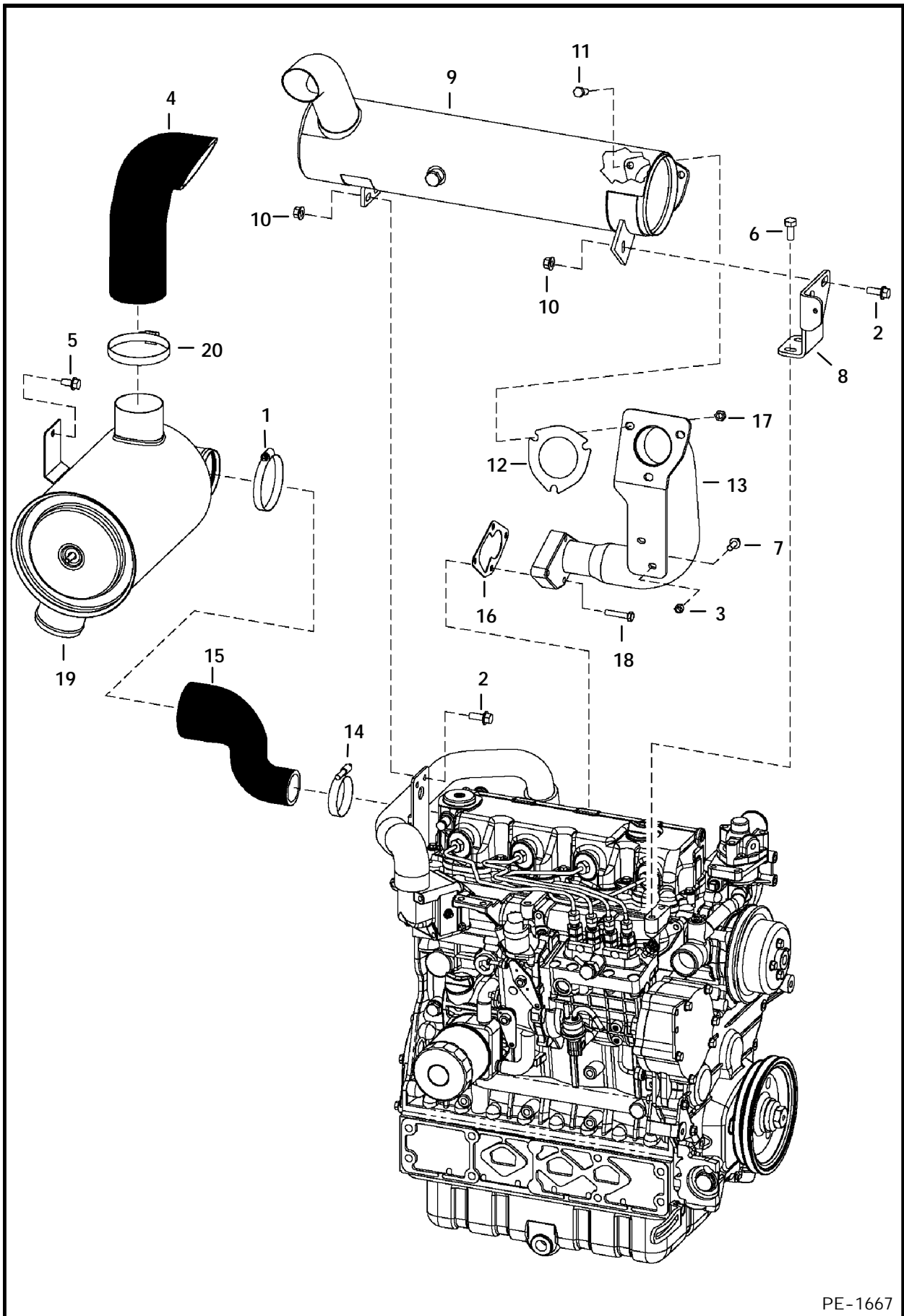


PE-1733

COOLING SYSTEM (Cont'd)

Ref. No.	Part Number	Description	Remarks	Serial Number	Qty.
1	6733429	CAP			1
2	6732375	TANK			1
3	6733886	BOLT			2
4	6732870	MOUNT			1
5	5HM-23	CLAMP			2
6	NAP	HOSE	Order Ref. 19 - .3125" I.D. - 36" (914mm) long		1
7	5HM-13	CLAMP			2
8	NAP	HOSE	Order Ref. 20 - .63" I.D. - 18.75" (476mm) long		1
9	6728747	RADIATOR			1
10	6734090	ADAPTER	W/Ref. 11		1
11	79K-4	O-RING			x
12	5HM-55	CLAMP			6
13	6728749	HOSE			1
14	6729310	HOSE			1
15	6680843	COVER	thermostat - See Page 143		1
16	6680845	BOLT	See Page 143		3
17	6680844	GASKET	See Page 143		1
18	6728750	HOSE			1
19	6577822	HOSE	bulk - sold per foot		x
20	6578172	HOSE	bulk - sold per foot		x
21	84G-3712	BOLT			2
22	6730766	TUBE			1
23	NAP	GUARD	hose - 5.7" (145mm) long		1
24	6733885	GUARD	hose - bulk - sold per foot		x
25	6624289	TIE			1
26	6731198	BOLT			1
27	6731103	BRACKET			1
28	6731109	SPACER			1
29	6610510	TIE			1
30	35C-516	BOLT			4

ENGINE & ATTACHING PARTS
(Air Cleaner, Muffler)

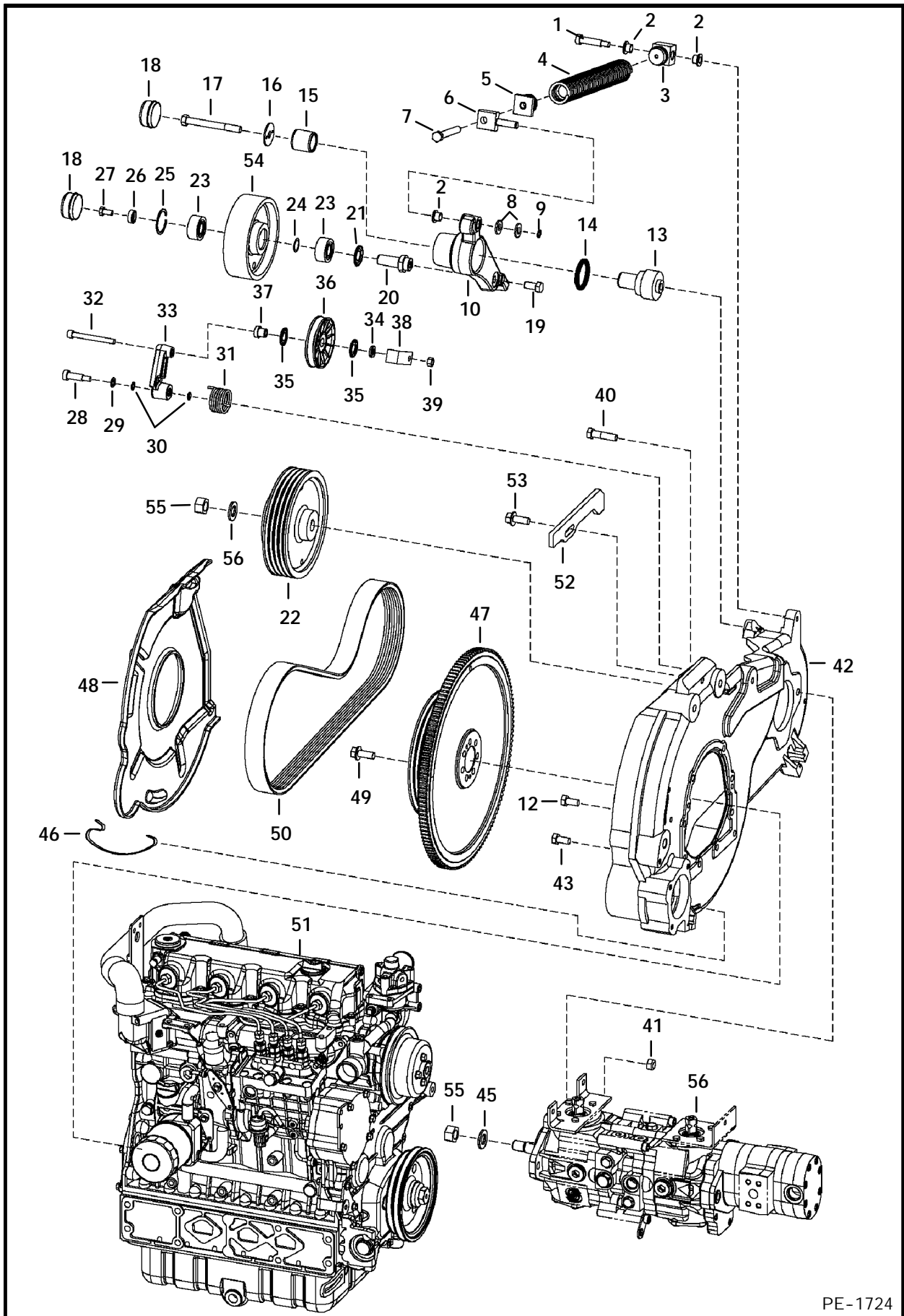


PE-1667

ENGINE & ATTACHING PARTS (Cont'd)
(Air Cleaner, Muffler)

Ref. No.	Part Number	Description	Remarks	Serial Number	Qty.
1	42HC-375	CLAMP			1
2	45C-616	BOLT			3
3	53DM-8	NUT			1
4	6730726	HOSE	air intake		1
5	84G-3712	BOLT			2
6	6719825	BOLT			2
7	29CM-820	BOLT			1
8	6730753	SHIELD	muffler		1
9	6677373	MUFFLER	double insulated		1
10	83D-6	NUT			3
11	17C-616	BOLT			3
12	6732032	GASKET	exhaust		1
13	6729803	TUBE	exhaust		1
14	42HC-250	CLAMP			1
15	6734114	HOSE			1
16	6729875	GASKET			1
17	85D-6	NUT			3
18	6733143	BOLT			4
19		AIR CLEANER	See Page 157		1
20	42H-52	CLAMP			1

ENGINE & ATTACHING PARTS (Belt Drive System)

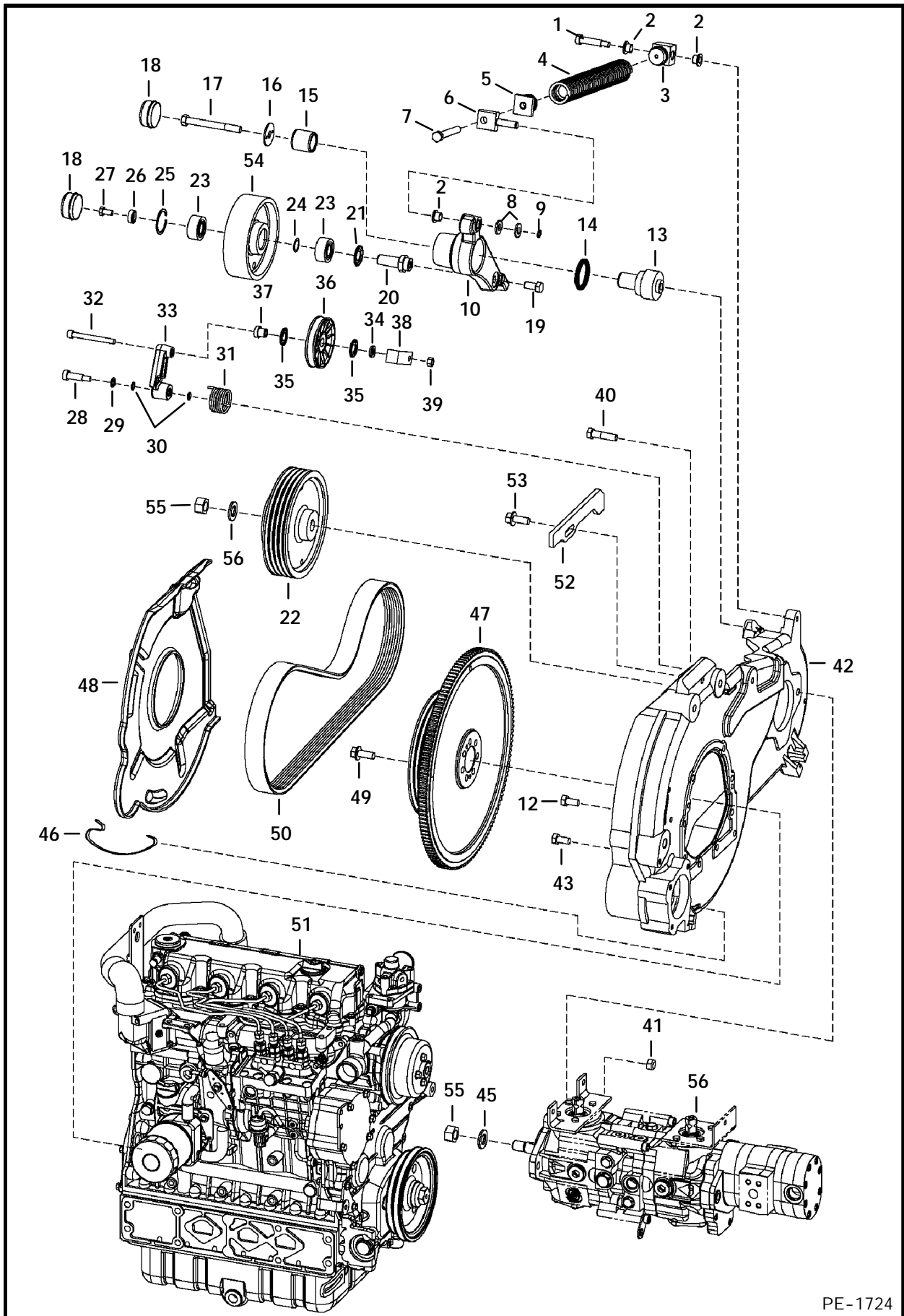


PE-1724

ENGINE & ATTACHING PARTS (Cont'd)
(Belt Drive System)

Ref. No.	Part Number	Description	Remarks	Serial Number	Qty.
1	38C-828	BOLT	shoulder		1
2	1313116	BUSHING			4
3	6568424	ADAPTER			1
4	6569498	SPRING ASSY			1
5	6568425	ADAPTER			1
6	6587182	SWIVEL PIN			1
7	6586710	BOLT			1
8	25E-21	WASHER			2
9	6518955	SNAP RING			1
10	6733604	IDLER			1
11	6670682	BEARING	nylon		1
12	6730894	BOLT			2
13	6707699	PIVOT			1
14	6661377	SEAL			1
15	6587765	BUSHING			1
16	6707698	WASHER			1
17	17C-872	BOLT			1
18	6660967	CAP	grease		2
19	17C-816	BOLT			1
20	6707654	SPINDLE			1
21	6665307	SEAL			1
22	6713342	PULLEY	pump		1
23	6661229	BEARING			2
24	6701159	SHIM			1
25	6665308	SNAP RING			1
26	6707697	WASHER			1
27	17C-612	BOLT			1
28	38C-820	BOLT			1
29	6655781	BEARING	thrust		1
30	6704820	O-RING			2
31	6700115	SPRING			1
32	73G-656	BOLT			1
33	6725212	ARM	W/Ref. 11		1
34	6704444	WASHER			1
35	6660995	GREASE RING			2
36	6662997	PULLEY			1
37	6704443	BUSHING			1
38	6702474	RETAINER			1
39	61D-6	NUT			1
40	17C-832	BOLT	hydrostatic pump mount		2
41	85D-8	NUT			2
42	6730020	MOUNT	See Page 119		1
43	6719828	BOLT			10
44		STARTER	See Page 107		1
45	6576033	WASHER			1
46	6701160	CLIP			3
47	6733399	FLYWHEEL ASSY	W/ ring gear		1
	6665222	RING GEAR			1
48	6731100	SHIELD			1
49	6680747	BOLT			6
50	6672152	BELT	pump drive		1

ENGINE & ATTACHING PARTS (Cont'd) (Belt Drive System)



PE-1724

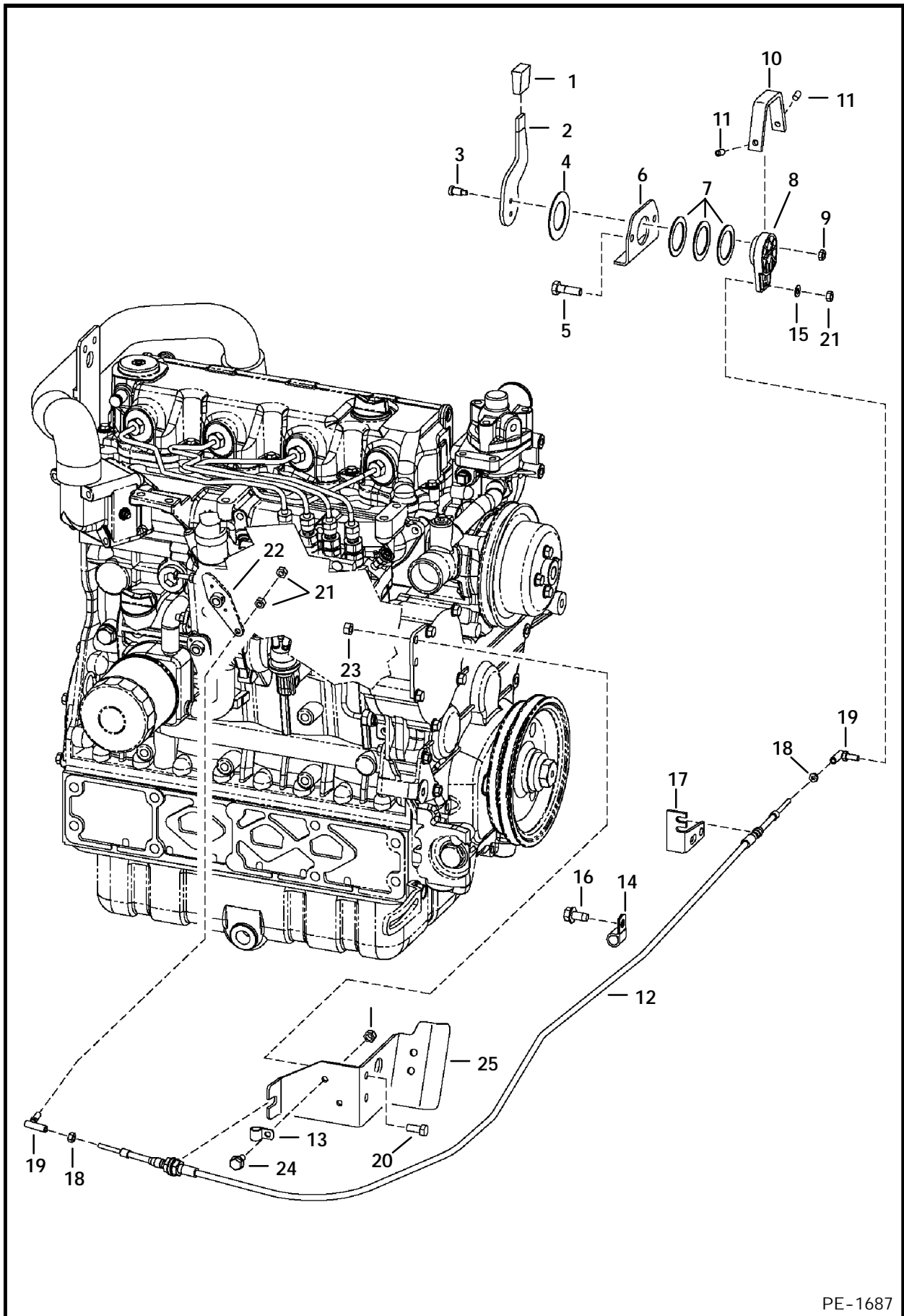
**ENGINE & ATTACHING PARTS (Cont'd)
(Belt Drive System)**

Ref. No.	Part Number	Description	Remarks	Serial Number	Qty.
51		ENGINE	See Page 125		1
52	6729944	STOP	idler		1
53	31C-820	BOLT			1
54	6708445	PULLEY	drive idler		1
55	92D-12	NUT			1
56		PUMP	See Page 87		1

ENGINE & ATTACHING PARTS (Cont'd)
(Engine Mounts)

Ref. No.	Part Number	Description	Remarks	Serial Number	Qty.
1		ENGINE	See Page 126		1
2	6680839	BRACKET	alternator - See Page 141		2
3	6680687	BOLT			2
4	1CM-8100	BOLT			1
5	81D-6	NUT			1
6		ALTERNATOR	See Page 105		1
7	6677824	BELT	alternator		1
8	6732206	SPACER	alternator		1
9	25E-17	WASHER			2
10	6732193	BRACKET			1
11	1CM-1020	BOLT			1
12	6732574	BRACKET			1
13	6732575	SPACER			1
14	14JM-3112	ROLL PIN			2
15	6716408	SPACER			1
16	6719829	BOLT			6
17	17C-888	BOLT			1
18	83D-8	NUT			3
19	6731146	WASHER			4
20	6668104	MOUNT			4
21	6715287	SPACER			4
22	6661787	WASHER			4
23	43C-852	BOLT			4
24	6729942	MOUNT			1
25	17C-820	BOLT			1
26	6732585	SPACER			1
27	17C-824	BOLT			2
28	6728721	MOUNT	cast		2
29	6652918	NUT			2
30	6733873	SHIELD	alternator		1
31	6730020	MOUNT			1
32		STARTER	See Page 107		1
33	36K-6	CAP			1
34	6732476	HOSE			1
35	45C-620	BOLT			3
36	30H-73	CLAMP			1
37	6731198	BOLT			1
38	6731109	SPACER			1

THROTTLE

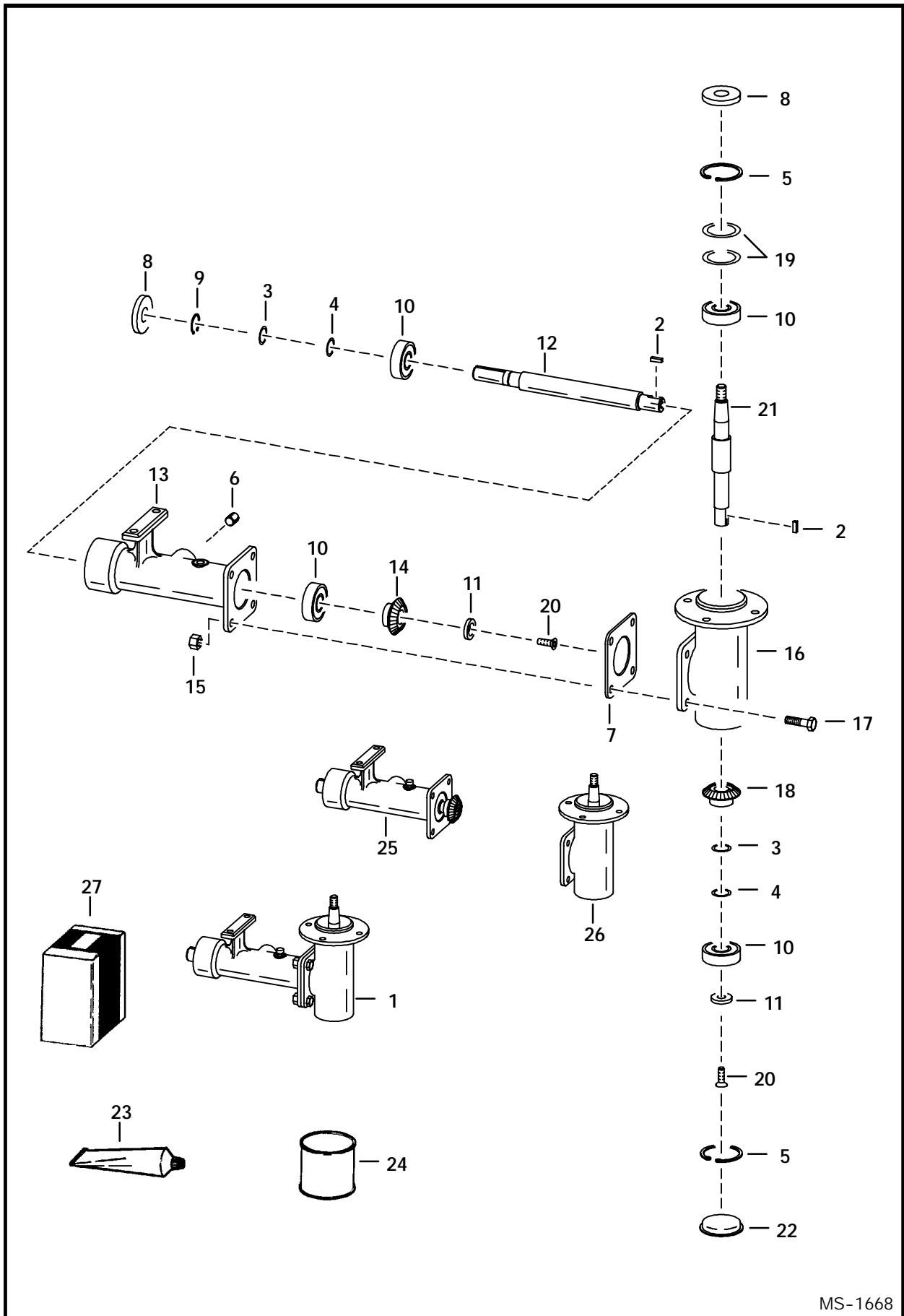


PE-1687

THROTTLE (Cont'd)

Ref. No.	Part Number	Description	Remarks	Serial Number	Qty.
1	6564452	GRIP			1
2	6705452	LEVER			1
3	38C-610	BOLT	shoulder		2
4	6567962	WASHER			1
5	84G-3724	BOLT			2
6	6576262	MOUNT			1
7	6630945	WASHER			3
8	6709022	LEVER			1
9	85D-5	NUT			6
10	6576261	COVER			1
11	6706572	SET SCREW			2
12	6675668	CABLE			1
13	30H-21	CLAMP			1
14	30H-31	CLAMP			1
15	25E-11	WASHER			1
16	84G-3712	BOLT			1
17	6732450	BRACKET			1
18	14D-10	NUT			2
19	6644965	BALL JOINT			1
20	17C-512	BOLT			2
21	62D-4	NUT			3
22		LEVER	See Page 153 Ref. 3		1
23	95D-5	NUT			2
24	84G-3110	BOLT			1
25	6730754	MOUNT			1

COOLING FAN DRIVE ASSY.

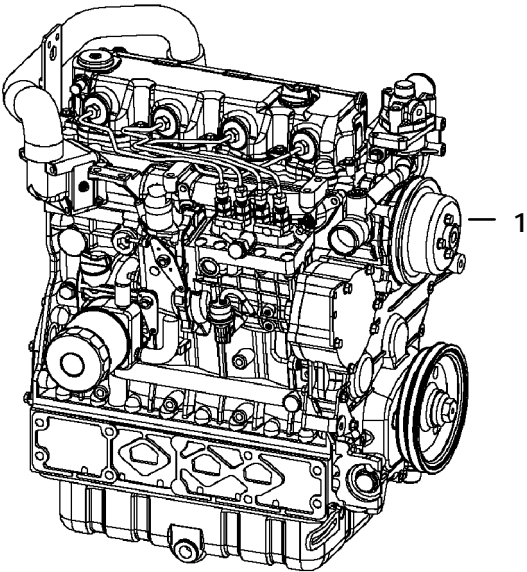


MS-1668

COOLING FAN DRIVE ASSY. (Cont'd)

Ref. No.	Part Number	Description	Remarks	Serial Number	Qty.
1	6731101	HOUSING ASSY.	Ref. 2-22		1
2	7J-2010	KEY			2
3	6702165	SHIM	.002" (0,05mm) thickness -		
4	6701159	SHIM	1" (25,4mm) O.D. .005"(0,13 mm) thickness - 1" (25,4mm) O.D.		x
5	6653758	SNAP RING			2
6	16F-8	PLUG			1
7	6578284	SHIM	.003" (0,08 mm) thickness		x
8	6653702	SEAL			2
9	6653757	SNAP RING			1
10	6646627	BEARING			4
11	6702140	WASHER	countersink		2
12	6730804	SHAFT	keyed		1
13	6579641	HOUSING			1
14	6702103	GEAR	keyed		1
15	95D-6	NUT			4
16	NSS	HOUSING	Order 6702138 housing or Ref. 26		1
17	17C-620	BOLT			4
18	6702102	GEAR	keyed		1
19	6702166	SHIM	.002" (0,05mm) thickness -		
	6702144	SHIM	2" (50,8mm) O.D. .005" (0,13mm) thickness - 2" (50,8mm) O.D.		x
					x
20	9G-512	SCREW			2
21	6702135	SHAFT	keyed		1
22	6700782	CAP	grease		1
23	6672486	SEALANT	polyurethane - Use W/Ref. 7 & 22		x
24	6634393	LUBRICANT	gear - 1 pint		x
25	6731102	HOUSING ASSY.	half		1
26	6707077	HOUSING ASSY.	half		1
27	6669384	SPEEDY SLEEVE	repair kit		1

ENGINE & GASKET KITS
(V3300 DI T Kubota)

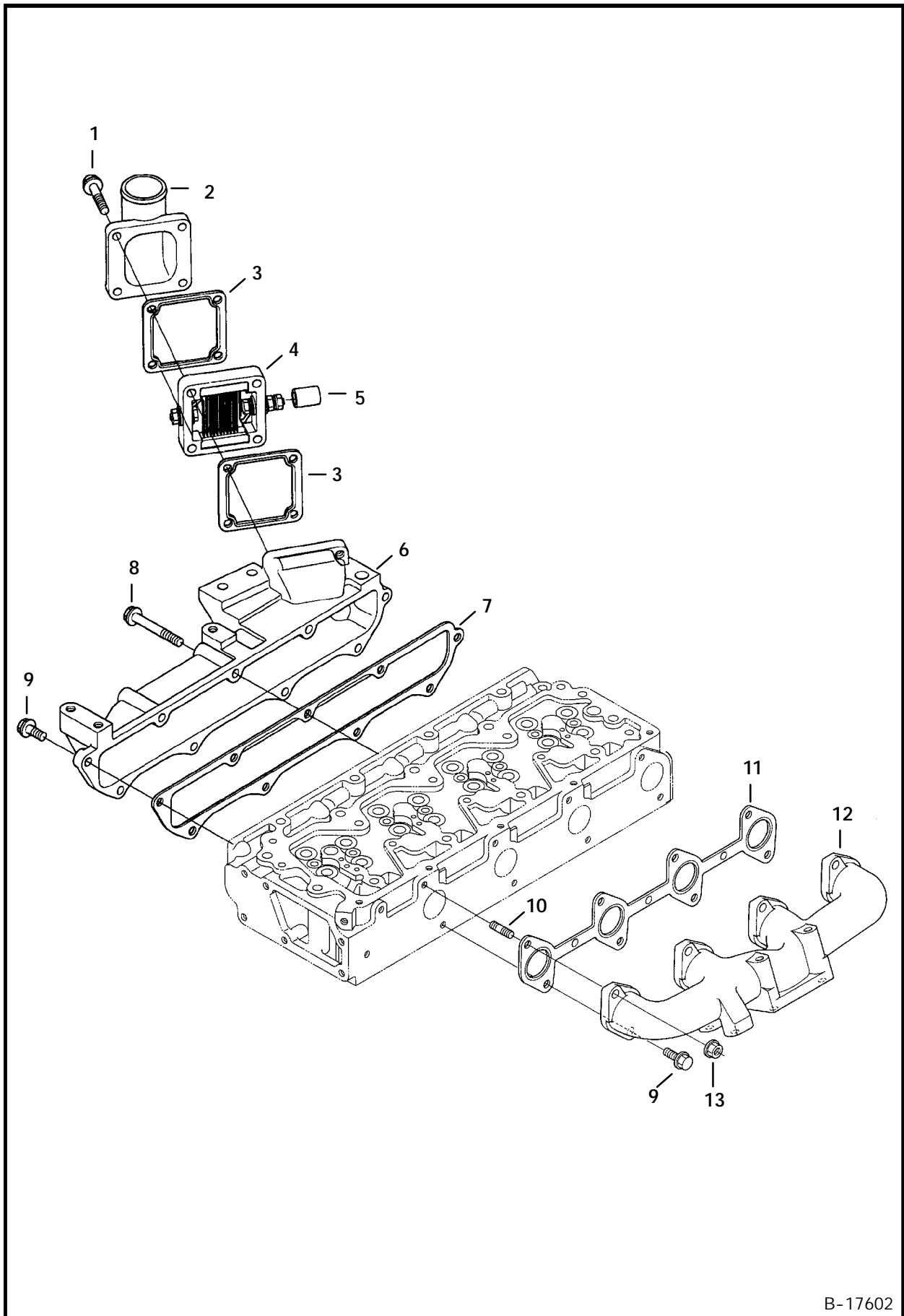


B-18620

ENGINE & GASKET KITS (Cont'd) (V3300 DI T Kubota)

Ref. No.	Part Number	Description	Remarks	Serial Number	Qty.
1	6677372	ENGINE	80.8 HP		1

MANIFOLDS (V3300 DI T Kubota)

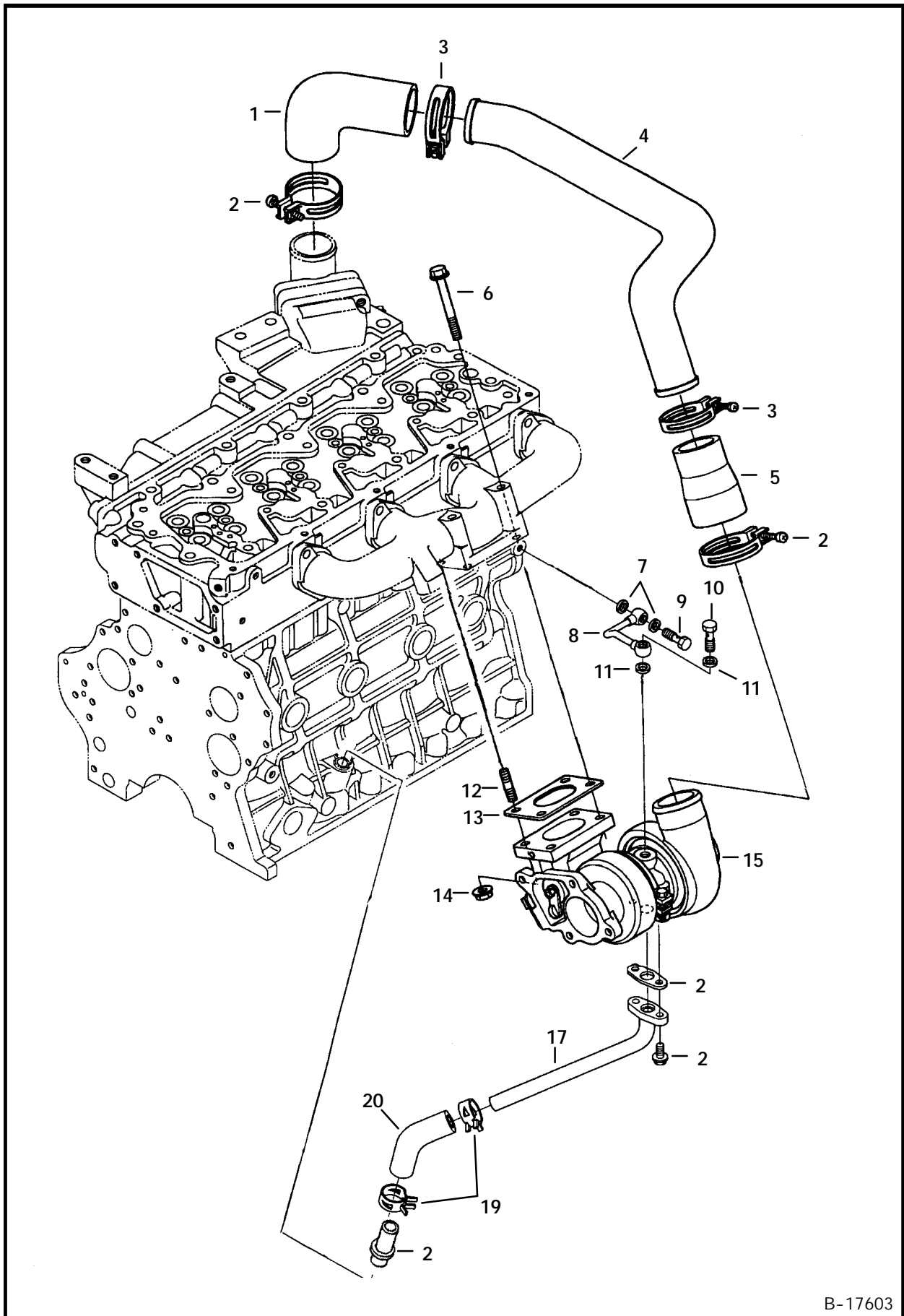


B-17602

MANIFOLDS (Cont'd)
(V3300 DI T Kubota)

Ref. No.	Part Number	Description	Remarks	Serial Number	Qty.
1	6680851	BOLT			4
2	6680886	FLANGE			1
3	6680887	GASKET			1
4	6680888	HEATER			1
5	6598112	CAP			1
6	6680883	MANIFOLD	intake		1
7	6680884	GASKET	manifold		1
8	6680885	BOLT			3
9	6680801	BOLT			10
10	3974916	STUD			4
11	6680891	GASKET	manifold		1
12	6680890	MANIFOLD	exhaust		1
13	6680663	NUT			1

TURBOCHARGER (V3300 DI T Kubota)

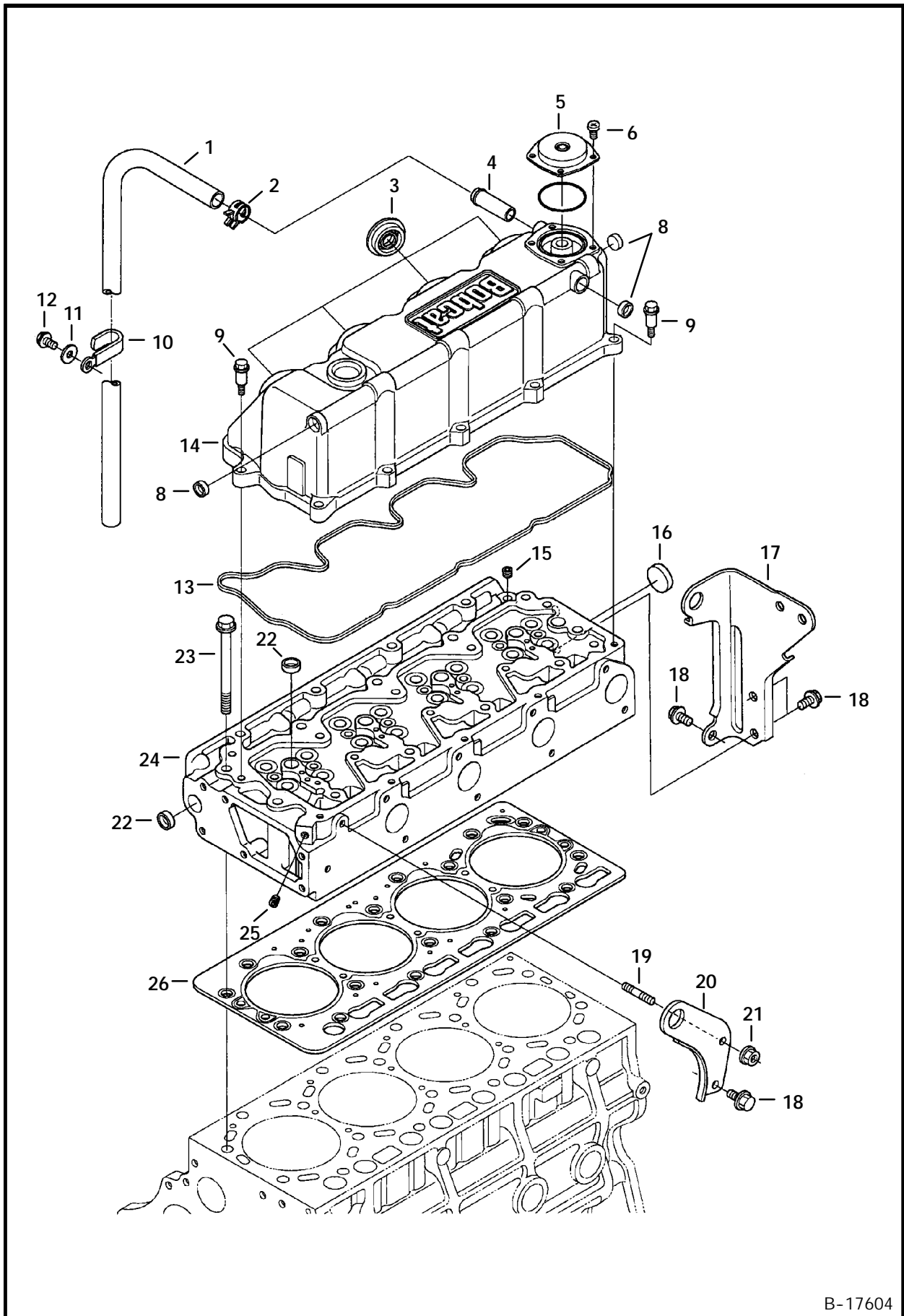


B-17603

TURBOCHARGER (Cont'd)
(V3300 DI T Kubota)

Ref. Part No.	Part Number	Description	Remarks	Serial Number	Qty.
1	6680896	HOSE			1
2	6680897	CLAMP			2
3	6680898	CLAMP			2
4	6680895	HOSE			1
5	6680894	HOSE			1
6	6680802	BOLT			2
7	6680792	GASKET			2
8	6680899	TUBE			1
9	6680791	BOLT	hollow		1
10	6680900	BOLT	hollow		1
11	6680567	GASKET			2
12	6680564	STUD			2
13	6680893	GASKET			1
14	6680663	NUT			2
15	6680892	TURBOCHARGER			1
16	6680570	GASKET			1
17	6680901	PIPE			1
18	6680830	BOLT			2
19	6680903	CLAMP			2
20	6680902	HOSE			1
21	6680649	TUBE			1

CYLINDER HEAD & COVER
(V3300 DI T Kubota)

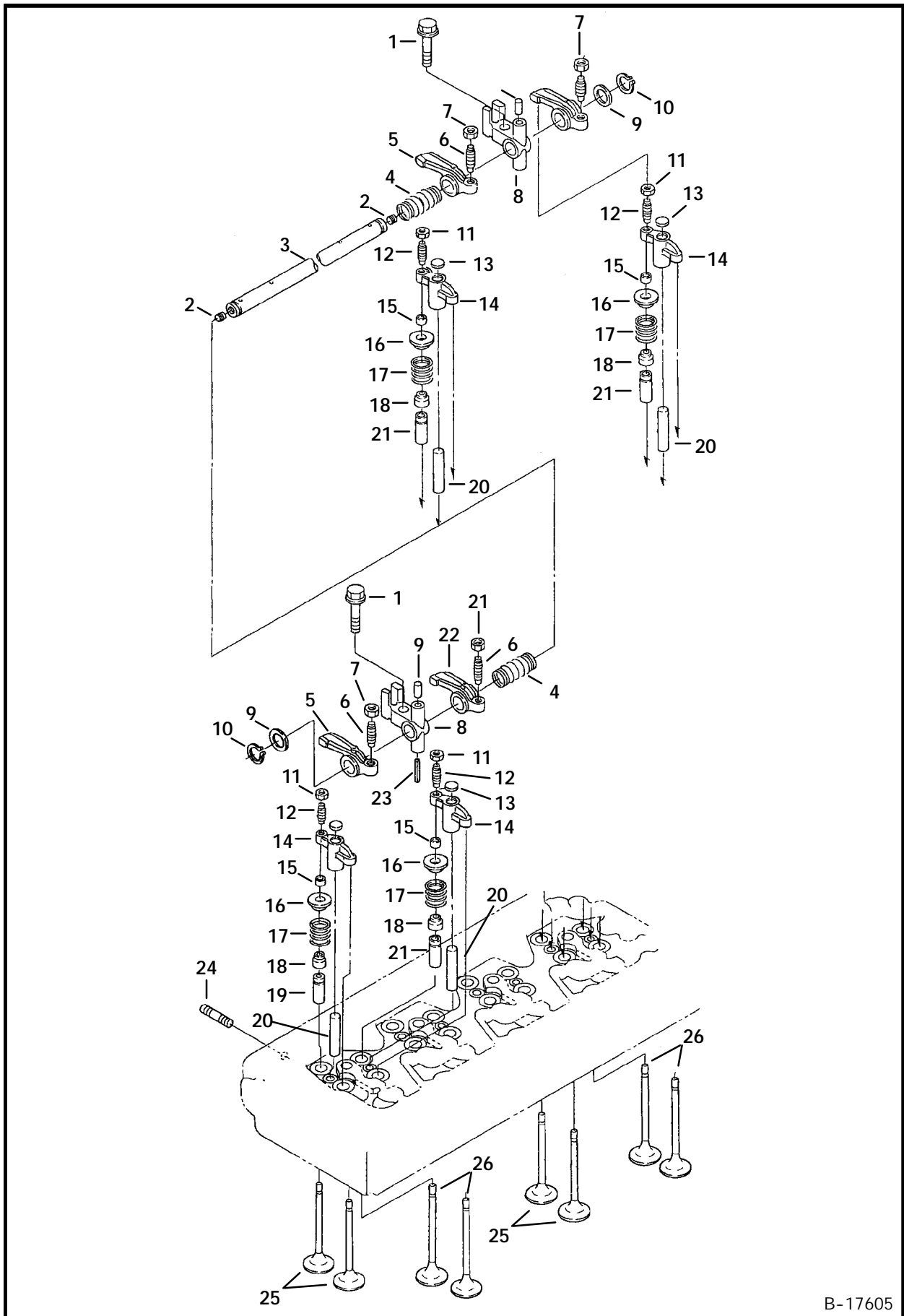


B-17604

CYLINDER HEAD & COVER (Cont'd)
(V3300 DI T Kubota)

Ref. No.	Part Number	Description	Remarks	Serial Number	Qty.
1	6680697	HOSE			1
2	6680698	CLAMP			1
3	6680695	SEAL	injection tube		4
4	6680689	ADAPTER			1
5	6680692	COVER	breather		1
6	6680693	SCREW			4
7	6680691	O-RING			1
8	6680694	PLUG			3
9	6680696	BOLT			10
10	6680699	CLAMP			1
11	6680700	WASHER			1
12	6680658	BOLT			1
13	6680690	GASKET			1
14	6680688	HEAD COVER	W/Ref. 3-8 & 13		1
15	6598169	PLUG			1
16	6680666	PLUG			1
17	6680974	BRACKET			1
18	6680662	BOLT			4
19	3974916	STUD			1
20	6598133	BRACKET			1
21	6680663	NUT			1
22	6680665	PLUG			5
23	6680668	BOLT			18
24	6680664	HEAD	W/Ref.		1
25	6680667	PLUG			1
26	6680669	HEAD GASKET	0.80mm		1
	6680670	HEAD GASKET	0.90mm		1
	6680671	HEAD GASKET	0.95mm		1

CYLINDER HEAD

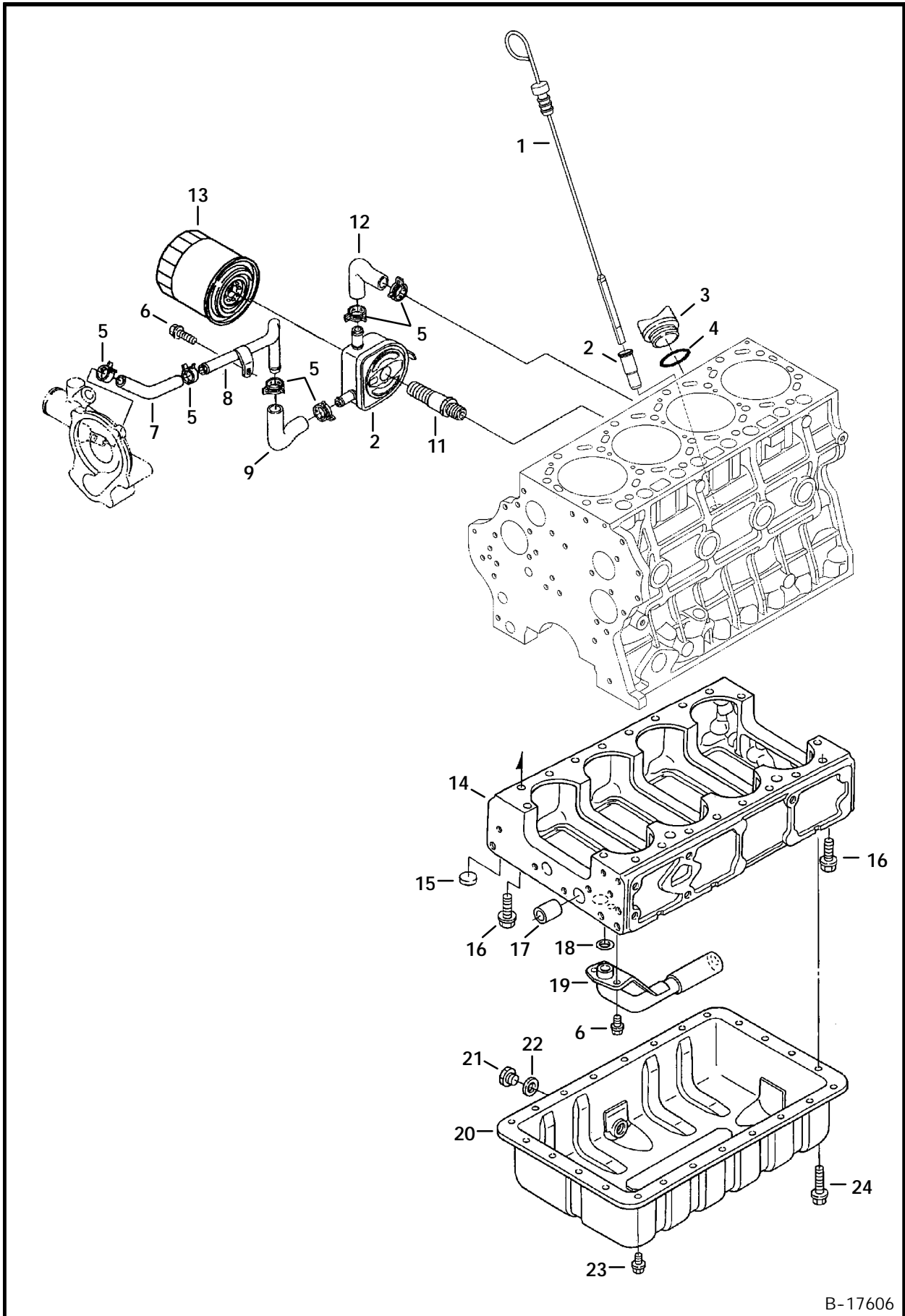


B-17605

CYLINDER HEAD (Cont'd)

Ref. No.	Part Number	Description	Remarks	Serial Number	Qty.
1	6680878	BOLT			4
2	6655894	SET SCREW			2
3	6680868	SHAFT	W/Ref. 2		1
4	6680872	SPRING			3
5	6680873	ROCKER ARM	intake - W/Ref. 6 & 7		4
6	3974920	SCREW	adjusting		4
7	6680874	NUT			4
8	6680869	BRACKET	rocker arm		4
9	6680870	WASHER			2
10	6680871	SNAP RING			2
11	6680881	NUT			8
12	6680880	SCREW	adjusting		8
13	6680882	PAD			8
14	6680879	ARM	valve bridge - W/Ref. 11 & 12		8
15	6680865	COLLET	valve spring		16
16	6680864	RETAINER	valve spring		16
17	6680863	VALVE SPRING			16
18	6672436	SEAL	valve stem		16
19	6680859	GUIDE	inlet valve		8
20	6680866	SHAFT	valve		8
21	6680860	GUIDE	exhaust valve		8
22	6680875	ROCKER ARM	exhaust - W/Ref. 6 & 7		4
23	6667461	PIN			1
24	6680867	STUD			4
25	6680861	VALVE	inlet		8
26	6680862	VALVE	exhaust		8

OIL PAN (V3300 DI T Kubota)

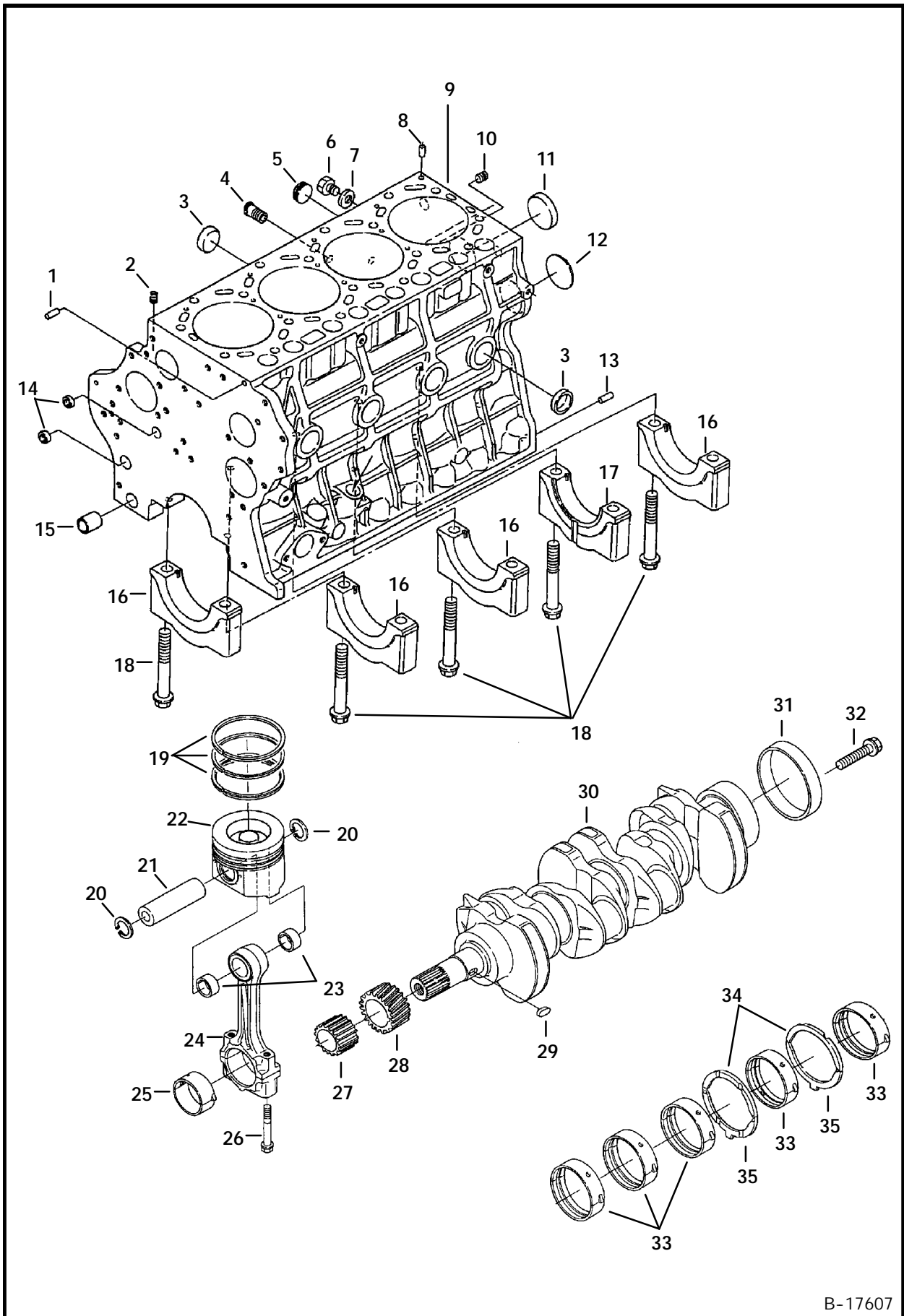


B-17606

OIL PAN (Cont'd)
(V3300 DI T Kubota)

Ref. No.	Part Number	Description	Remarks	Serial Number	Qty.
1	6680703	DIPSTICK			1
2	6680702	TUBE	dipstick		1
3	6680908	CAP			1
4	3966602	O-RING			1
5	6675618	CLAMP			6
6	6680662	BOLT			3
7	6680913	HOSE			1
8	6680912	TUBE			1
9	6680914	HOSE			1
10	6680909	OIL COOLER			1
11	6680910	ADAPTER			1
12	6680911	HOSE			1
13	6680701	OIL FILTER			1
14	6680652	CRANKCASE			1
15	6680638	PLUG			10
16	6680654	BOLT			16
17	6680655	PIN	gear case		1
18	6680661	O-RING			1
19	6680660	OIL SUMP			1
20	6680656	OIL PAN	W/Ref. 21 & 22		1
21	6680657	PLUG	oil		1
22	6631046	SEAL	rubber		1
23	6680658	BOLT			20
24	6680659	BOLT			4

PISTON & CRANKSHAFT
(V3300 DI T Kubota)

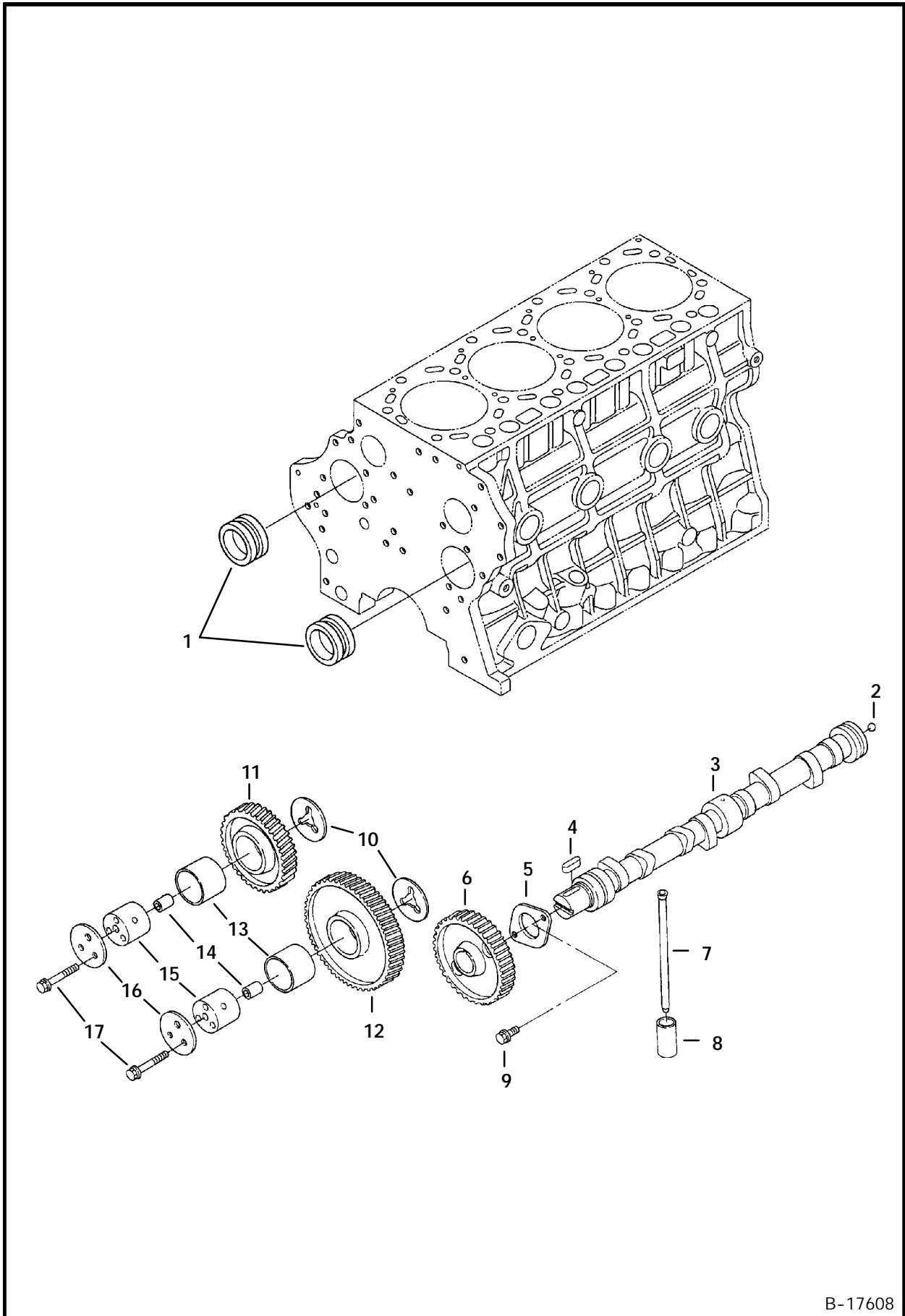


B-17607

PISTON & CRANKSHAFT (Cont'd)
(V3300 DI T Kubota)

Ref. No.	Part Number	Description	Remarks	Serial Number	Qty.
1	6680641	PIN			1
2	6598169	PLUG			3
3	6680638	PLUG			10
4	6680646	ADAPTER			1
5	6672354	PLUG			1
6	6652750	PLUG			1
7	6680647	GASKET			1
8	6680643	PIN			2
9	6680635	CRANKCASE	W/Ref.		1
10	6680636	PLUG			1
11	6680639	PLUG			1
12	6680640	PLUG			1
13	6680642	PIN			2
14	6680637	PLUG			4
15	6680644	PIN			1
16	NSS	CAP	main bearing - Order Ref. 9		4
17	NSS	CAP	main bearing - Order Ref. 9		1
18	6680645	BOLT			10
19	6680723	PISTON RINGS	standard		4
	6680724	PISTON RINGS	0.50mm oversized		4
20	6680726	SNAP RING	internal		8
21	6680725	PIN			4
22	6680721	PISTON	standard		4
	6680722	PISTON	0.50mm oversized		4
23	6680728	BUSHING			8
24	6680727	ROD	connecting - W/Ref. 23 & 25		4
25	6680730	BEARING	rod - set		4
	6680731	BEARING	rod - set		4
	6680732	BEARING	rod - set		4
	6680733	BEARING	rod - set		4
26	6680729	BOLT			8
27	6680737	GEAR	oil pump		1
28	6680736	GEAR	crankshaft		1
29	3974226	KEY			1
30	6680734	CRANKSHAFT	W/Ref. 27-29 & 31		1
31	6680735	SLEEVE	crankshaft		1
32	6680747	BOLT	flywheel		7
33	6680738	MAIN BEARING	standard - set		5
	6680739	MAIN BEARING	0.20mm undersized - set		5
	6680740	MAIN BEARING	0.40mm undersized - set		5
34	6680741	THRUST WASHER	standard		2
	6680742	THRUST WASHER	0.20mm oversized		2
	6680743	THRUST WASHER	0.40mm oversized		2
35	6680744	THRUST WASHER	standard		2
	6680745	THRUST WASHER	0.20mm oversized		2
	6680746	THRUST WASHER	0.40mm oversized		2

CAMSHAFT (V3300 DI T Kubota)

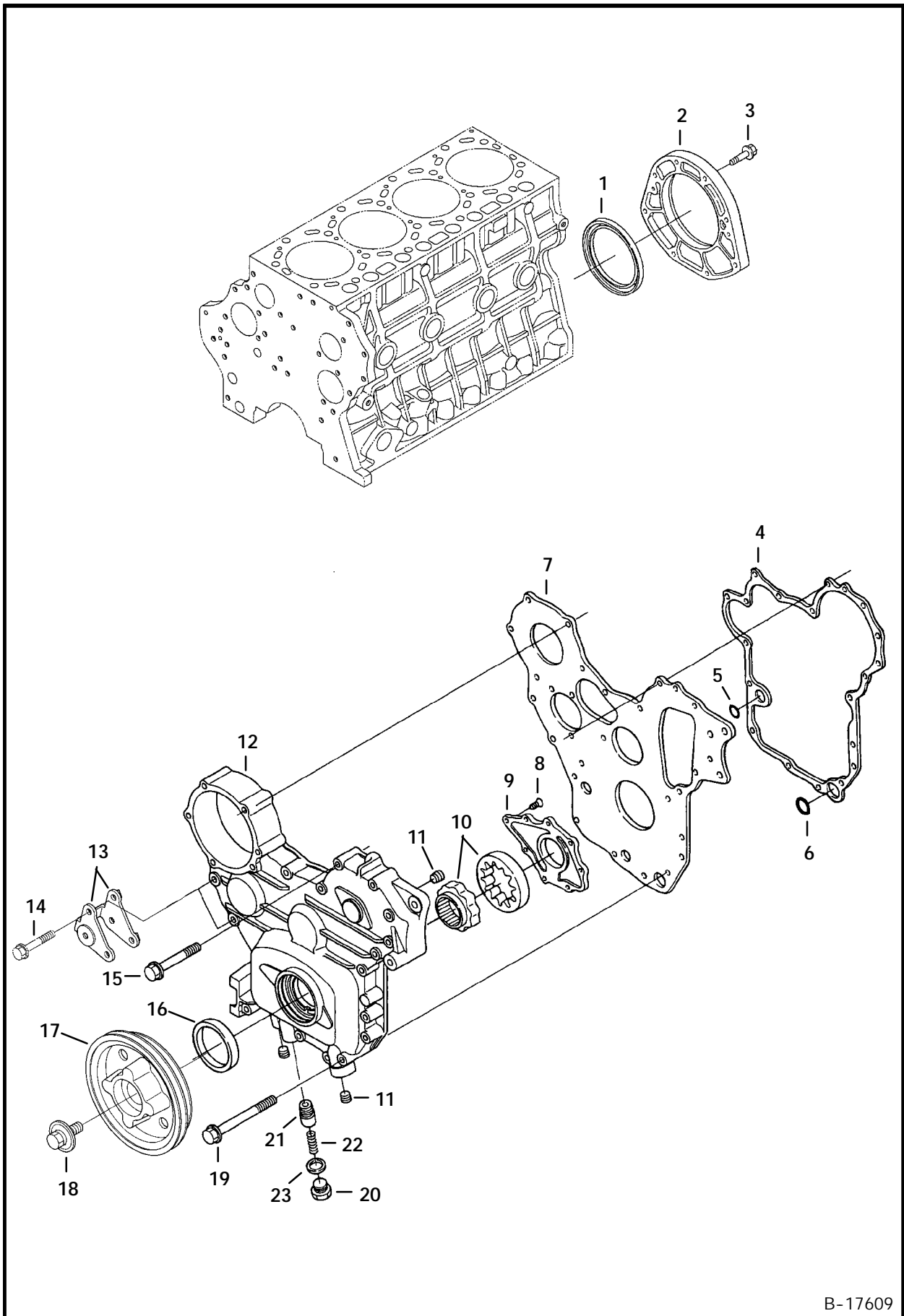


B-17608

CAMSHAFT (Cont'd)
(V3300 DI T Kubota)

Ref. No.	Part Number	Description	Remarks	Serial Number	Qty.
1	6680748	BALANCER			2
2	6680710	BALL			1
3	6680709	CAMSHAFT			1
4	6652679	KEY			1
5	6680712	FLANGE			1
6	6680711	GEAR	cam		1
7	6680708	PUSH ROD			8
8	6680707	TAPPET			8
9	6680713	BOLT			2
10	6680716	COLLAR			1
11	6680719	GEAR	W/Ref. 13		1
12	6680718	GEAR	W/Ref. 13		1
13	6680720	BUSHING			2
14	6680715	PIN			2
15	6680714	SHAFT	idler gear		2
16	6680717	COLLAR			2
17	6680685	BOLT			6

FRONT COVER
(V3300 DI T Kubota)

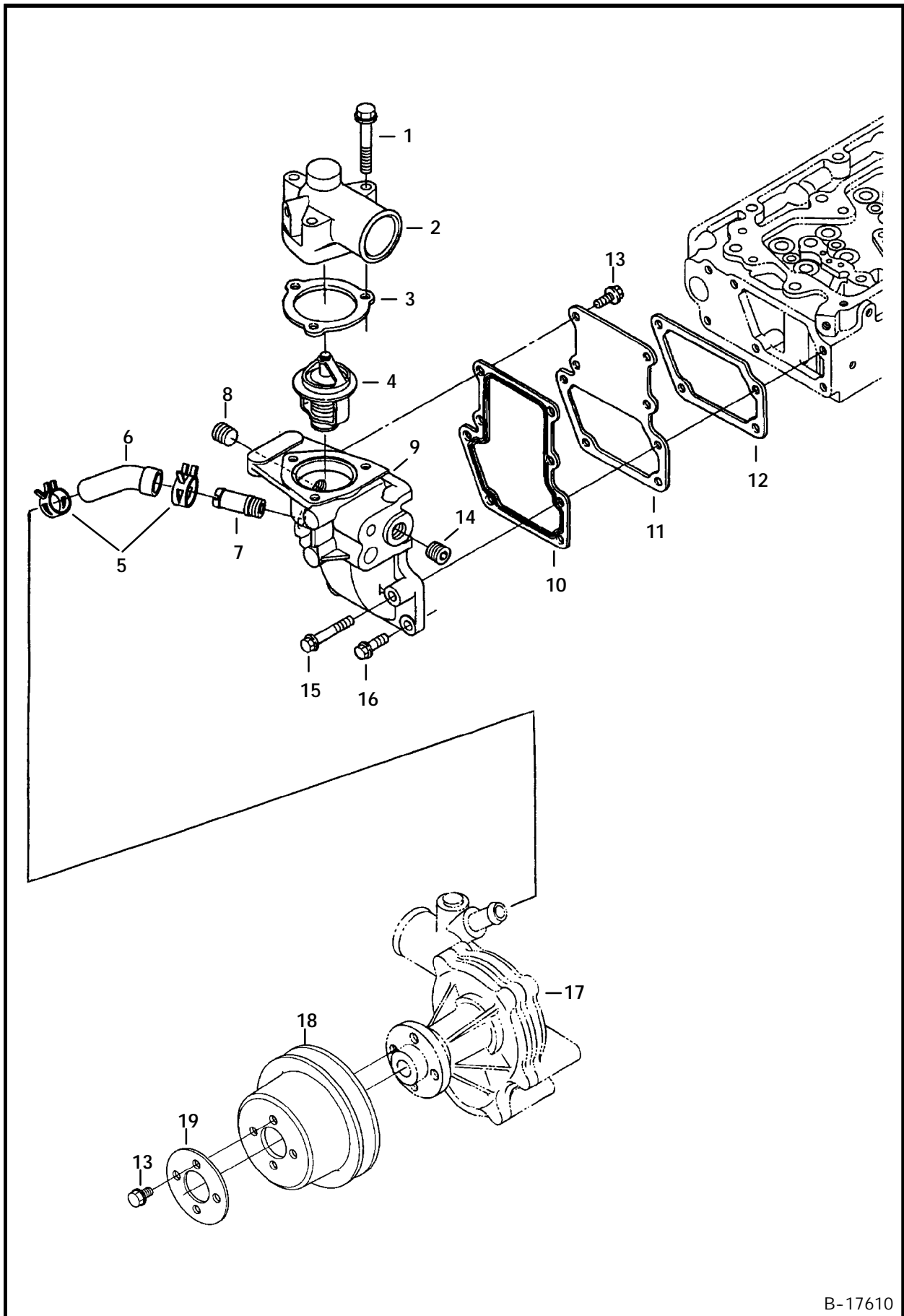


B-17609

FRONT COVER (Cont'd)
(V3300 DI T Kubota)

Ref. No.	Part Number	Description	Remarks	Serial Number	Qty.
1	6680705	SEAL	rear		1
2	6680704	COVER	W/Ref. 1		1
3	6680706	BOLT			8
4	6680683	GASKET			1
5	6680681	O-RING			1
6	6680682	O-RING			1
7	6680684	PLATE			1
8	6680678	SCREW			8
9	6680677	COVER	oil pump		1
10	6680676	ROTOR	oil pump		1
11	6680679	PLUG			3
12	6680672	COVER	front - W/Ref. 8-11 & 20-23		1
13	6680839	BRACKET	alternator		2
14	6680687	BOLT			2
15	6680685	BOLT			13
16	6680680	SEAL			1
17	6680840	PULLEY	fan		1
18	6680841	BOLT			1
19	6680686	BOLT			2
20	6680675	PLUG			1
21	6680674	RELIEF VALVE			1
22	6680673	SPRING			1
23	6670347	GASKET			1

WATER PUMP & THERMOSTAT
(V3300 DI T Kubota)

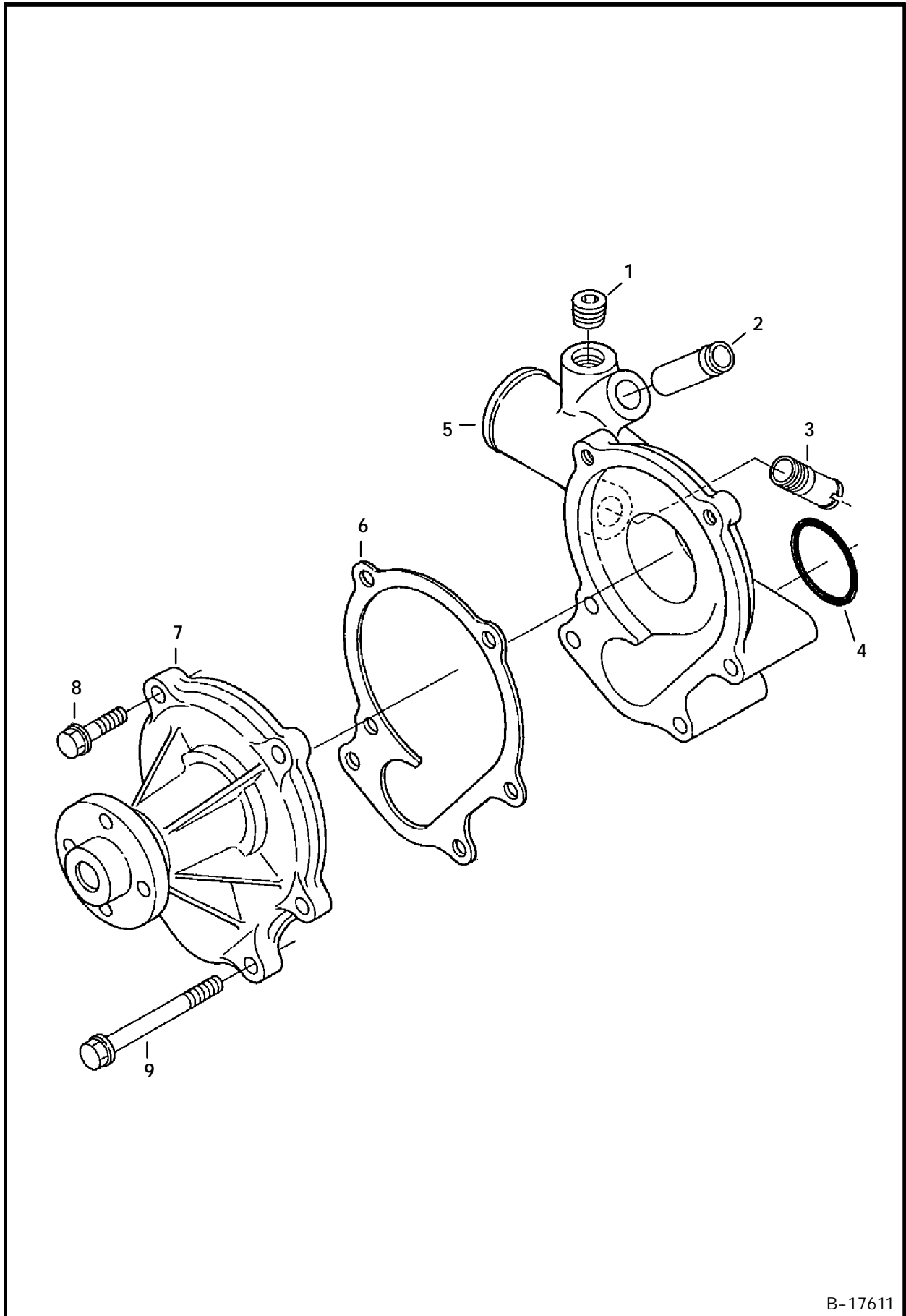


B-17610

WATER PUMP & THERMOSTAT (Cont'd)
(V3300 DI T Kubota)

Ref. No.	Part Number	Description	Remarks	Serial Number	Qty.
1	6680845	BOLT			3
2	6680843	COVER	thermostat		1
3	6680844	GASKET			1
4	6680850	THERMOSTAT			1
5	6675618	CLAMP			2
6	6680842	HOSE			1
7	6680646	ADAPTER			1
8	6672360	PLUG			2
9	6680846	HOUSING	thermostat - W/Ref. 7, 10, 11 & 13		1
10	6680848	GASKET			1
11	6680847	COVER			1
12	6680849	GASKET			1
13	6680713	BOLT			8
14	6672360	PLUG			2
15	6680851	BOLT			1
16	6680755	BOLT			3
17		WATER PUMP	See Page 145		1
18	6680857	PULLEY	fan		1
19	6680858	WASHER			1

WATER PUMP

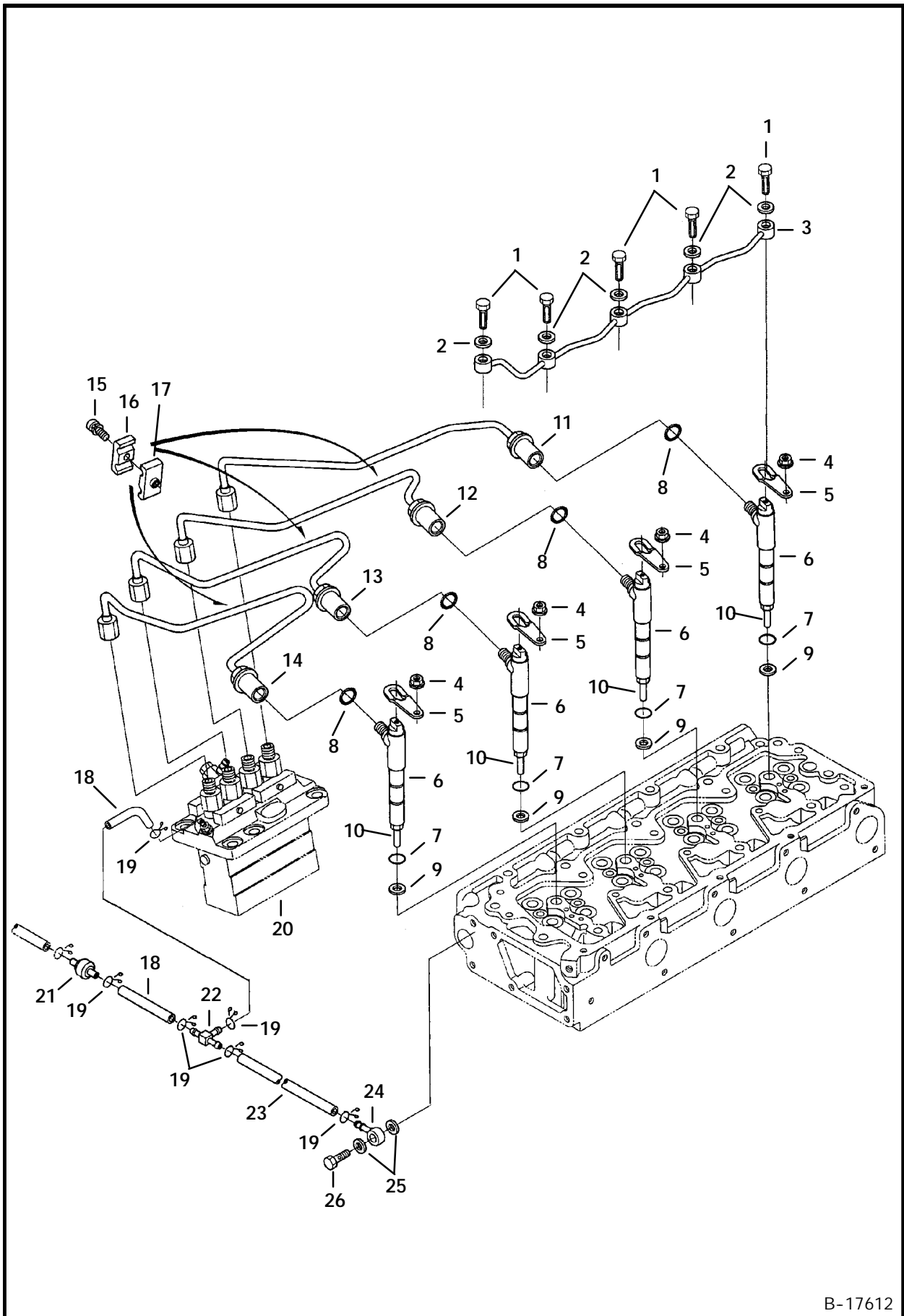


B-17611

WATER PUMP (Cont'd)

Ref. No.	Part Number	Description	Remarks	Serial Number	Qty.
1	6672360	PLUG			1
2	6680689	ADAPTER			1
3	6680646	ADAPTER			1
4	6680855	O-RING			1
5	6680854	HOUSING			1
6	6680853	GASKET			1
7	6680852	COVER			1
8	6680706	BOLT			2
9	6680856	BOLT			4

FUEL INJECTION SYSTEM (V3300 DI T Kubota)

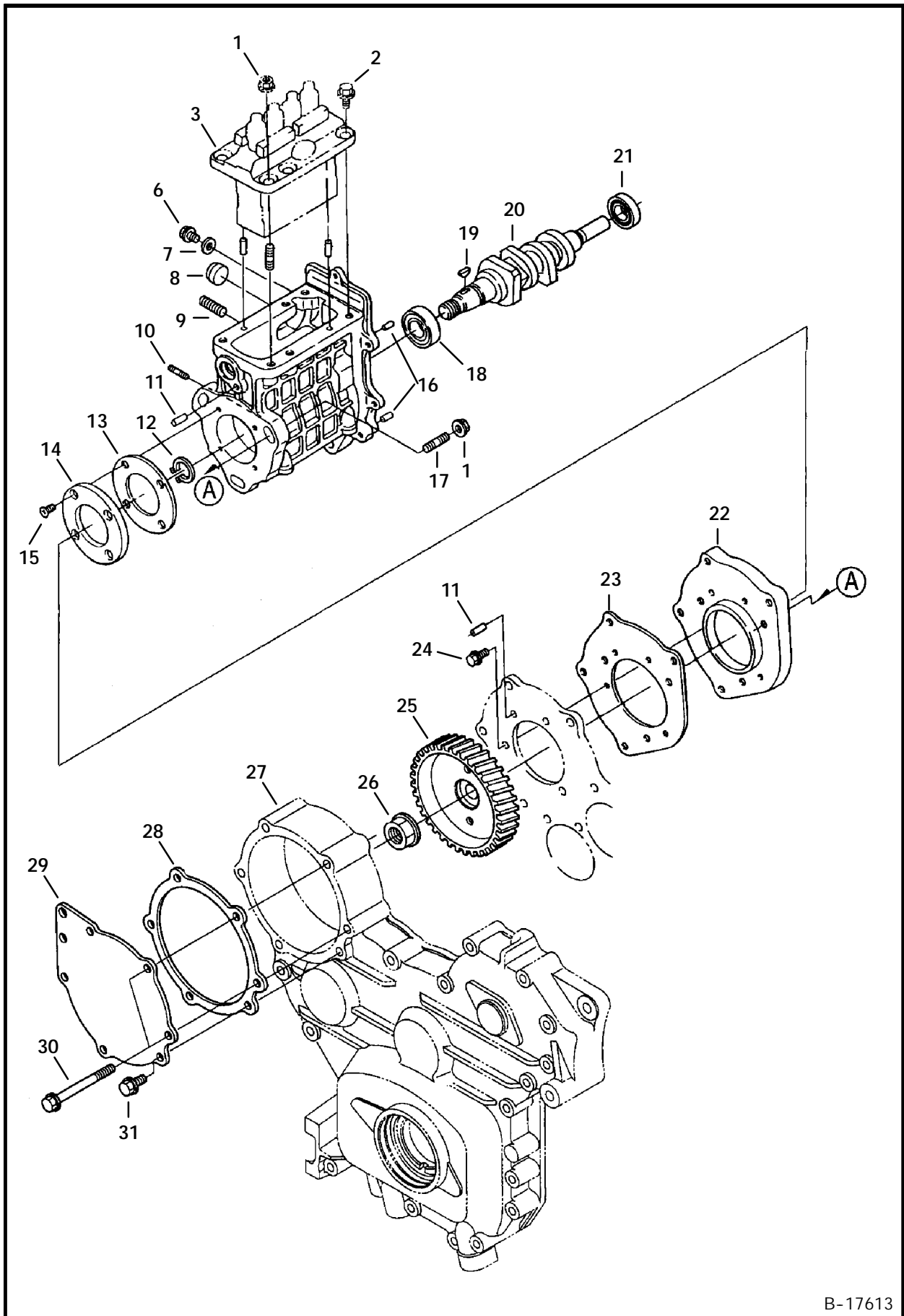


B-17612

FUEL INJECTION SYSTEM (Cont'd)
(V3300 DI T Kubota)

Ref. No.	Part Number	Description	Remarks	Serial Number	Qty.
1	6680788	BOLT			5
2	6680789	GASKET			5
3	6680787	PIPE			1
4	6680663	NUT			4
5	6680780	CLAMP	hold down		4
6	6680776	INJECTOR	W/Ref. 10		4
7	6670769	O-RING			4
8	6680778	O-RING			4
9	6680779	GASKET			4
10	6680777	NOZZLE			4
11	6680784	TUBE			1
12	6680783	TUBE			1
13	6680782	TUBE			1
14	6680781	TUBE			1
15	3974260	BOLT			3
16	6680786	CLAMP			3
17	6680785	CLAMP			3
18	6680794	HOSE			2
19	6680795	CLAMP			6
20		PUMP	injection - See Page 151		1
21	6680796	VALVE	check		1
22	6680797	TEE			1
23	6680793	HOSE			1
24	6680790	FITTING			1
25	6680792	GASKET			2
26	6680791	BOLT	hollow		1

FUEL INJECTION SYSTEM
(V3300 DI T Kubota)

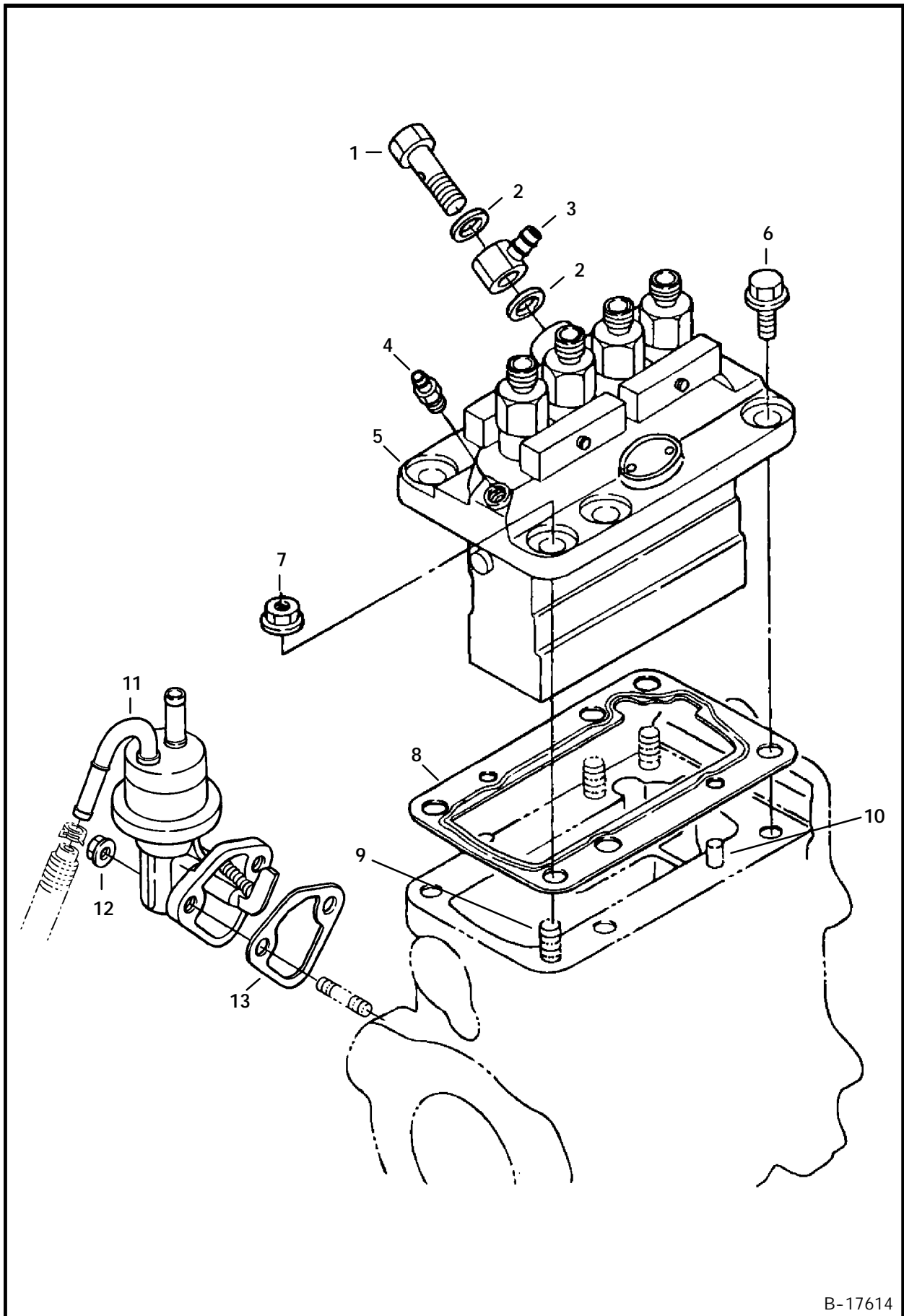


B-17613

FUEL INJECTION SYSTEM (Cont'd)
(V3300 DI T Kubota)

Ref. No.	Part Number	Description	Remarks	Serial Number	Qty.
1	6680663	NUT			6
2	6680755	BOLT			5
3		INJECTION PUMP	See Page 151		1
4	3974394	PIN			2
5	6680807	STUD			3
6	6680662	BOLT			2
7	6680792	GASKET			2
8	6680808	PLUG			1
9	6680815	SET SCREW			2
10	3974503	STUD			2
11	21JM-20	PIN			2
12	5JM-20	SNAP RING			1
13	6680816	GASKET			1
14	6680814	FLANGE			1
15	6680678	SCREW			4
16	6680809	PIN			2
17	6680799	STUD			3
18	6680811	BEARING			1
19	6680813	KEY	woodruff		1
20	6680810	CAMSHAFT	fuel		1
21	6680812	BEARING			1
22	6680798	COVER			1
23	6680800	GASKET			1
24	6680803	BOLT			3
25	6680817	GEAR			1
26	6680818	NUT			1
27		FRONT COVER	See Page 141		1
28	6680805	GASKET			1
29	6680804	COVER			1
30	6680802	BOLT			5
31	6680801	BOLT			1

FUEL INJECTION PUMP

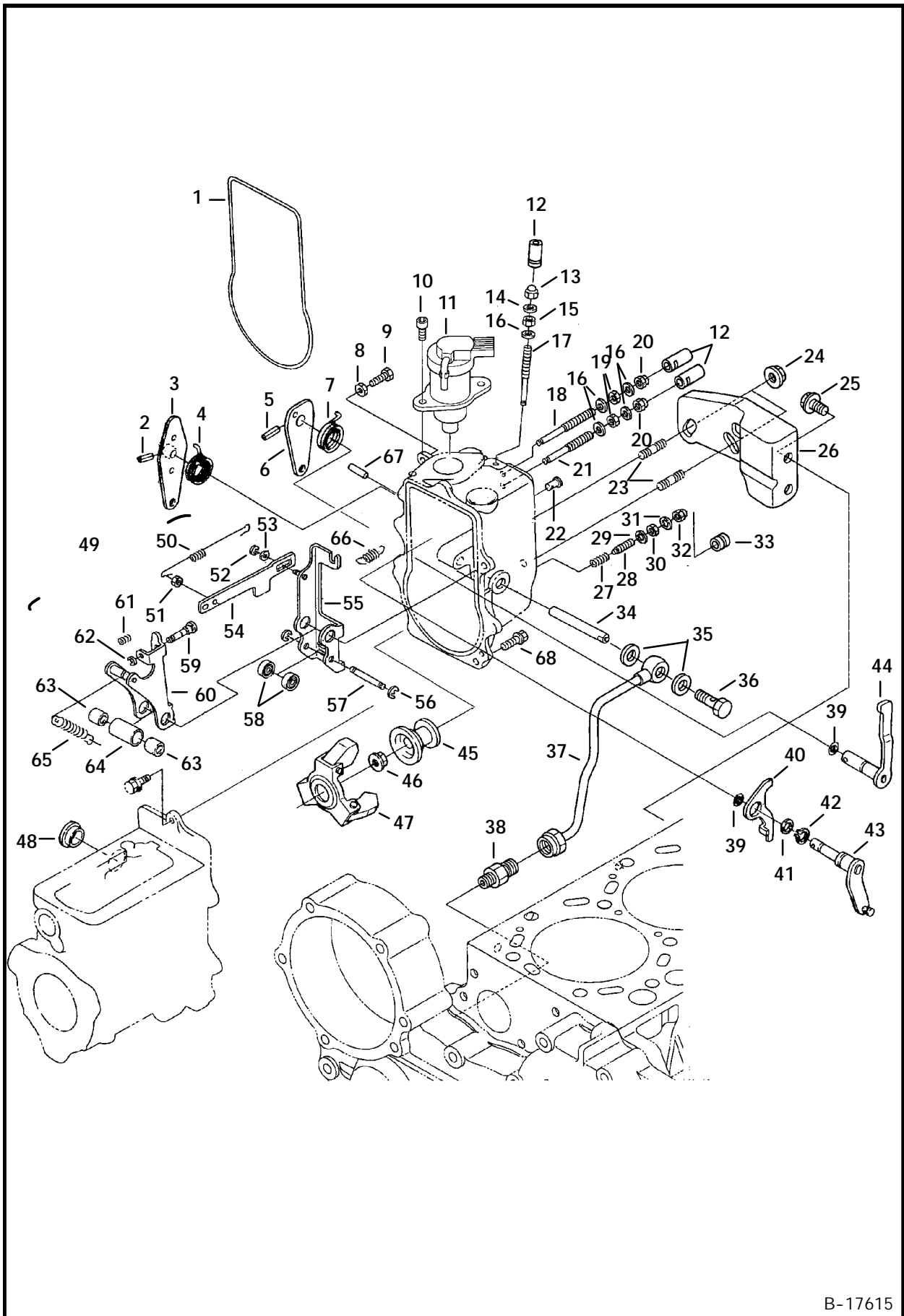


B-17614

FUEL INJECTION PUMP (Cont'd)

Ref. Part	No. Number	Description	Remarks	Serial Number	Qty.
1	6680752	BOLT			1
2	6680753	GASKET			2
3	3974500	JOINT	eye		1
4	6680756	SCREW	air		1
5	6680751	PUMP	injection - W/Ref. 1 & 2		1
6	6680755	BOLT			5
7	6680663	NUT			3
8	6680754	SHIM			1
9	6680807	STUD			3
10	3974394	PIN			2
11	6680838	FUEL PUMP			1
12	6653561	NUT			2
13	6670782	GASKET			1

GOVERNOR (V3300 DI T Kubota)

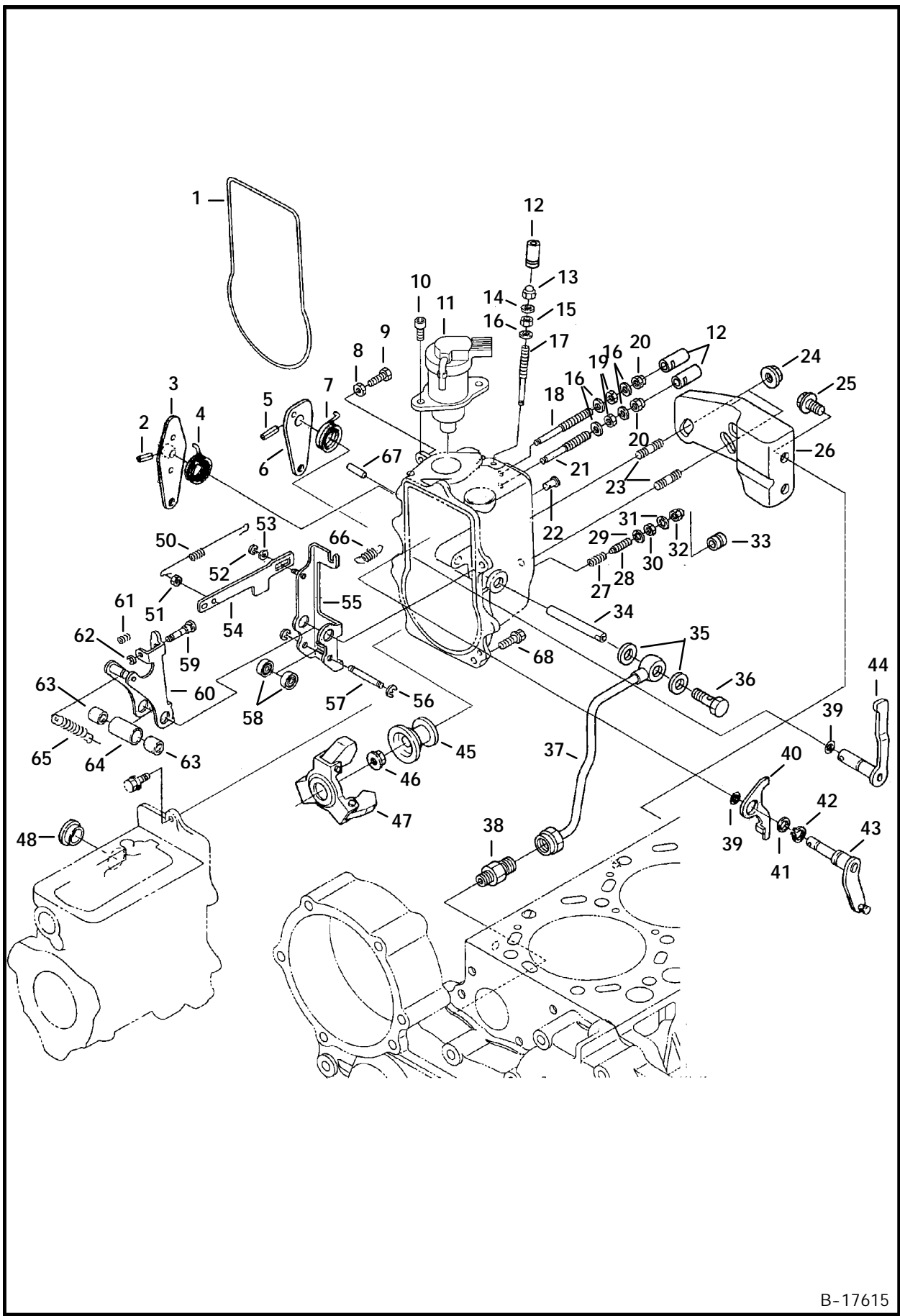


B-17615

GOVERNOR (Cont'd)
(V3300 DI T Kubota)

Ref. No.	Part Number	Description	Remarks	Serial Number	Qty.
1	6680829	GASKET			1
2	6680769	PIN			1
3	6680768	LEVER	speed control		1
4	6680767	SPRING			1
5	6680773	PIN			1
6	6680772	LEVER	engine stop		1
7	6680771	SPRING			1
8	1DM-6	NUT			1
9	6680834	STOPPER			1
10	6680750	SCREW			2
11	6680749	SOLENOID	fuel shut-off		1
12	6672384	CAP			1
13	6670426	NUT			1
14	6680792	GASKET			1
15	6680499	NUT			1
16	3974972	GASKET			5
17	3974970	SCREW	adjusting		1
18	6680833	SCREW	adjusting		1
19	6680272	NUT			2
20	6670462	NUT			2
21	6680832	SCREW	adjusting		1
22	6670774	PIN			1
23	6680828	STUD			2
24	6680663	NUT			2
25	6680713	BOLT			2
26	6680907	BRACKET	injection pump		1
27	6680835	SPRING			1
28	6670425	SCREW	adjusting - W/Ref. 27		1
29	6680792	GASKET			1
30	6680836	NUT			1
31	3974972	GASKET			1
32	6670462	NUT			1
33	6670427	CAP			1
34	6680824	SHAFT			1
35	6680567	GASKET			2
36	6680906	BOLT			1
37	6680905	TUBE			1
38	6680904	ADAPTER			1
39	3974280	O-RING			2
40	6680764	LEVER	stop		1
41	6680766	WASHER			1
42	6680765	SNAP RING			1
43	6680763	LEVER			1
44	6680770	LEVER	engine stop		1
45	6680761	SLEEVE	governor		1
46	6680759	NUT			1
47	6680758	WEIGHT			1
48	6680757	COVER			1
49	6680819	LEVER	assy. - Ref. 50-65		1
50	6680826	SPRING			1
51	6680831	NUT			1

GOVERNOR (Cont'd)
(V3300 DI T Kubota)

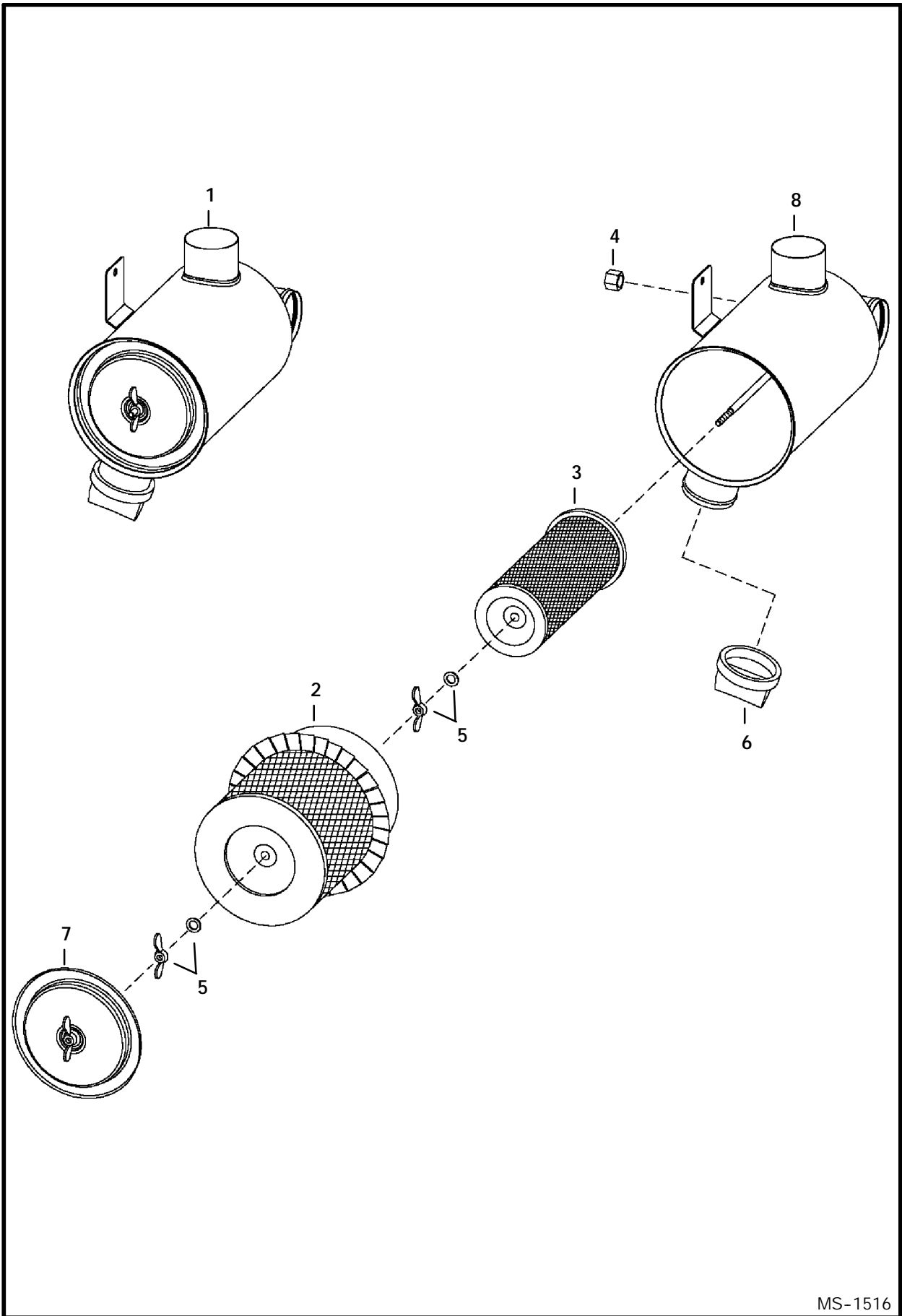


B-17615

GOVERNOR (Cont'd)
(V3300 DI T Kubota)

Ref. No.	Part Number	Description	Remarks	Serial Number	Qty.
52	6680821	SNAP RING			1
53	6680820	WASHER			1
54	NSS	BRACKET			1
55	NSS	LEVER			1
56	6680822	SNAP RING			2
57	NSS	ROD			1
58	NSS	BEARING			2
59	NSS	BOLT			1
60	NSS	LEVER			1
61	NSS	SPRING			1
62	6680823	SNAP RING			1
63	NSS	BUSHING			2
64	NSS	TUBE			1
65	6680825	SPRING			1
66	6680827	SPRING			1
67	6680775	PIN			1
68	6680830	BOLT			7

AIR CLEANER
(V3300 DI T Kubota)



MS-1516

AIR CLEANER (Cont'd)

(V3300 DI T Kubota)

Ref. No.	Part Number	Description	Remarks	Serial Number	Qty.
1	6678066	AIR CLEANER	W/Ref. 2-8		1
2	6681474	CARTRIDGE	outer		1
3	6681475	CARTRIDGE	inner		1
4	6681476	CAP			1
5	3291290	WING NUT	W/ washer		2
6	6652373	VALVE	dust unloader		1
7	6681477	COVER			1
8	NSS	TANK			1

T300 CONTENTS

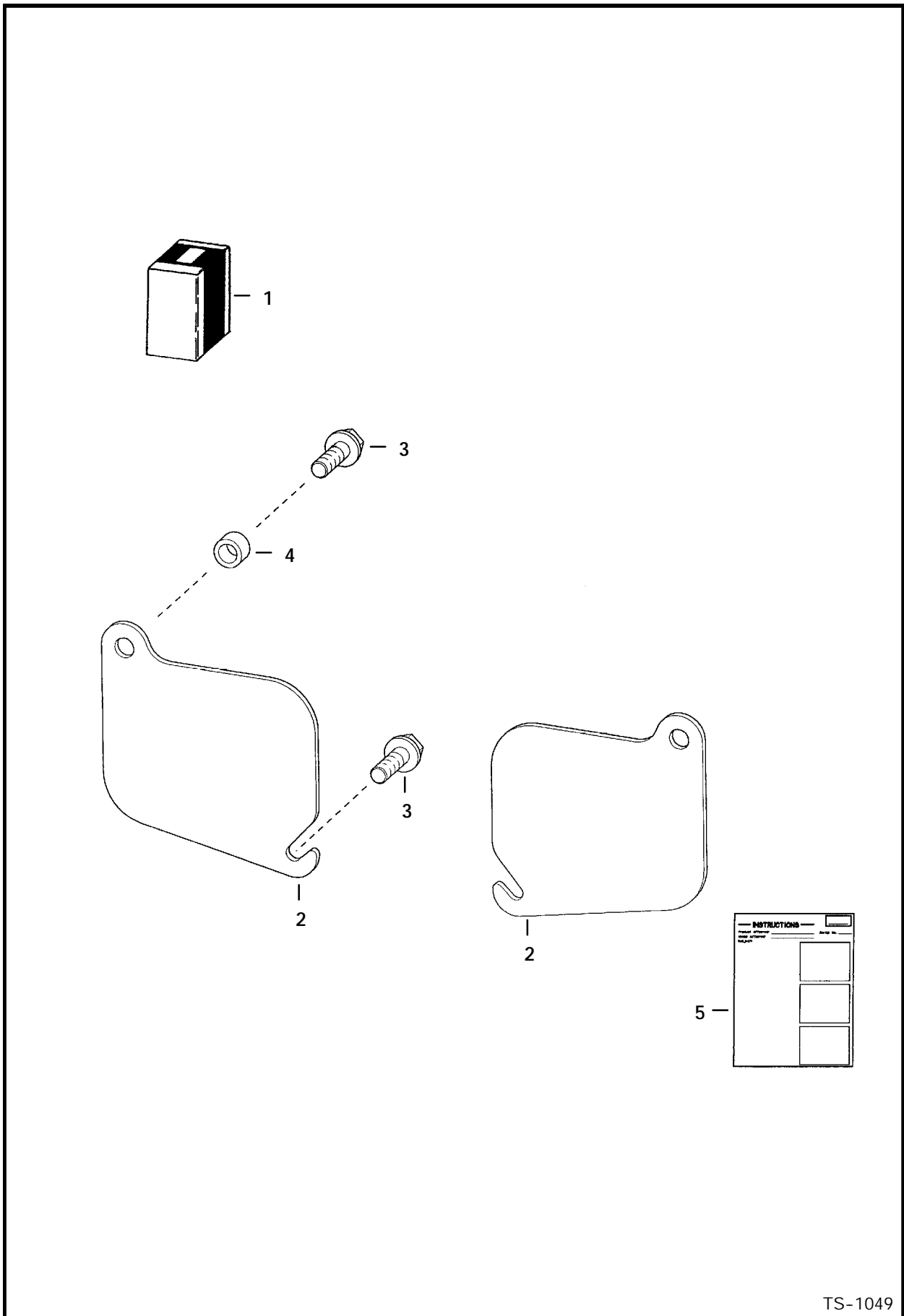
MAIN FRAME	11-34
MAIN FRAME	11
OPERATOR CAB	13, 15, 17
SEAT & SEAT BAR	19
SEAT	21
REAR DOOR	25
LIFT ARMS & BOBTACH	27
BOB-TACH	29
PANELS	31
FUEL SYSTEM	33
DRIVE TRAIN	35-44
DRIVE TRAIN	35
TRACK TENSIONER	37
FRONT IDLER	39
REAR IDLER	41
TRACK ROLLER	43
HYDRAULIC SYSTEM	45-70
HYDRAULIC CIRCUITRY	45
LIFT & TILT CONTROL CIRCUITRY	47
AUXILIARY HYDRAULICS	49
TILT CYLINDER	51
LIFT CYLINDER	53
MANUAL LIFT RELEASE VALVE	55
CONTROL PEDALS	57
HYDRAULIC CONTROL VALVE	59
BICS CONTROL VALVE	63
HYDRAULIC CONTROL VALVE	65
BUCKET POSITIONING VALVE	69
HIGH HORSEPOWER HYDRAULICS	71-74
HYDROSTATIC SYSTEM	75-102
HYDROSTATIC CIRCUITRY	75-80
HAND CONTROLS	81
HYDROSTATIC MOTOR & BRAKE	83
HYDROSTATIC PUMP	87-94
GEAR PUMP	95
HYDROSTATIC OIL FILTER	97, 99
BRAKE VALVE	101
ELECTRICAL SYSTEM	103-108
CAB ELECTRICAL CIRCUITRY	103
ALTERNATOR	105
STARTER	107
POWER UNIT	109-158
COOLING SYSTEM	109, 111
ENGINE & ATTACHING PARTS	113-120
THROTTLE	121
COOLING FAN DRIVE ASSY.	123
ENGINE & GASKET KITS	125-156
AIR CLEANER	157

T300 CONTENTS (Cont'd)

ACCESSORIES & OPTIONS

ACCESS COVER	161
ACS CONVERSION KIT	163
BACK-UP ALARM KIT	165
BEACON	167
BLOCK HEATER	169
BUCKET POSITIONING KIT	171
CAB DOOR	173-182
CAB ENCLOSURE	183, 185
CAB WINDOWS	187, 189
ELECTRICAL CONNECTOR KIT	191
ELECTRICAL CONTROLS KIT	193, 195
FIRE EXTINGUISHER	197
FLASHER LIGHTS	199
F.O.P.S. KIT	201
FRONT AUXILIARY	203
HEATER & A/C	205-222
HORN KIT	223
LIFT KIT	225
LIGHT KIT	227
POWER BOB-TACH KIT	229
POWER BOB-TACH CYLINDER	231
POWER BOB-TACH	233
REAR AUXILIARY HYDRAULICS	235
REAR AUXILIARY VALVE	237
REAR DOOR LOCK	239
REAR WIPER	241
SEAT BELT	243-248
STROBE LIGHT	249
BULK ITEMS	251
NUMERICAL INDEX	253

ACCESS COVER (Cleanout - Lower Front of Chaincase)



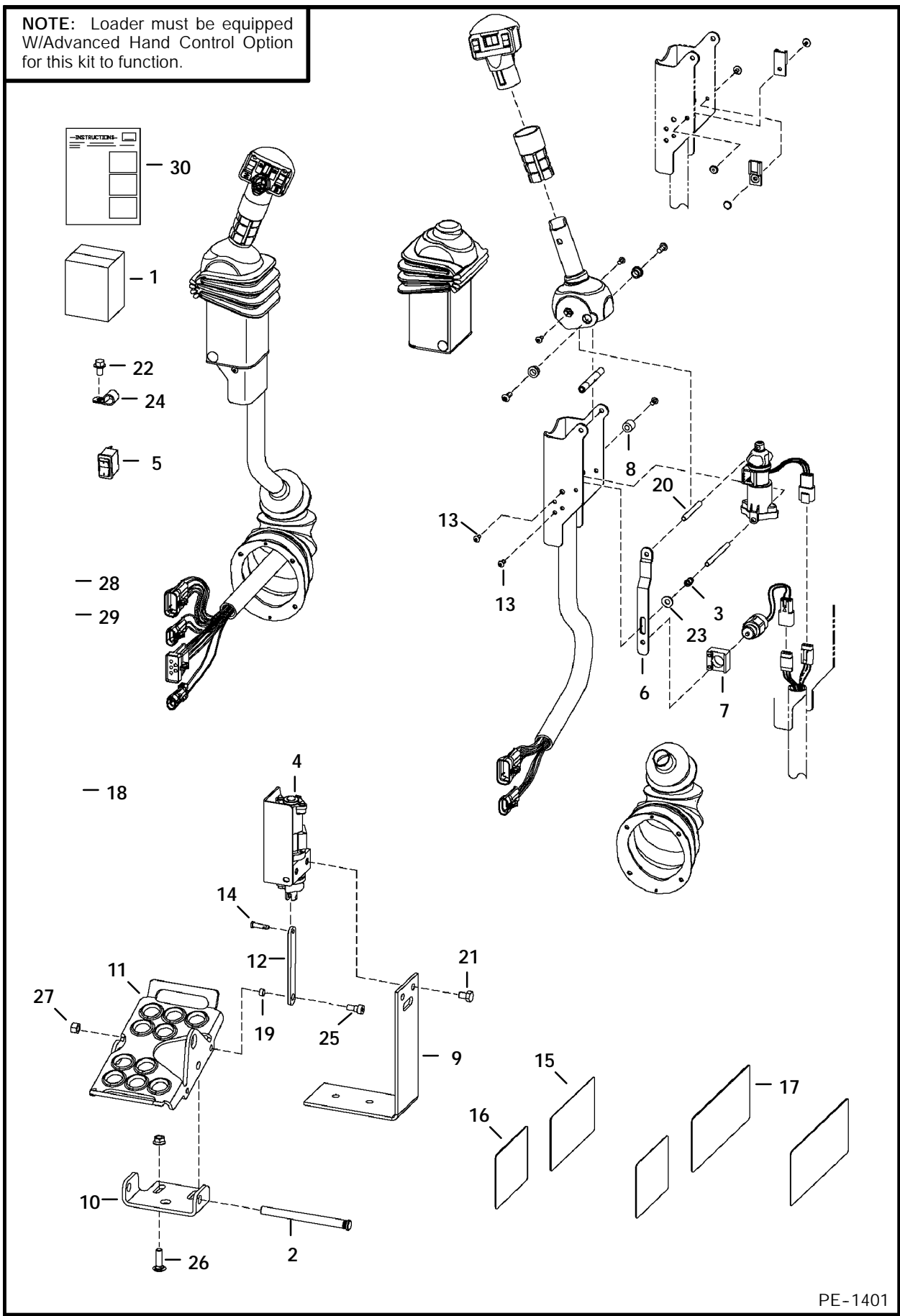
TS-1049

ACCESS COVER (Cont'd)
(Cleanout - Lower Front of Chaincase)

Ref. No.	Part Number	Description	Remarks	Serial Number	Qty.
1	6577880	KIT	Ref. 2-5		1
2	6577812	COVER			2
3	84G-3720	BOLT			4
4	6562619	BUSHING			2
5	6570931	INSTRUCTIONS			1

ACS CONVERSION KIT

NOTE: Loader must be equipped W/Advanced Hand Control Option for this kit to function.

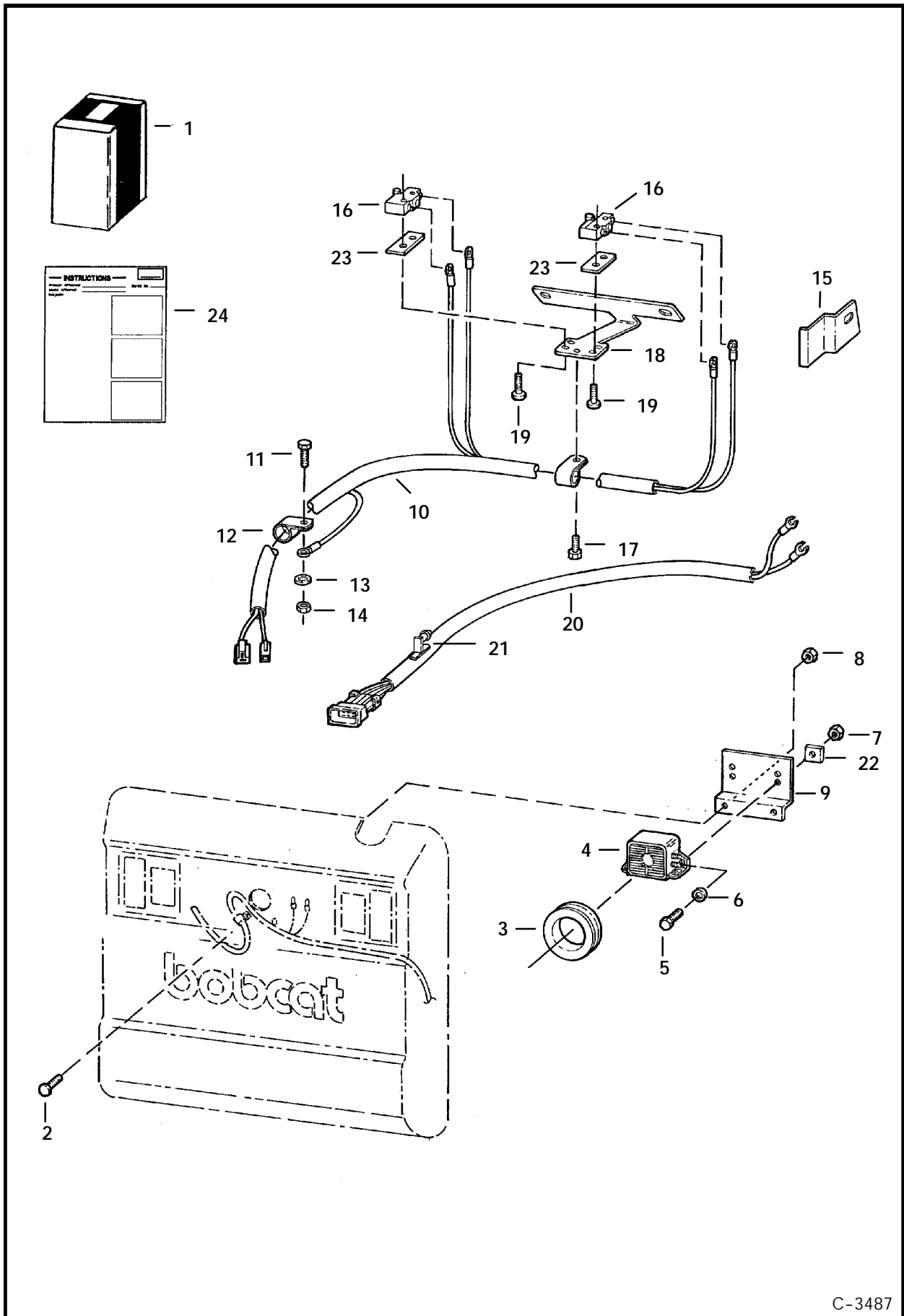


PE-1401

ACS CONVERSION KIT (Cont'd)

Ref. No.	Part Number	Description	Remarks	Serial Number	Qty.
1	6731151	KIT	foot control - SEE NOTE		1
2	6564657	PIN			2
3	6675745	SPRING			2
4	6676493	SENSOR	foot pedal - R.H.		1
	6676029	SOLENOID			1
	6676492	SENSOR	foot pedal - L.H.		1
	6676029	SOLENOID			1
5	6676537	SWITCH			2
6	6719715	STRAP			2
7	6719716	MOUNT	solenoid		2
8	6719835	SLEEVE			2
9	6726573	BRACKET			2
10	6726679	BRACKET	pedal		2
11	6726680	PEDAL			2
12	6726681	LINK			2
13	6727065	BOLT			12
14	6727496	PIN			2
15	6727926	DECAL	operations - 773G, 863G, 873G,		
			883, 963G		1
	6728045	DECAL	operations - T190, T200, T300		1
16	6727941	DECAL	ACS operations		1
17	6728539	DECAL	warning - 773G, 863G, 873G,		
			883, 963G		1
	6728540	DECAL	warning - T190, T200, T300		1
18	6624289	TIE			2
19	6729467	SPACER			2
20	6729600	SPACER	threaded		2
21	17C-608	BOLT			4
22	84G-3710	BOLT			2
23	25E-13	WASHER			2
24	30H-62	CLAMP			2
25	17C-514	BOLT			2
26	37C-620	BOLT			4
27	95D-5	NUT			2
28	6901492	INSTRUCTIONS			1

BACK-UP ALARM KIT

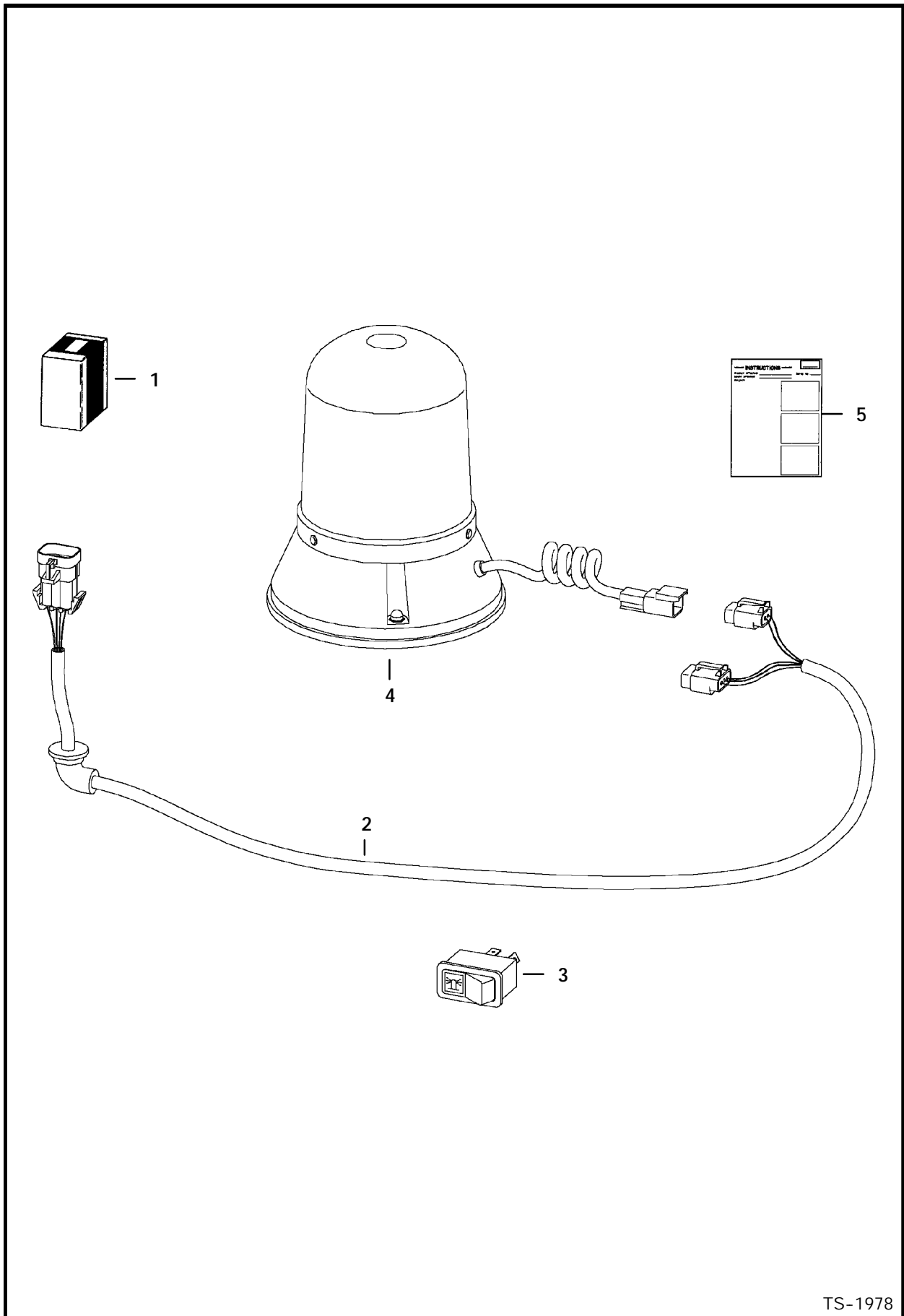


C-3487

BACK-UP ALARM KIT (Cont'd)

Ref. No.	Part Number	Description	Remarks	Serial Number	Qty.
1	6734103	KIT	back-up alarm - Ref. 2-24		1
2	37C-512	BOLT			2
3	6577545	GROMMET			1
4	6599931	ALARM	back-up		1
	6668879	DECAL			1
5	17C-410	BOLT			2
6	25E-13	WASHER			2
7	61D-5	NUT			2
8	83D-4	NUT			2
9	6733970	MOUNT			1
10	6718820	HARNESS			1
11	17C-412	BOLT	not in kit		1
12	30H-19	CLIP	insulated		2
13	6E-4	WASHER	not in kit		1
14	61D-4	NUT	not in kit		1
15	6713793	BRACKET	switch		2
16	6646781	SWITCH	alarm		2
17	84G-3112	BOLT			1
18	6713792	MOUNT	switch		1
19	59G-616	BOLT			4
20	6715659	HARNESS	used on machines W/O rear lights		
			- W/Ref. 21		1
21	6672492	RETAINER			1
22	774220	NUT			2
23	6702593	SPACER			2
24	6900857	INSTRUCTIONS			1

BEACON

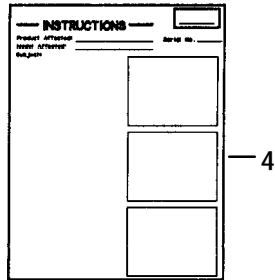
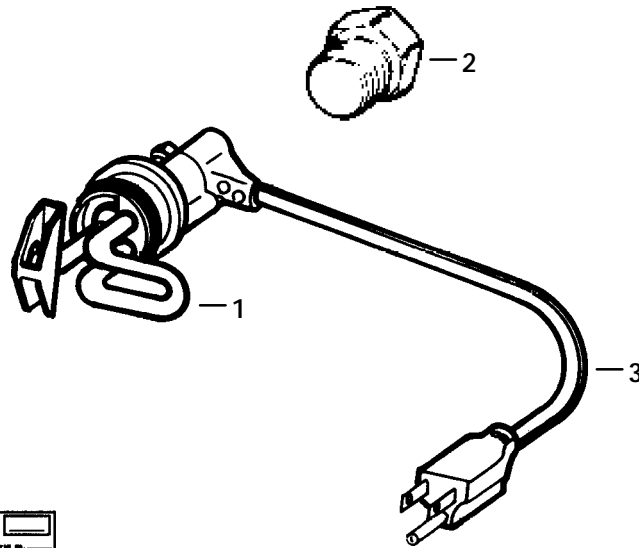


TS-1978

BEACON (Cont'd)

Ref. No.	Part Number	Description	Remarks	Serial Number	Qty.
1	6719854	KIT	rotating beacon		1
2	6718872	HARNESS			1
3	6665317	SWITCH	horizontal		1
4	6668816	SWITCH	vertical		1
	6675523	BEACON			1
	6666571	BULB			1
5	6900991	INSTRUCTIONS			1

BLOCK HEATER (Engine)

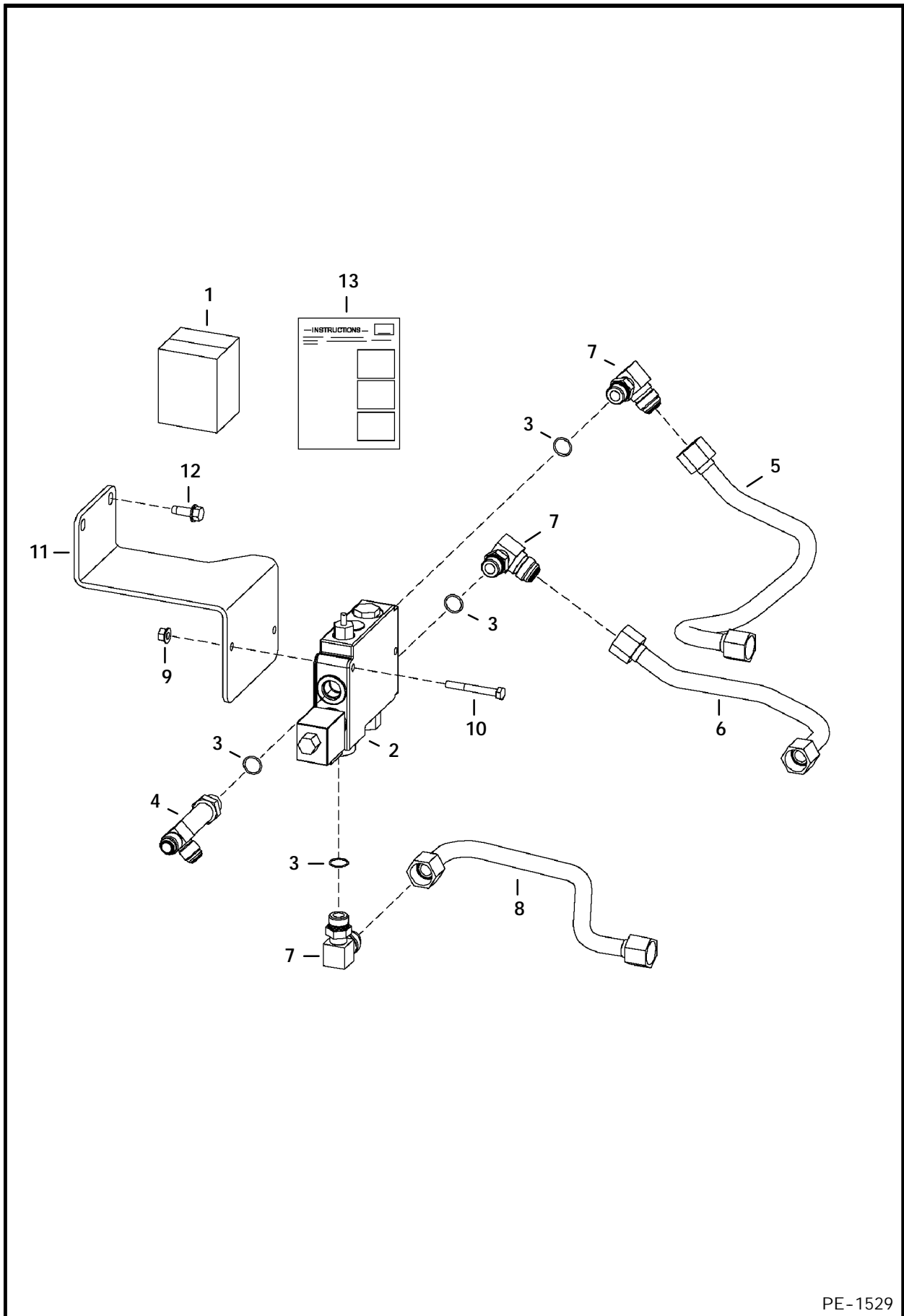


B-17120

BLOCK HEATER (Cont'd)
(Engine)

Ref. No.	Part Number	Description	Remarks	Serial Number	Qty.
1	6720808	HEATER	W/Ref. 2 & 4		1
2	19F-12	BUSHING			1
3	6668881	CORD			1
4	6720038	INSTRUCTIONS			1

BUCKET POSITIONING KIT

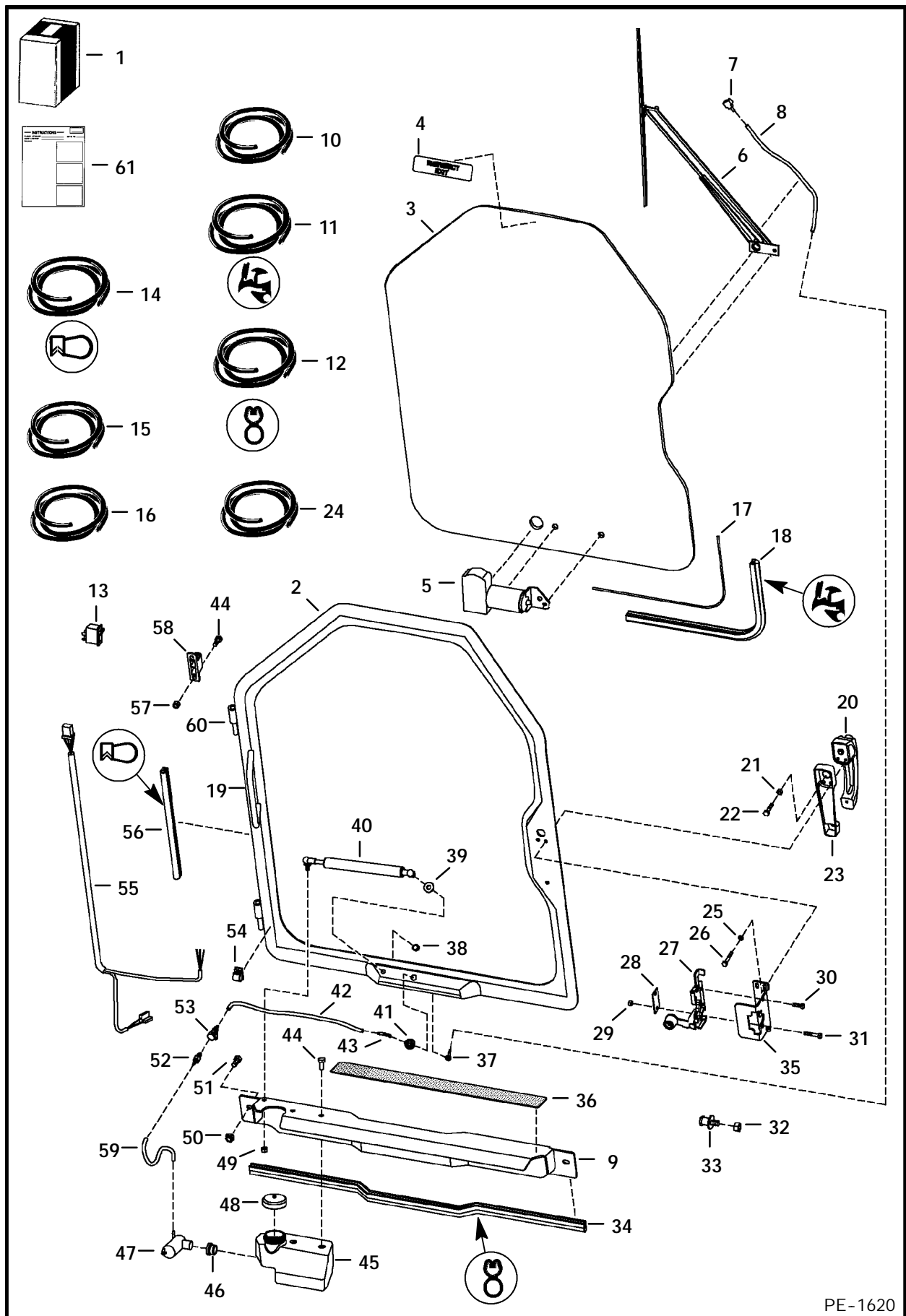


PE-1529

BUCKET POSITIONING KIT (Cont'd)

Ref. No.	Part Number	Description	Remarks	Serial Number	Qty.
1	6732354	KIT	Ref. 2-13		1
2	6675669	VALVE	painted primer red - See Page 73		1
3	99K-10	O-RING			x
4	6730077	TEE			1
	97K-8	O-RING	W/Ref. 3 flared end		x
5	6730811	TUBELINE			1
6	6730810	TUBELINE			1
7	6715650	ELBOW	W/Ref. 3 flared end		3
	97K-10	O-RING			x
8	6730812	TUBELINE			1
9	83D-5	NUT			2
10	17C-540	BOLT			2
11	6730898	MOUNT	BPV		1
12	84G-3716	BOLT			2
13	6901709	INSTRUCTIONS			1

CAB DOOR

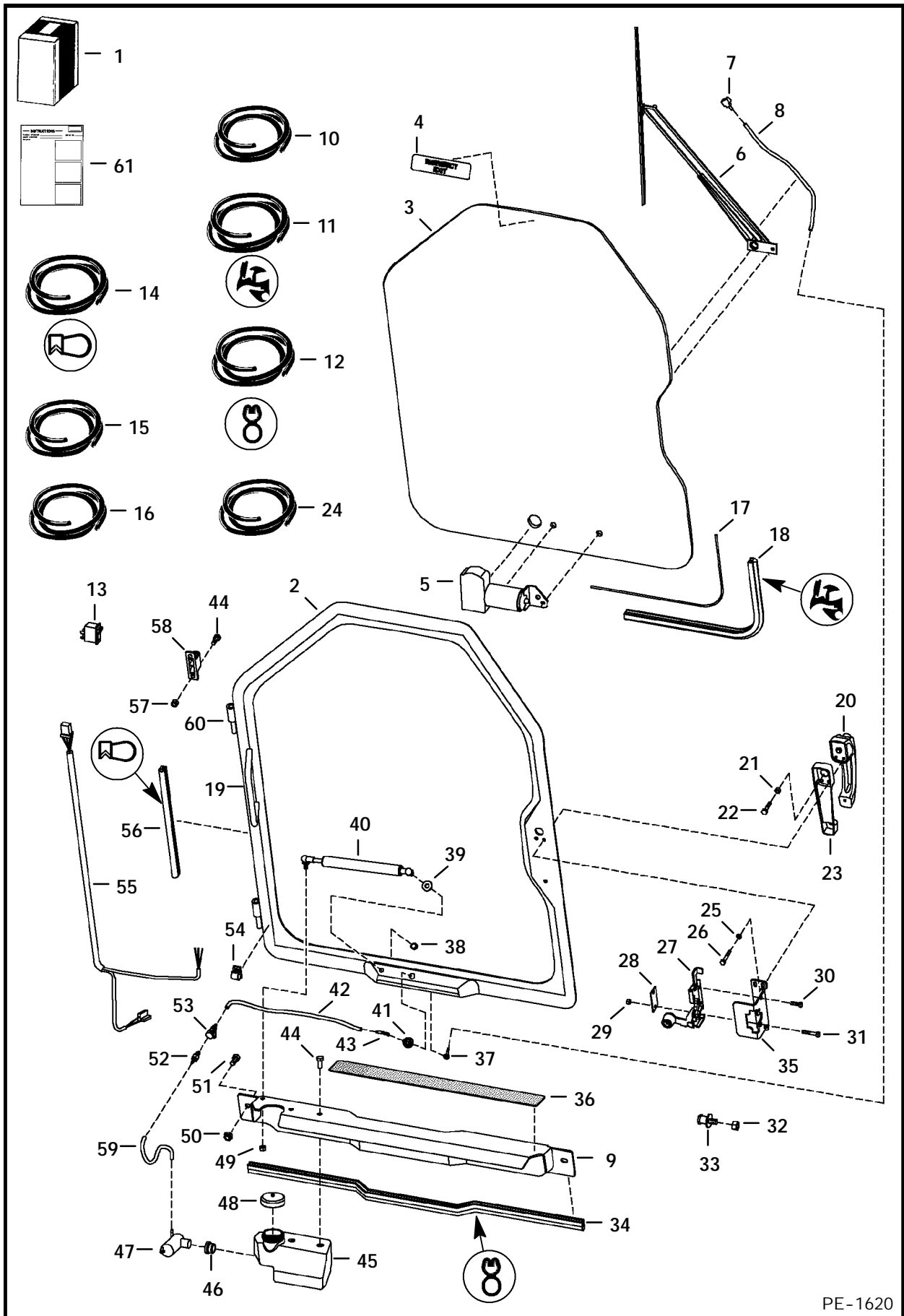


PE-1620

CAB DOOR (Cont'd)

Ref. No.	Part Number	Description	Remarks	Serial Number	Qty.
1	6730822	KIT	door		1
2	6726435	DOOR	W/Ref. 60 & 19		1
3		WINDOW	.25" thick glass - See Page 177		1
4	6707852	DECAL	exit		1
5		MOTOR	See Page 177		1
6		ARM ASSY	See Page 177		1
7		NOZZLE	wiper arm mounted - See Page 177		1
8		HOSE	See Page 177		1
9	6730816	SHIELD			1
10	6676918	HOSE	50' (15.24meter) long roll - .125" I.D. - black		1
11	6665568	SEAL	bulk - Sold Per Foot		x
12	6513152	SEAL	bulk - Sold Per Foot		x
13	6665707	SWITCH	front wiper		1
14	6675558	SEAL	bulk - Sold Per Foot		1
15	6554149	CORD	bulk - Sold Per Foot		x
16	6676003	HOSE	bulk - Sold Per Foot - .109" I.D. - black		x
17	NAP	CORD	window - 113" (2878mm) - Order Ref. 15		1
18	NAP	SEAL	window - 113" (2878mm) - Order Ref. 11		1
19	6718521	HANDLE	grab		1
20	6674667	HANDLE			1
21	6709527	KEY	ignition/rear door		1
22	61D-4	NUT			1
23	17C-420	BOLT			1
24	6717146	SPACER	handle		1
25	6708310	HOSE	bulk - Sold Per Foot - .149 I.D. - clear		x
26	6EM-60	WASHER			3
27	1CM-640	BOLT			3
28	6674666	LATCH			1
29	6718520	COVER	latch		1
30	4DM-6	NUT			2
31	1CM-620	BOLT			2
32	1CM-635	BOLT			2
33	91D-7	NUT			1
34	6677194	BOLT	striker		1
35	NAP	SEAL	threshold - 36" (914mm) - Order Ref. 12		1
36	6717369	BRACKET	latch		1
37	6542731	SAFETY TREAD			1
38	6676500	ELBOW			1
39	46D-5	NUT	acorn		1
40	25E-16	WASHER			1
41	6674938	GAS SPRING			1
42	6678548	SOCKET	ball		2
43	6649245	RETAINER	spring		2
44	6676499	GROMMET	wiper		1
45	NAP	HOSE	18.25" (464mm) - Order Ref. 16		1

CAB DOOR (Cont'd)

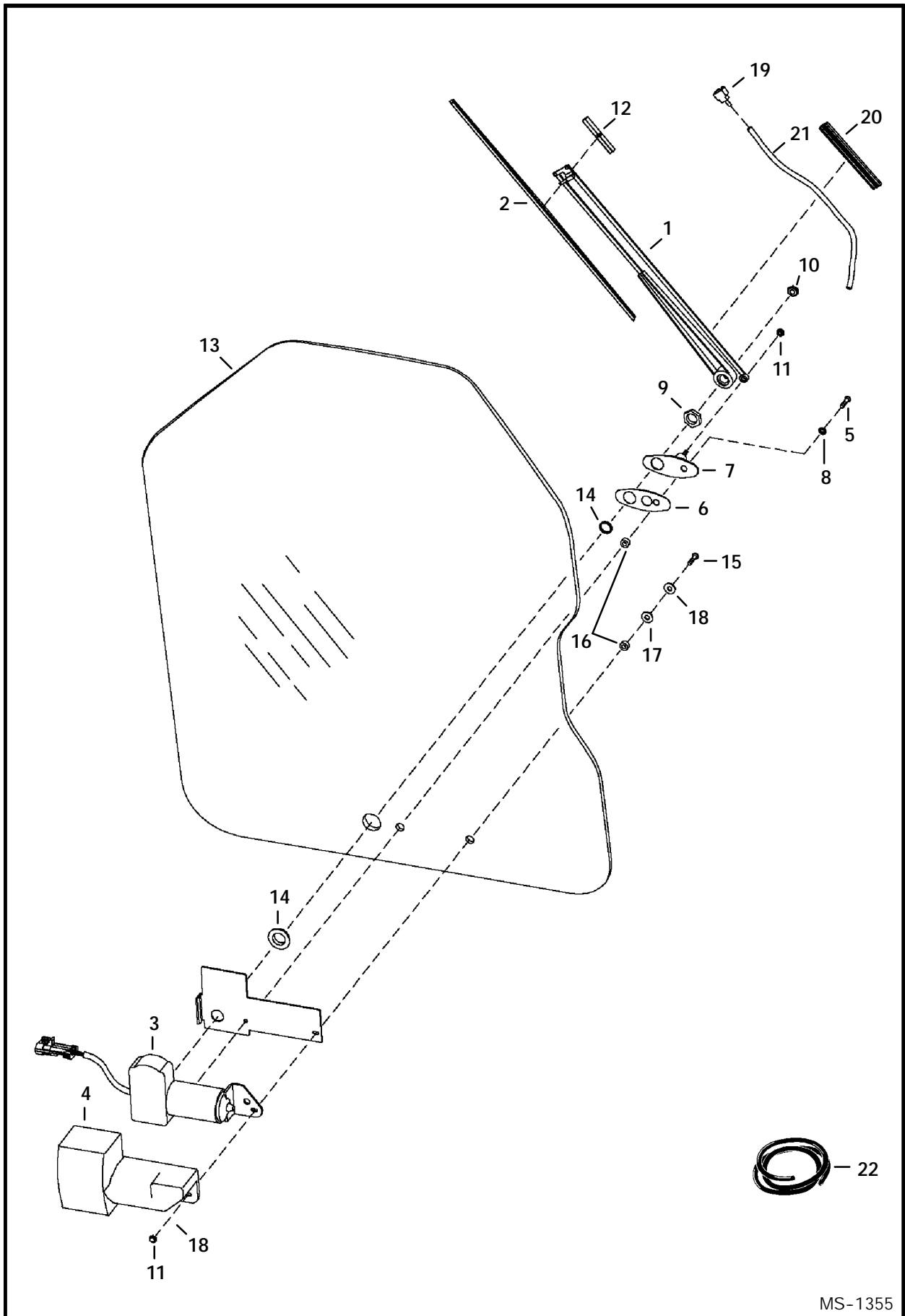


PE-1620

CAB DOOR (Cont'd)

Ref. No.	Part Number	Description	Remarks	Serial Number	Qty.
43	6676917	ELBOW			1
44	17C-512	BOLT			6
45	6730830	TANK	washer		1
46	6666766	GROMMET			1
47	6664554	PUMP	washer bottle		1
48	6674993	CAP	vented		1
49	61D-5	NUT			1
50	61D-6	NUT			2
51	17C-612	BOLT			2
52	6675299	COUPLER	insert		1
53	6675298	COUPLER	body		1
54	6675378	CLIP	Use W/Ref. 7		1
55	6729739	HARNESS	wiper - W/fuse		1
56	NAP	SEAL	127.3" (3233mm) - Order Ref. 14		1
57	59D-5	NUT			4
58	6717593	HINGE	base		2
59	NAP	HOSE	4.25" (108mm) long - Order Ref. 24		1
60	6718376	HINGE	door		2
61	6677192	MAGNET			1
62	6731212	SWITCH	door		1
63	6677193	RIVET	plastic		2
64	6665321	RIVET	male - plastic		1
65	6665322	RIVET	female - plastic		1
66	6732975	DECAL	door - switch		1
67	6901013	INSTRUCTIONS			1

CAB DOOR (Window & Wiper)

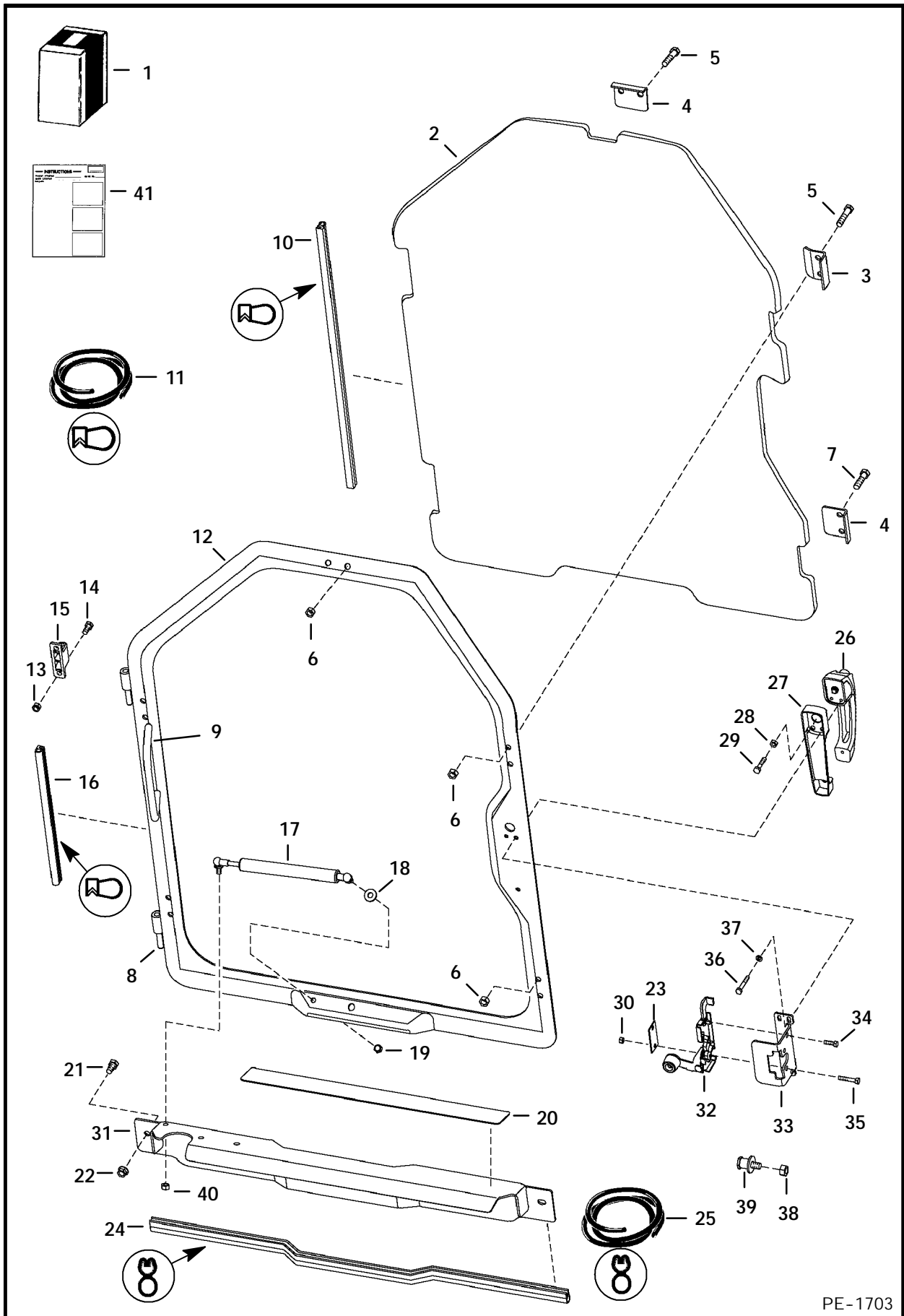


MS-1355

CAB DOOR (Cont'd)
(Window & Wiper)

Ref. No.	Part Number	Description	Remarks	Serial Number	Qty.
1	6677833	ARM ASSY	W/Ref. 19-21		1
2	6677834	BLADE	also Order Ref. 12		1
3	6677835	MOTOR	W/threaded shaft end		
			& built in fuse		1
4	6677836	COVER			1
5	6677837	BOLT			1
6	6677839	GASKET			1
7	6677840	SWIVEL ASSY			1
8	6677841	WASHER	tooth lock		1
9	6677842	NUT			1
10	6677843	NUT			1
11	6677844	NUT			2
12	6677845	ADAPTER	arm		1
13	6729776	WINDOW	.25" thick glass W/1.00" dia. wiper motor shaft hole		1
14	6677847	GROMMET	rubber		1
15	6678198	BOLT			1
16	6664085	BUSHING	nylon		2
17	6801059	WASHER	neoprene		1
18	6678739	WASHER	steel		2
19	6678920	NOZZLE	For Ref. 1		1
20	6678921	GUIDE	hose		1
21	NAP	HOSE	18" (457mm) long - Order Ref. 22		x
22	6676003	HOSE	bulk - Sold Per Foot - .109" I.D. - black		x

CAB DOOR (Special Applications)

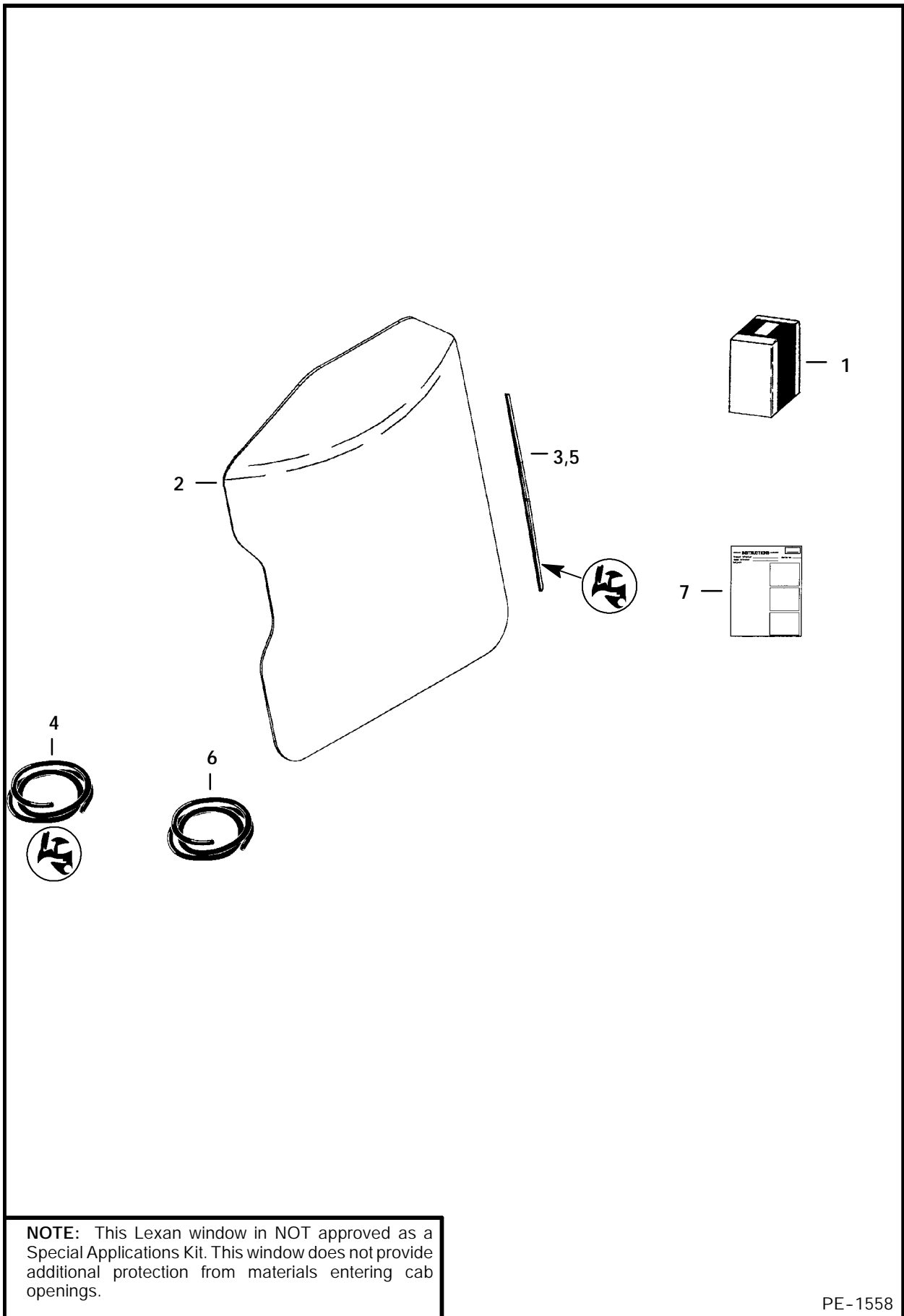


PE-1703

CAB DOOR (Cont'd)
(Special Applications)

Ref. No.	Part Number	Description	Remarks	Serial Number	Qty.
1	6730823	KIT	door		1
2	6732351	WINDOW	.5" thick polycarbonate - W/ top notch		1
3	6725938	CLAMP			2
4	6725937	CLAMP			3
5	17C-628	BOLT			6
6	95D-6	NUT			10
7	17C-624	BOLT			4
8	6718376	HINGE	door		2
9	6718521	HANDLE	grab		1
10	NAP	SEAL	115" (2921mm) long -Order Ref. 11		1
11	6675558	SEAL	bulk - Sold Per Foot		x
12	6726932	DOOR	W/Ref. 8		1
13	59D-5	NUT			4
14	17C-512	BOLT			4
15	6717593	HINGE	base		2
16	NAP	SEAL	127" (3233mm) long - Order Ref. 11		1
17	6674938	GAS SPRING			1
	6678548	SOCKET	ball		2
	6649244	STUD	ball		2
	6649245	RETAINER	spring		2
18	25E-16	WASHER			1
19	46D-5	NUT	acorn		1
20	6542731	SAFETY TREAD			1
21	55D-6	NUT			2
22	17C-612	BOLT			2
23	6718520	COVER	latch		1
24	NAP	SEAL	36" (914mm) long - Order Ref. 25		1
25	6513152	SEAL	bulk - Sold Per Foot		x
26	6674667	HANDLE			1
	6709527	KEY	ignition & rear door		1
27	6717146	SPACER	handle		1
28	61D-4	NUT			1
29	17C-420	BOLT			1
30	4DM-6	NUT			2
31	6730816	SHIELD			1
32	6674666	LATCH			1
33	6717369	BRACKET	latch		1
34	1CM-620	BOLT			2
35	1CM-635	BOLT			2
36	1CM-640	BOLT			3
37	6EM-60	WASHER			3
38	91D-7	NUT			1
39	6654170	STRIKER BOLT			1
40	61D-5	NUT			1
41	6901013	INSTRUCTIONS			1

CAB DOOR (Lexan Window)



NOTE: This Lexan window is NOT approved as a Special Applications Kit. This window does not provide additional protection from materials entering cab openings.

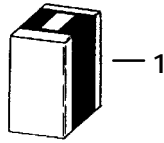
PE-1558

CAB DOOR (Cont'd)
(Lexan Window)

Ref. No.	Part Number	Description	Remarks	Serial Number	Qty.
1	6726427	KIT	Ref. 2-7		1
2	6675215	WINDOW	lexan		1
3	NAP	SEAL	113" (2878mm) long -		
4	6665568	SEAL	Order Ref. 4 bulk - Sold Per Foot		1 x
5	NAP	CORD	113" (2878mm) long -		
6	6554149	CORD	Order Ref. 6 bulk - Sold Per Foot		1 x
7	6901036	INSTRUCTIONS			1

CAB ENCLOSURE

NOTE: Order Cab Enclosure Kit from Gwinner SALES #6719666.
Order Special Applications Kit from Gwinner SALES # 6719326.

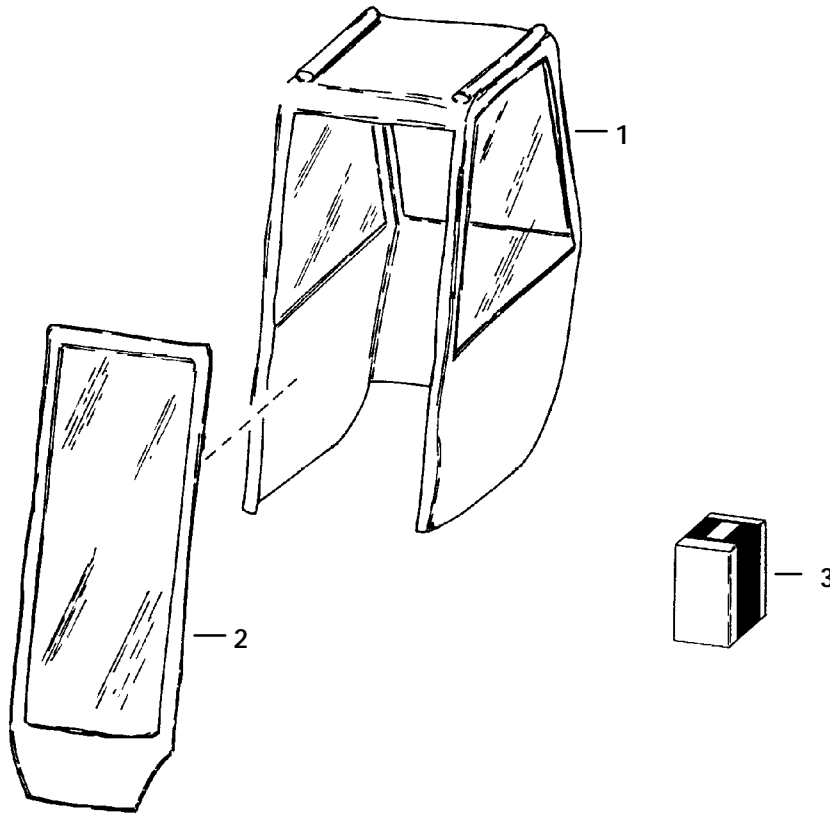


B-17100

CAB ENCLOSURE (Cont'd)

Ref. No.	Part Number	Description	Remarks	Serial Number	Qty.
1	SALES	KIT	cab enclosure - SEE NOTE - includes items on Pages 173 & 189		1
	SALES	KIT	special cab enclosure - SEE NOTE - includes items on Page 179 & 189		1

CAB ENCLOSURE
(Envelope)

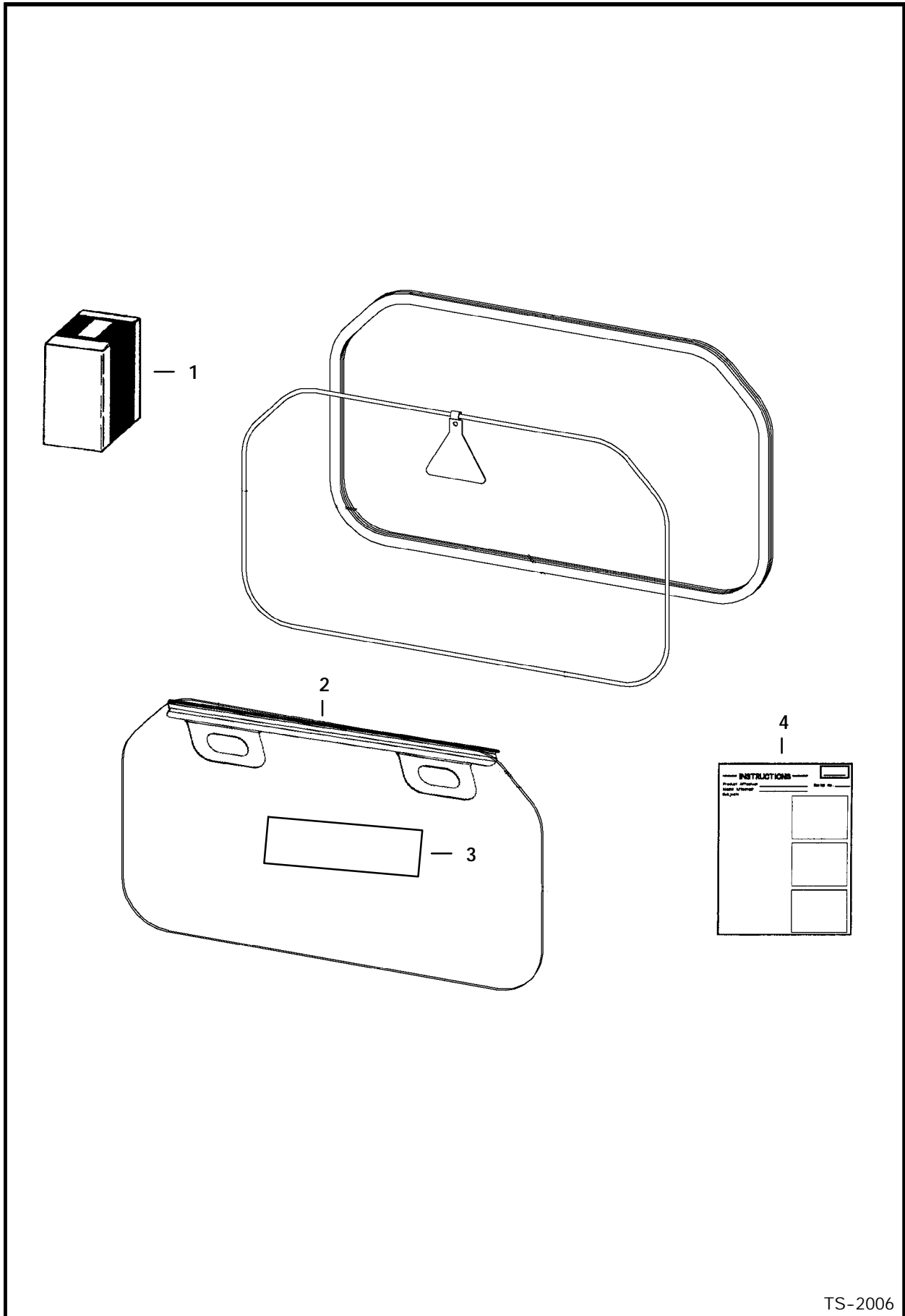


B-1413

CAB ENCLOSURE (Cont'd)
(Envelope)

Ref. No.	Part Number	Description	Remarks	Serial Number	Qty.
1	6675544	CANVAS CAB	fits over cab - W/Ref. 2 & 3		1
2	6675590	DOOR	vinyl		1
3	6675591	HINGE KIT			1

CAB WINDOWS
(Rear Window Removal Kit)



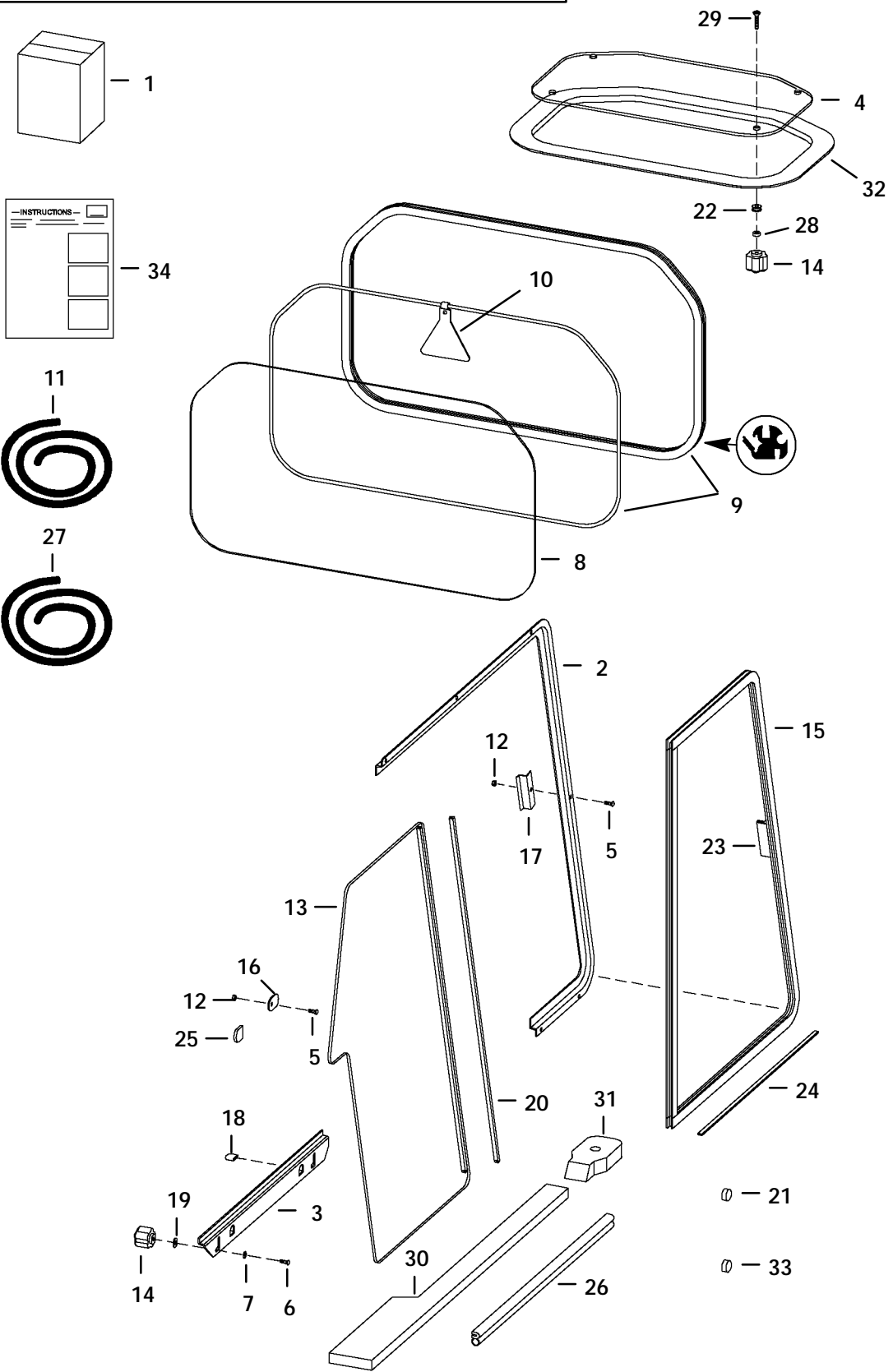
TS-2006

CAB WINDOWS (Cont'd)
(Rear Window Removal Kit)

Ref. No.	Part Number	Description	Remarks	Serial Number	Qty.
1	6725946	KIT	Ref. 2-4		1
2	6725421	HANDLE			1
3	6726303	DECAL			1
4	6901029	INSTRUCTIONS			1

CAB WINDOWS (Top, Rear & Side)

NOTE: Order Top & Rear Window Kit from Gwinner Sales # 6718805.
Order Side Window Kit from Gwinner Sales # 6718806.

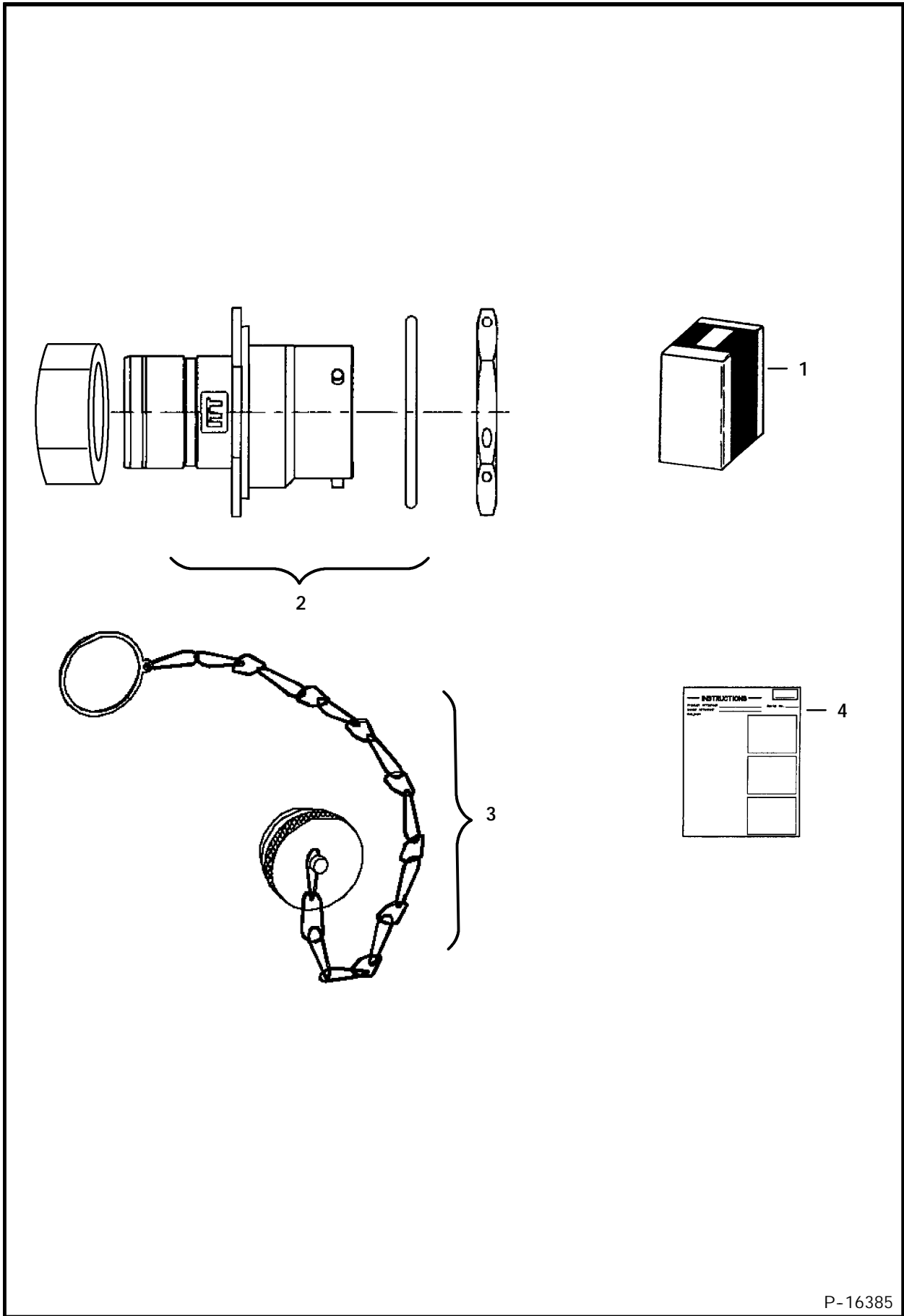


MS-1340

CAB WINDOWS (Cont'd)
(Top, Rear & Side)

Ref. No.	Part Number	Description	Remarks	Serial Number	Qty.
1	SALES	KIT	top & rear window		1
	SALES	KIT	side windows		1
2	6717870	FRAME	L.H. side		1
	6717872	FRAME	R.H. side		1
3	6717871	FRAME	L.H. bottom		1
	6717873	FRAME	R.H. bottom		1
4	6728629	WINDOW	assy. - W/ seal & grommets		1
5	10C-410	BOLT			18
6	10C-416	BOLT			4
7	25E-14	WASHER			4
8	6717874	WINDOW	rear - 3/16" thick		1
	6719413	WINDOW	rear - lexan		1
9	NAP	EXTRUSION	75.75" (1924mm) long - Order Ref. 11		1
	NAP	CORD	75.75" (1924mm) long - Order Ref. 11		1
10	6559515	EXIT TAG			1
11	6675387	EXTRUSION	Bulk - Sold Per Foot		x
	6554149	CORD	Bulk - Sold Per Foot		x
12	59D-4	NUT			18
13	6674520	WINDOW	L.H. rear - W/Ref. 24		1
	6674522	WINDOW	R.H. rear - W/Ref. 24		1
14	6674741	KNOB			8
15	6674519	WINDOW	L.H. front		1
	6674521	WINDOW	R.H. front		1
16	6719063	STOP	window		2
17	6719037	STRIKER			2
18	6719065	COVER TAB			4
19	6675212	RETAINER	tab bolt		4
20	6675833	SEAL	rear window - dual wiper W/tape		2
21	6657719	PLUG	for .75" dia. hole		2
22	6675545	GROMMET			4
23	6678283	HANDLE	side window - W/ tape & vendor		
			instructions		2
24	6676927	FELT STRIP	20.38" (518mm) long		2
25	6677198	TAB	cab		2
26	NAP	SEAL	24" (609mm) long - Order Ref. 27		2
27	6555351	SEAL	bulk - sold per foot		x
28	6664085	BUSHING	nylon		4
29	91G-416	BOLT			4
30	6729010	SEAL	cab - main frame - L.H. - foam		1
	6729009	SEAL	cab - main frame - R.H. - foam		1
31	6729011	SEAL	cab mount		2
32	NAP	SEAL	Order Ref. 4		1
33	6677973	PLUG	for .22" dia. hole		2
34	6901013	INSTRUCTIONS	top & rear windows		1
	6900853	INSTRUCTIONS	side windows		1

ELECTRICAL CONNECTOR KIT
(7-Pin)

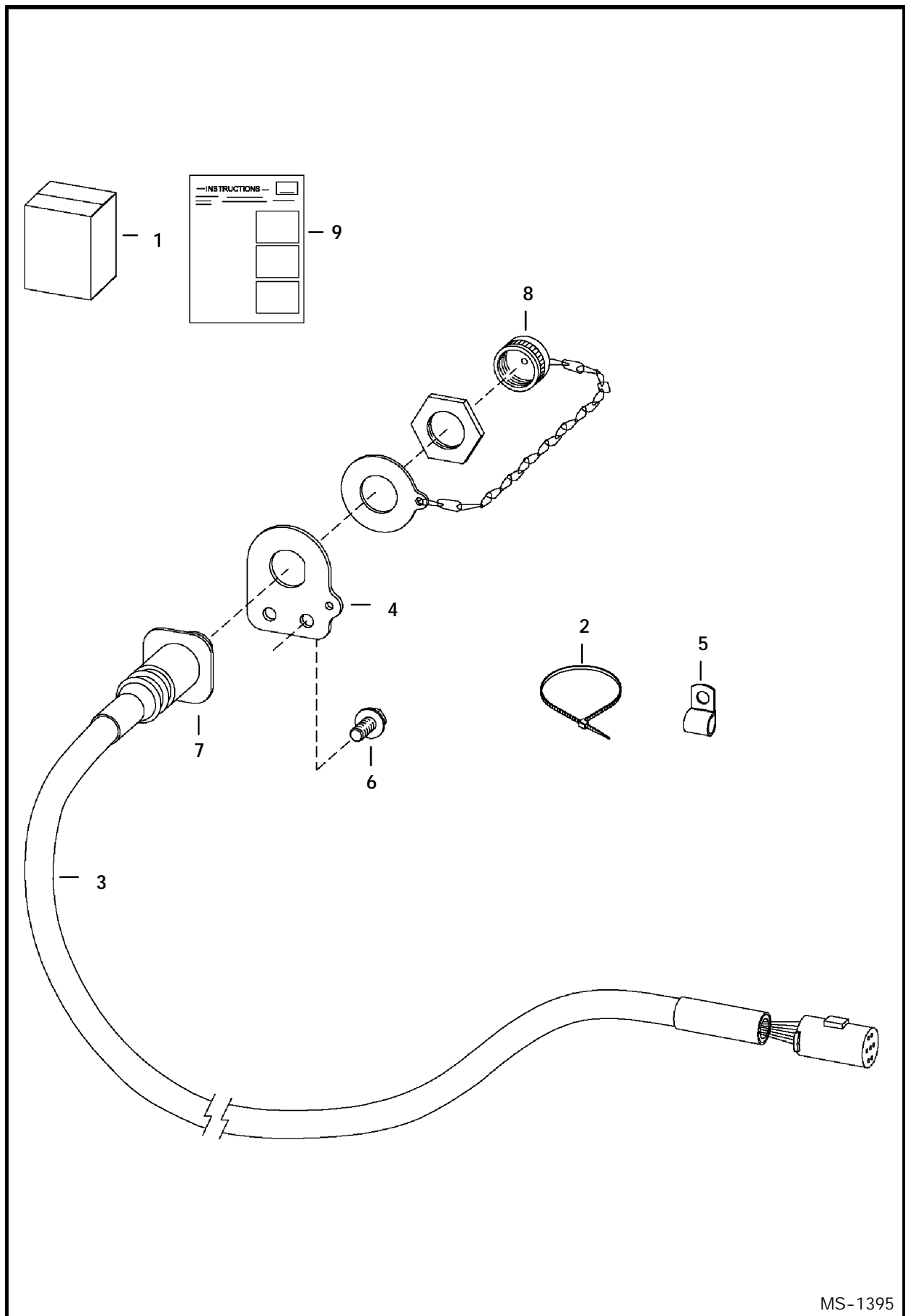


P-16385

ELECTRICAL CONNECTOR KIT (Cont'd)
(7-Pin)

Ref. No.	Part Number	Description	Remarks	Serial Number	Qty.
1	6727176	KIT	Ref. 2-4		1
2	6675026	CAP			1
3	6674802	CONNECTOR	7-pin		1
4	6901076	INSTRUCTIONS			1

ELECTRICAL CONTROLS KIT (7 Pin Attachments)

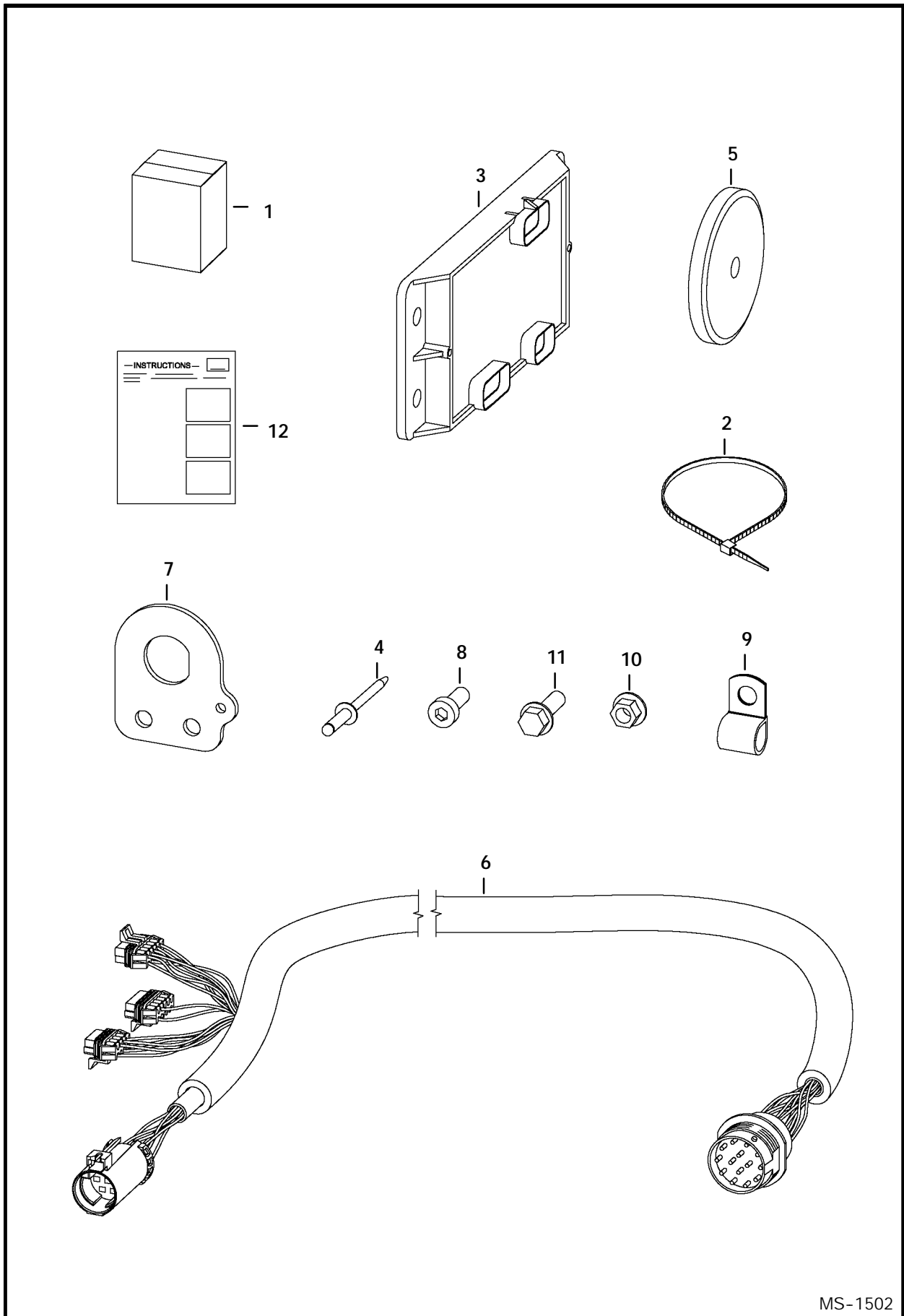


MS-1395

ELECTRICAL CONTROLS KIT (Cont'd)
(7 Pin Attachments)

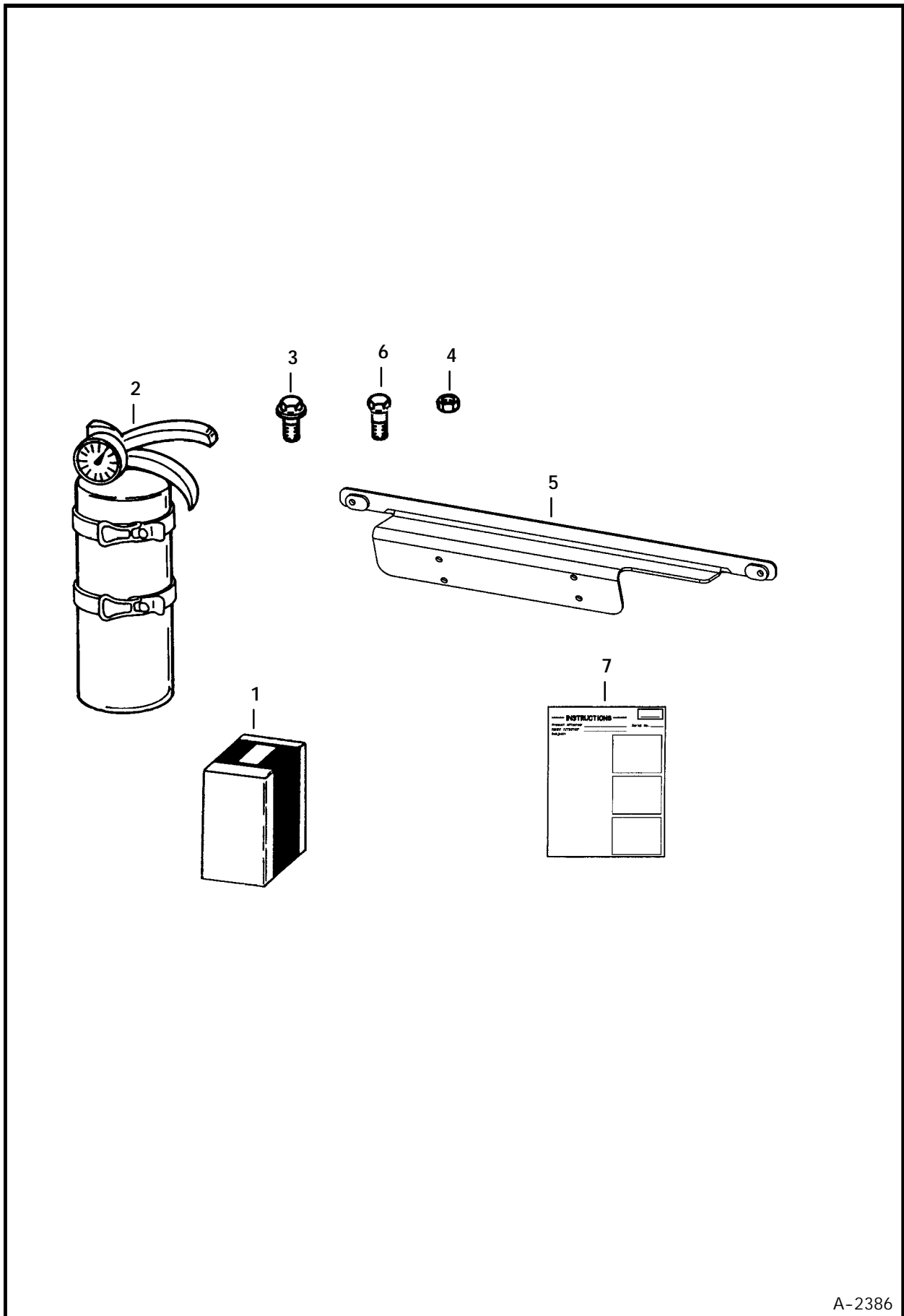
Ref. No.	Part Number	Description	Remarks	Serial Number	Qty.
1	6733142	KIT	Ref. 3-10		1
2	6624289	TIE			4
3	6718426	HARNESS			1
4	6718750	MOUNT			1
5	30H-27	CLIP			6
6	84G-3112	BOLT			8
7	6674802	CONNECTOR	7-pin - See Page 192		1
	6669549	SOCKET	small		4
	6677136	SOCKET	large - 12 ga.		3
	NSS	NUT	Order 6674802		1
8	6675026	CAP			1
9	6674799	ADAPTER	heat shrink		1
10	6901871	INSTRUCTIONS			1

ELECTRICAL CONTROLS KIT (14 Pin Attachments)



MS-1502

FIRE EXTINGUISHER

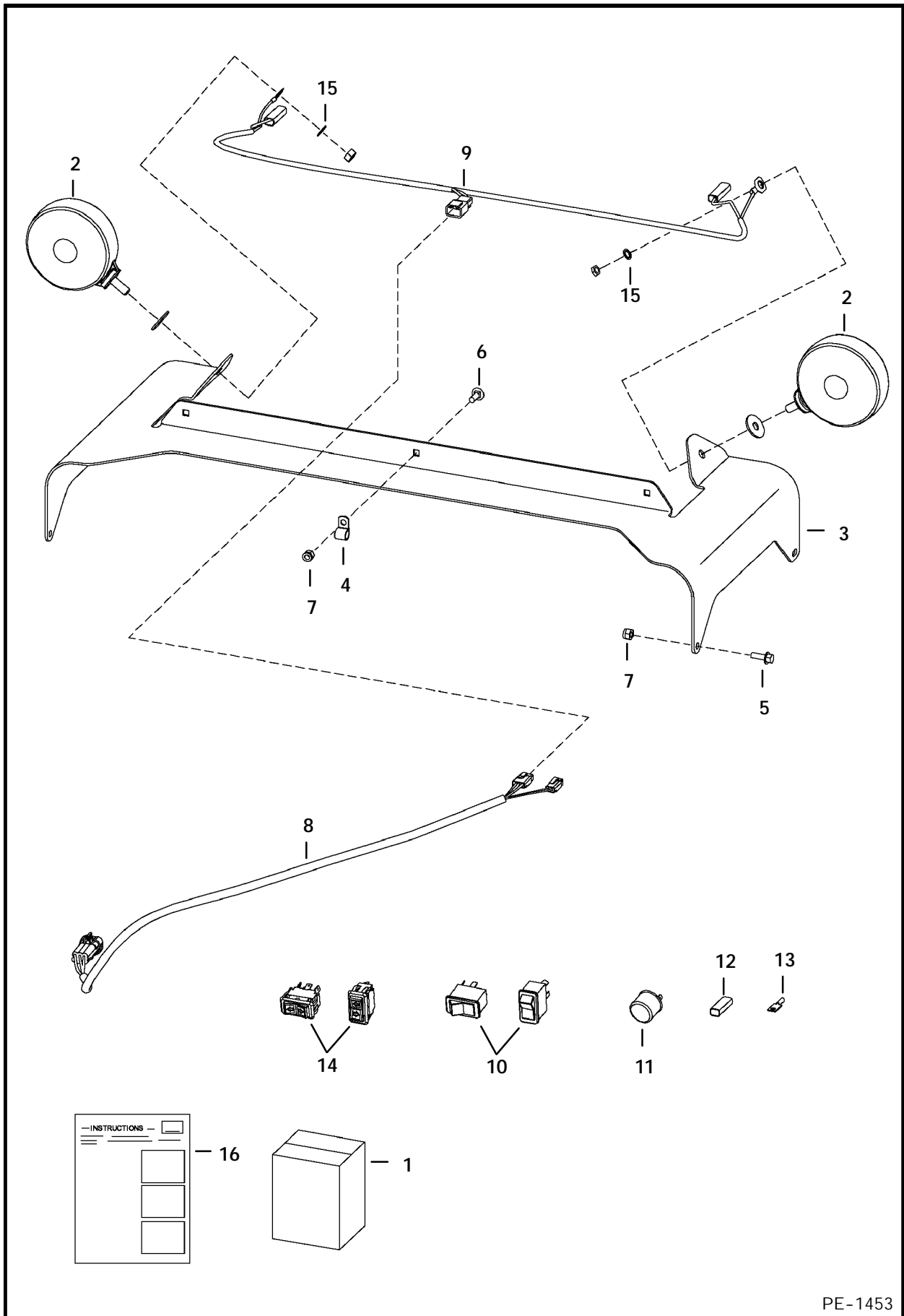


A-2386

FIRE EXTINGUISHER (Cont'd)

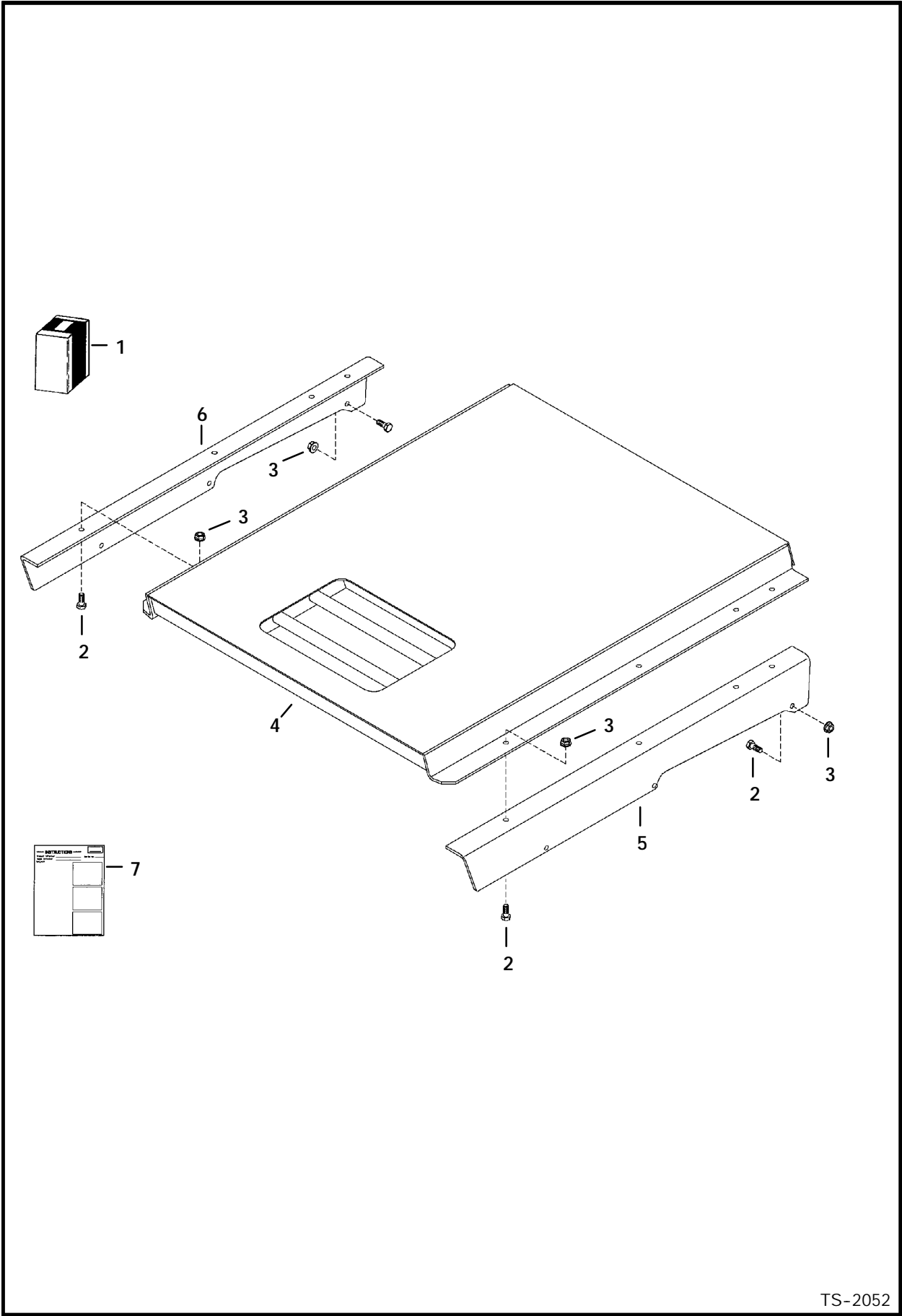
Ref. No.	Part Number	Description	Remarks	Serial Number	Qty.
1	6725898	KIT	fire extinguisher - Ref. 2-7		1
2	6675581	EXTINGUISHER			1
3	45G-1006	BOLT			4
4	12D-10	NUT			4
5	6725906	BRACKET			1
6	31C-410	BOLT			2
7	6901025	INSTRUCTIONS			1

FLASHER LIGHTS (4-Way) (Turn Indicators)



PE-1453

F.O.P.S. KIT

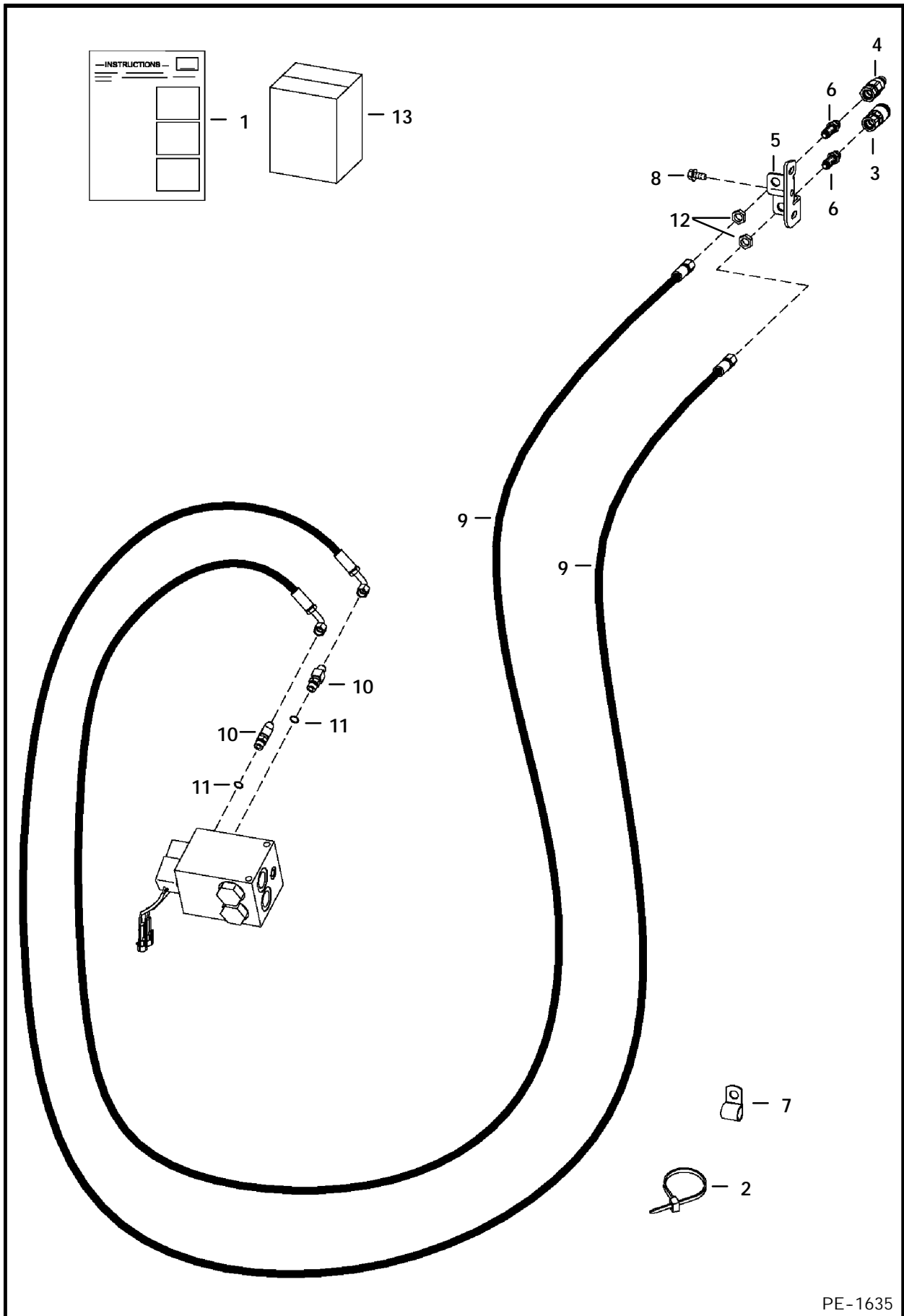


TS-2052

F.O.P.S. KIT (Cont'd)

Ref. No.	Part Number	Description	Remarks	Serial Number	Qty.
1	6718924	KIT	Ref. 2-7		1
2	17C-616	BOLT			14
3	83D-6	NUT			14
4	6702402	SHIELD			1
5	6718833	BRACKET	L.H.		1
6	6718834	BRACKET	R.H.		1
7	6720592	INSTRUCTIONS			1

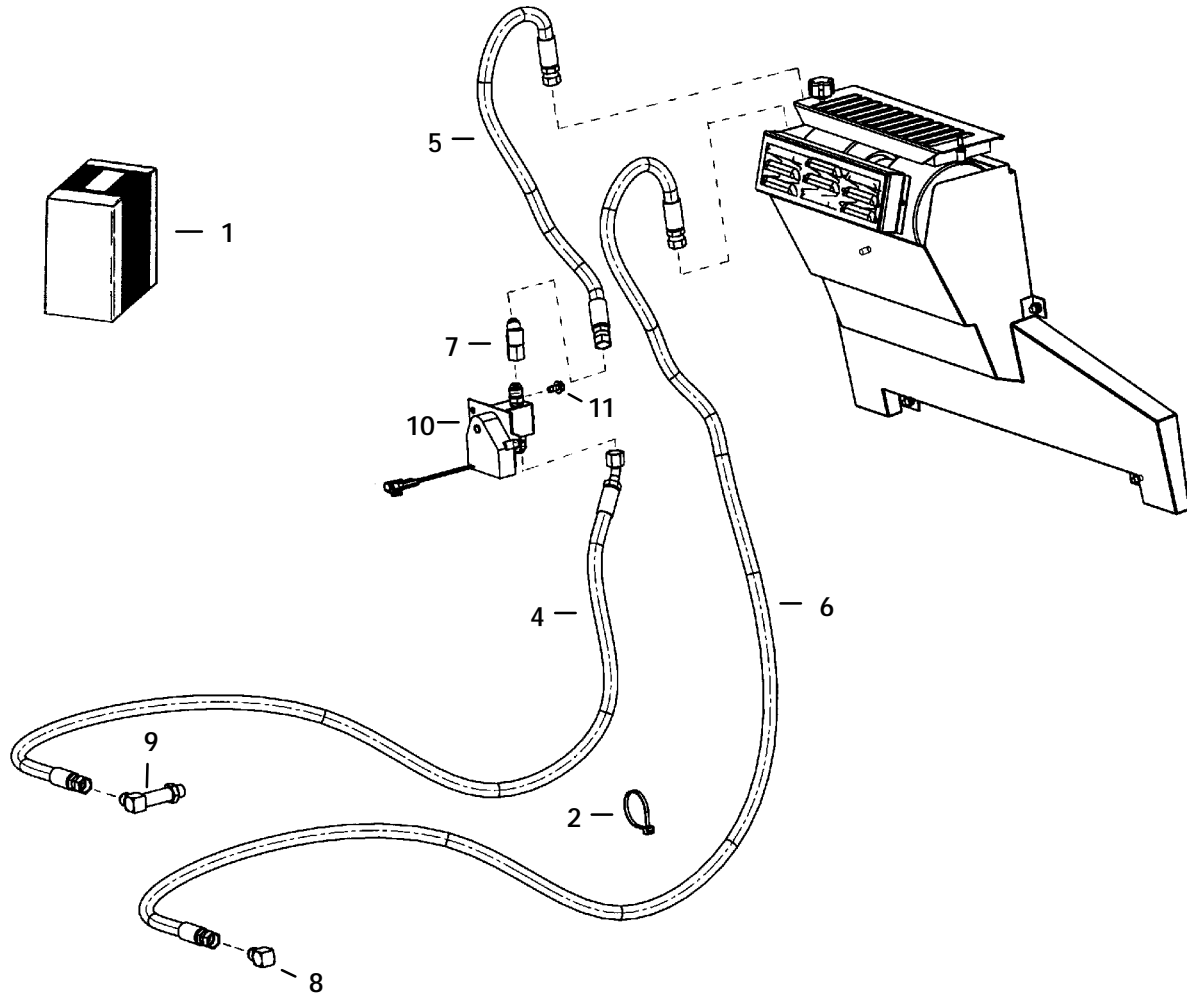
FRONT AUXILIARY
(R.H. Kit)



PE-1635

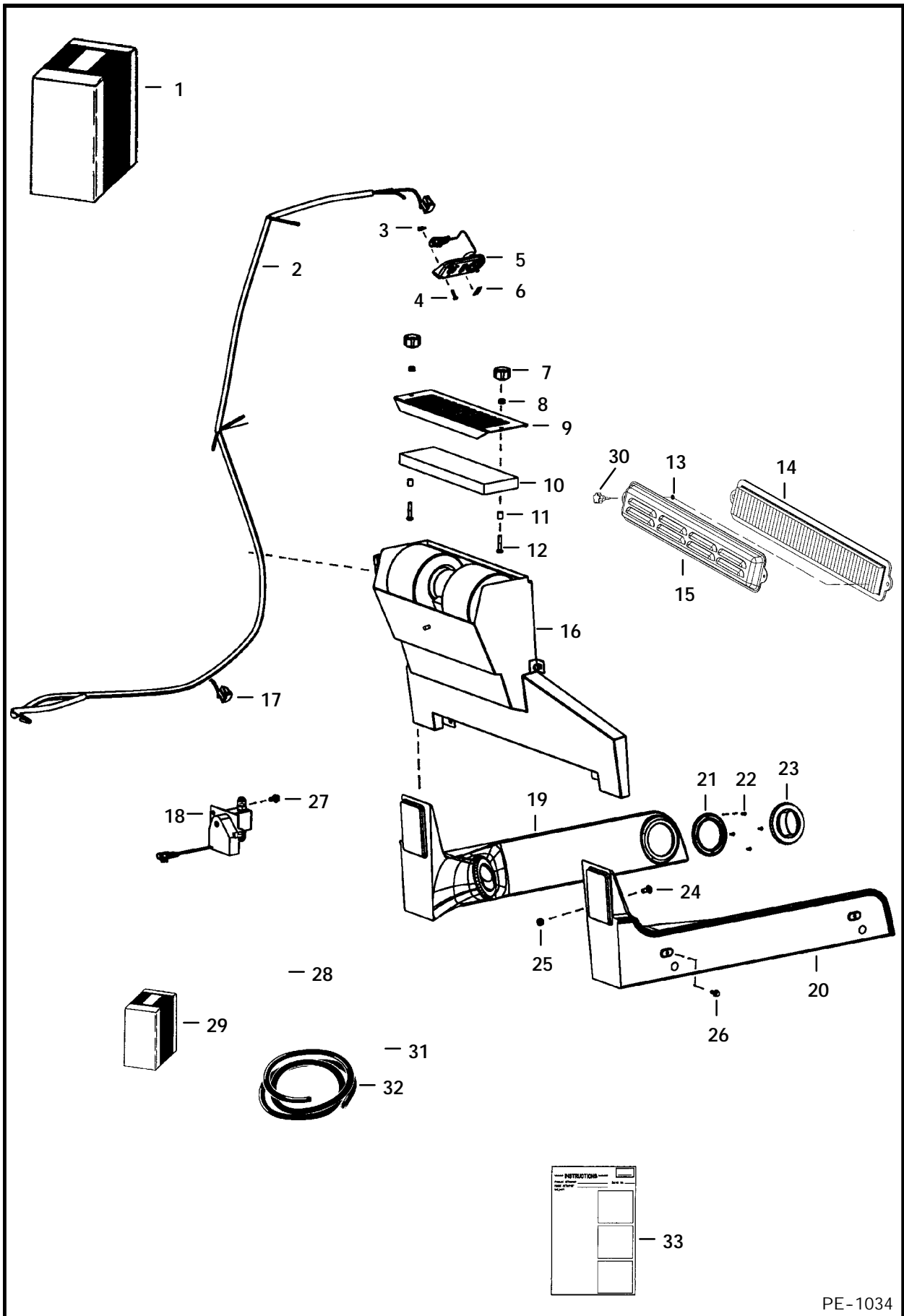
HEATER & A/C (Heater Plumbing Kit)

NOTE: For Heater Kit See Page 207.



PE-1695

HEATER & A/C (Heater Kit)

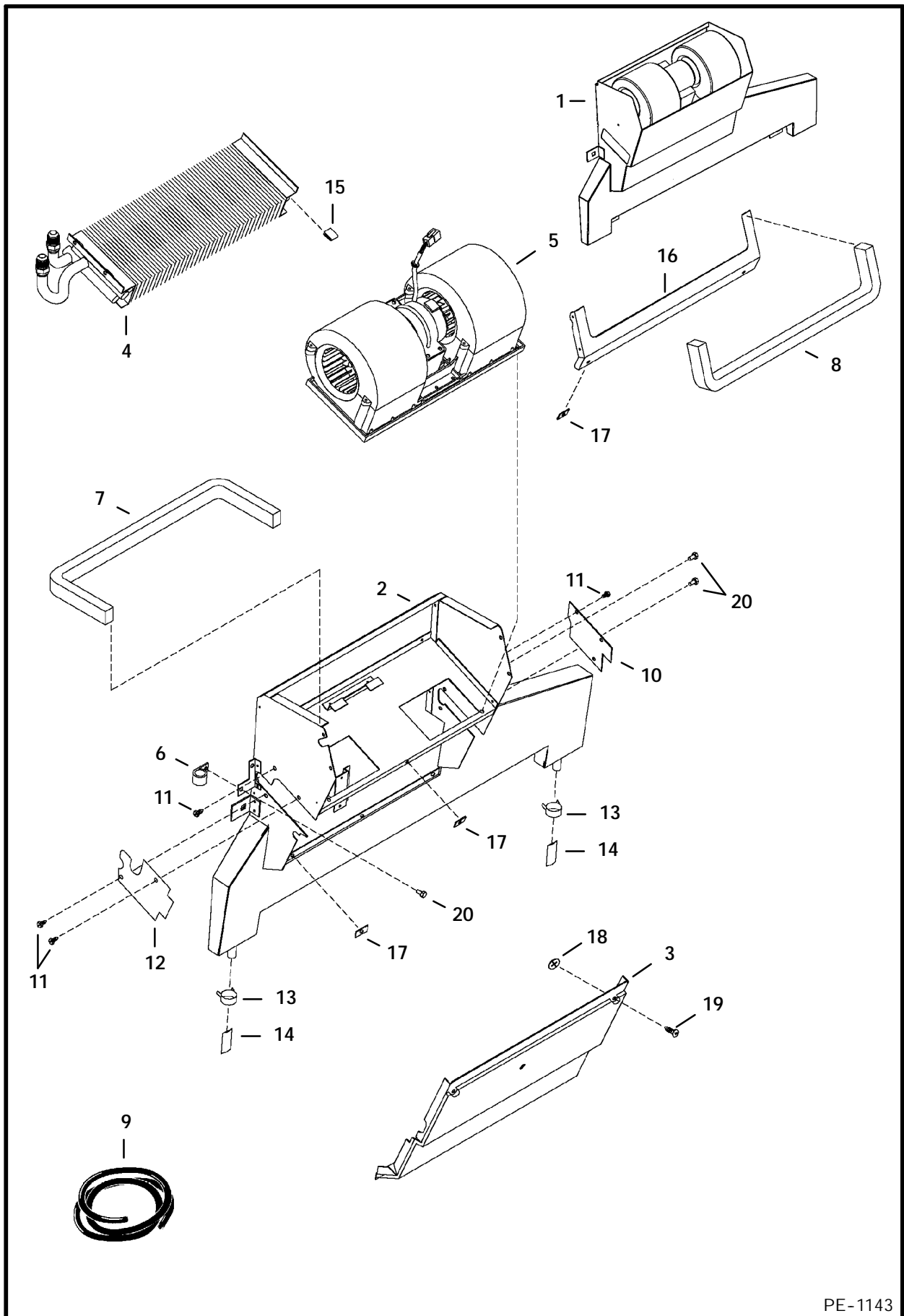


PE-1034

HEATER & A/C (Cont'd)
(Heater Kit)

Ref. No.	Part Number	Description	Remarks	Serial Number	Qty.
1	6718803	HEATER KIT	Ref. 2-28 & 33 - SEE NOTE		1
2	6725933	HARNESS	HVAC - W/Ref. 17		1
	6725273	HARNESS	AHC		1
3	6669091	CLIP	retainer		3
4	6669224	BOLT			3
5	6674228	PANEL	control		1
	6640699	CONNECTOR			1
	6718579	DECAL			1
	6718887	PANEL			1
	6675176	SWITCH	blower		1
	6675177	KNOB			1
	6675846	POTENTIOMETER			1
6	6675181	PLUG	switch hole		1
7	6674741	KNOB			2
8	83D-4	NUT			2
9	6718175	SCREEN	filter		1
10	6678207	FILTER	recirculation		1
11	6718837	SPACER			2
12	37C-424	BOLT			2
13	6676516	NUT	push		2
14	6677983	FILTER			1
15	6727848	COVER			1
16		HEATER	See Page 209		1
17	6670312	SOLENOID	relay		1
18	6675684	VALVE			1
	6675175	BRACKET			1
	6675172	BRACKET			1
	6680054	ACTUATOR			1
	6675174	BODY			1
	6677628	SHAFT ADAPTER			1
19	6717644	DUCT	L.H.		1
20	6717643	DUCT	R.H.		1
21	6675179	FLANGE	round		4
22	57G-608	SCREW			16
23	6674231	VENT	round		4
24	37C-512	BOLT			4
25	59D-5	NUT			4
26	35C-410	BOLT			4
27	84G-3110	BOLT			2
28	774220	NUT	spring		2
29	6725513	PACKAGE	decal		1
30	6726386	KNOB			2
31	NAP	SEAL	16.25" (413mm) long - Order Ref. 32		1
32	6513152	SEAL	bulk - Sold Per Foot		x
33	6900850	INSTRUCTIONS			1

HEATER & A/C (Heater Assembly)

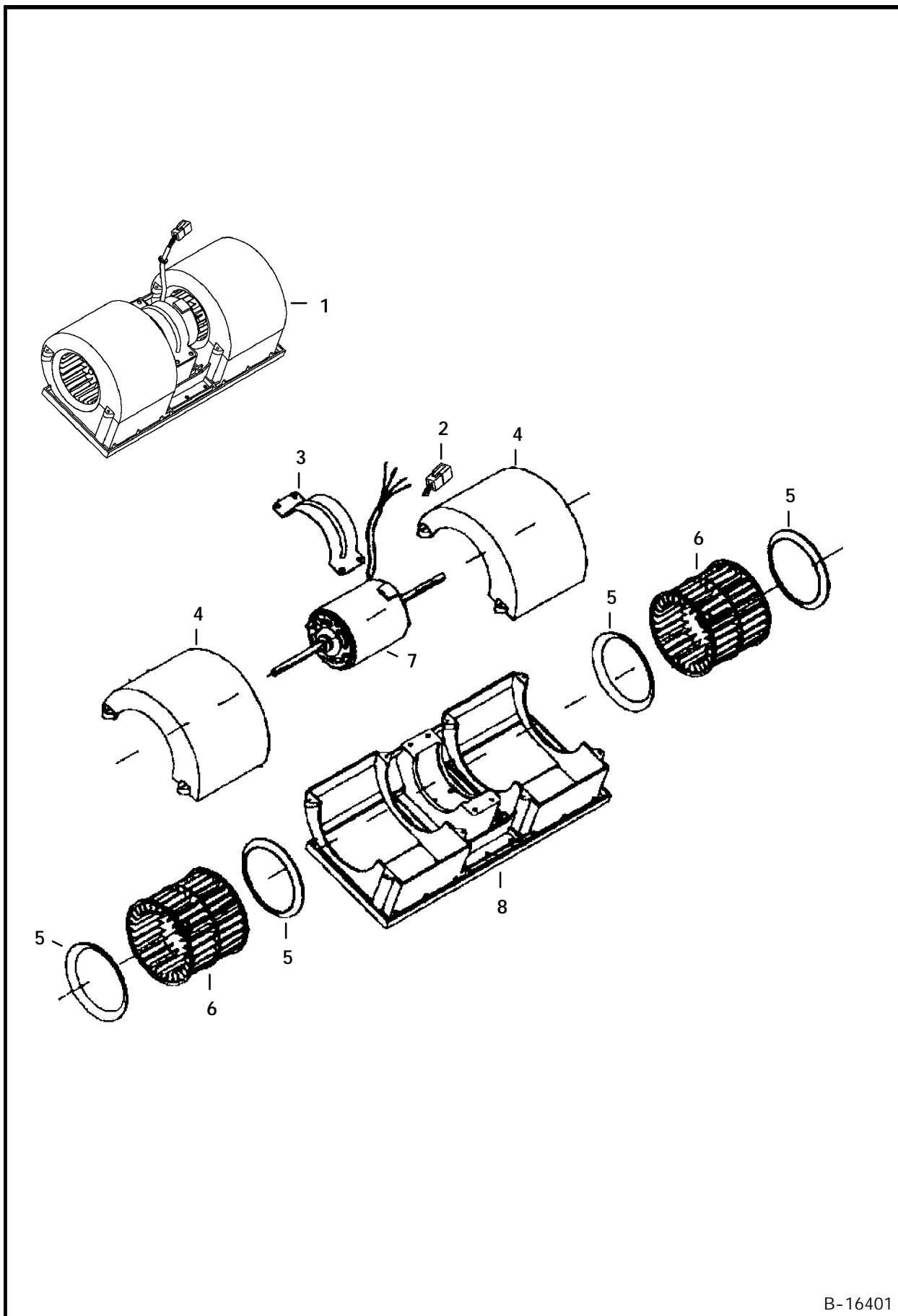


PE-1143

HEATER & A/C (Cont'd)
(Heater Assembly)

Ref. No.	Part Number	Description	Remarks	Serial Number	Qty.
1	6676562	HEATER	assy - Ref. 2-20		1
2	6677108	HOUSING			1
3	6678151	COVER			1
4	NAP	COIL	heater - See Page 217		1
5	6675497	BLOWER	assy - See Page 211		1
6	6675512	CLAMP	hose		2
7	NAP	SEAL	25" (635mm) long - Order Ref. 9		1
8	NAP	SEAL	22.6" (575mm) long - Order Ref. 9		1
9	6677111	SEAL	bulk - Sold Per Foot		x
10	6677120	COVER	sheetmetal		1
11	6726621	SCREW			7
12	6677504	COVER			1
13	6675510	CLAMP	drain hose		2
14	6675511	DRAIN VALVE			2
15	6676539	CLIP			1
16	6678152	FLANGE			1
17	6677115	RECEPTACLE			6
18	6677116	RETAINER			6
19	6677117	SCREW	captive		6
20	6677118	SCREW	w/washer		4

HEATER & A/C
(Blower Assembly)

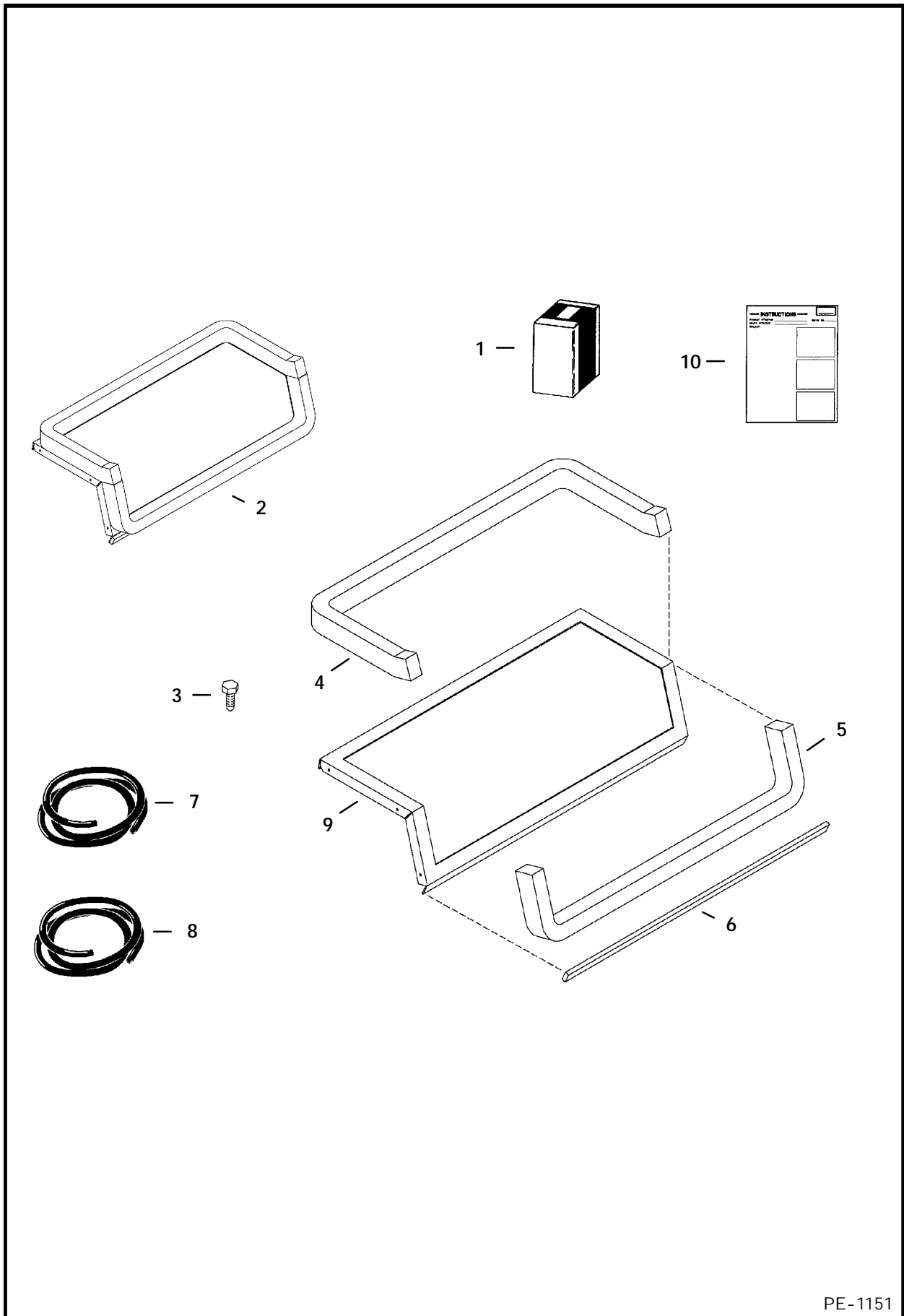


B-16401

HEATER & A/C (Cont'd)
(Blower Assembly)

Ref. No.	Part Number	Description	Remarks	Serial Number	Qty.
1	6675497	BLOWER	Ref. 2-8 6-pin 6-pin		1
2	6662246	CONNECTOR			
	6662252	LOCK			
3	6662257	PIN			4
	6665370	PLUG			2
	6675506	MOUNT			1
4	6675507	COVER			2
5	6675504	RING			4
6	6675505	BLOWER WHEEL			2
	6676618	CLIP			2
7	6675509	MOTOR	W/Ref. 2		1
8	6675503	HOUSING			1

HEATER & A/C (Blower Seal Kit)

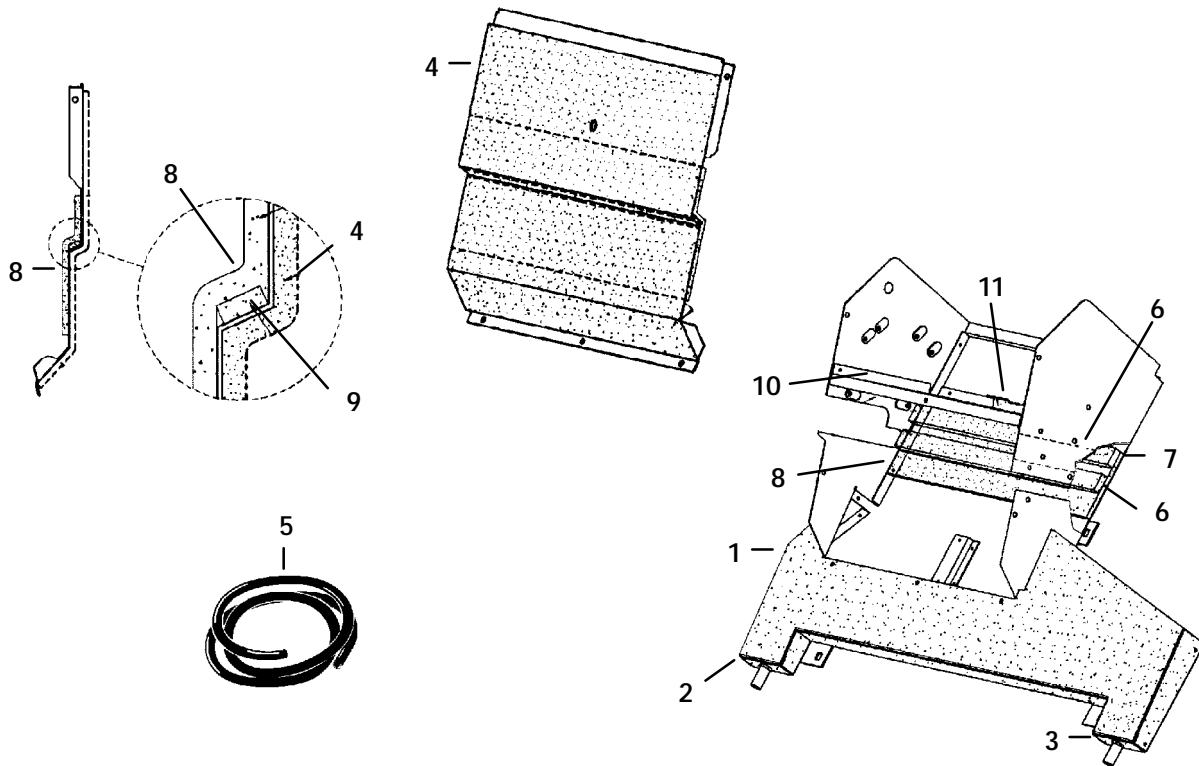


PE-1151

HEATER & A/C (Cont'd)
(Blower Seal Kit)

Ref. No.	Part Number	Description	Remarks	Serial Number	Qty.
1	6728567	KIT	blower seal - W/Ref. 2, 3 & 10		1
2	NSS	FLANGE SEAL	assy - Ref. 4, 5, 6 & 9 - Order Ref. 1		1
3	6726621	SCREW			7
4	NAP	SEAL	27" (686mm) long - Order Ref. 8		1
5	NAP	SEAL	21" (534mm) long - Order Ref. 8		1
6	NAP	SEAL	15" (384mm) long - Order Ref. 7		1
7	6675611	SEAL	bulk - Sold Per Foot		x
8	6677111	SEAL	bulk - Sold Per Foot		x
9	NSS	FLANGE	Order Ref. 1		1
10	6901213	INSTRUCTIONS			1

HEATER & A/C (Insulation)

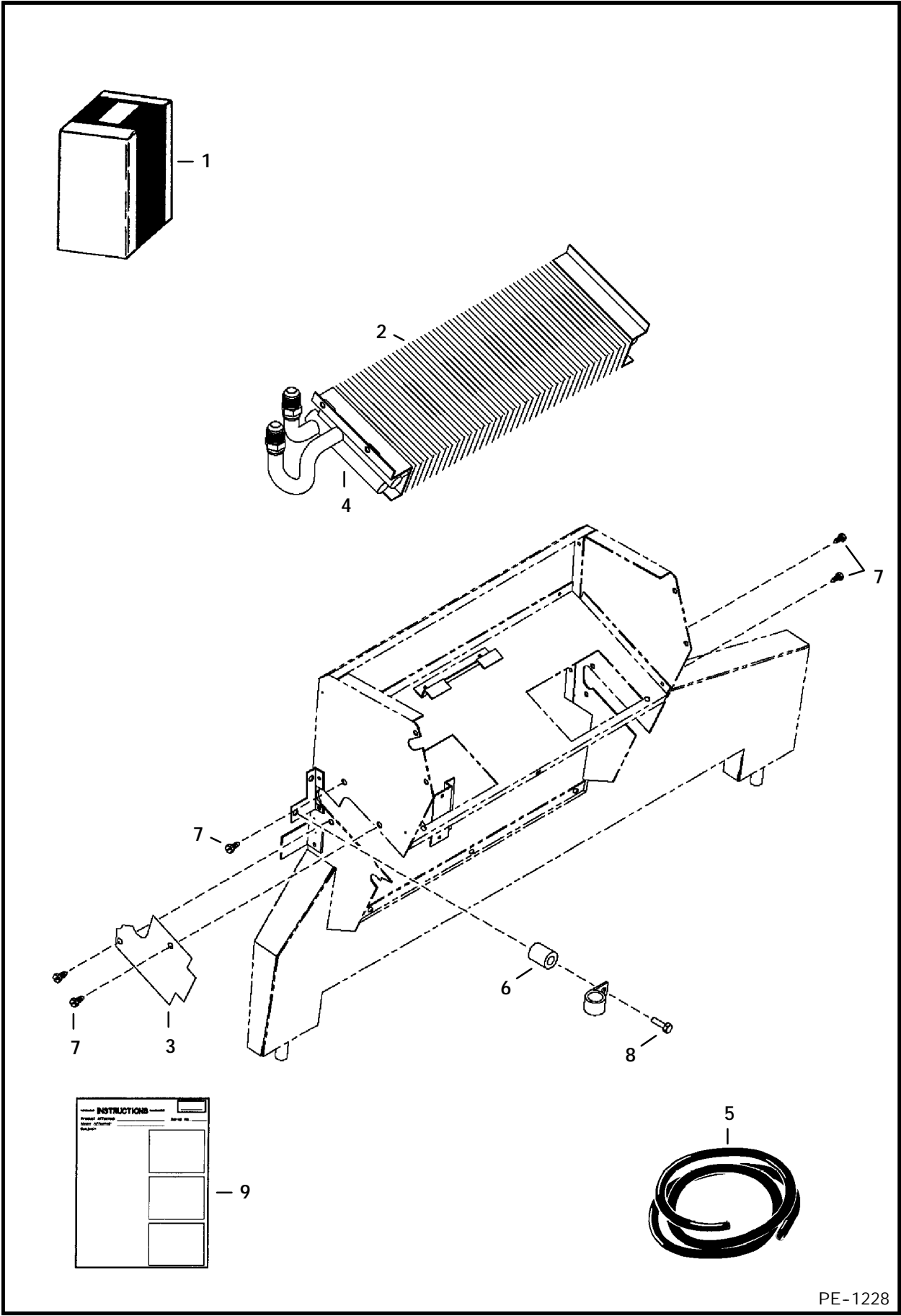


B-16402

**HEATER & A/C (Cont'd)
(Insulation)**

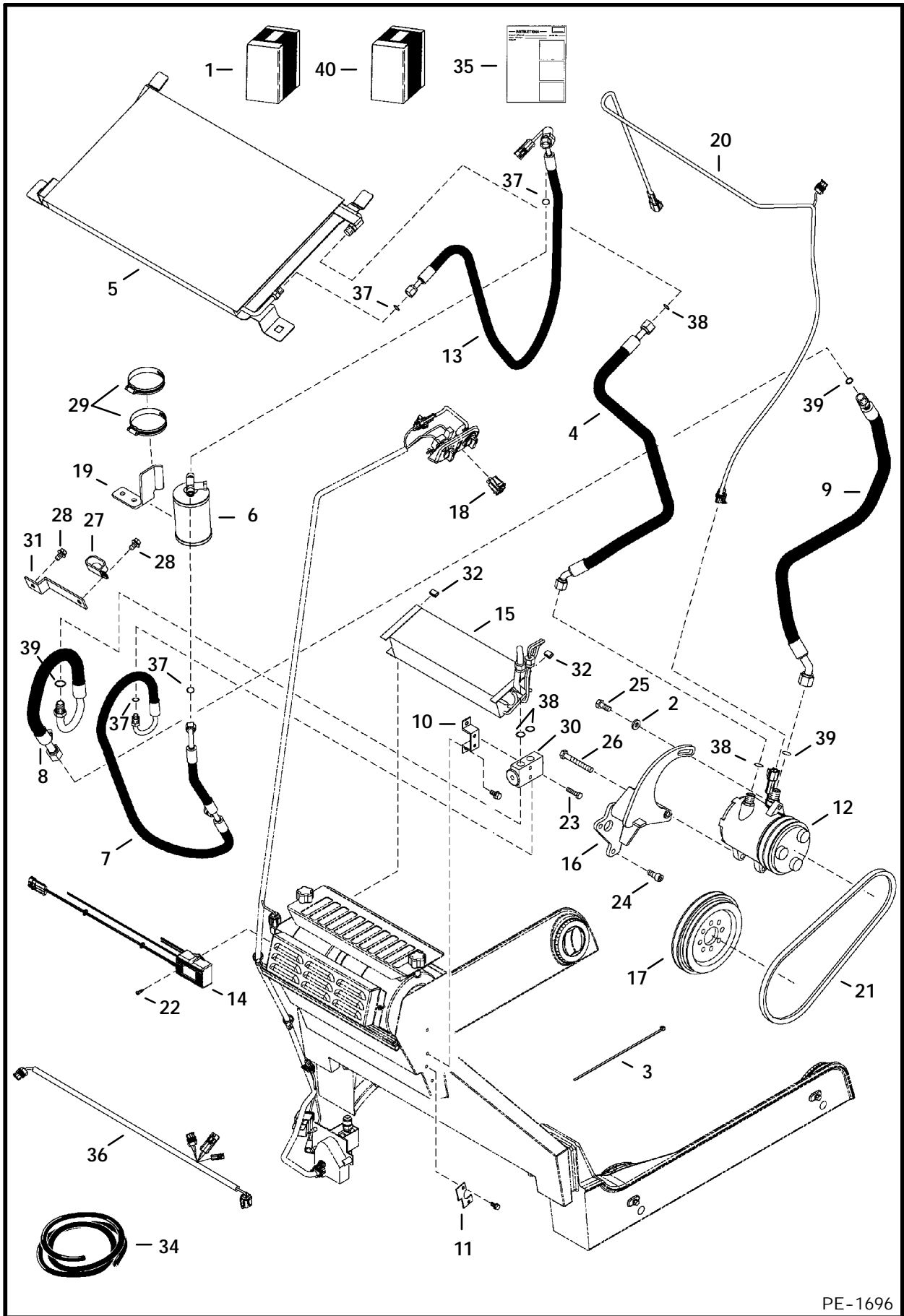
Ref. No.	Part Number	Description	Remarks	Serial Number	Qty.
1	6675607	INSULATION			1
2	6675608	INSULATION			1
3	6675609	INSULATION			1
4	6675610	INSULATION	bulk - Sold Per Foot		1
5	6675611	SEAL			x
6	6675612	INSULATION			2
7	6675613	INSULATION			1
8	6675614	INSULATION			2
9	NAP	SEAL	15" (381mm) long - Order Ref. 5		1
10	NAP	SEAL	5.5" (140mm) long - Order Ref. 5		1
11	NAP	SEAL	4" (102mm) long - Order Ref. 5		1

HEATER & A/C (Heater Coil Kit)



PE-1228

HEATER & A/C (A/C Kit)

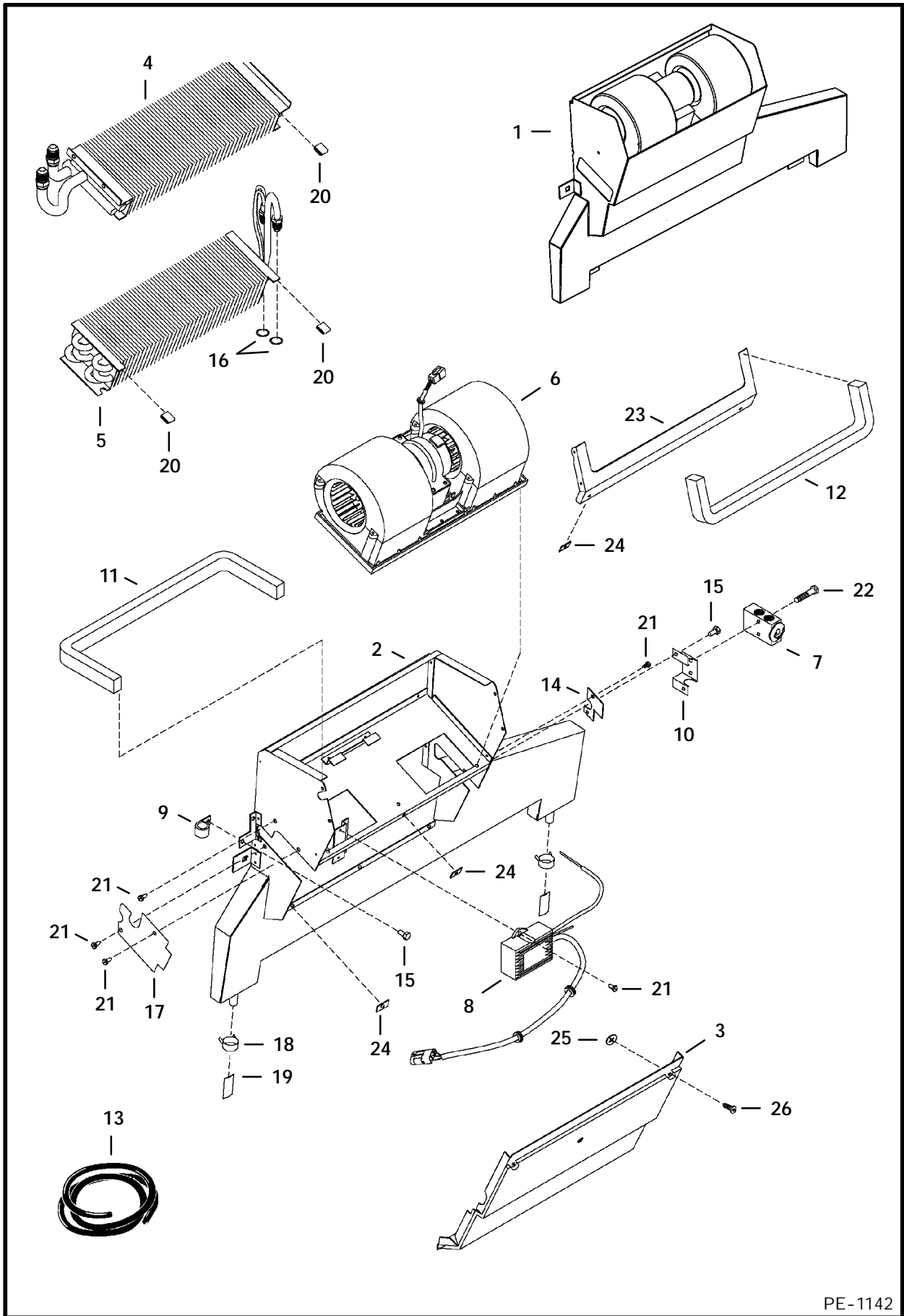


PE-1696

HEATER & A/C (Cont'd)
(A/C Kit)

Ref. No.	Part Number	Description	Remarks	Serial Number	Qty.
1		KIT	Ref. 2-35		1
2	6557831	WASHER			1
3	6624289	STA STRAP			1
4	6678284	HOSE	AC		1
5	6674234	CONDENSER			1
6	6674235	DRIER	reciever		1
7	6676062	VALVE	relief		1
	6675075	HOSE	AC - W/Ref. 37		1
	6677122	CAP			1
8	6675076	HOSE	AC - W/Ref. 39		1
	6677121	CAP			1
9	6678285	HOSE	AC - W/Ref. 39		1
10	6676984	MOUNT	valve		1
11	6677105	COVER	plate		1
12	6733655	COMPRESSOR			1
13		CLUTCH			1
	6675685	HOSE	AC - W/Ref. 37		1
	6675779	PRESS. SWITCH	W/harness		1
14	6676399	VALVE CORE			1
	6675790	THERMOSTAT			1
	6675533	COIL	evaporator		1
16	6730265	MOUNT	compressor		1
17	6718310	PULLEY	engine		1
18	6719176	SWITCH	rocker		1
19	6719459	MOUNT	reciever drier		1
20	6719630	HARNESS	AC		1
21	6730819	BELT	compressor		1
22	6726621	SCREW			2
23	1CM-635	BOLT			2
24	3GM-1025	BOLT			3
25	5CM-1025	SCREW			1
26	5CM-1080	SCREW			1
27	31H-46	CLAMP			1
28	84G-3710	BOLT			2
29	44H-48	CLAMP			2
30	6675534	BLOCK VALVE			1
31	6727326	MOUNT	clamp		1
32	6676539	CLIP			2
33	NAP	INSULATION	tape - 6" (152mm) long -		
34	6676538	INSULATION	Order Ref. 34		1
35	6901039	INSTRUCTIONS	bulk - sold per foot		x
36	6730266	SPACER			1
37	6675824	O-RING	#6		x
38	6675538	O-RING	#8		x
39	6675825	O-RING	#10		x
40	6676063	KIT	fitting caps		1
41	6729077	DECAL	air conditioned		2
42	6731255	ELBOW			1

HEATER & A/C (HVAC Assembly)

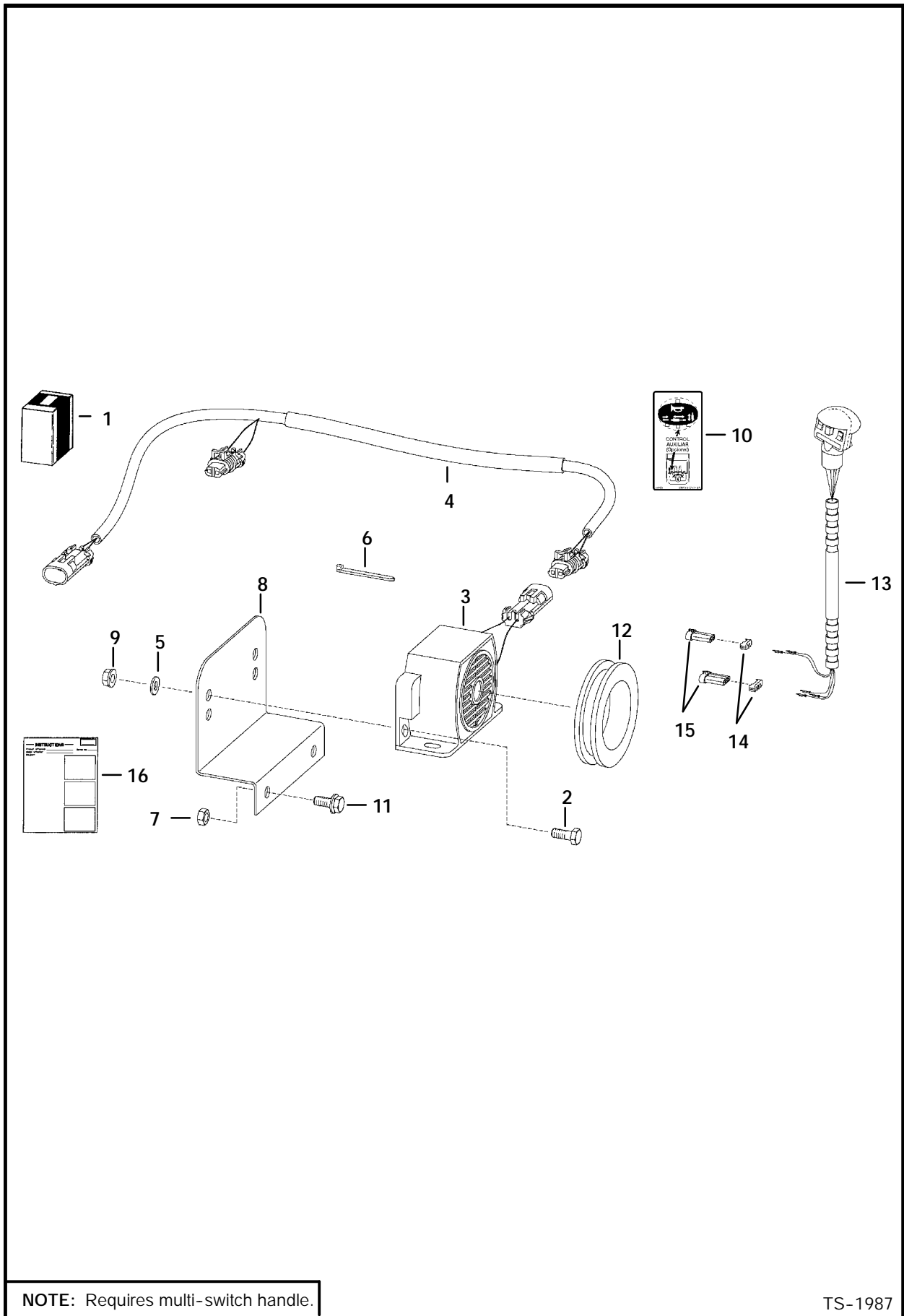


PE-1142

**HEATER & A/C (Cont'd)
(HVAC Assembly)**

Ref. No.	Part Number	Description	Remarks	Serial Number	Qty.
1	6676561	HVAC	assy - Ref. 2-26		1
2	6677108	HOUSING			1
3	6677109	COVER			1
4	NAP	COIL	heater		1
5	6675533	COIL	evaporator		1
6	6675497	BLOWER	assy - See Page 211		1
7	6675534	BLOCK VALVE			1
8	6675790	THERMOSTAT			1
9	6675512	CLAMP	hose		2
10	6676984	BRACKET	valve		1
11	NAP	SEAL	25" (635mm) long - Order Ref. 13		1
12	NAP	SEAL	22.6" (575mm) long - Order Ref. 13		1
13	6677111	SEAL	bulk - Sold Per Foot		x
14	6677105	COVER			1
15	6677118	SCREW	w/washer		4
16	6675538	O-RING			2
17	6677504	COVER	cover		1
18	6675510	CLAMP	drain hose		2
19	6675511	DRAIN VALVE			2
20	6676539	CLIP			3
21	6726621	SCREW	sheet metal		7
22	1CM-635	SCREW			2
23	6677114	FLANGE			1
24	6677115	RECEPTACLE			6
25	6677116	RETAINER			6
26	6677117	SCREW	captive		6

HORN KIT



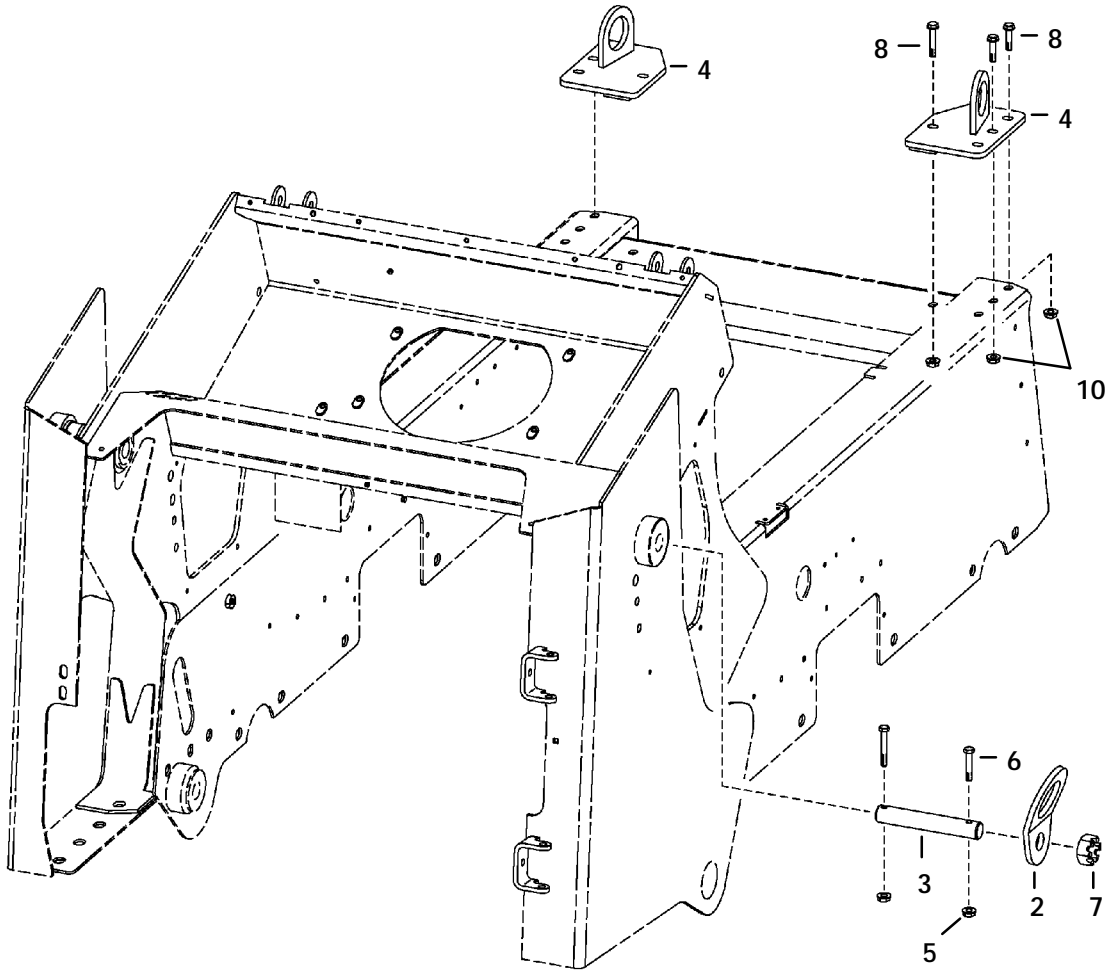
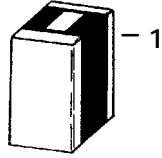
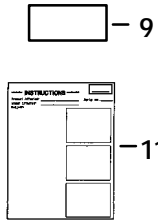
NOTE: Requires multi-switch handle.

TS-1987

HORN KIT (Cont'd)

Ref. No.	Part Number	Description	Remarks	Serial Number	Qty.
1	6727995	HORN KIT	Ref. 2-16		1
2	17C-410	BOLT			2
3	6675099	HORN			1
4	6727498	HARNESS	W/ metal tube		1
5	25E-13	WASHER			1
6	30H-23	CLAMP			1
7	83D-5	NUT			2
8	6707726	MOUNT			1
9	6641180	LOCK	2-pin		2
10	6640700	LOCK	3-pin		2
	6641179	CONNECTOR	2-pin		2
	6640699	CONNECTOR	3-pin		2
11	35C-512	BOLT			2
12	6705921	HANDLE ASSY			1
	6640690	PIN			5
13	6641176	SEAL			5
	83D-4	NUT			2
14	6703727	DECAL			1
15	6577545	GROMMET			1
16	6901146	INSTRUCTIONS			1

LIFT KIT (Four Point)

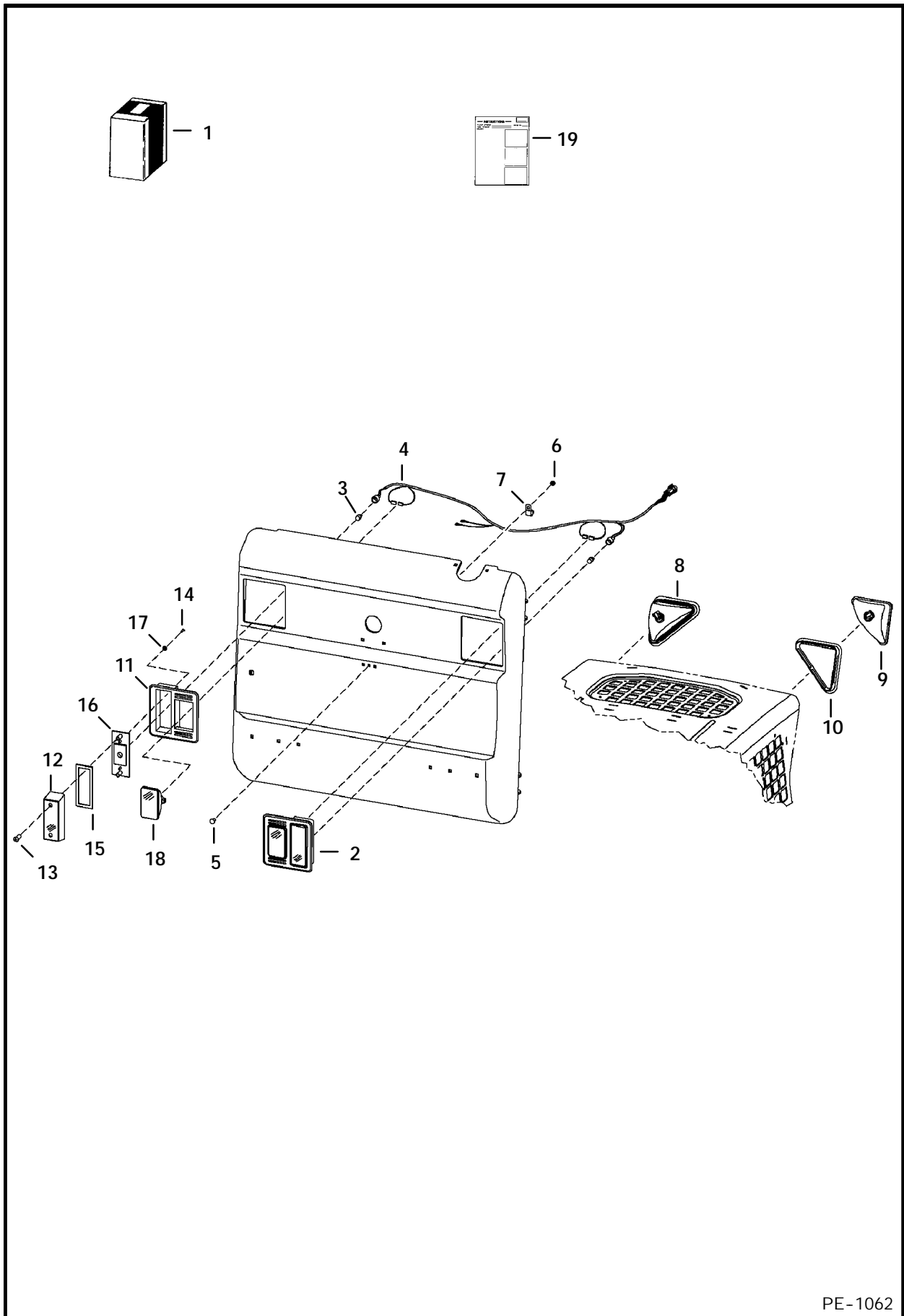


TS-1343

**LIFT KIT (Cont'd)
(Four Point)**

Ref. No.	Part Number	Description	Remarks	Serial Number	Qty.
1	6732678	KIT	lift - Ref. 4 - 11		1
2	6726908	LIFT EYE			2
3	6732687	PIN			2
4	6732688	BRACKET	L.H.		2
5	87D-5	NUT			2
6	17C-652	BOLT			2
7	4D-28	NUT			2
8	17C-1028	BOLT			8
9	6726423	DECAL			1
10	83D-10	NUT			8
11	6901772	INSTRUCTIONS			1

LIGHT KIT

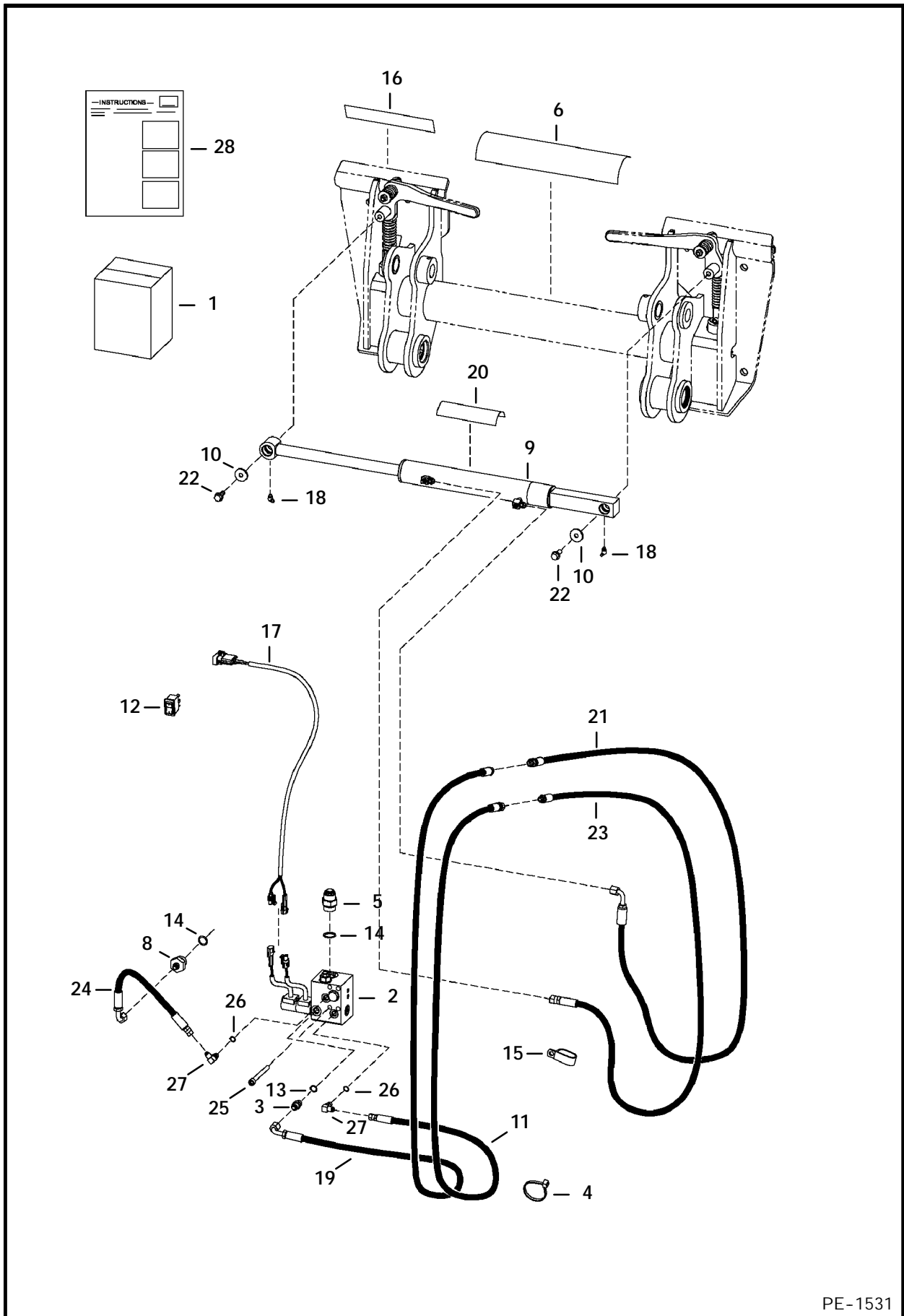


PE-1062

LIGHT KIT (Cont'd)

Ref. No.	Part Number	Description	Remarks	Serial Number	Qty.
1	NAP	KIT	Order components		1
2	6670284	LIGHT ASSY	rear		2
3	6649481	BULB			2
4	6716419	HARNESS			1
5	37C-512	BOLT			1
6	85D-5	NUT			1
7	30H-42	CLAMP			1
8	NAP	LIGHT ASSY	R.H. - Ref. 9 & 10		1
	NAP	LIGHT ASSY	L.H. - Ref. 9 & 10		1
9	6674401	HOUSING	R.H.		1
	6675336	BULB	55 watt		1
	6674400	HOUSING	L.H.		1
	6675336	BULB	55 watt		1
10	6674402	MOUNT			1
11	6672279	MOUNT	rubber		2
12	6672276	LENS	red		2
13	6672274	SCREW			4
14	6672273	SCREW			2
15	6672275	GASKET			2
16	6672277	BRACKET			2
17	6672272	WASHER			4
18	6661353	LIGHT ASSY	W/bulb - white		2
	898731	BULB			2
19	NAP	INSTRUCTIONS			1

POWER BOB-TACH KIT (Hydraulic Assisted)

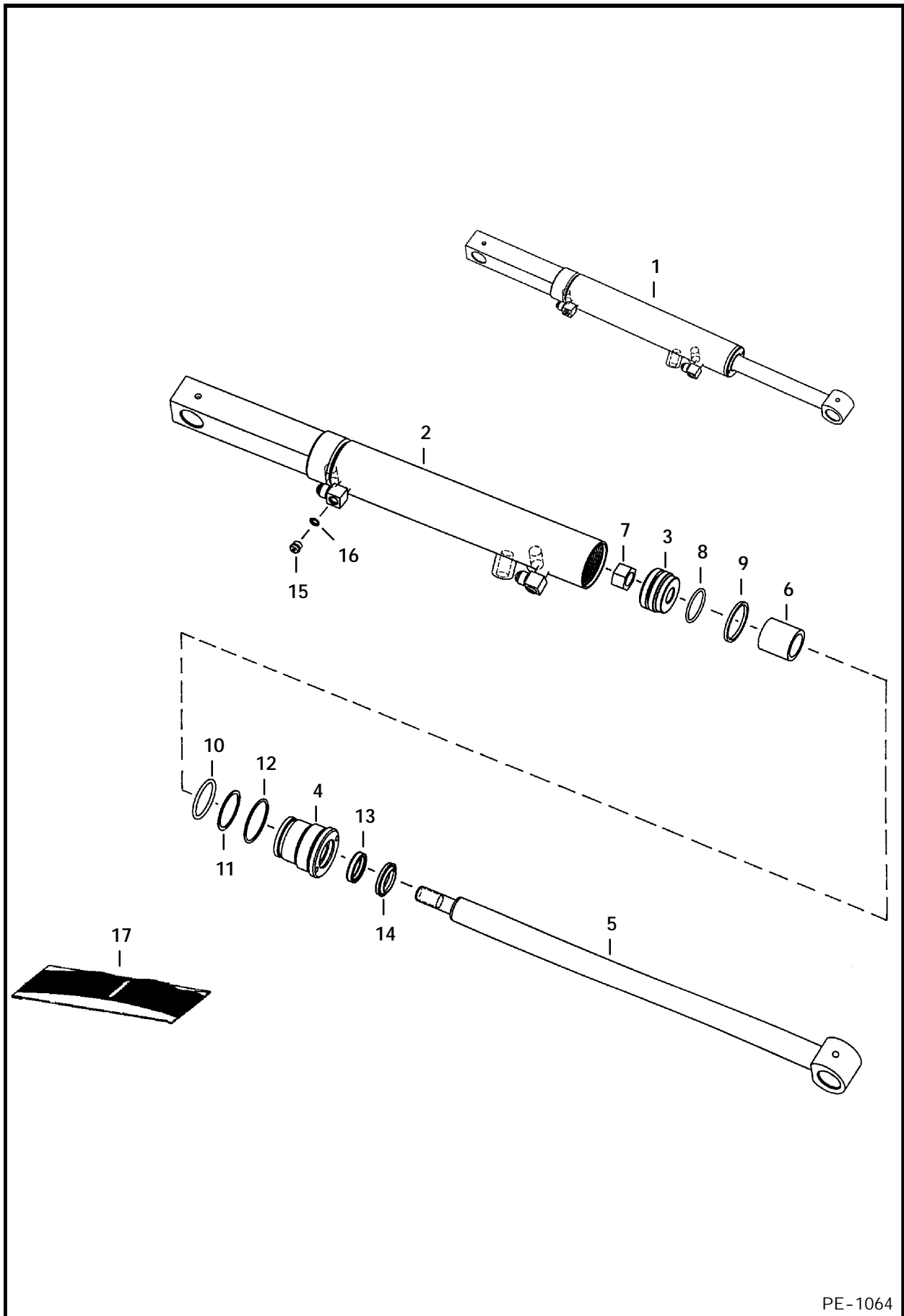


PE-1531

POWER BOB-TACH KIT (Cont'd)
(Hydraulic Assisted)

Ref. No.	Part Number	Description	Remarks	Serial Number	Qty.
1	6732355	KIT	Ref. 2-28		1
2		MANIFOLD	See Page 233		1
3	15KV-5	ADAPTER	W/Ref. 13		1
4	97K-6	O-RING	flared end		x
5	6624289	TIE			1
5	15KN-8	ADAPTER	W/Ref. 14		1
6	97K-12	O-RING	flared end		3
6	6725907	DECAL			1
7	14KN-5	TEE	for standard machine W/ rear auxiliaries		1
8	6715186	ADAPTER	W/Ref. 14		1
	97K-6	O-RING	flared end		x
9		CYLINDER	See Page 231		1
10	619021	WASHER			2
11	6731469	HOSE			1
12	6676732	SWITCH	vertical		1
13	99K-6	O-RING			x
14	99K-12	O-RING			x
15	31H-42	CLAMP			1
16	6719888	DECAL			1
17	6730770	HARNESS			3
18	11H-25	GREASE ZERK			2
19	6731468	HOSE			1
20	6554100	TREAD	safety		1
21	6731471	HOSE			1
22	35C-612	BOLT			2
23	6731470	HOSE			1
24	6806403	HOSE			1
25	73G-656	BOLT			4
26	99K-4	O-RING			x
27	17KV-3	ELBOW	W/Ref. 26		2
	97K-4	O-RING	flared end		x
28	6901710	INSTRUCTIONS			1

POWER BOB-TACH CYLINDER

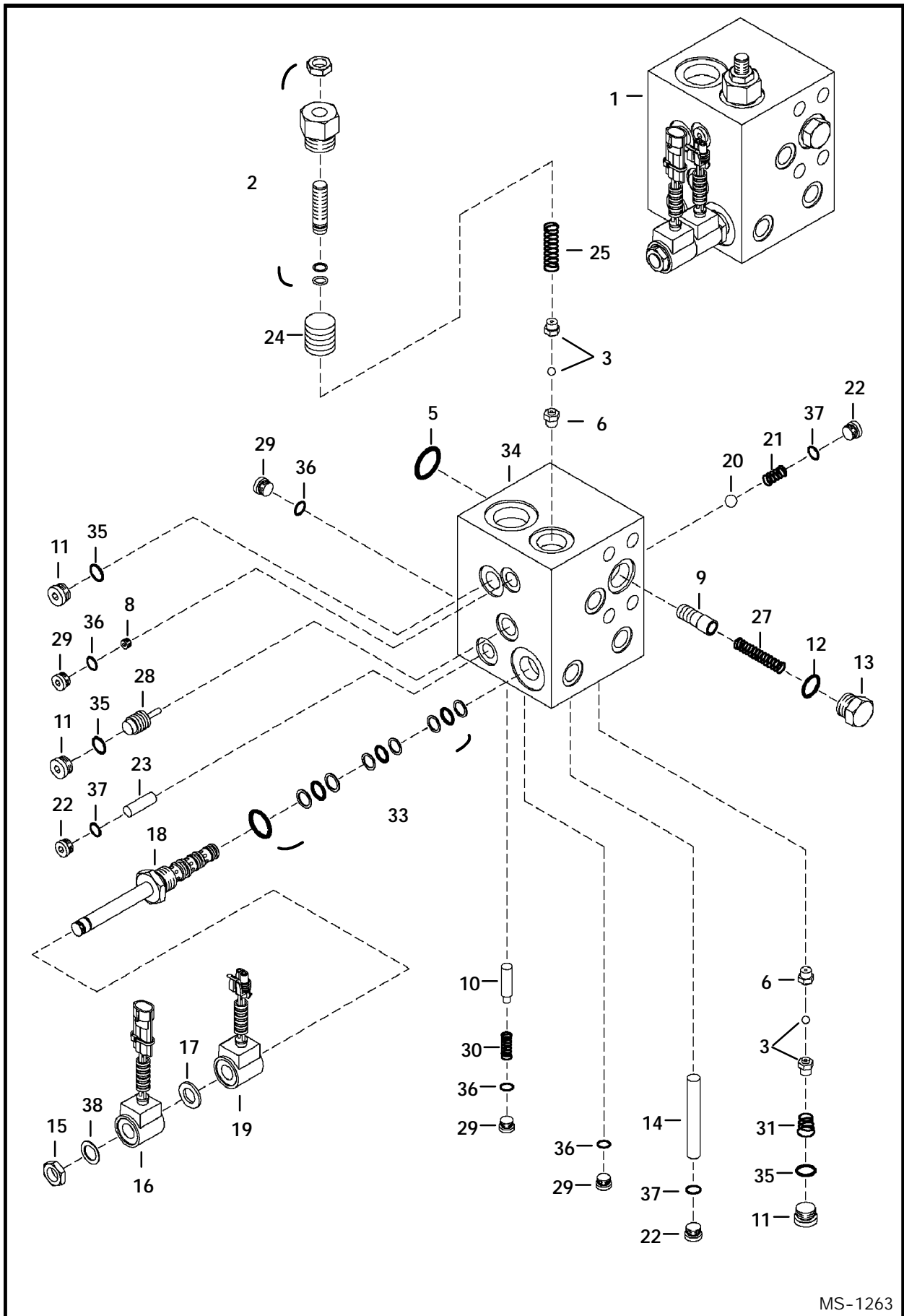


PE-1064

POWER BOB-TACH CYLINDER (Cont'd)

Ref. No.	Part Number	Description	Remarks	Serial Number	Qty.
1	6810611	CYLINDER	Ref. 2-16		1
2	6810349	CASE	1.75" (45mm) I.D.		1
3	6586543	PISTON			1
4	6586542	HEAD			1
5	6810612	ROD	W/ .25" grease zerk hole		1
6	6810356	SPACER			1
7	92D-10	NUT			1
8	54K-30110	O-RING			1
9	6532453	RING			1
10	54K-40116	O-RING			1
11	73K-222	WASHER	back-up		1
12	58K-132	O-RING			1
13	6667323	SEAL	rod		1
14	6666542	SEAL	wiper		1
15	90KV-2	PLUG	W/Ref. 16		2
16	79K-3	O-RING			2
17	6803473	SEAL KIT	Ref. 7-14		1

POWER BOB-TACH (Valve Assembly)



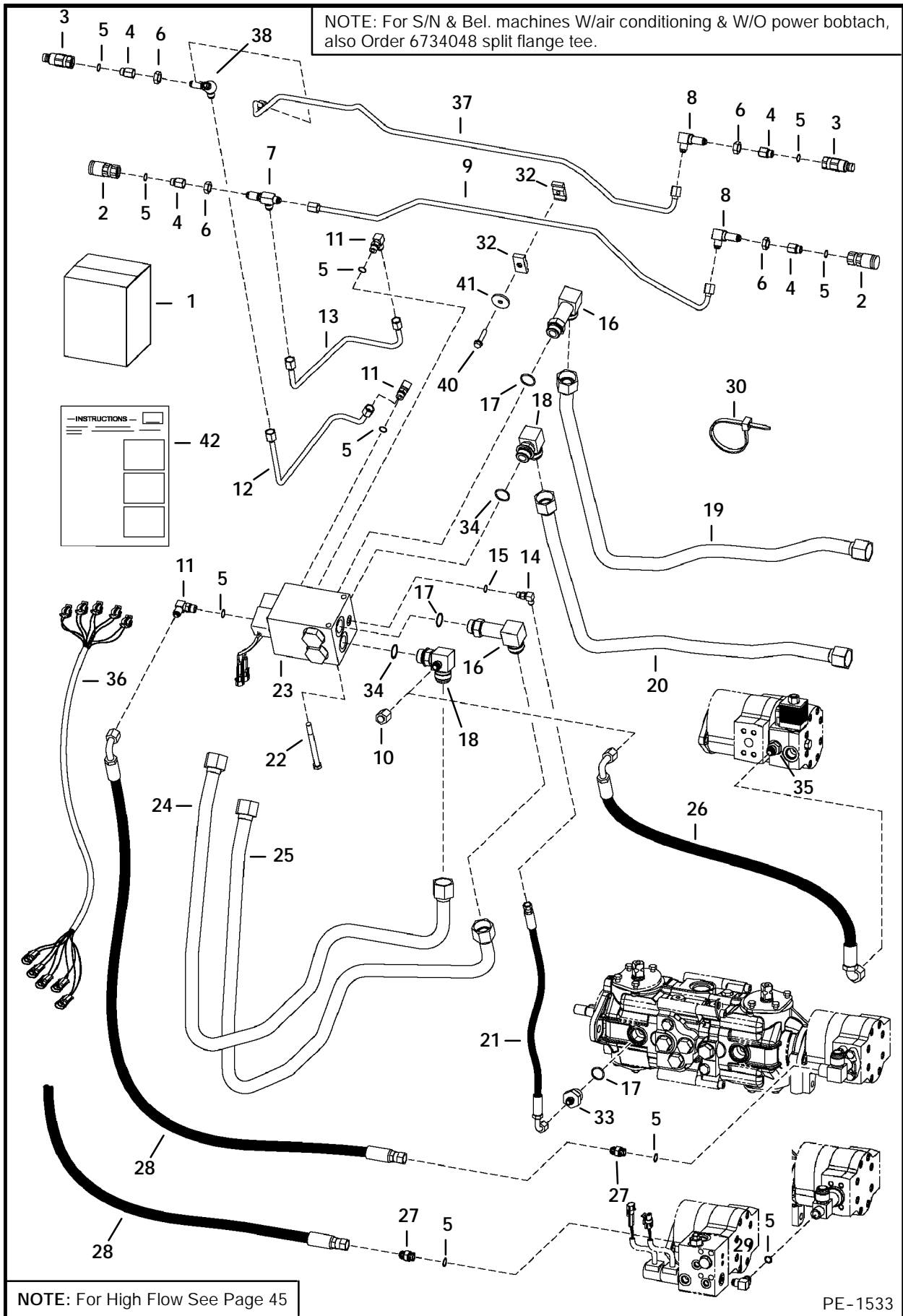
MS-1263

POWER BOB-TACH (Cont'd)
(Valve Assembly)

Ref. No.	Part Number	Description	Remarks	Serial Number	Qty.
1	6678554	VALVE	Ref. 2-31		1
2		RELIEF VALVE			1
		SEAL KIT			1
3	6679244	BALL ASSY			2
4	6678709	O-RING			x
5	6678695	O-RING			1
6	NSS	SEAT	relief loctited		2
7	99K-5	O-RING			x
8	6678701	ORIFICE	screw in plug W/ screen		1
9	6678708	COMPENSATOR			1
10	6678694	FLOW CONTROL			1
	6677150	SEAL KIT			1
11	6678698	PLUG	W/Ref. 35		3
12	95K-8	O-RING			x
13	6678706	PLUG	W/Ref. 12		1
14	6678702	ORIFICE			1
15	6671628	NUT			1
16	6671025	COIL			2
17	6678711	SPACER			1
18	6678697	STEM	W/Ref. 33		1
19	6678712	COIL	W/ male connector		1
20	6678705	BALL			1
21	6678704	SPRING			1
22	6677159	PLUG	W/Ref. 26		3
23	6678703	SHUTTLE			1
24	6678717	PISTON			1
25	6678718	SPRING			1
26	95K-4	O-RING			x
27	6678707	SPRING			1
28	6678700	PISTON			1
29	6678699	PLUG	W/Ref. 36		4
30	6678692	SPRING			1
31	6678693	SPRING			1
32	6679246	SEAL KIT	complete		1
33	6672756	SEAL KIT			1
34	NSS	BLOCK			1
35	95K-6	O-RING			x
36	95K-2	O-RING			x
37		WASHER			1

REAR AUXILIARY HYDRAULICS

NOTE: For S/N & Bel. machines W/air conditioning & W/O power bobtach, also Order 6734048 split flange tee.



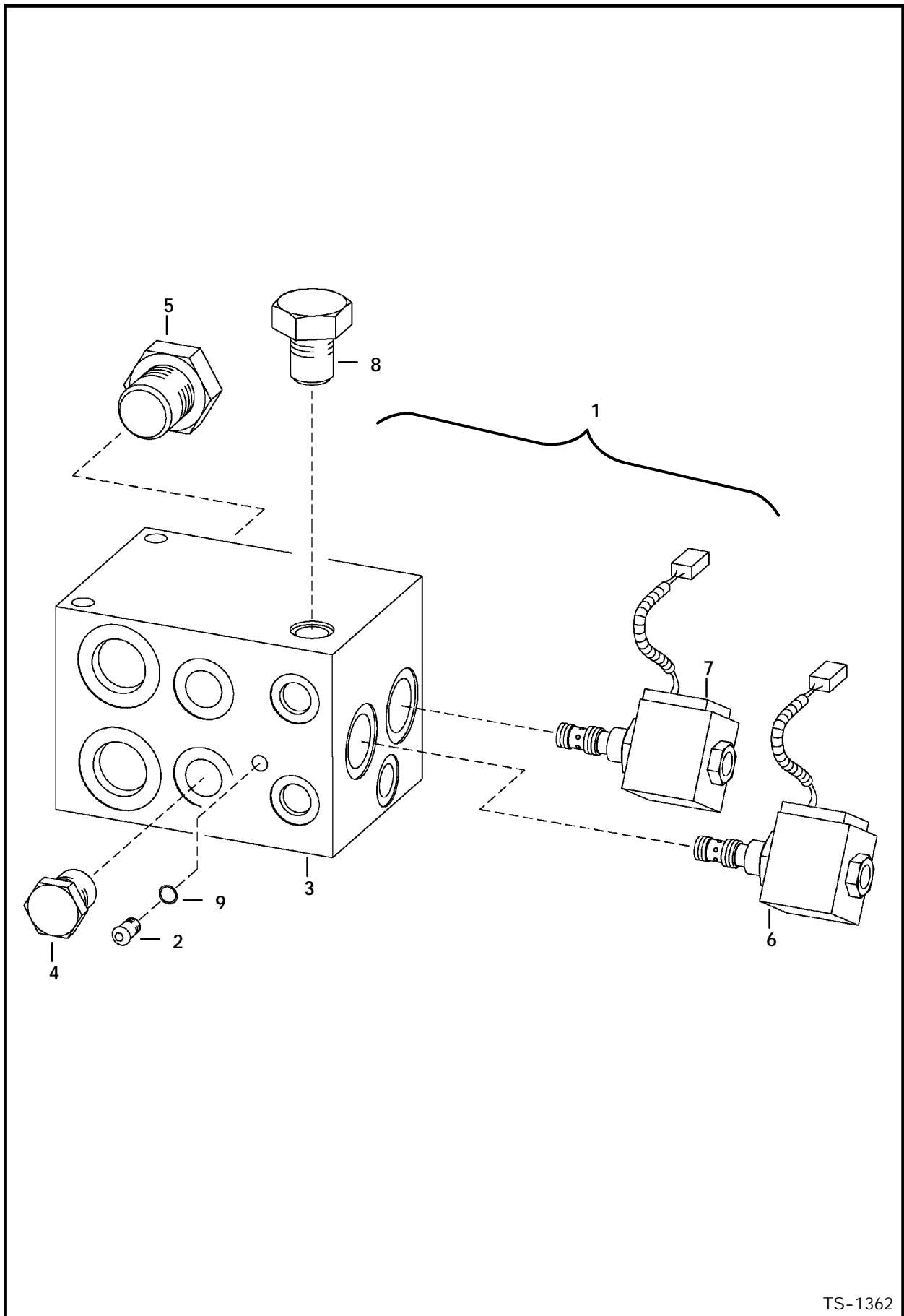
NOTE: For High Flow See Page 45

PE-1533

REAR AUXILIARY HYDRAULICS (Cont'd)

Ref. No.	Part Number	Description	Remarks	Serial Number	Qty.
1	6732356	KIT	Ref. 2-42 - SEE NOTE		1
2	6667803	COUPLER	female		2
3	6667804	COUPLER	male		2
4	6706633	CONNECTOR	W/Ref. 5		4
5	99K-6	O-RING			x
6	86F-5	NUT			4
7	6719298	TEE			1
	97K-6	O-RING	flared end		x
8	88FN-5	ELBOW			2
9	6733843	TUBELINE			2
10	36K-6	CAP			1
11	17KB-606	ELBOW	W/Ref. 5		3
12	6731747	TUBELINE			1
13	6731748	TUBELINE			1
14	17KB-404	ELBOW	W/Ref. 15		1
15	79K-4	O-RING			x
16	6733286	ELBOW	W/Ref. 17		2
17	79K-12	O-RING			x
18	6733877	ELBOW	W/Ref. 34		2
19	6730185	TUBELINE			1
20	6730186	TUBELINE			1
21	6709049	HOSE			1
22	17C-672	BOLT			2
23	6665572	VALVE	See Page 238		1
24	6733410	TUBELINE			1
25	6733409	TUBELINE			1
26	6732260	HOSE	high flow		1
27	15KB-606	ADAPTER	for machines W/ power bobtach W/Ref. 5		1
28	6730277	HOSE			1
29	17KV-5	ELBOW	for machines W/O power bobtach - W/Ref. 5		1
	96K-6	O-RING	flared end		x
30	6624289	TIE STRAP			2
31	15K-8	ADAPTER	W/Ref. 17 not in kit		2
32	6726277	CLAMP			2
33	15KB-612	ADAPTER	W/Ref. 17		1
34	79K-12	O-RING			x
35	6679943	CHECK VALVE	not in kit - for high flow		1
36	6718645	HARNESS			1
37	6733844	TUBELINE			1
38	6733850	TEE			1
39	17KB-1612	ELBOW	W/Ref. 34		1
40	84G-3724	BOLT			1
41	872229				1
42	6901711	INSTRUCTIONS			1

REAR AUXILIARY VALVE

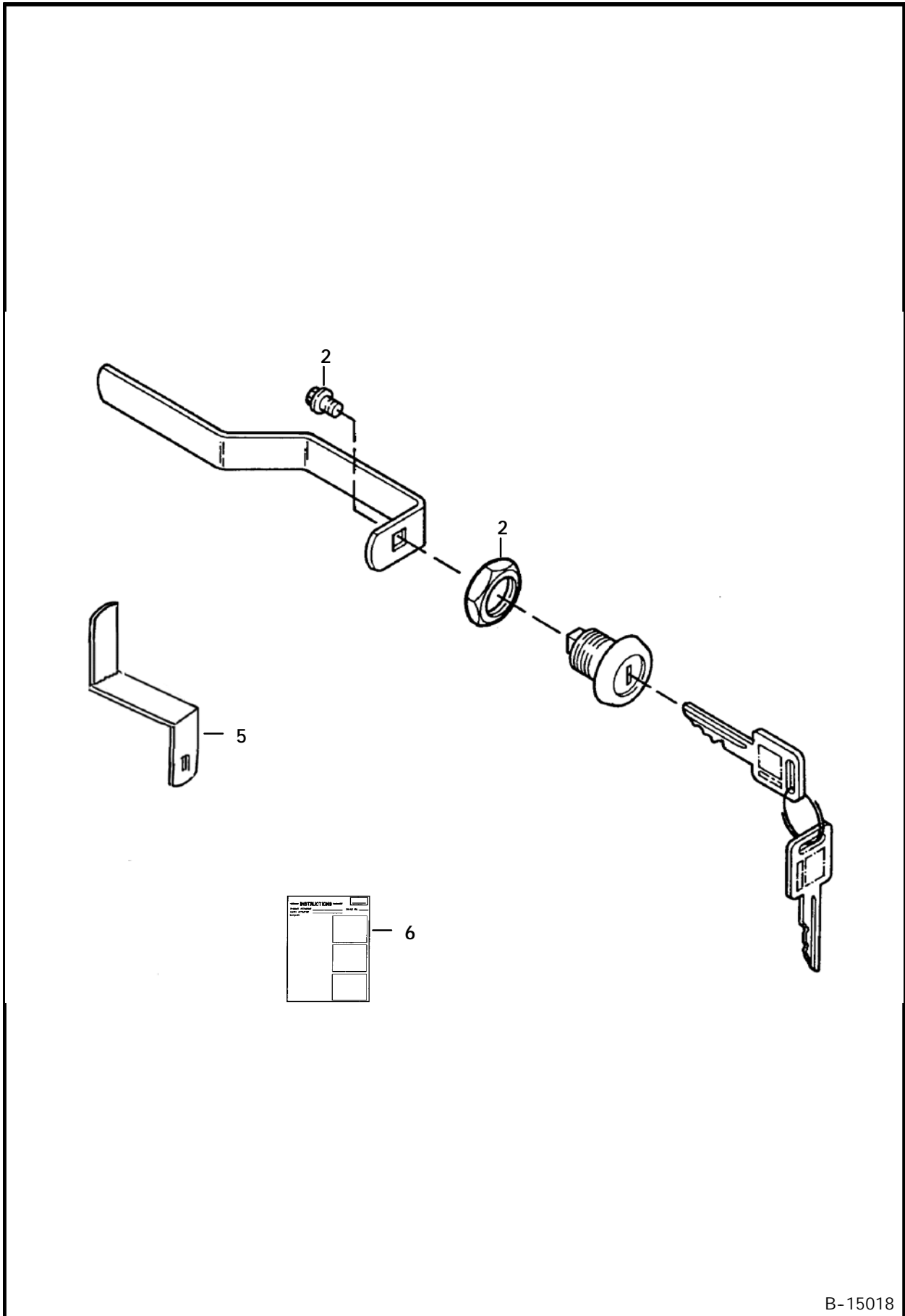


TS-1362

REAR AUXILIARY VALVE (Cont'd)

Ref. No.	Part Number	Description	Remarks	Serial Number	Qty.
1	6665572	VALVE	diverter		1
2	6676152	PLUG	W/Ref. 9		18
3	NSS	BODY			1
4	6664212	CHECK VALVE			2
	6653487	SEAL KIT			2
5	6653484	VALVE			2
	6653485	SEAL KIT			2
6	6669218	VALVE	solenoid - W/Connector - SV2 port		1
	6669190	COIL			1
	6669188	STEM			1
	6669217	SEAL KIT			1
7	6669219	VALVE	solenoid - W/Connector - SV1 port		1
	6669190	COIL			1
	6669189	STEM			1
	6669216	SEAL KIT			1
8	6669187	VALVE			1
	6653487	SEAL KIT			1
9	79K-2	O-RING			x

REAR DOOR LOCK

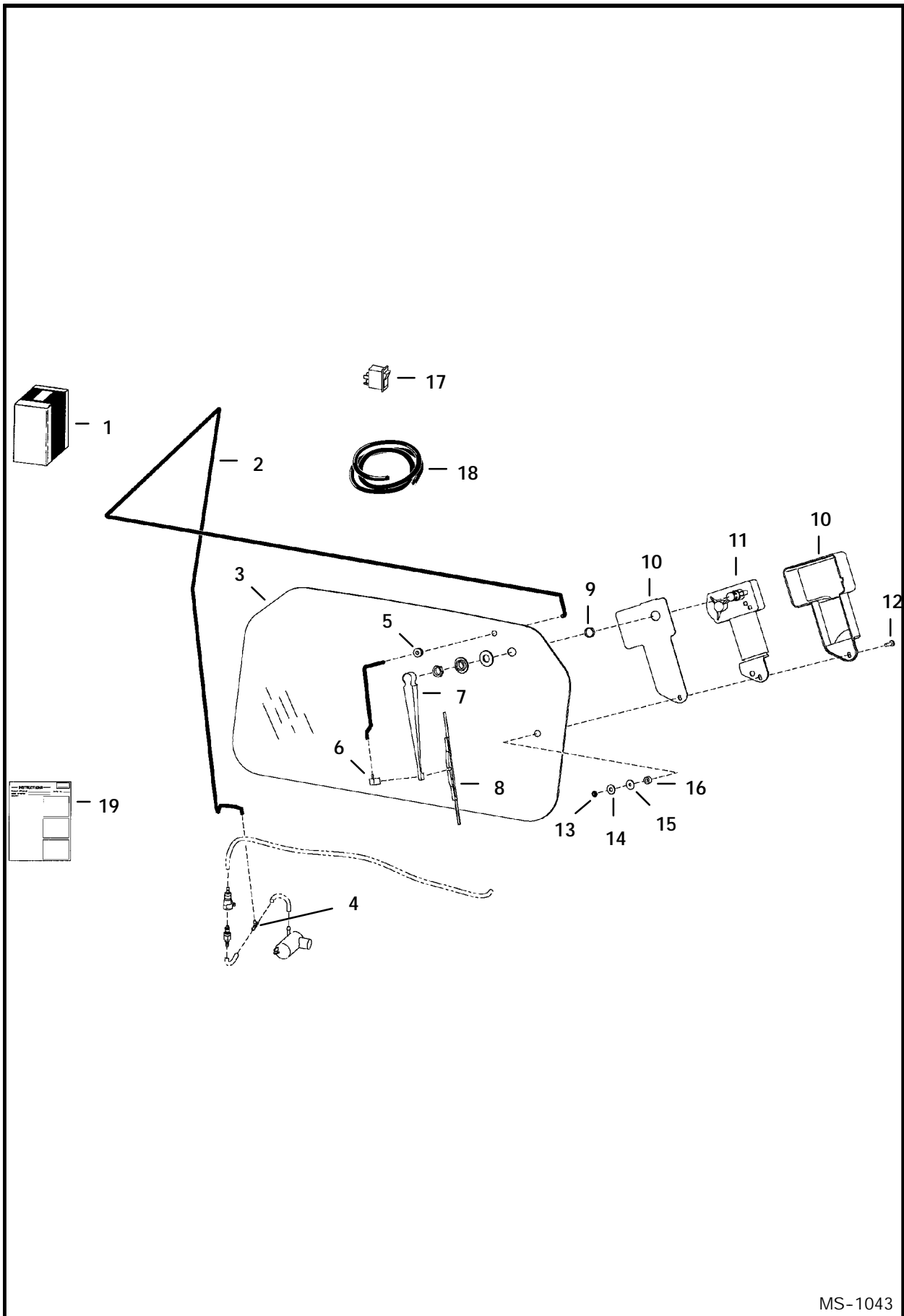


B-15018

REAR DOOR LOCK (Cont'd)

Ref. No.	Part Number	Description	Remarks	Serial Number	Qty.
1	6732001	KIT	lock - Ref. 2-6		1
2	6670726	LOCK			1
3	6709527	KEY	ignition		1
4	6714037	LATCH			1
5	6729688	LATCH			1
6	6901656	INSTRUCTIONS			1

REAR WIPER

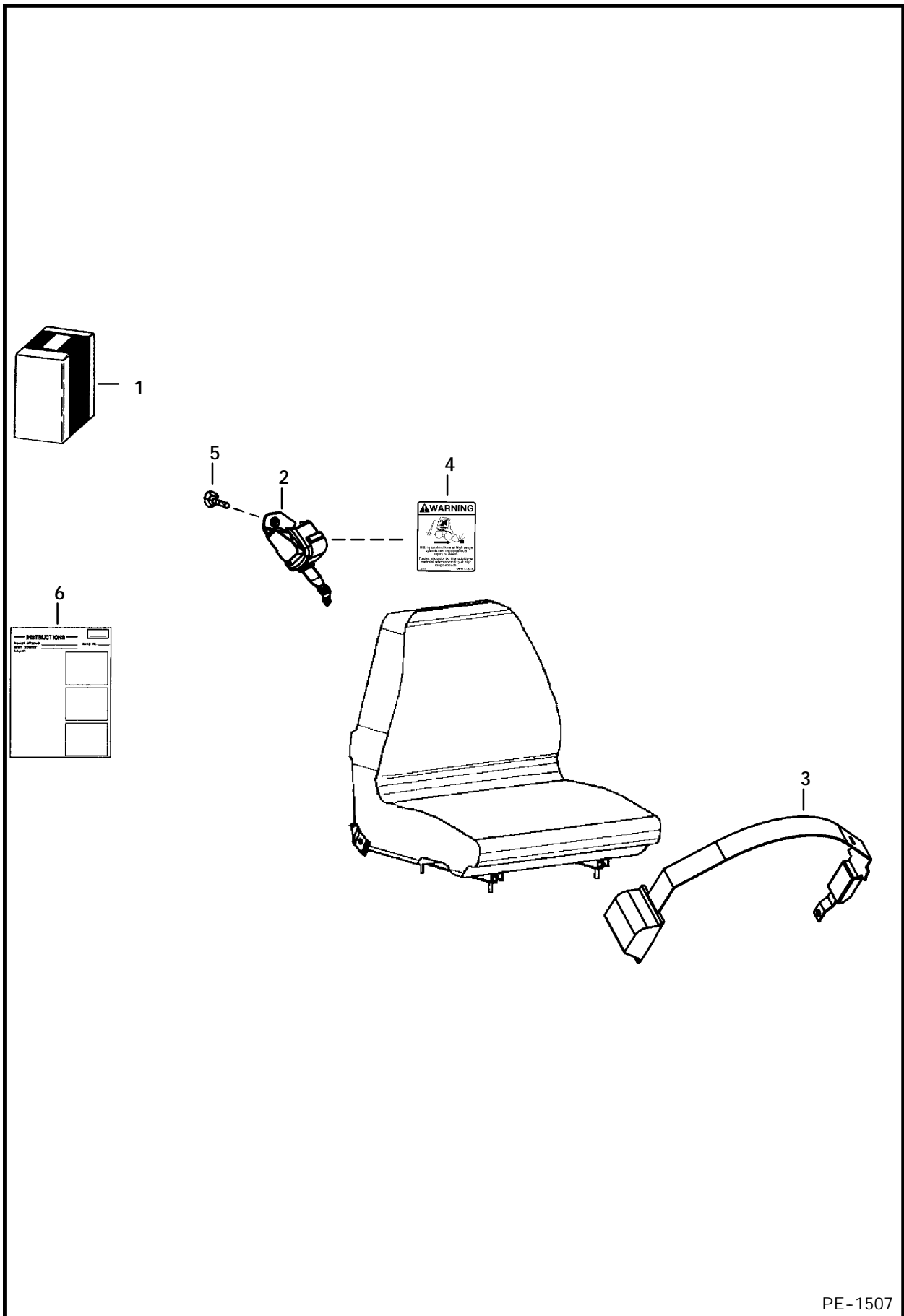


MS-1043

REAR WIPER (Cont'd)

Ref. No.	Part Number	Description	Remarks	Serial Number	Qty.
1	6726655	KIT	rear wiper		1
2	NAP	HOSE	96" (2438mm) long - Order Ref. 18		1
3	6719317	WINDOW			1
4	6676000	TEE			1
5	6557493	GROMMET			1
6	6676028	NOZZLE			1
7	6676001	ARM			1
8	6676002	BLADE			1
9	6667201	SPACER	nylon		1
10	6664097	COVER	wiper		1
11	6665602	MOTOR			1
12	6664566	BOLT			1
13	6664103	NUT			1
14	6664065	WASHER	nylon		1
15	6801059	WASHER	neoprene		1
16	6664085	BUSHING	nylon		1
17	6675999	SWITCH			1
18	6676003	HOSE	bulk - Sold Per Foot		x
19	6901061	INSTRUCTIONS			1

SEAT BELT (Three Point Retractable)

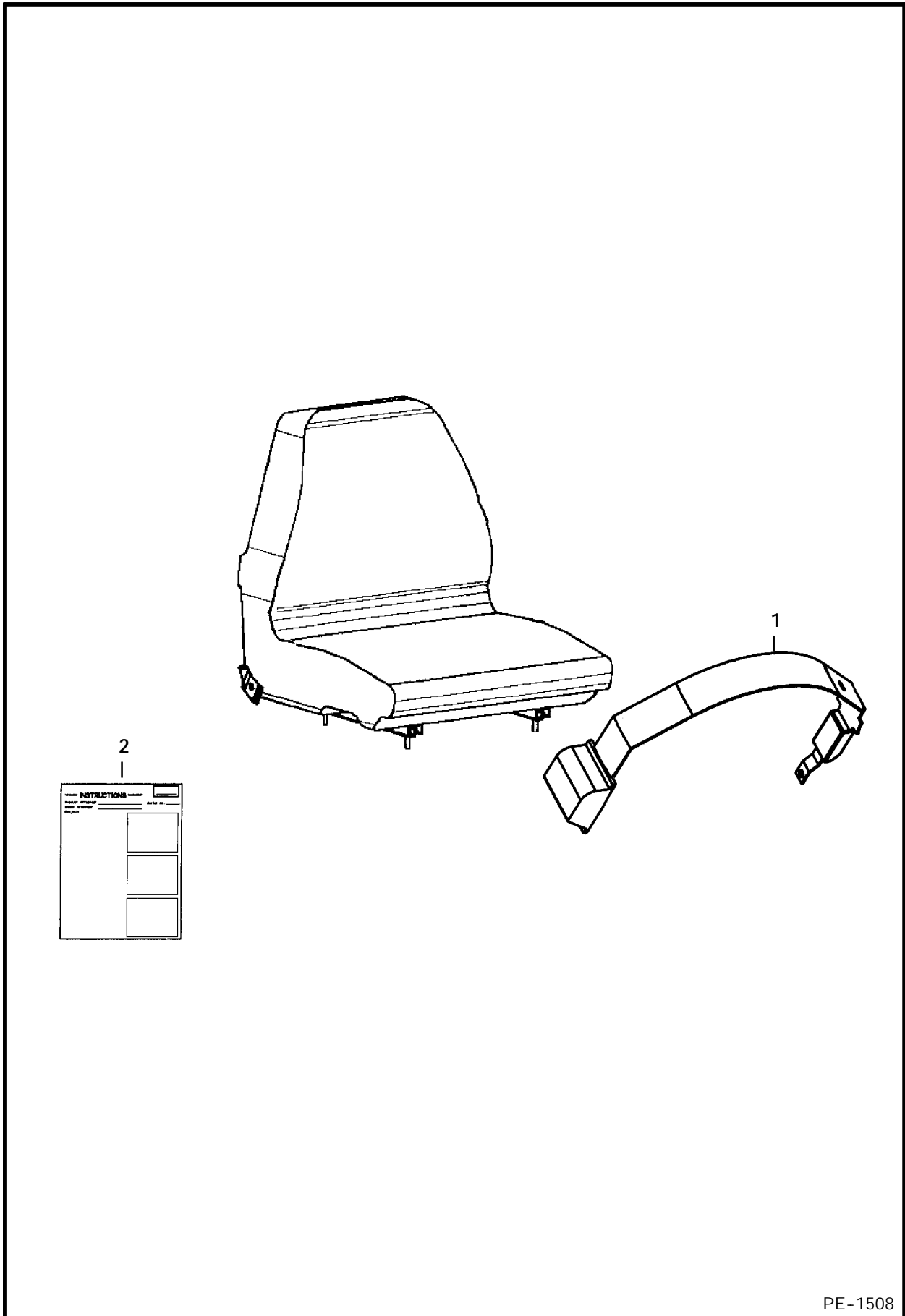


PE-1507

SEAT BELT (Cont'd)
(Three Point Retractable)

Ref. No.	Part Number	Description	Remarks	Serial Number	Qty.
1	6732219	KIT	three point retractable seat belt		1
2	6674407	SHOULDER BELT			1
3	6679308	SEAT BELT			1
4	6725370	DECAL			1
5	35C-612	BOLT			1
6	6901010	INSTRUCTIONS			1

SEAT BELT
(3" Wide Retractable)

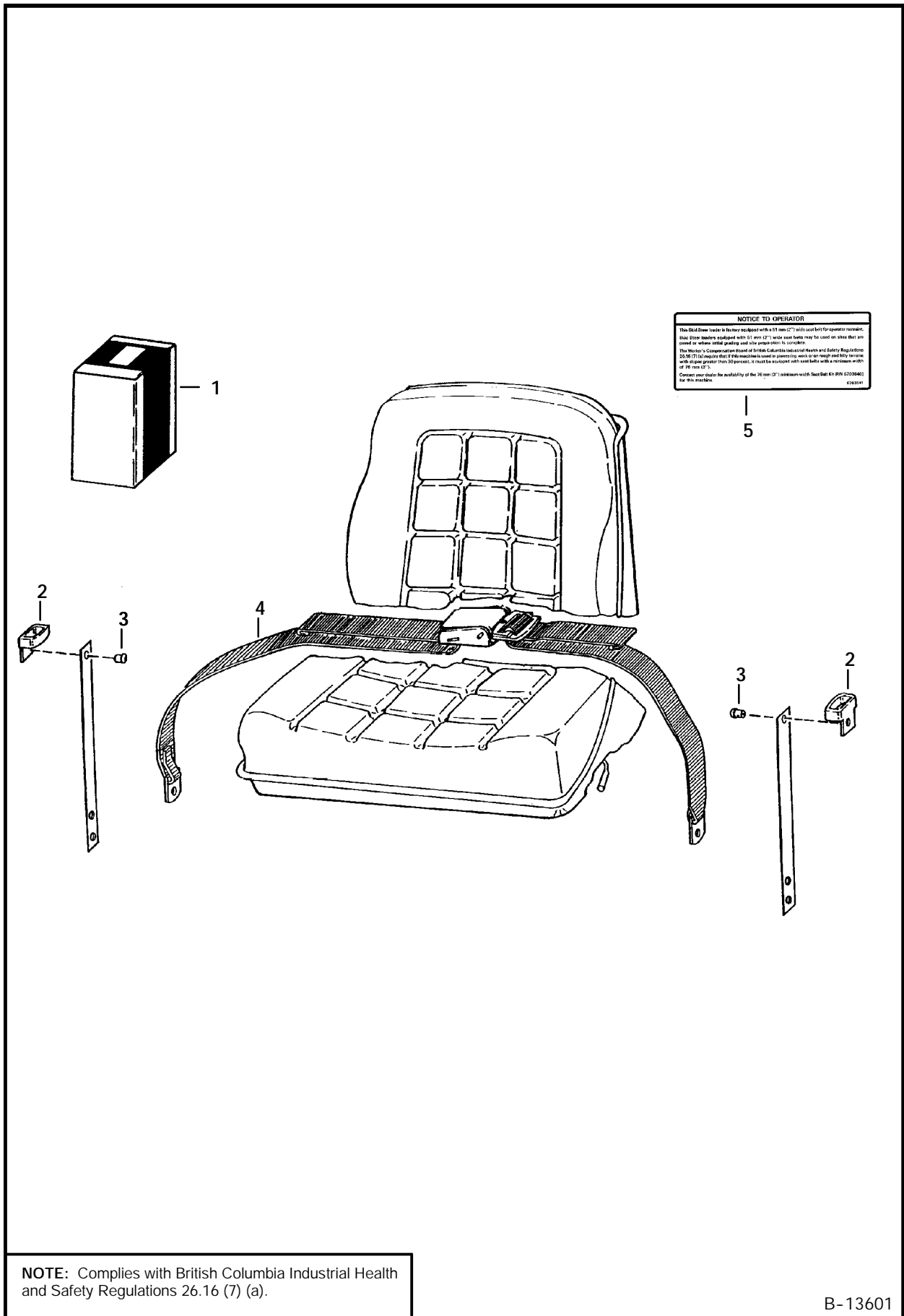


PE-1508

**SEAT BELT (Cont'd)
(3" Wide Retractable)**

Ref. No.	Part Number	Description	Remarks	Serial Number	Qty.
1	6675562	SEAT BELT	3" wide retractable		1
2	6901011	INSTRUCTIONS			1

SEAT BELT (3" Wide)



NOTE: Complies with British Columbia Industrial Health and Safety Regulations 26.16 (7) (a).

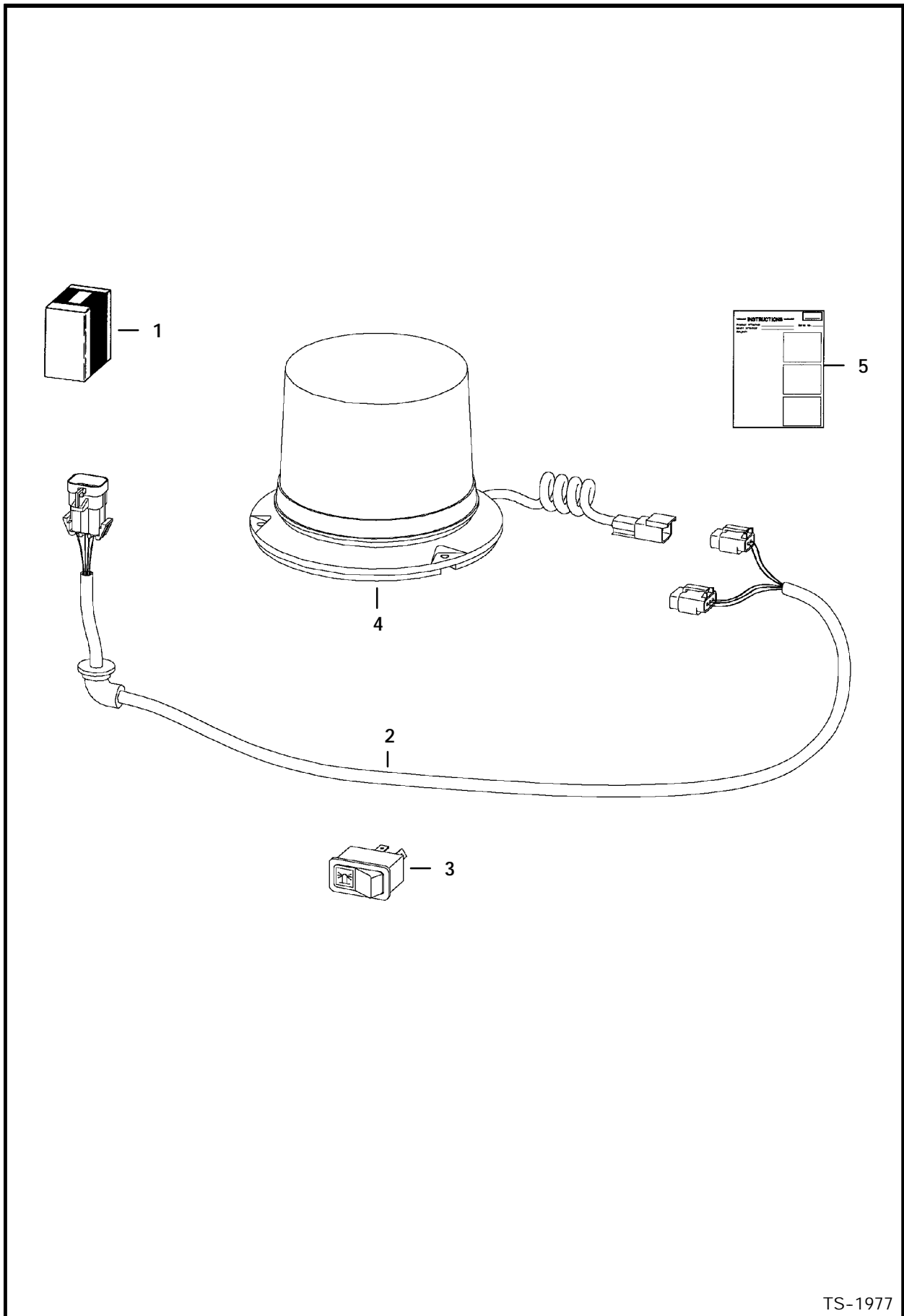
B-13601

SEAT BELT (Cont'd)

(3" Wide)

Ref. No.	Part Number	Description	Remarks	Serial Number	Qty.
1	6703640	KIT	W/Ref. 2-5		1
2	6703703	GUIDE			2
3	6512797	RIVET			4
4	6659999	BELT			1
5	6703641	DECAL			

STROBE LIGHT

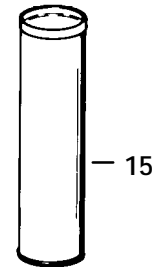
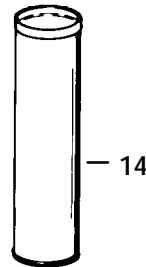
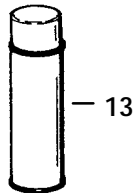
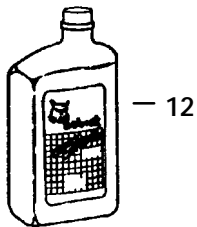
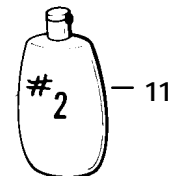
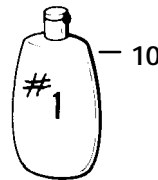
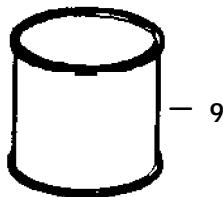
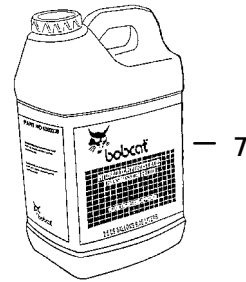
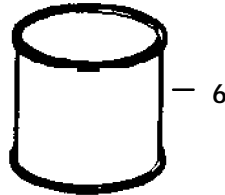
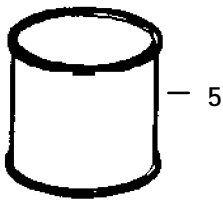
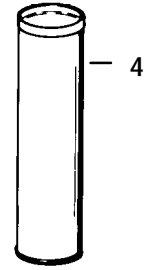
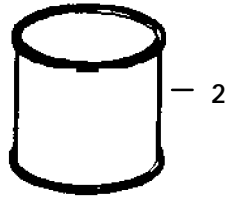
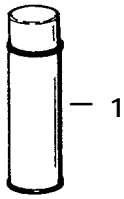


TS-1977

STROBE LIGHT (Cont'd)

Ref. No.	Part Number	Description	Remarks	Serial Number	Qty.
1	6719857	KIT	strobe light		1
2	6718872	HARNESS			1
3	6665317	SWITCH	horizontal		1
	6668816	SWITCH	vertical		1
4	6675522	STROBE			1
	6675858	FLASH TUBES			1
5	6900992	INSTRUCTIONS			1

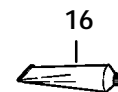
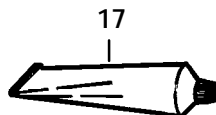
BULK ITEMS
(See Note)



NOTE: Some of these bulk items may not be used on this particular model Bobcat.

NOTE: See Merchandising catalog for more products & information.

NOTE: Paint spray cans are packaged 6 per box.
Motor oil quarts are packaged 12 per box.
Motor oil 5 qt. jugs are packaged 4 per box.
Motor oil 2.5 gal. jugs are packaged 2 per box.



B-16462

BULK ITEMS (Cont'd)
(See Note)

Ref. No.	Part Number	Description	Remarks	Serial Number	Qty.
1	6722783	PAINT	orange - spray can - SEE NOTE		x
	6722786	PAINT	charcoal - spray can - SEE NOTE		x
	6722789	PAINT	white - spray can - SEE NOTE		x
2	6722781	PAINT	orange - gallon - also Order Ref. 5		x
	6722782	PAINT	orange - Qt. - also Order Ref. 5		x
	6722784	PAINT	charcoal - gallon - also Order Ref. 5		x
	6722785	PAINT	charcoal - Qt. - also Order Ref. 5		x
	6722787	PAINT	white - gallon - also Order Ref. 5		x
3	6722788	PAINT	white - Qt. - also Order Ref. 5		x
	6724094	ANTI-FREEZE	Gal. - Premixed PG		x
	6724354	ANTI-FREEZE	Gal. - PG concentrate		x
4	6633583	SEALANT	chaincase covers		x
5	6653517	REDUCER	gallon		x
6	6653518	PRIMER	gallon		x
7	6653519	PRIMER	Qt.		x
	6563328	FLUID	hydraulic / hydrostatic transmission fluid - 5 gallons -		
	6722344	FLUID	2 - 2 1/2 gallon containers hydraulic / hydrostatic transmission fluid - 5 gallons		x
	NAP	FLUID	container		x
	6563330	FLUID	30 gallon drum		x
		FLUID	55 gallon drum		x
8	6599360	SEALANT	electrical - 3 oz. tube		x
9	6634393	LUBRICANT	90 wt. gear - pint - for use in cooling fan drive assy.		x
10	6630188	POLISH	window #1 (8 oz.)		x
11	6630189	POLISH	window #2 (8 oz.) - scratch remover		x
12	6657303	OIL	30 CE/SG - 1 Qt. - SEE NOTE		x
	6657301	OIL	10W30 CE/SG - 1 Qt. - SEE NOTE		x
	6657299	OIL	15W40 CE/SG - 1 Qt. - SEE NOTE		x
	6724557	OIL	SAE 10W30 - 1 gallon		x
	6724558	OIL	SAE 15W40 - 1 gallon		x
	6724559	OIL	SAE 30 - 1 gallon		x
	6674204	OIL	15W-40 - 2.5 gallon		x
13	6674205	OIL	10W-30 - 2.5 gallon		x
	6674206	OIL	30W - 2.5 gallon		x
	6675380	ADHESIVE	insulation - spray can		x
14	6658266	GREASE	general purpose		x
15	6599719	GREASE	14.5 oz. cartridge - for fan idler bearing		x
16	6650407	ADHESIVE	1 oz. tube		x
17	6650388	SEALANT	flange		x

NUMERICAL INDEX

Part No.	Description	Was	Code	Page
614142	SLEEVE			218
619021	WASHER			14, 28, 54, 248, 262
654299	BEARING			90, 94
658128	SNAP RING			90, 94
669863	SNAP RING			90, 94
774220	NUT			180, 226
799119	SNAP RING			56
872229	WASHER			42, 46, 254
898731	BULB			246
947088	SEAL			48, 50
1306637	COTTER PIN			54
1313116	BUSHING			132
1318565	HAIR PIN			78, 126
1321607	RACE			40
1321608	BEARING			40
1614765	STEM			274
3291290	WING NUT			172
3974795	PIN			92
5289686	PLUG			18
619021	WASHER			82
6512026	BUSHING			54
6512797	RIVET			270
6513152	SEAL			126, 188, 194, 226
6513495	COTTER PIN			54
6513763	WASHER			110
6515131	TERMINAL			218
6515817	WASHER			14
6517516	LIGHT			218
6518200	GREASE ZERK			82
6518483	WASHER			94
6518955	SNAP RING			132
6519178	BUMPER			20
6530859	HOSE			74
6531270	SLEEVE			56
6532127	BOOT			30, 116
6532453	RING SEAL			250
6538367	HEAD			48
6542731	SAFETY TREAD			188, 194
6553411	BUSHING			12, 32, 38
6553709	WASHER			14
6554100	SAFETY TREAD			248
6554149	CORD			18, 188, 198, 206
6555351	SEAL			206
6557493	GROMMET			260
6557831	WASHER			82, 238
6557904	FLASHER			218
6558694	WASHER			40
6559515	EXIT TAG			18, 206
6560172	COVER			108
6560633	DAMPENER			14
6562018	SPRING			28

Code for disposition of old part number
A — Use up
B — Use on other application (See PNI)

C — File PDR Report with Melroe Parts Sales
D — Part Number Error

NUMERICAL INDEX (Cont'd)

Part No.	Description	Was	Code	Page
6562602	BUSHING			14
6562619	BUSHING			176
6563328	BLACK GOLD			276
6563330	BLACK GOLD			276
6563914	WASHER			54, 82
6563922	SNUBBER			78
6564452	GRIP			24
6564654	PIN			54
6564657	PIN			54, 178
6564669	NUT			40, 274
6565947	WASHER			40
6567743	PIN			14
6568424	ADAPTER			132
6568425	ADAPTER			132
6568918	SPROCKET			34, 40
6569203	CLAMP			108
6569219	SCREEN			32, 74
6569498	SPRING ASSY			132
6570931	INSTRUCTIONS			176
6576033	WASHER			134
6576196	MOUNT			82
6576280	BOLT			108
6577058	PIN			82
6577230	BRACKET			30, 82
6577382	SPACER			126
6577394	HINGE			136
6577545	GROMMET			180, 242
6577812	COVER			176
6577821	HOSE			32, 128
6577822	HOSE			32, 126
6577880	KIT			176
6577954	PIN			26
6577961	GROMMET			30, 54
6578172	HOSE			32, 128
6578278	PAD			32
6578284	SHIM			138
6578857	HUB			40
6579613	STOP			14, 126
6579641	HOUSING			138
6579989	BRACKET			108
6586251	HOSE			74
6586459	SEAL KIT			58, 64
6586542	HEAD			250
6586543	PISTON			250
6586710	BOLT			132
6586918	SCREW			56
6587182	SWIVEL PIN			132
6587458	KEY			32
6587523	WASHER			56, 62
6587575	ADAPTER			56
6587580	SPRING			56, 62

Code for disposition of old part number
A — Use up
B — Use on other application (See PNI)

C — File PDR Report with Melroe Parts Sales
D — Part Number Error

NUMERICAL INDEX (Cont'd)

Part No.	Description	Was	Code	Page
6587633	BONNET			56, 62
6587763	BOOT			56, 62, 120
6587765	BUSHING			132
6588074	SPOOL			56, 62
6588781	END CAP			58, 62
6589226	BONNET			56
6589564	WASHER			56, 62
6589565	BUSHING			62
6592098	WASHER			56
6592100	COLLAR			56, 62
6592105	BALL			56
6592107	SPRING			56
6592109	ADAPTER			56, 62
6592115	SEAT			56, 62
6592116	NUT			56, 62
6592117	SPRING			56, 62
6592506	CLAMP			42
6592720	PLUG			56, 62
6595131	SPRING			58, 64
6595663	BUSHING			56, 62
6595951	SLEEVE			56, 62
6596332	SPRING			56, 62
6596807	PLUG			56
6598908	ELBOW			32
6599360	SEALANT			276
6599365	KIT			104
6599645	PLUG			12
6599719	GREASE			276
6599741	WASHER			82
6599744	BALL JOINT			82
6599931	ALARM			180
6610510	TIE			18, 32, 108, 126
6624289	TIE			42, 46, 68, 108, 178,
				212, 214, 222, 224, 238, 248, 254
6626631	CLAMP			126
6628571	VALVE ASSY			56, 60, 62
6628613	HOSE			80
6630188	POLISH			276
6630189	POLISH			276
6630207	RIVET			30
6631418	PIN			14, 20
6631561	NUT			66
6633583	SEALANT			276
6634393	LUBRICANT			138, 276
6634874	O-RING			66
6640690	PIN			112, 116, 242
6640692	CONNECTOR			112, 116
6640694	LOCK			112, 116
6640699	CONNECTOR			116, 226, 242
6640700	LOCK			116, 242
6641176	SEAL			112, 116, 242

Code for disposition of old part number
 A — Use up
 B — Use on other application (See PNI)

C — File PDR Report with Melroe Parts Sales
 D — Part Number Error

NUMERICAL INDEX (Cont'd)

Part No.	Description	Was	Code	Page
6641179	CONNECTOR			66, 112, 116, 242
6641180	LOCK			66, 112, 116, 242
6645080	O-RING			94
6645086	PLUG			90, 94
6645090	SEAL			90
6646582	PLUG			116
6646627	BEARING			138
6646781	SWITCH			180
6647777	PIN			66
6647783	LOAD CHECK			66
6647784	PLUG			66
6647785	SPRING			66
6648293	SCREW			66
6649244	STUD			194
6649245	RETAINER			188, 194
6649481	BULB			246
6649551	SHOCK			82
6649949	PLUG			18
6650120	RACE			36
6650388	SEALANT			276
6650407	ADHESIVE			276
6650627	PLATE			90, 94
6650629	PIN			90, 94
6650630	RETAINER			90, 94
6650634	GASKET			90, 94
6650635	BEARING			90, 94
6650636	PIN			90, 94
6650646	O-RING			90
6650647	O-RING			90
6650648	PLUG ASSY			92
6650652	POPPET			90
6650668	BOLT			90, 94
6650674	BOLT			94
6652018	BOLT			94
6652373	VALVE			172
6652918	NUT			136
6653484	VALVE			256
6653485	SEAL KIT			256
6653487	SEAL KIT			256
6653517	REDUCER			276
6653518	PRIMER			276
6653519	PRIMER			276
6653702	SEAL			138
6653757	SNAP RING			138
6653758	SNAP RING			138
6654139	MOULDING			114
6654170	STRIKER BOLT			194
6654806	FUSE			110
6655399	BUMPER			24, 126
6655781	BEARING			132
6657028	O-RING			90, 94

Code for disposition of old part number
 A — Use up
 B — Use on other application (See PNI)

C — File PDR Report with Melroe Parts Sales
 D — Part Number Error

NUMERICAL INDEX (Cont'd)

Part No.	Description	Was	Code	Page
6657067	COVER			90, 94
6657068	PLATE			90, 94
6657299	OIL			1, 276
6657301	OIL			1, 276
6657303	OIL			1, 276
6657376	ELBOW			126
6657719	PLUG			18, 30, 206
6657734	PUMP			32
6658180	BREATHER			32
6658260	SENSOR			108
6658266	GREASE			276
6659999	BELT			270
6660260	SWITCH			104
6660644	CAP			56
6660814	O-RING			90, 94
6660967	CAP			132
6660995	GREASE RING			132
6661022	FILTER			46, 76, 102
6661114	CAP			32
6661229	BEARING			132
6661248	ELEMENT			1, 78, 104
6661328	SEAL KIT			58, 64
6661353	LIGHT ASSY			246
6661377	SEAL			132
6661448	SEAL KIT			72
6661481	O-RING			92
6661696	CAP			32
6661787	WASHER			136
6661807	KIT			102
6661808	KIT			102
6662246	CONNECTOR			230
6662252	LOCK			230
6662257	PIN			230
6662298	SNAP RING			38
6662848	CAP			58, 64
6662855	BELT			132
6662997	PULLEY			132
6664024	STEM			72
6664025	STEM			72
6664032	SEAL KIT			72
6664065	WASHER			260
6664085	BUSHING			18, 192, 206, 260
6664097	COVER			260
6664103	NUT			260
6664212	CHECK VALVE			256
6664221	RETAINER			18
6664223	OUTLET			18
6664224	CAP			18
6664368	LIGHT			18
6664554	PUMP			190
6664566	BOLT			260

Code for disposition of old part number
A — Use up
B — Use on other application (See PNI)

C — File PDR Report with Melroe Parts Sales
D — Part Number Error

NUMERICAL INDEX (Cont'd)

Part No.	Description	Was	Code	Page
6664845	BEARING			36
6664846	BEARING			36
6664847	RACE			36
6664848	SNAP RING			36
6664882	BUSHING			20
6664971	WASHER			110
6664972	NUT			110
6665000	CLIP			116, 196
6665004	STEM			60
6665086	SEAL			48
6665222	RING GEAR			132
6665307	SEAL			132
6665308	SNAP RING			132
6665314	SWITCH			106
6665316	SWITCH			218
6665317	SWITCH			182, 272
6665321	RIVET			116, 190, 196
6665322	RIVET			116, 190, 196
6665367	BULB			18
6665370	PLUG			230
6665371	SWITCH			108
6665427	BATTERY			1, 108
6665568	SEAL			188, 198
6665569	WASHER			56, 62
6665570	RING			56, 62
6665572	VALVE			254, 256
6665602	MOTOR			260
6665659	CONNECTOR			110
6665701	BUSHING			54
6665702	STEM			72
6665707	SWITCH			188
6665719	PLUG			72
6665755	SEAL			36
6665846	SEAL			56, 62
6665915	GUAGE			74
6666338	WASHER			90, 94
6666542	SEAL			250
6666571	BULB			182
6666699	WASHER			108
6666766	GROMMET			190
6666864	CLAMP			32
6667144	CONNECTOR			112, 116
6667145	LOCK			112
6667176	PLUG			66
6667185	SEAL KIT			66
6667201	SPACER			260
6667323	SEAL			250
6667326	SEAL			48
6667352	ELEMENT			1, 32
6667353	FILTER ASSY			32
6667549	VALVE			56, 62

Code for disposition of old part number
 A — Use up
 B — Use on other application (See PNI)

C — File PDR Report with Melroe Parts Sales
 D — Part Number Error

NUMERICAL INDEX (Cont'd)

Part No.	Description	Was	Code	Page
6667676	COVER			66
6667677	O-RING			66
6667680	SNAP RING			66
6667803	COUPLER			222, 254
6667804	COUPLER			222, 254
6667844	VALVE ASSY			44, 52
6667992	SOLENOID			38
6668104	MOUNT			136
6668742	SWITCH			18
6668760	SEAL			110
6668761	BOLT			108
6668765	VALVE			60
6668791	ORIFICE			60
6668815	SWITCH			218
6668816	SWITCH			182, 272
6668820	NUT			60, 100
6668879	DECAL			180
6668881	CORD			184
6668913	KNOB			44, 52
6669057	CHECK VALVE			60
6669085	VALVE			52
6669087	SEAL KIT			52, 100
6669089	TRACK			22
6669091	CLIP			18, 226
6669135	SEAT			22
6669187	VALVE			256
6669188	STEM			256
6669189	STEM			256
6669190	COIL			256
6669203	VALVE			72
6669216	SEAL KIT			256
6669217	SEAL KIT			256
6669218	VALVE			256
6669219	VALVE			256
6669224	BOLT			18, 226
6669267	SEAL			50
6669268	SEAL			50
6669384	SPEEDY SLEEVE			138
6669402	HOUSING			90
6669403	HOUSING			94
6669405	END CAP			94
6669407	SHAFT			94
6669408	SHAFT			90
6669409	WASHER			90
6669410	SHIM KIT			92
6669411	BEARING			90, 94
6669549	SOCKET			212
6669615	ORIFICE			72
6669728	CHECK VALVE			72
6669729	SHUTTLE VALVE			72
6669732	SEAL KIT			60

Code for disposition of old part number
A — Use up
B — Use on other application (See PNI)

C — File PDR Report with Melroe Parts Sales
D — Part Number Error

NUMERICAL INDEX (Cont'd)

Part No.	Description	Was	Code	Page
6669733	SEAL KIT			60
6669734	SEAL KIT			60
6669736	SEAL KIT			72
6669737	SEAL KIT			72
6670160	CUSHION			22
6670284	LIGHT ASSY			246
6670287	COVER			24, 108
6670312	SOLENOID			226
6670627	BREATHER			38, 126
6670634	SEAL KIT			66
6670682	BEARING			132
6670685	RELIEF VALVE			92, 94
6670706	CONNECTOR			116
6670707	CONNECTOR			116
6670710	LOCK			116
6670711	LOCK			116, 118
6670715	PIN			116, 118
6670726	LOCK			258
6671025	COIL			60, 72, 252
6671026	COIL			72
6671138	SEAL			40
6671513	SWASH PLATE			90, 94
6671516	SEAL KIT			92, 96
6671518	BOLT			90
6671527	NUT			66
6671628	NUT			72, 252
6671629	NUT			72
6671845	PLUG			84
6672272	WASHER			246
6672273	SCREW			246
6672274	SCREW			246
6672275	GASKET			246
6672276	LENS			246
6672277	BRACKET			246
6672279	MOUNT			246
6672348	PANEL			18
6672448	VALVE ASSY			72
6672449	VALVE ASSY			72
6672450	VALVE ASSY			72
6672456	SOLENOID			60
6672486	SEALANT			138
6672492	RETAINER			180
6672515	SEAL KIT			72
6672715	SPACER			22
6672756	SEAL KIT			100, 252
6672762	PLUG			100
6672766	CHECK VALVE			78
6672825	MOTOR			84
6672863	SOLENOID			66
6673188	SEAL KIT			100
6673710	BEARING			82, 114

Code for disposition of old part number
 A — Use up
 B — Use on other application (See PNI)

C — File PDR Report with Melroe Parts Sales
 D — Part Number Error

NUMERICAL INDEX (Cont'd)

Part No.	Description	Was	Code	Page
6673789	BEARING			82, 114
6673877	COUPLER			90
6673878	END PLATE			90
6673880	O-RING			92
6673882	SPRING			92
6673884	O-RING			90
6673885	PIN			90
6673886	BOLT			90
6673904	SEAL KIT			58
6673954	HOSE			76
6673990	PISTON			72
6674000	CLAMP			112
6674013	TRACK			22
6674029	O-RING			84
6674037	SPRING			84, 86
6674184	DISTRIBUTOR			84
6674192	BRAKE DISC			88
6674193	BRAKE DISC			88
6674202	NUT			106
6674204	OIL			1, 276
6674205	OIL			1, 276
6674206	OIL			1, 276
6674209	SENSOR			32, 108
6674219	BLOCK			84
6674228	PANEL			226
6674231	VENT			226
6674234	CONDENSER			238
6674235	DRIER			238
6674315	SENSOR			108
6674316	SENSOR			108
6674331	COIL			66
6674335	HOUSING ASSY			84
6674337	SPOOL			84
6674338	WASHER			84
6674339	SPRING			84
6674340	PIN			84
6674341	HOUSING			84
6674343	SHIM			84, 86
6674344	SPRING			84, 86
6674345	PLUG			84, 86
6674376	RELAY			110
6674390	ROTARY GROUP			84
6674400	HOUSING			246
6674401	HOUSING			246
6674402	MOUNT			246
6674403	COVER			16, 106
6674405	BUSHING			20
6674406	SENSOR			20
6674407	SHOULDER BELT			266
6674450	HANDLE ASSY			112
6674519	WINDOW ASSY			206

Code for disposition of old part number
A — Use up
B — Use on other application (See PNI)

C — File PDR Report with Melroe Parts Sales
D — Part Number Error

NUMERICAL INDEX (Cont'd)

Part No.	Description	Was	Code	Page
6674520	WINDOW			206
6674521	WINDOW ASSY			206
6674522	WINDOW			206
6674666	LATCH			188, 194
6674667	HANDLE			188, 194
6674738	MOTOR			86
6674741	KNOB			18, 206, 226
6674798	SEAL KIT			78
6674799	ADAPTER			212
6674802	CONNECTOR			210, 212
6674841	SPRING			86
6674894	NUT			20, 126
6674895	REATAINER			18
6674938	GAS SPRING			188, 194
6674993	CAP			190
6675020	BOLT			84
6675021	BOLT			84, 86
6675026	CAP			210, 212
6675033	INSERT			14, 16, 106
6675074	SEAT BELT			16
6675075	HOSE			238
6675076	HOSE			238
6675091	CAM			84
6675099	HORN			242
6675135	GAS SPRING			14
6675137	GAS SPRING			14
6675139	GAS SPRING			14
6675140	SNAP RING			14
6675154	HOLDER			110
6675155	FUSE			110
6675170	SEAT BELT			262
6675171	CLAMP			106
6675172	BRACKET			226
6675174	BODY			226
6675175	BRACKET			226
6675176	SWITCH			226
6675177	KNOB			226
6675179	FLANGE			226
6675181	PLUG			226
6675189	PIN			86
6675212	RETAINER			206
6675215	WINDOW			198
6675227	SEAL			84
6675228	SEAL			84
6675258	CLEVIS			14
6675263	WASHER			24
6675265	CHECK VALVE			100
6675278	FILTER			108
6675298	COUPLER			190
6675299	COUPLER			190
6675308	KIT			264

Code for disposition of old part number
A — Use up
B — Use on other application (See PNI)

C — File PDR Report with Melroe Parts Sales
D — Part Number Error

NUMERICAL INDEX (Cont'd)

Part No.	Description	Was	Code	Page
6675309	KIT			264
6675310	KIT			264
6675311	KIT			264
6675312	KIT			264
6675313	KIT			264
6675314	KIT			264
6675315	KIT			264
6675316	KIT			264
6675317	SCISSORS			262
6675318	KIT			264
6675319	SEAT			262
6675320	SEAT			262
6675321	SEAT			262
6675322	SEAT			262
6675323	KNOB			262
6675328	CHAIN			34
6675333	LINK			34
6675336	BULB			246
6675341	BLOCK ASSY			92, 94
6675342	PIN			90, 94
6675378	CLIP			190, 196
6675380	ADHESIVE			276
6675387	SEAL			18, 206
6675468	HANDLE ASSY			112
6675497	BLOWER			228, 230, 240
6675503	HOUSING			230
6675504	RING			230
6675505	BLOWER WHEEL			230
6675506	MOUNT			230
6675507	COVER			230
6675509	MOTOR			230
6675510	CLAMP			228, 240
6675511	DRAIN VALVE			228, 240
6675512	CLAMP			228, 240
6675522	STROBE			272
6675523	BEACON			182
6675524	CLIP			16
6675533	COIL			238, 240
6675534	BLOCK VALVE			238, 240
6675538	O-RING			238, 240
6675544	CANVAS CAB			202
6675545	GROMMET			18, 206
6675558	SEAL			188, 194
6675562	SEAT BELT			268
6675581	EXTINGUISHER			216
6675590	DOOR			202
6675591	HINGE KIT			202
6675595	SEAT			262
6675596	SEAT			262
6675607	INSULATION			234
6675608	INSULATION			234

Code for disposition of old part number
A — Use up
B — Use on other application (See PNI)

C — File PDR Report with Melroe Parts Sales
D — Part Number Error

NUMERICAL INDEX (Cont'd)

Part No.	Description	Was	Code	Page
6675609	INSULATION			234
6675610	INSULATION			234
6675611	SEAL			232, 234
6675612	INSULATION			234
6675613	INSULATION			234
6675614	INSULATION			234
6675669	VALVE			66, 186
6675684	VALVE			226
6675685	HOSE			238
6675734	TIE			110
6675741	SENSOR			116
6675745	SPRING			116, 178
6675749	HANDLE			116
6675779	PRESSURE SWITCH			238
6675790	THERMOSTAT			238, 240
6675824	O-RING			238
6675825	O-RING			238
6675833	SEAL			206
6675835	TURN SIGNAL			218
6675846	POTENTIOMETER			226
6675858	FLASH TUBES			272
6675860	ROTARY GROUP			86
6675861	REAR HOUSING			86
6675862	BRAKE			88
6675863	QUAD RING			86
6675864	QUAD RING			86
6675865	SNAP RING			86
6675866	SPOOL			86
6675867	WASHER			86
6675868	POPPET			84, 86
6675869	O-RING			84, 86
6675870	SEAL KIT			88
6675874	CAM			86
6675875	HOUSING			86
6675876	DISTRIBUTOR			86
6675877	SEAL			86
6675878	SEAL			86
6675879	SEAL			86
6675880	SEAL			86
6675881	SEAL			86
6675882	SPOOL			86
6675885	SNAP RING			86
6675886	QUAD RING			86
6675887	HOUSING			86
6675888	SHAFT			86
6675889	PISTON			88
6675890	COVER			88
6675892	GASKET			88
6675893	O-RING			88
6675894	SEAL			88
6675895	BOLT			88

Code for disposition of old part number
 A — Use up
 B — Use on other application (See PNI)

C — File PDR Report with Melroe Parts Sales
 D — Part Number Error

NUMERICAL INDEX (Cont'd)

Part No.	Description	Was	Code	Page
6675896	BOLT			86
6675897	WASHER			88
6675898	BUSHING			86
6675982	PLUG			106
6675999	SWITCH			260
6676000	TEE			260
6676001	ARM			260
6676002	BLADE			260
6676003	HOSE			188, 192, 260
6676021	SEAL KIT			84
6676022	SEAL			84
6676023	O-RING			84
6676024	PLUG			84
6676028	NOZZLE			260
6676029	SOLENOID			114, 116, 120, 178
6676034	KIT			264
6676062	VALVE			238
6676063	KIT			238
6676144	GEROTOR			92
6676145	SPACER			92
6676146	COUPLING			94
6676147	VALVE PLATE			90
6676148	VALVE PLATE			94
6676152	PLUG			256
6676155	RELIEF VALVE			72
6676205	SEAL KIT			100
6676239	CARTRIDGE			100
6676241	CARTRIDGE			100
6676242	COIL			100
6676243	COIL			100
6676244	COIL			100
6676247	NUT			100
6676249	STEM			58, 64
6676333	LEVER			114, 116
6676337	CONTROLLER			114
6676338	GAS SPRING			264
6676399	VALVE CORE			238
6676417	VALVE			80
6676492	SENSOR			114, 120, 178
6676493	SENSOR			114, 120, 178
6676497	LEVER			114, 116
6676499	GROMMET			188
6676500	ELBOW			188
6676516	NUT			226
6676536	SWITCH			106
6676537	SWITCH			114, 178
6676538	INSULATION			236, 238
6676539	CLIP			228, 238, 240
6676542	CAP			66
6676543	PLUG			66
6676544	SPRING			66

Code for disposition of old part number
A — Use up
B — Use on other application (See PNI)

C — File PDR Report with Melroe Parts Sales
D — Part Number Error

NUMERICAL INDEX (Cont'd)

Part No.	Description	Was	Code	Page
6676545	CARTRIDGE			66
6676561	HVAC ASSEMBLY			240
6676562	HEATER ASSEMBLY			228
6676604	COVER			236
6676606	SPACER			236
6676618	CLIP			230
6676640	SEAL			118
6676643	SPRING			86
6676644	SPRING			86
6676645	SPRING			86
6676646	SPRING			86
6676647	WASHER			88
6676648	WASHER			88
6676649	WASHER			88
6676650	WASHER			88
6676651	WASHER			88
6676652	WASHER			88
6676653	SCREW			236
6676732	SWITCH			248
6676870	CONNECTOR			118
6676872	TURN SIGNAL			218
6676917	ELBOW			190
6676918	HOSE			188
6676927	FELT STRIP			206
6676957	STARTER			124
6676984	BRACKET			238, 240
6677105	COVER			238, 240
6677106	O-RING			56, 62
6677108	HOUSING			228, 240
6677109	COVER			240
6677111	SEAL			228, 232, 240
6677114	FLANGE			240
6677115	RECEPTACLE			228, 240
6677116	RETAINER			228, 240
6677117	SCREW			228, 240
6677118	SCREW			228, 240
6677120	COVER			228
6677121	CAP			238
6677122	CAP			238
6677136	SOCKET			212
6677150	SEAL KIT			252
6677159	PLUG			252
6677192	MAGNET			190, 196
6677193	RIVET			190, 196
6677194	BOLT			188, 196
6677198	TAB			206
6677201	SOLENOID			58, 64
6677370	DECAL			112
6677373	MUFFLER			130
6677383	SOLENOID			58
6677485	SPACER			122

Code for disposition of old part number
 A — Use up
 B — Use on other application (See PNI)

C — File PDR Report with Melroe Parts Sales
 D — Part Number Error

NUMERICAL INDEX (Cont'd)

Part No.	Description	Was	Code	Page
614142	SLEEVE			200
619021	WASHER			14, 22, 30, 58, 82, 230
654299	BEARING			88, 92
658128	SNAP RING			88, 92
669863	SNAP RING			88, 92
743108	ADAPTER			78
774220	NUT			166, 208
799119	SNAP RING			60
872229	WASHER			46, 50, 236
898731	BULB			228
947088	SEAL			52, 54
1306637	COTTER PIN			58
1313116	BUSHING			116
1318565	HAIR PIN			80
3291290	WING NUT			158
3966602	O-RING			136
3974226	KEY			138
3974260	BOLT			148
3974280	O-RING			154
3974394	PIN			150, 152
3974500	JOINT			152
3974503	STUD			150
3974795	PIN			90
3974916	STUD			128, 132
3974920	SCREW			134
3974970	SCREW			154
3974972	GASKET			154
5289686	PLUG			18
6512026	BUSHING			58
6512797	RIVET			248
6513152	SEAL			174, 180, 208
6513495	COTTER PIN			58
6515131	TERMINAL			200
6515817	WASHER			14
6517516	LIGHT			200
6518200	GREASE ZERK			82
6518483	WASHER			92
6518955	SNAP RING			116
6519178	BUMPER			20
6530859	HOSE			76
6531270	SLEEVE			60
6532127	BOOT			32
6532347	SPACER			28
6532453	RING SEAL			232
6538367	HEAD			52
6542731	SAFETY TREAD			174, 180
6553411	BUSHING			34
6553709	WASHER			14
6554100	SAFETY TREAD			230
6554149	CORD			18, 174, 182, 190
6555351	SEAL			190

Code for disposition of old part number
 A — Use up
 B — Use on other application (See PNI)

C — File PDR Report with Melroe Parts Sales
 D — Part Number Error

NUMERICAL INDEX (Cont'd)

Part No.	Description	Was	Code	Page
6557493	GROMMET			242
6557831	WASHER			82, 220
6557904	FLASHER			200
6559515	EXIT TAG			18, 190
6560633	DAMPENER			14
6562018	SPRING			30
6562602	BUSHING			14
6562619	BUSHING			162
6563328	FLUID			1, 252
6563330	FLUID			1, 252
6563914	WASHER			58, 82
6563922	SNUBBER			80
6564452	GRIP			26, 122
6564654	PIN			58
6564657	PIN			58, 164
6567743	PIN			14
6567962	WASHER			122
6568424	ADAPTER			116
6568425	ADAPTER			116
6569219	SCREEN			34, 76
6569498	SPRING ASSY			116
6570931	INSTRUCTIONS			162
6576033	WASHER			116
6576196	MOUNT			82
6576261	COVER			122
6576262	MOUNT			122
6577058	PIN			82
6577382	SPACER			110
6577545	GROMMET			166, 224
6577812	COVER			162
6577821	HOSE			34
6577822	HOSE			34, 110, 112
6577880	KIT			162
6577954	PIN			28
6577961	GROMMET			32, 58
6578169	HOSE			34
6578172	HOSE			34, 112
6578278	PAD			34, 76
6578284	SHIM			124
6579541	PULLEY			110
6579613	STOP			14
6579641	HOUSING			124
6586251	HOSE			76
6586459	SEAL KIT			62, 68
6586542	HEAD			232
6586543	PISTON			232
6586710	BOLT			116
6586918	SCREW			60
6587182	SWIVEL PIN			116
6587458	KEY			34
6587523	WASHER			60, 66

Code for disposition of old part number
 A — Use up
 B — Use on other application (See PNI)

C — File PDR Report with Melroe Parts Sales
 D — Part Number Error

NUMERICAL INDEX (Cont'd)

Part No.	Description	Was	Code	Page
6587575	ADAPTER			60
6587580	SPRING			60, 66
6587633	BONNET			60, 66
6587763	BOOT			60, 66
6587765	BUSHING			116
6588074	SPOOL			60, 66
6588781	END CAP			62, 66
6589226	BONNET			60
6589564	WASHER			60, 66
6589565	BUSHING			66
6592098	WASHER			60
6592100	COLLAR			60, 66
6592105	BALL			60
6592107	SPRING			60
6592109	ADAPTER			60, 66
6592115	SEAT			60, 66
6592116	NUT			60, 66
6592117	SPRING			60, 66
6592506	CLAMP			46
6592720	PLUG			60, 66
6595131	SPRING			62, 68
6595663	BUSHING			60, 66
6595951	SLEEVE			60, 66
6596332	SPRING			60, 66
6596807	PLUG			60
6598112	CAP			128
6598133	BRACKET			132
6598169	PLUG			132, 138
6599360	SEALANT			252
6599365	KIT			100
6599719	GREASE			252
6599741	WASHER			82
6599744	BALL JOINT			82
6599931	ALARM			166
6610510	TIE			18, 34, 110, 112
6624289	TIE			46, 50, 72, 112, 164, 194, 196, 204, 206, 220, 230, 236
6626631	CLAMP			110
6627313	HOSE			78
6630188	POLISH			252
6630189	POLISH			252
6630207	RIVET			32
6630945	WASHER			122
6631046	SEAL			136
6631418	PIN			14, 20
6631561	NUT			70
6633583	SEALANT			252
6634393	LUBRICANT			124, 252
6634874	O-RING			70
6640690	PIN			224
6640699	CONNECTOR			208, 224

Code for disposition of old part number
 A — Use up
 B — Use on other application (See PNI)

C — File PDR Report with Melroe Parts Sales
 D — Part Number Error

NUMERICAL INDEX (Cont'd)

Part No.	Description	Was	Code	Page
6640700	LOCK			224
6641176	SEAL			224
6641179	CONNECTOR			70, 224
6641180	LOCK			70, 224
6644965	BALL JOINT			122
6645080	O-RING			92
6645086	PLUG			88, 92
6645090	SEAL			88
6645812	BLEEDER			38
6646627	BEARING			124
6646781	SWITCH			166
6647777	PIN			70
6647783	LOAD CHECK			70
6647784	PLUG			70
6647785	SPRING			70
6648293	SCREW			70
6649244	STUD			180
6649245	RETAINER			174, 180
6649481	BULB			228
6649551	SHOCK			82
6649949	PLUG			18
6650388	SEALANT			252
6650407	ADHESIVE			252
6650627	PLATE			88, 92
6650629	PIN			88, 92
6650630	RETAINER			88, 92
6650634	GASKET			88, 92
6650635	BEARING			88, 92
6650636	PIN			88, 92
6650646	O-RING			88
6650647	O-RING			88
6650648	PLUG ASSY			90
6650652	POPPET			88
6650668	BOLT			88, 92
6650674	BOLT			92
6652018	BOLT			92
6652373	VALVE			158
6652679	KEY			140
6652750	PLUG			138
6652918	NUT			120
6653484	VALVE			238
6653485	SEAL KIT			238
6653487	SEAL KIT			238
6653517	REDUCER			252
6653518	PRIMER			252
6653519	PRIMER			252
6653561	NUT			152
6653702	SEAL			124
6653757	SNAP RING			124
6653758	SNAP RING			124
6654170	STRIKER BOLT			180

Code for disposition of old part number
 A — Use up
 B — Use on other application (See PNI)

C — File PDR Report with Melroe Parts Sales
 D — Part Number Error

NUMERICAL INDEX (Cont'd)

Part No.	Description	Was	Code	Page
6655399	BUMPER			110
6655752	GREASE ZERK			38
6655781	BEARING			116
6655894	SET SCREW			134
6657028	O-RING			88, 92
6657067	COVER			88, 92
6657068	PLATE			88, 92
6657299	OIL			1, 252
6657301	OIL			1, 252
6657303	OIL			1, 252
6657376	ELBOW			110
6657719	PLUG			18, 32, 190
6657734	PUMP			34
6658180	BREATHER			34
6658266	GREASE			252
6659999	BELT			248
6660016	RINGS			84
6660018	BEARING			84
6660032	PIN			84
6660033	SPRING			84
6660260	SWITCH			100
6660644	CAP			60
6660814	O-RING			88, 92
6660967	CAP			116
6660995	GREASE RING			116
6661022	FILTER			50, 78, 98
6661114	CAP			34
6661229	BEARING			116
6661248	ELEMENT			1, 80, 100
6661328	SEAL KIT			62, 68
6661353	LIGHT ASSY			228
6661377	SEAL			116
6661481	O-RING			90
6661696	CAP			34
6661787	WASHER			120
6661807	KIT			98
6661808	KIT			98
6662246	CONNECTOR			212
6662252	LOCK			212
6662257	PIN			212
6662848	CAP			62, 68
6662997	PULLEY			116
6664065	WASHER			242
6664085	BUSHING			18, 178, 190, 242
6664097	COVER			242
6664103	NUT			242
6664212	CHECK VALVE			238
6664221	RETAINER			18
6664223	OUTLET			18
6664224	CAP			18
6664368	LIGHT			18

Code for disposition of old part number
 A — Use up
 B — Use on other application (See PNI)

C — File PDR Report with Melroe Parts Sales
 D — Part Number Error

NUMERICAL INDEX (Cont'd)

Part No.	Description	Was	Code	Page
6664554	PUMP			176
6664566	BOLT			242
6664882	BUSHING			20
6665004	STEM			64
6665086	SEAL			52
6665222	RING GEAR			116
6665307	SEAL			116
6665308	SNAP RING			116
6665314	SWITCH			104
6665316	SWITCH			200
6665317	SWITCH			168, 250
6665321	RIVET			176
6665322	RIVET			176
6665367	BULB			18
6665370	PLUG			212
6665427	BATTERY			1
6665568	SEAL			174, 182
6665569	WASHER			60, 66
6665570	RING			60, 66
6665572	VALVE			236, 238
6665602	MOTOR			242
6665701	BUSHING			58
6665707	SWITCH			174
6665846	SEAL			60, 66
6665915	GUAGE			76
6666338	WASHER			88, 92
6666364	PLUG			84
6666542	SEAL			232
6666571	BULB			168
6666766	GROMMET			176
6667176	PLUG			70
6667185	SEAL KIT			70
6667201	SPACER			242
6667323	SEAL			232
6667326	SEAL			52
6667352	ELEMENT			1, 34
6667353	FILTER ASSY			34
6667461	PIN			134
6667549	VALVE			60, 66
6667676	COVER			70
6667677	O-RING			70
6667680	SNAP RING			70
6667803	COUPLER			204, 236
6667804	COUPLER			204, 236
6667844	VALVE ASSY			48, 56
6668004	SEAL			38
6668104	MOUNT			120
6668742	SWITCH			18
6668765	VALVE			64
6668791	ORIFICE			64
6668815	SWITCH			200

Code for disposition of old part number
 A — Use up
 B — Use on other application (See PNI)

C — File PDR Report with Melroe Parts Sales
 D — Part Number Error

NUMERICAL INDEX (Cont'd)

Part No.	Description	Was	Code	Page
6668816	SWITCH			168, 250
6668820	NUT			64
6668879	DECAL			166
6668881	CORD			170
6668913	KNOB			48, 56
6669085	VALVE			56
6669087	SEAL KIT			56
6669091	CLIP			18, 208
6669187	VALVE			238
6669188	STEM			238
6669189	STEM			238
6669190	COIL			238
6669216	SEAL KIT			238
6669217	SEAL KIT			238
6669218	VALVE			238
6669219	VALVE			238
6669224	BOLT			18, 208
6669267	SEAL			54
6669268	SEAL			54
6669384	SPEEDY SLEEVE			124
6669402	HOUSING			88
6669405	END CAP			92
6669409	WASHER			88
6669410	SHIM KIT			90
6669411	BEARING			88, 92
6669549	SOCKET			194
6669676	CHECK VALVE			78
6669732	SEAL KIT			64
6669734	SEAL KIT			64
6669736	SEAL KIT			102
6670284	LIGHT ASSY			228
6670287	COVER			26
6670312	SOLENOID			208
6670347	GASKET			142
6670425	SCREW			154
6670426	NUT			154
6670427	CAP			154
6670462	NUT			154
6670634	SEAL KIT			70
6670682	BEARING			116
6670685	RELIEF VALVE			90, 92
6670726	LOCK			240
6670769	O-RING			148
6670774	PIN			154
6670782	GASKET			152
6671025	COIL			64, 234
6671513	SWASH PLATE			88, 92
6671516	SEAL KIT			90, 94
6671518	BOLT			88
6671527	NUT			70
6671628	NUT			234

Code for disposition of old part number
 A — Use up
 B — Use on other application (See PNI)

C — File PDR Report with Melroe Parts Sales
 D — Part Number Error

NUMERICAL INDEX (Cont'd)

Part No.	Description	Was	Code	Page
6671749	O-RING			84
6671758	O-RING			84
6672152	BELT			116
6672272	WASHER			228
6672273	SCREW			228
6672274	SCREW			228
6672275	GASKET			228
6672276	LENS			228
6672277	BRACKET			228
6672279	MOUNT			228
6672338	O-RING			38
6672342	WASHER			38
6672348	PANEL			18
6672354	PLUG			138
6672360	PLUG			144, 146
6672384	CAP			154
6672436	SEAL			134
6672456	SOLENOID			64
6672486	SEALANT			124
6672492	RETAINER			166
6672756	SEAL KIT			234
6672766	CHECK VALVE			80
6672863	SOLENOID			70
6673710	BEARING			82
6673789	BEARING			82
6673877	COUPLER			88
6673878	END PLATE			88
6673880	O-RING			90
6673882	SPRING			90
6673884	O-RING			88
6673885	PIN			88
6673886	BOLT			88
6673904	SEAL KIT			62
6674017	PLUG			84
6674056	SEAL			84
6674058	WASHER			84
6674059	WASHER			84
6674060	WASHER			84
6674061	WASHER			84
6674066	SEAL			84
6674202	NUT			104
6674204	OIL			1, 252
6674205	OIL			1, 252
6674206	OIL			1, 252
6674209	SENSOR			34
6674228	PANEL			208
6674231	VENT			208
6674234	CONDENSER			220
6674235	DRIER			220
6674331	COIL			70
6674343	SHIM			84

Code for disposition of old part number
 A — Use up
 B — Use on other application (See PNI)

C — File PDR Report with Melroe Parts Sales
 D — Part Number Error

NUMERICAL INDEX (Cont'd)

Part No.	Description	Was	Code	Page
6674344	SPRING			84
6674345	PLUG			84
6674400	HOUSING			228
6674401	HOUSING			228
6674402	MOUNT			228
6674403	COVER			16, 104
6674405	BUSHING			20
6674406	SENSOR			20
6674407	SHOULDER BELT			244
6674519	WINDOW ASSY			190
6674520	WINDOW			190
6674521	WINDOW ASSY			190
6674522	WINDOW			190
6674666	LATCH			174, 180
6674667	HANDLE			174, 180
6674702	BOLT			86
6674703	BOLT			86
6674704	BOLT			86
6674705	O-RING			86
6674706	STUD			36, 84
6674707	PLUG			86
6674708	WASHER			86
6674713	DISC			86
6674714	DISC			86
6674716	COVER			86
6674720	GASKET			86
6674722	SHIM			86
6674723	SHIM			86
6674724	NUT			36, 84
6674725	BEARING			84
6674727	SEAL			84
6674728	SEAL			86
6674734	BUSHING			86
6674741	KNOB			18, 190, 208
6674799	ADAPTER			194
6674802	CONNECTOR			192, 194
6674839	PLUG			84
6674841	SPRING			84
6674846	SEAL			84
6674848	SEAL			84
6674850	O-RING			84
6674851	O-RING			84
6674852	PLUG			84
6674853	POPPET			84
6674894	NUT			20, 110
6674895	REATAINER			18
6674938	GAS SPRING			174, 180
6674993	CAP			176
6675026	CAP			192, 194
6675033	INSERT			14, 16, 104
6675075	HOSE			220

Code for disposition of old part number
A — Use up
B — Use on other application (See PNI)

C — File PDR Report with Melroe Parts Sales
D — Part Number Error

NUMERICAL INDEX (Cont'd)

Part No.	Description	Was	Code	Page
6675076	HOSE			220
6675099	HORN			224
6675135	GAS SPRING			14
6675137	GAS SPRING			14
6675139	GAS SPRING			14
6675140	SNAP RING			14
6675170	SEAT BELT			22
6675171	CLAMP			104
6675172	BRACKET			208
6675174	BODY			208
6675175	BRACKET			208
6675176	SWITCH			208
6675177	KNOB			208
6675179	FLANGE			208
6675181	PLUG			208
6675212	RETAINER			190
6675215	WINDOW			182
6675234	CAM			84
6675258	CLEVIS			14
6675263	WASHER			26
6675298	COUPLER			176
6675299	COUPLER			176
6675308	KIT			24
6675309	KIT			24
6675310	KIT			24
6675311	KIT			24
6675312	KIT			24
6675313	KIT			24
6675314	KIT			24
6675315	KIT			24
6675316	KIT			24
6675317	SCISSORS			22
6675318	KIT			24
6675319	SEAT			22
6675320	SEAT			22
6675321	SEAT			22
6675322	SEAT			22
6675323	KNOB			22
6675336	BULB			228
6675341	BLOCK ASSY			90, 92
6675342	PIN			88, 92
6675378	CLIP			176
6675380	ADHESIVE			252
6675387	SEAL			18, 190
6675497	BLOWER			210, 212, 222
6675503	HOUSING			212
6675504	RING			212
6675505	BLOWER WHEEL			212
6675506	MOUNT			212
6675507	COVER			212
6675509	MOTOR			212

Code for disposition of old part number
 A — Use up
 B — Use on other application (See PNI)

C — File PDR Report with Melroe Parts Sales
 D — Part Number Error

NUMERICAL INDEX (Cont'd)

Part No.	Description	Was	Code	Page
6675510	CLAMP			210, 222
6675511	DRAIN VALVE			210, 222
6675512	CLAMP			210, 222
6675522	STROBE			250
6675523	BEACON			168
6675524	CLIP			16
6675533	COIL			220, 222
6675534	BLOCK VALVE			220, 222
6675538	O-RING			220, 222
6675544	CANVAS CAB			186
6675545	GROMMET			18, 190
6675558	SEAL			174, 180
6675562	SEAT BELT			246
6675581	EXTINGUISHER			198
6675590	DOOR			186
6675591	HINGE KIT			186
6675595	SEAT			22
6675596	SEAT			22
6675607	INSULATION			216
6675608	INSULATION			216
6675609	INSULATION			216
6675610	INSULATION			216
6675611	SEAL			214, 216
6675612	INSULATION			216
6675613	INSULATION			216
6675614	INSULATION			216
6675618	CLAMP			136, 144
6675663	NUT			102
6675668	CABLE			122
6675669	VALVE			70, 172
6675684	VALVE			208
6675685	HOSE			220
6675731	COIL			102
6675745	SPRING			164
6675779	PRESSURE SWITCH			220
6675790	THERMOSTAT			220, 222
6675824	O-RING			220
6675825	O-RING			220
6675833	SEAL			190
6675835	TURN SIGNAL			200
6675846	POTENTIOMETER			208
6675858	FLASH TUBES			250
6675866	SPOOL			84
6675867	WASHER			84
6675982	PLUG			104
6675999	SWITCH			242
6676000	TEE			242
6676001	ARM			242
6676002	BLADE			242
6676003	HOSE			174, 178, 242
6676028	NOZZLE			242

Code for disposition of old part number
 A — Use up
 B — Use on other application (See PNI)

C — File PDR Report with Melroe Parts Sales
 D — Part Number Error

NUMERICAL INDEX (Cont'd)

Part No.	Description	Was	Code	Page
6676029	SOLENOID			164
6676034	KIT			24
6676062	VALVE			220
6676063	KIT			220
6676144	GEROTOR			90
6676145	SPACER			90
6676146	COUPLING			92
6676147	VALVE PLATE			88
6676148	VALVE PLATE			92
6676152	PLUG			238
6676249	STEM			62, 68
6676338	GAS SPRING			24
6676399	VALVE CORE			220
6676492	SENSOR			164
6676493	SENSOR			164
6676495	FILTER ASSY			100
6676499	GROMMET			174
6676500	ELBOW			174
6676509	STEM			102
6676516	NUT			208
6676536	SWITCH			104
6676537	SWITCH			164
6676538	INSULATION			218, 220
6676539	CLIP			210, 220, 222
6676542	CAP			70
6676543	PLUG			70
6676544	SPRING			70
6676545	CARTRIDGE			70
6676561	HVAC ASSEMBLY			222
6676562	HEATER ASSEMBLY			210
6676597	O-RING			84
6676604	COVER			218
6676606	SPACER			218
6676618	CLIP			212
6676653	SCREW			218
6676732	SWITCH			230
6676872	TURN SIGNAL			200
6676907	BLOCK			84
6676908	HOUSING			84
6676909	DISTRIBUTOR			84
6676910	SEAL			84
6676917	ELBOW			176
6676918	HOSE			174
6676927	FELT STRIP			190
6676957	STARTER			108
6676984	BRACKET			220, 222
6677105	COVER			220, 222
6677106	O-RING			60, 66
6677108	HOUSING			210, 222
6677109	COVER			222
6677111	SEAL			210, 214, 222

Code for disposition of old part number
 A — Use up
 B — Use on other application (See PNI)

C — File PDR Report with Melroe Parts Sales
 D — Part Number Error

NUMERICAL INDEX (Cont'd)

Part No.	Description	Was	Code	Page
6677114	FLANGE			222
6677115	RECEPTACLE			210, 222
6677116	RETAINER			210, 222
6677117	SCREW			210, 222
6677118	SCREW			210, 222
6677120	COVER			210
6677121	CAP			220
6677122	CAP			220
6677136	SOCKET			194
6677150	SEAL KIT			234
6677159	PLUG			234
6677192	MAGNET			176
6677193	RIVET			176
6677194	BOLT			174
6677198	TAB			190
6677201	SOLENOID			62, 68
6677372	ENGINE			126
6677373	MUFFLER			114
6677383	SOLENOID			62
6677485	SPACER			106
6677486	NUT			106
6677487	COVER			106
6677488	RECTIFIER			106
6677490	BRACKET			106
6677491	BRACKET			106
6677492	ROTOR			106
6677493	STATOR			106
6677494	BOLT			106
6677495	SPACER			106
6677496	PULLEY			106
6677497	NUT			106
6677504	COVER			210, 222
6677579	SCREW			218
6677628	SHAFT ADAPTER			208
6677660	SPOOL			66
6677661	SPOOL			66
6677662	SPOOL			66
6677663	SPOOL			66
6677817	BOLT			106
6677818	BEARING			106
6677819	RETAINER			106
6677820	BEARING			106
6677824	BELT			120
6677828	SEAL			86
6677833	ARM ASSY			178
6677834	BLADE			178
6677835	MOTOR			178
6677836	COVER			178
6677837	BOLT			178
6677839	GASKET			178
6677840	SWIVEL ASSY			178

Code for disposition of old part number
 A — Use up
 B — Use on other application (See PNI)

C — File PDR Report with Melroe Parts Sales
 D — Part Number Error

NUMERICAL INDEX (Cont'd)

Part No.	Description	Was	Code	Page
6677841	WASHER			178
6677842	NUT			178
6677843	NUT			178
6677844	NUT			178
6677845	ADAPTER			178
6677847	GROMMET			178
6677973	PLUG			190
6677983	FILTER			208
6677984	VALVE			60, 66
6678066	AIR CLEANER			158
6678067	BUSHING			58, 82
6678076	BLOCK			50
6678151	COVER			210
6678152	FLANGE			210
6678155	FILTER ASSY			80
6678156	COOLER			80
6678198	BOLT			178
6678205	ALTERNATOR			106
6678207	FILTER			208
6678226	SEAL			88, 92
6678283	HANDLE			190
6678284	HOSE			220
6678285	HOSE			220
6678548	SOCKET			174, 180
6678552	VALVE			62, 68
6678554	VALVE			234
6678675	CONTROLLER			196
6678680	PANEL			104
6678681	PANEL			104
6678682	PANEL			104
6678692	SPRING			234
6678693	SPRING			234
6678694	FLOW CONTROL			234
6678695	O-RING			234
6678697	STEM			234
6678698	PLUG			234
6678699	PLUG			234
6678700	PISTON			234
6678701	ORIFICE			234
6678702	ORIFICE			234
6678703	SHUTTLE			234
6678704	SPRING			234
6678705	BALL			234
6678706	PLUG			234
6678707	SPRING			234
6678708	COMPENSATOR			234
6678709	O-RING			234
6678711	SPACER			234
6678712	COIL			234
6678717	PISTON			234
6678718	SPRING			234

Code for disposition of old part number
 A — Use up
 B — Use on other application (See PNI)

C — File PDR Report with Melroe Parts Sales
 D — Part Number Error

NUMERICAL INDEX (Cont'd)

Part No.	Description	Was	Code	Page
6678739	WASHER			178
6678749	TRACK			36
6678778	SEAL KIT			86
6678779	HOUSING			84
6678780	WASHER			86
6678920	NOZZLE			178
6678921	GUIDE			178
6678933	PISTON			54
6678954	HOSE			78
6678955	HOSE			78
6678956	HOSE			78
6678960	SEAL			30
6678969	HOSE			80
6678970	ELBOW			80
6679103	VALVE ASSY			78, 102
6679130	KNOB			28
6679244	BALL ASSY			234
6679246	SEAL KIT			234
6679308	SEAT BELT			244
6679757	VALVE			60, 66
6679836	ADAPTER			50
6679837	COUPLER			50
6679838	COUPLER			50
6679839	COUPLER			50
6679840	SEAL			50
6679841	SEAL			50
6679842	SWITCH			104
6679845	CROSSMEMBER			104
6679855	BULB			104
6679856	ALARM			104
6679881	SEAL			44
6679882	SEAL			40, 42
6679883	BEARING			44
6679884	BEARING			40, 42
6679943	CHECK VALVE			72, 236
6679990	CLIP			16
6680019	PLUG			84
6680020	SEAL KIT			50
6680054	ACTUATOR			208
6680250	MOTOR			84
6680272	NUT			154
6680312	PUMP			88, 92
6680313	PUMP			88, 92
6680355	BOOT			108
6680356	BOLT			108
6680357	HOLDER			108
6680358	RING			108
6680359	STOP RING			108
6680360	STOP			108
6680361	SPRING			108
6680362	BALL			108

Code for disposition of old part number
 A — Use up
 B — Use on other application (See PNI)

C — File PDR Report with Melroe Parts Sales
 D — Part Number Error

NUMERICAL INDEX (Cont'd)

Part No.	Description	Was	Code	Page
6680363	WASHER			108
6680364	LEVER			108
6680365	SHAFT			108
6680366	GEAR			108
6680367	GEAR			108
6680368	STOP RING			108
6680369	SEAL			108
6680370	PLATE			108
6680371	LEVER			108
6680372	BRACKET			108
6680373	YOKE			108
6680374	ARMATURE			108
6680375	SHAFT			108
6680376	SWITCH			108
6680377	HOLDER			108
6680378	WASHER			108
6680379	SEAL			108
6680380	SEAL			108
6680381	SPRING			108
6680382	SPRING			108
6680383	BOLT			108
6680384	BOLT			108
6680388	BRACKET			108
6680389	BRACKET			108
6680390	GEAR			108
6680499	NUT			154
6680564	STUD			130
6680567	GASKET			130, 154
6680570	GASKET			130
6680635	CRANKCASE			138
6680636	PLUG			138
6680637	PLUG			138
6680638	PLUG			136, 138
6680639	PLUG			138
6680640	PLUG			138
6680641	PIN			138
6680642	PIN			138
6680643	PIN			138
6680644	PIN			138
6680645	BOLT			138
6680646	ADAPTER			138, 144, 146
6680647	GASKET			138
6680649	TUBE			130
6680652	CRANKCASE			136
6680654	BOLT			136
6680655	PIN			136
6680656	OIL PAN			136
6680657	PLUG			136
6680658	BOLT			132, 136
6680659	BOLT			136
6680660	OIL SUMP			136

Code for disposition of old part number
A — Use up
B — Use on other application (See PNI)

C — File PDR Report with Melroe Parts Sales
D — Part Number Error

NUMERICAL INDEX (Cont'd)

Part No.	Description	Was	Code	Page
6680661	O-RING			136
6680662	BOLT			132, 136, 150
6680663	NUT			128, 130, 132, 148, 150, 152, 154
6680664	HEAD			132
6680665	PLUG			132
6680666	PLUG			132
6680667	PLUG			132
6680668	BOLT			132
6680669	HEAD GASKET			132
6680670	HEAD GASKET			132
6680671	HEAD GASKET			132
6680672	COVER			142
6680673	SPRING			142
6680674	RELIEF VALVE			142
6680675	PLUG			142
6680676	ROTOR			142
6680677	COVER			142
6680678	SCREW			142, 150
6680679	PLUG			142
6680680	SEAL			142
6680681	O-RING			142
6680682	O-RING			142
6680683	GASKET			142
6680684	PLATE			142
6680685	BOLT			140, 142
6680686	BOLT			142
6680687	BOLT			120, 142
6680688	HEAD COVER			132
6680689	ADAPTER			132, 146
6680690	GASKET			132
6680691	O-RING			132
6680692	COVER			132
6680693	SCREW			132
6680694	PLUG			132
6680695	SEAL			132
6680696	BOLT			132
6680697	HOSE			132
6680698	CLAMP			132
6680699	CLAMP			132
6680700	WASHER			132
6680701	OIL FILTER			1, 136
6680702	TUBE			136
6680703	DIPSTICK			136
6680704	COVER			142
6680705	SEAL			142
6680706	BOLT			142, 146
6680707	TAPPET			140
6680708	PUSH ROD			140
6680709	CAMSHAFT			140
6680710	BALL			140
6680711	GEAR			140

Code for disposition of old part number
 A — Use up
 B — Use on other application (See PNI)

C — File PDR Report with Melroe Parts Sales
 D — Part Number Error

NUMERICAL INDEX (Cont'd)

Part No.	Description	Was	Code	Page
6680712	FLANGE			140
6680713	BOLT			140, 144, 154
6680714	SHAFT			140
6680715	PIN			140
6680716	COLLAR			140
6680717	COLLAR			140
6680718	GEAR			140
6680719	GEAR			140
6680720	BUSHING			140
6680721	PISTON			138
6680722	PISTON			138
6680723	PISTON RINGS			138
6680724	PISTON RINGS			138
6680725	PIN			138
6680726	SNAP RING			138
6680727	ROD			138
6680728	BUSHING			138
6680729	BOLT			138
6680730	BEARING			138
6680731	BEARING			138
6680732	BEARING			138
6680733	BEARING			138
6680734	CRANKSHAFT			138
6680735	SLEEVE			138
6680736	GEAR			138
6680737	GEAR			138
6680738	MAIN BEARING			138
6680739	MAIN BEARING			138
6680740	MAIN BEARING			138
6680741	THRUST WASHER			138
6680742	THRUST WASHER			138
6680743	THRUST WASHER			138
6680744	THRUST WASHER			138
6680745	THRUST WASHER			138
6680746	THRUST WASHER			138
6680747	BOLT			116, 138
6680748	BALANCER			140
6680749	SOLENOID			154
6680750	SCREW			154
6680751	PUMP			152
6680752	BOLT			152
6680753	GASKET			152
6680754	SHIM			152
6680755	BOLT			144, 150, 152
6680756	SCREW			152
6680757	COVER			154
6680758	WEIGHT			154
6680759	NUT			154
6680761	SLEEVE			154
6680763	LEVER			154
6680764	LEVER			154

Code for disposition of old part number
 A — Use up
 B — Use on other application (See PNI)

C — File PDR Report with Melroe Parts Sales
 D — Part Number Error

NUMERICAL INDEX (Cont'd)

Part No.	Description	Was	Code	Page
6680765	SNAP RING			154
6680766	WASHER			154
6680767	SPRING			154
6680768	LEVER			154
6680769	PIN			154
6680770	LEVER			154
6680771	SPRING			154
6680772	LEVER			154
6680773	PIN			154
6680775	PIN			156
6680776	INJECTOR			148
6680777	NOZZLE			148
6680778	O-RING			148
6680779	GASKET			148
6680780	CLAMP			148
6680781	TUBE			148
6680782	TUBE			148
6680783	TUBE			148
6680784	TUBE			148
6680785	CLAMP			148
6680786	CLAMP			148
6680787	PIPE			148
6680788	BOLT			148
6680789	GASKET			148
6680790	FITTING			148
6680791	BOLT			130, 148
6680792	GASKET			130, 148, 150, 154
6680793	HOSE			148
6680794	HOSE			148
6680795	CLAMP			148
6680796	VALVE			148
6680797	TEE			148
6680798	COVER			150
6680799	STUD			150
6680800	GASKET			150
6680801	BOLT			128, 150
6680802	BOLT			130, 150
6680803	BOLT			150
6680804	COVER			150
6680805	GASKET			150
6680807	STUD			150, 152
6680808	PLUG			150
6680809	PIN			150
6680810	CAMSHAFT			150
6680811	BEARING			150
6680812	BEARING			150
6680813	KEY			150
6680814	FLANGE			150
6680815	SET SCREW			150
6680816	GASKET			150
6680817	GEAR			150

Code for disposition of old part number
A — Use up
B — Use on other application (See PNI)

C — File PDR Report with Melroe Parts Sales
D — Part Number Error

NUMERICAL INDEX (Cont'd)

Part No.	Description	Was	Code	Page
6680818	NUT			150
6680819	LEVER			154
6680820	WASHER			156
6680821	SNAP RING			156
6680822	SNAP RING			156
6680823	SNAP RING			156
6680824	SHAFT			154
6680825	SPRING			156
6680826	SPRING			154
6680827	SPRING			156
6680828	STUD			154
6680829	GASKET			154
6680830	BOLT			130, 156
6680831	NUT			154
6680832	SCREW			154
6680833	SCREW			154
6680834	STOPPER			154
6680835	SPRING			154
6680836	NUT			154
6680838	FUEL PUMP			152
6680839	BRACKET			120, 142
6680840	PULLEY			142
6680841	BOLT			142
6680842	HOSE			144
6680843	COVER			112, 144
6680844	GASKET			112, 144
6680845	BOLT			112, 144
6680846	HOUSING			144
6680847	COVER			144
6680848	GASKET			144
6680849	GASKET			144
6680850	THERMOSTAT			144
6680851	BOLT			128, 144
6680852	COVER			146
6680853	GASKET			146
6680854	HOUSING			146
6680855	O-RING			146
6680856	BOLT			146
6680857	PULLEY			144
6680858	WASHER			144
6680859	GUIDE			134
6680860	GUIDE			134
6680861	VALVE			134
6680862	VALVE			134
6680863	VALVE SPRING			134
6680864	RETAINER			134
6680865	COLLET			134
6680866	SHAFT			134
6680867	STUD			134
6680868	SHAFT			134
6680869	BRACKET			134

Code for disposition of old part number
A — Use up
B — Use on other application (See PNI)

C — File PDR Report with Melroe Parts Sales
D — Part Number Error

NUMERICAL INDEX (Cont'd)

Part No.	Description	Was	Code	Page
6680870	WASHER			134
6680871	SNAP RING			134
6680872	SPRING			134
6680873	ROCKER ARM			134
6680874	NUT			134
6680875	ROCKER ARM			134
6680878	BOLT			134
6680879	ARM			134
6680880	SCREW			134
6680881	NUT			134
6680882	PAD			134
6680883	MANIFOLD			128
6680884	GASKET			128
6680885	BOLT			128
6680886	FLANGE			128
6680887	GASKET			128
6680888	HEATER			128
6680890	MANIFOLD			128
6680891	GASKET			128
6680892	TURBOCHARGER			130
6680893	GASKET			130
6680894	HOSE			130
6680895	HOSE			130
6680896	HOSE			130
6680897	CLAMP			130
6680898	CLAMP			130
6680899	TUBE			130
6680900	BOLT			130
6680901	PIPE			130
6680902	HOSE			130
6680903	CLAMP			130
6680904	ADAPTER			154
6680905	TUBE			154
6680906	BOLT			154
6680907	BRACKET			154
6680908	CAP			136
6680909	OIL COOLER			136
6680910	ADAPTER			136
6680911	HOSE			136
6680912	TUBE			136
6680913	HOSE			136
6680914	HOSE			136
6680970	BREATHER			110
6680974	BRACKET			132
6681462	ELBOW			34
6681474	CARTRIDGE			1, 158
6681475	CARTRIDGE			1, 158
6681476	CAP			158
6681477	COVER			158
6681481	CHECK VALVE			62, 68
6681482	RELIEF VALVE			74

Code for disposition of old part number
 A — Use up
 B — Use on other application (See PNI)

C — File PDR Report with Melroe Parts Sales
 D — Part Number Error

NUMERICAL INDEX (Cont'd)

Part No.	Description	Was	Code	Page
6681483	SPRING			74
6681484	SET SCREW			74
6681485	GASKET			74
6681486	CAP			74
6681487	O-RING			74
6681488	WASHER			74
6681489	O-RING			74
6681490	VALVE			74
6681491	COIL			74
6681492	NUT			74
6681501	SEAL KIT			80
6681585	HOUSING ASSY			86
6681603	GEAR PUMP			96
6681620	SHAFT			84
6681621	HOUSING			84
6681622	SHAFT			84
6681637	BRAKE ASSY			86
66816382	PISTON			86
6682259	SEAL KIT			74
6682260	SHAFT			88
6682261	KEY			88
6682262	HOUSING			92
6682263	BOLT			92
6682264	SHAFT			92
6682265	SEAL KIT			96
6700115	SPRING			116
6700631	GASKET			76
6700782	CAP			124
6701097	WASHER			110
6701159	SHIM			116, 124
6701160	CLIP			116
6701174	WASHER			14
6701449	FILLER TUBE			34
6701535	SPRING			20, 82
6701674	INSULATION			32
6701893	CLAMP			46
6702079	HOSE			50
6702102	GEAR			124
6702103	GEAR			124
6702135	SHAFT			124
6702140	WASHER			124
6702144	SHIM			124
6702165	SHIM			124
6702166	SHIM			124
6702402	SHIELD			202
6702474	RETAINER			116
6702543	LEVER			82
6702593	SPACER			166
6702716	BLOCK			82
6702903	LEVER			30
6702904	LEVER			30

Code for disposition of old part number
A — Use up
B — Use on other application (See PNI)

C — File PDR Report with Melroe Parts Sales
D — Part Number Error

NUMERICAL INDEX (Cont'd)

Part No.	Description	Was	Code	Page
6702958	BUSHING			30
6702971	BOLT			14
6703640	KIT			248
6703641	DECAL			248
6703703	GUIDE			248
6703727	DECAL			224
6704242	WEDGE			30
6704248	PIVOT			30
6704443	BUSHING			116
6704444	WASHER			116
6704820	O-RING			116
6704892	RIVET			196
6705452	LEVER			122
6705749	SHIELD			76
6705921	HANDLE ASSY			224
6706095	MOUNT			82
6706096	MOUNT			82
6706098	GUIDE			82
6706105	YOKE			58
6706106	MOUNT			32
6706349	MOUNT			14
6706485	HOOK			12
6706517	SCREW			34, 76, 110
6706572	SET SCREW			122
6706633	CONNECTOR			236
6706857	BLOCK			12
6707077	HOUSING ASSY			124
6707101	SEAL			48, 56
6707654	SPINDLE			116
6707697	WASHER			116
6707698	WASHER			116
6707699	PIVOT			116
6707726	MOUNT			224
6707852	DECAL			174
6708009	LINK			58
6708043	BUSHING			58
6708189	TUBE			14
6708310	HOSE			174
6708445	PULLEY			118
6708987	HINGE			12
6709022	LEVER			122
6709049	HOSE			236
6709527	KEY			104, 174, 180, 240
6710659	BUSHING			20
6711526	HINGE			26
6711674	MOUNT			204
6712646	ADAPTER			50
6713040	SPRING			30
6713342	PULLEY			116
6713382	BELT			110
6713589	CLEVIS			20

Code for disposition of old part number
 A — Use up
 B — Use on other application (See PNI)

C — File PDR Report with Melroe Parts Sales
 D — Part Number Error

NUMERICAL INDEX (Cont'd)

Part No.	Description	Was	Code	Page
6713792	MOUNT			166
6713793	BRACKET			166
6713887	BOLT			20
6714037	LATCH			240
6714126	DOOR STOP			26
6714509	COVER			26
6715142	FAN			110
6715143	SET SCREW			110
6715163	BUSHING			82
6715164	SLEEVE			82
6715183	ELBOW			34
6715186	ADAPTER			230
6715287	SPACER			120
6715318	TOOL HOLDER			26
6715365	HARNESS			17, 18
6715650	ELBOW			172
6715659	HARNESS			166
6715821	SPROCKET			36
6715860	SEAT BAR			20
6715863	BRACKET			20
6715864	BUSHING			20
6715865	BUSHING			20
6715866	BUSHING			20
6715878	ADAPTER			46, 78, 80
6716010	COVER			12, 36
6716011	TUBE			38
6716061	TEE			46
6716089	CONNECTOR			204
6716117	LINK			82
6716243	CONNECTOR			78
6716408	SPACER			120
6716419	HARNESS			228
6716463	HOSE			78
6716545	ROD			82
6716572	LOUVER			110
6716574	LOUVER			110
6716800	INSULATION			16, 32
6716916	WASHER			82
6717146	SPACER			174, 180
6717259	BUSHING			30
6717260	BUSHING			30
6717277	BUSHING			12
6717278	BUSHING			12
6717369	BRACKET			174, 180
6717378	BOLT			48
6717401	PLUG			34
6717402	BUSHING			34
6717478	INLET			110
6717515	INSULATION			18
6717516	INSULATION			16
6717517	INSULATION			18

Code for disposition of old part number
 A — Use up
 B — Use on other application (See PNI)

C — File PDR Report with Melroe Parts Sales
 D — Part Number Error

NUMERICAL INDEX (Cont'd)

Part No.	Description	Was	Code	Page
6717518	INSULATION			18
6717519	INSULATION			18
6717520	INSULATION			18
6717579	GASKET			34
6717593	HINGE			176, 180
6717643	DUCT			208
6717644	DUCT			208
6717706	COIL			62, 68
6717870	FRAME			190
6717871	FRAME			190
6717872	FRAME			190
6717873	FRAME			190
6717874	WINDOW			18, 190
6717885	ELBOW			72
6718031	TEE			78
6718101	COVER			16
6718175	SCREEN			208
6718283	RETAINING NUT			58
6718285	LEVER			58
6718305	PANEL			32
6718310	PULLEY			220
6718326	MOUNT			200
6718329	BUSHING			30
6718376	HINGE			176, 180
6718411	KIT			200
6718426	HARNESS			194
6718520	COVER			174, 180
6718521	HANDLE			174, 180
6718579	DECAL			208
6718580	PANEL			18
6718645	HARNESS			236
6718660	TEE			80
6718750	MOUNT			194
6718781	HOSE			78
6718784	COVER			14
6718796	PLUG			12, 26
6718803	KIT			208
6718820	HARNESS			166
6718833	BRACKET			202
6718834	BRACKET			202
6718837	SPACER			208
6718850	BRACKET			76
6718851	BRACKET			76
6718872	HARNESS			168, 200, 250
6718873	HARNESS			200
6718881	BRACKET			48
6718887	PANEL			208
6718924	KIT			202
6718942	NUT			28
6719037	STRIKER			190
6719038	PLUG			18, 104

Code for disposition of old part number
 A — Use up
 B — Use on other application (See PNI)

C — File PDR Report with Melroe Parts Sales
 D — Part Number Error

NUMERICAL INDEX (Cont'd)

Part No.	Description	Was	Code	Page
6719063	STOP			190
6719064	MOUNT			14
6719065	COVER TAB			190
6719084	BOLT			104
6719176	SWITCH			220
6719201	COVER			12
6719298	TEE			236
6719317	WINDOW			242
6719413	WINDOW			190
6719429	SHIELD			110
6719446	MOUNT			80
6719448	MAGNET			196
6719459	MOUNT			220
6719460	HOSE			78
6719503	CONTAINER			16
6719525	BAR			26
6719630	HARNESS			220
6719672	CAB			14, 16
6719715	STRAP			164
6719716	MOUNT			164
6719766	STOP			26
6719825	BOLT			114
6719828	BOLT			116
6719829	BOLT			120
6719835	SLEEVE			164
6719854	KIT			168
6719857	KIT			250
6719888	DECAL			230
6720038	INSTRUCTIONS			170
6720592	INSTRUCTIONS			202
6720808	HEATER			170
6722344	FLUID			1, 252
6722781	PAINT			252
6722782	PAINT			252
6722783	PAINT			252
6722784	PAINT			252
6722785	PAINT			252
6722786	PAINT			252
6722787	PAINT			252
6722788	PAINT			252
6722789	PAINT			252
6724094	ANTI-FREEZE			252
6724354	ANTI-FREEZE			252
6724557	OIL			1, 252
6724558	OIL			1, 252
6724559	OIL			1, 252
6724775	LEVER KIT			30
6724776	LEVER KIT			30
6725090	HOSE			80
6725130	PULLEY			110
6725182	TEE			48

Code for disposition of old part number
 A — Use up
 B — Use on other application (See PNI)

C — File PDR Report with Melroe Parts Sales
 D — Part Number Error

NUMERICAL INDEX (Cont'd)

Part No.	Description	Was	Code	Page
6725212	ARM			116
6725273	HARNESS			208
6725301	COVER			16
6725303	FRAME			16
6725370	DECAL			244
6725421	HANDLE			188
6725497	CROSS			78
6725513	PACKAGE			208
6725898	KIT			198
6725905	BELT			110
6725906	BRACKET			198
6725907	DECAL			230
6725933	HARNESS			208
6725937	CLAMP			180
6725938	CLAMP			180
6725946	KIT			188
6726218	GASKET			34
6726277	CLAMP			236
6726303	DECAL			188
6726386	KNOB			208
6726423	DECAL			226
6726427	KIT			182
6726435	DOOR			174
6726573	BRACKET			164
6726621	SCREW			210, 214, 220, 222
6726655	KIT			242
6726679	BRACKET			58, 164
6726680	PEDAL			58, 164
6726681	LINK			164
6726908	LIFT EYE			226
6726932	DOOR			180
6726965	LIFT ARM			28
6726966	FRAME LINK			28
6726969	LINK ASSY			28
6727065	BOLT			164
6727176	KIT			192
6727178	HARNESS			104
6727190	HARNESS			18
6727299	INSULATION			18
6727313	ELBOW			76
6727326	MOUNT			220
6727354	INLET			76
6727475	CAP			76
6727496	PIN			164
6727498	HARNESS			224
6727525	BUSHING			28
6727751	MOUNT			48
6727832	BUSHING			28
6727848	COVER			208
6727913	DECAL			72
6727926	DECAL			164

Code for disposition of old part number
 A — Use up
 B — Use on other application (See PNI)

C — File PDR Report with Melroe Parts Sales
 D — Part Number Error

NUMERICAL INDEX (Cont'd)

Part No.	Description	Was	Code	Page
6727941	DECAL			164
6727995	HORN KIT			224
6728045	DECAL			164
6728473	BOLT			30
6728539	DECAL			164
6728540	DECAL			164
6728567	KIT			214
6728629	WINDOW			18, 190
6728721	MOUNT			120
6728747	RADIATOR			112
6728749	HOSE			112
6728750	HOSE			112
6728800	BUSHING			28
6728819	PIN			28
6728820	PIN			28
6728971	PIN			28
6728972	BUSHING			28
6728990	KIT			218
6729005	BUSHING			28
6729006	BUSHING			28
6729007	PIN			28
6729009	SEAL			190
6729010	SEAL			190
6729011	SEAL			190
6729012	INSULATION			14
6729013	INSULATION			14
6729029	BOB-TACH			30
6729077	DECAL			220
6729160	HOSE			76
6729306	ELBOW			80
6729310	HOSE			112
6729320	CLAMP			50
6729357	ELBOW			46
6729358	PIN			28
6729401	BUSHING			12
6729402	BUSHING			12
6729423	BUSHING			28
6729467	SPACER			164
6729468	LINK ASSY			28
6729491	PLUG			30
6729600	SPACER			164
6729604	HOSE			46
6729686	TEE			46
6729688	LATCH			240
6729691	TEE			46
6729694	TEE			46
6729702	CLAMP			46
6729721	HOSE			46
6729728	HOSE			46
6729729	HOSE			46
6729739	HARNESS			176

Code for disposition of old part number
 A — Use up
 B — Use on other application (See PNI)

C — File PDR Report with Melroe Parts Sales
 D — Part Number Error

NUMERICAL INDEX (Cont'd)

Part No.	Description	Was	Code	Page
6729745	HOSE			50
6729746	HOSE			50
6729774	COVER			12
6729776	WINDOW			178
6729803	TUBE			114
6729875	GASKET			114
6729888	STEP			28
6729939	LATCH PLATE			26
6729942	MOUNT			120
6729944	STOP			118
6729956	LEVER			82
6729991	REAR DOOR			26
6730020	MOUNT			116, 120
6730077	TEE			172
6730122	BELLCRANK			82
6730143	TEE			72
6730185	TUBELINE			236
6730186	TUBELINE			236
6730227	COVER			40
6730228	COVER			42
6730229	COVER			44
6730265	MOUNT			220
6730266	SPACER			220
6730277	HOSE			236
6730323	HOSE			78
6730326	HOSE			78
6730329	HOSE			78
6730345	HOSE			76
6730373	DRIVECASE			36
6730378	COVER			12
6730453	FRAME			36
6730454	FRAME			36
6730468	TRACK TENSIONER			36, 38
6730532	HOSE			34
6730535	TANK			34
6730552	BRACKET			34
6730726	HOSE			114
6730753	SHIELD			114
6730754	MOUNT			122
6730766	TUBE			112
6730770	HARNESS			230
6730783	COVER			12
6730784	BUSHING			12
6730785	BUSHING			12
6730804	SHAFT			124
6730810	TUBELINE			172
6730811	TUBELINE			172
6730812	TUBELINE			172
6730816	SHIELD			174, 180
6730819	BELT			220
6730822	KIT			174

Code for disposition of old part number
A — Use up
B — Use on other application (See PNI)

C — File PDR Report with Melroe Parts Sales
D — Part Number Error

NUMERICAL INDEX (Cont'd)

Part No.	Description	Was	Code	Page
6730823	KIT			180
6730830	TANK			176
6730836	TUBELINE			46
6730837	TUBELINE			46
6730838	TUBELINE			46
6730857	TUBELINE			46
6730858	TUBELINE			46
6730876	TUBELINE			46
6730877	TUBELINE			46
6730878	TUBELINE			50
6730879	TUBELINE			50
6730887	PIN			28
6730894	BOLT			116
6730898	MOUNT			172
6730914	TEE			46
6730967	BRACKET			40
6730995	BUSHING			28
6731078	GRILL			110
6731084	ADAPTER			206
6731085	ELBOW			206
6731100	SHIELD			116
6731101	HOUSING ASSY			110, 124
6731102	HOUSING ASSY			124
6731103	BRACKET			112
6731109	SPACER			112, 120
6731110	TUBELINE			80
6731111	TUBELINE			80
6731119	PIVOT ASSY			30
6731138	BUSHING			28
6731139	PIN			28
6731146	WASHER			120
6731151	KIT			164
6731152	MOUNT			34
6731160	WASHER			28
6731179	COVER			28
6731198	BOLT			112, 120
6731199	BRACKET			50
6731209	TANK			76
6731212	SWITCH			176
6731251	BAR			58
6731252	BAR			58
6731253	LINK			82
6731255	ELBOW			220
6731273	COVER			12
6731276	HOSE			46
6731468	HOSE			230
6731469	HOSE			230
6731470	HOSE			230
6731471	HOSE			230
6731527	TEE			80
6731569	STOP			28

Code for disposition of old part number
A — Use up
B — Use on other application (See PNI)

C — File PDR Report with Melroe Parts Sales
D — Part Number Error

NUMERICAL INDEX (Cont'd)

Part No.	Description	Was	Code	Page
6731632	HOSE			46
6731638	HOSE			76
6731646	BOLT			28
6731647	BUSHING			28
6731650	COVER			12
6731747	TUBELINE			236
6731748	TUBELINE			236
6731768	MAIN FRAME			12
6731899	PANEL			32
6731915	BRACKET			110
6731916	SHIELD			110
6731923	HOSE			80
6731925	ADAPTER			80
6731935	HOSE			80
6731970	BRACKET			110
6732001	KIT			240
6732024	COVER			12
6732032	GASKET			114
6732177	PANEL			32
6732193	BRACKET			120
6732206	SPACER			120
6732219	KIT			244
6732260	HOSE			236
6732318	SPACER			110
6732351	WINDOW			180
6732354	KIT			172
6732355	KIT			230
6732356	KIT			236
6732375	TANK			112
6732450	BRACKET			122
6732455	TUBELINE			48
6732457	WASHER			110
6732458	TUBELINE			48
6732464	TUBELINE			48
6732476	HOSE			120
6732483	HOSE			78
6732574	BRACKET			120
6732575	SPACER			120
6732577	STEP			12
6732585	SPACER			120
6732586	TEE			76, 80
6732678	KIT			226
6732687	PIN			226
6732688	BRACKET			226
6732715	LATCH			26
6732730	HARNESS			196
6732817	HOSE			206
6732870	MOUNT			112
6732874	AXLE			44
6732875	AXLE			40
6732876	AXLE			42

Code for disposition of old part number
A — Use up
B — Use on other application (See PNI)

C — File PDR Report with Melroe Parts Sales
D — Part Number Error

NUMERICAL INDEX (Cont'd)

Part No.	Description	Was	Code	Page
6732901	ROLLER ASSY			36, 44
6732902	IDLER ASSY			36, 40
6732903	IDLER ASSY			36, 42
6732904	ROLLER			44
6732905	IDLER			40
6732906	IDLER			42
6732931	HOUSING			110
6732975	DECAL			176
6732997	U-BOLT			82
6733012	HOSE			72
6733022	BRACKET			32, 82
6733024	BRACKET			32, 82
6733107	PLUG			16
6733136	KIT			196
6733137	HARNESS			72
6733142	KIT			194
6733143	BOLT			114
6733144	MOUNT			196
6733163	TEE			72
6733164	HOSE			72
6733219	HOSE			78
6733286	ELBOW			236
6733308	TUBELINE			72
6733309	TUBELINE			72
6733399	FLYWHEEL ASSY			116
6733409	TUBELINE			236
6733410	TUBELINE			236
6733429	CAP			112
6733432	HOSE			206
6733433	HOSE			206
6733443	HOSE			204
6733529	SEAL			32
6733542	KIT			204
6733604	IDLER			116
6733616	BUMPER			26
6733655	COMPRESSOR			220
6733843	TUBELINE			236
6733844	TUBELINE			236
6733850	TEE			236
6733873	SHIELD			120
6733877	ELBOW			236
6733885	GUARD			112
6733886	BOLT			112
6733960	KIT			206
6733970	MOUNT			166
6734058	TUBELINE			62, 68
6734090	ADAPTER			112
6734103	BACKUP ALARM KIT			166
6734114	HOSE			114
6734146	WASHER			30
6734150	HOSE			34

Code for disposition of old part number
 A — Use up
 B — Use on other application (See PNI)

C — File PDR Report with Melroe Parts Sales
 D — Part Number Error

NUMERICAL INDEX (Cont'd)

Part No.	Description	Was	Code	Page
6800124	ORIFICE			62, 66
6801059	WASHER			178, 242
6801167	PLUG			66
6803092	BONNET			66
6803473	SEAL KIT			232
6803605	SEAL KIT			68
6804114	DECAL			36
6804427	HEAD			54
6804432	SEAL KIT			54
6804592	NUT			52, 54
6804604	SEAL KIT			52
6805102	BUSHING			60
6805241	TEE			62
6805243	TEE			68
6805453	BUSHING			52
6805651	BLOCK			60, 68
6805696	TEE			62, 68
6806403	HOSE			230
6806496	TUBELINE			62, 68
6806561	PLUG			62, 68
6806941	SEAL KIT			62
6808235	SPACER			54
6809425	SEAL KIT			62, 68
6809448	SEAL KIT			62, 68
6809511	DECAL			46, 48
6809726	ROLLER			26
6809727	STRIKER			26
6809734	BUSHING			26
6810132	SPRING			26
6810141	SPRING			26
6810186	CYLINDER			54
6810187	CASE			54
6810188	ROD			54
6810213	TUBELINE			52
6810233	CYLINDER			52
6810234	CASE			52
6810235	ROD			52
6810237	PISTON			52
6810349	CASE			232
6810356	SPACER			232
6810611	CYLINDER			232
6810612	ROD			232
6810741	TUBELINE			54
6811411	SPOOL			60
6811412	SPOOL			60
6811910	LATCH			26
6812031	BLOCK			62
6812141	ELBOW			76
6812171	PLUG			52, 54
6814247	FITTING			62, 64, 68
6814268	VALVE			60

Code for disposition of old part number
A — Use up
B — Use on other application (See PNI)

C — File PDR Report with Melroe Parts Sales
D — Part Number Error

NUMERICAL INDEX (Cont'd)

Part No.	Description	Was	Code	Page
6814269	VALVE ASSY			60, 64, 66
6814506	VALVE			66
6900848	INSTRUCTIONS			200
6900850	INSTRUCTIONS			208
6900853	INSTRUCTIONS			190
6900857	INSTRUCTIONS			166
6900861	INSTRUCTIONS			24
6900991	INSTRUCTIONS			168
6900992	INSTRUCTIONS			250
6901010	INSTRUCTIONS			244
6901011	INSTRUCTIONS			246
6901013	INSTRUCTIONS			176, 180, 190
6901025	INSTRUCTIONS			198
6901029	INSTRUCTIONS			188
6901036	INSTRUCTIONS			182
6901039	INSTRUCTIONS			220
6901061	INSTRUCTIONS			242
6901076	INSTRUCTIONS			192
6901120	INSTRUCTIONS			218
6901146	INSTRUCTIONS			224
6901213	INSTRUCTIONS			214
6901492	INSTRUCTIONS			164
6901656	INSTRUCTIONS			240
6901709	INSTRUCTIONS			172
6901710	INSTRUCTIONS			230
6901711	INSTRUCTIONS			236
6901772	INSTRUCTIONS			226
6901871	INSTRUCTIONS			194
6901872	INSTRUCTIONS			196
6901916	INSTRUCTIONS			204

Code for disposition of old part number
 A — Use up
 B — Use on other application (See PNI)

C — File PDR Report with Melroe Parts Sales
 D — Part Number Error

NUMERICAL INDEX (Cont'd)

Part No.	Description	Was	Code	Page
1CM-620	BOLT			174, 180
1CM-635	BOLT			174, 180, 220, 222
1CM-640	BOLT			174, 180
1CM-820	BOLT			82, 92
1CM-1020	BOLT			120
1CM-8100	BOLT			120
1DM-6	NUT			154
2JM-1090	ROLL PIN			40
3GM-1025	BOLT			220
4D-28	NUT			226
4DM-6	NUT			174, 180
4DM-8	NUT			108
4F-6106	PIN			20
5CM-1025	SCREW			220
5CM-1080	SCREW			220
5HM-13	CLAMP			34, 112
5HM-14	CLAMP			34
5HM-15	CLAMP			76
5HM-20	CLAMP			206
5HM-23	CLAMP			112
5HM-24	CLAMP			34, 72
5HM-42	CLAMP			76, 80
5HM-55	CLAMP			112
5HM-58	CLAMP			34
5JM-20	SNAP RING			150
6E-4	WASHER			166
6E-5	WASHER			104, 200
6E-6	WASHER			80
6EM-60	WASHER			174, 180
6EM-80	WASHER			108
7D-4	NUT			48, 56
7J-2010	KEY			124
7J-2208	KEY			110
7JM-50	SNAP RING			30
7JM-72	SNAP RING			44
7JM-80	SNAP RING			40, 42
8C-616	BOLT			82
8D-6	NUT			82
9G-512	SCREW			124
10C-410	BOLT			190
10C-416	BOLT			190
10C-616	BOLT			20
10H-25	GREASE ZERK			28, 30
10H-35	GREASE ZERK			30
11H-15	GREASE ZERK			28
11H-25	GREASE ZERK			230
12D-10	NUT			198
12H-25	GREASE ZERK			28
12KN-6	ELBOW			206
14D-10	NUT			122
14J-5032	PIN			30

Code for disposition of old part number
A — Use up
B — Use on other application (See PNI)

C — File PDR Report with Melroe Parts Sales
D — Part Number Error

NUMERICAL INDEX (Cont'd)

Part No.	Description	Was	Code	Page
14JM-3112	ROLL PIN			120
14KN-5	TEE			230
15K-8	ADAPTER			236
15KB-606	ADAPTER			48, 236
15KB-612	ADAPTER			236
15KB-808	ADAPTER			78
15KN-8	ADAPTER			230
15KV-5	ADAPTER			50, 230
16F-8	PLUG			124
17C-410	BOLT			166, 224
17C-412	BOLT			166
17C-420	BOLT			174, 180
17C-428	BOLT			48
17C-432	BOLT			78
17C-512	BOLT			122, 176, 180
17C-514	BOLT			164
17C-540	BOLT			172
17C-608	BOLT			164
17C-612	BOLT			32, 58, 116, 176, 180
17C-616	BOLT			110, 114, 202
17C-620	BOLT			58, 76, 78, 82, 124
17C-624	BOLT			48, 58, 180
17C-626	BOLT			82
17C-628	BOLT			180
17C-632	BOLT			46
17C-640	BOLT			20, 28, 50
17C-644	BOLT			28
17C-648	BOLT			28
17C-652	BOLT			226
17C-656	BOLT			28
17C-660	BOLT			30
17C-664	BOLT			28
17C-672	BOLT			28, 236
17C-680	BOLT			82
17C-816	BOLT			116
17C-820	BOLT			26, 120
17C-824	BOLT			120
17C-832	BOLT			116
17C-872	BOLT			116
17C-888	BOLT			120
17C-1028	BOLT			226
17C-1056	BOLT			14
17C-6116	BOLT			110
17C-10112	BOLT			28
17C-10136	BOLT			28
17KB-404	ELBOW			236
17KB-606	ELBOW			50, 236
17KB-1612	ELBOW			236
17KN-5	ELBOW			78
17KV-3	ELBOW			230
17KV-5	ELBOW			76, 236

Code for disposition of old part number
 A — Use up
 B — Use on other application (See PNI)

C — File PDR Report with Melroe Parts Sales
 D — Part Number Error

NUMERICAL INDEX (Cont'd)

Part No.	Description	Was	Code	Page
19F-12	BUSHING			170
19J-12	CLAMP			76
20J-12	CLAMP			78
21JM-20	PIN			150
21KB-606	TEE			78, 204
24K-5	PLUG			76
24K-7	PLUG			90, 94
25E-11	WASHER			122
25E-13	WASHER			164, 166, 224
25E-14	WASHER			190
25E-15	WASHER			28
25E-16	WASHER			174, 180
25E-17	WASHER			82, 120
25E-21	WASHER			116
25E-24	WASHER			82
25G-512	BOLT			14
25G-612	BOLT			196
25K-20016	O-RING			60, 66
25K-30126	O-RING			30
25K-30218	O-RING			54
26GM-10020	BOLT			38
27E-10	WASHER			28
29G-412	SCREW			68
29G-416	SCREW			62, 68
29G-444	SCREW			62
30G-416	BOLT			60, 66
30H-19	CLIP			166
30H-21	CLAMP			122, 200
30H-23	CLAMP			224
30H-27	CLIP			194
30H-31	CLAMP			122
30H-38	CLAMP			46
30H-42	CLAMP			228
30H-46	CLAMP			78
30H-50	CLIP			196
30H-62	CLAMP			164
30H-73	CLAMP			120
30H-79	CLIP			78
31C-410	BOLT			198
31C-644	BOLT			50
31C-820	BOLT			118
31C-824	BOLT			12
31C-1032	BOLT			36
31C-1224	BOLT			36
31C-1228	BOLT			12, 36
31C-1232	BOLT			36
31H-42	CLAMP			204, 230
31H-46	CLAMP			220
31H-49	CLAMP			46
35C-410	BOLT			208
35C-412	BOLT			20, 200

Code for disposition of old part number
A — Use up
B — Use on other application (See PNI)

C — File PDR Report with Melroe Parts Sales
D — Part Number Error

NUMERICAL INDEX (Cont'd)

Part No.	Description	Was	Code	Page
35C-512	BOLT			224
35C-516	BOLT			76, 112
35C-612	BOLT			80, 230, 244
35C-616	BOLT			48
35C-624	BOLT			82
36K-5	CAP			48, 76, 78, 80
36K-6	CAP			120, 236
36K-8	CAP			46
37C-412	BOLT			200
37C-424	BOLT			208
37C-512	BOLT			26, 166, 208, 228
37C-612	BOLT			26
37C-616	BOLT			58
37C-620	BOLT			58, 164
38C-610	BOLT			122
38C-820	BOLT			116
38C-824	BOLT			26
38C-828	BOLT			116
38C-840	BOLT			26
38C-856	BOLT			26
42H-52	CLAMP			114
42HC-250	CLAMP			114
42HC-375	CLAMP			114
42HL-250	CLAMP			34, 76
42HS-04	CLAMP			34
43C-516	BOLT			34
43C-524	BOLT			64
43C-532	BOLT			64
43C-852	BOLT			120
44H-48	CLAMP			220
45C-616	BOLT			114
45C-620	BOLT			82, 114, 120
45G-1006	BOLT			198
46D-5	NUT			174, 180
47K-8	PLUG			88, 92
47K-10	PLUG			76
53C-516	BOLT			34
53D-6	NUT			14, 20
53D-10	NUT			14
53DM-8	NUT			114
54K-20002	O-RING			62, 66
54K-20028	O-RING			64
54K-30110	O-RING			232
54K-30218	O-RING			52
54K-40116	O-RING			232
54K-40224	O-RING			52, 54
54K-40300	O-RING			52, 54
55D-6	NUT			26, 180
55K-204	O-RING			62, 64, 68
55K-212	O-RING			62, 64, 66
55K-214	O-RING			76, 78

Code for disposition of old part number
 A — Use up
 B — Use on other application (See PNI)

C — File PDR Report with Melroe Parts Sales
 D — Part Number Error

NUMERICAL INDEX (Cont'd)

Part No.	Description	Was	Code	Page
57D-6	NUT			58, 82
57D-10	NUT			28
57G-608	SCREW			208
58K-12	O-RING			62, 64, 66
58K-14	O-RING			60
58K-17	O-RING			60, 66
58K-116	O-RING			70
58K-124	O-RING			60, 66
58K-127	O-RING			60, 66
58K-132	O-RING			232
59D-4	NUT			190, 200
59D-5	NUT			14, 176, 180, 208
59D-6	NUT			26
59D-8	NUT			14
59G-616	BOLT			166
61D-4	NUT			166, 174, 180
61D-5	NUT			26, 76, 110, 166, 176, 180
61D-6	NUT			110, 116, 176
62D-4	NUT			122
72F-1	DRAIN COCK			34
73G-656	BOLT			116, 230
73G-824	BOLT			82
73K-222	WASHER			232
73K-232	WASHER			52, 54
75K-6	O-RING			52, 54
75K-12	O-RING			80
79K-2	O-RING			238
79K-3	O-RING			232
79K-4	O-RING			112, 236
79K-6	O-RING			48, 50, 62, 68, 76, 78, 204
79K-7	O-RING			62, 68
79K-8	O-RING			60, 64, 66, 70, 72, 78, 88, 92
79K-10	O-RING			60, 66, 72, 80, 90
79K-12	O-RING			50, 76, 78, 80, 88, 94, 236
79K-14	O-RING			90, 92
79K-16	O-RING			76, 80
79K-20	O-RING			80
80K-12	WASHER			64
80K-14	RING			60, 66
81D-6	NUT			120
83D-4	NUT			20, 48, 78, 166, 208, 224
83D-5	NUT			172, 224
83D-6	NUT			48, 50, 82, 114, 196, 202
83D-8	NUT			12, 120
83D-10	NUT			36, 226
83D-12	NUT			12, 36
84G-3110	BOLT			122, 206, 208
84G-3112	BOLT			14, 28, 110, 166, 194, 196
84G-3708	BOLT			12
84G-3710	BOLT			80, 164, 220

Code for disposition of old part number
A — Use up
B — Use on other application (See PNI)

C — File PDR Report with Melroe Parts Sales
D — Part Number Error

NUMERICAL INDEX (Cont'd)

Part No.	Description	Was	Code	Page
84G-3712	BOLT			12, 32, 34, 36, 46, 78, 104, 110, 112, 114, 122
84G-3716	BOLT			32, 50, 78, 172, 204
84G-3720	BOLT			162
84G-3724	BOLT			122, 236
84G-3728	BOLT			46
84G-3736	BOLT			46, 50
85D-5	NUT			122, 228
85D-6	NUT			26, 28, 30, 46, 48, 114
85D-8	NUT			14, 116
86F-5	NUT			204, 236
86F-10	NUT			80
87D-5	NUT			226
88FN-5	ELBOW			236
90KV-2	PLUG			232
90KV-5	PLUG			62, 68
90KV-8	PLUG			62, 66
91D-7	NUT			174, 180
91G-416	BOLT			18, 190
92D-10	NUT			232
92D-12	NUT			118
95D-5	NUT			14, 122, 164
95D-6	NUT			32, 58, 82, 124, 180
95K-2	O-RING			234
95K-4	O-RING			234
95K-6	O-RING			62, 68, 234
95K-8	O-RING			234
95K-12	O-RING			62, 66
96D-6	NUT			82
96D-8	NUT			110
96K-6	O-RING			236
97D-8	NUT			14
97K-4	O-RING			230
97K-6	O-RING			62, 68, 76, 230, 236
97K-8	O-RING			46
97K-10	O-RING			46, 172
97K-12	O-RING			46, 72, 76, 230
97K-16	O-RING			72
98D-6	NUT			82
99K-4	O-RING			230
99K-5	O-RING			34, 234
99K-6	O-RING			60, 66, 76, 78, 230, 236
99K-10	O-RING			46, 172
99K-12	O-RING			230
99K-16	O-RING			72, 76
NAP	KIT	6718868	A	22
NAP	KIT	6718869	A	22

Code for disposition of old part number
 A — Use up
 B — Use on other application (See PNI)

C — File PDR Report with Melroe Parts Sales
 D — Part Number Error