

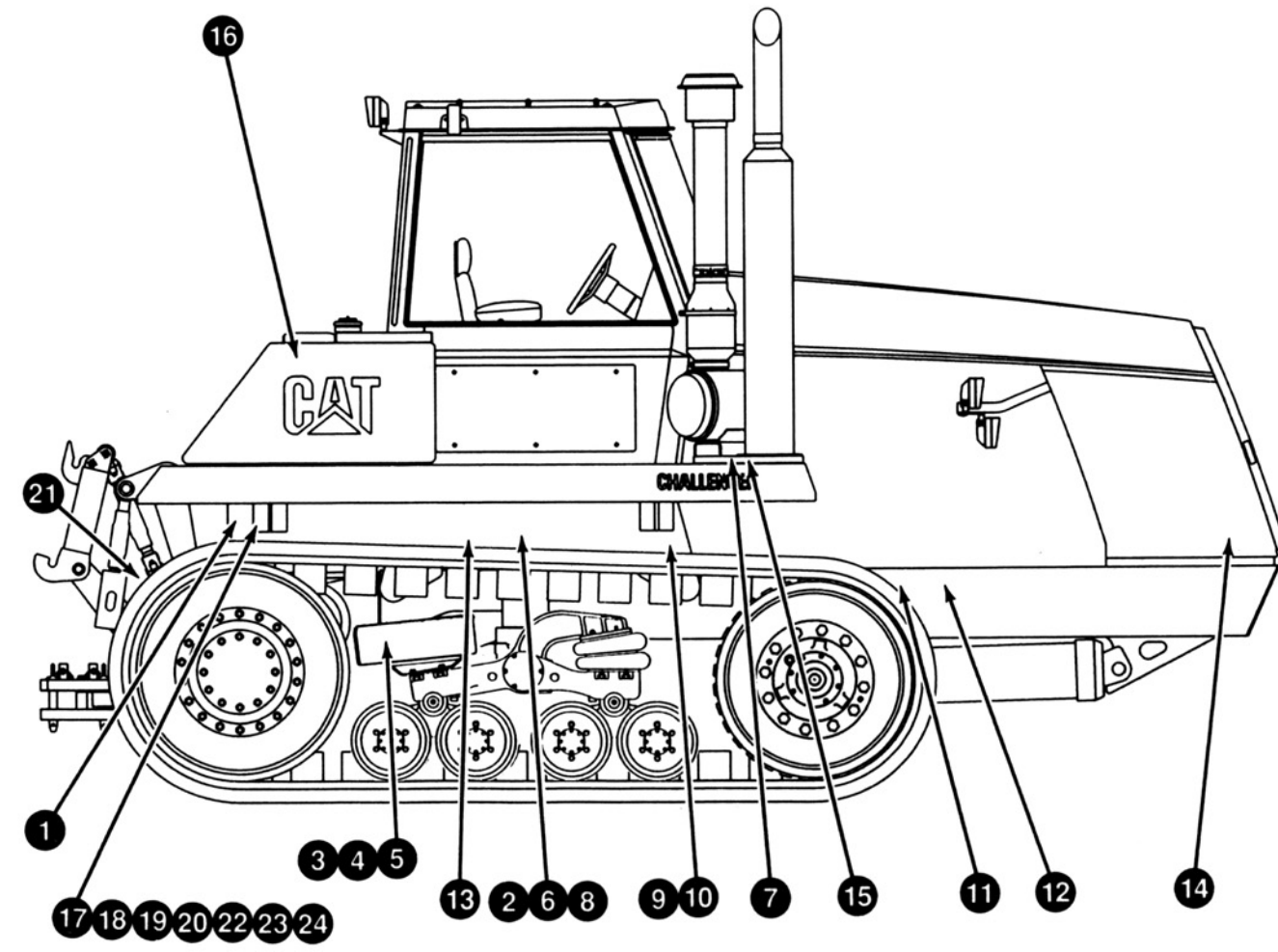
Schematic

Challenger 65C, 70C, 75C, and 85C Agricultural Tractors Hydraulic System

MACHINE:
2ZJ1-UP
4KK1-UP
9TK1-UP
2YL1-UP

© 1993 Caterpillar
All Rights Reserved

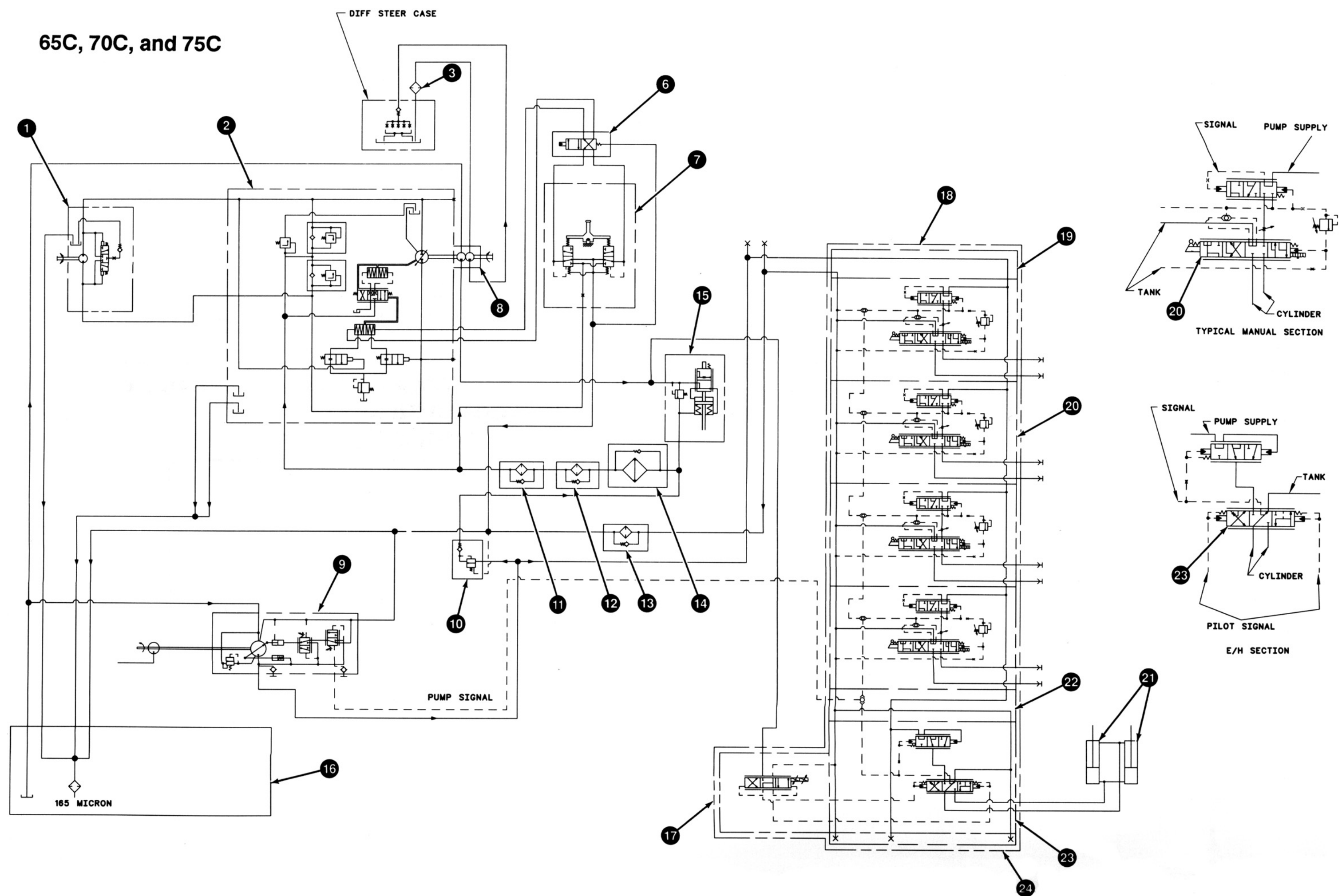
Printed in U.S.A.



HYDRAULIC SYSTEM SCHEMATIC	
No.	Description
1.	Steering Motor
2.	Steering Pump
3.	Screen
4.	Filter Group (B5C only)
5.	Oil Cooler (B5C only)
6.	Diverter Valve
7.	Pilot Valve
8.	Charge and Differential Lube Pump
9.	Implement Pump
10.	Pressure Reducing Valve
11.	Filter [steering oil (left front)] ¹
12.	Filter [steering oil (left front)] ¹
13.	Filter [implement oil (right rear)] ¹
14.	Oil Cooler
15.	Master Cylinder Power Booster
16.	Hydraulic Tank
17.	Solenoid Control Valve [hitch valve (optional)]
18.	Valve Group ²
19.	Inlet Manifold
20.	Implement Control Valve
21.	Hitch Cylinders (optional)
22.	Adapter Manifold [hitch Valve (optional)]
23.	Hitch Control Valve (optional)
24.	End Cover

¹ Earlier Models: filter located on right front.
² B5C, 70C, and 75C shown with optional hitch valve.

65C, 70C, and 75C



85C

